



# Illustrated Parts Manual

## **Models** **1100S** **1100SJP**

SN 0300136673 THROUGH 0300157749

**3121257**

September 28, 2018 - Rev O

**ANSI**



An Oshkosh Corporation Company



## REVISION LOG

June 15, 2009 - A - Original Issue of Manual (Edited to B/M 1001109343 Revision 7)  
October 23, 2009 - B - Revised Manual (Edited to B/M 1001109343 Revision 8)  
March 15, 2010 - C - Revised Manual (Edited to B/M 1001109343 Revision 13)  
March 17, 2011 - D - Revised Manual (Edited to B/M 1001109343 Revision 16)  
June 14, 2011 - E - Revised Manual (Edited to B/M 1001109343 Revision 17)  
September 21, 2011 - F - Revised Manual (Edited to B/M 1001109343 Revision 20)  
January 12, 2012 - G - Revised Manual (Edited to B/M 1001109343 Revision 20)  
June 16, 2012 - H - Revised Manual (Edited to B/M 1001109343 Revision B)  
August 10, 2012 - I - Revised Manual (Edited to B/M 1001109343 Revision B)  
November 30, 2012 - J - Revised Manual (Edited to B/M 1001109343 Revision B)  
April 4, 2013 - K - Revised Manual (Edited to B/M 1001109343 Revision B)  
July 8, 2013 - L - Revised Manual (Edited to B/M 1001109343 Revision B)  
October 2, 2013 - M - Revised Manual (Edited to B/M 1001109343 Revision B)  
January 6, 2017 - N - Revised Manual (Edited to B/M 1001109343 Revision B)  
September 28, 2018 - O - Revised Manual



# TABLE OF CONTENTS

SECTION 1 - FRAME.....	7
FIGURE 1-1. AXLE INSTALLATIONS .....	8
FIGURE 1-2. STEER INSTALLATION.....	12
FIGURE 1-3. TIRE AND WHEEL DRIVE INSTALLATION .....	16
FIGURE 1-4. DRIVE HUB ASSEMBLY .....	18
FIGURE 1-5. DRIVE MOTOR ASSEMBLY .....	22
FIGURE 1-6. FRAME VALVES AND COVERS INSTALLATION .....	24
FIGURE 1-7. TRACTION VALVE ASSEMBLY (2WD).....	28
FIGURE 1-8. TRACTION VALVE ASSEMBLY (4WD).....	30
SECTION 2 - TURNTABLE .....	33
FIGURE 2-1. VALVE, BATTERY, HORN AND AUXILIARY PUMP INSTALLATIONS .....	34
FIGURE 2-2. MAIN VALVE ASSEMBLY .....	36
FIGURE 2-3. TURNTABLE SWING DRIVE AND BEARING INSTALLATION.....	40
FIGURE 2-4. SWING MOTOR/HUB ASSEMBLY .....	42
FIGURE 2-5. CATERPILLAR ENGINE INSTALLATION .....	48
FIGURE 2-6. DEUTZ ENGINE INSTALLATION.....	56
FIGURE 2-7. PUMP ASSEMBLY (CATERPILLAR ENGINE MACHINES) .....	62
FIGURE 2-8. PUMP ASSEMBLY (DEUTZ ENGINE MACHINES).....	68
FIGURE 2-9. 2500W GENERATOR INSTALLATION - CATERPILLAR MACHINES (OPTIONAL).....	74
FIGURE 2-10. 2500W GENERATOR INSTALLATION - DEUTZ MACHINES (OPTIONAL) .....	78
FIGURE 2-11. 7500W SKYPOWER GENERATOR INSTALLATION - CATERPILLAR MACHINES.....	82
FIGURE 2-12. 7500W SKYPOWER GENERATOR INSTALLATION - DEUTZ MACHINES .....	86
FIGURE 2-13. TANK INSTALLATION .....	92
FIGURE 2-14. ROTARY COUPLING AND COLLECTOR RING INSTALLATION.....	94
FIGURE 2-15. HYDRAULIC OIL COOLER INSTALLATION (OPTIONAL).....	96
FIGURE 2-16. GROUND CONTROLS INSTALLATION (Prior to SN 0300140836) .....	98
FIGURE 2-17. GROUND CONTROLS INSTALLATION (SN 0300140836 to Present) .....	102
FIGURE 2-18. ACCESSORIES INSTALLATION.....	106
FIGURE 2-19. HOOD INSTALLATION.....	110
FIGURE 2-20. TURNTABLE BEARING SHIELD AND GROUND CONTROL DOOR INSTALLATIONS .....	114
SECTION 3 - BOOM .....	117
FIGURE 3-1. BOOM INSTALLATION.....	118
FIGURE 3-2. BOOM ASSEMBLY.....	120
FIGURE 3-3. ACTUATOR ASSEMBLIES.....	128
FIGURE 3-4. POWER TRACK INSTALLATION .....	130
FIGURE 3-5. BOOM SENSORS AND SWITCHES INSTALLATION.....	136
FIGURE 3-6. PLATFORM SUPPORT AND CONTROL VALVES INSTALLATIONS.....	140
FIGURE 3-7. HOSE/CABLE PROTECTION INSTALLATION (1100S ONLY).....	144
SECTION 4 - PLATFORM.....	147
FIGURE 4-1. PLATFORM COMPONENTS INSTALLATION (1100S).....	148
FIGURE 4-2. PLATFORM COMPONENTS INSTALLATION (1100SJP).....	152
FIGURE 4-3. PLATFORM CONSOLE ASSEMBLY .....	156
FIGURE 4-4. CONTROLLER ASSEMBLY (LIFT AND SWING) .....	160
FIGURE 4-5. CONTROLLER ASSEMBLY (LIFT AND SWING).....	164
FIGURE 4-6. CONTROLLER ASSEMBLY (LIFT AND SWING).....	166
FIGURE 4-7. CONTROLLER ASSEMBLY (DRIVE AND STEER).....	170
FIGURE 4-8. CONTROLLER ASSEMBLY (DRIVE AND STEER).....	172
FIGURE 4-9. CONTROLLER ASSEMBLY (DRIVE AND STEER).....	174
SECTION 5 - CYLINDER .....	177
FIGURE 5-1. AXLE EXTENSION CYLINDER ASSEMBLY (ORIGINAL EQUIPMENT) .....	178
FIGURE 5-2. AXLE EXTENSION CYLINDER ASSEMBLY (SERVICE REPLACEMENT) .....	180
FIGURE 5-3. AXLE LOCKOUT CYLINDER ASSEMBLY (ORIGINAL EQUIPMENT).....	182
FIGURE 5-4. AXLE LOCKOUT CYLINDER ASSEMBLY (SERVICE REPLACEMENT) .....	184
FIGURE 5-5. PLATFORM LEVEL CYLINDER ASSEMBLY (ORIGINAL EQUIPMENT) .....	186
FIGURE 5-6. PLATFORM LEVEL CYLINDER ASSEMBLY (SERVICE REPLACEMENT) .....	188
FIGURE 5-7. LIFT CYLINDER ASSEMBLY (ORIGINAL EQUIPMENT).....	190
FIGURE 5-8. LIFT CYLINDER ASSEMBLY (SERVICE REPLACEMENT) .....	192

# TABLE OF CONTENTS

FIGURE 5-9. JIB CYLINDER ASSEMBLY (ORIGINAL EQUIPMENT) .....	194
FIGURE 5-10. JIB CYLINDER ASSEMBLY (SERVICE REPLACEMENT) .....	196
FIGURE 5-11. STEER CYLINDER ASSEMBLY (ORIGINAL EQUIPMENT) .....	198
FIGURE 5-12. STEER CYLINDER ASSEMBLY (SERVICE REPLACEMENT) .....	200
FIGURE 5-13. TELESCOPE CYLINDER ASSEMBLY (ORIGINAL EQUIPMENT) .....	202
FIGURE 5-14. TELESCOPE CYLINDER ASSEMBLY (SERVICE REPLACEMENT) .....	204
SECTION 6 - HYDRAULIC .....	207
FIGURE 6-1. HYDRAULIC DIAGRAM - BOOM (1100S) .....	208
FIGURE 6-2. HYDRAULIC DIAGRAM - BOOM (1100SJP) .....	210
FIGURE 6-3. HYDRAULIC DIAGRAM - CHASSIS (2WD) .....	212
FIGURE 6-4. HYDRAULIC DIAGRAM - CHASSIS (4WD) .....	214
FIGURE 6-5. HYDRAULIC DIAGRAM - OSCILLATING AXLE (1100SJP) .....	216
FIGURE 6-6. HYDRAULIC DIAGRAM - STEER (1100S) .....	218
FIGURE 6-7. HYDRAULIC DIAGRAM - STEER (1100SJP) .....	220
FIGURE 6-8. HYDRAULIC DIAGRAM - TURNTABLE .....	222
FIGURE 6-9. HYDRAULIC DIAGRAM LIST .....	224
SECTION 7 - ELECTRICAL .....	225
FIGURE 7-1. ELECTRICAL DIAGRAM LIST .....	226
FIGURE 7-2. ELECTRICAL SCHEMATIC (Prior to SN 0300140836) .....	228
FIGURE 7-3. ELECTRICAL SCHEMATIC (SN 0300140836 to Present) .....	234
FIGURE 7-4. HARNESS COMPONENTS INSTALLATION (Prior to SN 0300140836) .....	244
FIGURE 7-5. HARNESS COMPONENTS INSTALLATION (SN 0300140836 to Present) .....	260
SECTION 8 - DECALS .....	277
FIGURE 8-1. DECAL INSTALLATION (ANSI SPEC) .....	278
FIGURE 8-2. DECAL INSTALLATION (ANSI EXPORT SPECS) .....	282
SECTION 9 - RECOMMENDED SERVICE PARTS STOCK .....	287
FIGURE 9-1. MODEL 1100S/1100SJP STANDARD PARTS .....	288
FIGURE 9-2. MODEL 1100S/1100SJP VARIABLE PARTS .....	290
SECTION 10 - SPECIAL OPTIONS .....	291
FIGURE 10-1. SPECIAL OPTIONS .....	292
PART NUMBER INDEX .....	295

**SECTION 1 - FRAME**

# SECTION 1 - FRAME

## FIGURE 1-1. AXLE INSTALLATIONS

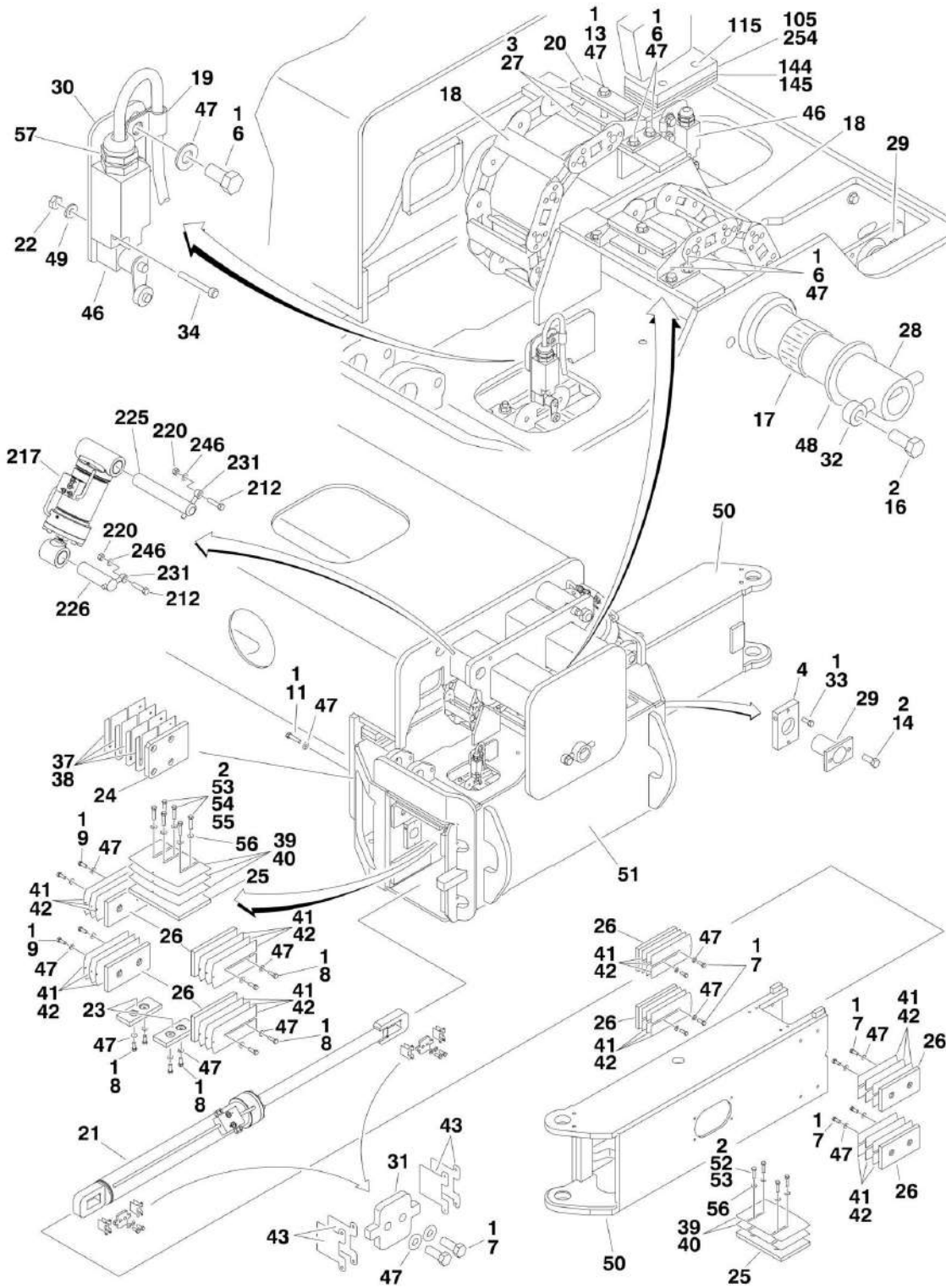




FIGURE 1-1. AXLE INSTALLATIONS

ITEM	PART NUMBER	QTY	DESCRIPTION	REV
		Ref	<b>AXLE INSTALLATIONS - COMMON PARTS</b>	
	0271934	Ref	<b>Fixed Axle</b>	J
	0271521	Ref	<b>Oscillating Axle</b>	J
1	0100011	AR	Compound, Locking	
2	0100019	AR	Compound, Locking	
3	0100081	AR	Adhesive #454	
4	0363037	4	Bar, Stop	
6	0641606	40	Bolt 3/8in-16NC x 3/4in	
7	0641608	48	Bolt 3/8in-16NC x 1in	
8	0641609	32	Bolt 3/8in-16NC x 1-1/8in	
9	0641611	16	Bolt 3/8in-16NC x 1-3/8in	
11	0641613	8	Bolt 3/8in-16NC x 1-5/8in	
13	0641620	4	Bolt 3/8in-16NC x 2-1/2in	
14	0641808	8	Bolt 1/2in-13NC x 1in	
16	0642214	1	Bolt 3/4in-10NC x 1-3/4in	
17	0962033	2	Bushing	
18	1180358	4	Carrier	
18	7024365	AR	24 in Section Repair Kit (Includes Inner and Outer Links, Joining Bars and Rollers, and Assembling Hardware)	
18	7024366	1	Mounting Bracket Kit (Includes Mounting Brackets for Both Ends, 1 Roller Assembly and Assembling Hardware)	
19	1320263	4	Clamp, Cable	
20	1320298	4	Clamp, Hose	
21	1684102	NLA	Axle Extension Cylinder Assembly (Use p/n 1001228020) (See CYLINDER SECTION for Breakdown) (Original Equipment)	
21	1001228020	1	Axle Extension Cylinder Assembly (See CYLINDER SECTION for Breakdown) (Service Replacement)	
22	3310805	8	Locknut #8-32NC	
23	3340881	8	Pad, Wear	
24	3340907	2	Pad, Axle	
25	3340946	8	Pad, Wear	
26	3340932	32	Pad, Wear	
27	3340939	8	Pad, Rubber	
28	3422918	1	Pin	
29	3422960	4	Pin	
30	3573294	4	Plate	
31	3573335	8	Plate	
32	3841287	1	Keeper, Pin	
33	3900270	4	Bolt, Shoulder 1/2in -13NC x 1-1/2in	
34	3930820	8	Capscrew #8-32NC x 1-1/4in	
37	4071035	2	Shim #18 Gauge	
38	4071036	4	Shim #11 Gauge	
39	4071054	8	Shim #18 Gauge	
40	4071055	12	Shim #11 Gauge	
41	4071039	24	Shim #18 Gauge	
42	4071040	36	Shim #11 Gauge	
43	4071042	24	Shim #16 Gauge	
46	4360578	4	Switch, Limit	
47	4711600	140	Flatwasher 3/8in Thin	
48	4740461	1	Thrustwasher	

## SECTION 1 - FRAME

ITEM	PART NUMBER	QTY	DESCRIPTION	REV
49	4750800	8	Flatwasher #8 Regular	
50	4846637	4	Extension, Axle	
51	4846383	1	Box, Axle Pivot	
52	0681813	12	Bolt 1/2in-13NC x 1-5/8in (Grade 8)	
53	0681814	18	Bolt 1/2in-13NC x 1-3/4in (Grade 8)	
54	0681815	12	Bolt 1/2in-13NC x 1-7/8in (Grade 8)	
55	0681816	6	Bolt 1/2in-13NC x 2in (Grade 8)	
56	4711800	48	Flatwasher 1/2in Thin	
57	4460968	4	Connector, Strain Relief	
		Ref	<b>AXLE INSTALLATION - OPTIONAL PARTS</b>	
	0271934	Ref	<b>Fixed Axle</b>	I
105	0363076	2	Bar, Stop	
115	0641814	4	Bolt 1/2in-13NC x 1-3/4in	
144	4071049	6	Shim 11 Gauge	
145	4071050	4	Shim 16 Gauge	
	0271521	Ref	<b>Oscillating Axle</b>	J
201 to 211		Ref	(Illustration and Parts List Usage)	
212	0642020	4	Bolt 5/8in-11NC x 2-1/2in	
217	1684081	NLA	Oscillating Axle Cylinder Assembly (Use p/n 1001228019) (See CYLINDER SECTION for Breakdown) (Original Equipment)	
217	1001228019	1	Oscillating Axle Cylinder Assembly See CYLINDER SECTION for Breakdown) (Service Replacement)	
220	3312005	4	Locknut 5/8in-11NC	
225	3422833	2	Pin	
226	3422915	2	Pin	
231	3841258	4	Keeper, Pin	
246	4712000	4	Flatwasher 5/8in Thin	
254	3520054	4	Plug	



# SECTION 1 - FRAME

## FIGURE 1-2. STEER INSTALLATION

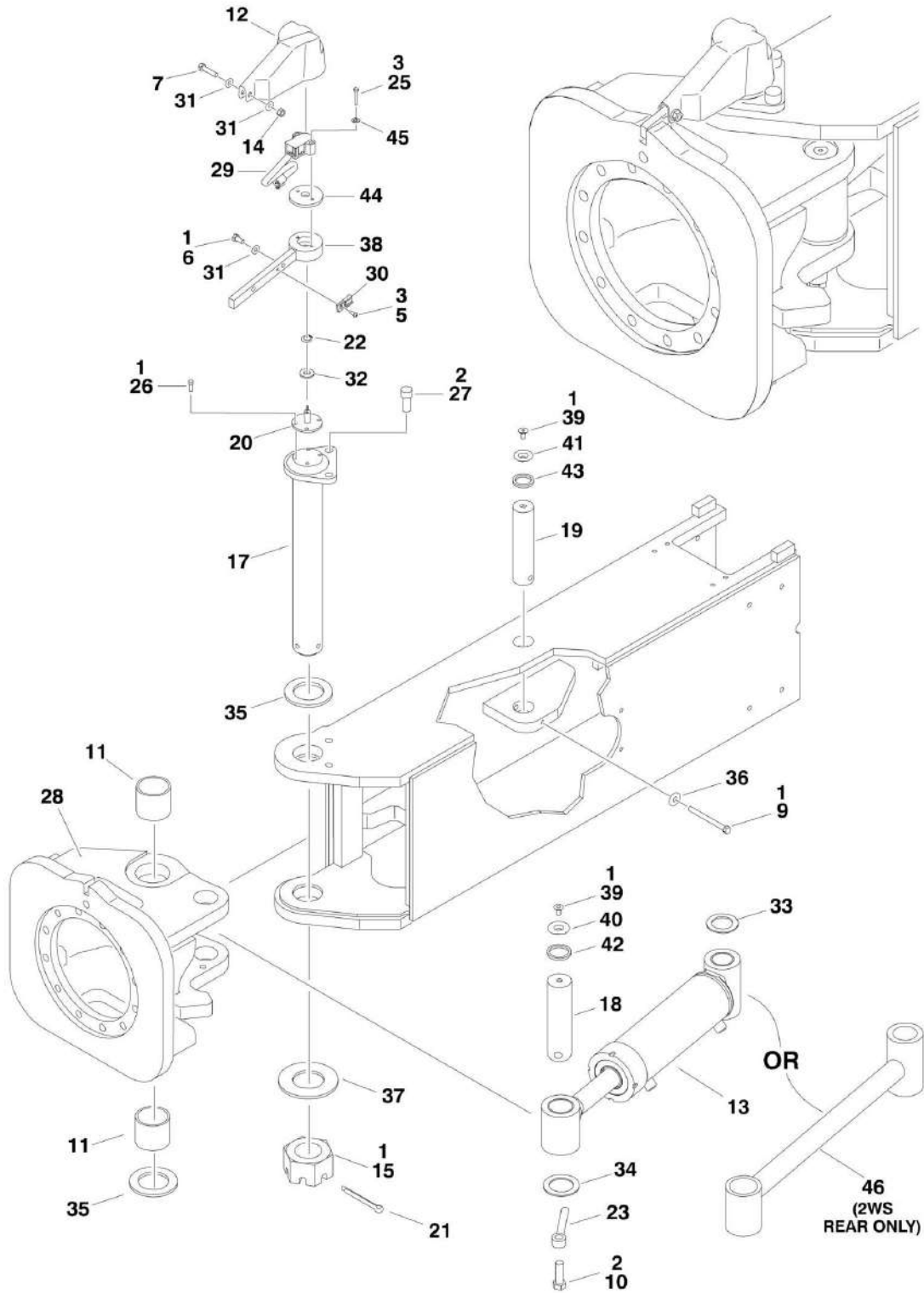


FIGURE 1-2. STEER INSTALLATION

ITEM	PART NUMBER	QTY	DESCRIPTION	REV
		Ref	<b>STEER INSTALLATION</b>	
	1001108809	Ref	<b>2WS (1100S)</b>	B
	0271520	Ref	<b>4WS (1100SJP) (Note: Qtys shown are for 2WS. Double qty for 4WS)</b>	H
1	0100011	AR	Compound, Locking	
2	0100019	AR	Compound, Locking	
3	0100035	AR	Compound, Locking	
5	0630464	2	Screw, Button Head #10-24NC x 1/2in	
6	0641505	2	Bolt 5/16in-18NC x 5/8in	
7	0641511	2	Bolt 5/16in-18NC x 1-3/8in	
9	0641634	2	Bolt 3/8in-16NC x 4-1/4in	
10	0642016	2	Bolt 5/8in-11NC x 2in	
11	0962423	4	Bushing	
12		Ref	Cover, Sensor Options:	
12	1001109730	2	2WS (1100S)	
12	1671040	2	4WS (1100SJP)	
13	1684314	NLA	Steer Cylinder Assembly (Use p/n 1001228031) (See CYLINDER SECTION for Breakdown) (Original Equipment)	
13	1001228031	2	Steer Cylinder Assembly (See CYLINDER SECTION for Breakdown) (Service Replacement)	
14	3311505	2	Locknut 5/16in-18NC	
15	3300464	2	Nut, Slotted	
17	3422917	2	Kingpin	
18	3422940	2	Pin, Steer Cylinder (Outer)	
19	3422941	2	Pin, Steer Cylinder (Inner)	
20	3423256	2	Pin, Sensor	
21	3451214	2	Pin, Cotter 3/8in x 3-1/2in	
22	3760383	2	Ring, Retaining	
23	3841258	2	Keeper, Pin	
25	3931020	4	Capscrew #10-24NC x 1-1/4in	
26	3931412	8	Capscrew 1/4in-20NC x 3/4in	
27	3932024	4	Capscrew 5/8in-11NC x 1-1/2in	
28	1001099632	2	Spindle	
29	4360505	2	Switch, Rotary Angle Sensor (Steer)	
30	4460914	2	Terminal	
31	4711500	6	Flatwasher 5/16in Narrow	
32	4711800	2	Flatwasher 1/2in Narrow	
33	4740181	2	Washer, Thrust	
34	4740229	2	Washer, Thrust	
35	4740505	4	Washer, Thrust	
36	4751600	2	Flatwasher 3/8in Wide	
37	4755000	2	Flatwasher 2-1/2in Wide	
38	0200833	2	Arm, Steer	
39	0741606	4	Screw, Countersunk 3/8in-16NC x 3/4in	
40	1120549	2	Cap, Seal (Outer)	
41	1120550	2	Cap, Seal (Inner)	
42	3960551	2	Seal (Outer)	
43	3960552	2	Seal (Inner)	
44	0080277	2	Adapter, Angle Sensor Pilot	
45	4750800	8	Flatwasher #8	

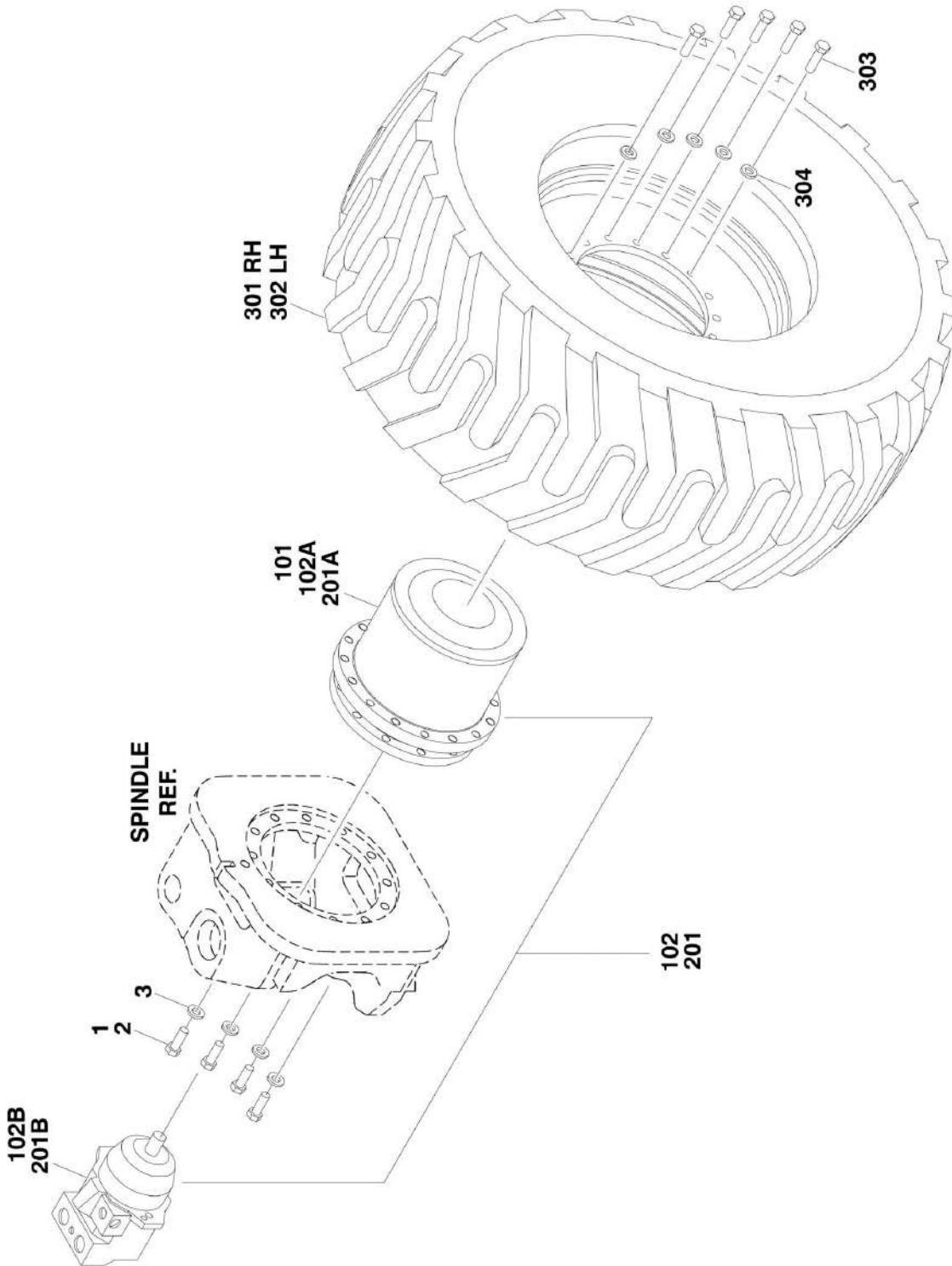
## SECTION 1 - FRAME

ITEM	PART NUMBER	QTY	DESCRIPTION	REV
46	1001108788	2	Link (2WS Rear Only)	



# SECTION 1 - FRAME

## FIGURE 1-3. TIRE AND WHEEL DRIVE INSTALLATION





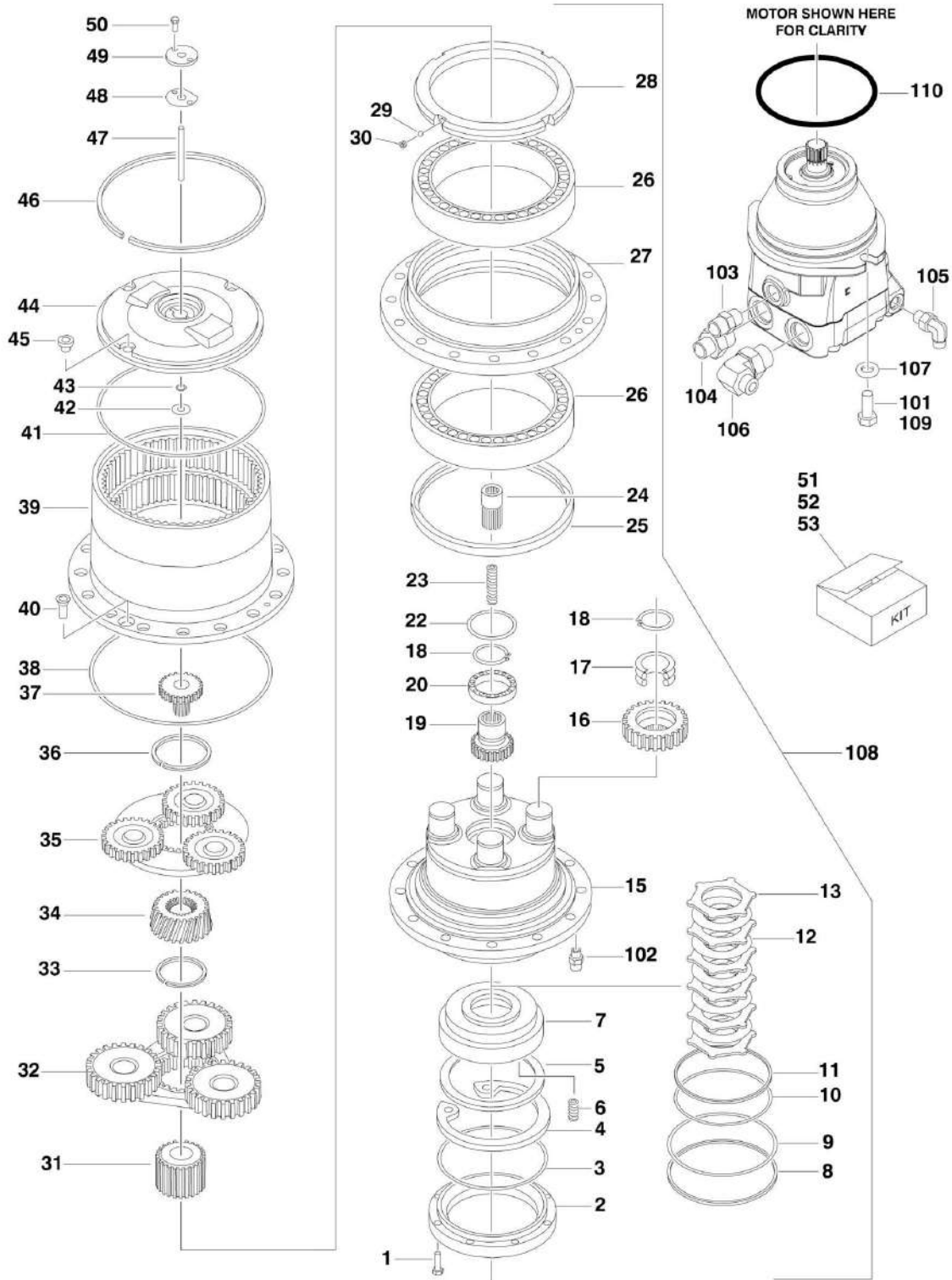
# SECTION 1 - FRAME

## FIGURE 1-3. TIRE AND WHEEL DRIVE INSTALLATION

ITEM	PART NUMBER	QTY	DESCRIPTION	REV
		Ref	<b>WHEEL DRIVE INSTALLATION</b>	
	1001108808	Ref	<b>2WD</b>	B
	1001104324	Ref	<b>4WD</b>	A
1	0100019	AR	Compound, Locking	
2	0701617	48	Bolt M16 x 45mm (12 Per Wheel)	
3	4892000	48	Flatwasher 5/8in Hardened (12 Per Wheel)	
	1001108808	Ref	<b>2WD Wheel Drive</b>	B
101	1001112623	2	Hub Less Motor (Non-Drive Wheel) (See DRIVE HUB ASSEMBLY for Breakdown)	
102	1001109797	2	Hub with Motor (Drive Wheel)	
102A	1001109796	2	Drive Hub Assembly (See DRIVE HUB ASSEMBLY for Breakdown)	
102B	1001109236	2	Drive Motor Assembly (See DRIVE MOTOR ASSEMBLY for Breakdown)	
	1001104324	Ref	<b>4WD Wheel Drive</b>	A
201	1001104315	2	Hub with Motor	
201A	1001104325	2	Drive Hub Assembly (See DRIVE HUB ASSEMBLY for Breakdown)	
201B	3160339	2	Drive Motor Assembly (See DRIVE MOTOR ASSEMBLY for Breakdown)	
		Ref	<b>TIRE AND WHEEL INSTALLATIONS (FOAM-FILLED)</b>	
	0271852	Ref	<b>445/50D70 Foam Filled</b>	B
	1001115961	Ref	<b>445/65-24 Solid</b>	A
		Ref	<b>Note: Assemblies may require ballast/foam filling to manufacturer's specifications prior to installing on a machine. Refer to Operation and Safety or Service and Maintenance Manuals. Purchase individual tire and/or rim only if able to foam fill tire and wheel assembly, otherwise, purchase complete assembly.</b>	
301		Ref	Tire and Wheel Assembly (Right Side) Options:	
301	0272055	2	445/50D710 Tire and Wheel Assembly (Foam-Filled)	
301	4520261	2	445/50D710 Tire Only	
301	4860236	2	Rim, Wheel (Use with 445/50D710 Tire)	
301	1001112716	2	445/65-24 Tire and Wheel Assembly (Solid) (No Serviceable Parts Available - Purchase Complete Assembly)	
302		Ref	Tire and Wheel Assembly (Left Side) Options:	
302	0272056	2	445/50D710 Tire and Wheel Assembly (Foam-Filled)	
302	4520261	2	445/50D710 Tire Only	
302	4860236	2	Rim, Wheel (Use with 445/50D710 Tire)	
302	1001112669	2	445/65-24 Tire and Wheel Assembly (Solid) (No Serviceable Parts Available - Purchase Complete Assembly)	
303	0701619	64	Bolt M16 x 55mm (16 Per Wheel)	
304	4892000	64	Flatwasher 5/8in Hardened (16 Per Wheel)	

# SECTION 1 - FRAME

## FIGURE 1-4. DRIVE HUB ASSEMBLY



# SECTION 1 - FRAME

## FIGURE 1-4. DRIVE HUB ASSEMBLY

ITEM	PART NUMBER	QTY	DESCRIPTION	REV
		Ref	<b>DRIVE HUB ASSEMBLY LESS FITTINGS AND HARDWARE</b>	
	1001112623	Ref	<b>2WD Hub (Non-Drive Wheel)</b>	A
	1001101550	Ref	<b>2WD Hub (Drive Wheel)</b>	C
	1001101550	Ref	<b>4WD</b>	C
1	70002015	8	Bolt M8 x 25	
2		Ref	Ring, Motor Support Options:	
2	70002681	1	1001112623 Hub	
2	70002016	1	1001101550 Hub	
3	70002248	1	O-Ring	
4	70002018	1	Snap Ring (1001101550 Hub Only)	
5	70002019	1	Retainer, Spring (1001101550 Hub Only)	
6	70002020	9	Spring (1001101550 Hub Only)	
7	70002249	1	Piston (1001101550 Hub Only) (was p/n 70002021)	
8	See Note	1	Ring, Backup (1001101550 Hub) (Note: Use Item 51 or 53)	
9	See Note	1	O-Ring (1001101550 Hub) (Note: Use Item 51 or 53)	
10	See Note	1	O-Ring (1001101550 Hub) (Note: Use Item 51 or 53)	
11	See Note	1	Ring, Backup(1001101550 Hub) (Note: Use Item 51 or 53)	
12	70002026	5	Disc, Friction (1001101550 Hub Only)	
13	70002027	6	Disc, Steel (1001101550 Hub Only)	
15	70002029	1	Spindle	
16	70002030	4	Gear, Planetary (1001101550 Hub Only)	
17	70002031	4	Bearing (1001101550 Hub Only)	
18	70002032	5	Snap Ring (1001101550 Hub Only)	
19	70002033	1	Gear, Brake/Input (1001101550 Hub Only)	
20	70002034	1	Bearing (1001101550 Hub Only)	
22	70002035	1	Ring, Wear (1001101550 Hub Only)	
23	70002036	1	Spring (1001101550 Hub Only)	
24	70002037	1	Shaft, Engagement (1001101550 Hub Only)	
25	70002248	1	Seal	
26	70002039	2	Bearing Assembly	
27	70002040	1	Support, Hub	
28	70002041	1	Nut, Retaining	
29	70002674	4	Flatwasher (was p/n 70002042)	
30	70002674	4	Screw, Flange (was p/n 70002043 Std Screw)	
31	70002044	1	Gear, Planetary Sun (1001101550 Hub Only)	
32	70002045	1	Reduction Assembly, Secondary (1001101550 Hub Only)	
33	70002046	1	Snap Ring (1001101550 Hub Only)	
34	70002047	1	Gear, Secondary Input Sun (1001101550 Hub Only)	
35	70002048	1	Reduction Assembly, Primary (1001101550 Hub Only)	
36	70002049	1	Snap Ring (1001101550 Hub Only)	
37	70002050	1	Gear, Primary Input Sun (1001101550 Hub Only)	
38	70002248	1	O-Ring	
39		Ref	Housing, Hub Options:	
39	70002681	1	1001112623 Hub	
39	See Note	1	1001101550 Hub (Note: Not Available Purchase Complete Hub Assembly)	
40	70002052	2	Screw, Countersunk	
41	See Note	1	O-Ring (Note: Use Item 51 or 52)	
42	70002247	1	Thrustwasher (1001101550 Hub Only)	
43	See Note	1	O-Ring (1001101550 Hub Only) (Note: Use Item 51 or 52)	

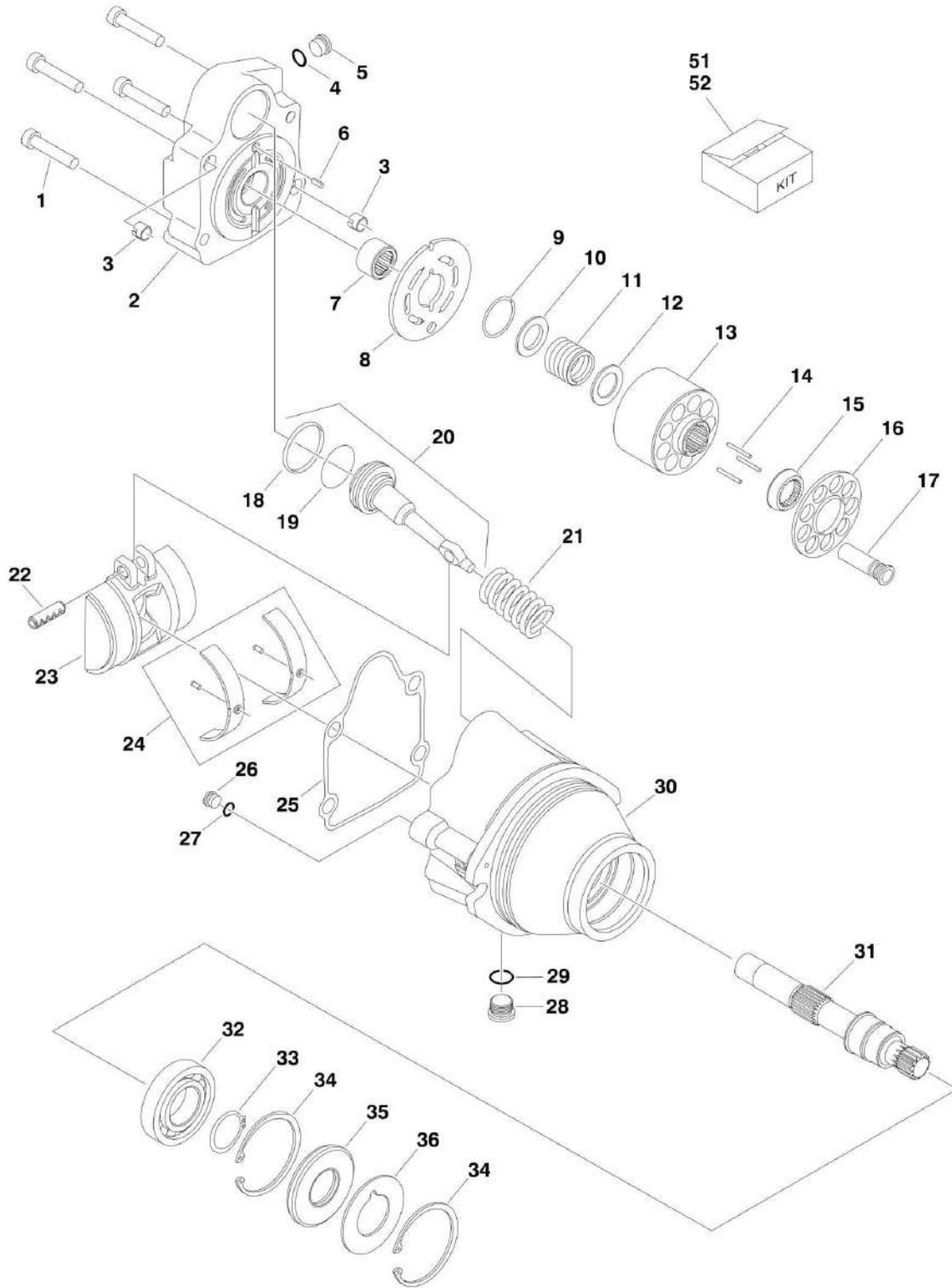
## SECTION 1 - FRAME

ITEM	PART NUMBER	QTY	DESCRIPTION	REV
44	See Note	1	Cover, Hub (Note: Use Item 52)	
45	70002057	3	Plug	
46	See Note	1	Snap Ring (Note: Use Item 52)	
47	70002247	1	Pin, Engagement (1001101550 Hub Only)	
48	See Note	1	Gasket (Note: Use Item 51 or 52)	
49	See Note	1	Cover, Engagement (Note: Use Item 52)	
50	See Note	2	Screw (Note: Use Item 52)	
51	70002248	1	Seal Kit (Includes Items 3, 8-11, 25, 38, 41, 43 & 48)	
52		Ref	Cover Kit Options:	
52	70002679	1	1001112623 Hub (Includes Items 41, 44-46 & 48-50)	
52	70002247	1	1001101550 Hub (Includes Items 41-44 & 46-50)	
53		Ref	Brake Kit Options:	
53	Not Required	0	1001112623 Hub	
53	70002249	1	1001101550 Hub (Includes Item 4-13)	
54		Ref	Components Kit Options:	
54	70002681	1	1001112623 Hub (Includes Items 1,2,15,27,39 & 40)	
54	See Note	1	1001101550 Hub (Note: Not Available for Purchase)	
		Ref	<b>DRIVE HUB ASSEMBLY WITH FITTINGS AND HARDWARE</b>	
	1001112623	Ref	<b>2WD Hub (Non-Drive Wheel)</b>	A
	1001109796	Ref	<b>2WD Hub (Drive Wheel)</b>	C
	1001104325	Ref	<b>4WD</b>	D
101	0761214	2	Bolt M12 x 30mm (10001109796 & 1001104325 Hubs Only)	
102	2110404	1	Fitting, Straight (10001109796 & 1001104325 Hubs Only)	
103		Ref	Fitting Options (10001109796 & 1001104325 Hubs Only):	
103	2130808	1	Fitting, 90	
103	2110808	1	Fitting, Straight	
104		Ref	Fitting Options (10001109796 & 1001104325 Hubs Only):	
104	2151012	1	Fitting, 45	
104	2110812	1	Fitting, Straight	
105	2130406	1	Fitting, 90 (10001109796 & 1001104325 Hubs Only)	
106		Ref	Fitting, Options (10001109796 & 1001104325 Hubs Only):	
106	2151012	1	Fitting, 45	
106	2130812	1	Fitting, 90	
107	5241200	2	Flatwasher 12mm Hardened (10001109796 & 1001104325 Hubs Only)	
108		Ref	Hub Assembly (Includes Items 1-53)	
108	1001112623	1	2WD Hub (Non-Drive Wheel)	
108	1001101550	1	2WD Hub (Drive Wheel)	
108	1001101550	1	4WD	
109	0100011	AR	Compound, Locking	
110	3790158	1	O-Ring	
111		Ref	Lubricant Options (Not Shown):	
111	See Note	AR	2WD (Note: Refer to Service Manual)	
111	3020008	AR	4WD (80W-90)	



# SECTION 1 - FRAME

## FIGURE 1-5. DRIVE MOTOR ASSEMBLY



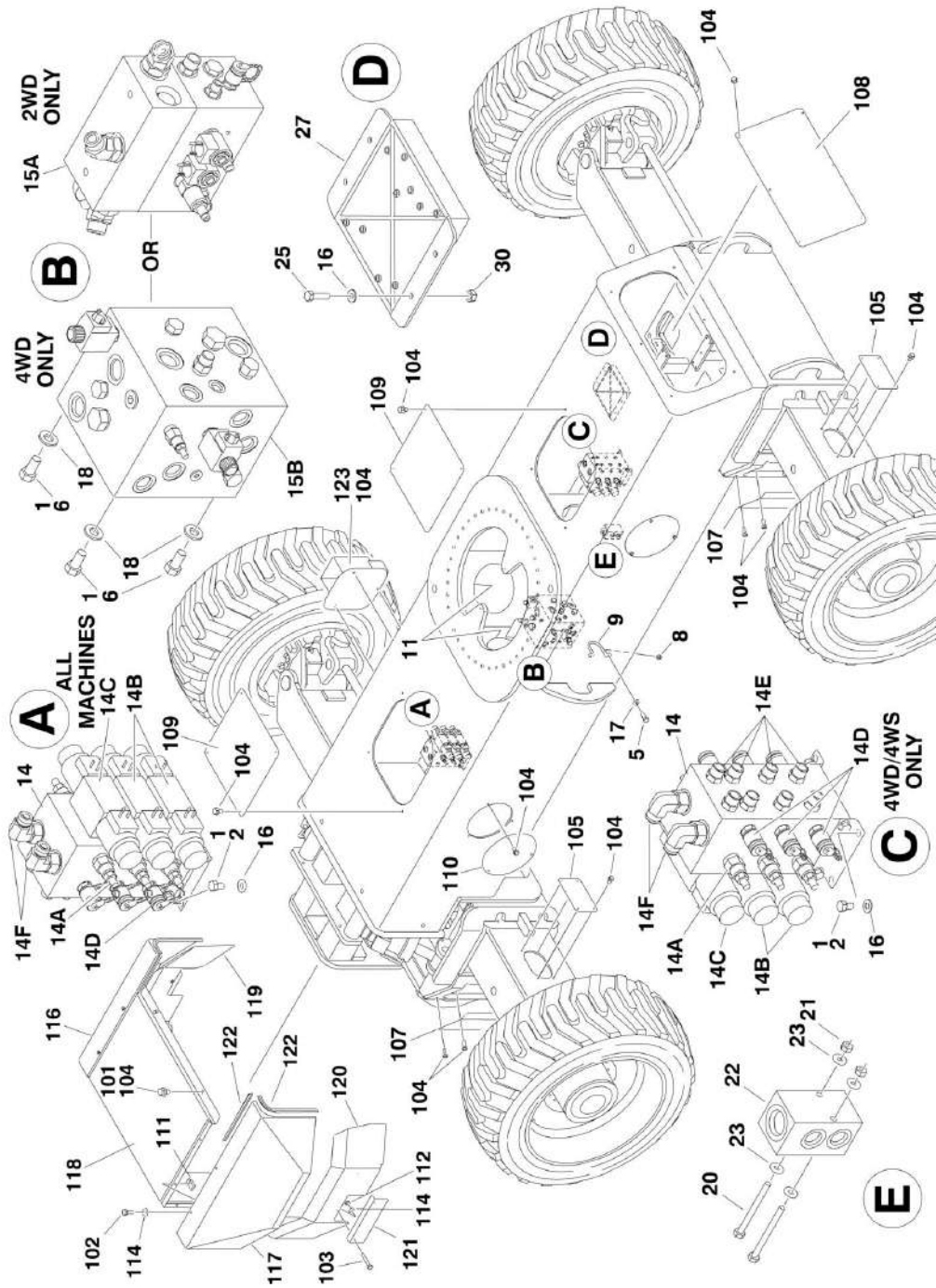
**SECTION 1 - FRAME**

**FIGURE 1-5. DRIVE MOTOR ASSEMBLY**

ITEM	PART NUMBER	QTY	DESCRIPTION	REV
		Ref	<b>DRIVE MOTOR ASSEMBLY</b>	
	1001109236	Ref	<b>2WD</b>	A
	3160339	Ref	<b>4WD</b>	B
1	7022368	4	Bolt	
2	70000859	1	End Cap, Motor	
3	70003628	2	Locating Pin	
4	7021256	1	O-Ring	
5	7007420	1	Plug (Includes Item 4)	
6	7007446	1	Pin, Dowel	
7	7021249	1	Bearing, Needle	
8	70000854	1	Plate, Valve	
9	7022311	1	Snap Ring (Part of Item 52)	
10	7022314	1	Retainer, Spring (Part of Item 52)	
11	7024867	1	Spring (Part of Item 52)	
12		Ref	Washer Options (Part of Item 52):	
12	7024868	1	Washer for 1001109236 Motor	
12	7024868	1	Washer for 3160339 Motor (was p/n 7022313)	
13	70000855	1	Block, Cylinder (Part of Item 52)	
14	7021275	3	Pin, Slipper (Part of Item 52)	
15	70000856	1	Guide (Part of Item 52)	
16	70000857	1	Retainer, Slipper (Part of Item 52)	
17	7024865	9	Piston, Cylinder (Part of Item 52)	
18	70000862	1	Ring, Piston	
19	70000862	1	O-Ring	
20		Ref	Piston, Servo Options (Includes Items 18 & 19):	
20	70002310	1	Piston for 1001109236 Motor	
20	70000860	1	Piston for 3160339 Motor	
21	70000861	1	Spring	
22		Ref	Fastener Options:	
22	See Note	1	Pin for 1001109236 Motor (Note: Not Available for Purchase)	
22	See Note	1	Ring, Retaining for 1001109236 Motor (Note: Not Available for Purchase)	
22	See Note	1	Pin for 3160339 Motor (Note: Not Available for Purchase)	
23	70000853	1	Swashplate	
24	70000852	1	Bearing Kit	
25	70000862	1	Gasket	
26	70002133	1	Plug (includes Item 27)	
27	7007207	1	O-Ring	
28	7022321	1	Plug (Includes Item 29)	
29	7022322	1	O-Ring	
30	See Note	1	Housing (Note: Not Available - Purchase Complete Drive Motor Assembly)	
31	70000858	1	Shaft	
32	7007437	1	Bearing	
33	7007439	1	Snap Ring	
34	7007438	2	Snap Ring	
35	7007459	1	Seal, Lip	
36	7022371	1	Washer, Seal Support	
51	70000862	1	Motor Seal Kit (Includes Items 4, 18, 19, 25, 27, 29 & 35)	
52	7027740	1	Cylinder Block Kit (Includes Items 9 - 17)	

# SECTION 1 - FRAME

## FIGURE 1-6. FRAME VALVES AND COVERS INSTALLATION





# SECTION 1 - FRAME

## FIGURE 1-6. FRAME VALVES AND COVERS INSTALLATION

ITEM	PART NUMBER	QTY	DESCRIPTION	REV
		Ref	<b>FRAME VALVES INSTALLATION</b>	
	1001110164	Ref	<b>2WD/2WS</b>	D
	1001116398	Ref	<b>4WD/2WS</b>	B
	0271802	Ref	<b>4WD/4WS</b>	K
1	0100011	AR	Compound, Locking	
2	0641504	AR	Bolt 5/16in-18NC x 1/2in	
5	0641608	12	Bolt 3/8in-16NC x 1in	
6	0641808	4	Bolt 1/2in-13NC x 1in	
8	3311605	4	Locknut 3/8in16NC	
9	3841340	2	Loop, Hose	
11	4060808	124 in/3.2m	Flex-Trim	
14	4641268	Ref	Valve Assembly - Steer	
14	4641268	1	2WD/2WS & 4WD/2WS	
14	4641268	2	4WD/4WS (Note: Qtys below for 1 valve. Double qtys for 4WD)	
14A	7026028	6	Cartridge (6 Per Valve)	
14A	7011346	6	Seal Kit - 7026028 Cartridge (1 Per Cartridge)	
14B	7024927	2	Valve (2 Per Valve)	
14B	7012773	2	Seal Kit - 7024927 Cartridge (1 Per Cartridge)	
14B	7018991	4	Coil (2 Per Valve)	
14C	7012770	1	Valve	
14C	7012773	1	Seal Kit - 7012770 Cartridge	
14C	7018991	2	Coil	
14C	70001939	1	Orifice	
14D	2221086	6	Check, Pressure	
14E	2110606	8	Fitting, Straight	
14F	2130810	2	Fitting, 90	
15		Ref	Valve Assembly - Traction	
15A	1001110060	1	2WD/2WS (See TRACTION VALVE ASSEMBLY for Breakdown)	
15B	4641454	1	4WD/2WS & 4WD/4WS (See TRACTION VALVE ASSEMBLY for Breakdown)	
16	4711500	AR	Flatwasher 5/16in Thin	
17	4711600	AR	Flatwasher 3/8in Thin	
18	4711800	4	Flatwasher 1/2in Thin	
20	0641424	2	Bolt 1/4in-20NC x 3in	
21	3311405	2	Locknut 1/4in-20NC	
22	4641155	1	Manifold, Junction (4WD Only)	
23	4711400	8	Flatwasher 1/4in Thin	
25	0641509	4	Bolt 5/16in-18NC x1-1/8in	
27	1001112758	1	Module (Chassis) (was p/n 1600331) (Note: Control System must be recalibrated when Module is replaced)	
30	3311505	4	Locknut 5/16in-18NC	
	1001110114	Ref	<b>FRAME COVERS INSTALLATION</b>	C
101	0100011	AR	Compound, Locking	
102	0641406	8	Bolt 1/4in-20NC x 3/4in	
103	0641414	4	Bolt 1/4in-20NC x 1-3/4in	
104	0791604	63	Screw 3/8in-16NC x 1/2in	
105	1671045	4	Plate, Cover (Axle Side)	
107	1671046	4	Plate, Cover (Axle Corner)	

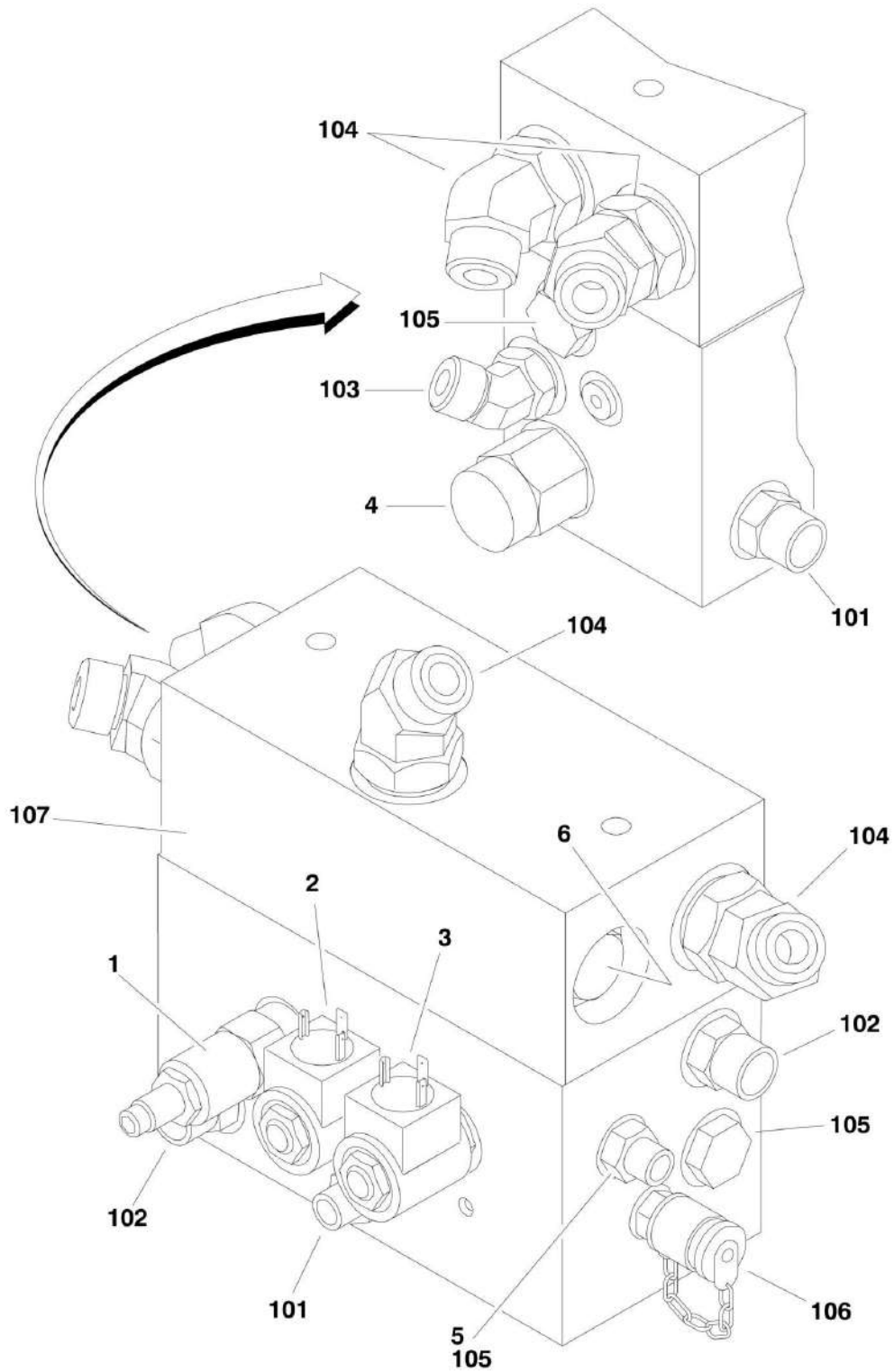
## SECTION 1 - FRAME

ITEM	PART NUMBER	QTY	DESCRIPTION	REV
108	1671047	1	Plate, Cover (Rear)	
109	1671048	2	Plate, Cover (Frame Top)	
110	1671049	3	Plate, Cover (Frame Side)	
111	3300454	8	Nut 1/4in-20NC	
112	3311405	4	Locknut 1/4in-20NC	
114	4711400	12	Flatwasher 1/4in Thin	
116	1001110108	1	Panel, Front Right	
117	1001110109	1	Panel, Front Left	
118	1001110110	1	Panel, Front	
119	1001110111	1	Shield, Right Axle	
120	1001110112	1	Shield, Left Axle	
121	1001110113	2	Plate, Clamp	
122	1001110513	51 in/1.3m	Seal	
123	1001110877	1	Mount, Fire Extinguisher	



# SECTION 1 - FRAME

## FIGURE 1-7. TRACTION VALVE ASSEMBLY (2WD)



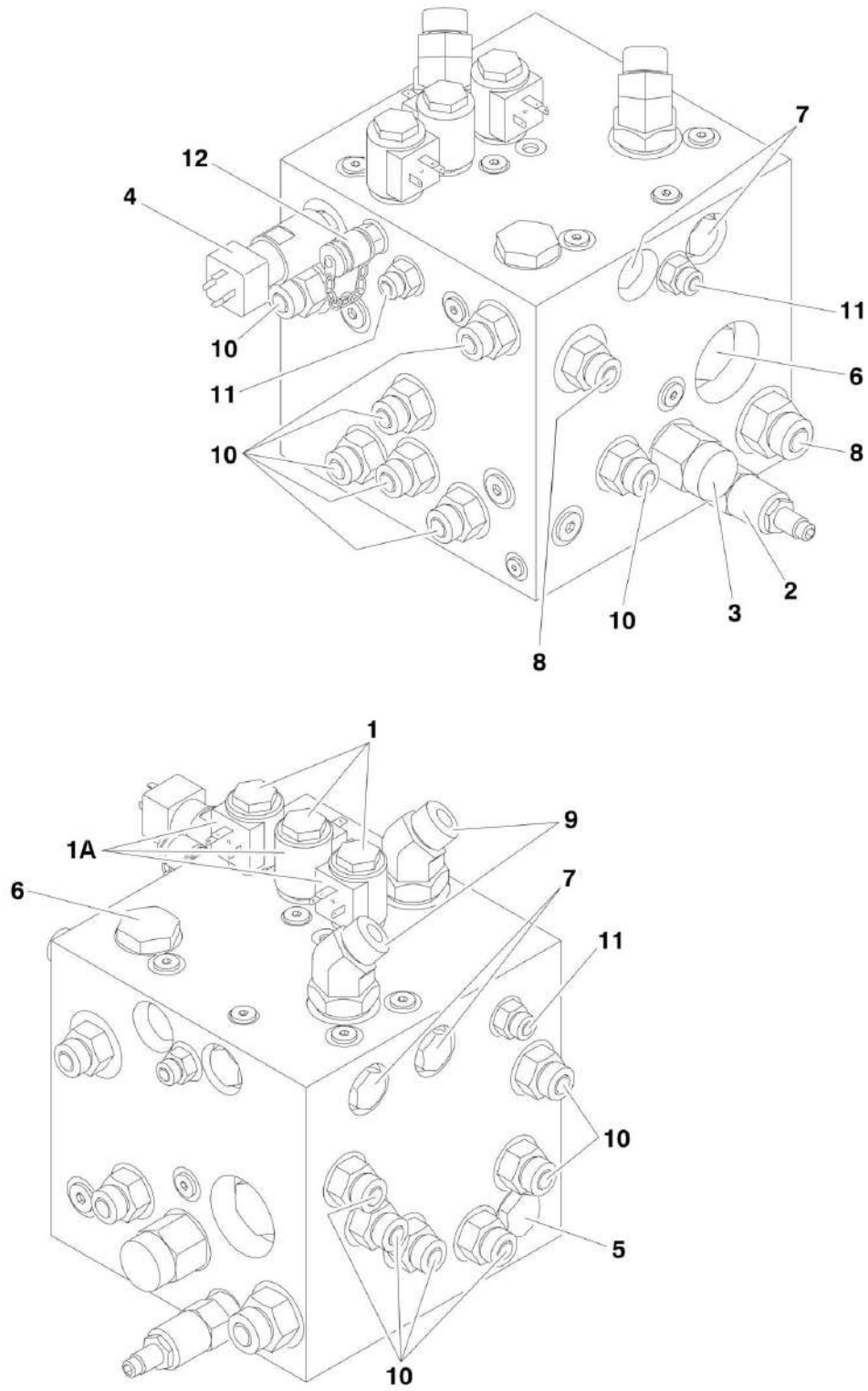
## SECTION 1 - FRAME

**FIGURE 1-7. TRACTION VALVE ASSEMBLY (2WD)**

ITEM	PART NUMBER	QTY	DESCRIPTION	REV
	1001113705	Ref	<b>TRACTION VALVE ASSEMBLY LESS FITTINGS</b>	B
1	70002298	1	Cartridge, Valve (Relief)	
1	7012998	1	Seal Kit - 70002298 Cartridge	
2	7012941	1	Cartridge, Solenoid Valve (2 Speed Shift)	
2	7010543	1	Seal Kit - 7012941 Cartridge	
2	7012944	1	Coil	
2	7017403	1	Water Proofing Kit for 7012944 Coil	
3	7012941	1	Cartridge, Solenoid Valve (Brake Release)	
3	7010543	1	Seal Kit - 7012941 Cartridge	
3	7012944	1	Coil	
3	7017403	1	Water Proofing Kit for 7012944 Coil	
4	70000802	1	Cartridge, Valve (Pilot)	
4	7012942	1	Seal Kit - 7026026 Cartridge	
5	See Note	1	Orifice (Note: Not Available for Purchase)	
6	70000804	1	Cartridge, Valve (Shuttle)	
6	70000805	1	Seal Kit - Cartridge	
	1001110060	Ref	<b>TRACTION VALVE ASSEMBLY</b>	F
101	2110406	2	Fitting, Straight	
102	2110808	2	Fitting, Straight	
103	2150808	1	Fitting, 45	
104	2151012	4	Fitting, 45	
105	2220238	2	Plug	
106	2221086	1	Fitting, Diagnostic Test Port	
107	1001113705	1	Valve Assembly less Fittings (Includes Item 1-6)	

# SECTION 1 - FRAME

## FIGURE 1-8. TRACTION VALVE ASSEMBLY (4WD)



## SECTION 1 - FRAME

**FIGURE 1-8. TRACTION VALVE ASSEMBLY (4WD)**

ITEM	PART NUMBER	QTY	DESCRIPTION	REV
	4641454	Ref	<b>TRACTION VALVE ASSEMBLY</b>	E
1	7012941	3	Cartridge, Valve (2 Speed/Brake Release/Axle Lockout)	
1	7010543	3	Seal Kit - 7012941 Cartridge	
1A	7012944	2	Coil	
2	70000801	1	Cartridge, Valve (Relief)	
2	7012998	1	Seal Kit - 70000801 Cartridge	
3	70000802	1	Cartridge, Valve (Pilot)	
3	7012942	1	Seal Kit - 70000802 Cartridge	
4	70000803	1	Switch, Pressure (Axle Lockout)	
5	70000804	1	Cartridge, Valve (Shuttle)	
5	70000805	1	Seal Kit - 70000804 Cartridge	
6	70000806	2	Cartridge, Valve (Flow Divider)	
6	7017405	2	Seal Kit - 70000806 Cartridge	
7	7012955	4	Cartridge, Valve (Check)	
7	7012967	4	Seal Kit - 7012955 Cartridge	
8	2111012	2	Fitting, Straight	
9	2151012	2	Fitting, 45	
10	2110810	13	Fitting, Straight	
11	2110406	3	Fitting, Straight	
12	2221086	1	Check, Pressure	
13	2220883	1	Plug, #4 (Not Shown)	

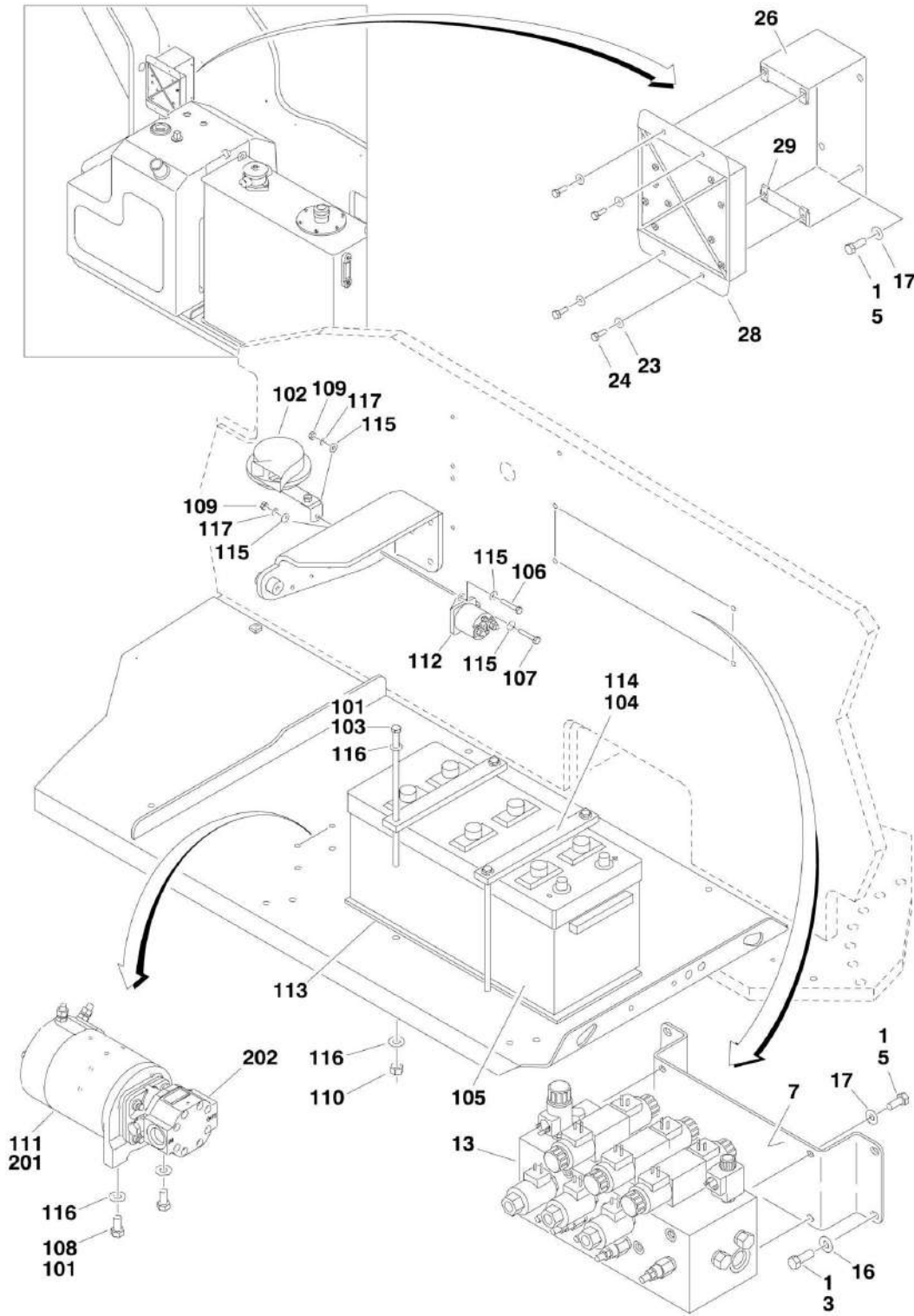




**SECTION 2 - TURNTABLE**

# SECTION 2 - TURNTABLE

## FIGURE 2-1. VALVE, BATTERY, HORN AND AUXILIARY PUMP INSTALLATIONS



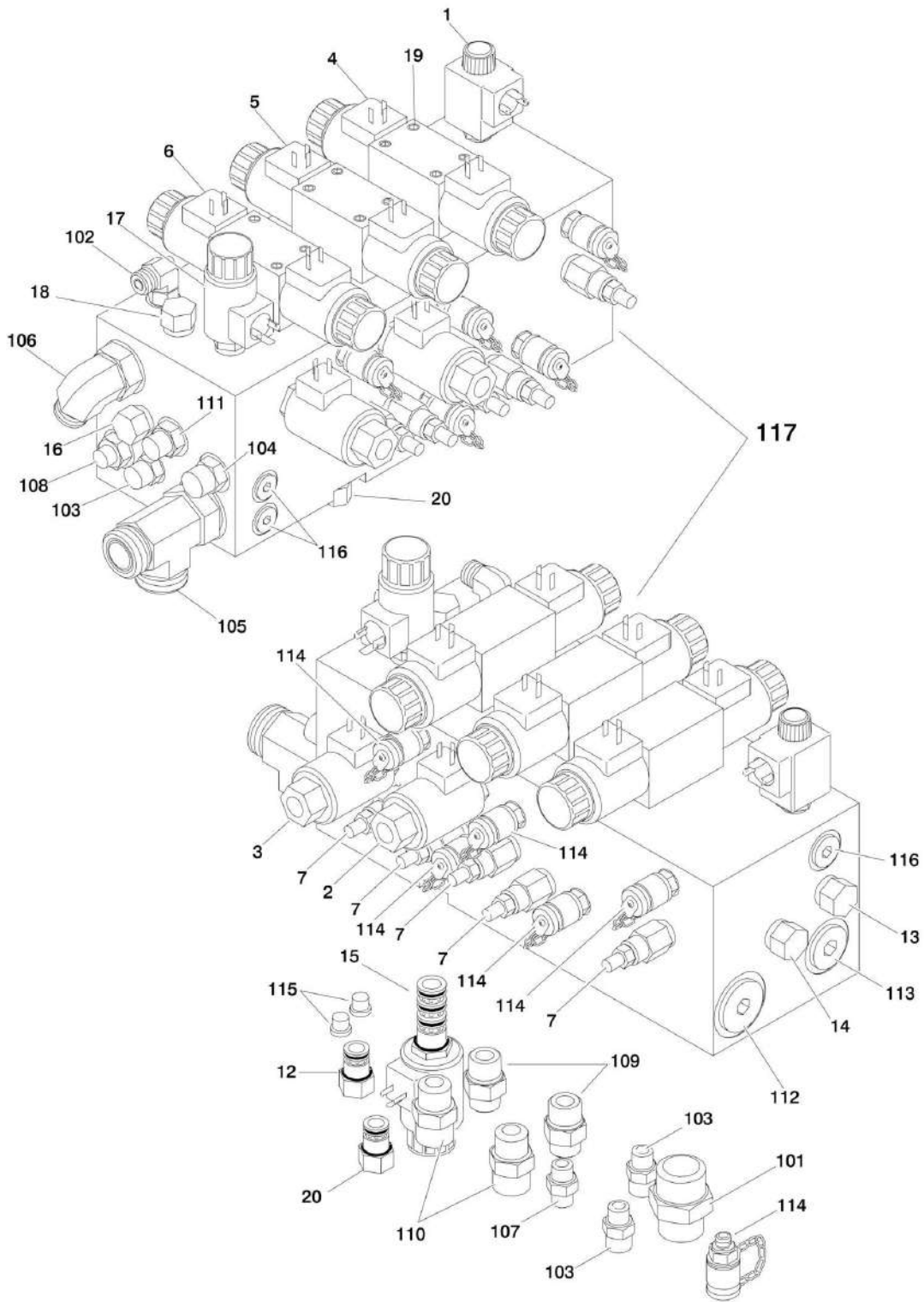
## SECTION 2 - TURNTABLE

**FIGURE 2-1. VALVE, BATTERY, HORN AND AUXILIARY PUMP INSTALLATIONS**

ITEM	PART NUMBER	QTY	DESCRIPTION	REV
		Ref	<b>FRAME VALVES INSTALLATION</b>	
	1001110164	Ref	<b>2WD/2WS</b>	D
	1001116398	Ref	<b>4WD/2WS</b>	B
	0271802	Ref	<b>4WD/4WS</b>	K
1	0100011	AR	Compound, Locking	
3	0641506	4	Bolt 5/16in-18NC x 3/4in	
5	0641608	8	Bolt 3/8in-16NC x 1in	
7	0902755	1	Bracket, Valve Mounting	
13	4641267	1	Main Valve Assembly (See MAIN VALVE ASSEMBLY for Breakdown)	
16	4711500	4	Flatwasher 5 /16in Thin	
17	4711600	8	Flatwasher 3/8in Thin	
23	4711400	4	Flatwasher 1/4in Thin	
24	0641406	4	Bolt 1/4in-20NC x 3/4in	
26	0902800	1	Bracket, Module Mounting	
28	1001112757	1	Module, B.L.A.M. (was p/n 1600332) (Note: Control System must be recalibrated when Module is replaced)	
29	3300454	4	Nut, Special	
	1001110740	Ref	<b>BATTERY, HORN AND AUXILIARY PUMP INSTALLATION</b>	A
101	0100011	AR	Compound, Locking	
102	0140001	1	Horn	
103	0236768	4	Rod, Hold-down	
104	0363062	2	Bar, Battery	
105	0400020	1	Battery	
106	0641408	1	Bolt 1/4in-20NC x 1in	
107	0641412	1	Bolt 1/4in-20NC x 1-1/2in	
108	0641606	2	Bolt 3/8in-16NC x 3/4in	
109	3311405	3	Locknut 1/4in-20NC	
110	3311601	4	Nut 3/8in-16NC	
111	3600424	1	Auxiliary Pump Assembly (See Items 201-202 for Breakdown)	
112	3740067	1	Relay	
113	3980006	1	Seat, battery	
114	4420037	17	Tape, Insulation	
		in/43cm		
115	4711400	4	Flatwasher 1/4in	
116	4711600	10	Flatwasher 3/8in	
117	4791400	2	Starwasher 1/4in	
	3600424		<b>AUXILIARY PUMP ASSEMBLY</b>	
201	70001056	1	Motor Kit	
201	7011062	1	Bracket, Motor/Pump	
201	7011016	1	Coupling	
201	7029592	2	Setscrew	
202	7029593	1	Pump Kit	
202	7011016	1	Coupling	
202	7011044	1	Gasket	
202	7011048	4	Flatwasher	
202	7011043	4	Screw	

# SECTION 2 - TURNTABLE

## FIGURE 2-2. MAIN VALVE ASSEMBLY



**SECTION 2 - TURNTABLE**

**FIGURE 2-2. MAIN VALVE ASSEMBLY**

ITEM	PART NUMBER	QTY	DESCRIPTION	REV
	See Note	Ref	<b>MAIN VALVE ASSEMBLY LESS FITTINGS</b>	C
		Ref	<b>Note: Was p/n 4641222 - Use p/n 4641267 as Replacement</b>	
1	7024573	1	Cartridge, Solenoid Valve (Dump)	
1	7024574	1	Seal Kit - 7024573 Valve	
1	7011354	1	Coil	
2	7021636	1	Cartridge, Solenoid Valve (Lift Flow)	
2	7017495	1	Seal Kit - 7021636 Valve	
2	7017451	1	Coil	
3	7021636	1	Cartridge, Solenoid Valve (Tele Flow)	
3	7017495	1	Seal Kit - 7021636 Valve	
3	7017451	1	Coil	
4	7024924	1	Control Valve Assembly (Swing)	
4	7012773	1	Seal Kit - 7024924 Valve	
4	7018991	2	Coil	
4	7021375	2	Nut, Coil	
5	7024925	1	Control Valve Assembly (Lift)	
5	7012773	1	Seal Kit - 7024924 Valve	
5	7018991	2	Coil	
5	7021375	2	Nut, Coil	
6	70001976	1	Control Valve Assembly (Tele) (was p/n 7012770)	
6	7012773	1	Seal Kit - Valve	
6	7018991	2	Coil	
6	7021375	2	Nut, Coil	
7	7026007	5	Cartridge, Relief Valve (Swing/Lift Up/Lift Down/Tele In/Tele Out)	
7	7024574	1	Seal Kit - 7026007 Valve	
12	7026000	1	Cartridge, Check Valve	
12	7011311	1	Seal Kit - 7026001 Valve	
13	7026001	1	Cartridge, Check Valve	
13	7011311	1	Seal Kit - 7026001 Valve	
14	7026002	1	Cartridge, Shuttle Valve	
14	2900770	1	Seal Kit - 7026000 Valve	
15	7024570	1	Cartridge, Solenoid Valve (Aux Lift Down Select)	
15	70001930	1	Seal Kit - 7024570 Valve (was p/n 2900770)	
15	7024571	1	Coil	
16	7026003	1	Cartridge, Pilot Valve	
16	7026004	1	Seal Kit - 7026003 Valve	
17	7026005	1	Cartridge, Solenoid Valve (Aux Lift Down)	
17	7026006	1	Seal Kit - 7026005 Valve	
17	7024571	1	Coil	
18	7026008	1	Cartridge, Check Valve	
18	7011346	1	Seal Kit - 7026004 Valve	
19	7018942	12	Capscrew, Socket Head #10-24NC x 2in	
20	7026016	1	Cartridge, Valve	
20	7011346	1	Seal Kit - Valve	
	4641267	Ref	<b>MAIN VALVE ASSEMBLY WITH FITTINGS</b>	B
101	2111216	1	Fitting, Straight	
102	2130606	1	Fitting, 90	
103	2110606	3	Fitting, Straight	
104	2110808	1	Fitting, Straight	
105	2170316	1	Fitting, Tee	

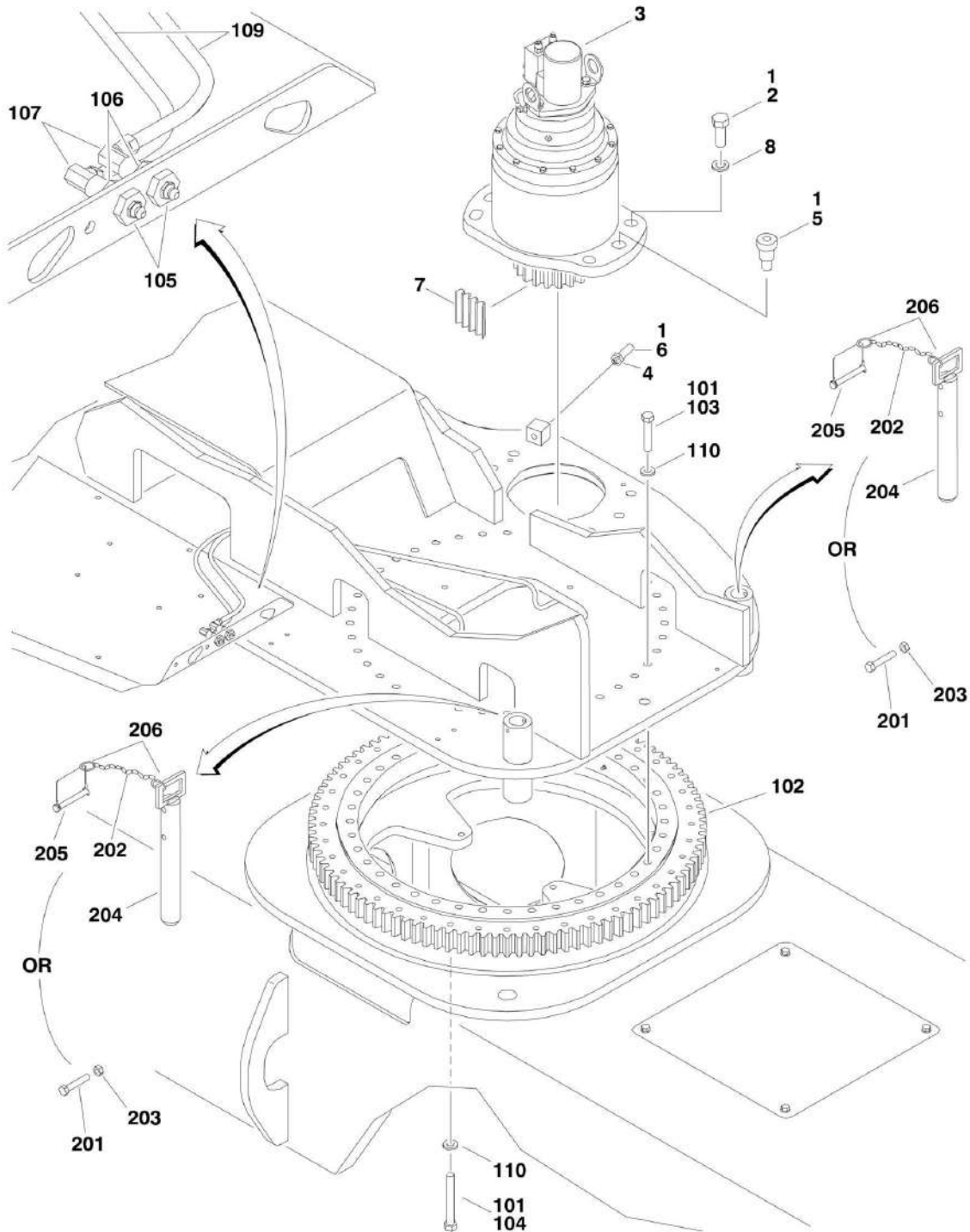
## SECTION 2 - TURNTABLE

ITEM	PART NUMBER	QTY	DESCRIPTION	REV
106	2131012	1	Fitting, 90	
107	2110406	1	Fitting, Straight	
108	2110408	1	Fitting, Straight	
109	2110810	2	Fitting, Straight	
110	2111010	2	Fitting, Straight	
111	2110608	1	Fitting, Straight	
112	2220890	1	Plug	
113	70002760	1	Plug (was p/n 2220888)	
114	2221086	6	Check, Pressure	
115	70002758	2	Fitting, Plug (was p/n 2220883)	
116	88662193	7	Plug w/ O-Ring (was p/n 88662193 & 2220886)	
117	See Note	1	Main Valve Assembly Less Fittings (Includes Items 1-20) (Was p/n 4641222 - Use p/n 4641267 as Replacement)	



# SECTION 2 - TURNTABLE

## FIGURE 2-3. TURNTABLE SWING DRIVE AND BEARING INSTALLATION





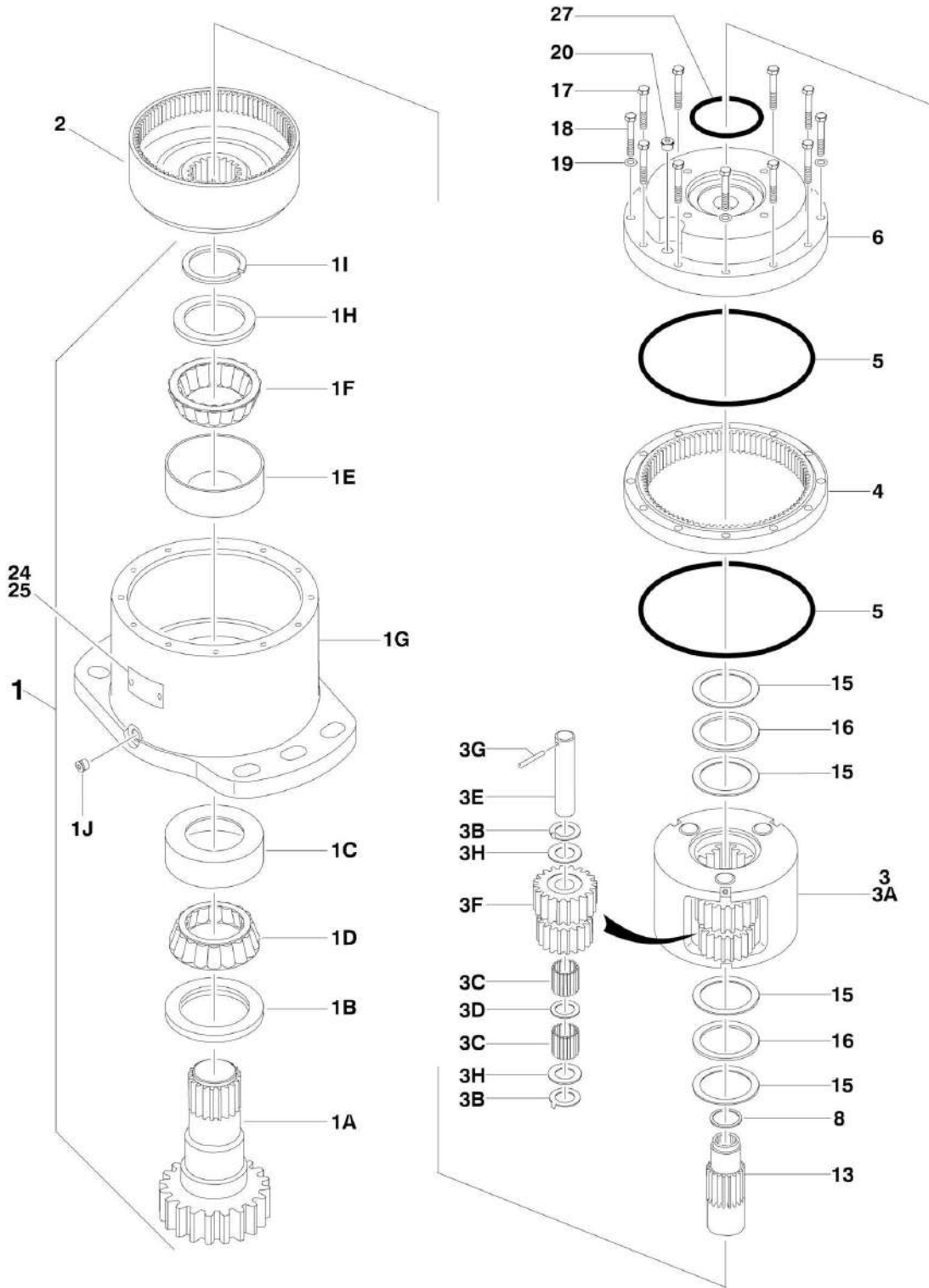
# SECTION 2 - TURNTABLE

**FIGURE 2-3. TURNTABLE SWING DRIVE AND BEARING INSTALLATION**

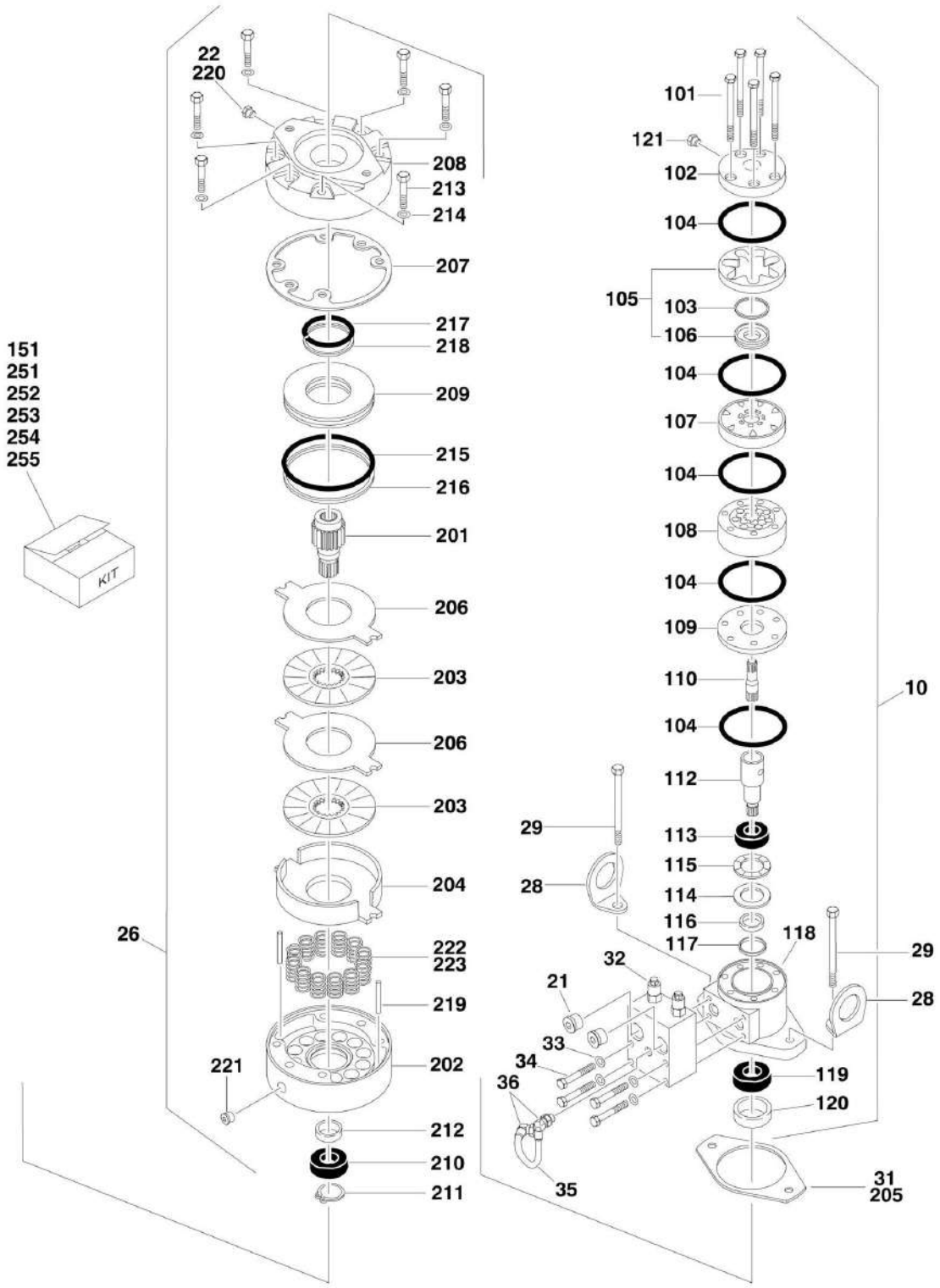
ITEM	PART NUMBER	QTY	DESCRIPTION	REV
	0271596	Ref	<b>SWING DRIVE INSTALLATION</b>	D
1	0100019	AR	Compound, Locking	
2	0682418	5	Bolt 7/8in- 9NC x 2-1/4in (Grade 8)	
3		Ref	Swing Motor/Hub Assembly (See SWING MOTOR/HUB ASSEMBLY for Breakdown)	
3	1001134098	1	Swing Motor/Hub Assembly (was p/n 3160302) <b>(Prior to SN 0300157749)</b>	
3	1001134098	1	Swing Motor/Hub Assembly <b>(SN 0300157749 to Present)</b>	
4	3312002	1	Nut, Jam 5/8in-11NC	
5	3900223	1	Screw, Shoulder	
6	3952020	1	Setscrew 5/8in-11NC x 2-1/2in	
7	4071041	1	Shim	
8	4892400	5	Flatwasher, 7/8in Hardened	
	0271512	Ref	<b>TURNTABLE BEARING AND LUBE INSTALLATION</b>	B
101	0100019	AR	Compound, Locking	
102	0440251	1	Bearing, Turntable	
103	0682026	40	Bolt 5/8in-11NC x 3-1/4in (Grade 8)	
104	0682040	40	Bolt 5/8in-11NC x 5in (Grade 8)	
105	2180002	2	Fitting, Grease	
106	2180344	2	Fitting, Bulkhead	
107	2220063	2	Fitting, Adapter	
109	2750528	2	Hose	
110	4892000	80	Flatwasher 5/8in Hardened	
	2915072	1	Turntable Bearing Kit (Includes Items 102-104 & 110)	
	1001110186	Ref	<b>TURNTABLE LOCK INSTALLATION</b>	C
201	0641524	1	Bolt 5/16in-18NC x 3in	
202	1260017	9 in/23cm	Chain - #3	
203	3311505	1	Locknut 5/16in-18NC	
204	3421563	1	Pin, Turntable Lock	
205	3421565	1	Pin, Snap	
206	3760170	2	Ring, Quick Release	

# SECTION 2 - TURNTABLE

## FIGURE 2-4. SWING MOTOR/HUB ASSEMBLY



# SECTION 2 - TURNTABLE



## SECTION 2 - TURNTABLE

### FIGURE 2-4. SWING MOTOR/HUB ASSEMBLY

ITEM	PART NUMBER	QTY	DESCRIPTION	REV
		Ref	<b>SWING MOTOR/HUB ASSEMBLY OPTIONS:</b>	
	3160302	Ref	<b>Swing Motor/Hub Assembly (Prior to SN 0300157749)</b>	B
	1001134098	Ref	<b>Swing Motor/Hub Assembly (SN 0300157749 to Present)</b>	B
		Ref	<b>Note: For Machines Prior to S/N 0300157749, Original Equipment Assembly p/n 3160302 may have been replaced with p/n 1001134098 as Service Replacement Assembly. Identify P/N before ordering replacement components.</b>	
1	See Note	1	Housing/Shaft Assembly (Note: Not Available - Purchase Complete Swing Motor/Hub Assembly)	
1A	7024183	1	Shaft, Out put	
1B	7000236	1	Seal, Lip	
1C	1001091460	1	Cup, Bearing (was p/n 7000272 & p/n 90202500)	
1D	1001091460	1	Cone, Bearing (was p/n 7000273 & p/n 90202501)	
1E	1001091461	1	Cup, Bearing (was p/n 7000274)	
1F	1001091461	1	Cone, Bearing (was p/n 7000275 & p/n 90202503)	
1G	7024184	1	Housing	
1H	7000239	1	Thrustwasher	
1I	7000240	1	Ring, Retaining	
1J	7017072	1	Plug, Pipe	
2	7001917	1	Gear, Internal	
3	7001918	1	Carrier Assembly	
3A	7001900	1	Carrier	
3B	7007645	6	Washer, Tanged	
3C	7001902	84	Bearing, Needle	
3D	7007646	3	Thrustwasher	
3E	7001904	3	Shaft, Planet	
3F	7001927	3	Gear, Cluster	
3G	7001906	3	Rollpin	
3H	7007648	6	Washer	
4	7010467	1	Gear, Ring	
5	7000224	2	O-Ring	
6	7001920	1	Cover, Input	
8	7001922	1	Thrustwasher	
10	7024188	1	Motor Assembly (See Items 101-121 for Breakdown)	
13	7001921	1	Gear, Sun	
15	7000287	4	Thrustwasher	
16	7000288	2	Bearing, Thrust	
17	7001923	8	Bolt 3/8in-16NC x 3in (Grade 8)	
18	7001924	4	Bolt, Shoulder 3/8in-16NC x 2-3/4in (Grade 8)	
19	7001929	4	Lockwasher (Used with Item 18 Only)	
20	7001928	1	Plug, Pipe	
21	7001926	2	Plug, Pipe	
22	7017082	1	Plug, Pipe	
24	See Note	1	Plate, ID (Note: Not Available For Purchase)	
25	7000281	2	Screw, Drive	
26		Ref	<b>Brake Assembly Options (See Items 201-223 for Breakdown):</b>	
26	7024182	1	<b>Brake Assembly (Prior to SN 0300151138)</b>	
26	70003524	1	<b>Brake Assembly (SN 0300151138 to Present)</b>	
27	7024763	1	O-Ring	
28	See Note	2	Lug, Lifting (Note: Not Available For Purchase)	

**SECTION 2 - TURNTABLE**

ITEM	PART NUMBER	QTY	DESCRIPTION	REV
29	7024185	2	Bolt 1/2in-13NC x 5in (Grade 8)	
31	7000731	1	Gasket	
32		Ref	Valve Options:	
32		Ref	Used With Swing Motor/Hub Assembly p/n 3160302	
32	4640741	1	Valve (was p/n 7024187)	
32	7011320	2	Cartridge	
32	2900770	2	Seal Kit - 7011320 Cartridge (1 Per Cartridge)	
32	7000213	2	O-Ring (Between Valve Block and Swing Drive)	
32		Ref	Used With Swing Motor/Hub Assembly p/n 1001134098	
32	70003523	1	Valve	
32	70003629	2	Cartridge	
32	2900770	2	Seal Kit - 70003629 Cartridge (1 Per Cartridge)	
32	7000213	2	O-Ring (Between Valve Block and Swing Drive)	
33	See Note	4	Lockwasher (Note: Not Available For Purchase)	
34	7024135	4	Bolt 5/16in-18NC x 2-1/2in (Grade 8)	
35	7024186	1	Tube	
36	7017085	2	Elbow	
	7024188	Ref	<b>MOTOR ASSEMBLY</b>	
101	7024391	5	Bolt	
102	7004035	1	Cover, End	
103	7024389	1	Seal, Commutator	
104	7024389	5	Seal, Ring	
105	7024453	1	Commutator and Ring Assembly (was p/n 7004037)	
106	7004453	1	Ring (was p/n 7004037)	
107	7024379		Manifold	
108	7024392	1	Rotor Set	
109	7024380	1	Plate, Wear	
110	7024393	1	Link, Drive	
112	7024395	1	Shaft, Coupling	
113	7024381	1	Bushing, Bronze	
114	7004043	1	Thrustwasher	
115	7004044	1	Bearing, Thrust	
116	7024389		Seal, Inner	
117	7024389	1	Washer, Back-up	
118	7024394	1	Housing	
119	7024390	1	Bearing	
120	7024389	1	Seal	
121	7010795	1	Plug, O-Ring	
151	7024389	1	Seal Kit - 7024188 Motor (Includes Items 103, 104, 116,117 & 120) (was p/n 7024396)	
		Ref	<b>BRAKE ASSEMBLIES</b>	
	7024182	Ref	<b>Brake Assemblies (Prior to SN 0300151138)</b>	
	70003524	Ref	<b>Brake Assemblies (SN 0300151138 to Present)</b>	
201	7024189	1	Shaft	
202	7024182	1	Housing (Note: Not Available For Purchase)	
203	7024193	2	Plate, Friction	
204	7024193	1	Plate, Pressure	
205	7000731	1	Gasket	
206	7024193	2	Plate, Outer	
207	See Note	1	Gasket (Note: Use Item 251, 254 or 255)	
208	7024191	1	Cylinder	
209	7024192	1	Piston	

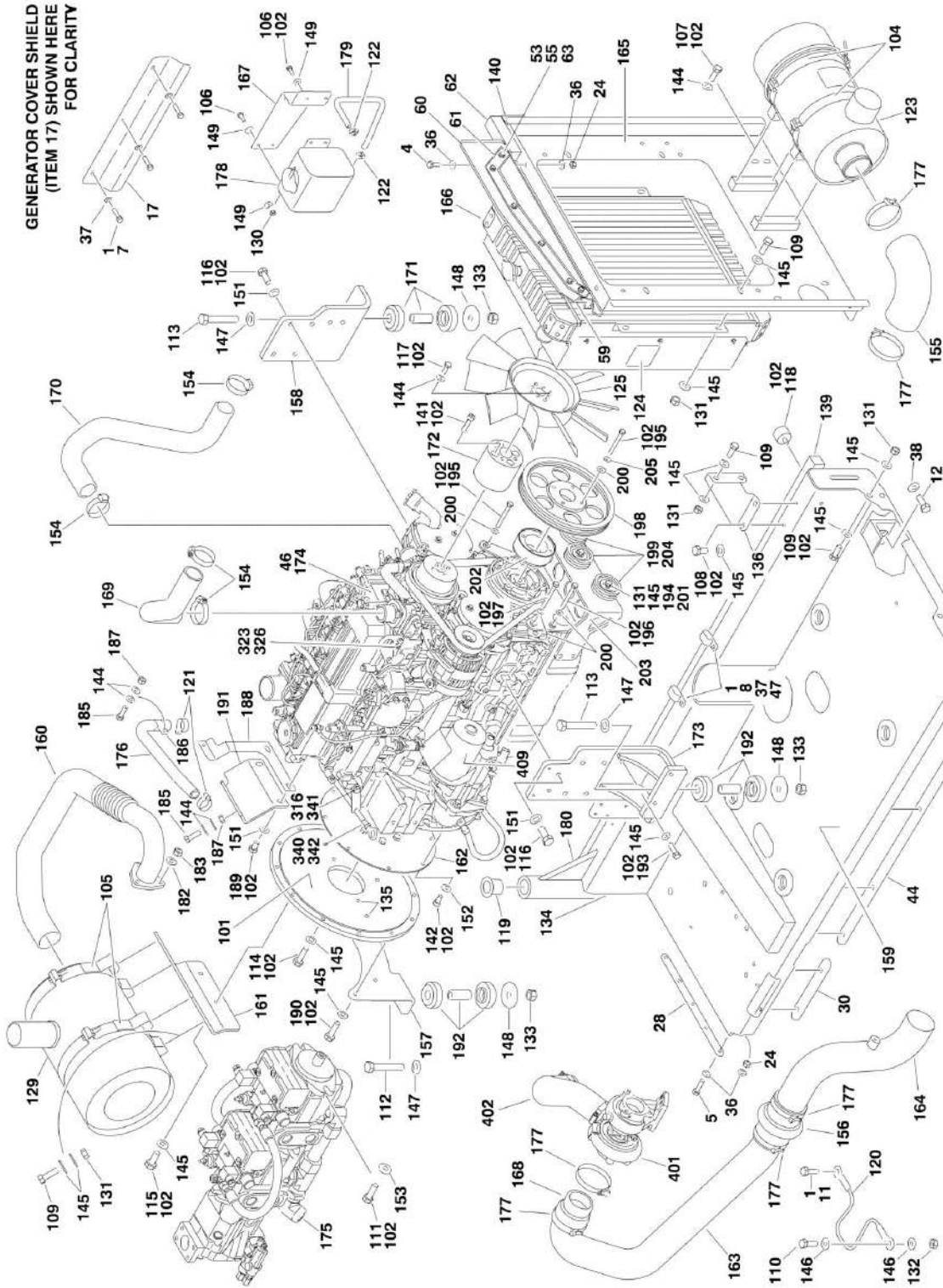
## SECTION 2 - TURNTABLE

ITEM	PART NUMBER	QTY	DESCRIPTION	REV
210	7024197	1	Bearing, Ball	
211	7024197	1	Ring, Retaining	
212	7024197	1	Seal, Shaft	
213	See Note	6	Capscrew (Note: Not Available For Purchase)	
214	See Note	6	Lockwasher (Note: Not Available For Purchase)	
215	7024194	1	O-Ring	
216	7024194	1	Ring, Back-up	
217	7024194	1	O-Ring	
218	7024194	1	Ring, Back-up	
219	7024190	2	Pin, Dowel	
220	See Note	1	Plug (Note: Not Available For Purchase)	
221	See Note	1	Plug (Note: Not Available For Purchase)	
222	7024196	AR	Spring (Natural)	
223	7024196	AR	Spring, (Blue)	
251	7024194	1	Seal Kit - Brake (Includes Items 205, 207 & 215-218)	
252	7024196	1	Spring Kit - Brake (Includes 12 Natural Colored Springs) (was p/n 7024195) (Note: Spring Kit p/n 7024195 no Longer Available, Purchase p/n 7024196 for Replacement.)	
253	7024196	1	Spring Kit - Brake (Includes 12 Natural & 2 Blue Colored Springs)	
254	7024193	1	Friction Disc Kit - Brake (Includes Items 203, 204, 206 & 207)	
255	7024197	1	Bearing Kit - Brake (Includes Items 207 & 210-212)	



# SECTION 2 - TURNTABLE

## FIGURE 2-5. CATERPILLAR ENGINE INSTALLATION







## SECTION 2 - TURNTABLE

FIGURE 2-5. CATERPILLAR ENGINE INSTALLATION

ITEM	PART NUMBER	QTY	DESCRIPTION	REV
	1001120529	Ref	<b>CATERPILLAR DIESEL ENGINE INSTALLATION</b>	<b>C</b>
1	0100011	AR	Compound, Locking	
2	0100079	AR	Sealant, Pipe	
3	0641606	4	Bolt 3/8in-16NC x 3/4in	
4	0641506	AR	Bolt 5/16in-18NC x 3/4in	
5	0641509	AR	Bolt 5/16in-18NC x 1-1/8in	
6	0641511	13	Bolt 5/16in-18NC x 1-3/8in	
7	0641605	3	Bolt 3/8in-16NC x 5/8in	
8	0641608	AR	Bolt 3/8in-16NC x 1in	
9	0641610	1	Bolt 3/8in-16NC x 1-1/4in	
10	0641611	2	Bolt 3/8in-16NC x 1-3/8in	
11	0641808	1	Bolt 1/2in-13NC x 1in	
12	0642010	1	Bolt 5/8in-11NC x 1-1/4in	
13	0700808	1	Bolt M8 x 16mm	
13	0761210	1	Bolt M12 x 20mm	
14	1320022	5	Clamp	
15	1320187	1	Clamp, Twin	
16	1320190	1	Cover, Clamp	
17	1671121	1	Cover, Generator	
18	2180348	1	Fitting, Barbed	
19	2200222	1	Plug, Pipe (Used in Bottom of Fuel Tank) (Not Shown)	
20	2220313	1	Fitting, 90 Barbed	
21	2221176	1	Fitting, 90 Elbow	
22	2750532	55 in/1.4m	Hose	
23	2820170	1	Insulation, Sound Absorbing	
24	3311505	AR	Locknut 5/16in-18NC	
25	3311605	AR	Locknut 3/8in-16NC	
26	1001128899	1	Panel, Rubber	
27	3422446	1	Pin	
28	3573644	1	Plate, Tray Clamp	
29	1001128898	1	Plate, Clamp	
30	3573728	1	Plate, Tray Clamp	
31	3841143	1	Keeper, Pin	
32	3900272	4	Screw, Button 5/16in-18NC x 1-3/4in	
33	4240018	AR	Strap, Tie (Not Shown)	
34	4240033	AR	Strap, Tie	
36	4711500	AR	Flatwasher 5/16in Thin	
37	4711600	16	Flatwasher 3/8in Thin	
38	4752000	1	Flatwasher 5/8in Regular	
39	4811900	1	Flatwasher M8	
39	4812100	1	Flatwasher M12	
40	1001108617		Pressure Filter	
40	70002231	1	Element, Filter	
41	1001111132	1	Panel, Rubber	
42	1001112878	1	Plate, Top Clamp	
43	1001112879	1	Plate, Bottom Clamp	
44	1001112880	1	Plate, Tray Clamp	
46	1001116112	1	Engine, Caterpillar C3.4 Turbo (See Items 401 to 411 for Individually Serviced Components)	
47	1001116792	3	Clamp	

## SECTION 2 - TURNTABLE

ITEM	PART NUMBER	QTY	DESCRIPTION	REV	
48	1001119995	1	Harness, Engine (Not Shown - See ELECTRICAL SECTION for Breakdown)	B	
49	1001120492	2	Fitting, Straight		
50	1001120743	1	Battery Cable Kit		
50A	7027034	1	Cable, Red (To Aux Pump Relay, Battery Positive Terminal, Glow Plug Solenoid and Starter)		
50B	7024581	1	Cable, Black (To Aux Pump, Battery Negative Terminal and Ground at Tray Pivot)		
50C	7027035	1	Cable, Red (Aux Pump Relay to Aux Pump)		
50D	7027039	1	Cable, Black (Tray Pivot to Engine Block)		
50E	See Note	4	Boot, Terminal (Red) (Note: Not Available For Purchase)		
50F	See Note	1	Boot, Square Terminal (Red) (Note: Not Available For Purchase)		
51	1001121236	1	Bracket, Fuel Pump Mounting		
52	3311005	1	Locknut 10-24NC		
53	3311405	6	Locknut 1/4in-20NC		
54	4711000	2	Flatwasher #10		
55	4711400	12	Flatwasher 1/4in		
56	0641612	2	Bolt 3/8in-16NC x 1-1/2in		
57	0721006	1	Screw #10-24NC x 3/4in		
58	2200221	1	Plug		
59	1001128765	1	Support, Baffle		
60	1001128789	1	Panel, Rubber		
61	1001128797	1	Plate, Clamp		
62	1001130774	1	Seal		
63	0641406	6	Bolt 1/4in-20NC x 3/4in		
	1001116111	Ref	<b>CATERPILLAR DIESEL ENGINE ASSEMBLY</b>		D
101	0080181	1	Plate, Pump Mounting Adapter		
102	0100011	AR	Compound, Locking		
103	0100020	AR	Sealant, Pipe (Not Shown)		
104	0340003	2	Band, Air Cleaner		
105	0340051	2	Band, Muffler		
106	0641406	9	Bolt 1/4in-20NC x 3/4in		
107	0641506	6	Bolt 5/16in-18NC x 3/4in		
108	0641605	2	Bolt 3/8in-16NC x 5/8in		
109	0641608	19	Bolt 3/8in-16NC x 1in		
110	0641808	1	Bolt 1/2in-13NC x 1in		
111	0641812	2	Bolt 1/2in-13NC x 1-1/2in		
112	0642028	2	Bolt 5/8in-11NC x 3-1/2in		
113	0642030	2	Bolt 5/8in-11NC x 3-3/4in		
114	0701012	4	Bolt M10 x 25mm		
115	0701015	2	Bolt M10 x 35mm		
116	0711214	8	Bolt M12 x 30mm		
117	0760810	4	Bolt M8 x 20mm		
118	0940070	1	Bumper		
119	0961986	2	Bushing, Flanged		
120	1001131542	1	Lanyard		
121	1320017	2	Clamp		
122	1320022	4	Clamp		
123	1340065	1	Air Cleaner Assembly		
123	7003655	1	Element, Air Cleaner		
123	7015013	1	Baffle, Rubber		
123	7015014	1	Clamp, Cap		

## SECTION 2 - TURNTABLE

ITEM	PART NUMBER	QTY	DESCRIPTION	REV
123	7015015	1	Cup	
123	7015003	1	Wingnut	
124	1703162	2	Decal - Fan Blade	
125	2060025	1	Fan	
126	2300004	2.95 gl/11.17Li	Anti-Freeze (Not Shown)	
127	3020016	2.64 gl/9.99Li	Oil, Motor 15W-40 (Not Shown)	
128	3020037	AR	Lube, Coupling Grease (Not Shown)	
129	3220126	1	Muffler	
129	70003555	1	Clamp	
130	3311405	7	Locknut 1/4in-20NC	
131	3311605	AR	Locknut 3/8in-16NC	
132	3311805	1	Locknut 1/2in-13NC	
133	3312005	4	Locknut 5/8in-11NC	
134	3422532	1	Pin, Hitch	
135	3520054	3	Plug	
136	3573412	1	Gusset	
137	3740067	1	Relay	
138	3740080	1	Relay	
139	3960543	1	Seal	
140	3960544	1	Seal	
141	4031911	4	Capscrew M8 x 35mm	
142	4032008	8	Capscrew M10 x 20mm	
143	4711400	6	Flatwasher 1/4in Thin	
144	4711500	AR	Flatwasher 5/16in Thin	
145	4711600	AR	Flatwasher 3/8in Thin	
146	4711800	2	Flatwasher 1/2in Thin	
147	4712000	4	Flatwasher 5/8in Thin	
148	4740242	4	Washer, Snubbing	
149	4751400	10	Flatwasher 1/4in Regular	
150	4751500	2	Flatwasher 5/16in Regular	
151	4812100	10	Flatwasher 12mm	
152	4832000	8	Lockwasher 10mm	
153	4891800	2	Flatwasher 1/2in Hardened	
154	8405104	4	Clamp, Gear	
155	91083128	1	Elbow, 90	
156	91403244	1	Rubber, Straight Hump	
157	1001129023	1	Plate, Engine Mounting (Rear)	
158	1001129304	1	Mount, Motor (Front)	
159	1001116153	1	Tray, Engine	
160	1001116186	1	Tube, Exhaust	
161	1001116201	1	Plate, Muffler Mounting	
162	1001116278	1	Coupling, Pump	
163	1001116313	1	Tube, Air Intake	
164	1001116324	1	Tube, Air Intake	
165	1001116348	1	Plate, Radiator Mounting	
166	1001116354	1	Radiator	
166	7027412	1	Cap, Radiator	
167	1001116367	1	Support, Tank Mounting	
168	1001116413	1	Hose, Air Intake Reducer	
169	1001116436	1	Hose, Radiator (Top)	

## SECTION 2 - TURNTABLE

ITEM	PART NUMBER	QTY	DESCRIPTION	REV
170	1001116437	1	Hose, Radiator (Bottom)	
171	1001116525	2	Mount, Engine	
172	1001116591	1	Spacer, Fan	
173	1001117546	1	Mount, Generator	
174	1001117874	1	Engine, Caterpillar C3.4 Turbo W/E Controls (See Items 301 to 339 for Individually Serviced Components)	
175	1001118368	1	Pump Assembly (Machines with Rexroth Pump Only) (See PUMP ASSEMBLY (CATERPILLAR ENGINE MACHINES) for Breakdown)	
176	1001116836	AR	Hose, Air Intake	
177	1320058	1	Clamp	
178	1580011	1	Container, Coolant Overflow	
179	2720058	31.66 ft	Hose	
180	4060805	5 in/12.7cm	Flex-Trim 1/4in	
181	4640750	1	Valve, Oil Drain	
182	4812000	3	Flatwasher 10mm	
183	1001121004	3	Nut M10 x 1.25	
185	0641508	3	Bolt 5/16in-18NC x 1in	
186	1320130	1	Clamp	
187	3311505	3	Locknut 5/16in-18NC	
188	1001125891	1	Bracket, Valve	
189	0761212	2	Bolt M12 x 25mm	
190	0701016	6	Bolt M10 x 40mm	
191	1001130161	1	Bracket, Muffler Mounting	
192	1001130171	2	Mount, Engine	
193	0641610	4	Bolt 3/8in-16NC x 1-1/4in	
194	0641614	3	Bolt, Hex Head 3/8in-16NC x 1-3/4in	
195	0700822	5	Bolt M8 x 70mm	
196	0700823	2	Bolt M8 x 75mm	
197	0700824	1	Bolt M8 x 80mm	
198	3580321	1	Pulley, Engine	
199	4568735	3	Tube, Spacer	
200	4811900	8	Flatwasher M8	
201	4891600	3	Flatwasher 3/8in Hardened	
202	1001117500	1	Spacer, Pulley	
203	1001117577	1	Support, Generator Pulleys	
204	1001129995	3	Pulley, Idler Grooved	
205	4831900	4	Lockwasher 8mm	
	1001117874	Ref	<b>CATERPILLAR DIESEL ENGINE W/E CONTROLS</b>	B
301	0100011	AR	Compound, Locking	
302	0100020	AR	Sealant, Pipe	
303	0700808	3	Bolt M8 x 16mm	
304	0701010	2	Bolt M10 x 20mm	
305	0760606	2	Bolt M6 x 12mm	
306	0760610	2	Bolt M6 x 20mm	
307	0760612	3	Bolt M6 x 25mm	
308	0761210	2	Bolt M12 x 20mm	
309	1320224	1	Clamp	
310	1320263	1	Clamp	
311	3290501	3	Nut M5	
312	4031607	2	Capscrew M5 x 16mm	

## SECTION 2 - TURNTABLE

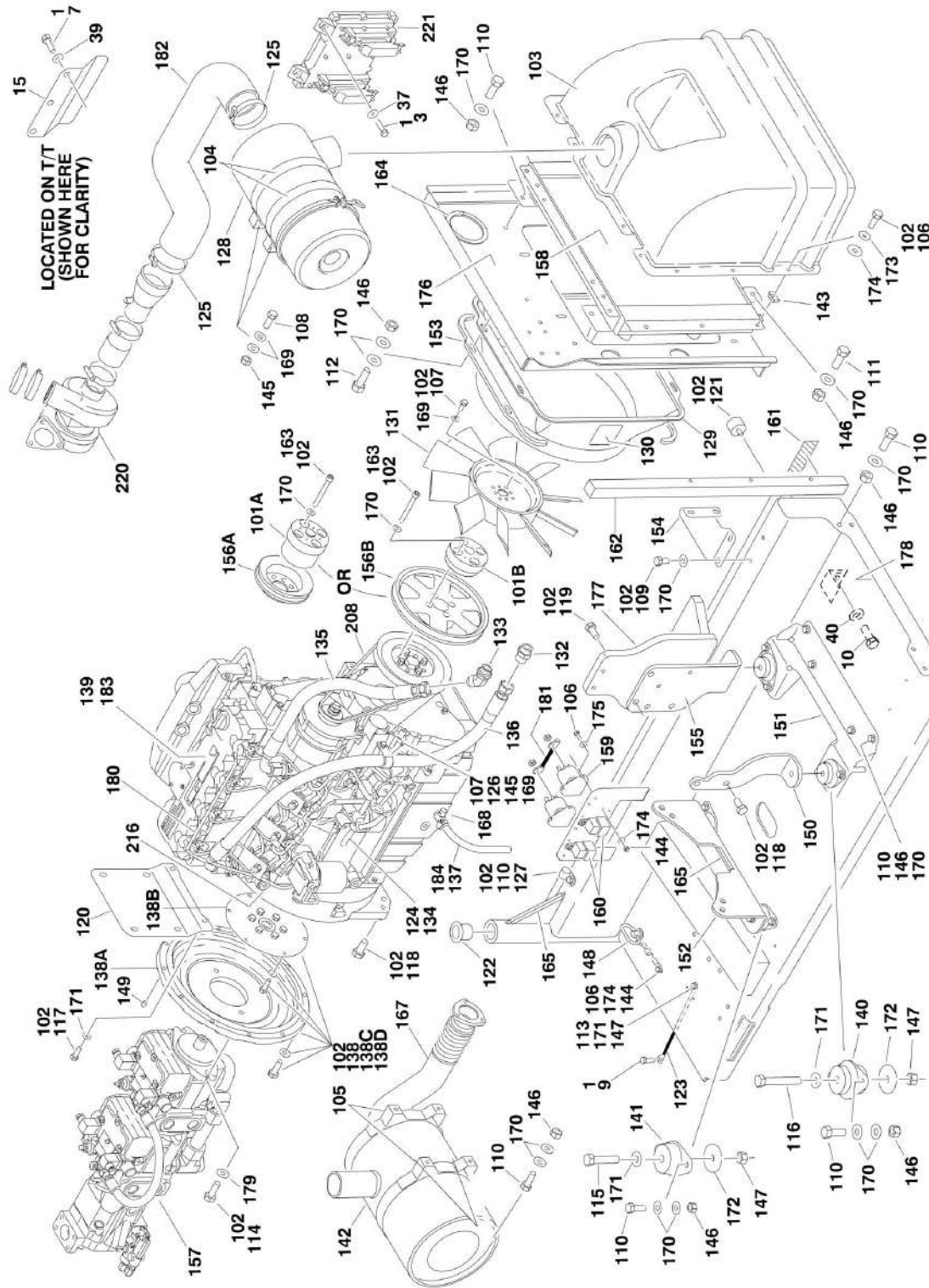
ITEM	PART NUMBER	QTY	DESCRIPTION	REV
313	4811600	3	Flatwasher M5	
314	4811700	8	Flatwasher M6	
315	4811900	3	Flatwasher M8	
316	4812000	3	Flatwasher M10	
317	4812100	2	Flatwasher M12	
318	5250608	2	Bolt M6 x 16mm	
319	5250808	4	Bolt M8 x 16mm	
320	8303541	1	Bolt M6 x 1 x 35mm	
321	8406101	2	Tube, Clip	
322	8406105	2	Tube, Clip	
323	1001097553	1	Washer, Coolant Sensor	
324	1001112059	5	Bumper	
325	1001112068	1	Sensor, Speed	
326	1001112069	1	Sensor, Temperature	
327	1001112070	1	Switch, Oil Pressure	
328	1001112073	1	Actuator	
329	1001112570	1	Spacer, Nylon	
330	1001112592	1	Bearing	
332	1001120769	1	Bracket, ECM/Fuse Box	
333	1001120771	1	Bracket, Actuator	
334	1001120772	1	Bracket, Actuator	
335	1001120773	1	Link, Spacer	
336	1001120774	1	Bolt, M5	
337	1001120775	1	Bracket, Actuator	
338	1001120810	1	Controller	
339	1001120776	1	Engine Harness (Not Shown - See ELECTRICAL SECTION for Breakdown)	
340	1001129361	1	Tube, Dipstick	
341	0761007	1	Bolt M10 x 14mm	
342	1001129360	1	Dipstick, Oil	
	1001116112	Ref	<b>CATERPILLAR ENGINE COMPONENTS</b>	A
401	70002831	1	TurboCharger	
401	70002829	1	Gasket, TurboCharger Drain Pipe	
401	70002830	1	Gasket, TurboCharger	
402	70002832	1	Hose	
403	7026839	1	Pump, Fuel	
403	70002833	1	Ring, Retaining	
403	70002834	1	Bowl, Water Collect	
403	7026830	1	Element, Fuel/Water	
403	70002835	1	Kit Seal	
404	70002837	4	Plug, Glow	
405	7026802	1	Flywheel W/Gear (Not Shown)	
405	7026803	1	Gear	
406	7026811	1	Filter, Oil	
406	7026812	1	O-Ring (Between Center Bolt and Oil Filter Bracket)	
406	7026813	1	O-Ring (Between Oil Filter Bracket and Engine)	
407	7026822	1	Thermostat	
407	7026820	1	Gasket, Thermostat (Between Housing and Cylinder Head)	
407	7026821	1	Gasket (Between Housing and Thermostat Cover)	
408	7026829	1	Gasket, Intake Manifold (Not Shown)	
409	7026833	1	Starter	
410	7026804	1	Gasket (Not Shown - Located Between Bell Housing and Engine)	

**SECTION 2 - TURNTABLE**

ITEM	PART NUMBER	QTY	DESCRIPTION	REV
411	7026805	1	Block) Seal, Rear Main (Not Shown)	

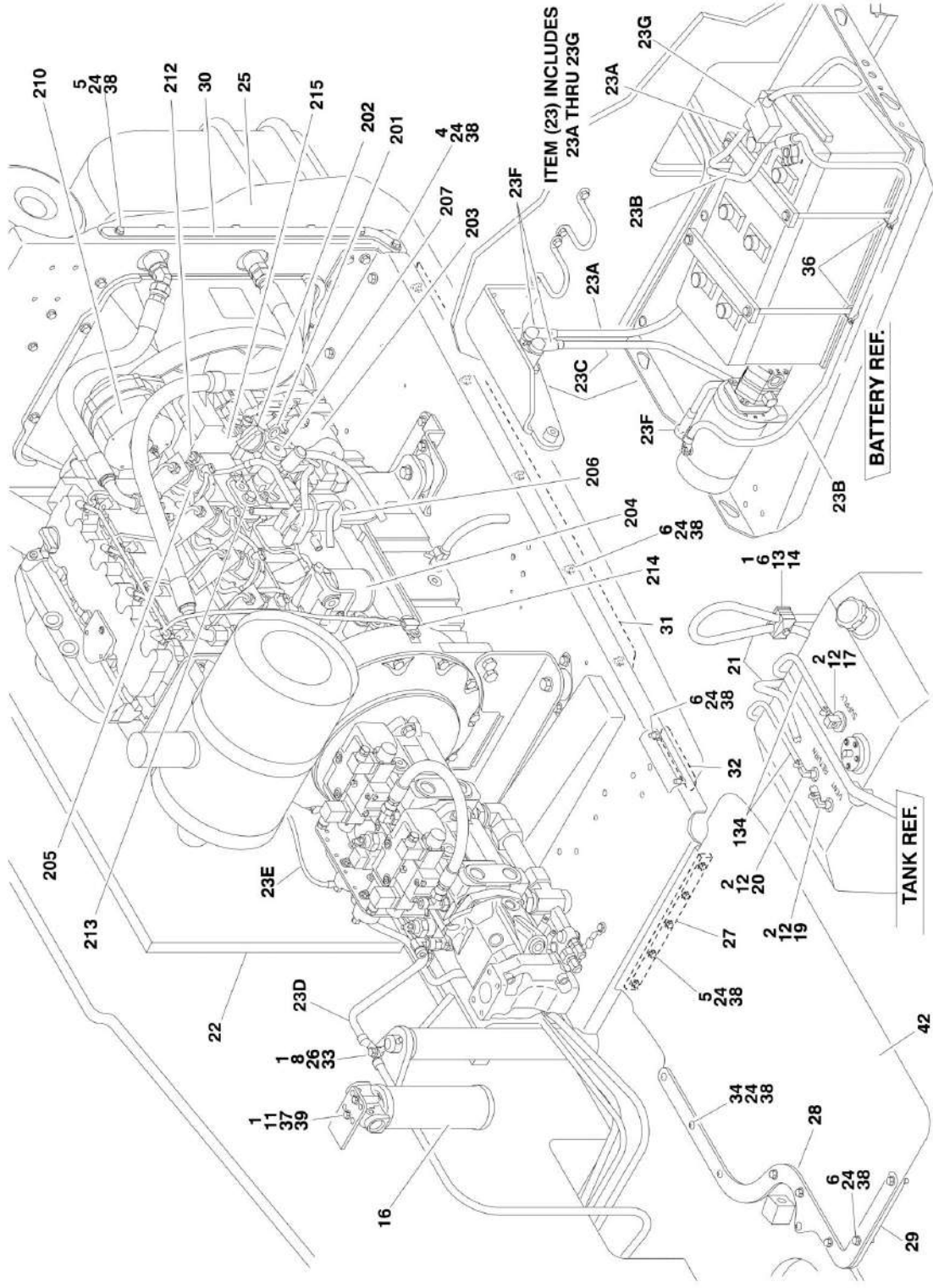
# SECTION 2 - TURNTABLE

## FIGURE 2-6. DEUTZ ENGINE INSTALLATION





# SECTION 2 - TURNTABLE



## SECTION 2 - TURNTABLE

FIGURE 2-6. DEUTZ ENGINE INSTALLATION

ITEM	PART NUMBER	QTY	DESCRIPTION	REV
		Ref	<b>DEUTZ DIESEL ENGINE INSTALLATION OPTIONS:</b>	
	1001111054	Ref	<b>Without Skypower (2500W Generator Prep)</b>	D
	1001111352	Ref	<b>With Skypower (7500W Generator Prep)</b>	D
1	0100011	AR	Compound, Locking	
2	0100079	AR	Sealant, Pipe	
3	0641410	4	Bolt 1/4in-20NC x 1-1/4in	
4	0641506	1	Bolt 5/16in-18NC x 3/4in	
5	0641509	7	Bolt 5/16in-18NC x 1-1/8in	
6	0641511	13	Bolt 5/16in-18NC x 1-3/8in	
7	0641605	3	Bolt 3/8in-16NC x 5/8in	
8	0641610	1	Bolt 3/8in-16NC x 1-1/4in	
9	0641808	1	Bolt 1/2in-13NC x 1in	
10	0642010	1	Bolt 5/8in-11NC x 1-1/4in	
11		Ref	Bolt Options:	
11	0641406	2	Bolt 1/4in-20NC x 3/4in	
11	0641606	4	Bolt 3/8in-16NC x 3/4in	
12	1320022	3	Clamp	
13	1320187	1	Clamp	
14	1320190	1	Clamp, Cover Plate	
15	1671121	1	Cover, Generator	
16	1001108617	1	Filter, Hydraulic (Note: Filter Head uses either 2-Bolt or 4-Bolt Mounting Pattern.)	
16	70002231	1	Element, Filter	
17	2180348	1	Fitting, Straight Barbed	
18	2200222	1	Plug (Not Shown - Located in Bottom of Fuel Tank)	
19	2220313	1	Fitting, 90 Barbed	
20	2221176	1	Fitting, 90 Barbed	
21	2750532	89 in/2.3m	Hose	
22		Ref	Insulation Options:	
22	2820148	1	Insulation ( <b>Prior to SN 0300138360</b> )	
22	2820170	1	Insulation ( <b>SN 0300138360 to Present</b> )	
23	2902099	1	Battery Cable Kit	C
23A	7024580	1	Cable, Red (To Aux Pump Relay, Battery Positive Terminal and Start Relay)	
23B	7024581	1	Cable, Black (To Aux Pump, Battery Negative Terminal and Ground at Tray Pivot)	
23C	7024582	1	Cable, Red (Aux Pump Relay to Aux Pump)	
23D	7024583	1	Cable, Black (Tray Pivot to Engine Mount)	
23E	7024584	1	Cable, Red (Start Relay to Starter)	
23F	See Note	6	Boot, Terminal (Red) (Note: Not Available for Purchase)	
23G	See Note	1	Boot, Square Terminal (Red) (Note: Not Available for Purchase)	
24	3311505	24	Locknut 5/16in-18NC	
25	3380473	1	Panel, Rubber	
26	3422446	1	Pin	
27	3573644	1	Plate, Tray Clamp	
28	1001112878	1	Plate, Top Clamp	
29	1001112879	1	Plate, Bottom Clamp	
30	3573669	1	Plate, Clamp	
31	1001112880	1	Plate, Tray Clamp	
32	3573728	1	Plate, Tray Clamp	

**SECTION 2 - TURNTABLE**

ITEM	PART NUMBER	QTY	DESCRIPTION	REV
33	3841143	1	Keeper, Pin	
34	3900272	4	Screw, Buttonhead 5/16in-18NC x 1-3/4in	
35	4240018	2	Tie-Strap (Not Shown)	
36	4240099	AR	Tie-Strap	
37	4711400	AR	Flatwasher 1/4in Thin	
38	4711500	44	Flatwasher 5/16in Thin	
39	4711600	AR	Flatwasher 3/8in Thin	
40	4752000	1	Flatwasher 5/8in Regular	
42	1001111132	1	Panel, Rubber	
		Ref	<b>DEUTZ DIESEL ENGINE ASSEMBLY OPTIONS:</b>	
	1001098513	Ref	<b>Without Skypower (2500W Generator Prep)</b>	E
	1001098530	Ref	<b>With Skypower (7500W Generator Prep)</b>	E
101		Ref	Spacer, Fan Options:	
101A	0080237	1	Without Skypower (2500W Generator Prep)	
101B	0080244	1	With Skypower (7500W Generator Prep)	
102	0100011	AR	Compound, Locking	
103	0272060	1	Box, Air Intake	
104	0340003	2	Band, Air Cleaner	
105	0340051	2	Band, Muffler	
106	0641406	15	Bolt 1/4in-20NC x 3/4in	
107	0641506	5	Bolt 5/16in-18NC x 3/4in	
108	0641507	4	Bolt 5/16in-18NC x 7/8in	
109	0641605	4	Bolt 3/8in-16NC x 5/8in	
110	0641608	25	Bolt 3/8in-16NC x 1in	
111	0641609	2	Bolt 3/8in-16NC x 1-1/8in	
112	0641610	4	Bolt 3/8in-16NC x 1-1/4in	
113	0641808	1	Bolt 1/2in-13NC x 1in	
114	0641812	2	Bolt 1/2in-13NC x 1-1/2in	
115	0641818	2	Bolt 1/2in-13NC x 2-1/4in	
116	0641826	2	Bolt 1/2in-13NC x 3-1/4in	
117	0711214	2	Bolt M12 x 30mm	
118	0771414	6	Bolt M14 x 30mm	
119		Ref	Bolt M14 x 45mm	
119	0771414	4	Without Skypower (2500W Generator Prep)	
119	0711417	4	With Skypower (7500W Generator Prep)	
120	1001112766	1	Bracket, Muffler	
121	0940070	1	Bumper	
122	0961986	2	Bushing, Flanged	
123		Ref	Lanyard Options:	
123	1060637	1	16in/40.6cm Length	
123	1001131542	1	13in/33cm Length	
124	1320022	2	Clamp	
125	1320058	2	Clamp	
126	1320060	1	Clamp	
127	1320223	1	J-Clip	
128	1340065	1	Air Cleaner Assembly	
128	7003655	1	Element, Air Cleaner	
129	1671023	1	Shroud, Fan	
130	1703162	2	Decal - Fan Blade	
131	2060025	1	Fan	
132	2220451	1	Fitting, Straight	

## SECTION 2 - TURNTABLE

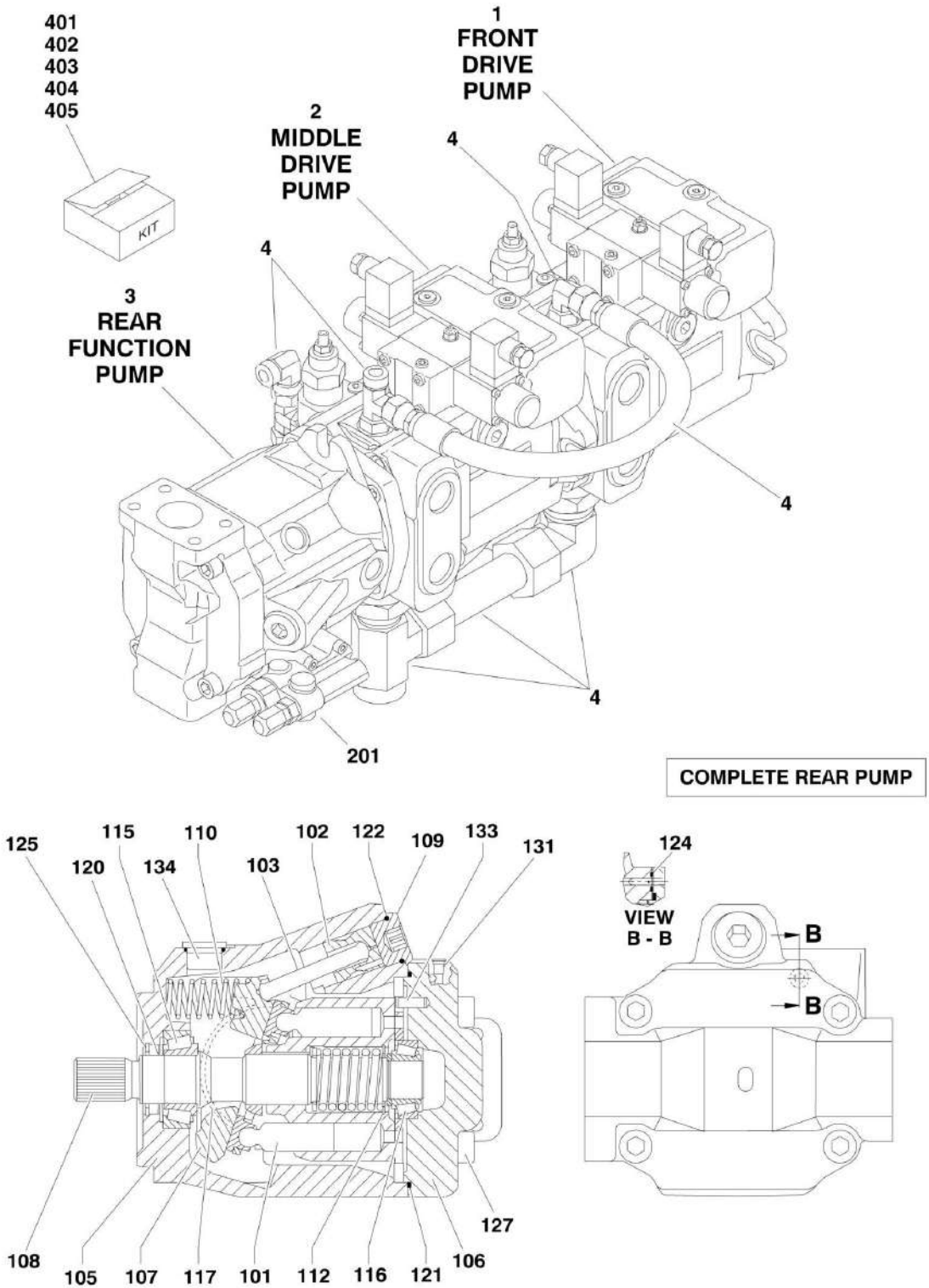
ITEM	PART NUMBER	QTY	DESCRIPTION	REV
133	2220498	1	Fitting, 45	
134	2720058	34 ft/10.3m	Hose	
135	2720500	1	Hose, Oil Cooler (Top)	
136	2720501	1	Hose, Oil Cooler (Bottom)	
137	2750532	9 in/23cm	Hose	
138	2902065	1	Pump Coupling Kit	H
138A	2902065	1	Plate, Pump Mounting	
138B	70000793	1	Coupling, Flex	
138C	See Note	20	Capscrew M10 (Grade 10.9) (Note: Not Available Purchase Locally)	
138D	See Note	12	Flatwasher M10 (Note: Not Available Purchase Locally)	
139	3020016	3.25 gal	Oil, Engine 15W-40	
140	3200362	2	Mount, Motor (Front)	
141	3200401	2	Mount, Motor (Rear)	
142		Ref	Muffler Options:	
142	3220126	1	Standard Spark Arresting Muffler	
142	3220130	1	Optional Catalytic Muffler	
142	70001017	1	Clamp	
143	3300454	10	Nut	
144	3311405	5	Locknut 1/4in-20NC	
145	3311505	5	Locknut 5/16in-18NC	
146	3311605	30	Locknut 3/8in-16NC	
147	3311805	5	Locknut 1/2in-13NC	
148	3422532	1	Pin, Hitch	
149	3520054	2	Plug, Hole	
150	3537416	1	Plate, Mounting (Front Right)	
151	3539971	1	Bracket, Engine Mounting (Front)	
152	3573142	1	Bracket, Engine Mounting (Rear)	
153	3573411	2	Plate, Clamp	
154	3573412	1	Plate, Gusset	
155	3573529	1	Plate, Mounting (Front Left)	
156		Ref	Pulley Options:	
156A	3580158	1	Without Skypower (2500W Generator Prep)	
156B	3580320	1	With Skypower (7500W Generator Prep)	
157	3600339	1	Pump Assembly (See PUMP ASSEMBLY (DEUTZ ENGINE MACHINES) for Breakdown)	
158	1001145382	1	Cooler, Engine Oil (was p/n 3620041)	
159	3740067	2	Relay	
160	3740080	2	Relay	
161	3960543	1	Seal	
162	3960544	1	Seal	
163	4032022	4	Capscrew M10 x 90mm	
164	4060804	12 in/30cm	Flex-Trim	
165	4060805	8 in/20cm	Flex-Trim	
166	4240099	AR	Tie, Wire (Not Shown)	
167	4568293	1	Pipe, Exhaust	
168	4640751	1	Valve, Oil Drain	
169	4711500	13	Flatwasher 5/16in Thin	
170	4711600	68	Flatwasher 3/8in Thin	
171	4711800	7	Flatwasher 1/2in Thin	

## SECTION 2 - TURNTABLE

ITEM	PART NUMBER	QTY	DESCRIPTION	REV
172	4740274	4	Washer, Snubbing	
173	4740518	10	Washer, Nylon	
174	4751400	20	Flatwasher 1/4in Regular	
175	4791400	4	Starwasher 1/4in	
176	4846552	1	Plate, Oil Cooler Mounting	
177		Ref	Mount, Generator Options:	
177	Not Required	0	Without Skypower (2500W Generator Prep)	
177	4846945	1	With Skypower (7500W Generator Prep)	
178	4846946	1	Tray	
179	4891800	2	Flatwasher, 1/2in Hardened	
180	4923468	1	Harness, Glow Plugs	
181	4923592	AR	Cable, Jumper	
182	1001092856	1	Hose, Turbo	
183	1001098601	1	Engine, Deutz BF4M2011 (See Items 201 to 222 for Serviced Components)	
184	8410013	1	Clamp, Gear	
	1001098601	Ref	<b>DEUTZ ENGINE COMPONENTS</b>	A
201	7027235	1	Dipstick	
202	7020465	1	Cap, Filler	
203	70001850	1	Pump, Oil Lube	
203	7020468	1	Seal Between Oil Pump and Engine Block (Not Shown)	
204	7016331	1	Filter, Oil	
205		Ref	Injector Pump Options:	
		Ref	<b>Note: Series Letter is shown on label at base of Injector</b>	
205	70001128	AR	"A" Series	
205	70001129	AR	"B" Series	
205	70001130	AR	"C" Series	
205	70001131	AR	"D" Series	
206	7016328	1	Filter, Fuel	
207	70000916	1	Pump Fuel Supply	
207	70001435	1	Repair Kit	
207	70000917	1	O-Seal Between Fuel Pump and Engine Block (Not Shown)	
208	7020414	1	V-Belt	
209	7020471	4	Gasket, Exhaust Manifold to Cylinder Head (Not Shown)	
209	7020486	1	Gasket, Exhaust Manifold to Exhaust Pipe (Not Shown)	
210	70001867	1	Alternator Options:	
210	70001868	1	Regulator, Voltage (Not Shown)	
211	7020479	1	Starter (Not Shown - Located on Right Side of Engine)	
211	7026608	1	Starter (Not Shown - Located on Right Side of Engine)	
212	7027791	1	Sender, Coolant Temperature	
213	7027790	1	Sensor, Oil Pressure	
214	7024565	1	Sensor, Speed	
215	7027792	1	Actuator, Throttle	
215	7027276	2	Spring	
216	7020459	1	Thermostat	
217	7024579	1	Gear, Ring (Not Shown)	
218	7027236	1	Sensor, Temperature (Not Shown)	
219	7027239	1	Solenoid, Start (Not Shown)	
220	7027240	1	Turbocharger	
221	1600443	1	Module, EMR2 Controller	
222	70002718	1	Seal, Rear Main (Not Shown)	

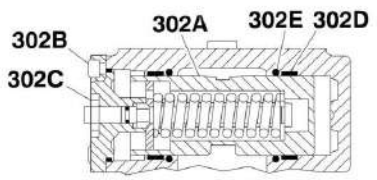
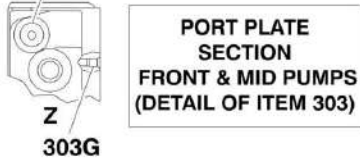
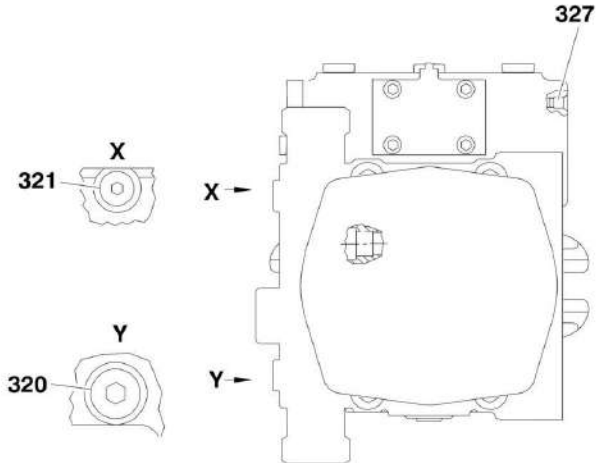
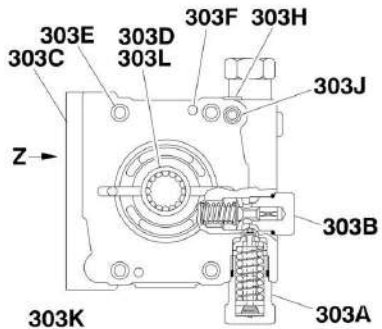
# SECTION 2 - TURNTABLE

FIGURE 2-7. PUMP ASSEMBLY (CATERPILLAR ENGINE MACHINES)

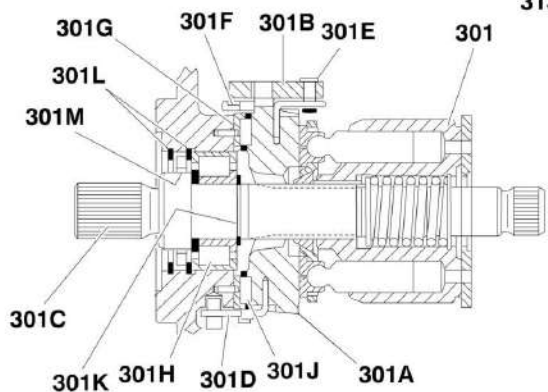
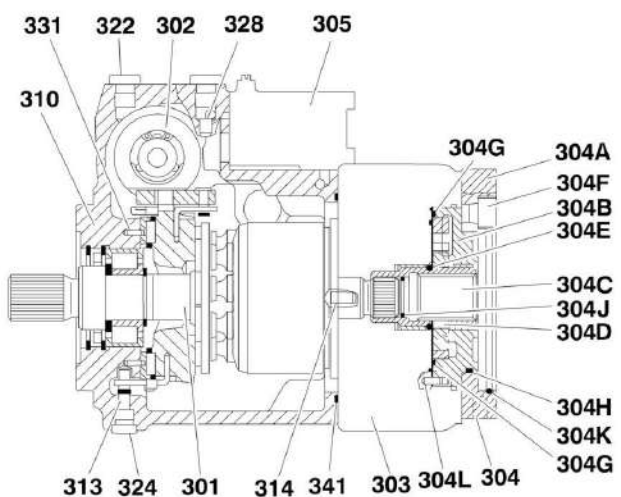


# SECTION 2 - TURNTABLE

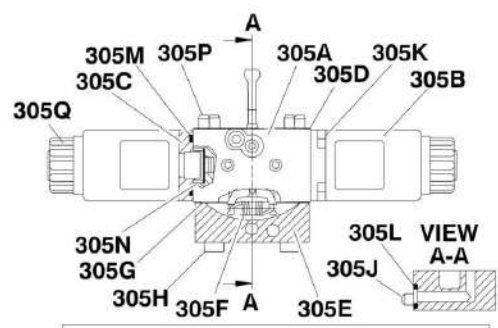
**COMPLETE FRONT & MID PUMPS**



**HYD. CONTROL FRONT & MID PUMPS (DETAIL OF ITEM 302)**



**ROTARY GROUP FRONT & MID PUMPS (DETAIL OF ITEM 301)**



**CONTROL MODULE FRONT & MID PUMPS (DETAIL OF ITEM 305)**

## SECTION 2 - TURNTABLE

**FIGURE 2-7. PUMP ASSEMBLY (CATERPILLAR ENGINE MACHINES)**

ITEM	PART NUMBER	QTY	DESCRIPTION	REV
	1001118368	Ref	<b>PUMP ASSEMBLY</b>	C
1	70003163	1	Front Drive Pump Assembly (Includes Items 301- 341)	
2	70003164	1	Middle Drive Pump Assembly (Includes Items 301- 341)	
3	7024044	1	Rear Function Pump Assembly (Includes Items 101-201	
4	See Note	1	Hydraulic Kit (Includes all Rexroth Supplied Hydraulic Fittings, Hoses and Tubes) (Note: Not Available for Purchase)	
	7024044	Ref	<b>REAR FUNCTION PUMP ASSEMBLY</b>	
101	70003173	1	Rotary Section	
102	See Note	1	Piston, Control (Note: Not Available for Purchase)	
103	See Note	1	Rod, Piston (Note: Not Available for Purchase)	
105	See Note	1	Housing, Pump (Note: Not Available - Purchase Complete Pump Assembly)	
106	See Note	1	Plate, Port (Note: Not Available for Purchase)	
107	70003174	1	Plate, Swash	
108	70003175	1	Driveshaft	
109	See Note	1	Plug (Note: Not Available for Purchase)	
110	See Note	1	Spring (Note: Not Available for Purchase)	
112	7012709	1	Shim	
115	7024038	1	Bearing, Roller	
116	7012706	1	Bearing, Roller	
117	7024917	2	Shell, Cradle	
120	7024918	1	Seal, Shaft	
121	70003176	1	O-Ring	
122	7024920	1	O-Ring	
124	7024950	1	Seal	
125	70003177	1	Ring, Retaining	
127	See Note	4	Capscrew M12 x 45-10.9 (Note: Not Available for Purchase)	
131	See Note	1	Plug (Note: Not Available for Purchase)	
133	See Note	1	Pin, Dowel (Note: Not Available for Purchase)	
134	See Note	1	Plug (Note: Not Available for Purchase)	
201	7024913	Ref	<b>Pilot Valve Assembly</b>	
		Ref	<b>Note: Two mounting designs of p/n 7024913 pilot valve exist. Early design uses qty. 3 o-rings. Late design uses qty. 1 sealing plate. Seal designs cannot be interchanged. Verify seal design before ordering.</b>	
201	7024922	3	O-Ring (Seals between Pilot Valve and Rear Pump)	
201	70021867	1	Plate, Sealing (Seals between Pilot Valve and Rear Pump)	
		Ref	<b>FRONT DRIVE PUMP ASSEMBLIES</b>	
	70003163	Ref	<b>Front Drive Pump Assembly</b>	
	70003164	Ref	<b>Middle Drive Pump Assembly</b>	
301	7024064	1	Rotary Group	
301A	See Note	1	Cradle (Note: Not Available - Purchase p/n 7024064)	
301B	See Note	1	Ring, Slide (Note: Not Available - Purchase p/n 7024064)	
301C	See Note	1	Driveshaft (Note: Not Available - Purchase p/n 7024064)	
301D	See Note	1	Wire (Note: Not Available - Purchase p/n 7024064)	
301E	See Note	1	Pin, Joint (Note: Not Available - Purchase p/n 7024064)	
301F	See Note	1	Wire (Note: Not Available - Purchase p/n 7024064)	
301G	See Note	1 Pair	Liner, Bearing (Note: Not Available - Purchase p/n 7024064)	
301H	See Note	1	Bearing, Roller (Note: Not Available - Purchase p/n 7024064)	
301J	See Note	1 Set	Cradle Bearing Assembly (Note: Not Available for Purchase)	
301K	See Note	1	Ring, Retaining (Note: Not Available for Purchase)	



## SECTION 2 - TURNTABLE

ITEM	PART NUMBER	QTY	DESCRIPTION	REV
301L	70001968	2	Ring, Retaining	
301M	70003167	1	Seal, Shaft Ring	
302	7024065	1	Control Group - Hydraulic	
302A	See Note	1	Piston, Positioning - Complete (Note: Not Available - Purchase p/n 7024065)	
		Ref	<b>Note: Sold only in Kit Except Outer Seal O-Ring and Stem O-Ring.</b>	
302A	7024071	1	O-Ring, Outer Seal	
302A	7024072	1	O-Ring, Stem	
302B	70003168	4	Capscrew M6 x 12-8.8	
302C	See Note	1	Nut (Note: Not Available - Purchase p/n 7024065)	
302D	70003168	2	Ring, Guide	
302E	70003168	2	Seal, O-Ring	
303		Ref	Port Plate Group Options:	
303	7024905	1	Front Drive Pump	
303	7024911	1	Middle Drive Pump	
303A	7024073	2	Cartridge, Relief Valve (High Pressure) (Note: Sold as an Assembly Except Outer Seals.)	
303A	7024075	1	O-Ring	
303A	7024076	1	Ring, Back-up	
303B		Ref	Cartridge Options:	
303B	7024907	1	Front Pump Cartridge (Lock Valve With Orifice) (Note: Sold as an Assembly Except Outer Seals.)	
303B	7024909	1	Screw, Locking	
303B	7024075	1	O-Ring	
303B	70020329	1	Middle Pump Cartridge (Pressure Relief Valve) (Note: Sold as an Assembly Except Outer Seals.)	
303B	70003172	1	Ring, Sealing (Steel)	
303B	7024077	1	O-Ring	
303C	See Note	1	Plate, Port (Note: Not Available - Purchase p/n 7024905 or 7024911)	
303D	See Note	1	Bushing, Bearing (Note: Not Available - Purchase p/n 7024905 or 7024911)	
303E	See Note	4	Screw, Socket Head M12 x 70-10.9 (Note: Not Available - Purchase p/n 7024911)	
303F	70003169	2	Pin, Dowel	
303G	70003169	1	Pin, Break-Off	
303H	70003169	1	Screw, Locking M10 x 1	
303J	7024908	2	O-Ring	
303K	70003169	2	Screw, Locking 7/16in-20NF	
303L	See Note	1	Bearing, Roller (Note: Not Available - Purchase p/n 7024905 or 7024911)	
304	7024906	1	Internal Gear Pump Options:	
304A	See Note	1	Flange, Intermediate (Note: Not Available - Purchase p/n 7024906)	
304B	See Note	1	Internal Gear Pump Housing (Note: Not Available - Purchase p/n 7024906)	
304C	See Note	1	Coupling, Driveshaft Through (Note: Not Available - Purchase p/n 7024906)	
304D	7024079	1	Key, Driveshaft	
304E	80934174	1	Ring, Retaining	
304F	See Note	4	Capscrew M10 x 20-8.8 (Note: Not Available - Purchase p/n 7024906)	
304G	7024080	2	Seal	

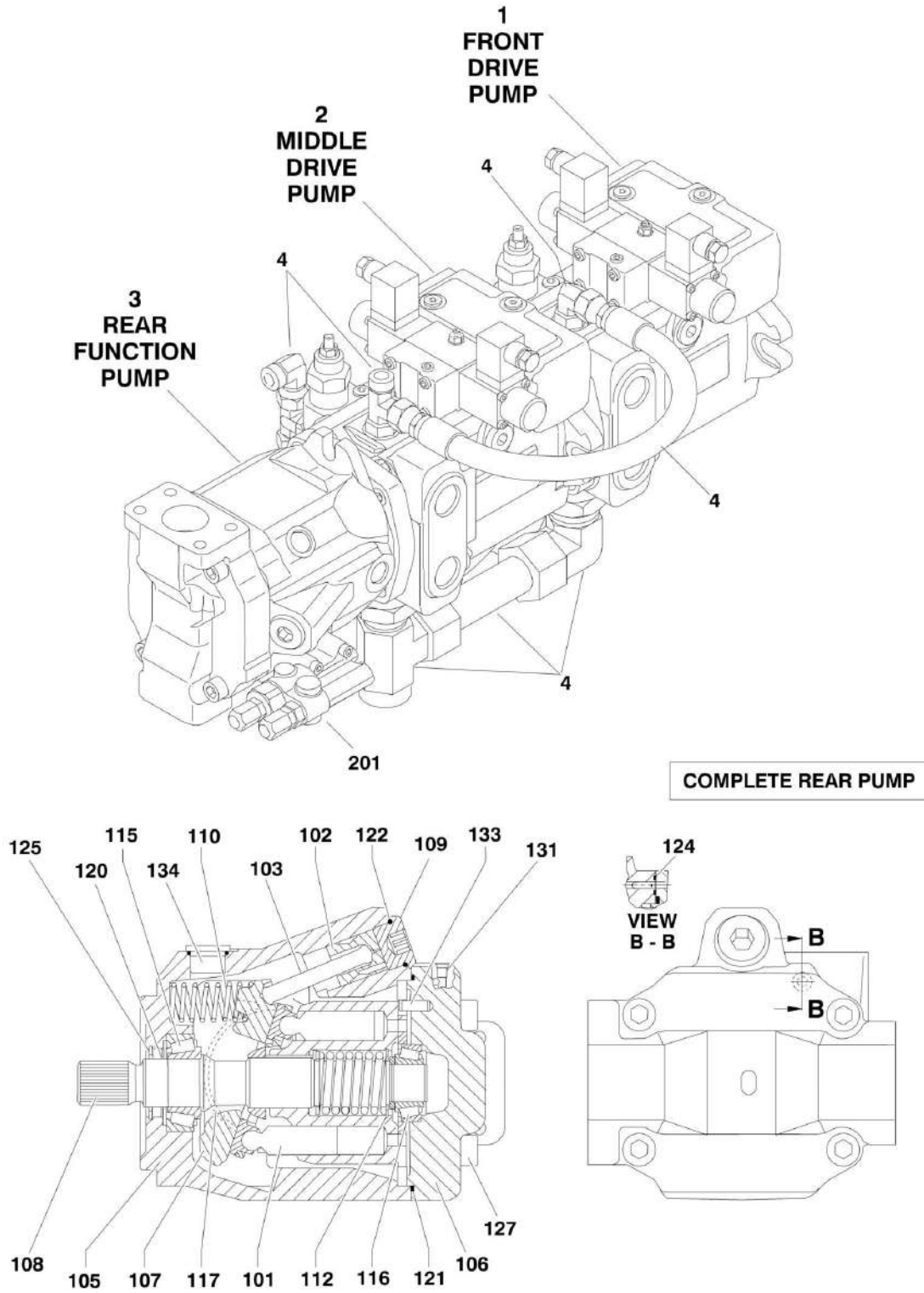
## SECTION 2 - TURNTABLE

ITEM	PART NUMBER	QTY	DESCRIPTION	REV
304H	7024081	1	O-Ring	
304J	See Note	1	Ring, Retaining (Note: Not Available - Purchase p/n 7024906)	
304K	7024910	1	O-Ring	
304L	See Note	1	Pin, Cylinder (Note: Not Available - Purchase p/n 7024906)	
305	70003165	1	Control Module	
305A	See Note	1	Valve Body, Lever and Internal Components	
305B	70003170	2	Coil, Solenoid	
305C	See Note	2	Spacer, Coil (Note: Not Available - Purchase p/n 70003165)	
305D	70020336	1	Gasket	
305E	See Note	1	Cover W/Filter (Note: Not Available - Purchase p/n 70003165)	
305F	See Note	1	Spring, Draw (Note: Not Available - Purchase p/n 70003165)	
305G	70020336	1	Gasket	
305H	70020336	4	Capscrew M6 x 65-8.8	
305J	70020336	1	Capscrew M6 x 45-8.8	
305K	See Note	8	Capscrew M5 x 10-8.8 (Note: Not Available for Purchase)	
305L	70020336	1	O-Ring	
305M	See Note	2	O-Ring (Note: Not Available for Purchase)	
305N	See Note	2	Cup, Spring (Note: Not Available for Purchase)	
305P	70020336	2	Pin, Cylinder	
305Q	See Note	2	Nut, Coil (Note: Not Available for Purchase)	
310	See Note	1	Housing (Note: Not Available - Purchase Complete Pump Assembly)	
313	See Note	2	Pin, Dowel (Note: Not Available for Purchase)	
314	See Note	1	Pin, Cylinder (Note: Not Available for Purchase)	
320	70003166	1	Screw 7/8-14NF (Front Drive Pump Only)	
321	70003166	1	Screw 9/16-18NF	
322	70003166	1	Screw 7/16-20NF	
324	70003166	1	Screw M10 x 1	
327	70003166	1	Pin, Double Break-Off	
328	70003166	2	Orifice	
331	70003166	2	Pin, Clamping	
341	70003166	1	O-Ring	
		Ref	Seal Kit Options:	
401	70003167	1	Seal Kit - Drive Shaft (Includes Items 301L & 301M)	
402	70003168	1	Seal Kit - Control Group - Hydraulic (Includes Items 302B, 302D & 302E)	
403	70003169	1	Seal Kit - Port Plate Group (Includes Items 303F-303K)	
404	70020336	1	Seal Kit - Control Module (Includes Items 305D, 305G-305J, 305L & 305P)	
405	70003166	1	Seal Kit - Front Pump (Includes Items 320-322, 324, 327, 328, 331 & 341)	



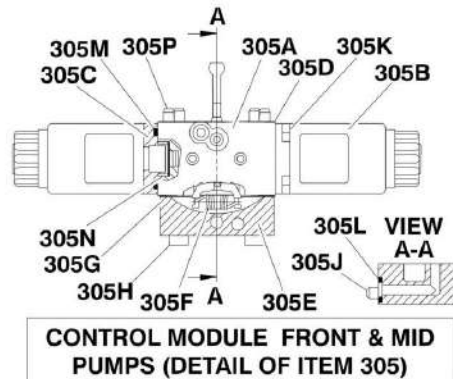
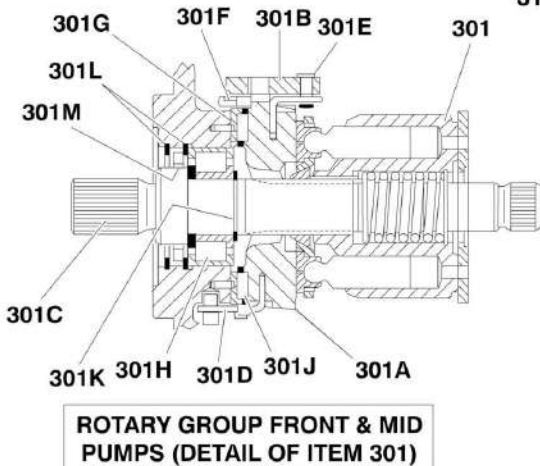
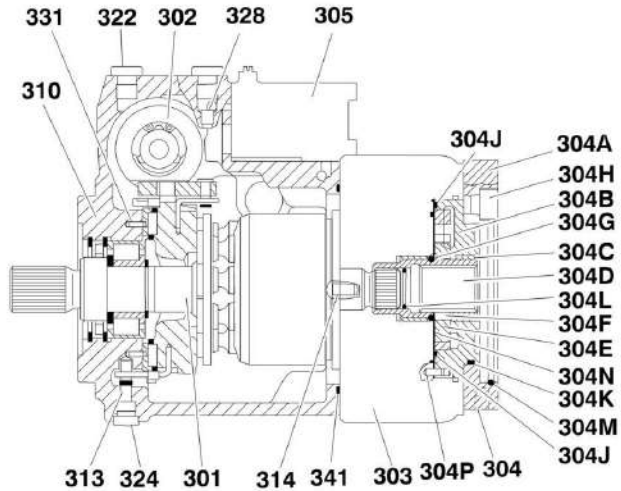
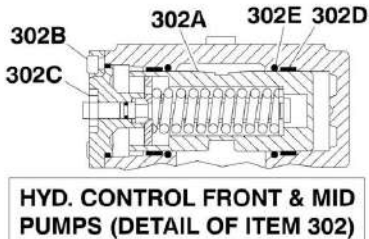
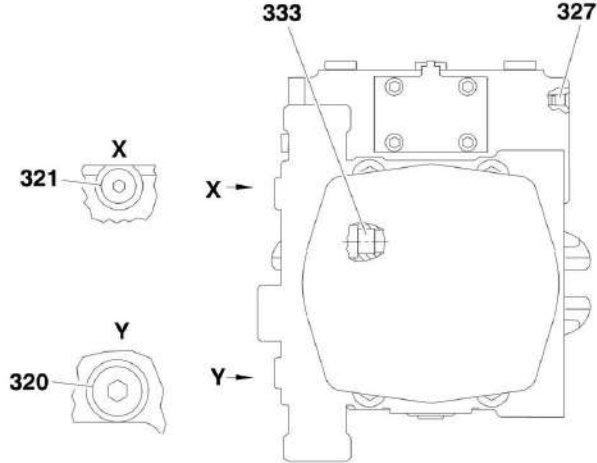
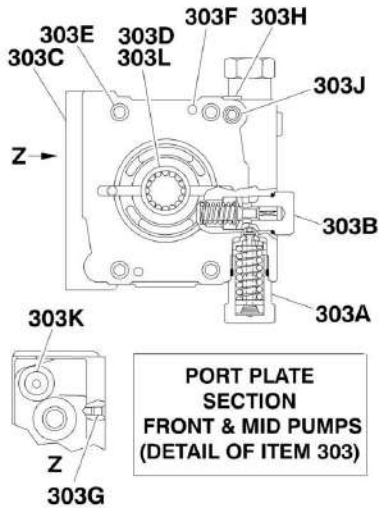
# SECTION 2 - TURNTABLE

## FIGURE 2-8. PUMP ASSEMBLY (DEUTZ ENGINE MACHINES)



# SECTION 2 - TURNTABLE

**COMPLETE FRONT & MID PUMPS**



## SECTION 2 - TURNTABLE

### FIGURE 2-8. PUMP ASSEMBLY (DEUTZ ENGINE MACHINES)

ITEM	PART NUMBER	QTY	DESCRIPTION	REV
	3600339	Ref	<b>PUMP ASSEMBLY</b>	D
1	7024042	1	Front Drive Pump Assembly (Includes Items 301- 341)	
2	7024043	1	Middle Drive Pump Assembly (Includes Items 301- 341)	
3	7024044	1	Rear Function Pump Assembly (Includes Items 101-201)	
4	70001952	1	Hydraulic Kit (Includes all Rexroth Supplied Hydraulic Fittings, Hoses and Tubes)	
	7024044	Ref	<b>REAR FUNCTION PUMP ASSEMBLY</b>	
101	7024914	1	Rotary Section	
102	See Note	1	Piston, Control (Note: Not Available for Purchase)	
103	See Note	1	Rod, Piston (Note: Not Available for Purchase)	
105	See Note	1	Housing, Pump (Note: Not Available - Purchase Complete Pump Assembly)	
106	See Note	1	Plate, Port (Note: Not Available for Purchase)	
107	7024915	1	Plate, Swash	
108	7024916	1	Driveshaft	
109	See Note	1	Plug (Note: Not Available for Purchase)	
110	See Note	1	Spring (Note: Not Available for Purchase)	
112	7012709	1	Shim	
115	7024038	1	Bearing, Roller	
116	7012706	1	Bearing, Roller	
117	7024917	2	Shell, Cradle	
120	7024918	1	Seal, Shaft	
121	7024919	1	O-Ring	
122	7024920	1	O-Ring	
124	7024921	1	Seal	
125	7012715	1	V-Ring	
127	See Note	4	Capscrew M12 x 45-10.9 (Note: Not Available for Purchase)	
131	See Note	1	Plug	
133	See Note	1	Pin, Dowel (Note: Not Available for Purchase)	
134	See Note	1	Plug (Note: Not Available for Purchase)	
201	7024913	Ref	<b>Pilot Valve Assembly</b>	
		Ref	<b>Note: Two mounting designs of p/n 7024913 pilot valve exist. Early design uses qty. 3 o-rings. Late design uses qty. 1 sealing plate. Seal designs cannot be interchanged. Verify seal design before ordering.</b>	
201	7024922	3	O-Ring (Seals between Pilot Valve and Rear Pump)	
201	70021867	1	Plate, Sealing (Seals between Pilot Valve and Rear Pump)	
		Ref	<b>FRONT DRIVE PUMP ASSEMBLIES</b>	
	7024042	Ref	<b>Front Drive Pump Assembly</b>	
	7024043	Ref	<b>Front Drive Pump Assembly</b>	
301	7024064	1	Rotary Group	
301A	See Note	1	Cradle (Note: Not Available - Purchase p/n 7024064)	
301B	See Note	1	Ring, Slide (Note: Not Available - Purchase p/n 7024064)	
301C	See Note	1	Driveshaft (Note: Not Available - Purchase p/n 7024064)	
301D	See Note	1	Wire (Note: Not Available - Purchase p/n 7024064)	
301E	See Note	1	Pin, Joint (Note: Not Available - Purchase p/n 7024064)	
301F	See Note	1	Wire (Note: Not Available - Purchase p/n 7024064)	
301G	See Note	1 Pair	Liner, Bearing (Note: Not Available - Purchase p/n 7024064)	
301H	See Note	1	Bearing, Roller (Note: Not Available - Purchase p/n 7024064)	
301J	See Note	1 Set	Cradle Bearing Assembly (Note: Not Available for Purchase)	
301K	See Note	1	Ring, Retaining (Note: Not Available for Purchase)	

## SECTION 2 - TURNTABLE

ITEM	PART NUMBER	QTY	DESCRIPTION	REV
301L	70001968	2	Ring, Retaining	
301M	7024070	1	Seal, Shaft Ring	
302	7024065	1	Control Group - Hydraulic	
302A	See Note	1	Piston, Positioning - Complete (Note: Not Available - Purchase p/n 7024065)	
		Ref	<b>Note: Sold only in Kit Except Outer Seal O-Ring and Stem O-Ring.</b>	
302A	7024071	1	O-Ring, Outer Seal	
302A	7024072	1	O-Ring, Stem	
302B	See Note	4	Capscrew M6 x 12-8.8	
302C	See Note	1	Nut (Note: Not Available - Purchase p/n 7024065)	
302D	See Note	2	Ring, Guide (Note: Not Available - Purchase p/n 7024065)	
302E	See Note	2	Seal, O-Ring (Note: Not Available - Purchase p/n 7024065)	
303	7024911	1	Port Plate Group	
303A	7024073	2	Cartridge, Relief Valve (High Pressure) (Note: Sold as an Assembly Except Outer Seals.)	
303A	7024075	1	O-Ring	
303A	7024076	1	Ring, Back-up	
303B		Ref	Cartridge Options:	
303B	7024097	1	Front Pump Cartridge (Lock Valve With Orifice)	
303B	7024075	1	O-Ring	
303B	7023881	1	Middle Pump Cartridge (Pressure Relief Valve) (Note: Sold as an Assembly Except Outer Seals.)	
303B	7024077	1	O-Ring	
303C	See Note	1	Plate, Port (Note: Not Available - Purchase p/n 7024911)	
303D	See Note	1	Bushing, Bearing (Note: Not Available - Purchase p/n 7024911)	
303E	See Note	4	Screw, Socket Head M12 x 70-10.9 (Note: Not Available - Purchase p/n 7024911)	
303F	See Note	2	Pin, Dowel (Note: Not Available - Purchase p/n 7024911)	
303G	See Note	1	Pin, Break-Off (Note: Not Available - Purchase p/n 7024911)	
303H	See Note	1	Screw, Locking M10 x 1 (Note: Not Available - Purchase p/n 7024911)	
303J	7024908	2	O-Ring	
303K	See Note	2	Screw, Locking 7/16in-20NF	
303L	See Note	1	Bearing, Roller (Note: Not Available - Purchase p/n 7024911)	
304	7024906	1	Internal Gear Pump	
304A	See Note	1	Flange, Intermediate (Note: Not Available - Purchase p/n 7024906)	
304B	See Note	1	IZP-Housing (Note: Not Available - Purchase p/n 7024906)	
304C	See Note	1	Bushing, Bearing (Note: Not Available - Purchase p/n 7024906)	
304D	See Note	1	Coupling, Driveshaft Through (Note: Not Available - Purchase p/n 7024906)	
304E	7024078	1	Gear Set	
304F	7024079	1	Key, Driveshaft	
304G	See Note	1	Ring, Retaining (Note: Not Available - Purchase p/n 7024906)	
304H	See Note	4	Capscrew M10 x 20-8.8 (Note: Not Available - Purchase p/n 7024906)	
304J	7024080	2	Seal	
304K	7024081	1	O-Ring	
304L	See Note	1	Ring, Retaining (Note: Not Available - Purchase p/n 7024906)	
304M	7024910	1	O-Ring	
304N	7024005	1	Plate, Wear	
304P	See Note	1	Pin, Cylinder (Note: Not Available - Purchase p/n 7024906)	

## SECTION 2 - TURNTABLE

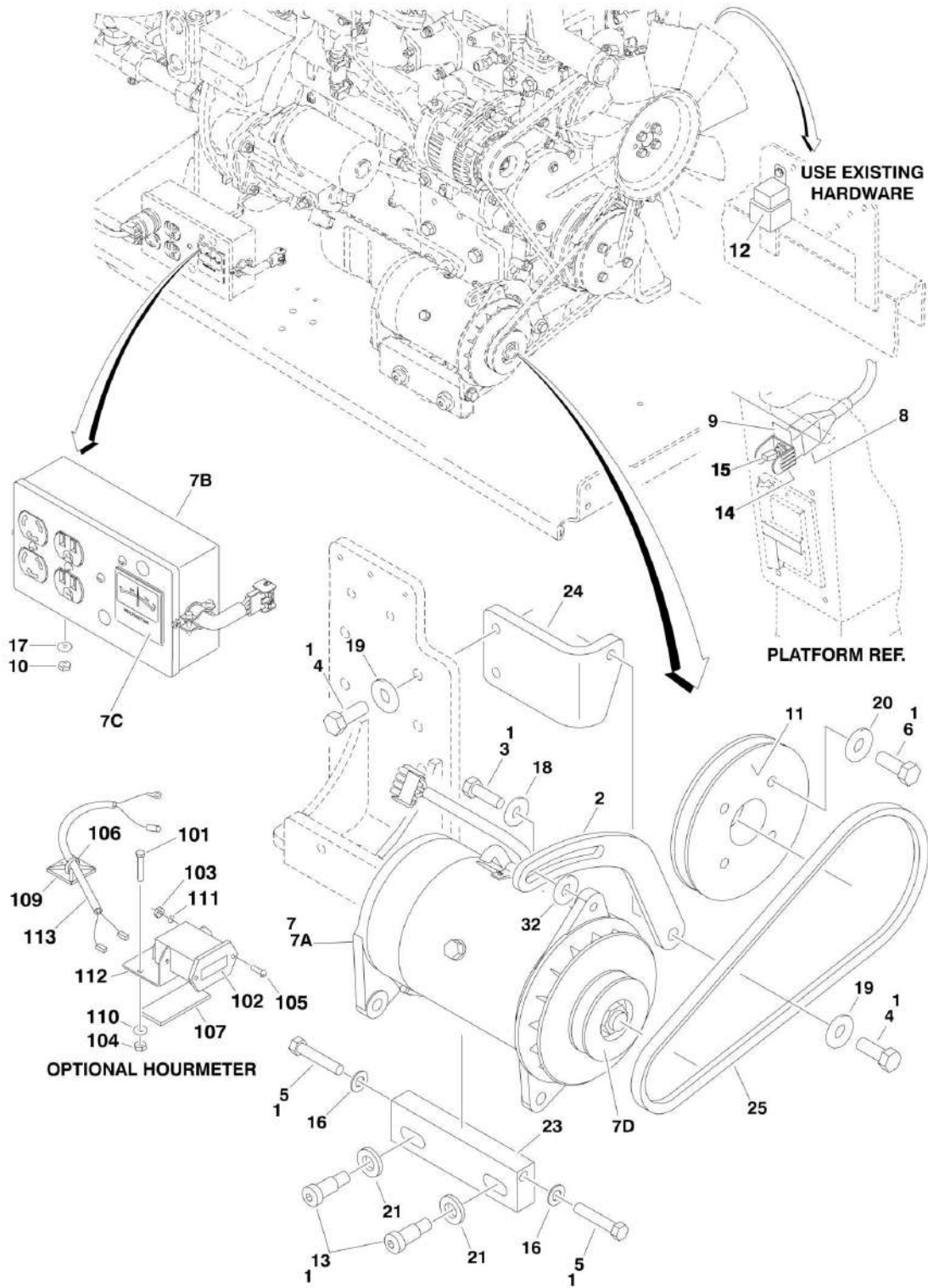
ITEM	PART NUMBER	QTY	DESCRIPTION	REV
305	7024068	1	Control Module	
305A	7024084	1	Valve Body, Lever and Internal Components	
305B	7024083	2	Coil, Solenoid	
305B	70002569	2	Nut, Coil	
305C	See Note	2	Spacer, Coil (Note: Not Available - Purchase p/n 7024068)	
305D	7024085	1	Gasket	
305E	See Note	1	Cover (Note: Not Available - Purchase p/n 7024068)	
305F	See Note	1	Spring, Draw (Note: Not Available - Purchase p/n 7024068)	
305G	7024086	1	Gasket	
305H	See Note	4	Capscrew M6 x 65-8.8 (Note: Not Available For Purchase)	
305J	See Note	1	Capscrew M6 x 45-8.8 (Note: Not Available For Purchase)	
305K	See Note	8	Capscrew M5 x 10-8.8 (Note: Not Available For Purchase)	
305L	7024087	1	O-Ring	
305M	7024088	2	O-Ring	
305N	7024089	2	Cup, Spring	
305P	See Note	2	Pin, Cylinder (Note: Not Available - Purchase p/n 7024068)	
310	See Note	1	Housing (Note: Not Available - Purchase Complete Pump Assembly)	
313	See Note	2	Pin, Dowel (Note: Not Available For Purchase)	
314	See Note	1	Pin, Cylinder (Note: Not Available For Purchase)	
320	See Note	1	Screw 7/8-14NF (Front Drive Pump Only) (Note: Not Available For Purchase)	
321	See Note	1	Screw 9/16-18NF (Note: Not Available For Purchase)	
322	See Note	1	Screw 7/16-20NF (Note: Not Available For Purchase)	
324	See Note	1	Screw M10 x 1 (Note: Not Available For Purchase)	
327	See Note	1	Pin, Double Break-Off (Note: Not Available For Purchase)	
328	7018936	2	Orifice	
331	See Note	2	Pin, Clamping (Note: Not Available For Purchase)	
333	See Note	1	Screw, Locking (Note: Not Available For Purchase)	
341	7024069	1	O-Ring	





# SECTION 2 - TURNTABLE

## FIGURE 2-9. 2500W GENERATOR INSTALLATION - CATERPILLAR MACHINES (OPTIONAL)



# SECTION 2 - TURNTABLE

**FIGURE 2-9. 2500W GENERATOR INSTALLATION - CATERPILLAR MACHINES (OPTIONAL)**

ITEM	PART NUMBER	QTY	DESCRIPTION	REV
		Ref	<b>2500W GENERATOR INSTALLATION</b>	
	1001117509	Ref	<b>110Volt - 60Hz (ANSI and ANSI Export Specs Only)</b>	B
1	0100011	AR	Compound, Locking	
2	0200530	1	Arm, Adjusting	
3	0641508	1	Bolt 5/16in-18NC x 1in	
4	0641608	3	Bolt 3/8in-16NC x 1in	
5	0641718	2	Bolt 7/16in-14NC x 2-1/4in	
6	0700816	4	Bolt, Metric M8 x 40mm	
7	2460055	1	Generator and Control Box Assembly	
7A	7012558	1	Generator - 110V/60Hz	
		Ref	<b>Note: Replacement generators come standard with p/n 3580134 pulley. This pulley maynot be correct for all applications. Refer to pulley options below for correct pulley.</b>	
7A	7012513	4	Cap, Brush Holder	
7A	7020108	4	Brush	
7A	7020109	4	Holder, Brush	
7A	7012514	1	Fan	
7A	7020190	2	Bearing	
7A	7020110	1	End Bell, Front	
7A	7020111	1	End Bell, Rear	
7B	7019680	1	Box, Control - 110V/60Hz	
7B	4360542	1	Breaker, Circuit	
7B	4460190	AR	Receptacle, Double (110V)	
7B	4460027	AR	Receptacle, Double Twist Lock (110V)	
7C	2420203	AR	Voltmeter - 110V/60Hz	
7D	3580276	1	Pulley	
7D	7027887	1	Key, Woodruff	
8	2820031	AR	Heatshrink	
9	3251102	1	Nameplate - Generator	
10	3311005	2	Locknut #10-24NC	
11	3580322	1	Pulley	
12	3740080	1	Relay	
13	3900322	2	Screw, Socket Head Shoulder	
14	4060802	1	Guard, Switch	
15	4360336	1	Switch, Toggle	
16	4711700	2	Flatwasher 7/16in Thin	
17	4751000	2	Flatwasher #10	
18	4751500	1	Flatwasher 5/16in Wide	
19	4751600	3	Flatwasher 3/8in Wide	
20	4811900	4	Flatwasher, Metric 8mm	
21	4892000	2	Flatwasher 5/8in Hardened	
23	1001117641	1	Bar, Adjusting	
24	1001118180	1	Support, Adjusting	
25	0480122	1	Belt	
	1001103286	Ref	<b>HOURLMETER INSTALLATION (OPTIONAL)</b>	A
101	0720808	1	Screw #8-32 x 1in	
102	2420165	1	Hourmeter	
103	3310601	2	Nut #6-32	
104	3310805	1	Locknut #8-32	

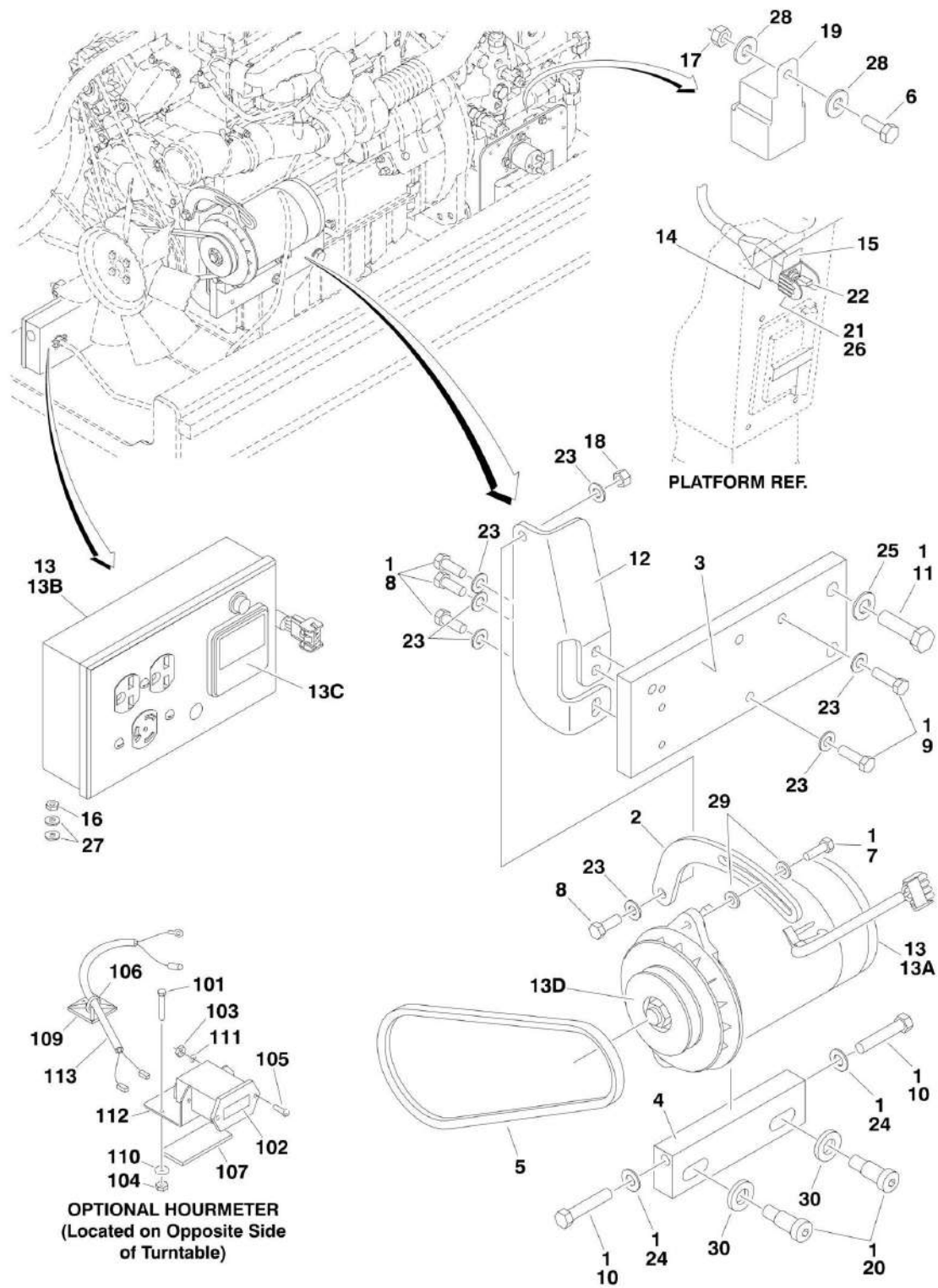
## SECTION 2 - TURNTABLE

ITEM	PART NUMBER	QTY	DESCRIPTION	REV
105	3910608	2	Screw #6-32 x 1/2in	
106	4240032	3	Strap, Tie	
107	4420060	3 in/7cm	Tape, Double-Sided	
108	4460018	1	Connector, Butt Splice (Not Shown)	
109	4460234	2	Mount, Tie Strap	
110	4750800	1	Washer #8	
111	4760600	2	Lockwasher #6	
112	1001094375	1	Bracket, Hourmeter	
113	1001094509	1	Harness, Hourmeter	



# SECTION 2 - TURNTABLE

## FIGURE 2-10. 2500W GENERATOR INSTALLATION - DEUTZ MACHINES (OPTIONAL)



# SECTION 2 - TURNTABLE

**FIGURE 2-10. 2500W GENERATOR INSTALLATION - DEUTZ MACHINES (OPTIONAL)**

ITEM	PART NUMBER	QTY	DESCRIPTION	REV
		Ref	<b>GENERATOR INSTALLATION - DEUTZ</b>	
	0274083	Ref	<b>110V/60Hz (ANSI and ANSI Export Specs) (Prior to SN 0300140836)</b>	B
	1001125425	Ref	<b>110V/60Hz (ANSI and ANSI Export Specs) (SN 0300140836 to Present)</b>	A
1	0100011	AR	Compound, Locking	
2	0200742	1	Arm, Adjusting	
3	0363081	1	Bar, Mounting	
4	0363082	1	Bar, Adjusting	
5	0480127	1	Belt	
6	0641406	1	Bolt 1/4in-20NC x 3/4in	
7	0641508	1	Bolt 5/16in-18NC x 1in	
8	0641608	4	Bolt 3/8in-16NC x 1in	
9	0641610	2	Bolt 3/8in-16NC x 1-1/4in	
10	0641718	2	Bolt 7/16in-14NC x 2-1/4in	
11	0701418	2	Bolt M14 x 50mm	
12	0902813	1	Bracket, Arm Mounting	
13		Ref	Generator and Control Box Assembly	
13	2460055	1	110V/60Hz Assembly (ANSI and ANSI Export Specs)	
13A	7012558	1	Replacement Generator 110V/60Hz	
		Ref	<b>Note: Replacement generators come standard with p/n 3580134 pulley. This pulley maynot be correct for all applications. Refer to pulley options below for correct pulley.</b>	
13A	7012513	4	Cap, Brush Holder	
13A	7020108	4	Brush	
13A	7020109	4	Holder, Brush	
13A	7012514	1	Fan	
13A	7020190	2	Bearing	
13A	7020110	1	End Bell, Front	
13A	7020111	1	End Bell, Rear	
13B	7019680	1	Box, Control 110V/60Hz	
13B	4360542	1	Breaker, Circuit	
13B	4460190	AR	Receptacle, Double (110V)	
13B	4460027	AR	Receptacle, Double Twist Lock (110V)	
13C	2420203	1	Voltmeter	
13D	3580276	1	Pulley 110V/60Hz	
13D	7027887	1	Key, Woodruff	
14	2820031	AR	Heatshrink	
15	3251102	1	Nameplate - Generator	
16	3311005	2	Locknut #10-24NC	
17	3311405	1	Locknut 1/4in-20NC	
18	3311605	1	Locknut 3/8in-16NC	
19	3740080	1	Relay	
20	3900322	2	Screw, Socket Head Shoulder	
21	4060802	1	Guard, Switch	
22	4360336	1	Switch, Toggle	
23	4711600	7	Flatwasher 3/8in Thin	
24	4711700	2	Flatwasher 7/16in Thin	
25	4711900	2	Flatwasher 9/16in Thin	
26	4740397	1	Spacer	

## SECTION 2 - TURNTABLE

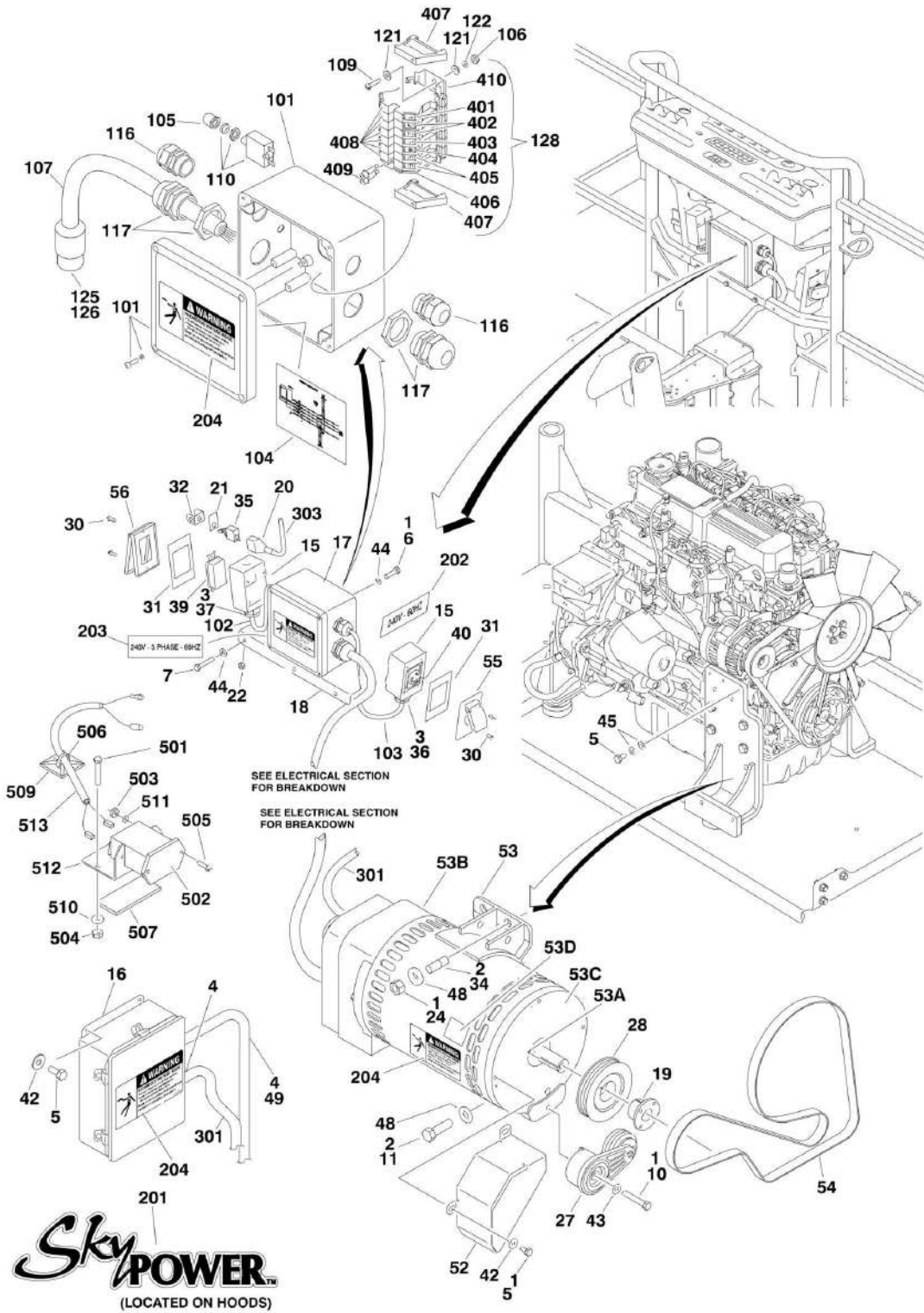
ITEM	PART NUMBER	QTY	DESCRIPTION	REV
27	4751000	6	Flatwasher #10	A
28	4751400	2	Flatwasher 1/4in Regular	
29	4891500	2	Flatwasher 5/16in Hardened	
30	4892000	2	Flatwasher 5/8in Hardened	
	1001103286	Ref	<b>HOURLMETER INSTALLATION (OPTIONAL)</b>	
101	0720808	1	Screw #8-32 x 1in	
102	2420165	1	Hourmeter	
103	3310601	2	Nut #6-32	
104	3310805	1	Locknut #8-32	
105	3910608	2	Screw #6-32 x 1/2in	
106	4240032	3	Strap, Tie	
107	4420060	3 in/7cm	Tape, Double-Sided	
108	4460018	1	Connector, Butt Splice (Not Shown)	
109	4460234	2	Mount, Tie Strap	
110	4750800	1	Washer #8	
111	4760600	2	Lockwasher #6	
112	1001094375	1	Bracket, Hourmeter	
113	1001094509	1	Harness, Hourmeter	





# SECTION 2 - TURNTABLE

## FIGURE 2-11. 7500W SKYPOWER GENERATOR INSTALLATION - CATERPILLAR MACHINES



# SECTION 2 - TURNTABLE

**FIGURE 2-11. 7500W SKYPOWER GENERATOR INSTALLATION - CATERPILLAR MACHINES**

ITEM	PART NUMBER	QTY	DESCRIPTION	REV
		Ref	<b>7500W SKYPOWER GENERATOR INSTALLATION</b>	
	1001117508	Ref	<b>60Hz Spec</b>	D
		Ref	<b>Note: SkyPower Generator is Standard On ANSI and CSA Specs. Optional on All Other Specs.</b>	
		Ref	<b>Note: See ELECTRICAL SECTION for Boom Cable Installation.</b>	
1	0100011	AR	Compound, Locking	
2	0100019	AR	Compound, Locking	
3	0100020	AR	Sealant, Pipe (Not Shown)	
4	0100048	AR	Grease, Dielectric	
5	0641404	AR	Bolt 1/4in-20NC x 1/2in	
6	0641508	4	Bolt 5/16in-18NC x 1in	
7	0641516	3	Bolt, 5/16in-18NC x 2in	
10	0641618	1	Bolt 3/8in-16NC x 2-1/4in	
11	0641810	2	Bolt 1/2in-13NC x 1 -/4in	
12	0700822	5	Bolt M8 x 70mm	
13	0700823	5	Bolt M8 x 75mm	
14	0700824	5	Bolt M8 x 80mm	
15	0860038	2	Box, Switch-Weatherhead	
16	0861538	AR	Box, Generator Control	
16	7024488	1	Card, Circuit - Generator Power (Not Shown)	
16	See Note	1	Fuse (Note: Not Available - Purchase Locally)	
16	7024489	1	Card, Circuit - Control (Not Shown)	
		Ref	<b>Note: When replacing card, rocker switch on card must be set for required application.</b>	
16	70000619	1	Harness, Circuit Card	
17	0861542	1	Junction Box Assembly (See Items 101-128 for Breakdown)	
18	0902888	1	Bracket, Generator Junction Box	
19	0962520	1	Bushing, Taper	
20	2820031	AR	Insulator, Heat Shrink	
21	3251102	1	Nameplate, Generator	
22	3311508	3	Nut, 5/16in-18NC Serrated Flange	
24	3311801	2	Nut, 1/2in-13NC	
27	3580317	1	Pulley, Belt Tensioner	
28	3580318	1	Pulley, Generator	
30	3910606	AR	Screw, Round Head 6-32NC x 3/8in	
31	3960422	2	Gasket, AC Receptacle Options	
32	4060802	1	Guard, Switch	
33	4240018	AR	Strap, Tie (Not Shown)	
34	4300157	2	Stud	
35	4360336	1	Switch, Toggle	
36	4460051	1	Connector, Strain Relief	
37	4460071	1	Connector, Strain Relief	
38	4460315	4	Terminal, Spade (Not Shown - Use 2 each with items 39 & 40)	
39	4460346	1	Terminal, Receptacle	
40	4460958	1	Receptacle	
42	4711400	AR	Flatwasher 1/4in Thin	
43	4711600	1	Flatwasher 3/8in Thin	
44	4751500	7	Flatwasher 5/16in Regular	
45	4791400	2	Starwasher 1/4in	
48	4891800	4	Flatwasher 1/2in Hardened	

## SECTION 2 - TURNTABLE

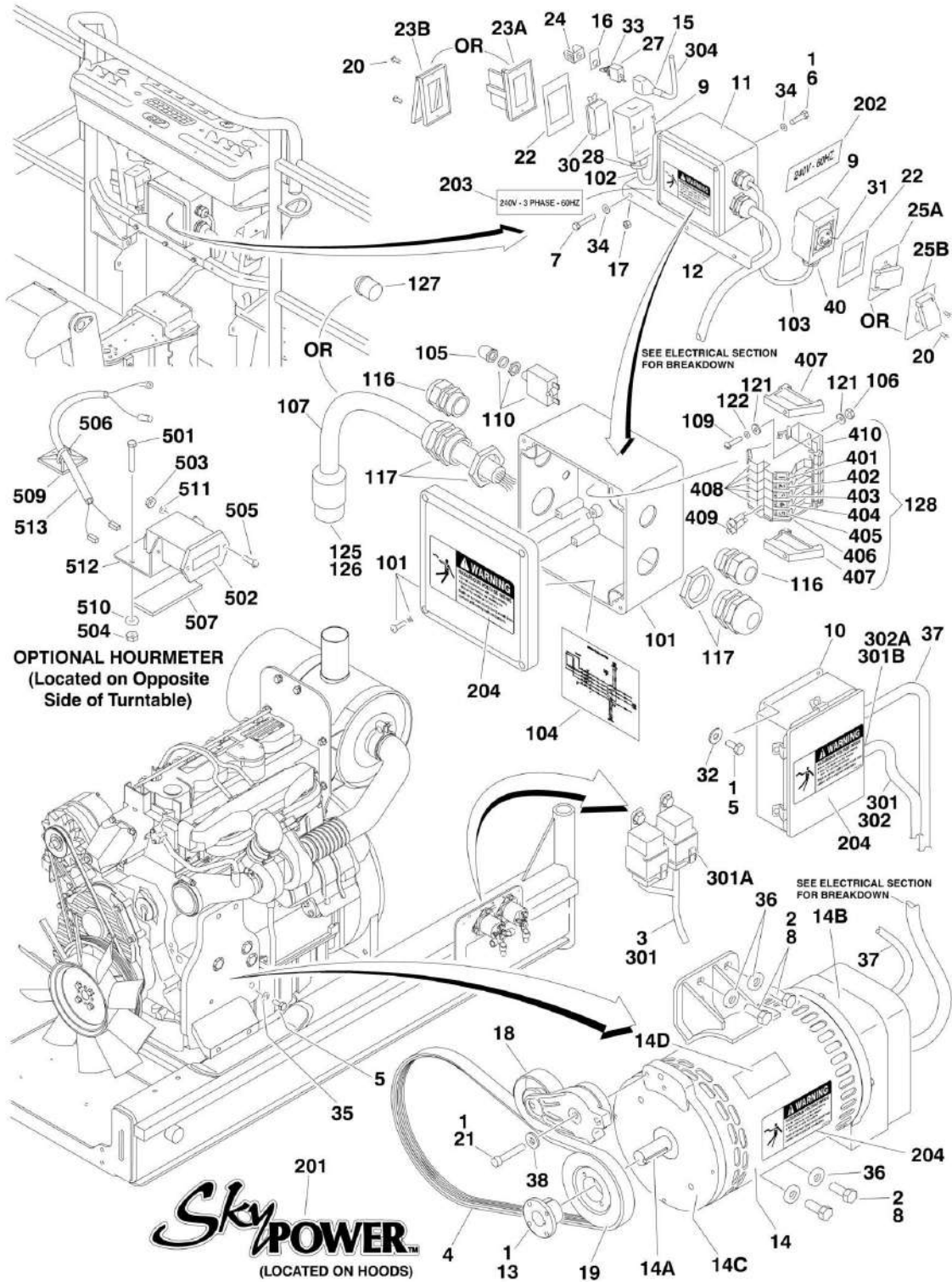
ITEM	PART NUMBER	QTY	DESCRIPTION	REV
49	4922972	1	Harness, Generator Cable	B
49	4460225	1	Plug, Male 6 Position (Plugs into Generator)	
49	4460226	6	Socket, Female (Use with 4460225)	
49	4460807	1	Seal, Plug (Use with 4460225)	
49	4460808	1	Seal, Interface (Use with 4460225)	
49	See Note	1	Connector, Female 6 Position (Plugs into Control Box) (Note: Not Available For Purchase)	
49	See Note	6	Pin, Male (Note: Not Available For Purchase)	
52	1001118599	1	Shield, Pulley <b>(Prior to SN 0300172839)</b>	
53	1001119250	1	Generator, 7500W	
53	70003631	1	Brushholder Assembly (Not Shown) (was p/n 7024484)	
53	70001966	1	Bearing, Ball Radial (Located In Belt Tensioner Endbell - Not Shown)	
53	7027799	1	Block, Connector 6 Position (Not Shown)	
53	70002460	1	Nut, Brass (Attaches p/n 7027799 to Cover) (Not Shown)	
53	7024485	1	Breaker, Circuit 30amp (Not Shown)	
53	70001696	1	Boot, Breaker (Not Shown)	
53	70002297	AR	Stud 1/4in-20NC x 12-7/8in (Not Shown)	
53	7026188	1	Clamp, Cable (Not Shown)	
53	7026597	1	Connector with Leads (Not Shown)	
53	70001100	1	Rotor/Armature (Not Shown)	
53	70001384	1	Bearing, Ball Radial (Not Shown)	
53	70003451	1	Stator (Not Shown)	
53	70004170	1	Plate, End Panel (Not Shown) (was p/n 70001972)	
53	70000863	1	Fan (Not Shown)	
53	70001974	1	Decal - Terminal Connections (Not Shown)	
53A	70004171	1	Key (was p/n 7024561)	
53B	70004170	1	Endbell, Rear (Brush Block End) (was p/n 70001385)	
53B	70004170	1	Shroud, Endbell (was p/n 70002290)	
53B	70003452	1	Shroud, Endbell Panel	
53C	70003450	1	Endbell, Front (Tensioner End)	
53D	70001973	1	Decal - Warning Moving Parts	
54	1001119966	1	Belt, Generator	
55	1001110872	1	Cover, Receptacle	
56	1001110873	1	Shield, Receptacle Cover	
	0861542	Ref	<b>JUNCTION BOX ASSEMBLY</b>	D
101	0861541	1	Box, Junction	
102	1060494	2 ft/.6m	Cable, Electrical 12/3	
103	1060708	2.5 ft/.76m	Cable, Electrical 10/3	
104	1705376	1	Decal - Wiring Schematic	
105	3300396	1	Cover, Fuse	
106	3310601	2	Nut #6-32NC	
107	1060343	1.5 ft/.46m	Cable, Electrical 10/4	
109	3910610	2	Bolt #6-32NC x 5/8in	
110	4360070	1	Circuit Breaker - 15amp	
116	4460425	2	Strain Relief, Terminal	
117	4460426	2	Connector, Strain Relief	
121	4750600	4	Flatwasher, #6 Regular	
122	4760600	2	Lockwasher #6	
125	1671092	1	Cover	

## SECTION 2 - TURNTABLE

ITEM	PART NUMBER	QTY	DESCRIPTION	REV
126	4460963	1	Connector	
128	1001121340	1	Terminal Block Assembly (See Items 401-410 for Breakdown)	
	0272435	Ref	<b>DECAL INSTALLATION</b>	B
201	1705460	2	Decal - SkyPower	
202	1705374	1	Decal - 240V - 60Hz	
203	1705375	1	Decal - 240V - 3 Phase	
204	1705387	3	Decal, Hazardous Voltage	
	1001122528	Ref	<b>ELECTRICAL DIAGRAM COMPONENTS</b>	A
301	1001119968	1	Generator Harness	B
301A	4460967	1	Plug, Male - 3 Position (Not Shown)	
301A	4460465	6	Socket, Female	
301B	1001117078	1	Fuseholder w/Fuse (Not Shown)	
303	4922641	1	Switch Harness	
	1001121340	Ref	<b>TERMINAL BLOCK ASSEMBLY</b>	A
401	70002818	2	Marker Strip #1	
402	70002819	4	Marker Strip #2	
403	70002820	2	Marker Strip #3	
404	70002821	2	Marker Strip #4	
405	70002822	4	Marker Strip #5	
406	70002823	1	Terminal, End Barrier	
407	70002824	2	Terminal, End Block	
408	70002825	7	Terminal, Block	
409	70002826	2	Terminal, Cross Connector Jumper	
	1001103286	Ref	<b>HOURMETER INSTALLATION (OPTIONAL)</b>	A
501	0720808	1	Screw #8-32 x 1in	
502	2420165	1	Hourmeter	
503	3310601	2	Nut #6-32	
504	3310805	1	Locknut #8-32	
505	3910608	2	Screw #6-32 x 1/2in	
506	4240032	3	Strap, Tie	
507	4420060	3 in/7cm	Tape, Double-Sided	
508	4460018	1	Connector, Butt Splice (Not Shown)	
509	4460234	2	Mount, Tie Strap	
510	4750800	1	Flatwasher #8 Regular	
511	4760600	2	Lockwasher #6	
512	1001094375	1	Bracket, Hourmeter	
513	1001094509	1	Harness, Hourmeter	

# SECTION 2 - TURNTABLE

FIGURE 2-12. 7500W SKYPOWER GENERATOR INSTALLATION - DEUTZ MACHINES



# SECTION 2 - TURNTABLE

**FIGURE 2-12. 7500W SKYPOWER GENERATOR INSTALLATION - DEUTZ MACHINES**

ITEM	PART NUMBER	QTY	DESCRIPTION	REV
		Ref	<b>7500W SKYPOWER GENERATOR INSTALLATION</b>	
	0273455	Ref	<b>60Hz Spec (Prior to SN 0300140836)</b>	H
	1001125427	Ref	<b>60Hz Spec (SN 0300140836 to Present)</b>	A
	0273456	Ref	<b>50Hz Spec (Prior to SN 0300140836)</b>	F
	1001125428	Ref	<b>50Hz Spec (SN 0300140836 to Present)</b>	A
		Ref	<b>Note: SkyPower Generator is Standard On ANSI and CSA Specs. Optional on All Other Specs.</b>	
		Ref	<b>Note: See ELECTRICAL SECTION for Boom Cable Installation.</b>	
1	0100011	AR	Compound, Locking	
2	0100019	AR	Compound, Locking	
3	0100048	AR	Grease, Dielectric	
4		Ref	Belt, Generator Options:	
4	0480128	1	60Hz Spec	
4	0480129	1	50Hz Spec	
5	0641404	5	Bolt 1/4in-20NC x 1/2in	
6	0641508	4	Bolt 5/16in-18NC x 1in	
7	0641516	3	Bolt, 5/16-18NC x 2in	
8	0641810	4	Bolt, 1/2in-13NC x 1-1/4in	
9		Ref	Box, Switch-Weatherhead Options:	
9	0860038	2	60Hz Spec	
9	See Note	2	50Hz Spec (Note: Not Available - Purchase Locally)	
10		Ref	Box, Generator Control Options:	
10	0861538	1	60Hz Spec	
10	0861572	1	50Hz Spec	
10	7024488	1	Card, Circuit - Generator Power	
10	See Note	1	Fuse (Note: Not Available - Purchase Locally)	
10	7024489	1	Card, Circuit - Control	
		Ref	<b>Note: Same Circuit Card (P/N 7024489) is used for both 60Hz and 50Hz. When replacing card, rocker switch on card must be set for required application.</b>	
10	70000619	1	Harness, Circuit Card	
11		Ref	Junction Box Assembly Options (See Items 101-128 for Breakdown):	
11	0861542	1	60Hz Spec	
11	0861567	1	50Hz Spec	
12	0902888	1	Bracket, Generator Junction Box	
13	0962520	1	Bushing, Taper	
14	2460048	1	Generator, 7500W	
14	70003631	1	Brushholder Assembly (Not Shown) (was p/n 7024484)	
14	7024485	1	Breaker, Circuit 30amp (Not Shown)	
14	70001696	1	Boot, Breaker (was p/n 7024486) (Not Shown)	
14	70001966	1	Bearing, Ball Radial (Located In Belt Tensioner Endbell - Not Shown)	
14	7027799	1	Block, Connector 6 Position (Not Shown)	
14	70002460	1	Nut, Brass (Attaches p/n 7027799 to Cover) (Not Shown)	
14	70002297	AR	Stud 1/4in-20NC x 12-7/8in (Not Shown)	
14	7026188	1	Clamp, Cable (Not Shown)	
14	7026597	1	Connector with Leads (Not Shown)	
14	70001100	1	Rotor/Armature (Not Shown)	
14	70001384	1	Bearing, Ball Radial (Not Shown)	
14	70002088	1	Stator (Not Shown)	

## SECTION 2 - TURNTABLE

ITEM	PART NUMBER	QTY	DESCRIPTION	REV
14	70004169	1	Plate, End Panel (Not Shown) (was p/n 70002255)	
14	70000863	1	Fan (Not Shown)	
14	70001974	1	Decal - Terminal Connections (Not Shown)	
14	7026626	1	Connector 6 Position (Not Shown)	
14A	70004171	1	Key (was p/n 7024561)	
14B	70004169	1	Endbell, Rear (Brush Block End) (was p/n 70001385)	
14B	70004169	1	Shroud, Endbell (was p/n 70002290)	
14C	70001953	1	Endbell, Front (Tensioner End)	
14D	70001973	1	Decal - Warning Moving Parts	
15	2820031	AR	Insulator, Heat Shrink	
16	3251102	1	Nameplate, Generator	
17	3311508	3	Nut, 5/16in-18NC Serrated Flange	
18	3580317	1	Pulley, Belt Tensioner	
19		Ref	Pulley, Generator Options:	
19	3580318	1	60Hz Spec	
19	3580319	1	50Hz Spec	
20	3910606	AR	Screw, Round Head #6-32NC x 3/8in	
21	0641618	1	Bolt 3/8in-16NC x 2in	
22		Ref	Gasket, AC Receptacle Options:	
22	3960422	1	60Hz Spec	
22	See Note	1	50Hz Spec (Note: Not Available - Purchase Locally)	
23		Ref	Shield, Receptacle Cover Options:	
23	See Note	1	50Hz Spec (Note: Not Available - Purchase Locally)	
23A	4060700	1	60Hz Spec (Side Hinged)	
23B	1001110873	1	60Hz Spec (Top Hinged)	
24	4060802	1	Guard, Switch	
25		Ref	Cover, Receptacle Options:	
25	See Note	1	50Hz Spec (Note: Not Available - Purchase Locally)	
25A	4061043	1	60Hz Spec (Side Hinged)	
25B	1001110872	1	60Hz Spec (Top Hinged)	
26	4240018	AR	Strap, Tie (Not Shown)	
27	4360336	1	Switch, Toggle	
28		Ref	Connector, Strain Relief Options:	
28	4460051	1	60Hz Spec	
28	See Note	1	50Hz Spec (Note: Not Available - Purchase Locally)	
29	4460315	1	Terminal, Spade (Not Shown - Use 2 each with items 30 & 31)	
30		Ref	Terminal, Receptacle Options:	
30	4460346	1	60Hz Spec	
30	See Note	1	50Hz Spec (Note: Not Available - Purchase Locally)	
31		Ref	Receptacle Options:	
31	4460958	1	60Hz Spec	
31	See Note	1	50Hz Spec (Note: Not Available - Purchase Locally)	
32	4711400	4	Flatwasher 1/4in Thin	
33	4740397	1	Spacer, Washer	
34	4751500	AR	Flatwasher 5/16in Regular	
35	4791400	2	Starwasher 1/4in	
36	4891800	4	Flatwasher 1/2in Hardened	
37	4922972	1	Harness, Generator Cable	B
37	4460225	1	Plug, Male 6 Position (Plugs into Generator)	
37	4460226	6	Socket, Female (Use with 4460225)	
37	4460807	1	Seal, Plug (Use with 4460225)	



**SECTION 2 - TURNTABLE**

ITEM	PART NUMBER	QTY	DESCRIPTION	REV
37	4460808	1	Seal, Interface (Use with 4460225)	
37	See Note	1	Connector, Female 6 Position (Plugs into Control Box) (Note: Not Available For Purchase)	
37	See Note	6	Pin, Male (Note: Not Available For Purchase)	
38	4711600	1	Flatwasher 3/8in Thin	
39	0100020	AR	Sealant, Pipe (Not Shown)	
40		Ref	Connector, Strain Relief Options:	
40	4460071	1	60Hz Spec	
40	See Note	1	50Hz Spec (Note: Not Available - Purchase Locally)	
		Ref	<b>JUNCTION BOX ASSEMBLY</b>	
	0861542	1	<b>60HZ SPEC</b>	D
	0861567	1	<b>50Hz Spec</b>	B
101	0861541	1	Box, Junction	
102		Ref	Cable, Electrical 12/3	
102	1060494	2 ft/.6m	60Hz Spec	
102	See Note	2 ft/.6m	50Hz Spec (Note: Not Available - Purchase Locally)	
103		Ref	Cable, Electrical 10/3	
103	1060708	2.5 ft/.76m	60Hz Spec	
103	See Note	2.5 ft/.76m	50Hz Spec (Note: Not Available - Purchase Locally)	
104	1705376	1	Decal - Wiring Schematic	
105	3300396	1	Cover, Fuse	
106	3310601	2	Nut 6-32NC	
107	1060343	1.5 ft/.46m	Cable, Electrical 10/4 (60Hz Spec Only)	
109	3910610	2	Bolt #6-32NC x 5/8in	
110	4360070	1	Circuit Breaker - 15amp	
116	4460425	2	Strain Relief, Terminal	
117	4460426	2	Connector, Strain Relief	
121	4750600	4	Flatwasher, #6 Regular	
122	4760600	2	Lockwasher #6	
125	1671092	1	Cover (60Hz Spec Only)	
126	4460963	1	Connector (60Hz Spec Only)	
127	3520189	1	Plug (50Hz Spec Only)	
128		Ref	Terminal Block Assembly Options (See Items 401-410 for Breakdown):	
128	NPN	1	Gray Terminal Block Assembly	
128	1001121340	1	Tan Terminal Block Assembly	
		Ref	<b>DECAL INSTALLATION</b>	
	0272435	1	<b>60Hz Spec</b>	B
	0272589	1	<b>50Hz Spec</b>	A
201	1705460	2	Decal - SkyPower	
202	1705374	1	Decal - 240V - 60Hz (60Hz Spec Only)	
203		Ref	Decal - 240V - 3 Phase Options:	
203	1705375	1	60Hz Spec	
203	1705461	1	50Hz Spec	
204		Ref	Decal, Hazardous Voltage Options:	
204	1705387	3	60Hz Spec	
204	1705489	3	50Hz Spec	
	4933264	Ref	<b>ELECTRICAL DIAGRAM COMPONENTS</b>	C
301	4922757	1	Generator Harness	3-C

## SECTION 2 - TURNTABLE

ITEM	PART NUMBER	QTY	DESCRIPTION	REV
301A	4460374	2	Plug, Sealed Relay	
301A	4460375	7	Terminal	
301B	4460967	1	Plug, Male - 3 Position	
301B	4460465	3	Socket, Female	
301C	2400060	1	Fuseholder (Not Shown)	
301C	2400064	1	Fuse- 5amp (Not Shown)	
304	4922641	1	Switch Harness	
		Ref	<b>TERMINAL BLOCK ASSEMBLY</b>	
	NPN	Ref	<b>Gray Terminal Block Assembly (Complete Assembly Not Available - Purchase Individual Components)</b>	
	1001121340	Ref	<b>Tan Terminal Block Assembly</b>	A
401		Ref	Marker Strip #1 Options:	
401	4460411	2	Gray Terminal Block Assembly	
401	70002818	2	Tan Terminal Block Assembly	
402		Ref	Marker Strip #2 Options:	
402	4460412	4	Gray Terminal Block Assembly	
402	70002819	4	Tan Terminal Block Assembly	
403		Ref	Marker Strip #3 Options:	
403	4460413	2	Gray Terminal Block Assembly	
403	70002820	2	Tan Terminal Block Assembly	
404		Ref	Marker Strip #4 Options:	
404	4460414	2	Gray Terminal Block Assembly	
404	70002821	2	Tan Terminal Block Assembly	
405		Ref	Marker Strip #5 Options:	
405	4460415	4	Gray Terminal Block Assembly	
405	70002822	4	Tan Terminal Block Assembly	
406		Ref	Terminal, End Barrier Options:	
406	4460956	1	Gray Terminal Block Assembly	
406	70002823	1	Tan Terminal Block Assembly	
407		Ref	Terminal, End Block Options:	
407	4460607	2	Gray Terminal Block Assembly	
407	70002824	2	Tan Terminal Block Assembly	
408		Ref	Terminal, Block Options:	
408	4460957	7	Gray Terminal Block Assembly	
408	70002825	7	Tan Terminal Block Assembly	
409		Ref	Terminal, Cross Connector Jumper Options:	
409	4461001	2	Gray Terminal Block Assembly	
409	70002826	2	Tan Terminal Block Assembly	
410	3641533	1	Rail, Relay	
	1001103286	Ref	<b>HOURLY METER INSTALLATION (OPTIONAL)</b>	A
501	0720808	1	Screw #8-32 x 1in	
502	2420165	1	Hourmeter	
503	3310601	2	Nut #6-32	
504	3310805	1	Locknut #8-32	
505	3910608	2	Screw #6-32 x 1/2in	
506	4240032	3	Strap, Tie	
507	4420060	3 in/7cm	Tape, Double-Sided	
508	4460018	1	Connector, Butt Splice (Not Shown)	
509	4460234	2	Mount, Tie Strap	
510	4750800	1	Flatwasher #8 Regular	
511	4760600	2	Lockwasher #6	
512	1001094375	1	Bracket, Hourmeter	

**SECTION 2 - TURNTABLE**

ITEM	PART NUMBER	QTY	DESCRIPTION	REV
513	1001094509	1	Harness, Hourmeter	



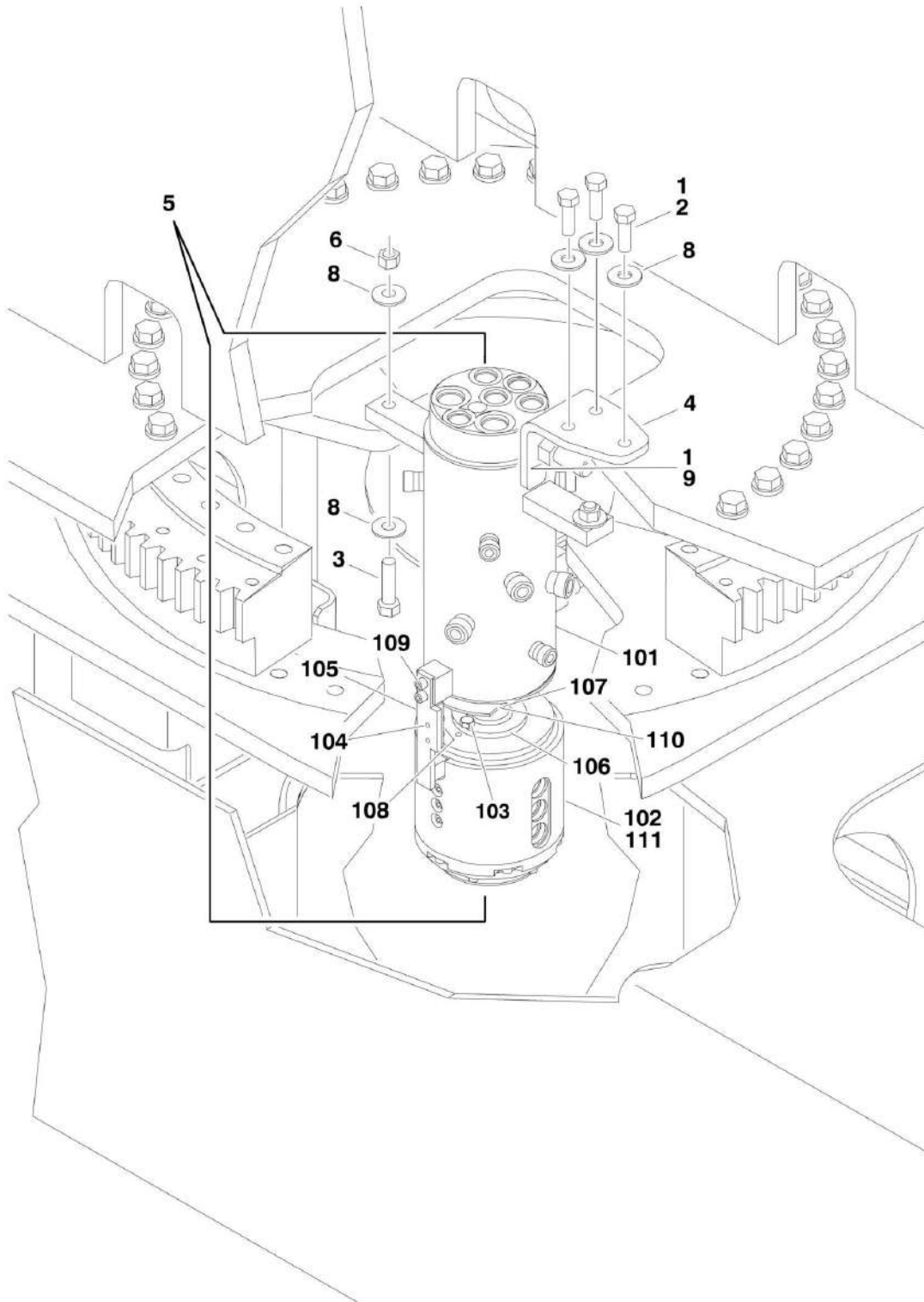
## SECTION 2 - TURNTABLE

### FIGURE 2-13. TANK INSTALLATION

ITEM	PART NUMBER	QTY	DESCRIPTION	REV
	1001109544	Ref	<b>TANKS INSTALLATION</b>	C
1	0100011	AR	Compound, Locking	
2	0641608	22	Bolt 3/8in-16NC x 1in	
3	0641614	10	Bolt 3/8in-16NC x 1-3/4in	
4	0731007	5	Screw, Machine #10-32NF x 7/8in	
5	8405009	2	Clamp	
6	2180467	2	Fitting, 90 Barbed	
7	3311601	2	Nut 3/8in-16NC	
8	3841340	9	Loop, Hose	
9	3900283	6	Screw, Buttonhead 3/8in-16NC x 3/4in	
10	4400457	1	Tank, Hydraulic Oil	
11	4420038	34 in/.9m	Tape	
12	1001113103	19.5 in/.5m	Tube, Sight	
13	4751000	5	Flatwasher #10 Wide	
14	4751600	22	Flatwasher 3/8in Wide	
15	1001108579	1	Tank, Fuel	
15A	70004413	1	Tube, Pick up	
16	1001108919	1	Tray	
17	1001109048	1	Gauge, Fuel	
18	1001110059	1	Strap, Tank	
	4400457	Ref	<b>HYDRAULIC OIL TANK ASSEMBLY</b>	E
	1001111219	Ref	<b>HOSTILE ENVIRONMENT COMPONENTS</b>	G
103	7026571	1	Strainer, Suction	
110	7024439	1	Cover	
110	7023306	1	Seal, Cover Plate (Not Shown)	
110	7024440	1	Gasket (Not Shown)	
112	7024441	1	Gauge, Sight	
114	7024442	1	Strainer	
125	7024445	1	Strainer (Filler Neck)	
129		Ref	Breather Filter/Fill Cap Options:	
129	1001110940	1	Breather Filter/Fill Cap 1100S (Note: All 1100S use hostile environment pkg)	
129	7024444	1	Breather Filter/Fill Cap 1100SJP without Optional Hostile Environment Package	
129	1001110940	1	Breather Filter/Fill Cap 1100SJP with Optional Hostile Environment Package	
130	7024446	1	Plug, Magnetic	
132	7024443	1	Neck, Filler	
133	7024374	1	Filter, Hydraulic Oil	
133	7024375	1	Element, Filter	
134	7023347	1	Gasket, Filter Mounting Flange	
		Ref	<b>FUEL TANK CAP INSTALLATION</b>	
201		Ref	Cap Options:	
201	7016314	1	Standard Non-Locking (Part of Item 10)	
201	1120487	1	Optional Lockable	

## SECTION 2 - TURNTABLE

FIGURE 2-14. ROTARY COUPLING AND COLLECTOR RING INSTALLATION



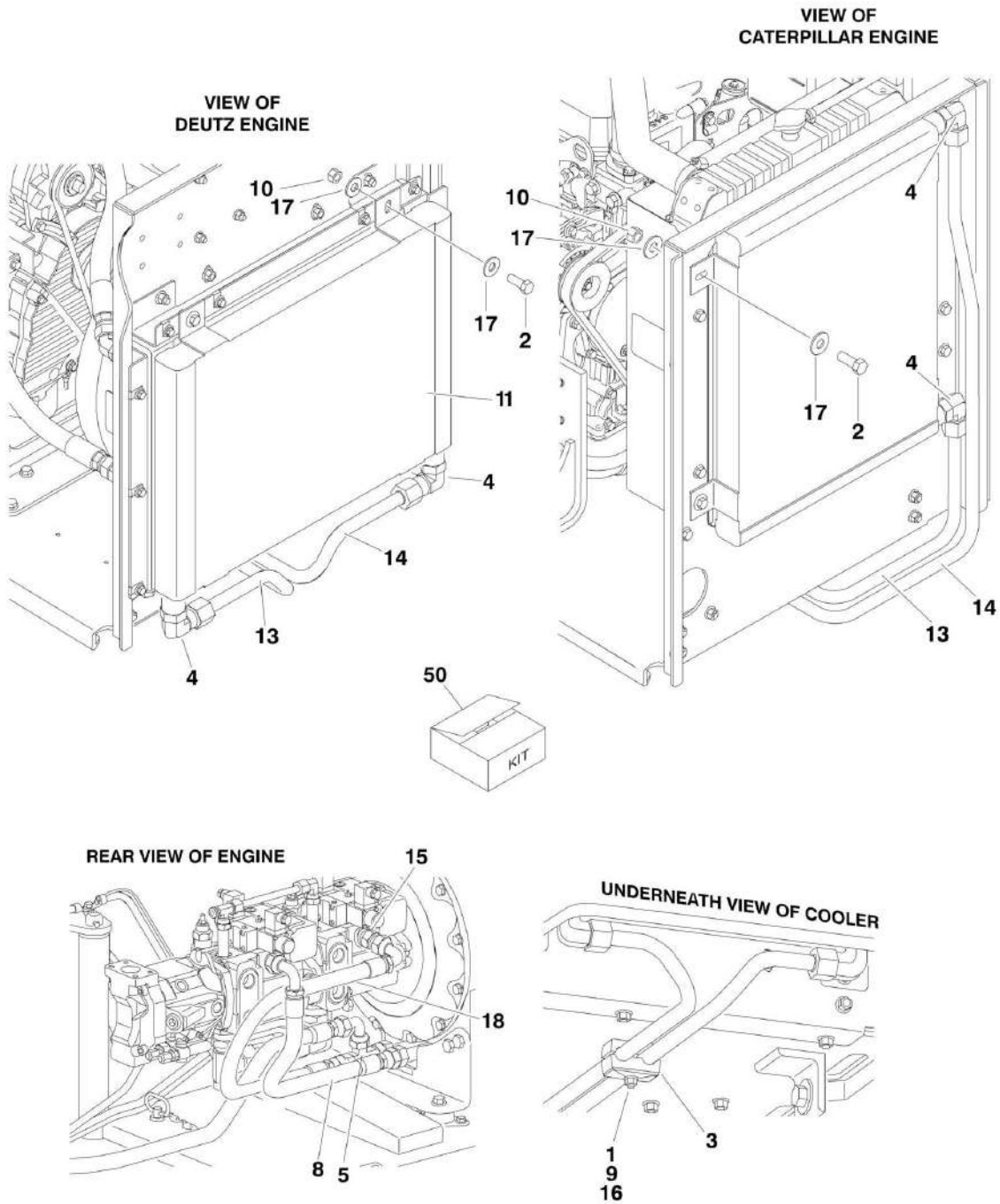
# SECTION 2 - TURNTABLE

**FIGURE 2-14. ROTARY COUPLING AND COLLECTOR RING INSTALLATION**

ITEM	PART NUMBER	QTY	DESCRIPTION	REV
	0271688	Ref	<b>ROTARY COUPLING AND COLLECTOR RING INSTALLATION</b>	D
1	0100011	AR	Compound, Locking	
2	0641812	3	Bolt 1/2in-13NC x 1-1/2in	
3	0641820	2	Bolt 1/2in-13NC x 2-1/2in	
4	0902790	1	Bracket, Swivel	
5	1660302	1	Rotary Coupling and Collector Ring Assembly (See Items 101-111 for Breakdown)	
6	3311805	2	Locknut 1/2in-13NC	
8	4751800	7	Flatwasher 1/2in Regular	
9	3322201	2	Nut 3/4in-16NC	
	1660302	Ref	<b>ROTARY COUPLING AND COLLECTOR RING ASSEMBLY</b>	C
101	70001102	1	Coupling, Rotary	
101	See Note	1	Bearing (Note: Not Available For Purchase)	
101	70001101	1	Seal Kit - Coupling	
102	7026029	1	Contact, Rotary Circuit (Does not include connector or pins)	
103	0641506	4	Bolt 5/16in-18NC x 3/4in	
104	3931512	2	Capscrew 5/16in-18NC x 3/4in	
105	70000780	1	Arm, Torque	
106	80334251	1	Adapter	
107	7026030	1	Plate, Cam	
108	7026031	1	Sensor, Proximity	
109	3931008	2	Capscrew #10-32 x 1/2in	
110	7026032	1	Pin, Dowel	
111	0100048	AR	Grease, Silicone (Apply to Contact, Connector)	

# SECTION 2 - TURNTABLE

## FIGURE 2-15. HYDRAULIC OIL COOLER INSTALLATION (OPTIONAL)





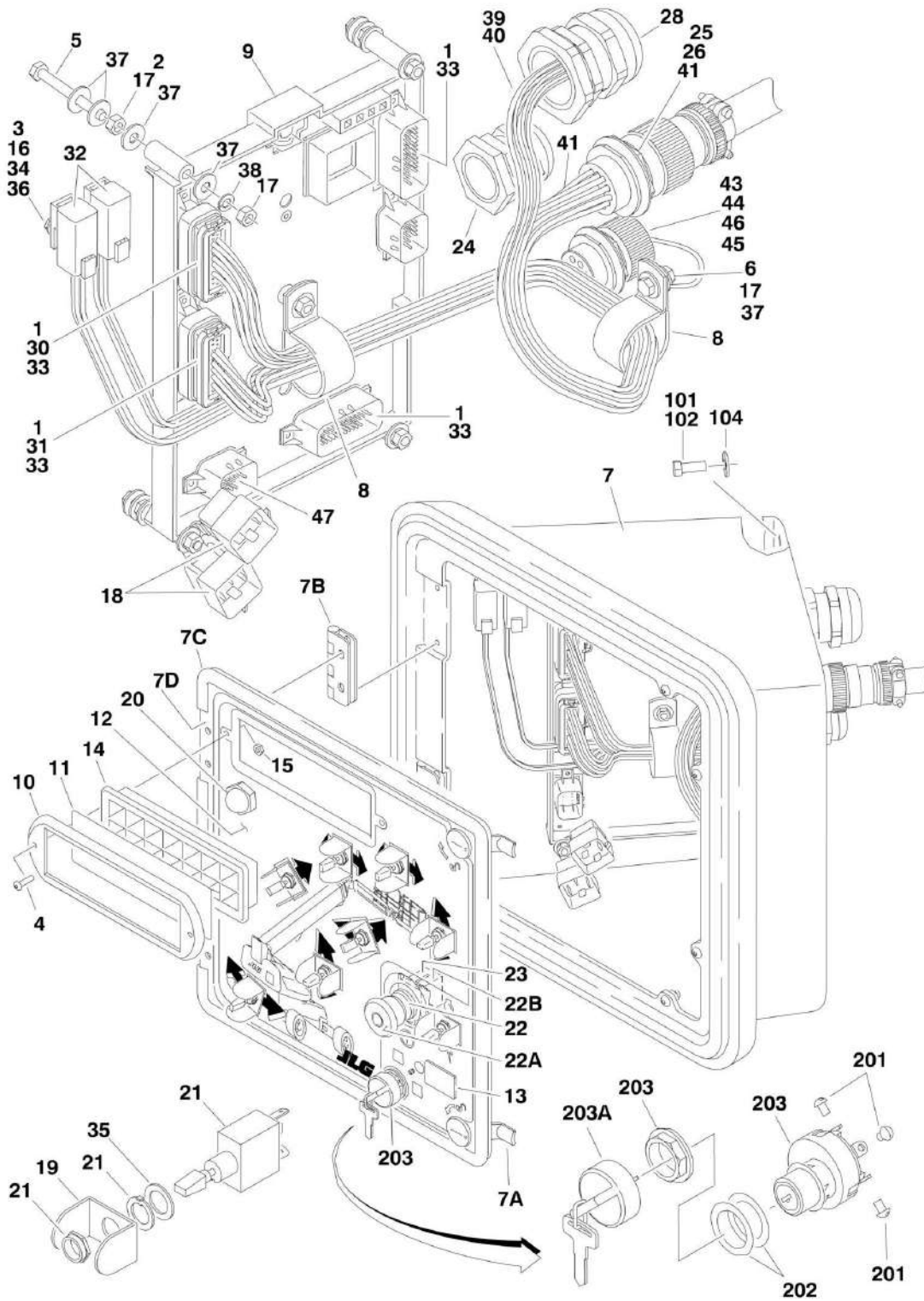
**SECTION 2 - TURNTABLE**

**FIGURE 2-15. HYDRAULIC OIL COOLER INSTALLATION (OPTIONAL)**

ITEM	PART NUMBER	QTY	DESCRIPTION	REV
		Ref	<b>HYDRAULIC OIL COOLER INSTALLATION (OPTIONAL)</b>	
	1001119859	Ref	<b>Caterpillar Machines</b>	A
	0272080	Ref	<b>Deutz Machines</b>	B
		Ref	<b>Note: See Engine Installation for Engine Oil Cooler.</b>	
1	0641520	2	Bolt 5/16in-18NC x 2-1/2in	
2	0641608	4	Bolt 3/8in-16NC x 1in	
3	1320162	2	Clamp, Hose	
4	2131212	2	Fitting, 90	
5	2170712	1	Fitting, Tee	
8		Ref	Hose Options:	
8	2753843	1	Caterpillar Machines	
8	2753778	1	Deutz Machines	
9	3311505	2	Locknut 5/16in-18NC	
10	3311605	4	Locknut 3/8in-16NC	
11	3620034	1	Cooler, Hydraulic Oil	
13		Ref	Tube Options:	
13	1001120196	1	Caterpillar Machines	
13	4568426	1	Deutz Machines	
14		Ref	Tube Options:	
14	1001120195	1	Caterpillar Machines	
14	4568427	1	Deutz Machines	
15	4641247	1	Valve, Check	
16	4711500	4	Flatwasher 5/16in Thin	
17	4751600	8	Flatwasher 3/8in Regular	
18	2753843	1	Hose	
50		Ref	Oil Cooler Add-on Kit Options (Includes Items 1-18):	
50	See Note	1	Caterpillar Machines (Note: Not Available For Purchase)	
50	1001120564	1	Deutz Machines	

# SECTION 2 - TURNTABLE

FIGURE 2-16. GROUND CONTROLS INSTALLATION (Prior to SN 0300140836)



## SECTION 2 - TURNTABLE

**FIGURE 2-16. GROUND CONTROLS INSTALLATION (Prior to SN 0300140836)**

ITEM	PART NUMBER	QTY	DESCRIPTION	REV
		Ref	<b>GROUND CONTROLS ASSEMBLIES</b>	
	1001110016	Ref	<b>Ground Controls Assemblies 1100S</b>	F
	1001119686	Ref	<b>Ground Controls Assemblies 1100SJP</b>	B
1	0100048	AR	Grease, Dielectric	
2	0100081	AR	Loctite #454	
3	0630464	2	Screw, Button #10-24NC x 1/2in	
4	0630518	2	Screw, Button Head #10-24NC x 3/4in	
5	0630548	5	Screw, Self Tapping	
6	0641406	1	Bolt 1/4in-20NC x 3/4in	
7	1001110014	1	Box Assembly	A
7A	2940139	2	Latch	
7B	2600279	2	Hinge	
7C	3960418	53 in/1.4m	Seal	
7D	3380465	1	Panel, Front	
8	1320095	2	Clamp	
9	1001110084	1	Module, Ground Control (Note: Control System must be recalibrated when Module is replaced)	
10	1670829	1	Bezel	
11	Not Required	0	Decal - Light Panel Options:	
11	1001112754	1	Decal - Light Panel 1100S	
11	1705974	1	Decal - Light Panel 1100SJP	
12		Ref	Decal - Lid Options:	
12	1001109653	1	Decal - Lid 1100S	
12	1706911	1	Decal - Lid 1100SJP	
13	2420172	1	Hourmeter	
14	2760105	1	Housing, Light	
15	3300408	2	Locknut, Nylon	
16	3311001	2	Nut #10-24NC	
17	3311401	11	Nut 1/4in-20NC	
18	3740049	2	Relay	
19	4060906	AR	Guard, Switch	
20	4360274	1	Switch, Pushbutton	
21	4360328	AR	Switch, Toggle	
22	4360475	1	Switch, Push-Pull Emergency	
22A	7020175	1	Cap	
22B	7020176	1	Block, Contact	
23	4360476	1	Block, Contact	
24	4460426	1	Connector, Strain Relief	
25	4460470	1	Nut, Terminal	
26	4460471	1	Washer, Terminal	
28	4460526	1	Connector, Strain Relief	
30	4460874	1	Connector, White	
31	4460875	1	Connector, Gray	
32	4460892	2	Bar, Buss	
33	4460905	4	Connector, Plug	
34	4460914	2	Base, Terminal	
35	4740444	8	Washer	
36	4751000	2	Flatwasher #10 Regular	
37	4751400	22	Flatwasher 1/4in Regular	
38	4761400	5	Lockwasher 1/4in	

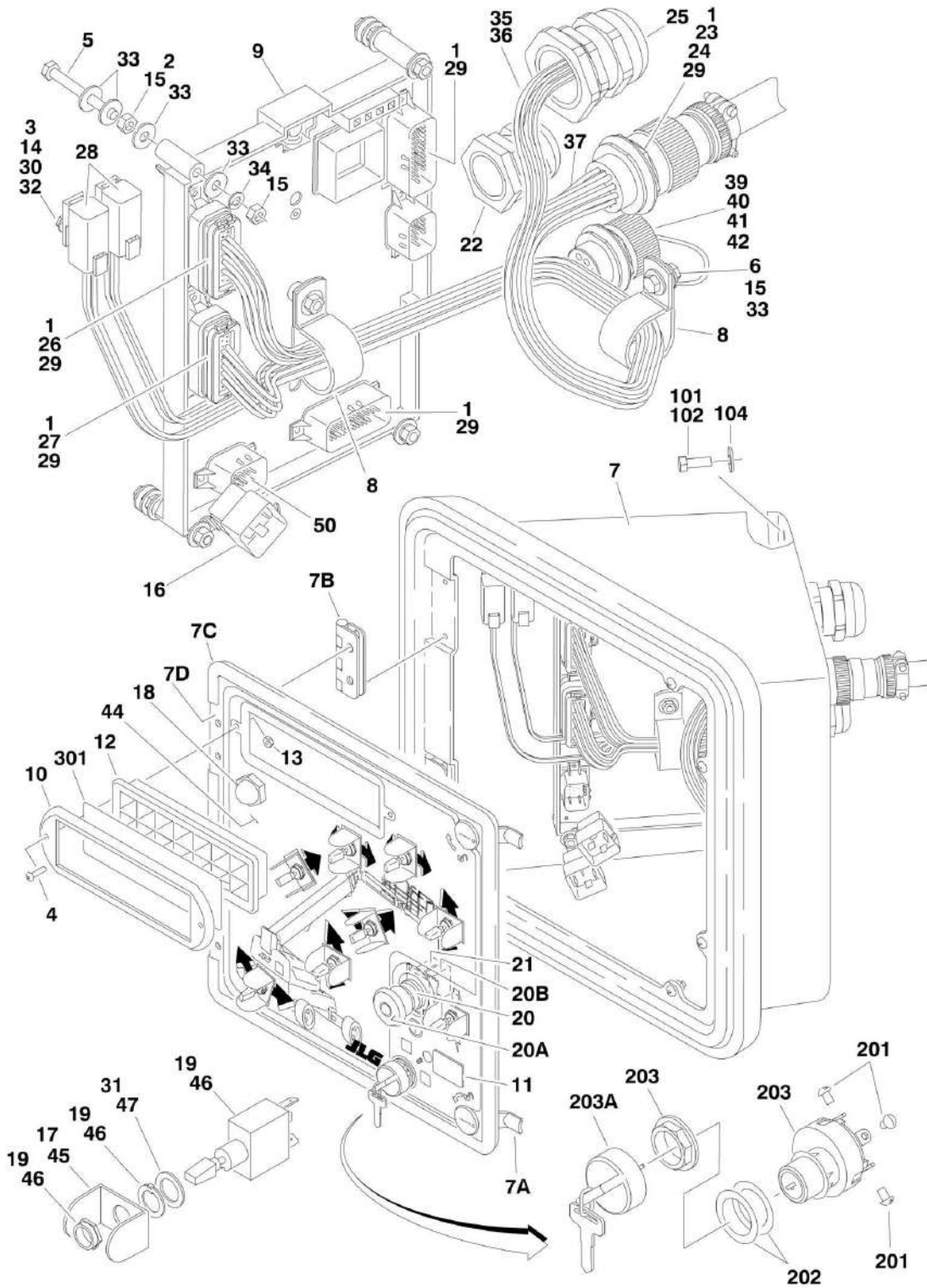
## SECTION 2 - TURNTABLE

ITEM	PART NUMBER	QTY	DESCRIPTION	REV
39	4923376	1	Harness, Engine (See ELECTRICAL SECTION for Breakdown)	
40	4923522	1	Harness, Valve (See ELECTRICAL SECTION for Breakdown)	
41	4923574	1	Harness, Ground Control Box (See ELECTRICAL SECTION for Breakdown)	
43	4460496	1	Washer, Terminal	
44	4460497	1	Nut, Terminal	
45	1001106736	1	Cap, Dust	
46	1001113734	1	Harness, ClearSky Ready (See ELECTRICAL SECTION for Breakdown)	
47	1001113698	1	Harness, Model Selection (See ELECTRICAL SECTION for Breakdown)	
		Ref	<b>GROUND CONTROL BOX INSTALLATIONS</b>	
	1001110015	Ref	<b>Ground Control Box Installations 1100S</b>	B
	1001119687	Ref	<b>Ground Control Box Installations 1100SJP</b>	B
101	0100011	AR	Compound, Locking	
102	3931616	4	Bolt 3/8in-16NC x 3/4in	
104	4751600	4	Flatwasher 3/8in Regular	
		Ref	<b>KEYSWITCH INSTALLATION</b>	
	0259666	Ref	<b>ANSI and ANSI Export Specs</b>	A
201	3910804	6	Screw #8-32NC x 1/8in	
202	4070987	2	Shim .015	
203	4360469	1	Keyswitch	
203A	2860030	1	Key, Replacement	



# SECTION 2 - TURNTABLE

FIGURE 2-17. GROUND CONTROLS INSTALLATION (SN 0300140836 to Present)



## SECTION 2 - TURNTABLE

**FIGURE 2-17. GROUND CONTROLS INSTALLATION (SN 0300140836 to Present)**

ITEM	PART NUMBER	QTY	DESCRIPTION	REV
		Ref	<b>GROUND CONTROLS ASSEMBLIES</b>	
	1001119375	Ref	<b>Ground Control Box Sub-Assembly 1100S</b>	C
	1001119374	Ref	<b>Ground Control Box Sub-Assembly 1100SJP</b>	C
	1001119363	Ref	<b>Ground Controls Assembly 1100S &amp; 1100SJP</b>	J
1	0100048	AR	Grease, Dielectric	
2	0100081	AR	Loctite #454	
3	0630464	2	Screw, Button Head #10-24NC x 1/2in	
4	0630518	2	Screw, Button Head #10-24NC x 3/4in	
5	0630548	5	Screw, Self Tapping	
6	0641406	1	Bolt 1/4in-20NC x 3/4in	
7	1001110014	1	Box Assembly	
7A	2940139	2	Latch	
7B	2600279	2	Hinge	
7C	3960418	53 in/1.4m	Seal	
7D	3380465	1	Panel, Front	
8	1320095	2	Clamp	
9	1001110084	1	Module, Ground Control (Note: Control System must be recalibrated when Module is replaced)	
10	1670829	1	Bezel	
11	2420172	1	Hourmeter	
12	2760105	1	Housing, Light	
13	3300408	2	Locknut, Nylon	
14	3311001	2	Nut #10-24NC	
15	3311401	11	Nut 1/4in-20NC	
16	3740049	1	Relay	
17	4060906	7	Guard, Switch	
18	4360274	1	Switch, Pushbutton	
19	4360328	7	Switch, Toggle	
20	4360475	1	Switch, Push-Pull Emergency	
20A	7020175	1	Cap	
20B	7020176	1	Block, Contact	
21	4360476	1	Block, Contact	
22	4460426	1	Connector, Strain Relief	
23	4460470	1	Nut, Terminal	
24	4460471	1	Washer, Terminal	
25	4460526	1	Connector, Strain Relief	
26	4460874	1	Connector, White	
27	4460875	1	Connector, Gray	
28	4460892	2	Connector, Buss Bar - 6 Position	
29	4460905	4	Connector, Plug	
30	4460914	2	Base, Terminal	
31	4740444	7	Washer	
32	4751000	2	Flatwasher #10 Regular	
33	4751400	22	Flatwasher 1/4in Regular	
34	4761400	5	Lockwasher 1/4in	
35	1001119372	1	Harness, Ground Control Box (See ELECTRICAL SECTION for Breakdown)	
36	1001116369	1	Harness, Valve (See ELECTRICAL SECTION for Breakdown)	
37	1001120180	1	Harness, Ground Control Box (See ELECTRICAL SECTION for Breakdown)	

## SECTION 2 - TURNTABLE

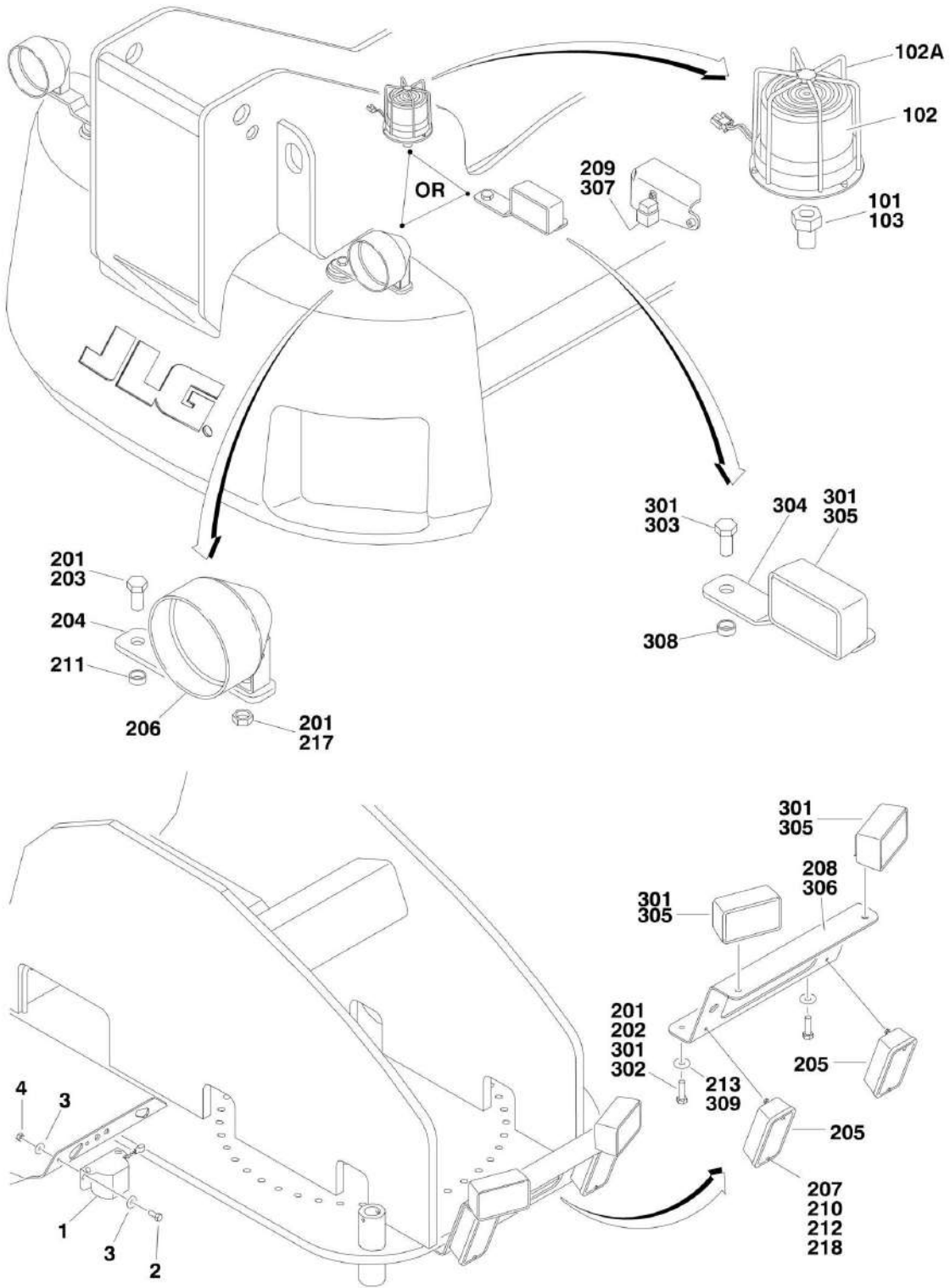
ITEM	PART NUMBER	QTY	DESCRIPTION	REV
39	4460496	1	Lockwasher, Strain Relief	
40	4460497	1	Nut, Strain Relief	
41	1001120337	1	Harness, ClearSky Ready (See ELECTRICAL SECTION for Breakdown)	
42	1001106736	1	Cap, Dust	
44		Ref	Decal - Lid Options:	
44	1001109653	1	Decal - Lid 1100S	
44	1706911	1	Decal - Lid 1100SJP	
45	4060906	1	Guard, Switch (1100SJP Only)	
46	4360328	1	Switch, Toggle (1100SJP Only)	
47	4740444	1	Washer (1100SJP Only)	
50	1001120294	1	Harness, Model Selection (See ELECTRICAL SECTION for Breakdown)	
		Ref	<b>GROUND CONTROL BOX INSTALLATIONS</b>	
		Ref	<b>Caterpillar Engine Machines</b>	
	1001119356	Ref	<b>Caterpillar Engine Machines 1100S</b>	1
	1001119360	Ref	<b>Caterpillar Engine Machines 1100SJP</b>	1
		Ref	<b>Deutz Engine Machines</b>	
	1001119358	Ref	<b>Deutz Engine Machines 1100S</b>	1
	1001119362	Ref	<b>Deutz Engine Machines 1100SJP</b>	1
101	0100011	AR	Compound, Locking	
102	3931616	4	Bolt 3/8in-16NC x 3/4in	
104	4751600	4	Flatwasher 3/8in Regular	
		Ref	<b>KEYSWITCH INSTALLATION</b>	
	0259666	Ref	<b>ANSI and ANSI Export Specs</b>	A
201	3910804	6	Screw #8-32NC x 1/8in	
202	4070987	2	Shim .015	
203	4360469	1	Keyswitch	
203A	2860030	1	Key, Replacement	
	1001125966	Ref	<b>LIGHT PANEL INSTALLATION</b>	A
301	1001125949	1	Decal - Light Panel	





# SECTION 2 - TURNTABLE

## FIGURE 2-18. ACCESSORIES INSTALLATION



## SECTION 2 - TURNTABLE

### FIGURE 2-18. ACCESSORIES INSTALLATION

ITEM	PART NUMBER	QTY	DESCRIPTION	REV
	0271806	Ref	<b>ALARMS INSTALLATION</b>	A
1	0257887	1	Alarm	
1	0140032	1	Alarm	
1	2820035	6 in/15cm	Loom	
1	4460424	1	Plug	
1	4460268	2	Socket, Female	
2	0641506	2	Bolt 5/16in-18NC x 3/4in	
3	3311505	2	Locknut 5/16in-18NC	
4	4751500	4	Flatwasher 5/16in Wide	
	0271807	Ref	<b>STROBE LIGHT INSTALLATION (AMBER) (OPTIONAL)</b>	C
		Ref	<b>Note: If machine is equipped with BLUE Strobe Light, see Section 10 SkyGuard Kit.</b>	
101	0100011	AR	Compound, Locking	
102	0272507	1	Strobe Light/Guard/Harness Assy (Includes Items 102A & 103 )	B
102		Ref	Bulb, Replacement Options:	
102	7016380	1	Bulb for ECCO Model 6640	
102	70001941	1	Bulb for ECCO Model 6650	
102A		Ref	Guard Options:	
102A	4060907	1	Guard used with ECCO Model 6640	
102A	2920215	1	Guard used with ECCO Model 6650	
103		Ref	Adapter Options:	
103	0630491	1	Adapter used with ECCO Model 6640	
103	0080241	1	Adapter used with ECCO Model 6650	
	0271769	Ref	<b>HEADLIGHT AND TAILLIGHTS INSTALLATION (OPTIONAL)</b>	B
201	0100011	AR	Compound, Locking	
202	0641610	2	Bolt 3/8in-16NC x 1-1/4in	
203	0642612	2	Bolt 1in-8NC x 1-1/2in	
204	0902206	2	Bracket, Mounting	
205	2920113	2	Taillight	
206	2920110	2	Headlight	
206	7016628	2	Bulb, Replacement (1 Per Headlight)	
207	3311001	4	Nut #10-24NC	
208	3573336	2	Plate, Mounting	
209	3740080	1	Relay, Bosch	
210	3911040	4	Screw #10-24NC x 2-1/2in	
211	4220162	2	Spacer	
212	4751000	4	Flatwasher #10	
213	4751600	2	Flatwasher 3/8in Wide	
217	3311605	2	Locknut 3/8in-16NC	
218	0100035	AR	Compound, Locking	
	0271808	Ref	<b>ILLUMINATION LIGHTS INSTALLATION (OPTIONAL)</b>	B
301	0100011	AR	Compound, Locking	
302	0641610	2	Bolt 3/8in-16NC x 1-1/4in	
303	0642612	2	Bolt 1in-8NC x 1-1/2in	
304	0902206	2	Bracket, Mounting	
305	2920157	4	Headlight	
305	7024452	4	Bulb, Replacement (1 Per Light)	
306	3573336	2	Plate, Mounting	
307	3740080	1	Relay, Bosch	
308	4220162	2	Spacer	

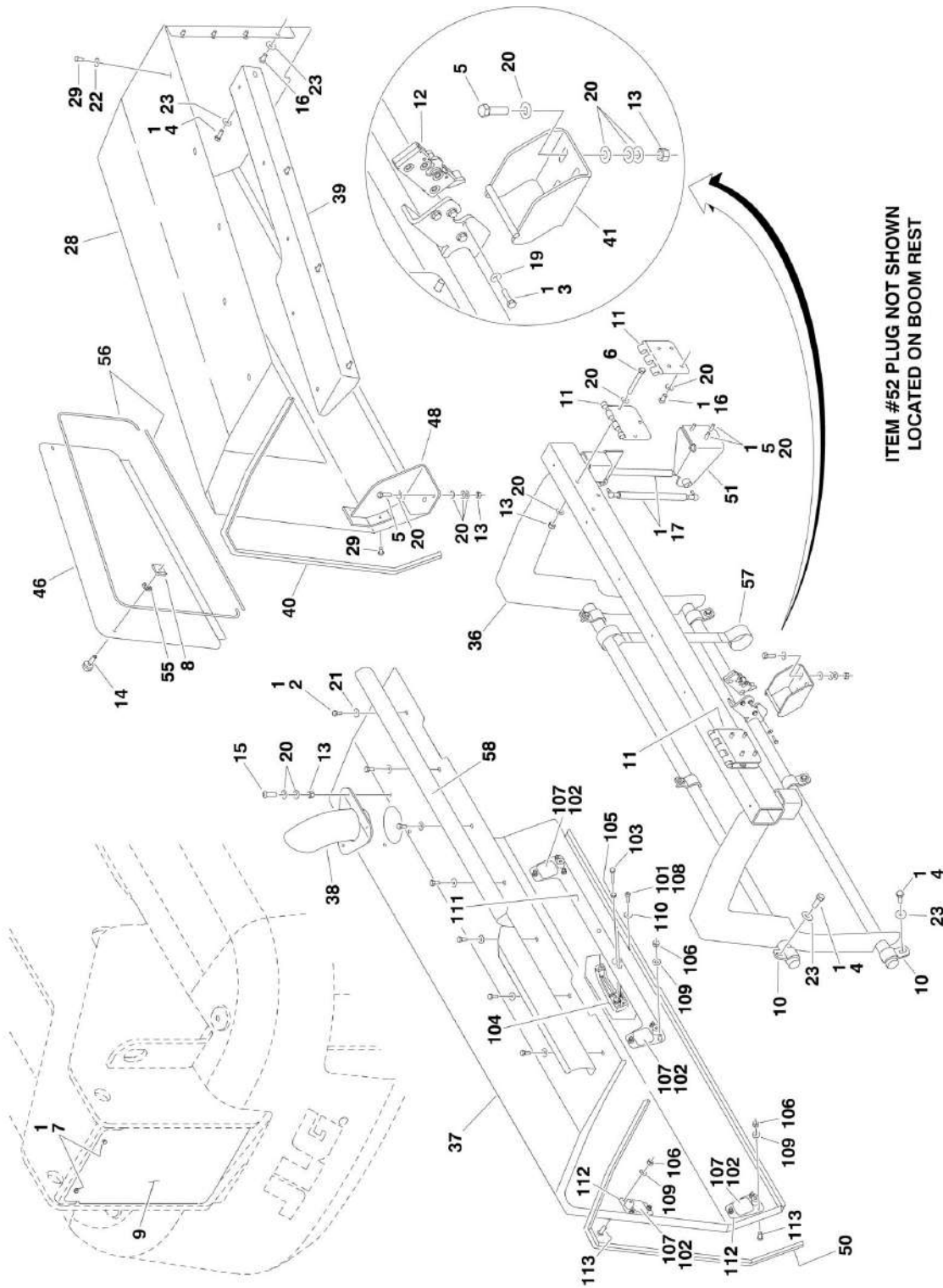
## SECTION 2 - TURNTABLE

ITEM	PART NUMBER	QTY	DESCRIPTION	REV
309	4751600	2	Flatwasher 3/8in Wide	



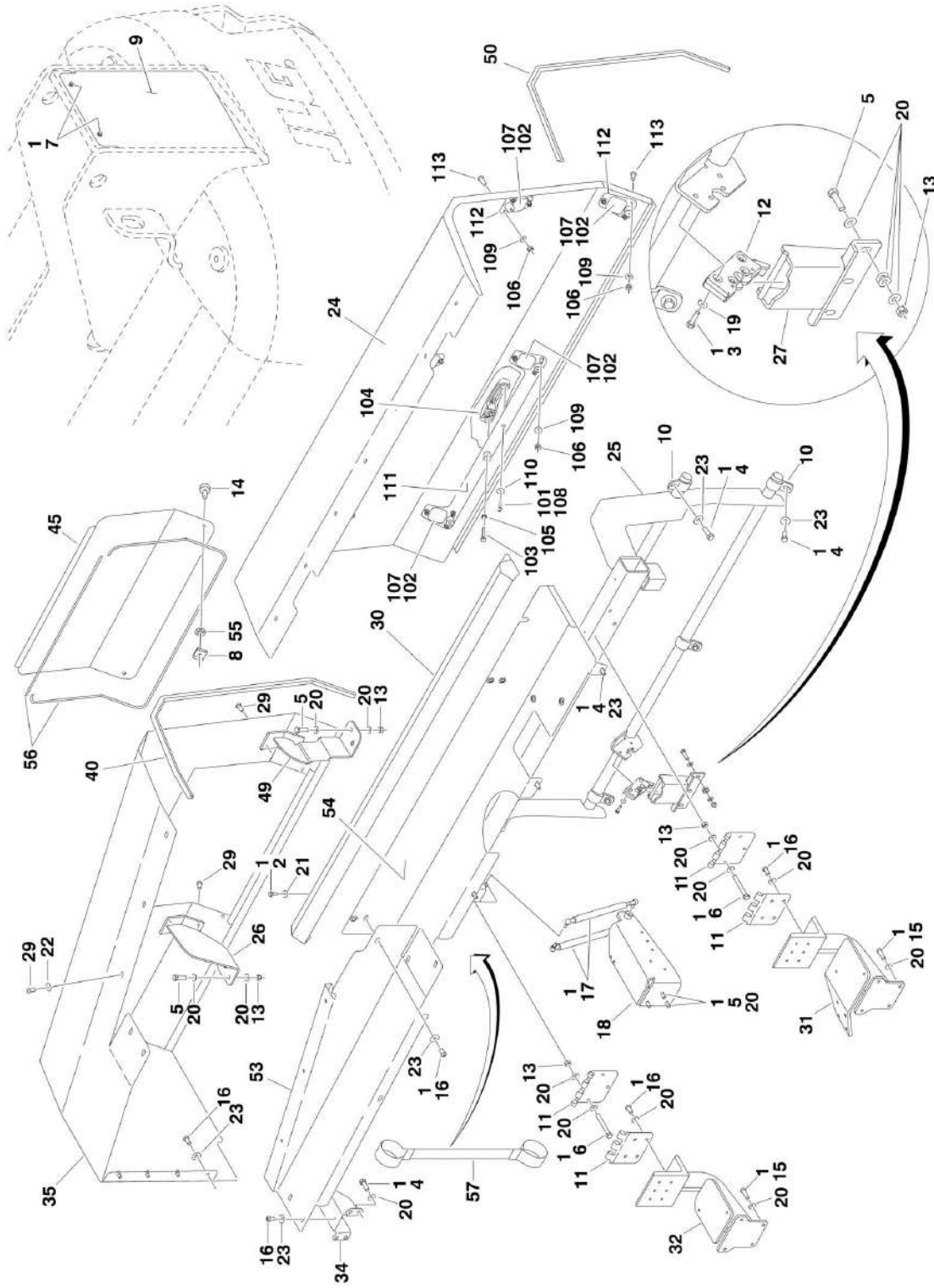
# SECTION 2 - TURNTABLE

## FIGURE 2-19. HOOD INSTALLATION



ITEM #52 PLUG NOT SHOWN  
LOCATED ON BOOM REST

# SECTION 2 - TURNTABLE



## SECTION 2 - TURNTABLE

FIGURE 2-19. HOOD INSTALLATION

ITEM	PART NUMBER	QTY	DESCRIPTION	REV
	1001109543	Ref	<b>HOOD INSTALLATION</b>	C
1	0100011	AR	Compound, Locking	
2	0641405	14	Bolt 1/4in-20NC x 5/8in	
3	0641408	8	Bolt 1/4in-20NC x 1in	
4	0641608	24	Bolt 3/8in-16NC x 1in	
5	0641610	18	Bolt 3/8in-16NC x 1-1/4in	
6	0641630	12	Bolt 3/8in-16NC x 3-3/4in	
7	0791604	2	Screw 3/8in-16NC x 1/2in	
8	1380169	4	Clip, Receptacle	
9	1671038	1	Cover, Turntable	
10	2080051	12	Clamp	
11	2600280	4	Hinge	
12	2940173	2	Latch, Rotary	
13	3311605	27	Locknut 3/8in-16NC	
14	3900174	4	Screw, Thumb	
15	3900232	11	Screw, Button Head 3/8in-16NC x 1-1/4in	
16	3900283	32	Screw, Button Head 3/8in-16NC x 3/4in	
17	4160194	4	Spring, Gas	
18	4340999	1	Mount, Gas Spring	
19	4711400	8	Flatwasher 1/4in (Thin)	
20	4711600	104	Flatwasher 1/4in Thin	
21	4751400	14	Flatwasher 1/4in Regular	
22	4751500	10	Flatwasher 5/16in Regular	
23	4751600	36	Flatwasher 3/8in Regular	
24	1001107176	1	Hood, Tank Side - Front (See Items 101-113 for Breakdown)	
		Ref	<b>NOTE: Replacement decals must be ordered separately - See DECALS SECTION.</b>	
25	1001108142	1	Support, Tank Side Hood	
26	1001108680	1	Bracket, Hood Support	
27	1001113004	1	Bracket, Striker	
28	1001108904	1	Hood, Engine Side - Rear	
29	3900210	16	Screw, Button Head 5/16in-18NC x 3/4in	
30	1001109511	1	Shield, Hinge	
31	1001109651	1	Support, Front Hood	
32	1001108142	1	Support, Front Hood	
34	1001109759	1	Support, Power Track Trough	
35	1001109838	1	Hood, Tank Side - Rear	
36	1001109941	1	Support, Engine Side	
37	1001109989	1	Hood, Engine Side - Front (See Items 101-113 for Breakdown)	
		Ref	<b>NOTE: Replacement decals must be ordered separately - See DECALS SECTION.</b>	
38	1001110027	1	Stack, Exhaust	
39	1001110146	1	Support, Engine Side	
40	1001110166	9.5 ft/2.9m	Seal	
41	1001110194	1	Bracket, Striker	
45	1001110257	1	Cover, Access (Tank Side)	
46	1001110258	1	Cover, Access (Engine Side)	
48	1001110295	1	Bracket, Hood Support (Note: Bracket is original equipment for all machines. However, if hood has been damaged, original bracket may have been replaced with bracket that includes sliding pad.	

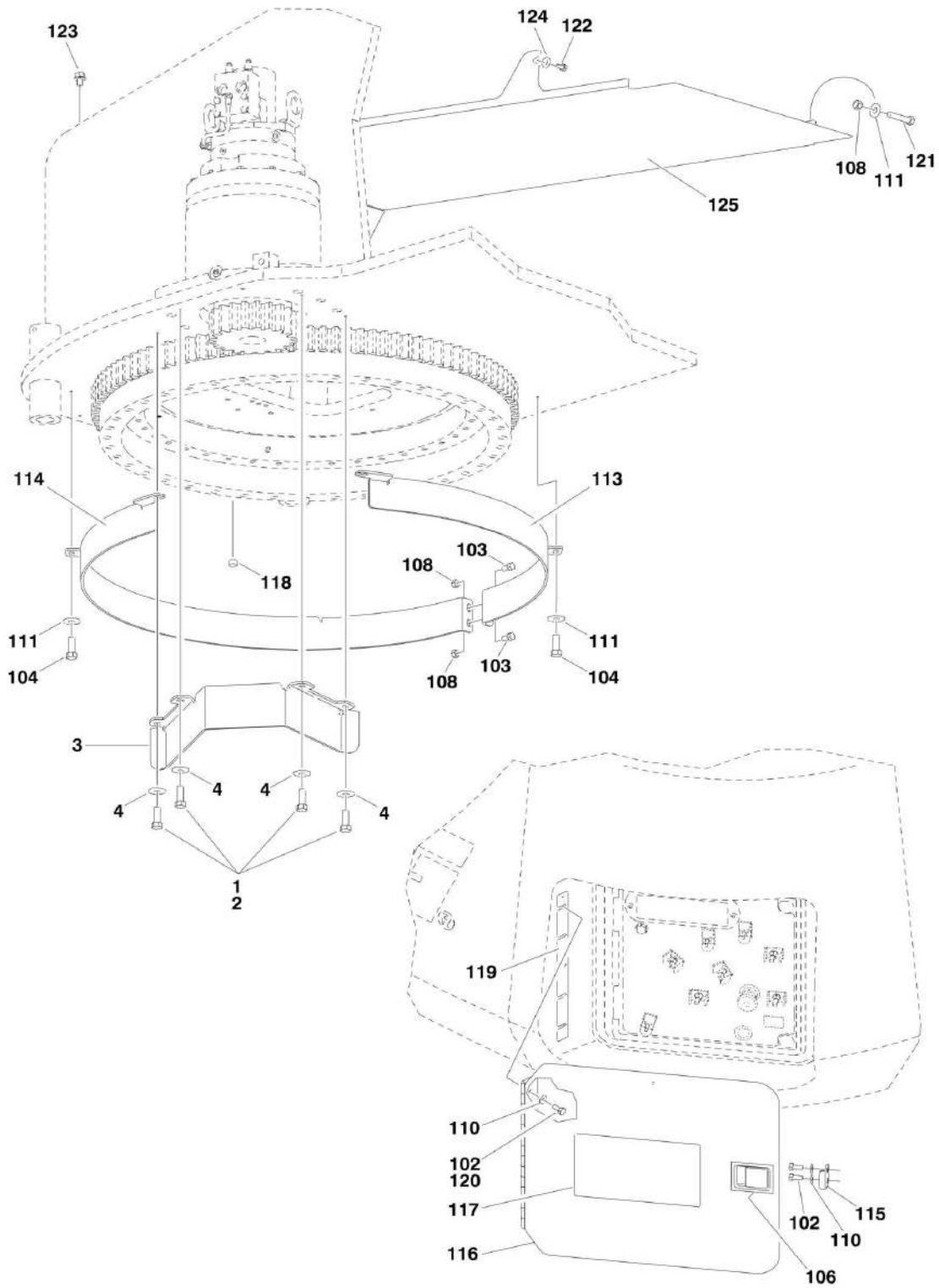


## SECTION 2 - TURNTABLE

ITEM	PART NUMBER	QTY	DESCRIPTION	REV
			Refer to SPECIAL OPTIONS SECTION for replacement parts.)	
49	1001110296	1	Bracket, Hood Support	
50	1001110433	9.5 ft/2.9m	Seal	
51	1001110486	1	Mount, Gas Spring	
52	3520034	2	Plug, Hole (Not Shown - Located on Inside Turntable)	
53	1001111585	1	Plate, Power Track Trough	
54	1001112162	1	Plate, Power Track Trough	
55	3760308	4	Retainer	
56	1001113047	17 ft/5.2m	Seal, Adhesive Backed	
57	1001112691	2	Strap, Hand Pull	
58	1001114098	1	Shield, Rubber	
		Ref	<b>HOOD COMPONENTS</b>	
	1001107176	Ref	<b>Tank Side Hood</b>	C
	1001109989	Ref	<b>Engine Side Hood</b>	C
		Ref	<b>Note: Qtys shown are for 1 Side. Double qty for both sides.</b>	
		Ref	<b>Note: Replacement decals must be ordered separately - See DECALS SECTION.</b>	
101	0100011	AR	Compound, Locking	
102	0100081	AR	Adhesive, Loctite #454	
103	0700616	1	Bolt 5/16in-18NC x 3/4in	
104	2560187	1	Handle, Push Button	
105	3290601	1	Nut M6	
106	3311505	18	Locknut 5/16in-18NC	
107	3340877	6	Pad	
108	3900363	2	Screw, Button Head M6 x 1x25mm	
109	4711500	18	Flatwasher 5/16in Thin	
110	4811900	2	Flatwasher M8	
111	1001107978	1	Mount, Handle	
112	1001108024	4	Bracket	
113	3900210	1	Screw, Button Head 5/16in-18NC x 3/4in	

# SECTION 2 - TURNTABLE

FIGURE 2-20. TURNTABLE BEARING SHIELD AND GROUND CONTROL DOOR INSTALLATIONS



## SECTION 2 - TURNTABLE

**FIGURE 2-20. TURNTABLE BEARING SHIELD AND GROUND CONTROL DOOR INSTALLATIONS**

ITEM	PART NUMBER	QTY	DESCRIPTION	REV
	0271874	Ref	<b>PINION SHIELD INSTALLATION</b>	A
1	0100011	AR	Compound, Locking	
2	0641608	4	Bolt 3/8in-16NC x 1in	
3	3573355	1	Plate, Pinion	
4	4751600	4	Flatwasher 3/8in Regular	
	1001111219	Ref	<b>SHIELDS INSTALLATION (STANDARD EQUIPMENT ON 1100S - OPTIONAL ON 1100SJP)</b>	G
102	0641506	5	Bolt 5/16in-18NC x 3/4in	
103	0641606	2	Bolt 3/8in-16NC x 3/4in	
104	0641608	3	Bolt 3/8in-16NC x 1in	
106	2940045	1	Latch, Paddle	
108	3311605	AR	Locknut 3/8in-16NC	
110	4711500	7	Flatwasher 5/16in Narrow	
111	4751600	AR	Flatwasher 3/8in Regular	
113	1001111175	1	Plate, Bearing Cover	
114	1001111176	1	Plate, Bearing Cover	
115	1001112911	1	Plate, Striker	
116	1001111193	1	Door	
117	1001113173	1	Decal - Emergency Stop	
118	1001114392	1	Plug, Rubber	
119	1001115168	1	Shim <b>(SN 0300138349 to Present)</b>	
120	0100011	AR	Compound, Locking <b>(SN 0300138349 to Present)</b>	
121	0630511	1	Bolt 3/8in-16NC x 2in <b>(SN 0300139583 to Present)</b>	
122	0641404	1	Bolt 1/4in-20NC x 1/2in <b>(SN 0300139583 to Present)</b>	
123	0791604	2	Bolt 3/8in-16NC x 1/2in <b>(SN 0300139583 to Present)</b>	
124	4751400	1	Flatwasher 1/4in Wide <b>(SN 0300139583 to Present)</b>	
125	1001115440	1	Shield, Turntable <b>(SN 0300139583 to Present)</b>	



**SECTION 3 - BOOM**

# SECTION 3 - BOOM

## FIGURE 3-1. BOOM INSTALLATION

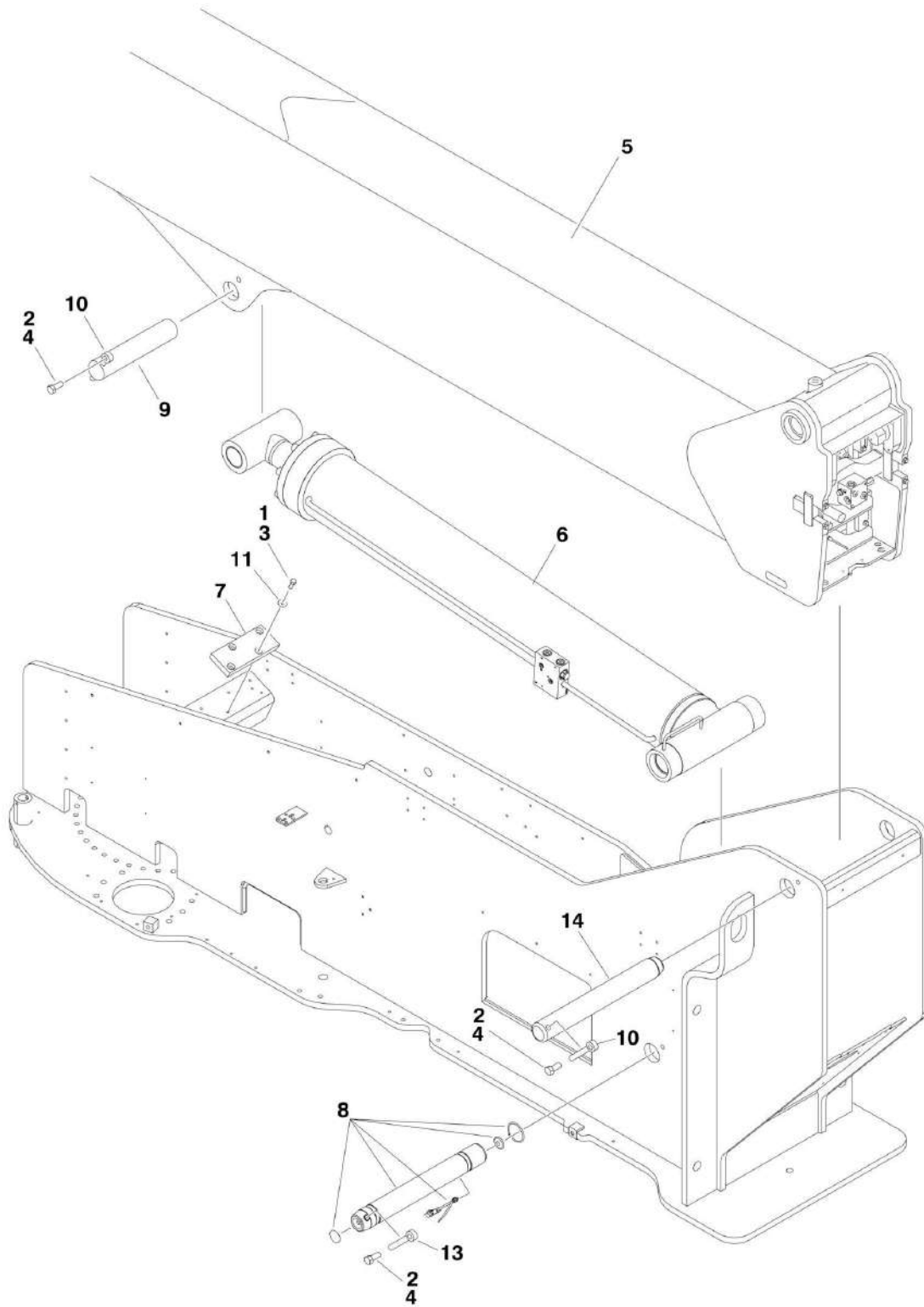
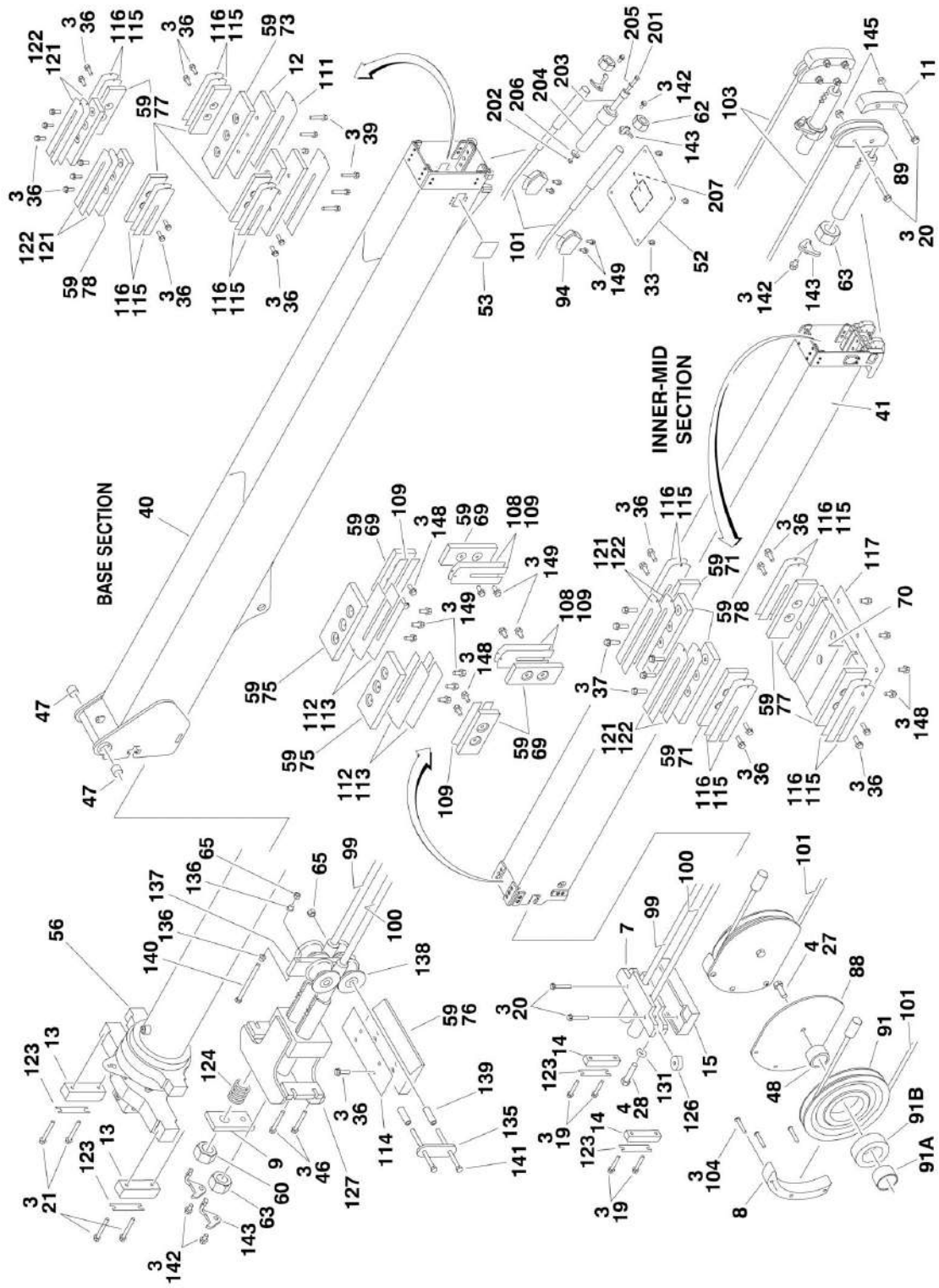


FIGURE 3-1. BOOM INSTALLATION

ITEM	PART NUMBER	QTY	DESCRIPTION	REV
		Ref	<b>BOOM INSTALLATION</b>	
	1001110705	Ref	<b>Boom Installation 1100S</b>	B
	0271799	Ref	<b>Boom Installation 1100SJP</b>	F
1	0100011	AR	Compound, Locking	
2	0100019	AR	Compound, Locking	
3	0641608	4	Bolt 3/8in-16NC x 1in	
4	0642214	3	Bolt 3/4in-10NC x 1-3/4in	
5		Ref	Boom Assembly Options (See BOOM ASSEMBLY for Breakdown)	
5	1001110163	1	Boom Assembly 1100S	
5	0801320	1	Boom Assembly 1100SJP	
6	1684162	NLA	Lift Cylinder Assembly (Use p/n 1001228024) (See CYLINDER SECTION for Breakdown) (Original Equipment)	
6	1001228024	2	Lift Cylinder Assembly (See CYLINDER SECTION for Breakdown) (Service Replacement)	
7	3340927	1	Pad	
8	3423208	1	Pin, Load Sensing	
9	3422955	1	Pin	
10	3841287	2	Keeper, Pin	
11	4751600	4	Flatwasher 3/8in Regular	
13	3841581	1	Keeper, Pin	
14	3422988	1	Pin	

# SECTION 3 - BOOM

## FIGURE 3-2. BOOM ASSEMBLY





# SECTION 3 - BOOM

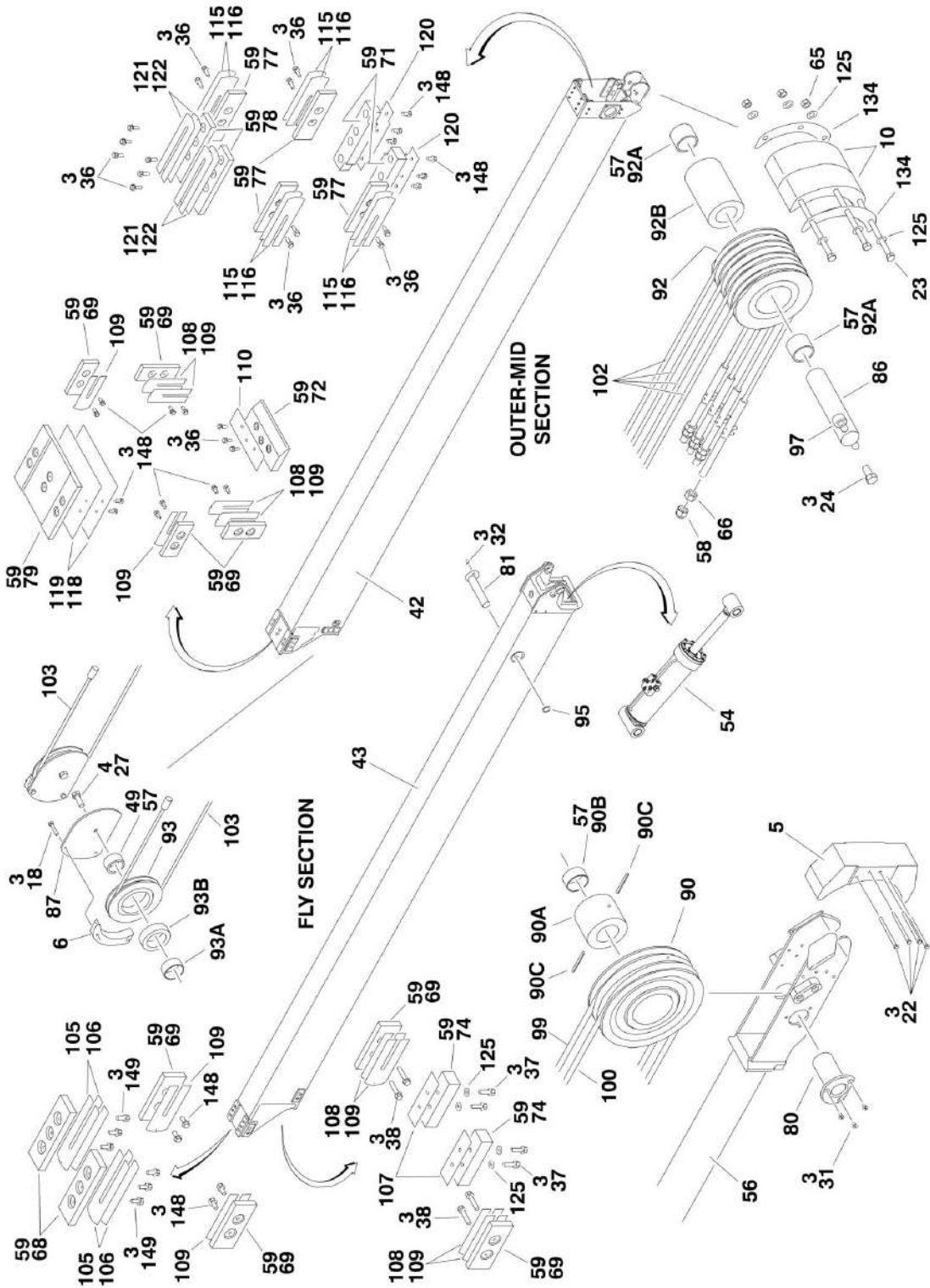




FIGURE 3-2. BOOM ASSEMBLY

ITEM	PART NUMBER	QTY	DESCRIPTION	REV
		Ref	<b>BOOM ASSEMBLY</b>	
	1001110163	Ref	<b>Boom Assembly 1100S</b>	D
	0801320	Ref	<b>Boom Assembly 1100SJP</b>	R
1	1001097643	1	Actuator Assembly (Platform Rotate) (See ACTUATOR ASSEMBLIES for Breakdown)	
2		Ref	Actuator Assembly Options (Jib Rotate) (See ACTUATOR ASSEMBLIES for Breakdown):	
2	Not Required	0	Actuator Assembly 1100S (Use Item 128A)	
2	1001097619	1	Actuator Assembly 1100SJP	
3	0100011	AR	Compound, Locking	
4	0100019	AR	Compound, Locking	
5	0561431	1	Block, Rope Retainer	
6	0561437	2	Block, Rope Retainer	
7	0561439	1	Block, Outer Mid Extend	
8	0561444	2	Block, Cable Retainer	
9	0561454	1	Block, Switch Adjuster	
10	0561457	2	Block, Cable Retainer	
11	0561458	2	Block, Cable Retainer	
12	0561471	2	Block, Spacer	
13		Ref	Block, Trunnion Keeper Options:	
13	0561500	2	Block, Trunnion Keeper 1100S	
13	0561481	2	Block, Trunnion Keeper 1100SJP	
14	0561482	2	Block, Trunnion Keeper	
15	3340955	1	Pad	
16	0641607	5	Bolt 3/8in-16NC x 7/8in	
17	0641610	1	Bolt 3/8in-16NC x 1-1/4in	
18	0641615	4	Bolt 3/8in-16NC x 1-7/8in	
19	0791618	4	Screw 3/8in-16NC x 2-1/4in	
20	0791620	10	Screw 3/8in-16NC x 2-1/2in	
21	0791624	4	Screw 3/8in-16NC x 3in	
22	0641646	4	Bolt 3/8in-16NC x 5-3/4in	
23	0641652	3	Bolt 3/8in-16NC x 6-1/2in	
24	0641808	1	Bolt 1/2in-13NC x 1in	
25	0641813	1	Bolt 1/2in-13NC x 1-5/8in	
26	0642012	1	Bolt 5/8in-11NC x 1-1/2in	
27	0642014	4	Bolt 5/8in-11NC x 1-3/4in	
28	0642022	2	Bolt 5/8in-11NC x 2-3/4in	
29	0682028	8	Bolt 5/8in-11NC x 3-1/2in (Grade 8) (1100SJP Only)	
30	0682212	8	Bolt 3/4in-10NC x 1-1/2in (Grade 8) (1100SJP Only)	
31	0741606	3	Screw, Flathead 3/8in-16NC x 3/4in	
32	0741806	1	Screw, Flathead 1/2in-13NC x 3/4in	
33	0791604	4	Screw 3/8in-16NC x 1/2in	
34	0791606	2	Screw 3/8in-16NC x 3/4in (1100SJP Only)	
36	0811608	43	Screw 3/8in-16NC x 1in	
37	0811610	10	Screw 3/8in-16NC x 1-1/4in	
38	0811614	4	Screw 3/8in-16NC x 1-3/4in	
39	0811616	6	Screw 3/8in-16NC x 2in	
40	0801316	1	Base, Boom	
41	0801317	1	Mid, Inner	
42	0801318	1	Mid, Outer	

## SECTION 3 - BOOM

ITEM	PART NUMBER	QTY	DESCRIPTION	REV
43	0801319	1	Fly, Boom	
44	0961951	8	Bushing	
45	0962224	2	Bearing	
46	0791612	4	Screw 3/8in-16NC x 1-1/2in	
47	0962297	2	Bushing	
48	0962409	2	Bushing	
49	0962410	2	Bushing	
50		Ref	Cam Options:	
50	Not Required	0	Cam 1100S	
50	1100131		Cam 1100SJP	
52	1671032	1	Cover	
53	1671033	1	Cover	
54	1684149	NLA	Platform Level Cylinder Assembly (Use p/n 1001228023) (See CYLINDER SECTION for Breakdown) (Original Equipment)	
54	1001228023	1	Platform Level Cylinder Assembly (See CYLINDER SECTION for Breakdown) (Service Replacement)	
55	1684173	NLA	Jib Cylinder Assembly (Use p/n 1001228025) (See CYLINDER SECTION for Breakdown) (Original Equipment)	
55	1001228025	1	Jib Cylinder Assembly (See CYLINDER SECTION for Breakdown) (Service Replacement)	
56	1684178	NLA	Telescope Cylinder Assembly (Use p/n 1001228026) (See CYLINDER SECTION for Breakdown) (Original Equipment)	
56	1001228026	1	Telescope Cylinder Assembly (See CYLINDER SECTION for Breakdown) (Service Replacement)	
57	3020039	AR	Lubricant, Moly	
58	3300239	4	Nut, Nylon Insert	
59	3020042	AR	Lubricant w/PTFE	
60	3300458	1	Nut 1in-12NF	
62	3300460	2	Nut 1-1/4in-7NC	
63	3300461	3	Nut 1-3/8in-6NC	
65	3311605	7	Locknut 3/8in-16NC	
66	3311801	4	Nut 1/2in-13NC	
67	3311805	1	Locknut 1/2in-13NC	
68	3340871	2	Pad, Wear	
69	3340881	12	Pad, Wear	
70	3340910	1	Pad, Wear	
71	3340912	2	Pad, Wear	
72	4700039	1	Pad, Wear	
73	3340916	2	Pad, Wear	
74	3340917	2	Pad, Wear	
75	3340918	2	Pad, Wear	
76	4700038	1	Pad, Wear	
77	3340921	12	Pad, Wear	
78	3340922	6	Pad, Wear	
79	3340926	1	Pad, Wear	
80	3422926	1	Pin	
81	3422937	1	Pin	
82	1001119899	1	Pin (was p/n 3422953)	
83	3422956	1	Pin	
84	3422957	5	Pin	
85	3422958	1	Pin	
86	3422959	1	Pin	
87	3572950	2	Plate, Cable Retract Retainer	

## SECTION 3 - BOOM

ITEM	PART NUMBER	QTY	DESCRIPTION	REV
88	3572951	2	Plate, Cable Retract Retainer	
89	3580342	2	Sheave	
90	3580308	1	Sheave	
90A	0962401	1	Bushing (Outer)	
90B	0962472	1	Bushing (Inner)	
90C	3441680	8	Rollpin	
91	3580298	2	Sheave	
91A	0962402	1	Bushing (Outer)	
91B	0962406	1	Bushing (Inner)	
92	3580300	1	Sheave	
92A	0961948	2	Bushing (Inner)	
92B	0962403	1	Bushing (Outer)	
93	3580302	1	Sheave	
93A	0962404	1	Bushing (Outer)	
93B	0962411	1	Bushing (Inner)	
94	3580341	2	Sheave	
95	3760233	1	Ring, Retaining	
96	3841143	6	Keeper, Pin	
97	3841203	2	Keeper, Pin	
98	3841258	1	Keeper, Pin	
99	3890034	1	Cable, Outer Mid Extend	
100	3890035	1	Cable, Outer Mid Extend	
101	3890036	2	Cable, Outer Mid Retract	
102	3890037	4	Cable, Fly Extend	
103	3890038	2	Cable, Fly Retract	
104	0641618	6	Screw 3/8in-16NC x 2-1/4in	
105	4070863	2	Shim #11 Gauge	
106	4070864	2	Shim #18 Gauge	
107	4070895	2	Shim #16 Gauge	
108	4070897	6	Shim #18 Gauge	
109	4070898	12	Shim #11 Gauge	
110	4071012	1	Shim #16 Gauge	
111	4071013	AR	Shim #16 Gauge	
112	4071015	2	Shim #16 Gauge	
113	4071016	AR	Shim #11 Gauge	
114	4071017	1	Shim #16 Gauge	
115	4071018	8	Shim #16 Gauge	
116	4071019	12	Shim #11 Gauge	
117	4071024	1	Shim #16 Gauge	
118	4071025	1	Shim #16 Gauge	
119	4071026	AR	Shim #11 Gauge	
120	4071027	2	Shim #16 Gauge	
121	4071028	6	Shim #16 Gauge	
122	4071029	6	Shim #11 Gauge	
123	4071031	4	Shim #16 Gauge	
124	4160197	1	Spring	
125	4711600	10	Flatwasher 3/8in Thin	
126	4740509	2	Spacer	
127	4846453	1	Plate, Mounting	
128		Ref	Pivot Options:	
128A	1001108771	1	Pivot 1100S (Includes Qty 2 of Item 45 Bushings)	

## SECTION 3 - BOOM

ITEM	PART NUMBER	QTY	DESCRIPTION	REV
128B	4846462	1	Pivot 1100SJP (Item 45 Bushings must be Purchased Separately)	
129		Ref	Link, Jib (Upper)	
129	1001109626	1	Link, Jib 1100S (Includes Qty 4 of Item 44 Bushings)	
129	4846482	1	Link, Jib 1100SJP (Item 44 Bushings must be Purchased Separately)	
130		Ref	Link, Jib (Lower) Options:	
130	1001109628	1	Link, Jib 1100S (Includes Qty 4 of Item 44 Bushings)	
130	0801550	1	Link, Jib 1100SJP (Item 44 Bushings must be Purchased Separately)	
131	4892000	2	Flatwasher 5/8in Hardened	
132	4071044	1	Shim #18 Gauge (1100SJP Only)	
133	4071045	1	Shim #11 Gauge (1100SJP Only)	
134	4071046	2	Shim #16 Gauge	
135	0363066	2	Bar, Stabilizer	
136	0962447	2	Bearing, Flanged	
137	3573437	1	Plate, Pulley Adjustment	
138	3580306	4	Pulley	
139	4568423	4	Tube, Spacer	
140	0641640	1	Bolt 3/8in-16NC x 5in	
141	0641644	2	Bolt 3/8in-16NC x 5-1/2in	
142	0791605	6	Screw 3/8in-16NC x 5/8in	
143	3573444	6	Plate, Lock	
144	0630558	1	Bolt 1-1/8in-7NC x 2in (1100SJP Only)	
145	3311608	8	Nut, Castle 3/8in-16NC	
146	3760133	5	Ring, Retaining	
148	0811606	AR	Screw 3/8in-16NC x 3/4in	
149	0811607	AR	Screw 3/8in-16NC x 7/8in	
	0272048	Ref	<b>WIRE ROPE TOOLS INSTALLATION (OPTIONAL)</b>	B
201	0641676	1	Bolt 3/8in-16NC x 9-1/2in	
202	3311605	1	Locknut 3/8in-16NC	
203	4120040	1	Socket 3/4in	
204	4120043	1	Socket 2in	
205	4711600	1	Flatwasher 3/8in Thin	
206	4891600	1	Flatwasher 3/8in Hardened	
207	1705307	1	Decal - Tool Location	





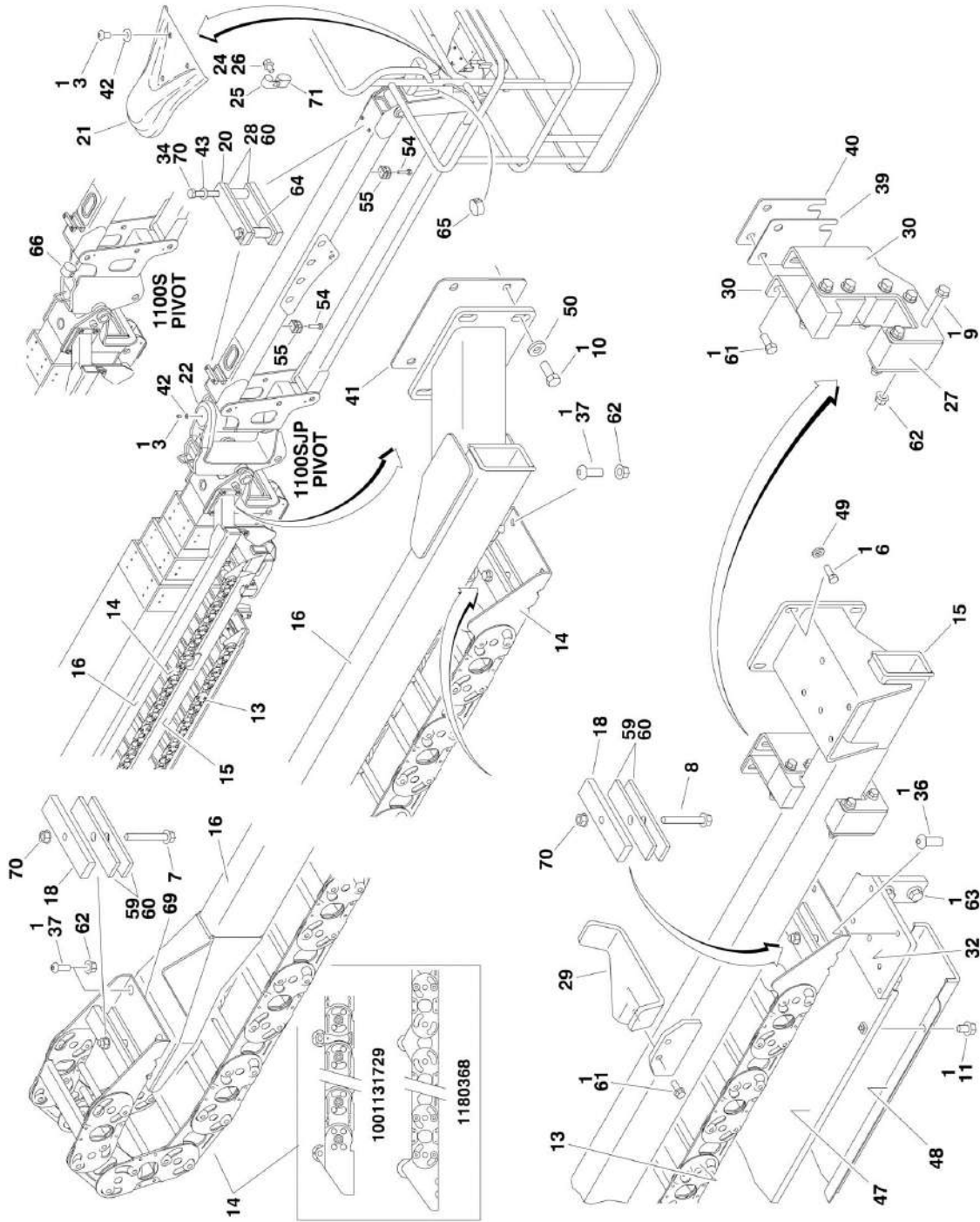


FIGURE 3-3. ACTUATOR ASSEMBLIES

ITEM	PART NUMBER	QTY	DESCRIPTION	REV
		Ref	<b>ACTUATOR ASSEMBLIES</b>	
	1001097643	Ref	<b>Platform Rotate (1100S &amp; 1100SJP)</b>	A
	1001097619	Ref	<b>Jib Rotate (1100SJP Only)</b>	A
1	See Note	1	Case/Bracket Weldment (Note: Not Available - Purchase Complete Actuator Assembly)	
2		Ref	Shaft Options:	
2	7017162	1	1001097643 Platform Rotator	
2	7017191	1	1001097619 Jib Rotator	
3		Ref	Sleeve, Piston Options:	
3	7017163	1	1001097643 Platform Rotator	
3	7017187	1	1001097619 Jib Rotator	
4		Ref	Cap, End Options:	
4	7017164	1	1001097643 Platform Rotator	
4	7017188	1	1001097619 Jib Rotator	
5	See Note	1	Bolt 1/4in-20NC x 1-1/2in (Grade 8) (Note: Not available for purchase)	
20	See Note	1	Seal, Rod (Note: Use Item 52)	
22	See Note	1	Seal, Piston (Note: Use Item 52)	
24	See Note	1	Seal, Cap (Note: Use Item 52)	
25	See Note	2	Packing, Bearing (Note: Use Item 52)	
27	See Note	1	Ring, Cap Back-Up (Note: Use Item 52)	
31	See Note	2	Seal (Note: Use Item 52)	
32	See Note	2	Bearing, Shaft (Note: Use Item 51)	
34	See Note	2	Thrustwasher (Note: Use Item 51)	
41		Ref	Motion Control Valve Assembly Options (Cartridges not serviced separately.):	
41	70001639	1	1001097643 Platform Rotator	
41	70002859	1	1001097619 Jib Rotator (was p/n 70001641)	
51		Ref	Bearing Kit Options: (Includes Items 32 & 34)	
51	7017159	1	1001097643 Platform Rotator	
51	7017185	1	1001097619 Jib Rotator	
52		Ref	Seal Kit Options: (Includes Items 20, 22, 24, 25, 27 & 31)	
52		Ref	1001097643 Platform Rotator	
52	7017158	1	Standard	
52	70000342	1	Cold Climate	
52		Ref	1001097619 Jib Rotator	
52	7017184	1	Standard	
52	70000796	1	Cold Climate	
53		Ref	Hardware Kit (Platform Rotator Actuator) Options:	
53	7017142	1	1001097643 Platform Rotator	
53	See Note	1	1001097619 Jib Rotator (Note: Not available for purchase)	
54	70001697	4	Screw, Countersunk 1/4in-20NC x 3/8in (Grade 8)	
55	7017195	2	Bushing (Platform Rotator)	



# SECTION 3 - BOOM



# SECTION 3 - BOOM

## FIGURE 3-4. POWER TRACK INSTALLATION

ITEM	PART NUMBER	QTY	DESCRIPTION	REV
		Ref	<b>POWER TRACK INSTALLATION</b>	
	1001115385	Ref	<b>Power Track Installation 1100S</b>	B
	0271800	Ref	<b>Power Track Installation 1100SJP</b>	N
1	0100011	AR	Compound, Locking	
2	0100019	AR	Compound, Locking	
3	0630467	AR	Screw, Button 5/16in-18NC x 1/2in	
4	0791518	2	Screw 5/16in-18NC 2-1/4in	
5	3900232	2	Screw, Button 3/8in-16NC x 1-1/4in	
6	0641608	4	Bolt 3/8in-16NC x 1in	
7	0791620	2	Screw 3/8in-16NC x 2-1/2in	
8	0791622	2	Screw 3/8in-16NC x 2-3/4in	
9	0791624	6	Screw 3/8in-16NC x 3in	
10	0641810	4	Bolt 1/2in-13NC x 1-1/4in	
11	0791504	48	Screw 5/16in-18NC x 1/2in	
12		Ref	Carrier (T/T to Boom) Options:	
		Ref	<b>Note: Original Equipment Power Track may have been replaced with Service Replacement. Visually identify component before ordering replacement parts.</b>	
12	1001131620	1	Carrier (was p/n 1180364) <b>(Prior to SN 0300157749)</b>	
12	1001131620	1	Carrier <b>(SN 0300157749 to Present)</b>	
12		Ref	Section Repair Kit Options (Includes Inner and Outer Links, Joining Bars and Rollers and Assembling Hardware):	
12	7024367	1	Repair Section for 1180364 Power Track	
12	70003917	1	Repair Section for 1001131620 Power Track	
12		Ref	Mounting Bracket Kit Option (Includes Mounting Brackets for Both Ends, 1 Roller Assembly and Assembling Hardware):	
12	7024368	1	Kit for 1180364 Power Track	
12	70003918	1	Kit for 1001131620 Power Track	
13		Ref	Carrier (Lower) Options:	
		Ref	<b>Note: Original Equipment Power Track may have been replaced with Service Replacement. Visually identify component before ordering replacement parts.</b>	
13	1001131734	1	Carrier (was p/n 1180367) <b>(Prior to SN 0300157749)</b>	
13	1001131734	1	Carrier <b>(SN 0300157749 to Present)</b>	
13		Ref	Section Repair Kit Options (Includes Inner and Outer Links, Joining Bars and Rollers and Assembling Hardware):	
13	7024362	AR	Repair Section for 1180367 Power Track	
13	70003913	AR	Repair Section for 1001131734 Power Track	
13		Ref	Mounting Bracket Kit Option (Includes Mounting Brackets for Both Ends, 1 Roller Assembly and Assembling Hardware):	
13	7024363	1	Kit for 1180367 Power Track	
13	70003915	1	Kit for 1001131734 Power Track	
13		Ref	Center Bracket Kit Options (Includes 1 Flat Bar, 1 Round Bar, 1 Roller and Assembling Hardware)	
13	7024364	AR	Kit for 1180367 Power Track	
13	70003914	AR	Kit for 1001131734 Power Track	
14		Ref	Carrier (Upper) Options:	
		Ref	<b>Note: Original Equipment Power Track may have been replaced with Service Replacement. Visually identify component before ordering replacement parts.</b>	
14	1001131729	1	Carrier (was p/n 1180368) <b>(Prior to SN 0300157749)</b>	
14	1001131729	1	Carrier <b>(SN 0300157749 to Present)</b>	

## SECTION 3 - BOOM

ITEM	PART NUMBER	QTY	DESCRIPTION	REV
14		Ref	Section Repair Kit Options (Includes Inner and Outer Links, Joining Bars and Rollers and Assembling Hardware):	
14	7024362	AR	Repair Section for 1180368 Power Track	
14	70003913	AR	Repair Section for 1001131729 Power Track	
14		Ref	Mounting Bracket Kit Option (Includes Mounting Brackets for Both Ends, 1 Roller Assembly and Assembling Hardware):	
14	7024363	1	Kit for 1180368 Power Track	
14	70003915	1	Kit for 1001131729 Power Track	
14		Ref	Center Bracket Kit Options (Includes 1 Flat Bar, 1 Round Bar, 1 Roller and Assembling Hardware)	
14	7024364	AR	Kit for 1180368 Power Track	
14	70003914	AR	Kit for 1001131729 Power Track	
15	1180369	1	Tube, Push (Lower)	
16	1180370	1	Tube, Push (Upper)	
17	1320277	1	Clamp, Hose	
18	1320294	4	Clamp, Bar	
19	1320295	1	Clamp, Bar	
20	1320296	3	Clamp, Bar	
21	1670964	1	Cover, Support/Rotator	
22	1671043	1	Cover, Jib Pivot (1100SJP Only)	
23	4846753	1	Shield, Hose Protection	
24	0641406	1	Bolt 1/4in-20NC x 3/4in	
25	1320263	1	Clamp, Cable	
26	4711400	1	Flatwasher 1/4in Thin	
27	3340925	1	Pad	
28	3340934	4	Pad, Clamp	
29	3573016	3	Support, Track	
30	3573179	2	Plate, Mounting	
31	3573181	4	Support, Track	
32	3573194	1	Plate, Track Mounting	
33	3573210	1	Plate, Track Mounting	
34	3900260	4	Capscrew 3/8in-16NC x 4in	
36	3900283	6	Screw, Button Head 3/8in-16NC x 3/4in	
37	3900316	16	Screw, Button Head 3/8in-16NC x 1in	
38	3951620	2	Setscrew 3/8in-16NC x 2-1/2in	
39	4071021	1	Shim, Adjusting 16Ga	
40	4071022	1	Shim, Adjusting 11Ga	
41	4071023	1	Shim, Adjusting 11Ga	
42	4711500	AR	Flatwasher 5/16in Thin	
43	4711600	4	Flatwasher 3/8in Thin	
45	4846431	1	Cover, Cable (Front)	
46	4846485	1	Support, Cable (Front)	
47	4846515	4	Cover, Cable (Rear)	
48	4846516	4	Support, Cable (Rear)	
49	4891600	4	Flatwasher, 3/8in Hardened	
50	4891800	4	Flatwasher 1/2in Hardened	
54	0641510	AR	Bolt 5/16in-18NC x 1-1/4in	
55	1320159	AR	Clamp	
56	4240018	10	Tie-Strap (Not Shown)	
57	3340940	2	Pad, Rubber	
58	3340941	2	Pad, Rubber	
59	3340942	8	Pad, Rubber	

## SECTION 3 - BOOM

ITEM	PART NUMBER	QTY	DESCRIPTION	REV
60	0100081	AR	Adhesive #454	
61	0791607	10	Screw 3/8in-16NC x 7/8in	
62	3311608	AR	Nut, Flanged 3/8in-16NC	
63	0791808	12	Screw 1/2in-13NC x 1in	
64	4562516	AR	Tubing, Poly	
65	4240153	AR	Strap, 4in Cinch (Not Shown)	
66	4240155	AR	Strap, 8in Cinch	
67	4240156	AR	Strap, 12in Cinch	
68	4751500	4	Flatwasher 5/16in Regular	
69	4060804	11 in/28cm	Shield, Flex Trim 3/16in	
70	3300492	8	Nut, Nylon Insert	
71	1321385	1	Clamp, Hose	



# SECTION 3 - BOOM

## FIGURE 3-5. BOOM SENSORS AND SWITCHES INSTALLATION

WITNESS DECALS LOCATED ON  
BOTTOM OF INNER MID BOOM

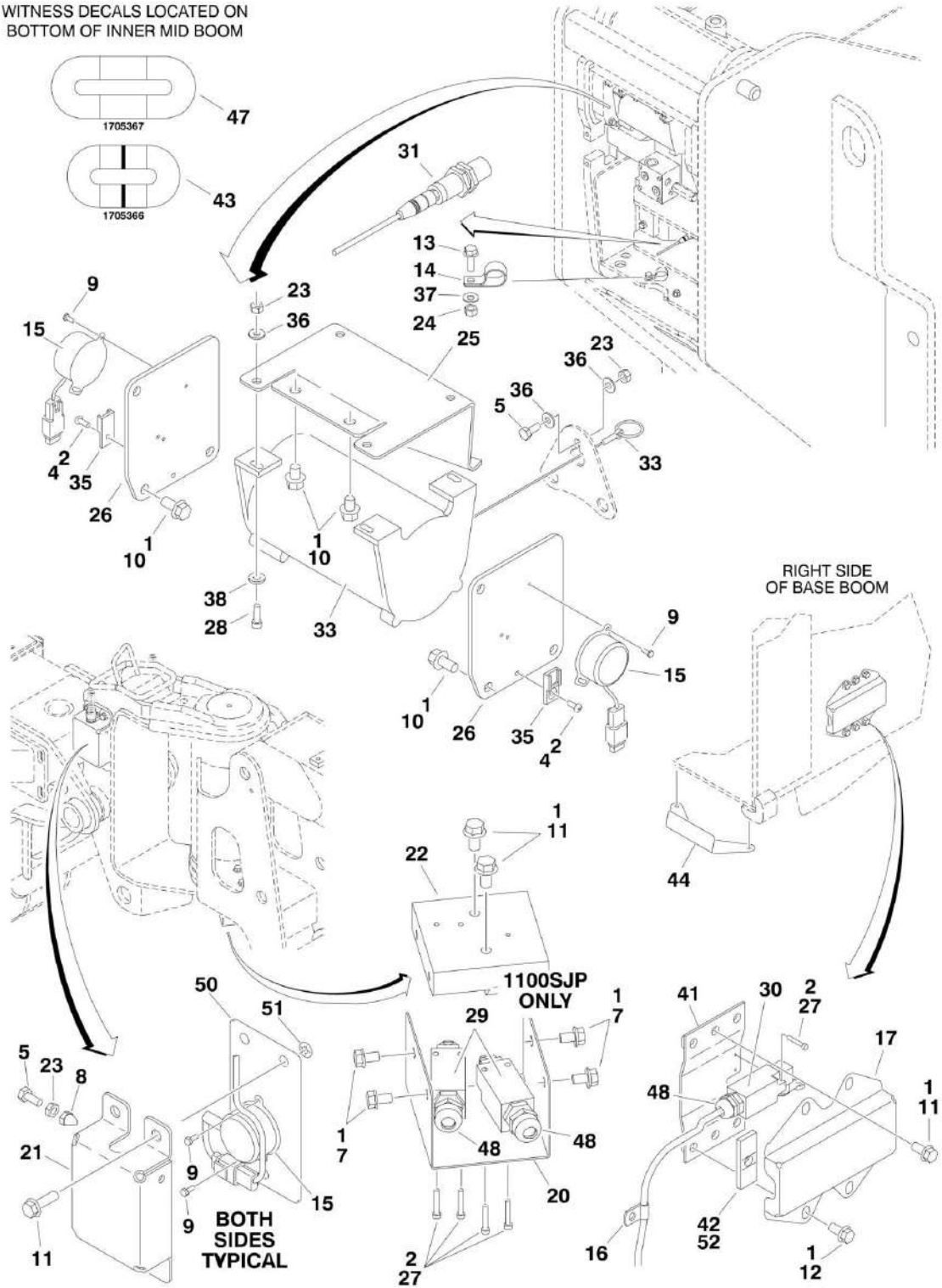




FIGURE 3-5. BOOM SENSORS AND SWITCHES INSTALLATION

ITEM	PART NUMBER	QTY	DESCRIPTION	REV
		Ref	<b>BOOM SENSORS AND SWITCHES INSTALLATIONS</b>	
	1001110558	Ref	<b>Boom Sensors and Switches Installations 1100S</b>	B
	0273696	Ref	<b>Boom Sensors and Switches Installations 1100SJP</b>	G
1	0100011	AR	Compound, Locking	
2	0100035	AR	Compound, Locking	
4	0630464	2	Screw, Button Head #10-24NC x 1/2in	
5	0641405	5	Bolt 1/4in-20NC x 5/8in	
7	0791504	4	Screw 5/16in-18NC x 1/2in (1100SJP Only)	
8	3300430	2	Nut, Acorn 1/4in-20NC	
9	3930606	12	Capscrew #6-32NC x 3/8in	
10	0791604	8	Screw 3/8in-16NC x 1/2in	
11	0791605	AR	Screw 3/8in-16NC x 5/8in	
12	0791606	4	Screw 3/8in-16NC x 3/4in	
13	0791608	2	Screw 3/8in-16NC x 1in	
14	1320130	2	Clamp, Hose	
15		Ref	Sensor, Angle Indicator Options (Note: Control System must be recalibrated when Sensor is replaced)	
15	1001133329	4	Sensor, Angle Indicator (was p/n 4360545) <b>(Prior to SN 0300141600)</b>	
15	1001133329	4	Sensor, Angle Indicator <b>(SN 0300141600 to Present)</b>	
16	1320301	1	Clamp, Cable	
17	1671031	1	Cover, Limit Switch	
20		Ref	Cover, Jib Switch Options:	
20	Not Required	0	Cover, Jib Switch 1100S	
20	1671039	1	Cover, Jib Switch 1100SJP	
21	1671044	2	Cover, Level Sensor	
22		Ref	Mount, Jib Switch Options:	
22	Not Required	0	Mount, Jib Switch 1100S	
22	3200433	1	Mount, Jib Switch 1100SJP	
23	3311405	9	Locknut 1/4in-20NC	
24	3311605	2	Locknut 3/8in-16NC	
25	3574431	1	Plate, Switch Mounting	
26	3573301	2	Plate, Sensor Mounting	
27	3930816	6	Capscrew #8-32NC x 1in	
28	3931414	4	Capscrew 1/4in-20NC x 7/8in	
29		Ref	Switch, Jib Limit Options: (Note: Control System must be recalibrated when Switch is replaced)	
29	Not Required	0	Switch, Jib Limit 1100S	
29	4360548	2	Switch, Jib Limit 1100SJP	
30	4360578	1	Switch, Boom Length Limit Options: (Note: Control System must be recalibrated when Switch is replaced)	
31	4360527	1	Switch, Cable Break Proximity (Note: Control System must be recalibrated when Switch is replaced)	
33	4360543	1	Sensor, Boom Length (Note: Control System must be recalibrated when Sensor is replaced)	
35	4460914	2	Terminal, Base	
36	4711400	10	Flatwasher 1/4in Thin	
37	4711600	2	Flatwasher 3/8in Thin	
38	4891400	4	Flatwasher 1/4in Hardened	
41	4846484	1	Mount, Switch	
42	3340941	1	Pad, Rubber	

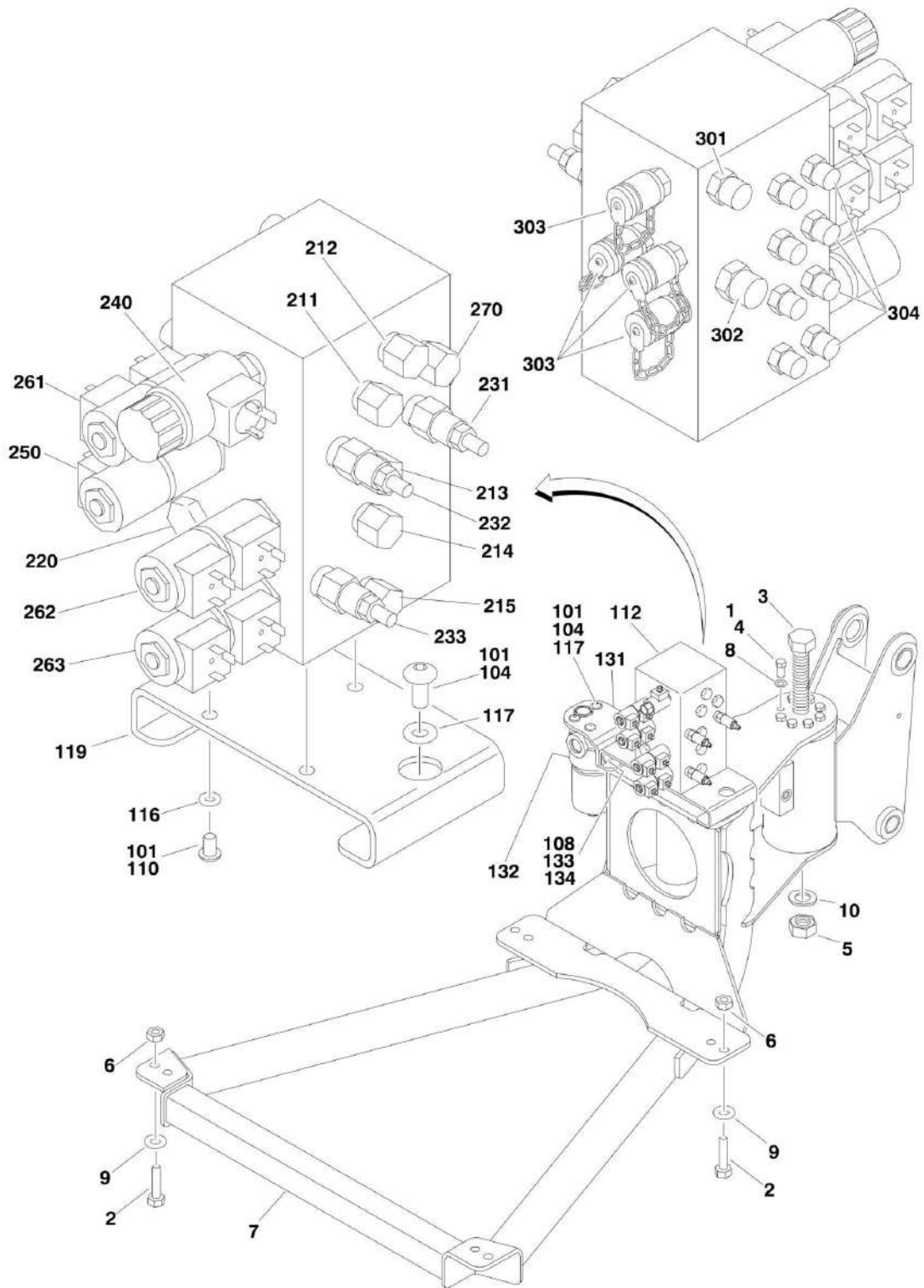
## SECTION 3 - BOOM

ITEM	PART NUMBER	QTY	DESCRIPTION	REV
43	1705366	1	Decal - Boom Length (500LB Cap)	
44	3574616	1	Plate, Boom Length	
47	1705367	1	Decal - Boom Length (1000LB Cap)	
48	4460968	AR	Connector, Strain Relief	
48	4460968	1	Connector, Strain Relief 1100S	
48	4460968	3	Connector, Strain Relief 1100SJP	
49	1320136	2	Clamp, Cable (Not Shown)	
50	4341158	2	Plate, Mounting Sensor	
51	8310070	6	Pushnut 3/8in	
52	0100081	AR	Loctite #454	



# SECTION 3 - BOOM

## FIGURE 3-6. PLATFORM SUPPORT AND CONTROL VALVES INSTALLATIONS



## SECTION 3 - BOOM

### FIGURE 3-6. PLATFORM SUPPORT AND CONTROL VALVES INSTALLATIONS

ITEM	PART NUMBER	QTY	DESCRIPTION	REV
	0272070	Ref	<b>PLATFORM SUPPORT INSTALLATION</b>	E
1	0100011	AR	Compound, Locking	
2	0641812	8	Bolt 1/2in-13NC x 1-1/2in	
3	0642684	1	Bolt 1in-8NC x 10-1/2in	
4	0681608	8	Bolt 3/8in-16NC x 1in (Grade 8)	
5	3300243	1	Nut 1in-8NC (Grade 8)	
6	3311805	8	Locknut 1/2in-13NC	
7	4846573	1	Support Weldment	
8	4891600	8	Flatwasher 3/8in Hardened	
9	4891800	8	Flatwasher 1/2in Hardened	
10	4892600	1	Flatwasher 1in Hardened	
		Ref	<b>CONTROL VALVE INSTALLATION</b>	
	1001110164	Ref	<b>2WD/2WS</b>	C
	1001116398	Ref	<b>4WD/2WS</b>	A
	0271802	Ref	<b>4WD/4WS</b>	K
101	0100011	AR	Compound, Locking	
104	3900283	6	Screw, Button Head 3/8in-16NC x 3/4in	
108	3311605	2	Locknut, 3/8in-16NC	
110	3900210	3	Screw, Button Head 5/16in-18NC x 3/4in	
112		Ref	Platform Valve Options:	
112	1001109238	1	2WD/2WS	
112	1001109238	1	4WD/2WS	
112	4641460	1	4WD/4WS	
116	4711500	3	Flatwasher 5/16in Thin	
117	4711600	6	Flatwasher 3/8in Thin	
119	4341264	1	Plate, Valve Mounting	
131	0903530	1	Bracket, Filter Mounting	
132	2120217	1	Filter, Pressure	
132	70002097	1	Element	
132	70001499	1	Seal Kit - 2120217 Filter	
132	70004328	1	Plug, Indicator	
133	3900232	2	Screw, Button Head 3/8in-16NC x 1-1/4in	
134	4751600	4	Flatwasher, 3/8in Regular	
		Ref	<b>PLATFORM VALVE ASSEMBLIES</b>	
	1001109238	Ref	<b>2WD/2WS</b>	A
	1001109238	Ref	<b>4WD/2WS</b>	A
	4641460	Ref	<b>4WD/4WS</b>	C
211	7026018	1	Valve, Cartridge	
211	7011346	1	Seal Kit - Valve	
212	7026019	1	Valve, Cartridge (Flow Control)	
212	7011346	1	Seal Kit - Valve	
213	7026020	1	Valve, Cartridge (Rotate)	
213	7011346	1	Seal Kit - Valve	
214	7026021	1	Valve, Cartridge (Jib Swing) (2WD/2WS & 4WD/2WS Only)	
214	7011346	1	Seal Kit - Valve	
215	7026019	1	Valve, Cartridge (Jib Lift)	
215	7011346	1	Seal Kit - Valve	
220	7011355	1	Valve, Cartridge (Jib)	
220	2900770	1	Seal Kit - Valve	
231	7024572	1	Valve, Relief Cartridge (Platform Level Up)	

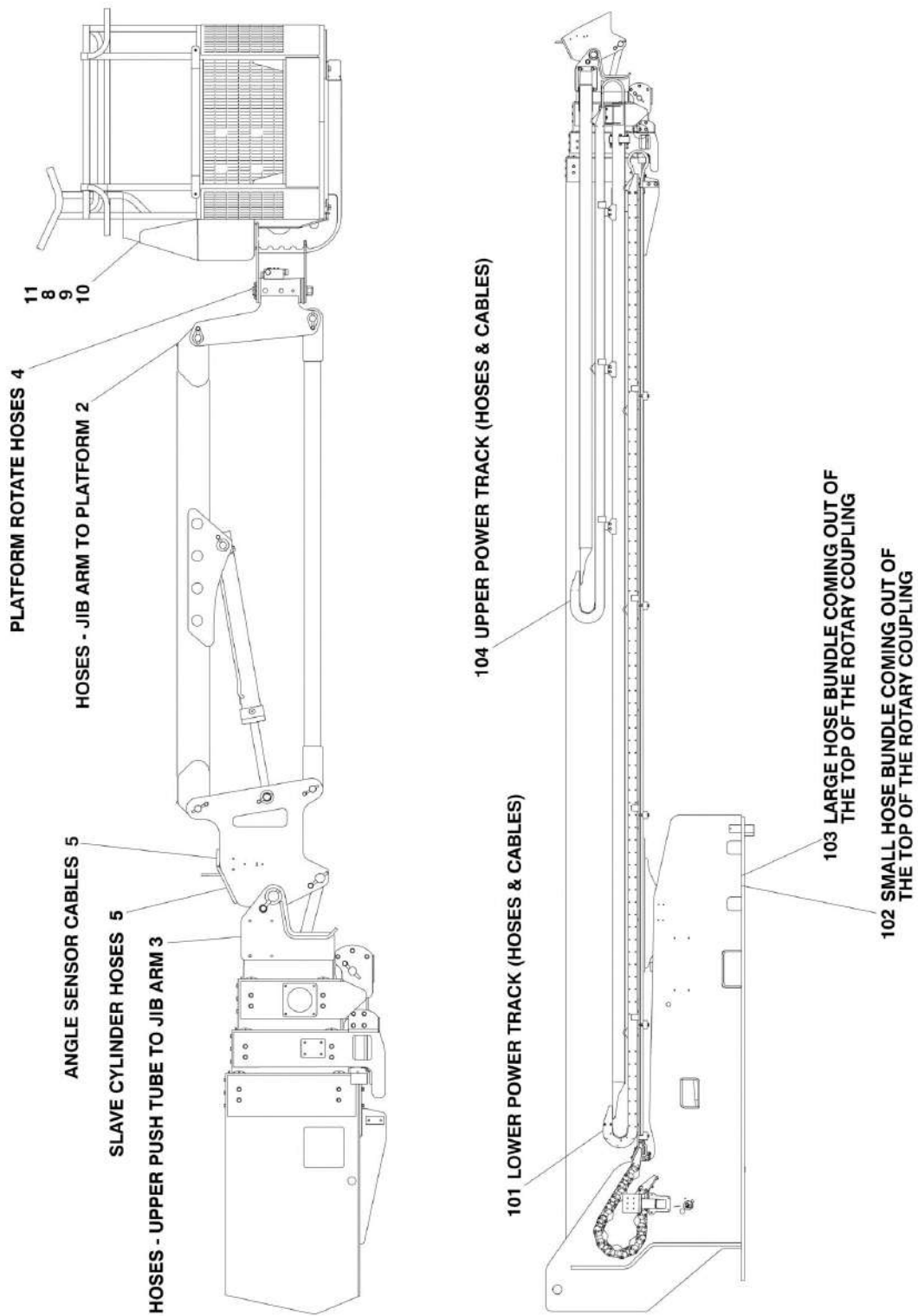
## SECTION 3 - BOOM

ITEM	PART NUMBER	QTY	DESCRIPTION	REV
231	7011346	1	Seal Kit - Valve	
232	7024572	1	Valve, Relief Cartridge (Platform Level Down)	
232	7011346	1	Seal Kit - Valve	
233	7024572	1	Valve, Relief Cartridge (Jib Up/Down)	
233	7011346	1	Seal Kit - Valve	
240	7026022	1	Valve, Cartridge (Dump)	
240	2900770	1	Seal Kit - Valve	
240	7024571	1	Coil	
250	7023922	1	Valve, Cartridge (Platform Rotate)	
250	7017402	1	Seal Kit - Valve	
250	7012944	2	Coil	
261	7023922	1	Valve, Cartridge (Platform Level)	
261	7017402	1	Seal Kit - Valve	
261	7012944	2	Coil	
262	7023922	1	Valve, Cartridge (Jib Swing) (2WD/2WS & 4WD/2WS Only)	
262	7017402	1	Seal Kit - Valve	
262	7012944	2	Coil	
263	7023922	1	Valve, Cartridge (Jib Lift)	
263	7017402	1	Seal Kit - Valve	
263	7012944	2	Coil	
270	7026023	1	Valve, Cartridge (Check)	
270	7011346	1	Seal Kit - Valve	
301	2110606	1	Fitting, Straight	
302	4641255	1	Fitting	
303	2221086	4	Check, Pressure	
304	2110404	Ref	Fitting, Straight	
304	2110404	6	2WD/2WS	
304	2110404	6	4WD/2WS	
304	2110404	8	4WD/4WS	



# SECTION 3 - BOOM

## FIGURE 3-7. HOSE/CABLE PROTECTION INSTALLATION (1100S ONLY)





## SECTION 3 - BOOM

**FIGURE 3-7. HOSE/CABLE PROTECTION INSTALLATION (1100S ONLY)**

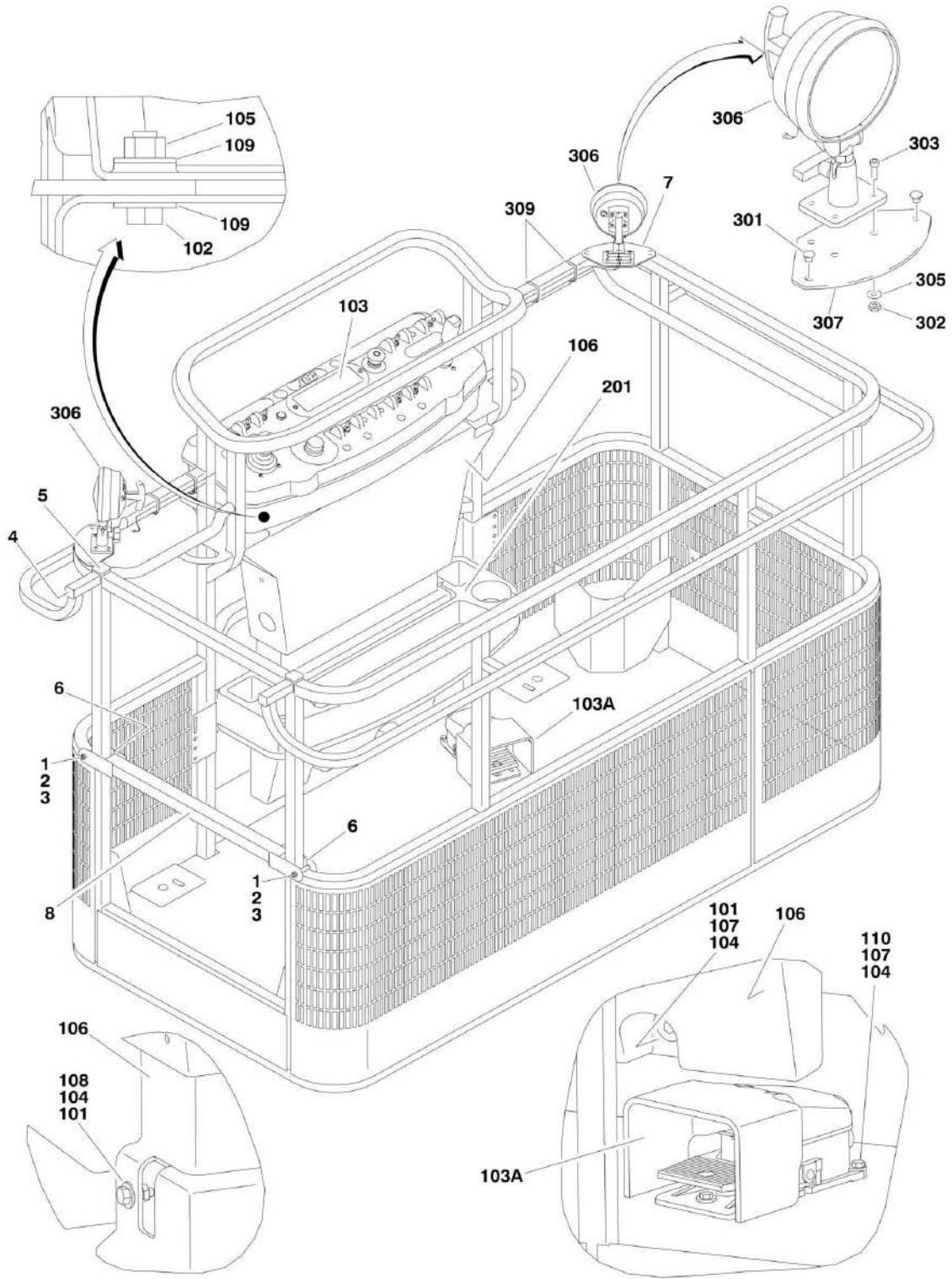
ITEM	PART NUMBER	QTY	DESCRIPTION	REV
	1001111396	Ref	<b>HOSE/CABLE PROTECTION INSTALLATION (JIB AND PLATFORM SUPPORT) (1100s only)</b>	D
2	1001111388	1	Cover, Fire Protection (4in/10cm Dia.)	
3	1001113243	1	Cover, Fire Protection (2in/5cm Dia.)	
4	1001111390	1	Cover, Fire Protection (1 1/2in/3.8cm Dia.)	
5	1001113242	3	Cover, Fire Protection (1in/2.5cm Dia.)	
8	0641505	2	Bolt 5/16in-18NC x 5/8in	
9	3311505	2	Locknut 5/16in-18NC	
10	4751500	3	Flatwasher 5/16in Regular	
11	1001112929	1	Shield	
		Ref	Kit Options:	
	1001114890	1	Cover, Fire Protection (Boom) (Includes Items 2, 3 & 5)	
	1001114889	1	Cover, Fire Protection (Jib) (Includes Items 4 & 5)	
	1001112741	Ref	<b>HOSE/CABLE PROTECTION INSTALLATION (BOOM)</b>	D
101	1001111387	2	Cover, Fire Protection (7in/18cm OD x 32.25ft/9.8m L)	
102		Ref	Cover, Fire Protection Options:	
102	1001111391	1	Cover (4in/10cm OD x 1.5ft/.5m L) <b>(Prior to SN 0300139583)</b>	
102	1001115440	1	Cover (See TURNTABLE SECTION for Breakdown) <b>(SN 0300139583 to Present)</b>	
103		Ref	Cover, Fire Protection (1-1/2in/3.8cm Dia.)	
103	1001111392	1	Cover (4in/10cm OD x 1.5ft/.5m L) <b>(Prior to SN 0300139583)</b>	
103	1001115440	1	Cover (See TURNTABLE SECTION for Breakdown) <b>(SN 0300139583 to Present)</b>	
104	1001111393	2	Cover, Fire Protection (1in/2.5cm Dia.)	
		Ref	Kit Options:	
	1001114891	1	Cover Kit (Power Track) (Includes Items 101 & 104)	
		Ref	Cover Kit (Turntable) Options:	
	1001115440	1	Kit (Includes Items 102 & 103) (was p/n 1001114892) <b>(Prior to SN 0300139583)</b>	
	1001115440	1	Kit (See TURNTABLE SECTION for Breakdown) <b>(SN 0300139583 to Present)</b>	



**SECTION 4 - PLATFORM**

# SECTION 4 - PLATFORM

## FIGURE 4-1. PLATFORM COMPONENTS INSTALLATION (1100S)



## SECTION 4 - PLATFORM

**FIGURE 4-1. PLATFORM COMPONENTS INSTALLATION (1100S)**

ITEM	PART NUMBER	QTY	DESCRIPTION	REV
		Ref	<b>PLATFORM ASSEMBLIES (1100S)</b>	
	1001111018	Ref	<b>6ft (1.83m) with Dropbar and Mesh</b>	F
		Ref	<b>Note: Replacement decals must be ordered separately- SEE DECALS SECTION.</b>	
1	0641418	2	Bolt 1/4in-20NC x 2-1/4in	
2	0961845	2	Bushing	
3	3311405	2	Locknut 1/4in-20NC	
4	3520182	4	Plug, Square Tube	
5	3520198	2	Plug, Square Tube	
6	4420055	7 in/18cm	Cap-Plug	
7	See Note	1	Platform Weldment (Note: Not Available - Purchase Platform Assembly)	
8	1001111346	1	Slidebar	
		Ref	<b>FOOTSWITCH AND COVERS INSTALLATIONS</b>	
	1001146046	Ref	<b>Footswitch and Covers Installations (was p/n 1001109954) (Prior to SN 0300157749)</b>	B
	1001146046	Ref	<b>Footswitch and Covers Installations (SN 0300157749 to Present)</b>	A
101	0641406	4	Bolt 1/4in-20NC x 3/4in	
102	0641610	4	Bolt 3/8in-16NC x 1-1/4in	
103		Ref	Platform Console Box Assembly Options (See PLATFORM CONSOLE ASSEMBLY for Breakdown):	
103	1001146045	1	Platform Console Box Assembly (was p/n 1001109953) <b>(Prior to SN 0300157749)</b>	
103	1001146045	1	Platform Console Box Assembly <b>(SN 0300157749 to Present)</b>	
103		Ref	Footswitch Assembly Options (See ELECTRICAL SECTION for Additional Components):	
103	0272970	1	Footswitch Assembly <b>(Prior to SN 0300157749)</b>	B
103	1001117174	1	Footswitch Assembly <b>(SN 0300157749 to Present)</b>	B
		Ref	<b>Note: Assembly p/n 0272970 may use either p/n 4360031 or p/n 1001117320. If Original Equipment was replaced as an "assembly," p/n 1001117320 may have been used as part of the Service Replacement. Identify component before ordering parts.</b>	
103A		Ref	Footswitch Options:	
103A	4360031	1	Footswitch (Original Equipment) <b>(Prior to SN 0300140836)</b>	
103A	7000625	2	Block, Contact (4360031 Footswitch)	
103A	1001117320	1	Footswitch (Service Replacement for p/n 4360031) <b>(SN 0300140836 through 0300157748)</b>	
103A	70003483	1	Block, Contact (1001117320 Footswitch)	
103A	1001117172	1	Footswitch <b>(SN 0300157749 to Present)</b>	
103A	70002902	1	Switch, 20Amp	
103A	70002903	1	Gasket	
103A	70002904	4	Replacement Kit, Bolt	
103A	70002905	1	Cover, Aluminum	
104	3311405	7	Locknut 1/4in-20NC	
105	3311605	4	Locknut 3/8in-16NC	
106	3380434	1	Panel, Molded	
107	4740362	7	Washer, Fender	
108	4751400	4	Flatwasher 1/4in Regular	
109	4751600	8	Flatwasher 3/8in Regular	
110	0641408	3	Bolt 1/4in-20NC x 1in	

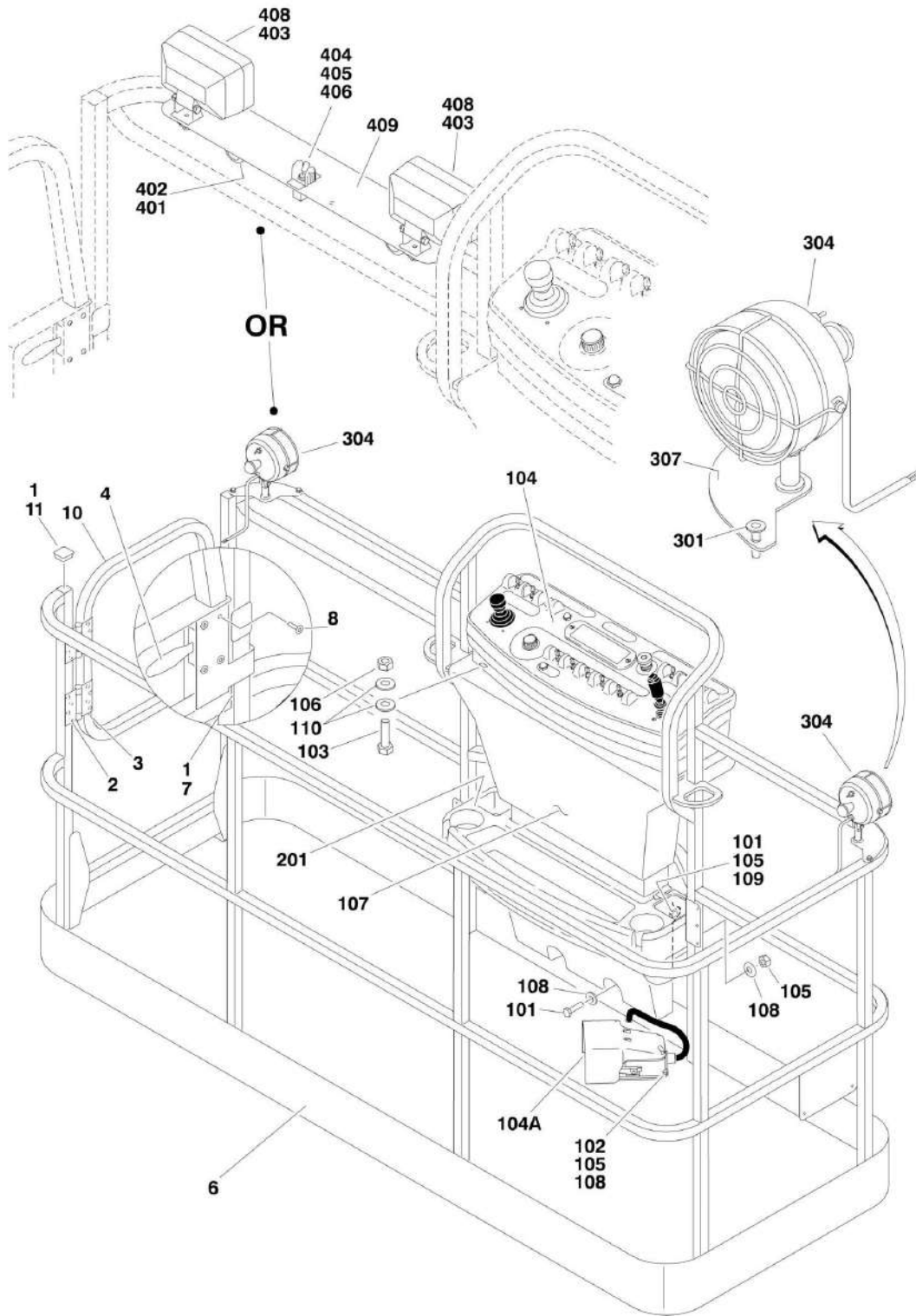
## SECTION 4 - PLATFORM

ITEM	PART NUMBER	QTY	DESCRIPTION	REV
		Ref	<b>TRAY INSTALLATIONS (OPTIONAL)</b>	
201	1580012	1	Tray, Storage (Center)	
	1001120466	Ref	<b>WORKLIGHTS INSTALLATION (OPTIONAL)</b>	B
301	2080040	4	Rivet	
302	3311005	8	Locknut #10-24NC	
303	3931010	8	Capscrew #10-24NC x 5/8in	
304	4460428	1	Connector, Strain Relief (Not Shown)	
305	4751000	8	Flatwasher #10 Regular	
306	1001120474	2	Worklight	
307	1001120476	2	Plate, Lamp Mounting	
308	1001120484	1	Harness, Worklight (Not Shown - See ELECTRICAL SECTION for Breakdown)	
309	4240099	AR	Tie-Strap	



# SECTION 4 - PLATFORM

## FIGURE 4-2. PLATFORM COMPONENTS INSTALLATION (1100SJP)





## SECTION 4 - PLATFORM

**FIGURE 4-2. PLATFORM COMPONENTS INSTALLATION (1100SJP)**

ITEM	PART NUMBER	QTY	DESCRIPTION	REV
		Ref	<b>PLATFORM ASSEMBLIES (1100SJP)</b>	
	1001144023	Ref	<b>8ft (2.44m) with No Mesh (was p/n 3510822)</b>	B-J
	1001144024	Ref	<b>6ft (1.83m) with No Mesh (was p/n 3510833)</b>	B-I
		Ref	<b>Note: Platform and Mesh must be ordered separately for Platforms with Mesh. See SPECIAL OPTIONS SECTION for Mesh Installations.</b>	
		Ref	<b>Note: Replacement decals must be ordered separately- See DECALS SECTION.</b>	
		Ref	<b>Note: When replacing 8ft/2.44m platform with Soft Touch option, new Soft Touch Rail p/n 4846673 must be purchased to accommodate limit switch locations.</b>	
1	0100040	AR	Adhesive	
2	2080040	16	Fastener, Huck	
3	2600281	2	Hinge, Self-Closing	
4	2940074	1	Latch	
6	See Note	1	Platform Weldment (Note: Not Available - Purchase Platform Assembly)	
7	3520072	1	Plug, Square Tube	
8	3820020	4	Rivet	
10		Ref	Gate Weldment Options:	
10	4846452	1	Gate for Platform p/ns 3510822 & 3510833	
10	1001144629	1	Gate for Platform p/ns 1001144023 & 1001144024	
11	3520198	2	Plug, Square Tube	
		Ref	<b>FOOTSWITCH AND COVERS INSTALLATIONS</b>	
	1001145785	Ref	<b>Footswitch and Covers Installations (was p/n 0273400) (Prior to SN 0300157749)</b>	B
	1001145785	Ref	<b>Footswitch and Covers Installations (SN 0300157749 to Present)</b>	A
101	0641406	4	Bolt 1/4in-20NC x 3/4in	
102	0641408	3	Bolt 1/4in-20NC x 1in	
103	0641610	4	Bolt 3/8in-16NC x 1-1/4in	
104		Ref	Platform Console Box Assembly Options (See PLATFORM CONSOLE ASSEMBLY for Breakdown):	
104	1001146161	1	Platform Console Box Assembly (was p/n 0861631) <b>(Prior to SN 0300157749)</b>	
104	1001146161	1	Platform Console Box Assembly <b>(SN 0300157749 to Present)</b>	
104		Ref	Footswitch Assembly Options (See ELECTRICAL SECTION for Additional Components):	
104	0272970	1	Footswitch Assembly <b>(Prior to SN 0300157749)</b>	B
104	1001117174	1	Footswitch Assembly <b>(SN 0300157749 to Present)</b>	B
		Ref	<b>Note: Assembly p/n 0272970 may use either p/n 4360031 or p/n 1001117320. If Original Equipment was replaced as an "assembly," p/n 1001117320 may have been used as part of the Service Replacement. Identify component before ordering parts.</b>	
104A		Ref	Footswitch Options:	
104A	4360031	1	Footswitch (Original Equipment) <b>(Prior to SN 0300140836)</b>	
104A	7000625	2	Block, Contact (4360031 Footswitch)	
104A	1001117320	1	Footswitch (Service Replacement for p/n 4360031) <b>(SN 0300140836 through 0300157748)</b>	
104A	70003483	1	Block, Contact (1001117320 Footswitch)	
104A	1001117172	1	Footswitch <b>(SN 0300157749 to Present)</b>	
104A	70002902	1	Switch, 20Amp	

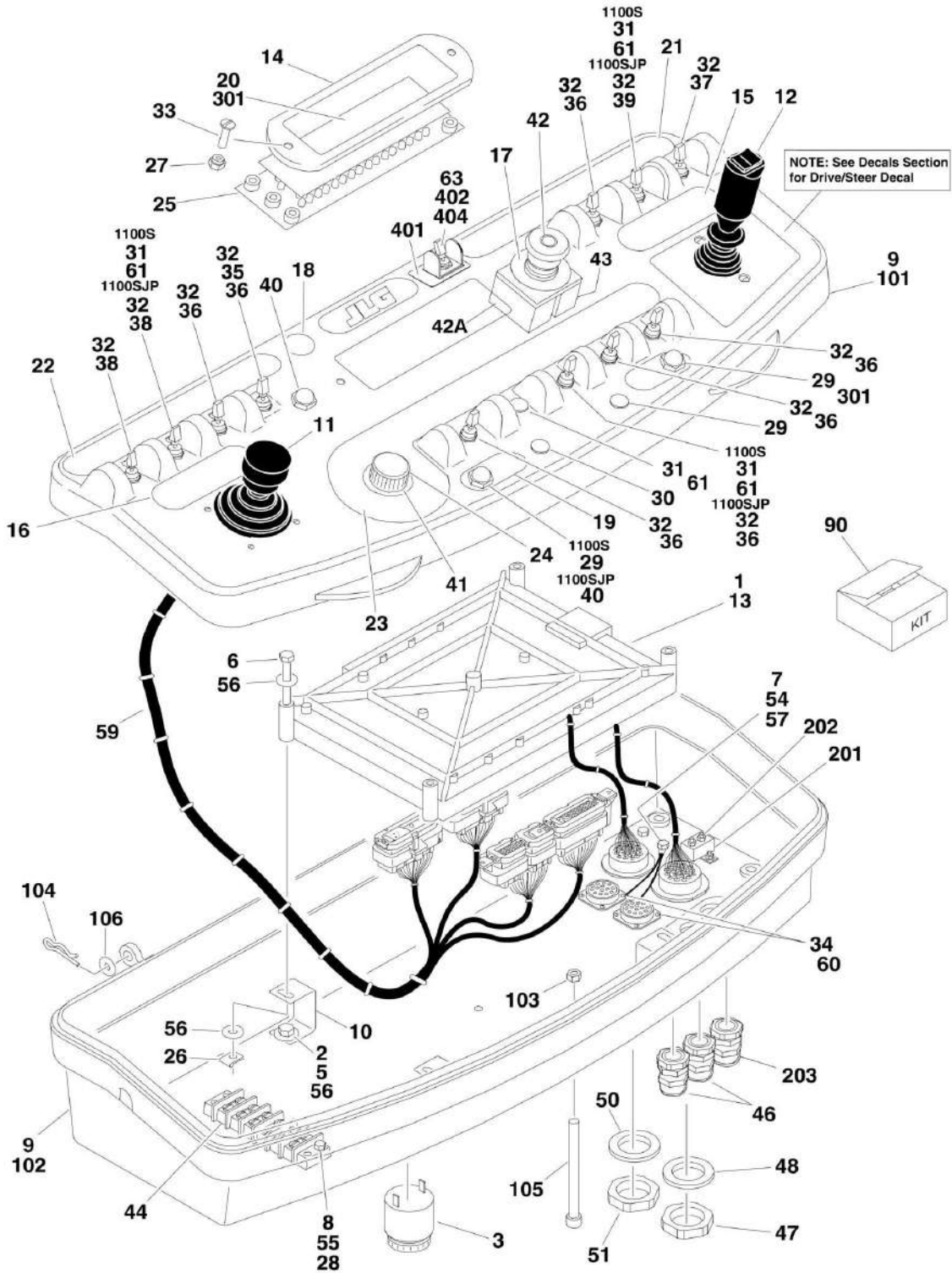
## SECTION 4 - PLATFORM

ITEM	PART NUMBER	QTY	DESCRIPTION	REV
104A	70002903	1	Gasket	
104A	70002904	4	Replacement Kit, Bolt	
104A	70002905	1	Cover, Aluminum	
105	3311405	7	Locknut 1/4in-20NC	
106	3311605	4	Locknut 3/8in-16NC	
107	3380434	1	Panel, Molded	
108	4740362	7	Washer, Fender	
109	4751400	4	Flatwasher 1/4in Regular	
110	4751600	8	Flatwasher 3/8in Regular	
		Ref	<b>TRAY INSTALLATIONS (OPTIONAL)</b>	
201	1580012	1	Tray, Storage (Center)	
	0272097	Ref	<b>WORKLIGHTS INSTALLATION (OPTIONAL)</b>	E
301	2080040	4	Rivet	
304	2920140	2	Worklight	
304	7016399	2	Bulb, Replacement (1 Per Light)	
307	3536089	2	Plate, Lamp Mounting	
	0272093	Ref	<b>FLOODLIGHTS INSTALLATION (OPTIONAL)</b>	B
401	0641518	2	Bolt 5/16in-18NC x 2-1/4in	
402	2560173	2	Handle, Star Knob	
403	2920157	2	Floodlight	
403	7024452	2	Bulb, Replacement (1 Per Light)	
404	3250585	1	Nameplate - Lights On	
405	4060802	1	Guard, Switch	
406	4360336	1	Switch, Toggle	
407	4420037	AR	Tape, Insulation (Not Shown)	
408	4751800	2	Flatwasher 1/2in Regular	
409	4846561	1	Mount, Light	
411	1060708	144 ft/44m	Cable, Electrical 10/3 (Not Shown)	



# SECTION 4 - PLATFORM

## FIGURE 4-3. PLATFORM CONSOLE ASSEMBLY



## SECTION 4 - PLATFORM

**FIGURE 4-3. PLATFORM CONSOLE ASSEMBLY**

ITEM	PART NUMBER	QTY	DESCRIPTION	REV
		Ref	<b>CONSOLE BOX ASSEMBLY</b>	
	1001146045	Ref	<b>Console Box Assembly 1100S (was p/n 1001109953) (Prior to SN 0300157749)</b>	F
	1001146045	Ref	<b>Console Box Assembly 1100S (SN 0300157749 to Present)</b>	A
	1001146161	Ref	<b>Console Box Assembly (was p/n 0861631) 1100SJP (Prior to SN 0300157749)</b>	L
	1001146161	Ref	<b>Console Box Assembly 1100SJP (SN 0300157749 to Present)</b>	B
1	0100048	AR	Grease, Dielectric	
2	0100081	AR	Adhesive, Loctite #454	
3	0140011	1	Alarm	
5	0641404	4	Bolt 1/4in-20NC x 1/2in	
6	0641414	4	Bolt 1/4in-20NC x 1-3/4in	
7	0720804	1	Screw #8-32NC x 1/2in	
8	0721006	2	Bolt #10-24NC x 3/4in	
9	0861630	1	Box, Console (See Items 101-106 for Breakdown)	
10	0902751	4	Bracket, Support	
11	1600317	NLA	Controller Assembly (Lift and Swing) (See CONTROLLER ASSEMBLY (LIFT AND SWING) for Breakdown) (Use p/n 1001129555)	
11	1001118417	NLA	Controller Assembly (Lift and Swing) (See CONTROLLER ASSEMBLY (LIFT AND SWING) for Breakdown) (Use p/n 1001129555)	
11	1001166539	NLA	Controller Assembly (Lift and Swing) (See CONTROLLER ASSEMBLY (LIFT AND SWING) for Breakdown) (Use p/n 1001129555)	
12	1600318	NLA	Controller Assembly (Drive and Steer) (See CONTROLLER ASSEMBLY (DRIVE AND STEER) for Breakdown) (Use p/n 1001212415)	
12	1001118416	NLA	Controller Assembly (Drive and Steer) (See CONTROLLER ASSEMBLY (DRIVE AND STEER) for Breakdown) (Use p/n 1001212415)	
12	1001166538	NLA	Controller Assembly (Drive and Steer) (See CONTROLLER ASSEMBLY (DRIVE AND STEER) for Breakdown) (Use p/n 1001212415)	
13	1600343	1	Module, Platform Control (Note: Control System needs recalibrated when replaced)	
14	1671176	1	Bezel	
15	1702565	1	Decal (Drive and Steer)	
16	1702566	1	Decal (Lift and Swing)	
17	1704260	1	Decal (EMS)	
18	1705132	1	Decal (ADE)	
19	1705171	1	Decal (Jib Stow)	
20		Ref	Decal (Platform Display) Options) <b>(Prior to SN 0300140836)</b>	
20	1001111911	1	Decal 1100S	
20	1705973	1	Decal 1100SJP	
21		Ref	Decal (Stop) Options:	
21	1001109952	1	Decal 1100S	
21	1705174	1	Decal 1100SJP	
22		Ref	Decal (Horn) Options:	
22	1001109649	1	Decal 1100S	
22	1705744	1	Decal 1100SJP	
23		Ref	Decal (Function Speed) Options:	
23	1001109650	1	Decal 1100S	

## SECTION 4 - PLATFORM

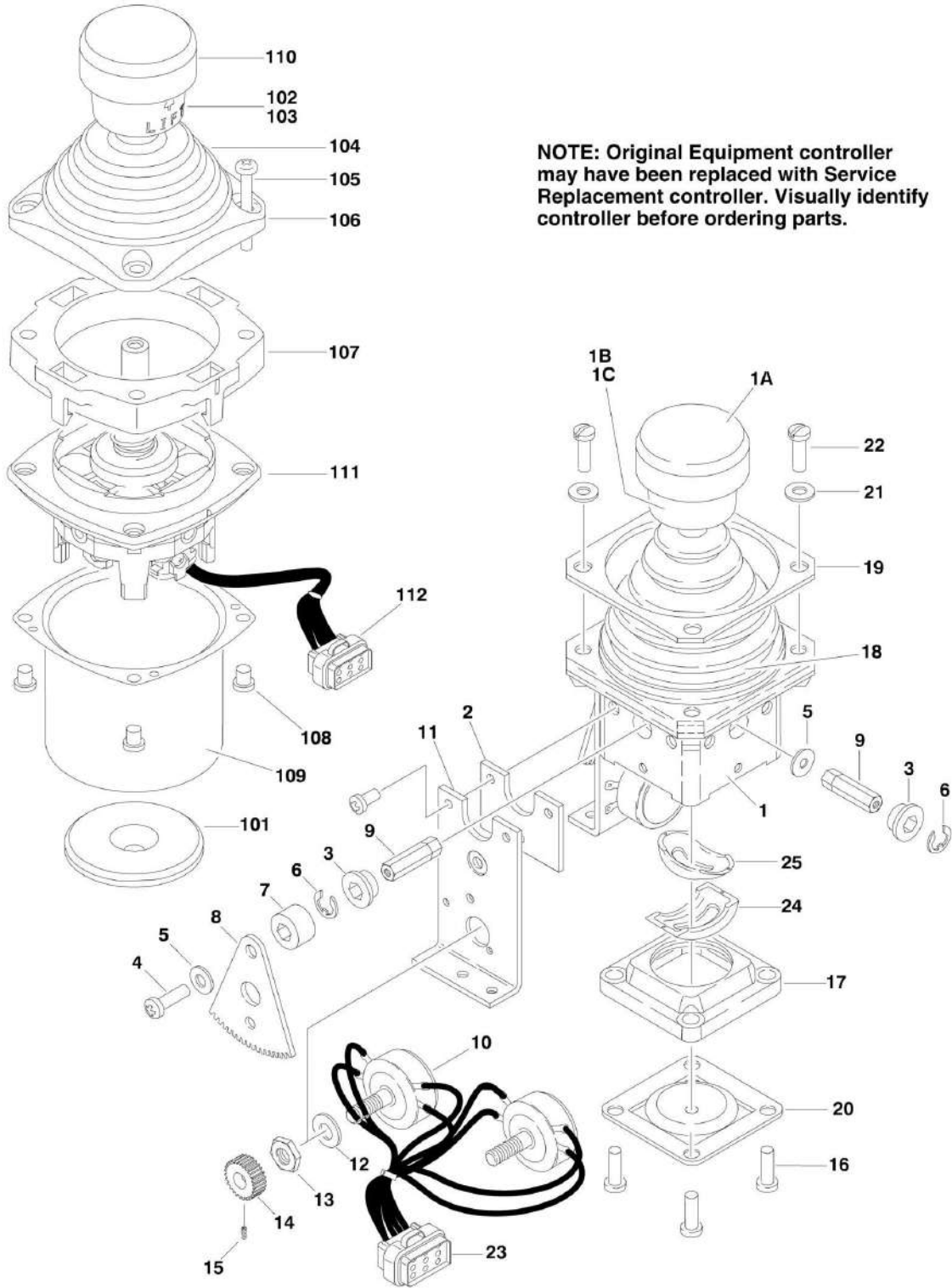
ITEM	PART NUMBER	QTY	DESCRIPTION	REV
23	1705745	1	Decal 1100SJP	
24	2560136	1	Handle, Knob	
25	2920154	1	Panel, LED Light	
26	3300353	4	Nut, Tinnerman	
27	3300408	2	Insert, Nylon	
28	3311005	2	Nut #10-24NC	
29	3520026	AR	Plug, Hole	
30	3520027	1	Plug, Hole	
31	3520054	AR	Plug, Hole	
32	3790012	AR	O-Ring	
33	3900183	2	Screw, Button Head #10-24NC x 1-1/4in	
34	3900349	8	Capscrew M2.5	
35	4071074	1	Shim, Toggle Switch	
36	4360328	AR	Switch, Toggle	
37	4360330	1	Switch, Toggle	
38	4360331	AR	Switch, Toggle	
39	4360336	AR	Switch, Toggle	
40	4360387	AR	Switch, Pushbutton	
41	4360407	1	Controller, Speed	
41	See Note	1	Gasket "Top Hat" (Included with Switch) (Note: Not Available - Purchase Complete Controller)	
41	70003784	1	Seal	
42	4360475	1	Switch, Emergency Stop	
42	7020175	1	Cap, Red	
42A	7020176	1	Contact Block	
43	4360476	1	Block, Contact	
44	4460007	1	Bar, Buss	
45	4460234	3	Tie-Strap (Not Shown)	
46	4460428	2	Connector, Strain Relief	
47	4460470	1	Nut, Terminal	
48	4460471	1	Lockwasher, Terminal	
50	4460496	1	Nut, Terminal	
51	4460497	1	Lockwasher, Terminal	
52	4460708	2	Connector, Female - 15 Position (Not Shown - See ELECTRICAL SECTION for Location)	
53	4460905	5	Plug, Seal (Not Shown - See ELECTRICAL SECTION for Location)	
54	4750800	1	Flatwasher #8 Regular	
55	4751000	2	Flatwasher #10 Regular	
56	4751400	8	Flatwasher 1/4in Regular	
57	4760800	1	Lockwasher #8	
58	4922666	1	Harness, Analyzer Cable (Not Shown - See ELECTRICAL SECTION for Breakdown)	
59	4923448	1	Harness, Console Box (See ELECTRICAL SECTION for Breakdown)	
60	3300482	2	Nut M2.5	
61	0100009	AR	Sealant	
63	1671314	1	Cover, Box	
64	3520174	3	Plug, Hole (Not Shown - Located on back of console top) <b>(SN 0300138360 to Present)</b>	
90		Ref	Decal Kit Options:	
90	1001119565	1	Decal Kit 1100S (Includes Items 15-23, 63 & 401)	1
90	1001109181	1	Decal Kit (Includes Items 15-23, 63 & 401) 1100SJP <b>(SN</b>	2

## SECTION 4 - PLATFORM

ITEM	PART NUMBER	QTY	DESCRIPTION	REV
			<b>0300079596 to Present)</b>	
	0861630	Ref	<b>CONSOLE BOX ASSEMBLY</b>	F
101	See Note	1	Console Top (Note: Not Available For Purchase)	
102	See Note	1	Console Bottom (Note: Not Available For Purchase)	
103	3311601	1	Nut 3/8in-16NC	
104	3470003	2	Pin	
105	0630568	1	Screw 3/8in-16NC x 4-1/2in	
106	4711500	2	Flatwasher 5/16in Thin	
		Ref	<b>PLATFORM WORKLIGHTS INSTALLATIONS</b>	
201	4360232	1	Breaker, Circuit	
201	0721003	1	Screw #10-24NC x 3/8in	
201	4761000	1	Lockwasher #10	
202	3311001	2	Nut #10-24NC	
203	4460426	1	Connector, Strain Relief	
		Ref	<b>CHASSIS LIGHTS COMPONENTS INSTALLATION</b>	
301	4360522	1	Switch, Pushbutton	
301	1705170	1	Decal - Lights	
	0275098	Ref	<b>BOOM CONTROL SELECT SWITCH INSTALLATION</b>	B
401	1706741	1	Decal - Boom Control Select	
402	4060906	1	Guard, Switch	
404	4360336	1	Switch Toggle	
	1001125966	Ref	<b>LIGHT PANEL INSTALLATIONS (SN 0300140836 to Present)</b>	A
301	1001125950	1	Decal - Light Panel	

# SECTION 4 - PLATFORM

## FIGURE 4-4. CONTROLLER ASSEMBLY (LIFT AND SWING)



**NOTE: Original Equipment controller may have been replaced with Service Replacement controller. Visually identify controller before ordering parts.**



## SECTION 4 - PLATFORM

### FIGURE 4-4. CONTROLLER ASSEMBLY (LIFT AND SWING)

ITEM	PART NUMBER	QTY	DESCRIPTION	REV
		Ref	<b>Note: Original Equipment controller may have been replaced with Service Replacement controller. Visually identify controller before ordering parts.</b>	
	1600317	Ref	<b>CONTROLLER ASSEMBLIES</b>	
		Ref	<b>Controller Assembly (Original Equipment)</b>	B
		Ref	<b>Note: Use p/n 1001129555 as Replacement.</b>	
1	7019141	1	Mechanical Assembly (Includes Base, Handle Stem and Items 1A, 1B, 1C & 18)	
1A	7019197	1	Handle Cap and Rod	
1B	7003928	1	Spring	
1C	7022808	1	Cap, Lift	
2	7019171	2	Plate	
3	7019111	4	Bearing, Gear	
4	7019143	2	Screw	
5	7019144	2	Spacer, Cam	
6	7019145	4	E-Clip	
7	7019174	2	Spacer	
8	7003977	2	Gear, Drive	
9		Ref	Shaft Options:	
9	7019147	2	Shaft, Short	
9	7019177	2	Shaft, Long	
10	7022818	2	Potentiometer	
11	7019142	2	Plate	
12	7003992	2	Washer	
13	7003993	2	Nut	
14	7003976	2	Gear, Slave	
15	7019149	2	Setscrew	
16	7022816	4	Screw	
17	7019150	1	Gate	
18	7022814	1	Boot	
19	7022815	1	Bezel	
20	See Note	1	Center, Detent (Note: Not Available for Purchase)	
21	7003953	4	Washer	
22	7022817	4	Screw	
23	7022819	1	Plug, Male 8 Position (Natural)	
23	4460871	8	Socket, Female	
24	7019122	1	Gimble, Outer	
25	7019123	1	Gimble, Inner	
	1001129555	Ref	<b>Controller Assembly (Service Replacement)</b>	A
		Ref	<b>Note: Was p/n 1001118417 Assembly - Use p/n 1001129555 Kit as replacement.</b>	
101	70002730	1	Gasket	
102	7003928	1	Spring	
103	7022808	1	Cap, Lift	
104	70002731	1	Boot	
105	70002732	4	Screw	
106	7022815	1	Bezel	
107	70002733	1	Adapter	
108	70002734	4	Screw	
109	70002735	1	Can, Enclosure	

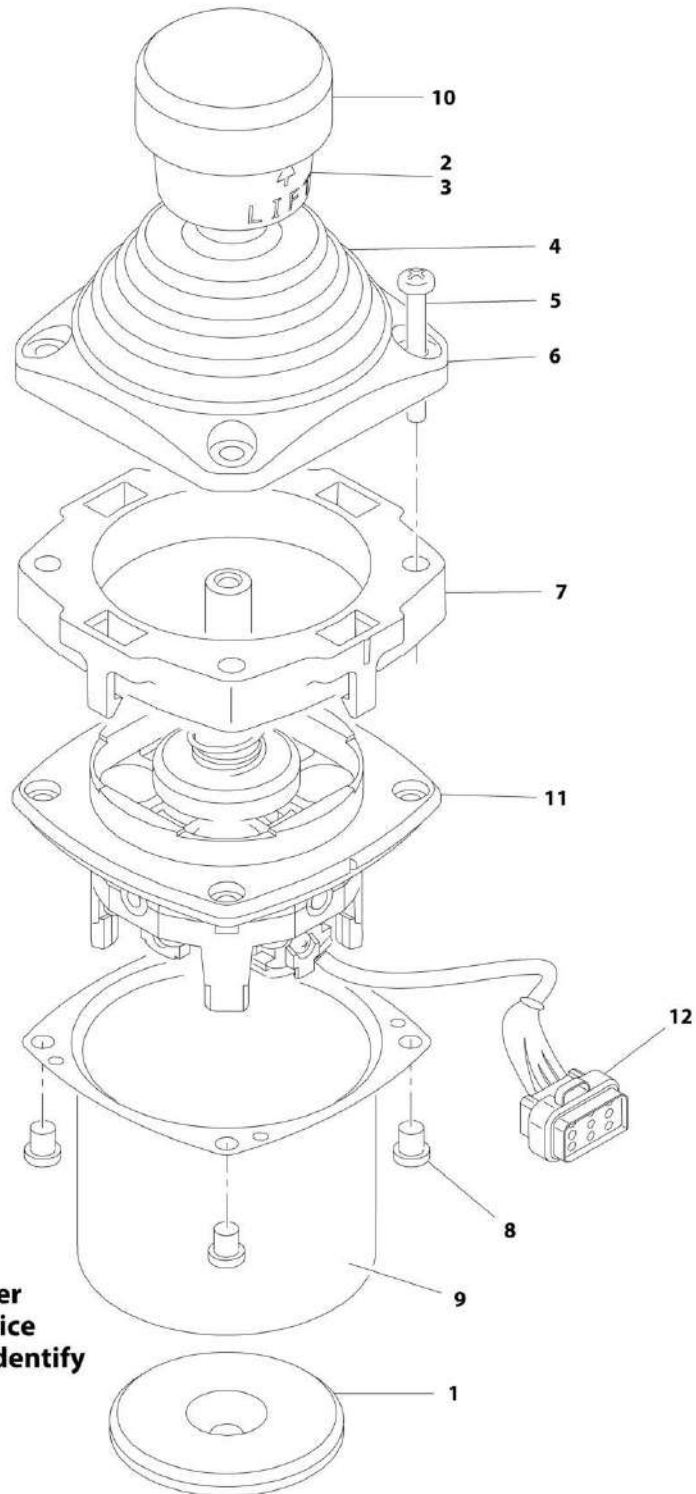
## SECTION 4 - PLATFORM

ITEM	PART NUMBER	QTY	DESCRIPTION	REV
110	70002906	1	Cap	
111	1001129555	1	Mechanical Assembly (Note: Not Available for Purchase)	
112	7022819	1	Plug, Male 8 Position (Natural) (Not Shown)	
112	4460871	6	Socket, Female	



# SECTION 4 - PLATFORM

## FIGURE 4-5. CONTROLLER ASSEMBLY (LIFT AND SWING)



**Note: Original Equipment controller may have been replaced with Service Replacement controller. Visually identify controller before ordering parts.**

ART\_100118417

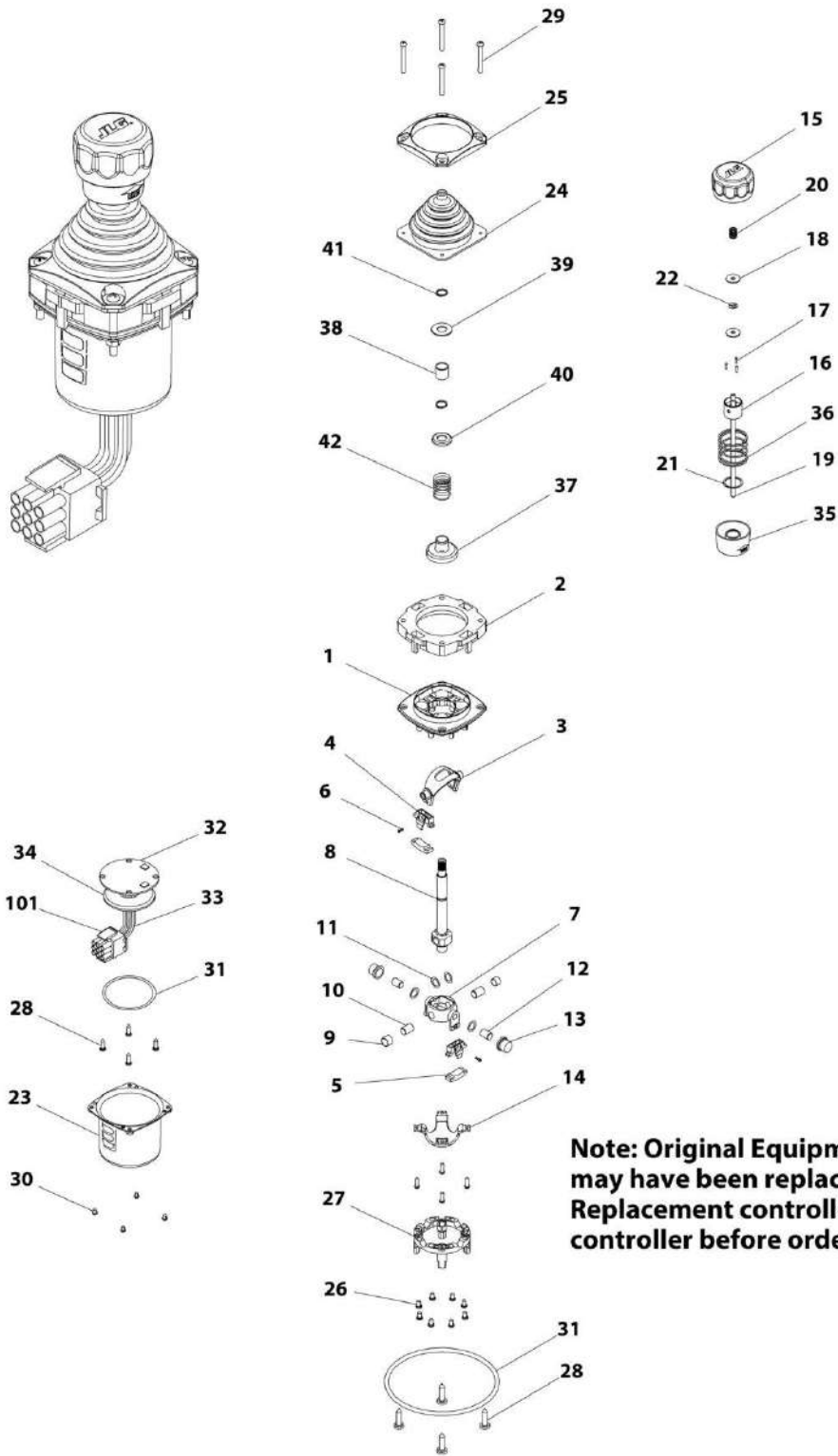
## SECTION 4 - PLATFORM

### FIGURE 4-5. CONTROLLER ASSEMBLY (LIFT AND SWING)

ITEM	PART NUMBER	QTY	DESCRIPTION	REV
		Ref	<b>Note: Original Equipment controller may have been replaced with Service Replacement controller. Visually identify controller before ordering parts.</b>	
	1001118417	Ref	<b>CONTROLLER ASSEMBLY (LIFT AND SWING)</b>	E
		Ref	<b>Note: Use p/n 1001129555 as Replacement.</b>	
1	70002730	1	Gasket	
2	7003928	1	Spring	
3	7022808	1	Cap, Lift	
4	70002731	1	Boot	
5	70002732	4	Screw	
6	7022815	1	Bezel	
7	70002733	1	Adapter	
8	70002734	4	Screw	
9	70002735	1	Can, Enclosure	
10	70002906	1	Cap	
11	See Note	NSS	Mechanical Assembly (Note: Use p/n 1001129555)	
12	7022819	1	Connector - 8 Position	
12	4460871	6	Socket, Female	

# SECTION 4 - PLATFORM

## FIGURE 4-6. CONTROLLER ASSEMBLY (LIFT AND SWING)



**Note: Original Equipment controller may have been replaced with Service Replacement controller. Visually identify controller before ordering parts.**

ART\_1001166539

## SECTION 4 - PLATFORM

**FIGURE 4-6. CONTROLLER ASSEMBLY (LIFT AND SWING)**

ITEM	PART NUMBER	QTY	DESCRIPTION	REV
		Ref	<b>Note: Original Equipment controller may have been replaced with Service Replacement controller. Visually identify controller before ordering parts.</b>	
	1001166539	Ref	<b>CONTROLLER ASSEMBLY (LIFT AND SWING)</b>	D
		Ref	<b>Note: Use p/n 1001129555 as Replacement.</b>	
1	See Note	NSS	Main Cast Body (Note: Available - Purchase Complete Assembly)	
2	70004752	1	Adapter	
3	See Note	NSS	Pivot Arm, Plastic (Note: Not Available - Purchase Complete Assembly)	
4	See Note	NSS	Holder, Magnet (Note: Not Available - Purchase Complete Assembly)	
5	See Note	NSS	Arc, Magnet (Note: Not Available - Purchase Complete Assembly)	
6	See Note	NSS	Screw (Note: Not Available for Purchase)	
7	See Note	NSS	Pivot Arm, Cast (Note: Not Available - Purchase Complete Assembly)	
8	See Note	NSS	Shaft, Main (Note: Not Available - Purchase Complete Assembly)	
9	See Note	NSS	Bearing (Note: Not Available - Purchase Complete Assembly)	
10	See Note	NSS	Pin (Note: Not Available - Purchase Complete Assembly)	
11	See Note	NSS	Shim (Note: Not Available - Purchase Complete Assembly)	
12	See Note	NSS	Pin (Note: Not Available - Purchase Complete Assembly)	
13	See Note	NSS	Bearing (Note: Not Available - Purchase Complete Assembly)	
14	See Note	NSS	Dome, Centering (Note: Not Available - Purchase Complete Assembly)	
15	70004753	1	Cap	
16	70004754	1	Insert, Cap	
17	70004755	3	Pin	
18	70004756	2	Washer	
19	70004757	1	Pin, Centering	
20	70004758	1	Spring	
21	70004759	1	Ring, Retaining	
22	70004760	1	E-Ring	
23	70004761	1	Can, Enclosure	
24	70004762	1	Boot	
25	70004763	1	Bezel	
26	See Note	NSS	Screw (Note: Not Available for Purchase)	
27	See Note	NSS	Base, Mounting (Note: Not Available - Purchase Complete Assembly)	
28	See Note	NSS	Screw (Note: Not Available for Purchase)	
29	70004764	4	Screw	
30	70004765	4	Screw	
31	70004766	1	O-Ring	
32	See Note	NSS	Plate (Note: Not Available - Purchase Complete Assembly)	
33	See Note	NSS	Harness (Note: Not Available - Purchase Complete Assembly)	
34	70004767	1	Grommet, Rubber	
35	70004768	1	Housing	
36	70004769	1	Spring	
37	70004770	1	Stopper	
38	70004771	1	Spacer	
39	70004772	1	Washer	
40	70004773	1	Disc	

## SECTION 4 - PLATFORM

ITEM	PART NUMBER	QTY	DESCRIPTION	REV
41	70004774	2	Ring, Retaining	
42	70004775	1	Spring	
101	4460265	1	Connector - 9 Position	
101	4460226	6	Socket, Female	







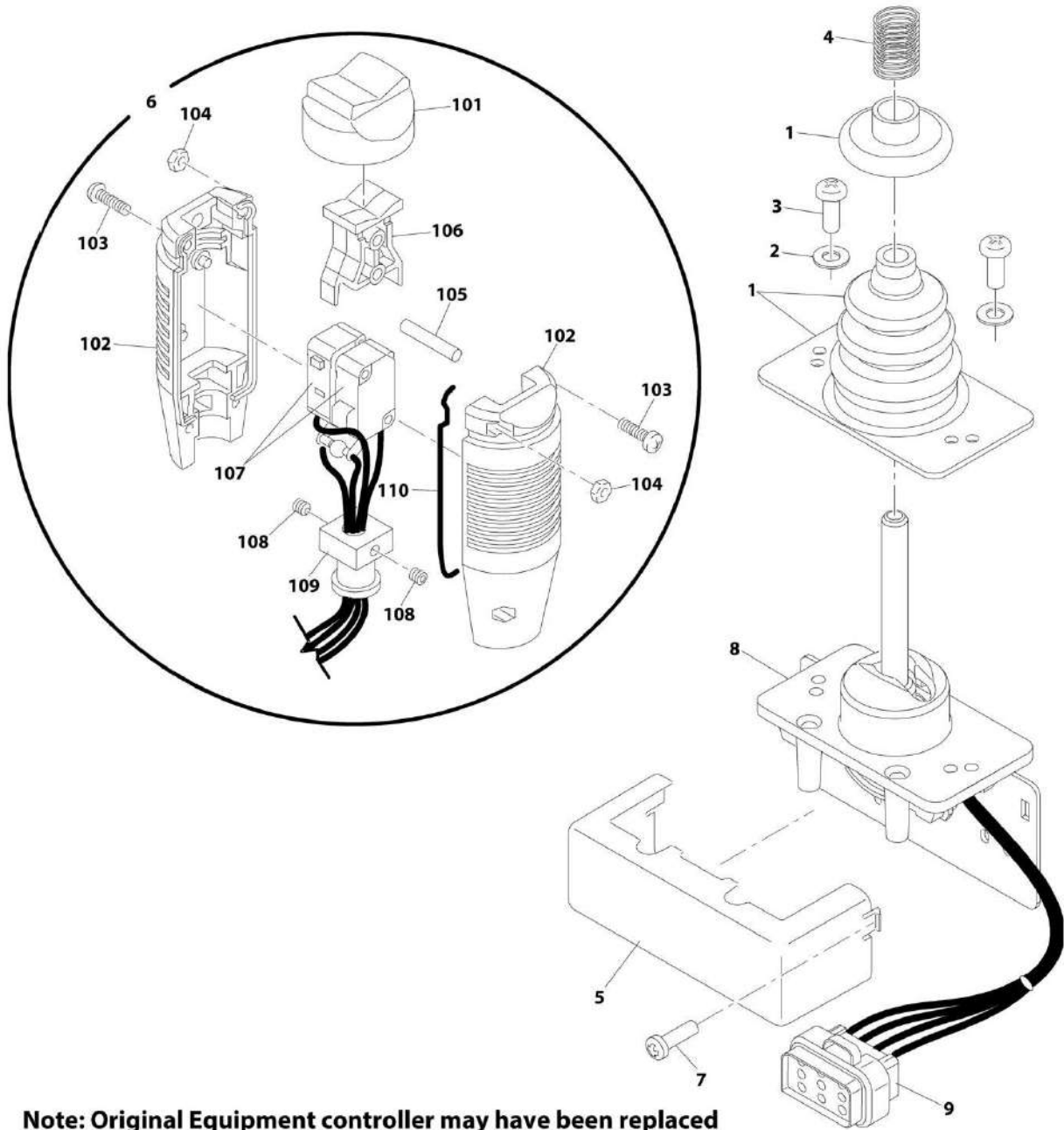
## SECTION 4 - PLATFORM

**FIGURE 4-7. CONTROLLER ASSEMBLY (DRIVE AND STEER)**

ITEM	PART NUMBER	QTY	DESCRIPTION	REV
		Ref	<b>Note: Original Equipment controller may have been replaced with Service Replacement controller. Visually identify controller before ordering parts.</b>	
	1600318	Ref	<b>CONTROLLER ASSEMBLIES</b>	
		Ref	<b>Controller Assembly (Original Equipment)</b>	C
		Ref	<b>Note: Use p/n 1001212415 as Replacement.</b>	
1	7022812	1	Handle Assembly (See Items 201-210 for Breakdown)	
2	7019161	1	Boot and Sleeve	
3	7003933	1	Gasket	
4	7019154	2	Clamp, Wire	
5	7022823	1	Bracket, Mounting	
6	7003994	1	Screw	
7	7022822	1	Plate, Pot Mounting	
8	7003986	1	Strip, Terminal - 3 Position	
9	7022824	1	Electric Assembly	
9A	1001113961	1	Plug, Male - 8 Position (Black) (was p/n 7022825)	
9A	4460871	7	Socket, Female	
10	7019151	AR	Tie-Strap	
11	7019162	1	Spring	
12	7003969	2	Screw	
13	7003941	2	Washer	
14	See Note	1	Plate, Mounting (Left Side) (Note: Not Available for Purchase)	
15	7019115	2	Stand-Off	
16	7019155	1	Shaft 8mm	
17	7019111	2	Bearing	
18	7019110	2	Spacer, Head Gear	
19	7019112	1	Washer	
20	7003946	1	Spring, Return	
21	7019103	4	Pin	
22	See Note	1	Rivet (Note: Not Available - Purchase Locally)	
23	7019168	1	Plate, Mounting (Right Side)	
24	7003992	1	Washer	
25	7003993	1	Nut	
26	7003935	1	Gear, Slave	
27	7019160	1	Plate, Base	
28	7019114	1	Coupling	
29	See Note	NSS	Cup Point Screw (Note: Not Available for Purchase)	
	7022812	Ref	<b>HANDLE ASSEMBLY</b>	
101	7003972	1	Boot, Switch	
102	7003973	2	Half, Handle	
103	7003980	4	Screw	
104	7019167	4	Nut	
105	7019164	1	Axle	
106	7019165	1	Rocker	
107		Ref	Wiring Assembly Options:	
107	7019166	2	Switch, Micro	
108	7003983	2	Setscrew	
109	7019194	1	Coupling	
110	7003989	2	Gasket	

# SECTION 4 - PLATFORM

## FIGURE 4-8. CONTROLLER ASSEMBLY (DRIVE AND STEER)



**Note: Original Equipment controller may have been replaced with Service Replacement controller. Visually identify controller before ordering parts.**

ART\_1001118416

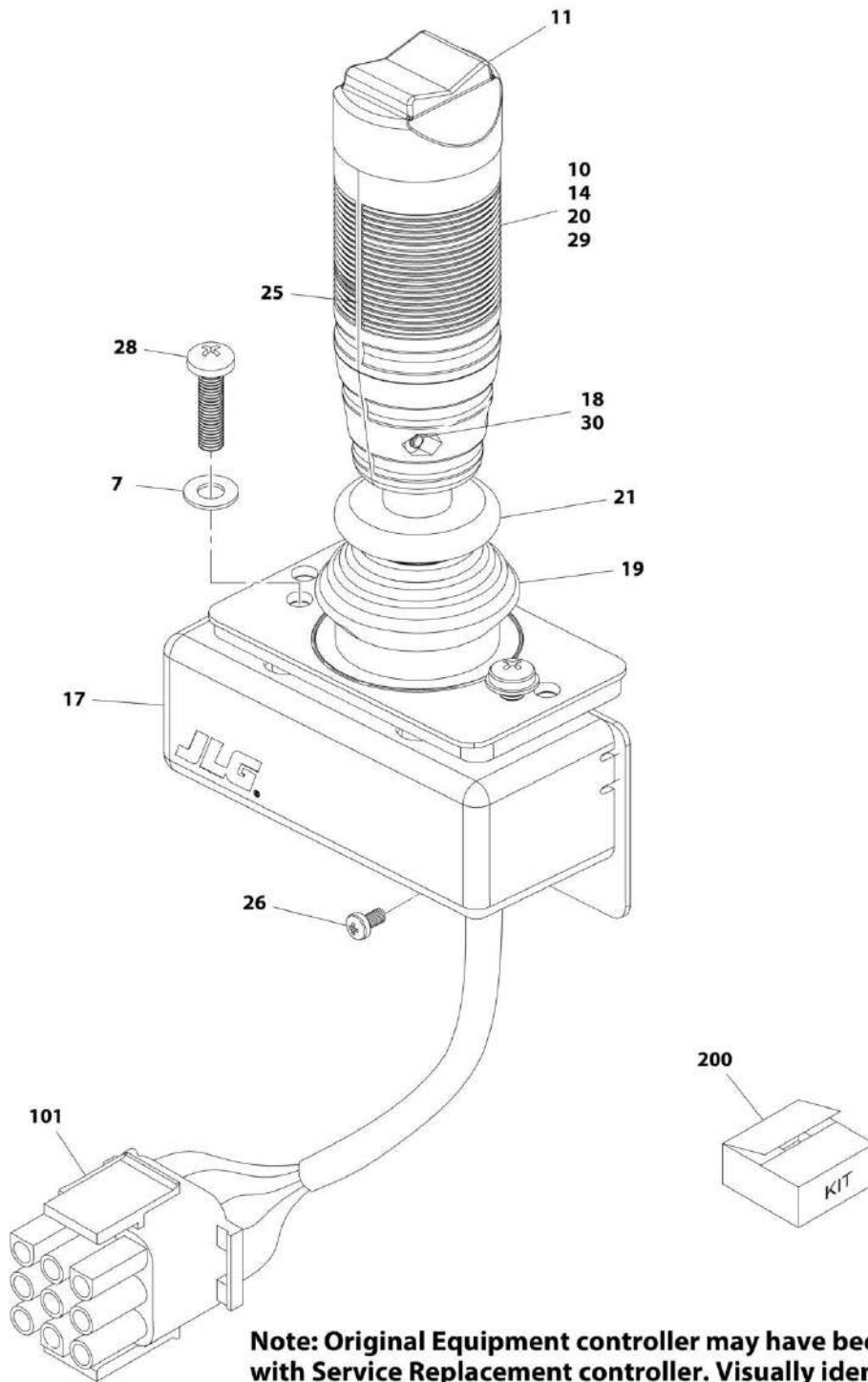
## SECTION 4 - PLATFORM

**FIGURE 4-8. CONTROLLER ASSEMBLY (DRIVE AND STEER)**

ITEM	PART NUMBER	QTY	DESCRIPTION	REV
		Ref	<b>Note: Original Equipment controller may have been replaced with Service Replacement controller. Visually identify controller before ordering parts.</b>	
	1001118416	Ref	<b>CONTROLLER ASSEMBLY (DRIVE AND STEER)</b>	D
		Ref	<b>Note: Use p/n 1001212415 as Replacement.</b>	
1	70002724	1	Boot and Control Lock Assembly	
2	7003941	2	Washer	
3	70002725	2	Screw	
4	7019162	1	Spring	
5	70002726	1	Enclosure	
6	70002727	1	Handle Assembly (See Items 101-110 for Breakdown)	
7	70002728	1	Screw	
8	See Note	NSS	Mechanical Assembly (Note: Use p/n 1001166538)	
9	1001113961	1	Plug, Male - 8 Position (Black) (was p/n 7022825)	
9	4460871	7	Socket, Female	
	70002727	Ref	<b>HANDLE ASSEMBLY</b>	
101	7003972	1	Boot, Switch	
102	7003973	2	Half, Handle	
103	7003980	4	Screw	
104	7019167	4	Nut	
105	7019164	1	Axle	
106	7019165	1	Rocker	
107	70002729	1	Wiring Assembly	
107	7003982	2	Switch, Micro	
108	7003983	2	Set Screw	
109	7019194	1	Coupling	
110	7003989	2	Gasket	

# SECTION 4 - PLATFORM

## FIGURE 4-9. CONTROLLER ASSEMBLY (DRIVE AND STEER)



**Note: Original Equipment controller may have been replaced with Service Replacement controller. Visually identify controller before ordering parts.**

ART\_1001166538

## SECTION 4 - PLATFORM

**FIGURE 4-9. CONTROLLER ASSEMBLY (DRIVE AND STEER)**

ITEM	PART NUMBER	QTY	DESCRIPTION	REV
		Ref	<b>Note: Original Equipment controller may have been replaced with Service Replacement controller. Visually identify controller before ordering parts.</b>	
	1001166538	Ref	<b>CONTROLLER ASSEMBLY (DRIVE AND STEER)</b>	F
		Ref	<b>Note: Use p/n 1001212415 as Replacement.</b>	
7	70004738	2	Washer	
10	70004739	1	Roller	
11	70004740	1	Boot, Switch	
14	70004741	2	Half, Handle	
17	70004742	1	Enclosure	
18	70004743	4	Nut	
19	70004744	NLA	Boot, Controller (Note: Use Item 200)	
20	70004745	NLA	Tube, Locking (Note: Use Item 200)	
21	70004746	NLA	Disc, Locking (Note: Use Item 200)	
25	70004747	2	Seal, Rope	
26	70004748	1	Screw, M3 x 6	
28	70004749	2	Screw, M5 x 20	
29	70004750	1	Pin, Dowel	
30	70004751	4	Screw, M3 x 16	
101	4460265	1	Connector - 9 Position	
101	4460226	7	Socket, Female	
200	70005230	1	Boot Kit (Includes Items 19-21)	

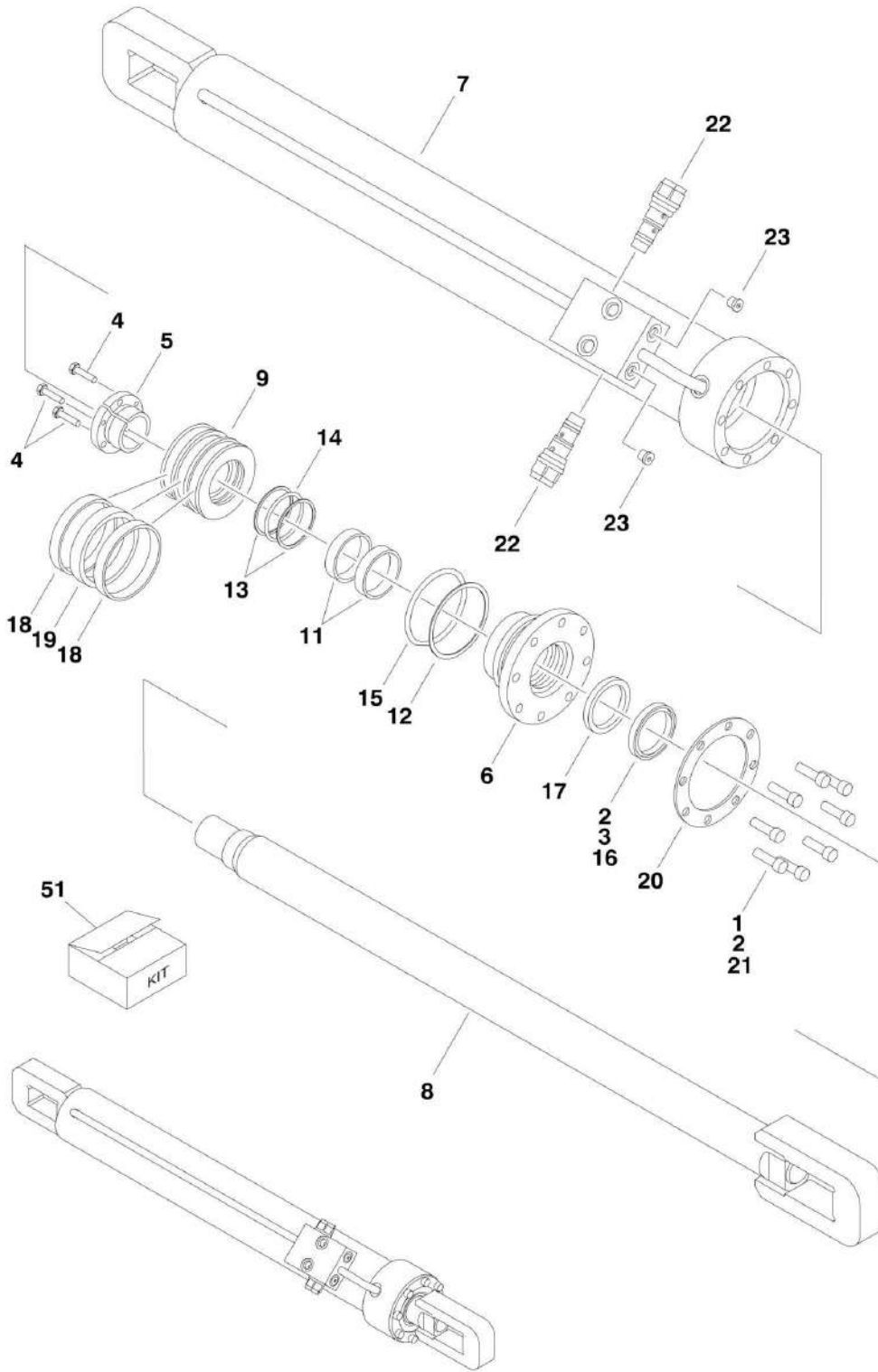




**SECTION 5 - CYLINDER**

# SECTION 5 - CYLINDER

FIGURE 5-1. AXLE EXTENSION CYLINDER ASSEMBLY (ORIGINAL EQUIPMENT)



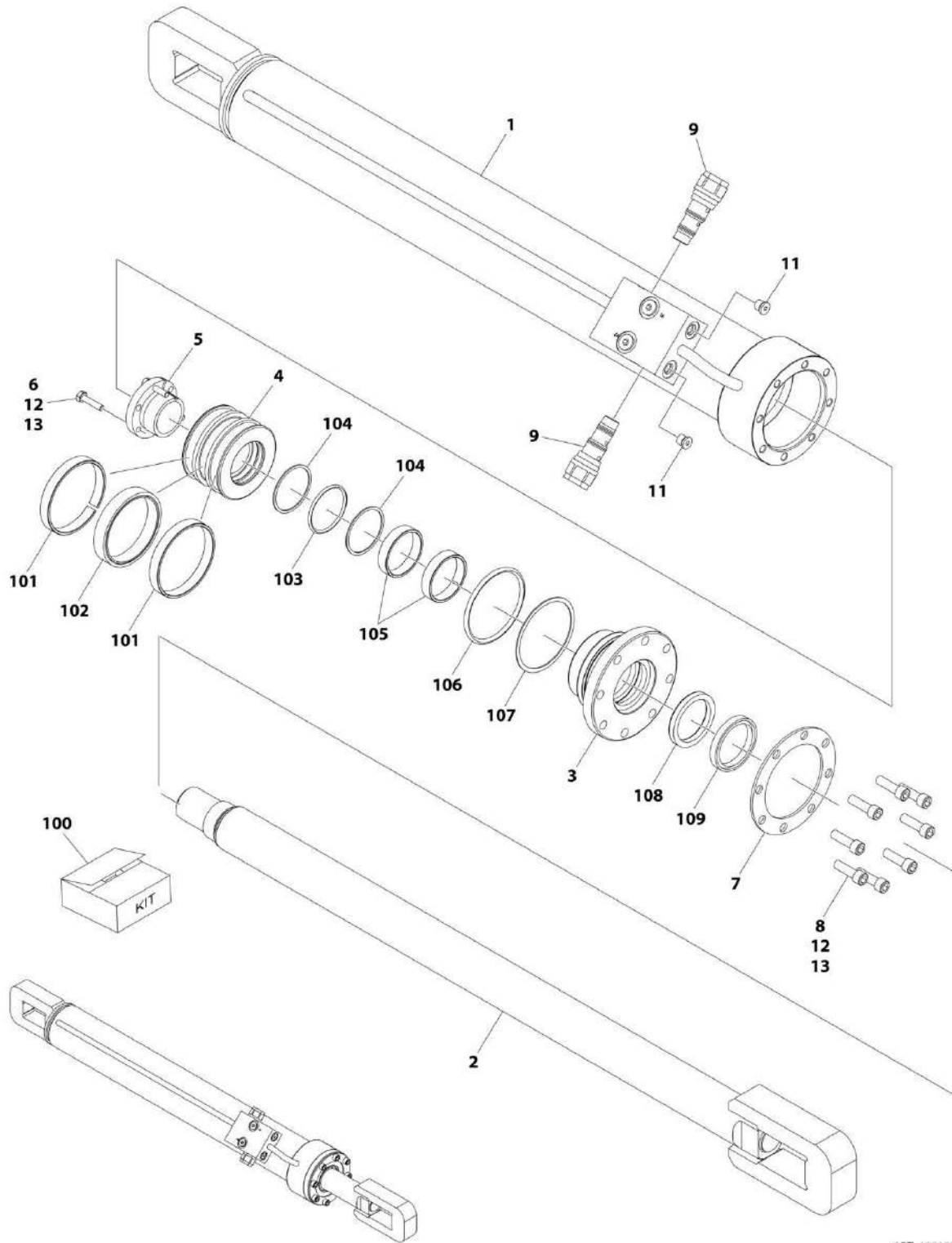
## SECTION 5 - CYLINDER

**FIGURE 5-1. AXLE EXTENSION CYLINDER ASSEMBLY (ORIGINAL EQUIPMENT)**

ITEM	PART NUMBER	QTY	DESCRIPTION	REV
	1684102	Ref	<b>AXLE EXTENSION CYLINDER ASSEMBLY</b>	E
		Ref		
1	0100011	AR	Compound, Locking	
2	0100038	AR	Primer, Locking	
3	0100063	AR	Loctite #RC 609	
4	0630535	3	Capscrew 1/4in-20NC x 1-1/8in	
5	0961896	1	Bushing, Tapered	
6	1683056	1	Head	
7	1684103	1	Barrel Weldment	
8	1684105	1	Rod Weldment	
9	3480272	1	Piston	
11	2901773	2	Ring, Wear	
12	2901773	1	Ring, Back-Up	
13	2901773	2	Ring, Back-Up	
14	2901773	1	O-Ring	
15	2901773	1	O-Ring	
16	2901773	1	Wiper, Rod	
17	2901773	1	Seal	
18	2901773	2	Ring, Wear	
19	2901773	1	T-Seal	
20	3760369	1	Ring, Washer	
21	3931620	8	Bolt 3/8in-16NC x 1-1/4in	
22	4640509	2	Cartridge, Holding Valve	
22	2900792	2	Seal Kit - 4640509 Cartridge Valve (1 Per Valve)	
23	2220883	2	Plug, O-Ring	
51	2901773	1	Seal Kit (Includes Items 11-19)	

# SECTION 5 - CYLINDER

## FIGURE 5-2. AXLE EXTENSION CYLINDER ASSEMBLY (SERVICE REPLACEMENT)



ART\_1001228020

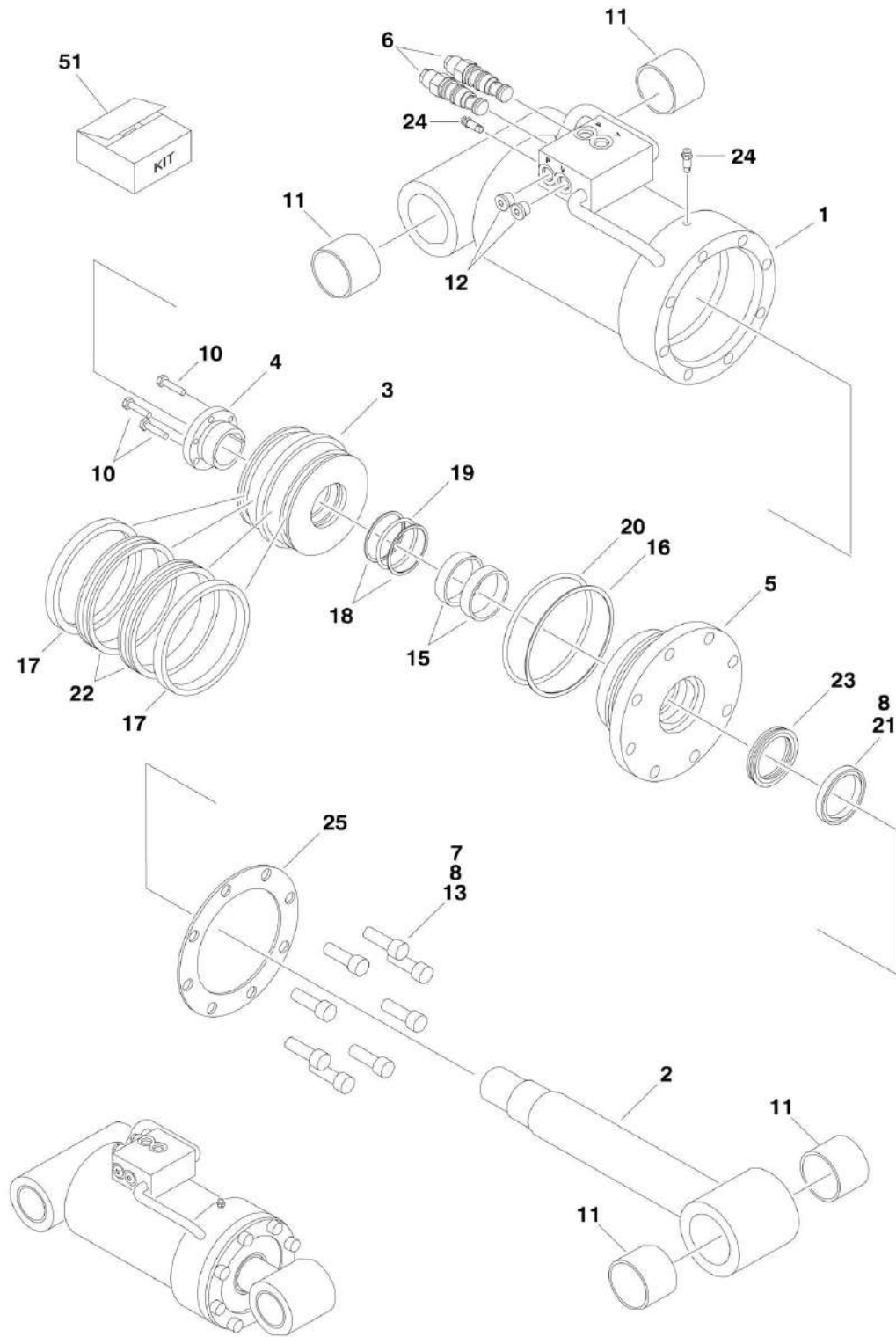
## SECTION 5 - CYLINDER

**FIGURE 5-2. AXLE EXTENSION CYLINDER ASSEMBLY (SERVICE REPLACEMENT)**

ITEM	PART NUMBER	QTY	DESCRIPTION	REV
	1001228020	Ref	AXLE EXTENSION CYLINDER ASSEMBLY	D
		Ref	Note: Original Cylinder May Have Been Replaced with Service Replacement. Identify PN Stamped on Cylinder Before Ordering Parts.	
1	See Note	NSS	Barrel (Note: Not Available for Purchase)	
2	70006363	1	Rod	
3	70006362	1	Head	
4	70006361	1	Piston	
5	70006360	1	Bushing, Tapered	
6	0630535	3	Capscrew 1/4 x 1-1/8	
7	70006359	1	Ring, Washer	
8	3931620	8	Bolt 3/8 x 1-1/4	
9	4640509	2	Cartridge, Holding Valve	
9	2900792	2	Seal Kit - 4640509 Cartridge Valve (1 Per Valve)	
11	2220883	2	Plug, O-Ring	
12	0100011	AR	Compound, Locking	
13	0100038	AR	Primer, Locking	
100	2901773	1	Seal Kit (Includes Items 101-109)	
101	See Note	NSS	Ring, Wear (Note: Use Item 100)	
102	See Note	NSS	T-Seal (Note: Use Item 100)	
103	See Note	NSS	O-Ring (Note: Use Item 100)	
104	See Note	NSS	Ring, Back-up (Note: Use Item 100)	
105	See Note	NSS	Ring, Wear (Note: Use Item 100)	
106	See Note	NSS	O-Ring (Note: Use Item 100)	
107	See Note	NSS	Ring, Back-up (Note: Use Item 100)	
108	See Note	NSS	Seal (Note: Use Item 100)	
109	See Note	NSS	Wiper, Rod (Note: Use Item 100)	

# SECTION 5 - CYLINDER

## FIGURE 5-3. AXLE LOCKOUT CYLINDER ASSEMBLY (ORIGINAL EQUIPMENT)



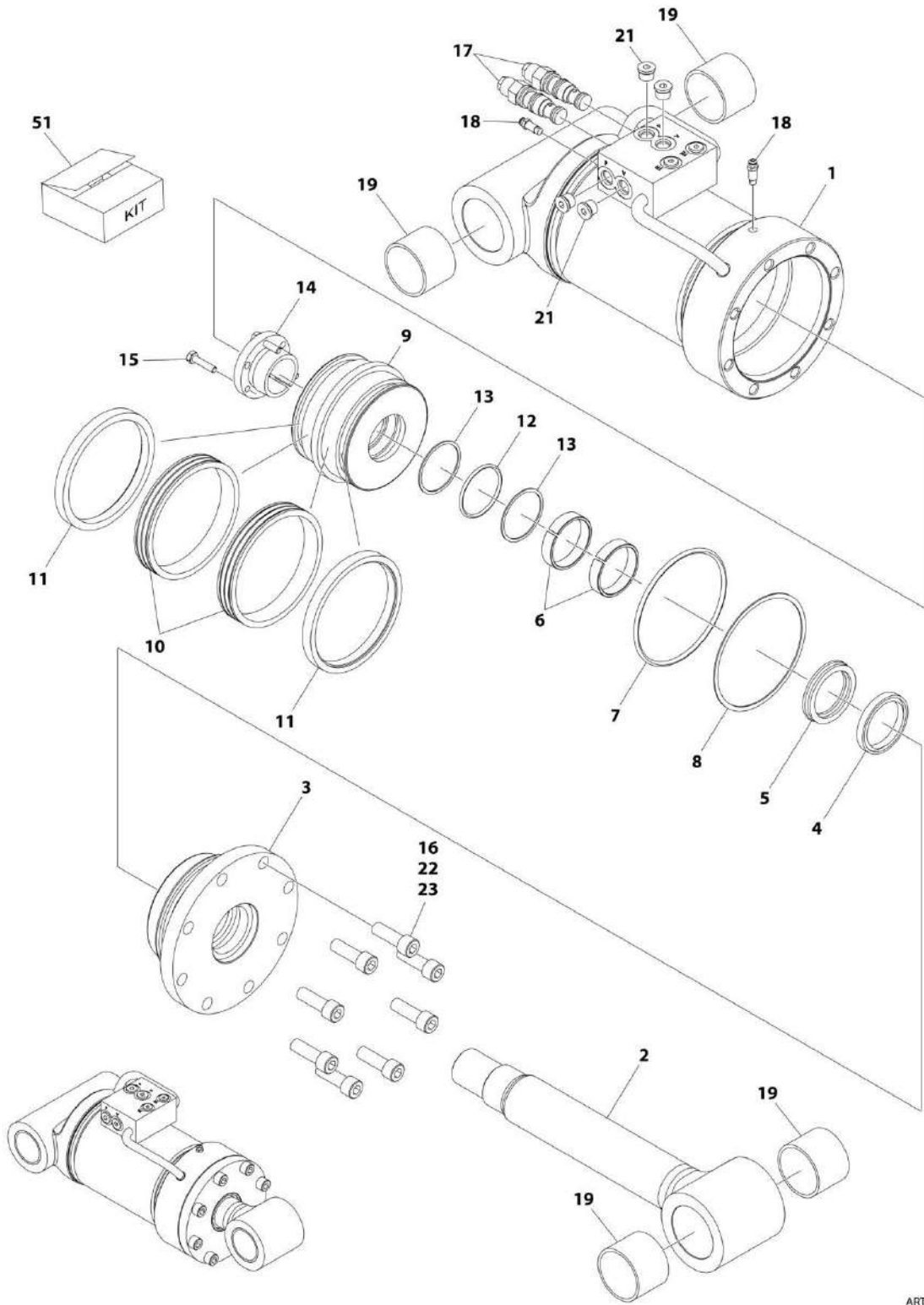
## SECTION 5 - CYLINDER

**FIGURE 5-3. AXLE LOCKOUT CYLINDER ASSEMBLY (ORIGINAL EQUIPMENT)**

ITEM	PART NUMBER	QTY	DESCRIPTION	REV
	1684081	Ref	<b>AXLE LOCKOUT CYLINDER ASSEMBLY</b>	F
		Ref		
1	1684082	1	Barrel Weldment	
2	1684083	1	Rod Weldment	
3	3480269	1	Piston	
4	0961896	1	Bushing	
5	1683062	1	Head	
6	4641276	2	Cartridge, Valve (Counterbalance)	
6	2900770	2	Seal Kit - 4640936 Valve (1 Per Assembly)	
7	0100011	AR	Compound, Locking	
8	0100038	AR	Primer, Locking	
10	0630535	3	Bolt 1/4in-20NC x 1-1/8in	
11	0961950	4	Bearing	
12	2220885	2	Plug, O-Ring	
13	3931824	8	Bolt, Socket Head 1/2in-13NC x 1-1/2in	
15	2902087	2	Ring, Wear	
16	2902087	1	Ring, Back-up	
17	2902087	2	Ring, Lock	
18	2902087	2	Ring, Back-up	
19	2902087	1	O-Ring	
20	2902087	1	O-Ring	
21	2902087	1	Wiper	
22	2902087	2	Seal	
23	2902087	1	Seal, Rod	
24	4640858	2	Valve, Bleeder	
25	3760371	1	Ring, Washer	
51	2902087	1	Seal Kit (Includes Items 15-23)	

# SECTION 5 - CYLINDER

## FIGURE 5-4. AXLE LOCKOUT CYLINDER ASSEMBLY (SERVICE REPLACEMENT)



ART\_1001228019



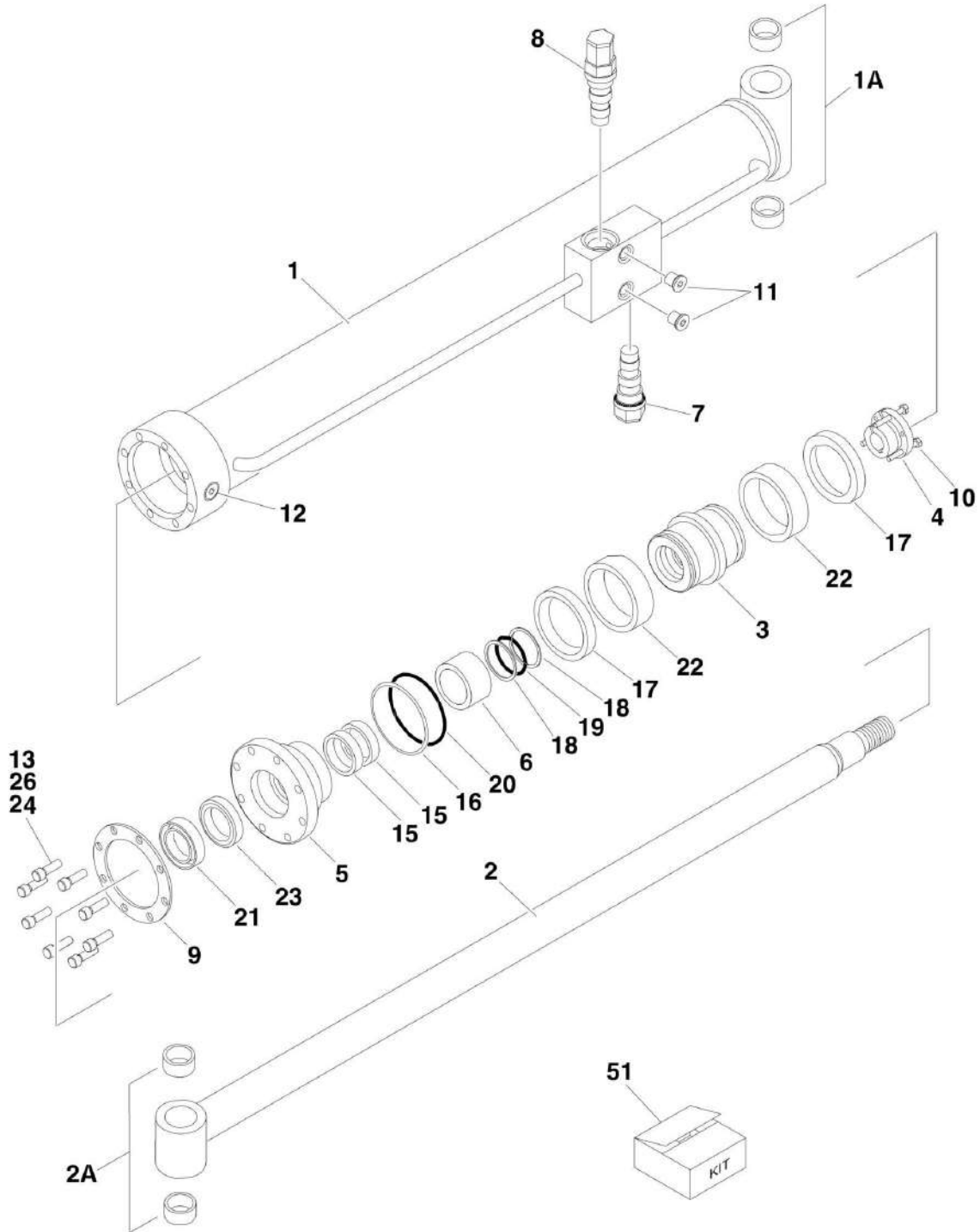
## SECTION 5 - CYLINDER

**FIGURE 5-4. AXLE LOCKOUT CYLINDER ASSEMBLY (SERVICE REPLACEMENT)**

ITEM	PART NUMBER	QTY	DESCRIPTION	REV
	1001228019	Ref	AXLE LOCKOUT CYLINDER ASSEMBLY	B
		Ref	Note: Original Cylinder May Have Been Replaced with Service Replacement. Identify PN Stamped on Cylinder Before Ordering Parts.	
1	See Note	NSS	Barrel (Note: Not Available for Purchase)	
2	70006520	1	Rod	
3	70006474	1	Head	
4	See Note	NSS	Wiper (Note: Use Item 51)	
5	See Note	NSS	Seal, Rod (Note: Use Item 51)	
6	See Note	NSS	Ring, Wear (Note: Use Item 51)	
7	See Note	NSS	O-Ring (Note: Use Item 51)	
8	See Note	NSS	Ring, Back-up (Note: Use Item 51)	
9	70006473	1	Piston	
10	See Note	NSS	Seal (Note: Use Item 51)	
11	See Note	NSS	Ring, Lock (Note: Use Item 51)	
12	See Note	NSS	O-Ring (Note: Use Item 51)	
13	See Note	NSS	Ring, Back-up (Note: Use Item 51)	
14	0961896	1	Bushing	
15	0630535	3	Bolt 1/4 x 1-1/8	
16	3931824	8	Bolt 1/2 x 1-1/2	
17	4641276	2	Cartridge, Valve Options: (Counterbalance)	
17	2900770	2	Seal Kit - 4641276 Valve (1 Per Assembly)	
18	4640858	2	Valve, Bleeder	
19	0961950	4	Bearing	
21	2220885	4	Plug, O-Ring	
22	0100011	AR	Compound, Locking	
23	0100038	AR	Primer, Locking	
51	2902087	1	Seal Kit (Includes Items 4-8 & 10-13)	

# SECTION 5 - CYLINDER

## FIGURE 5-5. PLATFORM LEVEL CYLINDER ASSEMBLY (ORIGINAL EQUIPMENT)



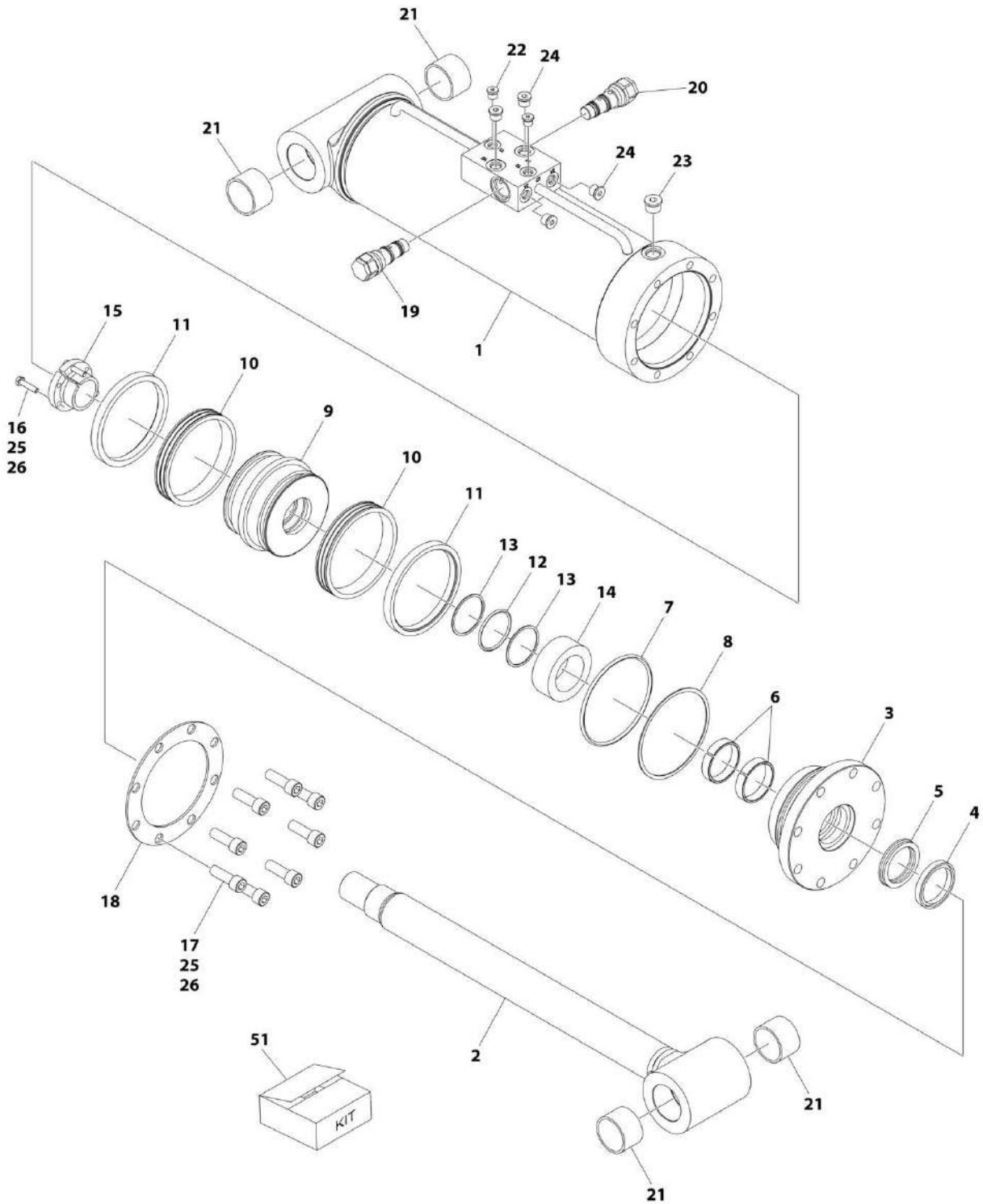
## SECTION 5 - CYLINDER

**FIGURE 5-5. PLATFORM LEVEL CYLINDER ASSEMBLY (ORIGINAL EQUIPMENT)**

ITEM	PART NUMBER	QTY	DESCRIPTION	REV
	1684149	Ref	<b>PLATFORM LEVEL CYLINDER ASSEMBLY</b>	F
		Ref		Note: Original Cylinder May Have Been Replaced with Service Replacement. Identify PN Stamped on Cylinder Before Ordering Parts.
1	1684150	1	Barrel Weldment	
1A	0961949	2	Bushing	
2	1684306	1	Rod Weldment	
2A	0961949	2	Bushing	
3	3480162	1	Piston	
4	0961896	1	Bushing, Tapered	
5	1683062	1	Head	
6	4568345	1	Spacer	
7	4640509	1	Cartridge, Holding Valve (Non Vented)	
7	2900792	1	Seal Kit - 4640509 Cartridge Valve	
8	4641248	1	Cartridge, Holding Valve (Non Vented)	
8	Not Available	1	Seal Kit - 4641248 Cartridge Valve	
9	3760371	1	Ring, Washer	
10	0630535	3	Capscrew 1/4in-20NC x 1-1/8in	
11	2220885	2	Plug, O-Ring	
12	2220886	1	Plug, O-Ring	
13	3931824	8	Capscrew 1/2in-13NC x 1-1/2in	
15	2902087	2	Ring, Wear	
16	2902087	1	Ring, Back-up	
17	2902087	2	Ring, Lock	
18	2902087	2	Ring, Back-up	
19	2902087	1	O-Ring	
20	2902087	1	O-Ring	
21	2902087	1	Wiper, Rod	
22	2902087	2	Ring, Guide	
23	2902087	1	Seal, Rod	
24	0100011	AR	Compound, Locking	
26	0100038	AR	Primer, Locking	
51	2902087	1	Seal Kit (Includes Items 15-23)	

# SECTION 5 - CYLINDER

## FIGURE 5-6. PLATFORM LEVEL CYLINDER ASSEMBLY (SERVICE REPLACEMENT)



ART\_1001228023

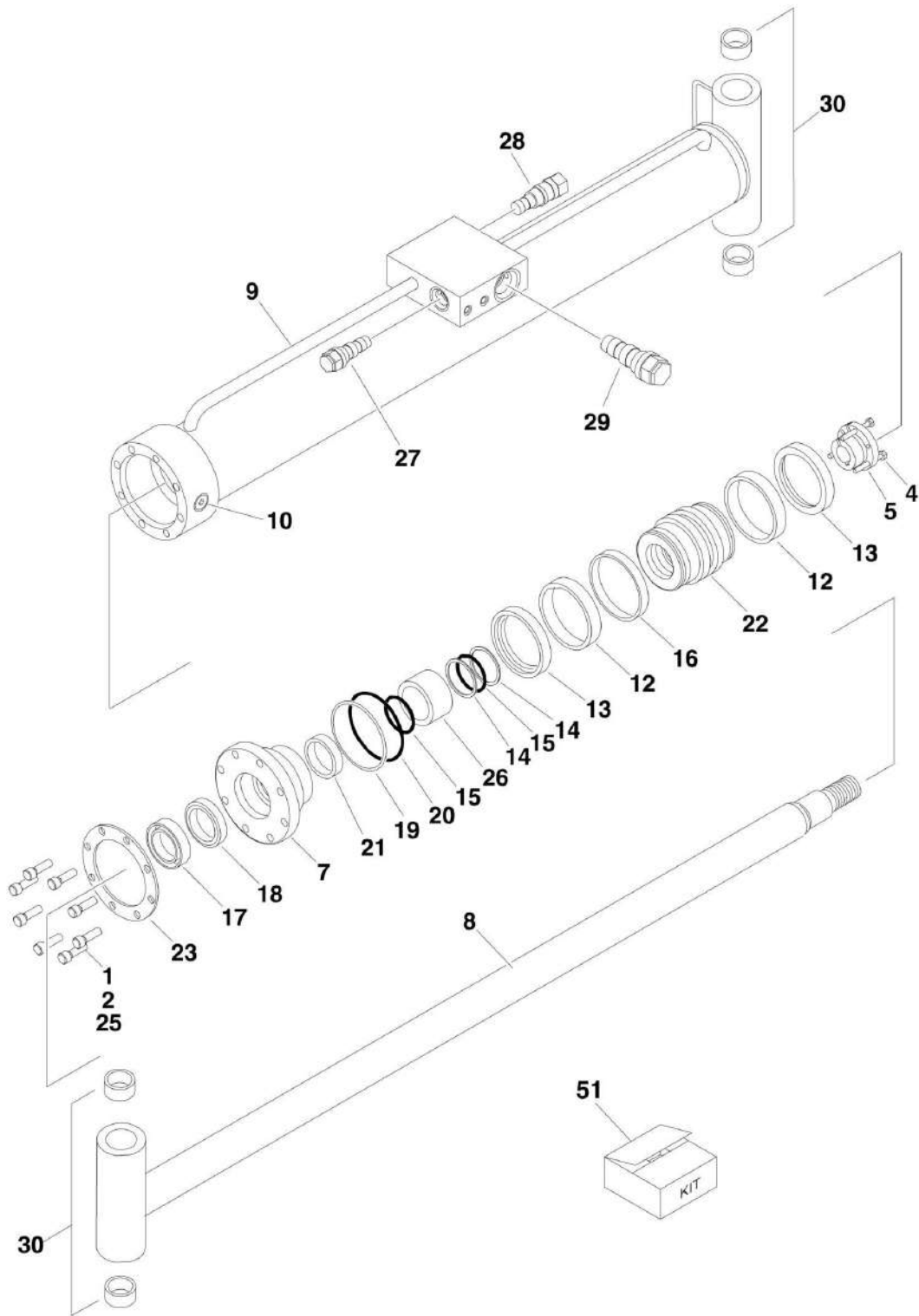
## SECTION 5 - CYLINDER

**FIGURE 5-6. PLATFORM LEVEL CYLINDER ASSEMBLY (SERVICE REPLACEMENT)**

ITEM	PART NUMBER	QTY	DESCRIPTION	REV
	1001228023	Ref	PLATFORM LEVEL CYLINDER ASSEMBLY - WITHOUT COLD WEATHER PLUS PACKAGE	B
		Ref	Note: Original Cylinder May Have Been Replaced with Service Replacement. Identify PN Stamped on Cylinder Before Ordering Parts.	
1	See Note	NSS	Barrel Weldment (Note: Not Available for Purchase)	
2	70006550	1	Rod Weldment	
3	70006549	1	Head	
4	See Note	NSS	Wiper, Rod (Note: Use Item 51)	
5	See Note	NSS	Seal, Rod (Note: Use Item 51)	
6	See Note	NSS	Ring, Wear (Note: Use Item 51)	
7	See Note	NSS	O-Ring (Note: Use Item 51)	
8	See Note	NSS	Ring, Back-up (Note: Use Item 51)	
9	70006548	1	Piston	
10	See Note	NSS	Ring, Guide (Note: Use Item 51)	
11	See Note	NSS	Ring, Lock (Note: Use Item 51)	
12	See Note	NSS	O-Ring (Note: Use Item 51)	
13	See Note	NSS	Ring, Back-up (Note: Use Item 51)	
14	70006547	1	Spacer	
15	0961896	1	Bushing, Tapered	
16	0630535	3	Capscrew 1/4 x 1-1/8	
17	3931824	8	Capscrew 1/2 x 1-1/2	
18	3760371	1	Ring, Washer	
19	4641248	1	Cartridge, Counterbalance Valve (Non-Vented)	
19	See Note	NSS	Seal Kit - 4641248 Cartridge Valve (Note: Use p/n 4641248)	
20	4640509	1	Cartridge, Holding Valve (Non-Vented)	
20	2900792	1	Seal Kit - 4640509 Cartridge Valve	
21	0961949	4	Bushing	
22	2220883	4	Plug, O-Ring	
23	2220886	1	Plug, O-Ring	
24	2220885	2	Plug, O-Ring	
25	0100011	AR	Compound, Locking	
26	0100038	AR	Primer, Locking	
51	2902087	1	Seal Kit Options (Includes Items 4-8 & 10-13)	

# SECTION 5 - CYLINDER

## FIGURE 5-7. LIFT CYLINDER ASSEMBLY (ORIGINAL EQUIPMENT)



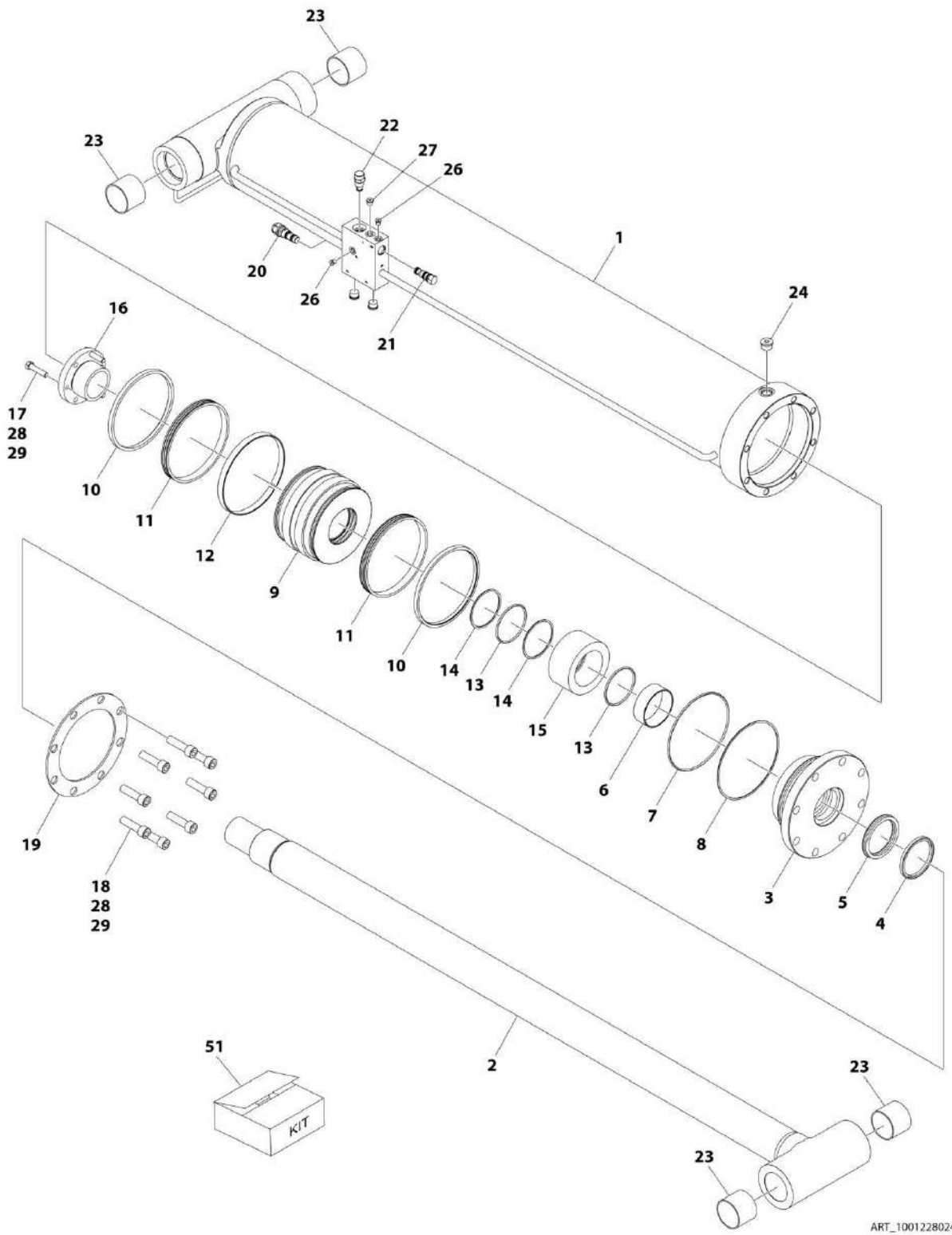
## SECTION 5 - CYLINDER

**FIGURE 5-7. LIFT CYLINDER ASSEMBLY (ORIGINAL EQUIPMENT)**

ITEM	PART NUMBER	QTY	DESCRIPTION	REV
	1684162	Ref	<b>LIFT CYLINDER ASSEMBLY</b>	G
		Ref	Note: Original Cylinder May Have Been Replaced with Service Replacement. Identify PN Stamped on Cylinder Before Ordering Parts.	
1	0100011	AR	Compound, Locking	
2	0100038	AR	Primer, Locking	
4	0630537	3	Capscrew	
5	0961901	1	Bushing, Tapered	
7	1683072	1	Head	
8	1684159	1	Rod	
9	1684249	1	Barrel	
10	2220888	1	Plug, O-Ring	
12	2902082	2	Ring, Guide	
13	2902082	2	Ring, Lock	
14	2902082	2	Ring, Back-Up	
15	2902082	AR	O-Ring	
16	2902082	1	Ring, Wear	
17	2902082	1	Wiper, Rod	
18	2902082	1	Seal, Rod	
19	2902082	1	Ring, Back-Up	
20	2902082	1	O-Ring	
21	2902082	1	Ring, Wear	
22	3480270	1	Piston	
23	3760375	1	Ring, Washer	
25	3932244	8	Capscrew 3/4in-10NC x 2-3/4in	
26	4568319	1	Spacer	
27	4640438	1	Cartridge, Check Valve	
27	2900770	1	Seal Kit - 4640438 Cartridge Valve	
28	4640509	1	Cartridge, Holding Valve (Non Vented)	
28	2900792	1	Seal Kit - 4640509 Cartridge Valve	
29	4641210	1	Cartridge, Pressure Regulator Valve	
29	7010545	1	Seal Kit - 4641210 Cartridge Valve	
30	0962297	4	Bushing	
51	2902082	1	Seal Kit (Includes Items 12-21)	

# SECTION 5 - CYLINDER

## FIGURE 5-8. LIFT CYLINDER ASSEMBLY (SERVICE REPLACEMENT)



ART\_1001228024



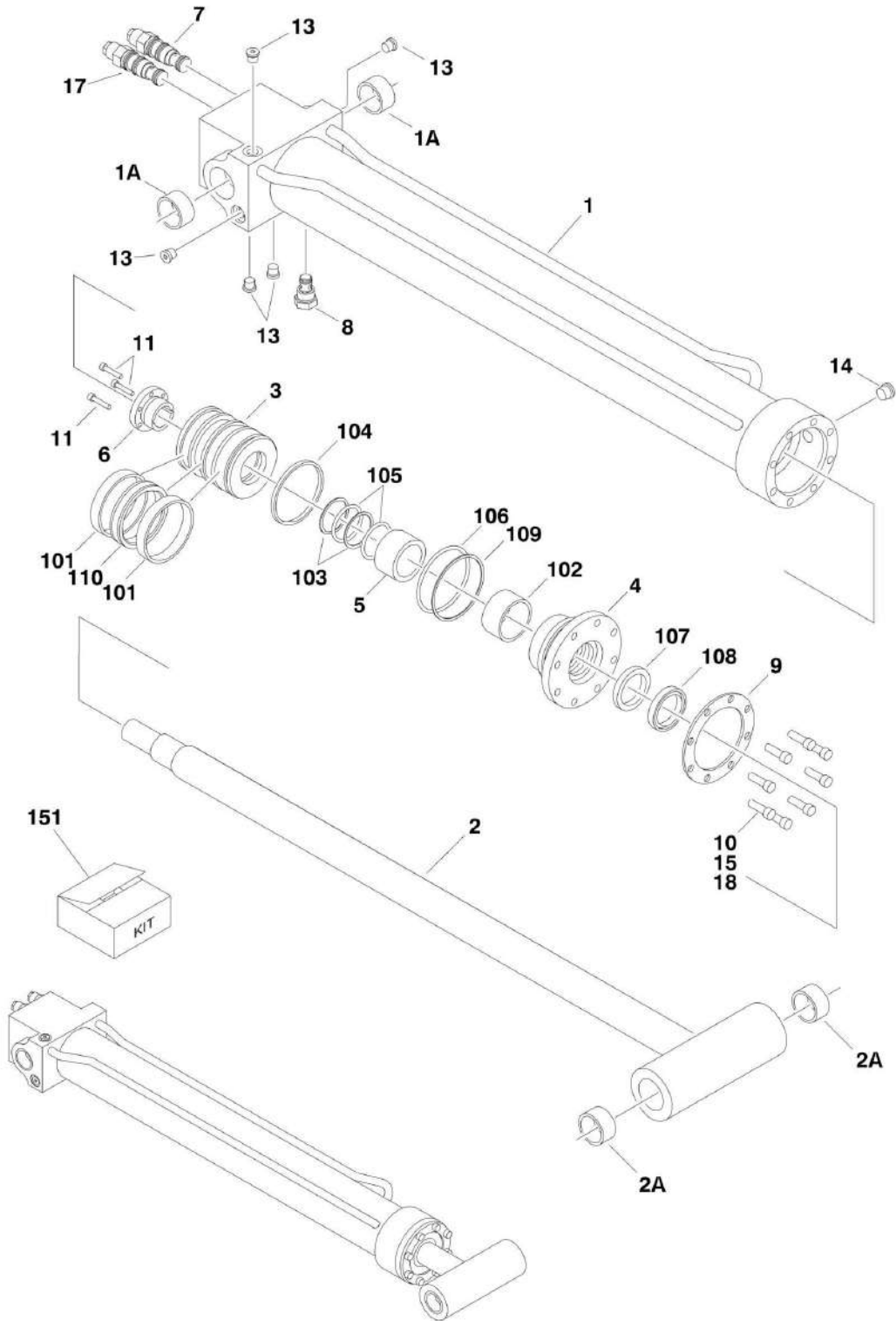
## SECTION 5 - CYLINDER

**FIGURE 5-8. LIFT CYLINDER ASSEMBLY (SERVICE REPLACEMENT)**

ITEM	PART NUMBER	QTY	DESCRIPTION	REV
	1001228024	Ref	LIFT CYLINDER ASSEMBLY	B
		Ref	Note: Original Cylinder May Have Been Replaced with Service Replacement. Identify PN Stamped on Cylinder Before Ordering Parts.	
1	See Note	NSS	Barrel Weldment (Note: Not Available for Purchase)	
2	70006530	1	Rod	
3	70006529	1	Head	
4	See Note	NSS	Wiper, Rod (Note: Use Item 51)	
5	See Note	NSS	Seal, Rod (Note: Use Item 51)	
6	See Note	NSS	Ring, Wear (Note: Use Item 51)	
7	See Note	NSS	O-Ring (Note: Use Item 51)	
8	See Note	NSS	Ring, Back-up (Note: Use Item 51)	
9	70006528	1	Piston	
10	See Note	NSS	Ring, Lock (Note: Use Item 51)	
11	See Note	NSS	Ring, Guide (Note: Use Item 51)	
12	See Note	NSS	Ring, Wear (Note: Use Item 51)	
13	See Note	NSS	O-Ring (Note: Use Item 51)	
14	See Note	NSS	Ring, Back-up (Note: Use Item 51)	
15	70006527	1	Spacer	
16	0961901	1	Bushing, Tapered	
17	0630537	3	Capscrew	
18	3932244	8	Capscrew 3/4 x 2-3/4	
19	3760375	1	Ring, Washer	
20	4640509	1	Cartridge, Holding Valve (Non-Vented)	
20	2900792	1	Seal Kit - 4640509 Cartridge Valve	
21	4640438	1	Cartridge, Check Valve	
21	2900770	1	Seal Kit - 4640438 Cartridge Valve	
22	4641210	1	Cartridge, Pressure Regulator Valve	
22	7010545	1	Seal Kit - 4641210 Cartridge Valve	
23	0962297	4	Bushing	
24	2220888	1	Plug, O-Ring	
26	2220883	2	Plug, O-Ring	
27	2220885	1	Plug, O-Ring	
28	0100011	AR	Compound, Locking	
29	0100038	AR	Primer, Locking	
51	1001174325	1	Seal Kit (Includes Items 4-8 & 10-14)	

# SECTION 5 - CYLINDER

## FIGURE 5-9. JIB CYLINDER ASSEMBLY (ORIGINAL EQUIPMENT)



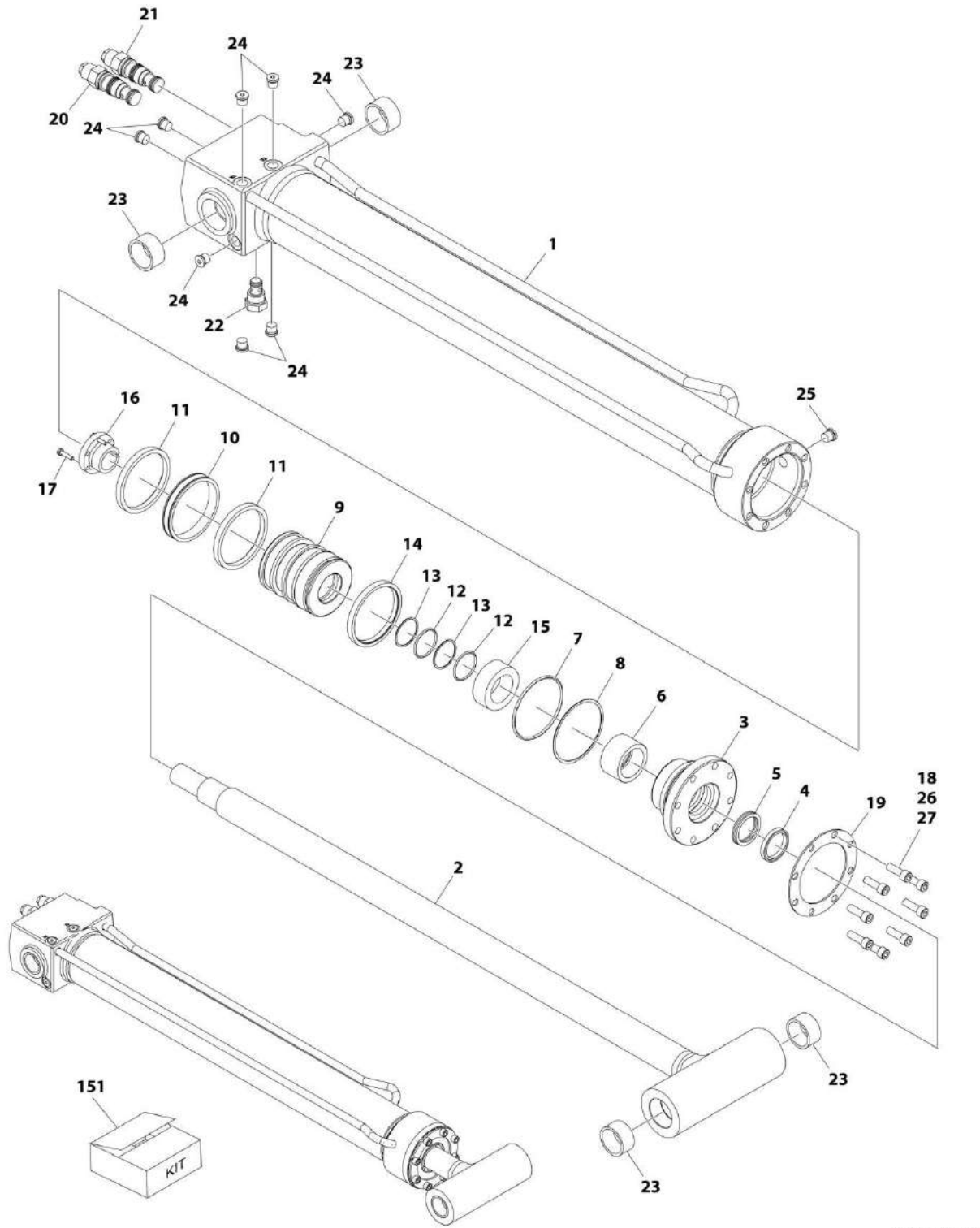
## SECTION 5 - CYLINDER

**FIGURE 5-9. JIB CYLINDER ASSEMBLY (ORIGINAL EQUIPMENT)**

ITEM	PART NUMBER	QTY	DESCRIPTION	REV
	1684173	Ref	<b>JIB CYLINDER ASSEMBLY</b>	H
		Ref		
1	1684174	1	Barrel Weldment	
1A	0962257	2	Bushing	
2	1684176	1	Rod Weldment	
2A	0962257	2	Bushing	
3	3480271	1	Piston	
4	1683053	1	Head	
5	4100100	1	Spacer	
6	0961893	1	Bushing, Tapered	
7	4640452	1	Cartridge, Counterbalance (Port above V2)	
7	2900770	1	Seal Kit - 4640452 Cartridge Valve (1 Per Valve)	
8	4641114	1	Cartridge, Restricted/Check	
8	7012967	1	Seal Kit - 4641114 Cartridge Valve (1 Per Valve)	
9	3760368	1	Ring, Washer	
10	3931516	8	Capscrew 5/16in-18NC x 1in	
11	0630534	3	Capscrew #10-24NC x 1in	
13	2220883	5	Plug, O-Ring	
14	2220885	1	Plug, O-Ring	
15	0100011	AR	Compound, Locking	
17	4641260	1	Cartridge, Counterbalance (Port above V1)	
17	2900770	1	Seal Kit - 4641260 Cartridge Valve (1 Per Valve)	
18	0100038	AR	Primer, Locking	
101	2902092	2	Ring, Wear	
102	2902092	1	Ring, Wear	
103	2902092	2	Ring, Back-up	
104	2902092	1	Seal	
105	2902092	2	O-Ring	
106	2902092	1	O-Ring	
107	2902092	1	Seal	
108	2902092	1	Wiper, Rod	
109	2902092	1	Ring, Back-up	
110	2902092	1	Seal	
151	2902092	1	Seal Kit (Includes Items 101-110)	

# SECTION 5 - CYLINDER

## FIGURE 5-10. JIB CYLINDER ASSEMBLY (SERVICE REPLACEMENT)



ART\_1001228025

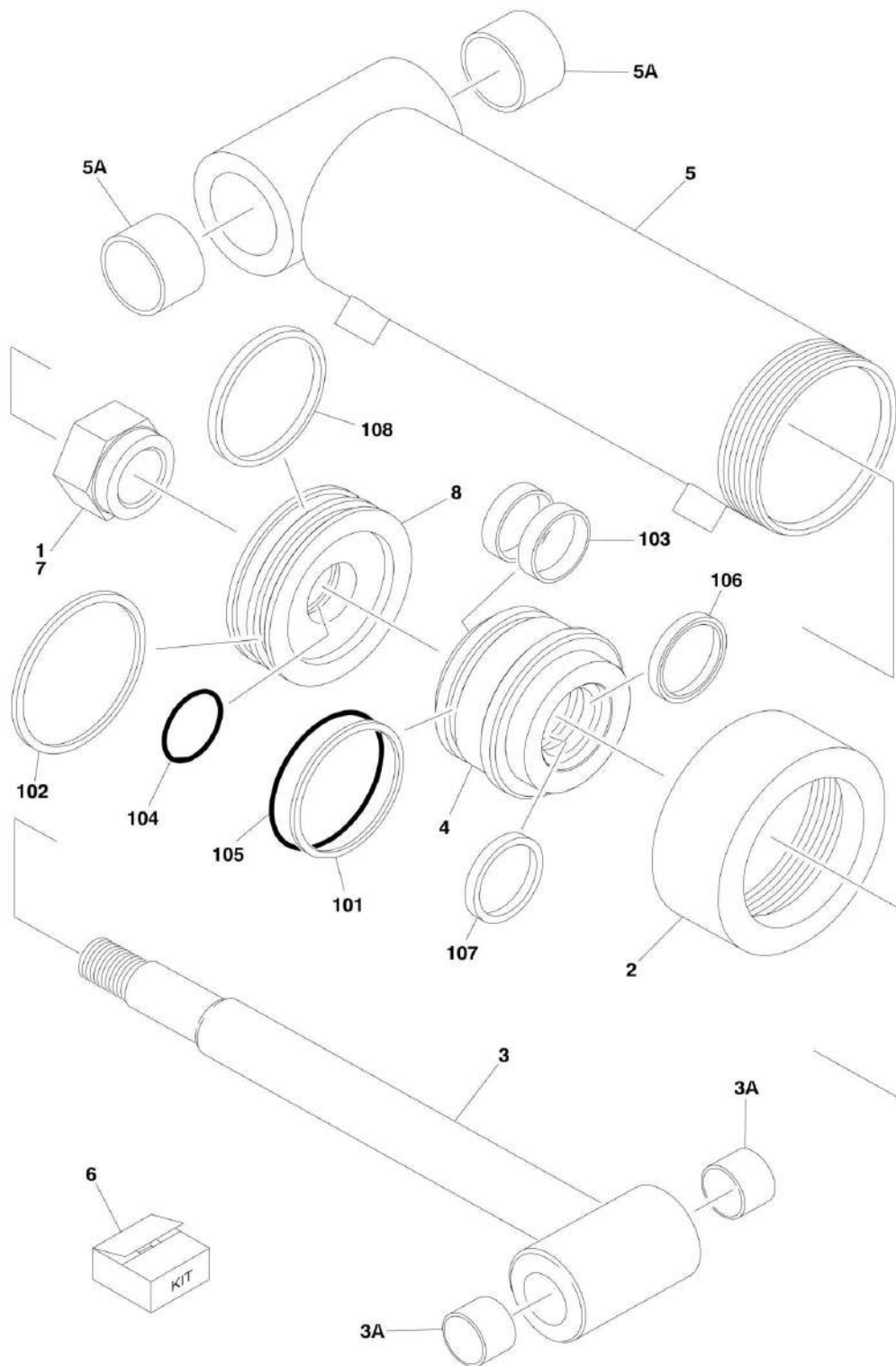
## SECTION 5 - CYLINDER

**FIGURE 5-10. JIB CYLINDER ASSEMBLY (SERVICE REPLACEMENT)**

ITEM	PART NUMBER	QTY	DESCRIPTION	REV
	1001228025	Ref	JIB CYLINDER ASSEMBLY	C
		Ref	Note: Original Cylinder May Have Been Replaced with Service Replacement. Identify PN Stamped on Cylinder Before Ordering Parts.	
1	See Note	NSS	Barrel (Note: Not Available for Purchase)	
2	70006526	1	Rod	
3	70006525	1	Head	
4	See Note	NSS	Wiper, Rod (Note: Use Item 151)	
5	See Note	NSS	Seal (Note: Use Item 151)	
6	See Note	NSS	Ring, Wear (Note: Use Item 151)	
7	See Note	NSS	O-Ring (Note: Use Item 151)	
8	See Note	NSS	Ring, Back-up (Note: Use Item 151)	
9	70006524	1	Piston	
10	See Note	NSS	Seal (Note: Use Item 151)	
11	See Note	NSS	Ring, Wear (Note: Use Item 151)	
12	See Note	NSS	O-Ring (Note: Use Item 151)	
13	See Note	NSS	Ring, Back-up (Note: Use Item 151)	
14	See Note	NSS	Seal (Note: Use Item 151)	
15	70006523	1	Spacer	
16	0961893	1	Bushing, Tapered	
17	0630534	3	Capscrew #10 x 1	
18	3931516	8	Capscrew 5/16 x 1	
19	3760368	1	Ring, Washer	
20	4641260	1	Cartridge, Counterbalance (Port above V1)	
20	2900770	1	Seal Kit - 4641260 Cartridge Valve (1 Per Valve)	
21	4640452	1	Cartridge, Counterbalance (Port above V2)	
21	2900770	1	Seal Kit - 4640452 Cartridge Valve (1 Per Valve)	
22	4641114	1	Cartridge, Restricted/Check	
22	7012967	1	Seal Kit - 4641114 Cartridge Valve (1 Per Valve)	
23	0962257	4	Bushing	
24	2220883	8	Plug, O-Ring	
25	2220885	1	Plug, O-Ring	
26	0100011	AR	Compound, Locking	
27	0100038	AR	Primer, Locking	
151	2902092	1	Seal Kit (Includes Items 4-8 & 10-14)	

# SECTION 5 - CYLINDER

## FIGURE 5-11. STEER CYLINDER ASSEMBLY (ORIGINAL EQUIPMENT)



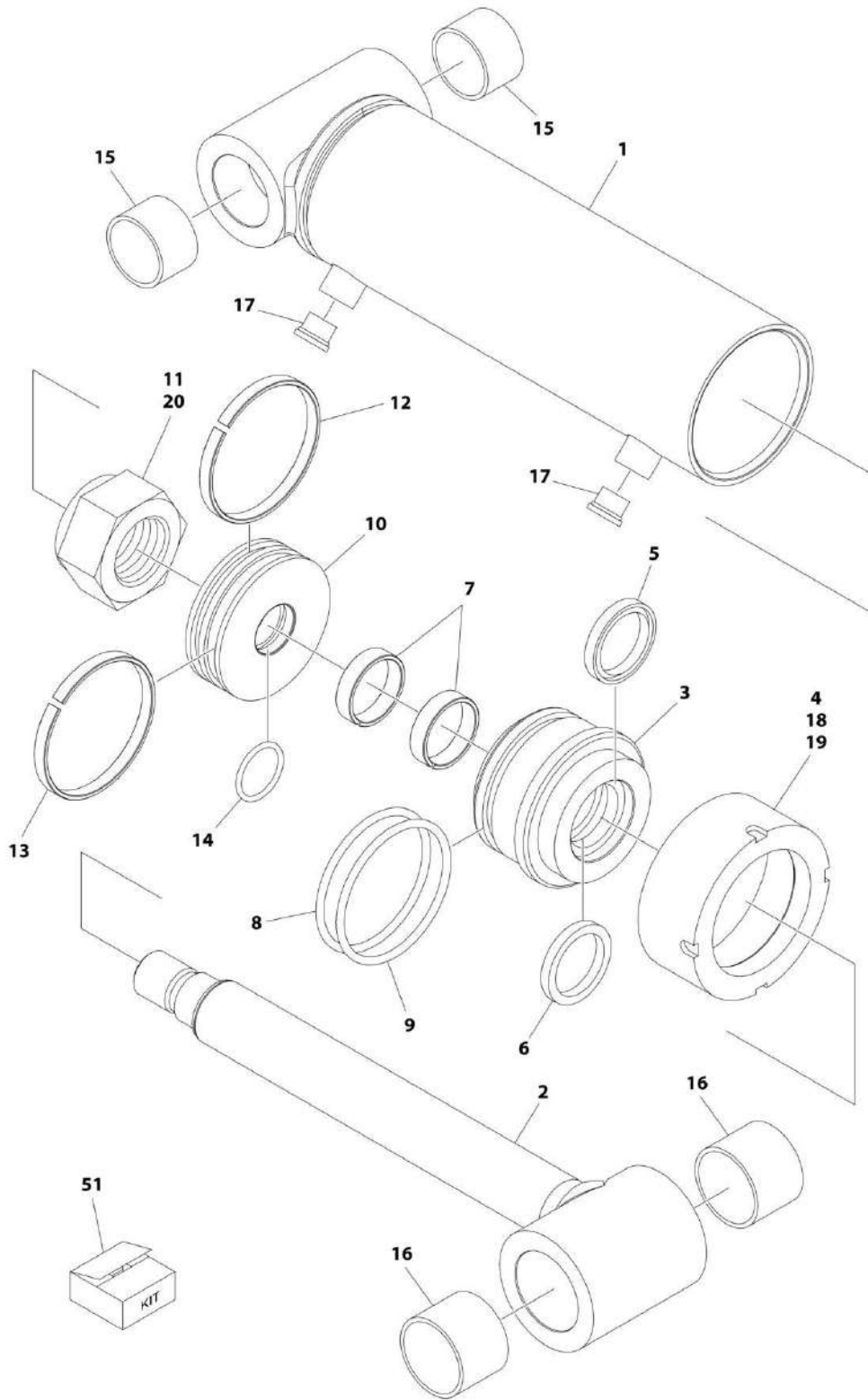
## SECTION 5 - CYLINDER

**FIGURE 5-11. STEER CYLINDER ASSEMBLY (ORIGINAL EQUIPMENT)**

ITEM	PART NUMBER	QTY	DESCRIPTION	REV
	1684314	Ref	<b>STEER CYLINDER</b>	C
		Ref	Note: Original Cylinder May Have Been Replaced with Service Replacement. Identify PN Stamped on Cylinder Before Ordering Parts.	
1	0100035	AR	Compound, Locking	
2	1120094	1	Cap, Cylinder	
3	1684275	1	Rod	
3A	0961950	2	Bushing	
4	1684315	1	Head	
5	1684317	1	Barrel	
5A	0961949	2	Bushing	
6	2902257	1	Seal Kit (Includes Items 101-108)	
7	3300465	1	Nut	
8	3480278	1	Piston	
101	2902257	1	Ring, Back-up	
102	2902257	1	Ring, Wear	
103	2902257	2	Ring, Wear	
104	2902257	1	O-Ring	
105	2902257	1	O-Ring	
106	2902257	1	Wiper	
107	2902257	1	Seal, Piston	
108	2902257		Seal	

# SECTION 5 - CYLINDER

## FIGURE 5-12. STEER CYLINDER ASSEMBLY (SERVICE REPLACEMENT)



ART\_1001228031



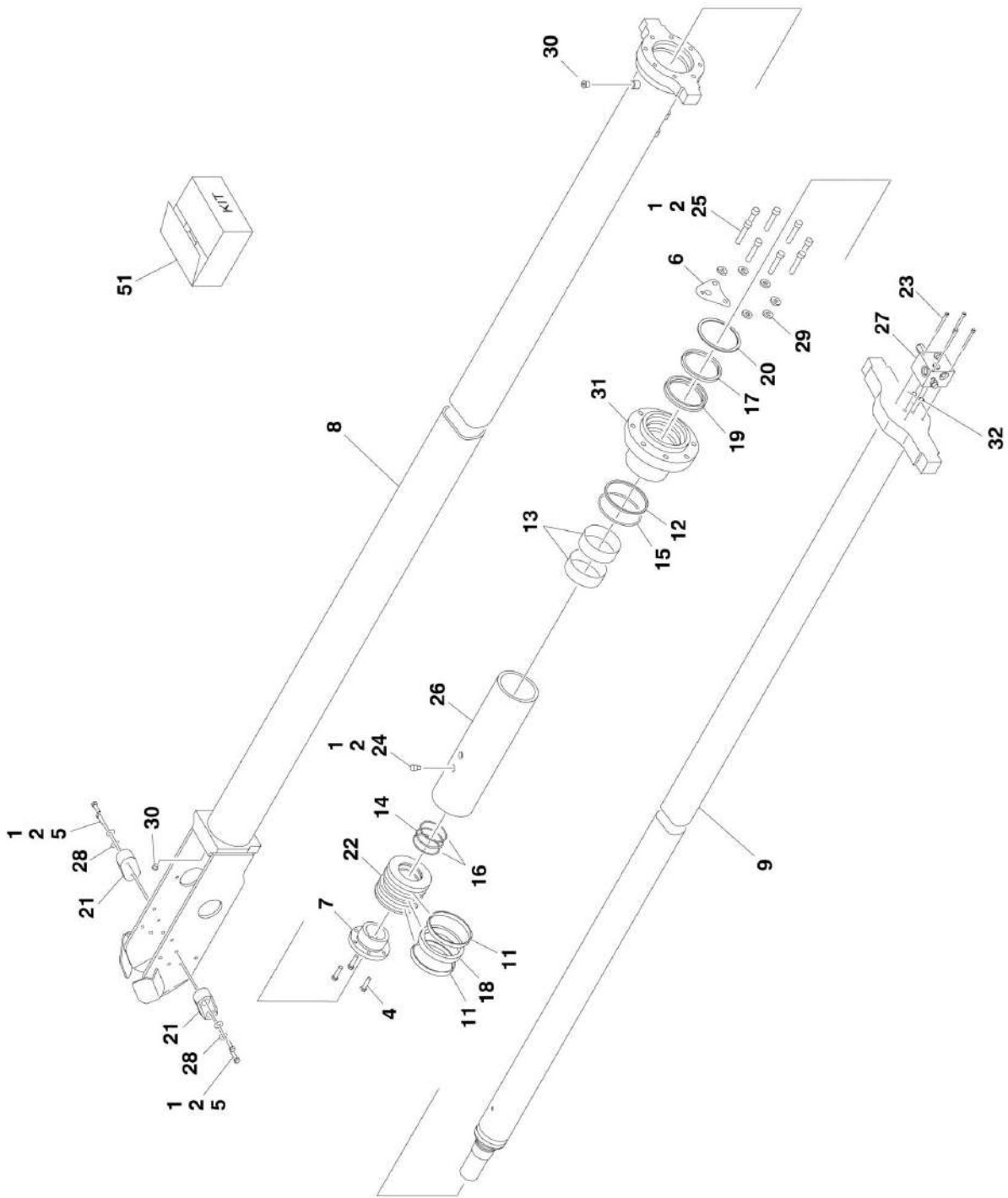
## SECTION 5 - CYLINDER

**FIGURE 5-12. STEER CYLINDER ASSEMBLY (SERVICE REPLACEMENT)**

ITEM	PART NUMBER	QTY	DESCRIPTION	REV
	1001228031	Ref	STEER CYLINDER ASSEMBLY	B
		Ref	Note: Original Cylinder May Have Been Replaced with Service Replacement. Identify PN Stamped on Cylinder Before Ordering Parts.	
1	See Note	NSS	Barrel (Note: Not Available for Purchase)	
2	70006493	1	Rod	
3	70006492	1	Head	
4	70006491	1	Cap, Cylinder	
5	See Note	NSS	Wiper (Note: Use Item 51)	
6	See Note	NSS	Seal, Piston (Note: Use Item 51)	
7	See Note	NSS	Ring, Wear (Note: Use Item 51)	
8	See Note	NSS	O-Ring (Note: Use Item 51)	
9	See Note	NSS	Ring, Back-up (Note: Use Item 51)	
10	70006490	1	Piston	
11	3300465	1	Nut	
12	See Note	1	Seal (Note: Use Item 51)	
13	See Note	1	Ring, Wear (Note: Use Item 51)	
14	See Note	1	O-Ring (Note: Use Item 51)	
15	0961949	2	Bushing	
16	0961950	2	Bushing	
17	2220885	2	Plug (With O-Ring)	
18	0100011	AR	Compound, Locking	
19	0100038	AR	Primer, Locking	
20	0100019	AR	Compound, Locking	
51	2902257	1	Seal Kit (Includes Items 5-9 & 12-14)	

# SECTION 5 - CYLINDER

FIGURE 5-13. TELESCOPE CYLINDER ASSEMBLY (ORIGINAL EQUIPMENT)



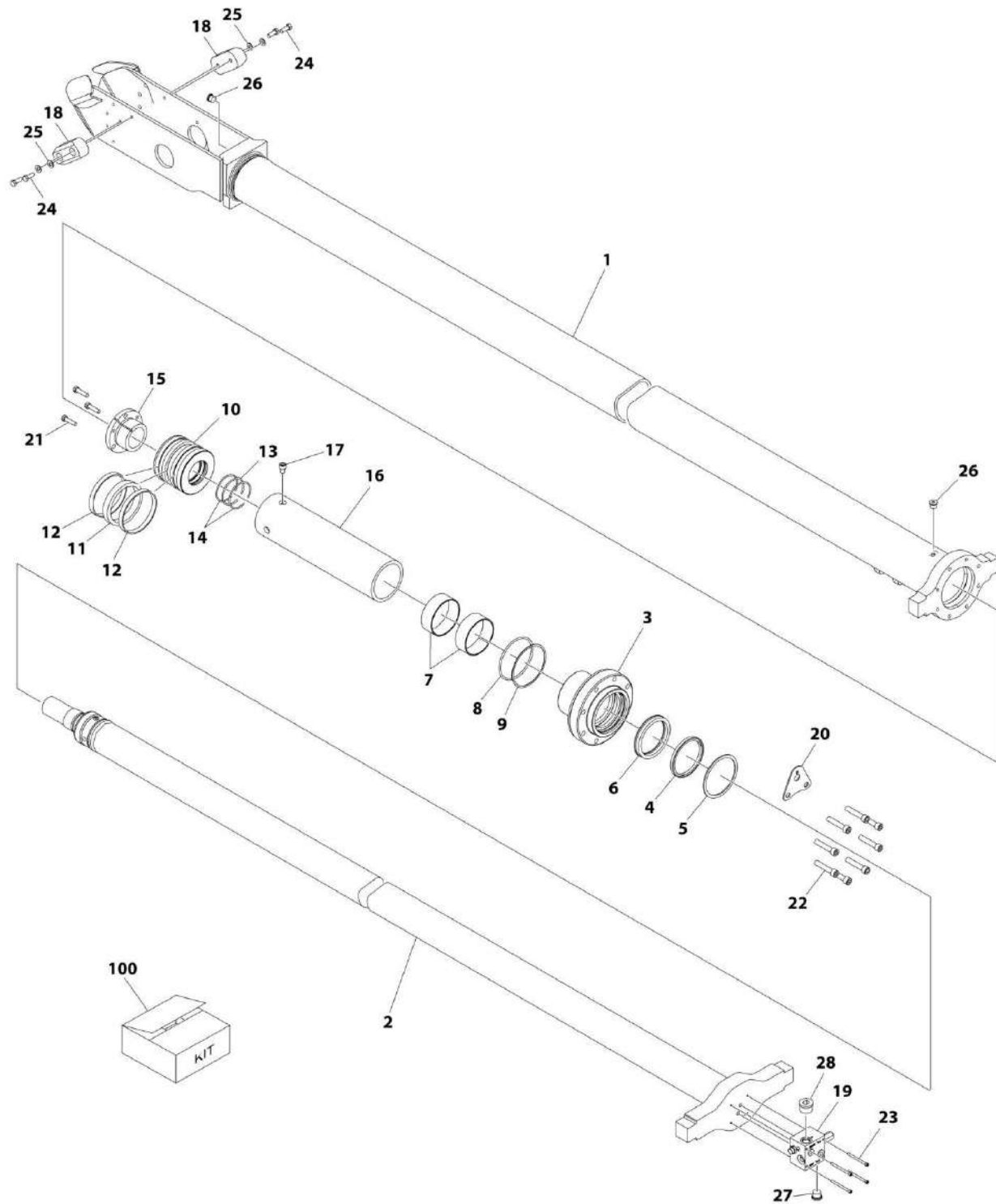
## SECTION 5 - CYLINDER

**FIGURE 5-13. TELESCOPE CYLINDER ASSEMBLY (ORIGINAL EQUIPMENT)**

ITEM	PART NUMBER	QTY	DESCRIPTION	REV
	1684178	Ref	<b>TELESCOPE CYLINDER ASSEMBLY</b>	1
		Ref		Note: Original Cylinder May Have Been Replaced with Service Replacement. Identify PN Stamped on Cylinder Before Ordering Parts.
1	0100011	AR	Compound, Locking	
2	0100038	AR	Primer, Locking	
4	0630535	3	Capscrew	
5	0641608	4	Bolt 3/8in-16NC x 1in	
6	0902743	1	Bracket	
7	0961903	1	Bushing, Tapered	
8	1684179	1	Barrel Weldment	
9	1001105016	1	Rod Weldment	
11	2902081	2	Ring, Wear	
12	2902081	1	Ring, Back-Up	
13	2902081	2	Ring, Wear	
14	2902081	1	O-Ring	
15	2902081	1	O-Ring	
16	2902081	2	Ring, Back-Up	
17	2902081	1	Wiper, Rod	
18	2902081	1	T-Seal	
19	2902081	1	Seal, Rod	
20	2902081	1	Ring, Retaining	
21	3340963	2	Pad, Wear	
22	3480268	1	Piston	
23	3931448	4	Capscrew 1/4in-20NC x 3in	
24	3931608	1	Capscrew 3/8in-16NC x 1in	
25	3931840	8	Capscrew 1/2in-13NC x 2-1/2in	
26	1001105014	1	Spacer	
27	4641256	1	Valve Assembly	
27	2220884	1	Plug, SAE #5 (with O-Ring)	
27	2220885	1	Plug, SAE #6 (with O-Ring)	
28	4711600	4	Flatwasher 3/8in Narrow	
29	4891800	6	Flatwasher 1/2in Hardened	
30	2220885	2	Plug, O-Ring	
31	1684141	1	Head	
32	3790112	2	O-Ring	
51	2902081	1	Seal Kit (Includes Items 11-20)	

# SECTION 5 - CYLINDER

## FIGURE 5-14. TELESCOPE CYLINDER ASSEMBLY (SERVICE REPLACEMENT)



ART\_1001228026

## SECTION 5 - CYLINDER

**FIGURE 5-14. TELESCOPE CYLINDER ASSEMBLY (SERVICE REPLACEMENT)**

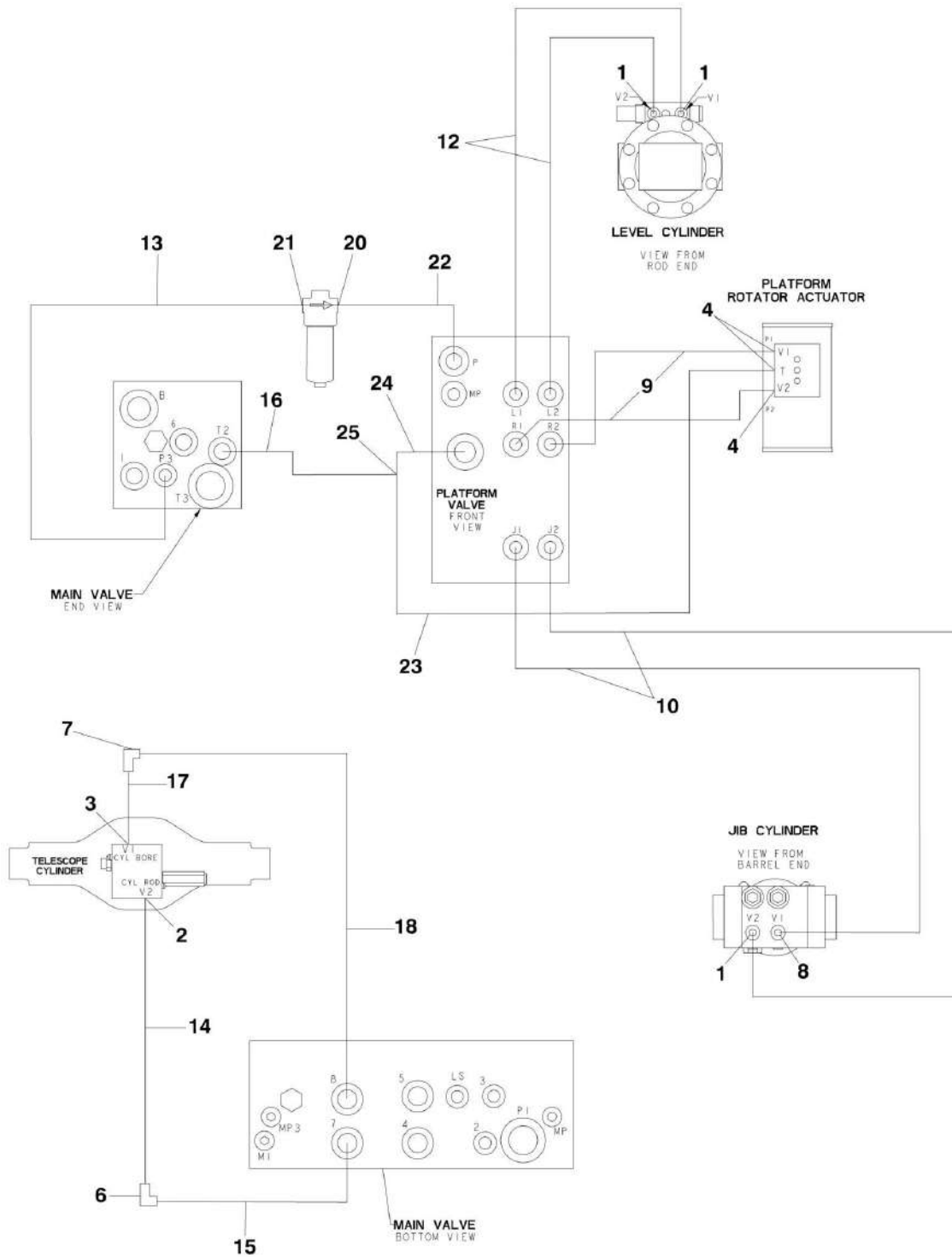
ITEM	PART NUMBER	QTY	DESCRIPTION	REV
	1001228026	Ref	TELESCOPE CYLINDER ASSEMBLY	B
		Ref	Note: Original Cylinder May Have Been Replaced with Service Replacement. Identify PN Stamped on Cylinder Before Ordering Parts.	
1	See Note	NSS	Barrel (Note: Not Available for Purchase)	
2	70006656	1	Rod	
3	70006657	1	Head	
4	See Note	NSS	Wiper (Note: Use Item 100)	
5	See Note	NSS	Ring, Retaining (Note: Use Item 100)	
6	See Note	NSS	Seal, Rod (Note: Use Item 100)	
7	See Note	NSS	Ring, Wear (Note: Use Item 100)	
8	See Note	NSS	O-Ring (Note: Use Item 100)	
9	See Note	NSS	Ring, Back-up (Note: Use Item 100)	
10	70006658	1	Piston	
11	See Note	NSS	Seal (Note: Use Item 100)	
12	See Note	NSS	Ring, Wear (Note: Use Item 100)	
13	See Note	NSS	O-Ring (Note: Use Item 100)	
14	See Note	NSS	Ring, Back-up (Note: Use Item 100)	
15	0961903	1	Bushing, Tapered	
16	70006659	1	Spacer	
17	3931608	1	Capscrew 3/8 x 1	
18	3340963	2	Pad, Wear	
19	4641256	1	Valve Assembly	
19	2220884	1	Plug, SAE #5 (With O-Ring)	
19	2220885	1	Plug, SAE #6 (With O-Ring)	
20	0902743	1	Bracket	
21	0630536	3	Capscrew	
22	3931840	8	Capscrew 1/2 x 2-1/2	
23	3931448	4	Capscrew 1/4 x 3	
24	0641608	4	Bolt 3/8 x 1	
25	4711600	4	Washer 3/8	
26	2220885	2	Plug, O-Ring	
27	2220886	1	Plug, O-Ring	
28	70005433	1	Plug, O-Ring	
100	2902081	1	Seal Kit (Includes Items 4-9 & 11-14)	



**SECTION 6 - HYDRAULIC**

# SECTION 6 - HYDRAULIC

## FIGURE 6-1. HYDRAULIC DIAGRAM - BOOM (1100S)





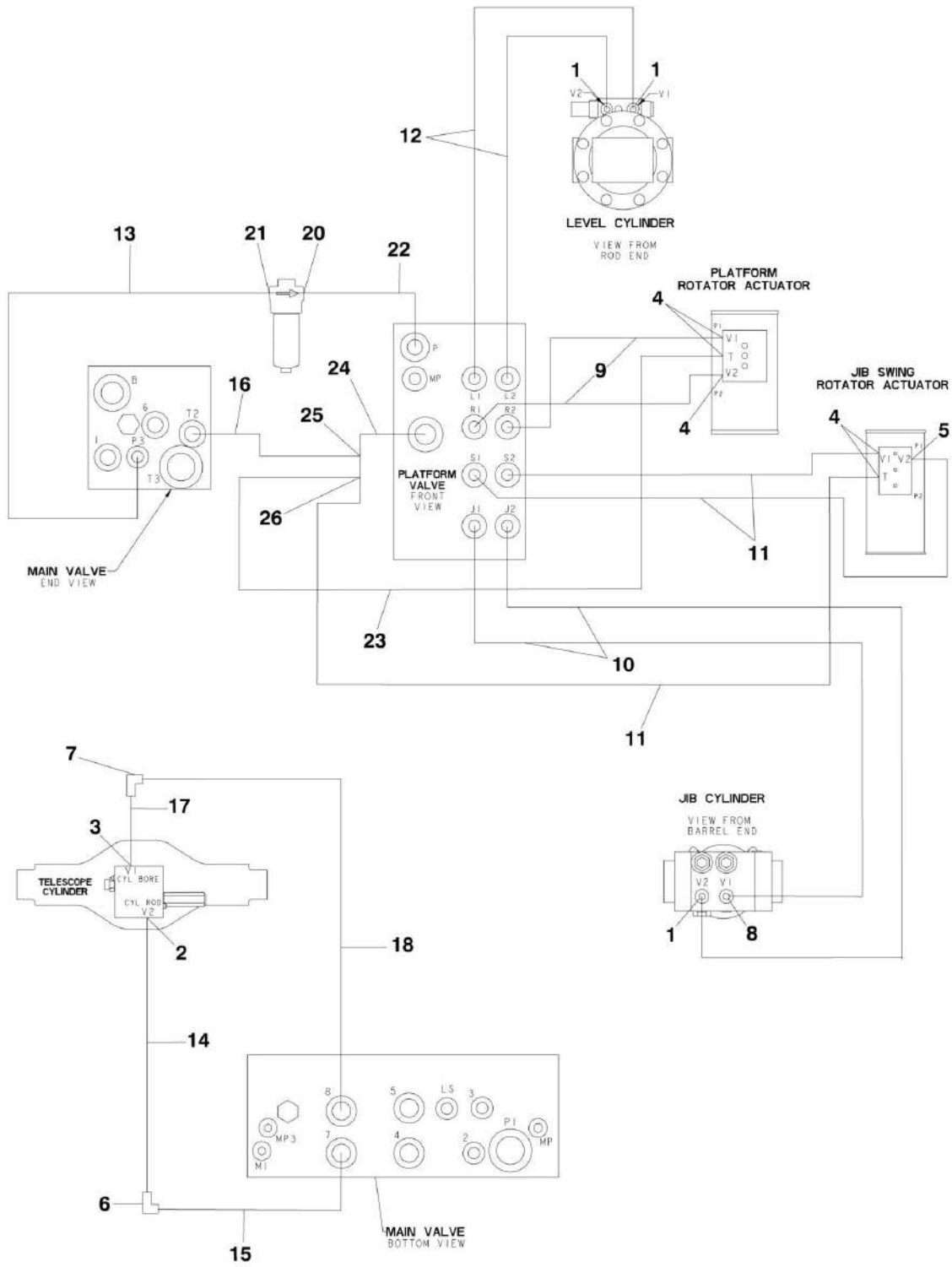
## SECTION 6 - HYDRAULIC

**FIGURE 6-1. HYDRAULIC DIAGRAM - BOOM (1100S)**

ITEM	PART NUMBER	QTY	DESCRIPTION	REV
	1001110763	Ref	<b>HYDRAULIC DIAGRAMS - BOOM (1100S)</b>	F
	1001110788	Ref	<b>Boom Hydraulic Diagram</b>	2
	1001098242	Ref	<b>Hose Kit</b>	2
1	2110404	3	Fitting, Straight	
2	2110808	1	Fitting, Straight	
3	2111010	1	Fitting, Straight	
4	2150404	3	Fitting, 45	
6	2171208	1	Fitting, 90	
7	2171210	1	Fitting, 90	
8	2180830	1	Fitting, Orifice	
9	2753545	2	Hose	
10	2753717	2	Hose	
12	2753552	2	Hose	
13	2753810	1	Hose	
14	2753745	1	Hose	
15	2753755	1	Hose	
16	2753811	1	Hose	
17	2753763	1	Hose	
18	2753767	1	Hose	
20	2110612	1	Fitting, Straight	
21	2130612	1	Fitting, 90	
22	2717059	1	Hose	
23	2754288	1	Hose	
24	2170708	1	Fitting, Tee	
25	1001097820	1	Fitting, Straight	

# SECTION 6 - HYDRAULIC

## FIGURE 6-2. HYDRAULIC DIAGRAM - BOOM (1100SJP)



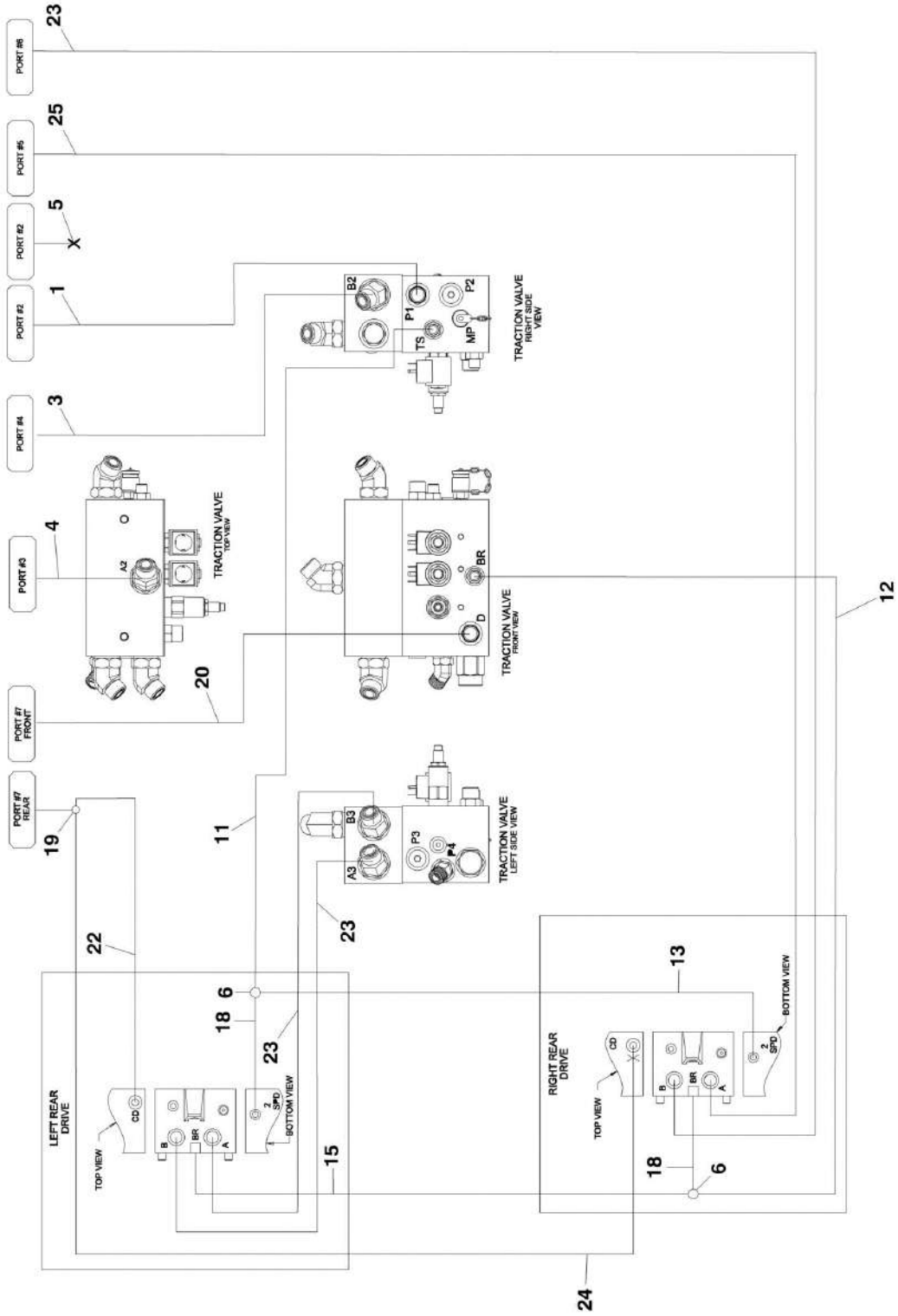
## SECTION 6 - HYDRAULIC

**FIGURE 6-2. HYDRAULIC DIAGRAM - BOOM (1100SJP)**

ITEM	PART NUMBER	QTY	DESCRIPTION	REV
	1001110763	Ref	<b>HYDRAULIC DIAGRAMS - BOOM (1100SJP)</b>	F
	1001098025	Ref	<b>Boom Hydraulic Diagram</b>	3
	1001098242	Ref	<b>Hose Kit</b>	2
1	2110404	3	Fitting, Straight	
2	2110808	1	Fitting, Straight	
3	2111010	1	Fitting, Straight	
4	2150404	5	Fitting, 45	
5	2170204	1	Fitting, 90	
6	2171208	1	Fitting, 90	
7	2171210	1	Fitting, 90	
8	2180830	1	Fitting, Orifice	
9	2753545	2	Hose	
10	2753717	2	Hose	
11	2753716	3	Hose	
12	2753552	2	Hose	
13	2753810	1	Hose	
14	2753745	1	Hose	
15	2753755	1	Hose	
16	2753811	1	Hose	
17	2753763	1	Hose	
18	2753767	1	Hose	
20	2110612	1	Fitting, Straight	
21	2130612	1	Fitting, 90	
22	2717059	1	Hose	
23	2754288	1	Hose	
24	2170708	1	Fitting, Tee	
25	1001097820	1	Fitting, Straight	
26	2170704	1	Fitting, Tee	

# SECTION 6 - HYDRAULIC

## FIGURE 6-3. HYDRAULIC DIAGRAM - CHASSIS (2WD)



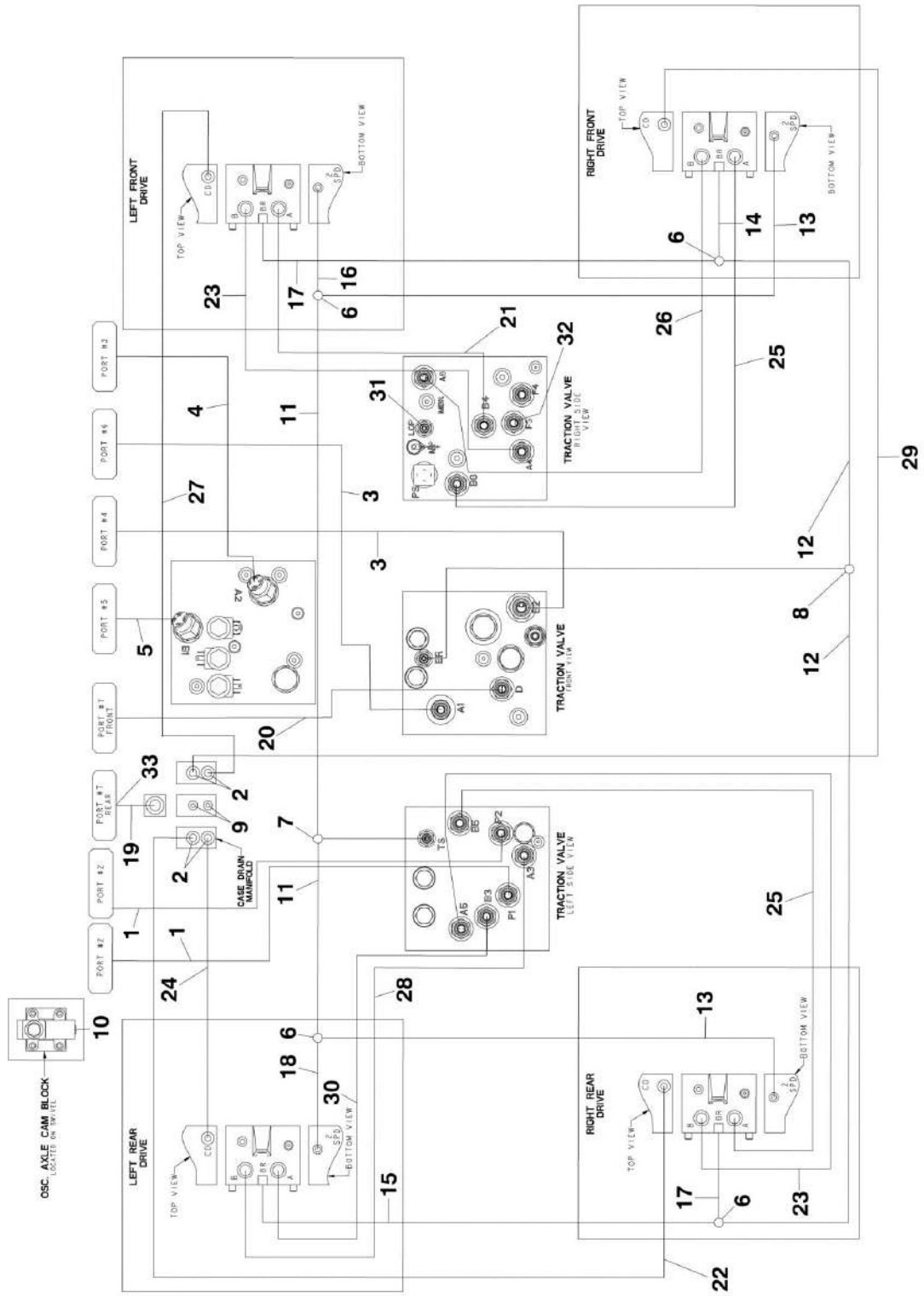
## SECTION 6 - HYDRAULIC

**FIGURE 6-3. HYDRAULIC DIAGRAM - CHASSIS (2WD)**

ITEM	PART NUMBER	QTY	DESCRIPTION	REV
	1001110763	Ref	<b>HYDRAULIC DIAGRAM - DRIVE (2WD)</b>	F
	1001110777	Ref	<b>DRIVE (2WD)</b>	4
1	1001112928	1	Hose	
3	1001112930	1	Hose	
4	1001112931	1	Hose	
5	2170908	1	Cap	
6	2170504	2	Fitting, Tee	
11	2753541	1	Hose	
12	2753545	1	Hose	
13	1001112932	1	Hose	
15	2753977	1	Hose	
18	1001112933	2	Hose	
19	2170808	1	Fitting, Tee	
20	2753582	1	Hose	
22	2753835	1	Hose	
23	1001112935	3	Hose	
24	2753832	1	Hose	
25	1001112937	1	Hose	

# SECTION 6 - HYDRAULIC

## FIGURE 6-4. HYDRAULIC DIAGRAM - CHASSIS (4WD)



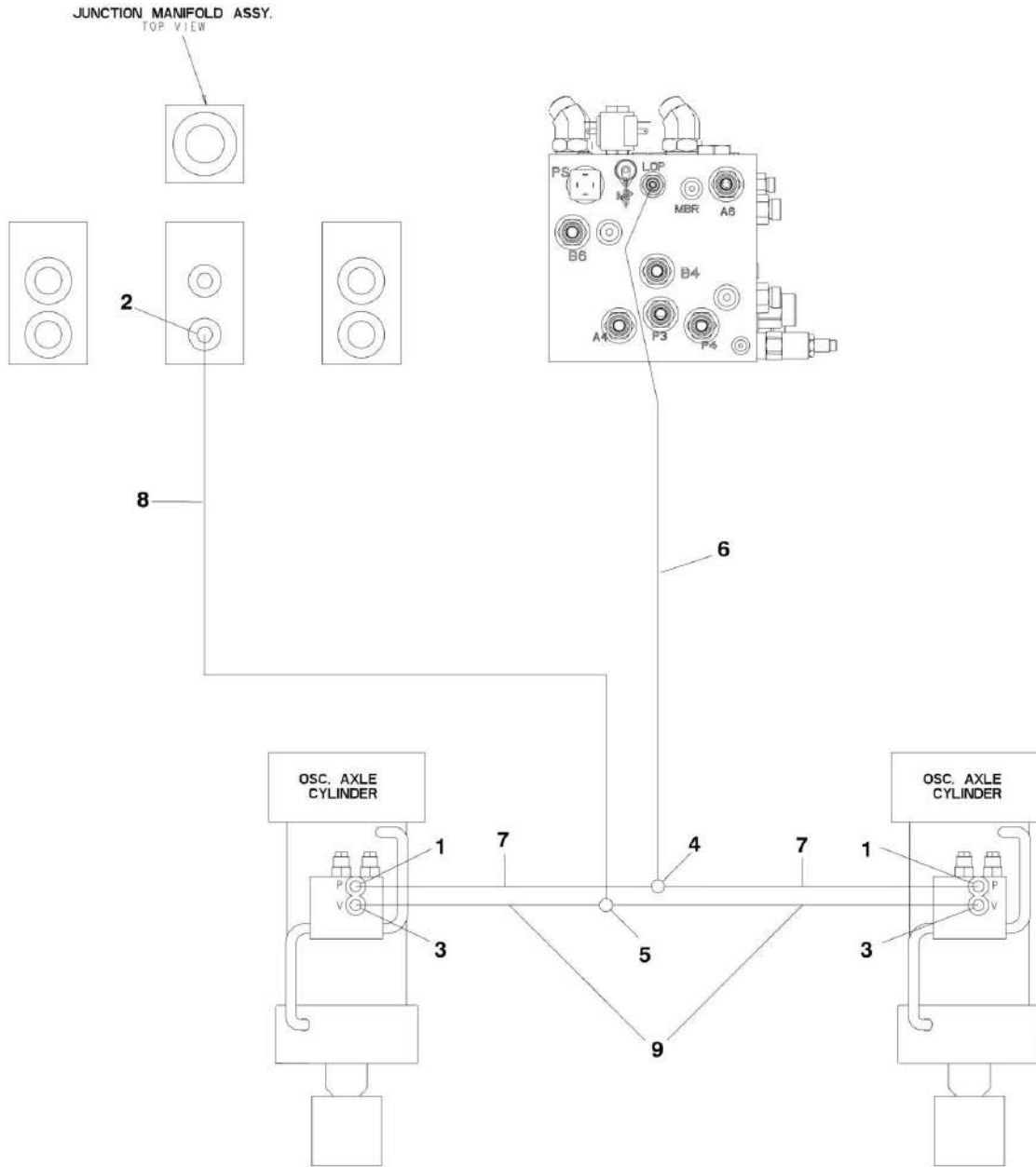
## SECTION 6 - HYDRAULIC

**FIGURE 6-4. HYDRAULIC DIAGRAM - CHASSIS (4WD)**

ITEM	PART NUMBER	QTY	DESCRIPTION	REV
	1001110763	Ref	<b>HYDRAULIC DIAGRAM - DRIVE (4WD)</b>	F
	1001116542	Ref	<b>4WD/2WS</b>	1
	2792772	Ref	<b>4WD/4WS</b>	4
1	2753685	2	Hose	
2	2110808	4	Fitting, Straight	
3	2753703	2	Hose	
4	2753764	1	Hose	
5	2753768	1	Hose	
6	2170504	4	Fitting, Tee	
7	2170704	1	Fitting, Tee	
8	2170804	1	Fitting, Tee	
9	2220235	2	Plug	
10	2220238	1	Plug	
11	2753541	2	Hose	
12	2753545	2	Hose	
13	2753677	2	Hose	
14	2753714	1	Hose	
15	2753713	1	Hose	
16	2753716	1	Hose	
17	2753715	2	Hose	
18	2753552	1	Hose	
19	2753752	1	Hose	
20	2753582	1	Hose	
21	2753756	1	Hose	
22	2753747	1	Hose	
23	2753757	2	Hose	
24	2753748	1	Hose	
25	2753759	2	Hose	
26	2753760	1	Hose	
27	2753749	1	Hose	
28	2753761	1	Hose	
29	2753750	1	Hose	
30	2753762	1	Hose	
31	2170904	1	Cap (4WD/2WS Only)	
32	2170908	1	Cap (4WD/2WS Only)	
33	2110812	1	Fitting, Straight (4WD/4WS Only)	

# SECTION 6 - HYDRAULIC

## FIGURE 6-5. HYDRAULIC DIAGRAM - OSCILLATING AXLE (1100SJP)





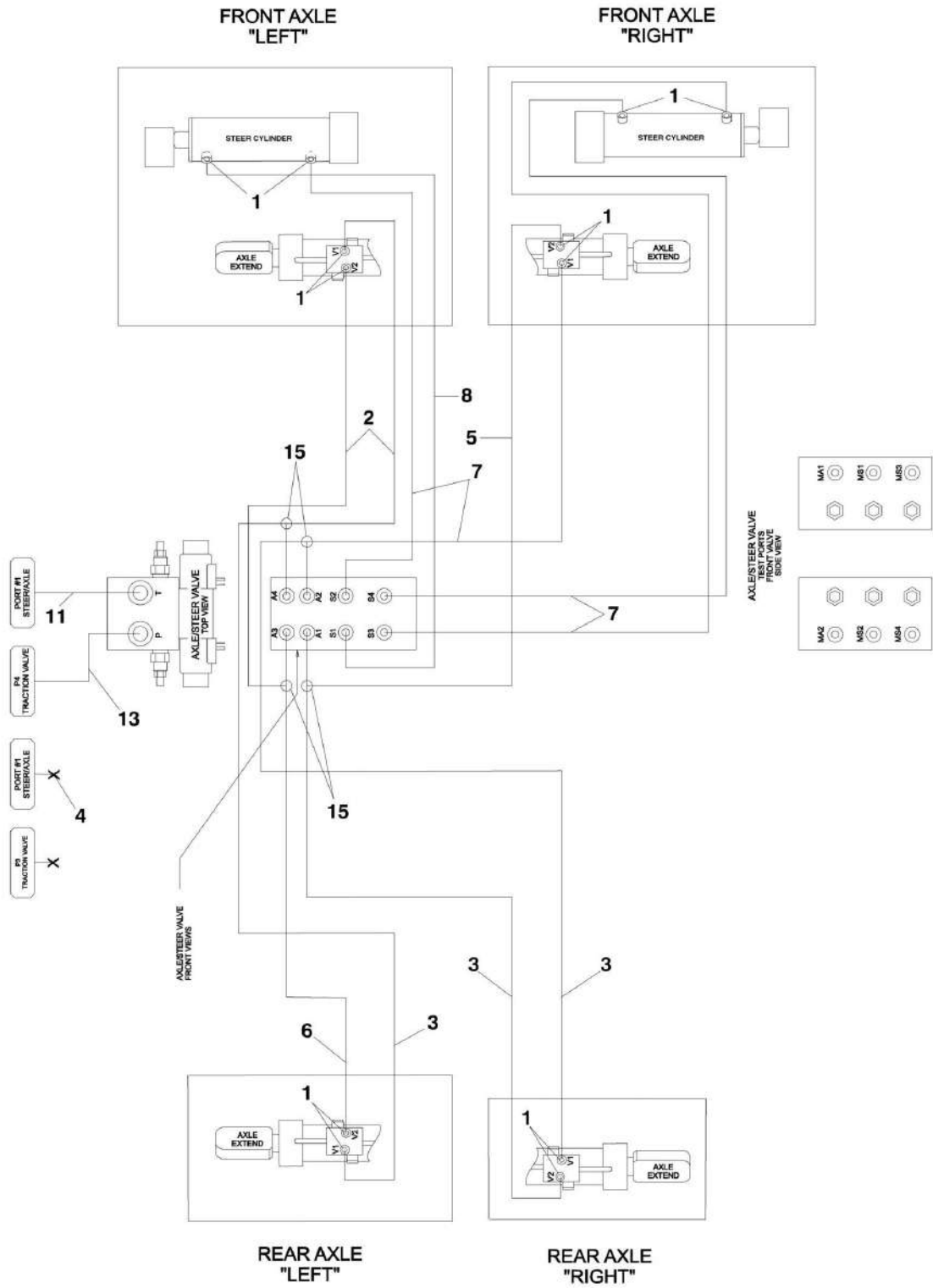
## SECTION 6 - HYDRAULIC

**FIGURE 6-5. HYDRAULIC DIAGRAM - OSCILLATING AXLE (1100SJP)**

ITEM	PART NUMBER	QTY	DESCRIPTION	REV
	1001110763	Ref	<b>HYDRAULIC DIAGRAM - OSCILLATING AXLE (1100SJP)</b>	F
	2792647	Ref	<b>Oscillating Axle</b>	4
1	2110406	2	Fitting, Straight	
2	2110604	1	Fitting, Straight	
3	2110606	2	Fitting, Straight	
4	2170504	1	Fitting, Tee	
5	2170506	1	Fitting, Tee	
6	2753726	1	Hose	
7	2753719	2	Hose	
8	2753727	1	Hose	
9	2753729	2	Hose	

# SECTION 6 - HYDRAULIC

## FIGURE 6-6. HYDRAULIC DIAGRAM - STEER (1100S)



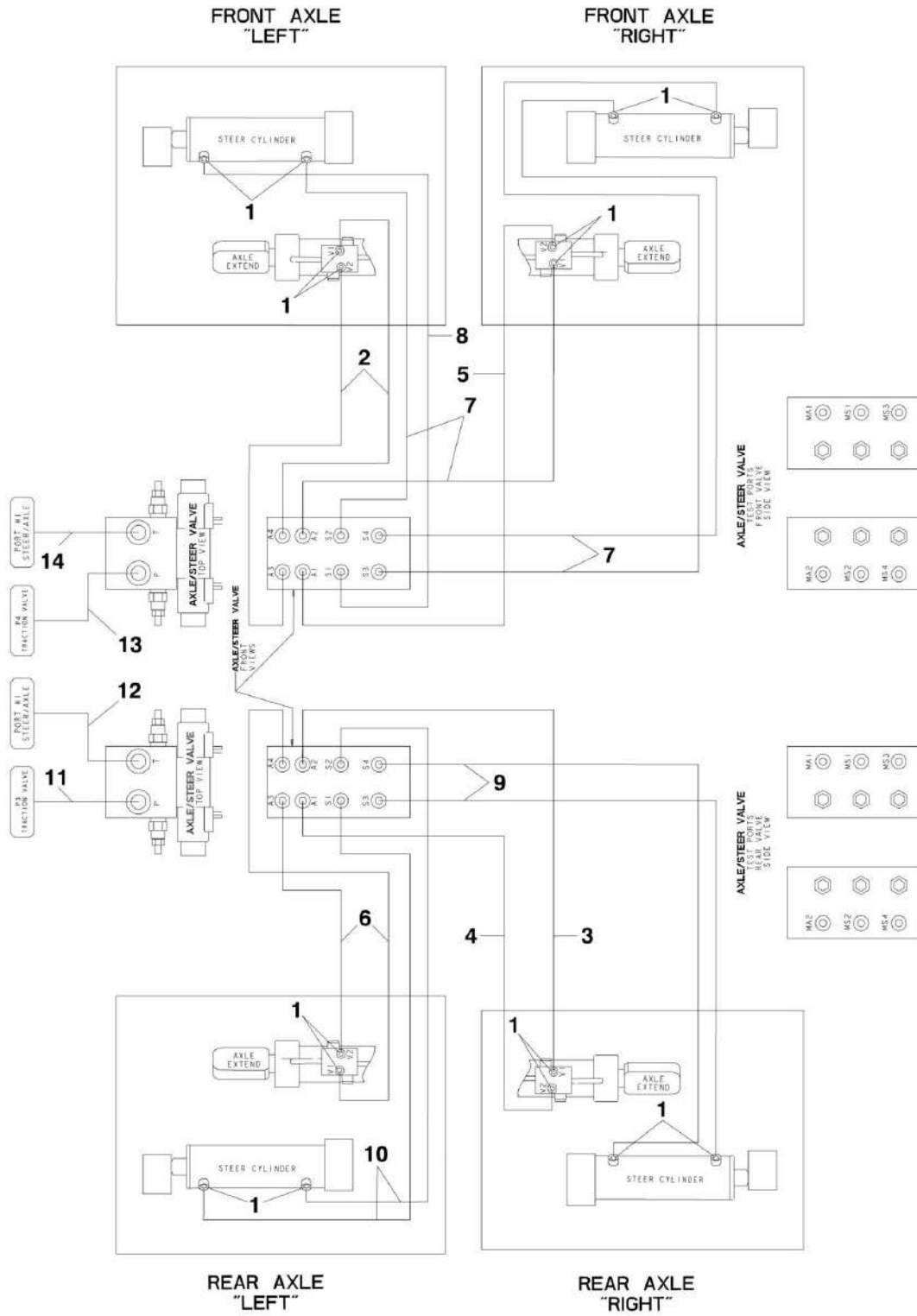
## SECTION 6 - HYDRAULIC

**FIGURE 6-6. HYDRAULIC DIAGRAM - STEER (1100S)**

ITEM	PART NUMBER	QTY	DESCRIPTION	REV
	1001110763	Ref	<b>HYDRAULIC DIAGRAM - STEER (1100S)</b>	F
	1001110787	Ref	<b>Steer (1100S)</b>	3
1	2130606	12	Fitting, 90	
2	2753732	2	Hose	
3	2753569	3	Hose	
4	2170908	1	Cap	
5	2753734	1	Hose	
6	2753561	1	Hose	
7	2753736	4	Hose	
8	2753737	1	Hose	
11	2753579	1	Hose	
13	2753579	1	Hose (was p/n 1001112954)	
15	2170706	4	Fitting, Adapter	

# SECTION 6 - HYDRAULIC

## FIGURE 6-7. HYDRAULIC DIAGRAM - STEER (1100SJP)



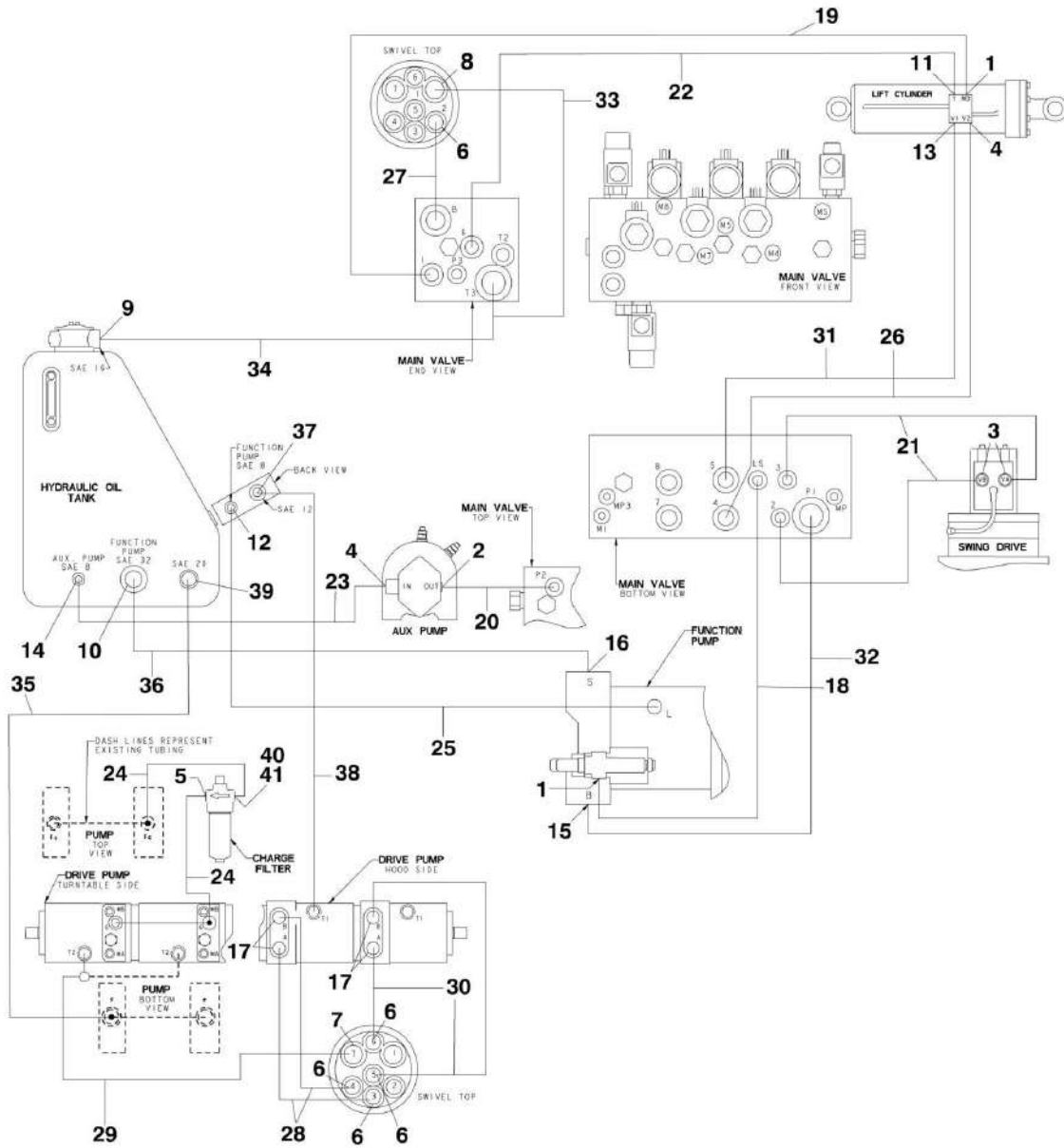
## SECTION 6 - HYDRAULIC

**FIGURE 6-7. HYDRAULIC DIAGRAM - STEER (1100SJP)**

ITEM	PART NUMBER	QTY	DESCRIPTION	REV
	1001110763	Ref	<b>HYDRAULIC DIAGRAM - STEER (1100SJP)</b>	F
	2792773	Ref	<b>Steer (1100SJP)</b>	2
1	2130606	16	Fitting, 90	
2	2753732	2	Hose	
3	2753733	1	Hose	
4	2753728	1	Hose	
5	2753734	1	Hose	
6	2753735	2	Hose	
7	2753736	4	Hose	
8	2753737	1	Hose	
9	2753738	2	Hose	
10	2753739	2	Hose	
11	2753753	1	Hose	
12	2753742	1	Hose	
13	2753754	1	Hose	
14	2753743	1	Hose	

# SECTION 6 - HYDRAULIC

## FIGURE 6-8. HYDRAULIC DIAGRAM - TURNTABLE



## SECTION 6 - HYDRAULIC

### FIGURE 6-8. HYDRAULIC DIAGRAM - TURNTABLE

ITEM	PART NUMBER	QTY	DESCRIPTION	REV
	1001110763	Ref	<b>HYDRAULIC DIAGRAM - TURNTABLE</b>	F
	1001114620	Ref	<b>Turntable</b>	2
1	2110404	1	Fitting, Straight	
2	2110608	1	Fitting, Straight	
3	2110610	2	Fitting, Straight	
4	2110810	2	Fitting, Straight	
5	2110812	1	Fitting, Straight	
6	2111010	5	Fitting, Straight	
7	2111012	1	Fitting, Straight	
8	2111212	1	Fitting, Straight	
9	2111616	1	Fitting, Straight	
10	2113232	1	Fitting, Straight	
11	2130606	1	Fitting, 90	
12	2130808	1	Fitting, 90	
13	2131010	1	Fitting, 90	
14	2150808	1	Fitting, 45	
15	2220478	1	Flange Kit	
16	2220737	1	Flange Kit	
17	2221117	4	Flange Kit	
18	2753622	1	Hose	
19	2753718	1	Hose	
20	2753730	1	Hose	
21	2753731	2	Hose	
22	2753734	1	Hose	
23	2753758	1	Hose	
24	2753746	2	Hose	
25	2753741	1	Hose	
26	2753744	1	Hose	
27	2753766	1	Hose	
28	2753769	2	Hose	
29	2753708	1	Hose	
30	2753770	2	Hose	
31	2753765	1	Hose	
32	2753771	1	Hose	
33	2753772	1	Hose	
34	2753774	1	Hose	
35	2753775	1	Hose	
36	2753776	1	Hose	
37	2131212	1	Fitting, 90	
38	2753773	1	Hose	
39	2112020	1	Fitting, Straight	
40	2221084	1	Fitting, Tee	
41	2170908	1	Fitting, Cap	
	2902482	1	Kit, Hose (Includes Items 18-36 & 38) <b>(Prior to SN 0300140836)</b>	

## SECTION 6 - HYDRAULIC

FIGURE 6-9. HYDRAULIC DIAGRAM LIST

ITEM	PART NUMBER	QTY	DESCRIPTION	REV
		Ref	<b>Note: Diagrams not shown is available from JLG Service/Parts Departments.</b>	
	1001110763	Ref	<b>Hydraulic Diagram - Boom Options:</b>	
	1001110788	Ref	<b>Hydraulic Diagram - Boom 1100S</b>	
	1001098025	Ref	<b>Hydraulic Diagram - Boom 1100SJP</b>	
	1001110763	Ref	<b>Hydraulic Diagram - Chassis Options:</b>	
	1001110777	Ref	<b>2WD/2WS</b>	
	1001116542	Ref	<b>4WD/2WS</b>	
	2792772	Ref	<b>4WD/4WS</b>	
	0272080	Ref	<b>Hydraulic Schematic - Oil Cooler</b>	
	1001110763	Ref	<b>Hydraulic Diagram - Oscillating Axle</b>	
	2792647	Ref	<b>Hydraulic Diagram - Oscillating Axle 1100SJP</b>	
	1001110821	Ref	<b>Hydraulic Schematic - Standard Options</b>	
	1001110763	Ref	<b>Hydraulic Diagram - Steer Options:</b>	
	1001110787	Ref	<b>2WD (1100S)</b>	
	2792773	Ref	<b>4WD (1100SJP)</b>	
	1001110763	Ref	<b>Hydraulic Diagram - Turntable Options:</b>	
	1001114620	Ref	<b>Hydraulic Diagram - Turntable 1100S &amp; 1100SJP</b>	



**SECTION 7 - ELECTRICAL**

## SECTION 7 - ELECTRICAL

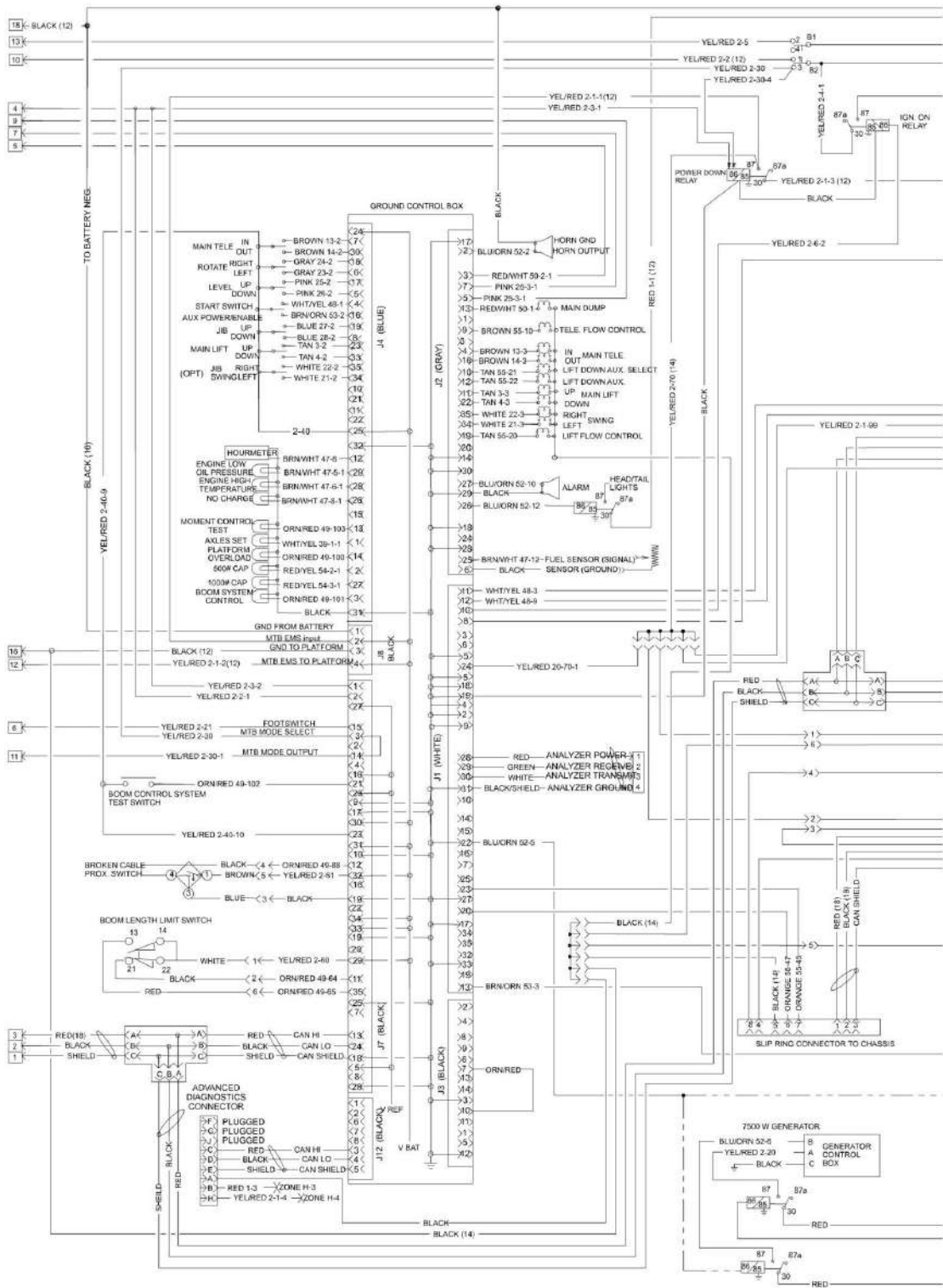
FIGURE 7-1. ELECTRICAL DIAGRAM LIST

ITEM	PART NUMBER	QTY	DESCRIPTION	REV
		Ref	<b>Note: Diagrams not shown are available from the JLG Service Department.</b>	
	4933262	Ref	<b>CHASSIS ILLUMINATION LIGHTS ELECTRICAL DIAGRAM</b>	
		Ref	<b>GENERATOR ELECTRICAL DIAGRAM</b>	
		Ref	<b>2500W Generators</b>	
	4933300	Ref	<b>110Volt (Prior to SN 0300140836)</b>	
	1001120381	Ref	<b>110Volt (SN 0300140836 to Present)</b>	
		Ref	<b>7500W Generators</b>	
	4933264	Ref	<b>7500W Generators (Prior to SN 0300140836)</b>	
	1001122528	Ref	<b>7500W Generators (SN 0300140836 to Present)</b>	
		Ref	<b>GROUND CONTROL BOX ELECTRICAL DIAGRAM</b>	
	4933389	Ref	<b>Ground Control Box Electrical Diagram (Prior to SN 0300140836)</b>	
	1001116206	Ref	<b>Ground Control Box Electrical Diagram (SN 0300140836 to Present)</b>	
	4933253	Ref	<b>HEADLIGHT AND TAILLIGHTS ELECTRICAL DIAGRAM</b>	
	4933249	Ref	<b>PLATFORM FLOODLIGHTS ELECTRICAL DIAGRAM</b>	
	0272097	Ref	<b>PLATFORM WORKLIGHTS ELECTRICAL DIAGRAM</b>	
		Ref	<b>STANDARD ELECTRICAL SCHEMATIC</b>	
	1001110936	Ref	<b>Standard Electrical Schematic (Prior to SN 0300140836)</b>	
	1001119860	Ref	<b>Standard Electrical Schematic (SN 0300140836 to Present)</b>	

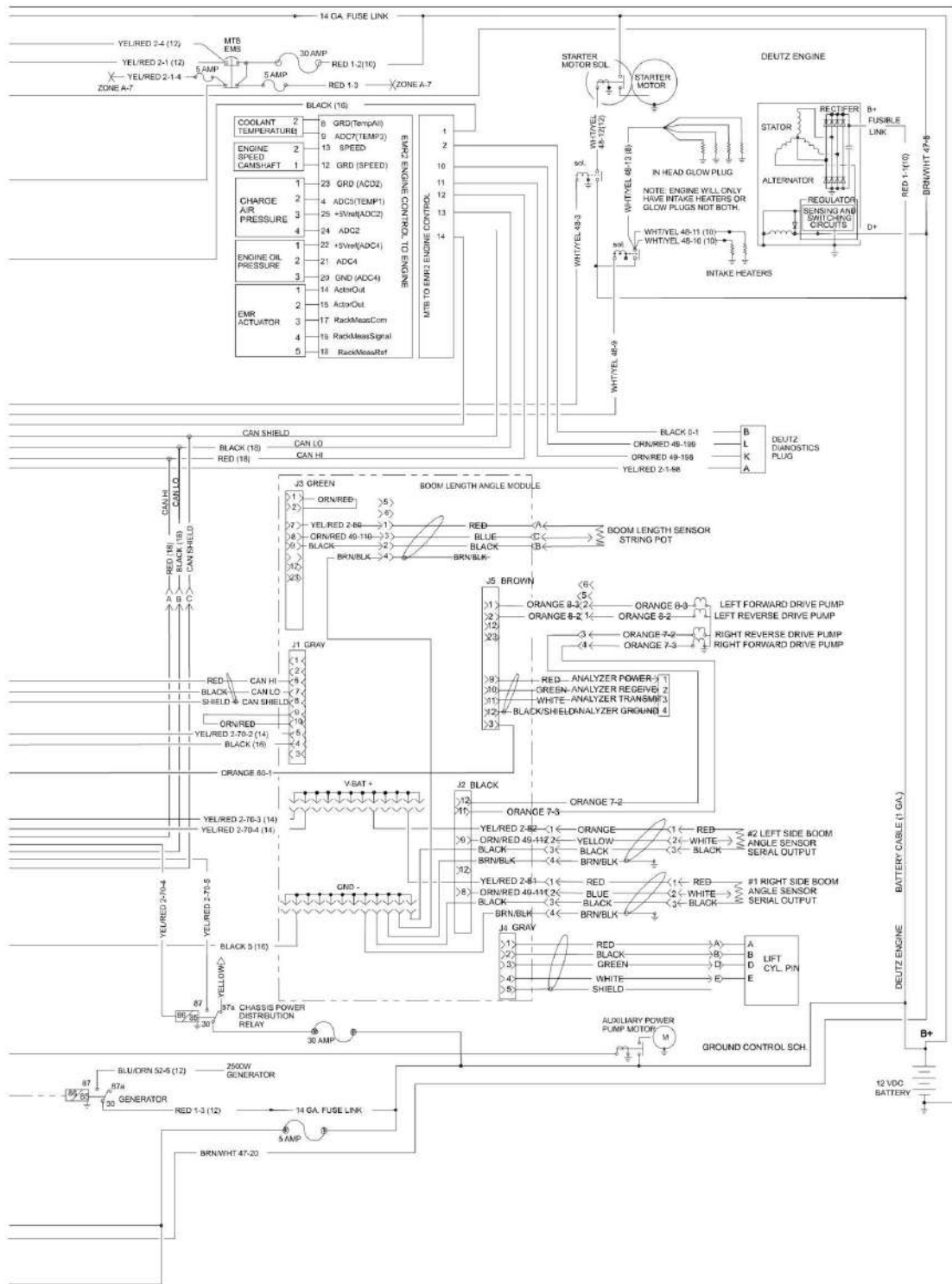


# SECTION 7 - ELECTRICAL

## FIGURE 7-2. ELECTRICAL SCHEMATIC (Prior to SN 0300140836)

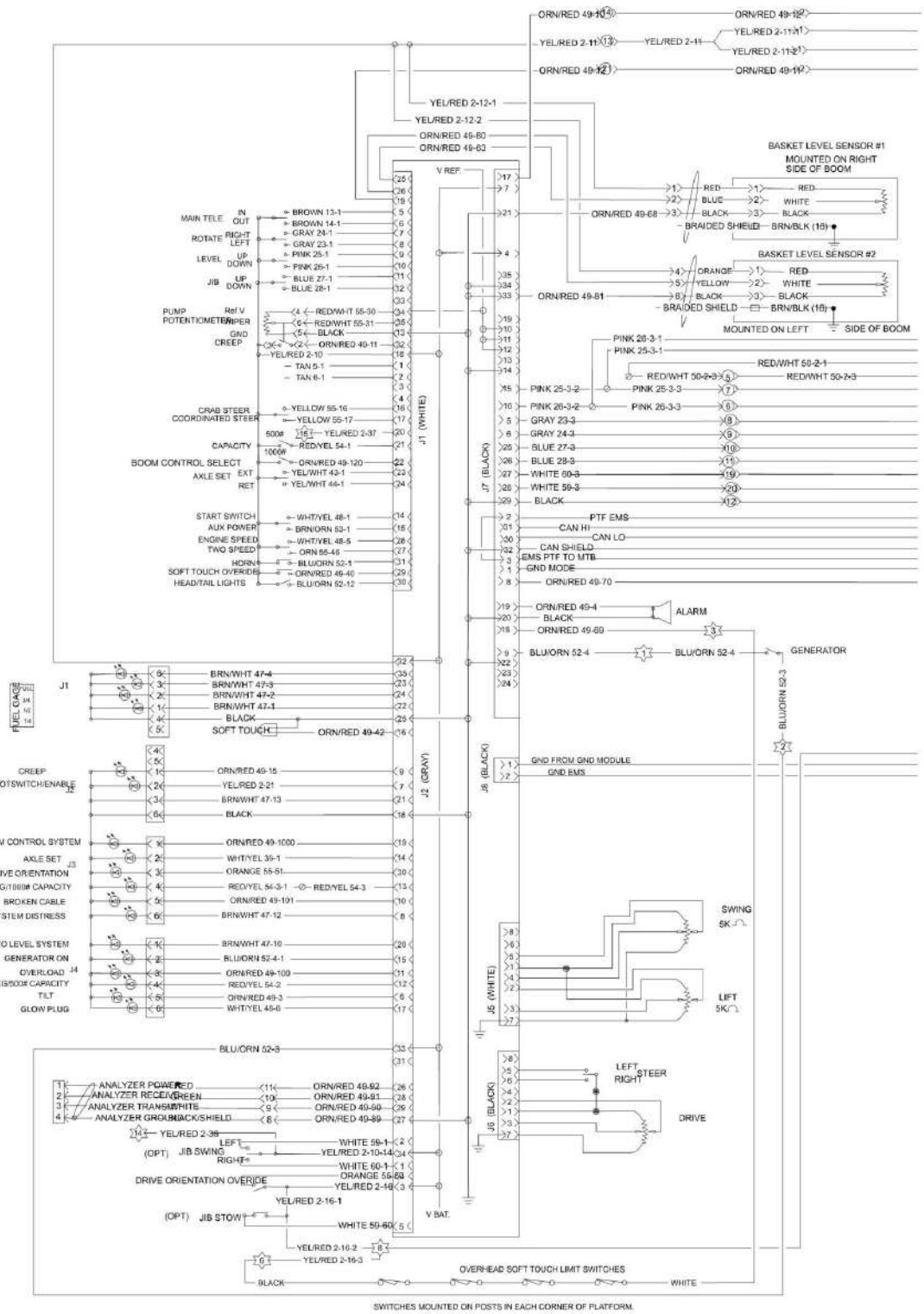


# SECTION 7 - ELECTRICAL

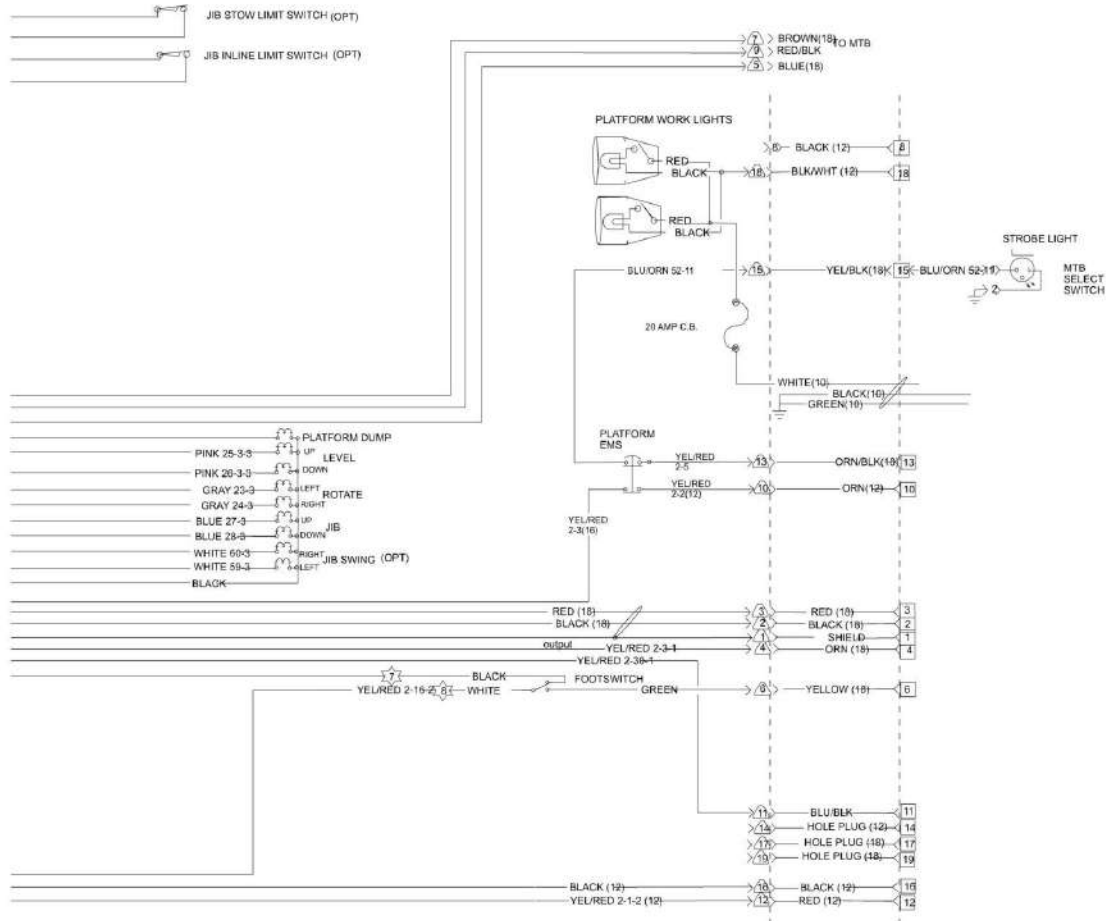


100110936 D

# SECTION 7 - ELECTRICAL



# SECTION 7 - ELECTRICAL



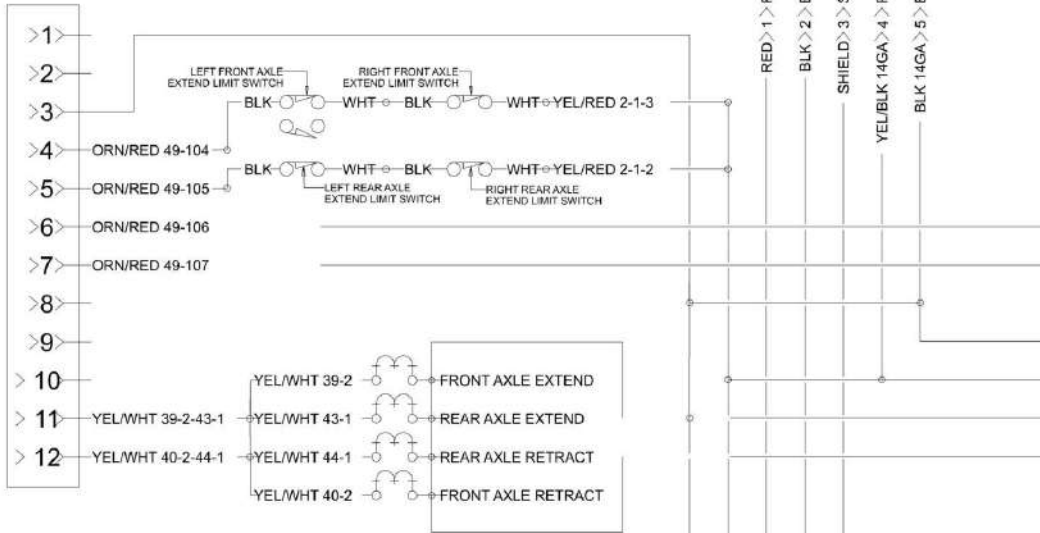
- ⑫ = 19 POSITION DEUTSCH CONNECTOR IN PLATFORM BOX
- ⑰ = 21 POSITION DEUTSCH CONNECTOR IN PLATFORM BOX
- ⑱ = 19 POSITION DEUTSCH CONNECTOR TO MAIN TERMINAL/GROUND BOX
- ⊖ = TERMINAL STRIP IN PLATFORM BOX
- ⊕ = 15 POS. AMP MATE-N-LOCK CONNECTOR (PK2 ON HARNESS DWG.)

PLATFORM SCH.

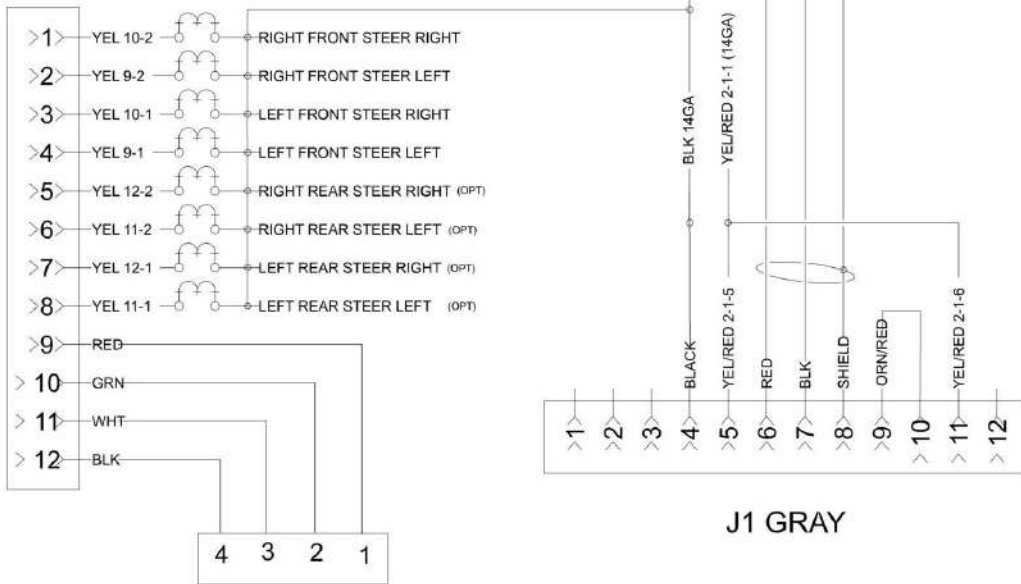
1001110936 D

# SECTION 7 - ELECTRICAL

J2 BLACK



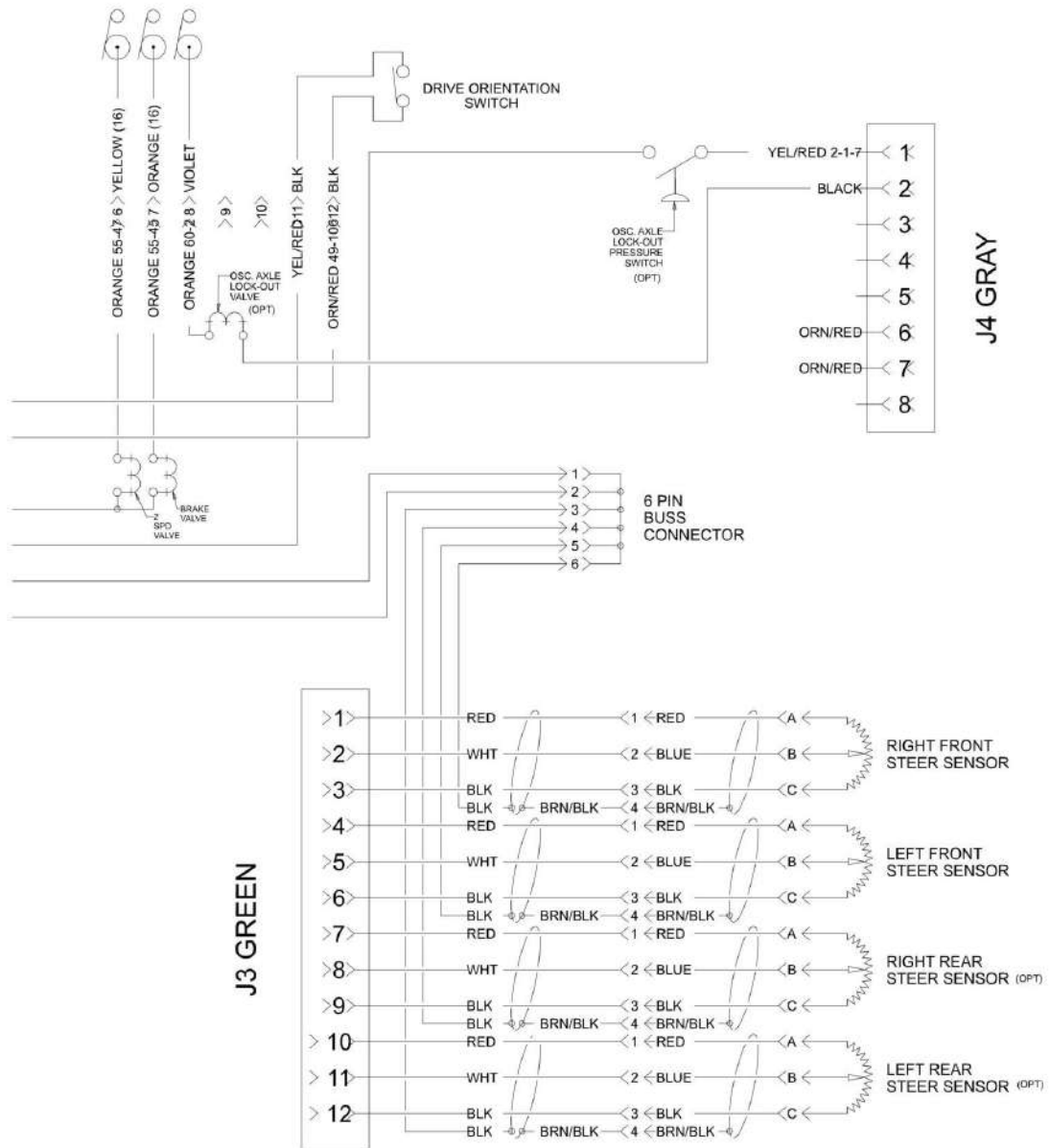
J5 RUST



J1 GRAY



# SECTION 7 - ELECTRICAL

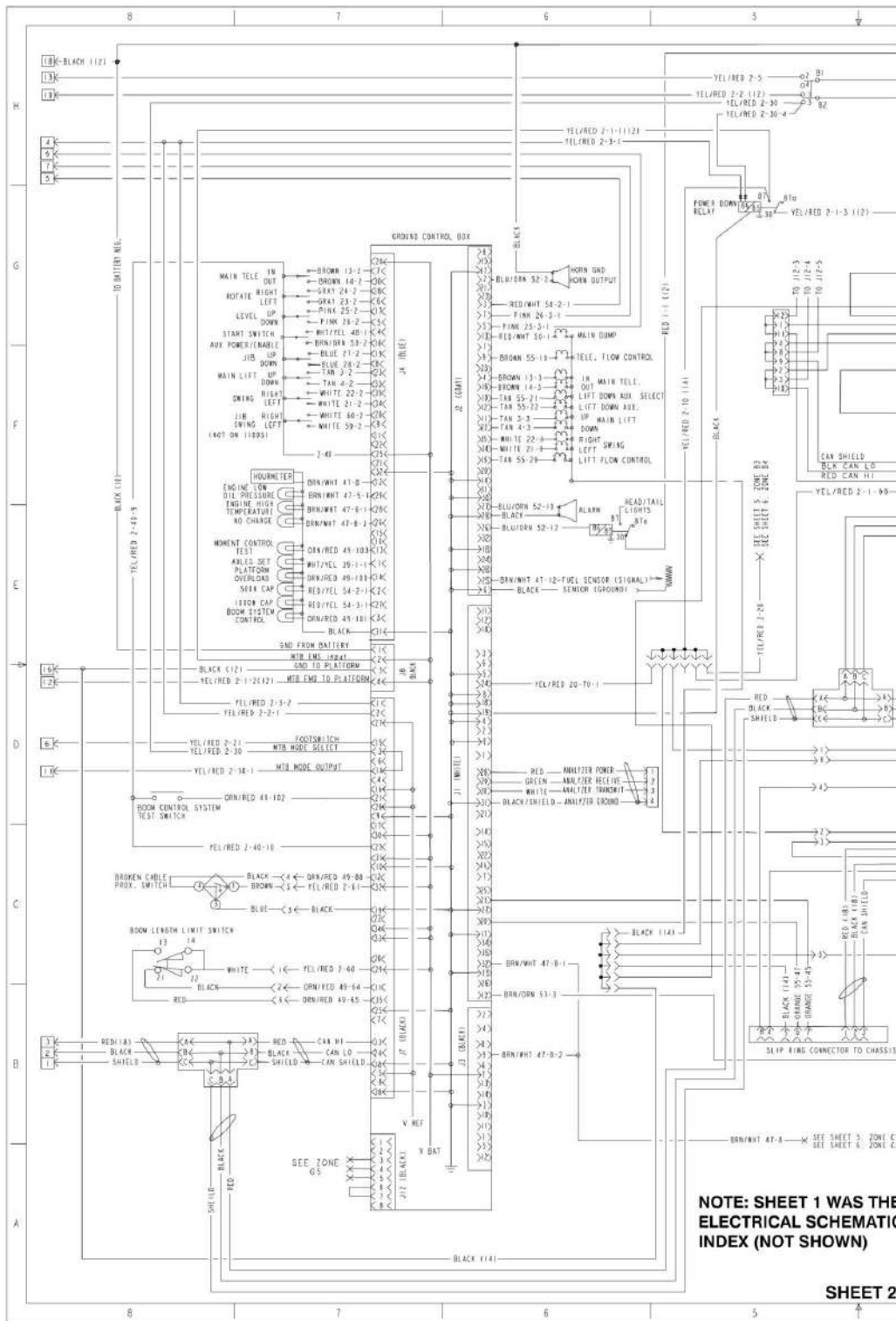


CHASSIS SCH.

1001110936 D

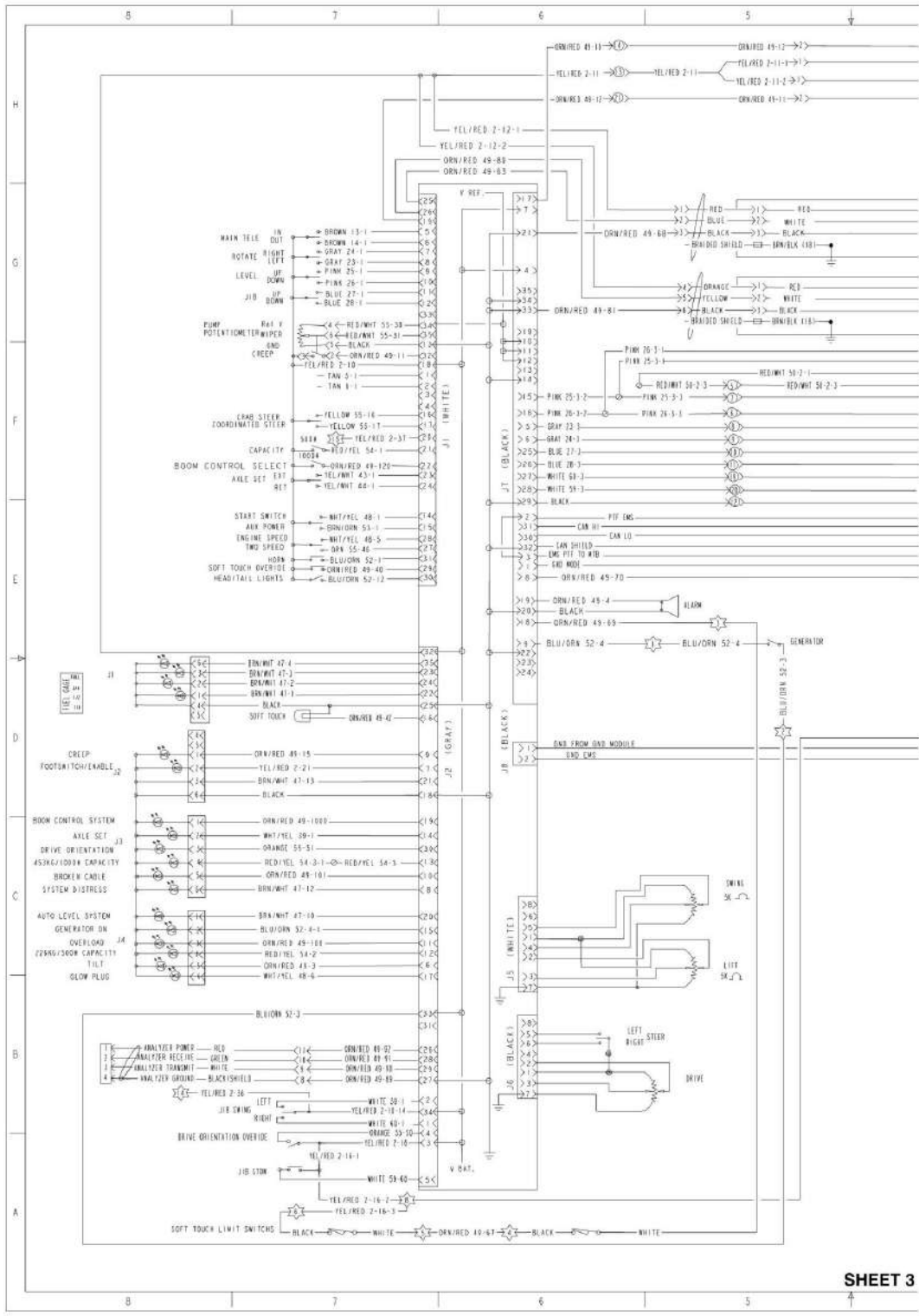
# SECTION 7 - ELECTRICAL

## FIGURE 7-3. ELECTRICAL SCHEMATIC (SN 0300140836 to Present)



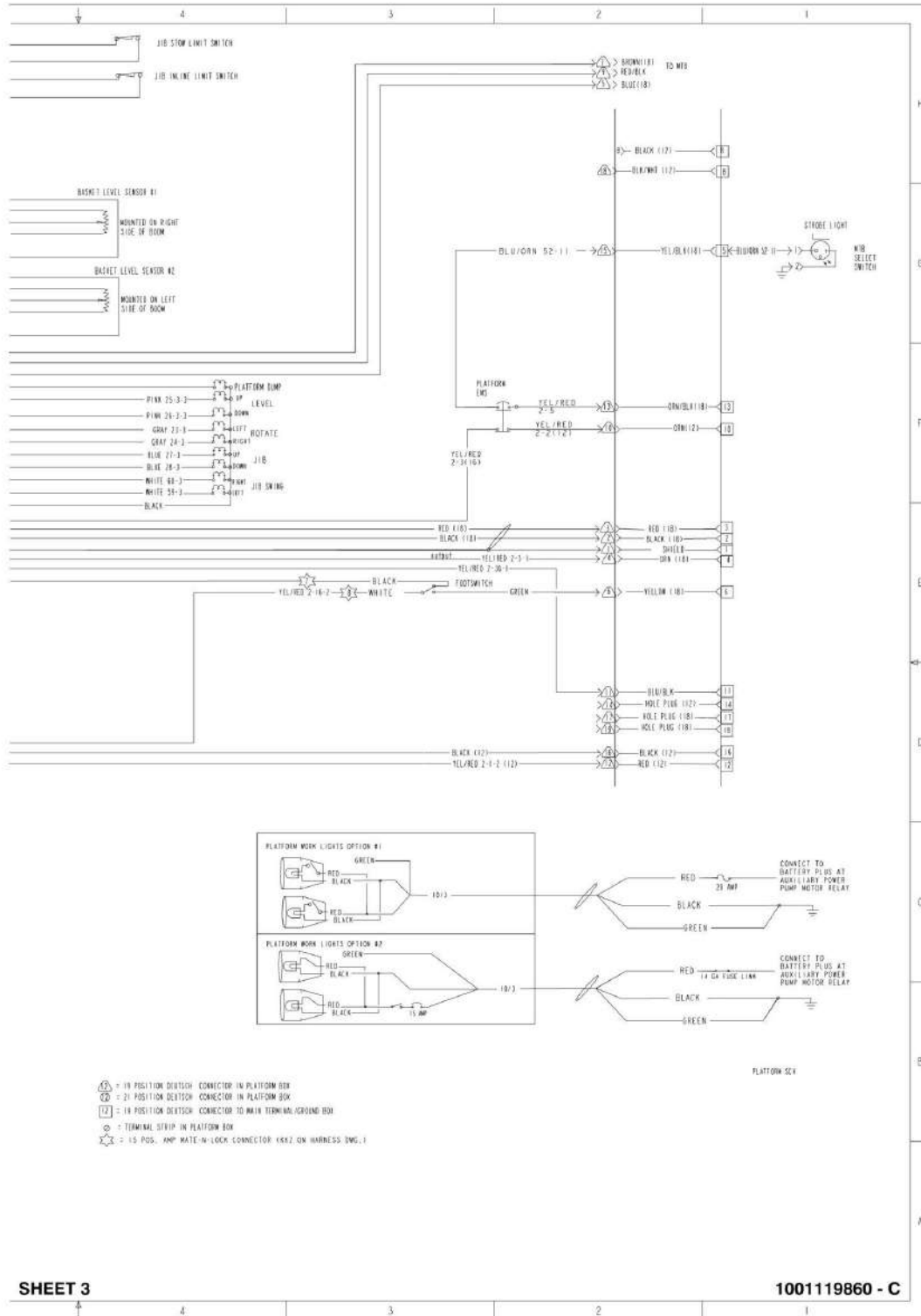


# SECTION 7 - ELECTRICAL

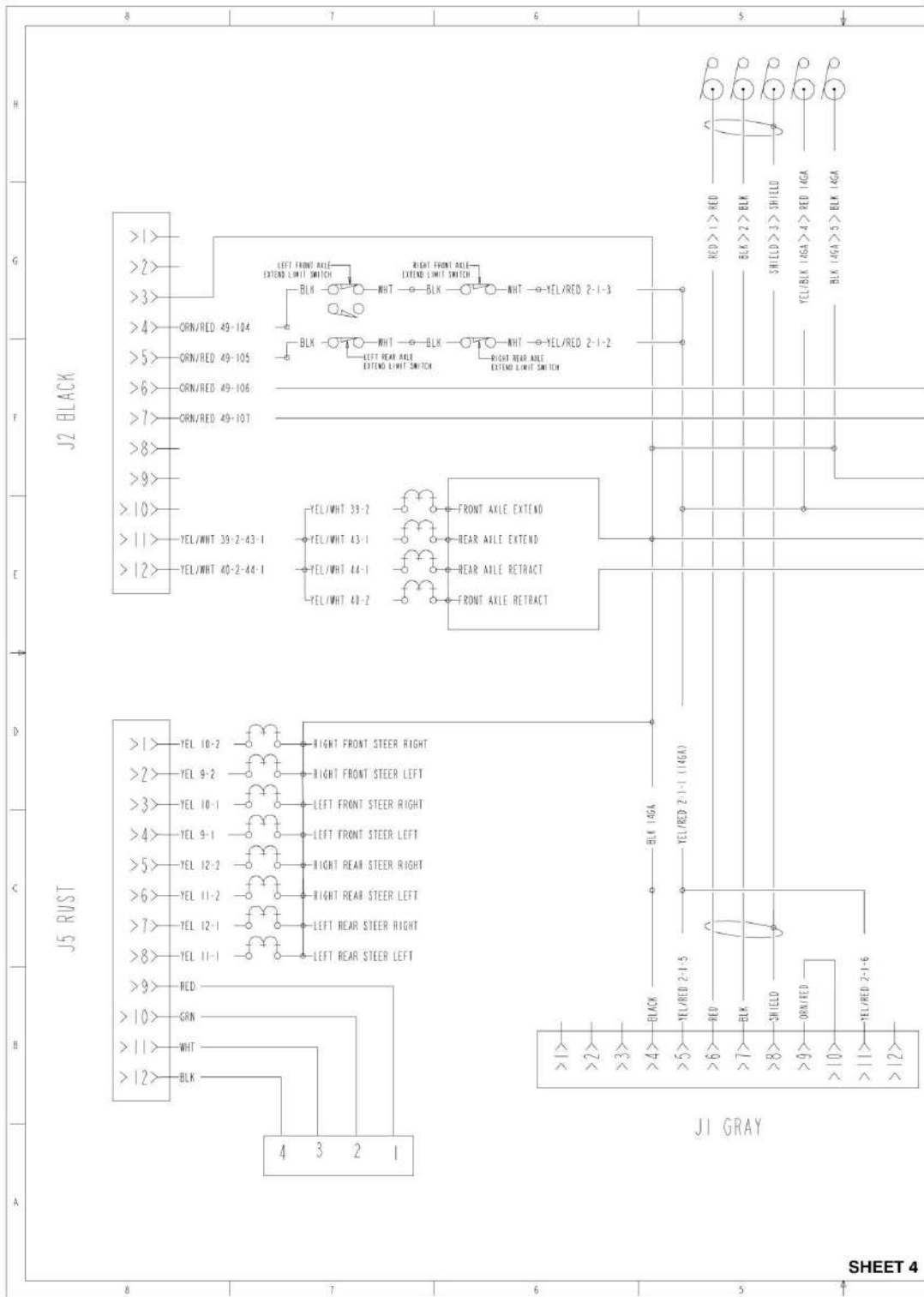


SHEET 3

# SECTION 7 - ELECTRICAL

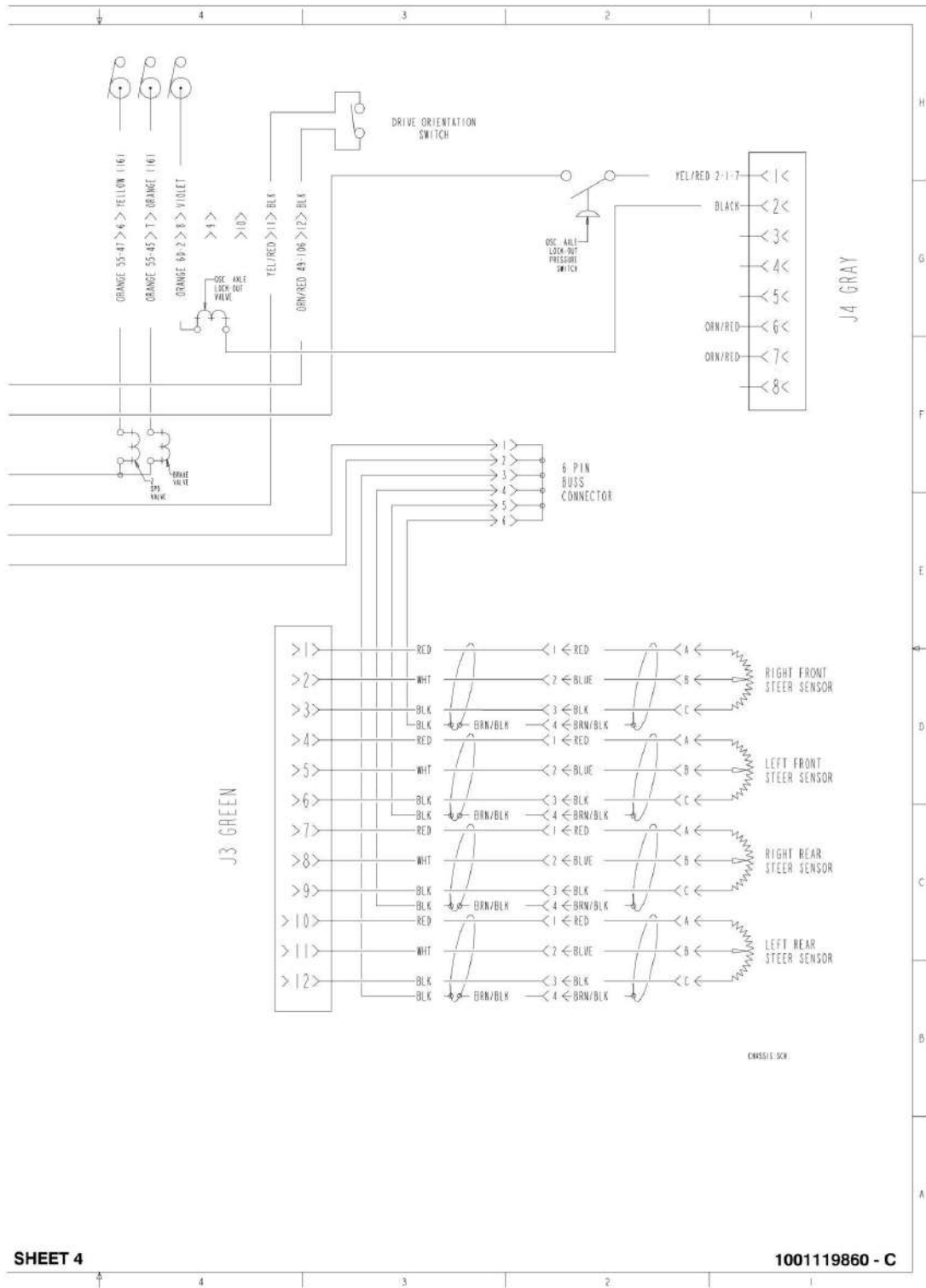


# SECTION 7 - ELECTRICAL



SHEET 4

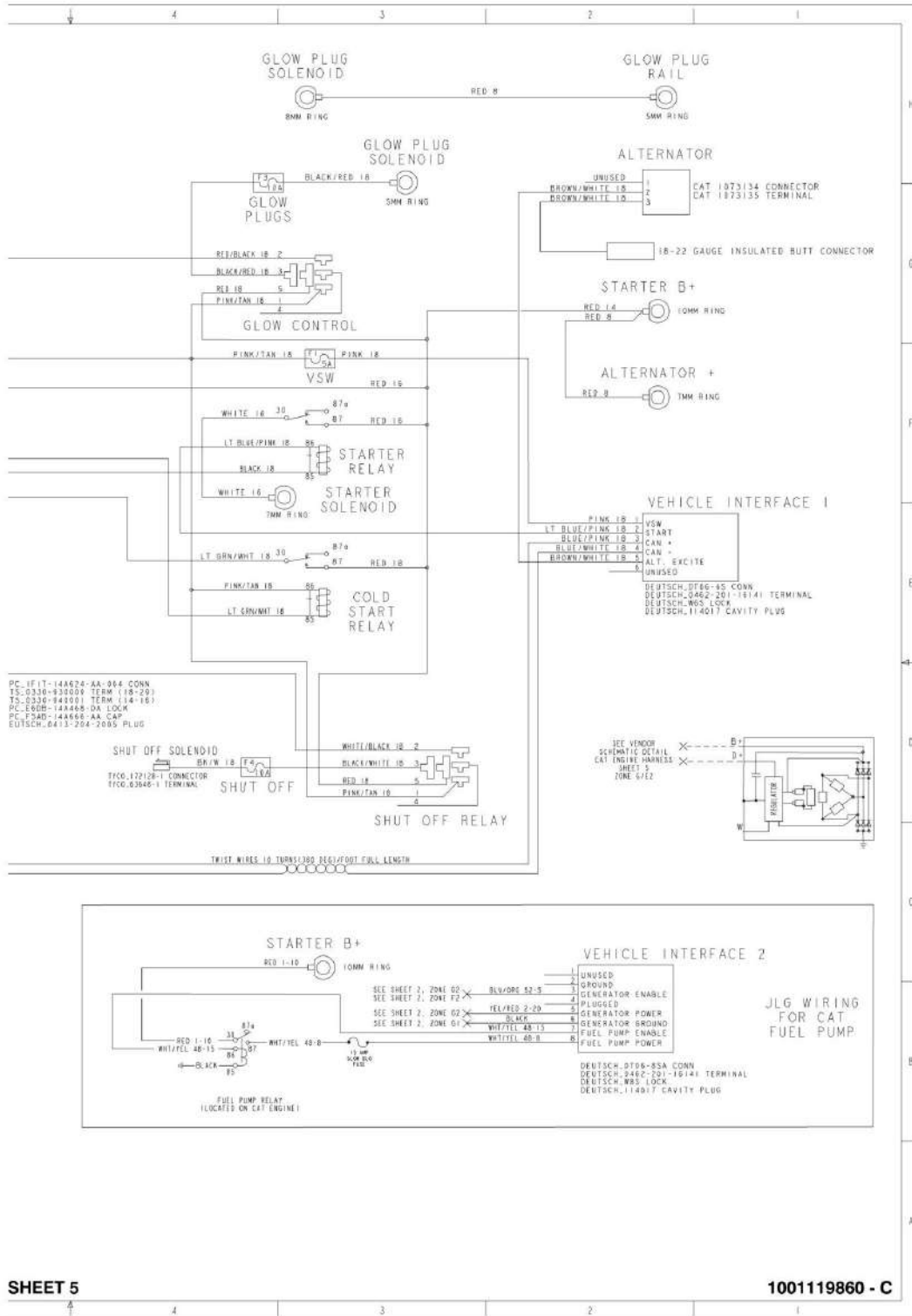
# SECTION 7 - ELECTRICAL







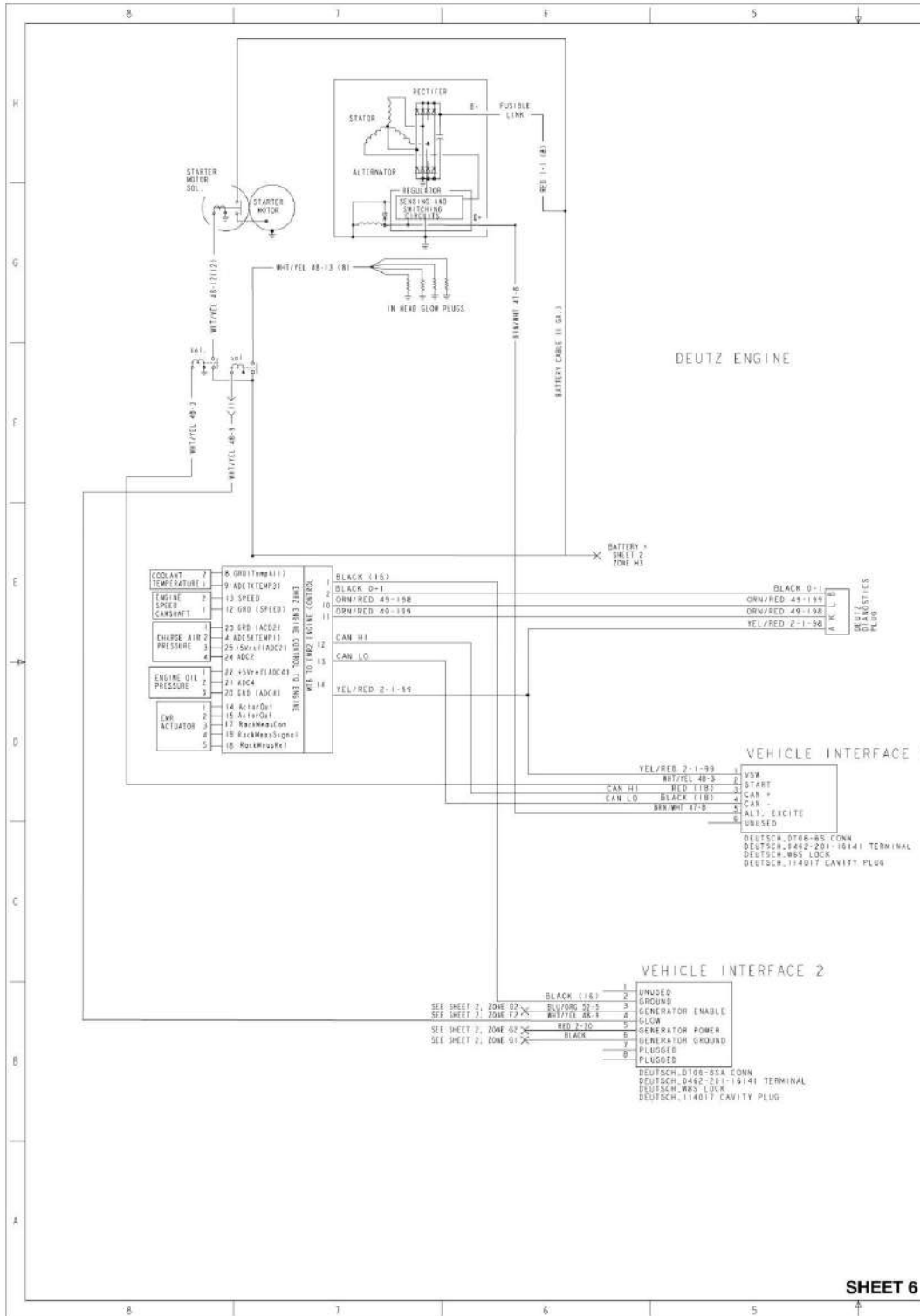
# SECTION 7 - ELECTRICAL



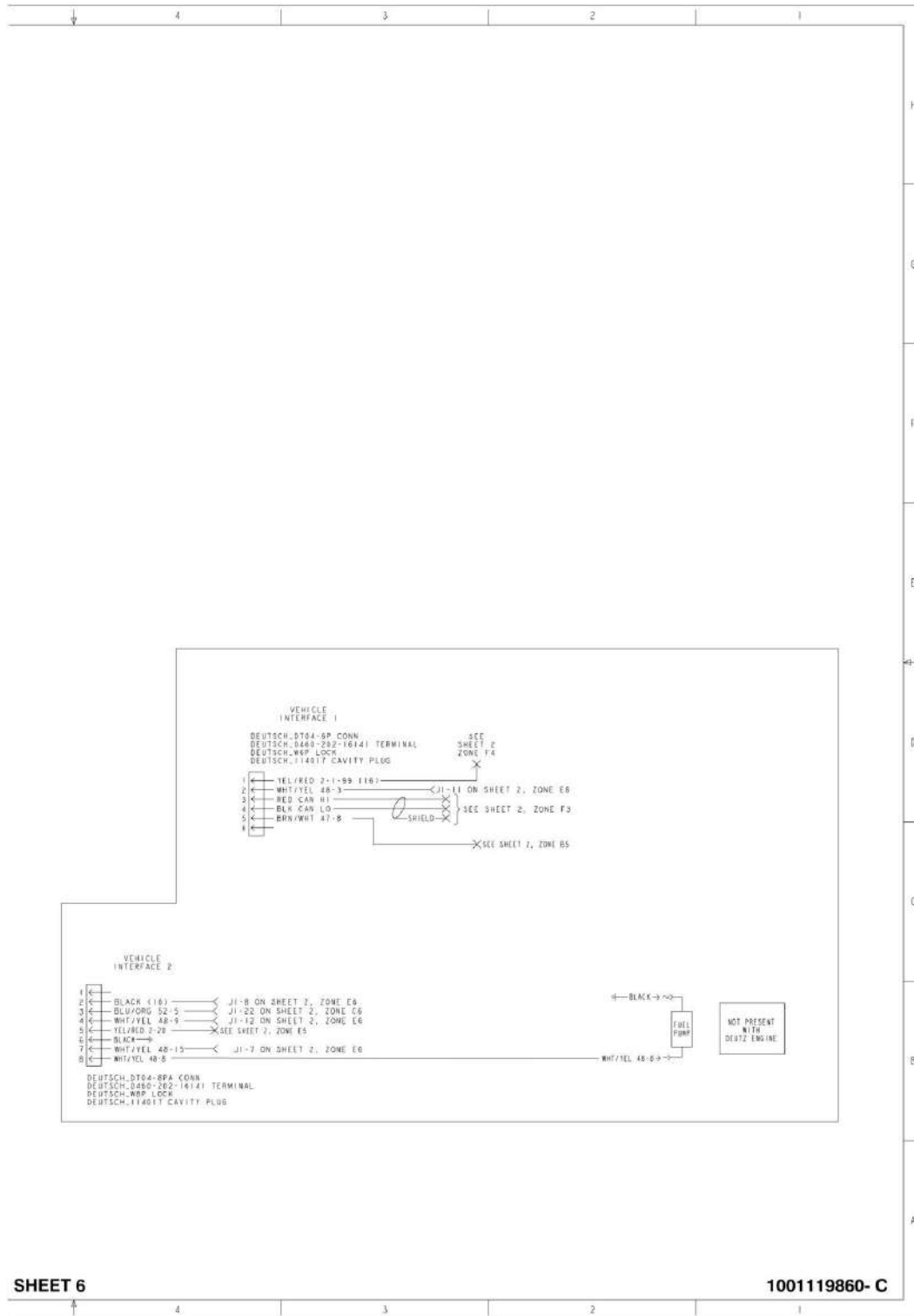
SHEET 5

1001119860 - C

# SECTION 7 - ELECTRICAL

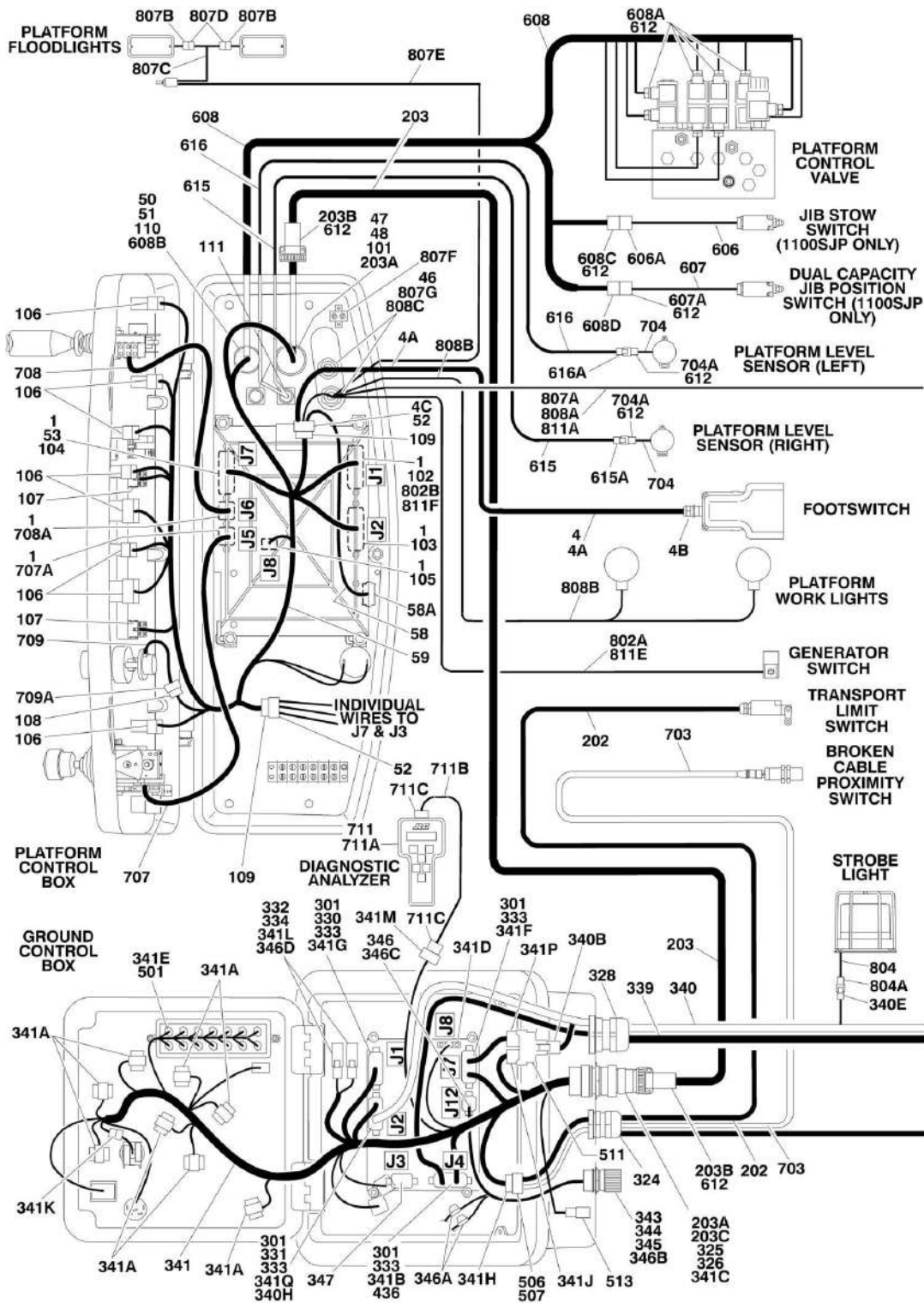


# SECTION 7 - ELECTRICAL

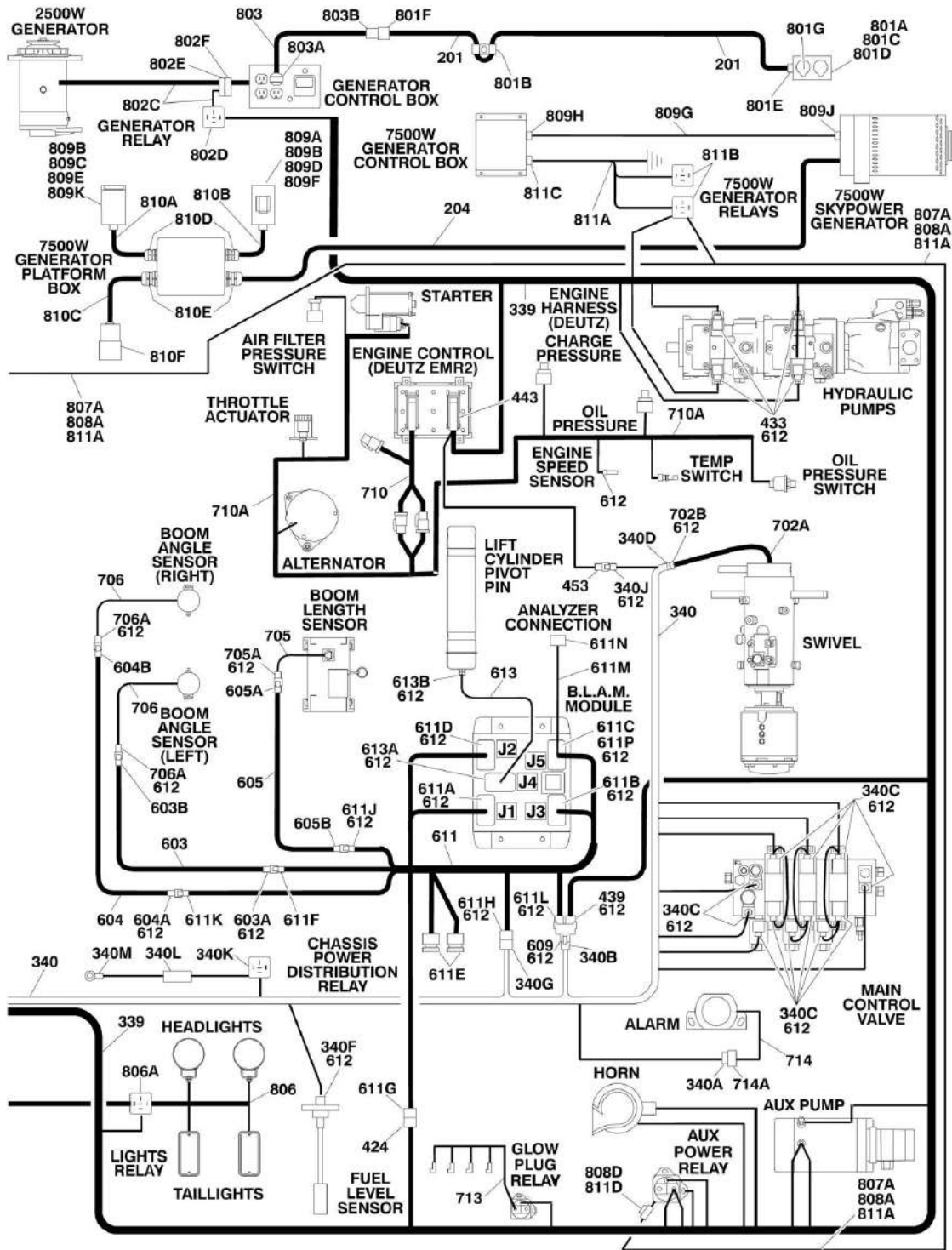


# SECTION 7 - ELECTRICAL

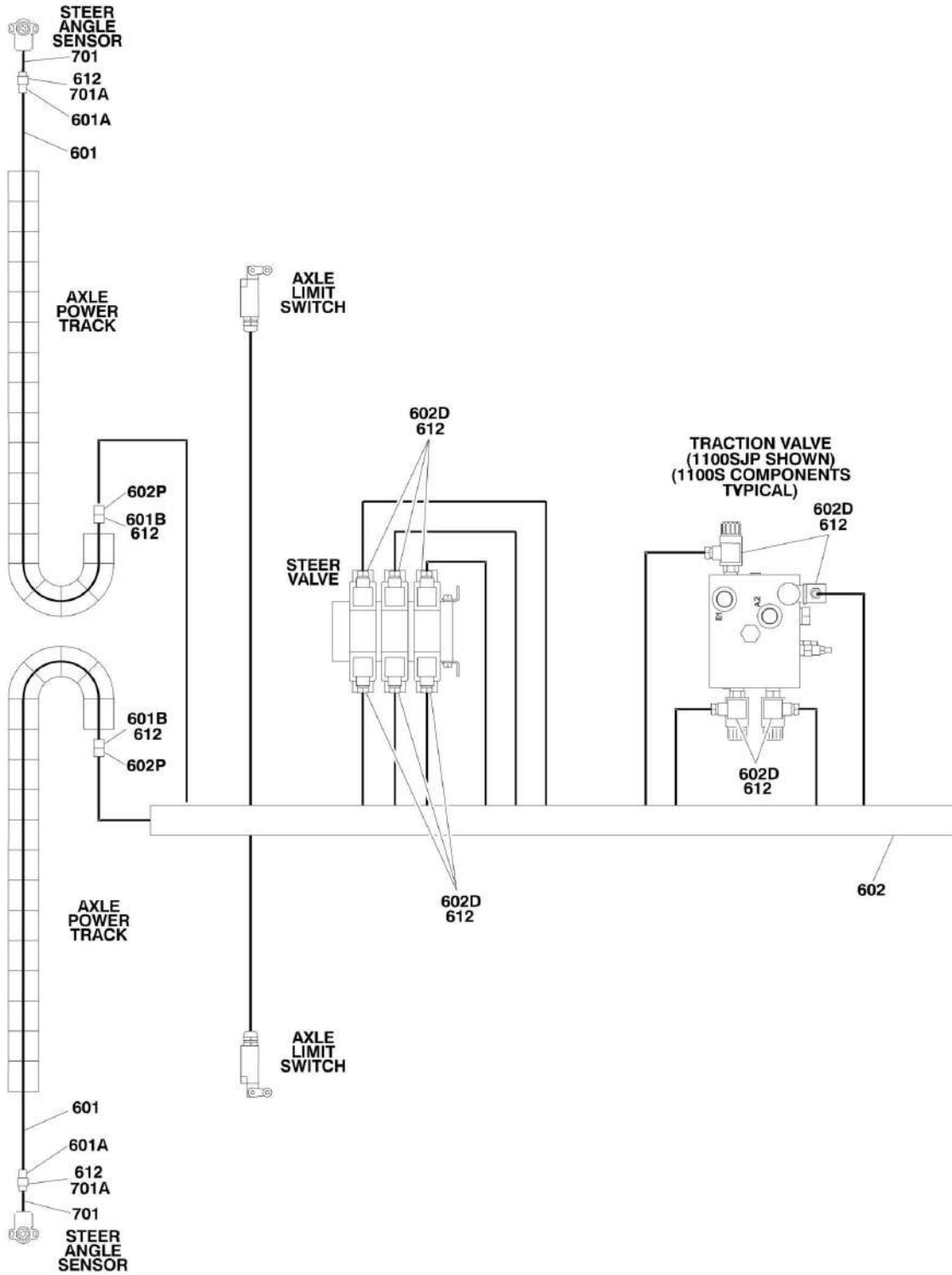
FIGURE 7-4. HARNESS COMPONENTS INSTALLATION (Prior to SN 0300140836)



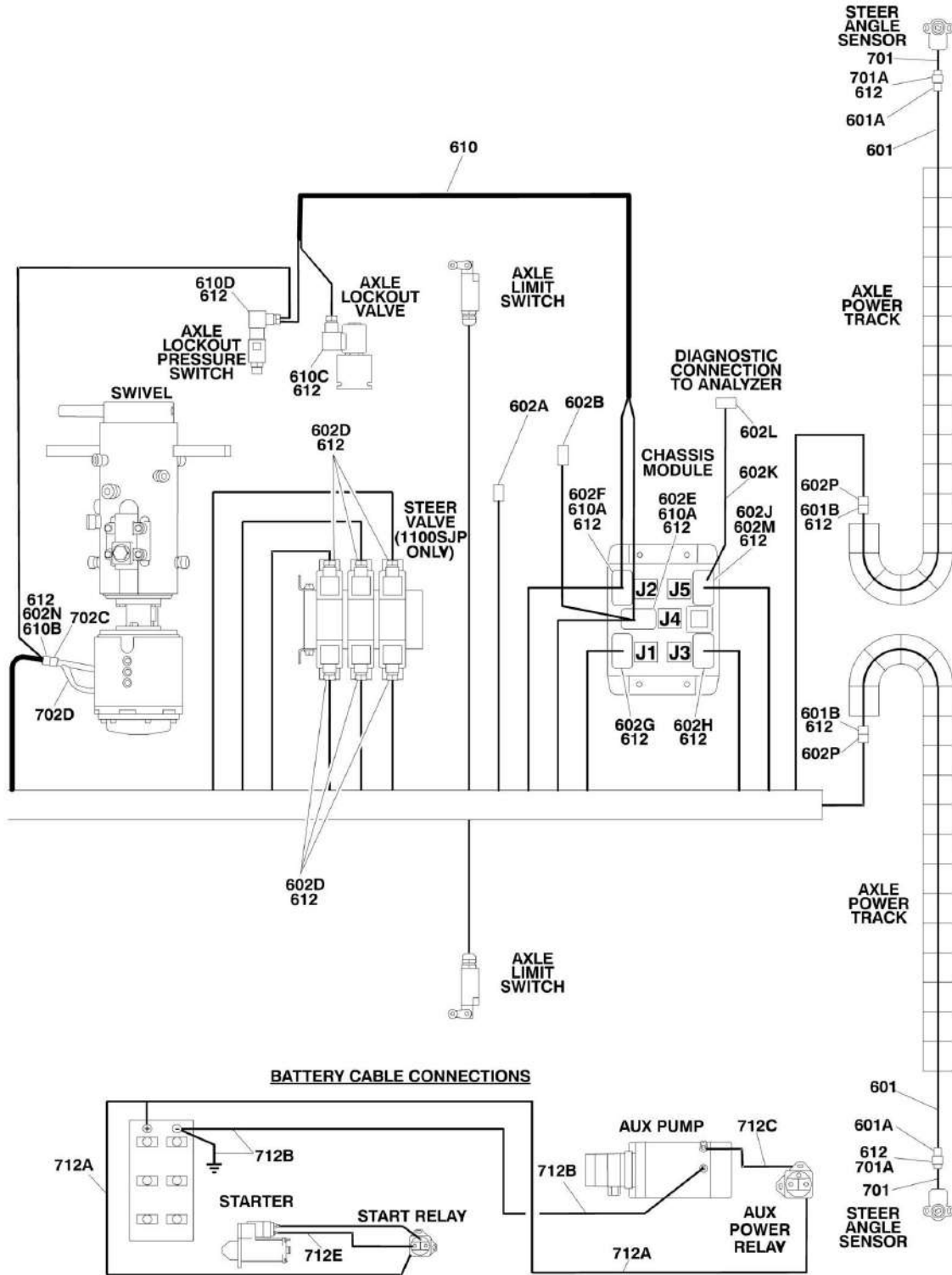
# SECTION 7 - ELECTRICAL



# SECTION 7 - ELECTRICAL



# SECTION 7 - ELECTRICAL



# SECTION 7 - ELECTRICAL

FIGURE 7-4. HARNESS COMPONENTS INSTALLATION (Prior to SN 0300140836)

ITEM	PART NUMBER	QTY	DESCRIPTION	REV
		Ref	<b>PLATFORM CONSOLE BOX COMPONENTS OPTIONS:</b>	
	1001109953	Ref	<b>Platform Console Box Components Options 1100S</b>	B
	0861631	Ref	<b>Platform Console Box Components Options 1100SJP</b>	I
1	0100048	AR	Grease, Dielectric	
4		Ref	Footswitch Components:	
4A	1060918	7 ft/2.14m	Cable, Electrical - 18/3	
4B	4460071	1	Connector, Strain Relief	
4C	4460226	2	Socket, Female	
4C	4460464	1	Pin, Male	
46	4460428	4	Connector, Strain Relief	
47	4460470	1	Nut, Terminal	
48	4460471	1	Lockwasher, Terminal	
50	4460496	1	Lockwasher, Terminal	
51	4460497	1	Nut, Terminal	
52	4460708	2	Receptacle, Female - 15 Position	
53	4460905	5	Seal, Plug	
58	4922666	1	Harness, Analyzer Cable	2-B
58	4460226	4	Socket, Female (Not Shown - Located at J2)	
58A	4460761	1	Connector, Female - 4 Position	
58A	4460227	4	Pin, Male	
59	4923448	1	Harness, Platform Box (See Items 101-111 for Breakdown)	
	4923448	Ref	<b>PLATFORM BOX HARNESS ASSEMBLY</b>	3-B
101	4460866	1	Connector - 19 Pin	
101	4460464	7	Pin, Male Deutsch 16 Ga	
101	4460508	4	Pin, Male Deutsch 12 Ga	
101	4460943	3	Pin, Male 16 Ga (Gold Plated)	
102	4460874	1	Connector - 35 Position (Natural)	
102	4460871	7	Socket, Female	
102	4460905	4	Plug	
103	4460876	1	Connector - 35 Position (Blue)	
103	4460871	32	Socket, Female	
103	4460905	3	Plug	
104	4460873	1	Connector - 35 Position (Black)	
104	4460871	34	Socket, Female	
104	4460905	1	Plug	
105	4460879	1	Connector, Male - 2 Position	
105	4460887	2	Terminal (12 Gauge)	
106	4460418	12	Connector, Female - 6 Position	
106	4460419	36	Socket, Female	
107	4460225	5	Plug, Male - 6 Position	
107	4460226	21	Terminal (16 Gauge)	
108	4460225	1	Plug, Male - 6 Position	
108	4460227	5	Pin, Male	
109	4460434	2	Plug, Male - 15 Position	
109	4460227	14	Pin, Male	
110	4460925	1	Connector - 21 Pin	
110	4460929	13	Pin, Male Deutsch 16 Ga	
110	4460466	8	Plug	
111	1001121616	2	Connector, 6 Position	
111	1001121615	2	Base, Mounting	



## SECTION 7 - ELECTRICAL

ITEM	PART NUMBER	QTY	DESCRIPTION	REV
		Ref	<b>BOOM CABLES INSTALLATION</b>	
	0271932	Ref	<b>With no Generator Option</b>	D
	0271932	Ref	<b>With 2500W Generator Option</b>	D
	0273854	Ref	<b>With 7500W Generator Option</b>	A
201		Ref	Cable, Electrical - 10/3	
201	4922759	1	With no Generator Option	B
201	4922759	1	With 2500W Generator Option	B
201	Not Required	0	With 7500W Generator Option	
202	4922763	1	Cable, Electrical - 18/3 (46ft/13.8m Length)	B
203	4922672	1	Harness Assembly - Boom (12/4 - 18/8)	2-B
203	1060896	142 ft/43.3m	Cable, Electrical - 12/4 & 18/8	
203	2820118	8 in/18cm	Heat Shrink	
203A	4460465	11	Socket, Female 18 Gauge	
203A	4460865	2	Connector - 19 Position	
203A	4460509	4	Socket, Female 12 Gauge	
203A	4460466	8	Seal, Plug	
203B	4460473	2	Clamp, Cable	
203C	4460465	11	Socket, Female 18 Gauge	
203C	4460509	4	Socket, Female 12 Gauge	
204	4922796	1	Harness, Generator (8/5) (with 7500W Generator Only)	
		Ref	<b>GROUND CONTROL BOX COMPONENTS</b>	
	1001110016	Ref	<b>Ground Control Box Components 1100S</b>	F
	1810057	Ref	<b>Ground Control Box Components 1100SJP (Prior to SN 0300139587)</b>	G
	1001119686	Ref	<b>Ground Control Box Components 1100SJP (SN 0300139587 to Present)</b>	D
301	0100048	AR	Grease, Dielectric	
324	4460426	1	Connector, Strain Relief	
325	4460470	1	Nut, Terminal	
326	4460471	1	Lockwasher, Terminal	
328	4460526	1	Connector, Strain Relief	
330	4460874	1	Connector, White - 35 Position	
331	4460875	1	Connector, Gray - 35 Position	
332	4460892	2	Bar, Buss	
333	4460905	4	Plug, Connector	
334	4460914	2	Base, Terminal	
339	4923376	1	Harness, Engine (See Items 401-453 for Breakdown)	
340	4923522	1	Valve Harness Assembly	D
340A	4460320	1	Plug, Male - 2 Position	
340A	4460267	2	Pin, Male	
340B	4460965	2	Plug, Male - 3 Position	
340B	4460944	6	Socket, Female	
340B	4922099	AR	Cable, Electrical 18/3	
340C	4460880	11	DIN Connector	
340D	4460836	1	Plug, Male - 12 Position	
340D	4460466	4	Plug, Socket	
340D	4460465	3	Socket, Female	
340D	4460942	2	Socket, Female 14-16 GA	
340D	4460944	3	Socket, Female 16-18 GA (Gold)	
340E	4460424	1	Connector, Female - 2 Position	
340E	4460268	2	Socket, Female	

## SECTION 7 - ELECTRICAL

ITEM	PART NUMBER	QTY	DESCRIPTION	REV
340F	4460843	1	Plug, Male - 2 Position	
340F	4460842	2	Socket, Female	
340G	4460894	1	Plug, Male - 6 Position	
340G	4460465	3	Socket, Female	
340G	4460942	3	Socket, Female 14-16 GA	
340H	4460942	3	Socket, Female 14-16 GA	
340H	4460465	2	Socket, Female	
340H	4460871	17	Socket, Female	
340H	4460464	1	Pin, Male	
340J	4460536	1	Connector, Female - 3 Position	
340J	4460943	3	Pin, Male	
340J	4922099	AR	Cable, Electrical 18/3	
340K	3740080	1	Relay, Sealed	
340K	4460374	1	Plug, Sealed	
340K	4460375	5	Terminal, Female	
340L	2400066	1	Fuseholder w/Leads	
340L	2400065	1	Fuse, 30A	
340M	4460019	1	Terminal, Ring	
341	4923574	1	Ground Control Box Harness Assembly	B
341	3990001	2	Diode - 3 Amp (Not Shown - Located at Power Down Relay)	
341A	4460418	8	Connector, Female - 6 Position	
341A	4460419	24	Socket, Female	
341B	4460876	1	Connector, Blue - 35 Position	
341B	4460871	29	Socket, Female	
341C	4460866	1	Connector - 19 Pin	
341C	4460464	10	Pin, Male Deutsch 16 Ga	
341C	4460508	3	Pin, Male Deutsch 12 Ga	
341D	4460878	1	Plug, Male - 4 Position	
341D	4460887	3	Terminal (12 Gauge)	
341E	4120035	10	Base, Light	
341E	4460634	10	Terminal (16 Gauge)	
341E	4460635	10	Terminal (12 Gauge)	
341F	4460873	1	Connector, Black - 35 Position	
341F	4460871	15	Socket, Female	
341G	4460871	7	Socket, Female	
341H	4460225	1	Plug, Male - 6 Position	
341H	4460227	6	Pin, Male	
341J	4460965	1	Plug, Male - 3 Position (Blue Lock)	
341J	4460944	3	Socket, Female	
341J	4922099	2 ft/.6m	Cable, Can-Buss	
341K	2400066	1	Fuseholder with Cover	
341K	2400065	1	Fuse	
341L	4460894	2	Plug, Male - 6 Position	
341L	4460465	1	Socket, Female 16-18GA	
341L	4460942	2	Socket, Female 14GA	
341M	4460761	1	Connector, Female - 4 Position	
341M	4460227	4	Pin, Male	
341P	4460966	1	Plug, Male - 3 Position (Green Lock)	
341P	4460944	3	Socket, Female	
341P	4922099	2 ft/.6m	Cable, Can-Buss	
341Q	4460871	3	Socket, Female	

## SECTION 7 - ELECTRICAL

ITEM	PART NUMBER	QTY	DESCRIPTION	REV
342	4933389	1	Ground Control Wiring Diagram (Not Shown) (See Items 501-513 for Breakdown)	
343	4460496	1	Lockwasher, Terminal	
344	4460497	1	Nut, Terminal	
345	1001106736	1	Cap, Dust	
346	1001103734	1	Harness, ClearSky Ready	A
346A	2400060	2	Fuseholder with Cover	
346A	2400064	2	Fuse 5Amp	
346B	1001112612	1	Receptacle, Female - 9 Position	
346B	4460464	6	Pin, Male	
346B	4460466	3	Plug, Sealing	
346C	1001113961	1	Plug, Male - 8 Position	
346C	4460871	3	Socket, Female	
346C	4460905	5	Plug, Sealing	
346D	4460465	1	Socket, Female	
347		Ref	Harness, Model Selection Options:	
347	1001113698	1	Harness, Model Selection 1100S	A
347	Not Required	0	Harness, Model Selection 1100SJP ( <b>Prior to SN 0300139587</b> )	
347	1001113698	1	Harness, Model Selection 1100SJP ( <b>SN 0300139587 to Present</b> )	A
347	4460872	1	Plug, Male - 14 Position	
347	4460871	2	Socket, Female	
347	4460905	12	Plug, Sealing	
	4923376	Ref	<b>ENGINE HARNESS ASSEMBLY</b>	E
424	4460899	1	Connector, Female - 6 Position	
424	4460465	1	Socket, Female	
424	4460464	4	Pin, Male	
424	4460466	2	Markers, Terminal	
433	4460880	5	DIN Connector without Diode	
436	4460887	1	Terminal, Molex	
436	4460871	7	Socket, Female	
436	4460508	1	Terminal, Deutsch	
439	4460965	1	Connector, Female - 3 Position	
439	4460944	3	Socket, Female (Gold)	
443	4461052	1	Connector, Female - 25 Position	
443	4461005	5	Terminal	
443	4461006	5	Seal	
443	4461054	2	Seal, Terminal	
443	4461060	2	Terminal (Tin)	
443	4461053	1	Cover, Plug	
443	4461008	18	Plug, Hole	
453	4460539	1	Plug, Male - 3 Position	
453	4460944	3	Socket, Female (Gold)	
	4933389	Ref	<b>GROUND CONTROL BOX WIRING DIAGRAM</b>	C
501	2920129	10	Bulb, Light	
506	4460226	6	Socket, Female	
507	4460224	1	Connector, Female - 6 Position	
511	4460945	1	Connector, Female - 3 Way	
513	2902443	1	Receptacle Kit	
513	4461071	8	Socket, Female	
513	4461072	1	Receptacle	
513	4461073	1	Cap, Dust	

## SECTION 7 - ELECTRICAL

ITEM	PART NUMBER	QTY	DESCRIPTION	REV
513	4461074	1	Shell, Black	
		Ref	<b>WIRING HARNESES INSTALLATION</b>	
	1001112761	Ref	<b>Wiring Harness Installation 1100S</b>	1-B
	0274660	Ref	<b>Wiring Harness Installation 1100SJP</b>	1-D
601	4922718	4	Axle Power Track Harness Assembly	B
601A	4460539	1 Per Assy	Plug, Male - 3 Position	
601A	4460944	3 Per Assy	Socket, Female	
601B	4460932	1 Per Assy	Connector, Female - 4 Position	
601B	4460943	4 Per Assy	Pin, Male	
602	4922696	1	Chassis Harness Assembly	3-D
602A	4460894	1	Plug, Male - 6 Position	
602A	4460465	6	Socket, Female	
602A	4460892	1	Bar, Buss - 6 Position	
602B	4460891	1	Plug, Male - 2 Position	
602B	4460465	2	Socket, Female	
602C	4460894	1	Plug, Male - 6 Position (Not Shown)	
602C	4460465	6	Socket, Female	
602C	4460892	1	Bar, Buss - 6 Position	
602D	4460880	14	DIN Connector	
602E	4460930	1	Connector, Gray - 8 Position	
602E	4460465	3	Socket, Female	
602E	4460466	5	Plug, Terminal	
602F	4460836	1	Connector, Black - 12 Position	
602F	4460465	6	Socket, Female	
602F	4460466	6	Plug, Terminal	
602G	4460933	1	Connector, Gray - 12 Position	
602G	4460465	8	Socket, Female	
602G	4460466	4	Plug, Terminal	
602H	4460934	1	Connector, Green - 12 Position	
602H	4460944	12	Socket, Female	
602J	4460935	1	Connector, Brown - 12 Position	
602H	4460465	8	Socket, Female	
602K	4922705	1	Analyzer Harness	2-B
602L	4460761	1	Connector, Female	
602L	4460227	4	Pin, Male	
602M	4460465	4	Socket, Female	
602N	4460950	1	Connector, Female - 12 Position	
602N	4460464	6	Pin, Male 16-18 GA	
602N	4460943	3	Pin, Male 16-18 GA (Gold)	
602N	4460941	2	Pin, Male 14-16GA	
602P	4460884	4	Connector, Gray - 4 Position	
602P	4460944	16	Socket, Female	
603	4922781	1	B.L.A.M. to Boom Angle Sensor Harness (Left Side)	3-B
603A	4460932	1	Connector, Gray - 4 Position	
603A	4460943	4	Pin, Male	
603B	4460911	1	Plug, Male - 3 Position	
603B	4460918	3	Socket, Female	
603B	4460912	1	Lock, Wedge - Position	

## SECTION 7 - ELECTRICAL

ITEM	PART NUMBER	QTY	DESCRIPTION	REV
604	4922780	1	B.L.A.M. to Boom Angle Sensor Harness (Right Side)	2-B
604A	4460884	1	Connector, Gray - 4 Position	
604A	4460944	4	Socket, Female	
604B	4460911	1	Plug, Male - 3 Position	
604B	4460918	3	Socket, Female	
604B	4460912	1	Lock, Wedge - Position	
605	4922716	1	B.L.A.M. to Boom Length Sensor Harness	C
605A	4460539	2	Plug, Male - 3 Position	
605A	4460944	3	Socket, Female	
605B	4460894	1	Plug, Male - 6 Position	
605B	4460944	4	Socket, Female	
605B	4460466	2	Plug, Sealing	
606	4922784	1	Jib Stow Switch Harness (1100SJP Only)	B
606A	4460891	1	Plug, Male - 2 Position	
606A	4460465	2	Socket, Female	
607	4922785	1	Dual Capacity Jib Position Switch Harness (1100SJP Only)	B
607A	4460897	1	Connector, Female - 2 Position	
607A	4460464	2	Pin, Male	
608	4922777	1	Platform Valve Harness	1-C
608A	4460880	9	DIN Connector	
608B	4460926	1	Connector - 21 Position	
608B	4460928	13	Socket, Female	
608B	4460466	8	Plug, Hole	
608C	4460897	1	Connector, Female - 2 Position	
608C	4460464	2	Pin, Male	
608D	4460891	1	Plug, Male - 2 Position	
608D	4460465	2	Socket, Female	
609	4460945	1	Connector, Female - 3 Way	
610	4922767	1	Lockout Valve Harness (1100SJP Only)	2-C
610A	4460465	3	Socket, Female	
610B	4460464	1	Pin, Male	
610C	4460880	2	Connector, DIN	
610D	4460449	2	Connector, DIN	
611	4922786	1	B.L.A.M. Harness	4-C
611A	4460933	1	Plug, Male - 12 Position (Gray)	
611A	4460466	7	Plug, Seal	
611A	4460944	3	Socket, Female	
611A	4460465	1	Socket, Female	
611A	4460942	1	Socket, Female	
611B	4460934	1	Plug, Male - 12 Position (Green)	
611B	4460466	7	Plug, Seal	
611B	4460944	3	Socket, Female	
611B	4460465	2	Socket, Female	
611C	4460935	1	Plug, Male - 12 Position (Brown)	
611C	4460466	5	Plug, Seal	
611C	4460465	2	Socket, Female	
611D	4460836	1	Plug, Male - 12 Position (Black)	
611D	4460466	8	Plug, Seal	
611D	4460944	2	Socket, Female	
611D	4460465	2	Socket, Female	
611E	4460836	2	Plug, Male - 12 Position (Black)	

## SECTION 7 - ELECTRICAL

ITEM	PART NUMBER	QTY	DESCRIPTION	REV
611E	4460466	14	Plug, Seal	
611E	4460944	5	Socket, Female	
611E	4460465	5	Socket, Female	
611E	4460837	2	Receptacle, Female - 12 Position Buss Bar	
611F	4460884	1	Plug, Male 4 Position (Gray)	
611F	4460944	4	Socket, Female	
611G	4460894	1	Plug, Male - 6 Position (Gray)	
611G	4460465	5	Socket, Female	
611G	4460466	1	Plug, Sealing	
611H	4460899	1	Connector, Female - 6 Position (Gray)	
611H	4460464	3	Pin, Male	
611H	4460941	3	Pin, Male (Gold Plated)	
611J	4460899	1	Connector, Female - 6 Position (Gray)	
611J	4460466	2	Plug, Sealing	
611J	4460943	4	Pin, Male (Gold Plated)	
611K	4460932	1	Plug, Male - 4 Position (Gray)	
611K	4460943	1	Pin, Male	
611L	4460966	1	Connector, Female - 3 Position	
611L	4460944	3	Socket, Female	
611M	4922705	1	Analyzer Harness	2-B
611N	4460761	1	Connector, Female - 4 Position	
611N	4460227	4	Pin, Male	
611P	4460465	4	Socket, Female	
612	0100048	AR	Lubricant, Silicone	
613	4923256	1	Load Sensing Pin Harness	B
613A	4460930	1	Connector, Gray - 8 Position	
613A	4460465	4	Socket, Female	
613A	4460466	3	Plug, Sealing	
613B	See Note	1	Connector, Female - 4 Position (Note: Not Available For Purchase)	
613B	See Note	4	Terminal (Note: Not Available For Purchase)	
615	4922947	1	Right Level Sensor, Harness	E
615A	4460911	1	Plug, Male - 3 Position	
615A	4460918	3	Pin, Male	
615A	4460912	1	Lock, Wedge - Position	
615A	1320309	1	Clamp, Cable	
615A	1560012	1	Nut, Conduit	
615A	1560011	1	Connector, Conduit	
615A	4461013	1	Plug, Male - 7 Position	
616	4922948	1	Left Level Sensor, Harness	E
616A	4460911	1	Plug, Male - 3 Position	
616A	4460918	3	Pin, Male	
616A	4460912	1	Lock, Wedge - Position	
616A	1320309	1	Clamp, Cable	
616A	1560012	1	Nut, Conduit	
616A	1560011	1	Connector, Conduit	
616A	4461013	1	Plug, Male - 7 Position	
		Ref	<b>STANDARD HARNESS COMPONENTS</b>	
701	4360505	4	Steer Angle Sensor Harness (Includes Sensor)	
701A	4460536	1 Per Assy	Plug, Male - 3 Position	
701A	4460464	3 Per	Pin, Male	

## SECTION 7 - ELECTRICAL

ITEM	PART NUMBER	QTY	DESCRIPTION	REV
		Assy		
702	1660302	1	Coupling Electrical Components (Note: Not Available For Purchase)	
702A	See Note	1	Coupling Turntable Harness (Note: Not Available For Purchase)	
702B	4460837	1	Connector, Female - 12 Position	
702B	4460466	4	Plug, Socket	
702B	4460464	3	Pin, Male 16-18 GA	
702B	4460943	3	Pin, Male 16-18 GA (Gold)	
702B	4460941	2	Pin, Male 14-16GA	
702C	See Note	1	Coupling Frame Harness (Note: Not Available For Purchase)	
702D	4460836	1	Plug, Male - 12 Position	
702D	4460465	6	Socket, Female 16-18 GA	
702D	4460942	2	Socket, Female 14-16 GA	
702D	4460944	3	Socket, Female 16-18 GA (Gold)	
702D	4460466	1	Plug, Socket	
703	4360527	1	Broken Cable Proximity Switch Harness (Includes Switch)	
704	1001133329	2	Platform Level Sensor Harness (Includes Sensor) (was p/n 4360545)	
704A	4460910	2	Connector, Female - 3 Position	
704A	4460917	6	Pin, Male	
704A	4460913	1	Lock, Wedge	
705	See Note	1	Boom Length Switch Harness (Note: Not available for purchase)	
705A	4460536	1	Connector, Female - 3 Position	
705A	4460943	3	Pin, Male	
706	1001133329	2	Boom Angle Sensor Harness (Includes Sensor) (was p/n 4360545)	
706A	4460910	2	Connector, Female Deutsch - 3 Position	
706A	4460917	6	Pin, Male	
706A	4460913	1	Lock, Wedge	
707	See Note	1	Controller Harness Assembly (Lift and Swing) (Note: Not Available For Purchase)	
707A	7022819	1	Plug, Male - 8 Position (Natural)	
707A	4460871	8	Socket, Female	
708	7022824	1	Controller Harness/Circuit Board Assembly (Drive and Steer)	
708A	7022825	1	Plug, Male - 8 Position (Black)	
708A	4460871	7	Socket, Female	
709	See Note	1	Speed Control Harness (Note: Not Available For Purchase)	
709A	4460224	1	Connector, Female - 6 Position	
709A	4460226	5	Socket, Female	
710	7027796	1	Engine Harness	
710A	70001869	1	Engine Harness (Deutz Tier III Engines)	
710A	70001872	1	Engine Harness (Deutz Tier IVi Engines)	
711	0272621	1	Control System Analyzer Installation	A
711	2901443	1	Analyzer/Cable Kit	1
711A	1600244	1	Analyzer	
711B	1060633	1	Cable, Analyzer	1-A
711C	4460321	2	Plug, Male	
711C	70003407	2	Backshell	
711C	4460226	8	Socket, Female	
712	2902099	1	Battery Cable Kit	B
712A	7024580	1	Cable, Red (To Aux Pump Relay, Battery Positive Terminal and Start Relay)	
712B	7024581	1	Cable, Black (To Aux Pump, Battery Negative Terminal and	

## SECTION 7 - ELECTRICAL

ITEM	PART NUMBER	QTY	DESCRIPTION	REV
			Ground at Tray Pivot)	
712C	7024582	1	Cable, Red (Aux Pump Relay to Aux Pump)	
712D	7024583	1	Cable, Black (Tray Pivot to Engine Mount) (Not Shown)	
712E	7024584	1	Cable, Red (Start Relay to Starter)	
713	4923468	1	Harness, Glow Plug	
714	0257887	1	Alarm Harness (Includes Alarm)	
714	0140032	1	Alarm	
714	2820035	6 in/15cm	Loom	
714	4460424	1	Plug	
714	4460268	2	Socket, Female	
714A	4460424	1	Plug, Male - 2 Position	
714A	4460268	2	Socket, Female	
		Ref	<b>OPTIONAL HARNESS COMPONENTS</b>	
801		Ref	AC to Platform Receptacle Components Options:	
801	0271955	Ref	110V (No Plug or Receptacle - ANSI Export & Australian Specs)	1-C
801A		Ref	Box, Switch Options:	
801A	See Note	1	0271955 Installation (Note: Not Available - Purchase Locally)	
801B	1320146	1	Clamp, Cable	
801C		Ref	Gasket, Cover Options:	
801C	See Note	1	0271955 Installation (Note: Not Available - Purchase Locally)	
801D		Ref	Shield, Cover Options:	
801D	See Note	1	0271955 Installation (Note: Not Available - Purchase Locally)	
801E		Ref	Connector, Strain Relief Options:	
801E	See Note	1	0271955 Installation (Note: Not Available - Purchase Locally)	
801F		Ref	Plug, Male Options (Not used with 2500W Generators):	
801F	See Note	1	0271955 Installation (Note: Not Available - Purchase Locally)	
801G		Ref	Receptacle Options:	
801G	See Note	1	0271955 Installation (Note: Not Available - Purchase Locally)	
802		Ref	2500W Generator Electrical Components	
802		Ref	2500W Generator Electrical Diagram Components	
802	4933300	Ref	110Volt Electrical Diagram	B
802A	4922641	1	Harness - On/Off Switch	
802B	4460226	2	Socket, Female	
802C		Ref	Powermite Control Box to Relay Harness Options:	
802C	4922970	1	110V Harness	1-A
802D	4460374	AR	Plug, Sealed	
802D	4460375	AR	Terminal	
802E	4460321	1	Connector, Male - 4 Position	
802E	4460906	4	Socket, Female	
802F	4460961	1	Connector, Female - 4 Position	
802F	4460705	4	Pin, Male	
803		Ref	Generator to Rear of Boom Harness Options:	
		Ref	<b>Note: Harness used to connect AC at platform harness to generator receptacle to power platform receptacle.</b>	
803	4921956	1	ANSI Export, Australian and CE Specs	1
803		Ref	Cable, Electrical - 12/3 Options:	
803	1060461	20 ft/6.1m	ANSI Export, Australian and CE Specs	
803A		Ref	Plug, Male Options:	
803A	See Note	1	ANSI Export, Australian and CE Specs (Note: Not Available - Purchase Locally)	
803B		Ref	Receptacle, Female Options:	
803B	See Note	1	ANSI Export, Australian and CE Specs (Note: Not Available -	



## SECTION 7 - ELECTRICAL

ITEM	PART NUMBER	QTY	DESCRIPTION	REV
			Purchase Locally)	
804	0272507	1	Strobe Light Harness (Includes Strobe Light)	B
804A	4460320	1	Connector, Female - 2 Position	
804A	4460267	2	Pin, Male	
806	4922738	1	Headlight and Taillight and Chassis Illumination Lights Harness	
806A	4460374	1	Plug, Sealed	
807	See Note	1	Floodlights Harness Components (Note: Not available for purchase)	
807A	1001099719	1	Harness (Aux Relay to Console Box):	
807B	4460320	2	Plug, Male - 2 Position	
807B	4460227	4	Pin, Male	
807C	4922764	1	Floodlight Harness (Lights to Switch)	
807D	4460424	2	Connector, Female - 2 Position	
807D	4460226	4	Socket, Female	
807E	1060977	1	Cord, 2 Wire Coiled (Console Box Relay to Switch)	
807F	4360232	1	Breaker, Circuit	
807G	4460425	1	Connector, Strain Relief	
808	See Note	1	Work Lights Harness Components (1100SJP Only) (Note: Not available for purchase)	
808A	4922834	1	Harness, Electric 10/3 (Aux Relay to Console Box)	
808A	4921757	AR	Fusible Link	
808B	See Note	2	Work Light Harness (Supplied with Work Light) (Note: Not Available For Purchase)	
808C	4460426	1	Connector, Strain Relief	
808D	2400066	1	Fuseholder with Cover	
808D	2400070	1	Fuse 20 Amp	
809		Ref	7500W SkyPower Generator Installations	
809	0273455	Ref	60Hz	H
809	0273456	Ref	50Hz	F
809A		Ref	Receptacle, Female Twist-Lock Options:	
809A	4460958	1	60Hz Spec	
809A	See Note	1	50Hz Spec (Note: Not Available - Purchase Locally)	
809B		Ref	Gasket Options:	
809B	3960422	2	60Hz Spec	
809B	See Note	2	50Hz Spec (Note: Not Available - Purchase Locally)	
809C		Ref	Cover, Receptacle Options:	
809C	1001110873	1	60Hz Spec	
809C	See Note	1	50Hz Spec (Note: Not Available - Purchase Locally)	
809D		Ref	Cover, Receptacle Options:	
809D	1001110872	1	60Hz Spec	
809D	See Note	1	50Hz Spec (Note: Not Available - Purchase Locally)	
809E		Ref	Receptacle Options:	
809E	4460346	1	60Hz Spec	
809E	See Note	1	50Hz Spec (Note: Not Available - Purchase Locally)	
809F	4460051	1	Connector, Strain Relief	
809G	4922972	1	Harness, Generator	
809H	See Note	1	Plug, Male - 6 Position (Note: Not Available For Purchase)	
809H	See Note	6	Socket, Female (Note: Not available for purchase)	
809J	4460225	1	Plug, Male - 6 Position	
809J	4460226	6	Socket, Female	
809K	4460071	1	Connector, Strain Relief	
810		Ref	7500W SkyPower Generator Junction Box Components	

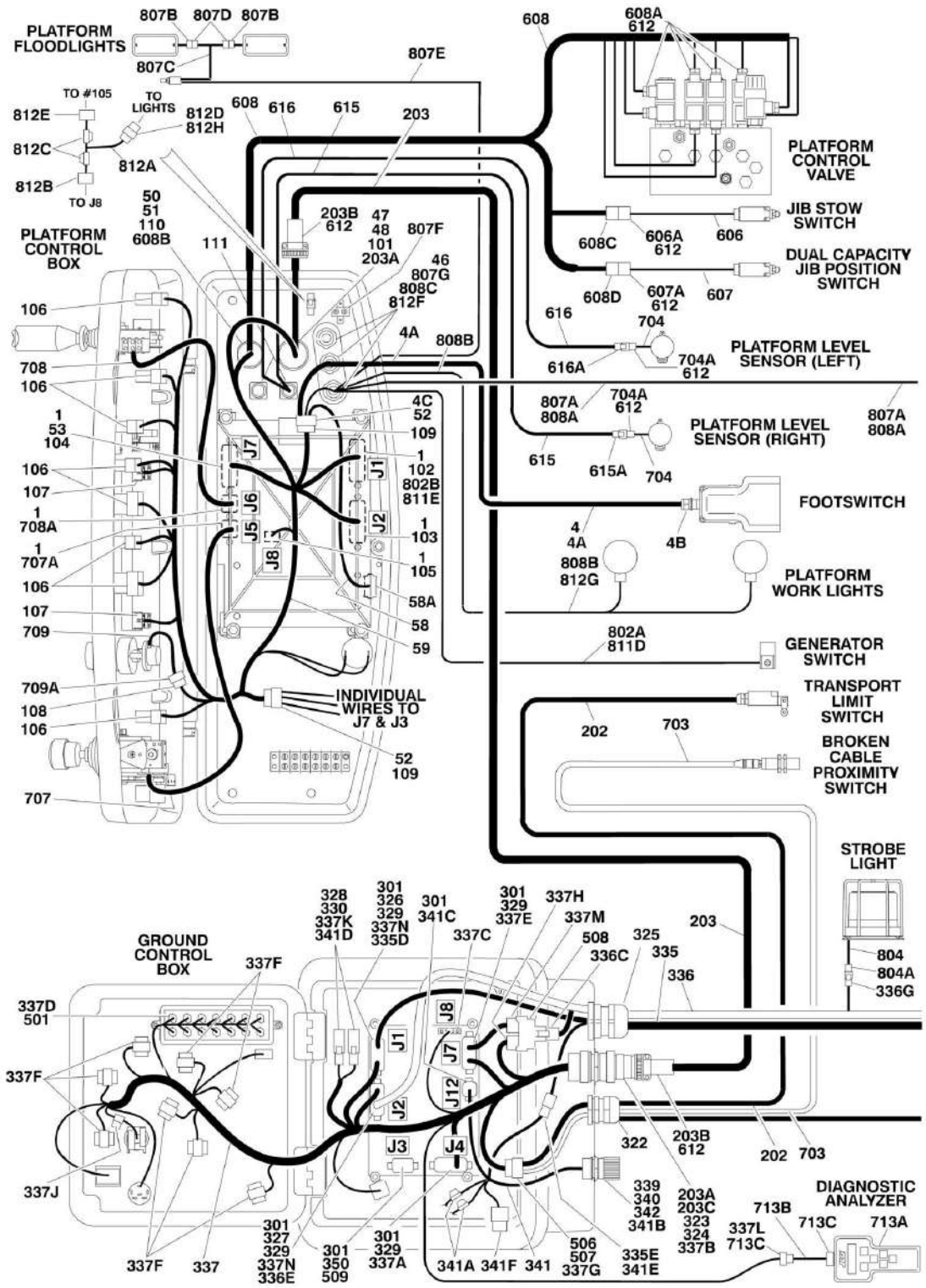
## SECTION 7 - ELECTRICAL

ITEM	PART NUMBER	QTY	DESCRIPTION	REV
810	0861542	Ref	60Hz Spec	C
810	0861567	Ref	50Hz Specs	B
810A		Ref	Cable, Electrical 12/3	
810A	1060494	2 ft/.6m	60Hz Spec	
810A	See Note	2 ft/.6m	50Hz Spec (Note: Not Available - Purchase Locally)	
810B		Ref	Cable, Electrical 10/3	
810B	1060708	2.5 ft/.76m	60Hz Spec	
810B	See Note	2.5 ft/.76m	50Hz Spec (Note: Not Available - Purchase Locally)	
810C	1060343	1.5 ft/.46m	Cable, Electrical 10/4 (60Hz Spec Only)	
810D	4460425	2	Connector, Strain Relief	
810E		Ref	Component Options:	
810E	4460426	2	Connector, Strain Relief (60Hz Spec Only)	
810E	4460426	1	Connector, Strain Relief (50Hz Spec Only)	
810E	3520189	1	Plug (50Hz Spec Only)	
810F	1671092	1	Cover (60Hz Spec Only)	
810F	4460963	1	Connector (60Hz Spec Only)	
811	4933264	Ref	7500W Generator Electrical Diagram Components	C
811A	4922757	1	Generator Harness	3-C
811B	4460374	2	Plug, Sealed Relay	
811B	4460375	7	Terminal	
811C	4460967	1	Plug, Male - 3 Position	
811C	4460465	3	Socket, Female	
811D	2400060	1	Fuseholder	
811D	2400064	1	Fuse - 5 Amp	
811E	4922641	1	Switch Harness	
811F	4460226	2	Socket, Female	
		Ref	<b>TOOLS (NOT SHOWN)</b>	
	7002821	1	Crimper (For Wire to Pin/Socket Connections)	
	7002823	1	Extractor (For Removal of Pin/Socket from Connectors)	
	4460467	1	Extractor, Pin (Blue 16-18 Gauge) (For Removal of Pin/Socket from Connectors)	
	4460510	1	Extractor, Pin (Yellow 12-14 Gauge) (For Removal of Pin/Socket from Connectors)	
	7002828	1	Stripper, Wire	

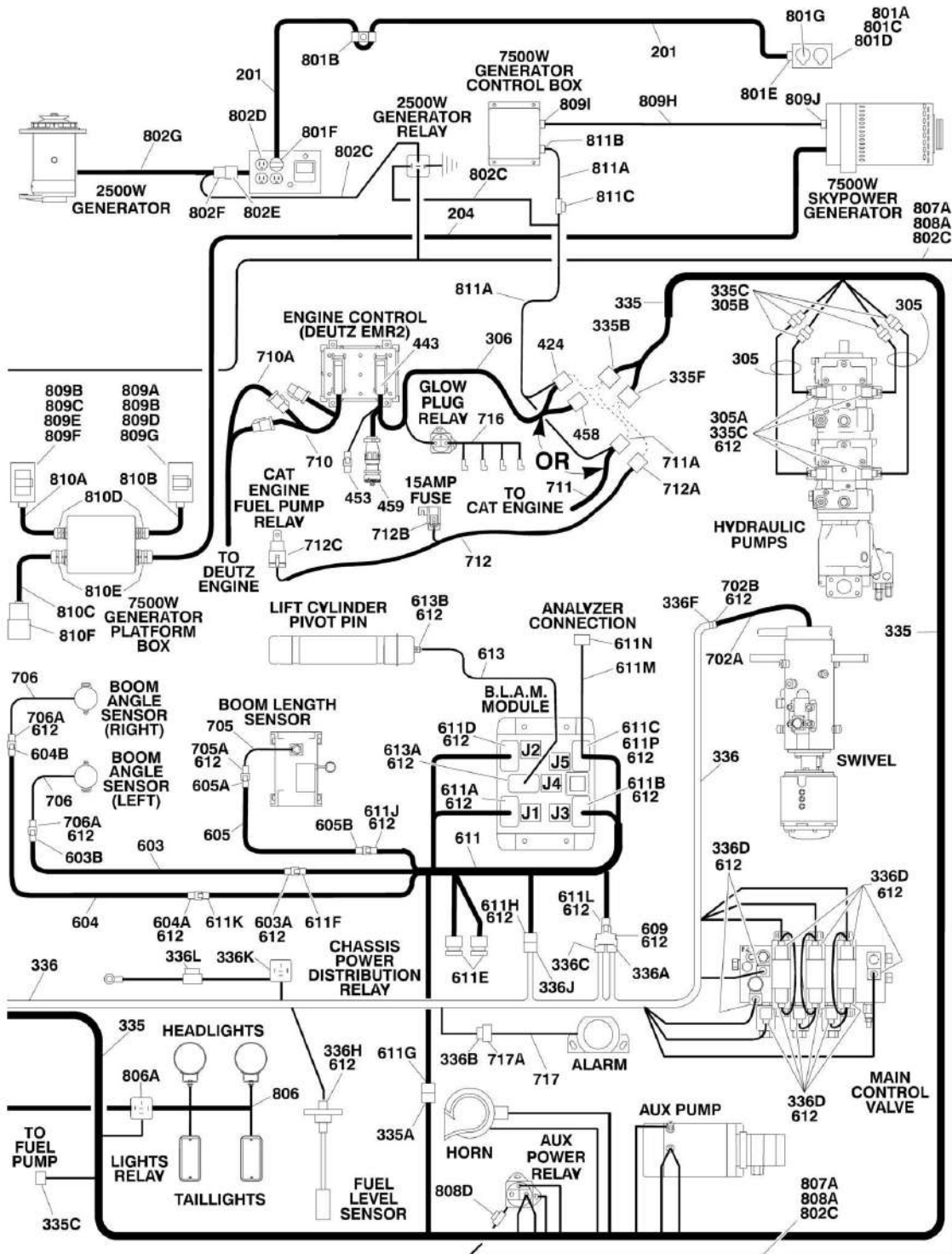


# SECTION 7 - ELECTRICAL

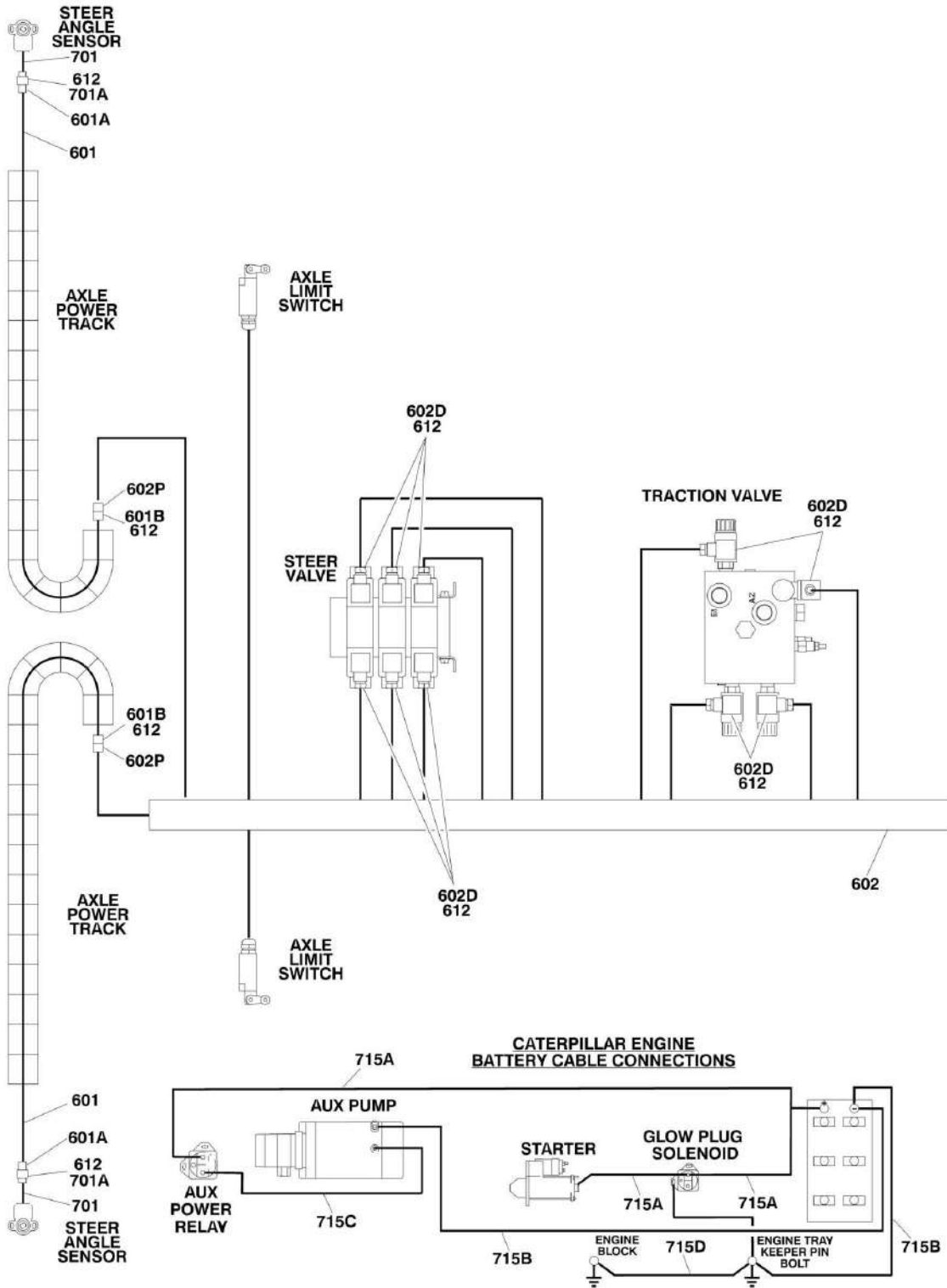
FIGURE 7-5. HARNESS COMPONENTS INSTALLATION (SN 0300140836 to Present)



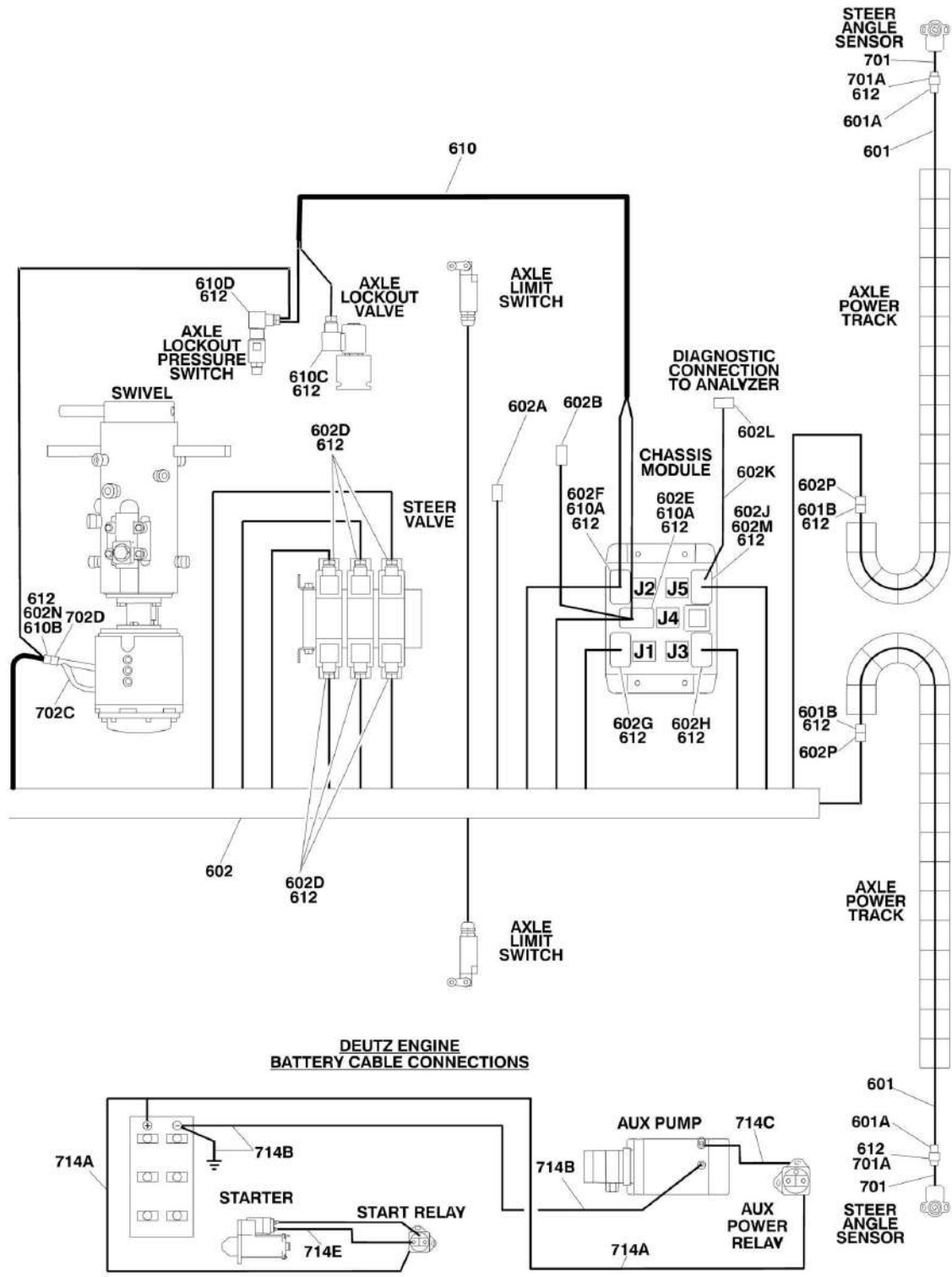
# SECTION 7 - ELECTRICAL



# SECTION 7 - ELECTRICAL



# SECTION 7 - ELECTRICAL



# SECTION 7 - ELECTRICAL

**FIGURE 7-5. HARNESS COMPONENTS INSTALLATION (SN 0300140836 to Present)**

ITEM	PART NUMBER	QTY	DESCRIPTION	REV
		Ref	<b>PLATFORM CONSOLE BOX COMPONENTS OPTIONS:</b>	
	1001146045	Ref	<b>Platform Console Box Components Options (was p/n 1001109953) 1100S (Prior to SN 0300157749)</b>	F
	1001146045	Ref	<b>Platform Console Box Components Options 1100S (SN 0300157749 to Present)</b>	A
	1001146161	Ref	<b>Platform Console Box Components Options (was p/n 0861631) 1100SJP (Prior to SN 0300157749)</b>	L
	1001146161	Ref	<b>Platform Console Box Components Options 1100SJP (SN 0300157749 to Present)</b>	A
1	0100048	AR	Grease, Dielectric	
4		Ref	Footswitch Components:	
4A	1060918	7 ft/2.14m	Cable, Electrical - 18/3	
4B	4460071	1	Connector, Strain Relief	
4C	4460226	2	Socket, Female	
4C	4460464	1	Pin, Male	
46	4460428	2	Connector, Strain Relief	
47	4460470	1	Nut, Terminal	
48	4460471	1	Lockwasher, Terminal	
50	4460496	1	Lockwasher, Terminal	
51	4460497	1	Nut, Terminal	
52	4460708	2	Receptacle, Female - 15 Position	
53	4460905	5	Seal, Plug	
58	4922666	1	Harness, Analyzer Cable	2-B
58	4460226	4	Socket, Female (Not Shown - Located at J2)	
58A	4460761	1	Connector, Female - 4 Position	
58A	4460227	4	Pin, Male	
59	4923448	1	Harness, Platform Box (See Items 101-111 for Breakdown)	
	4923448	Ref	<b>PLATFORM BOX HARNESS ASSEMBLY</b>	3-B
101	4460866	1	Connector - 19 Pin	
101	4460464	7	Pin, Male Deutsch 16 Ga	
101	4460508	4	Pin, Male Deutsch 12 Ga	
101	4460943	3	Pin, Male 16 Ga (Gold Plated)	
102	4460874	1	Connector - 35 Position (Natural)	
102	4460871	7	Socket, Female	
102	4460905	4	Plug	
103	4460876	1	Connector - 35 Position (Blue)	
103	4460871	32	Socket, Female	
103	4460905	3	Plug	
104	4460873	1	Connector - 35 Position (Black)	
104	4460871	34	Socket, Female	
104	4460905	1	Plug	
105	4460879	1	Connector, Male - 2 Position	
105	4460887	2	Terminal (12 Gauge)	
106	4460418	12	Connector, Female - 6 Position	
106	4460419	36	Socket, Female	
107	4460225	5	Plug, Male - 6 Position	
107	4460226	21	Terminal (16 Gauge)	
108	4460225	1	Plug, Male - 6 Position	
108	4460227	5	Pin, Male	
109	4460434	2	Plug, Male - 15 Position	



## SECTION 7 - ELECTRICAL

ITEM	PART NUMBER	QTY	DESCRIPTION	REV
109	4460227	14	Pin, Male	
110	4460925	1	Connector - 21 Pin	
110	4460929	13	Pin, Male Deutsch 16 Ga	
110	4460466	8	Plug	
111	1001121616	2	Connector, 6 Position	
111	1001121615	2	Base, Mounting	
		Ref	<b>BOOM CABLES INSTALLATION</b>	
	0271932	Ref	<b>With no Generator Option</b>	D
	0271932	Ref	<b>With 2500W Generator Option</b>	D
	0273854	Ref	<b>With 7500W Generator Option</b>	A
201		Ref	Cable, Electrical - 10/3	
201	4922759	1	With no Generator Option	B
201	4922759	1	With 2500W Generator Option	B
201	Not Required	0	With 7500W Generator Option	
202	4922763	1	Cable, Electrical - 18/3 (46ft/13.8m Length)	B
203	4922672	1	Harness Assembly - Boom (12/4 -18/8)	2-B
203	1060896	142	Cable, Electrical - 12/4 & 18/8	
		ft/43.3m		
203	2820118	8 in/18cm	Heat Shrink	
203A	4460465	11	Socket, Female 18 Gauge	
203A	4460865	2	Connector - 19 Position	
203A	4460509	4	Socket, Female 12 Gauge	
203A	4460466	8	Seal, Plug	
203B	4460473	2	Clamp, Cable	
203C	4460465	11	Socket, Female 18 Gauge	
203C	4460509	4	Socket, Female 12 Gauge	
204	4922796	1	Harness, Generator (8/5) (with 7500W Generator Only)	
		Ref	<b>GROUND CONTROL BOX COMPONENTS</b>	
	1001119375	Ref	<b>Ground Control Box Components 1100S (Ground Control Box Sub-Assembly)</b>	5
	1001119374	Ref	<b>Ground Control Box Components 1100SJP (Ground Control Box Sub-Assembly)</b>	C
	1001119363	Ref	<b>Ground Control Box Components 1100S &amp; 1100SJP (Ground Controls Assembly)</b>	J
301	0100048	AR	Grease, Dielectric	
305	1001119456	2	Harness, Pump Adapter (Machines with Rexroth Pumps Only) (P/N 1001119456 Includes 2 Adapter Harnesses. Total of qty 4 required)	B
305A	4460880	4	DIN Connector (1 per Harness)	
305B	4460897	4	Connector, Female - 2 Position	
305B	4460464	8	Pin, Male	
306	1001119470	1	Harness, Deutz Engine (See Items 401-458 for Breakdown)	
322	4460426	1	Connector, Strain Relief	
323	4460470	1	Nut, Terminal	
324	4460471	1	Lockwasher, Terminal	
325	4460526	1	Connector, Strain Relief	
326	4460874	1	Connector, White - 35 Position	
327	4460875	1	Connector, Gray - 35 Position	
328	4460892	2	Bar, Buss	
329	4460905	4	Plug, Connector	
330	4460914	2	Base, Terminal	
335	1001119372	1	Harness, Ground Control to Engine	B
335A	4460899	1	Receptacle, Female - 6 Position	

## SECTION 7 - ELECTRICAL

ITEM	PART NUMBER	QTY	DESCRIPTION	REV
335A	4460464	4	Pin, Male	
335A	4460466	2	Plug, Seal	
335B	4460899	1	Receptacle, Female - 6 Position	
335B	4460464	3	Pin, Male	
335B	4460944	2	Socket, Female	
335B	4460466	1	Plug, Seal	
335C	4460891	5	Plug, Male - 2 Position	
335C	4460465	10	Socket, Female	
335D	4460871	10	Socket, Female	
335E	4460539	1	Plug, Male - 3 Position	
335E	4460944	3	Socket, Female (Gold)	
335F	4460931	1	Receptacle, Female - 8 Position	
335F	4460464	7	Pin, Male	
335F	4460466	1	Plug, Seal	
336	1001116369	1	Valve Harness Assembly	C
336A	4460965	1	Plug, Male - 3 Position	
336A	4460944	3	Socket, Female	
336B	4460320	1	Plug, Male - 2 Position	
336B	4460267	2	Pin, Male	
336C	4460965	2	Plug, Male - 3 Position	
336C	4460944	6	Socket, Female	
336D	4460880	11	DIN Connector	
336E	4460871	16	Socket, Female	
336F	4460836	1	Plug, Male - 12 Position	
336F	4460466	4	Plug, Socket	
336F	4460465	3	Socket, Female	
336F	4460942	2	Socket, Female 14-16 GA	
336F	4460944	3	Socket, Female 16-18 GA	
336G	4460424	1	Connector, Female - 2 Position	
336G	4460268	2	Socket, Female	
336H	4460843	1	Plug, Male - 2 Position	
336G	4460842	2	Socket, Female	
336J	4460894	1	Plug, Male - 6 Position	
336J	4460465	3	Socket, Female	
336J	4460942	3	Socket, Female 14-16 GA	
336K	3740080	1	Relay, Sealed	
336K	4460374	1	Plug, Sealed	
336K	4460375	5	Terminal, Female	
336L	2400066	1	Fuseholder w/Leads	
336L	2400065	1	Fuse, 30A	
337	1001120180	1	Ground Control Box Harness Assembly	A
337	3990001	2	Diode - 3 Amp (Not Shown - Located at Power Down Relay)	
337A	4460876	1	Connector, Blue - 35 Position	
337A	4460871	29	Socket, Female	
337B	4460866	1	Connector - 19 Pin	
337B	4460464	10	Pin, Male Deutsch 16 Ga	
337B	4460508	3	Pin, Male Deutsch 12 Ga	
337C	4460878	1	Plug, Male - 4 Position	
337C	4460887	3	Terminal (12 Gauge)	
337D	4120035	10	Base, Light	
337D	4460634	10	Terminal (16 Gauge)	

## SECTION 7 - ELECTRICAL

ITEM	PART NUMBER	QTY	DESCRIPTION	REV
337D	4460635	10	Terminal (12 Gauge)	
337E	4460873	1	Connector, Black - 35 Position	
337E	4460871	16	Socket, Female	
337F	4460418	8	Connector, Female - 6 Position	
337F	4460419	24	Socket, Female	
337G	4460225	1	Plug, Male - 6 Position	
337G	4460227	6	Pin, Male	
337H	4460965	1	Plug, Male - 3 Position (Blue Lock)	
337H	4460944	3	Socket, Female	
337H	4922099	2 ft/.6m	Cable, Can-Buss	
337J	2400066	1	Fuseholder with Cover	
337J	2400065	1	Fuse 30 Amp	
337K	4460894	2	Plug, Male - 6 Position	
337K	4460465	1	Socket, Female 16-18GA	
337K	4460942	2	Socket, Female 14GA	
337L	4460761	1	Connector, Female - 4 Position	
337L	4460227	4	Pin, Male	
337M	4460966	1	Plug, Male - 3 Position (Green Lock)	
337M	4460944	3	Socket, Female	
337M	4922099	2 ft/.6m	Cable, Can-Buss	
337N	4460871	9	Socket, Female	
338	1001116206	1	Ground Control Wiring Diagram (Not Shown) (See Items 501-509 for Breakdown)	
339	4460496	1	Lockwasher, Terminal	
340	4460497	1	Nut, Terminal	
341	1001120337	1	Harness, ClearSky Ready	A
341A	2400060	2	Fuseholder with Cover	
341A	2400064	2	Fuse 5Amp	
341B	1001112612	1	Receptacle, Female - 9 Position	
341B	4460464	6	Pin, Male	
341B	4460466	3	Plug, Sealing	
341C	1001113961	1	Plug, Male - 8 Position	
341C	4460871	3	Socket, Female	
341C	4460905	5	Plug, Sealing	
341D	4460465	1	Socket, Female	
341E	4460539	1	Plug, Male - 3 Position	
341E	4460871	3	Pin, Male	
341F	4460933	1	Plug, Male - 12 Position	
341F	4460465	9	Socket, Female	
341F	4460466	3	Plug, Sealing	
341F	4460898	1	Connector, Female Bussbar - 9 Position	
342	1001106736	1	Cap, Dust	
350	1001120294	1	Harness, Model Selection	A
350	4460871	2	Socket, Female	
	1001119470	Ref	<b>DEUTZ ENGINE HARNESS ASSEMBLY</b>	B
424	4460894	1	Connector, Female - 6 Position	
424	4460465	2	Socket, Female	
424	4460944	3	Socket, Female	
424	4460466	1	Plug, Seal	
443	4461052	1	Connector, Female - 25 Position	
443	4461005	5	Terminal	
443	4461006	5	Seal	

## SECTION 7 - ELECTRICAL

ITEM	PART NUMBER	QTY	DESCRIPTION	REV
443	4461054	2	Seal, Terminal	
443	4461060	2	Terminal (Tin)	
443	4461053	1	Cover, Plug	
443	4461008	18	Plug, Hole	
453	4461095	1	Plug, Male - 3 Position	
453	4460944	3	Socket, Female	
453	4461070	1	Receptacle, Female with Resistor - 3 Position	
458	4460930	1	Connector, Female - 8 Position	
458	4460465	2	Socket, Female	
458	4460466	6	Plug, Seal	
	1001116206	Ref	<b>GROUND CONTROL BOX WIRING DIAGRAM</b>	A
501	2920129	10	Bulb, Light	
506	4460226	6	Socket, Female	
507	4460224	1	Connector, Female - 6 Position	
508	4460945	1	Connector, Female - 3 Way	
509	4460872	1	Plug, Male - 14 Position	
509	4460871	AR	Socket, Female	
509	4460905	AR	Plug, Sealing	
		Ref	<b>WIRING HARNESSES INSTALLATION</b>	
	1001112761	Ref	<b>Wiring Harnesses Installation 1100S</b>	1-B
	0274660	Ref	<b>Wiring Harnesses Installation 1100SJP</b>	1-D
601	4922718	4	Axle Power Track Harness Assembly	B
601A	4460539	1 Per Assy	Plug, Male - 3 Position	
601A	4460944	3 Per Assy	Socket, Female	
601B	4460932	1 Per Assy	Connector, Female - 4 Position	
601B	4460943	4 Per Assy	Pin, Male	
602	4922696	1	Chassis Harness Assembly	3-D
602A	4460894	1	Plug, Male - 6 Position	
602A	4460465	6	Socket, Female	
602A	4460892	1	Bar, Buss - 6 Position	
602B	4460891	1	Plug, Male - 2 Position	
602B	4460465	2	Socket, Female	
602C	4460894	1	Plug, Male - 6 Position (Not Shown)	
602C	4460465	6	Socket, Female	
602C	4460892	1	Bar, Buss - 6 Position	
602D	4460880	14	DIN Connector	
602E	4460930	1	Connector, Gray - 8 Position	
602E	4460465	3	Socket, Female	
602E	4460466	5	Plug, Terminal	
602F	4460836	1	Connector, Black - 12 Position	
602F	4460465	6	Socket, Female	
602F	4460466	6	Plug, Terminal	
602G	4460933	1	Connector, Gray - 12 Position	
602G	4460465	8	Socket, Female	
602G	4460466	4	Plug, Terminal	
602H	4460934	1	Connector, Green - 12 Position	
602H	4460944	12	Socket, Female	
602J	4460935	1	Connector, Brown - 12 Position	

## SECTION 7 - ELECTRICAL

ITEM	PART NUMBER	QTY	DESCRIPTION	REV
602J	4460465	8	Socket, Female	
602K	4922705	1	Analyzer Harness	2-B
602L	4460761	1	Connector, Female	
602L	4460227	4	Pin, Male	
602M	4460465	4	Socket, Female	
602N	4460950	1	Connector, Female - 12 Position	
602N	4460464	6	Pin, Male 16-18 GA	
602N	4460943	3	Pin, Male 16-18 GA (Gold)	
602N	4460941	2	Pin, Male 14-16GA	
602P	4460884	4	Connector, Gray - 4 Position	
602P	4460944	16	Socket, Female	
603	4922781	1	B.L.A.M. to Boom Angle Sensor Harness (Left Side)	3-B
603A	4460932	1	Connector, Gray - 4 Position	
603A	4460943	4	Pin, Male	
603B	4460911	1	Plug, Male - 3 Position	
603B	4460918	3	Socket, Female	
603B	4460912	1	Lock, Wedge - Position	
604	4922780	1	B.L.A.M. to Boom Angle Sensor Harness (Right Side)	2-B
604A	4460884	1	Connector, Gray - 4 Position	
604A	4460944	4	Socket, Female	
604B	4460911	1	Plug, Male - 3 Position	
604B	4460918	3	Socket, Female	
604B	4460912	1	Lock, Wedge - Position	
605	4922716	1	B.L.A.M. to Boom Length Sensor Harness	C
605A	4460539	2	Plug, Male - 3 Position	
605A	4460944	3	Socket, Female	
605B	4460894	1	Plug, Male - 6 Position	
605B	4460944	4	Socket, Female	
605B	4460466	2	Plug, Sealing	
606	4922784	1	Jib Stow Switch Harness (1100SJP Only)	B
606A	4460891	1	Plug, Male - 2 Position	
606A	4460465	2	Socket, Female	
607	4922785	1	Dual Capacity Jib Position Switch Harness (1100SJP Only)	B
607A	4460897	1	Connector, Female - 2 Position	
607A	4460464	2	Pin, Male	
608	4922777	1	Platform Valve Harness	1-C
608A	4460880	9	DIN Connector	
608B	4460926	1	Connector - 21 Position	
608B	4460928	13	Socket, Female	
608B	4460466	8	Plug, Hole	
608C	4460897	1	Connector, Female - 2 Position	
608C	4460464	2	Pin, Male	
608D	4460891	1	Plug, Male - 2 Position	
608D	4460465	2	Socket, Female	
609	4460945	1	Connector, Female - 3 Way	
610	4922767	1	Lockout Valve Harness (1100SJP Only)	2-C
610A	4460465	3	Socket, Female	
610B	4460464	1	Pin, Male	
610C	4460880	2	Connector, DIN	
610D	4460449	2	Connector, DIN	
611	4922786	1	B.L.A.M. Harness	4-C

## SECTION 7 - ELECTRICAL

ITEM	PART NUMBER	QTY	DESCRIPTION	REV
611A	4460933	1	Plug, Male - 12 Position (Gray)	
611A	4460466	7	Plug, Seal	
611A	4460944	3	Socket, Female	
611A	4460465	1	Socket, Female	
611A	4460942	1	Socket, Female	
611B	4460934	1	Plug, Male - 12 Position (Green)	
611B	4460466	7	Plug, Seal	
611B	4460944	3	Socket, Female	
611B	4460465	2	Socket, Female	
611C	4460935	1	Plug, Male - 12 Position (Brown)	
611C	4460466	5	Plug, Seal	
611C	4460465	2	Socket, Female	
611D	4460836	1	Plug, Male - 12 Position (Black)	
611D	4460466	8	Plug, Seal	
611D	4460944	2	Socket, Female	
611D	4460465	2	Socket, Female	
611E	4460836	2	Plug, Male - 12 Position (Black)	
611E	4460466	14	Plug, Seal	
611E	4460944	5	Socket, Female	
611E	4460465	5	Socket, Female	
611E	4460837	2	Receptacle, Female - 12 Position Buss Bar	
611F	4460884	1	Plug, Male 4 Position (Gray)	
611F	4460944	4	Socket, Female	
611G	4460894	1	Plug, Male - 6 Position (Gray)	
611G	4460465	5	Socket, Female	
611G	4460466	1	Plug, Sealing	
611H	4460899	1	Connector, Female - 6 Position (Gray)	
611H	4460464	3	Pin, Male	
611H	4460941	3	Pin, Male (Gold Plated)	
611J	4460899	1	Connector, Female - 6 Position (Gray)	
611J	4460466	2	Plug, Sealing	
611J	4460943	4	Pin, Male (Gold Plated)	
611K	4460932	1	Plug, Male - 4 Position (Gray)	
611K	4460943	1	Pin, Male	
611L	4460966	1	Connector, Female - 3 Position	
611L	4460944	3	Socket, Female	
611M	4922705	1	Analyzer Harness	2-B
611N	4460761	1	Connector, Female - 4 Position	
611N	4460227	4	Pin, Male	
611P	4460465	4	Socket, Female	
612	0100048	AR	Lubricant, Silicone	
613	4923256	1	Load Sensing Pin Harness	B
613A	4460930	1	Connector, Gray - 8 Position	
613A	4460465	4	Socket, Female	
613A	4460466	3	Plug, Sealing	
613B	See Note	1	Connector, Female - 4 Position (Note: Not Available For Purchase)	
613B	See Note	4	Terminal (Note: Not Available For Purchase)	
615	4922947	1	Right Level Sensor, Harness	E
615A	4460911	1	Plug, Male - 3 Position	
615A	4460918	3	Pin, Male	
615A	4460912	1	Lock, Wedge - Position	

## SECTION 7 - ELECTRICAL

ITEM	PART NUMBER	QTY	DESCRIPTION	REV
615A	1320309	1	Clamp, Cable	E
615A	1560012	1	Nut, Conduit	
615A	1560011	1	Connector, Conduit	
615A	4461013	1	Plug, Male - 7 Position	
616	4922948	1	Left Level Sensor, Harness	
616A	4460911	1	Plug, Male - 3 Position	
616A	4460918	3	Pin, Male	
616A	4460912	1	Lock, Wedge - Position	
616A	1320309	1	Clamp, Cable	
616A	1560012	1	Nut, Conduit	
616A	1560011	1	Connector, Conduit	
616A	4461013	1	Plug, Male - 7 Position	
		Ref	<b>STANDARD HARNESS COMPONENTS</b>	
701	4360505	4	Steer Angle Sensor Harness (Includes Sensor)	
701A	4460536	1 Per Assy	Plug, Male - 3 Position	
701A	4460464	3 Per Assy	Pin, Male	
702	1660302	1	Coupling Electrical Components	
702A	See Note	1	Coupling Turntable Harness (Note: Not available for purchase)	
702B	4460837	1	Connector, Female - 12 Position	
702B	4460466	4	Plug, Socket	
702B	4460464	3	Pin, Male 16-18 GA	
702B	4460943	3	Pin, Male 16-18 GA (Gold)	
702B	4460941	2	Pin, Male 14-16GA	
702C	See Note	1	Coupling Frame Harness (Note: Not available for purchase)	
702D	4460836	1	Plug, Male - 12 Position	
702D	4460465	6	Socket, Female 16-18 GA	
702D	4460942	2	Socket, Female 14-16 GA	
702D	4460944	3	Socket, Female 16-18 GA (Gold)	
702D	4460466	1	Plug, Socket	
703	4360527	1	Broken Cable Proximity Switch Harness (Includes Switch)	
704		Ref	Platform Level Sensor Harness Options (Includes Sensor):	
704	1001133329	2	Standard Harness Components (was p/n 4360545) <b>(Prior to SN 0300141600)</b>	
704	1001133329	2	Standard Harness Components <b>(SN 0300141600 to Present)</b>	
704A	4460910	2	Connector, Female - 3 Position	
704A	4460917	6	Pin, Male	
704A	4460913	1	Lock, Wedge	
705	See Note	1	Boom Length Switch Harness (Note: Not available for purchase)	
705A	4460536	1	Connector, Female - 3 Position	
705A	4460943	3	Pin, Male	
706		Ref	Boom Angle Sensor Harness Options (Includes Sensor):	
706	1001133329	2	Standard Harness Components (was p/n 4360545) <b>(Prior to SN 0300141600)</b>	
706	1001133329	2	Standard Harness Components <b>(SN 0300141600 to Present)</b>	
706A	4460910	2	Connector, Female Deutsch - 3 Position	
706A	4460917	6	Pin, Male	
706A	4460913	1	Lock, Wedge	
707	See Note	1	Controller Harness Assembly (Lift and Swing) (Note: Not Available For Purchase)	
707A	7022819	1	Plug, Male - 8 Position (Natural)	

## SECTION 7 - ELECTRICAL

ITEM	PART NUMBER	QTY	DESCRIPTION	REV
707A	4460871	8	Socket, Female	
708	7022824	1	Controller Harness/Circuit Board Assembly (Drive and Steer)	
708A	7022825	1	Plug, Male - 8 Position (Black)	
708A	4460871	7	Socket, Female	
709	See Note	1	Speed Control Harness (Note: Not Available For Purchase)	
709A	4460224	1	Connector, Female - 6 Position	
709A	4460226	5	Socket, Female	
710	7027796	1	Engine Harness	
710A	70001869	1	Engine Harness (Deutz Tier III Engines)	
710A	70001872	1	Engine Harness (Deutz Tier IVi Engines)	
711	1001120776	1	Caterpillar Harness Components	A
711A	See Note	1	Connector, Female - 6 Position (Note: Not Available For Purchase)	
712	1001119995	1	Caterpillar Electric Fuel Pump Harness Components	A
712A	4460930	1	Plug, Male - 8 Position	
712A	4460944	6	Socket, Female 16-18GA Gold	
712A	4460465	2	Socket, Female	
712B	1001117024	1	Connector, Metri-Pack 15Amp Fuse	
712C	1001117057	1	Connector, Metri-Pack - 4 Position	
713	0272621	1	Control System Analyzer Installation	A
713	2901443	1	Analyzer/Cable Kit	1
713A	1600244	1	Analyzer	
713B	1060633	1	Cable, Analyzer	1-B
713C	4460321	2	Plug, Male	
713C	70003407	2	Shell, Back	
713C	4460226	8	Socket, Female	
714	2902099	1	Deutz Engine Battery Cable Kit	B
714A	7024580	1	Cable, Red (To Aux Pump Relay, Battery Positive Terminal and Start Relay)	
714B	7024581	1	Cable, Black (To Aux Pump, Battery Negative Terminal and Ground at Tray Pivot)	
714C	7024582	1	Cable, Red (Aux Pump Relay to Aux Pump)	
714D	7024583	1	Cable, Black (Tray Pivot to Engine Mount) (Not Shown)	
714E	7024584	1	Cable, Red (Start Relay to Starter)	
715	1001120743	1	Caterpillar Engine Battery Cable Kit	
715A	7027034	1	Cable, Red (To Aux Pump Relay, Battery Positive Terminal, Glow Plug Solenoid and Starter)	
715B	7024581	1	Cable, Black (To Aux Pump, Battery Negative Terminal and Ground at Tray Pivot)	
715C	7027035	1	Cable, Red (Aux Pump Relay to Aux Pump)	
715D	7027039	1	Cable, Black (Tray Pivot to Engine Block)	
717	0257887	1	Alarm Harness (Includes Alarm)	
717	0140032	1	Alarm	
717	2820035	6 in/15cm	Loom	
717	4460424	1	Plug	
717	4460268	2	Socket, Female	
717A	4460424	1	Plug, Male - 2 Position	
717A	4460268	2	Socket, Female	
		Ref	<b>OPTIONAL HARNESS COMPONENTS</b>	
801		Ref	AC to Platform Receptacle Components Options:	
801	0271955	Ref	110V (No Plug or Receptacle - ANSI Export and Australian Specs)	1-C
801A		Ref	Box, Switch Options:	



## SECTION 7 - ELECTRICAL

ITEM	PART NUMBER	QTY	DESCRIPTION	REV
801A	See Note	1	0271955 Installation (Note: Not Available - Purchase Locally)	
801B	1320146	1	Clamp, Cable	
801C		Ref	Gasket, Cover Options:	
801C	See Note	1	0271955 Installation (Note: Not Available - Purchase Locally)	
801D		Ref	Shield, Cover Options:	
801D	See Note	1	0271955 Installation (Note: Not Available - Purchase Locally)	
801E		Ref	Connector, Strain Relief Options:	
801E	See Note	1	0271955 Installation (Note: Not Available - Purchase Locally)	
801F		Ref	Plug, Male Options (Not used with 2500W Generators):	
801F	See Note	1	0271955 Installation (Note: Not Available - Purchase Locally)	
801G		Ref	Receptacle Options:	
801G	See Note	1	0271955 Installation (Note: Not Available - Purchase Locally)	
802		Ref	2500W Generator Electrical Diagram Components	
802	1001120381	AR	Caterpillar/Deutz Engine -110V/220V - 60Hz	
802A	4922641	1	Harness - On/Off Switch	
802B	4460226	2	Socket, Female	
802C	1001120378	1	Powermite Control Box to Relay Harness	
802C	4460374	1	Plug, Sealed	
802C	4460375	4	Terminal	
802C	4460465	1	Socket, Female 16-18 GA	
802D	4460027	1	Receptacle, Twist Lock	
802E	4460961	1	Connector, Female - 4 Position	
802E	4460705	4	Pin, Male	
802F	4460321	1	Connector, Male - 4 Position	
802F	4460906	4	Socket, Female	
802G	7020193	1	Harness, Generator Ground Power	
804	0272507	1	Strobe Light Harness (Includes Strobe Light)	B
804A	4460320	1	Connector, Female - 2 Position	
804A	4460267	2	Pin, Male	
806	4922738	1	Headlight and Taillight and Chassis Illumination Lights Harness	
806A	4460374	1	Plug, Sealed	
807	See Note	1	Floodlights Harness Components (Note: Not available for purchase)	
807A	1001099719	1	Harness (Aux Relay to Console Box)	
807B	4460320	2	Plug, Male - 2 Position	
807B	4460227	4	Pin, Male	
807C	4922764	1	Floodlight Harness (Lights to Switch)	
807D	4460424	2	Connector, Female - 2 Position	
807D	4460226	4	Socket, Female	
807E	1060977	1	Cord, 2 Wire Coiled (Console Box Relay to Switch)	
807F	4360232	1	Breaker, Circuit	
807G	4460425	1	Connector, Strain Relief	
808	See Note	1	Work Lights Harness Components (1100SJP Only) (Note: Not available for purchase)	
808A	4922834	1	Harness, Electric 10/3 (Aux Relay to Console Box)	
808A	4921757	AR	Fusible Link	
808B	See Note	2	Work Light Harness (Supplied with Work Light) (Note: Not available for purchase)	
808C	4460426	1	Connector, Strain Relief	
808D	2400066	1	Fuseholder with Cover	
808D	2400070	1	Fuse 20 Amp	
809	1001117508	Ref	7500W SkyPower Generator Installations	C

## SECTION 7 - ELECTRICAL

ITEM	PART NUMBER	QTY	DESCRIPTION	REV
809A	4460958	1	Receptacle, Female Twist-Lock	
809B	3960422	2	Gasket	
809C	1001110873	1	Cover, Receptacle	
809D	1001110872	1	Cover, Receptacle	
809E	4460346	1	Receptacle	
809F	4460051	1	Connector, Strain Relief	
809G	4922972	1	Harness, Generator	
809H	See Note	1	Plug, Male - 6 Position (Note: Not available for purchase)	
809H	See Note	6	Socket, Female (Note: Not available for purchase)	
809J	4460225	1	Plug, Male - 6 Position	
809J	4460226	6	Socket, Female	
809K	4460071	1	Connector, Strain Relief	
810	0861542	Ref	7500W SkyPower Generator Junction Box Components	C
810A	1060494	2 ft/.6m	Cable, Electrical 12/3	
810B	1060708	2.5 ft/.76m	Cable, Electrical 10/3	
810C	1060343	1.5 ft/.46m	Cable, Electrical 10/4	
810D	4460425	2	Connector, Strain Relief	
810E	4460426	AR	Component	
810F	1671092	1	Cover	
810F	4460963	1	Connector	
811	1001122528	Ref	7500W Generator Electrical Diagram Components	A
811A	1001119968	1	Generator Harness	B
811B	4460967	1	Plug, Male - 3 Position	
811B	4460465	3	Socket, Female	
811C	1001117078	1	Connector, Metri-Pack W/5Amp Fuse	
811D	4922641	1	Switch Harness	
811E	4460226	2	Socket, Female	
812	See Note	1	Work Lights Harness Components (1100S Only) (Note: Not available for purchase)	
812A	1001120484	1	Floodlights Harness	A
812B	4460879	1	Plug, Male - 2 Position	
812B	4460887	2	Terminal (12 Gauge)	
812C	2400060	1	Fuseholder	
812C	See Note	2	Fuse - 3 Amp (Note: Not available for purchase)	
812D	4460884	1	Connector, Gray - 4 Position	
812D	4460465	4	Socket, Female	
812E	1001120471	1	Receptacle, Male - 2 Position	
812E	1001120477	2	Terminal (12 Gauge)	
812F	4460428	1	Connector, Strain Relief	
812G	1001120474	2	Work Light Harness (Supplied with Work Light)	
812H	4460932	2	Plug, Male - 4 Position (Gray)	
812H	4460943	AR	Pin, Male	
		Ref	<b>TOOLS (NOT SHOWN)</b>	
	7002821	1	Crimper (For Wire to Pin/Socket Connections)	
	7002823	1	Extractor (For Removal of Pin/Socket from Connectors)	
	4460467	1	Extractor, Pin (Blue 16-18 Gauge) (For Removal of Pin/Socket from Connectors)	
	4460510	1	Extractor, Pin (Yellow 12-14 Gauge) (For Removal of Pin/Socket from Connectors)	
	7002828	1	Stripper, Wire	

## SECTION 7 - ELECTRICAL

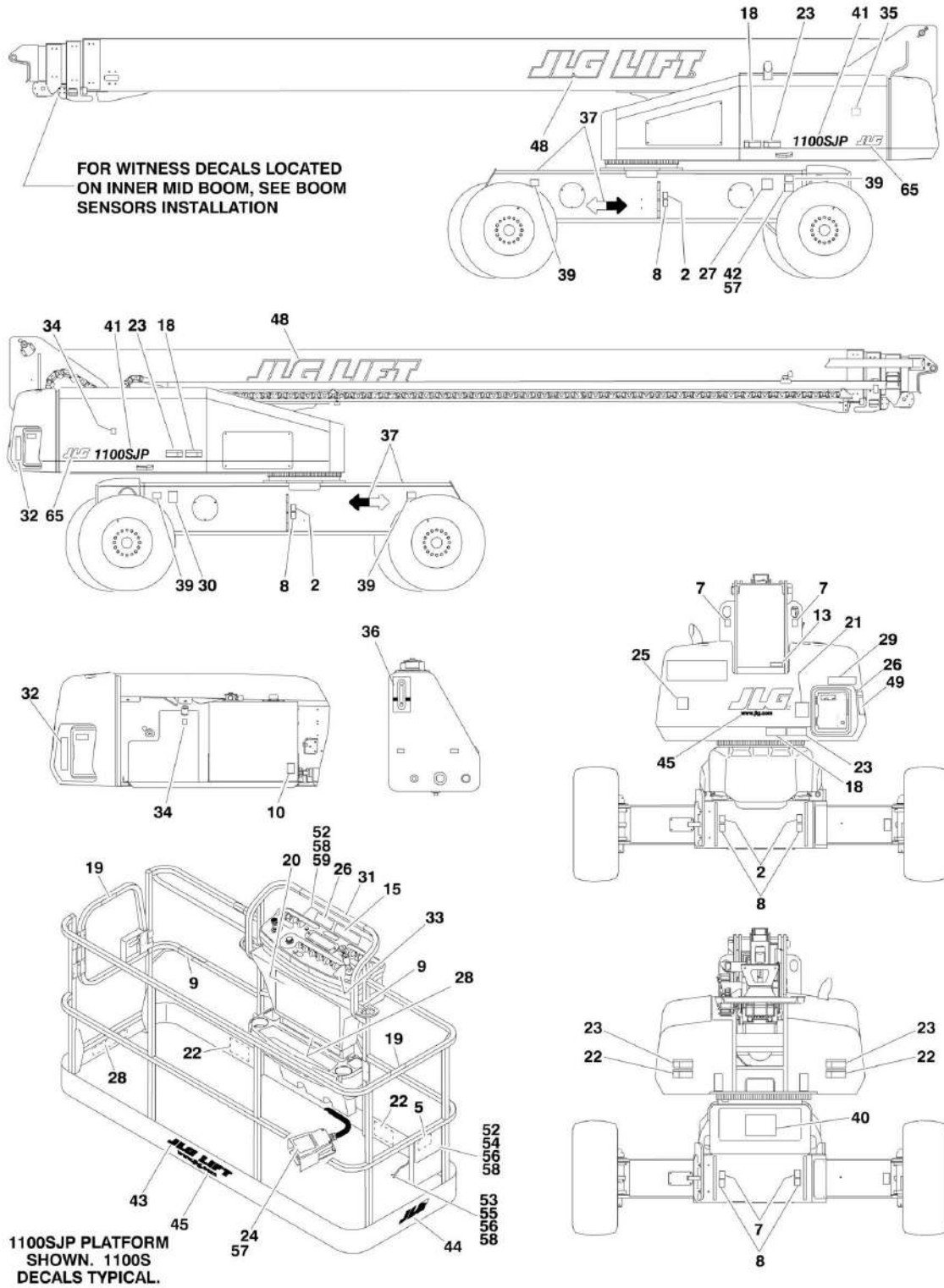
ITEM	PART NUMBER	QTY	DESCRIPTION	REV
	1001137005	1	Cable Kit, Software (Not Shown)	



**SECTION 8 - DECALS**

# SECTION 8 - DECALS

## FIGURE 8-1. DECAL INSTALLATION (ANSI SPEC)



## SECTION 8 - DECALS

**FIGURE 8-1. DECAL INSTALLATION (ANSI SPEC)**

ITEM	PART NUMBER	QTY	DESCRIPTION	REV
	1001111089	Ref	<b>STANDARD DECAL INSTALLATIONS</b>	F
	1001114093	Ref	<b>Decals - JLG</b>	1
	1001111094	Ref	<b>ANSI Decals (1100S)</b>	5
	1001111905	Ref	<b>ANSI Decals (1100SJP)</b>	5
	1001110771	Ref	<b>Model Designation Decals - 1100S</b>	2
	1001110773	Ref	<b>Model Designation Decals - 1100SJP</b>	1
2	1701499	4	Decal - No Lift	
5	1701509	1	Decal - Manual	
7	1703811	4	Decal - Tie Down/Lift	
8	1703814	6	Decal - Tie Down	
9	1704277	4	Decal - Attach Lanyard Here	
10	1704412	1	Decal - Hydraulic Oil Chart	
13	3251243	1	Nameplate - 120V-60Hz	
15	1705337	1	Decal - Tip Over	
18	1703953	4	Decal - Warning/Crushing	
19	1702868	2	Decal - No Hands	
20	1703797	1	Decal - Danger/Warning (Platform)	
21	1705336	1	Decal - Danger/Warning (Ground Control)	
22	1703804	6	Decal - Warning Crushing	
23	1703805	5	Decal - Danger/Electrocution	
24	3252347	1	Decal - Footswitch	
25	3251813	AR	Decal - USA	
26	1705492	2	Decal - Tip Over Hazard	
27	See Note	1	Decal - Bar Code (Note: Not available for purchase) <b>(Prior to SN 0300157749)</b>	
28		Ref	Decal - Capacity (Platform) Options:	
28		Ref	Decal - Model 1100S	
28	1001111253	2	Decal - Model <b>(Prior to SN 0300140836)</b>	
28	1001125869	2	Decal - Model <b>(SN 0300140836 to Present)</b>	
28		Ref	Decal - Model 1100SJP	
28	1705168	2	Decal - Model <b>(Prior to SN 0300140836)</b>	
28	1001122369	2	Decal - Model <b>(SN 0300140836 to Present)</b>	
29		Ref	Decal - Capacity (Ground Control) Options:	
29		Ref	Decal - Model 1100S	
29	1001111254	1	Decal - Model <b>(Prior to SN 0300140836)</b>	
29	1001125875	1	Decal - Model <b>(SN 0300140836 to Present)</b>	
29		Ref	Decal - Model 1100SJP	
29	1705181	1	Decal - Model <b>(Prior to SN 0300140836)</b>	
29	1001122376	1	Decal - Model <b>(SN 0300140836 to Present)</b>	
30		Ref	Decal - Patent Options:	
30	1700584	1	Decal - Patent <b>(Prior to SN 0300157749)</b>	
30	1001131269	1	Decal - Patent <b>(SN 0300157749 to Present)</b>	
31	1706751	1	Decal - Legend (Platform)	
32	1705868	1	Decal - Legend (Ground Control)	
33	1705351	1	Decal - Drive/Steer Instructions	
34	1701505	2	Decal - Fuel	
35	1704972	1	Decal - Warning Explosion/Fire	
36	1705511	1	Decal - Oil Level	
37	1701501	4	Decal - Arrow	
39	2902355	1	Decal Kit - Tire Load	

## SECTION 8 - DECALS

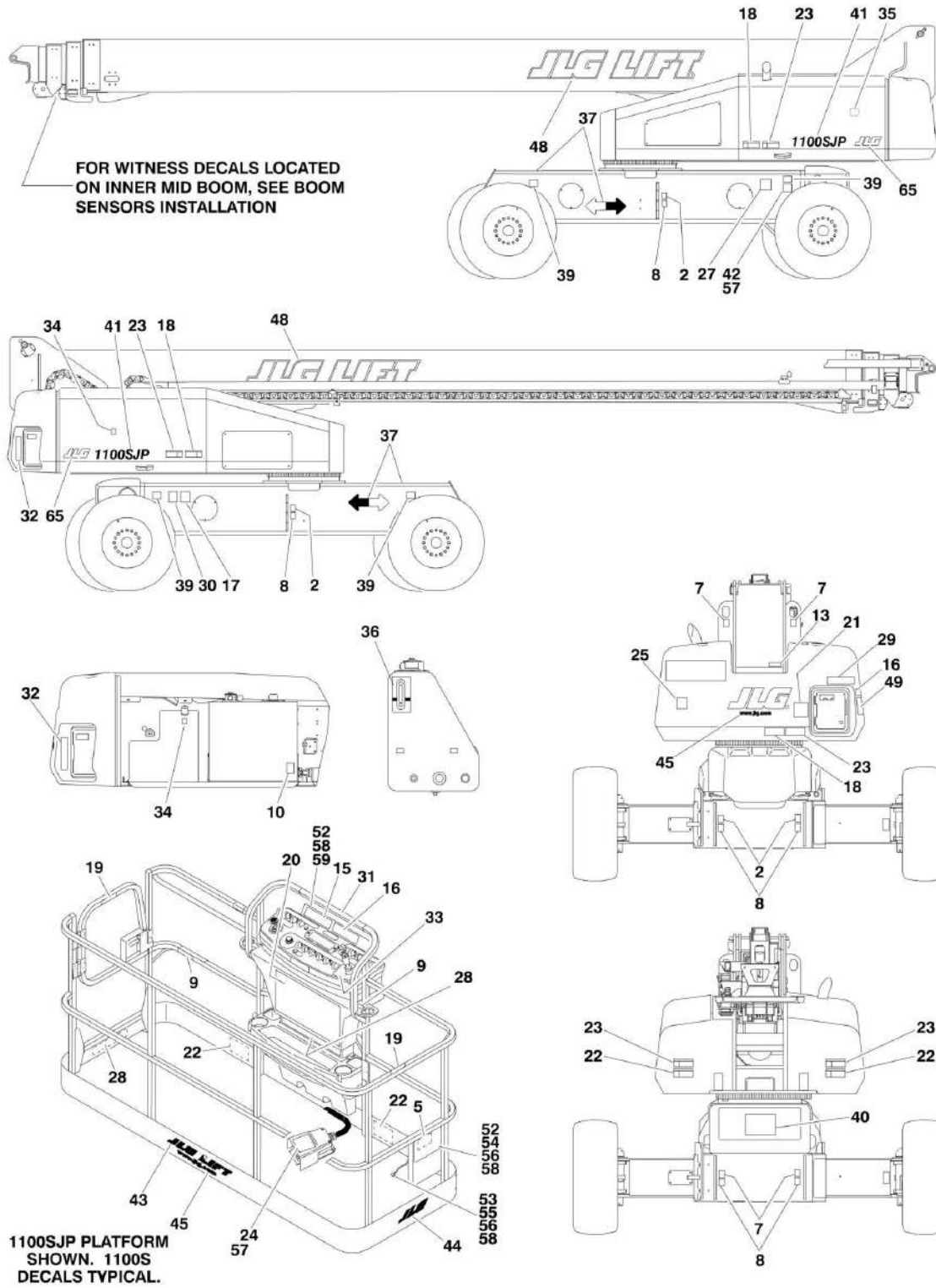
ITEM	PART NUMBER	QTY	DESCRIPTION	REV
39	1705178	4	Decal - Tire Load	
40		Ref	Decal - Lift Diagram	
40	1001110901	1	Decal - Model 1100S	
40	1705096	1	Decal - Model 1100SJP	
41		Ref	Decal - Model Options:	
41	1001109106	2	Decal - Model 1100S	
41	1001109502	2	Decal - Model 1100SJP	
42	See Note	1	Nameplate - Serial Number (Note: Not available for purchase)	
43	1702774	1	Decal - JLG Lift (3.5in)	
44	1702773	1	Decal - JLG (5in)	
45	1704885	2	Decal - www.jlg.com	
48	1702862	2	Decal - JLG Lift (12in)	
49	1705365	1	Decal - Daily Check	
52	0641406	AR	Bolt 1/4in-20NC x 3/4in	
53	0641408	1	Bolt 1/4in-20NC x 1in ( <b>Prior to SN 0300140836</b> )	
54	0860520	1	Box, Manual Storage	
55	1060279	1	Cable, Lanyard ( <b>Prior to SN 0300140836</b> )	
56	3311405	AR	Locknut 1/4in-20NC	
57	3820001	2	Rivet	
58	4751400	AR	Flatwasher 1/4in Regular	
59	3380474	1	Plate, Decal Mount	
65	1702773	1	Decal - JLG (5in)	





# SECTION 8 - DECALS

## FIGURE 8-2. DECAL INSTALLATION (ANSI EXPORT SPECS)



## SECTION 8 - DECALS

**FIGURE 8-2. DECAL INSTALLATION (ANSI EXPORT SPECS)**

ITEM	PART NUMBER	QTY	DESCRIPTION	REV
	1001111089	Ref	<b>STANDARD DECAL INSTALLATIONS</b>	F
	1001114093	Ref	<b>Decals - JLG</b>	1
	1001111097	Ref	<b>Brazil Spec Decals (Portuguese/English) (1100S)</b>	6
	1001111908	Ref	<b>Brazil Spec Decals (Portuguese/English) (1100SJP)</b>	6
	1001111096	Ref	<b>Chinese Spec Decals (Chinese/English) (1100S)</b>	5
	1001111907	Ref	<b>Chinese Spec Decals (Chinese/English) (1100SJP)</b>	4
	1001111095	Ref	<b>Korean Spec Decals (Korean/English) (1100S)</b>	5
	1001111906	Ref	<b>Korean Spec Decals (Korean/English) (1100SJP)</b>	4
	1001111098	Ref	<b>Latin American Spec Decals (Spanish/English) (1100S)</b>	5
	1001111909	Ref	<b>Latin American Spec Decals (Spanish/English) (1100SJP)</b>	5
	1001110771	Ref	<b>Model Designation Decals - 1100S</b>	2
	1001110773	Ref	<b>Model Designation Decals - 1100SJP</b>	2
2	1701499	4	Decal - No Lift	
5	1701509	1	Decal - Manual	
7	1703811	4	Decal - Tie Down/Lift	
8	1703814	6	Decal - Tie Down	
9	1704277	3	Decal - Attach Lanyard Here	
10	1704412	1	Decal - Hydraulic Oil Chart	
13	3251243	1	Nameplate - 120V-60Hz	
15		Ref	Decal - Tip Over Options:	
15	1705904	AR	Brazil Spec Decals (Portuguese/English) (1100S & 1100SJP)	
15	Not Required	0	Chinese Spec Decals (Chinese/English) (1100S)	
15	1705342	AR	Chinese Spec Decals (Chinese/English) (1100SJP)	
15	Not Required	0	Korean Spec Decals (Korean/English) (1100S)	
15	1705339	AR	Korean Spec Decals (Korean/English) (1100SJP)	
15	1705909	AR	Latin American Spec Decals (Spanish/English) (1100S & 1100SJP)	
16		Ref	Decal - Tip Over Hazard Options:	
16	1705906	AR	Brazil Spec Decals (Portuguese/English)	
16	1705507	AR	Chinese Spec Decals (Chinese/English)	
16	1705503	AR	Korean Spec Decals (Korean/English)	
16	1705915	AR	Latin American Spec Decals (Spanish/English)	
17		Ref	Decal - Inspection Options: <b>(Prior to SN 0300157749)</b>	
17	1705901	1	Brazil Spec Decals (Portuguese/English)	
17	1704007	1	Latin American Spec Decals (Spanish/English)	
17	Not Required	0	Chinese/Korean Specs	
18		Ref	Decal - Warning/Crushing Options:	
18	1705903	4	Brazil Spec Decals (Portuguese/English)	
18	1703943	4	Chinese Spec Decals (Chinese/English)	
18	1703945	4	Korean Spec Decals (Korean/English)	
18	1703941	4	Latin American Spec Decals (Spanish/English)	
19		Ref	Decal - No Hands Options	
19	1705967	2	Brazil Spec Decals (Portuguese/English)	
19	1705968	2	Chinese Spec Decals (Chinese/English)	
19	1705969	2	Korean Spec Decals (Korean/English)	
19	1704001	2	Latin American Spec Decals (Spanish/English)	
20		Ref	Decal - Danger/Warning (Platform) Options:	
20	1705895	1	Brazil Spec Decals (Portuguese/English)	
20	1703925	1	Chinese Spec Decals (Chinese/English)	
20	1703927	1	Korean Spec Decals (Korean/English)	

## SECTION 8 - DECALS

ITEM	PART NUMBER	QTY	DESCRIPTION	REV
20	1703923	1	Latin American Spec Decals (Spanish/English)	
21		Ref	Decal - Danger/Warning (Ground Control) Options:	
21	1705896	1	Brazil Spec Decals (Portuguese/English)	
21	1705348	1	Chinese Spec Decals (Chinese/English)	
21	1705345	1	Korean Spec Decals (Korean/English)	
21	1705917	1	Latin American Spec Decals (Spanish/English)	
22		Ref	Decal - Warning Crushing Options:	
22	1705898	6	Brazil Spec Decals (Portuguese/English)	
22	1703949	6	Chinese Spec Decals (Chinese/English)	
22	1703951	6	Korean Spec Decals (Korean/English)	
22	1703947	6	Latin American Spec Decals (Spanish/English)	
23		Ref	Decal - Danger/Electrocution Options:	
23	1705897	5	Brazil Spec Decals (Portuguese/English)	
23	1703937	5	Chinese Spec Decals (Chinese/English)	
23	1703939	5	Korean Spec Decals (Korean/English)	
23	1703935	5	Latin American Spec Decals (Spanish/English)	
24		Ref	Decal - Footswitch Options:	
24	1705902	1	Brazil Spec Decals (Portuguese/English)	
24	1703982	1	Chinese Spec Decals (Chinese/English)	
24	1703981	1	Korean Spec Decals (Korean/English)	
24	1703983	1	Latin American Spec Decals (Spanish/English)	
25		Ref	Decal - USA Options: <b>(Prior to SN 0300157749)</b>	
25	3251813	1	All Spec Decals Except Korean Spec Decals	
25	Not Required	0	Korean Specs	
27	See Note	1	Decal - Bar Code (Note: Not available for purchase) <b>(Prior to SN 0300157749)</b>	
28		Ref	Decal - Capacity (Platform) Options:	
28		Ref	Decal - Capacity <b>(Prior to SN 0300140836)</b>	
28	1001111259	2	Brazil Spec Decals (Portuguese/English) (1100S)	
28	1705899	2	Brazil Spec Decals (Portuguese/English) (1100SJP)	
28	1001111257	2	Chinese Spec Decals (Chinese/English) (1100S)	
28	1705334	2	Chinese Spec Decals (Chinese/English) (1100SJP)	
28	1001111255	2	Korean Spec Decals (Korean/English) (1100S)	
28	1705331	2	Korean Spec Decals (Korean/English) (1100SJP)	
28	1001111261	2	Latin American Spec Decals (Spanish/English) (1100S)	
28	1705908	2	Latin American Spec Decals (Spanish/English) (1100SJP)	
28		Ref	Decal - Capacity <b>(SN 0300140836 to Present)</b>	
28	1001125873	2	Brazil Spec Decals (Portuguese/English) (1100S)	
28	1001122372	2	Brazil Spec Decals (Portuguese/English) (1100SJP)	
28	1001125872	2	Chinese Spec Decals (Chinese/English) (1100S)	
28	1001122371	2	Chinese Spec Decals (Chinese/English) (1100SJP)	
28	1001125871	2	Korean Spec Decals (Korean/English) (1100S)	
28	1001122370	2	Korean Spec Decals (Korean/English) (1100SJP)	
28	1001125874	2	Latin American Spec Decals (Spanish/English) (1100S)	
28	1001122373		Latin American Spec Decals (Spanish/English) (1100SJP)	
29		Ref	Decal - Capacity (Ground Control) Options:	
29		Ref	Decal - Capacity <b>(Prior to SN 0300140836)</b>	
29	1001111260	1	Brazil Spec Decals (Portuguese/English) (1100S)	
29	1705900	1	Brazil Spec Decals (Portuguese/English) (1100SJP)	
29	1001111258	1	Chinese Spec Decals (Chinese/English) (1100S)	
29	1705478	1	Chinese Spec Decals (Chinese/English) (1100SJP)	
29	1001111256	1	Korean Spec Decals (Korean/English) (1100S)	

## SECTION 8 - DECALS

ITEM	PART NUMBER	QTY	DESCRIPTION	REV
29	1705481	1	Korean Spec Decals (Korean/English) (1100SJP)	
29	1001111262	1	Latin American Spec Decals (Spanish/English) (1100S)	
29	1705919	1	Latin American Spec Decals (Spanish/English) (1100SJP)	
29		Ref	Decal - Capacity <b>(SN 0300140836 to Present)</b>	
29	1001125878	1	Brazil Spec Decals (Portuguese/English) (1100S)	
29	1001122379	1	Brazil Spec Decals (Portuguese/English) (1100SJP)	
29	1001125877	1	Chinese Spec Decals (Chinese/English) (1100S)	
29	1001122378	1	Chinese Spec Decals (Chinese/English) (1100SJP)	
29	1001125876	1	Korean Spec Decals (Korean/English) (1100S)	
29	1001122377	1	Korean Spec Decals (Korean/English) (1100SJP)	
29	1001125879	1	Latin American Spec Decals (Spanish/English) (1100S)	
29	1001122380	1	Latin American Spec Decals (Spanish/English) (1100SJP)	
30	1700584	1	Decal - Patent <b>(Prior to SN 0300157749)</b>	
31	1706751	1	Decal - Legend (Platform)	
32	1705868	1	Decal - Legend (Ground Controls)	
33		Ref	Decal - Drive/Steer Instructions Options:	
33	1705905	1	Brazil Spec Decals (Portuguese/English)	
33	1705430	1	Chinese Spec Decals (Chinese/English)	
33	1705427	1	Korean Spec Decals (Korean/English)	
33	1705910	1	Latin American Spec Decals (Spanish/English)	
34	1701505	2	Decal - Fuel	
35		Ref	Decal - Warning Explosion/Fire Options	
35	1706059	1	Brazil Spec Decals (Portuguese/English)	
35	1706060	1	Chinese Spec Decals (Chinese/English)	
35	1706061	1	Korean Spec Decals (Korean/English)	
35	1706063	1	Latin American Spec Decals (Spanish/English)	
36	1705511	1	Decal - Oil Level	
37	1701501	4	Decal - Arrow	
39	2902355	1	Decal Kit - Tire Load (Model 1200SJP)	
39	1705178	4	Decal - Tire Load	
39	2902357	1	Decal Kit - Tire Load (Model 1350SJP)	
39	1705167	4	Decal - Tire Load	
40		Ref	Decal - Lift Diagram	
40	1001110901	1	Decal - Model 1100S	
40	1705096	1	Decal - Model 1100SJP	
41		Ref	Decal - Model Options:	
41	1001109106	2	Decal - Model 1100S	
41	1001109502	2	Decal - Model 1100SJP	
42	See Note	1	Nameplate - Serial Number (Note: Not available for purchase)	
43	1702774	1	Decal - JLG Lift (3.5in)	
44	1702773	1	Decal - JLG (5in)	
45	1704885	2	Decal - www.jlg.com	
48	1702862	2	Decal - JLG Lift (12in)	
49		Ref	Decal - Daily Check Options:	
49	1705456	1	Brazil Spec Decals (Spanish/Portuguese)	
49	1705452	1	Chinese Spec Decals (Chinese/English)	
49	1705448	1	Korean Spec Decals (Korean/English)	
49	1706904	1	Latin American Spec Decals (English/Spanish)	
52	0641406	AR	Bolt 1/4in-20NC x 3/4in	
53	0641408	1	Bolt 1/4in-20NC x 1in	
54	0860520	1	Box, Manual Storage	

## SECTION 8 - DECALS

ITEM	PART NUMBER	QTY	DESCRIPTION	REV
55	1060279	1	Cable, Lanyard	
56	3311405	5	Locknut 1/4in-20NC	
57	3820001	AR	Rivet	
58	4751400	AR	Flatwasher 1/4in Regular	
59		Ref	Plate, Decal Mount Options:	
59	3572327	1	Brazil Spec Decals (Portuguese/English) (1100S & 1100SJP)	
59	Not Required	0	Chinese Spec Decals (Chinese/English) (1100S)	
59	3572327	1	Chinese Spec Decals (Chinese/English) (1100SJP)	
59	Not Required	0	Korean Spec Decals (Korean/English) (1100S)	
59	3572327	1	Korean Spec Decals (Korean/English) (1100SJP)	
59	3572327	1	Latin American Spec Decals (Spanish/English) (1100S & 1100SJP)	
65	1702773	1	Decal - JLG (5in)	

## **SECTION 9 - RECOMMENDED SERVICE PARTS STOCK**

## **SECTION 9 - RECOMMENDED SERVICE PARTS STOCK**

## SECTION 9 - RECOMMENDED SERVICE PARTS STOCK

FIGURE 9-1. MODEL 1100S/1100SJP STANDARD PARTS

ITEM	PART NUMBER	QTY	DESCRIPTION	REV
	Note	Ref	<b>Note: The following list will service one machine (built to current production per date on the front cover) with emergency repair parts which can be installed in the field. Parts from the list should be replaced when inventory is depleted to keep service parts stock supplied. For further information, contact your JLG dealer or the JLG Industries Parts Department.</b>	
		Ref	<b>STANDARD PARTS</b>	
	7024365	1	Axle Powertrack Repair Kit	
	4360505	1	Switch	
	7018991	1	Coil	
	7012944	1	Coil	
	3740067	1	Relay	
	7011354	1	Coil	
	7017451	1	Coil	
	7024571	1	Coil	
	70002231	12	Element, Pressure Filter	
	7003655	12	Element, Air Filter	
	7026811	12	Element, Caterpillar Engine Oil Filter	
	7026830	12	Element, Fuel/Water (Caterpillar Engine)	
	7016331	12	Element, Deutz Engine Oil Filter	
	7016328	12	Element, Deutz Engine Fuel	
	3740080	1	Relay	
	4360336	1	Switch, Toggle	
	7024375	12	Element, Hydraulic Oil Filter	
	3740049	1	Relay	
	4360274	1	Switch, Push Button	
	4360328	1	Switch, Toggle	
	4360475	1	Switch, Mushroom	
	4360476	1	Contact, Switch Block	
	4360469	1	Switch, Key	
	2860030	1	Key, Replacement	
	70003917	1	Boom Powertrack Repair Section	
	70003913	1	Boom Powertrack Repair Section	
	70002097	12	Element, Hydraulic Oil Filter	
	4360330	1	Switch, Toggle	
	4360331	1	Switch, Toggle	
	4360387	1	Switch, Push Button	
	1001129555	1	Controller, Lift and Swing	
	1001212415	1	Controller, Drive and Steer	
	2400065	2	Fuse	
	2400064	2	Fuse	
	3990001	2	Diode - 3 Amp	





## SECTION 9 - RECOMMENDED SERVICE PARTS STOCK

FIGURE 9-2. MODEL 1100S/1100SJP VARIABLE PARTS

ITEM	PART NUMBER	QTY	DESCRIPTION	REV
	Note	Ref	<b>Note: The following list will service one machine (built to current production per date on the front cover) with emergency repair parts which can be installed in the field. Parts from the list should be replaced when inventory is depleted to keep service parts stock supplied. For further information, contact your JLG dealer or the JLG Industries Parts Department.</b>	
		Ref	<b>VARIABLE PARTS</b>	
	4360578	1	Switch, Limit	
	1600331	1	Module (Chassis)	
	1001112758	1	Module (Chassis)	
	1600332	1	Module, B.L.A.M.	
	1001112757	1	Module, B.L.A.M.	
	1600443	1	Module (Engine)	
	4360070	1	Breaker, Circuit (7500W SkyPower Generator Option)	
	2400064	2	Fuse - 5 Amp (7500W SkyPower Generator Option)	
	1001110940	12	Breather, Hydraulic Oil Tank (1100S)	
	7024444	12	Breather, Hydraulic Oil Tank (1100SJP without Hostile Environment Package)	
	1001110940	12	Breather, Hydraulic Oil Tank (1100SJP with Hostile Environment Package)	
	1001110084	1	Module, Ground Control	
	1001133329	1	Sensor, Angle Indicator	
	4360548	1	Switch, Jib Limit (1100SJP Only)	
	4360527	1	Switch, Cable Break	
	4360543	1	Sensor, Boom Length	
	2940074	1	Latch, Platform (1100SJP Only)	
	1600343	1	Module, Platform Control	
	4360232	1	Breaker, Circuit (Platform Worklights Option)	
	4360522	1	Switch, Push Button (Chassis Illumination Lights Option)	
	2400070	2	Fuse (Platform Worklights Option)	

**SECTION 10 - SPECIAL OPTIONS**

## SECTION 10 - SPECIAL OPTIONS

FIGURE 10-1. SPECIAL OPTIONS

ITEM	PART NUMBER	QTY	DESCRIPTION	REV
	Note	Ref	<b>Note: This list is to accommodate machines ordered with special equipment. Options may not be applicable to all models. For more specific parts information contact JLG Parts Department.</b>	
		Ref	<b>MISCELLANEOUS SPECIAL OPTIONS</b>	
	0272078	Ref	<b>Accessory Counterweight (Required with SkyWelder Option)</b>	
	1340067	Ref	<b>Air Cleaner Pre-Cleaner</b>	
	0271956	Ref	<b>Airline Installation - 1/2in (1100SJP Only)</b>	
		Ref	<b>Bellows Installations</b>	
	1001110506	Ref	<b>Bellows, Cylinder (Axle) (1100S)</b>	
	0271803	Ref	<b>Bellows, Cylinder (Fixed Axle) (1100SJP)</b>	
	0271804	Ref	<b>Bellows, Cylinder (Oscillating Axle) (1100SJP)</b>	
	0271805	Ref	<b>Bellows, Cylinder (Boom)</b>	
	0271875	Ref	<b>Boom Wipers Installation</b>	
	0256789	Ref	<b>Camera Mounting Installation</b>	
	1001114649	Ref	<b>Container Shipment Preparation</b>	
		Ref	<b>Decals Installations</b>	
	0272435	Ref	<b>SkyPower (60Hz) (ANSI and ANSI Export Specs)</b>	
	0272589	Ref	<b>SkyPower (50Hz) (ANSI Export Specs)</b>	
	0272448	Ref	<b>SkyWelder (ANSI and ANSI Export Specs) (60Hz)</b>	
	0272588	Ref	<b>SkyWelder (ANSI Export Specs) (50Hz)</b>	
	1705307	1	<b>Tool Location</b>	
		Ref	<b>Decal Kits</b>	
	2902307	Ref	<b>Decal Kit – ANSI Spec</b>	
	2902312	Ref	<b>Decal Kit – Brazilian Spec</b>	
	2902309	Ref	<b>Decal Kit – Chinese Spec</b>	
	2902310	Ref	<b>Decal Kit – Korean Spec</b>	
	2902311	Ref	<b>Decal Kit – Latin American Spec</b>	
	2902303	Ref	<b>Decal Kit – Master</b>	
	1001119565	Ref	<b>Decal Kit – Platform Console (1100S)</b>	
		Ref	<b>Electrical Connector Kits</b>	
	1001148902	Ref	Amp/Tyco Electrical Connector Kit	
	1001148903	Ref	Deutsch DT Electrical Connector Kit	
	1001148904	Ref	Deutsch HD Electrical Connector Kit	
	1001148905	Ref	Packard Electrical Connector Kit	
	1001148906	Ref	Various Electrical Connectors Kit	
		Ref	<b>Filter Kits:</b>	
		Ref	Combined Filter Kit (Hydraulic/Air and Fuel/Engine Oil)	
	See Note	1	Caterpillar Engine Machines (Note: Not Available for Purchase)	
	1001133071	1	Deutz Engine Machines	
		Ref	<b>Fluids</b>	
	3020016	Ref	<b>Engine Oil 15W-40</b>	
		Ref	<b>Hydraulic Fluid</b>	
	2300014	Ref	<b>Mobil 424</b>	
	2300029	Ref	<b>Mobil EAL ISO 46 Bio</b>	
	2300016	Ref	<b>Mobil DTE 10 Excel 32</b>	
	2300021	Ref	<b>Union Carbide Ucon HP5046 Fire Resistant</b>	
	2300039	Ref	<b>Exxon Univis (Cold Climate)</b>	
		Ref	<b>Drive Hub Lubricant</b>	

## SECTION 10 - SPECIAL OPTIONS

ITEM	PART NUMBER	QTY	DESCRIPTION	REV
	See Note	Ref	<b>2WD (Note: Refer to Service Manual)</b>	
	3020008	Ref	<b>4WD (80W-90)</b>	
	1001142966	Ref	<b>Hood Bracket Kit (Eliminate any bending of the hood when cranking engine tray open.)</b>	
	1001148971	Ref	<b>Lanyard (Bolt-On) Installation Kit</b>	
		Ref	<b>Lights Installations</b>	
	0271808	Ref	<b>Chassis Illumination Lights</b>	
	0272093	Ref	<b>Platform Flood Lights</b>	
	0272097	Ref	<b>Platform Work Lights</b>	
	3380652	Ref	<b>Panel, Foot Switch</b>	
		Ref	<b>Platform Bumper Installations (1100S Only)</b>	
	1001110982	Ref	<b>36in X 6ft (91.5cm x 1.83m) (ANSI and ANSI Export Specs)</b>	
		Ref	<b>Platform Console Cover Installations</b>	
	1001110974	Ref	<b>ANSI/Brazil/Latin American Specs (1100S Only)</b>	
	1001112821	Ref	<b>Chinese Specs (1100S Only)</b>	
	1001112820	Ref	<b>Korean Specs (1100S Only)</b>	
		Ref	<b>Platform Entry Kits</b>	
	1001142504	Ref	<b>Drop Bar (Replacing Swing Gate with Drop Bar)</b>	
	1001142505	Ref	<b>Swing Gate (Replacing Drop Bar with Swing Gate)</b>	
		Ref	<b>Platform Mesh Installations (1100SJP Only)</b>	
	0273145	Ref	<b>36in X 8ft (91.5cm x 2.44m) (ANSI and ANSI Export Specs)</b>	
	0273149	Ref	<b>36in X 6ft (91.5cm x 1.83m) (ANSI and ANSI Export Specs)</b>	
	1001149730	Ref	<b>Platform Mid Rail Repair Kit</b>	
		Ref	<b>Platform Rail Extensions (1100SJP Only)</b>	
	0272733	Ref	<b>6ft Platform</b>	
	0272725	Ref	<b>8ft Platform</b>	
		Ref	<b>SkyAccessory Options (1100SJP Only)</b>	
	1001143669	Ref	<b>SkyGuard Installation Kit</b>	
	1001137672	Ref	<b>Platform Sensor Kit</b>	
	1001143256	Ref	<b>Optional (Blue) Beacon Light Kit</b>	
	1001176372	Ref	<b>SkyGuard Hole Plug Removal Kit</b>	
		Ref	<b>SkyPower Installation Options Note: See TURNTABLE SECTION or JLG 3124242 Accessories Manual</b>	
		Ref	<b>SkyWelder Installation Options Note: See JLG 3124242 Accessories Manual</b>	
		Ref	<b>ANSI and ANSI Export Specs (60Hz)</b>	
	0272374	Ref	<b>SkyWelder Installation (Prior to SN 0300139583)</b>	
	0272254	Ref	<b>SkyWelder Installation (SN 0300139583 to Present)</b>	
	0272521	Ref	<b>ANSI Export Specs (50Hz)</b>	
	1001110926	Ref	<b>Soft Touch (Overhead) Installation (1100S Only)</b>	
		Ref	<b>Tools For Service:</b>	
	2901443	1	Analyzer Kit	
	0272048	Ref	Boom Cable Tools Installation	
	4120040	1	Socket 3/4in	
	4120043	1	Socket 2in	
	1705307	1	Decal - Tool Location	
	7002821	Ref	Crimper, Wire	
	7002823	Ref	Pin Extractor - Universal (For Electrical Connectors with Pins and Sockets)	
	4460467	1	Extractor - 16-18 Gauge (For Removal of Pin/Sockets from Deutsch Connectors)	
	4460510	1	Extractor - 12-14 Gauge (For Removal of Pin/Sockets from Deutsch Connectors)	

## SECTION 10 - SPECIAL OPTIONS

ITEM	PART NUMBER	QTY	DESCRIPTION	REV
	70004646	1	Puller (Drive Hub p/n 1001101550)	
	70004648	1	Puller (Drive Hub p/n 1001101550 - Brake Disassembly)	
	7016654	Ref	Screwdriver, Magnetic	
	7002822	Ref	Screwdriver, Pontimeter	
	70004647	1	Seal Tool (Drive Hub p/n 1001101550)	
	7004275	Ref	Seal Tool 1in (For Cylinders)	
	7004276	Ref	Seal Tool 1-1/2in (For Cylinders)	
	7002828	Ref	Stripper, Wire	
	4921850	1	Throttle Service Harness	
	70004185	1	Torque Multiplier	
	7016655	1	Wire Rope Sheave Gauge	
	1001137005	1	Cable Kit, Software (Not Shown)	
	0271983	Ref	<b>Weld Leads at Platform Installation (Requires SkyPower) (1100SJP Only)</b>	

**PART NUMBER INDEX**

# PART NUMBER INDEX

0080181.....51	0272056..... 17	0641404 83, 87, 115, 157	0642022.....123
0080237.....59	0272060..... 59	0641405 ..... 112, 137	0642028.....51
0080241.....107	0272070..... 141	0641406 ... 25, 35, 51, 58,	0642030.....51
0080244.....59	0272078..... 292	59, 79, 99, 103, 133,	0642214.....9, 119
0080277.....13	0272080..... 97, 224	149, 153, 280, 285	0642612.....107
0100009.....158	0272093..... 154, 293	0641408 .... 35, 112, 149,	0642684.....141
01000119, 13, 20, 25, 35,	0272097 ... 154, 226, 293	153, 280, 285	0681608.....141
50, 51, 53, 58, 59, 75,	0272254..... 293	0641410 ..... 58	0681813.....10
79, 83, 87, 93, 95, 100,	0272374..... 293	0641412 ..... 35	0681814.....10
104, 107, 112, 113,	0272435 ..... 85, 89, 292	0641414 ..... 25, 157	0681815.....10
115, 119, 123, 132,	0272448 ..... 292	0641418 ..... 149	0681816.....10
137, 141, 179, 181,	0272507 ... 107, 257, 273	0641424 ..... 25	0682026.....41
183, 185, 187, 189,	0272521 ..... 293	0641504 ..... 25	0682028.....123
191, 193, 195, 197,	0272588 ..... 292	0641505 ..... 13, 145	0682040.....41
201, 203	0272589 ..... 89, 292	0641506 ... 35, 50, 51, 58,	0682212.....123
01000199, 13, 17, 41, 83,	0272621 ..... 255, 272	59, 95, 107, 115	0682418.....41
87, 119, 123, 132, 201	0272725 ..... 293	0641507 ..... 59	0700616.....113
0100020.....51, 53, 83, 89	0272733 ..... 293	0641508 ... 53, 75, 79, 83,	0700808.....50, 53
0100035.....13, 107, 137,	0272970 ..... 149, 153	87	0700816.....75
199	0273145 ..... 293	0641509 ..... 25, 50, 58	0700822.....53, 83
0100038....179, 181, 183,	0273149 ..... 293	0641510 ..... 133	0700823.....53, 83
185, 187, 189, 191,	0273455 ..... 87, 257	0641511 ..... 13, 50, 58	0700824.....53, 83
193, 195, 197, 201, 203	0273456 ..... 87, 257	0641516 ..... 83, 87	0701010.....53
0100040.....153	0273696 ..... 137	0641518 ..... 154	0701012.....51
0100048....83, 87, 95, 99,	0273854 ..... 249, 265	0641520 ..... 97	0701015.....51
103, 157, 248, 249,	0274083 ..... 79	0641524 ..... 41	0701016.....53
254, 264, 265, 270	0274660 ..... 252, 268	0641605 .... 50, 51, 58, 59	0701418.....79
0100063.....179	0275098 ..... 159	0641606 .... 9, 35, 50, 58,	0701617.....17
0100079.....50, 58	0340003 ..... 51, 59	115	0701619.....17
0100081..9, 99, 103, 113,	0340051 ..... 51, 59	0641607 ..... 123	0711214.....51, 59
134, 138, 157	0363037 ..... 9	06416089, 25, 35, 50, 51,	0711417.....59
0140001.....35	0363062 ..... 35	59, 75, 79, 93, 97, 112,	0720804.....157
0140011.....157	0363066 ..... 126	115, 119, 132, 203, 205	0720808....75, 80, 85, 90
0140032....107, 256, 272	0363076 ..... 10	0641609 ..... 9, 59	0721003.....159
0200530.....75	0363081 ..... 79	0641610 ... 50, 53, 58, 59,	0721006.....51, 157
0200742.....79	0363082 ..... 79	79, 107, 112, 123, 149,	0731007.....93
0200833.....13	0400020 ..... 35	153	0741606.....13, 123
0236768.....35	0440251 ..... 41	0641611 ..... 9, 50	0741806.....123
0256789.....292	0480122 ..... 75	0641612 ..... 51	0760606.....53
0257887 ....107, 256, 272	0480127 ..... 79	0641613 ..... 9	0760610.....53
0259666.....100, 104	0480128 ..... 87	0641614 ..... 53, 93	0760612.....53
0271512.....41	0480129 ..... 87	0641615 ..... 123	0760810.....51
0271520.....13	0561431 ..... 123	0641618 ..... 83, 88, 125	0761007.....54
0271521.....9, 10	0561437 ..... 123	0641620 ..... 9	0761210.....50, 53
0271596.....41	0561439 ..... 123	0641630 ..... 112	0761212.....53
0271688.....95	0561444 ..... 123	0641634 ..... 13	0761214.....20
0271769.....107	0561454 ..... 123	0641640 ..... 126	0771414.....59
0271799.....119	0561457 ..... 123	0641644 ..... 126	0791504.....132, 137
0271800.....132	0561458 ..... 123	0641646 ..... 123	0791518.....132
0271802.....25, 35, 141	0561471 ..... 123	0641652 ..... 123	0791604....25, 112, 115,
0271803.....292	0561481 ..... 123	0641676 ..... 126	123, 137
0271804.....292	0561482 ..... 123	0641718 ..... 75, 79	0791605.....126, 137
0271805.....292	0561500 ..... 123	06418089, 25, 50, 51, 58,	0791606.....123, 137
0271806.....107	0630464 .13, 99, 103, 137	59, 123	0791607.....134
0271807.....107	0630467 ..... 132	0641810 ..... 83, 87, 132	0791608.....137
0271808.....107, 293	0630491 ..... 107	0641812 ..51, 59, 95, 141	0791612.....124
0271852.....17	0630511 ..... 115	0641813 ..... 123	0791618.....123
0271874.....115	0630518 ..... 99, 103	0641814 ..... 10	0791620.....123, 132
0271875.....292	0630534 ..... 195, 197	0641818 ..... 59	0791622.....132
0271932.....249, 265	0630535 ... 179, 181, 183,	0641820 ..... 95	0791624.....123, 132
0271934.....9, 10	185, 187, 189, 203	0641826 ..... 59	0791808.....134
0271955.....256, 272	0630536 ..... 205	0642010 ..... 50, 58	0801316.....123
0271956.....292	0630537 ..... 191, 193	0642012 ..... 123	0801317.....123
0271983.....294	0630548 ..... 99, 103	0642014 ..... 123	0801318.....123
0272048.....126, 293	0630558 ..... 126	0642016 ..... 13	0801319.....124
0272055.....17	0630568 ..... 159	0642020 ..... 10	0801320.....119, 123



## PART NUMBER INDEX

0801550.....	126	1001098025.....	211, 224	1001110113.....	26	1001111391.....	145
0811606.....	126	1001098242.....	209, 211	1001110114.....	25	1001111392.....	145
0811607.....	126	1001098513.....	59	1001110146.....	112	1001111393.....	145
0811608.....	123	1001098530.....	59	1001110163.....	119, 123	1001111396.....	145
0811610.....	123	1001098601.....	61	1001110164.....	25, 35, 141	1001111585.....	113
0811614.....	123	1001099632.....	13	1001110166.....	112	1001111905.....	279
0811616.....	123	1001099719.....	257, 273	1001110186.....	41	1001111906.....	283
0860038.....	83, 87	1001101550.....	19, 20	1001110194.....	112	1001111907.....	283
0860520.....	280, 285	1001103286.....	75, 80, 85, 90	1001110257.....	112	1001111908.....	283
0861538.....	83, 87	1001103734.....	251	1001110258.....	112	1001111909.....	283
0861541.....	84, 89	1001104315.....	17	1001110295.....	112	1001111911.....	157
0861542... ..	83, 84, 87, 89, 258, 274	1001104324.....	17	1001110296.....	113	1001112059.....	54
0861567.....	87, 89, 258	1001104325.....	17, 20	1001110433.....	113	1001112068.....	54
0861572.....	87	1001105014.....	203	1001110486.....	113	1001112069.....	54
0861630.....	157, 159	1001105016.....	203	1001110506.....	292	1001112070.....	54
0861631.....	248	1001106736.....	100, 104, 251, 267	1001110513.....	26	1001112073.....	54
0902206.....	107	1001107176.....	112, 113	1001110558.....	137	1001112162.....	113
0902743.....	203, 205	1001107978.....	113	1001110705.....	119	1001112570.....	54
0902751.....	157	1001108024.....	113	1001110740.....	35	1001112592.....	54
0902755.....	35	1001108142.....	112	1001110763.....	209, 211, 213, 215, 217, 219, 221, 223, 224	1001112612.....	251, 267
0902790.....	95	1001108579.....	93	1001110771.....	279, 283	1001112623.....	17, 19, 20
0902800.....	35	1001108617.....	50, 58	1001110773.....	279, 283	1001112669.....	17
0902813.....	79	1001108680.....	112	1001110777.....	213, 224	1001112691.....	113
0902888.....	83, 87	1001108771.....	125	1001110787.....	219, 224	1001112716.....	17
0903530.....	141	1001108788.....	14	1001110788.....	209, 224	1001112741.....	145
0940070.....	51, 59	1001108808.....	17	1001110821.....	224	1001112754.....	99
0961845.....	149	1001108809.....	13	1001110872.....	84, 88, 257, 274	1001112757.....	35, 290
0961893.....	195, 197	1001108904.....	112	1001110873.....	84, 88, 257, 274	1001112758.....	25, 290
0961896... ..	179, 183, 185, 187, 189	1001108919.....	93	1001110877.....	26	1001112761.....	59
0961901.....	191, 193	1001109048.....	93	1001110901.....	280, 285	1001112766.....	293
0961903.....	203, 205	1001109106.....	280, 285	1001110926.....	293	1001112820.....	293
0961948.....	125	1001109181.....	158	1001110936.....	226	1001112821.....	293
0961949... ..	187, 189, 199, 201	1001109236.....	17, 23	1001110940.....	93, 290	1001112878.....	50, 58
0961950... ..	183, 185, 199, 201	1001109238.....	141	1001110974.....	293	1001112879.....	50, 58
0961951.....	124	1001109502.....	280, 285	1001110982.....	293	1001112880.....	50, 58
0961986.....	51, 59	1001109511.....	112	1001111018.....	149	1001112911.....	115
0962033.....	9	1001109543.....	112	1001111054.....	58	1001112928.....	213
0962224.....	124	1001109544.....	93	1001111089.....	279, 283	1001112929.....	145
0962257.....	195, 197	1001109626.....	126	1001111094.....	279	1001112930.....	213
0962297... ..	124, 191, 193	1001109628.....	126	1001111097.....	283	1001112931.....	213
0962401.....	125	1001109649.....	157	1001111098.....	283	1001112932.....	213
0962402.....	125	1001109650.....	157	1001111099.....	279	1001112933.....	213
0962403.....	125	1001109651.....	112	1001111095.....	283	1001112935.....	213
0962404.....	125	1001109653.....	99, 104	1001111096.....	283	1001112937.....	213
0962406.....	125	1001109730.....	13	1001111097.....	283	1001113004.....	112
0962409.....	124	1001109759.....	112	1001111098.....	283	1001113047.....	113
0962410.....	124	1001109796.....	17, 20	1001111132.....	50, 59	1001113103.....	93
0962411.....	125	1001109797.....	17	1001111175.....	115	1001113173.....	115
0962423.....	13	1001109838.....	112	1001111176.....	115	1001113242.....	145
0962447.....	126	1001109941.....	112	1001111193.....	115	1001113243.....	145
0962472.....	125	1001109952.....	157	1001111219.....	93, 115	1001113698.....	100, 251
0962520.....	83, 87	1001109953.....	248	1001111253.....	279	1001113705.....	29
1001091460.....	44	1001109989.....	112, 113	1001111254.....	279	1001113734.....	100
1001091461.....	44	1001110014.....	99, 103	1001111255.....	284	1001113961.....	171, 173, 251, 267
1001092856.....	61	1001110015.....	100	1001111256.....	284	1001114093.....	279, 283
1001094375... ..	76, 80, 85, 90	1001110016.....	99, 249	1001111257.....	284	1001114098.....	113
1001094509... ..	76, 80, 85, 91	1001110027.....	112	1001111258.....	284	1001114392.....	115
1001097553.....	54	1001110059.....	93	1001111259.....	284	1001114620.....	223, 224
1001097619.....	123, 129	1001110060.....	25, 29	1001111260.....	284	1001114649.....	292
1001097643.....	123, 129	1001110084.....	99, 103, 290	1001111261.....	284	1001114889.....	145
1001097820.....	209, 211	1001110108.....	26	1001111262.....	285	1001114890.....	145
		1001110109.....	26	1001111346.....	149	1001114891.....	145
		1001110110.....	26	1001111352.....	58	1001115168.....	115
		1001110111.....	26	1001111387.....	145	1001115385.....	132
		1001110112.....	26	1001111388.....	145	1001115440.....	115, 145
				1001111390.....	145	1001115961.....	17

# PART NUMBER INDEX

1001116111.....51	1001120381..... 226, 273	1001131269..... 279	1320058..... 53, 59
1001116112..... 50, 54	1001120466..... 150	1001131542..... 51, 59	1320060..... 59
1001116153..... 52	1001120471..... 274	1001131620..... 132	1320095..... 99, 103
1001116186..... 52	1001120474..... 150, 274	1001131729..... 132	1320130..... 53, 137
1001116201..... 52	1001120476..... 150	1001131734..... 132	1320136..... 138
1001116206..... 226, 267, 268	1001120477..... 274	1001133071..... 292	1320146..... 256, 273
1001116278..... 52	1001120484..... 150, 274	1001133329..... 137, 255, 271, 290	1320159..... 133
1001116313..... 52	1001120492..... 51	1001134098..... 41, 44	1320162..... 97
1001116324..... 52	1001120529..... 50	1001137005..... 275, 294	1320187..... 50, 58
1001116348..... 52	1001120564..... 97	1001137672..... 293	1320190..... 50, 58
1001116354..... 52	1001120743..... 51, 272	1001142504..... 293	1320223..... 59
1001116367..... 52	1001120769..... 54	1001142505..... 293	1320224..... 53
1001116369..... 103, 266	1001120771..... 54	1001142966..... 293	1320263..... 9, 53, 133
1001116398..... 25, 35, 141	1001120772..... 54	1001143256..... 293	1320277..... 133
1001116413..... 52	1001120773..... 54	1001143669..... 293	1320294..... 133
1001116436..... 52	1001120774..... 54	1001144023..... 153	1320295..... 133
1001116437..... 53	1001120775..... 54	1001144024..... 153	1320296..... 133
1001116525..... 53	1001120776..... 54, 272	1001144629..... 153	1320298..... 9
1001116542..... 215, 224	1001120810..... 54	1001145382..... 60	1320301..... 137
1001116591..... 53	1001121004..... 53	1001145785..... 153	1320309..... 254, 271
1001116792..... 50	1001121236..... 51	1001146045..... 149, 157, 264	1321385..... 134
1001116836..... 53	1001121340..... 85, 89, 90	1001146046..... 149	1340065..... 51, 59
1001117024..... 272	1001121615..... 248, 265	1001146161..... 153, 157, 264	1340067..... 292
1001117057..... 272	1001121616..... 248, 265	1001148902..... 292	1380169..... 112
1001117078..... 85, 274	1001122369..... 279	1001148903..... 292	1560011..... 254, 271
1001117172..... 149, 153	1001122370..... 284	1001148904..... 292	1560012..... 254, 271
1001117174..... 149, 153	1001122371..... 284	1001148905..... 292	1580011..... 53
1001117320..... 149, 153	1001122372..... 284	1001148906..... 292	1580012..... 150, 154
1001117500..... 53	1001122373..... 284	1001148971..... 293	1600244..... 255, 272
1001117508..... 83, 273	1001122376..... 279	1001149730..... 293	1600317..... 157, 161
1001117509..... 75	1001122377..... 285	1001166538..... 157, 175	1600318..... 157, 171
1001117546..... 53	1001122378..... 285	1001166539..... 157, 167	1600331..... 290
1001117577..... 53	1001122379..... 285	1001174325..... 193	1600332..... 290
1001117641..... 75	1001122380..... 285	1001176372..... 293	1600343..... 157, 290
1001117874..... 53	1001122528..... 85, 226, 274	1001212415..... 288	1600443..... 61, 290
1001118180..... 75	1001125425..... 79	1001228019..... 10, 185	1660302..... 95, 255, 271
1001118368..... 53, 64	1001125427..... 87	1001228020..... 9, 181	1670829..... 99, 103
1001118416..... 157, 173	1001125428..... 87	1001228023..... 124, 189	1670964..... 133
1001118417..... 157, 165	1001125869..... 279	1001228024..... 119, 193	1671023..... 59
1001118599..... 84	1001125871..... 284	1001228025..... 124, 197	1671031..... 137
1001119250..... 84	1001125872..... 284	1001228026..... 124, 205	1671032..... 124
1001119356..... 104	1001125873..... 284	1001228031..... 13, 201	1671033..... 124
1001119358..... 104	1001125874..... 279	1060279..... 280, 286	1671038..... 112
1001119360..... 104	1001125875..... 285	1060343..... 84, 89, 258, 274	1671039..... 137
1001119362..... 104	1001125876..... 285	1060461..... 256	1671040..... 13
1001119363..... 103, 265	1001125877..... 285	1060494..... 84, 89, 258, 274	1671043..... 133
1001119372..... 103, 265	1001125878..... 285	1060633..... 255, 272	1671044..... 137
1001119374..... 103, 265	1001125879..... 285	1060637..... 59	1671045..... 25
1001119375..... 103, 265	1001125891..... 53	1060708..... 84, 89, 154, 258, 274	1671046..... 25
1001119456..... 265	1001125949..... 104	1060896..... 249, 265	1671047..... 26
1001119470..... 265, 267	1001125950..... 159	1060918..... 248, 264	1671048..... 26
1001119565..... 158, 292	1001125966..... 104, 159	1060977..... 257, 273	1671049..... 26
1001119686..... 99, 249	1001128765..... 51	1100131..... 124	1671092..... 84, 89, 258, 274
1001119687..... 100	1001128789..... 51	1120094..... 199	1671121..... 50, 58
1001119859..... 97	1001128797..... 51	1120487..... 93	1671176..... 157
1001119860..... 226	1001128898..... 50	1120549..... 13	1671314..... 158
1001119899..... 124	1001128899..... 50	1120550..... 13	1683053..... 195
1001119966..... 84	1001129023..... 52	1180358..... 9	1683056..... 179
1001119968..... 85, 274	1001129304..... 52	1180369..... 133	1683062..... 183, 187
1001119995..... 51, 272	1001129360..... 54	1180370..... 133	1683072..... 191
1001120180..... 103, 266	1001129361..... 54	1260017..... 41	1684081..... 10, 183
1001120195..... 97	1001129555..... 161, 162, 288	1320017..... 51	1684082..... 183
1001120196..... 97	1001129995..... 53	1320022..... 50, 51, 58, 59	1684083..... 183
1001120294..... 104, 267	1001130161..... 53		1684102..... 9, 179
1001120337..... 104, 267	1001130171..... 53		1684103..... 179
1001120378..... 273	1001130774..... 51		1684105..... 179
			1684141..... 203

# PART NUMBER INDEX

1684149 ..... 124, 187	1705336 ..... 279	2110404.....20, 142, 209, 211, 223	2220884 ..... 203, 205
1684150 ..... 187	1705337 ..... 279	2110406...29, 31, 38, 217	2220885 ... 183, 185, 187, 189, 193, 195, 197, 201, 203, 205
1684159 ..... 191	1705339 ..... 283	2110408.....38	2220886 .... 187, 189, 205
1684162 ..... 119, 191	1705342 ..... 283	2110604.....217	2220888 ..... 191, 193
1684173 ..... 124, 195	1705345 ..... 284	2110606.25, 37, 142, 217	2220890 ..... 38
1684174 ..... 195	1705348 ..... 284	2110608.....38, 223	2221084 ..... 223
1684176 ..... 195	1705351 ..... 279	2110610.....223	2221086 ... 25, 29, 31, 38, 142
1684178 ..... 124, 203	1705365 ..... 280	2110612.....209, 211	2221117 ..... 223
1684179 ..... 203	1705366 ..... 138	2110808..20, 29, 37, 209, 211, 215	2221176 ..... 50, 58
1684249 ..... 191	1705367 ..... 138	2110810.....31, 38, 223	2300004 ..... 52
1684275 ..... 199	1705374 ..... 85, 89	2110812.....20, 215, 223	2300014 ..... 292
1684306 ..... 187	1705375 ..... 85, 89	2111010.....38, 209, 211, 223	2300016 ..... 292
1684314 ..... 13, 199	1705376 ..... 84, 89	2111012.....31, 223	2300021 ..... 292
1684315 ..... 199	1705387 ..... 85, 89	2111212.....223	2300029 ..... 292
1684317 ..... 199	1705427 ..... 285	2111216.....37	2300039 ..... 292
1700584 ..... 279, 285	1705430 ..... 285	2111616.....223	2400060 .... 90, 251, 258, 267, 274
1701499 ..... 279, 283	1705448 ..... 285	2112020.....223	2400064 .... 90, 251, 258, 267, 288, 290
1701501 ..... 279, 285	1705452 ..... 285	2113232.....223	2400065 ... 250, 266, 267, 288
1701505 ..... 279, 285	1705456 ..... 285	2120217 ..... 141	2400066 ... 250, 257, 266, 267, 273
1701509 ..... 279, 283	1705460 ..... 85, 89	2130406.....20	2400070 .... 257, 273, 290
1702565 ..... 157	1705461 ..... 89	2130606.....37, 219, 221, 223	2420165 .... 75, 80, 85, 90
1702566 ..... 157	1705478 ..... 284	2130612.....209, 211	2420172 ..... 99, 103
1702773 .... 280, 285, 286	1705481 ..... 285	2130808.....20, 223	2420203 ..... 75, 79
1702774 ..... 280, 285	1705489 ..... 89	2130810.....25	2460048 ..... 87
1702862 ..... 280, 285	1705492 ..... 279	2130812.....20	2460055 ..... 75, 79
1702868 ..... 279	1705503 ..... 283	2131010.....223	2560136 ..... 158
1703162 ..... 52, 59	1705507 ..... 283	2131012.....38	2560173 ..... 154
1703797 ..... 279	1705511 ..... 279, 285	2131212.....97, 223	2560187 ..... 113
1703804 ..... 279	1705744 ..... 157	2150404.....209, 211	2600279 ..... 99, 103
1703805 ..... 279	1705745 ..... 158	2150808.....29, 223	2600280 ..... 112
1703811 ..... 279, 283	1705868 ..... 279, 285	2151012.....20, 29, 31	2600281 ..... 153
1703814 ..... 279, 283	1705895 ..... 283	2170204.....211	2717059 ..... 209, 211
1703923 ..... 284	1705896 ..... 284	2170316.....37	2720058 ..... 53, 60
1703925 ..... 283	1705897 ..... 284	2170504....213, 215, 217	2720500 ..... 60
1703927 ..... 283	1705898 ..... 284	2170506.....217	2720501 ..... 60
1703935 ..... 284	1705899 ..... 284	2170704.....211, 215	2750528 ..... 41
1703937 ..... 284	1705900 ..... 284	2170706.....219	2750532 ..... 50, 58, 60
1703939 ..... 284	1705901 ..... 283	2170708.....209, 211	2753541 ..... 213, 215
1703941 ..... 283	1705902 ..... 284	2170712.....97	2753545 ... 209, 211, 213, 215
1703943 ..... 283	1705903 ..... 283	2170804.....215	2753552 .... 209, 211, 215
1703945 ..... 283	1705904 ..... 283	2170808.....213	2753561 ..... 219
1703947 ..... 284	1705905 ..... 285	2170904.....215	2753569 ..... 219
1703949 ..... 284	1705906 ..... 283	2170908....213, 215, 219, 223	2753579 ..... 219
1703951 ..... 284	1705908 ..... 284	2171208.....209, 211	2753582 ..... 213, 215
1703953 ..... 279	1705909 ..... 283	2171210.....209, 211	2753622 ..... 223
1703981 ..... 284	1705910 ..... 285	2180002.....41	2753677 ..... 215
1703982 ..... 284	1705915 ..... 283	2180344 ..... 41	2753685 ..... 215
1703983 ..... 284	1705917 ..... 284	2180348 ..... 50, 58	2753703 ..... 215
1704001 ..... 283	1705919 ..... 285	2180467 ..... 93	2753708 ..... 223
1704007 ..... 283	1705967 ..... 283	2180830.....209, 211	2753713 ..... 215
1704260 ..... 157	1705968 ..... 283	2200221 ..... 51	2753714 ..... 215
1704277 ..... 279, 283	1705969 ..... 283	2200222 ..... 50, 58	2753715 ..... 215
1704412 ..... 279, 283	1705973 ..... 157	2220063.....41	2753716 ..... 211, 215
1704885 ..... 280, 285	1705974 ..... 99	2220235 ..... 215	2753717 ..... 209, 211
1704972 ..... 279	1706059 ..... 285	2220238.....29, 215	2753718 ..... 223
1705096 ..... 280, 285	1706060 ..... 285	2220313 ..... 50, 58	2753719 ..... 217
1705132 ..... 157	1706061 ..... 285	2220451 ..... 59	2753726 ..... 217
1705167 ..... 285	1706063 ..... 285	2220478 ..... 223	2753727 ..... 217
1705168 ..... 279	1706741 ..... 159	2220498 ..... 60	2753728 ..... 221
1705170 ..... 159	1706751 ..... 279, 285	2220737 ..... 223	
1705171 ..... 157	1706904 ..... 285	2220883.....31, 179, 181, 189, 193, 195, 197	
1705174 ..... 157	1706911 ..... 99, 104		
1705178 ..... 280, 285	1810057 ..... 249		
1705181 ..... 279	2060025 ..... 52, 59		
1705307 .... 126, 292, 293	2080040 .... 150, 153, 154		
1705331 ..... 284	2080051 ..... 112		
1705334 ..... 284			

# PART NUMBER INDEX

2753729.....217	2900792 ... 179, 181, 187, 189, 191, 193	3310601 ... 75, 80, 84, 85, 89, 90	3422955.....119
2753730.....223	2901443 .... 255, 272, 293	3310805 9, 75, 80, 85, 90	3422956.....124
2753731.....223	2901773 ..... 179, 181	3311001 ..... 99, 103, 107, 159	3422957.....124
2753732.....219, 221	2902065 ..... 60	3311005 . 51, 75, 79, 150, 158	3422958.....124
2753733.....221	2902081 ..... 203, 205	3311401 ..... 99, 103	3422959.....124
2753734.....219, 221, 223	2902082 ..... 191	3311405 ... 25, 26, 35, 51, 52, 60, 79, 137, 149, 154, 280, 286	3422960.....9
2753735.....221	2902087 ... 183, 185, 187, 189	3311505 ... 13, 25, 41, 50, 53, 58, 60, 97, 107, 113, 145	3422988.....119
2753736.....219, 221	2902092 ..... 195, 197	3311601 ..... 83, 88	3423208.....119
2753737.....219, 221	2902099 ..... 58, 255, 272	3311605 ... 25, 50, 52, 60, 79, 97, 107, 112, 115, 124, 126, 137, 141, 149, 154	3423256.....13
2753738.....221	2902257 ..... 199, 201	3311801 ..... 83, 124	3441680.....125
2753739.....221	2902303 ..... 292	3311805 . 52, 60, 95, 124, 141	3451214.....13
2753741.....223	2902307 ..... 292	3312002 ..... 41	3470003.....159
2753742.....221	2902309 ..... 292	3312005 ..... 10, 52	3480162.....187
2753743.....221	2902310 ..... 292	3322201 ..... 95	3480268.....203
2753744.....223	2902311 ..... 292	3340871 ..... 124	3480269.....183
2753745.....209, 211	2902312 ..... 292	3340877 ..... 113	3480270.....191
2753746.....223	2902355 ..... 279, 285	3340881 ..... 9, 124	3480271.....195
2753747.....215	2902357 ..... 285	3340907 ..... 9	3480272.....179
2753748.....215	2902443 ..... 251	3340910 ..... 124	3480278.....199
2753749.....215	2902482 ..... 223	3340912 ..... 124	3520026.....158
2753750.....215	2915072 ..... 41	3340916 ..... 124	3520027.....158
2753752.....215	2920110 ..... 107	3340917 ..... 124	3520034.....113
2753753.....221	2920113 ..... 107	3340918 ..... 124	3520054... 10, 52, 60, 158
2753754.....221	2920129 ..... 251, 268	3340921 ..... 124	3520072.....153
2753755.....209, 211	2920140 ..... 154	3340922 ..... 124	3520174.....158
2753756.....215	2920154 ..... 158	3340925 ..... 133	3520182.....149
2753757.....215	2920157 ..... 107, 154	3340926 ..... 124	3520189.....89, 258
2753758.....223	2920215 ..... 107	3340927 ..... 119	3520198.....149, 153
2753759.....215	2940045 ..... 115	3340932 ..... 9	3536089.....154
2753760.....215	2940074 ..... 153, 290	3340934 ..... 133	3537416.....60
2753761.....215	2940139 ..... 99, 103	3340939 ..... 9	3539971.....60
2753762.....215	2940173 ..... 112	3340940 ..... 133	3572327.....286
2753763.....209, 211	3020008 ..... 20, 293	3340941 ..... 133, 137	3572950.....124
2753764.....215	3020016 ..... 52, 60, 292	3340942 ..... 133	3572951.....125
2753765.....223	3020037 ..... 52	3340946 ..... 9	3573016.....133
2753766.....223	3020039 ..... 124	3340955 ..... 123	3573142.....60
2753767.....209, 211	3020042 ..... 124	3340963 ..... 203, 205	3573179.....133
2753768.....215	3160302 ..... 44	3380434 ..... 149, 154	3573194.....133
2753769.....223	3160339 ..... 17, 23	3380465 ..... 99, 103	3573210.....133
2753770.....223	3200362 ..... 60	3380473 ..... 58	3573294.....9
2753771.....223	3200401 ..... 60	3380474 ..... 280	3573301.....137
2753772.....223	3200433 ..... 137	3380652 ..... 293	3573335.....9
2753773.....223	3220126 ..... 52, 60	3421563 ..... 41	3573336.....107
2753774.....223	3220130 ..... 60	3421565 ..... 41	3573355.....115
2753775.....223	3250585 ..... 154	3422446 ..... 50, 58	3573411.....60
2753776.....223	3251102 ... 75, 79, 83, 88	3422532 ..... 52, 60	3573412.....52, 60
2753777.....97	3251243 ..... 279, 283	3422833 ..... 10	3573437.....126
2753778.....97	3251813 ..... 279, 284	3422915 ..... 10	3573444.....126
2753810.....209, 211	3252347 ..... 279	3422917 ..... 13	3573529.....60
2753811.....209, 211	3290501 ..... 53	3422918 ..... 9	3573644.....50, 58
2753832.....213	3290601 ..... 113	3422926 ..... 124	3573669.....58
2753835.....213	3300239 ..... 124	3422937 ..... 124	3573728.....50, 58
2753843.....97	3300243 ..... 141	3422940 ..... 13	3574431.....137
2753977.....213	3300353 ..... 158	3422941 ..... 13	3574616.....138
2754288.....209, 211	3300396 ..... 84, 89		3580158.....60
2760105.....99, 103	3300408 ..... 99, 103, 158		3580276.....75, 79
2792647.....217, 224	3300430 ..... 137		3580298.....125
2792772.....215, 224	3300454 ..... 26, 35, 60		3580300.....125
2792773.....221, 224	3300458 ..... 124		3580302.....125
2820031 .... 75, 79, 83, 88	3300460 ..... 124		3580306.....126
2820035 .... 107, 256, 272	3300461 ..... 124		3580308.....125
2820118.....249, 265	3300464 ..... 13		3580317.....83, 88
2820148.....58	3300465 ..... 199, 201		3580318.....83, 88
2820170.....50, 58	3300482 ..... 158		3580319.....88
2860030 .... 100, 104, 288	3300492 ..... 134		3580320.....60
2900770 37, 45, 141, 142, 183, 185, 191, 193, 195, 197			3580321.....53

## PART NUMBER INDEX

3580322 .....	75	3931616 .....	100, 104	4071074 .....	158	257, 258, 264, 268,	
3580341 .....	125	3931620 .....	179, 181	4100100 .....	195	272, 273, 274	
3580342 .....	125	3931824 ...	183, 185, 187,	4120035 .....	250, 266	4460227 ...	248, 250, 252,
3600339 .....	60, 70	189	3931840 .....	203, 205	4120040 .....	126, 293	254, 257, 264, 265,
3600424 .....	35	3932024 .....	13	4120043 .....	126, 293	267, 269, 270, 273	
3620034 .....	97	3932244 .....	191, 193	4160194 .....	112	4460234 ...	76, 80, 85, 90,
3641533 .....	90	3951620 .....	133	4160197 .....	125	158	
3740049 .....	99, 103, 288	3952020 .....	41	4220162 .....	107	4460265 .....	168, 175
3740067 .....	35, 52, 60, 288	3960418 .....	99, 103	4240018 .....	50, 59, 83, 88,	4460267 ...	249, 257, 266,
3740080 ...	52, 60, 75, 79,	3960422 .....	83, 88, 257, 274	133	4240032 .....	76, 80, 85, 90	
107, 250, 266, 288		3960543 .....	52, 60	4240033 .....	50	4460268 ...	107, 249, 256,
3760133 .....	126	3960544 .....	52, 60	4240099 .....	59, 60, 150	266, 272	
3760170 .....	41	3960551 .....	13	4240153 .....	134	4460315 .....	83, 88
3760233 .....	125	3960552 .....	13	4240155 .....	134	4460320 ...	249, 257, 266,
3760308 .....	113	3980006 .....	35	4240156 .....	134	273	
3760368 .....	195, 197	3990001 ...	250, 266, 288	4300157 .....	83	4460321 ...	255, 256, 272,
3760369 .....	179	4031607 .....	53	4340999 .....	112	273	
3760371 ...	183, 187, 189	4031911 .....	52	4341158 .....	138	4460346 .....	83, 88, 257, 274
3760375 .....	191, 193	4032008 .....	52	4341264 .....	141	4460374 .....	90, 250, 256,
3760383 .....	13	4032022 .....	60	4360031 .....	149, 153	257, 258, 266, 273	
3790012 .....	158	4060700 .....	88	4360070 .....	84, 89, 290	4460375 .....	90, 250, 256,
3790112 .....	203	4060802 ...	75, 79, 83, 88,	4360232 .....	159, 257, 273,	258, 266, 273	
3790158 .....	20	154	4060804 .....	60, 134	290	4460411 .....	90
3820001 .....	280, 286	4060805 .....	53, 60	4360274 .....	99, 103, 288	4460412 .....	90
3820020 .....	153	4060808 .....	25	4360328 .....	99, 103, 104,	4460413 .....	90
3841143 .....	50, 59, 125	4060906 ...	99, 103, 104,	158, 288	4360330 .....	158, 288	
3841203 .....	125	159	4060907 .....	107	4360331 .....	158, 288	
3841258 .....	10, 13, 125	4061043 .....	88	4360336 .....	75, 79, 83, 88,	4460419 ...	248, 250, 264,
3841287 .....	9, 119	4070863 .....	125	154, 158, 159, 288	4360387 .....	158, 288	
3841340 .....	25, 93	4070864 .....	125	4360407 .....	158	4460424 ...	107, 249, 256,
3841581 .....	119	4070895 .....	125	4360469 .....	100, 104, 288	257, 266, 272, 273	
3890034 .....	125	4070897 .....	125	4360475 .....	99, 103, 158,	4460425 .....	84, 89, 257, 258,
3890035 .....	125	4070898 .....	125	288	4360476 .....	99, 103, 158,	
3890036 .....	125	4070987 .....	100, 104	288	4360505 .....	13, 254, 271,	
3890037 .....	125	4071012 .....	125	288	4360522 .....	159, 290	
3890038 .....	125	4071013 .....	125	4360527 .....	137, 255, 271,	4460428 ...	150, 158, 248,
3900174 .....	112	4071015 .....	125	290	4360542 .....	75, 79	
3900183 .....	158	4071016 .....	125	4360543 .....	137, 290	4460434 .....	248, 264
3900210 ...	112, 113, 141	4071022 .....	133	4360548 .....	137, 290	4460449 .....	253, 269
3900223 .....	41	4071023 .....	133	4360578 .....	9, 137, 290	4460464 ...	248, 250, 251,
3900232 ...	112, 132, 141	4071024 .....	125	4400457 .....	93	252, 253, 254, 255,	
3900260 .....	133	4071025 .....	125	4420037 .....	35, 154	264, 265, 266, 267,	
3900270 .....	9	4071026 .....	125	4420038 .....	93	269, 270, 271	
3900272 .....	50, 59	4071027 .....	125	4420055 .....	149	4460465 .....	85, 90, 249, 250,
3900283 ...	93, 112, 133,	4071028 .....	125	4420060 .....	76, 80, 85, 90	251, 252, 253, 254,	
141		4071029 .....	125	4460007 .....	158	255, 258, 265, 266,	
3900316 .....	133	4071031 .....	125	4460018 .....	76, 80, 85, 90	267, 268, 269, 270,	
3900322 .....	75, 79	4071035 .....	9	4460019 .....	250	271, 272, 273, 274	
3900349 .....	158	4071036 .....	9	4460027 .....	75, 79, 273	4460466 ...	248, 249, 251,
3900363 .....	113	4071039 .....	9	4460051 .....	83, 88, 257, 274	252, 253, 254, 255,	
3910606 .....	83, 88	4071040 .....	9	4460071 .....	83, 89, 248, 257,	265, 266, 267, 268,	
3910608 ...	76, 80, 85, 90	4071041 .....	41	264, 274	4460190 .....	75, 79	
3910610 .....	84, 89	4071042 .....	9	4460224 .....	251, 255, 268,	269, 270, 271	
3910804 .....	100, 104	4071044 .....	126	272	4460225 .....	84, 88, 248, 250,	
3911040 .....	107	4071045 .....	126	257, 264, 267, 274	4460226 .....	84, 88, 168, 175,	
3930606 .....	137	4071046 .....	126	248, 251, 255, 256,	4460226 .....	84, 88, 168, 175,	
3930816 .....	137	4071049 .....	10	248, 251, 255, 256,	4460226 .....	84, 88, 168, 175,	
3930820 .....	9	4071050 .....	10	248, 251, 255, 256,	4460226 .....	84, 88, 168, 175,	
3931008 .....	95	4071054 .....	9	248, 251, 255, 256,	4460226 .....	84, 88, 168, 175,	
3931010 .....	150	4071055 .....	9	248, 251, 255, 256,	4460226 .....	84, 88, 168, 175,	
3931020 .....	13				4460226 .....	84, 88, 168, 175,	
3931412 .....	13				4460226 .....	84, 88, 168, 175,	
3931414 .....	137				4460226 .....	84, 88, 168, 175,	
3931448 .....	203, 205				4460226 .....	84, 88, 168, 175,	
3931512 .....	95				4460226 .....	84, 88, 168, 175,	
3931516 .....	195, 197				4460226 .....	84, 88, 168, 175,	
3931608 .....	203, 205				4460226 .....	84, 88, 168, 175,	

# PART NUMBER INDEX

4460509.....249, 265	4460913 ..... 255, 271	4568426 ..... 97	4751800.....95, 154
4460510.....258, 274, 293	4460914 13, 99, 103, 137, 249, 265	4568427 ..... 97	4752000.....50, 59
4460526.....99, 103, 249, 265	4460917 ..... 255, 271	4568735 ..... 53	4755000.....13
4460536....250, 254, 255, 271	4460918 ... 252, 253, 254, 269, 270, 271	4640438 ..... 191, 193	4760600....76, 80, 84, 85, 89, 90
4460539....251, 252, 253, 266, 267, 268, 269	4460925 ..... 248, 265	4640452 ..... 195, 197	4760800.....158
4460607.....90	4460926 ..... 253, 269	4640509 ... 179, 181, 187, 189, 191, 193	4761000.....159
4460634.....250, 266	4460928 ..... 253, 269	4640741 ..... 45	4761400.....99, 103
4460635.....250, 267	4460929 ..... 248, 265	4640750 ..... 53	4791400....35, 61, 83, 88
4460705.....256, 273	4460930 ... 252, 254, 268, 270, 272	4640751 ..... 60	4811600.....54
4460708.....158, 248, 264	4460931 ..... 266	4640858 ..... 183, 185	4811700.....54
4460761....248, 250, 252, 254, 264, 267, 269, 270	4460932 ... 252, 254, 268, 269, 270, 274	4641114 ..... 195, 197	4811900....50, 53, 54, 75, 113
4460807.....84, 88	4460933 ... 252, 253, 267, 268, 270	4641155 ..... 25	4812000.....53, 54
4460808.....84, 89	4460934 ... 252, 253, 268, 270	4641210 ..... 191, 193	4812100.....50, 52, 54
4460836....249, 252, 253, 255, 266, 268, 270, 271	4460935 ... 252, 253, 268, 270	4641247 ..... 187, 189	4831900.....53
4460837....254, 255, 270, 271	4460941 ... 252, 254, 255, 269, 270, 271	4641255 ..... 142	4832000.....52
4460842.....250, 266	4460942 ... 249, 250, 253, 255, 266, 267, 270, 271	4641256 ..... 203, 205	4846383.....10
4460843.....250, 266	4460943 ... 248, 250, 252, 254, 255, 264, 268, 269, 270, 271, 274	4641260 ..... 195, 197	4846431.....133
4460865.....249, 265	4460944 ... 249, 250, 251, 252, 253, 254, 255, 266, 267, 268, 269, 270, 271, 272	4641267 ..... 35, 37	4846452.....153
4460866....248, 250, 264, 266	4460945 ... 251, 253, 268, 269	4641268 ..... 25	4846453.....125
4460871....161, 162, 165, 171, 173, 248, 250, 251, 255, 264, 266, 267, 268, 272	4460950 ..... 252, 269	4641276 ..... 183, 185	4846462.....126
4460872.....251, 268	4460956 ..... 90	4641454 ..... 25, 31	4846482.....126
4460873....248, 250, 264, 267	4460957 ..... 90	4641460 ..... 141	4846484.....137
4460874.....99, 103, 248, 249, 264, 265	4460958 .83, 88, 257, 274	4700038 ..... 124	4846485.....133
4460875.....99, 103, 249, 265	4460961 ..... 256, 273	4700039 ..... 124	4846515.....133
4460876....248, 250, 264, 266	4460963 .85, 89, 258, 274	4711000 ..... 51	4846516.....133
4460878.....250, 266	4460965 ... 249, 250, 251, 266, 267	4711400 ... 25, 26, 35, 51, 52, 59, 83, 88, 112, 133, 137	4846552.....61
4460879....248, 264, 274	4460966 ... 250, 254, 267, 270	4711500 ... 13, 25, 35, 50, 52, 59, 60, 97, 113, 115, 133, 141, 159	4846561.....154
4460880....249, 251, 252, 253, 265, 266, 268, 269	4460967 .85, 90, 258, 274	4711600 9, 25, 35, 50, 52, 59, 60, 79, 83, 89, 112, 125, 126, 133, 137, 141, 203, 205	4846573.....141
4460884....252, 253, 254, 269, 270, 274	4460968 ..... 10, 138	4711700 ..... 75, 79	4846637.....10
4460887....248, 250, 251, 264, 266, 274	4461001 ..... 90	4711800 ... 10, 13, 25, 52, 60	4846753.....133
4460891....252, 253, 266, 268, 269	4461005 ..... 251, 267	4711900 ..... 79	4846945.....61
4460892.....99, 103, 249, 252, 265, 268	4461006 ..... 251, 267	4712000 ..... 10, 52	4846946.....61
4460894....250, 252, 253, 254, 266, 267, 268, 269, 270	4461008 ..... 251, 268	4740181 ..... 13	4860236.....17
4460897....253, 265, 269	4461013 ..... 254, 271	4740229 ..... 13	4891400.....137
4460898.....267	4461052 ..... 251, 267	4740242 ..... 52	4891500.....80
4460899....251, 254, 265, 266, 270	4461053 ..... 251, 268	4740274 ..... 61	4891600....53, 126, 133, 141
4460905.....99, 103, 158, 248, 249, 251, 264, 265, 267, 268	4461054 ..... 251, 268	4740362 ..... 149, 154	4891800....52, 61, 83, 88, 133, 141, 203
4460906.....256, 273	4461060 ..... 251, 268	4740397 ..... 79, 88	4892000....17, 41, 75, 80, 126
4460910.....255, 271	4461070 ..... 268	4740444 ..... 99, 103, 104	4892400.....41
4460911....252, 253, 254, 269, 270, 271	4461071 ..... 251	4740461 ..... 9	4892600.....141
4460912....252, 253, 254, 269, 270, 271	4461072 ..... 251	4740505 ..... 13	4921757.....257, 273
	4461073 ..... 251	4740509 ..... 125	4921850.....294
	4461074 ..... 252	4740518 ..... 61	4921956.....256
	4461095 ..... 268	4750600 ..... 84, 89	4922099....249, 250, 267
	4520261 ..... 17	4750800 ... 10, 13, 76, 80, 85, 90, 158	49222641 85, 90, 256, 258, 273, 274
	4562516 ..... 134	4751000 ... 75, 80, 93, 99, 103, 107, 150, 158	4922666....158, 248, 264
	4568293 ..... 60	4751400 ... 52, 61, 80, 99, 103, 112, 115, 149, 154, 158, 280, 286	4922672.....249, 265
	4568319 ..... 191	4751500 ... 52, 75, 83, 88, 107, 112, 134, 145	4922696.....252, 268
	4568345 ..... 187	4751600 ... 13, 75, 93, 97, 100, 104, 107, 108, 112, 115, 119, 141, 149, 154	4922705....252, 254, 269, 270
	4568423 ..... 126		4922716.....253, 269

## PART NUMBER INDEX

4922784 .....	253, 269	70001868 .....	61	70002729 .....	173	70004170 .....	84
4922785 .....	253, 269	70001869 .....	255, 272	70002730 .....	161, 165	70004171 .....	84, 88
4922786 .....	253, 269	70001872 .....	255, 272	70002731 .....	161, 165	70004185 .....	294
4922796 .....	249, 265	70001930 .....	37	70002732 .....	161, 165	70004328 .....	141
4922834 .....	257, 273	70001939 .....	25	70002733 .....	161, 165	70004413 .....	93
4922947 .....	254, 270	70001941 .....	107	70002734 .....	161, 165	70004646 .....	294
4922948 .....	254, 271	70001952 .....	70	70002735 .....	161, 165	70004647 .....	294
4922970 .....	256	70001953 .....	88	70002758 .....	38	70004648 .....	294
4922972 84, 88, 257, 274		70001966 .....	84, 87	70002760 .....	38	70004738 .....	175
4923256 .....	254, 270	70001968 .....	65, 71	7000281 .....	44	70004739 .....	175
4923376 .... 100, 249, 251		70001973 .....	84, 88	70002818 .....	85, 90	70004740 .....	175
4923448 .... 158, 248, 264		70001974 .....	84, 88	70002819 .....	85, 90	70004741 .....	175
4923468 .....	61, 256	70001976 .....	37	70002820 .....	85, 90	70004742 .....	175
4923522 .....	100, 249	70002015 .....	19	70002821 .....	85, 90	70004743 .....	175
4923574 .....	100, 250	70002016 .....	19	70002822 .....	85, 90	70004744 .....	175
4923592 .....	61	70002018 .....	19	70002823 .....	85, 90	70004745 .....	175
4933249 .....	226	70002019 .....	19	70002824 .....	85, 90	70004746 .....	175
4933253 .....	226	70002020 .....	19	70002825 .....	85, 90	70004747 .....	175
4933262 .....	226	70002026 .....	19	70002826 .....	85, 90	70004748 .....	175
4933264 .... 89, 226, 258		70002027 .....	19	70002829 .....	54	70004749 .....	175
4933300 .....	226, 256	70002029 .....	19	70002830 .....	54	70004750 .....	175
4933389 .....	226, 251	70002030 .....	19	70002831 .....	54	70004751 .....	175
5241200 .....	20	70002031 .....	19	70002832 .....	54	70004752 .....	167
5250608 .....	54	70002032 .....	19	70002833 .....	54	70004753 .....	167
5250808 .....	54	70002033 .....	19	70002834 .....	54	70004754 .....	167
70000342 .....	129	70002034 .....	19	70002835 .....	54	70004755 .....	167
70000619 .....	83, 87	70002035 .....	19	70002837 .....	54	70004756 .....	167
70000780 .....	95	70002036 .....	19	70002859 .....	129	70004757 .....	167
70000793 .....	60	70002037 .....	19	7000287 .....	44	70004758 .....	167
70000796 .....	129	70002039 .....	19	7000288 .....	44	70004759 .....	167
70000801 .....	31	70002040 .....	19	70002902 .....	149, 153	70004760 .....	167
70000802 .....	29, 31	70002041 .....	19	70002903 .....	149, 154	70004761 .....	167
70000803 .....	31	70002044 .....	19	70002904 .....	149, 154	70004762 .....	167
70000804 .....	29, 31	70002045 .....	19	70002905 .....	149, 154	70004763 .....	167
70000805 .....	29, 31	70002046 .....	19	70002906 .....	162, 165	70004764 .....	167
70000806 .....	31	70002047 .....	19	70003163 .....	64	70004765 .....	167
70000852 .....	23	70002048 .....	19	70003164 .....	64	70004766 .....	167
70000853 .....	23	70002049 .....	19	70003165 .....	66	70004767 .....	167
70000854 .....	23	70002050 .....	19	70003166 .....	66	70004768 .....	167
70000855 .....	23	70002052 .....	19	70003167 .....	65, 66	70004769 .....	167
70000856 .....	23	70002057 .....	20	70003168 .....	65, 66	70004770 .....	167
70000857 .....	23	70002088 .....	87	70003169 .....	65, 66	70004771 .....	167
70000858 .....	23	70002097 .....	141, 288	70003170 .....	66	70004772 .....	167
70000859 .....	23	7000213 .....	45	70003172 .....	65	70004773 .....	167
70000860 .....	23	70002133 .....	23	70003173 .....	64	70004774 .....	168
70000861 .....	23	70002231 .... 50, 58, 288		70003174 .....	64	70004775 .....	168
70000862 .....	23	7000224 .....	44	70003175 .....	64	70005230 .....	175
70000863 .....	84, 88	70002247 .....	19, 20	70003176 .....	64	70005433 .....	205
70000916 .....	61	70002248 .....	19, 20	70003177 .....	64	7000625 .....	149, 153
70000917 .....	61	70002249 .....	19, 20	70003407 .....	255, 272	70006359 .....	181
70001017 .....	60	70002297 .....	84, 87	70003450 .....	84	70006360 .....	181
70001056 .....	35	70002298 .....	29	70003451 .....	84	70006361 .....	181
70001100 .....	84, 87	70002310 .....	23	70003452 .....	84	70006362 .....	181
70001101 .....	95	7000236 .....	44	70003483 .....	149, 153	70006363 .....	181
70001102 .....	95	7000239 .....	44	70003523 .....	45	70006473 .....	185
70001128 .....	61	7000240 .....	44	70003524 .....	44, 45	70006474 .....	185
70001129 .....	61	70002460 .....	84, 87	70003555 .....	52	70006490 .....	201
70001130 .....	61	70002569 .....	72	70003628 .....	23	70006491 .....	201
70001131 .....	61	70002674 .....	19	70003629 .....	45	70006492 .....	201
70001384 .....	84, 87	70002679 .....	20	70003631 .....	84, 87	70006493 .....	201
70001435 .....	61	70002681 .....	19, 20	70003784 .....	158	70006520 .....	185
70001499 .....	141	70002718 .....	61	70003913 ... 132, 133, 288		70006523 .....	197
70001639 .....	129	70002724 .....	173	70003914 .....	132, 133	70006524 .....	197
70001696 .....	84, 87	70002725 .....	173	70003915 .....	132, 133	70006525 .....	197
70001697 .....	129	70002726 .....	173	70003917 .....	132, 288	70006526 .....	197
70001850 .....	61	70002727 .....	173	70003918 .....	132	70006527 .....	193
70001867 .....	61	70002728 .....	173	70004169 .....	88	70006528 .....	193

# PART NUMBER INDEX

70006529.....	193	7007646.....	44	7019111.....	161, 171	7022823.....	171
70006530.....	193	7007648.....	44	7019112.....	171	7022824.....	171, 255, 272
70006547.....	189	7010467.....	44	7019114.....	171	7022825.....	255, 272
70006548.....	189	7010543.....	29, 31	7019115.....	171	7023306.....	93
70006549.....	189	7010545.....	191, 193	7019122.....	161	7023347.....	93
70006550.....	189	7010795.....	45	7019123.....	161	7023881.....	71
70006656.....	205	7011016.....	35	7019141.....	161	7023922.....	142
70006657.....	205	7011043.....	35	7019142.....	161	7024005.....	71
70006658.....	205	7011044.....	35	7019143.....	161	7024038.....	64, 70
70006659.....	205	7011048.....	35	7019144.....	161	7024042.....	70
7000731.....	45	7011062.....	35	7019145.....	161	7024043.....	70
7001900.....	44	7011311.....	37	7019147.....	161	7024044.....	64, 70
7001902.....	44	7011320.....	45	7019149.....	161	7024064.....	64, 70
7001904.....	44	7011346.....	25, 37, 141, 142	7019150.....	161	7024065.....	65, 71
7001906.....	44	7011354.....	37, 288	7019151.....	171	7024068.....	72
7001917.....	44	7011355.....	141	7019154.....	171	7024069.....	72
7001918.....	44	7012513.....	75, 79	7019155.....	171	7024070.....	71
7001920.....	44	7012514.....	75, 79	7019160.....	171	7024071.....	65, 71
7001921.....	44	7012558.....	75, 79	7019161.....	171	7024072.....	65, 71
7001922.....	44	7012706.....	64, 70	7019162.....	171, 173	7024073.....	65, 71
7001923.....	44	7012709.....	64, 70	7019164.....	171, 173	7024075.....	65, 71
7001924.....	44	7012715.....	70	7019165.....	171, 173	7024076.....	65, 71
7001926.....	44	7012770.....	25	7019166.....	171	7024077.....	65, 71
7001927.....	44	7012773.....	25, 37	7019167.....	171, 173	7024078.....	71
7001928.....	44	7012941.....	29, 31	7019168.....	171	7024079.....	65, 71
7001929.....	44	7012942.....	29, 31	7019171.....	161	7024080.....	65, 71
70020329.....	65	7012944.....	29, 31, 142, 288	7019174.....	161	7024081.....	66, 71
70020336.....	66	7012955.....	31	7019177.....	161	7024083.....	72
70021867.....	64, 70	7012967.....	31, 195, 197	7019194.....	171, 173	7024084.....	72
7002821.....	258, 274, 293	7012998.....	29, 31	7019197.....	161	7024085.....	72
7002822.....	294	7015003.....	52	7019680.....	75, 79	7024086.....	72
7002823.....	258, 274, 293	7015013.....	51	7020108.....	75, 79	7024087.....	72
7002828.....	258, 274, 294	7015014.....	51	7020109.....	75, 79	7024088.....	72
7003655.....	51, 59, 288	7015015.....	52	7020110.....	75, 79	7024089.....	72
7003928.....	161, 165	7016314.....	93	7020111.....	75, 79	7024097.....	71
7003933.....	171	7016328.....	61, 288	7020175.....	99, 103, 158	7024135.....	45
7003935.....	171	7016331.....	61, 288	7020176.....	99, 103, 158	7024182.....	44, 45
7003941.....	171, 173	7016380.....	107	7020190.....	75, 79	7024183.....	44
7003946.....	171	7016399.....	154	7020193.....	273	7024184.....	44
7003953.....	161	7016628.....	107	7020414.....	61	7024185.....	45
7003969.....	171	7016654.....	294	7020459.....	61	7024186.....	45
7003972.....	171, 173	7016655.....	294	7020465.....	61	7024188.....	44, 45
7003973.....	171, 173	7017072.....	44	7020468.....	61	7024189.....	45
7003976.....	161	7017082.....	44	7020471.....	61	7024190.....	46
7003977.....	161	7017085.....	45	7020479.....	61	7024191.....	45
7003980.....	171, 173	7017142.....	129	7020486.....	61	7024192.....	45
7003982.....	173	7017158.....	129	7021249.....	23	7024193.....	45, 46
7003983.....	171, 173	7017159.....	129	7021256.....	23	7024194.....	46
7003986.....	171	7017162.....	129	7021275.....	23	7024196.....	46
7003989.....	171, 173	7017163.....	129	7021375.....	37	7024197.....	46
7003992.....	161, 171	7017164.....	129	7021636.....	37	7024362.....	132, 133
7003993.....	161, 171	7017184.....	129	7022311.....	23	7024363.....	132, 133
7003994.....	171	7017185.....	129	7022314.....	23	7024364.....	132, 133
7004035.....	45	7017187.....	129	7022321.....	23	7024365.....	9, 288
7004043.....	45	7017188.....	129	7022322.....	23	7024366.....	9
7004044.....	45	7017191.....	129	7022368.....	23	7024367.....	132
7004275.....	294	7017195.....	129	7022371.....	23	7024368.....	132
7004276.....	294	7017402.....	142	7022808.....	161, 165	7024374.....	93
7004453.....	45	7017403.....	29	7022812.....	171	7024375.....	93, 288
7007207.....	23	7017405.....	31	7022814.....	161	7024379.....	45
7007420.....	23	7017451.....	37, 288	7022815.....	161, 165	7024380.....	45
7007437.....	23	7017495.....	37	7022816.....	161	7024381.....	45
7007438.....	23	7018936.....	72	7022817.....	161	7024389.....	45
7007439.....	23	7018942.....	37	7022818.....	161	7024390.....	45
7007446.....	23	7018991.....	25, 37, 288	7022819.....	161, 162, 165,	7024391.....	45
7007459.....	23	7019103.....	171		255, 271	7024392.....	45
7007645.....	44	7019110.....	171	7022822.....	171	7024393.....	45



## PART NUMBER INDEX

7024394 .....	45	7024905 .....	65	7026018.....	141	7027035 .....	51, 272
7024395 .....	45	7024906 .....	65, 71	7026019.....	141	7027039 .....	51, 272
7024439 .....	93	7024907 .....	65	7026020.....	141	7027235 .....	61
7024440 .....	93	7024908 .....	65, 71	7026021.....	141	7027236 .....	61
7024441 .....	93	7024909 .....	65	7026022.....	142	7027239 .....	61
7024442 .....	93	7024910 .....	66, 71	7026023.....	142	7027240 .....	61
7024443 .....	93	7024911 .....	65, 71	7026028.....	25	7027276 .....	61
7024444 .....	93, 290	7024913 .....	64, 70	7026029.....	95	7027412 .....	52
7024445 .....	93	7024914 .....	70	7026030.....	95	7027740 .....	23
7024446 .....	93	7024915 .....	70	7026031.....	95	7027790 .....	61
7024452 .....	107, 154	7024916 .....	70	7026032.....	95	7027791 .....	61
7024453 .....	45	7024917 .....	64, 70	7026188.....	84, 87	7027792 .....	61
7024485 .....	84, 87	7024918 .....	64, 70	7026571.....	93	7027796 .....	255, 272
7024488 .....	83, 87	7024919 .....	70	7026597.....	84, 87	7027799 .....	84, 87
7024489 .....	83, 87	7024920 .....	64, 70	7026608.....	61	7027887 .....	75, 79
7024565 .....	61	7024921 .....	70	7026626.....	88	7029592 .....	35
7024570 .....	37	7024922 .....	64, 70	7026802.....	54	7029593 .....	35
7024571 .....	37, 142, 288	7024924 .....	37	7026803.....	54	80334251 .....	95
7024572 .....	141, 142	7024925 .....	37	7026804.....	54	80934174 .....	65
7024573 .....	37	7024927 .....	25	7026805.....	55	8303541 .....	54
7024574 .....	37	7024950 .....	64	7026811.....	54, 288	8310070 .....	138
7024579 .....	61	7026000 .....	37	7026812.....	54	8405009 .....	93
7024580 .....	58, 255, 272	7026001 .....	37	7026813.....	54	8405104 .....	52
7024581 .....	51, 58, 255, 272	7026002 .....	37	7026820.....	54	8406101 .....	54
7024582 .....	58, 256, 272	7026003 .....	37	7026821.....	54	8406105 .....	54
7024583 .....	58, 256, 272	7026004 .....	37	7026822.....	54	8410013 .....	61
7024584 .....	58, 256, 272	7026005 .....	37	7026829.....	54	88662193 .....	38
7024763 .....	44	7026006 .....	37	7026830.....	54, 288	91083128 .....	52
7024865 .....	23	7026007 .....	37	7026833.....	54	91403244 .....	52
7024867 .....	23	7026008 .....	37	7026839.....	54		
7024868 .....	23	7026016 .....	37	7027034.....	51, 272		



3121257



An Oshkosh Corporation Company

**Corporate Office**  
**JLG Industries, Inc.**  
**1 JLG Drive**  
**McConnellsburg, PA 17233-9533 USA**  
☎ **(717) 485-5161 (Corporate)**  
☎ **(877) 554-5438 (Customer Support)**  
☎ **(717) 485-6417**

**Visit our website for JLG Worldwide Locations.**  
**[www.jlg.com](http://www.jlg.com)**