



---

# Illustrated Parts Manual

## **Model 1500SJ**

Prior to SN 0300209000

3121263

August 27, 2018 - Rev R

**ANSI**

**CE**



---

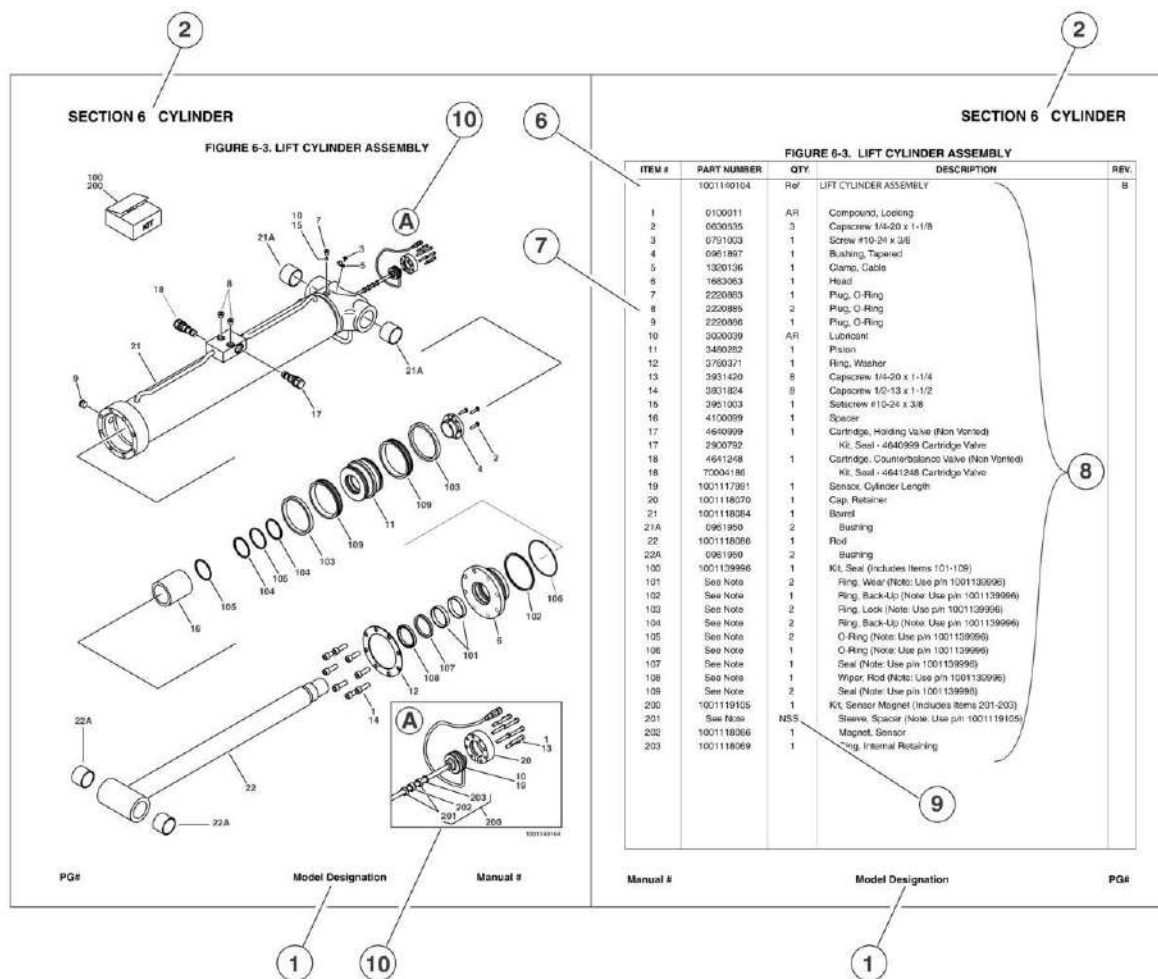
An Oshkosh Corporation Company



## **REVISION LOG**

March 15, 2011 - A - Original Issue of Manual (Edited to B/M 1001118886 Revision 5)  
May 9, 2011 - B - Revised Manual (Edited to B/M 1001118886 Revision 6)  
August 3, 2011 - C - Revised Manual (Edited to B/M 1001118886 Revision C)  
November 11, 2011 - D - Revised Manual (Edited to B/M 1001118886 Revision G)  
January 27, 2012 - E - Revised Manual (Edited to B/M 1001118886 Revision H)  
June 25, 2012 - F - Revised Manual (Edited to B/M 1001118886 Revision I)  
August 17, 2012 - G - Revised Manual (Edited to B/M 1001118886 Revision I)  
January 8, 2013 - H - Revised Manual (Edited to B/M 1001118886 Revision I)  
April 23, 2013 - I - Revised Manual (Edited to B/M 1001118886 Revision K)  
July 19, 2013 - J - Revised Manual (Edited to B/M 1001118886 Revision M)  
October 15, 2013 - K - Revised Manual (Edited to B/M 1001118886 Revision M)  
January 20, 2014 - L - Revised Manual (Edited to B/M 1001118886 Revision AE & B/M 1001160120 Revision D )  
September 26, 2014 - M - Revised Manual (Edited to B/M 1001118886 Revision AF and B/M 1001160120 Revision L)  
July 15, 2015 - N - Revised Manual (Edited to B/M 1001160120 Revision U)  
September 15, 2015 - O - Revised Manual (Edited to B/M 1001160120 Revision W)  
December 1, 2015 - P - Revised Manual (Edited to B/M 1001160120 Revision W)  
April 1, 2016 - Q - Revised Manual (Edited to B/M 1001160120 Revision W)  
August 27, 2018 - R - Revised Manual (Edited to B/M 1001160120 Revision W)

## GENERAL INFORMATION



### 1) MACHINE IDENTIFICATION

Machines are identified by model and in some cases a combination of models, serial number (SN) or regional standard (i.e. ANSI, CE, CSA). Components may also be identified by SN or manufacturer. Common components that may be identified by these characteristics are engines and hydraulic components.

### 2) PARTS MANUAL ORGANIZATION

Product information in this manual is organized under section titles. Frame, Cylinder, Hydraulic and Electrical are a few examples. Each section is organized by figure and page number. The information within the figure is then organized by item number, part number, description and corresponding illustration(s).

### 3) TABLE OF CONTENTS

A table of contents is found toward the beginning of the manual. Figure number, description and page number are provided for quick reference to the page containing the related information.

### 4) RECOMMENDED SPARE PARTS

The Recommended Spare Parts, located near the end of the manual, reference most frequently used maintenance parts.

### 5) PART NUMBER INDEX

A numerical index listing all part numbers and the corresponding page number(s) appears at the back of the manual.

## GENERAL INFORMATION

### 6) NON-SERVICED PARTS

In some instances, it is necessary to display non-serviced parts, assemblies or installations. In the case of assemblies and installations there will be a Ref in the Qty column. In case of parts that are not available for service within assemblies or components, there will be a NSS (Not Sold Separately) or NLA (No Longer Available) listed in the Qty. column of the manual.

### 7) PARTS LIST ITEM NUMBERS

Numbers shown in the item# column correspond to numbers used in the associated illustration (s). Item numbers which are missing from the sequence in the parts list are not used on that page

### 8) INDENTED PARTS DESCRIPTION

An indented part description is included in the item under which it is indented.

### 9) ABBREVIATION AND SYMBOLS

AC.....	.. Alternating Current	LCD.....	.. Liquid Crystal Display
ADE.....	..Advanced Design Electronics	LED.....	.. Light Emitting Diodes
ANSI.....	..American National Standards Institute	LH.....	.. Left Hand
AR.....	..As Required	LSS.....	..Load Sensing System
ASSY.....	..Assembly	M(m).....	..Metric/Meter
AUX.....	..Auxiliary	MM (mm).....	..Milimeter
AWG.....	..American Wire Gauge	mA.....	..Miliamps
B/M.....	..Bill of Material	NLA.....	..No Longer Available
CE.....	..European Conformity	NPT.....	..National Pipe Threads
CCW.....	..Counter Clockwise	NSS.....	..Not Sold Separately
cm.....	..Centimeter	OD.....	..Outside Diameter
CW.....	..Clockwise	ORB.....	..O-Ring Boss
CSA.....	..Canadian Standards Association	ORFS.....	..O-Ring Face Seal
CYL.....	..Cylinder	OZ (oz).....	..Ounces
DIA.....	..Diameter	PG.....	..Page
DC.....	..Direct Current	P/N.....	..Part Number
EMS.....	..Emergency Stop	qt.....	..Quarts
ENG.....	..Engine	QTY.....	..Quantity
FT (ft).....	..Feet	REF.....	..Reference
GA (Ga).....	..Gauge	REV.....	..Revision Level
HYD.....	..Hydraulic	RH.....	..Right Hand
HZ.....	..Hertz	SAE.....	..Society of Automotive Engineers
ID.....	..Inside Diameter	SN.....	..Serial Number
in.....	..inches	SPEC(S).....	..Specifications
ISO.....	..International Organization for Standards	T/T.....	..Turntable
JIC.....	..Joint Industry Council	UGM.....	..Universal Ground Module
KG.....	..Kilogram	V.....	..Volts
L.....	..Liter	W.....	..Watts
LB.....	..Pounds	#.....	..Number

### 10) ILLUSTRATION REFERENCE LETTERS

When necessary, illustrations may contain reference letters that are intended to track information (i.e. hoses, harnesses) from one point to another or to track visual enlargement of components to show details that may be located in another area on the illustration.

*Note: Due to continuous product improvements, JLG Industries, Inc. reserves the right to make specification changes without prior notification. Contact JLG Industries, Inc. for updated information.*



# TABLE OF CONTENTS

SECTION 1 - FRAME.....	9
FIGURE 1-1. AXLE INSTALLATIONS .....	10
FIGURE 1-2. STEER INSTALLATION.....	14
FIGURE 1-3. TIRE AND WHEEL DRIVE INSTALLATION .....	16
FIGURE 1-4. DRIVE HUB ASSEMBLY - BONFIGLIOLI.....	18
FIGURE 1-5. DRIVE HUB ASSEMBLY - REGGIANA RIDUTTORI.....	22
FIGURE 1-6. DRIVE MOTOR ASSEMBLY .....	26
FIGURE 1-7. FRAME VALVES AND COVERS INSTALLATION .....	28
FIGURE 1-8. TRACTION VALVE ASSEMBLY .....	32
SECTION 2 - TURNTABLE .....	35
FIGURE 2-1. VALVE, BATTERY, HORN AND AUXILIARY PUMP INSTALLATIONS .....	36
FIGURE 2-2. MAIN VALVE ASSEMBLY .....	40
FIGURE 2-3. TURNTABLE SWING DRIVE AND BEARING INSTALLATION.....	44
FIGURE 2-4. SWING MOTOR/HUB ASSEMBLY .....	46
FIGURE 2-5. CATERPILLAR ENGINE INSTALLATION .....	52
FIGURE 2-6. DEUTZ TD2011 ENGINE INSTALLATION .....	60
FIGURE 2-7. DEUTZ TCD2.9L4 ENGINE INSTALLATION.....	68
FIGURE 2-8. PUMP ASSEMBLY (REXROTH) (CATERPILLAR ENGINE MACHINES) .....	80
FIGURE 2-9. PUMP ASSEMBLY (REXROTH) (DEUTZ ENGINE MACHINES).....	86
FIGURE 2-10. PUMP ASSEMBLY (SAUER TANDEM).....	92
FIGURE 2-11. PUMP ASSEMBLY (SAUER PISTON) (Prior to SN 0300200353).....	96
FIGURE 2-12. PUMP ASSEMBLY (SAUER PISTON) (SN 0300200353 through 0300209000) .....	100
FIGURE 2-13. PUMP ASSEMBLY (SAUER GEAR).....	104
FIGURE 2-14. FUEL-WATER SEPARATOR INSTALLATION - DEUTZ TD2011 (OPTIONAL) .....	106
FIGURE 2-15. TANK INSTALLATION .....	108
FIGURE 2-16. ROTARY COUPLING AND COLLECTOR RING INSTALLATION.....	112
FIGURE 2-17. HYDRAULIC OIL COOLER INSTALLATION - CATERPILLAR AND DEUTZ TD2011 ENGINES (OPTIONAL) ...	114
FIGURE 2-18. HYDRAULIC OIL COOLER INSTALLATION - DEUTZ TCD2.9L4 ENGINES (OPTIONAL) .....	116
FIGURE 2-19. GROUND CONTROLS INSTALLATION .....	118
FIGURE 2-20. ACCESSORIES INSTALLATION.....	122
FIGURE 2-21. ENGINE TRAY JACK INSTALLATION .....	126
FIGURE 2-22. BEACON LIGHT INSTALLATION - BLUE (SN 0300201038 through 0300209000) .....	130
FIGURE 2-23. HOOD INSTALLATION (Prior to SN 0300195071) .....	132
FIGURE 2-24. HOOD INSTALLATION (SN 0300195071 through 0300209000).....	138
FIGURE 2-25. 2500W GENERATOR INSTALLATION (OPTIONAL) .....	142
FIGURE 2-26. 4000W GENERATOR INSTALLATION - DEUTZ MACHINES.....	146
FIGURE 2-27. 7500W SKYPOWER GENERATOR INSTALLATION - CATERPILLAR MACHINES.....	152
FIGURE 2-28. 7500W SKYPOWER GENERATOR INSTALLATION - DEUTZ MACHINES (Prior to SN 0300182753) .....	158
FIGURE 2-29. 7500W SKYPOWER GENERATOR INSTALLATION - DEUTZ MACHINES (SN 0300182753 through 0300209000) .....	164
FIGURE 2-30. CLEARSKY TELEMATICS INSTALLATION (OPTIONAL).....	170
SECTION 3 - BOOM .....	173
FIGURE 3-1. BOOM INSTALLATION.....	174
FIGURE 3-2. BOOM ASSEMBLY.....	176
FIGURE 3-3. JIB INSTALLATION .....	182
FIGURE 3-4. ACTUATOR ASSEMBLY .....	186
FIGURE 3-5. POWER TRACK INSTALLATION .....	190
FIGURE 3-6. BOOM SENSORS AND SWITCHES INSTALLATION.....	196
FIGURE 3-7. PLATFORM SUPPORT AND VALVES (BOOM MOUNTED) INSTALLATIONS.....	200
FIGURE 3-8. PLATFORM VALVE ASSEMBLY.....	202
FIGURE 3-9. JIB VALVE ASSEMBLY .....	204
FIGURE 3-10. ENCLOSURE BOX ASSEMBLY .....	208
SECTION 4 - PLATFORM.....	211
FIGURE 4-1. PLATFORM COMPONENTS INSTALLATION .....	212
FIGURE 4-2. PLATFORM COMPONENTS INSTALLATION (FALL ARREST PLATFORM).....	218
FIGURE 4-3. SOFT TOUCH SYSTEM INSTALLATION (OPTIONAL) .....	220
FIGURE 4-4. PLATFORM CONSOLE ASSEMBLY (WITHOUT SKYGUARD).....	222
FIGURE 4-5. PLATFORM CONSOLE ASSEMBLY (WITH SKYGUARD) (SN 0300201038 through 0300209000) .....	226
FIGURE 4-6. CONTROLLER ASSEMBLY (LIFT AND SWING).....	230

# TABLE OF CONTENTS

FIGURE 4-7. CONTROLLER ASSEMBLY - LIFT AND SWING (SN 0300188534 through 0300209000)	234
FIGURE 4-8. CONTROLLER ASSEMBLY (DRIVE AND STEER)	238
FIGURE 4-9. CONTROLLER ASSEMBLY - DRIVE AND STEER (SN 0300188534 through 0300209000)	242
FIGURE 4-10. SKYGUARD SYSTEM INSTALLATION (SN 0300201038 through 0300209000)	244
FIGURE 4-11. CROSS RAIL INSTALLATION (SN 0300201038 through 0300209000)	246
SECTION 5 - CYLINDER	249
FIGURE 5-1. AXLE EXTENSION CYLINDER ASSEMBLY (ORIGINAL EQUIPMENT)	250
FIGURE 5-2. AXLE EXTENSION CYLINDER ASSEMBLY (SERVICE REPLACEMENT)	252
FIGURE 5-3. AXLE LOCKOUT CYLINDER ASSEMBLY (ORIGINAL EQUIPMENT)	254
FIGURE 5-4. AXLE LOCKOUT CYLINDER ASSEMBLY (SERVICE REPLACEMENT)	256
FIGURE 5-5. LEVEL (JIB) CYLINDER ASSEMBLY (ORIGINAL EQUIPMENT)	258
FIGURE 5-6. LEVEL (JIB) CYLINDER ASSEMBLY - WITH OR WITHOUT COLD WEATHER PLUS PACKAGE (SERVICE REPLACEMENT)	260
FIGURE 5-7. LEVEL (PLATFORM) CYLINDER ASSEMBLY (ORIGINAL EQUIPMENT)	262
FIGURE 5-8. LEVEL (PLATFORM) CYLINDER ASSEMBLY (SERVICE REPLACEMENT)	264
FIGURE 5-9. LIFT (BOOM) CYLINDER ASSEMBLY (ORIGINAL EQUIPMENT)	266
FIGURE 5-10. LIFT (BOOM) CYLINDER ASSEMBLY (SERVICE REPLACEMENT)	268
FIGURE 5-11. LIFT (JIB) CYLINDER ASSEMBLY (ORIGINAL EQUIPMENT)	270
FIGURE 5-12. LIFT (JIB) CYLINDER ASSEMBLY (SERVICE REPLACEMENT)	274
FIGURE 5-13. LOCK (JIB) CYLINDER ASSEMBLY (ORIGINAL EQUIPMENT)	276
FIGURE 5-14. LOCK (JIB) CYLINDER ASSEMBLY (SERVICE REPLACEMENT)	278
FIGURE 5-15. STEER CYLINDER ASSEMBLY (ORIGINAL EQUIPMENT)	280
FIGURE 5-16. STEER CYLINDER ASSEMBLY (SERVICE REPLACEMENT)	282
FIGURE 5-17. TELESCOPE (JIB) CYLINDER ASSEMBLY (ORIGINAL EQUIPMENT)	284
FIGURE 5-18. TELESCOPE (JIB) CYLINDER ASSEMBLY (SERVICE REPLACEMENT)	286
FIGURE 5-19. TELESCOPE (JIB) CYLINDER ASSEMBLY (SERVICE REPLACEMENT)	288
FIGURE 5-20. TELESCOPE (MAIN BOOM) CYLINDER ASSEMBLY (ORIGINAL EQUIPMENT)	290
FIGURE 5-21. TELESCOPE (MAIN BOOM) CYLINDER ASSEMBLY (SERVICE REPLACEMENT)	294
SECTION 6 - HYDRAULIC	297
FIGURE 6-1. HYDRAULIC DIAGRAM - BOOM	298
FIGURE 6-2. HYDRAULIC DIAGRAM - DRIVE	300
FIGURE 6-3. HYDRAULIC DIAGRAM - OSCILLATING AXLE	302
FIGURE 6-4. HYDRAULIC DIAGRAM - STEER	304
FIGURE 6-5. HYDRAULIC DIAGRAM - TURNTABLE	306
FIGURE 6-6. HYDRAULIC DIAGRAM LIST	310
SECTION 7 - ELECTRICAL	313
FIGURE 7-1. ELECTRICAL DIAGRAM LIST	314
FIGURE 7-2. HARNESS COMPONENTS INSTALLATION	316
FIGURE 7-3. HARNESS COMPONENTS INSTALLATION	338
SECTION 8 - DECALS	359
FIGURE 8-1. DECAL INSTALLATION (ANSI SPEC)	360
FIGURE 8-2. DECAL INSTALLATION (ANSI EXPORT SPECS)	364
FIGURE 8-3. DECAL INSTALLATION (AUSTRALIAN AND CE SPECS)	370
SECTION 9 - RECOMMENDED SERVICE PARTS STOCK	373
FIGURE 9-1. MODEL 1500SJ STANDARD PARTS	374
FIGURE 9-2. MODEL 1500SJ VARIABLE PARTS	376
SECTION 10 - SPECIAL OPTIONS	377
FIGURE 10-1. SPECIAL OPTIONS	378
PART NUMBER INDEX	383



**SECTION 1 - FRAME**



FIGURE 1-1. AXLE INSTALLATIONS

ITEM	PART NUMBER	QTY	DESCRIPTION	REV
		Ref	<b>AXLE INSTALLATIONS - COMMON PARTS</b>	
	0271934	Ref	<b>Fixed Axle (Prior to SN 0300207702)</b>	M
	1001173914	Ref	<b>Fixed Axle (SN 0300207702 through 0300209000)</b>	F
	0271521	Ref	<b>Oscillating Axle (With Hose Carrier) (Prior to SN 0300207702)</b>	M
	1001173913	Ref	<b>Oscillating Axle (Without Hose Carrier) (SN 0300207702 through 0300209000)</b>	F
1	0100011	AR	Compound, Locking	
2	0100019	AR	Compound, Locking	
3	0100081	AR	Adhesive #454	
4	0363037	4	Bar, Stop	
6	0641606	AR	Bolt 3/8-16NC x 3/4	
7	0641608	48	Bolt 3/8-16NC x 1	
8	0641609	AR	Bolt 3/8-16NC x 1-1/8	
9	0641611	16	Bolt 3/8-16NC x 1-3/8	
11	0641613	8	Bolt 3/8-16NC x 1-5/8	
13		Ref	<b>Bolt Options: (Prior to SN 0300207702)</b>	
13	0641620	4	Bolt 3/8-16NC x 2-1/2 <b>(Prior to SN 0300207702)</b>	
13	0641624	4	Bolt 3/8-16NC x 3 <b>(Prior to SN 0300207702)</b>	
14	0641808	8	Bolt 1/2-13NC x 1	
16	0642214	1	Bolt 3/4-10NC x 1-3/4	
17	0962033	2	Bushing	
18	1180358	4	<b>Carrier (Prior to SN 0300207702)</b>	
18	7024365	AR	Repair Section Kit (Includes Inner and Outer Links, Joining Bars and Rollers, and Assembling Hardware) <b>(Prior to SN 0300207702)</b>	
18	7024366	1	Mounting Bracket Kit (Includes Mounting Brackets for Both Ends, 1 Roller Assembly and Assembling Hardware) <b>(Prior to SN 0300207702)</b>	
19	1320263	4	Clamp, Cable	
20	1320298	AR	Clamp, Hose <b>(Prior to SN 0300207702)</b>	
21	1684102	4	Axle Extension Cylinder Assembly (See CYLINDER SECTION for Breakdown)	
22	3310805	8	Locknut #8-32NC	
23	3340881	8	Pad, Wear	
24	3340907	2	Pad, Axle (Use p/n 1001161401)	
25	3340946	8	Pad, Wear (Use p/n 1001161402)	
26	3340932	32	Pad, Wear (Use p/n 1001161403)	
27	3340939	AR	Pad, Rubber	
28	3422918	1	Pin	
29	3422960	4	Pin	
30	3573294	4	Plate	
31	3573335	8	Plate	
32	3841287	1	Keeper, Pin	
33	3900270	4	Bolt, Shoulder 1/2 -13NC x 1-1/2	
34	3930820	8	Capscrew #8-32NC x 1-1/4	
37	4071035	2	Shim #18 Gauge	
38	4071036	4	Shim #11 Gauge	
39	4071054	8	Shim #18 Gauge	
40	4071055	12	Shim #11 Gauge	
41	4071039	AR	Shim #18 Gauge	
42	4071040	36	Shim #11 Gauge	

## SECTION 1 - FRAME

ITEM	PART NUMBER	QTY	DESCRIPTION	REV
43	4071042	24	Shim #16 Gauge	
46	4360578	4	Switch, Limit	
47	4711600	144	Flatwasher 3/8 Thin	
48	4740461	1	Thrustwasher	
49	4750800	8	Flatwasher #8 Regular	
50	4846637	4	Extension, Axle	
51	4846383	1	Box, Axle Pivot	
52	0681813	12	Bolt 1/2-13NC x 1-5/8 (Grade 8)	
53	0681814	18	Bolt 1/2-13NC x 1-3/4 (Grade 8)	
54	0681815	12	Bolt 1/2-13NC x 1-7/8 (Grade 8)	
55	0681816	6	Bolt 1/2-13NC x 2 (Grade 8)	
56	4711800	48	Flatwasher 1/2 Thin	
57	4460968	4	Connector, Strain Relief (Not Shown)	
60	4240155	6	Tie-Strap (Not Shown) <b>(SN 0300207702 through 0300209000)</b>	
61	1001193674	4	Sleeve (Not Shown - Located on Axle Hydraulic Hoses) <b>(SN 0300207702 through 0300209000)</b>	
62	1001191541	8	Bracket, Hose Mount <b>(SN 0300207702 through 0300209000)</b>	
		Ref	<b>AXLE INSTALLATION - OPTIONAL PARTS</b>	
	0271934	Ref	<b>Fixed Axle (Prior to SN 0300207702)</b>	M
105	0363076	2	Bar, Stop	
115	0641814	4	Bolt 1/2-13NC x 1-3/4	
144	4071049	6	Shim 11 Gauge	
145	4071050	4	Shim 16 Gauge	
	0271521	Ref	<b>Oscillating Axle (Prior to SN 0300207702)</b>	M
	1001173913	Ref	<b>Oscillating Axle (SN 0300207702 through 0300209000)</b>	F
212	0642020	4	Bolt 5/8-11NC x 2-1/2	
217	1684081	2	Oscillating Axle Cylinder Assembly (See CYLINDER SECTION for Breakdown)	
220	3312005	4	Locknut 5/8-11NC	
225	3422833	2	Pin	
226	3422915	2	Pin	
231	3841258	4	Keeper, Pin	
246	4712000	4	Flatwasher 5/8 Thin	
254	3520054	4	Plug	





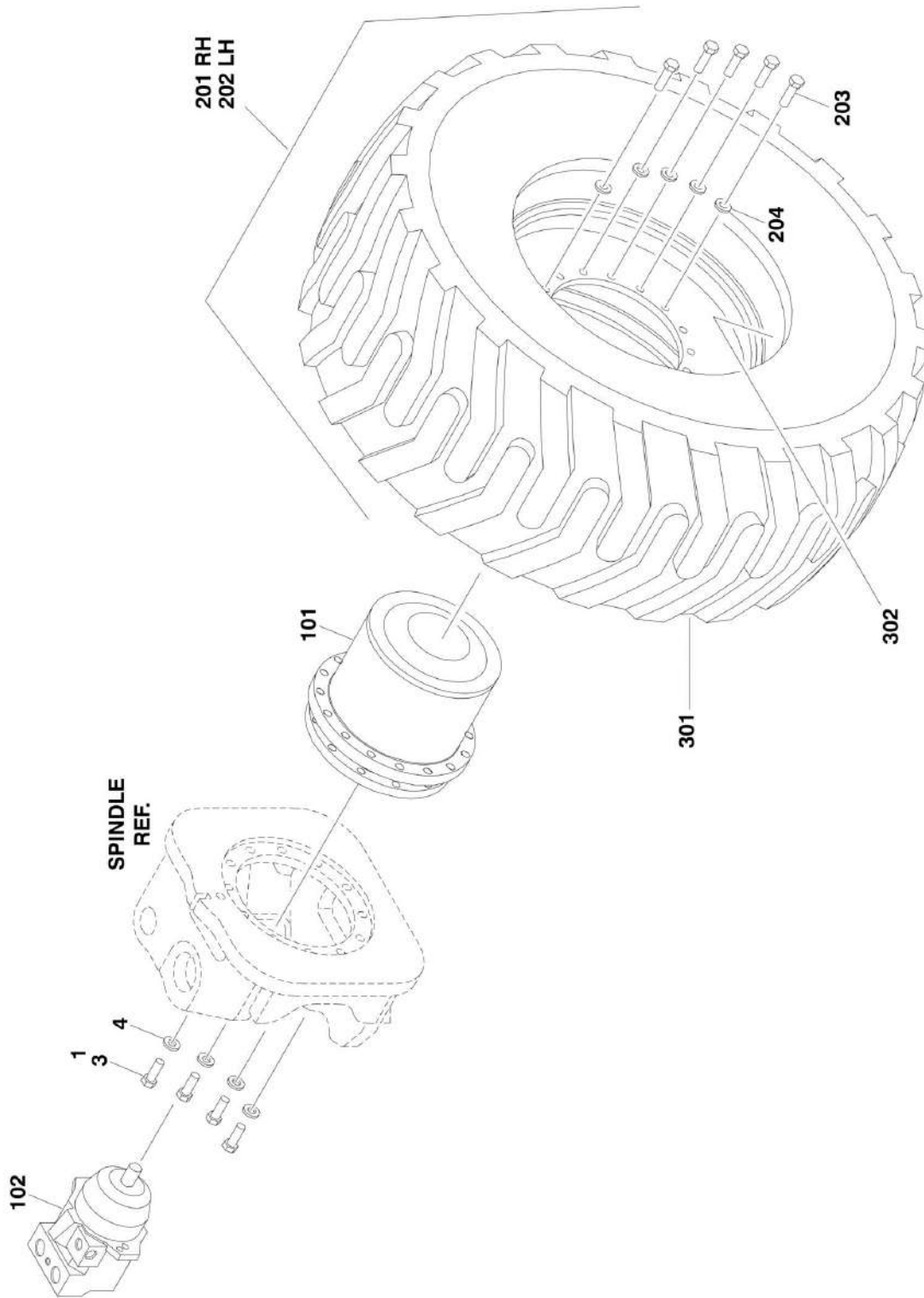
# SECTION 1 - FRAME

## FIGURE 1-2. STEER INSTALLATION

ITEM	PART NUMBER	QTY	DESCRIPTION	REV
	0271520	Ref	<b>STEER INSTALLATION</b>	J
1	0100011	AR	Compound, Locking	
2	0100019	AR	Compound, Locking	
3	0100035	AR	Compound, Locking	
5	0630464	4	Screw, Button Head #10-24NC x 1/2	
6	0641505	4	Bolt 5/16-18NC x 5/8	
7	0641511	4	Bolt 5/16-18NC x 1-3/8	
9	0641634	4	Bolt 3/8-16NC x 4-1/4	
10	0642016	4	Bolt 5/8-11NC x 2	
11	0962423	8	Bushing	
12	1671040	4	Cover, Sensor	
13	1684314	4	Steer Cylinder Assembly (See CYLINDER SECTION for Breakdown)	
14	3311505	4	Locknut 5/16-18NC	
15	3300464	4	Nut, Slotted	
17	3422917	4	Kingpin	
18	3422940	4	Pin, Steer Cylinder (Outer)	
19	3422941	4	Pin, Steer Cylinder (Inner)	
20	3423256	4	Pin, Sensor	
21	3451214	4	Pin, Cotter 3/8 x 3-1/2	
22	3760383	4	Ring, Retaining	
23	3841258	4	Keeper, Pin	
25	3931020	8	Capscrew #10-24NC x 1-1/4	
26	3931412	16	Capscrew 1/4-20NC x 3/4	
27	3932024	8	Capscrew 5/8-11NC x 1-1/2	
28	1001099632	4	Spindle	
29	4360505	4	Switch, Rotary Angle Sensor (Steer)	
30	4460914	4	Terminal	
31	4711500	12	Flatwasher 5/16 Thin	
32	4711800	4	Flatwasher 1/2 Thin	
33	4740181	4	Thrustwasher	
34	4740229	4	Thrustwasher	
35	4740505	8	Thrustwasher	
36	4751600	4	Flatwasher 3/8 Regular	
37	4755000	4	Flatwasher 2 1/2 Regular	
38	0200833	4	Arm, Steer	
39	0741606	8	Screw, Countersunk 3/8-16NC x 3/4	
40	1120549	4	Cap, Seal (Outer)	
41	1120550	4	Cap, Seal (Inner)	
42	3960551	4	Seal (Outer)	
43	3960552	4	Seal (Inner)	
44	0080277	4	Adapter, Angle Sensor Pilot	
45	4750800	8	Flatwasher M8	

# SECTION 1 - FRAME

## FIGURE 1-3. TIRE AND WHEEL DRIVE INSTALLATION





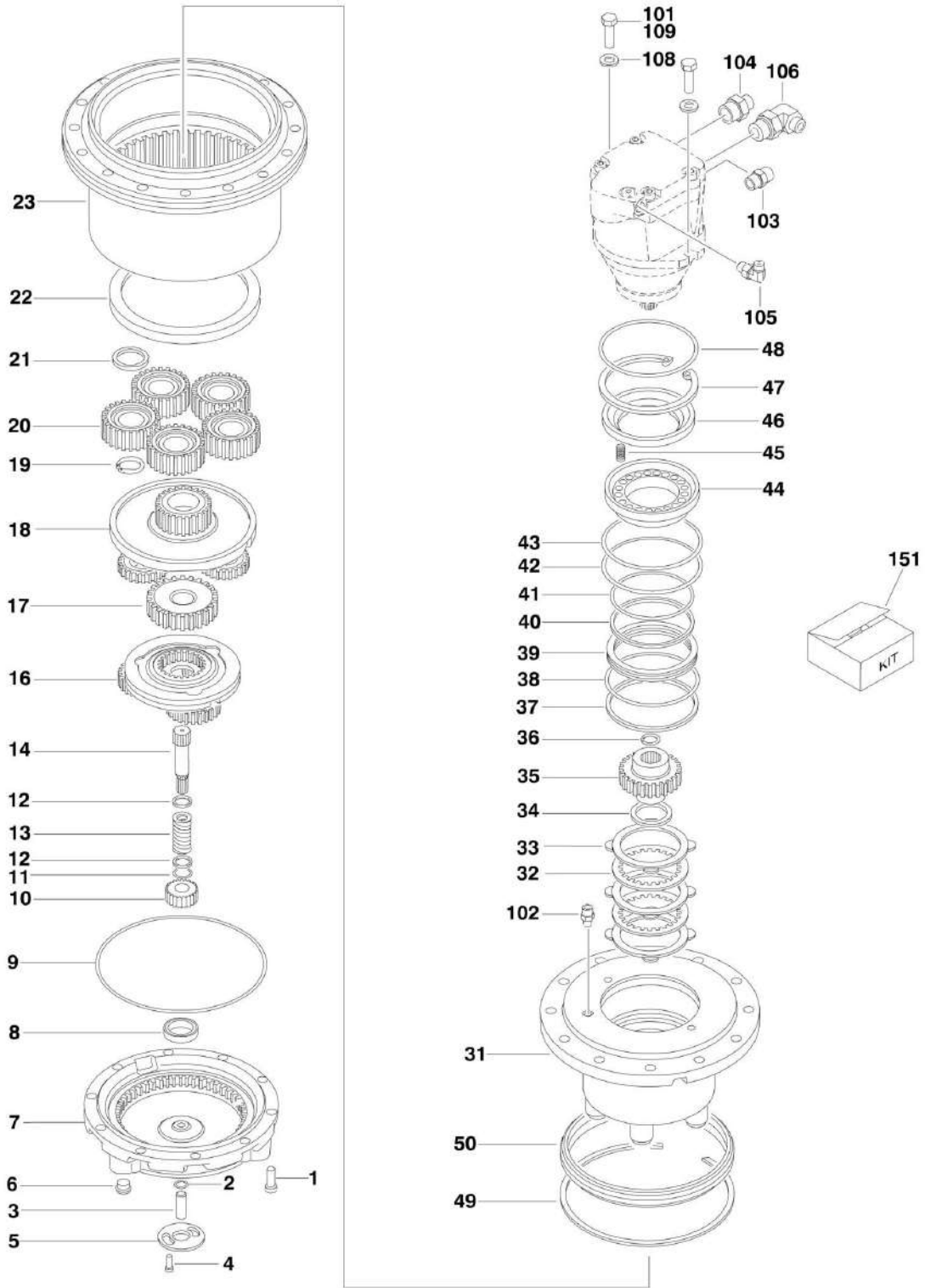
# SECTION 1 - FRAME

## FIGURE 1-3. TIRE AND WHEEL DRIVE INSTALLATION

ITEM	PART NUMBER	QTY	DESCRIPTION	REV
		Ref	<b>WHEEL DRIVE INSTALLATION</b>	
	0275685	Ref	<b>With Bonfiglioli Drive Hub</b>	C
	1001104324	Ref	<b>With Reggiana Riduttori Drive Hub</b>	B
1	0100019	AR	Compound, Locking	
3	0701617	48	Bolt M16 x 45mm (12 Per Wheel)	
4	4892000	48	Flatwasher 5/8in Hardened (12 Per Wheel)	
		Ref	<b>HUB AND MOTOR ASSEMBLY</b>	
	2780286	Ref	<b>With Bonfiglioli Drive Hub</b>	D
	1001104315	Ref	<b>With Reggiana Riduttori Drive Hub</b>	B
101		Ref	Drive Hub Assembly Options:	
		Ref	<b>Note: Various brands used. When replacing complete hub, note that all 4 hubs must be the same brand.</b>	
		Ref	<b>Note: Various brands used. Identify brand before ordering replacement parts.</b>	
101	2780290	NLA	Bonfiglioli Hub (Use p/n 1001093243) (See DRIVE HUB ASSEMBLY - BONFIGLIOLI for Breakdown)	
101	1001104325	4	Reggiana Riduttori Hub (See DRIVE HUB ASSEMBLY - REGGIANA RIDUTTORI for Breakdown)	
102	3160339	4	Drive Motor Assembly (See DRIVE MOTOR ASSEMBLY for Breakdown)	
		Ref	<b>TIRE AND WHEEL INSTALLATIONS</b>	
	0271852	Ref	<b>Foam-Filled Tires</b>	B
	1001115961	Ref	<b>Solid Tires</b>	A
		Ref	<b>Note: Assemblies may require ballast/foam filling to manufacturer's specifications prior to installing on a machine. Refer to Operation and Safety or Service and Maintenance Manuals. Purchase individual tire and/or rim only if able to foam fill tire and wheel assembly, otherwise, purchase complete assembly.</b>	
201		Ref	Right Side Tire and Wheel Assembly Options (See Items 301-302 for Breakdown):	
201	0272055	2	Foam-Filled Tire and Wheel Assembly	
201	1001112716	2	Solid Tire and Wheel Assembly	
202		Ref	Left Side Tire and Wheel Assembly Options (See Items 301-302 for Breakdown):	
202	0272056	2	Foam-Filled Tire and Wheel Assembly	
202	1001112669	2	Solid Tire and Wheel Assembly	
203	0701619	64	Bolt M16 x 55mm (16 Per Wheel)	
204	4892000	64	Flatwasher 5/8in Hardened (16 Per Wheel)	
		Ref	<b>TIRE AND WHEEL ASSEMBLY COMPONENTS</b>	
301		Ref	Tire Only Options:	
301	4520261	4	Tire 445/50D710 (For Foam Filling)	
301	Not Available		Tire 445/65-24 (Solid) (Purchase Items 201 or 202)	
302		Ref	Rim Only Options:	
302	4860236	4	Rim, Wheel (Foam-Filled Tires)	
302	Not Available		Rim (Solid Tires) (Purchase Items 201 or 202)	

# SECTION 1 - FRAME

## FIGURE 1-4. DRIVE HUB ASSEMBLY - BONFIGLIOLI



# SECTION 1 - FRAME

## FIGURE 1-4. DRIVE HUB ASSEMBLY - BONFIGLIOLI

ITEM	PART NUMBER	QTY	DESCRIPTION	REV
	1001093243	Ref	<b>DRIVE HUB ASSEMBLY WITH FITTINGS AND HARDWARE</b>	D
		Ref	<b>Note: Various brands used. Identify brand before ordering replacement parts.</b>	
	1001093242	1	Hub, Torque Less Fittings	
1	70000810	10	Bolt M10 x 25	
2	70000811	1	O-Ring	
3	70000812	1	Pin	
4	70000813	2	Bolt M8 x 16	
5	70002393	1	Cap, Disconnect	
6	Not Available	2	Plug	
7	70002394	1	Cover Assembly (Includes Items 2-6 & 8)	
8	70000816	1	Pad	
9	70000817	1	O-Ring	
10	70000818	1	Gear, Primary Sun	
11	See Note	1	Ring, Neoprene (Note: Use Item 151)	
12	See Note	2	Washer (Note: Use Item 151)	
13	See Note	1	Spring (Note: Use Item 151)	
14	See Note	1	Shaft (Note: Use Item 151)	
16	70000820	1	Reduction Assembly, Primary	
17	70000821	1	Gear, Secondary Sun	
18	70000822	1	Reduction Assembly, Secondary	
19	70000823	5	Snap Ring	
20	70000824	5	Gear Assembly, Planetary	
21	70000825	5	Spacer	
22	70000826	1	Nut	
23	70002395	1	Housing, Hub (Includes Bearing)	
24	Not Available	2	Bearing (Purchase Item 23)	
31	Not Available	1	Spindle	
32	70000834	4	Disc, Steel	
33	70000835	5	Disc, Lined	
34	70000836	1	Spacer	
35	70002398	1	Shaft, Brake	
36	70000838	1	Snap Ring	
37	70000839	1	Ring, Backup	
38	70000840	1	O-Ring	
39	70000841	1	Spacer	
40	70000842	1	Ring, Backup	
41	70000843	1	O-Ring	
42	70000844	1	O-Ring	
43	70000845	1	Ring, Backup	
44	70000846	1	Piston, Brake	
45	70000847	15	Spring	
46	70000848	1	Plate, Spring Retainer	
47	70000849	1	Snap Ring	
48	3790158	1	O-Ring (was p/n 70002399)	
49	70002396	1	Circlip	
50	70002397	1	Seal	
101	0761215	2	Bolt M12 x 35	
102	2110404	1	Fitting, Adapter	
103	2110808	1	Fitting, Adapter	

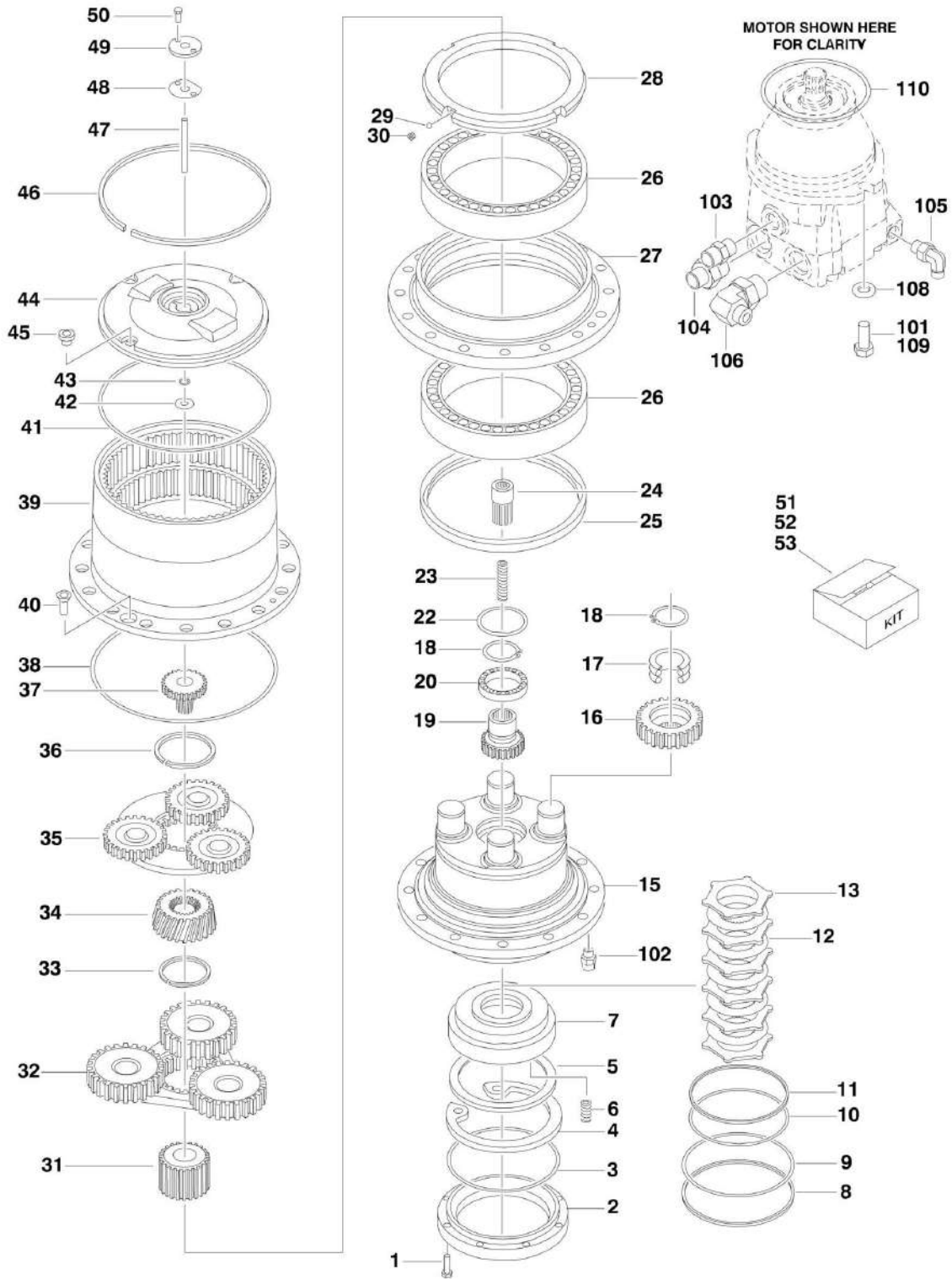
## SECTION 1 - FRAME

ITEM	PART NUMBER	QTY	DESCRIPTION	REV
104	2110812	1	Fitting, Adapter	
105	2130406	1	Fitting, 90 Adapter	
106	2130812	1	Fitting, 90 Adapter	
108	5241200	2	Flatwasher Hardened	
109	0100011	AR	Compound, Locking	
111	3020008	17 oz	Lubricant HD 80W-90 (Not Shown)	
151	70000819	1	Brake Shaft Kit (Includes Items 11-14)	



# SECTION 1 - FRAME

FIGURE 1-5. DRIVE HUB ASSEMBLY - REGGIANA RIDUTTORI



# SECTION 1 - FRAME

## FIGURE 1-5. DRIVE HUB ASSEMBLY - REGGIANA RIDUTTORI

ITEM	PART NUMBER	QTY	DESCRIPTION	REV
	1001104325	Ref	<b>DRIVE HUB ASSEMBLY WITH FITTINGS AND HARDWARE</b>	D
		Ref	<b>Note: Various brands used. Identify brand before ordering replacement parts.</b>	
	1001101550	1	Hub, Torque Less Fittings	
1	70002015	8	Bolt M8 x 25	
2	70002016	1	Ring, Motor Support	
3	See Note	NSS	O-Ring (Note: Use Item 51)	
4	70002018	1	Snap Ring	
5	70002019	1	Retainer, Spring	
6	70002020	9	Spring	
7	70002249	1	Piston (was p/n 70002021)	
8	See Note	NSS	Ring, Backup (Note: Use Item 51 or 53.)	
9	See Note	NSS	O-Ring (Note: Use Item 51 or 53.)	
10	See Note	NSS	O-Ring (Note: Use Item 51 or 53.)	
11	See Note	1	Ring, Backup (Note: Use Item 51 or 53.)	
12	70002026	5	Disc, Friction	
13	70002027	6	Disc, Steel	
15	70002029	1	Spindle	
16	70002030	4	Gear, Planetary	
17	70002031	4	Bearing	
18	70002032	5	Snap Ring	
19	70002033	1	Gear, Brake/Input	
20	70002034	1	Bearing	
22	70002035	1	Ring, Wear	
23	70002036	1	Spring	
24	70002037	1	Shaft, Engagement	
25	See Note	NSS	Seal (Note: Use Item 51)	
26	70002039	2	Bearing Assembly	
27	70002040	1	Support, Hub	
28	70002041	1	Nut, Retaining	
29	70002674	4	Washer (was p/n 70002042)	
30	70002674	4	Screw (was p/n 70002043)	
31	70002044	1	Gear, Planetary Sun	
32	70002045	1	Reduction Assembly, Secondary	
33	70002046	1	Snap Ring	
34	70002047	1	Gear, Secondary Input Sun	
35	70002048	1	Reduction Assembly, Primary	
36	70002049	1	Snap Ring	
37	70002050	1	Gear, Primary Input Sun	
38	See Note	NSS	O-Ring (Note: Use Item 51)	
39	Not Available	1	Housing, Hub	
40	70002052	2	Screw, Countersunk	
41	See Note	NSS	O-Ring (Note: Use Item 51 or 52.)	
42	See Note	NSS	Thrustwasher (Note: Use Item 52)	
43	See Note	NSS	O-Ring (Note: Use Item 51 or 52.)	
44	See Note	NSS	Cover, Hub	
45	See Note	NSS	Plug (Note: Use Item 52)	
46	See Note	NSS	Snap Ring (Note: Use Item 52)	
47	See Note	NSS	Pin, Engagement (Note: Use Item 52)	
48	See Note	NSS	Gasket (Note: Use Item 51 or 52.)	

## SECTION 1 - FRAME

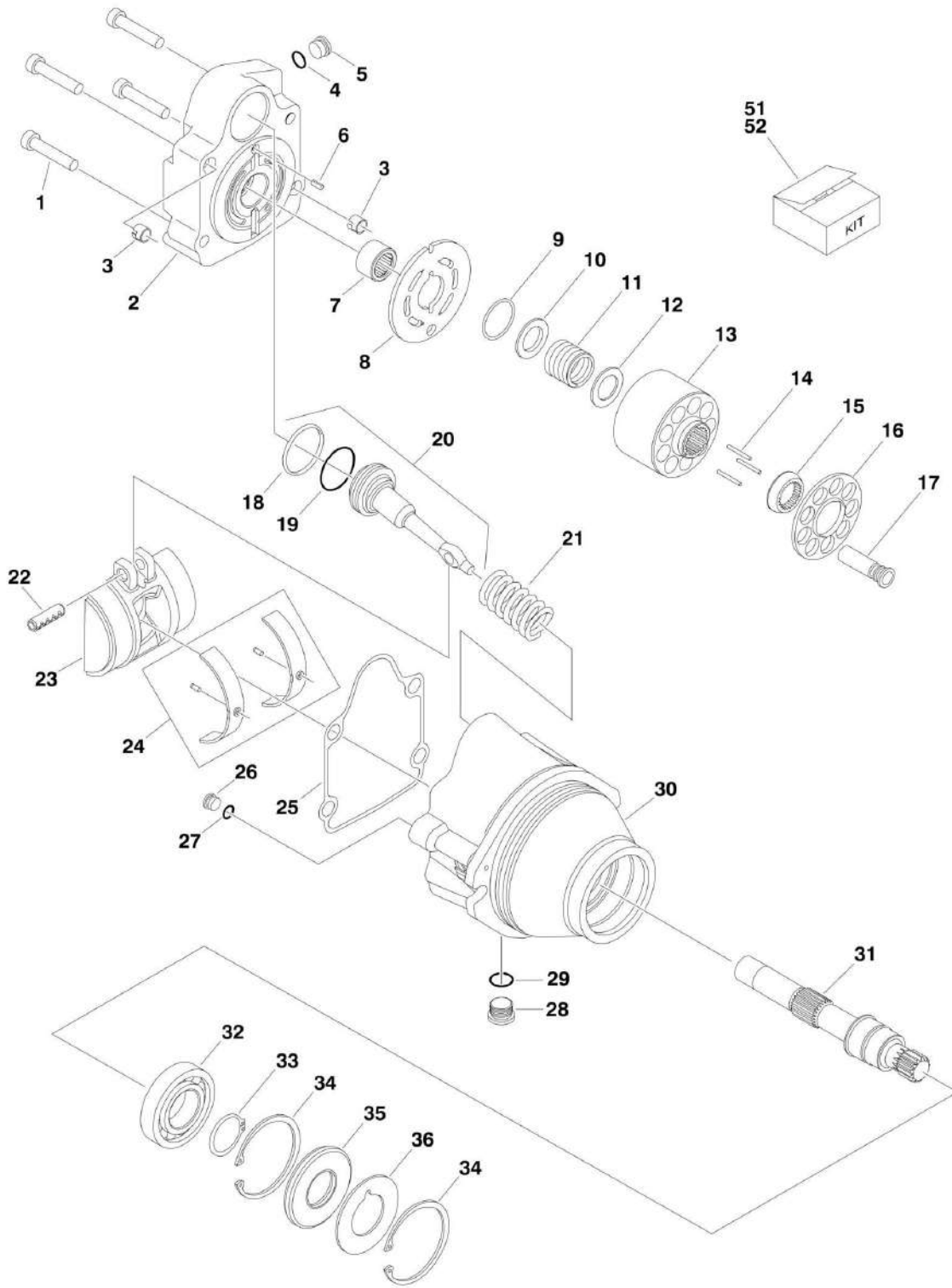
ITEM	PART NUMBER	QTY	DESCRIPTION	REV
49	See Note	NSS	Cover, Engagement (Note: Use Item 52)	
50	See Note	NSS	Screw (Note: Use Item 52)	
51	70002248	1	Seal Kit (Includes Items 3, 8-11, 25, 38, 41, 43 & 48)	
52	70002247	1	Cover Kit (Includes Items 41-50)	
53	70002249	1	Brake Kit (Includes Items 4-13)	
101	0761214	2	Bolt M12 x 30	
102	2110404	1	Fitting, Adapter	
103	2110808	1	Fitting, Adapter	
104	2110812	1	Fitting, Adapter	
105	2130406	1	Fitting, 90 Adapter	
106	2130812	1	Fitting, 90 Adapter	
108	5241200	2	Flatwasher 12 Hardened	
109	0100011	AR	Compound, Locking	
110	3790158	1	O-Ring	
111	3020008	17 oz	Lubricant HD 80W-90 (Not Shown)	





# SECTION 1 - FRAME

## FIGURE 1-6. DRIVE MOTOR ASSEMBLY



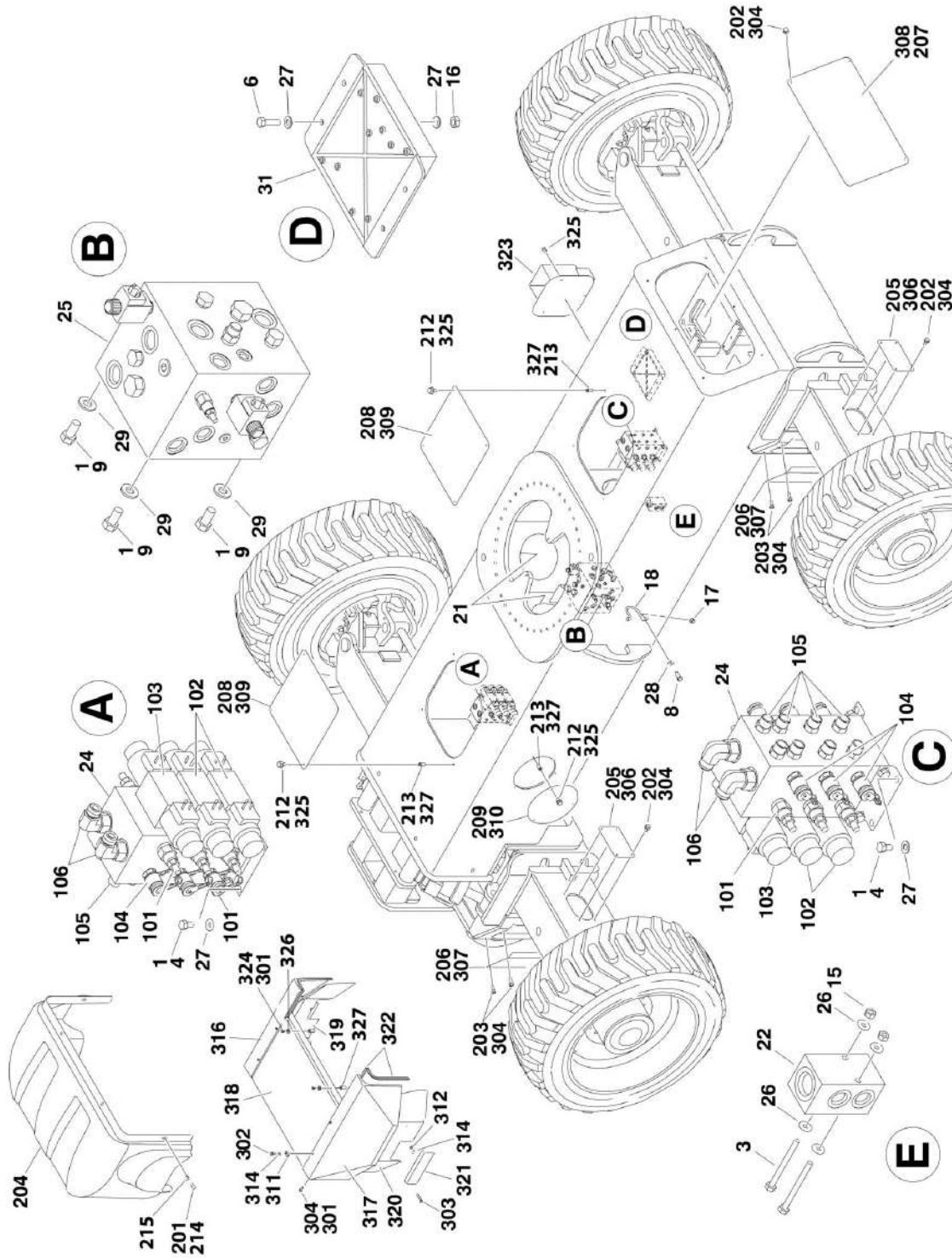
# SECTION 1 - FRAME

## FIGURE 1-6. DRIVE MOTOR ASSEMBLY

ITEM	PART NUMBER	QTY	DESCRIPTION	REV
	3160339	Ref	<b>DRIVE MOTOR ASSEMBLY</b>	D
1	7022368	4	Bolt	
2	70000859	1	End Cap, Motor	
3	70003628	2	Locating Pin	
4	See Note	NSS	O-Ring (Note: Use Item 51)	
5	7007420	1	Plug (Includes Item 4)	
6	7007446	1	Pin, Dowel	
7	7021249	1	Bearing, Needle	
8	70000854	1	Plate, Valve	
9	7022311	1	Snap Ring	
10	7022314	1	Retainer, Spring	
11	7024867	1	Spring	
12	7024868	1	Washer (was p/n 7022313)	
13	70000855	1	Block, Cylinder	
14	7021275	3	Pin, Slipper	
15	70000856	1	Guide	
16	70000857	1	Retainer, Slipper	
17	7024865	9	Piston, Cylinder	
18	See Note	NSS	Ring, Piston (Note: Use Item 51)	
19	See Note	NSS	O-Ring (Note: Use Item 51)	
20	70000860	1	Piston, Servo (Includes Items 18 & 19)	
21	70000861	1	Spring	
22	Not Available	1	Pin	
23	70000853	1	Swashplate	
24	70000852	1	Bearing Kit	
25	See Note	NSS	Gasket (Note: Use Item 51)	
26	Not Available	1	Plug	
27	See Note	NSS	O-Ring (Note: Use Item 51)	
28	7022321	1	Plug (Includes Item 29)	
29	See Note	NSS	O-Ring (Note: Use Item 51)	
30	Not Available	1	Housing	
31	70000858	1	Shaft	
32	7007437	1	Bearing	
33	7007439	1	Snap Ring	
34	7007438	2	Snap Ring	
35	See Note	NSS	Seal (Note: Use Item 51)	
36	7022371	1	Washer, Seal Support	
51	70000862		Motor Seal Kit (Includes Items 4, 18, 19, 25, 27, 29 & 35)	
52	7027740		Cylinder Block Kit (Includes Items 9 - 17)	

# SECTION 1 - FRAME

## FIGURE 1-7. FRAME VALVES AND COVERS INSTALLATION



# SECTION 1 - FRAME

## FIGURE 1-7. FRAME VALVES AND COVERS INSTALLATION

ITEM	PART NUMBER	QTY	DESCRIPTION	REV
	1001119717	Ref	<b>VALVES AND MODULE INSTALLATION - FRAME MOUNTED</b>	F
1	0100011	AR	Compound, Locking	
3	0641424	2	Bolt 1/4-20NC x 3	
4	0641504	8	Bolt 5/16-18NC x 1/2	
6	0641509	4	Bolt 5/16-18NC x 1-1/8	
8	0641608	20	Bolt 3/8-16NC x 1	
9	0641808	4	Bolt 1/2-13NC x 1	
15	3311405	2	Locknut 1/4-20NC	
16	3311505	9	Locknut 5/16-18NC	
17	3311605	4	Locknut 3/8-16NC	
18	3841340	2	Loop, Hose	
21	4060808	124 in /3.2m	Flex-Trim	
22	4641155	1	Manifold, Junction	
24	4641268	2	Valve Assembly - Steer (See Items 101-106)	
25	4641454	1	Valve Assembly - Traction	
26	4711400	8	Flatwasher 1/4 Thin	
27	4711500	31	Flatwasher 5/16 Thin	
28	4711600	26	Flatwasher 3/8 Thin	
29	4711800	4	Flatwasher 1/2 Thin	
31	1001112758	1	Module (Chassis) (Note: Control System must be recalibrated when Module is replaced)	
	4641268	2	<b>STEER VALVE ASSEMBLY</b>	B
101	7026028	12	Cartridge (6 Per Valve)	
101	7011346	12	Seal Kit - Cartridge (1 Per Cartridge)	
102	7024927	4	Valve (2 Per Valve)	
102	7012773	4	Seal Kit - Cartridge (1 Per Cartridge)	
102	7018991	8	Coil (2 Per Valve)	
103	70001976	2	Valve (1 Per Valve) (was p/n 7012770)	
103	7012773	2	Seal Kit - Cartridge (1 Per Cartridge)	
103	7018991	4	Coil (2 Per Valve)	
103	70001939	1	Orifice	
104	2221086	6	Check, Pressure	
105	2110606	8	Fitting, Straight	
106	2130810	2	Fitting, 90	
		Ref	<b>FRAME COVERS INSTALLATIONS (PLASTIC)</b>	
	0271523	Ref	<b>Frame Covers Installation (Plastic) (Prior to SN 0300195071)</b>	D
	1001176346	Ref	<b>Frame Covers Installation (Plastic) (SN 0300195071 through 0300209000)</b>	C
201	0100011	AR	Compound, Locking	
202	0791604	AR	Screw 3/8-16NC x 1/2	
203	0791607	AR	Screw 3/8-16NC x 7/8	
204	1670996	1	Cover (Frame Front)	
205	1671045	4	Plate, Cover (Axle Side)	
206	1671046	4	Plate, Cover (Axle Corner)	
207	1671047	1	Plate, Cover (Rear)	
208	1671048	2	Plate, Cover (Frame Top)	
209	1671049	4	Plate, Cover (Frame Side)	
210	3900283	3	Screw 3/8-16NC x 3/4	
211	4751600	3	Flatwasher 3/8 Regular	

## SECTION 1 - FRAME

ITEM	PART NUMBER	QTY	DESCRIPTION	REV
212	0791604	20	Screw, 3/8-16 x 1/2 <b>(Prior to SN 0300195071)</b>	
212	0791410	AR	Screw, 1/4-20 x 1-1/4 <b>(SN 0300195071 through 0300209000)</b>	
213	8580420	AR	Nut, Well	
214	3900283	4	Screw, 3/8-16 x 3/4 <b>(Prior to SN 0300195071)</b>	
214	0641412	4	Bolt, 1/4-20 x 1-1/2 <b>(SN 0300195071 through 0300209000)</b>	
215	4751600	4	Washer, 3/8 <b>(Prior to SN 0300195071)</b>	
215	4740430	4	Washer, Fender <b>(SN 0300195071 through 0300209000)</b>	
		Ref	<b>FRAME COVERS INSTALLATION (STEEL)</b>	
	1001110114	Ref	<b>Frame Covers Installation (Steel) (Prior to SN 0300195071)</b>	D
	1001176347	Ref	<b>Frame Covers Installation (Steel) (SN 0300195071 through 0300209000)</b>	C
301	0100011	AR	Compound, Locking	
302	0641406	8	Screw 1/4-20NC x 3/4	
303	0641414	4	Screw 1/4-20NC x 1-3/4	
304	0791604	AR	Screw 3/8-16NC x 1/2	
306	1671045	4	Plate, Cover (Axle Side)	
307	1671046	4	Plate, Cover (Axle Corner)	
308	1671047	1	Plate, Cover (Rear)	
309	1671048	2	Plate, Cover (Frame Top)	
310	1671049	3	Plate, Cover (Frame Side)	
311	3300454	8	Nut, Retainer 1/4-20NC	
312	3311405	4	Locknut 1/4-20NC	
314	4711400	12	Flatwasher 1/4 Thin	
316	1001110108	1	Cover - RH Side	
317	1001110109	1	Cover - LH Side	
318	1001110110	1	Cover - Center Side	
319	1001110111	1	Shift - RH Side	
320	1001110112	1	Shift - LH Side	
321	1001110113	2	Plate	
322	1001110513	51 in/5.5m	Seal	
323	1001110877	1	Mount, Fire Extinguisher	
324	0791604	2	Screw, 3/8-16 x 1/2 <b>(Prior to SN 0300195071)</b>	
324	0641412	2	Bolt, 1/4-20 x 1-1/2 <b>(SN 0300195071 through 0300209000)</b>	
325	0791604	AR	Screw, 3/8-16 x 1/2 <b>(Prior to SN 0300195071)</b>	
325	0791410	AR	Screw, 1/4-20 x 1-1/4 <b>(SN 0300195071 through 0300209000)</b>	
326	4740430	2	Washer, Fender <b>(SN 0300195071 through 0300209000)</b>	
327	8580420	AR	Nut, Well <b>(SN 0300195071 through 0300209000)</b>	



# SECTION 1 - FRAME

## FIGURE 1-8. TRACTION VALVE ASSEMBLY

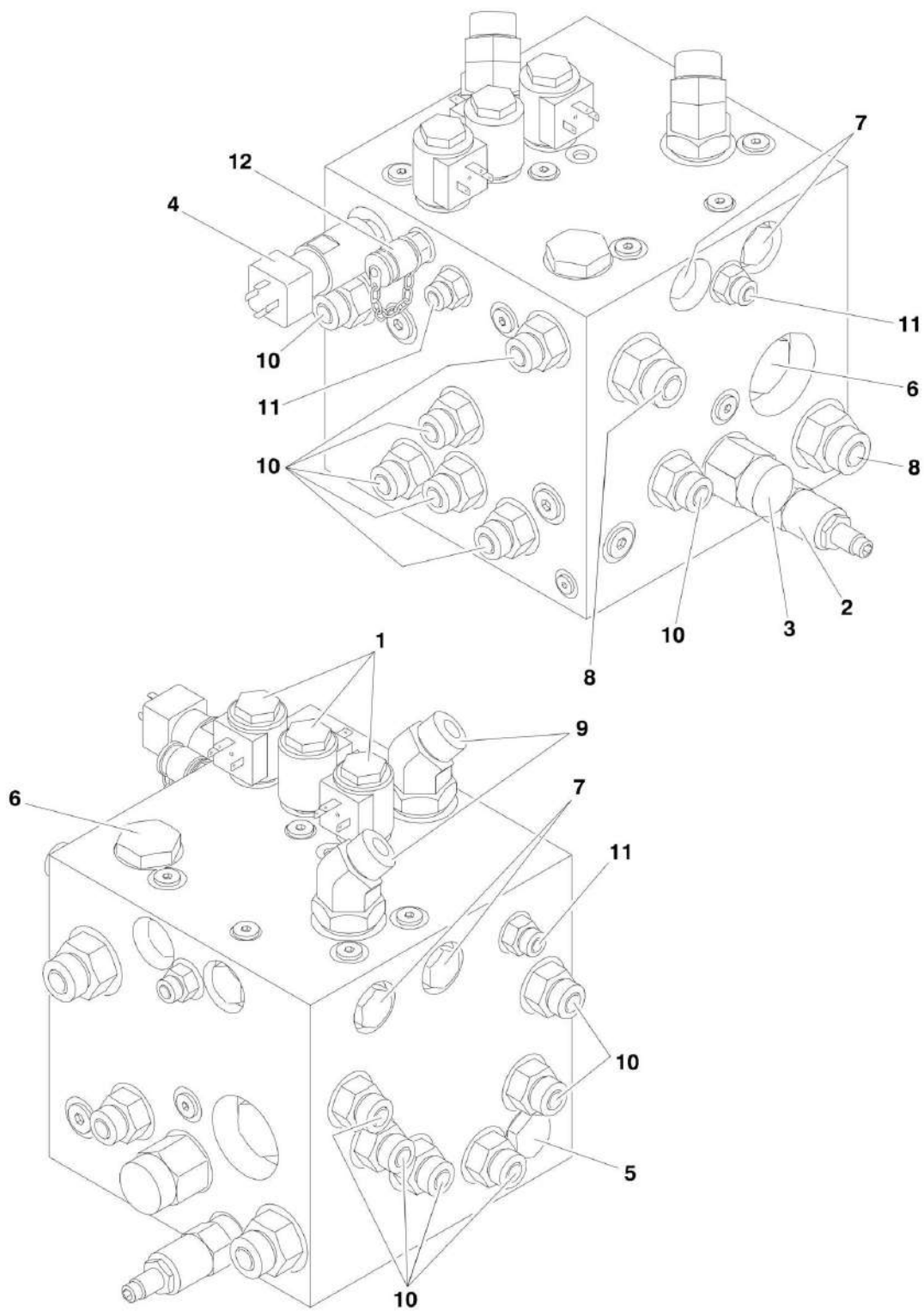




FIGURE 1-8. TRACTION VALVE ASSEMBLY

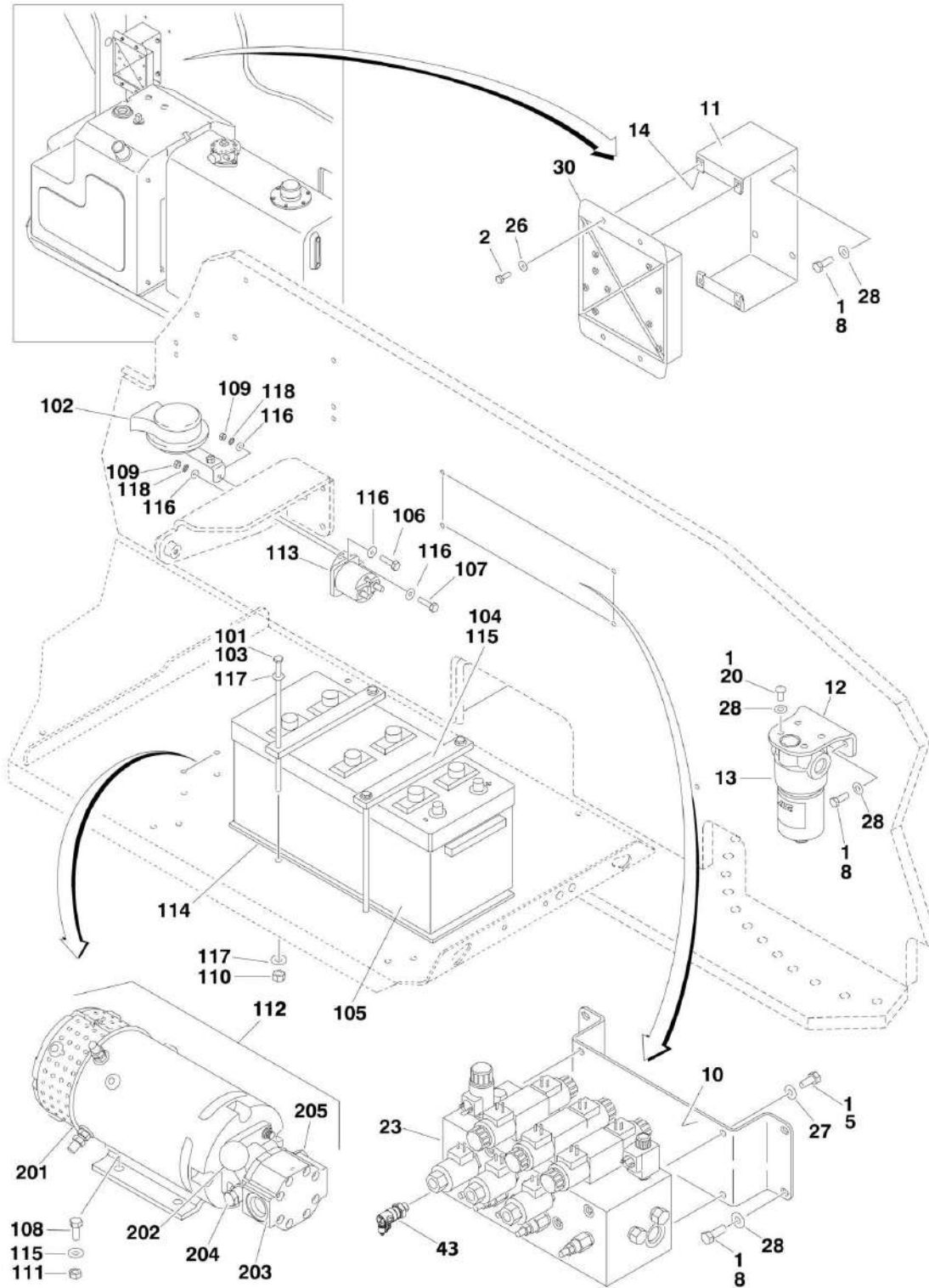
ITEM	PART NUMBER	QTY	DESCRIPTION	REV
	4641454	Ref	<b>TRACTION VALVE ASSEMBLY</b>	E
1	7012941	3	Cartridge, Solenoid Valve (Steer, Brake and Axle Lockout)	
1	7010543	3	Seal Kit - 7012941 Cartridge	
1	7012944	2	Coil	
2	70000801	1	Cartridge, Valve (Relief)	
2	7012998	1	Seal Kit - 70000801 Cartridge	
3	70000802	1	Cartridge, Valve (Pilot)	
3	7012942	1	Seal Kit - 70000802 Cartridge	
4	70000803	1	Pressure Switch	
5	70000804	1	Cartridge, Valve (Shuttle)	
5	70000805	1	Seal Kit - 70000804 Cartridge	
6	70000806	2	Cartridge, Valve (Flow Divider)	
6	7017405	2	Seal Kit - 70000806 Cartridge	
7	7012955	4	Cartridge, Valve (Check)	
7	7012967	4	Seal Kit - 7012955 Cartridge	
8	2111012	2	Fitting, Straight	
9	2151012	2	Fitting, 45	
10	2110810	13	Fitting, Straight	
11	2110406	3	Fitting, Straight	
12	2221086	1	Check, Pressure	
13	2220883	1	Plug, #4 (Not Shown)	



**SECTION 2 - TURNTABLE**

# SECTION 2 - TURNTABLE

## FIGURE 2-1. VALVE, BATTERY, HORN AND AUXILIARY PUMP INSTALLATIONS



# SECTION 2 - TURNTABLE

**FIGURE 2-1. VALVE, BATTERY, HORN AND AUXILIARY PUMP INSTALLATIONS**

ITEM	PART NUMBER	QTY	DESCRIPTION	REV
	1001119717	Ref	<b>VALVE, MODULE AND FILTER INSTALLATION - TURNTABLE MOUNTED</b>	F
1	0100011	AR	Compound, Locking	
2	0641406	4	Bolt 1/4-20NC x 3/4	
5	0641506	4	Bolt 5/16-18NC x 3/4	
8	0641608	20	Bolt 3/8-16NC x 1	
10	0902755	1	Bracket, Valve Mounting	
11	0902800	1	Bracket, Module Mounting	
12	0903530	1	Bracket, Filter Mounting	
13	2120217	1	Filter, Pressure	
13	70002097	1	Element	
13	70004328	1	Plug, Indicator	
14	3300454	4	Nut, Retainer	
23	4641267	NLA	Main Valve Assembly (Use p/n 1001162194) (See MAIN VALVE ASSEMBLY for Breakdown)	
26	4711400	8	Flatwasher 1/4 Thin	
27	4711500	31	Flatwasher 5 /16 Thin	
28	4711600	26	Flatwasher 3/8 Thin	
30	1001112757	1	Module, B.L.A.M. (Note: Control System must be recalibrated when Module is replaced)	
43	1001119455	1	Valve, Oil Sampling, Valve, Oil Sampling <b>(SN 0300192736 through 0300209000)</b>	
	1001119952	Ref	<b>BATTERY, HORN AND AUXILIARY PUMP INSTALLATION</b>	A
101	0100011	AR	Compound, Locking	
102	0140001	1	Horn	
103	0236768	4	Bolt, Hold-down	
104	0363062	2	Bar, Battery	
105	0400020	1	Battery	
106	0641408	1	Bolt 1/4-20NC x 1	
107	0641412	1	Bolt 1/4-20NC x 1-1/2	
108	0641607	4	Bolt 3/8-16NC x 7/8	
109	3311405	3	Locknut 1/4-20NC	
110	3311601	4	Nut 3/8-16NC	
111	3311605	4	Locknut 3/8-16NC	
112	3600465	1	Auxiliary Pump Assembly (See Items 201-205 for Breakdown)	
113	3740067	1	Relay	
114	3980006	1	Seat, battery	
115	4420037	17	Tape, Insulation	
		in/43cm		
116	4711400	4	Flatwasher 1/4 Thin	
117	4711600	12	Flatwasher 3/8 Thin	
118	4791400	2	Starwasher 1/4	
	3600465	Ref	<b>AUXILIARY PUMP ASSEMBLY</b>	C
201	7010924	1	Motor	
201	7010639	2	Brush	
201	7010640	8	Spring, Brush	
201	7011044	1	Gasket, Adapter to Motor	
202	70000998	1	Coupling	
202	70000999	1	Key, Woodruff	
202	Not Available	1	Adapter	
203	70001001	1	Pump Kit (Includes Pump, Adapter to Motor Gasket p/n 7011044)	

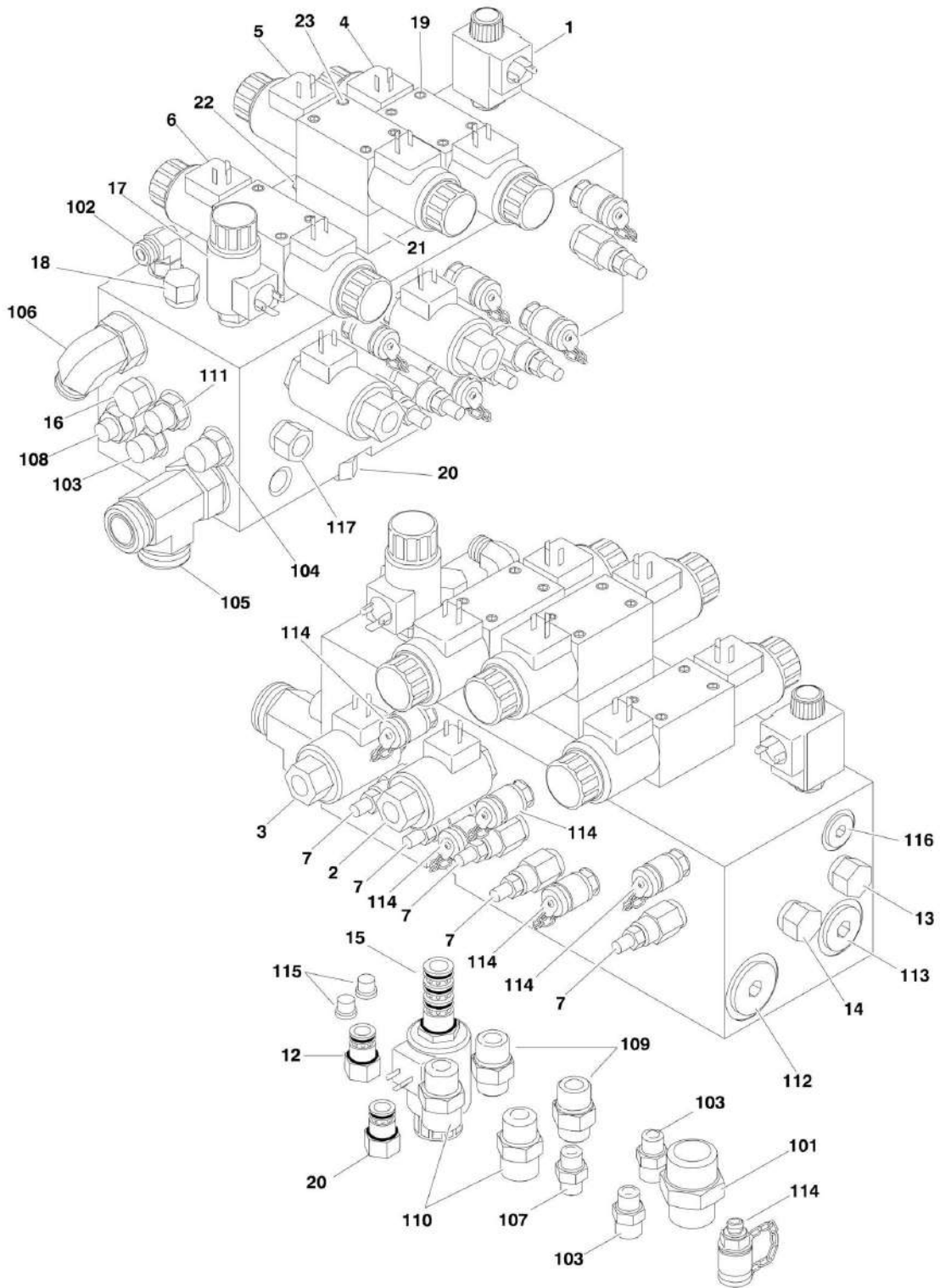
## SECTION 2 - TURNTABLE

ITEM	PART NUMBER	QTY	DESCRIPTION	REV
203	7011043	4	and Mounting Hardware) Screw	
203	7011048	4	Washer	
203	70001000	1	Seal Kit (Includes Adapter to Motor Gasket p/n 7011044, Pump to Adapter Gasket, Shaft Seal and O-Rings for Hex Caps on Adapter)	
204	Not Available	1	Ball	
204	Not Available	1	Spring	
204	Not Available	1	Screw, Valve Adjustment	
205	Not Available	1	Ball and Spring Assembly	
205	Not Available	1	Plug	



# SECTION 2 - TURNTABLE

## FIGURE 2-2. MAIN VALVE ASSEMBLY





**SECTION 2 - TURNTABLE**

**FIGURE 2-2. MAIN VALVE ASSEMBLY**

ITEM	PART NUMBER	QTY	DESCRIPTION	REV
	4641267	Ref	<b>MAIN VALVE ASSEMBLY (Note: Use p/n 1001132194)</b>	B
1	7024573	1	Cartridge, Solenoid Valve (Dump)	
1	7024574	1	Seal Kit - Cartridge	
1	7011354	1	Coil	
2	7021636	1	Cartridge, Solenoid Valve (Lift Flow)	
2	7017495	1	Seal Kit - Cartridge	
2	7017451	1	Coil	
3	7021636	1	Cartridge, Solenoid Valve (Tele Flow)	
3	7017495	1	Seal Kit - Cartridge	
3	7017451	1	Coil	
4	7024924	1	Control Valve Assembly (Swing)	
4	7012773	1	Seal Kit - Valve	
4	7018991	2	Coil	
4	7021375	2	Nut, Coil	
5	7024925	1	Control Valve Assembly (Lift)	
5	7012773	1	Seal Kit - Valve	
5	7018991	2	Coil	
5	7021375	2	Nut, Coil	
6	70001976	1	Control Valve Assembly (Tele) (was p/n 7012770)	
6	7012773	1	Seal Kit - Valve	
6	7018991	2	Coil	
6	7021375	2	Nut, Coil	
7	7026007	5	Cartridge, Relief Valve (Swing/Lift Up/Lift Down/Tele In/Tele Out)	
7	7024574	1	Seal Kit - Cartridge	
12	7026000	1	Cartridge, Check Valve	
12	7011311	1	Seal Kit - Cartridge	
13	7026001	1	Cartridge, Check Valve	
13	7011311	1	Seal Kit - Cartridge	
14	7026002	1	Cartridge, Shuttle Valve	
14	2900770	1	Seal Kit - Cartridge	
15	7024570	1	Cartridge, Solenoid Valve (Aux Lift Down Select)	
15	70001930	1	Seal Kit - Cartridge (was p/n 2900770)	
15	7024571	1	Coil	
16	7026003	1	Cartridge, Pilot Valve	
16	7026004	1	Seal Kit - Cartridge	
17	7026005	1	Cartridge, Solenoid Valve (Aux Lift Down)	
17	7026006	1	Seal Kit - Cartridge	
17	7024571	1	Coil	
18	7026008	1	Cartridge, Check Valve	
18	7011346	1	Seal Kit - Cartridge	
19	7018942	8	Capscrew, Socket Head #10-24NC x 2	
20	7026016	1	Cartridge, Valve	
20	7011346	1	Seal Kit - Cartridge	
		Ref	<b>Note: Items 21-23 Used on p/n 1001132194 Main Valve Assembly Only.</b>	
21	70003630	1	Valve, Flow Sandwich	
21	7018968	4	O-Ring	
22	70003021	1	Cartridge, Valve	
22	70003018	1	Seal Kit - Cartridge	
23	7018986	4	Capscrew, Socket Head #10-24NC x 3-1/2	

## SECTION 2 - TURNTABLE

ITEM	PART NUMBER	QTY	DESCRIPTION	REV
101	2111216	1	Fitting, Straight	
102	2130606	1	Fitting, 90	
103	2110606	3	Fitting, Straight	
104	2110808	1	Fitting, Straight	
105	2170316	1	Fitting, Tee	
106	2131012	1	Fitting, 90	
107	2110406	1	Fitting, Straight	
108	2110408	1	Fitting, Straight	
109	2110810	2	Fitting, Straight	
110	2111010	2	Fitting, Straight	
111	2110608	1	Fitting, Straight	
112	2220890	1	Plug	
113	70002760	1	Plug (was p/n 2220888)	
114	2221086	6	Check, Pressure	
115	70002758	2	Fitting, Plug (was p/n 2220883)	
116	70002759	1	Plug w/ O-Ring (was p/n 88662193 & 2220886)	
117	1001137354	1	Fitting, Straight	





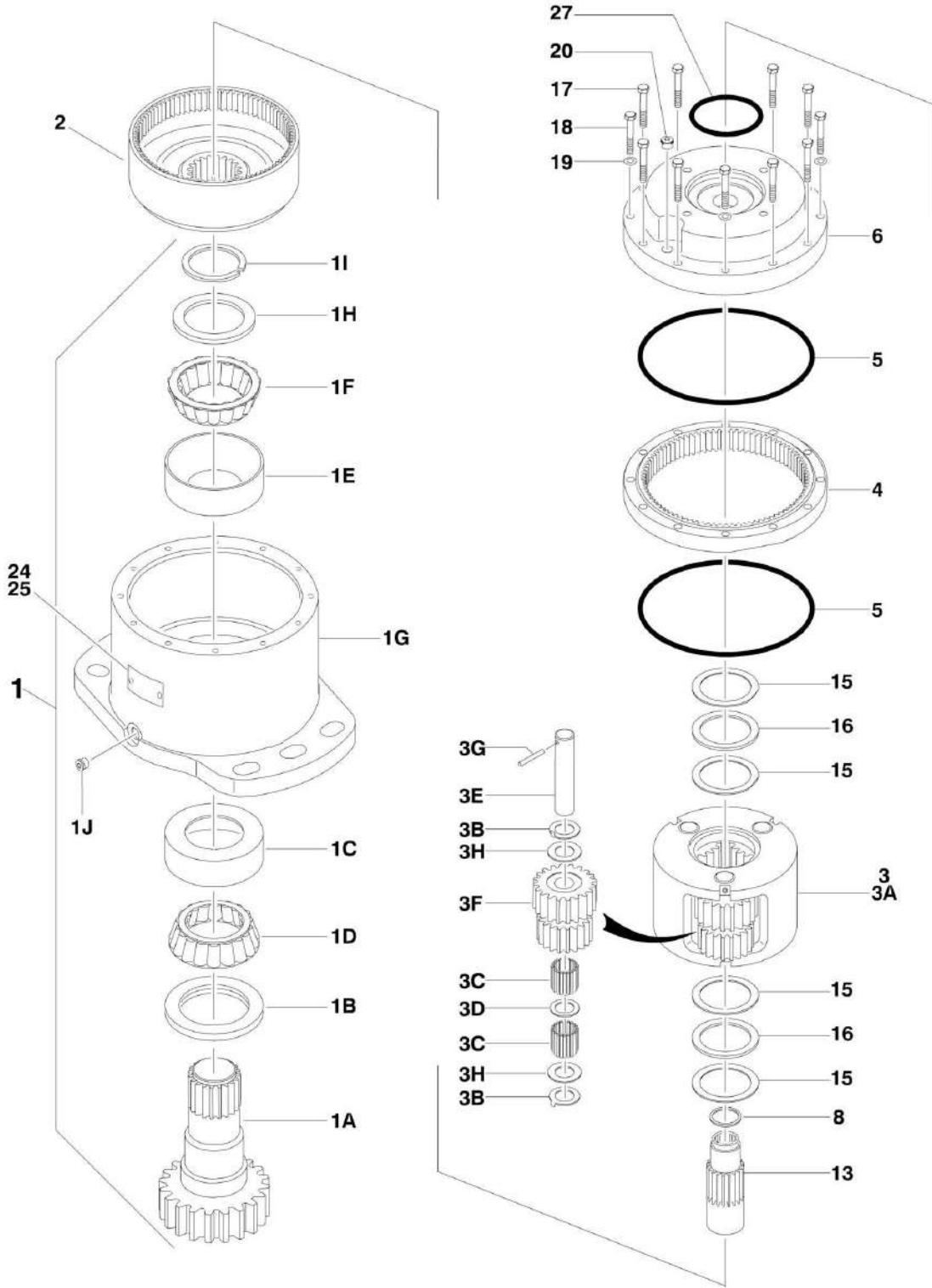
## SECTION 2 - TURNTABLE

**FIGURE 2-3. TURNTABLE SWING DRIVE AND BEARING INSTALLATION**

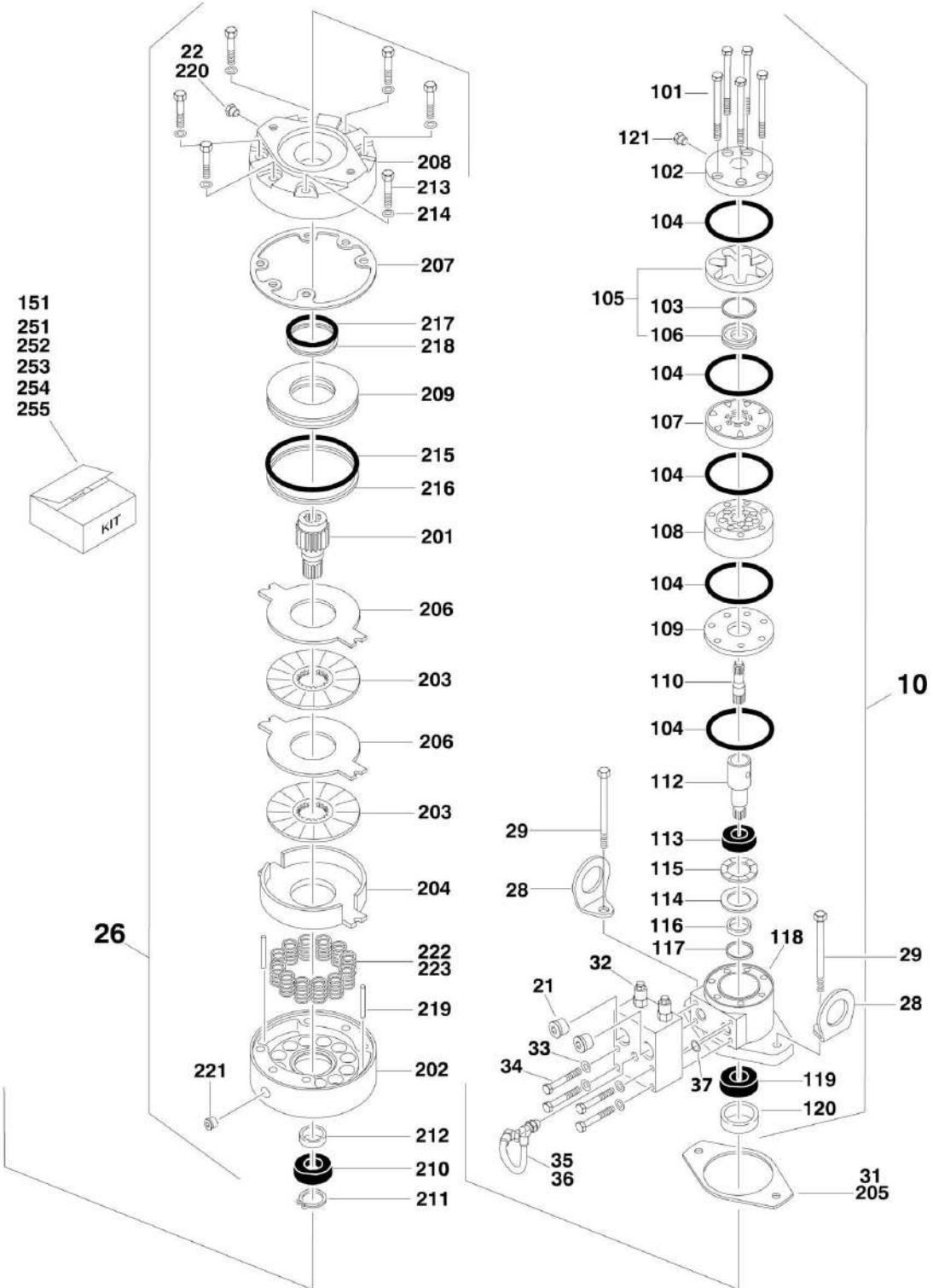
ITEM	PART NUMBER	QTY	DESCRIPTION	REV
	0271596	Ref	<b>SWING DRIVE INSTALLATION</b>	D
1	0100019	AR	Compound, Locking	
2	0682418	5	Bolt 7/8- 9NC x 2-1/4 (Grade 8)	
3		Ref	Swing Motor/Hub Assembly (See SWING MOTOR/HUB ASSEMBLY for Breakdown)	
3	3160302	NLA	Swing Motor/Hub Assembly (Use p/n 1001134098)	
3	1001134098	1	Swing Motor/Hub Assembly ( <b>SN 0300152139 through 0300209000</b> )	
4	3312002	1	Nut, Jam 5/8-11NC	
5	3900223	1	Screw, Shoulder	
6	3952020	1	Setscrew 5/8-11NC x 2-1/2	
7	4071041	1	Shim	
8	4892400	5	Flatwasher 7/8in Hardened	
	0271512	Ref	<b>TURNTABLE BEARING AND LUBE INSTALLATION</b>	B
101	0100019	AR	Compound, Locking	
102	0440251	1	Bearing, Turntable	
103	0682026	40	Bolt 5/8-11NC x 3-1/4 (Grade 8)	
104	0682040	40	Bolt 5/8-11NC x 5 (Grade 8)	
105	2180002	2	Fitting, Grease	
106	2180344	2	Fitting, Bulkhead	
107	2220063	2	Fitting, Adapter	
109	2750528	2	Hose	
110	4892000	80	Flatwasher 5/8, Hardened	
151	2915072	1	Kit Bearing (Includes Items 102, 103, 104 & 110)	
	1001110186	Ref	<b>TURNTABLE LOCK INSTALLATION</b>	C
201	0641524	1	Bolt 5/16-18NC x 3	
202	1260017	9 in/23cm	Chain - #3	
203	3311505	1	Locknut 5/16-18NC	
204	3421563	1	Pin, Turntable Lock	
205	3421565	1	Pin, Snap	
206	3760170	2	Ring, Quick Release	

# SECTION 2 - TURNTABLE

## FIGURE 2-4. SWING MOTOR/HUB ASSEMBLY



# SECTION 2 - TURNTABLE



## SECTION 2 - TURNTABLE

FIGURE 2-4. SWING MOTOR/HUB ASSEMBLY

ITEM	PART NUMBER	QTY	DESCRIPTION	REV
		Ref	<b>SWING MOTOR/HUB ASSEMBLIES</b>	
	3160302	Ref	<b>Swing Motor/Hub Assemblies (Prior to SN 0300152139)</b>	B
	1001134098	Ref	<b>Swing Motor/Hub Assemblies (SN 0300152139 through 0300209000)</b>	B
1	Not Available	1	Housing/Shaft Assembly	
1A	7024183	1	Shaft, Out put	
1B	7000236	1	Seal, Lip	
1C	7000272	1	Cup, Bearing	
1D	7000273	1	Cone, Bearing	
1E	7000274	1	Cup, Bearing	
1F	7000275	1	Cone, Bearing	
1G	7024184	1	Housing	
1H	7000239	1	Thrustwasher	
1I	7000240	1	Ring, Retaining	
1J	7017072	1	Plug, Pipe	
2	7001917	1	Gear, Internal	
3	7001918	1	Carrier Assembly	
3A	7001900	1	Carrier	
3B	7007645	6	Washer, Tanged	
3C	7001902	84	Bearing, Needle	
3D	7007646	3	Thrustwasher	
3E	7001904	3	Shaft, Planet	
3F	7001927	3	Gear, Cluster	
3G	7001906	3	Rollpin	
3H	7007648	6	Washer	
4	7010467	1	Gear, Ring	
5	7000224	2	O-Ring	
6	7001920	1	Cover, Input	
8	7001922	1	Thrustwasher	
10	7024188	1	Motor Assembly (See Items 101-121 for Breakdown)	
13	7001921	1	Gear, Sun	
15	7000287	4	Thrustwasher	
16	7000288	2	Bearing, Thrust	
17	7001923	8	Bolt 3/8-16NC x 3 (Grade 8)	
18	7001924	4	Bolt, Shoulder 3/8-16NC x 2-3/4 (Grade 8)	
19	7001929	4	Lockwasher (Used with Item 18 Only)	
20		Ref	Plug, Pipe Options:	
20	7001928	1	Used With Swing Motor/Hub Assembly p/n 3160302	
20	7017094	1	Used With Swing Motor/Hub Assembly p/n 1001134098	
21	7001926	2	Plug, Pipe	
22	7017082	1	Plug, Pipe	
24	Not Available	1	Plate, ID	
25	7000281	2	Screw, Drive	
26		Ref	Brake Assembly Options (See Items 201-223 for Breakdown):	
26	7024182	1	Brake Assembly ( <b>Prior to SN 0300152139</b> )	
26	70003524	1	Brake Assembly ( <b>SN 0300152139 through 0300209000</b> )	
27	7024763	1	O-Ring	
28	Not Available	2	Lug, Lifting	
29	7024185	2	Bolt 1/2-13NC x 5 (Grade 8)	
31	7000731	1	Gasket	



## SECTION 2 - TURNTABLE

ITEM	PART NUMBER	QTY	DESCRIPTION	REV
32		Ref	Valve Options:	
32		Ref	Used With Swing Motor/Hub Assembly p/n 3160302	
32	4640741	1	Valve (was p/n 7024187)	
32	7011320	2	Cartridge	
32	2900770	2	Seal Kit - 7011320 Cartridge (1 Per Cartridge)	
32		Ref	Used With Swing Motor/Hub Assembly p/n 1001134098	
32	70003523	1	Valve	
32	70003629	2	Cartridge	
32	2900770	2	Seal Kit - 70003629 Cartridge (1 Per Cartridge)	
33	Not Available	4	Lockwasher	
34	7024135	4	Bolt 5/16-18NC x 2-1/2 (Grade 8)	
35	7024186	1	Tube	
36	7017085	2	Elbow	
37	7000213	2	O-Ring	
	7024188	Ref	<b>MOTOR ASSEMBLY</b>	
101	7024391	5	Bolt	
102	7004035	1	Cover, End	
103	7024194	1	Seal, Commutator	
104	7024194	5	Seal, Ring	
105	7004037	1	Commutator and Ring Assembly	
106	7004037	1	Ring	
107	7024379		Manifold	
108	7024392	1	Rotor Set	
109	7024380	1	Plate, Wear	
110	7024393	1	Link, Drive	
112	7024395	1	Shaft, Coupling	
113	7024381	1	Bushing, Bronze	
114	7004043	1	Thrustwasher	
115	7004044	1	Bearing, Thrust	
116	7024194		Seal, Inner	
117	7024194	1	Washer, Back-up	
118	7024394	1	Housing	
119	7024390	1	Bearing	
120	7024194	1	Seal	
121	7010795	1	Plug, O-Ring	
151	7024396	1	Seal Kit - 7024188 Motor (Includes Items 103, 104, 116, 117 & 120)	
		Ref	<b>BRAKE ASSEMBLIES</b>	
	7024182	Ref	<b>Brake Assemblies (Prior to SN 0300152139)</b>	
	70003524	Ref	<b>Brake Assemblies (SN 0300152139 through 0300209000)</b>	
201	7024189	1	Shaft	
202	Not Available	1	Housing	
203	7024193	2	Plate, Friction	
204	7024193	1	Plate, Pressure	
205	7000731	1	Gasket (Part of Item 251)	
206	7024193	2	Plate, Outer	
207	See Note	1	Gasket (Note: Use Item 251, 254 or 255)	
208	7024191	1	Cylinder	
209	7024192	1	Piston	
210	7024197	1	Bearing, Ball	
211	7024197	1	Ring, Retaining	
212	7024197	1	Seal, Shaft	

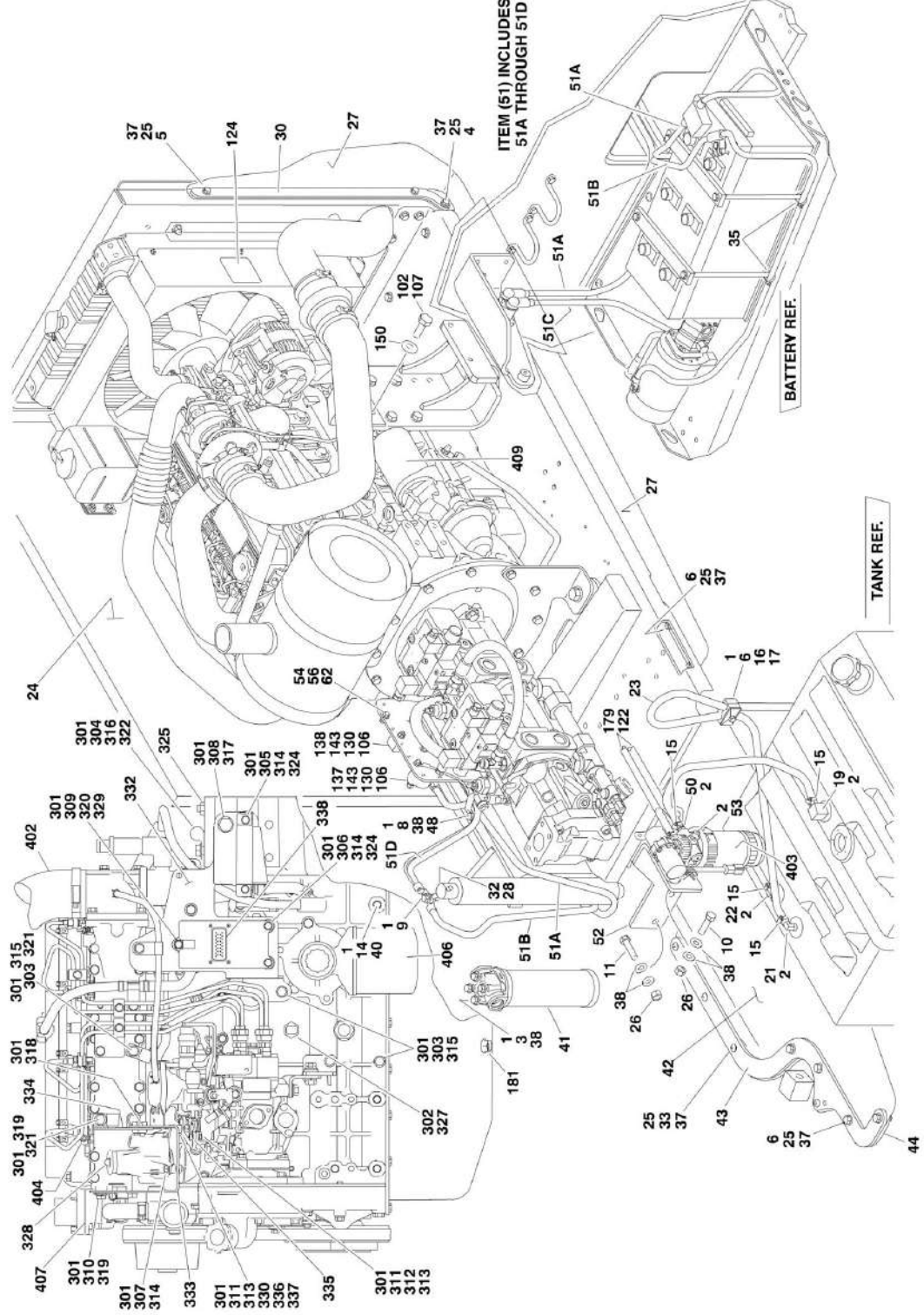
## SECTION 2 - TURNTABLE

ITEM	PART NUMBER	QTY	DESCRIPTION	REV
213	Not Available	6	Capscrew	
214	Not Available	6	Lockwasher	
215	7024194	1	O-Ring	
216	7024194	1	Ring, Back-up	
217	7024194	1	O-Ring	
218	7024194	1	Ring, Back-up	
219	7024190	2	Pin, Dowel	
220	Not Available	1	Plug	
221	Not Available	1	Plug	
222	7024196	AR	Spring (Natural)	
223	7024196	AR	Spring, (Blue)	
251	7024194	1	Seal Kit - Brake (Includes Items 205, 207 & 215-218)	
252	7024196	1	Spring Kit - Brake (Includes 12 Natural Colored Springs) (was p/n 7024195)	
		Ref	<b>Note: Spring Kit no Longer Available, Purchase Kit p/n 7024196.</b>	
253	7024196	1	Spring Kit - Brake (Includes 12 Natural & 2 Blue Colored Springs)	
254	7024193	1	Friction Disc Kit - Brake (Includes Items 203, 204, 206 & 207)	
255	7024197	1	Bearing Kit - Brake (Includes Items 207 & 210-212)	





SECTION 2 - TURNTABLE



## SECTION 2 - TURNTABLE

FIGURE 2-5. CATERPILLAR ENGINE INSTALLATION

ITEM	PART NUMBER	QTY	DESCRIPTION	REV
		Ref	<b>CATERPILLAR DIESEL ENGINE INSTALLATION OPTIONS:</b>	
	1001117499	Ref	<b>With Skypower and Without Cold Weather Plus Package</b>	D
	1001120528	Ref	<b>With Skypower and With Cold Weather Plus Package</b>	C
1	0100011	AR	Compound, Locking	
2	0100079	AR	Sealant, Pipe	
3	0641606	4	Bolt 3/8-16NC x 3/4	
4	0641506	3	Bolt 5/16-18NC x 3/4	
5	0641509	8	Bolt 5/16-18NC x 1-1/8	
6	0641511	13	Bolt 5/16-18NC x 1-3/8	
7	0641605	3	Bolt 3/8-16NC x 5/8	
8	0641608	3	Bolt 3/8-16NC x 1	
9	0641610	1	Bolt 3/8-16NC x 1-1/4	
10	0641611	2	Bolt 3/8-16NC x 1-3/8	
11	0641612	2	Bolt 3/8-16NC x 1-1/2	
12	0641808	1	Bolt 1/2-13NC x 1	
13	0642010	1	Bolt 5/8-11NC x 1-1/4	
14	0761210	1	Bolt M12 x 20	
15	1320022	5	Clamp	
16	1320187	1	Clamp, Twin	
17	1320190	1	Cover, Clamp	
18	1671121	1	Cover, Generator	
19	2180348	1	Fitting, Barbed	
20	2200222	1	Plug, Pipe (Used in Bottom of Fuel Tank) (Not Shown)	
21	2220313	1	Fitting, 90 Barbed	
22	2221176	1	Fitting, 90 Elbow	
23	2750532	55 in/1.4m	Hose	
24	2820170	1	Insulation, Sound Absorbing	
25	3311505	27	Locknut 5/16-18NC	
26	3311605	4	Locknut 3/8-16NC	
27	1001128899	1	Panel, Rubber	
28	3422446	1	Pin	
29	3573644	1	Plate, Tray Clamp	
30	1001128898	1	Plate, Clamp	
31	3573728	1	Plate, Tray Clamp	
32	3841143	1	Keeper, Pin	
33	3900272	4	Screw, Button 5/16-18NC x 1-3/4	
34	4240018	AR	Strap, Tie (Not Shown)	
35	4240033	AR	Strap, Tie	
37	4711500	50	Flatwasher 5/16 Thin	
38	4711600	18	Flatwasher 3/8 Thin (Not Shown)	
39	4752000	1	Flatwasher 5/8 Regular	
40	4812100	1	Flatwasher M12	
41	1001108617		Pressure Filter	
41	70002231	1	Element, Filter	
42	1001111132	1	Panel, Rubber	
43	1001112878	1	Plate, Top Clamp	
44	1001112879	1	Plate, Bottom Clamp	
45	1001112880	1	Plate, Tray Clamp	
47	1001116112	1	Engine, Caterpillar C3.4 Turbo (See Items 401 to 411 for Individually Serviced Components)	

## SECTION 2 - TURNTABLE

ITEM	PART NUMBER	QTY	DESCRIPTION	REV
48	1001116792	3	Clamp	
49	1001119995	1	Harness, Engine (Not Shown - See ELECTRICAL SECTION for Breakdown)	
50	1001120492	2	Fitting, Straight	
51	1001120743	1	Battery Cable Kit	B
51A	7027034	1	Cable, Red (To Aux Pump Relay, Battery Positive Terminal, Glow Plug Solenoid and Starter)	
51B	7024581	1	Cable, Black (To Aux Pump, Battery Negative Terminal and Ground at Tray Pivot)	
51C	7027035	1	Cable, Red (Aux Pump Relay to Aux Pump)	
51D	7027039	1	Cable, Black (Tray Pivot to Engine Block)	
52	1001121236	1	Bracket, Fuel Pump Mounting	
53	2200221	1	Plug	
54	3311005	1	Locknut 10-24NC	
55	3311405	6	Locknut 1/4-20NC	
56	4711000	2	Flatwasher #10 Thin	
57	4711400	12	Flatwasher 1/4 Thin	
58	1001128765	1	Support, Baffle	
59	1001128789	1	Panel, Rubber	
60	1001128797	1	Plate, Clamp	
61	1001130774	1	Seal	
62	0721006	1	Screw #10-24NC x 3/4	
63	0641406	6	Bolt 1/4-20NC x 3/4	
		Ref	<b>CATERPILLAR DIESEL ENGINE ASSEMBLY OPTIONS:</b>	
	1001116111	Ref	<b>With Skypower and Without Cold Weather Plus Package</b>	D
	1001120525	Ref	<b>With Skypower and With Cold Weather Plus Package</b>	C
101	0080181	1	Plate, Pump Mounting Adapter	
102	0100011	AR	Compound, Locking	
103	0100020	AR	Sealant, Pipe (Not Shown)	
104	0340003	2	Band, Air Cleaner	
105	0340051	2	Band, Muffler	
106	0641406	9	Bolt 1/4-20NC x 3/4	
107	0641506	6	Bolt 5/16-18NC x 3/4	
108	0641605	2	Bolt 3/8-16NC x 5/8	
109	0641608	19	Bolt 3/8-16NC x 1	
110	0641808	1	Bolt 1/2-13NC x 1	
111	0641812	2	Bolt 1/2-13NC x 1-1/2	
112	0642028	2	Bolt 5/8-11NC x 3-1/2	
113	0642030	2	Bolt 5/8-11NC x 3-3/4	
114	0701012	4	Bolt M10 x 25	
115	0701015	2	Bolt M10 x 35	
116	0711214	8	Bolt M12 x 30	
117	0760810	4	Bolt M8 x 20	
118	0940070	1	Bumper	
119	0961986	2	Bushing, Flanged	
120	1001131542	1	Lanyard	
121	1320017	2	Clamp	
122	1320022	4	Clamp	
123	1340065	1	Air Cleaner Assembly	
123	7003655	1	Element, Air Cleaner	
123	7015013	1	Baffle, Rubber	
123	7015014	1	Clamp, Cap	

## SECTION 2 - TURNTABLE

ITEM	PART NUMBER	QTY	DESCRIPTION	REV
123	7015015	1	Cup	
123	7015003	1	Wingnut	
124	1703162	2	Decal - Fan Blade	
125	2060025	1	Fan	
126		Ref	Anti-Freeze Options (Not Shown):	
126	2300004	2.95 gal /11.17Li	Without Arctic Package	
126	2300041	2.95 gal /11.17Li	With Arctic Package	
127	3020016	2.64 gal /9.99Li	Oil, Motor 15W-40 (Not Shown)	
128	3020037	AR	Lube, Coupling Grease (Not Shown)	
129		Ref	Muffler Options:	
129	3220126	1	Standard Muffler	
129	70003555	1	Clamp (Used on p/n 3220126)	
129	3220130	1	Optional Catalytic Muffler	
129	70001017	1	Clamp (Used on p/n 3220130)	
130	3311405	7	Locknut 1/4-20NC	
131	3311605	21	Locknut 3/8-16NC	
132	3311805	1	Locknut 1/2-13NC	
133	3312005	4	Locknut 5/8-11NC	
135	3520054	3	Plug	
136	3573412	1	Gusset	
137	3740067	1	Relay	
138	3740080	1	Relay	
139	3960543	1	Seal	
140	3960544	1	Seal	
141	4031911	4	Capscrew M8 x 35	
142	4032008	8	Capscrew M10 x 20	
143	4711400	6	Flatwasher 1/4 Thin	
144	4711500	14	Flatwasher 5/16 Thin	
145	4711600	58	Flatwasher 3/8 Thin	
146	4711800	2	Flatwasher 1/2 Thin	
147	4712000	4	Flatwasher 5/8 Thin	
148	4740242	4	Washer, Snubbing	
149	4751400	10	Flatwasher 1/4 Regular	
150	4751500	2	Flatwasher 5/16 Regular	
151	4812100	10	Flatwasher 12	
152	4832000	8	Lockwasher 10	
153	4740171	2	Flatwasher 1/2 Hardened	
154	8405104	4	Clamp, Gear	
155	91083128	1	Elbow, 90	
156	91403244	1	Rubber, Straight Hump	
157	1001129023	1	Plate, Engine Mounting (Rear)	
158	1001129304	1	Mount, Motor (Front)	
159	1001116153	1	Tray, Engine	
160	1001116186	1	Tube, Exhaust	
161	1001116201	1	Plate, Muffler Mounting	
162	1001116278	1	Coupling, Pump	
163	1001116313	1	Tube, Air Intake	
164	1001116324	1	Tube, Air Intake	
165	1001116348	1	Plate, Radiator Mounting	



## SECTION 2 - TURNTABLE

ITEM	PART NUMBER	QTY	DESCRIPTION	REV
166	1001116354	1	Radiator	
166	7027412	1	Cap, Radiator	
167	1001116367	1	Support, Tank Mounting	
168	1001116413	1	Hose, Air Intake Reducer	
169	1001116436	1	Hose, Radiator (Top)	
170	1001116437	1	Hose, Radiator (Bottom)	
171	1001116525	2	Mount, Engine	
172	1001116591	1	Spacer, Fan	
173	1001117546	1	Mount, Generator	
174	1001117874	1	Engine, Caterpillar C3.4 Turbo W/E Controls (See Items 301 to 342 for Individually Serviced Components)	
175	1001118368	1	Pump Assembly (Machines with Rexroth Pump Only) (See DEUTZ TCD2.9L4 ENGINE INSTALLATION for Breakdown)	
176	1001116836	AR	Hose, Air Intake	
177	1320058	6	Clamp	
178	1580011	1	Container, Coolant Overflow	
179	2720058	31.66 ft	Hose	
180	4060805	5 in/12.7cm	Flex-Trim 1/4	
181	4640750	1	Valve, Oil Drain	
182	4812000	3	Flatwasher 10	
183	1001121004	3	Nut M10 x 1.25	
185	0641508	3	Bolt 5/16-18NC x 1	
186	1320130	1	Clamp	
187	3311505	3	Locknut 5/16-18NC	
188	1001125891	1	Bracket, Valve	
189	0761212	2	Bolt M12 x 25	
190	0701016	6	Bolt M10 x 40	
191	1001130161	1	Bracket, Muffler Mounting	
192	1001130171	2	Mount, Engine	
193	0641610	4	Bolt 3/8-16NC x 1-1/4	
194	0641614	3	Bolt, Hex Head 3/8-16NC x 1-3/4	
195	0700822	5	Bolt M8 x 70	
196	0700823	2	Bolt M8 x 75	
197	0700824	1	Bolt M8 x 80	
198	3580321	1	Pulley, Engine	
199	4568735	3	Tube, Spacer	
200	4811900	8	Flatwasher M8	
201	4891600	3	Flatwasher 3/8 Hardened	
202	1001117500	1	Spacer, Pulley	
203	1001117577	1	Support, Generator Pulleys	
204	1001129995	3	Pulley, Idler Grooved	
205	4831900	4	Lockwasher 8	
206	4240033	AR	Wire Tie (With Cold Weather Plus Package - Not Shown)	
207	1001119231	1	Heater, Block (With Cold Weather Plus Package - Not Shown)	
208	0641606	1	Bolt 3/8-16NC x 3/4 (With Cold Weather Plus Package - Not Shown)	
209	1320223	1	J-Clip 1/2 (With Cold Weather Plus Package - Not Shown)	
210	1702942	1	Decal - Engine Block Heater (With Cold Weather Plus Package - Not Shown)	
	1001117874	Ref	<b>CATERPILLAR DIESEL ENGINE W/E CONTROLS</b>	B
301	0100011	AR	Compound, Locking	

## SECTION 2 - TURNTABLE

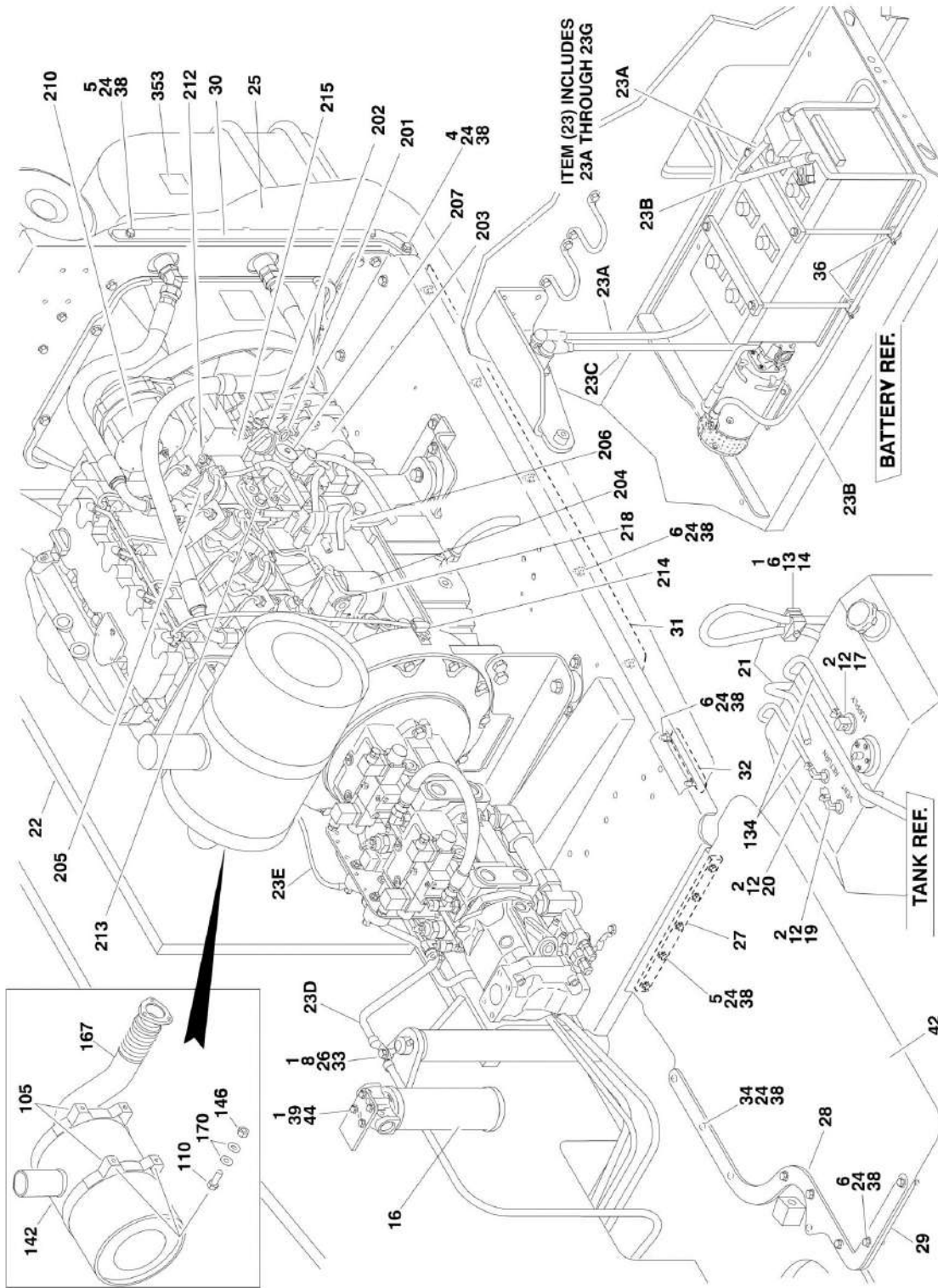
ITEM	PART NUMBER	QTY	DESCRIPTION	REV
302	0100020	AR	Sealant, Pipe	
303	0700808	3	Bolt M8 x 16	
304	0701010	2	Bolt M10 x 20	
305	0760606	2	Bolt M6 x 12	
306	0760610	2	Bolt M6 x 20	
307	0760612	3	Bolt M6 x 25	
308	0761210	2	Bolt M12 x 20	
309	1320224	1	Clamp	
310	1320263	1	Clamp	
311	3290501	3	Nut M5 x 0.8	
312	4031607	2	Capscrew M5 x 16	
313	4811600	3	Flatwasher M5	
314	4811700	8	Flatwasher M6	
315	4811900	3	Flatwasher M8	
316	4812000	AR	Flatwasher M10	
317	4812100	2	Flatwasher M12	
318	5250608	2	Bolt M6 x 16	
319	5250808	4	Bolt M8 x 16	
320	8303541	1	Bolt M6 x 35	
321	8406101	2	Tube, Clip	
322	8406105	2	Tube, Clip	
323	1001097553	1	Washer, Coolant Sensor	
324	1001112059	5	Bumper	
325	1001112068	1	Sensor, Speed	
326	1001112069	1	Sensor, Temperature	
327	1001112070	1	Switch, Oil Pressure	
328	1001112073	1	Actuator	
329	1001112570	1	Spacer, Nylon	
330	1001112592	1	Bearing	
332	1001120769	1	Bracket, ECM/Fuse Box	
333	1001120771	1	Bracket, Actuator	
334	1001120772	1	Bracket, Actuator	
335	1001120773	1	Link, Spacer	
336	1001120774	1	Bolt, M5	
337	1001120775	1	Bracket, Actuator	
338	1001120810	1	Controller	
339	1001120776	1	Engine Harness (Not Shown - See ELECTRICAL SECTION for Breakdown)	
340	1001129361	1	Tube, Dipstick	
341	0761007	1	Bolt M10 x 14	
342	1001129360	1	Gauge, Dipstick	
	1001116112	Ref	<b>CATERPILLAR ENGINE COMPONENTS</b>	A
401	70002831	1	TurboCharger	
401	70002829	1	Gasket, TurboCharger Drain Pipe	
401	70002830	1	Gasket, TurboCharger	
402	70002832	1	Hose	
403	7026839	1	Pump, Fuel	
403	70002833	1	Ring, Retaining	
403	70002834	1	Bowl, Water Collect	
403	7026830	1	Element, Fuel/Water	
403	70002835	1	Kit Seal	
404	70002837	4	Plug, Glow	

**SECTION 2 - TURNTABLE**

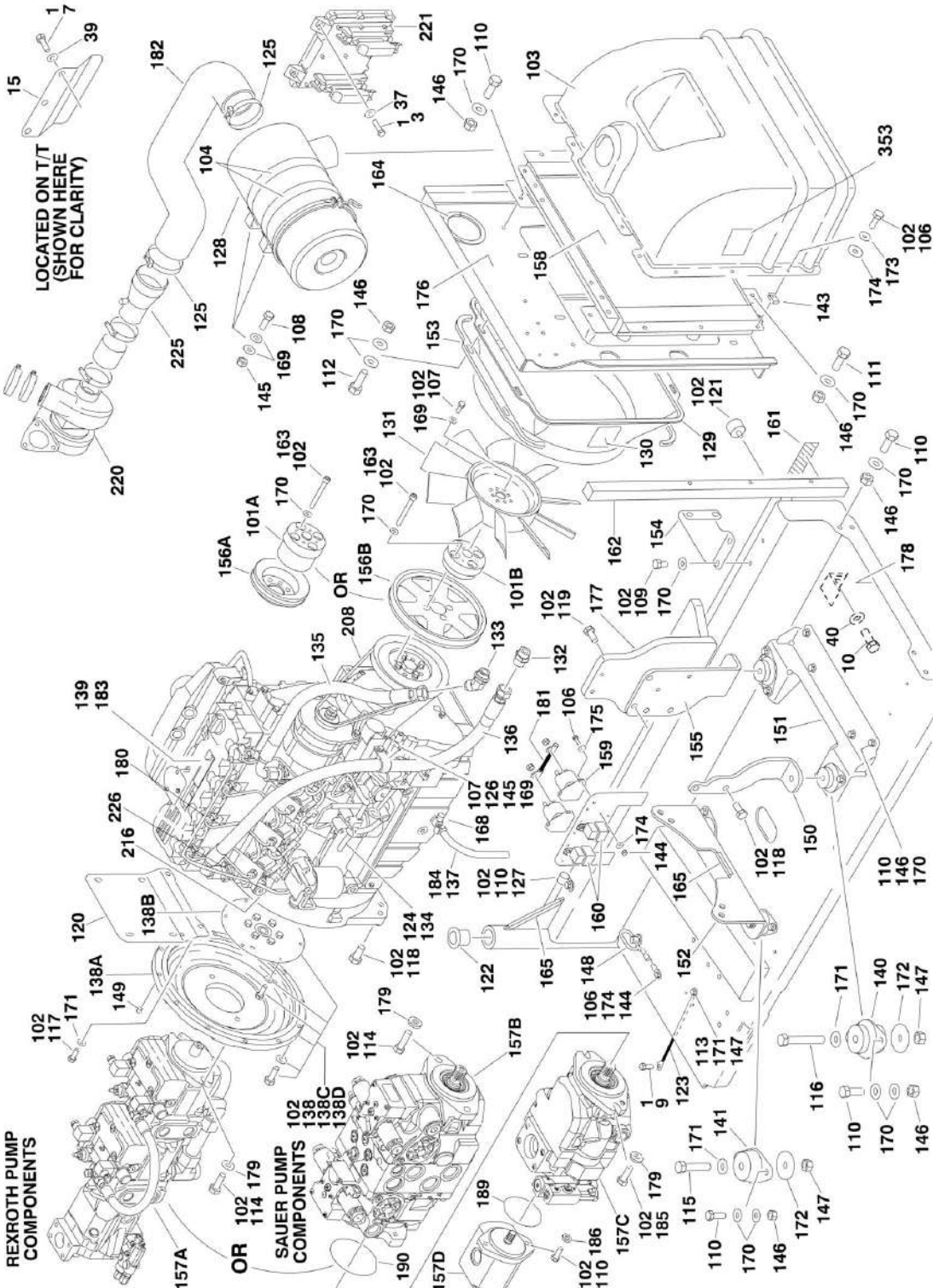
ITEM	PART NUMBER	QTY	DESCRIPTION	REV
405	7026802	1	Flywheel W/Gear (Not Shown)	
405	7026803	1	Gear	
406	7026811	1	Filter, Oil	
406	7026812	1	O-Ring (Between Center Bolt and Oil Filter Bracket)	
406	7026813	1	O-Ring (Between Oil Filter Bracket and Engine)	
407	7026822	1	Thermostat	
407	7026820	1	Gasket, Thermostat (Between Housing and Cylinder Head)	
407	7026821	1	Gasket (Between Housing and Thermostat Cover)	
408	7026829	1	Gasket, Intake Manifold (Not Shown)	
409	7026833	1	Starter	
410	7026804	1	Gasket (Not Shown - Located Between Bell Housing and Engine Block)	
411	7026805	1	Seal, Rear Main (Not Shown)	

# SECTION 2 - TURNTABLE

## FIGURE 2-6. DEUTZ TD2011 ENGINE INSTALLATION



SECTION 2 - TURNTABLE



## SECTION 2 - TURNTABLE

FIGURE 2-6. DEUTZ TD2011 ENGINE INSTALLATION

ITEM	PART NUMBER	QTY	DESCRIPTION	REV
		Ref	<b>DEUTZ TD2011 DIESEL ENGINE INSTALLATION OPTIONS:</b>	
		Ref	<b>Tier III Machines with Rexroth Pumps:</b>	
	1001117370	Ref	<b>Without Skypower and Without Cold Weather Plus Package</b>	B
	1001117371	Ref	<b>With Skypower and Without Cold Weather Plus Package</b>	B
	1001116015	Ref	<b>With Skypower and With Cold Weather Plus Package</b>	B
		Ref	<b>Tier III Machines with Sauer Pumps:</b>	
	1001119052	Ref	<b>Without Skypower and Without Cold Weather Plus Package</b>	B
	1001119053	Ref	<b>With Skypower and Without Cold Weather Plus Package</b>	B
	1001119054	Ref	<b>With Skypower and With Cold Weather Plus Package</b>	B
		Ref	<b>Tier IVi-Flex Machines with Rexroth Pumps:</b>	
	1001137790	Ref	<b>Without Skypower and Without Cold Weather Plus Package</b>	A
	1001137791	Ref	<b>With Skypower and Without Cold Weather Plus Package</b>	A
	1001137793	Ref	<b>With Skypower and With Cold Weather Plus Package</b>	B
		Ref	<b>Tier IVi-Flex Machines with Sauer Pumps:</b>	
	1001137798	Ref	<b>Without Skypower and Without Cold Weather Plus Package</b>	B
	1001137799	Ref	<b>With Skypower and Without Cold Weather Plus Package</b>	B
	1001137801	Ref	<b>With Skypower and With Cold Weather Plus Package</b>	B
		Ref	<b>Tier IVi-PRE Engines Machines with Rexroth Pumps (CE Spec Only)</b>	
	1001144309	Ref	<b>With Skypower</b>	A
		Ref	<b>Tier IVi-PRE Engines Machines with Sauer Pumps (CE Spec Only)</b>	
	1001144312	Ref	<b>Without Skypower</b>	A
	1001144313	Ref	<b>With Skypower</b>	A
1	0100011	AR	Compound, Locking	
2	0100079	AR	Sealant, Pipe	
3	0641410	4	Bolt 1/4-20NC x 1-1/4	
4	0641506	1	Bolt 5/16-18NC x 3/4	
5	0641509	AR	Bolt 5/16-18NC x 1-1/8	
6	0641511	AR	Bolt 5/16-18NC x 1-3/8	
7	0641605	3	Bolt 3/8-16NC x 5/8	
8	0641610	1	Bolt 3/8-16NC x 1-1/4	
9	0641808	1	Bolt 1/2-13NC x 1	
10	0642010	1	Bolt 5/8-11NC x 1-1/4	
12	1320022	3	Clamp	
13	1320187	1	Clamp	
14	1320190	1	Clamp, Cover Plate	
15	1671121	1	Cover, Generator	
16	1001108617	1	Filter, Hydraulic	
16	70002231	1	Element, Filter	
17	2180348	1	Fitting, Straight Barbed	
18	2200222	1	Plug (Not Shown - Located in Bottom of Fuel Tank)	
19	2220313	1	Fitting, 90 Barbed	
20	2221176	1	Fitting, 90 Barbed	
21	2750532	89 in/2.3m	Hose	
22	2820170	1	Insulation	
23	2902099	1	Battery Cable Kit	C
23A	7024580	1	Cable, Red (To Aux Pump Relay, Battery Positive Terminal and Start Relay)	
23B	7024581	1	Cable, Black (To Aux Pump, Battery Negative Terminal and	

**SECTION 2 - TURNTABLE**

ITEM	PART NUMBER	QTY	DESCRIPTION	REV
			Ground at Tray Pivot)	
23C	7024582	1	Cable, Red (Aux Pump Relay to Aux Pump)	
23D	7024583	1	Cable, Black (Tray Pivot to Engine Mount)	
23E	7024584	1	Cable, Red (Start Relay to Starter)	
24	3311505	AR	Locknut 5/16-18NC	
25	3380473	1	Panel, Rubber	
26	3422446	1	Pin	
27	3573644	1	Plate, Tray Clamp	
28	1001112878	1	Plate, Top Clamp	
29	1001112879	1	Plate, Bottom Clamp	
30	3573669	1	Plate, Clamp	
31	1001112880	1	Plate, Tray Clamp	
32	3573728	1	Plate, Tray Clamp	
33	3841143	1	Keeper, Pin	
34	3900272	4	Screw, Buttonhead 5/16-18NC x 1-3/4	
35	4240018	2	Tie-Strap (Not Shown)	
36	4240099	AR	Tie-Strap	
37	4711400	4	Flatwasher 1/4 Thin	
38	4711500	AR	Flatwasher 5/16 Thin	
39	4711600	7	Flatwasher 3/8 Thin	
40	4752000	1	Flatwasher 5/8 Regular	
42	1001111132	1	Panel, Rubber	
43	1702942	1	Decal, Block Heater (Cold Weather Plus Package - Not Shown)	
44	0641406	2	Bolt 3/8-16NC x 3/4	
Ref			<b>DEUTZ TD2011 DIESEL ENGINE ASSEMBLY OPTIONS:</b>	
Ref			<b>Tier III Machines with Rexroth Pumps:</b>	
	1001098513	Ref	<b>Without Skypower and Without Cold Weather Plus Package</b>	F
	1001098530	Ref	<b>With Skypower and Without Cold Weather Plus Package</b>	G
	1001098531	Ref	<b>With Cold Weather Plus Package</b>	F
Ref			<b>Tier III Machines with Sauer Pumps:</b>	
	1001107971	Ref	<b>Without Skypower and Without Cold Weather Plus Package</b>	F
	1001107973	Ref	<b>With Skypower and Without Cold Weather Plus Package</b>	F
	1001107975	Ref	<b>With Cold Weather Plus Package</b>	F
Ref			<b>Tier IVi-Flex Machines with Rexroth Pumps:</b>	
	1001137786	Ref	<b>Without Skypower and Without Cold Weather Plus Package</b>	B
	1001137788	Ref	<b>With Skypower and Without Cold Weather Plus Package</b>	B
	1001137792	Ref	<b>With Cold Weather Plus Package</b>	B
Ref			<b>Tier IVi-Flex Machines with Sauer Pumps:</b>	
	1001137794	Ref	<b>Without Skypower and Without Cold Weather Plus Package</b>	B
	1001137796	Ref	<b>With Skypower and Without Cold Weather Plus Package</b>	B
	1001137800	Ref	<b>With Cold Weather Plus Package</b>	B
Ref			<b>Tier IVi-PRE Engines Machines with Rexroth Pumps (CE Spec Only)</b>	
	1001144302	Ref	<b>With Skypower</b>	B
Ref			<b>Tier IVi-PRE Engines Machines with Sauer Pumps (CE Spec Only)</b>	
	1001144303	Ref	<b>Without Skypower</b>	B
	1001144304	Ref	<b>With Skypower</b>	B
101		Ref	Spacer, Fan Options:	
101A	0080237	1	Without Skypower (2500W Generator Prep)	
101B	0080244	1	With Skypower (7500W Generator Prep)	
102	0100011	AR	Compound, Locking	

## SECTION 2 - TURNTABLE

ITEM	PART NUMBER	QTY	DESCRIPTION	REV
103	0272060	1	Box, Air Intake	
104	0340003	2	Band, Air Cleaner	
105	0340051	2	Band, Muffler	
106	0641406	15	Bolt 1/4-20NC x 3/4	
107	0641506	5	Bolt 5/16-18NC x 3/4	
108	0641507	4	Bolt 5/16-18NC x 7/8	
109	0641605	4	Bolt 3/8-16NC x 5/8	
110	0641608	AR	Bolt 3/8-16NC x 1	
111	0641609	2	Bolt 3/8-16NC x 1-1/8	
112	0641610	4	Bolt 3/8-16NC x 1-1/4	
113	0641808	1	Bolt 1/2-13NC x 1	
114		Ref	Bolt Options:	
114	0641812	2	Bolt 1/2-13NC x 1-1/2	
114	0641814	2	Bolt 1/2-13NC x 1-3/4	
115	0641818	2	Bolt 1/2-13NC x 2-1/4	
116	0641826	2	Bolt 1/2-13NC x 3-1/4	
117	0711214	2	Bolt M12 x 30	
118	0771414	AR	Bolt M14 x 30	
119		Ref	Bolt M14 x 45	
119	0771414	4	Without Skypower (2500W Generator Prep)	
119	0711417	4	With Skypower (7500W Generator Prep)	
120	1001112766	1	Bracket, Muffler	
121	0940070	1	Bumper	
122	0961986	2	Bushing, Flanged	
123		Ref	Lanyard Options:	
123	1060637	1	16 (41cm) Lanyard ( <b>Prior to SN 0300183977</b> )	
123	1001131542	1	13 (33cm) Lanyard ( <b>SN 0300183977 through 0300209000</b> )	
124	1320022	2	Clamp	
125	1320058	2	Clamp	
126	1320060	1	Clamp	
127	1320223	1	J-Clip	
128	1340065	1	Air Cleaner Assembly	
128	7003655	1	Element, Air Cleaner	
129	1671023	1	Shroud, Fan	
130	1703162	2	Decal - Fan Blade	
131	2060025	1	Fan	
132	2220451	1	Fitting, Straight	
133	2220498	1	Fitting, 45	
134	2720058	34 ft /10.3m	Hose	
135	2720500	1	Hose, Oil Cooler (Top)	
136	2720501	1	Hose, Oil Cooler (Bottom)	
137	2750532	9 in/23cm	Hose	
138	2902065	1	Pump Coupling Kit	I
138A	2902065	1	Plate, Pump Mounting (Note: Not Available for Purchase.)	
138B	70000793	1	Coupling, Flex	
138C	2902065	20	Capscrew M10 (Grade 10.9) (Note: Not Available for Purchase.)	
138D	2902065	12	Flatwasher M10 (Note: Not Available for Purchase.)	
139		Ref	Oil, Engine Options:	
139	3020016	3.25 gl	Oil, Engine 15W-40 (Without Cold Weather Plus Package)	
139	3020044	3.25 gl	Oil, Engine 0W-40 (With Cold Weather Plus Package)	



## SECTION 2 - TURNTABLE

ITEM	PART NUMBER	QTY	DESCRIPTION	REV
140	3200362	2	Mount, Motor (Front)	
141	3200401	2	Mount, Motor (Rear)	
142		Ref	Muffler Options:	
142	3220126	1	Standard Muffler	
142	70003555	1	Clamp (Used on p/n 3220126)	
142	3220130	1	Optional Catalytic Muffler	
142	70001017	1	Clamp (Used on p/n 3220130)	
143	3300454	10	Nut	
144	3311405	5	Locknut 1/4-20NC	
145	3311505	5	Locknut 5/16-18NC	
146	3311605	30	Locknut 3/8-16NC	
147	3311805	5	Locknut 1/2-13NC	
148	3422532	1	Pin, Hitch	
149	3520054	2	Plug, Hole	
150	3537416	1	Plate, Mounting (Front Right)	
151	3539971	1	Bracket, Engine Mounting (Front)	
152	3573142	1	Bracket, Engine Mounting (Rear)	
153	3573411	2	Plate, Clamp	
154	3573412	1	Plate, Gusset	
155	3573529	1	Plate, Mounting (Front Left)	
156		Ref	Pulley Options:	
156A	3580158	1	Without Skypower (2500W Generator Prep)	
156B	3580320	1	With Skypower (7500W Generator Prep)	
157		Ref	Pump Assembly Options:	
157A	3600339	1	Rexroth Pump Assembly (See PUMP ASSEMBLY (REXROTH) for Breakdown)	
157B	1001108616	1	Sauer Tandem Pump Assembly (See PUMP ASSEMBLY (SAUER TANDEM) for Breakdown)	
157C	1001108888	1	Sauer Piston Pump Assembly (See PUMP ASSEMBLY (SAUER PISTON) for Breakdown) <b>(Prior to SN 0300200353)</b>	
157C	1001171095	1	Sauer Piston Pump Assembly (See PUMP ASSEMBLY (SAUER PISTON) for Breakdown) <b>(SN 0300200353 through 0300209000)</b>	
157D	1001112927	1	Sauer Gear Pump Assembly (See PUMP ASSEMBLY (SAUER GEAR) for Breakdown)	
158	3620041	NLA	Cooler, Engine Oil (Use p/n 1001145382)	
159	3740067	2	Relay	
160	3740080	2	Relay	
161	3960543	1	Seal	
162	3960544	1	Seal	
163	4032022	4	Capscrew M10 x 90	
164	4060804	12 in /30cm	Flex-Trim	
165	4060805	8 in/20cm	Flex-Trim	
166	4240099	AR	Tie, Wire (Not Shown)	
167	4568293	1	Pipe, Exhaust	
168	4640751	1	Valve, Oil Drain	
169	4711500	13	Flatwasher 5/16 Thin	
170	4711600	68	Flatwasher 3/8 Thin	
171	4711800	7	Flatwasher 1/2 Thin	
172	4740274	4	Washer, Snubbing	
173	4740518	10	Washer, Nylon	
174	4751400	20	Flatwasher 1/4 Regular	

## SECTION 2 - TURNTABLE

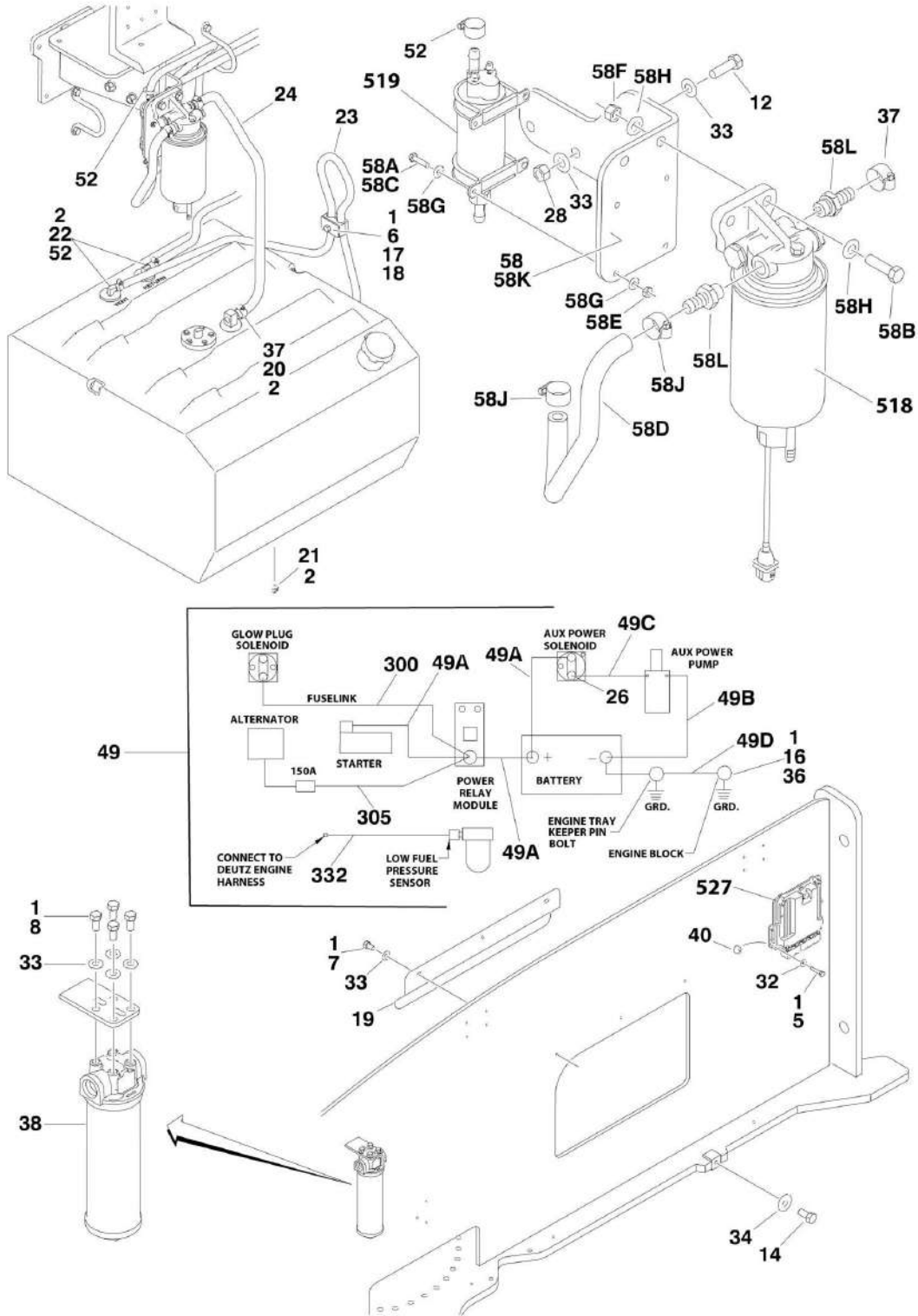
ITEM	PART NUMBER	QTY	DESCRIPTION	REV
175	4791400	4	Starwasher 1/4	
176	4846552	1	Plate, Oil Cooler Mounting	
177		Ref	Mount, Generator Options:	
177	Not Required	0	Without Skypower (2500W Generator Prep)	
177	4846945	1	With Skypower (7500W Generator Prep)	
178	4846946	1	Tray	
179	4891800	AR	Flatwasher 1/2 Hardened	
180	4923468	1	Harness, Glow Plugs	
181		Ref	Cable, Jumper Options:	
181	4923592	AR	Without Cold Weather Plus Package	
181	1060904	AR	With Cold Weather Plus Package	
182	1001092856	1	Hose, Turbo	
183		Ref	Engine, Deutz TD2011Options (See Items 201 to 221 for Serviced Components):	
183	1001098601	1	Tier III	
183	1001137785	1	Tier IVi-Flex	
183	1001144300	1	Tier IVi-Pre	
184	8410013	1	Clamp, Gear	
185	0761215	2	Bolt M14 x 30	
186	4891600	2	Flatwasher 3/8 Hardened	
189	3790152	1	O-Ring	
190	3790155	1	O-Ring	
		Ref	<b>DEUTZ TD2011 ENGINE COMPONENTS OPTIONS:</b>	
	1001098601	Ref	<b>Tier III &amp; Tier IVi</b>	C
	1001137785	Ref	<b>Tier IVi-Flex Engines</b>	B
	1001144300	Ref	<b>Tier IVi-PRE Engines</b>	B
201		Ref	Dipstick Options:	
201	70004313	1	Tier IVi-Flex Engines	
201	7027235	1	Tier III, Tier IVi & Tier IVi-PRE Engines	
201	70000044	1	O-Ring	
202	7020465	1	Cap, Filler	
203	70001850	1	Pump, Oil Lube	
203	7020468	1	Seal Between Oil Pump and Engine Block (Not Shown)	
204	7016331	1	Filter, Oil	
205		Ref	Injector Pump Options:	
		Ref	<b>Note: Series Letter is shown on label at base of Injector Pump.</b>	
205	70001128	AR	"A" Series	
205	70001129	AR	"B" Series	
205	70001130	AR	"C" Series	
205	70001131	AR	"D" Series	
206	7016328	1	Filter, Fuel	
207	70000916	1	Pump Fuel Supply	
207	70001435	1	Repair Kit	
207	70000917	1	O-Seal Between Fuel Pump and Engine Block (Not Shown)	
207	70000919	1	Pump, Hand (Not Shown)	
208	7020414	1	V-Belt	
209	7020471	4	Gasket, Exhaust Manifold to Cylinder Head (Not Shown)	
209	7020486	1	Gasket, Exhaust Manifold to Exhaust Pipe (Not Shown)	
210	70001867	1	Alternator Options:	
210	70004292	1	Alternator for Tier IVi-Flex Engines	
210	70001867	1	Alternator for Tier III, Tier IVi & Tier IVi-PRE Engines	

## SECTION 2 - TURNTABLE

ITEM	PART NUMBER	QTY	DESCRIPTION	REV
210	70001868	1	Regulator, Voltage (Not Shown)	
210	70001866	1	Seal (Not Shown)	
211	7020479	1	Starter (Not Shown - Located on Right Side of Engine)	
211		Ref	Solenoid Options:	
211	70004058	1	Solenoid for Tier IVi-Flex Engines	
211	7026608	1	Solenoid for Tier III, Tier IVi & Tier IVi-PRE Engines	
211	70001498	1	Baffle, Cooling (Not Shown)	
212	7027791	1	Sender, Coolant Temperature	
213	7027790	1	Sensor, Oil Pressure	
214		Ref	Sensor, Speed Options:	
214	70004272	1	Sensor for Tier IVi-Flex Engines	
214	7024565	1	Sensor for Tier III, Tier IVi & Tier IVi-PRE Engines	
215	7027792	1	Actuator, Throttle	
215	7027276	2	Spring	
216	70003475	1	Thermostat (was p/n 7020459)	
217	70001870	1	Flywheel (Not Shown)	
217	7024579	1	Gear, Ring (Not Shown)	
218	70003472	1	Bracket, Oil Filter (includes Temperature Sensor Components)	
218	7027236	1	Sensor, Temperature	
218	700025082	1	Ring, Sealing	
218	70003473	1	Gasket, Bracket to Engine Block (Not Shown)	
219	7027239	1	Solenoid, Start (Not Shown)	
220	7027240	1	Turbocharger (Not Shown)	
220	70001857	1	Flange, Turbocharger (Not Shown)	
220	70001135	1	Gasket (Not Shown)	
220	70002675	2	Clamp (Not Shown - Used on Sleeve rising vertically from Turbo)	
220	70002676	1	Sleeve, Rubber (Not Shown - Rises vertically from Turbo)	
221	7027795	1	Module, Engine Control	
221	7027796	1	Harness, Controller (Not Shown)	
222		Ref	Gasket Options (Not Shown):	
222	70000068	1	Gasket, Breather Pipe	
222	70002677	1	Gasket, Valve Cover (Tier IVi-Flex Engines Only)	
222		Ref	Gasket, Cylinder Head	
222	70002415	1	1 Notch	
222	70002416	1	2 Notches	
222	70002417	1	3 Notches	
222	70001871	4	Gasket, Air Intake Manifold	
223	70001847	1	Valve, Breather (Located - Front Cover) (Not Shown)	
223	70001125	1	Cap, Breather (Located - Cylinder Head Cover) (Not Shown)	
223	70001126	1	O-Ring (Not Shown)	
224	70000345	4	Plug, Glow (Not Shown)	
225	70001124	1	Pipe, Breather (Tier IVi-Flex Engines Only)	
225	70000068	1	Gasket, Breather Pipe	
226	70004268	2	Connector, Radiator	
226	70004269	2	Ring, Sealing	
227	70002718	1	Seal, Rear Main (Not Shown)	
	1283409	Ref	<b>DECALS INSTALLATION</b>	
353	1001143852	1	Decal - EPA	

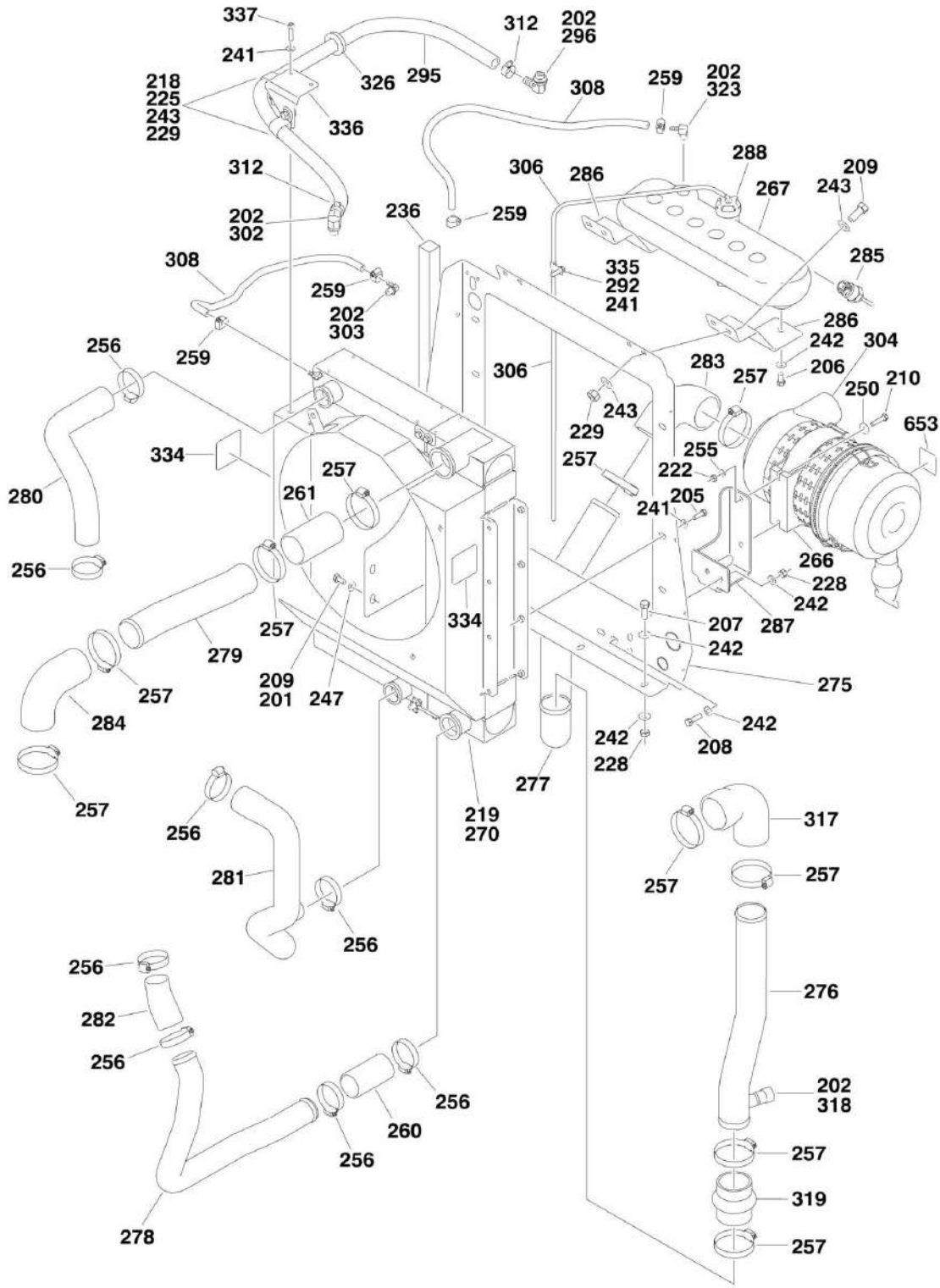
# SECTION 2 - TURNTABLE

## FIGURE 2-7. DEUTZ TCD2.9L4 ENGINE INSTALLATION





# SECTION 2 - TURNTABLE



## SECTION 2 - TURNTABLE

### FIGURE 2-7. DEUTZ TCD2.9L4 ENGINE INSTALLATION

ITEM	PART NUMBER	QTY	DESCRIPTION	REV
		Ref	<b>DEUTZ TCD2.9L4 DIESEL ENGINE INSTALLATION OPTIONS:</b>	
	1001141811	Ref	<b>Machines With Rexroth Pumps and Without Cold Weather Plus Package (Steel Hood)</b>	G
	1001141815	Ref	<b>Machines With Rexroth Pumps and With Cold Weather Plus Package (Steel Hood)</b>	G
	1001134389	Ref	<b>Machines With Sauer Pumps and Without Cold Weather Plus Package (Steel Hood)</b>	G
	1001141744	Ref	<b>Machines With Sauer Pumps and With Cold Weather Plus Package (Steel Hood)</b>	G
1	0100011	AR	Compound, Locking	
2	0100079	AR	Sealant, Pipe	
4	0641408	10	Bolt 1/4-20NC x 1	
5	0641410	4	Bolt 1/4-20NC x 1-1/4	
6	0641511	1	Bolt 5/16-18NC x 1-3/8	
7	0641605	3	Bolt 3/8-16NC x 5/8	
8	0641606	4	Bolt 3/8-16NC x 3/4	
9	0641608	1	Bolt 3/8-16NC x 1	
10	0641610	1	Bolt 3/8-16NC x 1-1/4	
12	0641612	2	Bolt 3/8-16NC x 1-1/2	
13	0641808	1	Bolt 1/2-13NC x 1	
14	0642010	1	Bolt 5/8-11NC x 1-1/4	
16	0761210	1	Bolt M12 x 20	
17	1320187	1	Clamp	
18	1320190	1	Cover, Clamp	
19	1671121	1	Cover	
20	2180832	1	Fitting, Barbed	
21	2200222	1	Plug, Pipe	
22	2220313	2	Fitting, 90 Barbed	
23	1001165035	5 ft/1.5m	Hose	
24	1001154405	2 ft/0.6m	Hose	
26	3300220	2	Nut 5/16-18NC	
27	3311405	10	Locknut 1/4-20NC	
28	3311605	2	Locknut 3/8-16NC	
29	3422446	1	Pin, Pivot	
30	3841143	1	Pin, Keeper	
31	4240018	2	Strap, Tie (Not Shown)	
32	4711400	AR	Flatwasher 1/4 Thin	
33	4711600	14	Flatwasher 3/8Thin	
34	4752000	1	Flatwasher 5/8 Regular	
36	4812100	1	Flatwasher M12	
37	8405006	2	Clamp	
38	1001108617	1	Filter	
38	70002231	1	Element, Filter	
40	1001110425	4	Spacer	
41	1001116792	1	Clamp	
43	1001138491	1	Harness, Fuel (Not Shown - See ELECTRICAL SECTION for Breakdown)	
47	1001140604	1	Panel, Rubber	
48	1001145089	1	Clamp	
49	1001141225	1	Battery Cable Kit	E
49A	7027042	1	Cable, Battery (Red) (Battery + to Relays and Starter)	

## SECTION 2 - TURNTABLE

ITEM	PART NUMBER	QTY	DESCRIPTION	REV
49B	7027043	1	Cable, Battery (Black) (Battery - to Tray Pivot Grd) and Aux Pump	
49C	7027044	1	Cable (Red) (Aux Relay to Aux Pump)	
49D	7027045	1	Cable, Battery (Black) (Engine to Tray Pivot Grd)	
52	1320022	3	Clamp	
53	1001145842	1	Plate, Clamping	
54	1001131542	1	Lanyard	
55	4711700	2	Flatwasher 7/16 Thin	
56	0641708	1	Bolt 7/16-14NC x	
57	3311705	1	Locknut 7/16-14NC	
58	1001165101	1	Bracket, Fuel Pump/Filter Assembly	
58A	0100011	AR	Compound, Locking	
58B	0641611	2	Bolt 3/8-16NC x 1-3/8	
58C	0721006	4	Screw #10-24NC x 3/4	
58D	1001154405	1.5 ft /0.5m	Hose	
58E	3311001	4	Nut #10-24NC	
58F	3311605	2	Locknut 3/8-16NC	
58G	4711000	8	Flatwasher #10 Thin	
58H	4711600	4	Flatwasher 3/8 Thin	
58J	8405006	2	Clamp	
58K	1001140222	1	Bracket, Mounting	
58L	1001141718	2	Fitting	
59	3520054	1	Plug, Hole (SN 0300198344 through 0300209000)	
		Ref	<b>DEUTZ TCD2.9L4 ENGINE SUB-ASSEMBLIES</b>	
	1001141812	Ref	<b>Machines With Rexroth Pumps and Without Cold Weather Plus Package</b>	O
	1001141813	Ref	<b>Machines With Rexroth Pumps and With Cold Weather Plus Package</b>	Q
101	0641812	2	Bolt 1/2-13NC x 1-1/2	
102	3020037	AR	Grease, Pump Coupling	
103	4740171	2	Flatwasher 1/2 Hardened	
105	0100011	AR	Compound, Locking	
106	1001152963	1	Pump Assembly - Rexroth (See PUMP ASSEMBLY - REXROTH for Breakdown)	
107	1001119456	1	Harness, Pump (Not Shown - See ELECTRICAL SECTION for Breakdown) (Prior to SN 0300187742)	
		Ref	<b>DEUTZ TCD2.9L4 ENGINE SUB-ASSEMBLIES</b>	
	1001134390	Ref	<b>Machines With Sauer Pumps and Without Cold Weather Plus Package</b>	N
	1001141745	Ref	<b>Machines With Sauer Pumps and With Cold Weather Plus Package</b>	N
151	0641608	2	Bolt 3/8-16NC x 1	
152	0641812	2	Bolt 1/2-13NC x 1-1/2	
153	0761215	2	Bolt M12 x 35	
154	3020037	AR	Grease, Pump Coupling	
155	3790152	1	O-Ring	
156	3790155	1	O-Ring	
158	4891600	2	Flatwasher 3/8 Hardened	
159	4891800	4	Flatwasher 1/2 Hardened	
160	1001108616	1	Pump Assembly - Sauer Tandem (See PUMP ASSEMBLY - SAUER TANDEM for Breakdown)	
161	1001108888	1	Pump Assembly - Sauer Piston (See PUMP ASSEMBLY - SAUER PISTON for Breakdown) (Prior to SN 0300200353)	



## SECTION 2 - TURNTABLE

ITEM	PART NUMBER	QTY	DESCRIPTION	REV
161	1001171095	1	Pump Assembly - Sauer Piston (See PUMP ASSEMBLY - SAUER PISTON for Breakdown) <b>(SN 0300200353 through 0300209000)</b>	
162	1001112927	1	Pump Assembly - Sauer Gear (See PUMP ASSEMBLY - SAUER GEAR for Breakdown)	
164	0100011	AR	Compound, Locking	
		Ref	<b>DEUTZ TCD2.9L4 ENGINE ASSEMBLIES</b>	
	1001134392	Ref	<b>Machines Without Cold Weather Plus Package</b>	X
	1001141746	Ref	<b>Machines With Cold Weather Plus Package</b>	V
201	0100011	AR	Compound, Locking	
202	0100020	AR	Sealant	
203	0641406	5	Bolt 1/4-20NC x 3/4	
205	0641508	8	Bolt 5/16-18NC x 1	
206	0641606	5	Bolt 3/8-16NC x 3/4	
207	0641608	9	Bolt 3/8-16NC x 1	
208	0641610	2	Bolt 3/8-16NC x 1-1/4	
209	0641708	6	Bolt 7/16-14NC x 1	
210	0700815	2	Bolt M8 x 35	
212	0682028	4	Bolt 5/8-11NC x 3-1/2 Grade 8	
214	0771212	1	Bolt M12 x 25 Grade 10.9	
215	0771414	9	Bolt M14 x 30 Grade 10.9	
216	0940070	1	Bumper	
217	0961986	2	Bushing, Flanged	
218	0641706	2	Bolt 7/16-14NC x 3/4	
219		Ref	Anti-freeze Options:	
219	2300004	3.2 gl /12.1L	Without Arctic Package	
219	2300041	3.2 gl /12.1L	With Arctic Package	
220	2902065	1	Pump Coupling Kit	I
220A	2902065	1	Plate, Pump Mounting (Note: Not Available for Purchase.)	
220B	70000793	1	Coupling, Flex	
220C	See Note	8	Bolt M10 x 20 Grade 10.9 (Note: Not Available - Purchase Locally)	
220D	See Note	12	Bolt M10 x 30 Grade 10.9 (Note: Not Available - Purchase Locally)	
220E	See Note	12	Flatwasher M10 (Note: Not Available - Purchase Locally)	
221		Ref	Oil, Motor Options:	
221	1001136079	2.4 gl/9L	Without Arctic Package	
221	1001136172	2.4 gl/9L	With Arctic Package	
222	3290801	2	Nut M8	
223	3272001	4	Nut 5/8-11NC Grade 8	
224	3310401	3	Nut #4-40NC	
225	8406302	2	Clamp	
226	3311405	6	Locknut 1/4-20NC	
228	3311605	9	Locknut 3/8-16NC	
229	3311705	5	Locknut 7/16-14NC	
230	3580320	1	Pulley	
231	3910408	3	Screw #4-40NC x 1/2	
232	3931432	1	Capscrew 1/4-20NC x 2	
233	3931512	4	Capscrew 5/16-18NC x 3/4	
234	3931628	4	Capscrew 3/8-16NC x 1-3/4	
235	3960543	1	Seal	

## SECTION 2 - TURNTABLE

ITEM	PART NUMBER	QTY	DESCRIPTION	REV
236	3960544	1	Seal	
237	4031914	4	Bolt M8 x 50	
238	4032014	4	Bolt M10 x 50	
239	4710400	3	Flatwasher #4 Thin	
240	4711400	3	Flatwasher 1/4 Thin	
241	4711500	AR	Flatwasher 5/16 Thin	
242	4711600	25	Flatwasher 3/8 Thin	
243	4711700	10	Flatwasher 7/16 Thin	
244	1001146219	4	Flatwasher Special	
245	4751400	8	Flatwasher 1/4 Regular	
247	4751700	2	Flatwasher 7/16 Regular	
248	4791400	2	Starwasher 1/4	
249	4811900	4	Flatwasher M8	
250	4811902	2	Flatwasher M8	
251	4812000	4	Flatwasher M10	
252	4812100	4	Flatwasher M12	
253	4812200	9	Flatwasher M14	
254	4892000	4	Flatwasher 5/8 Hardened	
255	4831900	2	Lockwasher M8	
256	8405201	8	CLAMP	
257	8405204	10	Clamp	
259	8410013	5	Clamp	
260	91563070	1	Coupling, Rubber	
261	1001114495	1	Hose	
262	1001117308	1	Relay	
263	1001128947	1	Engine, Deutz TCD2.9L4	
266	1001133634	1	Clamp	
267	1001133651	1	Tank, Surge <b>(Prior to SN 0300187763)</b>	
267	1001166393	1	Tank, Surge <b>(SN 0300187763 through 0300209000)</b>	
268	1001155575	4	Mount, Motor	
269	1001134485	1	Tray	
270	1001135090	1	Radiator	
271	1001135138	1	Spacer, Fan	
272	1001135560	1	Support, Engine	
273	1001135562	1	Support, Engine - Rear	
274	1001135679	1	Spacer, Pulley	
275	1001135680	1	Support, Radiator	
276	1001135901	1	Pipe, Air Intake	
277	1001135903	1	Pipe, Air Intake	
278	1001135913	1	Pipe, Turbo to Air Cleaner	
279	1001135914	1	Pipe, Air Cleaner to Intake	
280	1001135924	1	Hose, Radiator (Upper)	
281	1001135926	1	Hose, Radiator (Lower)	
282	1001135943	1	Coupling, Rubber	
283	1001135946	1	Elbow, Rubber	
284	1001136292	1	Pipe, Elbow	
285	1001136377	1	Sensor, Coolant Level <b>(Prior to SN 0300187763)</b>	
285	1001138827	1	Sensor, Coolant Level <b>(SN 0300187763 through 0300209000)</b>	
286	1001136626	2	Bracket	
287	1001136665	1	Bracket	
288	1001136834	1	Cap, Tank	

## SECTION 2 - TURNTABLE

ITEM	PART NUMBER	QTY	DESCRIPTION	REV
289	1001142398	1	Support, Engine	
290	1001137276	1	Fan	
291	1001138228	1	Module, Power	
291	70023592	1	Fuse 20Amp	
291	70023593	1	Fuse 30Amp	
292	1001138253	5	Clamp	
294	1001138346	1	Harness, Engine (Not Shown - See ELECTRICAL SECTION for Breakdown)	
295	1001138524	1	Hose	
296	1001138559	1	Fitting, Elbow	
297	1001139240	1	Bracket	
298	1001153024	1	Pipe, Exhaust	
300	1001141304	1	Wire, Glow Plug	
301	1001141717	1	Fitting, Straight	
302	1001141719	1	Fitting, Elbow Barbed	
303	1001140564	1	Fitting, Elbow Barbed	
304	1001133633	1	Air Cleaner Assembly	
304	70024190	1	Element, Air Filter	
305	1001135779	1	Cable, Alternator Positive	
306	1001138248	4 ft/1.2m	Tubing	
307	1320022	2	Clamp	
308	2720015	4.5 ft /1.4m	Hose	
310	1001165035	30.5 ft /9.3m	Hose	
312	8405007	2	CLAMP	
313	4240099	AR	Tie-Strap (Used to Secure Block Heater Cord) (With Cold Weather Plus Package - Not Shown)	
314	4460234	3	Mount, Wire Tie (Used to Secure Block Heater Cord) (With Cold Weather Plus Package - Not Shown)	
315	1001140312	1	Heater, Block (With Cold Weather Plus Package - Not Shown)	
316	0761214	3	Bolt M12 x 30	
317	1001143341	1	Pipe, Elbow <b>(Prior to SN 0300187763)</b>	
317	1001165820	1	Pipe, Elbow <b>(SN 0300187763 through 0300209000)</b>	
318	1001143390	1	Indicator, Air Filter Service	
319	1001142637	1	Hose, Hump	
320	101142685	1	Bracket	
321	8406102	AR	Clip	
322	8406112	1	Clip	
323	1001134488	1	Fitting, Elbow Barbed	
324	1001138717	1	Bracket	
325	1001142501	1	Fitting, Elbow Barbed	
326	1001144089	1	Grommet	
327	1001145154	1	Plate, Mounting	
328	1001154405	5 ft/1.5m	Hose	
329	4640751	1	Valve, Oil Drain	
330	8405006	2	Clamp	
331	0760810	AR	Bolt M8 x 20	
332	1001148843	1	Harness, Fuel Filter (Not Shown - See ELECTRICAL SECTION for Breakdown)	
334	1703162	2	Decal - Fan	
335	0641503	3	Bolt 5/16-18NC x 3/8	
336	1001153387	1	Plate	

## SECTION 2 - TURNTABLE

ITEM	PART NUMBER	QTY	DESCRIPTION	REV
337	3931508	2	Capscrew 5/16-18NC x 1/2	
338	1001155823	1	Coupling	
339	0100062	AR	Adhesive, Loctite #680	
340	1001181895	AR	Adhesive, Loctite #640 - With Cold Weather Plus Package (Not Shown - Apply to Item 315)	
	1001139930	Ref	<b>SPARK ARRESTER INSTALLATION (OPTIONAL)</b>	
401	1001154157	1	Stack, Spark Arrester Exhaust	
500	1001128947	Ref	<b>ENGINE COMPONENTS</b>	J
501	70024904	1	Dipstick	
501	70024905	1	O-Ring	
502	7020465	2	Cap, Filler	
503	7002511	2	Clamp	
504	70025162	1	Pan, Oil	
504	70025088	2	Plug	
504	7020404	2	Washer, Sealing	
505	70001870	1	Flywheel (Not Shown)	
505	7024579	1	Gear, Ring (Not Shown)	
506	70024906	1	Gasket, Head (Not Shown)	
507	70025204	1	Shield, Heat (Not Shown)	
508	70025163	1	Cover, Valve	
508	70025205	1	Gasket	
508	70025206	1	Gasket, Small Valve Cover	
508	70025207	1	Gasket, Large Valve Cover	
508	70025208	1	Gasket	
509	70025076	1	Valve (Not Shown - Located on Right Side of Front Engine Cover)	
509	70025176	1	Spring	
509	70025082	1	Ring, Sealing	
509	70025091	1	Plug	
510	70025190	1	Cover, Front (Not Shown - Located on Front of Engine)	
510	70024907	1	Gasket, Front Cover	
510	70004280	1	Seal, Shaft - Front	
511	70002718	1	Seal, Shaft - Rear (Not Shown)	
512	70025202	1	Pump, Oil Lube (Not Shown)	
512	70025135	1	O-Ring	
512	70025136	1	Gasket	
513	7016331	1	Filter, Oil	
513	70025137	1	Bushing	
514	70004275	1	Cooler, Engine Oil (Not Shown - Located on Right Side)	
514	70024925	1	Gasket	
515	70025171	1	Oil Suction Pump (Not Shown - Located Inside of Engine Oil Pan)	
516	70024924	1	Pump, Fuel (Not Shown - Located on Right Side)	
516	70025152	1	O-Ring	
516	70025080	1	Washer	
516	70024488	1	Spacer	
516	70024517	1	O-Ring	
517	70025181	4	Injector, Fuel (Not Shown - Located on Right Side)	
517	70025140	4	Washer, Sealing	
517	70025146	4	Clamp (Top of Injector)	
517	70025145	4	O-Ring	
517	70025154	4	Shoe, Clamping	

## SECTION 2 - TURNTABLE

ITEM	PART NUMBER	QTY	DESCRIPTION	REV
517	70000345	1	Plug, Glow (Not Shown)	
517	70025231	1	Harness, Glow Plug (Not Shown)	
518	70024961	1	Fuel Filter Assembly	
518	70025153	1	Filter, Fuel	
518	70024513	1	Cable, Sensor	
518	70025239	1	Ring, Sealing	
519	70024486	1	Pump, Fuel	
519	70025144	2	Clamp	
520	70025160	1	Filter with Head	
520	70025161	1	Filter, Fuel	
521	70024504	1	Sensor, Pressure	
521	70024920	1	O-Ring	
521	70025103	1	Retainer	
522	70025151	1	Rail, Fuel (Not Shown)	
522	70025235	1	Repair Kit	
523	70025182	1	Fuel Line - High Pressure (Cylinder 1 & 2) (Not Shown)	
523	70025183	1	Fuel Line - High Pressure (Cylinder 3 & 4) (Not Shown)	
523	70025184	1	Fuel Line - High Pressure (Supply) (Not Shown)	
524	70004501	1	Sleeve, Rubber	
525	70004502	1	Pipe, Intake	
526	70025112	2	Clamp	
527	70025210	1	ECU (Engine Control Unit)	
528	70024910	1	Pump, Water	
528	70025200	1	Ring, Sealing	
528	70025084	2	Plug	
528	7020492	2	Ring, Sealing	
529	70024473	1	Thermostat	
529	70025143	1	O-Ring	
529	70025142	1	Cover, Thermostat	
530	70025177	1	Pipe (Not Shown - Located on Left Side)	
530	70025179	2	Gasket	
531	70025178	1	Pipe	
531	70025156	1	Valve, Shuttle	
531	70025179	2	Gasket	
531	70025180	1	Gasket	
532	70025203	1	Module, EGR	
532	70025155	1	Plug	
533	70004282	1	Manifold, Exhaust (Not Shown)	
533	70025164	1	Gasket, Exhaust Manifold to Head	
534	70004503	1	Turbocharger	
534	70024912	1	Gasket, Exhaust Manifold	
535	70025477	1	Tensioner, Belt (Not Shown - Located on Front of Engine)	
536	70024484	1	Idler Roller (Not Shown - Located on Front of Engine)	
537	70004277	1	Belt, Drive (Not Shown)	
538	70024915	1	Starter	
539	70025533	1	Generator	
539	70025149	1	Regulator, Voltage	
540	70004284	1	Harness, Engine (Not Shown)	
541	70024507	1	Sensor, Pressure (Not Shown - Located Top Rear)	
541	70025120	1	O-Ring	
542	70024503	1	(Not Shown - Located Left Side Front and Flywheel Housing)	

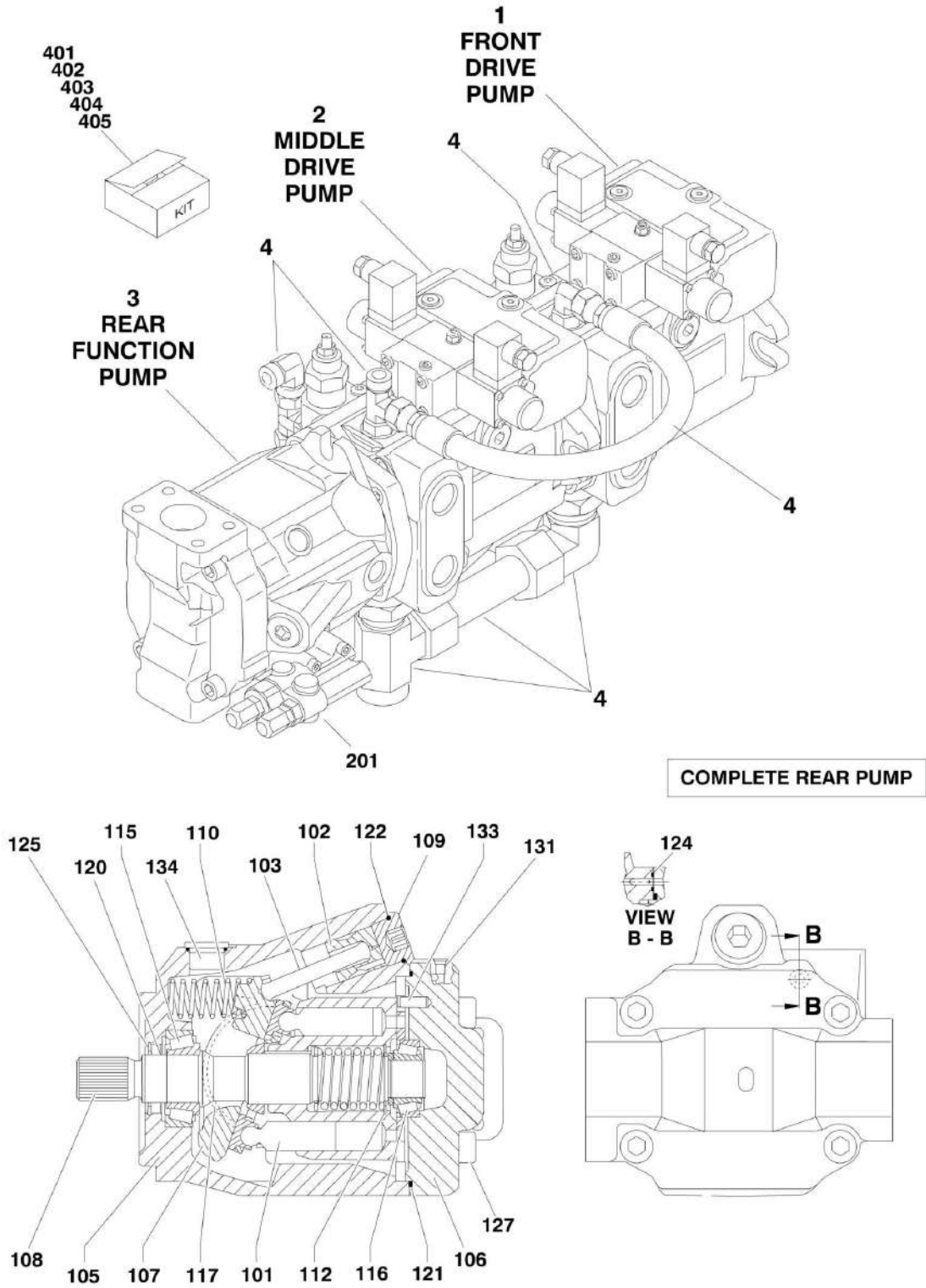
## SECTION 2 - TURNTABLE

ITEM	PART NUMBER	QTY	DESCRIPTION	REV
542	70024917	1	O-Ring	
543	70024918	1	Sender, Temperature (Not Shown - Located Top Front)	
544	70024919	1	Sensor, Pressure (Not Shown - Located on Right Side)	
544	70024920	1	O-Ring	
545	70005445	1	Outlet, Muffler	
546	70004279	1	Gasket Kit (Not Shown)	
	1283409	Ref	<b>DECALS INSTALLATION</b>	
653	1001143852	1	Decal - EPA	



# SECTION 2 - TURNTABLE

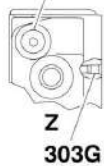
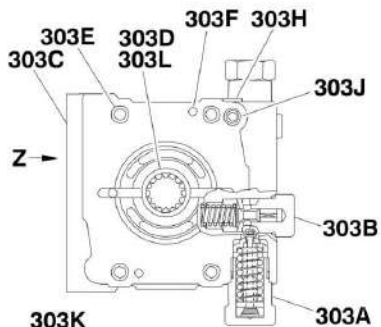
FIGURE 2-8. PUMP ASSEMBLY (REXROTH) (CATERPILLAR ENGINE MACHINES)



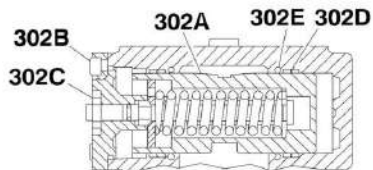


# SECTION 2 - TURNTABLE

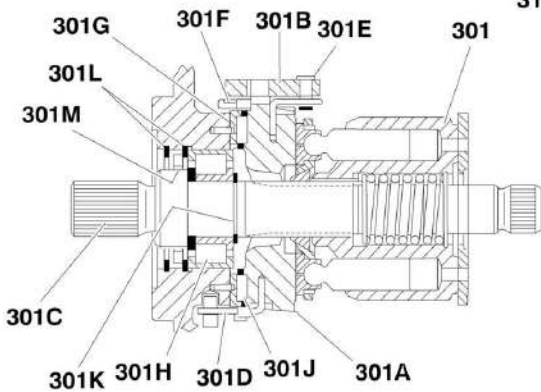
**COMPLETE FRONT & MID PUMPS**



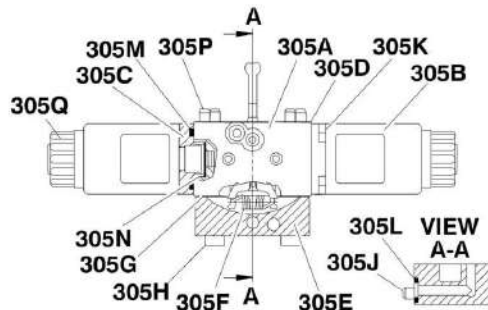
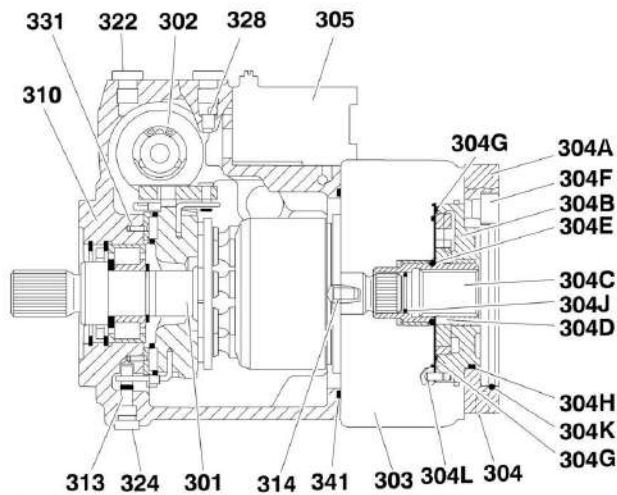
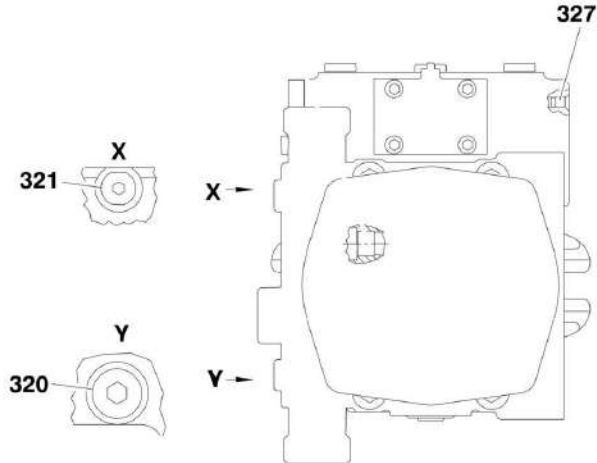
**PORT PLATE SECTION FRONT & MID PUMPS (DETAIL OF ITEM 303)**



**HYD. CONTROL FRONT & MID PUMPS (DETAIL OF ITEM 302)**



**ROTARY GROUP FRONT & MID PUMPS (DETAIL OF ITEM 301)**



**CONTROL MODULE FRONT & MID PUMPS (DETAIL OF ITEM 305)**

## SECTION 2 - TURNTABLE

FIGURE 2-8. PUMP ASSEMBLY (REXROTH) (CATERPILLAR ENGINE MACHINES)

ITEM	PART NUMBER	QTY	DESCRIPTION	REV
	100118368	Ref	<b>PUMP ASSEMBLY</b>	C
1	70003163	1	Front Drive Pump Assembly (Includes Items 301- 341)	
2	70003164	1	Middle Drive Pump Assembly (Includes Items 301- 341)	
3	7024044	1	Rear Function Pump Assembly (Includes Items 101-201	
4	Not Available	1	Hydraulic Kit (Includes all Rexroth Supplied Hydraulic Fittings, Hoses and Tubes)	
	7024044	Ref	<b>REAR FUNCTION PUMP ASSEMBLY</b>	
101	70003173	1	Rotary Section	
102	Not Available	1	Piston, Control	
103	Not Available	1	Rod, Piston	
105	Not Available	1	Housing, Pump	
106	Not Available	1	Plate, Port	
107	70003174	1	Plate, Swash	
108	70003175	1	Driveshaft	
109	Not Available	1	Plug	
110	Not Available	1	Spring	
112	7012709	1	Shim	
115	7024038	1	Bearing, Roller	
116	7012706	1	Bearing, Roller	
117	7024917	2	Shell, Cradle	
120	7024918	1	Seal, Shaft	
121	70003176	1	O-Ring	
122	7024920	1	O-Ring	
124	7024950	1	Seal	
125	70003177	1	Ring, Retaining	
127	Not Available	4	Capscrew M12 x 45-10.9	
131	Not Available	1	Plug	
133	Not Available	1	Pin, Dowel	
134	Not Available	1	Plug	
201	7024913	Ref	<b>Pilot Valve Assembly</b>	
		Ref	<b>Note: Two mounting designs of p/n 7024913 pilot valve exist. Early design uses qty 3 o-rings. Late design uses qty 1 sealing plate. Seal designs cannot be interchanged. Verify seal design before ordering.</b>	
201	7024922	3	O-Ring (Seals between Pilot Valve and Rear Pump)	
201	70021867	1	Plate, Sealing (Seals between Pilot Valve and Rear Pump)	
		Ref	<b>FRONT DRIVE PUMP ASSEMBLIES</b>	
	70003163	Ref	<b>Front Drive Pump Assembly</b>	
	70003164	Ref	<b>Middle Drive Pump Assembly</b>	
301	7024064	1	Rotary Group	
301A	Not Available	1	Cradle (Purchase p/n 7024064)	
301B	Not Available	1	Ring, Slide (Purchase p/n 7024064)	
301C	Not Available	1	Driveshaft (Purchase p/n 7024064)	
301D	Not Available	1	Wire (Purchase p/n 7024064)	
301E	Not Available	1	Pin, Joint (Purchase p/n 7024064)	
301F	Not Available	1	Wire (Purchase p/n 7024064)	
301G	Not Available	1 pr	Liner, Bearing (Purchase p/n 7024064)	
301H	Not Available	1	Bearing, Roller (Purchase p/n 7024064)	
301J	Not Available	1 st	Cradle Bearing Assembly	
301K	Not Available	1	Ring, Retaining	

## SECTION 2 - TURNTABLE

ITEM	PART NUMBER	QTY	DESCRIPTION	REV
301L	70001968	2	Ring, Retaining	
301M	70003167	1	Seal, Shaft Ring	
302	7024065	1	Control Group - Hydraulic	
302A	Not Available	1	Piston, Positioning - Complete (Purchase p/n 7024065) (Note: Sold only in Kit Except Outer Seal O-Ring and Stem O-Ring.)	
302A	7024071	1	O-Ring, Outer Seal	
302A	7024072	1	O-Ring, Stem	
302B	70003168	4	Capscrew M6 x 12-8.8	
302C	Not Available	1	Nut (Purchase p/n 7024065)	
302D	70003168	2	Ring, Guide	
302E	70003168	2	Seal, O-Ring	
303		Ref	Port Plate Group Options:	
303	7024905	1	Front Drive Pump	
303	7024911	1	Middle Drive Pump	
303A	7024073	2	Cartridge, Relief Valve (High Pressure) (Note: Sold as an Assembly Except Outer Seals.)	
303A	7024075	1	O-Ring	
303A	7024076	1	Ring, Back-up	
303B		Ref	Cartridge Options:	
303B	7024907	1	Front Pump Cartridge (Lock Valve With Orifice) (Note: Sold as an Assembly Except Outer Seals.)	
303B	7024909	1	Screw, Locking	
303B	7024075	1	O-Ring	
303B	70020329	1	Middle Pump Cartridge (Pressure Relief Valve) (Note: Sold as an Assembly Except Outer Seals.)	
	70003172	1	Ring, Sealing (Steel)	
303B	7024077	1	O-Ring	
303C	Not Available	1	Plate, Port (Purchase p/n 7024905 or 7024911)	
303D	Not Available	1	Bushing, Bearing (Purchase p/n 7024905 or 7024911)	
303E	Not Available	4	Screw, Socket Head M12 x 70-10.9 (Purchase p/n 7024911)	
303F	70003169	2	Pin, Dowel	
303G	70003169	1	Pin, Break-Off	
303H	70003169	1	Screw, Locking M10 x 1	
303J	7024908	2	O-Ring	
303K	70003169	2	Screw, Locking 7/16-20NF	
303L	Not Available	1	Bearing, Roller (Purchase p/n 7024905 or 7024911)	
304	7024906	1	Internal Gear Pump Options:	
304A	Not Available	1	Flange, Intermediate (Purchase p/n 7024906)	
304B	Not Available	1	Internal Gear Pump Housing (Purchase p/n 7024906)	
304C	Not Available	1	Coupling, Driveshaft Through (Purchase p/n 7024906)	
304D	7024079	1	Key, Driveshaft	
304E	80934174	1	Ring, Retaining	
304F	Not Available	4	Capscrew M10 x 20-8.8 (Purchase p/n 7024906)	
304G	7024080	2	Seal	
304H	7024081	1	O-Ring	
304J	Not Available	1	Ring, Retaining (Purchase p/n 7024906)	
304K	7024910	1	O-Ring	
304L	Not Available	1	Pin, Cylinder (Purchase p/n 7024906)	
305	70003165	1	Control Module	
305A	Not Available	1	Valve Body, Lever and Internal Components	
305B	70003170	2	Coil, Solenoid	
305C	Not Available	2	Spacer, Coil (Purchase p/n 70003165)	

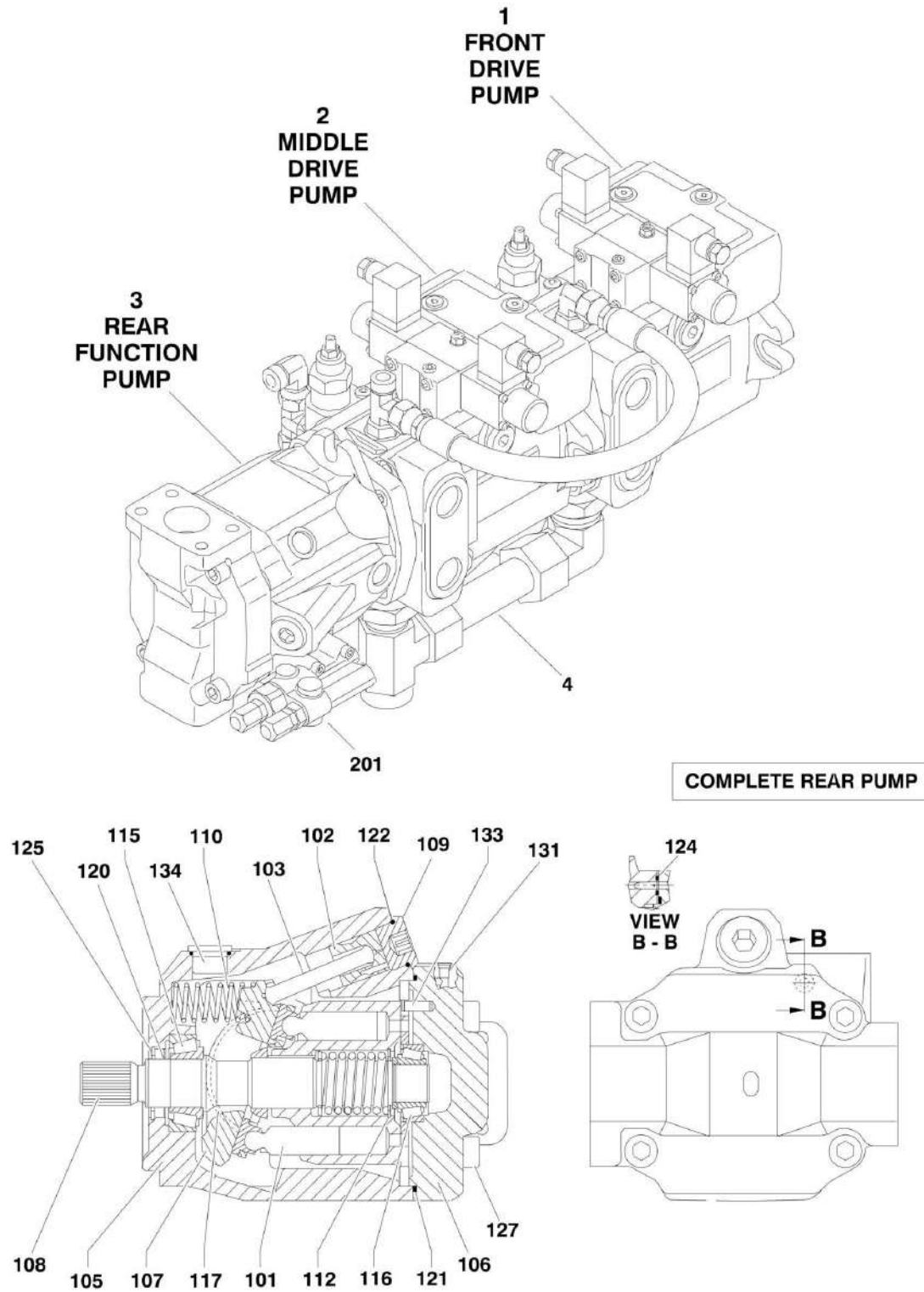
## SECTION 2 - TURNTABLE

ITEM	PART NUMBER	QTY	DESCRIPTION	REV
305D	70020336	1	Gasket	
305E	Not Available	1	Cover W/Filter (Purchase p/n 70003165)	
305F	Not Available	1	Spring, Draw (Purchase p/n 70003165)	
305G	70020336	1	Gasket	
305H	70020336	4	Capscrew M6 x 65-8.8	
305J	70020336	1	Capscrew M6 x 45-8.8	
305K	Not Available	8	Capscrew M5 x 10-8.8	
305L	70020336	1	O-Ring	
305M	Not Available	2	O-Ring	
305N	Not Available	2	Cup, Spring	
305P	70020336	2	Pin, Cylinder	
305Q	Not Available	2	Nut, Coil	
310	Not Available	1	Housing	
313	Not Available	2	Pin, Dowel	
314	Not Available	1	Pin, Cylinder	
320	70003166	1	Screw 7/8-14NF (Front Drive Pump Only)	
321	70003166	1	Screw 9/16-18NF	
322	70003166	1	Screw 7/16-20NF	
324	70003166	1	Screw M10 x 1	
327	70003166	1	Pin, Double Break-Off	
328	70003166	2	Orifice	
331	70003166	2	Pin, Clamping	
341	70003166	1	O-Ring	
		Ref	Seal Kit Options:	
401	70003167	1	Seal Kit - Drive Shaft (Includes Items 301L & 301M)	
402	70003168	1	Seal Kit - Control Group - Hydraulic (Includes Items 302B, 302D & 302E)	
403	70003169	1	Seal Kit - Port Plate Group (Includes Items 303F-303K)	
404	70020336	1	Seal Kit - Control Module (Includes Items 305D, 305G-305J, 305L & 305P)	
405	70003166	1	Seal Kit - Front Pump (Includes Items 320-322, 324, 327, 328, 331 & 341)	



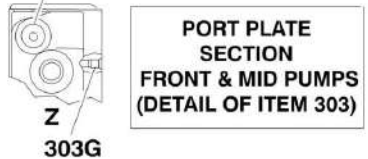
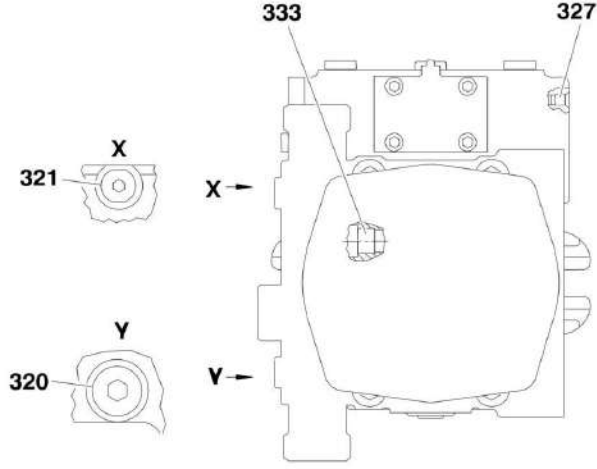
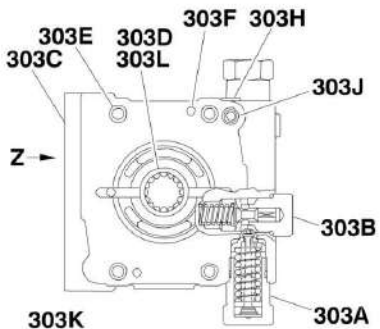
# SECTION 2 - TURNTABLE

## FIGURE 2-9. PUMP ASSEMBLY (REXROTH) (DEUTZ ENGINE MACHINES)

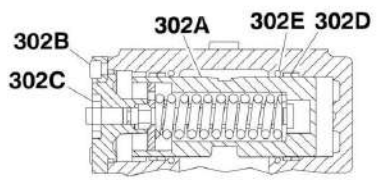


# SECTION 2 - TURNTABLE

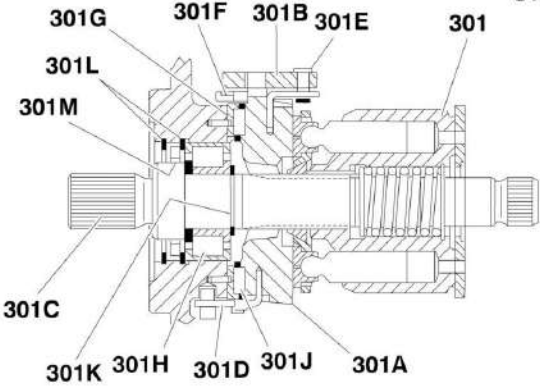
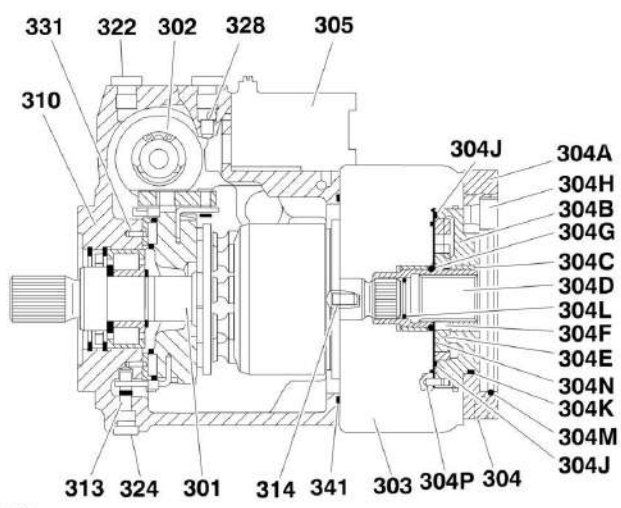
**COMPLETE FRONT & MID PUMPS**



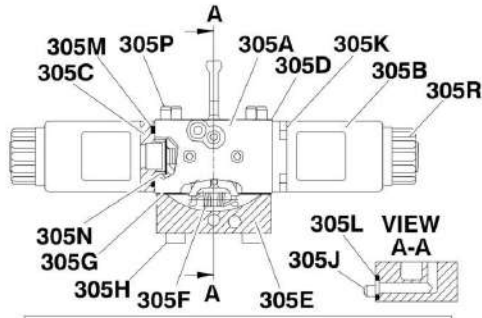
**PORT PLATE SECTION FRONT & MID PUMPS (DETAIL OF ITEM 303)**



**HYD. CONTROL FRONT & MID PUMPS (DETAIL OF ITEM 302)**



**ROTARY GROUP FRONT & MID PUMPS (DETAIL OF ITEM 301)**



**CONTROL MODULE FRONT & MID PUMPS (DETAIL OF ITEM 305)**

## SECTION 2 - TURNTABLE

FIGURE 2-9. PUMP ASSEMBLY (REXROTH) (DEUTZ ENGINE MACHINES)

ITEM	PART NUMBER	QTY	DESCRIPTION	REV
		Ref	<b>Pump Assembly</b>	
	3600339	Ref	<b>Machines with Deutz TD2011 Engines</b>	D
	1001152963	Ref	<b>Machines with Deutz TCD2.9L4 Engines (Note: Service Parts Not Available)</b>	C
1		Ref	Front Drive Pump Assembly Options (Includes Items 301- 341):	
1	7024042	1	Machines with Deutz TD2011 Engines	
1	See Note	1	Machines with Deutz TCD2.9L4 Engines (Note: Service Parts Not Available)	
2		Ref	Middle Drive Pump Assembly (Includes Items 301- 341)	
2	7024043	1	Machines with Deutz TD2011 Engines	
2	See Note	1	Machines with Deutz TCD2.9L4 Engines (Note: Service Parts Not Available)	
3		Ref	Rear Function Pump Assembly (Includes Items 101-201)	
3	7024044	1	Machines with Deutz TD2011 Engines	
3	See Note	1	Machines with Deutz TCD2.9L4 Engines (Note: Service Parts Not Available)	
4	70001952	1	Hydraulic Kit (Includes all Rexroth Supplied Hydraulic Fittings, Hoses and Tubes)	
	7024044	Ref	<b>REAR FUNCTION PUMP ASSEMBLY</b>	
	7024912	NLA	<b>Pump Assembly Less Pilot Valve (Use p/n 7024044)</b>	
101	7024914	1	Rotary Section	
102	Not Available	1	Piston, Control	
103	Not Available	1	Rod, Piston	
105	Not Available	1	Housing, Pump	
106	Not Available	1	Plate, Port	
107	7024915	1	Plate, Swash	
108	7024916	1	Driveshaft	
109	Not Available	1	Plug	
110	Not Available	1	Spring	
112	7012709	1	Shim	
115	7024038	1	Bearing, Roller	
116	7012706	1	Bearing, Roller	
117	7024917	2	Shell, Cradle	
120	7024918	1	Seal, Shaft	
121	7024919	1	O-Ring	
122	7024920	1	O-Ring	
124	7024921	1	Seal	
125	7012715	1	V-Ring	
127	Not Available	4	Capscrew M12 x 45 Grade10.9	
131	Not Available	1	Plug	
133	Not Available	1	Pin, Dowel	
134	Not Available	1	Plug	
201	7024913	Ref	<b>Pilot Valve Assembly</b>	
		Ref	<b>Note: Two mounting designs of p/n 7024913 pilot valve exist. Early design uses qty 3 o-rings. Late design uses qty 1 sealing plate. Seal designs cannot be interchanged. Verify seal design before ordering.</b>	
201	7024922	3	O-Ring (Seals between Pilot Valve and Rear Pump)	
201	70021867	1	Plate, Sealing (Seals between Pilot Valve and Rear Pump)	
		Ref	<b>FRONT DRIVE PUMP ASSEMBLIES</b>	
	7024042	Ref	<b>Front Drive Pump Assembly</b>	



## SECTION 2 - TURNTABLE

ITEM	PART NUMBER	QTY	DESCRIPTION	REV
	7024043	Ref	<b>Middle Drive Pump Assembly</b>	
301	7024064	1	Rotary Group	
301A	Not Available	1	Cradle (Purchase p/n 7024064)	
301B	Not Available	1	Ring, Slide (Purchase p/n 7024064)	
301C	Not Available	1	Driveshaft (Purchase p/n 7024064)	
301D	Not Available	1	Wire (Purchase p/n 7024064)	
301E	Not Available	1	Pin, Joint (Purchase p/n 7024064)	
301F	Not Available	1	Wire (Purchase p/n 7024064)	
301G	Not Available	1 pr	Liner, Bearing (Purchase p/n 7024064)	
301H	Not Available	1	Bearing, Roller (Purchase p/n 7024064)	
301J	Not Available	1 st	Cradle Bearing Assembly	
301K	Not Available	1	Ring, Retaining	
301L	70001968	2	Ring, Retaining	
301M	7024070	1	Seal, Shaft Ring	
302	7024065	1	Control Group - Hydraulic	
302A	Not Available	1	Piston, Positioning - Complete (Purchase p/n 7024065) (Note: Sold only in Kit Except Outer Seal O-Ring and Stem O-Ring.)	
302A	7024071	1	O-Ring, Outer Seal	
302A	7024072	1	O-Ring, Stem	
302B	Not Available	4	Capscrew M6 x 12-8.8 (Purchase p/n 7024065)	
302C	Not Available	1	Nut (Purchase p/n 7024065)	
302D	Not Available	2	Ring, Guide (Purchase p/n 7024065)	
302E	Not Available	2	Seal, O-Ring (Purchase p/n 7024065)	
303	7024911	1	Port Plate Group	
303A	7024073	2	Cartridge, Relief Valve (High Pressure) (Note: Sold as an Assembly Except Outer Seals.)	
303A	7024075	1	O-Ring	
303A	7024076	1	Ring, Back-up	
303B		Ref	Cartridge Options:	
303B	7024097	1	Front Pump Cartridge (Lock Valve With Orifice) (Note: Sold as an Assembly Except Outer Seals.)	
303B	7024075	1	O-Ring	
303B	7023881	1	Middle Pump Cartridge (Pressure Relief Valve) (Note: Sold as an Assembly Except Outer Seals.)	
303B	7024077	1	O-Ring	
303C	Not Available	1	Plate, Port (Purchase p/n 7024911)	
303D	Not Available	1	Bushing, Bearing (Purchase p/n 7024911)	
303E	Not Available	4	Screw, Socket Head M12 x 70-10.9 (Purchase p/n 7024911)	
303F	Not Available	2	Pin, Dowel (Purchase p/n 7024911)	
303G	Not Available	1	Pin, Break-Off (Purchase p/n 7024911)	
303H	Not Available	1	Screw, Locking M10 x 1 (Purchase p/n 7024911)	
303J	7024908	2	O-Ring	
303K	Not Available	2	Screw, Locking 7/16-20NF (Purchase p/n 7024911)	
303L	Not Available	1	Bearing, Roller (Purchase p/n 7024911)	
304	7024906	1	Internal Gear Pump	
304A	Not Available	1	Flange, Intermediate (Purchase p/n 7024906)	
304B	Not Available	1	IZP-Housing (Purchase p/n 7024906)	
304C	Not Available	1	Bushing, Bearing (Purchase p/n 7024906)	
304D	Not Available	1	Coupling, Driveshaft Through (Purchase p/n 7024906)	
304E	7024078	1	Gear Set	
304F	7024079	1	Key, Driveshaft	
304G	Not Available	1	Ring, Retaining (Purchase p/n 7024906)	

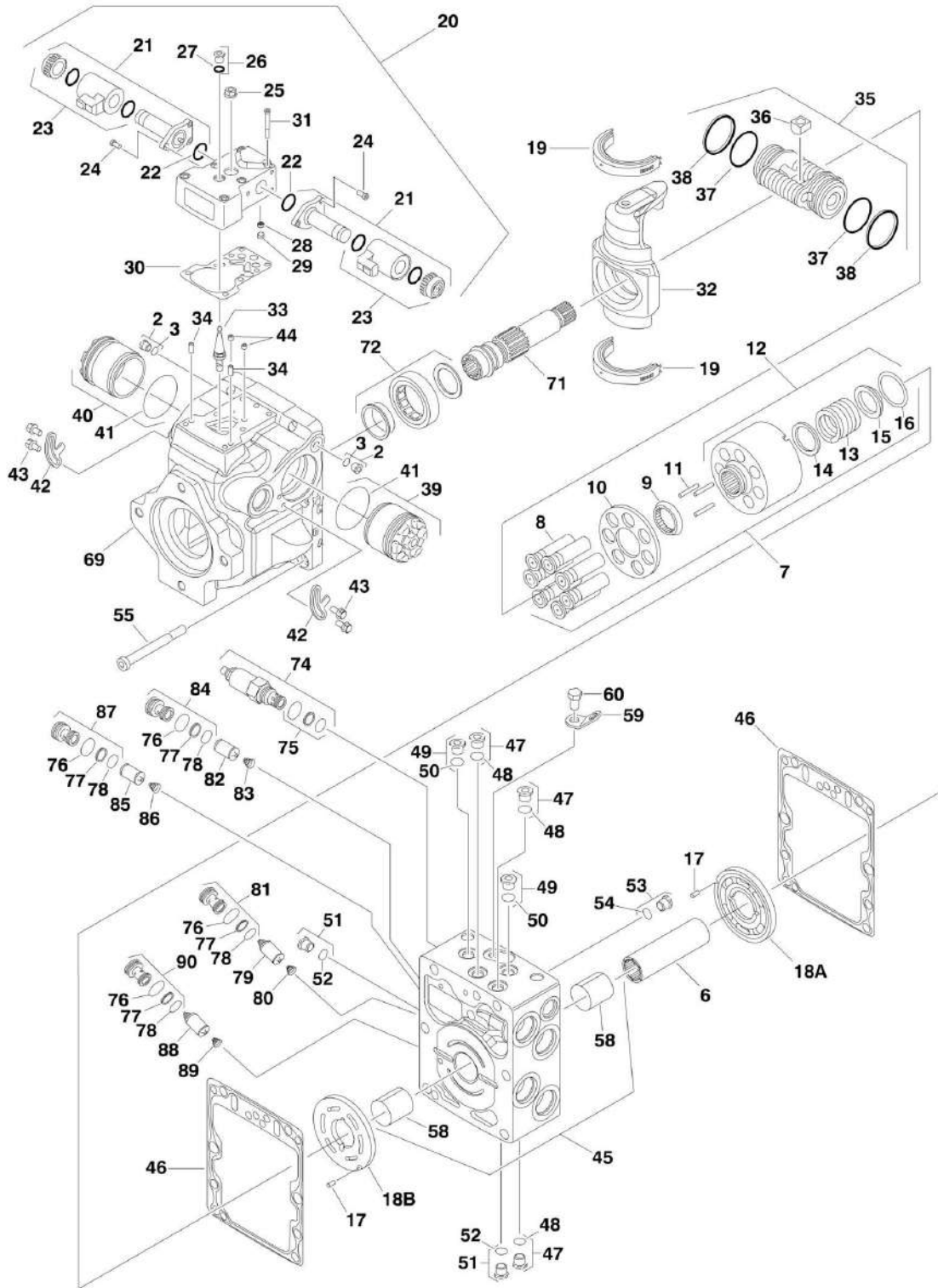
## SECTION 2 - TURNTABLE

ITEM	PART NUMBER	QTY	DESCRIPTION	REV
304H	Not Available	4	Capscrew M10 x 20-8.8 (Purchase p/n 7024906)	
304J	7024080	2	Seal	
304K	7024081	1	O-Ring	
304L	Not Available	1	Ring, Retaining (Purchase p/n 7024906)	
304M	7024910	1	O-Ring	
304N	7024005	1	Plate, Wear	
304P	Not Available	1	Pin, Cylinder (Purchase p/n 7024906)	
305	7024068	1	Control Module ( <b>Prior to SN 0300187742</b> )	
305	See Note	1	Control Module (Note: Not Available at Time of Printing) ( <b>SN 0300187742 through 0300209000</b> )	
305A	7024084	1	Valve Body, Lever and Internal Components	
305B	7024083	2	Coil, Solenoid	
305C	Not Available	2	Spacer, Coil (Purchase p/n 7024068)	
305D	7024085	1	Gasket	
305E	Not Available	1	Cover (Purchase p/n 7024068)	
305F	Not Available	1	Spring, Draw (Purchase p/n 7024068)	
305G	7024086	1	Gasket	
305H	Not Available	4	Capscrew M6 x 65-8.8 (Purchase p/n 7024068)	
305J	Not Available	1	Capscrew M6 x 45-8.8 (Purchase p/n 7024068)	
305K	Not Available	8	Capscrew M5 x 10-8.8 (Purchase p/n 7024068)	
305L	7024087	1	O-Ring	
305M	7024088	2	O-Ring	
305N	7024089	2	Cup, Spring	
305P	Not Available	2	Pin, Cylinder (Purchase p/n 7024068)	
305R	70002569	2	Nut, Coil	
310	Not Available	1	Housing	
313	Not Available	2	Pin, Dowel	
314	Not Available	1	Pin, Cylinder	
320	Not Available	1	Screw 7/8-14NF (Front Drive Pump Only)	
321	Not Available	1	Screw 9/16-18NF	
322	Not Available	1	Screw 7/16-20NF	
324	Not Available	1	Screw M10 x 1	
327	Not Available	1	Pin, Double Break-Off	
328	7018936	2	Orifice	
331	Not Available	2	Pin, Clamping	
333	Not Available	1	Screw, Locking M14	
341	7024069	1	O-Ring	

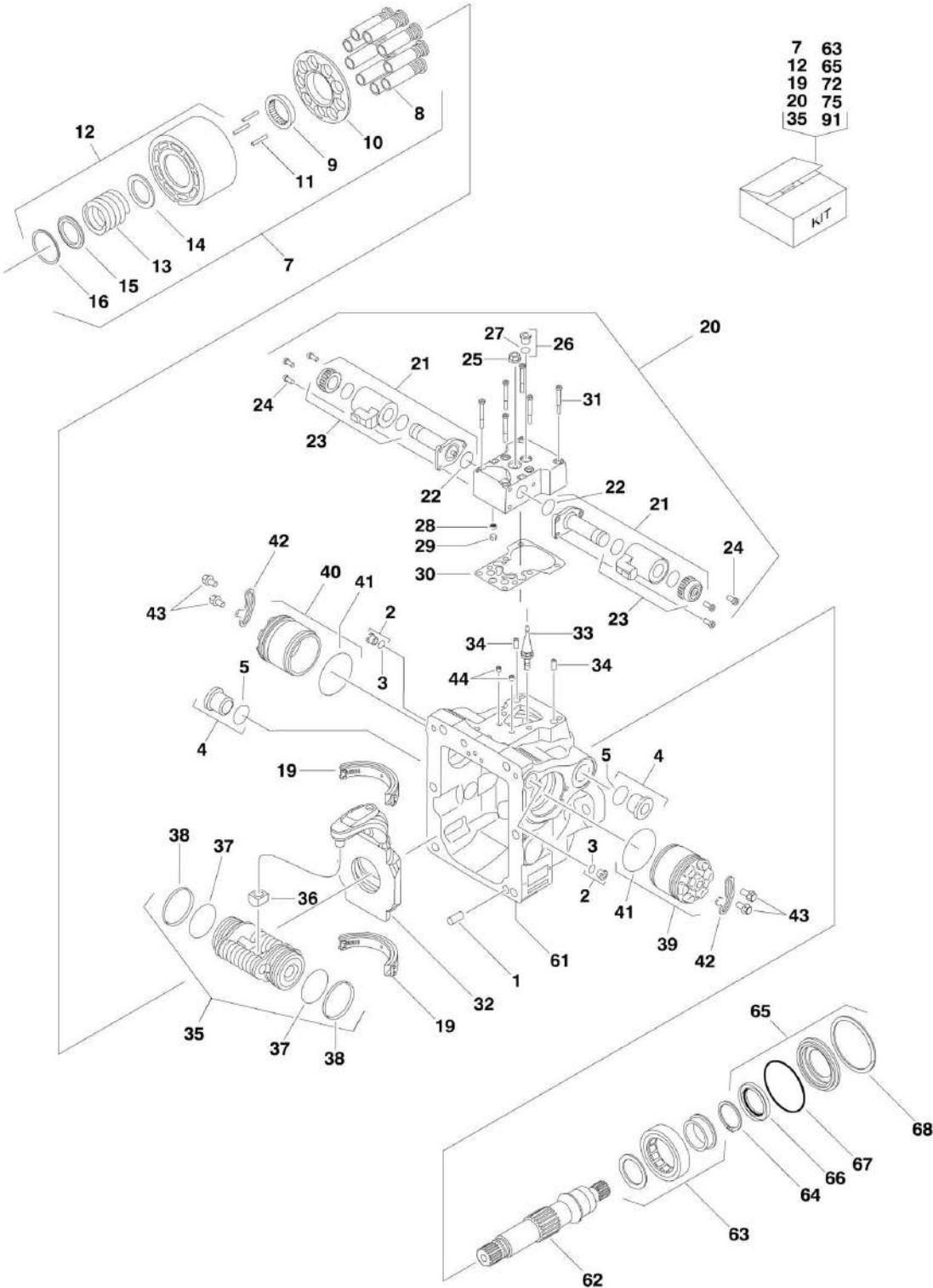


# SECTION 2 - TURNTABLE

## FIGURE 2-10. PUMP ASSEMBLY (SAUER TANDEM)



# SECTION 2 - TURNTABLE



## SECTION 2 - TURNTABLE

**FIGURE 2-10. PUMP ASSEMBLY (SAUER TANDEM)**

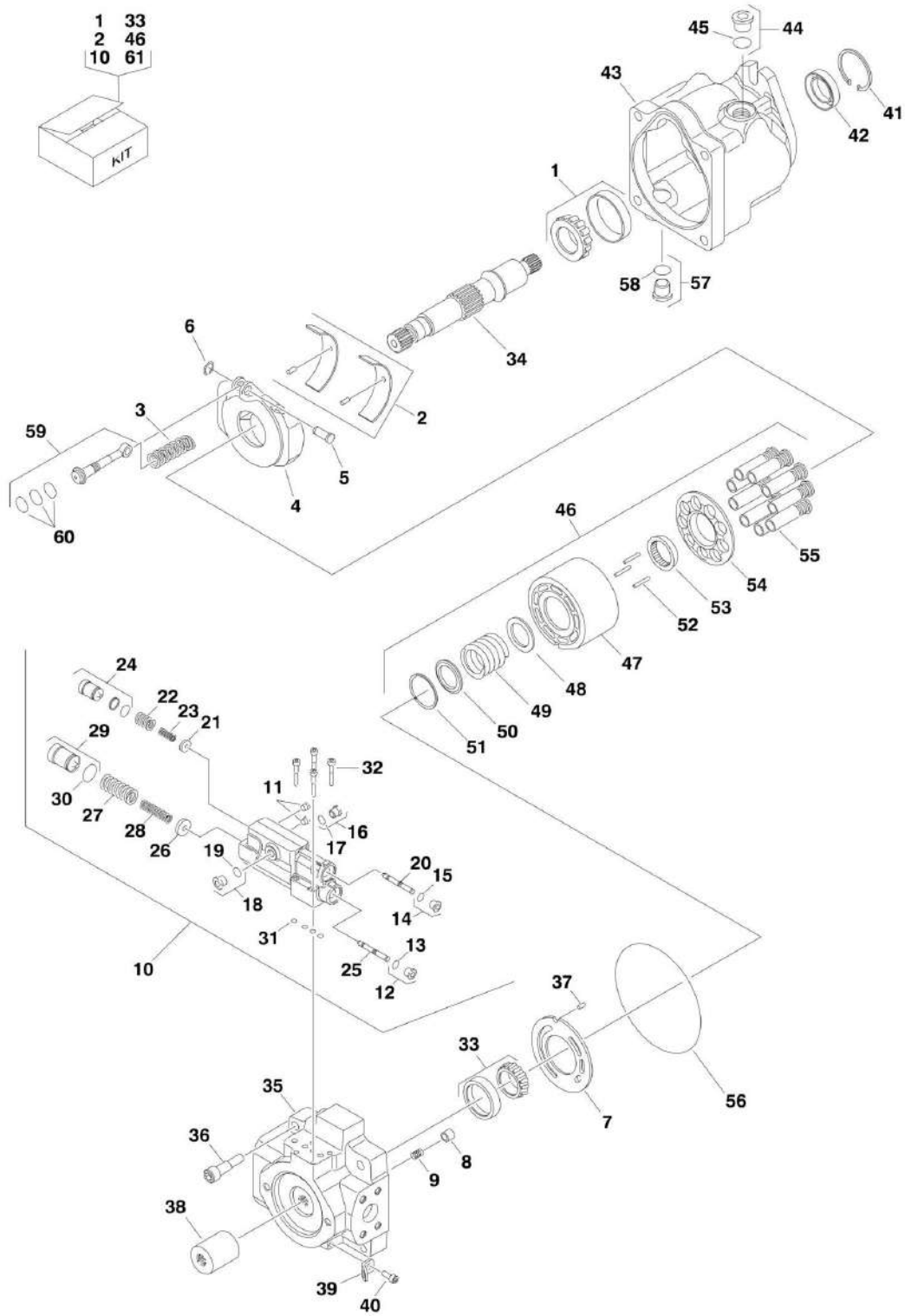
ITEM	PART NUMBER	QTY	DESCRIPTION	REV
	1001108616	Ref	<b>PUMP ASSEMBLY (SAUER TANDEM)</b>	D
1	70002132	4	Pin	
2	70002133	4	Plug Assembly (Includes Item 3)	
3	7007207	4	O-Ring (Part of Item 3)	
4	7007419	2	Plug Assembly (Includes Item 5)	
5	7007418	2	O-Ring (Part of Item 5)	
6	70002600	1	Coupling	
7	70002135	2	Cylinder Block Kit (Each Kit Includes Qty 1 of Items 8-10 & 12-16 & Qty 3 of Item 11)	
8	70002136	2	Piston Assembly Kit (Includes Qty 9 Piston Assemblies) (Part of Item 7)	
9	70002137	2	Guide, Slipper Retainer (Part of Item 7)	
10	70002138	2	Retainer, Slipper (Part of Item 7)	
11	7021275	6	Pin, Slipper Retainer Holddown (Part of Item 7)	
12	70002143	2	Cylinder Block Assembly (Includes Qty 1 of Item 13-16) (Part of Item 7)	
13	70002139	2	Spring (Part of Item 12)	
14	70002140	2	Washer (Part of Item 12)	
15	70002141	2	Washer (Part of Item 12)	
16	70002142	2	Ring, Retaining (Part of Item 12)	
17	7007446	2	Pin	
18		Ref	Plate, Valve Options:	
18A	70002601	1	Plate, CW Valve	
18B	70002602	1	Plate, CCW Valve	
19	70002145	2	Swashplate Bearing Kit (Includes Qty 2 Bearings)	
20	70002618	2	EDC Kit (Includes Items 21-31)	
21	70002619	4	Solenoid Valve Assy (Includes Item 22 & 23) (Part of Item 20)	
22	70002148	4	O-Ring (2 Per EDC Assembly) (Part of Item 21)	
23	70002620	4	Coil, Nut and Seals Kit (2 Per EDC Assembly) (Part of Item 21)	
24	70002150	12	Screw (Part of Item 20)	
25	7022301	2	Nut, Seal (Part of Item 20)	
26	70002151	2	Plug Assembly (Part of Item 20) (Includes Item 27)	
27	7007207	2	O-Ring (Part of Item 26)	
28	70002134	2	Screen (Part of Item 20)	
29	70002153	2	Ring, Locking (Part of Item 20)	
30	70002154	2	Gasket, Control (Part of Item 20)	
31	70002156	12	Capscrew (Part of Item 20)	
32	70002152	2	Swashplate	
33	70002155	2	Link, Swashplate	
34	70002157	4	Pin, Dowel	
35	70002158	2	Servo Piston Assembly (Includes Items 36-38)	
36	70002159	2	Block, Slider (Part of Item 35)	
37	70002160	2	O-Ring (Part of Item 35)	
38	70002161	2	Ring, Piston (Part of Item 35)	
39	70002162	2	Cylinder, Servo	
40	70002162	2	Cylinder, Servo	
41	70002163	4	O-Ring	
42	70002164	4	Plate, Locking	
43	70002165	8	Screw	
44	70002604	4	Orifice	

## SECTION 2 - TURNTABLE

ITEM	PART NUMBER	QTY	DESCRIPTION	REV
45	70002605	1	Center Section Assembly (Includes Item 58)	
46	70002168	2	Gasket, End Cap	
47	70001958	2	Plug Assembly (Includes Item 48)	
48	7021256	2	O-Ring (Part of Item 47)	
49	70001958	2	Plug Assembly (Includes Item 50)	
50	7021256	2	O-Ring (Part of Item 49)	
51	70001958	2	Plug Assembly (Includes Item 52)	
52	7021256	2	O-Ring (Part of Item 51)	
53	70001958	2	Plug Assembly (Includes Item 54)	
54	7021256	2	O-Ring (Part of Item 53)	
55	70002606	4	Capscrew	
58	70002607	2	Bearing, Journal (Part of Item 45)	
59	7022608	1	Bracket, Lifting	
60	70002609	1	Screw	
61	Not Available	1	Housing	
62	70002175	1	Shaft	
63	70002610	1	Ball Bearing Kit	
64	70007439	1	Ring, Retaining	
65	70002174	1	Shaft Seal Kit (Includes Items 66-68) (Note: This is a universal kit and will contain extra pieces that are not used on this pump assembly.)	
66	70002177	1	Seal, Lip	
67	70002178	1	O-Ring	
68	70002179	1	Ring, Retaining	
69	Not Available	1	Housing	
71	70002612	1	Shaft	
72	70002610	1	Ball Bearing Kit	
74	70002621	1	High Pressure Relief Valve Cartridge Assy (Includes Item 75 & 76)	
75	70002622	1	Seal Kit - 70002621 Valve (Part of Item 74)	
76	7007415	1	O-Ring (Part of Item 79)	
77	7021293	1	Ring, Back-up (Part of Item 79)	
78	7022300	1	O-Ring (Part of Item 79)	
79	70002616	1	SCR Valve Assembly	
80	7024800	1	Spring	
81	7021265	1	Plug Assembly (Includes Qty 1 of Items 76-78)	
82	70002616	1	SCR Valve Assembly	
83	7024800	1	Spring	
84	7021265	1	Plug Assembly (Includes Qty 1 of Items 76-78)	
85	70002616	1	SCR Valve Assembly	
86	7024800	1	Spring	
87	70002617	1	Plug Assembly (Includes Qty 1 of Items 76-78)	
88	70002616	1	SCR Valve Assembly	
89	7024800	1	Spring	
90	7021265	1	Plug Assembly (Includes Qty 1 of Items 76-78)	
91	70002623	1	Overhaul Seal Kit (Includes Items 3, 5, 22, 27, 30, 37, 38, 41, 46,48, 50, 52, 54, 66, 67, 75, 76, 77 & 78)	

# SECTION 2 - TURNTABLE

FIGURE 2-11. PUMP ASSEMBLY (SAUER PISTON) (Prior to SN 0300200353)





## SECTION 2 - TURNTABLE

**FIGURE 2-11. PUMP ASSEMBLY (SAUER PISTON) (Prior to SN 0300200353)**

ITEM	PART NUMBER	QTY	DESCRIPTION	REV
	1001108888	Ref	<b>PUMP ASSEMBLY (SAUER PISTON) (Prior to SN 0300200353)</b>	B
1	70002578	1	Bearing Kit - Front (Includes Cup and Cone)	
2	70002579	1	Swashplate Bearing Kit (Includes Qty 2 Bearings and Retainer Pins)	
3	70002580	1	Spring, Bias	
4	70002581	1	Swashplate Assembly	
5	70002582	1	Shaft	
6	70002583	1	Ring, Retaining	
7	70002584	1	Plate, Valve	
8	70001956	1	Poppet, Check Valve	
9	70001955	1	Spring	
10	70022286	1	Control Kit (Includes Items 11-32)	
11	Not Available	1	Setscrew (Purchase Item 10)	
12	70002133	1	Plug Assembly (Includes Item 13)	
13	7007207	1	O-Ring (Part of Item 12)	
14	70002133	1	Plug Assembly (Includes Item 15)	
15	7007207	1	O-Ring (Part of Item 14)	
16	70002133	1	Plug Assembly (Includes Item 17)	
17	7007207	1	O-Ring (Part of Item 16)	
18	70002133	1	Plug Assembly (Includes Item 19)	
19	7007207	1	O-Ring (Part of Item 18)	
20	Not Available	1	Spool (Purchase Item 10)	
21	Not Available	1	Guide, Spring LS (Purchase Item 10)	
22	Not Available	1	Spring, Outer LS (Purchase Item 10)	
23	Not Available	1	Spring, Inner LS (Purchase Item 10)	
24	Not Available	1	Plug, Adjusting LS (Purchase Item 10 or 61)	
25	Not Available	1	Spool, Control (Purchase Item 10)	
26	Not Available	1	Guide, Spring PC (Purchase Item 10)	
27	Not Available	1	Spring, Outer PC (Purchase Item 10)	
28	Not Available	1	Spring, Inner PC (Purchase Item 10)	
29	Not Available	1	Plug, Adjusting PC (Purchase Item 10)	
30	Not Available	1	O-Ring (Purchase Item 10 or 61)	
31	Not Available	4	Ring, Seal (Purchase Item 10 or 61)	
32	Not Available	4	Capscrew (Purchase Item 10)	
33	70002585	1	Bearing Kit - Rear (Includes Cup and Cone)	
34	70002586	1	Shaft	
35	70002587	1	Cap, End	
36	70002588	4	Capscrew	
37	7007446	1	Pin, Slotted	
38	70002589	1	Coupling	
39	7022340	1	Bracket, Lifting	
40	70002590	1	Capscrew	
41	7023962	1	Ring, Retaining	
42	70022287	1	Seal, Lip	
43	Not Available	1	Housing	
44	7023964	1	Plug Assembly (Includes Item 45)	
45	7007415	1	O-Ring (Part of Item 44)	
46	70002596	1	Cylinder Block Kit (Includes Items 47-55)	
47	Not Available	1	Cylinder	
48	7007429	1	Seat, Spring	

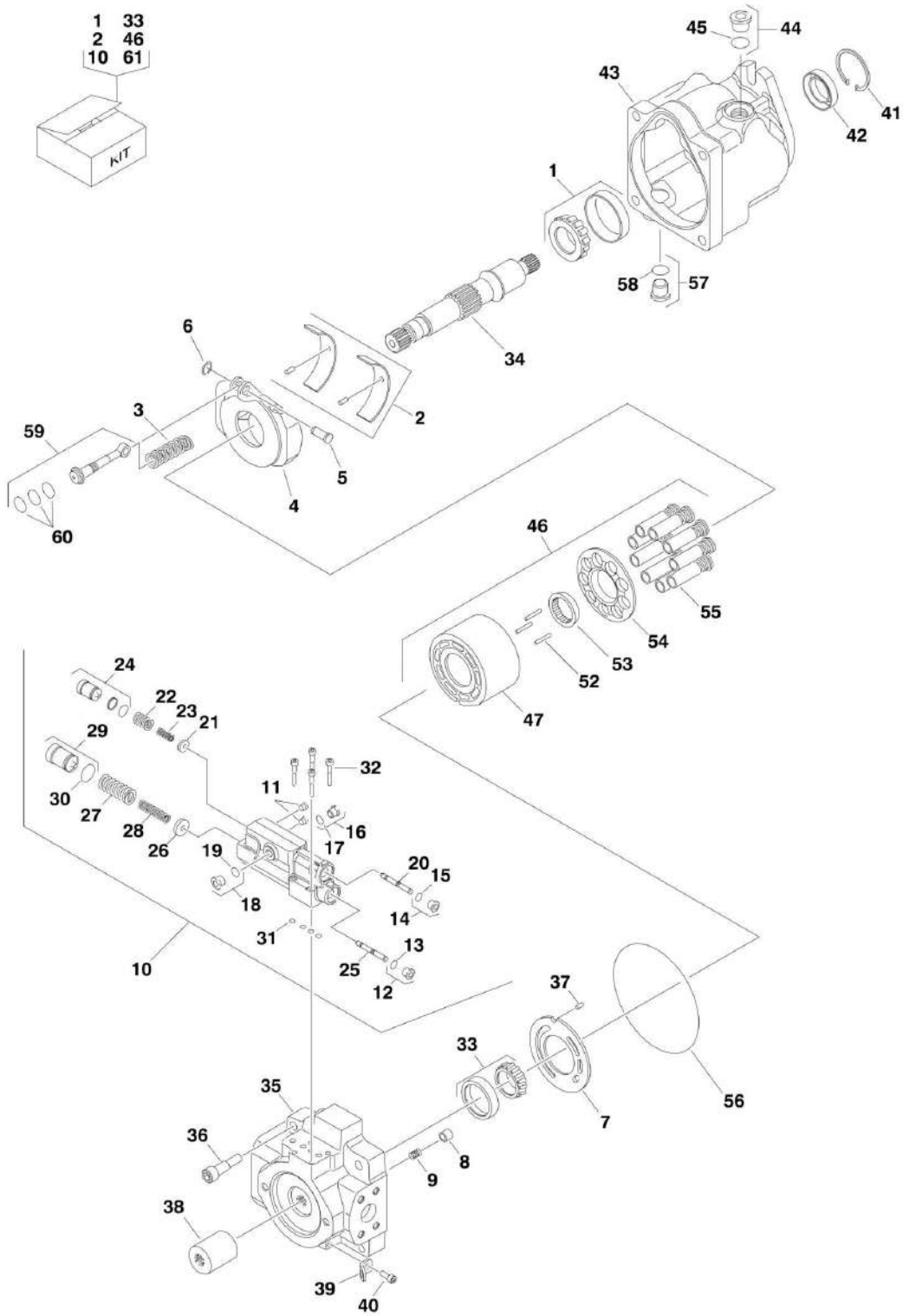
## SECTION 2 - TURNTABLE

ITEM	PART NUMBER	QTY	DESCRIPTION	REV
49	70002591	1	Spring	
50	7007427	1	Seat, Spring	
51	7007426	1	Ring, Retaining	
52	7021275	3	Pin, Hold-down	
53	70002592	1	Guide, Slipper Retainer	
54	70002593	1	Retainer, Slipper	
55	70002594	9	Piston Assembly	
56	70002595	1	Seal, End Cap	
57	7023964	1	Plug, O-Ring (Includes Item 58)	
58	7007415	1	O-Ring (Part of Item 57)	
59	70002597	1	Servo Piston Assembly (Includes Item 60)	
60	70002598	3	Ring, Piston (Part of Item 59)	
61	70002599	1	Complete Seal Kit (Includes Items 13, 15, 17, 19, 24, 30, 31, 42, 45, 56, 58 & 60)	



# SECTION 2 - TURNTABLE

FIGURE 2-12. PUMP ASSEMBLY (SAUER PISTON) (SN 0300200353 through 0300209000)



## SECTION 2 - TURNTABLE

**FIGURE 2-12. PUMP ASSEMBLY (SAUER PISTON) (SN 0300200353 through 0300209000)**

ITEM	PART NUMBER	QTY	DESCRIPTION	REV
	1001171095	Ref	<b>PUMP ASSEMBLY (SAUER PISTON) (SN 0300200353 through 0300209000)</b>	B
1	70002578	1	Bearing Kit - Front (Includes Cup and Cone)	
2	70004426	1	Swashplate Bearing Kit (Includes Qty 2 Bearings and Retainer Pins)	
3	70002580	1	Spring, Bias	
4	70004416	1	Swashplate Assembly	
5	70002582	1	Shaft	
6	70002583	1	Ring, Retaining	
7	70004417	1	Plate, Valve	
8	70001956	1	Poppet, Check Valve	
9	70001955	1	Spring	
10	70022286	1	Control Kit (Includes Items 11-32)	
11	Not Available	1	Setscrew (Purchase Item 10)	
12	70002133	1	Plug Assembly (Includes Item 13)	
13	7007207	1	O-Ring (Part of Item 12)	
14	70002133	1	Plug Assembly (Includes Item 15)	
15	7007207	1	O-Ring (Part of Item 14)	
16	70002133	1	Plug Assembly (Includes Item 17)	
17	7007207	1	O-Ring (Part of Item 16)	
18	70002133	1	Plug Assembly (Includes Item 19)	
19	7007207	1	O-Ring (Part of Item 18)	
20	Not Available	1	Spool (Purchase Item 10)	
21	Not Available	1	Guide, Spring LS (Purchase Item 10)	
22	Not Available	1	Spring, Outer LS (Purchase Item 10)	
23	Not Available	1	Spring, Inner LS (Purchase Item 10)	
24	Not Available	1	Plug, Adjusting LS (Purchase Item 10 or 61)	
25	Not Available	1	Spool, Control (Purchase Item 10)	
26	Not Available	1	Guide, Spring PC (Purchase Item 10)	
27	Not Available	1	Spring, Outer PC (Purchase Item 10)	
28	Not Available	1	Spring, Inner PC (Purchase Item 10)	
29	Not Available	1	Plug, Adjusting PC (Purchase Item 10)	
30	Not Available	1	O-Ring (Purchase Item 10 or 61)	
31	Not Available	4	Ring, Seal (Purchase Item 10 or 61)	
32	Not Available	4	Capscrew (Purchase Item 10)	
33	70002585	1	Bearing Kit - Rear (Includes Cup and Cone)	
34	70002586	1	Shaft	
35	70004420	1	Cap, End	
36	70002588	4	Capscrew	
37	7007446	1	Pin, Slotted	
38	70002589	1	Coupling	
39	7022340	1	Bracket, Lifting	
40	70002590	1	Capscrew	
41	7023962	1	Ring, Retaining	
42	Not Available	1	Seal, Lip (Purchase Item 61)	
43	Not Available	1	Housing	
44	7023964	1	Plug Assembly (Includes Item 45)	
45	7007415	1	O-Ring (Part of Item 44)	
46	70004423	1	Cylinder Block Kit (Includes Items 47-55)	
47	70004421	1	Cylinder	

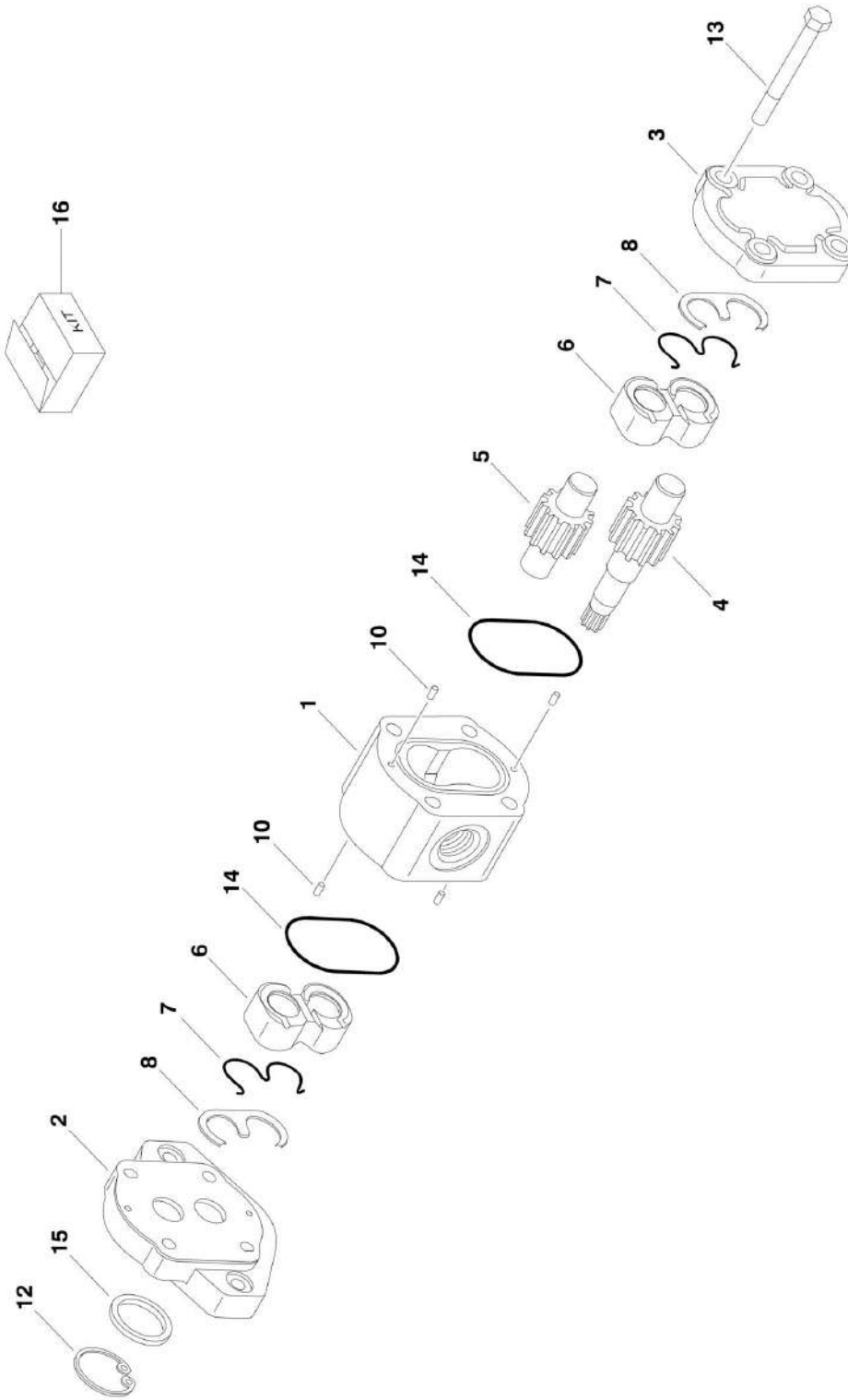
## SECTION 2 - TURNTABLE

ITEM	PART NUMBER	QTY	DESCRIPTION	REV
52	7021275	3	Pin, Hold-down	
53	70002592	1	Guide, Slipper Retainer	
54	70002593	1	Retainer, Slipper	
55	70004422	1	Piston Assembly	
56	Not Available	1	Seal, End Cap (Purchase Item 61)	
57	7023964	1	Plug, O-Ring (Includes Item 58)	
58	7007415	1	O-Ring (Part of Item 57)	
59	70005418	1	Servo Piston Assembly (Includes Item 60)	
60	Not Available	3	Ring, Piston (Part of Item 59) (Purchase Item 61)	
61	70002599	1	Complete Seal Kit (Includes Items 13, 15, 17, 19, 24, 30, 31, 42, 45, 56, 58 & 60)	



# SECTION 2 - TURNTABLE

## FIGURE 2-13. PUMP ASSEMBLY (SAUER GEAR)





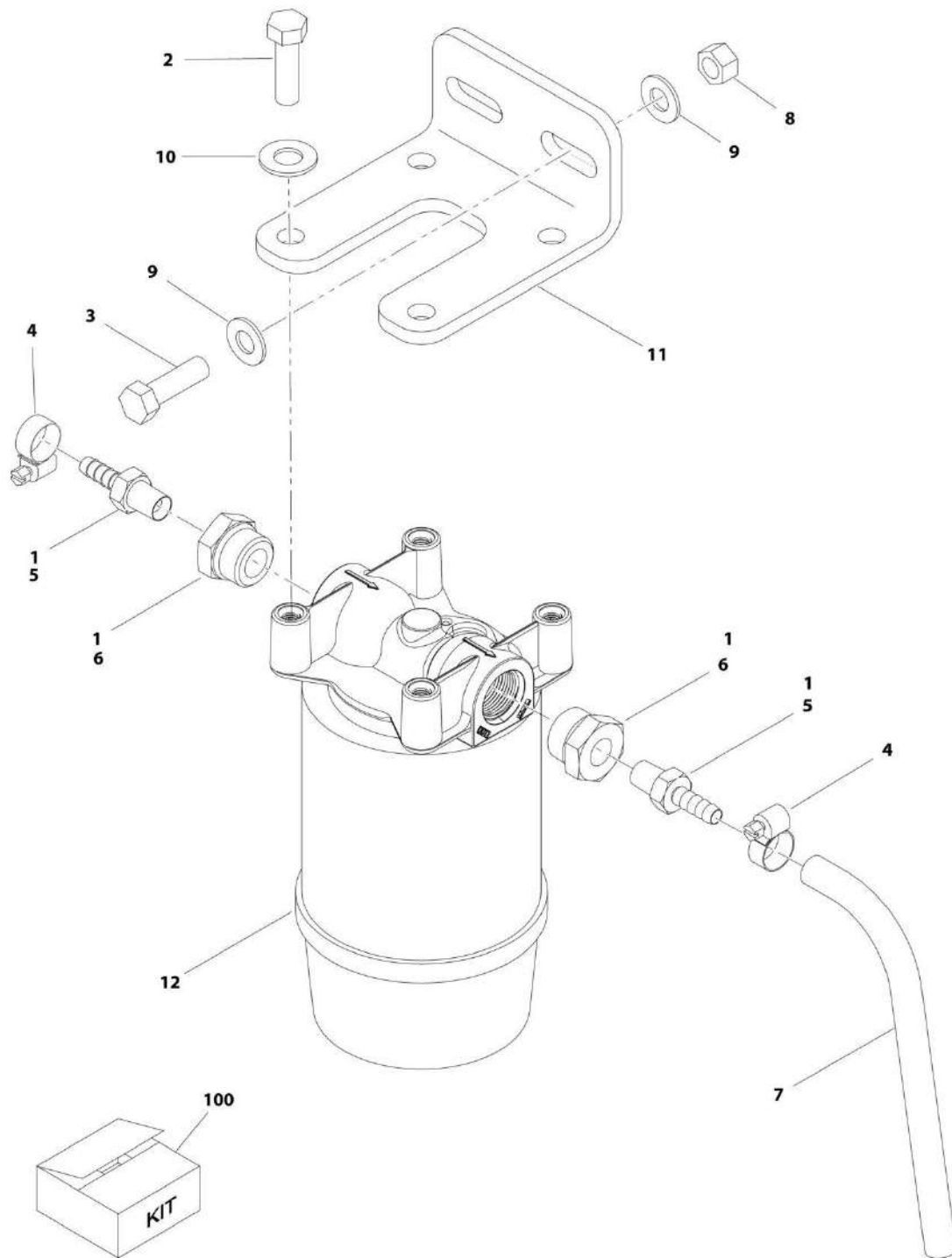
**SECTION 2 - TURNTABLE**

**FIGURE 2-13. PUMP ASSEMBLY (SAUER GEAR)**

<b>ITEM</b>	<b>PART NUMBER</b>	<b>QTY</b>	<b>DESCRIPTION</b>	<b>REV</b>
	1001112927	Ref	<b>PUMP ASSEMBLY (SAUER GEAR)</b>	A
1	Not Available	1	Body (Purchase p/n 1001112927)	
2	Not Available	1	Cover, Front (Purchase p/n 1001112927)	
3	Not Available	1	Cover, Rear (Purchase p/n 1001112927)	
4	Not Available	1	Shaft, Gear (Purchase p/n 1001112927)	
5	Not Available	1	Gear, Idler (Purchase p/n 1001112927)	
6	Not Available	2	Block, Bearing (Purchase p/n 1001112927)	
7	7007489	2	Ring, Anti-Extrusion	
8	7007489	2	Ring, Seal	
10	Not Available	4	Pin, Dowel	
12	70002576	1	Ring, Retaining	
13	Not Available	4	Capscrew	
14	7007489	2	O-Ring	
15	7007489	1	Seal, Lip (was p/n 70002577)	
16	7007489	1	Seal Kit - 1001112927 Pump (Includes Items 7, 8, 14 & 15)	

## SECTION 2 - TURNTABLE

FIGURE 2-14. FUEL-WATER SEPARATOR INSTALLATION - DEUTZ TD2011 (OPTIONAL)



ART\_1001198751

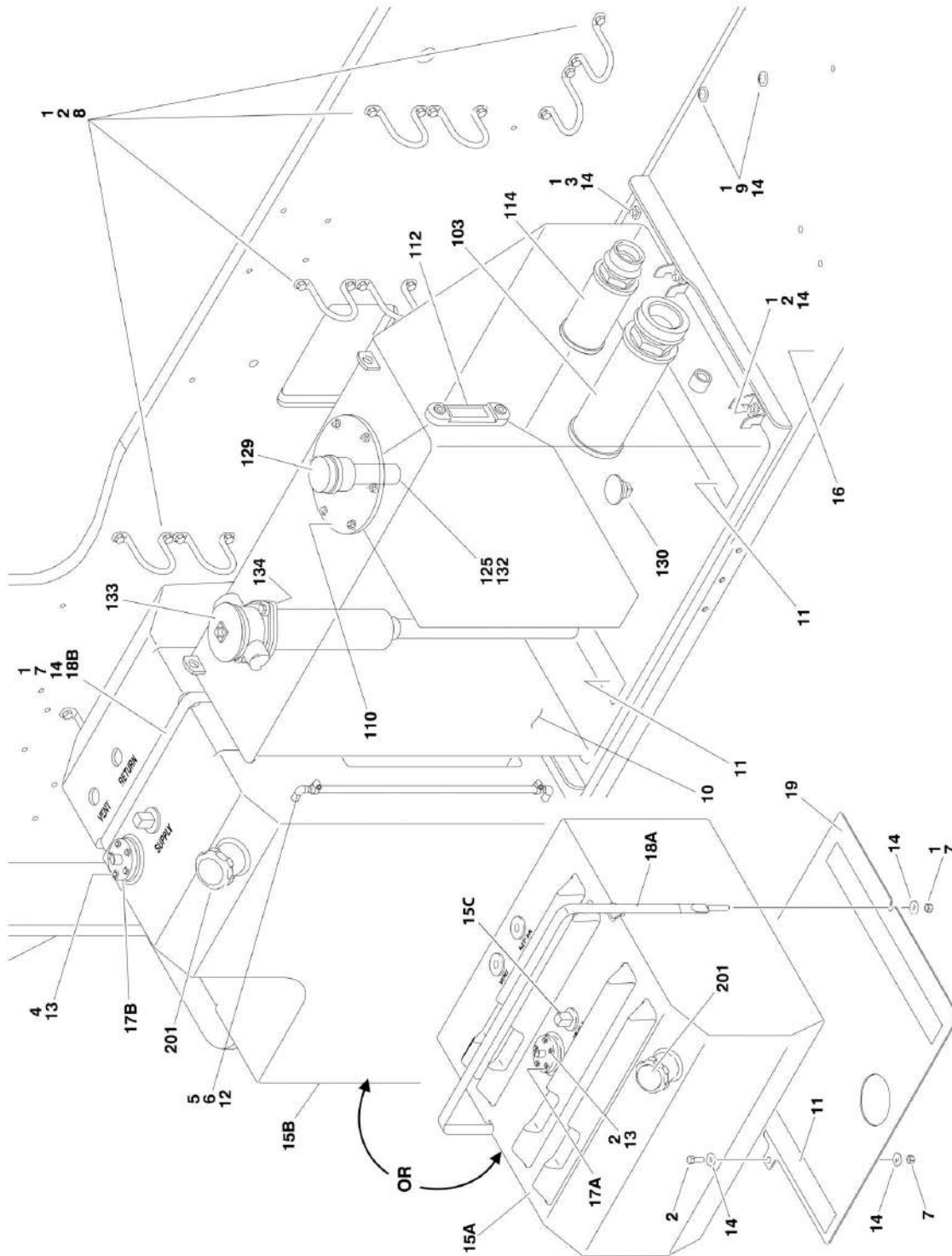
## SECTION 2 - TURNTABLE

**FIGURE 2-14. FUEL-WATER SEPARATOR INSTALLATION - DEUTZ TD2011 (OPTIONAL)**

ITEM	PART NUMBER	QTY	DESCRIPTION	REV
	1001198751	Ref	FUEL-WATER SEPARATOR INSTALLATION - DEUTZ TD2011 (OPTIONAL)	A
1	0100079	AR	Sealant	
2	0641610	4	Bolt 3/8-16 X 1-1/4	
3	0641612	2	Bolt 3/8-16 X 1-1/2	
4	1320022	2	Clamp	
5	2180348	2	Fitting, Straight	
6	2220816	2	Fitting, Straight	
7	2720058	4.5 ft /1.37m	Hose	
8	3271601	2	Nut 3/8-16	
9	4711600	4	Washer 3/8	
10	4711700	4	Washer 7/16	
11	1001188884	1	Bracket	
12	1001188887	1	Fuel/Water Separator Assembly	
12	1001202280	1	Head	
12	1001202281	1	Element	
100	1001203866	1	Water/Separator Add-On Kit	

# SECTION 2 - TURNTABLE

## FIGURE 2-15. TANK INSTALLATION



## SECTION 2 - TURNTABLE

### FIGURE 2-15. TANK INSTALLATION

ITEM	PART NUMBER	QTY	DESCRIPTION	REV
		Ref	<b>TANKS INSTALLATION</b>	
	100117358	Ref	<b>31 gal/117.3 I (Prior to SN 0300195071)</b>	C
	1001173915	Ref	<b>31 gal/117.3 I (SN 0300195071 through 0300209000)</b>	B
	1001109544	Ref	<b>52.8 gal/200 I (Prior to SN 0300195071)</b>	D
	1001173918	Ref	<b>52.8 gal/200 I (SN 0300195071 through 0300209000)</b>	B
1	0100011	AR	Compound, Locking	
2	0641608	AR	Bolt 3/8-16NC x 1	
3	0641614	10	Bolt 3/8-16NC x 1-3/4	
4	0731007	5	Screw, Machine #10-32NF x 7/8	
5	8405009	2	Clamp (52.8 gal/200 I Tank Only)	
6	2180467	2	Fitting, 90 Barbed (52.8 gal/200 I Tank Only)	
7	3311601	AR	Nut 3/8-16NC	
8	3841340	9	Loop, Hose	
9	3900283	6	Screw, Buttonhead 3/8-16NC x 3/4	
10	4400457	1	Tank, Hydraulic Oil	
11	4420038	Ref	Tape Options:	
11	4420038	75 in/1.9m	31 gal/117.3 I Tank	
11	4420038	34 in/.9m	52.8 gal/200 I Tank	
12	1001113103	19.5 in /.5m	Tube, Sight (52.8 gal/200 I Tank Only)	
13	4751000	5	Flatwasher #10 Regular	
14	4751600	AR	Flatwasher 3/8 Regular	
15		Ref	Tank, Fuel Options:	
15A	4400439	1	31 gal/117.3 I Tank <b>(Prior to SN 0300189749)</b>	
15A	1001160567	1	31 gal/117.3 I Tank <b>(SN 0300189749 through 0300209000)</b>	
15B	1001108579	1	52.8 gal/200 I Tank	
15C	70004413	1	Tube, Pickup (Tank p/n 4400439)	
15C	7020043	1	Tube, Pickup (Tank p/n 1001160567)	
16		Ref	Tray Options:	
16	1001108919	1	Tray <b>(Prior to SN 0300195071)</b>	
16	1001173171	1	Tray <b>(SN 0300195071 through 0300209000)</b>	
17		Ref	Gauge, Fuel Options:	
17A	2420191	1	31 gal/117.3 I Tank	
17A	3960525	1	Gasket	
17B	1001109048	1	52.8 gal/200 I Tank	
18		Ref	Strap, Tank Options:	
18A	4240139	1	31 gal/117.3 I Tank	
18B	1001110059	1	52.8 gal/200 I Tank	
19	1001117359	1	Plate (31 gal/117.3 I Tank Only)	
	4400457	Ref	<b>HYDRAULIC OIL TANK ASSEMBLY</b>	E
103	7026571	1	Strainer, Suction	
110	7024439	1	Cover	
110	7023306	1	Seal, Cover Plate (Not Shown)	
110	7024440	1	Gasket (Not Shown)	
112	7024441	1	Gauge, Sight	
114	7024442	1	Strainer	
125	7024445	1	Strainer (Filler Neck)	
129	7024444	1	Breather Filter/Fill Cap	
130	7024446	1	Plug, Magnetic	
132	7024443	1	Neck, Filler	

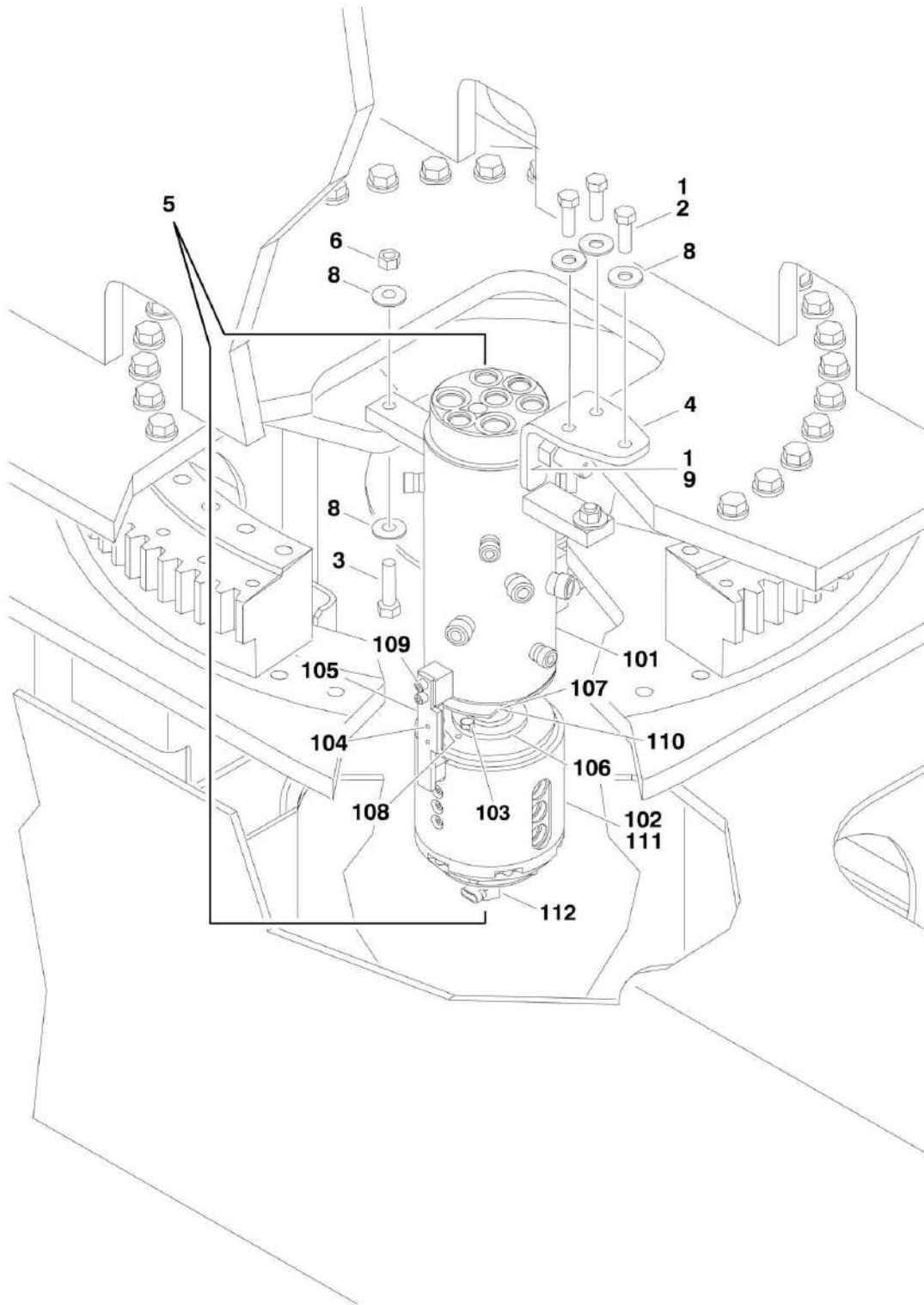
## SECTION 2 - TURNTABLE

ITEM	PART NUMBER	QTY	DESCRIPTION	REV
133	7024374	1	Filter, Hydraulic Oil	
133	7024375	1	Element, Filter	
134	7023347	1	Gasket, Filter Mounting Flange	
		Ref	<b>FUEL TANK CAP INSTALLATION</b>	
201		Ref	Cap Options:	
201	7016314	1	Standard Non-Locking (Part of Item 15) (Tank p/n 4400439)	
201	70004414	1	Standard Non-Locking (Tank p/n 1001160567)	
201	1120487	1	Optional Lockable ( <b>Prior to SN 0300199530</b> )	



## SECTION 2 - TURNTABLE

FIGURE 2-16. ROTARY COUPLING AND COLLECTOR RING INSTALLATION





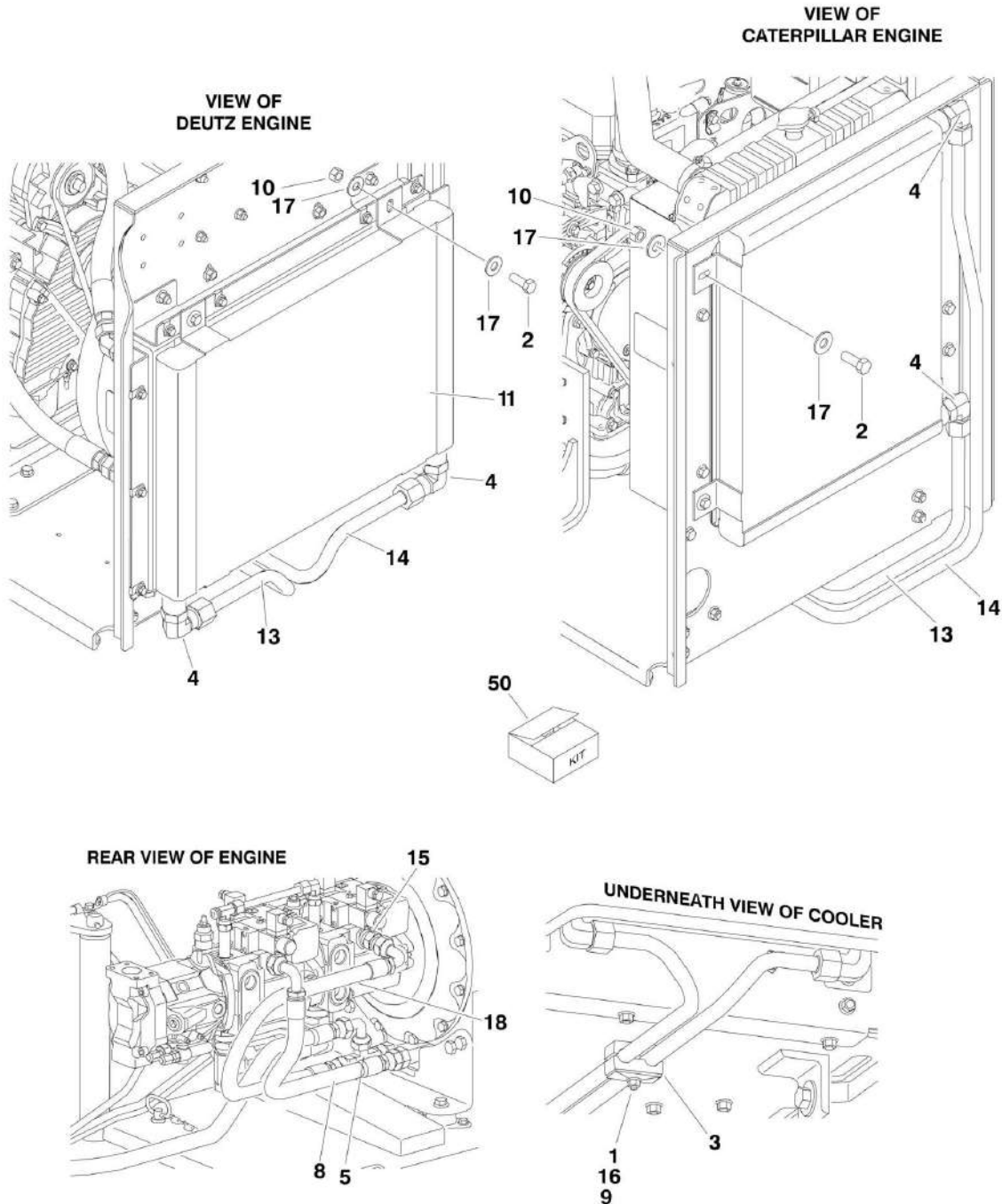
# SECTION 2 - TURNTABLE

**FIGURE 2-16. ROTARY COUPLING AND COLLECTOR RING INSTALLATION**

ITEM	PART NUMBER	QTY	DESCRIPTION	REV
	1001119273	Ref	<b>ROTARY COUPLING AND COLLECTOR RING INSTALLATION</b>	A
1	0100011	AR	Compound, Locking	
2	0641812	3	Bolt 1/2-13NC x 1-1/2	
3	0641820	2	Bolt 1/2-13NC x 2-1/2	
4	0902790	1	Bracket, Swivel	
5	1001119040	1	Rotary Coupling and Collector Ring Assembly (See Items 101- 112 for Breakdown)	
6	3311805	2	Locknut 1/2-13NC	
8	4751800	7	Flatwasher 1/2 Regular	
9	3322201	2	Nut 3/4-16NC	
	1001119040	Ref	<b>ROTARY COUPLING AND COLLECTOR RING ASSEMBLY</b>	C
101	70001102	1	Coupling, Rotary	
101	Not Available		Bearing	
101	70001101	1	Seal Kit - Coupling	
102	70003485	1	Contactora, Rotary Circuit (Does not include connector or pins) (was p/n 7026029)	
103	0641506	4	Bolt 5/16-18NC x 3/4	
104	3931512	2	Capscrew 5/16-18NC x 3/4	
105	70003484	1	Arm, Torque (was p/n 70000780)	
106	80334251	1	Adapter	
107	7026030	1	Plate, Cam	
108	7026031	1	Sensor, Proximity	
109	3931008	2	Capscrew #10-32 x 1/2	
110	7026032	1	Pin, Dowel	
111	0100048	AR	Grease, Silicone (Apply to Contactora Connector)	
112	1001133759	1	Sensor, Angle	

## SECTION 2 - TURNTABLE

FIGURE 2-17. HYDRAULIC OIL COOLER INSTALLATION - CATERPILLAR AND DEUTZ TD2011 ENGINES (OPTIONAL)



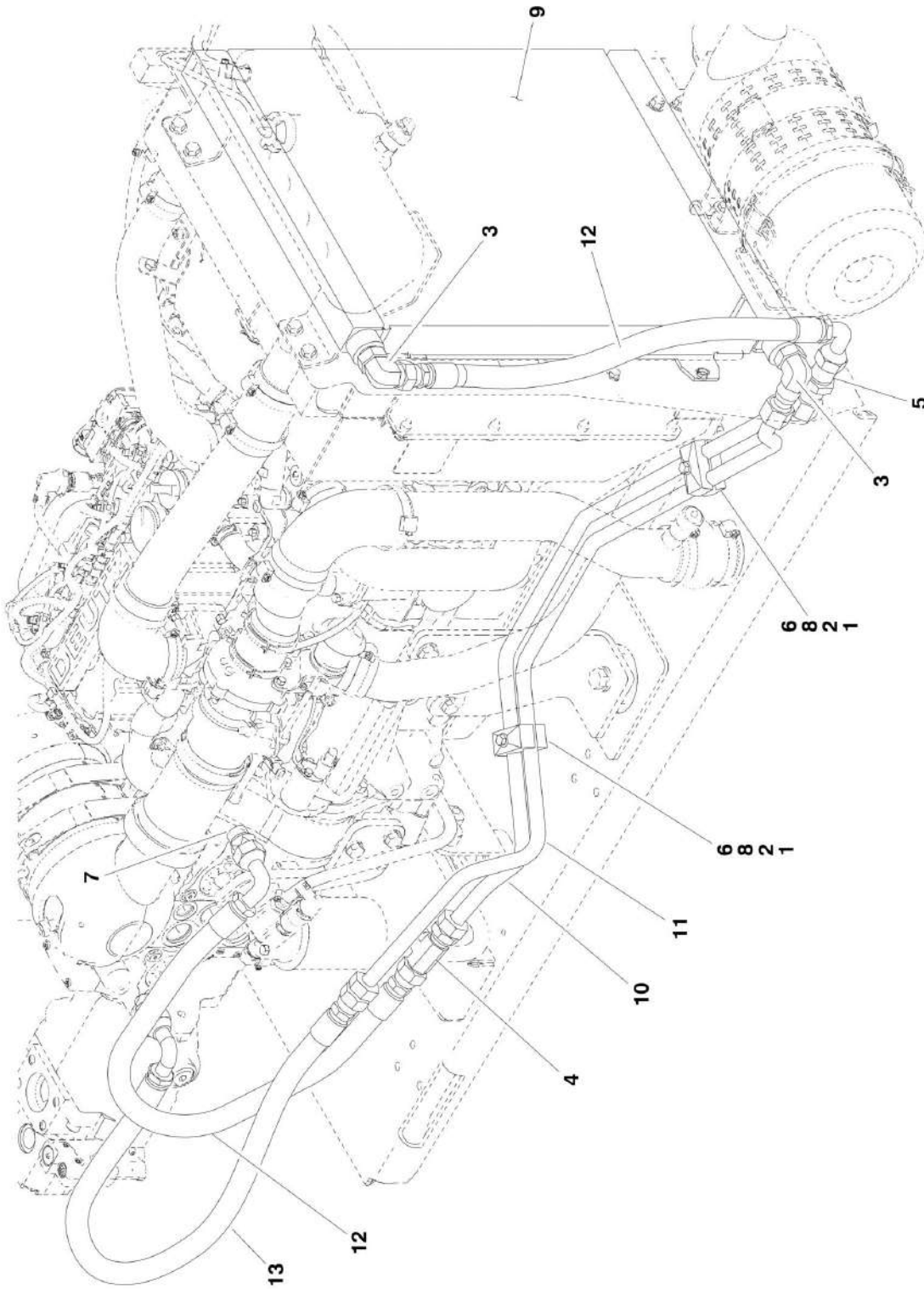
## SECTION 2 - TURNTABLE

**FIGURE 2-17. HYDRAULIC OIL COOLER INSTALLATION - CATERPILLAR AND DEUTZ TD2011 ENGINES (OPTIONAL)**

ITEM	PART NUMBER	QTY	DESCRIPTION	REV
		Ref	<b>HYDRAULIC OIL COOLER INSTALLATION (OPTIONAL)</b>	
	0272080	Ref	<b>Deutz TD2011 Engine Machines with Rexroth Pump</b>	B
	1001118957	Ref	<b>Deutz TD2011 Engine Machines with Sauer Pump</b>	B
	1001119859	Ref	<b>Caterpillar Machines with Rexroth Pump</b>	A
		Ref	<b>Note: See Engine Installation for Engine Oil Cooler.</b>	
1	0641520	2	Bolt 5/16-18NC x 2-1/2	
2	0641608	4	Bolt 3/8-16NC x 1	
3	1320162	2	Clamp, Hose	
4	2131212	2	Fitting, 90	
5	2170712	1	Fitting, Tee	
8		Ref	Hose Options:	
8	2753843	1	Caterpillar Machines with Rexroth Pump	
8	2753778	1	Deutz TD2011 Machines with Rexroth Pump	
8	2753999	1	Deutz TD2011 Machines with Sauer Pump	
9	3311505	2	Locknut 5/16-18NC	
10	3311605	4	Locknut 3/8-16NC	
11	3620034	1	Cooler, Hydraulic Oil	
13		Ref	Tube Options:	
13	1001120196	1	Caterpillar Machines	
13	4568426	1	Deutz TD2011 Machines	
14		Ref	Tube Options:	
14	1001120195	1	Caterpillar Machines	
14	4568427	1	Deutz TD2011 Machines	
15		Ref	Valve, Check Options:	
15	4641247	1	Machines with Rexroth Pump	
15	1001109677	1	Machines with Sauer Pump	
16	4711500	4	Flatwasher 5/16 Thin	
17	4751600	8	Flatwasher 3/8 Regular	
18		Ref	Hose Options:	
18	2753843	1	Caterpillar Machines with Rexroth Pump	
18	2753843	1	Deutz TD2011 Machines with Rexroth Pump	
18	2753778	1	Deutz TD2011 Machines with Sauer Pump	
50		Ref	Oil Cooler Add-on Kit Options (Includes Items 1-18):	
50	Not Available		Caterpillar Machines	
50	1001120564	1	Deutz TD2011 Machines	

## SECTION 2 - TURNTABLE

FIGURE 2-18. HYDRAULIC OIL COOLER INSTALLATION - DEUTZ TCD2.9L4 ENGINES (OPTIONAL)



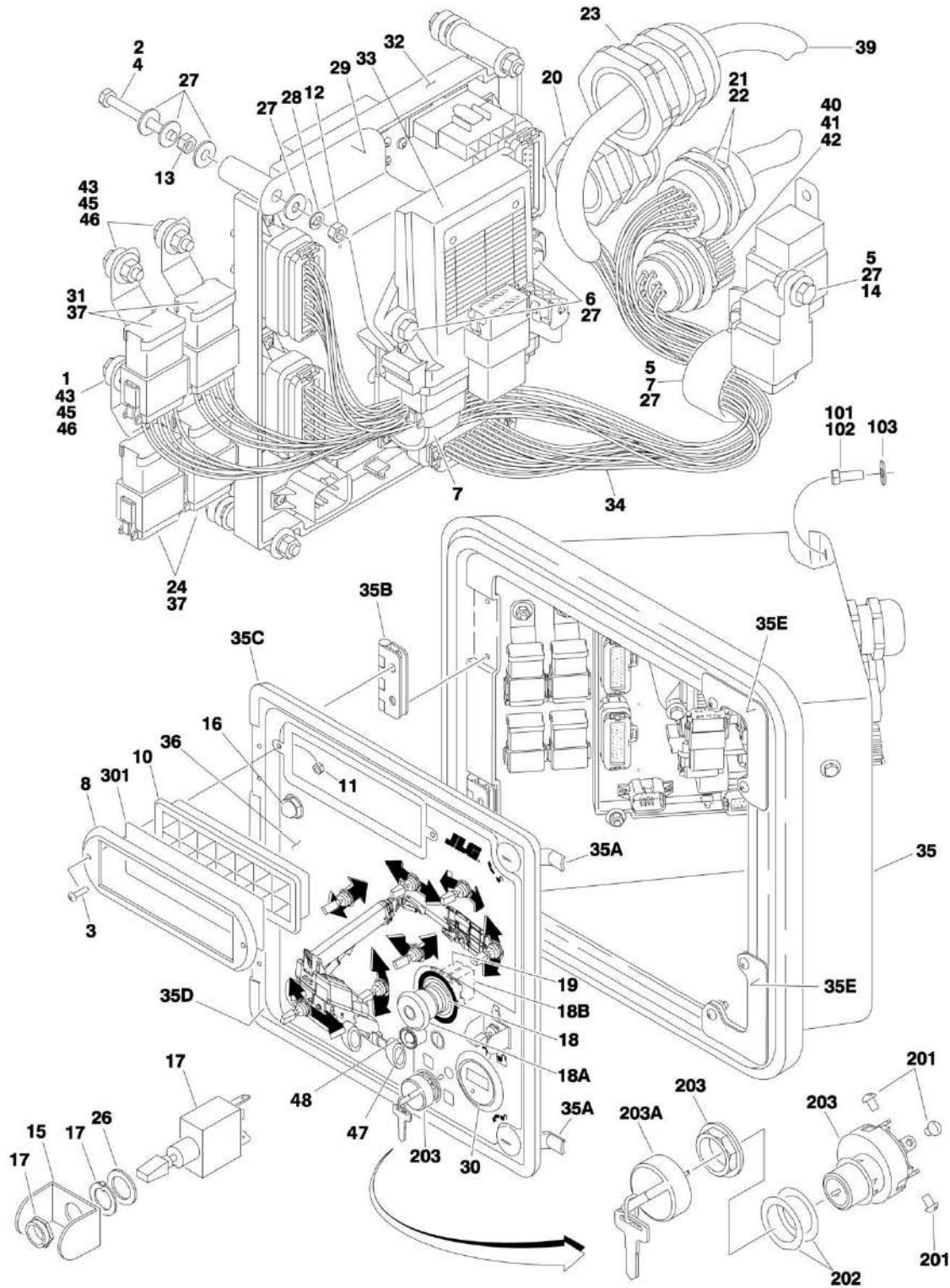
**SECTION 2 - TURNTABLE**

**FIGURE 2-18. HYDRAULIC OIL COOLER INSTALLATION - DEUTZ TCD2.9L4 ENGINES (OPTIONAL)**

ITEM	PART NUMBER	QTY	DESCRIPTION	REV
		Ref	<b>HYDRAULIC OIL COOLER INSTALLATION (OPTIONAL)</b>	
	1001139492	Ref	<b>Deutz TCD2.9L4 Engine Machines with Rexroth Pump</b>	E
	1001139494	Ref	<b>Deutz TCD2.9L4 Engine Machines with Sauer Pump</b>	D
		Ref	<b>Note: See Engine Installation for Engine Oil Cooler.</b>	
1	0641520	2	Bolt 5/16-18NC x 2-1/2	
2	1320162	2	Clamp, Hose	
3	2131212	2	Fitting, 90	
4	2170712	1	Fitting, Tee	
5	2171112	1	Fitting, Straight	
6	3311505	2	Locknut 5/16in-18NC	
7		Ref	Valve Options:	
7	4641247	1	Deutz TCD2.9L4 Engine Machines with Rexroth Pump	
7	1001109677	1	Deutz TCD2.9L4 Engine Machines with Sauer Pump	
8	4711500	4	Flatwasher 5/16 Thin	
9	1001135124	1	Cooler, Hydraulic Oil	
10		Ref	Tube Options:	
10	1001154214	1	Deutz TCD2.9L4 Engine Machines with Rexroth Pump	
10	1001139665	1	Deutz TCD2.9L4 Engine Machines with Sauer Pump	
11	1001139666	1	Tube	
12	1001143087	2	Hose	
13	1001143123	1	Hose	

# SECTION 2 - TURNTABLE

## FIGURE 2-19. GROUND CONTROLS INSTALLATION



## SECTION 2 - TURNTABLE

### FIGURE 2-19. GROUND CONTROLS INSTALLATION

ITEM	PART NUMBER	QTY	DESCRIPTION	REV
	1001119651	Ref	<b>GROUND CONTROLS ASSEMBLIES (ALL SPECS EXCEPT CE SPECS)</b>	K
	1001119651	Ref	<b>GROUND CONTROLS ASSEMBLIES (CE SPECS) (Prior to SN 0300201038)</b>	K
	1001184787	Ref	<b>GROUND CONTROLS ASSEMBLIES (CE SPECS) (SN 0300201038 through 0300209000)</b>	A
1	0100048	AR	Grease, Dielectric	
2	0100081	AR	Adhesive	
3	0630518	2	Screw, Button Head #10-24NC x 3/4	
4	0630548	5	Screw, Self Tapping	
5	0641406	2	Bolt 1/4-20NC x 3/4	
6	0641410	2	Bolt 1/4-20NC x 1-1/4	
7	1320095	2	Clamp	
8	1670829	1	Bezel	
10	2760105	1	Housing, Light	
11	3300408	2	Locknut, Nylon	
12	3311401	5	Nut 1/4-20NC	
13	3311402	5	Nut, Jam 1/4-20NC	
14	3311405	4	Locknut 1/4-20NC	
15	4060906	1	Guard, Switch	
16	4360274	1	Switch, Pushbutton	
17	4360328	8	Switch, Toggle	
18	4360475	1	Switch, Push-Pull Emergency	
18A	7020175	1	Cap	
18B	7020176	1	Block, Contact	
19	4360476	1	Block, Contact	
20	4460426	1	Connector, Strain Relief	
21	4460470	1	Nut, Terminal	
22	4460471	1	Washer, Terminal	
23	4460526	1	Connector, Strain Relief	
24	4460837	2	Connector - 12 Position	
25	4460905	4	Plug, Seal (Not Shown)	
26	4740444	8	Washer, Special	
27	4751400	28	Flatwasher 1/4 Regular	
28	4761400	5	Lockwasher 1/4	
29	1001100434	1	Mount, Module	
30	1001109503	1	Gauge, Indicator	
31	1001119020	2	Connector - 12 Position	
32	1001119509	1	Module, Ground Control (Note: Control System must be recalibrated when Module is replaced.)	
33	1001119512	1	Module, Repeater	
34	1001119652	1	Harness, Ground Control Box (All Specs Except CE Specs) (See ELECTRICAL SECTION for Breakdown)	
34	1001119652	1	Harness, Ground Control Box (CE Specs) (See ELECTRICAL SECTION for Breakdown) <b>(Prior to SN 0300201038)</b>	
34	1001186903	1	Harness, Ground Control Box (CE Specs) (See ELECTRICAL SECTION for Breakdown) <b>(SN 0300201038 through 0300209000)</b>	
35	1001120309	1	Box Assembly (All Specs Except CE Specs)	D
35	1001120309	1	Box Assembly (CE Specs) <b>(Prior to SN 0300201038)</b>	D
35	1001184786	1	Box Assembly (CE Specs) <b>(SN 0300201038 through 0300209000)</b>	A

## SECTION 2 - TURNTABLE

ITEM	PART NUMBER	QTY	DESCRIPTION	REV
35A	2940139	2	Latch	
35B	2600279	2	Hinge	
35C	3960418	53 in/1.4m	Seal	
35D	1001120311	1	Panel, Front (All Specs Except CE Specs)	
35D	1001120311	1	Panel, Front (CE Specs) <b>(Prior to SN 0300201038)</b>	
35D	1001184785	1	Panel, Front (CE Specs) <b>(SN 0300201038 through 0300209000)</b>	
35E	3573144	1	Plate, Latch	
36	1001120323	1	Decal - Lid (All Specs Except CE Specs)	
36	1001179830	1	Decal - Lid (CE Specs Only)	
37		Ref	Mount, Base Options:	
37	1001120328	4	Mount, Base <b>(Prior to SN 0300161777)</b>	
37	4460914	4	Mount, Base <b>(SN 0300161777 through 0300209000)</b>	
39	1001119653	1	Harness, Turntable (See ELECTRICAL SECTION for Breakdown)	
40	4460496	1	Lockwasher, Terminal	
41	4460497	1	Nut, Terminal	
42	1001106736	1	Cap, Dust	
43		Ref	Flatwasher Options:	
43	4751400	4	Flatwasher 1/4in Regular <b>(Prior to SN 0300161777)</b>	
43	4751000	4	Flatwasher #10 Regular <b>(SN 0300161777 through 0300209000)</b>	
45		Ref	Locknut Options:	
45	3311405	4	Locknut 1/4-20NC <b>(Prior to SN 0300161777)</b>	
45	3311001	4	Locknut #10-24NC <b>(SN 0300161777 through 0300209000)</b>	
46		Ref	Bolt Options:	
46	0641406	4	Bolt 1/4-20NC x 3/4 <b>(Prior to SN 0300161777)</b>	
46	0630464	4	Bolt #10-24NC x 1/2 <b>(SN 0300161777 through 0300209000)</b>	
47	4360387	1	Switch, Pushbutton (CE Specs) <b>(SN 0300201038 through 0300209000)</b>	
48	1001176469	1	Shroud (CE Specs) <b>(SN 0300201038 through 0300209000)</b>	
		Ref	<b>GROUND CONTROL BOX INSTALLATIONS</b>	
	1001120361	Ref	<b>Caterpillar Engine Machines with Rexroth Pumps</b>	B
	1001120361	Ref	<b>Deutz TD2011 Engine Machines with Rexroth Pumps (All Specs Except CE Specs)</b>	B
	1001120361	Ref	<b>Deutz TD2011 Engine Machines with Rexroth Pumps (CE Specs) (Prior to SN 0300201038)</b>	B
	1001193684	Ref	<b>Deutz TD2011 Engine Machines with Rexroth Pumps (CE Specs) (SN 0300201038 through 0300209000)</b>	A
	1001130025	Ref	<b>Deutz TD2011 Engine Machines with Sauer Pump (All Specs Except CE Specs)</b>	B
	1001130025	Ref	<b>Deutz TD2011 Engine Machines with Sauer Pump (CE Specs) (Prior to SN 0300201038)</b>	B
	1001193685	Ref	<b>Deutz TD2011 Engine Machines with Sauer Pump (CE Specs) (SN 0300201038 through 0300209000)</b>	A
	1001144346	Ref	<b>Deutz TCD2.9L4 Engine Machines (All Specs Except CE Specs)</b>	B
	1001144346	Ref	<b>Deutz TCD2.9L4 Engine Machines (CE Specs) (Prior to SN 0300201038)</b>	B
	1001184788	Ref	<b>Deutz TCD2.9L4 Engine Machines (CE Specs) (SN 0300201038 through 0300209000)</b>	A
101	0100011	AR	Compound, Locking	
102	3931616	4	Bolt 3/8-16NC x 3/4	
103	4751600	4	Flatwasher 3/8 Regular	
		Ref	<b>KEYSWITCH INSTALLATION</b>	
	0259666	Ref	<b>ANSI, ANSI Export and Australian Specs</b>	B
	0259667	Ref	<b>CE Specs (Prior to SN 0300201038)</b>	B

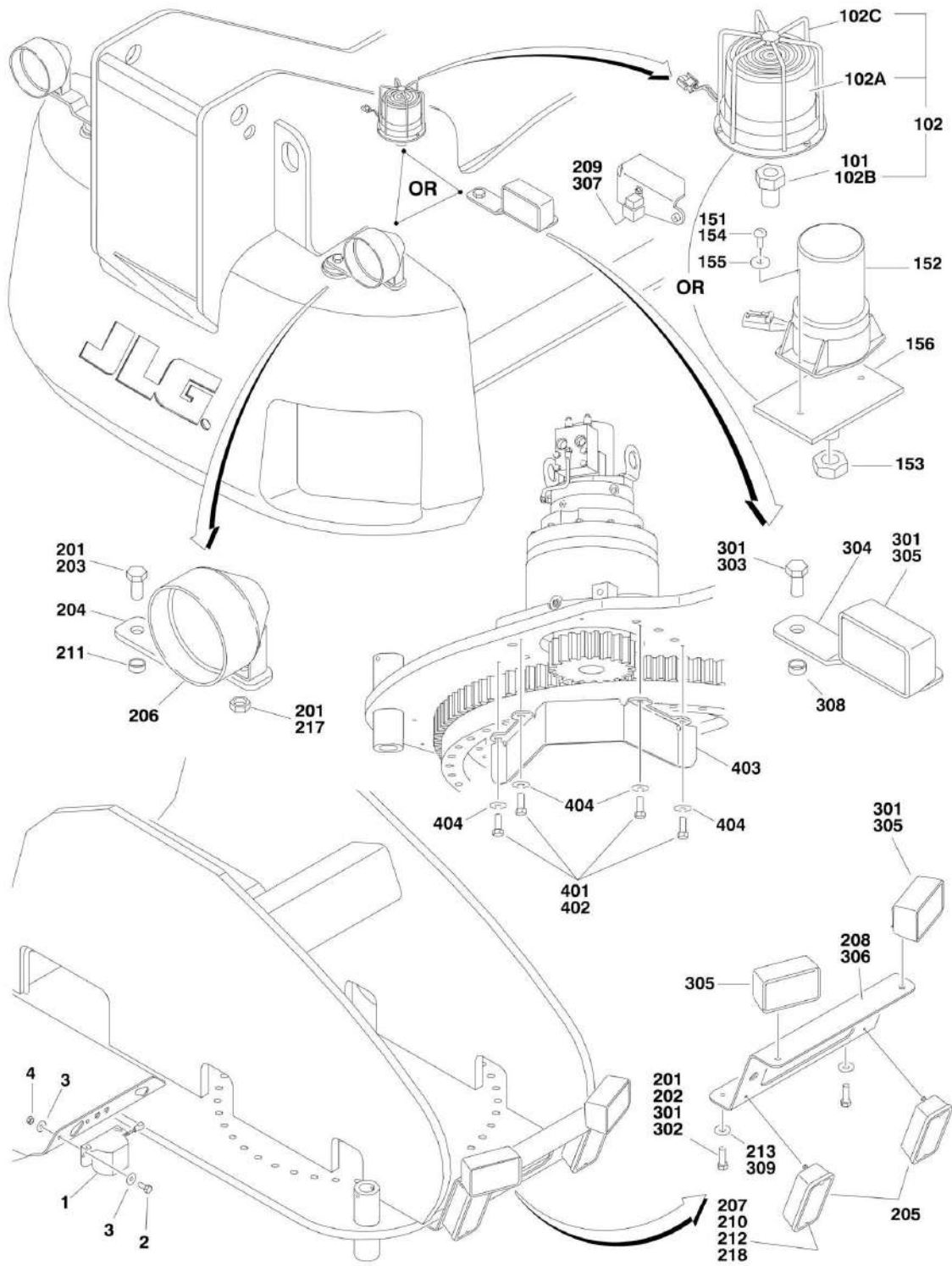


**SECTION 2 - TURNTABLE**

ITEM	PART NUMBER	QTY	DESCRIPTION	REV
	0259666	Ref	<b>CE Specs (SN 0300201038 through 0300209000)</b>	B
201	3910804	6	Screw #8-32NC x 1/8	
202		Ref	Shim Options:	
202	4070987	2	Shim .015 <b>(Prior to SN 0300175971)</b>	
202	1001151393	1	Shim .063 <b>(SN 0300175971 through 0300209000)</b>	
203		Ref	Keyswitch Options:	
203	4360469	1	ANSI, ANSI Export and Australian Specs	
203	4360470	1	CE Specs	
203A	2860030	1	Key, Replacement (All Specs)	
		Ref	<b>LIGHT PANEL INSTALLATIONS</b>	
	1001121826	Ref	<b>All Specs except Australian and CE Specs</b>	A
	1001121827	Ref	<b>Australian and CE Specs</b>	A
301		Ref	Decal - Display Options:	
301	1001122383	1	All Specs except Australian and CE Specs	
301	1705974	1	Australian and CE Specs	

# SECTION 2 - TURNTABLE

## FIGURE 2-20. ACCESSORIES INSTALLATION



## SECTION 2 - TURNTABLE

### FIGURE 2-20. ACCESSORIES INSTALLATION

ITEM	PART NUMBER	QTY	DESCRIPTION	REV
	0271806	Ref	<b>ALARMS INSTALLATION</b>	A
1	0257887	1	Alarm	
1	0140032	1	Alarm	
1	2820035	6 in/15cm	Loom	
1	4460424	1	Plug	
1	4460268	2	Socket, Female	
2	0641506	2	Bolt 5/16-18NC x 3/4	
3	3311505	2	Locknut 5/16-18NC	
4	4751500	4	Flatwasher 5/16 Regular	
	0271807	Ref	<b>STROBE LIGHT INSTALLATION (AMBER) (OPTIONAL) (Prior to SN 0300171641)</b>	C
		Ref	<b>Note: If machine is equipped with BLUE Strobe Light, See SPECIAL OPTIONS SECTION SkyGuard Kit.</b>	
101	0100011	AR	Compound, Locking	
102	0272507	1	Strobe Light/Guard/Harness Assembly	C
102A	2920214	NLA	Lamp, Strobe (Use p/n 0272507)	
102A	70001941	1	Bulb, Replacement	
102B		Ref	Adapter	
102B	0630491	1	Adapter used with ECCO Model 6640	
102B	0080241	1	Adapter used with ECCO Model 6650	
102C		Ref	Guard Options:	
102C	4060907	1	Guard used with ECCO Model 6640	
102C	2920215	1	Guard used with ECCO Model 6650	
	1001150406	Ref	<b>STROBE LIGHT INSTALLATION (AMBER) (OPTIONAL) (SN 0300171641 through 0300209000)</b>	B
		Ref	<b>Note: If machine is equipped with BLUE Strobe Light, See SPECIAL OPTIONS SECTION SkyGuard Kit.</b>	
151	0100035	AR	Compound, Locking	
152	2920161	1	Strobe Light/Harness Assembly	
152	7016319	1	Bulb	
152	7016372	1	Lens	
153	3312602	1	Nut, Jam 1in-8NC	
154	3900085	2	Screw #10-32 x 1/2	
155	4751000	2	Flatwasher 1/4 Thin	
156	1001149994	1	Mount Strobe	
	0271769	Ref	<b>HEADLIGHT AND TAILLIGHTS INSTALLATION (OPTIONAL)</b>	C
201	0100011	AR	Compound, Locking	
202	0641610	2	Bolt 3/8-16NC x 1-1/4	
203	0642612	2	Bolt 1-8NC x 1-1/2	
204	0902206	2	Bracket, Mounting	
205	2920113	2	Taillight	
206	2920110	2	Headlight	
206	7016628	2	Bulb, Replacement (1 Per Headlight)	
207	3311001	4	Nut #10-24NC	
208	3573336	2	Plate, Mounting	
209	3740080	1	Relay, Bosch	
210	3911040	4	Screw #10-24NC x 2-1/2	
211	4220162	2	Spacer <b>(Prior to SN 0300184392)</b>	
211	4892600	2	Washer, Hardened <b>(SN 0300184392 through 0300209000)</b>	
212	4751000	4	Flatwasher #10 Regular	

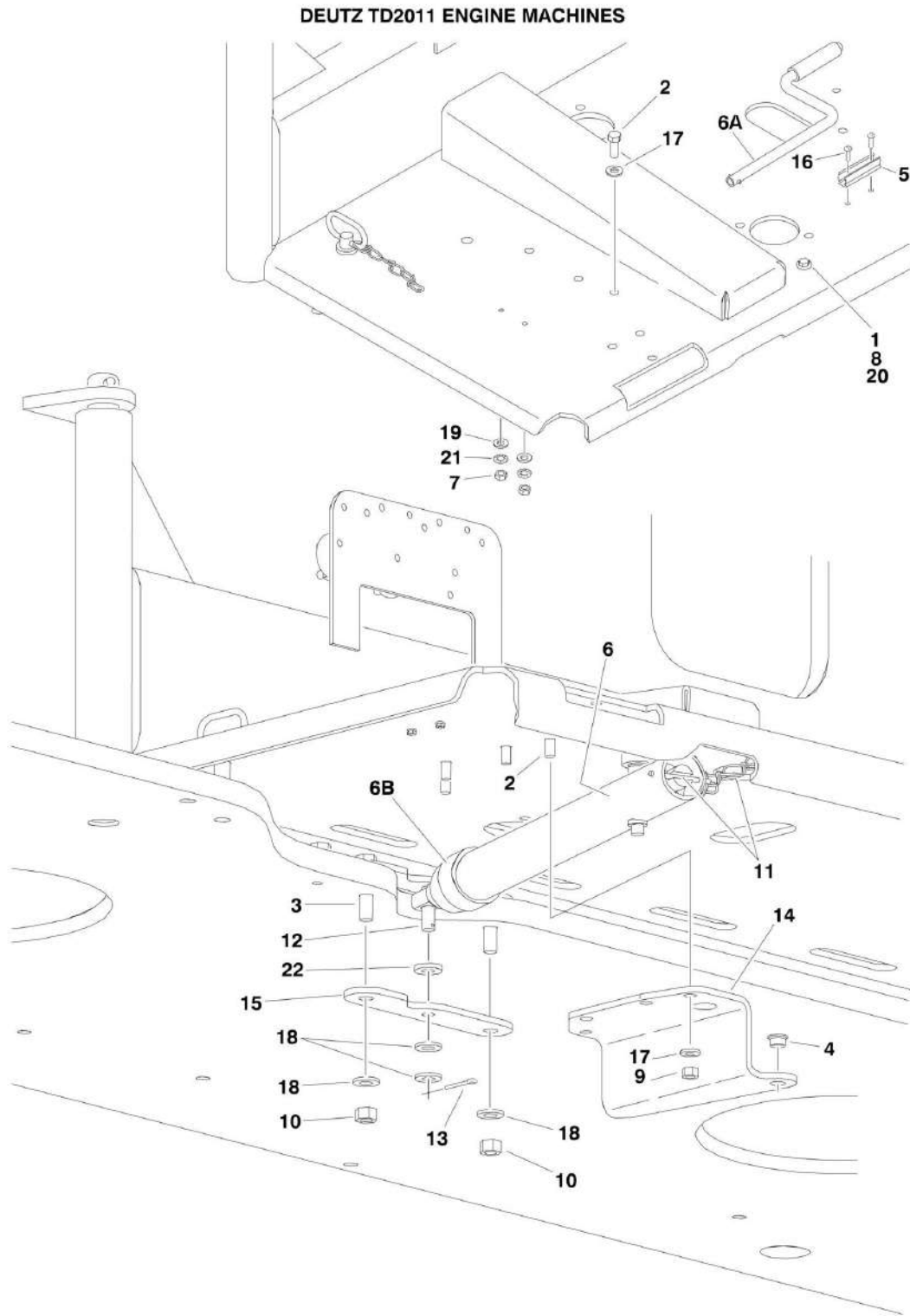
## SECTION 2 - TURNTABLE

ITEM	PART NUMBER	QTY	DESCRIPTION	REV
213	4751600	2	Flatwasher 3/8 Regular	B
217	3311605	2	Locknut 3/8-16NC	
218	0100035	AR	Compound, Locking	
	0271808	Ref	<b>ILLUMINATION LIGHTS INSTALLATION (OPTIONAL)</b>	
301	0100011	AR	Compound, Locking	
302	0641610	2	Bolt 3/8-16NC x 1-1/4	
303	0642612	2	Bolt 1-8NC x 1-1/2	
304	0902206	2	Bracket, Mounting	
305	2920157	4	Headlight	
305	7024452	4	Bulb, Replacement (1 Per Light)	
306	3573336	2	Plate, Mounting	
307	3740080	1	Relay, Bosch	
308	4220162	2	Spacer	
309	4751600	2	Flatwasher 3/8 Regular	
	0271874	Ref	<b>PINION SHIELD INSTALLATION</b>	
401	0100011	AR	Compound, Locking	
402	0641608	4	Bolt 3/8-16NC x 1	
403	3573355	1	Plate, Pinion	
404	4751600	4	Flatwasher 3/8 Regular	



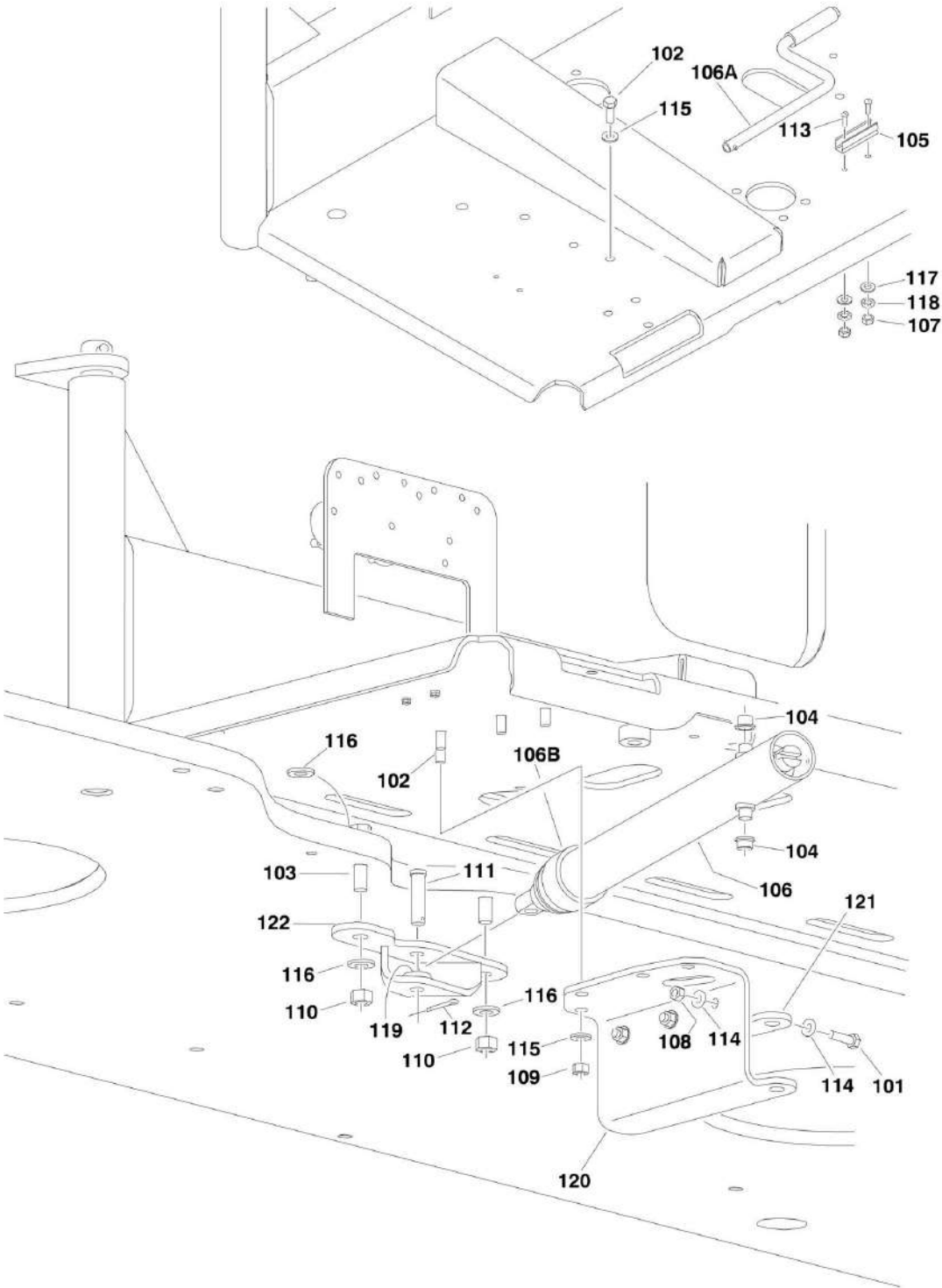
# SECTION 2 - TURNTABLE

## FIGURE 2-21. ENGINE TRAY JACK INSTALLATION



# SECTION 2 - TURNTABLE

## DEUTZ TCD2.9L4 ENGINE & CATERPILLAR ENGINE MACHINES



## SECTION 2 - TURNTABLE

### FIGURE 2-21. ENGINE TRAY JACK INSTALLATION

ITEM	PART NUMBER	QTY	DESCRIPTION	REV
	0272064	Ref	<b>ENGINE TRAY JACK INSTALLATION (DEUTZ TD2011 ENGINE MACHINES)</b>	C
1	0641406	1	Bolt 1/4-20NC x 3/4 <b>(Prior to SN 0300070646)</b>	
2	0641608	4	Bolt 3/8-16NC x 1	
3	0641818	2	Bolt 1/2-13NC x 2-1/4	
4	0962051	2	Bearing, Flanged	
5	1380147	1	Clip, Spring	
6	2840016	1	Jack and Handle Assembly	
6A		Ref	Handle Options:	
6A	7016374	1	Burr Manufacturing Brand (identified by 4 handle offset)	
6A	7024598	1	Hammerblow Corp Brand (identified by 4-1/2 handle offset)	
6B	7016322	1	Wiper (Burr Manufacturing Brand Only)	
7	3310601	2	Nut #6-32NC	
8	3311405	1	Locknut 1/4-20NC <b>(Prior to SN 0300070646)</b>	
9	3311605	4	Locknut 3/8-16NC	
10	3311805	2	Locknut 1/2-13NC	
11	3422530	1	Pin, Hitch (Includes Chain and Cotter Pin) <b>(Prior to SN 0300070646)</b>	
12	3430816	1	Pin, Clevis	
13	3450404	1	Pin, Cotter 1/8 x 1	
14	3537445	1	Bracket	
15	3573454	2	Bracket	
16	3910608	2	Screw #6-32NC x 1/2	
17	4711600	8	Flatwasher 3/8 Thin	
18	4711800	4	Flatwasher 1/2 Thin	
19	4750600	2	Flatwasher #6 Regular	
20	4751400	2	Flatwasher 1/4 Regular <b>(Prior to SN 0300070646)</b>	
21	4770600	2	Starwasher #6	
22	4891800	1	Flatwasher, 1/2 Hardened	
		Ref	<b>ENGINE TRAY JACK INSTALLATION (DEUTZ TCD2.9L4 ENGINE ANDCATERPILLAR ENGINE MACHINES)</b>	
	1001143294	Ref	<b>Deutz TCD2.9L4 Engine Machines</b>	A
	1001135661	Ref	<b>Caterpillar Engine Machines</b>	A
101	0641509	3	Bolt 5/16in-18NC x 1-1/8	
102	0641608	4	Bolt 3/8in-16NC x 1	
103	0641816	2	Bolt 1/2in-13NC x 2	
104	0962051	2	Bearing, Flanged	
105	1380147	1	Clip, Spring	
106	2840016	1	Jack and Handle Assembly	
106A		Ref	Handle Options:	
106A	7016374	1	Burr Manufacturing Brand (identified by 4 handle offset)	
106A	7024598	1	Hammerblow Corp Brand (identified by 4-1/2 handle offset)	
106B	7016322	1	Wiper (Burr Manufacturing Brand Only)	
107	3310601	2	Nut #6-32NC	
108	3311505	3	Locknut 5/16-18NC	
109	3311605	4	Locknut 3/8-16NC	
110	3311805	2	Locknut 1/2-13NC	
111	3430816	1	Pin, Clevis	
112	3450404	1	Pin, Cotter 1/8 x 1	
113	3910608	2	Screw #6-32NC x 1/2	

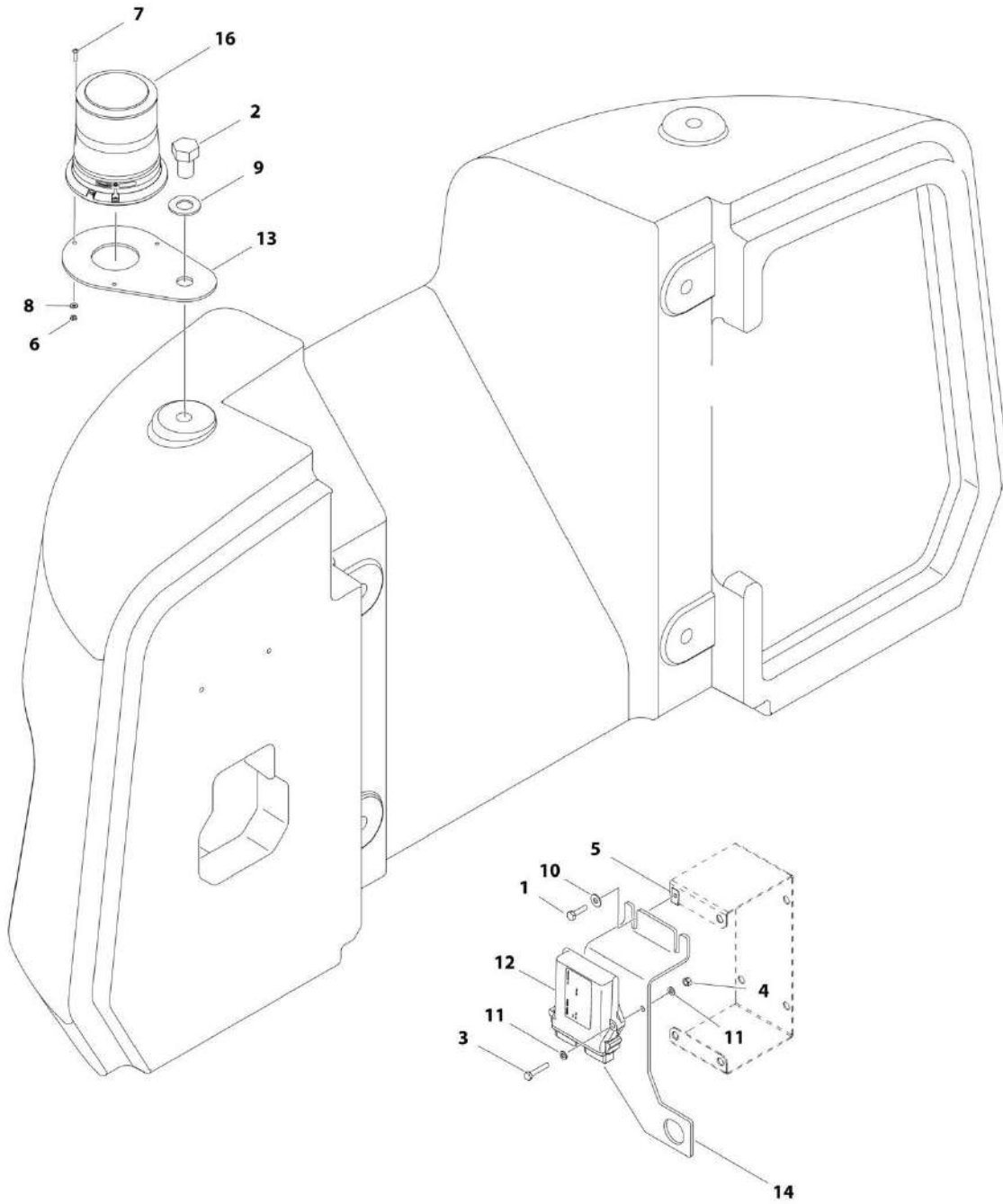


**SECTION 2 - TURNTABLE**

ITEM	PART NUMBER	QTY	DESCRIPTION	REV
114	4711500	6	Flatwasher 5/16 Thin	
115	4711600	8	Flatwasher 3/8 Thin	
116	4711800	4	Flatwasher 1/2 Thin	
117	4750600	2	Flatwasher #6 Regular	
118	4770600	2	Starwasher #6	
119	4891800	1	Flatwasher, 1/2 Hardened	
120		Ref	Plate, Jack Bracket Options:	
120	1001143298	1	Deutz TCD2.9L4 Engine Machines	
120	1001131481	1	Caterpillar Engine Machines	
121	1001131482	1	Plate, Jack Bracket	
122	1001135663	1	Support, Engine Tray Jack	

## SECTION 2 - TURNTABLE

FIGURE 2-22. BEACON LIGHT INSTALLATION - BLUE (SN 0300201038 through 0300209000)



ART\_1001189177

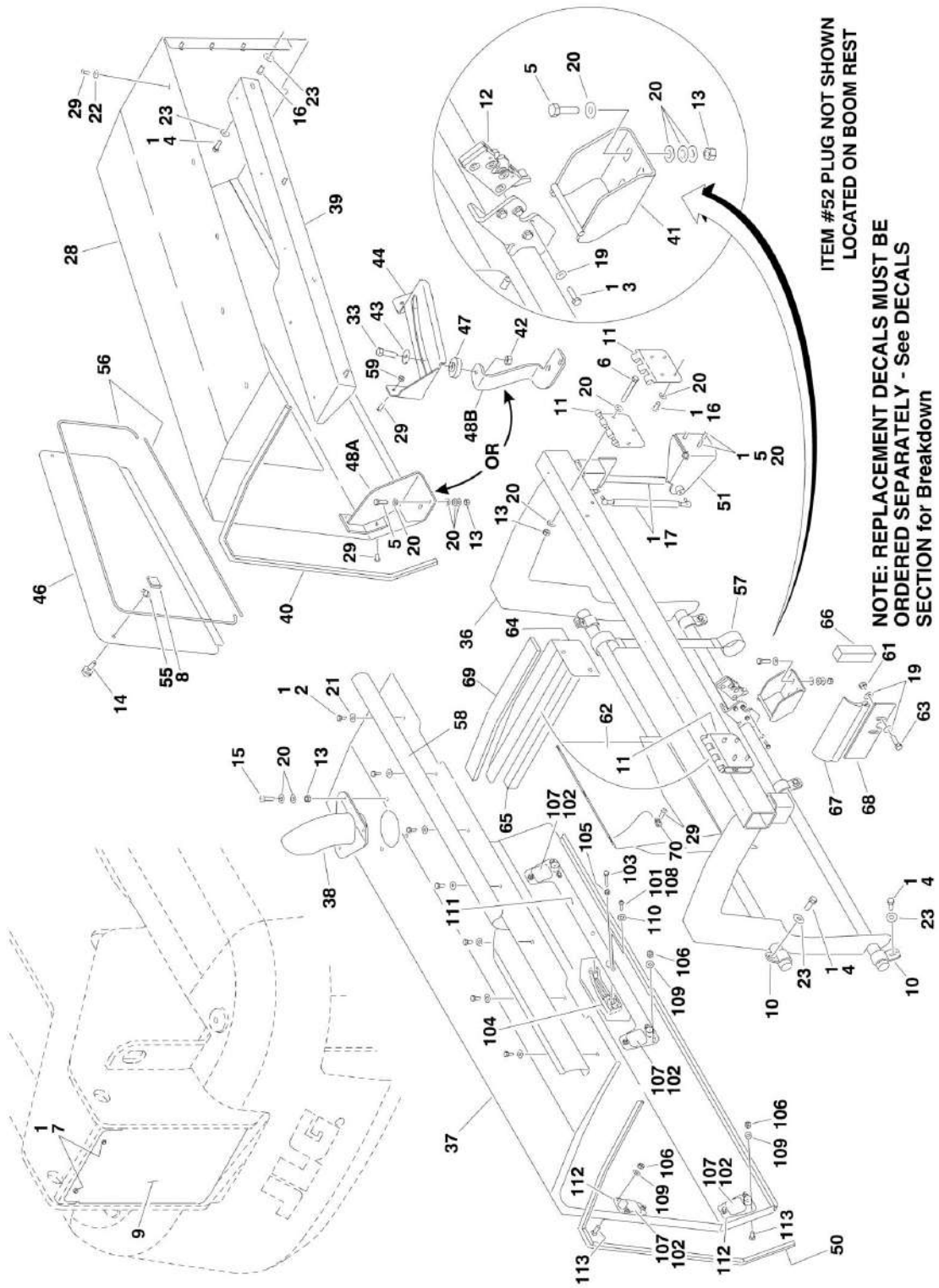
**SECTION 2 - TURNTABLE**

**FIGURE 2-22. BEACON LIGHT INSTALLATION - BLUE (SN 0300201038 through 0300209000)**

ITEM	PART NUMBER	QTY	DESCRIPTION	REV
	1001189177	Ref	<b>BEACON LIGHT INSTALLATION - BLUE (SN 0300201038 through 0300209000)</b>	A
1	0641408	2	Bolt, 1/4-20 X 1	
2	0642612	1	Bolt, 1-8 X 1-1/2	
3	0700615	2	Bolt, M6 X 35mm	
4	3290607	2	Nut, Lock M6 X 1	
5	3300454	2	Nut, 1/4-20	
6	3311005	3	Nut, Lock #10-24	
7	3911012	3	Screw, 10-24 X 3/4	
8	4711000	3	Washer, #10	
9	4712600	1	Washer, 1	
10	4751400	2	Washer, 1/4	
11	4811700	4	Washer, ,M6	
12	1001142683	1	Module, Beacon	
13	1001142694	1	Bracket, Mounting	
14	1001142719	1	Bracket, Mounting	
15	1001142736	1	Beacon Light Harness	
16	1001143431	1	Light Beacon	
16	4460897	1	Connector - 2 Position	
16	4460943	2	Pin, Male	
17	1001150944	1	Beacon Light Harness (Not Shown - See ELECTRICAL SECTION for Breakdown)	
17	1001116808	1	Connector - 12 Position (Not Shown)	
17	1001116774	1	Connector - 12 Position (Not Shown)	
17	4460536	1	Connector - 3 Position (Not Shown) <b>(SN 0300201038 through 0300207792)</b>	
17	1001144147	1	Connector - 3 Position (Not Shown) <b>(SN 0300207793 through 0300209000)</b>	
17	1001116815	1	Connector - 3 Position (Not Shown)	
17	1001113961	1	Connector - 8 Position (Not Shown)	
17	4460891	1	Connector - 2 Position (Not Shown)	
17	1001126008	5	Socket, Female (Not Shown)	
17	4460871	6	Socket, Female (Not Shown)	
17	4460464	2	Pin, Male (Not Shown)	
17	4460518	19	Plug (Not Shown)	
17	4460466	1	Plug (Not Shown)	
17	4460905	3	Plug (Not Shown)	
17	4460465	2	Socket (Not Shown)	

# SECTION 2 - TURNTABLE

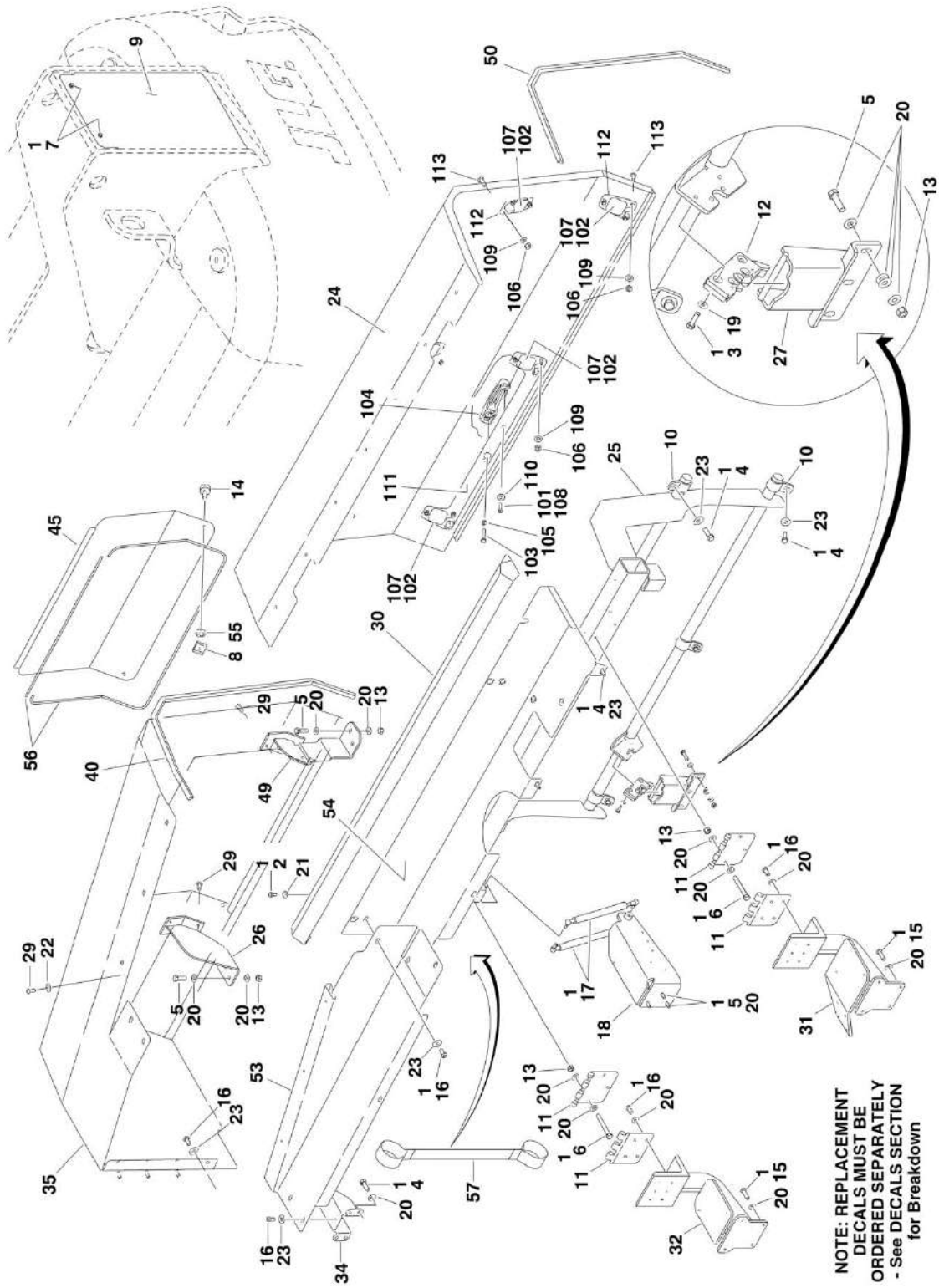
FIGURE 2-23. HOOD INSTALLATION (Prior to SN 0300195071)



ITEM #52 PLUG NOT SHOWN  
LOCATED ON BOOM REST

NOTE: REPLACEMENT DECALS MUST BE  
ORDERED SEPARATELY - See DECALS  
SECTION for Breakdown

# SECTION 2 - TURNTABLE



## SECTION 2 - TURNTABLE

FIGURE 2-23. HOOD INSTALLATION (Prior to SN 0300195071)

ITEM	PART NUMBER	QTY	DESCRIPTION	REV
		Ref	<b>HOOD INSTALLATIONS</b>	
	1001109543	Ref	<b>Hood Installations (Use p/n 1001131545)</b>	C
	1001131545	Ref	<b>All Machines Except Machines with Deutz TCD2.9L4 Engines (SN 0300146550 through 0300209000)</b>	E
	1001139774	Ref	<b>Machines with Deutz TCD2.9L4 Engines</b>	G
		Ref	<b>Note: Original Equipment Hood p/n 1001109543 may have been replaced with Service Replacement p/n 1001131545. Identify components before ordering replacement parts.</b>	
1	0100011	AR	Compound, Locking	
2	0641405	14	Bolt 1/4-20NC x 5/8	
3	0641408	8	Bolt 1/4-20NC x 1	
4	0641608	24	Bolt 3/8-16NC x 1	
5	0641610	18	Bolt 3/8-16NC x 1-1/4	
6	0641630	12	Bolt 3/8-16NC x 3-3/4	
7	0791604	2	Screw 3/8-16NC x 1/2	
8	1380169	4	Clip, Receptacle	
9	1671038	1	Cover, Turntable	
10	2080051	12	Clamp	
11	2600280	4	Hinge	
12	2940173	2	Latch, Rotary	
13	3311605	27	Locknut 3/8-16NC	
14	3900174	4	Screw, Thumb	
15	3900232	11	Screw, Button Head 3/8-16NC x 1-1/4	
16	3900283	32	Screw, Button Head 3/8-16NC x 3/4	
17	4160194	4	Spring, Gas	
18	4340999	1	Mount, Gas Spring	
19	4711400	AR	Flatwasher 1/4 Thin	
20	4711600	AR	Flatwasher 1/4 Thin	
21	4751400	14	Flatwasher 1/4 Regular	
22	4751500	10	Flatwasher 5/16 Regular	
23	4751600	36	Flatwasher 3/8 Regular	
24	1001107176	1	Hood, Tank Side - Front (See Items 101-113 for Breakdown)	
25	1001108142	1	Support, Tank Side Hood	
26	1001108680	1	Bracket, Hood Support	
27	1001113004	1	Bracket, Striker	
28		Ref	Hood, Engine Side - Rear Options:	
28	1001108904	1	Hood, Engine Side - Rear <b>(Prior to SN 0300146550)</b>	
28	1001131544	1	Hood, Engine Side - Rear <b>(SN 0300146550 through 0300209000)</b>	
29	3900210	AR	Screw, Button Head 5/16-18NC x 3/4	
30	1001109511	1	Shield, Hinge	
31	1001109651	1	Support, Front Hood	
32	1001109652	1	Support, Front Hood	
33	0641813	1	Bolt 1/2-13NC x 1-5/8 <b>(SN 0300146550 through 0300209000)</b>	
34	1001109759	1	Support, Power Track Trough	
35	1001109838	1	Hood, Tank Side - Rear	
36	1001109941	NLA	Support, Engine Side (Use p/n 1001146036)	
37		Ref	Hood, Engine Side - Front (See Items 101-113 for Breakdown)	
37	1001109989	1	Machines with Caterpillar and Deutz TD2011 Engines	
37	1001139805	1	Machines with Deutz TCD2.9L4 Engines	

## SECTION 2 - TURNTABLE

ITEM	PART NUMBER	QTY	DESCRIPTION	REV
38		Ref	Stack, Exhaust Options:	
38	1001110027	1	Machines with Caterpillar and Deutz TD2011 Engines	
38	1001139778	1	Machines with Deutz TCD2.9L4 Engines	
39	1001110146	1	Support, Engine Side	
40	1001110166	9.5 ft /2.9m	Seal	
41	1001110194	1	Bracket, Striker	
42	3311805	1	Locknut 1/2-13NC <b>(SN 0300146550 through 0300209000)</b>	
43	4751800	1	Flatwasher 1/2 Regular <b>(SN 0300146550 through 0300209000)</b>	
44	1001131460	1	Bracket, Engine Tray	
45	1001110257	1	Cover, Access (Tank Side)	
46	1001110258	1	Cover, Access (Engine Side)	
47	1001131462	1	Pad, Hood Slide <b>(SN 0300146550 through 0300209000)</b>	
48		Ref	Bracket Options:	
48A	1001110295	1	Bracket, Hood Support <b>(Prior to SN 0300146550)</b>	
48B	1001131461	1	Bracket, Engine Tray <b>(SN 0300146550 through 0300209000)</b>	
49	1001110296	1	Bracket, Hood Support	
50	1001110433	9.5 ft /2.9m	Seal	
51	1001110486	1	Mount, Gas Spring	
52	3520034	2	Plug, Hole (Not Shown - Located on Inside Turntable)	
53	1001111585	1	Plate, Power Track Trough	
54	1001112162	1	Plate, Power Track Trough	
55	3760308	4	Retainer	
56	1001113047	17 ft/5.2m	Seal, Adhesive Backed	
57	1001112691	2	Strap, Hand Pull	
58	1001114098	1	Shield, Rubber	
59	3311505	4	Locknut 5/16-18NC <b>(SN 0300146550 through 0300209000)</b>	
60	1001131542	1	Cable, Lanyard (Not Shown - See Engine Installation) <b>(SN 0300146550 through 0300209000)</b>	
61	3311405	2	Locknut 1/4-20NC (Machines with Deutz TCD2.9L4 Engines)	
62	1001145162	1	Panel, Heat Deflector (Machines with Deutz TCD2.9L4 Engines)	
63	0641406	2	Bolt 1/4-20NC x 3/4 (Machines with Deutz TCD2.9L4 Engines)	
64	1001140483	1	Bracket (Machines with Deutz TCD2.9L4 Engines)	
65	1001140485	1	Seal (Machines with Deutz TCD2.9L4 Engines)	
66	1001146132	1	Seal (Machines with Deutz TCD2.9L4 Engines)	
67	1001146178	1	Seal (Machines with Deutz TCD2.9L4 Engines)	
68	1001146183	1	Plate (Machines with Deutz TCD2.9L4 Engines)	
69	1001146244	1	Seal (Machines with Deutz TCD2.9L4 Engines)	
70	8310658	5	Nut, Retainer (Machines with Deutz TCD2.9L4 Engines)	
71	1001165676	1	Kit Hood (Machines with Caterpillar and Deutz TD2011 Engines) (Includes Items 24, 28, 35 & 37) (Not Shown) <b>(SN 0300182763 through 0300209000)</b>	
72	1001174896	1	Kit Hood (Machines with Deutz TCD2.9L4 Engines) (Includes Items 24, 28, 35 & 37) (Not Shown) <b>(SN 0300190848 through 0300209000)</b>	
		Ref	<b>HOOD COMPONENTS</b>	
	1001107176	Ref	<b>Tank Side Hood</b>	F
		Ref	<b>Engine Side Hood Options:</b>	
	1001109989	Ref	<b>Machines with Caterpillar and Deutz TD2011Engines</b>	F
	1001139805	Ref	<b>Machines with Deutz TCD2.9L4 Engines</b>	D

## SECTION 2 - TURNTABLE

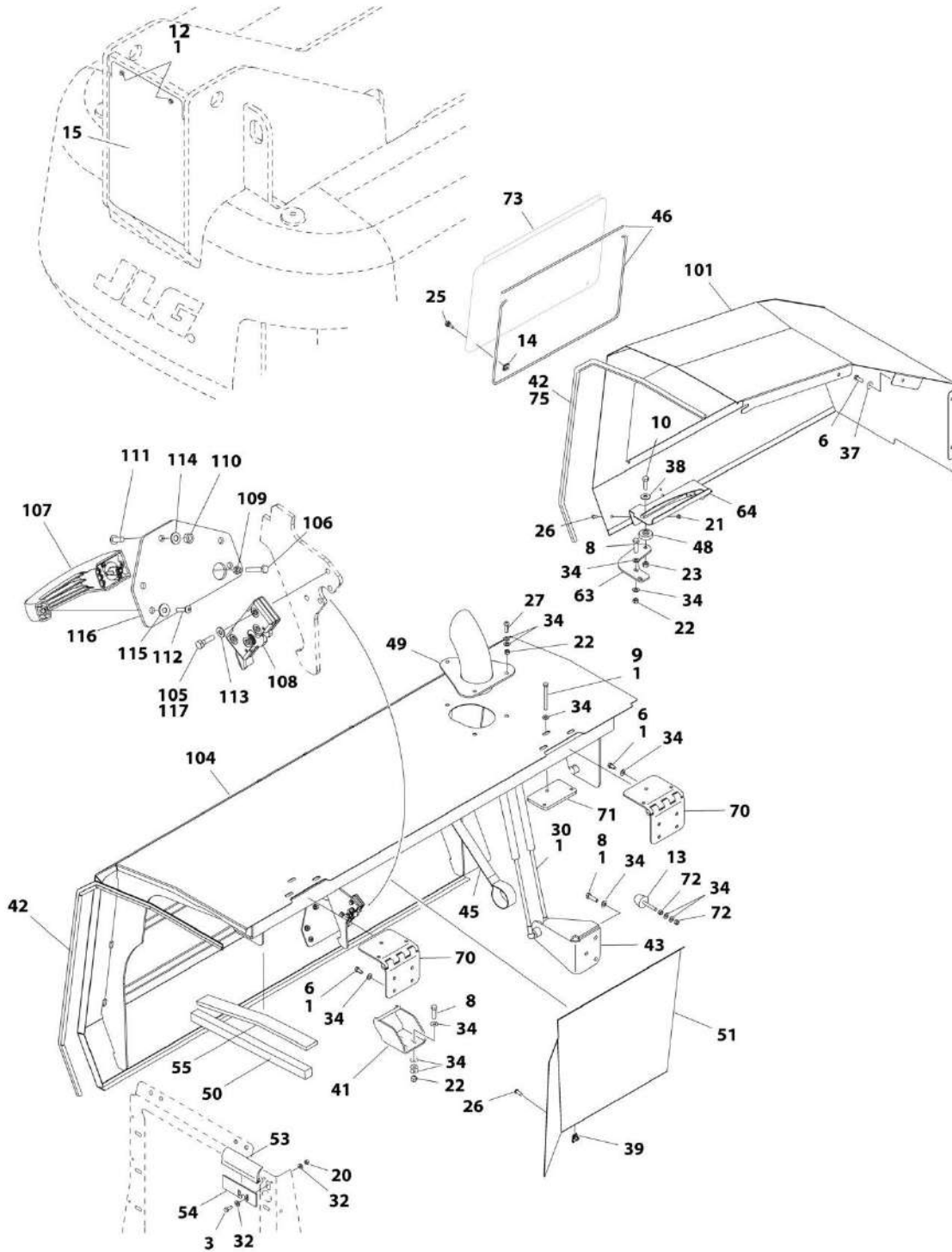
ITEM	PART NUMBER	QTY	DESCRIPTION	REV
		Ref	<b>Note: Qtys shown are for 1 Side. Double qty for both sides.</b>	
		Ref		<b>Note: Replacement Decals Must be Ordered Separately - See DECALS SECTION.</b>
101	0100011	AR	Compound, Locking	
102	0100081	AR	Adhesive, Loctite #454	
103	0700616	1	Bolt 5/16-18NC x 3/4	
104	2560187	1	Handle, Push Button	
105	3290601	1	Nut M6	
106	3311505	18	Locknut 5/16-18NC	
107	3340877	6	Pad	
108	3900363	2	Screw, Button Head M6 x 1x25	
109	4711500	18	Flatwasher 5/16 Thin	
110	4811900	2	Flatwasher M8	
111	1001107978	1	Mount, Handle	
112	1001108024	4	Bracket	
113	3900210	1	Screw, Button Head 5/16-18NC x 3/4	



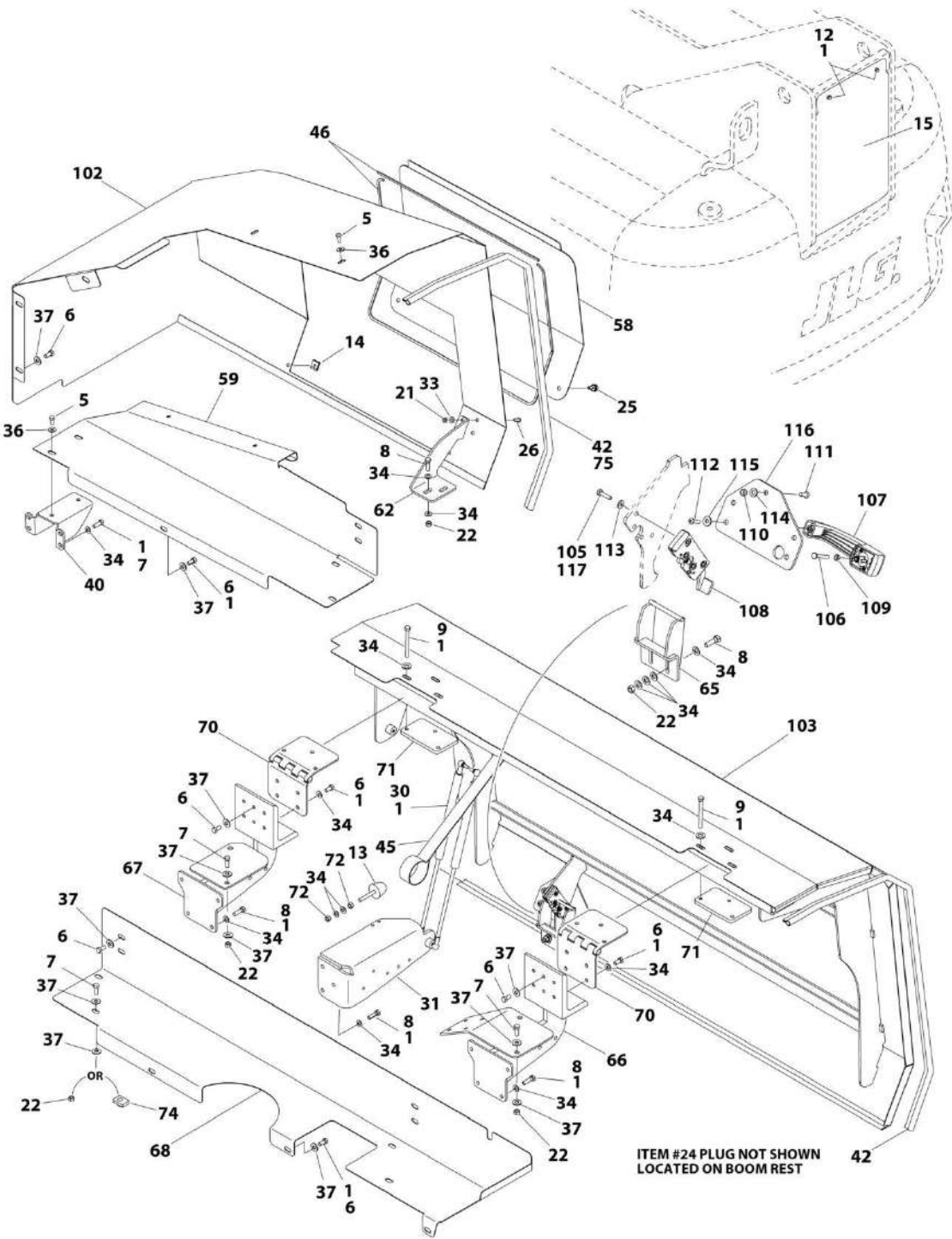


# SECTION 2 - TURNTABLE

FIGURE 2-24. HOOD INSTALLATION (SN 0300195071 through 0300209000)



# SECTION 2 - TURNTABLE



## SECTION 2 - TURNTABLE

FIGURE 2-24. HOOD INSTALLATION (SN 0300195071 through 0300209000)

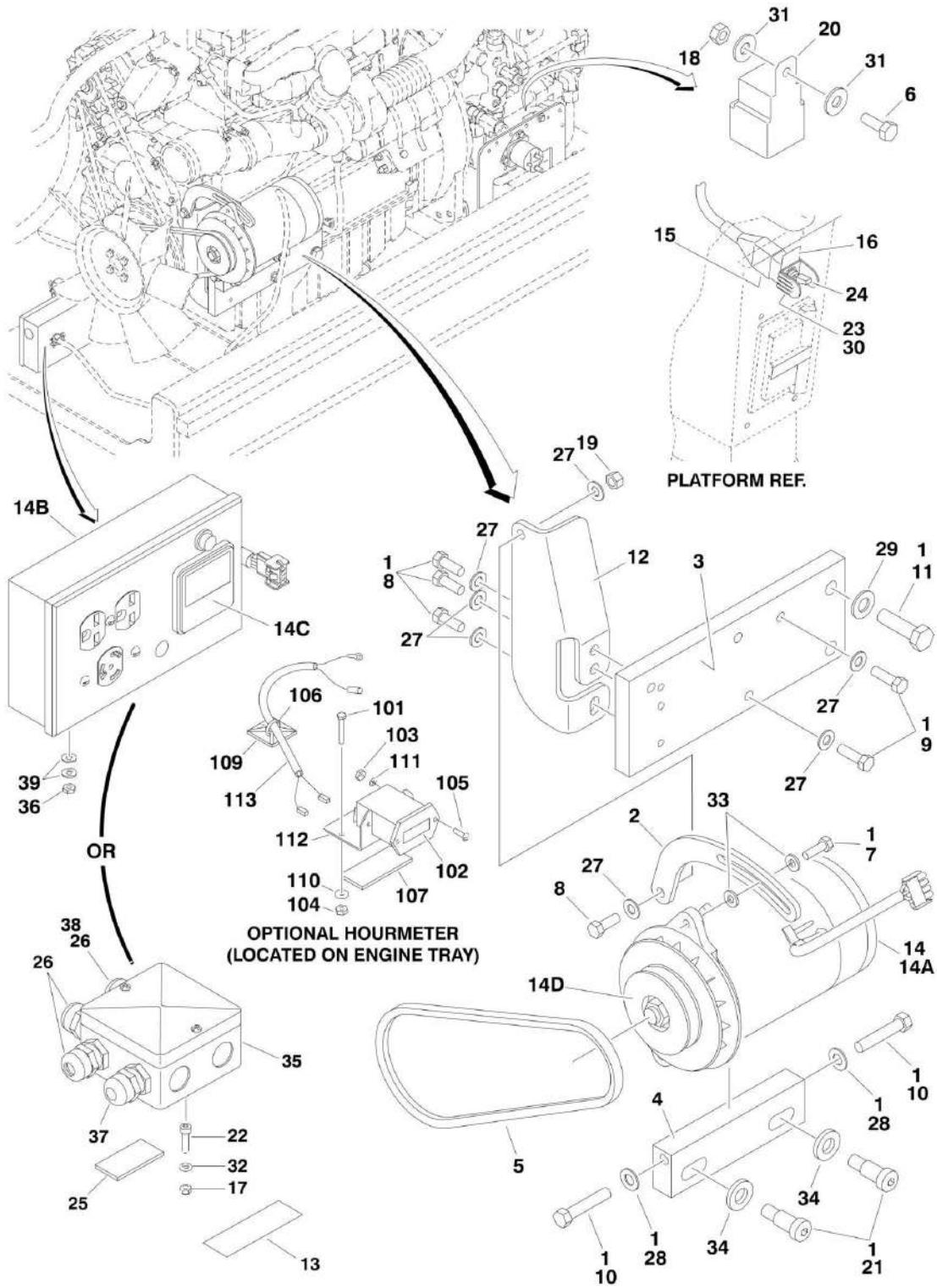
ITEM	PART NUMBER	QTY	DESCRIPTION	REV
		Ref	<b>HOOD INSTALLATIONS</b>	
	1001173912	Ref	<b>Deutz TD2011 Engines</b>	F
	1001173202	Ref	<b>Deutz TCD2.9L4 Engines</b>	F
		Ref	<b>Note: Replacement Decals Must be Ordered Separately - See DECAL SECTION.</b>	
1	0100011	AR	Compound, Locking	
3	0641406	2	Bolt, 1/4-20 x 3/4 <b>(SN 0300196361 through 0300209000)</b>	
5	0641506	4	Bolt, 5/16-18 x 3/4	
6	0641606	32	Bolt, 3/8-16 X 3/4	
7	0641608	8	Bolt, 3/8-16 X 1	
8	0641610	23	Bolt, 3/8-16 X 1-1/4	
9	0641630	12	Bolt, 3/8-16 X 3-3/4	
10	0641813	1	Bolt, 1/2-13 X 1-5/8	
12	0791604	2	Screw, 3/8-16 X 1/2	
13	0940071	2	Bumper, Rubber <b>(Prior to SN 0300199530)</b>	
14	1380169	4	Clip	
15	1671038	1	Cover	
20	3311405	2	Nut, Lock 1/4-20 <b>(SN 0300196361 through 0300209000)</b>	
21	3311505	5	Nut, Lock, 5/16-18	
22	3311605	AR	Nut, Lock, 3/8-16	
23	3311805	1	Nut, Lock, 1/2-13	
24	3520034	2	Plug, Hole	
25	3900174	4	Screw, Thumb	
26	3900210	AR	Screw, Button Head 5/16-18 x 3/4	
27	3900232	3	Screw, Button Head 3/8-16 x 1-1/4	
30	4160194	4	Spring, Gas	
31	4340999	1	Mount, Gas Spring	
32	4711400	4	Washer, 1/4 <b>(SN 0300196361 through 0300209000)</b>	
33	4711500	2	Washer, 5/16	
34	4711600	AR	Washer, 3/8	
36	4751500	4	Washer, 5/16	
37	4751600	AR	Washer, 3/8	
38	4751800	1	Washer, 1/2	
39	8310658	5	Nut, Retainer,.312-18 X 1	
40	1001109759	1	Support, Power Track Trough	
41	1001110194	1	Bracket, Striker	
42		Ref	Seal Options:	
42	1001110433	19.5 ft /5.95mm	Seal <b>(Prior to SN 0300196361)</b>	
42	1001110433	9 ft /2.90m	Seal <b>(SN 0300196361 through 0300209000)</b>	
43	1001110486	1	Mount, Gas Spring	
45	1001112691	2	Strap, Hand Pull	
46	1001113047	14.5 ft /4.42mm	Seal	
48	1001131462	1	Pad, Hood Slide	
49	1001110027	1	Stack, Exhaust (Deutz TD2011 Engines)	
49	1001139778	1	Stack, Exhaust (Deutz TCD2.9L4 Engines)	
50	1001140485	1	Seal	
51	1001145162	1	Panel, Heat Deflector	

## SECTION 2 - TURNTABLE

ITEM	PART NUMBER	QTY	DESCRIPTION	REV
53	1001146178	1	Seal (SN 0300196361 through 0300209000)	
54	1001146183	1	Plate (SN 0300196361 through 0300209000)	
55	1001146244	1	Seal	
58	1001173166	1	Cover, Access (Tank Side)	
59	1001173170	1	Plate, Power Track Trough	
62	1001173185	1	Plate, Mounting	
63	1001173186	1	Bracket, Engine Tray	
64	1001173187	1	Bracket, Engine Tray	
65	1001173188	1	Bracket, Hood Latch	
66	1001173647	1	Support, Front Hood	
67	1001173651	1	Support, Front Hood	
68	1001175859	1	Plate, Power Track Trough	
70	1001175879	4	Hinge, Offset Hood	
71	1001175880	4	Plate	
72	3311601	4	Nut, 3/8-16 (Prior to SN 0300199530)	
73	1001180051	1	Cover, Access (Engine Side)	
74	88662523	4	Nut, Tinnerman (SN 0300199530 through 0300209000)	
75		Ref	Seal Options:	
75	4060803	9.75 ft /2.97m	Trim, Flex (SN 0300196361 through 0300199529)	
75	3960447	9.75 ft /2.97m	Seal (SN 0300199530 through 0300209000)	
100	1001175250	1	Kit, Hood (Deutz TD2011 Engines)	
100	1001175237	1	Kit, Hood (Deutz TCD2.9L4 Engines)	
101	1001173163	1	Hood, Engine Side - Rear	
102	1001173164	1	Hood, Tank Side - Rear	
103	1001173183	1	Hood, Tank Side - Front	
104	1001174331	1	Hood, Engine Side - Front (Deutz TD 2011 Engines)	
104	1001173184	1	Hood, Engine Side - Front (Deutz TCD2.9L4 Engines)	
105	0641408	8	Bolt, 1/4-20 x 1	
106	0700616	2	Bolt, M6 x 40	
107	2560187	2	Handle, Push Button	
108	2940173	2	Latch, Rotary	
109	3290601	2	Nut, M6	
110	3311505	6	Nut, Lock, 5/16-18NC	
111	3900210	6	Screw, Button Head 5/16-18 x 3/4	
112	3900363	4	Screw, Button Head M6 x 1x25	
113	4711400	8	Washer, 1/4	
114	4711500	6	Washer, 5/16	
115	4751400	4	Washer, 1/4	
116	1001116290	2	Plate, Latch Mounting	
117	0100011	1	Compound, Locking	

# SECTION 2 - TURNTABLE

## FIGURE 2-25. 2500W GENERATOR INSTALLATION (OPTIONAL)



**SECTION 2 - TURNTABLE**

**FIGURE 2-25. 2500W GENERATOR INSTALLATION (OPTIONAL)**

ITEM	PART NUMBER	QTY	DESCRIPTION	REV
		Ref	<b>GENERATOR INSTALLATION - DEUTZ TD2011 (OPTIONAL)</b>	
	1001125425	Ref	<b>110V/60Hz (ANSI and ANSI Export Specs)</b>	A
	1001125429	Ref	<b>110V/50Hz (CE Spec)</b>	A
	1001125426	Ref	<b>220V/50Hz (CE Spec)</b>	A
1	0100011	AR	Compound, Locking	
2	0200742	1	Arm, Adjusting	
3	0363081	1	Bar, Mounting	
4	0363082	1	Bar, Adjusting	
5		Ref	Belt Options:	
5	0480127	1	60Hz	
5	0480122	1	50Hz	
6	0641406	1	Bolt 1/4-20NC x 3/4	
7	0641508	1	Bolt 5/16-18NC x 1	
8	0641608	4	Bolt 3/8-16NC x 1	
9	0641610	2	Bolt 3/8-16NC x 1-1/4	
10	0641718	2	Bolt 7/16-14NC x 2-1/4	
11	0701418	2	Bolt M14 x 50	
12	0902813	1	Bracket, Arm Mounting	
13		Ref	Decal, Voltage Options:	
13	1705325	1	110V	
13	3252507	1	220V	
14		Ref	Generator and Control Box Assembly Options:	
14	2460055	1	110V/60Hz Assembly (ANSI and ANSI Export Specs)	
14	2460049	1	110V/50Hz Assembly (CE Spec)	
14	1001100321	1	220V/50Hz Assembly (CE Spec)	
14A		Ref	Generator Options:	
14A	7012558	1	110V/60Hz	
14A	2460049	1	110V/50Hz	
14A	1001100321	1	220V/50Hz	
		Ref	<b>Note: Replacement generators come standard with p/n 3580134 pulley. This pulley may not be correct for all applications. Refer to pulley options below for correct pulley.</b>	
14A	7012513	4	Cap, Brush Holder	
14A	7020108	4	Brush	
14A	7020109	4	Holder, Brush	
14A	7012514	1	Fan	
14A	7020190	2	Bearing	
14A	7020110	1	End Bell, Front	
14A	7020111	1	End Bell, Rear	
14B	7019680	1	Box, Control (Not Used on CE Spec Machines)	
14B	4360542	1	Breaker, Circuit	
14B	4460190	AR	Receptacle, Double (110V)	
14B	4460027	AR	Receptacle, Double Twist Lock (110V)	
14C	2420203	AR	Voltmeter (Not Used on CE Spec Machines)	
14D		Ref	Pulley Options:	
14D	3580276	1	110V/60Hz	
14D	3580134	1	110V/50Hz	
14D	3580134	1	220V/50Hz	
14D	7027887	1	Key, Woodruff	

## SECTION 2 - TURNTABLE

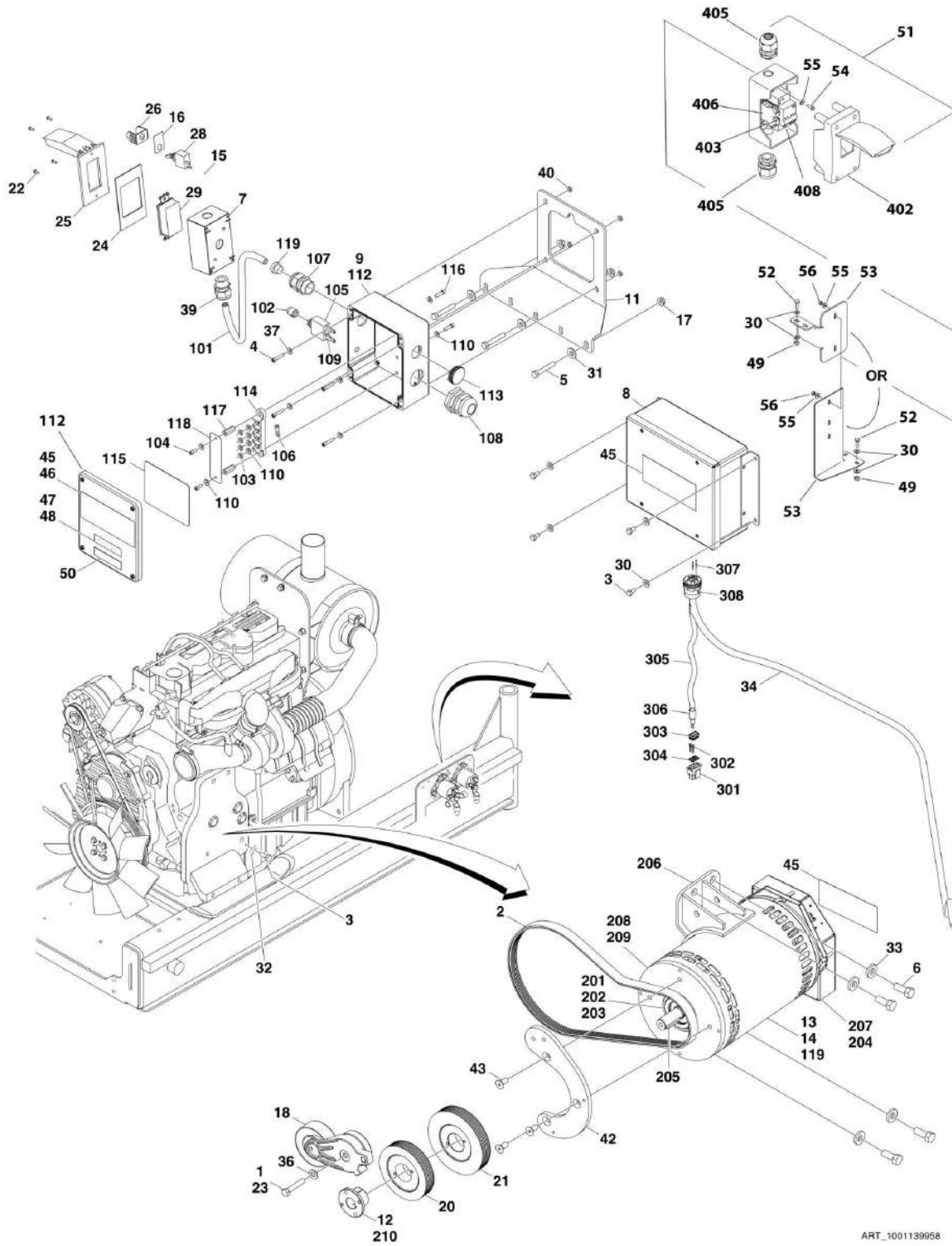
ITEM	PART NUMBER	QTY	DESCRIPTION	REV
15	2820031	AR	Heatshrink	
16	3251102	1	Nameplate - Generator	
17	3290505	1	Locknut M5	
18	3311405	1	Locknut 1/4-20NC	
19	3311605	1	Locknut 3/8-16NC	
20	3740080	1	Relay	
21	3900322	2	Screw, Socket Head Shoulder	
22	4031608	1	Screw M5 x 20	
23	4060802	1	Guard, Switch	
24	4360336	1	Switch, Toggle	
25	4420060	3 in/8cm	Tape, Double-Sided	
26	4460968	3	Relief, Strain	
27	4711600	7	Flatwasher 3/8 Thin	
28	4711700	2	Flatwasher 7/16 Thin	
29	4711900	2	Flatwasher 9/16 Thin	
30	4740397	1	Spacer	
31	4751400	2	Flatwasher 1/4 Regular	
32	4811600	1	Flatwasher M5	
33	4891500	2	Flatwasher 5/16 Hardened	
34	4892000	2	Flatwasher 5/8 Hardened	
35	1001099869	1	Box, Junction (CE Spec Machines Only)	
36	3311005	2	Locknut #10-24NC	
37		Ref	Light, Red Options:	
37	1001100233	1	110V	
37	1001100234	1	220V	
38	0962449	1	Bushing, Silicone	
39	4751000	6	Flatwasher #10 Regular	
	1001103286	Ref	<b>HOURLY METER INSTALLATION (OPTIONAL)</b>	A
101	0720808	1	Screw #8-32NC x 1	
102	2420165	1	Hourmeter	
103	3310601	2	Nut #6-32NC	
104	3310805	1	Locknut #8-32NC	
105	3910608	2	Screw #6-32NC x 1/2	
106	4240032	3	Strap, Tie	
107	4420060	3 in/7cm	Tape, Double-Sided	
108	4460018	1	Connector, Butt Splice (Not Shown)	
109	4460234	2	Mount, Tie Strap	
110	4750800	1	Flatwasher #8 Regular	
111	4760600	2	Lockwasher #6	
112	1001094375	1	Bracket, Hourmeter	
113	1001094509	1	Harness, Hourmeter	





# SECTION 2 - TURNTABLE

## FIGURE 2-26. 4000W GENERATOR INSTALLATION - DEUTZ MACHINES



ART\_1001139958

# SECTION 2 - TURNTABLE

**FIGURE 2-26. 4000W GENERATOR INSTALLATION - DEUTZ MACHINES**

ITEM	PART NUMBER	QTY	DESCRIPTION	REV
		Ref	<b>4000W GENERATOR INSTALLATION - DEUTZ</b>	
	1001139958	Ref	<b>60Hz Spec</b>	B
	1001171130	Ref	<b>60Hz Spec (TCD2.9L4 Engines) (ANSI and CSA Specs)</b>	A
	1001139959	Ref	<b>50Hz Spec</b>	D
	1001171273	Ref	<b>50Hz Spec (TCD2.9L4 Engines) (CE Spec)</b>	C
		Ref	<b>Note: See ELECTRICAL SECTION for Boom Cable Installation.</b>	
1	0100011	AR	Compound, Locking	
2		Ref	Belt, Generator Options:	
2	0480128	1	60Hz Spec	
2	1001142645	1	60Hz Spec (TCD2.9L4 Engines) (ANSI and CSA Specs)	
2	1001136356	1	50Hz Spec	
2	1001136357	1	50Hz Spec (TCD2.9L4 Engines) (CE Spec)	
3	0641404	5	Bolt 1/4in-20NC x 1/2in	
4	3931016	AR	Screw, Socket head, 1/4in-20NC x 1in	
5	0641516	AR	Bolt, 5/16in-18NC x 2in	
6	0641810	4	Bolt 1/2in-13NC x 1-1/4in	
7		Ref	Box, Switch-Weatherhead Options:	
7	0860038	1	60Hz Spec	
7	Note	1	50Hz Spec (Note: Not Available - Purchase Locally)	
8	1001138566	1	Box, Generator Control	
9		Ref	Box, Junction Assembly Options (See items 101-119 for Breakdown):	
9	1001152457	1	60Hz Spec	
9	1001152458	1	50Hz Spec	
9	1001152458	1	50Hz Spec (TCD2.9L4 Engines) (CE Spec) <b>(Prior to SN 0300205158)</b>	
11	0902888	1	Bracket, Generator Junction Box	
11	0902888	1	50Hz Spec (TCD2.9L4 Engines) (CE Spec) <b>(Prior to SN 0300205158)</b>	
12	0962520	1	Bushing, Taper	
		Ref	Generator, 4000W Assembly Options: (See items 200 – 212 for Breakdown)	
13	1001129858	1	60Hz Spec	
13	1001140346		60Hz Spec (TCD2.9L4 Engines)	
14	1001138565	1	50Hz Spec	
14	1001140347		50Hz Spec (TCD2.9L4 Engines)	
15	2820031	AR	Insulator, Heat Shrink	
16	3251102	1	Nameplate, Generator	
17	3311508	AR	Nut, 5/16in-18NC Serrated Flange	
18	3580317	1	Pully, Belt Tensioner	
19		Ref	Pully, Generator Options:	
20	3580318	1	60Hz Spec	
21	3580319	1	50Hz Spec	
22	3910606	4	Screw, Round Head 6-32NC x 3/8in (60Hz Spec Only)	
23	0641616	AR	Bolt, 3/8-16NC x 2in	
24	3960422	1	Gasket, AC Receptacle (60Hz Spec Only)	
25	1001110873	1	Cover, Gang Vertical Receptacle GFCI (60Hz Spec Only)	
26	4060802	1	Guard, Switch	
27	4240018	AR	Strap, Tie (Not Shown)	
28	4360336	1	Switch, Toggle	

## SECTION 2 - TURNTABLE

ITEM	PART NUMBER	QTY	DESCRIPTION	REV
29	4460346	1	Terminal, Receptacle (60Hz Spec Only)	
30	4711400	AR	Flatwasher 1/4in Thin	
31	4751500	AR	Flatwasher 5/16in Regular	
32	4791400	2	Starwasher 1/4in	
33	4891800	4	Flatwasher 1/2in Hardened	
34	1001152533	1	Harness, Generator Cable (See items 301-308 for Breakdown)	
35		Ref	Diagram, Generator Wiring Options:	
35	1001153257	1	60HZ Specs	
35	1001132055	1	60HZ Specs (TCD2.9L4 Engines)	
36	4711600	1	Flatwasher 3/8in Thin	
37	4751000	AR	Flatwasher #10, Wide	
38	0100020	AR	Sealant, Pipe (Not Shown)	
39	4460071	1	Connector, Strain Relief (60Hz Spec Only)	
40	3311005	AR	Lock nut, 10-24NC GR2	
41		Ref	Mount, Generator Tensioner Options:	
42	1001139357	1	60Hz / 50Hz Spec	
42	1001138011	1	60Hz / 50Hz Spec (TCD2.9L4 Engines)	
43	0741607	3	Screw, Flat head, 3/8-16NC x .88in	
44		Ref	Decal, Hazardous Voltage Options:	
45	1705387	3	60Hz Spec	
46	1705489	AR	50Hz Spec	
47	3251243	1	Decal, 120V-60Hz (60Hz Spec Only)	
48	3251242	1	Decal, 240V-50Hz (50Hz Spec Only) <b>(Prior to SN 0300205158)</b>	
49	3311405	2	Locknut, 1/4-20NC	
50	1705374	1	Decal, 240V-60Hz (60Hz Spec Only)	
51	1001165368	1	Kit, Box and Breaker (See Items 402-408 for Breakdown) (50Hz Spec Only)	
52	0641407	2	Bolt, 1/4-20NC x 7/8in (50Hz Spec Only)	
53	1001154592	1	Bracket, AC Breaker Box (50Hz Spec Only) <b>(Prior to SN 0300203515)</b>	
53	1001094915	1	Bracket, AC Breaker Box (50Hz Spec Only) <b>(SN 0300203515 through 0300209000)</b>	
54	0641407	2	Bolt, 1/4-20NC x 7/8in (50Hz Spec Only) <b>(Prior to SN 0300203515)</b>	
54	4010408	2	Screw M4 x 16 (50 Hz Spec Only) <b>(SN 0300203515 through 0300209000)</b>	
55	4711400	4	Flatwasher 1/4in Thin (50 Hz Spec Only) <b>(Prior to SN 0300203515)</b>	
55	1001091102	4	Washer, M4 (50 Hz Spec Only) <b>(SN 0300203515 through 0300209000)</b>	
56	3311405	2	Locknut, 1/4-20NC (50 Hz Spec Only) <b>(Prior to SN 0300203515)</b>	
56	3290405	2	Locknut M4 (50 Hz Spec Only) <b>(SN 0300203515 through 0300209000)</b>	
		Ref	<b>JUNCTION BOX ASSEMBLY</b>	
	1001152457	Ref	<b>60Hz Spec</b>	B
	1001152458	Ref	<b>50Hz Spec</b>	B
101	1001179154	2.5 ft	Cable, 12/3	
102	3300396	1	Cover, Fuse	
103	3311001	4	Nut, 10-24UNC GR2	
104	3900300	2	Screw, Spec, Cap	
105	4360070	1	Circuit Breaker, 15 AMP	
106	4460068	3	Terminal, Ring	
107	4460425	1	Terminal, Strain Relief	

## SECTION 2 - TURNTABLE

ITEM	PART NUMBER	QTY	DESCRIPTION	REV
108	4460426	1	Connector, Strain Relief	
109	4460483	2	Terminal	
110	4711000	AR	Flatwasher, #10 Thin	
111	4920044	0.5 ft	Wire, 12GA, Black	
112	1001152456	1	Box, Junction	
113		Ref	Plug, Hole Pluggit Options:	
113	1001152525	1	60Hz Spec	
113	1001155813	1	50Hz Spec	
113	1001148648	1	50Hz Spec	
114	1001152530	1	Terminal, Block, 4 pole	
115	1001153260	1	Decal, Wiring 4000W Generator	
116	3900267	2	Screw, Spec, Cap	
117	1001158008	2	Standoff, female, threaded	
118	1001158363	1	Plate, Cover, PVC	
119	3520192	1	Plug, Hole	
		Ref	<b>4000W GENERATOR ASSEMBLY</b>	
	1001129858	Ref	60Hz Spec	
	1001140346	Ref	60Hz Spec (TCD2.9L4 Engines)	
	1001138565	Ref	50Hz Spec	
	1001140347	Ref	50Hz Spec (TCD2.9L4 Engines)	
201	70003709	1	Ring, Retaining	
202	70003708	1	Ring, Retaining	
203	70001966	1	Bearing, Ball	
204	70004092	1	Endbell	
205		Ref	Key Options	
205	70004171	1	60Hz / 50Hz Spec	
205	70004099	1	60Hz / 50Hz Spec (TCD2.9L4 Engines)	
206		Ref	Stator, Generator 4000W Options:	
206	70004684	1	60Hz Spec	
206	70004687	1	60Hz Spec (TCD2.9L4 Engines)	
206	70004677	1	50Hz Spec	
206	70004686	1	50Hz Spec (TCD2.9L4 Engines)	
207	70004678	1	Endbell	
208	70004680	1	Enclosure	
209		Ref	Cover, Enclosure	
209	70004685	1	60Hz Spec	
209	70004681	1	50Hz Spec	
210	70004682	1	Protector, Supplementary, Manual reset	
211		Ref	Bushing, Strain Relief Options:	
211	70004098	1	60Hz Spec	
211	70004683	1	50Hz Spec	
212	70004676	1	Rotor Assembly	
213	70004679	1	Cover, Endbell	
	1001152533	Ref	<b>GENERATOR HARNESS CABLE</b>	
301	4460225	1	Socket, Female	
302	4460268	2	Plug, Male 6 Position (Use with 4460225)	
303	4460807	1	Seal, Plug (Use with 4460225)	
304	4460808	1	Seal, Interface (Use with 4460225)	
305	1060341	8 ft	Cable, 16/2	
306	2820019	AR	Insulator, Heat Shrink	
307	4460465	2	Socket, Female	

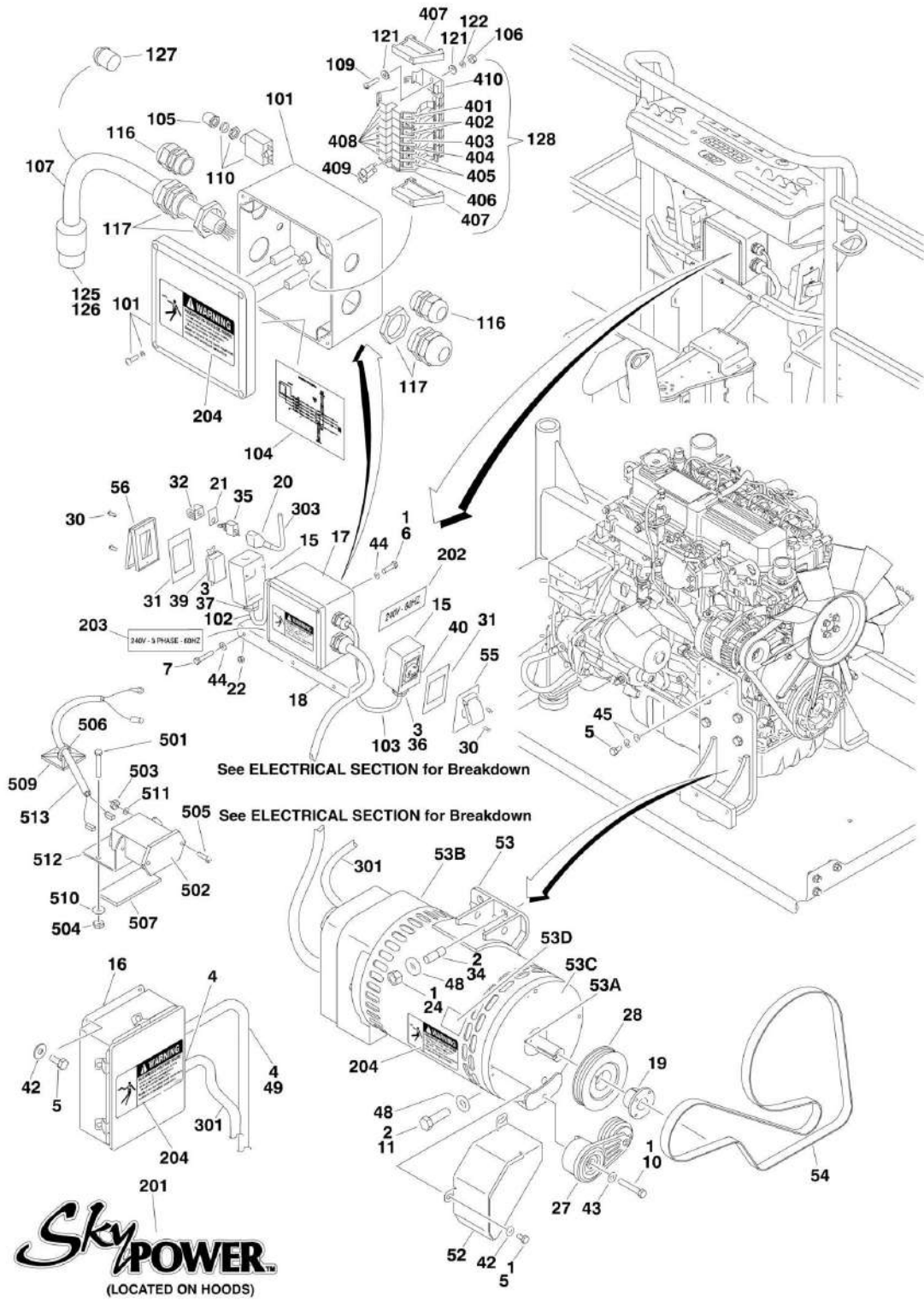
## SECTION 2 - TURNTABLE

ITEM	PART NUMBER	QTY	DESCRIPTION	REV
308	7733233	1	Connector, Deutsch HD16-6-96S	B
	1001165368	Ref	<b>BREAKER BOX KIT</b>	
402	0861880	1	Box	
403	4460956	1	Barrier, Terminal	
404	1060545	12 ft/3.66m	Cable, 10/3	
405	1001101191	2	Connector, Strain Relief	
406	4460957	1	Block, Terminal	
408	1001181045	1	Breaker, 16Amp/30mA	



# SECTION 2 - TURNTABLE

FIGURE 2-27. 7500W SKYPOWER GENERATOR INSTALLATION - CATERPILLAR MACHINES





## SECTION 2 - TURNTABLE

**FIGURE 2-27. 7500W SKYPOWER GENERATOR INSTALLATION - CATERPILLAR MACHINES**

ITEM	PART NUMBER	QTY	DESCRIPTION	REV
		Ref	<b>7500W SKYPOWER GENERATOR INSTALLATION</b>	
	1001117508	Ref	<b>60Hz Spec</b>	E
	1001121889	Ref	<b>50Hz Spec</b>	B
		Ref	<b>Note: SkyPower Generator is Standard On ANSI and CSA Specs. Optional on All Other Specs.</b>	
		Ref	<b>Note: See ELECTRICAL SECTION for Boom Cable Installation.</b>	
1	0100011	AR	Compound, Locking	
2	0100019	AR	Compound, Locking	
3	0100020	AR	Sealant, Pipe (Not Shown)	
4	0100048	AR	Grease, Dielectric	
5	0641404	AR	Bolt 1/4-20NC x 1/2	
6	0641508	4	Bolt 5/16-18NC x 1	
7	0641516	3	Bolt, 5/16-18NC x 2	
10	0641618	1	Bolt 3/8-16NC x 2-1/4	
11	0641810	2	Bolt 1/2-13NC x 1-1/4	
15		Ref	Box, Switch-Weatherhead Options:	
15	0860038	2	60Hz Spec	
15	Not Available	2	50Hz Spec (Supply Locally)	
16		Ref	Box, Generator Control Options:	
16	0861538	1	60Hz Spec	
16	0861572	1	50Hz Spec	
16	7024488	1	Card, Circuit - Generator Power (Not Shown)	
16	Not Available	1	Fuse (Purchase Locally)	
16	7024489	1	Card, Circuit - Control (Not Shown)	
		Ref	<b>Note: Same Circuit Card (P/N 7024489) is used for both 60Hz &amp; 50Hz. When replacing card, rocker switch on card must be set for required application.</b>	
16	70000619	1	Harness, Circuit Card	
17		Ref	Junction Box Assembly Options (See Items 101-128 for Breakdown):	
17	0861542	1	60Hz Spec	
17	0861567	1	50Hz Spec	
18	0902888	1	Bracket, Generator Junction Box	
19	0962520	1	Bushing, Taper	
20	2820031	AR	Insulator, Heat Shrink	
21	3251102	1	Nameplate, Generator	
22	3311508	3	Nut, 5/16-18NC Serrated Flange	
24	3311801	2	Nut, 1/2-13NC	
27	1001129733	1	Pulley, Belt Tensioner	
28		Ref	Pulley, Generator Options:	
28	3580318	1	60Hz Spec	
28	3580319	1	50Hz Spec	
30	3910606	AR	Screw, Round Head #6-32NC x 3/8 (60Hz Spec Only)	
31	3960422	2	Gasket, AC Receptacle (60Hz Spec Only)	
32	4060802	1	Guard, Switch	
33	4240018	AR	Strap, Tie (Not Shown)	
34	4300157	2	Stud	
35	4360336	1	Switch, Toggle	
36	4460051	1	Connector, Strain Relief (60Hz Spec Only)	
37	4460071	1	Connector, Strain Relief (60Hz Spec Only)	

## SECTION 2 - TURNTABLE

ITEM	PART NUMBER	QTY	DESCRIPTION	REV
38	4460315	2	Terminal, Spade (Not Shown - Use 1 each with items 30 & 31) (60Hz Spec Only) <b>(Prior to SN 0300181891)</b>	
39	4460346	1	Terminal, Receptacle (60Hz Spec Only)	
40	4460958	1	Receptacle (60Hz Spec Only)	
42	4711400	AR	Flatwasher 1/4 Thin	
43	4711600	1	Flatwasher 3/8 Thin	
44	4751500	7	Flatwasher 5/16 Regular	
45	4791400	2	Starwasher 1/4	
48	4891800	4	Flatwasher 1/2 Hardened	
49	4922972	1	Harness, Generator Cable	B
49	4460225	1	Plug, Male 6 Position (Plugs into Generator)	
49	4460226	6	Socket, Female (Use with 4460225)	
49	4460807	1	Seal, Plug (Use with 4460225)	
49	4460808	1	Seal, Interface (Use with 4460225)	
49	77363233	1	Connector, Female 6 Position (Plugs into Control Box)	
49	4460942	6	Socket, Female	
52	1001118599	1	Shield, Pulley <b>(Prior to SN 0300162001)</b>	
53	1001119250	1	Generator, 7500W	
53	70003631	1	Brushholder Assembly (Not Shown) (was p/n 7024484)	
53	70001966	1	Bearing, Ball Radial (Located In Belt Tensioner Endbell - Not Shown)	
53	7027799	1	Block, Connector 6 Position (Not Shown)	
53	70002460	1	Nut, Brass (Attaches p/n 7027799 to Cover) (Not Shown)	
53	7024485	1	Breaker, Circuit 30Amp (Not Shown)	
53	70001696	1	Boot, Breaker (Not Shown)	
53	70002297	AR	Stud 1/4-20NC x 12-7/8 (Not Shown)	
53	7026188	1	Clamp, Cable (Not Shown)	
53	7026597	1	Connector with Leads (Not Shown)	
53	70001100	1	Rotor/Armature (Not Shown)	
53	70001384	1	Bearing, Ball Radial (Not Shown)	
53	70003451	1	Stator (Not Shown)	
53	70004170	1	Plate, End Panel (Not Shown) (was p/n 70001972)	
53	70000863	1	Fan (Not Shown)	
53	70001974	1	Decal - Terminal Connections (Not Shown)	
53A	70004171	1	Key (was p/n 7024561)	
53B	70004170	1	Endbell, Rear (Brush Block End) (was p/n 70001385)	
53B	70004170	1	Shroud, Endbell (was p/n 70002290)	
53B	70003452	1	Shroud, Endbell Panel	
53C	70003450	1	Endbell, Front (Tensioner End)	
53D	70001973	1	Decal - Warning Moving Parts	
54		Ref	Belt, Generator Options:	
54	1001119966	1	60Hz Spec	
54	1001121931	1	50Hz Spec	
55	1001110872	1	Cover, Receptacle (60Hz Spec Only)	
56	1001110873	1	Shield, Receptacle Cover (60Hz Spec Only)	
		Ref	<b>JUNCTION BOX ASSEMBLY</b>	
	0861542	Ref	<b>60HZ SPECS</b>	D
	0861567	Ref	<b>50Hz Specs</b>	B
101	0861541	1	Box, Junction	
102		Ref	Cable, Electrical 12/3	
102	1060494	2 ft/.6m	60Hz Spec	
102	Not Available	2 ft/.6m	50Hz Spec (Supply Locally)	

**SECTION 2 - TURNTABLE**

ITEM	PART NUMBER	QTY	DESCRIPTION	REV
103		Ref	Cable, Electrical 10/3	
103	1060708	2.5 ft /.76m	60Hz Spec	
103	Not Available	2.5 ft /.76m	50Hz Spec (Supply Locally)	
104	1705376	1	Decal - Wiring Schematic	
105	3300396	1	Cover, Fuse	
106	3310601	2	Nut #6-32NC	
107	1060343	1.5 ft /.46m	Cable, Electrical 10/4 (60Hz Spec Only)	
109	3910610	2	Bolt #6-32NC x 5/8	
110	4360070	1	Circuit Breaker - 15 Amp	
116	4460425	2	Strain Relief, Terminal	
117	4460426	2	Connector, Strain Relief	
121	4750600	4	Flatwasher, #6 Regular	
122	4760600	2	Lockwasher #6	
125	1671092	1	Cover (60Hz Spec Only)	
126	4460963	1	Connector (60Hz Spec Only)	
127	3520189	1	Plug (50Hz Spec Only)	
128	1001121340	1	Terminal Block Assembly (See Items 401-410 for Breakdown)	
		Ref	<b>DECAL INSTALLATION</b>	
	0272435	Ref	<b>60Hz Spec</b>	C
	0272589	Ref	<b>50Hz Spec</b>	A
201	1705460	2	Decal - SkyPower	
202	1705374	1	Decal - 240V - 60Hz (60Hz Spec Only)	
203		Ref	Decal - 240V - 3 Phase Options	
203	1705375	1	60Hz Spec	
203	1705461	1	50Hz Spec	
204		Ref	Decal, Hazardous Voltage Option	
204	1705387	3	60Hz Spec	
204	1705489	3	50Hz Spec	
	1001122528	Ref	<b>ELECTRICAL DIAGRAM COMPONENTS</b>	B
301	1001119968	1	Generator Harness	C
301A	4460967	1	Plug, Male - 3 Position (Not Shown)	
301A	4460465	6	Socket, Female	
301B	1001117078	1	Fuseholder w/Fuse (Not Shown)	
303	4922641	1	Switch Harness	
	1001121340	Ref	<b>TERMINAL BLOCK ASSEMBLY</b>	A
401	70002818	2	Marker Strip #1	
402	70002819	4	Marker Strip #2	
403	70002820	2	Marker Strip #3	
404	70002821	2	Marker Strip #4	
405	70002822	4	Marker Strip #5	
406	70002823	1	Terminal, End Barrier	
407	70002824	2	Terminal, End Block	
408	70002825	7	Terminal, Block	
409	70002826	2	Terminal, Cross Connector Jumper	
410	3641533	1	Rail, Relay	
	1001103286	Ref	<b>HOURMETER INSTALLATION (OPTIONAL)</b>	A
501	0720808	1	Screw #8-32NC x 1	
502	2420165	1	Hourmeter	
503	3310601	2	Nut #6-32NC	

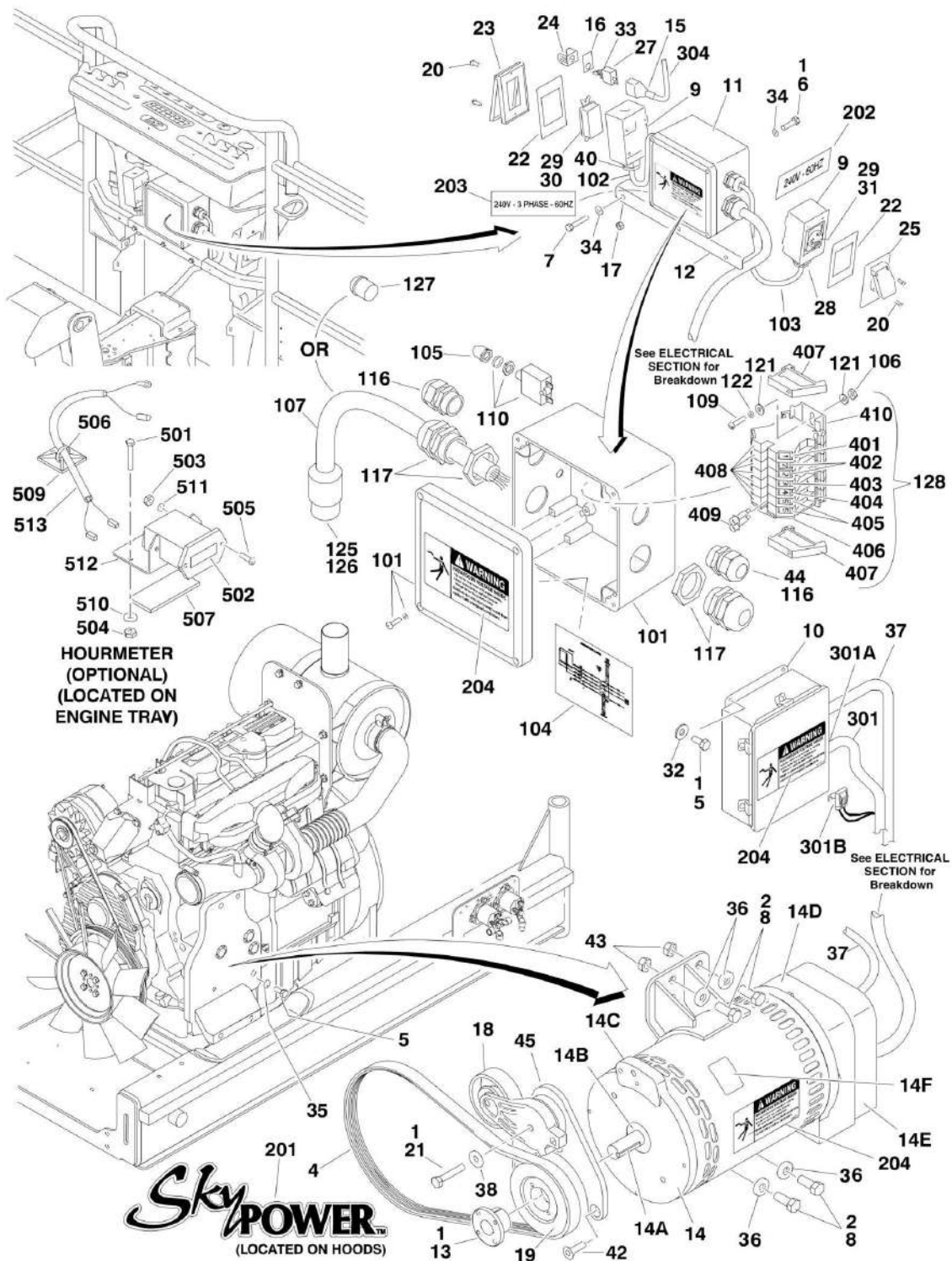
## SECTION 2 - TURNTABLE

ITEM	PART NUMBER	QTY	DESCRIPTION	REV
504	3310805	1	Locknut #8-32NC	
505	3910608	2	Screw #6-32NC x 1/2	
506	4240032	3	Strap, Tie	
507	4420060	3 in/7cm	Tape, Double-Sided	
508	4460018	1	Connector, Butt Splice (Not Shown)	
509	4460234	2	Mount, Tie Strap	
510	4750800	1	Flatwasher #8 Regular	
511	4760600	2	Lockwasher #6	
512	1001094375	1	Bracket, Hourmeter	
513	1001094509	1	Harness, Hourmeter	



# SECTION 2 - TURNTABLE

FIGURE 2-28. 7500W SKYPOWER GENERATOR INSTALLATION - DEUTZ MACHINES (Prior to SN 0300182753)



## SECTION 2 - TURNTABLE

**FIGURE 2-28. 7500W SKYPOWER GENERATOR INSTALLATION - DEUTZ MACHINES (Prior to SN 0300182753)**

ITEM	PART NUMBER	QTY	DESCRIPTION	REV
		Ref	<b>7500W SKYPOWER GENERATOR INSTALLATION (Prior to SN 0300182753)</b>	
	1001125427	Ref	<b>60Hz Spec (Deutz TD2011 Engines)</b>	B
	1001137590	Ref	<b>60Hz Spec (Deutz TCD2.9L4 Engines)</b>	D
	1001125428	Ref	<b>50Hz Spec (Deutz TD2011 Engines)</b>	A
	1001137591	Ref	<b>50Hz Spec (Deutz TCD2.9L4 Engines)</b>	A
		Ref	<b>Note: SkyPower Generator is Standard On ANSI and CSA Specs. Optional on All Other Specs.</b>	
		Ref	<b>Note: See ELECTRICAL SECTION for Boom Cable Installation.</b>	
1	0100011	AR	Compound, Locking	
2	0100019	AR	Compound, Locking	
3	0100048	AR	Grease, Dielectric	
4		Ref	Belt, Generator Options:	
4	0480128	1	60Hz Spec (Deutz TD2011 Engines)	
4	1001142645	1	60Hz Spec (Deutz TCD2.9L4 Engines)	
4	0480129	1	50Hz Spec (Deutz TD2011 Engines)	
4	1001136357	1	50Hz Spec (Deutz TCD2.9L4 Engines)	
5	0641404	5	Bolt 1/4-20NC x 1/2	
6	0641508	4	Bolt 5/16-18NC x 1	
7	0641516	3	Bolt, 5/16-18NC x 2	
8	0641810	4	Bolt, 1/2-13NC x 1-1/4	
8	4300157	AR	Stud 1/2in-13NC (Not Shown)	
9		Ref	Box, Switch-Weatherhead Options:	
9	0860038	2	60Hz Spec	
9	Not Available	1	50Hz Spec (Supply Locally)	
10		Ref	Box, Generator Control Options:	
10	0861538	1	60Hz Spec	
10	0861572	1	50Hz Spec	
10	7024488	1	Card, Circuit - Generator Power	
10	Not Available	1	Fuse (Purchase Locally)	
10	7024489	1	Card, Circuit - Control	
		Ref	<b>Note: Same Circuit Card (P/N 7024489) is used for both 60Hz &amp; 50Hz. When replacing card, rocker switch on card must be set for required application.</b>	
10	70000619	1	Harness, Circuit Card	
11		Ref	Junction Box Assembly Options (See Items 101-128 for Breakdown):	
11	0861542	1	60Hz Spec (Deutz TD2011 Engines)	
11	1001142914	1	60Hz Spec (Deutz TCD2.9L4 Engines)	
11	0861567	1	50Hz Spec	
12	0902888	1	Bracket, Generator Junction Box	
13	0962520	1	Bushing, Taper	
14		Ref	Generator, 7500W Options:	
14	2460048	1	Deutz TD2011 Engines	
14	1001136988	1	Deutz TCD2.9L4 Engines	
14	70001100	1	Rotor/Armature (Not Shown - Includes p/n 70000863 & 70001384)	
14	70001384	1	Bearing, Ball Radial (Not Shown)	
14	70000863	1	Fan (Not Shown)	
14		Ref	Stator Options (Not Shown):	

## SECTION 2 - TURNTABLE

ITEM	PART NUMBER	QTY	DESCRIPTION	REV
14	70002088	1	2460048 Generator	
14	70004093	1	1001136988 Generator	
14	70002297	AR	Stud 1/4-20NC x 12-7/8 (Not Shown)	
14	70003631	1	Brushholder Assembly (Not Shown) (was p/n 7024484)	
14A		Ref	Key Options:	
14A	70004171	1	2460048 Generator (was p/n 7024561)	
14A	70004099	1	1001136988 Generator	
14B	70001966	1	Bearing, Ball Radial (Located in Belt Tensioner Endbell)	
14B	70003709	1	Ring, Retaining (Small)	
14B	70003708	1	Ring, Retaining (Large)	
14C		Ref	Endbell, Belt Tensioner Options:	
14C	70001953	1	2460048 Generator	
14C	70004092	1	1001136988 Generator	
14D		Ref	Endbell, Brush Block Options:	
14D	70004169	1	2460048 Generator (was p/n 70001385)	
14D	70004094	1	1001136988 Generator	
14E		Ref	Shroud, Endbell Options:	
14E	70004169	1	2460048 Generator (was p/n 70002290)	
14E	70004096	1	1001136988 Generator	
14E	7027799	1	Block, Connector 6 Position (Not Shown)	
14E	70002460	1	Nut, Brass (Attaches p/n 7027799 to Cover) (Not Shown)	
14E	7024485	1	Breaker, Circuit 30Amp (Not Shown)	
14E	70001696	1	Boot, Breaker (was p/n 7024486) (Not Shown)	
14E	7026597	1	Connector with Leads (Not Shown)	
14E	7026626	1	Connector with Pins (Not Shown)	
14E		Ref	Clamp, Cable Options (Not Shown):	
14E	7026188	1	2460048 Generator	
14E	70004098	1	1001136988 Generator	
14E		Ref	Plate, End Panel Options (Not Shown):	
14E	70004169	1	2460048 Generator (was p/n 70002255)	
14E	70004095	1	1001136988 Generator	
14E	70004169	1	Plate, End Panel (Not Shown) (was p/n 70002255)	
14E	See Note	1	2460048 Generator (Note: Not Available for Purchase)	
14E	70004097	1	1001136988 Generator	
14E	70001974	1	Decal - Terminal Connections (Not Shown)	
14F	70001973	1	Decal - Warning Moving Parts	
15	2820031	AR	Insulator, Heat Shrink	
16	3251102	1	Nameplate, Generator	
17	3311508	3	Nut, 5/16-18NC Serrated Flange	
18	3580317	1	Pulley, Belt Tensioner	
19		Ref	Pulley, Generator Options:	
19	3580318	1	60Hz Spec	
19	3580319	1	50Hz Spec	
20	3910606	AR	Screw, Round Head #6-32NC x 3/8	
21	0641618	1	Bolt 3/8-16NC x 2	
22		Ref	Gasket, AC Receptacle Options:	
22	3960422	AR	60Hz Spec	
22	Not Available		50Hz Spec (Supply Locally)	
23		Ref	Shield, Receptacle Cover Options:	
23	Not Available		50Hz Spec (Supply Locally)	
23	1001110873	1	60Hz Spec	



## SECTION 2 - TURNTABLE

ITEM	PART NUMBER	QTY	DESCRIPTION	REV
24	4060802	1	Guard, Switch	
25		Ref	Cover, Receptacle Options (Deutz TD2011 Engines Only):	
25	Not Available		50Hz Spec (Supply Locally)	
25	1001110872	1	60Hz Spec	
26	4240018	AR	Strap, Tie (Not Shown)	
27	4360336	1	Switch, Toggle	
28		Ref	Connector, Strain Relief Options (Deutz TD2011 Engines Only):	
28	4460051	1	60Hz Spec	
28	Not Available		50Hz Spec (Supply Locally)	
29	4460315	AR	Terminal, Spade (Use 1 each with items 30 & 31)	
30		Ref	Terminal, Receptacle Options:	
30	4460346	1	60Hz Spec	
30	Not Available		50Hz Spec (Supply Locally)	
31		Ref	Receptacle Options (Deutz TD2011 Engines Only):	
31	4460958	1	60Hz Spec	
31	Not Available		50Hz Spec (Supply Locally)	
32	4711400	4	Flatwasher 1/4 Thin	
33	4740397	1	Spacer, Washer	
34	4751500	AR	Flatwasher 5/16 Regular	
35	4791400	2	Starwasher 1/4	
36	4891800	4	Flatwasher 1/2 Hardened	
37	4922972	1	Harness, Generator Cable	B
37	4460225	1	Plug, Male 6 Position (Plugs into Generator)	
37	4460226	6	Socket, Female (Use with 4460225)	
37	4460807	1	Seal, Plug (Use with 4460225)	
37	4460808	1	Seal, Interface (Use with 4460225)	
37	77363233	1	Connector, Female 6 Position (Plugs into Control Box)	
37	4460942	6	Socket, Female	
38	4711600	1	Flatwasher 3/8 Thin	
39	0100020	AR	Sealant, Pipe (Not Shown)	
40		Ref	Connector, Strain Relief Options:	
40	4460071	1	60Hz Spec	
40	Not Available		50Hz Spec (Supply Locally)	
42	0741607	3	Screw, Countersunk Flathead 3/8-16NC x 7/8	
43	3311801	2	Nut 1/2-13NC	
44	3520192	1	Plug, Hole (Deutz TCD2.9L4 Engines Only)	
45	1001138011	1	Bracket (Deutz TCD2.9L4 Engines Only)	
		Ref	<b>JUNCTION BOX ASSEMBLY</b>	
	0861542	Ref	<b>60Hz Specs (Deutz TD2011 Engines</b>	D
	1001142914	Ref	<b>60Hz Spec (Deutz TCD2.9L4 Engines)</b>	A
	0861567	Ref	<b>50Hz Specs</b>	B
101	0861541	1	Box, Junction	
102		Ref	Cable, Electrical 12/3	
102	1060494	2 ft/.6m	60Hz Spec	
102	Not Available		50Hz Spec (Supply Locally)	
103		Ref	Cable, Electrical 10/3	
103	1060708	2.5 ft /.76m	60Hz Spec (Deutz TD2011 Engines)	
103	Not Required	0	60Hz Spec (Deutz TCD2.9L4 Engines)	
103	Not Available		50Hz Spec (Supply Locally)	
104	1705376	1	Decal - Wiring Schematic	
105	3300396	1	Cover, Fuse	

## SECTION 2 - TURNTABLE

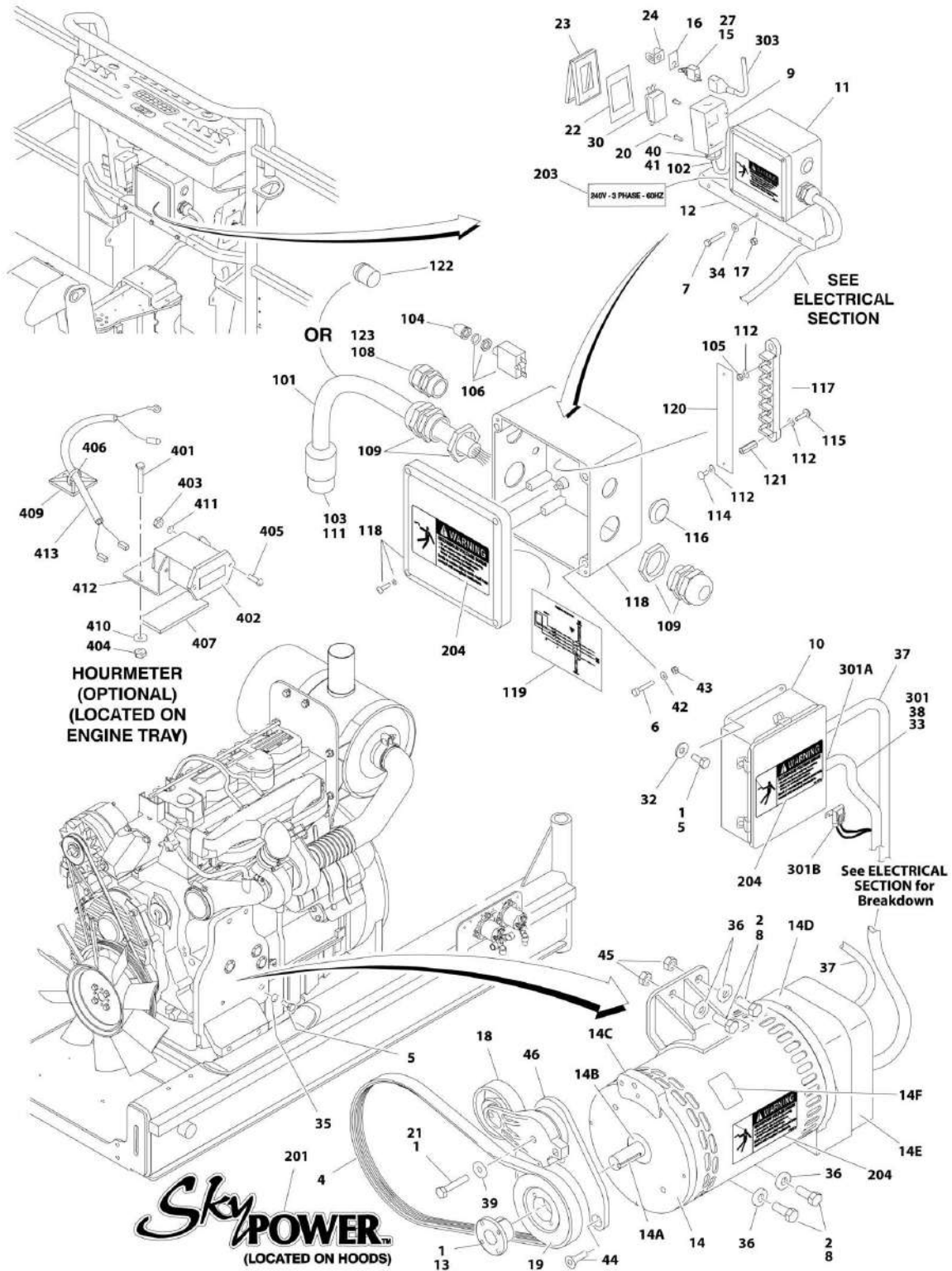
ITEM	PART NUMBER	QTY	DESCRIPTION	REV
106	3310601	2	Nut #6-32NC	
107	1060343	1.5 ft /.46m	Cable, Electrical 10/4 (60Hz Spec Only)	
108	3641533	1	Rail, Relay	
109	3910610	2	Bolt #6-32NC x 5/8	
110	4360070	1	Circuit Breaker - 15 Amp	
116	4460425	2	Strain Relief, Terminal	
116	3520192	1	Plug (60Hz Deutz TCD2.9L4 Engines Only)	
117	4460426	2	Connector, Strain Relief	
121	4750600	4	Flatwasher, #6 Regular	
122	4760600	2	Lockwasher #6	
125	1671092	1	Cover (60Hz Spec Only)	
126	4460963	1	Connector (60Hz Spec Only)	
127	3520189	1	Plug (50Hz Spec Only)	
128	1001121340	1	Terminal Block Assembly (See Items 401-410 for Breakdown)	
		Ref	<b>DECAL INSTALLATION</b>	
	0272435	1	<b>60Hz Spec</b>	B
	0272589	1	<b>50Hz Spec</b>	A
201	1705460	2	Decal - SkyPower	
202	1705374	1	Decal - 240V - 60Hz (60Hz Spec Only)	
203		Ref	Decal - 240V - 3 Phase Options:	
203	1705375	1	60Hz Spec	
203	1705461	1	50Hz Spec	
204		Ref	Decal, Hazardous Voltage Options:	
204	1705387	3	60Hz Spec	
204	1705489	3	50Hz Spec	
	1001122528	Ref	<b>ELECTRICAL DIAGRAM COMPONENTS</b>	B
301	1001119968	1	Generator Harness	C
301A	4460967	1	Plug, Male - 3 Position (Not Shown)	
301A	4460465	3	Socket, Female	
301B	1001117078	1	Fuseholder Fuse	
301B	1001096133	1	Fuseholder	
301B	Not Available	1	Fuse 5 Amp (Purchase Locally)	
301B	1001096134	1	Cap	
304	4922641	1	Switch Harness	
	1001121340	Ref	<b>TERMINAL BLOCK ASSEMBLY</b>	A
401	70002818	2	Marker Strip #1	
402	70002819	4	Marker Strip #2	
403	70002820	2	Marker Strip #3	
404	70002821	2	Marker Strip #4	
405	70002822	4	Marker Strip #5	
406	70002823	1	Terminal, End Barrier	
407	70002824	2	Terminal, End Block	
408	70002825	7	Terminal, Block	
409	70002826	2	Terminal, Cross Connector Jumper	
410	3641533	1	Rail, Relay	
	1001103286	Ref	<b>HOURLY METER INSTALLATION (OPTIONAL)</b>	A
501	0720808	1	Screw #8-32NC x 1	
502	2420165	1	Hourmeter	
503	3310601	2	Nut #6-32NC	
504	3310805	1	Locknut #8-32NC	
505	3910608	2	Screw #6-32NC x 1/2	

**SECTION 2 - TURNTABLE**

<b>ITEM</b>	<b>PART NUMBER</b>	<b>QTY</b>	<b>DESCRIPTION</b>	<b>REV</b>
506	4240032	3	Strap, Tie	
507	4420060	3 in/7cm	Tape, Double-Sided	
508	4460018	1	Connector, Butt Splice (Not Shown)	
509	4460234	2	Mount, Tie Strap	
510	4750800	1	Flatwasher #8 Regular	
511	4760600	2	Lockwasher #6	
512	1001094375	1	Bracket, Hourmeter	
513	1001094509	1	Harness, Hourmeter	

# SECTION 2 - TURNTABLE

FIGURE 2-29. 7500W SKYPOWER GENERATOR INSTALLATION - DEUTZ MACHINES (SN 0300182753 through 0300209000)



**SECTION 2 - TURNTABLE**

**FIGURE 2-29. 7500W SKYPOWER GENERATOR INSTALLATION - DEUTZ MACHINES (SN 0300182753 through 0300209000)**

ITEM	PART NUMBER	QTY	DESCRIPTION	REV
		Ref	<b>7500W SKYPOWER GENERATOR INSTALLATION (SN 0300182753 through 0300209000)</b>	
	1001125427	Ref	<b>60Hz Spec (Deutz TD2011 Engines)</b>	D
	1001137590	Ref	<b>60Hz Spec (Deutz TCD2.9L4 Engines)</b>	D
	1001125428	Ref	<b>50Hz Spec (Deutz TD2011 Engines)</b>	C
	1001137591	Ref	<b>50Hz Spec (Deutz TCD2.9L4 Engines)</b>	B
		Ref	<b>Note: SkyPower Generator is Standard On ANSI and CSA Specs. Optional on All Other Specs.</b>	
		Ref	<b>Note: See ELECTRICAL SECTION for Boom Cable Installation.</b>	
1	0100011	AR	Compound, Locking	
2	0100019	AR	Compound, Locking	
4		Ref	Belt, Generator Options:	
4	0480128	1	60Hz Spec (Deutz TD2011 Engines)	
4	1001142645	1	60Hz Spec (Deutz TCD2.9L4 Engines)	
4	0480129	1	50Hz Spec (Deutz TD2011 Engines)	
4	1001136357	1	50Hz Spec (Deutz TCD2.9L4 Engines)	
5	0641404	AR	Bolt 1/4-20NC x 1/2	
6	3931016	4	Capscrew #10-24NC x 1	
7	0641516	3	Bolt, 5/16-18NC x 2	
8	0641810	AR	Bolt, 1/2-13NC x 1-1/4	
8	4300157	AR	Stud 1/2in-13NC (Not Shown)	
9		Ref	Box, Switch-Weatherhead Options:	
9	0860038	1	60Hz Spec	
9	Not Available	1	50Hz Spec (Supply Locally)	
10		Ref	Box, Generator Control Options:	
10	0861538	1	60Hz Spec	
10	0861572	1	50Hz Spec	
10	7024488	1	Card, Circuit - Generator Power	
10	Not Available	1	Fuse (Purchase Locally)	
10	7024489	1	Card, Circuit - Control	
		Ref	<b>Note: Same Circuit Card (P/N 7024489) is used for both 60Hz &amp; 50Hz. When replacing card, rocker switch on card must be set for required application.</b>	
10	70000619	1	Harness, Circuit Card	
11		Ref	Junction Box Assembly Options (See Items 101-123 for Breakdown):	
11	1001157592	1	60Hz Spec	
11	1001157525	1	50Hz Spec	
12	0902888	1	Bracket, Generator Junction Box	
13	0962520	1	Bushing, Taper	
14		Ref	Generator, 7500W Options:	
14	2460048	1	Deutz TD2011 Engines	
14	1001136988	1	Deutz TCD2.9L4 Engines	
14	70001100	1	Rotor/Armature (Not Shown - Includes p/n 70000863 & 70001384)	
14	70001384	1	Bearing, Ball Radial (Not Shown)	
14	70000863	1	Fan (Not Shown)	
14		Ref	Stator Options (Not Shown):	
14	70002088	1	2460048 Generator	
14	70004093	1	1001136988 Generator	

## SECTION 2 - TURNTABLE

ITEM	PART NUMBER	QTY	DESCRIPTION	REV
14	70002297	AR	Stud 1/4-20NC x 12-7/8 (Not Shown)	
14	70003631	1	Brushholder Assembly (Not Shown) (was p/n 7024484)	
14A		Ref	Key Options:	
14A	70004171	1	2460048 Generator (was p/n 7024561)	
14A	70004099	1	1001136988 Generator	
14B	70001966	1	Bearing, Ball Radial (Located in Belt Tensioner Endbell)	
14B	70003709	1	Ring, Retaining (Small)	
14B	70003708	1	Ring, Retaining (Large)	
14C		Ref	Endbell, Belt Tensioner Options:	
14C	70001953	1	2460048 Generator	
14C	70004092	1	1001136988 Generator	
14D		Ref	Endbell, Brush Block Options:	
14D	70004169	1	2460048 Generator (was p/n 70001385)	
14D	70004094	1	1001136988 Generator	
14E		Ref	Shroud, Endbell Options:	
14E	70004169	1	2460048 Generator (was p/n 70002290)	
14E	70004096	1	1001136988 Generator	
14E	7027799	1	Block, Connector 6 Position (Not Shown)	
14E	70002460	1	Nut, Brass (Attaches p/n 7027799 to Cover) (Not Shown)	
14E	7024485	1	Breaker, Circuit 30Amp (Not Shown)	
14E	70001696	1	Boot, Breaker (was p/n 7024486) (Not Shown)	
14E	7026597	1	Connector with Leads (Not Shown)	
14E	7026626	1	Connector with Pins (Not Shown)	
14E		Ref	Clamp, Cable Options (Not Shown):	
14E	7026188	1	2460048 Generator	
14E	70004098	1	1001136988 Generator	
14E		Ref	Plate, End Panel Options (Not Shown):	
14E	70004169	1	2460048 Generator (was p/n 70002255)	
14E	70004095	1	1001136988 Generator	
14E	70004169	1	Plate, End Panel (Not Shown) (was p/n 70002255)	
14E	See Note	1	2460048 Generator (Note: Not Available for Purchase)	
14E	70004097	1	1001136988 Generator	
14E	70001974	1	Decal - Terminal Connections (Not Shown)	
14F	70001973	1	Decal - Warning Moving Parts	
15	2820031	AR	Insulator, Heat Shrink	
16	3251102	1	Nameplate, Generator	
17	3311508	3	Nut, 5/16-18NC Serrated Flange	
18	3580317	1	Pulley, Belt Tensioner	
19		Ref	Pulley, Generator Options:	
19	3580318	1	60Hz Spec	
19	3580319	1	50Hz Spec	
20	3910606	4	Screw, Round Head #6-32NC x 3/8	
21	0641618	1	Bolt 3/8-16NC x 2	
22		Ref	Gasket, AC Receptacle Options:	
22	3960422	AR	60Hz Spec	
22	Not Available		50Hz Spec (Supply Locally)	
23		Ref	Shield, Receptacle Cover Options:	
23	Not Available		50Hz Spec (Supply Locally)	
23	1001110873	1	60Hz Spec	
24	4060802	1	Guard, Switch	
26	4240018	AR	Strap, Tie (Not Shown)	

**SECTION 2 - TURNTABLE**

ITEM	PART NUMBER	QTY	DESCRIPTION	REV
27	4360336	1	Switch, Toggle	
30		Ref	Terminal, Receptacle Options:	
30	4460346	1	60Hz Spec	
30	Not Available		50Hz Spec (Supply Locally)	
32	4711400	4	Flatwasher 1/4 Thin	
33	0100048	AR	Grease, Dielectric	
34	4751500	3	Flatwasher 5/16 Regular	
35	4791400	2	Starwasher 1/4	
36	4891800	4	Flatwasher 1/2 Hardened	
37	4922972	1	Harness, Generator Cable	B
37	4460225	1	Plug, Male 6 Position (Plugs into Generator)	
37	4460226	6	Socket, Female (Use with 4460225)	
37	4460807	1	Seal, Plug (Use with 4460225)	
37	4460808	1	Seal, Interface (Use with 4460225)	
37	77363233	1	Connector, Female 6 Position (Plugs into Control Box)	
37	4460942	6	Socket, Female	
38	1001157770	1	Wiring Diagram, 7500W Geberator (See Items 301-303 for Breakdown)	
39	4711600	1	Flatwasher 3/8 Thin	
40	0100020	AR	Sealant, Pipe (Not Shown)	
41		Ref	Connector, Strain Relief Options:	
41	4460071	1	60Hz Spec	
41	Not Available		50Hz Spec (Supply Locally)	
42	4751000	4	Washer, #10	
43	3311005	4	Nut, Lock #10-24	
44	0741607	3	Screw, Countersunk Flathead 3/8-16 x 7/8 (TCD2.9L4 Engines Only)	
45	3311801	2	Nut, 1/2-13 (TCD2.9L4 Engines Only)	
46	1001138011	1	Bracket (Deutz TCD2.9L4 Engines Only)	
		Ref	<b>JUNCTION BOX ASSEMBLY</b>	
	1001157592	Ref	<b>60Hz Specs</b>	C
	1001157525	Ref	<b>50Hz Specs</b>	B
101	1060343	1.5 ft /.46m	Cable, Electrical 10/4 (60Hz Spec Only)	
102		Ref	Cable, Electrical 12/3	
102	1001179154	2.5 ft /0.76m	60Hz Spec	
102	Not Available		50Hz Spec (Supply Locally)	
103	1671092	1	Cover (60Hz Spec Only)	
104	3300396	1	Cover, Fuse	
105	3311001	6	Nut, #10-24	
106	4360070	1	Circuit Breaker - 15 Amp	
108	4460425	1	Strain Relief, Terminal	
109	4460426	2	Connector, Strain Relief	
111	4460963	1	Connector (60Hz Spec Only)	
112	4711000	10	Washer, #10	
114	10702077	2	Screw, #10-32 x 3/8	
115	10702082	2	Screw, #10-24 x 3/4	
116	1001152525	1	Plug	
117	1001157520	1	Block, Terminal	
118	1001157521	1	Box, Junction	
119	1001157528	1	Decal - Wiring Schematic	

## SECTION 2 - TURNTABLE

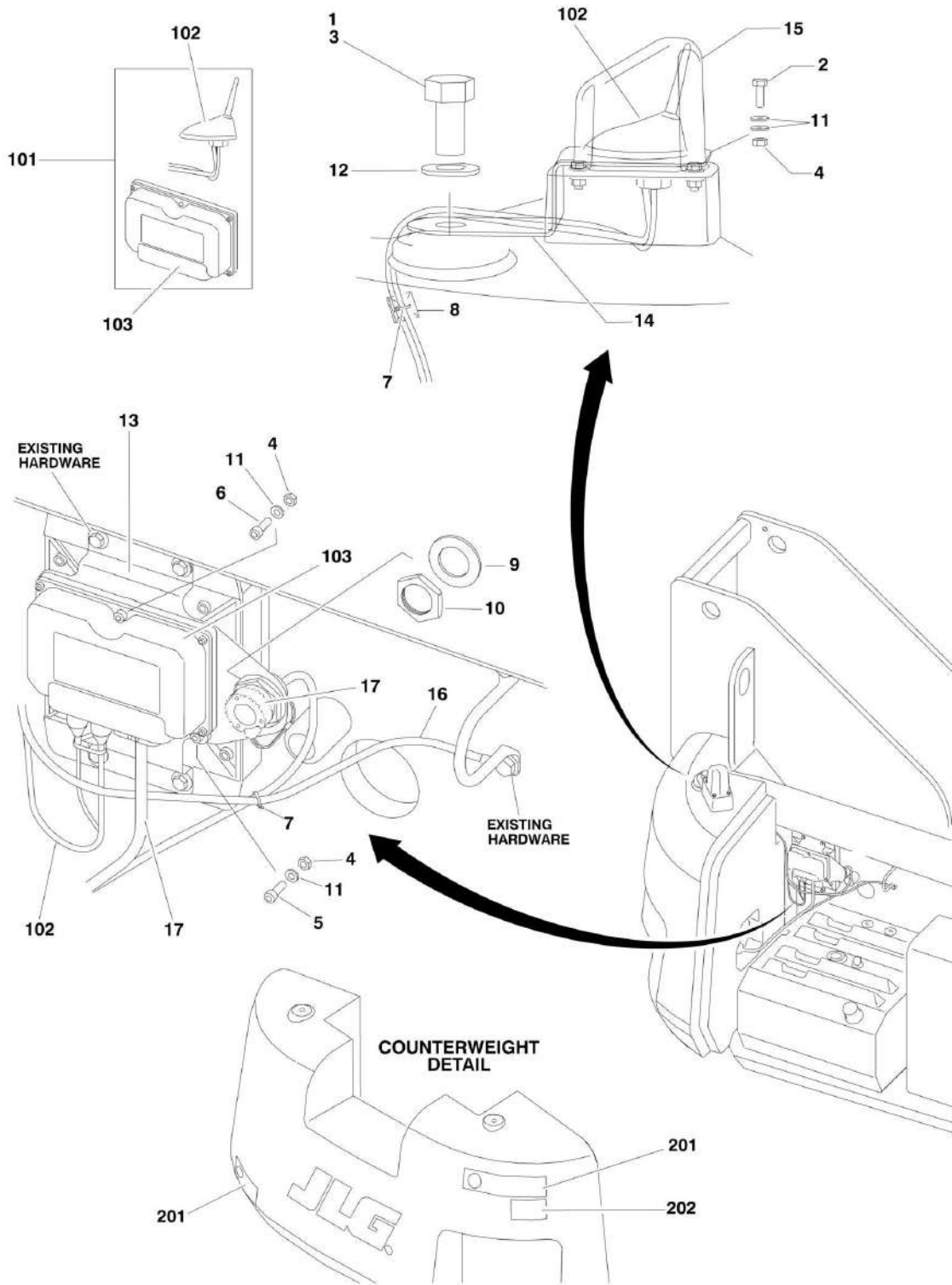
ITEM	PART NUMBER	QTY	DESCRIPTION	REV
120	1001158007	1	Cover, PVC	
121	1001158008	2	Stand-Off	
122	3520189	1	Plug (50Hz Spec Only)	
123	3520192	1	Plug	
		Ref	<b>DECAL INSTALLATION</b>	
	0272435	1	<b>60Hz Spec</b>	C
	0272589	1	<b>50Hz Spec</b>	A
201	1705460	2	Decal - SkyPower	
203		Ref	Decal - 240V - 3 Phase Options:	
203	1705375	1	60Hz Spec	
203	1705461	1	50Hz Spec	
204		Ref	Decal, Hazardous Voltage Options:	
204	1705387	3	60Hz Spec	
204	1705489	3	50Hz Spec	
	1001157770	Ref	<b>ELECTRICAL DIAGRAM COMPONENTS</b>	A
301	1001119968	1	Generator Harness	C
301A	4460967	1	Plug, Male - 3 Position (Not Shown)	
301A	4460465	3	Socket, Female	
301B	1001117078	1	Fuseholder Fuse	
301B	1001096133	1	Fuseholder	
301B	Not Available	1	Fuse 5 Amp (Purchase Locally)	
301B	1001096134	1	Cap	
303	4922641	1	Switch Harness	
	1001103286	Ref	<b>HOURLY METER INSTALLATION (OPTIONAL)</b>	A
401	0720808	1	Screw #8-32NC x 1	
402	2420165	1	Hourmeter	
403	3310601	2	Nut #6-32NC	
404	3310805	1	Locknut #8-32NC	
405	3910608	2	Screw #6-32NC x 1/2	
406	4240032	3	Strap, Tie	
407	4420060	3 in/7cm	Tape, Double-Sided	
408	4460018	1	Connector, Butt Splice (Not Shown)	
409	4460234	2	Mount, Tie Strap	
410	4750800	1	Flatwasher #8 Regular	
411	4760600	2	Lockwasher #6	
412	1001094375	1	Bracket, Hourmeter	
413	1001094509	1	Harness, Hourmeter	





# SECTION 2 - TURNTABLE

## FIGURE 2-30. CLEARSKY TELEMATICS INSTALLATION (OPTIONAL)



**SECTION 2 - TURNTABLE**

**FIGURE 2-30. CLEARSKY TELEMATICS INSTALLATION (OPTIONAL)**

ITEM	PART NUMBER	QTY	DESCRIPTION	REV
	1001112987	Ref	<b>CLEARSKY TELEMATICS INSTALLATION OPTIONAL</b>	B
1	0100011	AR	Compound, Locking	
2	0641406	4	Bolt 1/4-20NC x 3/4	
3	0642612	1	Bolt 1-8NC x 1-1/2	
4	3311405	7	Locknut 1/4-20NC	
5	3931412	2	Capscrew 1/4-20NC x 3/4	
6	3931416	2	Capscrew 1/4-20NC x 1	
7	4240033	AR	Strap, Tie	
8	4460488	2	Mount, Tie Strap	
9	4460496	1	Lockwasher, Strain Relief	
10	4460497	1	Nut, Strain Relief	
11	4711400	11	Flatwasher 1/4 Thin	
12	4712600	1	Flatwasher 1 Thin	
13	1001100432	1	Support, Controller	
14	1001100672	1	Mount, Antenna	
15	1001100876	1	Cover	
16	1001103356	1	Ground Wire	
17	1001111914	1	Telematics Harness (See ELECTRICAL SECTION for Breakdown)	
18	1001129408	1	Plug, Male - 3 Position (Not Shown - See ELECTRICAL SECTION for Location)	
		Ref	<b>CLEARSKY TELEMATICS CONTROLLERS (Factory Installed)</b>	
	1001112988	Ref	<b>ANSI Spec</b>	A
	1001132730	Ref	<b>Australian Spec</b>	A
	1001127092	Ref	<b>Brazil and New Zealand Specs</b>	A
	1001112989	Ref	<b>CE Spec</b>	A
	1001112973	Ref	<b>CSA Spec</b>	A
101		Ref	Controller, Telematic Kit Options (Includes Items 102 & 103):	
101	1001100352	1	ANSI Spec	
101	1001132733	1	Australian Spec	
101	1001102831	1	Brazil, CE and New Zealand Specs	
101	1001104735	1	CSA Spec	
102	1001100443	1	Antenna and Harness	
103		Ref	Controller, Telematics Options:	
103	70002293	1	ANSI Spec	
103	70003617	1	Australian Spec	
103	70002295	1	Brazil, CE and New Zealand Specs	
103	70002294	1	CSA Spec	
		Ref	<b>CLEARSKY TELEMATICS DECALS</b>	
		Ref	<b>Clearsky Telematics Decals (Prior to SN 0300146550)</b>	
	1001116304	Ref	<b>ANSI Spec</b>	A
	Not Available	Ref	<b>ANSI Export and Japanese Specs</b>	
	1001120994	Ref	<b>Australian, Brazil, CE and New Zealand Specs</b>	A
	1001116305	Ref	<b>CSA Spec</b>	A
		Ref	<b>Clearsky Telematics Decals (SN 0300146550 through 0300209000)</b>	
	1001120994	Ref	<b>All Specs</b>	A
201	1001116208	2	<b>Decal - ClearSky</b>	
202		Ref	<b>Decal - Radio Frequency Device Options:</b>	
202		Ref	Decal - Radio Frequency Device (Prior to SN 0300146550)	
202	1001116217	1	ANSI Spec	

## SECTION 2 - TURNTABLE

ITEM	PART NUMBER	QTY	DESCRIPTION	REV
202	Not Available		ANSI Export/ Australian/ CE/ Japanese Specs	
202	100120989	1	Brazil and New Zealand Specs	
202	1001116222	1	CSA Specs	
202		Ref	Decal - Radio Frequency Device <b>(SN 0300146550 through 0300209000)</b>	
202	100120989	1	All Specs	
		Ref	<b>CLEARSKY TELEMATICS KITS (Dealer Installed) (Not Shown)</b>	
	1001119938	Ref	ANSI Spec	
	1001138187	Ref	ANSI Export Spec	
	1001138188	Ref	Australian Spec	
	1001134839	Ref	CE Spec	
	1001119946	Ref	CSA Spec	

**SECTION 3 - BOOM**

# SECTION 3 - BOOM

## FIGURE 3-1. BOOM INSTALLATION

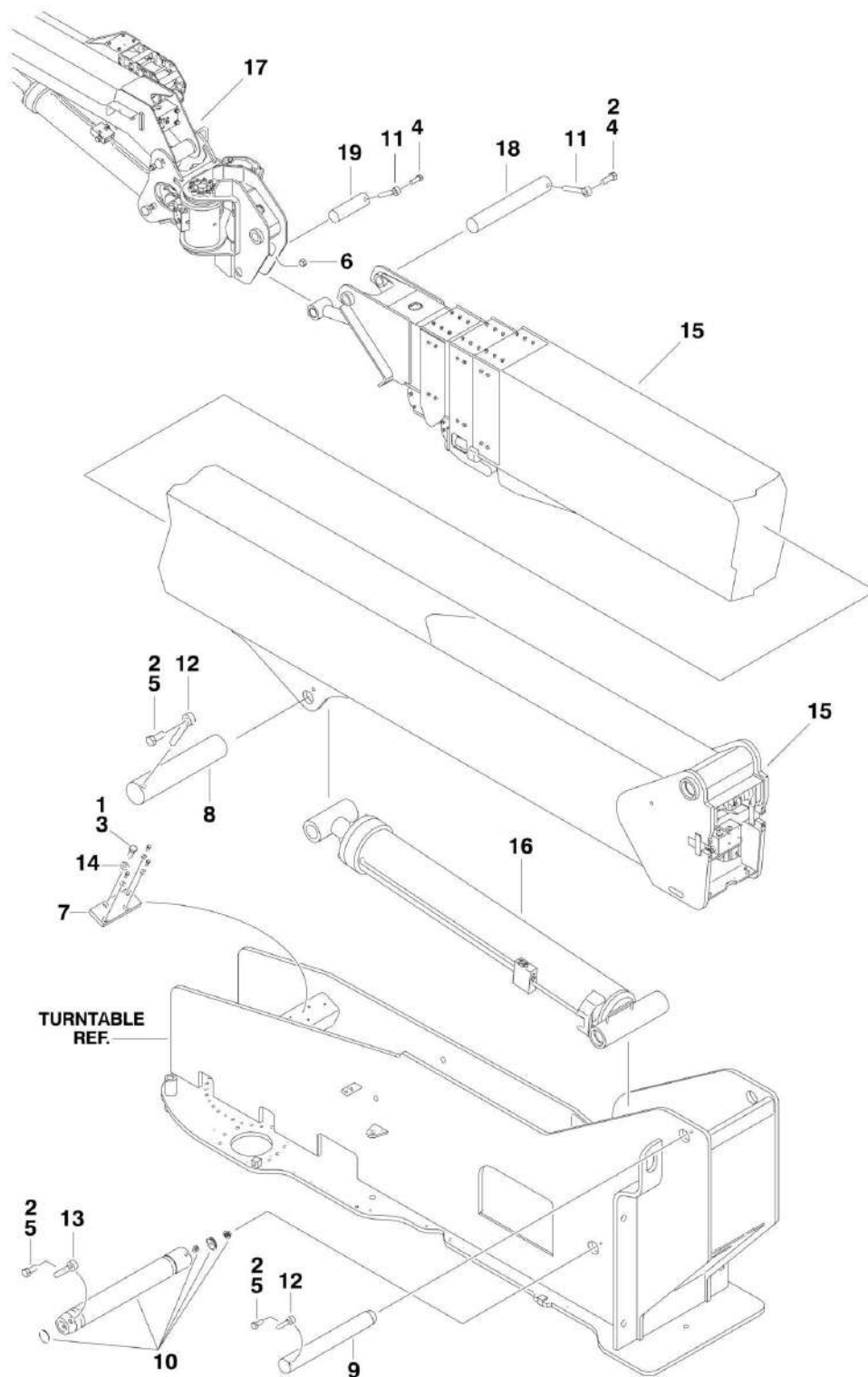
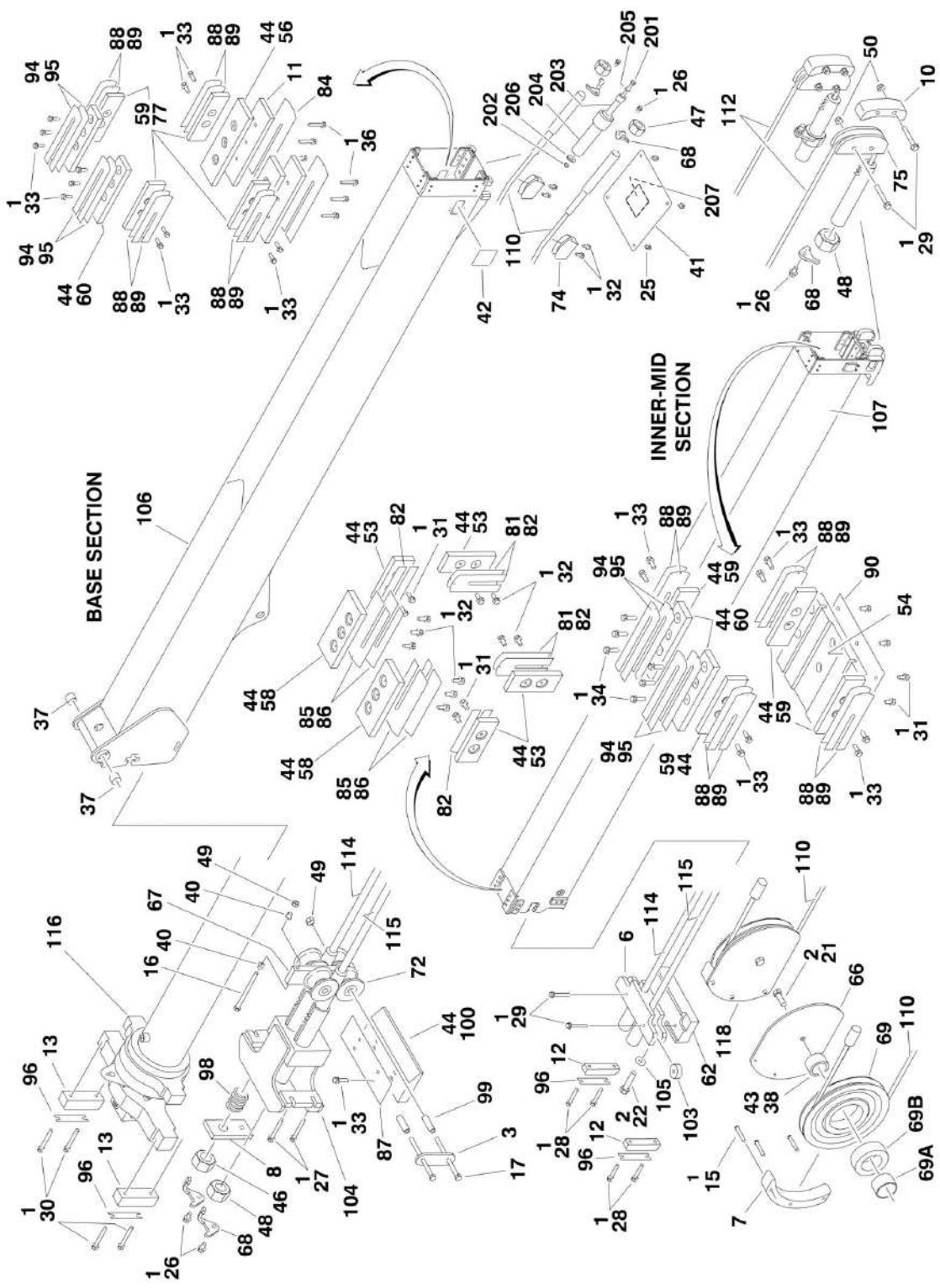


FIGURE 3-1. BOOM INSTALLATION

ITEM	PART NUMBER	QTY	DESCRIPTION	REV
		Ref	<b>BOOM INSTALLATIONS</b>	
	1001119970	Ref	<b>Without Cold Weather Plus Package</b>	C
	1001140105	Ref	<b>With Cold Weather Plus Package</b>	B
1	0100011	AR	Compound, Locking	
2	0100019	AR	Compound, Locking	
3	0641608	4	Bolt 3/8-16NC x 1	
4	0642012	2	Bolt 5/8-11NC x 1-1/2	
5	0642214	3	Bolt 3/4-10NC x 1-3/4	
6	3312005	1	Locknut 5/8-11NC	
7	3340927	1	Pad	
8	3422955	1	Pin	
9	3422988	1	Pin	
10	3423208	1	Pin, Load Sensing	
11	3841258	2	Keeper, Pin	
12	3841287	2	Keeper, Pin	
13	3841581	1	Keeper, Pin	
14	4751600	4	Flatwasher 3/8 Regular	
15		Ref	Boom Assembly Options (See BOOM ASSEMBLY for Breakdown):	
15	1001117455	1	Without Cold Weather Plus Package	
15	1001140107	1	With Cold Weather Plus Package	
16	1001118442	1	Lift Cylinder Assembly (See CYLINDER SECTION for Breakdown)	
17	Not Available	1	Jib Installation (See JIB INSTALLATION for Breakdown)	
18	1001119899	1	Pin	
19	1001119999	1	Pin	

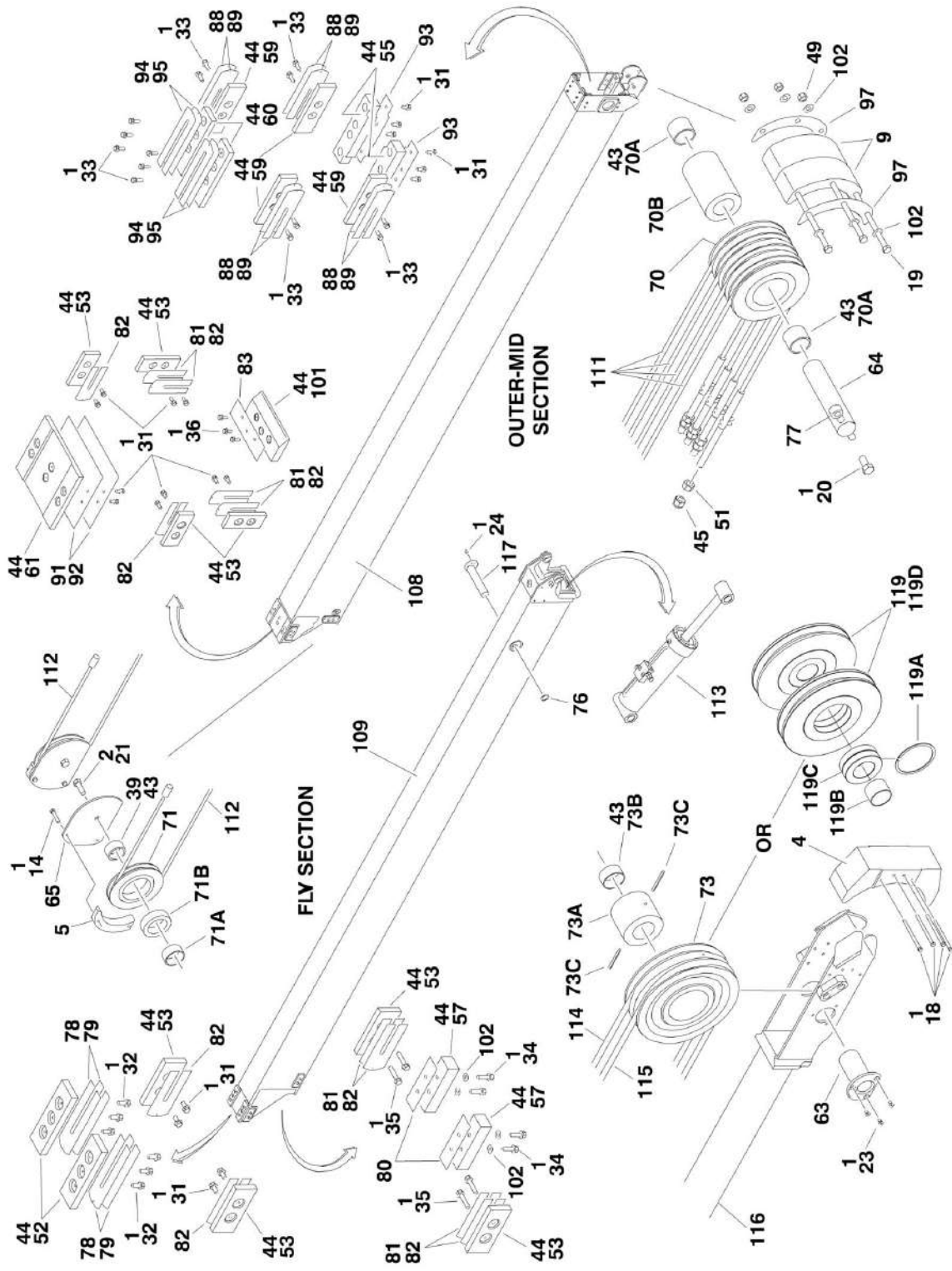
# SECTION 3 - BOOM

## FIGURE 3-2. BOOM ASSEMBLY





SECTION 3 - BOOM



# SECTION 3 - BOOM

## FIGURE 3-2. BOOM ASSEMBLY

ITEM	PART NUMBER	QTY	DESCRIPTION	REV
		Ref	<b>BOOM ASSEMBLY</b>	
	100117455	Ref	<b>Without Cold Weather Plus Package</b>	H
	1001140107	Ref	<b>With Cold Weather Plus Package</b>	B
1	0100011	AR	Compound, Locking	
2	0100019	AR	Compound, Locking	
3	0363066	2	Bar, Stabilizer	
4	0561431	1	Block, Rope Retainer	
5	0561437	2	Block, Rope Retainer	
6	0561439	1	Block, Outer Mid Extend	
7	0561444	2	Block, Cable Retainer	
8	0561454	1	Block, Switch Adjuster	
9	0561457	2	Block, Cable Retainer	
10	0561458	2	Block, Cable Retainer	
11	0561471	2	Block, Spacer	
12	0561482	2	Block, Trunnion Keeper	
13	0561500	2	Block, Trunnion Keeper	
14	0641615	4	Bolt 3/8-16NC x 1-7/8	
15	0641618	6	Screw 3/8-16NC x 2-1/4	
16	0641640	1	Bolt 3/8-16NC x 5	
17	0641644	2	Bolt 3/8-16NC x 5-1/2	
18	0641646	4	Bolt 3/8-16NC x 5-3/4	
19	0641652	3	Bolt 3/8-16NC x 6-1/2	
20	0641808	1	Bolt 1/2-13NC x 1	
21	0642014	4	Bolt 5/8-11NC x 1-3/4	
22	0642022	2	Bolt 5/8-11NC x 2-3/4	
23	0741606	3	Screw, Flathead 3/8-16NC x 3/4	
24	0741806	1	Screw, Flathead 1/2-13NC x 3/4	
25	0791604	4	Screw 3/8-16NC x 1/2	
26	0791605	6	Screw 3/8-16NC x 5/8	
27	0791612	4	Screw 3/8-16NC x 1-1/2	
28	0791618	4	Screw 3/8-16NC x 2-1/4	
29	0791620	10	Screw 3/8-16NC x 2-1/2	
30	0791624	4	Screw 3/8-16NC x 3	
31	0811606	30	Screw 3/8-16NC x 3/4	
32	0811607	24	Screw 3/8-16NC x 7/8	
33	0811608	43	Screw 3/8-16NC x 1	
34	0811610	10	Screw 3/8-16NC x 1-1/4	
35	0811614	4	Screw 3/8-16NC x 1-3/4	
36	0811616	6	Screw 3/8-16NC x 2	
37	0962297	2	Bushing	
38	0962409	2	Bushing	
39	0962410	2	Bushing	
40	0962447	2	Bearing, Flanged	
41	1671032	1	Cover	
42	1671033	1	Cover	
43	3020039	AR	Lubricant, Moly	
44	3020042	AR	Lubricant w/PTFE	
45	3300239	4	Nut, Nylon Insert	
46	3300458	1	Nut 1-12NF	
47	3300460	2	Nut 1 1/4-7NC	

## SECTION 3 - BOOM

ITEM	PART NUMBER	QTY	DESCRIPTION	REV
48	3300461	3	Nut 1 3/8-6NC	
49	3311605	6	Locknut 3/8-16NC	
50	3311608	8	Nut, Castle 3/8-16NC	
51	3311801	4	Nut 1/2-13NC	
52	3340871	2	Pad, Wear	
53	3340881	12	Pad, Wear	
54	3340910	1	Pad, Wear	
55	3340912	2	Pad, Wear	
56	3340916	2	Pad, Wear	
57	3340917	2	Pad, Wear	
58	3340918	2	Pad, Wear	
59	3340921	12	Pad, Wear	
60	3340922	6	Pad, Wear	
61	3340926	1	Pad, Wear	
62	3340955	1	Pad	
63	3422926	1	Pin	
64	3422959	1	Pin	
65	3572950	2	Plate, Cable Retract Retainer	
66		Ref	Plate, Cable Retract Retainer (LH) Options:	
66	3572951	1	Plate, Cable Retract Retainer <b>(Prior to SN 0300146550)</b>	
66	1001131292	1	Plate, Cable Retract Retainer <b>(SN 0300146550 through 0300209000)</b>	
67	3573437	1	Plate, Pulley Adjustment	
68	3573444	6	Plate, Lock	
69		Ref	Sheave Options:	
69	3580298	2	Sheave <b>(Prior to SN 0300146550)</b>	
69	1001131330	2	Sheave <b>(SN 0300146550 through 0300209000)</b>	
69A	0962402	1	Bushing (Outer)	
69B	0962406	1	Bushing (Inner)	
70	3580300	1	Sheave	
70A		Ref	Bushing Options:	
70A	0961948	2	Bushing (Inner) <b>(Prior to SN 0300160046)</b>	
70A	1001139972	1	Sleeve, Bushing (Inner) <b>(SN 0300160046 through 0300209000)</b>	
70B	0962403	1	Bushing (Outer)	
71	3580302	1	Sheave	
71A	0962404	1	Bushing (Outer)	
71B	0962411	1	Bushing (Inner)	
72	3580306	4	Pulley	
73	1001129617	1	Sheave <b>(Prior to SN 0300147430)</b>	
73	3580308	NLA	Sheave (Use p/n 1001177850) <b>(SN 0300147431 through 0300148531)</b>	
73	1001133232	NLA	Sheave (Use p/n 1001177850) <b>(SN 0300148542 through 0300186184)</b>	
73A	0962401	1	Bushing (Outer)	
73B	0962472	1	Bushing (Inner)	
73C	3441680	8	Rollpin	
74	3580341	2	Sheave	
75	3580342	2	Sheave	
76	3760217	1	Ring, Retaining	
77	3841203	1	Keeper, Pin	
78	4070863	2	Shim #11 Gauge	

## SECTION 3 - BOOM

ITEM	PART NUMBER	QTY	DESCRIPTION	REV
79	4070864	2	Shim #18 Gauge	
80	4070895	2	Shim #16 Gauge	
81	4070897	6	Shim #18 Gauge	
82	4070898	12	Shim #11 Gauge	
83	4071012	1	Shim #16 Gauge	
84	4071013	2	Shim #16 Gauge <b>(Prior to SN 0300156659)</b>	
85	4071015	2	Shim #16 Gauge	
86	4071016	2	Shim #11 Gauge	
87	4071017	1	Shim #16 Gauge	
88	4071018	8	Shim #16 Gauge	
89	4071019	12	Shim #11 Gauge	
90	4071024	1	Shim #16 Gauge	
91	4071025	1	Shim #16 Gauge	
92	4071026	1	Shim #11 Gauge	
93	4071027	2	Shim #16 Gauge	
94	4071028	6	Shim #16 Gauge	
95	4071029	6	Shim #11 Gauge	
96	4071031	4	Shim #16 Gauge	
97	4071046	2	Shim #16 Gauge	
98	4160197	1	Spring	
99	4568423	4	Tube, Spacer	
100		Ref	Pad, Wear Options:	
100	4700038	1	Pad, Wear <b>(Prior to SN 0300146550)</b>	
100	1001131296	1	Pad, Wear <b>(SN 0300146550 through 0300209000)</b>	
101	4700039	1	Pad, Wear	
102	4711600	10	Flatwasher 3/8 Thin	
103	4740509	2	Spacer	
104	4846453	1	Plate, Mounting	
105	4892000	2	Flatwasher 5/8 Hardened	
106	1001117456	1	Base, Boom	
107	1001117457	1	Mid, Inner	
108	1001117458	1	Mid, Outer	
109	1001117459	1	Fly, Boom	
110	1001117479	2	Cable, Outer Mid Retract	
111	1001117480	4	Cable, Fly Extend	
112	1001117481	2	Cable, Fly Retract	
113		Ref	Jib Level Cylinder Assembly Options (See CYLINDER SECTION for Breakdown):	
113	1001118142	1	Without Cold Weather Plus Package	
113	1001139998	1	With Cold Weather Plus Package	
114	1001118430	1	Cable, Outer Mid Extend	
115	1001118431	1	Cable, Outer Mid Extend	
116	1001119497	1	Telescope Cylinder Assembly (See CYLINDER SECTION for Breakdown)	
117	1001119571	1	Pin	
118		Ref	Plate, Cable Retract Retainer (RH) Options:	
118	3572951	1	Plate, Cable Retract Retainer <b>(Prior to SN 0300146550)</b>	
118	1001131293	1	Plate, Cable Retract Retainer <b>(SN 0300146550 through 0300209000)</b>	
119	1001154260	2	Sheave (Includes Items 119A-119D) <b>(SN 0300186185 through 0300209000)</b>	
119A	1001154294	1	Ring, Snap	

## SECTION 3 - BOOM

ITEM	PART NUMBER	QTY	DESCRIPTION	REV
119B	1001154304	1	Bushing	B
119C	1001154306	1	Bushing	
119D	1001154307	1	Sheave	
		Ref	Kit Options:	
	1001143929	1	Main Boom Wear Pad Kit (Includes Items 11, 31-36, 52-61, 78-95 & 101-102)	
	1001143927	1	Wire Rope Kit (Includes Items 14-23, 26-30, 38-40, 45-51, 63, 64, 69A, 69B, 70-73, 77, 99, 102, 105 & 110-115)	
	0272048	Ref	<b>WIRE ROPE TOOLS INSTALLATION (OPTIONAL)</b>	
201	0641676	1	Bolt 3/8-16NC x 9-1/2	
202	3311605	1	Locknut 3/8-16NC	
203	4120040	1	Socket 3/4	
204	4120043	1	Socket 2	
205	4711600	1	Flatwasher 3/8 Thin	
206	4891600	1	Flatwasher 3/8 Hardened	
207	1705307	1	Decal - Tool Location	

# SECTION 3 - BOOM

## FIGURE 3-3. JIB INSTALLATION

NOTE: ITEM 29  
INCLUDES 101 THROUGH 128

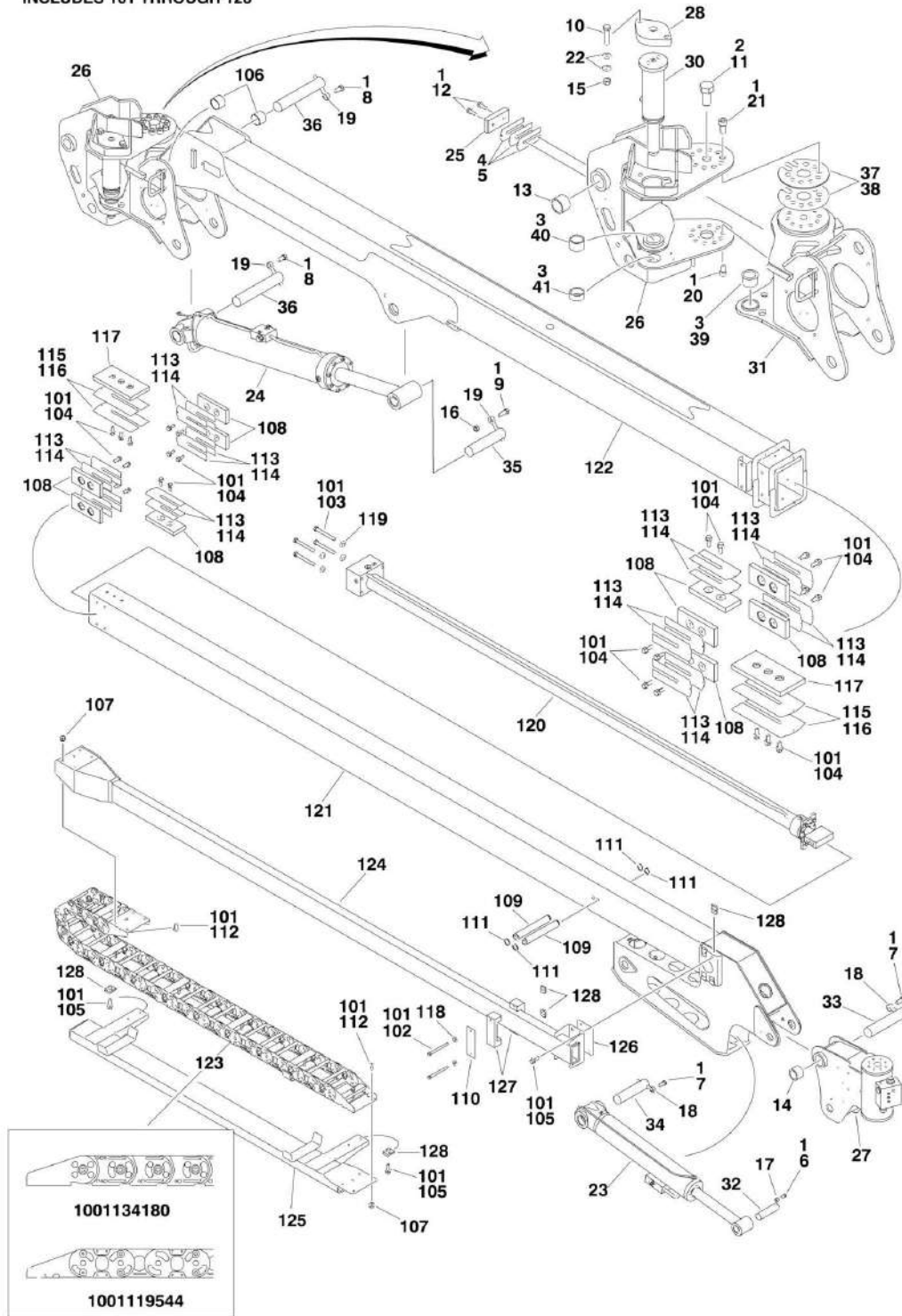


FIGURE 3-3. JIB INSTALLATION

ITEM	PART NUMBER	QTY	DESCRIPTION	REV
		Ref	<b>JIB ASSEMBLIES</b>	
	1001118867	Ref	<b>Without Cold Weather Plus Package (Prior to SN 0300185792)</b>	D
	1001140108	Ref	<b>Without Cold Weather Plus Package (SN 0300185792 through 0300209000)</b>	C
	1001140108	Ref	<b>With Cold Weather Plus Package</b>	C
1	0100011	AR	Compound, Locking	
2	0100019	AR	Compound, Locking	
3	0100063	AR	Compound, Locking	
4	91471226	AR	Shim 16Ga	
5	91471227	AR	Shim 20Ga	
6	0641606	1	Bolt 3/8-16NC x 3/4	
7	0641808	2	Bolt 1/2-13NC x 1	
8	0642010	2	Bolt 5/8-11NC x 1-1/4	
9	0642014	1	Bolt 5/8-11NC x 1-3/4	
10	0682022	2	Bolt 5/8-11NC x 2-3/4 (Grade 8)	
11	0683020	1	Bolt 1-1/4-7NC x 2-1/4 (Grade 8)	
12	0811608	2	Screw 3/8-16NC x 1	
13	0961950	2	Bushing	
14	0962181	2	Bushing	
15	3272005	2	Locknut 5/8-11NC (Grade 8)	
16	3312005	1	Locknut 5/8-11NC	
17	3841143	1	Keeper, Pin	
18	3841203	2	Keeper, Pin	
19	3841258	1	Keeper, Pin	
20	3932016	1	Capscrew 5/8-11NC x 1	
21	3932224	1	Capscrew 3/4-10NC x 1-1/2	
22	4892000	4	Flatwasher 5/8 Hardened	
23		Ref	Platform Level Cylinder Assembly Options (See CYLINDER SECTION for Breakdown):	
23	1001129922	1	Without Cold Weather Plus Package ( <b>Prior to SN 0300185792</b> )	
23	1001139999	1	Without Cold Weather Plus Package ( <b>SN 0300185792 through 0300209000</b> )	
23	1001139999	1	With Cold Weather Plus Package	
24		Ref	Jib Lift Cylinder Assembly Options (See CYLINDER SECTION for Breakdown):	
24	1001118082	1	Without Cold Weather Plus Package ( <b>Prior to SN 0300185792</b> )	
24	1001140104	1	Without Cold Weather Plus Package ( <b>SN 0300185792 through 0300209000</b> )	
24	1001140104	1	With Cold Weather Plus Package	
25	1001118369	1	Pad, Wear	
26	1001118564	1	Pivot, Jib	
27		Ref	Platform Rotate Actuator Assy Options (See ACTUATOR ASSEMBLY for Breakdown):	
27	1001118865	1	Platform Rotate Actuator Assy ( <b>Prior to SN 0300201371</b> )	
27	1001178249	1	Platform Rotate Actuator Assy ( <b>SN 0300201371 through 0300209000</b> )	
28	1001119042	1	Cap	
29	1001119111	1	Jib Boom Assembly (See Items 101-128 for Breakdown)	
30	1001119313	1	Jib Lock Cylinder Assembly (See CYLINDER SECTION for Breakdown)	
31		Ref	Jib Rotate Actuator Assy Options (See ACTUATOR ASSEMBLY for Breakdown):	

## SECTION 3 - BOOM

ITEM	PART NUMBER	QTY	DESCRIPTION	REV
31	1001119901	1	Jib Rotate Actuator Assy (Prior to SN 0300201371)	
31	1001178250	1	Jib Rotate Actuator Assy (SN 0300201371 through 0300209000)	
32	1001119985	1	Pin	
33	1001119990	1	Pin	
34	1001119991	1	Pin	
35	1001119998	1	Pin	
36	1001120000	2	Pin	
37	1001120014	1	Shim 11Ga	
38	1001120015	1	Shim 18Ga	
39	1001120037	1	Bearing, Flange	
40	1001120038	1	Bearing	
41	1001120039	1	Bearing	
	1001119111	Ref	<b>JIB BOOM ASSEMBLY</b>	K
101	0100011	AR	Compound, Locking	
102	0641636	2	Bolt 3/8-16NC x 4-1/2	
103	0681836	4	Bolt 1/2-13NC x 4-1/2 (Grade 8)	
104	0811607	26	Screw 3/8-16NC x 7/8	
105	0811608	8	Screw 3/8-16NC x 1	
106	0961950	2	Bushing	
107	3311608	8	Nut, Flange 3/8-16NC	
108	3340881	10	Pad, Wear	
109	3423161	2	Pin	
110	3575889	1	Plate	
111	3760351	4	Ring, Retaining	
112	3900283	8	Screw, Buttonhead 3/8-16NC x 3/4	
113	4070897	10	Pad, Wear	
114	4070898	10	Pad, Wear	
115	4071039	2	Shim 18Ga	
116	4071040	2	Shim 11Ga	
117	1001129961	2	Pad, Wear	
118	4751600	2	Flatwasher 3/8 Regular	
119	4891800	4	Flatwasher 1/2 Hardened	
120	1001118663	1	Jib Telescope Cylinder Assembly (See CYLINDER SECTION for Breakdown)	
121	1001119413	1	Boom, Jib Fly	
122	1001119414	1	Boom, Jib Base	
123		Ref	Power Track Assembly	
		Ref	<b>Note: Original Equipment Power Track may have been replaced with Service Replacement. Visually identify component before ordering replacement parts.</b>	
123	1001119544	NLA	Power Track Assembly (Use p/n 1001134180) (Prior to SN 0300155403)	
123	1001134180	1	Power Track Assembly (SN 0300155403 through 0300209000)	
123		Ref	Repair Section Options (Includes links, cross bars and mounting hardware):	
123	70003155	AR	Repair Section for 1001119544 Power Track	
123	70003923	AR	Repair Section for 1001134180 Power Track	
123	70003156	1	Mounting Bracket Repair Kit Options (Includes mounting feet for both ends of power track and attaching hardware):	
123	70003156	1	Bracket Kit for 1001119544 Power Track	
123	70003924	1	Bracket Kit for 1001134180 Power Track	
124	1001119654	1	Tube, Push	

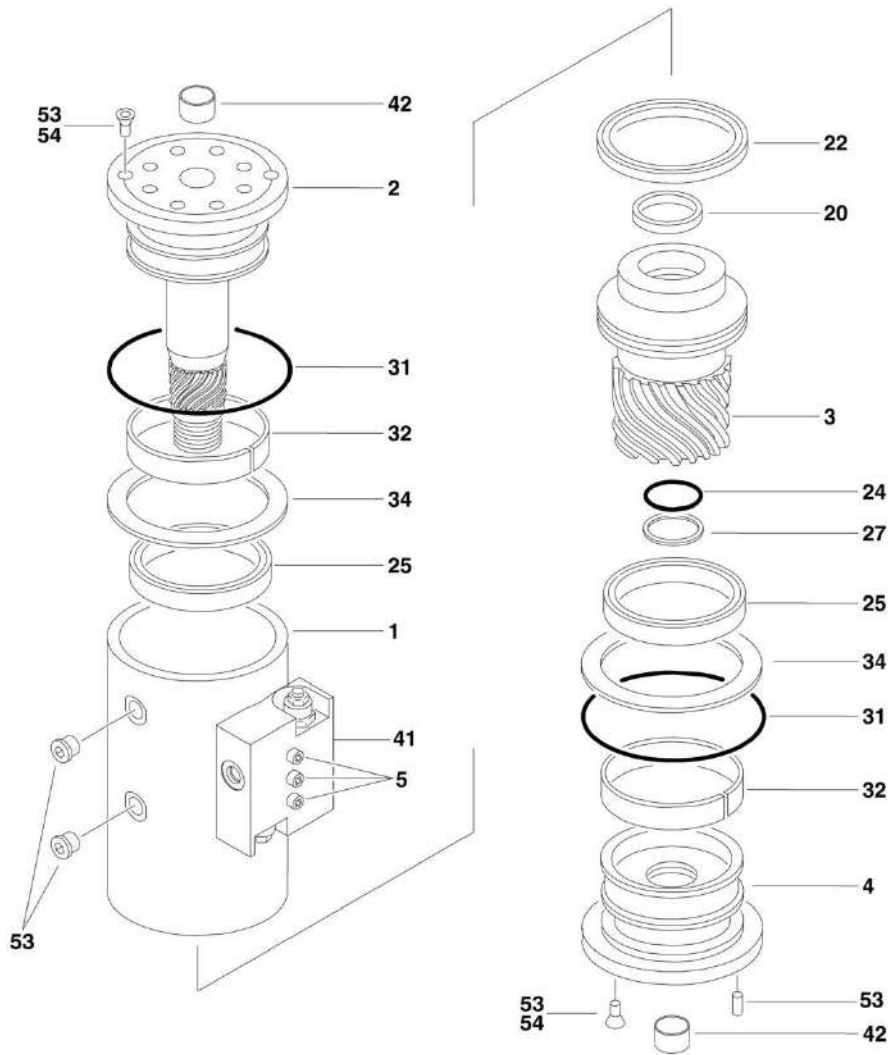


## SECTION 3 - BOOM

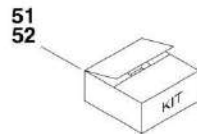
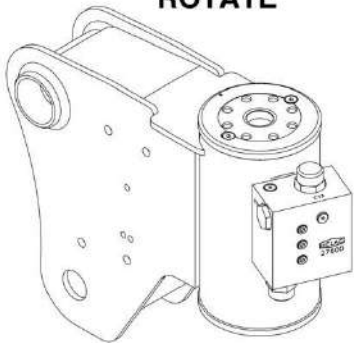
ITEM	PART NUMBER	QTY	DESCRIPTION	REV
125	1001119668	1	Support, Power Track	
126	1001119710	1	Shim, Push Tube	
127	1001119714	2	Pad, Push Tube	
128	88662523	10	Nut, Retainer	
	1001143928	1	Jib Wear Pad Kit (Includes Items 4, 5, 12, 25, 104, 108 & 113-117)	

# SECTION 3 - BOOM

## FIGURE 3-4. ACTUATOR ASSEMBLY



**PLATFORM  
ROTATE**



**JIB  
ROTATE**

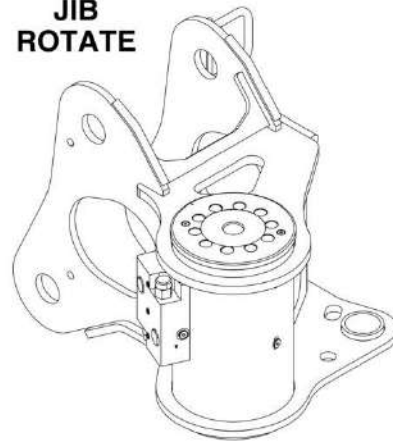


FIGURE 3-4. ACTUATOR ASSEMBLY

ITEM	PART NUMBER	QTY	DESCRIPTION	REV
		Ref	<b>ACTUATOR ASSEMBLY</b>	
	1001118865	Ref	<b>Platform Rotate Actuator Assembly (Standard) (Prior to SN 0300201371)</b>	D
	1001178249	Ref	<b>Platform Rotate Actuator Assembly (Cold Climate) (SN 0300201371 through 0300209000)</b>	A
	1001119901	Ref	<b>Jib Rotate Actuator Assembly (Standard) (Prior to SN 0300201371)</b>	E
	1001178250	Ref	<b>Jib Rotate Actuator Assembly (Cold Climate) (SN 0300201371 through 0300209000)</b>	A
1	Not Available	1	Case/Bracket Weldment	
2		Ref	Shaft Options:	
2	7017162	1	Platform Rotate Actuator	
2	70002853	1	Jib Rotate Actuator	
3		Ref	Sleeve, Piston Options:	
3	7017163	1	Platform Rotate Actuator	
3	70002854	1	Jib Rotate Actuator	
4		Ref	Cap, End Options:	
4	7017164	1	Platform Rotate Actuator	
4	70002855	1	Jib Rotate Actuator	
5	Not Available	3	Capscrew 1/4-20 x 1-1/2 (Grade 8)	
20	See Note	1	Seal, Rod (Note: Use Item 52)	
22	See Note	1	Seal, Piston (Note: Use Item 52)	
24	See Note	1	Seal, Cap (Note: Use Item 52)	
25	See Note	2	Packing, Bearing (Note: Use Item 52)	
27	See Note	1	Ring, Cap Back-Up (Note: Use Item 52)	
31	See Note	2	Seal (Note: Use Item 52)	
32	See Note	2	Bearing, Shaft (Note: Use Item 51)	
34	See Note	2	Thrustwasher (Note: Use Item 51)	
41		Ref	Motion Control Valve Assembly	
41	7017183	1	Valve Assembly for Platform Rotate Actuator	
41	7017193	2	Replacement Cartridge (Located on Top and Bottom of Valve) (Valve for Platform Rotate Actuator Only)	
41	Not Available	2	Seal Kit - 7017193 Cartridge	
41	Not Available	1	Replacement Cartridge (Not Shown - Located on Side of Valve) (Valve for Platform Rotate Actuator Only)	
41	Not Available	1	Seal Kit - 7017193 Cartridge	
41	70002859	1	Valve Assembly for Jib Rotator Actuator (No Service Parts Available)	
42		Ref	Bushing, Shaft Options:	
42	7017195	2	Platform Rotate Actuator	
42	Not Available	1	Jib Rotate Actuator	
51		Ref	Bearing Kit Options (Includes Items 32 & 34):	
51	7017159	1	Platform Rotate Actuator	
51	70002857	1	Jib Rotate Actuator	
52		Ref	Seal Kit Options (Includes Items 20, 22, 24, 25, 27 & 31):	
52		Ref	Kit for Platform Rotate Actuator	
52	7017158	1	Standard	
52	70000342	1	Cold Climate	
52		Ref	Kit for Jib Rotate Actuator	
52	70002856	1	Standard	
52	70005170	1	Cold Climate	

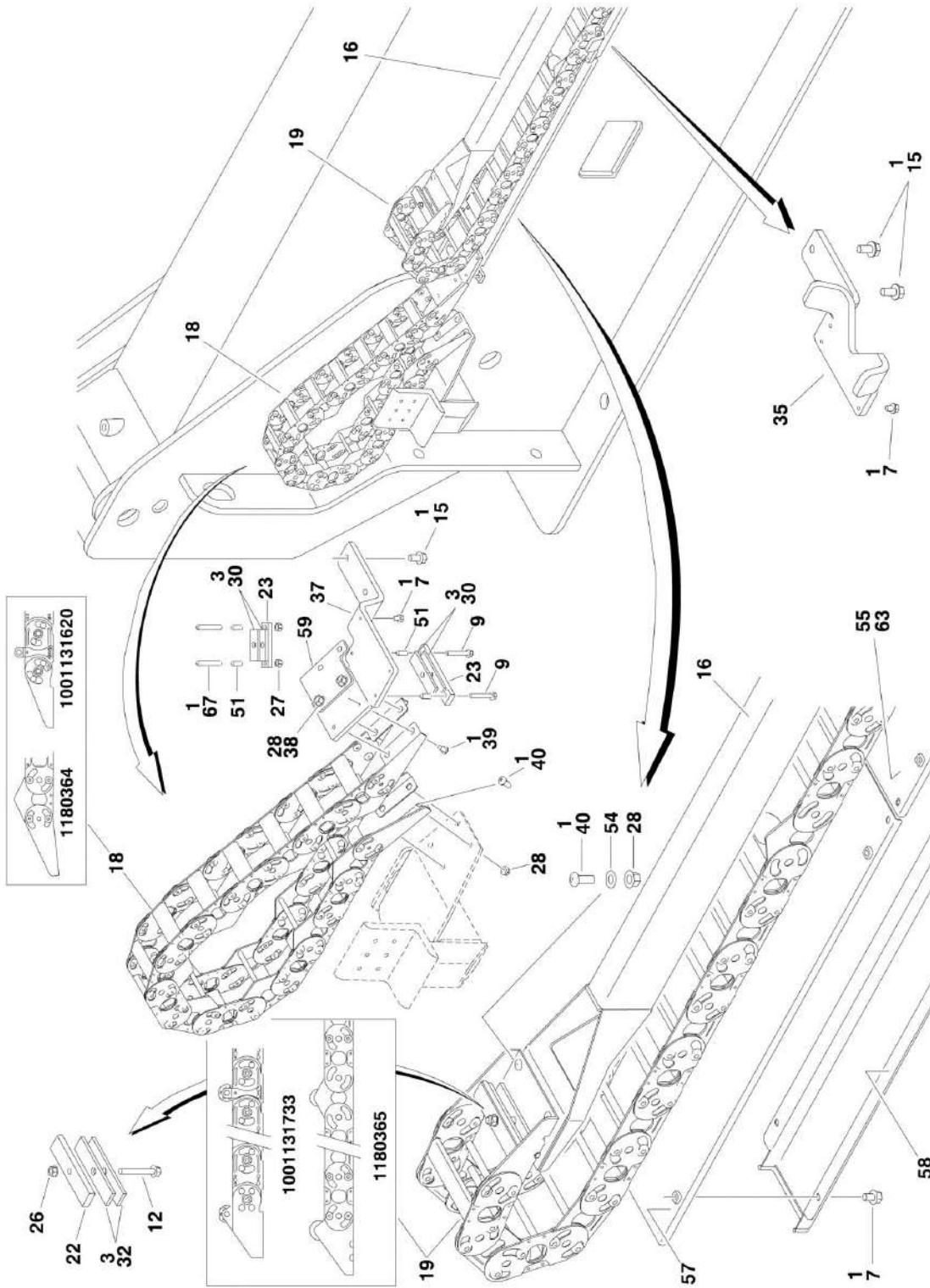
## SECTION 3 - BOOM

ITEM	PART NUMBER	QTY	DESCRIPTION	REV
53		Ref	Hardware Kit	
53	7017142	1	Platform Rotate Actuator	
53	70002858	1	Jib Rotate Actuator	
54	70001697	4	Screw, Countersunk 1/4-20NC x 3/8 (Grade 8)	

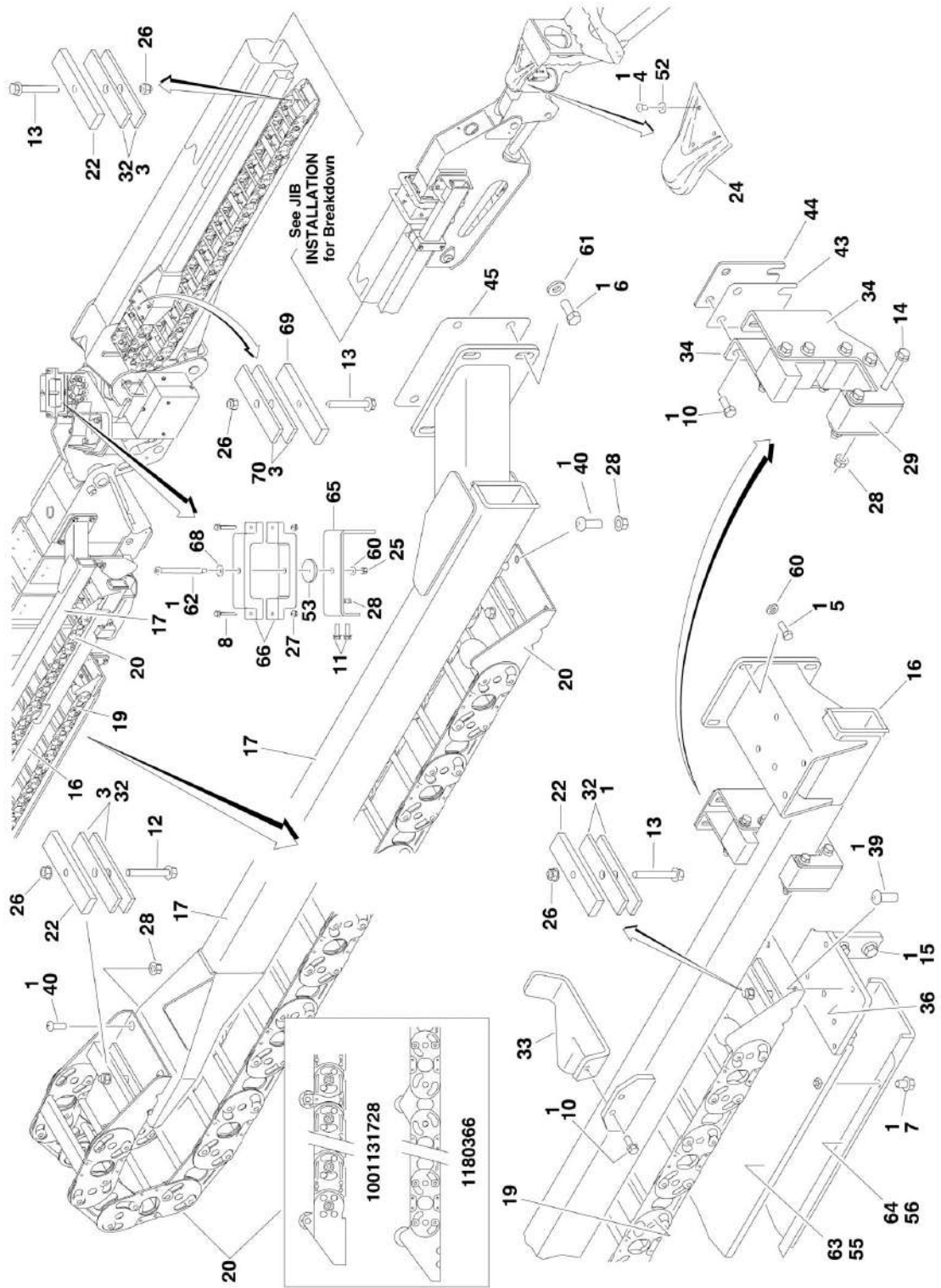


# SECTION 3 - BOOM

## FIGURE 3-5. POWER TRACK INSTALLATION



# SECTION 3 - BOOM



# SECTION 3 - BOOM

## FIGURE 3-5. POWER TRACK INSTALLATION

ITEM	PART NUMBER	QTY	DESCRIPTION	REV
	1001119944	Ref	<b>POWER TRACK INSTALLATION</b>	F
1	0100011	AR	Compound, Locking	
2	0100019	AR	Compound, Locking (Not Shown)	
3	0100081	AR	Adhesive #454	
4	0630467	3	Screw, Button 5/16-18NC x 1/2	
5	0641608	4	Bolt 3/8-16NC x 1	
6	0641810	4	Bolt 1/2-13NC x 1 1/4	
7	0791504	66	Screw 5/16-18NC x 1/2	
8	0791516	2	Screw 5/16-18NC 2	
9		Ref	Screw Options:	
9	0791518	2	Setscrew 5/16-18NC 2 1/4 <b>(Prior to SN 0300152139)</b>	
9	0791520	2	Setscrew 5/16-18NC 2 1/2 <b>(SN 0300152139 through 0300209000)</b>	
10	0791607	10	Screw 3/8-16NC x 7/8	
11	0791609	2	Screw 3/8-16NC x 1 1/8	
12	0791620	2	Screw 3/8-16NC x 2 1/2	
13	0791622	4	Screw 3/8-16NC x 2 3/4	
14	0791624	6	Screw 3/8-16NC x 3	
15	0791808	16	Screw 1/2-13NC x 1	
16	1180362	1	Tube, Push (Lower)	
17	1180363	1	Tube, Push (Upper)	
18		Ref	Carrier (T/T to Boom) Options:	
		Ref	<b>Note: Original Equipment Power Track may have been replaced with Service Replacement. Visually identify component before ordering replacement parts.</b>	
18	1180364	NLA	Carrier (Use p/n 1001131620) <b>(Prior to SN 0300155403)</b>	
18	1001131620	1	Carrier <b>(SN 0300155403 through 0300209000)</b>	
18		Ref	Section Repair Kit Options (Includes Inner and Outer Links, Joining Bars and Rollers, and Assembling Hardware):	
18	7024367	AR	Repair Kit for 1180364 Power Track	
18	70003917	AR	Repair Kit for 1001131620 Power Track	
18		Ref	Mounting Bracket Kit Options (Includes Mounting Brackets for Both Ends, 1 Roller Assembly and Assembling Hardware):	
18	7024368	1	Bracket Kit for 1180364 Power Track	
18	70003918	1	Bracket Kit for 1001131620 Power Track	
19		Ref	Carrier (Lower) Options:	
		Ref	<b>Note: Original Equipment Power Track may have been replaced with Service Replacement. Visually identify component before ordering replacement parts.</b>	
19	1180365	NLA	Carrier (Use p/n 1001131733) <b>(Prior to SN 0300155403)</b>	
19	1001131733	1	Carrier <b>(SN 0300155403 through 0300209000)</b>	
19		Ref	Section Repair Kit Options (Includes Inner and Outer Links, Joining Bars and Rollers, and Assembling Hardware):	
19	7024362	AR	Repair Kit for 1180365 Power Track	
19	70003913	AR	Repair Kit for 1001131733 Power Track	
19		Ref	Mounting Bracket Kit Options (Includes Mounting Brackets for Both Ends, 1 Roller Assembly and Assembling Hardware):	
19	7024363	1	Bracket Kit for 1180365 Power Track	
19	70003915	1	Bracket Kit for 1001131733 Power Track	
19		Ref	Center Bracket Kit Options (Includes 1 Flat Bar, 1 Round Bar, 1 Roller and Assembling Hardware):	
19	7024364	AR	Bracket Kit for 1180365 Power Track	



## SECTION 3 - BOOM

ITEM	PART NUMBER	QTY	DESCRIPTION	REV
19	70003914	AR	Bracket Kit for 1001131733 Power Track	
20		Ref	Carrier (Upper) Options:	
		Ref	<b>Note: Original Equipment Power Track may have been replaced with Service Replacement. Visually identify component before ordering replacement parts.</b>	
20	1180366	NLA	Carrier (Use p/n 1001131728) (Prior to SN 0300155403)	
20	1001131728	1	Carrier (SN 0300155403 through 0300209000)	
20		Ref	Section Repair Kit Options (Includes Inner and Outer Links, Joining Bars and Rollers, and Assembling Hardware):	
20	7024362	AR	Repair Kit for 1180365 Power Track	
20	70003913	AR	Repair Kit for 1001131733 Power Track	
20		Ref	Mounting Bracket Kit Options (Includes Mounting Brackets for Both Ends, 1 Roller Assembly and Assembling Hardware):	
20	7024363	1	Bracket Kit for 1180365 Power Track	
20	70003915	1	Bracket Kit for 1001131733 Power Track	
20		Ref	Center Bracket Kit Options (Includes 1 Flat Bar, 1 Round Bar, 1 Roller and Assembling Hardware):	
20	7024364	AR	Bracket Kit for 1180365 Power Track	
20	70003914	AR	Bracket Kit for 1001131733 Power Track	
22	1320294	5	Clamp, Bar	
23	1320295	2	Clamp, Bar	
24	1670964	1	Cover, Support/Rotator	
25	3271601	2	NUT 3/8-16NC (GRADE 8)	
26	3300492	6	Nut, Nylon Insert	
27	3311508	4	Nut, Flanged 5/16-18NC	
28	3311608	26	Nut, Flanged 3/8-16NC	
29	3340925	1	Pad	
30	3340940	4	Pad, Rubber	
32	3340942	10	Pad, Rubber	
33	3573016	3	Support, Track	
34	3573179	2	Plate, Mounting	
35	3573181	6	Support, Track	
36	3573194	1	Plate, Track Mounting	
37	3573210	1	Plate, Track Mounting	
38	3900232	2	Screw, Button 3/8-16NC x 1 1/4	
39	3900283	6	Screw, Button Head 3/8-16NC x 3/4	
40	3900316	16	Screw, Button Head 3/8-16NC x 1	
42	4060804	11 in /28cm	Shield, Flex Trim 3/16 (Not Shown)	
43	4071021	1	Shim, Adjusting 16Ga	
44	4071022	1	Shim, Adjusting 11Ga	
45	4071023	1	Shim, Adjusting 11Ga	
47	4240018	10	Tie-Strap (Not Shown)	
48	4240153	4	Strap, 4 Cinch (Not Shown)	
49	4240155	6	Strap, 8 Cinch (Not Shown)	
50	4240156	1	Strap, 12 Cinch (Not Shown)	
51	4562516	AR	Tubing, Poly	
52	4711500	3	Flatwasher 5/16 Thin	
53	4740400	1	Washer, Special	
54	4751500	4	Flatwasher 5/16 Regular	
55	4846423	5	Cover, Cable (Rear)	
56	4846429	5	Support, Cable (Rear)	
57	4846431	1	Cover, Cable (Front)	

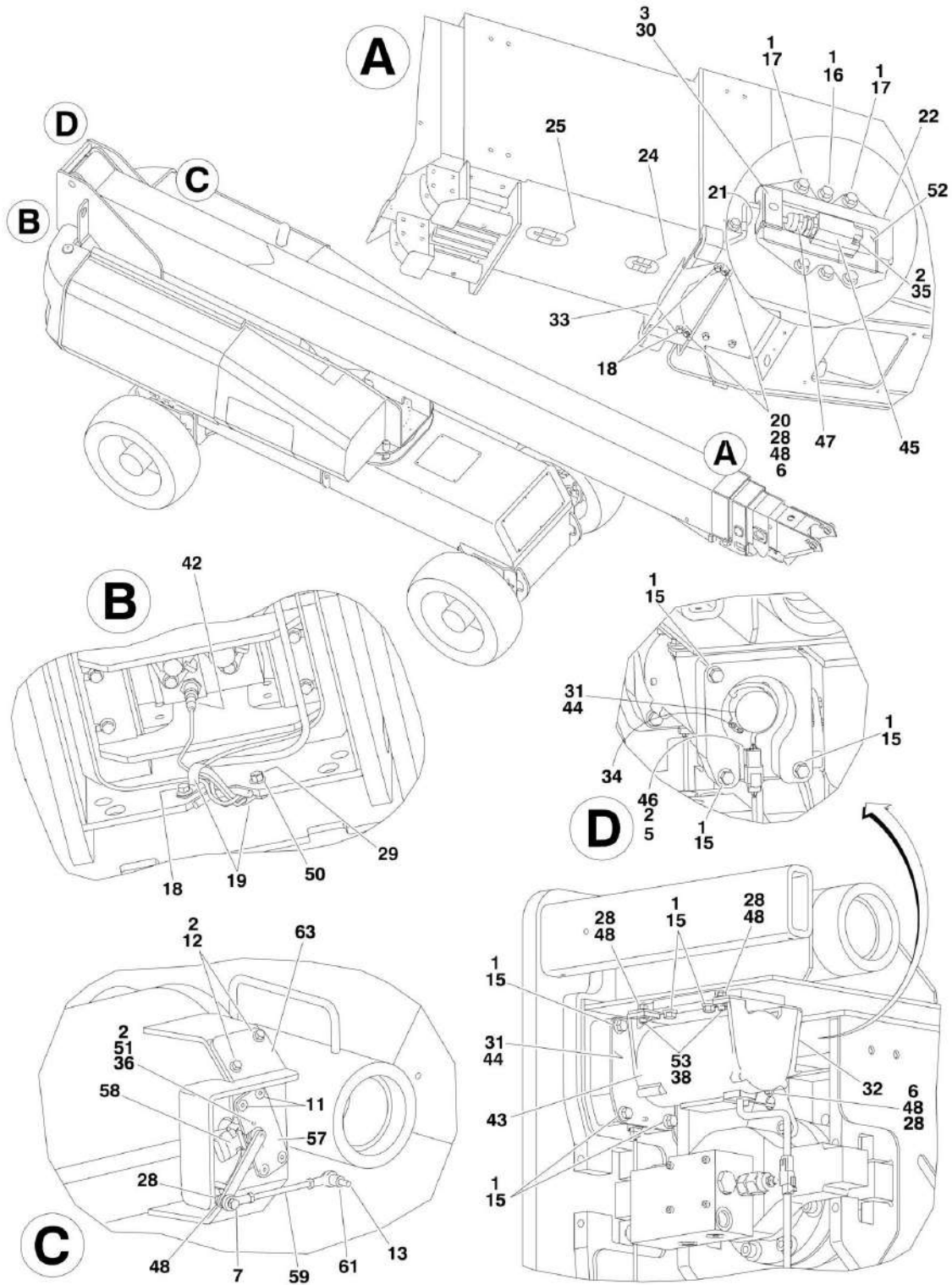
## SECTION 3 - BOOM

ITEM	PART NUMBER	QTY	DESCRIPTION	REV
58	4846485	1	Support, Cable (Front)	
59	4846753	1	Shield, Hose Protection	
60	4891600	5	Flatwasher, 3/8 Hardened	
61	4891800	4	Flatwasher 1/2 Hardened	
62	8310235	1	Capscrew 3/8-16NC	
63	1001119521	1	Cover, Cable (Middle)	
64	1001119522	1	Support, Cable (Middle)	
65	1001120209	1	Bracket, Guide Block	
66	1001120257	2	Pad, Guide	
67		Ref	Setscrew Options:	
67	3951524	2	Setscrew 5/16-18NC x 3 <b>(Prior to SN 0300152139)</b>	
67	3951522	2	Setscrew 5/16-18NC x 2 3/4 <b>(SN 0300152139 through 0300209000)</b>	
68	4711800	1	Flatwasher 1/2 Thin	
69		Ref	Clamp, Bar Options:	
69	1320294	1	Clamp, Bar <b>(Prior to SN 0300152700)</b>	
69	1320298	1	Clamp, Bar <b>(SN 0300152700 through 0300209000)</b>	
70		Ref	Pad, Rubber Options:	
70	3340942	2	Pad, Rubber <b>(Prior to SN 0300152700)</b>	
70	3340939	2	Pad, Rubber <b>(SN 0300152700 through 0300209000)</b>	

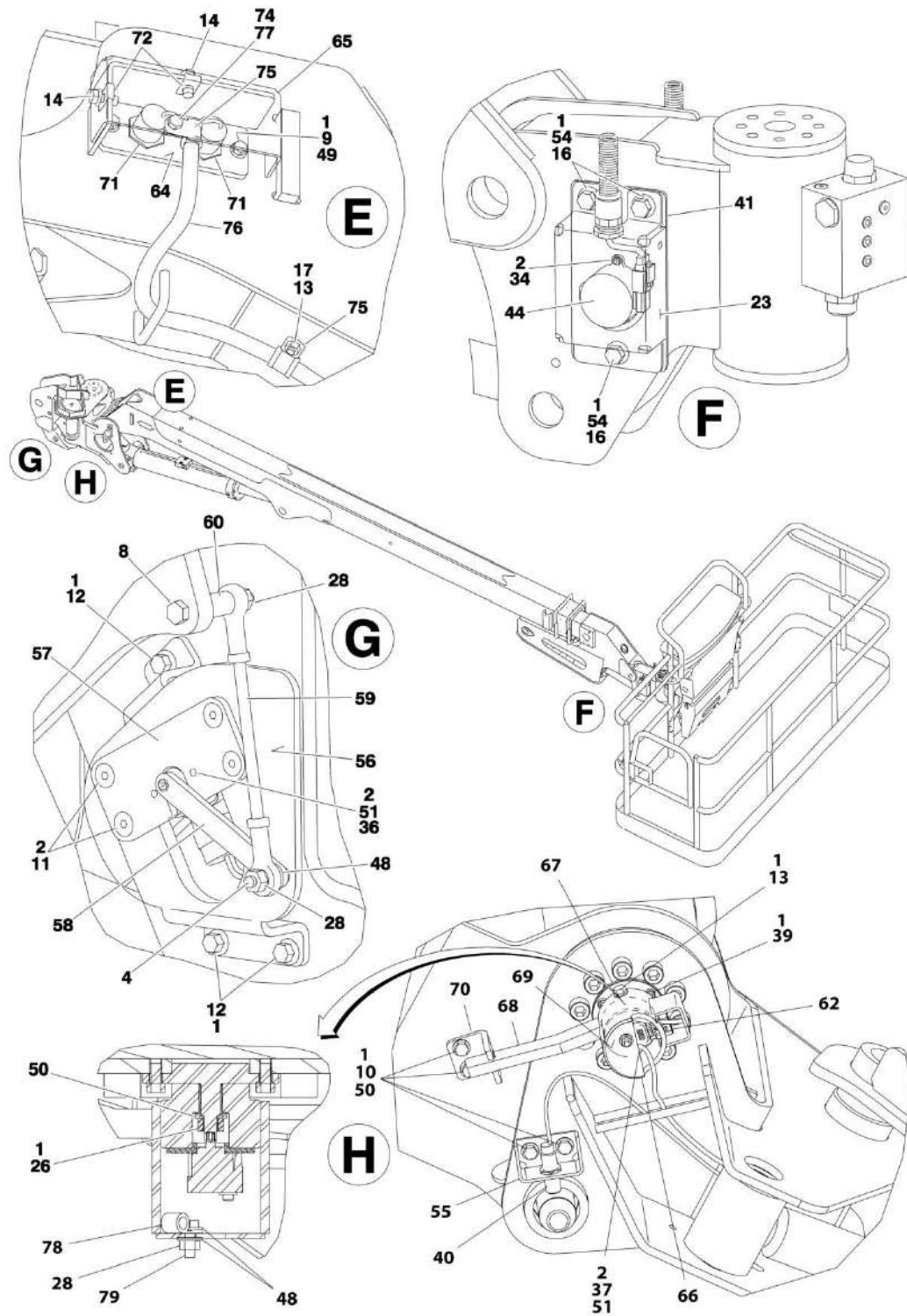


# SECTION 3 - BOOM

## FIGURE 3-6. BOOM SENSORS AND SWITCHES INSTALLATION



# SECTION 3 - BOOM



## SECTION 3 - BOOM

**FIGURE 3-6. BOOM SENSORS AND SWITCHES INSTALLATION**

ITEM	PART NUMBER	QTY	DESCRIPTION	REV
	1001119225	Ref	<b>BOOM SENSORS AND SWITCHES INSTALLATIONS</b>	H
1	0100011	AR	Compound, Locking	
2	0100035	AR	Compound, Locking	
3	0100081	AR	Adhesive	
4	0630357	1	Screw, Button Head 1/4-20NC x 1	
5	0630464	2	Screw, Button Head #10-24NC x 1/2	
6	0641405	3	Bolt 1/4-20NC x 5/8	
7	0641408	1	Bolt 1/4-20NC x 1	
8	0641418	1	Bolt 1/4-20NC x 2 1/4	
9	0641508	2	Bolt 5/16-18NC x 1	
10	0641607	4	Bolt 3/8-16NC x 7/8	
11	0741404	8	Screw, Countersunk 1/4-20NC x 1/2	
12	0791406	5	Screw 1/4-20NC x 3/4	
13	0791505	3	Screw 5/16-18NC x 5/8	
14	0791506	2	Screw 5/16-18NC x 3/4	
15	0791604	8	Screw 3/8-16NC x 1/2	
16	0791605	10	Screw 3/8-16NC x 5/8	
17	0791606	4	Screw 3/8-16NC x 3/4	
18	0791608	2	Screw 3/8-16NC x 1	
19	1320130	2	Clamp, Hose	
20	1320136	2	Clamp, Hose	
21	1320301	1	Clamp, Cable	
22	1671031	1	Cover, Limit Switch	
23	1671044	2	Cover, Level Sensor	
24	1705366	1	Decal - Boom Length (500LB Cap)	
25	1705367	1	Decal - Boom Length (1000LB Cap)	
26	3281601	1	Nut 3/8-24NF (Grade 8)	
28	3311405	AR	Locknut 1/4-20NC	
29	3311605	2	Locknut 3/8-16NC	
30	3340941	1	Pad, Rubber	
31	3573301	2	Plate, Sensor Mounting	
32	3574431	1	Plate, Switch Mounting	
33	3574616	1	Plate, Boom Length	
34	3930606	12	Capscrew #6-32NC x 3/8	
35	3930816	2	Capscrew #8-32NC x 1	
36	3930820	4	Capscrew #8-32NC x 1 1/4	
37	3930824	2	Capscrew #8-32NC x 1 1/2	
38	3931414	4	Capscrew 1/4-20NC x 7/8	
39	3931508	4	Capscrew 5/16-18NC x 1/2	
40	4000008	1	Sensor, Proximity (Jib Lock) (Note: Control System must be recalibrated when Sensor is replaced)	
41	4341158	2	Plate, Mounting Sensor	
42	4360527	1	Switch, Proximity (Cable Break) (Note: Control System must be recalibrated when Switch is replaced)	
43	4360543	1	Sensor, String (Boom Length) (Note: Control System must be recalibrated when Sensor is replaced)	
44		Ref	Sensor, Angle Indicator Options (Platform Level and Main Boom Angle): (Note: Control System must be recalibrated when Sensor is replaced)	
44	4360545	NLA	Sensor, Angle Indicator (Use p/n 1001147479) <b>(Prior to SN 0300157203)</b>	

## SECTION 3 - BOOM

ITEM	PART NUMBER	QTY	DESCRIPTION	REV
44	1001133329	NLA	Sensor, Angle Indicator (Use p/n 1001147479) <b>(SN 0300157203 through 0300184723)</b>	
44	1001147479	4	Sensor, Angle Indicator <b>(SN 0300184724 through 0300209000)</b>	
45	4360578	1	Switch, Limit (Boom Length) (Note: Control System must be recalibrated when Switch is replaced)	
46	4460914	2	Terminal, Base	
47	4460968	1	Connector, Strain Relief	
48	4711400	AR	Flatwasher 1/4 Thin	
49	4711500	2	Flatwasher 5/16 Thin	
50	4711600	7	Flatwasher 3/8 Thin	
51	4750800	6	Flatwasher 1/4 Regular	
52	4846484	1	Mount, Switch	
53	4891400	4	Flatwasher 1/4 Hardened	
54	8310070	6	Pushnut 3/8	
55	1001118373	1	Bracket, Sensor Mounting	
56	1001118930	1	Cover, Sensor	
57	1001118931	2	Mount, Sensor	
58	1001118971	2	Sensor, Angle Indicator (Main Boom Protractor) (Note: Control System must be recalibrated when Sensor is replaced)	
58	70005667	1	Arm (1 Per Sensor)	
59	1001119033	2	Link, Sensor	
60	1001119137	1	Sleeve, Spacer	
61	1001119141	1	Sleeve, Spacer	
62		Ref	Sensor, Angle Indicator (Jib Rotate) Options (Note: Control System must be recalibrated when Sensor is replaced):	
62	1001119223	1	Sensor, Angle Indicator <b>(Prior to SN 0300152974)</b>	
62	1001135479	1	Sensor, Angle Indicator <b>(SN 0300152974 through 0300209000)</b>	
63	1001119729	1	Cover, Sensor	
64	1001120028	1	Mount, Sensor	
65	1001120048	1	Cover, Sensor	
66		Ref	Cover, Sensor Options:	
66	1001120049	1	Cover, Sensor <b>(Prior to SN 0300196361)</b>	
66	1001179510	1	Cover, Sensor <b>(SN 0300196361 through 0300209000)</b>	
67		Ref	Pin, Angle Sensor Options:	
67	1001120057	NLA	Pin, Angle Sensor (Use p/n 1001135483) <b>(Prior to SN 0300152974)</b>	
67	1001135483	1	Pin, Angle Sensor <b>(SN 0300152974 through 0300209000)</b>	
68	1001120076	1	Mount, Sensor	
69		Ref	Adapter Options:	
69	1001120081	NLA	Adapter (Uae p/n 1001135484)	
69	1001135484	1	Adapter <b>(SN 0300152974 through 0300209000)</b>	
70	1001120084	1	Bracket	
71	1001120104	2	Switch, Proximity (Jib Telescope) (Note: Control System must be recalibrated when Switch is replaced)	
72	88662530	2	Nut, Retainer	
73	0641412	1	Bolt 1/4-20NC x 1 1/2	
74	0641504	1	Bolt 5/16-18NC x 1/2	
75	1320061	2	Clamp, Cable	
76	1001130781	1	Conduit <b>(Prior to SN 0300152974)</b>	
77	3311505	2	Locknut 5/16-18NC	
78	1321293	1	Clamp <b>(SN 0300196361 through 0300209000)</b>	
79	0641406	1	Bolt, 1/4-20 x 3/4 <b>(SN 0300196361 through 0300209000)</b>	

# SECTION 3 - BOOM

## FIGURE 3-7. PLATFORM SUPPORT AND VALVES (BOOM MOUNTED) INSTALLATIONS

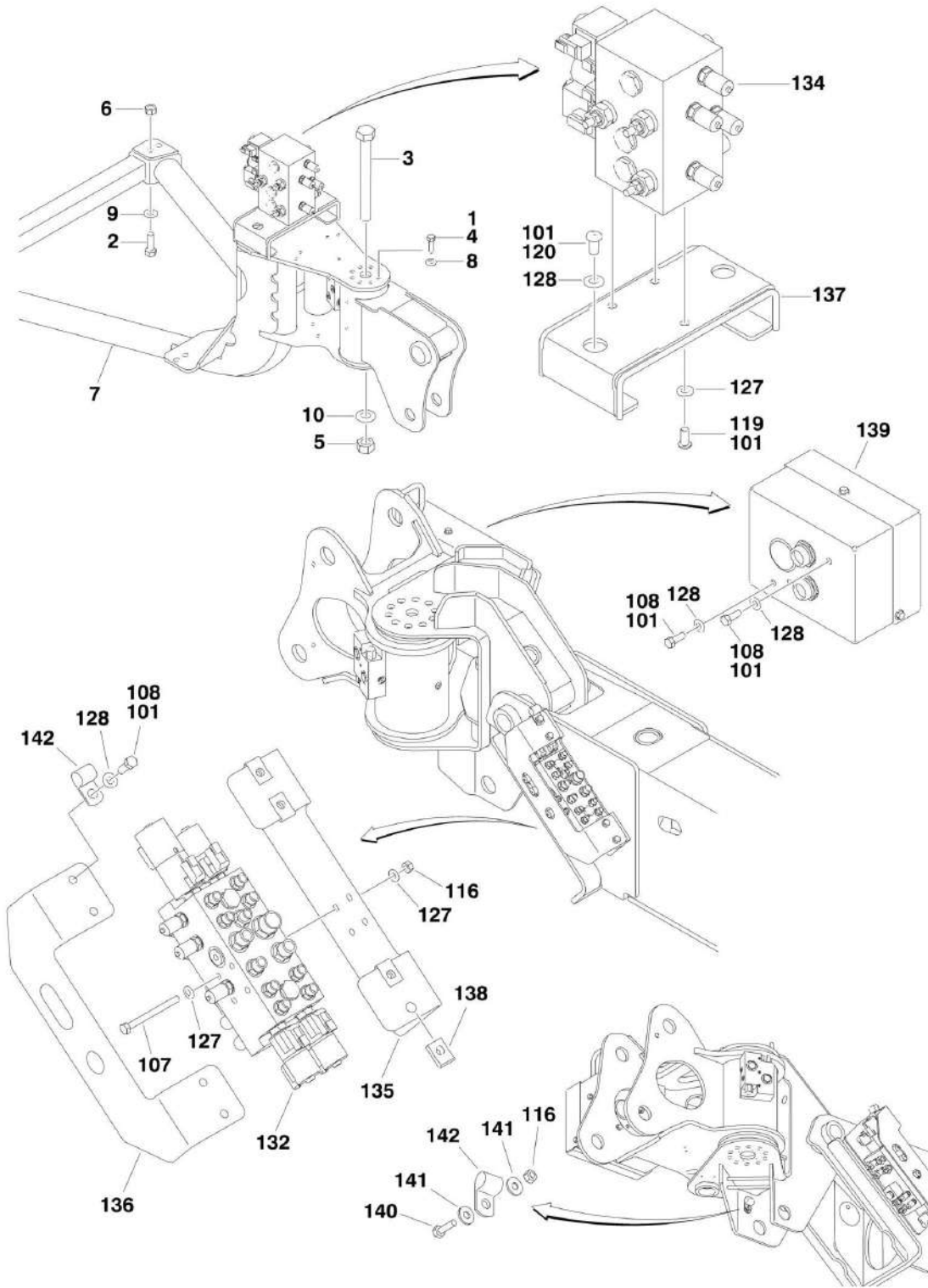




FIGURE 3-7. PLATFORM SUPPORT AND VALVES (BOOM MOUNTED) INSTALLATIONS

ITEM	PART NUMBER	QTY	DESCRIPTION	REV
		Ref	<b>PLATFORM SUPPORT INSTALLATION</b>	
	0272070	Ref	<b>Machines without Load Sensing and without SkyGlazier</b>	F
	See Note	Ref	<b>Machines without Load Sensing and with SkyGlazier (Note: For Replacement Parts, Contact JLG Customer Service and Request Manual p/n 3124242.)</b>	
	See Note	Ref	<b>Machines with Load Sensing and without SkyGlazier (Note: For Replacement Parts, Contact JLG Customer Service and Request Manual p/n 3124287.)</b>	
	See Note	Ref	<b>Machines with Load Sensing and with SkyGlazier (Note: For Replacement Parts, Contact JLG Customer Service and Request Manual p/n 3124287.)</b>	
1	0100011	AR	Compound, Locking	
2	0641812	8	Bolt 1/2-13NC x 1-1/2	
3	0642684	1	Bolt 1-8NC x 10-1/4	
4	0681608	8	Bolt 3/8-16NC x 1 (Grade 8)	
5	3300243	1	Locknut 1-8NC	
6	3311805	8	Locknut 1/2-13NC	
7	4846573	1	Support Weldment	
8	4891600	8	Flatwasher 3/8 Hardened	
9	4891800	8	Flatwasher 1/2 Hardened	
10	4892600	1	Flatwasher 1 Hardened	
	1001119717	Ref	<b>VALVES INSTALLATION</b>	F
101	0100011	AR	Compound, Locking	
107	0641538	4	Bolt 5/16-18NC x 4-3/4	
108	0641608	6	Bolt 3/8-16NC x 1	
116	3311505	9	Locknut 5/16-18NC	
119	3900210	3	Screw, Button Head 5/16-18NC x 3/4	
120	3900283	3	Screw, Button Head 3/8-16NC x 3/4	
127	4711500	11	Flatwasher 5/16 Thin	
128	4711600	8	Flatwasher 3/8 Thin	
132	1001118286	1	Jib Valve Assembly (See JIB VALVE ASSEMBLY for Breakdown)	
134	1001119702	1	Platform Valve Assembly (See PLATFORM VALVE ASSEMBLY for Breakdown)	
135	1001119703	1	Plate, Valve Mounting	
136	1001119704	1	Plate, Valve Protection	
137	1001119706	1	Plate, Valve Mounting	
138	88662523	4	Nut, Retainer	
139	1001119212	1	Enclosure Box Assembly (See ENCLOSURE BOX ASSEMBLY for Breakdown)	
140	0641508	1	Bolt 5/16-18NC x 1	
141	4751500	1	Flatwasher 5/16 Regular	
142	8406105	2	Clamp	

# SECTION 3 - BOOM

## FIGURE 3-8. PLATFORM VALVE ASSEMBLY

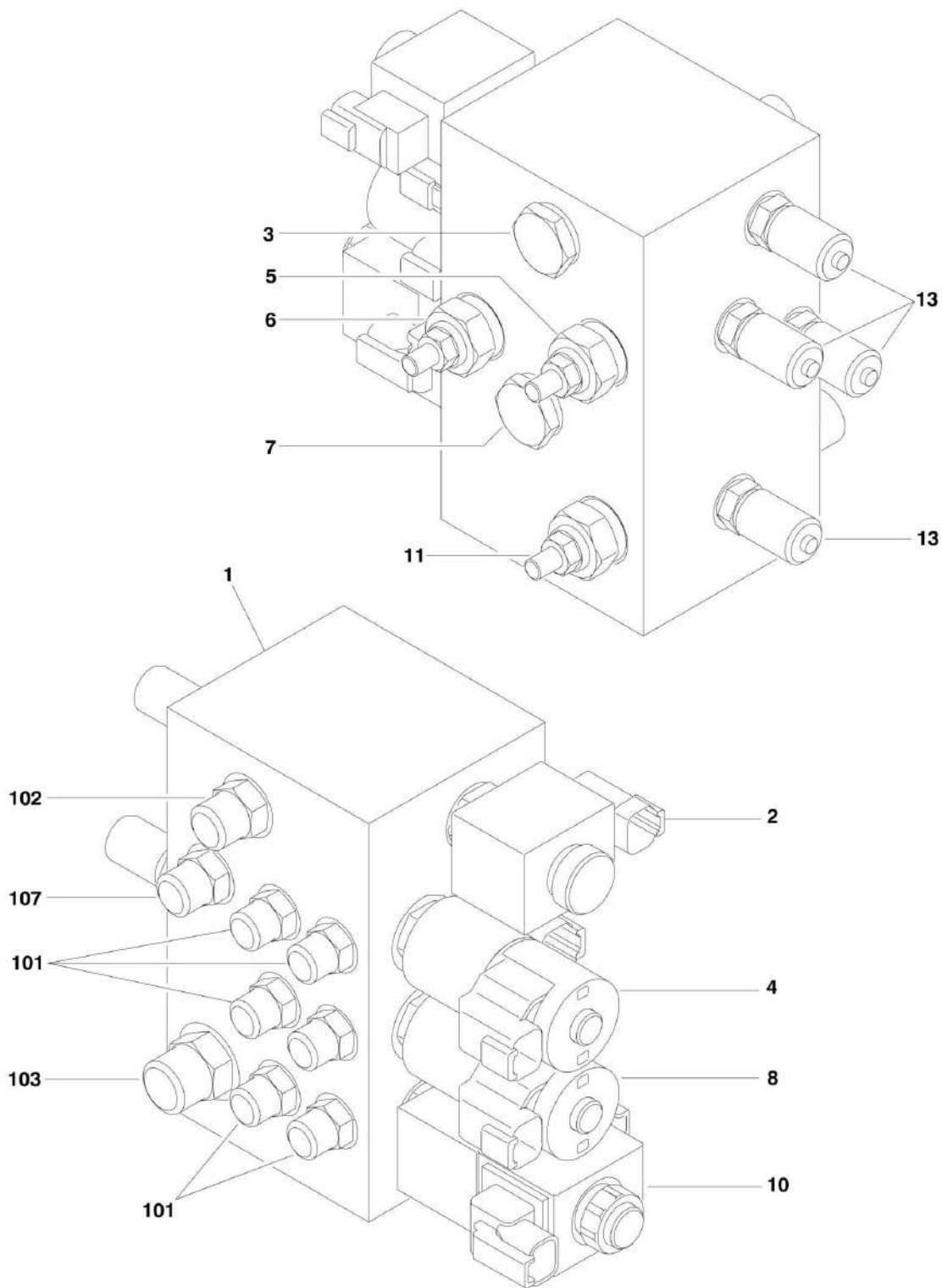


FIGURE 3-8. PLATFORM VALVE ASSEMBLY

ITEM	PART NUMBER	QTY	DESCRIPTION	REV
	1001119702	Ref	<b>PLATFORM VALVE ASSEMBLY</b>	E
		Ref	<b>Cartridges:</b>	
1	Not Available	1	Block, Valve	
2	70003025	1	Valve, Cartridge (Valve Inlet)	
2	70004050	1	Seal Kit - 70003025 Cartridge	
2	70004051	1	Nut, Coil	
2	70003026	1	Coil	
3	70003021	1	Valve, Cartridge (Valve Inlet)	
3	70004052	1	Seal Kit - 70003021 Cartridge	
4	7024899	1	Valve, Cartridge (Platform Level)	
4	7017402	1	Seal Kit - 7024899 Cartridge	
4	7022390	1	Nut, Coil	
4	70003023	1	Spacer, Coil	
4	7024885	2	Coil	
5	70003019	1	Valve, Cartridge (Platform Level)	
5	70004052	1	Seal Kit - 70003019 Cartridge	
6	70003019	1	Valve, Cartridge (Platform Level)	
6	70004052	1	Seal Kit - 70003019 Cartridge	
7	70003027	1	Valve, Cartridge (Platform Rotate)	
7	70004052	1	Seal Kit - 70003027 Cartridge	
8	7024899	1	Valve, Cartridge (Platform Rotate)	
8	7017402	1	Seal Kit - 7024899 Cartridge	
8	7022390	1	Nut, Coil	
8	70003023	1	Spacer, Coil	
8	7024885	2	Coil	
10	70003028	1	Valve, Cartridge (Jib Lock Pin)	
10	70004053	1	Seal Kit - 70003028 Cartridge	
10	70004054	1	Nut, Coil	
10	70003026	2	Coil	
11	70003019	1	Valve, Cartridge (Jib Lock Pin)	
11	70004052	1	Seal Kit - 70003019 Cartridge	
13	2221086	4	Check, Pressure	
		Ref	<b>Fittings:</b>	
101	2110404	6	Fitting, Straight	
102	2110606	1	Fitting, Straight	
103	2110808	1	Fitting, Straight	
107	2110406	1	Fitting, Straight	

# SECTION 3 - BOOM

## FIGURE 3-9. JIB VALVE ASSEMBLY

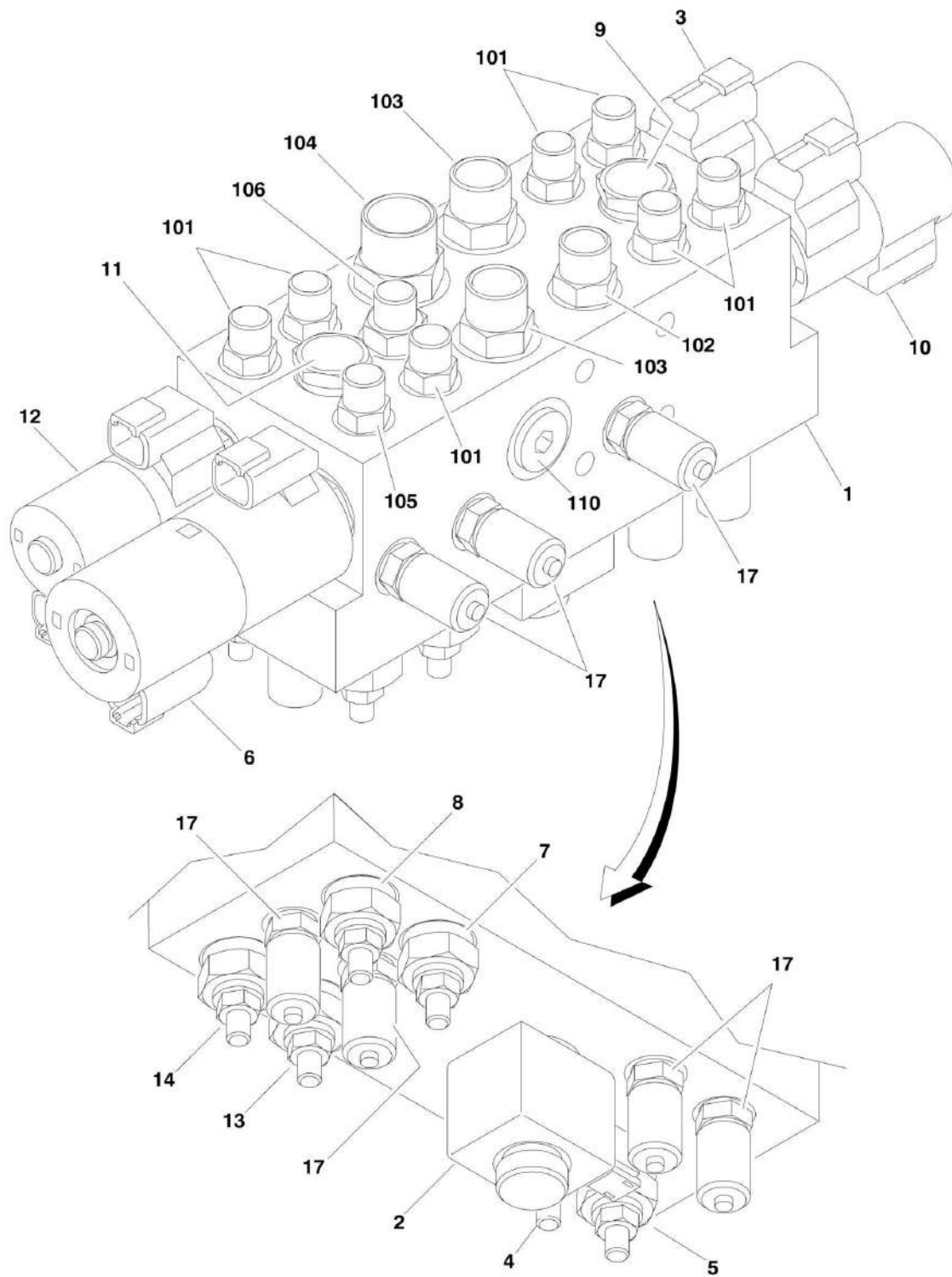


FIGURE 3-9. JIB VALVE ASSEMBLY

ITEM	PART NUMBER	QTY	DESCRIPTION	REV
	1001118286	Ref	<b>JIB VALVE ASSEMBLY</b>	D
		Ref	<b>Cartridges:</b>	
1	Not Available	1	Block, Valve	
2	70003017	1	Valve, Cartridge (Valve Inlet)	
2	70004055	1	Seal Kit - 70003017 Cartridge	
2	70004051	1	Nut, Coil	
2	70022147	1	Coil	
3	7023922	1	Valve, Cartridge (Jib Level)	
3	7017402	1	Seal Kit - 7023922 Cartridge	
3	7022390	1	Nut, Coil	
3	70003023	1	Spacer, Coil	
3	7024885	2	Coil	
4	70003019	1	Valve, Cartridge (Jib Level)	
4	70004052	1	Seal Kit - 70003019 Cartridge	
5	70003019	1	Valve, Cartridge (Jib Level)	
5	70004052	1	Seal Kit - 70003019 Cartridge	
6	70003022	1	Valve, Cartridge (Jib Tele)	
6	7012903	1	Seal Kit - 70003022 Cartridge	
6	7022390	1	Nut, Coil	
6	70003024	1	Spacer, Coil	
6	7024883	2	Coil	
7	70003019	1	Valve, Cartridge (Jib Tele)	
7	70004052	1	Seal Kit - 70003019 Cartridge	
8	70003019	1	Valve, Cartridge (Jib Tele)	
8	70004052	1	Seal Kit - 70003019 Cartridge	
9	70003020	1	Valve, Cartridge (Jib Swing)	
9	70004052	1	Seal Kit - 70003019 Cartridge	
10	7024899	1	Valve, Cartridge (Jib Swing)	
10	7017402	1	Seal Kit - 7024899 Cartridge	
10	7022390	1	Nut, Coil	
10	70003023	1	Spacer, Coil	
10	7024885	2	Coil	
11	70003021	1	Valve, Cartridge (Jib Lift)	
11	70004052	1	Seal Kit - 70003021 Cartridge	
12	7023922	1	Valve, Cartridge (Jib Lift)	
12	7017402	1	Seal Kit - 7023922 Cartridge	
12	7022390	1	Nut, Coil	
12	70003023	1	Spacer, Coil	
12	7024885	2	Coil	
13	70003019	1	Valve, Cartridge (Jib Lift)	
13	70004052	1	Seal Kit - 70003019 Cartridge	
14	70003019	1	Valve, Cartridge (Jib Lift)	
14	70004052	1	Seal Kit - 70003019 Cartridge	
17	2221086	7	Check, Pressure	
		Ref	<b>Fittings:</b>	
101	2110404	7	Fitting, Straight	
102	2110606	1	Fitting, Straight	
103	2110808	2	Fitting, Straight	
104	2111010	1	Fitting, Straight	
105	2110604	1	Fitting, Straight	

## SECTION 3 - BOOM

ITEM	PART NUMBER	QTY	DESCRIPTION	REV
106	2110406	1	Fitting, Straight	
110	70002759	1	Plug	



# SECTION 3 - BOOM

## FIGURE 3-10. ENCLOSURE BOX ASSEMBLY

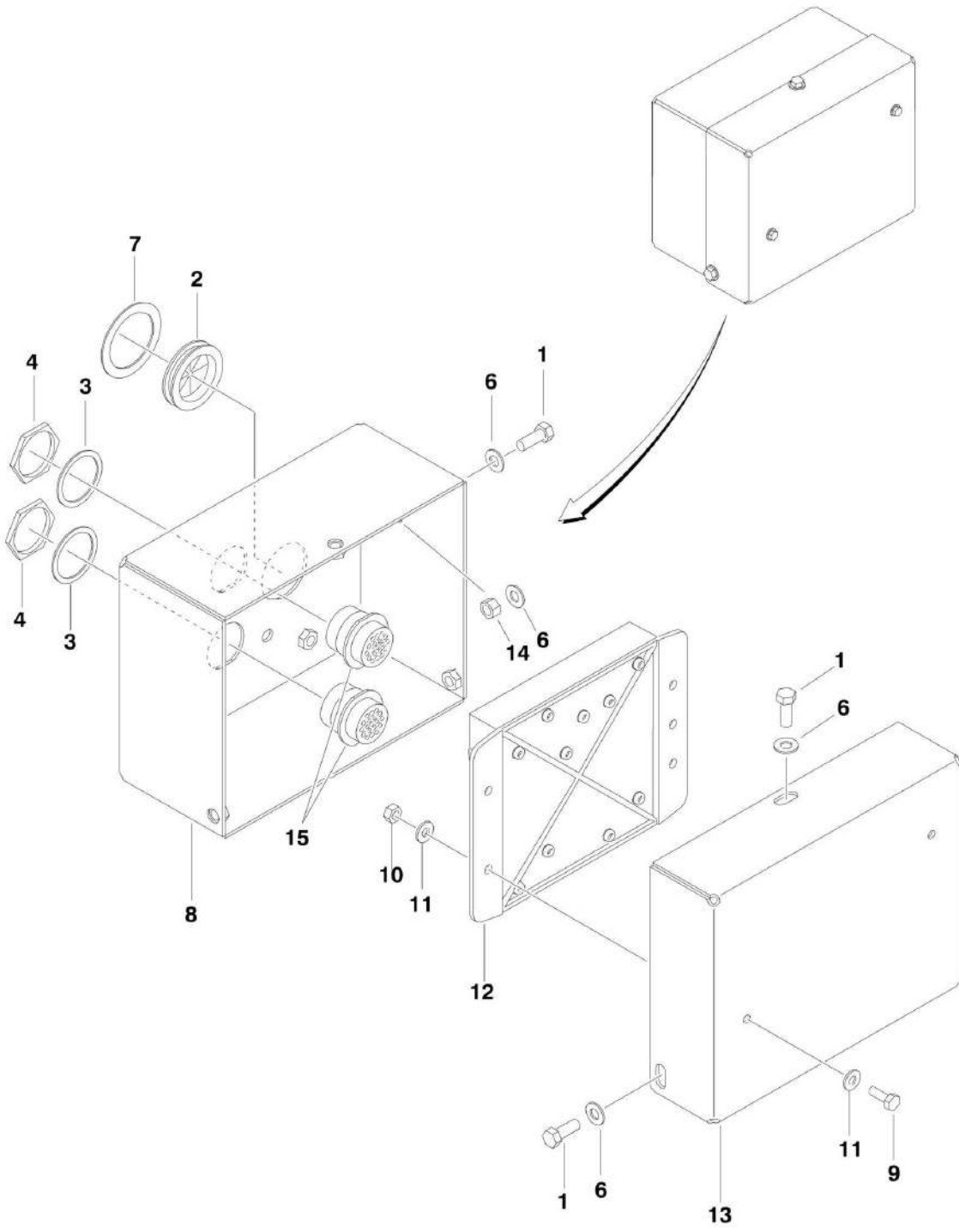




FIGURE 3-10. ENCLOSURE BOX ASSEMBLY

ITEM	PART NUMBER	QTY	DESCRIPTION	REV
	1001119212	Ref	<b>ENCLOSURE BOX ASSEMBLY</b>	D
1	0641608	5	Bolt 3/8-16NC x 1	
2	2540045	1	Grommet	
3	4460970	2	Lockwasher, Terminal	
4	4460971	2	Nut, Terminal	
6	4711600	7	Flatwasher 3/8 Thin	
7	1001119211	1	Washer, Grommet	
8	1001119214	1	Box Assembly	
9	0641406	2	Bolt 1/4-20NC x 3/4	
10	3311405	2	Locknut 1/4-20NC	
11	4711400	4	Flatwasher 1/4 Thin	
12	1001119262	1	Module, Jib Control (Note: Control System must be recalibrated when replaced)	
13	1001119215	1	Cover	
14	3311605	2	Locknut 3/8-16NC	
15	1001119392	1	Harness, Jib Valve (See ELECTRICAL SECTION for Breakdown)	

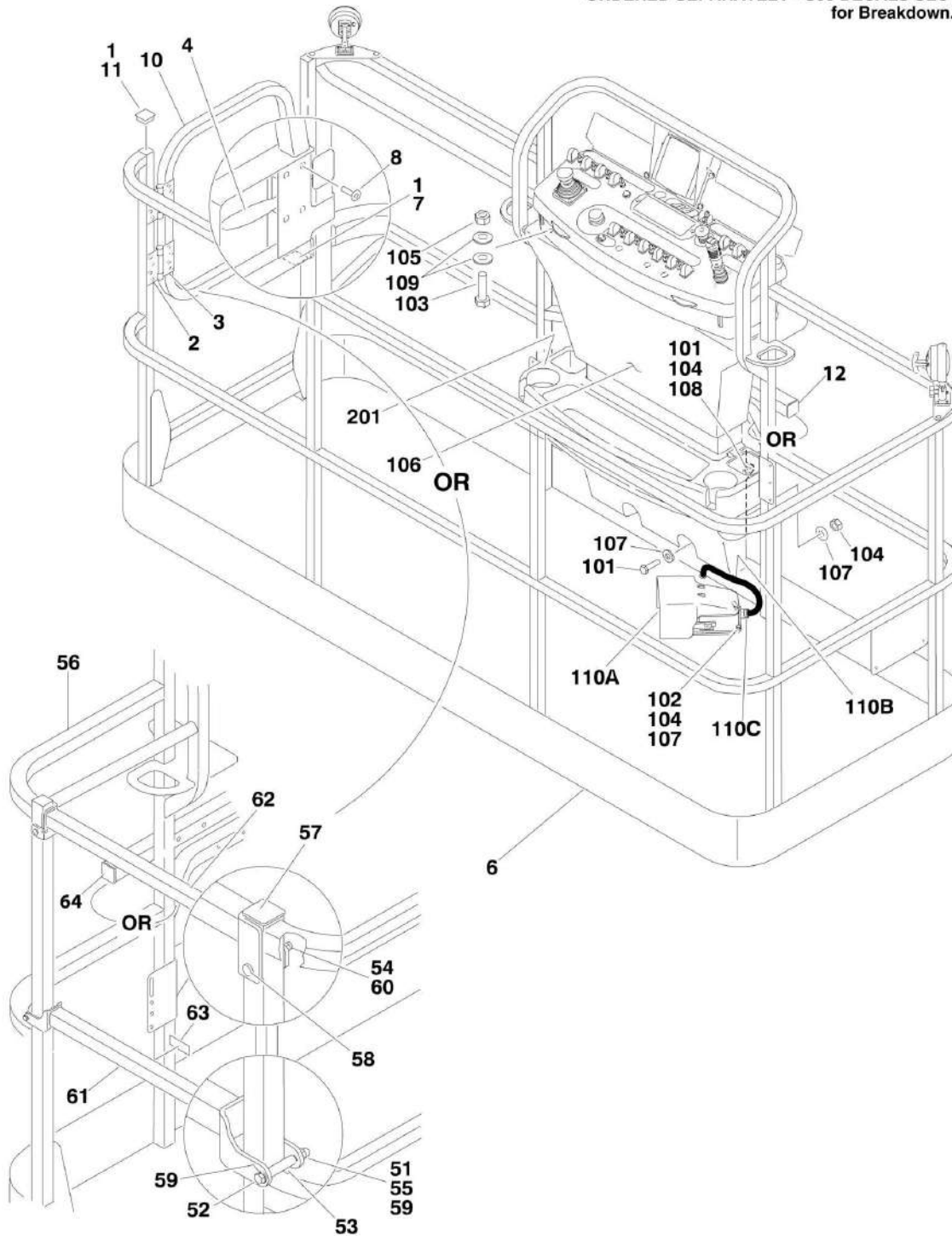


**SECTION 4 - PLATFORM**

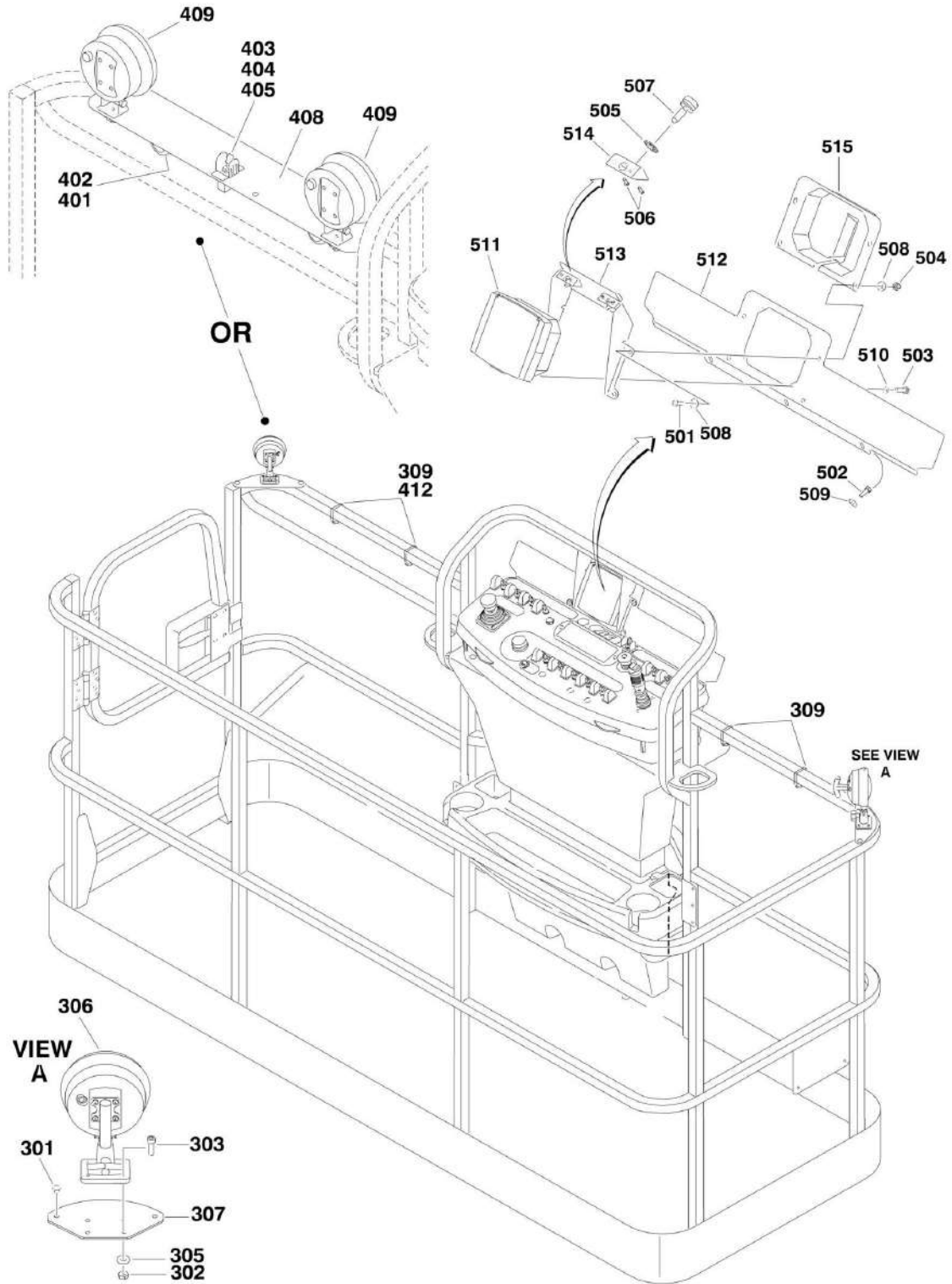
# SECTION 4 - PLATFORM

## FIGURE 4-1. PLATFORM COMPONENTS INSTALLATION

NOTE: REPLACEMENT DECALS MUST BE ORDERED SEPARATELY - See DECALS SECTION for Breakdown.



# SECTION 4 - PLATFORM



# SECTION 4 - PLATFORM

## FIGURE 4-1. PLATFORM COMPONENTS INSTALLATION

ITEM	PART NUMBER	QTY	DESCRIPTION	REV
		Ref	<b>PLATFORM ASSEMBLIES:</b>	
		Ref	<b>8ft (2.44m) with No Mesh</b>	
	3510822	Ref	<b>Platform Assembly (Prior to SN 0300165379)</b>	J
	1001144023	Ref	<b>Platform Assembly (SN 0300165379 through 0300201037)</b>	D
	1001186383	Ref	<b>Platform Assembly (SN 0300201038 through 0300209000)</b>	C
		Ref	<b>6ft (1.83m) with No Mesh</b>	
	3510833	Ref	<b>Platform Assembly (Prior to SN 0300165379)</b>	I
	1001144024	Ref	<b>Platform Assembly (SN 0300165379 through 0300201037)</b>	D
	1001186384	Ref	<b>Platform Assembly (SN 0300201038 through 0300209000)</b>	B
		Ref	<b>4ft (1.22m) with No Mesh</b>	
	3510830	Ref	<b>Platform Assembly (Prior to SN 0300165379)</b>	M
	1001144027	Ref	<b>Platform Assembly (SN 0300165379 through 0300201037)</b>	D
	1001186387	Ref	<b>Platform Assembly (SN 0300201038 through 0300209000)</b>	B
		Ref	<b>Note: Platform and Mesh must be ordered separately for Platforms with Mesh. See SPECIAL OPTIONS SECTION for Mesh Installations.</b>	
		Ref	<b>Note: Replacement Decals Must be Ordered Separately - See DECALS SECTION.</b>	
		Ref	<b>Note: When replacing 8ft/2.44m platform with Soft Touch option, new Soft Touch Rail p/n 4846673 must be purchased to accommodate limit switch locations.</b>	
		Ref	<b>Note: When replacing platform on machines with SkyCutter option, new bracket p/n 1001145405 must be purchased to accommodate SkyCutter components.</b>	
1	0100040	AR	Adhesive	
2	2080040	16	Fastener, Huck	
3	2600281	2	Hinge, Self-Closing	
4	2940074	1	Latch	
6	Not Available	1	Platform Weldment (Note: Not Available - Purchase Platform Assembly)	
7		Ref	Cap-Plug Options:	
7	3520072	1	Cap-Plug (Prior to SN 0300162808)	
7	1001144630	1	Cap-Plug (SN 0300162808 through 0300168486)	
7	3520072	1	Cap-Plug (SN 0300168487 through 0300209000)	
8		Ref	Hardware Options:	
8	3900205	NLA	Screw, #10-24 x 5/8 (Use p/n 3820020) (Prior to SN 0300077331)	
8	3820020	4	Rivet (SN 0300077331 through 0300209000)	
10		Ref	Gate Weldment Options:	
10	4846452	1	Gate Weldment (Prior to SN 0300162808)	
10	1001144629	1	Gate Weldment (SN 0300162808 through 0300209000)	
11	3520198	2	Square Tube - Plug	
12	3520072	2	Plug (SN 0300186186 through 0300209000)	
		Ref	<b>PLATFORM ASSEMBLY WITH DROP-BAR</b>	
		Ref	<b>4ft x 2.5ft (1.2m x .76m)</b>	
	1001138431	Ref	<b>Platform Assembly With Drop-Bar (Prior to SN 0300165379)</b>	B
	1001144018	Ref	<b>Platform Assembly With Drop-Bar (SN 0300165379 through 0300201037)</b>	D
	1001186375	Ref	<b>Platform Assembly With Drop-Bar (SN 0300201038 through 0300209000)</b>	B
		Ref	<b>6ft x 3ft (1.83m x .91m)</b>	
	1001138434	Ref	<b>Platform Assembly With Drop-Bar (Prior to SN 0300165379)</b>	B

## SECTION 4 - PLATFORM

ITEM	PART NUMBER	QTY	DESCRIPTION	REV
	1001144021	Ref	<b>Platform Assembly With Drop-Bar (SN 0300165379 through 0300201037)</b>	D
	1001186379	Ref	<b>Platform Assembly With Drop-Bar (SN 0300201038 through 0300209000)</b>	B
		Ref	<b>8ft x 3ft (2.44m x .91m)</b>	
	1001138430	Ref	<b>Platform Assembly With Drop-Bar (Prior to SN 0300165379)</b>	B
	1001144022	Ref	<b>Platform Assembly With Drop-Bar (SN 0300165379 through 0300201037)</b>	D
	1001186382	Ref	<b>Platform Assembly With Drop-Bar (SN 0300201038 through 0300209000)</b>	C
		Ref	<b>Note: Replacement Decals Must be Ordered Separately - See DECALS SECTION.</b>	
		Ref	<b>Note: When replacing 8ft/2.44m platform with Soft Touch option, new Soft Touch Rail p/n 4846673 must be purchased to accommodate limit switch locations.</b>	
		Ref	<b>Note: When replacing platform on machines with SkyCutter option, new bracket p/n 1001145405 must be purchased to accommodate SkyCutter components.</b>	
51	0100011	AR	Compound, Locking	
52	0641418	2	Bolt 1/4-20NC x 2-1/4	
53	0961845	2	Bushing	
54	3290606	2	Nut M6	
55	3300151	2	Nut, Acorn	
56	See Note	1	Platform Weldment (Note: Not Available - Purchase Platform Assembly)	
57	3520198	2	Cap-Plug	
58	4010618	2	Screw M6 x 50	
59	4711400	4	Flatwasher 1/4in Thin	
60	4811700	2	Flatwasher M6	
61	1001138494	1	Bar, Drop	
62	1001138514	1	Rail (Top)	
63	1001140429	1	Decal - Drop-Bar	
64	3520072	2	Plug (SN 0300186185 through 0300209000)	
		Ref	<b>FOOTSWITCH AND COVERS INSTALLATIONS</b>	
	1001120360	Ref	<b>Footswitch and Covers Installations (Without SkyGuard) (Prior to SN 0300171350)</b>	B
	1001146042	Ref	<b>Footswitch and Covers Installations (Without SkyGuard) (SN 0300171350 through 0300209000)</b>	B
	1001190110	Ref	<b>Footswitch and Covers Installations (With SkyGuard) (SN 0300201038 through 0300209000)</b>	A
101	0641406	4	Bolt 1/4-20NC x 3/4	
102	0641408	3	Bolt 1/4-20NC x 1	
103	0641610	4	Bolt 3/8-16NC x 1-1/4	
104	3311405	7	Locknut 1/4-20NC	
105	3311605	4	Locknut 3/8-16NC	
106	3380434	1	Panel, Molded	
107	4740362	7	Washer, Fender	
108	4751400	4	Flatwasher 1/4 Regular	
109	4751600	8	Flatwasher 3/8 Regular	
110		Ref	Platform Console Box Assembly (See PLATFORM CONSOLE ASSEMBLY for Breakdown):	
110	1001119388	NLA	Platform Console Box Assembly (Without SkyGuard) (Use p/n 1001166664) (Prior to SN 0300171350)	
110	1001146041	NLA	Platform Console Box Assembly (Without SkyGuard) (Use p/n 1001166664) (SN 0300171351 through 0300188533)	

## SECTION 4 - PLATFORM

ITEM	PART NUMBER	QTY	DESCRIPTION	REV
110	1001166664	1	Platform Console Box Assembly (Without SkyGuard) (SN 0300188534 through 0300209000)	
110	1001190097	1	Platform Console Box Assembly (With SkyGuard) (SN 0300201038 through 0300209000)	
110		Ref	Footswitch Assembly Options:	
110	0272970	1	Footswitch Assembly (Prior to SN 0300167916)	B
110	1001117174	1	Footswitch Assembly (SN 0300167916 through 0300209000)	B
		Ref	<b>Note: Assembly p/n 0272970 may use either p/n 4360031 or p/n 1001117320 Footswitch. If Original Equipment was replaced as an "assembly", p/n 1001117320 may have been used as part of the Service Replacement. Identify component before ordering parts.</b>	
110A		Ref	Footswitch Options:	
110A	4360031	1	Footswitch (Prior to SN 0300144647)	
110A	7000625	2	Block, Contact (4360031 Footswitch)	
110A	1001117320	1	Footswitch (SN 0300144647 through 0300167915)	
110A	70003483	1	Block, Contact (1001117320 Footswitch)	
110A	1001117172	1	Footswitch (SN 0300167916 through 0300209000)	
110A	70002902	1	Switch, 20Amp	
110A	70002903	1	Gasket	
110A	70002904	4	Replacement Kit, Bolt	
110A	70002905	1	Cover, Aluminum	
110B	1060918	7 ft/2.14m	Cable, Electrical - 18/3	
110C	4460071	1	Connector, Strain Relief	
		Ref	<b>TRAY INSTALLATION (OPTIONAL)</b>	
201	1580012	1	Tray, Storage (Center)	
	1001120466	Ref	<b>WORKLIGHTS INSTALLATION (OPTIONAL)</b>	A
301	2080040	4	Fastener, Huck	
302	3311005	8	Locknut #10-24NC	
303	3931010	8	Capscrew #10-24NC x 5/8	
304	4460428	1	Connector, Strain Relief (Not Shown)	
305	4751000	8	Flatwasher #10 Regular	
306	1001120474	2	Worklight Assembly	
307	1001120476	2	Plate, Mounting	
308	1001120484	1	Harness, Worklight (Not Shown - See ELECTRICAL SECTION for Breakdown)	
309	4240099	AR	Tie-Strap	
	1001120467	Ref	<b>FLOODLIGHTS INSTALLATION (OPTIONAL)</b>	A
401	0641518	2	Bolt 5/16-18NC x 2-1/4	
402	2560173	2	Handle, Star Knob	
403	3250585	1	Nameplate - Lights On	
404	4060802	1	Guard, Switch	
405	4360336	1	Switch, Toggle	
406	4420037	AR	Tape, Insulation (Not Shown)	
407	4460428	1	Connector, Strain Relief (Not Shown)	
408	4846561	1	Mount, Light	
409	1001120475	2	Floodlight Assembly	
410	1001120484	1	Harness, Worklight (Not Shown - See ELECTRICAL SECTION for Breakdown)	
411	1001120502	1	Harness, Floodlight (Not Shown - See ELECTRICAL SECTION for Breakdown)	
412	4240033	AR	Tie-Strap	
		Ref	<b>LCD DISPLAY INSTALLATIONS</b>	

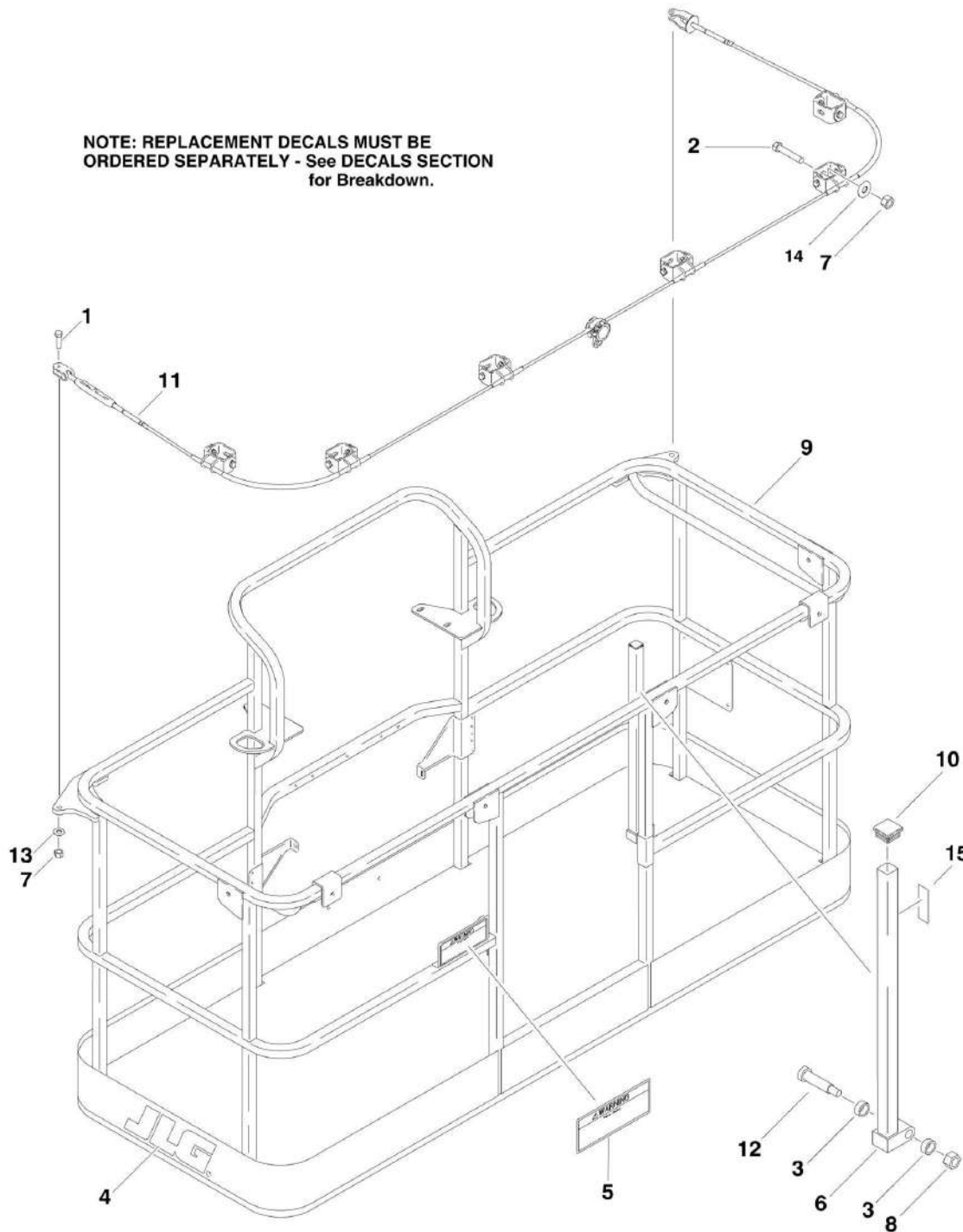


## SECTION 4 - PLATFORM

ITEM	PART NUMBER	QTY	DESCRIPTION	REV
	1001122284	Ref	<b>LCD DISPLAY INSTALLATIONS (Prior to SN 0300201038)</b>	E
	1001190586	Ref	<b>LCD DISPLAY INSTALLATIONS (SN 0300201038 through 0300209000)</b>	A
501	0630448	4	Screw 1/4-20NC x 3/4	
502	0641406	3	Bolt 1/4-20NC x 3/4	
503	4010408	4	Bolt M4 x 16	
504	3300449	4	Locknut 1/4-20NC	
505	3760308	2	Nut, Retainer	
506	3820034	4	Rivet	
507	3900174	2	Screw, Thumb	
508	4711400	8	Flatwasher 1/4 Thin	
509	4751400	3	Flatwasher 1/4 Regular	
510	4831400	4	Lockwasher M4	
511	1001121837	1	Gauge, LCD	
511	1001126300	1	Decal - Platform Display	
511	70003533	1	AR Film	
511	70003534	1	Cover	
511	70003535	1	Hinge	
511	70003536	AR	Screw, Hinge	
512	1001121943	1	Bracket, Mounting	
513		Ref	Bracket, Protector Options:	
513	1001121947	1	Bracket, Protector <b>(Prior to SN 0300201038)</b>	
513	1001190587	1	Bracket, Protector <b>(SN 0300201038 through 0300209000)</b>	
514	1001122235	2	Bracket, Mounting	
515	1001122242	1	Cover	
516	1001125293	1	Harness, LCD Display (Not Shown - See ELECTRICAL SECTION for Breakdown)	

# SECTION 4 - PLATFORM

## FIGURE 4-2. PLATFORM COMPONENTS INSTALLATION (FALL ARREST PLATFORM)



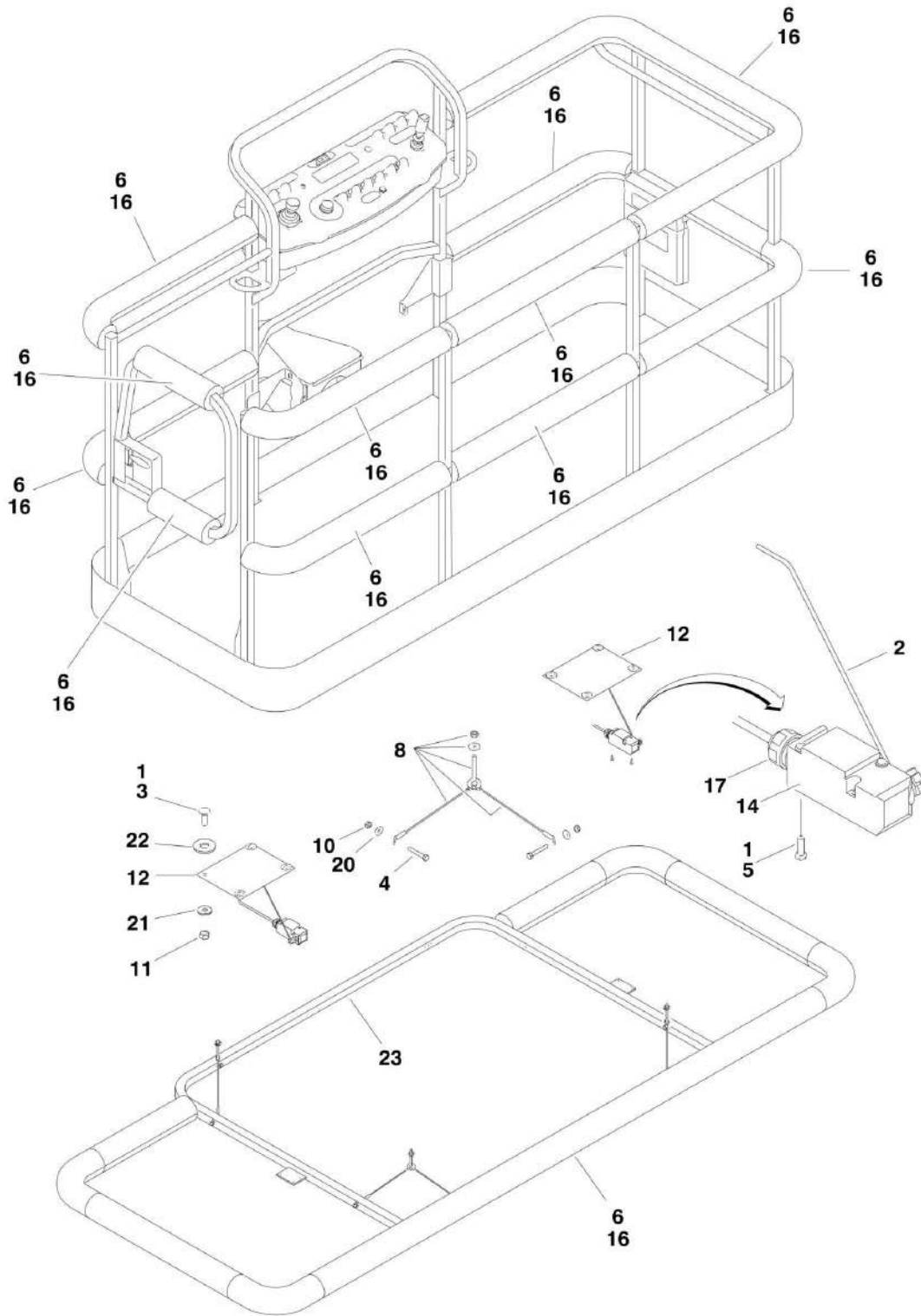
## SECTION 4 - PLATFORM

**FIGURE 4-2. PLATFORM COMPONENTS INSTALLATION (FALL ARREST PLATFORM)**

ITEM	PART NUMBER	QTY	DESCRIPTION	REV
		Ref	<b>PLATFORM ASSEMBLY (FALL ARREST) (OPTIONAL)</b>	
	3510868	Ref	<b>ANSI Spec (Prior to SN 0300186185)</b>	F
	1001144596	Ref	<b>ANSI Spec (SN 0300186185 through 0300201037)</b>	D
	1001186334	Ref	<b>ANSI Spec (SN 0300201038 through 0300209000)</b>	C
	3510877	Ref	<b>Australian and CE Specs (Prior to SN 0300186983)</b>	D
	1001175535	Ref	<b>Australian and CE Specs (SN 0300186983 through 0300201037)</b>	B
	1001186389	Ref	<b>Australian and CE Specs (SN 0300201038 through 0300209000)</b>	C
		Ref	<b>Note: Replacement Decals Must be Ordered Separately - See DECALS SECTION.</b>	
1	0681814	2	Bolt 1/2-13NC x 1-3/4	
2	0681822	6	Bolt 1/2-13NC x 2-3/4	
3	0962270	2	Bearing, Oilite	
4	1702773	1	Decal - JLG	
5		Ref	Decal - Safety Options:	
5	1705014	1	ANSI Spec	
5	1706501	1	Australian and CE Specs	
6	2410014	1	Gate Weldment	
7	3271805	8	Locknut 1/2-13NC	
8	3311605	1	Locknut 3/8-16NC	
9	Not Available	1	Platform Weldment (Purchase Platform Assembly)	
10	3520072	1	Cap-Plug	
11	3890040	1	Cable, Fall Arrest	
12	3900054	1	Bolt 1/2-13NC x 1-3/4	
13	4711800	2	Flatwasher 1/2 Thin	
14	4751800	6	Flatwasher 1/2 Regular	
15		Ref	Decal - Drop Bar Options:	
15	1706385	1	ANSI Spec	
15	1706493	1	Australian and CE Specs	

# SECTION 4 - PLATFORM

## FIGURE 4-3. SOFT TOUCH SYSTEM INSTALLATION (OPTIONAL)



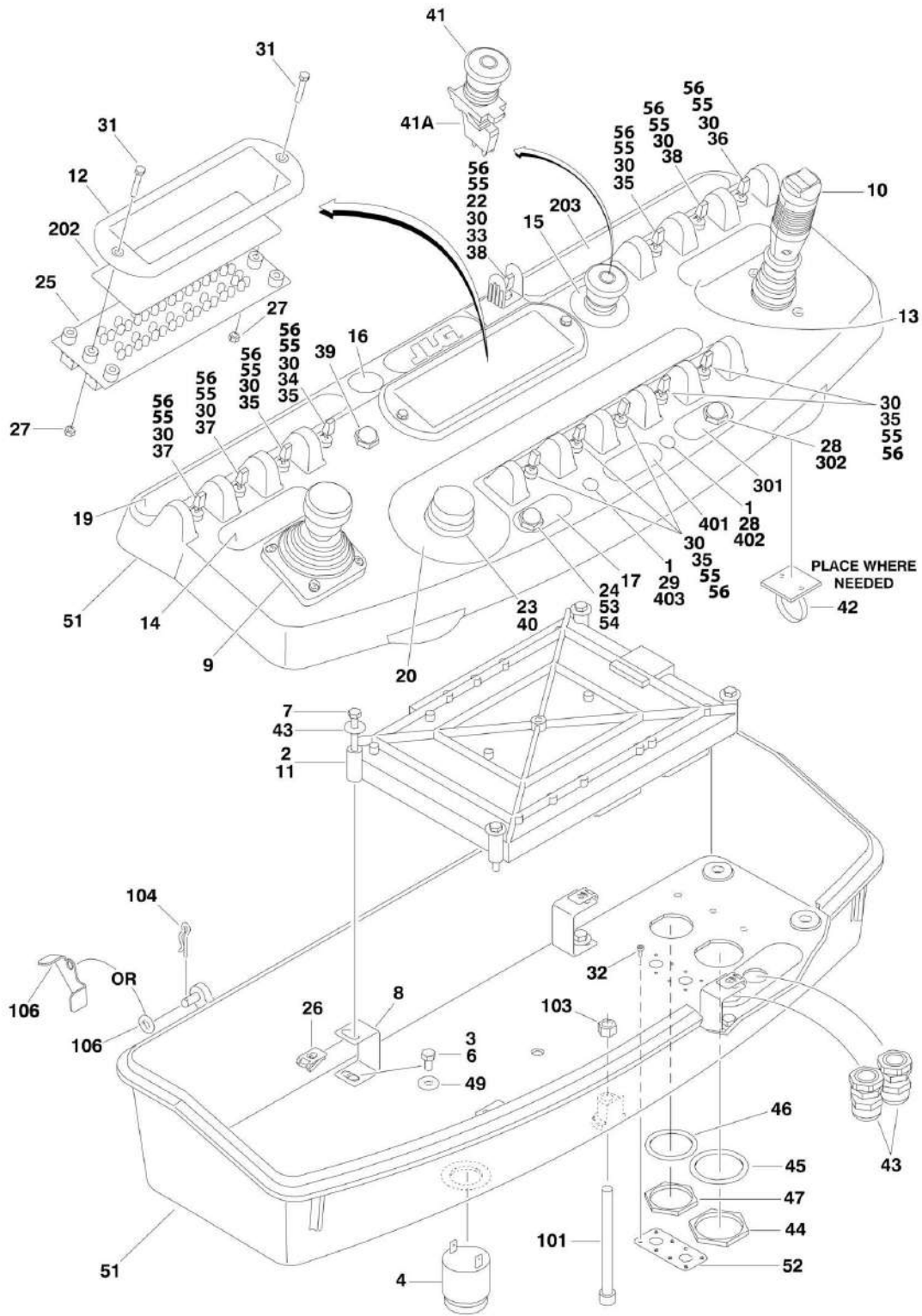
## SECTION 4 - PLATFORM

**FIGURE 4-3. SOFT TOUCH SYSTEM INSTALLATION (OPTIONAL)**

ITEM	PART NUMBER	QTY	DESCRIPTION	REV
		Ref	<b>SOFT TOUCH SYSTEM INSTALLATIONS OPTIONS:</b>	
	0273824	Ref	<b>6ft/1.8m Platforms</b>	B
	0272427	Ref	<b>8ft/2.4m Platforms</b>	E
	0273706	Ref	<b>8ft/2.4m Platforms w/Fall Arrest</b>	B
		Ref	<b>Note: Replacement Decals Must be Ordered Separately - See DECALS SECTION.</b>	
1	0100011	AR	Compound, Locking	
2	0200048	2	Arm, Switch Activator	
3	0630462	8	Bolt, Carriage	
4	0641414	8	Bolt 1/4-20NC x 1-3/4	
5	0721005	4	Screw, Machine #10-24 x 5/8	
6		Ref	Bumper Kit Options:	
6	0940134	1	6ft/1.8m Platforms	
6	0940103	1	8ft/2.4m Platforms	
6	0940133	1	8ft/2.4m Platforms w/Fall Arrest	
8	1060903	4	Wire Rope and Eyebolt Assembly	
10	3311401	8	Nut 1/4-20NC	
11	3311501	8	Nut 5/16-18NC	
12		Ref	Plate, Striker Options:	
12	3575359	2	6ft/1.8m Platforms	
12	3574091	2	8ft/2.4m Platforms	
13	4240099	7	Tie-Strap (Not Shown)	
14	4360057	2	Switch, Limit	
16	4420068	1	Tape, Yellow Adhesive	
17	4460049	2	Connector, Strain Relief	
18	4460234	7	Base, Tie-Strap Mounting (Not Shown)	
20	4751400	8	Flatwasher 1/4 Regular	
21	4751500	12	Flatwasher 5/16 Regular	
22	4751800	8	Flatwasher 1/2 Regular	
23		Ref	Rail, Soft-Touch Options:	
23	3841589	1	6ft/1.8m Platforms	
23	4846673	1	8ft/2.4m Platforms	
	0272444	Ref	<b>SOFT TOUCH COUNTERWEIGHT INSTALLATION (NOT SHOWN)</b>	C
	4821397	1	Counterweight (Located in Frame)	

# SECTION 4 - PLATFORM

## FIGURE 4-4. PLATFORM CONSOLE ASSEMBLY (WITHOUT SKYGUARD)



## SECTION 4 - PLATFORM

**FIGURE 4-4. PLATFORM CONSOLE ASSEMBLY (WITHOUT SKYGUARD)**

ITEM	PART NUMBER	QTY	DESCRIPTION	REV
		Ref	<b>CONSOLE BOX ASSEMBLY (WITHOUT SKYGUARD)</b>	
	1001119388	Ref	<b>Console Box Assembly (Prior to SN 0300171350)</b>	G
	1001146041	Ref	<b>Console Box Assembly (SN 0300171350 through 0300188533)</b>	B
	1001166664	Ref	<b>Console Box Assembly (SN 0300188534 through 0300209000)</b>	B
		Ref	<b>Note: When replacing complete console box assembly p/n 1001119388 and p/n 1001146041, use p/n 1001166664 as service replacement.</b>	
1	0100009	AR	Sealant	
2	0100048	AR	Grease, Dielectric	
3	0100081	AR	Adhesive	
4	0140011	1	Alarm	
6	0641404	4	Bolt 1/4-20NC x 1/2	
7	0641414	4	Bolt 1/4-20NC x 1-3/4	
8	0902571	4	Bracket, Support <b>(Prior to SN 0300188534)</b>	
8	1001172760	4	Bracket, Support <b>(SN 0300188534 through 0300209000)</b>	
9		Ref	Controller Assembly (Lift and Swing) (See CONTROLLER ASSEMBLY (LIFT and SWING) for Breakdown)	
9	1600317	NLA	Controller Assembly (Lift and Swing) (Use p/n 1001129555) <b>(Prior to SN 0300146550)</b>	
9	1001118417	NLA	Controller Assembly (Lift and Swing) (Use p/n 1001129555) <b>(SN 0300146550 through 0300188533)</b>	
9	1001166539	1	Controller Assembly (Lift and Swing) <b>(SN 0300188534 through 0300209000)</b>	
10		Ref	Controller Assembly (Drive and Steer) (See CONTROLLER ASSEMBLY (DRIVE AND STEER) for Breakdown)	
10	1600318	NLA	Controller Assembly (Drive and Steer) (Use p/n 1001118416) <b>(Prior to SN 0300146550)</b>	
10	1001118416	1	Controller Assembly (Drive and Steer) <b>(SN 0300146550 through 0300188533)</b>	
10	1001166538	1	Controller Assembly (Drive and Steer) <b>(SN 0300188534 through 0300209000)</b>	
11	1600343	1	Controller, Module (Re-calibration Required when Replaced)	
12	1671176	1	Bezel	
13	1702565	1	Decal (Drive and Steer)	
14	1702566	1	Decal (Lift and Swing)	
15	1704260	1	Decal (EMS)	
16	1705132	1	Decal (ADE)	
17	1001125194	1	Decal (Jib Stow)	
19	1705744	1	Decal (Horn)	
20	1001125195	1	Decal (Function Speed)	
22	1706741	1	Decal (Jib Select)	
23	2560136	1	Handle, Knob	
24		Ref	Lamp, Indicator Options:	
24	2920027	1	Lamp, Indicator <b>(Prior to SN 0300155682)</b>	
24	1001137364	1	Lamp, Indicator <b>(SN 0300155682 through 0300209000)</b>	
25	2920154	1	Panel, LED Light	
26	3300353	4	Nut, Retainer	
27	3300408	2	Locknut	
28	3520026	1	Plug, Hole	
29	3520027	2	Plug, Hole	
30	3790012	13	O-Ring	
31	3900183	2	Bolt #10-24NC x 1-1/4	

## SECTION 4 - PLATFORM

ITEM	PART NUMBER	QTY	DESCRIPTION	REV
32	3900349	8	Capscrew M2.5	
33	4060906	1	Guard, Switch	
34	4071074	1	Shim, Switch	
35	4360328	8	Switch, Toggle <b>(Prior to SN 0300188534)</b>	
35	1001155045	8	Switch, Toggle <b>(SN 0300188534 through 0300209000)</b>	
36	4360330	1	Switch, Toggle <b>(Prior to SN 0300188534)</b>	
36	1001159256	1	Switch, Toggle <b>(SN 0300188534 through 0300209000)</b>	
37	4360331	2	Switch, Toggle <b>(Prior to SN 0300188534)</b>	
37	1001161709	2	Switch, Toggle <b>(SN 0300188534 through 0300209000)</b>	
38	4360336	2	Switch, Toggle <b>(Prior to SN 0300188534)</b>	
38	1001161710	2	Switch, Toggle <b>(SN 0300188534 through 0300209000)</b>	
39	4360387	1	Switch, Pushbutton	
40	4360407	1	Controller, Speed	
40	See Note	1	Gasket "Top Hat" (Included with Switch) (Note: Not Available - Purchase Complete Controller.)	
40	70003784	1	Seal	
41	4360475	1	Switch, Emergency Stop	
41	7020175	1	Cap, Red	
41A	7020176	1	Contact Block	
42	4460234	3	Base, Mounting	
43	4460428	2	Connector, Strain Relief	
44	4460470	1	Nut, Terminal	
45	4460471	1	Lockwasher, Terminal	
46	4460496	1	Lockwasher, Terminal	
47	4460497	1	Nut, Terminal	
48	4460905	5	Seal, Plug (Not Shown)	
49	4751400	8	Flatwasher 1/4 Regular	
50	1001119389	1	Harness, Console Box (Not Shown - See ELECTRICAL SECTION for Breakdown)	
51	1001120300	1	Box, Console (See Items 101-106 for Breakdown)	
52	1001120338	1	Mount, Connector	
53	2920029	1	Bulb, Light <b>(Prior to SN 0300155682)</b>	
54	3790015	1	O-Ring <b>(SN 0300155682 through 0300209000)</b>	
55	4740397	13	Spacer <b>(SN 0300188534 through 0300209000)</b>	
56	1001155044	13	Nut, 15/32-32 <b>(SN 0300188534 through 0300209000)</b>	
	1001120300	Ref	<b>CONSOLE BOX ASSEMBLY</b>	B
101	0630568	1	Screw 3/8-16NC x 4-1/2	
103	3311601	1	Nut 3/8-16NC	
104	3470003	2	Pin, Cotter	
106	4711500	2	Flatwasher 5/16 Thin <b>(Prior to SN 0300210723)</b>	
106	1001200575	2	Bracket, Stop <b>(SN 0300210723 through 0300209000)</b>	
		Ref	<b>LIGHT PANEL INSTALLATIONS</b>	
	1001121826	Ref	<b>All Specs except Australian and CE Specs</b>	A
	1001121827	Ref	<b>Australian and CE Specs</b>	A
202		Ref	Decal - Display Options:	
202	1001122384	1	All Specs except Australian and CE Specs	
202	1705973	1	Australian and CE Specs	
203		Ref	Decal - Stop Options:	
203	1001122611	1	All Specs except Australian and CE Specs	
203	1705174	1	Australian and CE Specs	
	0271808	Ref	<b>CHASSIS LIGHTS COMPONENTS INSTALLATION</b>	B
301	1705170	1	Decal - Lights	

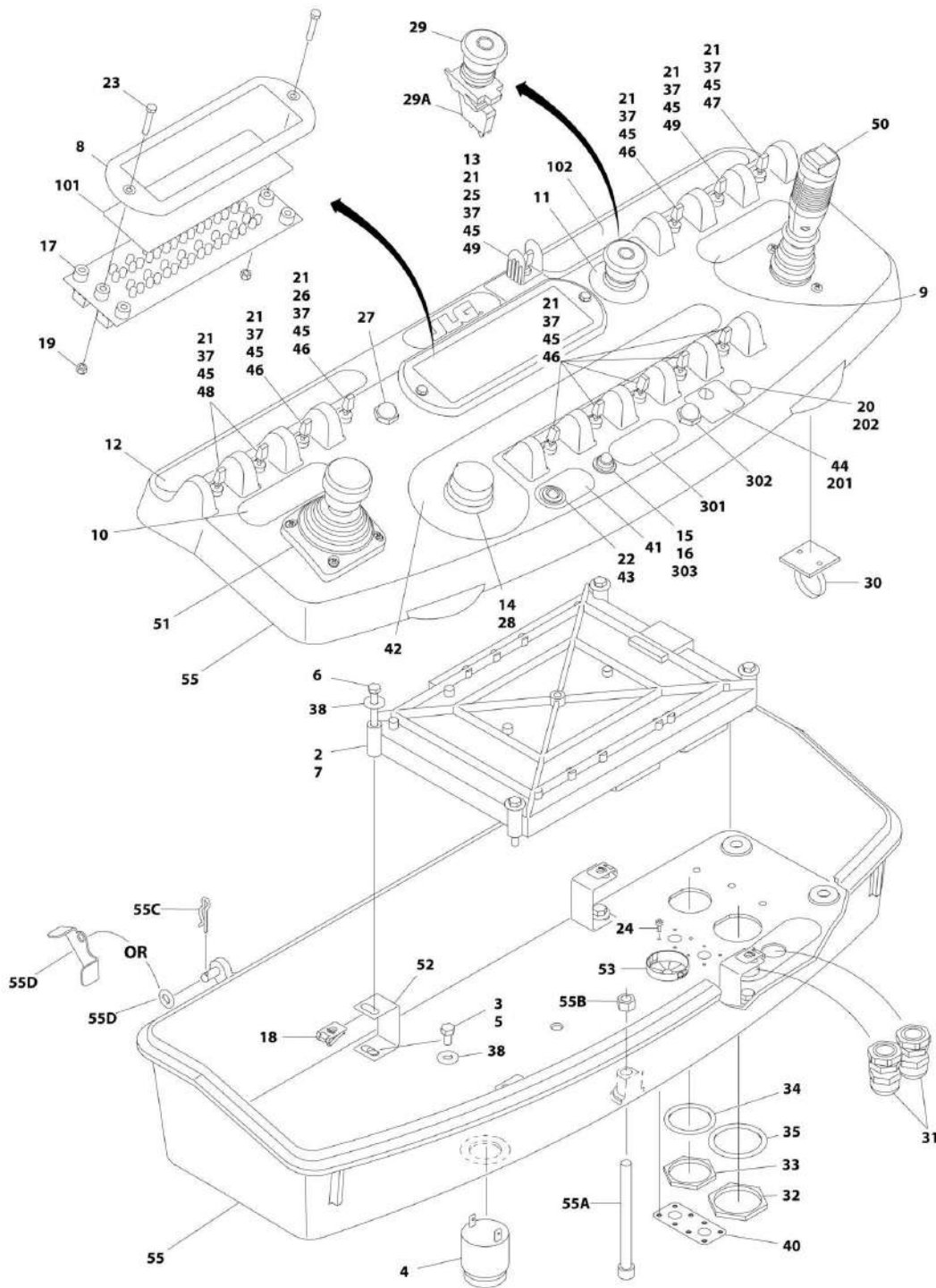


## SECTION 4 - PLATFORM

ITEM	PART NUMBER	QTY	DESCRIPTION	REV
302	4360522	1	Switch, Push Button	
		Ref	<b>SOFT TOUCH SYSTEM INSTALLATIONS</b>	
	0273824	Ref	<b>6ft/1.8m Platforms</b>	B
	0272427	Ref	<b>8ft/2.4m Platforms</b>	D
	0273706	Ref	<b>8ft/2.4m Platforms w/Fall Arrest</b>	B
401	1702938	1	Decal, Soft Touch Override	
402	4360387	1	Switch, Push Button	
403	2920028	1	Lamp, Indicator	
403	2920029	1	Bulb	

# SECTION 4 - PLATFORM

FIGURE 4-5. PLATFORM CONSOLE ASSEMBLY (WITH SKYGUARD) (SN 0300201038 through 0300209000)



## SECTION 4 - PLATFORM

**FIGURE 4-5. PLATFORM CONSOLE ASSEMBLY (WITH SKYGUARD) (SN 0300201038 through 0300209000)**

ITEM	PART NUMBER	QTY	DESCRIPTION	REV
	1001190097	Ref	<b>CONSOLE BOX ASSEMBLY (WITH SKYGUARD) (SN 0300201038 through 0300209000)</b>	C
1	0100009	AR	Sealant	
2	0100048	AR	Grease, Dielectric	
3	0100081	AR	Adhesive	
4	0140011	1	Alarm	
5	0641404	4	Bolt 1/4-20NC x 1/2	
6	0641414	4	Bolt 1/4-20NC x 1-3/4	
7	1600343	1	Controller, Module (Re-calibration Required when Replaced)	
8	1671176	1	Bezel	
9	1702565	1	Decal (Drive and Steer)	
10	1702566	1	Decal (Lift and Swing)	
11	1704260	1	Decal (EMS)	
12	1705744	1	Decal (Horn)	
13	1706741	1	Decal (Jib Select)	
14	2560136	1	Handle, Knob	
15	2920028	1	Lamp, Indicator	
16	2920029	1	Bulb	
17	2920154	1	Panel, LED Light	
18	3300353	4	Nut, Retainer	
19	3300408	2	Locknut	
20	3520026	1	Plug, Hole	
21	3790012	13	O-Ring	
22	3790015	1	O-Ring	
23	3900183	2	Bolt #10-24NC x 1-1/4	
24	3900349	8	Capscrew M2.5	
25	4060906	1	Guard, Switch	
26	4071074	1	Shim, Switch	
27	4360387	2	Switch, Pushbutton	
28	4360407	1	Controller, Speed	
29	4360475	1	Switch, Emergency Stop	
29	7020175	1	Cap, Red	
29A	7020176	1	Contact Block	
30	4460234	3	Base, Mounting	
31	4460428	2	Connector, Strain Relief	
32	4460470	1	Nut, Terminal	
33	4460471	1	Lockwasher, Terminal	
34	4460496	1	Lockwasher, Terminal	
35	4460497	1	Nut, Terminal	
36	4460905	AR	Seal, Plug (Not Shown)	
37	4740397	13	Spacer	
38	4751400	8	Washer, 1/4	
40	1001120338	1	Mount, Connector	
41	1001125194	1	Decal - Jib Stow	
42	1001125195	1	Decal - Function Speed	
43	1001137364	1	Light, Indicator (Green)	
44	1001144433	1	Decal - No Weight SkyGuard	
45	1001155044	13	Nut, 15/32-32	
46	1001155045	8	Switch, Toggle	

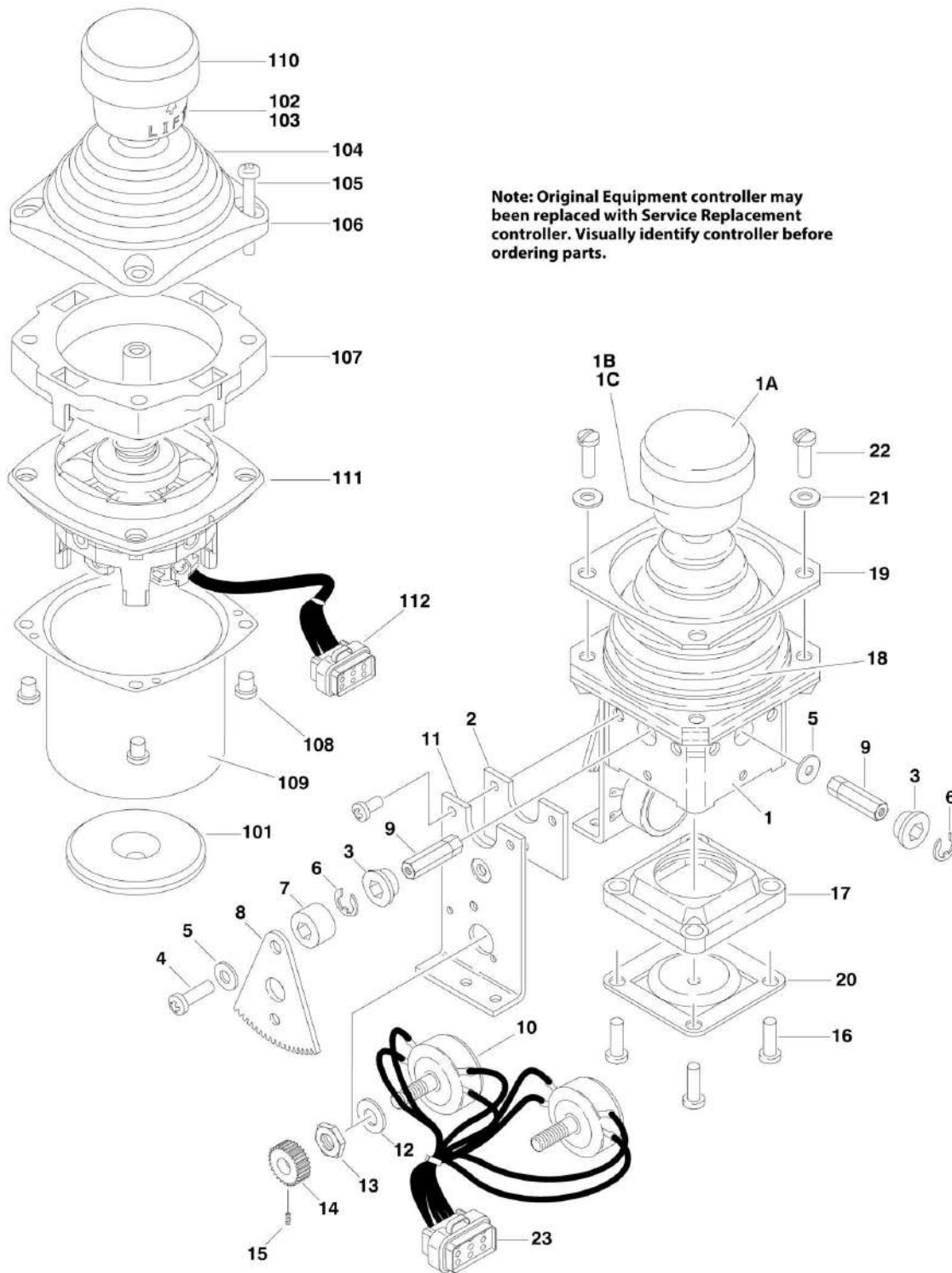
## SECTION 4 - PLATFORM

ITEM	PART NUMBER	QTY	DESCRIPTION	REV
47	1001159256	1	Switch, Toggle	
48	1001161709	2	Switch, Toggle	
49	1001161710	2	Switch, Toggle	
50	1001166538	1	Controller Assembly (Drive and Steer) (See CONTROLLER ASSEMBLY (DRIVE AND STEER) for Breakdown)	
51	1001166539	1	Controller Assembly (Lift and Swing) (See CONTROLLER ASSEMBLY (LIFT and SWING) for Breakdown)	
52	1001172760	4	Bracket, Support	
53	1001185281	1	Plug	
54	1001186905	1	Harness, Console Box (Not Shown - See ELECTRICAL SECTION for Breakdown)	
55	1001190105	1	Box, Console	
55A	0630568	1	Capscrew, 3/8-16 x 4-1/2	
55B	3311601	1	Nut, 3/8-16	
55C	3470003	2	Pin, Hair	
55D	4711500	2	Washer, 5/16 ( <b>Prior to SN 0300210723</b> )	
55D	1001200575	2	Bracket, Stop ( <b>SN 0300210723 through 0300209000</b> )	
		Ref	<b>LIGHT PANEL INSTALLATIONS</b>	
	1001121826	Ref	<b>All Specs except Australian and CE Specs</b>	A
	1001121827	Ref	<b>Australian and CE Specs</b>	A
101		Ref	Decal - Display Options:	
101	1001122384	1	All Specs except Australian and CE Specs	
101	1705973	1	Australian and CE Specs	
102		Ref	Decal - Stop Options:	
102	1001122611	1	All Specs except Australian and CE Specs	
102	1705174	1	Australian and CE Specs	
	0271808	Ref	<b>CHASSIS LIGHTS COMPONENTS INSTALLATION</b>	B
201	1705170	1	Decal - Lights	
202	4360522	1	Switch, Push Button	
		Ref	<b>SOFT TOUCH SYSTEM INSTALLATIONS</b>	
	0273824	Ref	<b>6ft/1.8m Platforms</b>	B
	0272427	Ref	<b>8ft/2.4m Platforms</b>	D
	0273706	Ref	<b>8ft/2.4m Platforms w/Fall Arrest</b>	B
301	1702938	1	Decal, Soft Touch Override	
302	4360387	1	Switch, Push Button	
303	2920028	1	Lamp, Indicator	
303	2920029	1	Bulb	



# SECTION 4 - PLATFORM

## FIGURE 4-6. CONTROLLER ASSEMBLY (LIFT AND SWING)



## SECTION 4 - PLATFORM

### FIGURE 4-6. CONTROLLER ASSEMBLY (LIFT AND SWING)

ITEM	PART NUMBER	QTY	DESCRIPTION	REV
		Ref	<b>Note: Original Equipment controller may have been replaced with Service Replacement controller. Visually identify controller before ordering parts.</b>	
		Ref	<b>CONTROLLER ASSEMBLIES</b>	
	1600317	Ref	<b>Controller Assembly (Prior to SN 0300146550)</b>	C
		Ref	<b>Note: Use p/n 1001129555 when replacing controller.</b>	
1	7019141	1	Mechanical Assembly (Includes Base, Handle Stem and Items 1A, 1B, 1C & 18)	
1A	7019197	1	Handle Cap and Rod	
1B	7003928	1	Spring	
1C	7022808	1	Cap, Lift	
2	7019171	2	Plate	
3	7019111	4	Bearing, Gear	
4	7019143	2	Screw	
5	7019144	2	Spacer, Cam	
6	7019145	4	E-Clip	
7	7019174	2	Spacer	
8	7003977	2	Gear, Drive	
9		Ref	Shaft Options:	
9	7019147	2	Shaft, Short	
9	7019177	2	Shaft, Long	
10	7022818	2	Potentiometer	
11	7019142	2	Plate	
12	7003992	2	Washer	
13	7003993	2	Nut	
14	7003976	2	Gear, Slave	
15	7019149	2	Setscrew	
16	7022816	4	Screw	
17	7019150	1	Gate	
18	7022814	1	Boot	
19	7022815	1	Bezel	
20	Not Serviced	NLA	Center, Detent (Use p/n 1001129555)	
21	7003953	4	Washer	
22	7022817	4	Screw	
23	7022819	1	Plug, Male 8 Position (Natural)	
23	4460871	8	Socket, Female	
	1001118417	Ref	<b>Controller Assembly (SN 0300146550 through 0300188533)</b>	A
		Ref	<b>Note: Use p/n 1001129555 when replacing controller.</b>	
101	70002730	1	Gasket	
102	7003928	1	Spring	
103	7022808	1	Cap, Lift	
104	70002731	1	Boot	
105	70002732	4	Screw	
106	7022815	1	Bezel	
107	70002733	1	Adapter	
108	70002734	4	Screw	
109	70002735	1	Can, Enclosure	
110	See Note	NLA	Cap (Note: Use p/n 1001129555)	
111	See Note	NLA	Mechanical Assembly (Note: Use p/n 1001129555)	

## SECTION 4 - PLATFORM

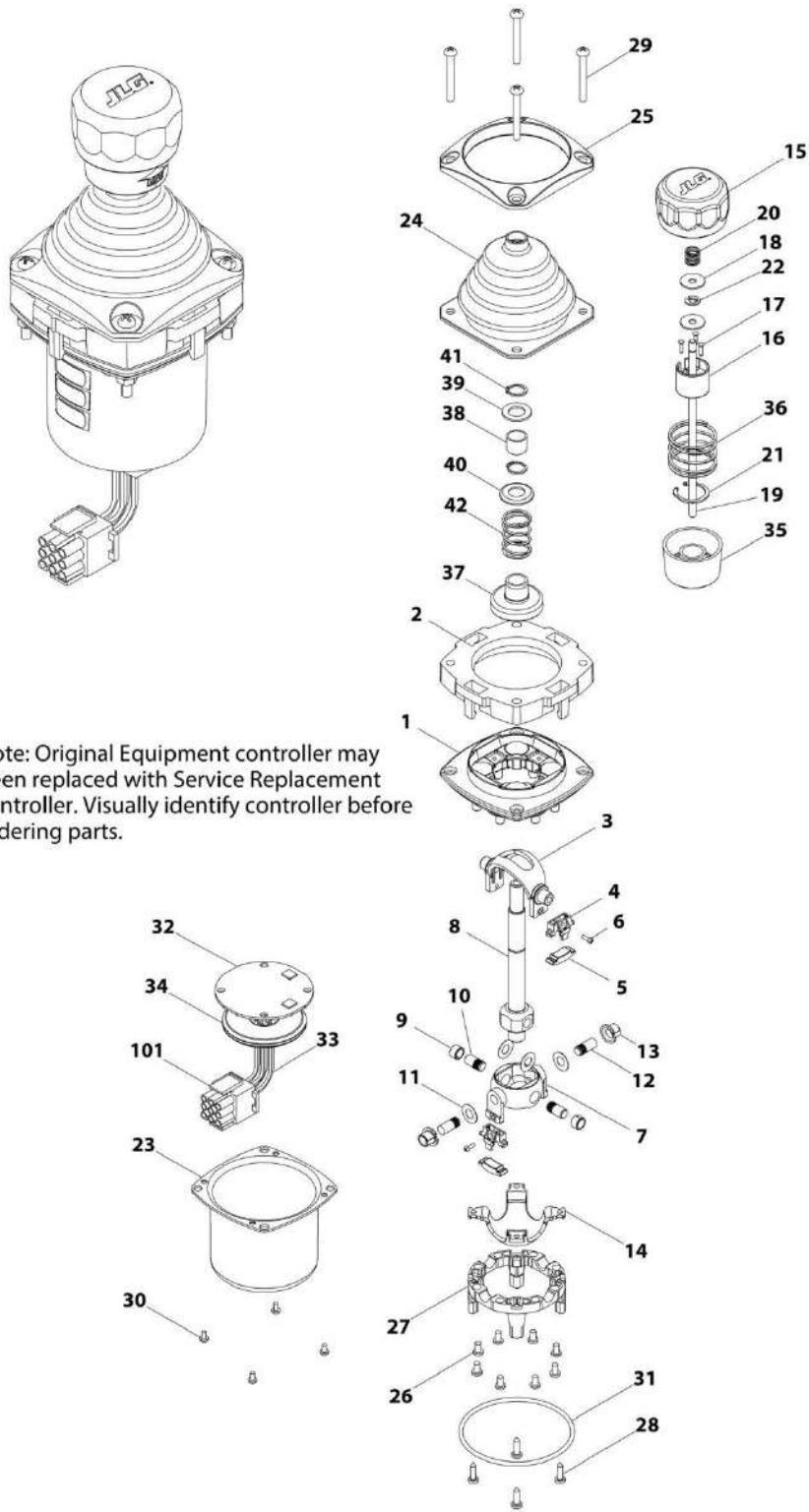
ITEM	PART NUMBER	QTY	DESCRIPTION	REV
112	7022819	1	Plug, Male 8 Position (Natural) (Not Shown)	
112	4460871	6	Socket, Female	





# SECTION 4 - PLATFORM

FIGURE 4-7. CONTROLLER ASSEMBLY - LIFT AND SWING (SN 0300188534 through 0300209000)



Note: Original Equipment controller may be replaced with Service Replacement controller. Visually identify controller before ordering parts.

## SECTION 4 - PLATFORM

**FIGURE 4-7. CONTROLLER ASSEMBLY - LIFT AND SWING (SN 0300188534 through 0300209000)**

ITEM	PART NUMBER	QTY	DESCRIPTION	REV
		Ref	<b>Note: Original Equipment controller may have been replaced with Service Replacement controller. Visually identify controller before ordering parts.</b>	
	1001166539	Ref	<b>CONTROLLER ASSEMBLY - LIFT AND SWING (SN 0300188534 through 0300209000)</b>	A
		Ref	<b>Note : Use p/n 1001129555 as replacement.</b>	
1	See Note	1	Main Cast Body (Note: Not Available - Purchase Complete Assembly)	
2	70004752	1	Adapter	
3	See Note	1	Pivot Arm, Plastic (Note: Not Available - Purchase Complete Assembly)	
4	See Note	2	Holder, Magnet (Note: Not Available - Purchase Complete Assembly)	
5	See Note	2	Arc, Magnet (Note: Not Available - Purchase Complete Assembly)	
6	See Note	2	Screw (Note: Not Available for Purchase)	
7	See Note	1	Pivot Arm, Cast (Note: Not Available - Purchase Complete Assembly)	
8	See Note	1	Shaft, Main (Note: Not Available - Purchase Complete Assembly)	
9	See Note	2	Bearing (Note: Not Available - Purchase Complete Assembly)	
10	See Note	2	Pin (Note: Not Available - Purchase Complete Assembly)	
11	See Note	4	Shim (Note: Not Available - Purchase Complete Assembly)	
12	See Note	2	Pin (Note: Not Available - Purchase Complete Assembly)	
13	See Note	2	Bearing (Note: Not Available - Purchase Complete Assembly)	
14	See Note	1	Dome, Centering (Note: Not Available - Purchase Complete Assembly)	
15	70004753	1	Cap	
16	70004754	1	Insert, Cap	
17	70004755	3	Pin	
18	70004756	2	Washer	
19	70004757	1	Pin, Centering	
20	70004758	1	Spring	
21	70004759	1	Ring, Retaining	
22	70004760	1	E-Ring	
23	70004761	1	Can, Enclosure	
24	70004762	1	Boot	
25	70004763	1	Bezel	
26	See Note	8	Screw (Note: Not Available for Purchase)	
27	See Note	1	Base Mounting (Note: Not Available - Purchase Complete Assembly)	
28	See Note	4	Screw (Note: Not Available for Purchase)	
29	70004764	4	Screw	
30	70004765	4	Screw	
31	70004766	1	O-Ring	
32	See Note	1	Plate (Note: Not Available - Purchase Complete Assembly)	
33	See Note	1	Harness (Note: Not Available - Purchase Complete Assembly)	
34	70004767	1	Gromment, Rubber	
35	70004768	1	Housing	
36	70004769	1	Spring	
37	70004770	1	Stopper	
38	70004771	1	Spacer	
39	70004772	1	Washer	
40	70004773	1	Disc	

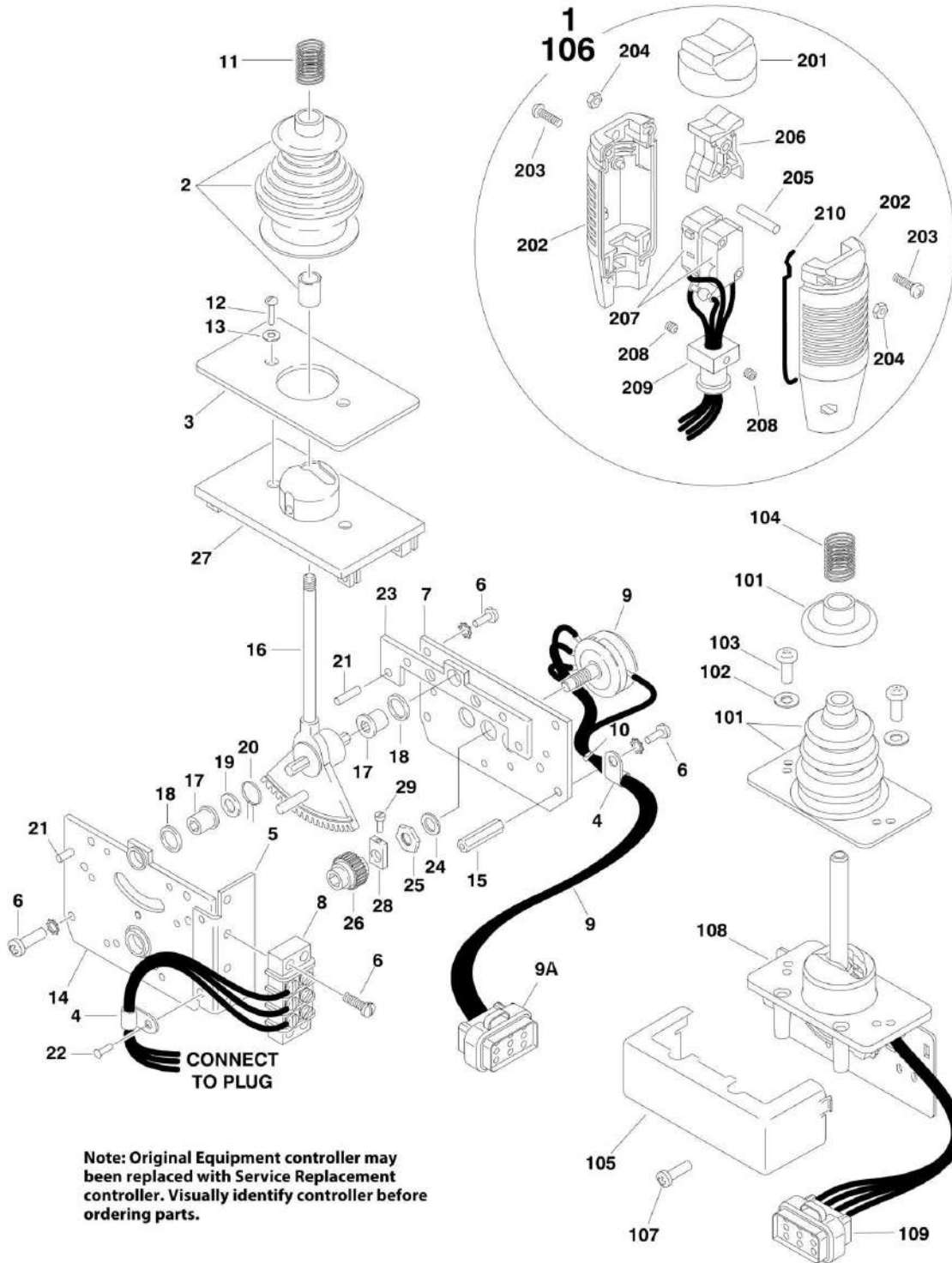
## SECTION 4 - PLATFORM

ITEM	PART NUMBER	QTY	DESCRIPTION	REV
41	70004774	2	Ring, Retaining	
42	70004775	1	Spring	
101	4460265	1	Connector - 9 Position	
101	4460226	6	Socket, Female	



# SECTION 4 - PLATFORM

## FIGURE 4-8. CONTROLLER ASSEMBLY (DRIVE AND STEER)



## SECTION 4 - PLATFORM

### FIGURE 4-8. CONTROLLER ASSEMBLY (DRIVE AND STEER)

ITEM	PART NUMBER	QTY	DESCRIPTION	REV
		Ref	<b>Note: Original Equipment controller may have been replaced with Service Replacement controller. Visually identify controller before ordering parts.</b>	
	1600318	Ref	<b>CONTROLLER ASSEMBLIES</b>	C
		Ref	<b>Controller Assembly (Prior to SN 0300146550)</b>	
		Ref	<b>Note: Use p/n 1001166538 when replacing controller.</b>	
1	7022812	1	Handle Assembly (See Items 201-210 for Breakdown)	
2	7019161	1	Boot and Sleeve	
3	7003933	1	Gasket	
4	7019154	2	Clamp, Wire	
5	7022823	1	Bracket, Mounting	
6	7003994	1	Screw	
7	7022822	1	Plate, Pot Mounting	
8	7003986	1	Strip, Terminal - 3 Position	
9	7022824	1	Electric Assembly	
9A	7022825	1	Plug, Male - 8 Position (Black)	
9A	4460871	7	Socket, Female	
10	7019151	AR	Tie-Strap	
11	7019162	1	Spring	
12	7003969	2	Screw	
13	7003941	2	Washer	
14	Not Serviced	NSS	Plate, Mounting (Left Side) (Note: Use p/n 1001166538)	
15	7019115	2	Stand-Off	
16	7019155	1	Shaft 8mm	
17	7019111	2	Bearing	
18	7019110	2	Spacer, Head Gear	
19	7019112	1	Washer	
20	7003946	1	Spring, Return	
21	7019103	4	Pin	
22	Not Serviced	NSS	Rivet (Note: Purchase Locally)	
23	7019168	1	Plate, Mounting (Right Side)	
24	7003992	1	Washer	
25	7003993	1	Nut	
26	7003935	1	Gear, Slave	
27	7019160	1	Plate, Base	
28	7019114	1	Coupling, Potentiometer	
29	Not Available	NSS	Screw (Note: Purchase Locally)	
	100118416	Ref	<b>CONTROLLER ASSEMBLY (SN 0300146550 through 0300188533)</b>	A
		Ref	<b>Note: Use p/n 1001166538 as replacement. (Prior to SN 0300146550)</b>	
101	70002724	1	Boot and Control Lock Assembly	
102	7003941	2	Washer	
103	70002725	2	Screw	
104	7019162	1	Spring	
105	70002726	1	Enclosure	
106	70002727	1	Handle Assembly (See Items 201-210 for Breakdown)	
107	70002728	1	Screw	
108	Not Available	1	Mechanical Assembly (Note: Use p/n 1001166538)	
109	7022825	1	Plug, Male - 8 Position (Black)	

## SECTION 4 - PLATFORM

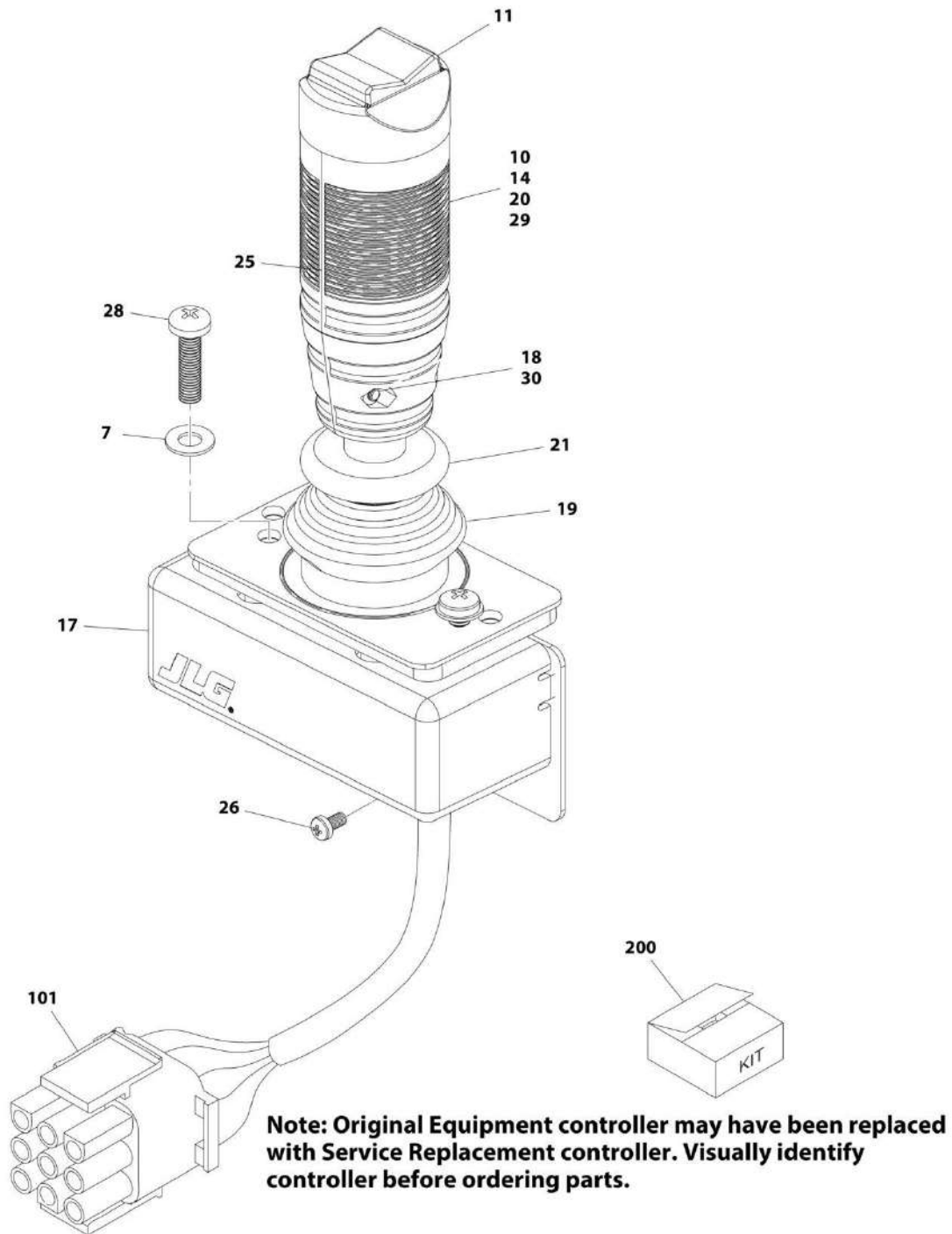
ITEM	PART NUMBER	QTY	DESCRIPTION	REV
109	4460871	7	Socket, Female	
		Ref	<b>HANDLE ASSEMBLY</b>	
	7022812	Ref	<b>Handle for Controller Assembly p/n 1600318</b>	
	70002727	Ref	<b>Handle for Controller Assembly p/n 1001118416</b>	
201	7003972	1	Boot, Switch	
202	7003973	2	Half, Handle	
203	7003980	4	Screw	
204	7019167	4	Nut	
205	7019164	1	Axle	
206	7019165	1	Rocker	
207		Ref	Wiring Assembly Options:	
207	Not Available	NSS	Wiring for Controller Assembly p/n 1600318 (Note: Use p/n 1001166538)	
207	70002729	1	Wiring for Controller Assembly p/n 1001118416	
207		Ref	Switch, Micro Options:	
207	7019166	2	Switch for Controller Assembly p/n 1600318	
207	7003982	2	Switch for Controller Assembly p/n 1001118416	
208	7003983	2	Setscrew	
209	7019194	1	Coupling	
210	7003989	2	Gasket	





## SECTION 4 - PLATFORM

FIGURE 4-9. CONTROLLER ASSEMBLY - DRIVE AND STEER (SN 0300188534 through 0300209000)



ART\_1001166538

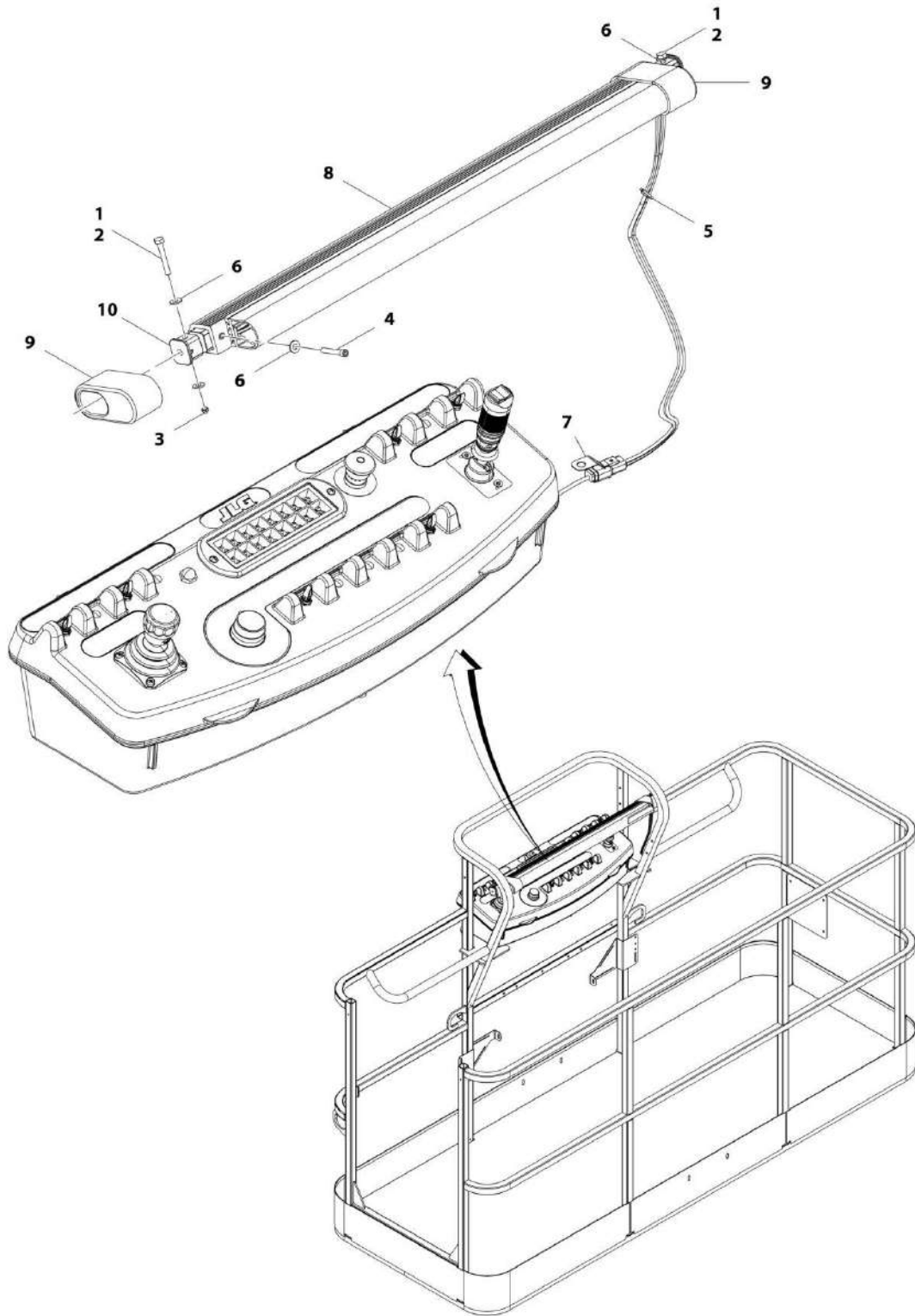
## SECTION 4 - PLATFORM

**FIGURE 4-9. CONTROLLER ASSEMBLY - DRIVE AND STEER (SN 0300188534 through 0300209000)**

ITEM	PART NUMBER	QTY	DESCRIPTION	REV
		Ref	<b>Note: Original Equipment controller may have been replaced with Service Replacement controller. Visually identify controller before ordering parts.</b>	
	1001166538	Ref	<b>CONTROLLER ASSEMBLY - DRIVE AND STEER (SN 0300188534 through 0300209000)</b>	A
7	70004738	2	Washer	
10	70004739	1	Roller	
11	70004740	1	Boot, Switch	
14	70004741	2	Half, Handle	
17	70004742	1	Enclosure	
18	70004743	4	Nut	
19	70004744	NLA	Boot, Controller (Use Item 200)	
20	70004745	NLA	Tube, Locking (Use Item 200)	
21	70004746	NLA	Disc, Locking (Use Item 200)	
25	70004747	2	Seal, Rope	
26	70004748	1	Screw, M3 x 6mm	
28	70004749	2	Screw, M5 x 20mm	
29	70004750	1	Pin, Dowel	
30	70004751	4	Screw, M3 x 16mm	
101	4460265	1	Connector - 9 Position	
101	4460226	7	Socket, Female	
200	70005230	1	Boot Kit (Includes Items 19-21)	

# SECTION 4 - PLATFORM

FIGURE 4-10. SKYGUARD SYSTEM INSTALLATION (SN 0300201038 through 0300209000)



ART\_1001187508

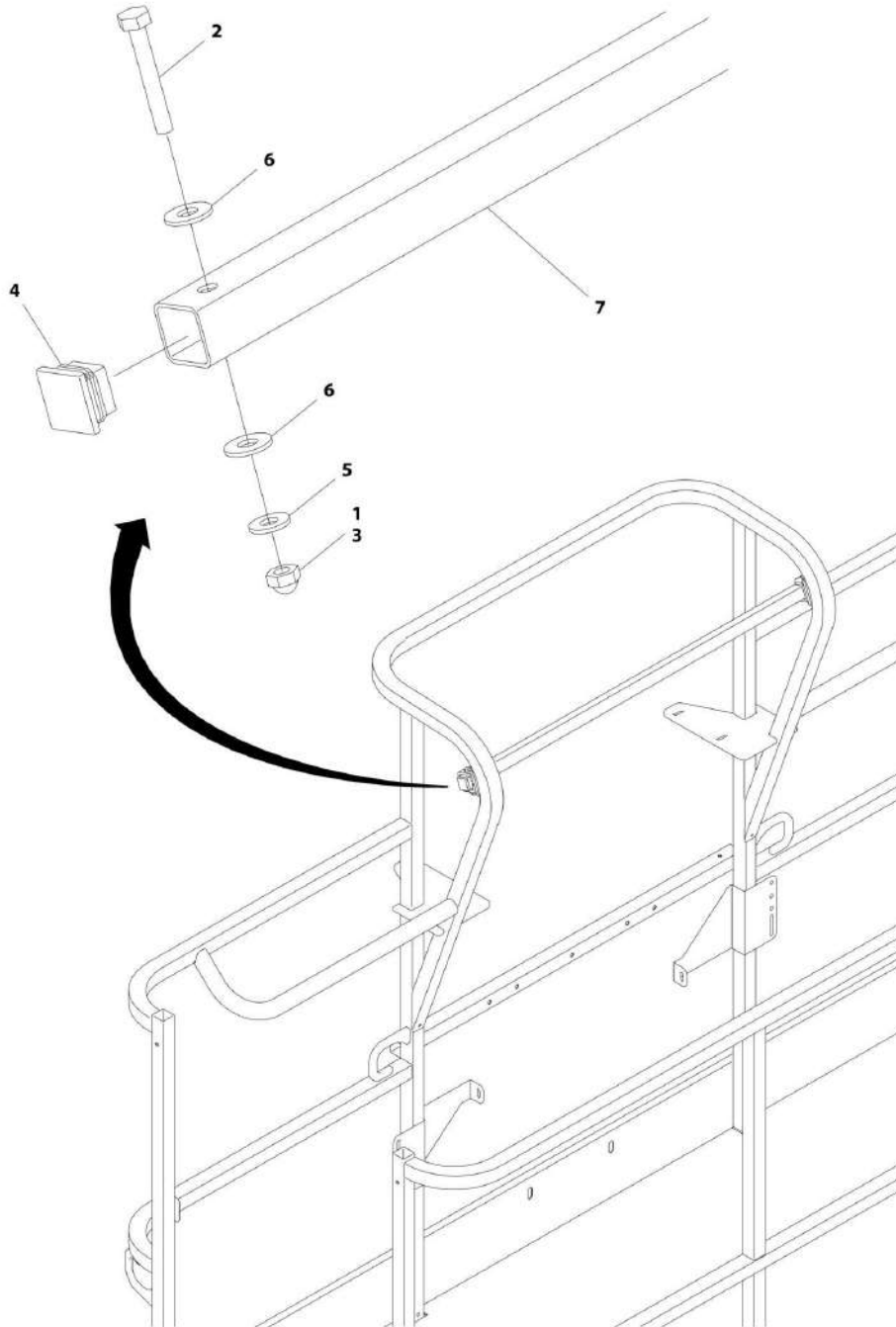
## SECTION 4 - PLATFORM

**FIGURE 4-10. SKYGUARD SYSTEM INSTALLATION (SN 0300201038 through 0300209000)**

ITEM	PART NUMBER	QTY	DESCRIPTION	REV
	1001187508	Ref	<b>SKYGUARD SYSTEM INSTALLATION</b>	A
1	0100011	AR	Compound, Locking	
2	0641414	2	Bolt, 1/4-20 X 1-3/4	
3	3300430	2	Nut, Acorn 1/4-20	
4	3931424	2	Capscrew, 1/4-20 X 1-1/2	
5	4240033	1	Tie-Strap	
6	4711400	6	Washer, 1/4	
7	1001120328	1	Mount	
8	1001137673	1	Switch, Skyguard Assembly	
9	1001186517	2	Cover, Platform Sensor	
10	1001188889	2	Support, Block	

# SECTION 4 - PLATFORM

FIGURE 4-11. CROSS RAIL INSTALLATION (SN 0300201038 through 0300209000)



ART\_1001182138

## SECTION 4 - PLATFORM

**FIGURE 4-11. CROSS RAIL INSTALLATION (SN 0300201038 through 0300209000)**

ITEM	PART NUMBER	QTY	DESCRIPTION	REV
	1001182138	Ref	CROSS RAIL INSTALLATION	A
1	0100071	AR	Compound, Locking	
2	0641414	2	Bolt, 1/4 X 1-3/4	
3	3300430	2	Nut, 1/4	
4	3520182	2	Plug	
5	4711400	2	Washer, 1/4	
6	4751400	4	Washer, 1/4	
7	1001191708	1	Bar	

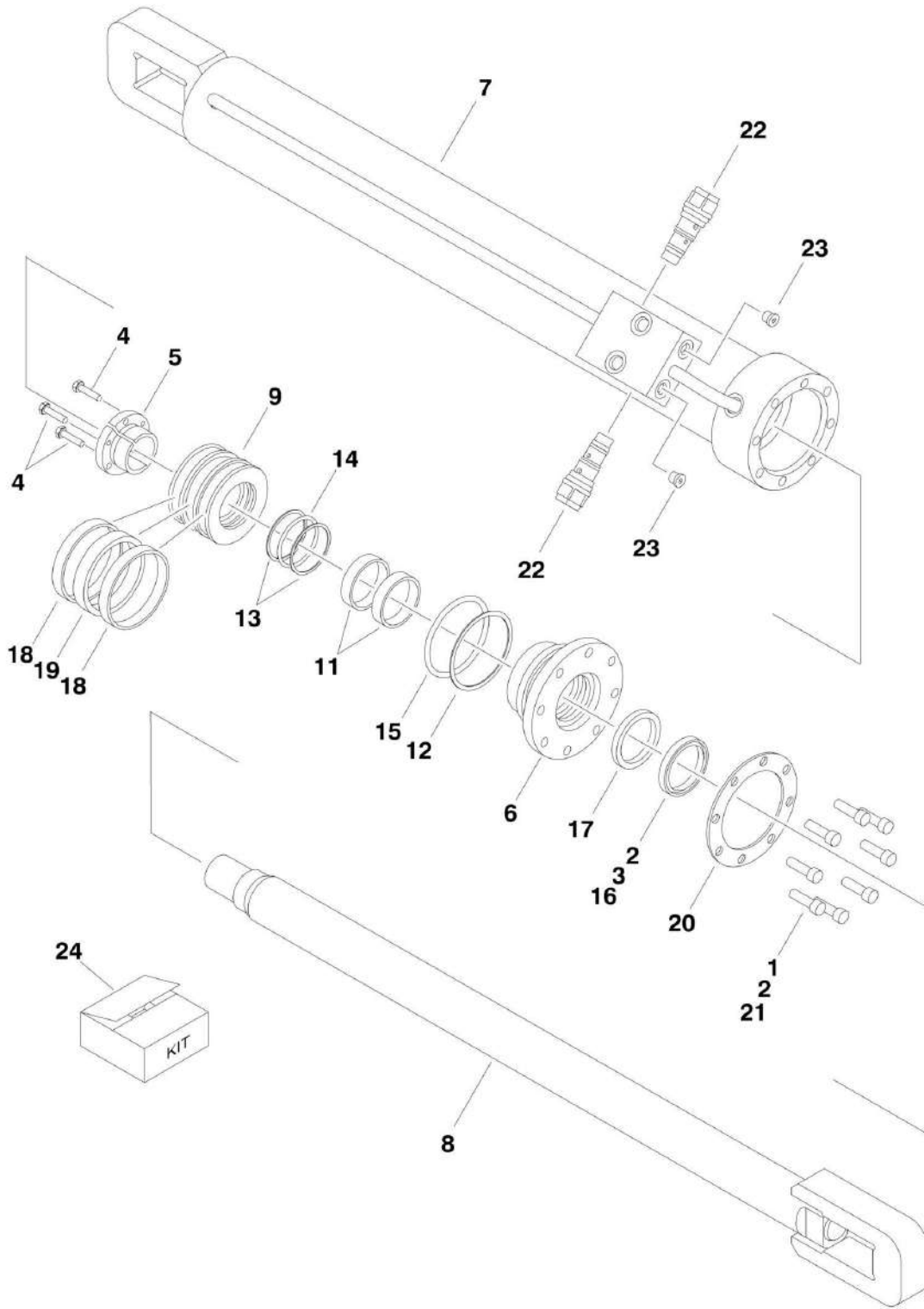




**SECTION 5 - CYLINDER**

# SECTION 5 - CYLINDER

FIGURE 5-1. AXLE EXTENSION CYLINDER ASSEMBLY (ORIGINAL EQUIPMENT)



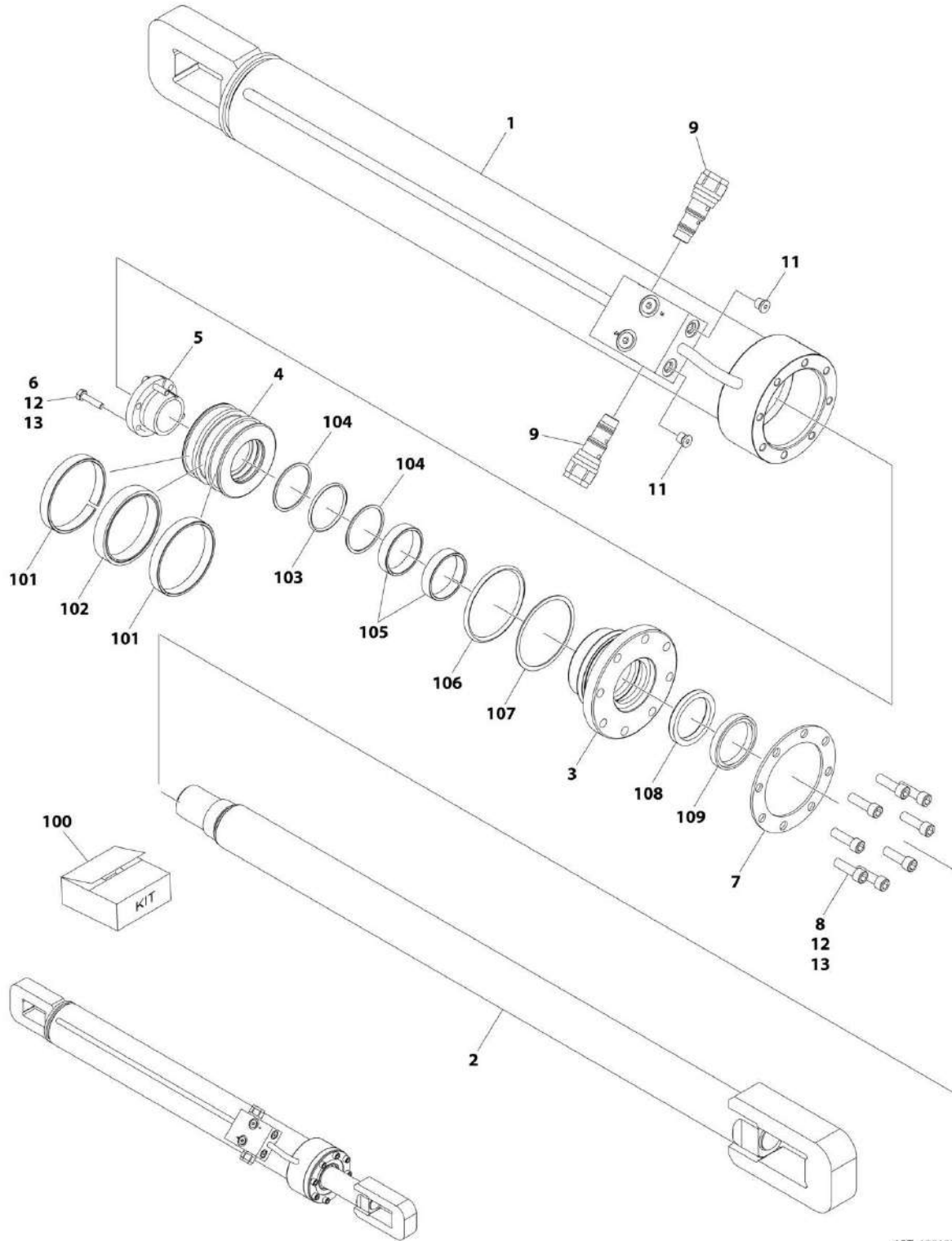
## SECTION 5 - CYLINDER

**FIGURE 5-1. AXLE EXTENSION CYLINDER ASSEMBLY (ORIGINAL EQUIPMENT)**

ITEM	PART NUMBER	QTY	DESCRIPTION	REV
	1684102	Ref	<b>AXLE EXTENSION CYLINDER ASSEMBLY</b>	D
		Ref		
1	0100011	AR	Compound, Locking	
2	0100038	AR	Primer, Locking	
3	0100063	AR	Loctite #RC 609	
4	0630535	3	Capscrew 1/4-20NC x 1-1/8	
5	0961896	1	Bushing, Tapered	
6	1683056	1	Head	
7	1684103	1	Barrel Weldment	
8	1684105	1	Rod Weldment	
9	3480272	1	Piston	
11	See Note	NSS	Ring, Wear (Note: Use Item 24)	
12	See Note	NSS	Ring, Back-Up (Note: Use Item 24)	
13	See Note	NSS	Ring, Back-Up (Note: Use Item 24)	
14	See Note	NSS	O-Ring (Note: Use Item 24)	
15	See Note	NSS	O-Ring (Note: Use Item 24)	
16	See Note	NSS	Wiper, Rod (Note: Use Item 24)	
17	See Note	NSS	Seal (Note: Use Item 24)	
18	See Note	NSS	Ring, Wear (Note: Use Item 24)	
19	See Note	NSS	T-Seal (Note: Use Item 24)	
20	3760369	1	Ring, Washer	
21	3931620	8	Bolt 3/8-16NC x 1-1/4	
22	4640509	2	Cartridge, Holding Valve	
22	2900792	2	Seal Kit - 4640509 Cartridge Valve (1 Per Valve)	
23	2220883	2	Plug, O-Ring	
24	2901773	1	Seal Kit (Includes Items 11-19)	

# SECTION 5 - CYLINDER

## FIGURE 5-2. AXLE EXTENSION CYLINDER ASSEMBLY (SERVICE REPLACEMENT)



ART\_1001228020

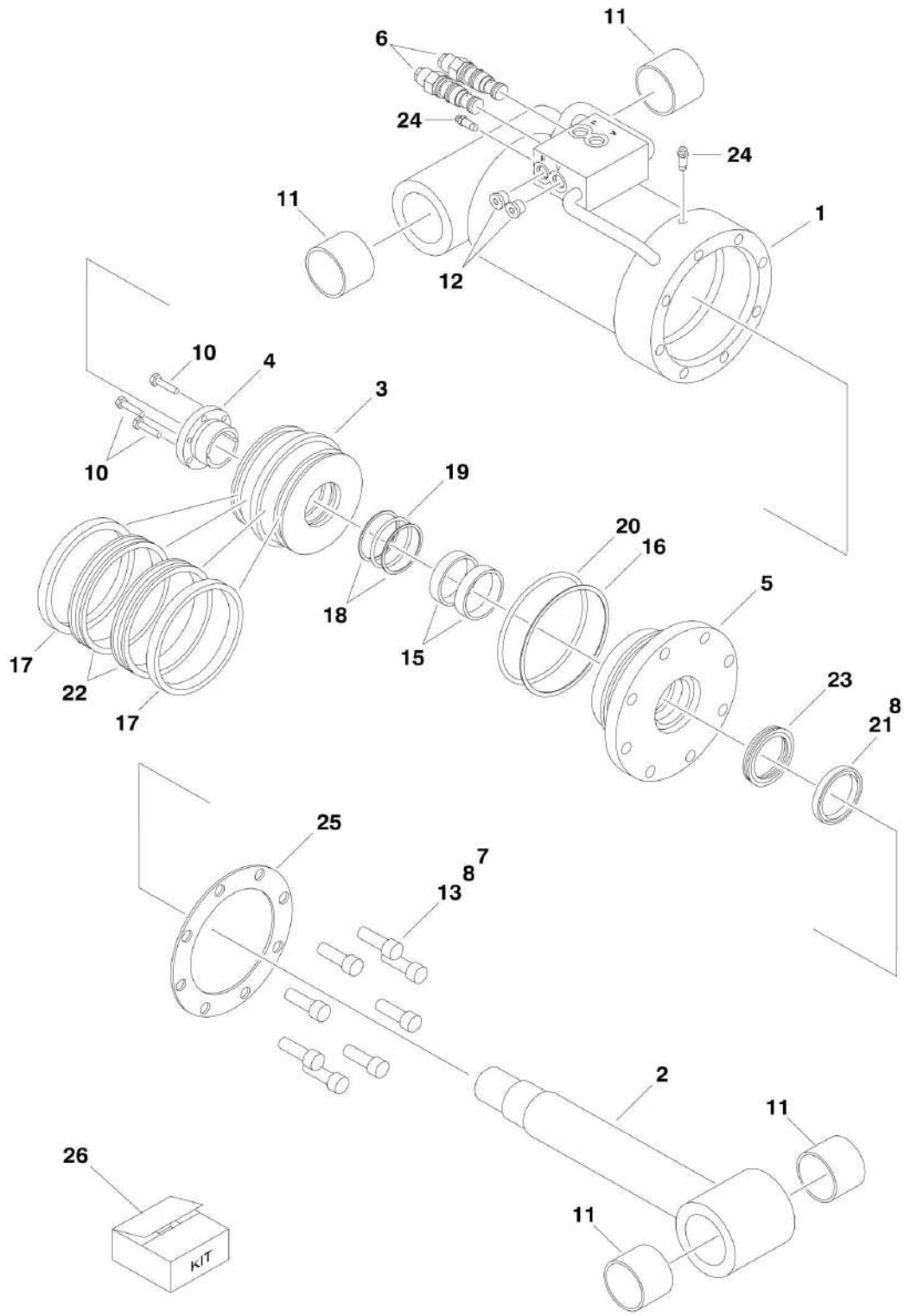
## SECTION 5 - CYLINDER

**FIGURE 5-2. AXLE EXTENSION CYLINDER ASSEMBLY (SERVICE REPLACEMENT)**

ITEM	PART NUMBER	QTY	DESCRIPTION	REV
	1001228020	Ref	AXLE EXTENSION CYLINDER ASSEMBLY	B
		Ref	Note: Original Cylinder may have been replaced with Service Replacement. Identify PN Stamped on Cylinder before ordering parts.	
1	See Note	NSS	Barrel (Note: Not Available for Purchase)	
2	70006363	1	Rod	
3	70006362	1	Head	
4	70006361	1	Piston	
5	70006360	1	Bushing, Tapered	
6	0630535	3	Capscrew 1/4 x 1-1/8	
7	70006359	1	Ring, Washer	
8	3931620	8	Bolt 3/8 x 1-1/4	
9	4640509	2	Cartridge, Holding Valve	
9	2900792	2	Seal Kit - 4640509 Cartridge Valve (1 Per Valve)	
11	2220883	2	Plug, O-Ring	
12	0100011	AR	Compound, Locking	
13	0100038	AR	Primer, Locking	
100	2901773	1	Seal Kit (Includes Items 101-109)	
101	See Note	NSS	Ring, Wear (Note: Use Item 100)	
102	See Note	NSS	T-Seal (Note: Use Item 100)	
103	See Note	NSS	O-Ring (Note: Use Item 100)	
104	See Note	NSS	Ring, Back-up (Note: Use Item 100)	
105	See Note	NSS	Ring, Wear (Note: Use Item 100)	
106	See Note	NSS	O-Ring (Note: Use Item 100)	
107	See Note	NSS	Ring, Back-up (Note: Use Item 100)	
108	See Note	NSS	Seal (Note: Use Item 100)	
109	See Note	NSS	Wiper, Rod (Note: Use Item 100)	

# SECTION 5 - CYLINDER

## FIGURE 5-3. AXLE LOCKOUT CYLINDER ASSEMBLY (ORIGINAL EQUIPMENT)



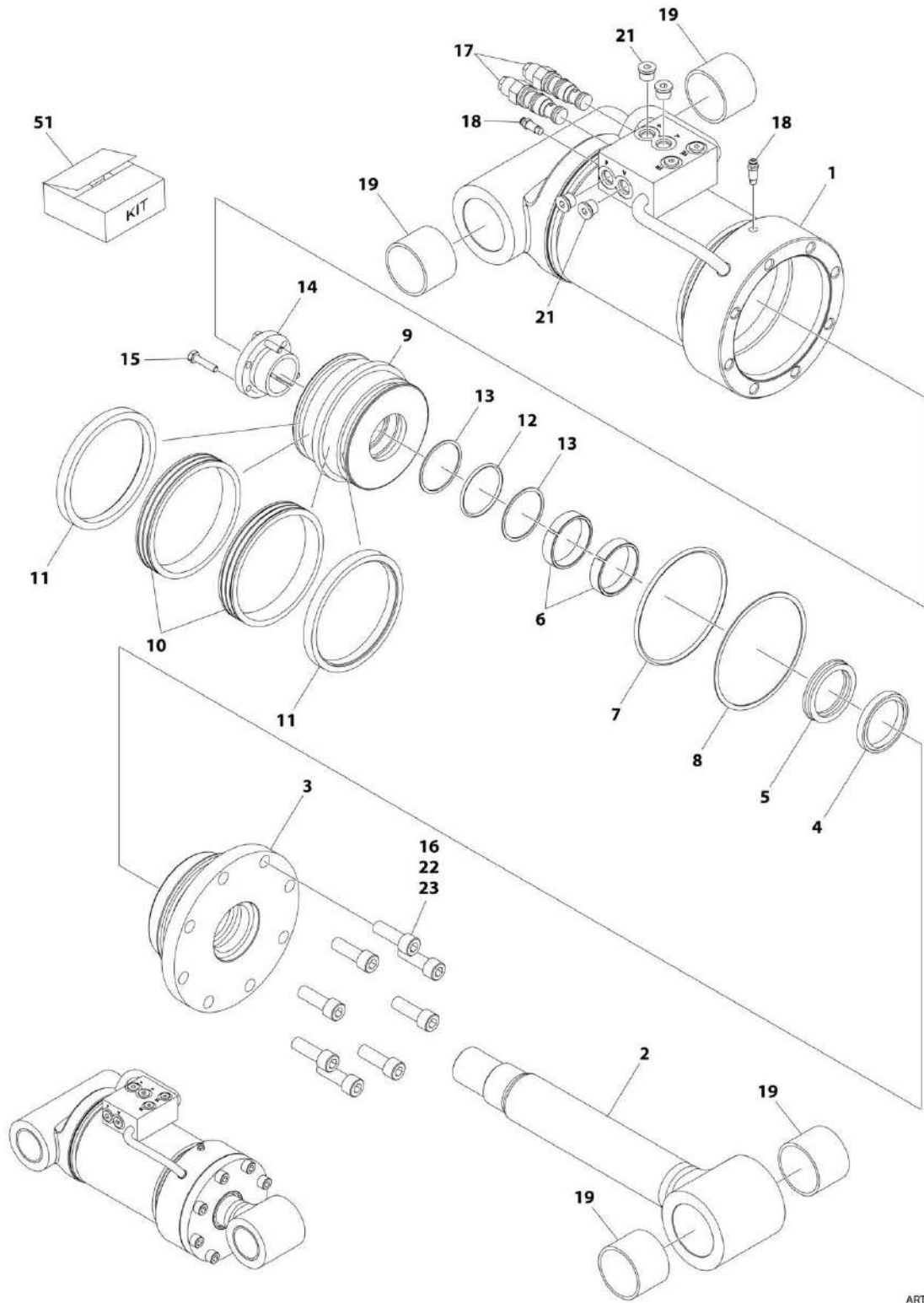
## SECTION 5 - CYLINDER

**FIGURE 5-3. AXLE LOCKOUT CYLINDER ASSEMBLY (ORIGINAL EQUIPMENT)**

ITEM	PART NUMBER	QTY	DESCRIPTION	REV
	1684081	Ref	<b>AXLE LOCKOUT CYLINDER ASSEMBLY</b> Note: Original Cylinder may have been Replaced with Service Replacement. Identify PN Stamped on Cylinder before ordering parts.	E
		Ref		
1	1684082	1	Barrel Weldment	
2	1684083	1	Rod Weldment	
3	3480269	1	Piston	
4	0961896	1	Bushing	
5	1683062	1	Head	
6	4641276	2	Cartridge, Valve (Counterbalance)	
6	2900770	2	Seal Kit - 4640936 Valve (1 Per Assembly)	
7	0100011	AR	Compound, Locking	
8	0100038	AR	Primer, Locking	
10	0630535	3	Bolt 1/4-20NC x 1-1/8	
11	0961950	4	Bearing	
12	2220885	2	Plug, O-Ring	
13	3931824	8	Bolt, Socket Head 1/2 x 1-1/2	
15	See Note	NSS	Ring, Wear (Note: Use Item 26)	
16	See Note	NSS	Ring, Back-up (Note: Use Item 26)	
17	See Note	NSS	Ring, Lock (Note: Use Item 26)	
18	See Note	NSS	Ring, Back-up (Note: Use Item 26)	
19	See Note	NSS	O-Ring (Note: Use Item 26)	
20	See Note	NSS	O-Ring (Note: Use Item 26)	
21	See Note	NSS	Wiper (Note: Use Item 26)	
22	See Note	NSS	Seal (Note: Use Item 26)	
23	See Note	NSS	Seal, Rod (Note: Use Item 26)	
24	4640858	2	Valve, Bleeder	
25	3760371	1	Ring, Washer	
26	2902087	1	Seal Kit (Includes Items 15-23)	

# SECTION 5 - CYLINDER

## FIGURE 5-4. AXLE LOCKOUT CYLINDER ASSEMBLY (SERVICE REPLACEMENT)



ART\_1001228019



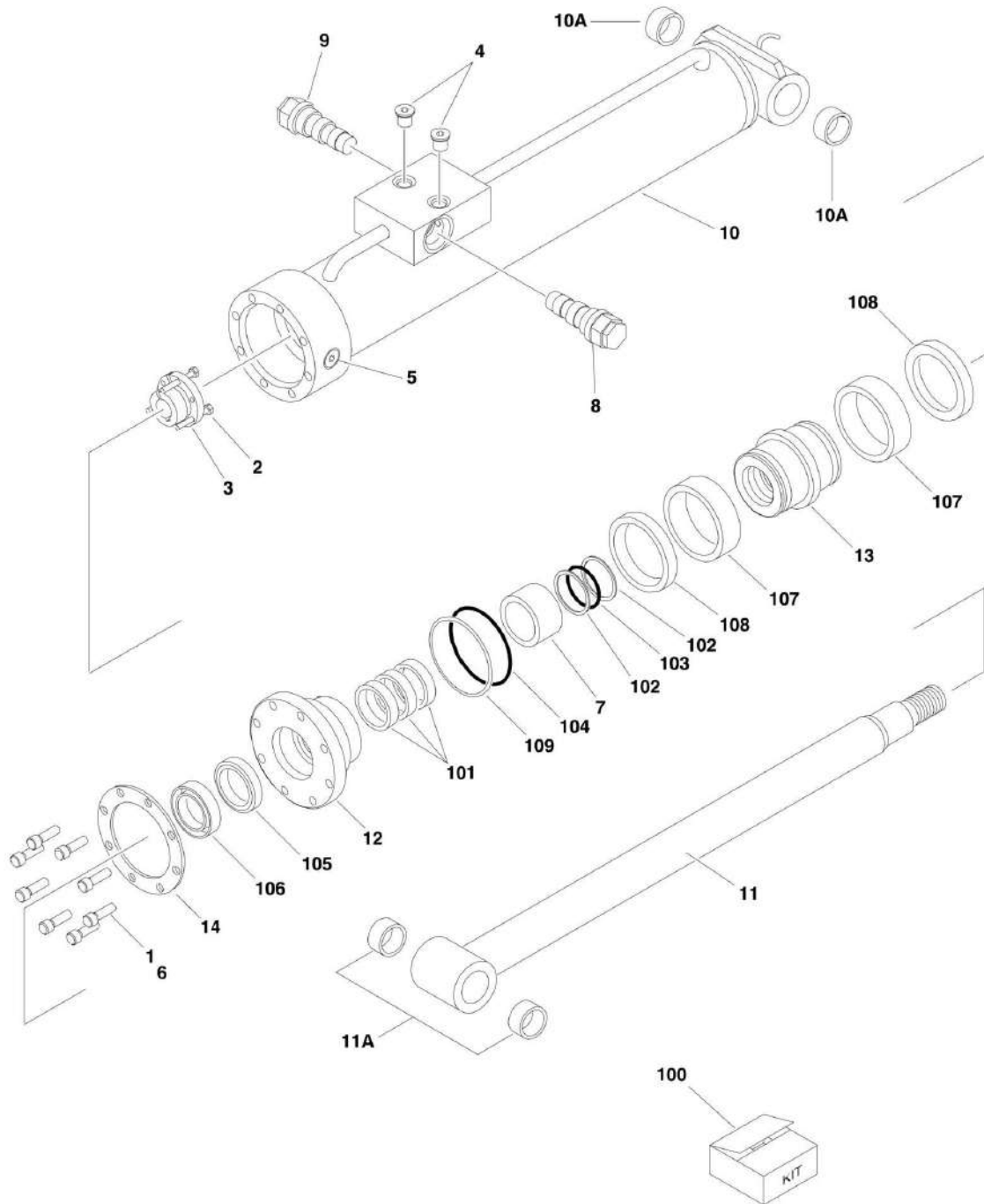
## SECTION 5 - CYLINDER

**FIGURE 5-4. AXLE LOCKOUT CYLINDER ASSEMBLY (SERVICE REPLACEMENT)**

ITEM	PART NUMBER	QTY	DESCRIPTION	REV
	1001228019	Ref	AXLE LOCKOUT CYLINDER ASSEMBLY	B
		Ref	Note: Original Cylinder may have been replaced with Service Replacement. Identify PN Stamped on Cylinder before ordering parts.	
1	See Note	NSS	Barrel (Note: Not Available for Purchase)	
2	70006520	1	Rod	
3	70006474	1	Head	
4	See Note	NSS	Wiper (Note: Use Item 51)	
5	See Note	NSS	Seal, Rod (Note: Use Item 51)	
6	See Note	NSS	Ring, Wear (Note: Use Item 51)	
7	See Note	NSS	O-Ring (Note: Use Item 51)	
8	See Note	NSS	Ring, Back-up (Note: Use Item 51)	
9	70006473	1	Piston	
10	See Note	NSS	Seal (Note: Use Item 51)	
11	See Note	NSS	Ring, Lock (Note: Use Item 51)	
12	See Note	NSS	O-Ring (Note: Use Item 51)	
13	See Note	NSS	Ring, Back-up (Note: Use Item 51)	
14	0961896	1	Bushing	
15	0630535	3	Bolt 1/4 x 1-1/8	
16	3931824	8	Bolt 1/2 x 1-1/2	
17	4641276	2	Cartridge, Valve Options: (Counterbalance)	
17	2900770	2	Seal Kit - 4641276 Valve (1 Per Assembly)	
18	4640858	2	Valve, Bleeder	
19	0961950	4	Bearing	
21	2220885	4	Plug, O-Ring	
22	0100011	AR	Compound, Locking	
23	0100038	AR	Primer, Locking	
51	2902087	1	Seal Kit (Includes Items 4-8 & 10-13)	

# SECTION 5 - CYLINDER

## FIGURE 5-5. LEVEL (JIB) CYLINDER ASSEMBLY (ORIGINAL EQUIPMENT)



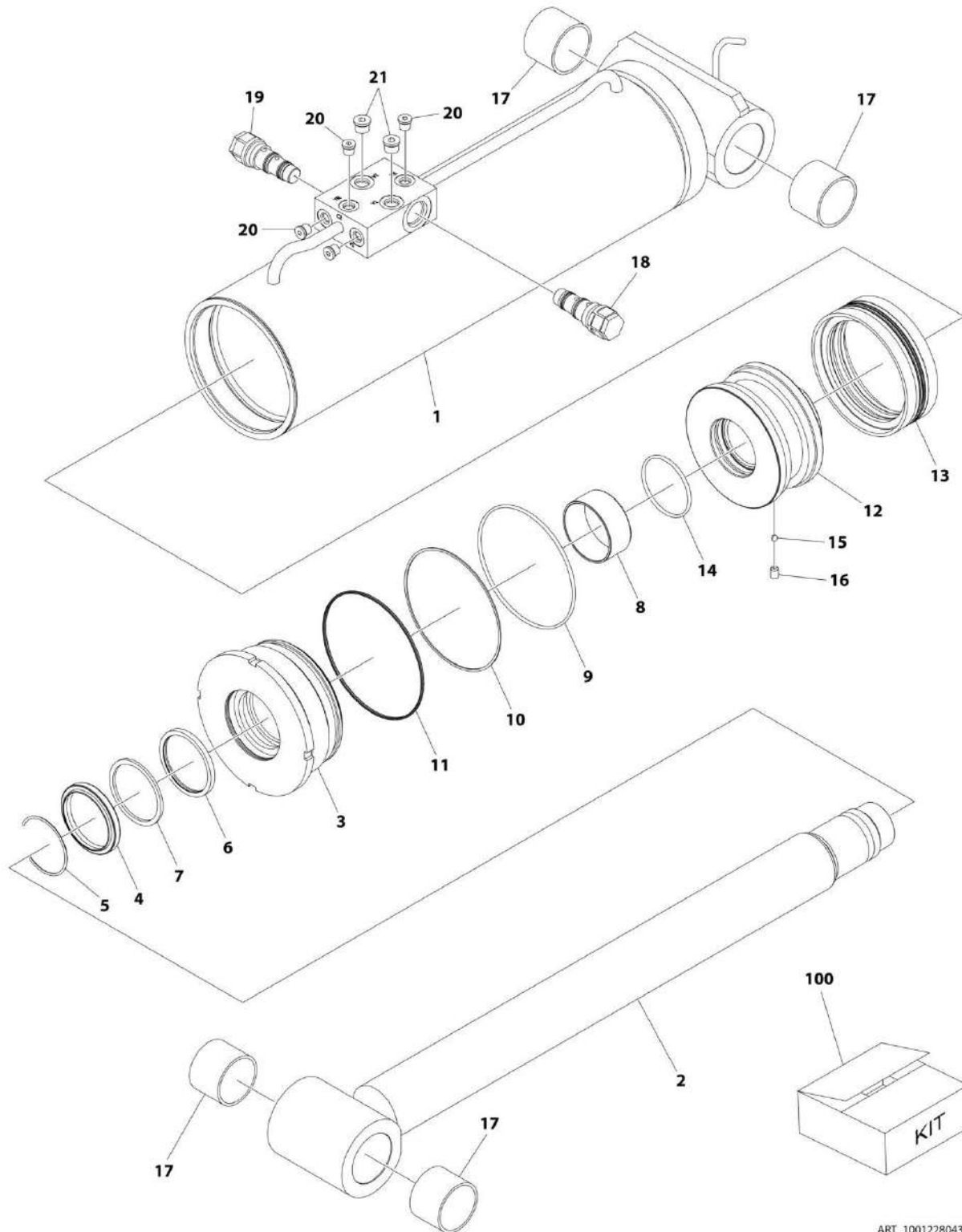
## SECTION 5 - CYLINDER

**FIGURE 5-5. LEVEL (JIB) CYLINDER ASSEMBLY (ORIGINAL EQUIPMENT)**

ITEM	PART NUMBER	QTY	DESCRIPTION	REV
		Ref	<b>JIB LEVEL CYLINDER ASSEMBLIES</b>	
		Ref	Note: Original Cylinder may have been replaced with Service Replacement. Identify PM Stamped on Cylinder before ordering parts.	
	1001118142	Ref	<b>Without Cold Weather Plus Package</b>	C
	1001139998	Ref	<b>With Cold Weather Plus Package</b>	B
1	0100011	AR	Compound, Locking	
2	0630535	8	Bolt 1/4-20NC x 1-1/8	
3	0961897	1	Bushing, Tapered	
4	2220885	2	Plug, O-Ring	
5	2220886	1	Plug, O-Ring	
6	3932032	3	Capscrew 5/8-11NC x 2	
7	4566667	1	Spacer	
8	4640999	1	Cartridge, Holding Valve (Non Vented)	
8	2900792	1	Seal Kit - 4640999 Cartridge Valve	
9	4641248	1	Cartridge, Counterbalance Valve (Non Vented)	
9	See Note	1	Seal Kit - 4641248 Cartridge Valve (Note: Not Available for Purchase)	
10	1001118143	1	Barrel Weldment	
10A	0961950	2	Bushing	
11	1001118145	1	Rod Weldment	
11A	0961950	2	Bushing	
12	1001118148	1	Head	
13	1001118149	1	Piston	
14	1001118177	1	Ring, Washer	
100		Ref	Seal Kit Options (Includes Items 101-109):	
100	1001119647	1	Without Cold Weather Plus Package	
100	1001139994	1	With Cold Weather Plus Package	
101	See Note	NSS	Ring, Wear (Note: Use Item 100)	
102	See Note	NSS	Ring, Back-up (Note: Use Item 100)	
103	See Note	NSS	O-Ring (Note: Use Item 100)	
104	See Note	NSS	O-Ring (Note: Use Item 100)	
105	See Note	NSS	Seal (Note: Use Item 100)	
106	See Note	NSS	Wiper, Rod (Note: Use Item 100)	
107	See Note	NSS	Seal (Note: Use Item 100)	
108	See Note	NSS	Ring, Guide (Note: Use Item 100)	
109	See Note	NSS	Ring, Back-up (Note: Use Item 100)	

# SECTION 5 - CYLINDER

FIGURE 5-6. LEVEL (JIB) CYLINDER ASSEMBLY - WITH OR WITHOUT COLD WEATHER PLUS PACKAGE (SERVICE REPLACEMENT)



ART\_1001228043

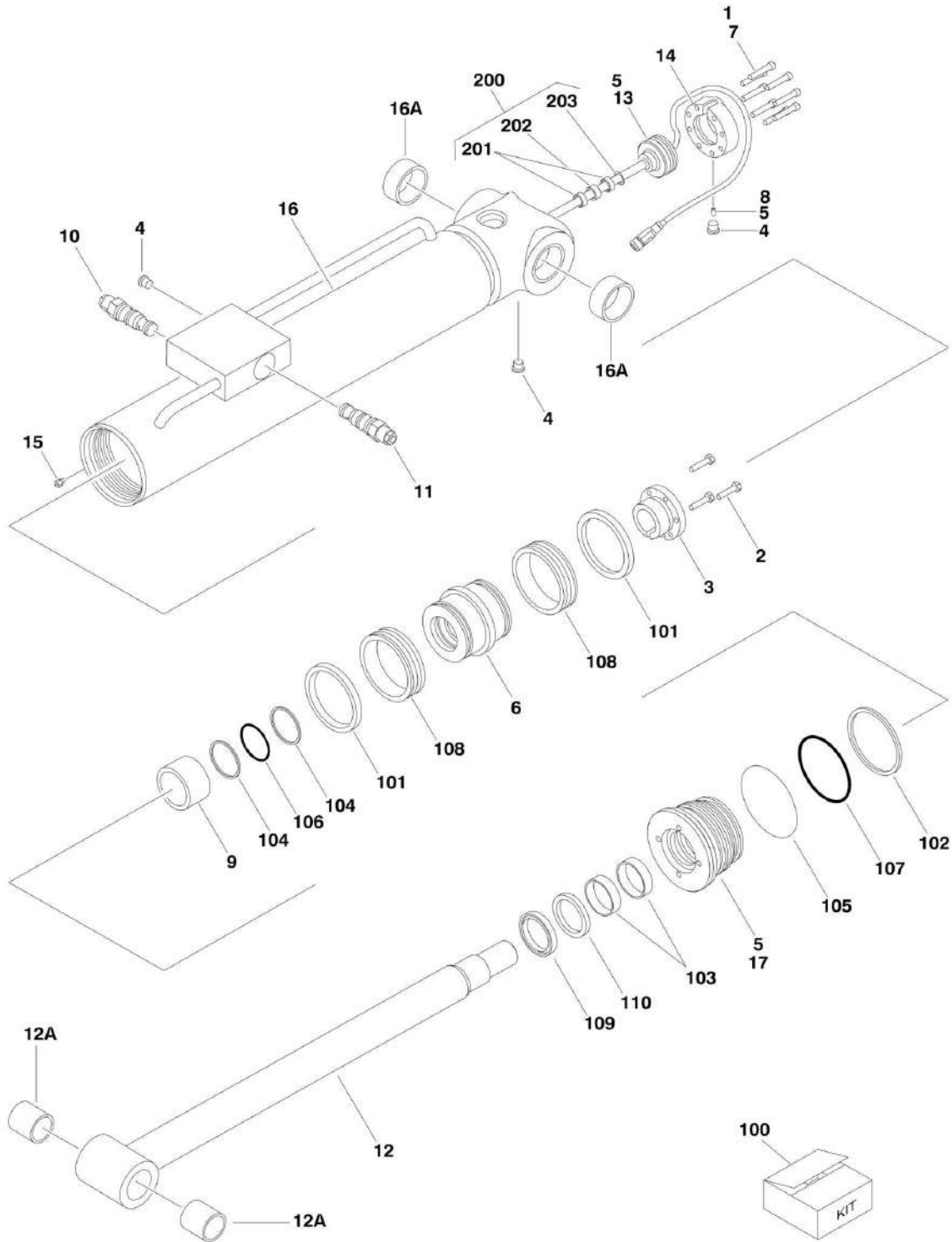
## SECTION 5 - CYLINDER

**FIGURE 5-6. LEVEL (JIB) CYLINDER ASSEMBLY - WITH OR WITHOUT COLD WEATHER PLUS PACKAGE (SERVICE REPLACEMENT)**

ITEM	PART NUMBER	QTY	DESCRIPTION	REV
	1001228043	Ref	LEVEL (JIB) CYLINDER ASSEMBLY - WITH OR WITHOUT COLD WEATHER PLUS PACKAGE	B
		Ref	Note: Original Cylinder May Have Been Replaced with Service Replacement. Identify PN Stamped on Cylinder Before Ordering Parts.	
1	See Note	NSS	Barrel Weldment (Note: Not Available for Purchase)	
2	70006646	1	Rod Weldment	
3	70006635	1	Head	
4	See Note	NSS	Wiper, Rod (Note: Use Item 100)	
5	70050795	1	Ring, Retaining	
6	See Note	NSS	Seal, Rod (Note: Use Item 100)	
7	See Note	NSS	Ring, Back-up (Note: Use Item 100)	
8	70006636	1	Ring, Wear	
9	See Note	NSS	O-Ring (Note: Use Item 100)	
10	See Note	NSS	Ring, Back-up (Note: Use Item 100)	
11	See Note	NSS	O-Ring (Note: Use Item 100)	
12	70006637	1	Piston	
13	See Note	NSS	Seal, Piston (Note: Use Item 100)	
14	See Note	NSS	O-Ring (Note: Use Item 100)	
15	70006596	1	Ball, Steel	
16	70022564	1	Setscrew	
17	0961950	4	Bushing	
18	4640999	1	Cartridge, Holding Valve (Non Vented)	
18	2900792	1	Seal Kit - 4640999 Cartridge Valve	
19	4641248	1	Cartridge, Counterbalance Valve (Non Vented)	
19	See Note	1	Seal Kit - 4641248 Cartridge Valve (Note: Not Available for Purchase)	
20	2220883	4	Plug, O-Ring	
21	2220885	2	Plug, O-Ring	
100	70006647	1	Seal Kit (Includes Items 4, 6, 7, 9-11, 13 & 14)	

# SECTION 5 - CYLINDER

## FIGURE 5-7. LEVEL (PLATFORM) CYLINDER ASSEMBLY (ORIGINAL EQUIPMENT)



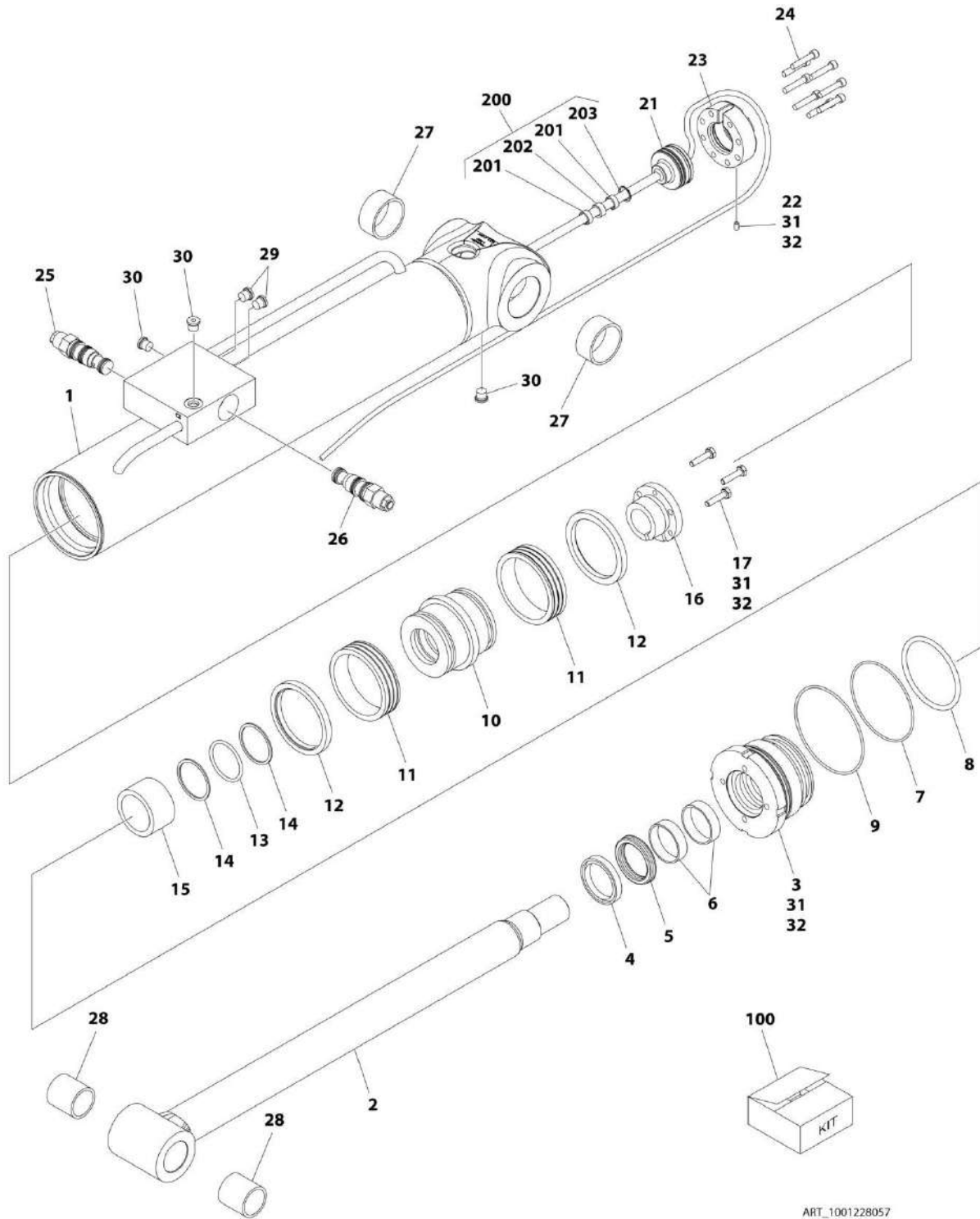
## SECTION 5 - CYLINDER

**FIGURE 5-7. LEVEL (PLATFORM) CYLINDER ASSEMBLY (ORIGINAL EQUIPMENT)**

ITEM	PART NUMBER	QTY	DESCRIPTION	REV
		Ref	<b>PLATFORM LEVEL CYLINDER ASSEMBLIES</b>	
		Ref	Note: Original Cylinder may have been replaced with Service Replacement. Identify PN Stamped on Cylinder before ordering parts.	
	1001129922	Ref	<b>Without Cold Weather Plus Package</b>	B
	1001139999	Ref	<b>Without Cold Weather Plus Package</b>	C
	1001139999	Ref	<b>With Cold Weather Plus Package</b>	C
1	0100011	AR	Compound, Locking	
2	0630535	3	Capscrew 1/4-20NC x 1-1/8	
3	0961902	1	Bushing, Tapered	
4	2220883	2	Plug, O-Ring	
5	3020039	AR	Lubricant	
6	3480233	1	Piston	
7	3931420	8	Capscrew 1/4-20NC x 1-1/4	
8	3951003	1	Setscrew #10 x 3/8	
9	4567434	1	Spacer	
10	4640489	1	Cartridge, Counterbalance Valve	
10	Not Available	1	Seal Kit - 4640489 Cartridge Valve (1 Per Valve)	
11	4641260	1	Cartridge, Counterbalance Valve	
11	2900770	1	Seal Kit - 4641260 Cartridge Valve (1 Per Valve)	
12	1001117984	1	Rod Weldment	
12A	0962006	2	Bushing	
13	1001117990	1	Sensor, Cylinder Length	
14	1001118070	1	Cap, Retainer	
15	1001125137	1	Screw Self Tapping #8-32NC	
16	1001129920	1	Barrel Weldment	
16A	1001117969	2	Bushing	
17	1001129921	1	Head	
100		Ref	Seal Kit Options (Includes Items 101-110):	
100	1001119453	1	Without Cold Weather Plus Package ( <b>Prior to SN 0300182792</b> )	
100	1001139995	1	Without Cold Weather Plus Package ( <b>SN 0300185792 through 0300209000</b> )	
100	1001139995	1	With Cold Weather Plus Package	
101	See Note	NSS	Ring, Lock (Note: Use Item 100)	
102	See Note	NSS	Ring, Back-up (Note: Use Item 100)	
103	See Note	NSS	Ring, Wear (Note: Use Item 100)	
104	See Note	NSS	Ring, Back-up (Note: Use Item 100)	
105	See Note	NSS	O-Ring (Note: Use Item 100)	
106	See Note	NSS	O-Ring (Note: Use Item 100)	
107	See Note	NSS	O-Ring (Note: Use Item 100)	
108	See Note	NSS	Seal (Note: Use Item 100)	
109	See Note	NSS	Wiper, Rod (Note: Use Item 100)	
110	See Note	NSS	Seal (Note: Use Item 100)	
200	1001119105	1	Sensor Magnet Kit (Includes Items 201-203)	
201	1001117994	2	Sleeve, Spacer	
202	1001118066	1	Magnet, Sensor	
203	1001118069	1	Ring, Internal Retaining	

# SECTION 5 - CYLINDER

## FIGURE 5-8. LEVEL (PLATFORM) CYLINDER ASSEMBLY (SERVICE REPLACEMENT)



ART\_1001228057



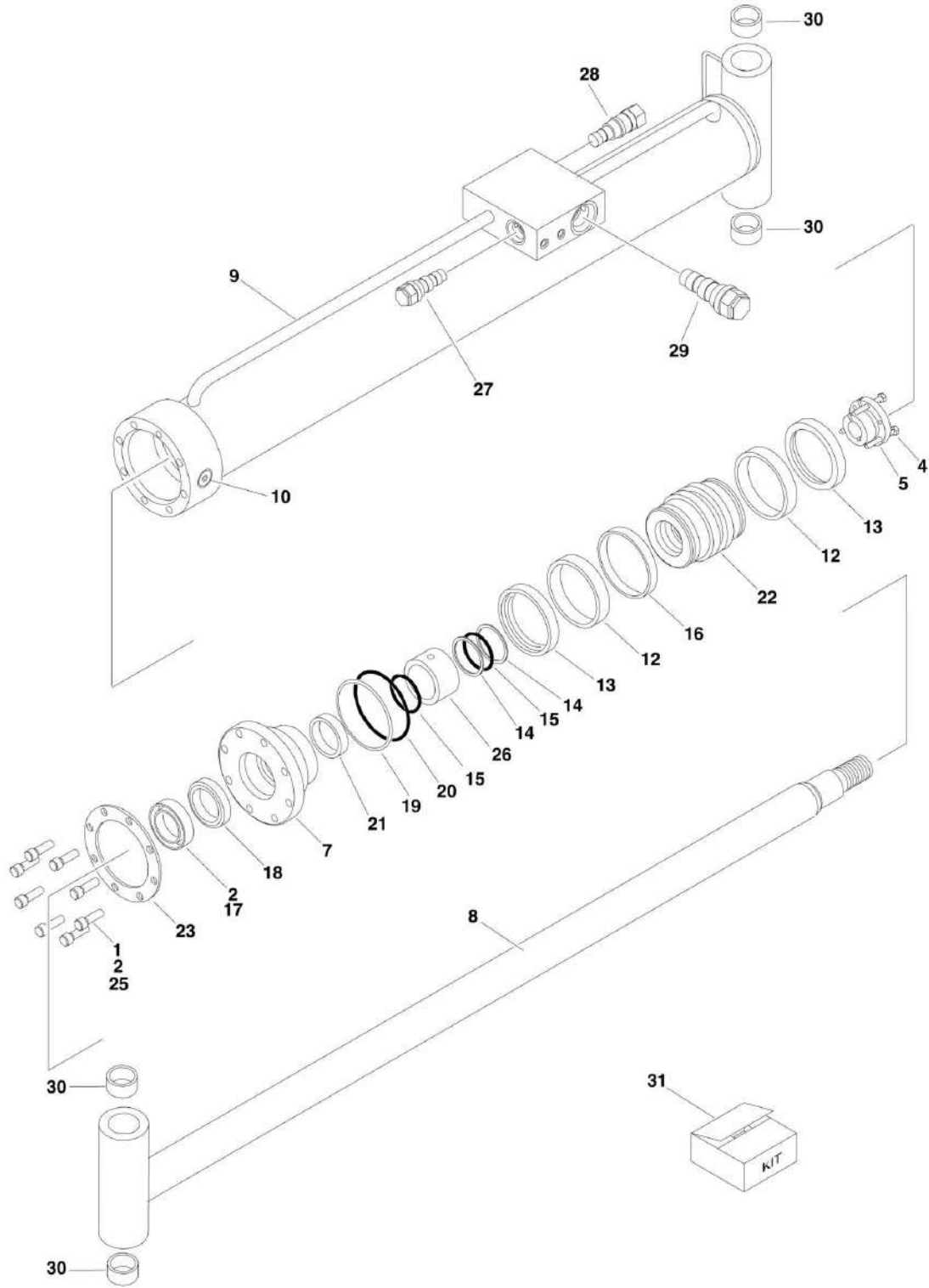
## SECTION 5 - CYLINDER

**FIGURE 5-8. LEVEL (PLATFORM) CYLINDER ASSEMBLY (SERVICE REPLACEMENT)**

ITEM	PART NUMBER	QTY	DESCRIPTION	REV
	1001228057	Ref	LEVEL (PLATFORM) CYLINDER ASSEMBLY	B
		Ref	Note: Original Cylinder may have been replaced with Service Replacement. Identify PN Stamped on Cylinder before ordering parts.	
1	See Note	NSS	Barrel Weldment (Note: Not Available for Purchase)	
2	70006519	1	Rod Weldment	
3	70006518	1	Head	
4	See Note	NSS	Wiper, Rod (Note: Use Item 100)	
5	See Note	NSS	Seal, Rod (Note: Use Item 100)	
6	See Note	NSS	Ring, Wear (Note: Use Item 100)	
7	See Note	NSS	O-Ring (Note: Use Item 100)	
8	See Note	NSS	Ring, Back-up (Note: Use Item 100)	
9	See Note	NSS	O-Ring (Note: Use Item 100)	
10	70006517	1	Piston	
11	See Note	NSS	Ring, Lock (Note: Use Item 100)	
12	See Note	NSS	Ring, Guide (Note: Use Item 100)	
13	See Note	NSS	O-Ring (Note: Use Item 100)	
14	See Note	NSS	Ring, Back-up (Note: Use Item 100)	
15	70006516	1	Spacer	
16	0961902	1	Bushing, Tapered	
17	0630535	3	Capscrew 1/4 x 1-1/8	
21	1001117990	1	Sensor, Cylinder Length	
22	70006464	1	Setscrew M5	
23	70006463	1	Cap, Retainer	
24	3931420	8	Capscrew 1/4 x 1-1/4	
25	4640489	1	Cartridge, Counterbalance Valve	
25	See Note	NSS	Seal Kit - 4640489 Cartridge Valve (1 Per Valve) (Note: Not Available for Purchase)	
26	4641260	1	Cartridge, Counterbalance Valve	
26	2900770	1	Seal Kit - 4641260 Cartridge Valve (1 Per Valve)	
27	1001117969	2	Bushing	
28	0962006	2	Bushing	
29	2220883	2	Plug, O-Ring	
30	2220883	3	Plug, O-Ring	
31	0100011	AR	Compound, Locking	
32	0100038	AR	Primer, Locking	
100	1001139995	1	Seal Kit (Includes Items 4-9 & 11-14)	
200	1001119105	1	Sensor Magnet Kit (Includes Items 201-203)	
201	1001117994	2	Sleeve, Spacer	
202	1001118066	1	Magnet, Sensor	
203	1001118069	1	Ring, Internal Retaining	

# SECTION 5 - CYLINDER

## FIGURE 5-9. LIFT (BOOM) CYLINDER ASSEMBLY (ORIGINAL EQUIPMENT)



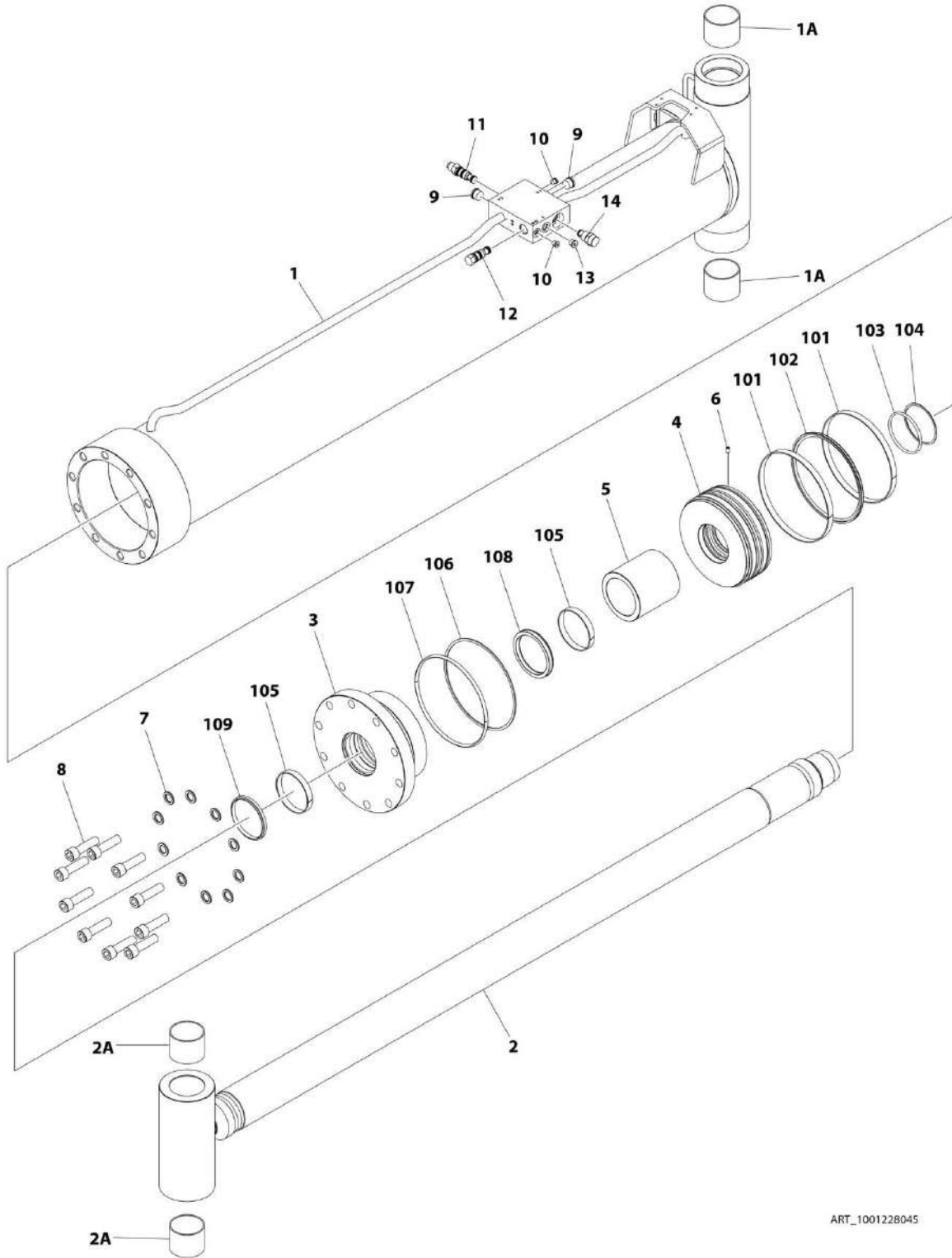
## SECTION 5 - CYLINDER

**FIGURE 5-9. LIFT (BOOM) CYLINDER ASSEMBLY (ORIGINAL EQUIPMENT)**

ITEM	PART NUMBER	QTY	DESCRIPTION	REV
	1001118442	Ref	<b>BOOM LIFT CYLINDER ASSEMBLY</b>	C
		Ref		
1	0100011	AR	Compound, Locking	
2	0100038	AR	Primer, Locking	
4	0630537	3	Capscrew	
5	0961901	1	Bushing, Tapered	
7	1683072	1	Head	
8	1684159	1	Rod	
9	1001118443	1	Barrel	
10	2220888	1	Plug, O-Ring	
12	See Note	NSS	Ring, Guide (Note: Use p/n 1001174325)	
13	See Note	NSS	Ring, Lock (Note: Use p/n 1001174325)	
14	See Note	NSS	Ring, Back-Up (Note: Use p/n 1001174325)	
15	See Note	NSS	O-Ring (Note: Use p/n 1001174325)	
16	See Note	NSS	Ring, Wear (Note: Use p/n 1001174325)	
17	See Note	NSS	Wiper, Rod (Note: Use p/n 1001174325)	
18	See Note	NSS	Seal, Rod (Note: Use p/n 1001174325)	
19	See Note	NSS	Ring, Back-Up (Note: Use p/n 1001174325)	
20	See Note	NSS	O-Ring (Note: Use p/n 1001174325)	
21	See Note	NSS	Ring, Wear (Note: Use p/n 1001174325)	
22	3480270	1	Piston	
23	3760375	1	Ring, Washer	
25	3932244	8	Capscrew 3/4-10NC x 2-3/4	
26	4568319	1	Spacer	
27	4640438	1	Cartridge, Check Valve	
27	2900770	1	Seal Kit - 4640438 Cartridge Valve	
28	1001125279	1	Cartridge, Valve	
28	2900770	1	Seal Kit - 1001125279 Cartridge Valve	
29	4641210	1	Cartridge, Pressure Regulator Valve	
29	7010545	1	Seal Kit - 4641210 Cartridge Valve	
30	0962297	4	Bushing	
31	2902082	NLA	Seal Kit (Includes Items 12-21) (Use Kit p/n 1001174325)	
31	1001174325	1	Seal Kit (Includes Items 12-21)	

# SECTION 5 - CYLINDER

## FIGURE 5-10. LIFT (BOOM) CYLINDER ASSEMBLY (SERVICE REPLACEMENT)



ART\_1001228045

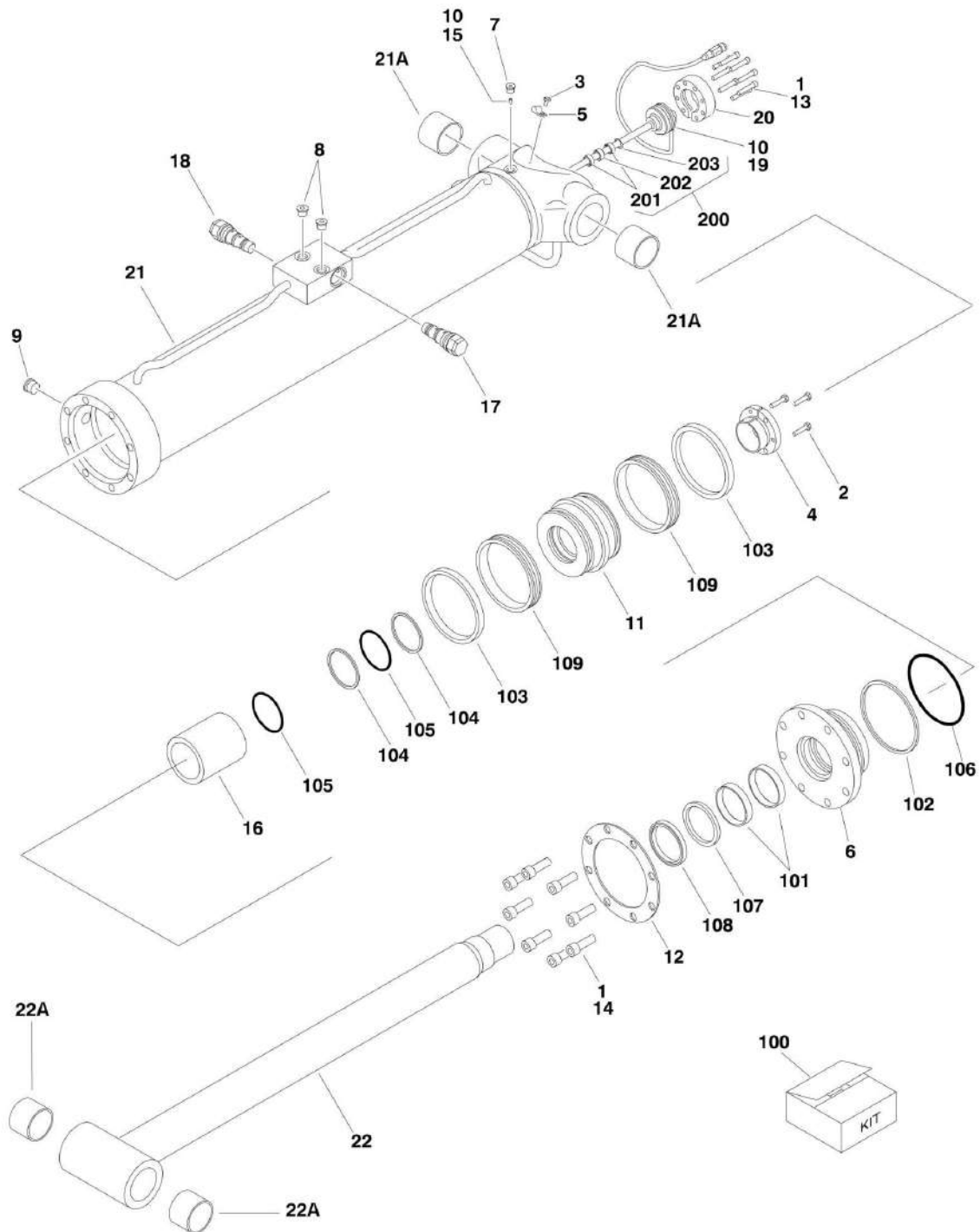
## SECTION 5 - CYLINDER

**FIGURE 5-10. LIFT (BOOM) CYLINDER ASSEMBLY (SERVICE REPLACEMENT)**

ITEM	PART NUMBER	QTY	DESCRIPTION	REV
	1001228045	Ref	LIFT (BOOM) CYLINDER ASSEMBLY	B
		Ref	Note: Original Cylinder may have been replaced with Service Replacement. Identify PN Stamped on Cylinder before ordering parts.	
1	See Note	NSS	Barrel (Note: Not Available for Purchase)	
1A	0962297	2	Bearing	
2	70006559	1	Rod	
2A	0962297	2	Bearing	
3	70006558	1	Head	
4	70006557	1	Piston	
5	70006556	1	Spacer	
6	70020438	1	Screw	
7	70006555	10	Washer	
8	70006554	10	Capscrew 3/4 x 2-3/4	
9	2220887	2	Plug, O-Ring	
10	2220883	2	Plug, O-Ring	
11	1001125279	1	Cartridge, Valve	
11	2900770	1	Seal Kit - 1001125279 Cartridge Valve	
12	4640438	1	Cartridge, Check Valve	
12	2900770	1	Seal Kit - 4640438 Cartridge Valve	
13	2220885	1	Plug, O-Ring	
14	4641210	1	Cartridge, Pressure Regulator Valve	
14	7010545	1	Seal Kit - 4641210 Cartridge Valve	
100	70006560	1	Seal Kit (Includes Items 12-21)	
101	See Note	NSS	Ring, Wear (Note: Use Item 100)	
102	See Note	NSS	Seal, Piston (Note: Use Item 100)	
103	See Note	NSS	Ring, Back-up (Note: Use Item 100)	
104	See Note	NSS	O-Ring (Note: Use Item 100)	
105	See Note	NSS	Ring, Wear (Note: Use Item 100)	
106	See Note	NSS	O-Ring (Note: Use Item 100)	
107	See Note	NSS	Ring, Back-up (Note: Use Item 100)	
108	See Note	NSS	Seal, Rod (Note: Use Item 100)	
109	See Note	NSS	Wiper, Rod (Note: Use Item 100)	

# SECTION 5 - CYLINDER

## FIGURE 5-11. LIFT (JIB) CYLINDER ASSEMBLY (ORIGINAL EQUIPMENT)



## SECTION 5 - CYLINDER

**FIGURE 5-11. LIFT (JIB) CYLINDER ASSEMBLY (ORIGINAL EQUIPMENT)**

ITEM	PART NUMBER	QTY	DESCRIPTION	REV
		Ref	<b>JIB LIFT CYLINDER ASSEMBLIES</b>	
		Ref	Note: Original Cylinder may have been replaced with Service Replacement. Identify PN Stamped on Cylinder before ordering parts.	
	1001118082	Ref	<b>Without Cold Weather Plus Package (Prior to SN 0300185792)</b>	C
	1001140104	Ref	<b>Without Cold Weather Plus Package (SN 0300185792 through 0300209000)</b>	C
	1001140104	Ref	<b>With Cold Weather Plus Package</b>	C
1	0100011	AR	Compound, Locking	
2	0630535	3	Capscrew 1/4-20NC x 1-1/8	
3	0791003	1	Screw #10-24NC x 3/8	
4	0961897	1	Bushing, Tapered	
5	1320136	1	Clamp, Cable	
6	1683063	1	Head	
7	2220883	1	Plug, O-Ring	
8	2220885	2	Plug, O-Ring	
9	2220886	1	Plug, O-Ring	
10	3020039	AR	Lubricant	
11	3480282	1	Piston	
12	3760371	1	Ring, Washer	
13	3931420	8	Capscrew 1/4-20NC x 1-1/4	
14	3931824	8	Capscrew 1/2-13NC x 1-1/2	
15	3951003	1	Setscrew #10 x 3/8	
16	4100099	1	Spacer	
17	4640999	1	Cartridge, Holding Valve (Non Vented)	
17	2900792	1	Seal Kit - 4640999 Cartridge Valve	
18	4641248	1	Cartridge, Counterbalance Valve (Non Vented)	
18	See Note	1	Seal Kit - 4641248 Cartridge Valve (Note: Not Available for Purchase)	
19	1001117991	1	Sensor, Cylinder Length	
20	1001118070	1	Cap, Retainer	
21	1001118084	1	Barrel Weldment	
21A	0961950	2	Bushing	
22	1001118086	1	Rod Weldment	
22A	0961950	2	Bushing	
100		Ref	Seal Kit Options (Includes Items 101-109):	
100	1001118973	1	Without Cold Weather Plus Package ( <b>Prior to SN 0300185792</b> )	
100	1001139996	1	Without Cold Weather Plus Package ( <b>SN 0300185792 through 0300209000</b> )	
100	1001139996	1	With Cold Weather Plus Package	
101	See Note	NSS	Ring, Wear (Note: Use Item 100)	
102	See Note	NSS	Ring, Back-up (Note: Use Item 100)	
103	See Note	NSS	Ring, Lock (Note: Use Item 100)	
104	See Note	NSS	Ring, Back-up (Note: Use Item 100)	
105	See Note	NSS	O-Ring (Note: Use Item 100)	
106	See Note	NSS	O-Ring (Note: Use Item 100)	
107	See Note	NSS	Seal (Note: Use Item 100)	
108	See Note	NSS	Wiper, Rod (Note: Use Item 100)	
109	See Note	NSS	Seal (Note: Use Item 100)	

## SECTION 5 - CYLINDER

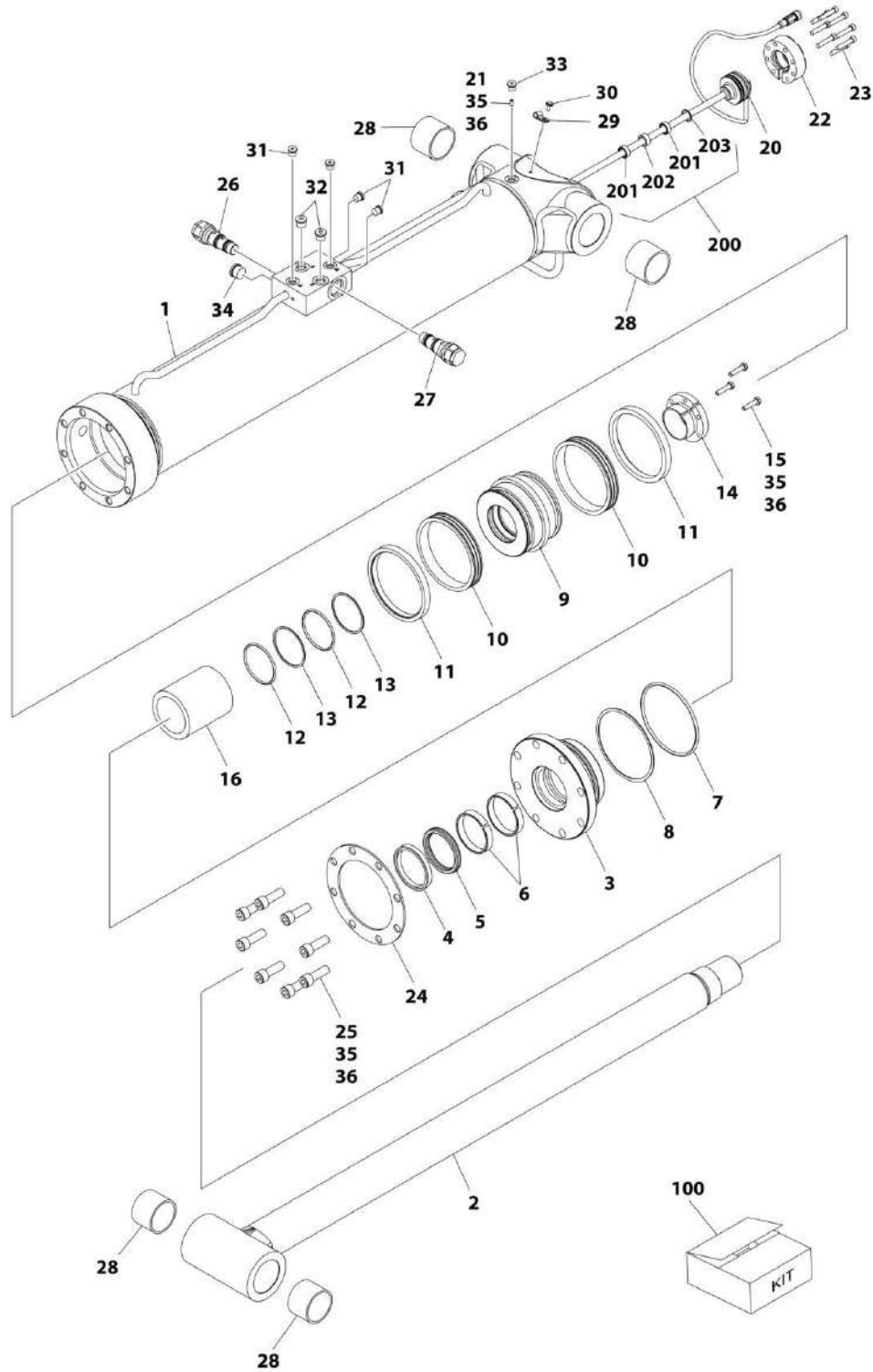
ITEM	PART NUMBER	QTY	DESCRIPTION	REV
200	1001119105	1	Sensor Magnet Kit (Includes Items 201-203)	
201	1001117994	NSS	Sleeve, Spacer	
202	1001118066	NSS	Magnet, Sensor	
203	1001118069	NSS	Ring, Internal Retaining	





# SECTION 5 - CYLINDER

## FIGURE 5-12. LIFT (JIB) CYLINDER ASSEMBLY (SERVICE REPLACEMENT)



ART\_1001228058

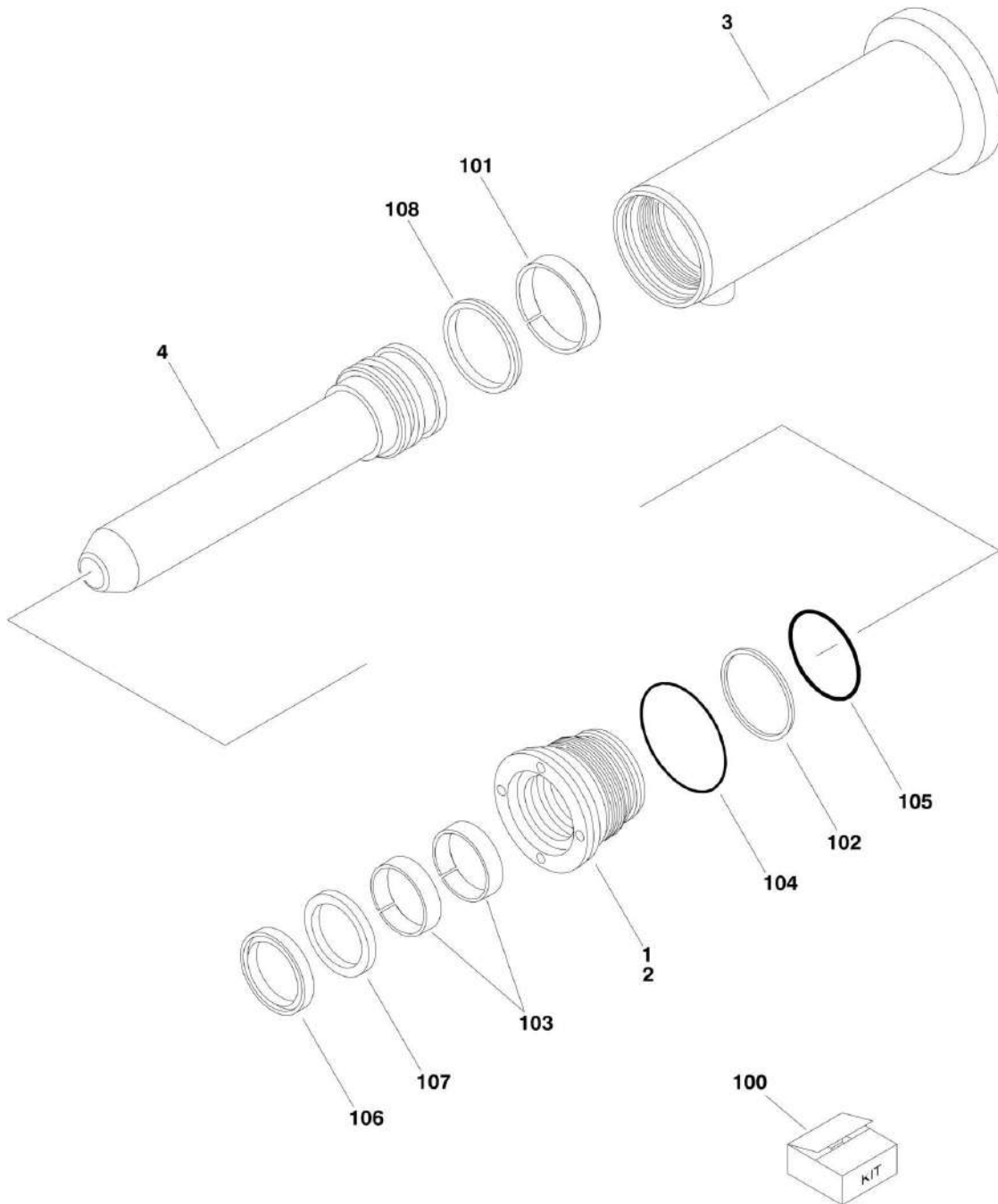
## SECTION 5 - CYLINDER

**FIGURE 5-12. LIFT (JIB) CYLINDER ASSEMBLY (SERVICE REPLACEMENT)**

ITEM	PART NUMBER	QTY	DESCRIPTION	REV
	1001228058	Ref	LIFT (JIB) CYLINDER ASSEMBLY	B
		Ref	Note: Original Cylinder may have been replaced with Service Replacement. Identify PN Stamped on Cylinder before ordering parts.	
1	See Note	NSS	Barrel Weldment (Note: Not Available for Purchase)	
2	70006468	1	Rod Weldment	
3	70006467	1	Head	
4	See Note	NSS	Wiper (Note: Use Item 100)	
5	See Note	NSS	Seal, Rod (Note: Use Item 100)	
6	See Note	NSS	Ring, Wear (Note: Use Item 100)	
7	See Note	NSS	O-Ring (Note: Use Item 100)	
8	See Note	NSS	Ring, Back-up (Note: Use Item 100)	
9	70006466	1	Piston	
10	See Note	NSS	Ring, Lock (Note: Use Item 100)	
11	See Note	NSS	Ring, Guide (Note: Use Item 100)	
12	See Note	NSS	O-Ring (Note: Use Item 100)	
13	See Note	NSS	Ring, Back-up (Note: Use Item 100)	
14	0961897	1	Bushing, Tapered	
15	0630535	3	Capscrew 1/4 x 1-1/8	
16	70006465	1	Spacer	
20	1001117991	1	Sensor, Cylinder Length	
21	70006464	1	Setscrew M5	
22	70006463	1	Cap, Retainer	
23	3931420	1	Capscrew 1/4 x 1-1/4	
24	3760371	1	Ring, Washer	
25	3931824	8	Capscrew 1/2 x 1-1/2	
26	4641248	1	Cartridge, Counterbalance Valve (Non Vented)	
26	See Note	NSS	Seal Kit - 4641248 Cartridge Valve (Note: Not Available for Purchase)	
27	4640999	1	Cartridge, Holding Valve (Non Vented)	
27	2900792	1	Seal Kit - 4640999 Cartridge Valve	
28	0961950	2	Bushing	
29	1320136	1	Clamp, Cable	
30	70006462	1	Bolt M5	
31	2220883	2	Plug, O-Ring	
32	2220885	2	Plug, O-Ring	
33	2220883	3	Plug, O-Ring	
34	2220886	1	Plug, O-Ring	
35	0100011	AR	Compound, Locking	
36	0100038	AR	Primer, Locking	
100	1001139996	1	Seal Kit (Includes Items 4-8 & 10-13)	
200	1001119105	1	Sensor Magnet Kit (Includes Items 201-203)	
201	1001117994	2	Sleeve, Spacer	
202	1001118066	1	Magnet, Sensor	
203	1001118069	1	Ring, Internal Retaining	

# SECTION 5 - CYLINDER

FIGURE 5-13. LOCK (JIB) CYLINDER ASSEMBLY (ORIGINAL EQUIPMENT)



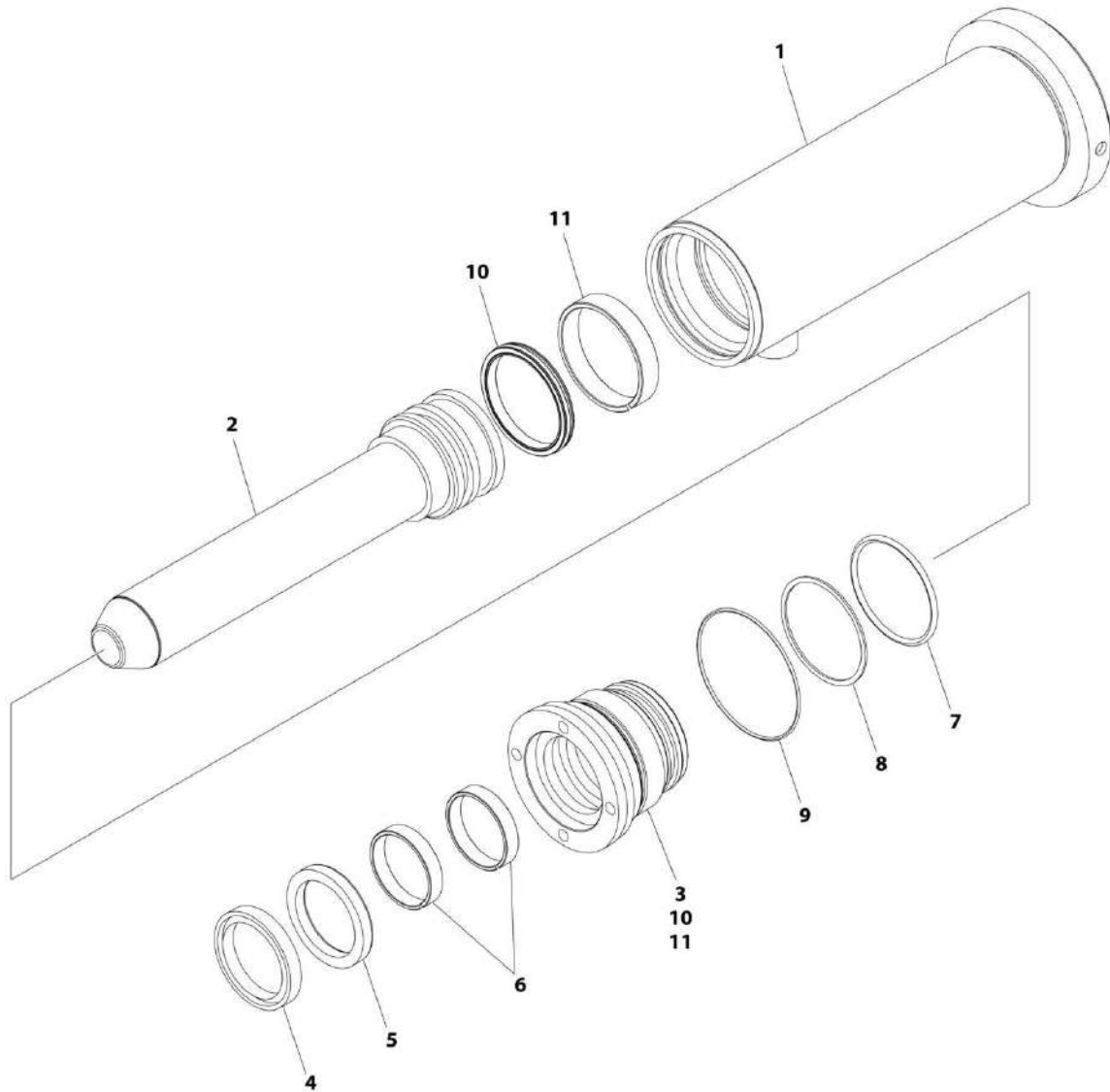
## SECTION 5 - CYLINDER

**FIGURE 5-13. LOCK (JIB) CYLINDER ASSEMBLY (ORIGINAL EQUIPMENT)**

ITEM	PART NUMBER	QTY	DESCRIPTION	REV
	1001119313	Ref	<b>JIB LOCK CYLINDER ASSEMBLY</b>  Note: Original Cylinder may have been replaced with Service Replacement. Identify PN Stamped on Cylinder before ordering parts.	B
		Ref		
1	2570008	1	Head	
2	3020043	AR	Lubricant	
3	1001119314	1	Barrel Weldment	
4	1001119318	1	Rod Weldment	
100	1001119452	1	Seal Kit (Includes Items 101-108)	
101	See Note	NSS	Ring, Wear (Note: Use Item 100)	
102	See Note	NSS	Ring, Back-up (Note: Use Item 100)	
103	See Note	NSS	Ring, Wear (Note: Use Item 100)	
104	See Note	NSS	O-Ring (Note: Use Item 100)	
105	See Note	NSS	O-Ring (Note: Use Item 100)	
106	See Note	NSS	Wiper, Rod (Note: Use Item 100)	
107	See Note	NSS	Seal (Note: Use Item 100)	
108	See Note	NSS	Seal (Note: Use Item 100)	

# SECTION 5 - CYLINDER

FIGURE 5-14. LOCK (JIB) CYLINDER ASSEMBLY (SERVICE REPLACEMENT)



ART\_1001228046

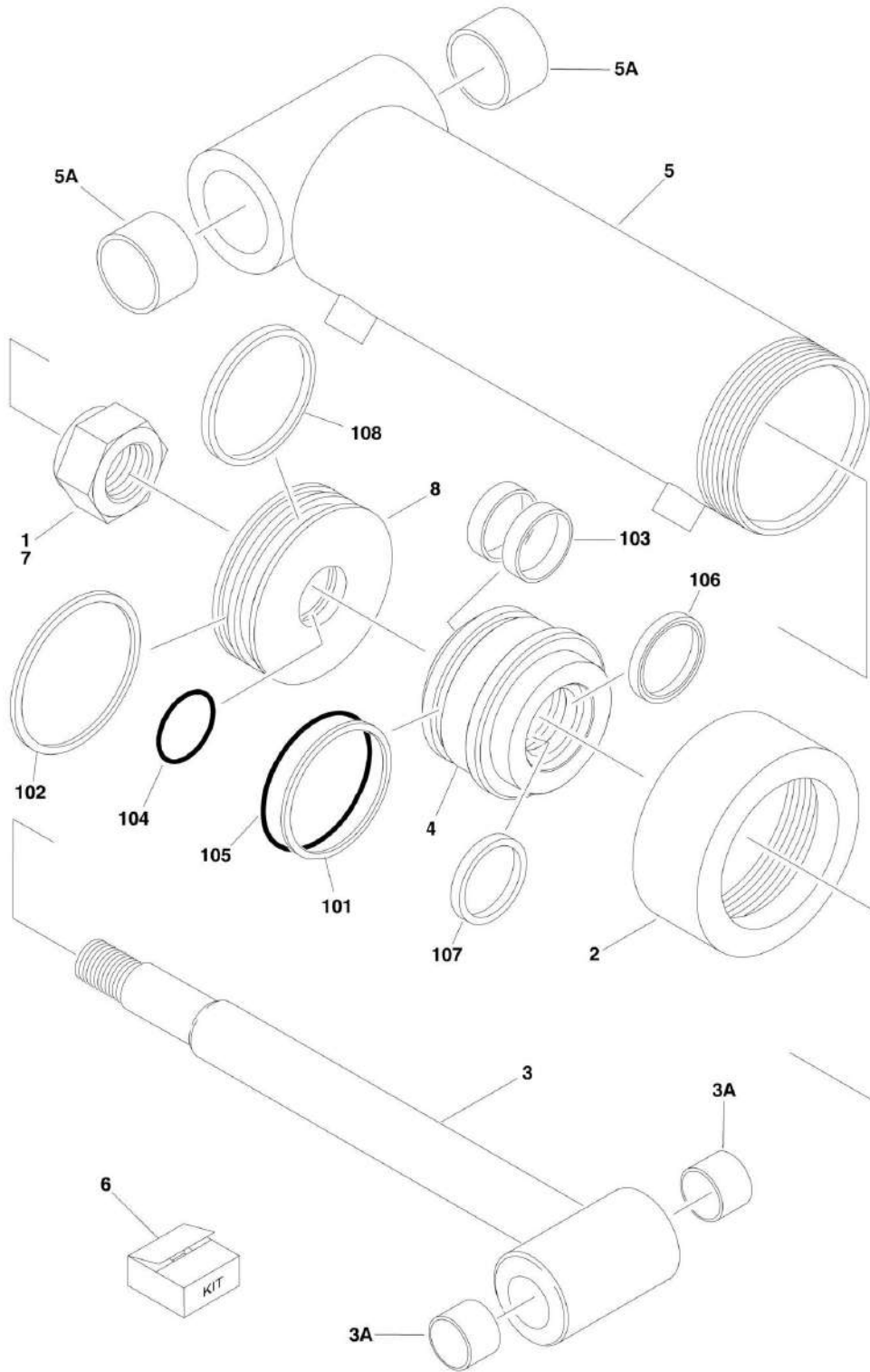
## SECTION 5 - CYLINDER

**FIGURE 5-14. LOCK (JIB) CYLINDER ASSEMBLY (SERVICE REPLACEMENT)**

ITEM	PART NUMBER	QTY	DESCRIPTION	REV
	1001228046	Ref	LOCK (JIB) CYLINDER ASSEMBLY	B
		Ref	Note: Original Cylinder may have been replaced with Service Replacement. Identify PN Stamped on Cylinder before ordering parts.	
1	See Note	NSS	Barrel Weldment (Note: Not Available for Purchase)	
2	70006449	1	Rod	
3	70006448	1	Head	
4	See Note	NSS	Ring, Wiper (Note: Use Item 100)	
5	See Note	NSS	Seal, Rod (Note: Use Item 100)	
6	See Note	NSS	Ring, Wear (Note: Use Item 100)	
7	See Note	NSS	O-Ring (Note: Use Item 100)	
8	See Note	NSS	Ring, Back-up (Note: Use Item 100)	
9	See Note	NSS	O-Ring (Note: Use Item 100)	
10	0100011	AR	Compound, Locking	
11	0100038	AR	Primer, Locking	
100	1001119452	1	Seal Kit (Includes Items 4-9)	

# SECTION 5 - CYLINDER

## FIGURE 5-15. STEER CYLINDER ASSEMBLY (ORIGINAL EQUIPMENT)





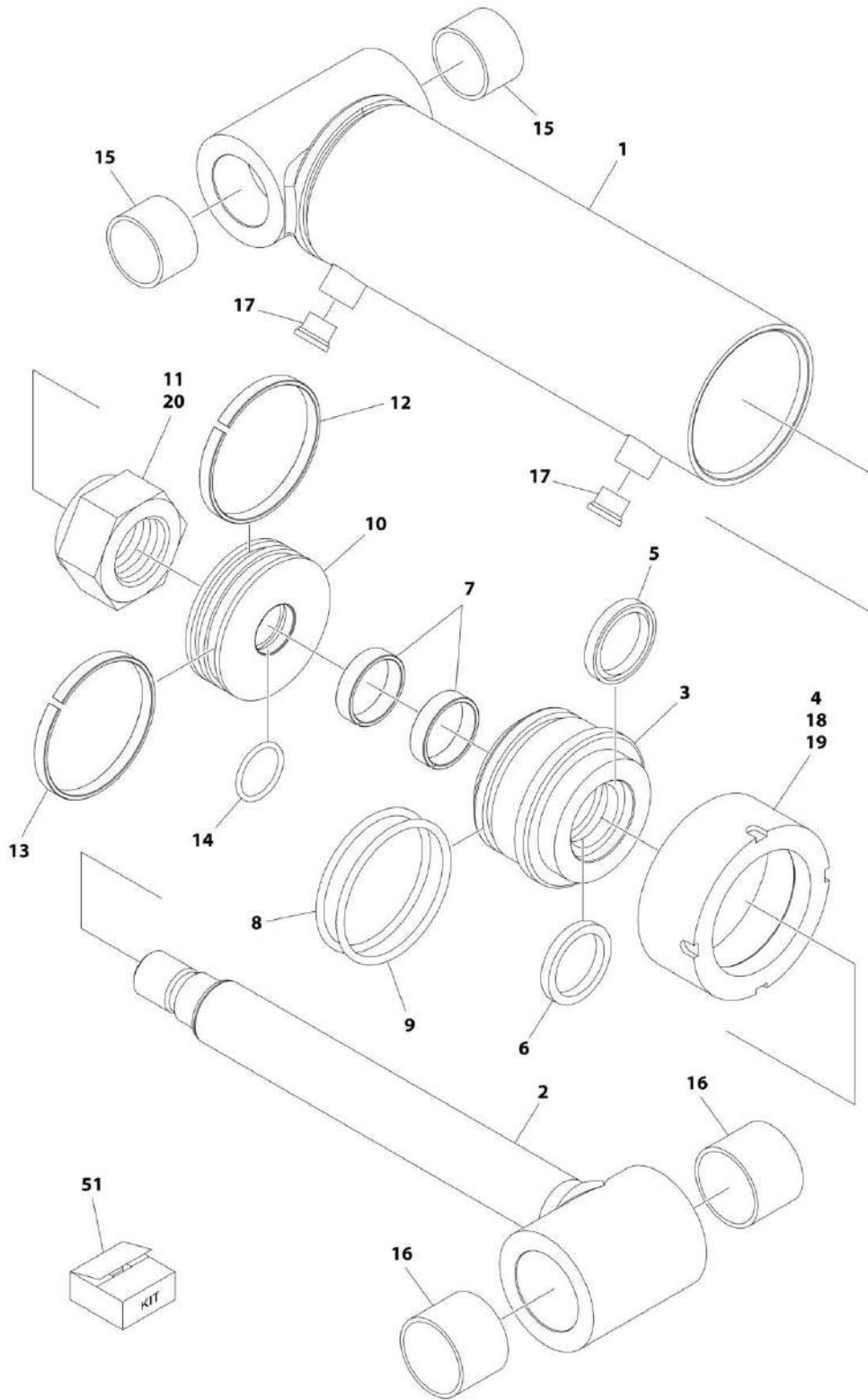
## SECTION 5 - CYLINDER

**FIGURE 5-15. STEER CYLINDER ASSEMBLY (ORIGINAL EQUIPMENT)**

ITEM	PART NUMBER	QTY	DESCRIPTION	REV
	1684314	Ref	<b>STEER CYLINDER ASSEMBLY</b>	C
		Ref		
1	0100035	AR	Compound, Locking	
2	1120094	1	Cap, Cylinder	
3	1684275	1	Rod	
3A	0961950	2	Bushing	
4	1684315	1	Head	
5	1684317	1	Barrel	
5A	0961949	2	Bushing	
6	2902257	1	Seal Kit (Includes Items 101-108)	
7	3300465	1	Nut	
8	3480278	1	Piston	
101	2902257	NSS	Ring, Back-up	
102	2902257	NSS	Ring, Wear	
103	2902257	NSS	Ring, Wear	
104	2902257	NSS	O-Ring	
105	2902257	NSS	O-Ring	
106	2902257	NSS	Wiper	
107	2902257	NSS	Seal, Rod	
108	2902257	NSS	Seal, Piston	

# SECTION 5 - CYLINDER

## FIGURE 5-16. STEER CYLINDER ASSEMBLY (SERVICE REPLACEMENT)



ART\_1001228031

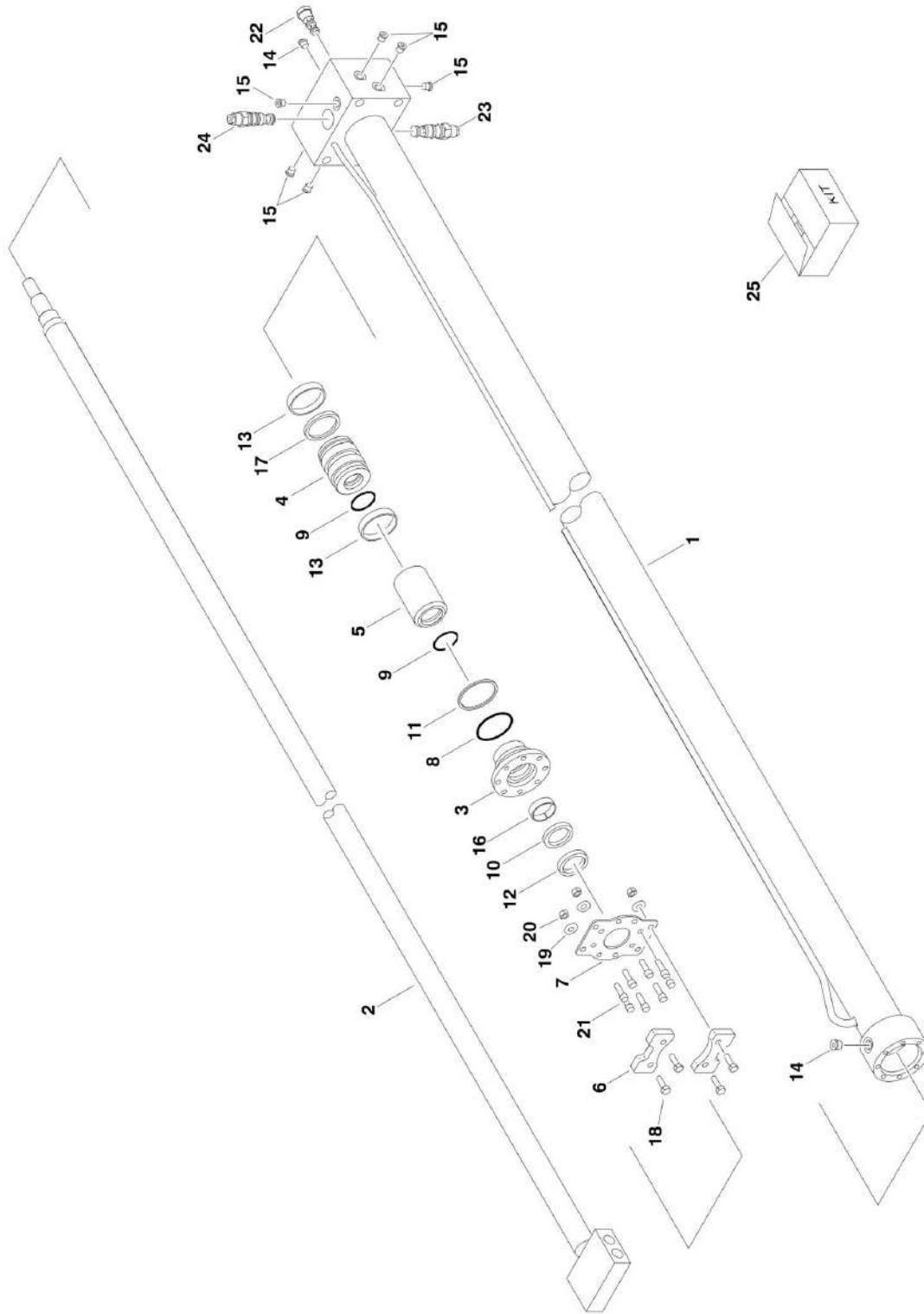
## SECTION 5 - CYLINDER

**FIGURE 5-16. STEER CYLINDER ASSEMBLY (SERVICE REPLACEMENT)**

ITEM	PART NUMBER	QTY	DESCRIPTION	REV
	1001228031	Ref	STEER CYLINDER ASSEMBLY	B
		Ref	Note: Original Cylinder may have been replaced with Service Replacement. Identify PN Stamped on Cylinder before ordering parts.	
1	See Note	NSS	Barrel (Note: Not Available for Purchase)	
2	70006493	1	Rod	
3	70006492	1	Head	
4	70006491	1	Cap, Cylinder	
5	See Note	NSS	Wiper (Note: Use Item 51)	
6	See Note	NSS	Seal, Piston (Note: Use Item 51)	
7	See Note	NSS	Ring, Wear (Note: Use Item 51)	
8	See Note	NSS	O-Ring (Note: Use Item 51)	
9	See Note	NSS	Ring, Back-up (Note: Use Item 51)	
10	70006490	1	Piston	
11	3300465	1	Nut	
12	See Note	1	Seal (Note: Use Item 51)	
13	See Note	1	Ring, Wear (Note: Use Item 51)	
14	See Note	1	O-Ring (Note: Use Item 51)	
15	0961949	2	Bushing	
16	0961950	2	Bushing	
17	2220885	2	Plug (With O-Ring)	
18	0100011	AR	Compound, Locking	
19	0100038	AR	Primer, Locking	
20	0100019	AR	Compound, Locking	
51	2902257	1	Seal Kit (Includes Items 5-9 & 12-14)	

# SECTION 5 - CYLINDER

FIGURE 5-17. TELESCOPE (JIB) CYLINDER ASSEMBLY (ORIGINAL EQUIPMENT)



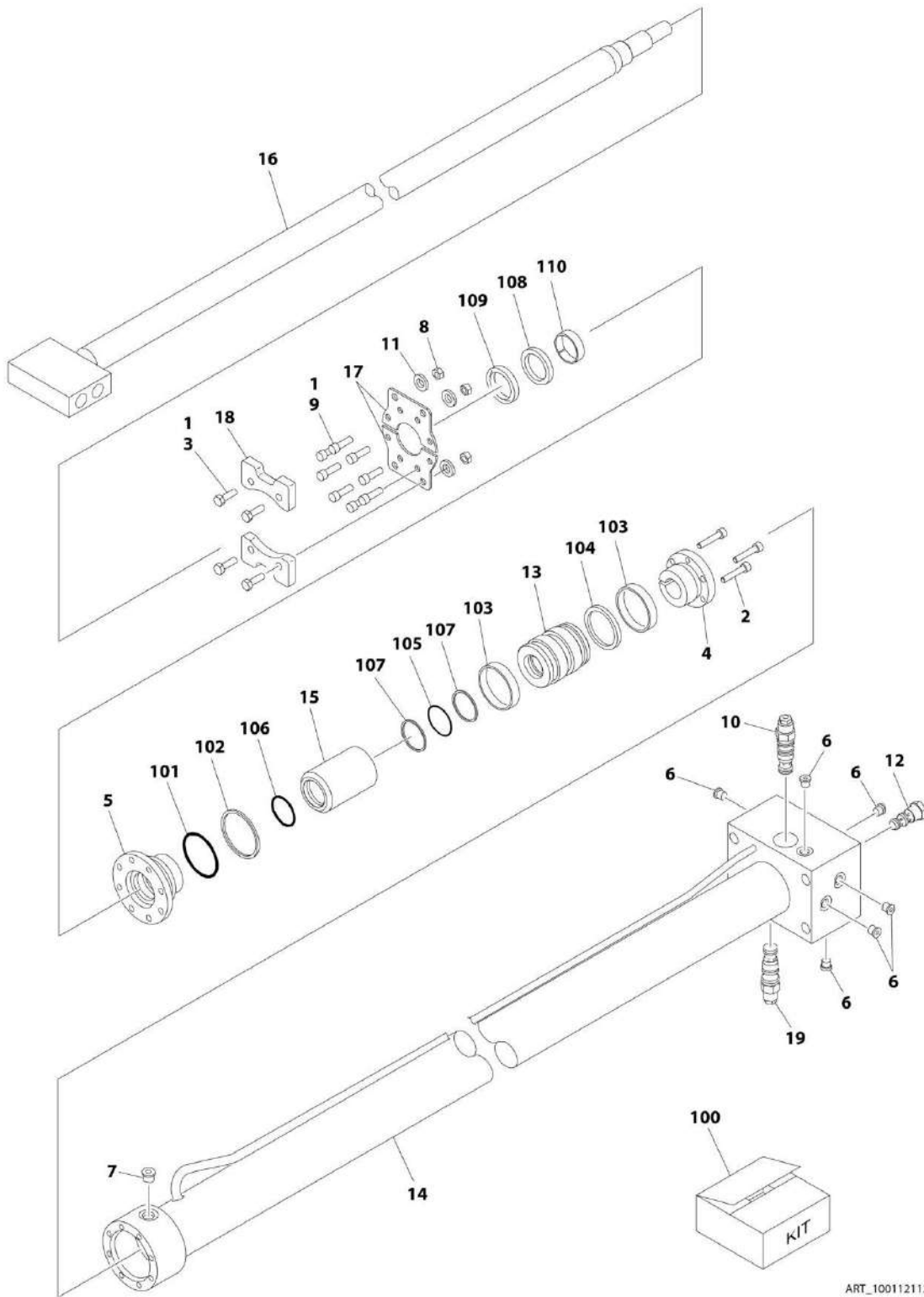
## SECTION 5 - CYLINDER

**FIGURE 5-17. TELESCOPE (JIB) CYLINDER ASSEMBLY (ORIGINAL EQUIPMENT)**

ITEM	PART NUMBER	QTY	DESCRIPTION	REV
	1001118663	Ref	<b>JIB TELESCOPE CYLINDER ASSEMBLY</b>  Note: Original Cylinder may have been replaced with Service Replacement. Identify PN Stamped on Cylinder before ordering parts.	E
		Ref		
1	70003052	1	Barrel	
2	70003051	1	Rod	
3	70003050	1	Head	
4	70003049	1	Piston	
5	70003048	1	Spacer	
6	70003047	2	Pad, Wear	
7	70003046	1	Support, Wear Pad	
8	See Note	NSS	O-Ring (Note: Use Item 25)	
9	See Note	NSS	O-Ring (Note: Use Item 25)	
10	See Note	NSS	Seal (Note: Use Item 25)	
11	See Note	NSS	Ring, Back-up (Note: Use Item 25)	
12	See Note	NSS	Wiper (Note: Use Item 25)	
13	See Note	NSS	Ring, Wear (Note: Use Item 25)	
14	2220885	3	Plug, SAE #6 (with O-Ring)	
15	2220883	6	Plug, SAE #4 (with O-Ring)	
16	See Note	NSS	Ring, Wear (Note: Use Item 25)	
17	See Note	NSS	Seal (Note: Use Item 25)	
18	0641510	4	Bolt 5/16-18NC x 1-1/4	
19	4761500	4	Lockwasher 5/16 Narrow	
20	3311501	4	Nut 5/16-18NC	
21	3931516	8	Capscrew 5/16-18NC x 1	
22	10837580	1	Cartridge, Shuttle Valve	
22	7010543	1	Seal Kit - 10837580 Valve	
23	70003045	1	Cartridge, Counterbalance Valve	
23	2900770	1	Seal Kit - 70003045 Valve	
24	4640771	1	Cartridge, Counterbalance Valve	
24	2900770	1	Seal Kit - 4640771 Valve	
25	70003053	1	Seal Kit - 1001118663 Cylinder (Includes Items 8-13, 16 & 17)	

# SECTION 5 - CYLINDER

## FIGURE 5-18. TELESCOPE (JIB) CYLINDER ASSEMBLY (SERVICE REPLACEMENT)



ART\_1001121121

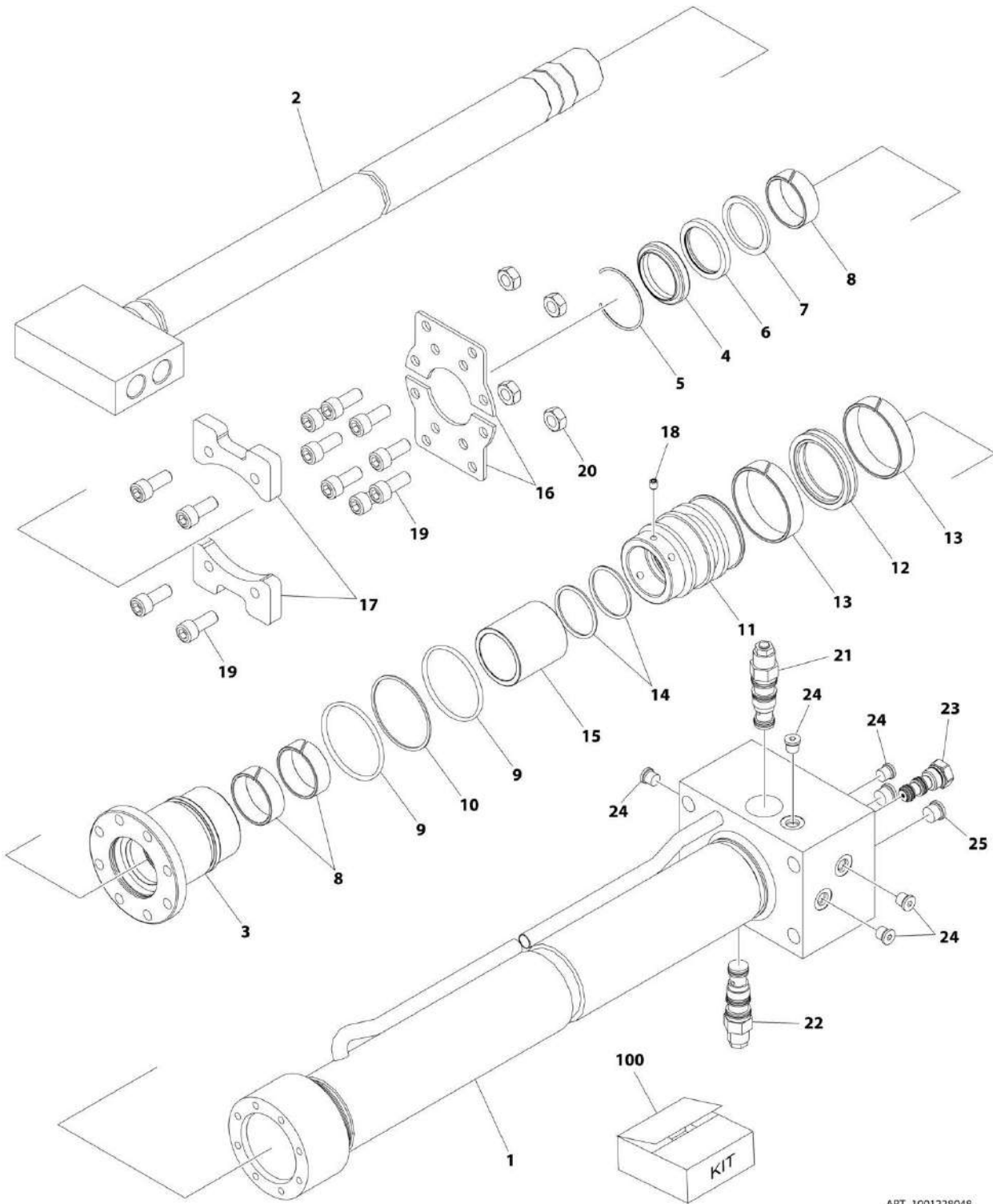
## SECTION 5 - CYLINDER

**FIGURE 5-18. TELESCOPE (JIB) CYLINDER ASSEMBLY (SERVICE REPLACEMENT)**

ITEM	PART NUMBER	QTY	DESCRIPTION	REV
	1001121121	Ref	TELESCOPE (JIB) CYLINDER ASSEMBLY	D
		Ref	Note: Original Cylinder May Have Been Replaced with Service Replacement. Identify PN Stamped on Cylinder Before Ordering Parts.	
1	0100011	AR	Compound, Locking	
2	0630534	3	Capscrew #10 x 1	
3	0641508	4	Bolt 5/16 x 1	
4	0962185	1	Bushing, Tapered	
5	1683051	1	Head	
6	2220883	6	Plug (With O-Ring)	
7	2220885	1	Plug (With O-Ring)	
8	3311505	4	Nut 5/16	
9	3931516	8	Capscrew 5/16 x 1	
10	4640771	1	Cartridge, Counterbalance Valve	
10	2900770	1	Seal Kit - 4640771 Valve	
11	4751500	4	Washer 5/16	
12	10837580	1	Cartridge, Shuttle Valve	
12	7010543	1	Seal Kit - 10837580 Valve	
13	1001120944	1	Piston	
14	1001120950	1	Barrel	
15	1001120952	1	Spacer	
16	1001120954	1	Rod	
17	1001120960	2	Support, Wear Pad	
18	1001120961	2	Pad, Wear	
19	1001121155	1	Cartridge, Counterbalance Valve	
19	2900770	1	Seal Kit - 1001121155 Valve	
100	1001121157	1	Seal Kit - 1001121121 Cylinder (Includes Items 101-110)	
101	See Note	NSS	O-Ring (Note: Use Item 100)	
102	See Note	NSS	Seal (Note: Use Item 100)	
103	See Note	NSS	Ring, Wear (Note: Use Item 100)	
104	See Note	NSS	Seal (Note: Use Item 100)	
105	See Note	NSS	O-Ring (Note: Use Item 100)	
106	See Note	NSS	O-Ring (Note: Use Item 100)	
107	See Note	NSS	Seal, Back-up (Note: Use Item 100)	
108	See Note	NSS	Seal, Rod (Note: Use Item 100)	
109	See Note	NSS	Seal, Wiper (Note: Use Item 100)	
110	See Note	NSS	Ring, Wear (Note: Use Item 100)	

# SECTION 5 - CYLINDER

## FIGURE 5-19. TELESCOPE (JIB) CYLINDER ASSEMBLY (SERVICE REPLACEMENT)



ART\_1001228048



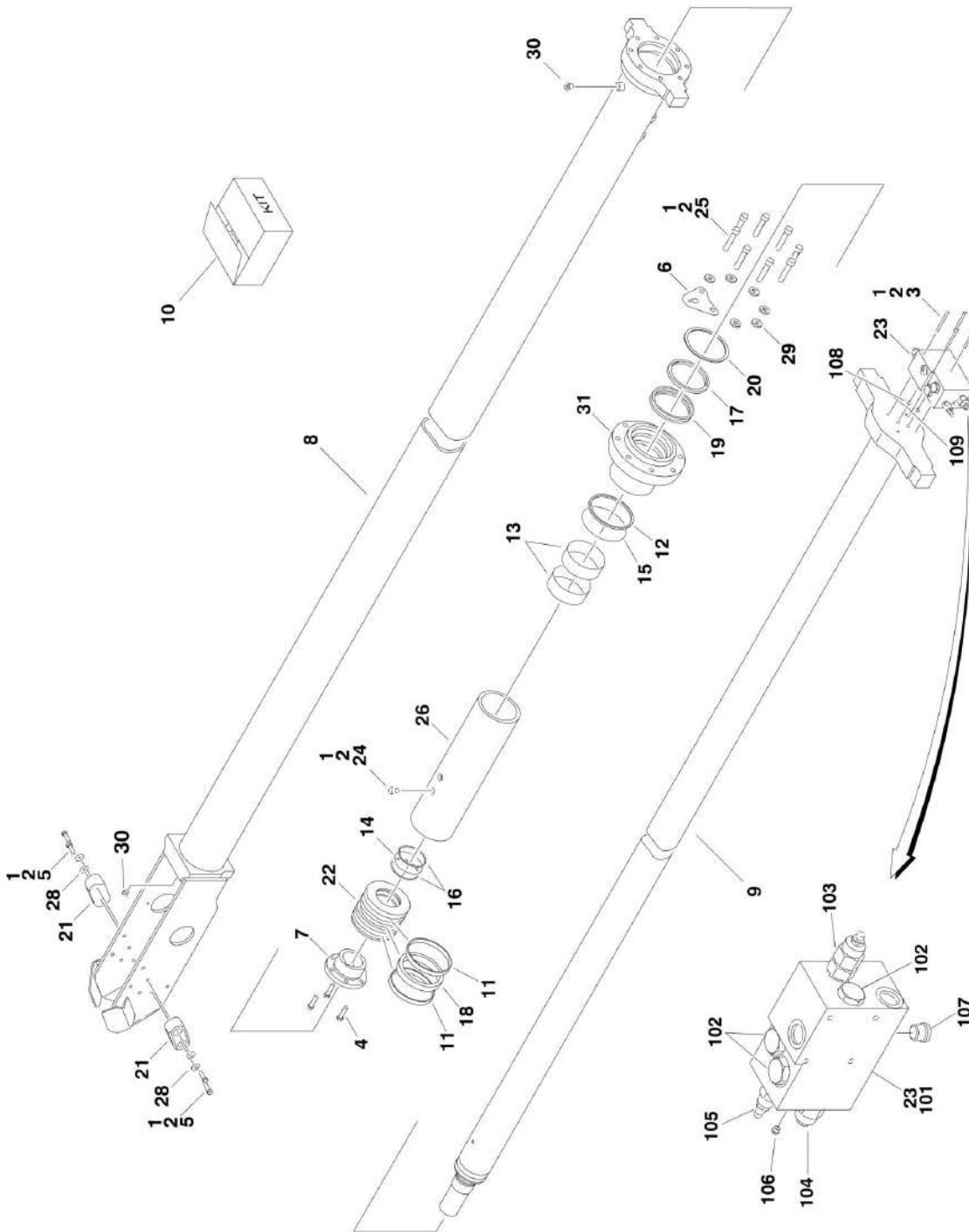
## SECTION 5 - CYLINDER

**FIGURE 5-19. TELESCOPE (JIB) CYLINDER ASSEMBLY (SERVICE REPLACEMENT)**

ITEM	PART NUMBER	QTY	DESCRIPTION	REV
	1001228048	Ref	TELESCOPE (JIB) CYLINDER ASSEMBLY	A
		Ref	Note: Original Cylinder May Have Been Replaced with Service Replacement. Identify PN Stamped on Cylinder Before Ordering Parts.	
1	See Note	NSS	Barrel Weldment (Note: Not Available for Purchase)	
2	70006845	1	Rod Weldment	
3	70006846	1	Head	
4	See Note	NSS	Wiper, Rod (Note: Use Item 100)	
5	70002373	1	Ring, Retaining	
6	See Note	NSS	Seal, Rod (Note: Use Item 100)	
7	See Note	NSS	Ring, Back-up (Note: Use Item 100)	
8	See Note	NSS	Ring, Wear (Note: Use Item 100)	
9	See Note	NSS	O-Ring (Note: Use Item 100)	
10	See Note	NSS	Ring, Back-up (Note: Use Item 100)	
11	70006847	1	Piston	
12	See Note	NSS	Seal, Piston (Note: Use Item 100)	
13	See Note	NSS	Ring, Wear (Note: Use Item 100)	
14	70006848	2	O-Ring	
15	70006849	1	Spacer	
16	70006850	2	Plate	
17	70006851	2	Bracket	
18	70005879	1	Setscrew	
19	70005885	12	Capscrew M8	
20	70005594	4	Nut M8	
21	4640771	1	Cartridge, Counterbalance Valve	
21	2900770	1	Seal Kit - 4640771 Valve	
22	1001121155	1	Cartridge, Counterbalance Valve	
22	2900770	1	Seal Kit - 1001121155 Valve	
23	10837580	1	Cartridge, Shuttle Valve	
23	7010543	1	Seal Kit - 10837580 Valve	
24	2220883	6	Plug (With O-Ring)	
25	2220885	2	Plug (With O-Ring)	
100	70006852	1	Seal Kit (Includes Items 4, 6-10, 12 & 13)	

# SECTION 5 - CYLINDER

FIGURE 5-20. TELESCOPE (MAIN BOOM) CYLINDER ASSEMBLY (ORIGINAL EQUIPMENT)



## SECTION 5 - CYLINDER

**FIGURE 5-20. TELESCOPE (MAIN BOOM) CYLINDER ASSEMBLY (ORIGINAL EQUIPMENT)**

ITEM	PART NUMBER	QTY	DESCRIPTION	REV
	1001119497	Ref	<b>TELESCOPE CYLINDER ASSEMBLY</b>	B
		Ref	Note: Original Cylinder may have been replaced with Service Replacement. Identify PN Stamped on Cylinder before ordering parts.	
1	0100011	AR	Compound, Locking	
2	0100038	AR	Primer, Locking	
3	3931456	4	Capscrew 1/4-20NC x 3-1/2	
4	0630535	3	Capscrew	
5	0641608	4	Bolt 3/8-16NC x 1	
6	0902743	1	Bracket	
7	0961903	1	Bushing, Tapered	
8	1001119498	1	Barrel Weldment	
9	1001119500	1	Rod Weldment	
10	2902081	1	Seal Kit (Includes Items 11-20)	
11	See Note	NSS	Ring, Wear (Note: Use Item 10)	
12	See Note	NSS	Ring, Back-Up (Note: Use Item 10)	
13	See Note	NSS	Ring, Wear (Note: Use Item 10)	
14	See Note	NSS	O-Ring (Note: Use Item 10)	
15	See Note	NSS	O-Ring (Note: Use Item 10)	
16	See Note	NSS	Ring, Back-Up (Note: Use Item 10)	
17	See Note	NSS	Wiper, Rod (Note: Use Item 10)	
18	See Note	NSS	T-Seal (Note: Use Item 10)	
19	See Note	NSS	Seal, Rod (Note: Use Item 10)	
20	See Note	NSS	Ring, Retaining (Note: Use Item 10)	
21	3340963	2	Pad, Wear	
22	3480268	1	Piston	
23		Ref	Valve Assembly (See Items 101-109 for Breakdown)	
23	1001119503	NLA	Valve Assembly (Use p/n 1001148782) <b>(Prior to SN 0300161777)</b>	
23	1001144398	1	Valve Assembly <b>(SN 0300161777 through 0300209000)</b>	
24	3931608	1	Capscrew 3/8-16NC x 1	
25	3931840	8	Capscrew 1/2-13NC x 2-1/2	
26	1001104922	1	Spacer	
28	4711600	4	Flatwasher 3/8 Narrow	
29	4891800	6	Flatwasher 1/2 Hardened	
30	2220885	2	Plug, O-Ring	
31	1684141	1	Head	
		Ref	<b>Valve Assembly</b>	
	1001119503	Ref	<b>Valve Assembly (Prior to SN 0300161777)</b>	G
	1001144398	Ref	<b>Valve Assembly (SN 0300161777 through 0300209000)</b>	A
101	Not Available	1	Body, Valve	
102	7011368	3	Cartridge, Check Valve	
102	7011351	3	Seal Kit - 7011368 Cartridge	
103		Ref	Cartridge, Counterbalance Valve Options:	
103	7011370	1	Valve Assembly p/n 1001119503	
103	7011371	1	Seal Kit - 7011370 Cartridge	
103	70004029	1	Valve Assembly p/n 1001144398	
103	7011371	1	Seal Kit - 70004029 Cartridge	
104		Ref	Cartridge, Counterbalance Valve Options:	
104	7011313	1	Valve Assembly p/n 1001119503	

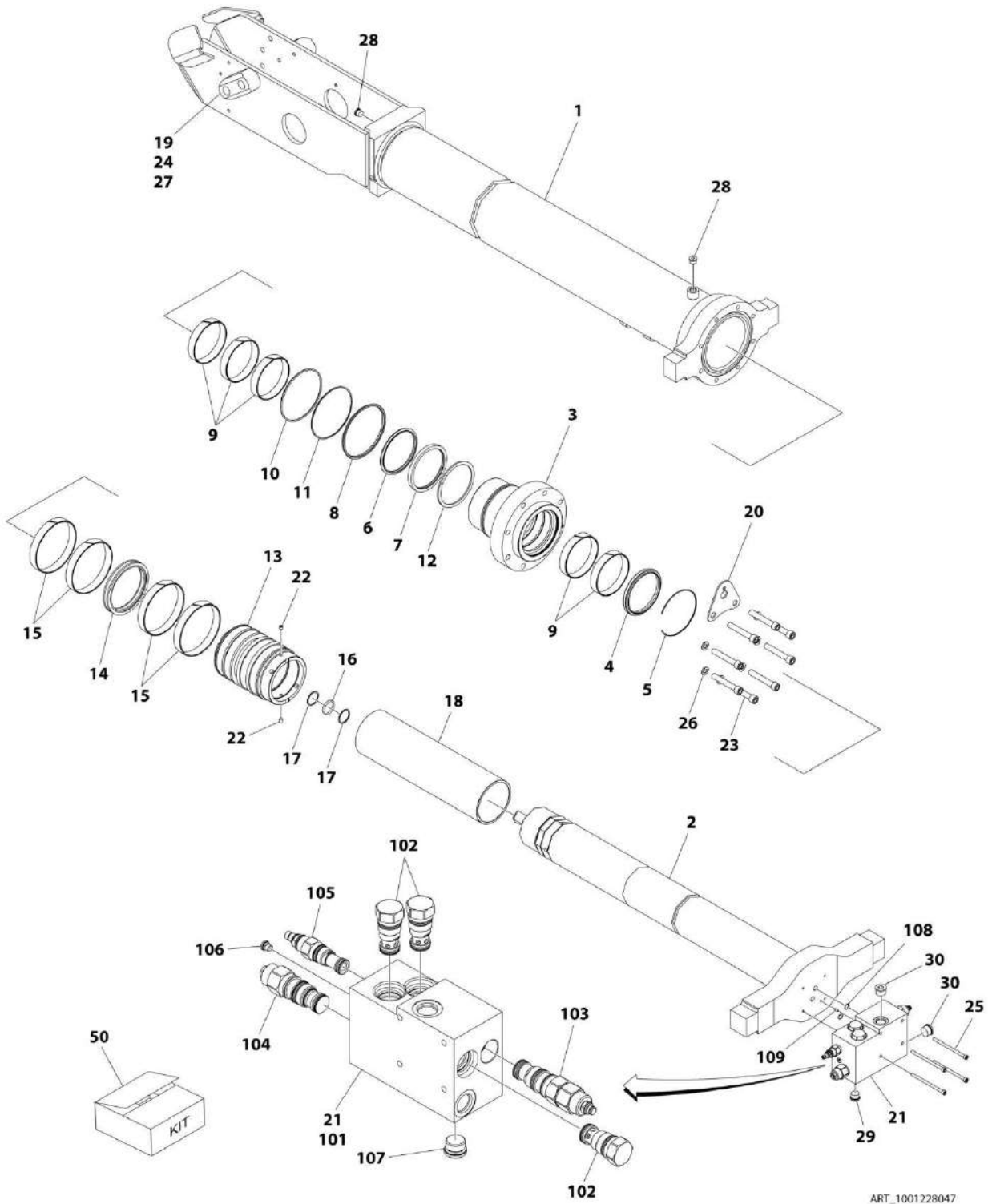
## SECTION 5 - CYLINDER

ITEM	PART NUMBER	QTY	DESCRIPTION	REV
104	7011367	1	Seal Kit - 7011313 Cartridge	
104	4641289	1	Valve Assembly p/n 1001144398	
104	2900789	1	Seal Kit - 4641289 Cartridge	
105		Ref	Cartridge, Relief Valve Options:	
105	70003032	1	Valve Assembly p/n 1001119503	
105	7011311	1	Seal Kit - 70003032 Cartridge	
105	70004030	1	Valve Assembly p/n 1001144398	
105	7011311	1	Seal Kit - 70007030 Cartridge	
106	70003031	1	Plug, O-Ring	
107	70003030	1	Plug, O-Ring	
108	70003029	2	O-Ring	
109	Not Available	1	Pin	



# SECTION 5 - CYLINDER

## FIGURE 5-21. TELESCOPE (MAIN BOOM) CYLINDER ASSEMBLY (SERVICE REPLACEMENT)



ART\_1001228047

## SECTION 5 - CYLINDER

**FIGURE 5-21. TELESCOPE (MAIN BOOM) CYLINDER ASSEMBLY (SERVICE REPLACEMENT)**

ITEM	PART NUMBER	QTY	DESCRIPTION	REV
	1001228047	Ref	TELESCOPE (MAIN BOOM) CYLINDER ASSEMBLY	C
		Ref	Note: Original Cylinder May Have Been Replaced with Service Replacement. Identify PN Stamped on Cylinder Before Ordering Parts.	
1	See Note	NSS	Barrel (Note: Not Available for Purchase)	
2	70006824	1	Rod	
3	70006825	1	Head	
4	See Note	NSS	Wiper, Rod (Note: Use Item 50)	
5	70026283	1	Ring, Retaining	
6	See Note	NSS	Seal, Rod (Note: Use Item 50)	
7	See Note	NSS	Ring, Back-up (Note: Use Item 50)	
8	See Note	NSS	O-Ring (Note: Use Item 50)	
9	See Note	NSS	Ring, Wear (Note: Use Item 50)	
10	See Note	NSS	O-Ring (Note: Use Item 50)	
11	See Note	NSS	Ring, Back-up (Note: Use Item 50)	
12	See Note	NSS	O-Ring (Note: Use Item 50)	
13	70006826	1	Piston	
14	See Note	NSS	Seal, Piston (Note: Use Item 50)	
15	See Note	NSS	Ring, Wear (Note: Use Item 50)	
16	See Note	NSS	O-Ring (Note: Use Item 50)	
17	See Note	NSS	Ring, Back-up (Note: Use Item 50)	
18	70006827	1	Spacer	
19	70006828	2	Pad, Wear	
20	70006829	1	Bracket	
21	1001144398	1	Valve Assembly (See Items 101-109 for Breakdown)	
22	70006799	2	Setscrew	
23	70005882	8	Capscrew M12	
24	70005885	4	Capscrew	
25	70006830	4	Capscrew	
26	70005883	6	Washer M12	
27	70006344	4	Washer	
28	2220885	2	Plug, O-Ring	
29	2220886	1	Plug, O-Ring	
30	70005433	2	Plug, O-Ring	
50	70006831	1	Seal Kit (Includes Items 4, 6-12 & 14-17)	
	1001144398	Ref	VALVE ASSEMBLY	A
101	See Note	NSS	Body, Valve (Note: Not Available for Purchase)	
102	7011368	3	Cartridge, Check Valve	
102	7011351	3	Seal Kit - 7011368 Cartridge	
103	70004029	1	Cartridge, Counterbalance Valve	
103	7011371	1	Seal Kit - 70004029 Cartridge	
104	4641289	1	Cartridge, Counterbalance Valve	
104	2900789	1	Seal Kit - 4641289 Cartridge	
105	70004030	1	Cartridge, Relief Valve	
105	7011311	1	Seal Kit - 70004030 Cartridge	
106	70003031	1	Plug, O-Ring	
107	70003030	1	Plug, O-Ring	
108	70003029	2	O-Ring	
109	See Note	NSS	Pin (Note: Not Available for Purchase)	

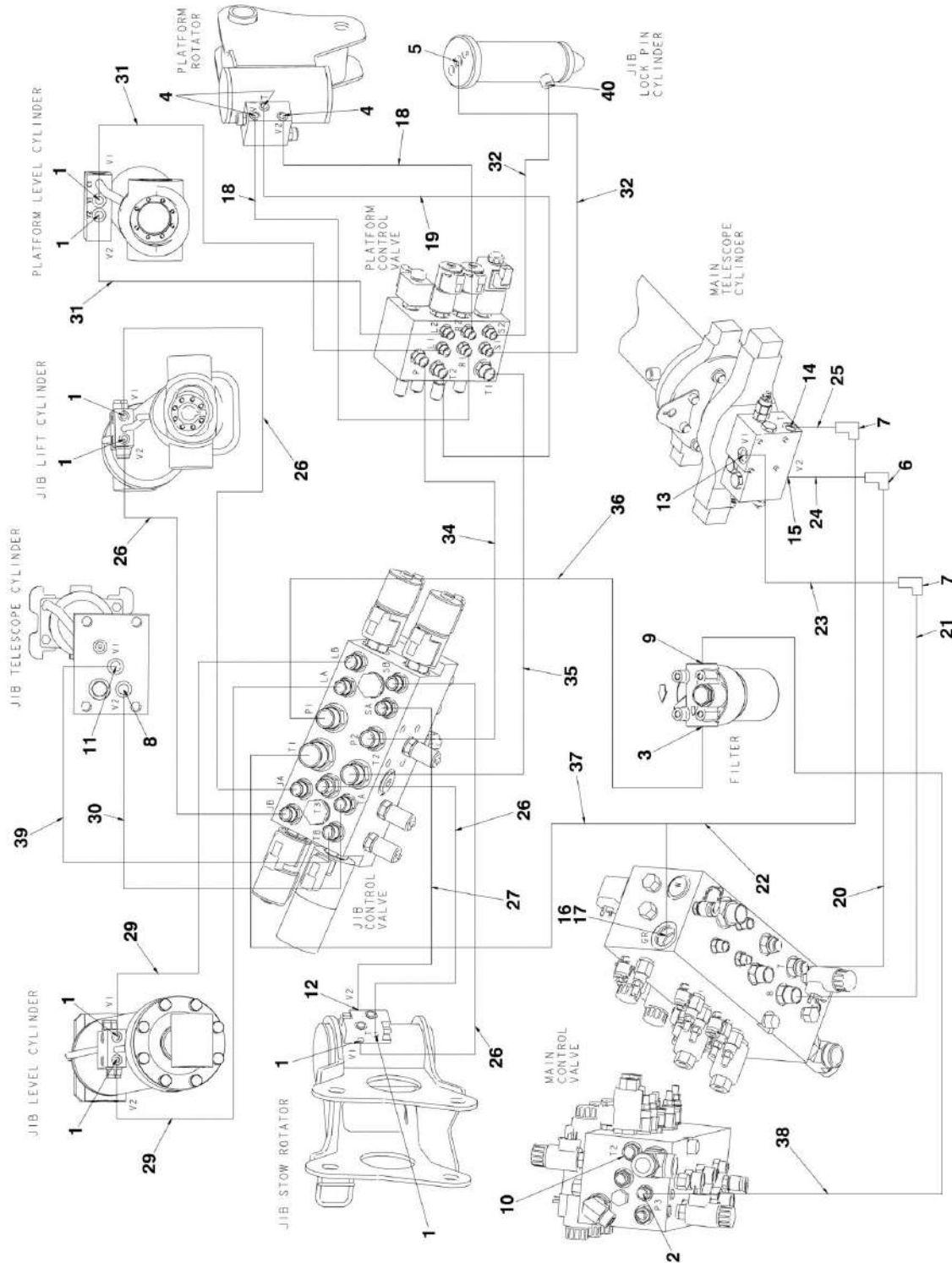




**SECTION 6 - HYDRAULIC**

# SECTION 6 - HYDRAULIC

## FIGURE 6-1. HYDRAULIC DIAGRAM - BOOM



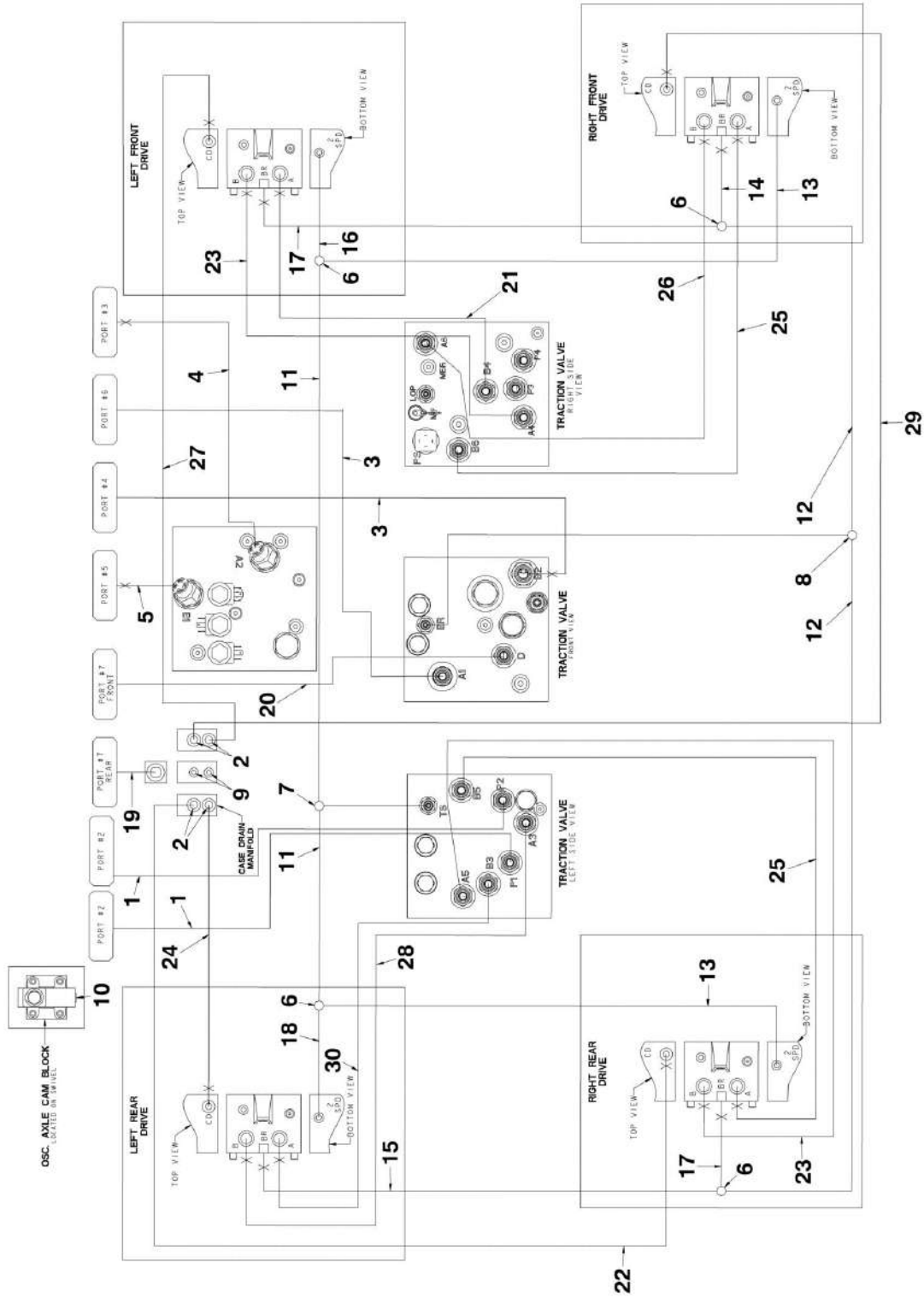
## SECTION 6 - HYDRAULIC

### FIGURE 6-1. HYDRAULIC DIAGRAM - BOOM

ITEM	PART NUMBER	QTY	DESCRIPTION	REV
		Ref	<b>HYDRAULIC DIAGRAMS - BOOM</b>	
	1001120168	Ref	<b>Hydraulic Diagram for Caterpillar Engine Machines with Rexroth Pumps</b>	D
	1001120168	Ref	<b>Hydraulic Diagram for Deutz TD2011 Engine Machines with Rexroth Pumps</b>	D
	1001152972	Ref	<b>Hydraulic Diagram for Deutz TCD2.9L4 Engine Machines with Rexroth Pumps</b>	A
	1001120175	Ref	<b>All Machines</b>	D
	1001120169	Ref	<b>Hydraulic Diagram for Machines with Sauer Pumps</b>	C
	1001120175	Ref	<b>All Machines</b>	D
1	2110404	8	Fitting, Straight	
2	2110806	1	Fitting, Straight	
3	2110812	1	Fitting, Straight	
4	2150404	3	Fitting, 45	
5	2110406	2	Fitting, Straight	
6	2171208	1	Fitting, 90	
7	2171210	2	Fitting, 90	
8	2130406	2	Fitting, 90	
9	2130812	1	Fitting, 90	
10	2170908	1	Fitting, Cap	
11	1001134728	1	Fitting, 90 W/0.090 Orifice	
12	2130404	1	Fitting, 90	
13	2111010	1	Fitting, Straight	
14	2131010	1	Fitting, 90	
15	2130808	1	Fitting, 90	
16	2111016	1	Fitting, Straight	
17	2170710	1	Fitting, Straight Adapter	
18	2753545	2	Hose	
19	1001120348	1	Hose	
20	2753755	1	Hose	
21	2753767	1	Hose	
22	1001120349	1	Hose	
23	2753763	1	Hose	
24	1001120350	1	Hose	
25	1001120351	1	Hose	
26	2753784	4	Hose	
27	2753675	1	Hose	
29	2753743	2	Hose	
30	1001118932	1	Hose	
31	2754470	1	Hose	
32	1001120352	2	Hose	
34	1001120354	1	Hose	
35	1001120355	1	Hose	
36	1001120356	1	Hose	
37	1001120357	1	Hose	
38	1001120358	1	Hose	
39	2717235	1	Hose	
40	2150406	1	Adapter	

# SECTION 6 - HYDRAULIC

## FIGURE 6-2. HYDRAULIC DIAGRAM - DRIVE



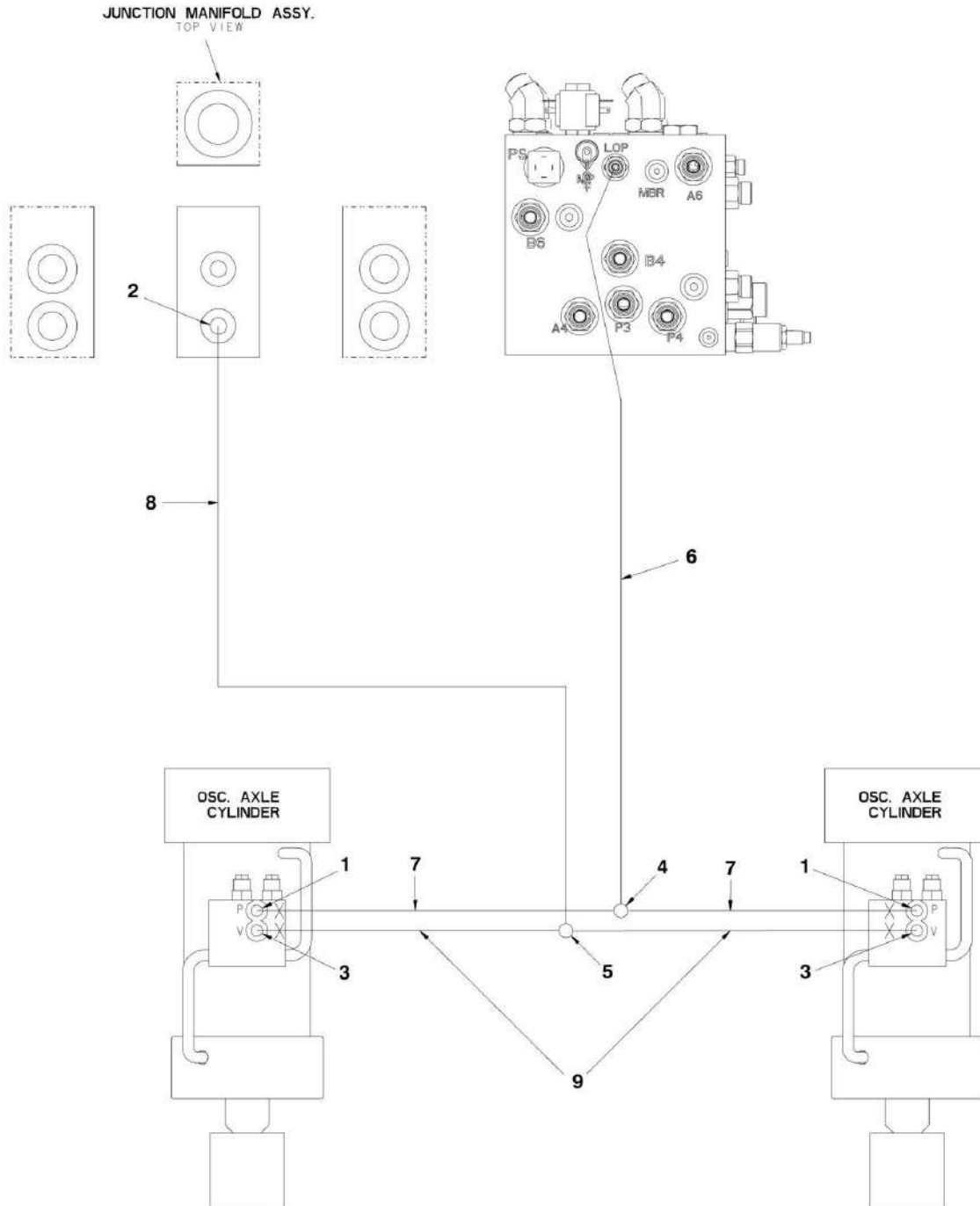
## SECTION 6 - HYDRAULIC

**FIGURE 6-2. HYDRAULIC DIAGRAM - DRIVE**

ITEM	PART NUMBER	QTY	DESCRIPTION	REV
		Ref	<b>HYDRAULIC DIAGRAMS - DRIVE</b>	
	1001120168	Ref	<b>Hydraulic Diagram for Caterpillar Engine Machines with Rexroth Pumps</b>	D
	1001120168	Ref	<b>Hydraulic Diagram for Deutz TD2011 Engine Machines with Rexroth Pumps</b>	D
	1001152972	Ref	<b>Hydraulic Diagram for Deutz TCD2.9L4 Engine Machines with Rexroth Pumps</b>	A
	1001120172	Ref	<b>All Machines</b>	1
	1001120169	Ref	<b>Hydraulic Diagram for Machines with Sauer Pumps</b>	C
	1001120172	Ref	<b>All Machines</b>	1
1	2753685	2	Hose	
2	2110808	4	Fitting, Straight	
3	2753703	2	Hose	
4	2753764	1	Hose	
5	2753768	1	Hose	
6	2170504	4	Fitting, Tee	
7	2170704	1	Fitting, Tee	
8	2170804	1	Fitting, Tee	
9	2220235	2	Plug	
10	2220238	1	Plug	
11	2753541	2	Hose	
12	2753545	2	Hose	
13	2753677	2	Hose	
14	2753714	1	Hose	
15	2753713	1	Hose	
16	2753716	1	Hose	
17	2753715	2	Hose	
18	2753552	1	Hose	
19	2753752	1	Hose	
20	2753582	1	Hose	
21	2753756	1	Hose	
22	2753747	1	Hose	
23	2753757	2	Hose	
24	2753748	1	Hose	
25	2753759	2	Hose	
26	2753760	1	Hose	
27	2753749	1	Hose	
28	2753761	1	Hose	
29	2753750	1	Hose	
30	2753762	1	Hose	

# SECTION 6 - HYDRAULIC

## FIGURE 6-3. HYDRAULIC DIAGRAM - OSCILLATING AXLE



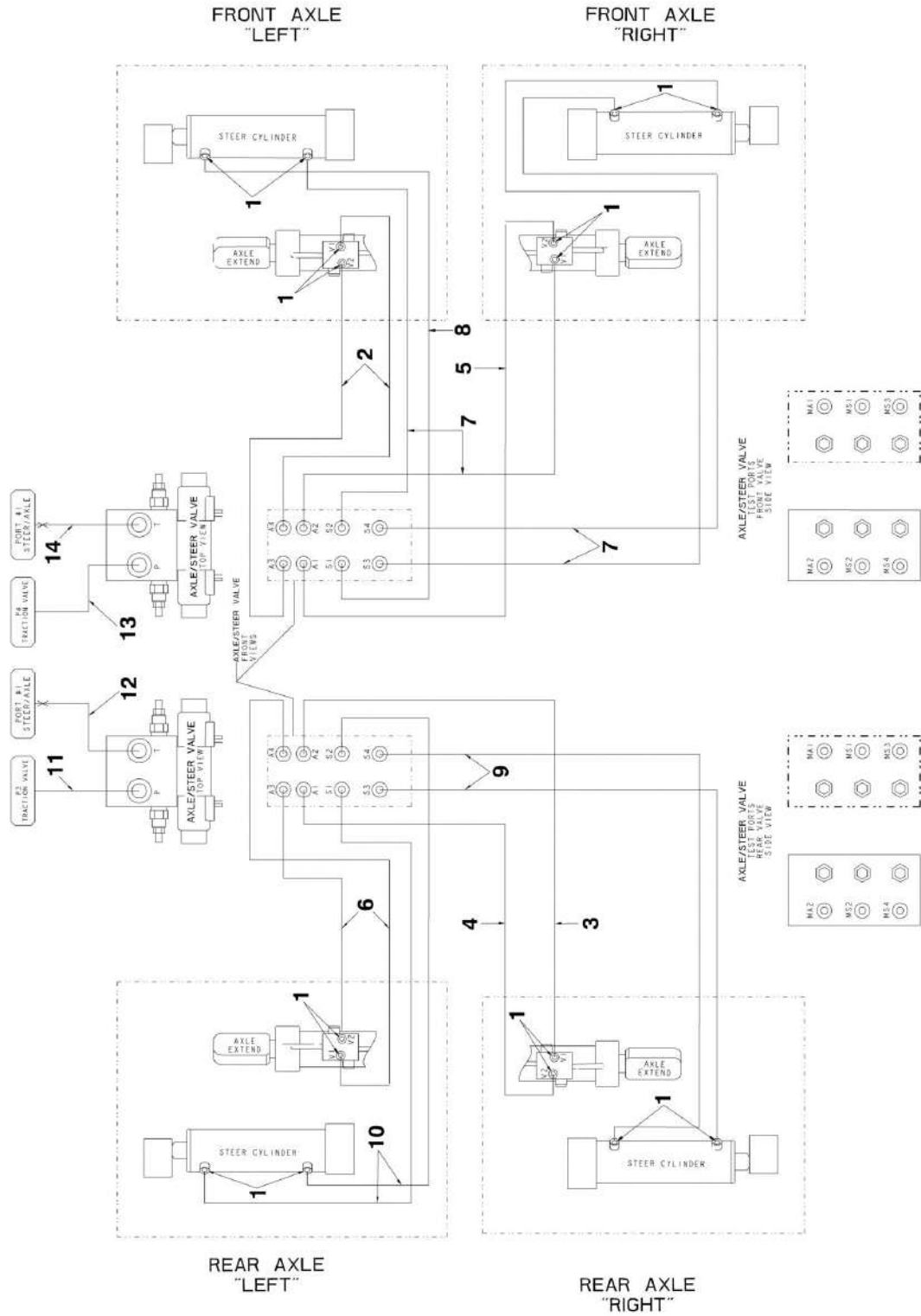
## SECTION 6 - HYDRAULIC

**FIGURE 6-3. HYDRAULIC DIAGRAM - OSCILLATING AXLE**

ITEM	PART NUMBER	QTY	DESCRIPTION	REV
		Ref	<b>HYDRAULIC DIAGRAMS - OSCILLATING AXLE</b>	
	1001120168	Ref	<b>Hydraulic Diagram for Caterpillar Engine Machines with Rexroth Pumps</b>	D
	1001120168	Ref	<b>Hydraulic Diagram for Deutz TD2011 Engine Machines with Rexroth Pumps</b>	D
	1001152972	Ref	<b>Hydraulic Diagram for Deutz TCD2.9L4 Engine Machines with Rexroth Pumps</b>	A
	1001120174	Ref	<b>All Machines</b>	1
	1001120169	Ref	<b>Hydraulic Diagram for Machines with Sauer Pumps</b>	C
	1001120174	Ref	<b>All Machines</b>	1
1	2110406	2	Fitting, Straight	
2	2110604	1	Fitting, Straight	
3	2110606	2	Fitting, Straight	
4	2170504	1	Fitting, Tee	
5	2170506	1	Fitting, Tee	
6	2753726	1	Hose	
7	2753719	2	Hose	
8	2753727	1	Hose	
9	2753729	2	Hose	

# SECTION 6 - HYDRAULIC

## FIGURE 6-4. HYDRAULIC DIAGRAM - STEER





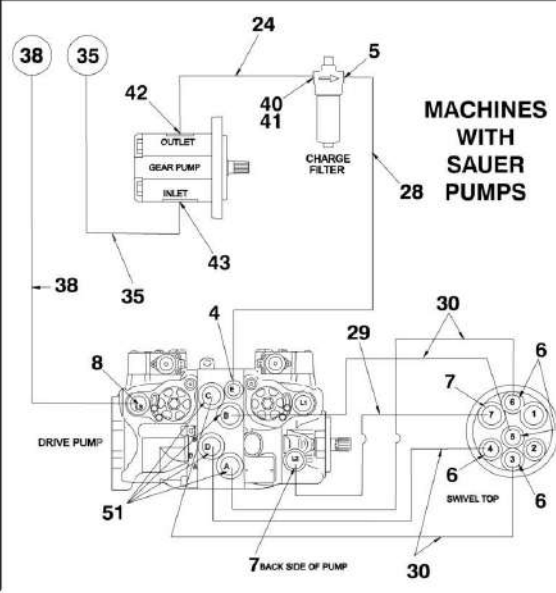
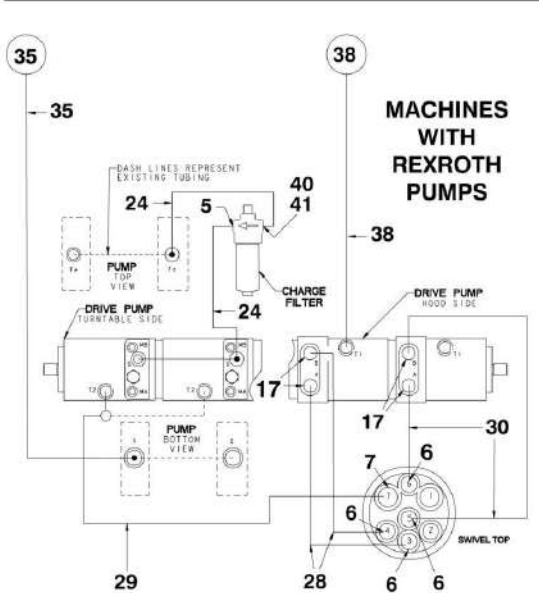
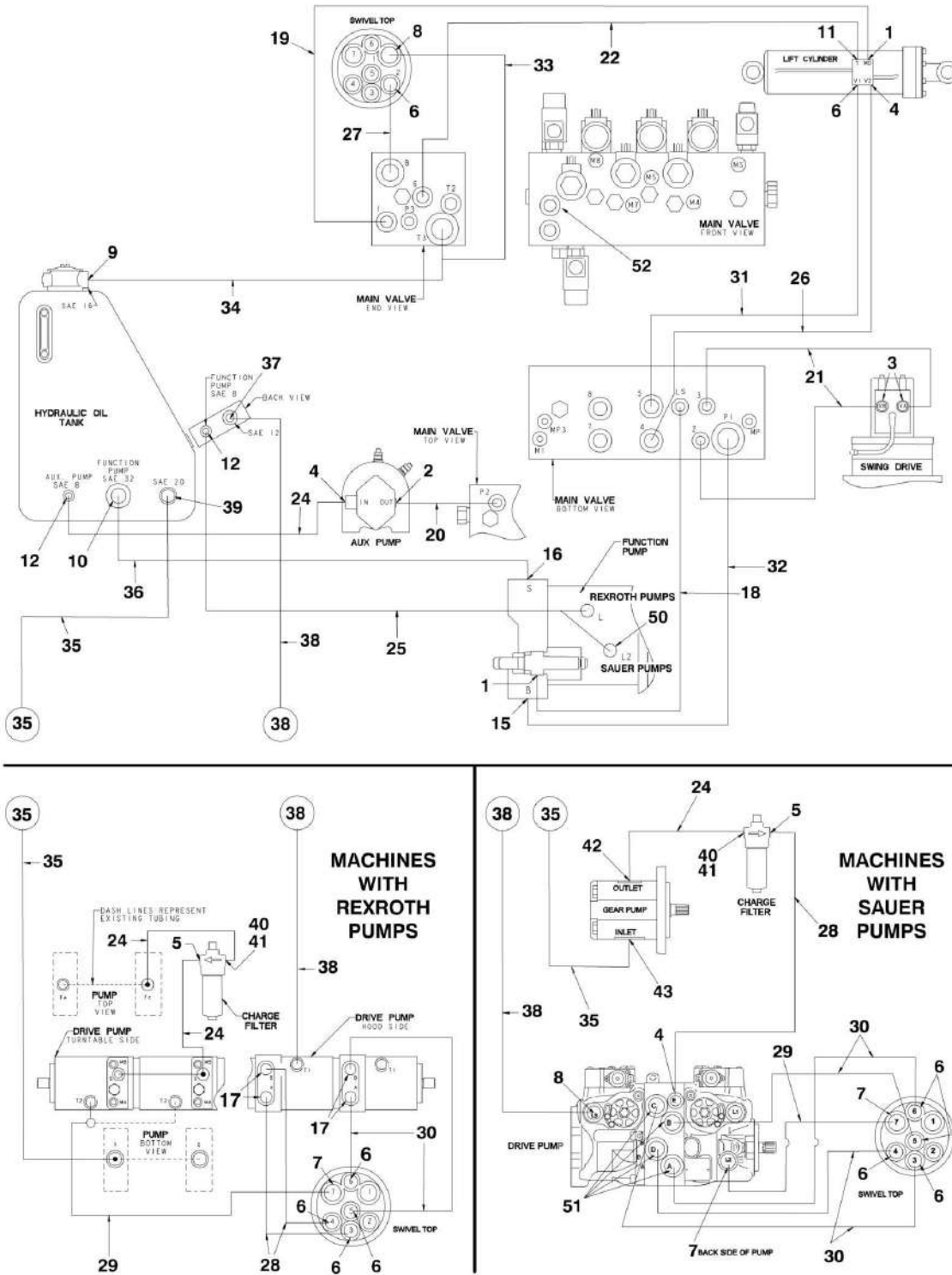
## SECTION 6 - HYDRAULIC

### FIGURE 6-4. HYDRAULIC DIAGRAM - STEER

ITEM	PART NUMBER	QTY	DESCRIPTION	REV
		Ref	<b>HYDRAULIC DIAGRAMS - STEER</b>	
	1001120168	Ref	<b>Hydraulic Diagram for Caterpillar Engine Machines with Rexroth Pumps</b>	D
	1001120168	Ref	<b>Hydraulic Diagram for Deutz TD2011 Engine Machines with Rexroth Pumps</b>	D
	1001152972	Ref	<b>Hydraulic Diagram for Deutz TCD2.9L4 Engine Machines with Rexroth Pumps</b>	A
	1001120173	Ref	<b>All Machines</b>	1
	1001120169	Ref	<b>Hydraulic Diagram for Machines with Sauer Pumps</b>	C
	1001120173	Ref	<b>All Machines</b>	1
1	2130606	16	Fitting, 90	
2	2753732	2	Hose	
3	2753733	1	Hose	
4	2753728	1	Hose	
5	2753734	1	Hose	
6	2753735	2	Hose	
7	2753736	4	Hose	
8	2753737	1	Hose	
9	2753738	2	Hose	
10	2753739	2	Hose	
11	2753753	1	Hose	
12	2753742	1	Hose	
13	2753754	1	Hose	
14	2753743	1	Hose	

# SECTION 6 - HYDRAULIC

## FIGURE 6-5. HYDRAULIC DIAGRAM - TURNTABLE



## SECTION 6 - HYDRAULIC

### FIGURE 6-5. HYDRAULIC DIAGRAM - TURNTABLE

ITEM	PART NUMBER	QTY	DESCRIPTION	REV
		Ref	<b>HYDRAULIC DIAGRAMS - TURNTABLE</b>	
	1001120168	Ref	<b>Hydraulic Diagram for Caterpillar Engine Machines with Rexroth Pumps</b>	D
	1001120168	Ref	<b>Hydraulic Diagram for Deutz TD2011 Engine Machines with Rexroth Pumps</b>	D
	1001152972	Ref	<b>Hydraulic Diagram for Deutz TCD2.9L4 Engine Machines with Rexroth Pumps</b>	A
	1001120170	Ref	<b>Caterpillar Engines</b>	4-B
	1001120170	Ref	<b>Deutz TD2011 Engines</b>	4-B
	1001152969	Ref	<b>Deutz TCD2.9L4 Engines</b>	A
	1001120169	Ref	<b>Hydraulic Diagram for Machines with Sauer Pumps</b>	C
	1001120171	Ref	<b>All Machines</b>	C
1	2110404	AR	Fitting, Straight	
2	2110608	1	Fitting, Straight	
3	2110610	2	Fitting, Straight	
4	2110810	AR	Fitting, Straight	
5		Ref	Fitting Options:	
5	2110812	1	Fitting, Straight (Rexroth Pumps)	
5	2130812	1	Fitting, 90 (Sauer Pumps)	
6	2111010	5	Fitting, Straight	
7	2111012	AR	Fitting, Straight	
8	2111212	AR	Fitting, Straight	
9	2111616	1	Fitting, Straight	
10	2113232	1	Fitting, Straight	
11	2130606	1	Fitting, 90	
12	2130808	AR	Fitting, 90	
15	2220478	1	Flange Kit	
16		Ref	Flange Kit Options:	
16	2220737	1	Flange Kit (Rexroth Pumps)	
16	1001110604	1	Flange Kit (Sauer Pumps)	
17	2221117	4	Flange Kit (Rexroth Pumps)	
18		Ref	Hose Options:	
18	2753622	1	Hose (Rexroth Pumps)	
18	1001118932	1	Hose (Sauer Pumps)	
19	2753718	1	Hose	
20	2753730	1	Hose	
21	2753731	2	Hose	
22	2753734	1	Hose	
24	2753746	AR	Hose	
25		Ref	Hose Options:	
25	2753741	1	Hose (Rexroth Pumps)	
25	1001118934	1	Hose (Sauer Pumps)	
26	2753744	1	Hose	
27	2753766	1	Hose	
28		Ref	Hose Options:	
28	2753769	2	Hose (Rexroth Pumps)	
28	1001118933	1	Hose (Sauer Pumps)	
29	2753708	1	Hose	
30		Ref	Hose Options:	
30	2753770	2	Hose (Rexroth Pumps)	

## SECTION 6 - HYDRAULIC

ITEM	PART NUMBER	QTY	DESCRIPTION	REV
30	1001109468	4	Hose (Sauer Pumps)	
31	2753765	1	Hose	
32	2753771	1	Hose	
33	2753772	1	Hose	
34	2753774	1	Hose	
35		Ref	Hose Options:	
35	2753775	1	Caterpillar Engine Machines with Rexroth Pumps	
35	2753775	1	Deutz TD2011 Engine Machines with Rexroth Pumps	
35	1001152966	1	Deutz TCD2.9L4 Engine Machines with Rexroth Pumps	
35	1001119817	1	Machines with Sauer Pumps	
36		Ref	Hose Options:	
36	2753776	1	Hose (Rexroth Pumps)	
36	1001118935	1	Hose (Sauer Pumps)	
37		Ref	Fitting Options:	
37	2131212	1	Fitting, 90 (Rexroth Pumps)	
37	2131612	1	Fitting, 90 (Sauer Pumps)	
38		Ref	Hose Options:	
38	2753773	1	Hose (Rexroth Pumps)	
38	1001119138	1	Hose (Sauer Pumps)	
39	2112020	1	Fitting, Straight	
40	2221084	1	Fitting, Tee	
41	2170908	1	Fitting, Cap	
42	2110812	1	Fitting, Straight (Sauer Pumps)	
43		Ref	Fitting, Straight (Sauer Pumps) Options:	
43	2111612	1	Fitting, Straight (Sauer Pumps) <b>(Prior to SN 0300150557)</b>	
43	2112016	1	Fitting, Straight (Sauer Pumps) <b>(SN 0300150557 through 0300209000)</b>	
44	2130404	1	Fitting, 90 (Sauer Pumps)	
50	2130810	1	Fitting, 90 (Sauer Pumps)	
51	2111016	4	Fitting, Straight (Sauer Pumps)	
52	1001119455	1	Valve, Oil Sampling (Rexroth Pumps)	



# SECTION 6 - HYDRAULIC

## FIGURE 6-6. HYDRAULIC DIAGRAM LIST

ITEM	PART NUMBER	QTY	DESCRIPTION	REV
		Ref	<b>Note: Information on Diagrams Not Shown is Available From JLG Service/Parts Department.</b>	
		Ref	<b>HYDRAULIC DIAGRAM - BOOM</b>	
	1001120168	Ref	<b>Hydraulic Diagram for Caterpillar Engine Machines with Rexroth Pumps</b>	
	1001120168	Ref	<b>Hydraulic Diagram for Deutz TD2011 Engine Machines with Rexroth Pumps</b>	
	1001152972	Ref	<b>Hydraulic Diagram for Deutz TCD2.9L4 Engine Machines with Rexroth Pumps</b>	
	1001120175	Ref	<b>All Machines</b>	
	1001120169	Ref	<b>Hydraulic Diagram for Machines with Sauer Pumps</b>	
	1001120175	Ref	<b>All Machines</b>	
		Ref	<b>HYDRAULIC DIAGRAM - DRIVE</b>	
	1001120168	Ref	<b>Hydraulic Diagram for Caterpillar Engine Machines with Rexroth Pumps</b>	
	1001120168	Ref	<b>Hydraulic Diagram for Deutz TD2011 Engine Machines with Rexroth Pumps</b>	
	1001152972	Ref	<b>Hydraulic Diagram for Deutz TCD2.9L4 Engine Machines with Rexroth Pumps</b>	
	1001120172	Ref	<b>All Machines</b>	
	1001120169	Ref	<b>Hydraulic Diagram for Machines with Sauer Pumps</b>	
	1001120172	Ref	<b>All Machines</b>	
		Ref	<b>HYDRAULIC DIAGRAM - OSCILLATING AXLE</b>	
	1001120168	Ref	<b>Hydraulic Diagram for Caterpillar Engine Machines with Rexroth Pumps</b>	
	1001120168	Ref	<b>Hydraulic Diagram for Deutz TD2011 Engine Machines with Rexroth Pumps</b>	
	1001152972	Ref	<b>Hydraulic Diagram for Deutz TCD2.9L4 Engine Machines with Rexroth Pumps</b>	
	1001120174	Ref	<b>All Machines</b>	
	1001120169	Ref	<b>Hydraulic Diagram for Machines with Sauer Pumps</b>	
	1001120174	Ref	<b>All Machines</b>	
		Ref	<b>HYDRAULIC DIAGRAM - STEER</b>	
	1001120168	Ref	<b>Hydraulic Diagram for Caterpillar Engine Machines with Rexroth Pumps</b>	
	1001120168	Ref	<b>Hydraulic Diagram for Deutz TD2011 Engine Machines with Rexroth Pumps</b>	
	1001152972	Ref	<b>Hydraulic Diagram for Deutz TCD2.9L4 Engine Machines with Rexroth Pumps</b>	
	1001120173	Ref	<b>All Machines</b>	
	1001120169	Ref	<b>Hydraulic Diagram for Machines with Sauer Pumps</b>	
	1001120173	Ref	<b>All Machines</b>	
		Ref	<b>HYDRAULIC DIAGRAM - TURNTABLE</b>	
	1001120168	Ref	<b>Hydraulic Diagram for Caterpillar Engine Machines with Rexroth Pumps</b>	
	1001120168	Ref	<b>Hydraulic Diagram for Deutz TD2011 Engine Machines with Rexroth Pumps</b>	
	1001152972	Ref	<b>Hydraulic Diagram for Deutz TCD2.9L4 Engine Machines with Rexroth Pumps</b>	
	1001120170	Ref	<b>Caterpillar Engine Machines</b>	
	1001120170	Ref	<b>Deutz TD2011 Engine Machines</b>	
	1001152969	Ref	<b>Deutz TCD2.9L4 Engine Machines</b>	

## SECTION 6 - HYDRAULIC

ITEM	PART NUMBER	QTY	DESCRIPTION	REV
	1001120169	Ref	Hydraulic Diagram for Machines with Sauer Pumps	
	1001120171	Ref	All Machines	
		Ref	Hydraulic Schematic - Oil Cooler Options:	
	0272080	Ref	Rexroth Pumps	
	1001118957	Ref	Sauer Pumps	
	1001120628	Ref	Hydraulic Schematic - Standard	





**SECTION 7 - ELECTRICAL**

## SECTION 7 - ELECTRICAL

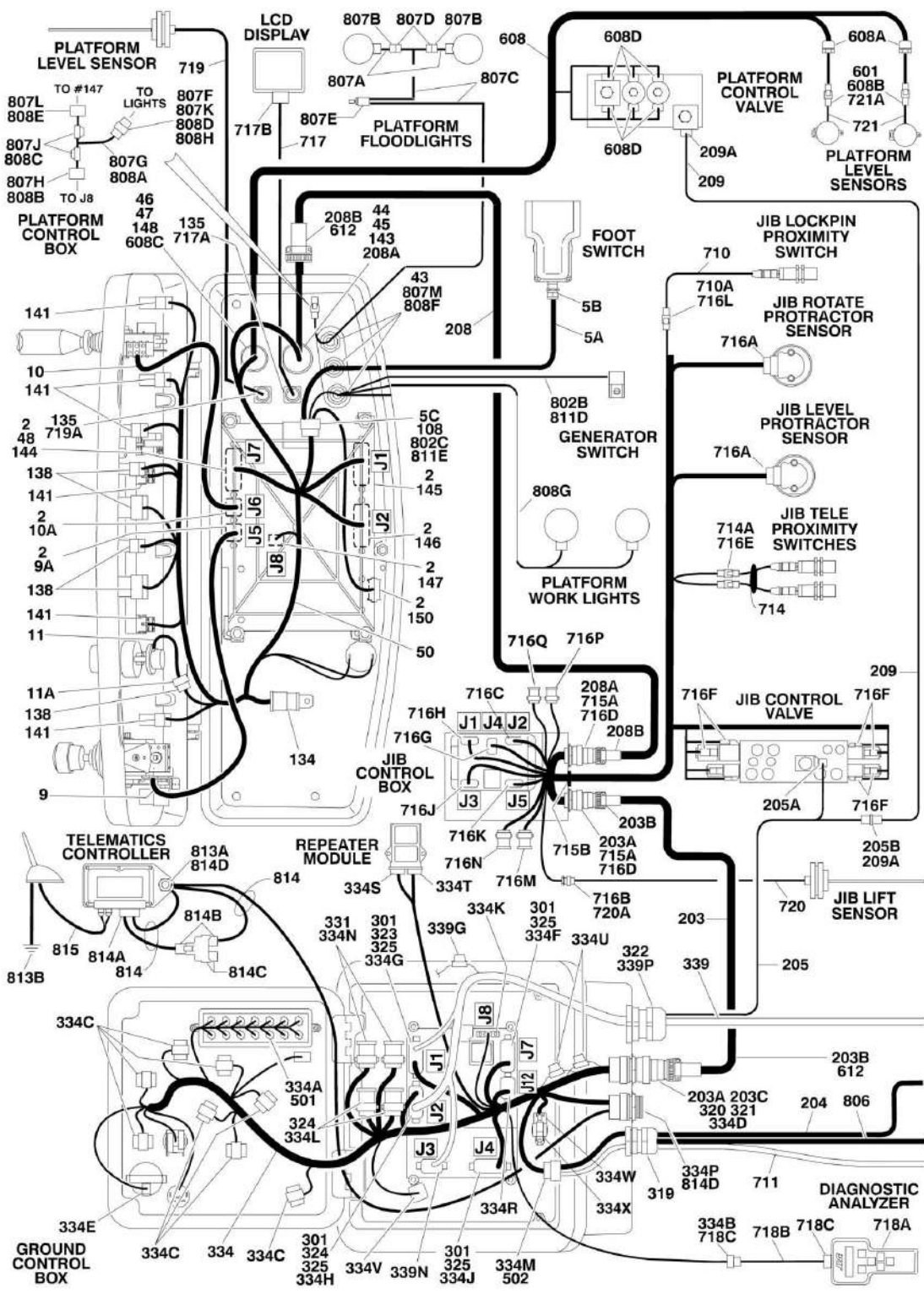
FIGURE 7-1. ELECTRICAL DIAGRAM LIST

ITEM	PART NUMBER	QTY	DESCRIPTION	REV
		Ref	<b>Note: Diagrams not shown are available from the JLG Service Department.</b>	
	1001150944	Ref	<b>Beacon Light Harness</b>	
	4933262	Ref	<b>CHASSIS ILLUMINATION LIGHTS ELECTRICAL DIAGRAM</b>	
	1001102417	Ref	<b>CLEAR SKY TELEMATICS ELECTRICAL SCHEMATICS</b>	
		Ref	<b>GENERATOR ELECTRICAL DIAGRAM</b>	
		Ref	<b>2500W Generators</b>	
	1001120381	Ref	<b>60Hz</b>	
	1001120382	Ref	<b>50Hz</b>	
		Ref	<b>4000W Generators</b>	
	1001153257	Ref	<b>60Hz - Deutz TD2011 Engines (ANSI Export and Japanese Specs)</b>	
	1001132055	Ref	<b>60Hz - Deutz TCD2.9L4 Engines (ANSI and CSA Specs)</b>	
	1001162901	Ref	<b>50Hz - Deutz TD2011 and Deutz TCD2.9L4 Engines (ANSI Export, CE and Japanese Specs)</b>	
	1001162899	Ref	<b>50Hz - Deutz TD2011 Engines (Australian Specs)</b>	
	1001162900	Ref	<b>50Hz - Deutz TCD2.9L4 Engines (CE Specs)</b>	
		Ref	<b>7500W Generators</b>	
	1001122528	Ref	<b>Caterpillar, Deutz TD2011 Engine and Deutz TCD2.9L4 Engines Machines (Prior to SN 0300182753)</b>	
	1001157770	Ref	<b>Caterpillar, Deutz TD2011 Engine and Deutz TCD2.9L4 Engines Machines (SN 0300182753 through 0300209000)</b>	
	1001103286	Ref	<b>GENERATOR HOURMETER ELECTRICAL DIAGRAM</b>	
	1001120332	Ref	<b>GROUND CONTROL BOX ELECTRICAL DIAGRAM</b>	
	4933253	Ref	<b>HEADLIGHT AND TAILLIGHTS ELECTRICAL DIAGRAM</b>	
	Not Available	Ref	<b>PLATFORM ELECTRICAL DIAGRAM</b>	
	4933218	Ref	<b>SOFT TOUCH ELECTRICAL DIAGRAM</b>	
	1001119266	Ref	<b>STANDARD ELECTRICAL SCHEMATIC</b>	

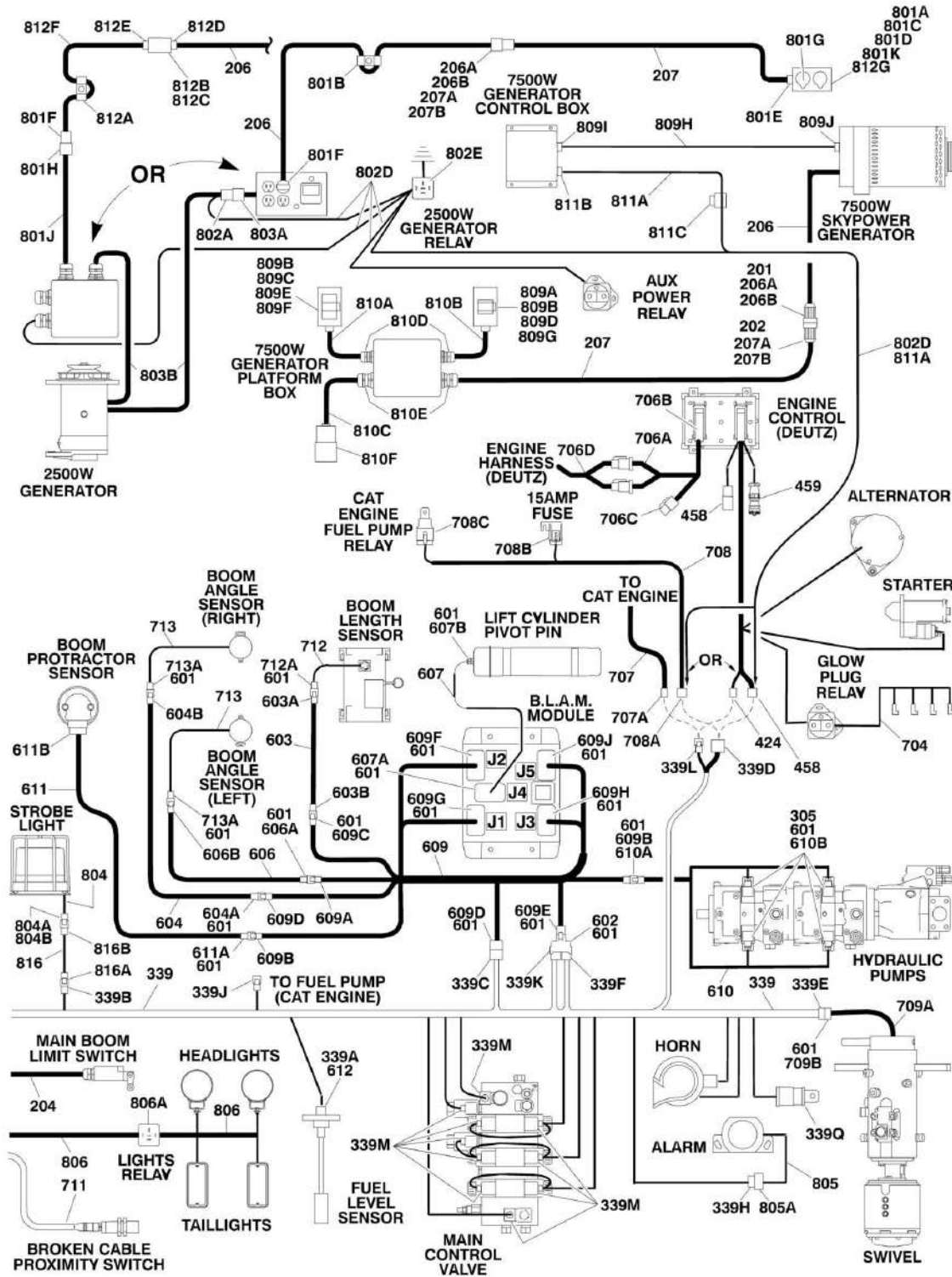


# SECTION 7 - ELECTRICAL

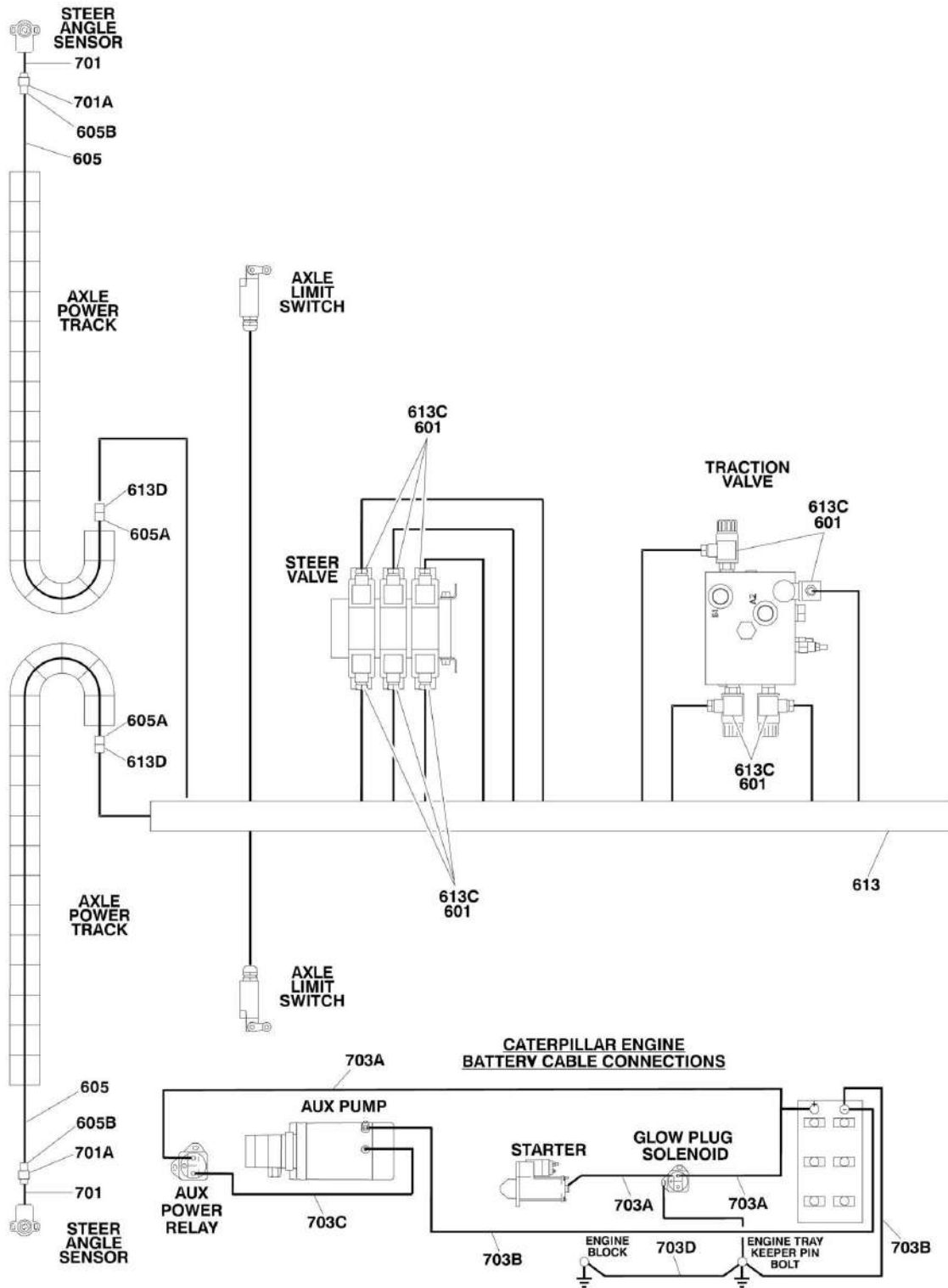
## FIGURE 7-2. HARNESS COMPONENTS INSTALLATION



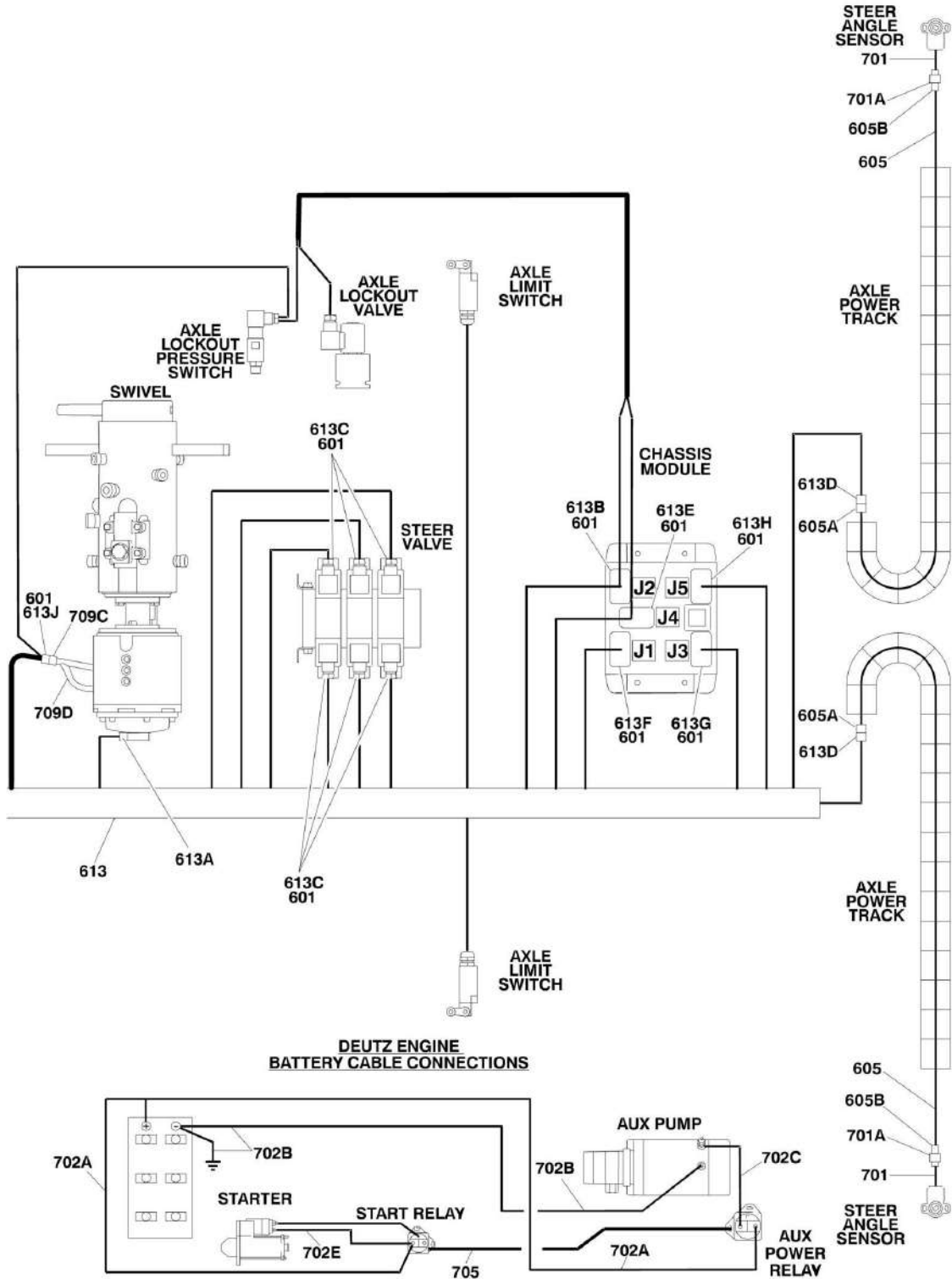
# SECTION 7 - ELECTRICAL



# SECTION 7 - ELECTRICAL



# SECTION 7 - ELECTRICAL



# SECTION 7 - ELECTRICAL

## FIGURE 7-2. HARNESS COMPONENTS INSTALLATION

ITEM	PART NUMBER	QTY	DESCRIPTION	REV
		Ref	<b>APPLICATION CHART - USE THIS FIGURE FOR:</b>	
		Ref	<b>Deutz TD2011 Engine and Caterpillar Engine Machines</b>	
	1001119388	Ref	<b>PLATFORM CONSOLE BOX COMPONENTS (WITHOUT SKYGUARD) (Prior to SN 0300171350)</b>	F
	1001146041	Ref	<b>PLATFORM CONSOLE BOX COMPONENTS (WITHOUT SKYGUARD) (SN 0300171350 through 0300188533)</b>	B
	1001166664	Ref	<b>PLATFORM CONSOLE BOX COMPONENTS (WITHOUT SKYGUARD) (SN 0300188534 through 0300209000)</b>	A
	1001190097	Ref	<b>PLATFORM CONSOLE BOX COMPONENTS (WITH SKYGUARD)</b>	B
2	0100048	AR	Grease, Dielectric	
5	0272970	Ref	Footswitch Components (Use p/n 1001117174)	B-B
5	4460042	3	Terminal, Ring (Used on p/n 0272970) (Not Shown)	
5	1001098122	3	Terminal, Ring (Used on p/n 1001117174) (Not Shown)	
5A	1060918	7.5 ft/2.29m	Cable, Electrical - 18/3	
5B	4460071	1	Connector, Strain Relief	
5C	4460464	1	Pin, Male	
5C	4460226	2	Socket, Female	
9	Not Available	1	Controller Harness Assembly (Lift and Swing)	
9A	7022819	1	Plug, Male - 8 Position (Natural)	
9A	4460871	8	Socket, Female	
10	7022824	1	Controller Harness/Circuit Board Assembly (Drive and Steer)	
10A	7022825	1	Plug, Male - 8 Position (Black)	
10A	4460871	7	Socket, Female	
11	Not Available	1	Speed Control Harness	
11A	4460224	1	Connector, Female - 6 Position	
11A	4460226	5	Socket, Female	
43	4460428	4	Connector, Strain Relief	
44	4460470	1	Nut, Terminal	
45	4460471	1	Lockwasher, Terminal	
46	4460496	1	Lockwasher, Terminal	
47	4460497	1	Nut, Terminal	
48	4460905	5	Seal, Plug	
50	1001119389	1	Harness, Platform Box (Without SkyGuard) (See Items 108-150 for Breakdown)	
50	1001186905	1	Harness, Platform Box (With SkyGuard) (See Items 108-150 for Breakdown)	
	1001119389	Ref	<b>PLATFORM BOX HARNESS ASSEMBLY (WITHOUT SKYGUARD)</b>	F
	1001186905	Ref	<b>PLATFORM BOX HARNESS ASSEMBLY (WITH SKYGUARD)</b>	B
108	4460708	1	Receptacle, Female - 15 Position	
108	4460226	AR	Socket, Female	
108	4460434	2	Plug, Male - 15 Position	
108	4460227	AR	Pin, Male	
108	4460267	1	Pin, Male	
134	1001119020	1	Connector, 12 Position Buss Bar	
134	1001120328	1	Mount, Buss Bar	
134	4460933	1	Connector, Male - 12 Position (Gray)	
134	4460871	AR	Socket, Female	
134	4460466	AR	Plug, Terminal	
135	1001120055	2	Connector, 5 Position with Leads	



## SECTION 7 - ELECTRICAL

ITEM	PART NUMBER	QTY	DESCRIPTION	REV
138	4460225	5	Plug, Male - 6 Position	
138	4460226	AR	Socket, Female	
138	4460227	AR	Pin, Male	
141	4460418	13	Connector, Female - 6 Position	
141	4460419	AR	Socket, Female	
143	4460866	1	Connector - 19 Position	
143	4460464	AR	Pin, Male Deutsch 16 Ga	
143	4460508	AR	Pin, Male Deutsch 12 Ga	
143	4460943	AR	Pin, Male 16 Ga	
144	4460873	1	Connector - 35 Position (Black)	
144	4460871	AR	Socket, Female	
144	4460905	AR	Plug	
145	4460874	1	Connector - 35 Position (Natural)	
145	4460871	AR	Socket, Female	
145	4460905	AR	Plug	
146	4460876	1	Connector - 35 Position (Blue)	
146	4460871	AR	Socket, Female	
146	4460905	AR	Plug	
147	4460879	1	Connector, Male - 2 Position	
147	4460887	2	Terminal (12 Gauge)	
148	4460925	1	Connector - 21 Position	
148	4460929	13	Pin, Male Deutsch 16 Ga	
148	4460466	8	Plug	
150	4460761	1	Connector, Female - 4 Position	
150	4460227	4	Pin, Male	
151	4460536	1	Plug, Male - 3 Position (Not Shown - With SkyGuard)	
151	4460943	3	Pin, Male (Not Shown - With SkyGuard)	
152	4460539	1	Plug, Male - 3 Position (Includes Wedge Lock and Seal) (Not Shown - With SkyGuard)	
152	4460944	2	Socket, Female (Gold) (Not Shown - With SkyGuard)	
154	4460884	1	Connector, Gray - 4 Position (Not Shown - With SkyGuard)	
154	4460944	4	Socket, Female (Gold) (Not Shown - With SkyGuard)	
154	4460932	1	Connector, Female - 4 Position (Not Shown - With SkyGuard)	
155	70004016	2	Relay (Not Shown - With SkyGuard)	
155	1001116720	5	Terminal (Not Shown - With SkyGuard)	
155	1001118388	3	Terminal (Not Shown - With SkyGuard)	
161	4460708	1	Receptacle, Female - 15 Position (Not Shown - With SkyGuard)	
161	4460226	3	Socket, Female (Not Shown - With SkyGuard)	
		Ref	<b>BOOM CABLES INSTALLATION</b>	
	1001120137	Ref	<b>ANSI and ANSI Export Specs without SkyPower (Prior to SN 0300188534)</b>	C
	1001120137	Ref	<b>ANSI, CSA and Japanese Specs without SkyPower (SN 0300188534 through 0300209000)</b>	D
	1001120138	Ref	<b>Australian and CE Specs without SkyPower</b>	C
	1001120138	Ref	<b>ANSI Export, Australian and CE Specs without SkyPower (SN 0300188534 through 0300209000)</b>	E
	1001161052	Ref	<b>All Specs with SkyPower (4000W Generator)</b>	B
	1001120139	Ref	<b>All Specs with SkyPower (7500W Generator)</b>	E
201		Ref	Cover, Receptacle	
201	Not Required	0	Without SkyPower	
201	1671092	1	All Specs with SkyPower ( <b>Prior to SN 0300152139</b> )	
202		Ref	Cover, Plug	

## SECTION 7 - ELECTRICAL

ITEM	PART NUMBER	QTY	DESCRIPTION	REV
202	Not Required	0	Without SkyPower	
202	1671093	1	All Specs with SkyPower <b>(Prior to SN 0300152139)</b>	
203	1001122396	1	Main Boom Control Harness	B
203	1060896	149 ft/45.4m	Cable, Electrical - 12/4&18/8	
203	2820118	6 in/15cm	Heat Shrink	
203A	4460865	2	Connector - 19 Position	
203A	4460465	22	Socket, Female 18 Gauge	
203A	4460509	8	Socket, Female 12 Gauge	
203A	4460466	8	Seal, Plug	
203B	4460473	2	Clamp, Cable	
204	1001122397	1	Transport Switch Cable <b>(Prior to SN 0300195071)</b>	A
204	1001179216	1	Transport Switch Cable <b>(SN 0300195071 through 0300209000)</b>	A
205	1001119393	1	Jib Enable Harness	C
205A	4460891	1	Plug, Male - 2 Position	
205A	4460942	2	Socket, Female	
205B	4460897	1	Plug, Male - 2 Position (Includes Wedge Lock and Seal)	
205B	4460941	2	Pin	
206		Ref	Main Boom AC/Generator Power Harness	
206	1001120099	1	ANSI and ANSI Export Specs without SkyPower	B
206	1001120111	1	Australian and CE Specs without SkyPower	B
206	1001161046	1	All Specs with SkyPower (4000W Generator)	A
206	1001120100	1	All Specs with SkyPower (7500W Generator)	D
206A		Ref	Receptacle, Female Options:	
206A	4460134	1	ANSI and ANSI Export Specs Without SkyPower	
206A	4460710	1	Australian and CE Specs Without SkyPower	
206A	4460963	1	All Specs with SkyPower (4000W Generator)	
206A	4460960	1	All Specs with SkyPower (7500W Generator)	
206B		Ref	Cover, Connector <b>(SN 0300152139 through 0300209000)</b>	
206B	Not Required	0	ANSI and ANSI Export Specs without SkyPower	
206B	Not Required	0	Australian and CE Specs without SkyPower	
206B	1671092	1	All Specs with SkyPower	
207		Ref	Jib Boom AC/Generator Power Harness	
207	1001120107	1	ANSI and ANSI Export Specs without SkyPower	B
207	1001120108	1	Australian and CE Specs without SkyPower	B
207	1001161047	1	All Specs with SkyPower (4000W Generator)	A
207	1001120101	1	All Specs with SkyPower (7500W Generator)	D
207A		Ref	Plug, Male Options:	
207A	4460708	1	ANSI and ANSI Export Specs without SkyPower	
207A	4460709	1	Australian and CE Specs Without SkyPower	
207A	4460962	1	All Specs with SkyPower (4000W Generator)	
207A	4460959	1	All Specs with SkyPower (7500W Generator)	
207B		Ref	Cover, Connector <b>(SN 0300152139 through 0300209000)</b>	
207B	Not Required	0	ANSI and ANSI Export Specs without SkyPower	
207B	Not Required	0	Australian and CE Specs without SkyPower	
207B	1671093	1	All Specs with SkyPower	
208	1001120098	1	Jib Control Harness	C
208	1060896	36 ft/11m	Cable, Electrical - 12/4&18/8	
208	2820118	6 in/15cm	Heat Shrink	
208A	4460865	2	Connector - 19 Position	
208A	4460465	22	Socket, Female 18 Gauge	
208A	4460509	8	Socket, Female 12 Gauge	

## SECTION 7 - ELECTRICAL

ITEM	PART NUMBER	QTY	DESCRIPTION	REV
208A	4460466	8	Seal, Plug	
208B	4460473	2	Clamp, Cable	
209	1001125666	1	Platform Dump Harness	B
209A	4460891	2	Plug, Male - 2 Position	
209A	4460942	4	Socket, Female	
	1001120361	Ref	<b>GROUND CONTROL BOX COMPONENTS</b>	B
	1001119651	Ref	<b>GROUND CONTROL BOX COMPONENTS</b>	K
301	0100048	AR	Grease, Dielectric	
305	1001119456	AR	Sauer to Rexroth Jumper Harness (P/N 1001119456 includes qty 2 Jumper Harnesses. Four Jumpers are required per Machine.)	
305	4460880	4	DIN Connector	
305	4460897	4	Plug, Male - 2 Position (Includes Wedge Lock and Seal)	
305	4460464	8	Pin	
306	1001119470	1	Deutz TD2011 Engine Harness (See Items 401 to 459 for Breakdown)	
319	4460426	1	Connector, Strain Relief	
320	4460470	1	Nut, Terminal	
321	4460471	1	Washer, Terminal	
322	4460526	1	Connector, Strain Relief	
323	4460874	1	Connector, White - 35 Position	
324	4460837	2	Connector - 12 Position Buss Bar	
325	4460905	4	Plug, Connector	
331	1001119020	2	Connector, 12 Position Buss Bar	
334	1001119652	1	Ground Control Box Harness Assembly (All Specs Except CE Specs)	H
334	1001119652	1	Ground Control Box Harness Assembly (CE Specs) <b>(Prior to SN 0300201038)</b>	G
334	1001186903	1	Ground Control Box Harness Assembly (CE Specs) <b>(SN 0300201038 through 0300209000)</b>	B
334	3990001	2	Diode - 3 Amp (Not Shown)	
334A	4120035	10	Base, Light	
334A	4460634	10	Terminal (16 Gauge)	
334A	4460635	20	Terminal (12 Gauge)	
334B	4460761	1	Connector, Female - 4 Position	
334B	4460227	AR	Pin, Male	
334C	4460418	8	Connector, Female - 6 Position	
334C	4460419	AR	Socket, Female	
334D	4460866	1	Connector - 19 Pin	
334D	4460464	AR	Pin, Male Deutsch 16 Ga	
334D	4460508	AR	Pin, Male Deutsch 12 Ga	
334E	4460868	1	Plug, Male - 6 Pin	
334E	4460877	AR	Socket, Female	
334F	4460873	1	Connector, Black - 35 Position	
334F	4460871	AR	Socket, Female	
334G	4460874	1	Connector, White - 35 Position	
334G	4460871	AR	Socket, Female	
334H	4460875	1	Connector, Gray - 35 Position	
334H	4460871	AR	Socket, Female	
334J	4460876	1	Connector, Blue - 35 Position	
334J	4460871	AR	Socket, Female	
334K	4460878	1	Plug, Male - 4 Position	
334K	4460887	AR	Terminal (12 Gauge)	

## SECTION 7 - ELECTRICAL

ITEM	PART NUMBER	QTY	DESCRIPTION	REV
334L	4460836	2	Plug, Male - 12 Position	
334L	4460466	AR	Plug, Socket	
334L	4460944	AR	Socket, Female (Gold)	
334L	4460465	AR	Socket, Female	
334M	4460970	1	Plug, Male - 12 Position	
334M	4460464	AR	Pin, Male Deutsch 16 Ga	
334M	4460465	AR	Socket, Female	
334M	4460942	4	Socket, Female	
334N	4460933	2	Connector, Gray - 12 Position	
334N	4460465	AR	Socket, Female	
334N	4460944	AR	Socket, Female (Gold)	
334N	4460466	AR	Plug, Terminal	
334P	1001112612	1	Connector, Diagnostic	
334P	4460464	AR	Pin	
334P	4460466	AR	Plug, Seal	
334P	1001106736	1	Cap, Dust	
334R	1001113961	2	Plug, Male - 8 Position	
334R	4460871	AR	Socket, Female	
334S	1001116774	1	Connector - 12 Position	
334S	4460928	AR	Socket, Female	
334S	4460918	AR	Socket, Female (Gold)	
334S	4460466	AR	Plug, Socket	
334T	4460908	1	Connector - 12 Position	
334T	4460928	AR	Socket, Female	
334T	4460918	AR	Socket, Female (Gold)	
334T	4460466	AR	Plug, Socket	
334U	2400060	2	Fuseholder	
334U	2400064	2	Fuse - 5 Amp	
334V	1001117025	1	Relay with Connector	
334V	3740080	1	Relay, Sealed	
334V	4460374	1	Plug, Sealed	
334V	4460375	4	Terminal, Female	
334W	4460884	1	Connector, Gray - 4 Position <b>(SN 0300207776 through 0300209000)</b>	
334W	4460465	4	Socket, Female <b>(SN 0300207776 through 0300209000)</b>	
334X	1001192401	1	Connector, Dust Cap <b>(SN 0300207776 through 0300209000)</b>	
338	1001120332	1	Ground Control Box Wiring Diagram (See Items 501-502 for Breakdown)	
339	1001119653	1	Turntable Harness Assembly	F
339A	4460843	1	Plug, Male - 2 Position	
339A	4460842	2	Socket, Female	
339B	4460424	1	Connector, Female - 2 Position	
339B	4460268	2	Socket, Female	
339C	4460884	1	Connector, Gray - 4 Position	
339C	4460465	4	Socket, Female	
339D	4460931	1	Connector, Female - 8 Position	
339D	4460464	AR	Pin, Male	
339D	4460466	AR	Plug, Socket	
339E	4460836	1	Plug, Male - 12 Position	
339E	4460466	AR	Plug, Socket	
339E	4460465	AR	Socket, Female	
339E	4460942	AR	Socket, Female 14-16 GA	

## SECTION 7 - ELECTRICAL

ITEM	PART NUMBER	QTY	DESCRIPTION	REV
339E	4460944	AR	Socket, Female 16-18 GA (Gold)	
339F	1001116812	1	Plug, Male - 3 Position (Includes Wedge Lock and Seal)	
339F	4460944	3	Socket, Female (Gold)	
339G	2400066	2	Fuseholder	
339G	2400065	2	Fuse - 30 Amp	
339H	4460320	1	Plug, Male - 2 Position	
339H	4460267	2	Pin, Male	
339J	4460891	1	Plug, Male - 2 Position	
339J	4460465	2	Socket, Female	
339K	4460539	1	Plug, Male - 3 Position (Includes Wedge Lock and Seal)	
339K	4460944	3	Socket, Female (Gold)	
339L	4460899	1	Connector, Female - 6 Position	
339L	4460943	AR	Pin, Male (Gold)	
339L	4460464	AR	Pin, Male	
339M	4460880	11	DIN Connector	
339N	4460872	1	Plug, Male - 14 Position	
339N	4460871	AR	Socket, Female	
339P	4460526	1	Connector, Strain Relief	
339Q	1001117025	1	Relay with Connector	
339Q	3740080	1	Relay, Sealed	
339Q	4460374	1	Plug, Sealed	
339Q	4460375	4	Terminal, Female	
	1001119470	Ref	<b>DEUTZ TD2011 ENGINE HARNESS</b>	B
424	4460894	1	Plug, Male - 6 Position	
424	4460465	AR	Socket, Female	
424	4460944	AR	Socket, Female	
424	4460466	AR	Plug, Sealing	
443	4461052	1	Connector, Female - 25 Position	
443	4461005	5	Terminal	
443	4461006	5	Seal	
443	4461054	2	Seal, Terminal	
443	4461060	2	Terminal (Tin)	
443	4461053	1	Cover, Plug	
443	4461008	18	Plug, Hole	
454	4461070	1	Receptacle, Female With Resistor (3 Position) (Deutz TD2011 Engine Only)	
454	4461095	1	Plug, Male - 3 Position (Deutz TD2011 Engine Only)	
454	4460944	3	Socket, Female (Deutz TD2011 Engine Only)	
458	4460930	1	Connector, Gray - 8 Position	
458	4460465	2	Socket, Female	
458	4460466	6	Plug, Sealing	
459	2902443	1	Kit, Receptacle (Deutz TD2011 Engine Only)	
459	4461071	8	Terminal, Female (Gold) (Deutz TD2011 Engine Only)	
459	4461072	1	Connector, Flange Mount (Deutz TD2011 Engine Only)	
459	4461073	1	Connector, Dust Cap (Deutz TD2011 Engine Only)	
459	4461074	1	Connector, Shell (Deutz TD2011 Engine Only)	
	1001120332	Ref	<b>GROUND CONTROL BOX WIRING DIAGRAM</b>	D
501	2920129	10	Bulb, Light	
502	4460933	1	Plug, Male - 12 Position (Gray)	
502	4460465	10	Socket, Female	
	1001119385	Ref	<b>WIRING HARNESSES INSTALLATION</b>	D
601	0100048	AR	Grease, Dielectric	

## SECTION 7 - ELECTRICAL

ITEM	PART NUMBER	QTY	DESCRIPTION	REV
602	4460945	1	Connector, Female - 3 Way	
603	4922716	1	B.L.A.M. to Boom Length Sensor Harness	C
603A	4460539	2	Plug, Male - 3 Position (Includes Wedge Lock and Seal)	
603A	4460944	3	Socket, Female	
603B	4460894	1	Plug, Male - 6 Position	
603B	4460944	4	Socket, Female	
603B	4460466	2	Plug, Sealing	
604	4922780	1	B.L.A.M. to Boom Angle Sensor Harness (Right Side)	2-B
604A	4460884	1	Connector, Gray - 4 Position	
604A	4460944	4	Socket, Female	
604B	4460911	1	Plug, Male - 3 Position	
604B	4460918	3	Socket, Female	
604B	4460912	1	Lock, Wedge - Position	
605	4922718	4	Axle Power Track Harness Assembly	B
605A	4460539	1 Per Assy	Plug, Male - 3 Position (Includes Wedge Lock and Seal)	
605A	4460944	3 Per Assy	Socket, Female	
605B	4460932	1 Per Assy	Connector, Female - 4 Position	
605B	4460943	4 Per Assy	Pin, Male	
606	4922781	1	B.L.A.M. to Boom Angle Sensor Harness (Left Side)	3-B
606A	4460932	1	Connector, Gray - 4 Position	
606A	4460943	4	Pin, Male	
606B	4460911	1	Plug, Male - 3 Position	
606B	4460918	3	Socket, Female	
606B	4460912	1	Lock, Wedge - Position	
607	4923256	1	Load Sensing Pin Harness	B
607A	4460930	1	Connector, Gray - 8 Position	
607A	4460465	4	Socket, Female	
607A	4460466	3	Plug, Sealing	
607B	Not Available	1	Connector, Female - 4 Position	
607B	Not Available	4	Terminal	
608	1001119390	1	Platform Valve Harness	D
608A	1560011	2	Connector, Conduit	
608A	1560012	2	Nut, Conduit Connector	
608B	4460911	2	Plug, Male - 3 Position	
608B	4460918	6	Pin, Male	
608B	4460912	2	Lock, Wedge - Position	
608C	4460926	1	Connector - 21 Position	
608C	4460928	7	Socket, Female	
608C	4460918	6	Pin, Male	
608C	4460466	AR	Plug, Hole	
608D	4460891	6	Plug, Male - 2 Position	
608D	4460465	12	Socket, Female	
609	1001119394	1	B.L.A.M. Harness	B
609A	4460884	1	Plug, Male 4 Position (Gray)	
609A	4460944	4	Socket, Female	
609B	4460894	2	Plug, Male - 6 Position (Gray)	
609B	4460465	AR	Socket, Female	
609B	4460466	AR	Plug, Sealing	

## SECTION 7 - ELECTRICAL

ITEM	PART NUMBER	QTY	DESCRIPTION	REV
609C	4460899	1	Connector, Female - 6 Position (Gray)	
609C	4460466	2	Plug, Sealing	
609C	4460943	4	Pin, Male (Gold Plated)	
609D	4460932	2	Plug, Male - 4 Position (Gray)	
609D	4460943	AR	Pin, Male	
609E	4460965	1	Connector, Female - 3 Position	
609E	4460944	3	Socket, Female (Gold)	
609F	4460836	1	Plug, Male - 12 Position (Black)	
609F	4460466	AR	Plug, Seal	
609F	4460944	AR	Socket, Female	
609F	4460465	AR	Socket, Female	
609G	4460933	1	Plug, Male - 12 Position (Gray)	
609G	4460466	AR	Plug, Seal	
609G	4460944	AR	Socket, Female	
609G	4460465	AR	Socket, Female	
609G	4460942	AR	Socket, Female	
609H	4460934	1	Plug, Male - 12 Position (Green)	
609H	4460466	AR	Plug, Seal	
609H	4460944	AR	Socket, Female	
609H	4460465	AR	Socket, Female	
609J	4460935	1	Plug, Male - 12 Position (Brown)	
609J	4460466	AR	Plug, Seal	
609J	4460465	AR	Socket, Female	
610	1001120276	1	Pump Harness	A
610A	4460899	1	Plug, Male - 6 Position	
610A	4460464	AR	Pin, Male	
610B	4460891	4	Plug, Male - 2 Position	
610B	4460465	AR	Socket, Female	
611	1001120278	1	Boom Cylinder Angle Harness	B
611A	4460899	4	Plug, Male - 6 Position	
611A	4460943	AR	Pin, Male (Gold)	
611B	1001117064	4	Plug, Male - 6 Position	
611B	91554014	AR	Socket, Female	
613	1001119395	1	Chassis Harness Assembly	B
613A	1001117064	1	Plug, Male - 6 Position	
613A	1001116748	AR	Socket, Female	
613B	4460836	1	Plug, Male - 12 Position	
613B	4460465	AR	Socket, Female	
613C	4460880	16	DIN Connector	
613D	4460884	4	Connector, Gray - 4 Position	
613D	4460944	16	Socket, Female	
613E	4460930	1	Connector, Gray - 8 Position	
613E	4460465	AR	Socket, Female	
613E	4460466	AR	Plug, Terminal	
613F	4460933	1	Connector, Gray - 12 Position	
613F	4460465	AR	Socket, Female	
613F	4460466	AR	Plug, Terminal	
613G	4460934	1	Connector, Green - 12 Position	
613G	4460944	AR	Socket, Female	
613H	4460935	1	Connector, Brown - 12 Position	
613H	4460465	AR	Socket, Female	

## SECTION 7 - ELECTRICAL

ITEM	PART NUMBER	QTY	DESCRIPTION	REV
613J	4460950	1	Connector, Female - 12 Position	
613J	4460464	AR	Pin, Male 16-18 GA	
613J	4460943	AR	Pin, Male 16-18 GA (Gold)	
613J	4460941	AR	Pin, Male 14-16GA	
		Ref	<b>STANDARD HARNESS COMPONENTS</b>	
701	4360505	4	Steer Angle Sensor Harness (Includes Sensor)	
701A	4460536	1 Per Assy	Plug, Male - 3 Position	
701A	4460464	3 Per Assy	Pin, Male	
702	2902099	1	Deutz TD2011 Engine Battery Cable Kit	C
702A	7024580	1	Cable, Red (To Aux Pump Relay, Battery Positive Terminal and Start Relay)	
702B	7024581	1	Cable, Black (To Aux Pump, Battery Negative Terminal and Ground at Tray Pivot)	
702C	7024582	1	Cable, Red (Aux Pump Relay to Aux Pump)	
702D	7024583	1	Cable, Black (Tray Pivot to Engine Mount) (Not Shown)	
702E	7024584	1	Cable, Red (Start Relay to Starter)	
703	1001120743	1	Caterpillar Engine Battery Cable Kit	
703A	7027034	1	Cable, Red (To Aux Pump Relay, Battery Positive Terminal, Glow Plug Solenoid and Starter)	
703B	7024581	1	Cable, Black (To Aux Pump, Battery Negative Terminal and Ground at Tray Pivot)	
703C	7027035	1	Cable, Red (Aux Pump Relay to Aux Pump)	
703D	7027039	1	Cable, Black (Tray Pivot to Engine Block)	
704	4923468	1	Glow Plug Harness	
705		Ref	Jumper Cable Options:	
705	4923592	1	Machines without Cold Weather Plus Package	
705	1060904	1	Machines with Cold Weather Plus Package	
706	Not Available	AR	Deutz TD2011 Engine Harness Components (Deutz TD2011 Engine Machines Only)	
706A	7027796	1	Deutz TD2011 Engine Harness	
706B	See Note	1	Receptacle, Female - 25 Position (Note: Not Available - Purchase Complete Harness)	
706C	70004060	1	Plug-In, Connector	
706D	70001869	1	Deutz TD2011 Engine Harness (For other replacement parts refer to Deutz TD2011 engine dealer)	
706D	70004061	1	Deutz TD2011 Harness to Alternator	
706D	70004271	1	Deutz TD2011 Harness to Starter	
707	1001120776	1	Caterpillar Harness Components	A
707A	Not Available	1	Connector, Female - 6 Position	
708	1001119995	1	Caterpillar Electric Fuel Pump Harness Components	A
708A	4460930	1	Plug, Male - 8 Position	
708A	4460944	6	Socket, Female 16-18GA Gold	
708A	4460465	2	Socket, Female	
708B	1001117024	1	Connector, Metri-Pack 15Amp Fuse	
708C	1001117057	1	Connector, Metri-Pack - 4 Position	
709	1660253	1	Coupling Electrical Components	
709A	Not Available	1	Coupling Turntable Harness	
709B	4460837	1	Connector, Female - 12 Position	
709B	4460466	AR	Plug, Socket	
709B	4460464	AR	Pin, Male 16-18 GA	
709B	4460943	AR	Pin, Male 16-18 GA (Gold)	



## SECTION 7 - ELECTRICAL

ITEM	PART NUMBER	QTY	DESCRIPTION	REV
709B	4460941	AR	Pin, Male 14-16GA	
709C	Not Available	1	Coupling Frame Harness	
709D	4460836	AR	Plug, Male - 12 Position	
709D	4460465	AR	Socket, Female 16-18 GA	
709D	4460942	AR	Socket, Female 14-16 GA	
709D	4460944	AR	Socket, Female 16-18 GA (Gold)	
709D	4460466	AR	Plug, Socket	
710	4000008	1	Jib Lock Pin Proximity Switch Harness (Includes Proximity Switch)	
710A	4461076	1	Connector, Female - 4 Position	
710A	4460917	4	Pin, Male	
711	4360527	1	Broken Cable Proximity Switch Harness (Includes Proximity Switch)	
712	Not Available	1	Boom Length Switch Harness	
712A	4460536	1	Connector, Female - 3 Position	
712A	4460943	3	Pin, Male	
713	4460545	4	Angle Sensor Harness (Includes Sensor)	
713A	4460910	4	Connector, Female - 3 Position	
713A	4460917	12	Pin, Male	
713A	4460913	4	Lock, Wedge	
714	1001120104	2	Jib Tele Proximity Switch Harness (Includes Proximity Switch)	
714A	4460932	2	Connector, Female - 4 Position	
714A	4460464	8	Pin, Male	
715	Not Available	AR	Jib Control Box Components	
715A	4460470	2	Nut, Terminal	
715A	4460471	2	Washer, Terminal	
715B	2540045	1	Grommet	
715B	1001119211	1	Washer, Grommet	
716	1001119392	1	Jib Valve Harness	I
716A	1001117064	2	Plug, Male - 6 Position	
716A	91554014	AR	Socket, Female	
716B	1001120055	1	Connector, 5 Position with Leads	
716C	4460836	1	Plug, Male - 12 Position	
716C	4460466	AR	Plug, Socket	
716C	4460465	AR	Socket, Female	
716D	4460866	2	Connector - 19 Position	
716D	4460464	AR	Pin, Male Deutsch 16 Ga	
716D	4460508	AR	Pin, Male Deutsch 12 Ga	
716E	4460884	2	Connector, Gray - 4 Position	
716E	4460465	8	Socket, Female	
716F	4460891	8	Plug, Male - 2 Position	
716F	4460465	16	Socket, Female	
716G	4460930	1	Connector, Gray - 8 Position	
716G	4460465	AR	Socket, Female	
716G	4460466	AR	Plug, Sealing	
716H	4460933	1	Connector, Male - 12 Position (Gray)	
716H	4460871	AR	Socket, Female	
716H	4460466	AR	Plug, Terminal	
716J	4460934	1	Plug, Male - 12 Position (Green)	
716J	4460466	AR	Plug, Seal	
716J	4460944	AR	Socket, Female	
716J	4460465	AR	Socket, Female	
716K	4460935	1	Plug, Male - 12 Position (Brown)	

## SECTION 7 - ELECTRICAL

ITEM	PART NUMBER	QTY	DESCRIPTION	REV
716K	4460466	AR	Plug, Seal	
716K	4460465	AR	Socket, Female	
716L	4461077	1	Plug, Male - 4 Position	
716L	4460918	4	Socket, Female <b>(Prior to SN 0300183977)</b>	
716L	1001126008	4	Socket, Female <b>(SN 0300183977 through 0300209000)</b>	
716M	1001125677	1	Connector, 12 Position Buss Bar	
716M	1001120328	1	Mount, Buss Bar	
716M	4460933	1	Connector, Male - 12 Position (Gray)	
716M	4460465	AR	Socket, Female	
716M	4460466	AR	Plug, Sealing	
716N	1001119020	1	Connector, 12 Position Buss Bar	
716N	1001120328	1	Mount, Buss Bar	
716N	4460933	1	Connector, Male - 12 Position (Gray)	
716N	4460871	AR	Socket, Female	
716N	4460466	AR	Plug, Terminal	
716P	4460984	1	Connector, 8 Position Buss Bar <b>(SN 0300183977 through 0300190103)</b>	
716P	4460852	1	Connector, 8 Position Buss Bar <b>(SN 0300190103 through 0300209000)</b>	
716P	4460930	1	Plug, Male - 8 Position <b>(SN 0300183977 through 0300190103)</b>	
716P	4460851	1	Plug, Male - 8 Position <b>(SN 0300190103 through 0300209000)</b>	
716P	4460465	AR	Socket, Female <b>(SN 0300183977 through 0300209000)</b>	
716P	4460466	AR	Seal, Plug <b>(SN 0300183977 through 0300209000)</b>	
716Q	1001119020	1	Connector, 12 Position Buss Bar <b>(SN 0300183977 through 0300209000)</b>	
716Q	4460933	1	Connector, Male - 12 Position (Gray) <b>(SN 0300183977 through 0300209000)</b>	
716Q	4460465	AR	Socket, Female <b>(SN 0300183977 through 0300209000)</b>	
716Q	4460466	AR	Plug, Sealing	
717	1001125293	1	LCD Display Harness	C
717A	1001125295	1	Connector, 5 Position with Leads	
717B	4460933	1	Connector, Female - 12 Position	
717B	4460944	AR	Socket, Female	
717B	4460465	AR	Socket, Female	
718	0272621	1	Control System Analyzer Installation	A
718	2901443	1	Analyzer/Cable Kit	1
718A	1600244	1	Analyzer	
718B	1060633	1	Cable, Analyzer	1-A
718C	4460321	2	Plug, Male	
718C	70003407	2	Backshell	
718C	4460226	8	Socket, Female	
719	1001117990	1	Platform Level Sensor Harness (Includes Proximity Switch)	
719A	1001117990	1	Connector, 5 Position (Note: Replace complete Sensor to eliminate any possible moisture problems)	
720	1001117991	1	Platform Level Sensor Harness (Includes Proximity Switch)	
720A	1001117991	1	Connector, 5 Position (Note: Replace complete Sensor to eliminate any possible moisture problems)	
721	Not Available	2	Sensor Harness	
721		Ref	Platform Level Sensor	
721A	4460910	2	Connector, Female - 3 Position	
721A	4460917	6	Pin, Male	
721A	4460913	1	Lock, Wedge	
		Ref	<b>OPTIONAL HARNESS COMPONENTS</b>	

## SECTION 7 - ELECTRICAL

ITEM	PART NUMBER	QTY	DESCRIPTION	REV
801		Ref	AC to Platform Receptacle Components Options:	
801	0271953	Ref	110V GFI Receptacle (ANSI Spec)	D
801	0271954	Ref	220V GFI Receptacle (ANSI Spec)	C
801	0271955	Ref	110V (No Plug or Receptacle - ANSI Export and Australian Specs)	C
801		Ref	CE Spec Only Options:	
801		Ref	110V	
801	0271955	Ref	No Plug or Receptacle	C
801	1001091969	Ref	IEC Yellow Receptacle and Plug without 2500W/7500W Generator	C
801	1001100326	Ref	IEC Yellow Receptacle with 2500W Generator	C
801	1001194203	Ref	IEC Yellow Receptacle without 4000W Generator	A
801		Ref	220V	
801	1001091973	Ref	CEE 7 Post Ground Receptacle and Plug (2x4 Box) without 2500W/7500W Generator	D
801	1001100331	Ref	CEE 7 Post Ground Receptacle (2x4 Box) with 2500W Generator	C
801	1001194197	Ref	CEE 7 Post Ground Receptacle (2x4 Box) without 4000W Generator	A
801	1001091974	Ref	CEE 7 Side Ground Receptacle and Plug (2x4 Box) without 2500W/7500W Generator	D
801	1001100333	Ref	CEE 7 Side Ground Receptacle (2x4 Box) with 2500W Generator	C
801	1001194198	Ref	CEE 7 Side Ground Receptacle (2x4 Box) without 4000W Generator	A
801	1001091975	Ref	AFSINT 107 Keyed Ground Receptacle and Plug (2x4 Box) without 2500W/7500W Generator	D
801	1001100337	Ref	AFSINT 107 Keyed Ground Receptacle (2x4 Box) with 2500W Generator	C
801	1001194200	Ref	AFSINT 107 Keyed Ground Receptacle (2x4 Box) without 4000W Generator	A
801	1001091970	Ref	IEC Blue Receptacle and Plug without 2500W/7500W Generator	C
801	1001100327	Ref	IEC Blue Receptacle with 2500W Generator	C
801	1001194204	Ref	IEC Blue Receptacle without 4000W Generator	A
801	1001091971	Ref	CEE 7 Post Ground Receptacle and Plug (70mm x 70mm Box) without 2500W/7500W Generator	C
801	1001100328	Ref	CEE 7 Post Ground Receptacle (70mm x 70mm Box) with 2500W Generator	C
801	1001091972	Ref	CEE 7 Side Ground Receptacle and Plug (70mm x 70mm Box) without 2500W/7500W Generator	C
801	1001100329	Ref	CEE 7 Side Ground Receptacle (70mm x 70mm Box) with 2500W Generator	C
801	1001194365	Ref	Box W/Cover (2 X 4 Box) without 4000W Generator	A
801A		Ref	Box, Switch Options:	
801A	0860038	1	0271953 & 0271954 Installations	
801A	Not Required	0	0271955 Installation (Purchase Locally)	
801A	0861731	1	1001091973, 1001091974, 1001091975, 1001100331, 1001100333, 1001100337, 1001194197, 1001194198, 1001194200 & 1001194365 Installations	
801A	0861781	1	1001091969, 1001091970, 1001100326, 1001100327, 1001194203 & 1001194204 Installations	
801A	See Note	1	1001091971, 1001091972, 1001100328 & 1001100329 Installations (Note: was p/n 0861782 which is no longer available Use p/n 1001141970 CEE 7 Side Ground Service Kit. Kits includes Box p/n 1001141967 & items 801F-	

## SECTION 7 - ELECTRICAL

ITEM	PART NUMBER	QTY	DESCRIPTION	REV
801A	1001141967	1	801H.) 1001100343,1001100344,1001141970 & 1001141971 Kits	
801B	1320146	1	Clamp, Cable (0271953, 0271954 & 0271955 Installations)	
801C		Ref	Gasket, Cover Options:	
801C	3960422	1	0271953 & 0271954 Installations	
801C	Not Required	0	0271955 Installation (Purchase Locally)	
801C	Not Required	0	1001091973, 1001091974, 1001091975, 1001091969, 1001091970, 1001091971, 1001091972, 1001100331, 1001100333, 1001100337, 1001100326, 1001100327, 1001100328 , 1001100329, 1001194197, 1001194198, 1001194200, 1001194203, 1001194204 & 1001194365 Installations	
801D		Ref	Shield, Cover Options:	
801D	4060700	NLA	0271953 Installation (Use p/n 1001110873)	
801D	4060092	1	0271954 Installation	
801D	Not Required	0	0271955 Installation (Purchase Locally)	
801D	Purchase Receptacle	1	1001091973, 1001091974, 1001091975, 1001091969, 1001091970, 1001091971, 1001091972, 1001100331, 1001100333, 1001100337, 1001100326, 1001100327, 1001100328, 1001100329, 1001194197, 1001194198, 1001194200, 1001194203 & 1001194204 Installations	
801D	1670603	1	1001194365 Installation	
801E		Ref	Connector, Strain Relief Options:	
801E	4460051	1	0271953 & 0271954 Installations	
801E	Not Required	0	0271955 Installation (Purchase Locally)	
801E		Ref	1001091973, 1001091974, 1001091975, 1001100331, 1001100333 & 1001100337 Installations	
801E	1001101196	1	Adapter	
801E	4460662	NLA	Strain Relief (Use p/n 1001101191)	
801E		Ref	1001091969, 1001091970, 1001091971, 1001091972, 1001100326, 1001100327, 1001100328 & 1001100329 Installations	
801E	1001101197	1	Adapter	
801E	4460968	NLA	Strain Relief (Use p/n 1001101191)	
801E	4460662	1	1001194197, 1001194198, 1001194200 & 1001194365 Installation	
801E	4460968	1	1001194203 & 1001194204 Installations	
801F		Ref	Plug, Male Options:	
801F	4460205	1	0271953 Installation	
801F	4460709	1	0271954 Installation	
801F	See Note	1	0271955, 1001194197, 1001194198, 1001194200, 1001164203, 1001194204 & 1001194365 Installation (Note: Not Available - Purchase Locally)	
801F	4461202	1	1001091973, 1001091971, 1001100328 & 1001100331 Installations & 1001100343 & 1001141971 Kits	
801F	4461205	1	1001091974, 1001091972, 1001100329 & 1001100333 Installations & 1001100344 & 1001141970 Kits	
801F	4461249	1	1001091975 & 1001100337 Installations	
801F	4461196	1	1001091969 & 1001100326 Installations	
801F	4461199	1	1001091970 & 1001100327 Installations	
801G		Ref	Receptacle Options:	
801G	4460346	1	0271953 Installation	
801G	4460125	1	0271954 Installation	
801G	See Note	1	0271955& 1001194365 Installations (Note: Not Available - Purchase Locally)	

## SECTION 7 - ELECTRICAL

ITEM	PART NUMBER	QTY	DESCRIPTION	REV
801G	4461244	1	1001091973, 1001100331 & 1001194197 Installations	
801G	1001141968	1	1001141971 Service Kit	
801G	1001141969	1	1001141970 Service Kit	
801G	4461245	1	1001091974, 1001100333 & 1001194198 Installations	
801G	4461246	1	1001091975, 1001100337 & 1001194200 Installations	
801G	4461198	1	1001091969, 1001100326 & 1001194203 Installation	
801G	4461201	1	1001091970, 1001100327 & 1001194204 Installations	
801G	4461204	NLA	1001091971 & 1001100328 Installations (Use p/n 1001100343)	
801G	4461207	NLA	1001091972 & 1001100329 Installations (Use p/n 1001100344)	
801H		Ref	Plug, Female Options (CE Machines with 2500W Generator Only):	
801H	4461203	1	1001100328 & 1001100331 Installations & 1001100343 & 1001141971 Kits	
801H	4461206	1	1001100329 & 1001100333 Installations & 1001100344 & 1001141970 Kits	
801H	4461250	1	1001100337 Installation	
801H	4461197	1	1001100326 Installation	
801H	4461200	1	1001100327 Installation	
801J	1060908	10 ft/3.1m	Cable, Electrical - 12/3 (CE Machines with 2500W Generator Only)	
801K	1001193018	1	Bracket, Mounting (1001091969, 1001091970, 1001091971, 1001091972, 1001091973, 1001091974, 1001091975, 1001194197, 1001194198, 1001194200, 1001194203, 1001194204 & 1001194365 Installations) <b>(SN 0300201038 through 0300209000)</b>	
802		Ref	2500W Generator Electrical Diagram	
802	1001120381	Ref	60Hz Generator Electrical Diagram	A
802	1001120382	Ref	50Hz Generator Electrical Diagram	A
802A	4460321	1	Connector, Male - 4 Position (110V-60Hz Only)	
802A	4460906	4	Socket, Female (110V-60Hz Only)	
802B	4922641	1	Harness - On/Off Switch	
802C	4460226	2	Socket, Female	
802D	1001120378	1	Powermite Control Box to Relay Harness	A
802E	4460374	AR	Plug, Sealed	
802E	4460375	AR	Terminal	
803		Ref	2500W Generator Components	
803	2460055	Ref	Generator 110V/60Hz (ANSI and ANSI Export Specs)	
803	2460049	Ref	Generator 110V/50Hz (CE Spec)	
803	1001120382	Ref	Generator 220V/50Hz (CE Spec)	
803A	4460961	1	Connector, Female - 4 Position (110V Only)	
803A	4460705	4	Pin, Male	
803B	7020193	1	Harness, Generator Power	
804		Ref	Strobe Light Harness (Includes Strobe Light) Options:	
804	0272507	1	Strobe Light Harness <b>(Prior to SN 0300171641)</b>	B
804	2920161	1	Strobe Light Harness <b>(SN 0300171641 through 0300209000)</b>	B
804A	4460320	1	Connector, Female - 2 Position (Strobe Light - 0272507)	
804A	4460267	2	Pin, Male (Strobe Light - 0272507)	
804B	4460891	1	Connector, Male - 2 Position (Strobe Light - 2920161)	
804B	4460465	2	Socket, Female (Strobe Light - 2920161)	
805	0257887	1	Alarm Harness (Includes Alarm)	
805	0140032	1	Alarm	
805	2820035	6 in/15cm	Loom	

## SECTION 7 - ELECTRICAL

ITEM	PART NUMBER	QTY	DESCRIPTION	REV
805	4460424	1	Plug	
805	4460268	2	Socket, Female	
805A	4460424	1	Plug, Male - 2 Position	
805A	4460268	2	Socket, Female	
806	4922738	1	Headlight and Taillight and Chassis Illumination Lights Harness	1-A
806A	4460374	1	Plug, Sealed	
806A	4460375	AR	Terminal	
807	Not Available	1	Floodlights Harness Components	
807A	1001120475	2	Floodlight Harness (Lights to Switch) (Includes Floodlight)	A
807B	4460897	2	Receptacle, Female - 2 Position	
807B	4460464	4	Pin, Male	
807C	1001120502	1	Floodlight Harness (Console Box to Switch)	B
807D	4460891	2	Connector, Female - 2 Position (Includes Wedge Lock and Seal)	
807D	4460465	4	Socket	
807D	Not Available	2	Wedge Lock	
807E	4460418	13	Connector, Female - 6 Position	
807E	4460419	AR	Socket, Female	
807F	4460932	2	Plug, Male - 4 Position (Gray)	
807F	4460943	AR	Pin, Male	
807G	1001120484	1	Floodlights Harness (J8 to Item 807C)	A
807H	4460879	1	Plug, Male - 2 Position	
807H	4460887	2	Terminal (12 Gauge)	
807J	2400060	1	Fuseholder	
807J	Not Available	2	Fuse - 3 Amp	
807K	4460884	1	Connector, Gray - 4 Position	
807K	4460465	4	Socket, Female	
807L	1001120471	1	Receptacle, Male - 2 Position	
807L	1001120477	2	Terminal (12 Gauge)	
807M	4460428	1	Connector, Strain Relief	
808	Not Available	1	Work Lights Harness Components:	
808A	1001120484	1	Floodlights Harness	A
808B	4460879	1	Plug, Male - 2 Position	
808B	4460887	2	Terminal (12 Gauge)	
808C	2400060	1	Fuseholder	
808C	Not Available	2	Fuse - 3 Amp	
808D	4460884	1	Connector, Gray - 4 Position	
808D	4460465	4	Socket, Female	
808E	1001120471	1	Receptacle, Male - 2 Position	
808E	1001120477	2	Terminal (12 Gauge)	
808F	4460428	1	Connector, Strain Relief	
808G	1001120474	2	Work Light Harness (Supplied with Work Light)	
808H	4460932	2	Plug, Male - 4 Position (Gray)	
808H	4460943	AR	Pin, Male	
809		Ref	4000W SkyPower Generator Installations	
809		Ref	Deutz TD2011 Engine	
809	1001139958	Ref	60Hz	B
809	1001139959	Ref	50Hz	D
809		Ref	7500W SkyPower Generator Installations	
809		Ref	Deutz TD2011 Engine	
809	1001125427	Ref	60Hz	D
809	1001125428	Ref	50Hz	C

## SECTION 7 - ELECTRICAL

ITEM	PART NUMBER	QTY	DESCRIPTION	REV
809		Ref	Caterpillar Engine - 60Hz	
809	1001117508	Ref	60Hz	C
809	1001121889	Ref	50Hz	B
809A		Ref	Receptacle, Female Twist-Lock Options:	
809A	4460958	1	60Hz Spec <b>(Prior to SN 0300182734)</b>	
809A	Not Available		50Hz Spec (Purchase Locally)	
809B		Ref	Gasket Options:	
809B	3960422	AR	60Hz Spec	
809B	Not Available		50Hz Spec (Purchase Locally)	
809C		Ref	Cover, Receptacle Options:	
809C	4060700	NLA	60Hz Spec (Use p/n 1001110873)	
809C	Not Available		50Hz Spec (Purchase Locally)	
809D		Ref	Cover, Receptacle Options:	
809D	4061043	NLA	60Hz Spec (Use p/n 1001110872) <b>(Prior to SN 0300182734)</b>	
809D	Not Available		50Hz Spec (Purchase Locally)	
809E		Ref	Receptacle Options:	
809E	4460346	1	60Hz Spec	
809E	Not Available		50Hz Spec (Purchase Locally)	
809F		Ref	Connector, Strain Relief Options:	
809F	4460051	1	60Hz Spec <b>(Prior to SN 0300182734)</b>	
809F	Not Available		50Hz Spec (Purchase Locally)	
809G		Ref	Connector, Strain Relief Options:	
809G	4460071	1	60Hz Spec	
809G	Not Available		50Hz Spec (Purchase Locally)	
809H		Ref	Harness, Generator Options:	
809H	1001152533	1	4000W Generator	A
809H	4922972	1	7500W Generator	A
809I	Not Available	1	Plug, Male - 6 Position	
809I	Not Available	6	Socket, Female	
809J	4460225	1	Plug, Male - 6 Position	
809J	4460268	2	Socket, Female (4000W Generator)	
809J	4460226	6	Socket, Female (7500W Generator)	
809J	4460807	1	Seal (4000W Generator)	
809J	4460808	1	Seal (4000W Generator)	
810		Ref	SkyPower Generator Junction Box Components Options:	
810	1001152457	1	4000W Generator - 60Hz Spec	B
810	1001152458	1	4000W Generator - 50Hz Spec	B
810	0861542	Ref	7500W Generator - 60HZ SPEC	D
810	0861567	Ref	7500W Generator - 50Hz Specs	B
810A		Ref	Cable, Electrical 12/3	
810A	1060494	2 ft/.6m	60Hz Spec	
810A	Not Available		50Hz Spec (Purchase Locally)	
810B		Ref	Cable, Electrical 10/3	
810B	1060708	2.5 ft /.76m	60Hz Spec	
810B	Not Available		50Hz Spec (Purchase Locally)	
810C	1060343	1.5 ft /.46m	Cable, Electrical 10/4 (7500W Generator - 60Hz Spec Only)	
810D	4460425	2	Connector, Strain Relief	
810E		Ref	Component Options:	
810E	4460426	2	Connector, Strain Relief (60Hz Spec Only)	
810E	4460426	1	Connector, Strain Relief (50Hz Spec Only)	

## SECTION 7 - ELECTRICAL

ITEM	PART NUMBER	QTY	DESCRIPTION	REV
810E	3520189	1	Plug (50Hz Spec Only)	
810F	1671092	1	Cover (60Hz Spec Only)	
810F	4460963	1	Connector (60Hz Spec Only)	
811		Ref	Generator Electrical Diagram Components Options:	
811	1001153257	Ref	4000W Generator - 60Hz (ANSI Export and Japanese Specs)	A
811	1001162899	Ref	4000W Generator - 50Hz (Australian Spec)	B
811	1001162901	Ref	4000W Generator - 50Hz (ANSI Export, CE and Japanese Specs)	B
811	1001122528	Ref	7500W Generator - 60Hz ( <b>Prior to SN 0300182753</b> )	B
811	1001157770	Ref	7500W Generator - 50Hz ( <b>SN 0300182753 through 0300209000</b> )	A
811A	1001153259	1	Generator Harness (4000W Generator)	A
811A	1001119968	1	Generator Harness (7500W Generator)	C
811B	4460967	1	Plug, Male - 3 Position	
811B	4460465	AR	Socket, Female	
811C	1001117078	1	Fuseholder (Includes Fuse) (7500W Generator Only)	
811C	Not Available	1	Fuse - 5 Amp (Purchase Locally) (7500W Generator Only)	
811D	4922641	1	Switch Harness	
811E	4460226	2	Socket, Female	
812		Ref	AC Breaker Box Installation (CE Spec)	
812	1001095976	Ref	Without Generator and With 110V/50Hz Generator	C
812	1001109556	Ref	With 220V/50Hz Generator	A
812A	1320146	AR	Clamp, Cable	
812B	1001094915	1	Bracket, Circuit Breaker Box	
812C		Ref	Box Kit, Circuit Breaker Options:	
812C	1001096070	NLA	Box Kit Without Generator and With 110V/50Hz Generator (Use p/n 1001109654)	E/B
812C	1001109648	1	Box Kit With 220V/50Hz Generator	B
812C		Ref	Breaker, Circuit Options:	
812C	1001109475	1	16 Amp Breaker for Machines without Generator and with 110V/50Hz Generator ( <b>Prior to SN 0300204780</b> )	
812C	1001109477	1	10 Amp Breaker for Machines with 220V/50Hz Generator ( <b>Prior to SN 0300204780</b> )	
812C	1001109482	1	30 Amp Breaker for All Machines ( <b>Prior to SN 0300204780</b> )	
812C	1001181045	1	16Amp/30mA Breaker for Machines without Generator and with 110V/50Hz Generator ( <b>SN 0300204780 through 0300209000</b> )	
812C	1001181046	1	10Amp/30mA Breaker for Machines with 220V/50Hz Generator ( <b>SN 0300204780 through 0300209000</b> )	
812C	0861880	1	Box, Breaker	
812C	4460956	1	Barrier, Terminal Block End	
812C	4460957	1	Block, Terminal	
812D	1001101191	1	Connector, Strain Relief	
812E	1001097150	1	Connector, Strain Relief	
812F	1060908	12 ft/3.6m	Cable, Electrical 12/3	
812G	0903484	1	Bracket, AC Receptacle	
813	1001112987	1	ClearSky Telematics Components (Standard on Machines delivered in North America. Optional on all other machines.)	B
813A	4460496	1	Lockwasher, Terminal	
813A	4460497	1	Nut, Terminal	
813B	1001103356	1	Ground Cable	
814	1001111914	1	ClearSky Telematics Harness (Standard on Machines delivered in North America. Optional on all other machines.)	B

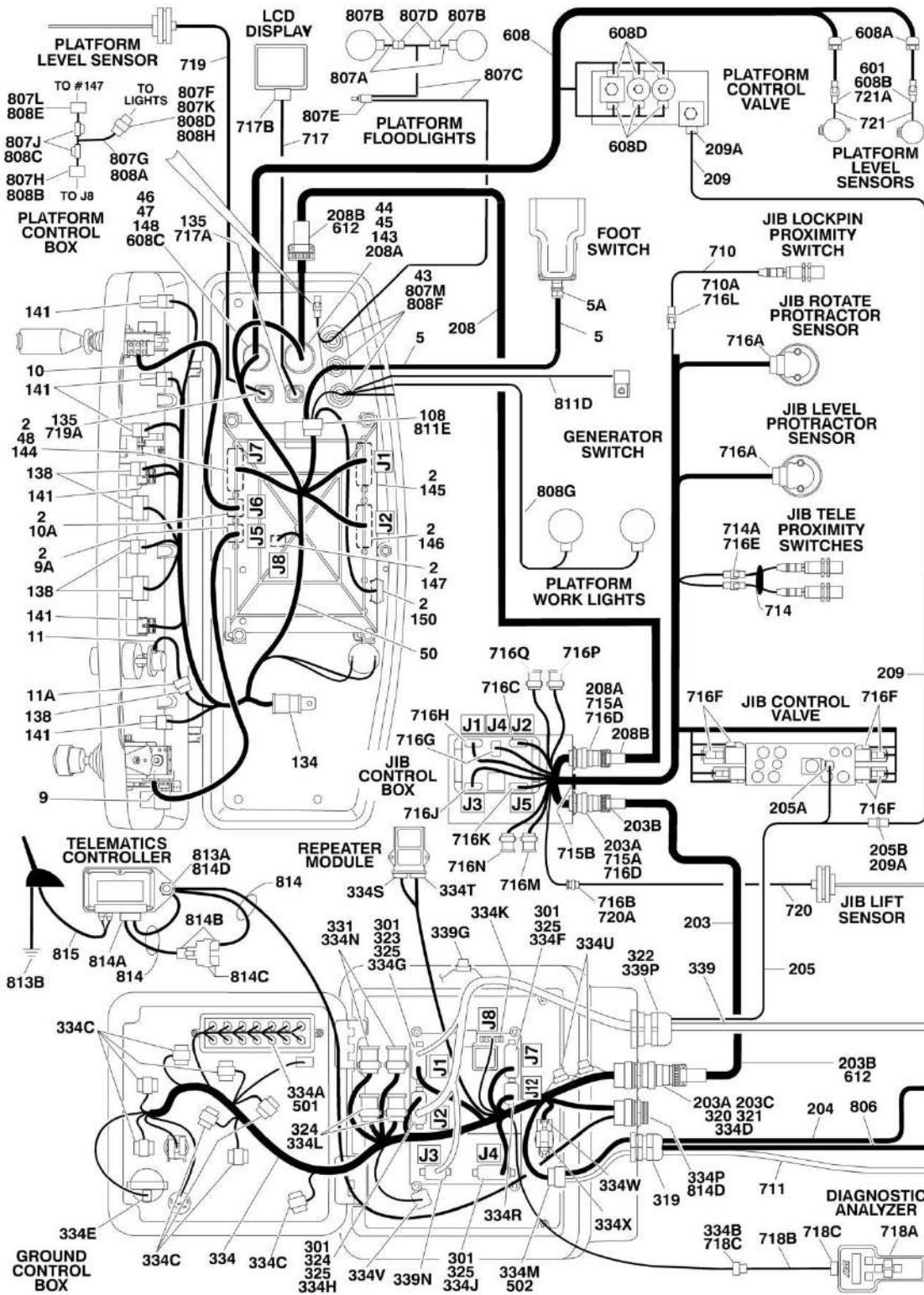


## SECTION 7 - ELECTRICAL

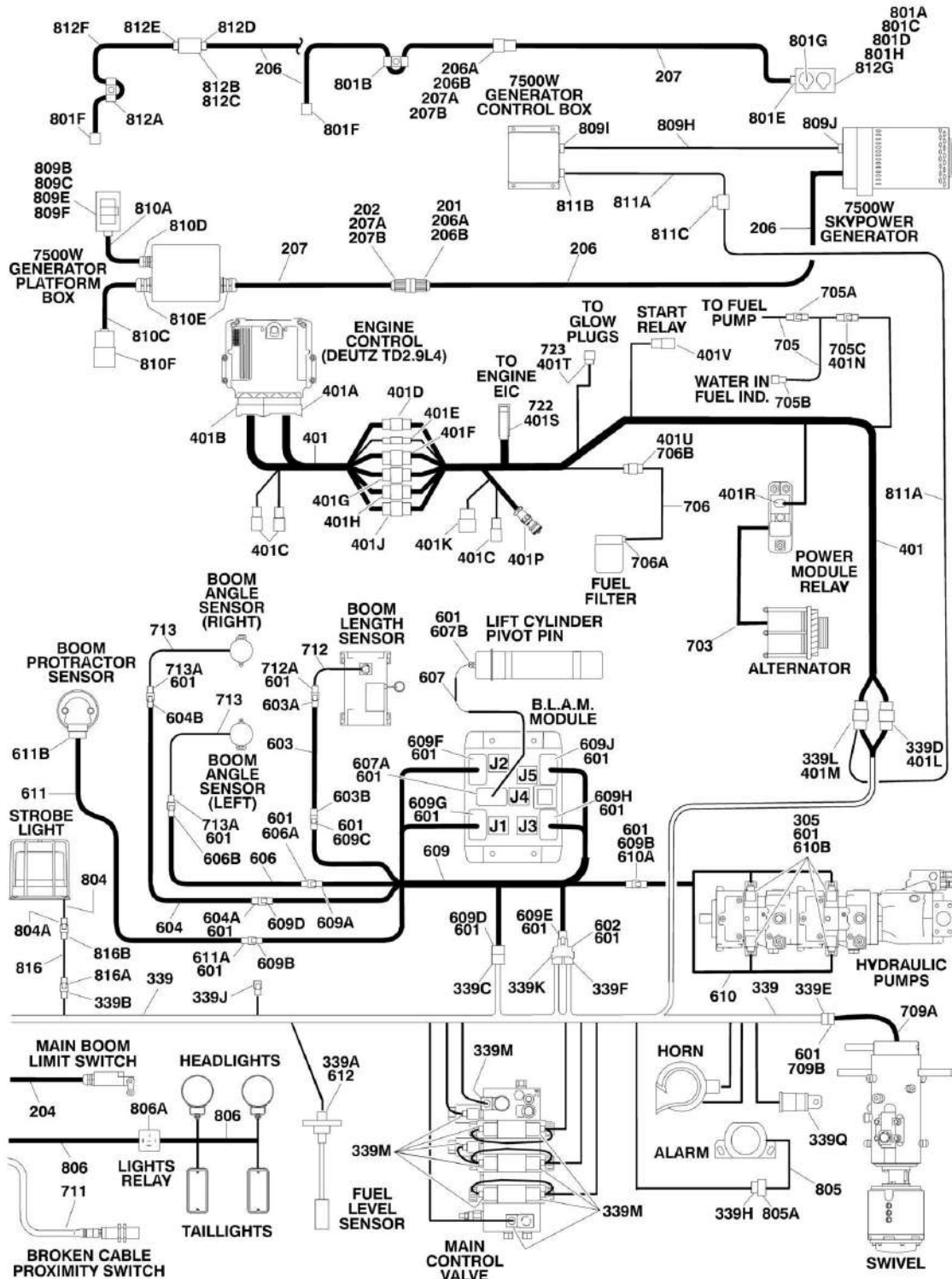
ITEM	PART NUMBER	QTY	DESCRIPTION	REV
814A	1001116994	1	Plug, Male - 23 Position	
814A	4460871	AR	Socket	
814A	4460905	AR	Plug, Seal	
814B	4460539	2	Plug, Male - 3 Position (Includes Wedge Lock and Seal)	
814B	4460944	6	Socket	
814B	77363244	2	Wedge Lock	
814C	4460945	2	Bulkhead, 3 Way Female	
814C	1001129408	1	Plug, Male - 3 Position with 120 ohm Resistor (Includes Wedge Lock)	
814D	1001112612	2	Connector, Diagnostic	
814D	4460943	AR	Pin	
814D	4460464	AR	Pin	
814D	4460466	AR	Plug, Seal	
814D	1001106736	2	Cap, Dust	
815	70002296	1	Harness, Telematics Antenna (Includes Antenna) (Note: No other parts available)	
816	1001149818	1	Strobe Light Harness ( <b>SN 0300171641 through 0300209000</b> )	A
816A	4460320	1	Connector, Female - 2 Position	
816A	4460267	2	Pin, Male	
816B	4460897	1	Connector, Female - 2 Position	
816B	4460464	2	Pin, Male	
		Ref	<b>TOOLS (NOT SHOWN)</b>	
	7002821	1	Crimper (For Wire to Pin/Socket Connections)	
	7002823	1	Extractor (For Removal of Pin/Socket from Connectors)	
	4460467	1	Extractor, Pin (Blue 16-18 Gauge) (For Removal of Pin/Socket from Connectors)	
	4460510	1	Extractor, Pin (Yellow 12-14 Gauge) (For Removal of Pin/Socket from Connectors)	
	7002828	1	Stripper, Wire	
	1001137005	1	Cable Kit, Software	

# SECTION 7 - ELECTRICAL

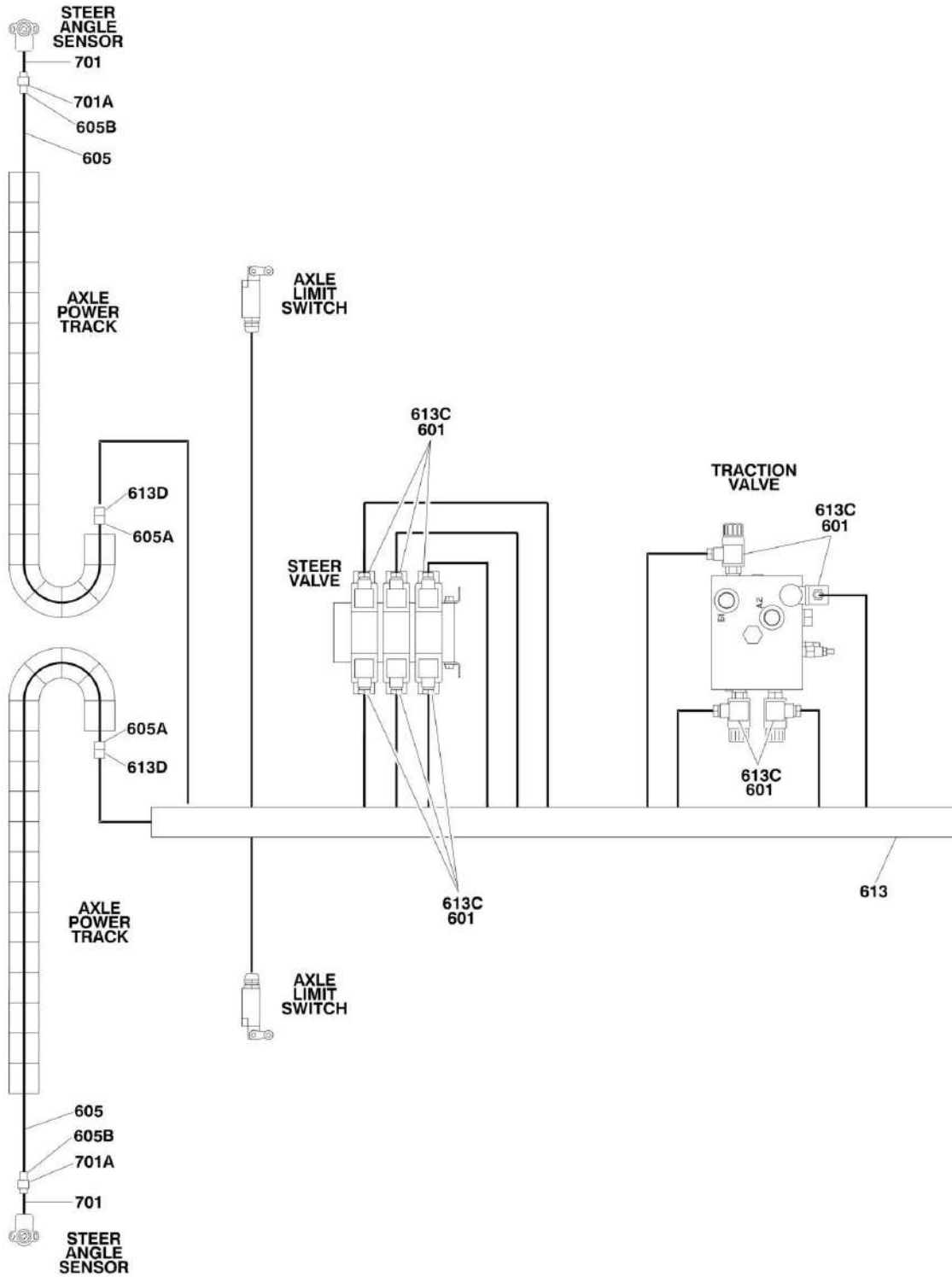
## FIGURE 7-3. HARNESS COMPONENTS INSTALLATION



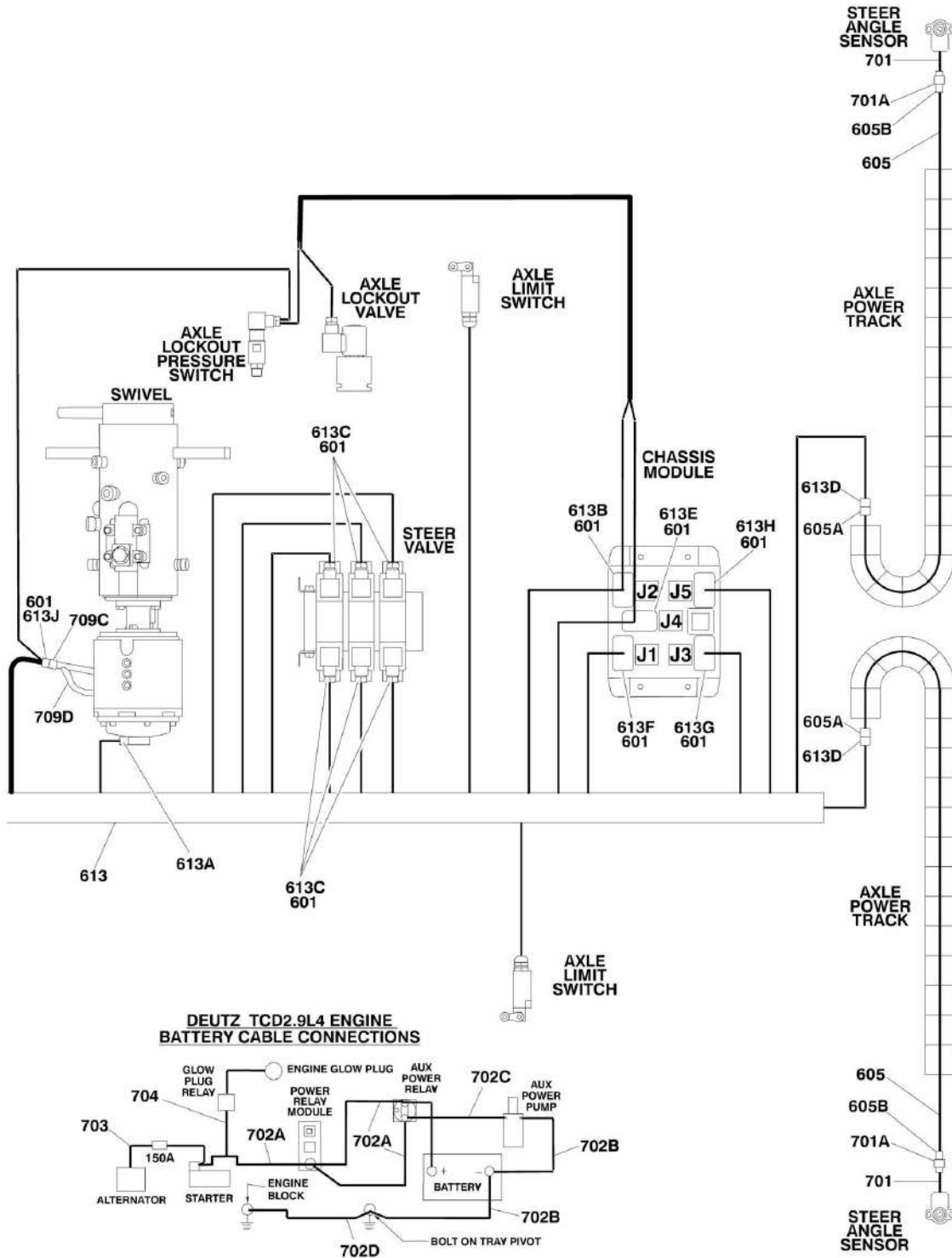
# SECTION 7 - ELECTRICAL



# SECTION 7 - ELECTRICAL



# SECTION 7 - ELECTRICAL



# SECTION 7 - ELECTRICAL

## FIGURE 7-3. HARNESS COMPONENTS INSTALLATION

ITEM	PART NUMBER	QTY	DESCRIPTION	REV
	4460465	1	TERMINAL,DEUTSCH #16/#18 SOCKET	
		Ref	<b>APPLICATION CHART - USE THIS FIGURE FOR:</b>	
		Ref	<b>Deutz TCD2.9L4 Engine Machines</b>	
	1001166664	Ref	<b>PLATFORM CONSOLE BOX COMPONENTS (WITHOUT SKYGUARD)</b>	A
	1001190097	Ref	<b>PLATFORM CONSOLE BOX COMPONENTS (WITH SKYGUARD)</b>	B
2	0100048	AR	Grease, Dielectric	
5	1001117174	1	Footswitch and Harness Assembly	
5	1060918	7.5 ft/2.29m	Cable, Electrical - 18/3	
5A	4460071	1	Connector, Strain Relief	
9	Not Available	1	Controller Harness Assembly (Lift and Swing)	
9A	7022819	1	Plug, Male - 8 Position (Natural)	
9A	4460871	8	Socket, Female	
10	7022824	1	Controller Harness/Circuit Board Assembly (Drive and Steer)	
10A	7022825	1	Plug, Male - 8 Position (Black)	
10A	4460871	7	Socket, Female	
11	Not Available	1	Speed Control Harness	
11A	4460224	1	Connector, Female - 6 Position	
11A	4460226	5	Socket, Female	
43	4460428	4	Connector, Strain Relief	
44	4460470	1	Nut, Terminal	
45	4460471	1	Lockwasher, Terminal	
46	4460496	1	Lockwasher, Terminal	
47	4460497	1	Nut, Terminal	
48	4460905	5	Seal, Plug	
50	1001119389	1	Harness, Platform Box (Without SkyGuard) (See Items 108-150 for Breakdown)	
50	1001186905	1	Harness, Platform Box (With SkyGuard) (See Items 108-150 for Breakdown)	
	1001119389	Ref	<b>PLATFORM BOX HARNESS ASSEMBLY (WITHOUT SKYGUARD)</b>	F
	1001186905	Ref	<b>PLATFORM BOX HARNESS ASSEMBLY (WITH SKYGUARD)</b>	B
108	4460708	1	Receptacle, Female - 15 Position	
108	4460226	AR	Socket, Female	
108	4460434	2	Plug, Male - 15 Position	
108	4460227	AR	Pin, Male	
108	4460267	1	Pin, Male	
134	1001119020	1	Connector, 12 Position Buss Bar	
134	1001120328	1	Mount, Buss Bar	
134	4460933	1	Connector, Male - 12 Position (Gray)	
134	4460871	AR	Socket, Female	
134	4460466	AR	Plug, Terminal	
135	1001120055	2	Connector, 5 Position with Leads	
138	4460225	5	Plug, Male - 6 Position	
138	4460226	AR	Socket, Female	
138	4460227	AR	Pin, Male	
141	4460418	13	Connector, Female - 6 Position	
141	4460419	AR	Socket, Female	
143	4460866	1	Connector - 19 Position	
143	4460464	AR	Pin, Male Deutsch 16 Ga	

## SECTION 7 - ELECTRICAL

ITEM	PART NUMBER	QTY	DESCRIPTION	REV
143	4460508	AR	Pin, Male Deutsch 12 Ga	
143	4460943	AR	Pin, Male 16 Ga	
144	4460873	1	Connector - 35 Position (Black)	
144	4460871	AR	Socket, Female	
144	4460905	AR	Plug	
145	4460874	1	Connector - 35 Position (Natural)	
145	4460871	AR	Socket, Female	
145	4460905	AR	Plug	
146	4460876	1	Connector - 35 Position (Blue)	
146	4460871	AR	Socket, Female	
146	4460905	AR	Plug	
147	4460879	1	Connector, Male - 2 Position	
147	4460887	2	Terminal (12 Gauge)	
148	4460925	1	Connector - 21 Position	
148	4460929	13	Pin, Male Deutsch 16 Ga	
148	4460466	8	Plug	
150	4460761	1	Connector, Female - 4 Position	
150	4460227	4	Pin, Male	
151	4460536	1	Plug, Male - 3 Position (Not Shown - With SkyGuard)	
151	4460943	3	Pin, Male (Not Shown - With SkyGuard)	
152	4460539	1	Plug, Male - 3 Position (Includes Wedge Lock and Seal) (Not Shown - With SkyGuard)	
152	4460944	2	Socket, Female (Gold) (Not Shown - With SkyGuard)	
		Ref	<b>BOOM CABLES INSTALLATION</b>	
	1001120137	Ref	<b>ANSI and ANSI Export Specs without SkyPower (Prior to SN 0300188534)</b>	C
	1001120137	Ref	<b>ANSI, CSA and Japanese Specs without SkyPower (SN 0300188534 through 0300209000)</b>	D
	1001120138	Ref	<b>Australian and CE Specs without SkyPower (Prior to SN 0300188534)</b>	C
	1001120138	Ref	<b>ANSI Export, Australian and CE Specs without SkyPower (SN 0300188534 through 0300209000)</b>	E
	1001161052	Ref	<b>All Specs with SkyPower (4000W Generator)</b>	B
	1001120139	Ref	<b>All Specs with SkyPower (7500W Generator)</b>	E
203	1001122396	1	Main Boom Control Harness	B
203	1060896	149 ft/45.4m	Cable, Electrical - 12/4&18/8	
203	2820118	6 in/15cm	Heat Shrink	
203A	4460865	2	Connector - 19 Position	
203A	4460465	22	Socket, Female 18 Gauge	
203A	4460509	8	Socket, Female 12 Gauge	
203A	4460466	8	Seal, Plug	
203B	4460473	2	Clamp, Cable	
204	1001122397	1	Transport Switch Cable ( <b>Prior to SN 0300195071</b> )	A
204	1001179216	1	Transport Switch Cable ( <b>SN 0300195071 through 0300209000</b> )	A
205	1001119393	1	Jib Enable Harness	C
205A	4460891	1	Plug, Male - 2 Position	
205A	4460942	2	Socket, Female	
205B	4460897	1	Plug, Male - 2 Position (Includes Wedge Lock and Seal)	
205B	4460941	2	Pin	
206		Ref	Main Boom AC/Generator Power Harness	
206	1001120099	1	ANSI and ANSI Export Specs without SkyPower	B
206	1001120111	1	Australian and CE Specs without SkyPower	B

## SECTION 7 - ELECTRICAL

ITEM	PART NUMBER	QTY	DESCRIPTION	REV
206	1001161046	1	All Specs with SkyPower (4000W Generator)	A
206	1001120100	1	All Specs with SkyPower (7500W Generator)	D
206A		Ref	Receptacle, Female Options:	
206A	4460134	1	ANSI and ANSI Export Specs Without SkyPower	
206A	4460710	1	Australian and CE Specs Without SkyPower	
206A	4460963	1	All Specs with SkyPower (4000W Generator)	
206A	4460960	1	All Specs with SkyPower (7500W Generator)	
206B		Ref	Cover, Connector	
206B	Not Required	0	ANSI and ANSI Export Specs without SkyPower	
206B	Not Required	0	Australian and CE Specs without SkyPower	
206B	1671092	1	All Specs with SkyPower	
207		Ref	Jib Boom AC/Generator Power Harness	
207	1001120107	1	ANSI and ANSI Export Specs without SkyPower	B
207	1001120108	1	Australian and CE Specs without SkyPower	B
207	1001161047	1	All Specs with SkyPower (4000W Generator)	A
207	1001120101	1	All Specs with SkyPower (7500W Generator)	D
207A		Ref	Plug, Male Options:	
207A	4460708	1	ANSI and ANSI Export Specs without SkyPower	
207A	4460709	1	Australian and CE Specs Without SkyPower	
207A	4460962	1	All Specs with SkyPower (4000W Generator)	
207A	4460959	1	All Specs with SkyPower (7500W Generator)	
207B		Ref	Cover, Connector	
207B	Not Required	0	ANSI and ANSI Export Specs without SkyPower	
207B	Not Required	0	Australian and CE Specs without SkyPower	
207B	1671093	1	All Specs with SkyPower	
208	1001120098	1	Jib Control Harness	C
208	1060896	36 ft/11m	Cable, Electrical - 12/4&18/8	
208	2820118	6 in/15cm	Heat Shrink	
208A	4460865	2	Connector - 19 Position	
208A	4460465	22	Socket, Female 18 Gauge	
208A	4460509	8	Socket, Female 12 Gauge	
208A	4460466	8	Seal, Plug	
208B	4460473	2	Clamp, Cable	
209	1001125666	1	Platform Dump Harness	B
209A	4460891	2	Plug, Male - 2 Position	
209A	4460942	4	Socket, Female	
	1001119651	Ref	<b>GROUND CONTROL BOX COMPONENTS</b>	K
301	0100048	AR	Grease, Dielectric	
305	1001119456	AR	Sauer to Rexroth Jumper Harness (P/N 1001119456 includes qty 2 Jumper Harnesses. Four Jumpers are required per Machine.) <b>(Prior to SN 0300187742)</b>	
305	4460880	4	DIN Connector	
305	4460897	4	Plug, Male - 2 Position (Includes Wedge Lock and Seal)	
305	4460464	8	Pin	
306	1001119470	1	Deutz TCD2.9L4 Engine Harness (See Items 401 to 459 for Breakdown)	
319	4460426	1	Connector, Strain Relief	
320	4460470	1	Nut, Terminal	
321	4460471	1	Washer, Terminal	
322	4460526	1	Connector, Strain Relief	
323	4460874	1	Connector, White - 35 Position	
324	4460837	2	Connector - 12 Position Buss Bar	



## SECTION 7 - ELECTRICAL

ITEM	PART NUMBER	QTY	DESCRIPTION	REV
325	4460905	4	Plug, Connector	
331	1001119020	2	Connector, 12 Position Buss Bar	
334	1001119652	1	Ground Control Box Harness Assembly (All Specs Except CE Specs)	H
334	1001119652	1	Ground Control Box Harness Assembly (CE Specs) <b>(Prior to SN 0300201038)</b>	G
334	1001186903	1	Ground Control Box Harness Assembly (CE Specs) <b>(SN 0300201038 through 0300209000)</b>	B
334	3990001	2	Diode - 3 Amp (Not Shown)	
334A	4120035	10	Base, Light	
334A	4460634	10	Terminal (16 Gauge)	
334A	4460635	20	Terminal (12 Gauge)	
334B	4460761	1	Connector, Female - 4 Position	
334B	4460227	AR	Pin, Male	
334C	4460418	8	Connector, Female - 6 Position	
334C	4460419	AR	Socket, Female	
334D	4460866	1	Connector - 19 Pin	
334D	4460464	AR	Pin, Male Deutsch 16 Ga	
334D	4460508	AR	Pin, Male Deutsch 12 Ga	
334E	4460868	1	Plug, Male - 6 Pin	
334E	4460877	AR	Socket, Female	
334F	4460873	1	Connector, Black - 35 Position	
334F	4460871	AR	Socket, Female	
334G	4460874	1	Connector, White - 35 Position	
334G	4460871	AR	Socket, Female	
334H	4460875	1	Connector, Gray - 35 Position	
334H	4460871	AR	Socket, Female	
334J	4460876	1	Connector, Blue - 35 Position	
334J	4460871	AR	Socket, Female	
334K	4460878	1	Plug, Male - 4 Position	
334K	4460887	AR	Terminal (12 Gauge)	
334L	4460836	2	Plug, Male - 12 Position	
334L	4460466	AR	Plug, Socket	
334L	4460944	AR	Socket, Female (Gold)	
334L	4460465	AR	Socket, Female	
334M	4460970	1	Plug, Male - 12 Position	
334M	4460464	AR	Pin, Male Deutsch 16 Ga	
334M	4460465	AR	Socket, Female	
334M	4460942	4	Socket, Female	
334N	4460933	2	Connector, Gray - 12 Position	
334N	4460465	AR	Socket, Female	
334N	4460944	AR	Socket, Female (Gold)	
334N	4460466	AR	Plug, Terminal	
334P	1001112612	1	Connector, Diagnostic	
334P	4460464	AR	Pin	
334P	4460466	AR	Plug, Seal	
334P	1001106736	1	Cap, Dust	
334R	1001113961	2	Plug, Male - 8 Position	
334R	4460871	AR	Socket, Female	
334S	1001116774	1	Connector - 12 Position	
334S	4460928	AR	Socket, Female	
334S	4460918	AR	Socket, Female (Gold)	

## SECTION 7 - ELECTRICAL

ITEM	PART NUMBER	QTY	DESCRIPTION	REV
334S	4460466	AR	Plug, Socket	
334T	4460908	1	Connector - 12 Position	
334T	4460928	AR	Socket, Female	
334T	4460918	AR	Socket, Female (Gold)	
334T	4460466	AR	Plug, Socket	
334U	2400060	2	Fuseholder	
334U	2400064	2	Fuse - 5 Amp	
334V	1001117025	1	Relay with Connector	
334V	3740080	1	Relay, Sealed	
334V	4460374	1	Plug, Sealed	
334V	4460375	4	Terminal, Female	
334W	4460884	1	Connector, Gray - 4 Position <b>(SN 0300207776 through 0300209000)</b>	
334W	4460465	4	Socket, Female <b>(SN 0300207776 through 0300209000)</b>	
334X	1001192401	1	Connector, Dust Cap <b>(SN 0300207776 through 0300209000)</b>	
338	1001120332	1	Ground Control Box Wiring Diagram (See Items 501-502 for Breakdown)	
339	1001119653	1	Turntable Harness Assembly	F
339A	4460843	1	Plug, Male - 2 Position	
339A	4460842	2	Socket, Female	
339B	4460424	1	Connector, Female - 2 Position	
339B	4460268	2	Socket, Female	
339C	4460884	1	Connector, Gray - 4 Position	
339C	4460465	4	Socket, Female	
339D	4460931	1	Connector, Female - 8 Position	
339D	4460464	AR	Pin, Male	
339D	4460466	AR	Plug, Socket	
339E	4460836	1	Plug, Male - 12 Position	
339E	4460466	AR	Plug, Socket	
339E	4460465	AR	Socket, Female	
339E	4460942	AR	Socket, Female 14-16 GA	
339E	4460944	AR	Socket, Female 16-18 GA (Gold)	
339F	1001116812	1	Plug, Male - 3 Position (Includes Wedge Lock and Seal)	
339F	4460944	3	Socket, Female (Gold)	
339G	2400066	2	Fuseholder	
339G	2400065	2	Fuse - 30 Amp	
339H	4460320	1	Plug, Male - 2 Position	
339H	4460267	2	Pin, Male	
339J	4460891	1	Plug, Male - 2 Position	
339J	4460465	2	Socket, Female	
339K	4460539	1	Plug, Male - 3 Position (Includes Wedge Lock and Seal)	
339K	4460944	3	Socket, Female (Gold)	
339L	4460899	1	Connector, Female - 6 Position	
339L	4460943	AR	Pin, Male (Gold)	
339L	4460464	AR	Pin, Male	
339M	4460880	11	DIN Connector	
339N	4460872	1	Plug, Male - 14 Position	
339N	4460871	AR	Socket, Female	
339P	4460526	1	Connector, Strain Relief	
339Q	1001117025	1	Relay with Connector	
339Q	3740080	1	Relay, Sealed	
339Q	4460374	1	Plug, Sealed	

## SECTION 7 - ELECTRICAL

ITEM	PART NUMBER	QTY	DESCRIPTION	REV
339Q	4460375	4	Terminal, Female	
401	1001138346	Ref	<b>ENGINE HARNESS ASSEMBLY</b>	E
401A	1001133956	1	Connector (Includes Cover, Locks and Retention Plate)	
401A	1001126352	6	Terminal	
401A	1001126353	6	Seal, Terminal	
401A	1001126384	18	Terminal	
401A	1001126351	1	Terminal	
401A	1001126356	65	Plug, Seal	
401A	1001126357	3	Plug, Seal	
401B	1001133957	1	Connector (Includes Cover, Locks and Retention Plate)	
401B	1001126384	17	Terminal	
401B	1001126351	13	Terminal	
401B	1001126356	18	Plug, Seal	
401B	1001126357	8	Plug, Seal	
401C	4461070	3	Receptacle, Female With Resistor (3 Position)	
401C	4461095	6	Plug, Male - 3 Position	
401C	4460944	6	Socket, Female	
401C	4460466	2	Seal, Plug	
401D	4460930	1	Plug, Male - 8 Position	
401D	4460944	5	Socket, Female (Gold)	
401D	4460465	2	Socket, Female	
401D	4460466	1	Seal, Plug	
401D	4460931	1	Receptacle, Female - 8 Position	
401D	4460943	8	Pin, Male (Gold)	
401D	4460464	8	Pin, Male	
401D	4460466	1	Seal, Plug	
401E	1001116707	1	Plug, Male - 1 Position	
401E	91143340	1	Terminal	
401E	1001116967	1	Receptacle, Female - 1 Position	
401E	91143339	1	Terminal	
401F	4460935	1	Plug, Brown - 12 Position	
401F	4460465	12	Socket, Female	
401F	4460982	1	Receptacle, Female - 12 Position	
401F	4460464	12	Pin, Male	
401G	4460933	1	Plug, Gray - 12 Position	
401G	4460942	12	Socket, Female	
401G	4460970	1	Receptacle, Female - 12 Position	
401G	4460941	12	Pin, Male	
401H	4460934	1	Plug, Green - 12 Position	
401H	4460465	10	Socket, Female	
401H	4460466	2	Seal, Plug	
401H	1001152762	1	Receptacle, Female - 12 Position	
401H	4460464	10	Pin, Male	
401H	4460466	2	Seal, Plug	
401J	4460836	1	Plug, Black - 12 Position	
401J	4460465	8	Socket, Female	
401J	4460466	4	Seal, Plug	
401J	4460950	1	Receptacle, Female - 12 Position	
401J	4460464	8	Pin, Male	
401J	4460466	4	Seal, Plug	
401K	80484084	1	Receptacle, Female - 8 Position	

## SECTION 7 - ELECTRICAL

ITEM	PART NUMBER	QTY	DESCRIPTION	REV
401K	8229242	1	Fuse - 5A	
401K	80983191	1	Fuse - 10A	
401K	1001147264	1	Cap	
401K	1001116727	8	Plug	
401K	4460458	4	Seal	
401L	4460894	1	Plug, Male - 6 Position	
401L	4460465	3	Socket, Female	
401L	4460944	2	Socket, Female	
401L	4460466	1	Seal, Plug	
401M	4460930	1	Connector, Female - 8 Position	
401M	4460465	1	Socket, Female	
401M	4460466	7	Plug, Seal	
401N	4460884	1	Plug, Male - 4 Position	
401N	4460465	2	Socket, Female	
401N	4460942	2	Socket, Female	
401P	2902443	1	Kit, Receptacle	
401P	4461071	8	Terminal, Female (Gold)	
401P	4461072	1	Connector, Flange Mount	
401P	4461073	1	Connector, Dust Cap	
401P	4461074	1	Connector, Shell	
401R	1001116952	1	Plug, Male - 2 Position	
401R	4460465	2	Socket, Female	
401S	1001126362	1	Receptacle, Female - 62 Position	
401S	1001126363	33	Terminal	
401S	1001126364	33	Seal	
401S	1001126391	23	Plug	
401S	4461008	4	Plug, Cavity	
401S	1001126365	2	Terminal	
401S	4461054	2	Seal	
401T	1001142938	1	Plug, Male - 2 Position	
401T	1001142940	2	Terminal, Female	
401T	1001142941	2	Seal	
401U	1001133714	1	Plug, Male - 4 Position	
401U	1001133715	3	Terminal, Female	
401U	1001135650	3	Seal	
401V	1001138110	1	Plug, Male - 2 Position	
401V	1001138111	2	Socket, Female	
401V	1001138113	2	Seal	
	1001120332	Ref	<b>GROUND CONTROL BOX WIRING DIAGRAM</b>	D
501	2920129	10	Bulb, Light	
502	4460933	1	Plug, Male - 12 Position (Gray)	
502	4460465	10	Socket, Female	
	1001119385	Ref	<b>WIRING HARNESSSES INSTALLATION</b>	D
601	0100048	AR	Grease, Dielectric	
602	4460945	1	Connector, Female - 3 Way	
603	4922716	1	B.L.A.M. to Boom Length Sensor Harness	C
603A	4460539	2	Plug, Male - 3 Position (Includes Wedge Lock and Seal)	
603A	4460944	3	Socket, Female	
603B	4460894	1	Plug, Male - 6 Position	
603B	4460944	4	Socket, Female	
603B	4460466	2	Plug, Sealing	

## SECTION 7 - ELECTRICAL

ITEM	PART NUMBER	QTY	DESCRIPTION	REV
604	4922780	1	B.L.A.M. to Boom Angle Sensor Harness (Right Side)	2-B
604A	4460884	1	Connector, Gray - 4 Position	
604A	4460944	4	Socket, Female	
604B	4460911	1	Plug, Male - 3 Position	
604B	4460918	3	Socket, Female	
604B	4460912	1	Lock, Wedge - Position	
605	4922718	4	Axle Power Track Harness Assembly	B
605A	4460539	1 Per Assy	Plug, Male - 3 Position (Includes Wedge Lock and Seal)	
605A	4460944	3 Per Assy	Socket, Female	
605B	4460932	1 Per Assy	Connector, Female - 4 Position	
605B	4460943	4 Per Assy	Pin, Male	
606	4922781	1	B.L.A.M. to Boom Angle Sensor Harness (Left Side)	3-B
606A	4460932	1	Connector, Gray - 4 Position	
606A	4460943	4	Pin, Male	
606B	4460911	1	Plug, Male - 3 Position	
606B	4460918	3	Socket, Female	
606B	4460912	1	Lock, Wedge - Position	
607	4923256	1	Load Sensing Pin Harness	B
607A	4460930	1	Connector, Gray - 8 Position	
607A	4460465	4	Socket, Female	
607A	4460466	3	Plug, Sealing	
607B	Not Available	1	Connector, Female - 4 Position	
607B	Not Available	4	Terminal	
608	1001119390	1	Platform Valve Harness	D
608A	1560011	2	Connector, Conduit	
608A	1560012	2	Nut, Conduit Connector	
608B	4460911	2	Plug, Male - 3 Position	
608B	4460918	6	Pin, Male	
608B	4460912	2	Lock, Wedge - Position	
608C	4460926	1	Connector - 21 Position	
608C	4460928	7	Socket, Female	
608C	4460918	6	Pin, Male	
608C	4460466	AR	Plug, Hole	
608D	4460891	6	Plug, Male - 2 Position	
608D	4460465	12	Socket, Female	
609	1001119394	1	B.L.A.M. Harness	B
609A	4460884	1	Plug, Male 4 Position (Gray)	
609A	4460944	4	Socket, Female	
609B	4460894	2	Plug, Male - 6 Position (Gray)	
609B	4460465	AR	Socket, Female	
609B	4460466	AR	Plug, Sealing	
609C	4460899	1	Connector, Female - 6 Position (Gray)	
609C	4460466	2	Plug, Sealing	
609C	4460943	4	Pin, Male (Gold Plated)	
609D	4460932	2	Plug, Male - 4 Position (Gray)	
609D	4460943	AR	Pin, Male	
609E	4460965	1	Connector, Female - 3 Position	
609E	4460944	3	Socket, Female (Gold)	

## SECTION 7 - ELECTRICAL

ITEM	PART NUMBER	QTY	DESCRIPTION	REV
609F	4460836	1	Plug, Male - 12 Position (Black)	
609F	4460466	AR	Plug, Seal	
609F	4460944	AR	Socket, Female	
609F	4460465	AR	Socket, Female	
609G	4460933	1	Plug, Male - 12 Position (Gray)	
609G	4460466	AR	Plug, Seal	
609G	4460944	AR	Socket, Female	
609G	4460465	AR	Socket, Female	
609G	4460942	AR	Socket, Female	
609H	4460934	1	Plug, Male - 12 Position (Green)	
609H	4460466	AR	Plug, Seal	
609H	4460944	AR	Socket, Female	
609H	4460465	AR	Socket, Female	
609J	4460935	1	Plug, Male - 12 Position (Brown)	
609J	4460466	AR	Plug, Seal	
609J	4460465	AR	Socket, Female	
610	1001120276	1	Pump Harness	A
610A	4460899	1	Plug, Male - 6 Position	
610A	4460464	AR	Pin, Male	
610B	4460891	4	Plug, Male - 2 Position	
610B	4460465	AR	Socket, Female	
611	1001120278	1	Boom Cylinder Angle Harness	B
611A	4460899	4	Plug, Male - 6 Position	
611A	4460943	AR	Pin, Male (Gold)	
611B	1001117064	4	Plug, Male - 6 Position	
611B	91554014	AR	Socket, Female	
613	1001119395	1	Chassis Harness Assembly	B
613A	1001117064	1	Plug, Male - 6 Position	
613A	1001116748	AR	Socket, Female	
613B	4460836	1	Plug, Male - 12 Position	
613B	4460465	AR	Socket, Female	
613C	4460880	16	DIN Connector	
613D	4460884	4	Connector, Gray - 4 Position	
613D	4460944	16	Socket, Female	
613E	4460930	1	Connector, Gray - 8 Position	
613E	4460465	AR	Socket, Female	
613E	4460466	AR	Plug, Terminal	
613F	4460933	1	Connector, Gray - 12 Position	
613F	4460465	AR	Socket, Female	
613F	4460466	AR	Plug, Terminal	
613G	4460934	1	Connector, Green - 12 Position	
613G	4460944	AR	Socket, Female	
613H	4460935	1	Connector, Brown - 12 Position	
613H	4460465	AR	Socket, Female	
613J	4460950	1	Connector, Female - 12 Position	
613J	4460464	AR	Pin, Male 16-18 GA	
613J	4460943	AR	Pin, Male 16-18 GA (Gold)	
613J	4460941	AR	Pin, Male 14-16GA	
		Ref	<b>STANDARD HARNESS COMPONENTS</b>	
701	4360505	4	Steer Angle Sensor Harness (Includes Sensor)	
701A	4460536	1 Per Assy	Plug, Male - 3 Position	

## SECTION 7 - ELECTRICAL

ITEM	PART NUMBER	QTY	DESCRIPTION	REV
701A	4460464	3 Per Assy	Pin, Male	
702	1001141225	1	Deutz TCD2.9L4 Engine Battery Cable Kit	E
702A	7027042	1	Cable, Battery (Red) (Battery + to Relays and Starter)	
702B	7027043	1	Cable, Battery (Black) (Battery - to Tray Pivot Grd) and Aux Pump	
702C	7027044	1	Cable (Red) (Aux Relay to Aux Pump)	
702D	7024583	1	Cable, Battery (Black) (Engine to Tray Pivot Grd)	
703	1001135779	1	Alternator Positive Cable	
704	1001141304	1	Wire, Glow Plug	
705	1001138491		Fuel Harness Components	C
705A	4460897	1	Receptacle, Female - 2 Position	
705A	4460941	2	Pin, Male	
705A	4460891	1	Plug, Male - 2 Position	
705A	4460942	2	Socket, Female	
705B	1001116983	1	Receptacle, Female - 2 Position	
705B	1001116710	2	Terminal	
705B	4461054	2	Seal	
705C	4460932	1	Receptacle, Female - 4 Position	
705C	4460941	2	Pin, Male	
705C	4460464	2	Pin, Male	
706	1001148843	1	Fuel Filter Harness	A
706A	1001148842	1	Receptacle, Female - 2 Position	
706A	1001148841	4	Pin, Male	
706A	1001135650	4	Seal	
706B	1001133714	1	Plug, Male - 2 Position	
706B	1001133715	4	Socket, Female	
706B	1001135650	4	Seal	
709	1660253	1	Coupling Electrical Components	
709A	Not Available	1	Coupling Turntable Harness	
709B	4460837	1	Connector, Female - 12 Position	
709B	4460466	AR	Plug, Socket	
709B	4460464	AR	Pin, Male 16-18 GA	
709B	4460943	AR	Pin, Male 16-18 GA (Gold)	
709B	4460941	AR	Pin, Male 14-16GA	
709C	Not Available	1	Coupling Frame Harness	
709D	4460836	AR	Plug, Male - 12 Position	
709D	4460465	AR	Socket, Female 16-18 GA	
709D	4460942	AR	Socket, Female 14-16 GA	
709D	4460944	AR	Socket, Female 16-18 GA (Gold)	
709D	4460466	AR	Plug, Socket	
710	4000008	1	Jib Lock Pin Proximity Switch Harness (Includes Proximity Switch)	
710A	4461076	1	Connector, Female - 4 Position	
710A	4460917	4	Pin, Male	
711	4360527	1	Broken Cable Proximity Switch Harness (Includes Proximity Switch)	
712	Not Available	1	Boom Length Switch Harness	
712A	4460536	1	Connector, Female - 3 Position	
712A	4460943	3	Pin, Male	
713	4460545	4	Angle Sensor Harness (Includes Sensor)	
713A	4460910	4	Connector, Female - 3 Position	
713A	4460917	12	Pin, Male	

## SECTION 7 - ELECTRICAL

ITEM	PART NUMBER	QTY	DESCRIPTION	REV
713A	4460913	4	Lock, Wedge	
714	1001120104	2	Jib Tele Proximity Switch Harness (Includes Proximity Switch)	
714A	4460932	2	Connector, Female - 4 Position	
714A	4460464	8	Pin, Male	
715	Not Available	AR	Jib Control Box Components	
715A	4460470	2	Nut, Terminal	
715A	4460471	2	Washer, Terminal	
715B	2540045	1	Grommet	
715B	1001119211	1	Washer, Grommet	
716	1001119392	1	Jib Valve Harness	I
716A	1001117064	2	Plug, Male - 6 Position	
716A	91554014	AR	Socket, Female	
716B	1001120055	1	Connector, 5 Position with Leads	
716C	4460836	1	Plug, Male - 12 Position	
716C	4460466	AR	Plug, Socket	
716C	4460465	AR	Socket, Female	
716D	4460866	2	Connector - 19 Position	
716D	4460464	AR	Pin, Male Deutsch 16 Ga	
716D	4460508	AR	Pin, Male Deutsch 12 Ga	
716E	4460884	2	Connector, Gray - 4 Position	
716E	4460465	8	Socket, Female	
716F	4460891	8	Plug, Male - 2 Position	
716F	4460465	16	Socket, Female	
716G	4460930	1	Connector, Gray - 8 Position	
716G	4460465	AR	Socket, Female	
716G	4460466	AR	Plug, Sealing	
716H	4460933	1	Connector, Male - 12 Position (Gray)	
716H	4460871	AR	Socket, Female	
716H	4460466	AR	Plug, Terminal	
716J	4460934	1	Plug, Male - 12 Position (Green)	
716J	4460466	AR	Plug, Seal	
716J	4460944	AR	Socket, Female	
716J	4460465	AR	Socket, Female	
716K	4460935	1	Plug, Male - 12 Position (Brown)	
716K	4460466	AR	Plug, Seal	
716K	4460465	AR	Socket, Female	
716L	4461077	1	Plug, Male - 4 Position	
716L	4460928	4	Socket, Female <b>(Prior to SN 0300183977)</b>	
716L	1001126008	4	Socket, Female <b>(SN 0300183977 through 0300209000)</b>	
716M	1001125677	1	Connector, 12 Position Buss Bar	
716M	1001120328	1	Mount, Buss Bar	
716M	4460933	1	Connector, Male - 12 Position (Gray)	
716M	4460465	AR	Socket, Female	
716M	4460466	AR	Plug, Sealing	
716N	1001119020	1	Connector, 12 Position Buss Bar	
716N	1001120328	1	Mount, Buss Bar	
716N	4460933	1	Connector, Male - 12 Position (Gray)	
716N	4460944	AR	Socket, Female	
716N	4460466	AR	Plug, Terminal	
716P	4460984	1	Connector, 8 Position Buss Bar <b>(SN 0300183977 through 0300190103)</b>	
716P	4460852	1	Connector, 8 Position Buss Bar <b>(SN 0300190103 through</b>	



## SECTION 7 - ELECTRICAL

ITEM	PART NUMBER	QTY	DESCRIPTION	REV
			<b>0300209000)</b>	
716P	4460930	1	Plug, Male - 8 Position (SN 0300183977 through 0300190103)	
716P	4460851	1	Plug, Male - 8 Position (SN 0300190103 through 0300209000)	
716P	4460465	AR	Socket, Female (SN 0300183977 through 0300209000)	
716P	4460466	AR	Seal, Plug (SN 0300183977 through 0300209000)	
716Q	1001119020	1	Connector, 12 Position Buss Bar (SN 0300183977 through 0300209000)	
716Q	4460933	1	Connector, Male - 12 Position (Gray) (SN 0300183977 through 0300209000)	
716Q	4460465	AR	Socket, Female (SN 0300183977 through 0300209000)	
716Q	4460466	AR	Plug, Sealing (Including 0300183977)	
717	1001125293	1	LCD Display Harness	C
717A	1001125295	1	Connector, 5 Position with Leads	
717B	4460933	1	Connector, Female - 12 Position	
717B	4460944	AR	Socket, Female	
717B	4460465	AR	Socket, Female	
718	0272621	1	Control System Analyzer Installation	A
718	2901443	1	Analyzer/Cable Kit	1
718A	1600244	1	Analyzer	
718B	1060633	1	Cable, Analyzer	1-A
718C	4460321	2	Plug, Male	
718C	70003407	2	Backshell	
718C	4460226	8	Socket, Female	
719	1001117990	1	Platform Level Sensor Harness (Includes Proximity Switch)	
719A	1001117990	1	Connector, 5 Position (Note: Replace complete Sensor to eliminate any possible moisture problems)	
720	1001117991	1	Platform Level Sensor Harness (Includes Proximity Switch)	
720A	1001117991	1	Connector, 5 Position (Note: Replace complete Sensor to eliminate any possible moisture problems)	
721	Not Available	2	Sensor Harness	
721		Ref	Platform Level Sensor	
721A	4460910	2	Connector, Female - 3 Position	
721A	4460917	6	Pin, Male	
721A	4460913	1	Lock, Wedge	
722	70004284	1	Harness, Engine	
723	70025231	1	Harness, Glow Plug	
723	70025233	1	Plug, Connect	
		Ref	<b>OPTIONAL HARNESS COMPONENTS</b>	
801		Ref	AC to Platform Receptacle Components Options:	
801	0271953	Ref	110V GFI Receptacle (ANSI Spec)	D
801	0271954	Ref	220V GFI Receptacle (ANSI Spec)	C
801	0271955	Ref	110V (No Plug or Receptacle - ANSI Export and Australian Specs)	C
801		Ref	CE Spec Only Options:	
801		Ref	110V	
801	0271955	Ref	No Plug or Receptacle	C
801	1001194203	Ref	IEC Yellow Receptacle (4000W Generator)	A
801	1001091969	Ref	IEC Yellow Receptacle and Plug (7500W Generator)	C
801		Ref	220V	
801	1001194197	Ref	CEE 7 Post Ground Receptacle (2x4 Box) (4000W Generator)	A
801	1001194198	Ref	CEE 7 Side Ground Receptacle (2x4 Box) (4000W Generator)	A
801	1001194200	Ref	AFSINT 107 Keyed Ground Receptacle (2x4 Box) (4000W Generator)	A

## SECTION 7 - ELECTRICAL

ITEM	PART NUMBER	QTY	DESCRIPTION	REV
801	1001194204	Ref	IEC Blue Receptacle (4000W Generator)	A
801	1001194365	Ref	Box W/Cover (2 X 4 Box) (4000W Generator)	A
801	1001091973	Ref	CEE 7 Post Ground Receptacle and Plug (2x4 Box) (7500W Generator)	D
801	1001091974	Ref	CEE 7 Side Ground Receptacle and Plug (2x4 Box) (7500W Generator)	D
801	1001091975	Ref	AFSINT 107 Keyed Ground Receptacle and Plug (2x4 Box) (7500W Generator)	D
801	1001091970	Ref	IEC Blue Receptacle and Plug (7500W Generator)	C
801	1001091971	Ref	CEE 7 Post Ground Receptacle and Plug (70mm x 70mm Box) (7500W Generator) <b>(Prior to SN 0300205158)</b>	C
801	1001091972	Ref	CEE 7 Side Ground Receptacle and Plug (70mm x 70mm Box) (7500W Generator) <b>(Prior to SN 0300205158)</b>	C
801A		Ref	Box, Switch Options:	
801A	0860038	1	0271953 & 0271954 Installations	
801A	Not Required	0	0271955 Installation (Purchase Locally)	
801A	0861731	1	1001091973,1001091974, 1001091975, 1001194197, 1001194198, 1001194200 & 1001194365 Installations	
801A	0861781	1	1001091969, 1001091970, 1001194203 & 1001194204 Installations	
801A	1001141967	1	1001091971 & 1001091972 Installations	
801B	1320146	1	Clamp, Cable (0271953, 0271954 & 0271955 Installations)	
801C		Ref	Gasket, Cover Options:	
801C	3960422	1	0271953 & 0271954 Installations	
801C	Not Required	0	0271955 Installation (Purchase Locally)	
801C	Not Required	0	1001091973, 1001091974, 1001091975, 1001091969, 1001091970, 1001091971, 1001091972, 1001194197, 1001194198, 1001194200, 1001194203, 1001194204 & 1001194365 Installations	
801D		Ref	Shield, Cover Options:	
801D	1001110873	1	0271953 Installation	
801D	4060092	1	0271954 Installation	
801D	Not Required	0	0271955 Installation (Purchase Locally)	
801D	Purchase Receptacle	1	1001091973, 1001091974, 1001091975, 1001091969, 1001091970, 1001091971, 1001091972, 1001194197, 1001194198, 1001194200, 1001194203, 1001194204 & 1001194365 Installations	
801D	1670603	1	1001194365 Installation	
801E		Ref	Connector, Strain Relief Options:	
801E	4460051	1	0271953 & 0271954 Installations	
801E	Not Required	0	0271955 Installation (Purchase Locally)	
801E		Ref	1001091973, 1001091974 & 1001091975 Installations	
801E	1001101196	1	Adapter	
801E	1001101191	1	Strain Relief	
801E		Ref	1001091969, 1001091970, 1001091971 & 1001091972 Installations	
801E	1001101197	1	Adapter	
801E	1001101191	1	Strain Relief	
801E	4460662	1	1001194197, 1001194198, 1001194200 & 1001194365 Installations	
801E	4460968	1	1001194203 & 1001194204 Installations	
801F		Ref	Plug, Male Options:	
801F	4460205	1	0271953 Installation	
801F	4460709	1	0271954 Installation	
801F	See Note	1	0271955, 1001194197, 1001194198, 1001194200,	

## SECTION 7 - ELECTRICAL

ITEM	PART NUMBER	QTY	DESCRIPTION	REV
			1001194203 & 1001194365 Installations (Note: Not Available - Purchase Locally)	
801F	4461202	1	1001091973 & 1001091971 Installations	
801F	4461205	1	1001091974 & 1001091972 Installations	
801F	4461249	1	1001091975 Installation	
801F	4461196	1	1001091969 Installation	
801F	4461199	1	1001091970 Installation	
801G		Ref	Receptacle Options:	
801G	4460346	1	0271953 Installation	
801G	4460125	1	0271954 Installation	
801G	See Note	1	0271955 & 1001194365 Installations (Note: Not Available - Purchase Locally)	
801G	4461244	1	1001091973 & 1001194197 Installations	
801G	4461245	1	1001091974 & 1001194198 Installations	
801G	4461246	1	1001091975 & 1001194200 Installations	
801G	4461198	1	1001091969 & 1001194203 Installations	
801G	4461201	1	1001091970 & 1011194204 Installations	
801G	1001141969	1	1001091971 & 1001091972 Installation	
801H	1001193018	1	Bracket, Mounting (1001091969, 1001091970, 1001091971, 1001091972, 1001091973, 1001091974, 1001091975, 1001194197, 1001194198, 1001194200, 1001194203, 1001194204 & 1001194365 Installations) <b>(SN 0300201038 through 0300209000)</b>	
804	2920161	1	Strobe Light Harness (Includes Strobe Light)	B
804A	4460891	1	Connector, Male - 2 Position	
804A	4460465	2	Socket, Female	
805	0257887	1	Alarm Harness (Includes Alarm)	
805	0140032	1	Alarm	
805	2820035	6 in/15cm	Loom	
805	4460424	1	Plug	
805	4460268	2	Socket, Female	
805A	4460424	1	Plug, Male - 2 Position	
805A	4460268	2	Socket, Female	
806	4922738	1	Headlight and Taillight and Chassis Illumination Lights Harness	1-A
806A	4460374	1	Plug, Sealed	
806A	4460375	AR	Terminal	
807	Not Available	1	Floodlights Harness Components	
807A	1001120475	2	Floodlight Harness (Lights to Switch) (Includes Floodlight)	A
807B	4460897	2	Receptacle, Female - 2 Position	
807B	4460464	4	Pin, Male	
807C	1001120502	1	Floodlight Harness (Console Box to Switch)	B
807D	4460891	2	Connector, Female - 2 Position (Includes Wedge Lock and Seal)	
807D	4460465	4	Socket	
807D	Not Available	2	Wedge Lock	
807E	4460418	13	Connector, Female - 6 Position	
807E	4460419	AR	Socket, Female	
807F	4460932	2	Plug, Male - 4 Position (Gray)	
807F	4460943	AR	Pin, Male	
807G	1001120484	1	Floodlights Harness (J8 to Item 807C)	A
807H	4460879	1	Plug, Male - 2 Position	
807H	4460887	2	Terminal (12 Gauge)	
807J	2400060	1	Fuseholder	

## SECTION 7 - ELECTRICAL

ITEM	PART NUMBER	QTY	DESCRIPTION	REV
807J	Not Available	2	Fuse - 3 Amp	
807K	4460884	1	Connector, Gray - 4 Position	
807K	4460465	4	Socket, Female	
807L	1001120471	1	Receptacle, Male - 2 Position	
807L	1001120477	2	Terminal (12 Gauge)	
807M	4460428	1	Connector, Strain Relief	
808	Not Available	1	Work Lights Harness Components:	
808A	1001120484	1	Floodlights Harness	A
808B	4460879	1	Plug, Male - 2 Position	
808B	4460887	2	Terminal (12 Gauge)	
808C	2400060	1	Fuseholder	
808C	Not Available	2	Fuse - 3 Amp	
808D	4460884	1	Connector, Gray - 4 Position	
808D	4460465	4	Socket, Female	
808E	1001120471	1	Receptacle, Male - 2 Position	
808E	1001120477	2	Terminal (12 Gauge)	
808F	4460428	1	Connector, Strain Relief	
808G	1001120474	2	Work Light Harness (Supplied with Work Light)	
808H	4460932	2	Plug, Male - 4 Position (Gray)	
808H	4460943	AR	Pin, Male	
809		Ref	4000W SkyPower Generator Installations	
809		Ref	Deutz TCD2.9L4 Engines	
809	1001171130	Ref	60Hz	A
809	1001171273	Ref	50Hz	C
809		Ref	7500W SkyPower Generator Installations	
809		Ref	Deutz TCD2.9L4 Engines	
809	1001137590	Ref	60Hz	C
809	1001137591	Ref	50Hz	B
809B		Ref	Gasket Options:	
809B	3960422	1	60Hz Spec	
809B	See Note	1	50Hz Spec (Note: Not Available - Purchase Locally)	
809C		Ref	Cover, Receptacle Options:	
809C	1001110873	1	60Hz Spec	
809C	See Note	1	50Hz Spec (Note: Not Available - Purchase Locally)	
809E		Ref	Receptacle Options:	
809E	4460346	1	60Hz Spec	
809E	See Note	1	50Hz Spec (Note: Not Available - Purchase Locally)	
809G	4460071	1	Connector, Strain Relief	
809H		Ref	Harness, Generator Options:	
809H	1001152533	1	4000W Generator	A
809H	4922972	1	7500W Generator	B
809I	77363233	1	Plug, Male - 6 Position	
809I	4460465	AR	Socket, Female	
809J	4460225	1	Plug, Male - 6 Position	
809J	4460268	2	Socket, Female (4000W Generator)	
809J	4460226	6	Socket, Female (7500W Generator)	
809J	4460807	1	Seal (4000W Generator)	
809J	4460808	1	Seal (4000W Generator)	
810		Ref	SkyPower Generator Junction Box Components Options:	
810	1001152457	Ref	4000W Generator - 60Hz	B
810	1001152458	Ref	4000W Generator - 50Hz	B

## SECTION 7 - ELECTRICAL

ITEM	PART NUMBER	QTY	DESCRIPTION	REV
810	1001142914	Ref	7500W Generator - 60Hz	A
810	1001157525	1	7500W Generator - 50Hz	B
810A		Ref	Cable, Electrical 12/3	
810A	1060494	2 ft/.6m	60Hz Spec	
810A	See Note	2 ft/.6m	50Hz Spec (Note: Not Available - Purchase Locally)	
810C	1060343	1.5 ft/.46m	Cable, Electrical 10/4 (7500W Generator - 60Hz Spec Only)	
810D	4460425	1	Connector, Strain Relief	
810E		Ref	Component Options:	
810E	4460426	2	Connector, Strain Relief (60Hz Spec Only)	
810E	4460426	1	Connector, Strain Relief (50Hz Spec Only)	
810E	3520189	1	Plug (7500W Generator - 50Hz Spec Only)	
810F	1671092	1	Cover (7500W Generator - 60Hz Spec Only)	
810F	4460963	1	Connector (7500W Generator - 60Hz Spec Only)	
811		Ref	Generator Electrical Diagram Components Options:	
811	1001132055	Ref	4000W Generator - 60Hz (ANSI and CSA Specs)	A
811	1001162900	Ref	4000W Generator - 50Hz (CE Spec)	B
811	1001162901	Ref	4000W Generator - 50HZ (ANSI Export, CE and Japanese Specs)	B
811	1001122528	Ref	7500W Generator - 60Hz ( <b>Prior to SN 0300182753</b> )	B
811	1001157770	Ref	7500W Generator - 50Hz ( <b>SN 0300182753 through 0300209000</b> )	A
811A	1001153197	1	Generator Harness (4000W Generator - 60Hz)	A
811A	1001153259	1	Generator Harness (4000W Generator - 50Hz)	A
811A	1001119968	1	Generator Harness (7500W Generator - 60Hz/50Hz)	C
811B	4460967	1	Plug, Male - 3 Position	
811B	4460465	AR	Socket, Female	
811C	1001117078	1	Connector, Metri-Pack W/5Amp Fuse (7500W Generator Only)	
811D	4922641	1	Switch Harness	
811E	4460226	2	Socket, Female	
812	1001095976	Ref	AC Breaker Box Installation (CE Spec)	C
812A	1320146	AR	Clamp, Cable	
812B	1001094915	1	Bracket, Circuit Breaker Box	
812C	1001109654	1	Box Kit, Circuit Breaker	B
812C		Ref	Breaker, Circuit Options:	
812C	1001109475	1	16 Amp Breaker ( <b>Prior to SN 0300204780</b> )	
812C	1001109482	1	30 Amp Breaker ( <b>Prior to SN 0300204780</b> )	
812C	1001181045	1	16Amp/30mA Breaker ( <b>SN 0300204780 through 0300209000</b> )	
812C	0861880	1	Box, Breaker	
812C	4460956	1	Barrier, Terminal Block End	
812C	4460957	1	Block, Terminal	
812D	1001101191	1	Connector, Strain Relief	
812E	1001097150		Connector, Strain Relief	
812F	1060908	12 ft/3.6m	Cable, Electrical 12/3	
812G	0903484	1	Bracket, AC Receptacle	
813	1001112987	1	ClearSky Telematics Components (Standard on Machines delivered in North America. Optional on all other machines.)	B
813A	4460496	1	Lockwasher, Terminal	
813A	4460497	1	Nut, Terminal	
813B	1001103356	1	Ground Cable	
814	1001111914	1	ClearSky Telematics Harness (Standard on Machines delivered in	B

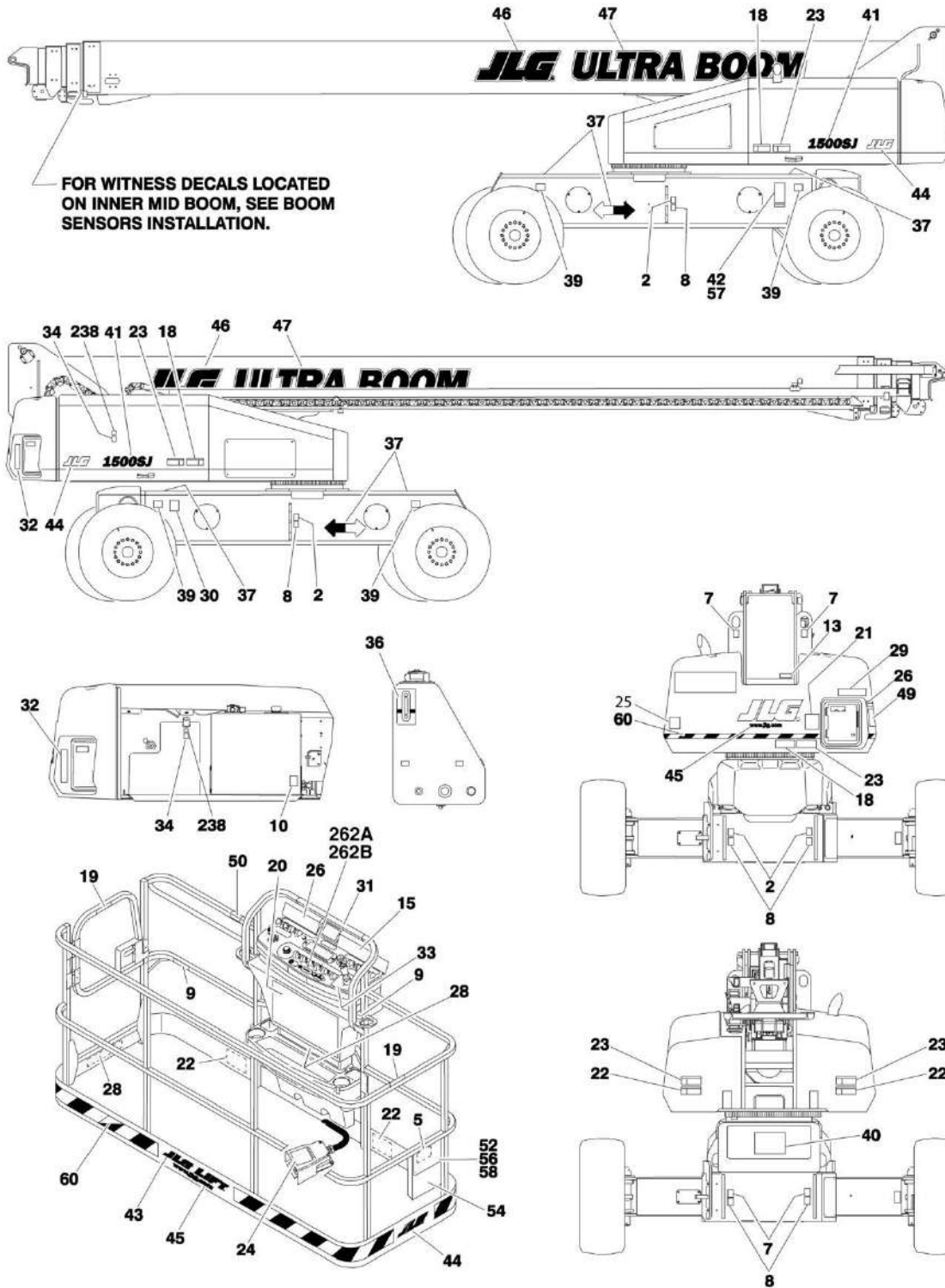
## SECTION 7 - ELECTRICAL

ITEM	PART NUMBER	QTY	DESCRIPTION	REV
			North America. Optional on all other machines.)	
814A	1001116994	1	Plug, Male - 23 Position	
814A	4460871	AR	Socket	
814A	4460905	AR	Plug, Seal	
814B	4460539	2	Plug, Male - 3 Position (Includes Wedge Lock and Seal)	
814B	4460944	6	Socket	
814B	77363244	2	Wedge Lock	
814C	4460945	2	Bulkhead, 3 Way Female	
814C	1001129408	1	Plug, Male - 3 Position with 120 ohm Resistor (Includes Wedge Lock)	
814D	1001112612	2	Connector, Diagnostic	
814D	4460943	AR	Pin	
814D	4460464	AR	Pin	
814D	4460466	AR	Plug, Seal	
814D	1001106736	2	Cap, Dust	
815	70002296	1	Harness, Telematics Antenna (Includes Antenna) (Note: No other parts available)	
816	1001149818	1	Strobe Light Harness	B
816A	4460320	1	Connector, Female - 2 Position	
816A	4460267	2	Pin, Male	
816B	4460897	1	Connector, Female - 2 Position	
816B	4460464	2	Pin, Male	
		Ref	<b>TOOLS (NOT SHOWN)</b>	
	7002821	1	Crimper (For Wire to Pin/Socket Connections)	
	7002823	1	Extractor (For Removal of Pin/Socket from Connectors)	
	4460467	1	Extractor, Pin (Blue 16-18 Gauge) (For Removal of Pin/Socket from Connectors)	
	4460510	1	Extractor, Pin (Yellow 12-14 Gauge) (For Removal of Pin/Socket from Connectors)	
	7002828	1	Stripper, Wire	
	1001137005	1	Cable Kit, Software	

**SECTION 8 - DECALS**

# SECTION 8 - DECALS

## FIGURE 8-1. DECAL INSTALLATION (ANSI SPEC)





## SECTION 8 - DECALS

**FIGURE 8-1. DECAL INSTALLATION (ANSI SPEC)**

ITEM	PART NUMBER	QTY	DESCRIPTION	REV
	1001123066	Ref	<b>STANDARD DECAL INSTALLATIONS</b>	C
	1001116025	Ref	<b>JLG Decals</b>	B
	1001125140	Ref	<b>ANSI Decals</b>	B
	1001125152	Ref	<b>Model Designation Decals - 1500SJ</b>	1
2	1701499	4	Decal - No Lift	
3 to 4	Not Required	0	Not Required	
5	1701509	1	Decal - Manual	
6	Not Required	0	Not Required	
7	1703811	4	Decal - Tie Down/Lift	
8	1703814	6	Decal - Tie Down	
9	1704277	3	Decal - Attach Lanyard Here	
10	1704412	1	Decal - Hydraulic Oil Chart	
11 to 12	Not Required	0	Not Required	
13	3251243	1	Nameplate - 120V-60Hz	
15	1705337	1	Decal - Tip Over	
16 to 17	Not Required	0	Not Required	
18	1703953	3	Decal - Warning/Crushing	
19	1702868	2	Decal - No Hands	
20	1703797	1	Decal - Danger/Warning (Platform)	
21	1705336	1	Decal - Danger/Warning (Ground Control)	
22	1703804	4	Decal - Warning Crushing	
23	1703805	5	Decal - Danger/Electrocution	
24	3252347	1	Decal - Footswitch	
25	3251813	1	Decal - USA <b>(SN 0300191642 through 0300209000)</b>	
26	1705492	2	Decal - Tip Over Hazard	
28	1001125175	2	Decal - Capacity (Platform)	
29	1001125176	1	Decal - Capacity (Ground Control)	
30		Ref	Decal - Patent Options:	
30	1700584	1	Decal - Patent <b>(Prior to SN 0300151577)</b>	
30	1001131269	1	Decal - Patent <b>(SN 0300151577 through 0300209000)</b>	
31	1001130584	1	Decal - Legend (Platform)	
32	1705868	1	Decal - Legend (Ground Control)	
33	1705351	1	Decal - Drive/Steer Instructions	
34	1701505	2	Decal - Fuel	
35	1704972	1	Decal - Warning Explosion/Fire (Not Shown - Located on Air Intake Box in Engine Compartment)	
36	1705511	1	Decal - Oil Level	
37	1701501	4	Decal - Arrow	
39	1001125153	1	Decal Kit - Tire Load	
39	1001125192	4	Decal - Tire Load	
40	1001125274	1	Decal - Lift Diagram	
41	1001125191	2	Decal - Model 1500SJ	
42	Not Available	1	Nameplate - Serial Number	
43	1702774	1	Decal - JLG Lift (3.5in)	
44	1702773	3	Decal - JLG (5in)	
45	1704885	Ref	Decal - www.jlg.com Options:	
45	1704885	2	Decal - www.jlg.com <b>(Prior to SN 0300173917)</b>	
45	1704885	1	Decal - www.jlg.com <b>(SN 0300173917 through 0300209000)</b>	
46	1705864	2	Decal - JLG	
47	1705865	2	Decal - Ultra Boom (12 Height)	

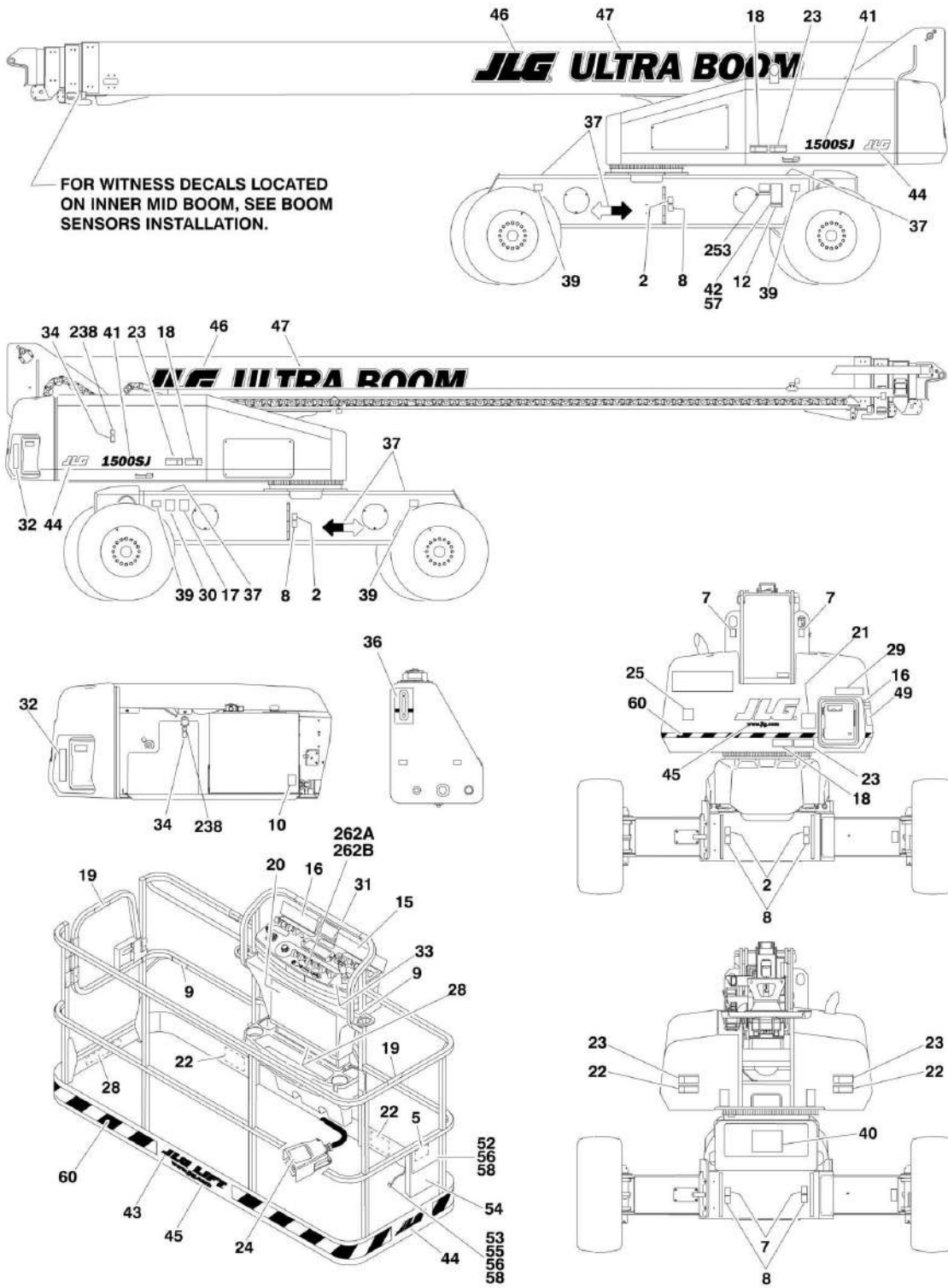
## SECTION 8 - DECALS

ITEM	PART NUMBER	QTY	DESCRIPTION	REV
49	1001125196	1	Decal - Daily Check	
50	1702962	1	Decal - Warning (Proposition 65)	
52	0641406	4	Bolt 1/4-20NC x 3/4	
54		Ref	Box, Manual Storage	
54	0860520	1	Box, Manual Storage <b>(Prior to SN 0300180311)</b>	
54	91403230	1	Box, Manual Storage <b>(SN 0300180311 through 0300209000)</b>	
56	3311405	5	Locknut 1/4-20NC	
57	3820001	2	Rivet	
58	4751400	4	Flatwasher 1/4	
60	4420051	29 ft/8.8m	Decal - Warning Stripes (Optional)	
238	1001125387	1	Decal, Fuel Specification (Machines with Deutz TCD2.9L4 Engine Only)	
262A	1001141300	1	Decal - SkyGuard Override <b>(SN 0300201038 through 0300209000)</b>	
262B	1001141302	1	Decal - SkyGuard, Soft Touch Override <b>(SN 0300201038 through 0300209000)</b>	



# SECTION 8 - DECALS

## FIGURE 8-2. DECAL INSTALLATION (ANSI EXPORT SPECS)



## SECTION 8 - DECALS

**FIGURE 8-2. DECAL INSTALLATION (ANSI EXPORT SPECS)**

ITEM	PART NUMBER	QTY	DESCRIPTION	REV
	1001123066	Ref	<b>STANDARD DECAL INSTALLATIONS</b>	C
	1001116025	Ref	<b>JLG Decals</b>	B
	1001125152	Ref	<b>Model Designation Decals - 1500SJ</b>	1
	1001125150	Ref	<b>Brazil Spec Decals (Portuguese/English)</b>	B
	1001125144	Ref	<b>Chinese Spec Decals (Chinese/English)</b>	B
	1001125146	Ref	<b>CSA Spec Decals (English/French)</b>	B
	1001125147	Ref	<b>Japanese Spec Decals (Japanese/English)</b>	B
	1001125148	Ref	<b>Korean Spec Decals (Korean/English)</b>	B
	1001125151	Ref	<b>Latin American Spec Decals (Spanish/English)</b>	B
2	1701499	4	Decal - No Lift	
3 to 4	Not Required	0	Not Required	
5	1701509	1	Decal - Manual	
6	Not Required	0	Not Required	
7	1703811	4	Decal - Tie Down/Lift	
8	1703814	6	Decal - Tie Down	
9	1704277	3	Decal - Attach Lanyard Here	
10	1704412	1	Decal - Hydraulic Oil Chart	
11	Not Required	0	Not Required	
12		Ref	Decal - CSA Options:	
12	Not Required	0	All Spec Decals Except CSA Spec Decals	
12	1705514	1	CSA Spec Decals (English/French)	
13	Not Required	0	Not Required	
15		Ref	Decal - Tip Over Options:	
15	1705904	1	Brazil Spec Decals (Portuguese/English)	
15	1705342	1	Chinese Spec Decals (Chinese/English)	
15	1705341	1	CSA Spec Decals (English/French)	
15	1705338	1	Japanese Spec Decals (Japanese/English)	
15	1705339	1	Korean Spec Decals (Korean/English)	
15	1705909	1	Latin American Spec Decals (Spanish/English)	
16		Ref	Decal - Tip Over Hazard Options:	
16	1705906	2	Brazil Spec Decals (Portuguese/English)	
16	1705507	2	Chinese Spec Decals (Chinese/English)	
16	1705505	2	CSA Spec Decals (English/French)	
16	1705493	2	Japanese Spec Decals (Japanese/English)	
16	1705503	2	Korean Spec Decals (Korean/English)	
16	1705915	2	Latin American Spec Decals (Spanish/English)	
17		Ref	Decal - Inspection Options:	
17	1705901	1	Brazil Spec Decals (Portuguese/English)	
17	1704006	1	CSA Spec Decals (English/French) <b>(Prior to SN 0300151577)</b>	
17	1704007	1	Latin American Spec Decals (Spanish/English) <b>(Prior to SN 0300151577)</b>	
17	Not Required	0	Chinese/Japanese/Korean Specs	
18		Ref	Decal - Warning/Crushing Options:	
18	1705903	3	Brazil Spec Decals (Portuguese/English)	
18	1703943	3	Chinese Spec Decals (Chinese/English)	
18	1703942	3	CSA Spec Decals (English/French)	
18	1703944	3	Japanese Spec Decals (Japanese/English)	
18	1703945	3	Korean Spec Decals (Korean/English)	
18	1703941	3	Latin American Spec Decals (Spanish/English)	
19		Ref	Decal - No Hands Options	

## SECTION 8 - DECALS

ITEM	PART NUMBER	QTY	DESCRIPTION	REV
19	1705967	2	Brazil Spec Decals (Portuguese/English)	
19	1705968	2	Chinese Spec Decals (Chinese/English)	
19	1704000	2	CSA Spec (English/French)	
19	Not Required	0	Japanese Spec Decals (Japanese/English)	
19	1705969	2	Korean Spec Decals (Korean/English)	
19	1704001	2	Latin American Spec Decals (Spanish/English)	
20		Ref	Decal - Danger/Warning (Platform) Options:	
20	1705895	1	Brazil Spec Decals (Portuguese/English)	
20	1703925	1	Chinese Spec Decals (Chinese/English)	
20	1703924	1	CSA Spec Decals (English/French)	
20	1703926	1	Japanese Spec Decals (Japanese/English)	
20	1703927	1	Korean Spec Decals (Korean/English)	
20	1703923	1	Latin American Spec Decals (Spanish/English)	
21		Ref	Decal - Danger/Warning (Ground Control) Options:	
21	1705896	1	Brazil Spec Decals (Portuguese/English)	
21	1705348	1	Chinese Spec Decals (Chinese/English)	
21	1705347	1	CSA Spec Decals (English/French)	
21	1705344	1	Japanese Spec Decals (Japanese/English)	
21	1705345	1	Korean Spec Decals (Korean/English)	
21	1705917	1	Latin American Spec Decals (Spanish/English)	
22		Ref	Decal - Warning Crushing Options:	
22	1705898	4	Brazil Spec Decals (Portuguese/English)	
22	1703949	4	Chinese Spec Decals (Chinese/English)	
22	1703948	4	CSA Spec Decals (English/French)	
22	1703950	4	Japanese Spec Decals (Japanese/English)	
22	1703951	4	Korean Spec Decals (Korean/English)	
22	1703947	4	Latin American Spec Decals (Spanish/English)	
23		Ref	Decal - Danger/Electrocution Options:	
23	1705897	5	Brazil Spec Decals (Portuguese/English)	
23	1703937	5	Chinese Spec Decals (Chinese/English)	
23	1703936	5	CSA Spec Decals (English/French)	
23	1703938	5	Japanese Spec Decals (Japanese/English)	
23	1703939	5	Korean Spec Decals (Korean/English)	
23	1703935	5	Latin American Spec Decals (Spanish/English)	
24		Ref	Decal - Footswitch Options:	
24	1705902	1	Brazil Spec Decals (Portuguese/English)	
24	1703982	1	Chinese Spec Decals (Chinese/English)	
24	1703984	1	CSA Spec Decals (English/French)	
24	1703980	1	Japanese Spec Decals (Japanese/English)	
24	1703981	1	Korean Spec Decals (Korean/English)	
24	1703983	1	Latin American Spec Decals (Spanish/English)	
25		Ref	Decal - USA Options:	
25	Not Required	0	All Spec Decals Except CSA Spec Decals	
25	3251813	1	CSA Specs	
28		Ref	Decal - Capacity (Platform) Options:	
28	1001125187	2	Brazil Spec Decals (Portuguese/English)	
28	1001125179	2	Chinese Spec Decals (Chinese/English)	
28	1001125181	2	CSA Spec Decals (English/French)	
28	1001125183	2	Japanese Spec Decals (Japanese/English)	
28	1001125185	2	Korean Spec Decals (Korean/English)	
28	1001125189	2	Latin American Spec Decals (Spanish/English)	

## SECTION 8 - DECALS

ITEM	PART NUMBER	QTY	DESCRIPTION	REV
29		Ref	Decal - Capacity (Ground Control) Options:	
29	1001125188	1	Brazil Spec Decals (Portuguese/English)	
29	1001125180	1	Chinese Spec Decals (Chinese/English)	
29	1001125182	1	CSA Spec Decals (English/French)	
29	1001125184	1	Japanese Spec Decals (Japanese/English)	
29	1001125186	1	Korean Spec Decals (Korean/English)	
29	1001125190	1	Latin American Spec Decals (Spanish/English)	
30		Ref	Decal - Patent Options:	
30	1700584	1	All Specs Except CSA Spec ( <b>Prior to SN 0300151577</b> )	
30	1700584	1	CSA Spec Only ( <b>Prior to SN 0300151577</b> )	
30	1001131269	1	CSA Spec Only ( <b>SN 0300151577 through 0300209000</b> )	
31	1001130584	1	Decal - Legend (Platform)	
32	1705868	1	Decal - Legend (Ground Controls)	
33		Ref	Decal - Drive/Steer Instructions Options:	
33	1705905	1	Brazil Spec Decals (Portuguese/English)	
33	1705430	1	Chinese Spec Decals (Chinese/English)	
33	1705429	1	CSA Spec Decals (English/French)	
33	1705426	1	Japanese Spec Decals (Japanese/English)	
33	1705427	1	Korean Spec Decals (Korean/English)	
33	1705910	1	Latin American Spec Decals (Spanish/English)	
34	1701505	2	Decal - Fuel	
35		Ref	Decal - Warning Explosion/Fire Options (Not Shown - Located on Air Intake Box in Engine Compartment):	
35	1706059	1	Brazil Spec Decals (Portuguese/English)	
35	1706060	1	Chinese Spec Decals (Chinese/English)	
35	1706064	1	CSA Spec Decals (English/French)	
35	1704972	1	Japanese Spec Decals (Japanese/English)	
35	1706061	1	Korean Spec Decals (Korean/English)	
35	1706063	1	Latin American Spec Decals (Spanish/English)	
36	1705511	1	Decal - Oil Level	
37	1701501	4	Decal - Arrow	
39	1001125153	1	Decal Kit - Tire Load	
39	1001125192	4	Decal - Tire Load	
40	1001125274	1	Decal - Lift Diagram	
41	1001125191	2	Decal - Model 1500SJ	
42	Not Available	1	Nameplate - Serial Number	
43	1702774	1	Decal - JLG Lift (3.5in)	
44	1702773	3	Decal - JLG (5in)	
45	1704885	Ref	Decal - www.jlg.com Options:	
45	1704885	2	Decal - www.jlg.com ( <b>Prior to SN 0300173917</b> )	
45	1704885	1	Decal - www.jlg.com ( <b>SN 0300173917 through 0300209000</b> )	
46	1705864	2	Decal - JLG	
47	1705865	2	Decal - Ultra Boom (12 Height)	
49		Ref	Decal - Daily Check Options:	
49	1001125200	1	Brazil Spec Decals (Spanish/Portuguese)	
49	1001125198	1	Chinese Spec Decals (Chinese/English)	
49	1001125201	1	CSA Spec Decals (English/French)	
49	1001125202	1	Japanese Spec Decals (Japanese/English)	
49	1001125197	1	Korean Spec Decals (Korean/English)	
49	1001125199	1	Latin American Spec Decals (Spanish/English)	
52	0641406	4	Bolt 1/4-20NC x 3/4	
53	0641408	1	Bolt 1/4-20NC x 1 ( <b>Prior to SN 0300180311</b> )	

## SECTION 8 - DECALS

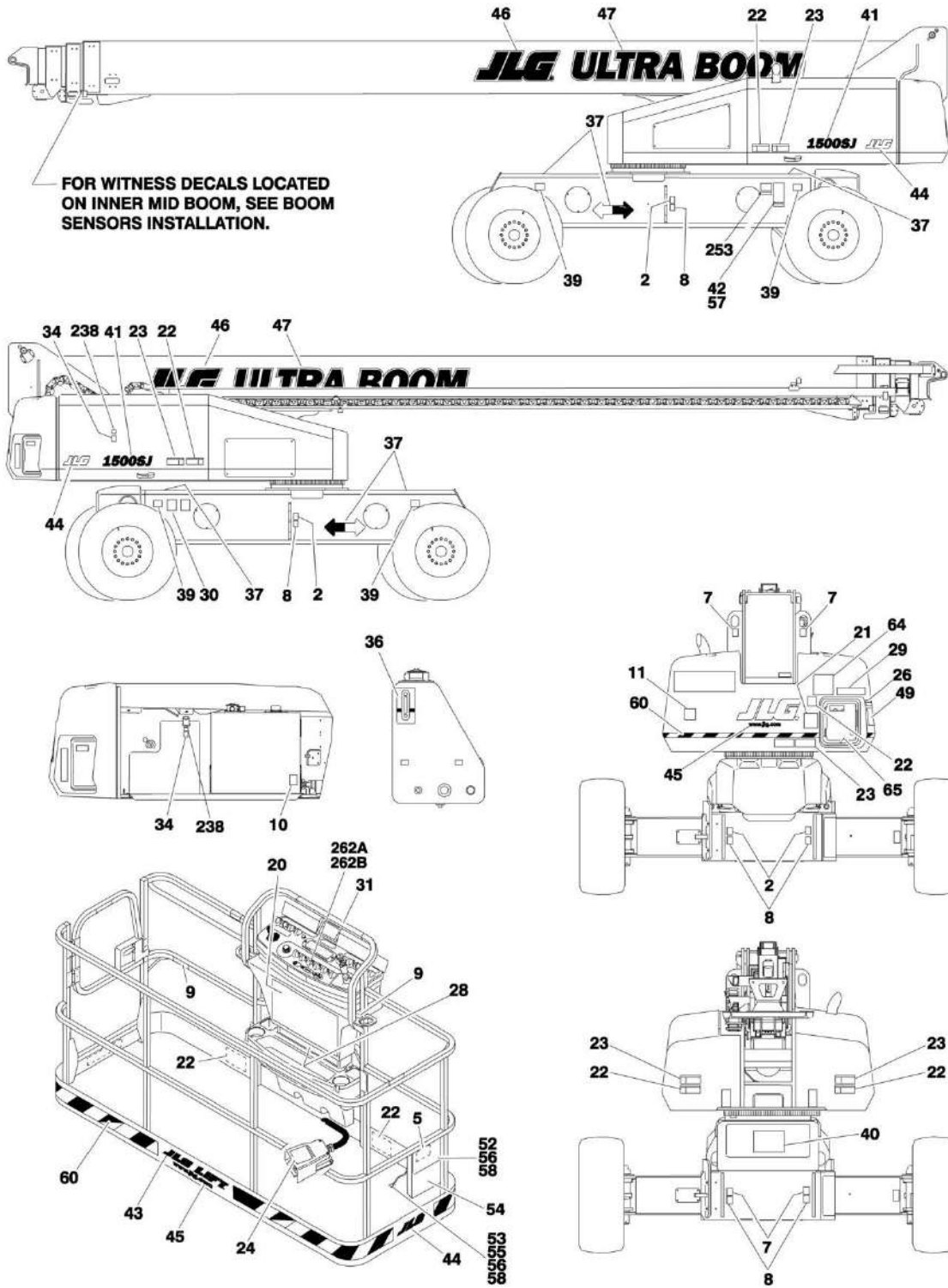
ITEM	PART NUMBER	QTY	DESCRIPTION	REV
54		Ref	Box, Manual Storage Options:	
54	0860520	1	Box, Manual Storage <b>(Prior to SN 0300180311)</b>	
54	91403230	1	Box, Manual Storage <b>(SN 0300180311 through 0300209000)</b>	
55	1060279	1	Cable, Lanyard <b>(Prior to SN 0300180311)</b>	
56	3311405	AR	Locknut 1/4-20NC	
57	3820001	2	Rivet	
58	4751400	AR	Flatwasher 1/4	
60	4420051	29 ft/8.8m	Decal - Warning Stripes	
238	1001125387	1	Decal, Fuel Specification (Machines with Deutz TCD2.9L4 Engine Only) (ANSI and CSA Specs Only)	
238	1001139654	1	Decal, Fuel Specification (Machines with Deutz TCD2.9L4 Engine Only) (Japanese Specs Only)	
253		Ref	Decal Options:	
253	1001143852	1	Decal - Emissions Compliance (All Specs except CSA Specs) <b>(Prior to SN 0300199982)</b>	
253	1001143852	1	Decal - Emissions Compliance (ANSI Export Specs Only) <b>(SN 0300199982 through 0300209000)</b>	
262A	1001141300	1	Decal - SkyGuard Override <b>(SN 0300201038 through 0300209000)</b>	
262B	1001141302	1	Decal - SkyGuard, Soft Touch Override <b>(SN 0300201038 through 0300209000)</b>	





# SECTION 8 - DECALS

## FIGURE 8-3. DECAL INSTALLATION (AUSTRALIAN AND CE SPECS)



## SECTION 8 - DECALS

**FIGURE 8-3. DECAL INSTALLATION (AUSTRALIAN AND CE SPECS)**

ITEM	PART NUMBER	QTY	DESCRIPTION	REV
	1001123066	Ref	<b>STANDARD DECAL INSTALLATIONS</b>	C
	1001116025	Ref	<b>JLG Decals</b>	B
	1001125152	Ref	<b>Model Designation Decals - 1500SJ</b>	1
	1001125141	Ref	<b>Australian Spec Decals</b>	B
	1001125143	Ref	<b>CE Spec Decals</b>	C
2	1701499	4	Decal - No Lift	
3 to 4	Not Required	0	Not Required	
5	1701509	1	Decal - Manual	
6	Not Required	0	Not Required	
7	1703811	4	Decal - Tie Down/Lift	
8	1703814	6	Decal - Tie Down	
9	1704277	3	Decal - Attach Lanyard Here	
10	1704412	1	Decal - Hydraulic Oil Chart	
11		Ref	Decal - Sound Power Level Options:	
11	1705980	1	Deutz TD2011 Engine (Australian Specs)	
11	1001191525	1	Deutz TCD2.9L4 Engine (CE Spces) <b>(SN 0300201371 through 0300209000)</b>	
12 to 13	Not Required	0	Not Required	
15 to 19	Not Required	0	Not Required	
20	1705921	1	Decal - Tipping/Electrical (Platform)	
21	1705822	1	Decal - Electrical/Safety (Ground Control)	
22	1701518	7	Decal - Warning Crushing	
23	1705961	5	Decal - Danger Electrocution	
24	1705828	1	Decal - Footswitch	
25 to 26	Not Required	0	Not Required	
28	1001125177	1	Decal - Capacity (Platform)	
29	1001125178	1	Decal - Capacity (Ground Control)	
30	1700584	1	Decal - Patent <b>(Prior to SN 0300151577)</b>	
31 to 33	Not Required	0	Not Required	
34	1701505	2	Decal - Fuel	
35	1706098	1	Decal - Warning Explosion/Fire (Not Shown - Located on Air Intake Box in Engine Compartment)	
36	1705511	1	Decal - Oil Level	
37	1701501	4	Decal - Arrow	
39	1001125153	1	Decal Kit - Tire Load	
39	1001125192	4	Decal - Tire Load	
40	1001125274	1	Decal - Lift Diagram	
41	1001125191	2	Decal - Model 1500SJ	
42	Not Available	1	Nameplate - Serial Number	
43	1702774	1	Decal - JLG Lift (3.5in)	
44	1702773	3	Decal - JLG (5in)	
45	1704885	Ref	Decal - www.jlg.com Options:	
45	1704885	2	Decal - www.jlg.com <b>(Prior to SN 0300173917)</b>	
45	1704885	1	Decal - www.jlg.com <b>(SN 0300173917 through 0300209000)</b>	
46	1705864	2	Decal - JLG	
47	1705865	2	Decal - Ultra Boom (12 Height)	
49		Ref	Decal - Daily Check Options:	
49	1001125196	1	Australian Spec	
49	1001125209	1	Danish Spec	
49	1001125203	1	Dutch Spec	

## SECTION 8 - DECALS

ITEM	PART NUMBER	QTY	DESCRIPTION	REV
49	1001172840	1	Estonian Spec	
49	1001125207	1	Finnish Spec	
49	1001125204	1	French Spec	
49	1001125211	1	German Spec	
49	1001125205	1	Italian Spec	
49	1001125210	1	Norwegian Spec	
49	1001125212	1	Polish Spec	
49	1001125200	1	Portuguese Spec	
49	1001125206	1	Spanish Spec	
49	1001125208	1	Swedish Spec	
49	1001125196	1	UK English Spec	
52	0641406	4	Bolt 1/4-20NC x 3/4	
53	0641408	1	Bolt 1/4-20NC x 1 <b>(Prior to SN 0300180311)</b>	
54		Ref	Box, Manual Storage Options:	
54	0860520	1	Box, Manual Storage <b>(Prior to SN 0300180311)</b>	
54	91403230	1	Box, Manual Storage <b>(SN 0300180311 through 0300209000)</b>	
55	1060279	1	Cable, Lanyard <b>(Prior to SN 0300180311)</b>	
56	3311405	AR	Locknut 1/4-20NC	
57	3820001	6	Rivet	
58	4751400	AR	Flatwasher 1/4	
60	4420051	29 ft/8.8m	Decal - Warning Stripes	
64	1001112551	1	Decal - Emergency Controls (Australian Spec Only)	
65	1001197408	1	Decal - MSSO Operation (CE Specs Only) <b>(SN 0300207793 through 0300209000)</b>	
238	1001139654	1	Decal, Fuel Specification (Machines with Deutz TCD2.9L4 Engine Only) (CE Specs Only)	
253	1001143852	1	Decal - Emissions Compliance	
262A	1001141300	1	Decal - SkyGuard Override <b>(SN 0300201038 through 0300209000)</b>	
262B	1001141302	1	Decal - SkyGuard, Soft Touch Override <b>(SN 0300201038 through 0300209000)</b>	

## **SECTION 9 - RECOMMENDED SERVICE PARTS STOCK**

## **SECTION 9 - RECOMMENDED SERVICE PARTS STOCK**

# SECTION 9 - RECOMMENDED SERVICE PARTS STOCK

FIGURE 9-1. MODEL 1500SJ STANDARD PARTS

ITEM	PART NUMBER	QTY	DESCRIPTION	REV
	Note	Ref	<b>Note: The following list will service one machine (built to current production per date on the front cover) with emergency repair parts which can be installed in the field. Parts from the list should be replaced when inventory is depleted to keep service parts stock supplied. For further information, contact your JLG dealer or the JLG Industries Parts Department.</b>	
		Ref	<b>STANDARD PARTS</b>	
	7024365	1	Axle Power Track Repair Kit	
	4360505	1	Switch	
	7018991	1	Coil	
	7012944	1	Coil	
	3740067	1	Relay	
	7011354	1	Coil	
	7017451	1	Coil	
	7024571	1	Coil	
	70002231	12	Element, Pressure Filter	
	3740080	1	Relay	
	7024444	12	Breather, Hydraulic Oil Tank	
	7024375	12	Element, Hydraulic Oil Filter	
	4360274	1	Switch, Push Button	
	4360328	1	Switch, Toggle	
	4360475	1	Switch, Mushroom	
	4360476	1	Contact, Switch Block	
	2860030	1	Key, Replacement	
	70003923	1	Jib Power Track Repair Kit	
	70003917	1	Boom Power Track Repair Section	
	70003913	1	Boom Power Track Repair Section	
	70003026	1	Coil	
	7024885	1	Coil	
	70022147	1	Coil	
	7024883	1	Coil	
	2940074	1	Latch, Platform	
	1001166539	1	Controller, Lift and Swing	
	1001166538	1	Controller, Drive and Steer	
	1001159256	1	Switch, Toggle	
	1001161709	1	Switch, Toggle	
	4360387	1	Switch, Push Button	
	1001161710	1	Switch, Toggle	
	1001155045	1	Switch, Toggle	
	4360407	1	Controller, Speed	
	3990001	2	Diode - 3 Amp	
	2400064	2	Fuse	
	2400065	2	Fuse	



## SECTION 9 - RECOMMENDED SERVICE PARTS STOCK

FIGURE 9-2. MODEL 1500SJ VARIABLE PARTS

ITEM	PART NUMBER	QTY	DESCRIPTION	REV
	Note	Ref	<b>Note: The following list will service one machine (built to current production per date on the front cover) with emergency repair parts which can be installed in the field. Parts from the list should be replaced when inventory is depleted to keep service parts stock supplied. For further information, contact your JLG dealer or the JLG Industries Parts Department.</b>	
		Ref	<b>VARIABLE PARTS</b>	
	4360578	1	Switch, Limit	
	1001112758	1	Module (Chassis)	
	1001112757	1	Module, B.L.A.M.	
	7027795	1	Module, Deutz Engine	
	7003655	12	Element, Caterpillar Engine Air Filter	
	7026811	12	Element, Caterpillar Engine Oil Filter	
	7026830	12	Element, Caterpillar Engine Fuel/Water	
	7016331	12	Element, Deutz TD2011 Engine Oil Filter	
	7016328	12	Element, Deutz TD2011 Engine Fuel	
	7003655	12	Element, Deutz TD2011 Engine Air Filter	
	70024190	12	Element, Deutz TCD2.9L4 Air Filter	
	7026031	1	Sensor, Proximity	
	1001119509	1	Module, Ground Control	
	1001119512	1	Module, Repeater	
	4360469	1	Switch, Key (All Specs except CE Spec)	
	4360470	1	Switch, Key (CE Spec)	
	3740080	1	Relay (Headlights/Chassis Illumination Lights Options)	
	3740080	1	Relay (110V/220V Generator Options)	
	4360336	1	Switch, Toggle (Generator Options)	
	4360070	1	Circuit Breaker 15 Amp (Machines with 7500W Generator)	
	4000008	1	Switch, Jib Lock Proximity	
	4360527	1	Switch, Cable Break	
	4360543	1	Sensor, Boom Length	
	1001147479	1	Sensor, Angle Indicator	
	1001118971	1	Switch, Angle Indicator (Main Boom Protractor) Proximity	
	1001135479	1	Switch, Angle Indicator (Jib Rotate) Proximity	
	1001120104	1	Switch, Jib Telescope Proximity	
	1001119262	1	Module, Jib Control	
	1001117174	1	Footswitch Kit	
	4360336	1	Switch, Toggle (Floodlights Options)	
	4360057	1	Switch, Limit (Soft-Touch System Option)	
	1600343	1	Module, Platform Control	
	4360522	1	Switch, Push Button (Chassis Worklights Option)	
	1001109475	1	Circuit Breaker 16 Amp (CE Spec Machines)	
	1001109482	1	Circuit Breaker 30mAmp (CE Spec Machines)	



**SECTION 10 - SPECIAL OPTIONS**

# SECTION 10 - SPECIAL OPTIONS

FIGURE 10-1. SPECIAL OPTIONS

ITEM	PART NUMBER	QTY	DESCRIPTION	REV
	Note	Ref	<b>Note: This list is to accommodate machines ordered with special equipment. Options may not be applicable to all models. For more specific parts information contact JLG Parts Department.</b>	
		Ref	<b>MISCELLANEOUS SPECIAL OPTIONS</b>	
	0272078	Ref	<b>Accessory Counterweight (Required with SkyWelder and/or Fall Arrest Platform Options)</b>	
	1340067	Ref	<b>Air Cleaner Pre-Cleaner</b>	
	1001120325	Ref	<b>Airline Installation, 1/2</b>	
	0271803	Ref	<b>Bellows, Cylinder (Fixed Axle)</b>	
	0271804	Ref	<b>Bellows, Cylinder (Oscillating Axle)</b>	
	1001122591	Ref	<b>Bellows, Cylinder (Boom)</b>	
	0271875	Ref	<b>Boom Wipers Installation (Boom)</b>	
	1001134627	Ref	<b>Boom Wipers Installation (Jib)</b>	
	1001233047	Ref	<b>Breather Heater Add-on Kit (DeutzT4F Engines)</b>	
	0273862	Ref	<b>Cold Weather Package</b>	
		Ref	<b>Decal Kits</b>	
	2902307	Ref	<b>Decal Kit - Country Spec (ANSI Spec)</b>	
	2902312	Ref	<b>Decal Kit - Country Spec (Brazilian Spec)</b>	
	2902329	Ref	<b>Decal Kit - Country Spec (Australian and CE Specs)</b>	
	2902309	Ref	<b>Decal Kit - Country Spec (Chinese Spec)</b>	
	2902322	Ref	<b>Decal Kit - Country Spec (CSA Spec)</b>	
	2902308	Ref	<b>Decal Kit - Country Spec (Japanese Spec)</b>	
	2902310	Ref	<b>Decal Kit - Country Spec (Korean Spec)</b>	
	2902311	Ref	<b>Decal Kit - Country Spec (Latin American Spec)</b>	
	1001193646	Ref	<b>Decal Kit - Machine</b>	
	2902303	Ref	<b>Decal Kit - Master (All Specs)</b>	
	1001143931	Ref	<b>Decal Kit - Platform (ANSI Spec)</b>	
	1001143930	Ref	<b>Decal Kit - Platform Console Box</b>	
		Ref	<b>Decals Installations</b>	
	1702788	Ref	<b>Decal - Biodegradable Hydraulic Fluid (English)</b>	
	1703479	Ref	<b>Decal - Biodegradable Hydraulic Fluid (German)</b>	
	1001196714	Ref	<b>Decal - Blueline Rentals</b>	
	1001108923	Ref	<b>Decal - EPA/Carb Fuel Spec</b>	
	1001128996	Ref	<b>Decal - Hertz Decals Installation</b>	
	1001143080	Ref	<b>Decal - Hewitt Decals Installation (English)</b>	
	1001143515	Ref	<b>Decal - Hewitt Decals Installation (French)</b>	
	1001140648	Ref	<b>Decal - Leavitt Decals Installation</b>	
	1001103344	Ref	<b>Decal - NES Decals Installation</b>	
	1001200064	Ref	<b>Decal - Quick Start Guide (CE Spec) (French Decal) (For LOXAM Rentals Only)</b>	
	1001200065	Ref	<b>Decal - Quick Start Guide (CE Spec) (Dutch Decal) (For LOXAM Rentals Only)</b>	
	1001200066	Ref	<b>Decal - Quick Start Guide (CE Spec) (German Decal) (For LOXAM Rentals Only)</b>	
	1001200067	Ref	<b>Decal - Quick Start Guide (CE Spec) (Danish Decal) (For LOXAM Rentals Only)</b>	
	1001200069	Ref	<b>Decal - Quick Start Guide (CE Spec) (Swedish Decal) (For LOXAM Rentals Only)</b>	
	1001200070	Ref	<b>Decal - Quick Start Guide (CE Spec) (Spanish Decal) (For LOXAM Rentals Only)</b>	

## SECTION 10 - SPECIAL OPTIONS

ITEM	PART NUMBER	QTY	DESCRIPTION	REV
	1001200071	Ref	Decal - Quick Start Guide (CE Spec) (Norwegian Decal) (For LOXAM Rentals Only)	
	1001096496	Ref	Decal - RSC Decals Installation	
	0272599	Ref	Decal - SkyCutter (ANSI and ANSI Export Specs)	
	0272607	Ref	Decal - SkyCutter (Japan Spec)	
	0272418	Ref	Decal - SkyGlazier	
	0272435	Ref	Decal - SkyPower (60Hz) (ANSI and ANSI Export Specs)	
	0272589	Ref	Decal - SkyPower (50Hz) (Australian and CE Specs)	
	0272448	Ref	Decal - SkyWelder (ANSI and ANSI Export Specs)	
	0272588	Ref	Decal - SkyWelder (Australian and CE Specs)	
	1001197860	Ref	Decal - Sunbelt Rentals	
	1705307	1	Decal - Tool Location	
	1001120728	Ref	Decal - United Decals Installation	
	4420051	Ref	Decal - Warning Stripe Decals	
		Ref	Electrical Connector Kits	
	1001148902	Ref	Amp/Tyco Electrical Connector Kit	
	1001148903	Ref	Deutsch DT Electrical Connector Kit	
	1001148904	Ref	Deutsch HD Electrical Connector Kit	
	1001148905	Ref	Packard Electrical Connector Kit	
	1001148906	Ref	Various Electrical Connectors Kit	
	1001185079	Ref	Fan and Belt Shield Kit (Deutz TCD2.9L4 Engines Only)	
	1001182600	Ref	Fan and Belt Shield Kit (Deutz TD2011 Engines Only)	
	1001206794	Ref	Fan and Belt Shield Add-on Kit (Deutz T4i Engines)	
	1001206797	Ref	Fan and Belt Shield Add-on Kit (Deutz T4F Engines)	
	1001145708	Ref	Fan Guard Installation (Deutz TCD2.9L4 Engines Only)	
		Ref	Filter Kits:	
	1001133071	1	Combined Filter Kit (Hydraulic/Air and Fuel/Engine Oil) (Deutz TD2011 Engines)	
	1001181151	1	Combined Filter Kit (Hydraulic/Air and Fuel/Engine Oil) (Deutz TCD2.9L4 Engines)	
	1001133068	1	Hydraulic/Air Filter (Deutz TD2011 Engines)	
	1001182241	1	Hydraulic/Air Filter (Deutz TCD2.9L4 Engines)	
	1001110133	1	Engine - Fuel/Engine Oil Filter (Deutz TD2011 Engines)	
	1001182242	1	Engine - Fuel/Engine Oil Filter (Deutz TCD2.9L4 Engines)	
	1001139099	Ref	Fire Extinguisher Installation	
		Ref	Fluids	
	3020008	Ref	Drive Hub Lubricant	
	2300040	Ref	Diesel Fuel Conditioner	
		Ref	Hydraulic Fluid	
	2300014	Ref	Mobil 424	
	2300029	Ref	Mobil EAL ISO 46 Bio	
	2300016	Ref	Mobil DTE 10 EXCEL 32	
	2300021	Ref	Union Carbide Ucon HP5046 Fire Resistant	
	2300039	Ref	Exxon Univis (Arctic Package)	
		Ref	Foot Switch Shield	
	3380652	Ref	Foot Switch Shield (Prior to SN 0300171350)	
	1001117294	Ref	Foot Switch Shield (SN 0300171350 through 0300209000)	
		Ref	Hose Kits:	
	1001239634	Ref	Hose Kit - Jib Valve	
	1001204900	Ref	Hose Kit - Platform Valve	
	1001187787	Ref	Hose Kit - Power Track (Upper)	
	1001241420	Ref	Hostile Environment Add-on Kit	

## SECTION 10 - SPECIAL OPTIONS

ITEM	PART NUMBER	QTY	DESCRIPTION	REV
	1001120362	Ref	Intercom System (David Clark)	
	1001148971	Ref	Lanyard (Bolt-On) Installation Kit	
		Ref	Pipe Jacks Installation	
	0257728	Ref	ANSI Spec	
	0274661	Ref	Australian Spec	
		Ref	Platform Cable Carrier Installation Options:	
	1001116419	Ref	30in Platform	
	1001116420	Ref	36in Platform	
		Ref	Platform Console Cover Installation	
		Ref	Clear Cover Options:	
	0258703	Ref	Clear Cover (Prior to SN 0300151844)	
	1001134626	Ref	Clear Cover (SN 0300151844 through 0300201038)	
	1001110974	Ref	Steel Cover (Prior to SN 0300207793)	
	1001197436	Ref	Steel Cover (SN 0300207793 through 0300209000)	
	1001205178	Ref	Steel Cover Add-On Kit	
		Ref	Platform Entry Kits	
	1001142504	Ref	Drop Bar (Replacing Swing Gate with Drop Bar)	
	1001142505	Ref	Swing Gate (Replacing Drop Bar with Swing Gate)	
		Ref	Platform Mesh to Top Rail Installations	
	0273145	Ref	36in X 8ft (91.5cm x 2.44m) (ANSI Spec)	
	0273149	Ref	36in X 6ft (91.5cm x 1.83m) (ANSI and ANSI Export Specs)	
		Ref	Platform Mesh to Mid Rail Installations	
	1001138773	Ref	36in X 8ft (91.5cm x 2.44m) (ANSI, ANSI Export and Australian Specs)	
	1001138772	Ref	36in X 6ft (91.5cm x 1.83m) (ANSI, ANSI Export and Australian Specs)	
	1001140318	Ref	30in X 4ft (76.2cm x 1.22m) (ANSI, ANSI Export and Australian Specs)	
	1001149730	Ref	Platform Mid Rail Repair Kit	
		Ref	Platform Rail Extensions	
	0272733	Ref	6ft Platform	
	0272725	Ref	8ft Platform	
	1001171131	Ref	Receptacle(240V GFCI) Installation (4000W Generator)	
	1001159121	Ref	Receptacle(240V GFCI) Installation (7500W Generator)	
	1001098149	Ref	SkyCutter (Plasma Cutter) Installations (ANSI, ANSI Export, CSA and Japanese Specs) Note: See JLG 3124242 Accessories Manual	
	0273353	Ref	SkyCutter/SkyWelder Combo Installations (All Specs except CE Spec) Note: See JLG 3124242 Accessories Manual	
		Ref	SkyGlazier Installation (Not Available when Machine Equipped with Soft Touch Option) Note: See JLG 3124242 Accessories Manual	
	1001101422	Ref	ANSI and CSA Specs	
	No Longer Available	NLA	ANSI Export Spec (Spanish Language) (was p/n 1001099421)	
	No Longer Available	NLA	ANSI Export Spec (Portuguese Language) (was p/n 1001099422)	
	1001101422	Ref	Australian Spec without LSS	
	No Longer Available	NLA	Australian Spec with LSS (was p/n 1001102647)	
	No Longer Available	NLA	CE Spec (English Language) (was p/n 1001099440)	
	No Longer Available	NLA	CE Spec (French Language) (was p/n 1001099436)	

## SECTION 10 - SPECIAL OPTIONS

ITEM	PART NUMBER	QTY	DESCRIPTION	REV
	No Longer Available	NLA	<b>CE Spec (German Language) (was p/n 1001099437)</b>	
	No Longer Available	NLA	<b>CE Spec (Italian Language) (was p/n 1001099439)</b>	
	No Longer Available	NLA	<b>CE Spec (Portuguese Language) (was p/n 1001099438)</b>	
	No Longer Available	NLA	<b>CE Spec (Spanish Language) (was p/n 1001099435)</b>	
	No Longer Available	NLA	<b>CE Spec (Swedish Language) (was p/n 1001115604)</b>	
		Ref	<b>SkyGuard Installations:</b>	
	1001187508	Ref	<b>SkyGuard Installation (Without Beacon Light)</b>	
	1001205401	Ref	<b>SkyGuard Installation (Blue Beacon Light)</b>	
	1001209873	Ref	<b>SkyGuard Installation (Red Beacon Light)</b>	
		Ref	<b>SkyGuard Add-on Kits:</b>	
	1001209481	Ref	<b>SkyGuard Add-on Kit (Complete) (Blue Beacon Light)</b>	
	1001210043	Ref	<b>SkyGuard Add-on Kit (Complete) (Red Beacon Light)</b>	
	1001206544	Ref	<b>SkyGuard Beacon Light Add-on Kit (Blue Strobe)</b>	
	1001210028	Ref	<b>SkyGuard Beacon Light Add-on Kit (Red Strobe)</b>	
	1001137672	Ref	<b>SKYGuard Platform Sensor Add-on Kit</b>	
	1001197016	Ref	<b>SKYGuard Platform Sensor Add-on Kit</b>	
	1001176372	Ref	<b>SkyGuard Removal Plug Kit</b>	
		Ref	<b>SkyWelder Installation</b>	
	0272254	Ref	<b>SkyWelder Installation (ANSI and ANSI Export Specs)</b>	
	0272521	Ref	<b>SkyWelder Installation (Australian and CE Specs)</b>	
	1001128527	Ref	<b>SkyWelder Installation - Less Welder (ANSI, ANSI Export and CSA Specs)</b>	
	1001195610	Ref	<b>Telematics - United Rentals Installation</b>	
	1001228964	Ref	<b>Telematics Retrofit Harness Kit (Machines with UGM)</b>	
		Ref	<b>Tools For Service:</b>	
	2901443	1	Analyzer Kit	
	0272048	1	Boom Cable Tools Installation	
	4120040	1	Socket 3/4	
	4120043	1	Socket 2	
	1705307	1	Decal - Tool Location	
	7002821	1	Crimper, Wire	
	7002823	1	Pin Extractor - Universal (For Electrical Connectors with Pins and Sockets)	
	4460467	1	Extractor - 16-18 Gauge (For Removal of Pin/Sockets from Deutsch Connectors)	
	4460510	1	Extractor - 12-14 Gauge (For Removal of Pin/Sockets from Deutsch Connectors)	
	7016654	1	Screwdriver, Magnetic	
	7002822	1	Screwdriver, Potentiometer	
	7004275	1	Seal Tool 1 (For Cylinders)	
	7004276	1	Seal Tool 1 1/2 (For Cylinders)	
	7002828	1	Stripper, Wire	
	4921850	1	Throttle Service Harness	
	70004185	1	Torque Multiplier	
	7016655	1	Wire Rope Sheave Gauge	
	1001137005	1	Software Cable Kit	
	70004646	1	Puller (Hub Assembly)	
	70004647	1	Seal Tool (Hub Assembly)	

## SECTION 10 - SPECIAL OPTIONS

ITEM	PART NUMBER	QTY	DESCRIPTION	REV
	70004648	1	Puller (Hub Assembly)	
	2915072	Ref	Turntable Bearing Kit	
	1001143928	Ref	Wear Pad Kit - Jib Boom	
	1001143929	Ref	Wear Pad Kit - Main Boom	
	1001143927	Ref	Wire Rope Kit	

**PART NUMBER INDEX**

# PART NUMBER INDEX

0080181.....55	0271934..... 11, 12	0630467 ..... 192	0641620..... 11
0080237.....63	0271953..... 331, 353	0630491 ..... 123	0641624..... 11
0080241.....123	0271954..... 331, 353	0630518 ..... 119	0641630..... 134, 140
0080244.....63	0271955..... 331, 353	0630534 ..... 287	0641634..... 15
0080277..... 15	0272048..... 181, 381	0630535 ... 251, 253, 255, 257, 259, 263, 265, 271, 275, 291	0641636.....184
0100009.....223, 227	0272055..... 17	0630537 ..... 267	0641640.....178
0100011.... 11, 15, 20, 24, 29, 30, 37, 54, 55, 57, 62, 63, 71, 72, 73, 109, 113, 120, 123, 124, 134, 136, 140, 141, 143, 147, 153, 159, 165, 171, 175, 178, 183, 184, 192, 198, 201, 215, 221, 245, 251, 253, 255, 257, 259, 263, 265, 267, 271, 275, 279, 283, 287, 291	0272060..... 64	0630548 ..... 119	0641644.....178
0100019.... 11, 15, 17, 45, 153, 159, 165, 175, 178, 183, 192, 283	0272064..... 128	0630568 ..... 224, 228	0641646.....178
0100020...55, 58, 73, 148, 153, 161, 167	0272070..... 201	0641404 ... 147, 153, 159, 165, 223, 227	0641652.....178
0100035..... 15, 123, 124, 198, 281	0272078..... 378	0641405 ..... 134, 198	0641676.....181
0100038....251, 253, 255, 257, 265, 267, 275, 279, 283, 291	0272080..... 115, 311	0641406 ... 30, 37, 55, 63, 64, 73, 119, 120, 128, 135, 140, 143, 171, 199, 209, 215, 217, 362, 367, 372	0641706.....73
0100040.....214	0272254..... 381	0641407 ..... 148	0641708.....72, 73
0100048.... 113, 119, 153, 159, 167, 223, 227, 320, 323, 325, 342, 344, 348	0272418..... 379	0641408 37, 71, 131, 134, 141, 198, 215, 367, 372	0641718.....143
0100062.....76	0272427 ... 221, 225, 228	0641410 ..... 62, 71, 119	0641808.... 11, 29, 54, 55, 62, 64, 71, 178, 183
0100063..... 183, 251	0272435 ... 155, 162, 168, 379	0641412 ..... 30, 37, 199	0641810....147, 153, 159, 165, 192
0100071.....247	0272444..... 221	0641414 ..... 30, 221, 223, 227, 245, 247	0641812..55, 64, 72, 113, 201
0100079...54, 62, 71, 107	0272448..... 379	0641418 ..... 198, 215	0641813..... 134, 140
0100081..... 11, 119, 136, 192, 198, 223, 227	0272507 ..... 123, 333	0641424 ..... 29	0641814..... 12, 64
0140001.....37	0272521..... 381	0641503 ..... 75	0641816.....128
0140011.....223, 227	0272588..... 379	0641504 ..... 29, 199	0641818..... 64, 128
0140032.... 123, 333, 355	0272589 ... 155, 162, 168, 379	0641505 ..... 15	0641820.....113
0200048.....221	0272599..... 379	0641506 ... 37, 54, 55, 62, 64, 113, 123, 140	0641826..... 64
0200742.....143	0272607..... 379	0641507 ..... 64	0642010...54, 62, 71, 183
0200833..... 15	0272621..... 330, 353	0641508 57, 73, 143, 153, 159, 198, 201, 287	0642012..... 175
0236768.....37	0272725..... 380	0641509 .. 29, 54, 62, 128	0642014..... 178, 183
0257728.....380	0272733..... 380	0641510 ..... 285	0642016..... 15
0257887.... 123, 333, 355	0272970..... 216, 320	0641511 .... 15, 54, 62, 71	0642020..... 12
0258703.....380	0273145..... 380	0641516 ... 147, 153, 159, 165	0642022.....178
0259666..... 120, 121	0273149..... 380	0641518 ..... 216	0642028..... 55
0259667.....120	0273353..... 380	0641520 ..... 115, 117	0642030..... 55
0271512..... 45	0273706.... 221, 225, 228	0641524 ..... 45	0642214..... 11, 175
0271520..... 15	0273824 ... 221, 225, 228	0641538 ..... 201	0642612.... 123, 124, 131, 171
0271521..... 11, 12	0273862..... 378	0641605 ... 54, 55, 62, 64, 71	0642684.....201
0271523.....29	0274661..... 380	0641606 ... 11, 54, 57, 71, 73, 140, 183	0681608.....201
0271596..... 45	0275685..... 17	0641607 ..... 37, 198	0681813..... 12
0271769..... 123	0340003..... 55, 64	0641608 ... 11, 29, 37, 54, 55, 64, 71, 72, 73, 109, 115, 124, 128, 134, 140, 143, 175, 192, 201, 209, 291	0681814..... 12, 219
0271803.....378	0340051..... 55, 64	0641609 ..... 11, 64	0681815..... 12
0271804.....378	0363037 ..... 11	0641610 ... 54, 57, 62, 64, 71, 73, 107, 123, 124, 134, 140, 143, 215	0681816..... 12
0271806..... 123	0363062 ..... 37	0641611 ..... 11, 54, 72	0681822.....219
0271807..... 123	0363066 ..... 178	0641612 ..... 54, 71, 107	0681836.....184
0271808.... 124, 224, 228	0363076 ..... 12	0641613 ..... 11	0682022.....183
0271852..... 17	0363081 ..... 143	0641614 ..... 57, 109	0682026..... 45
0271874..... 124	0363082 ..... 143	0641615 ..... 178	0682028..... 73
0271875.....378	0400020 ..... 37	0641616 ..... 147	0682040..... 45
	0440251 ..... 45	0641618 ... 153, 160, 166, 178	0682418..... 45
	0480122 ..... 143		0683020.....183
	0480127 ..... 143		0700615.....131
	0480128 ... 147, 159, 165		0700616..... 136, 141
	0480129 ..... 159, 165		0700808..... 58
	0561431 ..... 178		0700815..... 73
	0561437 ..... 178		0700822..... 57
	0561439 ..... 178		0700823..... 57
	0561444 ..... 178		0700824..... 57
	0561454 ..... 178		0701010..... 58
	0561457 ..... 178		0701012..... 55
	0561458 ..... 178		0701015..... 55
	0561471 ..... 178		0701016..... 57
	0561482 ..... 178		0701418.....143
	0561500 ..... 178		0701617..... 17
	0630357 ..... 198		0701619..... 17
	0630448 ..... 217		0711214.....55, 64
	0630462 ..... 221		0711417..... 64
	0630464 ..... 15, 120, 198		



## PART NUMBER INDEX

0720808 ... 144, 155, 162, 168	0902813 ..... 143	1001098122.....320	1001109511 ..... 134
0721005 ..... 221	0902888 ... 147, 153, 159, 165	1001098149.....380	1001109543 ..... 134
0721006 ..... 55, 72	0903484 ..... 336, 357	1001098513.....63	1001109544 ..... 109
0731007 ..... 109	0903530 ..... 37	1001098530.....63	1001109556 ..... 336
0741404 ..... 198	0940070 ..... 55, 64, 73	1001098531.....63	1001109648 ..... 336
0741606 ..... 15, 178	0940071 ..... 140	1001098601.....66	1001109651 ..... 134
0741607 ... 148, 161, 167	0940103 ..... 221	1001099632.....15	1001109652 ..... 134
0741806 ..... 178	0940133 ..... 221	1001099869.....144	1001109654 ..... 357
0760606 ..... 58	0940134 ..... 221	1001100233.....144	1001109677 ..... 115, 117
0760610 ..... 58	0961845 ..... 215	1001100234.....144	1001109759 ..... 134, 140
0760612 ..... 58	0961896 ... 251, 255, 257	1001100321.....143	1001109838 ..... 134
0760810 ..... 55, 75	0961897 ... 259, 271, 275	1001100326.....331	1001109941 ..... 134
0761007 ..... 58	0961901 ..... 267	1001100327.....331	1001109989 ..... 134, 135
0761210 ..... 54, 58, 71	0961902 ..... 263, 265	1001100328.....331	1001110027 ..... 135, 140
0761212 ..... 57	0961903 ..... 291	1001100329.....331	1001110059 ..... 109
0761214 ..... 24, 75	0961948 ..... 179	1001100331.....331	1001110108 ..... 30
0761215 ..... 19, 66, 72	0961949 ..... 281, 283	1001100333.....331	1001110109 ..... 30
0771212 ..... 73	0961950 ... 183, 184, 255, 257, 259, 261, 271, 275, 281, 283	1001100337.....331	1001110110 ..... 30
0771414 ..... 64, 73	0961986 ..... 55, 64, 73	1001100352.....171	1001110111 ..... 30
0791003 ..... 271	0962006 ..... 263, 265	1001100432.....171	1001110112 ..... 30
0791406 ..... 198	0962033 ..... 11	1001100432.....171	1001110112 ..... 30
0791410 ..... 30	0962051 ..... 128	1001100434.....119	1001110113 ..... 30
0791504 ..... 192	0962181 ..... 183	1001100443.....171	1001110114 ..... 30
0791505 ..... 198	0962185 ..... 287	1001100672.....171	1001110133 ..... 379
0791506 ..... 198	0962270 ..... 219	1001100876.....171	1001110146 ..... 135
0791516 ..... 192	0962297 ... 178, 267, 269	1001101191.....150, 336, 354, 357	1001110166 ..... 135
0791518 ..... 192	0962401 ..... 179	1001101196.....332, 354	1001110186 ..... 45
0791520 ..... 192	0962402 ..... 179	1001101197.....332, 354	1001110194 ..... 135, 140
079160429, 30, 134, 140, 178, 198	0962403 ..... 179	1001101422.....380	1001110257 ..... 135
0791605 ..... 178, 198	0962404 ..... 179	1001101550.....23	1001110258 ..... 135
0791606 ..... 198	0962406 ..... 179	1001102417.....314	1001110295 ..... 135
0791607 ..... 29, 192	0962409 ..... 178	1001102831.....171	1001110296 ..... 135
0791608 ..... 198	0962410 ..... 178	1001103286.....144, 155, 162, 168, 314	1001110425 ..... 71
0791609 ..... 192	0962411 ..... 179	1001103344.....378	1001110433 ..... 135, 140
0791612 ..... 178	0962423 ..... 15	1001103356.....171, 336, 357	1001110486 ..... 135, 140
0791618 ..... 178	0962447 ..... 178	1001103356.....171, 336, 357	1001110513 ..... 30
0791620 ..... 178, 192	0962449 ..... 144	1001104315.....17	1001110604 ..... 307
0791622 ..... 192	0962472 ..... 179	1001104324.....17	1001110872 ..... 154, 161
0791624 ..... 178, 192	0962520 ... 147, 153, 159, 165	1001104325.....17, 23	1001110873 ..... 147, 154, 160, 166, 354, 356
0791808 ..... 192	1001091102.....148	1001104735.....171	1001110877 ..... 30
0811606 ..... 178	1001091969.....331, 353	1001104922.....291	1001110974 ..... 380
0811607 ..... 178, 184	1001091970.....331, 354	1001106736.....120, 324, 337, 345, 358	1001111132 ..... 54, 63
0811608 ... 178, 183, 184	1001091971.....331, 354	1001107176.....134, 135	1001111585 ..... 135
0811610 ..... 178	1001091972.....331, 354	1001107971.....63	1001111914 ..... 171, 336, 357
0811614 ..... 178	1001091973.....331, 354	1001107973.....63	1001112059 ..... 58
0811616 ..... 178	1001091974.....331, 354	1001107975.....63	1001112068 ..... 58
0860038 ... 147, 153, 159, 165, 331, 354	1001091975.....331, 354	1001107978.....136	1001112069 ..... 58
0860520 ... 362, 368, 372	1001092856.....66	1001108024.....136	1001112070 ..... 58
0861538 ... 153, 159, 165	1001093242.....19	1001108142.....134	1001112073 ..... 58
0861541 ..... 154, 161	1001093243.....19	1001108579.....109	1001112162 ..... 135
0861542 ... 153, 154, 159, 161, 335	1001094375.....144, 156, 163, 168	1001108616.....65, 72, 94	1001112551 ..... 372
0861567 ... 153, 154, 159, 161, 335	1001094509.....144, 156, 163, 168	1001108617.....54, 62, 71	1001112570 ..... 58
0861572 ... 153, 159, 165	1001094915.....148, 336, 357	1001108680.....134	1001112592 ..... 58
0861731 ..... 331, 354	1001095976.....336, 357	1001108888.....65, 72, 97	1001112612 ..... 324, 337, 345, 358
0861781 ..... 331, 354	1001096070.....336	1001108904.....134	1001112669 ..... 17
0861880 ... 150, 336, 357	1001096133.....162, 168	1001108919.....109	1001112691 ..... 135, 140
0902206 ..... 123, 124	1001096134.....162, 168	1001108923.....378	1001112716 ..... 17
0902571 ..... 223	1001096496.....379	1001109048.....109	1001112757 ..... 37, 376
0902743 ..... 291	1001097150.....336, 357	1001109468.....308	1001112758 ..... 29, 376
0902755 ..... 37	1001097553.....58	1001109475.....336, 357, 376	1001112766 ..... 64
0902790 ..... 113		1001109477.....336	1001112878 ..... 54, 63
0902800 ..... 37		1001109482.....336, 357, 376	1001112879 ..... 54, 63
		1001109503.....119	1001112880 ..... 54, 63
			1001112927 .. 65, 73, 105
			1001112973 ..... 171

# PART NUMBER INDEX

1001112987.....171, 336, 357	1001117308..... 74	1001119020 ..... 119, 320, 323, 330, 342, 345, 352, 353	1001119668.....185
1001112988..... 171	1001117320..... 216	1001119033 ..... 199	1001119702.....201, 203
1001112989..... 171	1001117358..... 109	1001119040 ..... 113	1001119703.....201
1001113004..... 134	1001117359..... 109	1001119042 ..... 183	1001119704.....201
1001113047..... 135, 140	1001117370 ..... 62	1001119052 ..... 62	1001119706.....201
1001113103..... 109	1001117371 ..... 62	1001119053 ..... 62	1001119710.....185
1001113961.....131, 324, 345	1001117455 ..... 175, 178	1001119054 ..... 62	1001119714.....185
1001114098..... 135	1001117456 ..... 180	1001119105 ..... 263, 265, 272, 275	1001119717...29, 37, 201
1001114495..... 74	1001117457 ..... 180	1001119111 ..... 183, 184	1001119729.....199
1001115961 ..... 17	1001117458 ..... 180	1001119137 ..... 199	1001119817.....308
1001116015.....62	1001117459 ..... 180	1001119138 ..... 308	1001119859.....115
1001116025.....361, 365, 371	1001117479 ..... 180	1001119141 ..... 199	1001119899.....175
1001116111.....55	1001117480 ..... 180	1001119211 ..... 209, 329, 352	1001119901..... 184, 187
1001116112.....54, 58	1001117481 ..... 180	1001119212 ..... 201, 209	1001119938.....172
1001116153.....56	1001117499 ..... 54	1001119214 ..... 209	1001119944.....192
1001116186.....56	1001117500 ..... 57	1001119215 ..... 209	1001119946.....172
1001116201.....56	1001117508 ..... 153, 335	1001119223 ..... 199	1001119952.....37
1001116208..... 171	1001117546 ..... 57	1001119225 ..... 198	1001119966.....154
1001116217..... 171	1001117577 ..... 57	1001119231 ..... 57	1001119968..... 155, 162, 168, 336, 357
1001116222..... 172	1001117874 ..... 57	1001119250 ..... 154	1001119970..... 175
1001116278.....56	1001117969 ..... 263, 265	1001119262 ..... 209, 376	1001119985.....184
1001116290..... 141	1001117984 ..... 263	1001119266 ..... 314	1001119990.....184
1001116304..... 171	1001117990 ..... 263, 265, 330, 353	1001119273 ..... 113	1001119991.....184
1001116305..... 171	1001117991 ..... 271, 275, 330, 353	1001119313 ..... 183, 277	1001119995.....55, 328
1001116313.....56	1001117994 ..... 263, 265, 272, 275	1001119318 ..... 277	1001119998.....184
1001116324.....56	1001118066 ..... 263, 265, 272, 275	1001119385 ..... 325, 348	1001119999.....175
1001116348 .....56	1001118069 ..... 263, 265, 272, 275	1001119388 ..... 215, 223, 320	1001120000.....184
1001116354.....57	1001118070 ..... 263, 271	1001119390 ..... 326, 349	1001120004.....184
1001116367 .....57	1001118082 ..... 183, 271	1001119392 ..... 209, 329, 352	1001120015.....184
1001116413.....57	1001118084 ..... 271	1001119393 ..... 322, 343	1001120028.....199
1001116419.....380	1001118086 ..... 271	1001119394 ..... 326, 349	1001120037.....184
1001116420.....380	1001118142 ..... 180, 259	1001119395 ..... 327, 350	1001120038.....184
1001116436.....57	1001118143 ..... 259	1001119413 ..... 184	1001120039.....184
1001116437 .....57	1001118145 ..... 259	1001119414 ..... 184	1001120048.....199
1001116525.....57	1001118148 ..... 259	1001119452 ..... 277, 279	1001120049.....199
1001116591.....57	1001118149 ..... 259	1001119453 ..... 263	1001120055..... 320, 329, 342, 352
1001116707 .....347	1001118177 ..... 259	1001119455 ..... 37, 308	1001120057.....199
1001116710.....351	1001118286 ..... 201, 205	1001119456 72, 323, 344	1001120076.....199
1001116720.....321	1001118368 ..... 57, 82	1001119470 ..... 323, 325, 344	1001120081.....199
1001116727 .....348	1001118369 ..... 183	1001119497 ..... 180, 291	1001120084.....199
1001116748.....327, 350	1001118373 ..... 199	1001119498 ..... 291	1001120098..... 322, 344
1001116774..... 131, 324, 345	1001118388 ..... 321	1001119500 ..... 291	1001120099..... 322, 343
1001116792.....55, 71	1001118416 ..... 223, 239	1001119503 ..... 291	1001120100.....322, 344
1001116808..... 131	1001118417 ..... 223, 231	1001119509 ..... 119, 376	1001120101.....322, 344
1001116812.....325, 346	1001118430 ..... 180	1001119512 ..... 119, 376	1001120104.....199, 329, 352, 376
1001116815..... 131	1001118431 ..... 180	1001119521 ..... 194	1001120107..... 322, 344
1001116836.....57	1001118442 ..... 175, 267	1001119522 ..... 194	1001120108.....322, 344
1001116952.....348	1001118443 ..... 267	1001119544 ..... 184	1001120111..... 322, 343
1001116967 .....347	1001118564 ..... 183	1001119571 ..... 180	1001120137.....321, 343
1001116983.....351	1001118599 ..... 154	1001119647 ..... 259	1001120138..... 321, 343
1001116994.....337, 358	1001118663 ..... 184, 285	1001119651 ..... 119, 323, 344	1001120139.....321, 343
1001117024.....328	1001118865 ..... 183, 187	1001119652 ..... 119, 323, 345	1001120168.....299, 301, 303, 305, 307, 310
1001117025.....324, 325, 346	1001118867 ..... 183	1001119653 ..... 120, 324, 346	1001120169.....299, 301, 303, 305, 307, 310, 311
1001117057 .....328	1001118930 ..... 199	1001119654 ..... 184	1001120170.....307, 310
1001117064.....327, 329, 350, 352	1001118931 ..... 199		1001120171..... 307, 311
1001117078.....155, 162, 168, 336, 357	1001118932 ..... 299, 307		1001120172.....301, 310
1001117172.....216	1001118933 ..... 307		1001120173..... 305, 310
1001117174.....216, 342, 376	1001118934 ..... 307		1001120174.....303, 310
1001117294.....379	1001118935 ..... 308		1001120175.....299, 310
	1001118957 ..... 115, 311		1001120195.....115
	1001118971 ..... 199, 376		1001120196.....115
	1001118973 ..... 271		1001120209.....194

## PART NUMBER INDEX

1001120257 ..... 194	1001121157.....287	1001125201.....367	1001130161 ..... 57
1001120276 ..... 327, 350	1001121236.....55	1001125202.....367	1001130171 ..... 57
1001120278 ..... 327, 350	1001121340..... 155, 162	1001125203.....371	1001130584 ..... 361, 367
1001120300 ..... 224	1001121826..... 121, 224, 228	1001125204.....372	1001130774 ..... 55
1001120309 ..... 119	1001121827..... 121, 224, 228	1001125205.....372	1001130781 ..... 199
1001120311 ..... 120	1001121837.....217	1001125206.....372	1001131269 ..... 361, 367
1001120323 ..... 120	1001121889..... 153, 335	1001125207.....372	1001131292 ..... 179
1001120325 ..... 378	1001121931..... 154	1001125208.....372	1001131293 ..... 180
1001120328 ..... 120, 245, 320, 330, 342, 352	1001121943.....217	1001125209.....371	1001131296 ..... 180
1001120332 ..... 314, 324, 325, 346, 348	1001121947.....217	1001125210.....372	1001131330 ..... 179
1001120338 ..... 224, 227	1001122235.....217	1001125211.....372	1001131460 ..... 135
1001120348 ..... 299	1001122242.....217	1001125212.....372	1001131461 ..... 135
1001120349 ..... 299	1001122284.....217	1001125274.....361, 367, 371	1001131462 ..... 135, 140
1001120350 ..... 299	1001122383..... 121	1001125279.....267, 269	1001131481 ..... 129
1001120351 ..... 299	1001122384.....224, 228	1001125293.....217, 330, 353	1001131482 ..... 129
1001120352 ..... 299	1001122396..... 322, 343	1001125295.....330, 353	1001131542 ... 55, 64, 72, 135
1001120354 ..... 299	1001122397..... 322, 343	1001125387 ..... 362, 368	1001131544 ..... 134
1001120355 ..... 299	1001122528..... 155, 162, 314, 336, 357	1001125425 ..... 143	1001131545 ..... 134
1001120356 ..... 299	1001122591..... 378	1001125426 ..... 143	1001131620 ..... 192
1001120357 ..... 299	1001122611.....224, 228	1001125427 ..... 159, 165, 334	1001131728 ..... 193
1001120358 ..... 299	1001123066..... 361, 365, 371	1001125428 ..... 159, 165, 334	1001131733 ..... 192
1001120360 ..... 215	1001125137..... 263	1001125429 ..... 143	1001132055 ..... 148, 314, 357
1001120361 ..... 120, 323	1001125140..... 361	1001125666 ..... 323, 344	1001132730 ..... 171
1001120362 ..... 380	1001125141..... 371	1001125677 ..... 330, 352	1001132733 ..... 171
1001120378 ..... 333	1001125143..... 371	1001125891 ..... 57	1001133068 ..... 379
1001120381 ..... 314, 333	1001125144..... 365	1001126008 ..... 131, 330, 352	1001133071 ..... 379
1001120382 ..... 314, 333	1001125146..... 365	1001126300 ..... 217	1001133232 ..... 179
1001120466 ..... 216	1001125147..... 365	1001126351 ..... 347	1001133329 ..... 199
1001120467 ..... 216	1001125148..... 365	1001126352 ..... 347	1001133633 ..... 75
1001120471 ..... 334, 356	1001125150..... 365	1001126357 ..... 347	1001133634 ..... 74
1001120474 ..... 216, 334, 356	1001125151..... 365	1001126358 ..... 347	1001133651 ..... 74
1001120475 ..... 216, 334, 355	1001125152..... 361, 365, 371	1001126359 ..... 348	1001133714 ..... 348, 351
1001120476 ..... 216	1001125153..... 361, 367, 371	1001126362 ..... 348	1001133715 ..... 348, 351
1001120477 ..... 334, 356	1001125175..... 361	1001126363 ..... 348	1001133759 ..... 113
1001120484 ..... 216, 334, 355, 356	1001125176..... 361	1001126364 ..... 348	1001133956 ..... 347
1001120492 ..... 55	1001125177..... 371	1001126365 ..... 348	1001133957 ..... 347
1001120502 ..... 216, 334, 355	1001125178..... 371	1001126384 ..... 347	1001134098 ..... 45, 48
1001120525 ..... 55	1001125179..... 366	1001126391 ..... 348	1001134180 ..... 184
1001120528 ..... 54	1001125180..... 367	1001127092 ..... 171	1001134389 ..... 71
1001120564 ..... 115	1001125181..... 366	1001128527 ..... 381	1001134390 ..... 72
1001120628 ..... 311	1001125182..... 367	1001128765 ..... 55	1001134392 ..... 73
1001120728 ..... 379	1001125183..... 366	1001128789 ..... 55	1001134485 ..... 74
1001120743 ..... 55, 328	1001125184..... 367	1001128797 ..... 55	1001134488 ..... 75
1001120769 ..... 58	1001125185..... 366	1001128898 ..... 54	1001134626 ..... 380
1001120771 ..... 58	1001125186..... 367	1001128899 ..... 54	1001134627 ..... 378
1001120772 ..... 58	1001125187..... 366	1001128947 ..... 74, 76	1001134728 ..... 299
1001120773 ..... 58	1001125188..... 367	1001128996 ..... 378	1001134839 ..... 172
1001120774 ..... 58	1001125189..... 366	1001129023 ..... 56	1001135090 ..... 74
1001120775 ..... 58	1001125190..... 367	1001129304 ..... 56	1001135124 ..... 117
1001120776 ..... 58, 328	1001125191..... 361, 367, 371	1001129360 ..... 58	1001135138 ..... 74
1001120810 ..... 58	1001125192..... 361, 367, 371	1001129361 ..... 58	1001135479 ..... 199, 376
1001120944 ..... 287	1001125194..... 223, 227	1001129408 ..... 171, 337, 358	1001135483 ..... 199
1001120950 ..... 287	1001125195..... 223, 227	1001129617 ..... 179	1001135484 ..... 199
1001120952 ..... 287	1001125196..... 362, 371, 372	1001129733 ..... 153	1001135560 ..... 74
1001120954 ..... 287	1001125197..... 367	1001129858 ..... 147, 149	1001135562 ..... 74
1001120960 ..... 287	1001125198..... 367	1001129920 ..... 263	1001135650 ..... 348, 351
1001120961 ..... 287	1001125199..... 367	1001129921 ..... 263	1001135661 ..... 128
1001120994 ..... 171	1001125200..... 367, 372	1001129922 ..... 183, 263	1001135663 ..... 129
1001121004 ..... 57		1001129961 ..... 184	1001135679 ..... 74
1001121121 ..... 287		1001129995 ..... 57	1001135680 ..... 74
1001121155 ..... 287, 289		1001130025 ..... 120	1001135779 ..... 75, 351
			1001135901 ..... 74
			1001135903 ..... 74
			1001135913 ..... 74
			1001135914 ..... 74

# PART NUMBER INDEX

1001135924.....74	1001139492..... 117	1001143080..... 378	1001151393.....121
1001135926.....74	1001139494..... 117	1001143087..... 117	1001152456.....149
1001135943.....74	1001139654..... 368, 372	1001143123..... 117	1001152457.....147, 148, 335, 356
1001135946.....74	1001139665..... 117	1001143294..... 128	1001152458.....147, 148, 335, 356
1001136079.....73	1001139666..... 117	1001143298..... 129	1001152525.....149, 167
1001136172.....73	1001139774..... 134	1001143341..... 75	1001152530.....149
1001136292.....74	1001139778..... 135, 140	1001143390..... 75	1001152533.....148, 149, 335, 356
1001136356.....147	1001139805..... 134, 135	1001143431..... 131	1001152762.....347
1001136357.....147, 159, 165	1001139930..... 76	1001143515..... 378	1001152963.....72, 88
1001136377.....74	1001139958..... 147, 334	1001143852..... 67, 78, 368, 372	1001152966.....308
1001136626.....74	1001139959..... 147, 334	1001143927..... 181, 382	1001152969.....307, 310
1001136665.....74	1001139972..... 179	1001143928..... 185, 382	1001152972.....299, 301, 303, 305, 307, 310
1001136834.....74	1001139994..... 259	1001143929..... 181, 382	1001153024.....75
1001136988.....159, 165	1001139995..... 263, 265	1001143930..... 378	1001153197.....357
1001137005.....337, 358, 381	1001139996..... 271, 275	1001143931..... 378	1001153257.....148, 314, 336
1001137276.....75	1001139999..... 183, 263	1001144018..... 214	1001153259.....336, 357
1001137354.....42	1001140104..... 183, 271	1001144021..... 215	1001153260.....149
1001137364.....223, 227	1001140105..... 175	1001144022..... 215	1001153387.....75
1001137590.....159, 165, 356	1001140107..... 175, 178	1001144023..... 214	1001154157.....76
1001137591.....159, 165, 356	1001140108..... 183	1001144024..... 214	1001154214.....117
1001137672.....381	1001140222..... 72	1001144027..... 214	1001154260.....180
1001137673.....245	1001140312..... 75	1001144089..... 75	1001154294.....180
1001137785.....66	1001140318..... 380	1001144147..... 131	1001154304.....181
1001137786.....63	1001140346..... 147, 149	1001144300..... 66	1001154306.....181
1001137788.....63	1001140347..... 147, 149	1001144302..... 63	1001154307.....181
1001137790.....62	1001140429..... 215	1001144303..... 63	1001154405.....71, 72, 75
1001137791.....62	1001140483..... 135	1001144304..... 63	1001154592.....148
1001137792.....63	1001140485..... 135, 140	1001144309..... 62	1001155044.....224, 227
1001137793.....62	1001140564..... 75	1001144312..... 62	1001155045.....224, 227, 374
1001137794.....63	1001140604..... 71	1001144313..... 62	1001155575.....74
1001137796.....63	1001140648..... 378	1001144346..... 120	1001155813.....149
1001137798.....62	1001141225..... 71, 351	1001144398..... 291, 295	1001155823.....76
1001137799.....62	1001141300..... 362, 368, 372	1001144433..... 227	1001157520.....167
1001137800.....63	1001141302..... 362, 368, 372	1001144596..... 219	1001157521.....167
1001137801.....62	1001141304..... 75, 351	1001144629..... 214	1001157525.....165, 167, 357
1001138011.....148, 161, 167	1001141717..... 75	1001144630..... 214	1001157528.....167
1001138110.....348	1001141718..... 72	1001145089..... 71	1001157592.....165, 167, 314, 336, 357
1001138111.....348	1001141719..... 75	1001145154..... 75	1001158007.....168
1001138113.....348	1001141744..... 71	1001145162..... 135, 140	1001158008.....149, 168
1001138187.....172	1001141745..... 72	1001145708..... 379	1001158363.....149
1001138188.....172	1001141746..... 73	1001145842..... 72	1001159121.....380
1001138228.....75	1001141811..... 71	1001146041..... 215, 223, 320	1001159256.....224, 228, 374
1001138248.....75	1001141812..... 72	1001146042..... 215	1001160567.....109
1001138253.....75	1001141813..... 72	1001146132..... 135	1001161046.....322, 344
1001138346.....75, 347	1001141815..... 71	1001146178..... 135, 141	1001161047.....322, 344
1001138430.....215	1001141815..... 71	1001146183..... 135, 141	1001161052.....321, 343
1001138431.....214	1001141967..... 332, 354	1001146219..... 74	1001161709.....224, 228, 374
1001138434.....214	1001141968..... 333	1001146244..... 135, 141	1001165035.....71, 75
1001138491.....71, 351	1001141969..... 333, 355	1001147264..... 348	1001165101.....72
1001138494.....215	1001142398..... 75	1001147479..... 199, 376	1001165368.....148, 150
1001138514.....215	1001142501..... 75	1001148648..... 149	
1001138524.....75	1001142504..... 380	1001148841..... 351	
1001138559.....75	1001142505..... 380	1001148842..... 351	
1001138565.....147, 149	1001142637..... 75	1001148843..... 75, 351	
1001138566.....147	1001142645..... 147, 159, 165	1001148902..... 379	
1001138717.....75	1001142683..... 131	1001148903..... 379	
1001138772.....380	1001142694..... 131	1001148905..... 379	
1001138773.....380	1001142719..... 131	1001148906..... 379	
1001138827.....74	1001142736..... 131	1001148971..... 380	
1001139099.....379	1001142914..... 159, 161, 357	1001149730..... 380	
1001139240.....75	1001142938..... 348	1001149818..... 337, 358	
1001139357.....148	1001142940..... 348	1001149994..... 123	
	1001142941..... 348	1001150406..... 123	
		1001150944..... 131, 314	

## PART NUMBER INDEX

1001165676 .....	135	1001185079.....	379	1001209873.....	381	1320295 .....	193
1001165820 .....	75	1001185281.....	228	100120989.....	172	1320298 .....	11, 194
1001166393 .....	74	1001186334.....	219	1001210028.....	381	1320301 .....	198
1001166538 .....	223, 228, 243, 374	1001186375.....	214	1001210043.....	381	1321293 .....	199
1001166539 .....	223, 228, 235, 374	1001186379.....	215	1001228019.....	257	1340065 .....	55, 64
1001166664 .....	216, 223, 320, 342	1001186382.....	215	1001228020.....	253	1340067 .....	378
1001171095 .....	65, 73, 101	1001186383.....	214	1001228031.....	283	1380147 .....	128
1001171130 .....	147, 356	1001186384.....	214	1001228043.....	261	1380169 .....	134, 140
1001171131 .....	380	1001186387.....	214	1001228045.....	269	1560011 .....	326, 349
1001171273 .....	147, 356	1001186389.....	219	1001228046.....	279	1560012 .....	326, 349
1001172760 .....	223, 228	1001186517.....	245	1001228047.....	295	1580011 .....	57
1001172840 .....	372	1001186903.....	119, 323, 345	1001228048.....	289	1580012 .....	216
1001173163 .....	141	1001186905.....	228, 320, 342	1001228057.....	265	1600244 .....	330, 353
1001173164 .....	141	1001187508.....	245, 381	1001228058.....	275	1600317 .....	223, 231
1001173166 .....	141	1001187787.....	379	1001228964.....	381	1600318 .....	223, 239
1001173170 .....	141	1001188884.....	107	1001233047.....	378	1600343 .....	223, 227, 376
1001173171 .....	109	1001188887.....	107	1001239634.....	379	1660253 .....	328, 351
1001173183 .....	141	1001188889.....	245	1001241420.....	379	1670603 .....	332, 354
1001173184 .....	141	1001189177.....	131	101142685.....	75	1670829 .....	119
1001173185 .....	141	1001190097.....	216, 227, 320, 342	1060279.....	368, 372	1670964 .....	193
1001173186 .....	141	1001190105.....	228	1060341.....	149	1670996 .....	29
1001173187 .....	141	1001190110.....	215	1060343.....	155, 162, 167, 335, 357	1671023 .....	64
1001173188 .....	141	1001190586.....	217	1060494.....	154, 161, 335, 357	1671031 .....	198
1001173202 .....	140	1001190587.....	217	1060545.....	150	1671032 .....	178
1001173647 .....	141	1001191525.....	371	1060633.....	330, 353	1671033 .....	178
1001173651 .....	141	1001191541.....	12	1060637.....	64	1671038 .....	134, 140
1001173912 .....	140	1001191708.....	247	1060708.....	155, 161, 335	1671040 .....	15
1001173913 .....	11, 12	1001192401.....	324, 346	1060896.....	322, 343, 344	1671044 .....	198
1001173914 .....	11	1001193018.....	333, 355	1060903.....	221	1671045 .....	29, 30
1001173915 .....	109	1001193646.....	378	1060904.....	66, 328	1671046 .....	29, 30
1001173918 .....	109	1001193674.....	12	1060908.....	333, 336, 357	1671047 .....	29, 30
1001174325 .....	267	1001193684.....	120	1060918.....	216, 320, 342	1671048 .....	29, 30
1001174331 .....	141	1001193685.....	120	10702077.....	167	1671049 .....	29, 30
1001174896 .....	135	1001194197.....	331, 353	10702082.....	167	1671092... 155, 162, 167, 321, 322, 336, 344, 357	
1001175237 .....	141	1001194198.....	331, 353	10837580... 285, 287, 289	167	1671093 .....	322, 344
1001175250 .....	141	1001194200.....	331, 353	1120094.....	281	1671121 .....	54, 62, 71
1001175535 .....	219	1001194203.....	331, 353	1120487.....	110	1671176 .....	223, 227
1001175859 .....	141	1001194204.....	331, 354	1120549.....	15	1683051 .....	287
1001175879 .....	141	1001194365.....	331, 354	1120550.....	15	1683056 .....	251
1001175880 .....	141	1001195610.....	381	1180358.....	11	1683062 .....	255
1001176346 .....	29	1001196714.....	378	1180362.....	192	1683063 .....	271
1001176347 .....	30	1001197016.....	381	1180362.....	192	1683072 .....	267
1001176372 .....	381	1001197408.....	372	1180363.....	192	1684081 .....	12, 255
1001176469 .....	120	1001197436.....	380	1180364.....	192	1684082 .....	255
1001178249 .....	183, 187	1001197860.....	379	1180365.....	192	1684083 .....	255
1001178250 .....	184, 187	1001198751.....	107	1180366.....	193	1684102 .....	11, 251
1001179154 .....	148, 167	1001200064.....	378	1260017.....	45	1684103 .....	251
1001179216 .....	322, 343	1001200065.....	378	1283409.....	67, 78	1684105 .....	251
1001179510 .....	199	1001200066.....	378	1320017.....	55	1684141 .....	291
1001179830 .....	120	1001200067.....	378	1320022... 54, 55, 62, 64, 72, 75, 107	55	1684159 .....	267
1001180051 .....	141	1001200069.....	378	1320058.....	57, 64	1684275 .....	281
1001181045 .....	150, 336, 357	1001200070.....	378	1320060.....	64	1684314 .....	15, 281
1001181046 .....	336	1001200071.....	379	1320061.....	199	1684315 .....	281
1001181151 .....	379	1001200575.....	224, 228	1320095.....	119	1684317 .....	281
1001181895 .....	76	1001202280.....	107	1320130.....	57, 198	1700584 ... 361, 367, 371	
1001182138 .....	247	1001202281.....	107	1320136.....	198, 271, 275	1701499 ... 361, 365, 371	
1001182241 .....	379	1001203866.....	107	1320146... 332, 336, 354, 357	198, 271, 275	1701501 ... 361, 367, 371	
1001182242 .....	379	1001204900.....	379	1320162.....	115, 117	1701505 ... 361, 367, 371	
1001182600 .....	379	1001205178.....	380	1320187.....	54, 62, 71	1701509 ... 361, 365, 371	
1001184785 .....	120	1001205401.....	381	1320190.....	54, 62, 71	1701518 .....	371
1001184786 .....	119	1001206544.....	381	1320223.....	57, 64	1702565 .....	223, 227
1001184787 .....	119	1001206794.....	379	1320224.....	58	1702566 .....	223, 227
1001184788 .....	120	1001206797.....	379	1320263.....	11, 58	1702773 ... 219, 361, 367, 371	
		1001209481.....	381	1320294.....	193, 194	1702774 ... 361, 367, 371	
						1702788 .....	378

# PART NUMBER INDEX

1702868.....	361	1705376.....	155, 161	2110608.....	42, 307	2220886.....	259, 271, 275, 295
1702938.....	225, 228	1705387 ...	148, 155, 162, 168	2110610.....	307	2220887.....	269
1702942.....	57, 63	1705426.....	367	2110806.....	299	2220888.....	267
1702962.....	362	1705427.....	367	2110808 .	19, 24, 42, 203, 205, 301	2220890.....	42
1703162.....	56, 64, 75	1705429.....	367	2110810.....	33, 42, 307	2221084.....	308
1703479.....	378	1705430.....	367	2110812	20, 24, 299, 307, 308	2221086..	29, 33, 42, 203, 205
1703797.....	361	1705460 ...	155, 162, 168	2111010.....	42, 205, 299, 307	2221117.....	307
1703804.....	361	1705461 ...	155, 162, 168	2111012.....	33, 307	2221176.....	54, 62
1703805.....	361	1705489 ...	148, 155, 162, 168	2111016.....	299, 308	2300004.....	56, 73
1703811.....	361, 365, 371	1705492.....	361	2111016.....	299, 308	2300014.....	379
1703814.....	361, 365, 371	1705493.....	365	2111212.....	307	2300016.....	379
1703923.....	366	1705503.....	365	2111216.....	42	2300021.....	379
1703924.....	366	1705505.....	365	2111612.....	308	2300029.....	379
1703925.....	366	1705507.....	365	2111616.....	307	2300039.....	379
1703926.....	366	1705511 ...	361, 367, 371	2112016.....	308	2300040.....	379
1703927.....	366	1705514.....	365	2112020.....	308	2300041.....	56, 73
1703935.....	366	1705744.....	223, 227	2113232.....	307	2400060....	324, 334, 346, 355, 356
1703936.....	366	1705822.....	371	2120217.....	37	2400064....	324, 346, 374
1703937.....	366	1705828.....	371	2130404.....	299, 308	2400065....	325, 346, 374
1703938.....	366	1705864 ...	361, 367, 371	2130406.....	20, 24, 299	2400066.....	325, 346
1703939.....	366	1705865 ...	361, 367, 371	2130606.....	42, 305, 307	2410014.....	219
1703941.....	365	1705868.....	361, 367	2130808.....	299, 307	2420165....	144, 155, 162, 168
1703942.....	365	1705895.....	366	2130810.....	29, 308	2420191.....	109
1703943.....	365	1705896.....	366	2130812	20, 24, 299, 307	2420203.....	143
1703944.....	365	1705897.....	366	2131010.....	299	2460048.....	159, 165
1703945.....	365	1705898.....	366	2131012.....	42	2460049.....	143, 333
1703947.....	366	1705901.....	365	2131212 ...	115, 117, 308	2460055.....	143, 333
1703948.....	366	1705902.....	366	2131612.....	308	2540045....	209, 329, 352
1703949.....	366	1705903.....	365	2150404.....	299	2560136.....	223, 227
1703950.....	366	1705904.....	365	2150406.....	299	2560173.....	216
1703951.....	366	1705905.....	367	2151012.....	33	2560187.....	136, 141
1703953.....	361	1705906.....	365	2170316.....	42	2570008.....	277
1703980.....	366	1705909.....	365	2170504.....	301, 303	2600279.....	120
1703981.....	366	1705910.....	367	2170506.....	303	2600280.....	134
1703982.....	366	1705915.....	365	2170704.....	301	2600281.....	214
1703983.....	366	1705917.....	366	2170710.....	299	2717235.....	299
1703984.....	366	1705921.....	371	2170712.....	115, 117	2720015.....	75
1704000.....	366	1705961.....	371	2170804.....	301	2720058.....	57, 64, 107
1704001.....	366	1705967.....	366	2170908.....	299, 308	2720500.....	64
1704006.....	365	1705968.....	366	2171112.....	117	2720501.....	64
1704007.....	365	1705969.....	366	2171208.....	299	2720510.....	64
1704260.....	223, 227	1705973.....	224, 228	2180002.....	45	2750528.....	45
1704277.....	361, 365, 371	1705974.....	121	2180002.....	45	2750532.....	54, 62, 64
1704412.....	361, 365, 371	1705980.....	371	2180344.....	45	2753541.....	301
1704885.....	361, 367, 371	1706059.....	367	2180348.....	54, 62, 107	2753545.....	299, 301
1704972.....	361, 367	1706060.....	367	2180467.....	109	2753552.....	301
1705014.....	219	1706061.....	367	2180832.....	71	2753582.....	301
1705132.....	223	1706063.....	367	2200221.....	55	2753622.....	307
1705170.....	224, 228	1706064.....	367	2200222.....	54, 62, 71	2753675.....	299
1705174.....	224, 228	1706098.....	371	2220063.....	45	2753677.....	301
1705307.....	181, 379, 381	1706385.....	219	2220235.....	301	2753685.....	301
1705325.....	143	1706493.....	219	2220238.....	301	2753703.....	301
1705325.....	143	1706501.....	219	2220313.....	54, 62, 71	2753708.....	307
1705336.....	361	1706741.....	223, 227	2220451.....	64	2753713.....	301
1705337.....	361	2060025.....	56, 64	2220478.....	307	2753714.....	301
1705338.....	365	2080040.....	214, 216	2220498.....	64	2753715.....	301
1705338.....	365	2080051.....	134	2220737.....	307	2753716.....	301
1705339.....	365	2110404	19, 24, 203, 205, 299, 307	2220816.....	107	2753718.....	307
1705341.....	365	2110406	33, 42, 203, 206, 299, 303	2220883.....	33, 251, 253, 261, 263, 265, 269, 271, 275, 285, 287, 289	2753719.....	303
1705342.....	365	2110408.....	42	2220885 ...	255, 257, 259, 261, 269, 271, 275, 283, 285, 287, 289, 291, 295	2753726.....	303
1705344.....	366	2110604.....	205, 303			2753727.....	303
1705345.....	366	2110606	29, 42, 203, 205, 303			2753728.....	305
1705347.....	366					2753729.....	303
1705348.....	366					2753730.....	307
1705351.....	361						
1705366.....	198						
1705367.....	198						
1705374.....	148, 155, 162						
1705375.....	155, 162, 168						

## PART NUMBER INDEX

2753731 .....	307	2902081 .....	291	3300243.....	201	3340927 .....	175
2753732 .....	305	2902082 .....	267	3300353.....	223, 227	3340932 .....	11
2753733 .....	305	2902087 .....	255, 257	3300396.....	148, 155, 161, 167	3340939 .....	11, 194
2753734 .....	305, 307	2902099 .....	62, 328	3300408.....	119, 223, 227	3340940 .....	193
2753735 .....	305	2902257 .....	281, 283	3300430.....	245, 247	3340941 .....	198
2753736 .....	305	2902303 .....	378	3300449.....	217	3340942 .....	193, 194
2753737 .....	305	2902307 .....	378	3300454.....	30, 37, 65, 131	3340946 .....	11
2753738 .....	305	2902308 .....	378	3300458.....	178	3340955 .....	179
2753739 .....	305	2902309 .....	378	3300460.....	178	3340963 .....	291
2753741 .....	307	2902310 .....	378	3300461.....	179	3380434 .....	215
2753742 .....	305	2902311 .....	378	3300464.....	15	3380473 .....	63
2753743 .....	299, 305	2902312 .....	378	3300465.....	281, 283	3380652 .....	379
2753744 .....	307	2902322 .....	378	3300492.....	193	3421563 .....	45
2753746 .....	307	2902329 .....	378	3310401.....	73	3421565 .....	45
2753747 .....	301	2902443 .....	325, 348	3310601.....	128, 144, 155, 162, 168	3422446 .....	54, 63, 71
2753748 .....	301	2915072 .....	45, 382	3310805.....	11, 144, 156, 162, 168	3422530 .....	128
2753749 .....	301	2920027 .....	223	3311001.....	72, 120, 123, 148, 167	3422532 .....	65
2753750 .....	301	2920028 .....	225, 227, 228	3311005.....	55, 131, 144, 148, 167, 216	3422833 .....	12
2753752 .....	301	2920029 .....	224, 225, 227, 228	3311401.....	119, 221	3422915 .....	12
2753753 .....	305	2920110 .....	123	3311402.....	119	3422917 .....	15
2753754 .....	305	2920113 .....	123	3311405.....	29, 30, 37, 55, 56, 65, 71, 73, 119, 120, 128, 135, 140, 144, 148, 171, 198, 209, 215, 362, 368, 372	3422918 .....	11
2753755 .....	299	2920129 .....	325, 348	3311501.....	221, 285	3422926 .....	179
2753756 .....	301	2920154 .....	223, 227	3311505.....	15, 29, 45, 54, 57, 63, 65, 115, 117, 123, 128, 135, 136, 140, 141, 199, 201, 287	3422940 .....	15
2753757 .....	301	2920157 .....	124	3311508.....	147, 153, 160, 166, 193	3422941 .....	15
2753759 .....	301	2920161 .....	123, 333, 355	3311601.....	37, 109, 141, 224, 228	3422955 .....	175
2753760 .....	301	2920214 .....	123	3311605.....	29, 37, 54, 56, 65, 71, 72, 73, 115, 124, 128, 134, 140, 144, 179, 181, 198, 209, 215, 219	3422959 .....	179
2753761 .....	301	2920215 .....	123	3311608.....	179, 184, 193	3422960 .....	11
2753762 .....	301	2940074 .....	214, 374	3311705.....	72, 73	3422988 .....	175
2753763 .....	299	2940139 .....	120	3311801.....	153, 161, 167, 179	3422989 .....	175
2753764 .....	301	2940173 .....	134, 141	3311805.....	56, 65, 113, 128, 135, 140, 201	3423161 .....	184
2753765 .....	308	3020008 .....	20, 24, 379	3312002.....	45	3423208 .....	175
2753766 .....	307	3020016 .....	56, 64	3312005.....	12, 56, 175, 183	3423256 .....	15
2753767 .....	299	3020037 .....	56, 72	3312602.....	123	3430816 .....	128
2753768 .....	301	3020039 .....	178, 263, 271	3322201.....	113	3441680 .....	179
2753769 .....	307	3020042 .....	178	3340871.....	179	3450404 .....	128
2753770 .....	307	3020043 .....	277	3340877.....	136	3451214 .....	15
2753771 .....	308	3020044 .....	64	3340881.....	11, 179, 184	3470003 .....	224, 228
2753772 .....	308	3160302 .....	45, 48	3340907.....	11	3480233 .....	263
2753773 .....	308	3160339 .....	17, 27	3340910.....	179	3480268 .....	291
2753774 .....	308	3200362 .....	65	3340912.....	179	3480269 .....	255
2753775 .....	308	3200401 .....	65	3340916.....	179	3480270 .....	267
2753776 .....	308	3220126 .....	56, 65	3340917.....	179	3480272 .....	251
2753778 .....	115	3220130 .....	56, 65	3340918.....	179	3480278 .....	281
2753784 .....	299	3250585 .....	216	3340921.....	179	3480282 .....	271
2753843 .....	115	3251102 .....	144, 147, 153, 160, 166	3340922.....	179	3510822 .....	214
2753999 .....	115	3251242 .....	148	3340925.....	193	3510823 .....	214
2754470 .....	299	3251243 .....	148, 361	3340926.....	179	3510830 .....	214
2760105 .....	119	3251813 .....	361, 366			3510833 .....	214
2780286 .....	17	3252347 .....	361			3510868 .....	219
2780290 .....	17	3252507 .....	143			3510877 .....	219
2820019 .....	149	3271601 .....	107, 193			3520026 .....	223, 227
2820031 .....	144, 147, 153, 160, 166	3271805 .....	219			3520027 .....	223
2820035 .....	123, 333, 355	3272001 .....	73			3520034 .....	135, 140
2820118 .....	322, 343, 344	3272005 .....	183			3520054 .....	12, 56, 65, 72
2820170 .....	54, 62	3281601 .....	198			3520072 .....	214, 215, 219
2840016 .....	128	3290405 .....	148			3520182 .....	247
2860030 .....	121, 374	3290501 .....	58			3520189 .....	155, 162, 168, 336, 357
2900770 .....	41, 49, 255, 257, 263, 265, 267, 269, 285, 287, 289	3290505 .....	144			3520192 .....	149, 161, 162, 168
2900789 .....	292, 295	3290601 .....	136, 141			3520198 .....	214, 215
2900792 .....	251, 253, 259, 261, 271, 275	3290606 .....	215			3537416 .....	65
2901443 .....	330, 353, 381	3290607 .....	131			3537445 .....	128
2901773 .....	251, 253	3290801 .....	73			3539971 .....	65
2902065 .....	64, 73	3300151 .....	215			3572950 .....	179
		3300220 .....	71			3572951 .....	179, 180
		3300239 .....	178			3573016 .....	193
						3573142 .....	65
						3573144 .....	120

# PART NUMBER INDEX

3573179.....	193	3841258.12, 15, 175, 183	3951524.....	194	4071054.....	11	
3573181.....	193	3841287.....	11, 175	3952020.....	45	4071055.....	11
3573194.....	193	3841340.....	29, 109	3960418.....	120	4071074.....	224, 227
3573210.....	193	3841581.....	175	3960422 ...	147, 153, 160, 166, 332, 335, 354, 356	4100099.....	271
3573294.....	11	3841589.....	221	3960447.....	141	4120035.....	323, 345
3573301.....	198	3890040.....	219	3960525.....	109	4120040.....	181, 381
3573335.....	11	3900054.....	219	3960543.....	56, 65, 73	4120043.....	181, 381
3573336.....	123, 124	3900085.....	123	3960544.....	56, 65, 74	4160194.....	134, 140
3573355.....	124	3900174 ...	134, 140, 217	3960551.....	15	4160197.....	180
3573411.....	65	3900183.....	223, 227	3960552.....	15	4220162.....	123, 124
3573412.....	56, 65	3900205.....	214	3960552.....	15	4240018..	54, 63, 71, 147, 153, 161, 166, 193
3573437.....	179	3900210 ...	134, 136, 140, 141, 201	3980006.....	37	4240032....	144, 156, 163, 168
3573444.....	179	3900223.....	45	3990001 ....	323, 345, 374	4240033	54, 57, 171, 216, 245
3573454.....	128	3900232 ...	134, 140, 193	4000008 ...	198, 329, 351, 376	4240099..	63, 65, 75, 216, 221
3573529.....	65	3900267.....	149	4010408.....	148, 217	4240139.....	109
3573644.....	54, 63	3900270.....	11	4010618.....	215	4240153.....	193
3573669.....	63	3900272.....	54, 63	4031607.....	58	4240155.....	12, 193
3573728.....	54, 63	3900283	29, 30, 109, 134, 184, 193, 201	4031608.....	144	4240156.....	193
3574091.....	221	3900300.....	148	4031911.....	56	4240157....	153, 159, 165
3574431.....	198	3900316.....	193	4031914.....	74	4340999.....	134, 140
3574616.....	198	3900322.....	144	4032008.....	56	4341158.....	198
3575359.....	221	3900322.....	144	4032014.....	74	4360031.....	216
3575889.....	184	3900349.....	224, 227	4032022.....	65	4360057.....	221, 376
3580134.....	143	3900363.....	136, 141	4060092.....	332, 354	4360070....	148, 155, 162, 167, 376
3580158.....	65	3910408.....	73	4060700.....	332, 335	4360274.....	119, 374
3580276.....	143	3910606 ...	147, 153, 160, 166	4060802 ...	144, 147, 153, 161, 166, 216	4360328....	119, 224, 374
3580298.....	179	3910608 ...	128, 144, 156, 162, 168	4060804.....	65, 193	4360330.....	224
3580300.....	179	3910610.....	155, 162	4060805.....	57, 65	4360331.....	224
3580302.....	179	3910804.....	121	4060808.....	29	4360336....	144, 147, 153, 161, 167, 216, 224, 376
3580308.....	179	3911012.....	131	4060906 ...	119, 224, 227	4360387....	120, 224, 225, 227, 228, 374
3580317....	147, 160, 166	3911040.....	123	4060907.....	123	4360407....	224, 227, 374
3580318....	147, 153, 160, 166	3930606.....	198	4061043.....	335	4360469.....	121, 376
3580319....	147, 153, 160, 166	3930816.....	198	4070863.....	179	4360470.....	121, 376
3580320.....	65, 73	3930820.....	11, 198	4070864.....	180	4360475....	119, 224, 227, 374
3580321.....	57	3930824.....	198	4070895.....	180	4360476.....	119, 374
3580341.....	179	3931008.....	113	4070897.....	180, 184	4360505.....	15, 328, 350, 374
3580342.....	179	3931010.....	216	4070898.....	180, 184	4360522....	225, 228, 376
3600339.....	65, 88	3931016.....	147, 165	4070987.....	121	4360527....	198, 329, 351, 376
3600465.....	37	3931020.....	15	4071012.....	180	4360542.....	143
3620034.....	115	3931412.....	15, 171	4071013.....	180	4360543.....	198, 376
3620041.....	65	3931414.....	198	4071015.....	180	4360545.....	198
3641533.....	155, 162	3931416.....	171	4071016.....	180	4360578.....	12, 199, 376
3740067 ...	37, 56, 65, 374	3931420 ...	263, 265, 271, 275	4071017.....	180	4400439.....	109
3740080	56, 65, 123, 124, 144, 324, 325, 346, 374, 376	3931424.....	245	4071018.....	180	4400457.....	109
3760170.....	45	3931432.....	73	4071019.....	180	4420037.....	37, 216
3760217.....	179	3931456.....	291	4071021.....	193	4420038.....	109
3760308.....	135, 217	3931508.....	76, 198	4071022.....	193	4420051....	362, 368, 372, 379
3760351.....	184	3931512.....	73, 113	4071023.....	193	4420060....	144, 156, 163, 168
3760369.....	251	3931516.....	285, 287	4071024.....	180	4420068.....	221
3760371....	255, 271, 275	3931608.....	291	4071025.....	180	4460018....	144, 156, 163, 168
3760375.....	267	3931616.....	120	4071026.....	180	4460027.....	143
3760383.....	15	3931620.....	251, 253	4071027.....	180	4460042.....	320
3790012.....	223, 227	3931628.....	73	4071028.....	180	4460049.....	221
3790015.....	224, 227	3931824 ...	255, 257, 271, 275	4071029.....	180		
3790152.....	66, 72	3931840.....	291	4071035.....	11		
3790155.....	66, 72	3932016.....	183	4071036.....	11		
3790158.....	19, 24	3932024.....	15	4071039.....	11, 184		
3820001....	362, 368, 372	3932032.....	259	4071040.....	11, 184		
3820020.....	214	3932224.....	183	4071041.....	45		
3820034.....	217	3932244.....	267	4071042.....	12		
3841143...54, 63, 71, 183		3951003.....	263, 271	4071046.....	180		
3841203.....	179, 183	3951522.....	194	4071049.....	12		
				4071050.....	12		



## PART NUMBER INDEX

4460051 ... 153, 161, 332, 335, 354	326, 327, 328, 329, 330, 337, 342, 343, 344, 345, 346, 347, 348, 349, 350, 351, 352, 353, 358	4460873....321, 323, 343, 345	4460941 ... 322, 328, 329, 343, 347, 350, 351
4460068 ..... 148		4460874....321, 323, 343, 344, 345	4460942 ... 154, 161, 167, 322, 323, 324, 327, 329, 343, 344, 345, 346, 347, 348, 350, 351
4460071 ... 148, 153, 161, 167, 216, 320, 335, 342, 356	4460467 .... 337, 358, 381	4460875.....323, 345	4460943 ... 131, 321, 325, 326, 327, 328, 329, 334, 337, 343, 346, 347, 349, 350, 351, 355, 356, 358
4460125 ..... 332, 355	4460470 ... 119, 224, 227, 320, 323, 329, 342, 344, 352	4460876....321, 323, 343, 345	4460944 ... 321, 324, 325, 326, 327, 328, 329, 330, 337, 343, 345, 346, 347, 348, 349, 350, 351, 352, 353, 358
4460134 ..... 322, 344	4460471 ... 119, 224, 227, 320, 323, 329, 342, 344, 352	4460877.....323, 345	
4460190 ..... 143		4460878.....323, 345	
4460205 ..... 332, 354	4460473 ... 322, 323, 343, 344	4460879....321, 334, 343, 355, 356	
4460224 ..... 320, 342	4460483 ..... 149	4460880....323, 325, 327, 344, 346, 350	
4460225 ... 149, 154, 161, 167, 321, 335, 342, 356	4460488 ..... 171	4460884....321, 324, 326, 327, 329, 334, 346, 348, 349, 350, 352, 356	
4460226 ... 154, 161, 167, 236, 243, 320, 321, 330, 333, 335, 336, 342, 353, 356, 357	4460496 ... 120, 171, 224, 227, 320, 336, 342, 357	4460887....321, 323, 334, 343, 345, 355, 356	4460945 ... 326, 337, 348, 358
4460227 ... 320, 321, 323, 342, 343, 345	4460497 ... 120, 171, 224, 227, 320, 336, 342, 357	4460891.... 131, 322, 323, 325, 326, 327, 329, 333, 334, 343, 344, 346, 349, 350, 351, 352, 355	4460950 .... 328, 347, 350
4460234 ..... 75, 144, 156, 163, 168, 221, 224, 227	4460508 ... 321, 323, 329, 343, 345, 352	4460894....325, 326, 348, 349	4460956 .... 150, 336, 357
4460265 ..... 236, 243	4460509 .... 322, 343, 344	4460897.... 131, 322, 323, 334, 337, 343, 344, 351, 355, 358	4460957 .... 150, 336, 357
4460267 ... 320, 325, 333, 337, 342, 346, 358	4460510 .... 337, 358, 381	4460899....325, 327, 346, 349, 350	4460958 .... 154, 161, 335
4460268 ... 123, 149, 324, 334, 335, 346, 355, 356	4460518 ..... 131	4460905.... 119, 131, 224, 227, 320, 321, 323, 337, 342, 343, 345, 358	4460959 ..... 322, 344
4460315 ..... 154, 161	4460526 ... 119, 323, 325, 344, 346	4460906.....333	4460960 ..... 322, 344
4460320 ... 325, 333, 337, 346, 358	4460536 ... 131, 321, 328, 329, 343, 350, 351	4460908.....324, 346	4460961 ..... 333
4460321 .... 330, 333, 353	4460539 ... 321, 325, 326, 337, 343, 346, 348, 349, 358	4460910....329, 330, 351, 353	4460962 ..... 322, 344
4460346 ... 148, 154, 161, 167, 332, 335, 355, 356	4460545 ..... 329, 351	4460911.....326, 349	4460963 ... 155, 162, 167, 322, 336, 344, 357
4460374 ... 324, 325, 333, 334, 346, 355	4460634 ..... 323, 345	4460912.....326, 349	4460965 ..... 327, 349
4460375 ... 324, 325, 333, 334, 346, 347, 355	4460635 ..... 323, 345	4460913....329, 330, 352, 353	4460967 ... 155, 162, 168, 336, 357
4460418 ... 321, 323, 334, 342, 345, 355	4460662 ..... 332, 354	4460914..... 15, 120, 199	4460968 .... 12, 144, 199, 332, 354
4460419 ... 321, 323, 334, 342, 345, 355	4460705 ..... 333	4460917....329, 330, 351, 353	4460970 ... 209, 324, 345, 347
4460424 ... 123, 324, 334, 346, 355	4460708 ... 320, 321, 322, 342, 344	4460918....324, 326, 330, 345, 346, 349	4460971 ..... 209
4460425 ... 148, 155, 162, 167, 335, 357	4460709 ... 322, 332, 344, 354	4460925.....321, 343	4460982 ..... 347
4460426 ... 119, 149, 155, 162, 167, 323, 335, 344, 357	4460710 ..... 322, 344	4460926.....326, 349	4460984 ..... 330, 352
4460428 ... 216, 224, 227, 320, 334, 342, 356	4460761 ... 321, 323, 343, 345	4460928....324, 326, 345, 346, 349, 352	4461005 ..... 325
4460434 ..... 320, 342	4460807 ... 149, 154, 161, 167, 335, 356	4460929.....321, 343	4461006 ..... 325
4460458 ..... 348	4460808 ... 149, 154, 161, 167, 335, 356	4460930....325, 326, 327, 328, 329, 330, 347, 348, 349, 350, 352, 353	4461008 ..... 325, 348
4460464 ... 131, 320, 321, 323, 324, 325, 327, 328, 329, 334, 337, 342, 344, 345, 346, 347, 350, 351, 352, 355, 358	4460836 ... 324, 327, 329, 345, 346, 347, 350, 351, 352	4460931....324, 346, 347	4461052 ..... 325
4460465 ... 131, 149, 155, 162, 168, 322, 324, 325, 326, 327, 328, 329, 330, 333, 334, 336, 342, 343, 344, 345, 346, 347, 348, 349, 350, 351, 352, 353, 355, 356, 357	4460837 ... 119, 323, 328, 344, 351	4460932....321, 326, 327, 329, 334, 349, 351, 352, 355, 356	4461053 ..... 325
4460466 ... 131, 320, 321, 322, 323, 324, 325,	4460842 ..... 324, 346	4460933....320, 324, 325, 327, 329, 330, 342, 345, 347, 348, 350, 352, 353	4461054 .... 325, 348, 351
	4460843 ..... 324, 346	4460934....327, 329, 347, 350, 352	4461060 ..... 325
	4460851 ..... 330, 353	4460935....327, 329, 347, 350, 352	4461070 ..... 325, 347
	4460852 ..... 330, 352		4461071 ..... 325, 348
	4460865 .... 322, 343, 344		4461072 ..... 325, 348
	4460866 ... 321, 323, 329, 342, 345, 352		4461073 ..... 325, 348
	4460868 ..... 323, 345		4461074 ..... 325, 348
	4460871 ... 131, 231, 232, 239, 240, 320, 321, 323, 324, 325, 329, 330, 337, 342, 343, 345, 346, 352, 358		4461076 ..... 329, 351
	4460872 ..... 325, 346		4461077 ..... 330, 352

# PART NUMBER INDEX

4461246.....	333, 355	4740397 ...	144, 161, 224, 227	4891400 .....	199	70000844.....	19
4461249.....	332, 355	4740400 .....	193	4891500 .....	144	70000845.....	19
4461250.....	333	4740430 .....	30	4891600 .	57, 66, 72, 181, 194, 201	70000846.....	19
4520261.....	17	4740444 .....	119	4891800	66, 72, 128, 129, 148, 154, 161, 167, 184, 194, 201, 291	70000847.....	19
4562516.....	193	4740461 .....	12	4892000 .	17, 45, 74, 144, 180, 183	70000848.....	19
4566667.....	259	4740505 .....	15	4892400 .....	45	70000849.....	19
4567434.....	263	4740509 .....	180	4892600 .....	123, 201	70000852.....	27
4568293.....	65	4740518 .....	65	4920044 .....	149	70000853.....	27
4568319.....	267	4750600 ...	128, 129, 155, 162	4921850 .....	381	70000854.....	27
4568423.....	180	4750800	12, 15, 144, 156, 163, 168, 199	4922641 ...	155, 162, 168, 333, 336, 357	70000855.....	27
4568426.....	115	4751000 ...	109, 120, 123, 144, 148, 167, 216	4922716 .....	326, 348	70000856.....	27
4568427.....	115	4751400 .	56, 65, 74, 119, 120, 128, 131, 134, 141, 144, 215, 217, 221, 224, 227, 247, 362, 368, 372	4922718 .....	326, 349	70000857.....	27
4568735.....	57	4751500 ....	56, 123, 134, 140, 148, 154, 161, 167, 193, 201, 221, 287	4922738 .....	334, 355	70000858.....	27
4640438.....	267, 269	4751600 .	15, 29, 30, 109, 115, 120, 124, 134, 140, 175, 184, 215	4922780 .....	326, 349	70000859.....	27
4640489.....	263, 265	4751700 .....	74	4922781 .....	326, 349	70000860.....	27
4640509.....	251, 253	4751800 ...	113, 135, 140, 219, 221	4922972 ...	154, 161, 167, 335, 356	70000861.....	27
4640741.....	49	4752000 .....	54, 63, 71	4923256 .....	326, 349	70000862.....	27
4640750.....	57	4755000 .....	15	4923468 .....	66, 328	70000863... 154, 159, 165	66
4640751.....	65, 75	4760600 ...	144, 155, 156, 162, 163, 168	4932592 .....	66, 328	70000916.....	66
4640771.....	285, 287, 289	4761400 .....	119	4933218 .....	314	70000917.....	66
4640858.....	255, 257	4761500 .....	285	4933253 .....	314	70000919.....	66
4640999....	259, 261, 271, 275	4770600 .....	128, 129	4933262 .....	314	70000998.....	37
4641155.....	29	4791400 .	37, 66, 74, 148, 154, 161, 167	5241200 .....	20, 24	70000999.....	37
4641210.....	267, 269	4811600 .....	58, 144	5250608 .....	58	70001000.....	38
4641247.....	115, 117	4811700 ....	58, 131, 215	5250808 .....	58	70001001.....	37
4641248....	259, 261, 271, 275	4811900 ...	57, 58, 74, 136	70000044 .....	66	70001017.....	56, 65
4641260.....	263, 265	4811902 .....	74	70000068 .....	67	70001100... 154, 159, 165	66
4641267.....	37, 41	4812000 .....	57, 58, 74	70000342 .....	187	70001101.....	113
4641268.....	29	4812100 ...	54, 56, 58, 71, 74	70000345 .....	67, 77	70001102.....	113
4641276.....	255, 257	4812200 .....	74	70000619 ..	153, 159, 165	70001124.....	67
4641289.....	292, 295	4821397 .....	221	70000793 .....	64, 73	70001125.....	67
4641454.....	29, 33	4831400 .....	217	7000801 .....	33	70001126.....	67
4700038.....	180	4831900 .....	57, 74	7000802 .....	33	70001128.....	66
4700039.....	180	4832000 .....	56	7000803 .....	33	70001129.....	66
4710400.....	74	4846383 .....	12	7000804 .....	33	70001130.....	66
471100055, 72, 131, 149, 167		4846423 .....	193	7000805 .....	33	70001131.....	66
4711400....	29, 30, 37, 55, 56, 63, 71, 74, 134, 140, 141, 148, 154, 161, 167, 171, 199, 209, 215, 217, 245, 247	4846429 .....	193	7000806 .....	33	70001135.....	67
4711500....	15, 29, 37, 54, 56, 63, 65, 74, 115, 117, 129, 136, 140, 141, 193, 199, 201, 224, 228	4846431 .....	193	7000810 .....	19	70001384... 154, 159, 165	66
4711600....	12, 29, 37, 54, 56, 63, 65, 71, 72, 74, 107, 128, 129, 134, 140, 144, 148, 154, 161, 167, 180, 181, 199, 201, 209, 291	4846452 .....	214	7000811 .....	19	70001435.....	66
4711700.	72, 74, 107, 144	4846453 .....	180	7000812 .....	19	70001498.....	67
4711800....	12, 15, 29, 56, 65, 128, 129, 194, 219	4846455 .....	66	7000813 .....	19	70001696... 154, 160, 166	66
4711900.....	144	4846552 .....	216	7000816 .....	19	70001697.....	188
4712000.....	12, 56	4846561 .....	201	7000817 .....	19	70001847.....	67
4712600.....	131, 171	4846573 .....	201	7000818 .....	19	70001850.....	66
4740171.....	56, 72	4846637 .....	12	7000819 .....	20	70001857.....	67
4740181.....	15	4846673 .....	221	7000820 .....	19	70001866.....	67
4740229.....	15	4846753 .....	194	7000821 .....	19	70001867.....	66
4740242.....	56	4846945 .....	66	7000822 .....	19	70001868.....	67
4740274.....	65	4846946 .....	66	7000823 .....	19	70001869.....	328
4740362.....	215	4860236 .....	17	7000824 .....	19	70001870.....	67, 76
				7000825 .....	19	70001871.....	67
				7000826 .....	19	70001930.....	41
				7000834 .....	19	70001939.....	29
				7000835 .....	19	70001941.....	123
				7000836 .....	19	70001952.....	88
				7000838 .....	19	70001953.....	160, 166
				7000839 .....	19	70001955.....	97, 101
				7000840 .....	19	70001956.....	97, 101
				7000841 .....	19	70001958.....	95
				7000842 .....	19	70001966.. 149, 154, 160, 166	
				7000843 .....	19	70001968.....	83, 89
						70001973... 154, 160, 166	
						70001974... 154, 160, 166	
						70001976.....	29, 41
						70002015.....	23
						70002016.....	23

## PART NUMBER INDEX

70002018 .....	23	70002248 .....	24	70002677 .....	67	70003032 .....	292
70002019 .....	23	70002249 .....	23, 24	70002718 .....	67, 76	70003045 .....	285
70002020 .....	23	70002293 .....	171	7000272 .....	48	70003046 .....	285
70002026 .....	23	70002294 .....	171	70002724 .....	239	70003047 .....	285
70002027 .....	23	70002295 .....	171	70002725 .....	239	70003048 .....	285
70002029 .....	23	70002296 .....	337, 358	70002726 .....	239	70003049 .....	285
70002030 .....	23	70002297 .....	154, 160, 166	70002727 .....	239, 240	70003050 .....	285
70002031 .....	23	7000236 .....	48	70002728 .....	239	70003051 .....	285
70002032 .....	23	70002373 .....	289	70002729 .....	240	70003052 .....	285
70002033 .....	23	7000239 .....	48	7000273 .....	48	70003053 .....	285
70002034 .....	23	70002393 .....	19	70002730 .....	231	70003155 .....	184
70002035 .....	23	70002394 .....	19	70002731 .....	231	70003156 .....	184
70002036 .....	23	70002395 .....	19	70002732 .....	231	70003163 .....	82
70002037 .....	23	70002396 .....	19	70002733 .....	231	70003164 .....	82
70002039 .....	23	70002397 .....	19	70002734 .....	231	70003165 .....	83
70002040 .....	23	70002398 .....	19	70002735 .....	231	70003166 .....	84
70002041 .....	23	7000240 .....	48	7000274 .....	48	70003167 .....	83, 84
70002044 .....	23	70002415 .....	67	7000275 .....	48	70003168 .....	83, 84
70002045 .....	23	70002416 .....	67	70002758 .....	42	70003169 .....	83, 84
70002046 .....	23	70002417 .....	67	70002759 .....	42, 206	70003170 .....	83
70002047 .....	23	70002460 .....	154, 160, 166	70002760 .....	42	70003172 .....	83
70002048 .....	23	700025082 .....	67	7000281 .....	48	70003173 .....	82
70002049 .....	23	70002569 .....	90	70002818 .....	155, 162	70003174 .....	82
70002050 .....	23	70002576 .....	105	70002819 .....	155, 162	70003175 .....	82
70002052 .....	23	70002578 .....	97, 101	70002820 .....	155, 162	70003176 .....	82
70002088 .....	160, 165	70002579 .....	97	70002821 .....	155, 162	70003177 .....	82
70002097 .....	37	70002580 .....	97, 101	70002822 .....	155, 162	70003407 .....	330, 353
7000213 .....	49	70002581 .....	97	70002823 .....	155, 162	70003450 .....	154
70002132 .....	94	70002582 .....	97, 101	70002824 .....	155, 162	70003451 .....	154
70002133 .....	94, 97, 101	70002583 .....	97, 101	70002825 .....	155, 162	70003452 .....	154
70002134 .....	94	70002584 .....	97	70002826 .....	155, 162	70003472 .....	67
70002135 .....	94	70002585 .....	97, 101	70002829 .....	58	70003473 .....	67
70002136 .....	94	70002586 .....	97, 101	70002830 .....	58	70003475 .....	67
70002137 .....	94	70002587 .....	97	70002831 .....	58	70003483 .....	216
70002138 .....	94	70002588 .....	97, 101	70002832 .....	58	70003484 .....	113
70002139 .....	94	70002589 .....	97, 101	70002833 .....	58	70003485 .....	113
70002140 .....	94	70002590 .....	97, 101	70002834 .....	58	70003523 .....	49
70002141 .....	94	70002591 .....	98	70002835 .....	58	70003524 .....	48, 49
70002142 .....	94	70002592 .....	98, 102	70002837 .....	58	70003533 .....	217
70002143 .....	94	70002593 .....	98, 102	70002853 .....	187	70003534 .....	217
70002145 .....	94	70002594 .....	98	70002854 .....	187	70003535 .....	217
70002148 .....	94	70002595 .....	98	70002855 .....	187	70003536 .....	217
70002150 .....	94	70002596 .....	97	70002856 .....	187	70003555 .....	56, 65
70002151 .....	94	70002597 .....	98	70002857 .....	187	70003617 .....	171
70002152 .....	94	70002598 .....	98	70002858 .....	188	70003628 .....	27
70002153 .....	94	70002599 .....	98, 102	70002859 .....	187	70003629 .....	49
70002154 .....	94	70002600 .....	94	7000287 .....	48	70003630 .....	41
70002155 .....	94	70002601 .....	94	7000288 .....	48	70003631 .....	154, 160, 166
70002156 .....	94	70002602 .....	94	70002902 .....	216	70003708 .....	149, 160, 166
70002157 .....	94	70002604 .....	94	70002903 .....	216	70003709 .....	149, 160, 166
70002158 .....	94	70002605 .....	95	70002904 .....	216	70003784 .....	224
70002159 .....	94	70002606 .....	95	70002905 .....	216	70003913 .....	192, 193, 374
70002160 .....	94	70002607 .....	95	70003017 .....	205	70003914 .....	193
70002161 .....	94	70002609 .....	95	70003018 .....	41	70003915 .....	192, 193
70002162 .....	94	70002610 .....	95	70003019 .....	203, 205	70003917 .....	192, 374
70002163 .....	94	70002612 .....	95	70003020 .....	205	70003918 .....	192
70002164 .....	94	70002616 .....	95	70003021 .....	41, 203, 205	70003923 .....	184, 374
70002165 .....	94	70002617 .....	95	70003022 .....	205	70003924 .....	184
70002168 .....	95	70002618 .....	94	70003023 .....	203, 205	70004016 .....	321
70002174 .....	95	70002619 .....	94	70003024 .....	205	70004029 .....	291, 295
70002175 .....	95	70002620 .....	94	70003025 .....	203	70004030 .....	292, 295
70002177 .....	95	70002621 .....	95	70003026 .....	203, 374	70004050 .....	203
70002178 .....	95	70002622 .....	95	70003027 .....	203	70004051 .....	203, 205
70002179 .....	95	70002623 .....	95	70003028 .....	203	70004052 .....	203, 205
70002231 .....	54, 62, 71, 374	70002674 .....	23	70003029 .....	292, 295	70004053 .....	203
7000224 .....	48	70002675 .....	67	70003030 .....	292, 295	70004054 .....	203
70002247 .....	24	70002676 .....	67	70003031 .....	292, 295	70004055 .....	205

# PART NUMBER INDEX

70004058.....	67	70004749.....	243	70006556.....	269	70024906.....	76
70004060.....	328	70004750.....	243	70006557.....	269	70024907.....	76
70004061.....	328	70004751.....	243	70006558.....	269	70024910.....	77
70004092... 149, 160, 166		70004752.....	235	70006559.....	269	70024912.....	77
70004093.....	160, 165	70004753.....	235	70006560.....	269	70024915.....	77
70004094.....	160, 166	70004754.....	235	70006596.....	261	70024917.....	78
70004095.....	160, 166	70004755.....	235	70006635.....	261	70024918.....	78
70004096.....	160, 166	70004756.....	235	70006636.....	261	70024919.....	78
70004097.....	160, 166	70004757.....	235	70006637.....	261	70024920.....	77, 78
70004098... 149, 160, 166		70004758.....	235	70006646.....	261	70024924.....	76
70004099... 149, 160, 166		70004759.....	235	70006647.....	261	70024925.....	76
70004169.....	160, 166	70004760.....	235	70006799.....	295	70024961.....	77
70004170.....	154	70004761.....	235	70006824.....	295	70025076.....	76
70004171.. 149, 154, 160, 166		70004762.....	235	70006825.....	295	70025080.....	76
70004185.....	381	70004763.....	235	70006826.....	295	70025082.....	76
70004268.....	67	70004764.....	235	70006827.....	295	70025084.....	77
70004269.....	67	70004765.....	235	70006828.....	295	70025088.....	76
70004271.....	328	70004766.....	235	70006829.....	295	70025091.....	76
70004272.....	67	70004767.....	235	70006830.....	295	70025103.....	77
70004275.....	76	70004768.....	235	70006831.....	295	7002511.....	76
70004277.....	77	70004769.....	235	70006845.....	289	70025112.....	77
70004279.....	78	70004770.....	235	70006846.....	289	70025120.....	77
70004280.....	76	70004771.....	235	70006847.....	289	70025135.....	76
70004282.....	77	70004772.....	235	70006848.....	289	70025136.....	76
70004284.....	77, 353	70004773.....	235	70006849.....	289	70025137.....	76
70004292.....	66	70004774.....	236	70006850.....	289	70025140.....	76
70004313.....	66	70004775.....	236	70006851.....	289	70025142.....	77
70004328.....	37	70005170.....	187	70006852.....	289	70025143.....	77
70004413.....	109	70005230.....	243	7000731.....	48, 49	70025144.....	77
70004414.....	110	70005418.....	102	70007439.....	95	70025145.....	76
70004416.....	101	70005433.....	295	7001900.....	48	70025146.....	76
70004417.....	101	70005445.....	78	7001902.....	48	70025149.....	77
70004420.....	101	70005594.....	289	7001904.....	48	70025151.....	77
70004421.....	101	70005667.....	199	7001906.....	48	70025152.....	76
70004422.....	102	70005879.....	289	7001917.....	48	70025153.....	77
70004423.....	101	70005882.....	295	7001918.....	48	70025154.....	76
70004426.....	101	70005883.....	295	7001920.....	48	70025155.....	77
70004501.....	77	70005885.....	289, 295	7001921.....	48	70025156.....	77
70004502.....	77	7000625.....	216	7001922.....	48	70025160.....	77
70004503.....	77	70006344.....	295	7001923.....	48	70025161.....	77
70004646.....	381	70006359.....	253	7001924.....	48	70025162.....	76
70004647.....	381	70006360.....	253	7001926.....	48	70025163.....	76
70004648.....	382	70006361.....	253	7001927.....	48	70025164.....	77
70004676.....	149	70006362.....	253	7001928.....	48	70025171.....	76
70004677.....	149	70006363.....	253	7001929.....	48	70025176.....	76
70004678.....	149	70006448.....	279	70020329.....	83	70025177.....	77
70004679.....	149	70006449.....	279	70020336.....	84	70025178.....	77
70004680.....	149	70006462.....	275	70020438.....	269	70025179.....	77
70004681.....	149	70006463.....	265, 275	70021867.....	82, 88	70025180.....	77
70004682.....	149	70006464.....	265, 275	70022147.....	205, 374	70025181.....	76
70004683.....	149	70006465.....	275	70022286.....	97, 101	70025182.....	77
70004684.....	149	70006466.....	275	70022287.....	97	70025183.....	77
70004685.....	149	70006467.....	275	70022564.....	261	70025184.....	77
70004686.....	149	70006468.....	275	70023592.....	75	70025190.....	76
70004687.....	149	70006473.....	257	70023593.....	75	70025200.....	77
70004738.....	243	70006474.....	257	70024190.....	75, 376	70025202.....	76
70004739.....	243	70006490.....	283	70024473.....	77	70025203.....	77
70004740.....	243	70006491.....	283	70024484.....	77	70025204.....	76
70004741.....	243	70006492.....	283	70024486.....	77	70025205.....	76
70004742.....	243	70006493.....	283	70024488.....	76	70025206.....	76
70004743.....	243	70006516.....	265	70024503.....	77	70025207.....	76
70004744.....	243	70006517.....	265	70024504.....	77	70025208.....	76
70004745.....	243	70006518.....	265	70024507.....	77	70025210.....	77
70004746.....	243	70006519.....	265	70024513.....	77	70025231.....	77, 353
70004747.....	243	70006520.....	257	70024517.....	76	70025233.....	353
70004748.....	243	70006554.....	269	70024904.....	76	70025235.....	77
		70006555.....	269	70024905.....	76	70025239.....	77

## PART NUMBER INDEX

70025477 .....	77	7011354 .....	41, 374	7019149.....	231	7023347 .....	110
70025533 .....	77	7011367 .....	292	7019150.....	231	7023881 .....	89
70026283 .....	295	7011368 .....	291, 295	7019151.....	239	7023922 .....	205
7002821 ....	337, 358, 381	7011370 .....	291	7019154.....	239	7023962 .....	97, 101
7002822 .....	381	7011371 .....	291, 295	7019155.....	239	7023964 .....	97, 98, 101, 102
7002823 ....	337, 358, 381	7012513 .....	143	7019160.....	239	7024005 .....	90
7002828 ....	337, 358, 381	7012514 .....	143	7019161.....	239	7024038 .....	82, 88
7003655 .....	55, 64, 376	7012558 .....	143	7019162.....	239	7024042 .....	88
7003928 .....	231	7012706 .....	82, 88	7019164.....	240	7024043 .....	88, 89
7003933 .....	239	7012709 .....	82, 88	7019165.....	240	7024044 .....	82, 88
7003935 .....	239	7012715 .....	88	7019166.....	240	7024064 .....	82, 89
7003941 .....	239	7012773 .....	29, 41	7019167.....	240	7024065 .....	83, 89
7003946 .....	239	7012903 .....	205	7019168.....	239	7024068 .....	90
7003953 .....	231	7012941 .....	33	7019171.....	231	7024069 .....	90
7003969 .....	239	7012942 .....	33	7019174.....	231	7024070 .....	89
7003972 .....	240	7012944 .....	33, 374	7019177.....	231	7024071 .....	83, 89
7003973 .....	240	7012955 .....	33	7019194.....	240	7024072 .....	83, 89
7003976 .....	231	7012967 .....	33	7019197.....	231	7024073 .....	83, 89
7003977 .....	231	7012998 .....	33	7019680.....	143	7024075 .....	83, 89
7003980 .....	240	7015003 .....	56	7020043.....	109	7024076 .....	83, 89
7003982 .....	240	7015013 .....	55	7020108.....	143	7024077 .....	83, 89
7003983 .....	240	7015014 .....	55	7020109.....	143	7024078 .....	89
7003986 .....	239	7015015 .....	56	7020110.....	143	7024079 .....	83, 89
7003989 .....	240	7016314 .....	110	7020111.....	143	7024080 .....	83, 90
7003992 .....	231, 239	7016319 .....	123	7020175.....	119, 224, 227	7024081 .....	83, 90
7003993 .....	231, 239	7016322 .....	128	7020176.....	119, 224, 227	7024083 .....	90
7003994 .....	239	7016328 .....	66, 376	7020190.....	143	7024084 .....	90
7004035 .....	49	7016331 .....	66, 76, 376	7020193.....	333	7024085 .....	90
7004037 .....	49	7016372 .....	123	7020404.....	76	7024086 .....	90
7004043 .....	49	7016374 .....	128	7020414.....	66	7024087 .....	90
7004044 .....	49	7016628 .....	123	7020465.....	66, 76	7024088 .....	90
7004275 .....	381	7016654 .....	381	7020468.....	66	7024089 .....	90
7004276 .....	381	7016655 .....	381	7020471.....	66	7024097 .....	89
70050795 .....	261	7017072 .....	48	7020479.....	67	7024135 .....	49
7007207 .....	94, 97, 101	7017082 .....	48	7020486.....	66	7024182 .....	48, 49
7007415 .....	95, 97, 98, 101, 102	7017085 .....	49	7020492.....	77	7024183 .....	48
7007418 .....	94	7017094 .....	48	7021249.....	27	7024184 .....	48
7007419 .....	94	7017142 .....	188	7021256.....	95	7024185 .....	48
7007420 .....	27	7017158 .....	187	7021265.....	95	7024186 .....	49
7007426 .....	98	7017159 .....	187	7021275.....	27, 94, 98, 102	7024188 .....	48, 49
7007427 .....	98	7017162 .....	187	7021293.....	95	7024189 .....	49
7007429 .....	97	7017163 .....	187	7021375.....	41	7024190 .....	50
7007437 .....	27	7017164 .....	187	7021636.....	41	7024191 .....	49
7007438 .....	27	7017183 .....	187	7022300.....	95	7024192 .....	49
7007439 .....	27	7017183 .....	187	7022301.....	94	7024193 .....	49, 50
7007446 .....	27, 94, 97, 101	7017193 .....	187	7022311.....	27	7024194 .....	49, 50
7007489 .....	105	7017195 .....	187	7022314.....	27	7024196 .....	50
7007645 .....	48	7017402 .....	203, 205	7022321.....	27	7024197 .....	49, 50
7007646 .....	48	7017405 .....	33	7022340.....	97, 101	7024362 .....	192, 193
7007648 .....	48	7017451 .....	41, 374	7022368.....	27	7024363 .....	192, 193
7010467 .....	48	7017495 .....	41	7022371.....	27	7024364 .....	192, 193
7010543 .....	33, 285, 287, 289	7018936 .....	90	7022390.....	203, 205	7024365 .....	11, 374
7010545 .....	267, 269	7018942 .....	41	7022608.....	95	7024366 .....	11
7010639 .....	37	7018968 .....	41	7022808.....	231	7024367 .....	192
7010640 .....	37	7018986 .....	41	7022812.....	239, 240	7024368 .....	192
7010795 .....	49	7018991 .....	29, 41, 374	7022814.....	231	7024374 .....	110
7010924 .....	37	7019103 .....	239	7022815.....	231	7024375 .....	110, 374
7011043 .....	38	7019110 .....	239	7022816.....	231	7024379 .....	49
7011044 .....	37	7019111 .....	231, 239	7022817.....	231	7024380 .....	49
7011048 .....	38	7019112 .....	239	7022818.....	231	7024381 .....	49
7011311 .....	41, 292, 295	7019114 .....	239	7022819.....	231, 232, 320, 342	7024390 .....	49
7011313 .....	291	7019115 .....	239	7022822.....	239	7024391 .....	49
7011320 .....	49	7019141 .....	231	7022823.....	239	7024392 .....	49
7011346 .....	29, 41	7019142 .....	231	7022824.....	239, 320, 342	7024393 .....	49
7011351 .....	291, 295	7019143 .....	231	7022825.....	239, 320, 342	7024395 .....	49
		7019144 .....	231	7023306.....	109	7024396 .....	49
		7019145 .....	231				
		7019147 .....	231				

## PART NUMBER INDEX

7024439.....	109	7024910.....	83, 90	7026803.....	59	77363244.....	337, 358
7024440.....	109	7024911.....	83, 89	7026804.....	59	80334251.....	113
7024441.....	109	7024912.....	88	7026805.....	59	80484084.....	347
7024442.....	109	7024913.....	82, 88	7026811.....	59, 376	80934174.....	83
7024443.....	109	7024914.....	88	7026812.....	59	80983191.....	348
7024444.....	109, 374	7024915.....	88	7026813.....	59	8229242.....	348
7024445.....	109	7024916.....	88	7026820.....	59	8303541.....	58
7024446.....	109	7024917.....	82, 88	7026821.....	59	8310070.....	199
7024452.....	124	7024918.....	82, 88	7026822.....	59	8310235.....	194
7024485.....	154, 160, 166	7024919.....	88	7026829.....	59	8310658.....	135, 140
7024488.....	153, 159, 165	7024920.....	82, 88	7026830.....	58, 376	8405006.....	71, 72, 75
7024489.....	153, 159, 165	7024921.....	88	7026833.....	59	8405007.....	75
7024565.....	67	7024922.....	82, 88	7026839.....	58	8405009.....	109
7024570.....	41	7024924.....	41	7027034.....	55, 328	8405104.....	56
7024571.....	41, 374	7024925.....	41	7027035.....	55, 328	8405201.....	74
7024573.....	41	7024927.....	29	7027039.....	55, 328	8405204.....	74
7024574.....	41	7024950.....	82	7027042.....	71, 351	8406101.....	58
7024579.....	67, 76	7026000.....	41	7027043.....	72, 351	8406102.....	75
7024580.....	62, 328	7026001.....	41	7027044.....	72, 351	8406105.....	58, 201
7024581.....	55, 62, 328	7026002.....	41	7027045.....	72	8406112.....	75
7024582.....	63, 328	7026003.....	41	7027235.....	66	8406302.....	73
7024583.....	63, 328, 351	7026004.....	41	7027236.....	67	8410013.....	66, 74
7024584.....	63, 328	7026005.....	41	7027239.....	67	8580420.....	30
7024598.....	128	7026006.....	41	7027240.....	67	88662523... 141, 185, 201	
7024763.....	48	7026007.....	41	7027276.....	67	88662530.....	199
7024800.....	95	7026008.....	41	7027412.....	57	91083128.....	56
7024865.....	27	7026016.....	41	7027740.....	27	91143339.....	347
7024867.....	27	7026028.....	29	7027790.....	67	91143340.....	347
7024868.....	27	7026030.....	113	7027791.....	67	91403230... 362, 368, 372	
7024883.....	205, 374	7026031.....	113, 376	7027792.....	67	91403244.....	56
7024885.....	203, 205, 374	7026032.....	113	7027795.....	67, 376	91471226.....	183
7024899.....	203, 205	7026188....	154, 160, 166	7027796.....	67, 328	91471227.....	183
7024905.....	83	7026571.....	109	7027799....	154, 160, 166	91554014..	327, 329, 350, 352
7024906.....	83, 89	7026597....	154, 160, 166	7027887.....	143	91563070.....	74
7024907.....	83	7026608.....	67	7733233.....	150		
7024908.....	83, 89	7026626.....	160, 166	77363233 .	154, 161, 167, 356		
7024909.....	83	7026802.....	59				





3121263



An Oshkosh Corporation Company

**Corporate Office**  
**JLG Industries, Inc.**  
**1 JLG Drive**  
**McConnellsburg, PA 17233-9533 USA**  
☎ **(717) 485-5161 (Corporate)**  
☎ **(877) 554-5438 (Customer Support)**  
☎ **(717) 485-6417**

**Visit our website for JLG Worldwide Locations**  
**[www.jlg.com](http://www.jlg.com)**