



# Illustrated Parts Manual

**MODELS**  
**6RS - 10RS**  
**- 1932RS -**  
**3248RS**

P/N  
3121274

November 8, 2018 - Rev W

**ANSI**

**CE**



An Oshkosh Corporation Company



## REVISION LOG

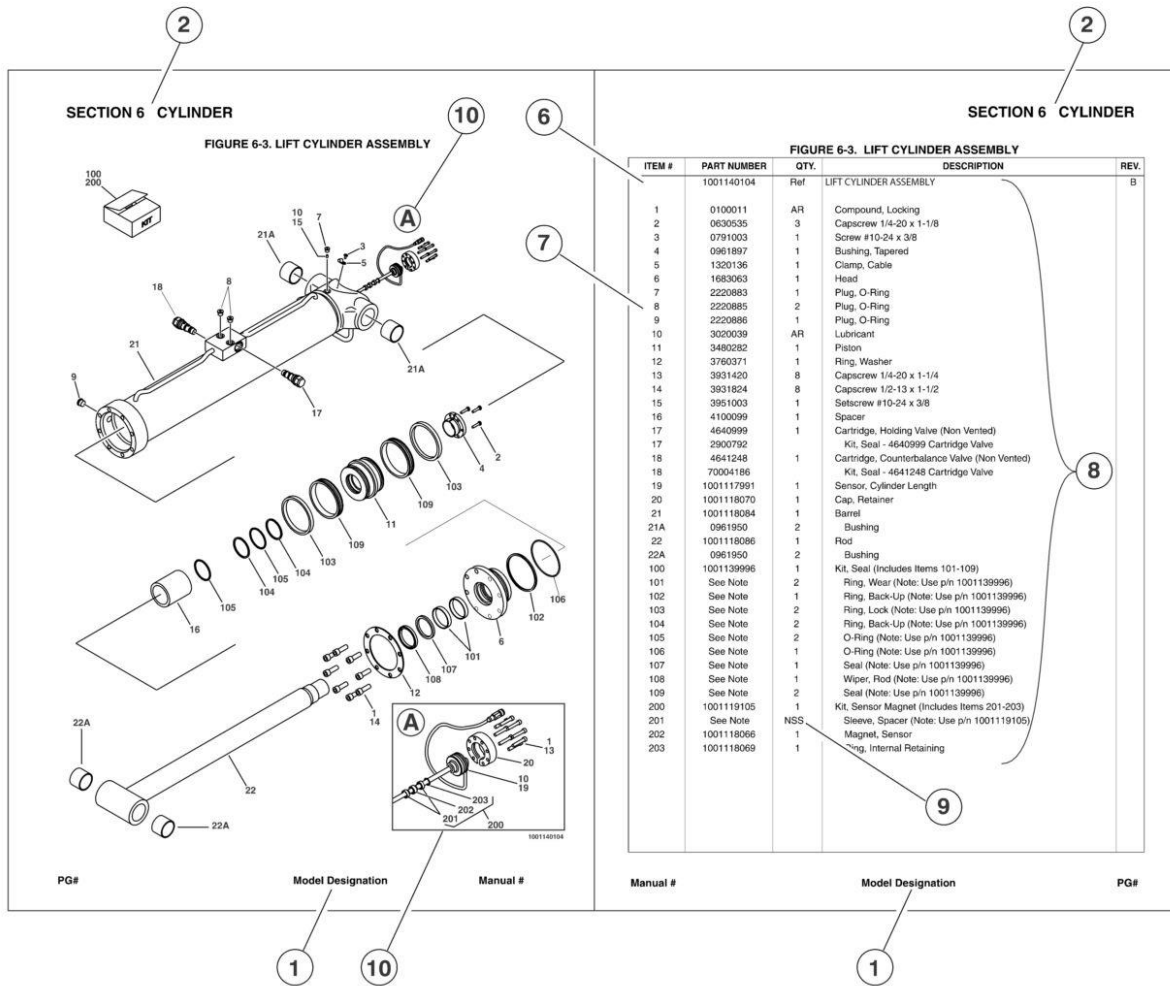
### NOTES:

**NOTE: Country of Assembly - The RS Scissors Lifts are Assembled by JLG Industries in the following countries: USA, Belgium and China. Refer to the Serial Number Tag to identify the country of assembly. RS Scissors assembled in the USA will have a serial number prefix of 02 (i.e. 02XXXXXXXX), RS Scissors Assembled in the Belgium will have a serial number prefix of 12 (i.e. 12XXXXXXXX) and RS Scissors manufactured in China will have a serial number prefix of B2 (i.e. B2XXXXXXXX).**

### REVISION LOG:

February 24, 2012 - A - Original Issue Of Manual (1001130044 Rev C)  
June 28, 2012 - B - Manual Revised (1001130044 Rev C)  
August 27, 2012 - C - Manual Revised (1001130044 Rev D)  
January 25, 2013 - D - Manual Revised (1001130044 Rev H)  
April 18, 2013 - E - Manual Revised (1001130044 Rev I)  
October 1, 2013 - F - Manual Revised (1001130044 Rev I, 1001159173 Rev B, 1001159174 Rev B, 1001159790 Rev B)  
September 5, 2014 - G - Manual Revised (1001130044 Rev J, 1001159173 Rev C, 1001159174 Rev E, 1001159790 Rev F)  
February 1, 2015 - H - Revised Manual (Edited to B/M 1001130044 Rev Y, 1001159173 Rev D, 1001159174 Rev E, 1001159790 Rev F)  
May 1, 2015 - I - Revised Manual (Edited to B/M 1001130044 Rev AA, 1001159173 Rev F, 1001159174 Rev E, 1001159790 Rev F)  
August 31, 2015 - J - Revised Manual (Edited to B/M 1001130044 Rev AF, 1001159173 Rev G, 1001159174 Rev E, 1001159790 Rev F)  
November 6, 2015 - K - Revised Manual (Edited to B/M 1001130044 Rev AF, 1001159173 Rev G, 1001159174 Rev E, 1001159790 Rev F)  
February 5, 2016 - L - Revised Manual (Edited to B/M 1001130044 Rev AF, 1001159173 Rev G, 1001159174 Rev E, 1001159790 Rev F)  
May 18, 2016 - M - Revised Manual (Edited to B/M 1001130044 Rev AN, 1001159173 Rev G, 1001159174 Rev E, 1001159790 Rev F)  
August 31, 2016 - N - Revised Manual (Edited to B/M 1001130044 Rev AQ, 1001159173 Rev G, 1001159174 Rev E, 1001159790 Rev F)  
November 21, 2016 - O - Revised Manual (Edited to B/M 1001130044 Rev AS, 1001159173 Rev G, 1001159174 Rev E, 1001159790 Rev F, 1001215616 Rev A, 1001215617 Rev A, 1001215618 Rev A)  
February 10, 2017 - P - Revised Manual (Edited to B/M 1001130044 Rev AW, 1001159173 Rev I, 1001159174 Rev E, 1001159790 Rev F, 1001215616 Rev B, 1001215617 Rev B, 1001215618 Rev B)  
May 31, 2017 - Q - Revised Manual (Edited to B/M 1001130044 Rev AX, 1001159173 Rev I, 1001159174 Rev E, 1001159790 Rev F, 1001215616 Rev B, 1001215617 Rev B, 1001215618 Rev B)  
August 3, 2017 - R - Revised Manual (Edited to B/M 1001130044 Rev AY, 1001159173 Rev I, 1001159174 Rev E, 1001159790 Rev F, 1001215616 Rev B, 1001215617 Rev B, 1001215618 Rev B)  
November 30, 2017 - S - Revised Manual (Edited to B/M 1001130044 Rev AY, 1001159173 Rev I, 1001159174 Rev E, 1001159790 Rev F, 1001215616 Rev B, 1001215617 Rev B, 1001215618 Rev B)  
February 3, 2018 - T - Revised Manual (Edited to B/M 1001130044 Rev BB, 1001159173 Rev I, 1001159174 Rev E, 1001159790 Rev F, 1001215616 Rev B, 1001215617 Rev B, 1001215618 Rev B)  
May 15, 2018 - U - Revised Manual (Edited to B/M 1001130044 Rev BC, 1001159173 Rev I, 1001159174 Rev E, 1001159790 Rev F, 1001215616 Rev B, 1001215617 Rev B, 1001215618 Rev B)  
August 1, 2018 - V - Revised Manual (Edited to B/M 1001130044 Rev BC, 1001159173 Rev I, 1001159174 Rev E, 1001159790 Rev F, 1001215616 Rev B, 1001215617 Rev B, 1001215618 Rev B)  
November 8, 2018 - W - Revised Manual (Edited to B/M 1001130044 Rev BD, 1001159173 Rev K, 1001159174 Rev E, 1001159790 Rev F, 1001215616 Rev B, 1001215617 Rev B, 1001215618 Rev B)

# GENERAL INFORMATION



## 1) MACHINE IDENTIFICATION

Machines are identified by model and in some cases a combination of models, serial number (SN) or regional standard (i.e. ANSI, CE, CSA). Components may also be identified by SN or manufacturer. Common components that may be identified by these characteristics are engines and hydraulic components.

## 2) PARTS MANUAL ORGANIZATION

Product information in this manual is organized under section titles. Frame, Cylinder, Hydraulic and Electrical are a few examples. Each section is organized by figure and page number. The information within the Figure is then organized by item number, part number, description and corresponding illustration(s).

## 3) TABLE OF CONTENTS

A table of contents is found toward the beginning of the manual. Figure number, description and page number are provided for quick reference to the page containing the related information.

## 4) RECOMMENDED SPARE PARTS

The Recommended Spare Parts, located near the end of the manual, reference most frequently used maintenance parts.

## 5) PART NUMBER INDEX

A numerical index listing all part numbers and the corresponding page number(s) appears at the back of the manual.

## GENERAL INFORMATION

### 6) NON-SERVICED PARTS

In some instances, it is necessary to display non-serviced parts, assemblies or installations. In the case of assemblies and installations there will be a Ref in the Qty column. In case of parts that are not available for service within assemblies or components, there will be a NSS (Not Sold Separately) or NLA (No Longer Available) listed in the Qty. column of the manual.

### 7) PARTS LIST ITEM NUMBERS

Numbers shown in the item# column correspond to numbers used in the associated illustration (s). Item numbers which are missing from the sequence in the parts list are not used on that page

### 8) INDENTED PARTS DESCRIPTION

An indented part description is included in the item under which it is indented.

### 9) ABBREVIATION AND SYMBOLS

AC.....	..Alternating Current	LCD.....	..Liquid Crystal Display
ADE.....	..Advanced Design Electronics	LED.....	..Light Emitting Diodes
ANSI.....	..American National Standards Institute	LH.....	..Left Hand
AR.....	..As Required	LSS.....	..Load Sensing System
ASSY.....	..Assembly	M(m).....	..Metric/Meter
AUX.....	..Auxiliary	MM (mm).....	..Milimeter
AWG.....	..American Wire Gauge	mA.....	..Milliamps
B/M.....	..Bill of Material	NLA.....	..No Longer Available
CE.....	..European Conformity	NPT.....	..National Pipe Threads
CCW.....	..Counter Clockwise	NSS.....	..Not Sold Separately
cm.....	..Centimeter	OD.....	..Outside Diameter
CW.....	..Clockwise	ORB.....	..O-Ring Boss
CSA.....	..Canadian Standards Association	ORFS.....	..O-Ring Face Seal
CYL.....	..Cylinder	OZ (oz).....	..Ounces
DIA.....	..Diameter	PG.....	..Page
DC.....	..Direct Current	P/N.....	..Part Number
EMS.....	..Emergency Stop	qt.....	..Quarts
ENG.....	..Engine	QTY.....	..Quantity
FT (ft).....	..Feet	REF.....	..Reference
GA (Ga).....	..Gauge	REV.....	..Revision Level
HYD.....	..Hydraulic	RH.....	..Right Hand
Hz.....	..Hertz	SAE.....	..Society of Automotive Engineers
ID.....	..Inside Diameter	SN.....	..Serial Number
in.....	..Inches	SPEC(S).....	..Specifications
ISO.....	..International Organization for Standards	T/T.....	..Turntable
JIC.....	..Joint Industry Council	UGM.....	..Universal Ground Module
KG.....	..Kilogram	V.....	..Volts
L.....	..Liter	W.....	..Watts
LB.....	..Pounds	#.....	..Number

### 10) ILLUSTRATION REFERENCE LETTERS

When necessary, illustrations may contain reference letters that are intended to track information (i.e. hoses, harnesses) from one point to another or to track visual enlargement of components to show details that may be located in another area on the illustration.

*Note: Due to continuous product improvements, JLG Industries, Inc. reserves the right to make specification changes without prior notification. Contact JLG Industries, Inc. for updated information.*



# TABLE OF CONTENTS

SECTION 1 - FRAME.....	9
FIGURE 1-1. FRONT AXLE COMPONENTS (6RS/1932RS).....	10
FIGURE 1-2. FRONT AXLE COMPONENTS (10RS/3248RS).....	12
FIGURE 1-3. DRIVE AND ELECTRICAL COMPONENTS (FRAME MOUNTED) (6RS AND 1932RS) .....	14
FIGURE 1-4. DRIVE AND ELECTRICAL COMPONENTS (FRAME MOUNTED) (10RS AND 3248RS) .....	18
FIGURE 1-5. WHEEL DRIVE ASSEMBLY .....	22
FIGURE 1-6. VOLTAGE GUARD ASSEMBLY AND INSTALLATION (CHINESE SPEC).....	26
FIGURE 1-7. VOLTAGE GUARD ASSEMBLY AND INSTALLATION (ANSI EXPORT SPEC) (6RS/1932RS) (SN 0200254368 to Present, SN 1200025022 to Present) .....	28
FIGURE 1-8. VOLTAGE GUARD ASSEMBLY AND INSTALLATION (ANSI EXPORT SPEC) (10RS/3248RS) (SN 0200254368 to Present, SN 1200025022 to Present) .....	30
FIGURE 1-9. COVERS (FRAME MOUNTED) AND LADDER INSTALLATIONS .....	32
FIGURE 1-10. INVERTER INSTALLATION (OPTIONAL) .....	34
SECTION 2 - GROUND COMPONENTS.....	37
FIGURE 2-1. BATTERIES AND COVERS INSTALLATIONS.....	38
FIGURE 2-2. PUMP/MOTOR AND TILT SENSOR INSTALLATIONS.....	42
FIGURE 2-3. PUMP/MOTOR/TANK ASSEMBLY (6RS/1932RS) .....	44
FIGURE 2-4. PUMP/MOTOR/TANK ASSEMBLY (10RS/3248RS) .....	46
FIGURE 2-5. GROUND CONTROL ASSEMBLY AND INSTALLATION .....	48
SECTION 3 - SCISSOR ARMS.....	51
FIGURE 3-1. SCISSOR ARMS INSTALLATION (6RS/1932RS) .....	52
FIGURE 3-2. SCISSOR ARMS INSTALLATION (10RS/3248RS).....	56
SECTION 4 - PLATFORM.....	61
FIGURE 4-1. PLATFORM AND EXTENSION DECK INSTALLATION (6RS/1932RS).....	62
FIGURE 4-2. PLATFORM AND EXTENSION DECK INSTALLATION (10RS/3248RS).....	64
FIGURE 4-3. RAIL (FIXED) INSTALLATION (6RS/1932RS - CHINA ASSEMBLED MACHINES) .....	66
FIGURE 4-4. RAIL (FIXED) INSTALLATION WITH HANDLES (6RS/1932RS - CHINA ASSEMBLED MACHINES) .....	70
FIGURE 4-5. RAIL (FIXED) INSTALLATION (6RS/1932RS - USA ASSEMBLED MACHINES) .....	72
FIGURE 4-6. RAIL (FOLD-DOWN) INSTALLATION (6RS/1932RS - CHINA & BELGIUM ASSEMBLED MACHINES).....	74
FIGURE 4-7. RAIL (FOLD-DOWN) INSTALLATION WITH HANDLES (6RS/1932RS - CHINA ASSEMBLED MACHINES).....	76
FIGURE 4-8. RAIL INSTALLATION (10RS/3248RS - CHINA & BELGIUM ASSEMBLED MACHINES).....	78
FIGURE 4-9. RAIL INSTALLATION WITH HANDLES (10RS/3248RS - CHINA ASSEMBLED MACHINES) .....	82
FIGURE 4-10. RAIL INSTALLATION (10RS/3248RS) (USA ASSEMBLED MACHINES) .....	86
FIGURE 4-11. PLATFORM CONSOLE BOX ASSEMBLY .....	90
FIGURE 4-12. DRIVE/STEER CONTROLLER ASSEMBLY .....	94
FIGURE 4-13. PIPE RACK INSTALLATION (10RS/3248RS - ALL SPECS EXCEPT CE SPECS) .....	96
FIGURE 4-14. PIPE RACK INSTALLATION (10RS/3248RS - CE SPECS).....	98
SECTION 5 - CYLINDER .....	101
FIGURE 5-1. LIFT CYLINDER ASSEMBLY (6RS/1932RS) .....	102
FIGURE 5-2. LIFT CYLINDER ASSEMBLY (10RS/3248RS) .....	106
FIGURE 5-3. STEER CYLINDER ASSEMBLY (6RS/1932RS) .....	110
FIGURE 5-4. STEER CYLINDER ASSEMBLY (10RS/3248RS) .....	112
SECTION 6 - HYDRAULIC .....	115
FIGURE 6-1. HYDRAULIC COMPONENTS.....	116
SECTION 7 - ELECTRICAL .....	119
FIGURE 7-1. ELECTRICAL DIAGRAM LIST.....	120
FIGURE 7-2. ELECTRICAL COMPONENTS INSTALLATION .....	122
SECTION 8 - DECALS.....	133
FIGURE 8-1. DECAL INSTALLATION (ANSI SPEC) .....	134
FIGURE 8-2. DECALS INSTALLATIONS (ANSI EXPORT SPEC).....	138
FIGURE 8-3. DECALS INSTALLATIONS (CE SPEC).....	144

# TABLE OF CONTENTS

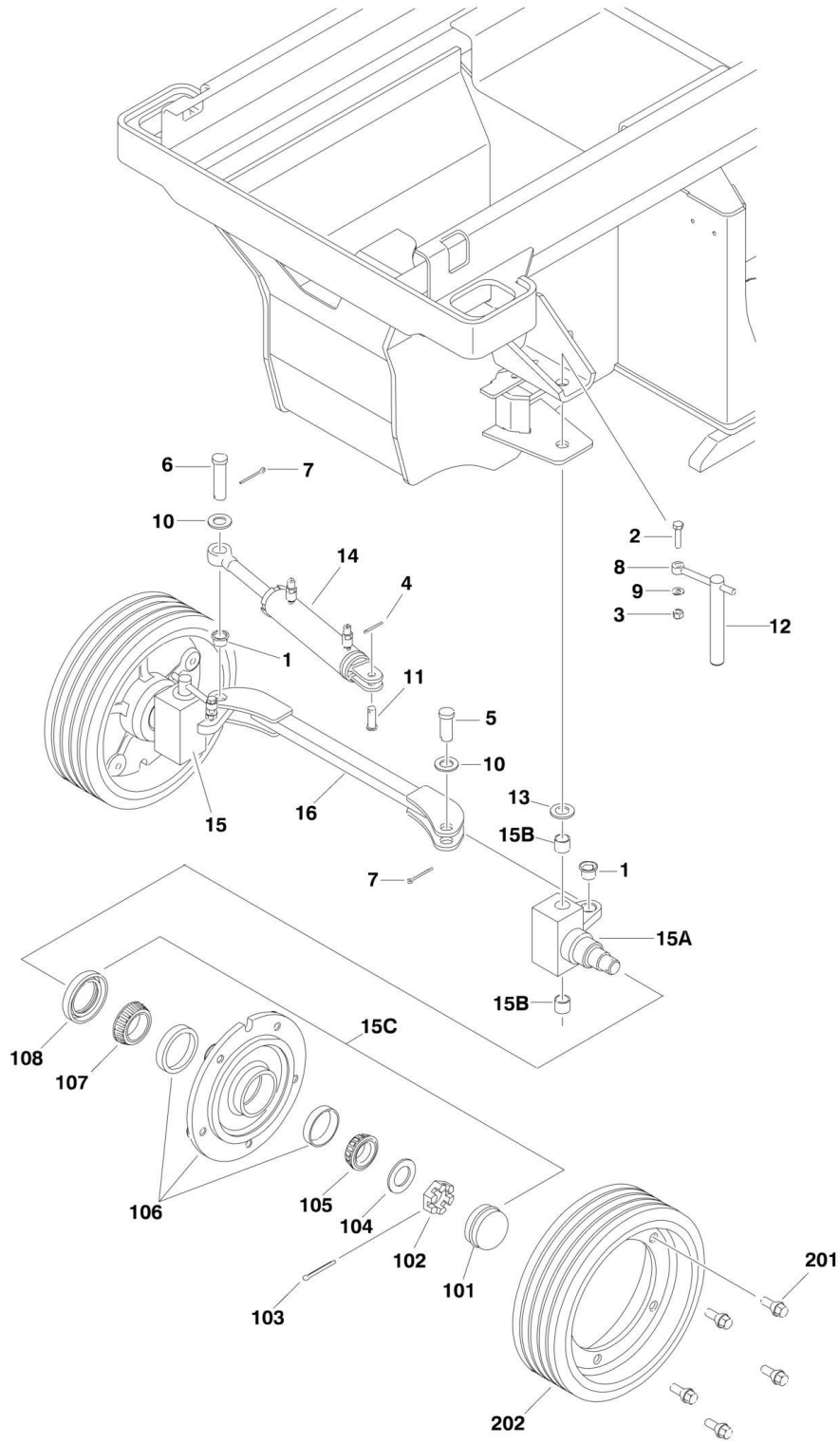
SECTION 9 - RECOMMENDED SERVICE PARTS STOCK .....	147
FIGURE 9-1. MODEL RS SCISSORS SERVICE PARTS STOCK .....	148
SECTION 10 - SPECIAL OPTIONS .....	149
FIGURE 10-1. SPECIAL OPTIONS .....	150
PART NUMBER INDEX.....	153



**SECTION 1 - FRAME**

# SECTION 1 - FRAME

## FIGURE 1-1. FRONT AXLE COMPONENTS (6RS/1932RS)



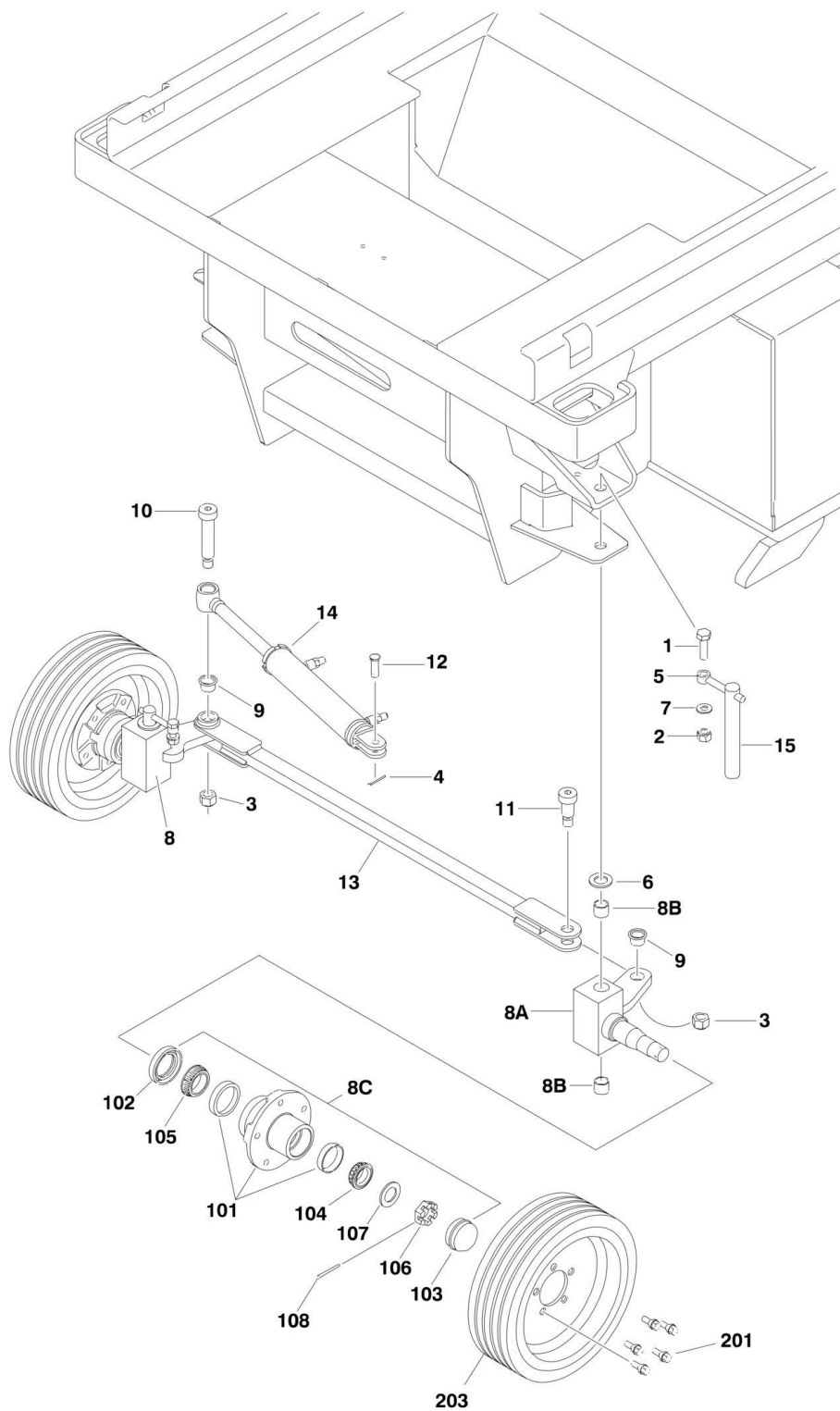
# SECTION 1 - FRAME

## FIGURE 1-1. FRONT AXLE COMPONENTS (6RS/1932RS)

ITEM	PART NUMBER	QTY	DESCRIPTION	REV
	1001133101	Ref	<b>STEERING INSTALLATION (6RS/1932RS)</b>	E
1	0440263	2	Bearing, Flanged	
2	0760815	2	Bolt M8 x 35	
3	3290805	2	Nut M8	
4	3391210	1	Pin, Cotter	
5	3431214	1	Pin, Clevis	
6	3431222	1	Pin, Clevis	
7	3450606	2	Pin, Cotter	
8	3841147	2	Keeper, Pin	
9	4811900	2	Washer M8	
10	4812500	4	Washer M20	
11	1001129754	1	Pin, Clevis	
12	1001130160	2	Kingpin	
13	4740217	2	Bearing, Thrust	
14	1001132702	1	Steer Cylinder Assembly (See CYLINDER SECTION for Breakdown)	
15	1001133086	2	Spindle Assembly	B
15A	1001133085	2	Spindle (1 per Assembly)	
15B	1001129368	4	Bearing (2 per Assembly)	
15C	2780266	2	Hub Assembly (1 Per Assembly (See Items 101-108 for Breakdown)	
16	1001133115	1	Tie-Rod	
	2780266	Ref	<b>HUB ASSEMBLY</b>	D
		Ref	<b>Note: Qtys shown for 1 Assembly. Two Assemblies required per machine.</b>	
101	1001102354	1	Cap, Dust (was p/n 7012524)	
102	3300423	1	Nut, Slotted (was p/n 7010641)	
103	3450406	1	Pin, Cotter 2 x 3/16 (was p/n 7010642)	
104	4740468	1	Washer (was p/n 7019697)	
105	1001102351	1	Bearing, Cone - Outer (was p/n 7026185)	
106	2780266	1	Hub (Includes Bearing Cups)	
107	1001102353	1	Bearing, Cone - Inner (was p/n 7026183)	
108	1001102349	1	Seal (was p/n 7026184)	
	1001133066	Ref	<b>TIRE AND WHEEL INSTALLATION</b>	B
		Ref	<b>Note: Must replace Tire and Wheel Assemblies in pairs per axle.</b>	
201	0630580	20	Bolt, Wheel	
202	1001133065	4	Tire and Wheel Assembly	

# SECTION 1 - FRAME

## FIGURE 1-2. FRONT AXLE COMPONENTS (10RS/3248RS)



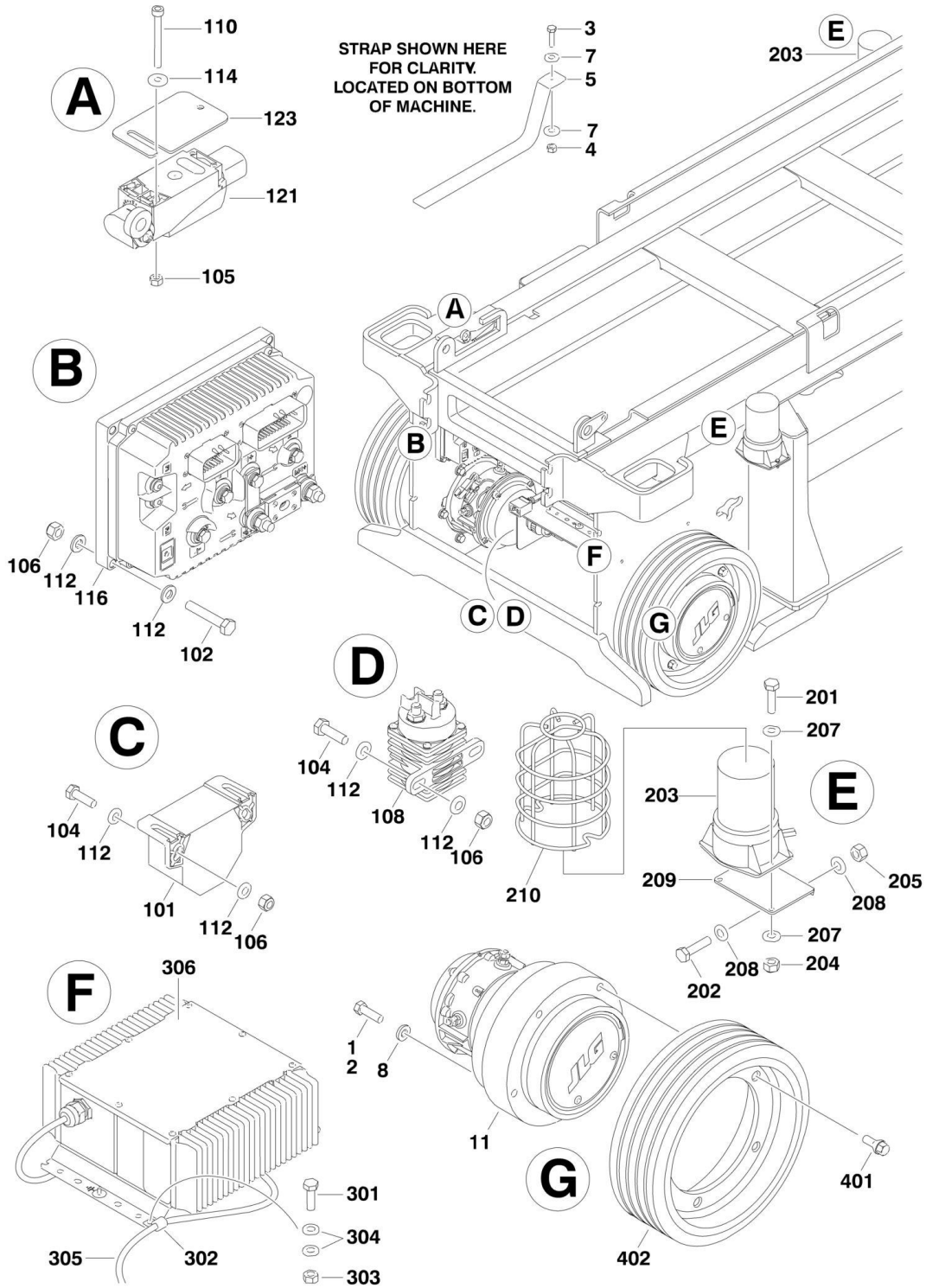
# SECTION 1 - FRAME

## FIGURE 1-2. FRONT AXLE COMPONENTS (10RS/3248RS)

ITEM	PART NUMBER	QTY	DESCRIPTION	REV
	1001129400	Ref	<b>STEERING INSTALLATION (10RS/3248RS)</b>	C
1	07601015	2	Bolt M10 x 35	
2	3291005	2	Nut M10	
3	3291605	2	Nut M16	
4	3391210	1	Pin, Cotter	
5	3841143	2	Keeper, Pin	
6	4740217	2	Bearing, Thrust	
7	4812000	2	Washer M10	
8	1001129302	2	Spindle Assembly	D
8A	1001129301	2	Spindle (1 per Assembly)	
8B	1001129368	4	Bearing (2 per Assembly)	
8C	1001129381	2	Hub Assembly (1 Per Assembly) (See Items 301-308 for Breakdown)	
9	1001129367	2	Bearing, Flanged	
10	1001129742	1	Bolt M20 x 80	
11	1001129743	1	Bolt M20 x 30	
12	1001129754	1	Pin, Clevis	
13	1001129940	1	Tie-Rod	
14	1001130103	1	Steer Cylinder Assembly (See CYLINDER SECTION for Breakdown)	
15	1001130160	2	Kingpin	
	1001129381	Ref	<b>HUB ASSEMBLY</b>	A
		Ref	<b>Note: Qtys shown for 1 Assembly. Two Assemblies required per machine.</b>	
101	See Note	NSS	Hub (Includes Bearing Cups (Use p/n 1001129381)	
102	7010649	1	Seal	
103	7010648	1	Cap, Dust	
104	7010646	1	Bearing, Cone - Outer	
105	7010647	1	Bearing, Cone - Inner	
106	7010641	1	Nut, Slotted	
107	7019697	1	Washer	
108	7010642	1	Pin, Cotter 2 x 3/16	
	1001130486	Ref	<b>TIRE AND WHEEL INSTALLATION</b>	B
		Ref	<b>Note: Must replace Tire and Wheel Assemblies in pairs per axle.</b>	
201	0630580	22	Bolt, Wheel	
202	1001127628	2	Tire and Wheel Assembly (Rear) (Not Shown)	
203	1001129621	2	Tire and Wheel Assembly (Front)	

# SECTION 1 - FRAME

FIGURE 1-3. DRIVE AND ELECTRICAL COMPONENTS (FRAME MOUNTED) (6RS AND 1932RS)



## SECTION 1 - FRAME

**FIGURE 1-3. DRIVE AND ELECTRICAL COMPONENTS (FRAME MOUNTED) (6RS AND 1932RS)**

ITEM	PART NUMBER	QTY	DESCRIPTION	REV
	1001133269	Ref	<b>DRIVE MOTOR AND ANTI-STATIC STRAP INSTALLATION (6RS AND 1932RS)</b>	G
1	0100011	AR	Compound, Locking	
2	0681610	NLA	Bolt 3/8in-16NC x 1-1/8in Grade 8 (Use p/n 0641609)	
3	0760612	1	Bolt M6 x 25	
4	3290605	1	Nut M6	
5	4240147	1	Strap, Anti-Static	
7	4751400	2	Washer 1/4	
8	4891600	12	Washer 3/8	
11	1001131628	2	Drive Motor Assembly (See WHEEL DRIVE ASSEMBLY for Breakdown)	
		Ref	<b>ELECTRICAL COMPONENTS</b>	
		Ref	<b>China and Belgium Assembled Machines</b>	
	1001133272	Ref	<b>ANSI, ANSI Export and CSA Specs</b>	I
	1001147142	Ref	<b>ANSI Export and CE Specs (Prior to SN B200021516)</b>	D
	1001147255	Ref	<b>ANSI Export and CE Specs (SN B200021516 to Present)</b>	C
	1001147255	Ref	<b>ANSI Export, Japanese and Chinese Specs</b>	C
	1001215620	Ref	<b>China and Belgium Assembled Machines CE Specs (SN B200260088 to Present, SN 1200025022 to Present)</b>	A
		Ref	<b>USA Assembled Machines</b>	
	1001159022	Ref	<b>Kit Components</b>	A
	1001159021	Ref	<b>Final Assembly Components</b>	A
	1001215621	Ref	<b>Control Installation - China and Belgium Assembled Machines Only (SN B200260088 to Present, SN 1200025022 to Present)</b>	A
101	0140043	1	Alarm	
102	0700615	4	Bolt M6 x 35	
104	0760610	4	Bolt M6 x 20	
105	3290405	2	Nut M4	
106	3290605	8	Nut M6	
108	3740150	1	Relay	
110	4031512	2	Capscrew M4 x 40	
112	4811700	16	Washer M6	
114	1001091102	2	Washer M4	
116	1001129845	1	Module, Drive	
121	1001130614	1	Switch, Limit	
123	1001143914	AR	Shim	
	1001133274	Ref	<b>BEACON LIGHT INSTALLATION - WITHOUT GUARD</b>	C
	1001180962	Ref	<b>BEACON LIGHT INSTALLATION - WITH GUARD</b>	A
201	0760408	4	Bolt M4 x 16	
202	0760612	4	Bolt M6 x 25	
203	2920161	2	Beacon Light Assembly	
203	7016319	2	Replacement Bulb (1 Per Assembly)	
203	7016372	2	Replacement Len (1 Per Assembly)	
203	4460891	2	Plug, Male - 2 Position (1 Per Assembly)	
203	4460465	4	Socket, Female (2 Per Assembly)	
204	3290405	4	Nut M4	
205	3290605	4	Nut M6	
206	4240099	AR	Tie-Strap (Not Shown)	
207	4811400	8	Washer M4	
208	4811700	8	Washer M6	

## SECTION 1 - FRAME

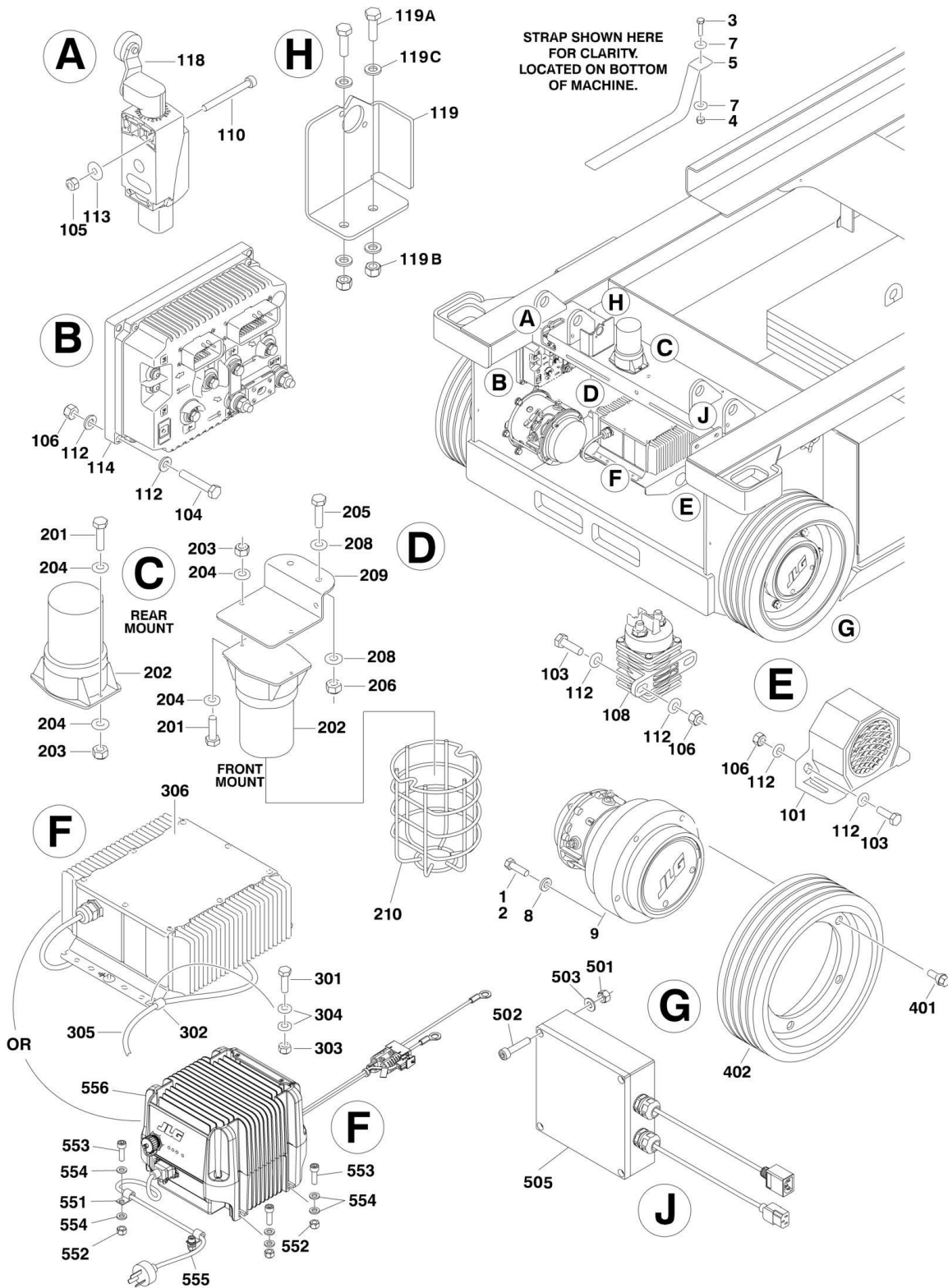
ITEM	PART NUMBER	QTY	DESCRIPTION	REV
209	1001134183	2	Bracket (Beacon Without Guard)	
209	1001187891	2	Bracket (Beacon With Guard)	
210	1001184389	1	Guard	
		Ref	<b>BATTERY CHARGER INSTALLATIONS</b>	
		Ref	<b>China Assembled Machines</b>	
	1001130029	Ref	<b>Charger with 110V Plug</b>	D
	1001131963	Ref	<b>Charger with No Plug (Note: See ELECTRICAL SECTION for Plug Options)</b>	D
	1001172009	Ref	<b>Charger with 420V Plug (Chinese Specs)</b>	B
		Ref	<b>USA Assembled Machines</b>	
	1001158899	Ref	<b>Charger Only (Delta-Q Brand) (Prior to SN 0200239656)</b>	A
	1001130029	Ref	<b>Charger with 110V Plug (Delta-Q Brand) (SN 0200239656 to Present)</b>	D
	1001158900	Ref	<b>Charger with 110V Plug (Delta-Q Brand) (Prior to SN 0200239656)</b>	A
	1001131963	Ref	<b>Charger with No Plug (Delta-Q Brand) (Note: See ELECTRICAL SECTION for Plug Options) (SN 0200239656 to Present)</b>	D
	1001159006	Ref	<b>Charger with No Plug (Delta-Q Brand) (Note: See ELECTRICAL SECTION for Plug Options) (Prior to SN 0200239656)</b>	A
	1001185632	Ref	<b>Charger with 110V Plug (Eagle Performance Brand)</b>	A
	1001185631	Ref	<b>Charger with No Plug (Eagle Performance Brand) (Note: See ELECTRICAL SECTION for Plug Options)</b>	A
		Ref	<b>Belgium Assembled Machines</b>	
	1001131963	Ref	<b>Charger with No Plug (Delta-Q Brand) (Note: See ELECTRICAL SECTION for Plug Options)</b>	D
301	0760610	AR	Bolt M6 x 20	
302	1321293	1	Clamp	
303	3290605	AR	Nut M6	
304	4811700	AR	Washer M6	
305		Ref	AC Cable Options:	
305	1001103257	1	Cable with 110V Plug	
305	1001172010	1	Cable with 420V Plug (Chinese Specs)	
305	1001103258	1	Cable with No Plug (Note: See ELECTRICAL SECTION for Plug Options)	
306	1001129847	1	Battery Charger Assembly (Delta-Q Brand) (See ELECTRICAL SECTION for Breakdown)	
306	1001185630	1	Battery Charger Assembly (Eagle Performance Brand) (See ELECTRICAL SECTION for Breakdown)	
	1001133066	Ref	<b>TIRE AND WHEEL INSTALLATION</b>	B
		Ref	<b>Note: Must replace Tire and Wheel Assemblies in pairs per axle.</b>	
401	0630580	20	Bolt, Wheel (5 Per Wheel)	
402	1001133065	4	Tire and Wheel Assembly	





# SECTION 1 - FRAME

## FIGURE 1-4. DRIVE AND ELECTRICAL COMPONENTS (FRAME MOUNTED) (10RS AND 3248RS)



## SECTION 1 - FRAME

**FIGURE 1-4. DRIVE AND ELECTRICAL COMPONENTS (FRAME MOUNTED) (10RS AND 3248RS)**

ITEM	PART NUMBER	QTY	DESCRIPTION	REV
	1001129627	Ref	<b>DRIVE MOTOR AND ANTI-STATIC STRAP INSTALLATION (10RS AND 3248RS)</b>	E
1	0100011	AR	Compound, Locking	
2	0681610	NLA	Bolt 3/8in-16NC x 1-1/8in Grade 8 (Use p/n 0681609)	
3	0760610	1	Bolt M6 x 20	
4	3290605	1	Nut M6	
5	4240147	1	Strap, Anti-Static	
7	4751400	2	Washer 1/4	
8	4891600	12	Washer 3/8	
9	1001127879	2	Wheel Drive Assembly (See WHEEL DRIVE ASSEMBLY for Breakdown)	
		Ref	<b>ELECTRICAL COMPONENTS</b>	
		Ref	<b>China and Belgium Assembled Machines</b>	
	1001130488	Ref	<b>ANSI, ANSI Export and CSA Specs</b>	F
	1001146982	Ref	<b>ANSI Export and CE Specs (Prior to SN B200021516)</b>	D
	1001147256	Ref	<b>ANSI Export and CE Specs (SN B200021516 to Present)</b>	E
	1001147256	Ref	<b>ANSI Export, Japanese and Chinese Specs</b>	E
	1001215619	Ref	<b>China and Belgium Assembled Machines Only (CE Specs) (SN B200260088 to Present, SN 1200025022 to Present)</b>	A
		Ref	<b>USA Assembled Machines</b>	
	1001159022	Ref	<b>Kit Components</b>	A
	1001159142	Ref	<b>Final Assembly Components</b>	A
	1001215622	Ref	<b>Control Installation - China and Belgium Assembled Machines Only (SN B200260088 to Present, SN 1200025022 to Present)</b>	A
101	0140043	1	Alarm	
103	0700610	9	Bolt M6 x 20	
104	0760615	4	Bolt M6 x 35	
105	3290405	2	Nut M4	
106	3290605	9	Nut M6	
108	3740150	1	Relay	
110	4031512	2	Capscrew M4 x 40mm	
112	4811700	18	Washer M6	
113	1001091102	2	Washer M4	
114	1001129845	1	Module, Drive	
118	1001130614	1	Switch, Limit	
119	1001156537	1	Mount Angle Sensor (Japanese Specs) <b>(Prior to SN B2000275536)</b>	
119A	0760610	2	Hex HD Capscrew, M6X20 <b>(Prior to SN B2000275536)</b>	
119B	3290605	2	Hex Lock Nut, M6X1 <b>(Prior to SN B2000275536)</b>	
119C	4811700	4	Washer, 6mm <b>(Prior to SN B2000275536)</b>	
	1001130489	Ref	<b>BEACON LIGHT INSTALLATION - WITHOUT GUARD (OPTIONAL)</b>	D
	1001180961	Ref	<b>BEACON LIGHT INSTALLATION - WITH GUARD (OPTIONAL)</b>	A
201	0760408	4	Bolt M4 x 16	
202	2920161	2	Beacon Light Assembly	
202	7016319	2	Replacement Bulb (1 Per Assembly)	
202	7016372	2	Replacement Len (1 Per Assembly)	
202	4460891	2	Plug, Male - 2 Position (1 Per Assembly)	
202	4460465	4	Socket, Female (2 Per Assembly)	
203	3290405	4	Nut M4	
204	4811400	8	Washer M4	

# SECTION 1 - FRAME

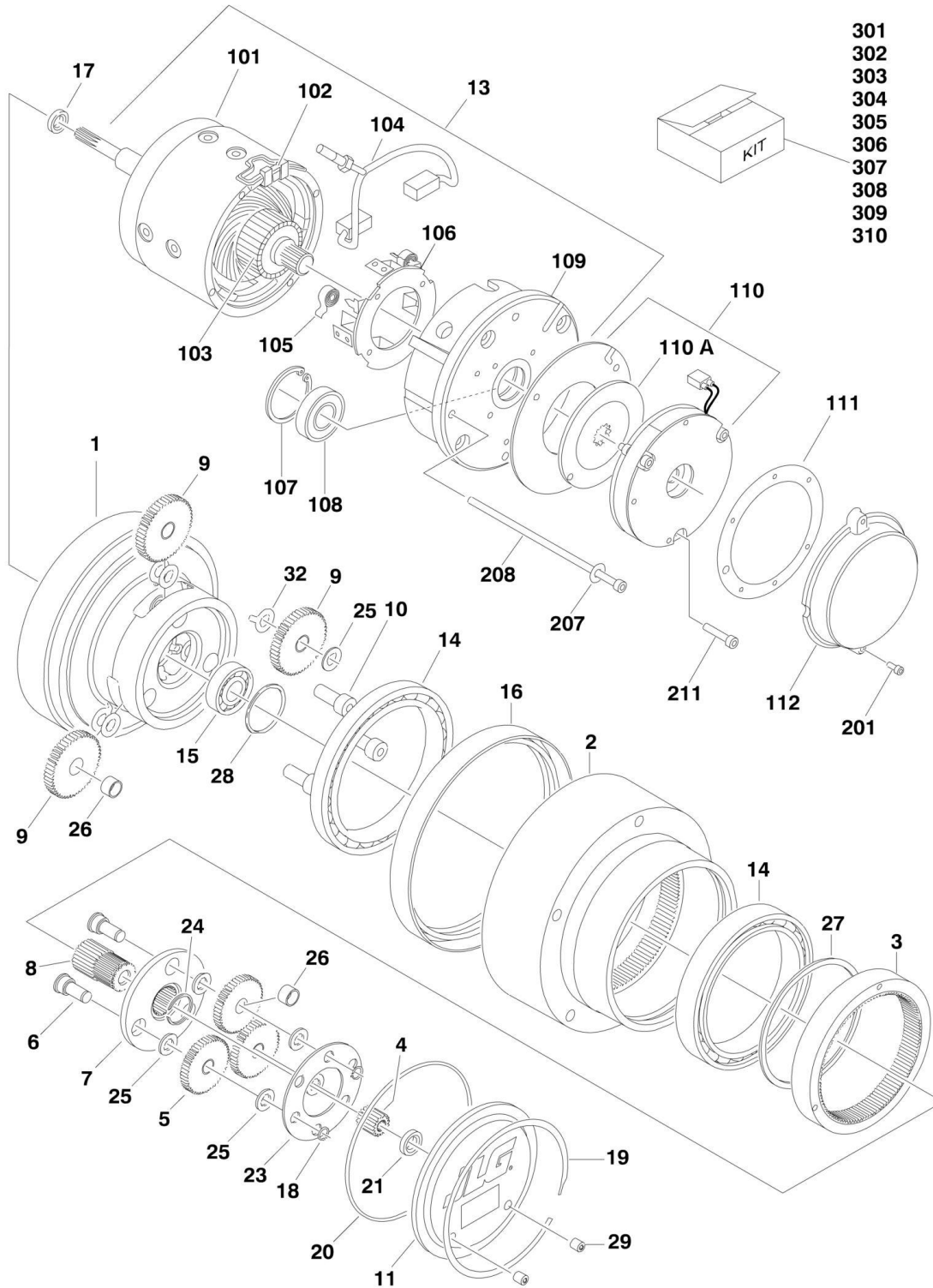
ITEM	PART NUMBER	QTY	DESCRIPTION	REV
205	0760608	2	Bolt M6 x 16	
206	3290605	2	Nut M6	
207	4240099	AR	Tie-Strap (Not Shown)	
208	4811700	4	Washer M6	
209	1001135043	1	Bracket (Beacon Without Guard)	
209	1001187890	1	Bracket (Beacon With Guard)	
210	1001184389	1	Guard	
		Ref	<b>BATTERY CHARGER INSTALLATION - DELTA-Q</b>	
		Ref	<b>China Assembled Machines</b>	
	1001130029	Ref	<b>Charger with 110V Plug</b>	D
	1001131963	Ref	<b>Charger with No Plug (Note: See ELECTRICAL SECTION for Plug Options)</b>	C
	1001172009	Ref	<b>Charger with 420V Plug</b>	C
		Ref	<b>USA Assembled Machines</b>	
	1001158899	Ref	<b>Charger Only (Delta-Q Brand) (Prior to SN 0200239656)</b>	A
	1001130029	Ref	<b>Charger with 110V Plug (Delta-Q Brand) (SN 0200239656 to Present)</b>	D
	1001158900	Ref	<b>Charger with 110V Plug (Delta-Q Brand) (Prior to SN 0200239656)</b>	A
	1001131963	Ref	<b>Charger with No Plug (Delta-Q Brand) (Note: See ELECTRICAL SECTION for Plug Options) (SN 0200239656 to Present)</b>	D
	1001159006	Ref	<b>Charger with No Plug (Delta-Q Brand) (Note: See ELECTRICAL SECTION for Plug Options) (Prior to SN 0200239656)</b>	A
	1001185632	Ref	<b>Charger with 110V Plug (Eagle Performance Brand) (Note: See ELECTRICAL SECTION for Plug Options)</b>	A
	1001185631	Ref	<b>Charger with No Plug (Eagle Performance Brand) (Note: See ELECTRICAL SECTION for Plug Options)</b>	A
		Ref	<b>Belgium Assembled Machines</b>	
	1001131963	Ref	<b>Charger with No Plug (Delta-Q Brand) (Note: See ELECTRICAL SECTION for Plug Options)</b>	D
301	0760610	2	Bolt M6 x 20	
302	1321293	1	Clamp	
303	3290605	2	Nut M6	
304	4811700	4	Washer M6	
305		Ref	AC Cable Options:	
305	1001103257	1	Cable with 110V Plug	
305	1001172010	1	Cable with 420V Plug	
305	1001103258	1	Cable with No Plug (Note: See ELECTRICAL SECTION for Plug Options)	
306	1001129847	1	Battery Charger Assembly (Delta-Q Brand) (See ELECTRICAL SECTION for Breakdown)	
306	1001185630	1	Battery Charger Assembly (Eagle Performance Brand) (See ELECTRICAL SECTION for Breakdown)	
	1001130486	Ref	<b>TIRE AND WHEEL INSTALLATION</b>	A
		Ref	<b>Note: Must replace Tire and Wheel Assemblies in pairs per axle.</b>	
401	0630580	22	Bolt, Wheel (5 Per Front Wheel / 6 Per Rear Wheel)	
402	1001127628	2	Tire and Wheel Assembly (Rear)	
403	1001129621	2	Tire and Wheel Assembly (Front) (Not Shown)	
	1001186499	Ref	<b>BATTERY CHARGER INSTALLATION - DELTA-Q AND VOLTAGE GUARD (CHINESE SPEC) (Prior to SN B200034292)</b>	C
	1001221779	Ref	<b>BATTERY CHARGER INSTALLATION - DELTA-Q AND VOLTAGE GUARD (CHINESE SPEC) (SN B200036876 to</b>	

## SECTION 1 - FRAME

ITEM	PART NUMBER	QTY	DESCRIPTION	REV
501	3290405	4	<b>Present)</b> Nut M4	
502	4031510	4	Capscrew M4 x 30	
503	4811400	4	Washer M4	
504	1001172009	1	Battery Charger Installation (Not Shown - See Items 301-306 for Breakdown)	
505	1001185306	1	Voltage Guard Assembly (See VOLTAGE GUARD ASSEMBLY for Breakdown)	
506	4240017	2	Tie-Strap (Not Shown)	
507	1001215326	1	Support (Not Shown)	
	1001186499	Ref	<b>BATTERY CHARGER INSTALLATION - GREEN POWER (CHINESE SPEC) (SN B200034292 to Present)</b>	D
551	1321293	2	Clamp	
552	3290605	6	Nut M6	
553	4031708	6	Capscrew M6 x 20	
554	4811700	12	Washer M6	
555	1001172010	1	Cable, AC Input (China Plug)	
556	1001218596	1	Charger, Battery - Green Power	

# SECTION 1 - FRAME

## FIGURE 1-5. WHEEL DRIVE ASSEMBLY



- 301
- 302
- 303
- 304
- 305
- 306
- 307
- 308
- 309
- 310

FIGURE 1-5. WHEEL DRIVE ASSEMBLY

ITEM	PART NUMBER	QTY	DESCRIPTION	REV
		Ref	<b>WHEEL DRIVE ASSEMBLY</b>	
	1001131628	Ref	<b>Wheel Drive Assembly 6RS/1932RS</b>	C
	1001127879	Ref	<b>Wheel Drive Assembly 10RS/3248RS</b>	D
1	See Note	NSS	Spindle (Note: Replace Complete Wheel Drive Assembly)	
2	See Note	NSS	Hub (Note: Use Item 305)	
3	See Note	NSS	Gear, Ring (Note: Use Item 304)	
4	See Note	NSS	Gear, Sun (Note: Use Item 303)	
5	See Note	NSS	Gear, Planet (Note: Use Item 303)	
6	See Note	NSS	Shaft, Planet (Note: Use Item 303)	
7	See Note	NSS	Carrier, Input (Note: Use Item 303)	
8	See Note	NSS	Gear, Output Sun (Note: Use Item 303)	
9	See Note	NSS	Gear, Planet (Note: Use Item 306)	
10	See Note	NSS	Shaft, Output Planet (Note: Use Item 306)	
11	See Note	NSS	Cover (Note: Use Item 301)	
13	See Note	NSS	Motor Assembly (See Items 101 -109 for Breakdown) (Note: Use Item 310 for Complete Replacement)	
14	See Note	NSS	Bearing, Main (Note: Use Item 302, 304, 305 or 306)	
15	See Note	NSS	Bearing, Ball (Note: Use Item 306)	
16	See Note	NSS	Seal, Lip (Note: Use Item 302 or 305)	
17	7024786	1	Seal, Shaft	
18	See Note	NSS	Ring, Retaining (Note: Use Item 303)	
19	See Note	NSS	Ring, Retaining (Note: Use Item 301)	
20	70000191	1	O-Ring	
21	See Note	NSS	Washer, Thrust (Note: Use Item 301)	
23	See Note	NSS	Plate, Thrust (Note: Use Item 303)	
24	See Note	NSS	Ring, Retaining (Note: Use Item 303)	
25	See Note	NSS	Thrustwasher (Note: Use Item 303 or 306)	
26	See Note	NSS	Bushing (Note: Use Item 303 or 306)	
27	See Note	NSS	Ring, Retaining (Note: Use Items 304 or 305 or 306)	
28	See Note	NSS	Ring, Retaining (Note: Use Item 306)	
29	See Note	NSS	Plug, Oil Drain (Note: Use Item 301 or 302)	
32	See Note	NSS	Washer, Tanged (Note: Use Item 306)	
		Ref	<b>Motor and Brake Components</b>	
101	See Note	NSS	Case, Motor (Note: Use Item 310)	
102	See Note	NSS	Windings and Harness (Note: Use Item 310)	
103	See Note	NSS	Armature (Note: Use Item 310)	
104	See Note	NSS	Brush & Terminal Assembly (Note: Use Item 308)	
105	70000790	2	Spring, Brush	
106	70000791	1	Box, Brush	
107	See Note	NSS	Ring, Retaining (Note: Use Item 308)	
108	See Note	NSS	Bearing (Note: Use Item 308)	
109	70000792	1	Commutator	
110	See Note	NSS	Brake Assembly (Includes Brake, Reaction Disc & Friction Disc) (Note: Use Item 307)	
110A	7024785	1	Disc, Friction	
111	See Note	NSS	Gasket, Brake Cover (Note: Use Item 307 or 311)	
112	See Note	NSS	Cover, Brake (Note: Use Item 311)	
		Ref	<b>Hardware Components</b>	
201	See Note	NSS	Bolt, Cover (M5 x 20mm) (Note: Not Available from JLG. Purchase Locally)	

## SECTION 1 - FRAME

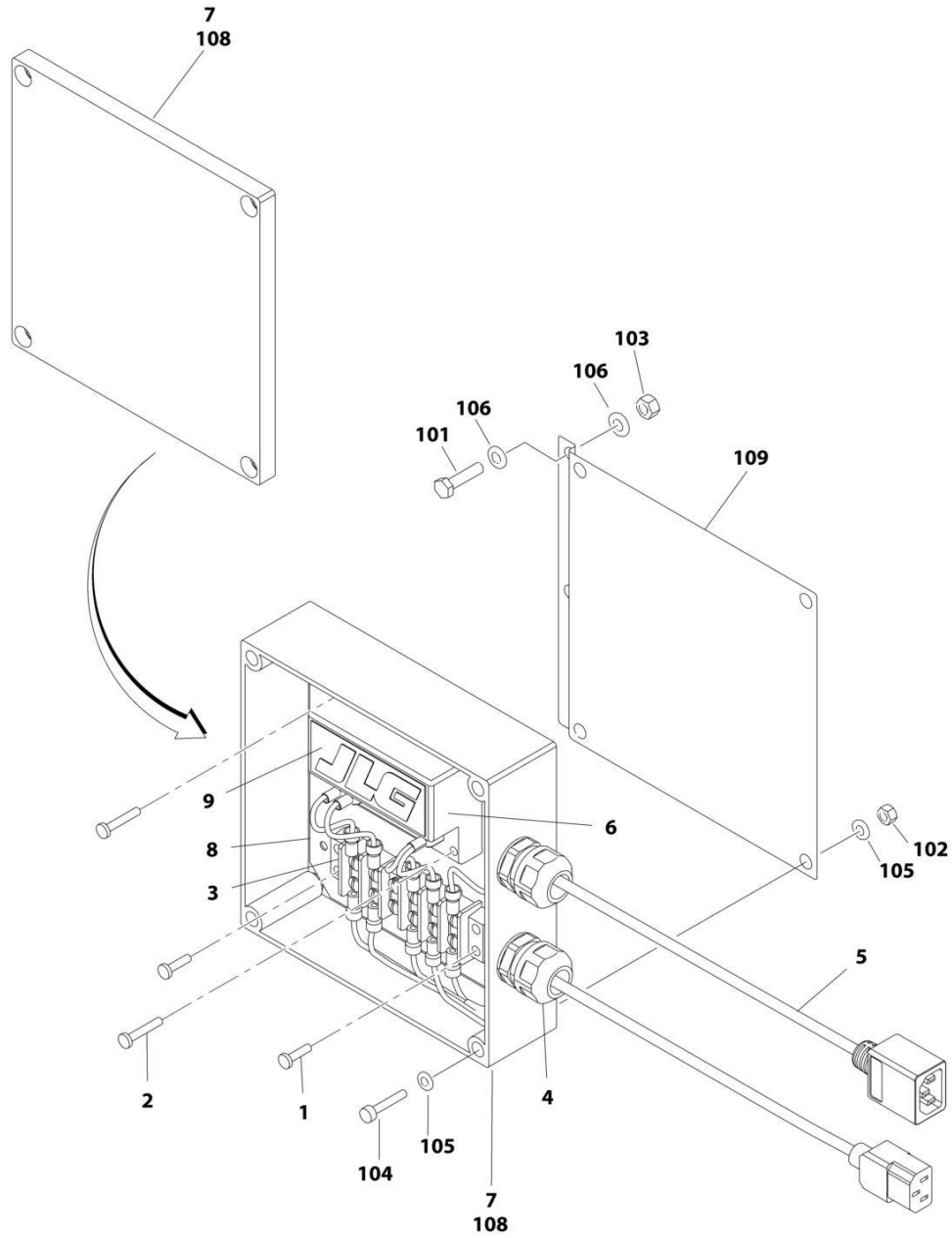
ITEM	PART NUMBER	QTY	DESCRIPTION	REV
207	See Note	NSS	Bolt, Motor (Note: Use Item 309)	
208	See Note	NSS	Lockwasher (Note: Use Item 309)	
211	See Note	NSS	Bolt, Brake (Note: Use Item 307)	
		Ref	<b>Kit Options</b>	
301	7024747	1	Gear box Cover Kit (Includes 11, 19, 20, 21 & 29)	
302	7024748	1	Gearbox Main Seal Kit (Includes Qty 1 of Items 14, 16 & 20)	
303	7024749	1	Input Carrier Kit (Includes Items 4-8, 18, 20 & 23-26)	
304	7024758	1	Input Ring Kit (Includes Qty 1 of Items 3, 14, 20 & 27)	
305	7024756	1	Gearbox Hub Kit 6RS/1932RS (Include Items 2, 14, 16, 20 & 27)	
305	70003677	1	Gearbox Hub Kit 10RS/3248RS (Include Items 2, 14, 16, 20 & 27)	
306	7024750	1	Gearbox Output Planet Kit (Includes Items 9, 10, 14, 15, 20, 25-28 & 32)	
307	70003678	1	Brake Kit (Includes Item 110, 111 & 211)	
308	7024771	1	Motor Brush and Bearing Kit (Includes Items 104, 107 & 108)	
309	70003681	1	Motor Mounting Kit 6RS/1932RS (Include Items 107 & 108)	
309	70003679	1	Motor Mounting Kit 10RS/3248RS (Include Items 107 & 108)	
310	70003682	1	Motor Kit 6RS/1932RS (Include Items 13 & 17)	
310	70003680	1	Motor Kit 10RS/3248RS (Include Items 13 & 17)	
311	70001265	1	Cover Kit (Includes Items 111 & 112)	





# SECTION 1 - FRAME

## FIGURE 1-6. VOLTAGE GUARD ASSEMBLY AND INSTALLATION (CHINESE SPEC)



ART\_1001201491  
ART\_1001185306

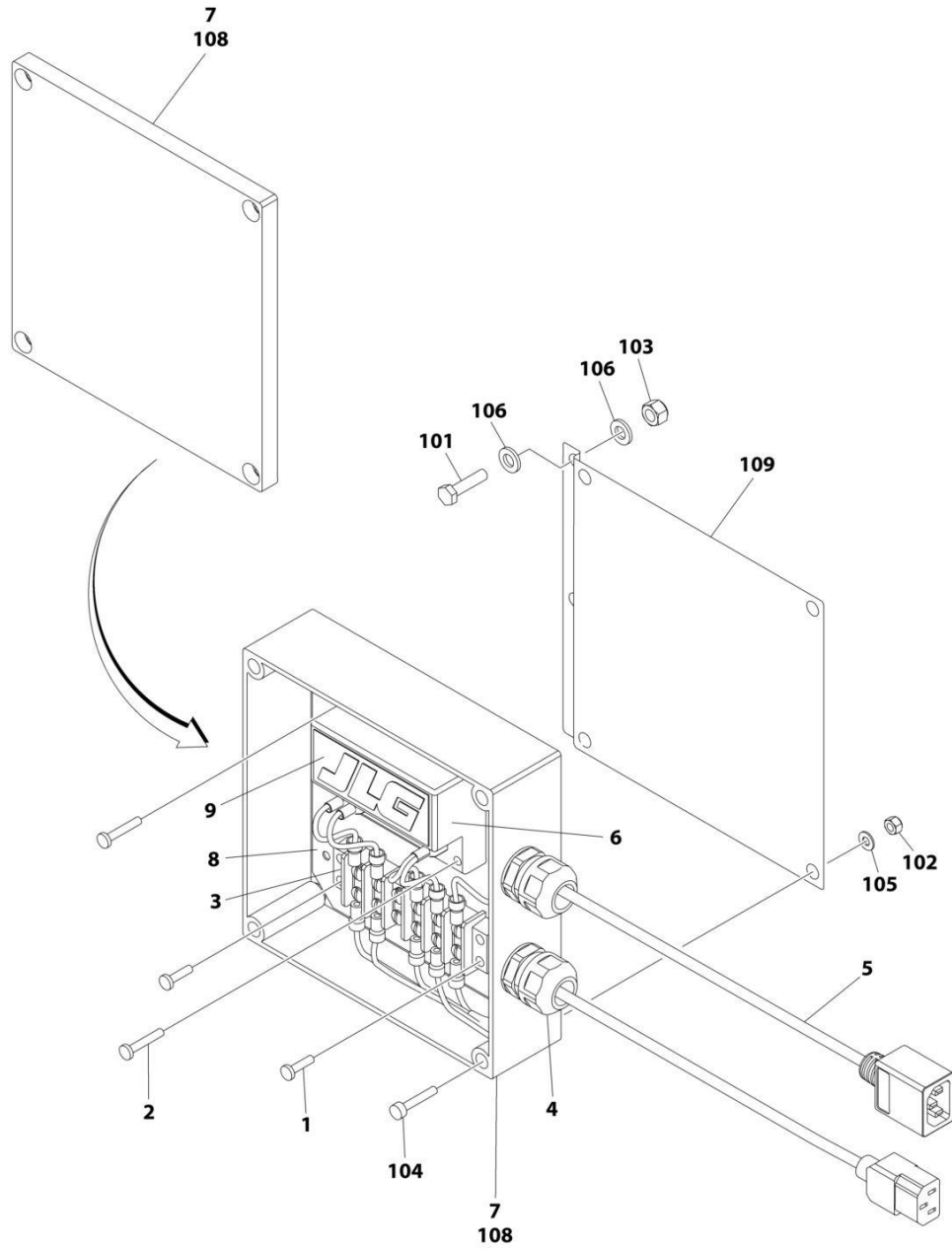
## SECTION 1 - FRAME

**FIGURE 1-6. VOLTAGE GUARD ASSEMBLY AND INSTALLATION (CHINESE SPEC)**

ITEM	PART NUMBER	QTY	DESCRIPTION	REV
	1001185306	Ref	<b>VOLTAGE GUARD ASSEMBLY (CHINESE SPEC)</b>	B
1	4010408	2	Screw M4 X 16	
2	4010412	2	Screw M4 X 24	
3	4460007	1	Buss Bar	
4	4460968	2	Connector, Strain Relief	
5	1001184947	1	Harness, OVP Cable Kit	
6	1001185156	1	Module, Voltage Guard	
7	1001186497	1	Box	
8	1001187101	1	Plate	
9	1001187530	1	Decal - JLG	
	1001201491	Ref	<b>VOLTAGE GUARD INSTALLATION (CHINESE SPEC)</b>	B
101	0760613	2	Bolt M6 x 28	
102	3290405	4	Nut M4	
103	3290605	2	Nut M6	
104	4031510	4	Capscrew M4 x 30	
105	4811400	4	Washer M4	
106	4811700	4	Washer M6	
107	1001172009	1	Battery Charger Installation (Not Shown - See DRIVE AND ELECTRICAL COMPONENTS for Breakdown)	
108	1001185306	1	Voltage Guard Assembly (See Items 1-9 for Breakdown)	
109	1001201492	1	Bracket	
110	1001215326	1	Support (Not Shown) <b>(SN B200030067 to Present)</b>	
111	4240017	2	Tie-Strap (Not Shown) <b>(SN B200030067 to Present)</b>	

# SECTION 1 - FRAME

FIGURE 1-7. VOLTAGE GUARD ASSEMBLY AND INSTALLATION (ANSI EXPORT SPEC)  
(6RS/1932RS) (SN 0200254368 to Present, SN 1200025022 to Present)



ART\_1001212457  
ART\_1001185306

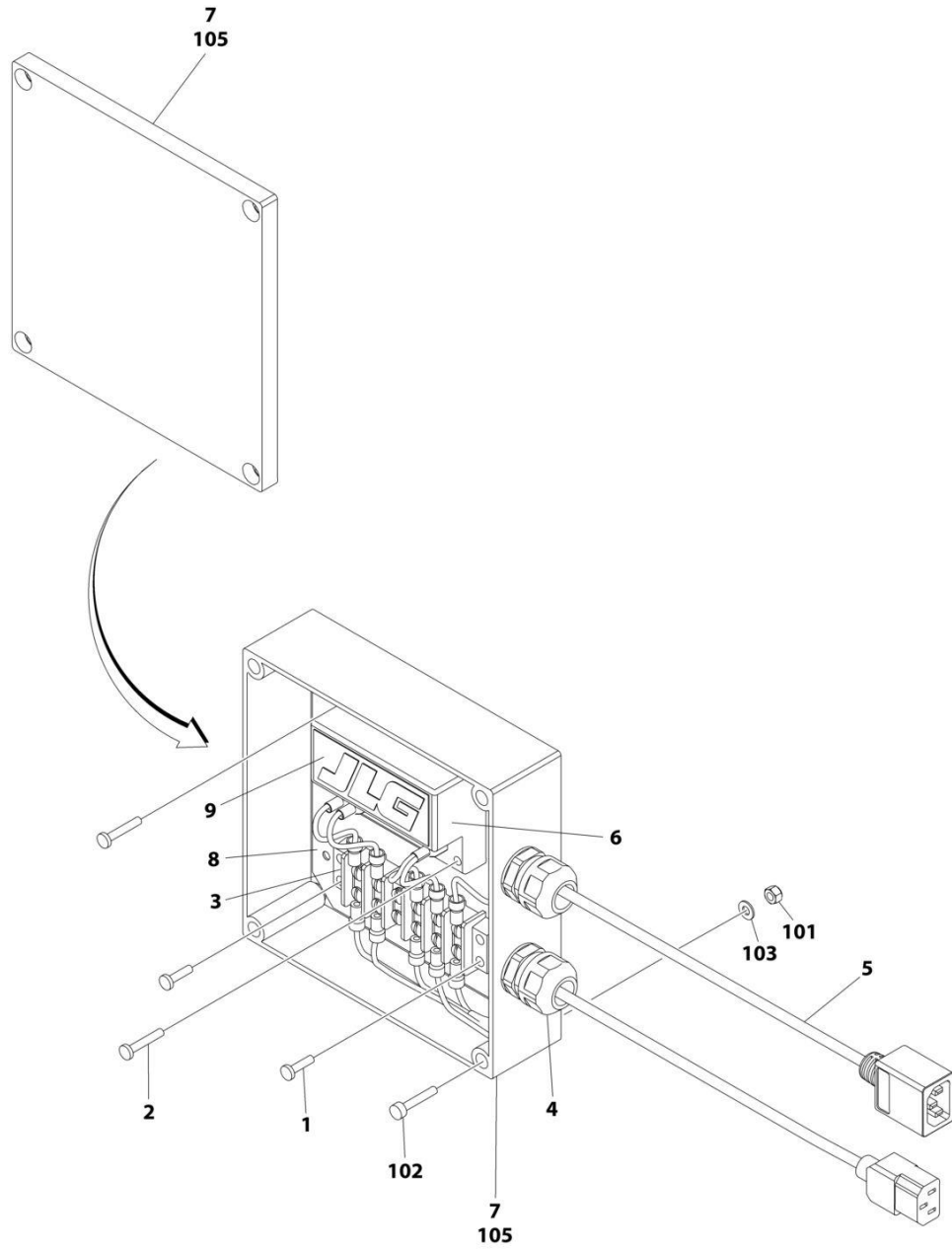
## SECTION 1 - FRAME

**FIGURE 1-7. VOLTAGE GUARD ASSEMBLY AND INSTALLATION (ANSI EXPORT SPEC)  
(6RS/1932RS) (SN 0200254368 to Present, SN 1200025022 to Present)**

ITEM	PART NUMBER	QTY	DESCRIPTION	REV
	1001185306	Ref	<b>VOLTAGE GUARD ASSEMBLY (ANSI EXPORT &amp; CE SPECS) (6RS/1932RS)</b>	B
1	4010408	2	Screw M4 x 16	
2	4010412	2	Screw M4 x 24	
3	4460007	1	Buss Bar	
4	4460968	2	Connector, Strain Relief	
5	1001184947	1	Harness, OVP Cable Kit	
6	1001185156	1	Module, Voltage Guard	
7	1001186497	1	Box	
8	1001187101	1	Plate	
9	1001187530	1	Decal - JLG	
	1001212457	Ref	<b>VOLTAGE GUARD INSTALLATION (ANSI EXPORT &amp; CE SPECS)</b>	B
101	0760613	2	Bolt M6 x 28	
102	3290405	4	Nut M4	
103	3290605	2	Nut M6	
104	4031510	4	Capscrew M4 x 30	
105	4811400	4	Washer M4	
106	4811700	4	Washer M6	
107	1001131963	1	Battery Charger Installation (Not Shown - See DRIVE AND ELECTRICAL COMPONENTS for Breakdown)	
108	1001185306	1	Voltage Guard Assembly (See Items 1-9 for Breakdown)	
109	1001201492	1	Bracket	
110	1001215326	1	Support (Not Shown)	
111	4240017	2	Tie-Strap (Not Shown)	

# SECTION 1 - FRAME

FIGURE 1-8. VOLTAGE GUARD ASSEMBLY AND INSTALLATION (ANSI EXPORT SPEC)  
(10RS/3248RS) (SN 0200254368 to Present, SN 1200025022 to Present)



ART\_1001212458  
ART\_1001185306

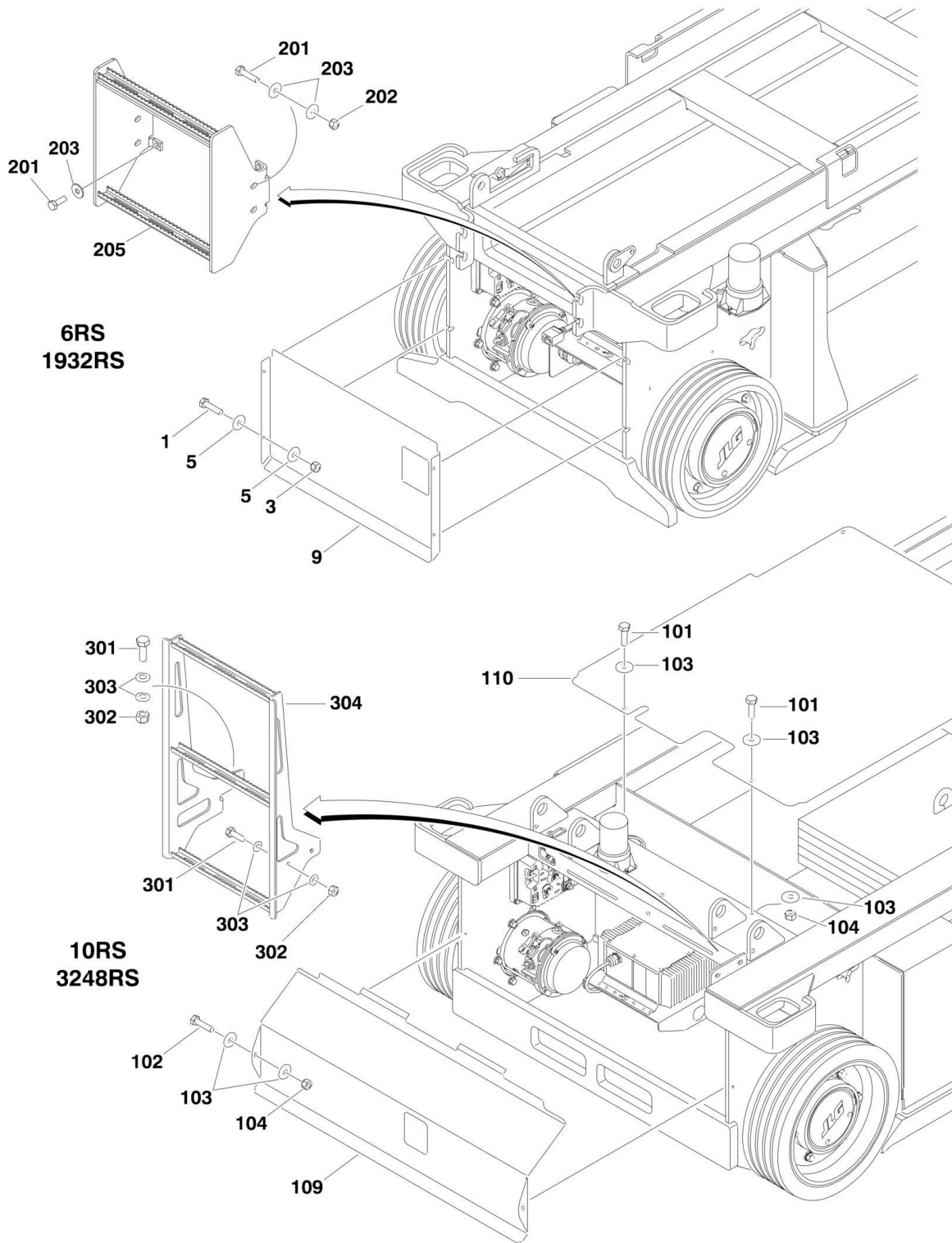
## SECTION 1 - FRAME

**FIGURE 1-8. VOLTAGE GUARD ASSEMBLY AND INSTALLATION (ANSI EXPORT SPEC)  
(10RS/3248RS) (SN 0200254368 to Present, SN 1200025022 to Present)**

ITEM	PART NUMBER	QTY	DESCRIPTION	REV
	1001185306	Ref	<b>VOLTAGE GUARD ASSEMBLY (ANSI EXPORT &amp; CE SPECS) (10RS/3248RS)</b>	B
1	4010408	2	Screw M4 x 16	
2	4010412	2	Screw M4 x 24	
3	4460007	1	Buss Bar	
4	4460968	2	Connector, Strain Relief	
5	1001184947	1	Harness, OVP Cable Kit	
6	1001185156	1	Module, Voltage Guard	
7	1001186497	1	Box	
8	1001187101	1	Plate	
9	1001187530	1	Decal - JLG	
	1001212458	Ref	<b>VOLTAGE GUARD INSTALLATION (ANSI EXPORT &amp; CE SPECS)</b>	B
101	3290405	4	Nut M4	
102	4031510	4	Capscrew M4 x 30	
103	4811400	4	Washer M4	
104	1001131963	1	Battery Charger Installation (Not Shown - See DRIVE AND ELECTRICAL COMPONENTS for Breakdown)	
105	1001185306	1	Voltage Guard Assembly (See Items 1-9 for Breakdown)	
106	1001215326	1	Support (Not Shown)	
107	4240017	2	Tie-Strap (Not Shown)	

# SECTION 1 - FRAME

## FIGURE 1-9. COVERS (FRAME MOUNTED) AND LADDER INSTALLATIONS





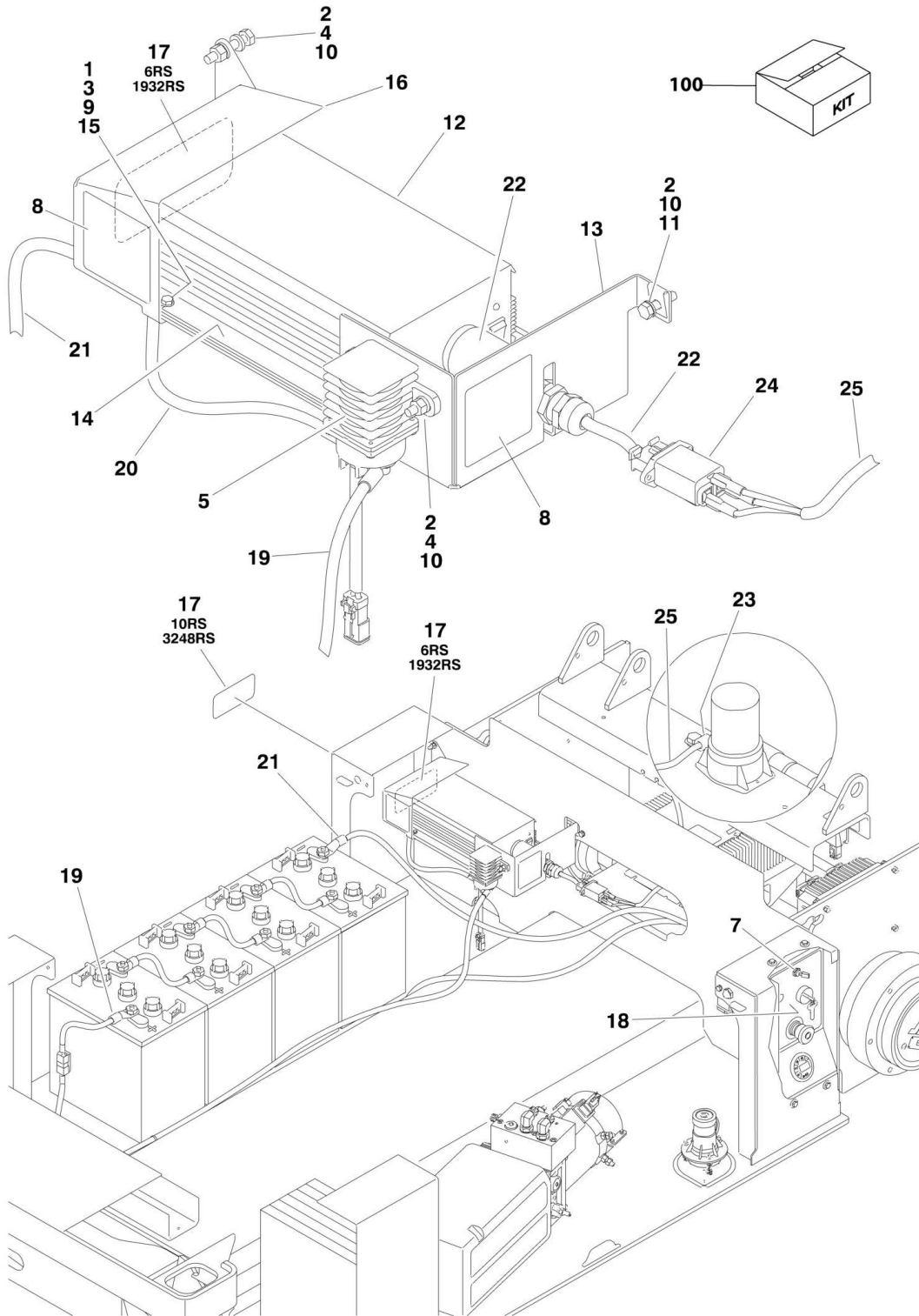
## SECTION 1 - FRAME

**FIGURE 1-9. COVERS (FRAME MOUNTED) AND LADDER INSTALLATIONS**

ITEM	PART NUMBER	QTY	DESCRIPTION	REV
	1001133275	Ref	<b>FRAME COVERS INSTALLATION (6RS/1932RS) (STANDARD)</b>	E
	1001180959	Ref	<b>FRAME COVERS INSTALLATION (6RS/1932RS) (HEAVY DUTY)</b>	A
1	0760612	4	Bolt M6 x 25	
3	3290605	4	Nut M6	
5	4811702	8	Washer M6	
9	1001133143	1	Cover, Rear	
	1001130490	Ref	<b>FRAME COVERS INSTALLATION (10RS/3248RS) (STANDARD)</b>	H
	1001180771	Ref	<b>FRAME COVERS INSTALLATION (10RS/3248RS) (HEAVY DUTY)</b>	A
101	0760610	4	Bolt M6 x 20	
102	0760612	2	Bolt M6 x 25	
103	4811702	12	Washer M6	
104	3290605	6	Nut M6	
109	1001130400	1	Cover, Rear	
110	1001130474	1	Cover, Frame	
		Ref	<b>LADDER INSTALLATION (6RS/1932RS)</b>	
	1001135050	Ref	<b>All Specs except CE &amp; Chinese Specs</b>	D
	1001145913	Ref	<b>CE &amp; Chinese Specs (Standard)</b>	C
	1001231137	Ref	<b>CE &amp; Chinese Specs (Heavy Duty)</b>	A
201	0761014	AR	Bolt M10 x 30 (SN 0200257345 to Present, SN B200030960 to Present)	
201	0761015	AR	Bolt M10 x 35	
201	0761018	AR	Bolt M10 x 50	
202	3291005	4	Nut M10	
203	4812002	AR	Washer M10	
205		Ref	Ladder Options:	
205	1001134517	1	All Specs except CE & Chinese Specs	
205	1001145914	1	CE & Chinese Specs (Standard)	
205	1001231132	1	CE & Chinese Specs (Heavy Duty)	
		Ref	<b>LADDER INSTALLATION (10RS/3248RS)</b>	
	1001130964	Ref	<b>Ladder Installation (All Specs except CE &amp; Chinese Specs)</b>	B
	1001142910	Ref	<b>Ladder Installation (CE &amp; Chinese Specs) (Prior to SN B200028036, Prior to SN 0200253698)</b>	B
	1001130964	Ref	<b>Ladder Installation (CE &amp; Chinese Specs) (SN B200028036 to Present, SN 02000253698 to Present, SN 1200025022 to Present)</b>	B
301	0761014	4	Bolt M10 x 30	
302	3291005	4	Nut M10	
303	4812000	AR	Washer M10	
304		Ref	Ladder Options:	
304	1001130532	1	Ladder (All Specs except CE & Chinese Specs)	
304	1001142911	1	Ladder (CE & Chinese Specs) (Prior to SN B200028036, Prior to SN 0200253698)	
304	1001130532	1	Ladder (CE & Chinese Specs) (SN B200028036 to Present, SN 0200253698 to Present, SN 1200025022 to Present)	
305	1001151845	1	Decal - Shipping/installation Instructions (Not Shown)	

# SECTION 1 - FRAME

## FIGURE 1-10. INVERTER INSTALLATION (OPTIONAL)



## SECTION 1 - FRAME

**FIGURE 1-10. INVERTER INSTALLATION (OPTIONAL)**

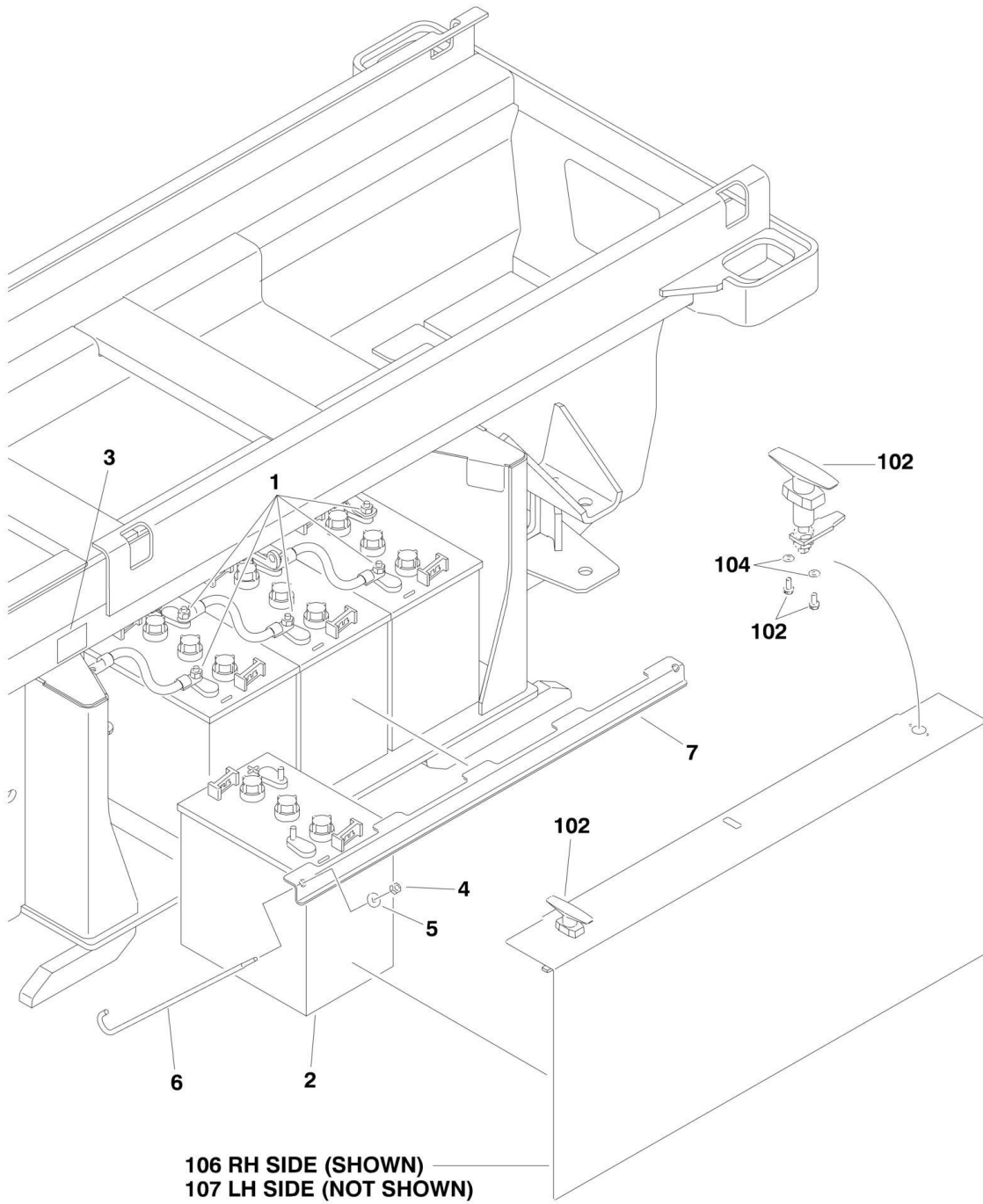
ITEM	PART NUMBER	QTY	DESCRIPTION	REV
	1001142170	Ref	<b>INVERTER INSTALLATION (OPTIONAL)</b>	D
1	0760408	4	Bolt M4 x 16	
2	0760612	7	Bolt M6 x 25	
3	3290405	4	Nut M4	
4	3290605	5	Nut M6	
5	3740150	1	Relay	
5	4460891	1	Receptacle, Female - 2 Position	
5	4460465	2	Socket, Female	
6	4240017	12	Tie-Strap (Not Shown)	
7	4360336	1	Switch, Toggle	
8	1705305	NLA	Decal - Pressure Wash (Note: Use p/n 1001125483) <b>(Prior to SN 02000226550, Prior to SN B200015665)</b>	
8	1001125483	1	Decal - Pressure Wash <b>(SN 0200226550 to Present, SN B200015665 to Present, SN 1200025022 to Present)</b>	
9	4811400	4	Washer M4	
10	4811700	12	Washer, M6	
11	1001130220	1	Retainer M6	
12	1001136757	1	Inverter	
13	1001142172	1	Bracket	
14	1001142173	1	Insulate	
15	1001142174	4	Washer	
16	1001142176	1	Panel	
17	1001143009	1	Decal - Inverter	
18	1001143010	1	Decal - On/Off	
19	1001138967	1	Cable (Battery + to Relay)	
19	1001126833	1	Fuse - 80 Amp	
19	1001125389	1	Fuseholder	
20	1001145762	1	Cable (Inverter + to Relay)	
21	1001145763	1	Harness, Inverter	
21	4460418	1	Receptacle, Female - 6 Position	
21	4460419	2	Terminal	
21	4460897	1	Plug, Male - 2 Position	
21	4460464	2	Pin, Male	
22	1001145881	1	Harness - AC Extension	
22	4460138	1	Plug, Male 3 Prong	
22	4460968	1	Connector, Strain Relief	
22	1001157513	1	Plug, Male - 3 Position	
22	1001157790	3	Socket, Female	
23	85941016	1	Clamp	
24	1001157547	1	AC Filter Electrical Assembly	
25	1001157645	1	Harness - AC Extension	
25	4460779	1	Receptacle, Female - 3 Prong	
100	1001161104	1	Inverter Installation Kit (Dealer Installed)	



**SECTION 2 - GROUND COMPONENTS**

# SECTION 2 - GROUND COMPONENTS

## FIGURE 2-1. BATTERIES AND COVERS INSTALLATIONS



## SECTION 2 - GROUND COMPONENTS

**FIGURE 2-1. BATTERIES AND COVERS INSTALLATIONS**

ITEM	PART NUMBER	QTY	DESCRIPTION	REV
		Ref	<b>Note: Replacement Decals Must Be Ordered Separately - See DECALS SECTION.</b>	
		Ref	<b>BATTERIES INSTALLATION</b>	
		Ref	<b>China and Belgium Assembled Machines</b>	
		Ref	<b>6RS/1932RS China Assembled Machines</b>	
	1001134434	Ref	<b>Batteries - Standard without Disconnect (All Specs except CE &amp; Chinese Specs)</b>	D
	1001151270	Ref	<b>Batteries - AGM without Disconnect (All Specs except CE &amp; Chinese Specs)</b>	B
	1001147262	Ref	<b>Batteries - Standard with Disconnect</b>	C
	1001215623	Ref	<b>Batteries - Standard with Disconnect (China and Belgium Assembled Machines Only) (CE Specs) (SN B200260088 to Present, SN 1200025022 to Present)</b>	A
	1001142745	Ref	<b>Batteries - AGM with Disconnect</b>	C
	1001215624	Ref	<b>Batteries - Standard with Disconnect (China and Belgium Assembled Machines Only) (CE Specs) (SN B200260088 to Present, SN 1200025022 to Present)</b>	A
	1001209338	Ref	<b>Installation Less Batteries</b>	A
		Ref	<b>10RS/3248RS China and Belgium Assembled Machines</b>	
	1001130028	Ref	<b>Batteries - Standard without Disconnect (All Specs except CE &amp; Chinese Specs)</b>	E
	1001151269	Ref	<b>Batteries - AGM without Disconnect (All Specs except CE &amp; Chinese Specs)</b>	B
	1001147261	Ref	<b>Batteries - Standard with Disconnect</b>	C
	1001215623	Ref	<b>Batteries - Standard with Disconnect (China and Belgium Assembled Machines Only) (CE Specs) (SN B200260088 to Present, SN 1200025022 to Present)</b>	A
	1001142744	Ref	<b>Batteries - AGM with Disconnect</b>	C
	1001215624	Ref	<b>Batteries - Standard with Disconnect (China and Belgium Assembled Machines Only) (CE Specs) (SN B200260088 to Present, SN 1200025022 to Present)</b>	A
	1001209337	Ref	<b>Installation Less Batteries</b>	A
		Ref	<b>USA Assembled Machines</b>	
	1001159178	Ref	<b>Kit Components - Standard Batteries</b>	B
	1001159180	Ref	<b>Kit Components - AGM Batteries</b>	A
	1001159179	Ref	<b>Kit Components - AGM Batteries 6RS/1932RS Final Assembly Components</b>	A
	1001159787	Ref	<b>Kit Components - AGM Batteries 10RS/3248RS Final Assembly Components</b>	A
1	0100051	AR	Grease, Battery Terminal	
2		Ref	Battery Options:	
2	0400215	4	Standard Battery	
2	1001112112	4	AGM Battery	
3	1706740	AR	Decal - Battery Disconnect	
4	3290605	2	Nut M6	
5	4811702	2	Washer M6	
6	1001129945	NLA	Tie-Rod (Use p/n 1001151272) (Prior to SN B200012951)	
6	1001151272	2	Tie-Rod (SN B200012951 to Present, SN 5200260088 to Present, SN 1200025022 to Present)	
7	1001129947	NLA	Clamp (Use p/n 1001151271) (Prior to SN B200012951)	
7	1001151271	1	Clamp (SN B200012951 to Present, SN 5200260088 to Present, SN 1200025022 to Present)	
8	0840060	8	Boot, Battery Terminal	

## SECTION 2 - GROUND COMPONENTS

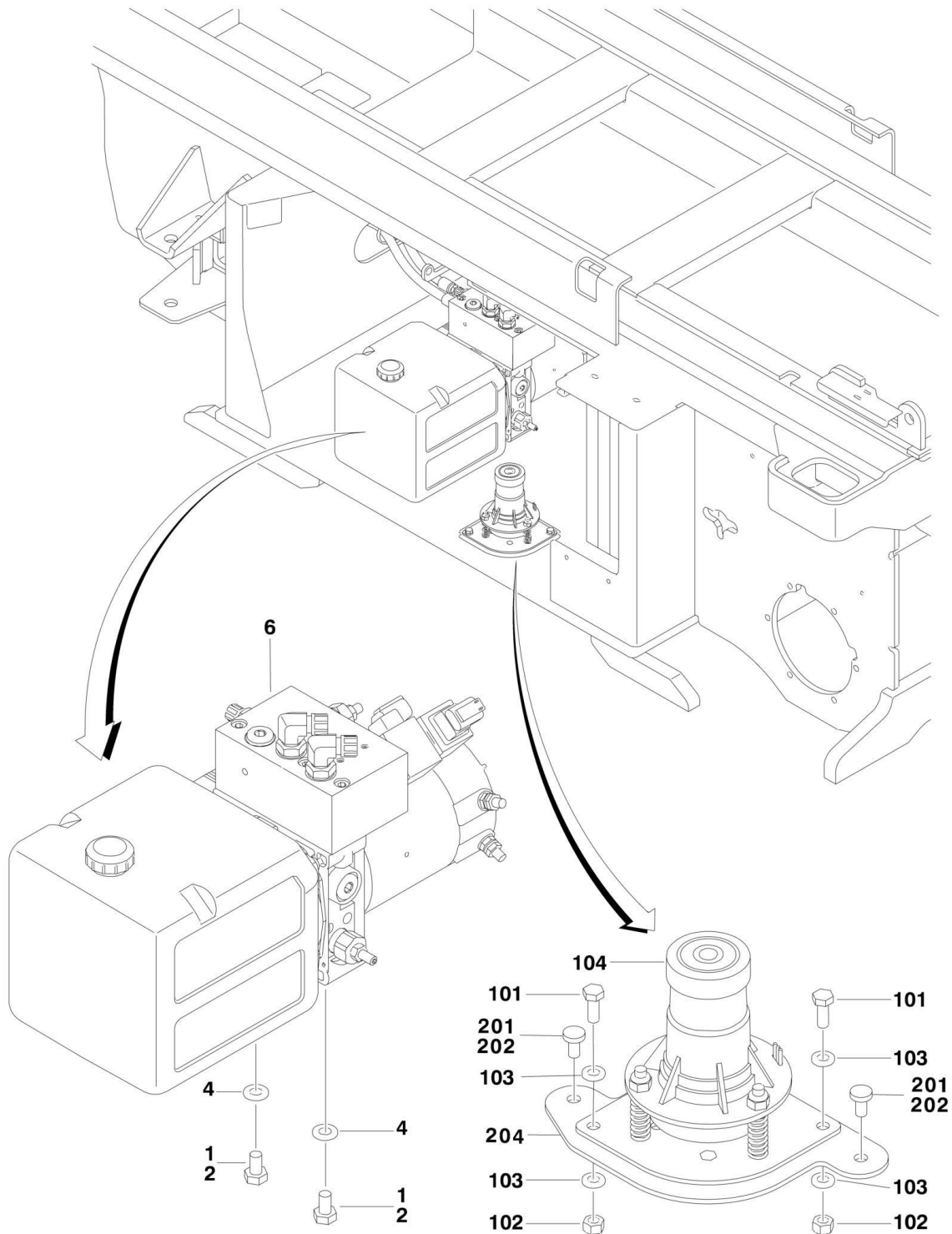
ITEM	PART NUMBER	QTY	DESCRIPTION	REV
		Ref	<b>SIDE COVERS INSTALLATION</b>	
	1001133275	Ref	<b>Side Covers Installation 6RS/1932RS (STANDARD)</b>	D
	1001180959	Ref	<b>Side Covers Installation 6RS/1932RS (HEAVY DUTY)</b>	A
	1001130490	Ref	<b>Side Covers Installation 10RS/3248RS (STANDARD)</b>	E
	1001180772	Ref	<b>Side Covers Installation 10RS/3248RS (HEAVY DUTY)</b>	A
102	2940174	4	Latch, T-Handle	
102	2940174	4	Latch, T-Handle (Lock) (China and Belgium Assembled Machines Only) (CE Specs) (SN B200260088 to Present, SN 1200025022 to Present)	
104	4811400	8	Washer M4	
106		Ref	Cover, RH Side (Standard) Options:	
106	1001133050	NLA	Cover, RH Side 6RS/1932RS China Assembled Machines (Note: Use Service Kit p/n 1001162746 as Replacement. If kit has already been installed, use p/n 1001148068) (Prior to SN B200010917)	
106	1001148068	1	Cover, RH Side 6RS/1932RS China Assembled Machines (SN B200010917 to Present)	
106	1001148068	1	Cover, RH Side 6RS/1932RS All USA & Belgium Assembled Machines	
106	1001130301	NLA	Cover, RH Side 10RS/3248RS China Assembled Machines (Note: Use Service Kit p/n 1001162746 as Replacement. If kit has already been installed, use p/n 1001148067) (Prior to SN B200010917)	
106	1001148067	1	Cover, RH Side 10RS/3248RS China Assembled Machines (SN B200010917 to Present)	
106	1001148067	1	Cover, RH Side 10RS/3248RS All USA & Belgium Assembled Machines	
106		Ref	Cover, RH Side (Heavy Duty) Options:	
106	1001180957	1	Cover, RH Side 6RS/1932RS	
106	1001180771	1	Cover, RH Side 10RS/3248RS	
107		Ref	Cover, LH Side (Standard) Options:	
107	1001133051	NLA	Cover, LH Side 6RS/1932RS China Assembled Machines (Note: Use Service Kit p/n 1001162746 as Replacement. If kit has already been installed, use p/n 1001148069) (Prior to SN B200010917)	
107	1001148069	1	Cover, LH Side 6RS/1932RS China Assembled Machines (SN B200010917 to Present)	
107	1001148069	1	Cover, LH Side 6RS/1932RS All USA & Belgium Assembled Machines	
107	1001130301	NLA	Cover, LH Side 10RS/3248RS China Assembled Machines (Note: Use Service Kit p/n 1001162746 as Replacement. If kit has already been installed, use p/n 1001148067) (Prior to SN B200010917)	
107	1001148067	1	Cover, LH Side 10RS/3248RS China Assembled Machines (SN B200010917 to Present)	
107	1001148067	1	Cover, LH Side 10RS/3248RS All USA & Belgium Assembled Machines	
107		Ref	Cover, LH Side (Heavy Duty) Options:	
107	1001180958	1	Cover, LH Side 6RS/1932RS	
107	1001180771	1	Cover, LH Side 10RS/3248RS	





## SECTION 2 - GROUND COMPONENTS

FIGURE 2-2. PUMP/MOTOR AND TILT SENSOR INSTALLATIONS



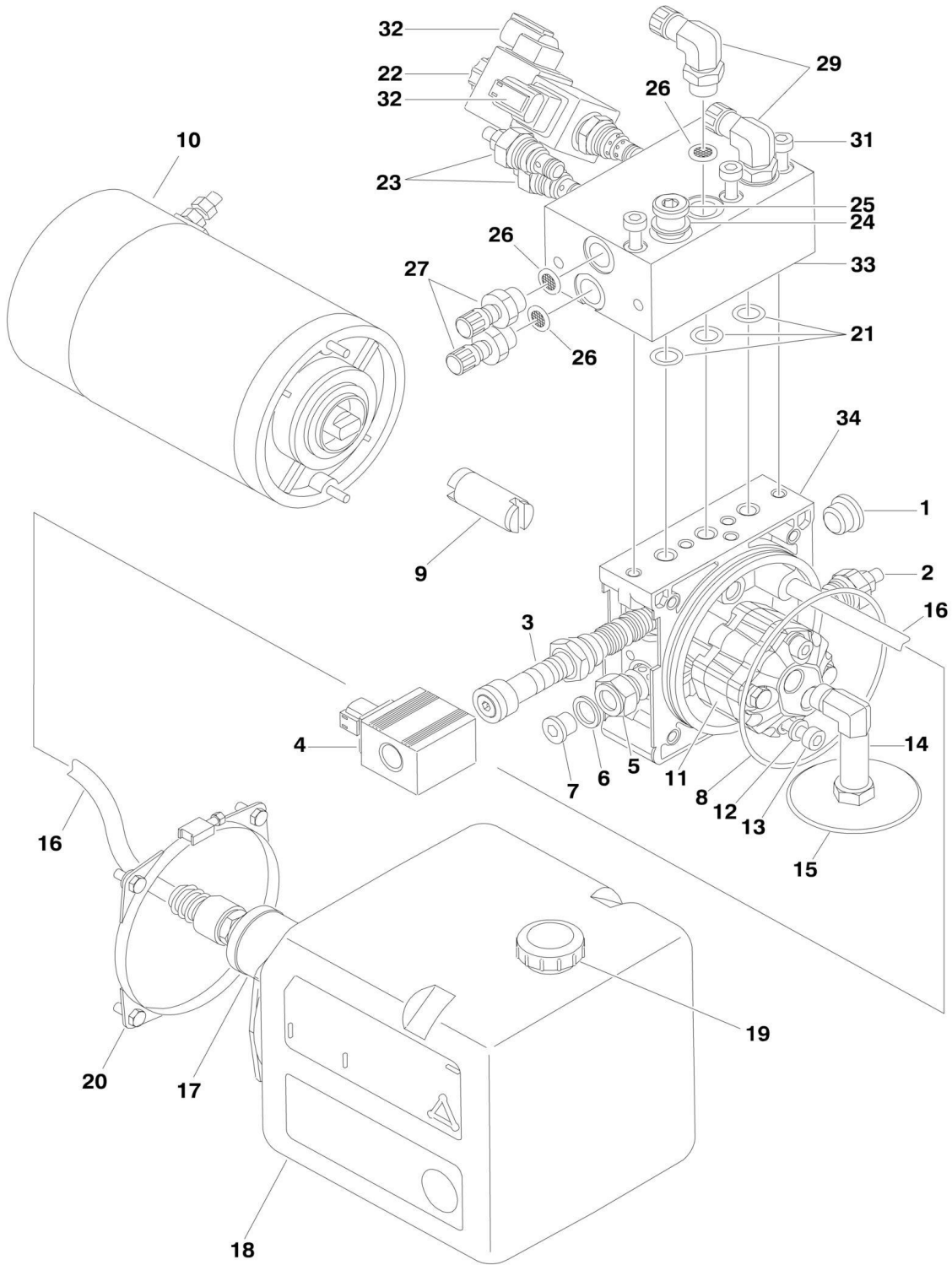
## SECTION 2 - GROUND COMPONENTS

**FIGURE 2-2. PUMP/MOTOR AND TILT SENSOR INSTALLATIONS**

ITEM	PART NUMBER	QTY	DESCRIPTION	REV
		Ref	<b>PUMP/MOTOR/TANK INSTALLATION</b>	
	1001133270	Ref	<b>Pump/Motor/Tank Installation 6RS/1932RS</b>	D
	1001130669	Ref	<b>Pump/Motor/Tank Installation 10RS/3248RS (Not Shown - Components Typical)</b>	G
1	0100011	AR	Compound, Locking	
2	0761009	2	Bolt M10 x 18	
4	4812000	2	Washer M10	
6		Ref	Pump/Motor/Tank Assembly Options:	
6	1001131630	1	Pump/Motor/Tank Assembly 6RS/1932RS (See PUMP/MOTOR/TANK ASSEMBLY for Breakdown)	
6	1001130541	1	Pump/Motor/Tank Assembly 10RS/3248RS (See PUMP/MOTOR/TANK ASSEMBLY for Breakdown)	
		Ref	<b>TILT SENSOR INSTALLATION</b>	
		Ref	<b>Tilt Sensor Installation 6RS/1932RS</b>	
	1001156934	Ref	<b>Tilt Sensor Installation 6RS/1932RS All Specs except CE Specs (Use p/n 1001133266) (Prior to SN B200015087, Prior to SN 0200225140)</b>	B
	1001133266	Ref	<b>Tilt Sensor Installation 6RS/1932RS All Specs except CE Spec (SN B200015087 to Present, SN 0200225140 to Present)</b>	E
	1001133266	Ref	<b>Tilt Sensor Installation 6RS/1932RS CE Specs Only</b>	E
		Ref	<b>Tilt Sensor Installation 10RS/3248RS Options (Not Shown - Components Typical)</b>	
	1001130030	Ref	<b>Tilt Sensor Installation 10RS/3248RS All Specs except CE &amp; Chinese Specs</b>	C
	1001133266	Ref	<b>Tilt Sensor Installation 10RS/3248RS CE &amp; Chinese Specs Only</b>	E
101	0760608	2	Bolt M6 x 16	
102	3290605	2	Nut M6	
103	4811700	4	Washer M6	
104		Ref	Sensor, Tilt Options:	
104	1001095250	NLA	Sensor, Tilt 6RS/1932RS All Specs except CE Specs, (Use p/n 1001153005) <b>(Prior to SN B200015087, Prior to SN 0200225140)</b>	
104	1001153005	1	Sensor, Tilt 6RS/1932RS, All Specs except CE Spec <b>(SN B200015087 to Present, SN 0200225140 to Present)</b>	
104	1001153005	1	Sensor, Tilt 6RS/1932RS CE Specs Only	
104	1001095251	1	Sensor, Tilt 10RS/3248RS All Specs except CE & Chinese Specs	
104	1001153005	1	Sensor, Tilt 10RS/3248RS CE & Chinese Specs Only	
	1001174401	Ref	<b>SENSOR PLATE INSTALLATION (ALL SPECS EXCEPT CE &amp; CHINESE SPECS)</b>	B
	1001174402	Ref	<b>SENSOR PLATE INSTALLATION (CE &amp; CHINESE SPECS)</b>	B
201	0100071	AR	Compound, Locking	
202	1001099566	2	Screw M6 X 12	
204	1001174457	1	Plate, Sensor (All Specs Except CE & Chinese Specs)	
204	1001174456	1	Plate, Sensor (CE & Chinese Specs)	

# SECTION 2 - GROUND COMPONENTS

## FIGURE 2-3. PUMP/MOTOR/TANK ASSEMBLY (6RS/1932RS)



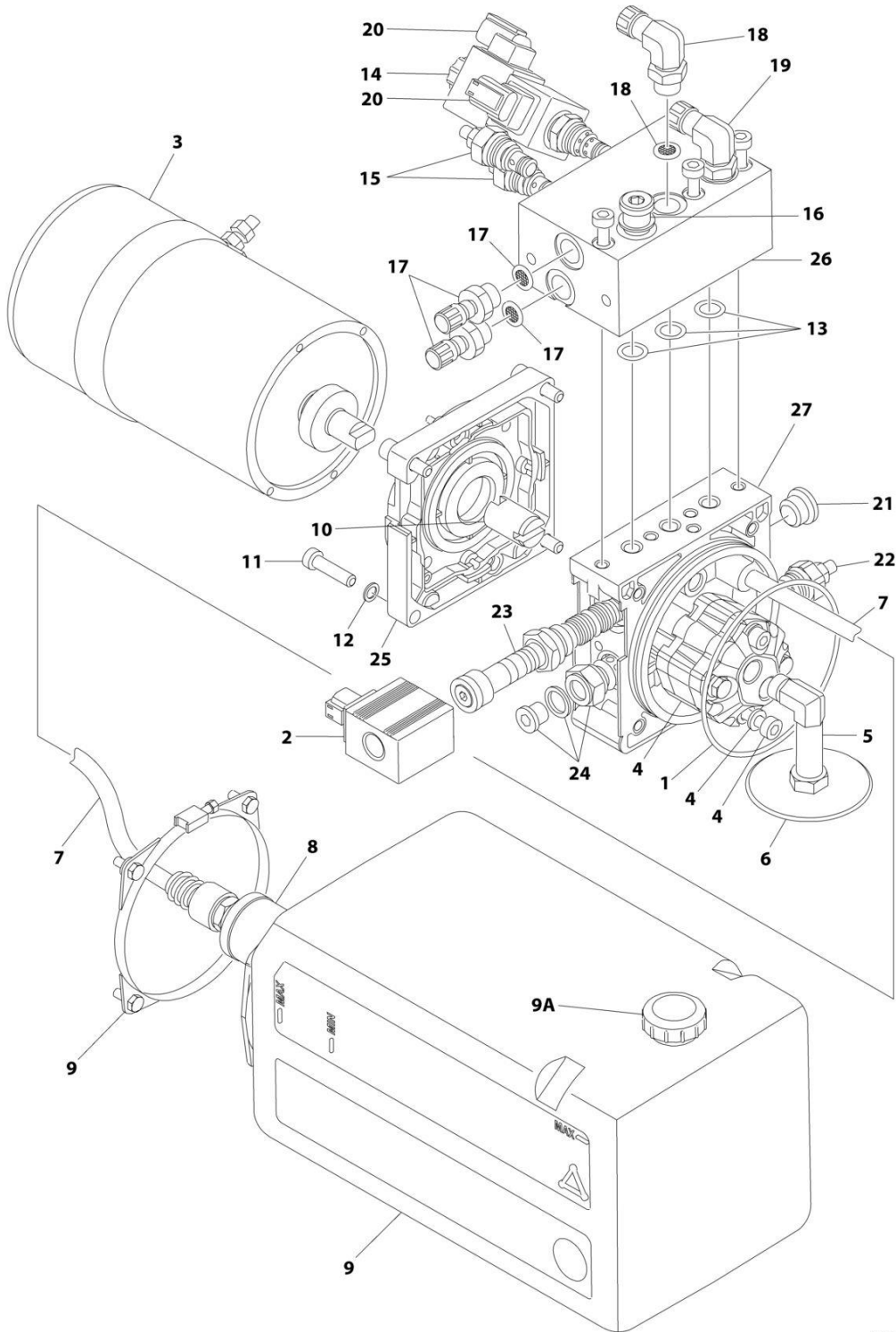
## SECTION 2 - GROUND COMPONENTS

**FIGURE 2-3. PUMP/MOTOR/TANK ASSEMBLY (6RS/1932RS)**

ITEM	PART NUMBER	QTY	DESCRIPTION	REV
	1001131630	Ref	<b>PUMP/MOTOR/TANK ASSEMBLY (6RS/1932RS)</b>	C
1	70003683	1	Plug	
2	70003730	1	Cartridge, Relief Valve	
2	See Note	NSS	Seal Kit - Cartridge (Note: Purchase Complete Cartridge)	
3	70003685	1	Cartridge, Solenoid Valve	
3	See Note	NSS	Seal Kit - Cartridge (Note: Purchase Complete Cartridge)	
3	70003729	1	Nut, Coil	
4	70003686	1	Coil	
5	70003687	1	Fitting, Pressure	
6	70003688	1	Seal	
7	70003689	1	Plug	
8	70003690	1	O-Ring	
9	70003731	1	Coupling	
10	70003732	1	Motor	
10	70003736	1	Brush and Spring Kit	
11	70003693	1	Pump	
11	See Note	1	Seal Kit - Pump (Note: Not Available at Time of Printing)	
12	70003694	2	Flatwasher M8	
13	4031916	2	Bolt M8 x 60mm	
14	70003695	1	Pipe, Suction	
15	70003696	1	Filter, Suction	
16	70003733	1	Pipe	
17	70003734	1	Filter, Return	
18	70003735	1	Tank	
19	70003700	1	Cap, Oil Fill	
20	70003701	1	Clamp Kit	
21	70003702	3	O-Ring	
22	70003028	1	Cartridge, Solenoid Valve	
22	See Note	NSS	Seal Kit - Cartridge (Note: Purchase Complete Cartridge)	
22	70003726	1	Nut, Coil	
23	70003703	2	Cartridge, Valve	
23	See Note	NSS	Seal Kit - Cartridge (1 per Cartridge) (Note: Purchase Complete Cartridge)	
24	70003704	1	Seal	
25	70003705	1	Plug	
26	70003706	3	Filter	
27	8033143	2	Fitting, Straight	
29	70003912	2	Fitting, 90	
31	4031917	3	Capscrew M8 x 65mm	
32	70003707	2	Coil	
33	See Note	NSS	Block, Valve (Note: Not Available - Purchase Complete Assembly)	
34	See Note	NSS	Adapter (Note: Not Available - Purchase Complete Assembly)	

# SECTION 2 - GROUND COMPONENTS

## FIGURE 2-4. PUMP/MOTOR/TANK ASSEMBLY (10RS/3248RS)



ART\_1001130541

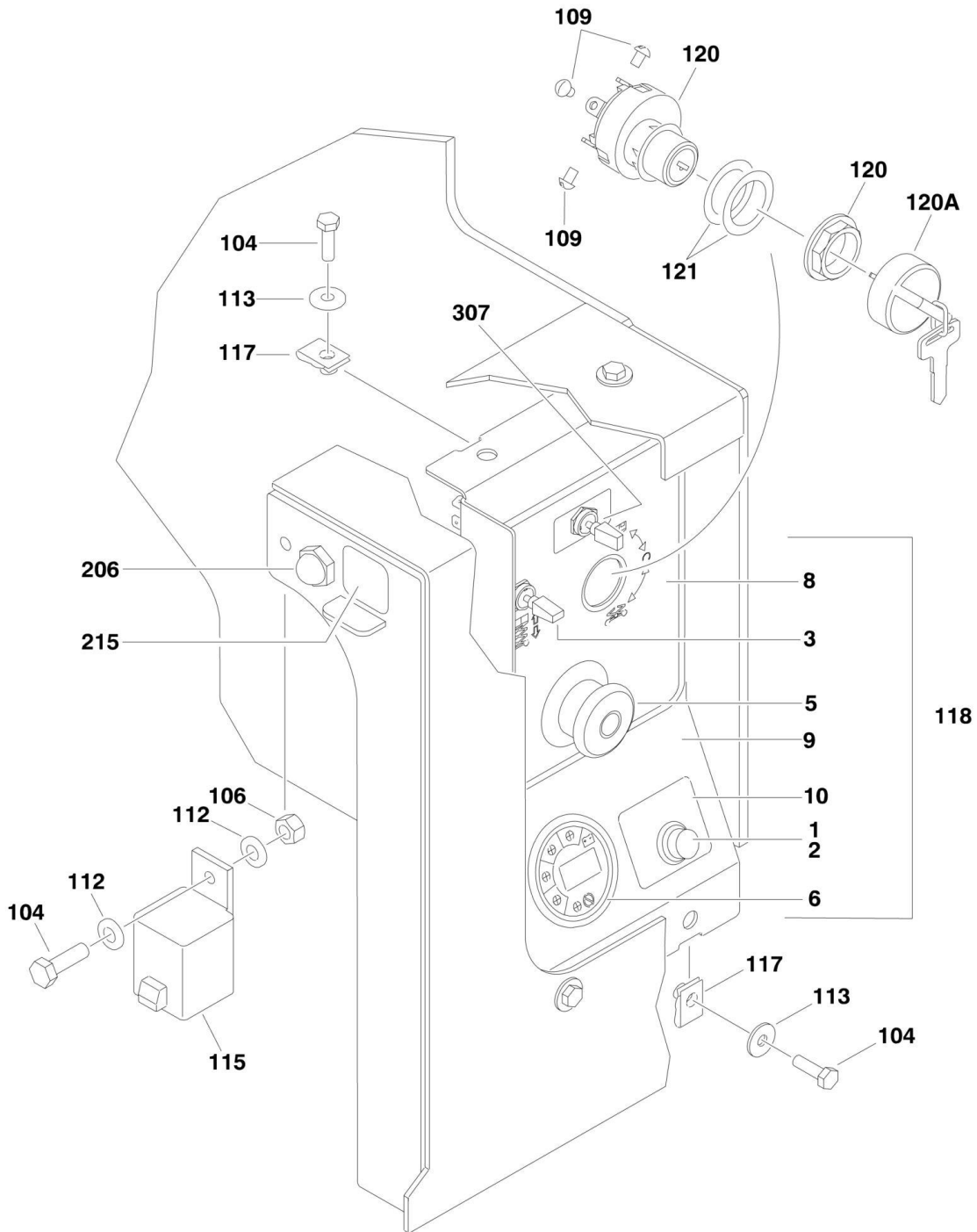
## SECTION 2 - GROUND COMPONENTS

**FIGURE 2-4. PUMP/MOTOR/TANK ASSEMBLY (10RS/3248RS)**

ITEM	PART NUMBER	QTY	DESCRIPTION	REV
	1001130541	Ref	<b>PUMP/MOTOR/TANK ASSEMBLY (10RS/3248RS)</b>	E
1	70003690	1	O-Ring	
2	70003686	1	Coil	
3	70005630	1	Motor Assembly	
3	70003727	1	Brush and Spring Kit	
4	70005233	1	Pump, Gear Assembly	
5	70003695	1	Pipe, Suction	
6	70003696	1	Filter, Suction	
7	70003697	1	Pipe	
8	70004935	1	Filter, Return	
9	70005631	1	Tank Assembly	
9A	70003700	1	Cap, Oil Fill	
10	70003728	1	Coupling	
11	70005638	4	Bolt M8 x 30	
12	70005639	4	Washer, M8	
13	70003702	3	O-Ring	
14	70003028	1	Cartridge, Solenoid Valve	
14	70004654	1	Nut, Coil	
15	70005637	2	Cartridge, Valve	
16	70005632	1	Plug Kit (Includes plug and seal)	
17	70005633	2	Fitting, Straight	
18	70005634	1	Fitting, 90	
19	70005635	1	Fitting, 90	
20	70003707	2	Coil	
21	70003683	1	Plug	
22	70003684	1	Cartridge, Relief Valve	
23	70003685	1	Cartridge, Solenoid Valve	
23	70003729	1	Nut, Coil	
24	70005636	1	Plug Assembly Kit	
25	See Note	NSS	Junction Kit (Note: Not Available for Purchase)	
26	See Note	NSS	Block, Valve Change (Note: Not Available - Purchase Complete Assembly)	
27	See Note	NSS	Adapter (Note: Not Available - Purchase Complete Assembly)	

# SECTION 2 - GROUND COMPONENTS

## FIGURE 2-5. GROUND CONTROL ASSEMBLY AND INSTALLATION





## SECTION 2 - GROUND COMPONENTS

**FIGURE 2-5. GROUND CONTROL ASSEMBLY AND INSTALLATION**

ITEM	PART NUMBER	QTY	DESCRIPTION	REV
		Ref	<b>GROUND CONTROL ASSEMBLY</b>	
	1001130303	Ref	<b>ANSI, ANSI Export and CSA Specs</b>	D
	1001146981	Ref	<b>ANSI Export and CE Specs</b>	C
	1001156546	Ref	<b>ANSI Export and Japanese Specs</b>	D
1	2920026	1	Lamp (CE and Japanese Spec Only)	
2	2920094	1	Bulb, Light (CE and Japanese Spec Only)	
3	4360328	1	Switch, Toggle	
5	4360475	1	Switch, Emergency Stop	
5	7020175	1	Cap	
5	7020176	1	Block, Contact	
6	1001092454	1	Gauge, MDI	
8		Ref	Decal - Ground Control Options:	
8	1001132360	1	ANSI, ANSI Export and CSA Specs <b>(Prior to SN B200015304, Prior to SN 0200225587)</b>	
8	1001143008	1	ANSI, ANSI Export and CSA Specs <b>(SN B200015304 to Present, SN 0200225587 to Present)</b>	
8	1001143008	1	ANSI Export and CE Specs (Not Shown)	
9		Ref	Plate Options:	
9	1001130302	1	ANSI, ANSI Export and CSA Specs <b>(Prior to SN B200015304, Prior to SN 0200225587)</b>	
9	1001146144	1	ANSI, ANSI Export and CSA Specs <b>(SN B200015304 to Present, SN 0200225587 to Present)</b>	
9	1001146980	1	ANSI Export and CE Specs (Not Shown)	
10	1001146979	1	Decal - LSS (CE & Japanese Spec Only)	
		Ref	<b>GROUND CONTROL INSTALLATION</b>	
		Ref	<b>China &amp; Belgium Assembled Machines</b>	
	1001133272	Ref	<b>China Assembled Machines 6RS/1932RS ANSI, ANSI Export and CSA Specs</b>	I
	1001147142	Ref	<b>China Assembled Machines 6RS/1932RS ANSI Export and CE Specs (Prior to SN B200021516)</b>	D
	1001147255	Ref	<b>China Assembled Machines 6RS/1932RS ANSI Export &amp; CE Specs (SN B200021516 to Present)</b>	C
	1001147255	Ref	<b>China Assembled Machines 6RS/1932RS, ANSI Export, Japanese &amp; Chinese Specs</b>	C
	1001215620	Ref	<b>China and Belgium Assembled Machines 6RS/1932RS, CE Specs (SN B200260088 to Present, SN 1200025022 to Present)</b>	A
	1001130488	Ref	<b>China Assembled Machines 10RS/3248RS ANSI, ANSI Export and CSA Specs</b>	F
	1001146982	Ref	<b>China Assembled Machines 10RS/3248RS ANSI Export and CE Specs (Prior to SN B200021516)</b>	D
	1001147256	Ref	<b>China Assembled Machines 10RS/3248RS ANSI Export &amp; CE Specs (SN B200021516 to Present)</b>	E
	1001147256	Ref	<b>China Assembled Machines 10RS/3248RS, ANSI Export, Japanese &amp; Chinese Specs</b>	E
	1001215619	Ref	<b>China and Belgium Assembled Machines 10RS/3248RS, CE Specs (SN B200260088 to Present, SN 1200025022 to Present)</b>	A
		Ref	<b>USA Assembled Machines</b>	
	1001159022	Ref	<b>Kit Components</b>	A
	1001159021	Ref	<b>Kit Components 6RS/1932RS Final Assembly Components</b>	A
	1001159142	Ref	<b>Kit Components 10RS/3248RS Final Assembly Components</b>	A
104	0760610	3	Bolt M6 x 20mm	

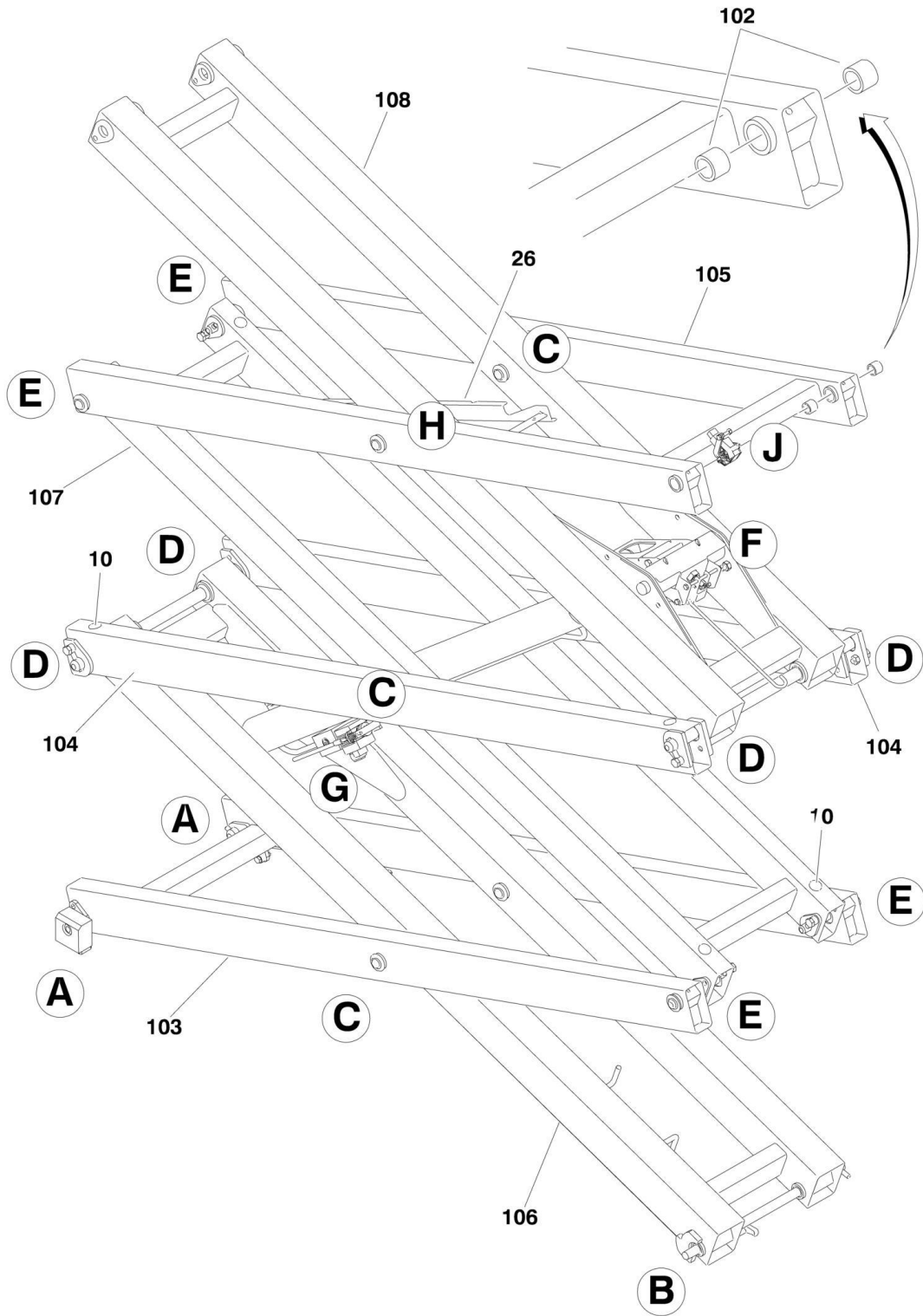
## SECTION 2 - GROUND COMPONENTS

ITEM	PART NUMBER	QTY	DESCRIPTION	REV
106	3290605	5	Locknut M6	
109	3910804	3	Screw #8-32 x 1/4in	
112	4811700	2	Flatwasher M6	
113	4811702	4	Flatwasher, Special M6	
115	1001097347	AR	Relay	
117	1001130220	4	Nut, Tinnerman	
118		Ref	Ground Control Assembly Options (Includes Items 1-10):	
118	1001130303	1	ANSI, ANSI Export and CSA Specs	
118	1001146981	NLA	ANSI Export and CE Specs (Use p/n 1001156546)	
118	1001156546	1	ANSI Export and CE Specs	
120		Ref	Keyswitch Options:	
120	4360469	1	ANSI, ANSI Export, CSA and Japanese Spec	
120	4360470	1	ANSI Export and CE Specs <b>(Prior to SN B200021516)</b>	
120	4360469	1	ANSI Export and CE Specs <b>(SN B200021516 to Present)</b>	
120A	2860030	1	Key, Replacement (Fits All Specs)	
121	1001130590	1	Shim	
		Ref	<b>BRAKE RELEASE SWITCH INSTALLATION</b>	
	1001133269	Ref	<b>Brake Release Switch Installation 6RS/1932RS</b>	G
	1001129627	Ref	<b>Brake Release Switch Installation 10RS/3248RS</b>	E
206	4360387	1	Switch, Push Button	
215	1706679	1	Decal - Brake Release	
	1001142170	Ref	<b>INVERTER CONTROLS INSTALLATION (OPTIONAL)</b>	C
307	4360336	1	Switch, Toggle	
307	1001143010	1	Decal - On/Off	

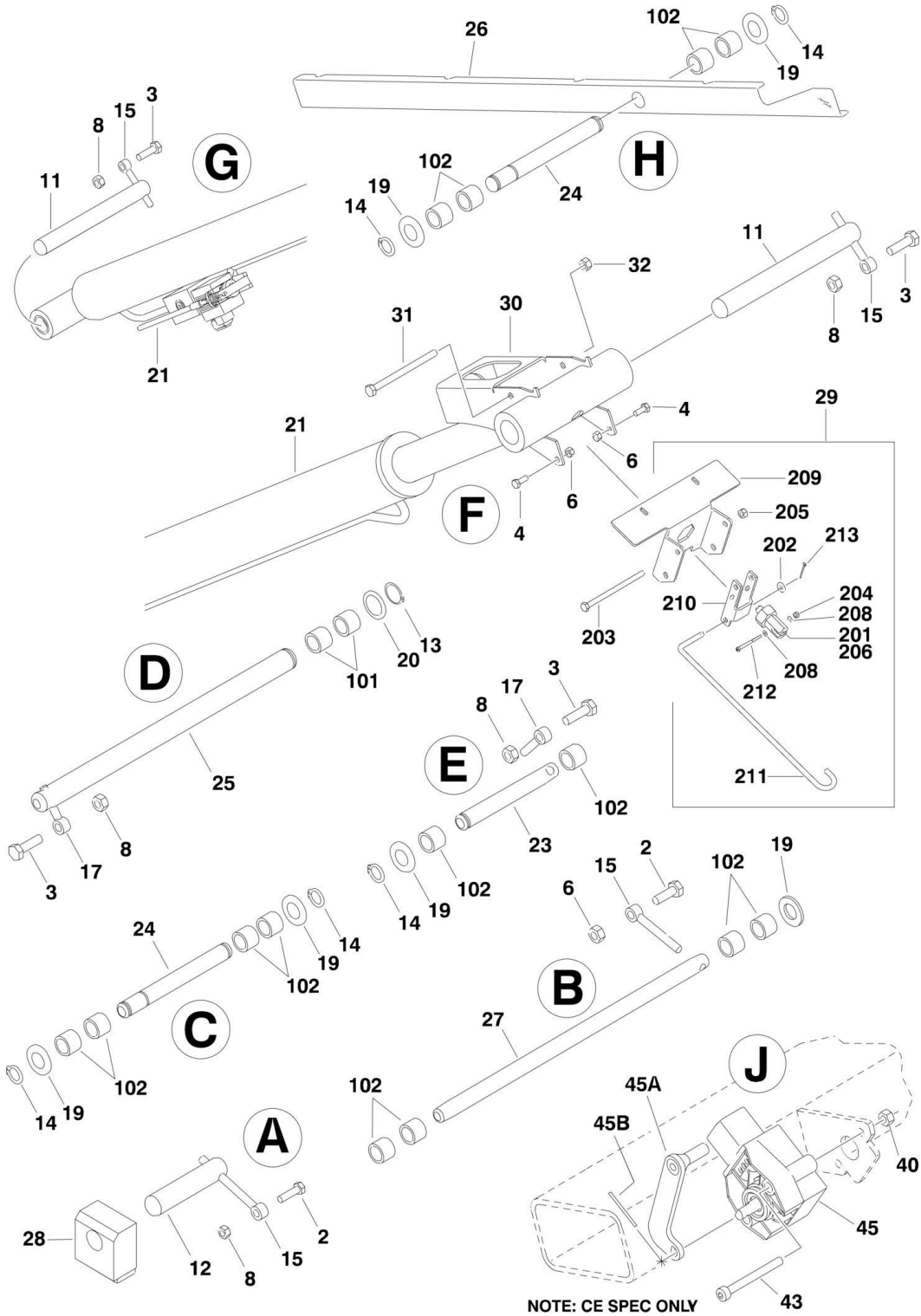
**SECTION 3 - SCISSOR ARMS**

# SECTION 3 - SCISSOR ARMS

## FIGURE 3-1. SCISSOR ARMS INSTALLATION (6RS/1932RS)



# SECTION 3 - SCISSOR ARMS



## SECTION 3 - SCISSOR ARMS

FIGURE 3-1. SCISSOR ARMS INSTALLATION (6RS/1932RS)

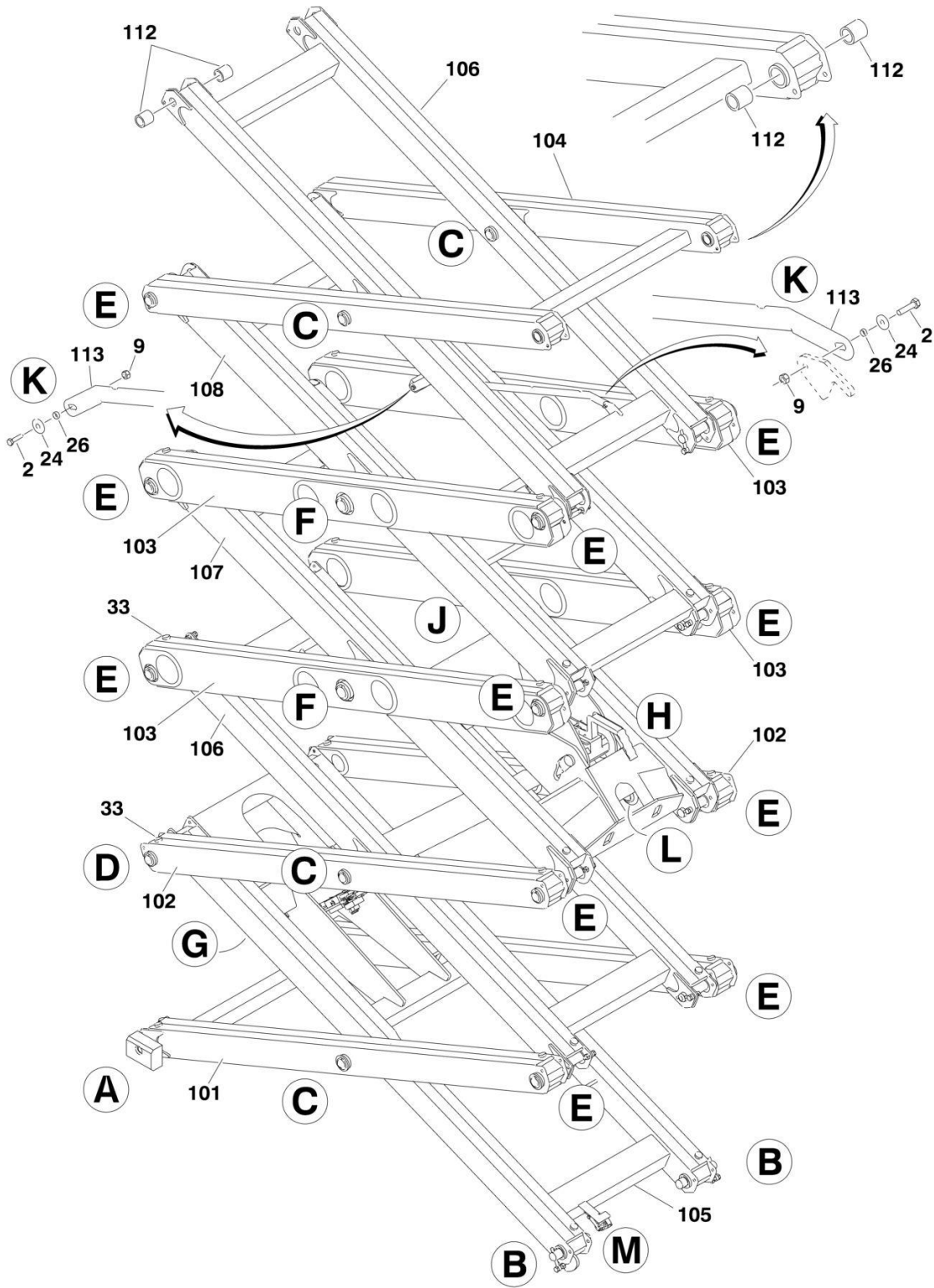
ITEM	PART NUMBER	QTY	DESCRIPTION	REV
		Ref	<b>SCISSOR ARMS ASSEMBLY (6RS/1932RS)</b>	
	1001132470	Ref	<b>Scissor Arms Assembly without LSS</b>	I
	1001147250	Ref	<b>Scissor Arms Assembly with LSS</b>	H
2	0701014	AR	Bolt M10 x 30	
3	0701015	8	Bolt M10 x 35	
4	0760608	2	Bolt M6 x 18	
6	3290607	AR	Nut M6	
8	3291007	AR	Nut M10	
10	3340962	16	Pad, Arm Rest	
11	3422860	2	Pin	
12	3422903	2	Pin	
13	3760115	2	Ring, Retaining	
14	3760348	16	Ring, Retaining	
15	3841143	AR	Keeper, Pin	
17	3841520	6	Keeper, Pin	
19	4712200	16	Washer 3/4	
20	4740531	2	Washer	
21	1001132054	NLA	Lift Cylinder Assembly - Machines without LSS (Use p/n 1001146521) (See CYLINDER SECTION for Breakdown) <b>(Prior to SN 0200258336)</b>	
21	1001146521	1	Lift Cylinder Assembly - Machines without LSS (See CYLINDER SECTION for Breakdown) <b>(SN 0200258336 to Present)</b>	
21	1001132054	NLA	Lift Cylinder Assembly - Machines without LSS (Use p/n 1001146521) (See CYLINDER SECTION for Breakdown) <b>(Prior to SN B200051446)</b>	
21	1001146521	1	Lift Cylinder Assembly - Machines without LSS (See CYLINDER SECTION for Breakdown) <b>(SN B200051446 to Present)</b>	
21	1001146521	1	Lift Cylinder Assembly - Machines with LSS (See CYLINDER SECTION for Breakdown)	
23	1001132488	4	Pin	
24	1001132489	6	Pin	
25	1001132490	2	Pin	
26	1001133512	1	Carrier, Cable	
27	1001134211	1	Pin	
28	1001134261	NLA	Block, Slide (Note: Use p/n 1001177615) <b>(Prior to SN 0200232781, Prior to SN B200017767, SN 1200025022 through 1200025027)</b>	
28	1001177615	2	Block, Slide <b>(SN 0200232781 to Present, SN B200017767 to Present, SN 1200025028 to Present)</b>	
29	1001134809	1	Latch Assembly (See Item 201-213 for Breakdown)	B
30	1001134810	NLA	Stop, Cylinder (Use p/n 1001139126)	
31	0760828	1	Bolt M8 x 110	
32	3290805	1	Nut M8	
33	1001134077	1	Harness, Lift Down (Machines without LSS) (Not Shown - See ELECTRICAL SECTION for Breakdown)	
33	1001153878	NLA	Harness, Lift Down (Machines with LSS) (Not Shown - See ELECTRICAL SECTION for Breakdown) (Note: Use p/n 1001156226) <b>(Prior to SN 0200224411, Prior to SN B200014733)</b>	
33	1001156226	1	Harness, Lift Down (Machines with LSS) (Not Shown - See ELECTRICAL SECTION for Breakdown) <b>(SN 0200224411 to Present, SN B200014733 to Present)</b>	
33	1001153879	1	Harness, Lift Down Jumper (Machines with LSS) (Not Shown -	

## SECTION 3 - SCISSOR ARMS

ITEM	PART NUMBER	QTY	DESCRIPTION	REV
			See ELECTRICAL SECTION for Breakdown)	
34	4240017	4	Tie-Strap (Not Shown - Attaches Item 33)	
40	3290405	2	Nut M4 (Machines with LSS)	
43	4031512	2	Capscrew M4 x 40 (Machines with LSS)	
45	1001151800	1	Sensor, Angle (Machines with LSS)	
45A	70004167	1	Arm	
45B	70004168	1	Pin, Dowel	
	1001132471	Ref	<b>SCISSOR ARMS KIT</b>	J
101	0440264	8	Bearing	
102	0962140	40	Bearing	
103	1001132472	1	Arm, Lower Outboard	
104	1001132473	2	Arm, Mid Outboard	
105	1001132474	1	Arm, Upper Outboard	
106	1001132475	1	Arm, Lower Inboard	
107	1001132476	1	Arm, Mid Inboard	
108	1001132477	1	Arm, Upper Inboard	
	1001134809	Ref	<b>LATCH ASSEMBLY</b>	B
201	0100011	AR	Compound, Locking	
202	4811700	1	Washer M6	
203	0700627	1	Bolt M6 x 100	
204	3290305	1	Nut M3	
205	3290607	1	Nut M6	
206	3423151	1	Pin, Plunger	
208	1001110544	2	Washer M3	
209	1001134811	1	Bracket	
210	1001134813	1	Link	
211	1001140670	1	Rod, Release	
212	1001134833	1	Screw M3 x 40 (Stainless)	
213	3450203	1	Pin, Cotter	

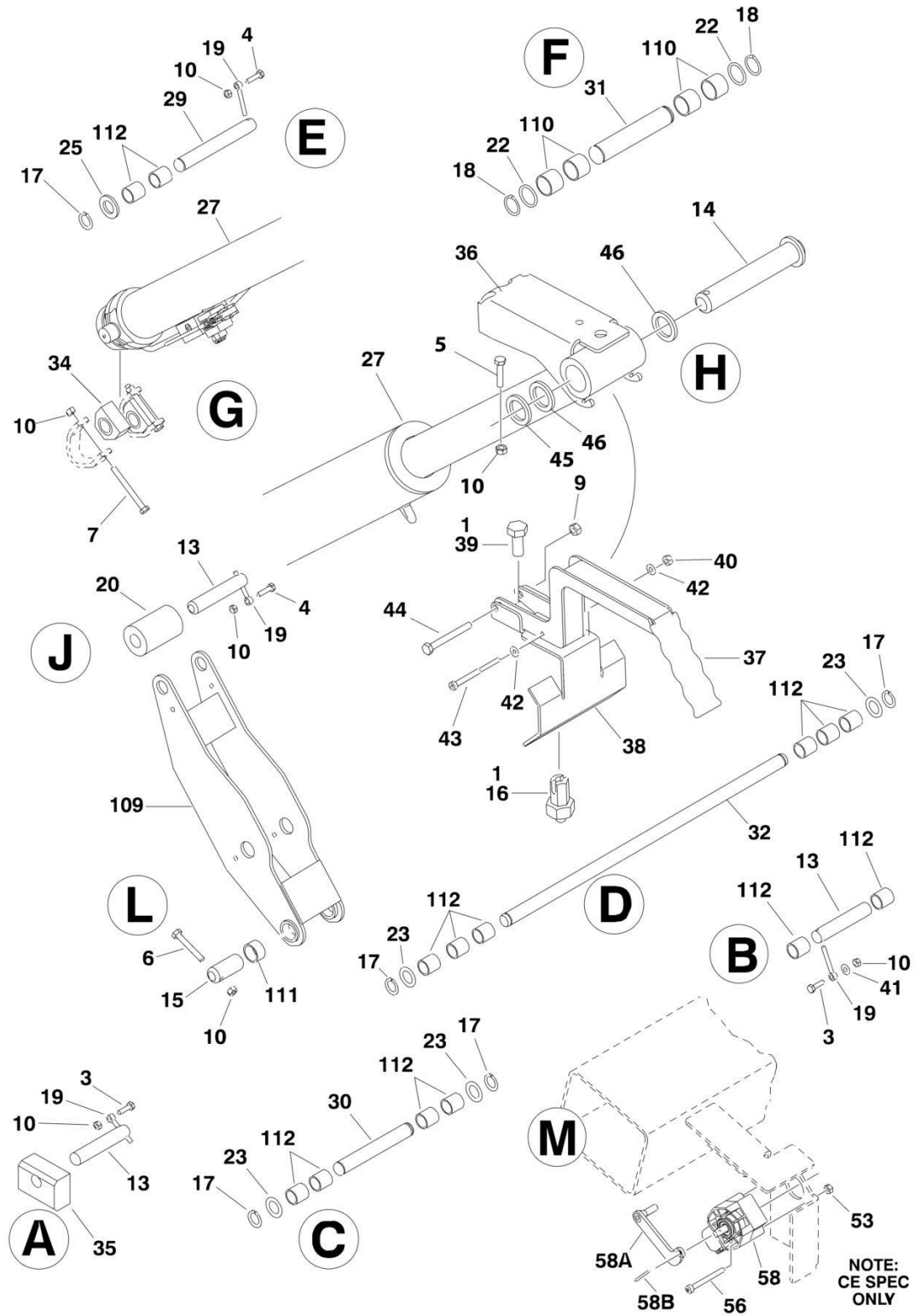
# SECTION 3 - SCISSOR ARMS

## FIGURE 3-2. SCISSOR ARMS INSTALLATION (10RS/3248RS)





# SECTION 3 - SCISSOR ARMS



NOTE:  
CE SPEC  
ONLY

## SECTION 3 - SCISSOR ARMS

FIGURE 3-2. SCISSOR ARMS INSTALLATION (10RS/3248RS)

ITEM	PART NUMBER	QTY	DESCRIPTION	REV
		Ref	<b>SCISSOR ARMS ASSEMBLY (10RS/3248RS)</b>	
	1001130621	Ref	<b>Scissor Arms Assembly Without LSS</b>	M
	1001147251	Ref	<b>Scissor Arms Assembly With LSS</b>	G
1	0100011	AR	Compound, Locking	
2	0700612	6	Bolt M6 x 25	
3	0701015	4	Bolt M10 x 35	
4	0701016	15	Bolt M10 x 40	
5	0701018	1	Bolt M10 x 50	
6	0701022	2	Bolt M10 x 70	
7	0701029	2	Bolt M10 x 120	
9	3290607	AR	Nut M6	
10	3291007	24	Nut M10	
13	3422998	5	Pin	
14	1001139003	1	Pin	
15	3423011	2	Pin	
16	3423151	1	Pin	
17	3760387	28	Ring, Retaining	
18	3760420	8	Ring, Retaining	
19	3841143	19	Keeper, Pin	
20	3860104	1	Roller, Arm Kicker	
22	4740332	8	Washer	
23	4740438	22	Washer	
24	4711702	6	Washer M6	
25	4893000	6	Washer 1-1/4	
26	1001128888	6	Washer	
27		Ref	Lift Cylinder Assembly with Fittings Options (See CYLINDER SECTION for Breakdown):	
27	1001130995	NLA	Cylinder Assembly - Machines Without LSS (Use p/n 1001146518) <b>(Prior to SN 0200259023)</b>	
27	1001146518	1	Cylinder Assembly - Machines Without LSS <b>(SN 0200259023 to Present)</b>	
27	1001130995	NLA	Cylinder Assembly - Machines Without LSS (Use p/n 1001146518) <b>(Prior to SN B200051446)</b>	
27	1001146518	1	Cylinder Assembly - Machines Without LSS <b>(SN B200051446 to Present)</b>	
27	1001146518	1	Cylinder Assembly - Machines With LSS	
29	1001130647	14	Pin	
30	1001130648	6	Pin	
31	1001130649	4	Pin	
32	1001130650	1	Pin	
33	1001130651	NLA	Pad, Arm Rest (Use p/n 1001137675)	
34	1001130912	2	Block, Trunnion	
34	0961948	2	Bearing (1 per Block)	
35	1001130963	2	Pad, Slide	
36	1001132009	1	Stop, Cylinder	
37	1001133947	1	Lever, Stop	
38	1001132100	1	Plate, Retainer	
39	0761012	1	Bolt M10 x 25	
40	3290305	1	Nut M3	
41	4812000	2	Washer M10	
42	1001110544	2	Washer M3	

## SECTION 3 - SCISSOR ARMS

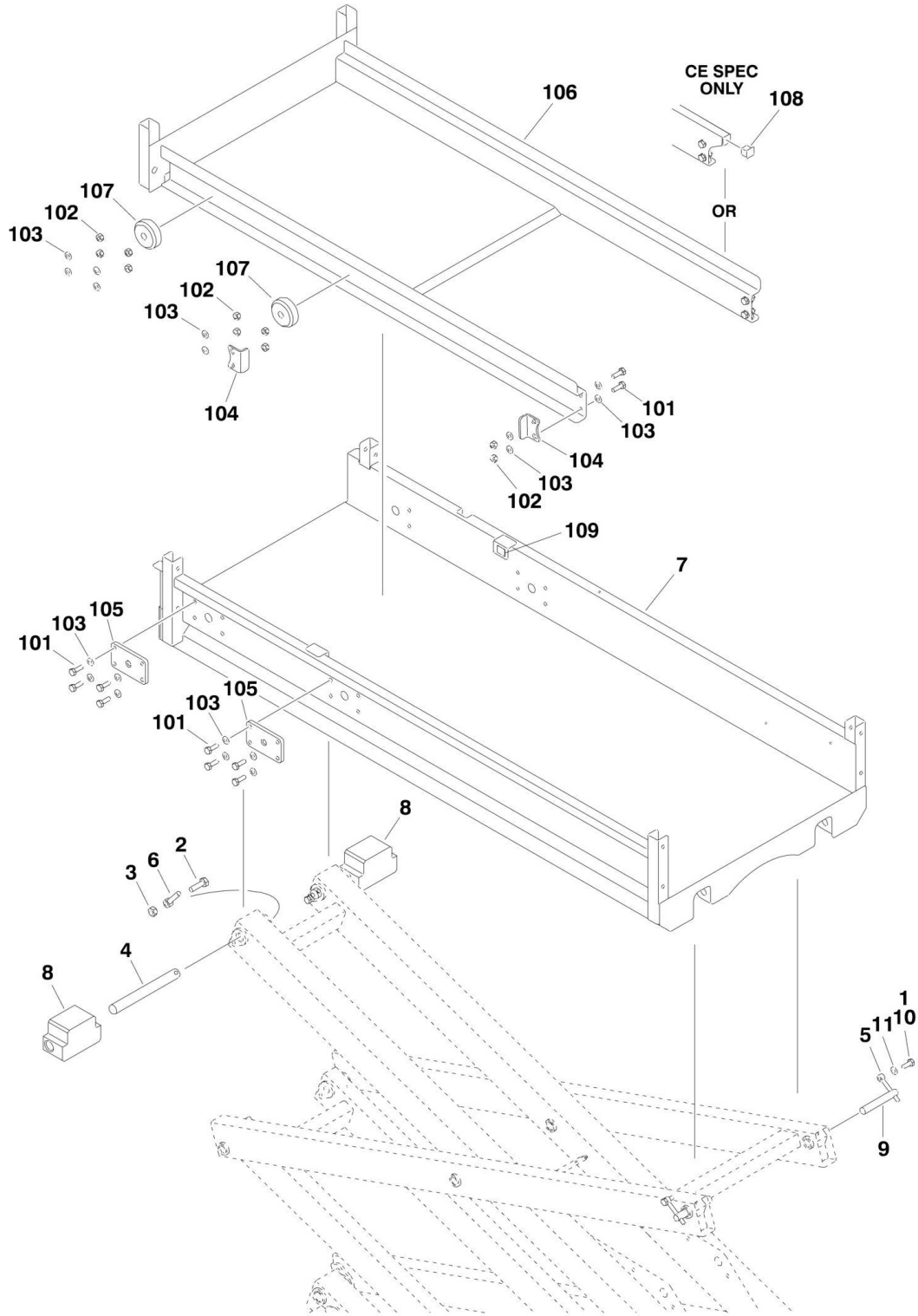
ITEM	PART NUMBER	QTY	DESCRIPTION	REV
43	1001134833	1	Capscrew M3 x 40	
44	0760619	1	Bolt M6 x 55	
45	1001139000	1	Plate	
46	1001139002	2	Pad	
47	4240017	4	Tie-Strap (Not Shown - Attaches Item 48)	
48	1001130656	1	Harness, Lift Down (Machines Without LSS) (Not Shown - See ELECTRICAL SECTION for Breakdown)	
48	1001153880	NLA	Harness, Lift Down (Machines with LSS) (Not Shown - See ELECTRICAL SECTION for Breakdown) (Note: Use p/n 1001156226) <b>(Prior to SN 0200224411, Prior to SN B200014733)</b>	
48	1001156226	1	Harness, Lift Down (Machines with LSS) (Not Shown - See ELECTRICAL SECTION for Breakdown) <b>(SN 0200224411 to Present, SN B200014733 to Present)</b>	
48	1001153879	1	Harness, Lift Down Jumper (Machines with LSS) (Not Shown - See ELECTRICAL SECTION for Breakdown)	
53	3290405	2	Locknut M4 (Machines with LSS)	
56	4031512	2	Capscrew M4 x 40 (Machines with LSS)	
58	1001151800	1	Sensor, Angle (Machines with LSS)	
58A	70004167	1	Arm	
58B	70004168	1	Pin, Dowel	
	1001130622	Ref	<b>SCISSOR ARMS KIT</b>	Q
101	1001130623	1	Arm, Lower Outboard	
102	1001130624	2	Arm, Lower Mid Outboard	
103	1001130625	4	Arm, Mid and Upper Mid Outboard	
104	1001130626	1	Arm, Upper Outboard	
105	1001130627	1	Arm, Lower Inboard	
106	1001130628	2	Arm, Lower Mid and Upper Inboard	
107	1001130629	1	Arm, Mid Inboard	
108	1001130630	1	Arm, Upper Mid Inboard	
109	1001129281	1	Kicker, Arm	
110	0440236	16	Bearing	
111	0440257	2	Bearing	
112	0440267	66	Bearing	
113	1001130642	3	Carrier, Cable	



**SECTION 4 - PLATFORM**

# SECTION 4 - PLATFORM

FIGURE 4-1. PLATFORM AND EXTENSION DECK INSTALLATION (6RS/1932RS)



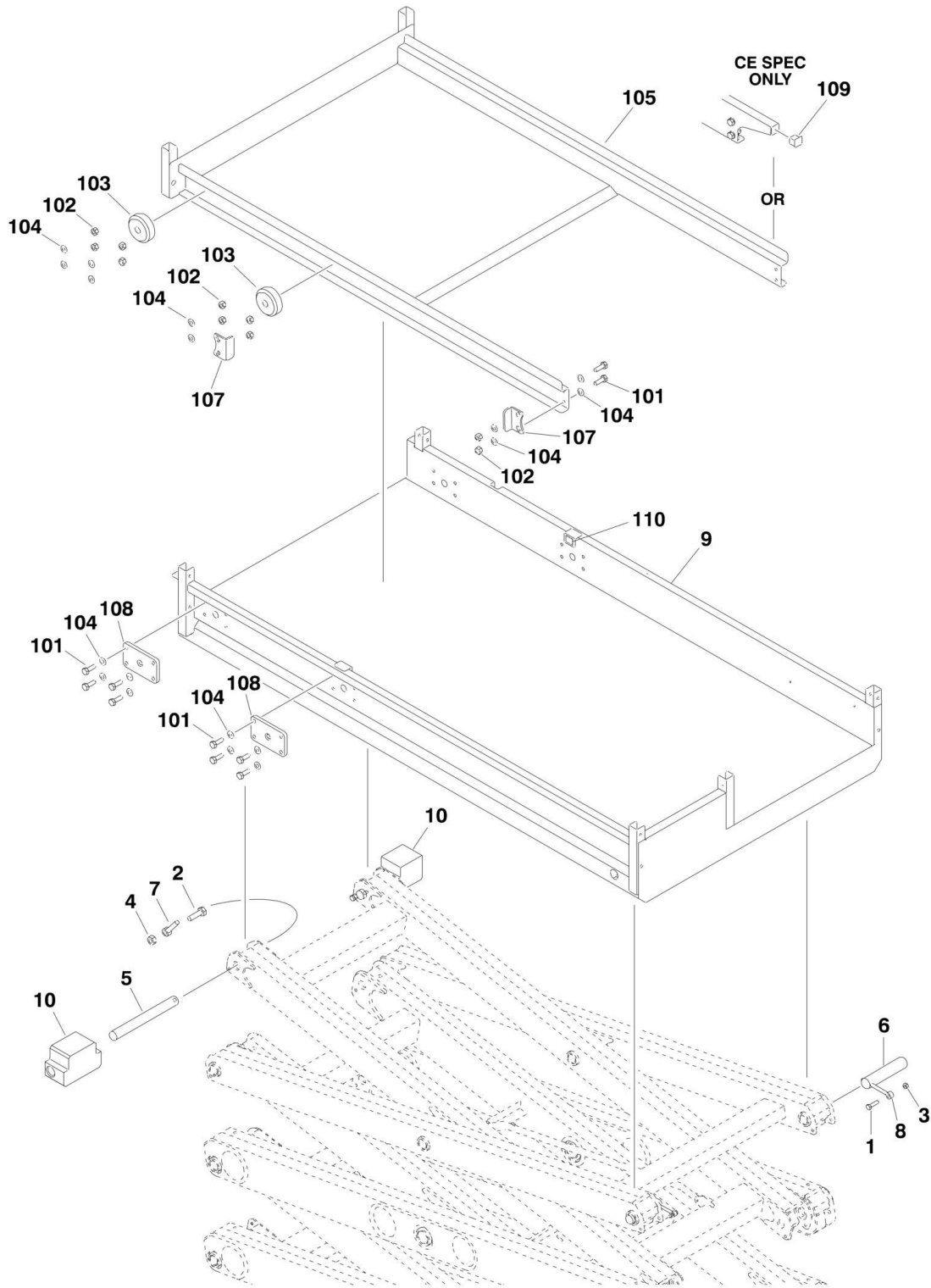
## SECTION 4 - PLATFORM

**FIGURE 4-1. PLATFORM AND EXTENSION DECK INSTALLATION (6RS/1932RS)**

ITEM	PART NUMBER	QTY	DESCRIPTION	REV
		Ref	<b>Note: Replacement Decals Must Be Ordered Separately - See DECALS SECTION.</b>	
		Ref	<b>PLATFORM INSTALLATION</b>	
	1001130865	Ref	<b>All Specs except CE Spec (Prior to SN B200015304, Prior to SN 0200225587)</b>	E
	1001145960	Ref	<b>All Specs except CE Spec (SN B200015304 to Present, SN 0200225587 to Present)</b>	C
	1001145960	Ref	<b>CE Spec Only</b>	C
1	0761012	2	Bolt M10 x 25	
2	0761015	2	Bolt M10 x 35	
3	3291007	2	Nut M10	
4	3422860	2	Pin	
5	3841143	2	Keeper, Pin	
6	3841520	2	Keeper, Pin	
7		Ref	Platform Options:	
7	1001130866	1	<b>All Specs except CE Spec (Prior to SN B200015304, Prior to SN 0200225587)</b>	
7	1001145961	1	<b>All Specs except CE Spec (SN B200015304 to Present, SN 0200225587 to Present)</b>	
7	1001145961	1	CE Spec Only	
8	1001134287	2	Block, Side	
9	1001134342	2	Pin	
10	0100011	AR	Compound, Locking	
11	4812000	2	Washer M10	
		Ref	<b>EXTENSION DECK INSTALLATION</b>	
	1001130864	Ref	<b>All Specs except CE Spec (Prior to SN B200015304, Prior to SN 0200225587)</b>	B
	1001145962	Ref	<b>All Specs except CE Spec (SN B200015304 to Present, SN 0200225587 to Present)</b>	C
	1001145962	Ref	<b>CE Spec Only</b>	C
101	0761014	20	Bolt M10 x 30	
102	3291005	20	Nut M10	
103	4812000	36	Washer M10	
104	1001129549	4	Bracket, Stop	
105		Ref	Mount, Roller Options:	
105	1001129552	NLA	<b>All Specs except CE Spec, (Use p/n 1001145779) (Prior to SN B200015304, Prior to SN 0200225587)</b>	
105	1001145779	4	<b>All Specs except CE Spec, (SN B200015304 to Present, SN 0200225587 to Present)</b>	
105	1001145779	4	CE Spec Only	
106		Ref	Deck, Extension Options:	
106	1001130867	1	<b>All Specs except CE Spec, (Prior to SN B200015304, Prior to SN 0200225587)</b>	
106	1001145964	1	<b>All Specs except CE Spec, (SN B200015304 to Present, SN 0200225587 to Present)</b>	
106	1001145964	1	CE Spec Only (Not Shown)	
107	1001134648	4	Roller	
108	3520072	2	Cap-Plug	
109	4420062	AR	Tape	

# SECTION 4 - PLATFORM

## FIGURE 4-2. PLATFORM AND EXTENSION DECK INSTALLATION (10RS/3248RS)





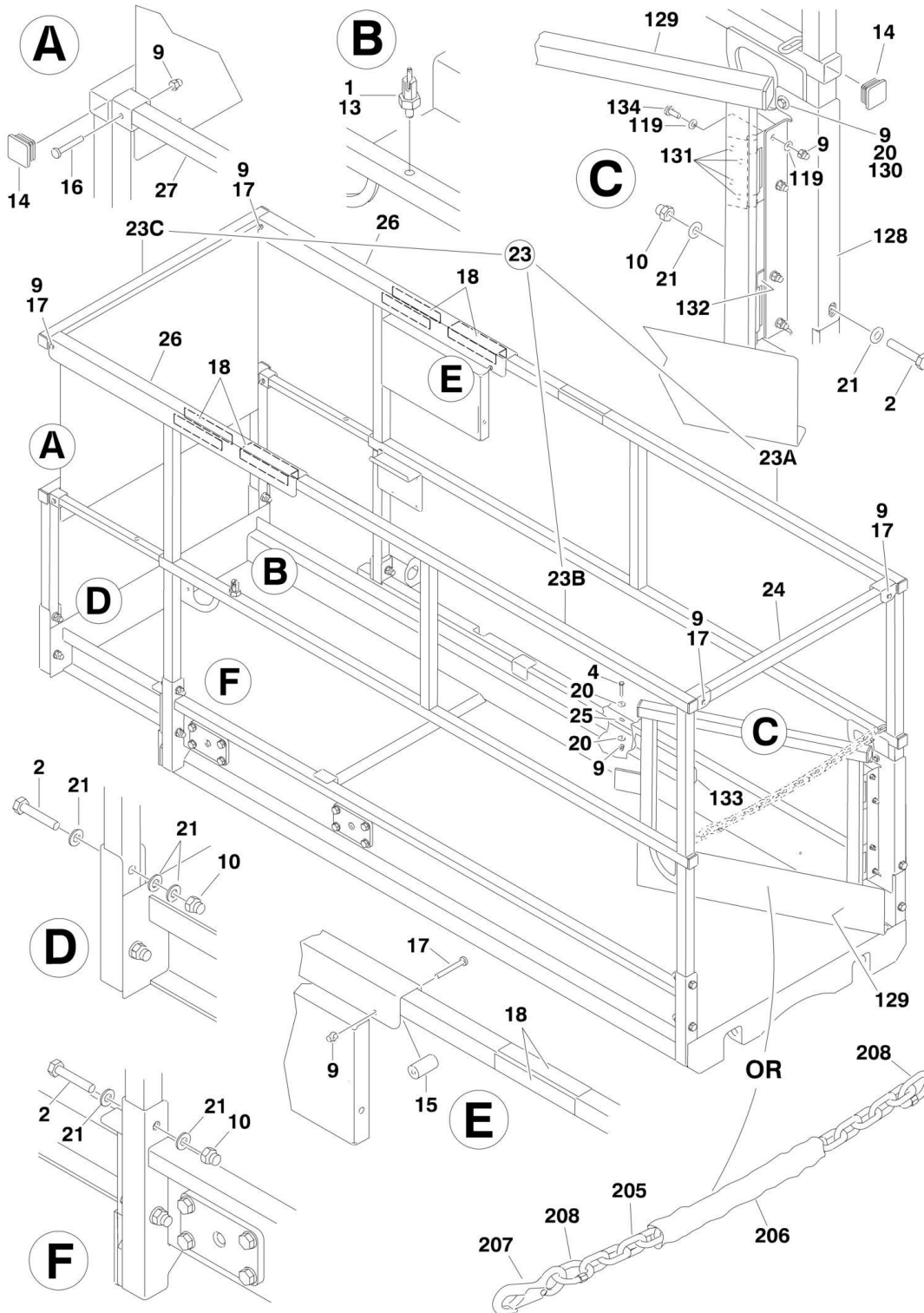
## SECTION 4 - PLATFORM

**FIGURE 4-2. PLATFORM AND EXTENSION DECK INSTALLATION (10RS/3248RS)**

ITEM	PART NUMBER	QTY	DESCRIPTION	REV
		Ref	<b>Note: Replacement Decals Must Be Ordered Separately - See DECALS SECTION.</b>	
		Ref	<b>PLATFORM INSTALLATION</b>	
	1001130454	Ref	<b>All Specs except CE Spec (Prior to SN B200015304, Prior to SN 0200225587)</b>	D
	1001142772	Ref	<b>All Specs except CE Spec (SN B200015304 to Present, SN 0200225587 to Present)</b>	D
	1001142772	Ref	<b>CE Spec Only</b>	D
1	0700814	2	Bolt M8 x 30	
2	0761016	2	Bolt M10 x 40	
3	3290807	2	Nut M8	
4	3291007	2	Nut M10	
5	3422561	2	Pin	
6	3423067	2	Pin	
7	3841143	2	Keeper, Pin	
8	3841147	2	Keeper, Pin	
9		Ref	Platform Options:	
9	1001129418	1	<b>All Specs except CE Spec (Prior to SN B200015304, Prior to SN 0200225587)</b>	
9	1001142773	1	<b>All Specs except CE Spec (SN B200015304 to Present, SN 0200225587 to Present)</b>	
9	1001142773	1	CE Spec Only	
10	1001129554	NLA	Block, Side (Use p/n 1001173698) <b>(Prior to SN 0200225589, Prior to SN B200015330)</b>	
10	1001173698	2	Block, Slide <b>(SN 0200225589 to Present, SN B200015330 to Present, SN 1200025022 to Present)</b>	
		Ref	<b>EXTENSION DECK INSTALLATION</b>	
	1001130580	Ref	<b>All Specs except CE Spec (Prior to SN B200015304, Prior to SN 0200225587)</b>	D
	1001142774	Ref	<b>All Specs except CE Spec (SN B200015304 to Present, SN 0200225587 to Present)</b>	D
	1001142774	Ref	<b>CE Spec Only</b>	D
101	0761014	20	Bolt M10 x 30	
102	3291005	20	Nut M10	
103	1001134648	4	Roller	
104	4812000	36	Washer M10	
105		Ref	Deck, Extension Options:	
105	1001129419	1	<b>All Specs except CE Spec (Prior to SN B200015304, Prior to SN 0200225587)</b>	
105	1001142775	1	<b>All Spec except AUS Spec (SN B200015304 to Present, SN 0200225587 to Present)</b>	
105	1001142775	1	CE Spec Only (Not Shown)	
107	1001129549	4	Bracket, Stop	
108		Ref	Mount, Roller Options:	
108	1001129552	NLA	<b>All Specs except CE Spec (Use p/n 1001145779) (Prior to SN B200015304, Prior to SN 0200225587)</b>	
108	1001145779	4	<b>All Spec except AUS Spec (SN B200015304 to Present, SN 0200225587 to Present)</b>	
108	1001145779	4	CE Spec Only (Not Shown)	
109	3520072	2	Cap-Plug	
110	4420062	AR	Tape	

# SECTION 4 - PLATFORM

FIGURE 4-3. RAIL (FIXED) INSTALLATION (6RS/1932RS - CHINA ASSEMBLED MACHINES)



## SECTION 4 - PLATFORM

**FIGURE 4-3. RAIL (FIXED) INSTALLATION (6RS/1932RS - CHINA ASSEMBLED MACHINES)**

ITEM	PART NUMBER	QTY	DESCRIPTION	REV
		Ref	<b>Note: Replacement Decals Must Be Ordered Separately - See DECALS SECTION.</b>	
		Ref	<b>RAIL INSTALLATION</b>	
	1001136465	Ref	<b>Rails with Gate Closure, China Assembled Machine (Prior to SN B200015304)</b>	E
	1001154564	Ref	<b>Rails with Gate Closure, China Assembled Machine (All Specs except CE Specs) (SN B200015304 to Present)</b>	B
	1001130863	Ref	<b>Rails with Chain Closure, China Assembled Machine (Prior to SN B200015304)</b>	F
	1001154563	Ref	<b>Rails with Chain Closure, China Assembled Machine (All Specs except CE &amp; Chinese Specs) (SN B200015304 to Present)</b>	B
1	0100011	AR	Compound, Locking	
2	0761019	12	Bolt M10 x 55	
4	0760615	2	Bolt M8 x 35	
9	3290606	AR	Nut M6	
10	3291006	12	Nut M10	
13	3423151	1	Pin, Plunger	
14	3520072	AR	Cap-Plug	
15	3860111	2	Roller	
16	4010616	2	Screw M6 x 40	
17	4010618	2	Screw M6 x 50	
18	4420076	AR	Tape <b>(Prior to SN B200015304)</b>	
18	4420062	AR	Tape <b>(SN B200015304 to Present)</b>	
20	4811702	AR	Washer M6	
21	4812000	26	Washer M10	
23	1001130862	1	Rail Assembly, China Assembled Machine <b>(Prior to SN B200015304)</b>	
23	1001154565	1	Rail Assembly, China Assembled Machine <b>(SN B200015304 to Present)</b>	
23A	1001133941	1	Rail (RH Side) <b>(Prior to SN B200015304)</b>	
23A	1001154566	1	Rail (RH Side) <b>(SN B200015304 to Present)</b>	
23B	1001133942	1	Rail (LH Side) <b>(Prior to SN B200015304)</b>	
23B	1001154568	1	Rail (LH Side) <b>(SN B200015304 to Present)</b>	
23C	1001133943	1	Rail (Extension Front) <b>(Prior to SN B200015304)</b>	
23C	1001154567	1	Rail (Extension front) <b>(SN B200015304 to Present)</b>	
24	1001131275	1	Rail (Top Rear)	
25	1001130138	1	Support, Kick-plate, China Assembled Machine <b>(Prior to SN B200015304)</b>	
25	1001146856	1	Support, Kick-plate, China Assembled Machine <b>(SN B200015304 to Present)</b>	
26	1001132185	2	Rail, Slide, China Assembled Machine <b>(Prior to SN B200015304)</b>	
26	1001146873	2	Rail, Slide, China Assembled Machine <b>(SN B200015304 to Present)</b>	
27	1001133140	NLA	Rod, Extension (Use p/n 1001158573)	
		Ref	<b>GATE CLOSURE COMPONENTS</b>	
119	4811700	8	Washer M6	
128	1001136024	1	Bracket, Gate Hinge <b>(Prior to SN B200015304)</b>	
128	1001159623	1	Bracket, Gate Hinge <b>(SN B200015304 to Present)</b>	
129	1001136025	1	Gate <b>(Prior to SN B200015304)</b>	
129	1001159592	1	Gate <b>(SN B200015304 to Present)</b>	

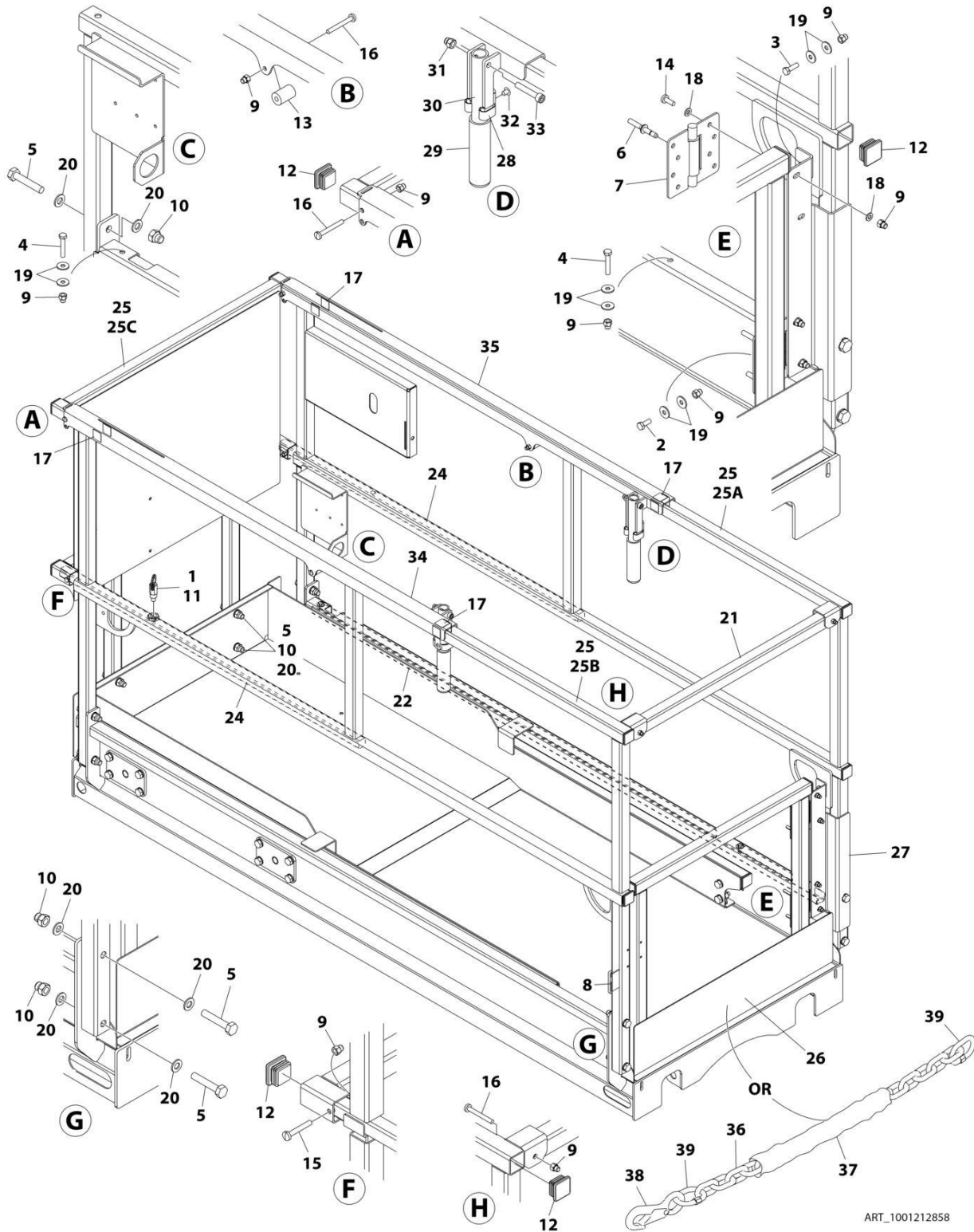
## SECTION 4 - PLATFORM

ITEM	PART NUMBER	QTY	DESCRIPTION	REV
130	0760610	2	Bolt M8 x 20	
131	2080040	4	Fastener, Huck	
132	2600281	2	Hinge	
133	3080007	1	Magnet, Gate	
134	4010608	4	Screw M6 x 16	
		Ref	<b>CHAIN CLOSURE COMPONENTS</b>	
205	1260136	23.6 in /6cm	Chain	
206	2820097	23.6 in /6cm	Cover, Chain	
207	2940064	NLA	Latch, Snap (Use p/n 1001101076 Repair Kit - includes Item 208)	
208	3010088	2	Link	



# SECTION 4 - PLATFORM

## FIGURE 4-4. RAIL (FIXED) INSTALLATION WITH HANDLES (6RS/1932RS - CHINA ASSEMBLED MACHINES)



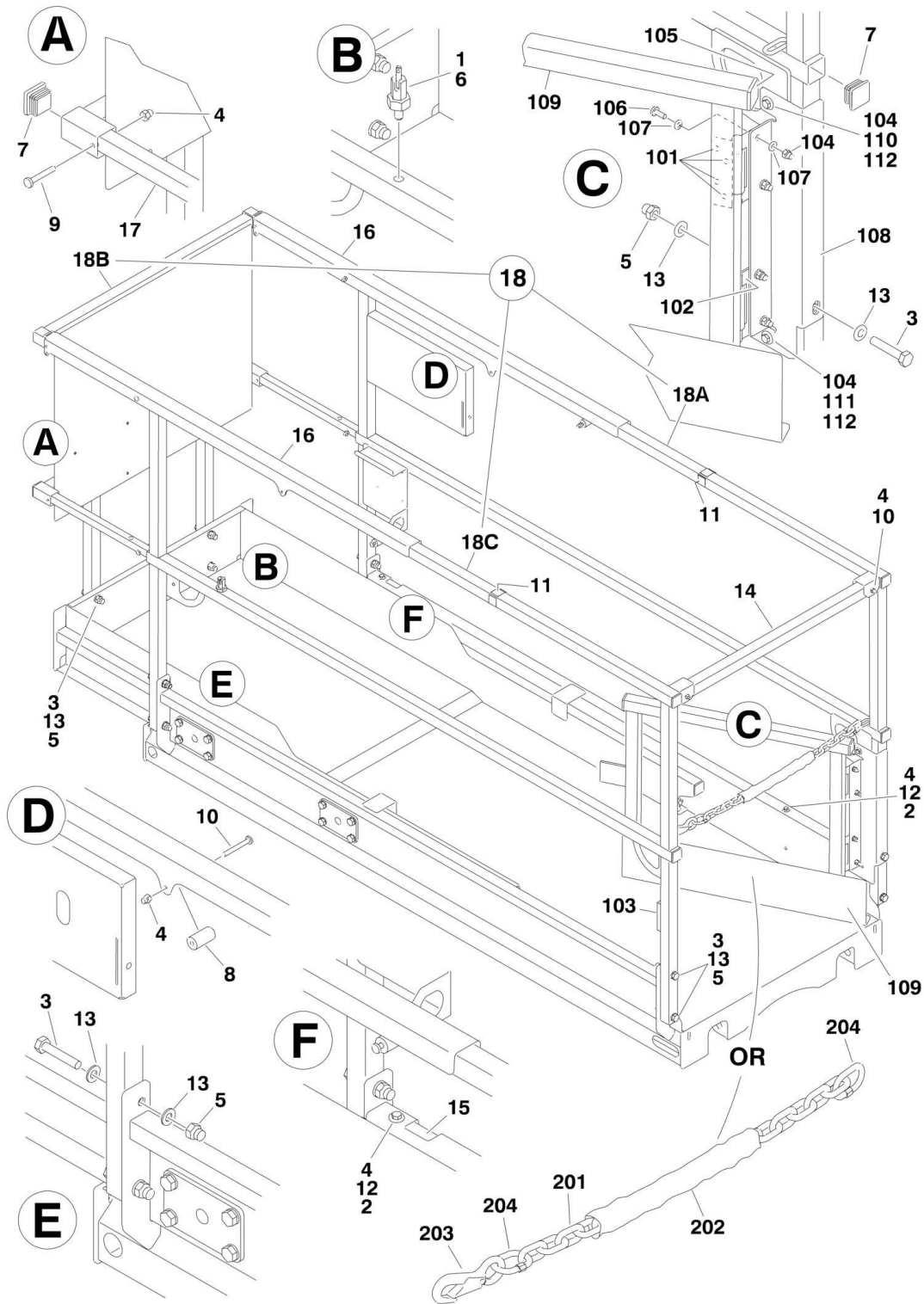
## SECTION 4 - PLATFORM

**FIGURE 4-4. RAIL (FIXED) INSTALLATION WITH HANDLES (6RS/1932RS - CHINA ASSEMBLED MACHINES)**

ITEM	PART NUMBER	QTY	DESCRIPTION	REV
		Ref	<b>Note: Replacement Decals Must Be Ordered Separately - See DECALS SECTION.</b>	
		Ref	<b>RAIL INSTALLATION</b>	
	1001212858	Ref	<b>Rails with Gate Closure</b>	A
	1001212857	Ref	<b>Rails with Chain Closure</b>	A
1	0100011	AR	Compound, Locking	
2	0760608	1	Bolt M6 x 16 (With Gate Closure)	
3	0760610	1	Bolt M8 x 20 (With Gate Closure)	
4	0760615	2	Bolt M8 x 35	
5	0761019	12	Bolt M10 x 55	
6	2080040	4	Fastener, Huck (With Gate Closure)	
7	2600281	2	Hinge (With Gate Closure)	
8	3080007	1	Magnet, Gate (With Gate Closure)	
9	3290606	AR	Nut M6	
10	3291006	12	Nut M10	
11	3423151	1	Pin, Plunger	
12	3520072	AR	Cap-Plug	
13	3860111	2	Roller	
14	4010608	4	Screw M6 x 16 (With Gate Closure)	
15	4010616	2	Screw M6 x 40	
16	4010618	6	Screw M6 x 50	
17	4420062	AR	Tape	
18	4811700	8	Washer M6 (With Gate Closure)	
19	4811702	AR	Washer M6	
20	4812000	24	Washer M10	
21	1001131275	1	Tube	
22	1001146856	1	Support, Kickplate	
24	1001154541	2	Rod, Extension	
25	1001154565	1	Rail Kit	G
25A	1001154566	1	Rail (RH Side)	
25B	1001154567	1	Rail (Extension Front)	
25C	1001154568	1	Rail (LH Side)	
26	1001159592	1	Gate (With Gate Closure)	
27	1001159623	1	Bracket (With Gate Closure)	
28	1380132	2	Clip	
29	2560088	2	Handle	
30	2560190	2	Handle, Platform	
31	3290806	2	Nut M8	
32	3820019	2	Rivet	
33	3900345	2	Capscrew M8 x 45	
34	1001212879	1	Rail (Top Slide)	
35	1001212881	1	Rail (Top Slide)	
36	1260136	23.6 in /6cm	Chain (With Chain Closure)	
37	2820097	23.6 in /6cm	Cover, Chain (With Chain Closure)	
38	2940064	NLA	Latch, Snap (Use p/n 1001101076 Repair Kit - includes Item 208) (With Chain Closure)	
39	3010088	2	Link (With Chain Closure)	

# SECTION 4 - PLATFORM

## FIGURE 4-5. RAIL (FIXED) INSTALLATION (6RS/1932RS - USA ASSEMBLED MACHINES)





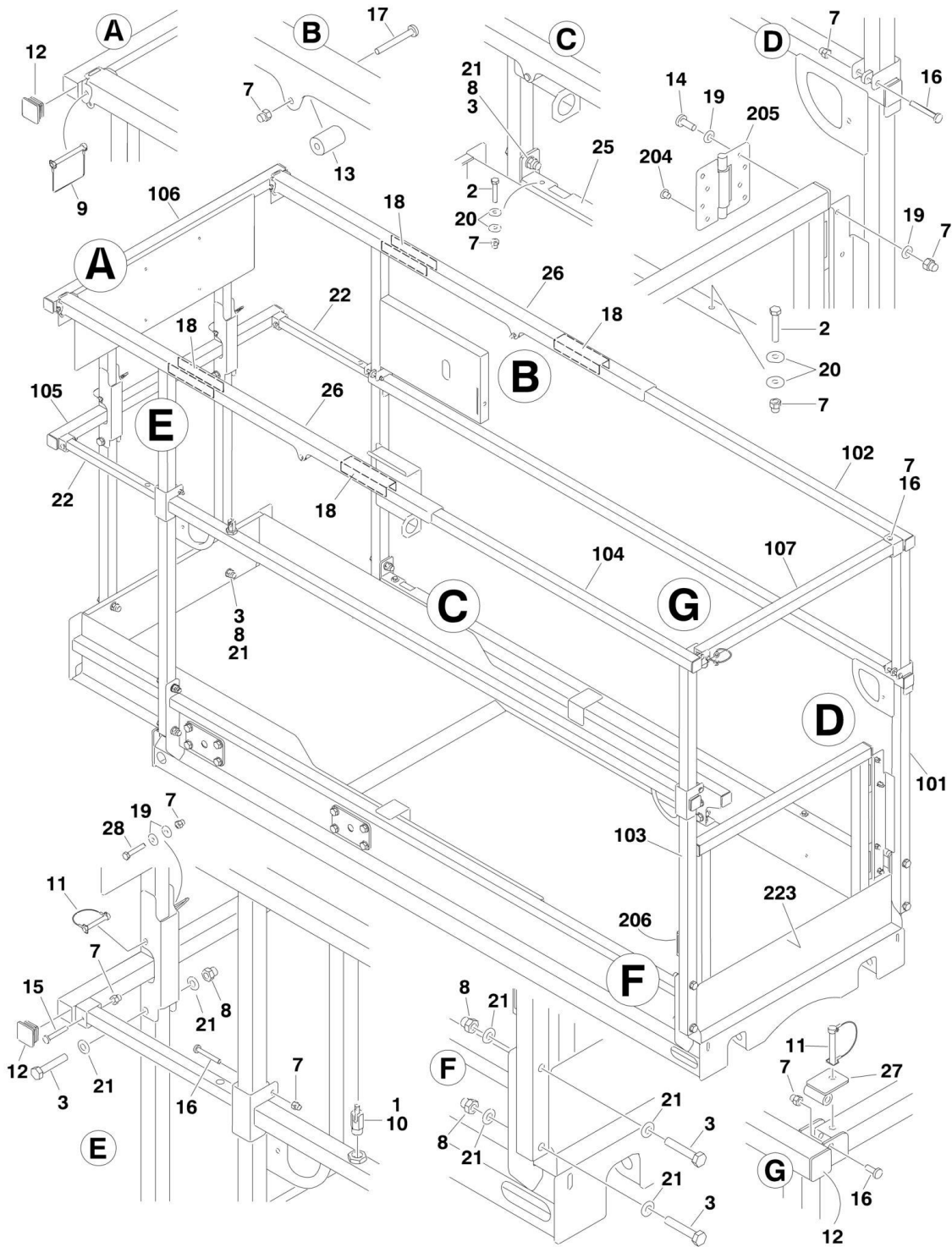
## SECTION 4 - PLATFORM

**FIGURE 4-5. RAIL (FIXED) INSTALLATION (6RS/1932RS - USA ASSEMBLED MACHINES)**

ITEM	PART NUMBER	QTY	DESCRIPTION	REV
		Ref	<b>Note: Replacement Decals Must Be Ordered Separately - See DECALS SECTION.</b>	
	1001164135	Ref	<b>RAIL INSTALLATION (6RS/1932RS)</b>	A
1	0100011	AR	Compound, Locking	
2	0760615	2	Bolt M8 x 35	
3	0761019	12	Bolt M10 x 55	
4	3290606	10	Nut M6	
5	3291006	12	Nut M10	
6	3423151	1	Pin, Plunger	
7	3520072	8	Cap-Plug	
8	3860111	2	Roller	
9	4010616	2	Screw M6 x 40	
10	4010618	6	Screw M6 x 50	
11	4420062	10 in /25cm	Tape	
12	4811702	4	Washer M6	
13	4812000	24	Washer M10	
14	1001131275	1	Rail (Top Rear)	
15	1001146856	1	Support, Cable	
16	1001146873	2	Rail, Slide	
17	1001154541	2	Rod, Extension	
18	1001154565	1	Rail Kit	G
18A	1001154566	1	Rail (RH Side)	
18B	1001154567	1	Rail (Extension Front)	
18C	1001154568	1	Rail (LH Side)	
	1001159024	Ref	<b>GATE CLOSURE INSTALLATION (Prior to SN 0200225587)</b>	B
	1001164134	Ref	<b>GATE CLOSURE INSTALLATION (SN 0200225587 to Present)</b>	A
101	2080040	4	Fastener, Huck	
102	2600281	2	Hinge	
103	3080007	1	Magnet, Gate	
104	3290606	6	Nut M6	
105	3520072	2	Cap-Plug	
106	4010608	4	Screw M6 x 16	
107	4811700	8	Washer M6	
108	1001136024	1	Bracket, Gate Hinge <b>(Prior to SN 0200225587)</b>	
108	1001159623	1	Bracket, Gate Hinge <b>(SN 0200225587 to Present)</b>	
109	1001136025	1	Gate <b>(Prior to SN 0200225587)</b>	
109	1001159592	1	Gate <b>(SN 0200225587 to Present)</b>	
110	0760608	1	Bolt M8 x 16 <b>(Prior to SN 0200225587)</b>	
110	4010610	1	Screw M6x20 <b>(SN 0200225587 to Present)</b>	
111	0760610	1	Bolt M8 x 20 <b>(Prior to SN 0200225587)</b>	
111	4010608	1	Screw M6x16 <b>(SN 0200225587 to Present)</b>	
112	4811702	4	Washer M6	
	1001158905	Ref	<b>CHAIN CLOSURE INSTALLATION</b>	A
201	1260136	23.6 in /60cm	Chain	
202	2820097	22.6 in /57cm	Cover, Chain	
203	2940064	NLA	Latch, Snap (Use p/n 1001101076 Repair Kit - includes Item 204)	
204	3010088	2	Link	

# SECTION 4 - PLATFORM

## FIGURE 4-6. RAIL (FOLD-DOWN) INSTALLATION (6RS/1932RS - CHINA & BELGIUM ASSEMBLED MACHINES)



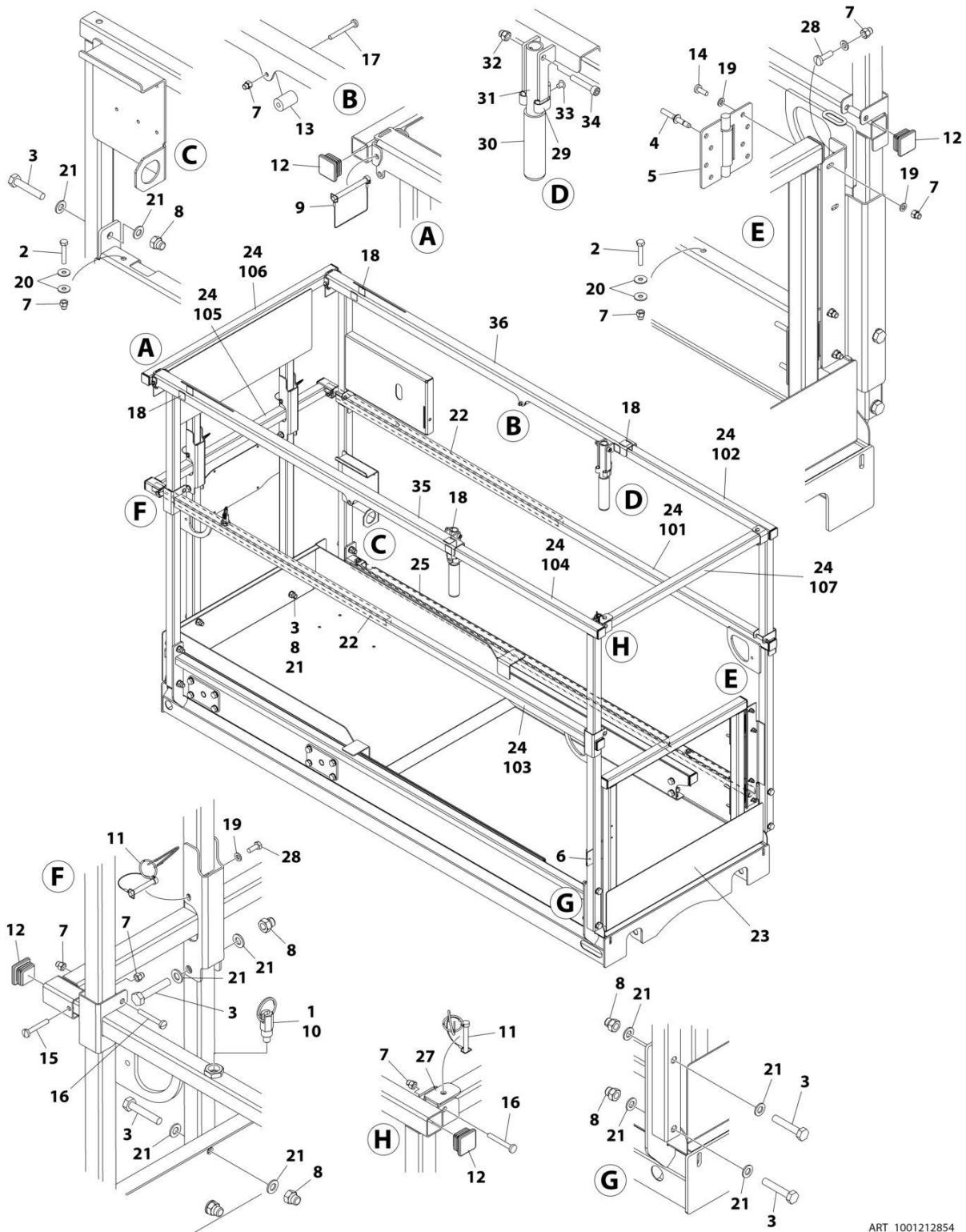
## SECTION 4 - PLATFORM

**FIGURE 4-6. RAIL (FOLD-DOWN) INSTALLATION (6RS/1932RS - CHINA & BELGIUM ASSEMBLED MACHINES)**

ITEM	PART NUMBER	QTY	DESCRIPTION	REV
		Ref	<b>Note: Replacement Decals Must Be Ordered Separately - See DECALS SECTION.</b>	
		Ref	<b>RAIL INSTALLATION</b>	
	1001146882	Ref	<b>Rails with Gate Closure</b>	D
1	0100011	AR	Compound, Locking	
2	0760615	2	Bolt M6 x 35mm	
3	0761019	14	Bolt M10 x 55mm	
7	3290606	AR	Capnut M6	
8	3291006	14	Capnut M10	
9	3422219	2	Pin, Snap	
10	3423151	1	Pin, Plunger	
11	3423278	3	Pin, Snap with Lanyard	
12	3520072	AR	Cap-Plug	
13	3860111	2	Roller	
14	4010608	AR	Screw M6 x 16mm	
15	4010616	2	Screw M6 x 40mm	
16	4010617	AR	Screw M6 x 45mm	
17	4010618	2	Screw M6 x 50mm	
18	4420076	AR	Tape (Use p/n 4420062)	
19	4811700	10	Flatwasher M6	
20	4811702	4	Flatwasher, Special M6	
21	4812000	28	Flatwasher M10	
22	1001133140	NLA	Rod, Extension (Use p/n 1001158573) <b>(Prior to SN B200011882)</b>	
22	1001154541	2	Rod, Extension <b>(SN B200011882 to Present, SN 1200025022 to Present)</b>	
25	1001130138	1	Support, Kick-plate, <b>(Prior to SN B200015308)</b>	
25	1001146856	1	Support, Kickplate <b>(SN B200015308 to Present, SN 1200025022 to Present)</b>	
26	1001132185	2	Rail, Slide <b>(Prior to SN B200015308)</b>	
26	1001146873	2	Rail (Top Rear) <b>(SN B200015308 to Present, SN 1200025022 to Present)</b>	
27	1001154378	1	Bracket <b>(SN B200011882 to Present, SN 1200025022 to Present)</b>	
28	0760608	2	Bolt M6 x 16mm	
	1001146836	Ref	<b>RAIL KIT</b>	G
101	1001146839	1	Rail (RH Side Bottom)	
102	1001146840	1	Rail (RH Side Top)	
103	1001146842	1	Rail (LH Side Bottom)	
104	1001146843	1	Rail (LH Side Top)	
105	1001146844	1	Rail (Front/Extension Bottom)	
106	1001146845	1	Rail (Front/Extension Top)	
107	1001146855	1	Rail (Rear Top)	
	1001146882	Ref	<b>GATE CLOSURE COMPONENTS</b>	D
204	2080040	4	Fastener, Huck	
205	2600281	2	Hinge	
206	3080007	1	Magnet, Gate	
223	1001145774	1	Gate <b>(Prior to SN B200015304)</b>	
223	1001159592	1	Gate <b>(SN B200015304 to Present, SN 1200025022 to Present)</b>	

# SECTION 4 - PLATFORM

## FIGURE 4-7. RAIL (FOLD-DOWN) INSTALLATION WITH HANDLES (6RS/1932RS - CHINA ASSEMBLED MACHINES)



ART\_1001212854

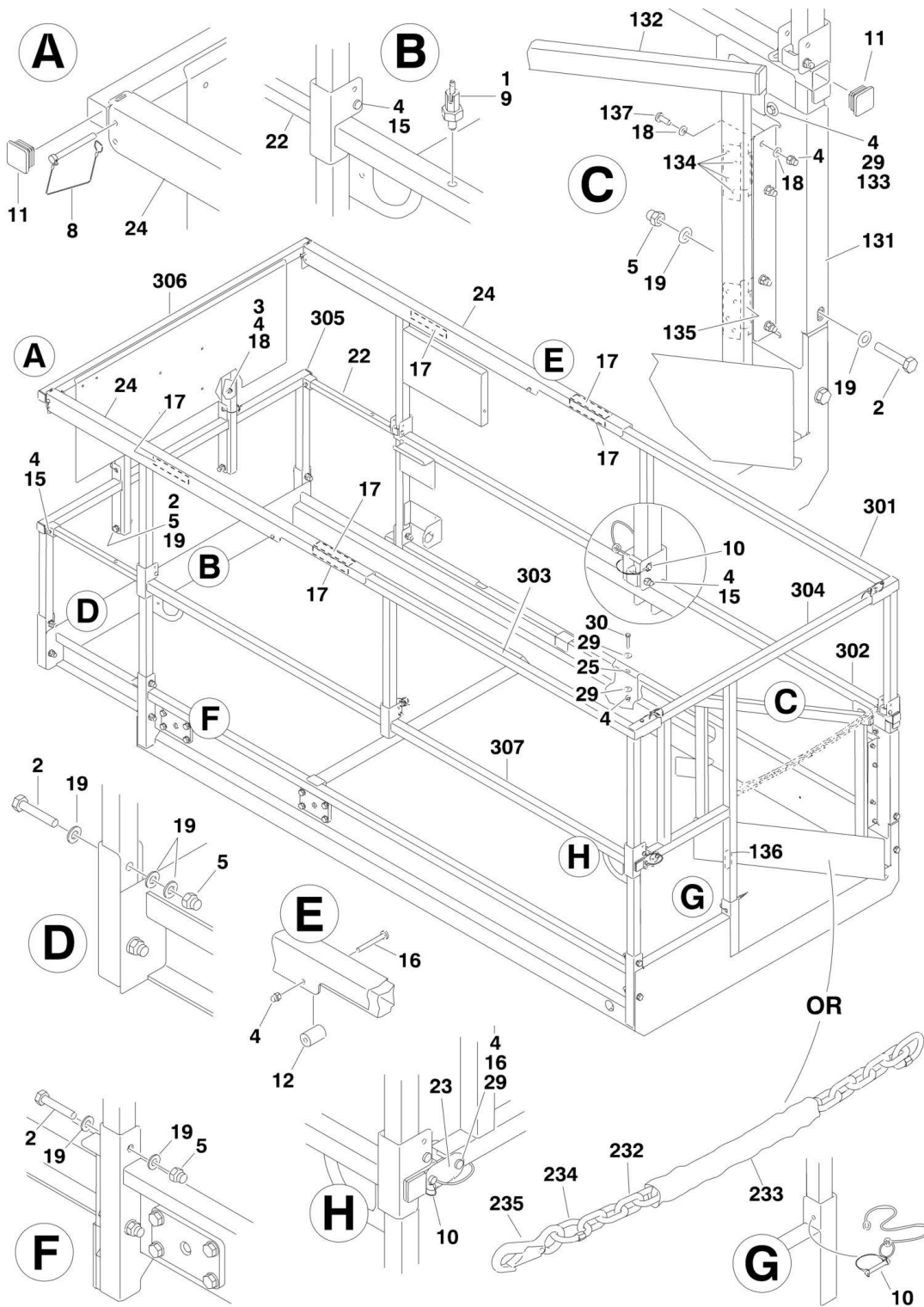
## SECTION 4 - PLATFORM

**FIGURE 4-7. RAIL (FOLD-DOWN) INSTALLATION WITH HANDLES (6RS/1932RS - CHINA ASSEMBLED MACHINES)**

ITEM	PART NUMBER	QTY	DESCRIPTION	REV
		Ref	<b>Note: Replacement Decals Must Be Ordered Separately - See DECALS SECTION.</b>	
		Ref	<b>RAIL INSTALLATION</b>	
	1001212854	Ref	<b>Rails with Gate Closure</b>	A
1	0100011	AR	Compound, Locking	
2	0760615	2	Bolt M8 x 35	
3	0761019	14	Bolt M10 x 55	
4	2080040	4	Fastener, Huck	
5	2600281	2	Hinge	
6	3080007	1	Magnet, Gate	
7	3290606	18	Nut M6	
8	3291006	14	Nut M10	
9	3422219	2	Pin, Snap	
10	3423151	1	Pin, Plunger	
11	3423278	3	Pin, Snap with Lanyard	
12	3520072	10	Cap-Plug	
13	3860111	2	Roller	
14	4010608	4	Screw M6 x 16	
15	4010616	2	Screw M6 x 40	
16	4010617	6	Screw M6 x 45	
17	4010618	2	Screw M6 x 50	
18	4420062	AR	Tape	
19	4811700	10	Washer M6	
20	4811702	4	Washer M6	
21	4812000	28	Washer M10	
22	1001154541	2	Rod, Extension	
23	1001159592	1	Gate	
24	1001146836	1	Rail Kit (See Items 101-107 for Breakdown)	
25	1001146856	1	Support, Kickplate	
27	1001154378	1	Bracket	
28	0760608	4	Bolt M6 x 16	
29	1380132	2	Clip	
30	2560088	2	Handle	
31	2560190	2	Handle, Platform	
32	3290806	2	Nut M8	
33	3820019	2	Rivet	
34	3900345	2	Capscrew M8 x 45	
35	1001212879	1	Rail (Top Slide)	
36	1001212881	1	Rail (Top Slide)	
	1001146836	Ref	<b>RAIL KIT</b>	G
101	1001146839	1	Rail (RH Side Bottom)	
102	1001146840	1	Rail (RH Side Top)	
103	1001146842	1	Rail (LH Side Bottom)	
104	1001146843	1	Rail (LH Side Top)	
105	1001146844	1	Rail (Front/Extension Bottom)	
106	1001146845	1	Rail (Front/Extension Top)	
107	1001146855	1	Rail (Rear Top)	

# SECTION 4 - PLATFORM

FIGURE 4-8. RAIL INSTALLATION (10RS/3248RS - CHINA & BELGIUM ASSEMBLED MACHINES)



## SECTION 4 - PLATFORM

**FIGURE 4-8. RAIL INSTALLATION (10RS/3248RS - CHINA & BELGIUM ASSEMBLED MACHINES)**

ITEM	PART NUMBER	QTY	DESCRIPTION	REV
		Ref	<b>Note: Replacement Decals Must Be Ordered Separately - See DECALS SECTION.</b>	
		Ref	<b>RAIL INSTALLATION</b>	
	1001135970	Ref	<b>Rails with Gate Closure (Prior to SN B200015304)</b>	F
	1001142776	Ref	<b>Rails with Gate Closure (SN B200015304 to Present, SN 1200025022 to Present)</b>	D
	1001130582	Ref	<b>Rails with Chain Closure (Prior to SN B200015304)</b>	I
	1001154579	Ref	<b>Rails with Chain Closure (All Specs except CE &amp; Chinese Specs) (SN B200015304 to Present)</b>	A
1	0100011	AR	Compound, Locking	
2	0761019	14	Bolt M10 x 55	
3	0760608	4	Bolt M6 x 16	
4	3290606	AR	Nut M6	
5	3291006	14	Nut M10	
8	3422219	2	Pin, Snap	
9	3423151	1	Pin, Plunger	
10	3423278	7	Pin, Snap with Lanyard	
11	3520072	AR	Cap-Plug	
12	3860111	2	Roller	
14	4010616	2	Screw M6 x 40	
15	4010617	7	Screw M6 x 45	
16	4010618	3	Screw M6 x 50	
17	4420076	AR	Tape	
18	4811700	AR	Washer M6	
19	4812000	26	Washer M10	
22	1001128944	NLA	Rod, Extension (Use p/n 1001158572)	
23	1001129517	1	Support, Rail ( <b>Prior to SN B200015304</b> )	
23	1001146856	1	Support, Rail ( <b>SN B200015304 to Present, SN 1200025022 to Present</b> )	
24	1001129558	2	Rail, Slide ( <b>Prior to SN B200015304</b> )	
24	1001145880	2	Rail, Slide ( <b>SN B200015304 to Present, SN 1200025022 to Present</b> )	
25	1001130138	1	Support, Kickplate	
29	4811702	AR	Washer M6	
30	0760615	2	Bolt M8 x 35	
	1001135970	Ref	<b>GATE CLOSURE COMPONENTS</b>	E
131	1001136024	1	Bracket, Gate Hinge ( <b>Prior to SN B200015304</b> )	
131	1001159623	1	Bracket, Gate Hinge ( <b>SN B200015304 to Present, SN 1200025022 to Present</b> )	
132	1001136025	1	Gate ( <b>Prior to SN B200015304</b> )	
132	1001159592	1	Gate ( <b>SN B200015304 to Present, SN 1200025022 to Present</b> )	
133	0760610	1	Bolt M8 x 20	
134	2080040	4	Fastener, Huck	
135	2600281	2	Hinge	
136	3080007	1	Magnet, Gate	
137	4010608	AR	Screw M6 x 16	
137	4010610	AR	Screw M6 x 20	
	1001130582	Ref	<b>CHAIN CLOSURE COMPONENTS (Prior to SN B200015304)</b>	I
	1001154579	Ref	<b>CHAIN CLOSURE COMPONENTS (SN B200015304 to Present, SN 1200025022 to Present)</b>	A
232	1260136	23.6 in	Chain	

## SECTION 4 - PLATFORM

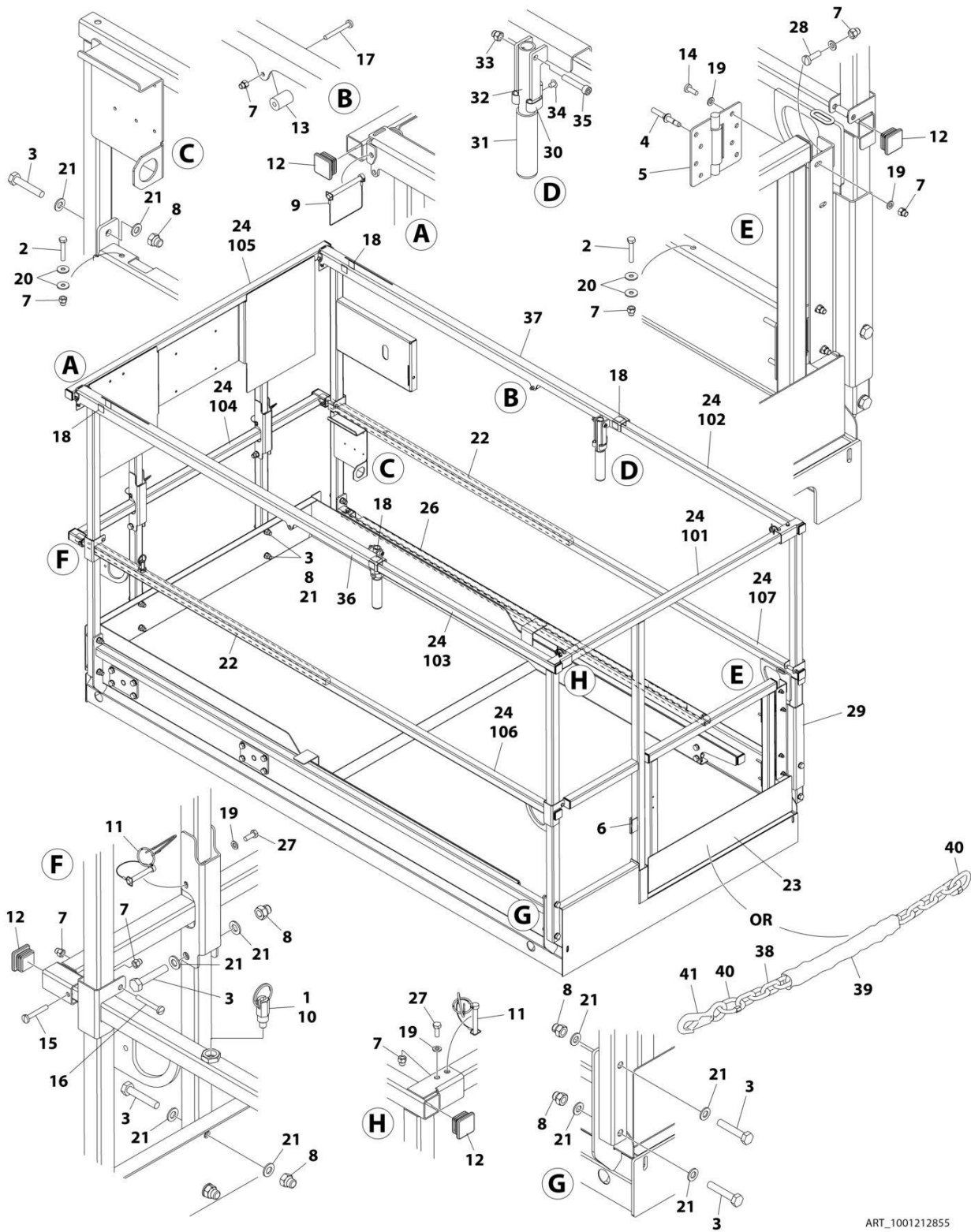
ITEM	PART NUMBER	QTY	DESCRIPTION	REV
233	2820097	23.6 in /6cm	Cover, Chain	
234	2940064	NLA	Snap Latch (Use p/n 1001101076 Repair Kit - includes Item 235)	
235	3010088	2	Link	
	1001128795	Ref	<b>RAIL KIT COMPONENTS (Prior to SN B200015304)</b>	L
	1001142779	Ref	<b>RAIL KIT COMPONENTS (SN B200015304 to Present, SN 1200025022 to Present)</b>	I
301	1001128790	1	Rail (RH Side Top) (Prior to SN B200015304)	
301	1001142800	1	Rail (RH Side Top) (SN B200015304 to Present, SN 1200025022 to Present)	
302	1001128792	1	Rail (RH Side Bottom) (Prior to SN B200015304)	
302	1001142983	1	Rail (RH Side Bottom) (SN B200015304 to Present, SN 1200025022 to Present)	
303	1001128829	1	Rail (LH Side Top) (Prior to SN B200015304)	
303	1001142801	1	Rail (LH Side Top) (SN B200015304 to Present, SN 1200025022 to Present)	
304	1001128852	1	Rail (Rear) (Prior to SN B200015304)	
304	1001142799	1	Rail (Rear) (SN B200015304 to Present, SN 1200025022 to Present)	
305	1001128863	1	Rail (Front Bottom) (Prior to SN B200015304)	
305	1001142802	1	Rail (Front Bottom) (SN B200015304 to Present, SN 1200025022 to Present)	
306	1001128867	1	Rail (Front Top) (Prior to SN B200015304)	
306	1001142803	1	Rail (Front Top) (SN B200015304 to Present, SN 1200025022 to Present)	
307	1001129253	1	Rail (LH Side Bottom) (Prior to SN B200015304)	
307	1001142982	1	Rail (LH Side Bottom) (SN B200015304 to Present, SN 1200025022 to Present)	





# SECTION 4 - PLATFORM

FIGURE 4-9. RAIL INSTALLATION WITH HANDLES (10RS/3248RS - CHINA ASSEMBLED MACHINES)



ART\_1001212855

## SECTION 4 - PLATFORM

**FIGURE 4-9. RAIL INSTALLATION WITH HANDLES (10RS/3248RS - CHINA ASSEMBLED MACHINES)**

ITEM	PART NUMBER	QTY	DESCRIPTION	REV
		Ref	<b>Note: Replacement Decals Must Be Ordered Separately - See DECALS SECTION.</b>	
		Ref	<b>RAIL INSTALLATION</b>	
	1001212855	Ref	<b>Rails with Gate Closure (All Specs Except China Spec)</b>	A
	1001212856	Ref	<b>Rails with Chain Closure (All Specs except CE &amp; China Specs)</b>	A
1	0100011	AR	Compound, Locking	
2	0760615	2	Bolt M8 x 35	
3	0761019	14	Bolt M10 x 55	
4	2080040	4	Fastener, Huck (With Gate Closure)	
5	2600281	2	Hinge (With Gate Closure)	
6	3080007	1	Magnet, Gate (With Gate Closure)	
7	3290606	AR	Nut M6	
8	3291006	14	Nut M10	
9	3422219	2	Pin, Snap	
10	3423151	1	Pin, Plunger	
11	3423278	4	Pin, Snap with Lanyard	
12	3520072	AR	Cap-Plug	
13	3860111	2	Roller	
14	4010608	5	Screw M6 x 16 (With Gate Closure)	
15	4010616	2	Screw M6 x 40	
16	4010617	4	Screw M6 x 45	
17	4010618	3	Screw M6 x 50	
18	4420062	AR	Tape	
19	4811700	AR	Washer M6	
20	4811702	4	Washer M6	
21	4812000	28	Washer M10	
22	1001154588	2	Rod, Extension	
23	1001159592	1	Gate	
24	1001142779	1	Rail Kit (See Items 101-107 for Breakdown)	
26	1001146856	1	Support, Kickplate	
27	0760608	4	Bolt M6 x 16	
28	4010610	1	Screw M6 x 20	
29	1001159623	1	Bracket	
30	1380132	2	Clip	
31	2560088	2	Handle	
32	2560190	2	Handle, Platform	
33	3290806	2	Nut M8	
34	3820019	2	Rivet	
35	3900345	2	Capscrew M8 x 45	
36	1001212882	1	Rail (Top Slide)	
37	1001212883	1	Rail (Top Slide)	
38	1260136	23.6 in /6cm	Chain (With Chain Closure)	
39	2820097	22.6 in /57cm	Cover, Chain (With Chain Closure)	
40	2940064	NLA	Snap Latch (With Chain Closure) (Use p/n 1001101076 Repair Kit - includes Item 41)	
41	3010088	2	Link (With Chain Closure)	
	1001142779	Ref	<b>RAIL KIT COMPONENTS</b>	I
101	1001142799	1	Rail (Rear)	

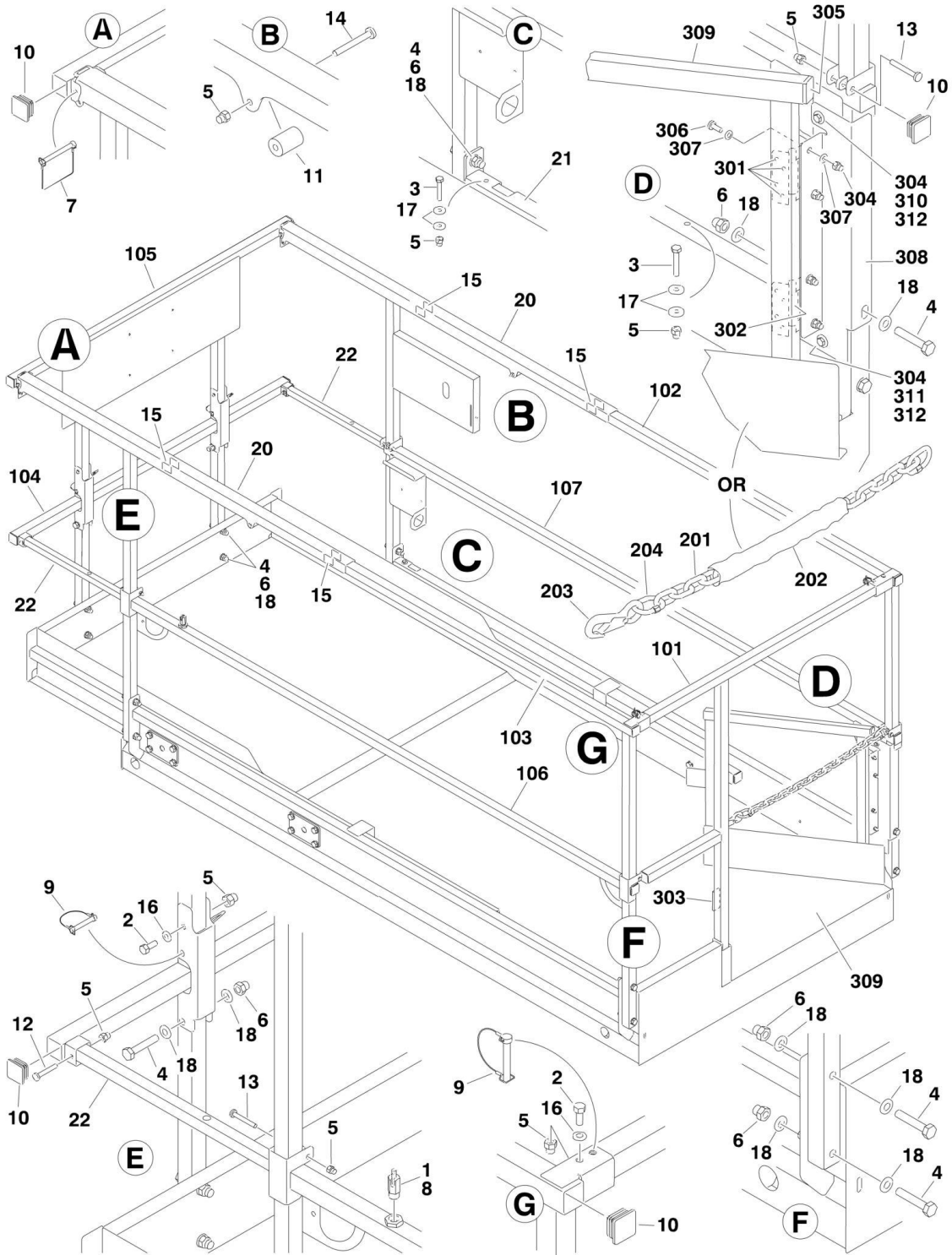
## SECTION 4 - PLATFORM

ITEM	PART NUMBER	QTY	DESCRIPTION	REV
102	1001142800	1	Rail (RH Side Top)	
103	1001142801	1	Rail (LH Side Top)	
104	1001142802	1	Rail (Front Top)	
105	1001142803	1	Rail (Front Bottom)	
106	1001142982	1	Rail (LH Side Bottom)	
107	1001142983	1	Rail (RH Side Bottom)	



# SECTION 4 - PLATFORM

## FIGURE 4-10. RAIL INSTALLATION (10RS/3248RS) (USA ASSEMBLED MACHINES)



## SECTION 4 - PLATFORM

**FIGURE 4-10. RAIL INSTALLATION (10RS/3248RS) (USA ASSEMBLED MACHINES)**

ITEM	PART NUMBER	QTY	DESCRIPTION	REV
		Ref	<b>Note: Replacement Decals Must Be Ordered Separately - See DECALS SECTION.</b>	
	1001164133	Ref	<b>RAIL INSTALLATION (10RS/3248RS)</b>	A
1	0100011	AR	Compound, Locking	
2	0760608	4	Bolt M6 x 16	
3	0760615	2	Bolt M6 x 35	
4	0761019	14	Bolt M10 x 55	
5	3290606	15	Nut M6	
6	3291006	14	Nut M10	
7	3422219	2	Pin, Snap	
8	3423151	1	Pin, Plunger	
9	3423278	4	Pin, Snap with Lanyard	
10	3520072	11	Cap-Plug	
11	3860111	2	Roller	
12	4010616	2	Screw M6 x 40	
13	4010617	4	Screw M6 x 45	
14	4010618	3	Screw M6 x 50	
15	4420062	AR	Tape	
16	4811700	4	Washer M6	
17	4811702	4	Washer M6	
18	4812000	28	Washer M10	
20	1001145880	2	Rail, Slide	
21	1001146856	1	Support, Rail	
22	1001154588	2	Rod, Extension	
	1001142779	Ref	<b>RAIL KIT</b>	I
101	1001142799	1	Rail (Rear)	
102	1001142800	1	Rail (RH Side Top)	
103	1001142801	1	Rail (LH Side Top)	
104	1001142802	1	Rail (Front/Extension Bottom)	
105	1001142803	1	Rail (Front/Extension Top)	
106	1001142982	1	Rail (LH Side Bottom)	
107	1001142983	1	Rail (RH Side Bottom)	
	1001158905	Ref	<b>CHAIN CLOSURE INSTALLATION</b>	A
201	1260136	23.6 in /60cm	Chain	
202	2820097	22.6 in /57cm	Cover, Chain	
203	2940064	NLA	Snap Latch (Use 1001101076 Repair Kit - includes Item 204)	
204	3010088	2	Link	
	1001159024	Ref	<b>GATE CLOSURE INSTALLATION</b>	A
301	2080040	4	Fastener, Huck	
302	2600281	2	Hinge	
303	3080007	1	Magnet, Gate	
304	3290606	6	Nut M6	
305	3520072	2	Cap-Plug	
306	4010608	4	Screw M6 x 16	
307	4811700	8	Washer M6	
308	1001136024	1	Bracket, Gate Hinge (Prior to SN 0200225587)	
308	1001159623	1	Bracket, Gate Hinge (SN 0200225587 to Present)	
309	1001136025	1	Gate (Prior to SN B200015304)	

## SECTION 4 - PLATFORM

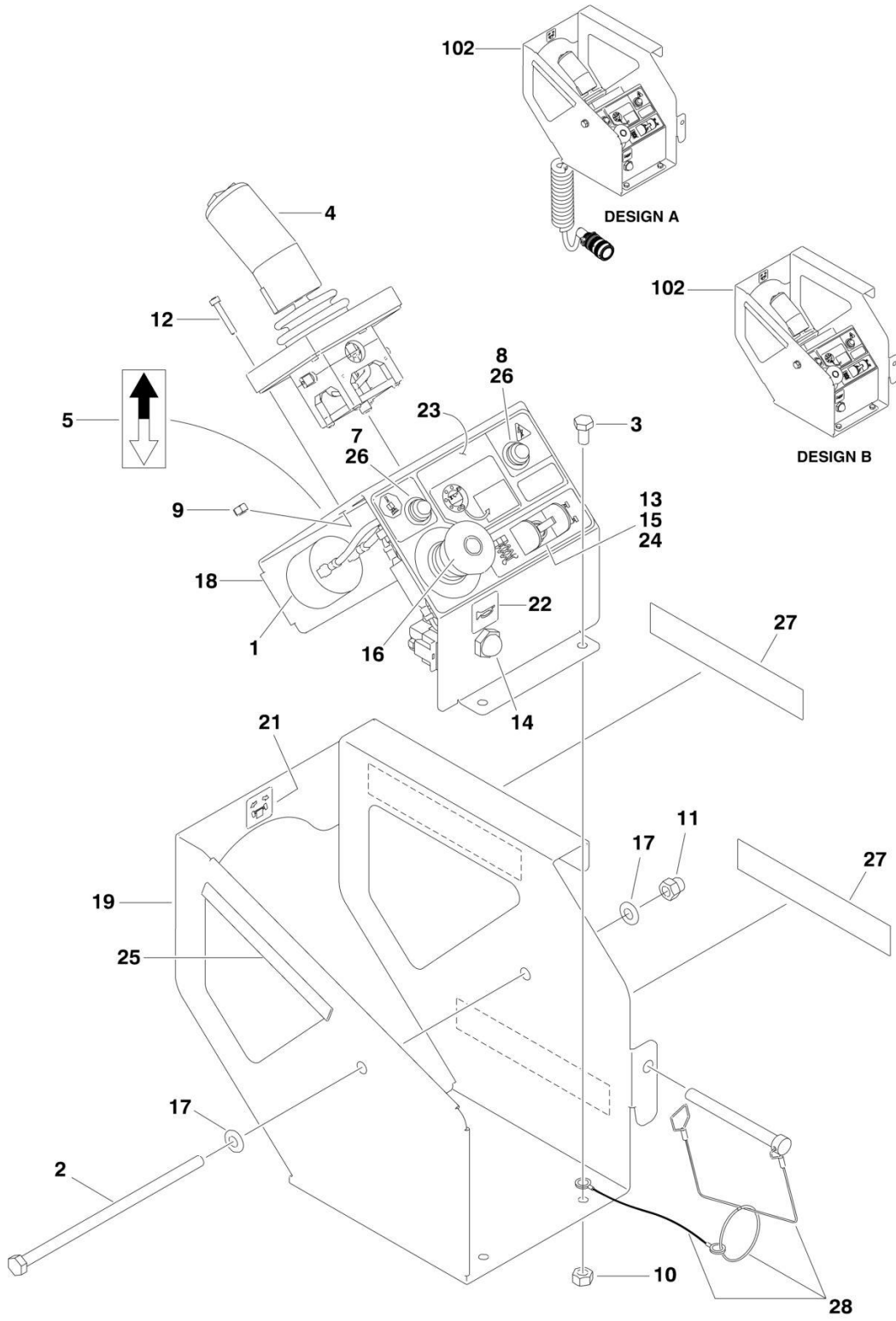
ITEM	PART NUMBER	QTY	DESCRIPTION	REV
309	1001159592	1	Gate (SN B200015304 to Present)	
310	0760608	2	Bolt M8 x 16	
311	0760610	2	Bolt M8 x 20	
312	4811702	4	Washer M6	





# SECTION 4 - PLATFORM

## FIGURE 4-11. PLATFORM CONSOLE BOX ASSEMBLY



## SECTION 4 - PLATFORM

**FIGURE 4-11. PLATFORM CONSOLE BOX ASSEMBLY**

ITEM	PART NUMBER	QTY	DESCRIPTION	REV
		Ref	<b>CONSOLE BOX ASSEMBLY</b>	
	1001128685	Ref	<b>Console Assembly with HDP Connector (Without LSS) (All Specs Except China Spec) (Design A)</b>	H
	1001146985	Ref	<b>Console Assembly with HDP Connector (With LSS) (All Specs Except China Spec) (Design A)</b>	D
	1001173556	Ref	<b>Console Assembly (Without LSS) (China Spec) (Design A)</b>	B
	1001195563	Ref	<b>Console Assembly (Without LSS) (China Spec) (Design B)</b>	A
	1001173559	Ref	<b>Console Assembly (With LSS) (China Spec) (Design A)</b>	B
	1001195568	Ref	<b>Console Assembly (With LSS) (China Spec) (Design B)</b>	A
1	0140030	1	Alarm	
2	0700835	1	Bolt M8 x 180	
3	0760606	2	Bolt M6 x 12	
4	1600402	NLA	Drive/Steer Controller Assembly (Use p/n 1001134438) (See DRIVE/STEER CONTROLLER ASSEMBLY for Breakdown)	
5	1703819	1	Decal - Direction Arrow	
7	2920026	AR	Lamp, Indicator (Red)	
8	2920028	1	Lamp, Indicator (Yellow)	
9	3290405	4	Nut M4	
10	3290605	2	Nut M6	
11	3290805	1	Nut M8	
12	4031509	4	Screw M4 x 25	
13	4060906	1	Guard, Switch	
14	4360274	1	Switch, Push Button	
15	4360345	1	Switch, Toggle	
16	4360475	1	Switch, Emergency Stop	
16	7020175	1	Cap	
16	7020176	1	Block, Contact	
17	4811900	2	Washer M8	
18		Ref	Plate, Inside Console Options:	
18	1001128686	1	Plate (With 2 Indicator Lamps) (Without LSS) (Design A)	
18	1001195564	1	Plate (With 2 Indicator Lamps) (Without LSS) (Design B)	
18	1001146983	1	Plate (With 3 Indicator Lamps) (With LSS) (Design A)	
18	1001195569	1	Plate (With 3 Indicator Lamps) (With LSS) (Design B)	
19	1001128687	1	Plate, Outside Console (Design A)	
19	1001195566	1	Plate, Outside Console (Design B)	
21	1001132358	1	Decal - Steer	
22	1001132361	1	Decal - Horn	
23		Ref	Decal - Light Function Options:	
23	1001132362	1	Decal-Light Function (With 2 Indicator Lamps) (Without LSS)	
23	1001146984	1	Decal-Light Function (With 3 Indicator Lamps) (With LSS) (Not Shown)	
24	4711700	2	Washer 7/16	
25	4060803	5.3 in /13.5cm	Flex Trim	
26	2920094	AR	Bulb, Light	
27	4420076	1 ft /30.5cm	Tape	
28	3423278	1	Pin with Lanyard	
		Ref	<b>CONSOLE BOX INSTALLATION</b>	
	1001131059	Ref	<b>Console Box Installation (Without LSS) (USA Built Machines) (All Specs Except China Spec) (Design A)</b>	C

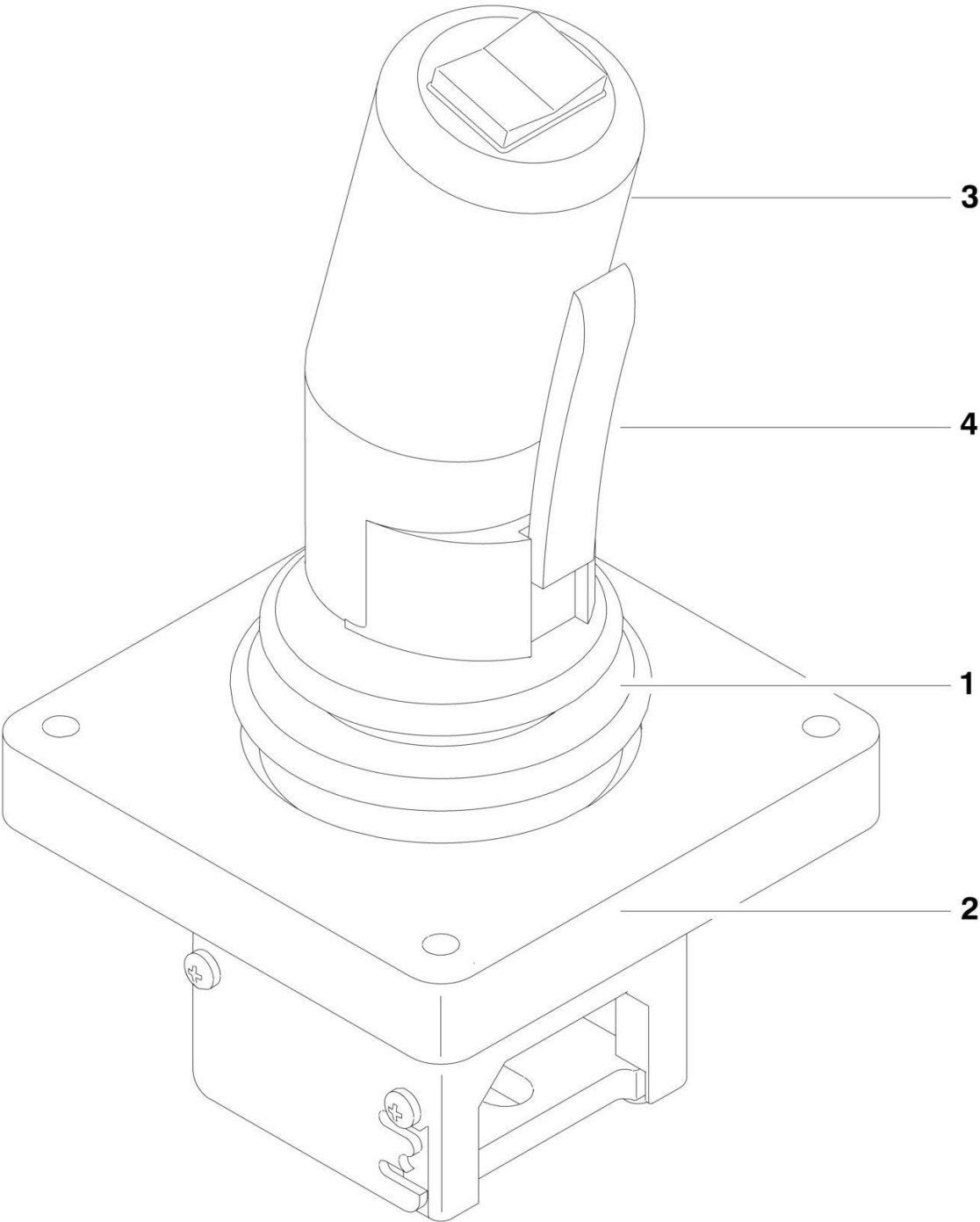
## SECTION 4 - PLATFORM

ITEM	PART NUMBER	QTY	DESCRIPTION	REV
	1001131059	Ref	<b>Console Box Installation (Without LSS) (China Built Machines) (All Specs Except China Spec) (Design A)</b>	C
	1001143051	Ref	<b>Console Box Installation (With LSS) (China Built Machines) (ANSI Export CE and Japan Specs) (Design A)</b>	B
	1001173557	Ref	<b>Console Box Installation (Without LSS) (China Spec) (Design A) (Prior to SN B2000275536)</b>	B
	1001195962	Ref	<b>Console Box Installation (Without LSS) (China Built Machines) (ANSI Export Specs) (Design B)</b>	A
	1001173560	Ref	<b>Console Box Installation (With LSS) (China Built Machines) (CE &amp; China Spec) (Design A)</b>	A
	1001195963	Ref	<b>Console Box Installation (With LSS) (China Built Machines) (ANSI Export, CE and China Specs) (Design B)</b>	A
102		Ref	Console Box Assembly Options (Includes Items 1-28):	
102	1001128685	1	Console Assembly (Without LSS) (All Specs Except China Spec) (Design A)	
102	1001146985	1	Console Assembly (With LSS) (All Specs Except China Spec) (Design A)	
102	1001173556	1	Console Assembly (Without LSS) (China Spec) (Design A)	
102	1001195563	1	Console Assembly (Without LSS) (China Spec) (Design B)	
102	1001173559	1	Console Assembly (With LSS) (China Spec) (Design A)	
102	1001195568	1	Console Assembly (With LSS) (China Spec) (Design B)	



**SECTION 4 - PLATFORM**

**FIGURE 4-12. DRIVE/STEER CONTROLLER ASSEMBLY**



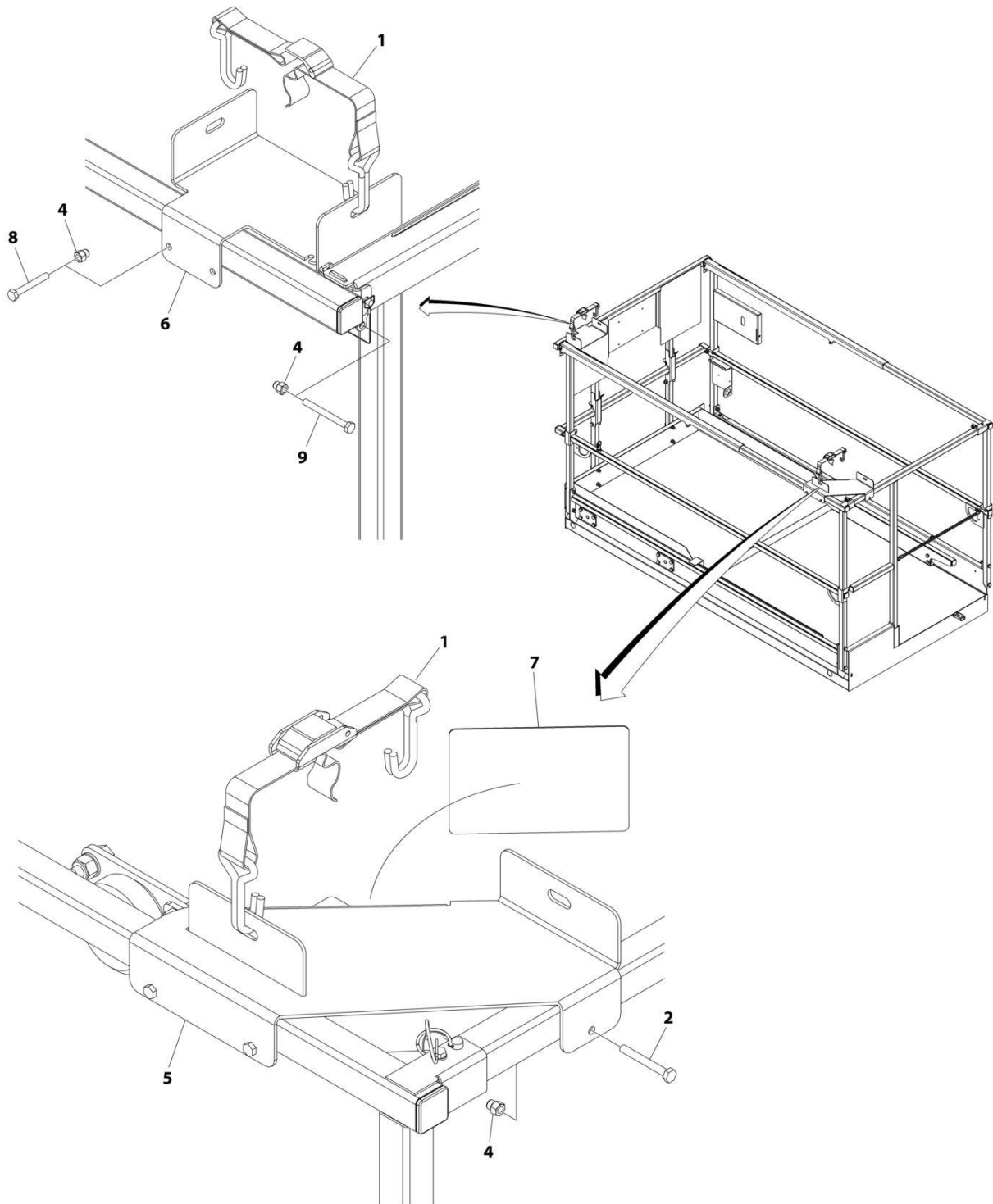
## SECTION 4 - PLATFORM

**FIGURE 4-12. DRIVE/STEER CONTROLLER ASSEMBLY**

ITEM	PART NUMBER	QTY	DESCRIPTION	REV
	1600402	Ref	<b>DRIVE/STEER CONTROLLER ASSEMBLY</b>	B
		Ref	<b>Note: When replacing complete assembly use p/n 1001134438.</b>	
1	70001250	1	Boot, Panel	
2	70001252	1	Gasket, Mounting	
2	70001251	1	Bezel, Mounting	
3	70000084	1	Cap, Rubber	
3	70000082	1	Microswitch	
3	7027766	1	Ring, Retaining	
3	7027365	1	Actuator, Handle	
3	70001253	1	Gasket, Handle	
3	70000683	4	Washer, Neoprene	
3	70000685	2	Spacer, Plastic	
3	70000686	2	Screw (Top)	
3	70000684	2	Screw (Bottom)	
4	7027765	1	Lever, Enable	
4	7027367	1	Switch, Push Button (Not Shown - Located Behind Lever)	

# SECTION 4 - PLATFORM

FIGURE 4-13. PIPE RACK INSTALLATION (10RS/3248RS - ALL SPECS EXCEPT CE SPECS)



ART\_1001131379



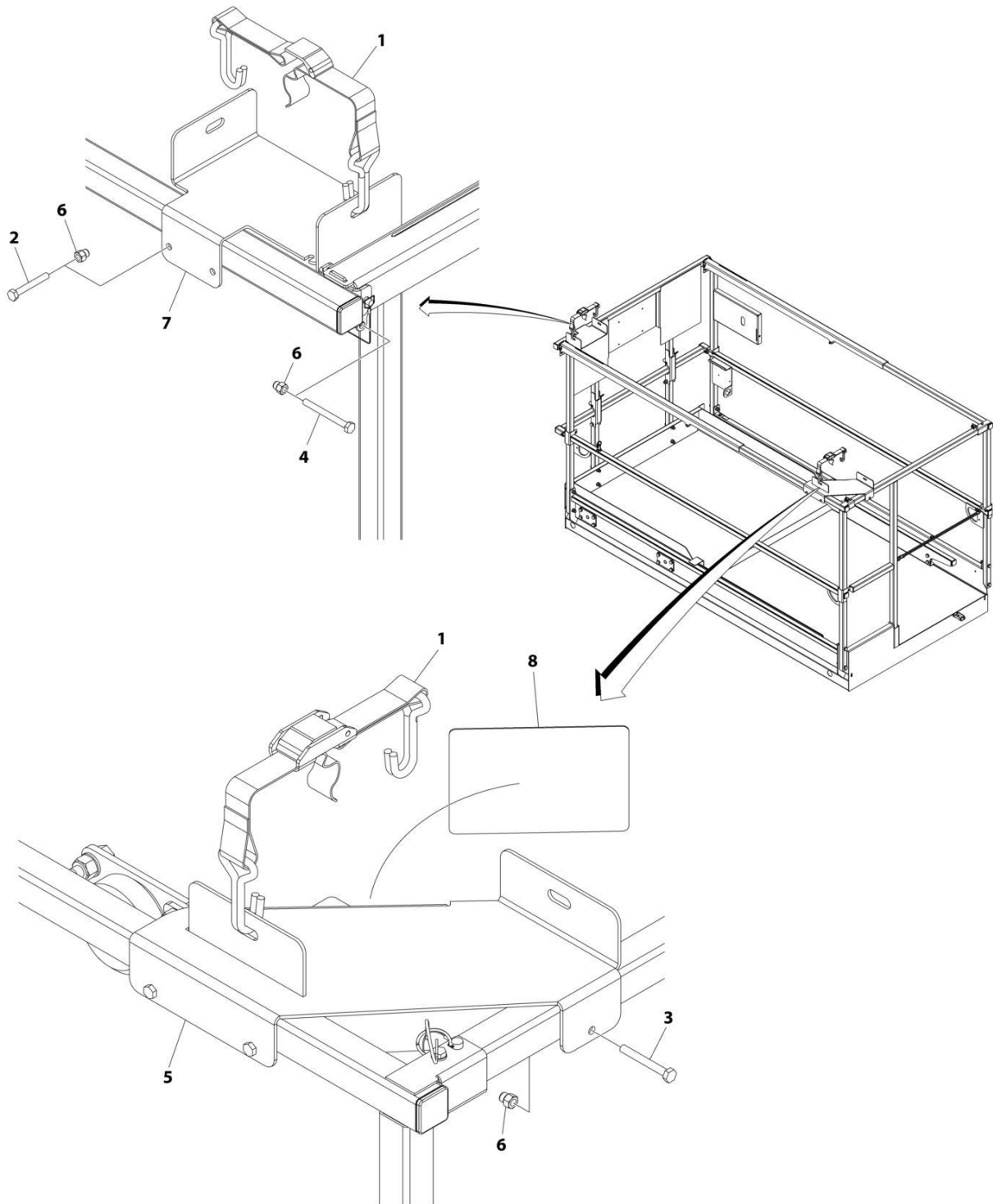
## SECTION 4 - PLATFORM

**FIGURE 4-13. PIPE RACK INSTALLATION (10RS/3248RS - ALL SPECS EXCEPT CE SPECS)**

ITEM	PART NUMBER	QTY	DESCRIPTION	REV
	1001131379	Ref	<b>PIPE RACK INSTALLATION (10RS/3248RS - ALL SPECS EXCEPT CE SPECS)</b>	B
1	0480100	2	Belt, Tie Down	
2	0700618	3	Bolt M6 x 50	
4	3290606	6	Nut M6	
5	1001130334	1	Bracket	
6	1001131404	1	Bracket	
7	1001131705	1	Decal - Pipe Rack	
8	0700617	2	Bolt M6 x 45	
9	0700620	1	Bolt M6 x 60	

# SECTION 4 - PLATFORM

## FIGURE 4-14. PIPE RACK INSTALLATION (10RS/3248RS - CE SPECS)



ART\_1001158462

## SECTION 4 - PLATFORM

**FIGURE 4-14. PIPE RACK INSTALLATION (10RS/3248RS - CE SPECS)**

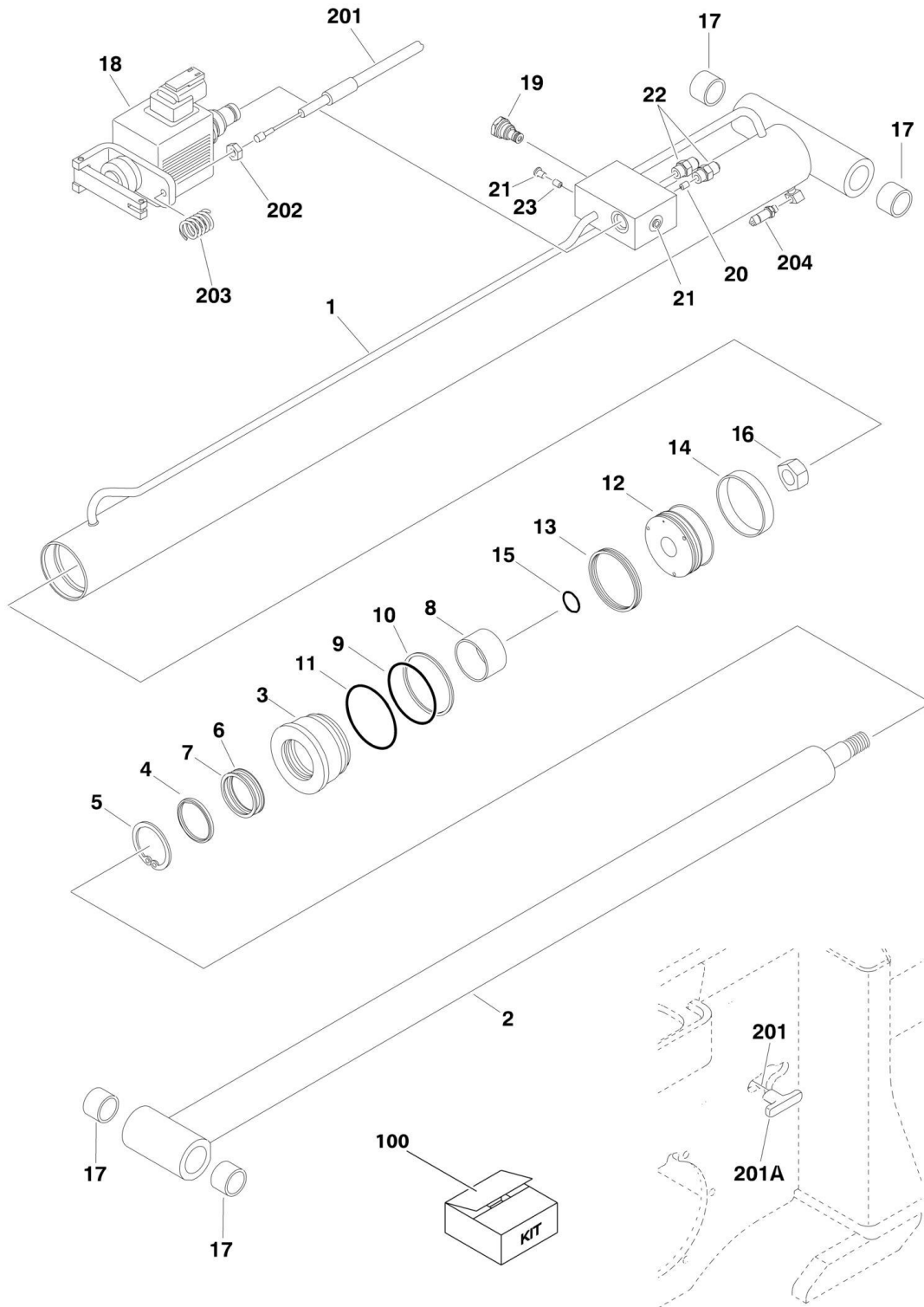
ITEM	PART NUMBER	QTY	DESCRIPTION	REV
	1001158462	Ref	<b>PIPE RACK INSTALLATION (10RS/3248RS - CE SPECS)</b>	B
1	0480100	2	Belt, Tie Down	
2	0700617	2	Bolt M6 x 45	
3	0700618	2	Bolt M6 x 50	
4	0700620	1	Bolt M6 x 60	
5	3290606	6	Nut M6	
6	1001130334	1	Bracket	
7	1001131404	1	Bracket	
8	1001131705	1	Decal - Pipe Rack	



**SECTION 5 - CYLINDER**

# SECTION 5 - CYLINDER

## FIGURE 5-1. LIFT CYLINDER ASSEMBLY (6RS/1932RS)



## SECTION 5 - CYLINDER

**FIGURE 5-1. LIFT CYLINDER ASSEMBLY (6RS/1932RS)**

ITEM	PART NUMBER	QTY	DESCRIPTION	REV
		Ref	<b>LIFT CYLINDER ASSEMBLY</b>	
		Ref	<b>Note: Original Cylinder may have been replaced with Service Replacement. Identify PN Stamped on Cylinder Before Ordering Parts.</b>	
	1001132054	Ref	<b>Lift Cylinder Assembly (Machines Without LSS) (Prior to SN B200051446)</b>	H
	1001146521	Ref	<b>Lift Cylinder Assembly (Machines Without LSS) (SN B200051446 to Present)</b>	E
	1001146521	Ref	<b>Lift Cylinder Assembly (Machines With LSS)</b>	E
1	70003661	1	Barrel - 1001132054 Cylinder (Without Port for Item 204)	
1	70004238	1	Barrel - 1001146521 Cylinder (With Port for Item 204)	
2	70003660	1	Rod	
3	70003659	1	Head	
4	See Note	NSS	Wiper (Note: Use Item 100)	
5	70002410	1	Ring, Retaining	
6	See Note	NSS	Seal (Note: Use Item 100)	
7	See Note	NSS	Ring, Back-up (Note: Use Item 100)	
8	70002337	1	Bearing, Dry - 1001132054 Cylinders	
8	70004237	1	Bearing, Dry - 1001146521 Cylinders	
9	See Note	NSS	O-Ring (Note: Use Item 100)	
10	See Note	NSS	Ring, Back-up (Note: Use Item 100)	
11	See Note	NSS	O-Ring (Note: Use Item 100)	
12	70003658	1	Piston	
13	See Note	NSS	Seal (Note: Use Item 100)	
14	See Note	NSS	Ring, Wear (Note: Use Item 100)	
15	See Note	NSS	O-Ring (Note: Use Item 100)	
16	70003657	1	Nut	
17	0961947	4	Bearing - 1001132054 Cylinders	
17	70003118	4	Bearing - 1001146521 Cylinders	
18	70003656	NLA	Cartridge, Solenoid Valve - 1001132054 Cylinders (Use p/n 70004233) (Note: No Service Parts Available)	
18	70004233	1	Cartridge, Solenoid Valve - 1001146521 Cylinders (Note: No Service Parts Available)	
19	70003655	1	Cartridge, Check Valve - 1001132054 Cylinder (Note: No Service Parts Available)	
19	70004232	1	Cartridge, Check Valve - 1001146521 Cylinder (Note: No Service Parts Available)	
20	70002334	1	Orifice (2.0) - 1001132054 Cylinders China Assembled Machines <b>(Prior to SN B200013597)</b>	
20	Not Required	0	Orifice - 1001132054 Cylinders China Assembled Machines <b>(SN B200013597 to Present)</b>	
20	Not Required	0	Orifice - 1001132054 Cylinders USA Assembled Machines	
20	Not Required	0	Orifice - 1001146521 Cylinders	
21	70023370	2	Plug	
22	2220371	2	Fitting, Straight JIC/ORB (was p/n 70003654)	
23	Not Required	0	Orifice - 1001132054 Cylinders China Assembled Machines <b>(Prior to SN B200013597)</b>	
23	70004231	1	Orifice (1.6mm) - 1001132054 Cylinders China Assembled Machines <b>(SN B200013597 to Present)</b>	
23	70004231	1	Orifice (1.6mm) - 1001132054 Cylinders USA Assembled Machines	
23	70004231	1	Orifice (1.6mm) - 1001146521 Cylinders	

## SECTION 5 - CYLINDER

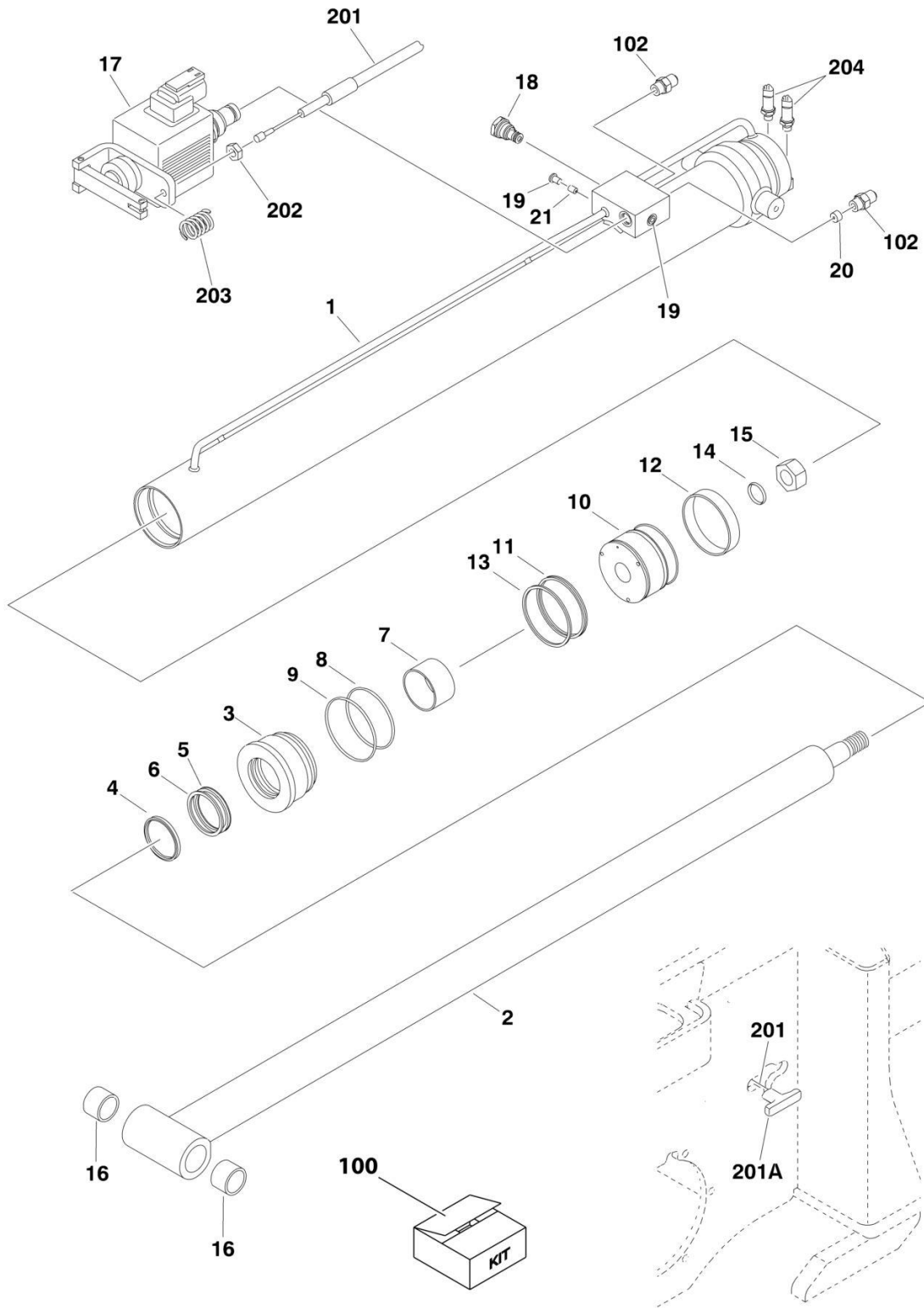
ITEM	PART NUMBER	QTY	DESCRIPTION	REV
100	70003653	1	Seal Kit - 1001132054 Cylinder (Includes Item 4, 6, 7, 9-11 & 13-15)	
100	70004236	1	Seal Kit - 1001146521 Cylinder (Includes Item 4, 6, 7, 9-11 & 13-15)	
		Ref	<b>MANUAL DESCENT COMPONENTS</b>	
	1001132470	Ref	<b>Manual Descent Components (Machines Without LSS)</b>	I
	1001147250	Ref	<b>Manual Descent Components (Machines With LSS)</b>	H
201	1061034	1	Cable, Pull	
201A		Ref	T-Handle Options:	
201A	7020218	1	T-Handle (with 1/4-20 Threads)	
201A	70001878	1	T-Handle (with M5 Threads)	
202	3321402	1	Nut 1/4-18	
203	4160078	1	Spring	
204	1001147340	2	Sensor, Pressure (Machines With LSS Only) <b>(Prior to SN 0200260100, Prior to SN 1200026249, Prior to SN B300039830)</b>	
204	1001227516	2	Sensor, Pressure (Machines With LSS Only) <b>(SN 0200260100 to Present, SN 1200026249 to Present, SN B300039830 to Present)</b>	





# SECTION 5 - CYLINDER

## FIGURE 5-2. LIFT CYLINDER ASSEMBLY (10RS/3248RS)



## SECTION 5 - CYLINDER

**FIGURE 5-2. LIFT CYLINDER ASSEMBLY (10RS/3248RS)**

ITEM	PART NUMBER	QTY	DESCRIPTION	REV
		Ref	<b>LIFT CYLINDER ASSEMBLY</b>	
		Ref	<b>Note: Original Cylinder may have been replaced with Service Replacement. Identify PN Stamped on Cylinder Before Ordering Parts.</b>	
	1001130995	Ref	<b>Lift Cylinder Assembly with Fittings (Machines Without LSS) (Prior to SN B200051446)</b>	H
	1001129788	Ref	<b>Lift Cylinder Assembly without Fittings (Machines Without LSS) (Prior to SN B200051446)</b>	H
	1001146518	Ref	<b>Lift Cylinder Assembly with Fittings (Machines Without LSS) (SN B200051446 to Present)</b>	E
	1001146518	Ref	<b>Lift Cylinder Assembly (Machines With LSS)</b>	E
1	70003669	1	Barrel - 1001130995/1001129788 Cylinders (Without Port for Item 204)	
1	70004235	1	Barrel - 1001146518 Cylinders (With Port for Item 204)	
2	70003668	1	Rod	
3	70003667	1	Head	
4	See Note	NSS	Wiper (Note: Use Item 100)	
5	See Note	NSS	Seal (Note: Use Item 100)	
6	See Note	NSS	Ring, Back-up (Note: Use Item 100)	
7	70003666	1	Bearing, Dry - 1001130995/1001129788 Cylinders	
7	70004234	1	Bearing, Dry - 1001146518 Cylinders	
8	See Note	NSS	O-Ring (Note: Use Item 100)	
9	See Note	NSS	O-Ring (Note: Use Item 100)	
10	70003665	1	Piston	
11	See Note	NSS	Seal (Note: Use Item 100)	
12	See Note	NSS	Ring, Wear (Note: Use Item 100)	
13	70003664	1	Ring, Piston	
14	See Note	NSS	O-Ring (Note: Use Item 100)	
15	70003663	1	Nut	
16	0961948	2	Bearing	
17	70003656	NLA	Cartridge, Solenoid Valve - 1001130995/1001129788 (Use p/n 70004233) (Note: No Service Parts Available - Purchase Valve Assembly)	
17	70004233	1	Cartridge, Solenoid Valve - 1001146518 (Note: No Service Parts Available - Purchase Valve Assembly)	
18	70003655	1	Cartridge, Check Valve - 1001130995/1001129788 (Note: No Service Parts Available - Purchase Valve Assembly)	
18	70004232	1	Cartridge, Check Valve - 1001146518 (Note: No Service Parts Available - Purchase Valve Assembly)	
19	70023370	2	Plug	
20	70002334	1	Orifice (2.0) - 1001130995/1001129788 Cylinders China Assembled Machines ( <b>Prior to SN B200013597</b> )	
20	Not Required	0	Orifice - 1001130995/1001129788 Cylinders China Assembled Machines ( <b>SN B200013597 to Present</b> )	
20	Not Required	0	Orifice - 1001130995/1001129788 Cylinders USA Assembled Machines	
20	Not Required	0	Orifice - 1001146518 Cylinders	
21	Not Required	0	Orifice -1001130995/1001129788 Cylinders China Assembled Machines ( <b>Prior to SN B200013597</b> )	
21	70004231	1	Orifice (1.6mm) - 1001130995/1001129788 Cylinders China Assembled Machines ( <b>SN B200013597 to Present</b> )	
21	70004231	1	Orifice (1.6mm) - 1001130995/1001129788 Cylinders USA Assembled Machines	

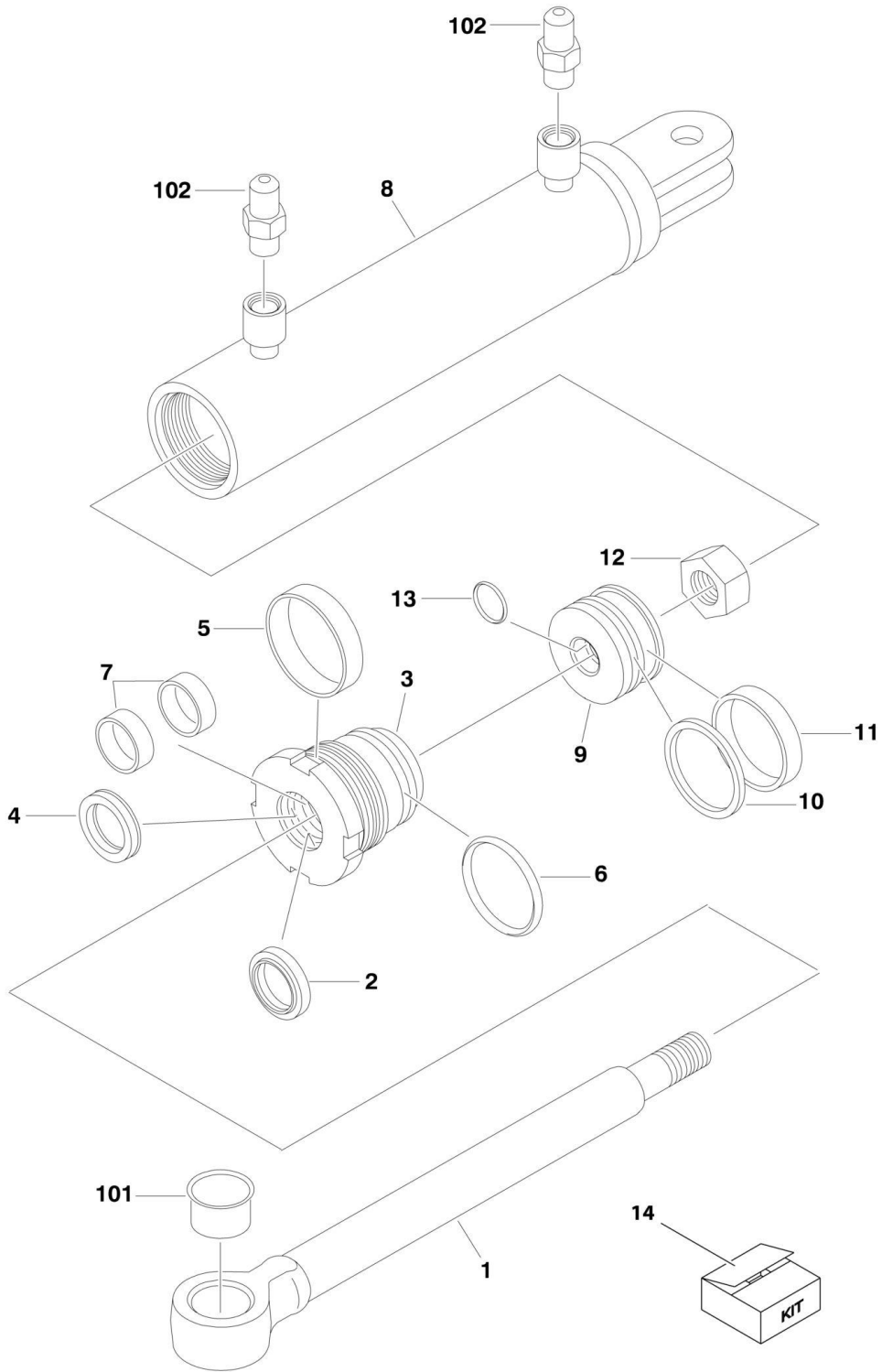
## SECTION 5 - CYLINDER

ITEM	PART NUMBER	QTY	DESCRIPTION	REV
21	70004231	1	Orifice (1.6mm) - 1001146518 Cylinders	
100	70003662	1	Seal Kit - 1001130995/1001129788 Cylinders (Includes Items 4, 5, 6, 8, 9, 11, 12, 14)	
100	70004230	1	Seal Kit - 1001146518 Cylinders (Includes Items 4, 5, 6, 8, 9, 11, 12, 14)	
		Ref	<b>LIFT CYLINDER SUB-ASSEMBLY</b>	
	1001130995	Ref	<b>Lift Cylinder Sub-Assembly (Machines Without LSS)</b>	H
	1001146518	Ref	<b>Lift Cylinder Sub-Assembly (Machines With LSS)</b>	E
102	2220371	2	Fitting, Straight JIC/ORB	
		Ref	<b>MANUAL DESCENT COMPONENTS</b>	
	1001130621	Ref	<b>Manual Descent Components (Machines Without LSS)</b>	M
	1001147251	Ref	<b>Manual Descent Components (Machines With LSS)</b>	G
201	1061034	1	Cable, Pull	
201A		Ref	T-Handle Options:	
201A	7020218	1	T-Handle (with 1/4-20 Threads)	
201A	70001878	1	T-Handle (with M5 Threads)	
202	3321402	1	Nut 1/4-18	
203	4160078	1	Spring	
204	1001147340	2	Sensor, Pressure (Machines With LSS Only) <b>(Prior to SN 0200260100, Prior to SN 1200026249, Prior to SN B200039830)</b>	
204	1001227516	2	Sensor, Pressure (Machines With LSS Only) <b>(SN 0200260100 to Present, SN 1200026249 to Present, SN B200039830 to Present)</b>	



# SECTION 5 - CYLINDER

## FIGURE 5-3. STEER CYLINDER ASSEMBLY (6RS/1932RS)



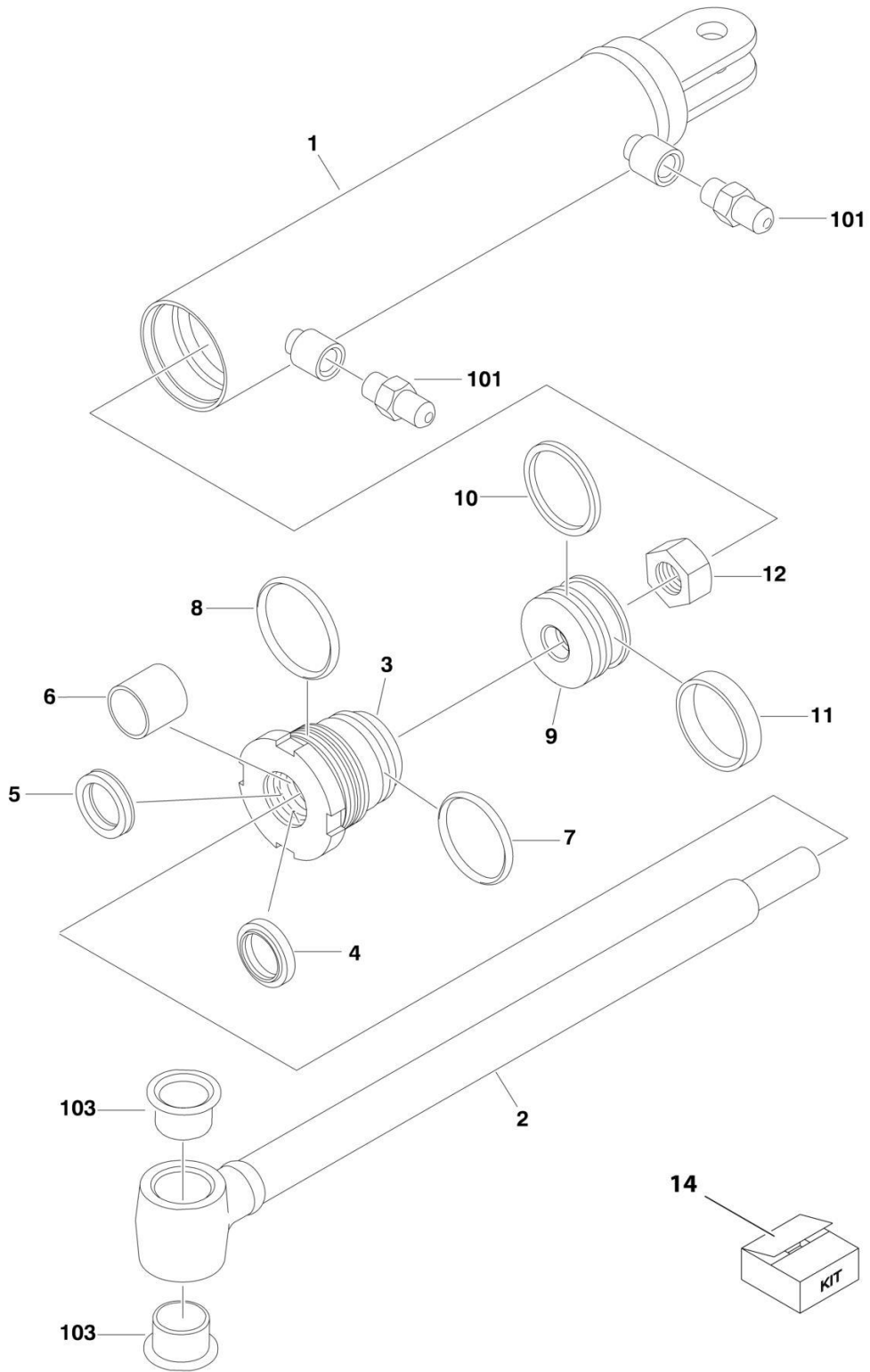
## SECTION 5 - CYLINDER

**FIGURE 5-3. STEER CYLINDER ASSEMBLY (6RS/1932RS)**

ITEM	PART NUMBER	QTY	DESCRIPTION	REV
	1001132702	Ref	<b>STEER CYLINDER ASSEMBLY (6RS/1932RS)</b>	C
	1001132701	NSS	<b>Steer Cylinder Sub-Assembly (without Fittings/Bearing) (Use p/n 1001132702)</b>	B
1	70003632	1	Rod	
2	70003633	1	Ring, Wiper	
3	70003634	1	Head	
4	70003635	1	Seal	
5	70003636	2	Lock, Cover	
6	70003637	1	O-Ring	
7	70003638	2	Ring, Wear	
8	70003639	1	Barrel	
9	70003640	1	Piston	
10	70003641	1	Seal	
11	70003642	1	Ring, Wear	
12	70003643	1	Nut	
13	70003644	1	O-Ring	
14	See Note	1	Seal Kit - Cylinder (Note: Purchase Individual Components)	
101	0440263	1	Bearing	
102	2220415	2	Fitting, Straight JIC/ORB	

# SECTION 5 - CYLINDER

## FIGURE 5-4. STEER CYLINDER ASSEMBLY (10RS/3248RS)





## SECTION 5 - CYLINDER

**FIGURE 5-4. STEER CYLINDER ASSEMBLY (10RS/3248RS)**

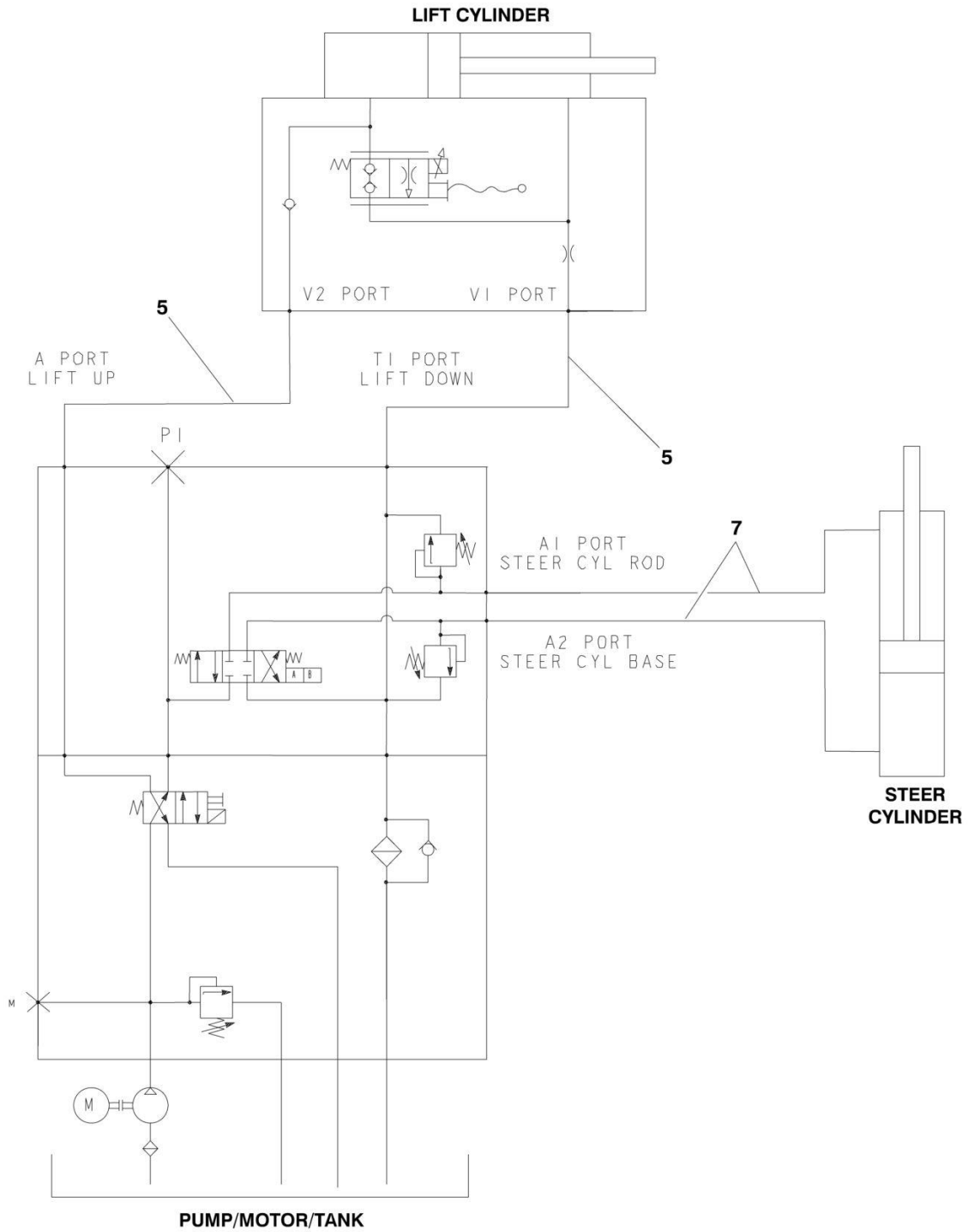
ITEM	PART NUMBER	QTY	DESCRIPTION	REV
	1001130103	Ref	<b>STEER CYLINDER ASSEMBLY (10RS/3248RS)</b>	B
	1001129242	NSS	<b>Steer Cylinder Sub-Assembly (without Fittings/Bearing) (Use p/n 1001130103)</b>	B
1	70003675	1	Barrel	
2	70003674	1	Rod	
3	70003673	1	Head	
4	See Note	1	Wiper (Use p/n 70003670)	
5	See Note	1	Seal (Use p/n 70003670)	
6	See Note	1	Bearing, Dry (Use p/n 70003670)	
7	See Note	1	O-Ring (Use p/n 70003670)	
8	See Note	1	O-Ring (Use p/n 70003670)	
9	70003672	1	Piston	
10	See Note	1	Seal (Use p/n 70003670)	
11	See Note	1	Ring, Wear (Use p/n 70003670)	
12	70003671	1	Nut	
14	70003670	1	Seal Kit - Cylinder (Includes Items 4-8, 10 & 11)	
101	2220415	2	Fitting, Straight JIC/ORB	
103	1001129367	2	Bearing	



**SECTION 6 - HYDRAULIC**

# SECTION 6 - HYDRAULIC

## FIGURE 6-1. HYDRAULIC COMPONENTS



## SECTION 6 - HYDRAULIC

**FIGURE 6-1. HYDRAULIC COMPONENTS**

ITEM	PART NUMBER	QTY	DESCRIPTION	REV
		Ref	<b>HYDRAULIC INSTALLATIONS</b>	
	1001133270	Ref	<b>Hydraulic Installations 6RS/1932RS</b>	D
	1001130669	Ref	<b>Hydraulic Installations 10RS/3248RS</b>	G
5	1001131132	2	Hose (Lift)	
7		Ref	Hose (Steer) Options:	
7	1001133052	2	Hose (Steer) 6RS/1932RS	
7	1001130527	2	Hose (Steer) 10RS/3248RS	



**SECTION 7 - ELECTRICAL**

## SECTION 7 - ELECTRICAL

FIGURE 7-1. ELECTRICAL DIAGRAM LIST

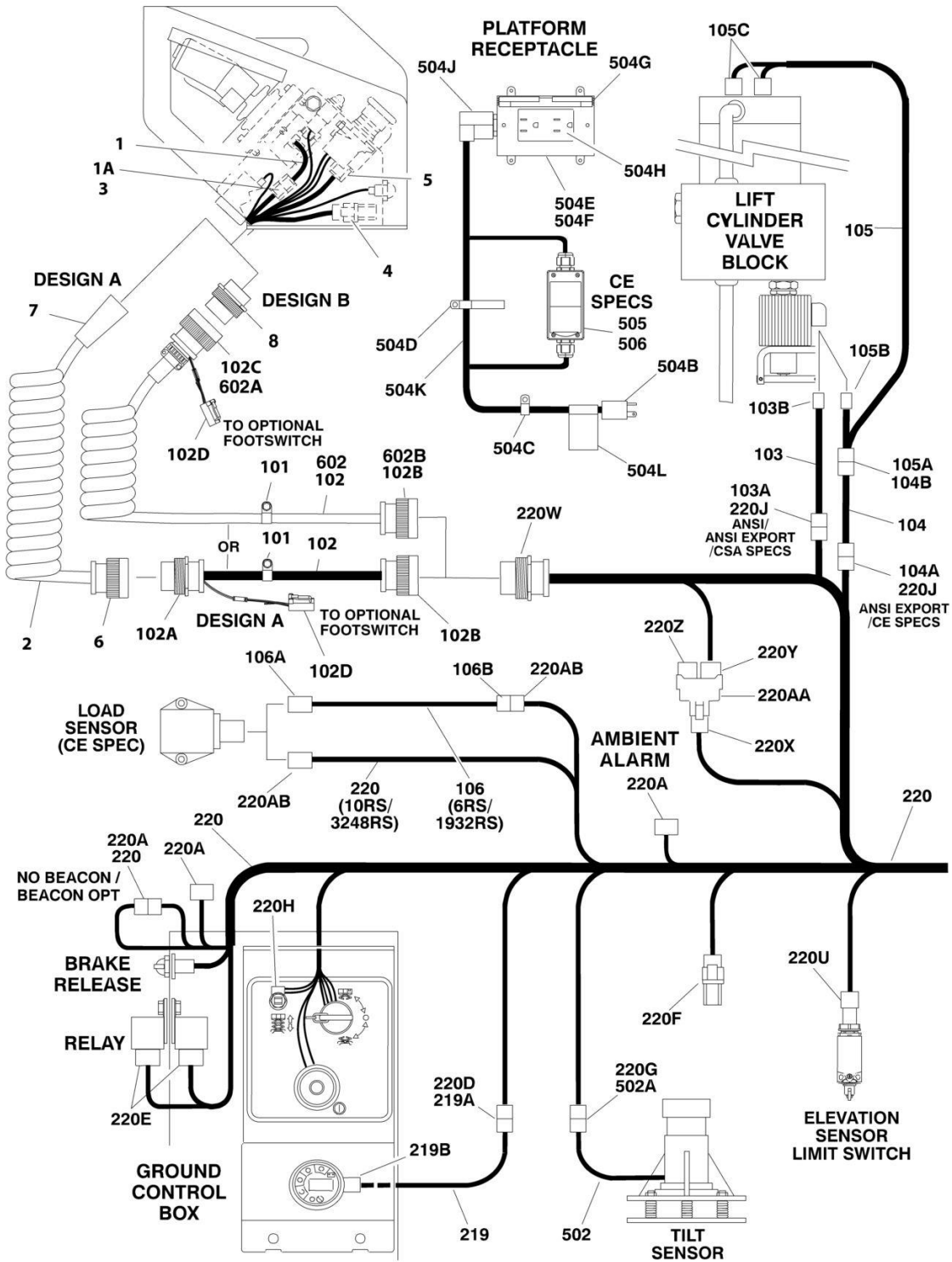
ITEM	PART NUMBER	QTY	DESCRIPTION	REV
		Ref	<b>ELECTRICAL DIAGRAM LIST</b>	
		Ref	<b>Note: See Service Manual for Schematics. Contact JLG Service/Parts Department for information on Diagrams.</b>	
	1001129844	Ref	Electrical Schematic (LSS Machines) (See Service Manual)	
	1001189894	Ref	Electrical Schematic (Non-LSS Machines) (See Service Manual)	



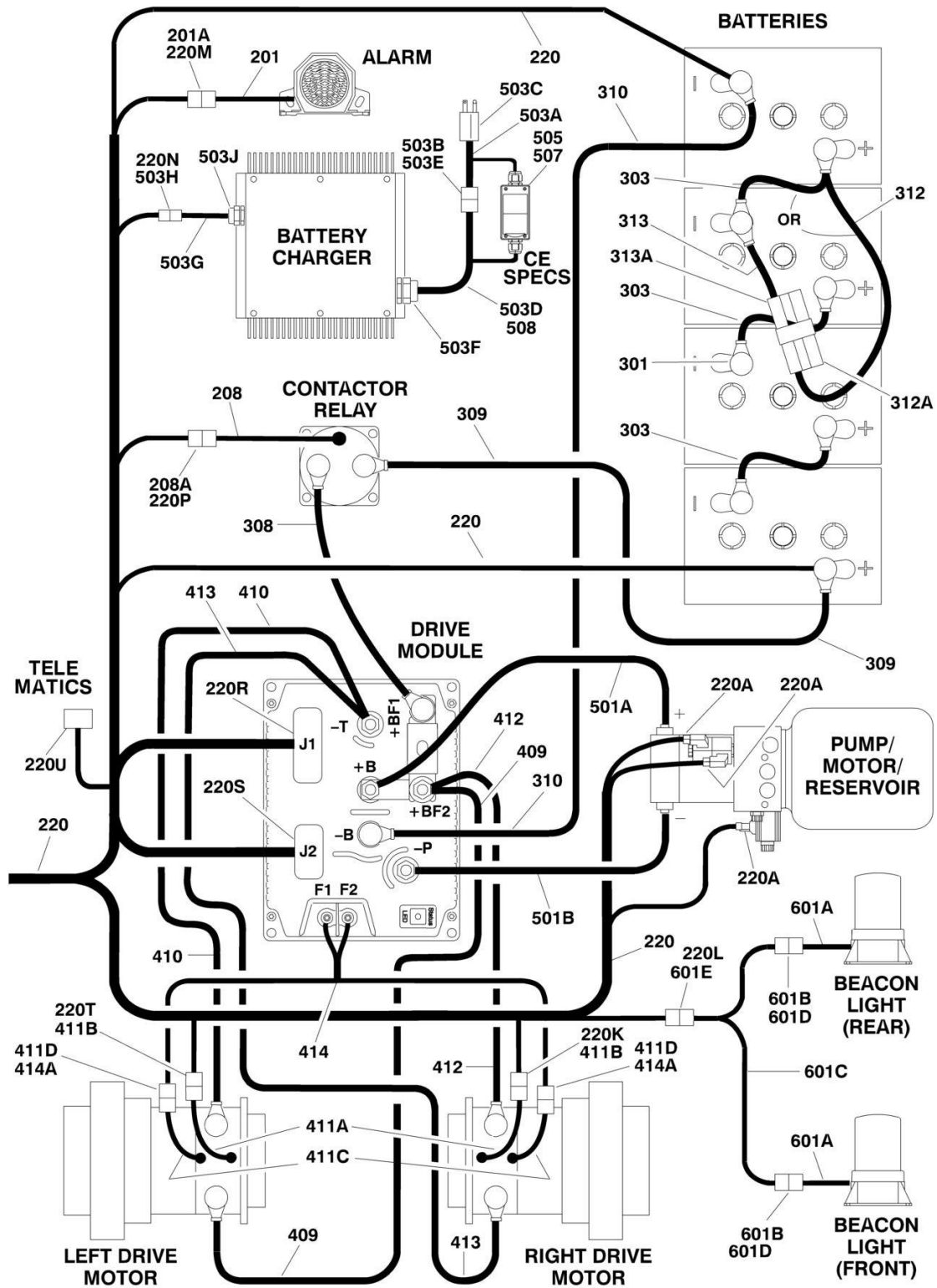


# SECTION 7 - ELECTRICAL

## FIGURE 7-2. ELECTRICAL COMPONENTS INSTALLATION



# SECTION 7 - ELECTRICAL



# SECTION 7 - ELECTRICAL

## FIGURE 7-2. ELECTRICAL COMPONENTS INSTALLATION

ITEM	PART NUMBER	QTY	DESCRIPTION	REV
		Ref	<b>CONSOLE BOX COMPONENTS</b>	
	1001128685	Ref	<b>Console Box Without LSS (All Specs Except China Specs) (Design A)</b>	G
	1001146985	Ref	<b>Console Box With LSS (All Specs Except China Specs) (Design A)</b>	B
	1001173556	Ref	<b>Console Box Without LSS (China Specs) (Design A)</b>	B
	1001195563	Ref	<b>Console Box Without LSS (China Specs) (Design B)</b>	A
	1001173559	Ref	<b>Console Box With LSS (China Specs) (Design A)</b>	B
	1001195568	Ref	<b>Console Box With LSS (China Specs) (Design B)</b>	A
1	See Note	1	Joystick Harness (Note: Not Available As individual part. Purchase complete Controller - See PLATFORM SECTION)	
1A	4460266	1	Receptacle, Female - 9 Position	
1A	4460226	8	Socket, Female	
2		Ref	Platform Box Harness	
2	1001129910	1	Harness Without LSS (All Specs Except China Specs) (Design A)	E
2	1001147174	1	Harness With LSS (All Specs Except China Specs) (Design A)	C
2	1001173555	1	Harness Without LSS (China Specs) (Design A)	B
2	1001195344	1	Harness Without LSS (China Specs) (Design B)	A
2	1001173558	1	Harness With LSS (China Specs) (Design A)	B
2	1001195352	1	Harness With LSS (China Specs) (Design B)	A
3	4460265	1	Plug, Male - 9 Position	
3	4460267	7	Pin, Male	
4	4460851	1	Plug, Bussbar - 8 Position	
4	4460852	1	Receptacle, Female - 8 Position	
4	4460465	7	Socket, Female	
4	4460466	1	Plug, Sealing	
5	4460418	1	Receptacle, Female - 6 Position	
5	4460419	3	Terminal	
6	1001136999	1	Connector - 21 Position (All Specs Except China Specs) (Design A)	
6	1001173553	1	Connector - 21 Position (China Specs) (Design A)	
6	1001126010	15	Pin, Male (Gold)	
6	4460518	6	Plug, Sealing	
7	See Note	1	Connector, Strain Relief (Design A) (Note: Not Available for Purchase)	
8	1001116936	1	Connector - 23 Position (Design B)	
8	4460464	15	Pin, Male	
8	4460466	8	Plug, Sealing	
		Ref	<b>PLATFORM TO GROUND CABLES INSTALLATION</b>	
	1001133255	Ref	<b>Platform To Ground Cables Installation - 6RS/1932RS (Design A) (ANSI, ANSI Export and CSA Specs) (Prior to SN B200015304, Prior to SN 0200225587)</b>	C
	1001147248	Ref	<b>Platform To Ground Cables Installation - 6RS/1932RS (Design A) (ANSI, ANSI Export and CSA Specs) (SN B200015304 to Present, SN 0200225587 to Present)</b>	C
	1001147248	Ref	<b>Platform To Ground Cables Installation - 6RS/1932RS (Design A) (CE Specs)</b>	C
	1001173564	Ref	<b>Platform To Ground Cables Installation - 6RS/1932RS (Design A) (CE &amp; China Specs)</b>	B
	1001195964	Ref	<b>Platform To Ground Cables Installation - 6RS/1932RS (Design B) (ANSI Export, CE and China Specs)</b>	A

## SECTION 7 - ELECTRICAL

ITEM	PART NUMBER	QTY	DESCRIPTION	REV
	1001152913	Ref	Platform To Ground Cables Installation - 6RS/1932RS (Design A) (Japanese Specs)	C
	1001195965	Ref	Platform To Ground Cables Installation - 6RS/1932RS (Design B) (Japanese Specs)	A
	1001130959	Ref	Platform To Ground Cables Installation - 10RS/3248RS (Design A) (ANSI, ANSI Export and CSA Specs) (Prior to SN B200015304, Prior to SN 0200225587)	E
	1001147249	Ref	Platform To Ground Cables Installation - 10RS/3248RS (Design A) (ANSI, ANSI Export and CSA Specs) (SN B200015304 to Present, SN 0200225587 to Present)	E
	1001147249	Ref	Platform To Ground Cables Installation -10RS/3248RS (Design A) (CE Specs)	E
	1001173563	Ref	Platform To Ground Cables Installation -10RS/3248RS (Design A) (CE & China Specs)	C
	1001196746	Ref	Platform To Ground Cables Installation - 10RS/3248RS (Design B) (ANSI Export, CE and China Specs)	B
	1001153974	Ref	Platform To Ground Cables Installation - 10RS/3248RS (Design A) (Japanese Spec)	E
	1001196745	Ref	Platform To Ground Cables Installation - 10RS/3248RS (Design B) (Japanese Spec)	B
		Ref	<b>SCISSOR ARMS HARNESES (ANSI EXPORT and CE SPECS)</b>	
	1001147250	Ref	Scissor Arms Harnesses (ANSI Export, CE, Japanese & China Specs) 6RS/1932RS ANSI Export, CE, Japanese & China specs	G
	1001147251	Ref	Scissor Arms Harnesses (ANSI Export, CE, Japanese & China Specs) 10RS/3248RS ANSI Export, CE, Japanese & China specs	G
101	1321385	1	Clamp (Located on Side of Platform)	
102		Ref	Platform to Ground Harness Options:	
102	1001133939	1	Platform to Ground Harness 6RS/1932RS ANSI, ANSI Export and CSA Specs (Design A) <b>(Prior to SN B200015304, Prior to SN 0200225587)</b>	E
102	1001146531	1	Platform to Ground Harness 6RS/1932RS ANSI, ANSI Export and CSA Specs (Design A) <b>(SN B200015304 to Present, SN 0200225587 to Present)</b>	C
102	1001146531	1	Platform to Ground Harness 6RS/1932RS CE Specs (Design A)	C
102	1001173562	1	Platform to Ground Harness 6RS/1932RS China Spec (Design A)	C
102	1001195353	1	Platform to Ground Harness 6RS/1932RS China Spec (Design B)	C
102	1001153972	1	Platform to Ground Harness 6RS/1932RS Japanese Specs (Design A)	A
102	1001195395	1	Platform to Ground Harness 6RS/1932RS Japanese Specs (Design B)	C
102	1001130620	1	Platform to Ground Harness 10RS/3248RS ANSI, ANSI Export and CSA Specs (Design A) <b>(Prior to SN B200015304, Prior to SN 0200225587)</b>	D
102	1001146532	1	Platform to Ground Harness 10RS/3248RS ANSI, ANSI Export and CSA Specs (Design A) <b>(SN B200015304 to Present, SN 0200225587 to Present)</b>	D
102	1001146532	1	Platform to Ground Harness 10RS/3248RS CE Specs (Design A)	D
102	1001173561	1	Platform to Ground Harness 10RS/3248RS China Specs (Design A)	C
102	1001195391	1	Platform to Ground Harness 10RS/3248RS China Specs (Design B)	B
102	1001153973	1	Platform to Ground Harness 10RS/3248RS Japanese Specs (Design A)	A

## SECTION 7 - ELECTRICAL

ITEM	PART NUMBER	QTY	DESCRIPTION	REV
102	1001195412	1	Platform to Ground Harness 10RS/3248RS ANSI Export & Japanese Specs (Design B)	B
102A	1001137000	1	Connector - 21 Position (All Specs Except China Specs & Japanese Specs) (Design A)	
102C	1001173554	1	Connector - 21 Position (China Specs) (Design A)	
102A	1001126008	AR	Socket, Female (Gold)	
102A	4460518	AR	Plug, Sealing	
102A	4460497	1	Nut, Panel	
102A	4460496	1	Lockwasher	
102B	1001136999	1	Connector - 21 Position (Design A and Design B)	
102B	1001126010	AR	Pin, Male (Gold)	
102B	4460518	AR	Plug, Sealing	
102C	4460462	1	Connector - 23 Position (Design B)	
102C	4460465	16	Socket, Female	
102C	4460466	7	Plug, Sealing	
102C	4460473	1	Clamp, Cable	
102D	4460897	1	Receptacle, Female - 2 Position (Japanese Specs Only) (Design A)	
102D	1001126008	AR	Socket, Female (Gold) (Japanese Specs Only) (Design A)	
102D	4460891	1	Plug, Male - 2 Position (Japanese Specs Only) (Design B)	
102D	4460465	2	Socket, Female (Japanese Specs Only) (Design B)	
103		Ref	Lift Cylinder Harness (ANSI, ANSI Export and CSA Specs Only)	
103	1001134077	1	Lift Cylinder Harness 6RS/1932RS ANSI, ANSI Export and CSA Specs	A
103	1001130656	1	Lift Cylinder Harness 10RS/3248RS ANSI, ANSI Export and CSA Specs	B
103A	4460897	1	Receptacle, Female - 2 Position (ANSI, ANSI Export and CSA Specs)	
103A	4460464	6	Pin, Male	
103B	4460891	1	Plug, Male - 2 Position	
103B	4460465	2	Socket, Female	
104	1001153879	1	Lift Cylinder Jumper Harness (ANSI Export and CE Specs Only)	A
104A	4460899	1	Receptacle, Female - 6 Position (ANSI Export and CE Specs)	
104A	4460464	6	Pin, Male	
104B	4460894	1	Plug, Male - 6 Position (ANSI Export and CE Specs)	
104B	4460465	AR	Socket, Female	
105		Ref	Lift Cylinder Harness (ANSI Export and CE Specs Only)	
105	1001153878	NLA	Lift Cylinder Harness 6RS/1932RS ANSI Export, CE & Japanese Specs (Note: Use p/n 1001156226) <b>(Prior to SN 0200224411, Prior to SN B200014733)</b>	B
105	1001153880	NLA	Lift Cylinder Harness 10RS/3248RS ANSI Export, CE & Japanese Specs (Note: Use p/n 1001156226) <b>(Prior to SN 0200224411, Prior to SN B200014733)</b>	B
105	1001156226	1	Lift Cylinder Harness 6RS/10RS/1932RS/3248RS ANSI Export, CE & Japanese Specs <b>(SN 0200224411 to Present, SN B200014733 to Present, SN 1200025022 to Present)</b>	A
105A	4460899	1	Receptacle, Female - 6 Position (ANSI Export and CE Specs)	
105A	4460464	6	Pin, Male	
105B	4460891	1	Plug, Male - 2 Position	
105B	4460465	2	Socket, Female	
105C	4460539	2	Plug, Male - 2 Position (ANSI Export and CE Specs Only)	
105C	4460465	6	Socket, Female	
106	1001146537	1	Load Sensor Harness (6RS/1932RS ANSI Export and CE Specs Only)	F

## SECTION 7 - ELECTRICAL

ITEM	PART NUMBER	QTY	DESCRIPTION	REV
106A	4460894	1	Plug, Male - 6 Position	
106A	4460465	5	Socket, Female	
106A	4460466	1	Plug, Sealing	
106B	4460899	1	Receptacle, Female - 6 Position	
106B	4460464	5	Pin, Male	
106B	4460466	1	Plug, Sealing	
		Ref	<b>GROUND CONTROL INSTALLATION</b>	
		Ref	<b>China &amp; Belgium Assembled Machines</b>	
	1001133272	Ref	<b>China Assembled Machines 6RS/1932RS ANSI, ANSI Export and CSA Specs</b>	I
	1001147142	Ref	<b>China Assembled Machines 6RS/1932RS ANSI Export and CE Specs (Prior to SN B200021516)</b>	D
	1001147255	Ref	<b>China Assembled Machines 6RS/1932RS ANSI Export and CE Specs (SN B20021516 to Present)</b>	C
	1001147255	Ref	<b>China Assembled Machines 6RS/1932RS, ANSI Export, Japanese &amp; Chinese Specs</b>	C
	1001215620	Ref	<b>China and Belgium Assembled Machines 6RS/1932RS, CE Specs (SN B200260088 to Present, SN 1200025022 to Present)</b>	A
	1001130488	Ref	<b>China Assembled Machines 10RS/3248RS ANSI, ANSI Export and CSA Specs</b>	F
	1001146982	Ref	<b>China Assembled Machines 10RS/3248RS ANSI Export and CE Specs (Prior to SN B200021516)</b>	D
	1001147256	Ref	<b>China Assembled Machines 10RS/3248RS ANSI Export and CE Specs (SN B20021516 to Present)</b>	E
	1001147256	Ref	<b>China Assembled Machines 10RS/3248RS, ANSI Export, Japanese &amp; Chinese Specs</b>	E
	1001131018	Ref	<b>China and Belgium Assembled Machines 10RS/3248RS, CE Specs (SN B200260088 to Present, SN 1200025022 to Present)</b>	A
		Ref	<b>USA Assembled Machines</b>	
	1001159022	Ref	<b>Kit Components</b>	A
	1001159021	Ref	<b>USA Assembled Machines 6RS/1932RS Final Assembly Components</b>	A
	1001130488	Ref	<b>Kit Components 10RS/3248RS Final Assembly Components</b>	E
201	0140043	1	Alarm Harness (Includes Alarm)	
201A	4460536	1	Receptacle, Female - 3 Position	
201A	4460464	2	Pin, Male	
208	3740150	1	Contactor/Relay Harness (Includes Contactor/Relay)	
208A	4460891	1	Plug, Male - 2 Position	
208A	4460465	2	Socket, Female	
219	1001130619	1	MDI Jumper Harness	B
219A	4460321	1	Plug, Male - 4 Position	
219A	4460226	4	Socket, Female	
219B	4460868	1	Plug, Male - 6 Position	
219B	4460877	4	Terminal	
219B	1001094105	1	Boot	
220		Ref	Chassis Harness Options:	
220	1001134011	1	Chassis Harness 6RS/1932RS ANSI, ANSI Export and CSA Specs	C
220	1001146534	1	Chassis Harness 6RS/1932RS ANSI Export, CE Specs & Japanese Specs	K
220	1001130368	1	Chassis Harness 10RS/3248RS ANSI, ANSI Export and CSA Specs	H
220	1001146535	1	Chassis Harness 10RS/3248RS ANSI Export, CE Specs &	G

## SECTION 7 - ELECTRICAL

ITEM	PART NUMBER	QTY	DESCRIPTION	REV
			Japanese Specs	
220A	4460891	AR	Plug, Male - 2 Position	
220A	4460465	AR	Socket, Female	
220D	4460761	1	Receptacle, Female - 4 Position	
220D	4460227	4	Pin, Male	
220E	1001117057	AR	Plug, Relay	
220E	4460374	AR	Plug, Relay	
220E	4460375	AR	Terminal	
220E	1001116734	AR	Terminal	
220F	4460851	1	Plug, Bussbar - 8 Position	
220F	4460852	1	Receptacle, Female - 8 Position	
220F	4460465	3	Socket, Female	
220G	4460539	1	Plug, Male - 3 Position	
220G	4460465	3	Socket, Female	
220H	4460418	1	Receptacle, Female - 6 Position	
220H	4460419	3	Terminal	
220J		Ref	Plug, Male Options:	
220J	4460891	1	Plug, Male - 2 Position (ANSI, ANSI Export and CSA Spec)	
220J	4460894	1	Plug, Male - 6 Position (ANSI Export and CE Specs)	
220J	4460465	AR	Socket, Female	
220K	4460897	1	Receptacle, Female - 2 Position	
220K	4460464	2	Pin, Male	
220L	4460897	1	Receptacle, Female - 2 Position	
220L	4460464	2	Pin, Male	
220M	4460539	1	Plug, Male - 3 Position	
220M	4460465	3	Socket, Female	
220N	4460320	1	Plug, Male - 2 Position	
220N	4460226	2	Socket, Female	
220P	4460897	1	Receptacle, Female - 2 Position	
220P	4460464	2	Pin, Male	
220R	4460873	1	Plug, Male - 35 Position	
220R	4460871	AR	Socket, Female	
220R	4460905	AR	Plug, Sealing	
220S	1001096138	1	Plug, Male - 23 Position	
220S	4460871	AR	Socket, Female	
220S	4460905	AR	Plug, Sealing	
220T	4460897	1	Receptacle, Female - 2 Position	
220T	4460464	2	Pin, Male	
220U	4460884	AR	Plug, Male - 4 Position	
220U	4460465	AR	Socket, Female	
220W	1001137000	1	Connector - 21 Position	
220W	1001126008	AR	Socket, Female (Gold)	
220W	4460518	AR	Plug, Sealing	
220W	4460497	1	Nut, Panel	
220W	4460496	1	Lockwasher	
220X	1001116812	1	Plug, Male - 3 Position	
220X	4460944	3	Socket, Female	
220Y	1001116812	1	Plug, Male - 3 Position	
220Y	4460944	3	Socket, Female	
220Z	1001130615	NLA	Plug, Male - 3 Position (Includes Wedge Lock) (Use p/n 1001129408)	
220AA	4460945	1	Bulkhead - 3 Way	



## SECTION 7 - ELECTRICAL

ITEM	PART NUMBER	QTY	DESCRIPTION	REV
220AB	4460894	1	Plug, Male - 6 Position	
220AB	4460465	5	Socket, Female	
220AB	4460466	1	Plug, Sealing	
		Ref	<b>BATTERY CABLES INSTALLATION</b>	
		Ref	<b>China &amp; Belgium Assembled Machines</b>	
		Ref	<b>Battery Cables Installation 6RS/1932RS</b>	
	1001134434	Ref	<b>Batteries - Standard without Disconnect (All Specs except CE &amp; Chinese Specs)</b>	D
	1001151270	Ref	<b>Batteries - AGM without Disconnect (All Specs except CE &amp; Chinese Specs)</b>	B
	1001147262	Ref	<b>Batteries - Standard with Disconnect</b>	C
	1001142745	Ref	<b>Batteries - AGM with Disconnect</b>	C
	1001209338	Ref	<b>Installation Less Batteries</b>	A
		Ref	<b>Battery Cables Installation 10RS/3248RS</b>	
	1001130028	Ref	<b>Batteries - Standard without Disconnect (All Specs except CE &amp; Chinese Specs)</b>	E
	1001151269	Ref	<b>Batteries - AGM without Disconnect (All Specs except CE &amp; Chinese Specs)</b>	B
	1001147261	Ref	<b>Batteries - Standard with Disconnect</b>	C
	1001142744	Ref	<b>Batteries - AGM with Disconnect</b>	C
	1001209337	Ref	<b>Installation Less Batteries</b>	A
		Ref	<b>USA Assembled Machines</b>	
	1001159178	Ref	<b>Kit Components - Standard Batteries</b>	A
	1001159180	Ref	<b>Kit Components - AGM Batteries</b>	A
	1001159179	Ref	<b>Battery Cables Installation 6RS/1932RS Final Assembly Components</b>	A
	1001159787	Ref	<b>Battery Cables Installation 10RS/3248RS Final Assembly Components</b>	A
301	0100051	AR	Grease, Terminal	
303	1060998	AR	Cable, Battery	
303	See Note	AR	Boot (Red) (1 per Cable) (Note: Not Available for Purchase)	
303	See Note	AR	Boot (Black) (1 per Cable) (Note: Not Available for Purchase)	
308	1001130595	1	Cable, Battery (Contactor to Module +BF1)	
309		Ref	Cable, Battery (Battery + to Contactor)	
309	1001133174	1	Cable, Battery 6RS/1932RS	
309	1001130592	1	Cable, Battery 10RS/3248RS	
309	See Note	2	Boot (Red) (Note: Not Available for Purchase)	
310		Ref	Cable, Battery (Battery - to Module -B) Options:	
310	1001133175	1	Cable, Battery 6RS/1932RS	
310	1001130593	1	Cable, Battery 10RS/3248RS	
310	See Note	2	Boot (Black) (Note: Not Available for Purchase)	
312	1001146703	1	Cable, Disconnect (+)	A
312A	4460490	1	Connector, Anderson	
313	1001146704	1	Cable, Disconnect (-)	A
313A	4460490	1	Connector, Anderson	
		Ref	<b>DRIVE CABLES INSTALLATION</b>	
	1001133269	Ref	<b>6RS/1932RS</b>	G
	1001129627	Ref	<b>10RS/3248RS</b>	E
409	1001130602	1	Cable (LH Motor Armature + to Module +BF2)	
409	See Note	1	Boot (Red) (Note: Not Available for Purchase)	
410	1001130603	1	Cable (LH Motor Armature - to Module -T)	
410	See Note	1	Boot (Black) (Note: Not Available for Purchase)	
411		Ref	Motor Harness Options:	

## SECTION 7 - ELECTRICAL

ITEM	PART NUMBER	QTY	DESCRIPTION	REV
411A	See Note	2	Brake Harness (Note: Not Available for Purchase)	
411B	4460891	2	Plug, Male - 2 Position (1 Per Harness)	
411B	4460465	4	Socket, Female (2 Per Harness)	
411C	See Note	2	Field Harness (Note: Not Available for Purchase)	
411D	4461017	2	Receptacle, Female - 2 Position (1 per Harness)	
411D	4460508	4	Pin, Male (2 per Harness)	
412		Ref	Cable (RH Motor Armature + to Module +BF2)	
412	1001133258	1	Cable 6RS/1932RS	
412	1001130600	1	Cable 10RS/3248RS	
412	See Note	1	Boot (Red) (Note: Not Available for Purchase)	
413		Ref	Cable (RH Motor Armature + to Module -T)	
413	1001133259	1	Cable 6RS/1932RS	
413	1001130601	1	Cable 10RS/3248RS	
413	See Note	1	Boot (Black) (Note: Not Available for Purchase)	
414	1001130591	1	Cable (LH/RH Motors to Module F1/F2)	
414A	4461018	2	Plug, Male - 2 Position	
414A	4460509	4	Socket, Female	
		Ref	<b>STANDARD HARNESS COMPONENTS</b>	
501		Ref	Pump Motor Cable Components	
501A		Ref	Motor Cable (Pump Motor + to Module +B) Options:	
501A	1001133256	1	Motor Cable 6RS/1932RS	
501A	1001130596	1	Motor Cable 10RS/3248RS	
501B		Ref	Motor Cable (Pump Motor - to Module -P) Options:	
501B	1001133257	1	Motor Cable 6RS/1932RS	
501B	1001130598	1	Motor Cable 10RS/3248RS	
502		Ref	Tilt Sensor Harness Options (Includes Sensor):	
502	1001095250	1	Tilt Sensor Harness 6RS/1932RS	
502	1001095251	1	Tilt Sensor Harness 10RS/3248RS	
502A	4460536	1	Receptacle, Female - 3 Position	
502A	4460464	2	Pin, Male	
503		Ref	Battery Charger Harness Components	
503A		Ref	AC Input Cable Options:	
503A	1001133258	1	Cable with Dealer/Customer Installed Plug	
503A	1001133257	1	Cable with Factory Installed 110V Plug (Japanese Specs)	
503A	0275664	1	Cable with Factory Installed 220V CEE7 Side Ground Plug (CE Specs)	
503A	1001172010	1	Cable with Factory Installed 420V Plug (Chinese Specs)	
503A	1001221984	1	Cable with Factory Installed 220V Korea Plug (Korean Specs)	
503B	See Note	1	Plug, Male (Note: Use Item 503A)	
503C		Ref	Plug Options:	
503C	See Note	1	Cable with Factory Installed 110V Plug (Note: Use Item 503A)	
503C	See Note	1	Cable with Dealer/Customer Installed Plug (Note: Not Available form JLG - Purchase Locally)	
503D	See Note	1	Battery Charger AC Input Cable (Note: Not Available for Purchase)	
503E	See Note	1	Receptacle, Female (Note: Not Available for Purchase)	
503F	See Note	1	Connector, Strain Relief (Note: Not Available for Purchase)	
503G	See Note	1	Battery Charger DC Output Cable (Note: Not Available for Purchase)	
503H	4460424	1	Receptacle, Female - 2 Position	
503H	4460227	2	Pin, Male	

## SECTION 7 - ELECTRICAL

ITEM	PART NUMBER	QTY	DESCRIPTION	REV
503J	See Note	1	Connector, Strain Relief (Note: Not Available for Purchase)	
504		Ref	AC Box at Platform Installation	
504		Ref	<b>China &amp; Belgium Assembled Machines:</b>	
504	1001133253	Ref	AC Box at Platform With 110V Factory Installed Plug 6RS/1932RS (All Specs except CE & Chinese Specs)	D
504	1001131017	Ref	AC Box at Platform With 110V Factory Installed Plug 10RS/3248RS (All Specs except CE & Chinese Specs)	G
504	1001133254	Ref	AC Box at Platform With Dealer/Customer Installed Plug 6RS/1932RS	D
504	1001131018	Ref	AC Box at Platform With Dealer/Customer Installed Plug 10RS/3248RS	H
504	1001188180	Ref	AC Box at Platform with 220V Factory Installed China Plug 6RS/1932RS	A
504	1001188179	Ref	AC Box at Platform with 220V Factory Installed China Plug 10RS/3248RS	A
504	1001211433	Ref	AC Box at Platform with 220V, CEE7 Side Ground 6RS/1932RS	A
504	1001211438	Ref	AC Box at Platform with 220V, CEE7 Side Ground 10RS/3248RS	A
504		Ref	<b>USA Assembled Machines:</b>	
504		Ref	Cable Installation:	
504	1001159016	Ref	Cable Installation 6RS/1932RS	B
504	1001159148	Ref	Cable Installation 10RS/3248RS	C
504		Ref	Plug Installation:	
504	1001159017	Ref	Plug and Receptacle Box Installation 6RS/1932RS with 110V Factory Installed Plug	B
504	1001159020	Ref	Plug and Receptacle Box Installation 6RS/1932RS with 220V Dealer/Customer Installed Plug	B
504	1001159147	Ref	Plug and Receptacle Box Installation 10RS/3248RS with 110V Factory Installed Plug	B
504	1001159149	Ref	Plug and Receptacle Box Installation 10RS/3248RS with 220V Dealer/Customer Installed Plug	B
504A		Ref	Decal - AC Power (Not Shown - Located near Item 504B)	
504A	1703464	1	110V/120V	
504A	3252507	1	220V	
504B		Ref	Plug Options:	
504B	4460138	1	Plug, Factory Installed 110V	
504B	See Note	1	Plug, Dealer/Customer (Note: Not Available from JLG - Purchase Locally)	
504B	1001187816	1	Plug, Factory Installed 220V China Plug	
504B	4461205	1	Plug, Factory Installed 220V, CEE7 Side Ground	
504C	85941016	AR	Clamp	
504D	1001094180	1	Clamp	
504E	1001130219	1	110V GFI Receptacle Box Kit (Note: Only used on installations with 110V factory installed plug. Consult your dealer for all other installations)	
504E	1001188116	1	220V China Receptacle Box	
504E	0275453	1	220V, CEE7 Side Ground Receptacle Box	
504F	0861731	1	Box, Receptacle (110V)	
504F	See Note	NSS	Box, Receptacle (220V China Box) (Note: Use p/n 1001188116)	
504G	1671207	1	Cover, Box	
504G	See Note	NSS	Cover, Box (220V China Box) (Note: Use p/n 1001188116)	
504G	4461245	1	Cover, Box (220V, CEE7 Side Ground Box)	
504H	4460346	1	Receptacle	

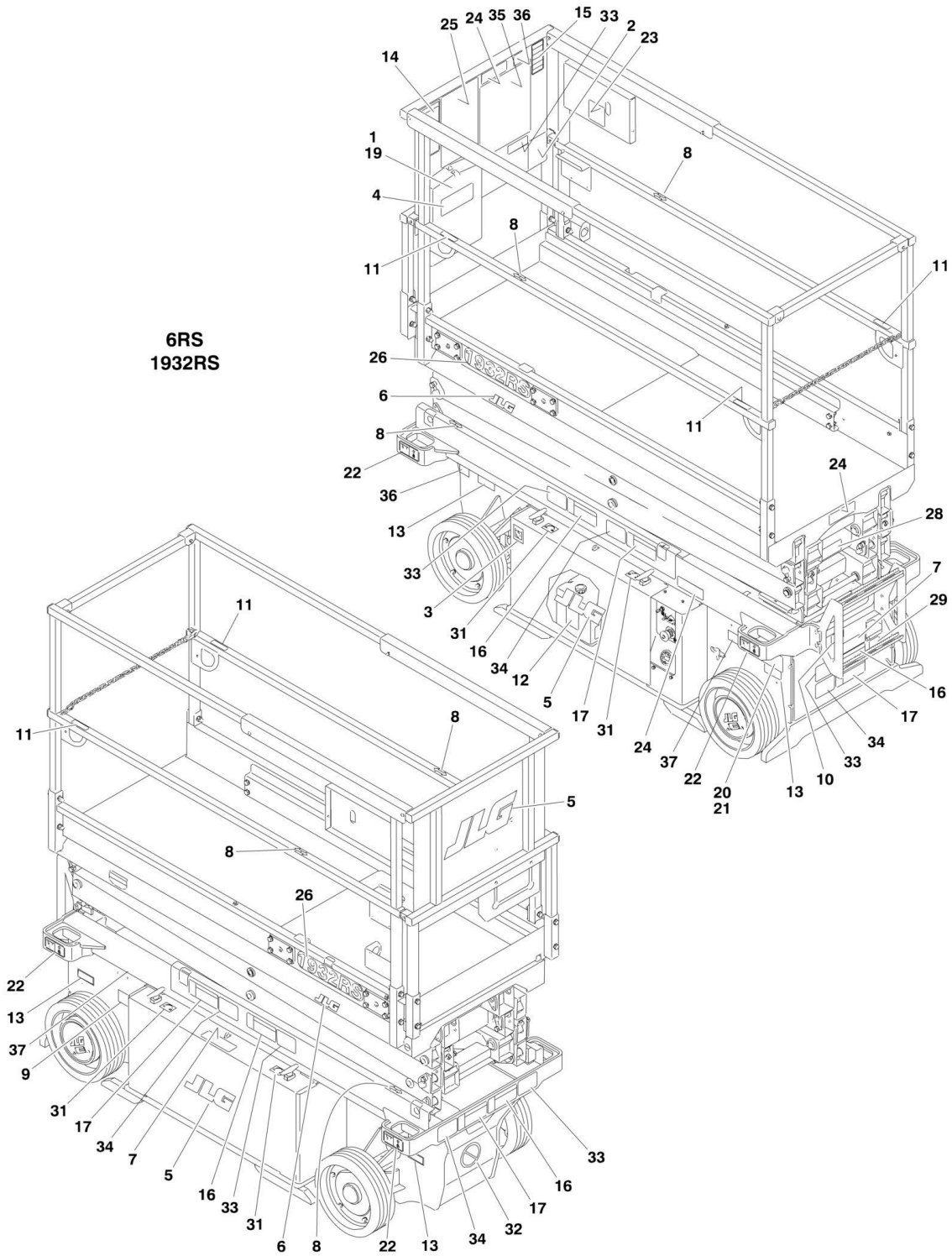
## SECTION 7 - ELECTRICAL

ITEM	PART NUMBER	QTY	DESCRIPTION	REV
504H	See Note	NSS	Receptacle (220V China Box) (Note: Use p/n 1001188116)	
504H	4461245	1	Receptacle (220V, CEE7 Side Ground Box)	
504J	1001131497	1	Connector, Strain Relief	
504J	4460662	1	Connector, Strain Relief	
504K		Ref	AC Cable (AC Power to Platform)	
504K	1001133937	1	AC Cable 6RS/1932RS	
504K	1001131126	1	AC Cable 10RS/3248RS	
504L	1001102258	1	Decal - AC Power to Platform	
	1001187784	Ref	Circuit Breaker Installation (CE Spec Only)	A
505	2902541	2	Breaker Box Kit	
505	1001181045	2	Breaker, Circuit 30mA/16Amp/230VAC (1 Per Box)	
505	4460956	2	Barrier, Terminal (1 Per Box)	
505	4460957	2	Block, Terminal (1 Per Box)	
505	1001097150	4	Connector, Strain Relief (2 Per Box)	
506	0903566	1	Bracket	
507	1001096627	1	Bracket	
508	1001103258	1	AC Charger Cable with Plug	
		Ref	<b>OPTIONAL HARNESES</b>	
601		Ref	Beacon Light Harness Components	
601A	2920161	2	Beacon Light Harness (Includes Beacon Light)	
601B	4460891	2	Plug, Male - 2 Position (1 Per Harness)	
601B	4460465	4	Socket, Female (2 Per Harness)	
601C	1001134846	1	Beacon Light Jumper Harness	
601D	4460897	2	Receptacle, Female - 2 Position (1 Per Harness)	
601D	4460464	4	Pin, Male (2 Per Harness)	
601E	4460891	2	Plug, Male - 2 Position	
601E	4460465	4	Socket, Female	
602	1001195414	1	PLATFORM JUMPER HARNESS (23 PIN CONNECTOR TO 21 PIN CONNECTOR)	
602A	4460462	1	Connector - 23 Position	
602A	4460465	16	Socket, Female	
602A	4460466	7	Plug, Sealing	
602A	4460473	1	Clamp, Cable	
602B	1001136999	1	Connector - 21 Position	
602B	1001126010	16	Pin, Male (Gold)	
602B	4460518	5	Plug, Sealing	
		Ref	<b>TOOLS FOR SERVICE (NOT SHOWN)</b>	
	7002821	1	Crimper, Wire (Not Shown)	
	7002823	1	Extractor, Pin - Universal (Not Shown)	
	4460467	AR	Extractor, Pin #16 Gauge (Not Shown)	
	4460510	AR	Extractor, Pin #12 Gauge (Not Shown)	
	7002828	1	Stripper, Wire (Not Shown)	
	2901443	1	Analyzer Kit (Not Shown)	
	1600244	1	Analyzer	
	1060633	1	Cable, Analyzer	
	4460321	2	Plug, Male - 4 Position	
	4460226	8	Socket, Female	
	1001137005	1	Software Cable Kit	

**SECTION 8 - DECALS**

# SECTION 8 - DECALS

## FIGURE 8-1. DECAL INSTALLATION (ANSI SPEC)





# SECTION 8 - DECALS

## FIGURE 8-1. DECAL INSTALLATION (ANSI SPEC)

ITEM	PART NUMBER	QTY	DESCRIPTION	REV
		Ref	<b>Decals Installation</b>	
	1001147421	Ref	<b>JLG Decals (1932RS)</b>	A
	1001133555	Ref	<b>JLG Decals (3248RS)</b>	B
		Ref	<b>China Assembled Machines:</b>	
	1001132946	Ref	<b>ANSI Decals</b>	M
	1001130044	Ref	<b>Optional Decals</b>	
		Ref	<b>USA Assembled Machines:</b>	
	1001159009	Ref	<b>ANSI Decals</b>	C
	1001159008	Ref	<b>ANSI Decals 1932RS Decals</b>	C
	1001159008	Ref	<b>ANSI Decals 3248RS Decals</b>	C
1	0860520	1	Box, Manual Storage	
2	1001131270	1	Decal - Patent	
3	1701504	1	Decal - Hydraulic Oil	
4	1701509	1	Decal - Manual Reference	
5		Ref	Decal - JLG Options:	
5	1702773	3	5in/12.7cm Height	
5	1705754	3	3.5in/9cm Height	
6	1703177	2	Decal - JLG	
7	1703813	2	Decal - Warning Battery Vent	
8	1703819	4	Decal - Directional Arrow	
9	1703822	1	Decal - Manual Descent	
10	1704016	1	Decal - Forklift	
11	1704277	3	Decal - Attach Lanyard Here	
12	1704412	1	Decal - Hydraulic Oil	
13		Ref	Decal - Max Tire Load Options:	
13	1705647	4	Decal - Max Tire Load 1932RS	
13	1706310	4	Decal - Max Tire Load 3248RS (1835LBS/832KG) <b>(Prior to SN 0200228445, Prior to SN B200016324)</b>	
13	1706311	2	Decal - Max Tire Load 3248RS (2070LBS/939KG) <b>(SN 0200228445 to Present, SN B200016324 to Present)</b>	
14	1705679	1	Decal - Inspection	
15	1705686	1	Decal - Legend	
16	1705694	4	Decal - Crushing Hazard	
17	1705695	4	Decal - Danger Electrocution	
19	2080040	4	Fastener	
20	2080057	4	Fastener	
21	See Note	NSS	Nameplate, Serial Number (Note: Not Available for Purchase)	
22		Ref	Decal - Lift Point/Tie Down (USA Assembled Machine) Options:	
22	4110226	4	Decal - Lift Point/Tie Down (1932RS/3246RS) <b>(Prior to SN B200016324, Prior to SN 0200228445)</b>	
22	1001162864	4	Decal - Lift Point/Tie Down (1932RS/3246RS) <b>(SN B200016324 through B200019149, SN 0200228445 through 0200237476)</b>	
22	1001162864	4	Decal - Lift Point/Tie Down (ANSI) <b>(SN B200019150 to Present, SN 0200237477 to Present)</b>	
23	1001132359	1	Decal - Control Box Location	
24		Ref	Decal - Capacity Options:	
24	1705699	3	Decal - Capacity 1932RS	
24	1001132364	3	Decal - Capacity 3248RS	
25	1001132376	1	Decal - Danger/Warning	
26		Ref	Decal - Model Designation Options:	

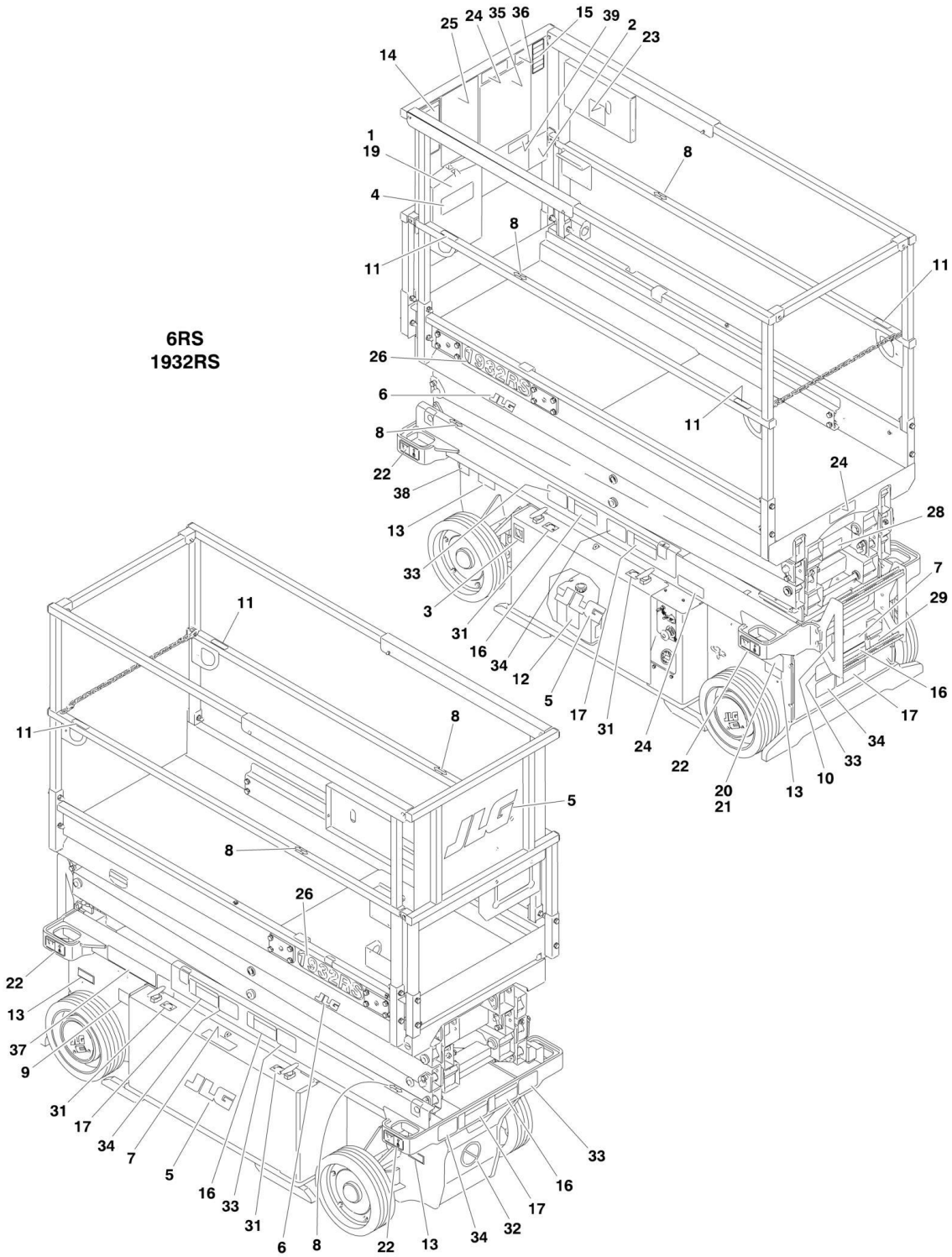


## SECTION 8 - DECALS

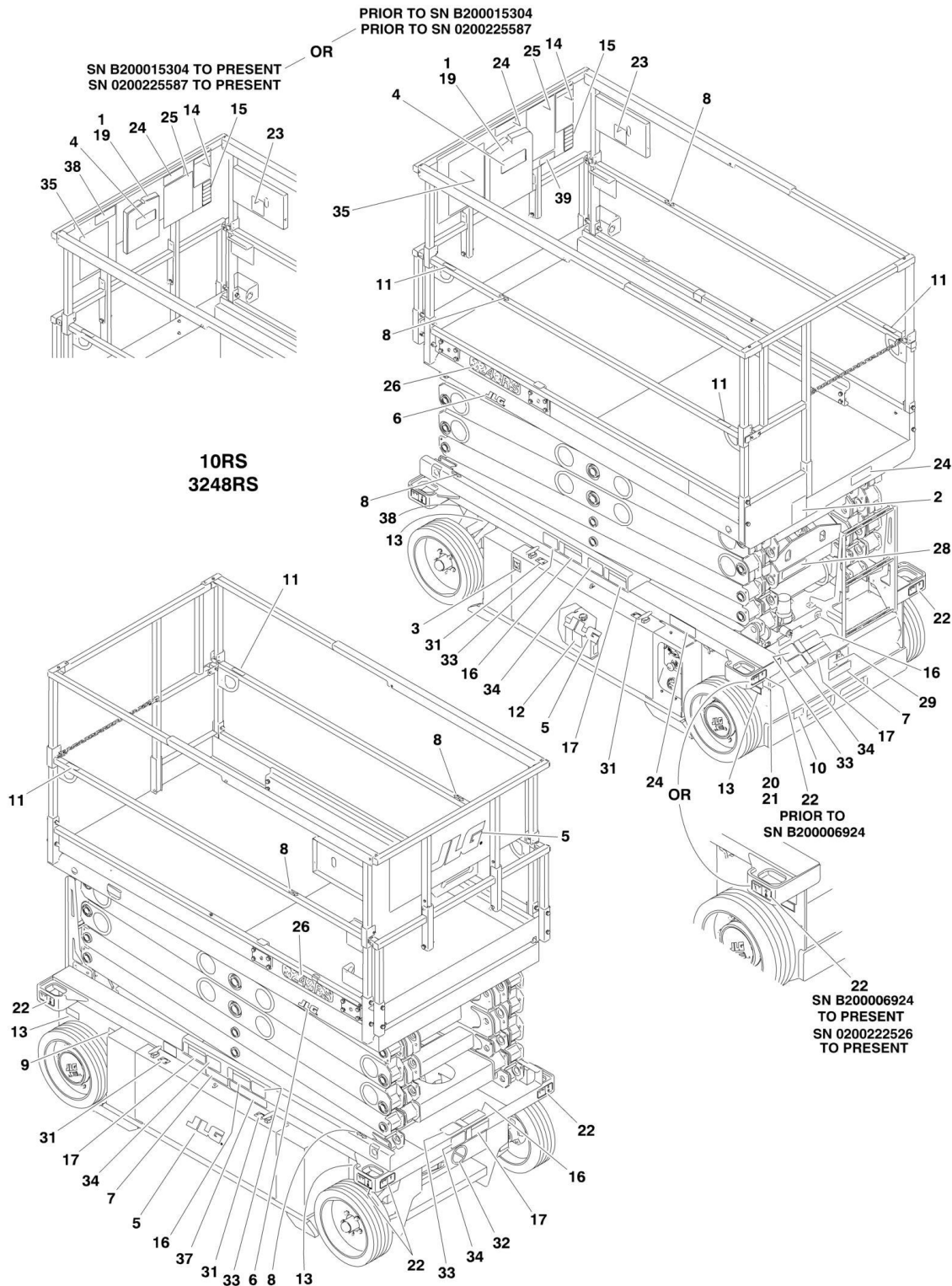
ITEM	PART NUMBER	QTY	DESCRIPTION	REV
26	1001134278	2	Decal - Model Designation 1932RS	
26	1001132557	2	Decal - Model Designation 3248RS	
28		Ref	Decal - Safety Prop Options:	
28	1001137394	1	Decal - Safety Prop 1932RS	
28	1001133159	1	Decal - Safety Prop 3248RS	
29	1001134280	1	Decal - Charger Label	
31	1706350	1	Decal - Cover	
32	1703072	1	Decal - No Forklift	
33	1705303	1	Decal - CSA	
34		Ref	Decal - No Pipe Racks Allowed Options: <b>(SN B200006924 to Present)</b>	
34	1001092071	1	Decal - No Pipe Racks Allowed 1932RS	
34	Not Required	0	Decal - No Pipe Racks Allowed 3248RS	
35	1001146794	1	Decal - Battery Maintenance	
36	1001223055	1	Decal - Yearly Inspection	
37	1001228370	1	Decal - ICES	

# SECTION 8 - DECALS

## FIGURE 8-2. DECALS INSTALLATIONS (ANSI EXPORT SPEC)



# SECTION 8 - DECALS



# SECTION 8 - DECALS

## FIGURE 8-2. DECALS INSTALLATIONS (ANSI EXPORT SPEC)

ITEM	PART NUMBER	QTY	DESCRIPTION	REV
		Ref	<b>DECALS INSTALLATION - ANSI EXPORT SPECS</b>	
	1001147421	Ref	<b>JLG Decals (1932RS)</b>	A
	1001133555	Ref	<b>JLG Decals (3248RS)</b>	B
		Ref	<b>China Assembled Machines:</b>	
	1001132949	Ref	<b>Brazilian Spec Decals (Dual Language - Portuguese and Spanish)</b>	J
	1001132948	Ref	<b>Chinese Spec Decals (Dual Language - Chinese and English)</b>	J
	1001132951	Ref	<b>CSA Spec Decals (Dual Language - French and English)</b>	K
	1001132947	Ref	<b>Korean Spec Decals (Dual Language - Korean and English)</b>	J
	1001132950	Ref	<b>Latin American Spec Decals (Dual Language - Spanish and English)</b>	J
	1001130044	Ref	<b>Optional Decals</b>	
		Ref	<b>USA Assembled Machines:</b>	
	1001159011	Ref	<b>Brazilian Spec Decals (Dual Language - Portuguese and Spanish)</b>	B
	1001159015	Ref	<b>CSA Spec Decals (Dual Language - French and English)</b>	B
	1001159013	Ref	<b>Latin American Spec Decals (Dual Language - Spanish and English)</b>	B
	1001159008	Ref	<b>Latin American Spec Decals 1932RS Decals</b>	B
	1001159008	Ref	<b>Latin American Spec Decals 3248RS Decals</b>	B
1	0860520	1	Box, Manual Storage	
2		Ref	Decal - Patent Options:	
2	Not Required	0	All Specs except CSA Spec	
2	1001131270	1	CSA Spec Only	
3	1701504	1	Decal - Hydraulic Oil	
4	1701509	1	Decal - Manual Reference	
5		Ref	Decal - JLG Options:	
5	1702773	3	5in/12.7cm Height	
5	1705754	3	3.5in/9cm Height	
6	1703177	2	Decal - JLG	
7		Ref	Decal - Warning Battery Vent Options:	
7	1704341	2	Brazilian Spec	
7	1704344	2	Chinese Spec	
7	1704340	2	CSA Spec	
7	1703856	2	Korean Spec	
7	1704339	2	Latin American Spec	
8	1703819	4	Decal - Directional Arrow	
9	1703822	1	Decal - Manual Descent	
10	1704016	1	Decal - Forklift	
11	1704277	3	Decal - Attach Lanyard Here	
12	1704412	1	Decal - Hydraulic Oil	
13		Ref	Decal - Max Tire Load Options:	
13	1705647	4	Decal - Max Tire Load 6RS/1932RS	
13	1706310	4	Decal - Max Tire Load 10RS/3248RS (1835LBS/832KG) <b>(Prior to SN 0200228445, Prior to SN B200016324)</b>	
13	1706311	2	Decal - Max Tire Load 10RS/3248RS (2070LBS/939KG) <b>(SN 0200228445 to Present, SN B200016324 to Present)</b>	
14		Ref	Decal - Inspection Options:	
14	1705679	1	All Specs Except Brazilian Spec	
14	1705727	1	Brazilian Spec Only	
15		Ref	Decal - Legend Options:	

## SECTION 8 - DECALS

ITEM	PART NUMBER	QTY	DESCRIPTION	REV
15	1705726	1	Brazilian Spec	
15	1705946	1	Chinese Spec	
15	1705723	1	CSA Spec	
15	1706057	1	Korean Spec	
15	1705720	1	Latin American Spec	
16		Ref	Decal - Crushing Hazard Options:	
16	1705694	4	All Specs Except Brazilian Spec	
16	1705722	4	Brazilian Spec Only	
17		Ref	Decal - Danger Electrocution Options:	
17	1705695	4	All Specs Except Brazilian Spec	
17	1703834	4	Brazilian Spec Only	
19	2080040	4	Fastener	
20	2080057	4	Fastener	
21	See Note	NSS	Nameplate, Serial Number (Note: Not Available for Purchase)	
22	4110226	4	Decal - Lift Point/Tie Down <b>(Prior to SN B200016324, Prior to SN 0200228445)</b>	
22	1001162864	4	Decal - Lift Point/Tie Down <b>(SN B200016324 to Present, SN 0200228445 to Present)</b>	
23	1001132359	1	Decal - Control Box Location	
24		Ref	Decal - Capacity Options:	
24	1705699	3	Decal - Capacity 6RS/1932RS (All Specs except CE & Chinese Spec)	
24	1001132364	3	Decal - Capacity 10RS/3248RS without Pipe Racks (All Specs except CE & Chinese Spec)	
24	1001146902	1	Decal - Capacity 6RS/1932RS (CE & Chinese Spec)	
24	1001146903	1	Decal - Capacity 10RS/3248RS (CE & Chinese Spec)	
24	1001144908	3	Decal - Capacity 10RS/3248RS with Pipe Racks	
25		Ref	Decal - Danger/Warning Options:	
25	1001132376	1	All Specs except Brazilian Spec	
25	1001132396	1	Brazilian Spec Only	
26		Ref	Decal - Model Designation Options:	
26	1001134279	2	Decal - Model Designation 6RS	
26	1001132992	2	Decal - Model Designation 10RS	
26	1001134278	2	Decal - Model Designation 1932RS	
26	1001132557	2	Decal - Model Designation 3248RS	
28		Ref	Decal - Safety Prop Options:	
28	1001137394	1	Decal - Safety Prop 6RS/1932RS	
28	1001133159	1	Decal - Safety Prop 10RS/3248RS	
29	1001134280	1	Decal - Charger Label	
31	1706350	1	Decal - Cover	
32	1703072	1	Decal - No Forklift	
33		Ref	Decal - Crushing Options:	
33	1705725	4	Brazilian Spec	
33	1705943	4	Chinese Spec	
33	1705717	4	CSA Spec	
33	1706052	4	Korean Spec	
33	1705725	4	Latin American Spec	
34		Ref	Decal - Danger Electrocution Options:	
34	1705724	4	Brazilian Spec	
34	1705944	4	Chinese Spec	
34	1705718	4	CSA Spec	
34	1706056	4	Korean Spec	

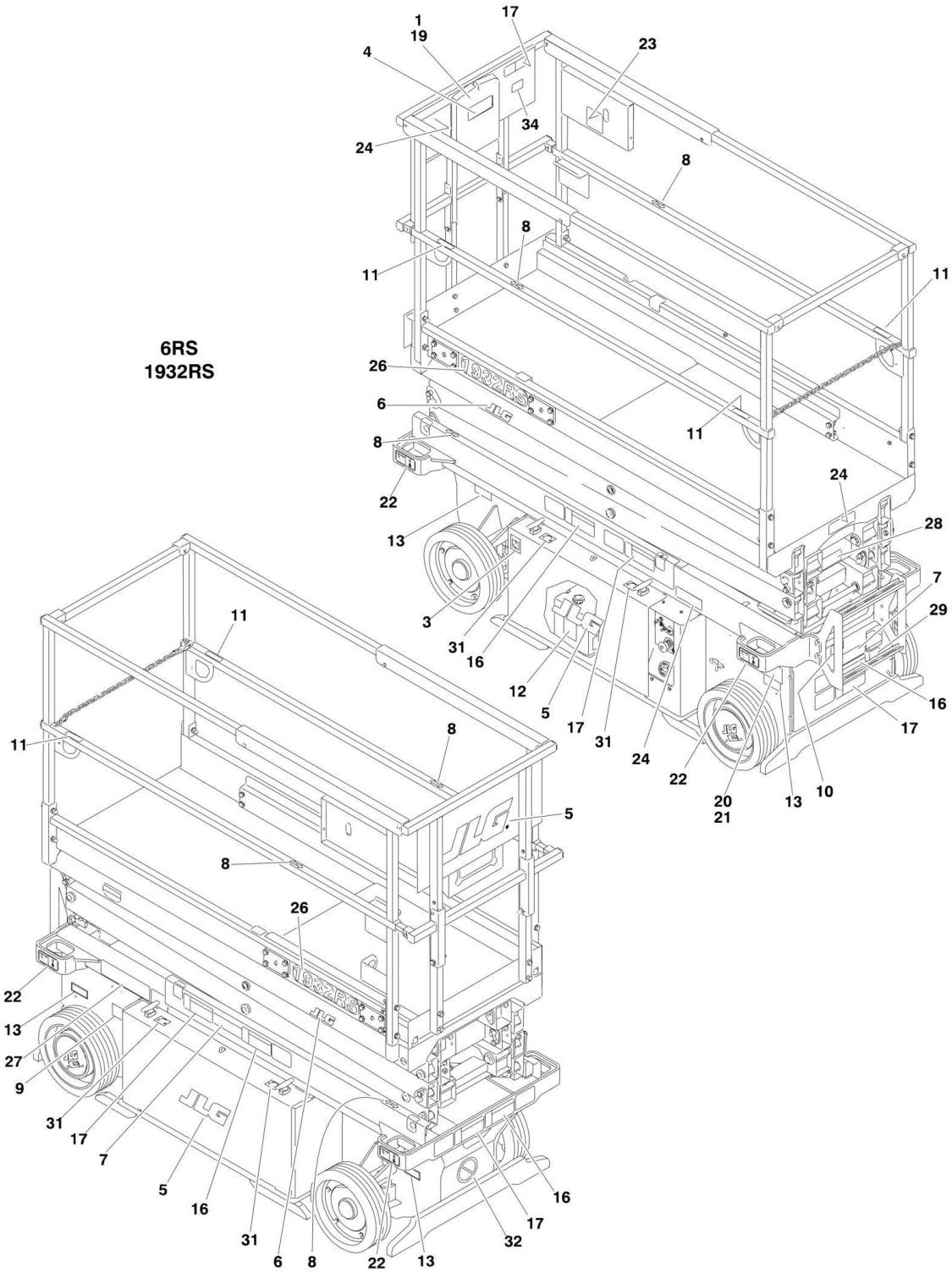
## SECTION 8 - DECALS

ITEM	PART NUMBER	QTY	DESCRIPTION	REV
34	1705724	4	Latin American Spec	
35		Ref	Decal - Danger/Warning Options:	
35	1705719	1	Brazilian Spec	
35	1705945	1	Chinese Spec	
35	3252098	1	CSA Spec	
35	1706053	1	Korean Spec	
35	1705719	1	Latin American Spec	
36		Ref	Decal - No Pipe Racks Allowed Options: <b>(SN B200006924 to Present)</b>	
36		Ref	Decal - No Pipe Racks Allowed 6RS/1932RS	
36	1001120623	1	Brazilian Spec	
36	1001120622	1	Chinese Spec	
36	1001092580	1	CSA SPEC	
36	1001120621	1	Korean Spec	
36	1001120629	1	Latin American Spec	
36	Not Required	0	Decal - No Pipe Racks Allowed 10RS/3248RS	
37	1001146794	1	Decal - Battery Maintenance	
38		Ref	Decal - Yearly Inspection	
38	1001224052	1	Brazilian Spec	
38	1001224050	1	Chinese Spec	
38	1001228370	1	CSA Spec	
38	1001224048	1	Korean Spec	
38	1001224049	1	Latin American Spec	
39		Ref	Decal - CSA Options:	
39	Not Required	0	All Specs Except CSA Spec	
39	1705303	1	CSA Spec Only	



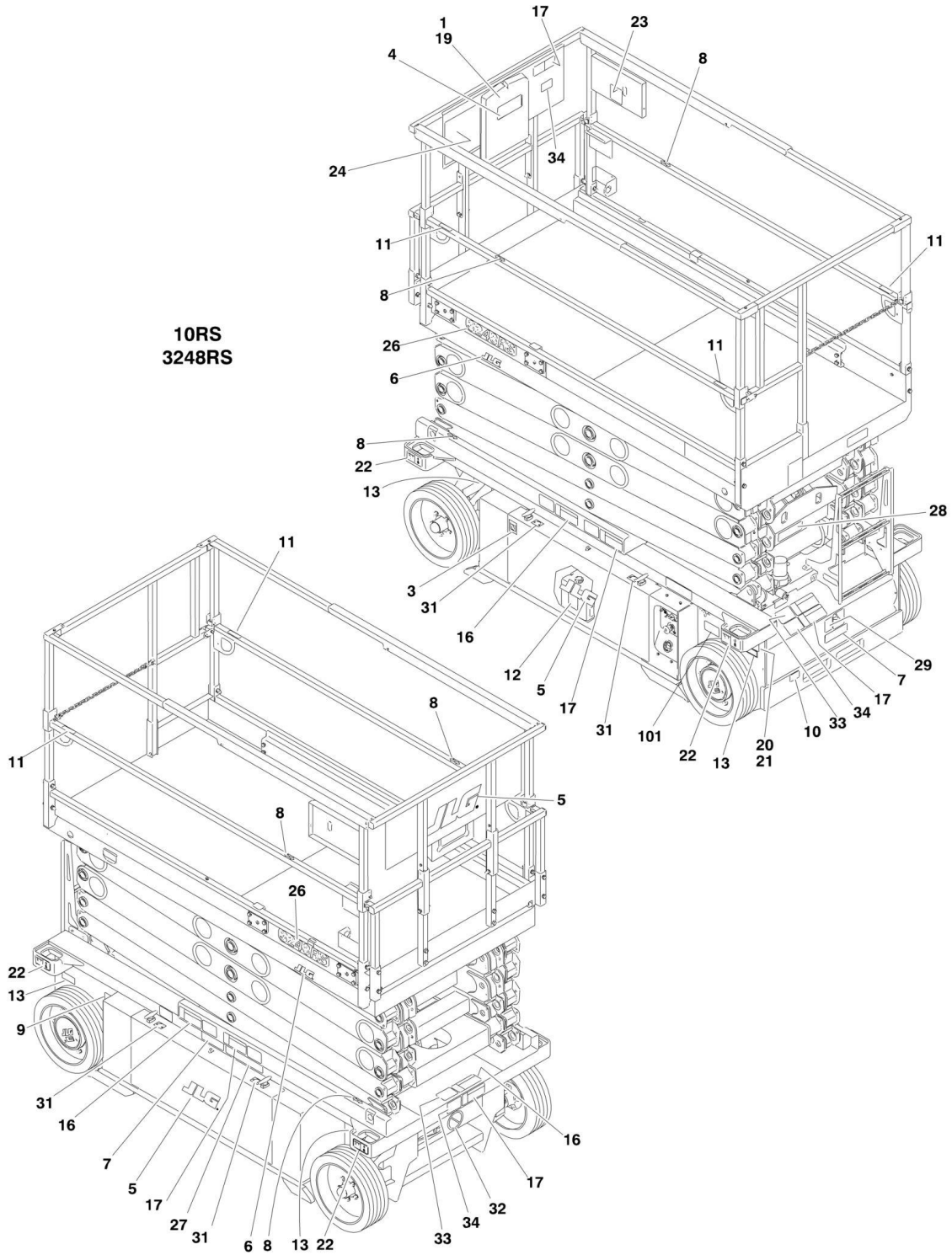
# SECTION 8 - DECALS

## FIGURE 8-3. DECALS INSTALLATIONS (CE SPEC)





# SECTION 8 - DECALS



## SECTION 8 - DECALS

FIGURE 8-3. DECALS INSTALLATIONS (CE SPEC)

ITEM	PART NUMBER	QTY	DESCRIPTION	REV
		Ref	<b>DECALS INSTALLATION - CE SPECS</b>	
	1001142923	Ref	<b>CE Spec Decals</b>	G
	1001147421	Ref	<b>JLG Decals (6RS/1932RS)</b>	A
	1001133555	Ref	<b>JLG Decals (10RS/3248RS)</b>	B
	1001130044	Ref	<b>Optional Decals</b>	
1	0860520	1	Box, Manual Storage	
3	1701504	1	Decal - Hydraulic Oil	
4	1701509	1	Decal - Manual Reference	
5		Ref	Decal - JLG Options:	
5	1702773	3	5in/12.7cm Height	
5	1705754	3	3.5in/9cm Height	
6	1703177	2	Decal - JLG	
7	1705670	2	Decal - Warning Battery Vent	
8	1703819	4	Decal - Directional Arrow	
9	1703822	1	Decal - Manual Descent	
10	1704016	1	Decal - Forklift	
11	1704277	3	Decal - Attach Lanyard Here	
12	1704412	1	Decal - Hydraulic Oil	
13		Ref	Decal - Max Tire Load Options:	
13	1705647	4	Decal - Max Tire Load 6RS/1932RS	
13	1706311	2	Decal - Max Tire Load 10RS/3248RS	
16	1705673	4	Decal - Crushing Hazard	
17	1705671	5	Decal - Danger Electrocution	
19	2080040	4	Fastener	
20	2080057	4	Fastener	
21	See Note	NSS	Nameplate, Serial Number (Note: Not Available for Purchase)	
22	4110226	4	Decal - Lift Point/Tie Down ( <b>Prior to SN B200016324, Prior to SN 0200228445</b> )	
22	1001162864	4	Decal - Lift Point/Tie Down ( <b>SN B200016324 to Present, SN 0200228445 to Present, SN 1200025022 to Present</b> )	
23	1001132359	1	Decal - Control Box Location	
24		Ref	Decal - Capacity Options:	
24	1001146902	1	Decal - Capacity 6RS/1932RS	
24	1001146903	1	Decal - Capacity 10RS/3248RS	
26		Ref	Decal - Model Designation Options:	
26	1001134279	2	Decal - Model Designation 6RS	
26	1001132992	2	Decal - Model Designation 10RS	
27	1001146795	1	Decal - CE	
28		Ref	Decal - Safety Prop Options:	
28	1001137394	1	Decal - Safety Prop 6RS/1932RS	
28	1001133159	1	Decal - Safety Prop 10RS/3248RS	
29	1001134280	1	Decal - Charger Label	
31	1706350	1	Decal - Cover	
32	1703072	1	Decal - No Forklift	
34		Ref	Decal - No Pipe Racks Allowed Options:	
34	1001092497	1	Decal - No Pipe Racks Allowed 6RS/1932RS	
34	Not Required	0	Decal - No Pipe Racks Allowed 10RS/3248RS	
	1001214030	Ref	Decal Installation - EAC (Russian/CIS Specs)	
101	1001173703	1	Decal - EAC (Russian/CIS Specs)	

## **SECTION 9 - RECOMMENDED SERVICE PARTS STOCK**

## **SECTION 9 - RECOMMENDED SERVICE PARTS STOCK**

## SECTION 9 - RECOMMENDED SERVICE PARTS STOCK

FIGURE 9-1. MODEL RS SCISSORS SERVICE PARTS STOCK

ITEM	PART NUMBER	QTY	DESCRIPTION	REV
		Ref	<b>Note: The following list will service one machine (built to current production per date on the front cover) with emergency repair parts which can be installed in the field. Parts from the list should be replaced when inventory is depleted to keep service parts stock supplied. For further information, contact your JLG dealer or the JLG Industries Parts Department.</b>	
		Ref	<b>STANDARD PARTS</b>	
	3740150	1	Relay	
	70003686	1	Coil	
	70003707	1	Coil	
	70003696	1	Filter	
	70003706	3	Filter	
	70003700	1	Plug, Fill	
	4360328	1	Switch, Toggle	
	4360469	1	Switch, Key	
	2860030	1	Key, Replacement	
	4360475	1	Switch, Mushroom	
	1001097347	1	Relay	
	4360387	1	Switch, Push Button	
	4360274	1	Switch, Push Button	
	4360345	1	Switch, Toggle	
	1600402	1	Controller, Drive/Steer	
		Ref	<b>VARIABLE PARTS</b>	
	1001129845	1	Drive Module (Frame)	
	1001130614	1	Switch, Limit	
	1001095250	1	Tilt Sensor (6RS/1932RS)	
	1001095251	1	Tilt Sensor (10RS/3248RS - All Specs except CE Specs)	
	1001095250	1	Tilt Sensor (10RS/3248RS - CE Specs)	
	70003734	1	Filter (6RS/1932RS)	
	70003698	1	Filter (10RS/3248RS)	
	1001151800	1	Sensor (CE Specs Only)	
	3080007	1	Magnet, Latch (Machines with Platform Gate Entry)	
	1001101076	1	Snap Latch (Machines with Platform Chain Entry)	
	1001227516	1	Sensor, Pressure (Machines With LSS)	

**SECTION 10 - SPECIAL OPTIONS**

# SECTION 10 - SPECIAL OPTIONS

## FIGURE 10-1. SPECIAL OPTIONS

ITEM	PART NUMBER	QTY	DESCRIPTION	REV
		Ref	<b>SPECIAL OPTIONS LIST</b>	
		Ref	<b>Note: This list is to accommodate machines ordered with special equipment. Options may not be applicable to all models. For more specific parts information contact JLG Parts Department.</b>	
	1001229107	Ref	<b>ClearSky Telematics 3 Wire Connection (ANSI &amp; CSA Specs) (Factory Installed)</b>	
	1001233237	Ref	<b>ClearSky Telematics 3 Wire Connection (ANSI Export &amp; CE Specs) (Factory Installed)</b>	
		Ref	<b>Decal Options:</b>	
	1001229697	Ref	<b>Decal - ClearSky</b>	
	1001215071	Ref	<b>Decal - Control Box Film</b>	
	1001142967	Ref	<b>Decal - Corner Safety Stripes</b>	
	1001135787	Ref	<b>Decal - Head and Engquist Equipment</b>	
	1001222010	Ref	<b>Decal - Herc Rentals (1932RS)</b>	
	1001222007	Ref	<b>Decal - Herc Rentals (3248RS)</b>	
	1001136031	Ref	<b>Decal - Hertz (6RS/1932RS)</b>	
	1001135782	Ref	<b>Decal - Hertz (10RS/3248RS)</b>	
	1001222334	Ref	<b>Decal - Hertz Canada (1932RS)</b>	
	1001222333	Ref	<b>Decal - Hertz Canada (3248RS)</b>	
	1001135785	Ref	<b>Decal - Nations Equipment Services</b>	
	1001092071	Ref	<b>Decal - No Pipe Racks Allowed (6RS/1932RS) (English) (ANSI and ANSI Export Specs)</b>	
	1001092071	Ref	<b>Decal - No Pipe Racks Allowed (6RS/1932RS) (English) (CE Specs)</b>	
	1001120622	Ref	<b>Decal - No Pipe Racks Allowed (6RS/1932RS) (English/Chinese)</b>	
	1001092580	Ref	<b>Decal - No Pipe Racks Allowed (6RS/1932RS) (English/French)</b>	
	1001120621	Ref	<b>Decal - No Pipe Racks Allowed (6RS/1932RS) (English/Korean)</b>	
	1001120629	Ref	<b>Decal - No Pipe Racks Allowed (6RS/1932RS) (English/Spanish)</b>	
	1001120623	Ref	<b>Decal - No Pipe Racks Allowed (6RS/1932RS) (Portuguese/Spanish)</b>	
	1001135786	Ref	<b>Decal - RSC Equipment Rental (ANSI and CSA Specs Only)</b>	
	1001135784	Ref	<b>Decal - Sunbelt (6RS/1932RS) (ANSI and CSA Specs Only) (Prior to SN 0200247424, Prior to SN B200024026)</b>	
	1001197862	Ref	<b>Decal - Sunbelt (6RS/1932RS) (All Specs) (SN 0200247424 to Present, SN B200024026 to Present)</b>	
	1001135784	Ref	<b>Decal - Sunbelt (10RS/3248RS) (ANSI and CSA Specs Only) (Prior to SN 0200247427, Prior to SN B200024120)</b>	
	1001197862	1	<b>Decal - Sunbelt (10RS/3248RS) (All Specs) (SN 0200247427 to Present, SN B200024120 to Present)</b>	
	1001135783	Ref	<b>Decal - United Rentals (ANSI and CSA Specs Only)</b>	
		Ref	<b>Electrical Connector Kits</b>	
	1001148902	Ref	<b>Amp Connector Kit</b>	
	1001148903	Ref	<b>Deutsch DT Connector Kit</b>	
	1001148904	Ref	<b>Deutsch HD Connector Kit</b>	
	1001148905	Ref	<b>Packard Connector Kit</b>	
	1001148906	Ref	<b>Various Connector Kit</b>	
		Ref	<b>Fluids</b>	

## SECTION 10 - SPECIAL OPTIONS

ITEM	PART NUMBER	QTY	DESCRIPTION	REV
	2300028	Ref	<b>Fluid, Hydraulic - Mobil DTE 10 Excel 15 (Bulk)</b>	
	70010346	Ref	<b>Fluid, Hydraulic - Mobil DTE 10 Excel 15 (1 Gallon)</b>	
	1001158030	Ref	<b>Foot Switch Installation (Japanese Specs Only)</b>	
	1001202544	Ref	<b>GPS Tracking Installations (10RS)</b>	
	1001202545	Ref	<b>GPS Tracking (Mainland China)</b>	
	1001201667	NLA	<b>GPS Tracking (Mainland China) (Use p/n 1001202544)</b>	
	1001238838	Ref	<b>Platform Chain Entry Add-on Kit</b>	
		Ref	<b>Platform Kickplate Extension Accessory</b>	
	1001148388	Ref	<b>Platform Kickplate Extension Accessory 6RS/1932RS</b>	
	1001144729	Ref	<b>Platform Kickplate Extension Accessory 10RS/3248RS</b>	
	1001147254	Ref	<b>Pressure Checks Installation</b>	
	1001200304	Ref	<b>Telematics Installations (Customer Supplied)</b>	
	1001210089	Ref	<b>Telematics (CAT Productlink)</b>	
	1001228363	Ref	<b>Telematics (Herc)</b>	
	1001209282	Ref	<b>Telematics (Loxam Scombox)</b>	
	1001210090	Ref	<b>Telematics (Riwal Trackunit)</b>	
	1001195610	Ref	<b>Telematics (United Rentals)</b>	
		Ref	<b>Tools for Service</b>	
	7002821	1	Crimper, Wire	
	7002823	1	Extractor, Pin - Universal	
	4460467	AR	Extractor, Pin #16 Gauge	
	4460510	AR	Extractor, Pin #12 Gauge	
	7004275	1	Installer, Cylinder Seal - 1in	
	7004276	1	Installer, Cylinder Seal - 1-1/2in	
	7002826	1	Installer, Cylinder Seal - 2in	
	7016654	1	Screwdriver, Magnetic	
	7002822	1	Screwdriver, Potentiometer	
	7002828	1	Stripper, Wire	
	2901443	1	Analyzer Kit	
	2915230	1	Battery Charger Reprogram Controller Kit	
	1001137005	1	Software Cable Kit	
	1001193039	1	Zapi Module Programming Harness	





**PART NUMBER INDEX**

# PART NUMBER INDEX

0100011.....15, 19, 43, 55, 58, 63, 67, 71, 73, 75, 77, 79, 83, 87	1001092454 ..... 49	1001129621 ..... 13, 20	1001130647.....58
0100051.....39, 129	1001092497 ..... 146	1001129627 .. 19, 50, 129	1001130648.....58
0100071.....43	1001092580 ..... 142, 150	1001129742 ..... 13	1001130649.....58
0140030.....91	1001094105 ..... 127	1001129743 ..... 13	1001130650.....58
0140043..... 15, 19, 127	1001094180 ..... 131	1001129754 ..... 11, 13	1001130651.....58
0275453.....131	1001095250 43, 130, 148	1001129788 ..... 107	1001130656.....59, 126
0275664.....130	1001095251 43, 130, 148	1001129844 ..... 120	1001130669..... 43, 117
0400215.....39	1001096138 ..... 128	1001129845 .. 15, 19, 148	1001130862.....67
0440236.....59	1001096627 ..... 132	1001129847 ..... 16, 20	1001130863.....67
0440257 .....59	1001097150 ..... 132	1001129910 ..... 124	1001130864.....63
0440263..... 11, 111	1001097347 ..... 50, 148	1001129940 ..... 13	1001130865.....63
0440264.....55	1001099566 ..... 43	1001129945 ..... 39	1001130866.....63
0440267.....59	1001101076 ..... 148	1001129947 ..... 39	1001130867.....63
0480100.....97, 99	1001102258 ..... 132	1001130028 ..... 39, 129	1001130912.....58
0630580..... 11, 13, 16, 20	1001102349 ..... 11	1001130029 ..... 16, 20	1001130959.....125
0681610..... 15, 19	1001102351 ..... 11	1001130030 ..... 43	1001130963.....58
0700610..... 19	1001102353..... 11	1001130044 ..... 136, 140, 146	1001130964.....33
0700612.....58	1001102354 ..... 11	1001130103 ..... 13, 113	1001130995.58, 107, 108
0700615..... 15	1001103257 ..... 16, 20	1001130138 .... 67, 75, 79	1001131017.....131
0700617.....97, 99	1001103258 .. 16, 20, 132	1001130160 ..... 11, 13	1001131018..... 127, 131
0700618.....97, 99	1001110544 ..... 55, 58	1001130219 ..... 131	1001131059.....91, 92
0700620.....97, 99	1001112112 ..... 39	1001130220 ..... 35, 50	1001131126.....132
0700627.....55	1001116734 ..... 128	1001130301 ..... 40	1001131132.....117
0700814.....65	1001116812 ..... 128	1001130302 ..... 49	1001131270..... 136, 140
0700835.....91	1001116936 ..... 124	1001130303 ..... 49, 50	1001131275..... 67, 71, 73
0701014.....54	1001117057 ..... 128	1001130334 ..... 97, 99	1001131379.....97
0701015..... 54, 58	1001120621 ..... 142, 150	1001130368 ..... 127	1001131404.....97, 99
0701016.....58	1001120622 ..... 142, 150	1001130400 ..... 33	1001131497.....132
0701018.....58	1001120623 ..... 142, 150	1001130454 ..... 65	1001131628..... 15, 23
0701022.....58	1001120629 ..... 142, 150	1001130474 ..... 33	1001131630..... 43, 45
0701029.....58	1001125389 ..... 35	1001130486 ..... 13, 20	1001131705.....97, 99
07601015.....13	1001125483 ..... 35	1001130488 .. 19, 49, 127	1001131963.... 16, 20, 29, 31
0760408..... 15, 19, 35	1001126008 ..... 126, 128	1001130489 ..... 19	1001132009.....58
0760606.....91	1001126010 ..... 124, 126, 132	1001130490 ..... 33, 40	1001132054.....54, 103
0760608.....20, 43, 54, 71, 73, 75, 77, 79, 83, 87, 88	1001126833 ..... 35	1001130527 ..... 117	1001132100.....58
0760610..... 15, 16, 19, 20, 33, 49, 68, 71, 73, 79, 88	1001127628 ..... 13, 20	1001130532 ..... 33	1001132185..... 67, 75
0760612..... 15, 33, 35	1001127879 ..... 19, 23	1001130541 ..... 43, 47	1001132358.....91
0760613.....27, 29	1001128685 .. 91, 92, 124	1001130580 ..... 65	1001132359..... 136, 141, 146
0760615.....19, 67, 71, 73, 75, 77, 79, 83, 87	1001128686 ..... 91	1001130582 ..... 79	1001132360.....49
0760619.....59	1001128687 ..... 91	1001130590 ..... 50	1001132361.....91
0760815..... 11	1001128790 ..... 80	1001130591 ..... 130	1001132362.....91
0760828.....54	1001128792 ..... 80	1001130592 ..... 129	1001132364..... 136, 141
0761009.....43	1001128795 ..... 80	1001130593 ..... 129	1001132376..... 136, 141
0761012.....58, 63	1001128829 ..... 80	1001130595 ..... 129	1001132396.....141
0761014.....33, 63, 65	1001128852 ..... 80	1001130596 ..... 130	1001132470.....54, 104
0761015.....33, 63	1001128863 ..... 80	1001130598 ..... 130	1001132471.....55
0761016.....65	1001128867 ..... 80	1001130600 ..... 130	1001132472.....55
0761018.....33	1001128888 ..... 58	1001130601 ..... 130	1001132473.....55
0761019.....67, 71, 73, 75, 77, 79, 83, 87	1001128944 ..... 79	1001130602 ..... 129	1001132474.....55
0840060.....39	1001129242 ..... 113	1001130603 ..... 129	1001132475.....55
0860520..... 136, 140, 146	1001129253 ..... 80	1001130614 .. 15, 19, 148	1001132476.....55
0861731.....131	1001129281 ..... 59	1001130615 ..... 128	1001132477.....55
0903566.....132	1001129301 ..... 13	1001130619 ..... 127	1001132488.....54
0961947 .....103	1001129302 ..... 13	1001130620 ..... 125	1001132489.....54
0961948.....58, 107	1001129367 ..... 13, 113	1001130621 ..... 58, 108	1001132490.....54
0962140.....55	1001129368 ..... 11, 13	1001130622 ..... 59	1001132557..... 137, 141
1001091102..... 15, 19	1001129381 ..... 13	1001130623 ..... 59	1001132701.....111
1001092071 ..... 137, 150	1001129400 ..... 13	1001130624 ..... 59	1001132702..... 11, 111
	1001129418 ..... 65	1001130625 ..... 59	1001132946.....136
	1001129419 ..... 65	1001130626 ..... 59	1001132947.....140
	1001129517 ..... 79	1001130627 ..... 59	1001132948.....140
	1001129549 ..... 63, 65	1001130628 ..... 59	1001132949.....140
	1001129552 ..... 63, 65	1001130629 ..... 59	1001132950.....140
	1001129554 ..... 65	1001130630 ..... 59	1001132951.....140
	1001129558 ..... 79	1001130642 ..... 59	

## PART NUMBER INDEX

1001132992 ..... 141, 146	1001136024.... 67, 73, 79, 87	1001146535.....127	1001154563 ..... 67
1001133050 ..... 40	1001136025.... 67, 73, 79, 87	1001146537.....126	1001154564 ..... 67
1001133051 ..... 40	1001136031..... 150	1001146703.....129	1001154565 .... 67, 71, 73
1001133052 ..... 117	1001136465..... 67	1001146704.....129	1001154566 .... 67, 71, 73
1001133065 ..... 11, 16	1001136757..... 35	1001146794..... 137, 142	1001154567 .... 67, 71, 73
1001133066 ..... 11, 16	1001136999..... 124, 126, 132	1001146795.....146	1001154568 .... 67, 71, 73
1001133085 ..... 11	1001137000..... 126, 128	1001146836.....75, 77	1001154579 ..... 79
1001133086 ..... 11	1001137005..... 132, 151	1001146839.....75, 77	1001154588 ..... 83, 87
1001133101 ..... 11	1001137394..... 137, 141, 146	1001146840.....75, 77	1001156226 .. 54, 59, 126
1001133115 ..... 11	1001138967..... 35	1001146842.....75, 77	1001156537 ..... 19
1001133140 ..... 67, 75	1001139000..... 59	1001146843.....75, 77	1001156546 ..... 49, 50
1001133143 ..... 33	1001139002..... 59	1001146844.....75, 77	1001156934 ..... 43
1001133159 ..... 137, 141, 146	1001139003..... 58	1001146845.....75, 77	1001157513 ..... 35
1001133174 ..... 129	1001140670..... 55	1001146855.....75, 77	1001157547 ..... 35
1001133175 ..... 129	1001142170..... 35, 50	1001146856....67, 71, 73, 75, 77, 79, 83, 87	1001157645 ..... 35
1001133253 ..... 131	1001142172..... 35	1001146873.....67, 73, 75	1001157790 ..... 35
1001133254 ..... 131	1001142173..... 35	1001146882.....75	1001158030 ..... 151
1001133255 ..... 124	1001142174..... 35	1001146902..... 141, 146	1001158462 ..... 99
1001133256 ..... 130	1001142176..... 35	1001146903..... 141, 146	1001158899 ..... 16, 20
1001133257 ..... 130	1001142744..... 39, 129	1001146979.....49	1001158900 ..... 16, 20
1001133258 ..... 130	1001142745..... 39, 129	1001146980.....49	1001158905 ..... 73, 87
1001133266 ..... 43	1001142772..... 65	1001146981.....49, 50	1001159006 ..... 16, 20
1001133269 .. 15, 50, 129	1001142773..... 65	1001146982...19, 49, 127	1001159008 ..... 136, 140
1001133270 ..... 43, 117	1001142774..... 65	1001146983.....91	1001159009 ..... 136
1001133272 .. 15, 49, 127	1001142775..... 65	1001146984.....91	1001159011 ..... 140
1001133274 ..... 15	1001142776..... 65	1001146985...91, 92, 124	1001159013 ..... 140
1001133275 ..... 33, 40	1001142779..... 80, 83, 87	1001147142...15, 49, 127	1001159015 ..... 140
1001133512 ..... 54	1001142799..... 80, 83, 87	1001147174.....124	1001159016 ..... 131
1001133555 ..... 136, 140, 146	1001142800..... 80, 84, 87	1001147248.....124	1001159017 ..... 131
1001133937 ..... 132	1001142801..... 80, 84, 87	1001147249.....125	1001159021 .. 15, 49, 127
1001133939 ..... 125	1001142802..... 80, 84, 87	1001147250.54, 104, 125	1001159022 ... 15, 19, 49, 127
1001133941 ..... 67	1001142803..... 80, 84, 87	1001147251.58, 108, 125	1001159024 ..... 73, 87
1001133942 ..... 67	1001142910..... 33	1001147254.....151	1001159142 ..... 19, 49
1001133943 ..... 67	1001142911..... 33	1001147255...15, 49, 127	1001159147 ..... 131
1001133947 ..... 58	1001142923..... 146	1001147256...19, 49, 127	1001159148 ..... 131
1001134011 ..... 127	1001142967..... 150	1001147261 ..... 39, 129	1001159149 ..... 131
1001134077 ..... 54, 126	1001142982..... 80, 84, 87	1001147262 ..... 39, 129	1001159178 ..... 39, 129
1001134183 ..... 16	1001142983..... 80, 84, 87	1001147340.....104, 108	1001159179 ..... 39, 129
1001134211 ..... 54	1001143008..... 49	1001147421..... 136, 140, 146	1001159180 ..... 39, 129
1001134261 ..... 54	1001143009..... 35	1001148067 ..... 40	1001159592 ... 67, 71, 73, 75, 77, 79, 83, 88
1001134278 ..... 137, 141	1001143010..... 35, 50	1001148068.....40	1001159623 ... 67, 71, 73, 79, 83, 87
1001134279 ..... 141, 146	1001143051..... 92	1001148069.....40	1001159787 ..... 39, 129
1001134280 ..... 137, 141, 146	1001143914..... 15	1001148388.....151	1001161104 ..... 35
1001134287 ..... 63	1001144729..... 151	1001148902.....150	1001162864 ..... 136, 141, 146
1001134342 ..... 63	1001144908..... 141	1001148903.....150	1001164133 ..... 87
1001134434 ..... 39, 129	1001145762..... 35	1001148904.....150	1001164134 ..... 73
1001134517 ..... 33	1001145763..... 35	1001148905.....150	1001164135 ..... 73
1001134648 ..... 63, 65	1001145774.....75	1001148906.....150	1001172009 ... 16, 20, 21, 27
1001134809 ..... 54, 55	1001145779..... 63, 65	1001151269.....39, 129	1001172010 ... 16, 20, 21, 130
1001134810 ..... 54	1001145880..... 79, 87	1001151270.....39, 129	1001173553 ..... 124
1001134811 ..... 55	1001145881..... 35	1001151271.....39	1001173554 ..... 126
1001134813 ..... 55	1001145913..... 33	1001151272.....39	1001173555 ..... 124
1001134833 ..... 55, 59	1001145914..... 33	1001151800...55, 59, 148	1001173556 .. 91, 92, 124
1001134846 ..... 132	1001145960..... 63	1001151845..... 33	1001173557 ..... 92
1001135043 ..... 20	1001145961..... 63	1001152913.....125	1001173558 ..... 124
1001135050 ..... 33	1001145962..... 63	1001153005.....43	1001173559 .. 91, 92, 124
1001135782 ..... 150	1001145964..... 63	1001153878.....54, 126	1001173560 ..... 92
1001135783 ..... 150	1001146144..... 49	1001153879...54, 59, 126	1001173561 ..... 125
1001135784 ..... 150	1001146518.58, 107, 108	1001153880.....59, 126	1001173562 ..... 125
1001135785 ..... 150	1001146521..... 54, 103	1001153972.....125	1001173563 ..... 125
1001135786 ..... 150	1001146531..... 125	1001153973.....125	
1001135787 ..... 150	1001146532..... 125	1001153974.....125	
1001135970 ..... 79	1001146534..... 127	1001154378.....75, 77	
		1001154541....71, 73, 75, 77	

# PART NUMBER INDEX

1001173564.....	124	1001210090.....	151	1703834.....	141	2940064.....	68, 71, 73, 80, 83, 87
1001173698.....	65	1001211433.....	131	1703856.....	140	2940174.....	40
1001173703.....	146	1001211438.....	131	1704016....	136, 140, 146	3010088.....	68, 71, 73, 80, 83, 87
1001174401.....	43	1001212457.....	29	1704277....	136, 140, 146	3080007....	68, 71, 73, 75, 77, 79, 83, 87, 148
1001174402.....	43	1001212458.....	31	1704339.....	140	3252098.....	142
1001174456.....	43	1001212854.....	77	1704340.....	140	3252507.....	131
1001174457.....	43	1001212855.....	83	1704341.....	140	3290305.....	55, 58
1001177615.....	54	1001212856.....	83	1704344.....	140	3290405....	15, 19, 21, 27, 29, 31, 35, 55, 59, 91
1001180771.....	33, 40	1001212857.....	71	1704412....	136, 140, 146	3290605....	15, 16, 19, 20, 21, 27, 29, 33, 35, 39, 43, 50, 91
1001180772.....	40	1001212858.....	71	1705303.....	137, 142	3290606....	67, 71, 73, 75, 77, 79, 83, 87, 97, 99
1001180957.....	40	1001212879.....	71, 77	1705305.....	35	3290607.....	54, 55, 58
1001180958.....	40	1001212881.....	71, 77	1705647....	136, 140, 146	3290805.....	11, 54, 91
1001180959.....	33, 40	1001212882.....	83	1705670.....	146	3290806.....	71, 77, 83
1001180961.....	19	1001212883.....	83	1705671.....	146	3290807.....	65
1001180962.....	15	1001214030.....	146	1705673.....	146	3291005....	13, 33, 63, 65
1001181045.....	132	1001215071.....	150	1705679.....	136, 140	3291006....	67, 71, 73, 75, 77, 79, 83, 87
1001184389.....	16, 20	1001215326... ..	21, 27, 29, 31	1705686.....	136	3291007....	54, 58, 63, 65
1001184947....	27, 29, 31	1001215619.....	19, 49	1705694.....	136, 141	3291605.....	13
1001185156....	27, 29, 31	1001215620.. ..	15, 49, 127	1705695.....	136, 141	3300423.....	11
1001185306....	21, 27, 29, 31	1001215621.....	15	1705699.....	136, 141	3321402.....	104, 108
1001185630.....	16, 20	1001215622.....	19	1705717.....	141	3340962.....	54
1001185631.....	16, 20	1001215623.....	39	1705718.....	141	3391210.....	11, 13
1001185632.....	16, 20	1001215624.....	39	1705719.....	142	3422219....	75, 77, 79, 83, 87
1001186497....	27, 29, 31	1001215624.....	39	1705720.....	141	3422561.....	65
1001186499.....	20, 21	1001218596.....	21	1705722.....	141	3422860.....	54, 63
1001187101....	27, 29, 31	1001221779.....	20	1705723.....	141	3422903.....	54
1001187530....	27, 29, 31	1001221984.....	130	1705724....	141, 142	3422998.....	58
1001187784.....	132	1001222007.....	150	1705725.....	141	3423011.....	58
1001187816.....	131	1001222010.....	150	1705726.....	141	3423067.....	65
1001187890.....	20	1001222333.....	150	1705727.....	140	3423151....	55, 58, 67, 71, 73, 75, 77, 79, 83, 87
1001187891.....	16	1001222334.....	150	1705754....	136, 140, 146	3423278....	75, 77, 79, 83, 87, 91
1001188116.....	131	1001223055.....	137	1705943.....	141	3431214.....	11
1001188179.....	131	1001224048.....	142	1705944.....	141	3431222.....	11
1001188180.....	131	1001224049.....	142	1705945.....	142	3450203.....	55
1001189894.....	120	1001224050.....	142	1705946.....	141	3450406.....	11
1001193039.....	151	1001224052.....	142	1706052.....	141	3450606.....	11
1001195344.....	124	1001227516....	104, 108, 148	1706053.....	142	3520072....	63, 65, 67, 71, 73, 75, 77, 79, 83, 87
1001195352.....	124	1001228363.....	151	1706056.....	141	3740150....	15, 19, 35, 127, 148
1001195353.....	125	1001228370.....	137, 142	1706057.....	141	3760115.....	54
1001195391.....	125	1001229107.....	150	1706310.....	136, 140	3760348.....	54
1001195395.....	125	1001229697.....	150	1706311....	136, 140, 146	3760387.....	58
1001195412.....	126	1001231132.....	33	1706350....	137, 141, 146	3760420.....	58
1001195414.....	132	1001231137.....	33	1706679.....	50	3820019.....	71, 77, 83
1001195563... ..	91, 92, 124	1001233237.....	150	1706740.....	39	3841143....	13, 54, 58, 63, 65
1001195564.....	91	1001238838.....	151	2080040... ..	68, 71, 73, 75, 77, 79, 83, 87, 136, 141, 146	3841147.....	11, 65
1001195566.....	91	1060633.....	132	2220371.....	103, 108	3841520.....	54, 63
1001195568... ..	91, 92, 124	1060998.....	129	2220415.....	111, 113	3860104.....	58
1001195569.....	91	1061034.....	104, 108	2300028.....	151	3860111....	67, 71, 73, 75, 77, 79, 83, 87
1001195610.....	151	1260136... ..	68, 71, 73, 79, 83, 87	2560088.....	71, 77, 83	3900345.....	71, 77, 83
1001195962.....	92	1321293.....	16, 20, 21	2560190.....	71, 77, 83	3910804.....	50
1001195963.....	92	1321385.....	125	2600281... ..	68, 71, 73, 75, 77, 79, 83, 87	4010408.....	27, 29, 31
1001195964.....	124	1380132.....	71, 77, 83	2780266.....	11	4010412.....	27, 29, 31
1001195965.....	125	1600244.....	132	2820097... ..	68, 71, 73, 80, 83, 87		
1001196745.....	125	1600402.....	91, 95, 148	2860030.....	50, 148		
1001196746.....	125	1671207.....	131	2901443.....	132, 151		
1001197862.....	150	1701504....	136, 140, 146	2902541.....	132		
1001200304.....	151	1701509....	136, 140, 146	2915230.....	151		
1001201491.....	27	1702773....	136, 140, 146	2920026.....	49, 91		
1001201492.....	27, 29	1703072....	137, 141, 146	2920028.....	91		
1001201667.....	151	1703177....	136, 140, 146	2920094.....	49, 91		
1001202544.....	151	1703464.....	131	2920161.....	15, 19, 132		
1001202545.....	151	1703813.....	136				
1001209282.....	151	1703819....	91, 136, 140, 146				
1001209337.....	39, 129						
1001209338.....	39, 129						
1001210089.....	151						

## PART NUMBER INDEX

4010608 ... 68, 71, 73, 75, 77, 79, 83, 87	4460518 ... 124, 126, 128, 132	70001250.....95	70003701..... 45
4010610 ..... 73, 79, 83	4460536 ..... 127, 130	70001251.....95	70003702..... 45, 47
4010616 ... 67, 71, 73, 75, 77, 79, 83, 87	4460539 ..... 126, 128	70001252.....95	70003703..... 45
4010617 ... 75, 77, 79, 83, 87	4460662 ..... 132	70001253.....95	70003704..... 45
4010618 ... 67, 71, 73, 75, 77, 79, 83, 87	4460761 ..... 128	70001265.....24	70003705..... 45
4031509 ..... 91	4460779 ..... 35	70001878.....104, 108	70003706..... 45, 148
4031510 .... 21, 27, 29, 31	4460851 ..... 124, 128	70002334.....103, 107	70003707..... 45, 47, 148
4031512 .... 15, 19, 55, 59	4460852 ..... 124, 128	70002337.....103	70003726..... 45
4031708 ..... 21	4460868 ..... 127	70002410.....103	70003727..... 47
4031916 ..... 45	4460871 ..... 128	70003028.....45, 47	70003728..... 47
4031917 ..... 45	4460873 ..... 128	70003118.....103	70003729..... 45, 47
4060803 ..... 91	4460877 ..... 127	70003632.....111	70003730..... 45
4060906 ..... 91	4460884 ..... 128	70003633.....111	70003731..... 45
4110226 .... 136, 141, 146	4460891 . 15, 19, 35, 126, 127, 128, 130, 132	70003634.....111	70003732..... 45
4160078 ..... 104, 108	4460894 ... 126, 127, 128, 129	70003635.....111	70003733..... 45
4240017 ... 21, 27, 29, 31, 35, 55, 59	4460897 .... 35, 126, 128, 132	70003636.....111	70003734..... 45, 148
4240099 ..... 15, 20	4460899 ..... 126, 127	70003637.....111	70003735..... 45
4240147 ..... 15, 19	4460905 ..... 128	70003638.....111	70003736..... 45
4360274 ..... 91, 148	4460905 ..... 128	70003639.....111	70003912..... 45
4360328 ..... 49, 148	4460944 ..... 128	70003640.....111	70004167 ..... 55, 59
4360336 ..... 35, 50	4460945 ..... 128	70003641.....111	70004168 ..... 55, 59
4360345 ..... 91, 148	4460956 ..... 132	70003642.....111	70004230 ..... 108
4360387 ..... 50, 148	4460957 ..... 132	70003643.....111	70004231 .. 103, 107, 108
4360469 ..... 50, 148	4460968 ... 27, 29, 31, 35	70003644.....111	70004232 ..... 103, 107
4360470 ..... 50	4461017 ..... 130	70003653.....104	70004233 ..... 103, 107
4360475 ..... 49, 91, 148	4461018 ..... 130	70003655..... 103, 107	70004234 ..... 107
4420062 ... 63, 65, 67, 71, 73, 77, 83, 87	4461205 ..... 131	70003656..... 103, 107	70004235 ..... 107
4420076 .... 67, 75, 79, 91	4461245 ..... 131, 132	70003657.....103	70004236 ..... 104
4460007 ..... 27, 29, 31	4711700 ..... 91	70003658.....103	70004237 ..... 103
4460138 ..... 35, 131	4711702 ..... 58	70003659.....103	70004238 ..... 103
4460226 ... 124, 127, 128, 132	4712200 ..... 54	70003660.....103	70004654 ..... 47
4460227 ..... 128, 130	4740217 ..... 11, 13	70003661.....103	70004935 ..... 47
4460265 ..... 124	4740332 ..... 58	70003662.....108	70005233 ..... 47
4460266 ..... 124	4740438 ..... 58	70003663.....107	70005630 ..... 47
4460267 ..... 124	4740468 ..... 11	70003664.....107	70005631 ..... 47
4460320 ..... 128	4740531 ..... 54	70003665.....107	70005632 ..... 47
4460321 ..... 127, 132	4751400 ..... 15, 19	70003666.....107	70005633 ..... 47
4460346 ..... 131	4811400 ... 15, 19, 21, 27, 29, 31, 35, 40	70003667.....107	70005634 ..... 47
4460374 ..... 128	4811700 ... 15, 16, 19, 20, 21, 27, 29, 35, 43, 50, 55, 67, 71, 73, 75, 77, 79, 83, 87	70003668.....107	70005635 ..... 47
4460375 ..... 128	4811702 ... 33, 39, 50, 67, 71, 73, 75, 77, 79, 83, 87, 88	70003669.....107	70005636 ..... 47
4460418 ..... 35, 124, 128	4811900 ..... 11, 91	70003670.....113	70005637 ..... 47
4460419 ..... 35, 124, 128	4812000 ... 13, 33, 43, 58, 63, 65, 67, 71, 73, 75, 77, 79, 83, 87	70003671.....113	70005638 ..... 47
4460424 ..... 130	4812002 ..... 33	70003672.....113	70005639 ..... 47
4460462 ..... 126, 132	4812500 ..... 11	70003673.....113	70010346 ..... 151
4460464 ..... 35, 124, 126, 127, 128, 130, 132	4891600 ..... 15, 19	70003674.....113	70023370 ..... 103, 107
4460465 . 15, 19, 35, 124, 126, 127, 128, 129, 130, 132	4893000 ..... 58	70003675.....113	7002821 ..... 132, 151
4460466 ... 124, 126, 127, 129, 132	70000082 ..... 95	70003677.....24	7002822 ..... 151
4460467 ..... 132, 151	70000084 ..... 95	70003678.....24	7002823 ..... 132, 151
4460473 ..... 126, 132	70000191 ..... 23	70003679.....24	7002826 ..... 151
4460490 ..... 129	70000683 ..... 95	70003680.....24	7002828 ..... 132, 151
4460496 ..... 126, 128	70000684 ..... 95	70003681.....24	7004275 ..... 151
4460497 ..... 126, 128	70000685 ..... 95	70003682.....24	7004276 ..... 151
4460508 ..... 130	70000686 ..... 95	70003683.....45, 47	7010641 ..... 13
4460509 ..... 130	70000790 ..... 23	70003684.....47	7010642 ..... 13
4460510 ..... 132, 151	70000791 ..... 23	70003685.....45, 47	7010646 ..... 13
	70000792 ..... 23	70003686.....45, 47, 148	7010647 ..... 13
		70003687.....45	7010648 ..... 13
		70003688.....45	7010649 ..... 13
		70003689.....45	7016319 ..... 15, 19
		70003690.....45, 47	7016372 ..... 15, 19
		70003693.....45	7016654 ..... 151
		70003694.....45	7019697 ..... 13
		70003695.....45, 47	7020175 ..... 49, 91
		70003696.....45, 47, 148	7020176 ..... 49, 91
		70003697.....47	7020218 ..... 104, 108
		70003698.....148	7024747 ..... 24
		70003700.....45, 47, 148	7024748 ..... 24

## PART NUMBER INDEX

7024749.....	24	7024771 .....	24	7027367 .....	95	85941016.....	35, 131
7024750.....	24	7024785 .....	23	7027765 .....	95		
7024756.....	24	7024786 .....	23	7027766 .....	95		
7024758.....	24	7027365 .....	95	8033143 .....	45		





3121274



An Oshkosh Corporation Company

**Corporate Office**  
**JLG Industries, Inc.**  
**1 JLG Drive**  
**McConnellsburg, PA 17233-9533 USA**  
☎ **(717) 485-5161 (Corporate)**  
☎ **(877) 554-5438 (Customer Support)**  
📠 **(717) 485-6417**

**Visit our website for JLG Worldwide Locations.**  
**[www.jlg.com](http://www.jlg.com)**