



---

# Illustrated Parts Manual

*Models*  
**18RS**  
**18RSJ**

3121285

August 15, 2018 - Rev P

**ANSI**

**CE**



An Oshkosh Corporation Company



## REVISION LOG

May 15, 2013 - A - Original Issue of Manual (Edited to B/M 1001135051 Revision D)  
September 12, 2013 - B - Revised Manual (Edited to B/M 1001135051 Revision D)  
December 30, 2013 - C - Revised Manual (Edited to B/M 1001135051 Revision D)  
December 1, 2014 - D - Revised Manual (Edited to B/M 1001135051 Revision F)  
September 1, 2015 - E - Revised Manual (Edited to B/M 1001135051 Revision I)  
October 30, 2015 - F - Revised Manual (Edited to B/M 1001135051 Revision I)  
January 30, 2016 - G - Revised Manual (Edited to B/M 1001135051 Revision J)  
April 27, 2016 - H - Revised Manual (Edited to B/M 1001135051 Revision K)  
August 17, 2016 - I - Revised Manual (Edited to B/M 1001135051 Revision K)  
November 18, 2016 - J - Revised Manual (Edited to B/M 1001135051 Revision K)  
February 24, 2017 - K - Revised Manual (Edited to B/M 1001135051 Revision L)  
May 31, 2017 - L - Revised Manual (Edited to B/M 1001135051 Revision M)  
August 31, 2017 - M - Revised Manual (Edited to B/M 1001135051 Revision O)  
November 30, 2017 - N - Revised Manual (Edited to B/M 1001135051 Revision P)  
February 16, 2018 - O - Revised Manual (Edited to B/M 1001135051 Revision Q)  
August 15, 2018 - Rev - P - Revised Manual (Edited to B/M 1001135051 Revision V)

# GENERAL INFORMATION

**SECTION 6 CYLINDER**

**FIGURE 6-3. LIFT CYLINDER ASSEMBLY**

PG#      Model Designation      Manual #

ITEM #	PART NUMBER	QTY.	DESCRIPTION	REV.
	1001140104	Ref	LIFT CYLINDER ASSEMBLY	B
1	0100011	AR	Compound, Locking	
2	0630535	3	Capscrew 1/4-20 x 1-1/8	
3	0791003	1	Screw #10-24 x 3/8	
4	0961897	1	Bushing, Tapered	
5	1320136	1	Clamp, Cable	
6	1663063	1	Head	
7	2220893	1	Plug, O-Ring	
8	2220885	2	Plug, O-Ring	
9	2220886	1	Plug, O-Ring	
10	3020039	AR	Lubricant	
11	3480282	1	Piston	
12	3760371	1	Ring, Washer	
13	3931420	8	Capscrew 1/4-20 x 1-1/4	
14	3931824	8	Capscrew 1/2-13 x 1-1/2	
15	3951003	1	Set screw #10-24 x 3/8	
16	4100099	1	Spacer	
17	4640999	1	Cartridge, Holding Valve (Non Vented)	
17	2900792		Kit, Seal - 4640999 Cartridge Valve	
18	4641248	1	Cartridge, Countersbalance Valve (Non Vented)	
18	70004186		Kit, Seal - 4641248 Cartridge Valve	
19	1001117991	1	Sensor, Cylinder Length	
20	1001118070	1	Cap, Retainer	
21	1001118084	1	Barrel	
21A	0961950	2	Bushing	
22	1001118086	1	Rod	
22A	0961950	2	Bushing	
100	1001139996	1	Kit, Seal (Includes Items 101-109)	
101	See Note	2	Ring, Wear (Note: Use p/n 1001139996)	
102	See Note	1	Ring, Back-Up (Note: Use p/n 1001139996)	
103	See Note	2	Ring, Lock (Note: Use p/n 1001139996)	
104	See Note	2	Ring, Back-Up (Note: Use p/n 1001139996)	
105	See Note	2	O-Ring (Note: Use p/n 1001139996)	
106	See Note	1	O-Ring (Note: Use p/n 1001139996)	
107	See Note	1	Seal (Note: Use p/n 1001139996)	
108	See Note	1	Wiper, Rod (Note: Use p/n 1001139996)	
109	See Note	2	Seal (Note: Use p/n 1001139996)	
200	1001119105	1	Kit, Sensor Magnet (Includes Items 201-203)	
201	See Note	NSS	Sleeve, Spacer (Note: Use p/n 1001119105)	
202	1001118066	1	Magnet, Sensor	
203	1001118069	1	Ring, Internal Retaining	

Manual #      Model Designation      PG#

## 1) MACHINE IDENTIFICATION

Machines are identified by model and in some cases a combination of models, serial number (SN) or regional standard (i.e. ANSI, CE, CSA). Components may also be identified by SN or manufacturer. Common components that may be identified by these characteristics are engines and hydraulic components.

## 2) PARTS MANUAL ORGANIZATION

Product information in this manual is organized under section titles. Frame, Cylinder, Hydraulic and Electrical are a few examples. Each section is organized by figure and page number. The information within the Figure is then organized by item number, part number, description and corresponding illustration(s).

## 3) TABLE OF CONTENTS

A table of contents is found toward the beginning of the manual. Figure number, description and page number are provided for quick reference to the page containing the related information.

## 4) RECOMMENDED SPARE PARTS

The Recommended Spare Parts, located near the end of the manual, reference most frequently used maintenance parts.

## 5) PART NUMBER INDEX

A numerical index listing all part numbers and the corresponding page number(s) appears at the back of the manual.



## GENERAL INFORMATION

### 6) NON-SERVICED PARTS

In some instances, it is necessary to display non-serviced parts, assemblies or installations. In the case of assemblies and installations there will be a Ref in the Qty column. In case of parts that are not available for service within assemblies or components, there will be a NSS (Not Sold Separately) or NLA (No Longer Available) listed in the Qty. column of the manual.

### 7) PARTS LIST ITEM NUMBERS

Numbers shown in the item# column correspond to numbers used in the associated illustration (s). Item numbers which are missing from the sequence in the parts list are not used on that page

### 8) INDENTED PARTS DESCRIPTION

An indented part description is included in the item under which it is indented.

### 9) ABB REVIATION AND SYMBOLS

AC.....	.. Alternating Current	LCD .....	.. Liquid Crystal Display
ADE.....	..Advanced Design Electronics	LED .....	.. Light Emitting Diodes
ANSI .....	..American National Standards Institute	LH.....	.. Left Hand
AR.....	..As Required	LSS .....	..Load Sensing System
ASSY .....	.. Assembly	M(m).....	.. Metric/Meter
AUX.....	..Auxiliary	MM (mm) .....	..Milimeter
AWG.....	..American WireGauge	mA.....	.. Miliamps
B/M.....	.. Bill of Material	NLA.....	..No Longer Available
CE.....	..European Conformity	NPT .....	.. National Pipe Threads
CCW .....	..Counter Clockwise	NSS .....	..Not So ld Separately
cm.....	..Centimeter	OD.....	..Outside Diameter
CW .....	..Clockwise	ORB.....	.. O-Ring Boss
CSA.....	..Canadian Standards Association	ORFS.....	.. O-Ring Face Seal
CYL.....	..Cylinder	OZ (oz) .....	..Ounces
DIA.....	..Diameter	PG .....	..Page
DC.....	..Direct Current	P/N.....	..Part Number
EMS .....	.. Emergency Stop	qt.....	..Quarts
ENG .....	..Engine	QTY.....	..Quantity
FT (ft).....	..Feet	REF .....	..Reference
GA (Ga).....	..Gauge	REV .....	..Revision Level
HYD.....	..Hydraulic	RH.....	.. Right Hand
Hz.....	..Hertz	SAE.....	.. Society of Automotive Engineers
ID.....	..Inside Diameter	SN.....	..Serial Number
in.....	..inches	SPEC(S).....	..Specifications
ISO .....	..International Organization for Standards	T/T.....	..Turntable
JIC.....	..Joint Industry Council	UGM .....	..Universal Ground Module
KG .....	..Kilogram	V.....	..Volts
L.....	..Liter	W.....	..Watts
LB.....	..Pounds	#.....	..Number

### 10) ILLUSTRATION REFERENCE LETTERS

When necessary, illustrations may contain reference letters that are intended to track information (i. e. hoses, harnesses) from one point to another or to track visual enlargement of components to show details that may be located in another area on the illustration.

*Note: Due to continuous product improvements, JLG Industries, Inc. reserves the right to make specification changes without prior notification. Contact JLG Industries, Inc. for updated information.*



# TABLE OF CONTENTS

SECTION 1 - FRAME.....	11
FIGURE 1-1. STEERING INSTALLATION .....	12
FIGURE 1-2. WHEEL DRIVE INSTALLATION .....	14
FIGURE 1-3. DRIVE MOTOR ASSEMBLY .....	16
FIGURE 1-4. DRIVE HUB/BRAKE ASSEMBLY .....	18
FIGURE 1-5. TIRE AND WHEEL INSTALLATION .....	22
FIGURE 1-6. DRIVE VALVES INSTALLATION - 18RS.....	24
FIGURE 1-7. DRIVE VALVES INSTALLATION - 18RSJ.....	26
FIGURE 1-8. FLOW DIVIDER VALVE ASSEMBLY .....	28
FIGURE 1-9. FRAME SHIELDS INSTALLATIONS .....	30
SECTION 2 - TURNTABLE .....	33
FIGURE 2-1. CONTROL VALVE AND HYDRAULIC FILTERS INSTALLATION - 18RS.....	34
FIGURE 2-2. CONTROL VALVE AND HYDRAULIC FILTERS INSTALLATION - 18RSJ.....	36
FIGURE 2-3. MAIN CONTROL VALVE ASSEMBLY - 18RS.....	38
FIGURE 2-4. MAIN CONTROL VALVE ASSEMBLY - 18RSJ.....	42
FIGURE 2-5. TURNTABLE BEARING AND SWING DRIVE INSTALLATION.....	46
FIGURE 2-6. SWING MOTOR ASSEMBLY .....	48
FIGURE 2-7. SWING BEARING AND ROTATION BOX ASSEMBLY .....	50
FIGURE 2-8. TANK INSTALLATIONS.....	52
FIGURE 2-9. HYDRAULIC TANK ASSEMBLY.....	54
FIGURE 2-10. HYDRAULIC TANK LOCK INSTALLATION (SN B300002264 to Present).....	56
FIGURE 2-11. FUEL FILTER INSTALLATION (OPTIONAL).....	58
FIGURE 2-12. WATER SEPARATOR FILTER ASSEMBLY (OPTIONAL) .....	60
FIGURE 2-13. ELECTRICAL INSTALLATION - 18RS .....	62
FIGURE 2-14. ELECTRICAL INSTALLATION - 18RSJ.....	64
FIGURE 2-15. GROUND CONTROL PANEL ASSEMBLY - 18RS.....	66
FIGURE 2-16. GROUND CONTROL PANEL ASSEMBLY - 18RSJ.....	68
FIGURE 2-17. KEY SWITCH ASSEMBLY .....	70
FIGURE 2-18. GROUND CONTROL DOOR INSTALLATION (OPTIONAL) .....	72
FIGURE 2-19. ELECTRICAL PANEL ASSEMBLY .....	74
FIGURE 2-20. LIMIT SWITCH INSTALLATION .....	76
FIGURE 2-21. BEACON LIGHT INSTALLATION (OPTIONAL) .....	78
FIGURE 2-22. HOODS INSTALLATION .....	80
FIGURE 2-23. CENTER HOOD ASSEMBLY (ENGINE SIDE).....	84
FIGURE 2-24. CENTER HOOD ASSEMBLY (TANK SIDE) .....	86
SECTION 3 - ENGINE .....	89
FIGURE 3-1. DEUTZ ENGINE INSTALLATION.....	90
FIGURE 3-2. ENGINE AND PUMP ASSEMBLY .....	92
FIGURE 3-3. ENGINE ASSEMBLY .....	94
FIGURE 3-4. ENGINE COMPONENTS.....	98
FIGURE 3-5. PUMP COUPLING INSTALLATION.....	102
FIGURE 3-6. PISTON PUMP ASSEMBLY .....	104
FIGURE 3-7. BATTERY INSTALLATION .....	108
SECTION 4 - BOOM .....	111
FIGURE 4-1. BOOM AND CYLINDERS INSTALLATION - 18RS .....	112
FIGURE 4-2. BOOM AND CYLINDERS INSTALLATION - 18RSJ.....	116
FIGURE 4-3. MAIN BOOM ASSEMBLY - 18RS .....	120
FIGURE 4-4. MAIN BOOM ASSEMBLY - 18RSJ.....	124
FIGURE 4-5. JIB ASSEMBLY .....	128
FIGURE 4-6. POWER TRACK ASSEMBLY .....	130
FIGURE 4-7. PROXIMITY SWITCH INSTALLATION - 18RS.....	132
FIGURE 4-8. PROXIMITY SWITCH INSTALLATION - 18RSJ.....	134
FIGURE 4-9. PLATFORM ROTATOR ASSEMBLY - 18RS.....	136
FIGURE 4-10. PLATFORM ROTATOR ASSEMBLY - 18RSJ.....	138
FIGURE 4-11. PLATFORM SUPPORT INSTALLATION - WITHOUT LSS - 18RS .....	140
FIGURE 4-12. PLATFORM SUPPORT INSTALLATION - WITHOUT LSS - 18RSJ .....	142
FIGURE 4-13. PLATFORM SUPPORT INSTALLATION - WITH LSS.....	144
FIGURE 4-14. PLATFORM SUPPORT INSTALLATION (18RSJ) - WITH LSS.....	146

# TABLE OF CONTENTS

SECTION 5 - PLATFORM.....	149
FIGURE 5-1. PLATFORM ASSEMBLY.....	150
FIGURE 5-2. PLATFORM CONSOLE AND FOOTSWITCH INSTALLATION - 18RS.....	152
FIGURE 5-3. PLATFORM CONSOLE AND FOOTSWITCH INSTALLATION - 18RSJ (Prior to SN B300001836).....	154
FIGURE 5-4. PLATFORM CONSOLE ASSEMBLY - 18RS (Prior to SN B300001441).....	156
FIGURE 5-5. PLATFORM CONSOLE ASSEMBLY - 18RS (SN B300001441 to Present).....	160
FIGURE 5-6. PLATFORM CONSOLE ASSEMBLY - 18RSJ.....	164
FIGURE 5-7. PLATFORM ASSEMBLY - 30IN X 3FT (76CM X .91M) - DROP BAR ENTRY.....	168
FIGURE 5-8. PLATFORM ASSEMBLY - 3FT X 6FT (91.5CM X 1.83M) WITH TRI-ENTRY (1 GATE / 2 DROP BARS).....	170
FIGURE 5-9. PLATFORM ASSEMBLY - 3FT X 6FT (91.5CM X 1.83M) WITH TRI-ENTRY (3 DROP BARS).....	172
FIGURE 5-10. CONSOLE BOX ASSEMBLY (Prior to SN B300001540).....	174
FIGURE 5-11. CONSOLE BOX ASSEMBLY (SN B300001540 to Present).....	176
FIGURE 5-12. CONSOLE BOX ASSEMBLY (SN B300001540 through B300001835).....	178
FIGURE 5-13. CONSOLE BOX ASSEMBLY (SN B300001836 to Present).....	180
FIGURE 5-14. CONTROLLER ASSEMBLY (LIFT AND SWING).....	182
FIGURE 5-15. CONTROLLER ASSEMBLY (LIFT AND SWING).....	184
FIGURE 5-16. CONTROLLER ASSEMBLY (DRIVE AND STEER).....	188
FIGURE 5-17. CONTROLLER ASSEMBLY (DRIVE AND STEER).....	190
SECTION 6 - CYLINDER.....	193
FIGURE 6-1. LEVEL (PLATFORM SLAVE) CYLINDER ASSEMBLY - 18RS.....	194
FIGURE 6-2. LEVEL (PLATFORM SLAVE) CYLINDER ASSEMBLY - 18RSJ.....	196
FIGURE 6-3. LIFT CYLINDER ASSEMBLY - JIB - 18RSJ (Prior to SN B300003130).....	198
FIGURE 6-4. LIFT CYLINDER ASSEMBLY - JIB - 18RSJ (SN B300003130 to Present).....	200
FIGURE 6-5. LIFT CYLINDER ASSEMBLY - MAIN BOOM - 18RS.....	202
FIGURE 6-6. LIFT CYLINDER ASSEMBLY - MAIN BOOM - 18RSJ.....	204
FIGURE 6-7. MASTER CYLINDER ASSEMBLY - 18RS.....	206
FIGURE 6-8. MASTER CYLINDER ASSEMBLY - 18RSJ.....	208
FIGURE 6-9. STEER CYLINDER ASSEMBLY.....	210
FIGURE 6-10. TELESCOPE CYLINDER ASSEMBLY - 18RS (Prior to SN B300001836).....	212
FIGURE 6-11. TELESCOPE CYLINDER ASSEMBLY - 18RS (SN B300001836 to Present).....	214
FIGURE 6-12. TELESCOPE CYLINDER ASSEMBLY - 18RSJ.....	216
FIGURE 6-13. VALVE BLOCK ASSEMBLY.....	218
SECTION 7 - HYDRAULIC.....	221
FIGURE 7-1. HYDRAULIC INSTALLATION (FRONT AXLE) - 18RS.....	222
FIGURE 7-2. HYDRAULIC INSTALLATION (FRONT AXLE) - 18RSJ.....	226
FIGURE 7-3. HYDRAULIC INSTALLATION (REAR AXLE) - 18RS.....	230
FIGURE 7-4. HYDRAULIC INSTALLATION (REAR AXLE) - 18RSJ.....	234
FIGURE 7-5. HYDRAULIC INSTALLATION (BOOM) - 18RS.....	238
FIGURE 7-6. HYDRAULIC INSTALLATION (BOOM) - 18RSJ.....	242
FIGURE 7-7. HYDRAULIC INSTALLATION (DRIVE PUMP) - 18RS.....	246
FIGURE 7-8. HYDRAULIC INSTALLATION (DRIVE PUMP) - 18RSJ.....	250
FIGURE 7-9. HYDRAULIC FLUSHING LOOP INSTALLATION - 18RS.....	254
FIGURE 7-10. HYDRAULIC FLUSHING LOOP INSTALLATION - 18RSJ.....	256
FIGURE 7-11. HYDRAULIC DIAGRAM LIST.....	258
SECTION 8 - ELECTRICAL.....	259
FIGURE 8-1. ELECTRICAL DIAGRAM LIST.....	260
FIGURE 8-2. AC AT PLATFORM RECEPTACLE COMPONENTS - 110V GFI (ANSI EXPORT SPECS).....	262
FIGURE 8-3. AC AT PLATFORM RECEPTACLE COMPONENTS - 220V (ANSI EXPORT SPECS).....	264
FIGURE 8-4. AC AT PLATFORM RECEPTACLE COMPONENTS - DEALER/CUSTOMER SUPPLIED.....	266
FIGURE 8-5. AC TO PLATFORM CABLE - MAIN BOOM (18RS WITHOUT SKYPOWER).....	268
FIGURE 8-6. AC TO PLATFORM CABLE - MAIN BOOM (18RSJ WITHOUT SKYPOWER).....	270
FIGURE 8-7. AC TO PLATFORM CABLE - MAIN BOOM (18RS WITH SKYPOWER) (Prior to SN B300001836).....	272
FIGURE 8-8. AC TO PLATFORM CABLE - MAIN BOOM (18RS WITH SKYPOWER) (SN B300001836 to Present).....	274
FIGURE 8-9. AC TO PLATFORM CABLE - MAIN BOOM (18RSJ WITH SKYPOWER) (Prior to SN B300001836).....	276
FIGURE 8-10. AC TO PLATFORM CABLE - MAIN BOOM (18RSJ WITH SKYPOWER) (SN B300001836 to Present).....	278
FIGURE 8-11. AC TO PLATFORM CABLE - TOWER BOOM (WITHOUT SKYPOWER).....	280
FIGURE 8-12. AC TO PLATFORM CABLE - TOWER BOOM (WITH SKYPOWER) (Prior to SN B300001836).....	282
FIGURE 8-13. AC TO PLATFORM CABLE - TOWER BOOM (WITH SKYPOWER) (SN B300001836 to Present).....	284
FIGURE 8-14. BEACON HARNESS.....	286
FIGURE 8-15. BOOM CABLES INSTALLATION - 18RS WITHOUT SKYPOWER.....	288

# TABLE OF CONTENTS

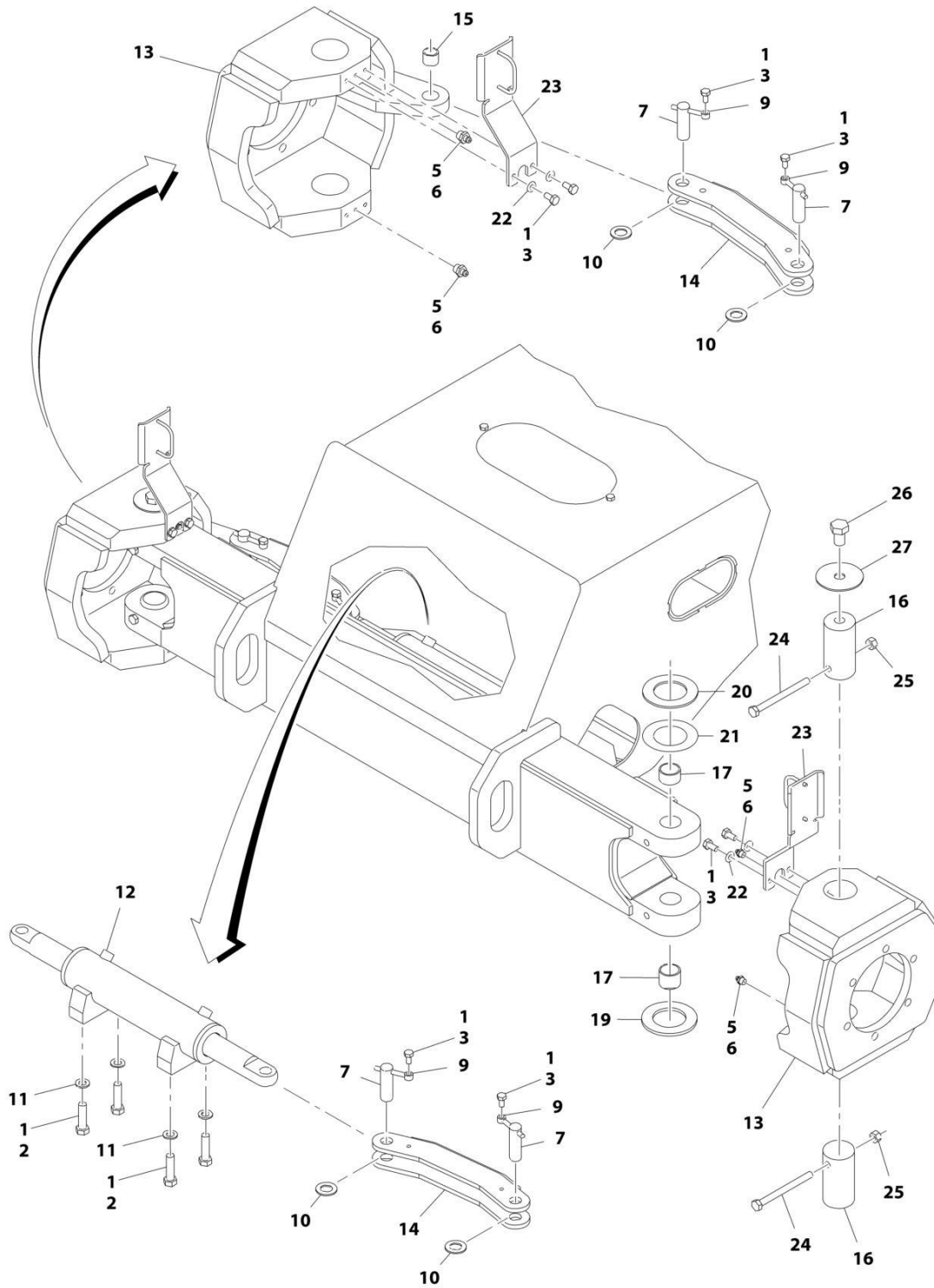
FIGURE 8-16. BOOM CABLES INSTALLATION - 18RS WITH SKYPOWER.....	290
FIGURE 8-17. BOOM CABLES INSTALLATION - 18RSJ WITHOUT SKYPOWER .....	292
FIGURE 8-18. BOOM CABLES INSTALLATION - 18RSJ WITH SKYPOWER.....	294
FIGURE 8-19. BOOM HARNESS - MAIN BOOM - 18RS.....	296
FIGURE 8-20. BOOM HARNESS - MAIN BOOM - 18RSJ.....	298
FIGURE 8-21. BOOM HARNESS - TOWER BOOM .....	300
FIGURE 8-22. CHASSIS HARNESS .....	302
FIGURE 8-23. EMR2 POWER HARNESS .....	304
FIGURE 8-24. ENGINE HARNESS .....	306
FIGURE 8-25. GROUND CONTROL PANEL HARNESS - 18RS.....	308
FIGURE 8-26. GROUND CONTROL PANEL HARNESS - 18RSJ.....	310
FIGURE 8-27. JIB HARNESS .....	312
FIGURE 8-28. LIFT DOWN HARNESS.....	314
FIGURE 8-29. PLATFORM BOX HARNESS - 18RS (Prior to SN B300001836) .....	316
FIGURE 8-30. PLATFORM BOX HARNESS - 18RS (SN B300001836 to Present).....	318
FIGURE 8-31. PLATFORM BOX HARNESS - 18RSJ.....	320
FIGURE 8-32. PROXIMITY SENSOR HARNESS .....	322
FIGURE 8-33. TURNTABLE HARNESS .....	324
FIGURE 8-34. VALVE HARNESS - 18RS.....	328
FIGURE 8-35. VALVE HARNESS - 18RSJ .....	330
SECTION 9 - DECALS.....	333
FIGURE 9-1. DECAL INSTALLATION - ANSI SPEC .....	334
FIGURE 9-2. DECAL INSTALLATION - BRAZIL SPEC .....	338
FIGURE 9-3. DECAL INSTALLATION - CHINESE SPEC.....	342
FIGURE 9-4. DECAL INSTALLATION - JAPANESE SPEC .....	346
FIGURE 9-5. DECAL INSTALLATION - KOREAN SPEC.....	350
FIGURE 9-6. DECAL INSTALLATION - LATIN AMERICAN SPEC.....	354
FIGURE 9-7. DECAL INSTALLATION - OPTIONS .....	358
SECTION 10 - RECOMMENDED SERVICE PARTS STOCK .....	361
FIGURE 10-1. RECOMMENDED SERVICE PARTS STOCK .....	362
SECTION 11 - SPECIAL OPTIONS.....	363
FIGURE 11-1. SPECIAL OPTIONS.....	364
PART NUMBER INDEX .....	367



**SECTION 1 - FRAME**

# SECTION 1 - FRAME

## FIGURE 1-1. STEERING INSTALLATION



ART\_1001133419



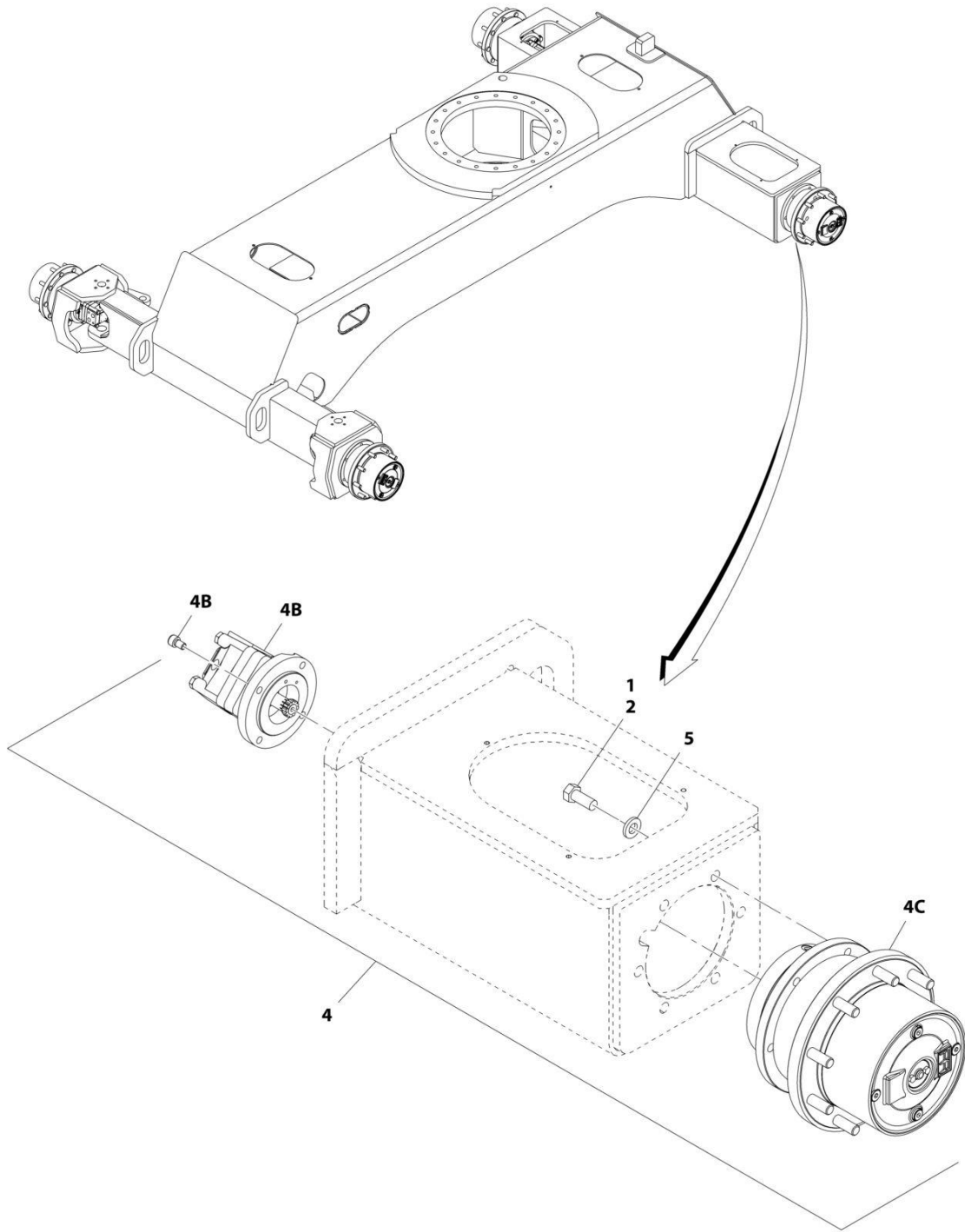
# SECTION 1 - FRAME

## FIGURE 1-1. STEERING INSTALLATION

ITEM	PART NUMBER	QTY	DESCRIPTION	REV
	1001133419	Ref	STEERING INSTALLATION	C
1	0100011	AR	Compound, Locking	
2	0711620	4	Bolt M16 x 60	
3	0761010	8	Bolt M10 x 20	
5	2160016	4	Fitting, Grease	
6	3020029	AR	Grease, Bearing	
7	3422813	4	Pin	
9	3841143	4	Keeper, Pin	
10	4740111	4	Thrustwasher	
11	4812300	4	Washer M16	
12	1001130477	1	Steer Cylinder Assembly (See CYLINDER SECTION for Breakdown)	
13	1001148486	2	Spindle	
14	1001131788	2	Link, Tie-Rod	
15	1001134289	2	Bearing	
16	1001148425	4	Kingpin	
17	1001148430	4	Bearing	
19	1001148482	2	Thrustwasher	
20	1001148537	2	Thrustwasher	
21	1001148538	2	Thrustwasher	
22	4812100	4	Washer M10	
23	1001148540	2	Support, Hose	
24	0711231	4	Bolt M12 x 140	
25	3291205	4	Nut M12	
26	0762014	2	Bolt M20 x 30	
27	1001148610	2	Cover, Kingpin	

# SECTION 1 - FRAME

## FIGURE 1-2. WHEEL DRIVE INSTALLATION



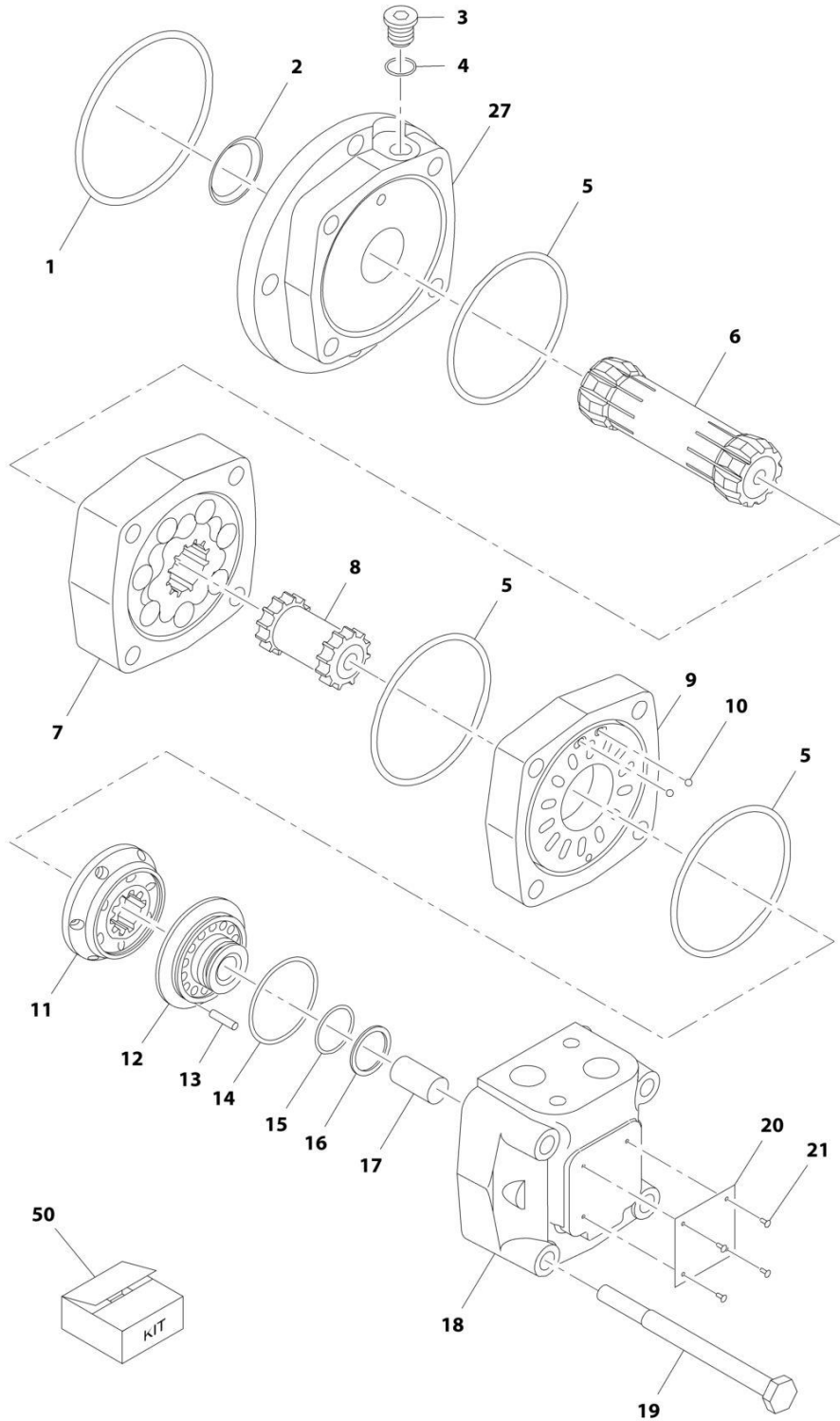
ART\_1001133308

FIGURE 1-2. WHEEL DRIVE INSTALLATION

ITEM	PART NUMBER	QTY	DESCRIPTION	REV
	1001133308	Ref	WHEEL DRIVE INSTALLATION	C
1	0100019	AR	Compound, Locking	
2	0682013	24	Bolt 5/8 x 1-5/8 Grade 8	
4	1001132519	4	Drive Motor/Hub/Brake Assembly	H
4A	0100011	AR	Compound, Locking (Not Shown)	
4B	1001132500	4	Drive Motor Assembly (See DRIVE MOTOR ASSEMBLY for Breakdown)	
4C	1001132499	4	Drive Hub/Brake Assembly (See DRIVE HUB/BRAKE ASSEMBLY for Breakdown)	
5	4892000	24	Washer 5/8	

# SECTION 1 - FRAME

## FIGURE 1-3. DRIVE MOTOR ASSEMBLY



ART\_1001132500

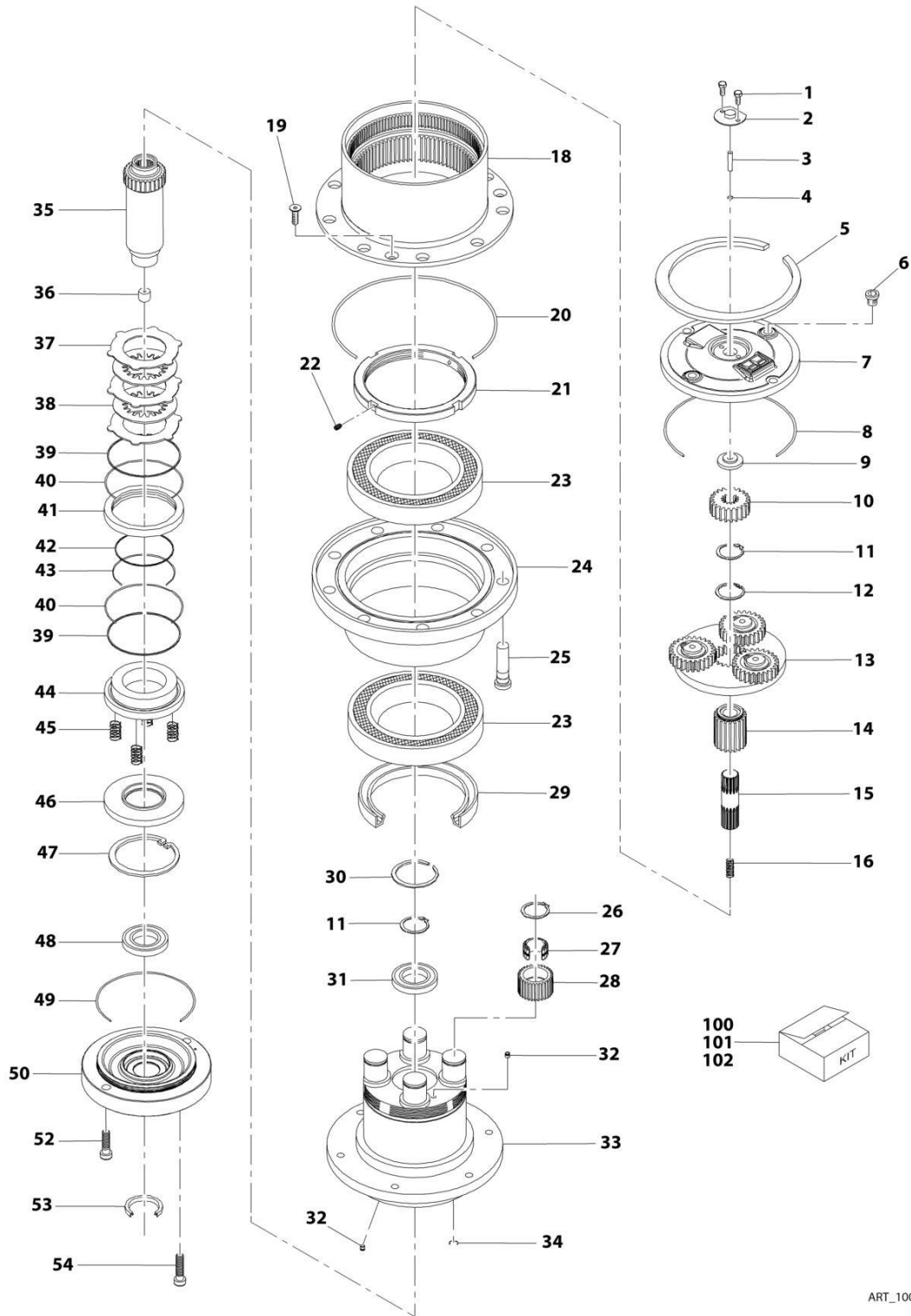
## SECTION 1 - FRAME

### FIGURE 1-3. DRIVE MOTOR ASSEMBLY

ITEM	PART NUMBER	QTY	DESCRIPTION	REV
	1001132500	Ref	DRIVE MOTOR ASSEMBLY	E
1	70004126	1	O-Ring	
2	70004075	1	Seal, Shaft	
3	70004076	1	Plug	
4	See Note	NSS	O-Ring (Note: Use Item 50)	
5	See Note	NSS	O-Ring (Note: Use Item 50)	
6	70004077	NLA	Shaft (Note: Purchase Complete Motor)	
7	70004078	NLA	Gear Set (Note: Purchase Complete Motor)	
8	70004079	NLA	Coupling, Drive (Note: Purchase Complete Motor)	
9	70004080	NLA	Plate (Note: Purchase Complete Motor)	
10	70004081	NLA	Ball (Note: Purchase Complete Motor)	
11	70004082	NLA	Plate, Valve (Note: Purchase Complete Motor)	
12	70004083	NLA	Plate, Balance (Note: Purchase Complete Motor)	
13	70004084	NLA	Pin (Note: Purchase Complete Motor)	
14	See Note	NSS	O-Ring (Note: Use Item 50)	
15	See Note	NSS	O-Ring (Note: Use Item 50)	
16	70004085	NLA	Washer (Note: Purchase Complete Motor)	
17	70004086	NLA	Spacer (Note: Purchase Complete Motor)	
18	70004087	NLA	Cover, End (Note: Purchase Complete Motor)	
19	70004088	4	Screw M10	
20	See Note	1	Nameplate (Note: Not Available for Purchase)	
21	See Note	4	Rivet (Note: Not Available - Purchase Locally)	
27	70004089	NLA	Flange, Mounting (Note: Purchase Complete Motor)	
50	70004090	1	Seal Kit - Motor (Includes Items 1, 2, 4, 5, 14 & 15)	

# SECTION 1 - FRAME

## FIGURE 1-4. DRIVE HUB/BRAKE ASSEMBLY



ART\_1001132499

# SECTION 1 - FRAME

## FIGURE 1-4. DRIVE HUB/BRAKE ASSEMBLY

ITEM	PART NUMBER	QTY	DESCRIPTION	REV
	1001132499	Ref	DRIVE HUB/BRAKE ASSEMBLY	G
1	70004353	2	Screw 1/4-20 x 1/2	
2	See Note	NSS	Cover (Note: Use Item 101)	
3	See Note	NSS	Pin (Note: Use Item 101)	
4	See Note	NSS	O-Ring (Note: Use Item 100 or 101)	
5	See Note	NSS	Ring (Note: Use Item 101)	
6	See Note	NSS	Plug with O-Ring (Note: Use Item 101)	
7	See Note	NSS	Cover (Note: Use Item 101)	
8	See Note	NSS	O-Ring (Note: Use Item 100 or 101)	
9	See Note	NSS	Shim (Note: Use Item 101)	
10	70004354	1	Gear, Pinion	
11	70004355	2	Ring, Retaining	
12	70004356	1	Ring, Retaining	
13	70004357	1	Gear Assembly	
14	70004358	1	Gear, Pinion	
15	70004359	1	Shaft, Coupling	
16	70004360	1	Spring	
18	See Note	NSS	Housing, Planetary Gear (Note: Purchase Complete Hub)	
19	70004361	3	Screw M8 x 20 Grade 10.9	
20	See Note	NSS	O-Ring (Note: Use Item 100)	
21	70004362	1	Nut, Ring	
22	70004363	2	Screw M6 x 10	
23	70004364	2	Bearing	
24	70004365	1	Support, Hub	
25	70004366	9	Bolt, Wheel	
26	70004367	4	Ring, Retaining	
27	70004368	4	Bearing	
28	70004369	4	Gear	
29	See Note	NSS	Seal (Note: Use Item 100)	
30	70004370	1	Ring	
31	70004371	1	Bearing	
32	See Note	NSS	Plug (Note: Not Available for Purchase)	
33	70004372	1	Stub, Axle	
34	See Note	NSS	O-Ring (Note: Use Item 100)	
35	70004373	1	Shaft, Input	
36	70004374	1	Shim	
37	See Note	NSS	Disc, Metal (Note: Use Item 102)	
38	See Note	NSS	Disc, Composite (Note: Use Item 102)	
39	See Note	NSS	Seal (Note: Use Item 100 or 102)	
40	See Note	NSS	O-Ring (Note: Use Item 100 or 102)	
41	See Note	NSS	Spacer (Note: Use Item 102)	
42	See Note	NSS	Seal (Note: Use Item 100 or 102)	
43	See Note	NSS	O-Ring (Note: Use Item 100 or 102)	
44	See Note	NSS	Piston (Note: Use Item 102)	
45	See Note	NSS	Spring (Note: Use Item 102)	
46	See Note	NSS	Spacer (Note: Use Item 102)	
47	See Note	NSS	Ring, Retaining (Note: Use Item 102)	
48	70004375	1	Bearing	
49	See Note	NSS	O-Ring (Note: Use Item 100)	
50	70004376	1	Support, Input	

## SECTION 1 - FRAME

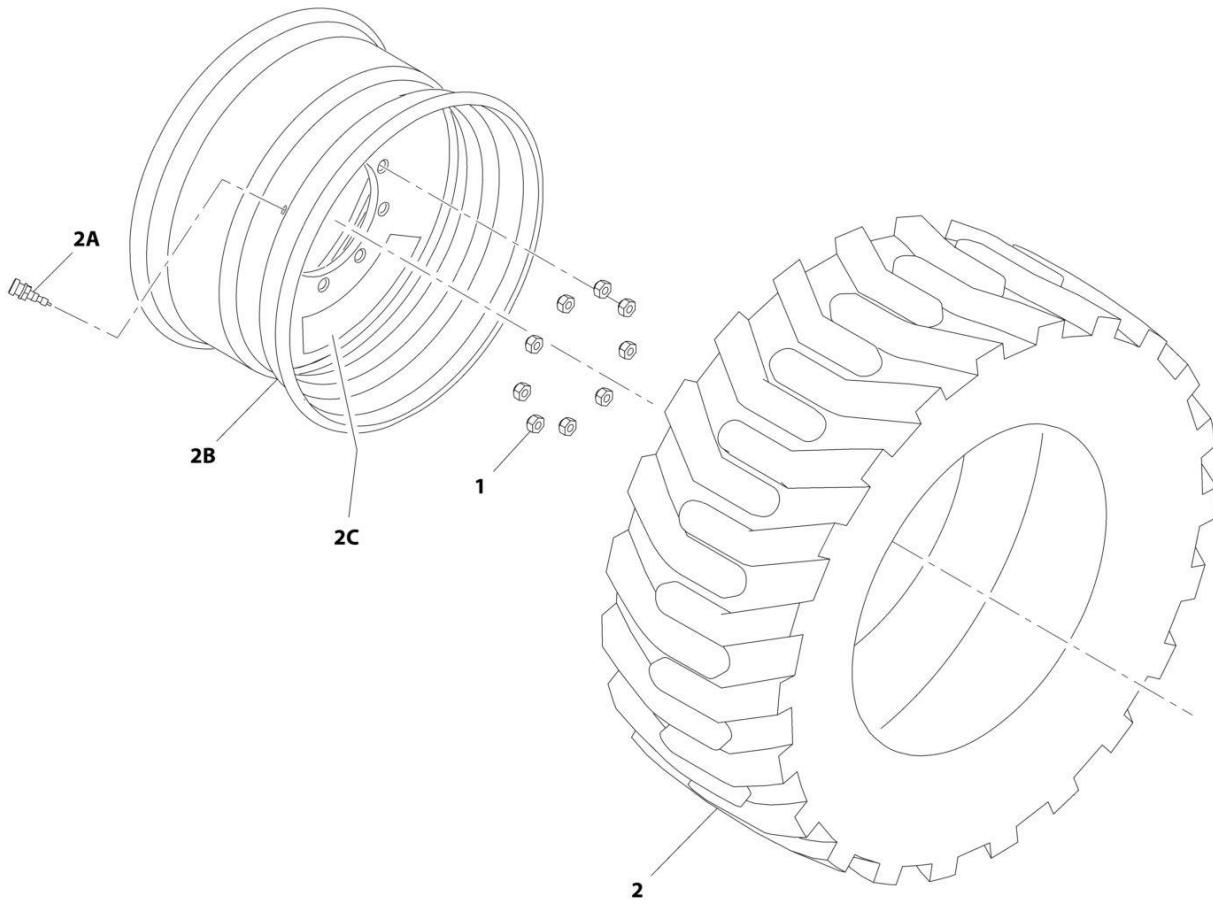
ITEM	PART NUMBER	QTY	DESCRIPTION	REV
52	See Note	NSS	Screw 7/16 x 1 (Note: Use Item 101)	
53	See Note	NSS	Seal (Note: Use Item 100)	
54	70004377	4	Screw M10 x 30	
100	70004378	1	Seal Kit (Includes Items 4, 8, 20, 29, 34, 39, 40, 42, 43, 49 & 53)	
101	70004379	1	Cover Kit (Includes Items 2-9 & 52)	
102	70004380	1	Brake Kit (Includes Items 37-47)	





# SECTION 1 - FRAME

## FIGURE 1-5. TIRE AND WHEEL INSTALLATION



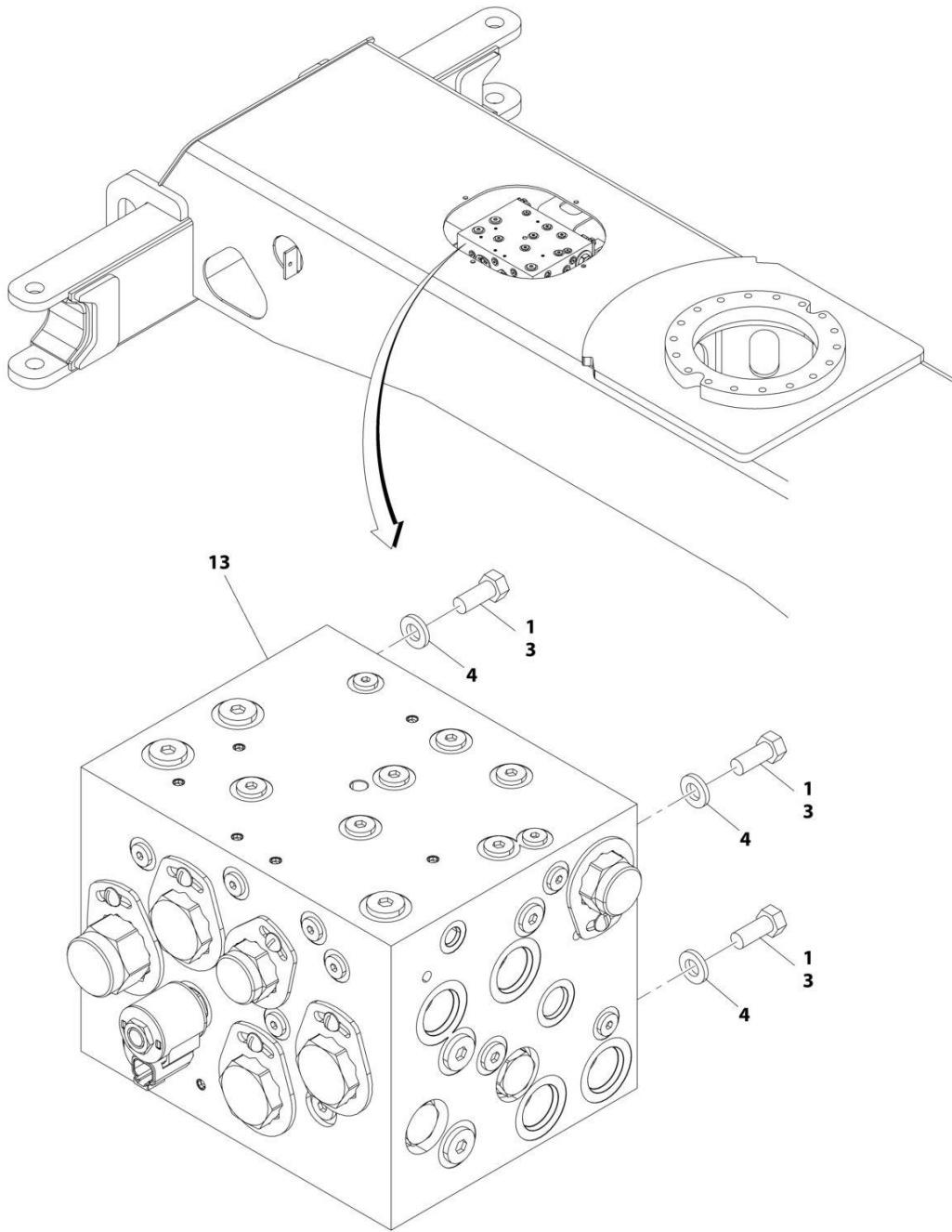
ART\_1001139014

FIGURE 1-5. TIRE AND WHEEL INSTALLATION

ITEM	PART NUMBER	QTY	DESCRIPTION	REV
	1001139014	Ref	TIRE AND WHEEL INSTALLATION	C
1	3300106	36	Nut, Wheel (9 per Wheel)	
2		Ref	Tire and Wheel Assembly Options:	
2	1001134196	2	315/55D20 Foam-Filled Left Side	E
2	1001134197	2	315/55D20 Foam-Filled Right Side	E
		Ref	<b>Note: Assemblies may require ballast/foam filling to manufacture's specifications prior to installing on a machine. Refer to Operation and Safety or Service and Maintenance Manuals. Purchase individual tire and/or rim only if able to foam fill tire and wheel assembly, otherwise, purchase complete assembly.</b>	
2	1001134195	1	Tire 315/55D20	
2A	4640113	NLA	Valve Stem, Air (Use p/n 8786514)	
2B	1001134194	1	Rim, Wheel	
2C	1001144655	1	Decal - Transport Wheels	

# SECTION 1 - FRAME

## FIGURE 1-6. DRIVE VALVES INSTALLATION - 18RS



ART\_1001133907\_1OF2

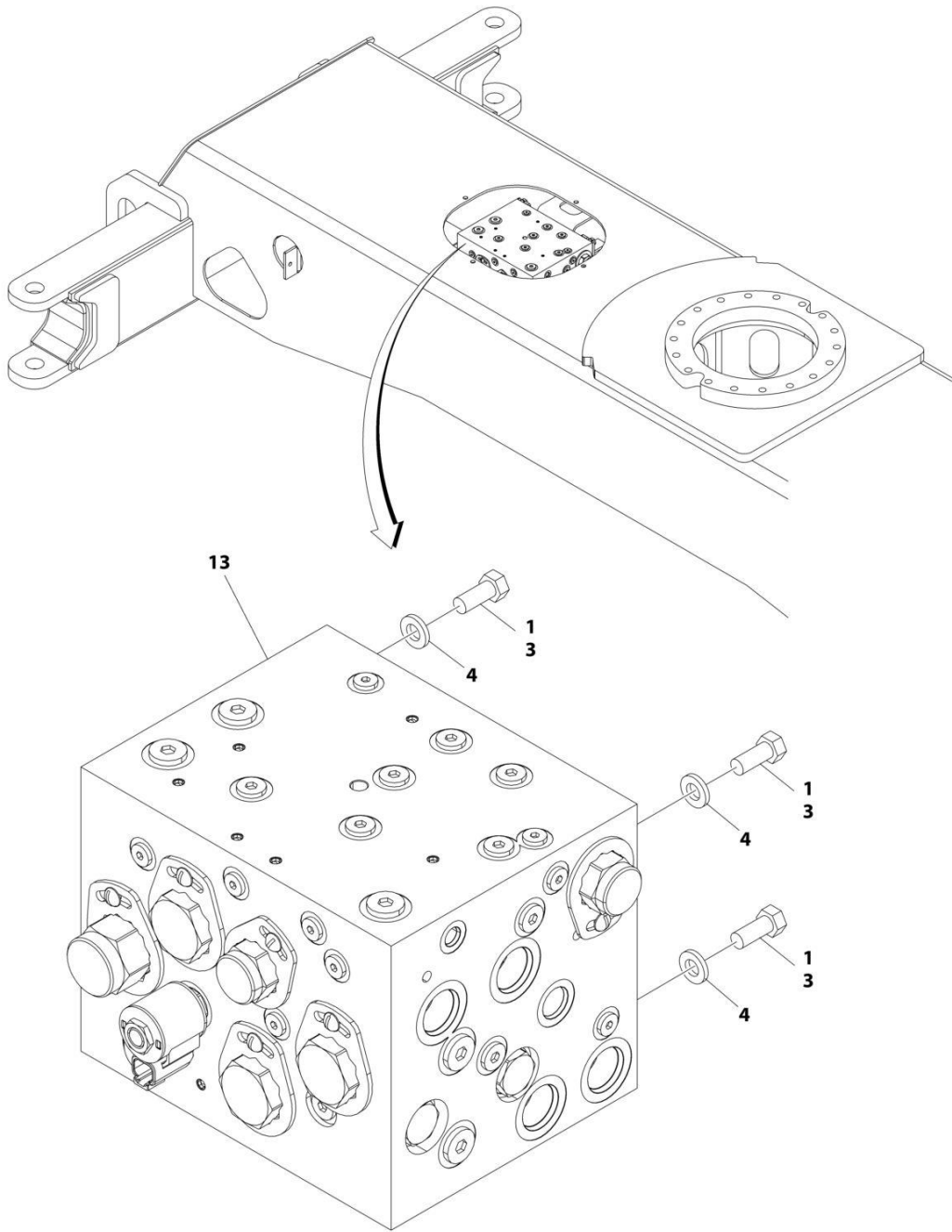
# SECTION 1 - FRAME

## FIGURE 1-6. DRIVE VALVES INSTALLATION - 18RS

ITEM	PART NUMBER	QTY	DESCRIPTION	REV
	1001133907	Ref	DRIVE VALVES INSTALLATION - 18RS	B
1	0100011	AR	Compound, Locking	
3	0761012	4	Bolt M10 x 25	
4	4812000	4	Washer M10	
13	1001149866	1	Flow Divider Valve Assembly (See FLOW DIVIDER VALVE ASSEMBLY for Breakdown)	

# SECTION 1 - FRAME

## FIGURE 1-7. DRIVE VALVES INSTALLATION - 18RSJ



ART\_1001180517\_10F2

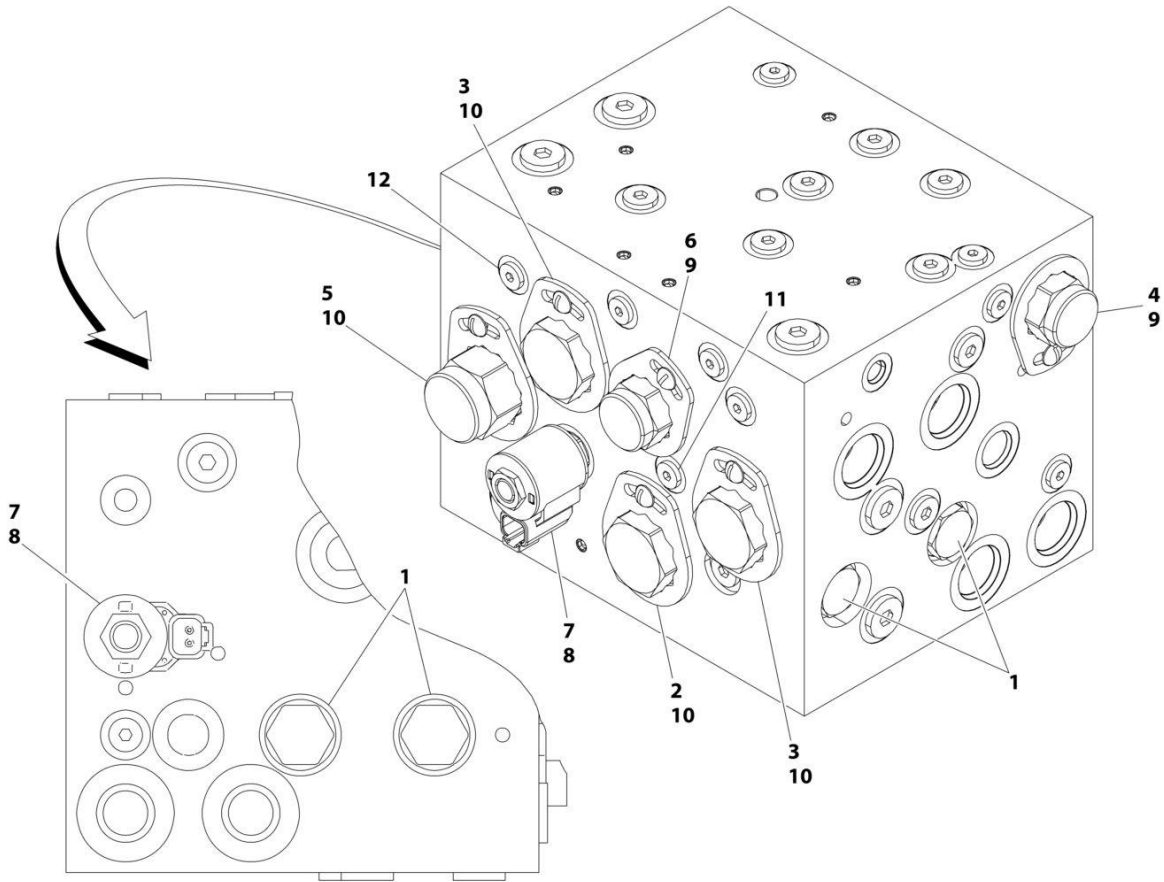
## SECTION 1 - FRAME

### FIGURE 1-7. DRIVE VALVES INSTALLATION - 18RSJ

ITEM	PART NUMBER	QTY	DESCRIPTION	REV
	1001180517	Ref	DRIVE VALVES INSTALLATION - 18RSJ	B
1	0100011	AR	Compound, Locking	
3	0761012	4	Bolt M10 x 25	
4	4812000	4	Washer M10	
13	1001149866	1	Flow Divider Valve Assembly (See FLOW DIVIDER VALVE ASSEMBLY for Breakdown)	

# SECTION 1 - FRAME

## FIGURE 1-8. FLOW DIVIDER VALVE ASSEMBLY



ART\_1001149866



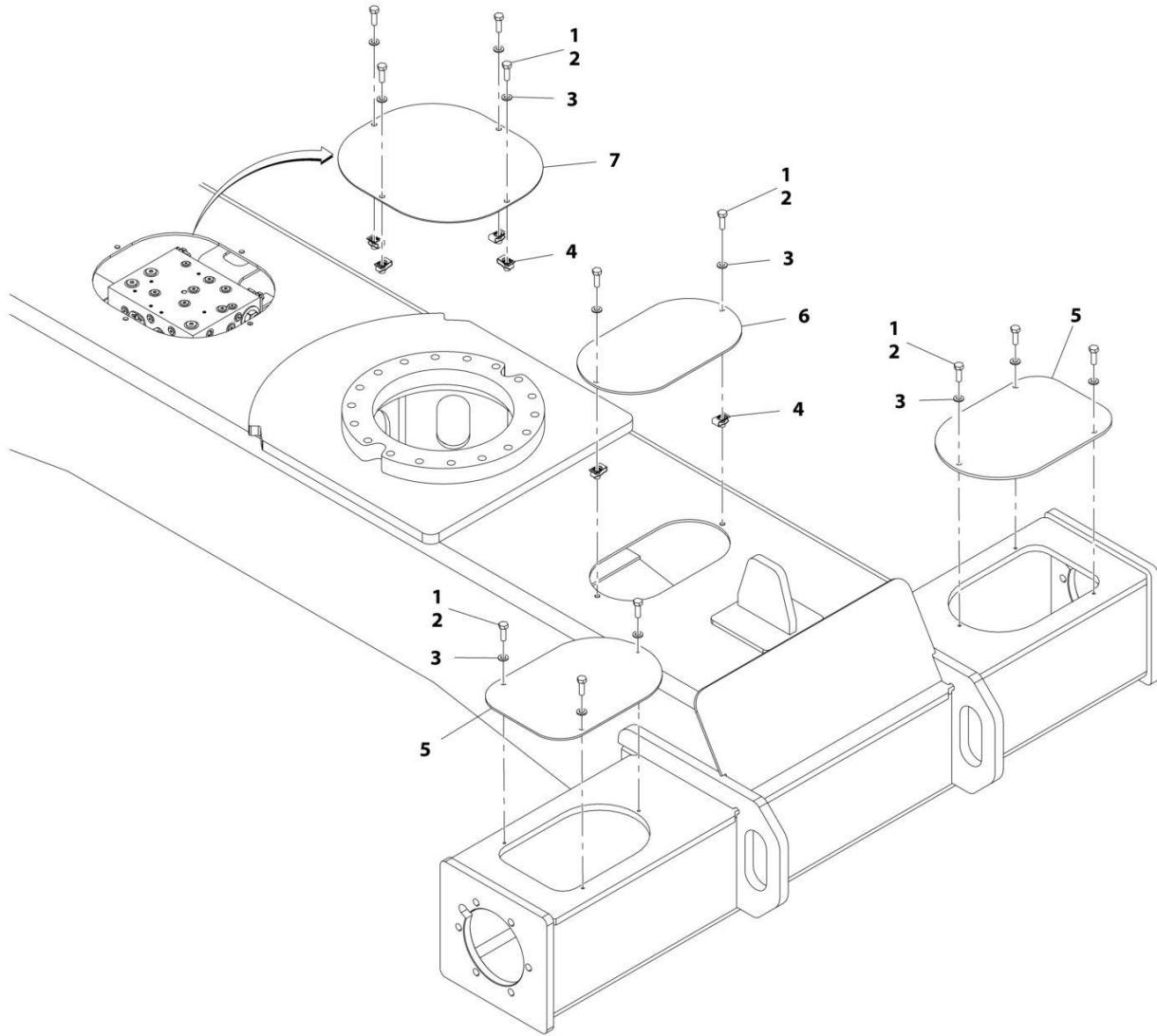
# SECTION 1 - FRAME

## FIGURE 1-8. FLOW DIVIDER VALVE ASSEMBLY

ITEM	PART NUMBER	QTY	DESCRIPTION	REV
	1001149866	Ref	FLOW DIVIDER VALVE ASSEMBLY	B
1	7022397	4	Valve, Check	
1	7022399	4	Seal Kit - 7022397 Cartridge	
2	70004017	1	Valve, Flow Divider	
2	7021625	1	Seal Kit - 70004017 Cartridge	
3	70004018	2	Valve, Flow Divider	
3	7021625	2	Seal Kit - 70004018 Cartridge	
4	70003957	1	Valve, Pilot	
4	70003980	1	Seal Kit - 70003957 Cartridge	
5	70003958	1	Valve, Pilot	
5	70003981	1	Seal Kit - 70003958 Cartridge	
6	70003959	1	Valve, Pilot	
6	70003980	1	Seal Kit - 70003959 Cartridge	
7	7012974	2	Valve, Solenoid (Less Coil)	
7	7010543	2	Seal Kit - 7012974 Cartridge	
8	70002386	2	Coil	
9	70002962	2	Lock Kit	
10	70000781	4	Lock Kit	
11	70003960	1	Orifice	
12	70002209	2	Orifice	
13		Ref	Plug Options (Note: Not called out on Drawing):	
13	7017406	11	Plug 1/4 (#4)	
13	7024844	15	Plug 3/8 (#6)	
13	7024845	11	Plug 1/2 (#8)	
13	See Note	1	Plug 5/8 (#10) (Note: Not Available - Purchase Locally)	

# SECTION 1 - FRAME

## FIGURE 1-9. FRAME SHIELDS INSTALLATIONS



ART\_1001134994

## SECTION 1 - FRAME

### FIGURE 1-9. FRAME SHIELDS INSTALLATIONS

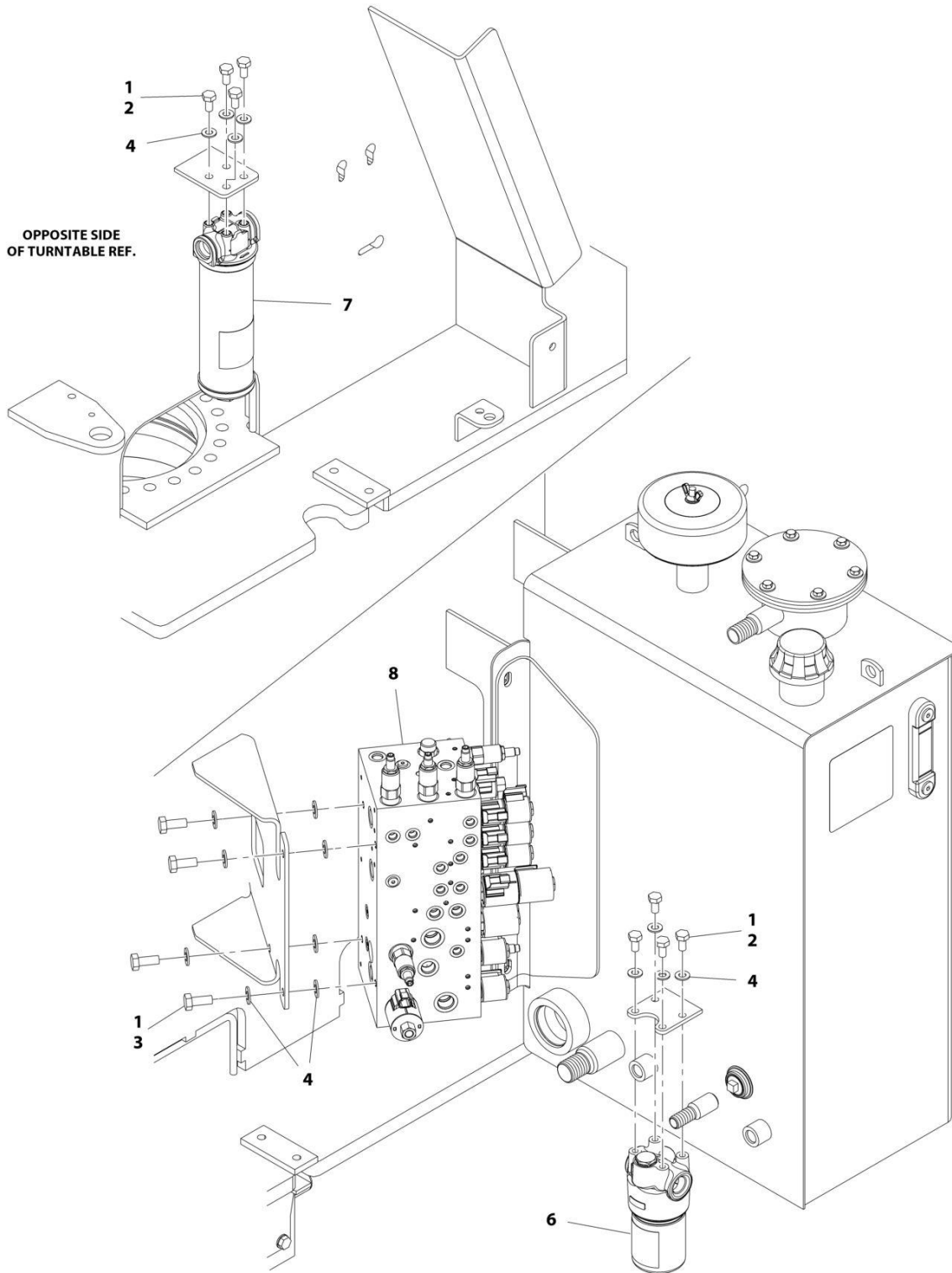
ITEM	PART NUMBER	QTY	DESCRIPTION	REV
	1001134994	Ref	FRAME SHIELDS INSTALLATIONS	A
1	0100011	AR	Compound, Locking	
2	0700812	12	Bolt M8 x 25	
3	4811900	12	Washer M8	
4	1001118274	6	Nut, Clip M8	
5	1001133909	2	Cover, Axle	
6	1001133911	1	Cover, Frame	
7	1001145004	1	Cover, Frame	



**SECTION 2 - TURNTABLE**

# SECTION 2 - TURNTABLE

## FIGURE 2-1. CONTROL VALVE AND HYDRAULIC FILTERS INSTALLATION - 18RS



ART\_1001133907\_2OF2

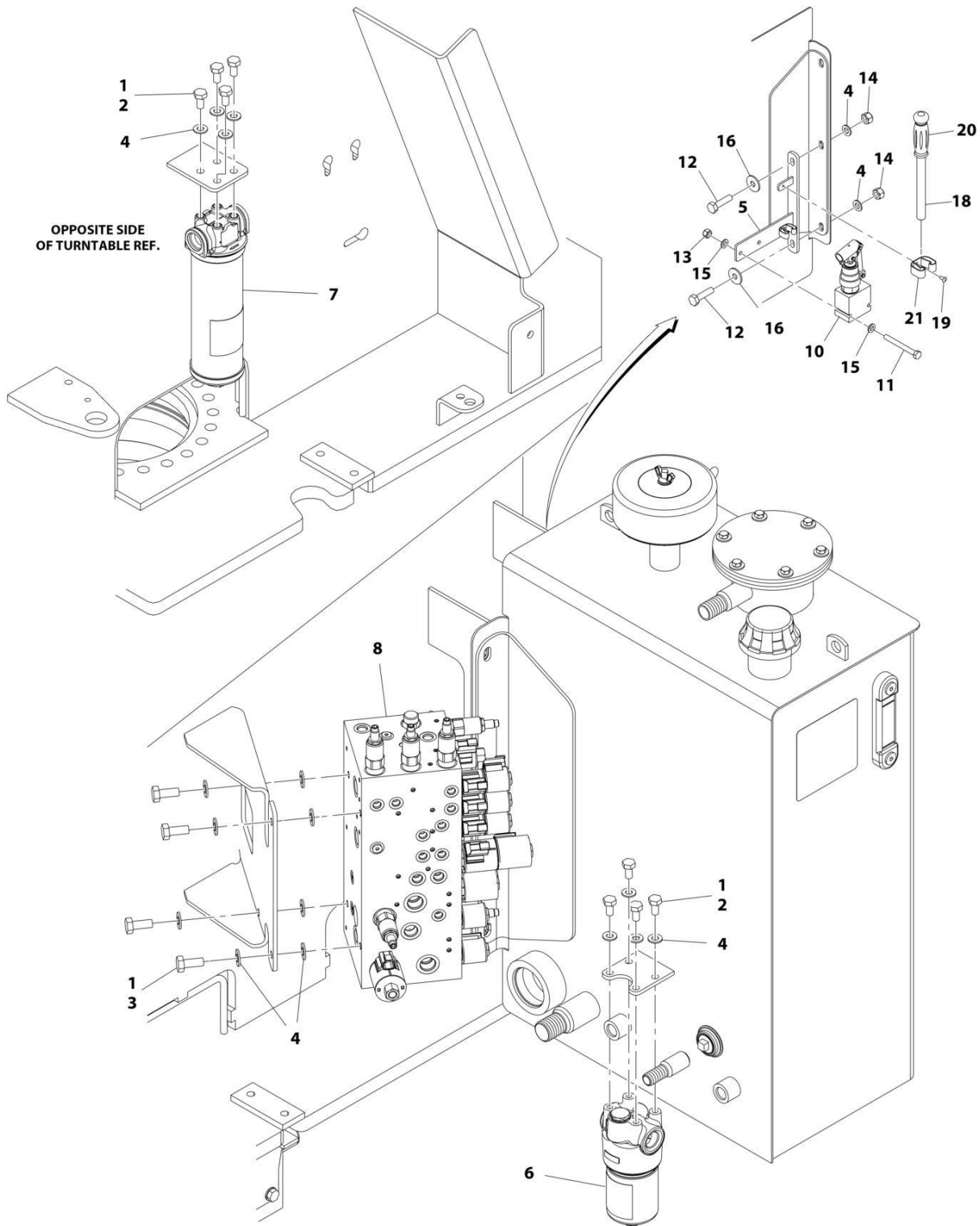
**SECTION 2 - TURNTABLE**

**FIGURE 2-1. CONTROL VALVE AND HYDRAULIC FILTERS INSTALLATION - 18RS**

ITEM	PART NUMBER	QTY	DESCRIPTION	REV
	1001133907	Ref	CONTROL VALVE AND HYDRAULIC FILTERS INSTALLATION - 18RS	B
1	0100011	AR	Compound, Locking	
2	0761010	8	Bolt M10 x 20	
3	0761012	4	Bolt M10 x 25	
4	4812000	16	Washer M10	
6	1001132296	1	High Pressure Filter Assembly	C
6	70003545	1	Element, Filter (Includes O-Ring)	
7	1001132299	1	Medium Pressure Filter Assembly	B
7	70002231	1	Element, Filter (Includes O-Ring)	
8	1001132303	1	Main Control Valve Assembly (See MAIN CONTROL VALVE ASSEMBLY for Breakdown)	

# SECTION 2 - TURNTABLE

## FIGURE 2-2. CONTROL VALVE AND HYDRAULIC FILTERS INSTALLATION - 18RSJ



ART\_1001180517\_2OF2



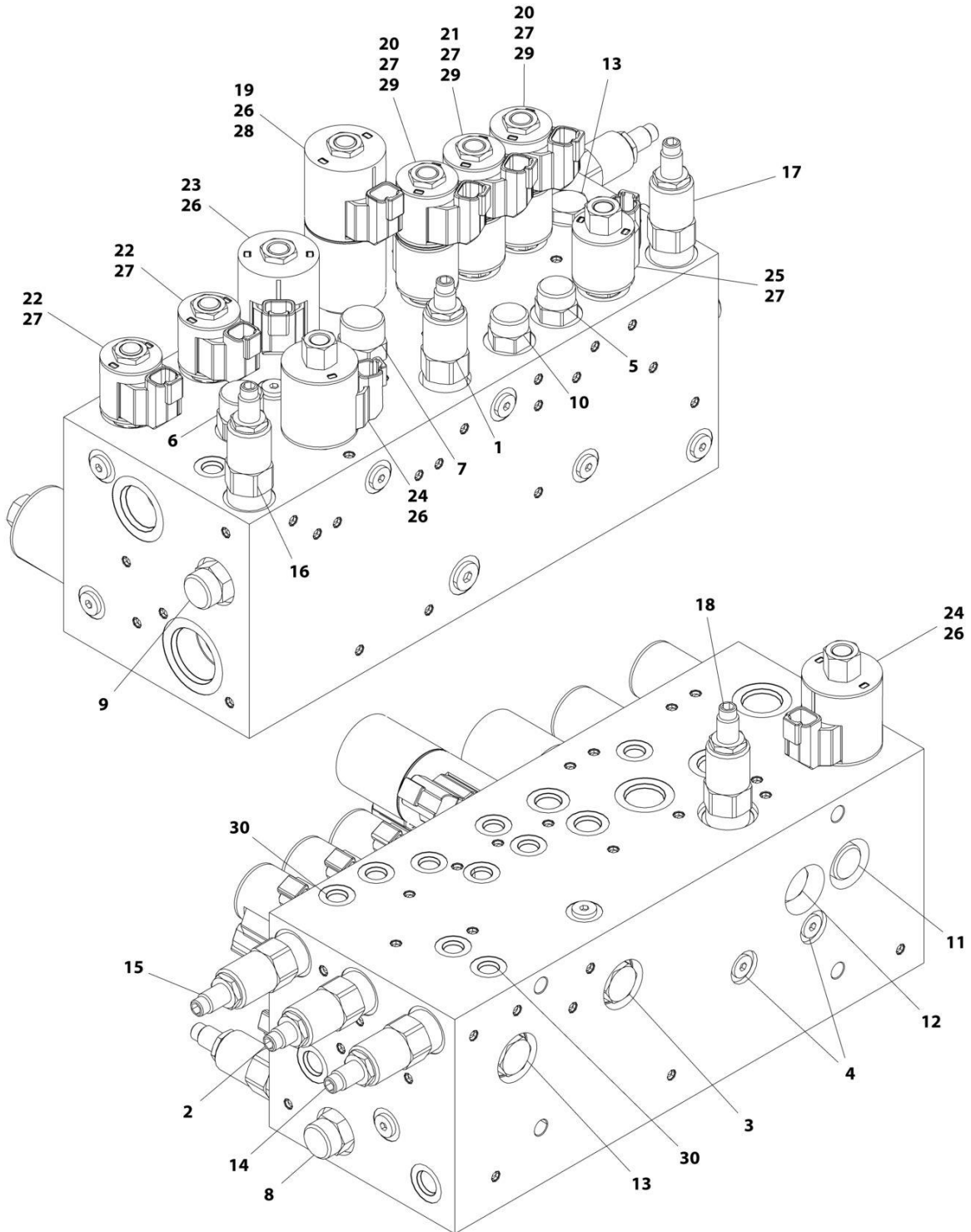
# SECTION 2 - TURNTABLE

**FIGURE 2-2. CONTROL VALVE AND HYDRAULIC FILTERS INSTALLATION - 18RSJ**

ITEM	PART NUMBER	QTY	DESCRIPTION	REV
	1001180517	Ref	CONTROL VALVE AND HYDRAULIC FILTERS INSTALLATION - 18RSJ	B
1	0100011	AR	Compound, Locking	
2	0761010	8	Bolt M10 x 20	
3	0761012	8	Bolt M10 x 25	
4	4812000	22	Washer M10	
5	1001186435	1	Bracket, Pump	
6	1001132296	1	High Pressure Filter Assembly	C
6	70003545	1	Element, Filter (Includes O-Ring)	
7	1001132299	1	Medium Pressure Filter Assembly	B
7	70002231	1	Element, Filter (Includes O-Ring)	
8	1001179923	1	Main Control Valve Assembly (See MAIN CONTROL VALVE ASSEMBLY for Breakdown)	
10	1001186846	1	Hand Pump Assembly	
10	70005440	1	Cartridge, Valve	
10	7024896	1	Seal Kit - 70005440 Valve	
11	0700823	2	Bolt M8 x 75	
12	0761016	2	Bolt M10 x 40	
13	3290805	2	Nut M8	
14	3291005	2	Nut M10	
15	4811900	4	Washer M8	
16	4812002	2	Washer M10	
18	2560122	1	Handle, Pump	
19	3820020	2	Rivet	
20	1001114761	1	Grip, Handle	
21	1380136	2	Clip, Gripper	

# SECTION 2 - TURNTABLE

## FIGURE 2-3. MAIN CONTROL VALVE ASSEMBLY - 18RS



ART\_1001132303

## SECTION 2 - TURNTABLE

**FIGURE 2-3. MAIN CONTROL VALVE ASSEMBLY - 18RS**

ITEM	PART NUMBER	QTY	DESCRIPTION	REV
	1001132303	Ref	MAIN CONTROL VALVE ASSEMBLY - 18RS	C
1	70003961	1	Cartridge, Crossover Relief	
1	7021653	1	Seal Kit - 70003961 Cartridge	
2	70004151	1	Cartridge, Crossover Relief	
2	7021653	1	Seal Kit - 70004151 Cartridge	
3	7012975	1	Cartridge, Check	
3	7012540	1	Seal Kit - 7012975 Cartridge	
4	70002975	2	Cartridge, Check	
4	70002976	2	Seal Kit - 70002975 Cartridge	
5	70003963	1	Cartridge, Compensator	
5	7010543	1	Seal Kit - 7003963 Cartridge	
6	70002973	1	Cartridge, Compensator	
6	2900707	1	Seal Kit - 70002973 Cartridge	
7	70004152	1	Cartridge, Compensator	
7	2900707	1	Seal Kit - 70004152 Cartridge	
8	70006291	1	Cartridge, Flow Control	
8	7010543	1	Seal Kit - 70006291 Cartridge	
9	70002972	1	Cartridge, Flow Control	
9	7010543	1	Seal Kit - 70002972 Cartridge	
10	7012989	1	Cartridge, Flow Regulator	
10	7012953	1	Seal Kit - 7012989 Cartridge	
11	7023984	1	Cartridge, Flow Regulator	
11	7012953	1	Seal Kit - 7023984 Cartridge	
12	10837580	1	Cartridge, Load Shuttle	
12	7010543	1	Seal Kit - 10837580 Cartridge	
13	7012914	2	Cartridge, Pilot Check	
13	7012918	2	Seal Kit - 7012914 Cartridge	
14	70004153	1	Cartridge, Relief	
14	7012998	1	Seal Kit - 70004153 Cartridge	
15	70003968	1	Cartridge, Relief	
15	7012998	1	Seal Kit - 70003968 Cartridge	
16	7023913	1	Cartridge, Relief	
16	7012998	1	Seal Kit - 7023913 Cartridge	
17	7017422	1	Cartridge, Relief	
17	7012998	1	Seal Kit - 7017422 Cartridge	
18	70004154	1	Cartridge, Relief	
18	7017496	1	Seal Kit - 70004154 Cartridge	
19	70003970	1	Cartridge, Solenoid (Without Coil)	
19	70003976	1	Seal Kit - 70003970 Cartridge	
19	7022390	1	Nut, Coil	
20	70003971	2	Cartridge, Solenoid (Without Coil)	
20	70002967	2	Seal Kit - 70003971 Cartridge	
20	7022390	2	Nut, Coil	
21	70002966	1	Cartridge, Solenoid (Without Coil)	
21	70003976	1	Seal Kit - 70002966 Cartridge	
21	7022390	1	Nut, Coil	
22	7024884	2	Cartridge, Solenoid (Without Coil)	
22	7012967	2	Seal Kit - 7024884 Cartridge	
22	7022390	2	Nut, Coil	
23	70002401	1	Cartridge, Solenoid (Without Coil)	

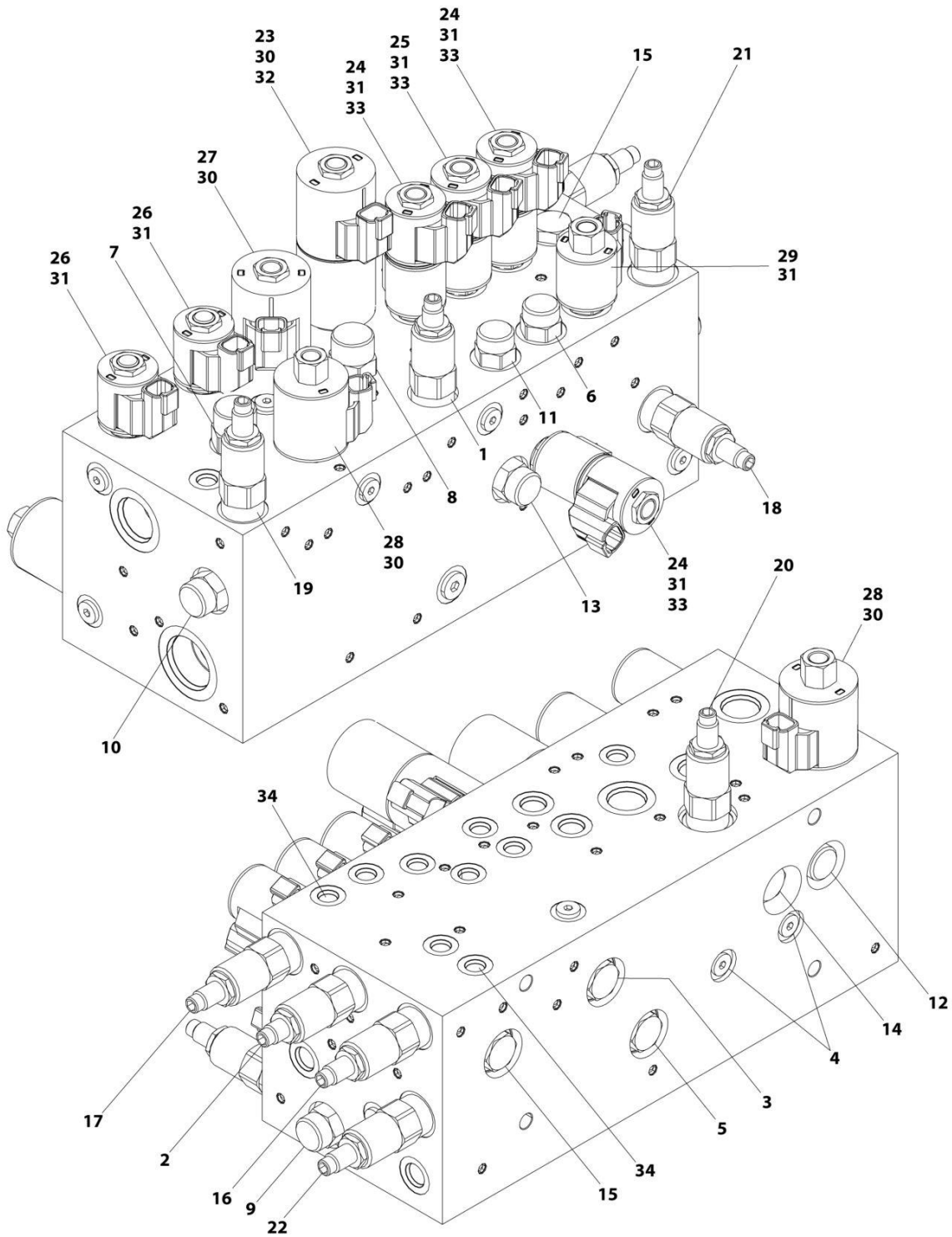
## SECTION 2 - TURNTABLE

ITEM	PART NUMBER	QTY	DESCRIPTION	REV
23	7017496	1	Seal Kit - 70002401 Cartridge	
23	7022390	1	Nut, Coil	
24	7012910	2	Cartridge, Solenoid (Without Coil)	
24	2900708	2	Seal Kit - 7012910 Cartridge	
24	70003977	2	Nut, Coil	
25	7017410	1	Cartridge, Solenoid (Without Coil)	
25	7012967	1	Seal Kit - 7017410 Cartridge	
25	70003978	1	Nut, Coil	
26	70003788	5	Coil	
27	70002386	9	Coil	
28	70003974	1	Disc, Check Valve	
29	70002974	3	Disc, Check Valve	
30	70003975	2	Orifice	
31	See Note	AR	Plug Options (Not Shown)	
31	7024844	1	Plug 3/8 (#6)	
31	7017406	9	Plug 1/4 (#4)	



# SECTION 2 - TURNTABLE

## FIGURE 2-4. MAIN CONTROL VALVE ASSEMBLY - 18RSJ



ART\_1001179923

**SECTION 2 - TURNTABLE**

**FIGURE 2-4. MAIN CONTROL VALVE ASSEMBLY - 18RSJ**

ITEM	PART NUMBER	QTY	DESCRIPTION	REV
	1001179923	Ref	MAIN CONTROL VALVE ASSEMBLY - 18RSJ	B
1	70003961	1	Cartridge, Crossover Relief	
1	7021653	1	Seal Kit - 70003961 Cartridge	
2	70004151	1	Cartridge, Crossover Relief	
2	7021653	1	Seal Kit - 70004151 Cartridge	
3	7012975	1	Cartridge, Check	
3	7012540	1	Seal Kit - 7012975 Cartridge	
4	70002975	2	Cartridge, Check	
4	70002976	2	Seal Kit - 70002975 Cartridge	
5	7022391	1	Cartridge, Check	
5	7012967	1	Seal Kit - 7022391 Cartridge	
6	70003963	1	Cartridge, Compensator	
6	7010543	1	Seal Kit - 7003963 Cartridge	
7	70002973	1	Cartridge, Compensator	
7	2900707	1	Seal Kit - 70002973 Cartridge	
8	70004152	1	Cartridge, Compensator	
8	2900707	1	Seal Kit - 70004152 Cartridge	
9	70002972	2	Cartridge, Flow Control	
9	7010543	2	Seal Kit - 70002972 Cartridge	
10	7012989	1	Cartridge, Flow Regulator	
10	7012953	1	Seal Kit - 7012989 Cartridge	
11	7023984	1	Cartridge, Flow Regulator	
11	7012953	1	Seal Kit - 7023984 Cartridge	
12	7012965	1	Cartridge, Flow Regulator	
12	7012953	1	Seal Kit - 702965 Cartridge	
13	10837580	1	Cartridge, Load Shuttle	
13	7010543	1	Seal Kit - 10837580 Cartridge	
14	7012914	2	Cartridge, Pilot Check	
14	7012918	2	Seal Kit - 7012914 Cartridge	
15	70004153	1	Cartridge, Relief	
15	7012998	1	Seal Kit - 70004153 Cartridge	
16	70003968	1	Cartridge, Relief	
16	7012998	1	Seal Kit - 70003968 Cartridge	
17	7017420	1	Cartridge, Relief	
17	7012998	1	Seal Kit - 7017420 Cartridge	
18	7023913	1	Cartridge, Relief	
18	7012998	1	Seal Kit - 7023913 Cartridge	
19	70004154	1	Cartridge, Relief	
19	7017496	1	Seal Kit - 70004154 Cartridge	
20	7017422	1	Cartridge, Relief	
20	7012998	1	Seal Kit - 7017422 Cartridge	
21	7017421	1	Cartridge, Relief	
21	7012998	1	Seal Kit - 7017421 Cartridge	
22	70003970	1	Cartridge, Solenoid (Without Coil)	
22	70003976	1	Seal Kit - 70003970 Cartridge	
22	7022390	1	Nut, Coil	
23	70003971	3	Cartridge, Solenoid (Without Coil)	
23	70002967	3	Seal Kit - 70003971 Cartridge	
23	7022390	3	Nut, Coil	
24	70002966	1	Cartridge, Solenoid (Without Coil)	

## SECTION 2 - TURNTABLE

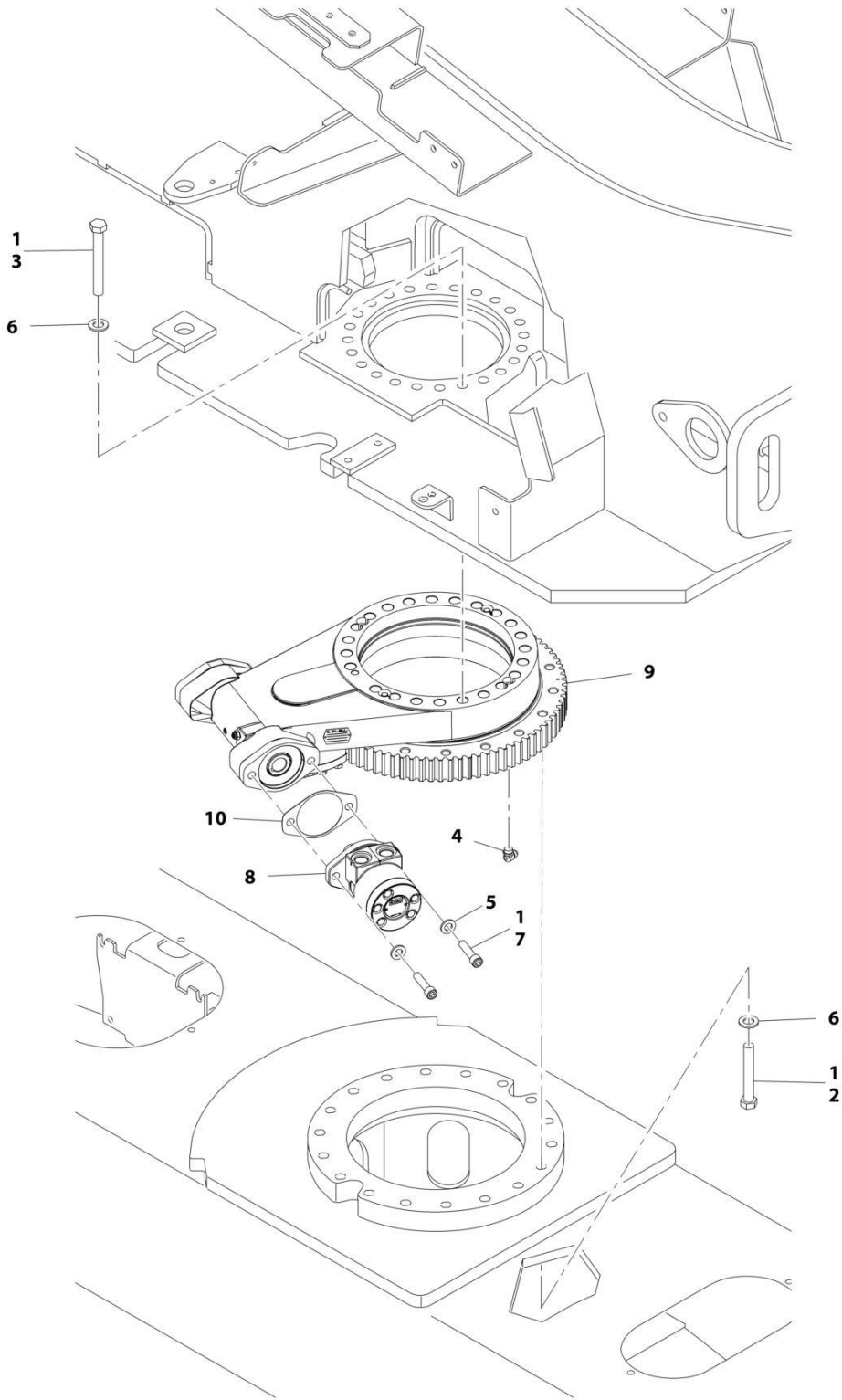
ITEM	PART NUMBER	QTY	DESCRIPTION	REV
24	70003976	1	Seal Kit - 70002966 Cartridge	
24	7022390	1	Nut, Coil	
25	7024884	2	Cartridge, Solenoid (Without Coil)	
25	7012967	2	Seal Kit - 7024884 Cartridge	
25	7022390	2	Nut, Coil	
26	70002401	1	Cartridge, Solenoid (Without Coil)	
26	7017496	1	Seal Kit - 70002401 Cartridge	
26	7022390	1	Nut, Coil	
27	7012910	2	Cartridge, Solenoid (Without Coil)	
27	2900708	2	Seal Kit - 7012910 Cartridge	
27	70003977	2	Nut, Coil	
28	7017410	1	Cartridge, Solenoid (Without Coil)	
28	7012967	1	Seal Kit - 7017410 Cartridge	
28	70003978	1	Nut, Coil	
29	70003788	5	Coil	
30	70002386	11	Coil	
31	70003974	1	Disc, Check Valve	
32	70002974	4	Disc, Check Valve	
33	70003975	2	Orifice	
34	See Note	AR	Plug Options (Not Shown)	
34	7024844	1	Plug 3/8 (#6)	
34	7017406	9	Plug 1/4 (#4)	





# SECTION 2 - TURNTABLE

## FIGURE 2-5. TURNTABLE BEARING AND SWING DRIVE INSTALLATION



ART\_1001134069

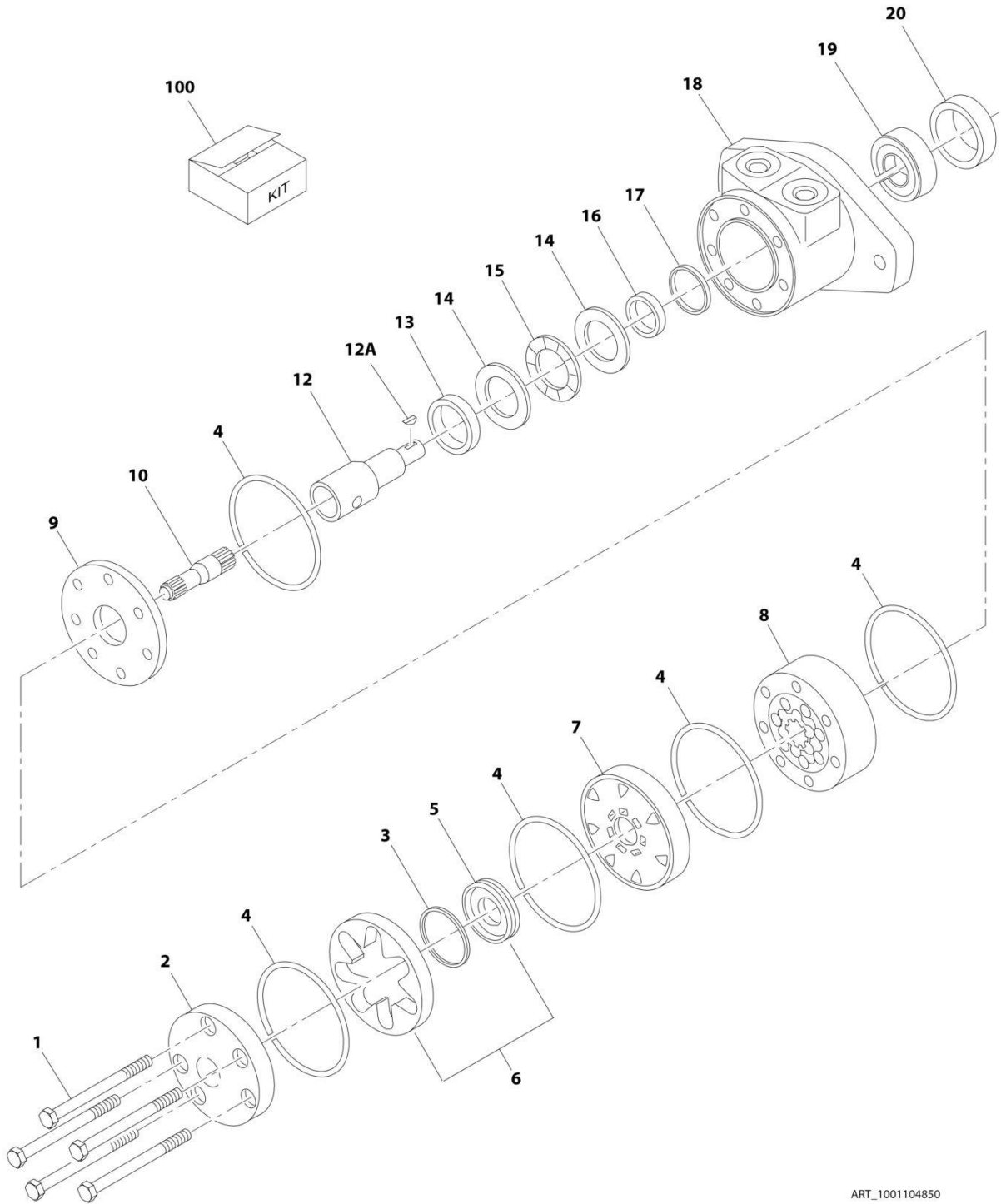
## SECTION 2 - TURNTABLE

**FIGURE 2-5. TURNTABLE BEARING AND SWING DRIVE INSTALLATION**

ITEM	PART NUMBER	QTY	DESCRIPTION	REV
	1001134069	Ref	TURNTABLE BEARING AND SWING DRIVE INSTALLATION	G
1	0100019	AR	Compound, Locking	
2	0711628	18	Bolt M16 x 110 (Grade 10.9)	
3	0711630	23	Bolt M16 x 130 (Grade 10.9)	
4	2160001	2	Fitting, Grease	
5	5241200	2	Washer M12	
6	5241600	41	Washer M16	
7	5272114	2	Capscrew M12 x 50	
8	1001104850	1	Swing Motor Assembly (See SWING MOTOR ASSEMBLY for Breakdown)	
9	1001133972	1	Swing Bearing and Rotation Box Assembly (See SWING BEARING AND ROTATION BOX ASSEMBLY for Breakdown)	
10	1001155744	1	Gasket	

# SECTION 2 - TURNTABLE

## FIGURE 2-6. SWING MOTOR ASSEMBLY



ART\_1001104850

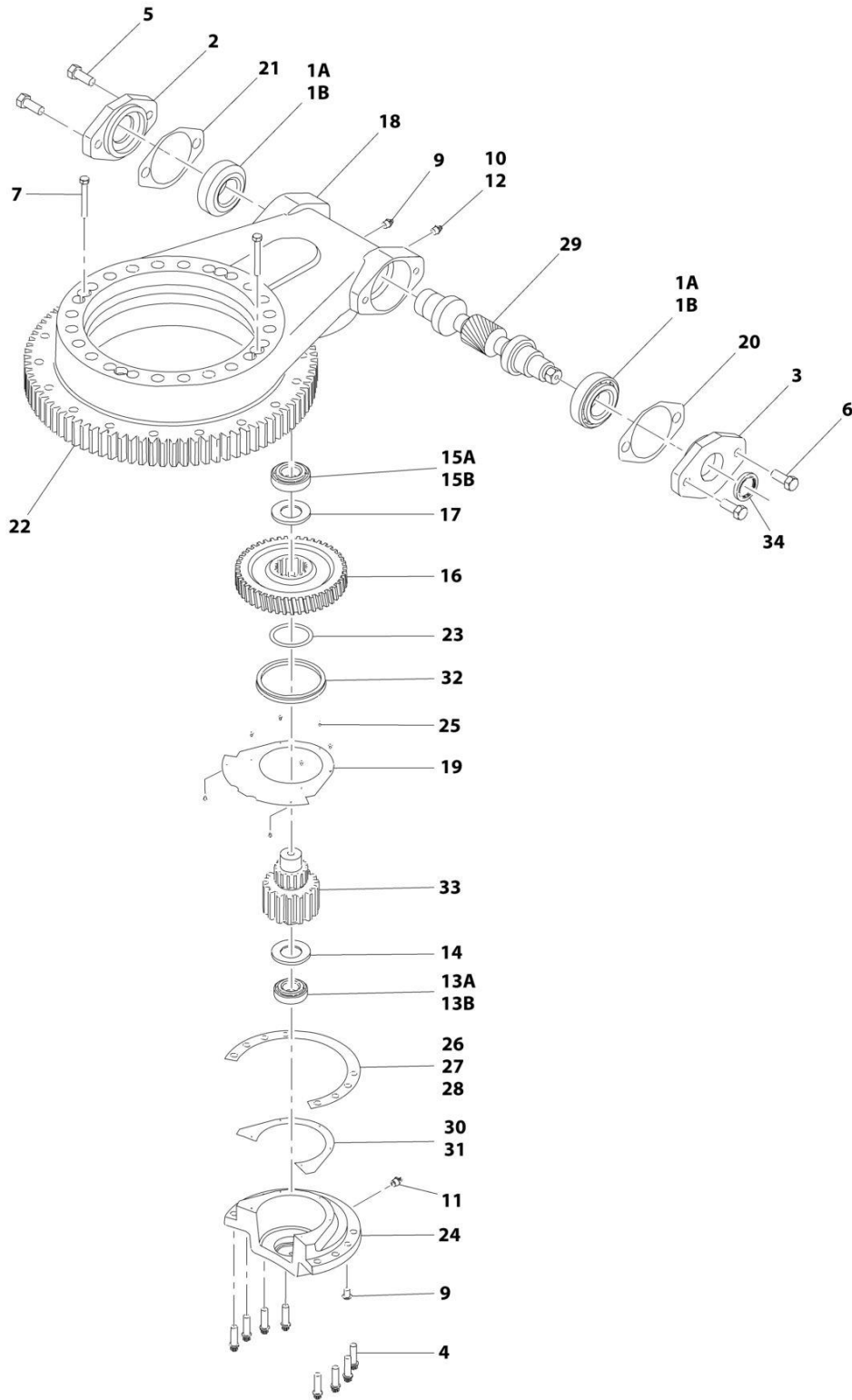
# SECTION 2 - TURNTABLE

**FIGURE 2-6. SWING MOTOR ASSEMBLY**

ITEM	PART NUMBER	QTY	DESCRIPTION	REV
	1001104850	Ref	SWING MOTOR ASSEMBLY	A
1	See Note	NSS	Bolt (Note: Not Available for Purchase)	
2	7004035	1	Cover, End	
3	7023318	1	Seal, Commutator	
4	7004036	5	O-Ring	
5	See Note	NSS	Commutator (Note: Use p/n 7024453)	
6	7024453	1	Commutator and Ring Assembly (Includes Items 3 & 5)	
7	7024379	1	Manifold	
8	70002206	1	Rotor Set	
9	7024380	1	Plate, Wear	
10	70002207	1	Link, Drive	
12	70000088	1	Shaft, Coupling	
12A	70000089	1	Key	
13	7024381	1	Bushing, Inner	
14	7004043	1	Thrustwasher	
15	7004044	1	Bearing, Thrust	
16	7004049	1	Seal, Inner Shaft	
17	7004045	1	Ring, Backup	
18	See Note	NSS	Housing (Note: Not Available - Purchase Complete Motor)	
19	7024390	1	Bearing	
20	7004047	1	Seal, Outer Shaft	
100	7024389	1	Seal Kit (Includes Items 3, 4, 16, 17 & 20)	

# SECTION 2 - TURNTABLE

## FIGURE 2-7. SWING BEARING AND ROTATION BOX ASSEMBLY



ART\_1001133972

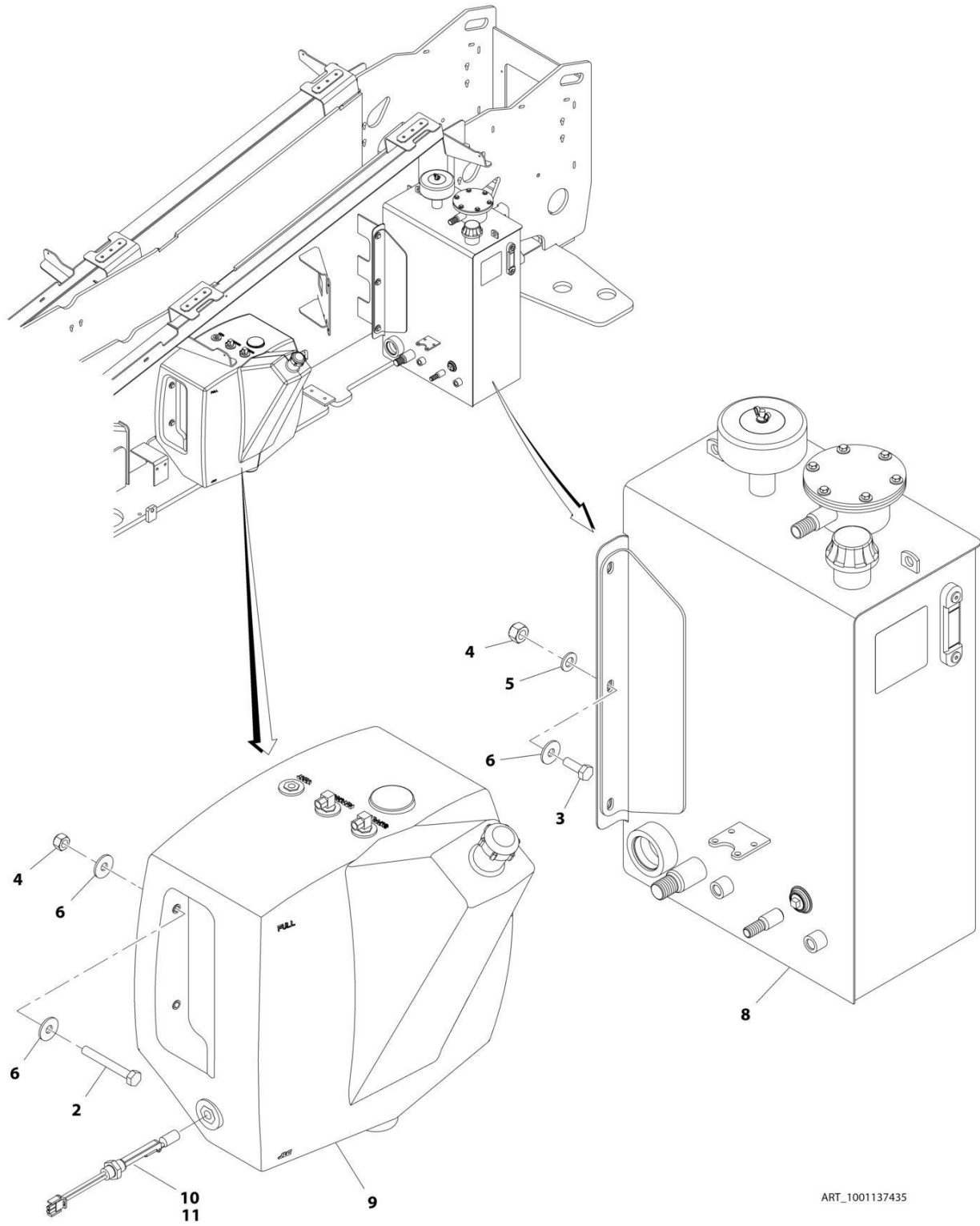
## SECTION 2 - TURNTABLE

**FIGURE 2-7. SWING BEARING AND ROTATION BOX ASSEMBLY**

ITEM	PART NUMBER	QTY	DESCRIPTION	REV
	1001133972	Ref	SWING BEARING AND ROTATION BOX ASSEMBLY	D
1A	7026042	2	Cup, Bearing	
1B	7026043	2	Cone, Bearing	
2	7027356	1	Adapter, Motor	
3	7027354	1	Cap, Worm	
4	70004249	8	Bolt M10 x 35 Grade 10.9	
5	70004250	2	Bolt M12 x 30 Grade 10.9	
6	70004251	2	Bolt M12 x 40 Grade 10.9	
7	70004252	2	Bolt M8 x 65	
9	70000865	1	Plug	
10	70002649	1	Vent, Pressure	
11	70002651	1	Fitting, Grease	
12	7026044	1	Bushing, Reducer	
13A	7026045	1	Cup, Bearing	
13B	7026047	1	Cone, Bearing	
14	7026046	1	Ring, Grease	
15A	7026048	1	Cup, Bearing	
15B	7026049	1	Cone, Bearing	
16	7026050	1	Worm-Gear	
17	7026052	1	Spacer, Washer	
18	See Note	NSS	Housing (Note: Not Available - Purchase Complete Assembly)	
19	7026053	1	Cover, Gear	
20	7027350	AR	Shim, Blue (.005in)	
20	7027351	AR	Shim, Clear (.0075in)	
20	7027352	AR	Shim, Brown (.010in)	
21	7027353	AR	Shim, Yellow (.020in)	
22	70004253	1	Bearing, Turntable	
23	70004254	1	O-Ring	
24	70004255	1	Cap, Gear	
25	70004256	8	Bolt M4 x 8	
26	70004257	AR	Shim, Green (.003)	
27	70004258	AR	Shim, Blue (.005)	
28	70004259	AR	Shim, Natural (.0075)	
29	7026057	1	Gear, Worm	
30	70004260	AR	Shim, Blue (.005)	
31	70004261	AR	Shim, Yellow (.020)	
32	70004262	1	Seal, Oil	
33	7026051	1	Pinion, Output	
34	70004263	1	Seal, Oil	

# SECTION 2 - TURNTABLE

## FIGURE 2-8. TANK INSTALLATIONS



ART\_1001137435



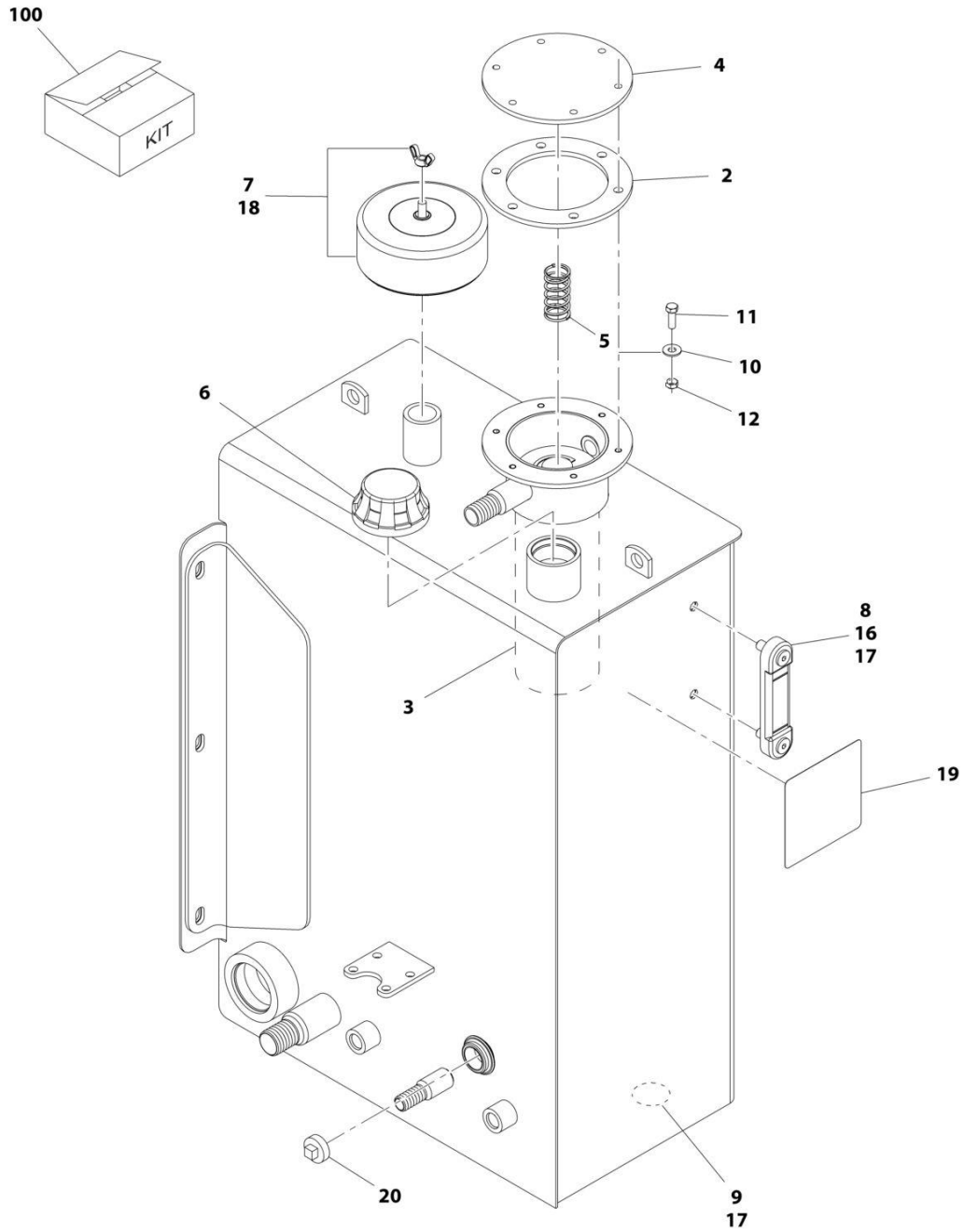
**SECTION 2 - TURNTABLE**

**FIGURE 2-8. TANK INSTALLATIONS**

ITEM	PART NUMBER	QTY	DESCRIPTION	REV
	1001137435	Ref	TANK INSTALLATIONS	C
2	0701024	4	Bolt M10 x 80	
3	0761014	6	Bolt M10 x 30	
4	3291005	10	Nut M10	
5	4812000	6	Washer M10	
6	4812002	14	Washer M10	
8	1001132232	1	Hydraulic Tank Assembly (See HYDRAULIC TANK ASSEMBLY for Breakdown)	
9	1001136300	1	Fuel Tank Assembly	
9	70005064	1	Cap, Fill	
9	See Note	NSS	Tube, Supply/Return (Note: Not Available for Purchase)	
10	4360436	1	Switch, Fuel Level <b>(SN B300001515 to Present)</b>	
11	1001182997	1	Adhesive <b>(SN B300001515 to Present)</b>	

# SECTION 2 - TURNTABLE

## FIGURE 2-9. HYDRAULIC TANK ASSEMBLY



ART\_1001132232

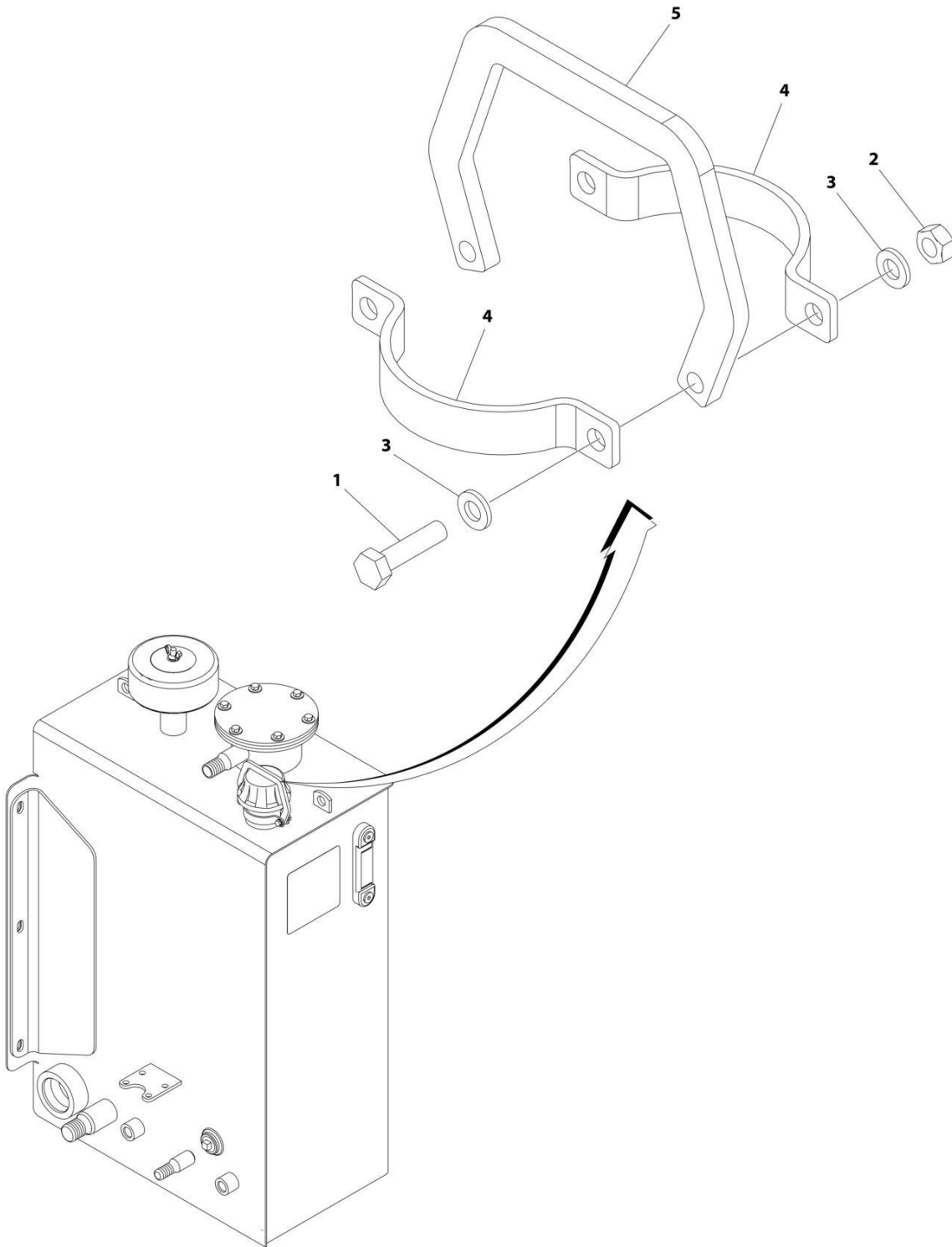
**SECTION 2 - TURNTABLE**

**FIGURE 2-9. HYDRAULIC TANK ASSEMBLY**

ITEM	PART NUMBER	QTY	DESCRIPTION	REV
	1001132232	Ref	HYDRAULIC TANK ASSEMBLY	H
2	70002839	1	Gasket, Filter	
3	See Note	NSS	Element, Filter (Note: Use Item 100)	
4	See Note	NSS	Cover (Note: Not Available for Purchase)	
5	70004195	1	Spring	
6	70002838	1	Fill Cap Assembly	
7	See Note	NSS	Breather Assembly (Note: Use Item 100)	
8	7024441	1	Gauge	
9	70004196	1	Plug	
10	70004197	6	Washer 5/16 Stainless Steel	
11	70004198	6	Bolt 5/16 x 1 Stainless Steel	
12	70004199	6	Nut 5/16 Stainless Steel	
16	See Note	AR	Compound, Locking (Note: Use Loctite #243)	
17	See Note	AR	Lubricant (Note: Not Available)	
18	See Note	AR	Sealant (Note: Use Loctite #565)	
19	70004200	1	Decal - Service	
20	See Note	NSS	Plug (Note: Not Available - Purchase Locally)	
100	70003614	1	Filter Kit (Includes Items 3 & 7)	

## SECTION 2 - TURNTABLE

FIGURE 2-10. HYDRAULIC TANK LOCK INSTALLATION (SN B30002264 to Present)



ART\_1001229941

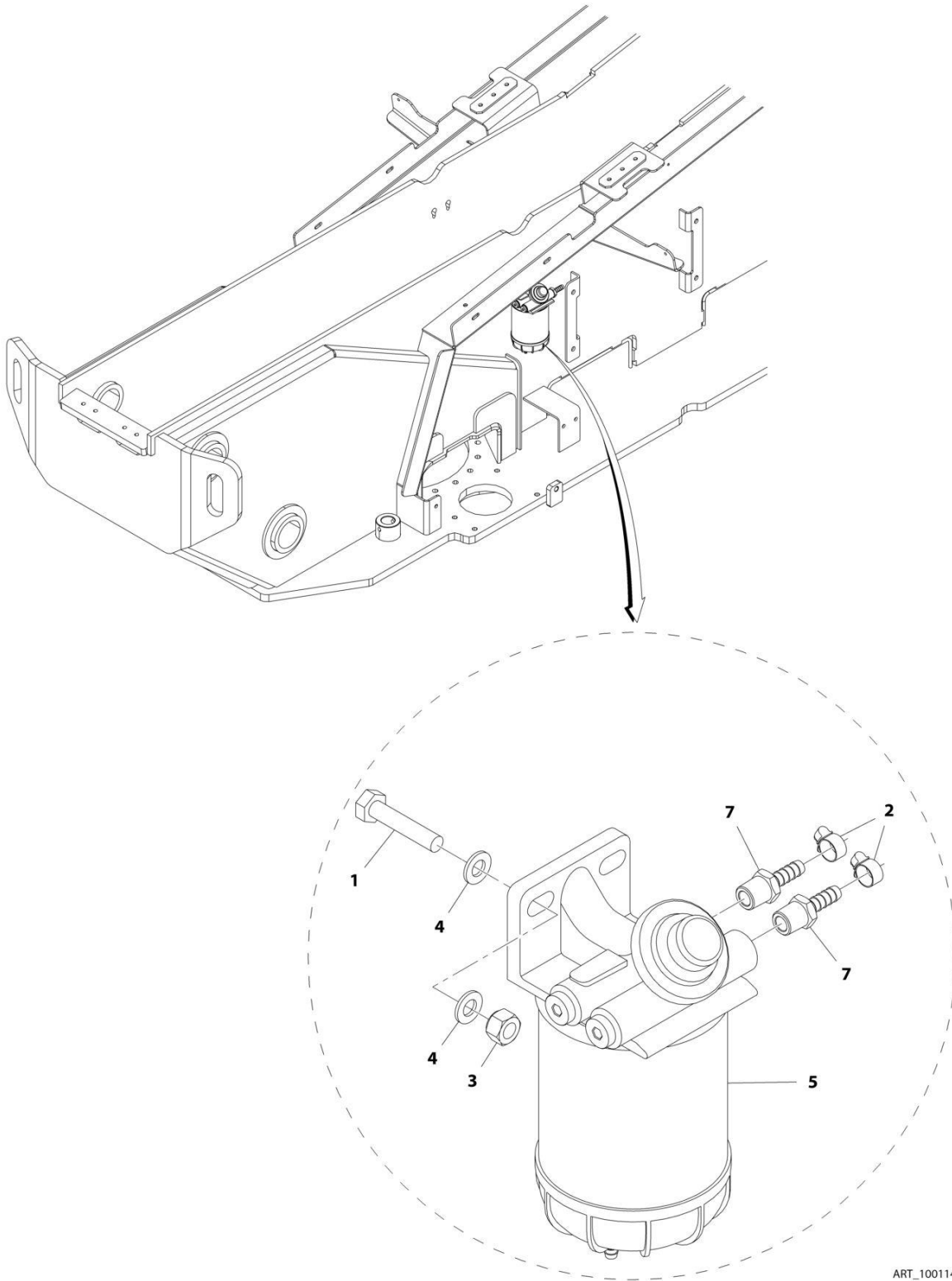
**SECTION 2 - TURNTABLE**

**FIGURE 2-10. HYDRAULIC TANK LOCK INSTALLATION (SN B300002264 to Present)**

<b>ITEM</b>	<b>PART NUMBER</b>	<b>QTY</b>	<b>DESCRIPTION</b>	<b>REV</b>
	1001229941	Ref	HYDRAULIC TANK LOCK INSTALLATION (SN B300002264 to Present)	A
1	0760612	2	Bolt M6 x 25	
2	3290601	2	Nut M6	
3	4811700	4	Washer M6	
4	1001229942	2	Bracket	
5	1001229943	1	Bracket	

## SECTION 2 - TURNTABLE

FIGURE 2-11. FUEL FILTER INSTALLATION (OPTIONAL)



ART\_1001146991

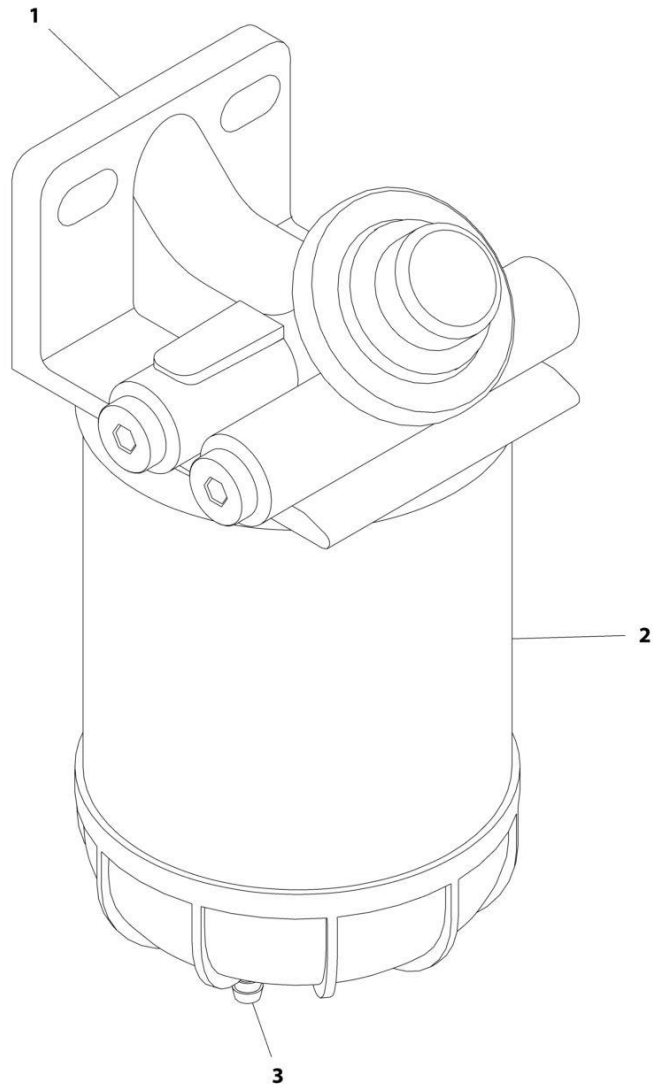
**SECTION 2 - TURNTABLE**

**FIGURE 2-11. FUEL FILTER INSTALLATION (OPTIONAL)**

<b>ITEM</b>	<b>PART NUMBER</b>	<b>QTY</b>	<b>DESCRIPTION</b>	<b>REV</b>
	1001146991	Ref	FUEL FILTER INSTALLATION (OPTIONAL)	B
1	0701018	2	Bolt M10 x 50	
2	1320022	2	Clamp	
3	3291005	2	Nut M10	
4	4812000	4	Washer M10	
5	1001136173	1	Water Separator Filter Assembly (See WATER SEPARATOR FILTER ASSEMBLY (OPTIONAL) for Breakdown)	
7	2180876	2	Fitting, Straight Barbed	

## SECTION 2 - TURNTABLE

FIGURE 2-12. WATER SEPARATOR FILTER ASSEMBLY (OPTIONAL)



ART\_1001136173



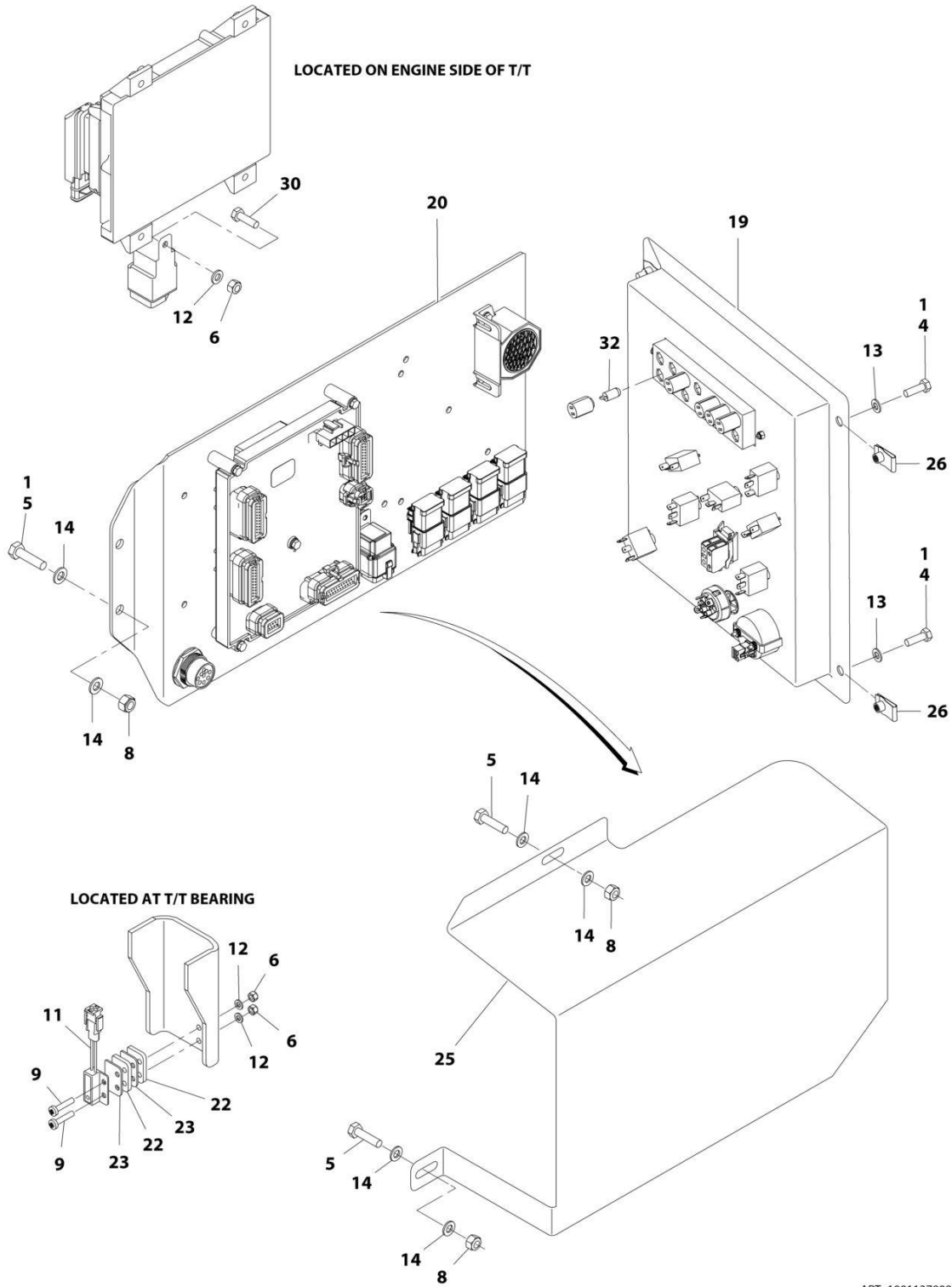
**SECTION 2 - TURNTABLE**

**FIGURE 2-12. WATER SEPARATOR FILTER ASSEMBLY (OPTIONAL)**

<b>ITEM</b>	<b>PART NUMBER</b>	<b>QTY</b>	<b>DESCRIPTION</b>	<b>REV</b>
	1001136173	Ref	WATER SEPARATOR FILTER ASSEMBLY (OPTIONAL)	B
1	70004063	1	Head, Mounting Kit (Includes Plugs and #4 Bypass Valve)	
1	70004064	1	Valve, Bypass	
1	70004065	1	Gasket - Head to Element	
2	70004066	1	Element, Filter	
3	70004065	1	Gasket - Element to Bowl	
3	70004068	1	Bowl Kit (Includes Bowl, #3 Element Plug and Drain)	
3	70004069	1	Plug	
3	70004070	1	Drain, Self-Vented	

# SECTION 2 - TURNTABLE

## FIGURE 2-13. ELECTRICAL INSTALLATION - 18RS



ART\_1001137908\_10F2

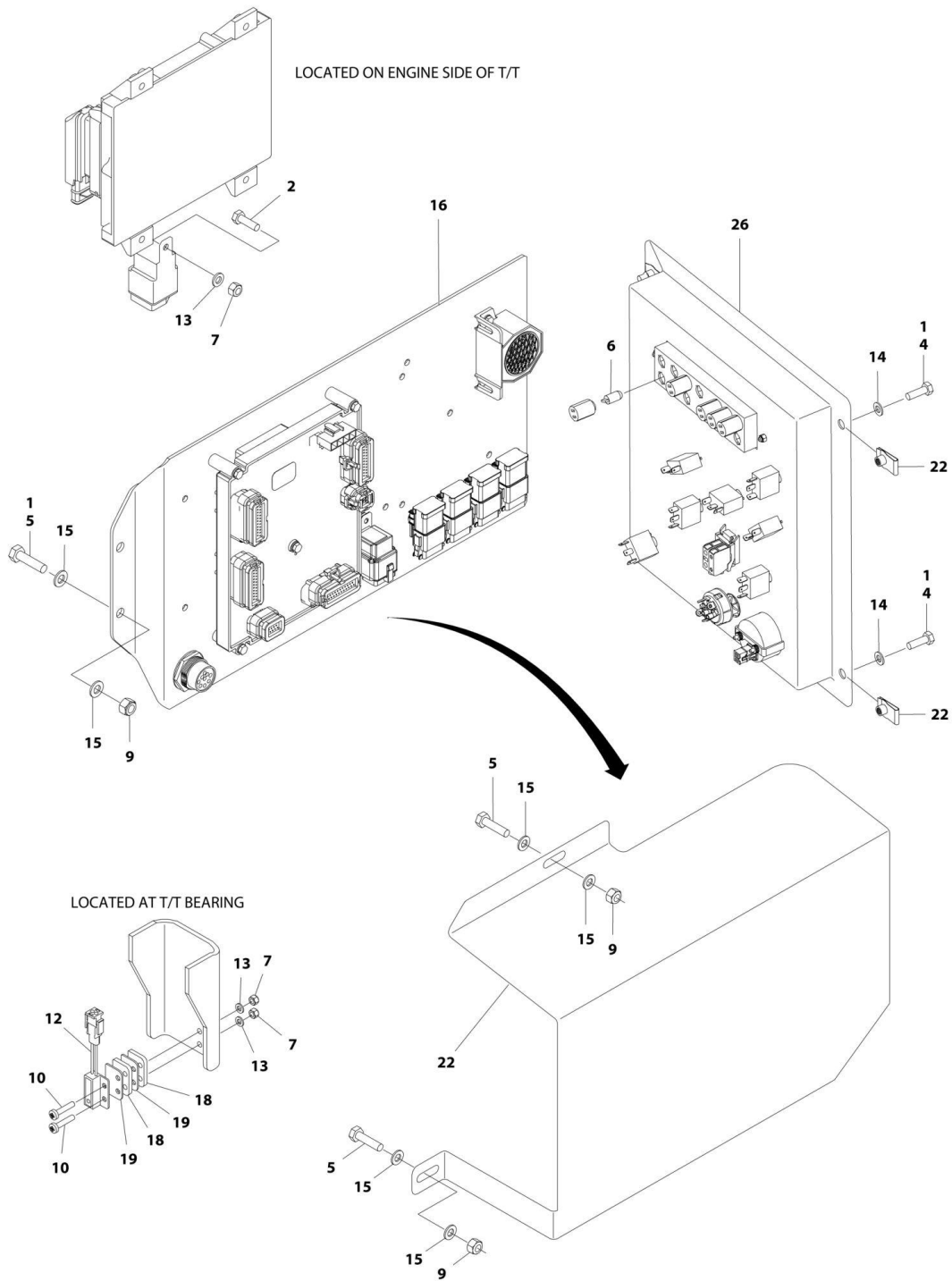
## SECTION 2 - TURNTABLE

**FIGURE 2-13. ELECTRICAL INSTALLATION - 18RS**

ITEM	PART NUMBER	QTY	DESCRIPTION	REV
	1001137908	Ref	ELECTRICAL INSTALLATION - 18RS	G
1	0100011	AR	Compound, Locking	
4	0760812	4	Bolt M8 x 25	
5	0761016	6	Bolt M10 x 40	
6	3290605	3	Nut M6	
8	3291005	6	Nut M10	
9	3900392	2	Screw M6 x 30	
10	4240018	6	Tie-Strap (Not Shown)	
11	4360514	1	Switch, Proximity	
11	4460424	1	Receptacle, Female - 2 Position	
11	4460227	2	Pin, Male	
12	4811700	4	Washer M6	
13	4811900	6	Washer M8	
14	4812000	12	Washer M10	
15	1001132511	1	Turntable Harness (Not Shown - See ELECTRICAL SECTION for Breakdown)	
16	1001132556	1	Engine Harness (Not Shown - See ELECTRICAL SECTION for Breakdown)	
17	1001134067	1	Valve Harness (Not Shown - See ELECTRICAL SECTION for Breakdown)	
19	1001134791	1	Ground Control Panel Assembly (See GROUND CONTROL PANEL ASSEMBLY for Breakdown)	
20	1001134830	1	Electrical Panel Assembly (See ELECTRICAL PANEL ASSEMBLY for Breakdown)	
21	1001135506	1	Ground Control Panel Harness (Not Shown - See ELECTRICAL SECTION for Breakdown)	
22	1001140710	2	Shim	
23	1001141075	2	Shim	
24	1001145874	1	Chassis Harness (Not Shown - See ELECTRICAL SECTION for Breakdown)	
25	1001148387	1	Cover	
26	1001149160	4	Nut, Tinnerman M8	
30	0760610	1	Bolt M6 x 20	
31	1001159284	1	EMR2 Power Harness (Not Shown - See ELECTRICAL SECTION for Breakdown)	
32	2920129	5	Lamp	

# SECTION 2 - TURNTABLE

## FIGURE 2-14. ELECTRICAL INSTALLATION - 18RSJ



ART\_1001185923\_1OF2

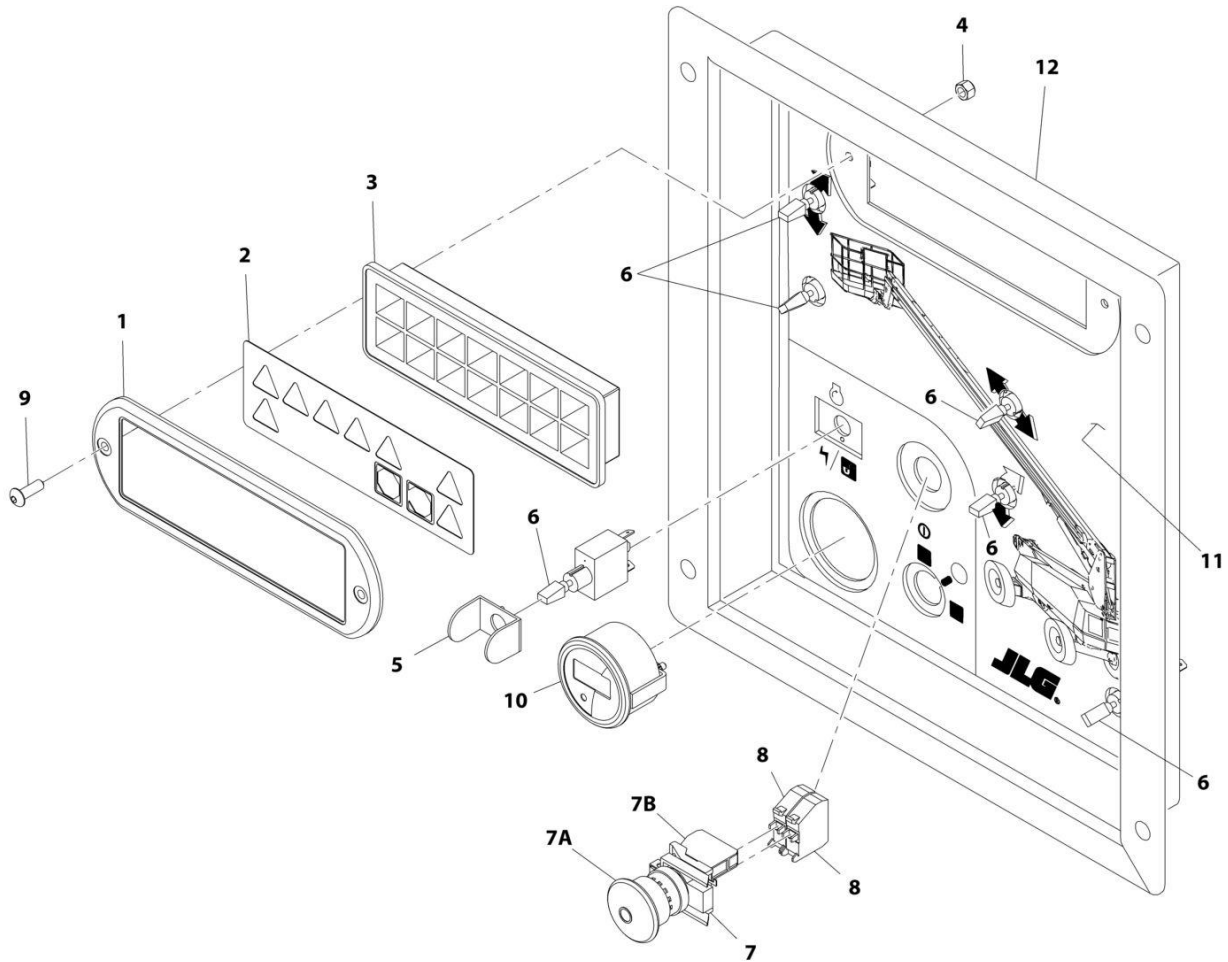
## SECTION 2 - TURNTABLE

**FIGURE 2-14. ELECTRICAL INSTALLATION - 18RSJ**

ITEM	PART NUMBER	QTY	DESCRIPTION	REV
	1001185923	Ref	ELECTRICAL INSTALLATION - 18RSJ	B
1	0100011	AR	Compound, Locking	
2	0760610	1	Bolt M6 x 20	
4	0760812	4	Bolt M8 x 25	
5	0761016	6	Bolt M10 x 40	
6	2920129	5	Lamp	
7	3290605	3	Nut M6	
8	3290801	1	Nut M8	
9	3291005	6	Nut M10	
10	3900392	2	Screw M6 x 30	
11	4240018	6	Tie-Strap (Not Shown)	
12	4360514	1	Switch, Proximity	
12	4460424	1	Receptacle, Female - 2 Position	
12	4460227	2	Pin, Male	
13	4811700	4	Washer M6	
14	4811900	6	Washer M8	
15	4812000	12	Washer M10	
16	1001134830	1	Electrical Panel Assembly (See ELECTRICAL PANEL ASSEMBLY for Breakdown)	
17	1001203478	1	Ground Control Panel Harness (Not Shown - See ELECTRICAL SECTION for Breakdown)	
18	1001140710	2	Shim	
19	1001141075	2	Shim	
20	1001145874	1	Chassis Harness (Not Shown - See ELECTRICAL SECTION for Breakdown)	
21	1001148387	1	Cover	
22	1001149160	4	Nut, Tinnerman M8	
25	1001185833	1	JIB Valve Harness (Not Shown - See ELECTRICAL SECTION for Breakdown)	
26	1001187208	1	Ground Control Panel Assembly (See GROUND CONTROL PANEL ASSEMBLY for Breakdown)	
27	1001132511	1	Turntable Harness (Not Shown - See ELECTRICAL SECTION for Breakdown)	
28	1001132556	1	Engine Harness (Not Shown - See ELECTRICAL SECTION for Breakdown)	
29	1001203479	1	Valve Harness (Not Shown - See ELECTRICAL SECTION for Breakdown)	
31	1001159284	1	EMR2 Power Harness (Not Shown - See ELECTRICAL SECTION for Breakdown)	

# SECTION 2 - TURNTABLE

## FIGURE 2-15. GROUND CONTROL PANEL ASSEMBLY - 18RS



ART\_1001134791

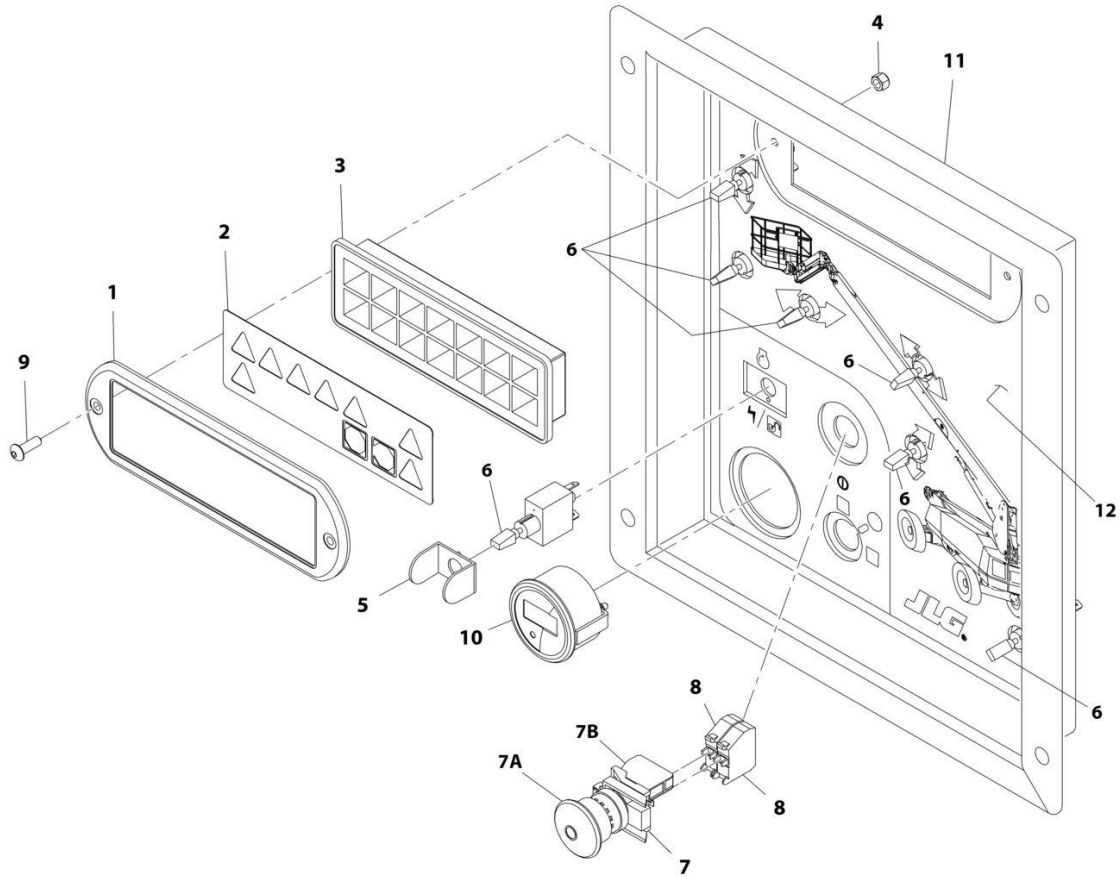
**SECTION 2 - TURNTABLE**

**FIGURE 2-15. GROUND CONTROL PANEL ASSEMBLY - 18RS**

ITEM	PART NUMBER	QTY	DESCRIPTION	REV
	1001134791	Ref	GROUND CONTROL PANEL ASSEMBLY - 18RS	A
1	1670829	1	Bezel	
2	1706712	1	Decal - Display Panel	
3	2760105	1	Housing, Display Light	
4	3290505	2	Nut M5	
5	4060906	1	Shield, Toggle Switch	
6	4360328	6	Switch, Toggle	
7	4360475	1	Switch, Emergency Stop	
7A	7020175	1	Cap, Mushroom Head	
7B	7020176	1	Block, Contact	
8	4360476	1	Switch, Contact Block	
9	1001099125	2	Screw M5 x 16	
10	1001109503	1	Gauge, Indicator	
11	1001133881	1	Decal - Ground Control	
12	1001134790	1	Panel	

# SECTION 2 - TURNTABLE

## FIGURE 2-16. GROUND CONTROL PANEL ASSEMBLY - 18RSJ



ART\_1001187208



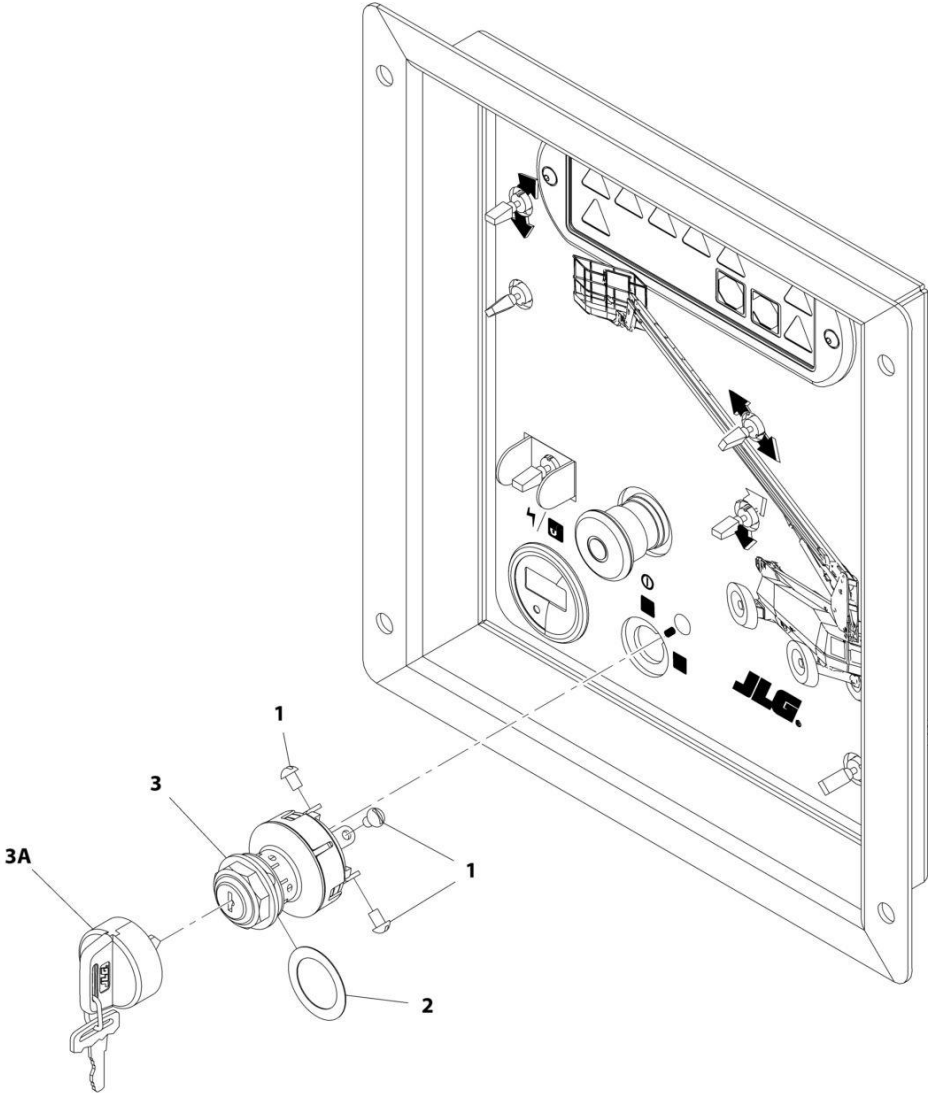
**SECTION 2 - TURNTABLE**

**FIGURE 2-16. GROUND CONTROL PANEL ASSEMBLY - 18RSJ**

ITEM	PART NUMBER	QTY	DESCRIPTION	REV
	1001187208	Ref	GROUND CONTROL PANEL ASSEMBLY - 18RSJ	A
1	1670829	1	Bezel	
2	1706712	1	Decal - Display Panel	
3	2760105	1	Housing, Display Light	
4	3290505	2	Nut M5	
5	4060906	1	Shield, Toggle Switch	
6	4360328	6	Switch, Toggle	
7	4360475	1	Switch, Emergency Stop	
7A	7020175	1	Cap, Mushroom Head	
7B	7020176	1	Block, Contact	
8	4360476	1	Switch, Contact Block	
9	1001099125	2	Screw M5 x 16	
10	1001109503	1	Gauge, Indicator	
11	1001134790	1	Panel	
12	1001185707	1	Decal - Ground Control	

**SECTION 2 - TURNTABLE**

**FIGURE 2-17. KEY SWITCH ASSEMBLY**



ART\_1001140733

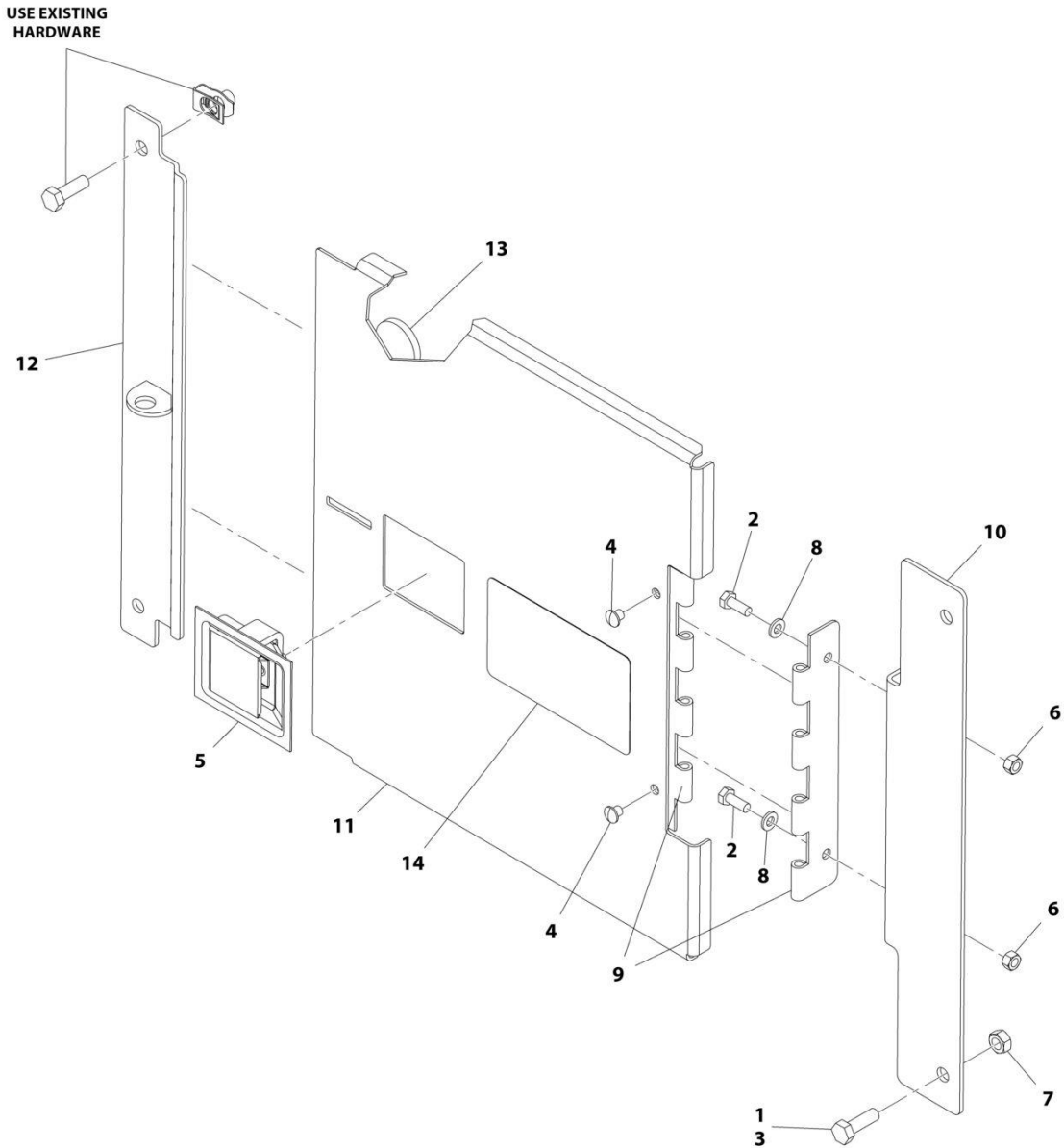
**SECTION 2 - TURNTABLE**

**FIGURE 2-17. KEY SWITCH ASSEMBLY**

<b>ITEM</b>	<b>PART NUMBER</b>	<b>QTY</b>	<b>DESCRIPTION</b>	<b>REV</b>
	1001140733	Ref	KEY SWITCH ASSEMBLY	A
1	3910804	6	Screw #8 x 1/4	
2	4070987	1	Shim	
3	4360469	1	Switch, Key	
3A	2860030	1 Set	Key	

# SECTION 2 - TURNTABLE

## FIGURE 2-18. GROUND CONTROL DOOR INSTALLATION (OPTIONAL)



ART\_1001145713

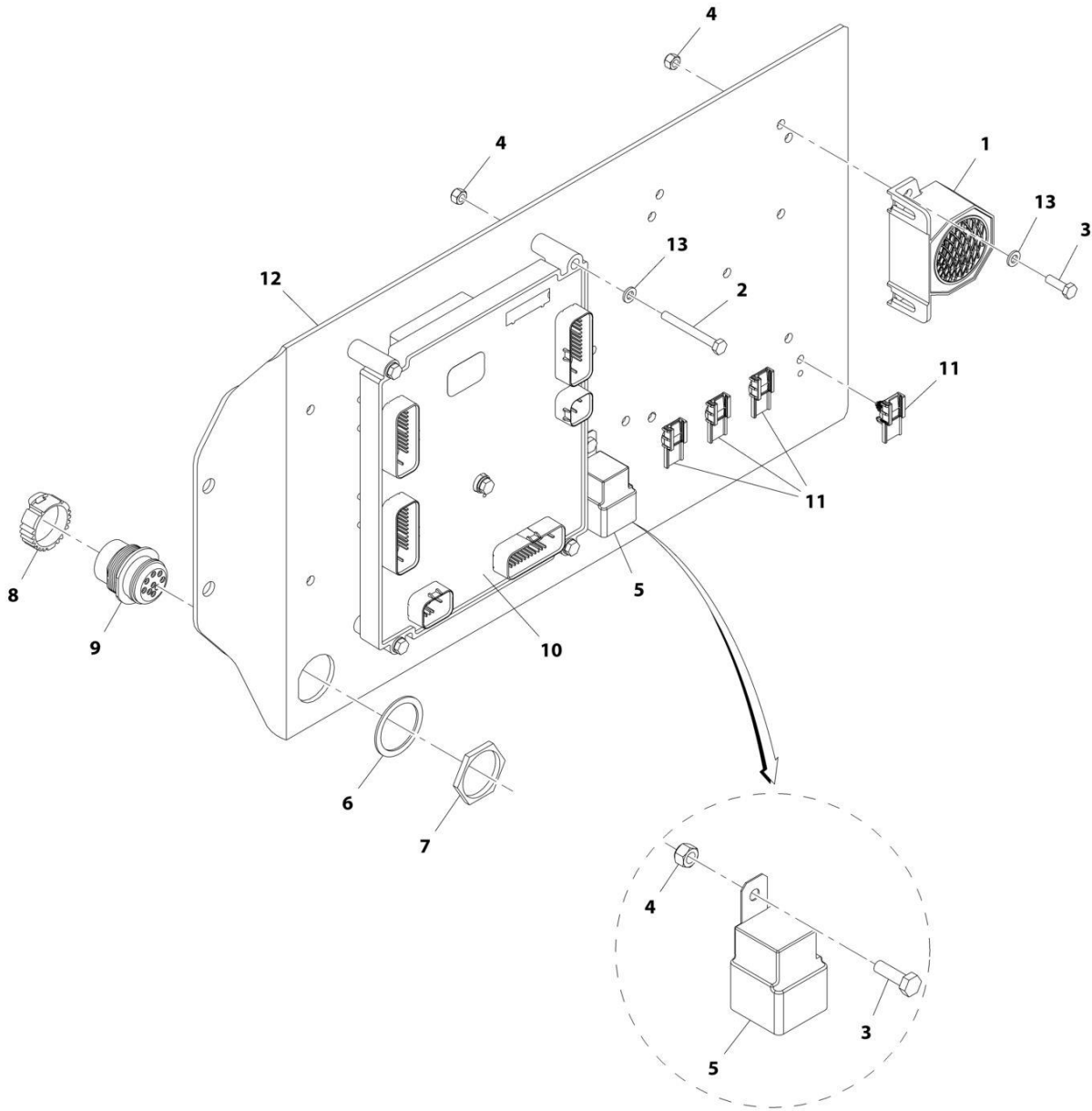
**SECTION 2 - TURNTABLE**

**FIGURE 2-18. GROUND CONTROL DOOR INSTALLATION (OPTIONAL)**

ITEM	PART NUMBER	QTY	DESCRIPTION	REV
	1001145713	Ref	GROUND CONTROL DOOR INSTALLATION (OPTIONAL)	B
1	0100019	AR	Compound, Locking	
2	0760608	2	Bolt M6 x 16	
3	0760814	2	Bolt M8 x 30	
4	2080040	2	Fastener, Huck	
5	2940045	1	Latch	
6	3290607	2	Nut M6	
7	3290801	2	Nut M8	
8	4811700	2	Washer M6	
9	1001120092	1	Hinge	
10	1001147054	1	Plate, Mounting	
11	1001147055	1	Door	
12	1001149749	1	Bracket	
13	7189000015	2	Bumper	
14	1001151250	1	Decal - Emergency Stop	

# SECTION 2 - TURNTABLE

## FIGURE 2-19. ELECTRICAL PANEL ASSEMBLY



ART\_1001134830

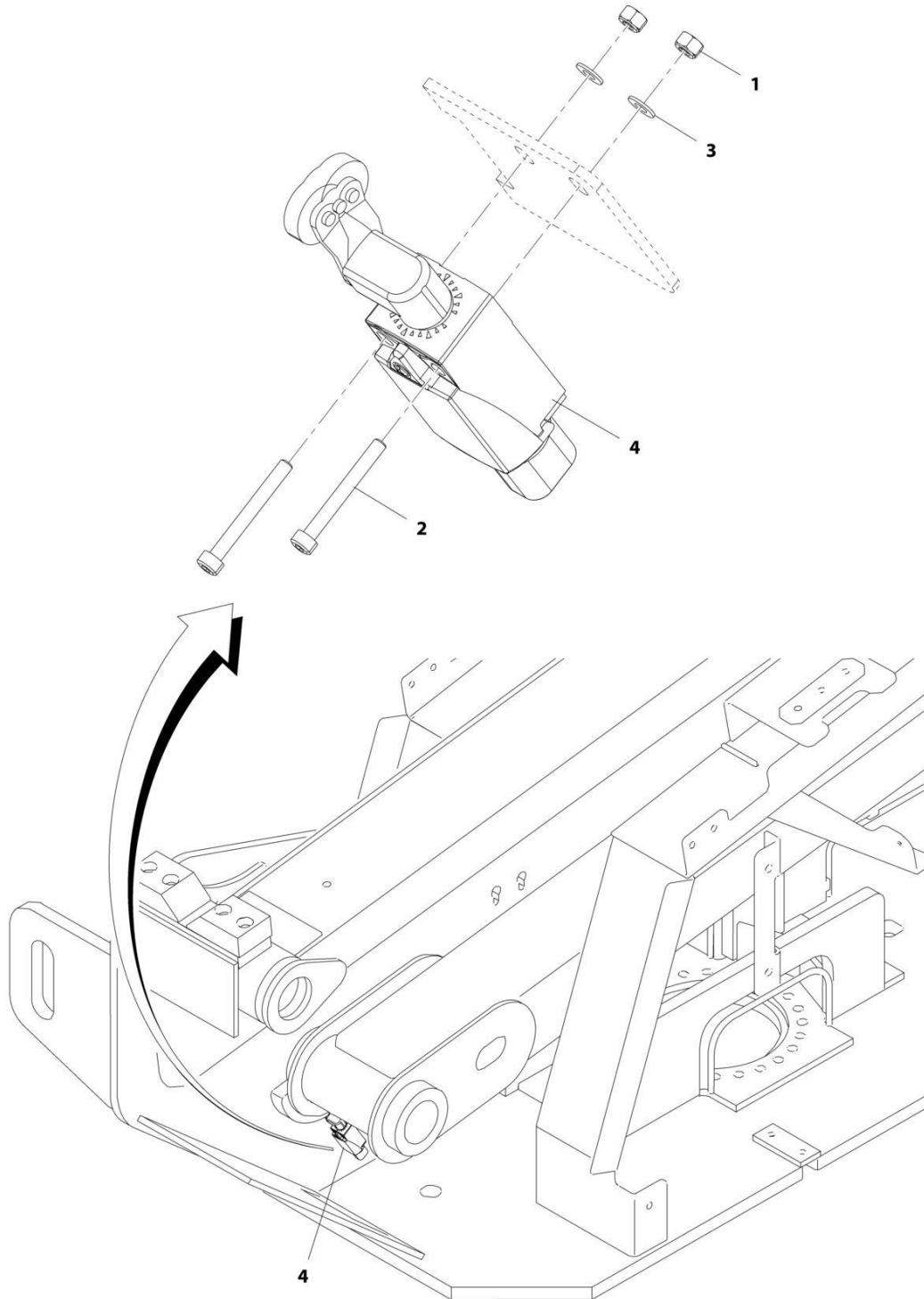
**SECTION 2 - TURNTABLE**

**FIGURE 2-19. ELECTRICAL PANEL ASSEMBLY**

ITEM	PART NUMBER	QTY	DESCRIPTION	REV
	1001134830	Ref	ELECTRICAL PANEL ASSEMBLY	D
1	0140043	1	Alarm, Motion	
1	4460536	1	Receptacle, Female - 3 Position	
1	4460464	3	Pin, Male	
2	0700619	5	Bolt M6 x 55	
3	0760610	3	Bolt M6 x 20	
4	3290605	8	Nut M6	
5	3740080	1	Relay	
6	4460496	1	Washer, Terminal	
7	4460497	1	Nut, Terminal	
8	1001106736	1	Cap, Dust	
9	1001112612	1	Connector, Electrical	
10	1001120431	1	Module, Ground Control	
10		Ref	Note: Recalibration Required when Replaced.	
11	1001121172	4	Bracket, Mounting	
12	1001134767	1	Panel	
13	4811700	7	Washer M6	

# SECTION 2 - TURNTABLE

## FIGURE 2-20. LIMIT SWITCH INSTALLATION



ART\_1001139015



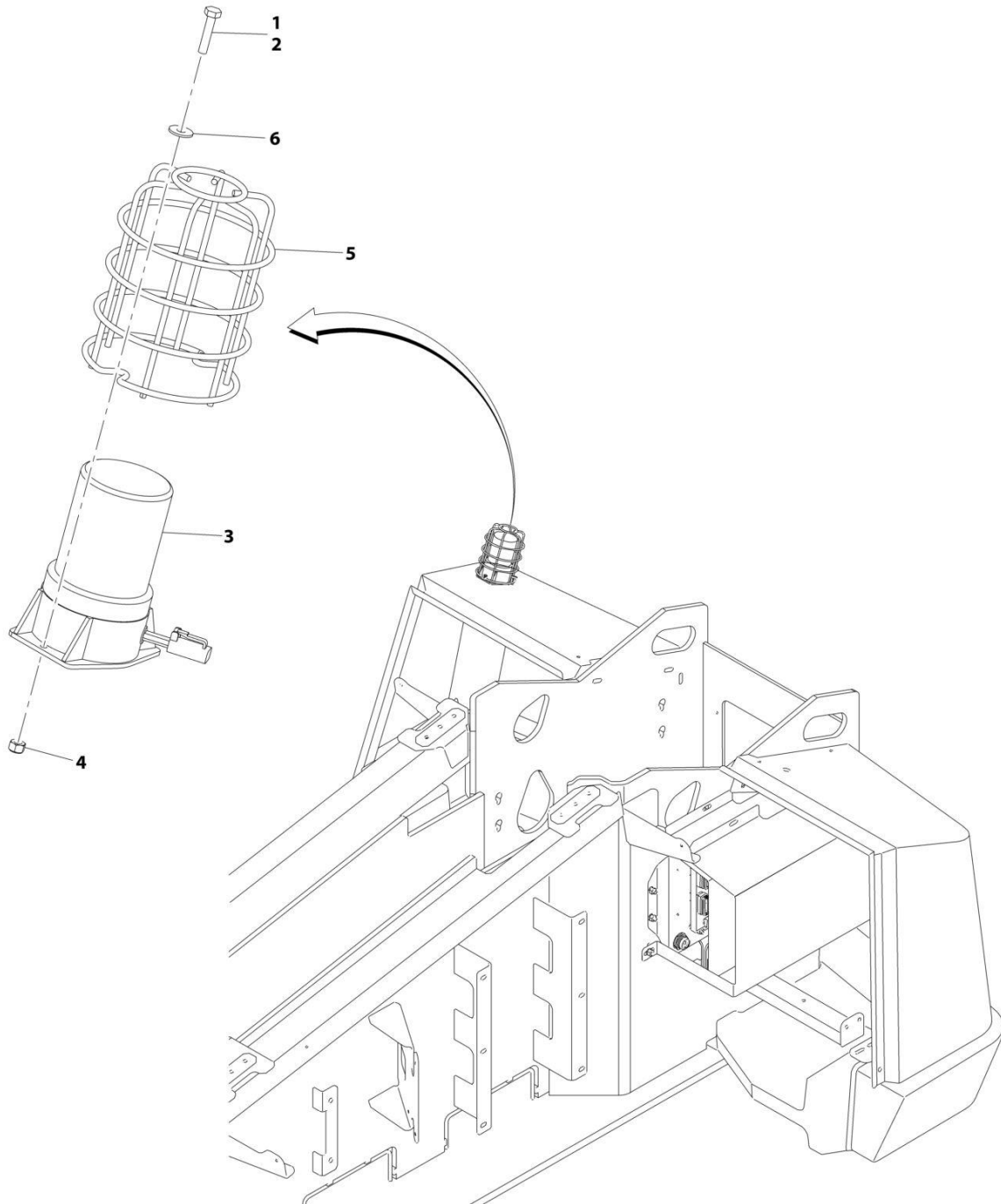
**SECTION 2 - TURNTABLE**

**FIGURE 2-20. LIMIT SWITCH INSTALLATION**

<b>ITEM</b>	<b>PART NUMBER</b>	<b>QTY</b>	<b>DESCRIPTION</b>	<b>REV</b>
	1001139015	Ref	LIMIT SWITCH INSTALLATION	B
1	3290405	2	Nut M4	
2	4031511	2	Capscrew M4 x 35	
3	4811400	2	Washer M4	
4	1001145548	1	Switch, Limit	

## SECTION 2 - TURNTABLE

FIGURE 2-21. BEACON LIGHT INSTALLATION (OPTIONAL)



ART\_1001139023

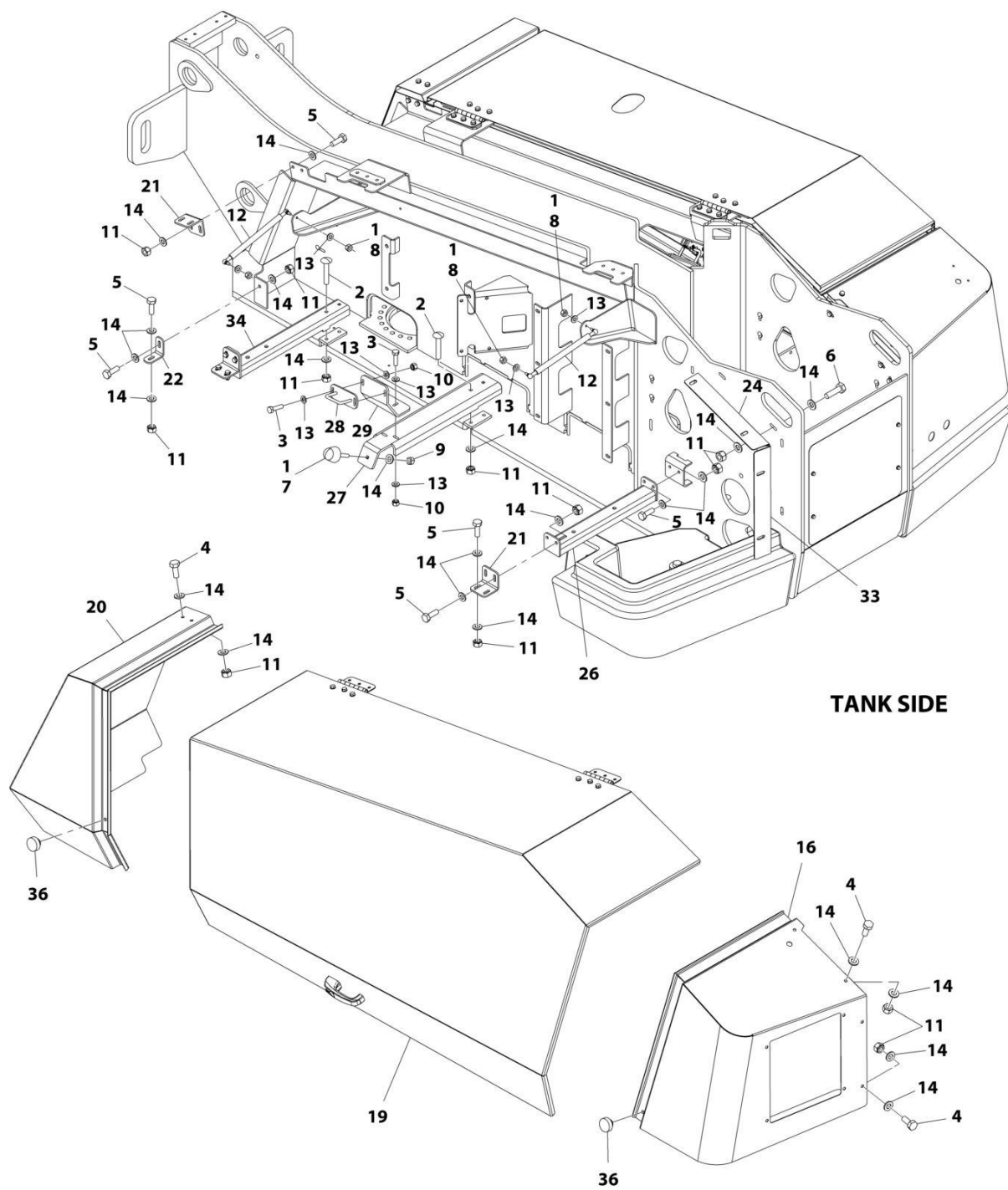
**SECTION 2 - TURNTABLE**

**FIGURE 2-21. BEACON LIGHT INSTALLATION (OPTIONAL)**

<b>ITEM</b>	<b>PART NUMBER</b>	<b>QTY</b>	<b>DESCRIPTION</b>	<b>REV</b>
	1001139023	Ref	BEACON LIGHT INSTALLATION (OPTIONAL)	B
1	0100011	AR	Compound, Locking	
2	0760410	2	Bolt M4 x 20	
3	2920161	1	Strobe Light Assembly	
3	7016319	1	Bulb, Replacement	
3	7016372	1	Lens	
3	4460891	1	Plug, Male - 2 Position	
3	4460465	2	Socket, Female	
4	3290405	2	Nut M4	
5	4060865	1	Guard	
6	1001091102	2	Washer M4	

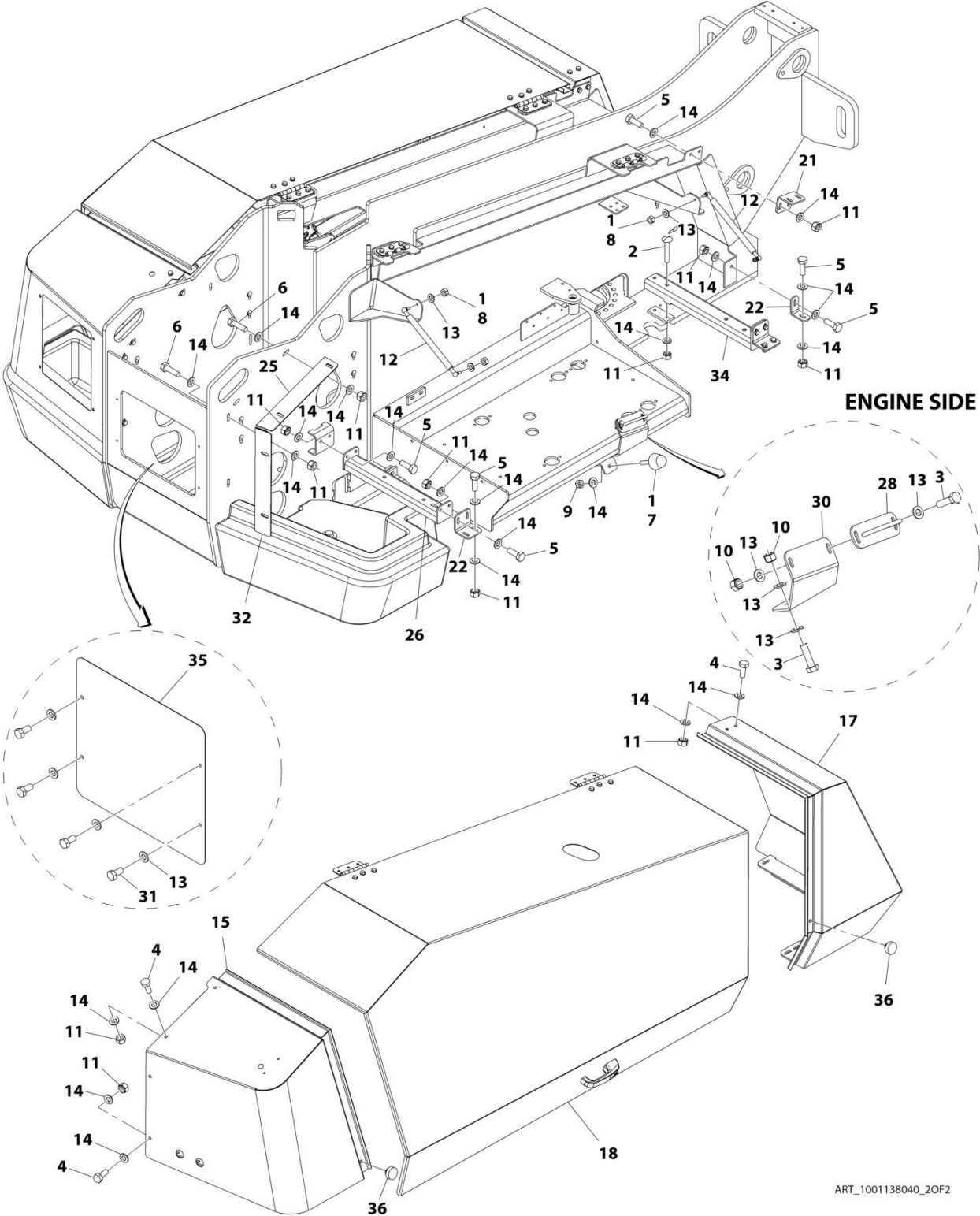
# SECTION 2 - TURNTABLE

## FIGURE 2-22. HOODS INSTALLATION



ART\_1001138040\_1OF2

# SECTION 2 - TURNTABLE



ART\_1001138040\_20F2

## SECTION 2 - TURNTABLE

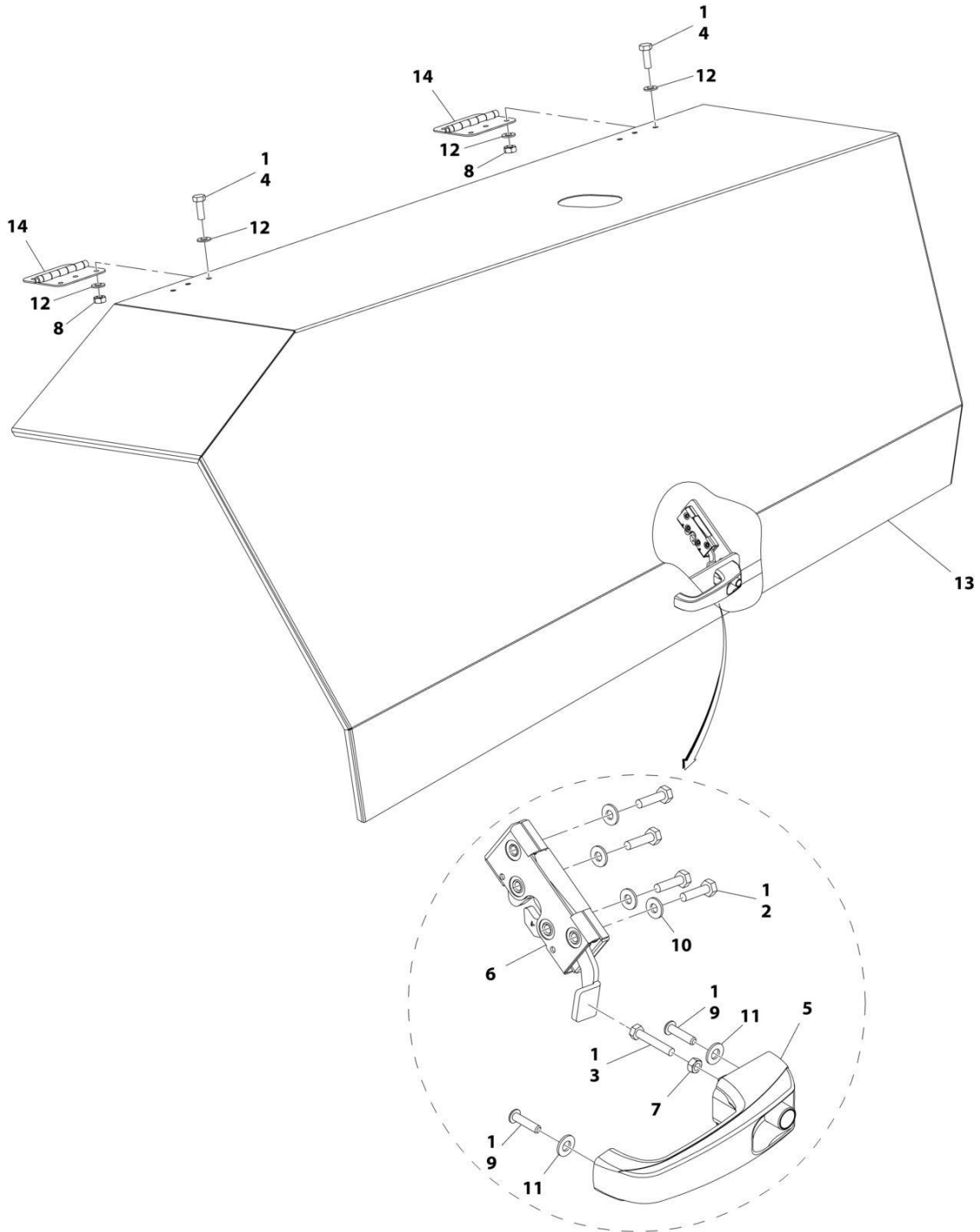
**FIGURE 2-22. HOODS INSTALLATION**

ITEM	PART NUMBER	QTY	DESCRIPTION	REV
	1001138040	Ref	HOODS INSTALLATION	E
1	0100011	AR	Compound, Locking	
2	0630563	6	Bolt, Carriage M10 x 60	
3	0760814	8	Bolt M8 x 30	
4	0761012	12	Bolt M10 x 25	
5	0761014	28	Bolt M10 x 30	
6	0761015	20	Bolt M10 x 35	
7	0940071	2	Bumper	
8	3271501	8	Nut 5/16 Grade 8	
9	3271601	2	Nut 3/8 Grade 8	
10	3290805	8	Nut M8	
11	3291005	66	Nut M10	
12	4160194	4	Spring, Gas	
13	4811900	28	Washer M8	
14	4812000	128	Washer M10	
15	1001134979	1	Engine Side Front Hood	
16	1001134982	1	Tank Side Front Hood	
17	1001138243	1	Engine Side Rear Hood	
18	1001138722	1	Engine Side Center Hood Assembly (See CENTER HOOD ASSEMBLY (ENGINE SIDE) for Breakdown)	
19	1001138748	1	Tank Side Center Hood Assembly (See CENTER HOOD ASSEMBLY (TANK SIDE) for Breakdown)	
20	1001139180	1	Tank Side Rear Hood	
21	1001139521	6	Bracket	
22	1001139522	2	Bracket	
24	1001143683	1	Bracket	
25	1001143684	1	Bracket	
26	1001139528	2	Brace	
27	1001139531	1	Channel	
28	1001139532	2	Plate, Striker	
29	1001139533	1	Bracket	
30	1001139534	1	Bracket	
31	0760808	4	Bolt M8 x 16	
32	1001143340	1	Bracket	
33	1001143417	1	Bracket	
34	1001143723	2	Brace	
35	1001143446	1	Cover	
36	1001130651	4	Bumper	



# SECTION 2 - TURNTABLE

## FIGURE 2-23. CENTER HOOD ASSEMBLY (ENGINE SIDE)



ART\_1001138722



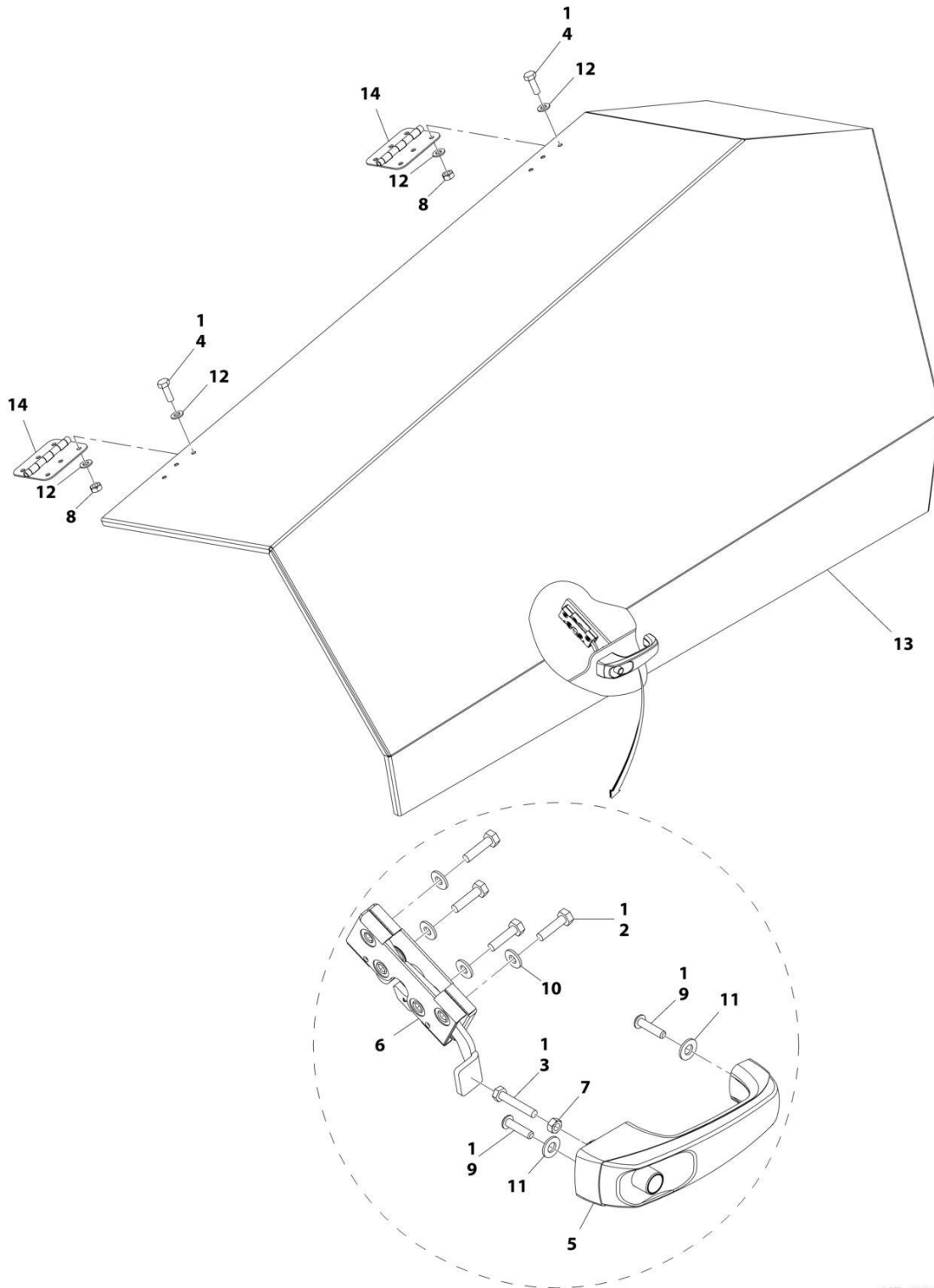
**SECTION 2 - TURNTABLE**

**FIGURE 2-23. CENTER HOOD ASSEMBLY (ENGINE SIDE)**

ITEM	PART NUMBER	QTY	DESCRIPTION	REV
	1001138722	Ref	CENTER HOOD ASSEMBLY (ENGINE SIDE)	B
1	0100011	AR	Compound, Locking	
2	0641408	4	Bolt 1/4 x 1	
3	0700615	1	Bolt M6 x 35	
4	0761014	6	Bolt M6 x 30	
5	2560187	1	Handle	
6	2940173	1	Latch	
7	3290601	1	Nut M6	
8	3291001	6	Nut M10	
9	3900363	2	Screw M6 x 25	
10	4711400	4	Washer 1/4	
11	4811900	2	Washer M8	
12	4812000	12	Washer M10	
13	1001134980	NLA	Hood, Replacement (Use p/n 1001138722)	
14	1001139384	2	Hinge	

# SECTION 2 - TURNTABLE

## FIGURE 2-24. CENTER HOOD ASSEMBLY (TANK SIDE)



ART\_1001138748

**SECTION 2 - TURNTABLE**

**FIGURE 2-24. CENTER HOOD ASSEMBLY (TANK SIDE)**

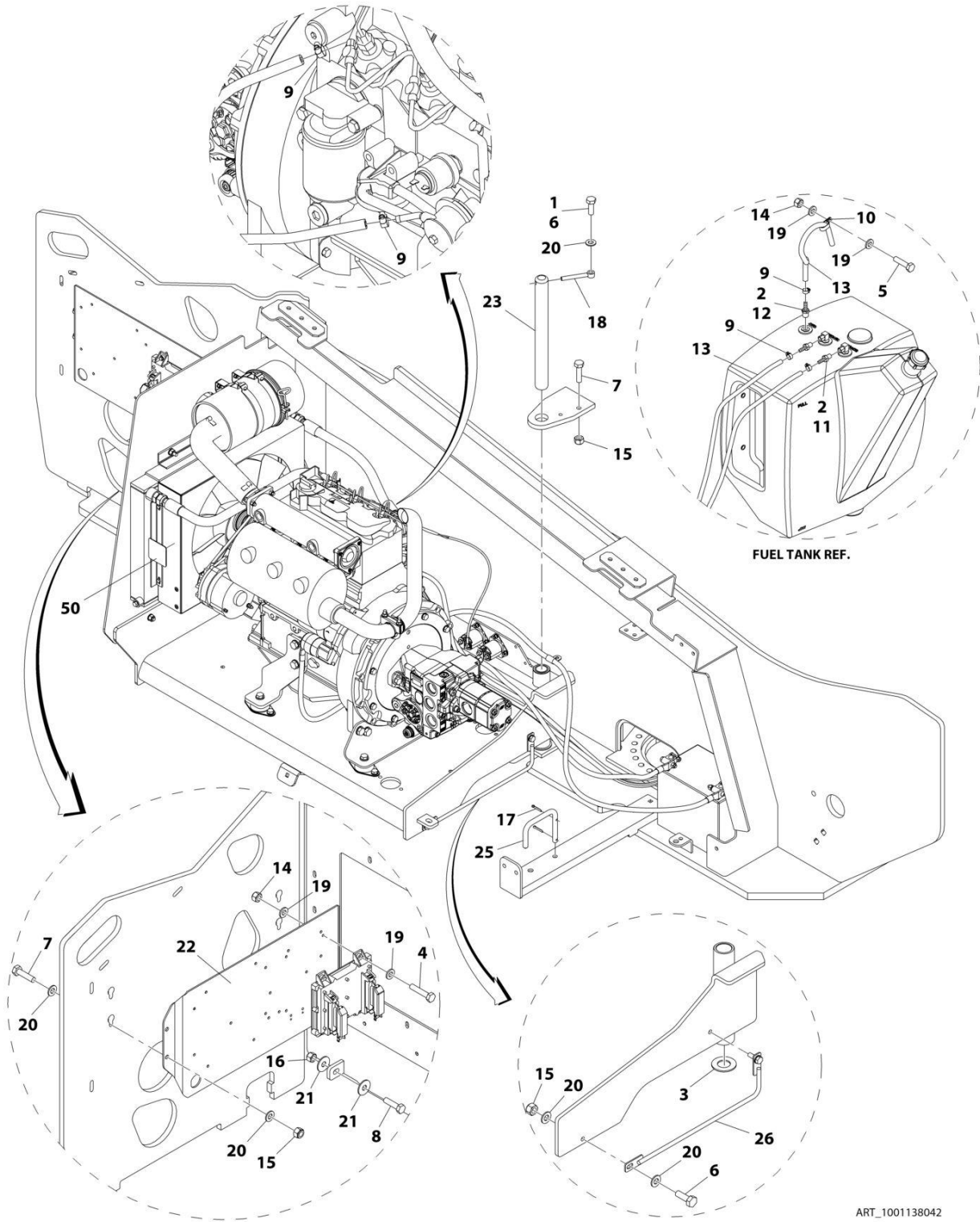
ITEM	PART NUMBER	QTY	DESCRIPTION	REV
	1001138748	Ref	CENTER HOOD ASSEMBLY (TANK SIDE)	B
1	0100011	AR	Compound, Locking	
2	0641408	4	Bolt 1/4 x 1	
3	0700615	1	Bolt M6 x 35	
4	0761014	6	Bolt M6 x 30	
5	2560187	1	Handle	
6	2940173	1	Latch	
7	3290601	1	Nut M6	
8	3291001	6	Nut M10	
9	3900363	2	Screw M6 x 25	
10	4711400	4	Washer 1/4	
11	4811900	2	Washer M8	
12	4812000	12	Washer M10	
13	1001134983	NLA	Hood, Replacement (Use p/n 1001138748)	
14	1001139384	2	Hinge	



**SECTION 3 - ENGINE**

# SECTION 3 - ENGINE

## FIGURE 3-1. DEUTZ ENGINE INSTALLATION



ART\_1001138042

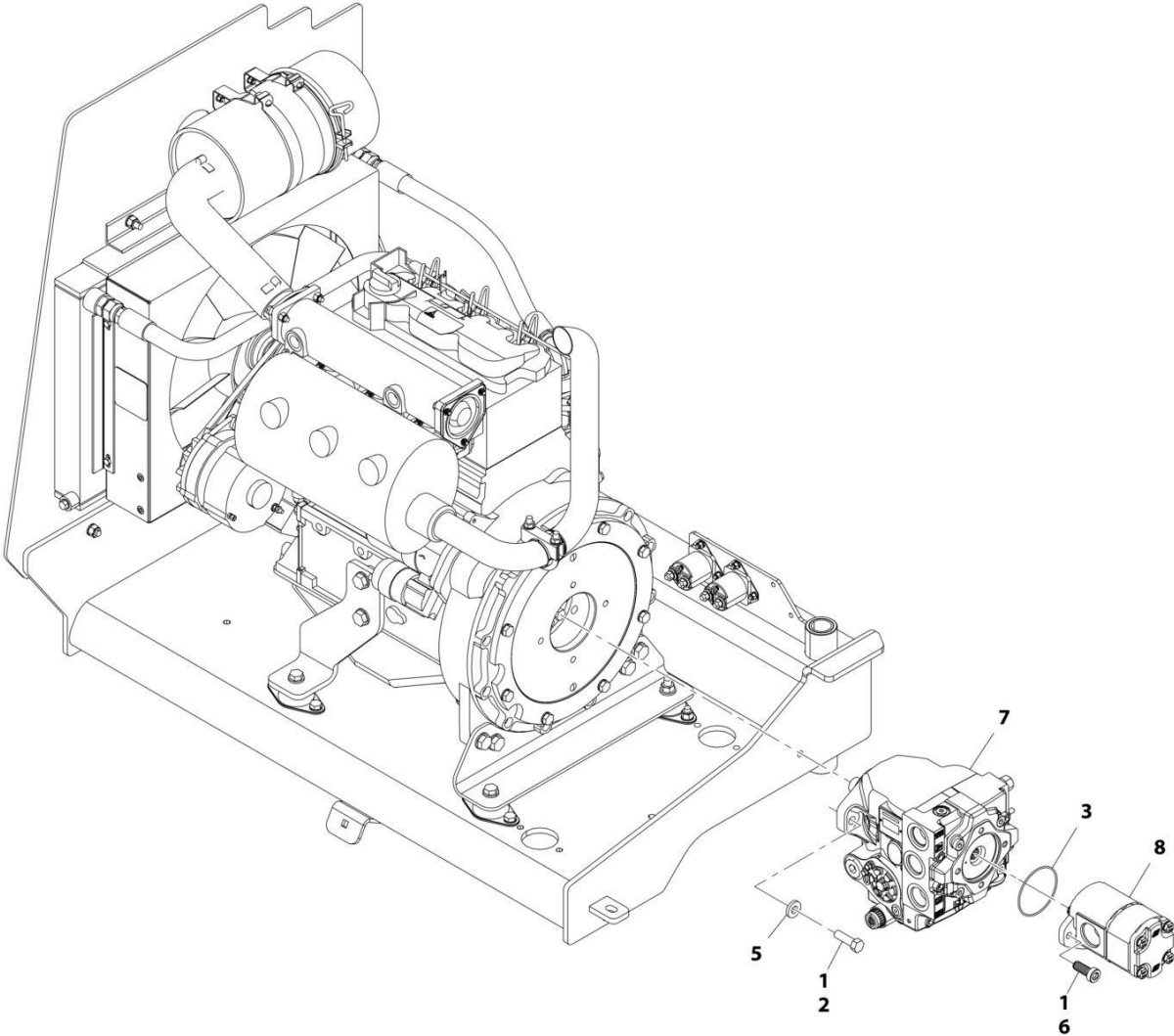
## SECTION 3 - ENGINE

### FIGURE 3-1. DEUTZ ENGINE INSTALLATION

ITEM	PART NUMBER	QTY	DESCRIPTION	REV
	1001138042	Ref	DEUTZ ENGINE INSTALLATION	E
1	0100011	AR	Compound, Locking	
2	0100020	AR	Sealant	
3	0440162	1	Thrustwasher	
4	0700614	4	Bolt M6 x 30	
5	0760612	1	Bolt M6 x 25	
6	0761014	3	Bolt M10 x 30	
7	0761016	5	Bolt M10 x 40	
8	0761217	1	Bolt M12 x 45	
9	1320022	5	Clamp	
10	1321385	1	Clamp, Hose	
11	2180348	2	Fitting, Straight Barbed	
12	2180876	1	Fitting, Straight Barbed	
13	2720058	18 ft/5.6m	Hose	
14	3290605	5	Nut M6	
15	3291005	7	Nut M10	
16	3291205	1	Nut M12	
17	3391408	2	Roll Pin M4 x 20	
18	3841143	1	Keeper, Pin	
19	4811700	10	Washer M6	
20	4812000	13	Washer M10	
21	4812102	2	Washer M12	
22	1001134767	1	Plate, Electrical Panel	
23	1001135196	1	Pin	
25	1001144325	1	Support, Tray	
26	1001150601	1	Support, Hose	
50		Ref	Decal - Warning Explosion/Fire Options:	
50	1704972	1	ANSI Spec	
50	1706059	1	Brazilian Spec	
50	1706060	1	Chinese Spec	
50	1706062	1	Japanese Spec	
50	1706061	1	Korean Spec	
50	1706063	1	Spanish Language	

**SECTION 3 - ENGINE**

**FIGURE 3-2. ENGINE AND PUMP ASSEMBLY**



ART\_1001141216



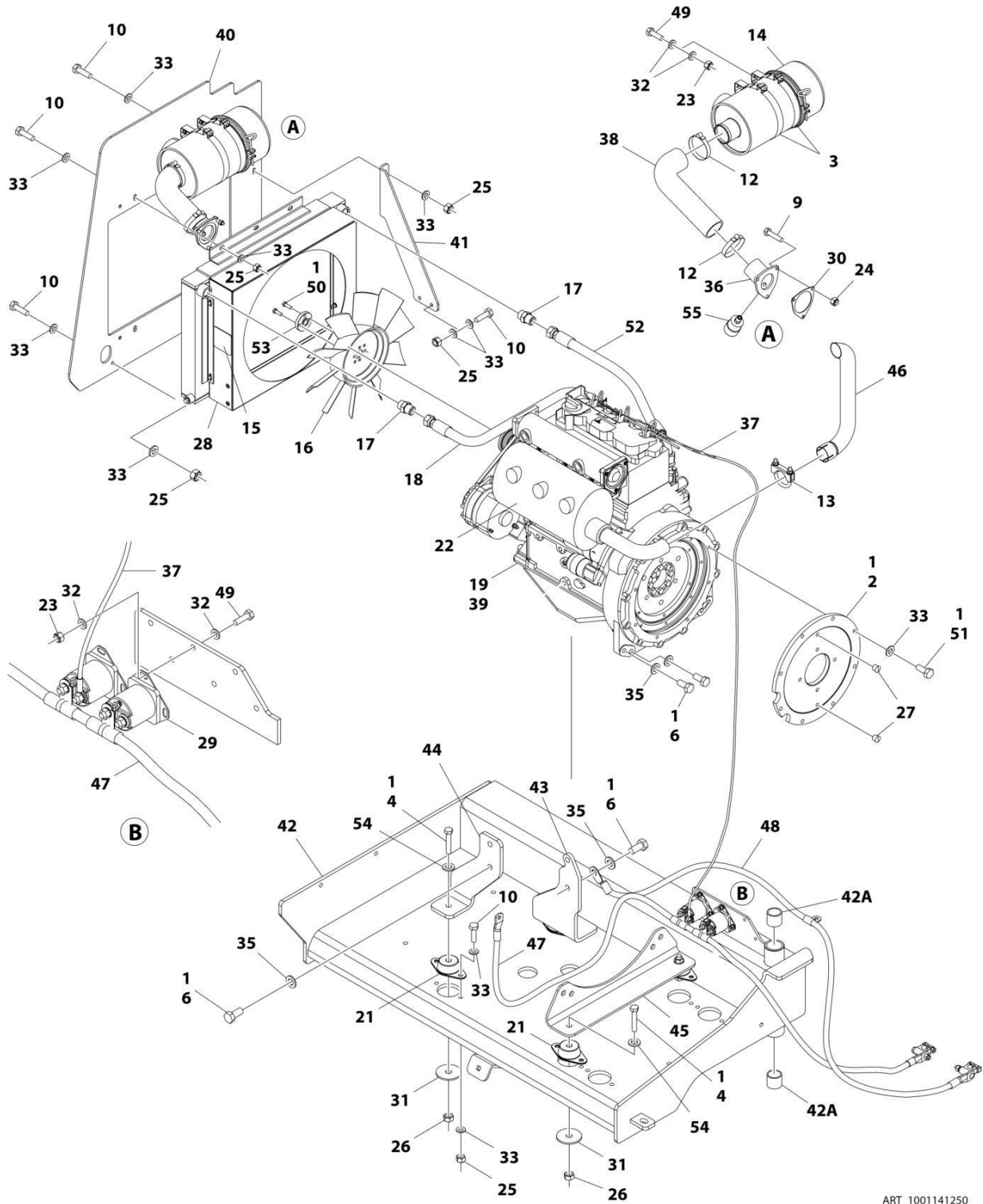
## SECTION 3 - ENGINE

### FIGURE 3-2. ENGINE AND PUMP ASSEMBLY

ITEM	PART NUMBER	QTY	DESCRIPTION	REV
	1001141216	Ref	ENGINE AND PUMP ASSEMBLY	F
1	0100011	1	Compound, Locking	
2	0641813	2	Bolt 1/2 x 1-5/8	
3	3790152	1	O-Ring	
5	4891800	2	Washer 1/2	
6	1001150756	NLA	Bolt (Use p/n 1001157442)	
7	1001132305	1	Piston Pump Assembly (See PISTON PUMP ASSEMBLY for Breakdown)	
8	1001132306	1	Gear Pump Assembly (Note: Only Serviceable Parts is the Seal Kit)	
8	70004326	1	Seal Kit	
8	70004327	1	Seal, Lip	

# SECTION 3 - ENGINE

## FIGURE 3-3. ENGINE ASSEMBLY



ART\_1001141250

## SECTION 3 - ENGINE

### FIGURE 3-3. ENGINE ASSEMBLY

ITEM	PART NUMBER	QTY	DESCRIPTION	REV
	1001141250	Ref	ENGINE ASSEMBLY	M
1	0100011	AR	Compound, Locking	
2	0256847	1	Pump Coupling Installation (See PUMP COUPLING INSTALLATION for Breakdown)	
3	0340041	2	Band, Air Cleaner	
4	0711221	4	Bolt M12 x 65 Grade 10.9	
6	0711414	8	Bolt M14 x 30 Grade 10.9	
9	0760815	3	Bolt M8 x 35	
10	0761015	21	Bolt M10 x 35	
12	1320016	2	Clamp	
13	1320176	1	U-Bolt	
14	1340060	1	Air Cleaner Assembly Filter Element	A
14	7012664	1	Element, Filter (Not Shown)	
15	1703162	2	Decal - Caution Fan Blade	
16	2060025	1	Fan	
17	2220451	2	Fitting, Straight	
18	2720398	1	Hose, Oil Cooler	
19	3020016	AR	Oil, Motor (Not Shown)	
21	3200406	4	Mount, Motor	
22	1001156545	1	Muffler	
22	7024560	1	Plug, Brass	
23	3290605	8	Nut M6	
24	3290805	3	Nut M8	
25	3291005	21	Nut M10	
26	3331211	4	Nut M12	
27	3520054	2	Plug, Hole	
28	1001150998	1	Radiator	
29	3740067	2	Relay	
30	3960407	1	Gasket, Air Intake	
31	1001139409	4	Washer	
32	4811700	16	Washer M6	
33	4812000	50	Washer M10	
35	4812200	8	Washer M14	
36	4845395	1	Adapter, Air Intake <b>(Prior to SN B300001836)</b>	
36	1001224965	1	Adapter, Air Intake <b>(SN B300001836 to Present)</b>	
37	4923451	1	Harness, Glow Plug	
38	1001091179	1	Elbow (Air Intake)	
39	1001092723	1	Engine, Deutz - D2011L03 (See ENGINE COMPONENTS for Breakdown)	
40	1001131564	1	Plate, Radiator Mounting	
41	1001131565	1	Support, Radiator Plate	
42	1001131568	1	Tray, Engine	
42A	0961951	2	Bushing	
43	1001132195	1	Bracket, Engine Mounting (Right)	
44	1001132196	1	Bracket, Engine Mounting (Left)	
45	1001132197	1	Bracket, Engine Mounting (Rear)	
46	1001139388	1	Pipe, Exhaust	
47	1001140605	1	Cable, Positive Battery	
48	1001139628	1	Cable, Negative Battery	
49	0760610	8	Bolt M6 x 20	

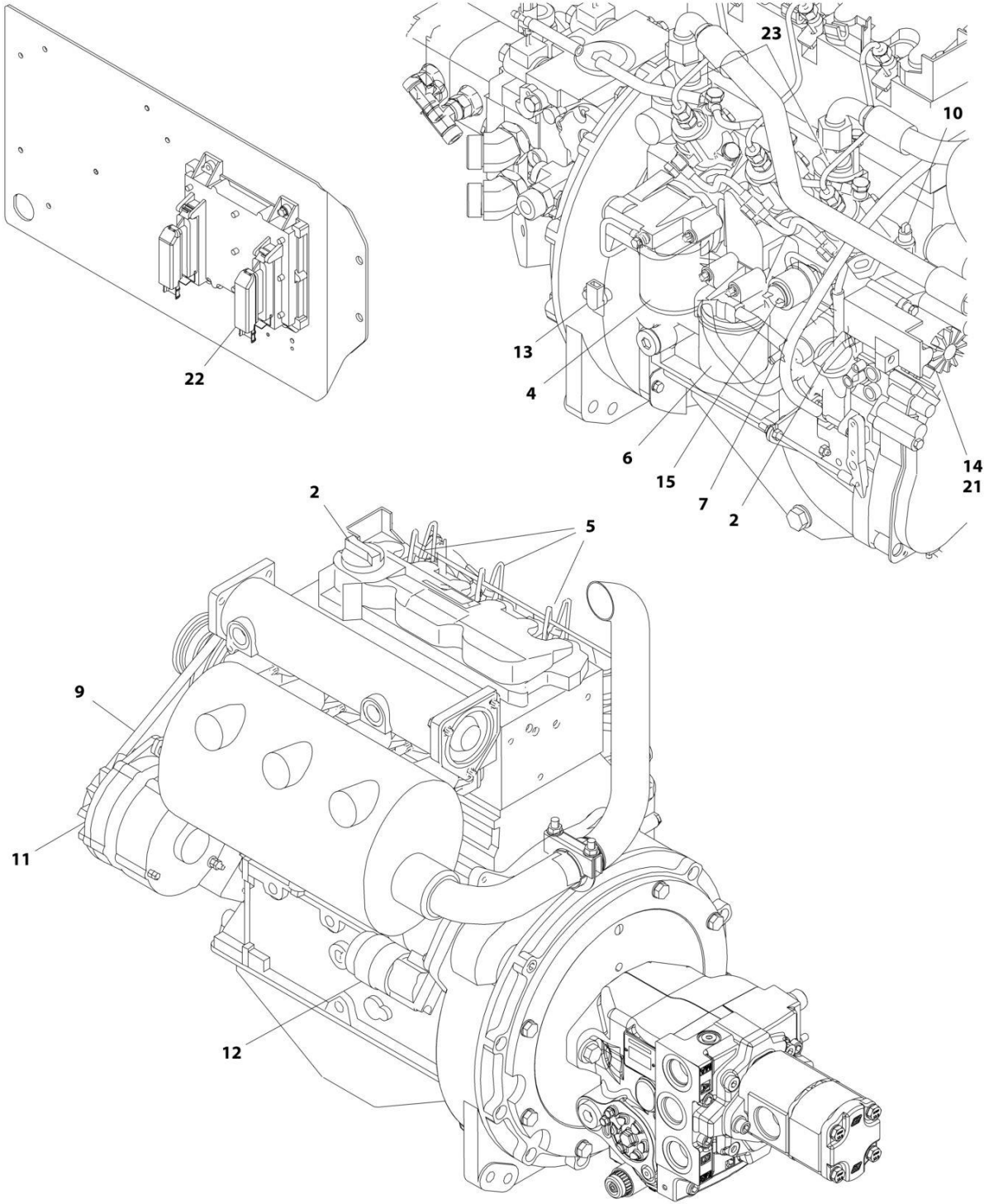
### SECTION 3 - ENGINE

ITEM	PART NUMBER	QTY	DESCRIPTION	REV
50	0760812	4	Bolt M8 x 25	
51	0761012	8	Bolt M10 x 25	
52	2720447	1	Hose, Oil Cooler	
53	1001144548	1	Spacer, Fan	
54	5241200	4	Washer M12	
55	1001143390	1	Indicator, Air Intake Restriction <b>(SN B300001836 to Present)</b>	



# SECTION 3 - ENGINE

## FIGURE 3-4. ENGINE COMPONENTS



ART\_1001092723

## SECTION 3 - ENGINE

### FIGURE 3-4. ENGINE COMPONENTS

ITEM	PART NUMBER	QTY	DESCRIPTION	REV
	1001092723	Ref	ENGINE COMPONENTS	E
1	7020026	1	Dipstick (was p/n 7027244) (Not Shown)	
1	70001002	1	Tube, Dipstick	
2	7020465	2	Cap, Filler	
3	7020495	1	Pump, Oil Lube	
3	7020468	1	Seal Between Oil Pump and Engine Block (Not Shown)	
4	7016331	1	Filter, Oil	
4	7027236	1	Sensor, Oil Temperature (Not Shown - Located in Rear of Filter Mount)	
5		Ref	Pump, Injector Options:	
5	7027242	3	Series A Injector	
5	7027611	3	Series B Injector	
5	7027612	3	Series C Injector	
5	7027613	3	Series D Injector	
5	7020447	3	Gasket, Injector Pump	
5	7000345	3	Plug, Glow	
6	7020023	1	Filter, Fuel	
6	70001423	1	Bracket, Fuel Filter	
7	70000916	1	Pump Fuel Supply (was p/n 7027238)	
7	70000919	1	Pump, Hand	
7	7020411	1	O-Seal Between Fuel Pump and Engine Block (Not Shown)	
7	70001435	1	Replacement Filter	
8	7020449	3	Gasket, Intake Manifold (Not Shown)	
8	7020471	3	Gasket, Exhaust (Not Shown)	
8	70002200	6	Stud, Exhaust (Not Shown)	
9	7020408	1	V-Belt	
10	7027791	1	Sensor, Temperature	
11	7020410	1	Alternator	
11	70002234	1	Bracket, Adjustment	
11	7020464	1	Regulator, Voltage (Not Shown)	
12	7020479	1	Starter	
12	7026608	1	Relay, Starter	
13	7024565	1	Tacho-Generator	
13	70003932	1	Spacer, Sensor	
14	7027792	1	Actuator, Throttle	
14	7027276	2	Spring, Replacement	
15	7027790	1	Sensor, Oil Pressure	
18	7020459	1	Thermostat (Not Shown)	
18	7020460	1	Spring, Compression (Not Shown)	
19	See Note	1	Flywheel (Note: Not Available for Purchase)	
19	7024579	1	Rim, Gear (Not Shown)	
20	7027245	1	Filter, Fuel (In-line) (Not Shown)	
21	7027239	1	Solenoid	
22	7027795	1	Module, EMR2	
22	7027793	1	Connector, Plug-in (Connects to Deutz Engine Harness p/n 7027796)	
22	7027796	1	Harness, Deutz Engine Harness (Connects to LH Terminal on Module)	
22	7027794	1	Harness, Deutz Engine Harness (Connects to Harness p/n 7027796)	

## SECTION 3 - ENGINE

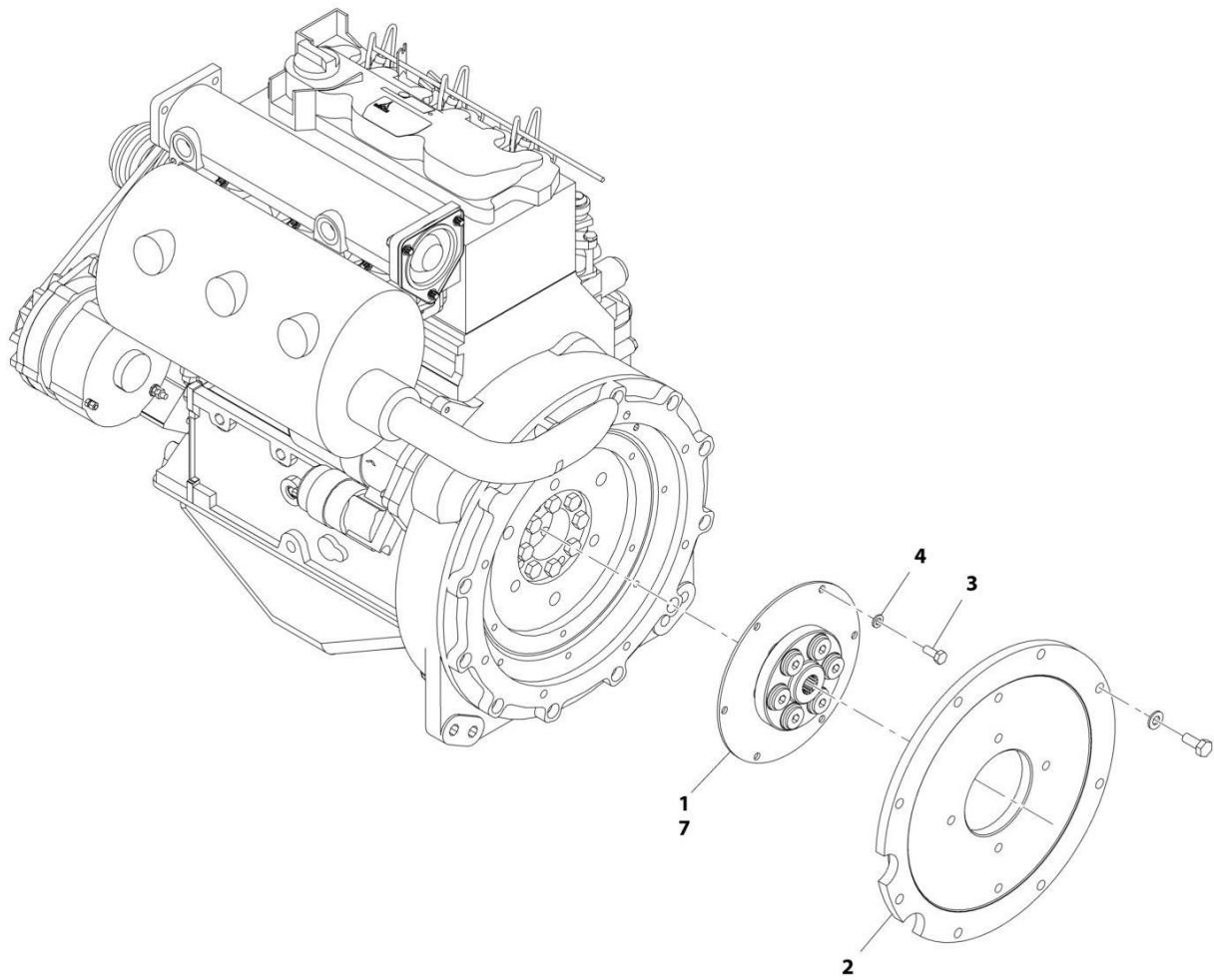
ITEM	PART NUMBER	QTY	DESCRIPTION	REV
23	7027769	2	Connector, Radiator	





# SECTION 3 - ENGINE

## FIGURE 3-5. PUMP COUPLING INSTALLATION



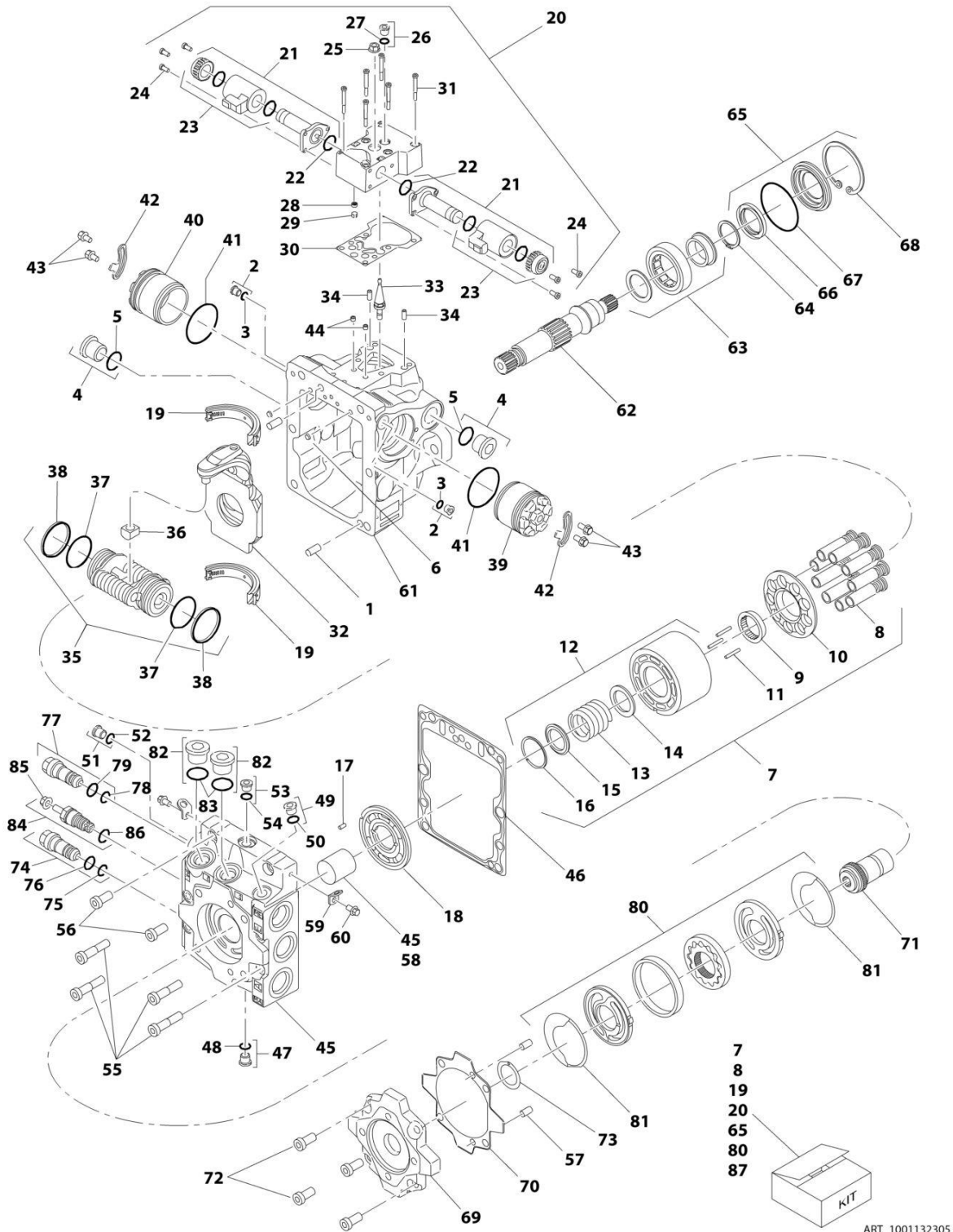
ART\_0256847

FIGURE 3-5. PUMP COUPLING INSTALLATION

ITEM	PART NUMBER	QTY	DESCRIPTION	REV
	0256847	Ref	PUMP COUPLING INSTALLATION	2
1	1660234	1	Coupling, Hayes	
2	0080163	1	Plate, Pump Adapter	
3	0700810	6	Bolt M8 x 20	
4	4831900	6	Washer M8	
7	3020021	AR	Grease, Coupling	

# SECTION 3 - ENGINE

## FIGURE 3-6. PISTON PUMP ASSEMBLY



ART\_1001132305

## SECTION 3 - ENGINE

### FIGURE 3-6. PISTON PUMP ASSEMBLY

ITEM	PART NUMBER	QTY	DESCRIPTION	REV
	1001132305	Ref	PISTON PUMP ASSEMBLY	C
1	70002132	2	Pin	
2	70002133	2	Plug Assembly (Includes Item 3)	
3	7007207	2	O-Ring (Part of Item 2)	
4	7007419	2	Plug Assembly (Includes Item 5)	
5	7007418	2	O-Ring (Part of Item 4)	
6	70002134	2	Screen	
7	70004021	1	Cylinder Block Kit (Includes Items 8-16)	
8	70004027	1	Piston Assembly Kit (Includes Qty 9 Piston Assemblies) (Part of Item 7)	
9	70002137	1	Guide, Slipper Retainer (Part of Item 7)	
10	70002138	1	Retainer, Slipper (Part of Item 7)	
11	7021275	3	Pin, Slipper Retainer Holddown (Part of Item 7)	
12	70004022	1	Cylinder Block Assembly (Includes Items 13-16) (Part of Item 7)	
13	See Note	NSS	Spring (Note: Not Available for Purchase)	
14	See Note	NSS	Washer (Note: Not Available for Purchase)	
15	See Note	NSS	Washer (Note: Not Available for Purchase)	
16	See Note	NSS	Ring, Retaining (Note: Not Available for Purchase)	
17	7007446	1	Pin	
18	70002601	1	Plate, CW Valve	
19	70002145	1	Swash Plate Bearing Kit (Includes Qty 2 Bearings)	
20	70004028	1	EDC Kit (Includes Items 21-31)	
21	70002147	2	Solenoid Valve Assembly (Includes Items 22 & 23) (Part of Item 20)	
22	70002148	2	O-Ring (1 Per Valve Assembly) (Part of Item 21)	
23	70002149	2	Coil, Nut and Seals Kit (1 Per Valve Assembly) (Part of Item 21)	
24	70002150	6	Screw (Part of Item 20)	
25	7022301	1	Nut, Seal (Part of Item 20)	
26	70002151	1	Plug Assembly (Part of Item 20) (Includes Item 27)	
27	7007207	1	O-Ring (Part of Item 26)	
28	70002134	1	Screen (Part of Item 20)	
29	70002153	1	Ring, Locking (Part of Item 20)	
30	70002154	1	Gasket, Control (Part of Item 20)	
31	70002156	6	Capscrew (Part of Item 20)	
32	70002152	1	Swash Plate	
33	70002155	1	Link, Swash Plate	
34	70002157	2	Pin, Dowel	
35	70004024	1	Servo Piston Assembly (Includes Items 36-38)	
36	70004025	1	Block, Slider (Part of Item 35)	
37	70002160	2	O-Ring (Part of Item 35)	
38	70002161	2	Ring, Piston (Part of Item 35)	
39	70002603	1	Cylinder, Servo (Includes Item 41)	
40	70002603	1	Cylinder, Servo (Includes Item 41)	
41	70002163	2	O-Ring (Part of Items 39 & 40)	
42	70002164	2	Plate, Locking	
43	70002165	4	Screw	
44	70002604	2	Orifice	
45	70002863	1	Cap, End (Includes Item 58)	
46	70002168	1	Gasket, End Cap	
47	70001958	1	Plug Assembly (Includes Item 48)	

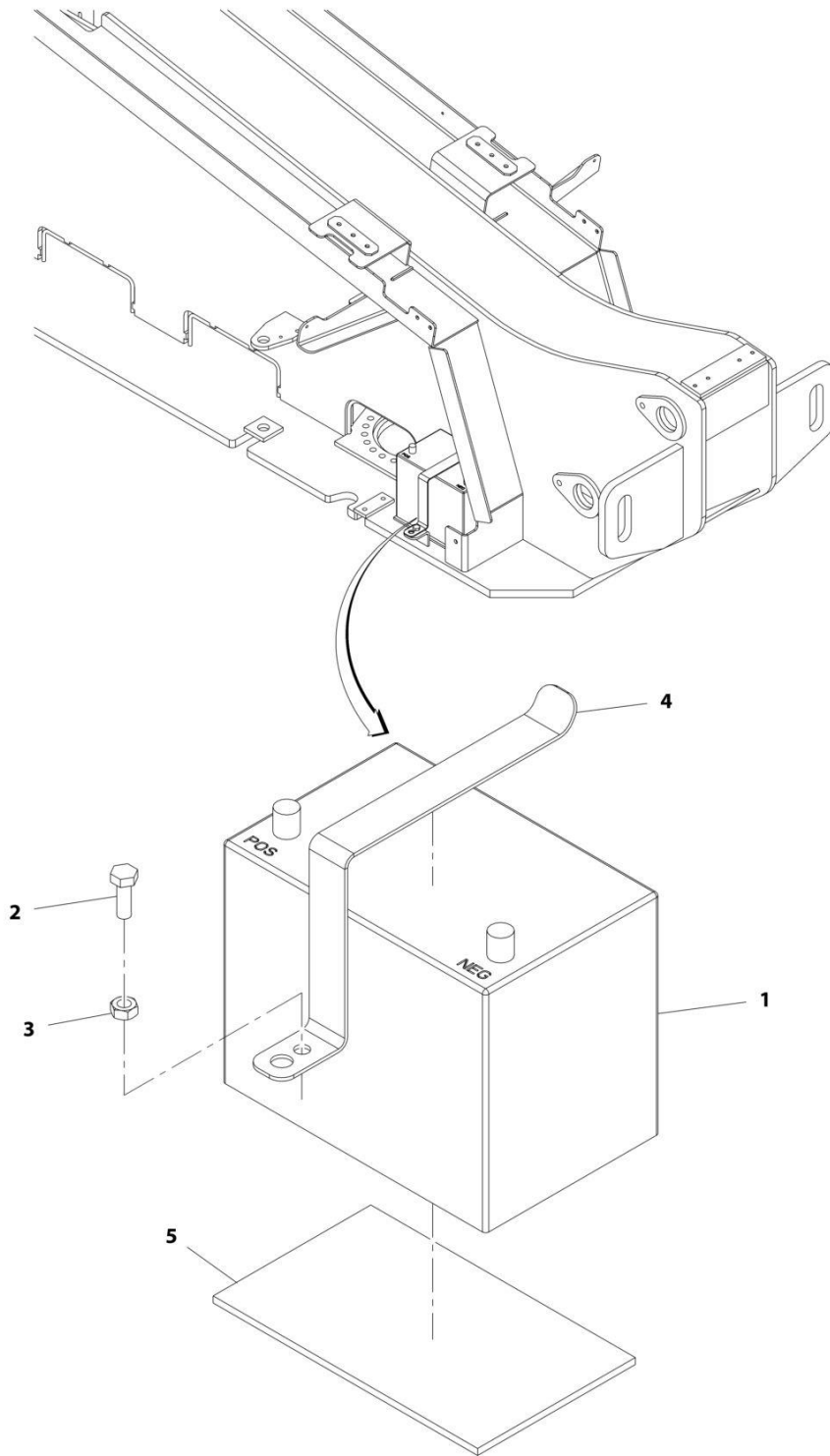
## SECTION 3 - ENGINE

ITEM	PART NUMBER	QTY	DESCRIPTION	REV
48	7021256	1	O-Ring (Part of Item 47)	
49	70001958	1	Plug Assembly (Includes Item 50)	
50	7021256	1	O-Ring (Part of Item 49)	
51	70001958	1	Plug Assembly (Includes Item 52)	
52	7021256	1	O-Ring (Part of Item 51)	
53	70001958	1	Plug Assembly (Includes Item 54)	
54	7021256	1	O-Ring (Part of Item 53)	
55	70002169	4	Capscrew	
56	70002170	2	Capscrew	
57	70002132	2	Pin	
58	70002172	1	Bearing, Journal (Part of Item 45)	
59	7022340	2	Bracket, Lifting	
60	70002165	2	Screw	
61	See Note	NSS	Housing (Note: Not Available - Purchase Complete Assembly)	
62	70002175	1	Shaft	
63	70002176	1	Ball Bearing Kit	
64	70007439	1	Ring, Retaining	
65	70002174	1	Shaft Seal Kit (Includes Items 66-68)	
66	70002177	1	Seal, Lip	
67	70002178	1	O-Ring	
68	7007438	1	Ring, Retaining	
69	70002180	1	Adapter	
70	70002181	1	Seal, Adapter	
71	70002182	1	Coupling	
72	70002185	4	Capscrew	
73	70002186	1	Plate, Thrust	
74	70002188	1	High Pressure Relief Valve Cartridge Assembly (Includes Items 75 & 76)	
75	70002187	1	O-Ring (1 Per Cartridge) (Part of Item 74)	
76	7007415	1	O-Ring (1 Per Cartridge) (Part of Item 74)	
77	70004026	1	High Pressure Relief Valve Cartridge Assembly (Includes Items 75 & 76)	
78	70002187	1	O-Ring (1 Per Cartridge) (Part of Item 74)	
79	7007415	1	O-Ring (1 Per Cartridge) (Part of Item 74)	
80	70002189	1	Charge Pump Kit (Includes Item 81)	
81	70002867	2	Ring, Seal (Part of Item 80)	
82	7023964	2	Plug Assembly (Includes Item 83)	
83	7007415	2	O-Ring (Part of Item 82)	
84	70002191	1	Charge Relief Valve Cartridge Assembly (Includes Items 85 & 86)	
85	7022301	1	Nut, Seal (Part of Item 84)	
86	7007415	1	O-Ring (Part of Item 84)	
87	70002192	1	Overhaul Seal Kit (Includes Items 3, 5, 22, 27, 30, 37, 38, 41, 48, 50, 52, 54, 66, 67, 70, 75, 76, 78, 79, 81, 83 & 86)	



# SECTION 3 - ENGINE

## FIGURE 3-7. BATTERY INSTALLATION



ART\_1001139019



FIGURE 3-7. BATTERY INSTALLATION

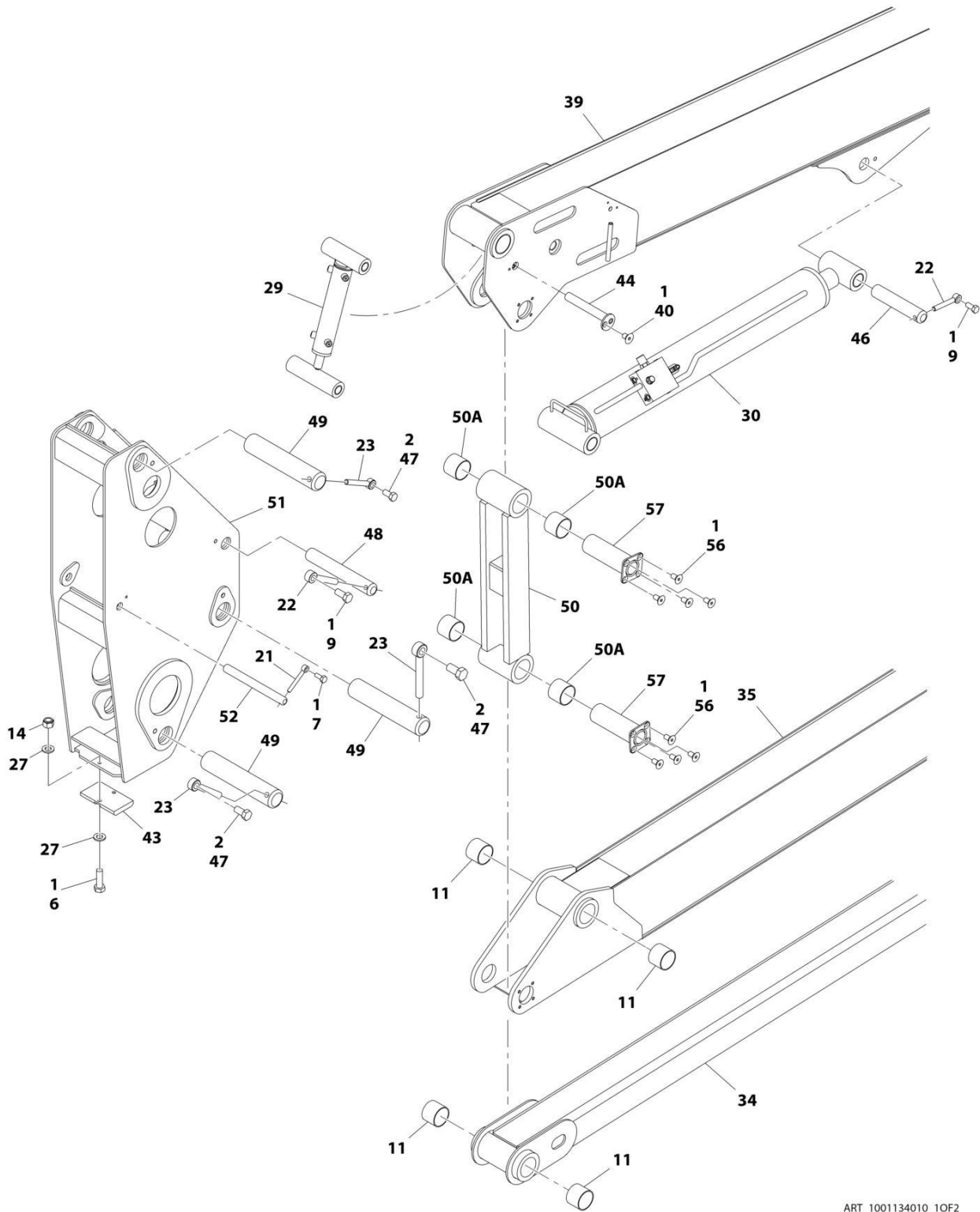
ITEM	PART NUMBER	QTY	DESCRIPTION	REV
	1001139019	Ref	BATTERY INSTALLATION	D
1	0400003	1	Battery	
2	0761014	1	Bolt M10 x 30	
3	3291001	1	Nut M10	
4	1001139751	1	Strap, Battery	
5	1001140252	1	Seat, Battery	



**SECTION 4 - BOOM**

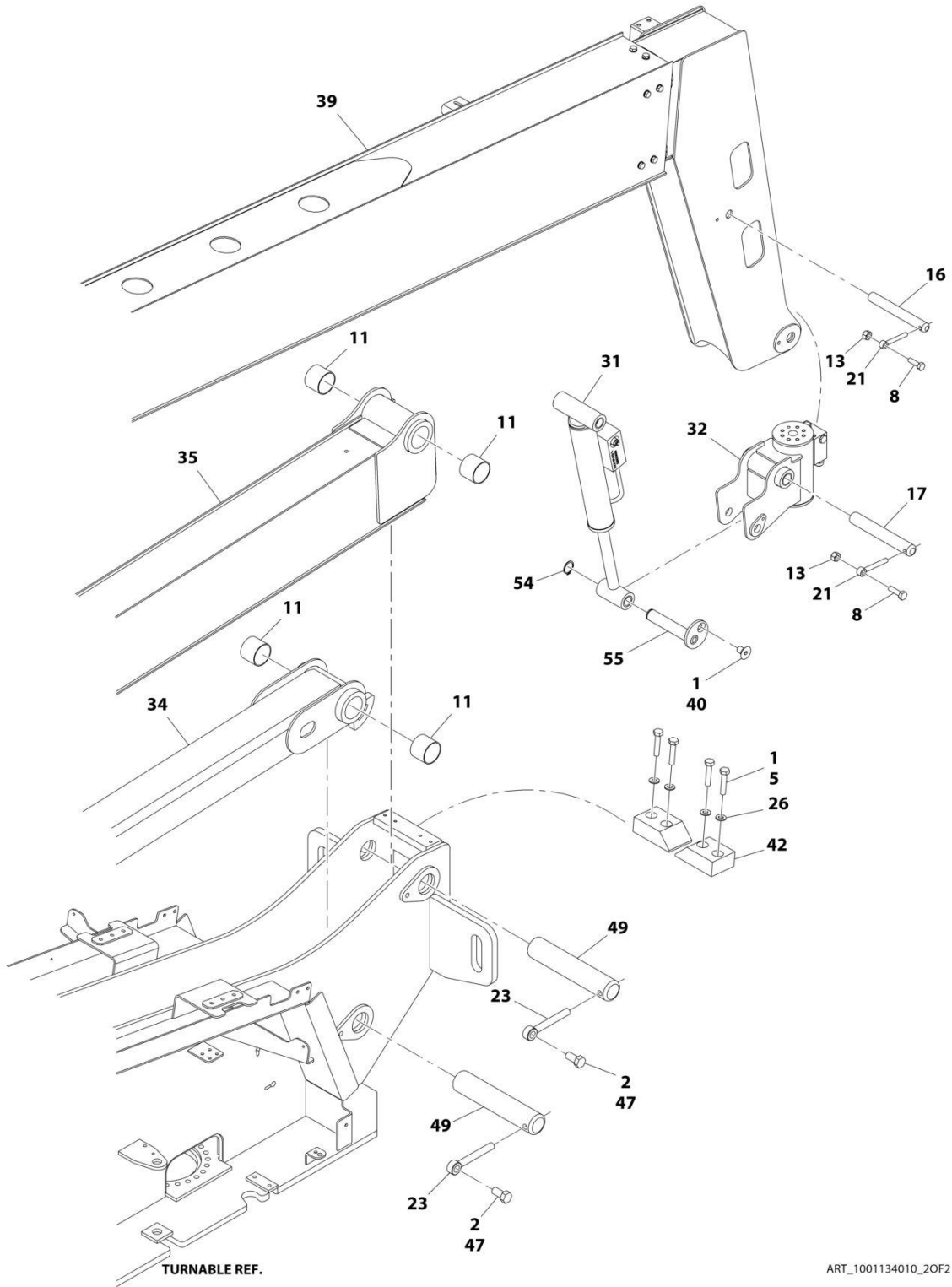
# SECTION 4 - BOOM

## FIGURE 4-1. BOOM AND CYLINDERS INSTALLATION - 18RS



ART\_1001134010\_10F2

# SECTION 4 - BOOM



ART\_1001134010\_2OF2

## SECTION 4 - BOOM

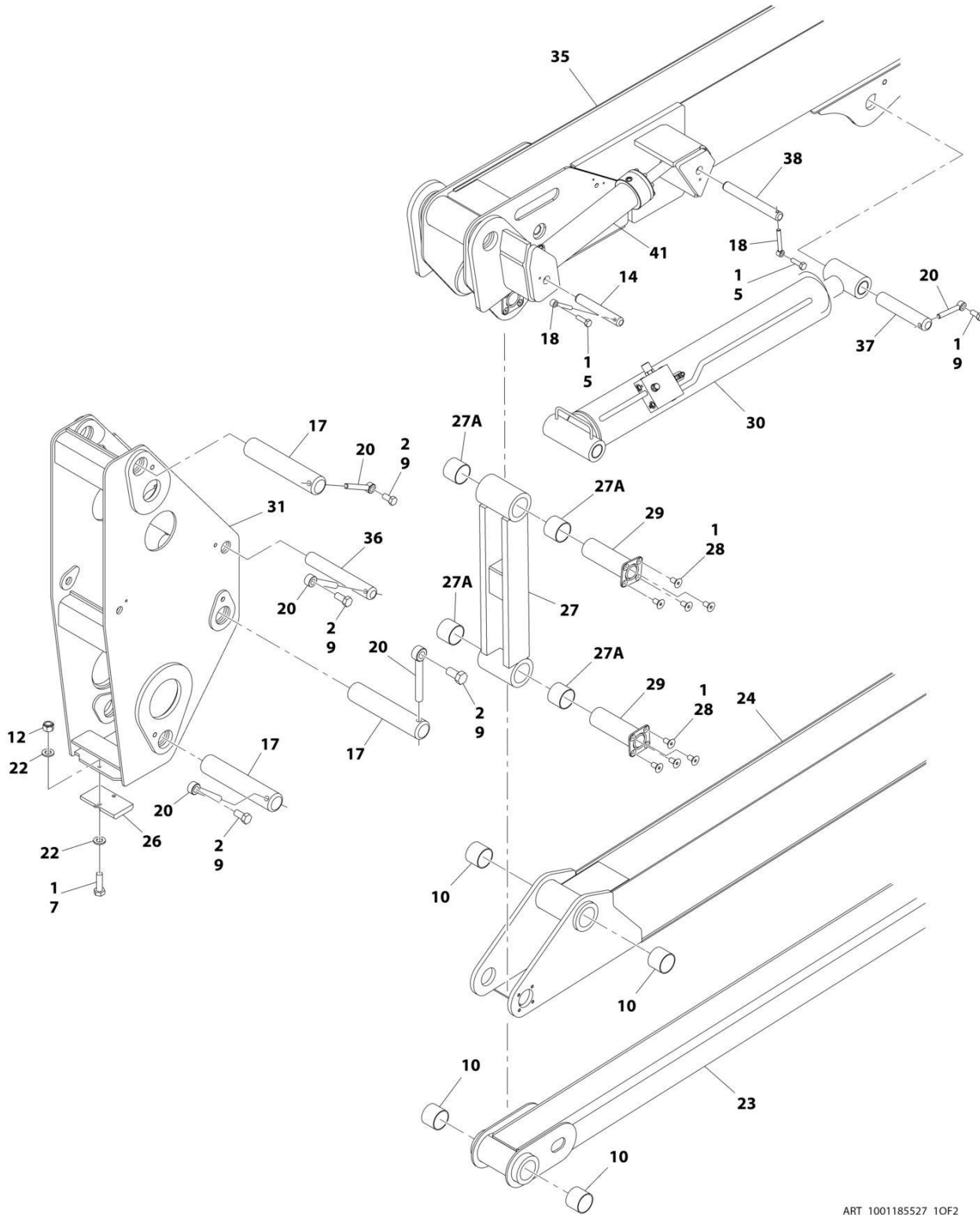
FIGURE 4-1. BOOM AND CYLINDERS INSTALLATION - 18RS

ITEM	PART NUMBER	QTY	DESCRIPTION	REV
	1001134010	Ref	BOOM AND CYLINDERS INSTALLATION - 18RS	C
1	0100011	AR	Compound, Locking	
2	0100019	AR	Compound, Locking	
5	0701018	4	Bolt M10 x 50	
6	0701216	2	Bolt M12 x 40	
7	0761012	1	Bolt M10 x 25	
8	0761015	2	Bolt M10 x 35	
9	0761615	2	Bolt M16 x 40	
11	0962297	8	Bushing	
13	3291005	2	Nut M10	
14	3291205	2	Nut M12	
16	3422578	1	Pin	
17	3422582	1	Pin	
21	3841143	3	Keeper, Pin	
22	3841258	2	Keeper, Pin	
23	3841287	5	Keeper, Pin	
26	4812000	4	Washer M10	
27	4812100	4	Washer M12	
29	1001130478	1	Master Cylinder Assembly (See CYLINDER SECTION for Breakdown)	
30	1001130480	1	Lift Cylinder Assembly - Main Boom (See CYLINDER SECTION for Breakdown)	
31	1001132163	1	Level (Platform Slave) Cylinder Assembly (See CYLINDER SECTION for Breakdown)	
32	1001132275	1	Platform Rotator Assembly (See PLATFORM ROTATOR ASSEMBLY for Breakdown)	
34	1001134172	1	Link, Tower	
35	1001115672	1	Boom, Tower	
39	1001136557	1	Main Boom Assembly (See MAIN BOOM ASSEMBLY for Breakdown)	
40	1001137032	2	Screw M10 x 16	
42	1001138459	2	Pad, Boom Rest	
43	1001138778	1	Pad	
44	1001138828	1	Pin	
46	1001138865	1	Pin	
47	0762016	5	Bolt M20 x 40	
48	3422913	1	Pin	
49	3423061	5	Pin	
50	1001143955	1	Link, Timing	
50A	0962297	4	Bushing	
51	1001145465	1	Upright	
52	1001146299	1	Pin	
54	3760115	1	Ring, Retaining	
55	1001148892	1	Pin	
56	1001155441	8	Screw M10 x 20 Grade 10.9	
57	1001155455	2	Pin	



# SECTION 4 - BOOM

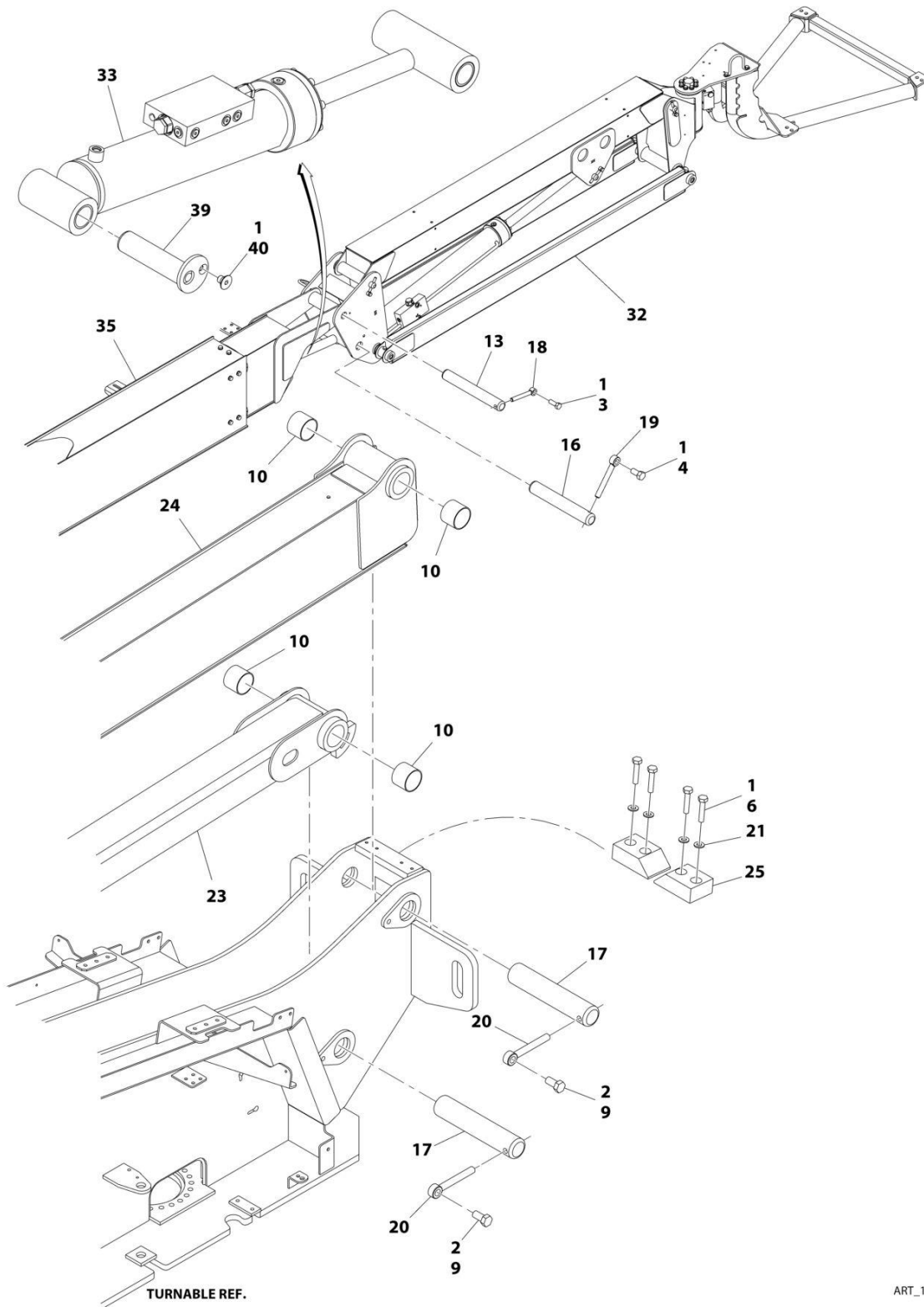
## FIGURE 4-2. BOOM AND CYLINDERS INSTALLATION - 18RSJ



ART\_1001185527\_10F2



# SECTION 4 - BOOM



ART\_1001185527\_2OF2

## SECTION 4 - BOOM

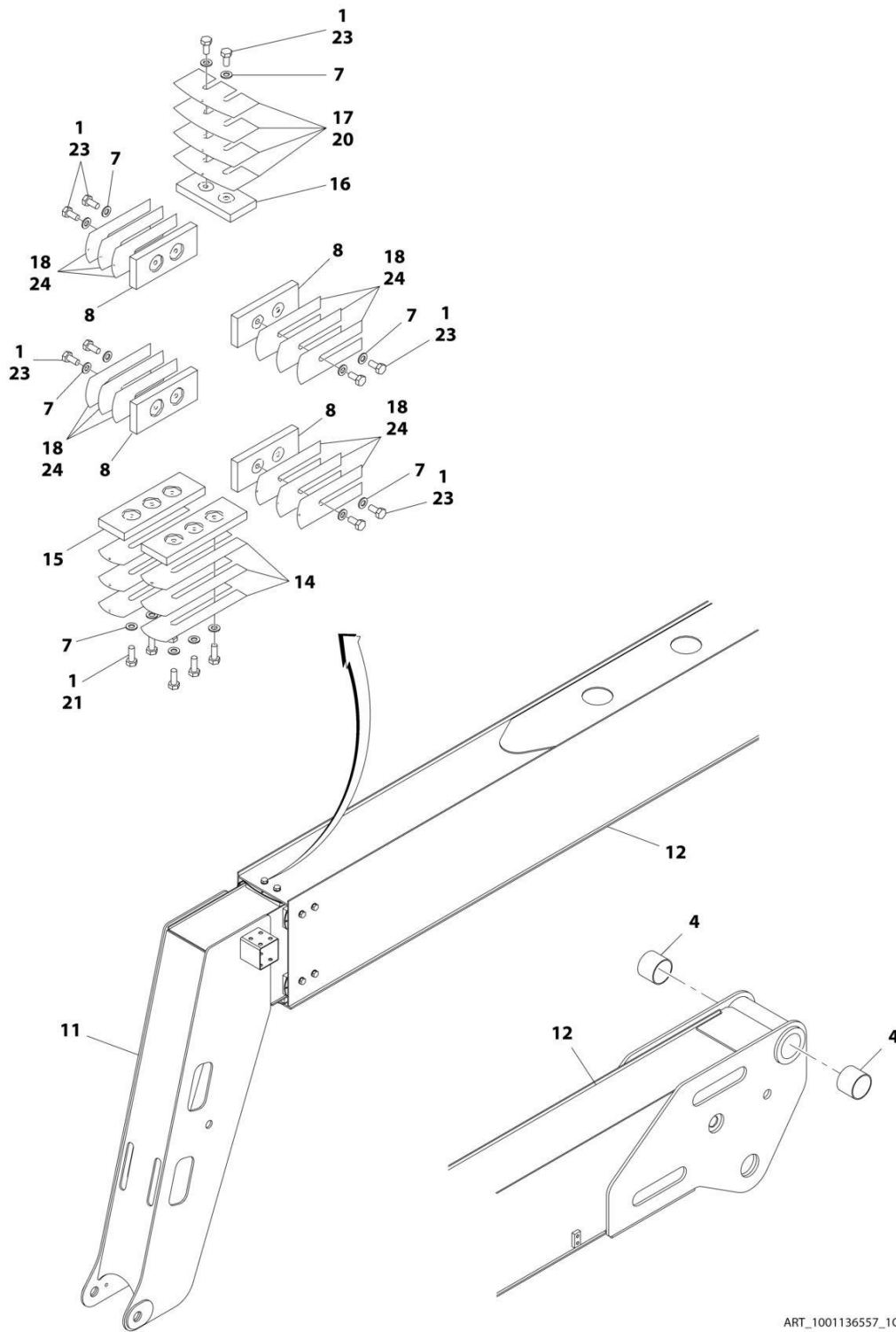
**FIGURE 4-2. BOOM AND CYLINDERS INSTALLATION - 18RSJ**

ITEM	PART NUMBER	QTY	DESCRIPTION	REV
	1001185527	Ref	BOOM AND CYLINDERS INSTALLATION - 18RSJ	A
1	0100011	AR	Compound, Locking	
2	0100019	AR	Compound, Locking	
3	0641608	1	Bolt 3/8 x 1	
4	0641808	1	Bolt 1/2 x 1	
5	0701015	2	Bolt M10 x 35	
6	0701018	4	Bolt M10 x 50	
7	0701216	2	Bolt M12 x 40	
9	0762016	7	Bolt M20 x 40	
10	0962297	8	Bushing	
12	3291205	2	Nut M12	
13	3422561	1	Pin	
14	3422669	1	Pin	
16	3422793	1	Pin	
17	3423061	5	Pin	
18	3841143	3	Keeper, Pin	
19	3841203	1	Keeper, Pin	
20	3841287	7	Keeper, Pin	
21	4812000	4	Washer M10	
22	4812100	4	Washer M12	
23	1001134172	1	Link, Tower	
24	1001134312	1	Boom, Tower	
25	1001138459	2	Pad, Boom Rest	
26	1001138778	1	Pad	
27	1001143955	1	Link, Timing	
27A	0962297	4	Bushing	
28	1001155441	8	Screw M10 x 20 Grade 10.9	
29	1001155455	2	Pin	
30	1001185157	1	Lift Cylinder Assembly - Boom (See CYLINDER SECTION for Breakdown)	
31	1001185192	1	Upright	
32	1001185314	1	Jib Assembly (See JIB ASSEMBLY for Breakdown)	
33	1001185318	1	Level Cylinder Assembly - Platform Slave (See CYLINDER SECTION for Breakdown)	
35	1001185554	1	Main Boom Assembly (See MAIN BOOM ASSEMBLY for Breakdown)	
36	1001185577	1	Pin	
37	1001185578	1	Pin	
38	3422792	1	Pin	
39	3422932	1	Pin	
40	3900192	1	Screw 3/8 x 1/2	
41	1001186733	1	Master Cylinder Assembly (See CYLINDER SECTION for Breakdown)	
42	3790012	1	O-Ring (Not Shown - Located on Platform Box)	
43	4360328	1	Switch, Toggle (Not Shown - Located on Platform Box)	



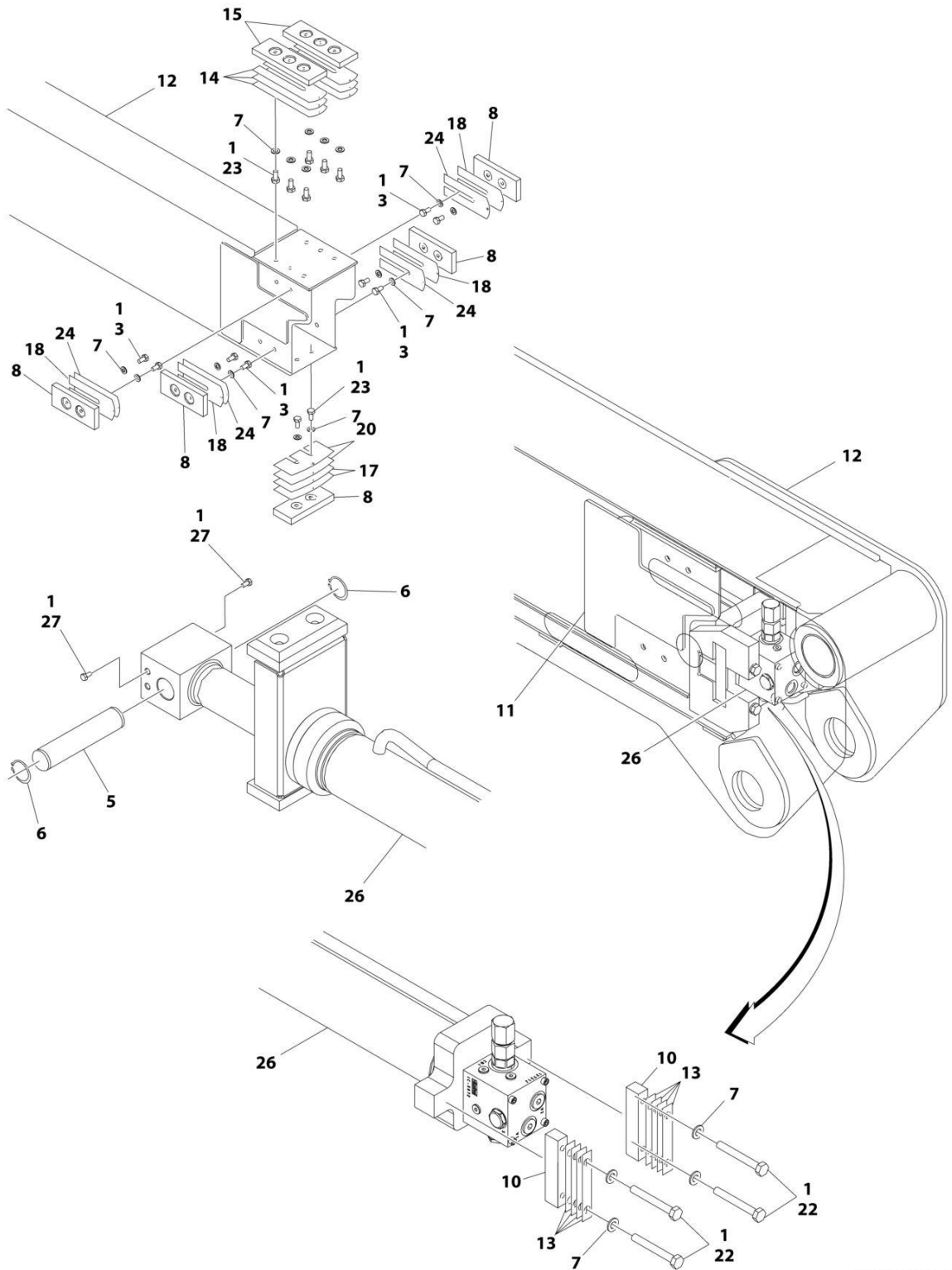
# SECTION 4 - BOOM

## FIGURE 4-3. MAIN BOOM ASSEMBLY - 18RS



ART\_1001136557\_10F2

# SECTION 4 - BOOM



ART\_1001136557\_2OF2

## SECTION 4 - BOOM

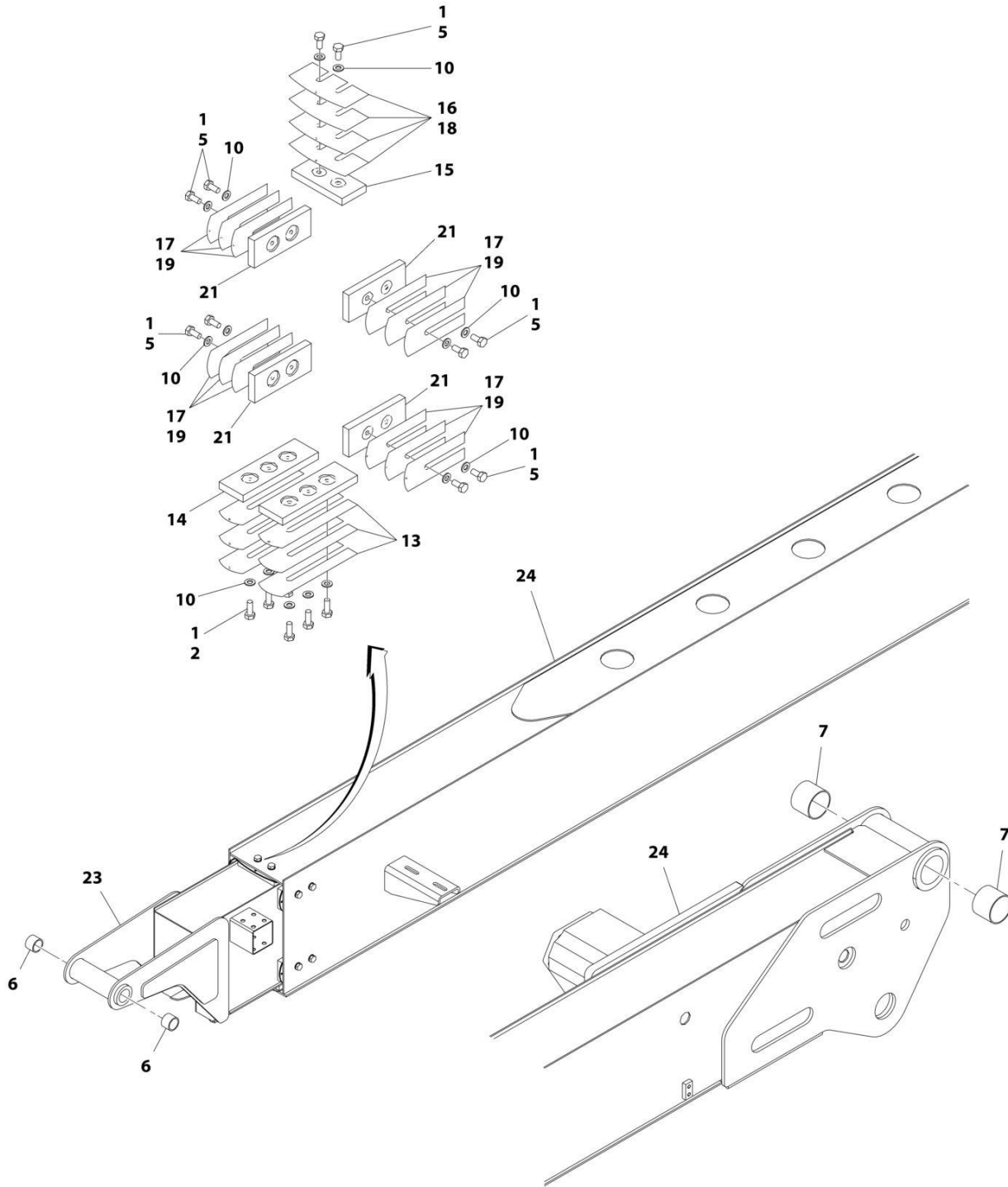
FIGURE 4-3. MAIN BOOM ASSEMBLY - 18RS

ITEM	PART NUMBER	QTY	DESCRIPTION	REV
	1001136557	Ref	MAIN BOOM ASSEMBLY - 18RS	E
1	0100011	AR	Compound, Locking	
3	0761010	8	Bolt M10 x 20	
4	0962297	2	Bushing	
5	1001145202	1	Pin	
6	3760133	2	Ring, Retaining	
7	4812000	36	Washer M8	
8	1001153398	8	Pad, Wear	
10	1001135488	2	Block, Attaching	
11	1001135697	1	Boom, Fly	
12	1001130688	1	Boom, Base	
13	1001136571	6	Shim	
14	1001136575	4	Shim	
15	1001136583	4	Pad, Wear	
16	1001136587	1	Pad, Wear	
17	1001136590	4	Shim	
18	1001136592	8	Shim	
20	1001138436	3	Shim	
21	0701013	6	Bolt M10 x 28	
22	0701024	4	Bolt M10 x 80	
23	0761011	18	Bolt M10 x 22	
24	1001143713	4	Shim	
26	1001150646	NLA	Telescope Cylinder Assembly (See CYLINDER SECTION for Breakdown) <b>(Prior to SN B300001836)</b>	
26	1001228060	1	Telescope Cylinder Assembly (See CYLINDER SECTION for Breakdown) <b>(SN B300001836 to Present)</b>	
27	3900259	4	Bolt 1/2 x 3/4	



# SECTION 4 - BOOM

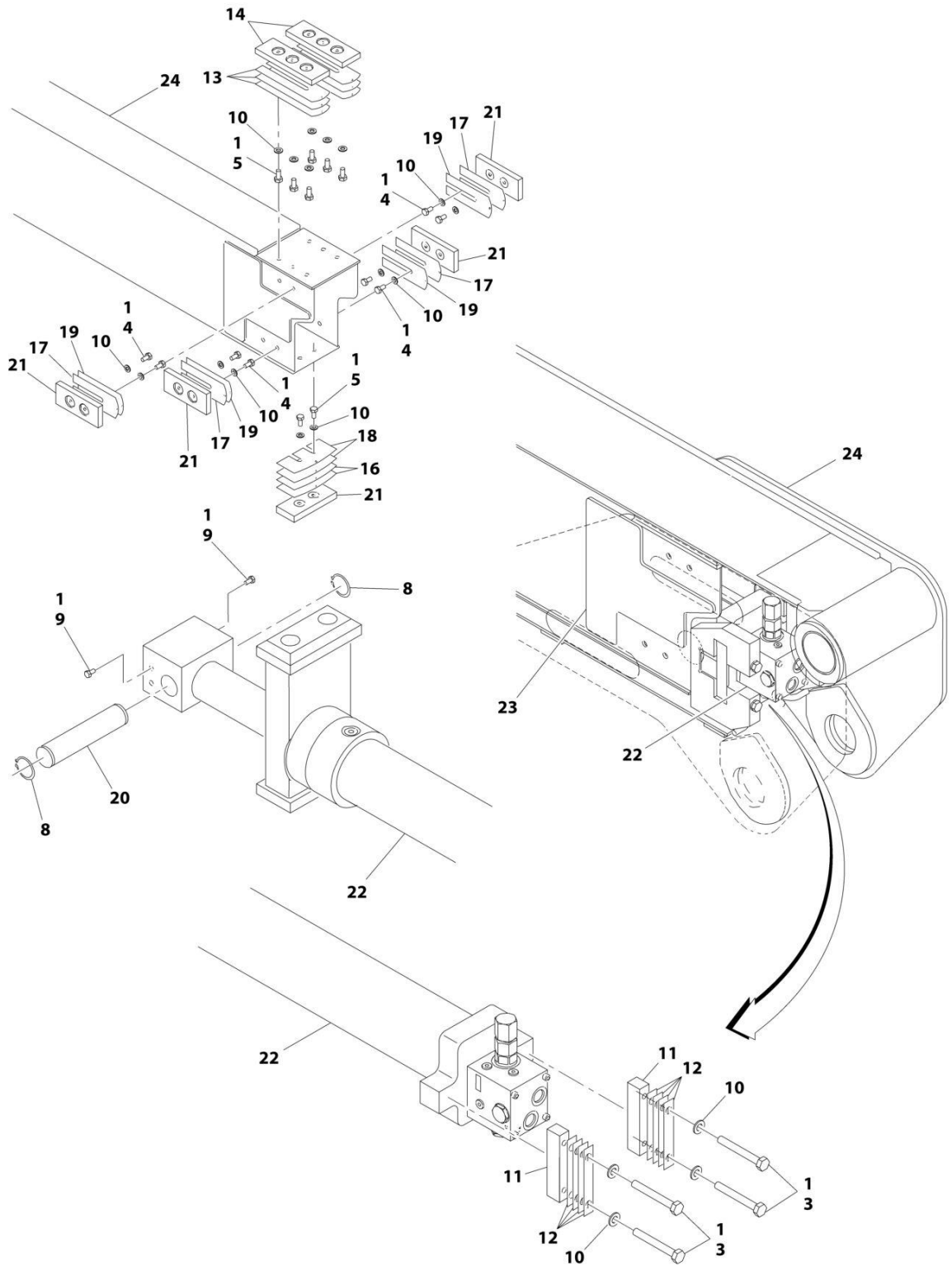
## FIGURE 4-4. MAIN BOOM ASSEMBLY - 18RSJ



ART\_1001185554\_10F2



# SECTION 4 - BOOM



ART\_1001185554\_2OF2

## SECTION 4 - BOOM

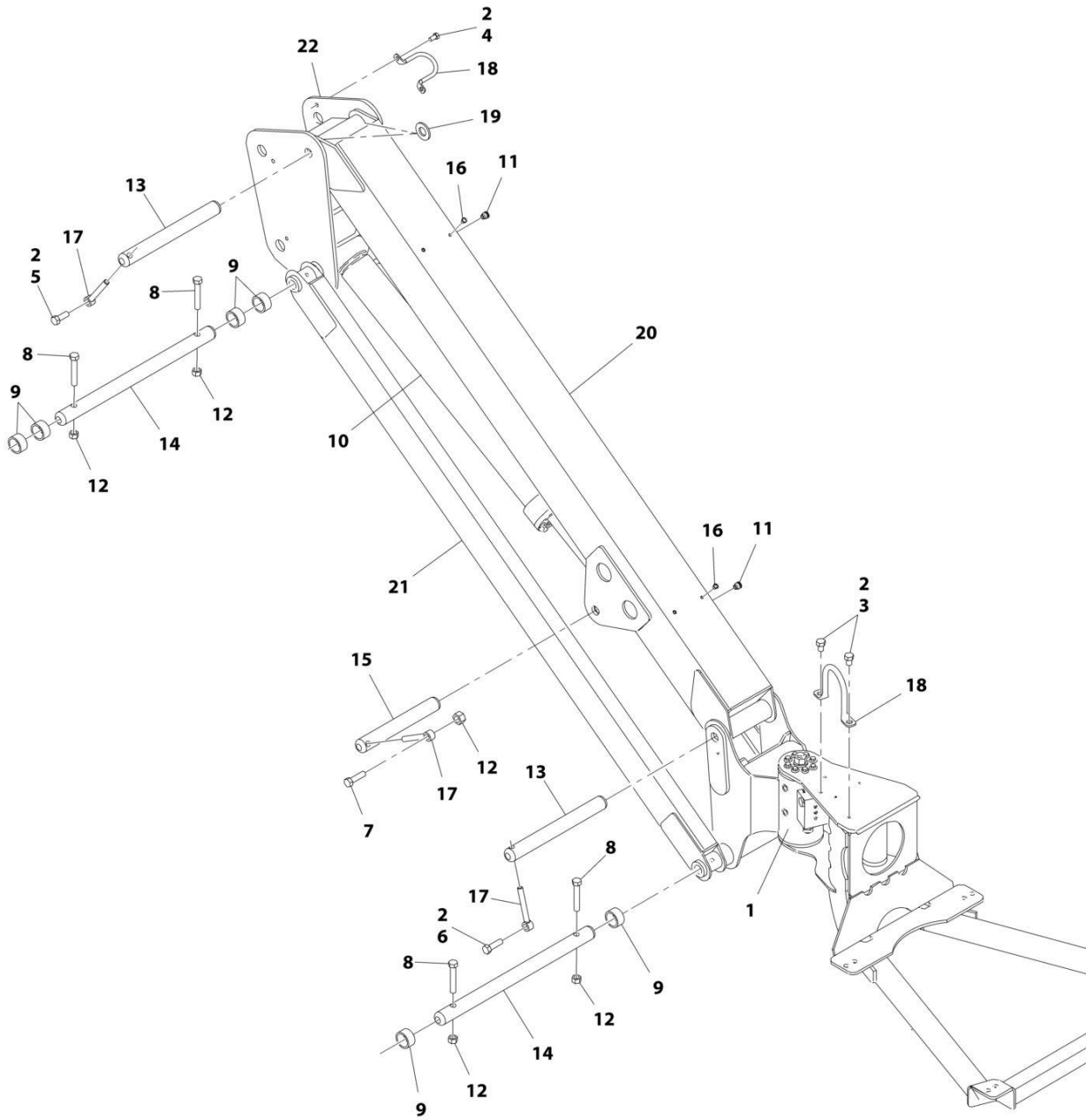
FIGURE 4-4. MAIN BOOM ASSEMBLY - 18RSJ

ITEM	PART NUMBER	QTY	DESCRIPTION	REV
	1001185554	Ref	MAIN BOOM ASSEMBLY - 18RSJ	B
1	0100011	AR	Compound, Locking	
2	0701013	6	Bolt M10 x 28	
3	0701024	4	Bolt M10 x 80	
4	0761010	8	Bolt M10 x 20	
5	0761011	18	Bolt M10 x 22	
6	0961951	2	Bushing	
7	0962297	2	Bushing	
8	3760133	2	Ring, Retaining	
9	3900259	4	Bolt 1/2 x 3/4	
10	4812000	36	Washer M10	
11	1001135488	2	Block, Attaching	
12	1001136571	6	Shim	
13	1001136575	4	Shim	
14	1001136583	4	Pad, Wear	
15	1001136587	1	Pad, Wear	
16	1001136590	4	Shim	
17	1001136592	8	Shim	
18	1001138436	3	Shim	
19	1001143713	4	Shim	
20	1001145202	1	Pin	
21	1001153398	9	Pad, Wear	
22	1001180026	1	Telescope Cylinder Assembly (See CYLINDER SECTION for Breakdown)	
23	1001185524	1	Boom, Fly	
24	1001185785	1	Boom, Base	



# SECTION 4 - BOOM

## FIGURE 4-5. JIB ASSEMBLY



ART\_1001185314

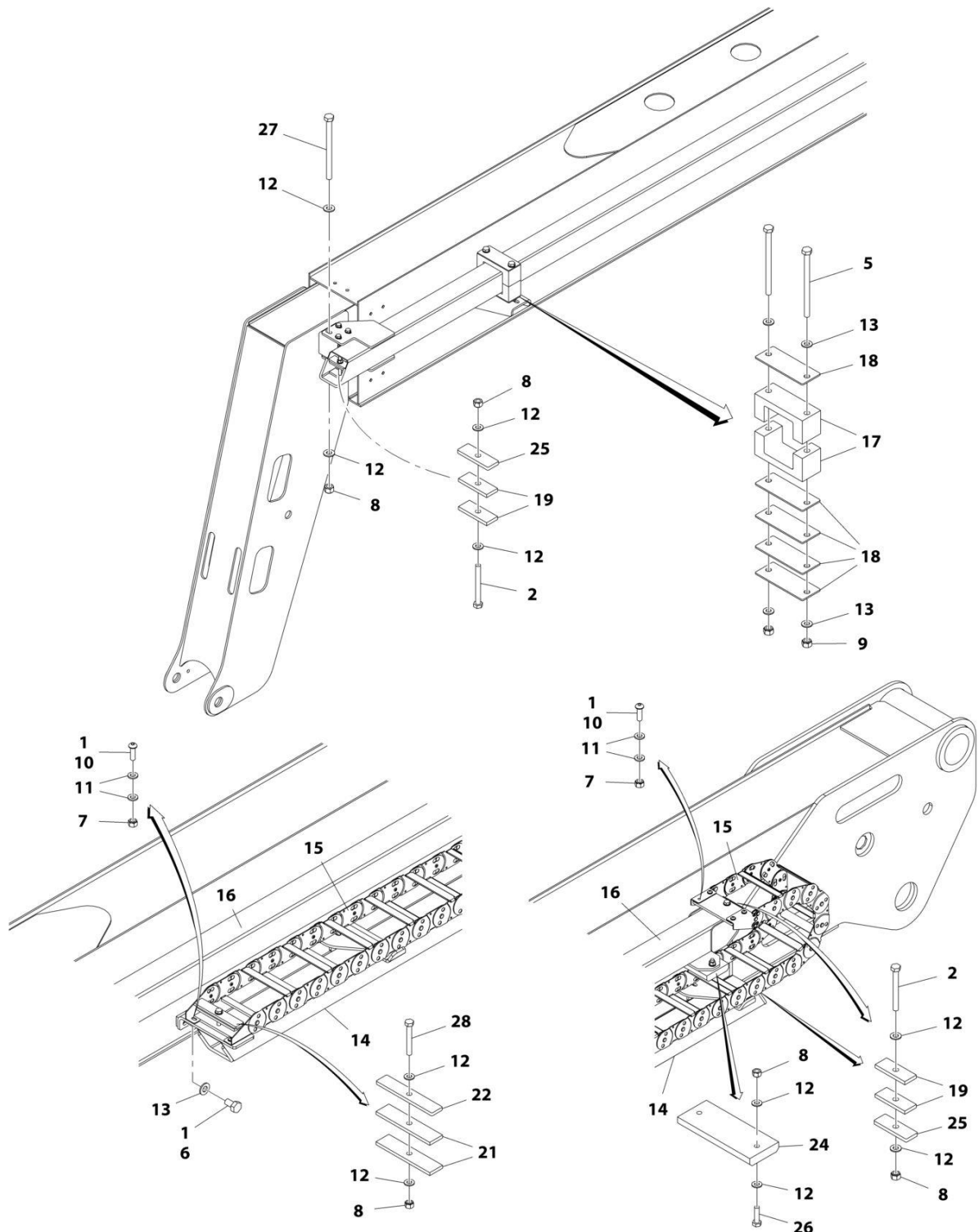
## SECTION 4 - BOOM

### FIGURE 4-5. JIB ASSEMBLY

ITEM	PART NUMBER	QTY	DESCRIPTION	REV
	1001185314	Ref	JIB ASSEMBLY	C
1	1001178269	1	Platform Rotator Assembly (See PLATFORM ROTATOR ASSEMBLY for Breakdown)	
2	0100011	AR	Compound, Locking	
3	0641604	2	Bolt 3/8 x 1/2	
4	0641606	2	Bolt 3/8 x 3/4	
5	0641608	1	Bolt 3/8 x 1	
6	0641610	1	Bolt 3/8 x 1-1/4	
7	0641611	1	Bolt 3/8 x 1-3/8	
8	0641618	4	Bolt 3/8 x 2-1/4	
9	0961947	6	Bearing	
10		Ref	Jib Lift Cylinder Assembly Options (See CYLINDER SECTION for Breakdown)	
10	1683609	NLA	Jib Cylinder - (Use p/n 1001248012) <b>(Prior to SN B300003130)</b>	
10	1001248012	1	Jib Cylinder <b>(SN B300003130 to Present)</b>	
11	2080044	4	Fastner, Rivnut 1/4	
12	3311605	5	Nut 3/8	
13	3422860	2	Pin	
14	3422861	2	Pin	
15	3422867	1	Pin	
16	3520034	4	Plug	
17	3841143	3	Keeper, Pin	
18	3841340	2	Loop, Hose	
19	4740439	2	Washer	
20	1001113386	1	Boom, Top Jib	
21	1001113407	2	Boom, Bottom Jib	
22	1001185317	1	Support	

# SECTION 4 - BOOM

## FIGURE 4-6. POWER TRACK ASSEMBLY



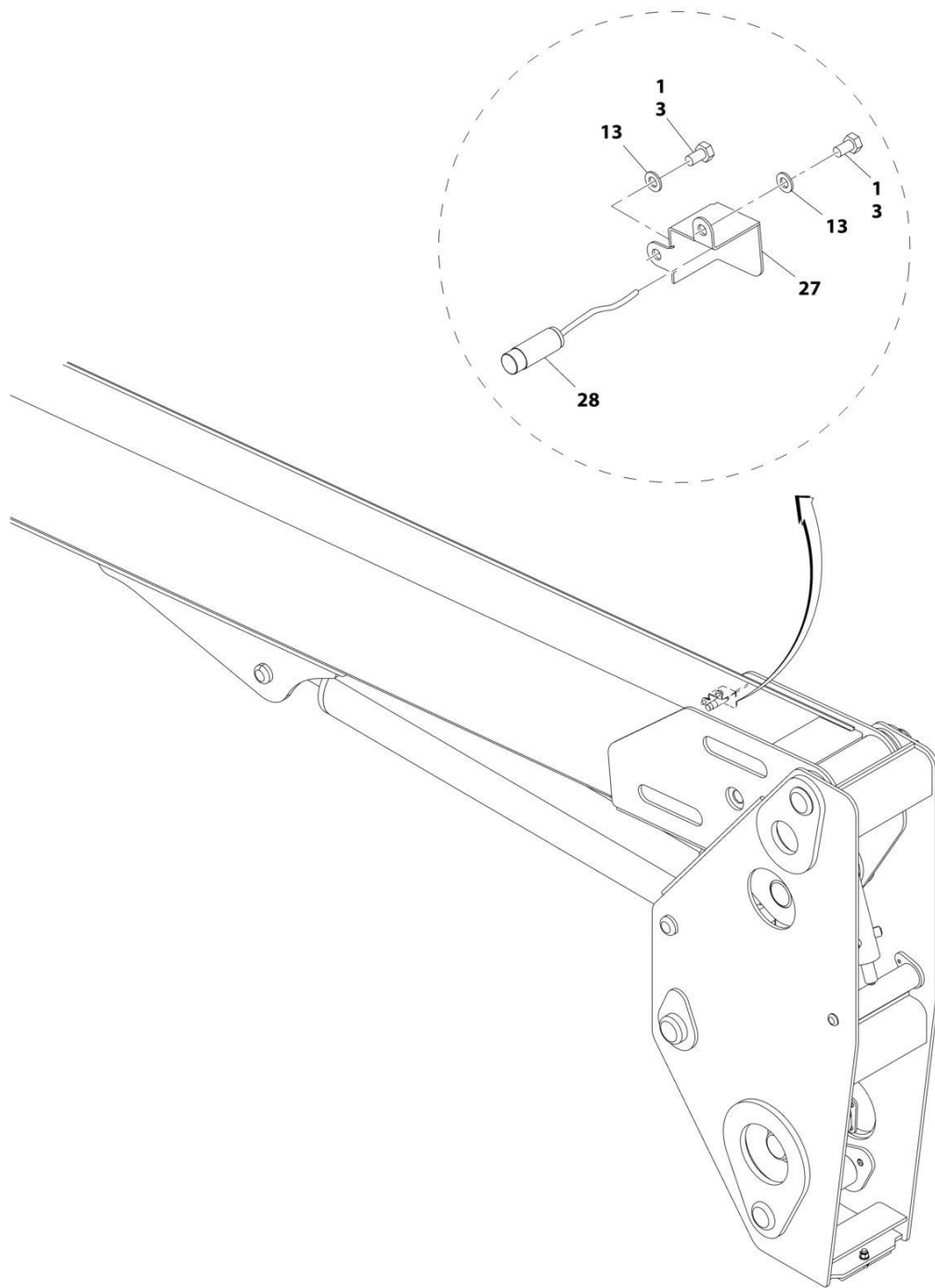
ART\_1001136478

FIGURE 4-6. POWER TRACK ASSEMBLY

ITEM	PART NUMBER	QTY	DESCRIPTION	REV
	1001136478	Ref	POWER TRACK ASSEMBLY	F
1	0100011	AR	Compound, Locking	
2	0700823	3	Bolt M8 x 75	
5	0761032	2	Bolt M10 x 150	
6	0761009	10	Bolt M10 x 18	
7	3290605	8	Nut M6	
8	3290805	10	Nut M8	
9	3291005	2	Nut M10	
10	3900364	8	Capscrew M6 x 20	
11	4811700	16	Washer M6	
12	4811900	20	Washer M8	
13	4812000	14	Washer M10	
14	1001136223	1	Support	
15	1001136242	1	Carrier, Power Track	
15	70004073	1	Repair Kit (Includes One Repair Section)	
15	70004074	1	Bracket Kit (Includes Mounting Feet for Both Ends and Attaching Hardware)	
16	1001136331	1	Tube, Push	
17	1001136398	2	Pad, Push Tube	
18	1001136400	5	Mount	
19	1001136402	6	Pad	
21	1001136407	2	Pad	
22	1001136461	1	Plate	
24	1001136469	1	Pad (Prior to SN B300003130)	
24	3340787	1	Pad (SN B300003130 to Present)	
25	1001139078	3	Plate	
26	0760814	2	Bolt M8 x 30	
27	0700828	4	Bolt M8 x 110	
28	0700820	1	Bolt M8 x 60	

# SECTION 4 - BOOM

## FIGURE 4-7. PROXIMITY SWITCH INSTALLATION - 18RS



ART\_1001137908\_2OF2

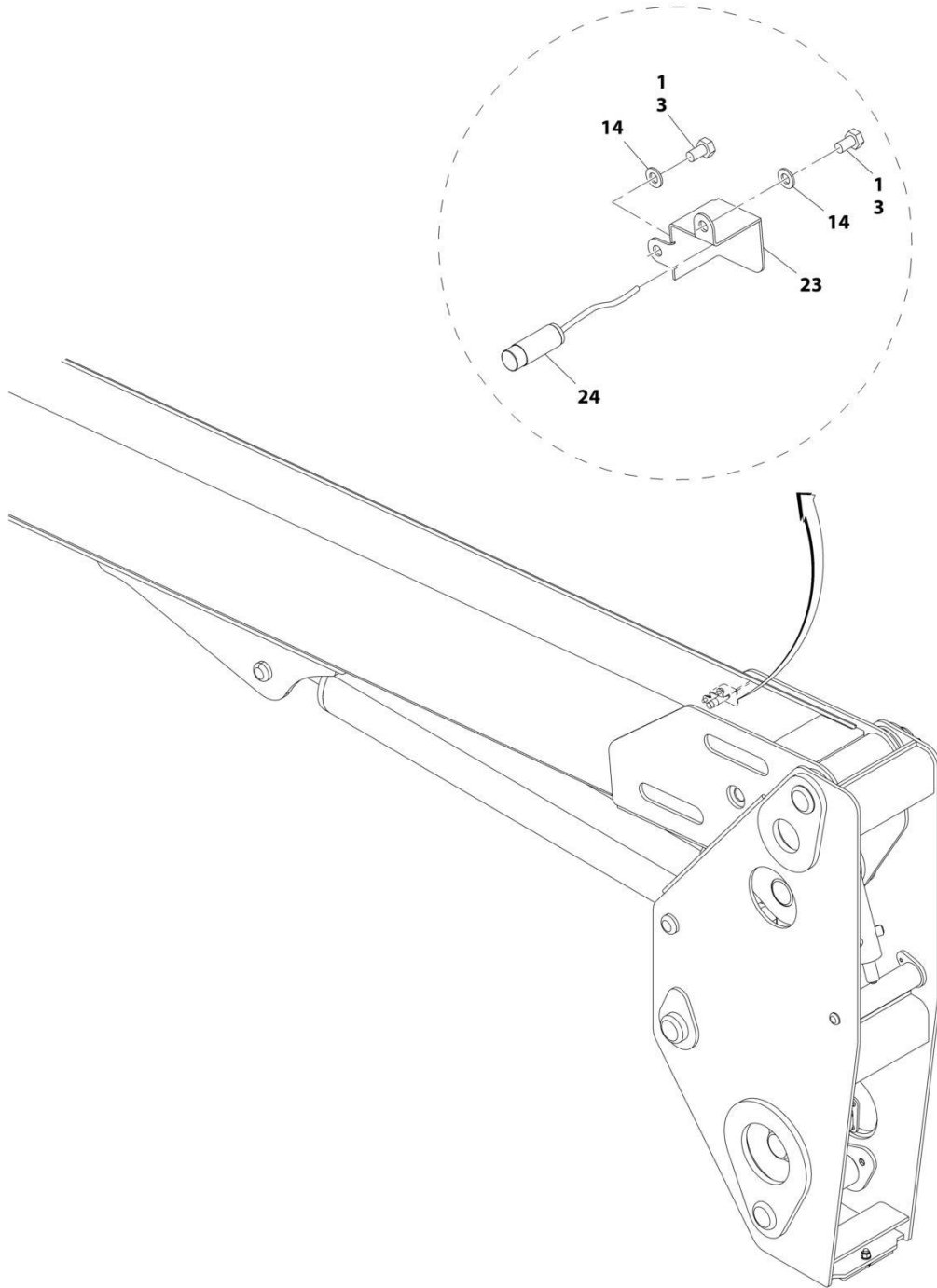


**FIGURE 4-7. PROXIMITY SWITCH INSTALLATION - 18RS**

<b>ITEM</b>	<b>PART NUMBER</b>	<b>QTY</b>	<b>DESCRIPTION</b>	<b>REV</b>
	1001137908	Ref	PROXIMITY SWITCH INSTALLATION - 18RS	G
1	0100011	AR	Compound, Locking	
3	0760807	2	Bolt M8 x 14	
13	4811900	2	Washer M8	
27	1001149922	1	Cover	
28	1001150772	1	Sensor, Proximity	
28	4460536	1	Receptacle, Female - 3 Position	
28	4460464	3	Pin, Male	
29	1001155121	1	Proximity Sensor Harness (Not Shown - See ELECTRICAL SECTION for Breakdown)	

# SECTION 4 - BOOM

## FIGURE 4-8. PROXIMITY SWITCH INSTALLATION - 18RSJ



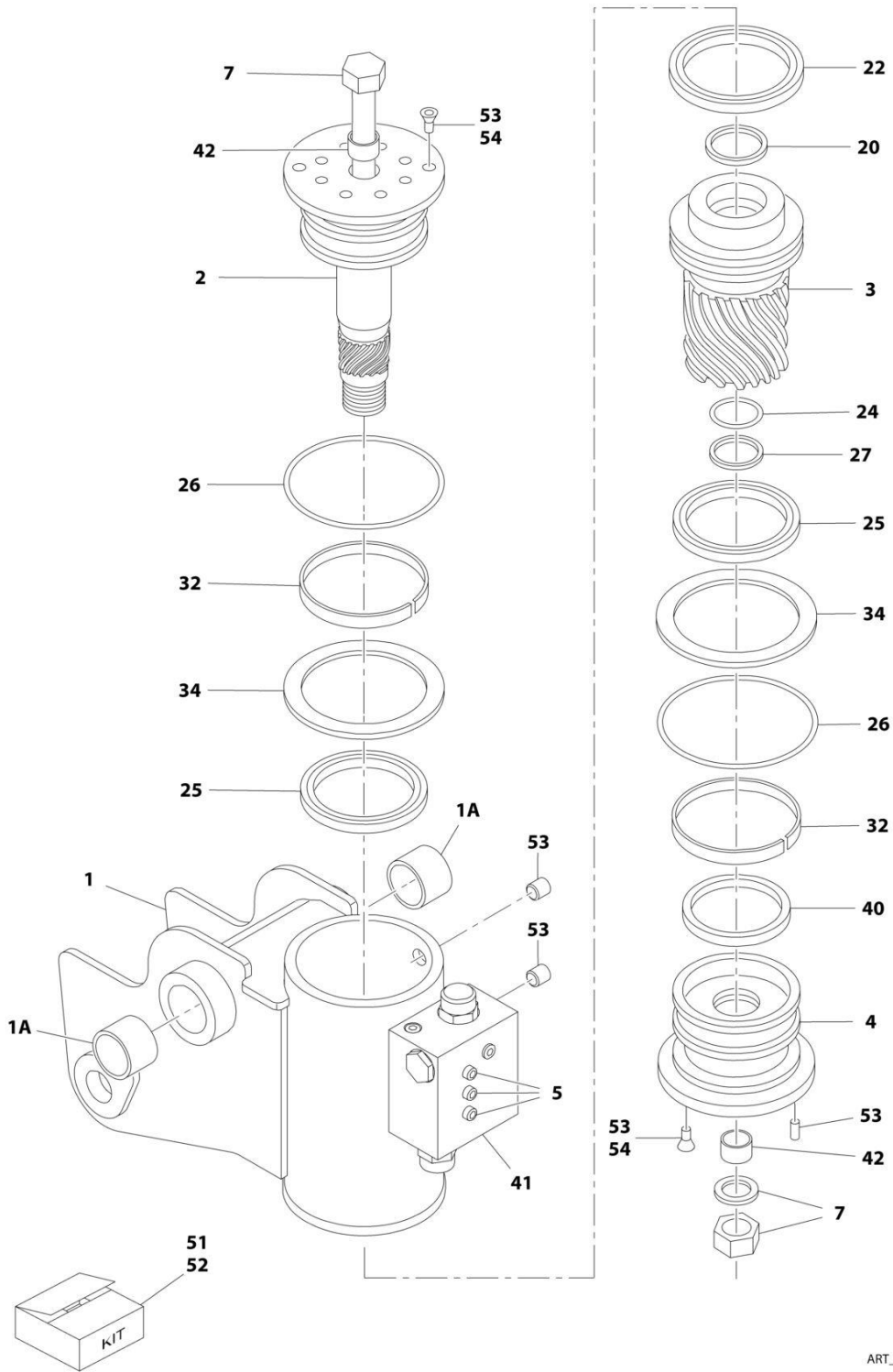
ART\_1001185923\_2OF2

FIGURE 4-8. PROXIMITY SWITCH INSTALLATION - 18RSJ

ITEM	PART NUMBER	QTY	DESCRIPTION	REV
	1001185923	Ref	PROXIMITY SWITCH INSTALLATION - 18RSJ	G
1	0100011	AR	Compound, Locking	
3	0760807	2	Bolt M8 x 14	
14	4811900	2	Washer M8	
23	1001149922	1	Cover	
24	1001150772	1	Sensor, Proximity	
24	4460536	1	Receptacle, Female - 3 Position	
24	4460464	3	Pin, Male	
30	1001155121	1	Proximity Sensor Harness (Not Shown - See ELECTRICAL SECTION for Breakdown)	

# SECTION 4 - BOOM

## FIGURE 4-9. PLATFORM ROTATOR ASSEMBLY - 18RS



ART\_1001132275

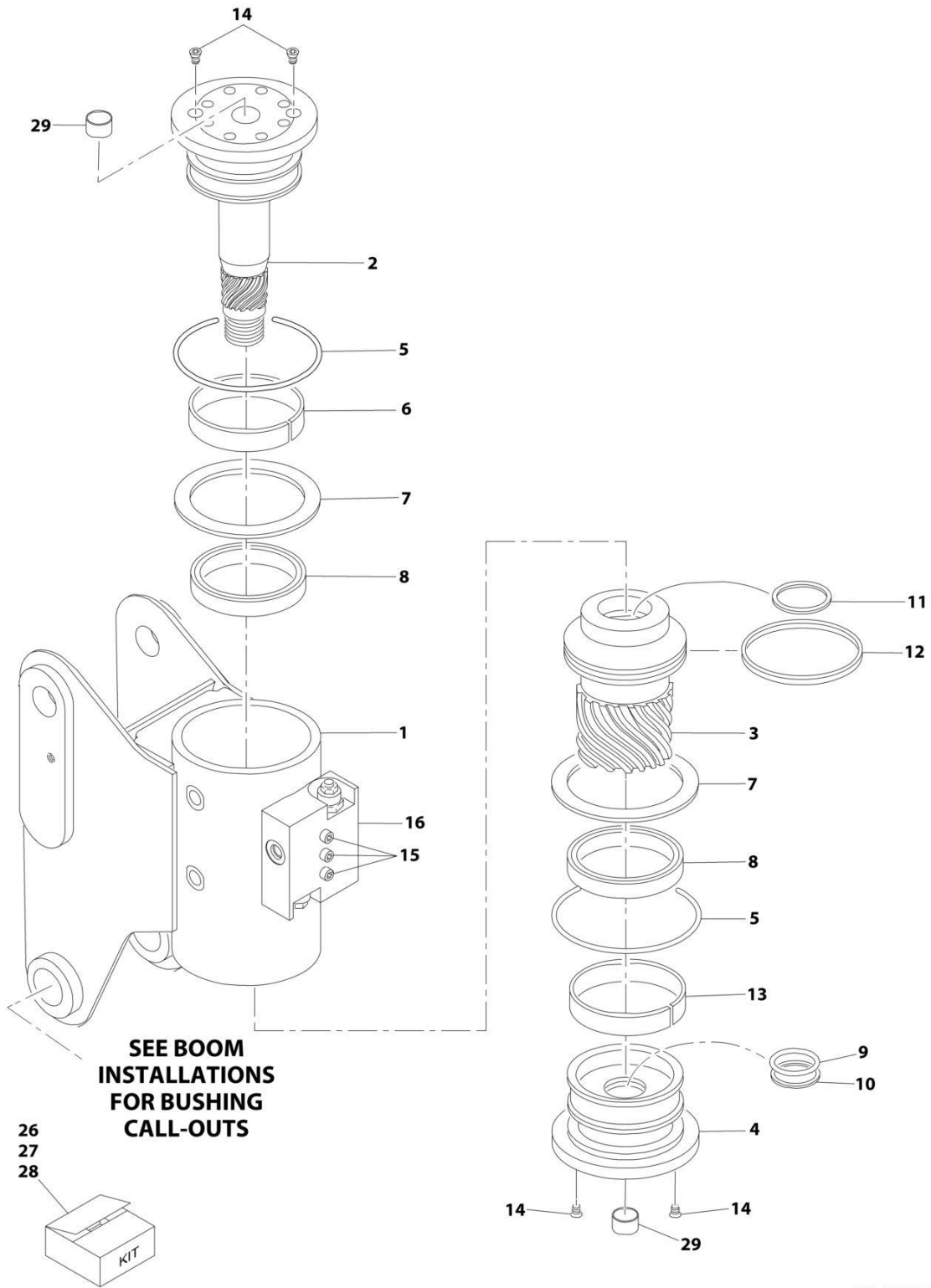
## SECTION 4 - BOOM

**FIGURE 4-9. PLATFORM ROTATOR ASSEMBLY - 18RS**

ITEM	PART NUMBER	QTY	DESCRIPTION	REV
	1001132275	Ref	PLATFORM ROTATOR ASSEMBLY - 18RS	E
1	See Note	1	Case/Bracket Weldment (Note: Not Available - Purchase Complete Rotator)	
1A	7017147	2	Bearing	
2	70003948	1	Shaft	
3	7017163	1	Piston	
4	7017164	1	Cap, End	
5	See Note	3	Capscrew 1/4-20 x 1-1/2 (Grade 8) (Note: Not Available - Purchase Locally)	
7	7017126	1	Tie Rod Assembly	
20	See Note	NSS	T-Seal, Rod (Note: Use Item 52)	
22	See Note	NSS	T-Seal, Piston (Note: Use Item 52)	
24	See Note	NSS	O-Ring (Note: Use Item 52)	
25	See Note	NSS	Seal (Note: Use Item 52)	
26	See Note	NSS	O-Ring (Note: Use Item 52)	
27	See Note	NSS	Ring, Back-up (Note: Use Item 52)	
32	See Note	NSS	Bearing, Shaft (Note: Use Item 51)	
34	See Note	NSS	Thrustwasher (Note: Use Item 51)	
40	70003949	1	Spacer, Stop	
41	7017183	1	Counterbalance Valve Assembly	
41	7017193	2	Cartridge, Valve (Note: No Seal Kit Available)	
42	7017195	2	Bushing, Shaft	
51	7017159	1	Bearing Kit (Includes Items 32 & 34)	
52		Ref	Seal Kit Options (Includes Items 20, 22, 24, 25, 26 & 27)	
52	7017158	1	Standard Seal Kit	
52	7000341	1	Cold Climate Seal Kit	
53	7017142	1	Hardware Kit (Includes Plugs, Dowel Pin and Item 54)	
54	70001697	4	Screw, Countersunk 1/4-20 x 3/8 (Grade 8)	

# SECTION 4 - BOOM

## FIGURE 4-10. PLATFORM ROTATOR ASSEMBLY - 18RSJ



ART\_1001178269

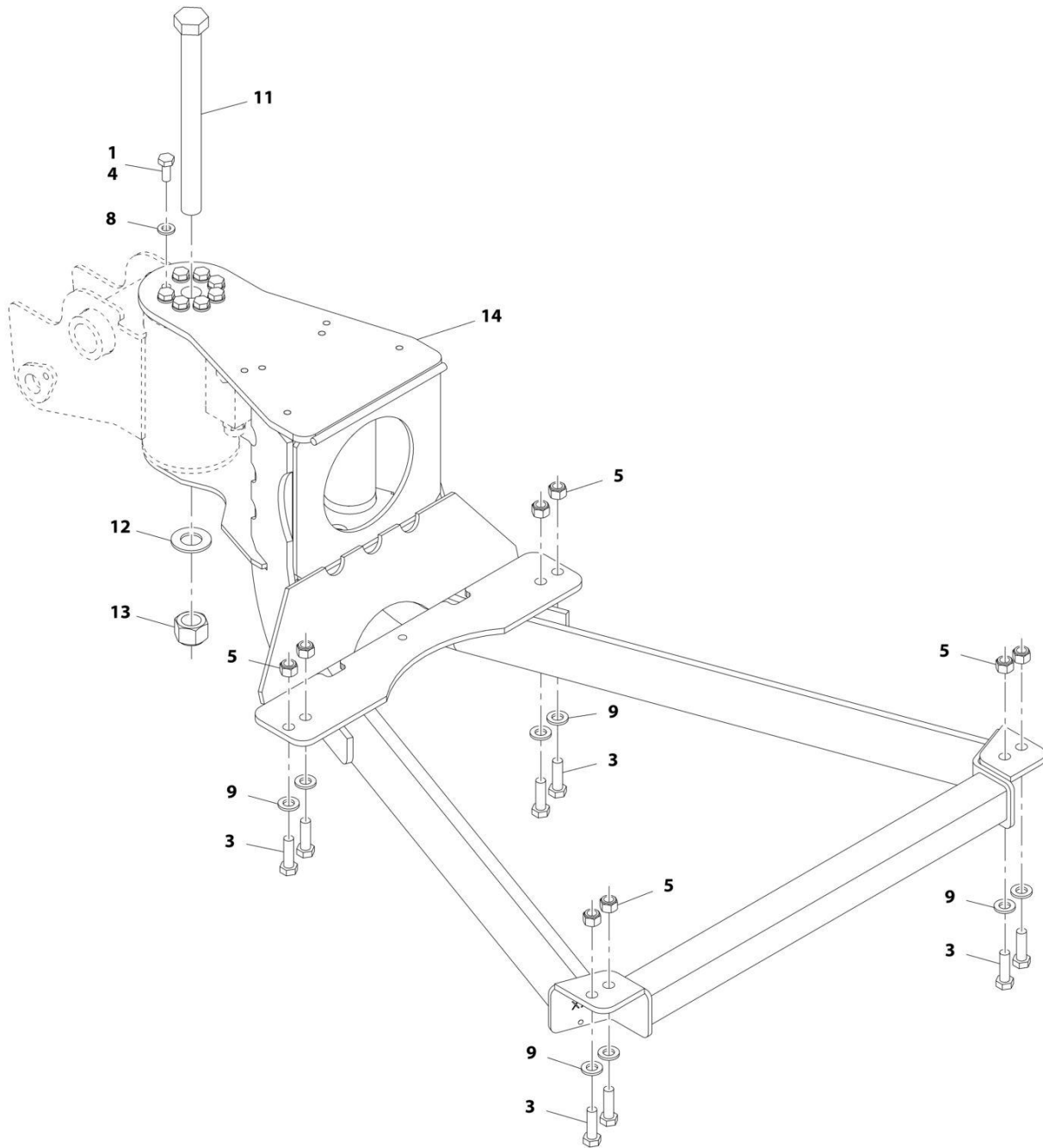
**SECTION 4 - BOOM**

**FIGURE 4-10. PLATFORM ROTATOR ASSEMBLY - 18RSJ**

ITEM	PART NUMBER	QTY	DESCRIPTION	REV
	1001178269	Ref	PLATFORM ROTATOR ASSEMBLY - 18RSJ	A
1	See Note	NSS	Housing/Ring Gear Assembly (Note: Not Available - Purchase Complete Assembly)	
2	7017162	1	Weldment, Shaft	
3	7017163	1	Piston/Sleeve Assembly	
4	7017164	1	Cap, End	
5	See Note	NSS	O-Ring (Note: Use Item 26)	
6	See Note	NSS	Bearing, Shaft (Note: Use p/n 7017159)	
7	See Note	NSS	Thrustwasher (Note: Use p/n 7017159)	
8	See Note	NSS	Packing, Bearing (Note: Use Item 26)	
9	See Note	NSS	Seal, Cap (Note: Use Item 26)	
10	See Note	NSS	Ring, Back-Up Cap (Note: Use Item 26)	
11	See Note	NSS	Seal, Rod (Note: Use Item 26)	
12	See Note	NSS	Seal, Piston (Note: Use Item 26)	
13	See Note	NSS	Bearing, Cap (Note: Use p/n 7017159)	
14	70001697	6	Capscrew 1/4 x 3/8 (Grade 8)	
15	See Note	3	Bolt 1/4 x 1-1/2 (Grade 8) (Note: Not Available for Purchase)	
16	7017183	1	Valve Assembly	
16	7017193	2	Cartridge, Valve	
16	See Note	NSS	Seal Kit - 7017193 Valve (Note: Not Available - Purchase Complete Assembly)	
16	See Note	NSS	Cartridge, Valve (Not Shown - Located on Side of Block) (Note: Not Available - Purchase Complete Assembly)	
16	See Note	NSS	Seal Kit - Valve Located on Side of Block (Note: Not Available - Purchase Complete Assembly)	
26	70000342	1	Seal Kit (Includes Items 5 & 8-12)	
27	7017159	1	Bearing Kit (Includes Items 6, 7 & 13)	
28	7017142	1	Hardware Kit (Includes Qty 2 Plugs, Qty 2 Dowel Pins and Item 14)	
29	7017195	2	Bushing	

# SECTION 4 - BOOM

## FIGURE 4-11. PLATFORM SUPPORT INSTALLATION - WITHOUT LSS - 18RS



ART\_1001139032

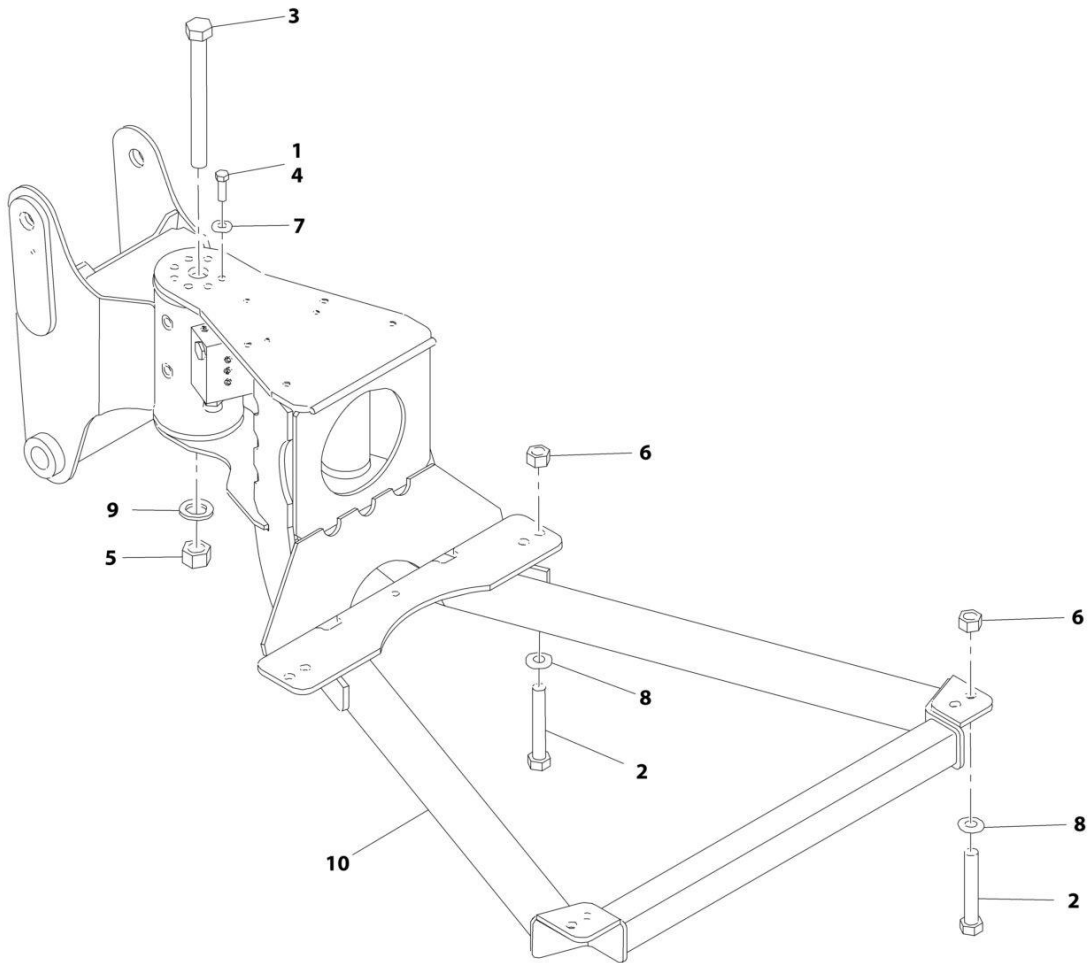


**FIGURE 4-11. PLATFORM SUPPORT INSTALLATION - WITHOUT LSS - 18RS**

<b>ITEM</b>	<b>PART NUMBER</b>	<b>QTY</b>	<b>DESCRIPTION</b>	<b>REV</b>
	1001139032	Ref	PLATFORM SUPPORT INSTALLATION - WITHOUT LSS - 18RS	D
1	0100011	AR	Compound, Locking	
3	0761216	8	Bolt M12 x 40	
4	0771012	8	Bolt M10 x 25 Grade 10.9	
5	3291205	8	Nut M12	
8	5241000	8	Washer M10	
9	5241200	8	Washer M12	
11	0712444	1	Bolt M24 x 270 Grade 10.9	
12	5242400	1	Washer M24	
13	1001098827	1	Nut M24 Grade 10.9	
14	1001149734	1	Support	

# SECTION 4 - BOOM

## FIGURE 4-12. PLATFORM SUPPORT INSTALLATION - WITHOUT LSS - 18RSJ



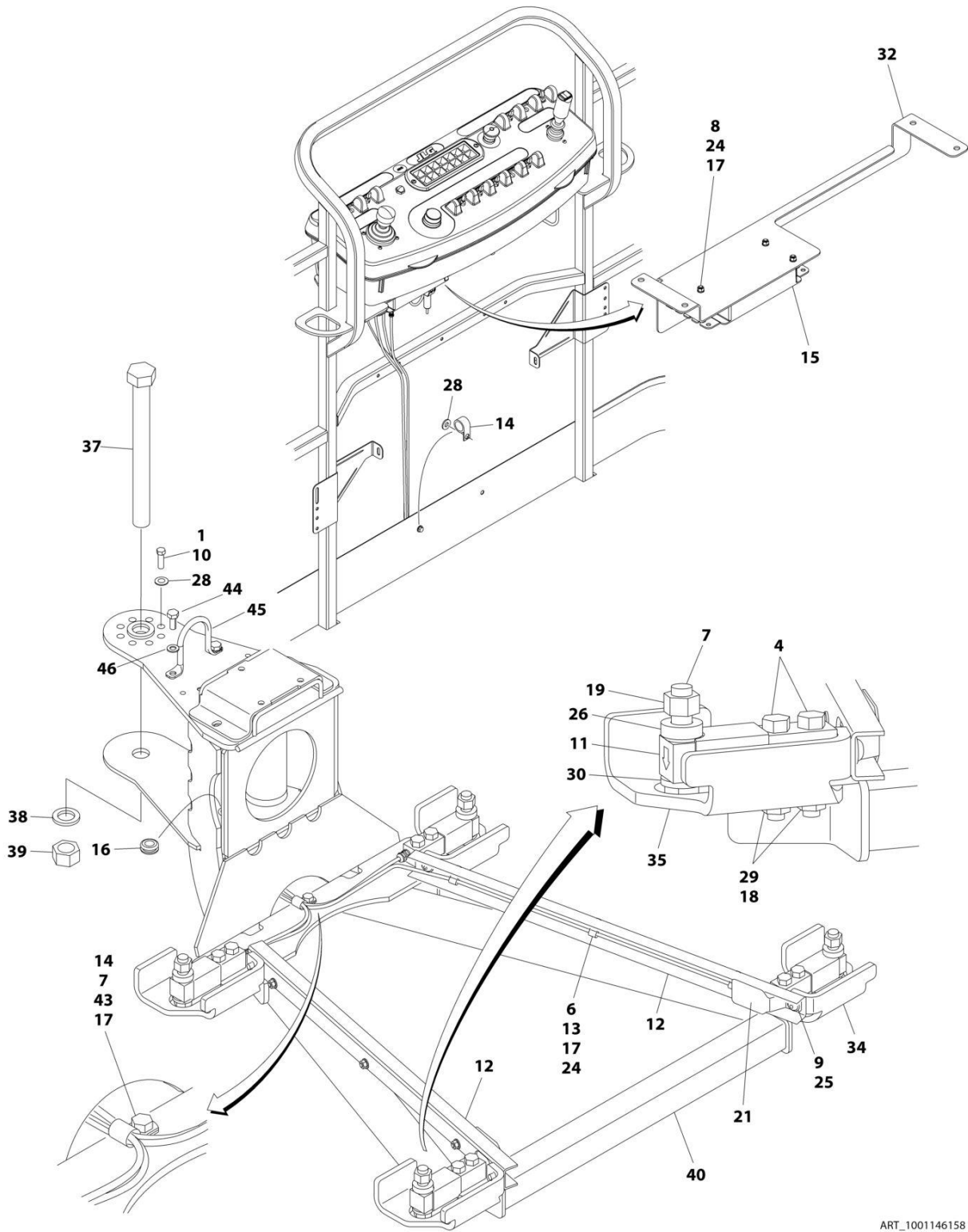
ART\_1001115098

**SECTION 4 - BOOM****FIGURE 4-12. PLATFORM SUPPORT INSTALLATION - WITHOUT LSS - 18RSJ**

<b>ITEM</b>	<b>PART NUMBER</b>	<b>QTY</b>	<b>DESCRIPTION</b>	<b>REV</b>
	1001115098	Ref	PLATFORM SUPPORT INSTALLATION - WITHOUT LSS -18RSJ	A
1	0100011	AR	Compound, Locking	
2	0641812	8	Bolt 1/2 x 1-1/2	
3	0642684	1	Bolt 1 x 10-1/2	
4	0681608	8	Bolt 3/8 x 1	
5	3272605	NLA	Nut 1 (Use p/n 3300243)	
6	3311805	8	Nut 1/2	
7	4891600	8	Washer 3/8	
8	4891800	8	Washer 1/2	
9	4892600	1	Washer 1	
10	1001113465	1	Support Weldment	

# SECTION 4 - BOOM

## FIGURE 4-13. PLATFORM SUPPORT INSTALLATION - WITH LSS



ART\_1001146158

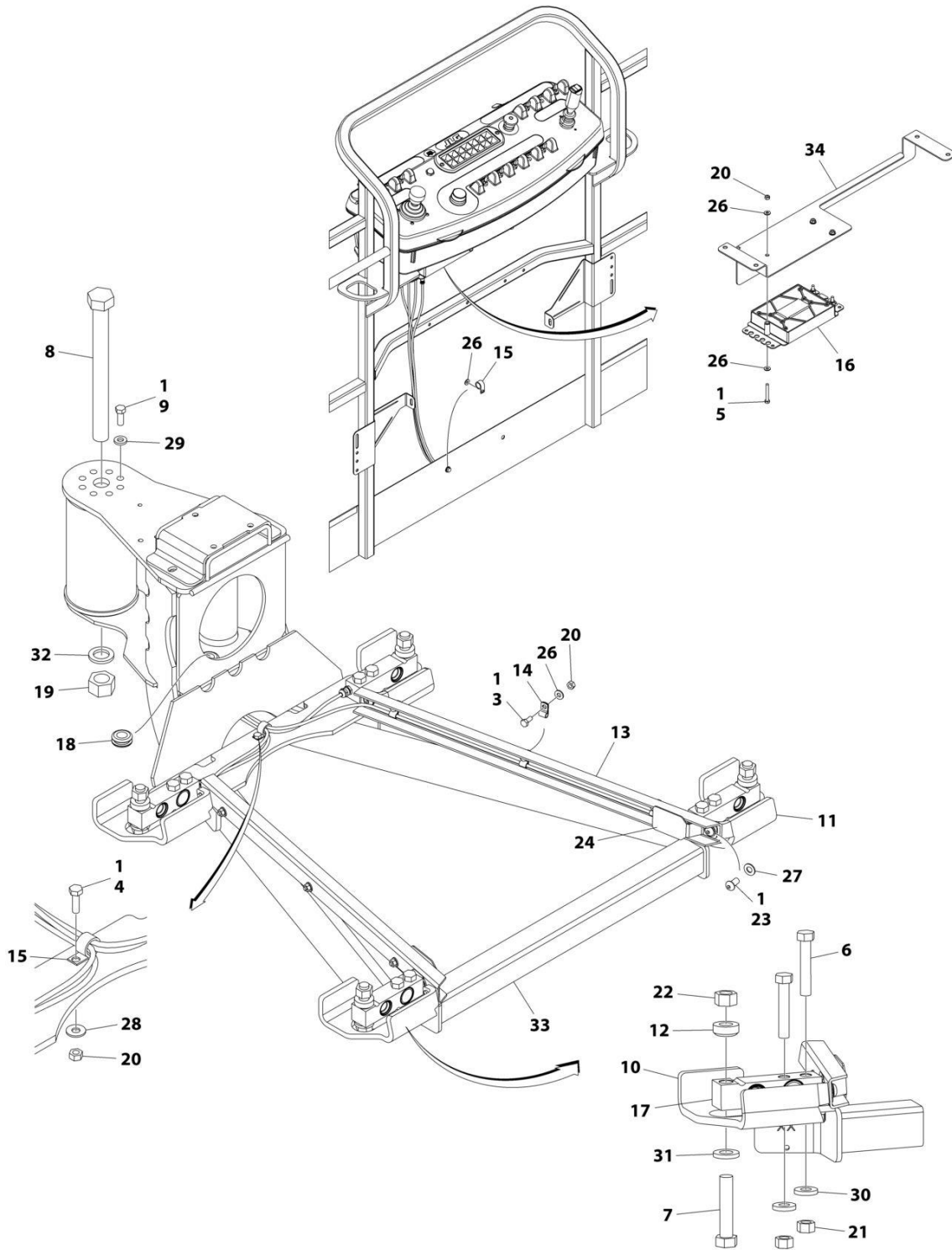
## SECTION 4 - BOOM

**FIGURE 4-13. PLATFORM SUPPORT INSTALLATION - WITH LSS**

ITEM	PART NUMBER	QTY	DESCRIPTION	REV
	1001146158	Ref	INSTALL, PLATFORM SUPPORT W/LSS	E
1	0100011	AR	Compound, Locking	
4	0701222	8	Bolt 12mm x 70mm	
5	0701624	4	Bolt M16 x 80mm	
6	0760608	6	Bolt 6mm x 16mm	
7	0760610	1	Bolt 6mm x 20mm	
8	0760618	3	Bolt 6mm x 50mm	
9	0760808	4	Bolt 8mm x 16mm	
10	0771012	8	Bolt 10mm x 25mm	
11	0962450	4	Bushing, Spacer	
12	1271538	2	Channel, Load Cell Wire	
13	1320136	6	Clamp, Cable	
14	1320224	2	Clamp, Cable	
15	1600387	1	Controller, Load Sense	
16	2540038	1	Grommet	
17	3290605	10	Nut M6 x 1	
18	3291205	8	Nut, M12 x 1.75	
19	3291605	4	Nut M16 x 2	
21	4061054	2	Shield, Strain Relief	
22	4240033	1	Tie Wire	
23	4460428	1	Connector, Strain Relief	
24	4811700	12	Washer 6mm	
25	4811900	4	Washer 8mm	
26	4812300	4	Washer 16mm	
28	5241000	8	Washer 10mm	
29	5241200	8	Washer 12mm	
30	5241600	4	Washer 16mm	
32	1001113483	1	Bracket	
34	1001146213	2	Bracket	
35	1001146214	2	Bracket	
36	2420202	4	Gauge	
37	0712444	1	Bolt 24mm x 270mm	
38	5242400	1	Washer 24mm	
39	1001098827	1	Nut GR10 M24	
40	1001149734	1	Support, Platform	
41	1001150159	1	LSS Harness (Not Shown - See ELECTRICAL Section)	
42	1001150197	1	LSS Harness (Not Shown - See ELECTRICAL Section)	
43	4811702	1	Washer 6mm	
44	0761012	2	Bolt 10mm x 25mm	
45	3841340	1	Hose, Loop	
46	4812000	2	Washer 10mm	

# SECTION 4 - BOOM

## FIGURE 4-14. PLATFORM SUPPORT INSTALLATION (18RSJ) - WITH LSS



ART\_1001232516

## SECTION 4 - BOOM

**FIGURE 4-14. PLATFORM SUPPORT INSTALLATION (18RSJ) - WITH LSS**

ITEM	PART NUMBER	QTY	DESCRIPTION	REV
	1001232516	Ref	PLATFORM SUPPORT INSTALLATION (18RSJ) - WITH LSS	A
1	0100011	AR	Compound, Locking	
2	0100048	AR	Grease, Dielectric (Not Shown)	
3	0641405	6	Screw 1/4 x 5/8	
4	0641407	1	Screw 1/4 x 7/8	
5	0641416	3	Screw 1/4 x 2	
6	0641822	8	Screw 1/2 x 2-3/4	
7	0642024	4	Screw 5/8 x 3	
8	0642684	1	Screw 1/8 x 10-1/2	
9	0681608	8	Screw 3/8 x 1	
10	0902919	2	Bracket, LH Cell Load Guard	
11	0902920	2	Bracket, RH Cell Load Guard	
12	0962450	4	Bushing, Spacer	
13	1271538	2	Channel, Load Cell Wire	
14	1320136	6	Clamp, Cable	
15	1320224	2	Clamp, Cable	
16	1600387	1	Controller, Load Sense	
17	2420202	4	Gauge	
18	2540038	1	Grommet	
19	3272605	1	Nut 1	
20	3311405	10	Nut 1/4	
21	3311805	8	Nut 1/2	
22	3312005	4	Nut 5/8	
23	3900283	4	Screw 3/8 x 3/4	
24	4061054	2	Shield, Strain Relief	
25	4240033	AR	Tie-Strap (Not Shown)	
26	4711400	13	Washer 1/4	
27	4711600	4	Washer 3/8	
28	4751400	1	Washer 1/4	
29	4891600	8	Washer 3/8	
30	4891800	8	Washer 1/2	
31	4892000	4	Washer 5/8	
32	4892600	1	Washer 1	
33	1001113465	1	Support, Platform	
34	1001113483	1	Bracket	
35	1001150197	1	LSS Harness (Not Shown - See ELECTRICAL Section)	

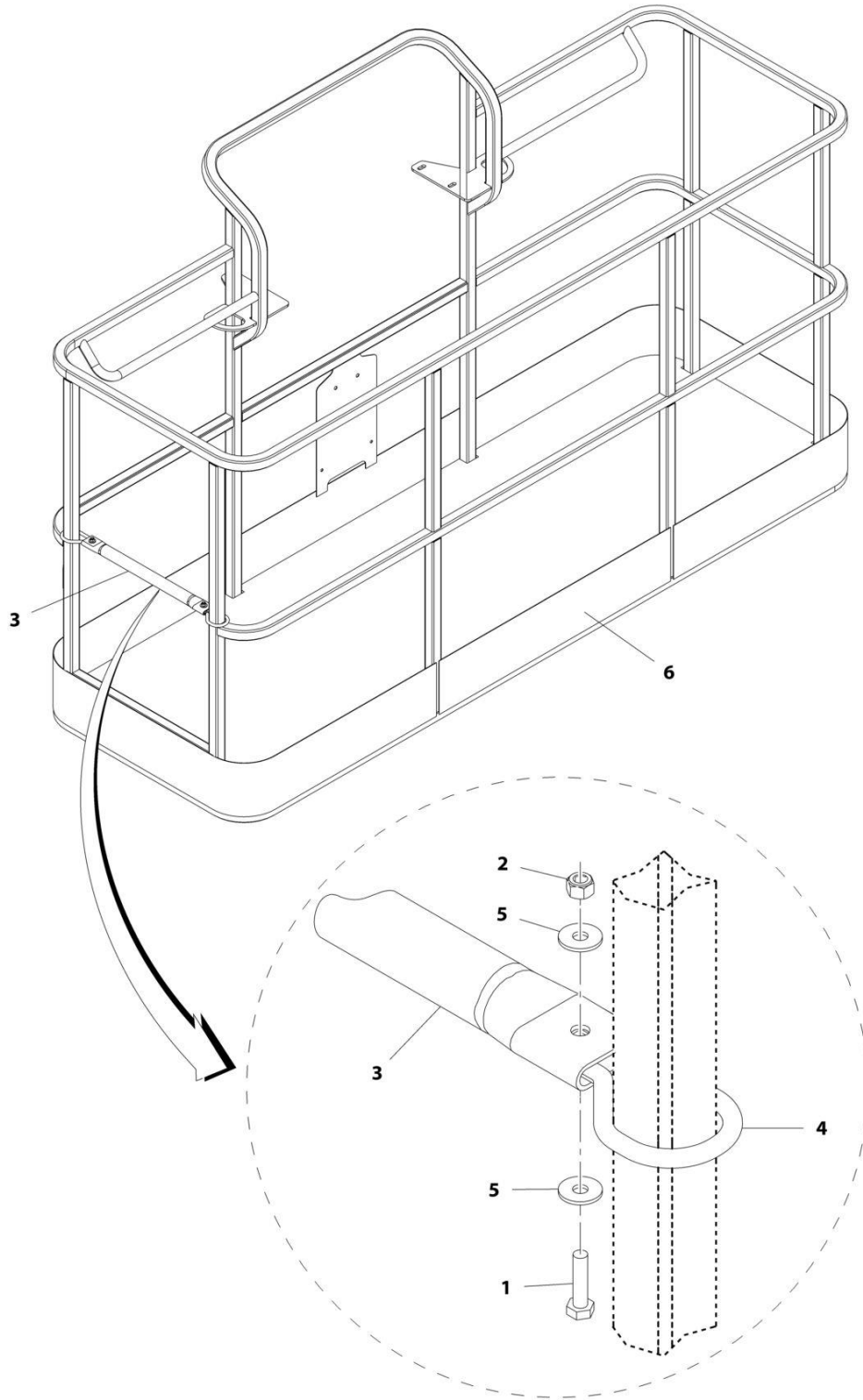




**SECTION 5 - PLATFORM**

# SECTION 5 - PLATFORM

## FIGURE 5-1. PLATFORM ASSEMBLY



ART\_1001134293

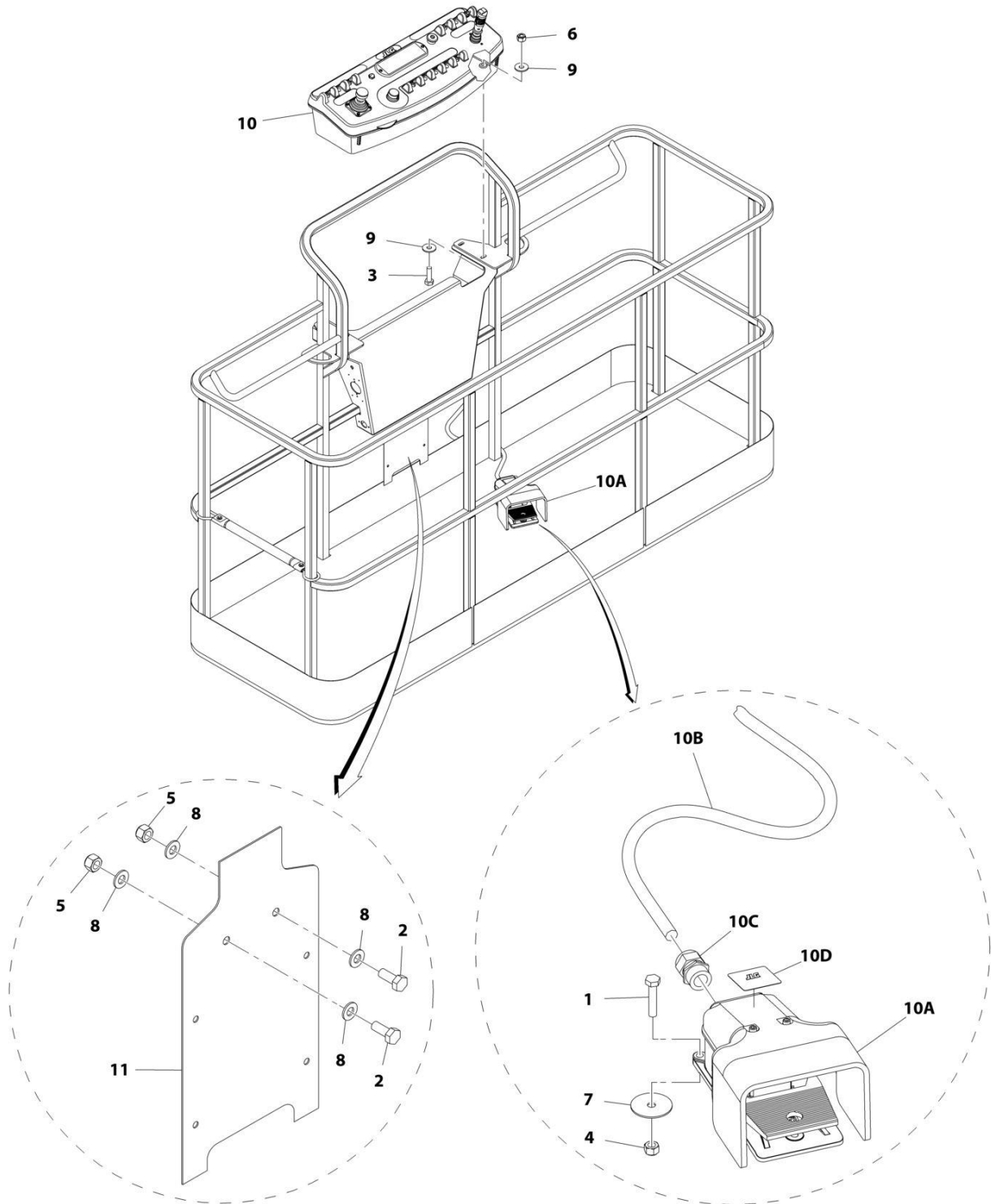
## SECTION 5 - PLATFORM

**FIGURE 5-1. PLATFORM ASSEMBLY**

ITEM	PART NUMBER	QTY	DESCRIPTION	REV
	1001134293	Ref	PLATFORM ASSEMBLY (Prior to SN B300001836)	D
	1001227180	Ref	PLATFORM ASSEMBLY (SN B300001836 to Present)	A
		Ref	Note: Replacement Decals Must be Ordered Separately - See DECAL SECTION.	
1	0760612	2	Bolt M6 x 25	
2	3290605	2	Nut M6	
3	3641585	1	Rail	
4	3841692	2	Loop, Rod	
5	4811702	4	Washer M6	
6	See Note	NLA	Platform (Note: Purchase Platform Assembly)	

# SECTION 5 - PLATFORM

## FIGURE 5-2. PLATFORM CONSOLE AND FOOTSWITCH INSTALLATION - 18RS



ART\_1001133423

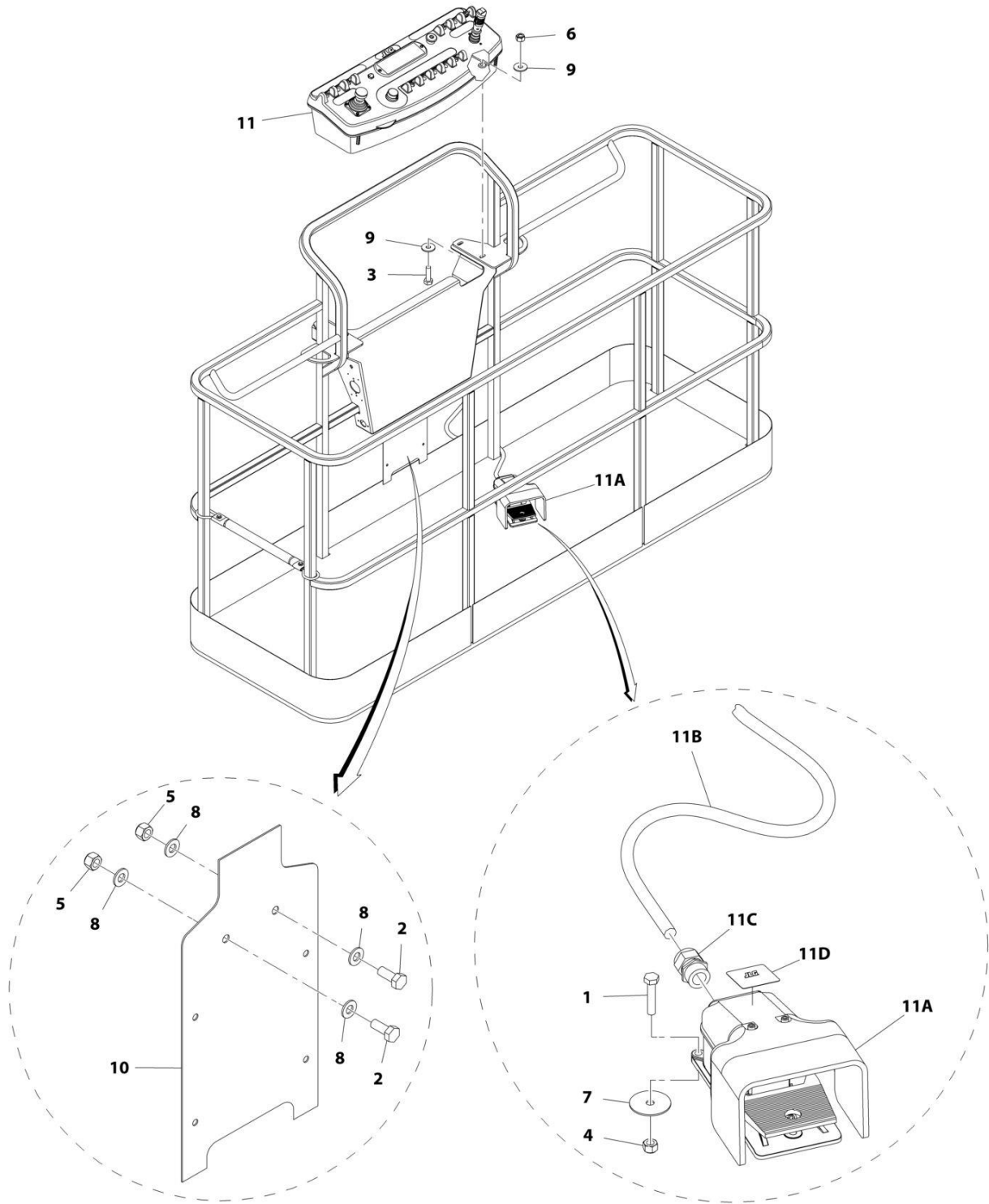
## SECTION 5 - PLATFORM

**FIGURE 5-2. PLATFORM CONSOLE AND FOOTSWITCH INSTALLATION - 18RS**

ITEM	PART NUMBER	QTY	DESCRIPTION	REV
	1001133423	Ref	PLATFORM CONSOLE AND FOOTSWITCH INSTALLATION - 18RS	C
1	0760614	3	Bolt M6 x 30	
2	0760810	2	Bolt M8 x 20	
3	0761015	4	Bolt M10 x 35	
4	3290605	3	Nut M6	
5	3290805	2	Nut M8	
6	3291005	4	Nut M10	
7	4740362	3	Washer 1/4	
8	4811900	4	Washer M8	
9	4812002	8	Washer M10	
10	1001133602	1	Console Box Assembly (See PLATFORM CONSOLE ASSEMBLY for Breakdown) <b>(Prior to SN B300001441)</b>	
10	1001184188	1	Console Box Assembly (See PLATFORM CONSOLE ASSEMBLY for Breakdown) <b>(SN B300001441 to Present)</b>	
10A	0272970	1	Footswitch Assembly	B
10A	1001117320	1	Footswitch	
10A	70003483	1	Block, Contact	
10B	1060918	7 ft/2.2m	Cable, Electrical - 18/3	
10C	4460071	1	Connector, Strain Relief	
10D	3252347	1	Nameplate (Note: See DECAL SECTION for Other Languages)	
11	1001145439	1	Panel, Pedestal	

# SECTION 5 - PLATFORM

FIGURE 5-3. PLATFORM CONSOLE AND FOOTSWITCH INSTALLATION - 18RSJ (Prior to SN B300001836)



ART\_1001203480

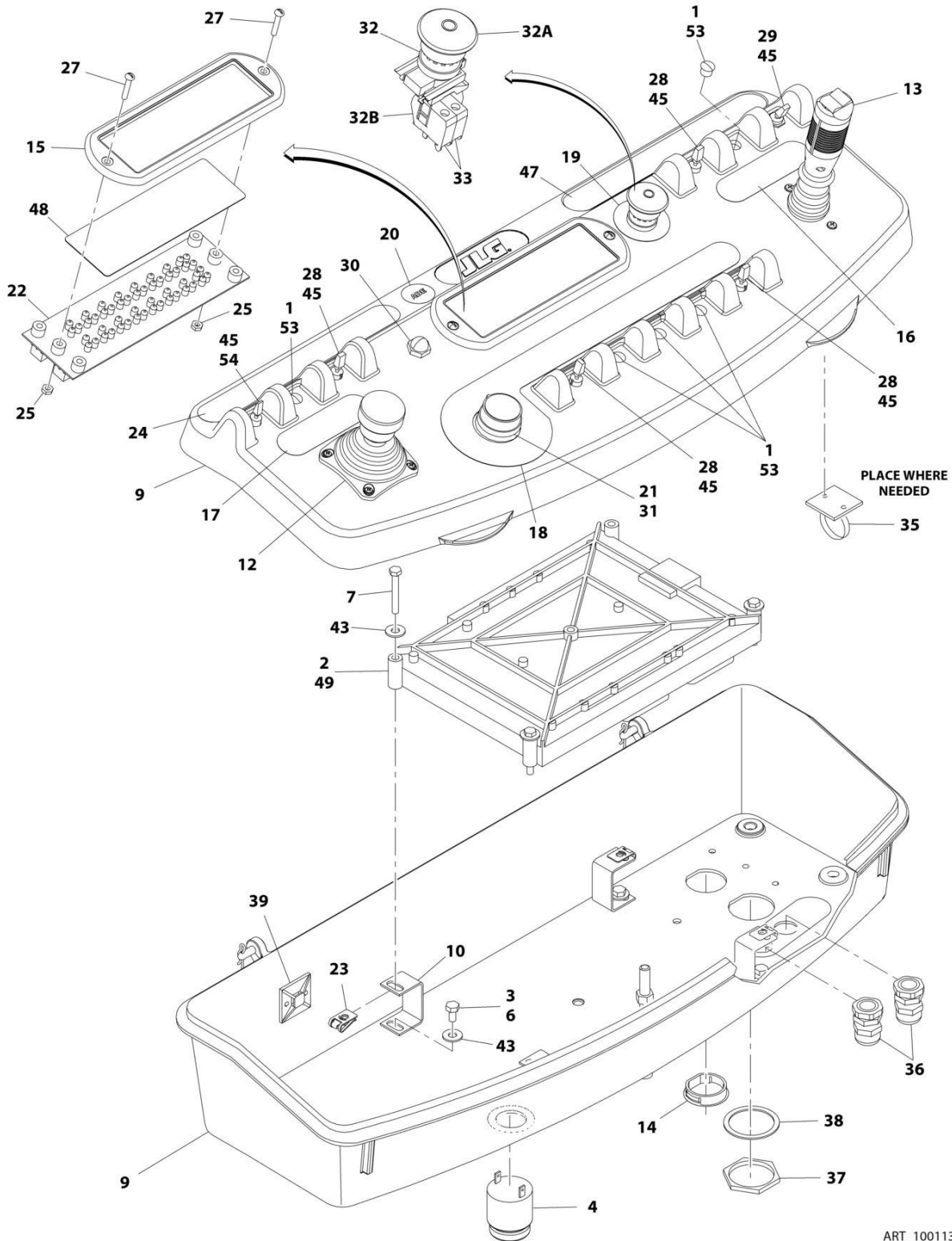
## SECTION 5 - PLATFORM

**FIGURE 5-3. PLATFORM CONSOLE AND FOOTSWITCH INSTALLATION - 18RSJ (Prior to SN B300001836)**

ITEM	PART NUMBER	QTY	DESCRIPTION	REV
	1001203480	Ref	PLATFORM CONSOLE AND FOOTSWITCH INSTALLATION - 18RSJ (Prior to SN B300001836)	A
1	0760614	3	Bolt M6 x 30	
2	0760810	2	Bolt M8 x 20	
3	0761015	4	Bolt M10 x 35	
4	3290605	3	Nut M6	
5	3290805	2	Nut M8	
6	3291005	4	Nut M10	
7	4740362	3	Washer 1/4	
8	4811900	4	Washer M8	
9	4812002	8	Washer M10	
10	1001145439	1	Panel, Pedestal	
11	1001203481	1	Console Box Assembly (See PLATFORM CONSOLE ASSEMBLY for Breakdown)	
11A	0272970	1	Footswitch Assembly	B
11A	1001117320	1	Footswitch	
11A	70003483	1	Block, Contact	
11B	1060918	7 ft/2.2m	Cable, Electrical - 18/3	
11C	4460071	1	Connector, Strain Relief	
11D	3252347	1	Nameplate (Note: See DECAL SECTION for Other Languages)	

# SECTION 5 - PLATFORM

## FIGURE 5-4. PLATFORM CONSOLE ASSEMBLY - 18RS (Prior to SN B300001441)



ART\_1001133602



## SECTION 5 - PLATFORM

**FIGURE 5-4. PLATFORM CONSOLE ASSEMBLY - 18RS (Prior to SN B300001441)**

ITEM	PART NUMBER	QTY	DESCRIPTION	REV
	1001133602	Ref	PLATFORM CONSOLE ASSEMBLY - 18RS ( <b>Prior to SN B300001441</b> )	F
1	0100009	AR	Sealant	
2	0100048	AR	Grease, Dielectric	
3	0100081	AR	Adhesive	
4	0140011	1	Alarm	
6	0641404	4	Bolt 1/4 x 1/2	
7	0700617	4	Bolt M6 x 45	
8	1001133752	1	Platform Box Harness (Not Shown - See ELECTRICAL SECTION for Breakdown) ( <b>Prior to SN B300001836</b> )	
8	1001217358	1	Platform Box Harness (Not Shown - See ELECTRICAL SECTION for Breakdown) ( <b>SN B300001836 to Present</b> )	
9	0861441	NLA	Box, Console (See CONSOLE BOX ASSEMBLY for Breakdown) (Use p/n 1001218068)	
10	0902571	4	Bracket, Support	
12	1001118417	NLA	Controller Assembly (Lift and Swing) (See CONTROLLER ASSEMBLY (LIFT AND SWING) for Breakdown) (Use p/n 1001129555)	
13	1001118416	NLA	Controller Assembly (Drive and Steer) (See CONTROLLER ASSEMBLY (DRIVE AND STEER) for Breakdown) (Use p/n 1001166538)	
14	1001110434	1	Plug, Hole	
15	1671176	1	Bezel	
16	1702565	1	Decal - Drive and Steer	
17	1702566	1	Decal - Lift and Swing	
18	1702567	1	Decal - Function Speed	
19	1704260	1	Decal - EMS	
20	1705132	1	Decal - ADE	
21	2560136	1	Handle, Knob	
22	2920154	1	Panel, LED Light	
23	8305919	4	Nut, Retainer M6	
24	1702676	1	Decal - Horn	
25	3311005	2	Nut #10	
27	3911018	2	Bolt #10 x 1-1/8	
28	4360328	4	Switch, Toggle	
29	4360330	1	Switch, Toggle	
30	4360387	1	Switch, Pushbutton	
31	4360407	1	Controller, Speed	
31	See Note	1	Gasket "Top Hat" (Included with Switch) (Note: Not Available - Purchase Complete Controller)	
31	70003784	1	Seal	
32	4360475	1	Switch, Emergency Stop	
32A	7020175	1	Cap, Red	
32B	7020176	1	Contact Block	
33	4360476	1	Block, Contact	
35	4460234	3	Base, Mounting	
36	4460428	2	Connector, Strain Relief	
37	4460470	1	Nut, Terminal	
38	4460471	1	Lockwasher, Terminal	
39	4460488	1	Base, Mounting	
41	4460905	5	Seal, Plug (Not Shown)	
43	4751400	8	Washer 1/4	

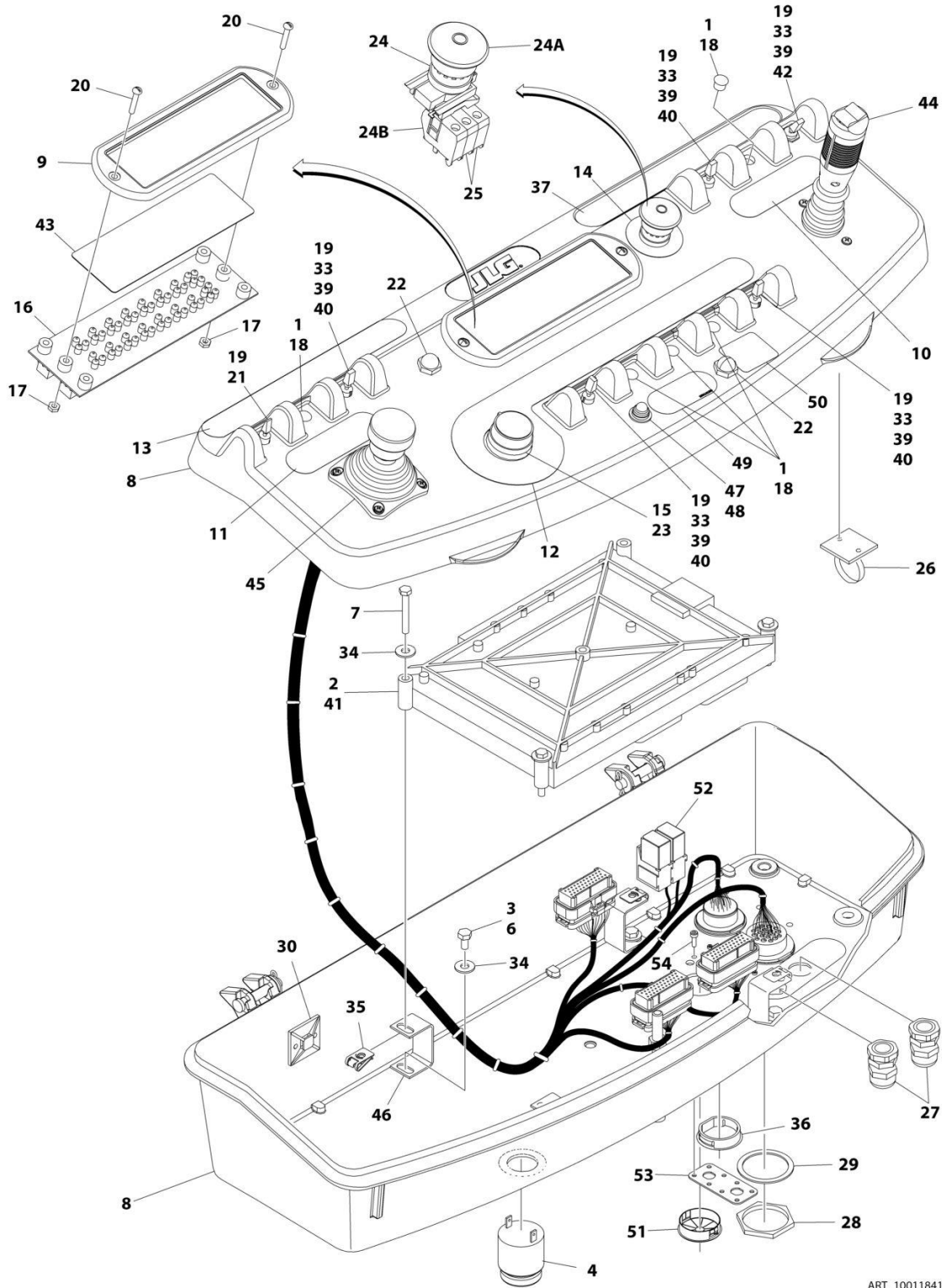
## SECTION 5 - PLATFORM

ITEM	PART NUMBER	QTY	DESCRIPTION	REV
45	3790012	8	O-Ring	
47	1001131168	1	Decal - Stop	
48	1001107952	1	Decal - Display <b>(Prior to SN B300001025)</b>	
48	1001164374	1	Decal - Display <b>(SN B300001025 to Present)</b>	
49	1001118412	1	Controller, Module (Re-calibration Required when Replaced) <b>(Prior to SN B300001025)</b>	
49	1001157196	1	Controller, Module (Re-calibration Required when Replaced) <b>(SN B300001025 to Present)</b>	
52	4460708	1	Receptacle, Female 15 Position (Not Shown)	
53	3520054	5	Plug, Hole	
54	4360331	1	Switch, Toggle	



# SECTION 5 - PLATFORM

## FIGURE 5-5. PLATFORM CONSOLE ASSEMBLY - 18RS (SN B30001441 to Present)



ART\_1001184188

## SECTION 5 - PLATFORM

**FIGURE 5-5. PLATFORM CONSOLE ASSEMBLY - 18RS (SN B300001441 to Present)**

ITEM	PART NUMBER	QTY	DESCRIPTION	REV
	1001184188	Ref	PLATFORM CONSOLE ASSEMBLY - 18RS <b>(SN B300001441 to Present)</b>	A
1	0100009	AR	Sealant	
3	0100048	AR	Grease, Dielectric	
2	0100011	AR	Compound, Locking	
4	0140011	1	Alarm	
6	0641404	4	Bolt 1/4 x 1/2	
7	0700617	4	Bolt M6 x 45	
8	0861441	NLA	Box, Console (See CONSOLE BOX ASSEMBLY for Breakdown) (Use p/n 1001201886) <b>(Prior to SN B300001540)</b>	
8	1001201886	1	Box, Console (See CONSOLE BOX ASSEMBLY for Breakdown) <b>(SN B300001540 to Present)</b>	
9	1671176	1	Bezel	
10	1702565	1	Decal - Drive and Steer	
11	1702566	1	Decal - Lift and Swing	
12	1702567	1	Decal - Function Speed	
13	1702676	1	Decal - Horn	
14	1704260	1	Decal - EMS	
15	2560136	1	Handle, Knob	
16	2920154	1	Panel, LED Light	
17	3311005	2	Nut #10	
18	3520054	5	Plug, Hole	
19	3790012	8	O-Ring	
20	3911018	2	Bolt #10 x 1-1/8	
21	4360331	1	Switch, Toggle	
22	4360387	1	Switch, Pushbutton	
23	4360407	1	Controller, Speed	
23	See Note	1	Gasket "Top Hat" (Included with Switch) (Note: Not Available - Purchase Complete Controller)	
23	70003784	1	Seal	
24	4360475	1	Switch, Emergency Stop	
24A	7020175	1	Cap, Red	
24B	7020176	1	Contact Block	
25	4360476	2	Block, Contact	
26	4460234	3	Base, Mounting	
27	4460428	2	Connector, Strain Relief	
28	4460470	1	Nut, Terminal	
29	4460471	1	Lockwasher, Terminal	
30	4460488	1	Base, Mounting	
31	4460708	1	Receptacle, Female 15 Position (Not Shown)	
32	4460905	5	Seal, Plug (Not Shown)	
33	4740397	5	Washer, Spacer	
34	4751400	8	Washer 1/4	
35	8305919	4	Nut, Retainer M6	
36	1001110434	1	Plug, Hole	
37	1001131168	1	Decal - Stop	
38	1001133752	1	Platform Box Harness (Not Shown - See ELECTRICAL SECTION for Breakdown)	
39	1001155044	5	Nut 15/32	
40	1001155045	4	Switch, Toggle	
41	1001157196	1	Controller, Module (Re-calibration Required when Replaced)	

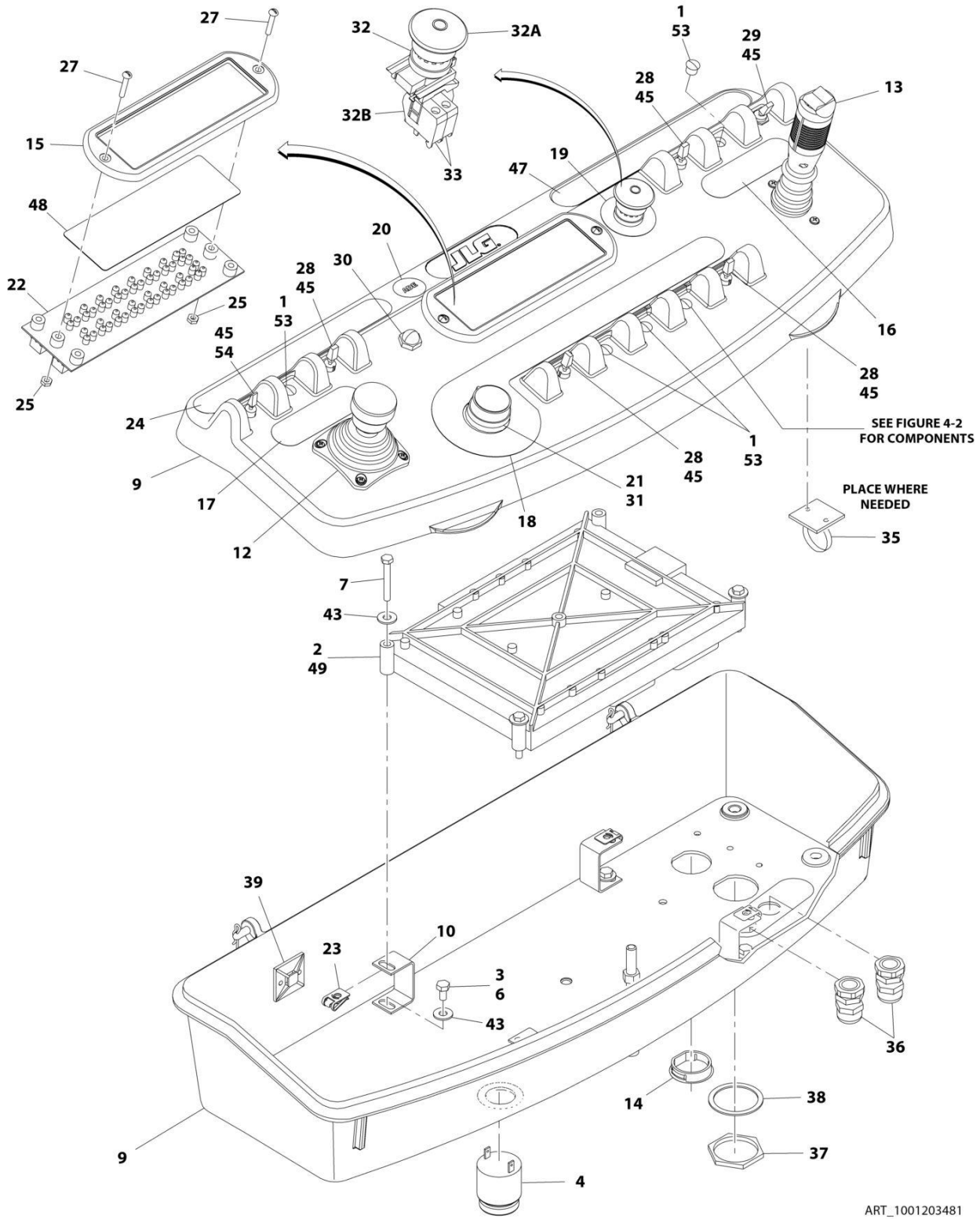
## SECTION 5 - PLATFORM

ITEM	PART NUMBER	QTY	DESCRIPTION	REV
42	1001159256	1	Switch, Toggle	
43	1001164374	1	Decal - Display	
44	1001166538	1	Controller Assembly (Drive and Steer) (See CONTROLLER ASSEMBLY (DRIVE AND STEER) for Breakdown)	
45	1001166539	1	Controller Assembly (Lift and Swing) (See CONTROLLER ASSEMBLY (LIFT AND SWING) for Breakdown) (Use p/n 1001129555)	
46	1001172760	4	Bracket	



# SECTION 5 - PLATFORM

## FIGURE 5-6. PLATFORM CONSOLE ASSEMBLY - 18RSJ



ART\_1001203481



## SECTION 5 - PLATFORM

**FIGURE 5-6. PLATFORM CONSOLE ASSEMBLY - 18RSJ**

ITEM	PART NUMBER	QTY	DESCRIPTION	REV
	1001203481	Ref	PLATFORM CONSOLE ASSEMBLY - 18RSJ	E
1	0100009	AR	Sealant	
2	0100048	AR	Grease, Dielectric	
3	0100011	AR	Compound, Locking	
4	0140011	1	Alarm	
6	0641404	4	Bolt 1/4 x 1/2	
7	0700617	4	Bolt M6 x 45	
8	1001203482	1	Platform Box Harness (Not Shown - See ELECTRICAL SECTION for Breakdown)	
9	0861441	1	Box, Console (See CONSOLE BOX ASSEMBLY for Breakdown)	
10	0902571	4	Bracket, Support	
12	1001118417	NLA	Controller Assembly (Lift and Swing) (Original Equipment) (See CONTROLLER ASSEMBLY (LIFT AND SWING) for Breakdown) (Use p/n 1001129555)	
12	1001129555	1	Controller Assembly (Lift and Swing) (Service Replacement) (See CONTROLLER ASSEMBLY (LIFT AND SWING) for Breakdown)	
13	1001118416	NLA	Controller Assembly (Drive and Steer) (Original Equipment) (See CONTROLLER ASSEMBLY (DRIVE AND STEER) for Breakdown)	
13	1001166538	1	Controller Assembly (Drive and Steer) (Service Replacement) (See CONTROLLER ASSEMBLY (DRIVE AND STEER) for Breakdown)	
14	1001110434	1	Plug, Hole	
15	1671176	1	Bezel	
16	1702565	1	Decal - Drive and Steer	
17	1702566	1	Decal - Lift and Swing	
18	1702567	1	Decal - Function Speed	
19	1704260	1	Decal - EMS	
20	1705132	1	Decal - ADE	
21	2560136	1	Handle, Knob	
22	2920154	1	Panel, LED Light	
23	8305919	4	Nut, Retainer M6	
24	1702676	1	Decal - Horn	
25	3311005	2	Nut #10	
27	3911018	2	Bolt #10 x 1-1/8	
28	4360328	4	Switch, Toggle	
29	4360330	1	Switch, Toggle	
30	4360387	1	Switch, Pushbutton	
31	4360407	1	Controller, Speed	
31	See Note	1	Gasket "Top Hat" (Included with Switch) (Note: Not Available - Purchase Complete Controller)	
31	70003784	1	Seal	
32	4360475	1	Switch, Emergency Stop	
32A	7020175	1	Cap, Red	
32B	7020176	1	Contact Block	
33	4360476	2	Block, Contact	
35	4460234	3	Base, Mounting	
36	4460428	2	Connector, Strain Relief	
37	4460470	1	Nut, Terminal	
38	4460471	1	Lockwasher, Terminal	
39	4460488	1	Base, Mounting	
41	4460905	5	Seal, Plug (Not Shown)	

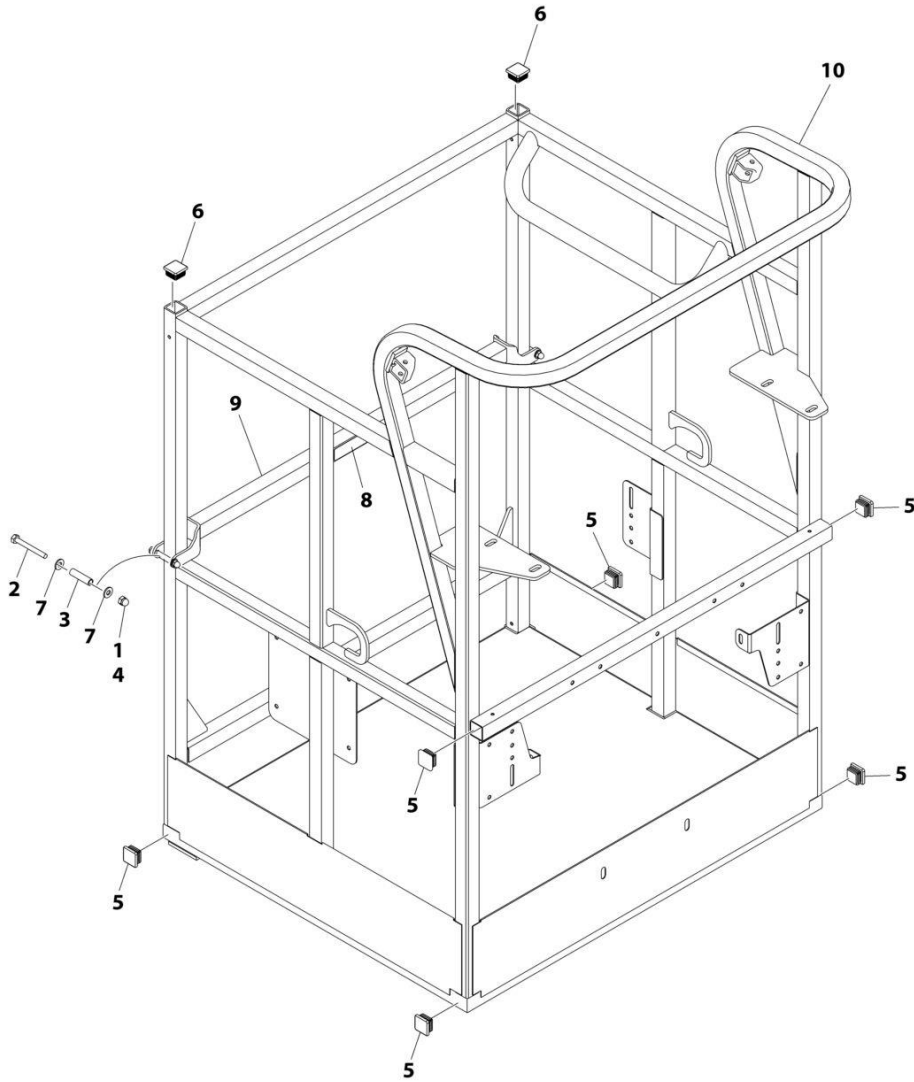
## SECTION 5 - PLATFORM

ITEM	PART NUMBER	QTY	DESCRIPTION	REV
43	4751400	8	Washer 1/4	
45	3790012	8	O-Ring	
47	1001131168	1	Decal - Stop	
48	1001164374	1	Decal - Display	
49	1001157196	1	Controller, Module (Re-calibration Required when Replaced)	
52	4460708	1	Receptacle, Female 15 Position (Not Shown)	
53	3520054	5	Plug, Hole	
54	4360331	1	Switch, Toggle	



# SECTION 5 - PLATFORM

FIGURE 5-7. PLATFORM ASSEMBLY - 30IN X 3FT (76CM X .91M) - DROP BAR ENTRY



ART\_1001228215

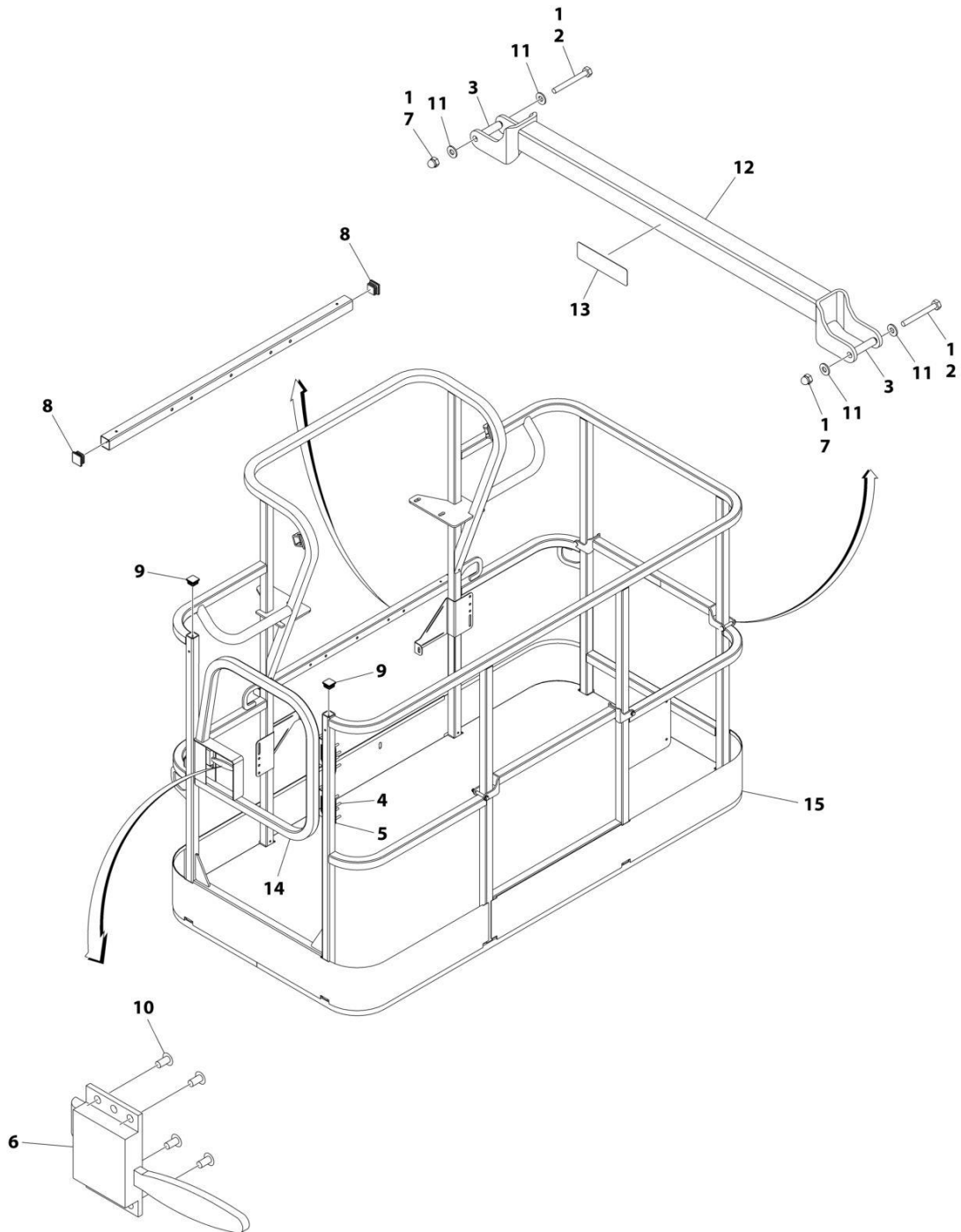
## SECTION 5 - PLATFORM

**FIGURE 5-7. PLATFORM ASSEMBLY - 30IN X 3FT (76CM X .91M) - DROP BAR ENTRY**

ITEM	PART NUMBER	QTY	DESCRIPTION	REV
	1001228215	Ref	PLATFORM ASSEMBLY - 30IN X 3FT (76CM X .91M) - DROP BAR ENTRY	A
	See Note	Ref	Note: Platform and Mesh must be ordered separately for Platforms with Mesh. See SPECIAL OPTIONS SECTION for Mesh Installations.	
	See Note	Ref	Note: Replacement Decals Must be Ordered Separately - See DECAL SECTION.	
1	0100011	AR	Compound, Locking	
2	0641418	2	Bolt 1/4 x 2-1/4	
3	0961845	2	Bushing	
4	3300151	2	Nut 1/4	
5	3520072	6	Cap, Plug	
6	3520198	2	Cap, Plug	
7	4711400	4	Washer 1/4	
8	1001140429	1	Decal - Drop Bar	
9	1001226872	1	Bar, Drop	
10	See Note	NSS	Platform, Weldment (Note: Not Available - Purchase Platform Assembly)	

# SECTION 5 - PLATFORM

FIGURE 5-8. PLATFORM ASSEMBLY - 3FT X 6FT (91.5CM X 1.83M) WITH TRI-ENTRY (1 GATE / 2 DROP BARS)



ART\_1001228376

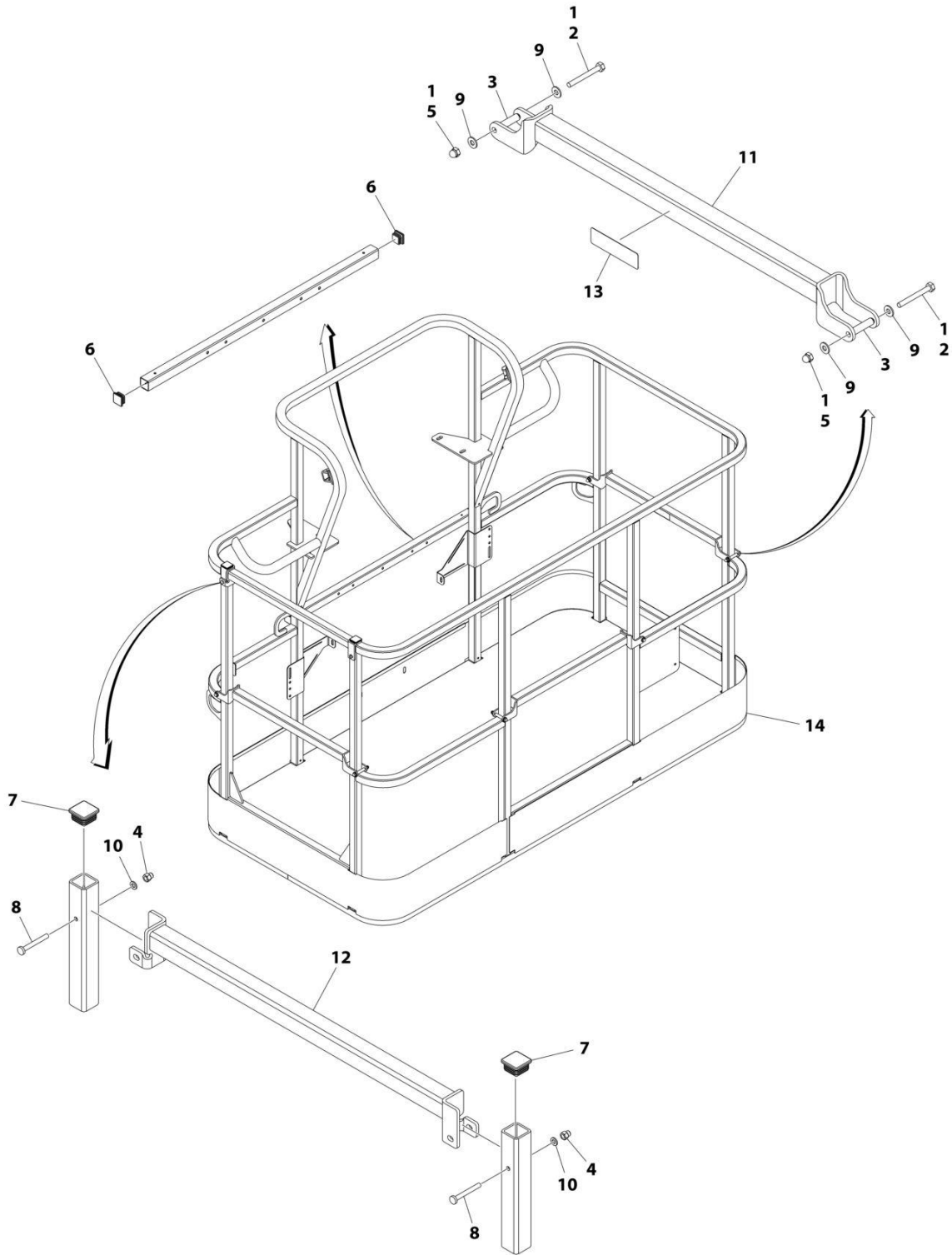
## SECTION 5 - PLATFORM

**FIGURE 5-8. PLATFORM ASSEMBLY - 3FT X 6FT (91.5CM X 1.83M) WITH TRI-ENTRY (1 GATE / 2 DROP BARS)**

ITEM	PART NUMBER	QTY	DESCRIPTION	REV
	1001228376	Ref	PLATFORM ASSEMBLY - 36IN x 6FT (91.5CM x 1.83M)	A
		Ref	Note: Platform and Mesh must be ordered separately for Platforms with Mesh. See SPECIAL OPTIONS SECTION for Mesh Installations.	
		Ref	Note: Replacement Decals Must be Ordered Separately - See DECAL SECTION.	
1	0100011	AR	Compound, Locking	
2	0641418	4	Bolt 1/4 x 2-1/4	
3	0961845	4	Bushing	
4	2080040	16	Fastener	
5	2600281	2	Hinge	
6	2940074	1	Latch	
7	3300151	4	Nut 1/4	
8	3520072	3	Plug	
9	3520198	2	Plug	
10	3820020	4	Rivet	
11	4711400	8	Washer 1/4	
12	1001138494	2	Bar, Drop	
13	1001140429	2	Decal - Drop Bar	
14	1001144629	1	Gate	
15	See Note	NSS	Platform (Note: Not Available - Purchase Platform Assembly)	

# SECTION 5 - PLATFORM

FIGURE 5-9. PLATFORM ASSEMBLY – 3FT X 6FT (91.5CM X 1.83M) WITH TRI-ENTRY (3 DROP BARS)



ART\_1001228377



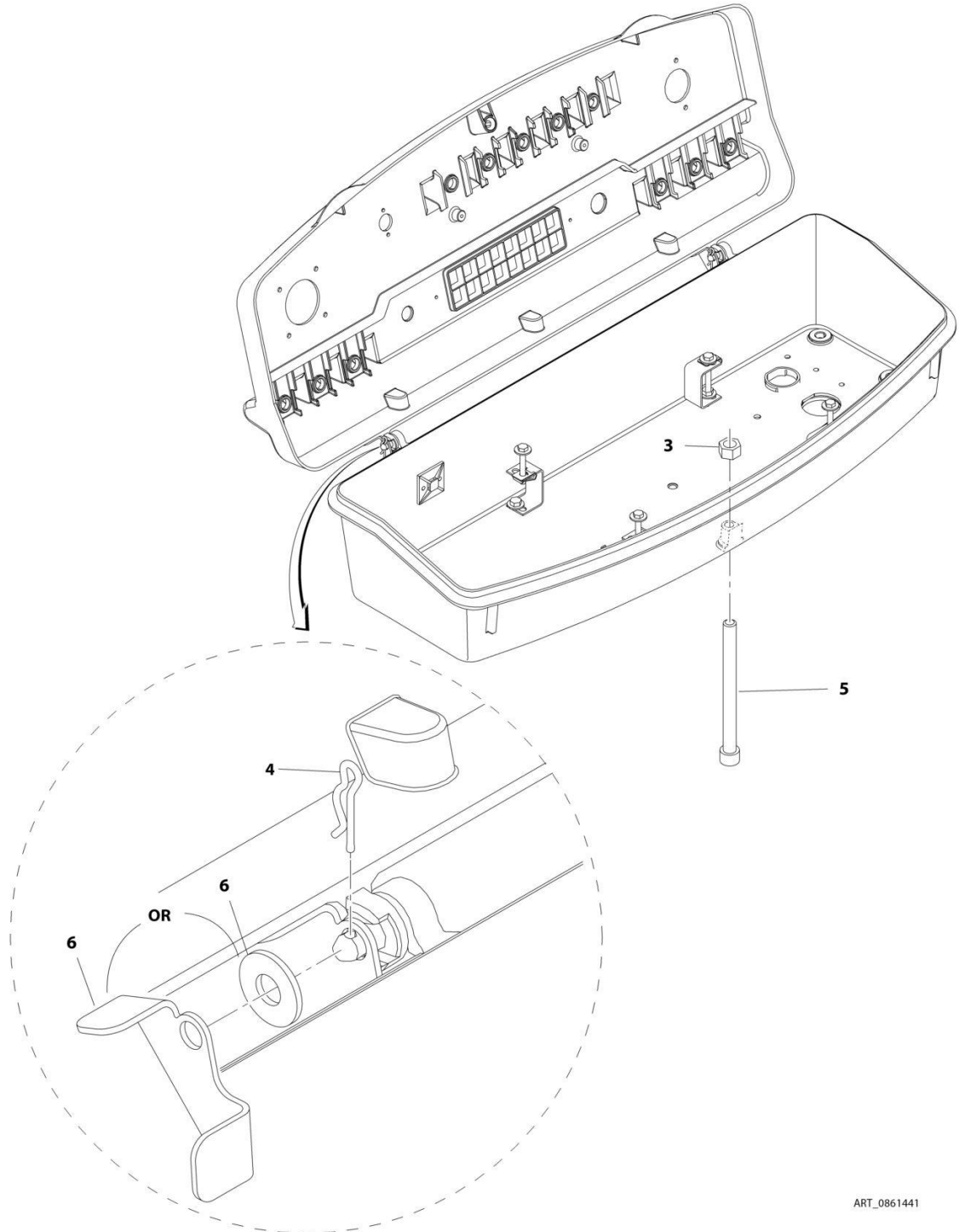
## SECTION 5 - PLATFORM

**FIGURE 5-9. PLATFORM ASSEMBLY – 3FT X 6FT (91.5CM X 1.83M) WITH TRI-ENTRY (3 DROP BARS)**

ITEM	PART NUMBER	QTY	DESCRIPTION	REV
	1001228377	Ref	PLATFORM ASSEMBLY - 36IN x 6FT (91.5CM x 1.83M)	A
		Ref	Note: Platform and Mesh must be ordered separately for Platforms with Mesh. See SPECIAL OPTIONS SECTION for Mesh Installations.	
		Ref	Note: Replacement Decals Must be Ordered Separately - See DECAL SECTION.	
1	0100011	1	Compound, Locking	
2	0641418	6	Bolt 1/4 x 2-1/4	
3	0961845	6	Bushing	
4	3290606	2	Nut M6	
5	3300151	6	Nut 1/4	
6	3520072	2	Plug	
7	3520198	2	Plug	
8	4010618	2	Screw M6 x 50	
9	4711400	12	Washer 1/4	
10	4811700	2	Washer M6	
11	1001138494	3	Bar, Drop	
12	1001138514	1	Rail (Top)	
13	1001140429	3	Decal - Drop Bar	
14	See Note	NSS	Platform, Weldment (Note: Not Available - Purchase Platform Assembly)	

# SECTION 5 - PLATFORM

FIGURE 5-10. CONSOLE BOX ASSEMBLY (Prior to SN B300001540)



ART\_0861441

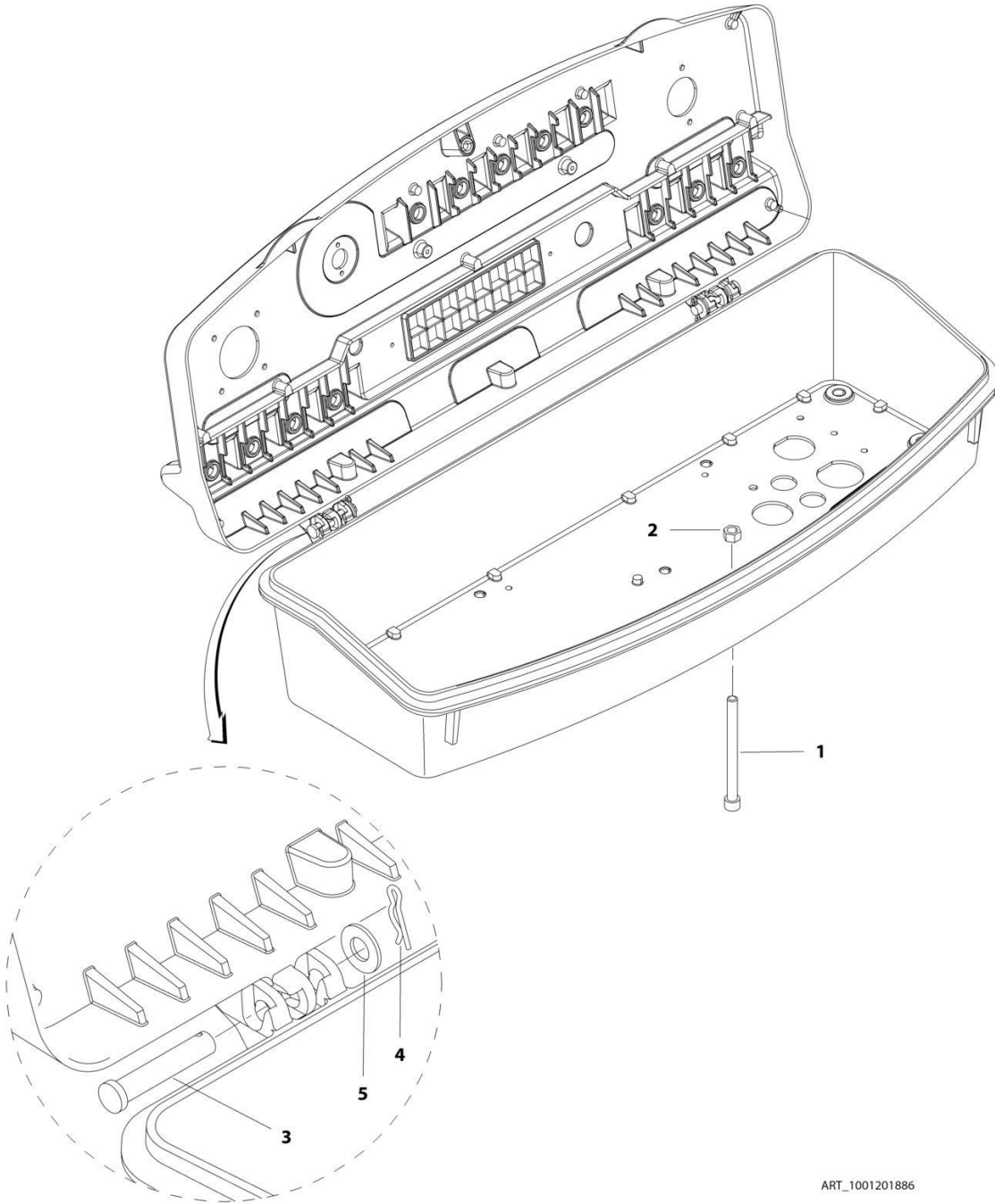
## SECTION 5 - PLATFORM

**FIGURE 5-10. CONSOLE BOX ASSEMBLY (Prior to SN B300001540)**

ITEM	PART NUMBER	QTY	DESCRIPTION	REV
	0861441	Ref	CONSOLE BOX ASSEMBLY (Prior to SN B300001540)	F
3	3311601	1	Nut 3/8	
4	3470003	2	Pin, Cotter	
5	0630568	1	Screw 3/8 x 4-1/2	
6	4711500	2	Washer 5/16	
6	1001200575	2	Bracket, Stop	

# SECTION 5 - PLATFORM

FIGURE 5-11. CONSOLE BOX ASSEMBLY (SN B300001540 to Present)



ART\_1001201886

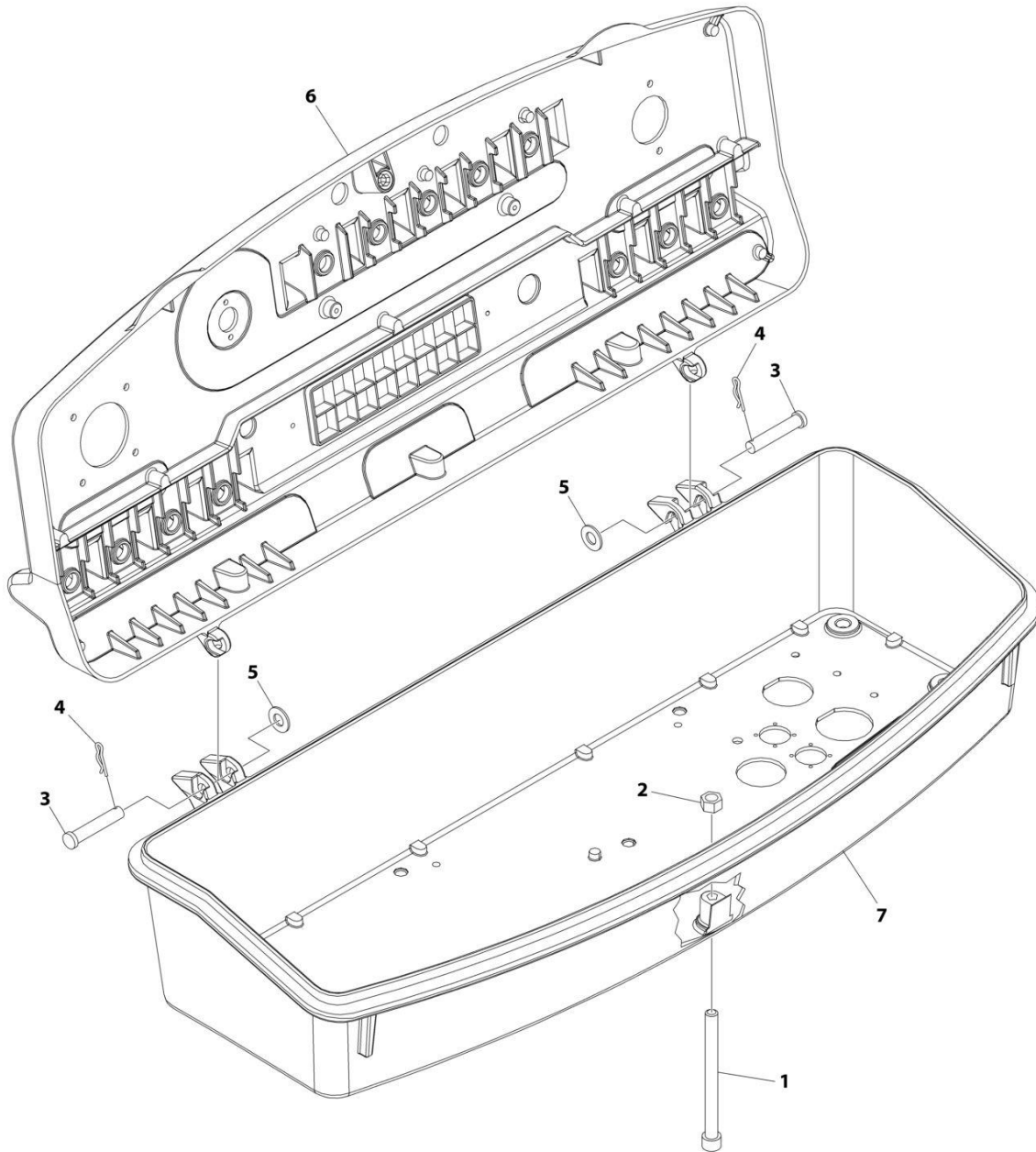
## SECTION 5 - PLATFORM

**FIGURE 5-11. CONSOLE BOX ASSEMBLY (SN B300001540 to Present)**

ITEM	PART NUMBER	QTY	DESCRIPTION	REV
	1001201886	1	CONSOLE BOX ASSEMBLY (SN B300001540 to Present)	
1	0630568	1	Screw 3/8 x 4-1/2	
2	3311601	1	Nut 3/8	
3	3430616	2	Pin, Clevis	
4	3470003	2	Pin, Cotter	
5	4711600	2	Washer 3/8	

# SECTION 5 - PLATFORM

FIGURE 5-12. CONSOLE BOX ASSEMBLY (SN B300001540 through B300001835)



ART\_1001225679

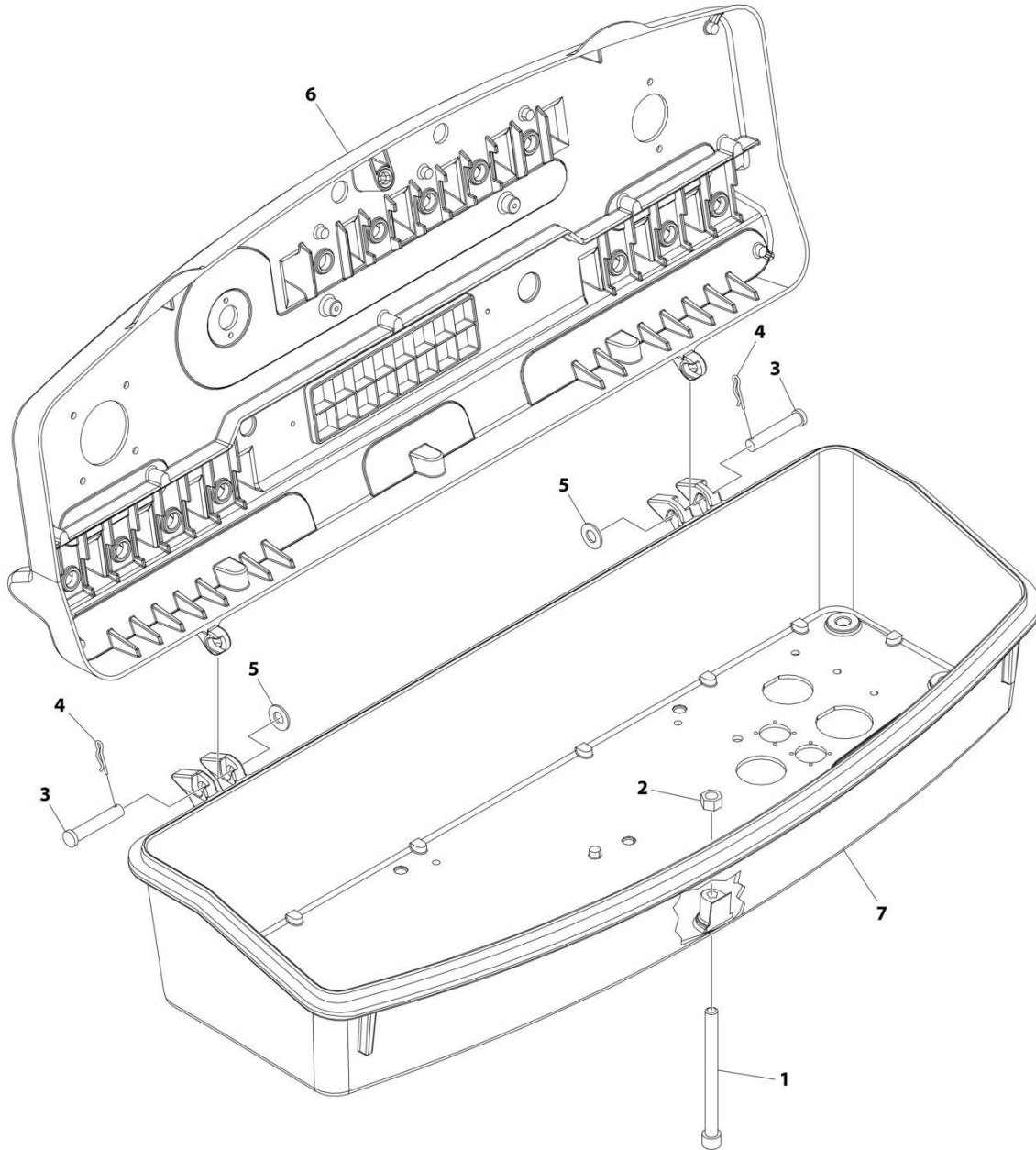
## SECTION 5 - PLATFORM

**FIGURE 5-12. CONSOLE BOX ASSEMBLY (SN B300001540 through B300001835)**

ITEM	PART NUMBER	QTY	DESCRIPTION	REV
	1001225679	Ref	CONSOLE BOX ASSEMBLY (SN B300001540 through <b>B300001835</b> )	B
1	0630568	1	Screw 3/8 x 4-1/2	
2	3311601	1	Nut 3/8	
3	3430616	2	Pin, Clevis	
4	3470003	2	Pin, Cotter	
5	4711600	2	Washer 3/8	
6	1001200803	1	Console Box, Top	
7	1001201436	1	Console Box, Bottom	

# SECTION 5 - PLATFORM

FIGURE 5-13. CONSOLE BOX ASSEMBLY (SN B300001836 to Present)



ART\_1001218068



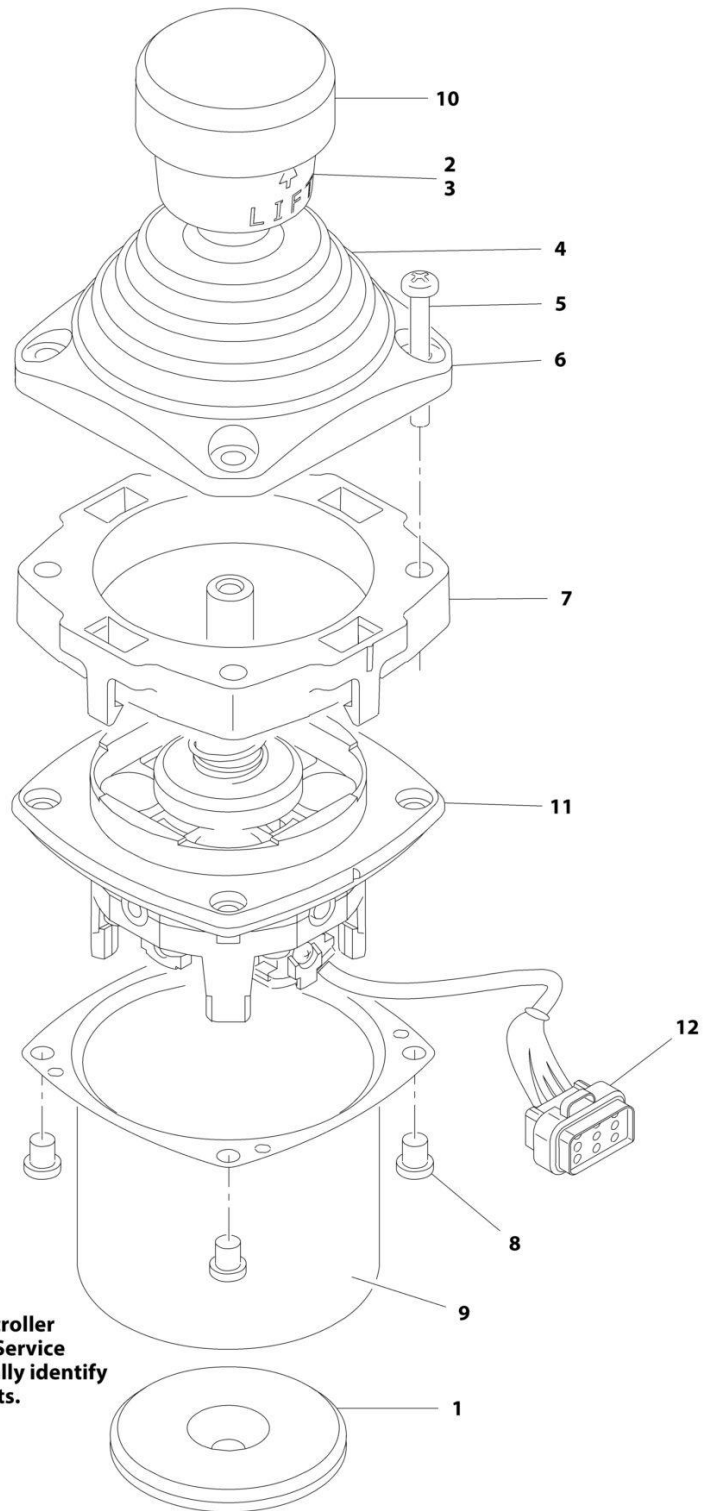
## SECTION 5 - PLATFORM

**FIGURE 5-13. CONSOLE BOX ASSEMBLY (SN B300001836 to Present)**

ITEM	PART NUMBER	QTY	DESCRIPTION	REV
	1001218068	Ref	CONSOLE BOX ASSEMBLY (SN B300001836 to Present)	C
1	0630568	1	Screw 3/8 x 4-1/2	
2	3311601	1	Nut 3/8	
3	3430616	2	Pin, Clevis	
4	3470003	2	Pin, Cotter	
5	4711600	2	Washer 3/8	
6	1001200803	1	Console Box, Top	
7	1001201436	1	Console Box, Bottom	

# SECTION 5 - PLATFORM

## FIGURE 5-14. CONTROLLER ASSEMBLY (LIFT AND SWING)



**Note: Original Equipment controller may have been replaced with Service Replacement controller. Visually identify controller before ordering parts.**

ART\_1001118417

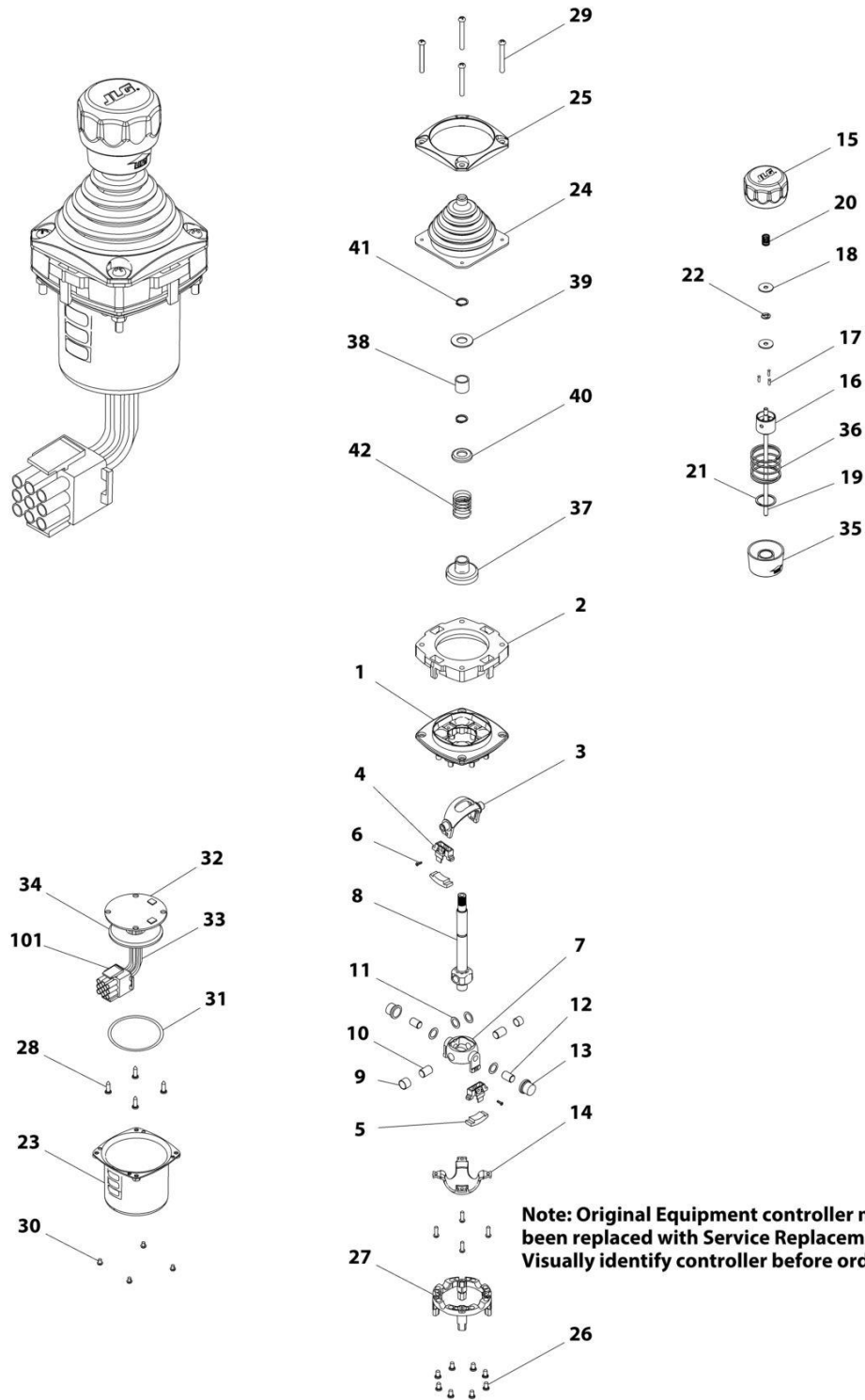
## SECTION 5 - PLATFORM

**FIGURE 5-14. CONTROLLER ASSEMBLY (LIFT AND SWING)**

ITEM	PART NUMBER	QTY	DESCRIPTION	REV
		Ref	USAGE CHART:	
		Ref	- 18RS (Original Equipment) <b>(Prior to SN B300001441)</b>	
		Ref	- 18RSJ (Original Equipment)	
		Ref	Note: Original Equipment controller may have been replaced with Service Replacement controller. Visually identify controller before ordering parts.	
	1001118417	Ref	CONTROLLER ASSEMBLY (LIFT AND SWING)	E
		Ref	Note: Use p/n 1001129555 as Replacement.	
1	70002730	1	Gasket	
2	7003928	1	Spring	
3	7022808	1	Cap, Lift	
4	70002731	1	Boot	
5	70002732	4	Screw	
6	7022815	1	Bezel	
7	70002733	1	Adapter	
8	70002734	4	Screw	
9	70002735	1	Can, Enclosure	
10	70002906	1	Cap	
11	See Note	NSS	Mechanical Assembly (Note: Purchase Kit p/n 1001129555)	
12	7022819	1	Connector - 8 Position	
12	4460871	6	Socket, Female	

# SECTION 5 - PLATFORM

## FIGURE 5-15. CONTROLLER ASSEMBLY (LIFT AND SWING)



ART\_1001166539

## SECTION 5 - PLATFORM

### FIGURE 5-15. CONTROLLER ASSEMBLY (LIFT AND SWING)

ITEM	PART NUMBER	QTY	DESCRIPTION	REV
		Ref	USAGE CHART:	
		Ref	- 18RS (Service Replacement) <b>(Prior to SN B300001441)</b>	
		Ref	- 18RS (Original Equipment) <b>(SN B300001441 to Present)</b>	
		Ref	- 18RSJ (Service Replacement)	
		Ref	Note: Original Equipment controller may have been replaced with Service Replacement controller. Visually identify controller before ordering parts.	
	1001166539	Ref	CONTROLLER ASSEMBLY (LIFT AND SWING) (SERVICE REPLACEMENT)	D
		Ref	Note: Use p/n 1001129555 as Replacement	
1	See Note	1	Main Cast Body (Note: Not Available - Purchase complete Assembly)	
2	70004752	1	Adapter	
3	See Note	NSS	Pivot Arm, Plastic (Note: Not Available - Purchase Complete Assembly)	
4	See Note	NSS	Holder, Magnet (Note: Not Available - Purchase Complete Assembly)	
5	See Note	NSS	Arc, Magnet (Note: Not Available - Purchase Complete Assembly)	
6	See Note	NSS	Screw (Note: Not Available for Purchase)	
7	See Note	NSS	Pivot Arm, Cast (Note: Not Available - Purchase Complete Assembly)	
8	See Note	NSS	Shaft, Main (Note: Not Available - Purchase Complete Assembly)	
9	See Note	NSS	Bearing (Note: Not Available - Purchase Complete Assembly)	
10	See Note	NSS	Pin (Note: Not Available - Purchase Complete Assembly)	
11	See Note	NSS	Shim (Note: Not Available - Purchase Complete Assembly)	
12	See Note	NSS	Pin (Note: Not Available - Purchase Complete Assembly)	
13	See Note	NSS	Bearing (Note: Not Available - Purchase Complete Assembly)	
14	See Note	NSS	Dome, Centering (Note: Not Available - Purchase Complete Assembly)	
15	70004753	1	Cap	
16	70004754	1	Insert, Cap	
17	70004755	3	Pin	
18	70004756	2	Washer	
19	70004757	1	Pin, Centering	
20	70004758	1	Spring	
21	70004759	1	Ring, Retaining	
22	70004760	1	E-Ring	
23	70004761	1	Can, Enclosure	
24	70004762	1	Boot	
25	70004763	1	Bezel	
26	See Note	NSS	Screw (Note: Not Available for Purchase)	
27	See Note	NSS	Base Mounting (Note: Not Available - Purchase Complete Assembly)	
28	See Note	NSS	Screw (Note: Not Available for Purchase)	
29	70004764	4	Screw	
30	70004765	4	Screw	
31	70004766	1	O-Ring	
32	See Note	NSS	Plate (Note: Not Available - Purchase Complete Assembly)	
33	See Note	NSS	Harness (Note: Not Available - Purchase Complete Assembly)	
34	70004767	1	Gromment, Rubber	
35	70004768	1	Housing	
36	70004769	1	Spring	

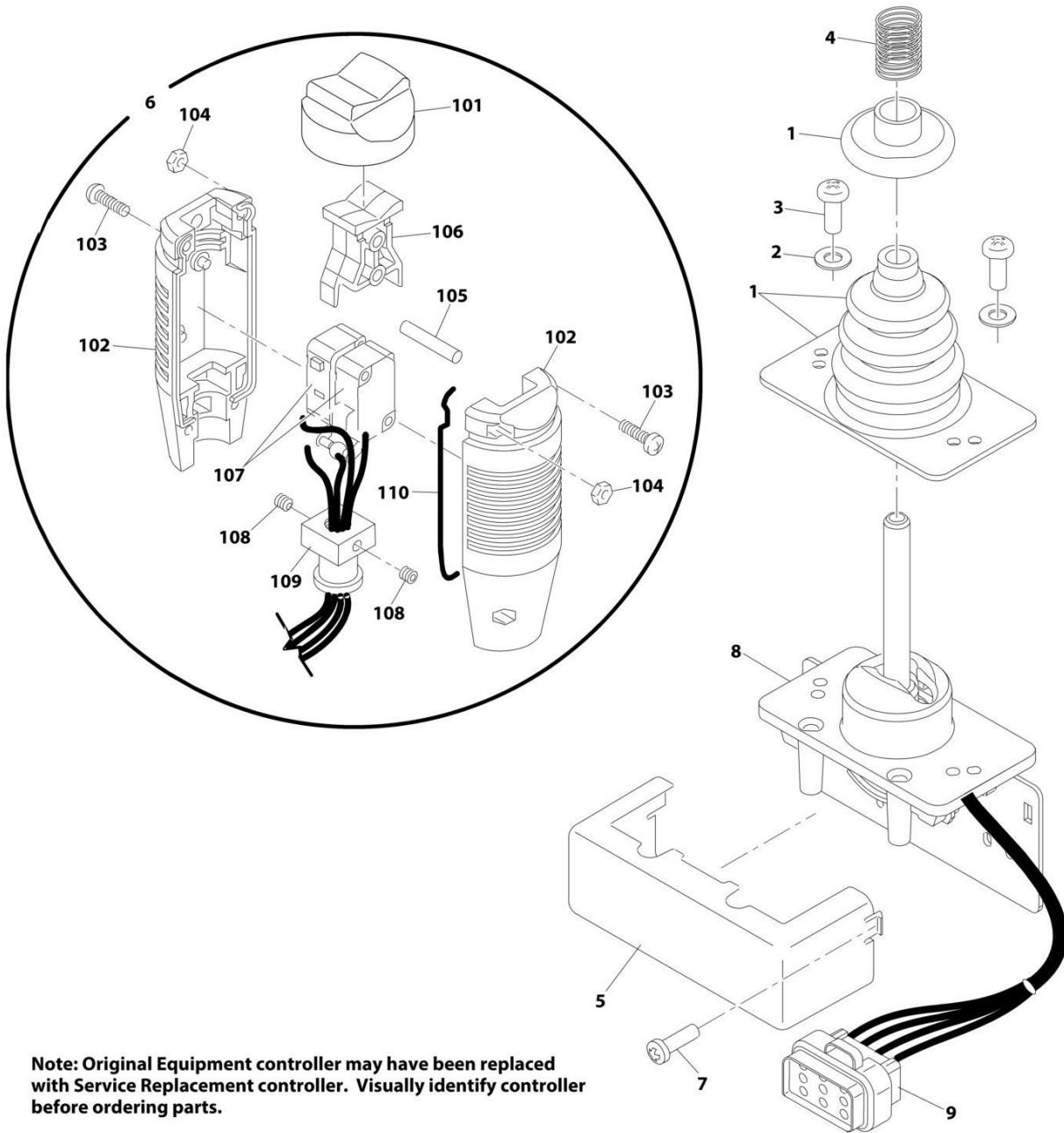
## SECTION 5 - PLATFORM

ITEM	PART NUMBER	QTY	DESCRIPTION	REV
37	70004770	1	Stopper	
38	70004771	1	Spacer	
39	70004772	1	Washer	
40	70004773	1	Disc	
41	70004774	2	Ring, Retaining	
42	70004775	1	Spring	
101	4460265	1	Connector - 9 Position	
101	4460226	6	Socket, Female	



# SECTION 5 - PLATFORM

## FIGURE 5-16. CONTROLLER ASSEMBLY (DRIVE AND STEER)



**Note:** Original Equipment controller may have been replaced with Service Replacement controller. Visually identify controller before ordering parts.

ART\_100118416



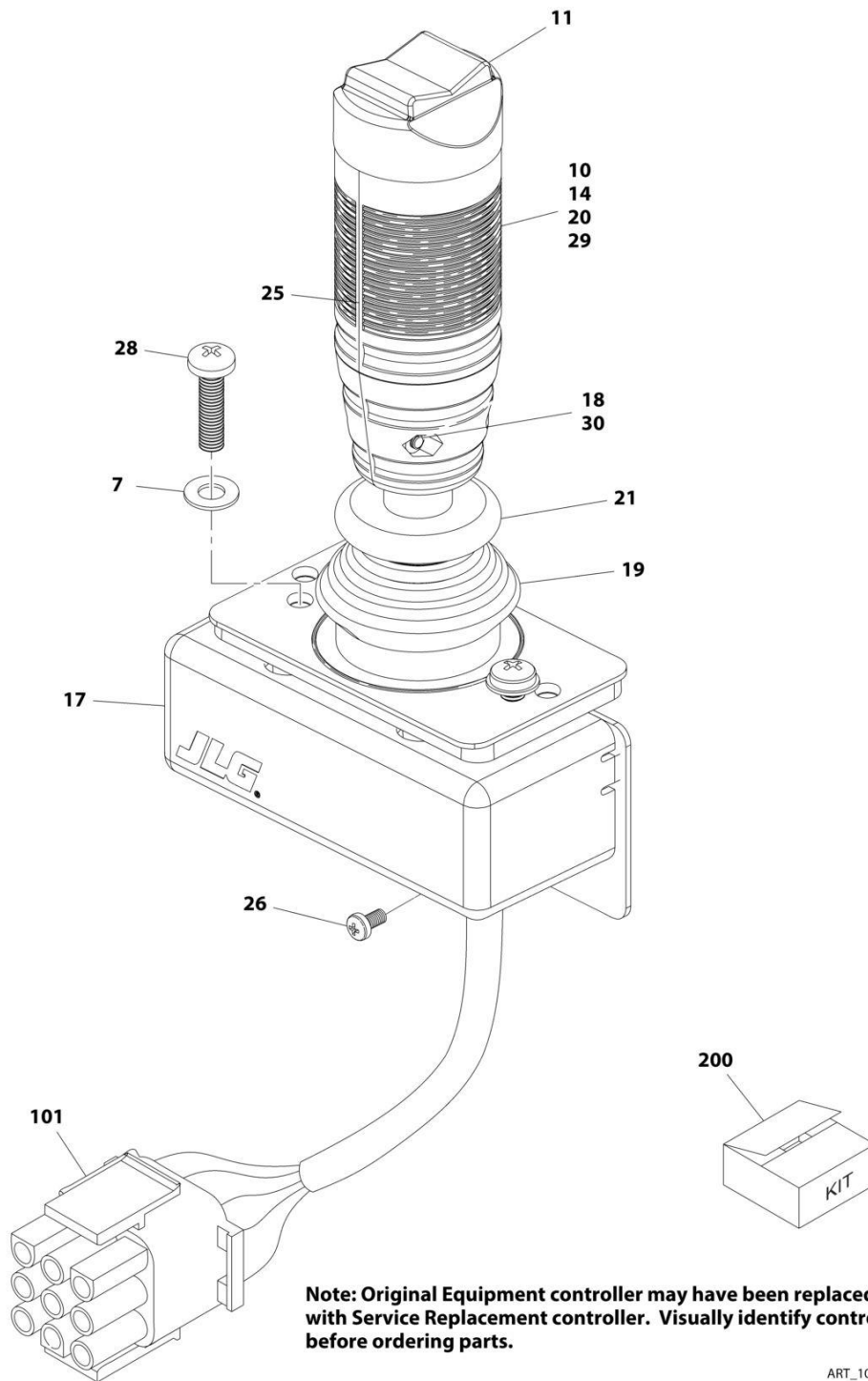
## SECTION 5 - PLATFORM

**FIGURE 5-16. CONTROLLER ASSEMBLY (DRIVE AND STEER)**

ITEM	PART NUMBER	QTY	DESCRIPTION	REV
		Ref	USAGE CHART:	
		Ref	- 18RS (Original Equipment) <b>(Prior to SN B300001441)</b>	
		Ref	- 18RSJ (Original Equipment)	
		Ref	Note: Original Equipment controller may have been replaced with Service Replacement controller. Visually identify controller before ordering parts.	
	1001118416	Ref	CONTROLLER ASSEMBLY (DRIVE AND STEER) (ORIGINAL EQUIPMENT)	D
1	70002724	1	Boot and Control Lock Assembly	
2	7003941	2	Washer	
3	70002725	2	Screw	
4	7019162	1	Spring	
5	70002726	1	Enclosure	
6	70002727	1	Handle Assembly (See Items 101-110 for Breakdown)	
7	70002728	1	Screw	
8	See Note	NSS	Mechanical Assembly (Note: Use p/n 1001166538)	
9	1001113961	1	Plug, Male - 8 Position (Black) (was p/n 7022825)	
9	4460871	7	Socket, Female	
	70002727	Ref	HANDLE ASSEMBLY	
101	7003972	1	Boot, Switch	
102	7003973	2	Half, Handle	
103	7003980	4	Screw	
104	7019167	4	Nut	
105	7019164	1	Axle	
106	7019165	1	Rocker	
107	70002729	1	Wiring Assembly	
107	7003982	2	Switch, Micro	
108	7003983	2	Setscrew	
109	7019194	1	Coupling	
110	7003989	2	Gasket	

# SECTION 5 - PLATFORM

## FIGURE 5-17. CONTROLLER ASSEMBLY (DRIVE AND STEER)



## SECTION 5 - PLATFORM

**FIGURE 5-17. CONTROLLER ASSEMBLY (DRIVE AND STEER)**

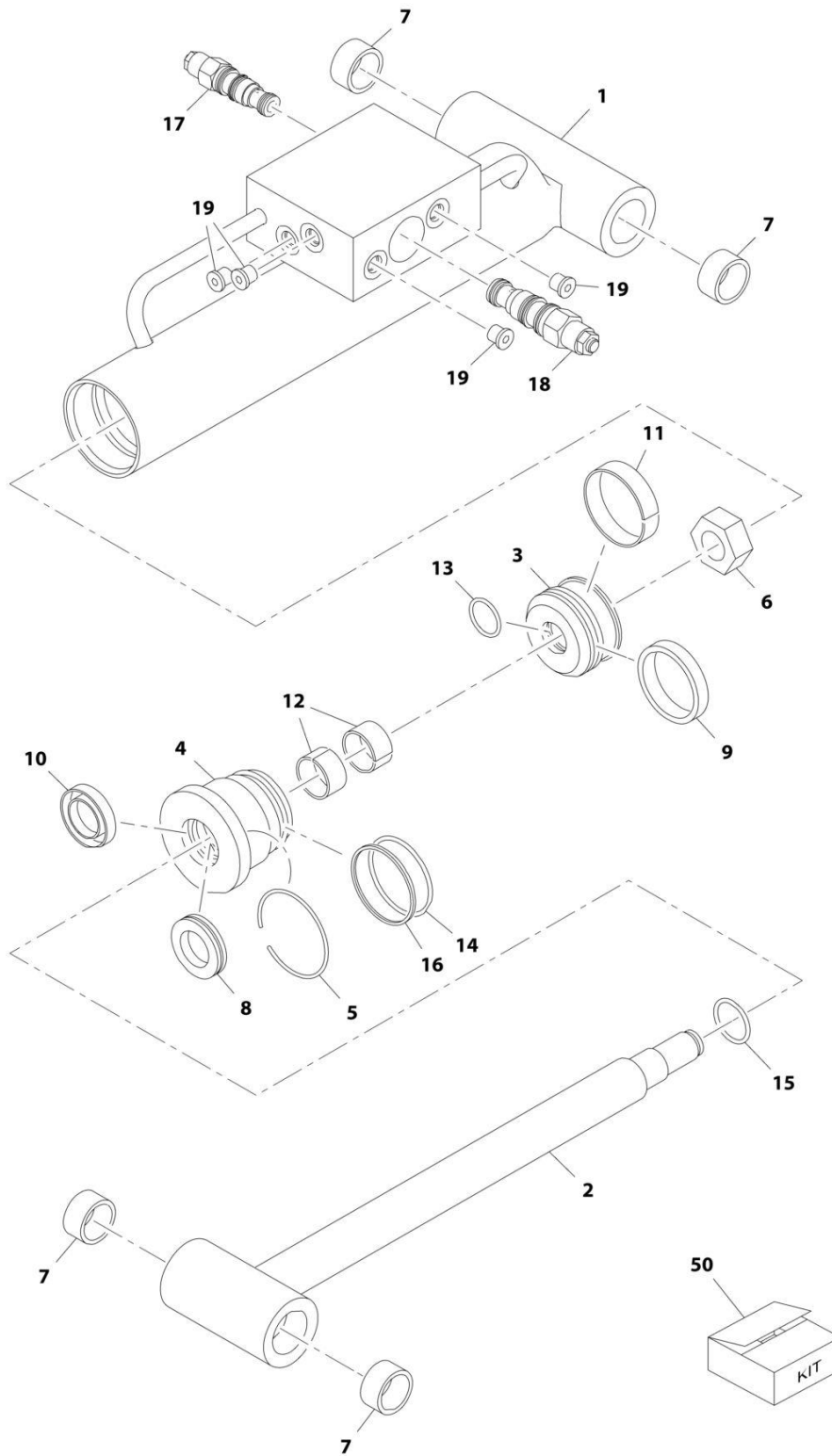
ITEM	PART NUMBER	QTY	DESCRIPTION	REV
		Ref	USAGE CHART:	
		Ref	- 18RS (Service Replacement) <b>(Prior to SN B300001441)</b>	
		Ref	- 18RS (Original Equipment) <b>(SN B300001441 to Present)</b>	
		Ref	- 18RSJ (Service Replacement)	
		Ref	Note: Original Equipment controller may have been replaced with Service Replacement controller. Visually identify controller before ordering parts.	
	1001166538	Ref	CONTROLLER ASSEMBLY (DRIVE AND STEER) (SERVICE REPLACEMENT)	G
7	70004738	2	Washer	
10	70004739	1	Roller	
11	70004740	1	Boot, Switch	
14	70004741	2	Half, Handle	
17	70004742	1	Enclosure	
18	70004743	4	Nut	
19	70004744	NLA	Boot, Controller (Note: Use Item 200)	
20	70004745	NLA	Tube, Locking (Note: Use Item 200)	
21	70004746	NLA	Disc, Looking (Note: Use Item 200)	
25	70004747	2	Seal, Rope	
26	70004748	1	Screw, M3 x 6	
28	70004749	2	Screw, M5 x 20	
29	70004750	1	Pin, Dowel	
30	70004751	4	Screw, M3 x 16	
101	4460265	1	Connector - 9 Position	
101	4460226	7	Socket, Female	
200	70005230	1	Boot Kit (Includes Items 19-21)	



**SECTION 6 - CYLINDER**

# SECTION 6 - CYLINDER

## FIGURE 6-1. LEVEL (PLATFORM SLAVE) CYLINDER ASSEMBLY - 18RS



ART\_1001132163

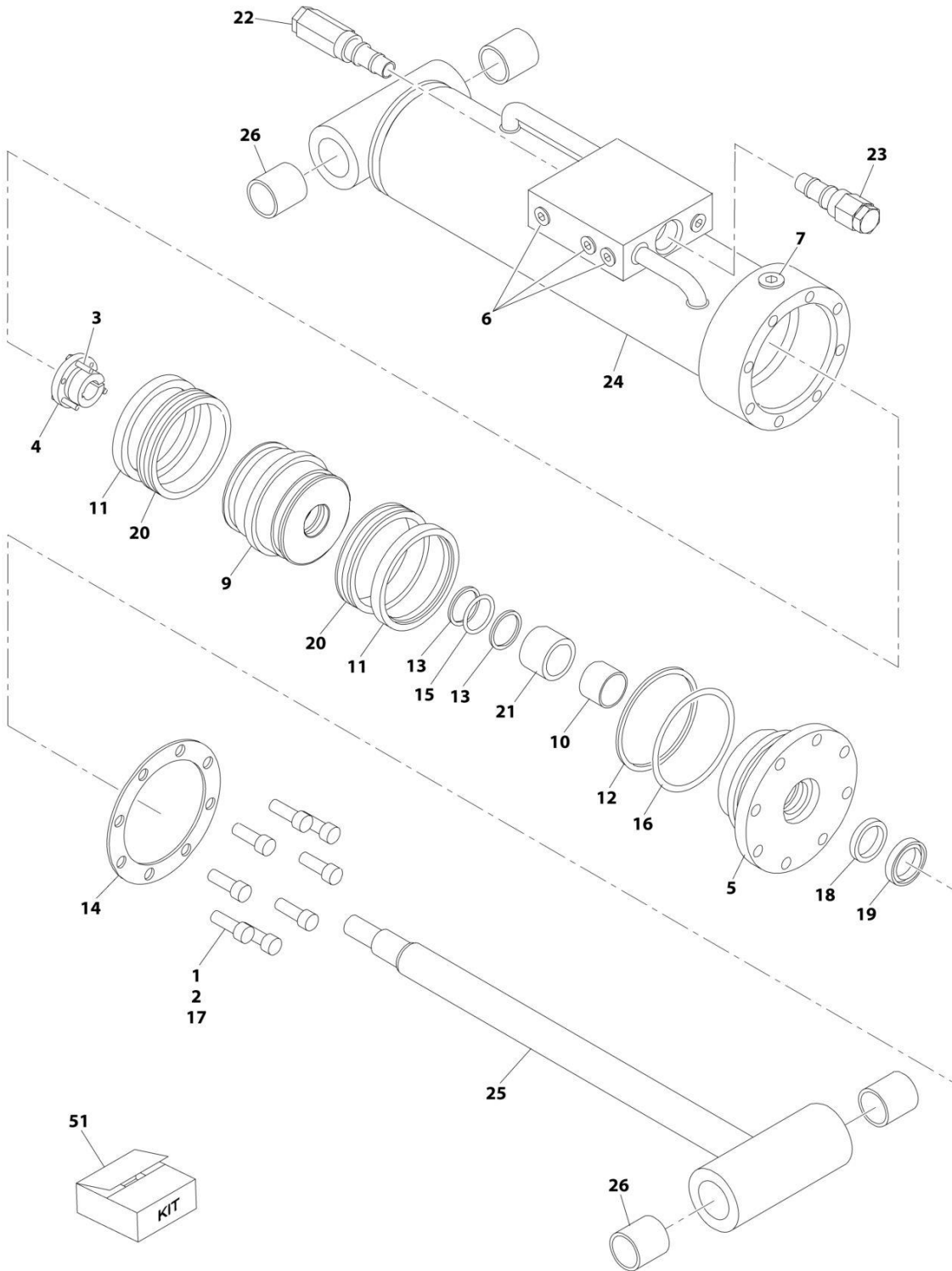
## SECTION 6 - CYLINDER

**FIGURE 6-1. LEVEL (PLATFORM SLAVE) CYLINDER ASSEMBLY - 18RS**

ITEM	PART NUMBER	QTY	DESCRIPTION	REV
	1001132163	Ref	LEVEL (PLATFORM SLAVE) CYLINDER ASSEMBLY - 18RS	D
1	70004217	1	Barrel	
2	70004218	1	Rod	
3	70004212	1	Piston	
4	70004210	1	Head	
5	70004214	1	Lock Wire	
6	70004213	1	Locknut	
7	70004219	4	Bearing	
8	See Note	NSS	Seal, Rod (Use Item 50)	
9	See Note	NSS	Seal, Piston (Use Item 50)	
10	See Note	NSS	Wiper (Use Item 50)	
11	See Note	NSS	Ring, Wear (Use Item 50)	
12	See Note	NSS	Ring, Wear (Use Item 50)	
13	See Note	NSS	O-Ring (Use Item 50)	
14	See Note	NSS	O-Ring (Use Item 50)	
15	See Note	NSS	O-Ring (Use Item 50)	
16	See Note	NSS	Ring, Back-up (Use Item 50)	
17	70002413	NLA	Cartridge, Valve (Use p/n 70005209) <b>(SN B30000100 through B300001209)</b>	
17	70005209	1	Cartridge, Valve <b>(SN B300001210 to Present)</b>	
17	2900770	1	Seal Kit - Valve	
18	70002388	1	Cartridge, Valve	
18	2900770	1	Seal Kit - Valve	
19	See Note	4	Plug (Note: Not Available - Purchase Locally)	
50	70004216	1	Seal Kit (Includes Items 8-16)	

# SECTION 6 - CYLINDER

## FIGURE 6-2. LEVEL (PLATFORM SLAVE) CYLINDER ASSEMBLY - 18RSJ



ART\_1001185318



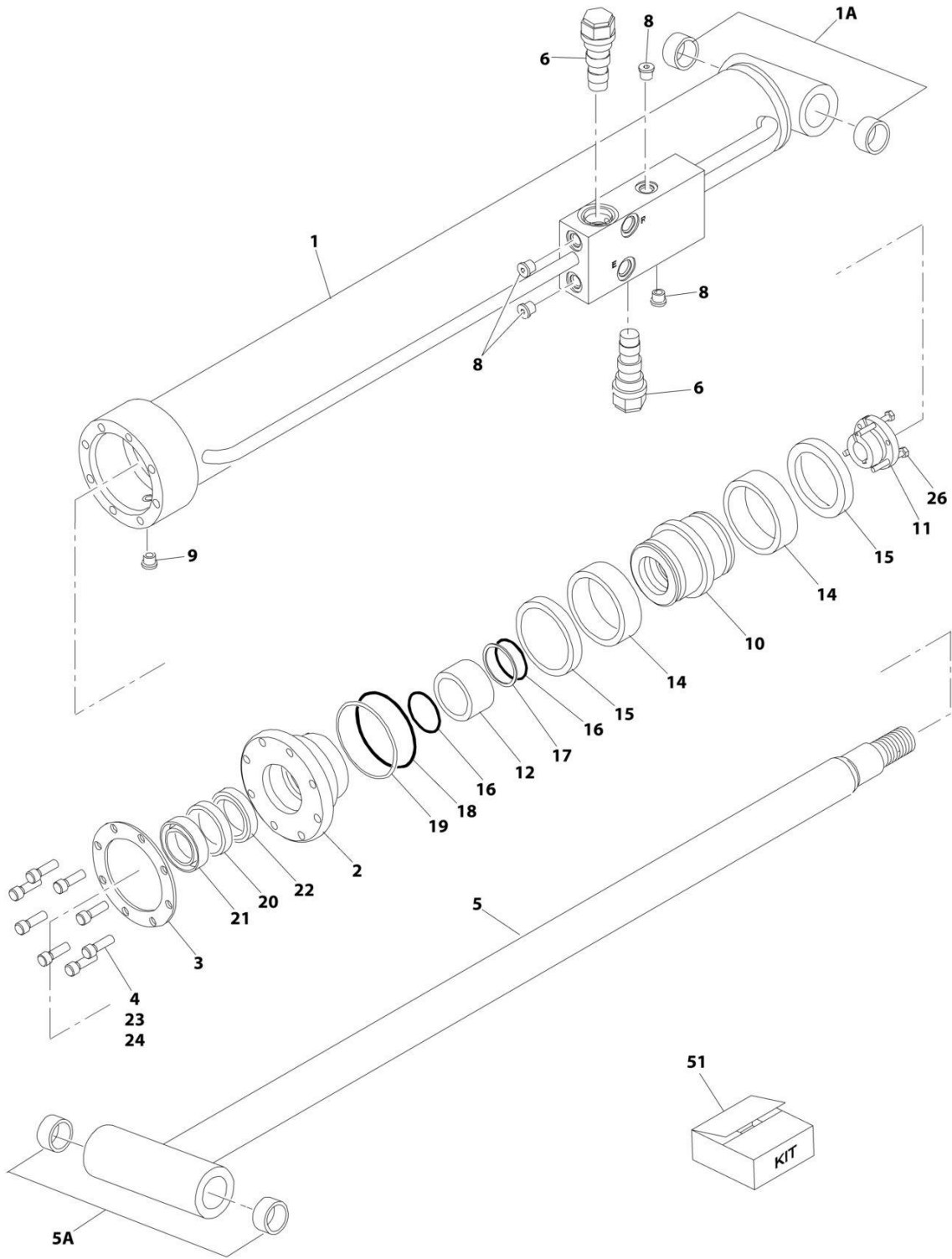
## SECTION 6 - CYLINDER

**FIGURE 6-2. LEVEL (PLATFORM SLAVE) CYLINDER ASSEMBLY - 18RSJ**

ITEM	PART NUMBER	QTY	DESCRIPTION	REV
	1001185318	Ref	LEVEL (PLATFORM SLAVE) CYLINDER ASSEMBLY - 18RSJ	A
1	0100011	AR	Compound, Locking	
2	0100038	AR	Primer, Locking	
3	0630535	3	Bolt 1/4 x 1-1/8	
4	0961894	1	Bushing, Tapered (Includes Item 25)	
5	1683055	1	Head	
6	2220883	8	Plug, O-Ring	
7	2220885	1	Plug, O-Ring	
9	3480188	1	Piston	
10	See Note	NSS	Ring, Wear (Note: Use Item 51)	
11	See Note	NSS	Ring, Lock (Note: Use Item 51)	
12	See Note	NSS	Ring, Back-up (Note: Use Item 51)	
13	See Note	NSS	Ring, Back-up (Note: Use Item 51)	
14	3760369	1	Ring, Washer	
15	See Note	NSS	O-Ring (Note: Use Item 51)	
16	See Note	NSS	O-Ring (Note: Use Item 51)	
17	3931620	8	Capscrew 3/8 x 1-1/4	
18	See Note	NSS	Seal, Rod (Note: Use Item 51)	
19	See Note	NSS	Wiper (Note: Use Item 51)	
20	See Note	NSS	Seal (Note: Use Item 51)	
21	4566468	1	Spacer	
22	4640509	1	Cartridge, Valve	
22	2900792	1	Seal Kit - 4640509 Valve	
23	4640932	1	Cartridge, Valve	
23	7011112	1	Seal Kit - 4640932 Valve	
24	1001185319	1	Barrel Weldment	
25	1001185321	1	Rod Weldment	
26	0961948	4	Bushing	
51	2901301	1	Seal Kit (Includes Items 10-13, 15, 16 & 18-20)	

# SECTION 6 - CYLINDER

FIGURE 6-3. LIFT CYLINDER ASSEMBLY - JIB - 18RSJ (Prior to SN B300003130)



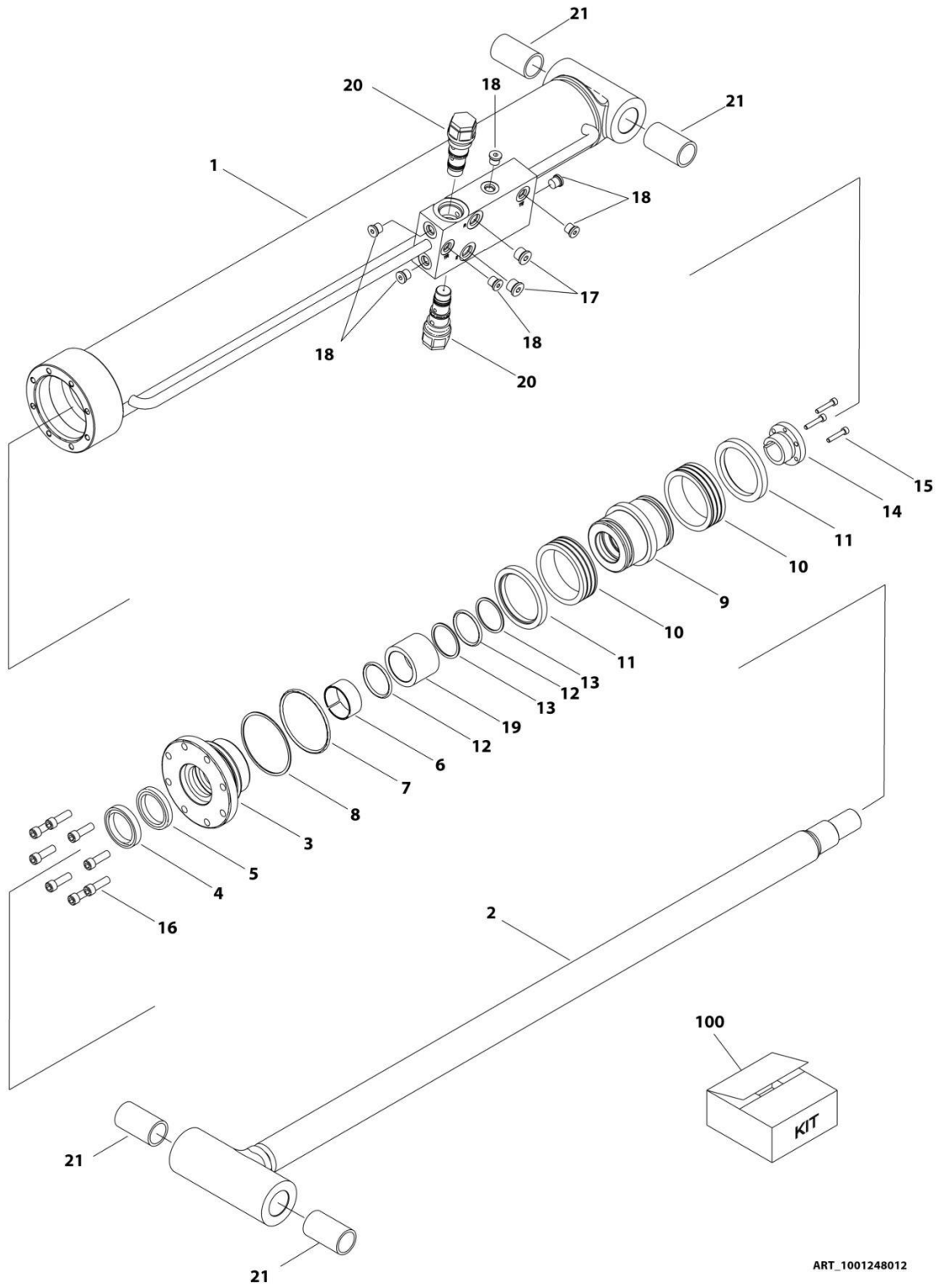
## SECTION 6 - CYLINDER

**FIGURE 6-3. LIFT CYLINDER ASSEMBLY - JIB - 18RSJ (Prior to SN B300003130)**

ITEM	PART NUMBER	QTY	DESCRIPTION	REV
	1683609	Ref	LIFT CYLINDER ASSEMBLY - JIB - 18RSJ (Prior to SN <b>B300003130</b> )	I
1	1684089	1	Barrel	
1A	0962336	2	Bushing	
2	1683053	1	Head	
3	3760368	1	Ring, Washer	
4	3931516	8	Capscrew 5/16 x 1	
5	1684090	1	Rod	
5A	0962336	2	Bushing	
6	4640509	2	Cartridge, Valve	
6	2900792	2	Seal Kit - 4640509 Valve	
8	2220883	2	Plug, O-Ring #4	
9	2220885	1	Plug, O-Ring #6	
10	3480210	1	Piston	
11	0961893	1	Bushing, Tapered	
12	4100100	1	Spacer, Tube	
14	See Note	NSS	Seal (Note: Use Item 51)	
15	See Note	NSS	Ring, Lock (Note: Use Item 51)	
16	See Note	NSS	O-Ring (Note: Use Item 51)	
17	See Note	NSS	Ring, Back-up (Note: Use Item 51)	
18	See Note	NSS	O-Ring (Note: Use Item 51)	
19	See Note	NSS	Ring, Back-up (Note: Use Item 51)	
20	See Note	NSS	Seal, Rod (Note: Use Item 51)	
21	See Note	NSS	Wiper (Note: Use Item 51)	
22	See Note	NSS	Ring, Wear (Note: Use Item 51)	
23	0100011	AR	Compound, Locking	
24	0100038	AR	Primer, Locking	
26	0630534	3	Bolt #10 x 1	
51	2901303	1	Seal Kit Options (Includes Items 14-22)	

# SECTION 6 - CYLINDER

FIGURE 6-4. LIFT CYLINDER ASSEMBLY - JIB - 18RSJ (SN B30003130 to Present)



ART\_1001248012

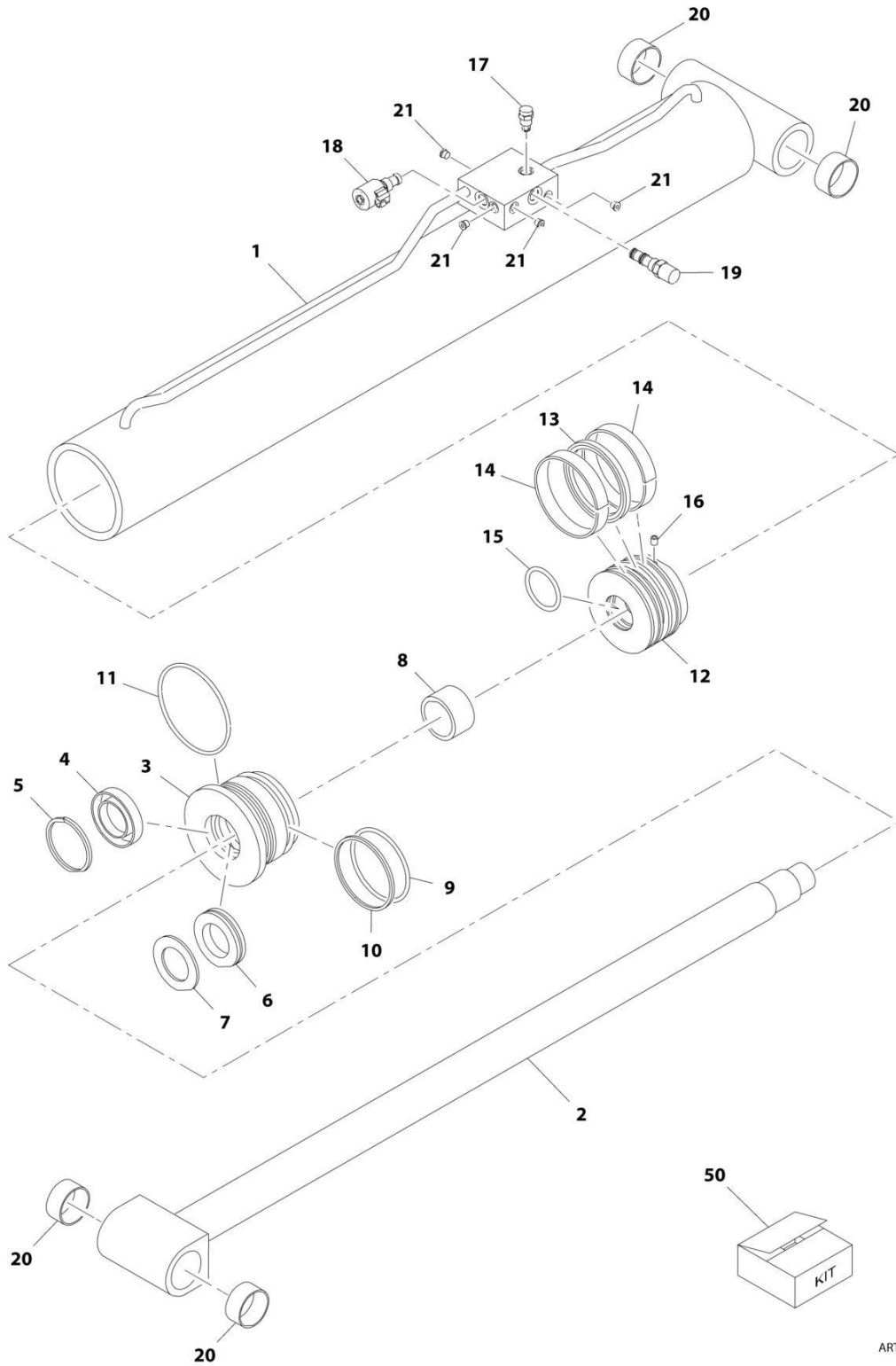
## SECTION 6 - CYLINDER

**FIGURE 6-4. LIFT CYLINDER ASSEMBLY - JIB - 18RSJ (SN B300003130 to Present)**

ITEM	PART NUMBER	QTY	DESCRIPTION	REV
	1001248012	Ref	LIFT CYLINDER ASSEMBLY - JIB	A
		Ref	Note: Original Cylinder May Have Been Replaced with Service Replacement. Identify PN Stamped on Cylinder Before Ordering Parts.	
1	See Note	NSS	Barrel (Note: Not Available for Purchase)	
2	70006734	1	Rod	
3	70006649	1	Head	
4	See Note	NSS	Wiper (Note: Use Item 100)	
5	See Note	NSS	Seal, Rod (Note: Use Item 100)	
6	See Note	NSS	Ring, Wear (Note: Use Item 100)	
7	See Note	NSS	O-Ring (Note: Use Item 100)	
8	See Note	NSS	Ring, Back-up (Note: Use Item 100)	
9	70006650	1	Piston	
10	See Note	NSS	Seal (Note: Use Item 100)	
11	See Note	NSS	Ring, Lock (Note: Use Item 100)	
12	See Note	NSS	O-Ring (Note: Use Item 100)	
13	See Note	NSS	Ring, Back-up (Note: Use Item 100)	
14	0961893	1	Bushing, Tapered	
15	0630534	3	Capscrew, Socket Head #10 x 1	
16	70006735	8	Capscrew 5/16	
17	2220885	2	Plug, O-Ring	
18	2220883	6	Plug, O-Ring	
19	70006736	1	Spacer	
20	4640509	2	Cartridge, Valve	
20	2900792	2	Seal Kit - 4640509 Valve	
21	0962336	4	Bushing	
100	1001138795	1	Seal Kit (Includes Items 4-8 & 10-13)	

# SECTION 6 - CYLINDER

## FIGURE 6-5. LIFT CYLINDER ASSEMBLY - MAIN BOOM - 18RS



ART\_1001130480

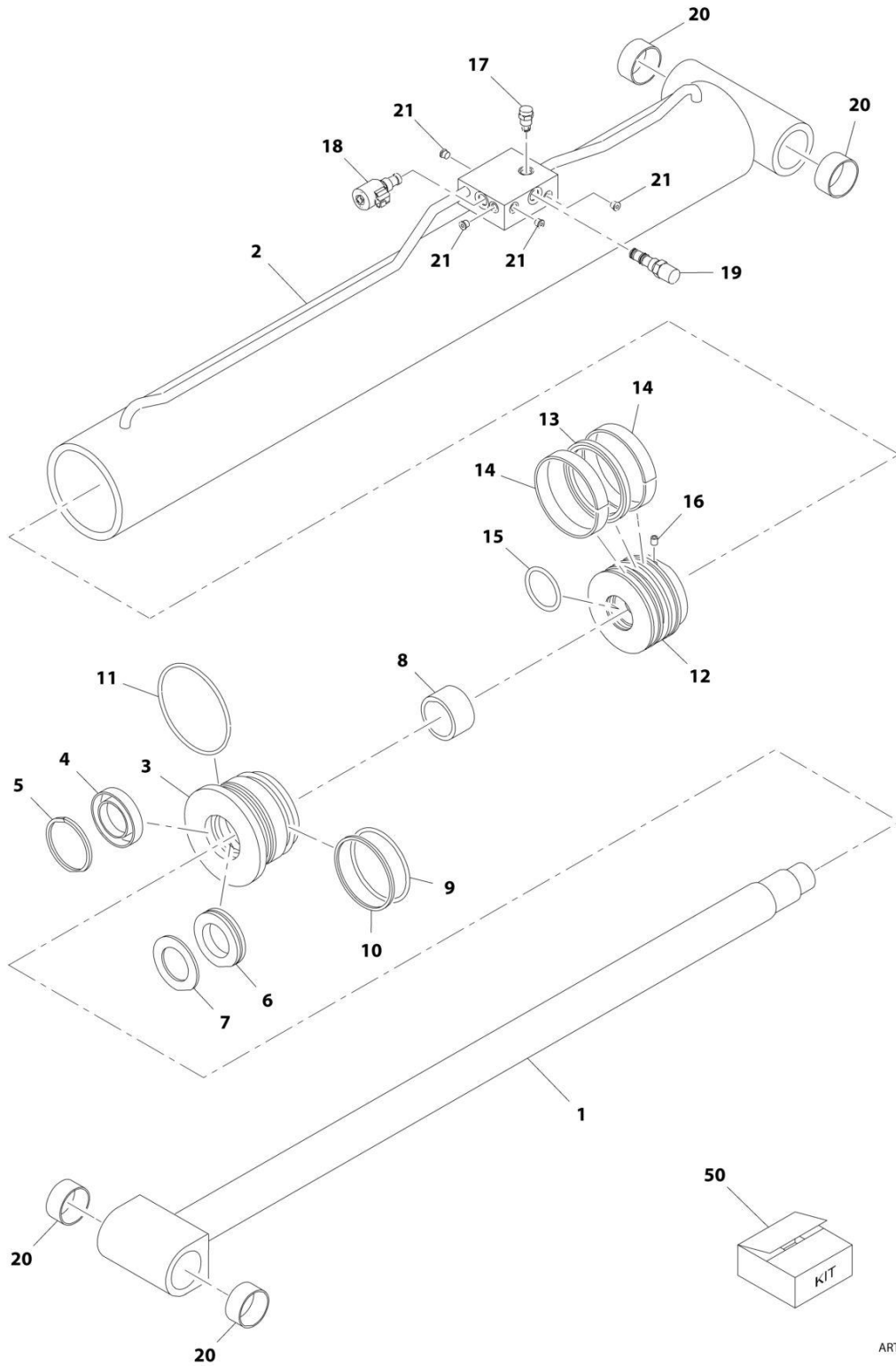
## SECTION 6 - CYLINDER

**FIGURE 6-5. LIFT CYLINDER ASSEMBLY - MAIN BOOM - 18RS**

ITEM	PART NUMBER	QTY	DESCRIPTION	REV
	1001130480	Ref	LIFT CYLINDER ASSEMBLY - MAIN BOOM - 18RS	B
1	70004192	1	Barrel	
2	70004191	1	Rod	
3	70004190	1	Head	
4	See Note	NSS	Wiper (Note: Use Item 50)	
5	70023379	1	Ring, Retaining	
6	See Note	NSS	Seal, Rod (Note: Use Item 50)	
7	See Note	NSS	Ring, Back-up (Note: Use Item 50)	
8	70023377	1	Bearing	
9	See Note	NSS	O-Ring (Note: Use Item 50)	
10	See Note	NSS	Ring, Back-up (Note: Use Item 50)	
11	See Note	NSS	O-Ring (Note: Use Item 50)	
12	70004189	1	Piston	
13	See Note	NSS	Seal, Piston (Note: Use Item 50)	
14	See Note	NSS	Ring, Wear (Note: Use Item 50)	
15	See Note	NSS	O-Ring (Note: Use Item 50)	
16	See Note	1	Setscrew (Note: Not Available - Purchase Locally)	
17	4641390	1	Cartridge, Check Valve	
17	7017496	1	Seal Kit - Valve	
18	70002401	1	Cartridge, Solenoid Valve	
18	7017496	1	Seal Kit - Valve	
18	70003788	1	Coil	
18	7022390	1	Nut, Coil	
19	70004123	1	Cartridge, Pressure Valve	
19	7012925	1	Seal Kit - Valve	
20	70004188	4	Bearing	
21	2220885	4	Plug 9/16	
50	70004187	1	Seal Kit (Includes Items 4, 6, 7, 9-11 & 13-15)	

# SECTION 6 - CYLINDER

## FIGURE 6-6. LIFT CYLINDER ASSEMBLY - MAIN BOOM - 18RSJ



ART\_1001185157



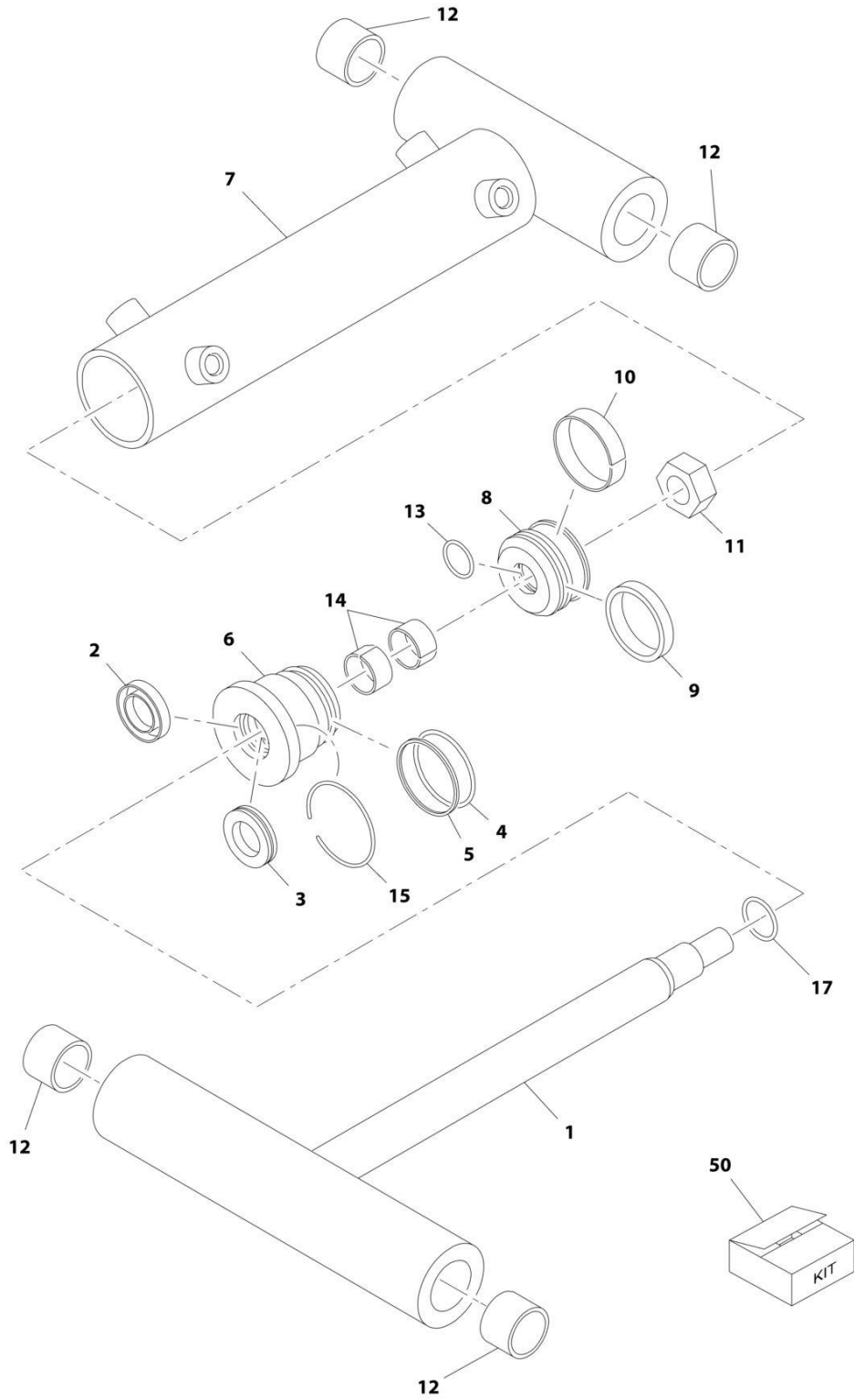
## SECTION 6 - CYLINDER

**FIGURE 6-6. LIFT CYLINDER ASSEMBLY - MAIN BOOM - 18RSJ**

ITEM	PART NUMBER	QTY	DESCRIPTION	REV
	1001185157	Ref	LIFT CYLINDER ASSEMBLY - MAIN BOOM - 18RSJ	A
1	70005437	1	Rod	
2	70005436	1	Barrel	
3	70004190	1	Head	
4	See Note	NSS	Wiper (Note: Use Item 50)	
5	70023379	1	Ring, Retaining	
6	See Note	NSS	Seal, Rod (Note: Use Item 50)	
7	See Note	NSS	Ring, Back-up (Note: Use Item 50)	
8	70023377	1	Bearing	
9	See Note	NSS	O-Ring (Note: Use Item 50)	
10	See Note	NSS	Ring, Back-up (Note: Use Item 50)	
11	See Note	NSS	O-Ring (Note: Use Item 50)	
12	70004189	1	Piston	
13	See Note	NSS	Seal, Piston (Note: Use Item 50)	
14	See Note	NSS	Ring, Wear (Note: Use Item 50)	
15	See Note	NSS	O-Ring (Note: Use Item 50)	
16	70005435	1	Setscrew	
17	4641390	1	Cartridge, Check Valve	
17	7017496	1	Seal Kit - Valve	
18	70002401	1	Cartridge, Solenoid Valve	
18	7017496	1	Seal Kit - Valve	
18	70003788	1	Coil	
18	7022390	1	Nut, Coil	
19	1001165131	1	Cartridge, Pressure Valve	
19	7012925	1	Seal Kit - Valve	
20	70005434	4	Bearing	
21	2220885	4	Plug 9/16	
50	70005432	1	Seal Kit (Includes Items 4, 6, 7, 9-11 & 13-15)	

# SECTION 6 - CYLINDER

## FIGURE 6-7. MASTER CYLINDER ASSEMBLY - 18RS



ART\_1001130478

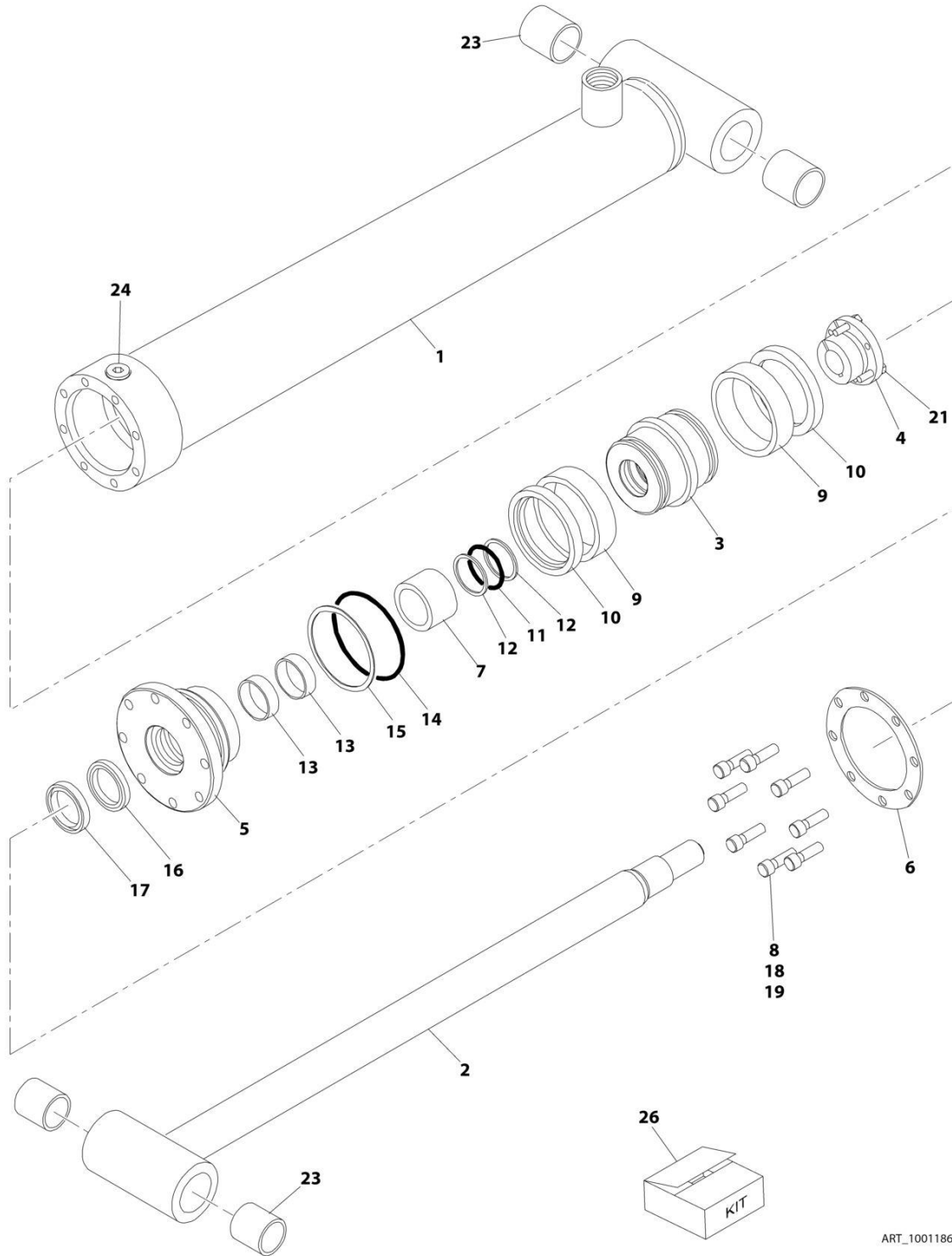
## SECTION 6 - CYLINDER

**FIGURE 6-7. MASTER CYLINDER ASSEMBLY - 18RS**

ITEM	PART NUMBER	QTY	DESCRIPTION	REV
	1001130478	Ref	MASTER CYLINDER ASSEMBLY - 18RS	D
1	70004247	1	Rod	
2	See Note	NSS	Wiper (Note: Use Item 50)	
3	See Note	NSS	Seal, Rod (Note: Use Item 50)	
4	See Note	NSS	O-Ring (Note: Use Item 50)	
5	See Note	NSS	Ring, Back-up (Note: Use Item 50)	
6	70004210	1	Head	
7	70004246	1	Barrel	
8	70004212	1	Piston	
9	See Note	NSS	Seal, Piston (Note: Use Item 50)	
10	See Note	NSS	Ring, Wear (Note: Use Item 50)	
11	70004213	1	Locknut	
12	0961951	4	Bearing	
13	See Note	NSS	O-Ring (Use Item 50)	
14	See Note	NSS	Ring, Wear (Note: Use Item 50)	
15	70004214	1	Lock Wire	
17	70004215	1	O-Ring	
50	70004248	1	Seal Kit (Includes Items 2-5, 9, 10, 13 & 14)	

# SECTION 6 - CYLINDER

## FIGURE 6-8. MASTER CYLINDER ASSEMBLY - 18RSJ



ART\_1001186733

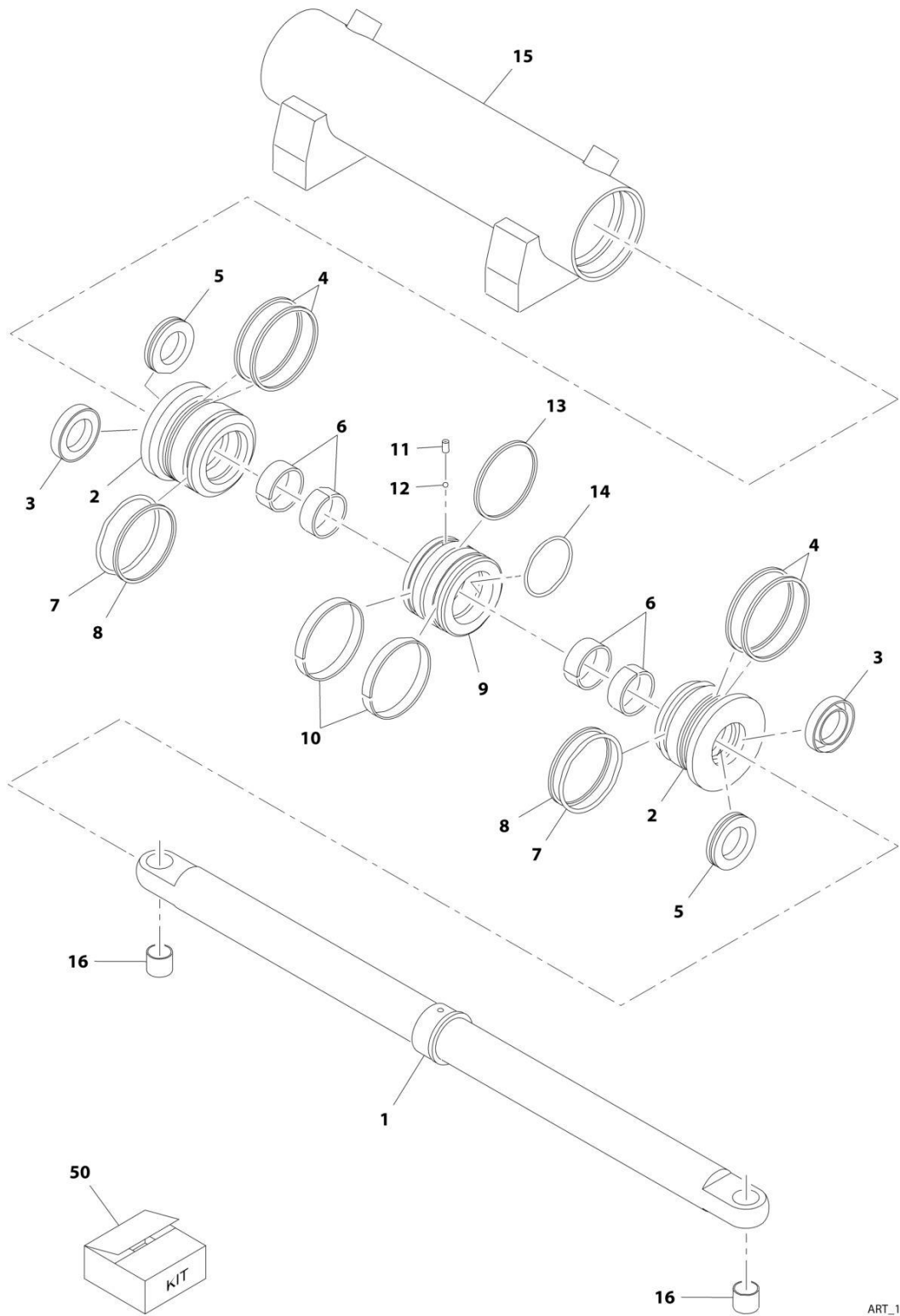
## SECTION 6 - CYLINDER

**FIGURE 6-8. MASTER CYLINDER ASSEMBLY - 18RSJ**

ITEM	PART NUMBER	QTY	DESCRIPTION	REV
	1001186733	Ref	MASTER CYLINDER ASSEMBLY - 18RSJ	A
1	1683949	1	Barrel	
2	1683963	1	Rod	
3	3480188	1	Piston	
4	0961894	1	Bushing, Tapered (Use Item 8 in place of supplied Bolts)	
5	1683055	1	Head	
6	3760369	1	Ring, Washer	
7	1001186734	1	Spacer	
8	3931620	8	Capscrew 3/8 x 1-1/4	
9	See Note	NSS	Seal (Note: Use Item 26)	
10	See Note	NSS	Ring, Lock (Note: Use Item 26)	
11	See Note	NSS	O-Ring (Note: Use Item 26)	
12	See Note	NSS	Ring, Back-up (Note: Use Item 26)	
13	See Note	NSS	Ring, Wear (Note: Use Item 26)	
14	See Note	NSS	Ring, Back-up (Note: Use Item 26)	
15	See Note	NSS	O-Ring (Note: Use Item 26)	
16	See Note	NSS	Seal, Rod (Note: Use Item 26)	
17	See Note	NSS	Wiper (Note: Use Item 26)	
18	0100011	AR	Compound, Locking	
19	0100038	AR	Primer, Locking	
21	0630535	3	Bolt 1/4 x 1-1/8	
23	0961951	4	Bushing	
24	2220885	1	Plug, O-Ring #6	
26	2901301	1	Seal Kit (Includes Items 9-17)	

# SECTION 6 - CYLINDER

## FIGURE 6-9. STEER CYLINDER ASSEMBLY



ART\_1001130477

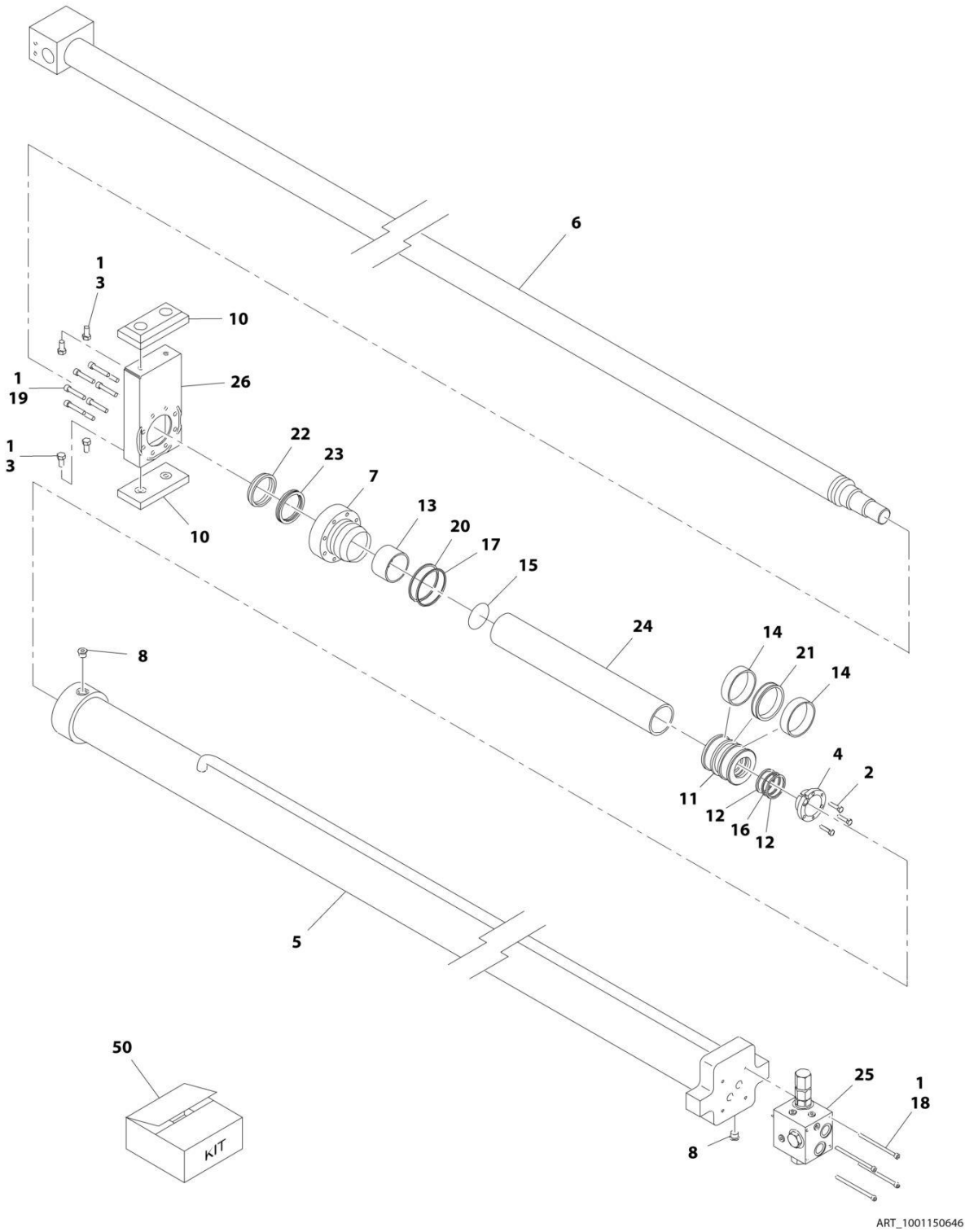
## SECTION 6 - CYLINDER

**FIGURE 6-9. STEER CYLINDER ASSEMBLY**

ITEM	PART NUMBER	QTY	DESCRIPTION	REV
	1001130477	Ref	STEER CYLINDER ASSEMBLY	E
1	70004220	1	Rod	
2	70004221	2	Head	
3	See Note	NSS	Wiper (Note: Use Item 50)	
4	70003636	4	Ring, Locking	
5	See Note	NSS	Seal, Rod (Note: Use Item 50)	
6	See Note	NSS	Ring, Wear (Note: Use Item 50)	
7	See Note	NSS	O-Ring (Note: Use Item 50)	
8	See Note	NSS	Ring, Back-up (Note: Use Item 50)	
9	70004222	1	Piston	
10	See Note	NSS	Ring, Wear (Note: Use Item 50)	
11	70004223	1	Setscrew	
12	70004224	1	Ball	
13	See Note	NSS	Seal, Piston (Note: Use Item 50)	
14	See Note	NSS	O-Ring (Note: Use Item 50)	
15	70004225	1	Barrel	
16	70004226	2	Bearing	
50	70004227	1	Seal Kit (Includes Items 3, 5-8, 10, 13 & 14)	

# SECTION 6 - CYLINDER

FIGURE 6-10. TELESCOPE CYLINDER ASSEMBLY - 18RS (Prior to SN B300001836)





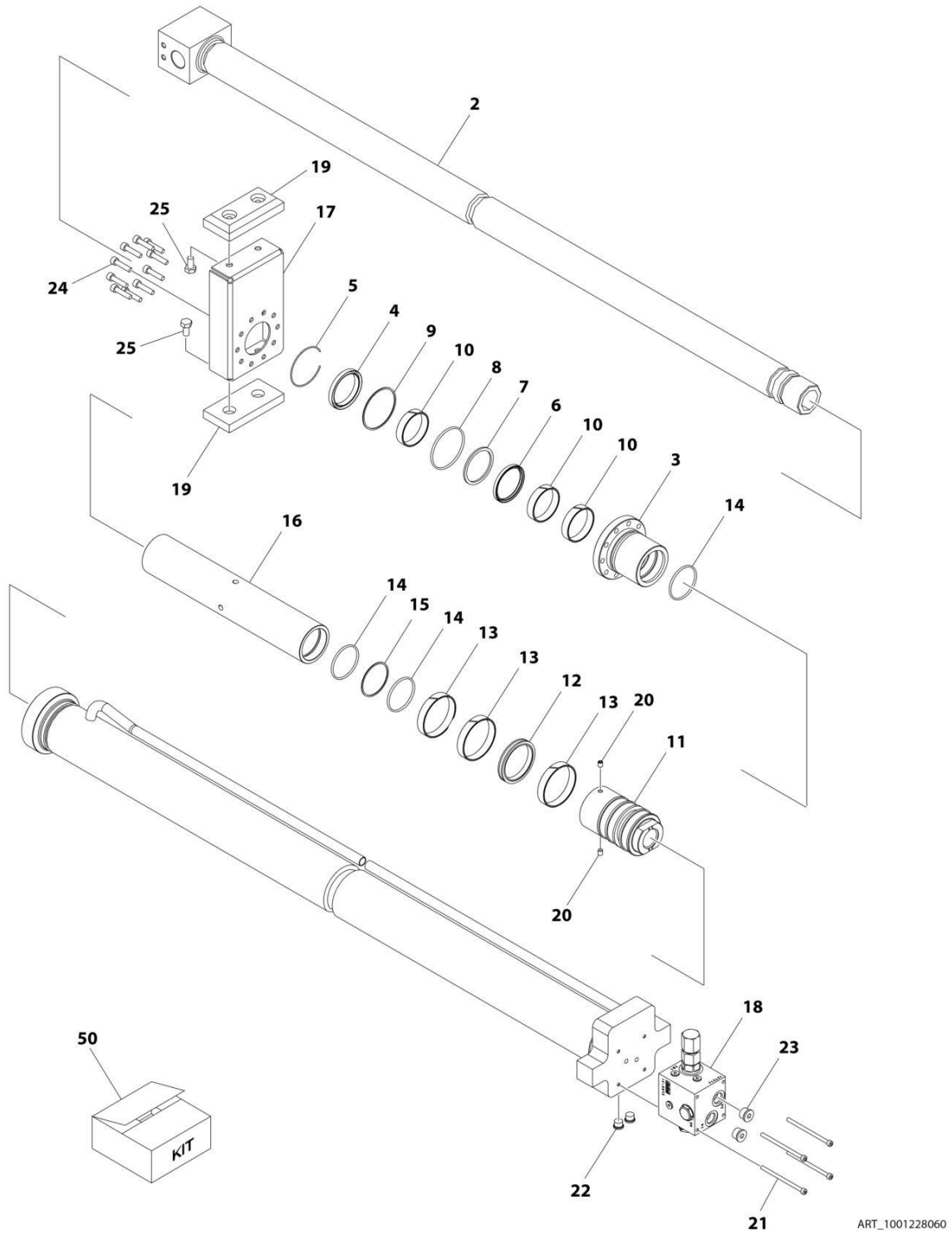
## SECTION 6 - CYLINDER

**FIGURE 6-10. TELESCOPE CYLINDER ASSEMBLY - 18RS (Prior to SN B300001836)**

ITEM	PART NUMBER	QTY	DESCRIPTION	REV
	1001150646	Ref	TELESCOPE CYLINDER ASSEMBLY - 18RS (Prior to SN <b>B300001836</b> )	B
1	0100011	AR	Compound, Locking	
2	0630535	3	Bolt 1/4 x 1-1/8	
3	0641606	4	Bolt 3/8 x 3/4	
4	0961902	1	Bushing, Tapered	
5	1683905	1	Barrel	
6	1683907	1	Rod	
7	1684008	1	Ring, Back-up	
8	220885	2	Plug	
10	3340880	2	Pad	
11	3480257	1	Piston	
12	See Note	NSS	Ring, Back-up (Note: Use Item 50)	
13	See Note	NSS	Ring, Wear (Note: Use Item 50)	
14	See Note	NSS	Ring, Wear (Note: Use Item 50)	
15	See Note	NSS	O-Ring (Note: Use Item 50)	
16	See Note	NSS	O-Ring (Note: Use Item 50)	
17	See Note	NSS	O-Ring (Note: Use Item 50)	
18	3931464	4	Capscrew 1/4 x 4	
19	3931528	8	Capscrew 5/16 x 1-3/4	
20	See Note	NSS	Ring, Back-up (Note: Use Item 50)	
21	See Note	NSS	Seal (Note: Use Item 50)	
22	See Note	NSS	Wiper (Note: Use Item 50)	
23	See Note	NSS	Seal (Note: Use Item 50)	
24	4568030	1	Spacer	
25	1001133245	1	Valve Block Assembly (See VALVE BLOCK ASSEMBLY for Breakdown)	
26	1001150645	1	Support	
50	2902019	1	Seal Kit (Includes Items 12-17 & 20-23)	

# SECTION 6 - CYLINDER

FIGURE 6-11. TELESCOPE CYLINDER ASSEMBLY - 18RS (SN B30001836 to Present)



ART\_1001228060

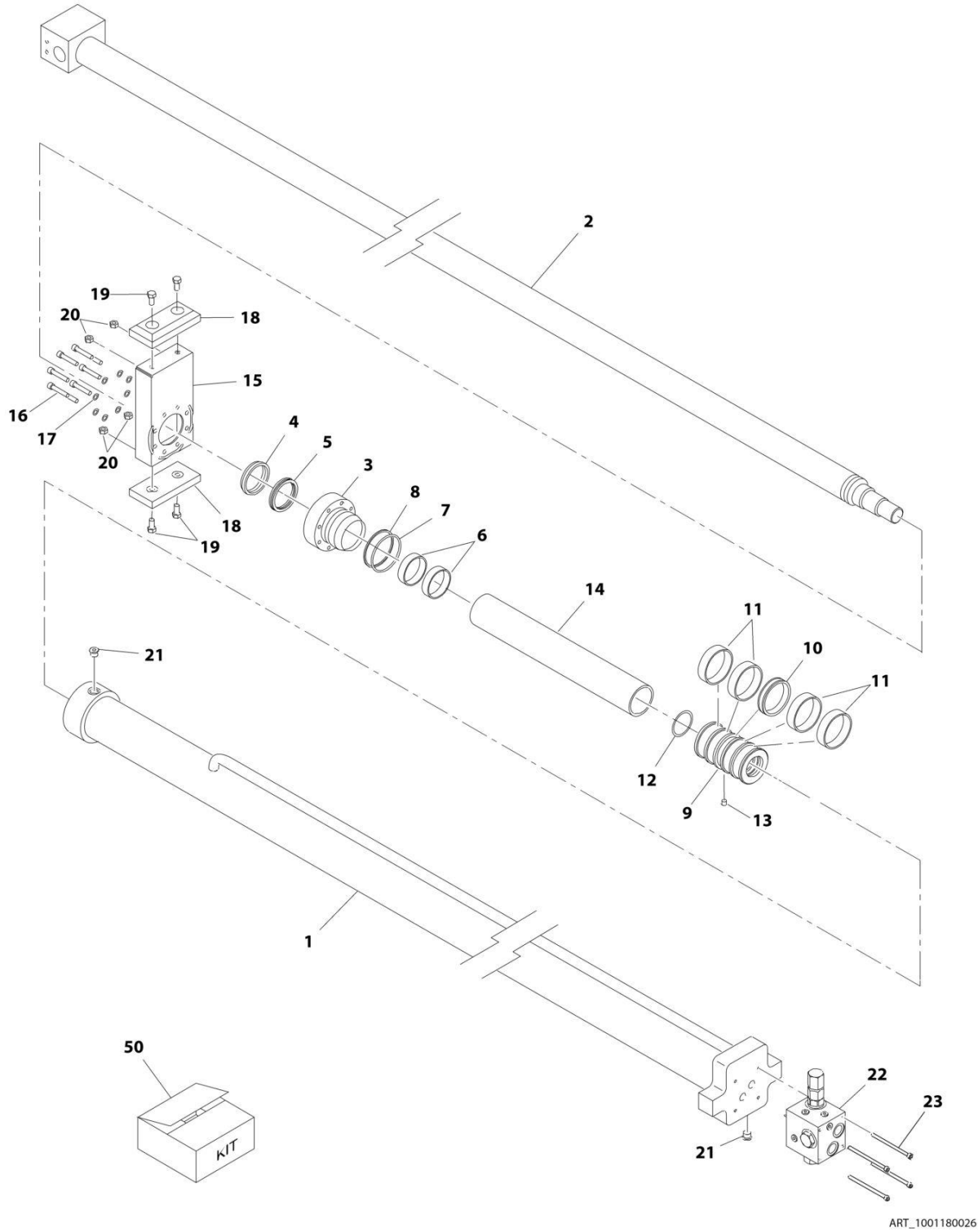
## SECTION 6 - CYLINDER

**FIGURE 6-11. TELESCOPE CYLINDER ASSEMBLY - 18RS (SN B300001836 to Present)**

ITEM	PART NUMBER	QTY	DESCRIPTION	REV
	1001228060	Ref	TELESCOPE CYLINDER ASSEMBLY - 18RS (SN B300001836 to Present)	C
2	70006787	1	Rod	
3	70006788	1	Head	
4	See Note	NSS	Wiper (Note: Use Item 50)	
5	70027244	1	Ring, Retain	
6	See Note	NSS	Seal, Rod (Note: Use Item 50)	
7	See Note	NSS	Ring, Back-up (Note: Use Item 50)	
8	See Note	NSS	O-Ring (Note: Use Item 50)	
9	See Note	NSS	Ring, Back-up (Note: Use Item 50)	
10	See Note	NSS	Ring, Wear (Note: Use Item 50)	
11	70006789	1	Piston	
12	See Note	NSS	Seal, Piston (Note: Use Item 50)	
13	See Note	NSS	Ring, Wear (Note: Use Item 50)	
14	See Note	NSS	O-Ring (Note: Use Item 50)	
15	See Note	NSS	Ring, Back-up (Note: Use Item 50)	
16	70006790	1	Spacer	
17	70006791	1	Plate	
18	1001133245	1	Valve Block Assembly (See VALVE BLOCK ASSEMBLY for Breakdown)	
19	70006792	2	Assembly, Wear Pad	
20	70023369	2	Set Screw	
21	70005595	4	Bolt, Hex-Socket	
22	2220885	2	Plug, Hex-Socket	
23	2220886	2	Plug, Hex-Socket	
24	70006793	10	Bolt, Hex-Socket	
25	70006794	4	Bolt, Hex	
50	70006795	1	Seal Kit (Includes Items 4, 6-10 & 12-15)	

# SECTION 6 - CYLINDER

## FIGURE 6-12. TELESCOPE CYLINDER ASSEMBLY - 18RSJ



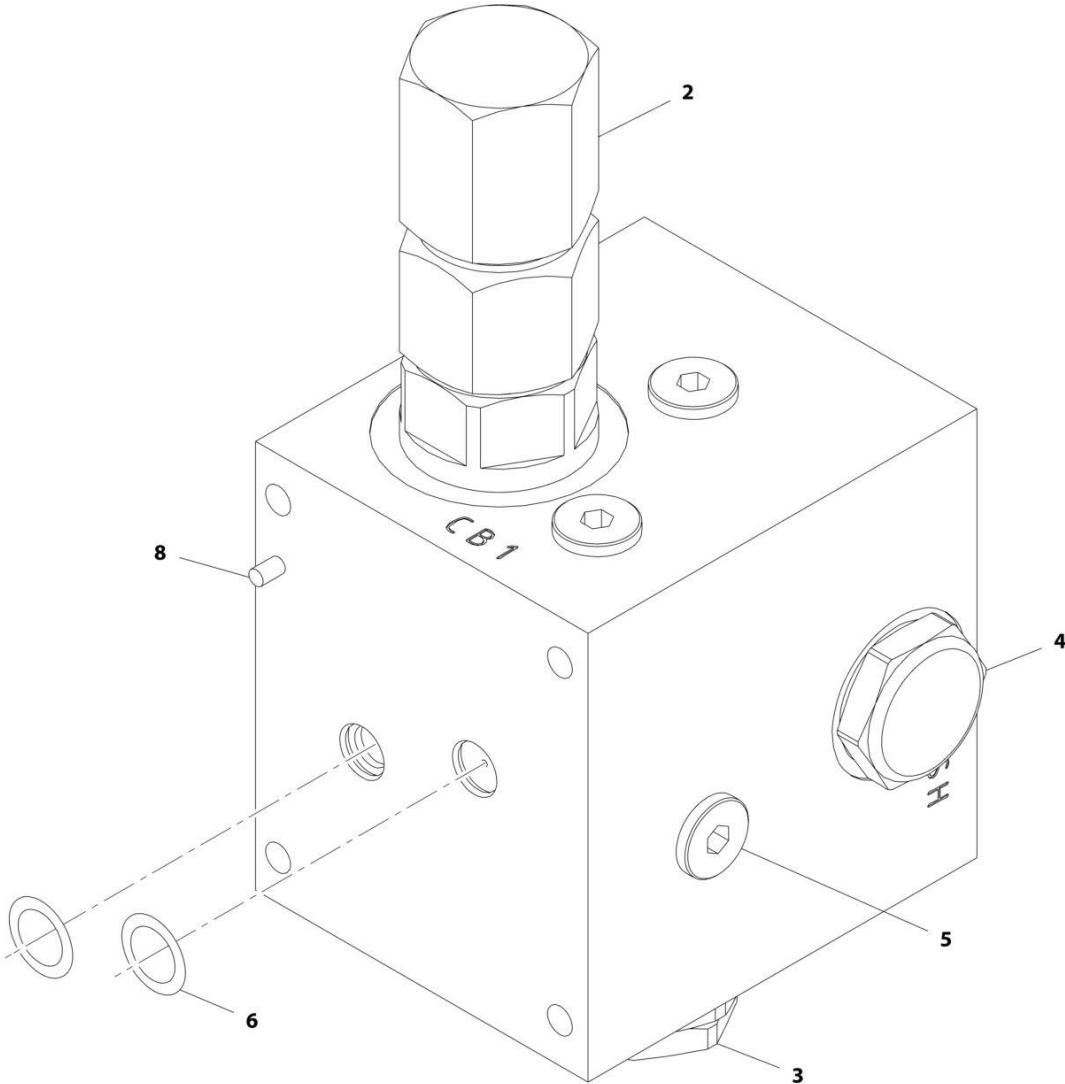
## SECTION 6 - CYLINDER

**FIGURE 6-12. TELESCOPE CYLINDER ASSEMBLY - 18RSJ**

ITEM	PART NUMBER	QTY	DESCRIPTION	REV
	1001180026	Ref	TELESCOPE CYLINDER ASSEMBLY - 18RSJ	B
1	70005583	1	Barrel	
2	70005584	1	Rod	
3	70005585	1	Head	
4	See Note	NSS	Wiper (Note: Use Item 50)	
5	See Note	NSS	Seal, Rod (Note: Use Item 50)	
6	See Note	NSS	Ring, Wear (Note: Use Item 50)	
7	See Note	NSS	O-Ring (Note: Use Item 50)	
8	See Note	NSS	Ring, Back-up (Note: Use Item 50)	
9	70005586	1	Piston	
10	See Note	NSS	Seal, Piston (Note: Use Item 50)	
11	See Note	NSS	Ring, Wear (Note: Use Item 50)	
12	See Note	NSS	O-Ring (Note: Use Item 50)	
13	70005587	1	Setscrew M6 x 6	
14	70005588	1	Spacer	
15	70005589	1	Bracket	
16	70005590	8	Capscrew M8 x 55	
17	70005591	8	Washer M8	
18	70005592	2	Pad, Wear	
19	70005593	4	Capscrew M10 x 30	
20	70005594	4	Nut M10	
21	70023371	2	Plug 9/16	
22	1001133245	1	Valve Block Assembly (See VALVE BLOCK ASSEMBLY for Breakdown)	
23	70005595	4	Capscrew M6 x 100	
50	70005596	1	Seal Kit - 1001180026 Cylinder (Includes Items 4-7 & 10-12)	

**SECTION 6 - CYLINDER**

**FIGURE 6-13. VALVE BLOCK ASSEMBLY**



ART\_1001133245

## SECTION 6 - CYLINDER

### FIGURE 6-13. VALVE BLOCK ASSEMBLY

ITEM	PART NUMBER	QTY	DESCRIPTION	REV
	1001133245	Ref	VALVE BLOCK ASSEMBLY	B
2	70003926	1	Cartridge, Counterbalance Valve	
2	70004186	1	Seal Kit - 70003926 Valve	
3	70004155	1	Cartridge, Counterbalance Valve	
3	70004186	1	Seal Kit - 70004155 Valve	
4	70003928	1	Cartridge, Shuttle	
4	70003929	1	Seal Kit -70003928 Valve	
5	2220883	7	Plug 1/4	
6	70003982	2	O-Ring	
8	70003930	1	Roll Pin	

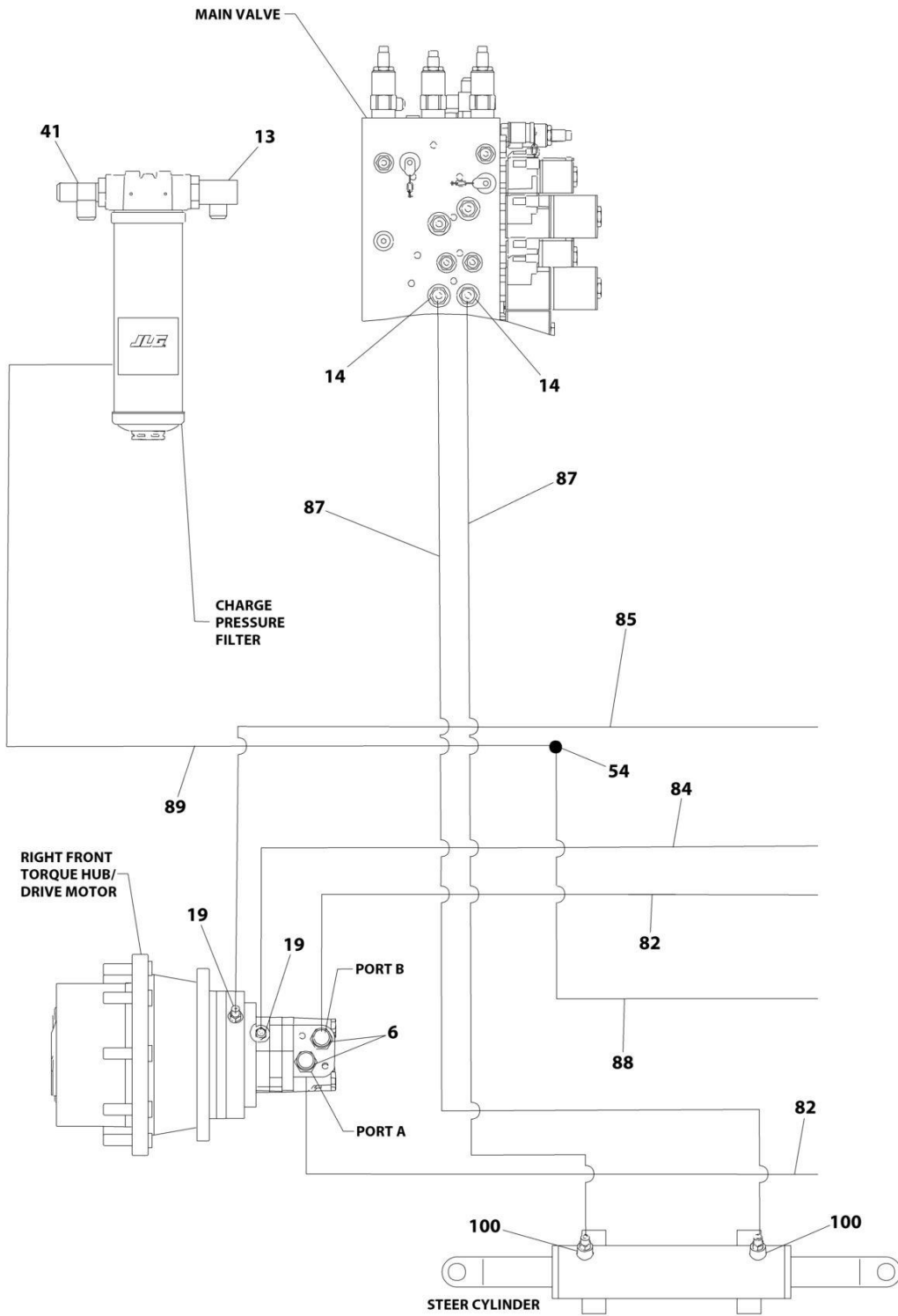




**SECTION 7 - HYDRAULIC**

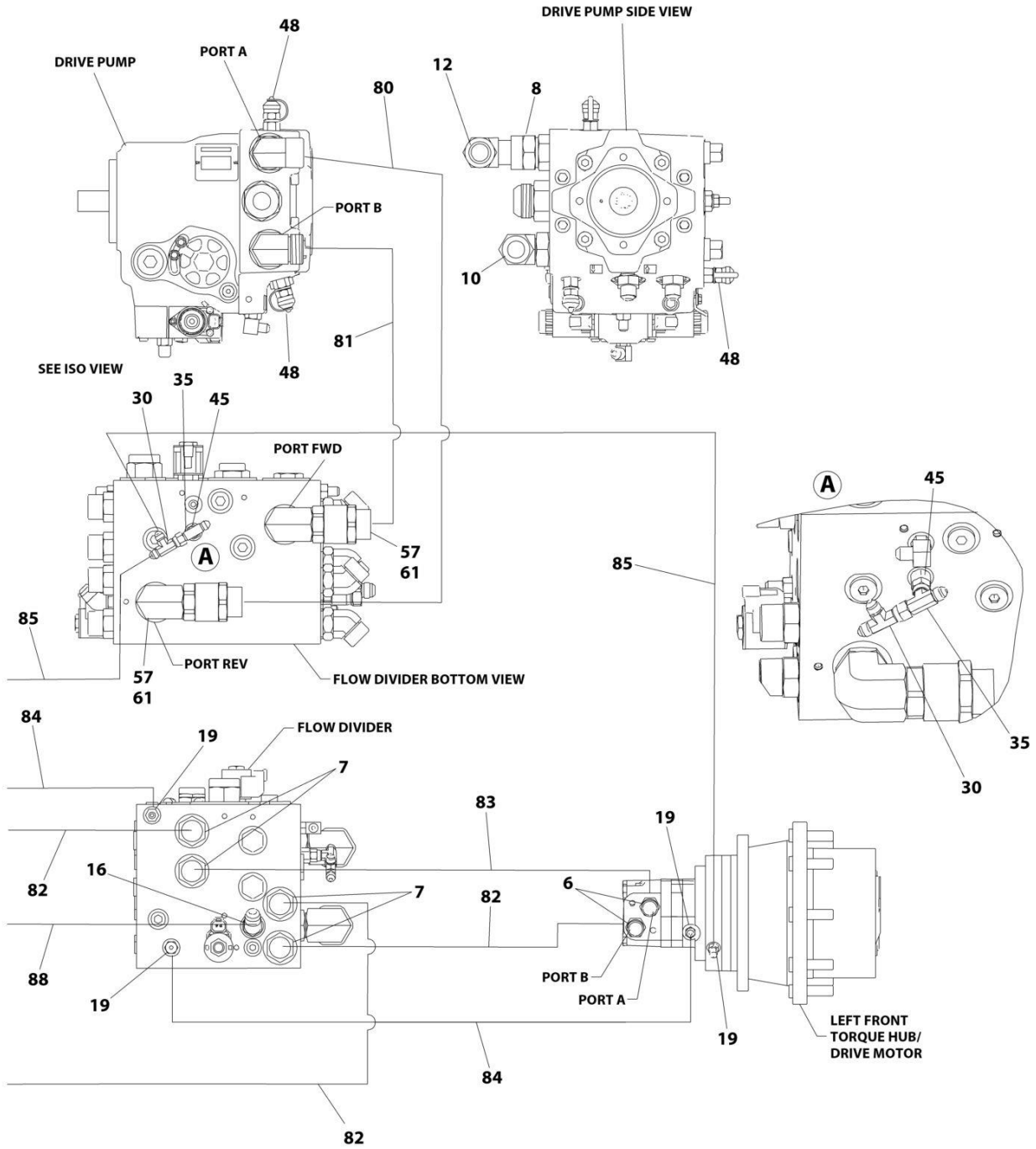
# SECTION 7 - HYDRAULIC

## FIGURE 7-1. HYDRAULIC INSTALLATION (FRONT AXLE) - 18RS



ART\_1001143680\_1OF8

**SECTION 7 - HYDRAULIC**



ART\_1001143680\_20F8

## SECTION 7 - HYDRAULIC

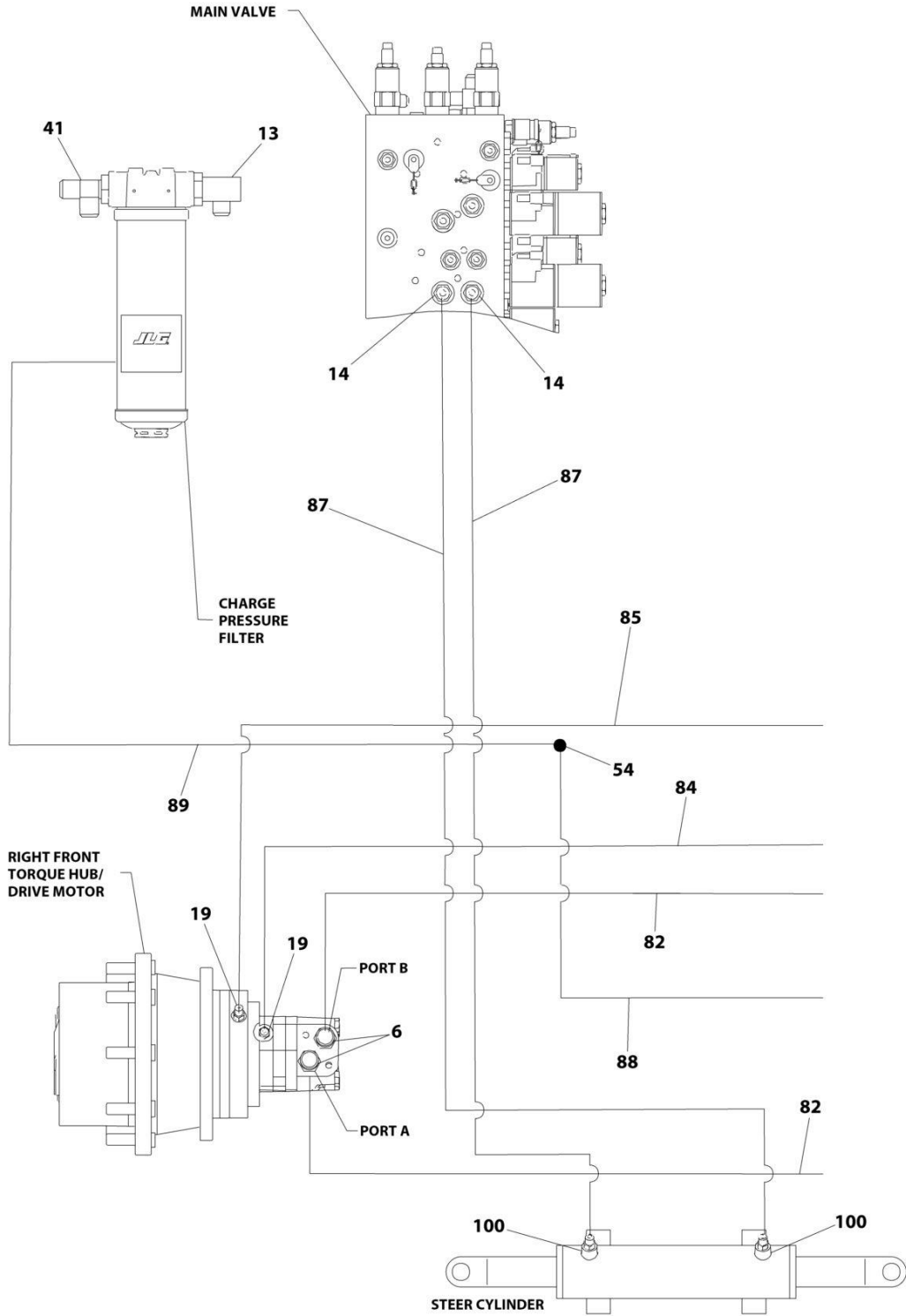
**FIGURE 7-1. HYDRAULIC INSTALLATION (FRONT AXLE) - 18RS**

ITEM	PART NUMBER	QTY	DESCRIPTION	REV
	1001143680	Ref	HYDRAULIC INSTALLATION (FRONT AXLE) - 18RS	F
6	2111010	AR	Fitting, Straight ORFS/ORB	
7	2111212	AR	Fitting, Straight ORFS/ORB	
8	2111616	AR	Fitting, Straight ORFS/ORB	
10	2131616	AR	Fitting, 90 ORFS/ORB	
12	2172116	AR	Fitting, 90 ORFS/FSORBS	
14	2220371	AR	Fitting, Straight JIC/ORB	
16	2220373	AR	Fitting, Straight JIC/ORB	
19	2220415	AR	Fitting, Straight JIC/ORB	
30	2220605	AR	Fitting, Tee JIC/FSJIC/JIC	
35	2220861	AR	Fitting, Tee JIC/FSJIC/JIC	
41	2221041	AR	Fitting, Tee	
45	4641282	AR	Valve, Orifice Check	
48	77133089	AR	Valve, Mini Check	
54	1001141014	AR	Fitting, Straight JIC/JIC	
57	1001142679	AR	Fitting, Straight ORFS/ORB	
61	1001143936	AR	Fitting, 90 FORB/ORB	
80	1001146316	AR	Hose	
81	1001146317	AR	Hose	
82	1001146319	AR	Hose	
83	1001146320	AR	Hose	
84	1001146321	AR	Hose	
85	1001146322	AR	Hose	
87	1001146324	AR	Hose	
88	1001146325	AR	Hose	
89	1001146326	AR	Hose	
100	1001152155	AR	Fitting, Straight JIC/ORB	



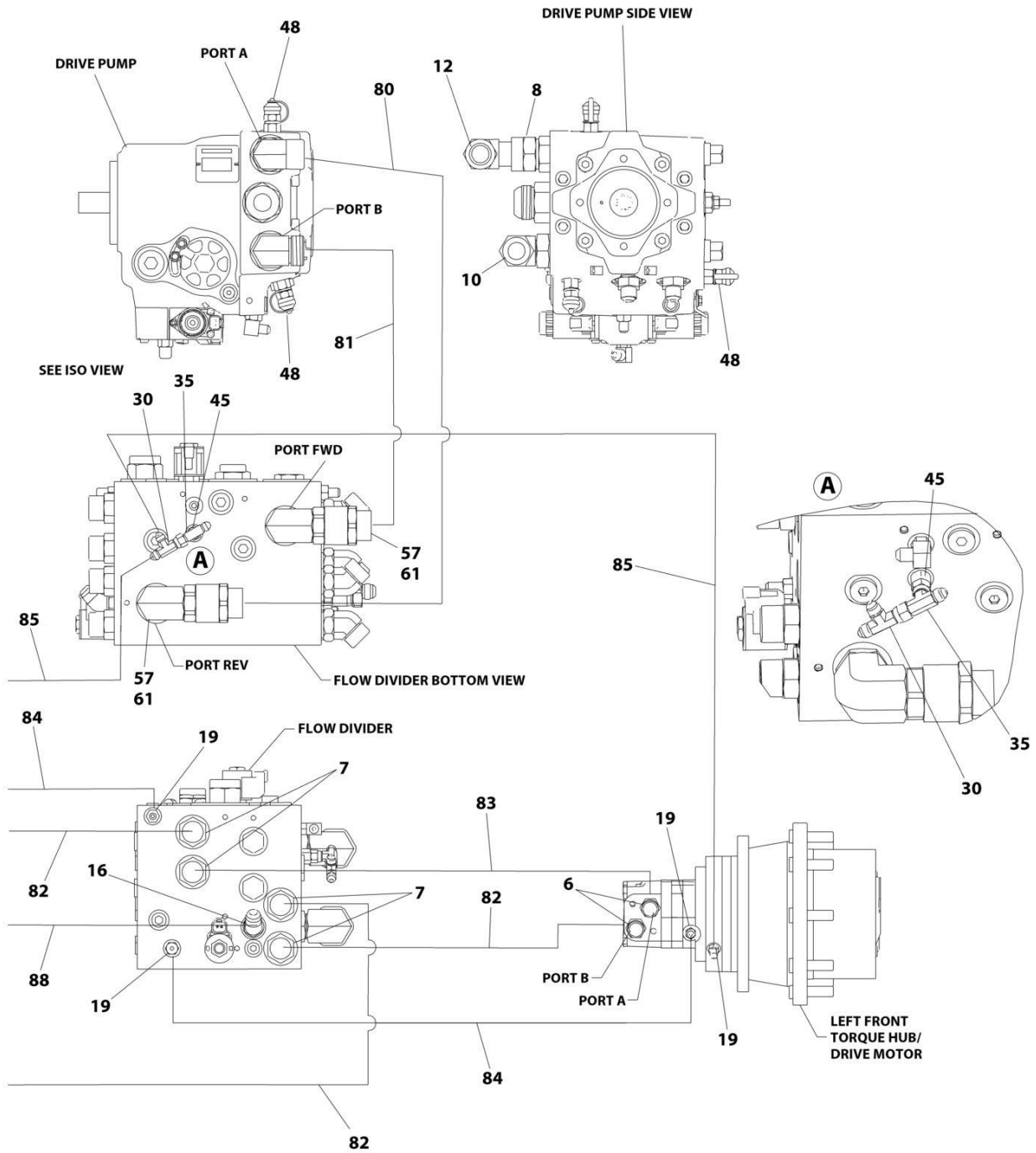
# SECTION 7 - HYDRAULIC

## FIGURE 7-2. HYDRAULIC INSTALLATION (FRONT AXLE) - 18RSJ



ART\_1001180572\_1OF8

# SECTION 7 - HYDRAULIC



ART\_1001180572\_2OF8

## SECTION 7 - HYDRAULIC

FIGURE 7-2. HYDRAULIC INSTALLATION (FRONT AXLE) - 18RSJ

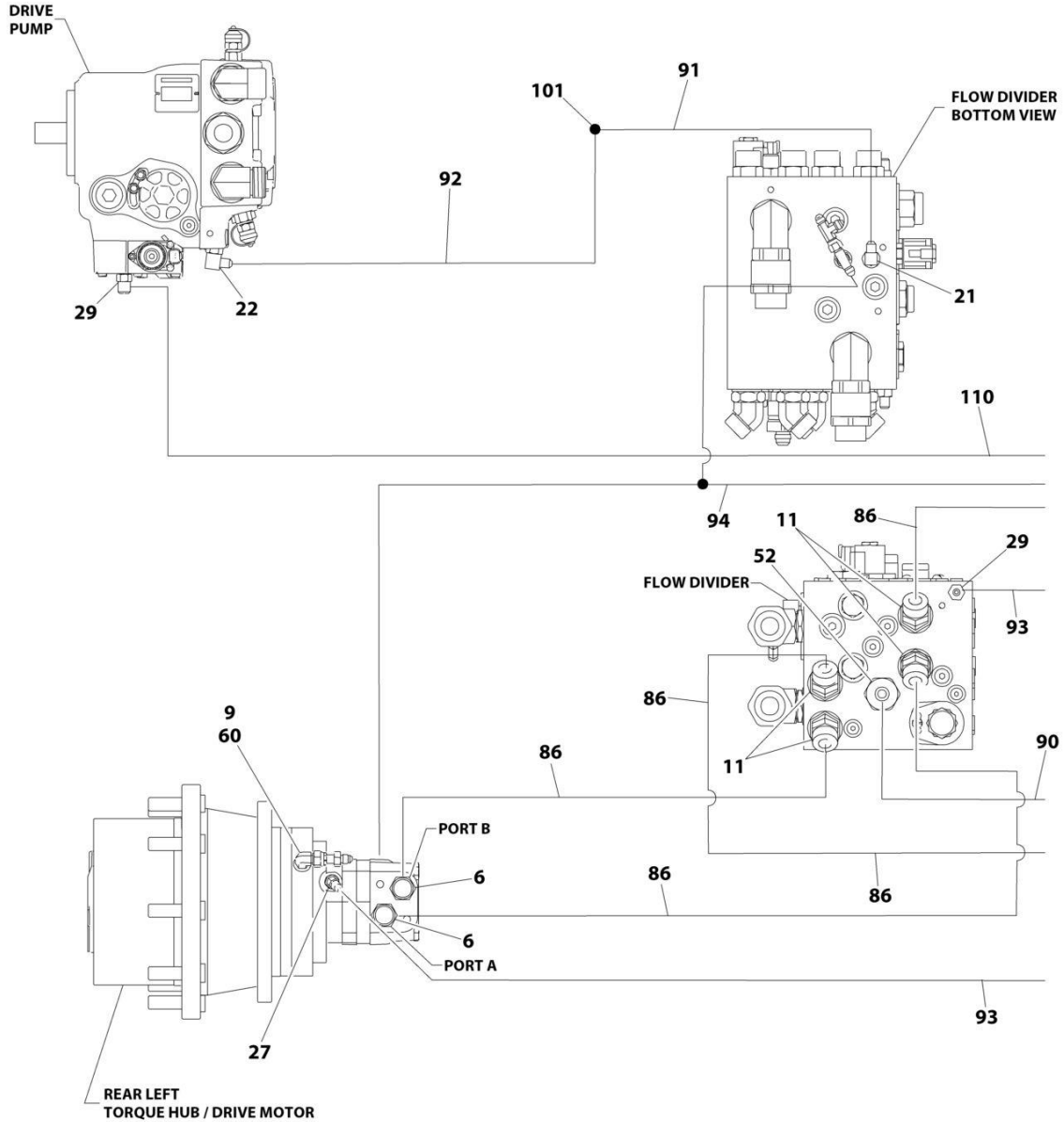
ITEM	PART NUMBER	QTY	DESCRIPTION	REV
	1001180572	Ref	HYDRAULIC INSTALLATION (FRONT AXLE) - 18RSJ	B
6	2111010	AR	Fitting, Straight ORFS/ORB	
7	2111212	AR	Fitting, Straight ORFS/ORB	
8	2111616	AR	Fitting, Straight ORFS/ORB	
10	2131616	AR	Fitting, 90 ORFS/ORB	
12	2172116	AR	Fitting, 90 ORFS/FSORBS	
13	2220366	AR	Fitting, 90 JIC/ORB	
14	2220371	AR	Fitting, Straight JIC/ORB	
16	2220373	AR	Fitting, Straight JIC/ORB	
19	2220415	AR	Fitting, Straight JIC/ORB	
30	2220605	AR	Fitting, Tee JIC/FSJIC/JIC	
35	2220861	AR	Fitting, Tee JIC/FSJIC/JIC	
41	2221041	AR	Fitting, Tee	
45	4641282	AR	Valve, Orifice Check	
48	77133089	AR	Valve, Mini Check	
54	1001141014	AR	Fitting, Straight JIC/JIC	
57	1001142679	AR	Fitting, Straight ORFS/ORB	
61	1001143936	AR	Fitting, 90 FORB/ORB	
80	1001146316	AR	Hose	
81	1001146317	AR	Hose	
82	1001146319	AR	Hose	
83	1001146320	AR	Hose	
84	1001146321	AR	Hose	
85	1001146322	AR	Hose	
87	1001146324	AR	Hose	
88	1001146325	AR	Hose	
89	1001146326	AR	Hose	
100	1001152155	AR	Fitting, Straight JIC/ORB	





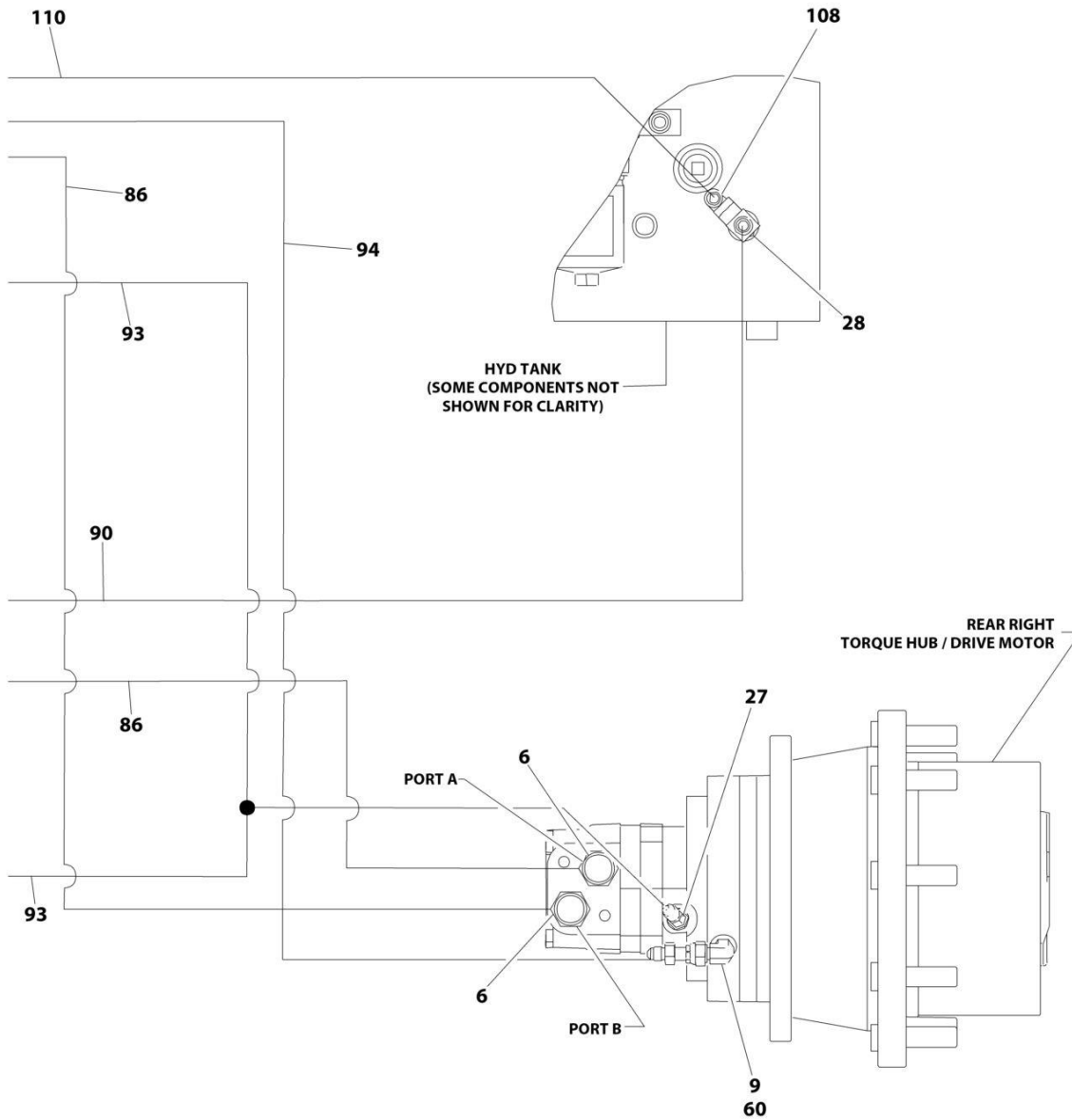
# SECTION 7 - HYDRAULIC

## FIGURE 7-3. HYDRAULIC INSTALLATION (REAR AXLE) - 18RS



ART\_1001143680\_30F8

# SECTION 7 - HYDRAULIC



ART\_1001143680\_4OF8

## SECTION 7 - HYDRAULIC

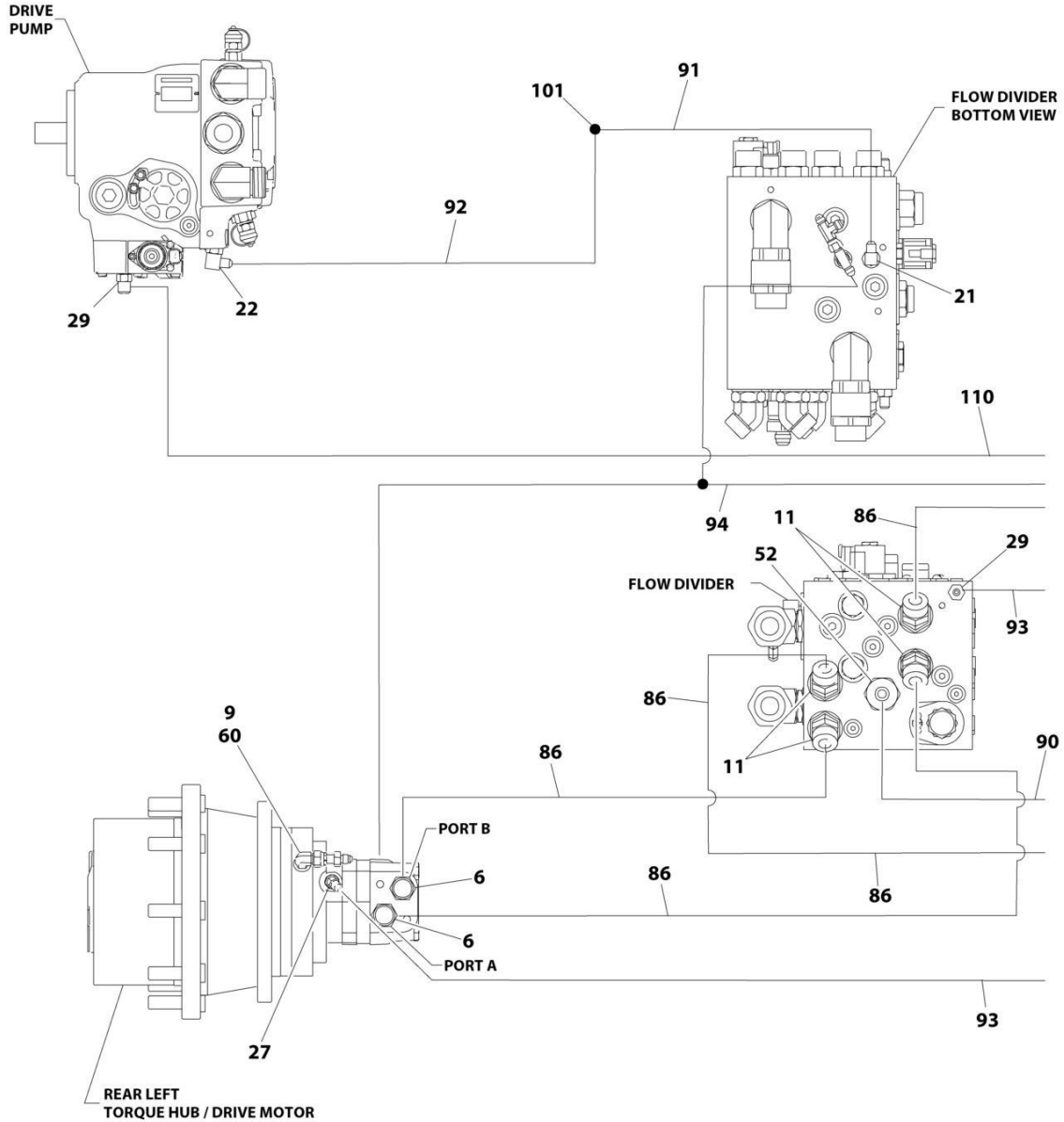
**FIGURE 7-3. HYDRAULIC INSTALLATION (REAR AXLE) - 18RS**

ITEM	PART NUMBER	QTY	DESCRIPTION	REV
	1001143680	Ref	HYDRAULIC INSTALLATION (REAR AXLE) - 18RS	F
6	2111010	AR	Fitting, Straight ORFS/ORB	
9	2130404	AR	Fitting, 90 ORFS/ORB	
11	2151212	AR	Fitting, 45 ORFS/ORB	
21	2220466	AR	Fitting, 90 JIC/ORB	
22	2220472	AR	Fitting, 90 JIC/ORB	
27	2220502	AR	Fitting, 45 JIC/ORB	
28	2220602	AR	Fitting, Tee JIC/ORB/JIC	
29	2220603	AR	Fitting, Straight JIC/ORB	
52	1001119627	AR	Fitting, Straight JIC/ORB	
60	1001143602	AR	Fitting, Straight JIC/FSORBFS	
86	1001146323	AR	Hose	
90	1001146328	AR	Hose	
91	1001146332	AR	Hose	
92	1001146333	AR	Hose	
93	1001146334	AR	Hose	
94	1001146335	AR	Hose	
101	1001152170	AR	Fitting, Straight JIC/JIC	
108	8765204	AR	Fitting, 90 JIC/JIC	
110	1001157318	AR	Hose	



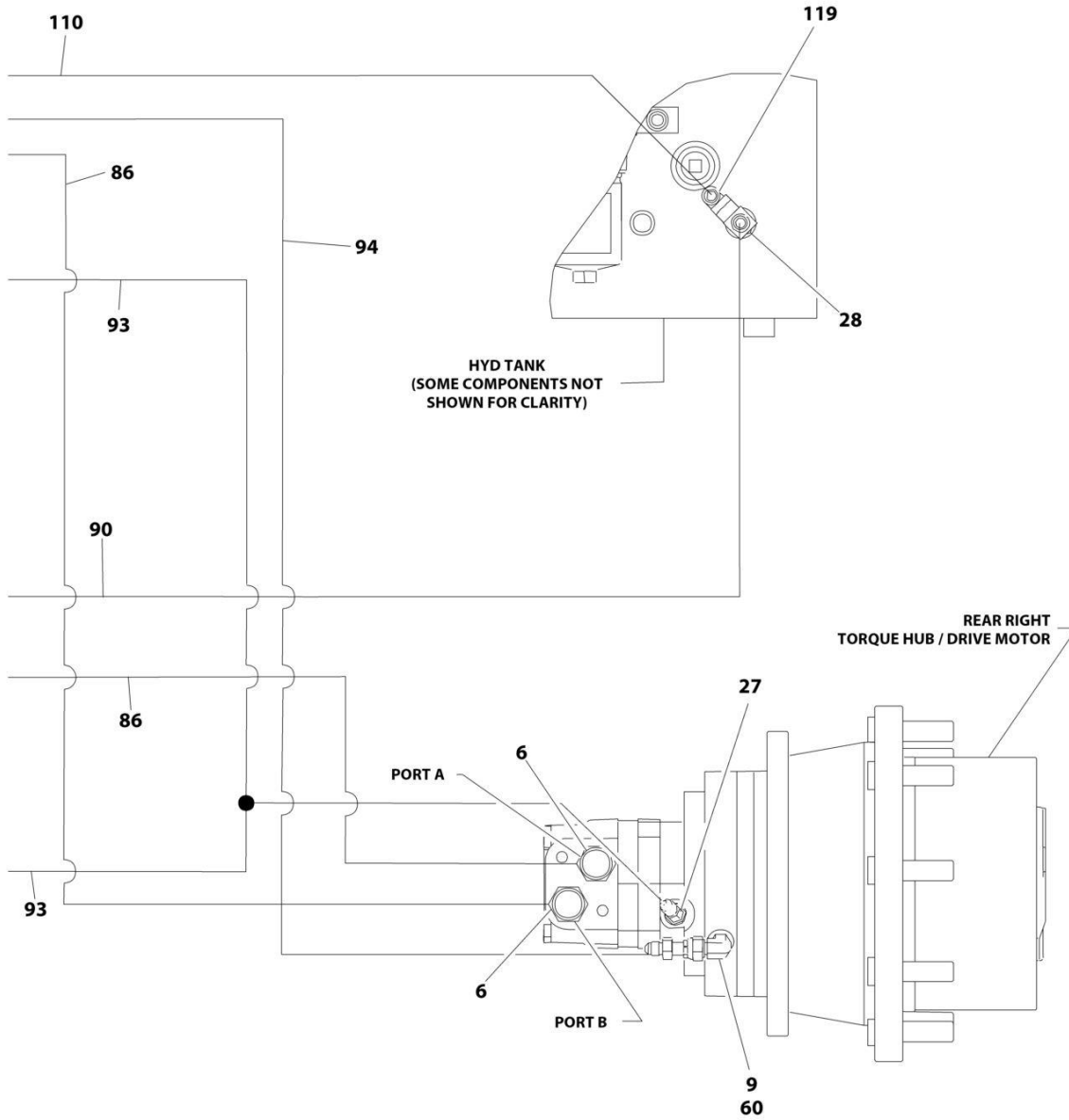
# SECTION 7 - HYDRAULIC

## FIGURE 7-4. HYDRAULIC INSTALLATION (REAR AXLE) - 18RSJ



ART\_1001180572\_30F8

# SECTION 7 - HYDRAULIC



ART\_1001180572\_40F8

## SECTION 7 - HYDRAULIC

FIGURE 7-4. HYDRAULIC INSTALLATION (REAR AXLE) - 18RSJ

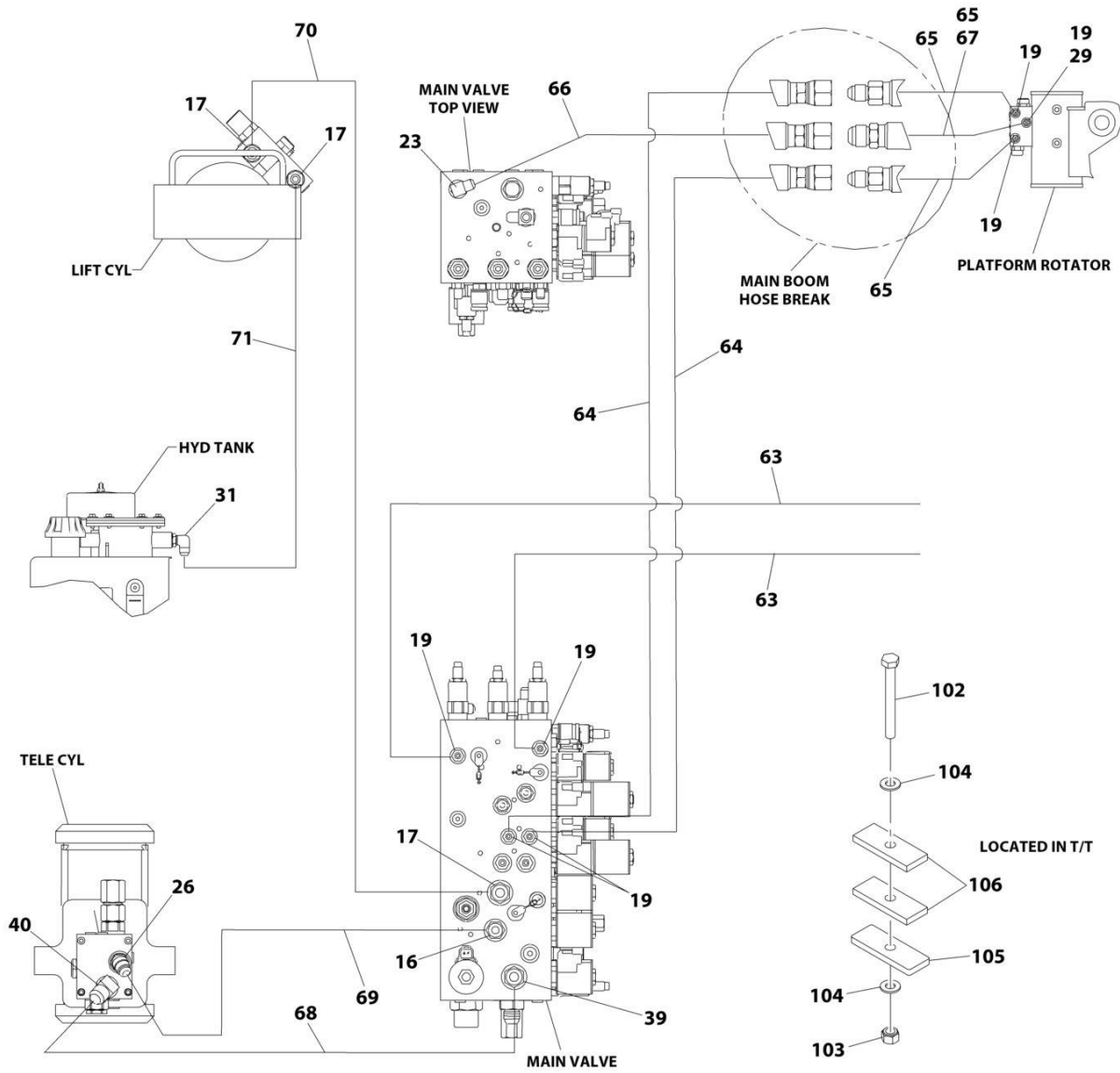
ITEM	PART NUMBER	QTY	DESCRIPTION	REV
	1001180572	Ref	HYDRAULIC INSTALLATION (REAR AXLE) - 18RSJ	B
6	2111010	AR	Fitting, Straight ORFS/ORB	
9	2130404	AR	Fitting, 90 ORFS/ORB	
11	2151212	AR	Fitting, 45 ORFS/ORB	
21	2220466	AR	Fitting, 90 JIC/ORB	
22	2220472	AR	Fitting, 90 JIC/ORB	
27	2220502	AR	Fitting, 45 JIC/ORB	
28	2220602	AR	Fitting, Tee JIC/ORB/JIC	
29	2220603	AR	Fitting, Straight JIC/ORB	
52	1001119627	AR	Fitting, Straight JIC/ORB	
60	1001143602	AR	Fitting, Straight JIC/FSORBFS	
86	1001146323	AR	Hose	
90	1001146328	AR	Hose	
91	1001146332	AR	Hose	
92	1001146333	AR	Hose	
93	1001146334	AR	Hose	
94	1001146335	AR	Hose	
101	1001152170	AR	Fitting, Straight JIC/JIC	
110	1001157318	AR	Hose	
119	8765204	AR	Fitting, 90 JIC/JIC	





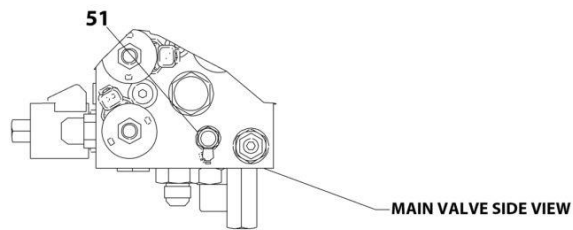
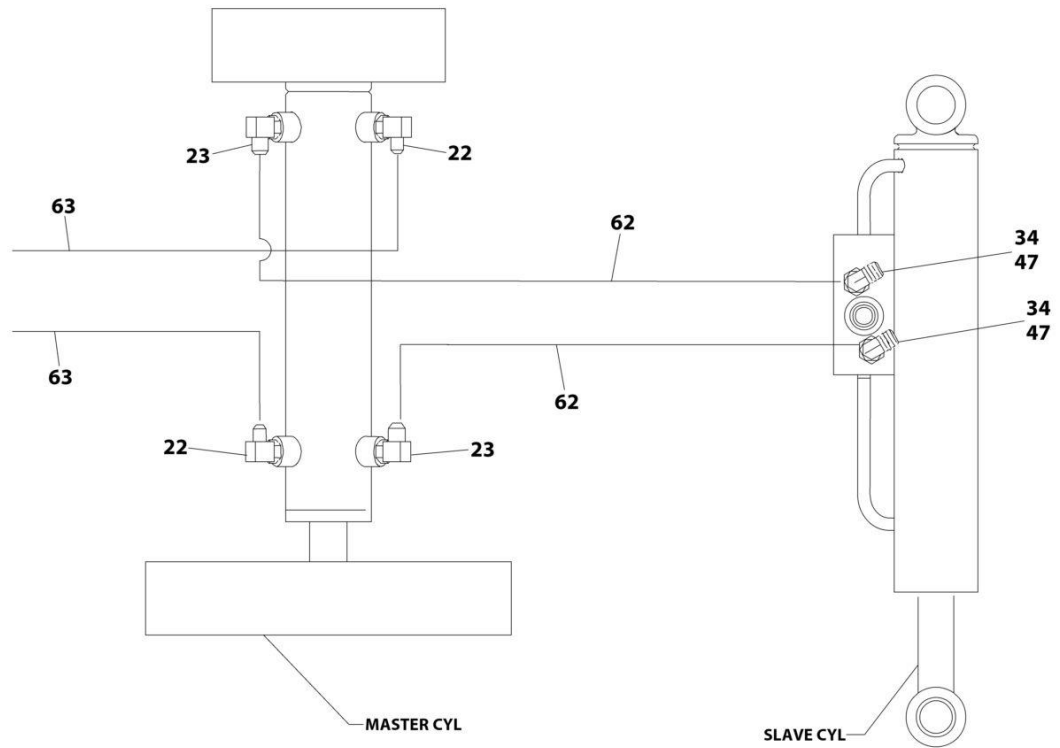
# SECTION 7 - HYDRAULIC

## FIGURE 7-5. HYDRAULIC INSTALLATION (BOOM) - 18RS



ART\_1001143680\_50F8

# SECTION 7 - HYDRAULIC



ART\_1001143680\_60F8

## SECTION 7 - HYDRAULIC

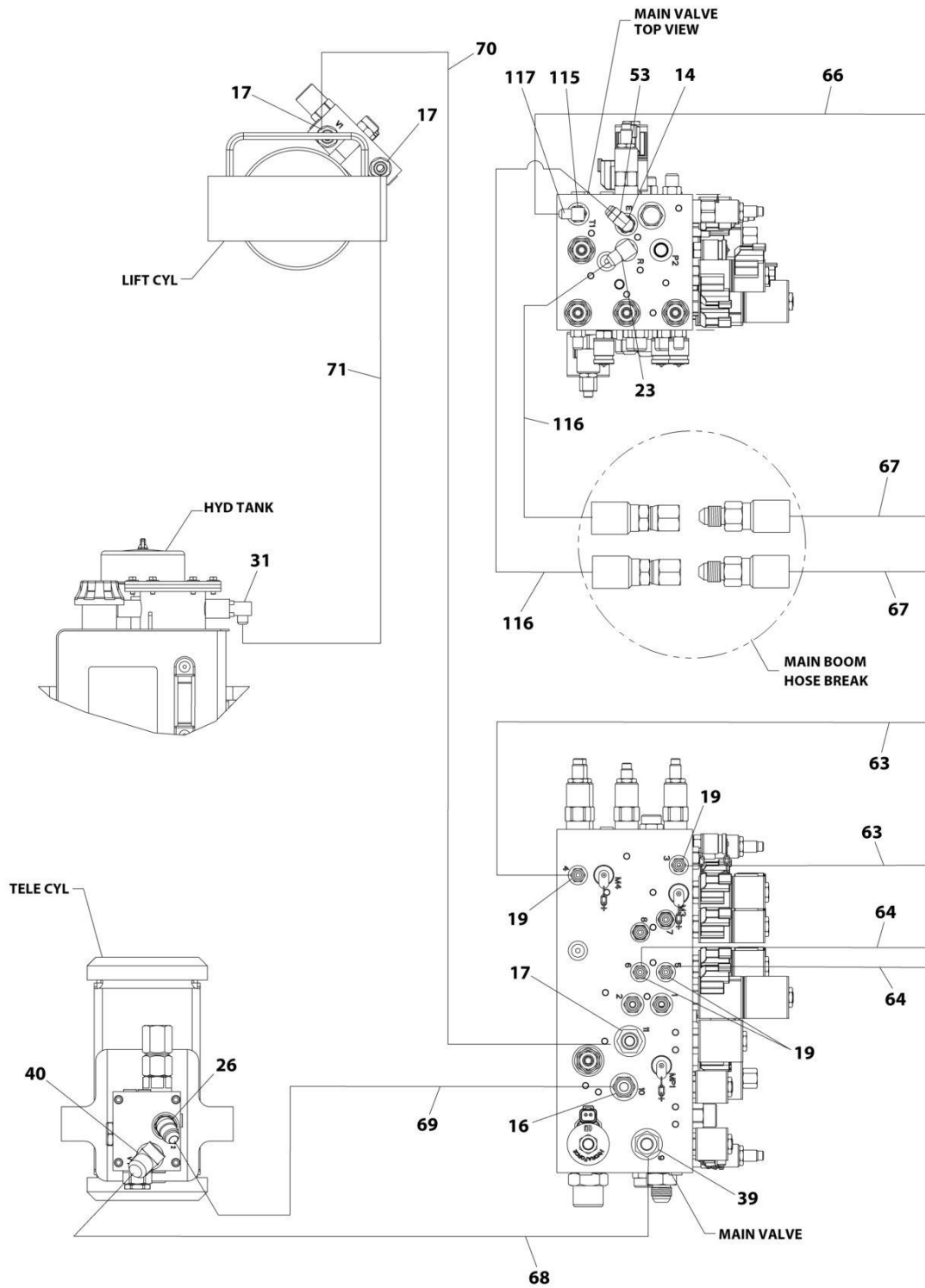
FIGURE 7-5. HYDRAULIC INSTALLATION (BOOM) - 18RS

ITEM	PART NUMBER	QTY	DESCRIPTION	REV
	1001143680	Ref	HYDRAULIC INSTALLATION (BOOM) - 18RS	F
16	2220373	AR	Fitting, Straight JIC/ORB	
17	2220374	AR	Fitting, Straight JIC/ORB	
19	2220415	AR	Fitting, Straight JIC/ORB	
22	2220472	AR	Fitting, 90 JIC/ORB	
23	2220473	AR	Fitting, 90 JIC/ORB	
26	2220500	AR	Fitting, 45 JIC/ORB	
29	2220603	AR	Fitting, Straight JIC/ORB <b>(Prior to SN B300001152)</b>	
31	2220671	AR	Fitting, 90 JIC/ORB	
34	2220819	AR	Fitting, 90 JIC/ORB	
39	2220947	AR	Fitting, Straight JIC/ORB	
40	2220950	AR	Fitting, 45 JIC/ORB	
47	8770016	AR	Fitting, Straight FORB/ORB	
51	1001119455	AR	Valve, Oil Sampling	
62	1001144270	AR	Hose	
63	1001144273	AR	Hose	
64	1001144274	AR	Hose	
65	1001144275	AR	Hose	
66	1001144279	AR	Hose	
67	1001144280	AR	Hose <b>(Prior to SN B300001152)</b>	
68	1001144281	AR	Hose	
69	1001144282	AR	Hose	
70	1001144284	AR	Hose	
71	1001144285	AR	Hose	
102	0761229	1	Bolt M12 x 120	
103	3291205	1	Nut M12	
104	4812100	2	Washer M12	
105	1001153787	1	Bar	
106	1001153788	2	Pad	



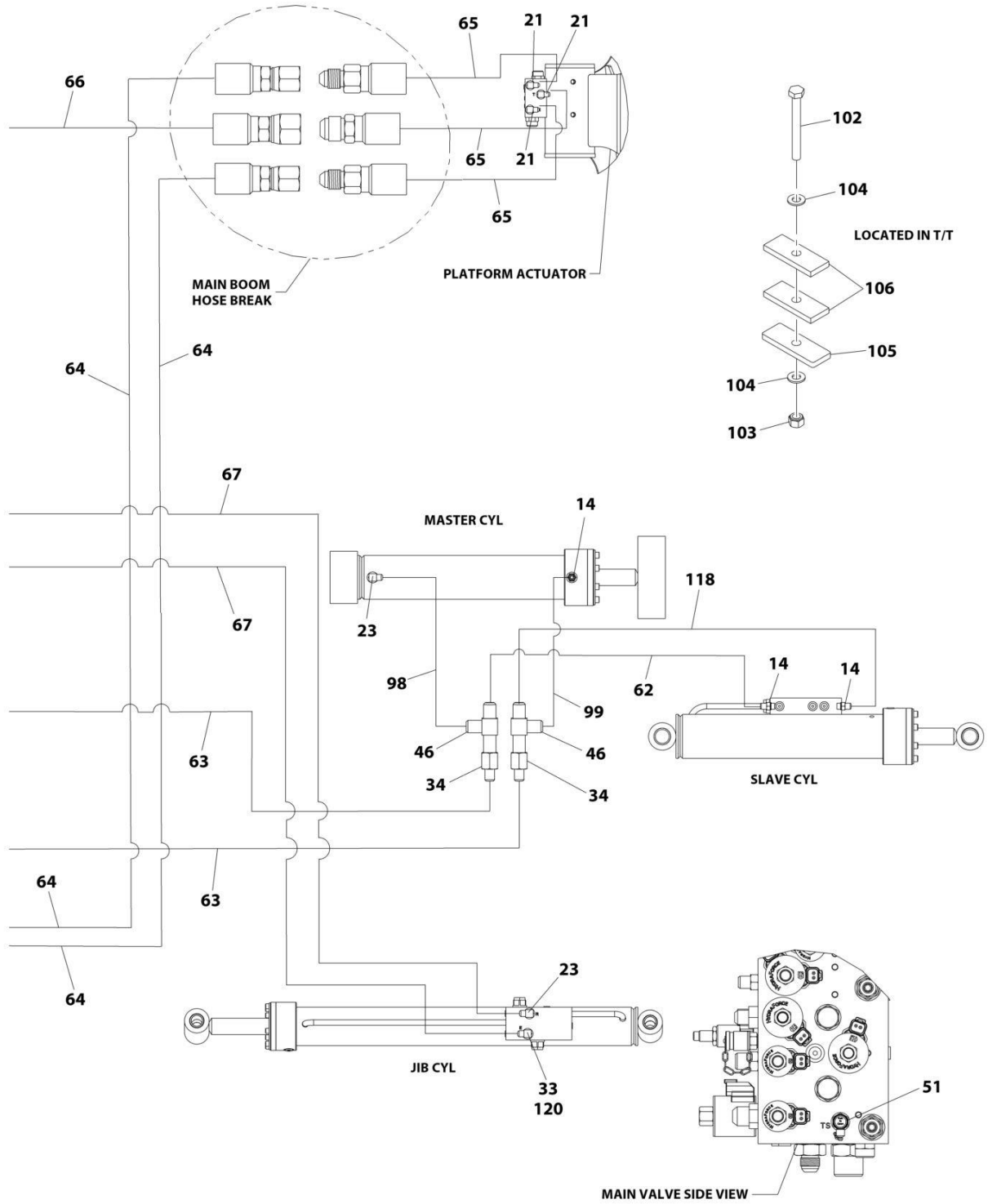
# SECTION 7 - HYDRAULIC

## FIGURE 7-6. HYDRAULIC INSTALLATION (BOOM) - 18RSJ



ART\_1001180572\_SOF8

# SECTION 7 - HYDRAULIC



ART\_1001180572\_GOF8

## SECTION 7 - HYDRAULIC

FIGURE 7-6. HYDRAULIC INSTALLATION (BOOM) - 18RSJ

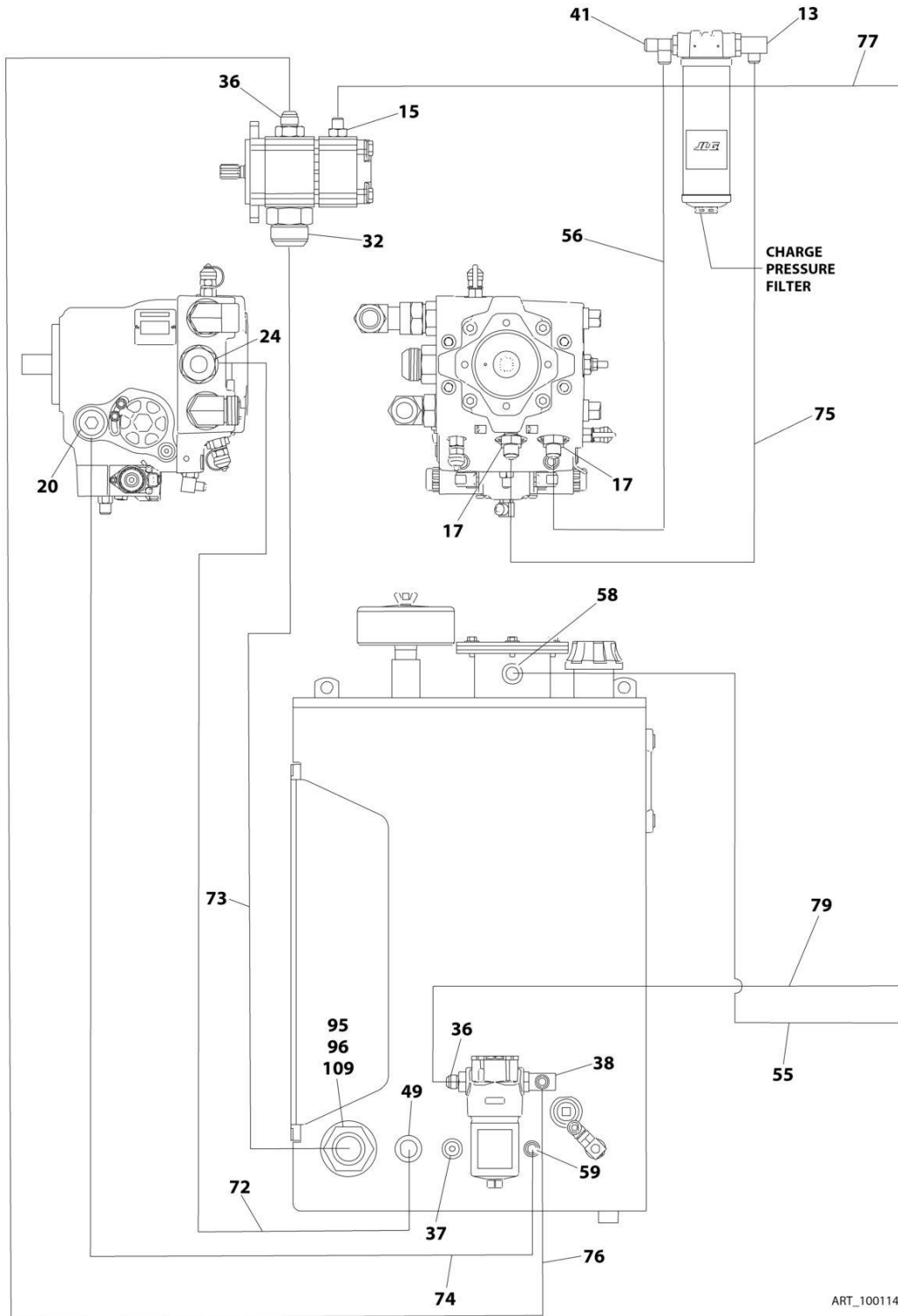
ITEM	PART NUMBER	QTY	DESCRIPTION	REV
	1001180572	Ref	HYDRAULIC INSTALLATION (BOOM) - 18RSJ	B
14	2220371	AR	Fitting, Straight JIC/ORB	
16	2220373	AR	Fitting, Straight JIC/ORB	
17	2220374	AR	Fitting, Straight JIC/ORB	
19	2220415	AR	Fitting, Straight JIC/ORB	
21	2220466	AR	Fitting, 90 JIC/ORB	
23	2220473	AR	Fitting, 90 JIC/ORB	
26	2220500	AR	Fitting, 45 JIC/ORB	
31	2220671	AR	Fitting, 90 JIC/ORB	
33	2180380	AR	Plug NPTF	
34	2220609	AR	Fitting, Straight JIC/FSJIC	
39	2220947	AR	Fitting, Straight JIC/ORB	
40	2220950	AR	Fitting, 45 JIC/ORB	
46	10725302	AR	Fitting, Tee JIC/JIC/JIC	
47	8770016	AR	Fitting, Straight FORB/ORB	
51	1001119455	AR	Valve, Oil Sampling	
53	8760268	AR	Fitting, 90 JIC/FSJIC	
62	1001144270	AR	Hose	
63	1001185921	AR	Hose	
64	1001144274	AR	Hose	
65	1001186138	AR	Hose	
66	1001144279	AR	Hose	
67	1001186137	AR	Hose	
68	1001144281	AR	Hose	
69	1001144282	AR	Hose	
70	1001144284	AR	Hose	
71	1001144285	AR	Hose	
98	1001184251	AR	Hose	
99	1001184256	AR	Hose	
102	0761229	1	Bolt M12 x 120	
103	3291205	1	Nut M12	
104	4812100	2	Washer M12	
105	1001153787	1	Bar	
106	1001153788	2	Pad	
115	2220582	AR	Fitting, Straight JIC/ORB	
116	1001187259	AR	Hose	
117	2220654	AR	Fitting, 90 JIC/FSJIC	
118	1001194343	AR	Hose	
120	2180724	AR	Fitting, 90	





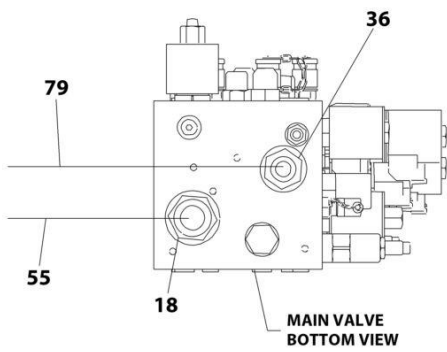
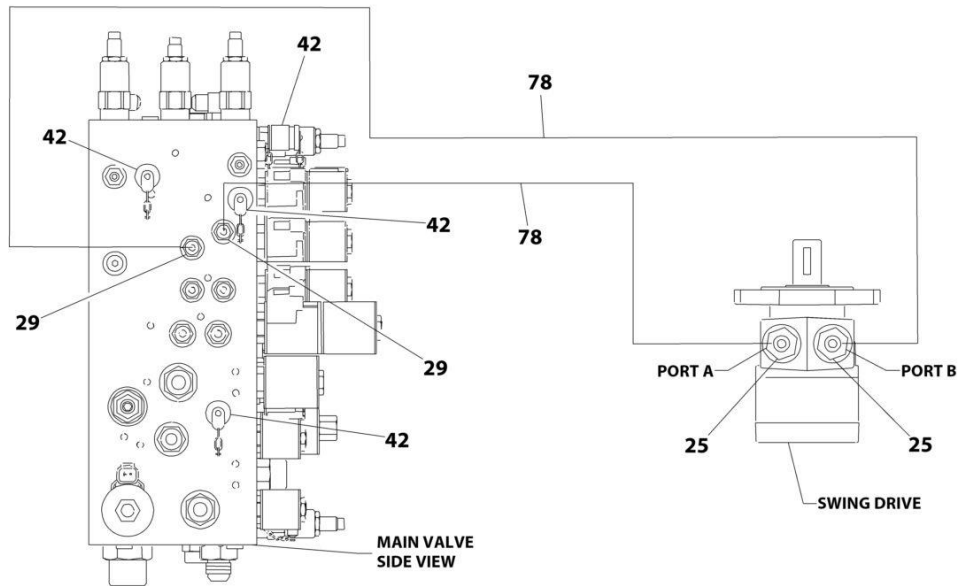
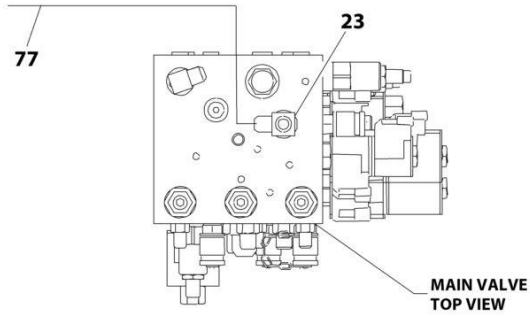
# SECTION 7 - HYDRAULIC

## FIGURE 7-7. HYDRAULIC INSTALLATION (DRIVE PUMP) - 18RS



ART\_1001143680\_70F8

# SECTION 7 - HYDRAULIC



ART\_1001143680\_8OF8

## SECTION 7 - HYDRAULIC

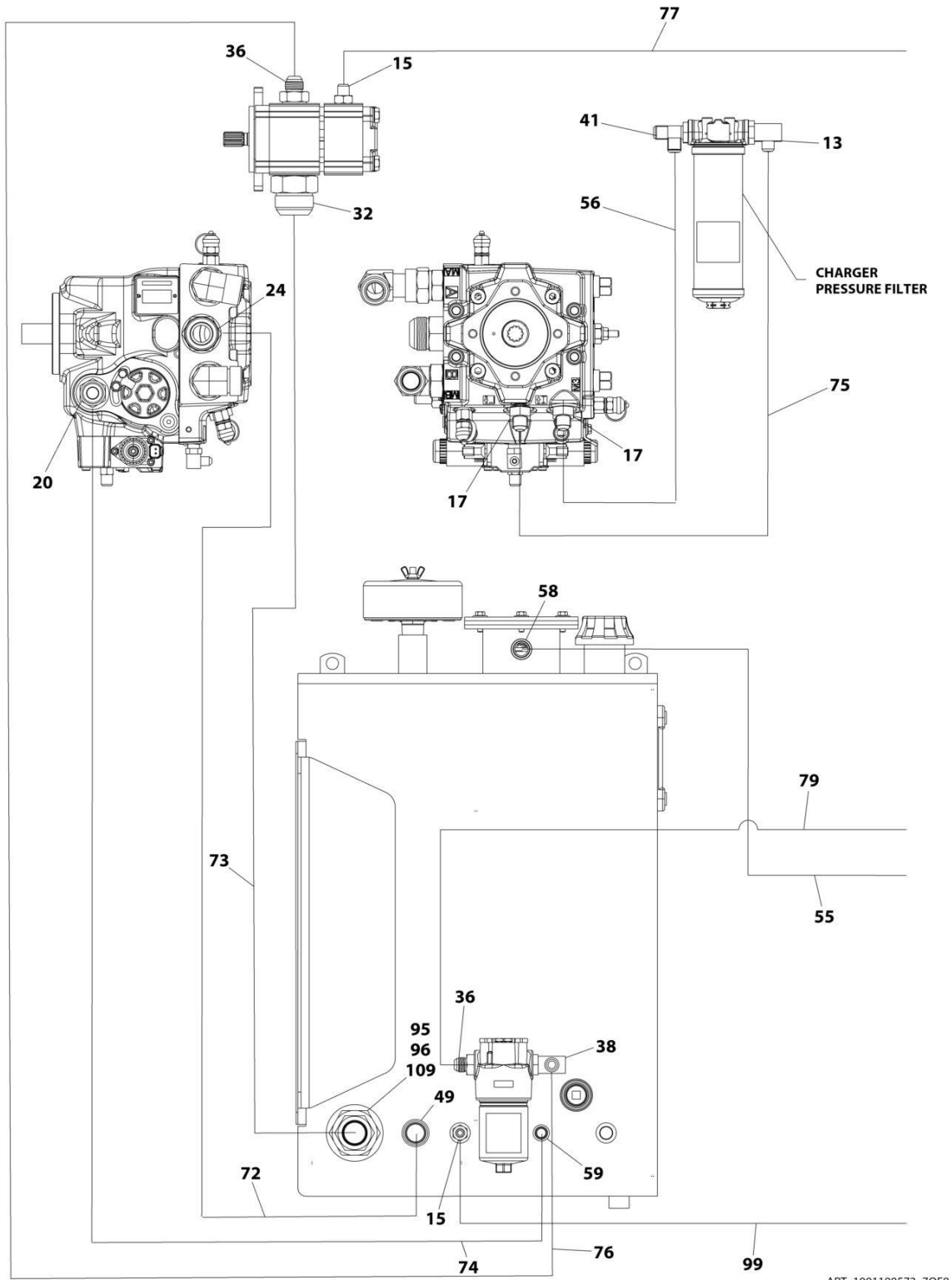
**FIGURE 7-7. HYDRAULIC INSTALLATION (DRIVE PUMP) - 18RS**

ITEM	PART NUMBER	QTY	DESCRIPTION	REV
	1001143680	Ref	HYDRAULIC INSTALLATION (DRIVE PUMP) - 18RS	F
13	2220366	AR	Fitting, 90 JIC/ORB	
15	2220372	AR	Fitting, Straight JIC/ORB	
17	2220374	AR	Fitting, Straight JIC/ORB	
18	2220377	AR	Fitting, Straight JIC/ORB	
20	2220451	AR	Fitting, Straight JIC/ORB	
23	2220473	AR	Fitting, 90 JIC/ORB	
24	2220479	AR	Fitting, Straight JIC/ORB	
25	2220497	AR	Fitting, Straight JIC/ORB	
29	2220603	AR	Fitting, Straight JIC/ORB	
32	2220689	AR	Fitting, Straight JIC/ORB	
36	2220865	AR	Fitting, Straight JIC/ORB	
37	2220886	AR	Fitting, Plug ORB	
38	2220906	4	Fitting, 90 JIC/ORB	
42	2221086	AR	Fitting, Test	
49	80633030	1	Clamp	
55	1001141373	AR	Hose	
56	1001142246	AR	Hose	
58	1001143501	1	Clamp	
59	1001143517	1	Clamp	
72	1001145002	AR	Hose	
73	1001146307	AR	Hose	
74	1001146308	AR	Hose	
75	1001146310	AR	Hose	
76	1001146311	AR	Hose	
77	1001146312	AR	Hose	
78	1001146313	1	Hose	
79	1001146315	1	Hose	
95	1001146391	AR	Fitting, Straight MORB/FORB	
96	1001146392	AR	Fitting, Straight BARBED/ORB	
109	90028482	1	Clamp	



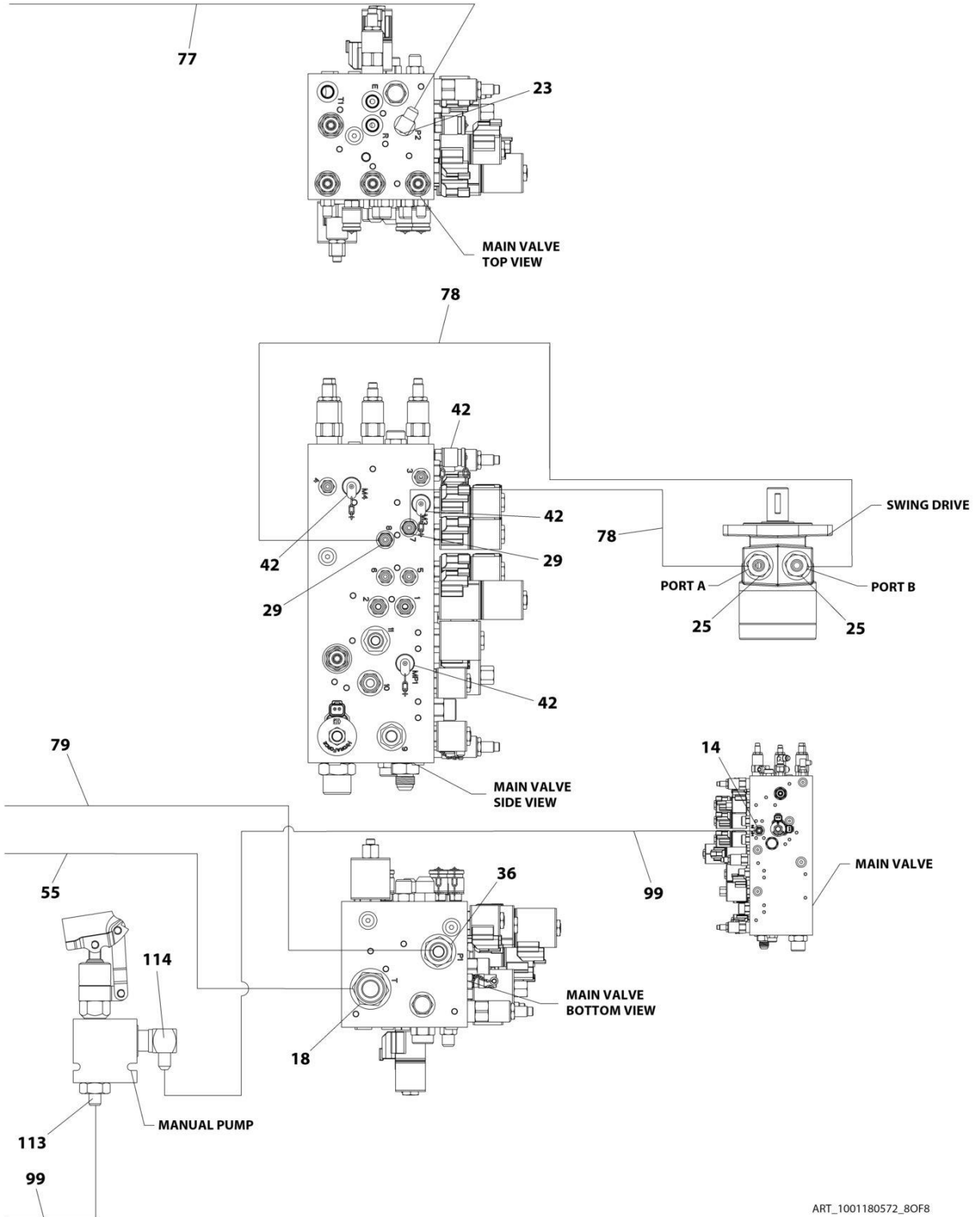
# SECTION 7 - HYDRAULIC

## FIGURE 7-8. HYDRAULIC INSTALLATION (DRIVE PUMP) - 18RSJ



ART\_1001180572\_70F8

# SECTION 7 - HYDRAULIC



## SECTION 7 - HYDRAULIC

**FIGURE 7-8. HYDRAULIC INSTALLATION (DRIVE PUMP) - 18RSJ**

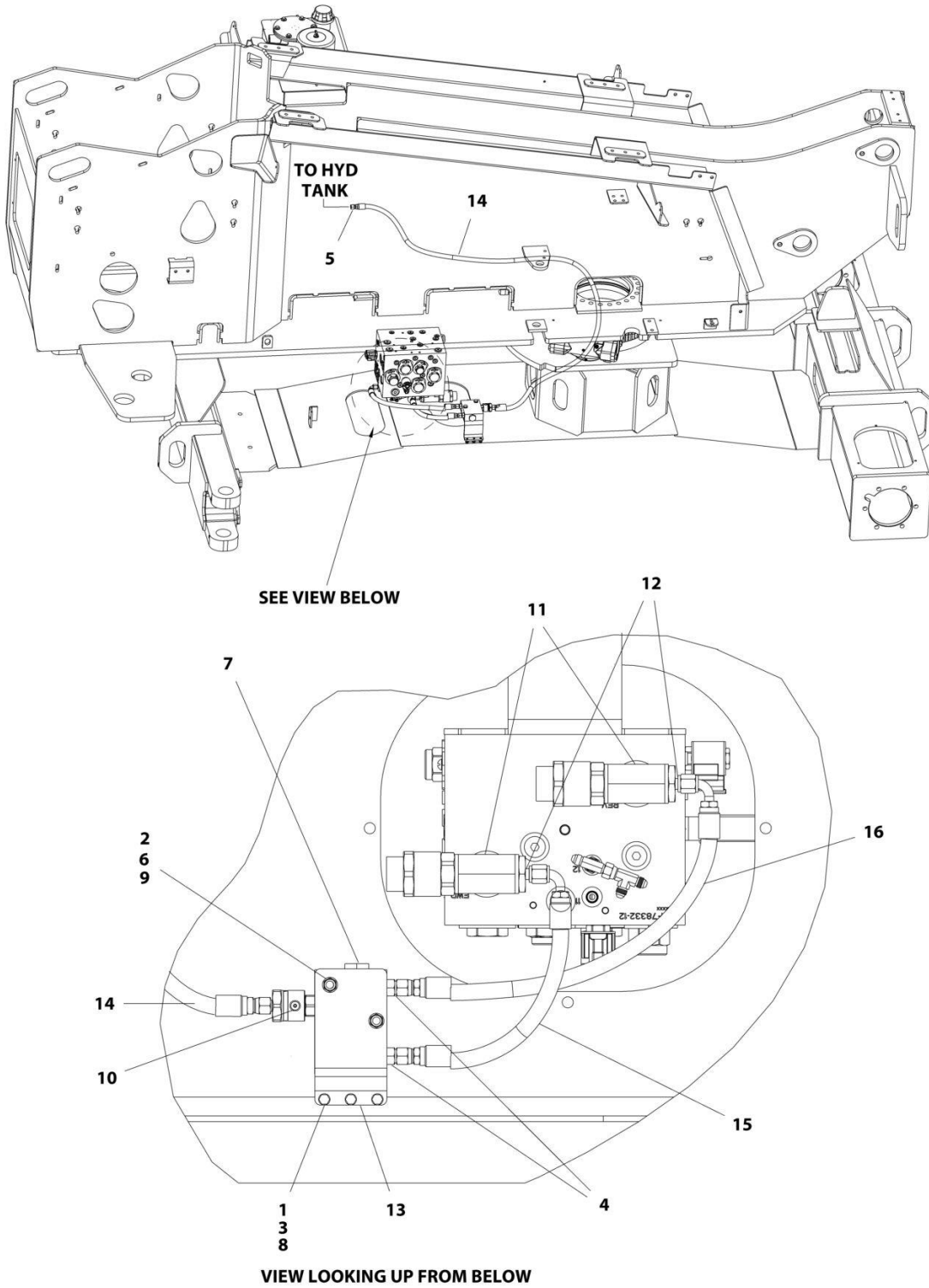
ITEM	PART NUMBER	QTY	DESCRIPTION	REV
	1001180572	Ref	HYDRAULIC INSTALLATION (DRIVE PUMP) - 18RSJ	B
13	2220366	AR	Fitting, 90 JIC/ORB	
14	2220371	AR	Fitting, Straight JIC/ORB	
15	2220372	AR	Fitting, Straight JIC/ORB	
17	2220374	AR	Fitting, Straight JIC/ORB	
18	2220377	AR	Fitting, Straight JIC/ORB	
20	2220451	AR	Fitting, Straight JIC/ORB	
23	2220473	AR	Fitting, 90 JIC/ORB	
24	2220479	AR	Fitting, Straight JIC/ORB	
25	2220497	AR	Fitting, Straight JIC/ORB	
29	2220603	AR	Fitting, Straight JIC/ORB	
32	2220689	AR	Fitting, Straight JIC/ORB	
36	2220865	AR	Fitting, Straight JIC/ORB	
38	2220906	4	Fitting, 90 JIC/ORB	
41	2221041	AR	Fitting, Tee	
42	2221086	AR	Fitting, Test	
49	80633030	1	Clamp	
55	1001141373	AR	Hose	
56	1001142246	AR	Hose	
58	1001143501	1	Clamp	
59	1001143517	1	Clamp	
72	1001145002	AR	Hose	
73	1001146307	AR	Hose	
74	1001146308	AR	Hose	
75	1001146310	AR	Hose	
76	1001146311	AR	Hose	
77	1001146312	AR	Hose	
78	1001146313	1	Hose	
79	1001146315	1	Hose	
95	1001146391	AR	Fitting, Straight MORB/FORB	
96	1001146392	AR	Fitting, Straight BARBED/ORB	
99	1001184256	AR	Hose	
109	90028482	1	Clamp	
112	2220619	AR	Fitting, Straight JIC/FSJIC (Not Shown)	
113	2220577	AR	Fitting, Straight	
114	2221048	AR	Fitting, 90	





# SECTION 7 - HYDRAULIC

## FIGURE 7-9. HYDRAULIC FLUSHING LOOP INSTALLATION - 18RS



ART\_1001200016

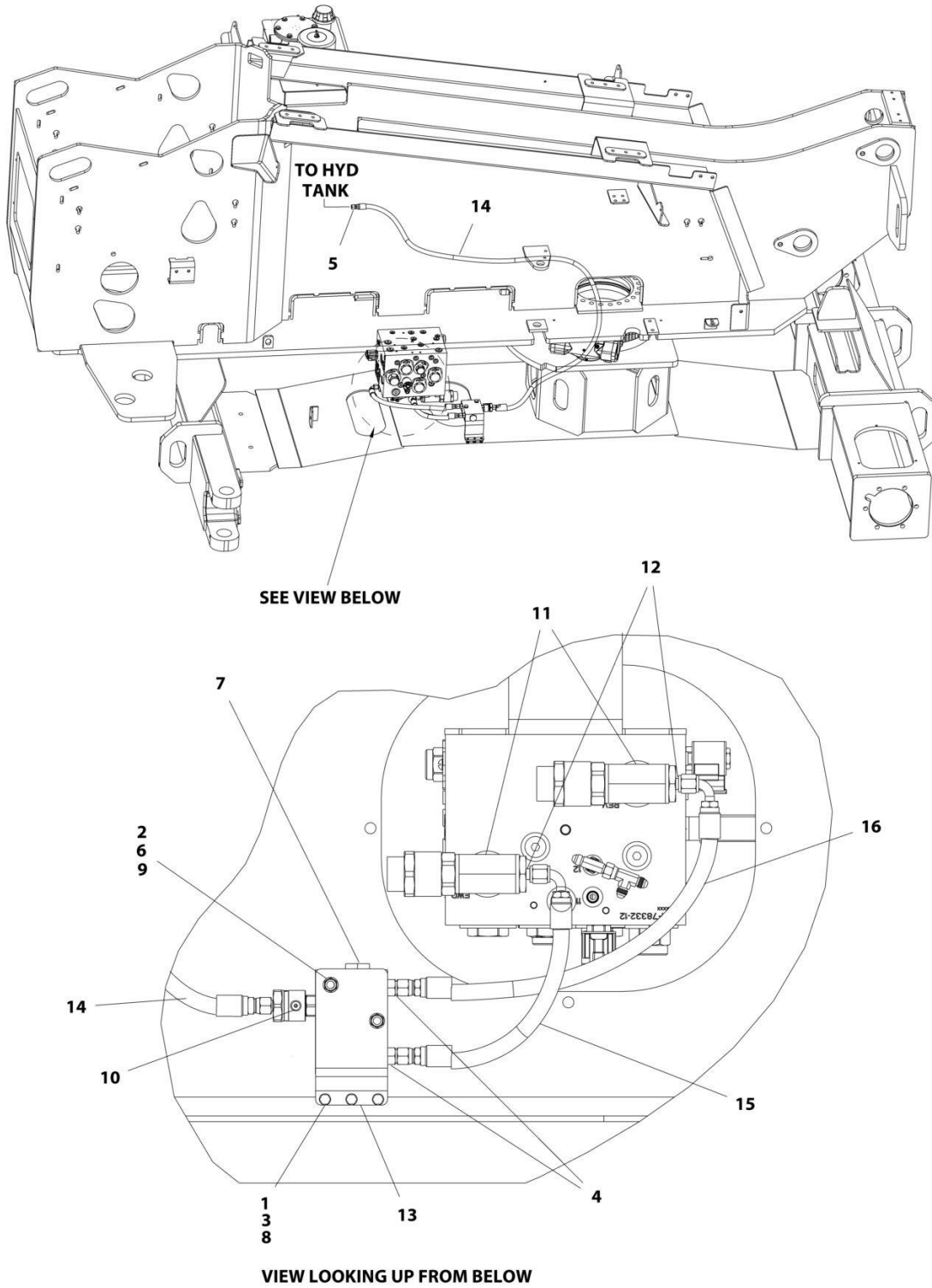
## SECTION 7 - HYDRAULIC

**FIGURE 7-9. HYDRAULIC FLUSHING LOOP INSTALLATION - 18RS**

ITEM	PART NUMBER	QTY	DESCRIPTION	REV
	1001200016	Ref	HYDRAULIC FLUSHING LOOP INSTALLATION - 18RS	A
1	0100011	AR	Compound, Locking	
2	0700819	2	Bolt M8 X 55	
3	0760608	3	Bolt M6 X 16	
4	2220371	2	Fitting, Straight JIC/ORB	
5	2220372	1	Fitting, Straight JIC/ORB	
6	3290805	2	Nut M8	
7	4641329	1	Valve, Flushing Loop	
7	7021639	2	Cartridge, Valve	
7	7017496	2	Seal Kit - 7021639 Cartridge	
8	4811700	3	Washer M6	
9	4811900	4	Washer M8	
10	1001152155	1	Fitting, Straight JIC/ORB	
11	1001199923	2	Fitting, Tee FORB/FORB/ORB	
12	1001199929	2	Fitting, Straight JIC/ORB	
13	1001200018	1	Bracket	
14	1001146312	1	Hose	
15	1001200020	1	Hose	
16	1001200021	1	Hose	

# SECTION 7 - HYDRAULIC

## FIGURE 7-10. HYDRAULIC FLUSHING LOOP INSTALLATION - 18RSJ



ART\_1001200017

## SECTION 7 - HYDRAULIC

**FIGURE 7-10. HYDRAULIC FLUSHING LOOP INSTALLATION - 18RSJ**

ITEM	PART NUMBER	QTY	DESCRIPTION	REV
	1001200017	Ref	HYDRAULIC FLUSHING LOOP INSTALLATION - 18RSJ	B
1	0100011	AR	Compound, Locking	
2	0700819	2	Bolt M8 X 55	
3	0760608	3	Bolt M6 X 16	
4	2220371	2	Fitting, Straight JIC/ORB	
5	2220635	1	Fitting, Straight JIC/ORB	
6	3290805	2	Nut M8	
7	4641329	1	Valve, Flushing Loop	
7	7021639	2	Cartridge, Valve	
7	7017496	2	Seal Kit - 7021639 Cartridge	
8	4811700	3	Washer M6	
9	4811900	4	Washer M8	
10	1001152155	1	Fitting, Straight JIC/ORB	
11	1001199923	2	Fitting, Tee FORB/FORB/ORB	
12	1001199929	2	Fitting, Straight JIC/ORB	
13	1001200018	1	Bracket	
14	1001146312	1	Hose	
15	1001200020	1	Hose	
16	1001200021	1	Hose	

## SECTION 7 - HYDRAULIC

FIGURE 7-11. HYDRAULIC DIAGRAM LIST

ITEM	PART NUMBER	QTY	DESCRIPTION	REV
		Ref	<b>Note: Information on diagrams not shown is available from JLG Service/Parts Departments. See Service and Maintenance Manual for schematics.</b>	
		Ref	HYDRAULIC DIAGRAM LIST	
	1001143680	Ref	Hydraulic Diagram Installation - 18RS	
	1001180572	Ref	Hydraulic Diagram Installation - 18RSJ	
	1001131499	Ref	Standard Hydraulic Schematic	

**SECTION 8 - ELECTRICAL**

## SECTION 8 - ELECTRICAL

FIGURE 8-1. ELECTRICAL DIAGRAM LIST

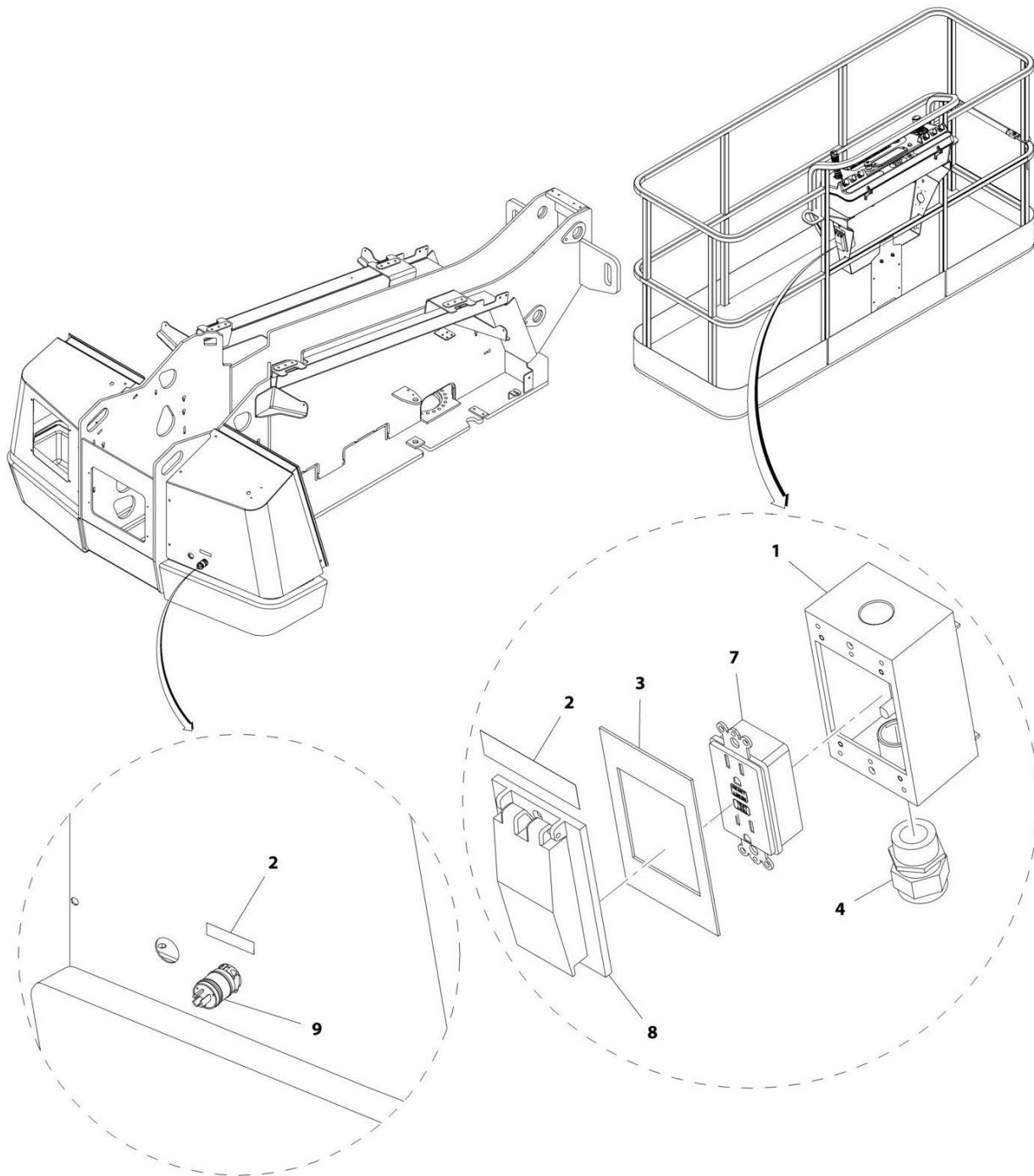
ITEM	PART NUMBER	QTY	DESCRIPTION	REV
		Ref	<b>Note: Diagrams are available from the JLG Service Department. See Service and Maintenance Manual for schematics.</b>	
		Ref	ELECTRICAL DIAGRAM LIST	
	1001145950	Ref	7500W Generator Electrical Diagram	
	1001129238	Ref	Standard Electrical Schematic	





# SECTION 8 - ELECTRICAL

FIGURE 8-2. AC AT PLATFORM RECEPACLE COMPONENTS - 110V GFI (ANSI EXPORT SPECS)



ART\_1001141620

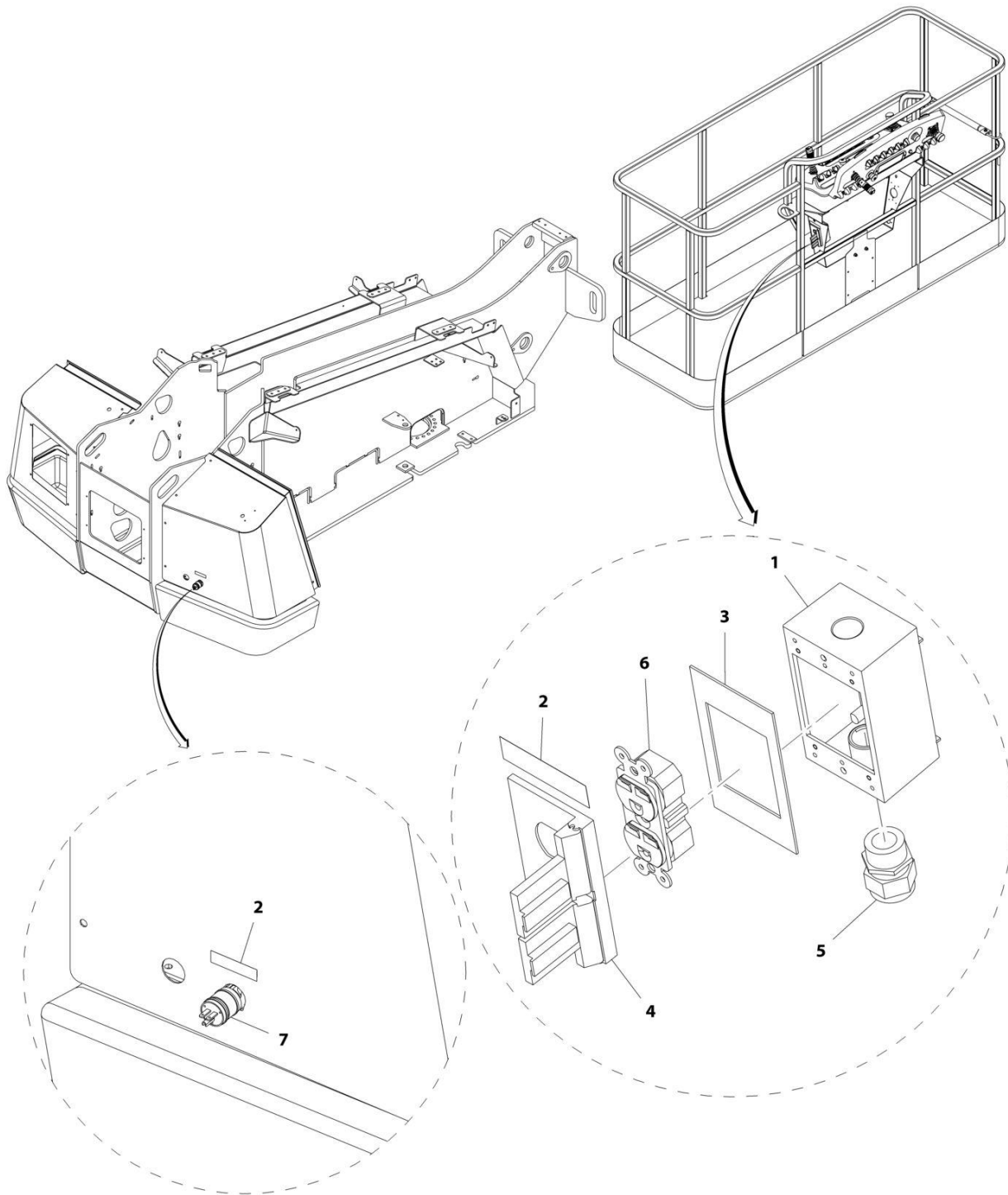
## SECTION 8 - ELECTRICAL

**FIGURE 8-2. AC AT PLATFORM RECEPTACLE COMPONENTS - 110V GFI (ANSI EXPORT SPECS)**

ITEM	PART NUMBER	QTY	DESCRIPTION	REV
	1001141620	Ref	AC AT PLATFORM RECEPTACLE COMPONENTS - 110V GFI (ANSI EXPORT SPECS)	B
1	0860038	1	Box, Switch	
2	3251243	2	Decal - Voltage	
3	3960422	1	Gasket	
4	4460071	1	Connector, Strain Relief	
6	4460315	1	Receptacle (Not Shown)	
7	4460346	1	Receptacle	
8	1001110873	1	Shield, Cover	
9	4460205	1	Plug, Male	

# SECTION 8 - ELECTRICAL

## FIGURE 8-3. AC AT PLATFORM RECEPTACLE COMPONENTS - 220V (ANSI EXPORT SPECS)



ART\_1001141622

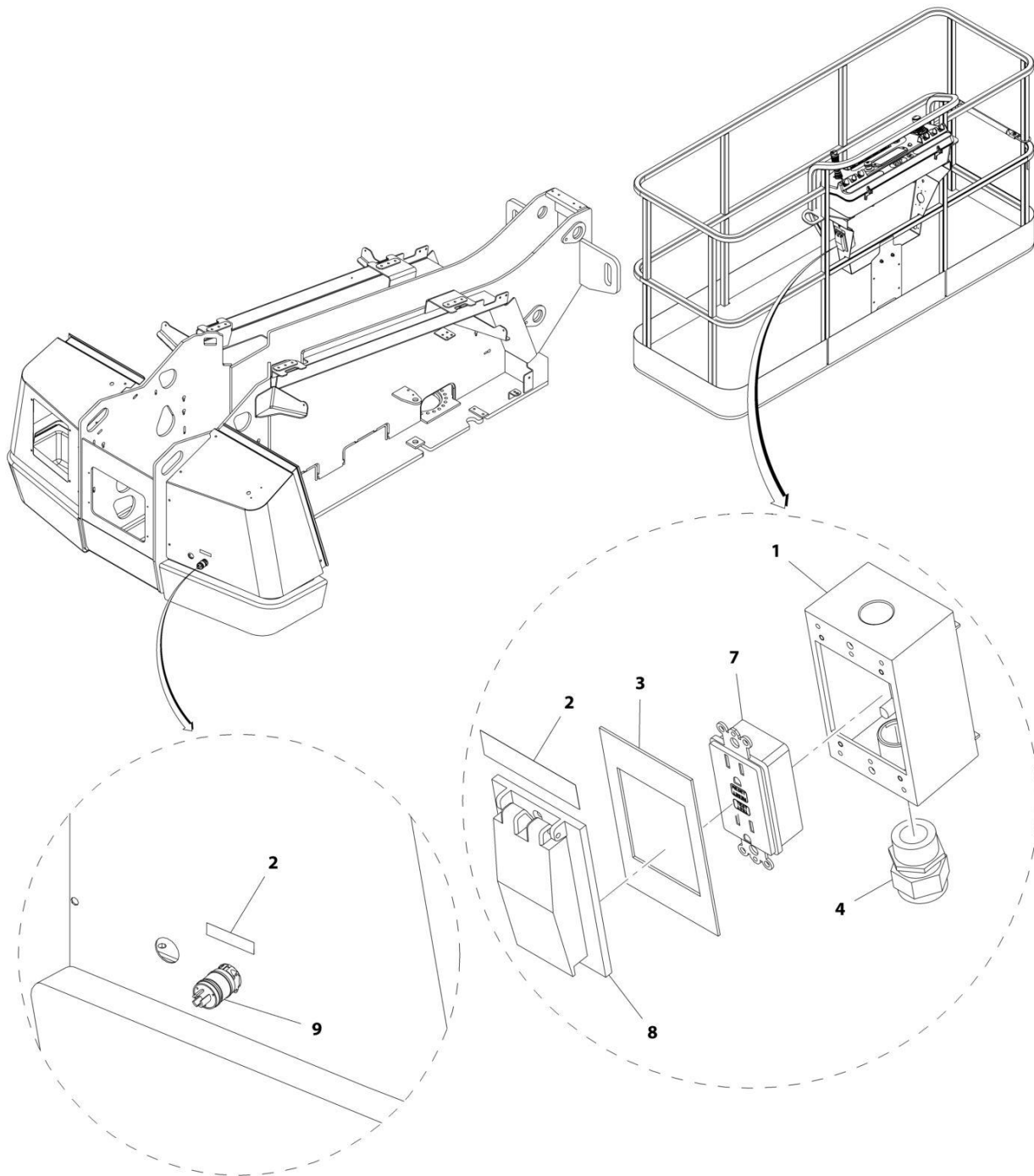
## SECTION 8 - ELECTRICAL

**FIGURE 8-3. AC AT PLATFORM RECEPTACLE COMPONENTS - 220V (ANSI EXPORT SPECS)**

ITEM	PART NUMBER	QTY	DESCRIPTION	REV
	1001141622	Ref	AC AT PLATFORM RECEPTACLE COMPONENTS - 220V (ANSI EXPORT SPECS)	A
1	0860038	1	Box, Switch	
2	3252507	2	Decal - Voltage	
3	3960422	1	Gasket	
4	4060092	1	Shield, Cover	
5	4460071	1	Connector, Strain Relief	
6	4460125	1	Receptacle	
7	4460233	1	Plug, Male	

# SECTION 8 - ELECTRICAL

## FIGURE 8-4. AC AT PLATFORM RECEPTACLE COMPONENTS - DEALER/CUSTOMER SUPPLIED



ART\_1001141621

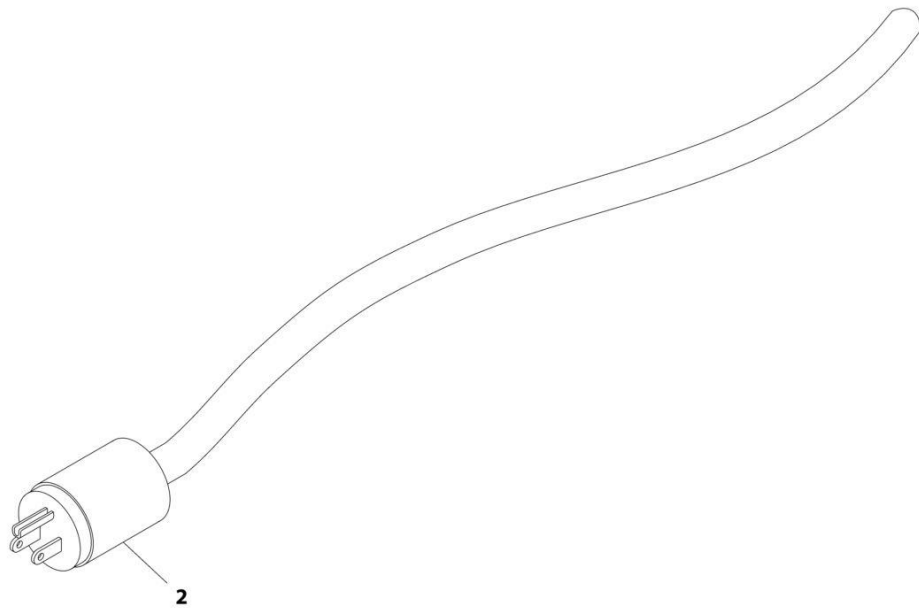
## SECTION 8 - ELECTRICAL

**FIGURE 8-4. AC AT PLATFORM RECEPTACLE COMPONENTS - DEALER/CUSTOMER SUPPLIED**

ITEM	PART NUMBER	QTY	DESCRIPTION	REV
	1001141621	Ref	AC AT PLATFORM RECEPTACLE COMPONENTS - DEALER/CUSTOMER SUPPLIED	B
1	See Note	1	Box, Switch (Note: Not Available - Purchase Locally)	
2	See Note	2	Decal - Voltage (Note: Not Available - Purchase Locally)	
3	See Note	1	Gasket (Note: Not Available - Purchase Locally)	
4	See Note	1	Connector, Strain Relief (Note: Not Available - Purchase Locally)	
7	See Note	1	Receptacle (Note: Not Available - Purchase Locally)	
8	See Note	1	Shield, Cover (Note: Not Available - Purchase Locally)	
9	See Note	1	Plug, Male (Note: Not Available - Purchase Locally)	

## SECTION 8 - ELECTRICAL

FIGURE 8-5. AC TO PLATFORM CABLE - MAIN BOOM (18RS WITHOUT SKYPOWER)



ART\_1001145920



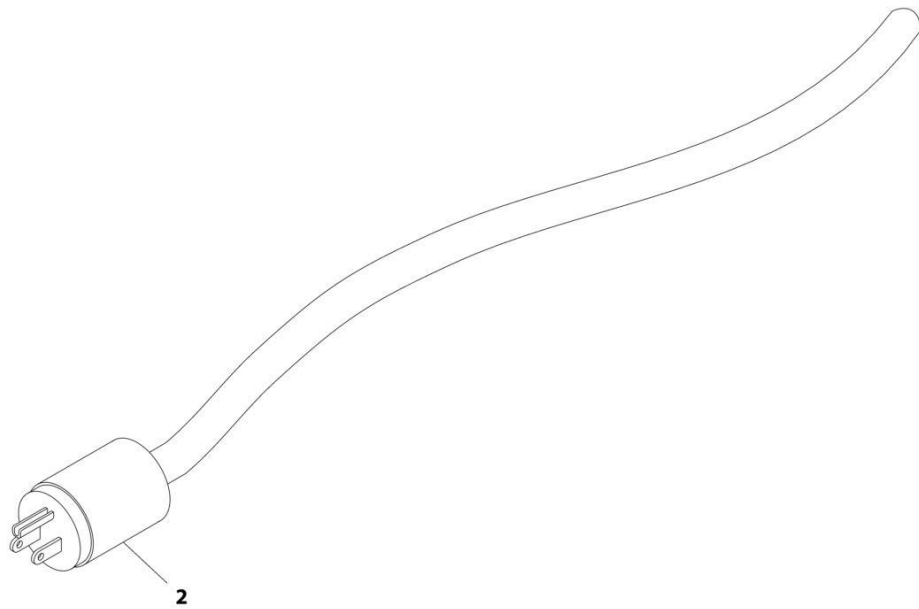
## SECTION 8 - ELECTRICAL

**FIGURE 8-5. AC TO PLATFORM CABLE - MAIN BOOM (18RS WITHOUT SKYPOWER)**

ITEM	PART NUMBER	QTY	DESCRIPTION	REV
	1001145920	Ref	AC TO PLATFORM CABLE - MAIN BOOM (18RS WITHOUT SKYPOWER)	B
2	4460205	1	Plug, Male	

## SECTION 8 - ELECTRICAL

FIGURE 8-6. AC TO PLATFORM CABLE - MAIN BOOM (18RSJ WITHOUT SKYPOWER)



ART\_1001184960

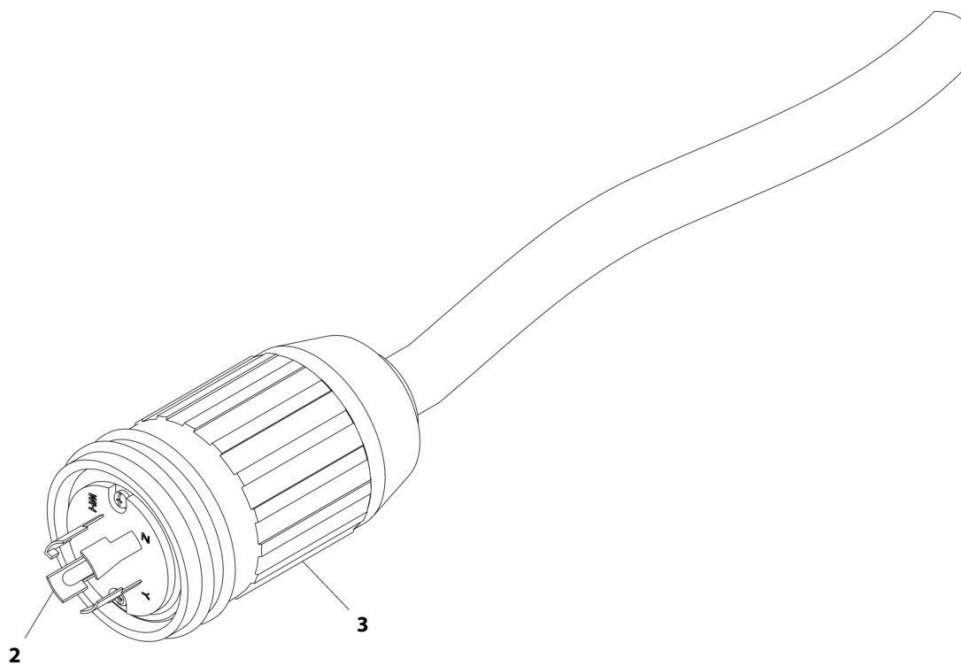
## SECTION 8 - ELECTRICAL

**FIGURE 8-6. AC TO PLATFORM CABLE - MAIN BOOM (18RSJ WITHOUT SKYPOWER)**

ITEM	PART NUMBER	QTY	DESCRIPTION	REV
	1001184960	Ref	AC TO PLATFORM CABLE - MAIN BOOM (18RSJ WITHOUT SKYPOWER)	B
2	4460205	1	Plug, Male	

## SECTION 8 - ELECTRICAL

FIGURE 8-7. AC TO PLATFORM CABLE - MAIN BOOM (18RS WITH SKYPOWER) (Prior to SN B300001836)



ART\_1001145922

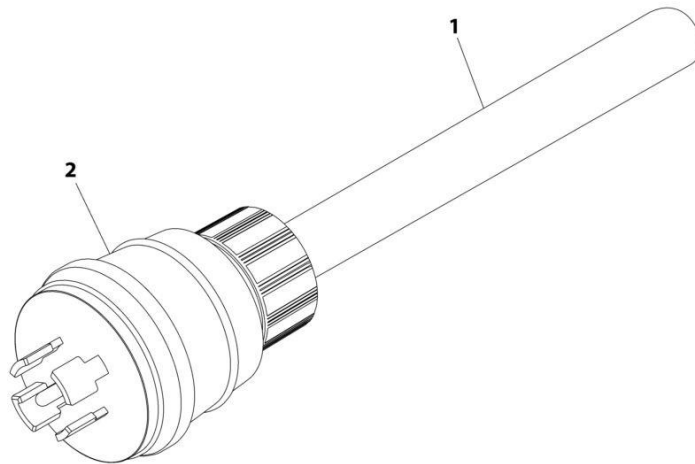
## SECTION 8 - ELECTRICAL

**FIGURE 8-7. AC TO PLATFORM CABLE - MAIN BOOM (18RS WITH SKYPOWER) (Prior to SN B300001836)**

ITEM	PART NUMBER	QTY	DESCRIPTION	REV
	1001145922	Ref	AC TO PLATFORM CABLE - MAIN BOOM (18RS WITH SKYPOWER) (Prior to SN B300001836)	C
2	4460959	1	Plug, Male	
3	1671093	1	Cover, Plug	

## SECTION 8 - ELECTRICAL

FIGURE 8-8. AC TO PLATFORM CABLE - MAIN BOOM (18RS WITH SKYPOWER) (SN B300001836 to Present)



ART\_1001226302

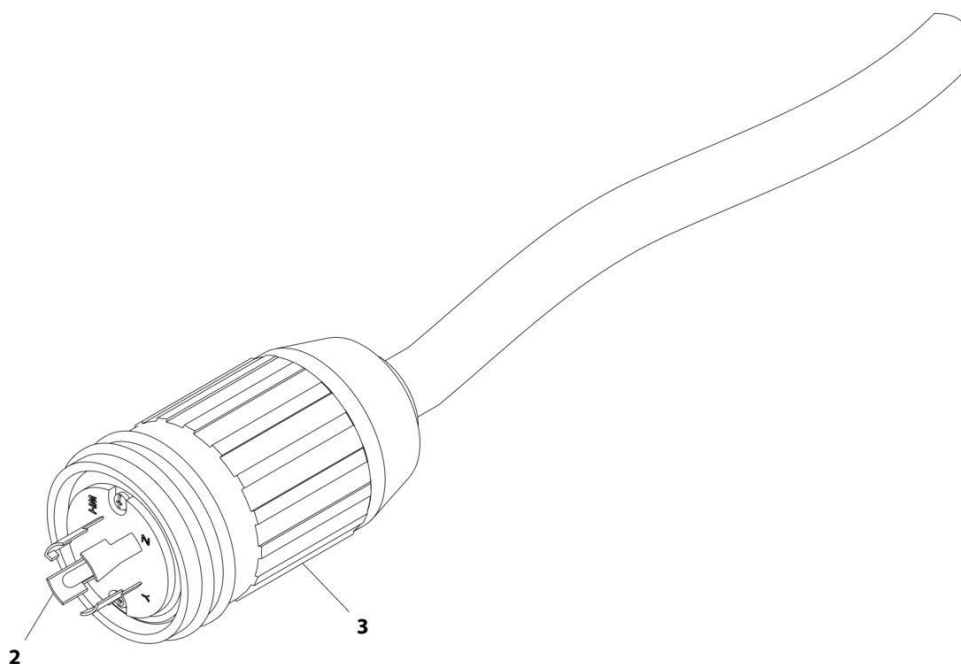
## SECTION 8 - ELECTRICAL

**FIGURE 8-8. AC TO PLATFORM CABLE - MAIN BOOM (18RS WITH SKYPOWER) (SN B300001836 to Present)**

ITEM	PART NUMBER	QTY	DESCRIPTION	REV
	1001226302	Ref	AC TO PLATFORM CABLE - MAIN BOOM (18RS WITH SKYPOWER) (SN B300001836 to Present)	A
1	1060945	55.2 ft /16.8m	Cable	
2	4460959	1	Plug, Male	

## SECTION 8 - ELECTRICAL

FIGURE 8-9. AC TO PLATFORM CABLE - MAIN BOOM (18RSJ WITH SKYPOWER) (Prior to SN B300001836)



ART\_1001184961



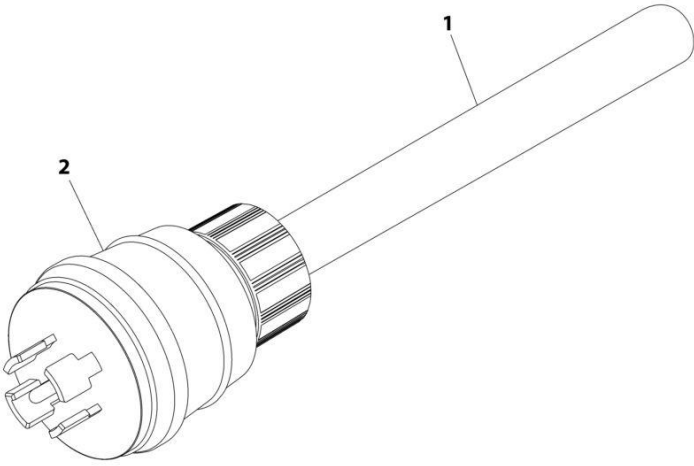
## SECTION 8 - ELECTRICAL

**FIGURE 8-9. AC TO PLATFORM CABLE - MAIN BOOM (18RSJ WITH SKYPOWER) (Prior to SN B300001836)**

ITEM	PART NUMBER	QTY	DESCRIPTION	REV
	1001184961	Ref	AC TO PLATFORM CABLE - MAIN BOOM (18RSJ WITH SKYPOWER) (Prior to SN B300001836)	C
2	4460959	1	Plug, Male	
3	1671093	1	Cover, Plug	

**SECTION 8 - ELECTRICAL**

**FIGURE 8-10. AC TO PLATFORM CABLE - MAIN BOOM (18RSJ WITH SKYPOWER) (SN B300001836 to Present)**



ART\_1001226303

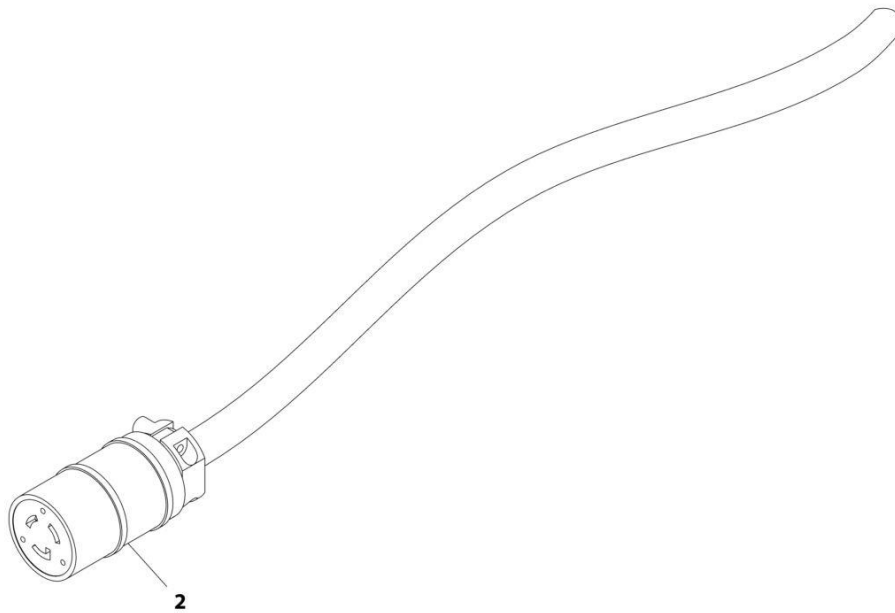
## SECTION 8 - ELECTRICAL

**FIGURE 8-10. AC TO PLATFORM CABLE - MAIN BOOM (18RSJ WITH SKYPOWER) (SN B300001836 to Present)**

ITEM	PART NUMBER	QTY	DESCRIPTION	REV
	1001226303	Ref	AC TO PLATFORM CABLE - MAIN BOOM (18RSJ WITH SKYPOWER) (SN B300001836 to Present)	A
1	1060945	60.53 ft /18.45m	Cable	
2	1001218622	1	Plug, Male	

## SECTION 8 - ELECTRICAL

FIGURE 8-11. AC TO PLATFORM CABLE - TOWER BOOM (WITHOUT SKYPOWER)



ART\_1001145921

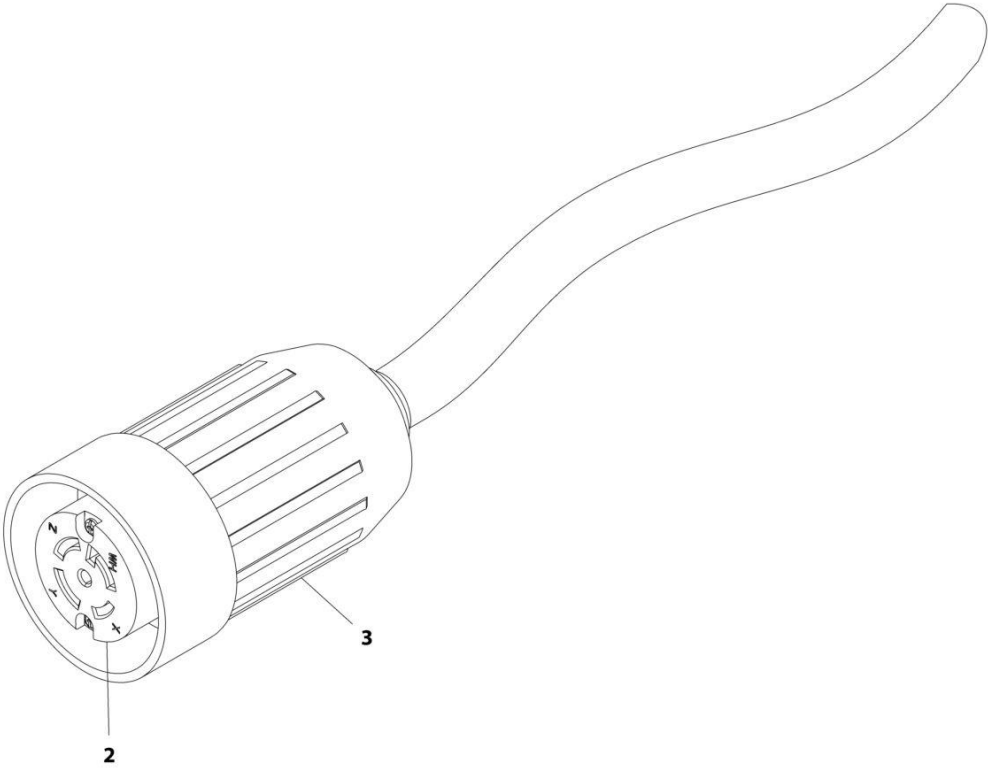
## SECTION 8 - ELECTRICAL

**FIGURE 8-11. AC TO PLATFORM CABLE - TOWER BOOM (WITHOUT SKYPOWER)**

ITEM	PART NUMBER	QTY	DESCRIPTION	REV
	1001145921	Ref	AC TO PLATFORM CABLE - TOWER BOOM (WITHOUT SKYPOWER)	B
2	4460134	1	Receptacle, Female Twist Lock	

**SECTION 8 - ELECTRICAL**

**FIGURE 8-12. AC TO PLATFORM CABLE - TOWER BOOM (WITH SKYPOWER) (Prior to SN B300001836)**



ART\_1001145923

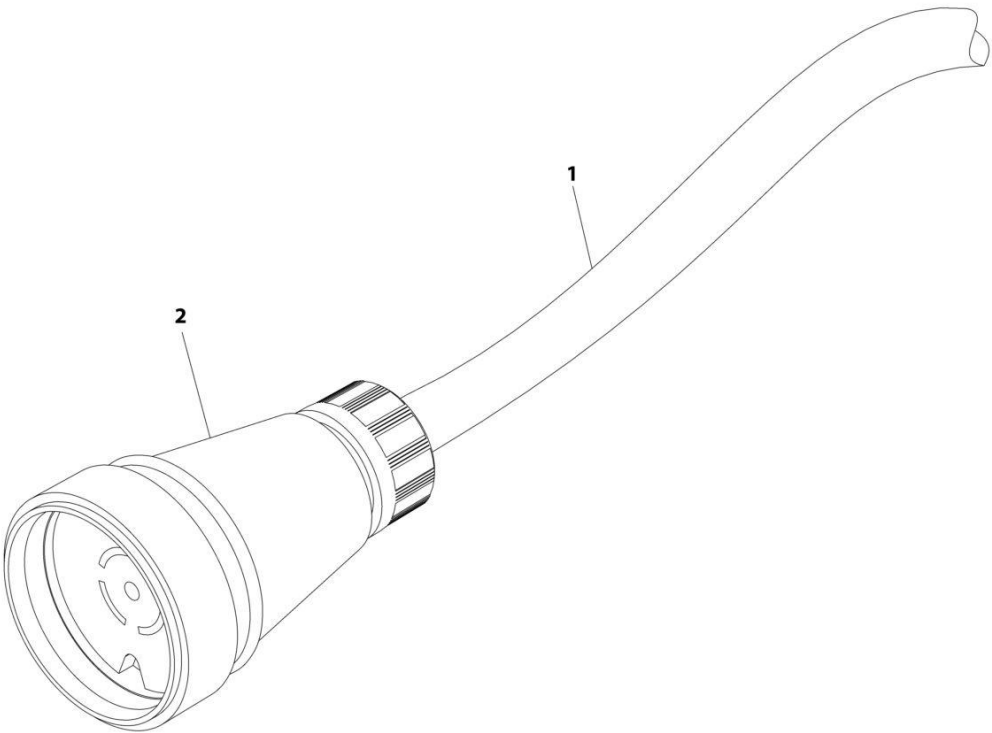
## SECTION 8 - ELECTRICAL

**FIGURE 8-12. AC TO PLATFORM CABLE - TOWER BOOM (WITH SKYPOWER) (Prior to SN B300001836)**

ITEM	PART NUMBER	QTY	DESCRIPTION	REV
	1001145923	Ref	AC TO PLATFORM CABLE - TOWER BOOM (WITH SKYPOWER) (Prior to SN B300001836)	B
2	4460960	1	Receptacle, Female Twist Lock	
3	1671092	1	Cover, Plug	

**SECTION 8 - ELECTRICAL**

**FIGURE 8-13. AC TO PLATFORM CABLE - TOWER BOOM (WITH SKYPOWER) (SN B300001836 to Present)**



ART\_1001226301



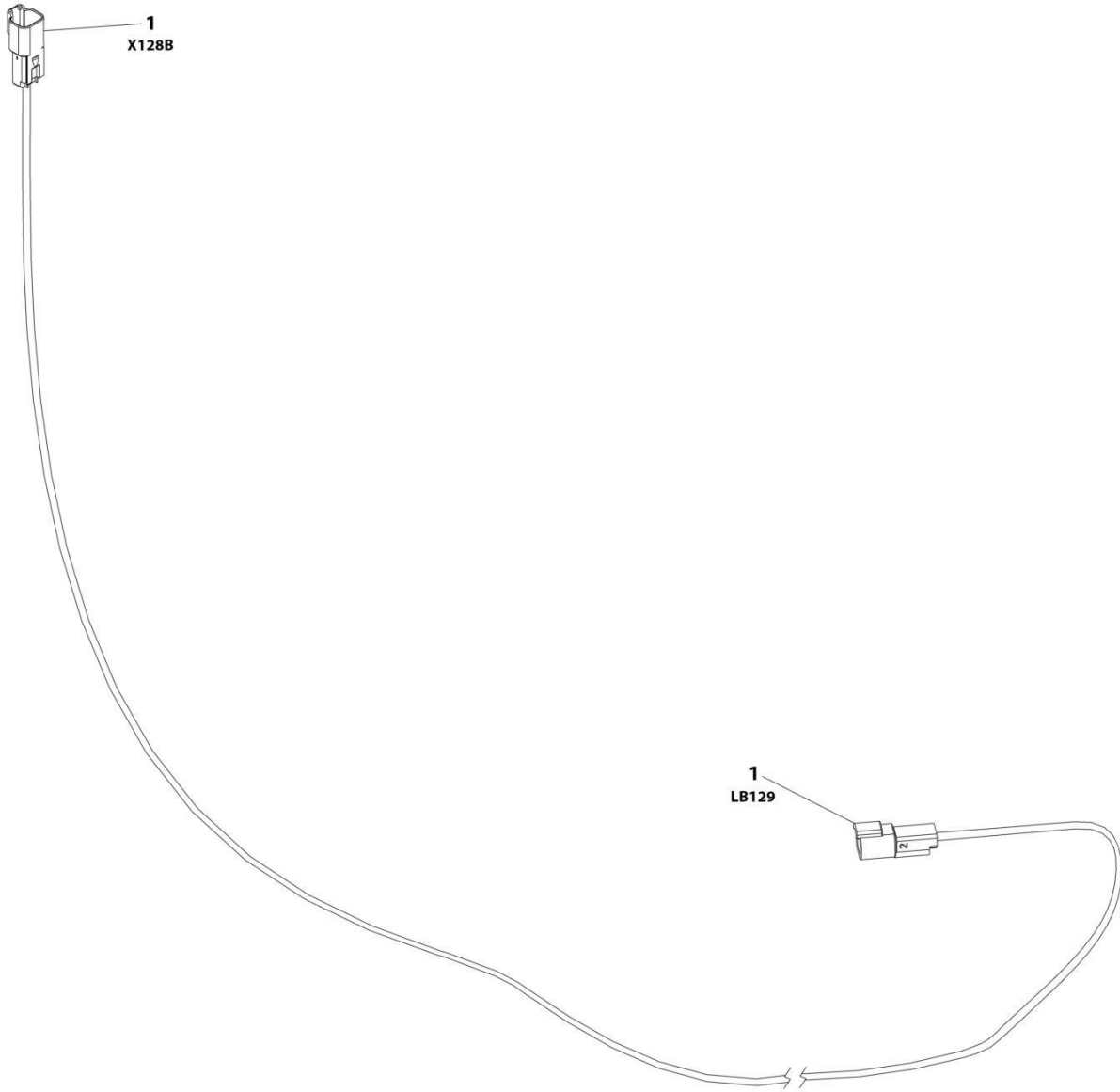
## SECTION 8 - ELECTRICAL

**FIGURE 8-13. AC TO PLATFORM CABLE - TOWER BOOM (WITH SKYPOWER) (SN B300001836 to Present)**

ITEM	PART NUMBER	QTY	DESCRIPTION	REV
	1001226301	Ref	AC TO PLATFORM CABLE - TOWER BOOM (WITH SKYPOWER) <b>(SN B300001836 to Present)</b>	A
1	1060945	24.99 ft /76.2m	Cable	
2	1001218623	1	Receptacle, Female Twist Lock	

# SECTION 8 - ELECTRICAL

## FIGURE 8-14. BEACON HARNES



ART\_1001138512

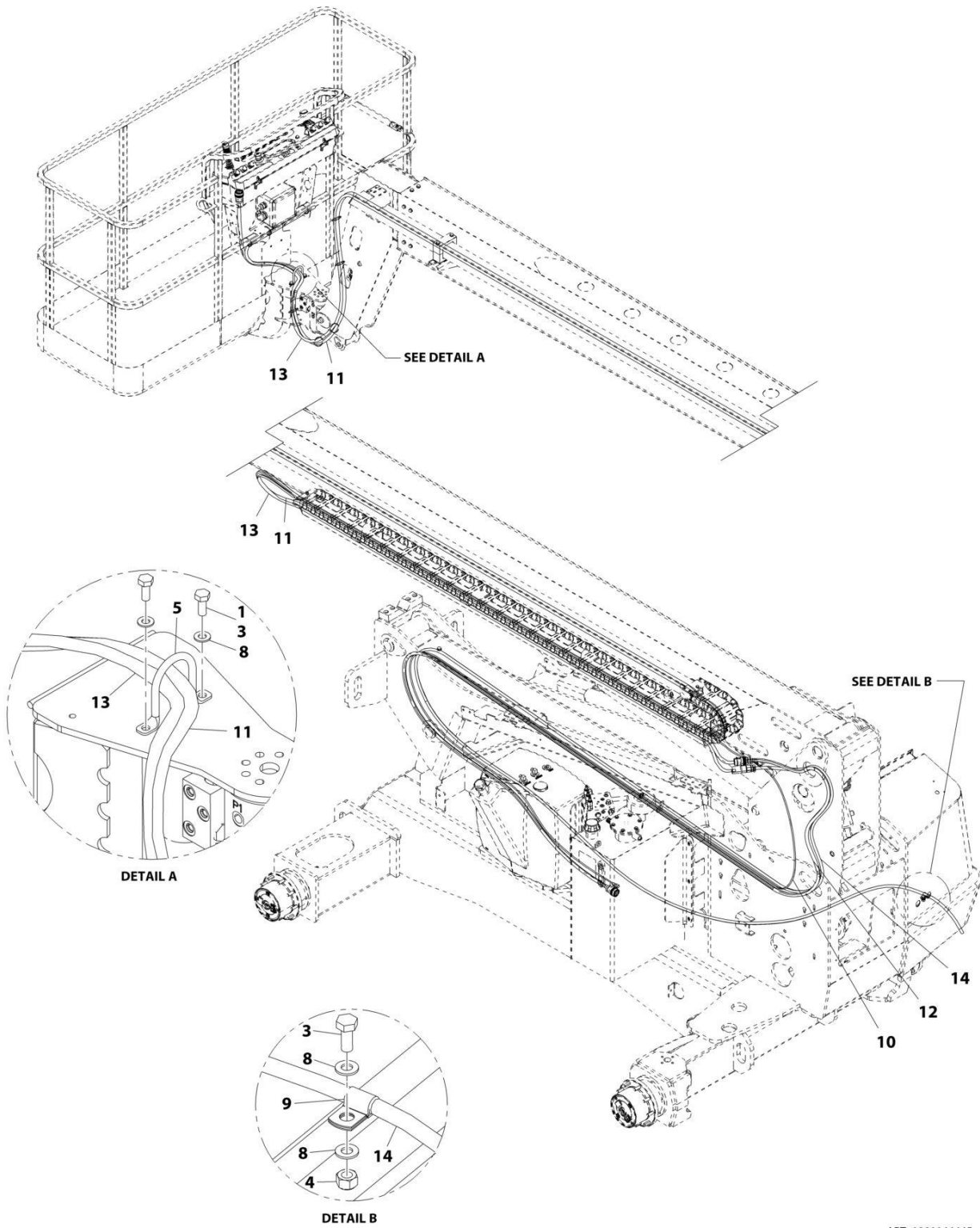
## SECTION 8 - ELECTRICAL

### FIGURE 8-14. BEACON HARNESS

ITEM	PART NUMBER	QTY	DESCRIPTION	REV
	1001138512	Ref	BEACON HARNESS	A
1	4460897	2	Receptacle, Female - 2 Position	
1	4460464	4	Pin, Male	

# SECTION 8 - ELECTRICAL

## FIGURE 8-15. BOOM CABLES INSTALLATION - 18RS WITHOUT SKYPOWER



ART\_1001144445

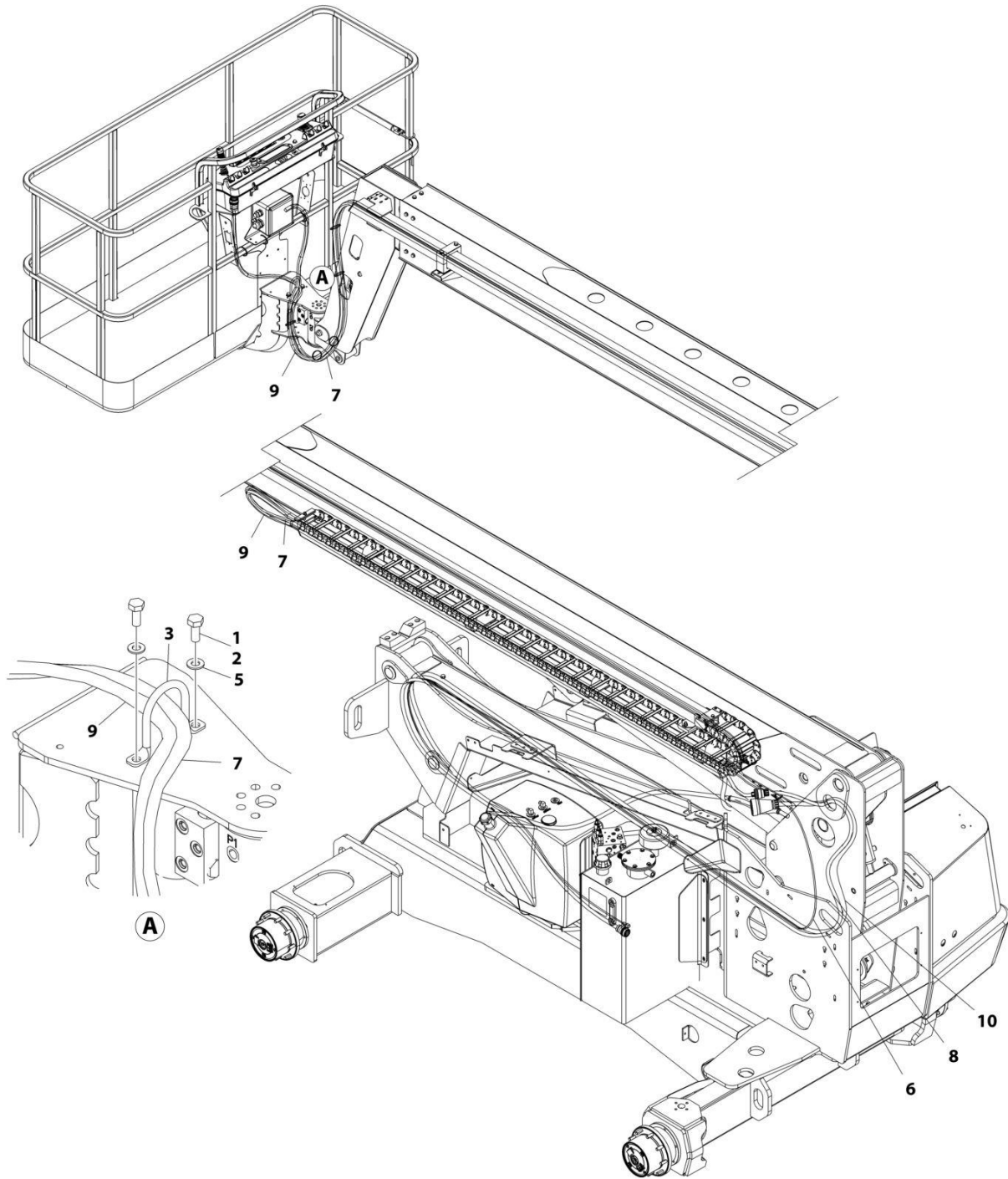
## SECTION 8 - ELECTRICAL

**FIGURE 8-15. BOOM CABLES INSTALLATION - 18RS WITHOUT SKYPOWER**

ITEM	PART NUMBER	QTY	DESCRIPTION	REV
	1001144445	Ref	BOOM CABLES INSTALLATION - 18RS WITHOUT SKYPOWER	D
1	0100011	AR	Compound, Locking	
3	0761012	3	Bolt M10 x 25	
4	3291005	1	Nut M10	
5	3841340	1	Loop, Hose	
6	4240018	7	Tie-Strap (Not Shown)	
8	4812000	4	Washer M10	
9	1001080996	1	Clamp	
10	1001138511	1	Lift Down Harness (See LIFT DOWN HARNESS for Breakdown)	
11	1001145918	1	Boom Harness - Main Boom (See BOOM HARNESS - MAIN BOOM - 18RS for Breakdown)	
12	1001145919	1	Boom Harness - Tower Boom (See BOOM HARNESS - TOWER BOOM for Breakdown)	
13	1001145920	1	AC to Platform Cable - Main Boom (See AC TO PLATFORM CABLE - MAIN BOOM (18RS WITHOUT SKYPOWER) for Breakdown)	
14	1001145921	1	AC to Platform Cable - Tower Boom (See AC TO PLATFORM CABLE - TOWER BOOM (WITHOUT SKYPOWER) for Breakdown)	

# SECTION 8 - ELECTRICAL

## FIGURE 8-16. BOOM CABLES INSTALLATION - 18RS WITH SKYPOWER



ART\_1001142574

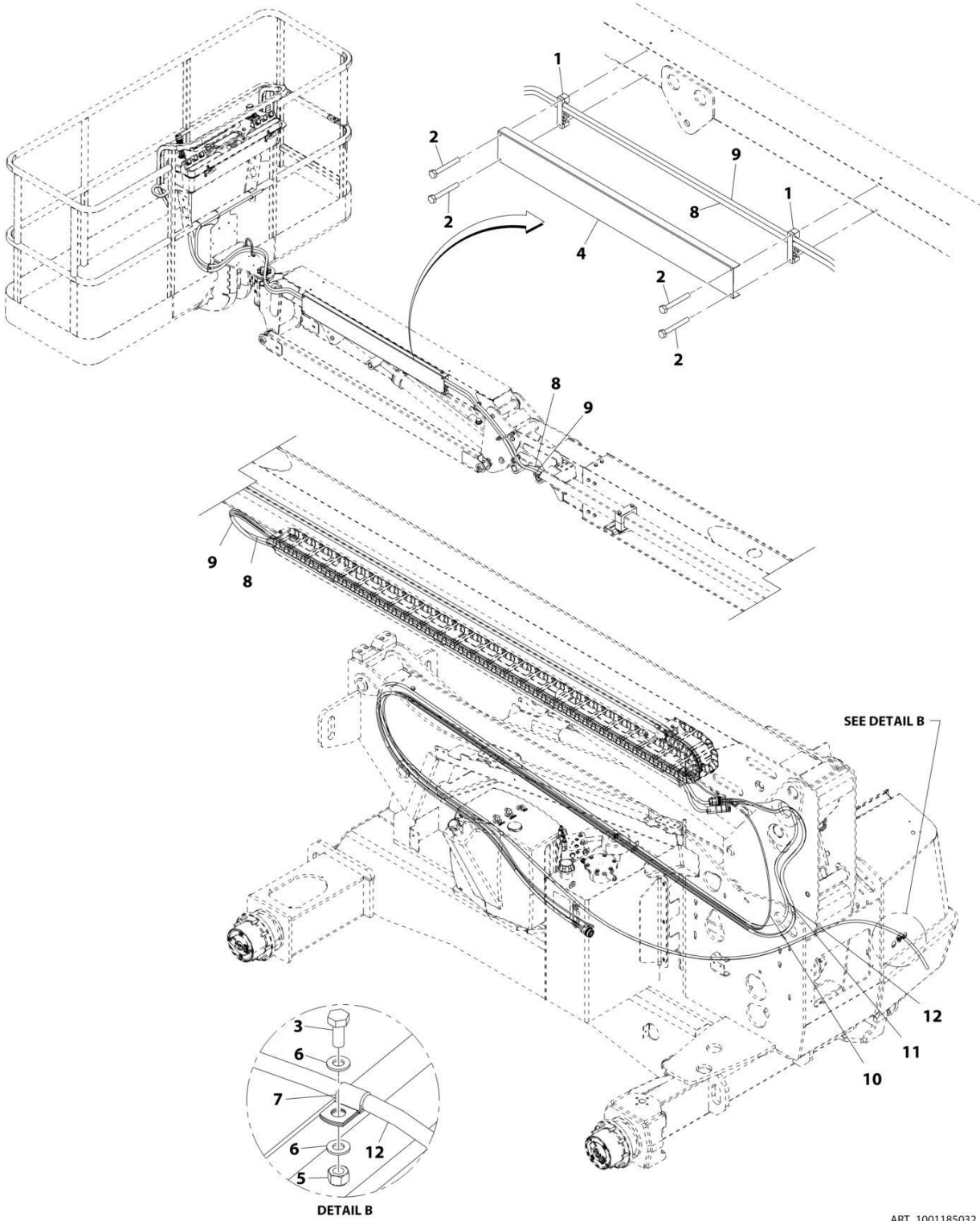
## SECTION 8 - ELECTRICAL

**FIGURE 8-16. BOOM CABLES INSTALLATION - 18RS WITH SKYPOWER**

ITEM	PART NUMBER	QTY	DESCRIPTION	REV
	1001142574	Ref	BOOM CABLES INSTALLATION - 18RS WITH SKYPOWER	F
1	0100011	AR	Compound, Locking	
2	0761012	2	Bolt M10 x 25 <b>(Prior to SN B300001679)</b>	
3	3841340	1	Loop, Hose <b>(Prior to SN B300001679)</b>	
4	4240018	6	Tie-Strap (Not Shown)	
5	4812000	2	Washer M10 <b>(Prior to SN B300001679)</b>	
6	1001138511	1	Lift Down Harness (See LIFT DOWN HARNESS for Breakdown)	
7	1001145918	1	Boom Harness - Main Boom (See BOOM HARNESS - MAIN BOOM - 18RS for Breakdown)	
8	1001145919	1	Boom Harness - Tower Boom (See BOOM HARNESS - TOWER BOOM for Breakdown)	
9	1001145922	1	AC to Platform Cable - Main Boom (See AC TO PLATFORM CABLE - MAIN BOOM (18RS WITHOUT SKYPOWER) for Breakdown) <b>(Prior to SN B300001836)</b>	
9	1001226302	1	AC to Platform Cable - Main Boom (See AC TO PLATFORM CABLE - MAIN BOOM (18RS WITHOUT SKYPOWER) for Breakdown) <b>(SN B300001836 to Present)</b>	
10	1001145923	1	AC to Platform Cable - Tower Boom (See AC TO PLATFORM CABLE - TOWER BOOM (WITH SKYPOWER) for Breakdown) <b>(Prior to SN B300001836)</b>	
10	1001226301	1	AC to Platform Cable - Tower Boom (See AC TO PLATFORM CABLE - TOWER BOOM (WITH SKYPOWER) for Breakdown) <b>(SN B300001836 to Present)</b>	

# SECTION 8 - ELECTRICAL

## FIGURE 8-17. BOOM CABLES INSTALLATION - 18RSJ WITHOUT SKYPOWER



ART\_1001185032



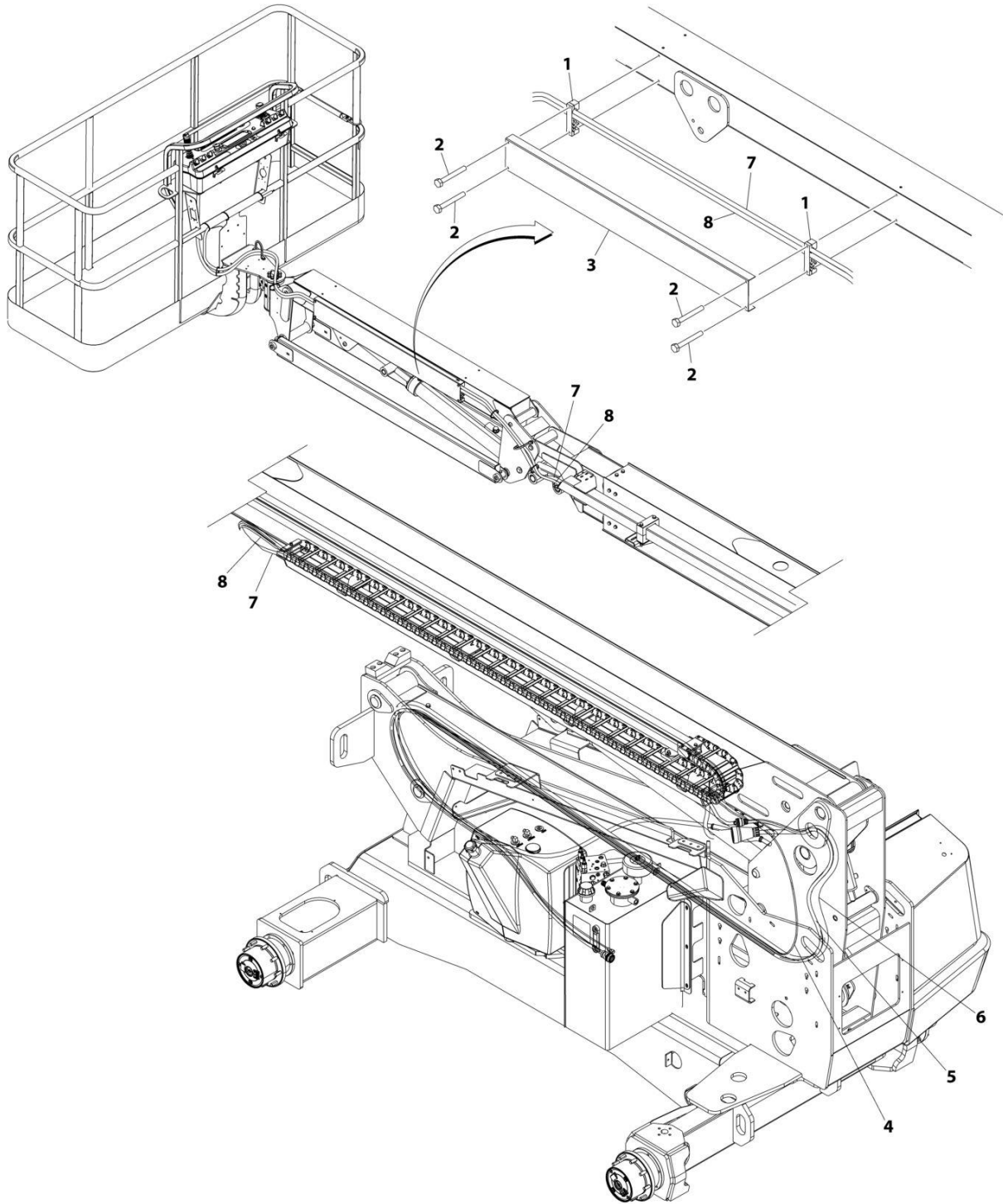
## SECTION 8 - ELECTRICAL

**FIGURE 8-17. BOOM CABLES INSTALLATION - 18RSJ WITHOUT SKYPOWER**

ITEM	PART NUMBER	QTY	DESCRIPTION	REV
	1001185032	Ref	BOOM CABLES INSTALLATION - 18RSJ WITHOUT SKYPOWER	A
1	0561237	2	Block, Clamp	
2	0641416	4	Bolt 1/4 x 2	
3	0761012	1	Bolt M10 x 25	
4	1670769	1	Cover	
5	3291005	1	Nut M10	
6	4812000	2	Washer M10	
7	1001080996	1	Clamp	
8	1001184959	1	Boom Harness - Main boom (See BOOM HARNESS - MAIN BOOM - 18RSJ for Breakdown)	
9	1001184960	1	AC to Platform Cable - Main Boom (See AC TO PLATFORM CABLE - MAIN BOOM (18RSJ WITHOUT SKYPOWER) for Breakdown)	
10	1001138511	1	Lift Down Harness (See LIFT DOWN HARNESS for Breakdown)	
11	1001145919	1	Boom Harness - Tower Boom (See BOOM HARNESS - TOWER BOOM for Breakdown)	
12	1001145921	1	AC to Platform Cable - Tower Boom (See AC TO PLATFORM CABLE - TOWER BOOM (WITHOUT SKYPOWER) for Breakdown)	
13	4240018	6	Tie-Strap (Not Shown)	

# SECTION 8 - ELECTRICAL

## FIGURE 8-18. BOOM CABLES INSTALLATION - 18RSJ WITH SKYPOWER



ART\_1001185033

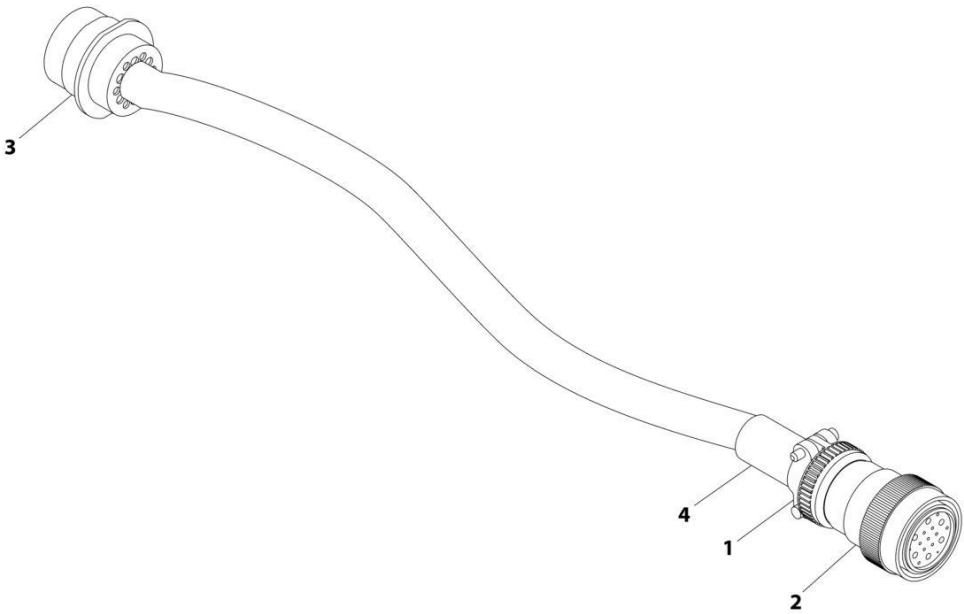
## SECTION 8 - ELECTRICAL

**FIGURE 8-18. BOOM CABLES INSTALLATION - 18RSJ WITH SKYPOWER**

ITEM	PART NUMBER	QTY	DESCRIPTION	REV
	1001185033	Ref	BOOM CABLES INSTALLATION - 18RSJ WITH SKYPOWER	B
1	0561237	2	Block, Clamp	
2	0641416	4	Bolt 1/4 x 2	
3	1670769	1	Cover	
4	1001138511	1	Lift Down Harness (See LIFT DOWN HARNESS for Breakdown)	
5	1001145919	1	Boom Harness - Tower Boom (See BOOM HARNESS - TOWER BOOM for Breakdown)	
6	1001145923	1	AC to Platform Cable - Tower Boom (See AC TO PLATFORM CABLE - TOWER BOOM (WITH SKYPOWER) for Breakdown) <b>(Prior to SN B300001836)</b>	
6	1001226301	1	AC to Platform Cable - Tower Boom (See AC TO PLATFORM CABLE - TOWER BOOM (WITH SKYPOWER) for Breakdown) <b>(SN B300001836 to Present)</b>	
7	1001184959	1	Boom Harness - Main Boom (See BOOM HARNESS - MAIN BOOM - 18RSJ for Breakdown)	
8	1001184961	1	AC to Platform Cable - Main Boom (See AC TO PLATFORM CABLE - MAIN BOOM for Breakdown) <b>(Prior to SN B300001836)</b>	
8	1001226303	1	AC to Platform Cable - Main Boom (See AC TO PLATFORM CABLE - MAIN BOOM for Breakdown) <b>(SN B300001836 to Present)</b>	
9	4240018	6	Tie-Strap (Not Shown)	

**SECTION 8 - ELECTRICAL**

**FIGURE 8-19. BOOM HARNESS - MAIN BOOM - 18RS**



ART\_1001145918

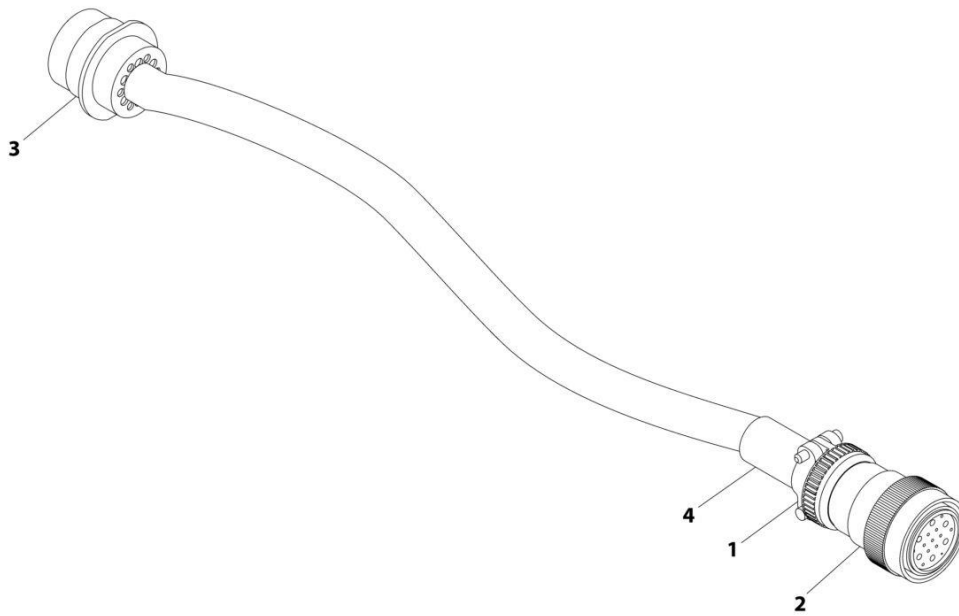
## SECTION 8 - ELECTRICAL

**FIGURE 8-19. BOOM HARNESS - MAIN BOOM - 18RS**

ITEM	PART NUMBER	QTY	DESCRIPTION	REV
	1001145918	Ref	BOOM HARNESS - MAIN BOOM - 18RS	D
1	4460473	1	Clamp, Cable	
2	4460865	1	Connector - 19 Position	
2	2820031	AR	Heat Shrink	
2	4460465	11	Socket, Female	
2	4460509	4	Socket, Female	
2	4460466	4	Plug, Sealing	
2	2820118	AR	Insulator, Tubing	
3	4460866	1	Connector - 19 Position	
3	2820031	AR	Heat Shrink	
3	4460464	11	Pin, Female	
3	4460508	4	Pin, Female	
3	2820118	AR	Insulator, Tubing	
3	4460466	4	Plug, Sealing	
4	1001226400	1	Heat Shrink	

# SECTION 8 - ELECTRICAL

## FIGURE 8-20. BOOM HARNESS - MAIN BOOM - 18RSJ



ART\_1001184959

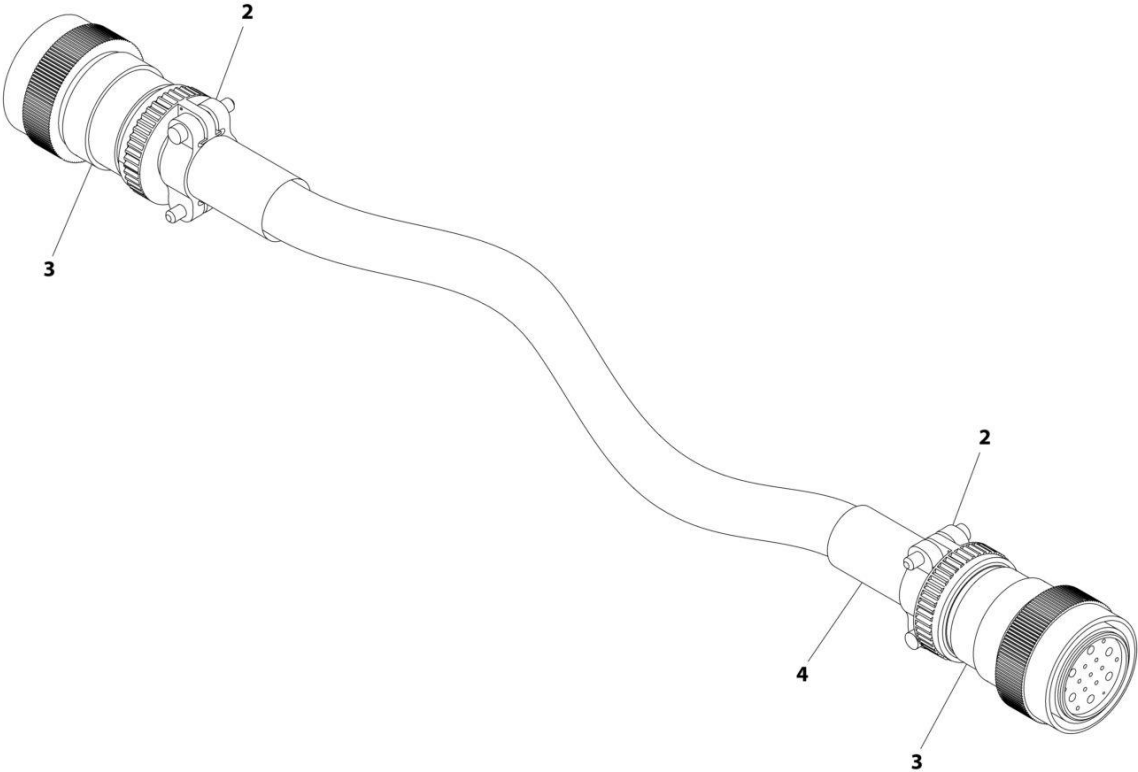
## SECTION 8 - ELECTRICAL

**FIGURE 8-20. BOOM HARNESS - MAIN BOOM - 18RSJ**

ITEM	PART NUMBER	QTY	DESCRIPTION	REV
	1001184959	Ref	BOOM HARNESS - MAIN BOOM - 18RSJ	B
1	4460473	1	Clamp, Cable	
2	4460865	1	Connector - 19 Position	
2	2820031	AR	Heat Shrink	
2	4460465	11	Socket, Female	
2	4460509	4	Socket, Female	
2	4460466	4	Plug, Sealing	
2	2820118	AR	Insulator, Tubing	
3	4460866	1	Connector - 19 Position	
3	2820031	AR	Heat Shrink	
3	4460464	11	Pin, Female	
3	4460508	4	Pin, Female	
3	2820118	AR	Insulator, Tubing	
3	4460466	4	Plug, Sealing	
4	1001226400	1	Heat Shrink	

**SECTION 8 - ELECTRICAL**

**FIGURE 8-21. BOOM HARNESS - TOWER BOOM**



ART\_1001145919



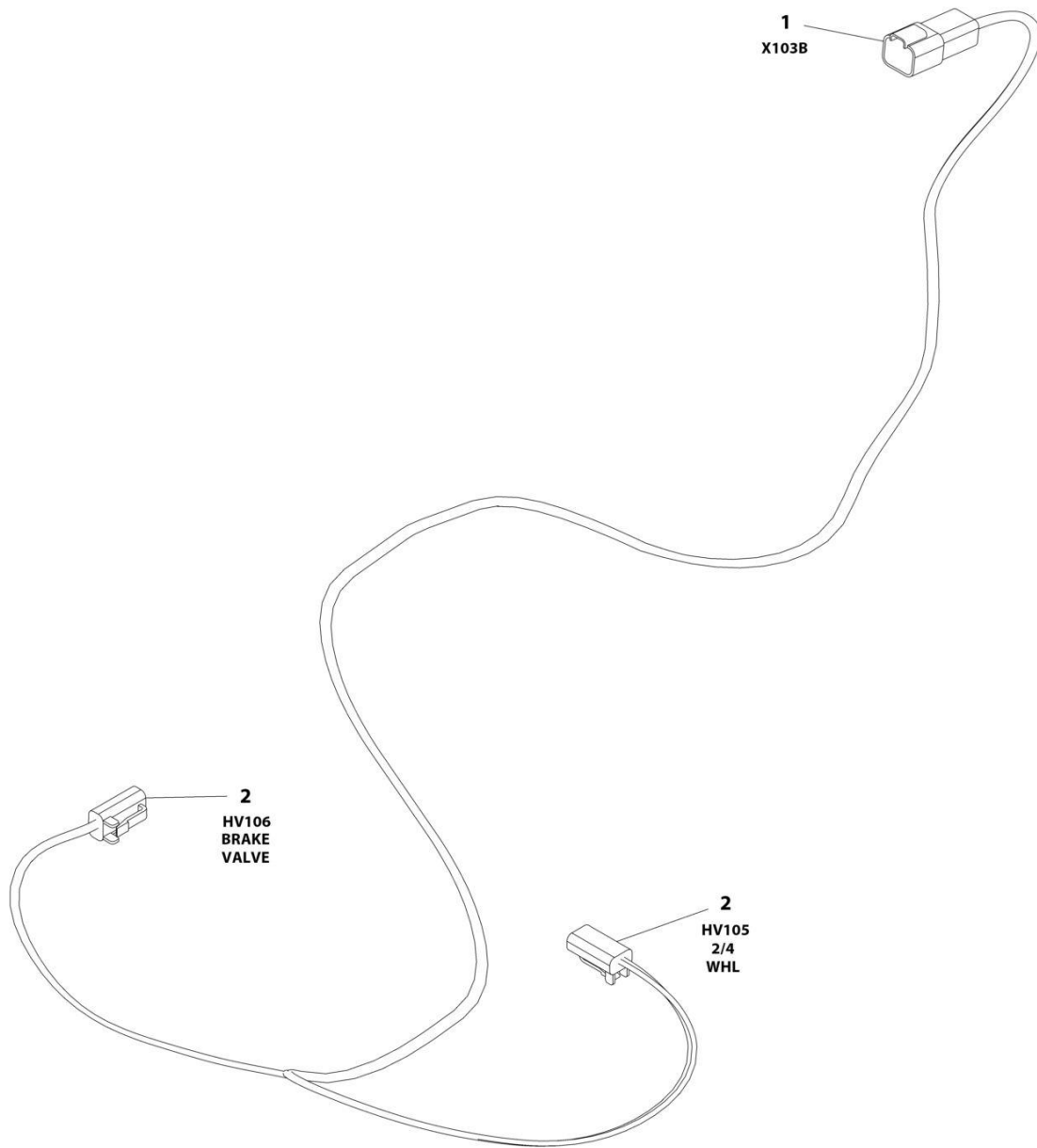
## SECTION 8 - ELECTRICAL

### FIGURE 8-21. BOOM HARNESS - TOWER BOOM

ITEM	PART NUMBER	QTY	DESCRIPTION	REV
	1001145919	Ref	BOOM HARNESS - TOWER BOOM	B
1	2820118	AR	Insulator, Tubing (Not Shown)	
2	4460473	2	Clamp, Cable	
2	2820031	AR	Heat Shrink	
3	4460865	2	Connector - 19 Position	
3	4460465	22	Socket, Female	
3	4460509	8	Socket, Female	
3	4460466	8	Plug, Sealing	
4	1001226400	1	Heat Shrink	

# SECTION 8 - ELECTRICAL

## FIGURE 8-22. CHASSIS HARNESS



ART\_1001145874

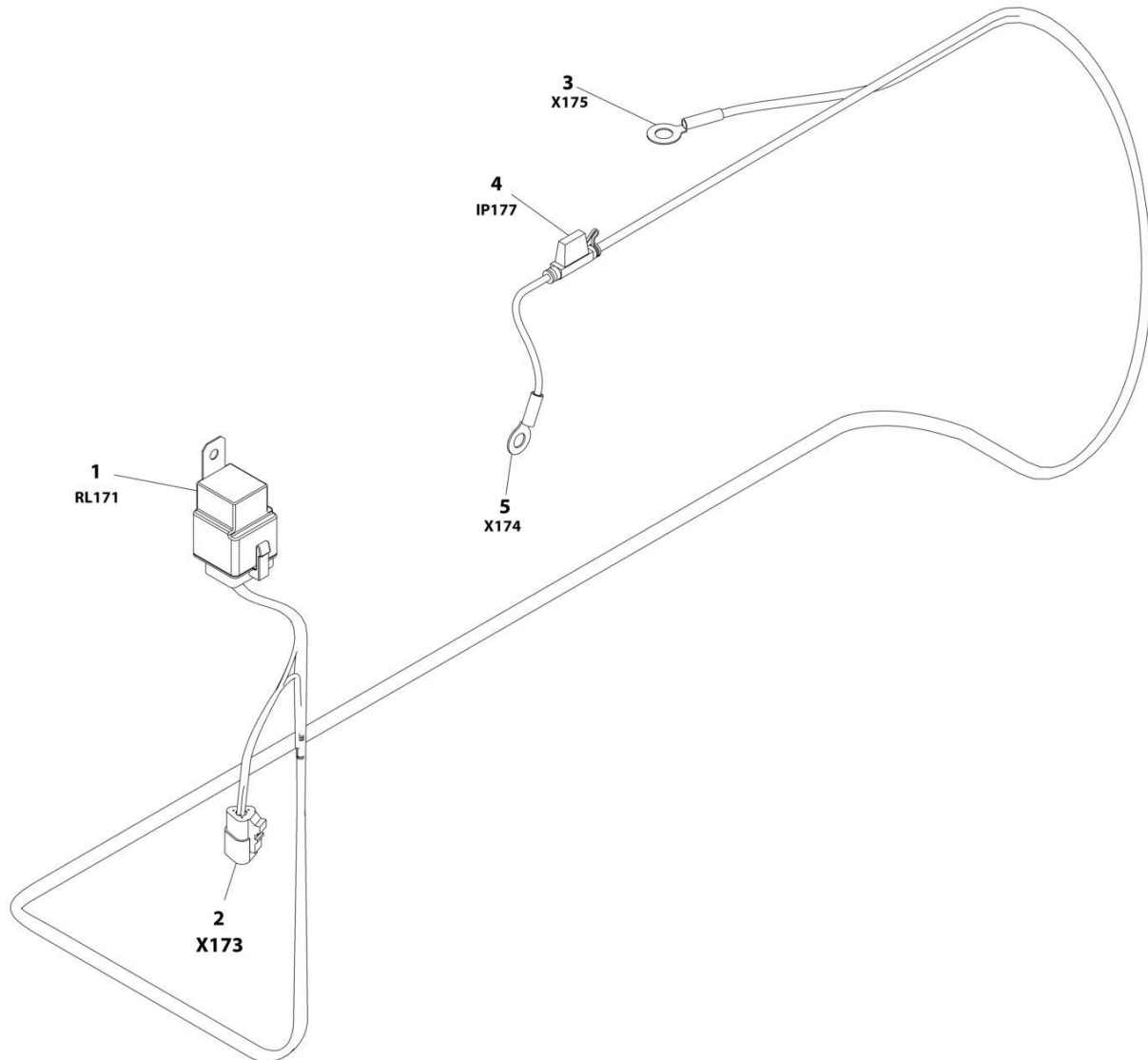
## SECTION 8 - ELECTRICAL

### FIGURE 8-22. CHASSIS HARNESS

ITEM	PART NUMBER	QTY	DESCRIPTION	REV
	1001145874	Ref	CHASSIS HARNESS	A
1	4460932	1	Receptacle, Female - 4 Position	
1	4460464	4	Pin, Male	
2	4460891	2	Plug, Male - 2 Position	
2	4460465	4	Socket, Female	

# SECTION 8 - ELECTRICAL

## FIGURE 8-23. EMR2 POWER HARNESS



ART\_1001159284

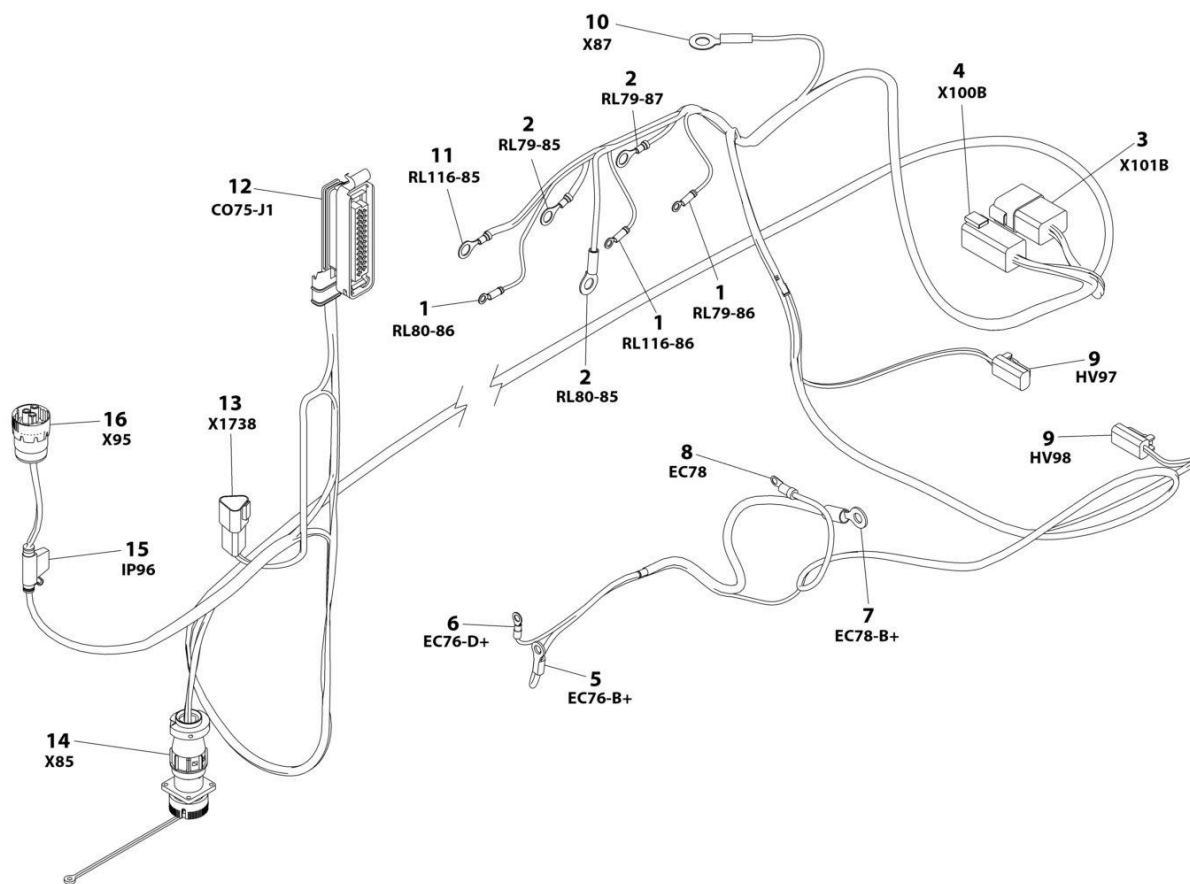
## SECTION 8 - ELECTRICAL

### FIGURE 8-23. EMR2 POWER HARNESS

ITEM	PART NUMBER	QTY	DESCRIPTION	REV
	1001159284	Ref	EMR2 POWER HARNESS	A
1	1001118282	1	Relay	
1	1001116734	1	Terminal	
1	1001116732	3	Terminal	
1	1001128128	1	Terminal	
2	4460539	1	Plug, Male - 3 Position	
2	4460465	3	Socket, Female	
3	1001117110	1	Ring Terminal	
4	2400066	1	Fuseholder	
4	2400064	1	Fuse - 5Amp	
5	8220045	1	Ring Terminal	

# SECTION 8 - ELECTRICAL

## FIGURE 8-24. ENGINE HARNESS



ART\_1001132556

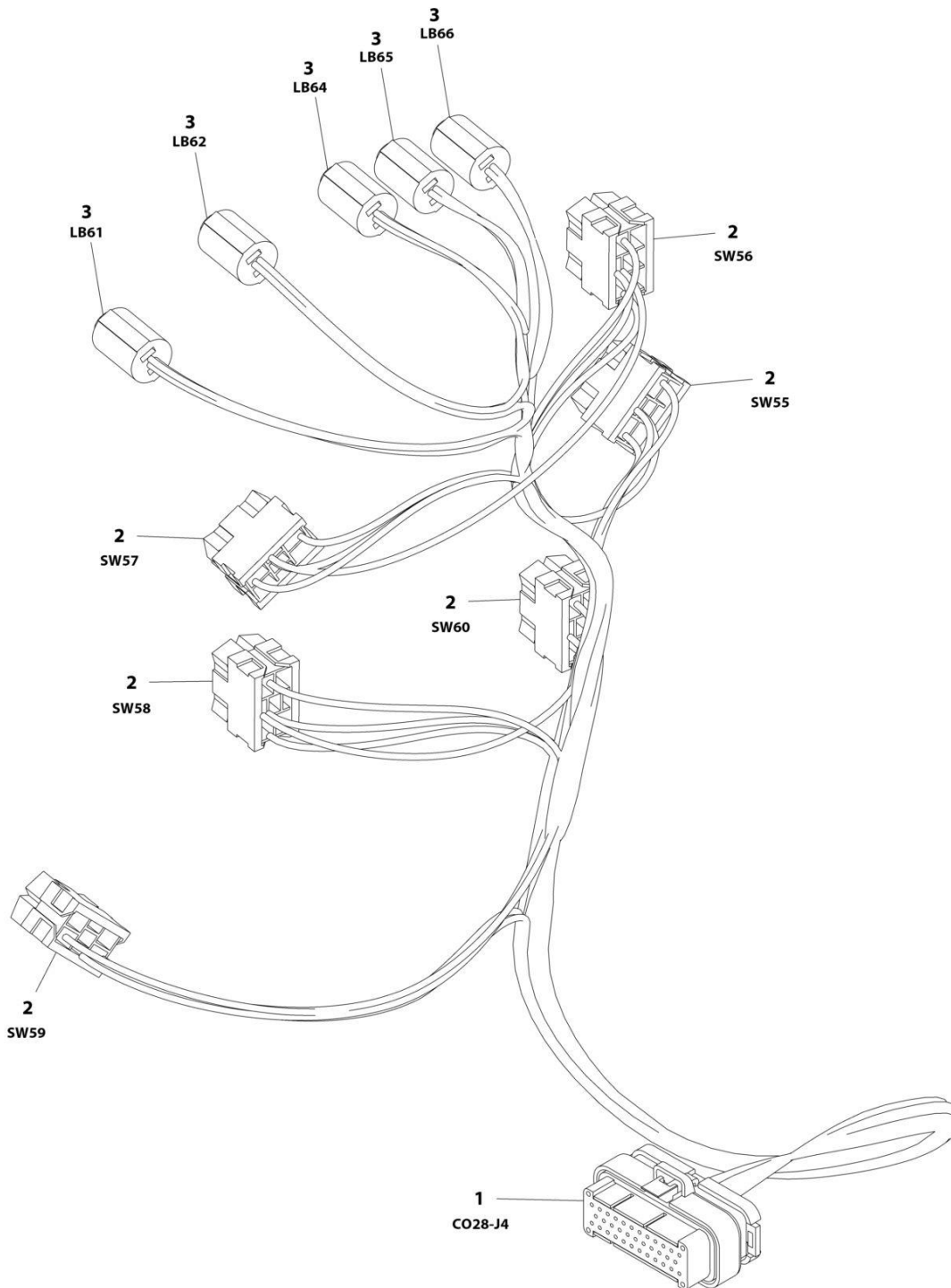
## SECTION 8 - ELECTRICAL

### FIGURE 8-24. ENGINE HARNESS

ITEM	PART NUMBER	QTY	DESCRIPTION	REV
	1001132556	Ref	ENGINE HARNESS	F
1	4460247	3	Terminal	
2	8220045	3	Terminal	
3	4460931	1	Receptacle, Female - 8 Position (Gray)	
3	4460464	8	Pin, Male	
4	4460899	1	Receptacle, Male - 6 Position (Gray)	
4	4460464	4	Pin, Male	
4	4460943	2	Pin, Male (Gold)	
5	4460043	1	Terminal	
6	4460313	1	Terminal	
7	1001117107	1	Terminal	
8	4460142	1	Terminal	
9	4460891	2	Plug, Male - 2 Position	
9	4460465	4	Socket, Female	
10	1001117110	1	Terminal	
11	4460670	1	Terminal	
12	4461052	1	Connector, Receptacle - 25 Position (Deutz Engine Only)	
12	4461005	2	Terminal (Gold) (Deutz Engine Only)	
12	4461006	AR	Seal, Terminal (Deutz Engine Only)	
12	4461060	5	Terminal (Tin) (Deutz Engine Only)	
12	4461054	AR	Seal, Terminal (Deutz Engine Only)	
12	4461053	1	Cover, Plug (Deutz Engine Only)	
12	4461008	AR	Plug, Hole (Deutz Engine Only)	
13	4460536	1	Receptacle, Female - 3 Position (Triangular)	
13	4460943	3	Pin, Male (Gold)	
14	2902443	1	Receptacle Kit (Deutz Engine Only)	
14	4461071	8	Socket, Female (Gold)	
14	4461072	1	Receptacle 8 Position with Mounting Flange	
14	4461073	1	Cap, Dust	
14	4461074	1	Shell	
15	2400060	1	Fuseholder	
15	2400064	1	Fuse - 5Amp	
16	4460967	1	Plug, Male - 3 Position	
16	4460465	3	Socket, Female	

# SECTION 8 - ELECTRICAL

## FIGURE 8-25. GROUND CONTROL PANEL HARNESS - 18RS



ART\_1001135506



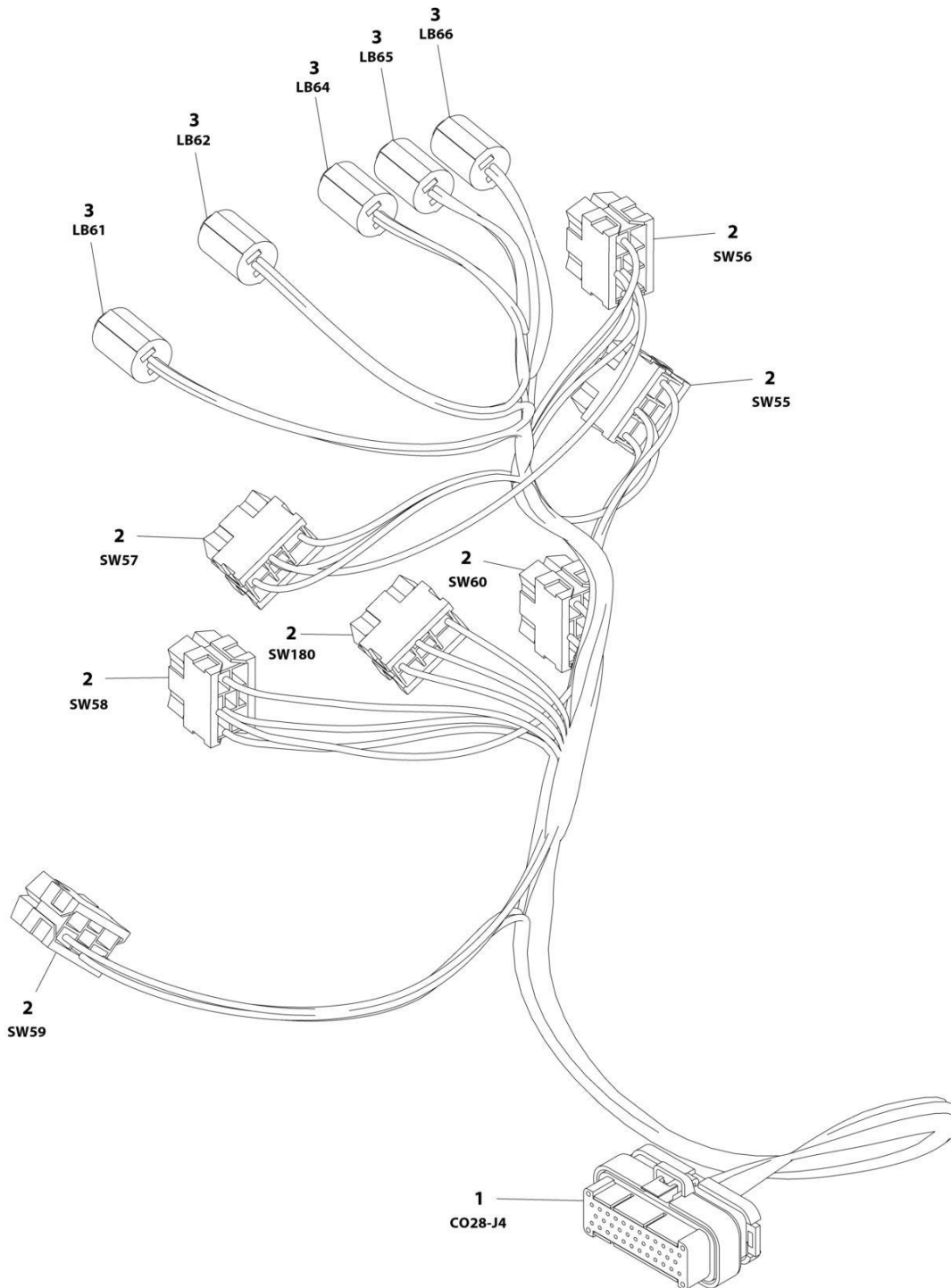
## SECTION 8 - ELECTRICAL

### FIGURE 8-25. GROUND CONTROL PANEL HARNESS - 18RS

ITEM	PART NUMBER	QTY	DESCRIPTION	REV
	1001135506	Ref	GROUND CONTROL PANEL HARNESS - 18RS	A
1	4460876	1	Connector - 35 Position (Blue)	
1	4460871	19	Socket, Female	
1	4460905	16	Seal, Plug	
2	4460418	6	Connector, Female - 6 Position	
2	4460419	23	Socket, Female	
3	4120035	5	Base, Light	
3	4460634	6	Terminal (16 Gauge)	
3	4460635	8	Terminal (12 Gauge)	

# SECTION 8 - ELECTRICAL

## FIGURE 8-26. GROUND CONTROL PANEL HARNESS - 18RSJ



ART\_1001203478

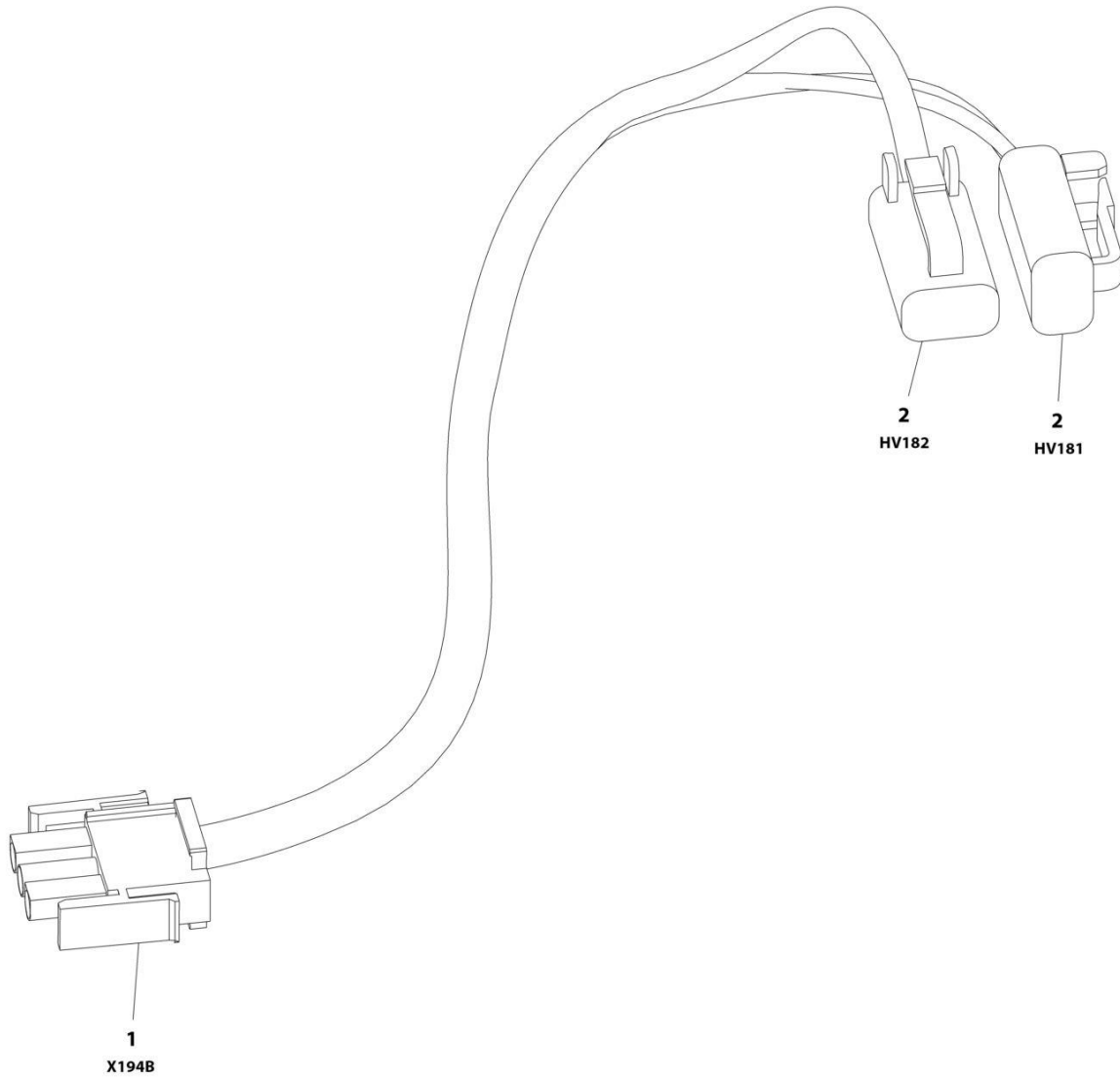
## SECTION 8 - ELECTRICAL

### FIGURE 8-26. GROUND CONTROL PANEL HARNESS - 18RSJ

ITEM	PART NUMBER	QTY	DESCRIPTION	REV
	1001203478	Ref	GROUND CONTROL PANEL HARNESS - 18RSJ	A
1	4460876	1	Connector - 35 Position (Blue)	
1	4460871	19	Socket, Female	
1	4460905	16	Seal, Plug	
2	4460418	7	Connector, Female - 6 Position	
2	4460419	28	Socket, Female	
3	4120035	5	Base, Light	
3	4460634	6	Terminal (16 Gauge)	
3	4460635	8	Terminal (12 Gauge)	

# SECTION 8 - ELECTRICAL

## FIGURE 8-27. JIB HARNESS



ART\_1001185833

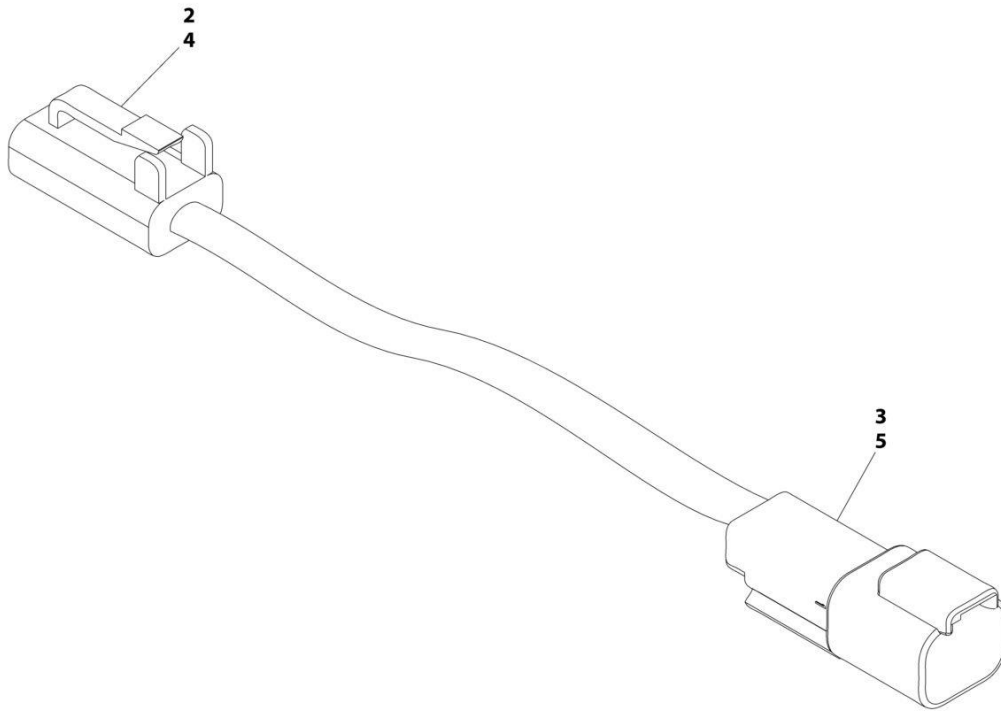
## SECTION 8 - ELECTRICAL

### FIGURE 8-27. JIB HARNESS

ITEM	PART NUMBER	QTY	DESCRIPTION	REV
	1001185833	Ref	JIB HARNESS	A
1	4460326	1	Plug, Male - 3 Position	
1	4460267	3	Terminal	
2	4460891	2	Plug, Male - 2 Position	
2	4460465	4	Socket, Female	

# SECTION 8 - ELECTRICAL

## FIGURE 8-28. LIFT DOWN HARNESS



ART\_1001138511

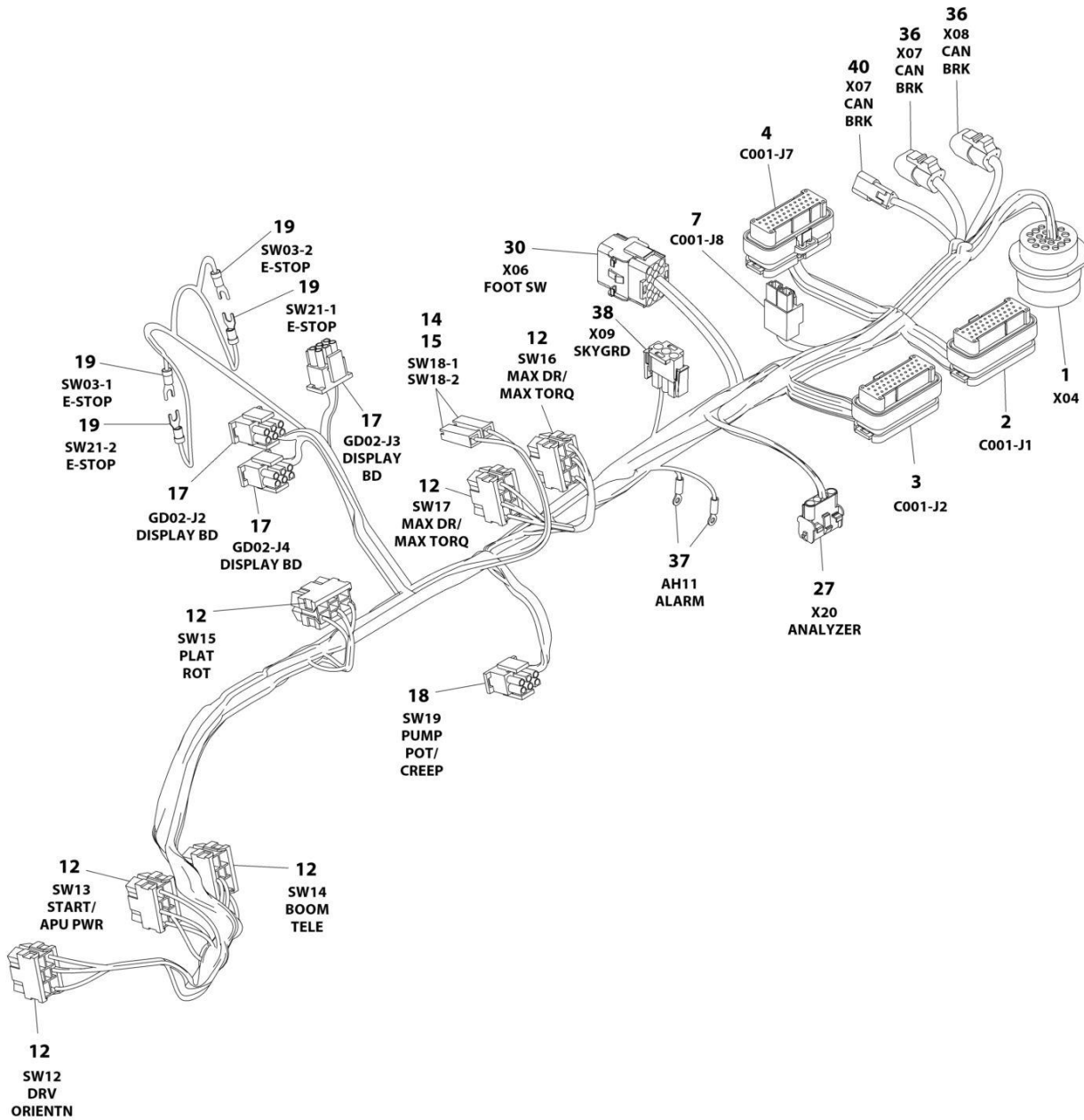
## SECTION 8 - ELECTRICAL

### FIGURE 8-28. LIFT DOWN HARNESS

ITEM	PART NUMBER	QTY	DESCRIPTION	REV
	1001138511	Ref	LIFT DOWN HARNESS	A
2	4460891	1	Plug, Male - 2 Position (Gray)	
3	4460897	1	Receptacle, Female - 2 Position	
4	4460465	2	Socket, Female	
5	4460464	2	Pin, Male	

# SECTION 8 - ELECTRICAL

FIGURE 8-29. PLATFORM BOX HARNESS - 18RS (Prior to SN B300001836)



ART\_1001133752



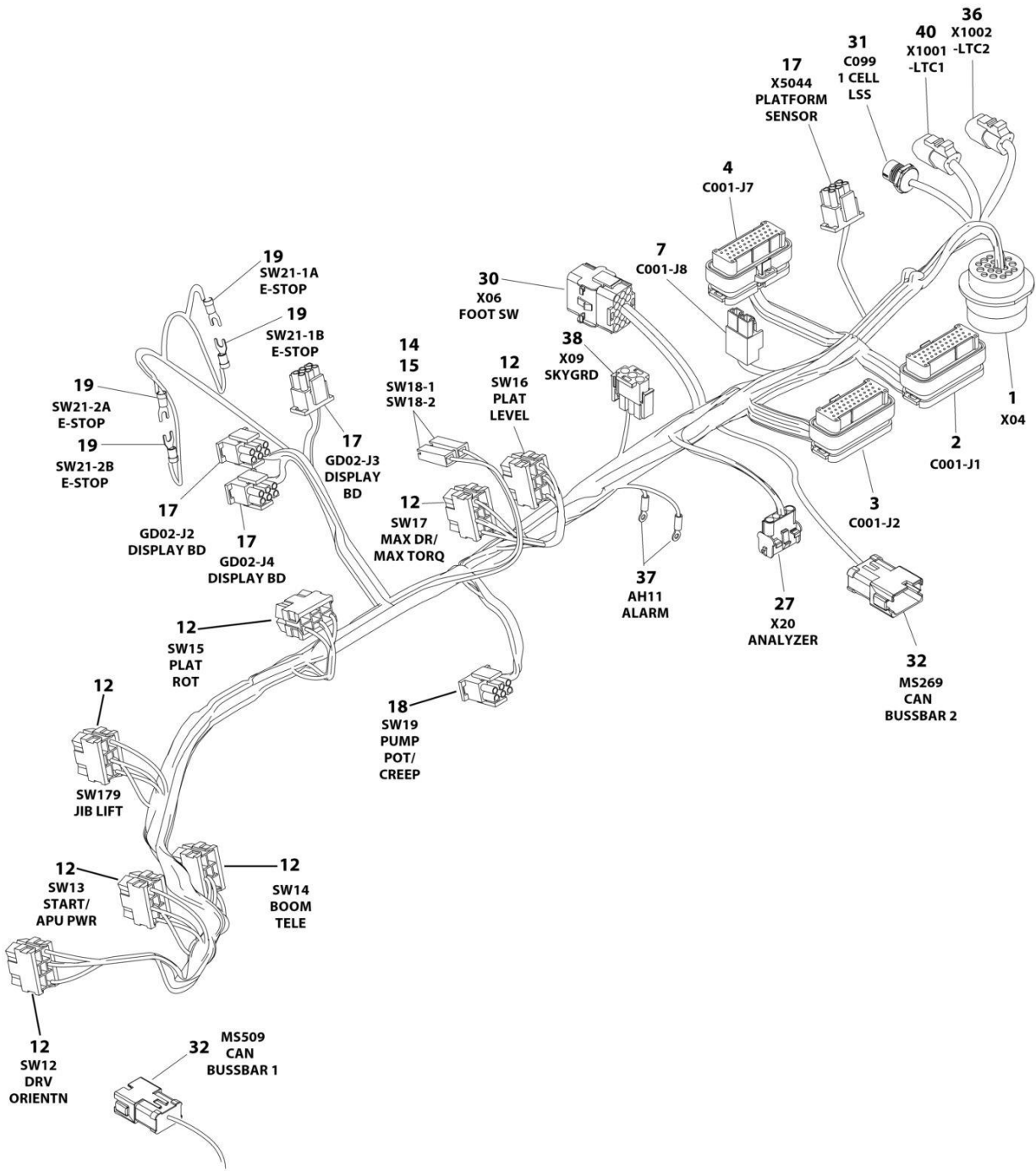
## SECTION 8 - ELECTRICAL

**FIGURE 8-29. PLATFORM BOX HARNESS - 18RS (Prior to SN B300001836)**

ITEM	PART NUMBER	QTY	DESCRIPTION	REV
	1001133752	Ref	PLATFORM BOX HARNESS - 18RS (Prior to SN B300001836)	E
1	4460866	1	Connector - 19 Position	
1	4460464	5	Pin, Male 16 Ga	
1	4460508	2	Pin, Male 12 Ga	
1	4460943	3	Pin, Male 16 Ga (Gold)	
1	4460466	9	Plug, Sealing	
2	4460874	1	Connector - 35 Position (Natural)	
2	4460871	17	Socket, Female	
3	4460875	1	Connector - 35 Position (Gray)	
3	4460871	14	Socket, Female	
4	4460873	1	Connector - 35 Position (Black)	
4	4460871	16	Socket, Female	
7	4460879	1	Connector, Male - 2 Position	
7	4460887	2	Terminal	
12	4460418	6	Connector, Female - 6 Position	
12	4460419	17	Socket, Female	
14	4460260	2	Ring Terminal	
15	4460259	2	Ring Terminal	
17	4460225	3	Plug, Male - 6 Position	
17	4460226	9	Socket, Female	
18	4460225	1	Plug, Male - 6 Position	
18	4460227	5	Pin, Male	
19	4460888	4	Fork Terminal	
27	4460761	1	Plug, Male - 4 Position	
27	4460227	4	Pin, Male	
30	4460434	1	Plug, Male - 15 Position	
30	4460227	6	Pin, Male	
36	4460539	2	Plug, Male - 3 Position (Triangular)	
36	4460944	6	Socket, Female (Gold)	
37	4460247	2	Ring Terminal	
38	4460326	1	Plug, Male - 3 Position (To SkyGuard Option)	
38	4460227	3	Pin, Male	
40	4460536	1	Receptacle, Female - 3 Position (Triangular)	
40	4460943	3	Pin, Male (Gold)	

# SECTION 8 - ELECTRICAL

## FIGURE 8-30. PLATFORM BOX HARNESS - 18RS (SN B30001836 to Present)



ART\_1001217358

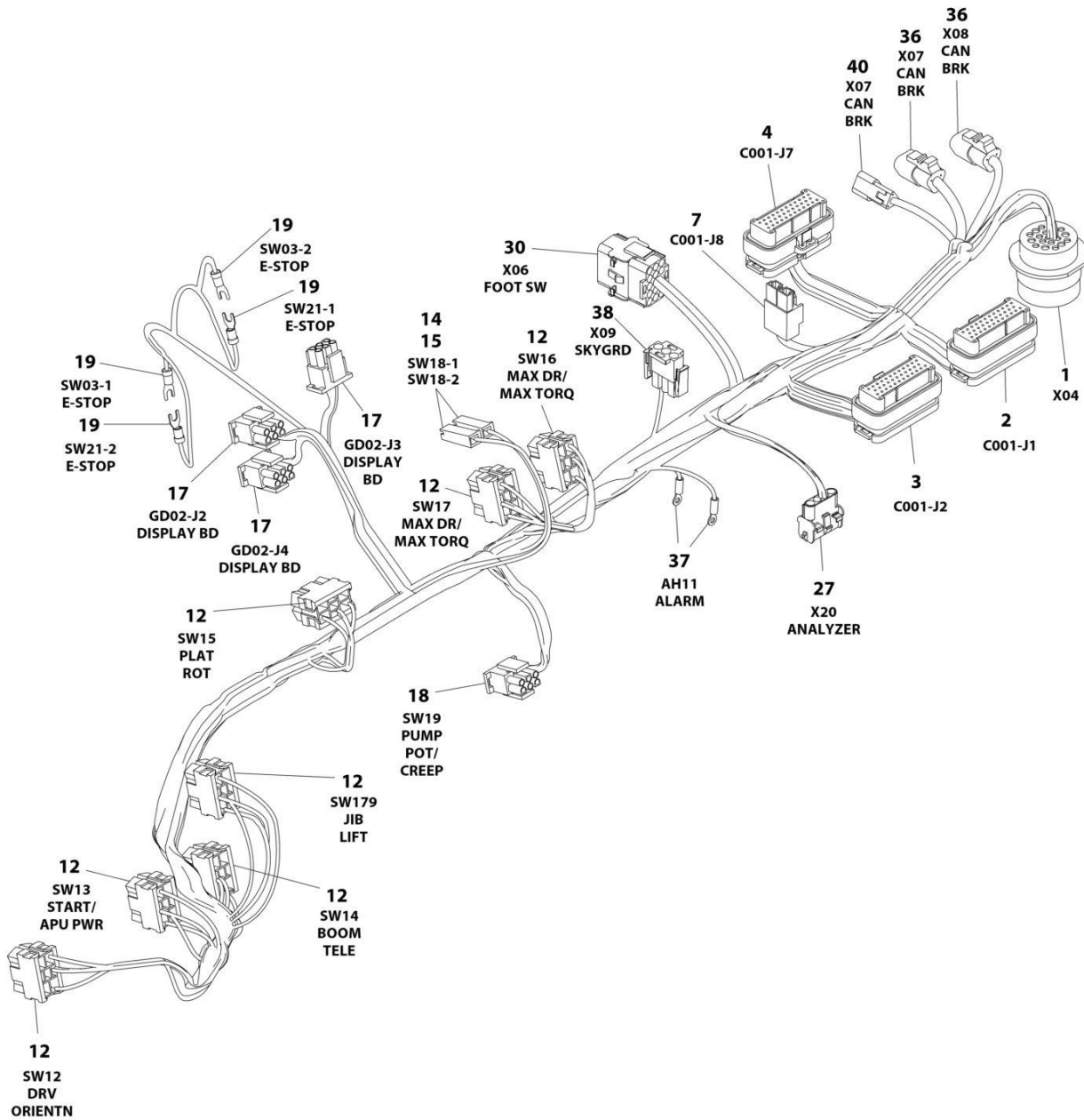
## SECTION 8 - ELECTRICAL

**FIGURE 8-30. PLATFORM BOX HARNESS - 18RS (SN B300001836 to Present)**

ITEM	PART NUMBER	QTY	DESCRIPTION	REV
	1001217358	Ref	PLATFORM BOX HARNESS - 18RS (SN B300001836 to Present)	A
1	4460866	1	Connector - 19 Position	
1	4460464	5	Pin, Male 16 Ga	
1	4460508	2	Pin, Male 12 Ga	
1	4460943	3	Pin, Male 16 Ga (Gold)	
1	4460466	9	Plug, Sealing	
2	4460874	1	Connector - 35 Position (Natural)	
2	4460871	20	Socket, Female	
3	4460875	1	Connector - 35 Position (Gray)	
3	4460871	16	Socket, Female	
4	4460873	1	Connector - 35 Position (Black)	
4	4460871	16	Socket, Female	
7	4460879	1	Connector, Male - 2 Position	
7	4460887	2	Terminal	
12	4460418	7	Connector, Female - 6 Position	
12	4460419	21	Socket, Female	
14	4460260	4	Ring Terminal	
15	4460259	4	Ring Terminal	
17	4460225	4	Plug, Male - 6 Position	
17	4460226	14	Socket, Female	
18	4460225	18	Plug, Male - 6 Position	
18	4460227	5	Pin, Male	
19	4460888	4	Fork Terminal	
27	4460761	1	Plug, Male - 4 Position	
27	4460227	18	Pin, Male	
30	4460434	1	Plug, Male - 15 Position	
31	1001213447	1	Connector, Female - 5 Position	
32	1001119020	2	Connector, Buss Bar	
36	4460539	1	Plug, Male - 3 Position (Triangular)	
36	4460944	20	Socket, Female (Gold)	
37	4460247	2	Ring, Terminal	
40	4460536	1	Receptacle, Female - 3 Position (Triangular)	
40	4460943	6	Pin, Male (Gold)	
41	2820019	AR	Tubing, Heat Shrink (Not Shown)	

# SECTION 8 - ELECTRICAL

## FIGURE 8-31. PLATFORM BOX HARNESS - 18RSJ



ART\_1001203482

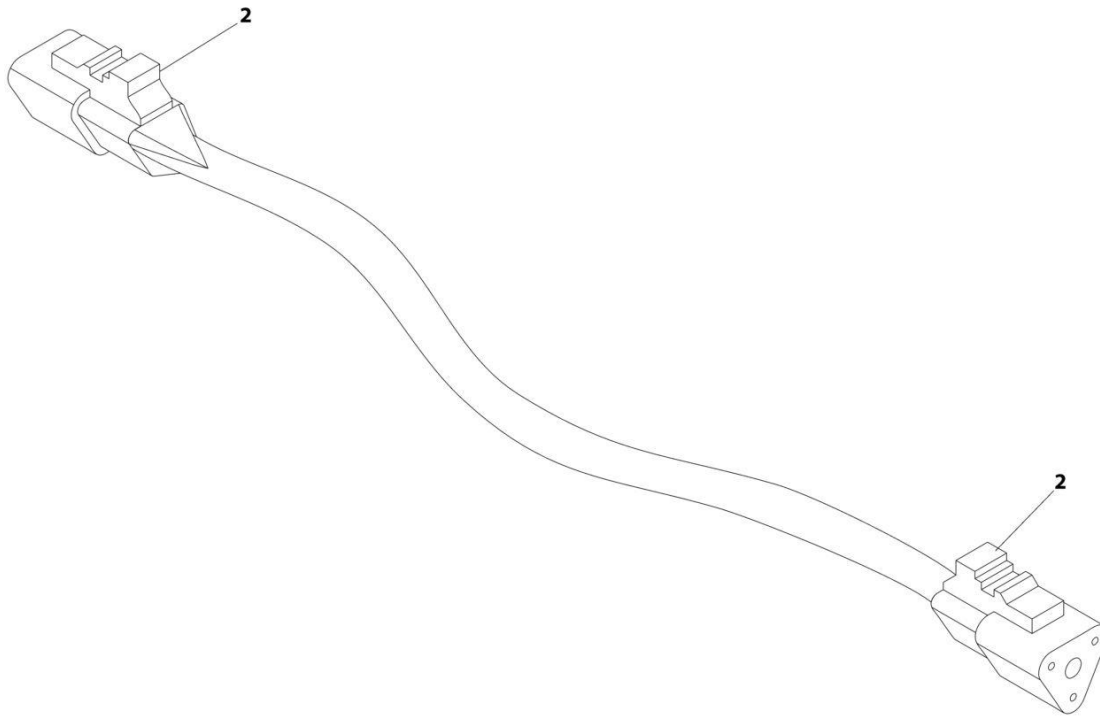
## SECTION 8 - ELECTRICAL

### FIGURE 8-31. PLATFORM BOX HARNESS - 18RSJ

ITEM	PART NUMBER	QTY	DESCRIPTION	REV
	1001203482	Ref	PLATFORM BOX HARNESS - 18RSJ	E
1	4460866	1	Connector - 19 Position	
1	4460464	5	Pin, Male 16 Ga	
1	4460508	2	Pin, Male 12 Ga	
1	4460943	3	Pin, Male 16 Ga (Gold)	
1	4460466	9	Plug, Sealing	
2	4460874	1	Connector - 35 Position (Natural)	
2	4460871	17	Socket, Female	
3	4460875	1	Connector - 35 Position (Gray)	
3	4460871	14	Socket, Female	
4	4460873	1	Connector - 35 Position (Black)	
4	4460871	16	Socket, Female	
7	4460879	1	Connector, Male - 2 Position	
7	4460887	2	Terminal	
12	4460418	7	Connector, Female - 6 Position	
12	4460419	20	Socket, Female	
14	4460260	2	Ring, Terminal	
15	4460259	2	Ring, Terminal	
17	4460225	3	Plug, Male - 6 Position	
17	4460226	11	Socket, Female	
18	4460225	1	Plug, Male - 6 Position	
18	4460227	5	Pin, Male	
19	4460888	4	Fork Terminal	
27	4460761	1	Plug, Male - 4 Position	
27	4460227	4	Pin, Male	
30	4460434	1	Plug, Male - 15 Position	
30	4460227	6	Pin, Male	
36	4460539	2	Plug, Male - 3 Position (Triangular)	
36	4460944	6	Socket, Female (Gold)	
37	4460247	2	Ring, Terminal	
38	4460326	1	Plug, Male - 3 Position (To SkyGuard Option)	
38	4460227	3	Pin, Male	
40	4460536	1	Receptacle, Female - 3 Position (Triangular)	
40	4460943	3	Pin, Male (Gold)	

# SECTION 8 - ELECTRICAL

## FIGURE 8-32. PROXIMITY SENSOR HARNESS



ART\_1001151521

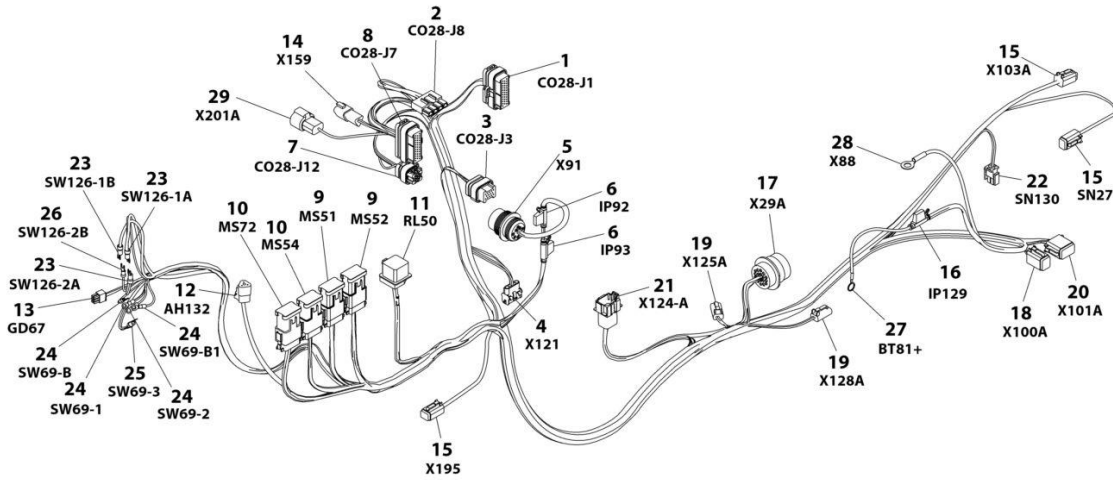
## SECTION 8 - ELECTRICAL

### FIGURE 8-32. PROXIMITY SENSOR HARNESS

ITEM	PART NUMBER	QTY	DESCRIPTION	REV
	1001151521	Ref	PROXIMITY SENSOR HARNESS	B
2	4460539	2	Receptacle, Female - 3 Position	
2	4460465	6	Socket, Female	

# SECTION 8 - ELECTRICAL

## FIGURE 8-33. TURNTABLE HARNESS



ART\_1001132511



## SECTION 8 - ELECTRICAL

### FIGURE 8-33. TURNTABLE HARNESS

ITEM	PART NUMBER	QTY	DESCRIPTION	REV
	1001132511	Ref	TURNTABLE HARNESS	H
1	4460874	1	Connector - 35 Position (Natural)	
1	4460871	15	Socket, Female	
1	4460905	20	Plug, Seal	
2	4460878	1	Housing, Terminal - 4 Position	
2	4460887	4	Terminal	
3	4460872	1	Connector, Male - 14 Position (Black)	
3	4460871	4	Socket, Female	
3	4460905	10	Seal, Plug	
4	4460761	1	Plug, Male - 4 Position	
4	4460267	4	Pin, Male	
5	1001112612	1	Connector - 9 Position (Includes Nut and Lockwasher)	
5	4460496	1	Locknut, Terminal	
5	4460497	1	Nut, Terminal	
5	4460944	3	Socket, Female (Gold)	
5	4460465	3	Socket, Female	
5	4460466	3	Seal, Plug	
5	1001106736	1	Cap, Dust	
6	2400066	2	Fuseholder	
6	260305	2	Fuse 5Amp	
7	1001113961	1	Connector - 8 Position (Black)	
7	4460871	5	Socket, Female	
7	4460905	3	Seal, Plug	
8	4460873	1	Connector - 35 Position (Black)	
8	4460871	21	Socket, Female	
8	4460905	14	Seal, Plug	
9	4460836	2	Plug, Male - 12 Position (Black)	
9	4460837	2	Connector, Bussbar - 12 Position (Black)	
9	1001121172	2	Bracket, Terminal Mounting	
9	4460465	3	Socket, Female	
9	4460942	7	Socket, Female	
9	4460466	13	Seal, Plug	
10	4460933	2	Plug, Male - 12 Position (Gray)	
10	1001119020	2	Connector, Bussbar - 12 Position (Gray)	
10	1001121172	2	Bracket, Terminal Mounting	
10	4460465	9	Socket, Female	
10	4460944	8	Socket, Female	
10	4460466	7	Seal, Plug	
11	1001117057	1	Plug, Male - 5 Position	
11	1001116734	2	Terminal	
11	1001116733	2	Terminal	
11	1001116728	1	Terminal	
11	70020199	2	Diode - 6Amp	
12	4460539	1	Plug, Male - 3 Position (Triangular)	
12	4460465	3	Socket, Female	
13	4460868	1	Plug, Male - 6 Position	
13	4460877	4	Socket, Female	
14	4460536	1	Receptacle, Female - 3 Position (Triangular)	
14	4460464	3	Pin, Male	
15	4460884	3	Plug, Male - 4 Position	

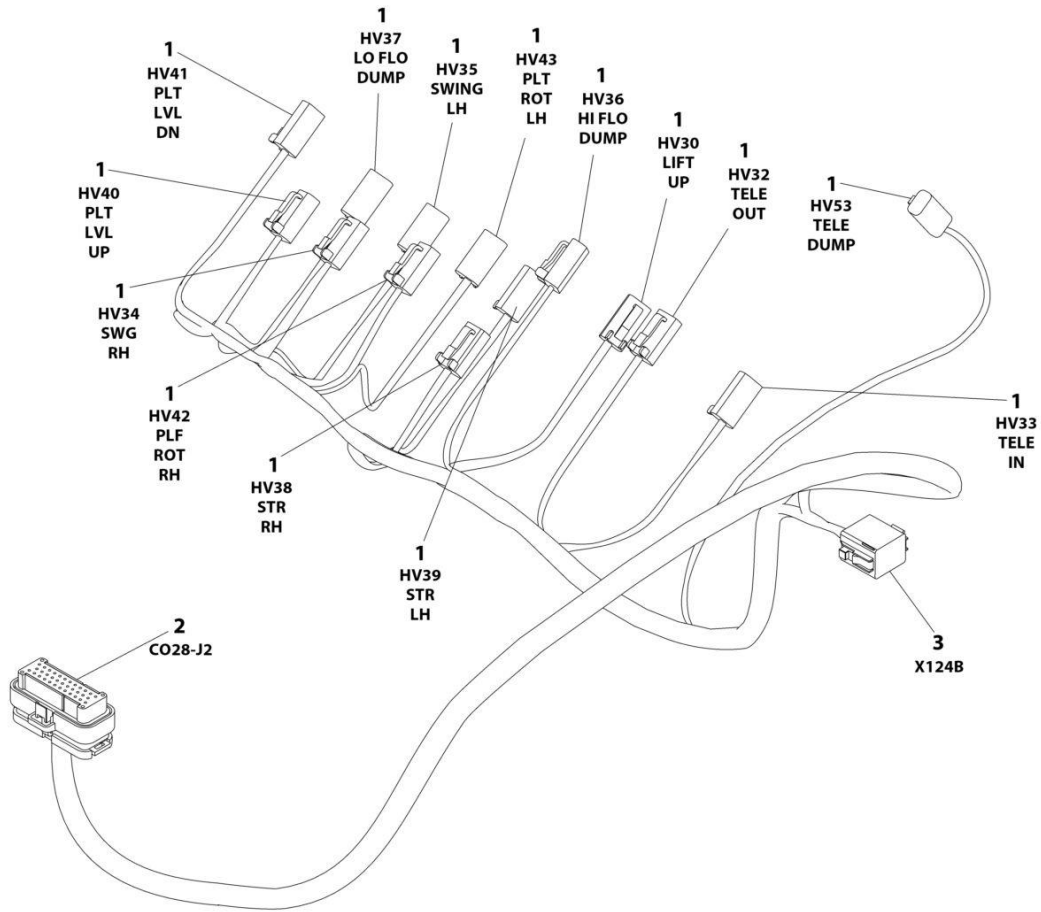
## SECTION 8 - ELECTRICAL

ITEM	PART NUMBER	QTY	DESCRIPTION	REV
15	4460465	10	Socket, Female	
15	4460466	2	Seal, Plug	
16	2400066	1	Fuseholder	
16	2400065	1	Fuse, 30Amp	
17	4460866	1	Connector - 19 Position	
17	4460464	9	Pin, Male 16 Ga	
17	4460508	2	Pin, Male 12 Ga	
17	4460466	8	Plug, Sealing	
18	4460894	1	Plug, Male - 6 Position	
18	4460465	6	Socket, Female	
19	4460891	2	Plug, Male - 2 Position	
19	4460465	4	Socket, Female	
20	4460930	1	Plug, Male - 8 Position (Gray)	
20	4460465	8	Socket, Female	
21	1001116813	1	Receptacle, Female - 8 Position (Black)	
21	4460464	7	Pin, Male	
21	4460466	1	Plug, Sealing	
22	4460320	1	Receptacle, Female - 2 Position	
22	4460226	2	Pin, Male	
23	4460806	3	Terminal	
24	4460313	4	Terminal	
25	4460042	1	Terminal	
26	4460183	1	Terminal	
27	4460019	1	Terminal	
28	1001117110	1	Terminal	
29	4460897	1	Receptacle, Female - 2 Position	
29	4460464	2	Pin, Male	
29	4460891	1	Plug, Male - 2 Position	



# SECTION 8 - ELECTRICAL

## FIGURE 8-34. VALVE HARNESS - 18RS



ART\_1001134067

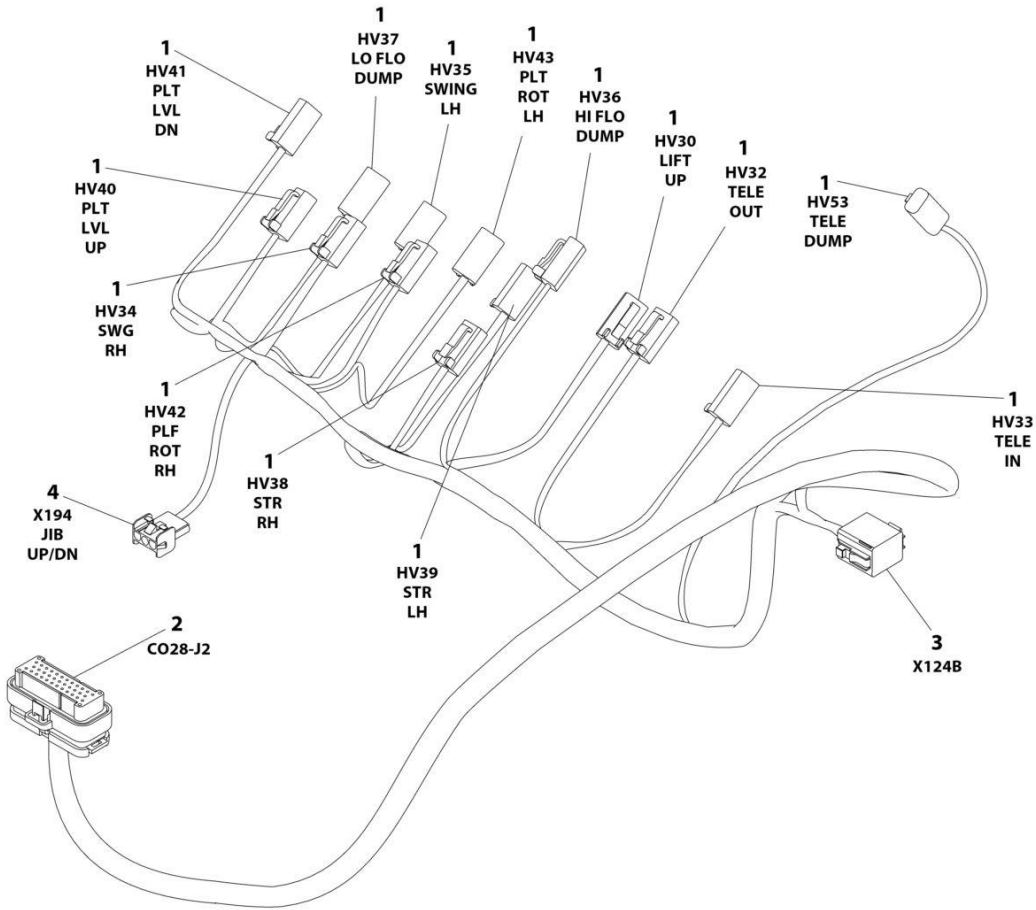
## SECTION 8 - ELECTRICAL

### FIGURE 8-34. VALVE HARNESS - 18RS

ITEM	PART NUMBER	QTY	DESCRIPTION	REV
	1001134067	Ref	VALVE HARNESS - 18RS	C
1	4460891	14	Plug, Male - 2 Position	
1	4460465	28	Socket, Female	
2	4460875	1	Connector - 35 Position (Gray)	
2	4460871	22	Socket, Female	
2	4460905	13	Seal, Plug	
3	4460851	1	Plug, Male - 8 Position (Black)	
3	4460465	7	Socket, Female	
3	4460466	1	Seal, Plug	

# SECTION 8 - ELECTRICAL

## FIGURE 8-35. VALVE HARNESS - 18RSJ



ART\_1001203479

## SECTION 8 - ELECTRICAL

### FIGURE 8-35. VALVE HARNESS - 18RSJ

ITEM	PART NUMBER	QTY	DESCRIPTION	REV
	1001203479	Ref	VALVE HARNESS - 18RSJ	A
1	4460891	14	Plug, Male - 2 Position	
1	4460465	28	Socket, Female	
2	4460875	1	Connector - 35 Position (Gray)	
2	4460871	22	Socket, Female	
2	4460905	13	Seal, Plug	
3	4460851	1	Plug, Male - 8 Position (Black)	
3	4460465	7	Socket, Female	
3	4460466	1	Seal, Plug	
4	4460445	1	Receptacle, Female - 3 Position	
4	4460268	3	Terminal	

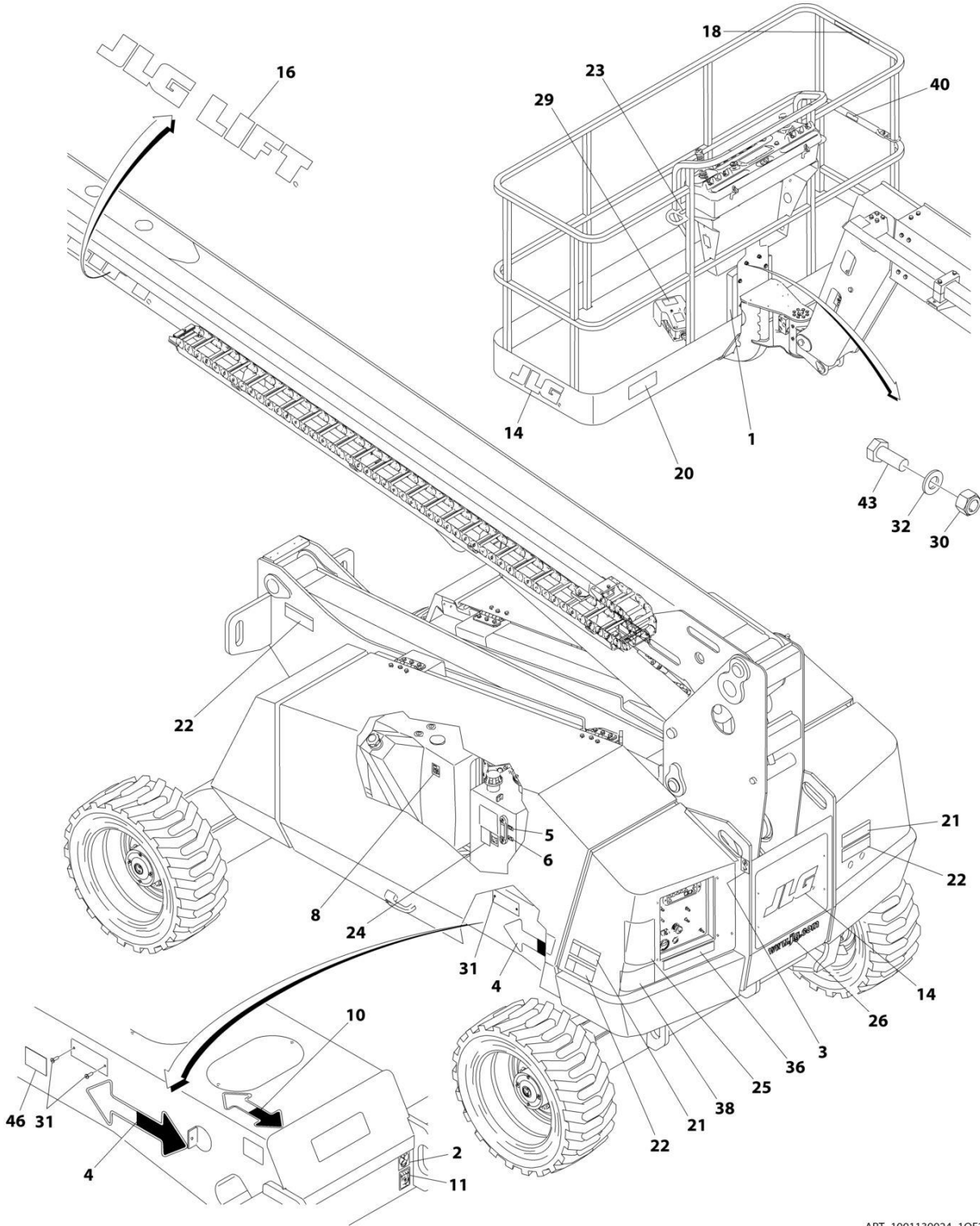




**SECTION 9 - DECALS**

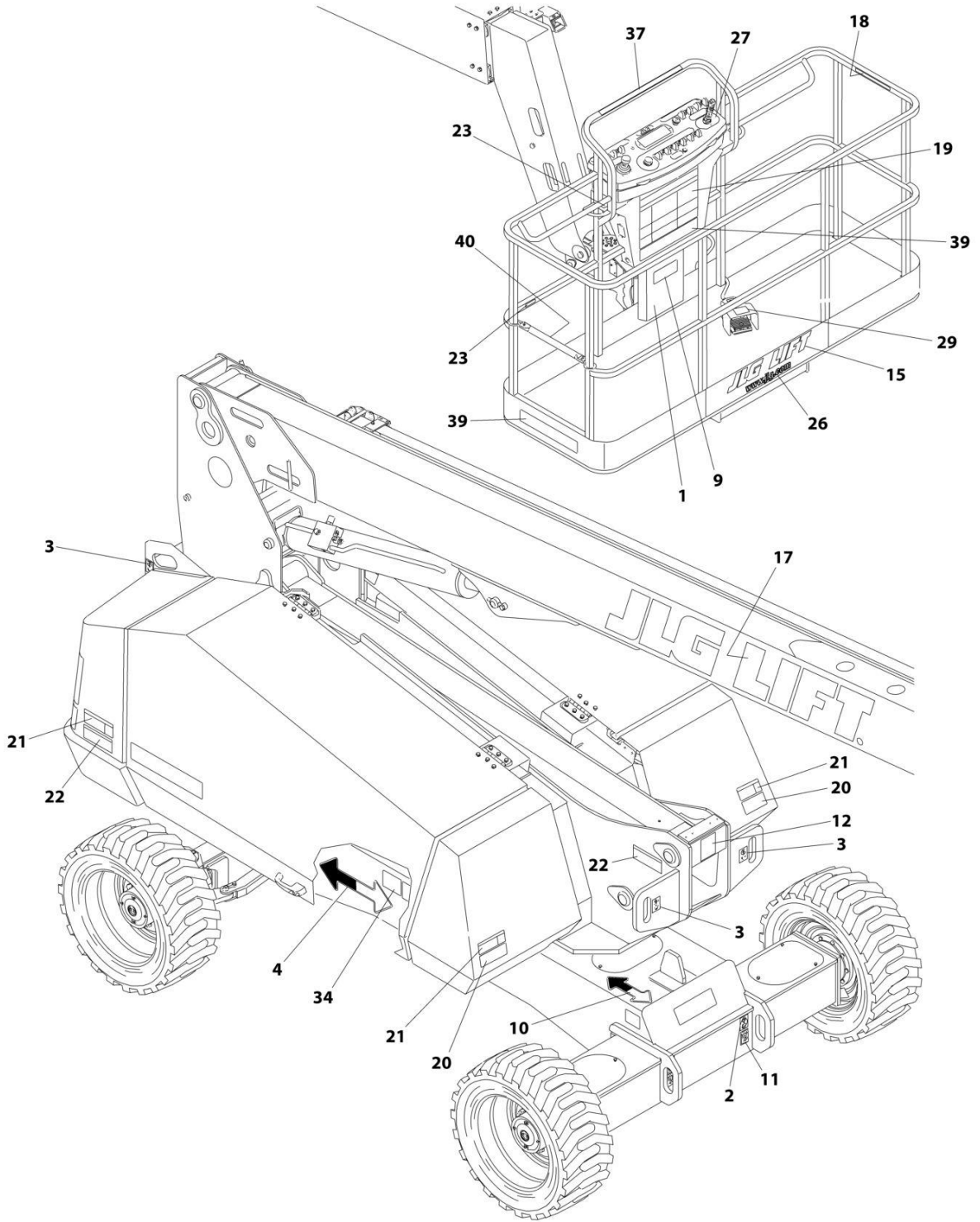
# SECTION 9 - DECALS

## FIGURE 9-1. DECAL INSTALLATION - ANSI SPEC



ART\_1001139024\_10F2

# SECTION 9 - DECALS



ART\_1001139024\_2OF2

## SECTION 9 - DECALS

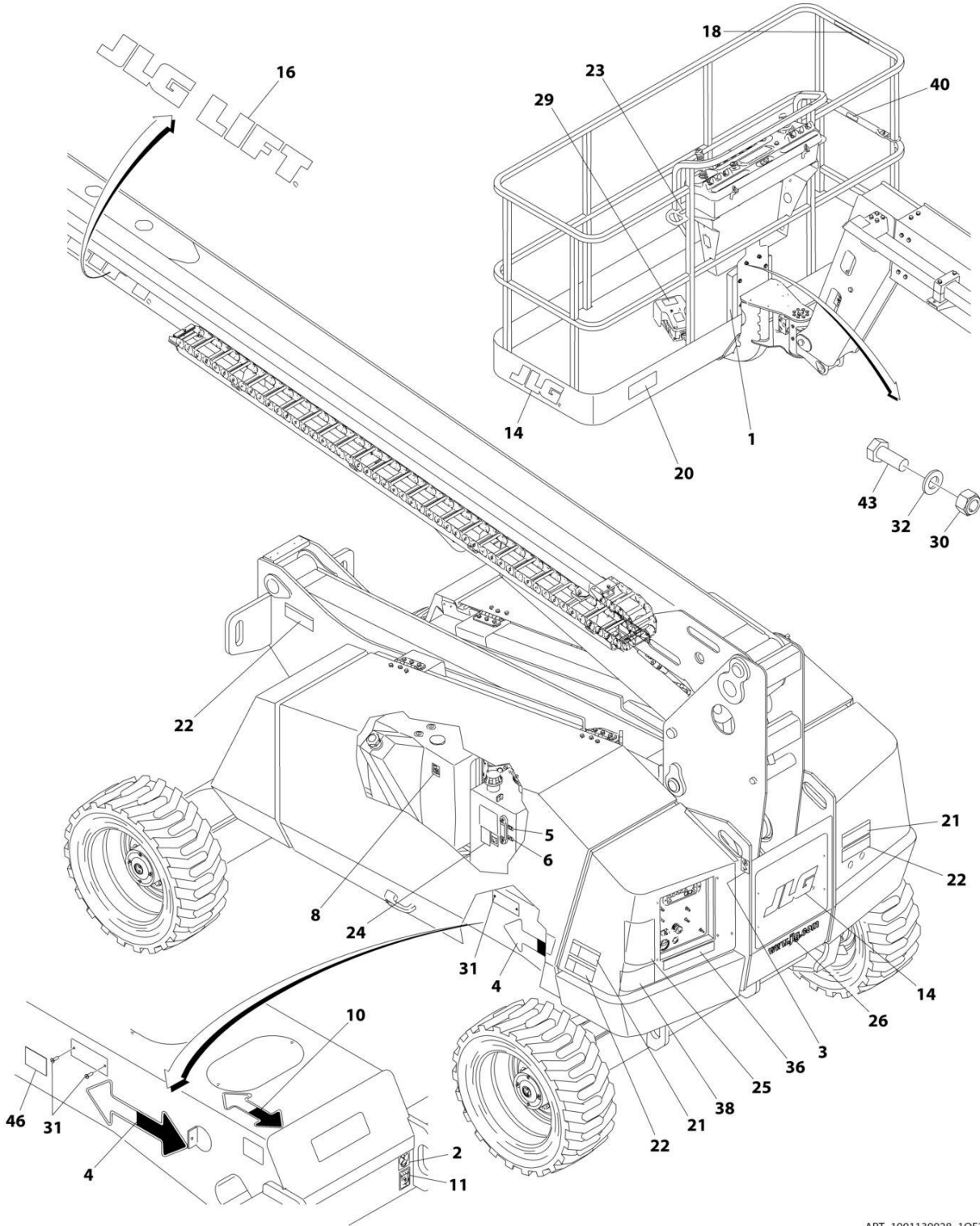
FIGURE 9-1. DECAL INSTALLATION - ANSI SPEC

ITEM	PART NUMBER	QTY	DESCRIPTION	REV
	1001139024	Ref	DECAL INSTALLATION - ANSI SPEC	E
1	0860520	1	Box, Manual Storage	
2	1701499	4	Decal - No Tie Down /Lift	
3	1701500	4	Decal - Tie Down /Lift	
4	1701501	2	Decal - Arrow	
5	1701502	1	Decal - High Oil Level	
6	1701503	1	Decal - Low Oil Level	
8	1701505	1	Decal - Fuel	
9	1701509	1	Decal - Manual	
10	1701529	2	Decal - Arrow	
11	1702300	4	Decal - Tie Down /Lift	
12	1702391	1	Decal - Crushing Hazard	
14	1702773	2	Decal - JLG	
15	1702774	1	Decal - JLG Lift	
16	1702861	1	Decal - JLG Lift	
17	1702862	1	Decal - JLG Lift	
18	1702868	2	Decal - No Hands	
19	1703797	1	Decal - Danger/Warning	
20	1703804	4	Decal - Warning/Crushing	
21	1703805	5	Decal - Danger/Electrocution	
22	1703953	5	Decal - Warning/Crushing	
23	1704277	3	Decal - Attach Lanyard Here	
24	1704412	1	Decal - Hydraulic Fluid	
25	1704575	1	Decal - Danger/Warning	
26	1704885	2	Decal - Website	
27	1705351	1	Decal - Drive/Steer	
29	3252347	1	Decal - Footswitch	
30	3311405	4	Nut 1/4	
31	3820001	2	Rivet	
32	4751400	4	Washer 1/4	
34	1001131269	1	Decal - Patent	
36	1001140402	1	Decal - Legend (Ground Controls)	
37	1001140403	1	Decal - Legend (Platform)	
38	1001140405	1	Decal - Warning/Maximum Capacity	
39	1001140406	2	Decal - Warning/Maximum Capacity	
40	1001140429	1	Decal - Drop Bar	
43	0641406	4	Bolt 1/4 x 3/4	
46	1001223055	1	Decal - Yearly Inspection (SN B300002150 to Present)	



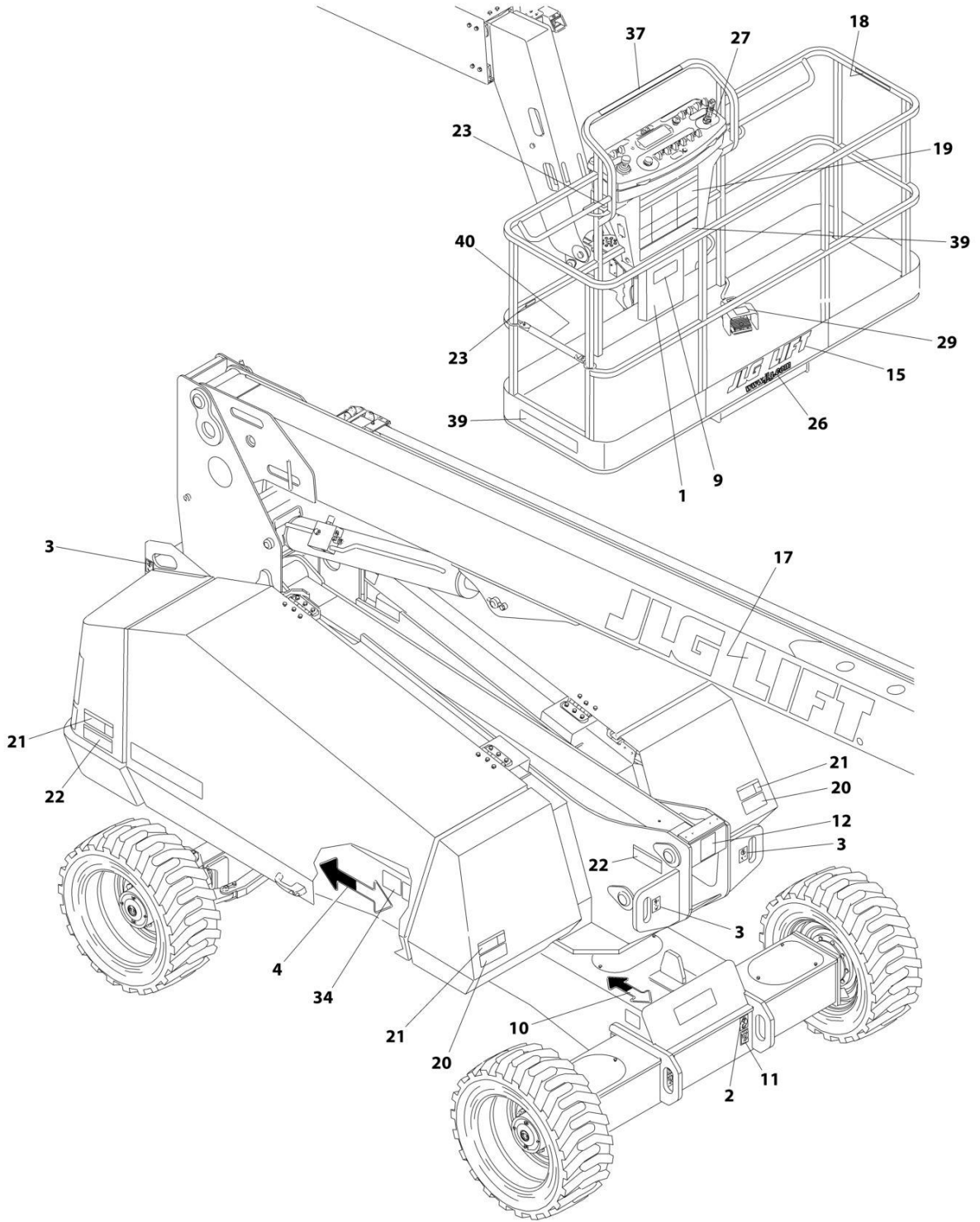
# SECTION 9 - DECALS

## FIGURE 9-2. DECAL INSTALLATION - BRAZIL SPEC



ART\_1001139028\_10F2

# SECTION 9 - DECALS



ART\_1001139028\_2OF2

## SECTION 9 - DECALS

FIGURE 9-2. DECAL INSTALLATION - BRAZIL SPEC

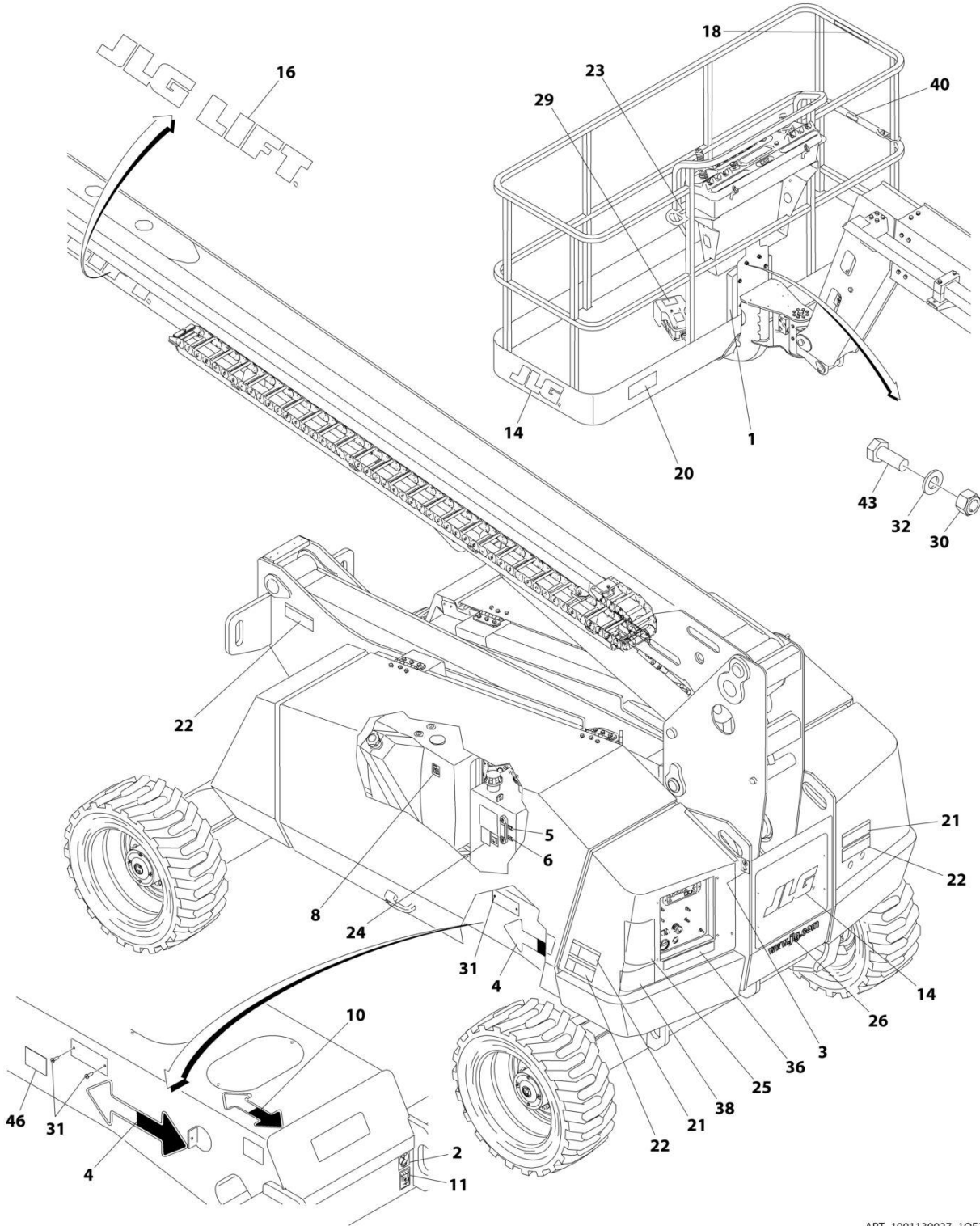
ITEM	PART NUMBER	QTY	DESCRIPTION	REV
	1001139028	Ref	DECAL INSTALLATION - BRAZIL SPEC	E
1	0860520	1	Box, Manual Storage	
2	1701499	4	Decal - No Tie Down /Lift	
3	1701500	4	Decal - Tie Down /Lift	
4	1701501	2	Decal - Arrow	
5	1701502	1	Decal - High Oil Level	
6	1701503	1	Decal - Low Oil Level	
8	1701505	1	Decal - Fuel	
9	1701509	1	Decal - Manual	
10	1701529	2	Decal - Arrow	
11	1702300	4	Decal - Tie Down /Lift	
12	1702391	1	Decal - Crushing Hazard	
14	1702773	2	Decal - JLG	
15	1702774	1	Decal - JLG Lift	
16	1702861	1	Decal - JLG Lift	
17	1702862	1	Decal - JLG Lift	
18	1705967	2	Decal - No Hands	
19	1705895	1	Decal - Danger/Warning	
20	1705898	4	Decal - Warning/Crushing	
21	1705897	5	Decal - Danger/Electrocution	
22	1705903	5	Decal - Warning/Crushing	
23	1704277	3	Decal - Attach Lanyard Here	
24	1704412	1	Decal - Hydraulic Fluid	
25	1705896	1	Decal - Danger/Warning	
26	1704885	2	Decal - Website	
27	1705905	1	Decal - Drive/Steer	
29	1705902	1	Decal - Footswitch	
30	3311405	4	Nut 1/4	
31	3820001	2	Rivet	
32	4751400	4	Washer 1/4	
34	1001131269	1	Decal - Patent	
36	1001140402	1	Decal - Legend (Ground Controls)	
37	1001140403	1	Decal - Legend (Platform)	
38	1001121923	1	Decal - Warning/Maximum Capacity	
39	1001121920	2	Decal - Warning/Maximum Capacity	
40	1001140429	1	Decal - Drop Bar	
43	0641406	4	Bolt 1/4 x 3/4	
46	1001224052	1	Decal - Yearly Inspection (SN B300002150 to Present)	





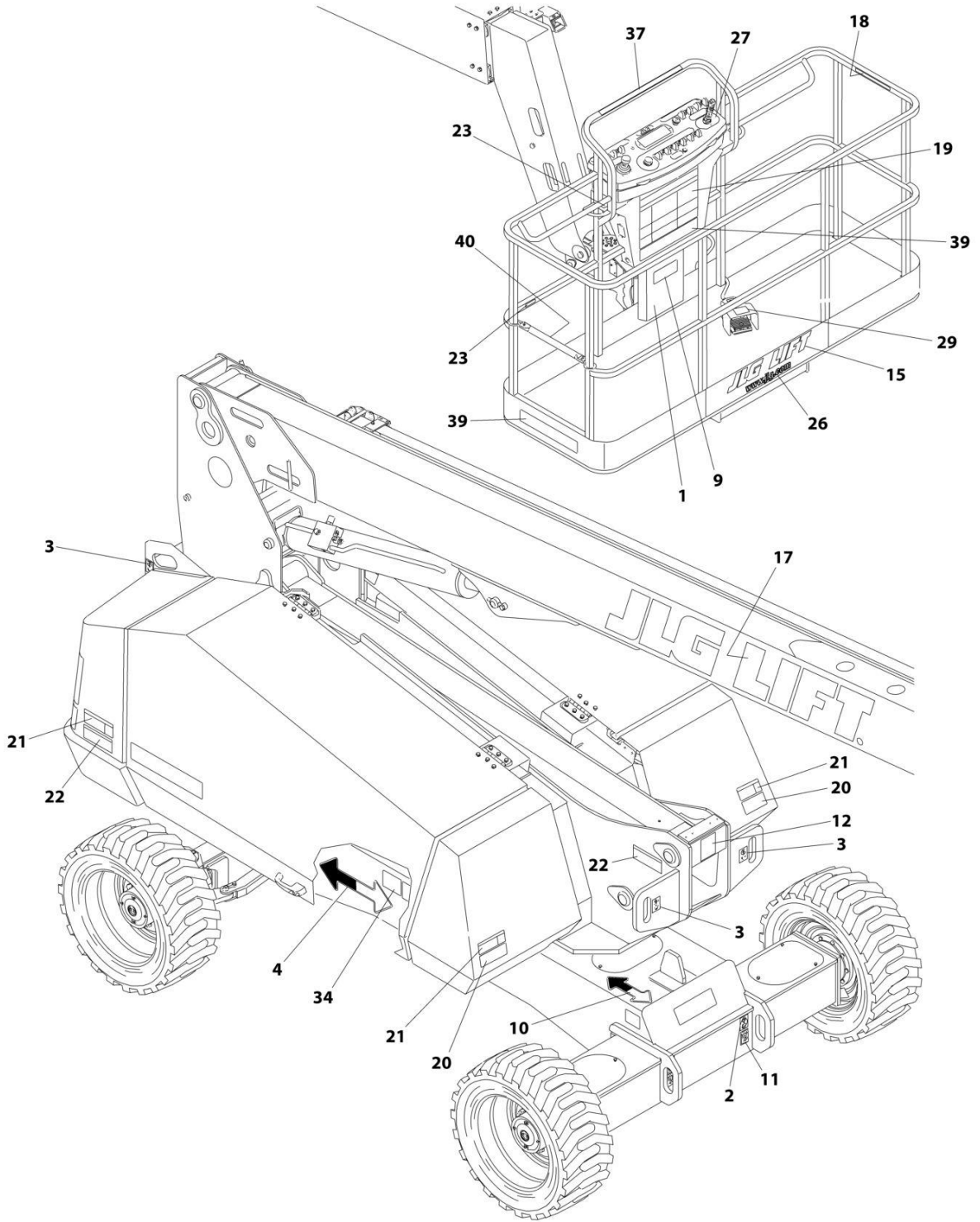
# SECTION 9 - DECALS

## FIGURE 9-3. DECAL INSTALLATION - CHINESE SPEC



ART\_1001139027\_10F2

# SECTION 9 - DECALS



ART\_1001139027\_2OF2

## SECTION 9 - DECALS

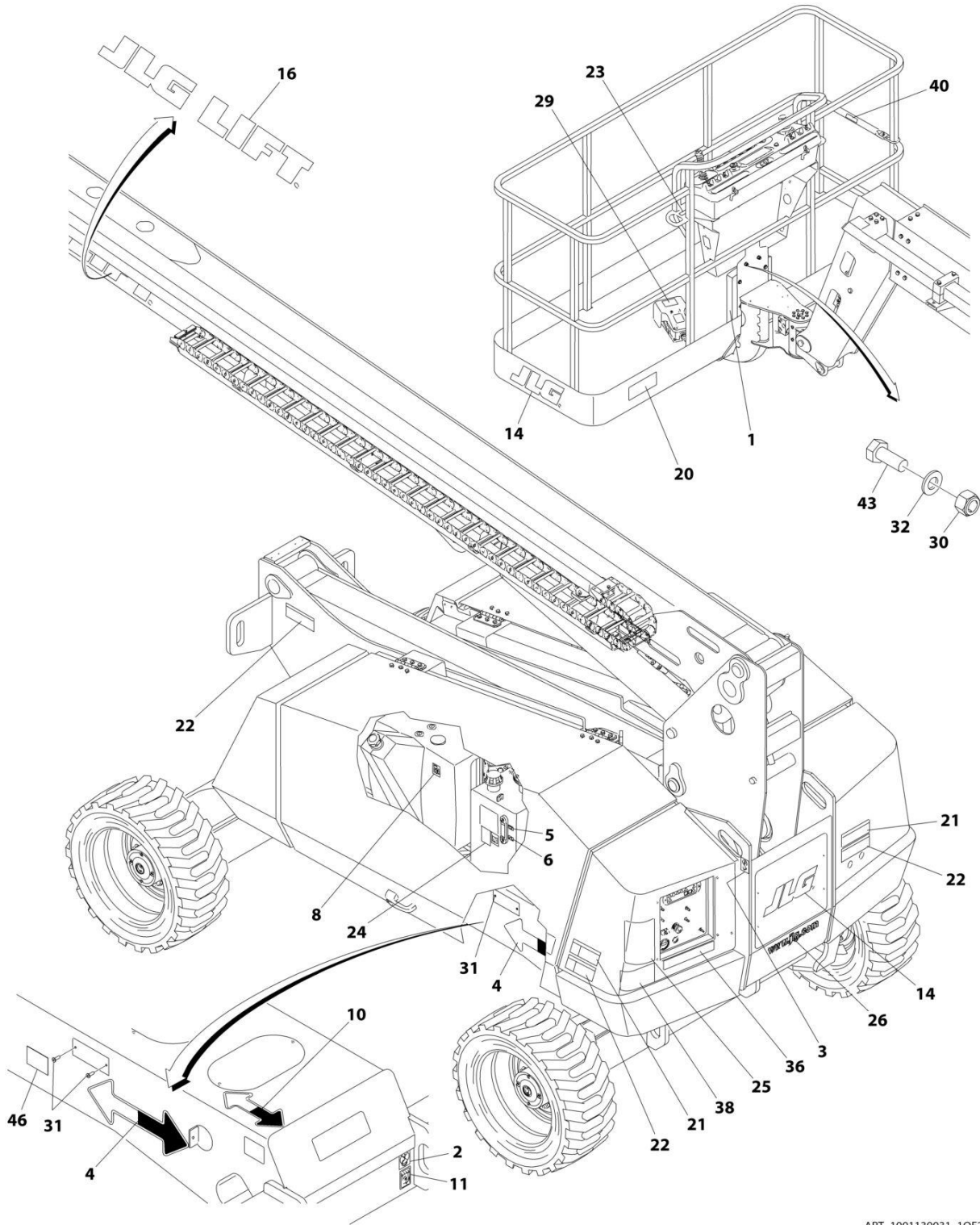
FIGURE 9-3. DECAL INSTALLATION - CHINESE SPEC

ITEM	PART NUMBER	QTY	DESCRIPTION	REV
	1001139027	Ref	DECAL INSTALLATION - CHINESE SPEC	F
1	0860520	1	Box, Manual Storage	
2	1701499	4	Decal - No Tie Down /Lift	
3	1701500	4	Decal - Tie Down /Lift	
4	1701501	2	Decal - Arrow	
5	1701502	1	Decal - High Oil Level	
6	1701503	1	Decal - Low Oil Level	
8	1701505	1	Decal - Fuel	
9	1701509	1	Decal - Manual	
10	1701529	2	Decal - Arrow	
11	1702300	4	Decal - Tie Down /Lift	
12	1001113168	1	Decal - Crushing Hazard	
14	1702773	2	Decal - JLG	
15	1702774	1	Decal - JLG Lift	
16	1702861	1	Decal - JLG Lift	
17	1702862	1	Decal - JLG Lift	
18	1705968	2	Decal - No Hands	
19	1703925	1	Decal - Danger/Warning	
20	1703949	4	Decal - Warning/Crushing	
21	1703937	5	Decal - Danger/Electrocution	
22	1703943	5	Decal - Warning/Crushing	
23	1704277	3	Decal - Attach Lanyard Here	
24	1704412	1	Decal - Hydraulic Fluid	
25	1001116849	1	Decal - Danger/Warning	
26	1704885	2	Decal - Website	
27	1705351	1	Decal - Drive/Steer	
29	1703982	1	Decal - Footswitch	
30	3311405	4	Nut 1/4	
31	3820001	2	Rivet	
32	4751400	4	Washer 1/4	
34	1001131269	1	Decal - Patent	
36	1001140402	1	Decal - Legend (Ground Controls)	
37	1001140403	1	Decal - Legend (Platform)	
38	1001121823	1	Decal - Warning/Maximum Capacity	
39	1001121810	2	Decal - Warning/Maximum Capacity	
40	1001140429	1	Decal - Drop Bar	
43	0641406	4	Bolt 1/4 x 3/4	
46	1001224051	1	Decal - Yearly Inspection (SN B300002150 to Present)	



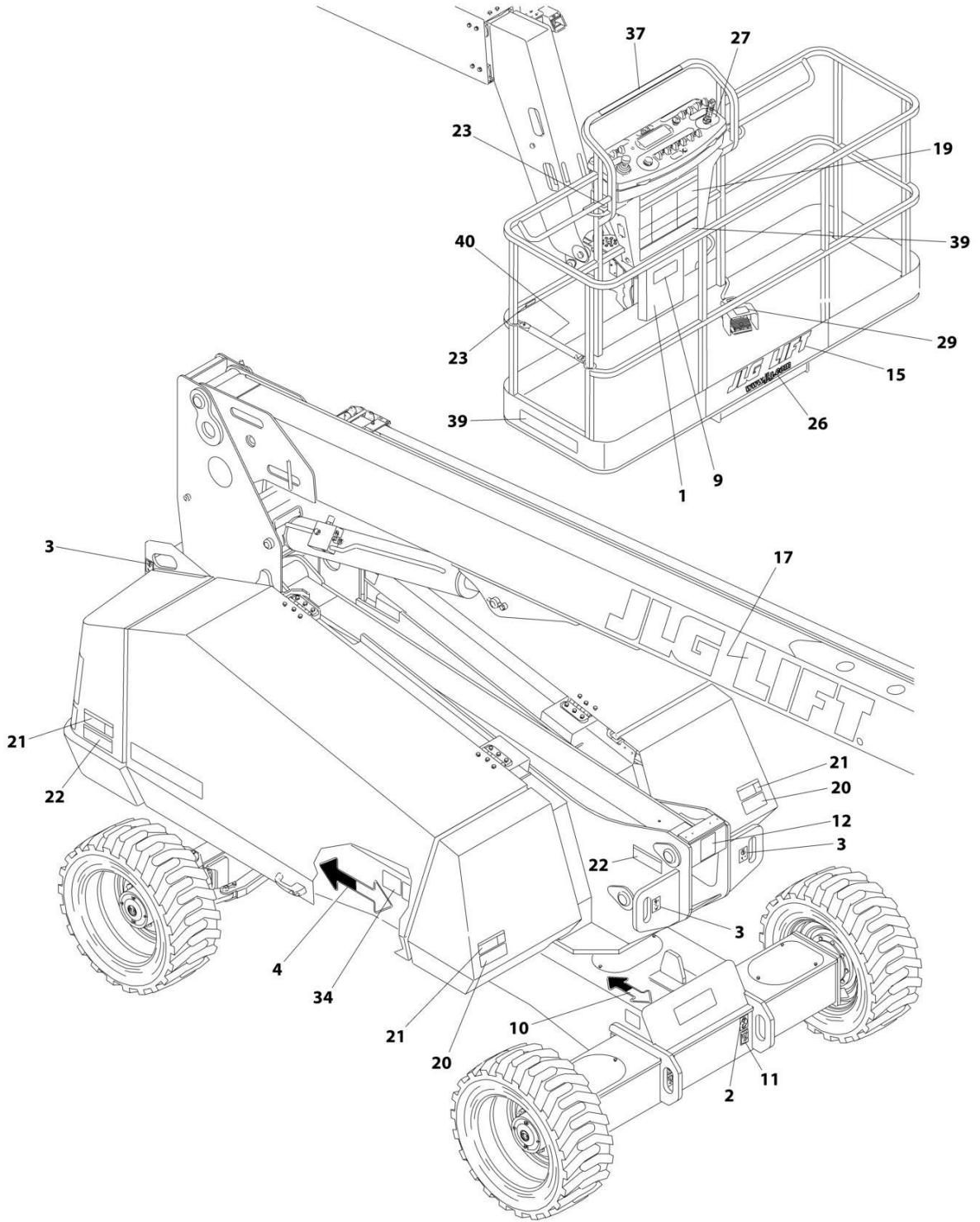
# SECTION 9 - DECALS

## FIGURE 9-4. DECAL INSTALLATION - JAPANESE SPEC



ART\_1001139031\_10F2

# SECTION 9 - DECALS



ART\_1001139031\_2OF2

## SECTION 9 - DECALS

FIGURE 9-4. DECAL INSTALLATION - JAPANESE SPEC

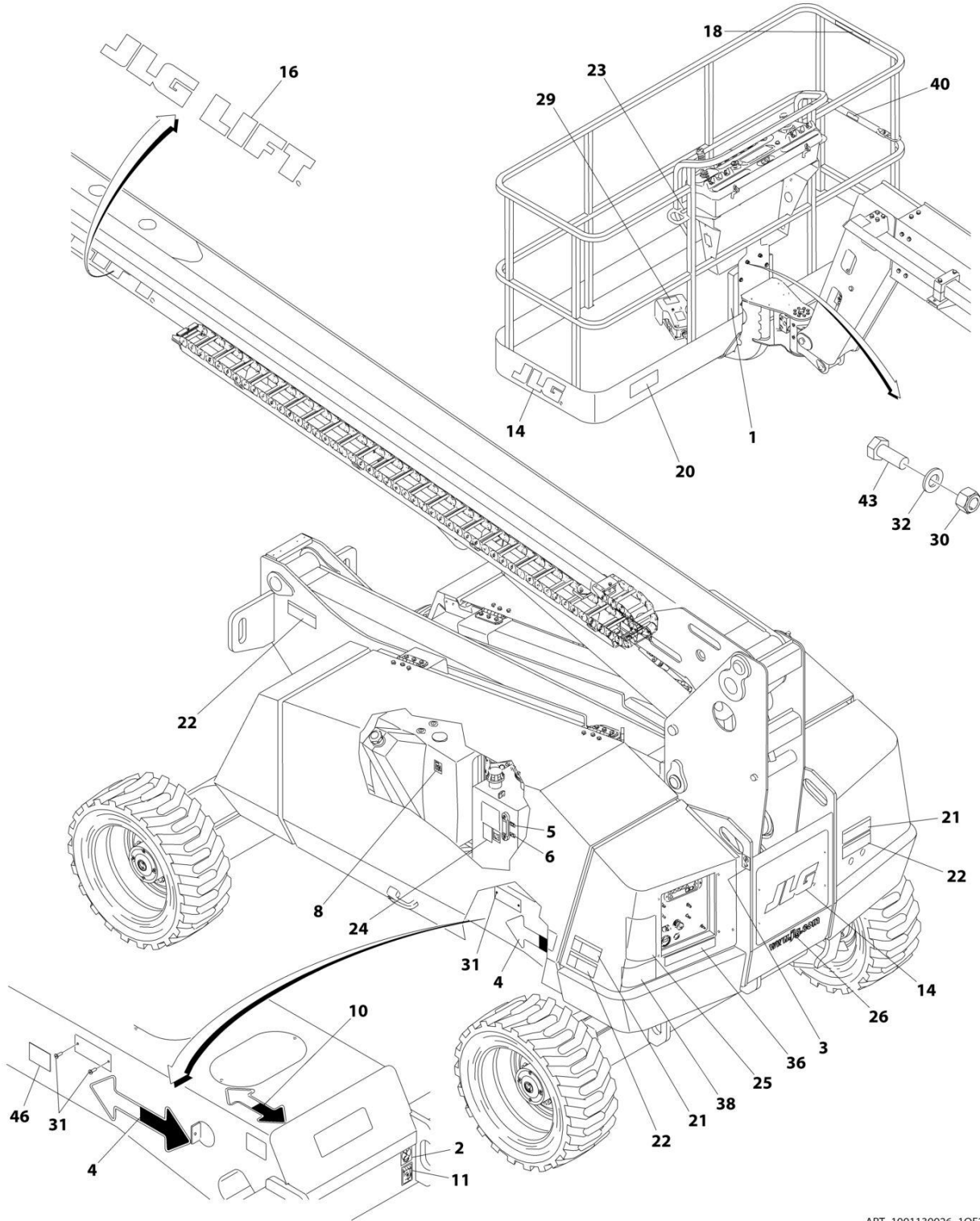
ITEM	PART NUMBER	QTY	DESCRIPTION	REV
	1001139031	Ref	DECAL INSTALLATION - JAPANESE SPEC	E
1	0860520	1	Box, Manual Storage	
2	1701499	4	Decal - No Tie Down /Lift	
3	1701500	4	Decal - Tie Down /Lift	
4	1701501	2	Decal - Arrow	
5	1701502	1	Decal - High Oil Level	
6	1701503	1	Decal - Low Oil Level	
8	1701505	1	Decal - Fuel	
9	1701509	1	Decal - Manual	
10	1701529	2	Decal - Arrow	
11	1702300	4	Decal - Tie Down /Lift	
12	1001113166	1	Decal - Crushing Hazard	
14	1702773	2	Decal - JLG	
15	1702774	1	Decal - JLG Lift	
16	1702861	1	Decal - JLG Lift	
17	1702862	1	Decal - JLG Lift	
19	1703926	1	Decal - Danger/Warning	
20	1703950	4	Decal - Warning/Crushing	
21	1703938	5	Decal - Danger/Electrocution	
22	1703944	5	Decal - Warning/Crushing	
23	1704277	3	Decal - Attach Lanyard Here	
24	1704412	1	Decal - Hydraulic Fluid	
25	1705344	1	Decal - Danger/Warning	
26	1704885	2	Decal - Website	
27	1705426	1	Decal - Drive/Steer	
29	1703980	1	Decal - Footswitch	
30	3311405	4	Nut 1/4	
31	3820001	2	Rivet	
32	4751400	4	Washer 1/4	
34	1001131269	1	Decal - Patent	
36	1001140402	1	Decal - Legend (Ground Controls)	
37	1001140403	1	Decal - Legend (Platform)	
38	1001121821	1	Decal - Warning/Maximum Capacity	
39	1001121808	2	Decal - Warning/Maximum Capacity	
40	1001140429	1	Decal - Drop Bar	
43	0641406	4	Bolt 1/4 x 3/4	
46	1001224053	1	Decal - Yearly Inspection (SN B300002150 to Present)	





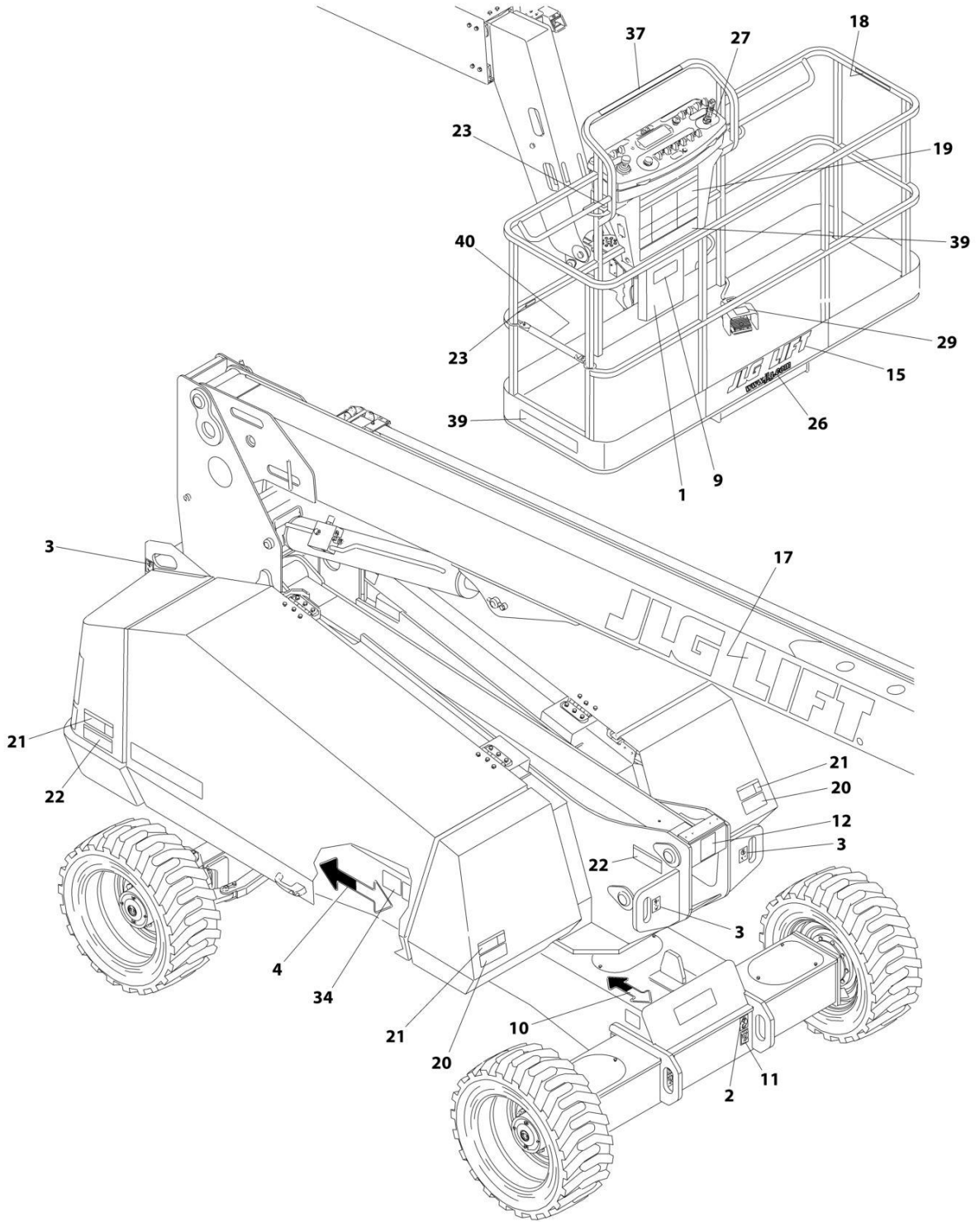
# SECTION 9 - DECALS

## FIGURE 9-5. DECAL INSTALLATION - KOREAN SPEC



ART\_1001139026\_10F2

# SECTION 9 - DECALS



ART\_1001139026\_20F2

## SECTION 9 - DECALS

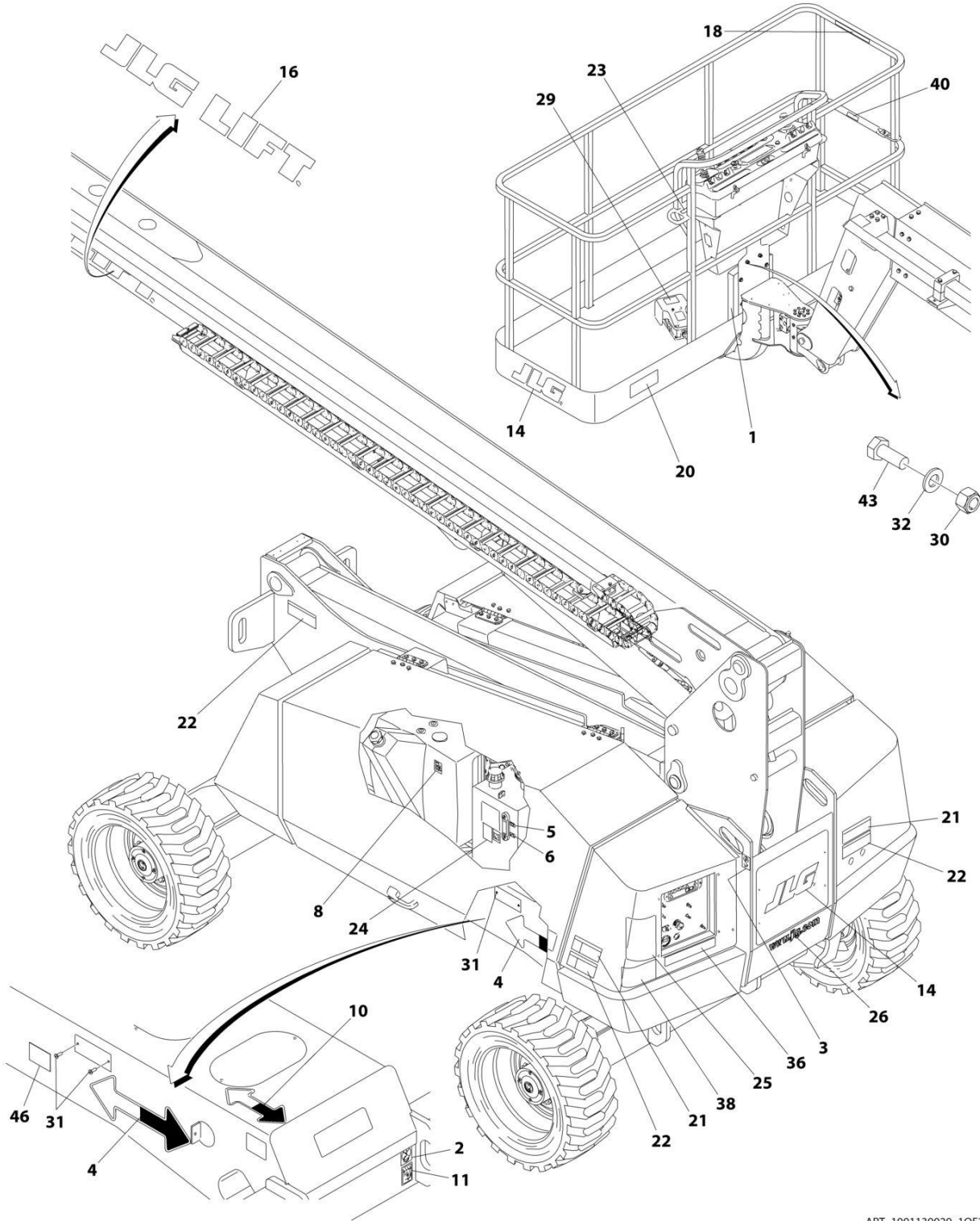
FIGURE 9-5. DECAL INSTALLATION - KOREAN SPEC

ITEM	PART NUMBER	QTY	DESCRIPTION	REV
	1001139026	Ref	DECAL INSTALLATION - KOREAN SPEC	E
1	0860520	1	Box, Manual Storage	
2	1701499	4	Decal - No Tie Down /Lift	
3	1701500	4	Decal - Tie Down /Lift	
4	1701501	2	Decal - Arrow	
5	1701502	1	Decal - High Oil Level	
6	1701503	1	Decal - Low Oil Level	
8	1701505	1	Decal - Fuel	
9	1701509	1	Decal - Manual	
10	1701529	2	Decal - Arrow	
11	1702300	4	Decal - Tie Down /Lift	
12	1001113509	1	Decal - Crushing Hazard	
14	1702773	2	Decal - JLG	
15	1702774	1	Decal - JLG Lift	
16	1702861	1	Decal - JLG Lift	
17	1702862	1	Decal - JLG Lift	
18	1705969	2	Decal - No Hands	
19	1703927	1	Decal - Danger/Warning	
20	1703951	4	Decal - Warning/Crushing	
21	1703939	5	Decal - Danger/Electrocution	
22	1703945	5	Decal - Warning/Crushing	
23	1704277	3	Decal - Attach Lanyard Here	
24	1704412	1	Decal - Hydraulic Fluid	
25	1705345	1	Decal - Danger/Warning	
26	1704885	2	Decal - Website	
27	1705427	1	Decal - Drive/Steer	
29	1703981	1	Decal - Footswitch	
30	3311405	4	Nut 1/4	
31	3820001	2	Rivet	
32	4751400	4	Washer 1/4	
34	1001131269	1	Decal - Patent	
36	1001140402	1	Decal - Legend (Ground Controls)	
37	1001140403	1	Decal - Legend (Platform)	
38	1001121921	1	Decal - Warning/Maximum Capacity	
39	1001121918	2	Decal - Warning/Maximum Capacity	
40	1001140429	1	Decal - Drop Bar	
43	0641406	4	Bolt 1/4 x 3/4	
46	1001224048	1	Decal - Yearly Inspection (SN B300002150 to Present)	



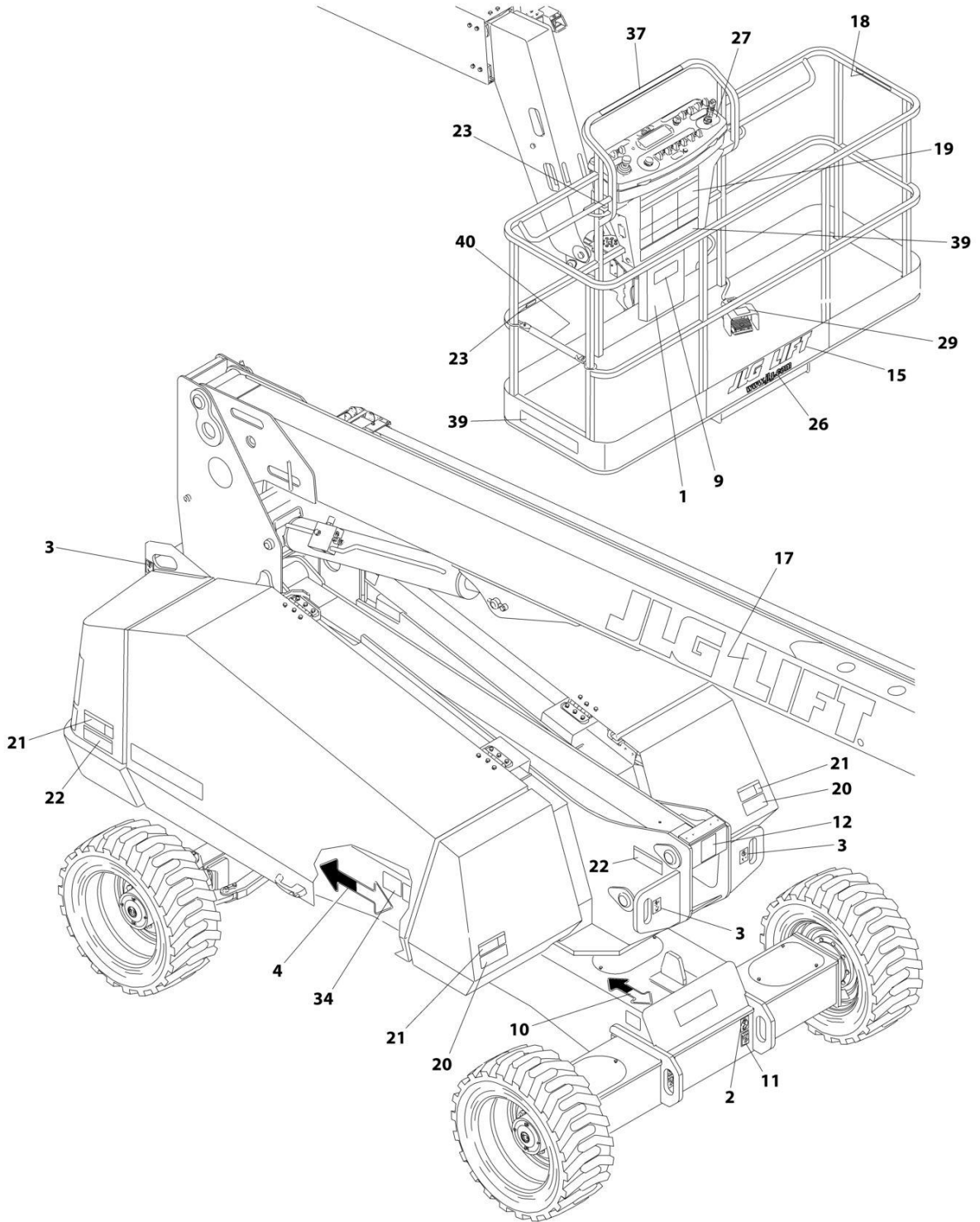
# SECTION 9 - DECALS

## FIGURE 9-6. DECAL INSTALLATION - LATIN AMERICAN SPEC



ART\_1001139029\_10F2

# SECTION 9 - DECALS



ART\_1001139029\_2OF2

## SECTION 9 - DECALS

FIGURE 9-6. DECAL INSTALLATION - LATIN AMERICAN SPEC

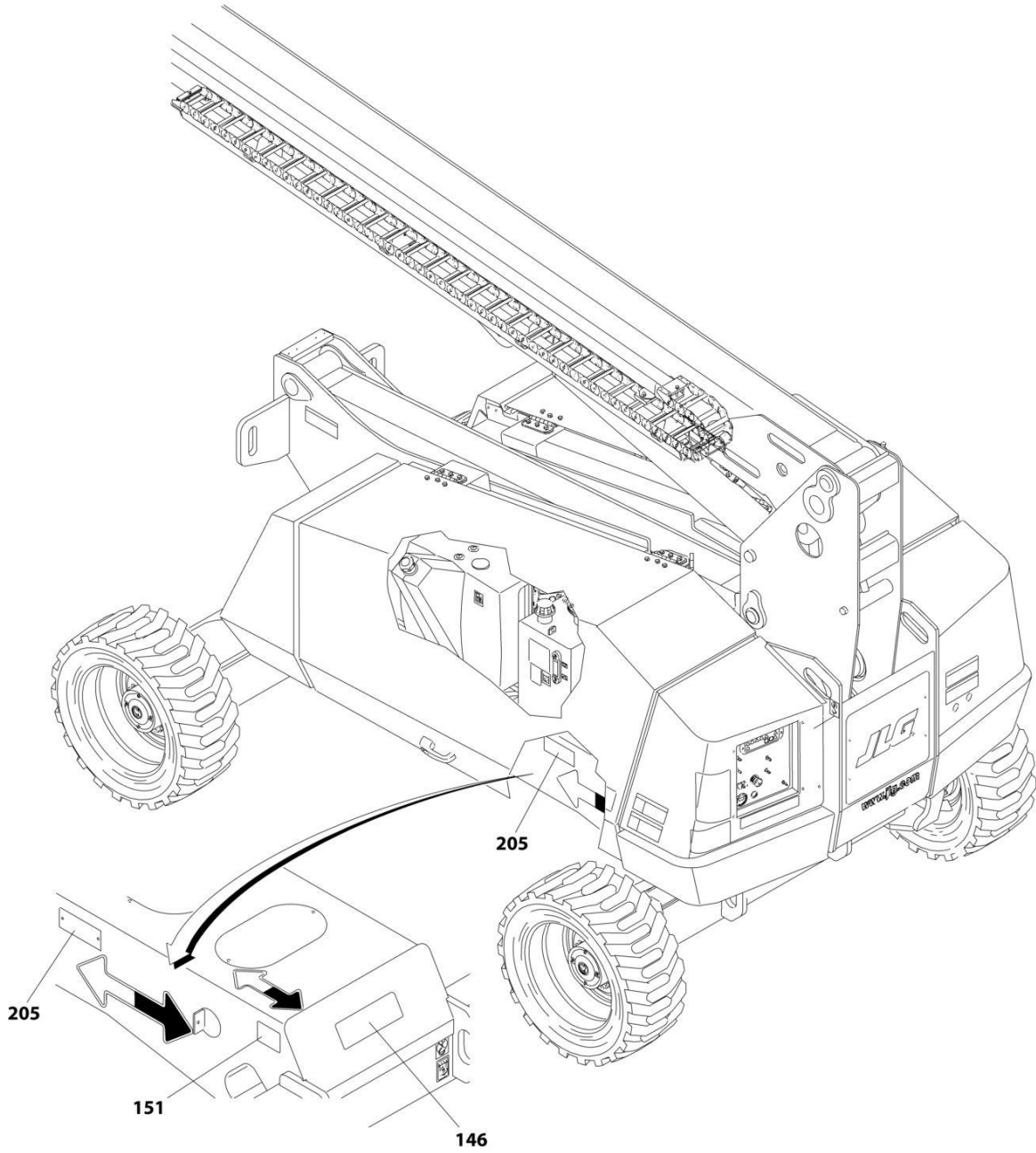
ITEM	PART NUMBER	QTY	DESCRIPTION	REV
	1001139029	Ref	DECAL INSTALLATION - LATIN AMERICAN SPEC	E
1	0860520	1	Box, Manual Storage	
2	1701499	4	Decal - No Tie Down /Lift	
3	1701500	4	Decal - Tie Down /Lift	
4	1701501	2	Decal - Arrow	
5	1701502	1	Decal - High Oil Level	
6	1701503	1	Decal - Low Oil Level	
8	1701505	1	Decal - Fuel	
9	1701509	1	Decal - Manual	
10	1701529	2	Decal - Arrow	
11	1702300	4	Decal - Tie Down /Lift	
12	1001113171	1	Decal - Crushing Hazard	
14	1702773	2	Decal - JLG	
15	1702774	1	Decal - JLG Lift	
16	1702861	1	Decal - JLG Lift	
17	1702862	1	Decal - JLG Lift	
18	1704001	2	Decal - No Hands	
19	1703923	1	Decal - Danger/Warning	
20	1703947	4	Decal - Warning/Crushing	
21	1703935	5	Decal - Danger/Electrocution	
22	1703941	5	Decal - Warning/Crushing	
23	1704277	3	Decal - Attach Lanyard Here	
24	1704412	1	Decal - Hydraulic Fluid	
25	1705917	1	Decal - Danger/Warning	
26	1704885	2	Decal - Website	
27	1705910	1	Decal - Drive/Steer	
29	1703983	1	Decal - Footswitch	
30	3311405	4	Nut 1/4	
31	3820001	2	Rivet	
32	4751400	4	Washer 1/4	
34	1001131269	1	Decal - Patent	
36	1001140402	1	Decal - Legend (Ground Controls)	
37	1001140403	1	Decal - Legend (Platform)	
38	1001121818	1	Decal - Warning/Maximum Capacity	
39	1001121805	2	Decal - Warning/Maximum Capacity	
40	1001140429	1	Decal - Drop Bar	
43	0641406	4	Bolt 1/4 x 3/4	
46	1001224049	1	Decal - Yearly Inspection (SN B300002150 to Present)	





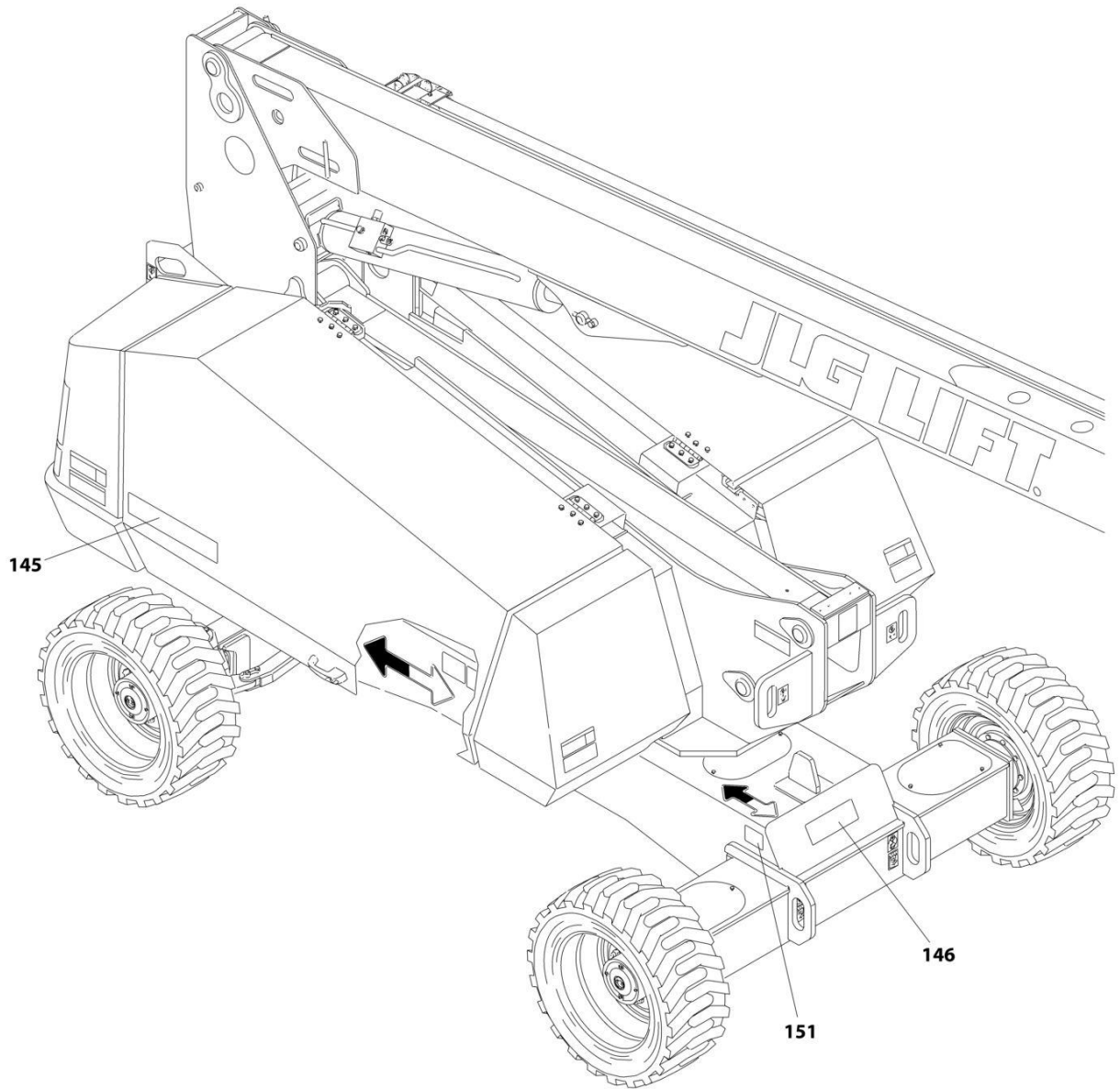
# SECTION 9 - DECALS

## FIGURE 9-7. DECAL INSTALLATION - OPTIONS



ART\_1001135051\_10F2

**SECTION 9 - DECALS**



ART\_1001135051\_20F2

## SECTION 9 - DECALS

FIGURE 9-7. DECAL INSTALLATION - OPTIONS

ITEM	PART NUMBER	QTY	DESCRIPTION	REV
	1001135051	Ref	DECAL INSTALLATION - OPTIONS	
145	1001140398	2	Decal - Model Designation 18RS	
145	1001186683	2	Decal - Model Designation 18RSJ	
146	1001140719	2	Decal - Lift Diagram	
151	1001144131	4	Decal - Tire Load	
205	See Note	NSS	Nameplate - Serial Number (Note: Not Available for Purchase)	

**SECTION 10 - RECOMMENDED SERVICE PARTS STOCK**

**SECTION 10 - RECOMMENDED SERVICE PARTS STOCK**

# SECTION 10 - RECOMMENDED SERVICE PARTS STOCK

FIGURE 10-1. RECOMMENDED SERVICE PARTS STOCK

ITEM	PART NUMBER	QTY	DESCRIPTION	REV
		Ref	Note: The following list will service one machine (built to current production per date on the front cover) with emergency repair parts which can be installed in the field. Parts from the list should be replaced when inventory is depleted to keep service parts stock supplied. For further information, contact your JLG dealer or the JLG Industries Parts Department.	
		Ref	STANDARD PARTS	
	70002386	1	Coil	
	70003545	1	Element, Filter	
	70002231	1	Element, Filter	
	70003788	1	Coil	
	70003614	1	Element/Breather Kit	
	4360328	1	Switch, Toggle	
	4360475	1	Switch, Mushroom	
	4360476	1	Contact, Switch Block	
	4360469	1	Switch, Key	
	2860030	1	Key, Replacement	
	3740080	1	Relay	
	7012664	1	Element, Air Cleaner	
	3740067	1	Coil	
	7016331	1	Filter, Oil Element	
	7027245	1	Filter, Fuel	
	70004073	1	Carrier Repair Section	
	1001129555	1	Controller (Lift and Swing)	
	1001166538	1	Drive/Steer Controller Assembly	
	4360330	1	Switch, Toggle	
	4360387	1	Switch, Push Button	
	4360407	1	Control, Speed	
	4360331	1	Switch, Toggle	
	1001118282	1	Relay	
	2400064	2	Fuse 5 Amp	
	260305	2	Fuse 5 Amp	
	70020199	2	Diode	
	2400065	2	Fuse 30 Amp	
		Ref	VARIABLE PARTS	
	70004066	1	Filter, Fuel-Water Separator	
	4360514	1	Switch, Proximity	
	1001120431	1	Module, Ground Control	
	1001145548	1	Switch, Limit	
	7027795	1	Module, Engine Control	
	1001150772	1	Sensor/Switch, Proximity	
	0272970	1	Footswitch Assembly	
	1001157196	1	Module, Platform Control	

**SECTION 11 - SPECIAL OPTIONS**

# SECTION 11 - SPECIAL OPTIONS

## FIGURE 11-1. SPECIAL OPTIONS

ITEM	PART NUMBER	QTY	DESCRIPTION	REV
		Ref	Note: This list is to accommodate machines ordered with special equipment. Options may not be applicable to all models. For more specific parts information contact the JLG Parts Department.	
		Ref	SPECIAL OPTIONS	
	1001139022	Ref	Air Line at Platform Installation (18RS)	
	1001186945	Ref	Air Line at Platform Installation (18RSJ)	
	1001177373	Ref	Bellows Installation (18RS Only)	
	1001225978	1	Bellows Installation (18RSJ Only)	
	1001177499	Ref	Boom Wipers Installation (18RS Only)	
		Ref	ClearSky Telematic Installation	
		Ref	Note: Refer to Manual Supplement p/n 3128499 for available replacement parts.	
	1001140732	Ref	Brazil Spec	
	See Note	Ref	All Other Specs (Note: Not Available)	
	1001143279	Ref	Container Transport Wheels Installation (18RS)	
	1001186944	Ref	Container Transport Wheels Installation (18RSJ)	
		Ref	Decal Installations	
	1001140725	Ref	Decal - ClearSky	
	1001143681	Ref	Decal - SkyPower 50Hz	
	1001146382	Ref	Decal - SkyPower 60Hz	
	1001143672	Ref	Decal - SkyWelder 50Hz	
	1001146373	Ref	Decal - SkyWelder 60Hz	
	1001233401	Ref	Decal - ECO Label	
	1702962	Ref	Decal - Warning Proposition 65	
		Ref	Electrical Connector Kits	
	1001148902	Ref	Amp Connector Kit	
	1001148903	Ref	Deutsch DT Connector Kit	
	1001148904	Ref	Deutsch HD Connector Kit	
	1001148905	Ref	Packard Connector Kit	
	1001148906	Ref	Various Connector Kit	
		Ref	Fluids	
	3020029	Ref	Grease, Bearing (Axle Spindles)	
	2300014	Ref	Hydraulic Fluid - Mobil 424	
	3020016	Ref	Motor Oil	
	1001145713	Ref	Ground Control Cover Installation	
	1001148971	Ref	Lanyard (Bolt-On) Kit (Platform)	
	1001236951	Ref	Low Temperature Cutout Installation (Russian Specs Only)	
	1001201543	Ref	Oil Cooler Installation	
	0274661	Ref	Pipe Racks Installation	
		Ref	Platform Entry Kits	
	1001142504	Ref	Drop Bar (Replacing Swing Gate with Drop Bar)	
	1001142505	Ref	Swing Gate (Replacing Drop Bar with Swing Gate)	
	1001209059	Ref	Platform Work Surface Installation	
		Ref	SkyAccessories Options	
		Ref	Note: Refer to Manual Supplement p/n 3124242 for available replacement parts.	
		Ref	SkyGuard Options	
	1001225680	Ref	SkyGuard with Beacon	
	1001225070	Ref	SkyGuard System	



## SECTION 11 - SPECIAL OPTIONS

ITEM	PART NUMBER	QTY	DESCRIPTION	REV
		Ref	SkyPower Options	
	1001141957	Ref	7500W 50Hz Generator	
	1001141956	Ref	7500W 60Hz Generator (Not Available in Japan)	
		Ref	SkyWelder Options	
	0272521	Ref	7500W 50Hz Welder	
	0242254	Ref	7500W 60Hz Welder (Not Available in Japan)	
	1001128527	Ref	SkyWelder prep Kit 60HZ Welder (Not Available in Japan)	
	1001231235	Ref	SkyWelder Locking Bracket	
		Ref	Tools for Service	
	2901443	Ref	Analyzer Kit	
	8896941	Ref	Wire Stripper	
	7002821	Ref	Wire Crimper (To install wire ends to wires)	
	7002823	Ref	Pin/Socket Extractor - Universal (To Remove Pins/Sockets from Connectors)	
	4460467	Ref	Extractor - 16-18 Gauge (For Removal of Pin/Sockets from Deutsch Connectors)	
	4460510	Ref	Extractor - 12-14 Gauge (For Removal of Pin/Sockets from Deutsch Connectors)	
	7002822	Ref	Screwdriver, Potentiometer (To Adjust Drive Controllers)	
	7016654	Ref	Screwdriver, Magnetic	
	7004275	Ref	Seal Installation Tool - 1	
	7004276	Ref	Seal Installation Tool - 1-1/2	
	7002826	Ref	Seal Installation Tool - 2	
	7016655	Ref	Wire Rope Sheave Gauge	
	1001137005	Ref	Software Cable Kit	
	1001178904	Ref	Turntable Bearing Cover Installation	



**PART NUMBER INDEX**

# PART NUMBER INDEX

0080163.....103	0701013..... 122, 126	0962297 ... 114, 118, 122, 126	1001129238.....260
0100009..... 157, 161, 165	0701015..... 118	0962336 ..... 199, 201	1001129555..... 165, 362
0100011.... 13, 15, 25, 27, 31, 35, 37, 63, 65, 79, 82, 85, 87, 91, 93, 95, 114, 118, 122, 126, 129, 131, 133, 135, 141, 143, 145, 147, 161, 165, 169, 171, 173, 197, 199, 209, 213, 255, 257, 289, 291	0701018..... 59, 114, 118	0962450 ..... 145, 147	1001130477..... 13, 211
0100019...15, 47, 73, 114, 118	0701024..... 53, 122, 126	1001080996 ..... 289, 293	1001130478..... 114, 207
0100020.....91	0701216..... 114, 118	1001091102 ..... 79	1001130480..... 114, 203
0100038..... 197, 199, 209	0701222..... 145	1001091179 ..... 95	1001130651.....82
0100048....147, 157, 161, 165	0701624..... 145	1001092723 ..... 95, 99	1001130688.....122
0100081..... 157	0711221..... 95	1001098827 ..... 141, 145	1001131168..... 158, 161, 166
0140011..... 157, 161, 165	0711231..... 13	1001099125 ..... 67, 69	1001131269..... 336, 340, 344, 348, 352, 356
0140043.....75	0711414..... 95	1001104850 ..... 47, 49	1001131499.....258
0242254.....365	0711620..... 13	1001106736 ..... 75, 325	1001131564..... 95
0256847.....95, 103	0711628..... 47	1001107952 ..... 158	1001131565..... 95
0272521.....365	0711630..... 47	1001109503 ..... 67, 69	1001131568..... 95
0272970.... 153, 155, 362	0712444..... 141, 145	1001110434 .... 157, 161, 165	1001131788..... 13
0274661.....364	0760410..... 79	1001110873 ..... 263	1001132163..... 114, 195
0340041.....95	0760608 .... 73, 145, 255, 257	1001112612 ..... 75, 325	1001132195..... 95
0400003..... 109	0760610 ... 63, 65, 75, 95, 145	1001113166 ..... 348	1001132196..... 95
0440162.....91	0760612 ..... 57, 91, 151	1001113168 ..... 344	1001132197..... 95
0561237.....293, 295	0760614 ..... 153, 155	1001113171 ..... 356	1001132232..... 53, 55
0630534..... 199, 201	0760618 ..... 145	1001113386 ..... 129	1001132275..... 114, 137
0630535.... 197, 209, 213	0760807 ..... 133, 135	1001113407 ..... 129	1001132296..... 35, 37
0630563.....82	0760808 ..... 82, 145	1001113465 ..... 143, 147	1001132299..... 35, 37
0630568.... 175, 177, 179, 181	0760810 ..... 153, 155	1001113483 ..... 145, 147	1001132303..... 35, 39
0641404.... 157, 161, 165	0760812 ..... 63, 65, 96	1001113509 ..... 352	1001132305..... 93, 105
0641405..... 147	0760814 ..... 73, 82, 131	1001113961 ..... 189, 325	1001132306..... 93
0641406.... 336, 340, 344, 348, 352, 356	0760815 ..... 95	1001114761 ..... 37	1001132499..... 15, 19
0641407..... 147	0761009 ..... 131	1001115098 ..... 143	1001132500..... 15, 17
0641408.....85, 87	0761010. 13, 35, 37, 122, 126	1001115672 ..... 114	1001132511... 63, 65, 325
0641416..... 147, 293, 295	0761011 ..... 122, 126	1001116728 ..... 325	1001132519..... 15
0641418.... 169, 171, 173	0761012 ... 25, 27, 35, 37, 82, 96, 114, 145, 289, 291, 293	1001116732 ..... 305	1001132556... 63, 65, 307
0641604.....129	0761014 ... 53, 82, 85, 87, 91, 109	1001116733 ..... 325	1001133245..... 213, 215, 217, 219
0641606..... 129, 213	076101582, 95, 114, 153, 155	1001116734 ..... 305, 325	1001133308..... 15
0641608..... 118, 129	0761016 .... 37, 63, 65, 91	1001116813 ..... 326	1001133419..... 13
0641610..... 129	0761032 ..... 131	1001116849 ..... 344	1001133423..... 153
0641611..... 129	0761216 ..... 141	1001117057 ..... 325	1001133602..... 153, 157
0641618..... 129	0761217 ..... 91	1001117107 ..... 307	1001133752..... 157, 161, 317
0641808..... 118	0761229 ..... 240, 244	1001117110 .... 305, 307, 326	1001133881.....67
0641812..... 143	0761615 ..... 114	1001117320 ..... 153, 155	1001133907..... 25, 35
0641813.....93	0762014 ..... 13	1001118274 ..... 31	1001133909..... 31
0641822..... 147	0762016 ..... 114, 118	1001118282 ..... 305, 362	1001133911..... 31
0642024..... 147	0771012 ..... 141, 145	1001118412 ..... 158	1001133972..... 47, 51
0642684..... 143, 147	0860038 ..... 263, 265	1001118416 .... 157, 165, 189	1001134010..... 114
0681608..... 143, 147	0860520 ... 336, 340, 344, 348, 352, 356	1001118417 .... 157, 165, 183	1001134067..... 63, 329
0682013..... 15	0861441 ... 157, 161, 165, 175	1001119020 ..... 319, 325	1001134069..... 47
0700614.....91	0902571 ..... 157, 165	1001119455 ..... 240, 244	1001134172..... 114, 118
0700615.....85, 87	0902919 ..... 147	1001119627 ..... 232, 236	1001134194..... 23
0700617.... 157, 161, 165	0902920 ..... 147	1001120092 ..... 73	1001134195..... 23
0700619..... 75	0940071 ..... 82	1001120431 ..... 75, 362	1001134196..... 23
0700810..... 103	0961845 ... 169, 171, 173	1001121172 ..... 75, 325	1001134197..... 23
0700812.....31	0961893 ..... 199, 201	1001121805 ..... 356	1001134289..... 13
0700819.....255, 257	0961894 ..... 197, 209	1001121808 ..... 348	1001134293..... 151
0700820..... 131	0961902 ..... 213	1001121810 ..... 344	1001134312..... 118
0700823.....37, 131	0961947 ..... 129	1001121818 ..... 356	1001134767..... 75, 91
0700828..... 131	0961948 ..... 197	1001121821 ..... 348	1001134790..... 67, 69
	0961951 .... 95, 126, 207, 209	1001121823 ..... 344	1001134791..... 63, 67
		1001121918 ..... 352	1001134830..... 63, 65, 75
		1001121920 ..... 340	1001134979..... 82
		1001121921 ..... 352	1001134980..... 85
		1001121923 ..... 340	1001134982..... 82
		1001128128 ..... 305	1001134983..... 87
		1001128527 ..... 365	1001134994..... 31
			1001135051..... 360

## PART NUMBER INDEX

1001135196..... 91	1001139628..... 95	1001144655.....23	1001148905..... 364
1001135488..... 122, 126	1001139751..... 109	1001145002.....248, 252	1001148906..... 364
1001135506..... 63, 309	1001140252..... 109	1001145004.....31	1001148971..... 364
1001135697..... 122	1001140398..... 360	1001145202..... 122, 126	1001149160..... 63, 65
1001136173..... 59, 61	1001140402..... 336, 340, 344, 348, 352, 356	1001145439..... 153, 155	1001149734..... 141, 145
1001136223..... 131	1001140403..... 336, 340, 344, 348, 352, 356	1001145465.....114	1001149749..... 73
1001136242..... 131	1001140405..... 336	1001145548.....77, 362	1001149866..... 25, 27, 29
1001136300..... 53	1001140406..... 336	1001145713..... 73, 364	1001149922..... 133, 135
1001136331..... 131	1001140429..... 169, 171, 173, 336, 340, 344, 348, 352, 356	1001145874.....63, 65, 303	1001150159..... 145
1001136398..... 131	1001140605..... 95	1001145918.....289, 291, 297	1001150197..... 145, 147
1001136400..... 131	1001140710..... 63, 65	1001145919.....289, 291, 293, 295, 301	1001150601..... 91
1001136402..... 131	1001140719..... 360	1001145920.....269, 289	1001150645..... 213
1001136407..... 131	1001140725..... 364	1001145921.....281, 289, 293	1001150646..... 122, 213
1001136461..... 131	1001140732..... 364	1001145922.....273, 291	1001150756..... 93
1001136469..... 131	1001140733..... 71	1001145923.....283, 291, 295	1001150772..... 133, 135, 362
1001136557..... 114, 122	1001141014..... 224, 228	1001145950.....260	1001150998..... 95
1001136571..... 122, 126	1001141075..... 63, 65	1001146158.....145	1001151250..... 73
1001136575..... 122, 126	1001141216..... 93	1001146213..... 145	1001151521..... 323
1001136583..... 122, 126	1001141250..... 95	1001146214..... 145	1001152155..... 224, 228, 255, 257
1001136587..... 122, 126	1001141373..... 248, 252	1001146299.....114	1001152170..... 232, 236
1001136590..... 122, 126	1001141620..... 263	1001146307.....248, 252	1001153398..... 122, 126
1001136592..... 122, 126	1001141621..... 267	1001146308.....248, 252	1001153787..... 240, 244
1001137005..... 365	1001141622..... 265	1001146310.....248, 252	1001153788..... 240, 244
1001137032..... 114	1001141956..... 365	1001146311.....248, 252	1001155044..... 161
1001137435..... 53	1001141957..... 365	1001146312.....248, 252, 255, 257	1001155045..... 161
1001137908..... 63, 133	1001142246..... 248, 252	1001146313.....248, 252	1001155121..... 133, 135
1001138040..... 82	1001142504..... 364	1001146315.....248, 252	1001155441..... 114, 118
1001138042..... 91	1001142505..... 364	1001146316.....224, 228	1001155455..... 114, 118
1001138243..... 82	1001142574..... 291	1001146317.....224, 228	1001155744..... 47
1001138436..... 122, 126	1001142679..... 224, 228	1001146319.....224, 228	1001156545..... 95
1001138459..... 114, 118	1001143279..... 364	1001146320.....224, 228	1001157196..... 158, 161, 166, 362
1001138494..... 171, 173	1001143340..... 82	1001146321.....224, 228	1001157318..... 232, 236
1001138511..... 289, 291, 293, 295, 315	1001143390..... 96	1001146322.....224, 228	1001159256..... 162
1001138512..... 287	1001143417..... 82	1001146323.....232, 236	1001159284..... 63, 65, 305
1001138514..... 173	1001143446..... 82	1001146324.....224, 228	1001164374..... 158, 162, 166
1001138722..... 82, 85	1001143501.....248, 252	1001146325.....224, 228	1001165131..... 205
1001138748..... 82, 87	1001143517.....248, 252	1001146326.....224, 228	1001166538..... 162, 165, 191, 362
1001138778..... 114, 118	1001143602.....232, 236	1001146328.....232, 236	1001166539..... 162, 185
1001138795..... 201	1001143672..... 364	1001146332.....232, 236	1001172760..... 162
1001138828..... 114	1001143680..... 224, 232, 240, 248, 258	1001146333.....232, 236	1001177373..... 364
1001138865..... 114	1001143681..... 364	1001146334.....232, 236	1001177499..... 364
1001139014..... 23	1001143683..... 82	1001146335.....232, 236	1001178269..... 129, 139
1001139015..... 77	1001143684..... 82	1001146373..... 364	1001178904..... 365
1001139019..... 109	1001143713..... 122, 126	1001146382..... 364	1001179923..... 37, 43
1001139022..... 364	1001143723..... 82	1001146391.....248, 252	1001180026..... 126, 217
1001139023..... 79	1001143936.....224, 228	1001146392.....248, 252	1001180517..... 27, 37
1001139024..... 336	1001143955..... 114, 118	1001146991.....59	1001180572..... 228, 236, 244, 252, 258
1001139026..... 352	1001144131..... 360	1001147054.....73	1001182997..... 53
1001139027..... 344	1001144270..... 240, 244	1001147055.....73	1001184188..... 153, 161
1001139028..... 340	1001144273..... 240	1001148387.....63, 65	1001184251..... 244
1001139029..... 356	1001144274..... 240, 244	1001148425.....13	1001184256..... 244, 252
1001139031..... 348	1001144275..... 240	1001148430.....13	1001184959..... 293, 295, 299
1001139032..... 141	1001144279..... 240, 244	1001148482.....13	1001184960..... 271, 293
1001139078..... 131	1001144280..... 240	1001148486.....13	1001184961..... 277, 295
1001139180..... 82	1001144281..... 240, 244	1001148537.....13	1001185032..... 293
1001139384..... 85, 87	1001144282..... 240, 244	1001148538.....13	1001185033..... 295
1001139388..... 95	1001144284..... 240, 244	1001148540.....13	1001185157..... 118, 205
1001139409..... 95	1001144285..... 240, 244	1001148610.....13	1001185192..... 118
1001139521..... 82	1001144325..... 91	1001148892.....114	1001185314..... 118, 129
1001139522..... 82	1001144445.....289	1001148902.....364	1001185317..... 129
1001139528..... 82	1001144548..... 96	1001148903.....364	
1001139531..... 82	1001144629..... 171	1001148904.....364	
1001139532..... 82			
1001139533..... 82			
1001139534..... 82			

# PART NUMBER INDEX

1001185318.....118, 197	1001228060 ..... 122, 215	1702774 ... 336, 340, 344, 348, 352, 356	2060025.....95
1001185319.....197	1001228215 ..... 169	1702861 ... 336, 340, 344, 348, 352, 356	2080040.....73, 171
1001185321.....197	1001228376 ..... 171	1702862 ... 336, 340, 344, 348, 352, 356	2080044.....129
1001185524.....126	1001228377 ..... 173	1702868 ..... 336	2111010....224, 228, 232, 236
1001185527.....118	1001229941 ..... 57	1702962 ..... 364	2111212.....224, 228
1001185554.....118, 126	1001229942 ..... 57	1703162 ..... 95	2111616.....224, 228
1001185577.....118	1001229943 ..... 57	1703797 ..... 336	2130404.....232, 236
1001185578.....118	1001231235 ..... 365	1703804 ..... 336	2131616.....224, 228
1001185707.....69	1001232516 ..... 147	1703805 ..... 336	2151212.....232, 236
1001185785.....126	1001233401 ..... 364	1703923 ..... 356	2160001.....47
1001185833.....65, 313	1001236951 ..... 364	1703925 ..... 344	2160016.....13
1001185921.....244	1001248012 ..... 129, 201	1703926 ..... 348	2172116.....224, 228
1001185923.....65, 135	1060918 ..... 153, 155	1703927 ..... 352	2180348.....91
1001186137.....244	1060945 ... 275, 279, 285	1703935 ..... 356	2180380.....244
1001186138.....244	10725302 ..... 244	1703937 ..... 344	2180724 ..... 244
1001186435.....37	10837580 ..... 39, 43	1703938 ..... 348	2180876.....59, 91
1001186683.....360	1271538 ..... 145, 147	1703939 ..... 352	220885.....213
1001186733.....118, 209	1320016 ..... 95	1703941 ..... 356	2220366....228, 248, 252
1001186734.....209	1320022 ..... 59, 91	1703943 ..... 344	2220371...224, 228, 244, 252, 255, 257
1001186846.....37	1320136 ..... 145, 147	1703944 ..... 348	2220373....224, 228, 240, 244
1001186944.....364	1320176 ..... 95	1703945 ..... 352	2220374....240, 244, 248, 252
1001186945.....364	1320224 ..... 145, 147	1703947 ..... 356	2220377.....248, 252
1001187208.....65, 69	1321385 ..... 91	1703949 ..... 344	2220415...224, 228, 240, 244
1001187259.....244	1340060 ..... 95	1703950 ..... 348	2220451.....95, 248, 252
1001194343.....244	1380136 ..... 37	1703951 ..... 352	2220466....232, 236, 244
1001199923.....255, 257	1600387 ..... 145, 147	1703953 ..... 336	2220472....232, 236, 240
1001199929.....255, 257	1660234 ..... 103	1703980 ..... 348	2220473....240, 244, 248, 252
1001200016.....255	1670769 ..... 293, 295	1703981 ..... 352	2220479.....248, 252
1001200017.....257	1670829 ..... 67, 69	1703982 ..... 344	2220497.....248, 252
1001200018.....255, 257	1671092 ..... 283	1703983 ..... 356	2220500.....240, 244
1001200020.....255, 257	1671093 ..... 273, 277	1704001 ..... 356	2220502.....232, 236
1001200021.....255, 257	1671176 ... 157, 161, 165	1704260 ... 157, 161, 165	2220507.....252
1001200575.....175	1683053 ..... 199	1704277 ... 336, 340, 344, 348, 352, 356	2220577.....244
1001200803.....179, 181	1683055 ..... 197, 209	1704412 ... 336, 340, 344, 348, 352, 356	2220582.....244
1001201436.....179, 181	1683609 ..... 129, 199	1704575 ..... 336	2220602.....232, 236
1001201543.....364	1683905 ..... 213	1704885 ... 336, 340, 344, 348, 352, 356	2220603...232, 236, 240, 248, 252
1001201886.....161, 177	1683907 ..... 213	1704972 ..... 91	2220605.....224, 228
1001203478.....65, 311	1683949 ..... 209	1705132 ..... 157, 165	2220609.....244
1001203479.....65, 331	1683963 ..... 209	1705344 ..... 348	2220619.....252
1001203480.....155	1684008 ..... 213	1705345 ..... 352	2220635.....257
1001203481.....155, 165	1684089 ..... 199	1705351 ..... 336, 344	2220654.....244
1001203482.....165, 321	1684090 ..... 199	1705426 ..... 348	2220671.....240, 244
1001209059.....364	1701499 ... 336, 340, 344, 348, 352, 356	1705427 ..... 352	2220679.....248, 252
1001213447.....319	1701500 ... 336, 340, 344, 348, 352, 356	1705895 ..... 340	2220689.....248, 252
1001217358.....157, 319	1701501 ... 336, 340, 344, 348, 352, 356	1705896 ..... 340	2220819.....240
1001218068.....181	1701502 ... 336, 340, 344, 348, 352, 356	1705897 ..... 340	2220861.....224, 228
1001218622.....279	1701503 ... 336, 340, 344, 348, 352, 356	1705898 ..... 340	2220865.....248, 252
1001218623.....285	1701504 ... 336, 340, 344, 348, 352, 356	1705902 ..... 340	2220883....197, 199, 201, 219
1001223055.....336	1701505 ... 336, 340, 344, 348, 352, 356	1705903 ..... 340	2220885....197, 199, 201, 203, 205, 209, 215
1001224048.....352	1701509 ... 336, 340, 344, 348, 352, 356	1705905 ..... 340	2220886.....215, 248
1001224049.....356	1701529 ... 336, 340, 344, 348, 352, 356	1705906 ..... 340	2220906.....248, 252
1001224051.....344	1701503 ... 336, 340, 344, 348, 352, 356	1705910 ..... 356	2220947.....240, 244
1001224052.....340	1701505 ... 336, 340, 344, 348, 352, 356	1705917 ..... 356	2220950.....240, 244
1001224053.....348	1701509 ... 336, 340, 344, 348, 352, 356	1705967 ..... 340	2221041....224, 228, 252
1001224965.....95	1701509 ... 336, 340, 344, 348, 352, 356	1705968 ..... 344	2221048.....252
1001225070.....364	1701509 ... 336, 340, 344, 348, 352, 356	1705969 ..... 352	2221086.....248, 252
1001225679.....179	1701529 ... 336, 340, 344, 348, 352, 356	1706059 ..... 91	2300014.....364
1001225680.....364	1702300 ... 336, 340, 344, 348, 352, 356	1706060 ..... 91	2400060.....307
1001225978.....364	1702391 ..... 336, 340	1706061 ..... 91	2400064....305, 307, 362
1001226301.....285, 291, 295	1702565 ... 157, 161, 165	1706062 ..... 91	
1001226302.....275, 291	1702566 ... 157, 161, 165	1706063 ..... 91	
1001226303.....279, 295	1702567 ... 157, 161, 165	1706712 ..... 67, 69	
1001226400.....297, 299, 301	1702676 ... 157, 161, 165		
1001226872.....169	1702773 ... 336, 340, 344, 348, 352, 356		
1001227180.....151			

## PART NUMBER INDEX

2400065 .....	326, 362	3311605 .....	129	4031511 .....	77	4460464 .....	75, 133, 135,
2400066 ....	305, 325, 326	3311805 .....	143, 147	4060092 .....	265	287, 297, 299, 303,	
2420202 .....	145, 147	3312005 .....	147	4060865 .....	79	307, 315, 317, 319,	
2540038 .....	145, 147	3331211 .....	95	4060906 .....	67, 69	321, 325, 326	
2560122 .....	37	3340787 .....	131	4061054 .....	145, 147	4460465 .....	79, 297, 299,
2560136 ....	157, 161, 165	3340880 .....	213	4070987 .....	71	301, 303, 305, 307,	
2560187 .....	85, 87	3391408 .....	91	4100100 .....	199	313, 315, 323, 325,	
2600281 .....	171	3422561 .....	118	4120035 .....	309, 311	326, 329, 331	
260305 .....	325, 362	3422578 .....	114	4160194 .....	82	4460466 ...	297, 299, 301,
2720058 .....	91	3422582 .....	114	4240018 63, 65, 289, 291,		317, 319, 321, 325,	
2720398 .....	95	3422669 .....	118	293, 295		326, 329, 331	
2720447 .....	96	3422792 .....	118	4240033 .....	145, 147	4460467 .....	365
2760105 .....	67, 69	3422793 .....	118	4360328 67, 69, 118, 157,		4460470 ....	157, 161, 165
2820019 .....	319	3422813 .....	13	165, 362		4460471 ....	157, 161, 165
2820031 ....	297, 299, 301	3422860 .....	129	4360330 .....	157, 165, 362	4460473 ....	297, 299, 301
2820118 ....	297, 299, 301	3422861 .....	129	4360331 ....	158, 161, 166,	4460488 ....	157, 161, 165
2860030 .....	71, 362	3422867 .....	129	362		4460496 .....	75, 325
2900707 .....	39, 43	3422913 .....	114	4360387 ....	157, 161, 165,	4460497 .....	75, 325
2900708 .....	40, 44	3422932 .....	118	362		4460508 ...	297, 299, 317,
2900770 .....	195	3423061 .....	114, 118	4360407 ....	157, 161, 165,	319, 321, 326	
2900792 ....	197, 199, 201	3430616 ....	177, 179, 181	362		4460509 ....	297, 299, 301
2901301 .....	197, 209	3470003 ...	175, 177, 179,	4360436 .....	53	4460510 .....	365
2901303 .....	199	181		4360469 .....	71, 362	4460536 .....	75, 133, 135,
2901443 .....	365	3480188 .....	197, 209	4360475 67, 69, 157, 161,		307, 317, 319, 321, 325	
2902019 .....	213	3480210 .....	199	165, 362		4460539 ...	305, 317, 319,
2902443 .....	307	3480257 .....	213	4360476 67, 69, 157, 161,		321, 323, 325	
2920129 .....	63, 65	3520034 .....	129	165, 362		4460634 .....	309, 311
2920154 ....	157, 161, 165	3520054 ....	95, 158, 161,	4360514 .....	63, 65, 362	4460635 .....	309, 311
2920161 .....	79	166		4460019 .....	326	4460670 .....	307
2940045 .....	73	3520072 ....	169, 171, 173	4460042 .....	326	4460708 ....	158, 161, 166
2940074 .....	171	3520198 ....	169, 171, 173	4460043 .....	307	4460761 ...	317, 319, 321,
2940173 .....	85, 87	3641585 .....	151	4460071 ....	153, 155, 263,	325	
3020016 .....	95, 364	3740067 .....	95, 362	265		4460806 .....	326
3020021 .....	103	3740080 .....	75, 362	4460125 .....	265	4460836 .....	325
3020029 .....	13, 364	3760115 .....	114	4460134 .....	281	4460837 .....	325
3200406 .....	95	3760133 .....	122, 126	4460142 .....	307	4460851 .....	329, 331
3251243 .....	263	3760368 .....	199	4460183 .....	326	4460865 ....	297, 299, 301
3252347 ....	153, 155, 336	3760369 .....	197, 209	4460205 .....	263, 269, 271	4460866 ...	297, 299, 317,
3252507 .....	265	3790012 ...	118, 158, 161,	4460225 .....	317, 319, 321	319, 321, 326	
3271501 .....	82	166		4460226 .....	186, 191, 317,	4460868 .....	325
3271601 .....	82	3790152 .....	93	319, 321, 326		4460871 ...	183, 189, 309,
3272605 .....	143, 147	3820001 ...	336, 340, 344,	4460227 63, 65, 317, 319,		311, 317, 319, 321,	
3290405 .....	77, 79	348, 352, 356		321		325, 329, 331	
3290505 .....	67, 69	3820020 .....	37, 171	4460233 .....	265	4460872 .....	325
3290601 .....	57, 85, 87	3841143 13, 91, 114, 118,		4460234 .....	157, 161, 165	4460873 ...	317, 319, 321,
3290605 ...	63, 65, 75, 91,	129		4460247 .....	307, 317, 319,	325	
95, 131, 145, 151, 153,		3841203 .....	118	321		4460874 ...	317, 319, 321,
155		3841258 .....	114	4460259 .....	317, 319, 321	325	
3290606 .....	173	3841287 .....	114, 118	4460260 .....	317, 319, 321	4460875 ...	317, 319, 321,
3290607 .....	73	3841340 ...	129, 145, 289,	4460265 .....	186, 191	329, 331	
3290801 .....	65, 73	291		4460267 .....	313, 325	4460876 .....	309, 311
3290805 .	37, 82, 95, 131,	3841692 .....	151	4460268 .....	331	4460877 .....	325
153, 155, 255, 257		3900192 .....	118	4460313 .....	307, 326	4460878 .....	325
3291001 .....	85, 87, 109	3900259 .....	122, 126	4460315 .....	263	4460879 ....	317, 319, 321
3291005 ...	37, 53, 59, 63,	3900283 .....	147	4460320 .....	326	4460884 .....	325
65, 82, 91, 95, 114,		3900363 .....	85, 87	4460326 .....	313, 317, 321	4460887 ...	317, 319, 321,
131, 153, 155, 289, 293		3900364 .....	131	4460346 .....	263	325	
3291205 13, 91, 114, 118,		3900392 .....	63, 65	4460418 .....	309, 311, 317,	4460888 ....	317, 319, 321
141, 145, 240, 244		3910804 .....	71	319, 321		4460891 .....	79, 303, 307,
3291605 .....	145	3911018 ....	157, 161, 165	4460419 ...	309, 311, 317,	313, 315, 326, 329, 331	
3300106 .....	23	3931464 .....	213	319, 321		4460894 .....	326
3300151 ....	169, 171, 173	3931516 .....	199	4460424 .....	63, 65	4460897 ....	287, 315, 326
3311005 ....	157, 161, 165	3931528 .....	213	4460428 .....	145, 157, 161,	4460899 .....	307
3311405 ...	147, 336, 340,	3931620 .....	197, 209	165		4460905 ...	157, 161, 165,
344, 348, 352, 356		3960407 .....	95	4460434 .....	317, 319, 321	309, 311, 325, 329, 331	
3311601 ...	175, 177, 179,	3960422 .....	263, 265	4460445 .....	331	4460930 .....	326
181		4010618 .....	173			4460931 .....	307

# PART NUMBER INDEX

4460932.....303	4923451.....95	70002386 29, 40, 44, 362	70004018.....29
4460933.....325	5241000.....141, 145	70002388.....195	70004021.....105
4460942.....325	5241200 47, 96, 141, 145	70002401.....39, 44, 203, 205	70004022.....105
4460943.....307, 317, 319, 321	5241600.....47, 145	70002413.....195	70004024.....105
4460944.....317, 319, 321, 325	5242400.....141, 145	70002601.....105	70004025.....105
4460959.....273, 275, 277	5272114.....47	70002603.....105	70004026.....106
4460960.....283	70000088.....49	70002604.....105	70004027.....105
4460967.....307	70000089.....49	70002649.....51	70004028.....105
4461005.....307	70000341.....137	70002651.....51	70004063.....61
4461006.....307	70000342.....139	70002724.....189	70004064.....61
4461008.....307	700003949.....137	70002725.....189	70004065.....61
4461052.....307	70000781.....29	70002726.....189	70004066.....61, 362
4461053.....307	70000865.....51	70002727.....189	70004068.....61
4461054.....307	70000916.....99	70002728.....189	70004069.....61
4461060.....307	70000919.....99	70002729.....189	70004070.....61
4461071.....307	70001002.....99	70002730.....183	70004073.....131, 362
4461072.....307	70001423.....99	70002731.....183	70004074.....131
4461073.....307	70001435.....99	70002732.....183	70004075.....17
4461074.....307	70001697.....137, 139	70002733.....183	70004076.....17
4566468.....197	70001958.....105, 106	70002734.....183	70004077.....17
4568030.....213	70002132.....105, 106	70002735.....183	70004078.....17
4640113.....23	70002133.....105	70002838.....55	70004079.....17
4640509.....197, 199, 201	70002134.....105	70002839.....55	70004080.....17
4640932.....197	70002137.....105	70002863.....105	70004081.....17
4641282.....224, 228	70002138.....105	70002867.....106	70004082.....17
4641329.....255, 257	70002145.....105	70002906.....183	70004083.....17
4641390.....203, 205	70002147.....105	70002962.....29	70004084.....17
4711400 85, 87, 147, 169, 171, 173	70002148.....105	70002966.....39, 43	70004085.....17
4711500.....175	70002149.....105	70002967.....39, 43	70004086.....17
4711600.....147, 177, 179, 181	70002150.....105	70002972.....39, 43	70004087.....17
4740111.....13	70002151.....105	70002973.....39, 43	70004088.....17
4740362.....153, 155	70002152.....105	70002974.....40, 44	70004089.....17
4740397.....161	70002153.....105	70002975.....39, 43	70004090.....17
4740439.....129	70002154.....105	70002976.....39, 43	70004123.....203
4751400.....147, 157, 161, 166, 336, 340, 344, 348, 352, 356	70002155.....105	7000345.....99	70004126.....17
4811400.....77	70002156.....105	70003483.....153, 155	70004151.....39, 43
4811700.....57, 63, 65, 73, 75, 91, 95, 131, 145, 173, 255, 257	70002157.....105	70003545.....35, 37, 362	70004152.....39, 43
4811702.....145, 151	70002160.....105	70003614.....55, 362	70004153.....39, 43
4811900.....31, 37, 63, 65, 82, 85, 87, 131, 133, 135, 145, 153, 155, 255, 257	70002161.....105	70003636.....211	70004154.....39, 43
4812000.....25, 27, 35, 37, 53, 59, 63, 65, 82, 85, 87, 91, 95, 114, 118, 122, 126, 131, 145, 289, 291, 293	70002163.....105	70003784.....157, 161, 165	70004155.....219
4812002 37, 53, 153, 155	70002164.....105	70003788.....40, 44, 203, 205, 362	70004186.....219
4812100.....13, 114, 118, 240, 244	70002165.....105, 106	70003926.....219	70004187.....203
4812102.....91	70002168.....105	70003928.....219	70004188.....203
4812200.....95	70002169.....106	70003929.....219	70004189.....203, 205
4812300.....13, 145	70002170.....106	70003930.....219	70004190.....203, 205
4831900.....103	70002172.....106	70003932.....99	70004191.....203
4845395.....95	70002174.....106	70003948.....137	70004192.....203
4891600.....143, 147	70002175.....106	70003957.....29	70004195.....55
4891800.....93, 143, 147	70002176.....106	70003958.....29	70004196.....55
4892000.....15, 147	70002177.....106	70003959.....29	70004197.....55
4892600.....143, 147	70002178.....106	70003960.....29	70004198.....55
	70002180.....106	70003961.....39, 43	70004199.....55
	70002181.....106	70003963.....39, 43	70004200.....55
	70002182.....106	70003968.....39, 43	70004210.....195, 207
	70002185.....106	70003970.....39, 43	70004212.....195, 207
	70002186.....106	70003971.....39, 43	70004213.....195, 207
	70002187.....106	70003974.....40, 44	70004214.....195, 207
	70002188.....106	70003975.....40, 44	70004215.....207
	70002189.....106	70003976.....39, 43, 44	70004216.....195
	70002191.....106	70003977.....40, 44	70004217.....195
	70002192.....106	70003978.....40, 44	70004218.....195
	70002200.....99	70003980.....29	70004219.....195
	70002206.....49	70003981.....29	70004220.....211
	70002207.....49	70003982.....219	70004221.....211
	70002209.....29	70004017.....29	70004222.....211
	70002231.....35, 37, 362		70004223.....211
	70002234.....99		70004224.....211



## PART NUMBER INDEX

70004225	211	70004754	185	7002821	365	7019165	189
70004226	211	70004755	185	7002822	365	7019167	189
70004227	211	70004756	185	7002823	365	7019194	189
70004246	207	70004757	185	7002826	365	7020023	99
70004247	207	70004758	185	7003928	183	7020026	99
70004248	207	70004759	185	7003941	189	702017567, 69, 157, 161,	
70004249	51	70004760	185	7003972	189	165	
70004250	51	70004761	185	7003973	189	702017667, 69, 157, 161,	
70004251	51	70004762	185	7003980	189	165	
70004252	51	70004763	185	7003982	189	7020408	99
70004253	51	70004764	185	7003983	189	7020410	99
70004254	51	70004765	185	7003989	189	7020411	99
70004255	51	70004766	185	7004035	49	7020447	99
70004256	51	70004767	185	7004036	49	7020449	99
70004257	51	70004768	185	7004043	49	7020459	99
70004258	51	70004769	185	7004044	49	7020460	99
70004259	51	70004770	186	7004045	49	7020464	99
70004260	51	70004771	186	7004047	49	7020465	99
70004261	51	70004772	186	7004049	49	7020468	99
70004262	51	70004773	186	7004275	365	7020471	99
70004263	51	70004774	186	7004276	365	7020479	99
70004326	93	70004775	186	7007207	105	7020495	99
70004327	93	70005064	53	7007415	106	7021256	106
70004353	19	70005209	195	7007418	105	7021275	105
70004354	19	70005230	191	7007419	105	7021625	29
70004355	19	70005432	205	7007438	106	7021639	255, 257
70004356	19	70005434	205	7007446	105	7021653	39, 43
70004357	19	70005435	205	7010543	29, 39, 43	7022301	105, 106
70004358	19	70005436	205	7011112	197	7022340	106
70004359	19	70005437	205	7012540	39, 43	7022390	39, 40, 43, 44,
70004360	19	70005440	37	7012664	95, 362	203, 205	
70004361	19	70005583	217	7012910	40, 44	7022391	43
70004362	19	70005584	217	7012914	39, 43	7022397	29
70004363	19	70005585	217	7012918	39, 43	7022399	29
70004364	19	70005586	217	7012925	203, 205	7022808	183
70004365	19	70005587	217	7012953	39, 43	7022815	183
70004366	19	70005588	217	7012965	43	7022819	183
70004367	19	70005589	217	7012967	39, 40, 43, 44	7023318	49
70004368	19	70005590	217	7012974	29	7023913	39, 43
70004369	19	70005591	217	7012975	39, 43	7023964	106
70004370	19	70005592	217	7012989	39, 43	7023984	39, 43
70004371	19	70005593	217	7012998	39, 43	7024379	49
70004372	19	70005594	217	7016319	79	7024380	49
70004373	19	70005595	215, 217	7016331	99, 362	7024381	49
70004374	19	70005596	217	7016372	79	7024389	49
70004375	19	70006291	39	7016654	365	7024390	49
70004376	19	70006649	201	7016655	365	7024441	55
70004377	20	70006650	201	7017126	137	7024453	49
70004378	20	70006734	201	7017142	137, 139	7024560	95
70004379	20	70006735	201	7017147	137	7024565	99
70004380	20	70006736	201	7017158	137	7024579	99
70004738	191	70006787	215	7017159	137, 139	7024844	29, 40, 44
70004739	191	70006788	215	7017162	139	7024845	29
70004740	191	70006789	215	7017163	137, 139	7024884	39, 44
70004741	191	70006790	215	7017164	137, 139	7024896	37
70004742	191	70006791	215	7017183	137, 139	7026042	51
70004743	191	70006792	215	7017193	137, 139	7026043	51
70004744	191	70006793	215	7017195	137, 139	7026044	51
70004745	191	70006794	215	7017406	29, 40, 44	7026045	51
70004746	191	70006795	215	7017410	40, 44	7026046	51
70004747	191	70007439	106	7017420	43	7026047	51
70004748	191	70020199	325, 362	7017421	43	7026048	51
70004749	191	70023369	215	7017422	39, 43	7026049	51
70004750	191	70023371	217	7017496	39, 40, 43, 44,	7026050	51
70004751	191	70023377	203, 205	203, 205, 255, 257		7026051	51
70004752	185	70023379	203, 205	7019162	189	7026052	51
70004753	185	70027244	215	7019164	189	7026053	51

## PART NUMBER INDEX

7026057.....	51	7027352.....	51	7027791.....	99	8220045.....	305, 307
7026608.....	99	7027353.....	51	7027792.....	99	8305919.....	157, 161, 165
7027236.....	99	7027354.....	51	7027793.....	99	8760268.....	244
7027239.....	99	7027356.....	51	7027794.....	99	8765204.....	232, 236
7027242.....	99	7027611.....	99	7027795.....	99, 362	8770016.....	240, 244
7027245.....	99, 362	7027612.....	99	7027796.....	99	8896941.....	365
7027276.....	99	7027613.....	99	7189000015.....	73	90028482.....	248, 252
7027350.....	51	7027769.....	100	77133089.....	224, 228		
7027351.....	51	7027790.....	99	80633030.....	248, 252		





3121285



An Oshkosh Corporation Company

**Corporate Office**  
**JLG Industries, Inc.**  
**1 JLG Drive**  
**McConnellsburg, PA 17233-9533 USA**  
**☎ (717) 485-5161 (Corporate)**  
**☎ (877) 554-5438 (Customer Support)**  
**☎ (717) 485-6417**

**Visit our website for JLG Worldwide Locations.**  
**[www.jlg.com](http://www.jlg.com)**