



---

# Illustrated Parts Manual

*Models*  
**24RS**  
**24RSJ**

3121288

August 10, 2018 - Rev R

**ANSI**

**CE**



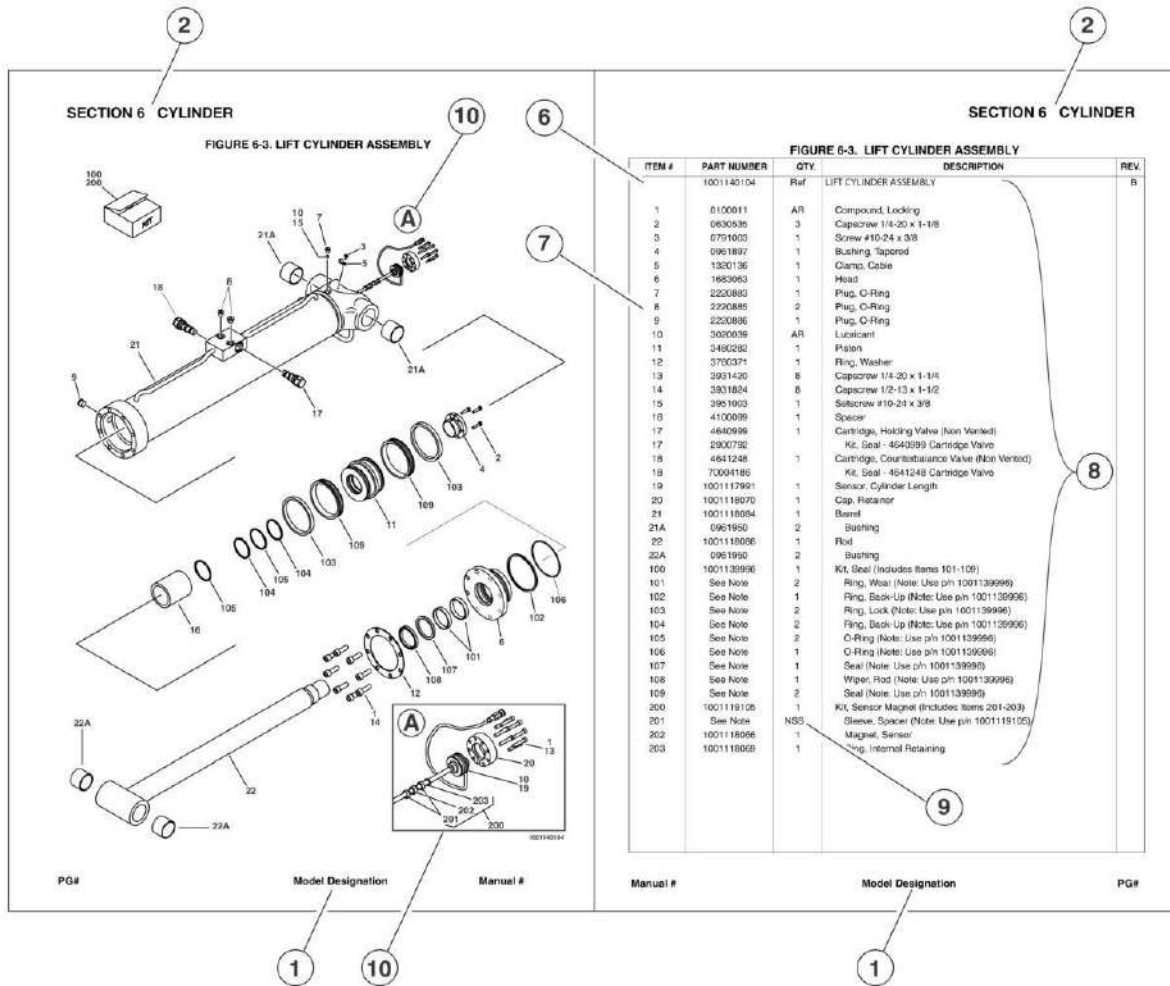
An Oshkosh Corporation Company



## REVISION LOG

**April 1, 2013 - A - Original Issue of Manual (Edited to /M 1001133023 Revision D)**  
**June 28, 2013 - B - Revised Manual (Edited to /M 1001133023 Revision D)**  
**September 27, 2013 - C - Revised Manual (Edited to B/M 1001133023 Revision D)**  
**December 30, 2013 - D - Revised Manual (Edited to B/M 1001133023 Revision D)**  
**December 1, 2014 - E - Revised Manual (Edited to B/M 1001133023 Revision F)**  
**September 15, 2015 - F - Revised Manual (Edited to B/M 1001133023 Revision I)**  
**November 30, 2015 - G - Revised Manual (Edited to B/M 1001133023 Revision I)**  
**February 5, 2016 - H - Revised Manual (Edited to B/M 1001133023 Revision I)**  
**May 6, 2016 - I - Revised Manual (Edited to B/M 1001133023 Revision K)**  
**August 17, 2016 - J - Revised Manual (Edited to B/M 1001133023 Revision K)**  
**November 18, 2016 - K - Revised Manual (Edited to B/M 1001133023 Revision K)**  
**February 24, 2017 - L - Revised Manual (Edited to B/M 1001133023 Revision K)**  
**May 31, 2017 - M - Revised Manual (Edited to B/M 1001133023 Revision L)**  
**August 31, 2017 - N - Revised Manual (Edited to B/M 1001133023 Revision N)**  
**November 30, 2017 - O - Revised Manual (Edited to B/M 1001133023 Revision P)**  
**February 16, 2018 - P - Revised Manual (Edited to B/M 1001133023 Revision Q)**  
**June 15, 2018 - Q - Revised Manual (Edited to B/M 1001133023 Revision U)**  
**August 10, 2018 - R - Revised Manual (Edited to B/M 1001133023 Revision U)**

# GENERAL INFORMATION



## 1) MACHINE IDENTIFICATION

Machines are identified by model and in some cases a combination of models, serial number (SN) or regional standard (i.e. ANSI, CE, CSA). Components may also be identified by SN or manufacturer. common components that may be identified by these characteristics are engines and hydraulic components.

## 2) PARTS MANUAL ORGANIZATION

Product information in this manual is organized under section titles. Frame, Cylinder, Hydraulic and Electrical are a few examples. Each section is organized by figure and page number. The information within the Figure is then organized by item number, part number, description and corresponding illustration (s).

## 3) TABLE OF CONTENTS

A table of contents is found toward the beginning of the manual. Figure number, description and page number are provided for quick reference to the page containing the related information.

## 4) RECOMMENDED SPARE PARTS

The Recommended Spare Parts, located near the end of the manual, reference most frequently used maintenance parts.

## 5) PART NUMBER INDEX

A numerical index listing all part numbers and the corresponding page number(s) appears at the back of the manual.

## GENERAL INFORMATION

### 6) NON-SERVICED PARTS

In some instances, it is necessary to display non-serviced parts, assemblies or installations. In the case of assemblies and installations there will be a Ref in the Qty column. In case of parts that are not available for service within assemblies or components, there will be a NSS (Not Sold Separately) or NLA (No Longer Available) listed in the Qty. column of the manual.

### 7) PARTS LIST ITEM NUMBERS

Numbers shown in the item# column correspond to numbers used in the associated illustration (s). Item numbers which are missing from the sequence in the parts list are not used on that page

### 8) INDENTED PARTS DESCRIPTION

An indented part description is included in the item under which it is indented.

### 9) ABB REVIATION AND SYMBOLS

AC.....	..Alternating Current	LCD.....	..Liquid Crystal Display
ADE.....	..Advanced Design Electronics	LED.....	..Light Emitting Diodes
ANSI.....	..American National Standards Institute	LH.....	..Left Hand
AR.....	..As Required	LSS.....	..Load Sensing System
ASSY.....	..Assembly	M(m).....	..Metric/Meter
AUX.....	..Auxiliary	MM (mm).....	..Milimeter
AWG.....	..American WireGauge	mA.....	..Miliamps
B/M.....	..Bill of Material	NLA.....	..No Longer Available
CE.....	..European Conformity	NPT.....	..National Pipe Threads
CCW.....	..Counter Clockwise	NSS.....	..Not So Id Separately
cm.....	..Centimeter	OD.....	..Outside Diameter
CW.....	..Clockwise	ORB.....	..O-Ring Boss
CSA.....	..Canadian Standards Association	ORFS.....	..O-Ring Face Seal
CYL.....	..Cylinder	OZ (oz).....	..Ounces
DIA.....	..Diameter	PG.....	..Page
DC.....	..Direct Current	P/N.....	..Part Number
EMS.....	..Emergency Stop	qt.....	..Quarts
ENG.....	..Engine	QTY.....	..Quantity
FT(ft).....	..Feet	REF.....	..Reference
GA(Ga).....	..Gauge	REV.....	..Revision Level
HYD.....	..Hydraulic	RH.....	..Right Hand
Hz.....	..Hertz	SAE.....	..Society of A utomotive Engineers
ID.....	..Inside Diameter	SN.....	..Serial Number
in.....	..inches	SPEC(S).....	..Specifications
ISO.....	..International Organization for Standards	T/T.....	..Turntable
JIC.....	..Joint Industry Council	UGM.....	..Universal Ground Module
KG.....	..Kilogram	V.....	..Volts
L.....	..Liter	W.....	..Watts
LB.....	..Pounds	#.....	..Number

### 10) ILLUSTRATION REFERENCE LETTERS

When necessary, illustrations may contain reference letters that are intended to track information (i. e. hoses, harnesses) from one point to another or to track visual enlargement of components to show details that may be located in another area on the illustration.

*Note: Due to continuous product improvements, JLG Industries, Inc. reserves the right to make specification changes without prior notification. Contact JLG Industries, Inc. for updated information.*



# TABLE OF CONTENTS

SECTION 1 - FRAME.....	11
FIGURE 1-1. STEERING INSTALLATION .....	12
FIGURE 1-2. WHEEL DRIVE INSTALLATION .....	14
FIGURE 1-3. DRIVE MOTOR ASSEMBLY .....	16
FIGURE 1-4. DRIVE HUB/BRAKE ASSEMBLY .....	18
FIGURE 1-5. TIRE AND WHEEL INSTALLATION .....	22
FIGURE 1-6. DRIVE VALVES INSTALLATION - 24RS.....	24
FIGURE 1-7. DRIVE VALVES INSTALLATION - 24RSJ.....	26
FIGURE 1-8. FLOW DIVIDER VALVE ASSEMBLY .....	28
FIGURE 1-9. FRAME SHIELDS INSTALLATION.....	30
SECTION 2 - TURNTABLE .....	33
FIGURE 2-1. CONTROL VALVE AND HYDRAULIC FILTERS INSTALLATION - 24RS.....	34
FIGURE 2-2. CONTROL VALVE AND HYDRAULIC FILTERS INSTALLATION - 24RSJ.....	36
FIGURE 2-3. MAIN CONTROL VALVE ASSEMBLY - 24RS.....	38
FIGURE 2-4. MAIN CONTROL VALVE ASSEMBLY - 24RSJ.....	42
FIGURE 2-5. SWING COMPONENTS AND AUXILIARY PUMP INSTALLATIONS .....	46
FIGURE 2-6. SWING MOTOR/HUB ASSEMBLY .....	48
FIGURE 2-7. SWING MOTOR ASSEMBLY .....	52
FIGURE 2-8. AUXILIARY MOTOR/PUMP ASSEMBLY .....	54
FIGURE 2-9. TURNTABLE BEARING INSTALLATION .....	56
FIGURE 2-10. TURNTABLE LOCK INSTALLATION.....	58
FIGURE 2-11. TANK INSTALLATIONS.....	60
FIGURE 2-12. HYDRAULIC TANK ASSEMBLY.....	62
FIGURE 2-13. HYDRAULIC TANK LOCK INSTALLATION (SN B300002264 to Present).....	64
FIGURE 2-14. FUEL FILTER INSTALLATION (OPTIONAL).....	66
FIGURE 2-15. WATER SEPARATOR FILTER ASSEMBLY (OPTIONAL).....	68
FIGURE 2-16. ELECTRICAL INSTALLATION - 24RS .....	70
FIGURE 2-17. ELECTRICAL INSTALLATION - 24RSJ.....	72
FIGURE 2-18. GROUND CONTROL PANEL ASSEMBLY - 24RS.....	74
FIGURE 2-19. GROUND CONTROL PANEL ASSEMBLY - 24RSJ.....	76
FIGURE 2-20. KEY SWITCH ASSEMBLY .....	78
FIGURE 2-21. GROUND CONTROL DOOR INSTALLATION (OPTIONAL).....	80
FIGURE 2-22. ELECTRICAL PANEL ASSEMBLY .....	82
FIGURE 2-23. LIMIT SWITCH INSTALLATION - 24RS .....	84
FIGURE 2-24. LIMIT SWITCH INSTALLATION - 24RSJ .....	86
FIGURE 2-25. BEACON LIGHT INSTALLATION (OPTIONAL) .....	88
FIGURE 2-26. HOODS INSTALLATION .....	90
FIGURE 2-27. CENTER HOOD ASSEMBLY (ENGINE SIDE).....	94
FIGURE 2-28. CENTER HOOD ASSEMBLY (TANK SIDE).....	96
SECTION 3 - ENGINE .....	99
FIGURE 3-1. DEUTZ ENGINE INSTALLATION .....	100
FIGURE 3-2. ENGINE AND PUMP ASSEMBLY .....	102
FIGURE 3-3. ENGINE ASSEMBLY .....	104
FIGURE 3-4. ENGINE COMPONENTS (Prior to SN B300001631) .....	108
FIGURE 3-5. ENGINE COMPONENTS (SN B300001631 to Present).....	112
FIGURE 3-6. PUMP COUPLING INSTALLATION.....	116
FIGURE 3-7. PISTON PUMP ASSEMBLY .....	118
FIGURE 3-8. BATTERY INSTALLATION .....	122
SECTION 4 - BOOM .....	125
FIGURE 4-1. BOOM AND CYLINDERS INSTALLATION - 24RS .....	126
FIGURE 4-2. BOOM AND CYLINDERS INSTALLATION - 24RSJ.....	130
FIGURE 4-3. MAIN BOOM ASSEMBLY - 24RS.....	134
FIGURE 4-4. MAIN BOOM ASSEMBLY - 24RSJ.....	138
FIGURE 4-5. JIB ASSEMBLY - 24RSJ.....	142
FIGURE 4-6. POWER TRACK ASSEMBLY .....	144
FIGURE 4-7. PROXIMITY SWITCH INSTALLATION - 24RS.....	146
FIGURE 4-8. PROXIMITY SWITCH INSTALLATION - 24RSJ.....	148
FIGURE 4-9. PLATFORM ROTATOR ASSEMBLY - 24RS.....	150
FIGURE 4-10. PLATFORM ROTATOR ASSEMBLY - 24RSJ.....	152

# TABLE OF CONTENTS

FIGURE 4-11. PLATFORM SUPPORT INSTALLATION - WITHOUT LSS - 24RS.....	154
FIGURE 4-12. PLATFORM SUPPORT INSTALLATION - WITHOUT LSS - 24RSJ.....	156
FIGURE 4-13. PLATFORM SUPPORT INSTALLATION (24RS) - WITH LSS.....	158
FIGURE 4-14. CLAMPS INSTALLATION (BOOM) - 24RS.....	160
FIGURE 4-15. CLAMPS INSTALLATION (BOOM) - 24RSJ.....	162
FIGURE 4-16. PLATFORM SUPPORT INSTALLATION (24RSJ) - WITH LSS.....	164
SECTION 5 - PLATFORM.....	167
FIGURE 5-1. PLATFORM ASSEMBLY.....	168
FIGURE 5-2. PLATFORM ASSEMBLY - 30IN X 3FT (76CM X .91M) - DROP BAR ENTRY (USA BUILT MACHINES).....	170
FIGURE 5-3. PLATFORM ASSEMBLY - 3FT X 6FT (91.5CM X 1.83M) WITH TRI-ENTRY (1 GATE / 2 DROP BARS).....	172
FIGURE 5-4. PLATFORM ASSEMBLY - 3FT X 6FT (91.5CM X 1.83M) WITH TRI-ENTRY (3 DROP BARS).....	174
FIGURE 5-5. PLATFORM CONSOLE AND FOOTSWITCH INSTALLATION - 24RS.....	176
FIGURE 5-6. PLATFORM CONSOLE AND FOOTSWITCH INSTALLATION - 24RSJ (Prior to SN B300001777).....	178
FIGURE 5-7. PLATFORM CONSOLE ASSEMBLY - 24RS (Prior to SN B300001446).....	180
FIGURE 5-8. PLATFORM CONSOLE ASSEMBLY - 24RS (SN B300001446 to Present).....	184
FIGURE 5-9. PLATFORM CONSOLE ASSEMBLY - 24RSJ.....	188
FIGURE 5-10. CONSOLE BOX ASSEMBLY (Prior to SN B300001777).....	192
FIGURE 5-11. CONSOLE BOX ASSEMBLY (SN B300001777 through B300002342).....	194
FIGURE 5-12. CONSOLE BOX ASSEMBLY (SN B300001540 to Present).....	196
FIGURE 5-13. CONSOLE BOX ASSEMBLY (SN B300002343 to Present).....	198
FIGURE 5-14. CONTROLLER ASSEMBLY (LIFT AND SWING).....	200
FIGURE 5-15. CONTROLLER ASSEMBLY (LIFT AND SWING).....	202
FIGURE 5-16. CONTROLLER ASSEMBLY (DRIVE AND STEER).....	206
FIGURE 5-17. CONTROLLER ASSEMBLY (DRIVE AND STEER).....	208
SECTION 6 - CYLINDER.....	211
FIGURE 6-1. LEVEL (PLATFORM SLAVE) CYLINDER ASSEMBLY - 24RS.....	212
FIGURE 6-2. LEVEL (PLATFORM SLAVE) CYLINDER ASSEMBLY - 24RSJ.....	214
FIGURE 6-3. LIFT CYLINDER ASSEMBLY - JIB - 24RSJ (Prior to SN B300002343).....	216
FIGURE 6-4. LIFT CYLINDER ASSEMBLY - JIB (SN B300002343 through B300002879).....	218
FIGURE 6-5. LIFT CYLINDER ASSEMBLY - JIB (SN B300002880 to Present).....	220
FIGURE 6-6. LIFT CYLINDER ASSEMBLY - MAIN BOOM.....	222
FIGURE 6-7. MASTER CYLINDER ASSEMBLY - 24RS.....	224
FIGURE 6-8. MASTER CYLINDER ASSEMBLY - 24RSJ.....	226
FIGURE 6-9. STEER CYLINDER ASSEMBLY.....	228
FIGURE 6-10. TELESCOPE CYLINDER ASSEMBLY - 24RS.....	230
FIGURE 6-11. TELESCOPE CYLINDER ASSEMBLY - 24RSJ.....	232
FIGURE 6-12. VALVE BLOCK ASSEMBLY.....	234
SECTION 7 - HYDRAULIC.....	237
FIGURE 7-1. HYDRAULIC INSTALLATION (FRONT AXLE) - 24RS.....	238
FIGURE 7-2. HYDRAULIC INSTALLATION (FRONT AXLE) - 24RSJ.....	242
FIGURE 7-3. HYDRAULIC INSTALLATION (REAR AXLE) - 24RS.....	246
FIGURE 7-4. HYDRAULIC INSTALLATION (REAR AXLE) - 24RSJ.....	250
FIGURE 7-5. HYDRAULIC INSTALLATION (BOOM) - 24RS.....	254
FIGURE 7-6. HYDRAULIC INSTALLATION (BOOM) - 24RSJ.....	258
FIGURE 7-7. HYDRAULIC INSTALLATION (DRIVE PUMP) - 24RS.....	262
FIGURE 7-8. HYDRAULIC INSTALLATION (DRIVE PUMP) - 24RSJ.....	266
FIGURE 7-9. HYDRAULIC DIAGRAM LIST.....	270
SECTION 8 - ELECTRICAL.....	271
FIGURE 8-1. ELECTRICAL DIAGRAM LIST.....	272
FIGURE 8-2. AC AT PLATFORM RECEPTACLE COMPONENTS - 110V GFI (ANSI EXPORT SPECS).....	274
FIGURE 8-3. AC AT PLATFORM RECEPTACLE COMPONENTS - 220V (ANSI EXPORT SPECS).....	276
FIGURE 8-4. AC AT PLATFORM RECEPTACLE COMPONENTS - DEALER/CUSTOMER SUPPLIED.....	278
FIGURE 8-5. AC CABLE - MAIN BOOM (WITHOUT SKYPOWER) - 24RS.....	280
FIGURE 8-6. AC CABLE - MAIN BOOM (WITH SKYPOWER) - 24RS (Prior to SN B300002343).....	282
FIGURE 8-7. AC CABLE - MAIN BOOM (WITH SKYPOWER) - 24RS (SN B300002343 to Present).....	284
FIGURE 8-8. AC CABLE - MAIN BOOM (WITHOUT SKYPOWER) - 24RSJ.....	286
FIGURE 8-9. AC CABLE - MAIN BOOM (WITH SKYPOWER) - 24RSJ (Prior to SN B300002343).....	288
FIGURE 8-10. AC CABLE - MAIN BOOM (WITH SKYPOWER) - 24RSJ (SN B300002343 to Present).....	290
FIGURE 8-11. AC CABLE - TOWER BOOM (WITHOUT SKYPOWER).....	292



# TABLE OF CONTENTS

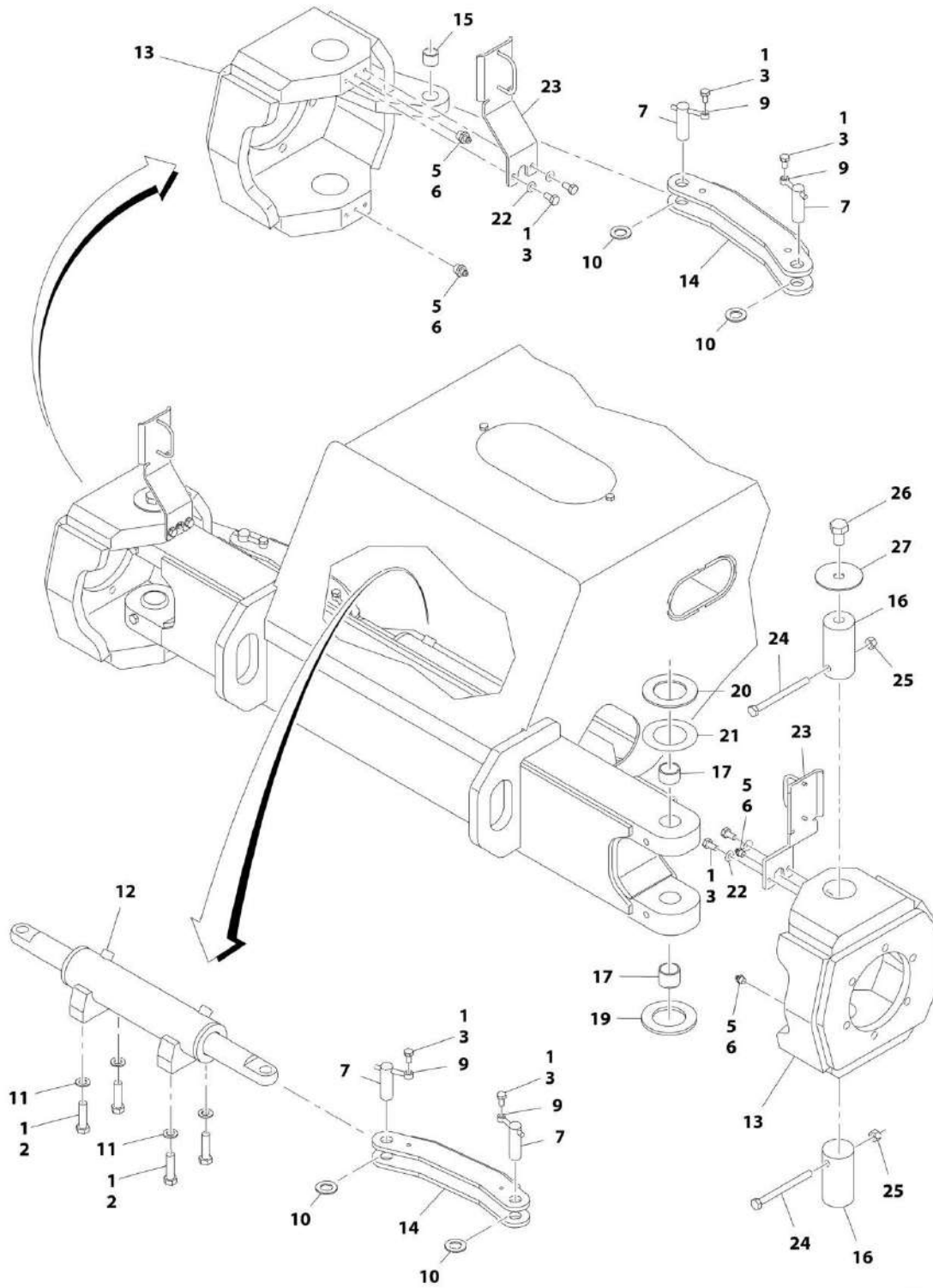
FIGURE 8-12. AC CABLE - TOWER BOOM (WITH SKYPOWER) (Prior to SN B300002343).....	294
FIGURE 8-13. AC CABLE - TOWER BOOM (WITH SKYPOWER) (SN B300002343 to Present).....	296
FIGURE 8-14. BEACON HARNESS.....	298
FIGURE 8-15. BOOM CABLES INSTALLATION - 24RS WITHOUT SKYPOWER.....	300
FIGURE 8-16. BOOM CABLES INSTALLATION - 24RS WITH SKYPOWER.....	302
FIGURE 8-17. BOOM CABLES INSTALLATION - 24RSJ WITHOUT SKYPOWER.....	304
FIGURE 8-18. BOOM CABLES INSTALLATION - 24RSJ WITH SKYPOWER.....	306
FIGURE 8-19. BOOM HARNESS - MAIN BOOM - 24RS.....	308
FIGURE 8-20. BOOM HARNESS - MAIN BOOM - 24RSJ.....	310
FIGURE 8-21. BOOM HARNESS - TOWER BOOM.....	312
FIGURE 8-22. CHASSIS HARNESS.....	314
FIGURE 8-23. EMR2 POWER HARNESS.....	316
FIGURE 8-24. ENGINE HARNESS.....	318
FIGURE 8-25. GROUND CONTROL PANEL HARNESS - 24RS.....	320
FIGURE 8-26. GROUND CONTROL PANEL HARNESS - 24RSJ.....	322
FIGURE 8-27. JIB HARNESS.....	324
FIGURE 8-28. LIFT DOWN HARNESS.....	326
FIGURE 8-29. PLATFORM BOX HARNESS ASSEMBLY - 24RS (Prior to SN B300002343).....	328
FIGURE 8-30. PLATFORM BOX HARNESS - 24RS (SN B300002343 to Present).....	330
FIGURE 8-31. PLATFORM BOX HARNESS ASSEMBLY - 24RSJ.....	332
FIGURE 8-32. PROXIMITY SENSOR HARNESS.....	334
FIGURE 8-33. TELESCOPE HARNESS - MAIN BOOM - 24RSJ.....	336
FIGURE 8-34. TELESCOPE HARNESS - TOWER BOOM - 24RSJ.....	338
FIGURE 8-35. TURNABLE HARNESS.....	340
FIGURE 8-36. VALVE HARNESS - 24RS.....	344
FIGURE 8-37. VALVE HARNESS - 24RSJ.....	346
SECTION 9 - DECALS.....	349
FIGURE 9-1. DECAL INSTALLATION - ANSI SPEC.....	350
FIGURE 9-2. DECAL INSTALLATION - BRAZIL SPEC.....	354
FIGURE 9-3. DECAL INSTALLATION - CHINESE SPEC.....	358
FIGURE 9-4. DECAL INSTALLATION - JAPANESE SPEC.....	362
FIGURE 9-5. DECAL INSTALLATION - KOREAN SPEC.....	366
FIGURE 9-6. DECAL INSTALLATION - LATIN AMERICAN SPEC.....	370
FIGURE 9-7. DECAL INSTALLATION - OPTIONS.....	374
SECTION 10 - RECOMMENDED SERVICE PARTS STOCK.....	377
FIGURE 10-1. RECOMMENDED SERVICE PARTS STOCK.....	378
SECTION 11 - SPECIAL OPTIONS.....	379
FIGURE 11-1. SPECIAL OPTIONS.....	380
PART NUMBER INDEX.....	383



**SECTION 1 - FRAME**

# SECTION 1 - FRAME

## FIGURE 1-1. STEERING INSTALLATION



ART\_1001133419

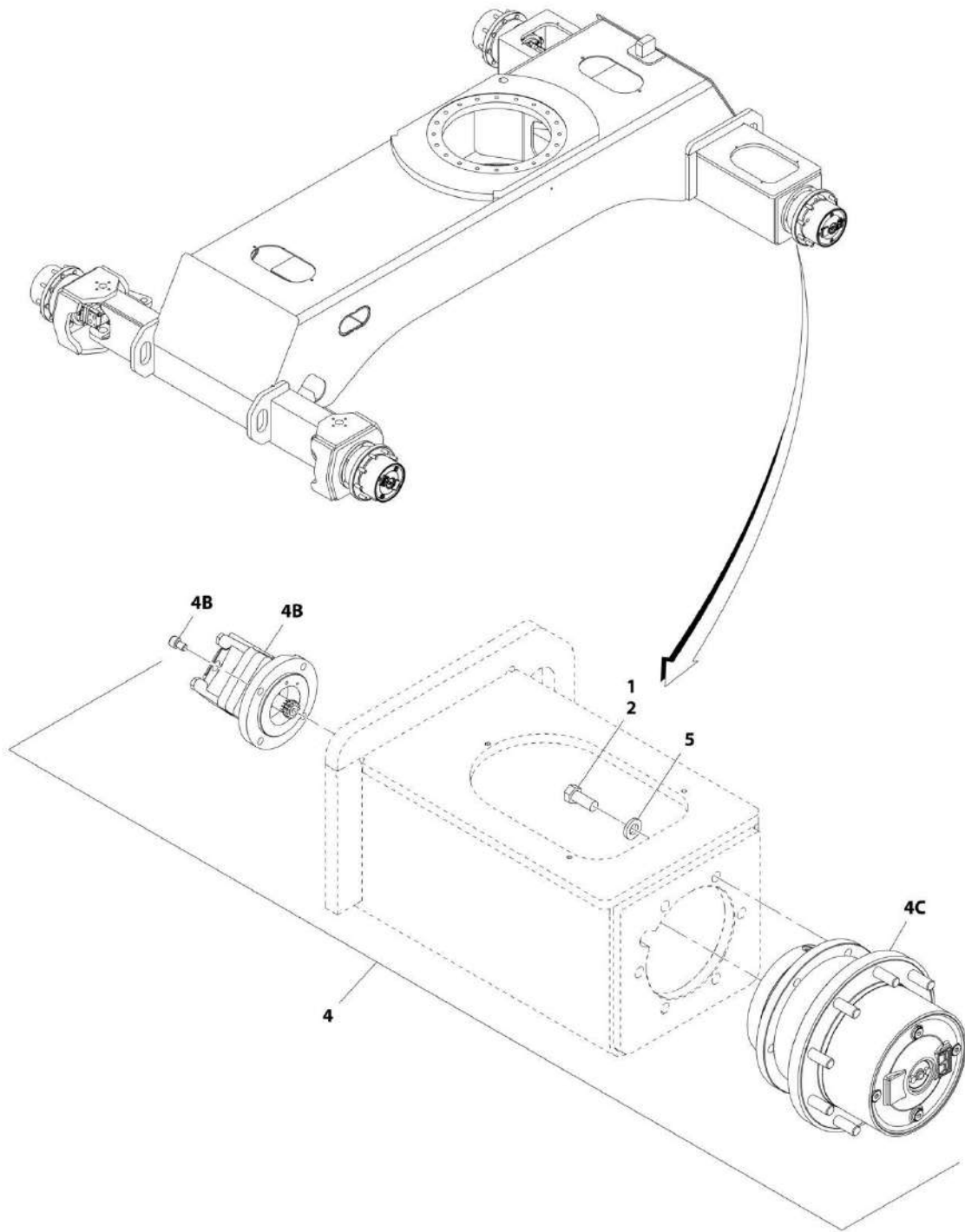
# SECTION 1 - FRAME

## FIGURE 1-1. STEERING INSTALLATION

ITEM	PART NUMBER	QTY	DESCRIPTION	REV
	1001133419	Ref	STEERING INSTALLATION	C
1	0100011	AR	Compound, Locking	
2	0711620	4	Bolt M16 x 60	
3	0761010	8	Bolt M10 x 20	
5	2160016	4	Fitting, Grease	
6	3020029	AR	Grease, Bearing	
7	3422813	4	Pin	
9	3841143	4	Keeper, Pin	
10	4740111	4	Thrustwasher	
11	4812300	4	Washer M16	
12	1001130477	1	Steer Cylinder Assembly (See CYLINDER SECTION for Breakdown)	
13	1001148486	2	Spindle	
14	1001131788	2	Link, Tie-Rod	
15	1001134289	2	Bearing	
16	1001148425	4	Kingpin	
17	1001148430	4	Bearing	
19	1001148482	2	Thrustwasher	
20	1001148537	2	Thrustwasher	
21	1001148538	2	Thrustwasher	
22	4812100	4	Washer M10	
23	1001148540	2	Support, Hose	
24	0711231	4	Bolt M12 x 140	
25	3291205	4	Nut M12	
26	0762014	2	Bolt M20 x 30	
27	1001148610	2	Cover, Kingpin	

# SECTION 1 - FRAME

## FIGURE 1-2. WHEEL DRIVE INSTALLATION



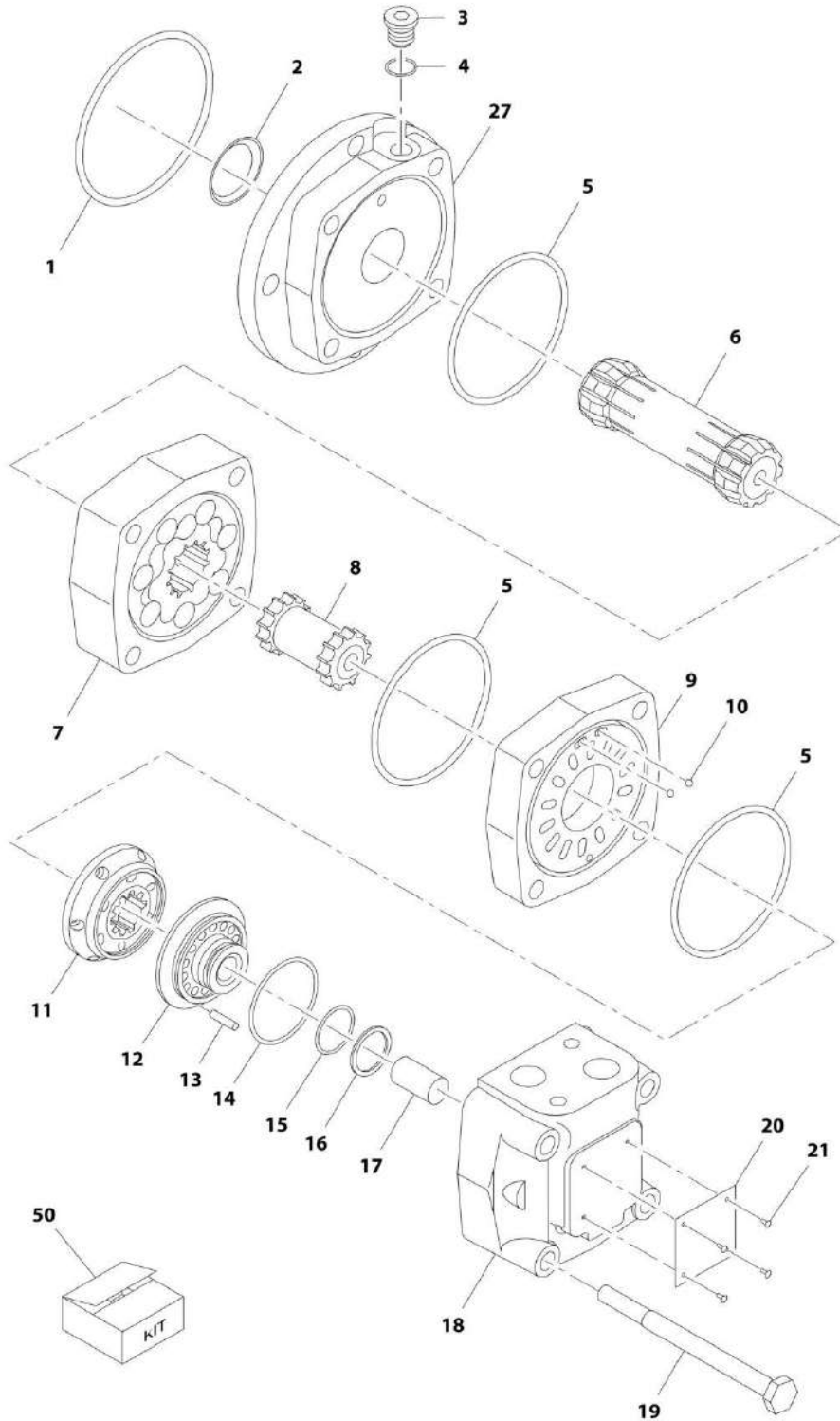
ART\_1001133308

**FIGURE 1-2. WHEEL DRIVE INSTALLATION**

<b>ITEM</b>	<b>PART NUMBER</b>	<b>QTY</b>	<b>DESCRIPTION</b>	<b>REV</b>
	1001133308	Ref	WHEEL DRIVE INSTALLATION	C
1	0100019	AR	Compound, Locking	
2	0682013	24	Bolt 5/8 x 1-5/8 Grade 8	
4	1001132519	4	Drive Motor/Hub/Brake Assembly	H
4A	0100011	AR	Compound, Locking (Not Shown)	
4B	1001132500	4	Drive Motor Assembly (See DRIVE MOTOR ASSEMBLY for Breakdown)	
4C	1001132499	4	Drive Hub/Brake Assembly (See DRIVE HUB/BRAKE ASSEMBLY for Breakdown)	
5	4892000	24	Washer 5/8	

# SECTION 1 - FRAME

## FIGURE 1-3. DRIVE MOTOR ASSEMBLY



ART\_1001132500



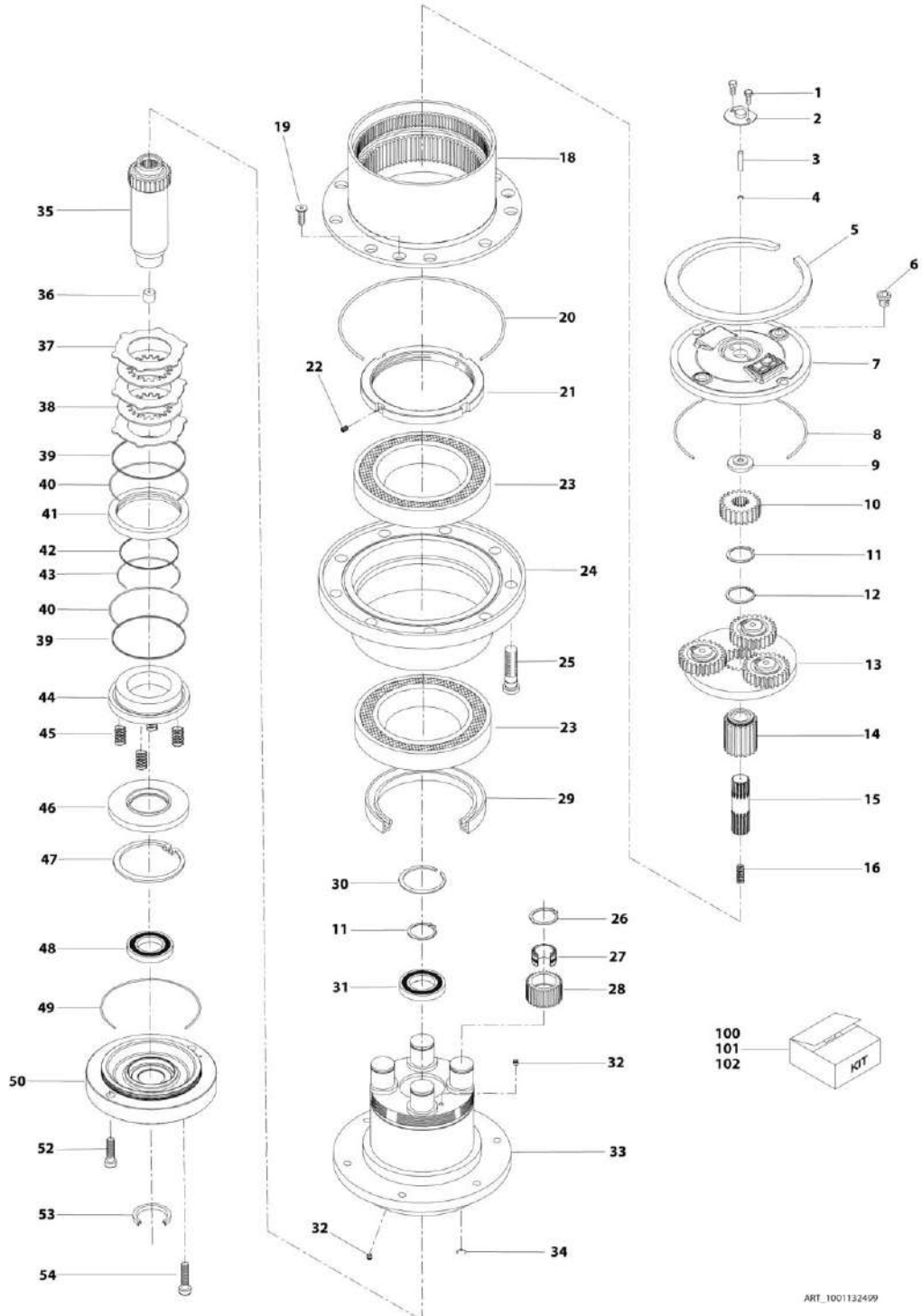
## SECTION 1 - FRAME

### FIGURE 1-3. DRIVE MOTOR ASSEMBLY

ITEM	PART NUMBER	QTY	DESCRIPTION	REV
	1001132500	Ref	DRIVE MOTOR ASSEMBLY	E
1	70004126	1	O-Ring	
2	70004075	1	Seal, Shaft	
3	70004076	1	Plug	
4	See Note	NSS	O-Ring (Note: Use Item 50)	
5	See Note	NSS	O-Ring (Note: Use Item 50)	
6	70004077	NLA	Shaft (Note: Purchase Complete Motor)	
7	70004078	NLA	Gear Set (Note: Purchase Complete Motor)	
8	70004079	NLA	Coupling, Drive (Note: Purchase Complete Motor)	
9	70004080	NLA	Plate (Note: Purchase Complete Motor)	
10	70004081	NLA	Ball (Note: Purchase Complete Motor)	
11	70004082	NLA	Plate, Valve (Note: Purchase Complete Motor)	
12	70004083	NLA	Plate, Balance (Note: Purchase Complete Motor)	
13	70004084	NLA	Pin (Note: Purchase Complete Motor)	
14	See Note	NSS	O-Ring (Note: Use Item 50)	
15	See Note	NSS	O-Ring (Note: Use Item 50)	
16	70004085	NLA	Washer (Note: Purchase Complete Motor)	
17	70004086	NLA	Spacer (Note: Purchase Complete Motor)	
18	70004087	NLA	Cover, End (Note: Purchase Complete Motor)	
19	70004088	4	Screw M10	
20	See Note	NSS	Nameplate (Note: Not Available for Purchase)	
21	See Note	NSS	Rivet (Note: Not Available - Purchase Locally)	
27	70004089	NLA	Flange, Mounting (Note: Purchase Complete Motor)	
50	70004090	1	Seal Kit - Motor (Includes Items 1, 2, 4, 5, 14 & 15)	

# SECTION 1 - FRAME

## FIGURE 1-4. DRIVE HUB/BRAKE ASSEMBLY



# SECTION 1 - FRAME

## FIGURE 1-4. DRIVE HUB/BRAKE ASSEMBLY

ITEM	PART NUMBER	QTY	DESCRIPTION	REV
	1001132499	Ref	DRIVE HUB/BRAKE ASSEMBLY	G
1	70004353	2	Screw 1/4 x 1/2	
2	See Note	NSS	Cover (Note: Use Item 101)	
3	See Note	NSS	Pin (Note: Use Item 101)	
4	See Note	NSS	O-Ring (Note: Use Item 100 or 101)	
5	See Note	NSS	Ring (Note: Use Item 101)	
6	See Note	NSS	Plug with O-Ring (Note: Use Item 101)	
7	See Note	NSS	Cover (Note: Use Item 101)	
8	See Note	NSS	O-Ring (Note: Use Item 100 or 101)	
9	See Note	NSS	Shim (Note: Use Item 101)	
10	70004354	1	Gear, Pinion	
11	70004355	2	Ring, Retaining	
12	70004356	1	Ring, Retaining	
13	70004357	1	Gear Assembly	
14	70004358	1	Gear, Pinion	
15	70004359	1	Shaft, Coupling	
16	70004360	1	Spring	
18	See Note	NSS	Housing, Planetary Gear (Note: Purchase Complete Hub)	
19	70004361	3	Screw M8 x 20 Grade 10.9	
20	See Note	NSS	O-Ring (Note: Use Item 100)	
21	70004362	1	Nut, Ring	
22	70004363	2	Screw M6 x 10	
23	70004364	2	Bearing	
24	70004365	1	Support, Hub	
25	70004366	9	Bolt, Wheel	
26	70004367	4	Ring, Retaining	
27	70004368	4	Bearing	
28	70004369	4	Gear	
29	See Note	NSS	Seal (Note: Use Item 100)	
30	70004370	1	Ring	
31	70004371	1	Bearing	
32	See Note	NSS	Plug (Note: Not Available for Purchase)	
33	70004372	1	Stub, Axle	
34	See Note	NSS	O-Ring (Note: Use Item 100)	
35	70004373	1	Shaft, Input	
36	70004374	1	Shim	
37	See Note	NSS	Disc, Metal (Note: Use Item 102)	
38	See Note	NSS	Disc, Composite (Note: Use Item 102)	
39	See Note	NSS	Seal (Note: Use Item 100 or 102)	
40	See Note	NSS	O-Ring (Note: Use Item 100 or 102)	
41	See Note	NSS	Spacer (Note: Use Item 102)	
42	See Note	NSS	Seal (Note: Use Item 100 or 102)	
43	See Note	NSS	O-Ring (Note: Use Item 100 or 102)	
44	See Note	NSS	Piston (Note: Use Item 102)	
45	See Note	NSS	Spring (Note: Use Item 102)	
46	See Note	NSS	Spacer (Note: Use Item 102)	
47	See Note	NSS	Ring, Retaining (Note: Use Item 102)	
48	70004375	1	Bearing	
49	See Note	NSS	O-Ring (Note: Use Item 100)	
50	70004376	1	Support, Input	

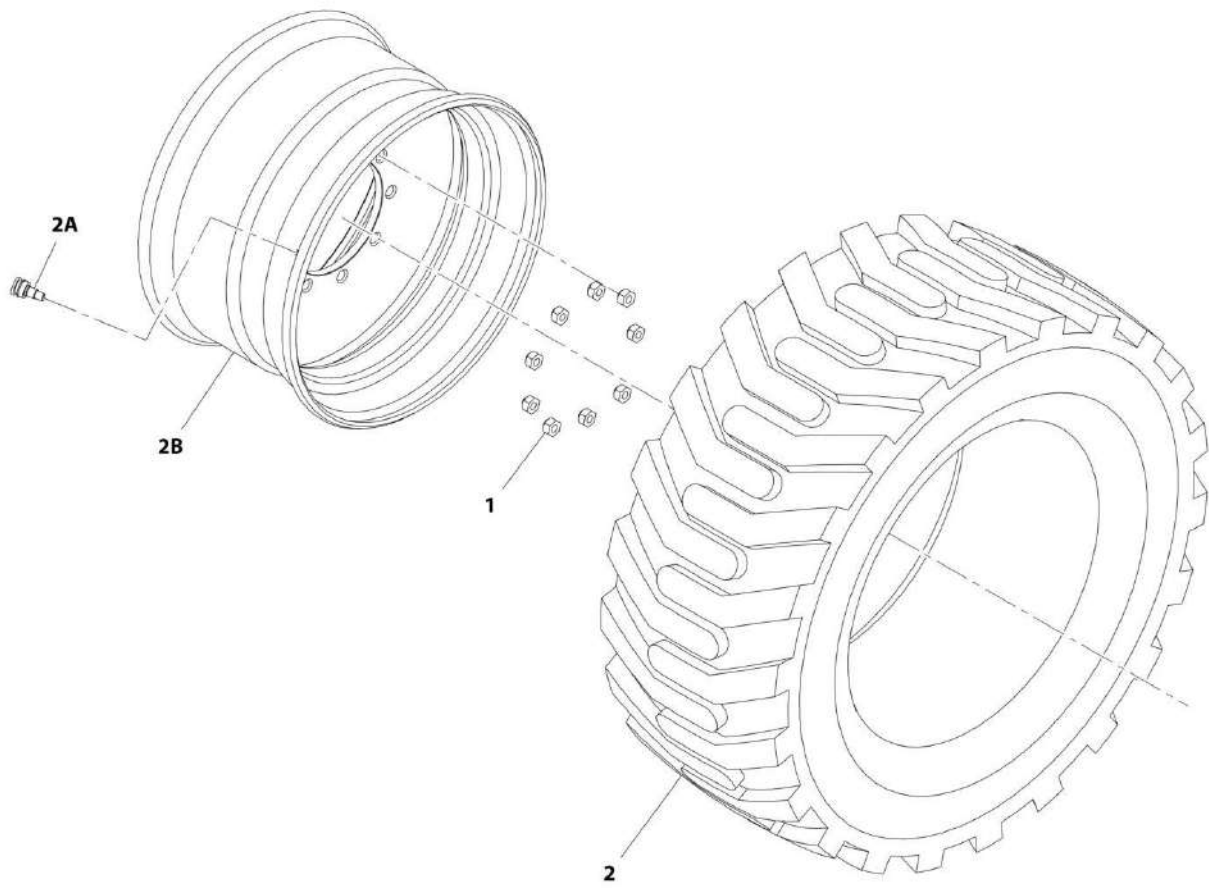
## SECTION 1 - FRAME

ITEM	PART NUMBER	QTY	DESCRIPTION	REV
52	See Note	NSS	Screw 7/16 x 1 (Note: Use Item 101)	
53	See Note	NSS	Seal (Note: Use Item 100)	
54	70004377	4	Screw M10 x 30	
100	70004378	1	Seal Kit (Includes Items 4, 8, 20, 29, 34, 39-43, 49 & 53)	
101	70004379	1	Cover Kit (Includes Items 2-9 & 52)	
102	70004380	1	Brake Kit (Includes Items 37-47)	



# SECTION 1 - FRAME

## FIGURE 1-5. TIRE AND WHEEL INSTALLATION



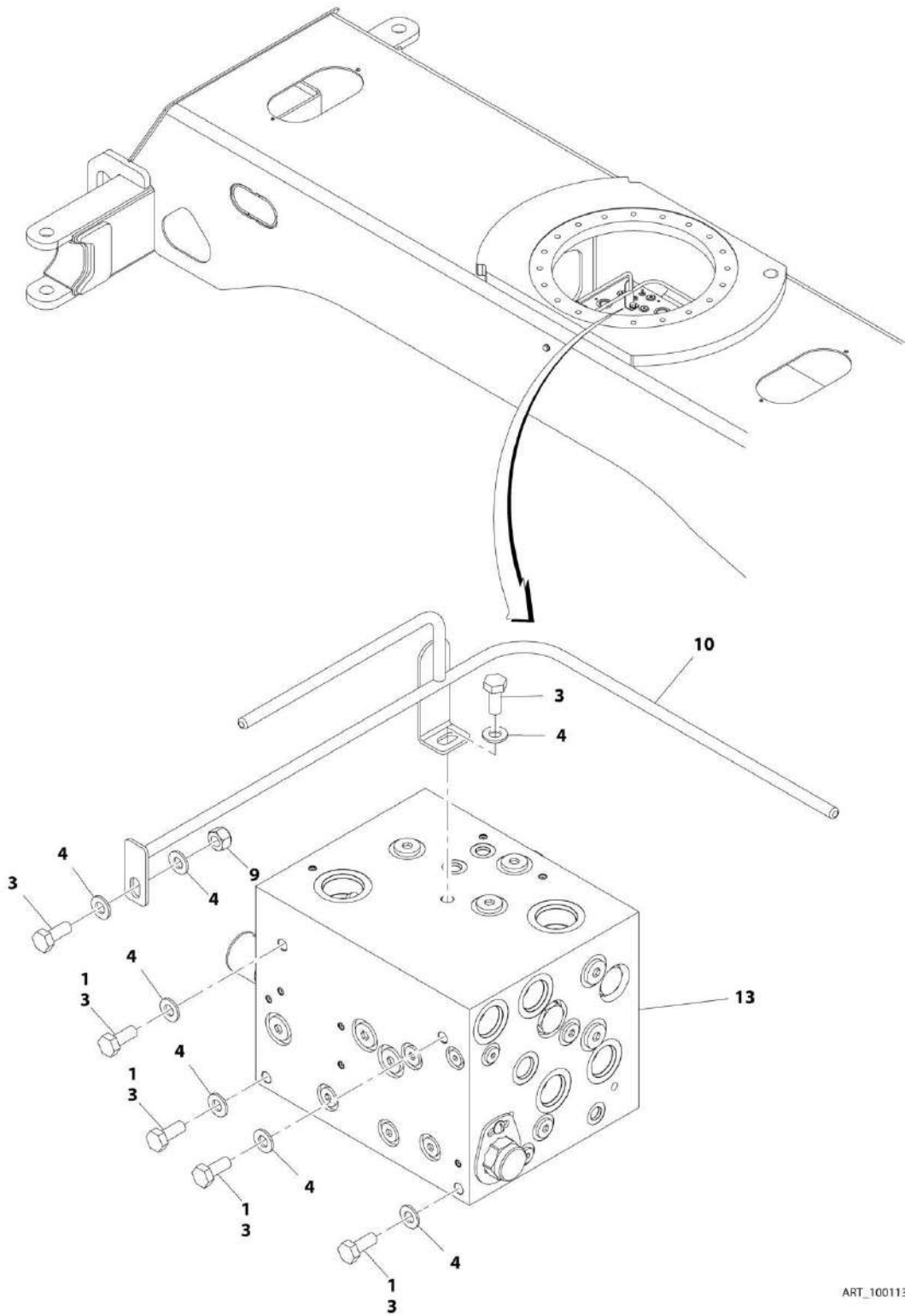
ART\_1001133421

FIGURE 1-5. TIRE AND WHEEL INSTALLATION

ITEM	PART NUMBER	QTY	DESCRIPTION	REV
	1001133421	Ref	TIRE AND WHEEL INSTALLATION	B
1	3300106	36	Nut, Wheel (9 per Wheel)	
2		Ref	Tire and Wheel Assembly Options:	
2	1001133360	2	39 x 15-22.5 Foam-Filled Left Side	
2	1001133361	2	39 x 15-22.5 Foam-Filled Right Side	
		Ref	<b>Note: Assemblies may require ballast/foam filling to manufacture's specifications prior to installing on a machine. Refer to Operation and Safety or Service and Maintenance Manuals. Purchase individual tire and/or rim only if able to foam fill tire and wheel assembly, otherwise, purchase complete assembly.</b>	
2	1001097351	1	Tire 39 x 15-22.5	
2A	8786514	1	Valve Stem, Air	
2B	1001133359	1	Rim, Wheel	

# SECTION 1 - FRAME

## FIGURE 1-6. DRIVE VALVES INSTALLATION - 24RS



ART\_1001133313\_10F2



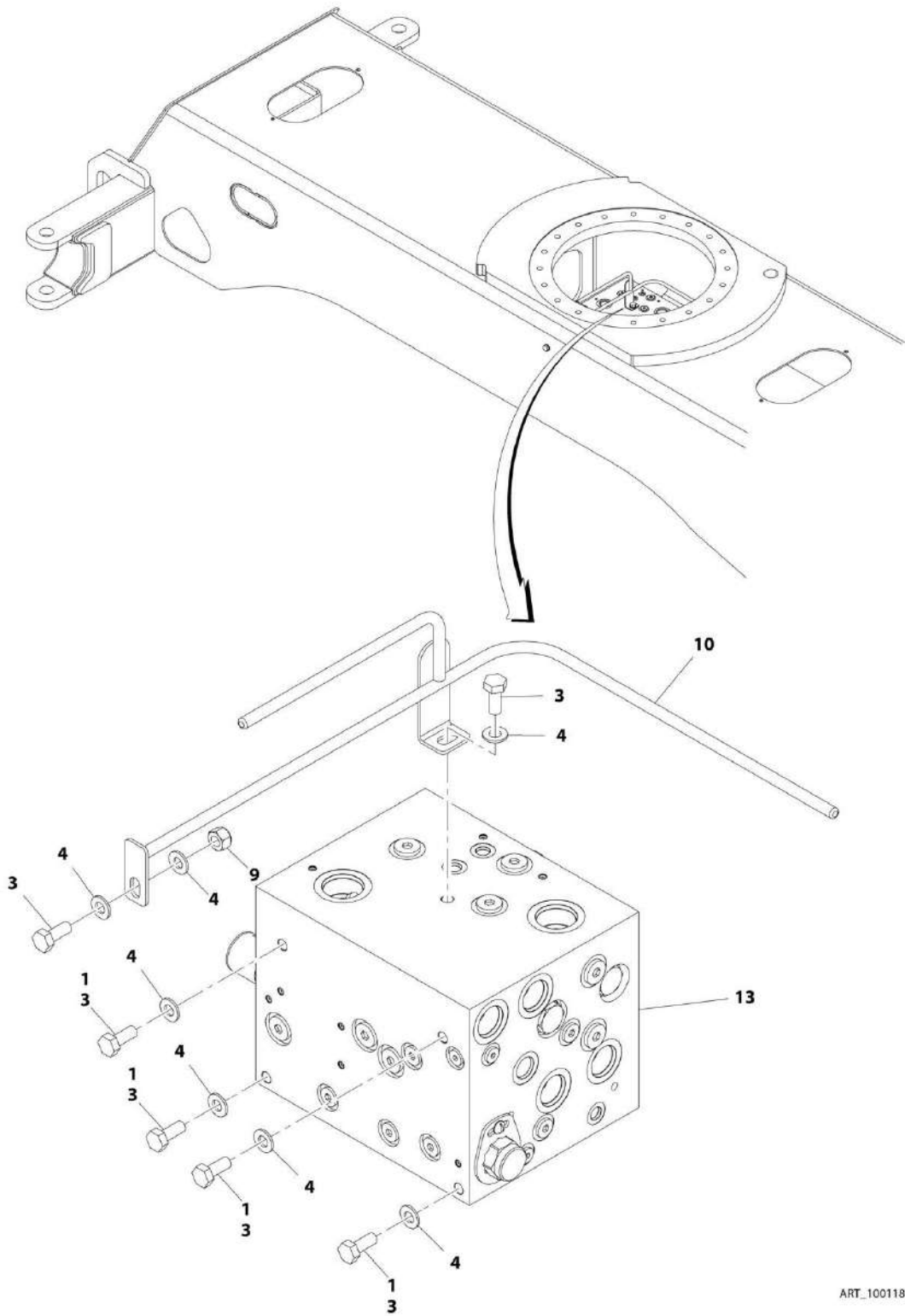
## SECTION 1 - FRAME

### FIGURE 1-6. DRIVE VALVES INSTALLATION - 24RS

ITEM	PART NUMBER	QTY	DESCRIPTION	REV
	1001133313	Ref	DRIVE VALVES INSTALLATION - 24RS	C
1	0100011	AR	Compound, Locking	
3	0761012	6	Bolt M10 x 25	
4	4812000	7	Washer M10	
9	3291005	1	Nut M10	
10	1001143138	1	Guide, Hose Support	
13	1001149866	1	Flow Divider Valve Assembly (See FLOW DIVIDER VALVE ASSEMBLY for Breakdown)	

# SECTION 1 - FRAME

## FIGURE 1-7. DRIVE VALVES INSTALLATION - 24RSJ



ART\_1001180518\_10F2

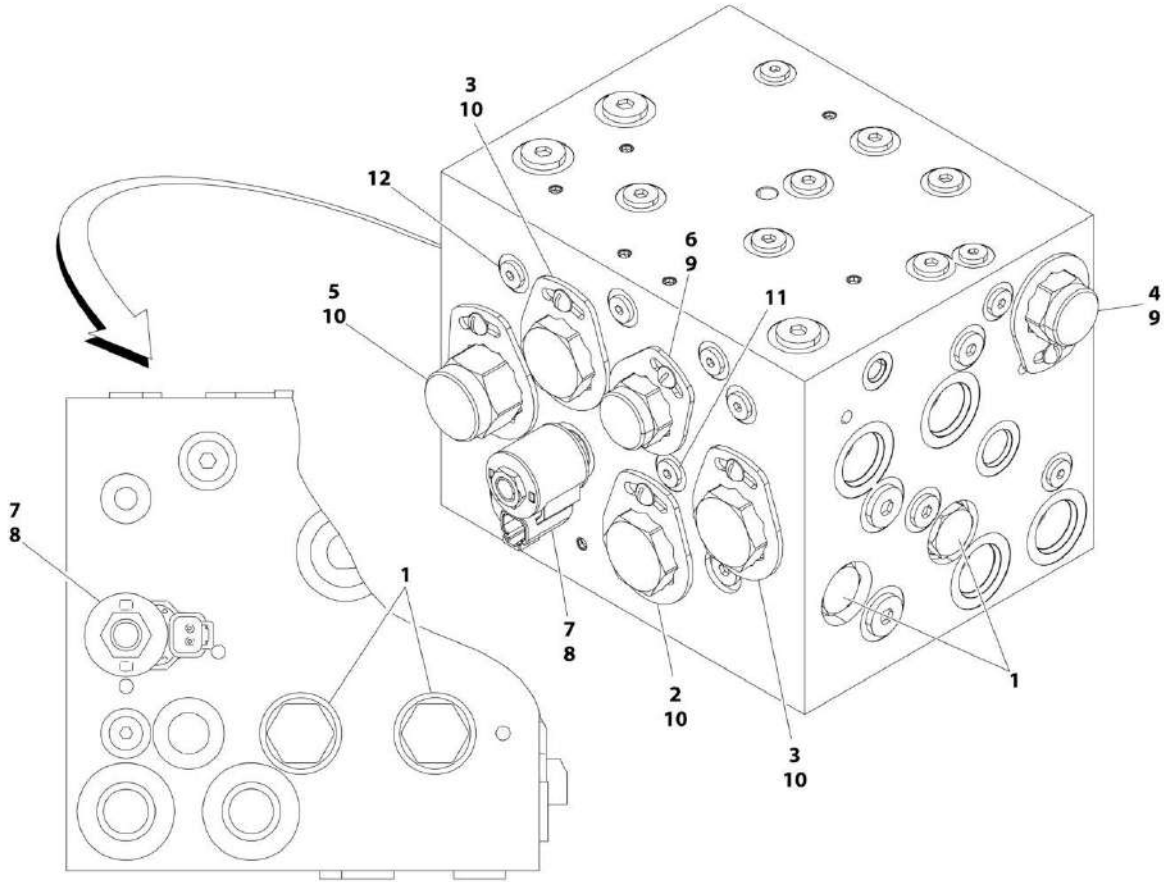
## SECTION 1 - FRAME

### FIGURE 1-7. DRIVE VALVES INSTALLATION - 24RSJ

ITEM	PART NUMBER	QTY	DESCRIPTION	REV
	1001180518	Ref	DRIVE VALVES INSTALLATION - 24RSJ	A
1	0100011	AR	Compound, Locking	
3	0761012	6	Bolt M10 x 25	
4	4812000	7	Washer M10	
9	3291005	1	Nut M10	
10	1001143138	1	Guide, Hose Support	
13	1001149866	1	Flow Divider Valve Assembly (See FLOW DIVIDER VALVE ASSEMBLY for Breakdown)	

# SECTION 1 - FRAME

## FIGURE 1-8. FLOW DIVIDER VALVE ASSEMBLY



ART\_1001149866

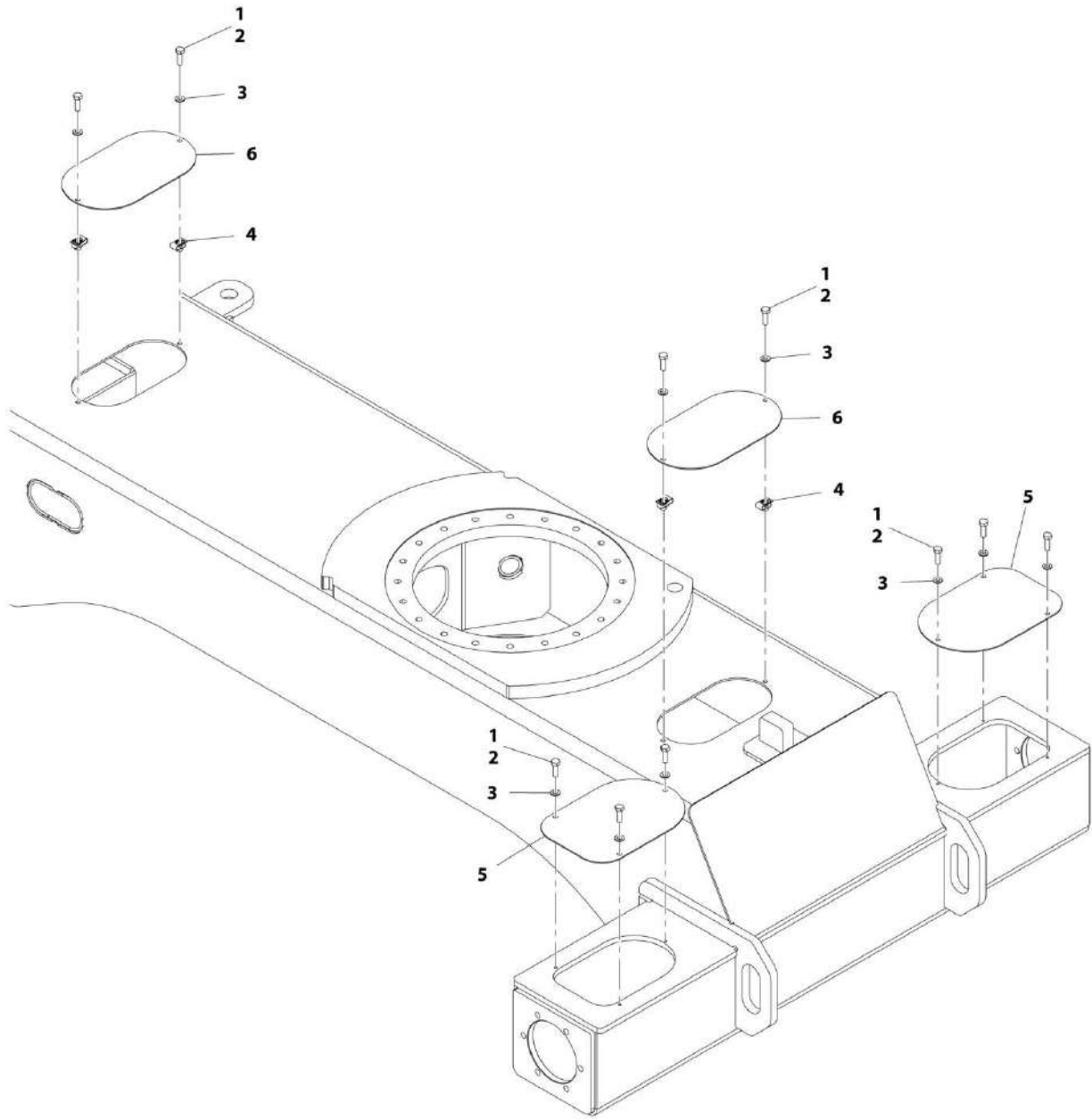
# SECTION 1 - FRAME

## FIGURE 1-8. FLOW DIVIDER VALVE ASSEMBLY

ITEM	PART NUMBER	QTY	DESCRIPTION	REV
	1001149866	Ref	FLOW DIVIDER VALVE ASSEMBLY	B
1	7022397	4	Valve, Check	
1	7022399	4	Seal Kit - 7022397 Cartridge	
2	70004017	1	Valve, Flow Divider	
2	7021625	1	Seal Kit - 70004017 Cartridge	
3	70004018	2	Valve, Flow Divider	
3	7021625	2	Seal Kit - 70004018 Cartridge	
4	70003957	1	Valve, Pilot	
4	70003980	1	Seal Kit - 70003957 Cartridge	
5	70003958	1	Valve, Pilot	
5	70003981	1	Seal Kit - 70003958 Cartridge	
6	70003959	1	Valve, Pilot	
6	70003980	1	Seal Kit - 70003959 Cartridge	
7	7012974	2	Valve, Solenoid (Less Coil)	
7	7010543	2	Seal Kit - 7012974 Cartridge	
8	70002386	2	Coil	
9	70002962	2	Lock Kit	
10	70000781	4	Lock Kit	
11	70003960	1	Orifice	
12	70002209	2	Orifice	
13		Ref	Plug Options (Note: Not called out on Drawing):	
13	7017406	11	Plug 1/4 (#4)	
13	7024844	15	Plug 3/8 (#6)	
13	7024845	11	Plug 1/2 (#8)	
13	See Note	1	Plug 5/8 (#10) (Note: Not Available - Purchase Locally)	

# SECTION 1 - FRAME

## FIGURE 1-9. FRAME SHIELDS INSTALLATION



ART\_1001133428

**FIGURE 1-9. FRAME SHIELDS INSTALLATION**

<b>ITEM</b>	<b>PART NUMBER</b>	<b>QTY</b>	<b>DESCRIPTION</b>	<b>REV</b>
	1001133428	Ref	FRAME SHIELDS INSTALLATION	A
1	0100011	AR	Compound, Locking	
2	0700812	10	Bolt M8 x 25	
3	4811900	10	Washer M8	
4	1001118274	4	Nut, Clip M8	
5	1001133909	2	Cover, Axle	
6	1001133911	2	Cover, Frame	

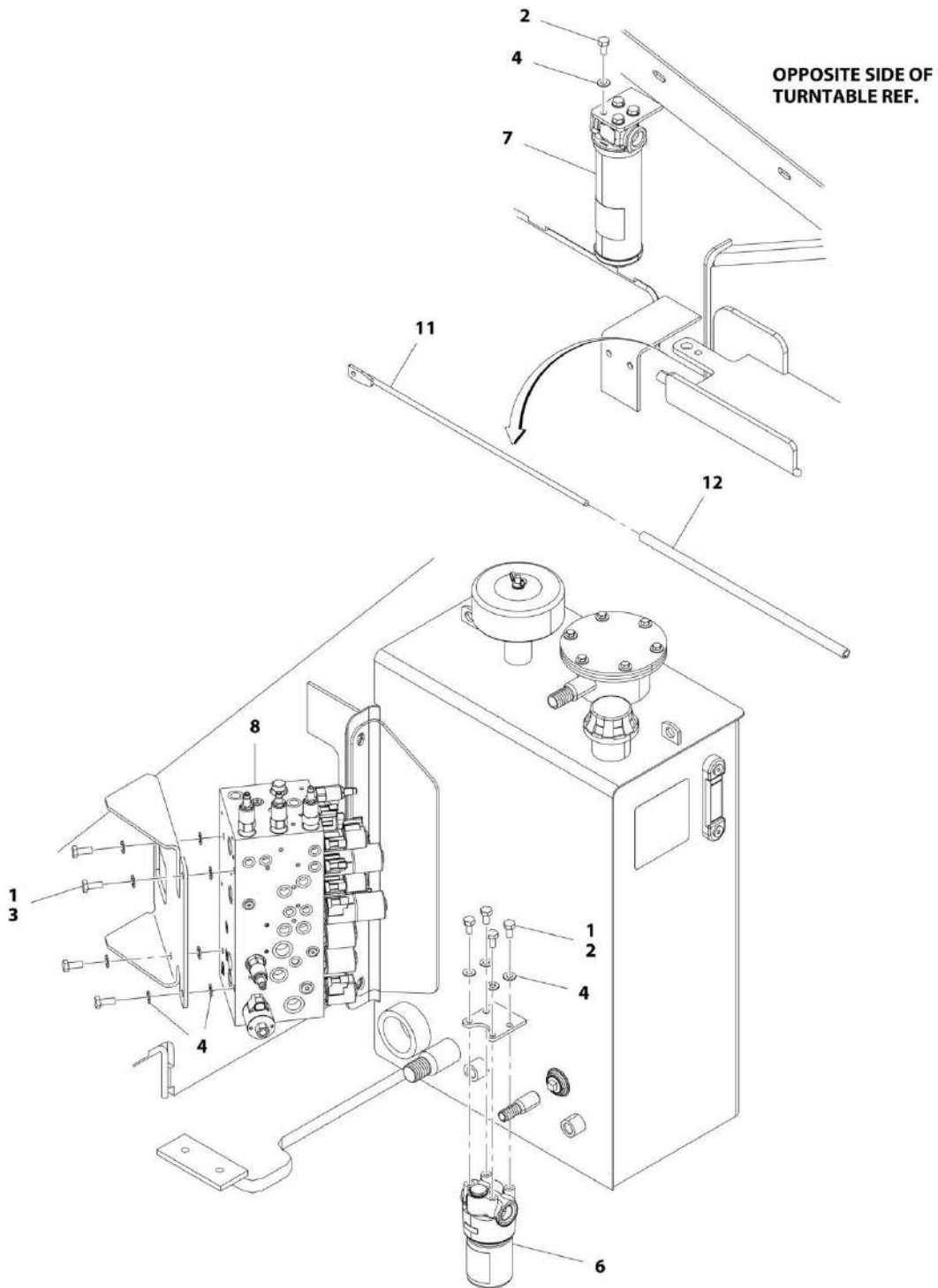




**SECTION 2 - TURNTABLE**

# SECTION 2 - TURNTABLE

## FIGURE 2-1. CONTROL VALVE AND HYDRAULIC FILTERS INSTALLATION - 24RS



ART\_1001133313\_20F2

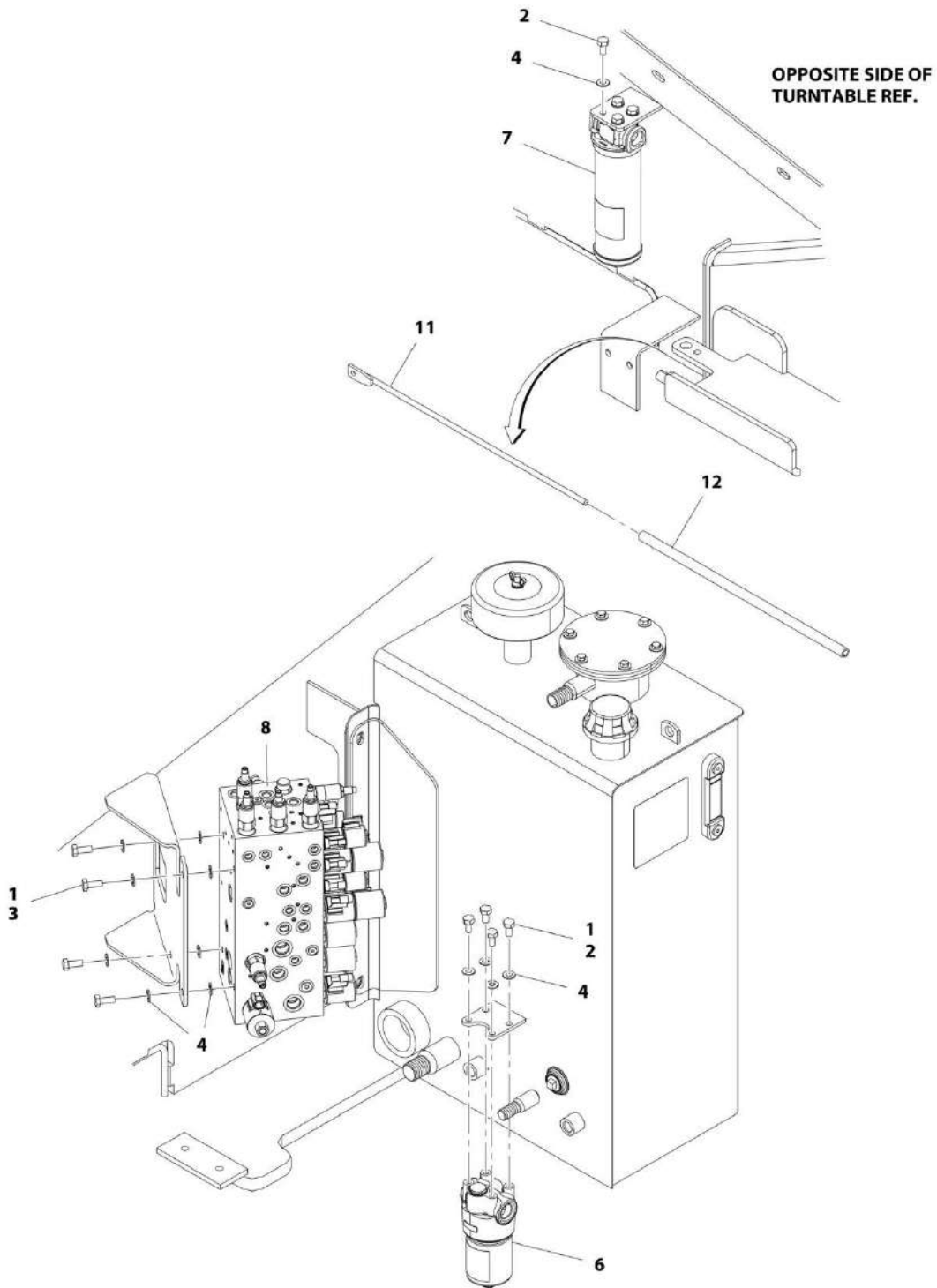
**SECTION 2 - TURNTABLE**

**FIGURE 2-1. CONTROL VALVE AND HYDRAULIC FILTERS INSTALLATION - 24RS**

ITEM	PART NUMBER	QTY	DESCRIPTION	REV
	1001133313	Ref	CONTROL VALVE AND HYDRAULIC FILTERS INSTALLATION - 24RS	C
1	0100011	AR	Compound, Locking	
2	0761010	8	Bolt M10 x 20	
3	0761012	4	Bolt M10 x 25	
4	4812000	16	Washer M10	
6	1001132296	1	High Pressure Filter Assembly	D
6	70003545	1	Element, Filter (Includes O-Ring)	
7	1001132299	1	Medium Pressure Filter Assembly	B
7	70002231	1	Element, Filter (Includes O-Ring)	
8	1001132304	1	Main Control Valve Assembly (See MAIN CONTROL VALVE ASSEMBLY for Breakdown)	
11	1001143139	1	Guide, Hose Support	
12	1001143140	1	Tube, Roller	

# SECTION 2 - TURNTABLE

## FIGURE 2-2. CONTROL VALVE AND HYDRAULIC FILTERS INSTALLATION - 24RSJ



ART\_1001180518\_2OF2

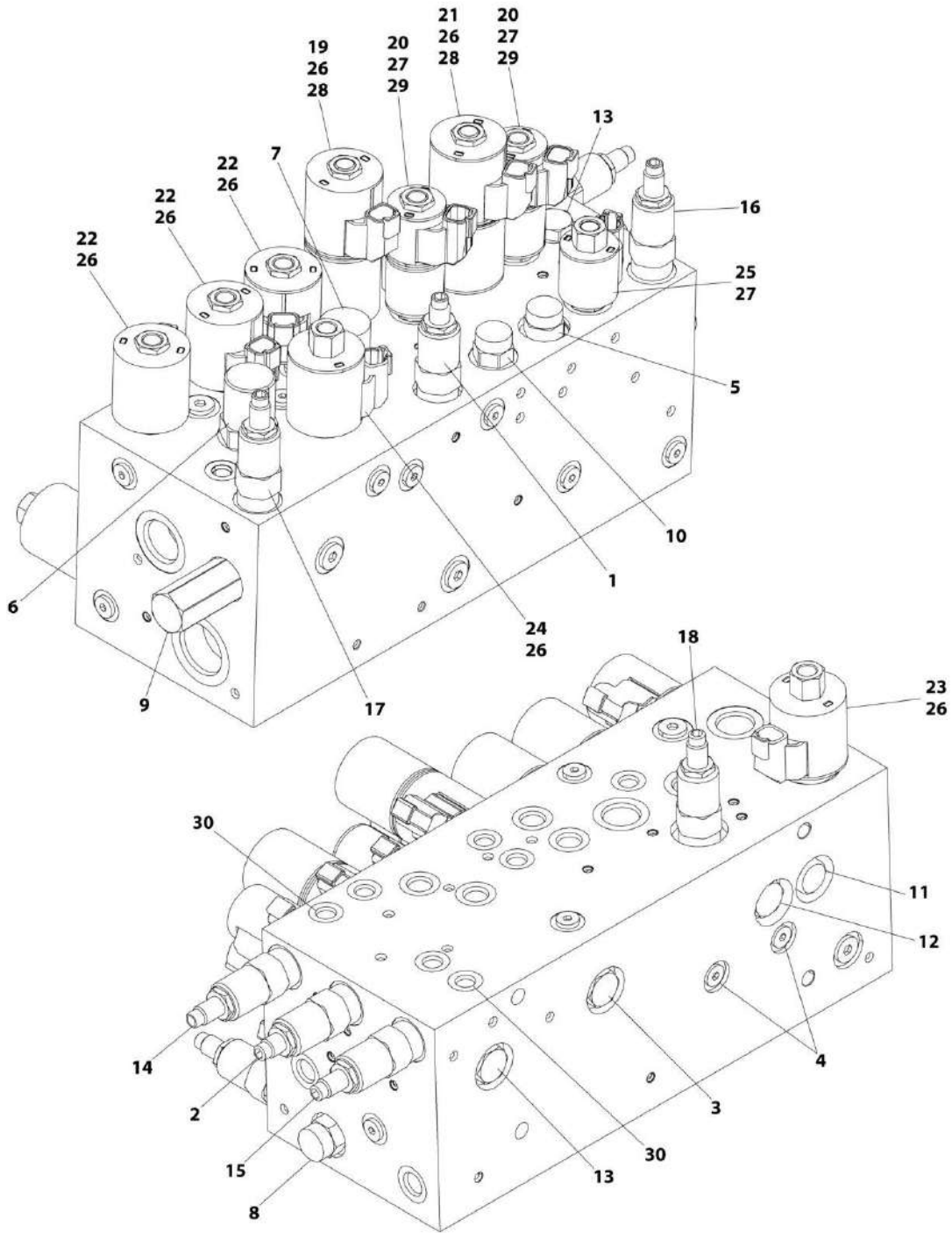
**SECTION 2 - TURNTABLE**

**FIGURE 2-2. CONTROL VALVE AND HYDRAULIC FILTERS INSTALLATION - 24RSJ**

ITEM	PART NUMBER	QTY	DESCRIPTION	REV
	1001180518	Ref	CONTROL VALVE AND HYDRUALIC FILTERS INSTALLATION - 24RSJ	A
1	0100011	AR	Compound, Locking	
2	0761010	8	Bolt M10 x 20	
3	0761012	4	Bolt M10 x 25	
4	4812000	16	Washer M10	
6	1001132296	1	High Pressure Filter Assembly	D
6	70003545	1	Element, Filter (Includes O-Ring)	
7	1001132299	1	Medium Pressure Filter Assembly	B
7	70002231	1	Element, Filter (Includes O-Ring)	
8	1001179924	1	Main Control Valve Assembly (See MAIN CONTROL VALVE ASSEMBLY for Breakdown)	
11	1001143139	1	Guide, Hose Support	
12	1001143140	1	Tube, Roller	

# SECTION 2 - TURNTABLE

## FIGURE 2-3. MAIN CONTROL VALVE ASSEMBLY - 24RS



ART\_1001132304

**SECTION 2 - TURNTABLE**

**FIGURE 2-3. MAIN CONTROL VALVE ASSEMBLY - 24RS**

ITEM	PART NUMBER	QTY	DESCRIPTION	REV
	1001132304	Ref	MAIN CONTROL VALVE ASSEMBLY - 24RS	F
1	70003961	1	Cartridge, Crossover Relief	
1	7021653	1	Seal Kit - 70003961 Cartridge	
2	70003962	1	Cartridge, Crossover Relief	
2	7021653	1	Seal Kit - 70003962 Cartridge	
3	7012975	1	Cartridge, Check	
3	7012540	1	Seal Kit - 7012975 Cartridge	
4	70002975	2	Cartridge, Check	
4	70002976	2	Seal Kit - 70002975 Cartridge	
5	70003963	1	Cartridge, Compensator	
5	7010543	1	Seal Kit - 7003963 Cartridge	
6	70003964	1	Cartridge, Compensator	
6	7012925	1	Seal Kit - 70003964 Cartridge	
7	70003965	1	Cartridge, Compensator	
7	7012925	1	Seal Kit - 70003965 Cartridge	
8	70006291	1	Cartridge, Flow Control	
8	7010543	1	Seal Kit - 70006291 Cartridge	
9	70003966	1	Cartridge, Flow Control	
9	70003649	1	Seal Kit - 70003966 Cartridge	
10	7012989	1	Cartridge, Flow Regulator	
10	7012953	1	Seal Kit - 7012989 Cartridge	
11	70003967	1	Cartridge, Flow Regulator	
11	7012953	1	Seal Kit - 70003967 Cartridge	
12	10837580	1	Cartridge, Load Shuttle	
12	7010543	1	Seal Kit - 10837580 Cartridge	
13	7012914	2	Cartridge, Pilot Check	
13	7012918	2	Seal Kit - 7012914 Cartridge	
14	70003968	1	Cartridge, Relief	
14	7012998	1	Seal Kit - 70003968 Cartridge	
15	7017489	1	Cartridge, Relief	
15	7012998	1	Seal Kit - 7017489 Cartridge	
16	7017422	1	Cartridge, Relief	
16	7012998	1	Seal Kit - 7017422 Cartridge	
17	7021613	1	Cartridge, Relief	
17	7012998	1	Seal Kit - 7021613 Cartridge	
18	70003969	1	Cartridge, Relief	
18	7017496	1	Seal Kit - 70003969 Cartridge	
19	70003970	1	Cartridge, Solenoid (Without Coil)	
19	70003976	1	Seal Kit - 70003970 Cartridge	
19	7022390	1	Nut, Coil	
20	70003971	2	Cartridge, Solenoid (Without Coil)	
20	70002967	2	Seal Kit - 70003971 Cartridge	
20	7022390	2	Nut, Coil	
21	70003972	1	Cartridge, Solenoid (Without Coil)	
21	70003976	1	Seal Kit - 70003972 Cartridge	
21	7022390	1	Nut, Coil	
22	70002401	3	Cartridge, Solenoid (Without Coil)	
22	7017496	3	Seal Kit - 70002401 Cartridge	
22	7022390	3	Nut, Coil	
23	70003973	1	Cartridge, Solenoid (Without Coil)	

## SECTION 2 - TURNTABLE

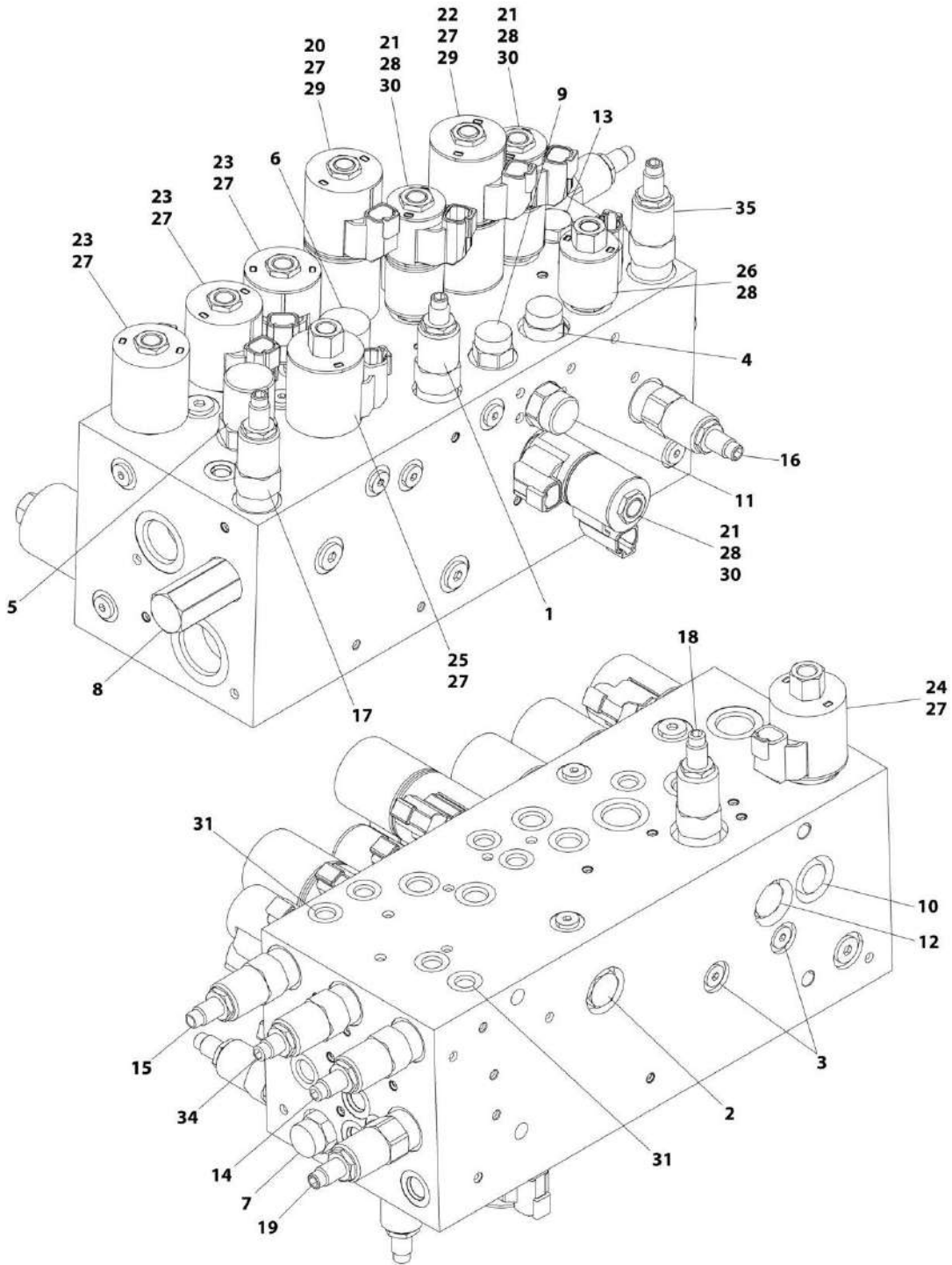
ITEM	PART NUMBER	QTY	DESCRIPTION	REV
23	7023919	1	Seal Kit - 70003973 Cartridge	
23	70003977	1	Nut, Coil	
24	7012910	1	Cartridge, Solenoid (Without Coil)	
24	2900708	1	Seal Kit - 7012910 Cartridge	
24	70003977	1	Nut, Coil	
25	7017410	1	Cartridge, Solenoid (Without Coil)	
25	7012967	1	Seal Kit - 7017410 Cartridge	
25	70003978	1	Nut, Coil	
26	70003788	9	Coil	
27	70002386	5	Coil	
28	70003974	2	Disc, Check Valve	
29	70002974	2	Disc, Check Valve	
30	70003975	2	Orifice	
31	See Note	AR	Plug Options (Note: Not called out on drawing)	
31	7024844	5	Plug 3/8 (#6)	
31	7017406	12	Plug 1/4 (#4)	





# SECTION 2 - TURNTABLE

## FIGURE 2-4. MAIN CONTROL VALVE ASSEMBLY - 24RSJ



ART\_1001179924

**SECTION 2 - TURNTABLE**

**FIGURE 2-4. MAIN CONTROL VALVE ASSEMBLY - 24RSJ**

ITEM	PART NUMBER	QTY	DESCRIPTION	REV
	1001179924	Ref	MAIN CONTROL VALVE ASSEMBLY - 24RSJ	C
1	70003961	1	Cartridge, Crossover Relief	
1	7021653	1	Seal Kit - 70003961 Cartridge	
2	7012975	1	Cartridge, Check	
2	7012540	1	Seal Kit - 7012975 Cartridge	
3	70002975	2	Cartridge, Check	
3	70002976	2	Seal Kit - 70002975 Cartridge	
4	70003963	1	Cartridge, Compensator	
4	7010543	1	Seal Kit - 70003963 Cartridge	
5	70003964	1	Cartridge, Compensator	
5	7012925	1	Seal Kit - 70003964 Cartridge	
6	70003965	1	Cartridge, Compensator	
6	7012925	1	Seal Kit - 70003965 Cartridge	
7	70006291	1	Cartridge, Flow Control	
7	7010543	1	Seal Kit - 70006291 Cartridge	
8	70003966	1	Cartridge, Flow Control	
8	70003649	1	Seal Kit - 70003966 Cartridge	
9	7012989	1	Cartridge, Flow Regulator	
9	7012953	1	Seal Kit - 7012989 Cartridge	
10	70003967	1	Cartridge, Flow Regulator	
10	7012953	1	Seal Kit - 70003967 Cartridge	
11	70005438	1	Cartridge, Flow Regulator	
11	7010545	1	Seal Kit - 70005438 Cartridge	
12	10837580	1	Cartridge, Load Shuttle	
12	7010543	1	Seal Kit - 10837580 Cartridge	
13	70005439	1	Cartridge, Valve	
13	7017402	1	Seal Kit - 70005439 Cartridge	
14	7017489	1	Cartridge, Relief	
14	7012998	1	Seal Kit - 7017489 Cartridge	
15	70003968	1	Cartridge, Relief	
15	7012998	1	Seal Kit - 70003968 Cartridge	
16	7017420	1	Cartridge, Relief	
16	7012998	1	Seal Kit - 7017420 Cartridge	
17	7021613	1	Cartridge, Relief	
17	7012998	1	Seal Kit - 7021613 Cartridge	
18	70003969	1	Cartridge, Relief	
18	7017496	1	Seal Kit - 70003969 Cartridge	
19	7017421	1	Cartridge, Relief	
19	7012998	1	Seal Kit - 7017421 Cartridge	
20	70003970	1	Cartridge, Solenoid (Without Coil)	
20	70003976	1	Seal Kit - 70003970 Cartridge	
20	7022390	1	Nut, Coil	
21	70003971	3	Cartridge, Solenoid (Without Coil)	
21	70002967	3	Seal Kit - 70003971 Cartridge	
21	7022390	3	Nut, Coil	
22	70003972	1	Cartridge, Solenoid (Without Coil)	
22	70003976	1	Seal Kit - 70003972 Cartridge	
22	7022390	1	Nut, Coil	
23	70002401	3	Cartridge, Solenoid (Without Coil)	
23	7017496	3	Seal Kit - 70002401 Cartridge	

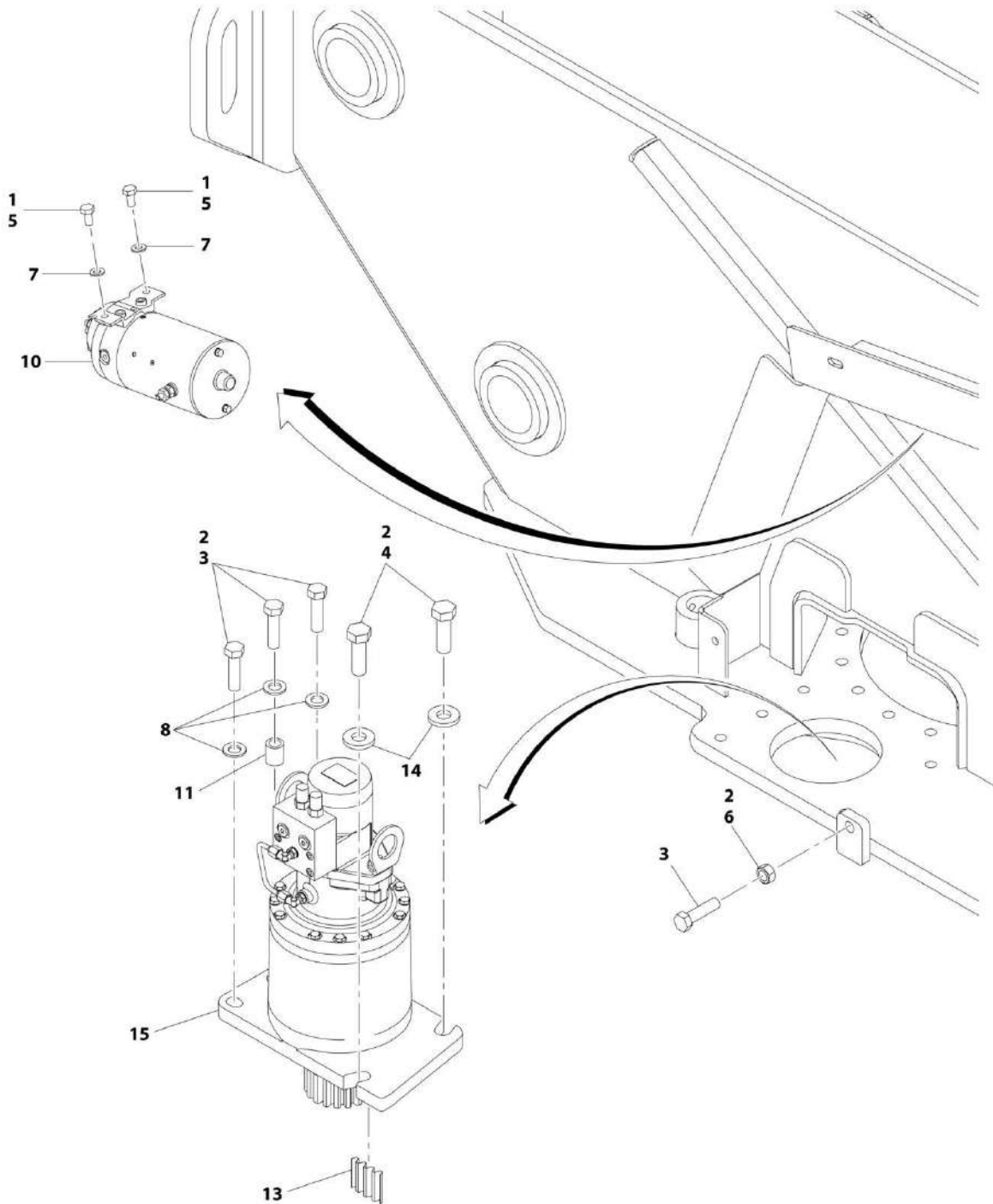
## SECTION 2 - TURNTABLE

ITEM	PART NUMBER	QTY	DESCRIPTION	REV
23	7022390	3	Nut, Coil	
24	70003973	1	Cartridge, Solenoid (Without Coil)	
24	7023973	1	Seal Kit - 70003973 Cartridge	
24	70003977	1	Nut, Coil	
25	7012910	1	Cartridge, Solenoid (Without Coil)	
25	2900708	1	Seal Kit - 7012910 Cartridge	
25	70003977	1	Nut, Coil	
26	7017410	1	Cartridge, Solenoid (Without Coil)	
26	7012967	1	Seal Kit - 7017410 Cartridge	
26	70003978	1	Nut, Coil	
27	70003788	9	Coil	
28	70002386	7	Coil	
29	70003974	2	Disc, Check Valve	
30	70002974	3	Disc, Check Valve	
31	70003975	2	Orifice	
32	See Note	AR	Plug Options (Note: Not called out on drawing)	
32	2220885	5	Plug 3/8 (#6)	
32	2220883	12	Plug 1/4 (#4)	
34	70003962	1	Cartridge, Crossover Relief	
34	7021653	1	Seal Kit - 70003962 Cartridge	
35	7017422	1	Cartridge, Relief	
35	7012998	1	Seal Kit - 7017422 Cartridge	
36	70005717	1	Lock Down Kit (Not Shown)	
37	70005724	1	Lock Down Kit (Not Shown)	



# SECTION 2 - TURNTABLE

## FIGURE 2-5. SWING COMPONENTS AND AUXILIARY PUMP INSTALLATIONS



ART\_1001133422

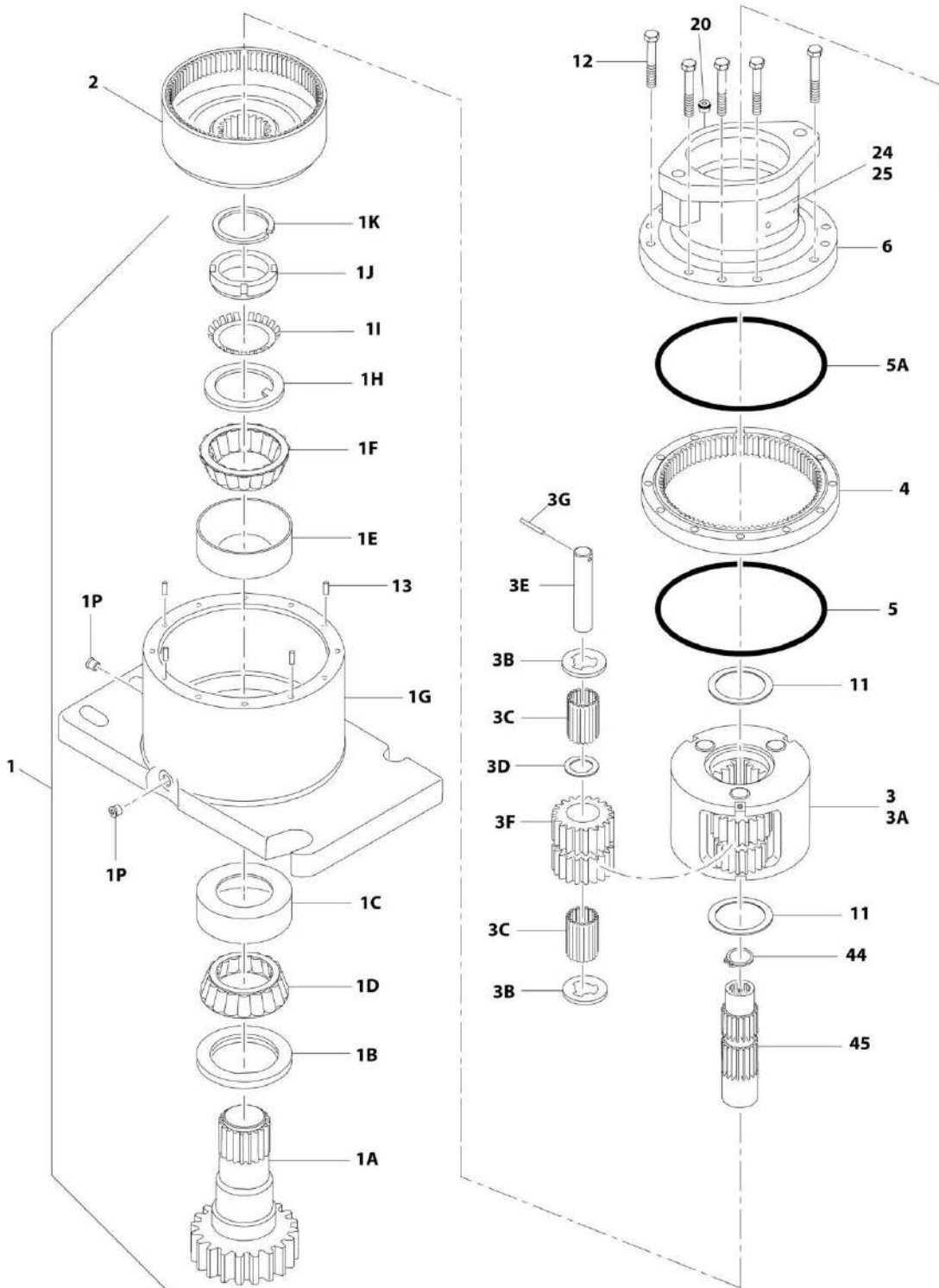
# SECTION 2 - TURNTABLE

**FIGURE 2-5. SWING COMPONENTS AND AUXILIARY PUMP INSTALLATIONS**

ITEM	PART NUMBER	QTY	DESCRIPTION	REV
	1001133422	Ref	SWING COMPONENTS AND AUXILIARY PUMP INSTALLATIONS	B
1	0100011	AR	Compound, Locking	
2	0100019	AR	Compound, Locking	
3	0711620	4	Bolt M16 x 60 Grade 10.9	
4	0712020	2	Bolt M20 x 60 Grade 10.9	
5	0761010	2	Bolt M10 x 20	
6	3291601	1	Nut M16	
7	4812000	2	Washer M10	
8	5241600	3	Washer M16	
10	1001133411	1	Auxiliary Motor/Pump Assembly (See AUXILIARY MOTOR/PUMP ASSEMBLY for Breakdown)	
11	1001134543	1	Sleeve, Spacer	
13	1001140563	1	Shim	
14	4740057	2	Washer 13/16	
15	1001150268	1	Swing Motor/Hub Assembly (See SWING HUB ASSEMBLY for Breakdown)	

# SECTION 2 - TURNTABLE

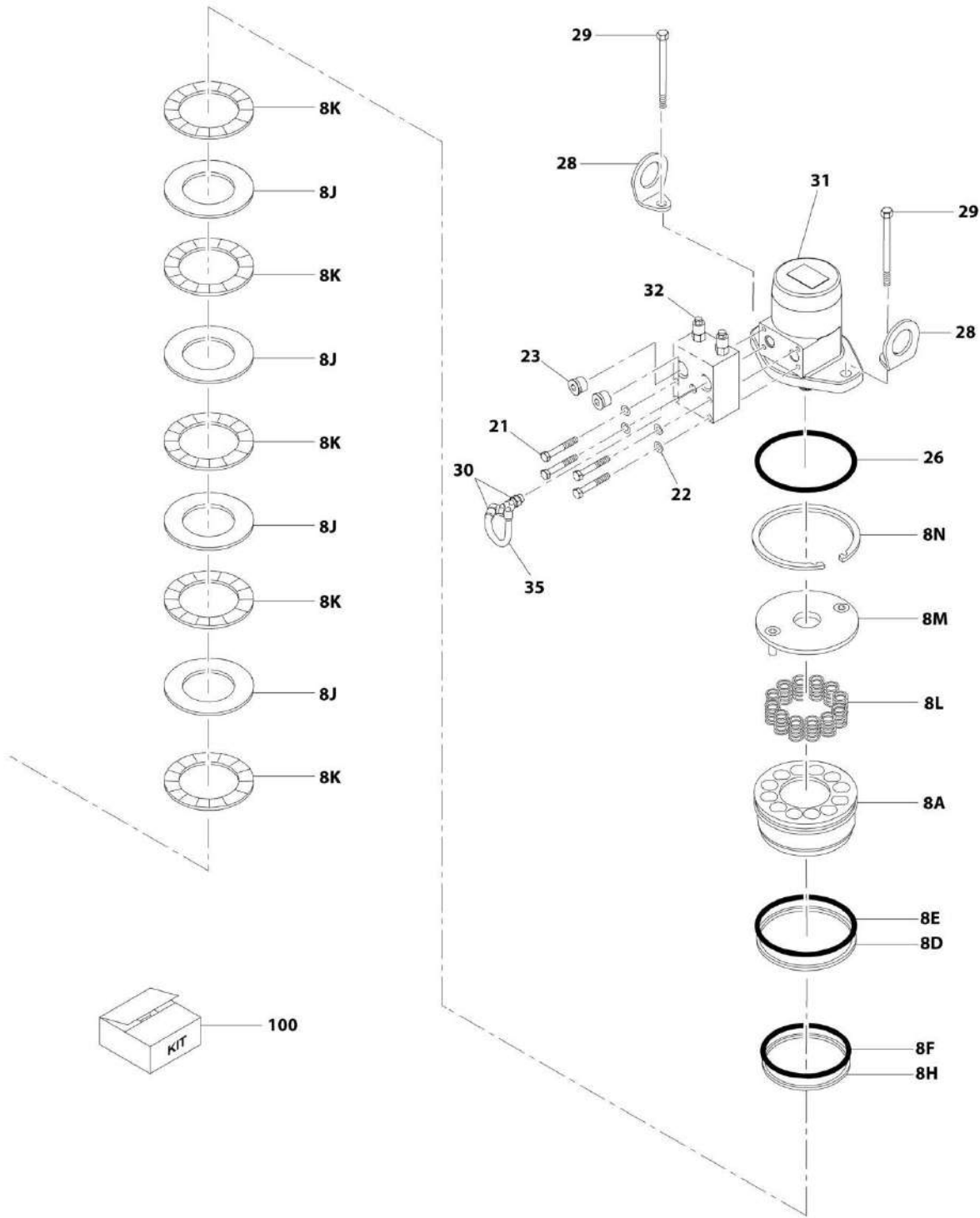
## FIGURE 2-6. SWING MOTOR/HUB ASSEMBLY



ART\_1001150268\_1OF2



SECTION 2 - TURNTABLE



ART\_1001150268\_20F2

## SECTION 2 - TURNTABLE

FIGURE 2-6. SWING MOTOR/HUB ASSEMBLY

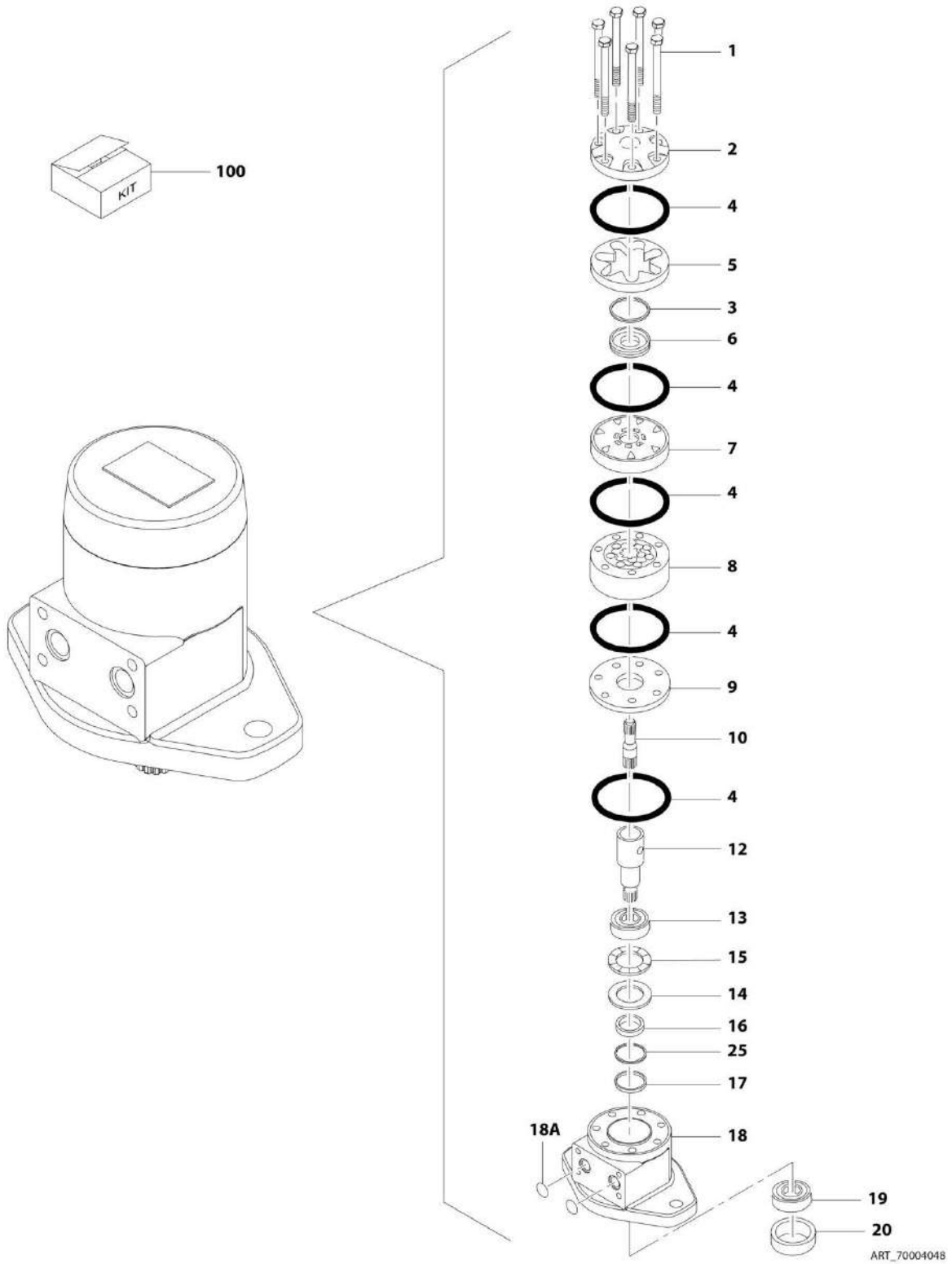
ITEM	PART NUMBER	QTY	DESCRIPTION	REV
	1001150268	Ref	SWING MOTOR/HUB ASSEMBLY	B
1	See Note	NSS	Housing/Shaft Assembly (Note: Not Available - Purchase Complete Assembly)	
1A	70004036	1	Shaft, Output	
1B	7010435	1	Seal, Lip	
1C	70004032	1	Cup, Bearing (Kit p/n 70004032 includes Cup and Cone)	
1D	70004032	1	Cone, Bearing (Kit p/n 70004032 includes Cup and Cone)	
1E	70004031	1	Cup, Bearing (Kit p/n 70004031 includes Cup and Cone)	
1F	70004031	1	Cone, Bearing (Kit p/n 70004031 includes Cup and Cone)	
1G	See Note	NSS	Housing (Note: Not Available - Purchase Complete Assembly)	
1H	700004034	1	Lockwasher, Tanged	
1I	70004033	1	Lockwasher, Tanged	
1J	70004046	1	Nut, Bearing	
1K	70004058	1	Ring, Retaining	
1L	70004034	1	Washer, Thrust	
1P	7017072	3	Plug, Pipe	
2	7000246	1	Gear, Internal	
3	7000247	1	Carrier Assembly	
3A	7001931	1	Carrier	
3B	7001985	6	Washer, Thrust	
3C	7001909	96	Roller, Needle	
3D	7000263	3	Spacer	
3E	7001911	3	Shaft	
3F	7001912	3	Gear, Cluster	
3G	7001913	3	Pin, Roll	
4	7000248	1	Gear, Ring	
5	7000230	1	O-Ring	
5A	7017070	1	O-Ring	
6	See Note	NSS	Housing, Brake (Note: Not Available - Purchase Complete Assembly)	
8		Ref	Brake Components:	
8A	70004037	1	Piston, Brake	
8D	70004041	1	O-Ring	
8E	70004044	1	Ring, Back-up	
8F	70004042	1	O-Ring	
8H	70004044	1	Ring, Back-up	
8J	70002085	1	Rotor, Brake (Kit p/n 70002085 includes Rotors and Stators)	
8K	70002085	1	Stator, Brake (Kit p/n 70002085 includes Rotors and Stators)	
8L	70002066	8	Spring, Brake	
8M	7024743	1	Plate, Pressure	
8N	70004039	1	Ring, Retaining	
11	7000253	2	Thrustwasher	
12	7000217	12	Bolt 5/16 x 2-1/4 Grade 8	
13	7017080	4	Pin, Dowel	
21	7024704	4	Bolt 5/16 x 2	
22	70004045	4	Lockwasher	
23	7017023	2	Plug, Pipe	
24	See Note	NSS	Plate, ID (Note: Not Available for Purchase)	
25	7000281	2	Screw, Drive	
26	7024763	1	O-Ring	

## SECTION 2 - TURNTABLE

ITEM	PART NUMBER	QTY	DESCRIPTION	REV
28	See Note	NSS	Lug, Lifting (Note: Not Available for Purchase)	
29	70004040	2	Bolt 1/2 x 2	
30	7017085	2	Fitting, 90	
31	70004048	1	Swing Motor Assembly (See SWING MOTOR ASSEMBLY for Breakdown)	
32	70004049	1	Valve Assembly	
32	See Note	NSS	Cartridge (Note: Not Available - Purchase Complete Valve Assembly)	
32	See Note	NSS	Seal Kit - Cartridge (1 per Cartridge) (Note: Not Available - Purchase Complete Valve Assembly)	
35	70004047	1	Tube Assembly	
44	7017028	1	Ring, Retaining	
45	70004035	1	Gear, Sun	
100	70004393	1	Seal, Kit - Hub (Includes Items 1B, 1I, 1J, 5, 5A, 11 & 26)	

# SECTION 2 - TURNTABLE

## FIGURE 2-7. SWING MOTOR ASSEMBLY



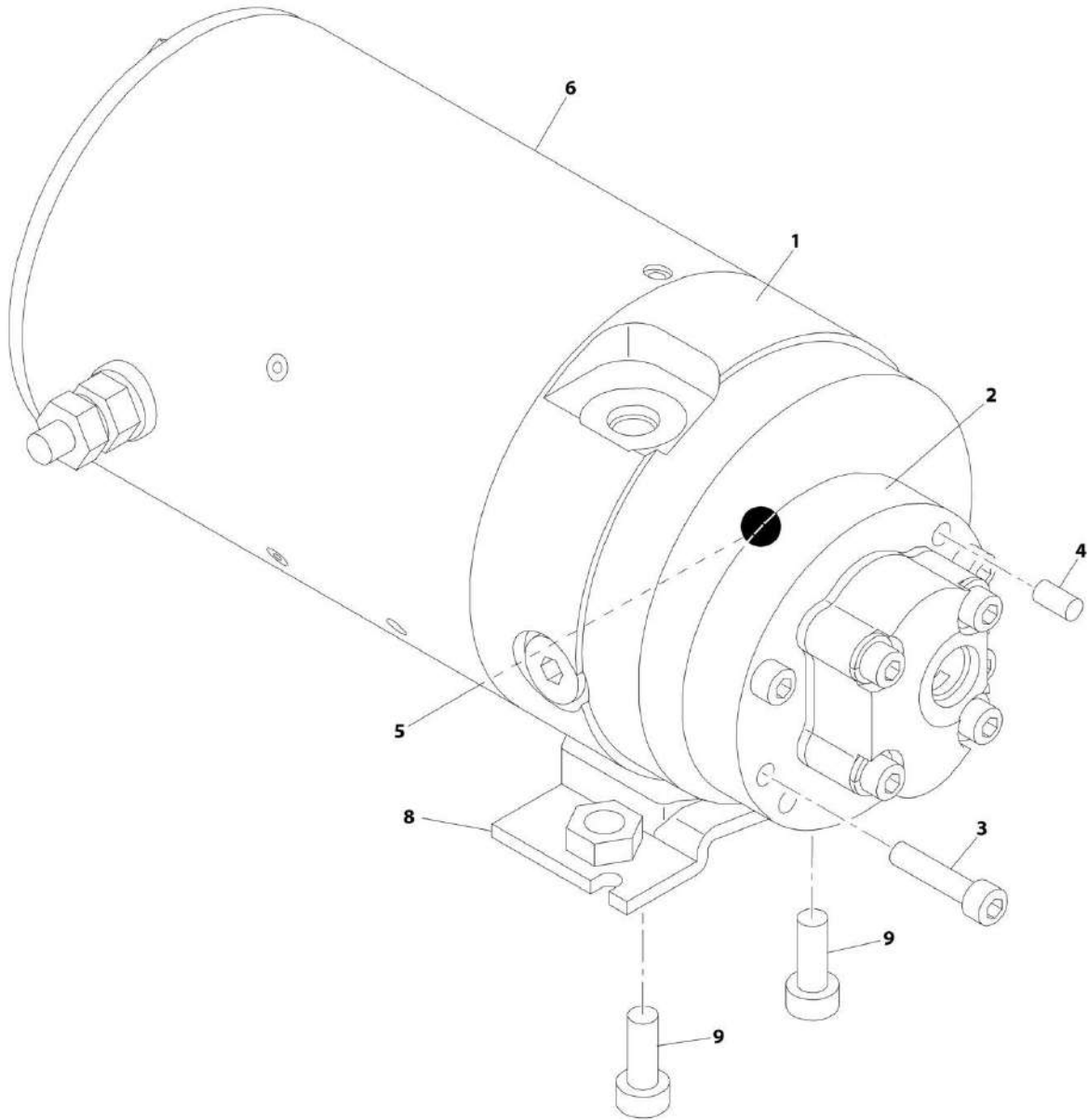
## SECTION 2 - TURNTABLE

### FIGURE 2-7. SWING MOTOR ASSEMBLY

ITEM	PART NUMBER	QTY	DESCRIPTION	REV
	70004048	Ref	SWING MOTOR ASSEMBLY	
1	See Note	NSS	Bolt (Note: Not Available - Purchase Complete Assembly)	
2	See Note	NSS	Cover (Note: Not Available - Purchase Complete Assembly)	
3	7023318	1	Seal, Commutator	
4	7004036	5	Seal, Ring	
5	7024453	1	Commutator and Ring Assembly	
6	See Note	NSS	Ring (Note: Use p/n 7024453)	
7	7024379	1	Manifold	
8	See Note	1	Rotor Set (Note: Not Available - Purchase Complete Assembly)	
9	7024380	1	Plate, Wear	
10	See Note	1	Link, Drive (Note: Not Available - Purchase Complete Assembly)	
12	7024458	1	Shaft, Coupling	
13	7024381	1	Bushing, Bronze	
14	7004043	1	Thrustwasher	
15	7004044	1	Bearing, Thrust	
16	7004049	1	Seal, Inner	
17	7004045	1	Washer, Back-up	
18	See Note	NSS	Housing (Note: Not Available - Purchase Complete Assembly)	
18A	80324055	2	O-Ring	
19	7024390	1	Bearing	
20	7004047	1	Seal, Dirt and Water	
100	7024389	1	Seal Kit - 70004048 Motor (Includes Items 3, 4, 16, 17 & 20)	

# SECTION 2 - TURNTABLE

## FIGURE 2-8. AUXILIARY MOTOR/PUMP ASSEMBLY



ART\_1001133411

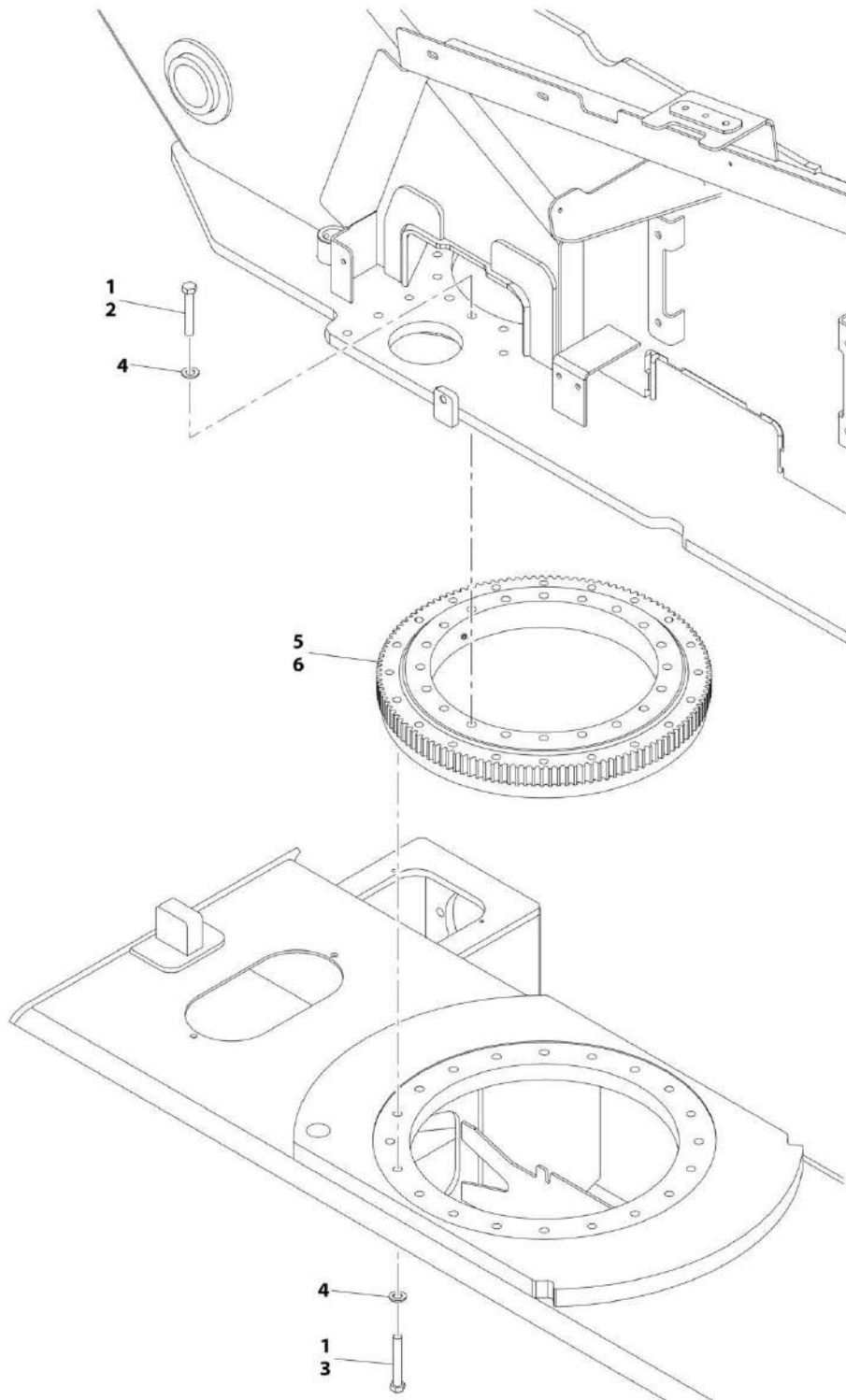
**SECTION 2 - TURNTABLE**

**FIGURE 2-8. AUXILIARY MOTOR/PUMP ASSEMBLY**

<b>ITEM</b>	<b>PART NUMBER</b>	<b>QTY</b>	<b>DESCRIPTION</b>	<b>REV</b>
	1001133411	Ref	AUXILIARY MOTOR/PUMP ASSEMBLY	B
1	70004008	1	Base	
1	7026330	1	Seal, Shaft	
2	70004009	1	Pump Assembly	
3	70004010	4	Capscrew 1/4 x 1.25	
4	70004011	2	Pin, Dowel	
5	70004012	1	Shaft, Coupling	
6	70004013	1	Motor	
6	See Note	1	Brush and Spring Kit (Note: Not Available - Replace Complete Motor)	
8	70004014	1	Bracket	
9	70004000	2	Capscrew 3/8 x 1	

## SECTION 2 - TURNTABLE

FIGURE 2-9. TURNTABLE BEARING INSTALLATION



ART\_1001133312



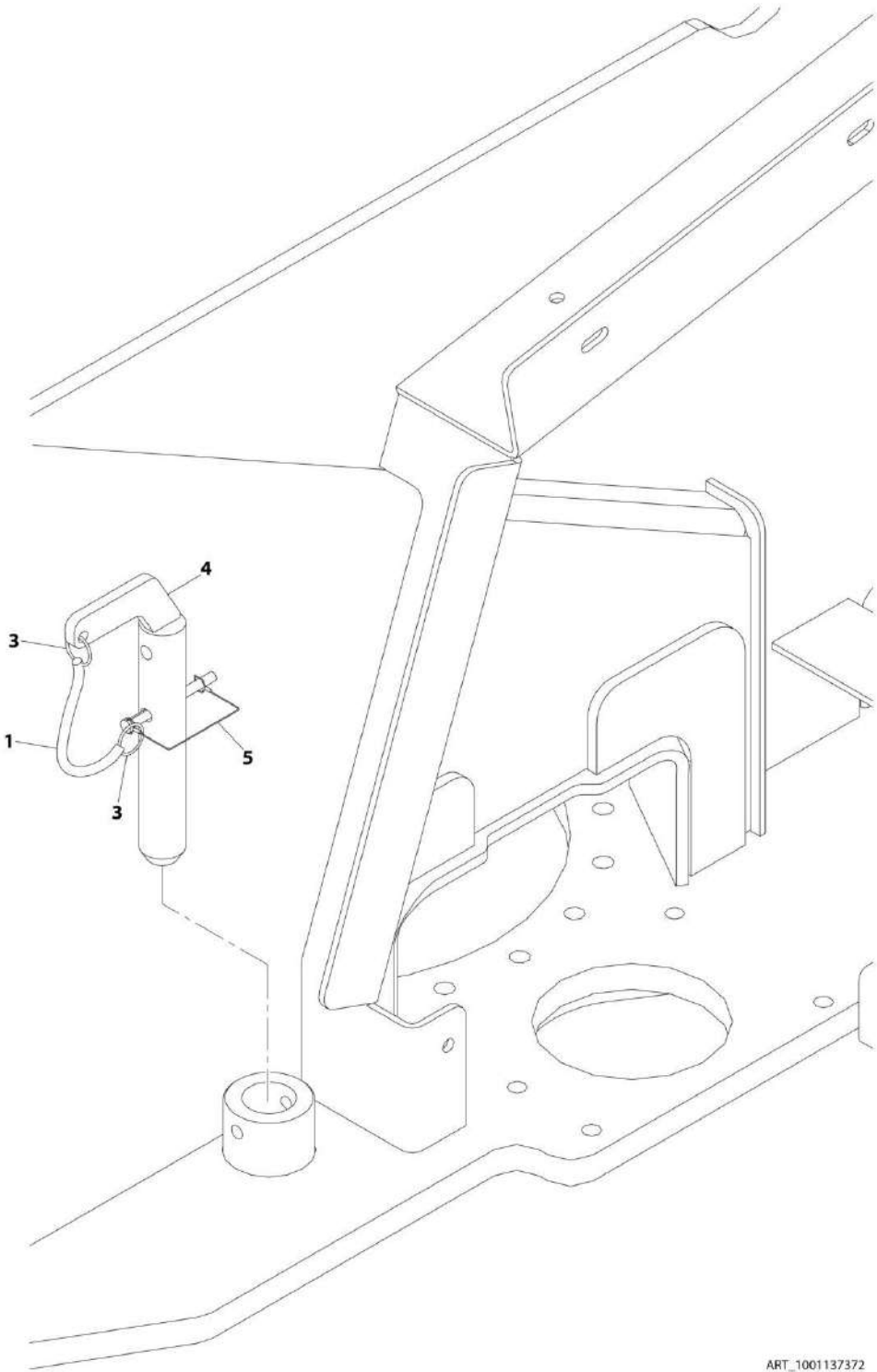
**SECTION 2 - TURNTABLE**

**FIGURE 2-9. TURNTABLE BEARING INSTALLATION**

<b>ITEM</b>	<b>PART NUMBER</b>	<b>QTY</b>	<b>DESCRIPTION</b>	<b>REV</b>
	1001133312	Ref	TURNTABLE BEARING INSTALLATION	C
1	0100019	AR	Compound, Locking	
2	0711627	20	Bolt M16 x 100 Grade 10.9	
3	0711628	20	Bolt M16 x 110 Grade 10.9	
4	5241600	40	Washer M16	
5	1001132705	1	Bearing, Swing	
6	3020029	AR	Grease, Bearing	

**SECTION 2 - TURNTABLE**

**FIGURE 2-10. TURNTABLE LOCK INSTALLATION**



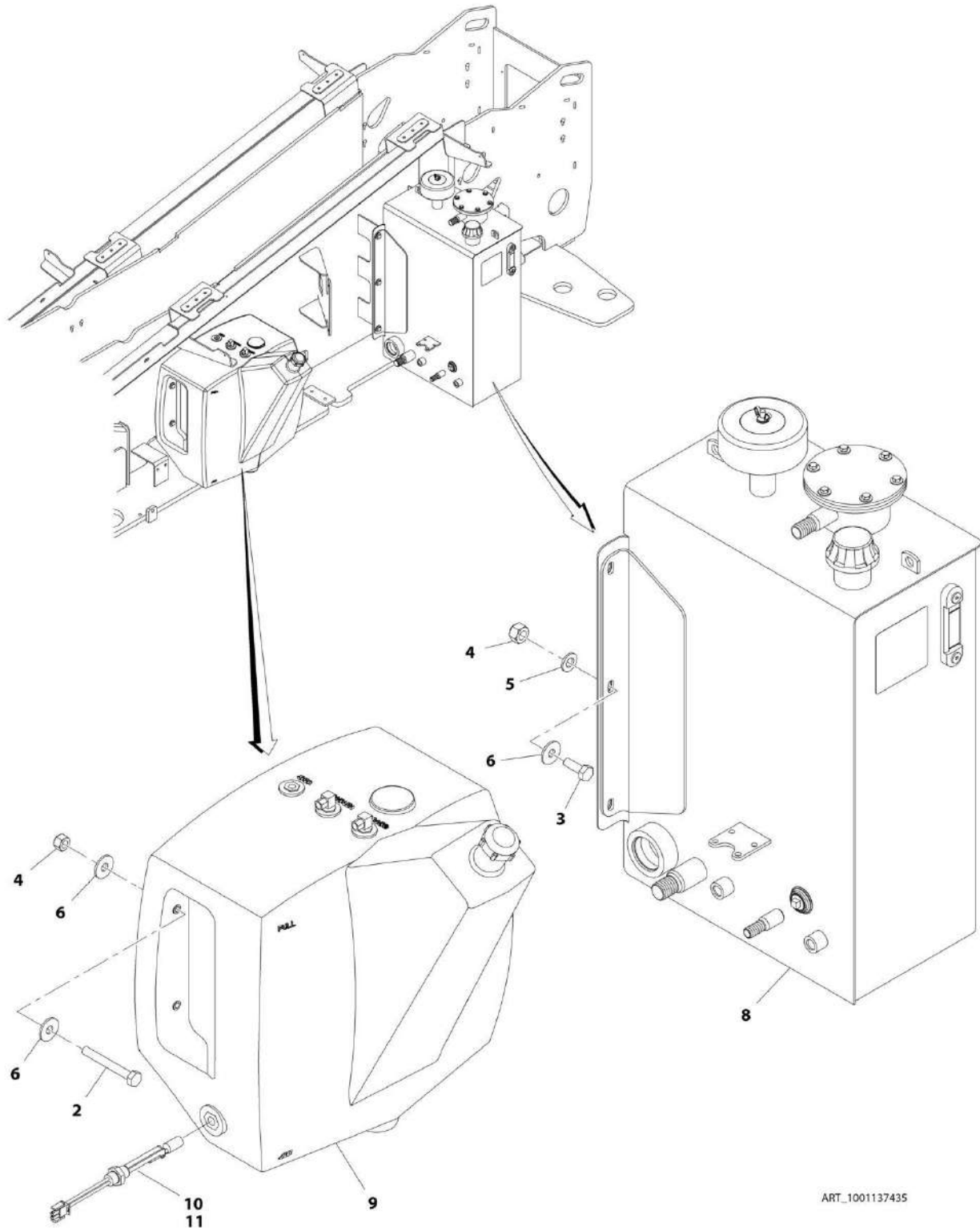
**SECTION 2 - TURNTABLE**

**FIGURE 2-10. TURNTABLE LOCK INSTALLATION**

ITEM	PART NUMBER	QTY	DESCRIPTION	REV
1	1001137372 1260017	Ref 6.5 in /16cm	TURNTABLE LOCK INSTALLATION Chain	B
3	3760170	2	Ring, Split	
4	1001135097	1	Pin, Lock	
5	1001151025	1	Pin, Snap	

# SECTION 2 - TURNTABLE

## FIGURE 2-11. TANK INSTALLATIONS



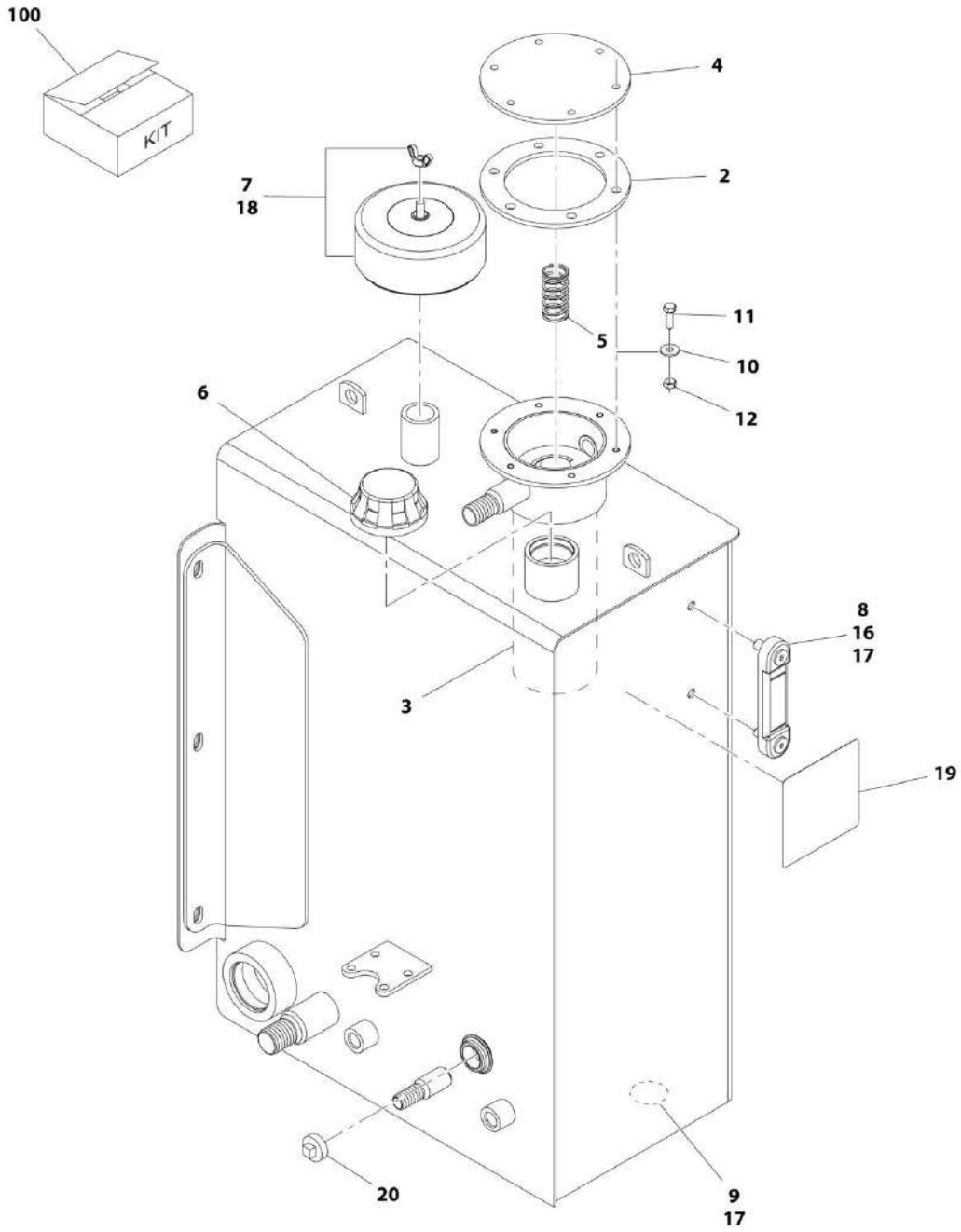
**SECTION 2 - TURNTABLE**

**FIGURE 2-11. TANK INSTALLATIONS**

ITEM	PART NUMBER	QTY	DESCRIPTION	REV
	1001137435	Ref	TANK INSTALLATIONS	B
2	0701024	4	Bolt M10 x 80	
3	0761014	6	Bolt M10 x 30	
4	3291005	10	Nut M10	
5	4812000	6	Washer M10	
6	4812002	14	Washer M10	
8	1001132232	1	Hydraulic Tank Assembly (See HYDRAULIC TANK ASSEMBLY for Breakdown)	
9	1001136300	1	Fuel Tank Assembly	
9	70005064	1	Cap, Fill	
9	See Note	NSS	Tube, Supply/Return (Note: Not Available for Purchase)	
10	4360436	1	Switch, Fuel Level <b>(SN B300001515 to Present)</b>	
11	1001182997	AR	Adhesive <b>(SN B300001515 to Present)</b>	

# SECTION 2 - TURNTABLE

## FIGURE 2-12. HYDRAULIC TANK ASSEMBLY



ART\_1001132232

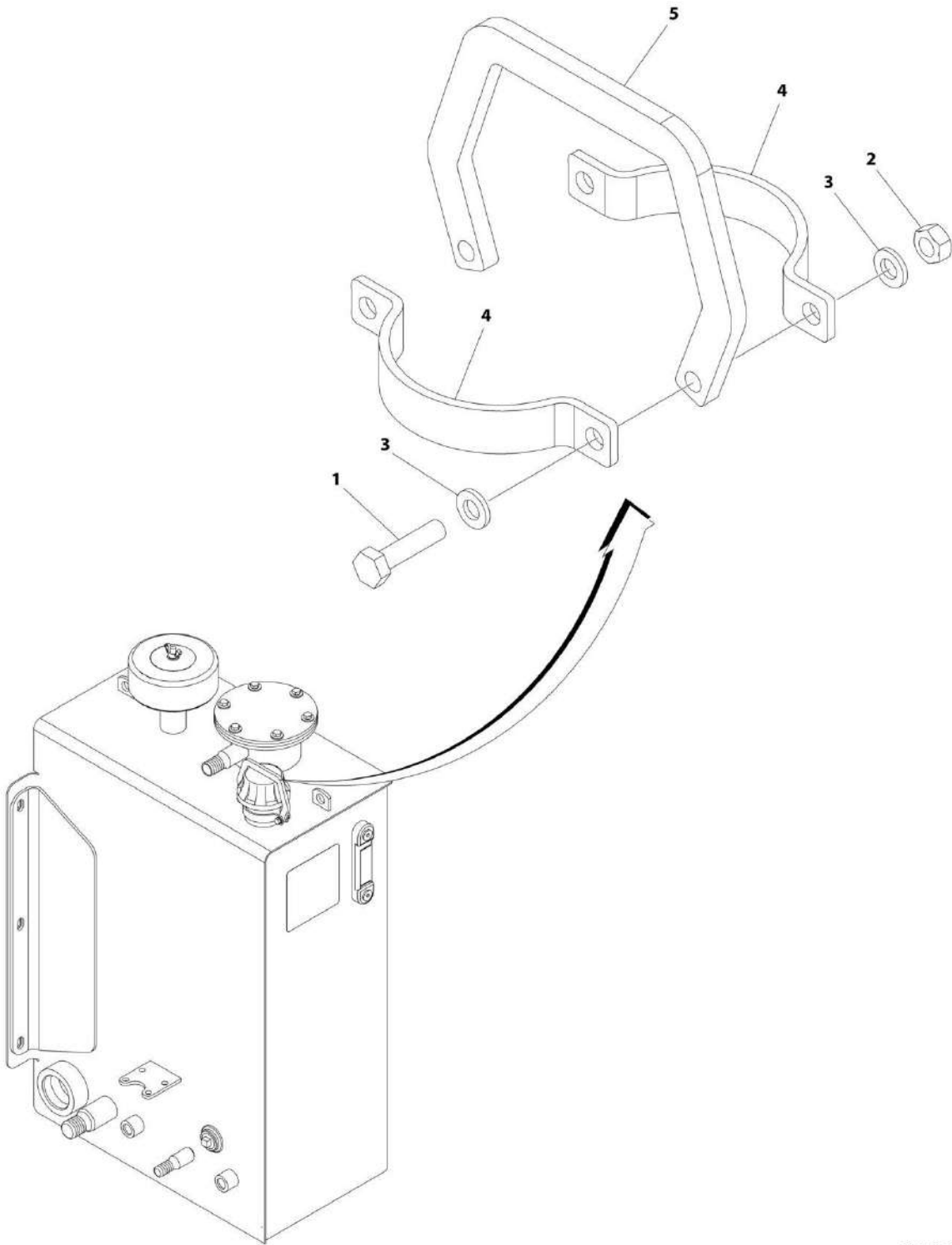
**SECTION 2 - TURNTABLE**

**FIGURE 2-12. HYDRAULIC TANK ASSEMBLY**

ITEM	PART NUMBER	QTY	DESCRIPTION	REV
	1001132232	Ref	HYDRAULIC TANK ASSEMBLY	H
2	70002839	1	Gasket, Filter	
3	See Note	NSS	Element, Filter (Note: Use Item 100)	
4	See Note	NSS	Cover (Note: Not Available For Purchase)	
5	70004195	1	Spring	
6	70002838	1	Fill Cap Assembly	
7	See Note	NSS	Breather Assembly (Note: Use Item 100)	
8	7024441	1	Gauge	
9	70004196	1	Plug	
10	70004197	6	Washer 5/16 Stainless Steel	
11	70004198	6	Bolt 5/16 x 1 Stainless Steel	
12	70004199	6	Nut 5/16 Stainless Steel	
16	See Note	AR	Compound, Locking (Note: Not Available For Purchase)	
17	See Note	AR	Sealant (Note: Not Available For Purchase)	
18	See Note	AR	Compound, Locking (Note: Not Available For Purchase)	
19	70004200	1	Decal - Service	
20	See Note	NSS	Plug (Note: Not Available For Purchase)	
100	70003614		Filter Kit (Includes Items 3 & 7)	

## SECTION 2 - TURNTABLE

FIGURE 2-13. HYDRAULIC TANK LOCK INSTALLATION (SN B30002264 to Present)



ART\_1001229941



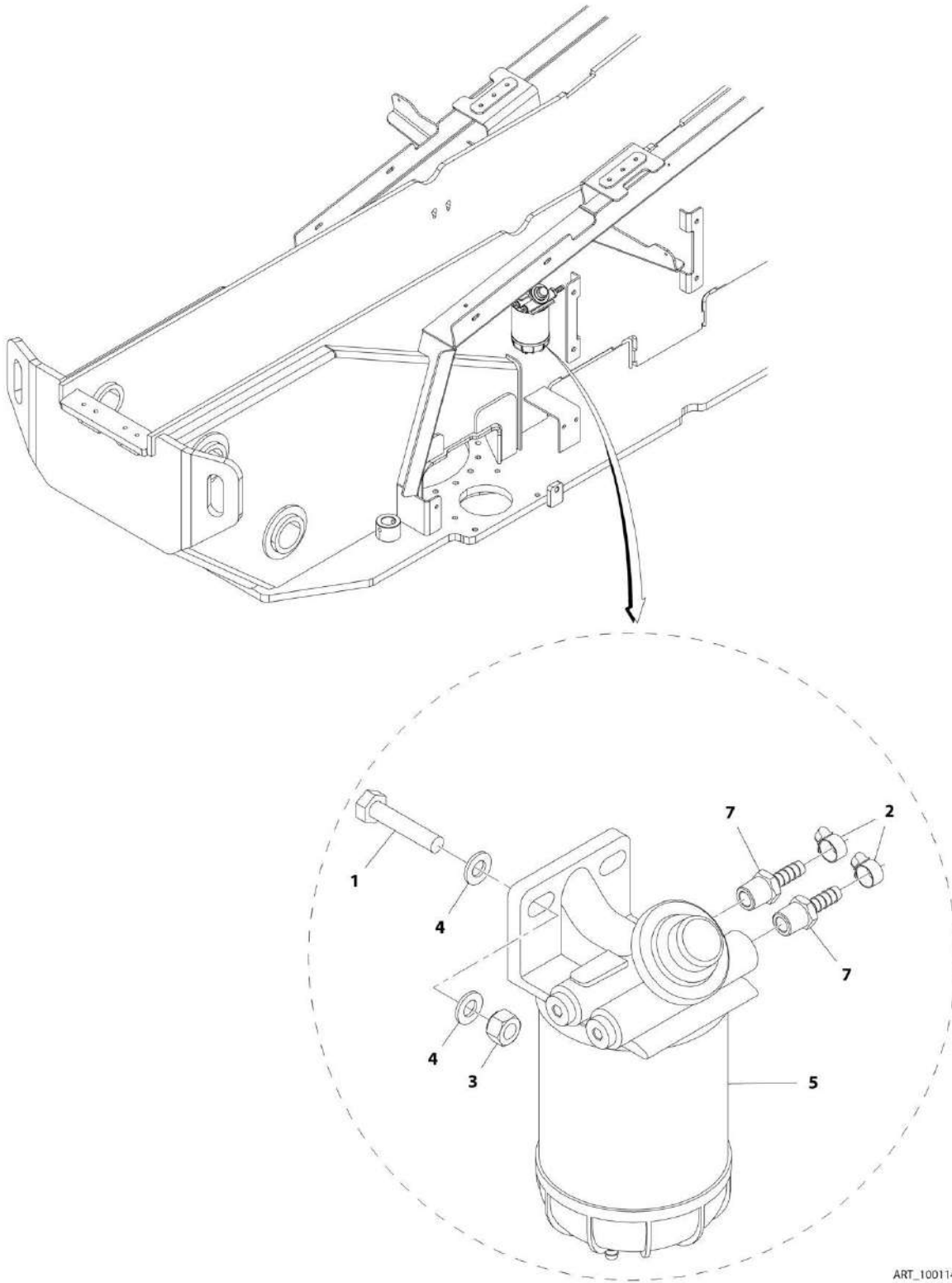
**SECTION 2 - TURNTABLE**

**FIGURE 2-13. HYDRAULIC TANK LOCK INSTALLATION (SN B300002264 to Present)**

ITEM	PART NUMBER	QTY	DESCRIPTION	REV
	1001229941	Ref	HYDRAULIC TANK LOCK INSTALLATION (SN B300002264 to Present)	A
1	0760612	2	Bolt M6 x 25	
2	3290601	2	Nut M6	
3	4811700	4	Washer M6	
4	1001229942	2	Bracket	
5	1001229943	1	Bracket	

## SECTION 2 - TURNTABLE

FIGURE 2-14. FUEL FILTER INSTALLATION (OPTIONAL)



ART\_1001146991

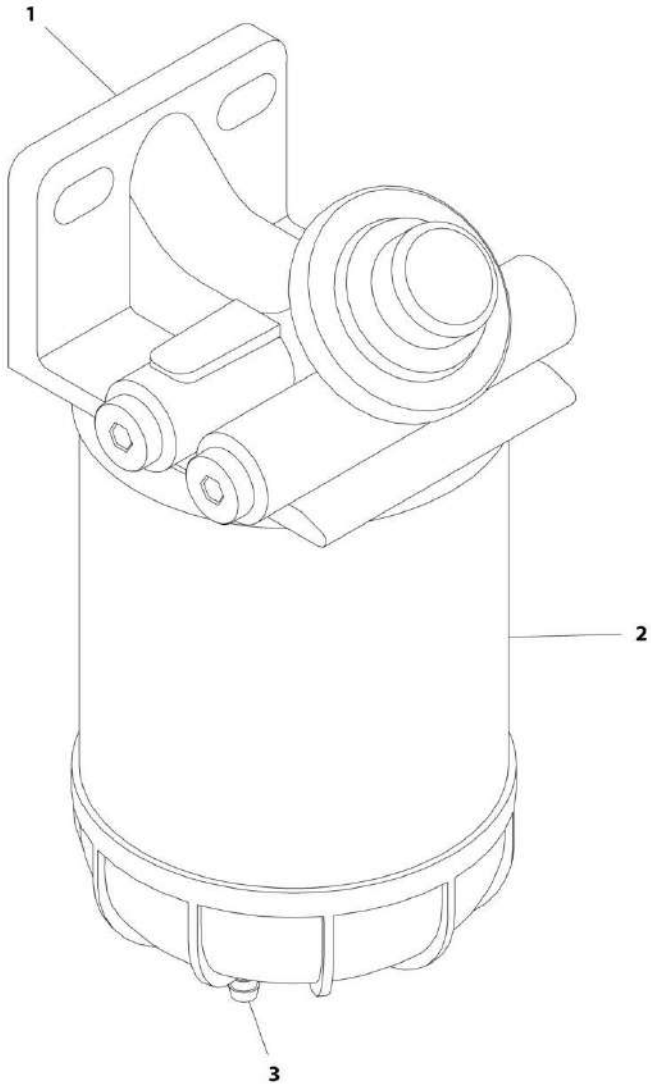
**SECTION 2 - TURNTABLE**

**FIGURE 2-14. FUEL FILTER INSTALLATION (OPTIONAL)**

<b>ITEM</b>	<b>PART NUMBER</b>	<b>QTY</b>	<b>DESCRIPTION</b>	<b>REV</b>
	1001146991	Ref	FUEL FILTER INSTALLATION (OPTIONAL)	B
1	0701018	2	Bolt M10 x 50	
2	1320022	1	Clamp	
3	3291005	2	Nut M10	
4	4812000	4	Washer M10	
5	1001136173	1	Water Separator Filter Assembly (See WATER SEPARATOR FILTER ASSEMBLY (OPTIONAL) for Breakdown)	
7	2180876	2	Fitting, Straight Barbed	

**SECTION 2 - TURNTABLE**

**FIGURE 2-15. WATER SEPARATOR FILTER ASSEMBLY (OPTIONAL)**



ART\_1001136173

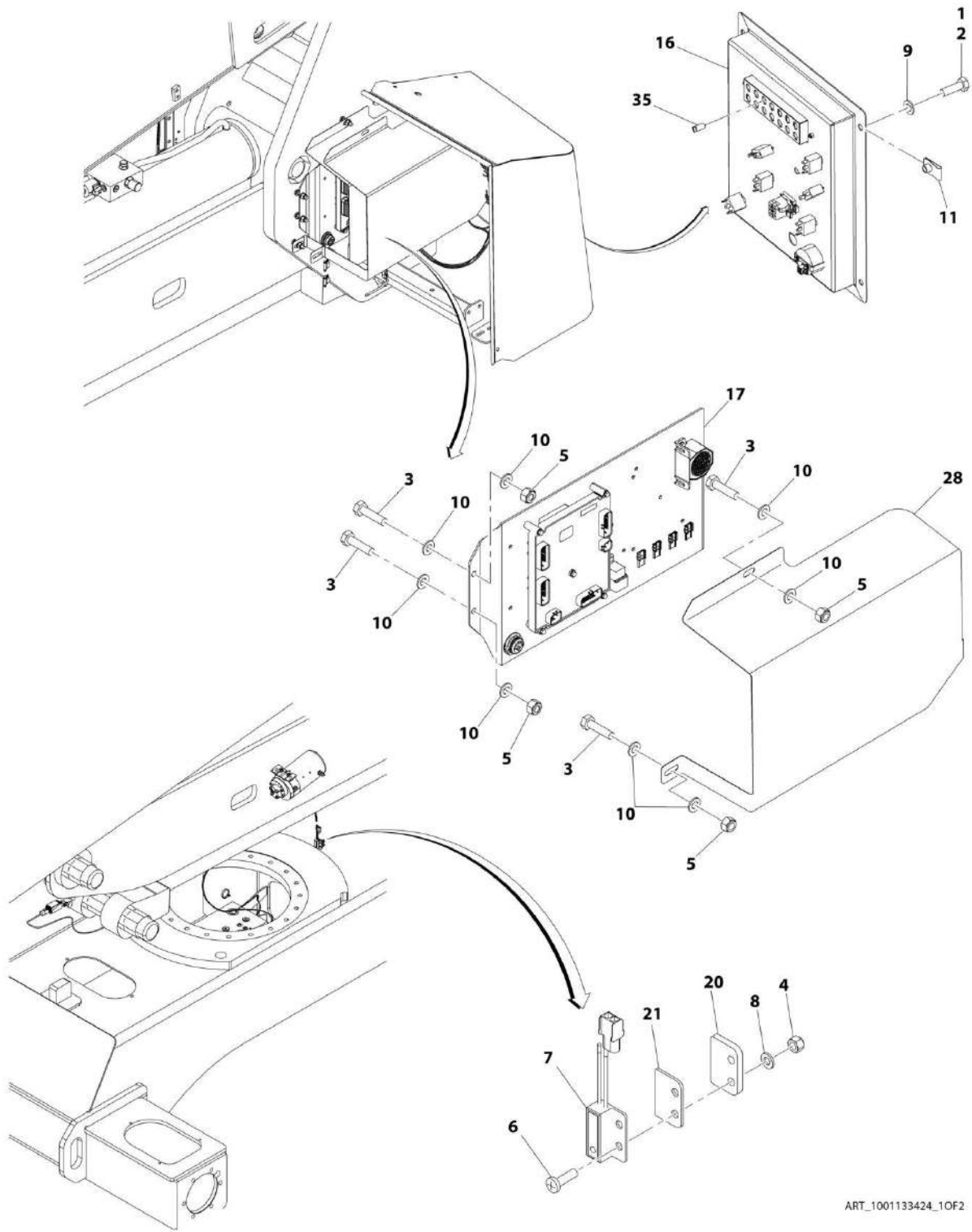
**SECTION 2 - TURNTABLE**

**FIGURE 2-15. WATER SEPARATOR FILTER ASSEMBLY (OPTIONAL)**

<b>ITEM</b>	<b>PART NUMBER</b>	<b>QTY</b>	<b>DESCRIPTION</b>	<b>REV</b>
	1001136173	Ref	WATER SEPARATOR FILTER ASSEMBLY (OPTIONAL)	A
1	70004063	1	Head, Mounting Kit (Includes Plugs and #4 Bypass Valve)	
1	70004064	1	Valve, Bypass	
1	70004065	1	Gasket - Head to Element	
2	70004066	1	Element, Filter	
3	70004065	1	Gasket - Element to Bowl	
3	70004068	1	Bowl Kit (Includes Bowl, #2 Element Plug and Drain)	
3	70004069	1	Plug	
3	70004070	1	Drain, Self-Vented	

# SECTION 2 - TURNTABLE

## FIGURE 2-16. ELECTRICAL INSTALLATION - 24RS



ART\_1001133424\_1OF2

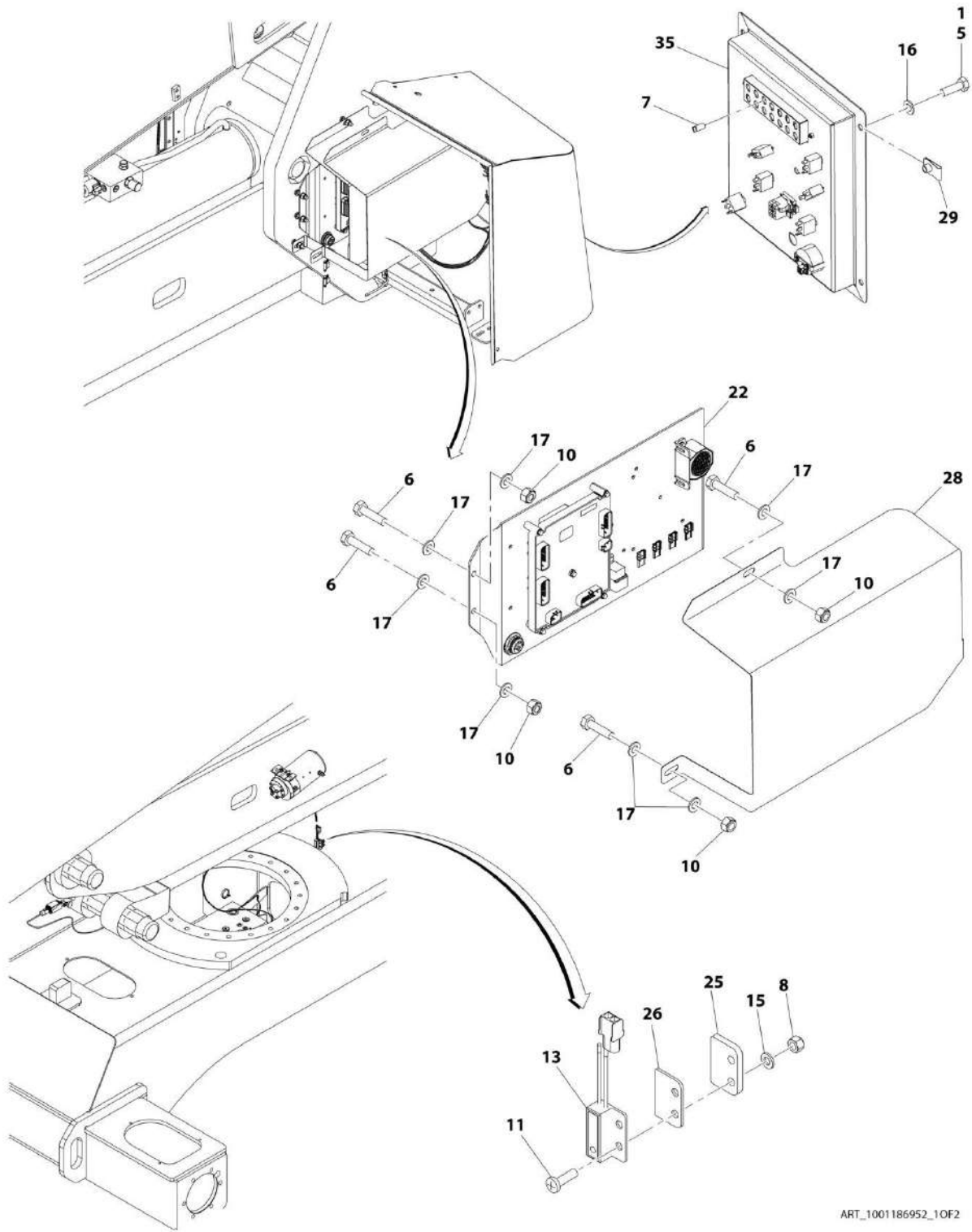
## SECTION 2 - TURNTABLE

**FIGURE 2-16. ELECTRICAL INSTALLATION - 24RS**

ITEM	PART NUMBER	QTY	DESCRIPTION	REV
	1001133424	Ref	ELECTRICAL INSTALLATION - 24RS	G
1	0100011	AR	Compound, Locking	
2	0760812	4	Bolt M8 x 25	
3	0761016	6	Bolt M10 x 40	
4	3290605	2	Nut M6	
5	3291005	6	Nut M10	
6	3900392	2	Bolt M6 x 30 Stainless Steel	
7	4360514	1	Switch, Proximity	
7	4460424	1	Connector - 2 Position	
7	4460227	2	Pin, Male	
8	4811700	2	Washer M6	
9	4811900	6	Washer M8	
10	4812000	12	Washer M10	
11	1001149160	4	Nut, Tinnerman M8	
12	1001132511	1	Turntable Harness (Not Shown - See ELECTRICAL SECTION for Breakdown)	
13	1001132556	1	Engine Harness (Not Shown - See ELECTRICAL SECTION for Breakdown)	
14	1001134026	1	Chassis Harness (Not Shown - See ELECTRICAL SECTION for Breakdown)	
15	1001134067	1	Valve Harness (Not Shown - See ELECTRICAL SECTION for Breakdown)	
16	1001134791	1	Ground Control Panel Assembly (See GROUND CONTROL PANEL ASSEMBLY for Breakdown)	
17	1001134830	1	Electrical Panel Assembly (See ELECTRICAL PANEL ASSEMBLY for Breakdown)	
18	1001135506	1	Ground Control Harness (Not Shown - See ELECTRICAL SECTION for Breakdown)	
19	1001139886	1	Auxiliary Pump Cable - Positive (Not Shown)	
20	1001140710	2	Shim	
21	1001141075	3	Shim	
23	4240018	AR	Tie-Strap (Not Shown)	
24	1001142167	1	Auxiliary Pump Cable - Negative (Not Shown)	
28	1001148387	1	Cover	
35	2920129	5	Bulb, Light	
37	1001159284	1	EMR2 Harness (Not Shown - See ELECTRICAL SECTION for Breakdown)	

# SECTION 2 - TURNTABLE

## FIGURE 2-17. ELECTRICAL INSTALLATION - 24RSJ



ART\_1001186952\_10F2



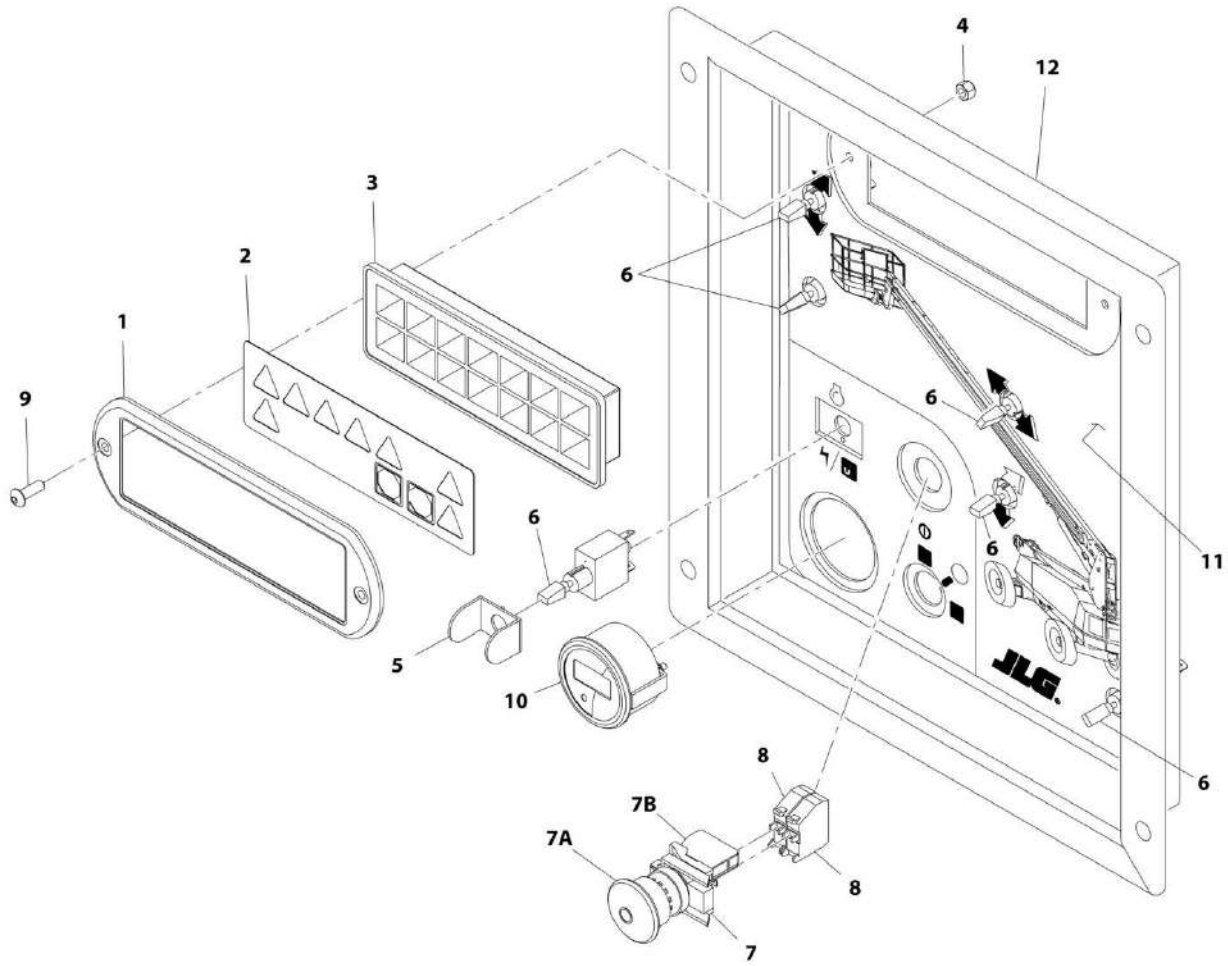
## SECTION 2 - TURNTABLE

**FIGURE 2-17. ELECTRICAL INSTALLATION - 24RSJ**

ITEM	PART NUMBER	QTY	DESCRIPTION	REV
	1001186952	Ref	ELECTRICAL INSTALLATION - 24RSJ	B
1	0100011	AR	Compound, Locking	
5	0760812	4	Bolt M8 x 25	
6	0761016	6	Bolt M10 x 40	
7	2920129	5	Bulb, Light	
8	3290605	2	Nut M6	
10	3291005	6	Nut M10	
11	3900392	2	Bolt M6 x 30 Stainless steel	
12	4240018	AR	Tie-Strap (Not Shown)	
13	4360514	1	Switch, Proximity	
13	4460424	1	Connector - 2 Position	
13	4460227	2	Pin, Male	
15	4811700	2	Washer M6	
16	4811900	6	Washer M8	
17	4812000	12	Washer M10	
18	1001132511	1	Turntable Harness (Not Shown - See ELECTRICAL SECTION for Breakdown)	
19	1001132556	1	Engine Harness (Not Shown - See ELECTRICAL SECTION for Breakdown)	
20	1001134026	1	Chassis Harness (Not Shown - See ELECTRICAL SECTION for Breakdown)	
21	1001203479	1	Valve Harness (Not Shown - See ELECTRICAL SECTION for Breakdown)	
22	1001134830	1	Electrical Panel Assembly (See ELECTRICAL PANEL ASSEMBLY for Breakdown)	
23	1001203478	1	Ground Control Harness (Not Shown - See ELECTRICAL SECTION for Breakdown)	
24	1001139886	1	Auxiliary Pump Cable - Positive (Not Shown)	
25	1001140710	2	Shim	
26	1001141075	3	Shim	
27	1001142167	1	Auxiliary Pump Cable - Negative (Not Shown)	
28	1001148387	1	Cover	
29	1001149160	4	Nut, Tinnerman M8	
33	1001159284	1	EMR2 Harness (Not Shown - See ELECTRICAL SECTION for Breakdown)	
34	1001185833	1	JIB Harness (Not Shown - See ELECTRICAL SECTION for Breakdown)	
35	1001187208	1	Ground Control Panel Assembly (See GROUND CONTROL PANEL ASSEMBLY for Breakdown)	

# SECTION 2 - TURNTABLE

## FIGURE 2-18. GROUND CONTROL PANEL ASSEMBLY - 24RS



ART\_1001134791

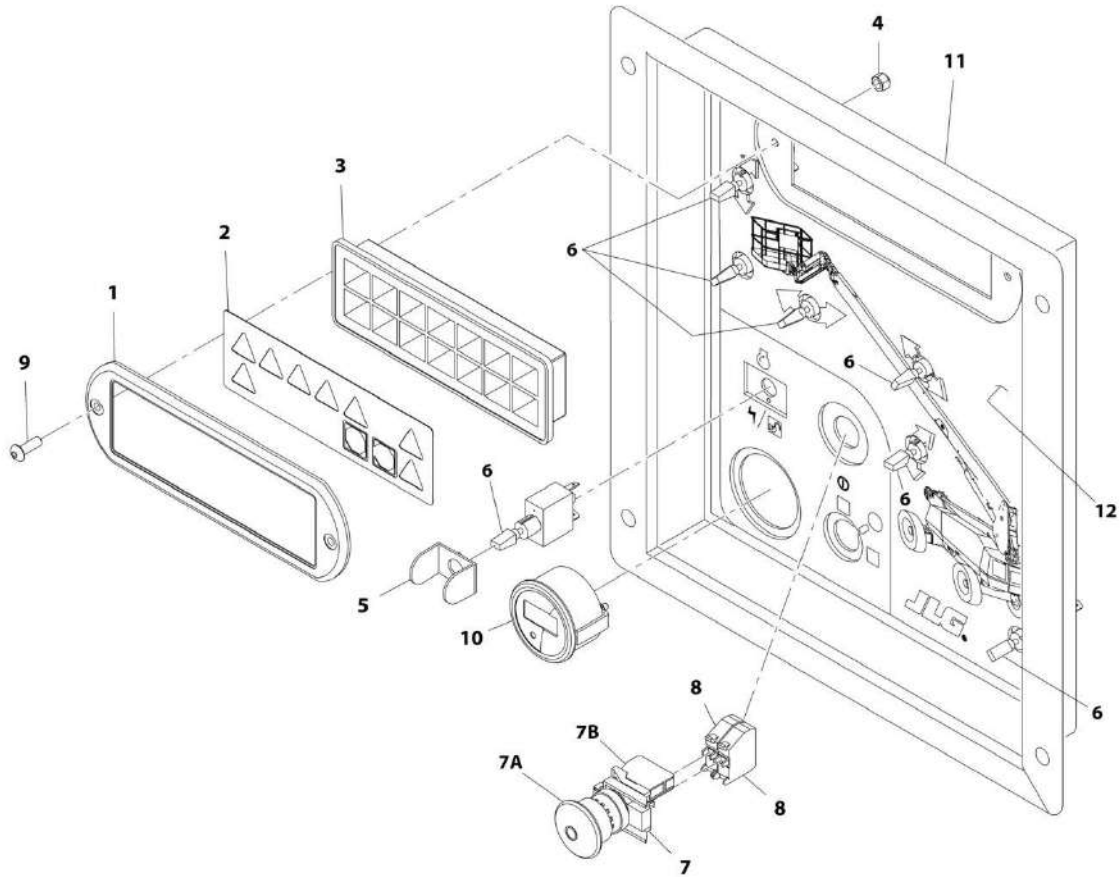
**SECTION 2 - TURNTABLE**

**FIGURE 2-18. GROUND CONTROL PANEL ASSEMBLY - 24RS**

ITEM	PART NUMBER	QTY	DESCRIPTION	REV
	1001134791	Ref	GROUND CONTROL PANEL ASSEMBLY - 24RS	A
1	1670829	1	Bezel	
2	1706712	1	Decal - Display Panel	
3	2760105	1	Housing, Display Light	
4	3290505	2	Nut M5	
5	4060906	1	Shield, Toggle Switch	
6	4360328	6	Switch, Toggle	
7	4360475	1	Switch, Emergency Stop	
7A	7020175	1	Cap, Mushroom Head	
7B	7020176	1	Block, Contact	
8	4360476	1	Switch, Contact Block	
9	1001099125	2	Screw M5 x 16	
10	1001109503	1	Gauge, Indicator	
11	1001133881	1	Decal - Ground Control	
12	1001134790	1	Panel	

# SECTION 2 - TURNTABLE

## FIGURE 2-19. GROUND CONTROL PANEL ASSEMBLY - 24RSJ



ART\_1001187208

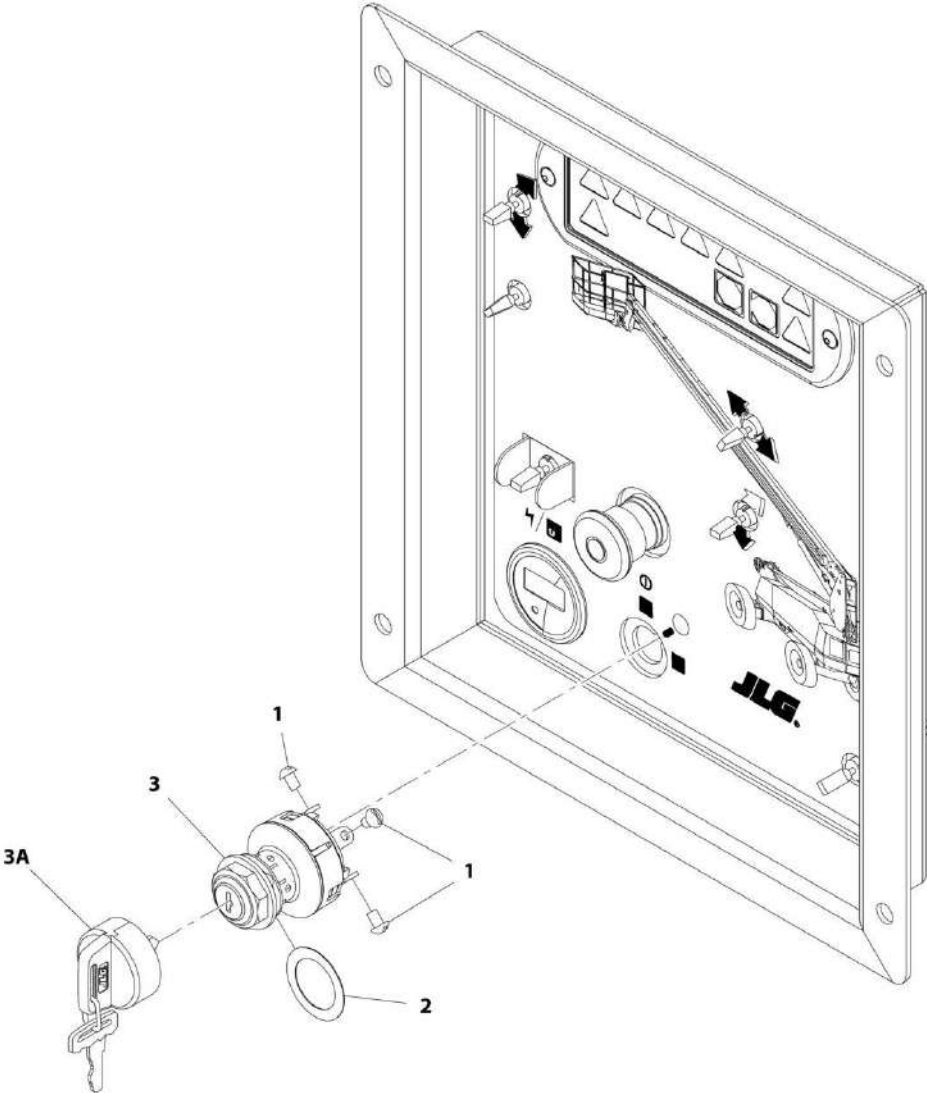
**SECTION 2 - TURNTABLE**

**FIGURE 2-19. GROUND CONTROL PANEL ASSEMBLY - 24RSJ**

ITEM	PART NUMBER	QTY	DESCRIPTION	REV
	1001187208	Ref	GROUND CONTROL PANEL ASSEMBLY - 24RSJ	A
1	1670829	1	Bezel	
2	1706712	1	Decal - Display Panel	
3	2760105	1	Housing, Display Light	
4	3290505	2	Nut M5	
5	4060906	1	Shield, Toggle Switch	
6	4360328	6	Switch, Toggle	
7	4360475	1	Switch, Emergency Stop	
7A	7020175	1	Cap, Mushroom Head	
7B	7020176	1	Block, Contact	
8	4360476	1	Switch, Contact Block	
9	1001099125	2	Screw M5 x 16	
10	1001109503	1	Gauge, Indicator	
11	1001134790	1	Panel	
12	1001185707	1	Decal - Ground Control	

**SECTION 2 - TURNTABLE**

**FIGURE 2-20. KEY SWITCH ASSEMBLY**



ART\_1001140733

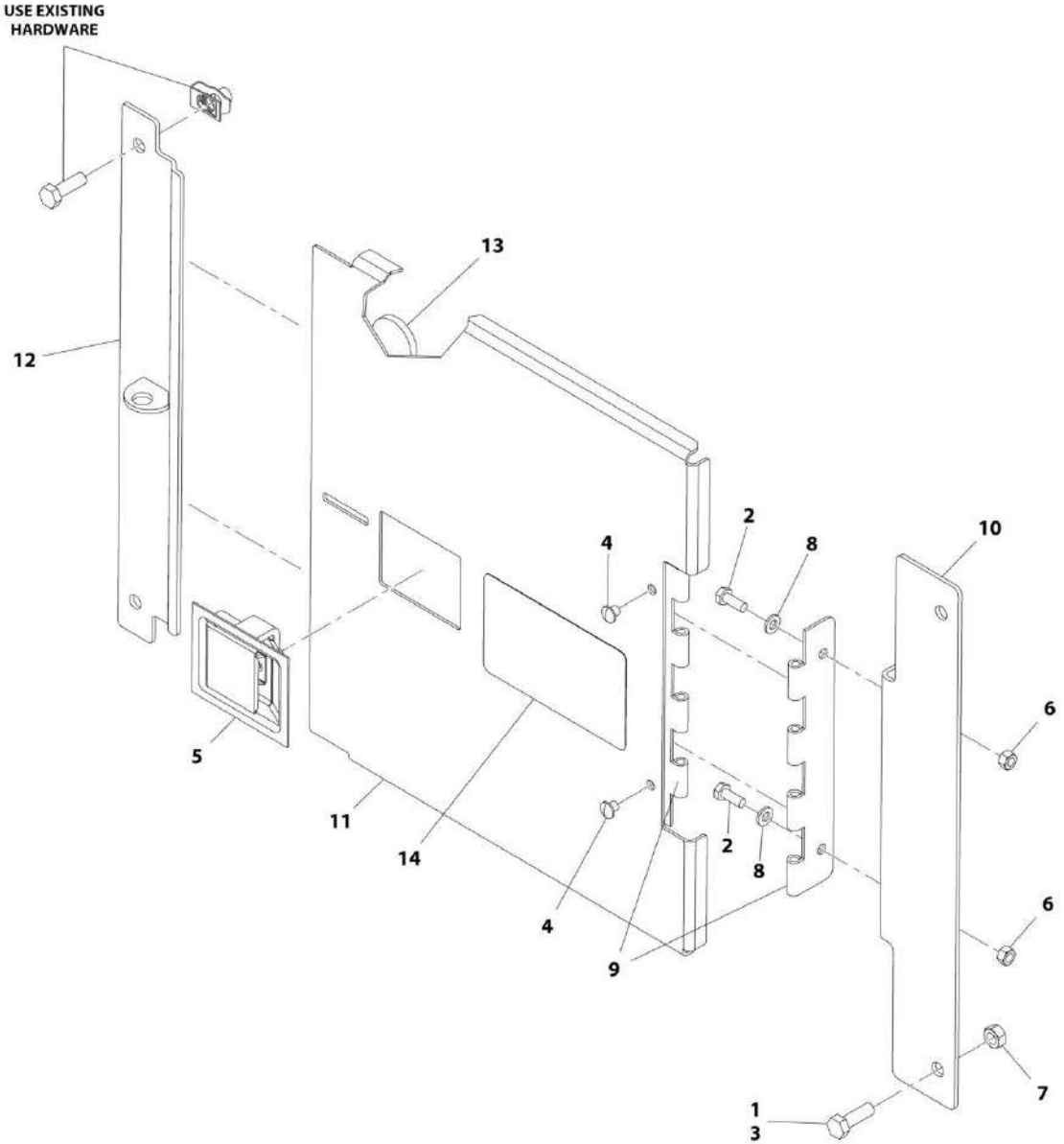
**SECTION 2 - TURNTABLE**

**FIGURE 2-20. KEY SWITCH ASSEMBLY**

<b>ITEM</b>	<b>PART NUMBER</b>	<b>QTY</b>	<b>DESCRIPTION</b>	<b>REV</b>
	1001140733	Ref	KEY SWITCH ASSEMBLY	A
1	3910804	6	Screw #8 x 1/4	
2	4070987	1	Shim	
3	4360469	1	Switch, Key	
3A	2860030	1 Set	Key	

# SECTION 2 - TURNTABLE

## FIGURE 2-21. GROUND CONTROL DOOR INSTALLATION (OPTIONAL)



ART\_1001145713



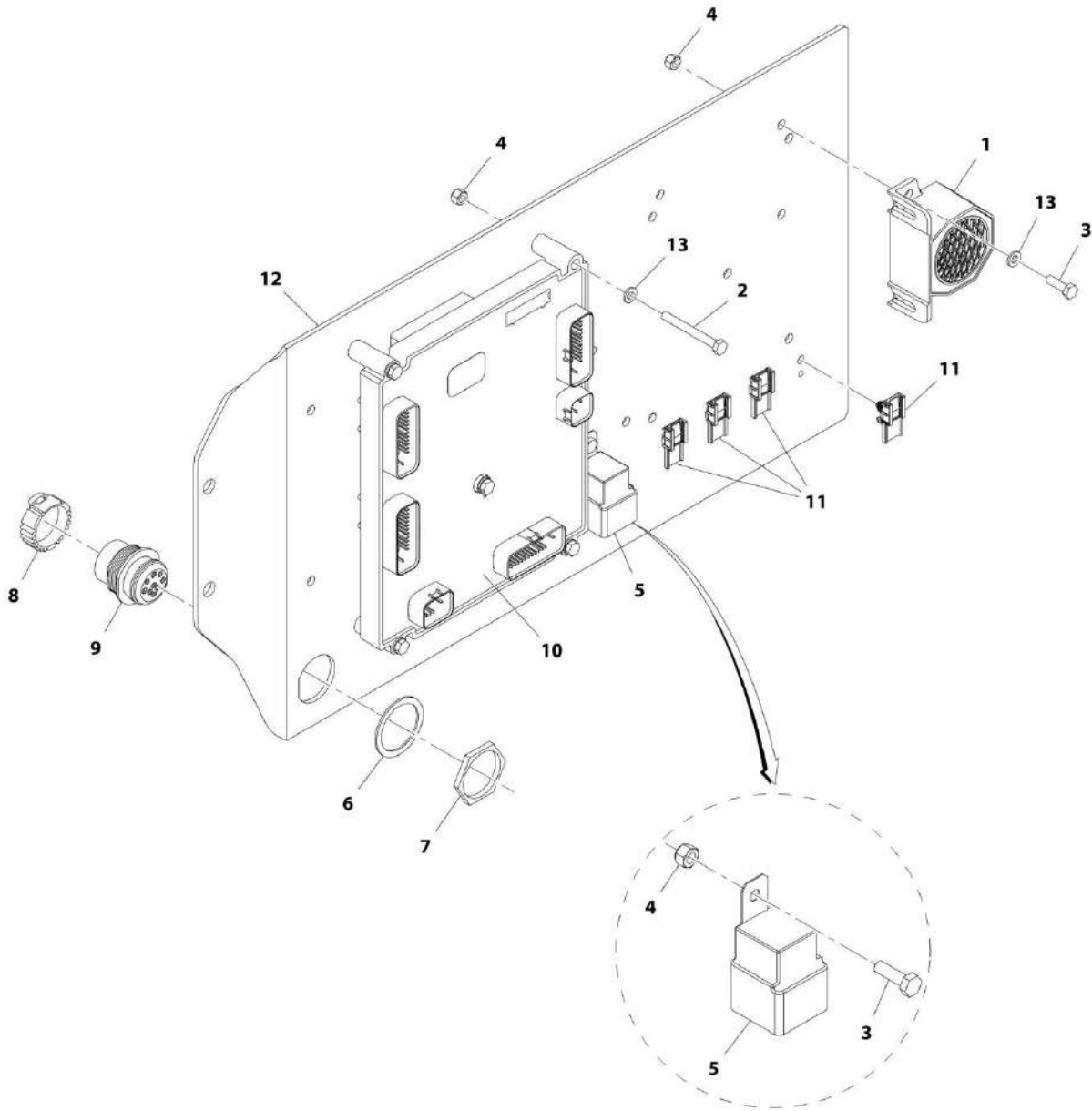
**SECTION 2 - TURNTABLE**

**FIGURE 2-21. GROUND CONTROL DOOR INSTALLATION (OPTIONAL)**

ITEM	PART NUMBER	QTY	DESCRIPTION	REV
	1001145713	Ref	GROUND CONTROL DOOR INSTALLATION (OPTIONAL)	B
1	0100019	AR	Compound, Locking	
2	0760608	2	Bolt M6 x 16	
3	0760814	2	Bolt M8 x 30	
4	2080040	2	Fastener, Huck	
5	2940045	1	Latch	
6	3290607	2	Nut M6	
7	3290801	2	Nut M8	
8	4811700	2	Washer M6	
9	1001120092	1	Hinge	
10	1001147054	1	Plate, Mounting	
11	1001147055	1	Door	
12	1001149749	1	Bracket	
13	7189000015	2	Bumper	
14	1001151250	1	Decal - Emergency Stop	

# SECTION 2 - TURNTABLE

## FIGURE 2-22. ELECTRICAL PANEL ASSEMBLY



ART\_1001134830

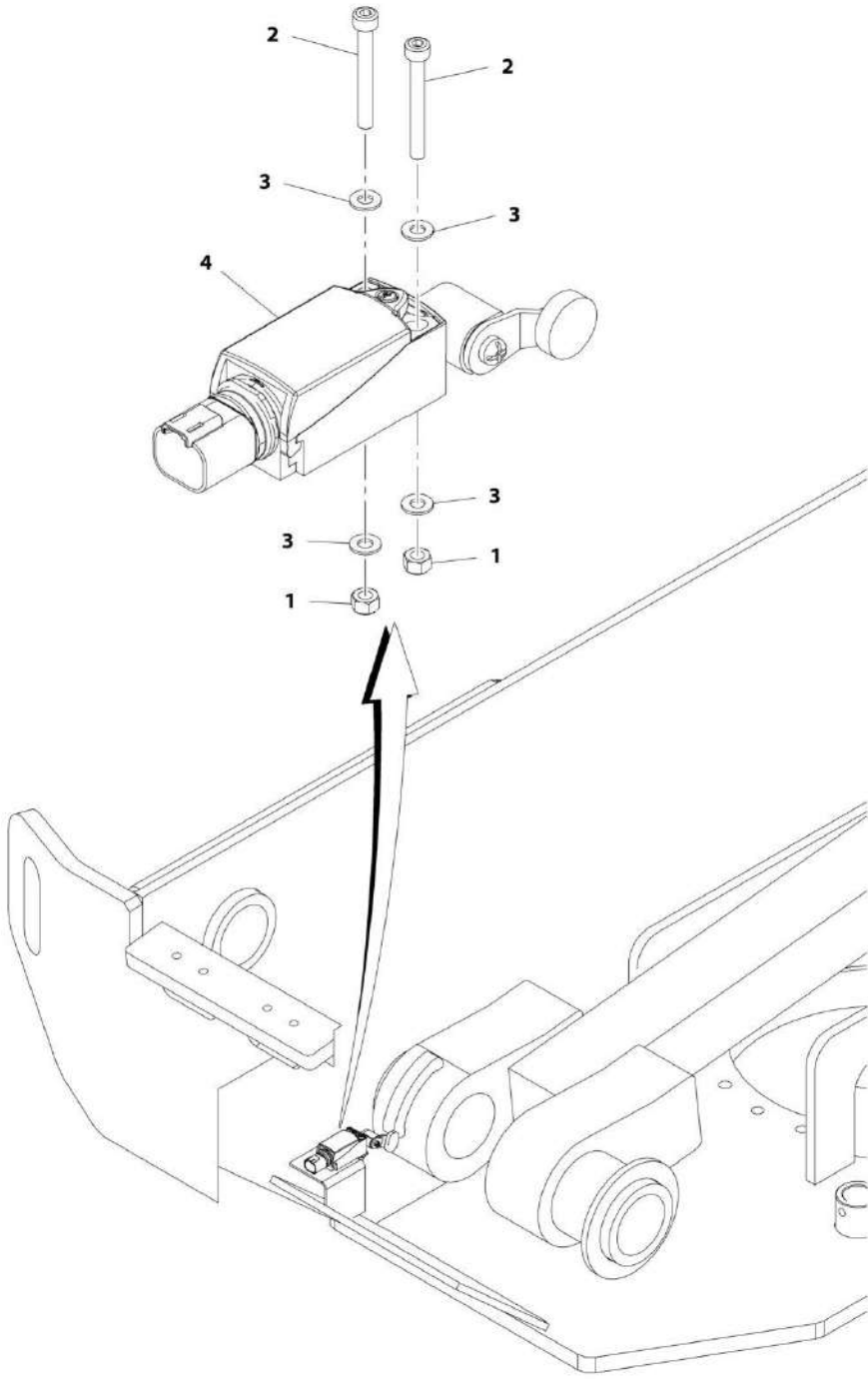
**SECTION 2 - TURNTABLE**

**FIGURE 2-22. ELECTRICAL PANEL ASSEMBLY**

ITEM	PART NUMBER	QTY	DESCRIPTION	REV
	1001134830	Ref	ELECTRICAL PANEL ASSEMBLY	D
1	0140043	1	Alarm, Motion	
1	4460536	1	Receptacle, Female - 3 Position	
1	4460464	3	Pin, Male	
2	0700619	5	Bolt M6 x 55	
3	0760610	3	Bolt M6 x 20	
4	3290605	8	Nut M6	
5	3740080	1	Relay	
6	4460496	1	Lockwasher, Terminal	
7	4460497	1	Nut, Terminal	
8	1001106736	1	Cap, Dust	
9	1001112612	1	Connector, Electrical	
10	1001120431	1	Module, Ground Control	
10		Ref	Note: Recalibration Required when Replaced.	
11	1001121172	4	Bracket, Mounting	
12	1001134767	1	Panel	
13	4811700	7	Washer M6	

**SECTION 2 - TURNTABLE**

**FIGURE 2-23. LIMIT SWITCH INSTALLATION - 24RS**



ART\_1001139016

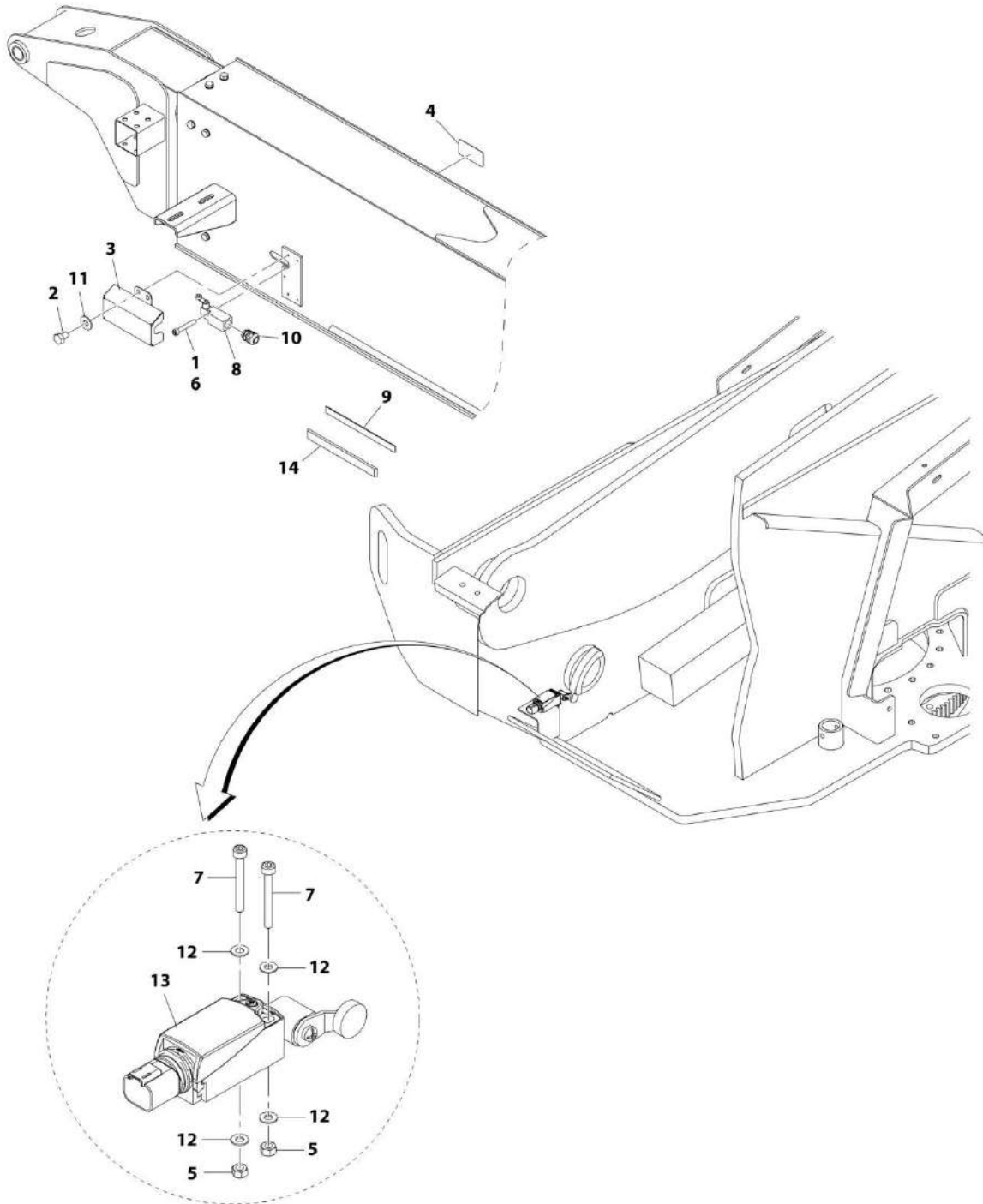
**SECTION 2 - TURNTABLE**

**FIGURE 2-23. LIMIT SWITCH INSTALLATION - 24RS**

<b>ITEM</b>	<b>PART NUMBER</b>	<b>QTY</b>	<b>DESCRIPTION</b>	<b>REV</b>
	1001139016	Ref	LIMIT SWITCH INSTALLATION - 24RS	A
1	3290405	2	Nut M4	
2	4031511	2	Capscrew M4 x 35	
3	4811400	4	Washer M4	
4	1001137033	1	Switch, Limit	

# SECTION 2 - TURNTABLE

## FIGURE 2-24. LIMIT SWITCH INSTALLATION - 24RSJ



ART\_1001203927

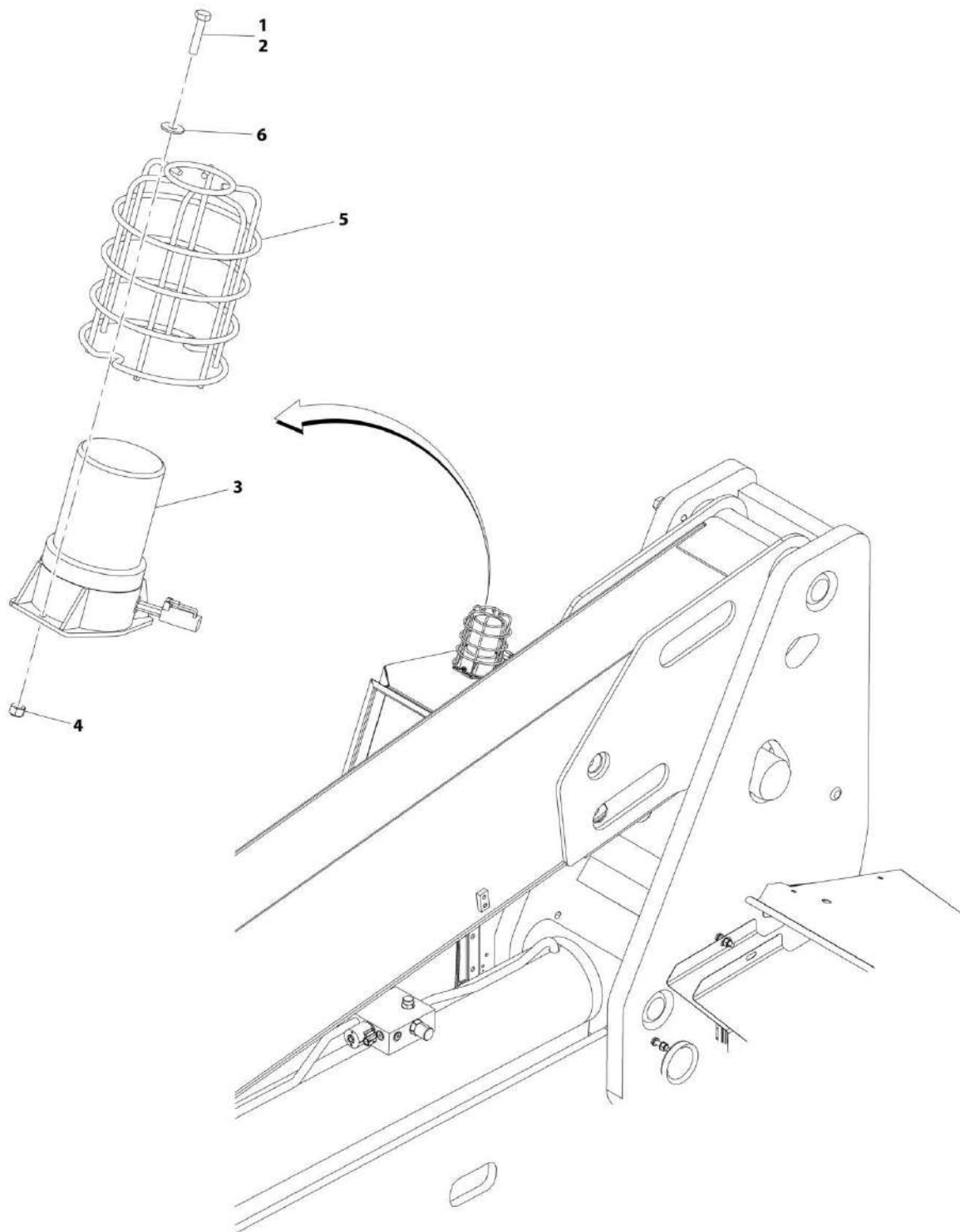
**SECTION 2 - TURNTABLE**

**FIGURE 2-24. LIMIT SWITCH INSTALLATION - 24RSJ**

ITEM	PART NUMBER	QTY	DESCRIPTION	REV
	1001203927	Ref	LIMIT SWITCH INSTALLATION - 24RSJ	B
1	0100035	AR	Compound, Locking	
2	0641403	4	Bolt 1/4 x 3/8	
3	1670824	1	Cover, Limit Switch	
4	1670836	1	Cover, Boom	
5	3290405	2	Nut M4	
6	3930816	2	Capscrew #8 x 1	
7	4031511	2	Capscrew M4 x 35	
8	4360578	1	Switch, Limit	
9	4420060	AR	Tape	
10	4460968	1	Connector, Strain Relief	
11	4751400	4	Washer 1/4	
12	4811400	4	Washer M4	
13	1001137033	1	Switch, Limit	
14	1001206600	2	Bar, Vinyl	

## SECTION 2 - TURNTABLE

FIGURE 2-25. BEACON LIGHT INSTALLATION (OPTIONAL)



ART\_1001139023



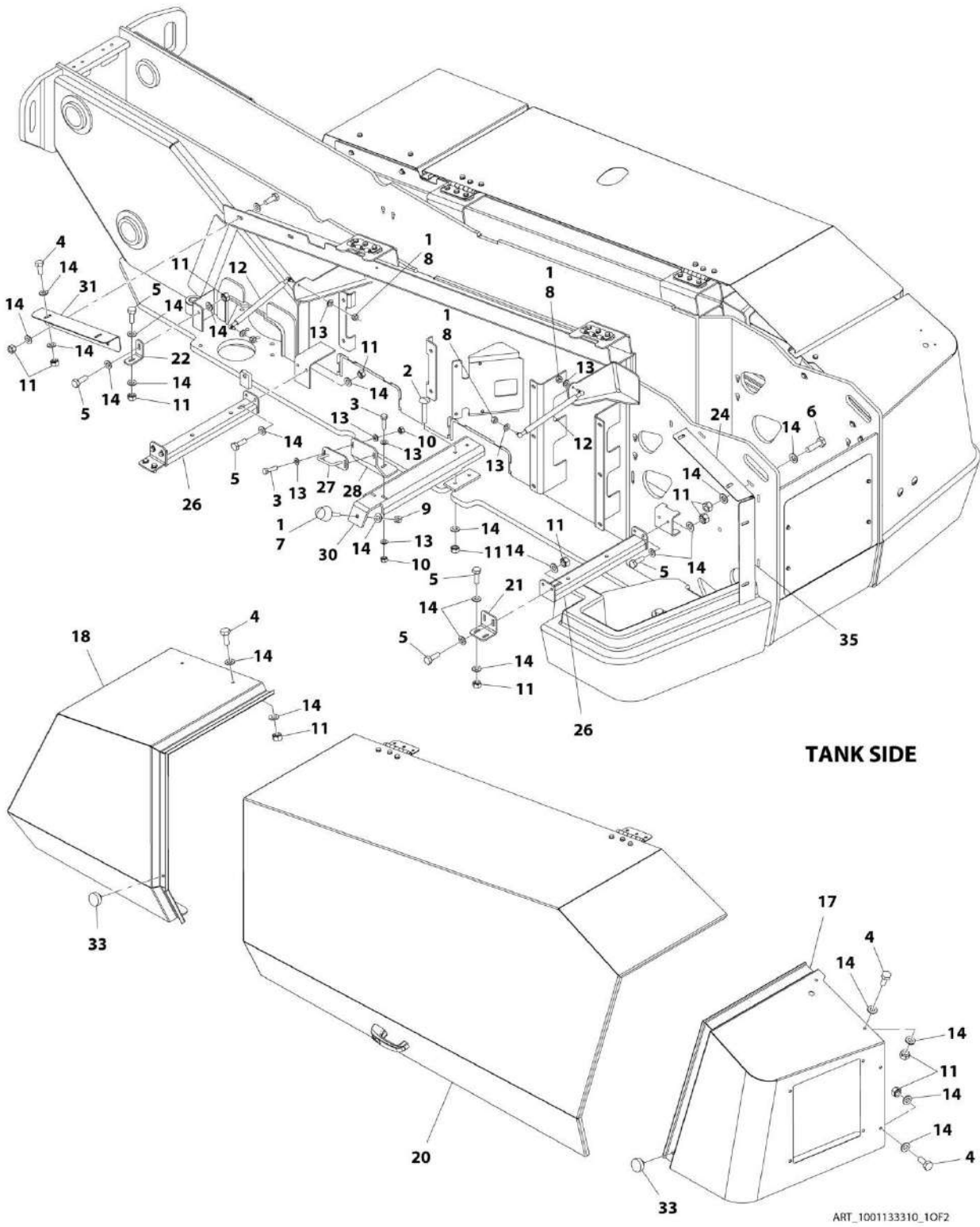
**SECTION 2 - TURNTABLE**

**FIGURE 2-25. BEACON LIGHT INSTALLATION (OPTIONAL)**

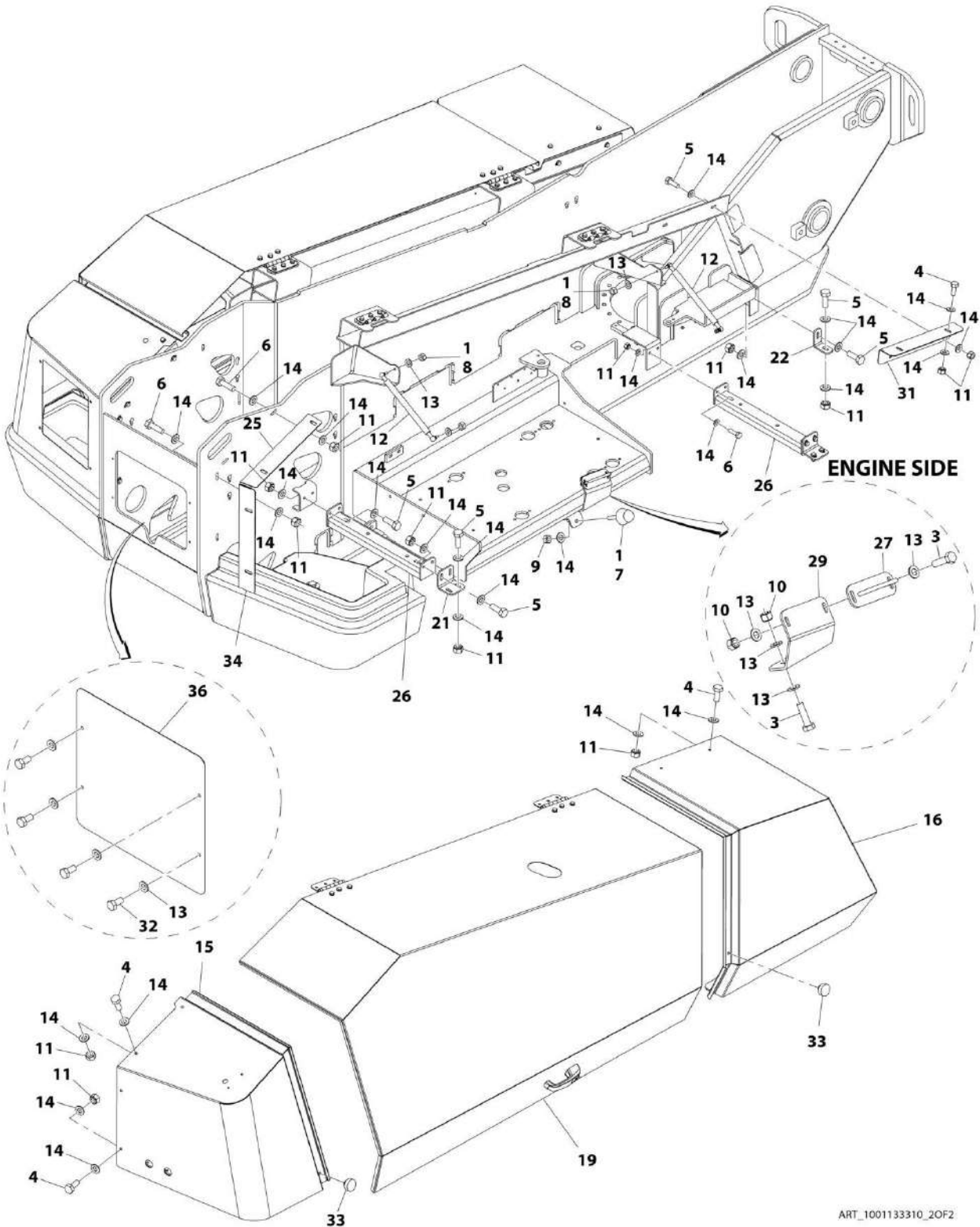
<b>ITEM</b>	<b>PART NUMBER</b>	<b>QTY</b>	<b>DESCRIPTION</b>	<b>REV</b>
	1001139023	1	BEACON LIGHT INSTALLATION (OPTIONAL)	B
1	0100011	AR	Compound, Locking	
2	0760410	2	Bolt M4 x 20	
3	2920161	1	Strobe Light Assembly	
3	7016319	1	Bulb, Replacement	
3	7016372	1	Lens	
3	4460891	1	Plug, Male - 2 Position	
3	4460456	2	Socket, Female	
4	3290405	2	Nut M4	
5	4060865	1	Guard	
6	1001091102	2	Washer M4	

# SECTION 2 - TURNTABLE

## FIGURE 2-26. HOODS INSTALLATION



SECTION 2 - TURNTABLE



ART\_1001133310\_2OF2

## SECTION 2 - TURNTABLE

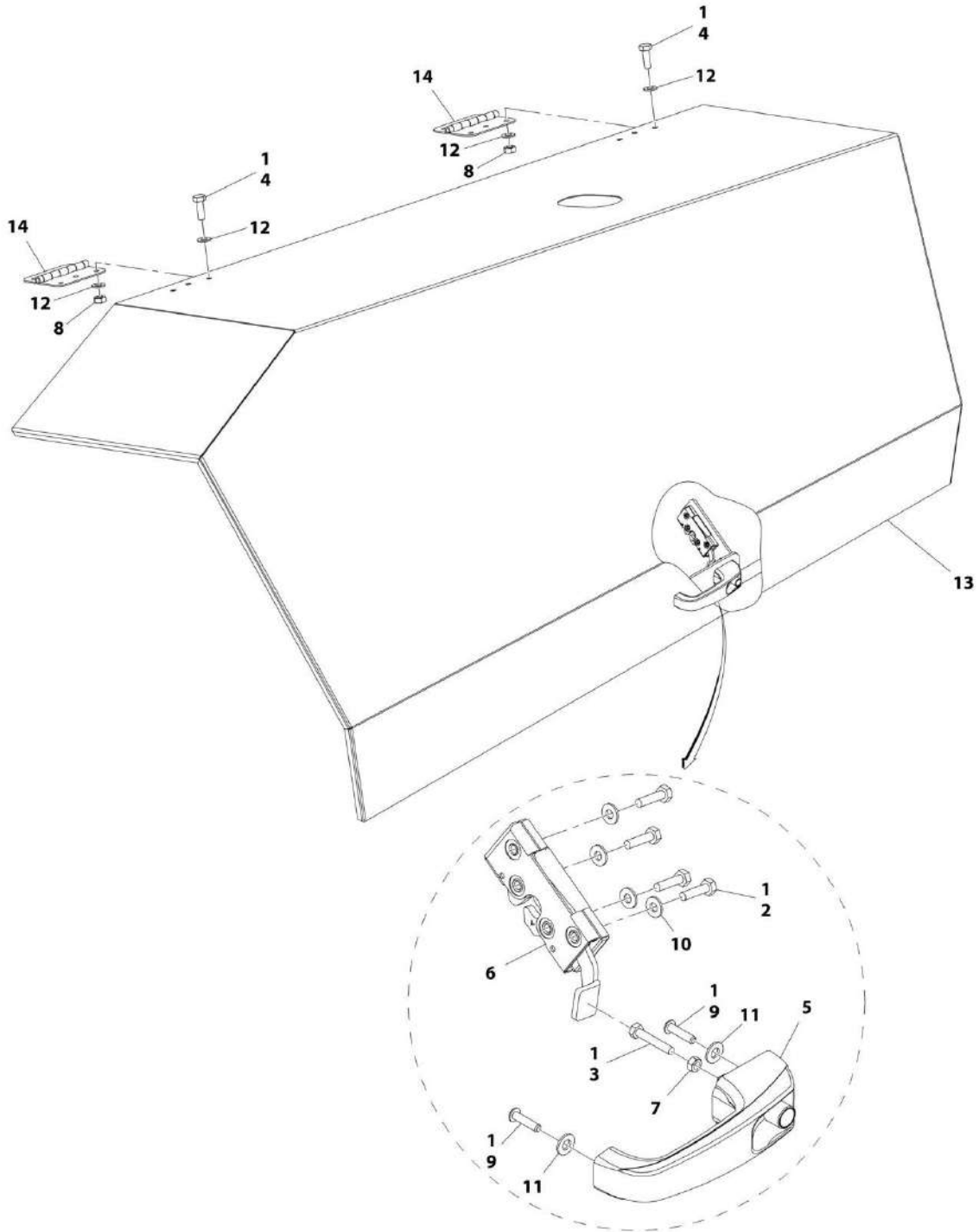
FIGURE 2-26. HOODS INSTALLATION

ITEM	PART NUMBER	QTY	DESCRIPTION	REV
	1001133310	Ref	HOODS INSTALLATION	E
1	0100011	AR	Compound, Locking	
2	0630563	2	Bolt, Carriage M10 x 60	
3	0760814	8	Bolt M8 x 30	
4	0761012	12	Bolt M10 x 25	
5	0761014	30	Bolt M10 x 30	
6	0761015	22	Bolt M10 x 35	
7	0940071	2	Bumper	
8	3271501	8	Locknut 5/16 Grade 8	
9	3271601	2	Locknut 3/8 Grade 8	
10	3290805	8	Nut M8	
11	3291005	68	Nut M10	
12	4160194	4	Spring, Gas	
13	4811600	8	Washer M5	
14	4811900	28	Washer M8	
15	1001134979	1	Engine Side Front Hood	
16	1001134981	1	Engine Side Rear Hood	
17	1001134982	1	Tank Side Front Hood	
18	1001134984	1	Tank Side Rear Hood	
19	1001138722	1	Engine Side Center Hood Assembly (See CENTER HOOD ASSEMBLY (ENGINE SIDE) for Breakdown)	
20	1001138748	1	Tank Side Center Hood Assembly (See CENTER HOOD ASSEMBLY (TANK SIDE) for Breakdown)	
21	1001139521	4	Bracket	
22	1001139522	2	Bracket	
24	1001143683	1	Bracket	
25	1001143684	1	Bracket	
26	1001139528	4	Brace	
27	1001139532	2	Plate, Striker	
28	1001139533	1	Bracket	
29	1001139534	1	Bracket	
30	1001139535	1	Channel	
31	1001139812	2	Bracket	
32	0760808	4	Bolt M8 x 16	
33	1001130651	4	Bumper	
34	1001143340	1	Bracket	
35	1001143417	1	Bracket	
36	1001143446	1	Cover	



# SECTION 2 - TURNTABLE

## FIGURE 2-27. CENTER HOOD ASSEMBLY (ENGINE SIDE)



ART\_1001138722

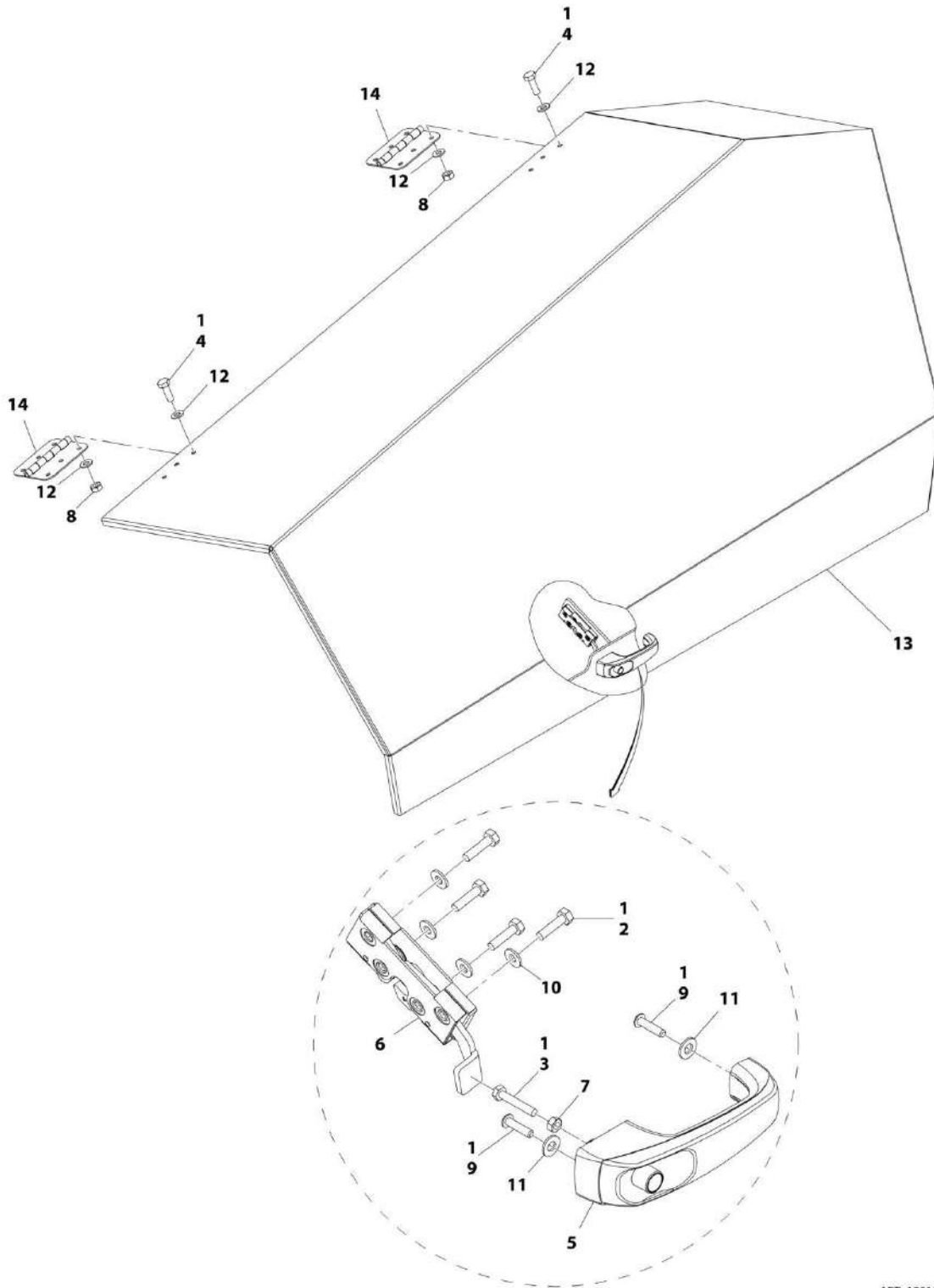
**SECTION 2 - TURNTABLE**

**FIGURE 2-27. CENTER HOOD ASSEMBLY (ENGINE SIDE)**

ITEM	PART NUMBER	QTY	DESCRIPTION	REV
	1001138722	Ref	CENTER HOOD ASSEMBLY (ENGINE SIDE)	D
1	0100011	AR	Compound, Locking	
2	0641408	4	Bolt 1/4 x 1	
3	0700615	1	Bolt M6 x 35	
4	0761014	6	Bolt M6 x 30	
5		Ref	Handle Options:	
	2560187	1	Handle <b>(Prior to SN B300000830)</b>	
5	1001156423	1	Handle <b>(SN B300000830 to Present)</b>	
6	2940173	1	Latch	
7	3290601	1	Nut M6	
8	3291005	6	Nut M10	
9	3900363	2	Screw M6 x 25	
10	4711400	4	Washer 1/4	
11	4811900	2	Washer M8 <b>(Prior to SN B300000830)</b>	
11	4811700	2	Washer M6 <b>(SN B300000830 to Present)</b>	
12	4812000	12	Washer M10	
13	1001134980	NLA	Hood, Replacement (Use p/n 1001138722)	
14	1001139384	2	Hinge	

# SECTION 2 - TURNTABLE

## FIGURE 2-28. CENTER HOOD ASSEMBLY (TANK SIDE)



ART\_1001138748



**SECTION 2 - TURNTABLE**

**FIGURE 2-28. CENTER HOOD ASSEMBLY (TANK SIDE)**

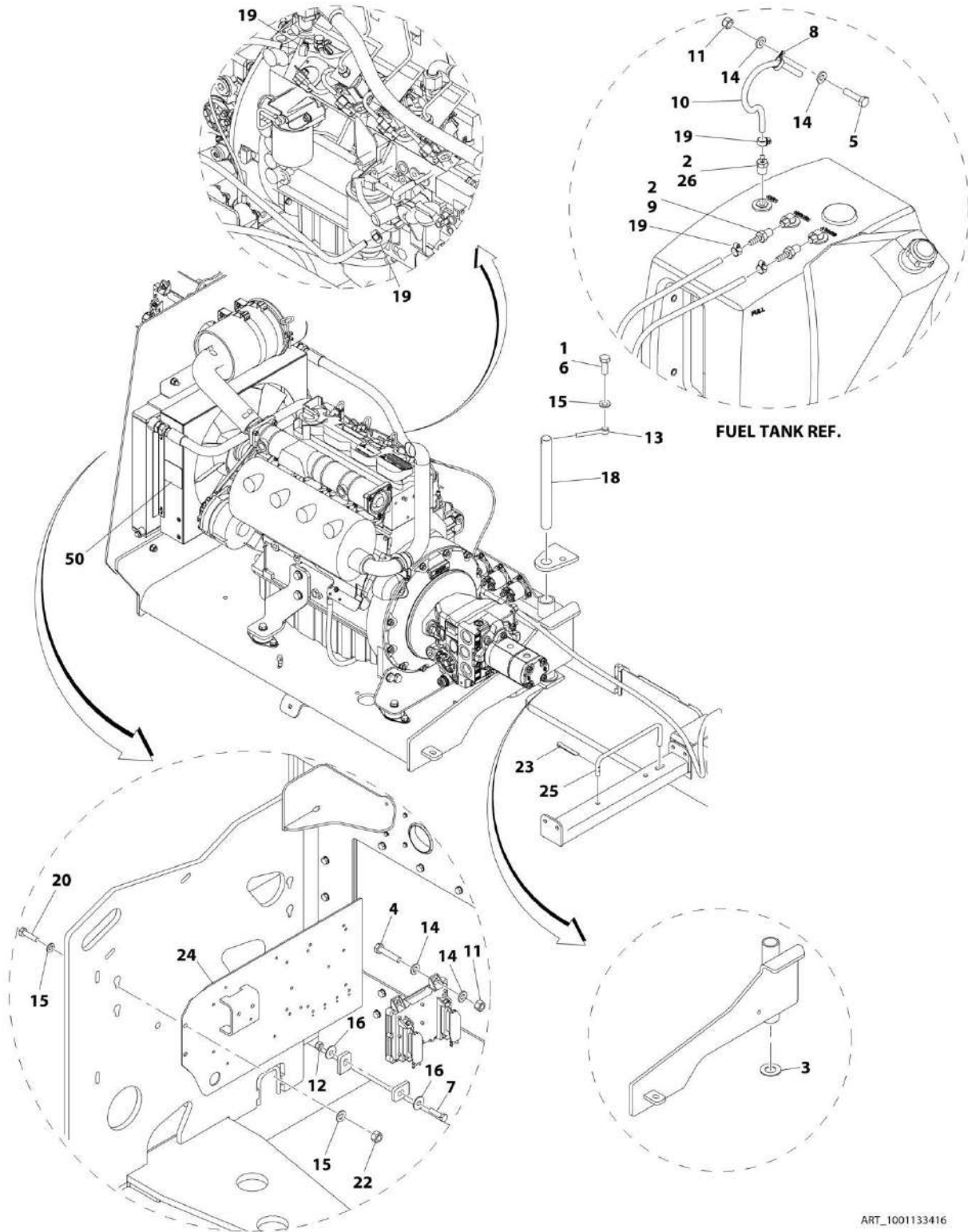
ITEM	PART NUMBER	QTY	DESCRIPTION	REV
	1001138748	Ref	CENTER HOOD ASSEMBLY (TANK SIDE)	D
1	0100011	AR	Compound, Locking	
2	0641408	4	Bolt 1/4 x 1	
3	0700615	1	Bolt M6 x 35	
4	0761014	6	Bolt M6 x 30	
5		Ref	Handle Options:	
5	2560187	1	Handle <b>(Prior to SN B300000830)</b>	
5	1001156423	1	Handle <b>(SN B300000830 to Present)</b>	
6	2940173	1	Latch	
7	3290601	1	Nut M6	
8	3291005	6	Nut M10	
9	3900363	2	Screw M6 x 25	
10	4711400	4	Washer 1/4	
11	4811900	2	Washer M8 <b>(Prior to SN B300000830)</b>	
11	4811700	2	Washer M6 <b>(SN B300000830 to Present)</b>	
12	4812000	12	Washer M10	
13	1001134983	NLA	Hood, Replacement (Use p/n 1001138748)	
14	1001139384	2	Hinge	



**SECTION 3 - ENGINE**

# SECTION 3 - ENGINE

## FIGURE 3-1. DEUTZ ENGINE INSTALLATION



ART\_1001133416

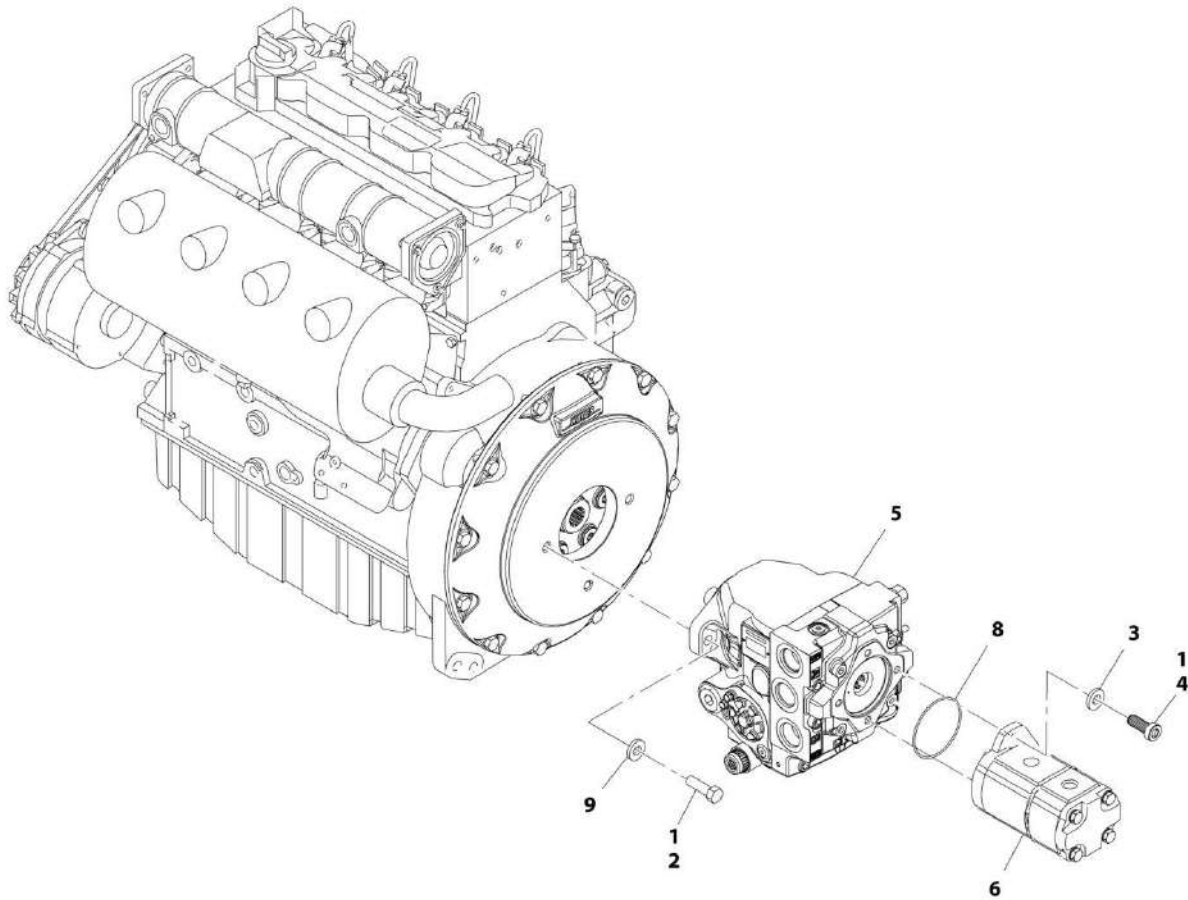
## SECTION 3 - ENGINE

### FIGURE 3-1. DEUTZ ENGINE INSTALLATION

ITEM	PART NUMBER	QTY	DESCRIPTION	REV
	1001133416	Ref	DEUTZ ENGINE INSTALLATION	F
1	0100011	AR	Compound, Locking	
2	0100020	AR	Sealant	
3	0440162	1	Thrustwasher	
4	0700614	4	Bolt M6 x 30	
5	0760612	1	Bolt M6 x 25	
6	0761014	1	Bolt M10 x 30	
7	0761217	1	Bolt M12 x 45	
8	1321385	5	Clamp, Hose	
9	2180348	1	Fitting, Straight Barbed	
10	2720058	18 ft /5.6m	Hose	
11	3290605	5	Nut M6	
12	3291205	1	Nut M12	
13	3841143	1	Keeper, Pin	
14	4811700	10	Washer M6	
15	4812000	9	Washer M10	
16	4812102	2	Washer M12	
18	1001135196	1	Pin	
19	1320022	5	Clamp	
20	0761016	4	Bolt M10 x 40	
22	3291005	4	Nut M10	
23	3391408	2	Roll Pin	
24	1001134767	1	Plate, Electrical Panel	
25	1001144627	1	Support, Tray	
26	1001154973	1	Fitting, Straight Barbed	
50		Ref	Decal - Warning Explosion/Fire Options:	
50	1704972	1	ANSI Spec	
50	1706059	1	Brazilian Spec	
50	1706060	1	Chinese Spec	
50	1706062	1	Japanese Spec	
50	1706061	1	Korean Spec	
50	1706063	1	Spanish Language	

# SECTION 3 - ENGINE

## FIGURE 3-2. ENGINE AND PUMP ASSEMBLY



ART\_1001133817

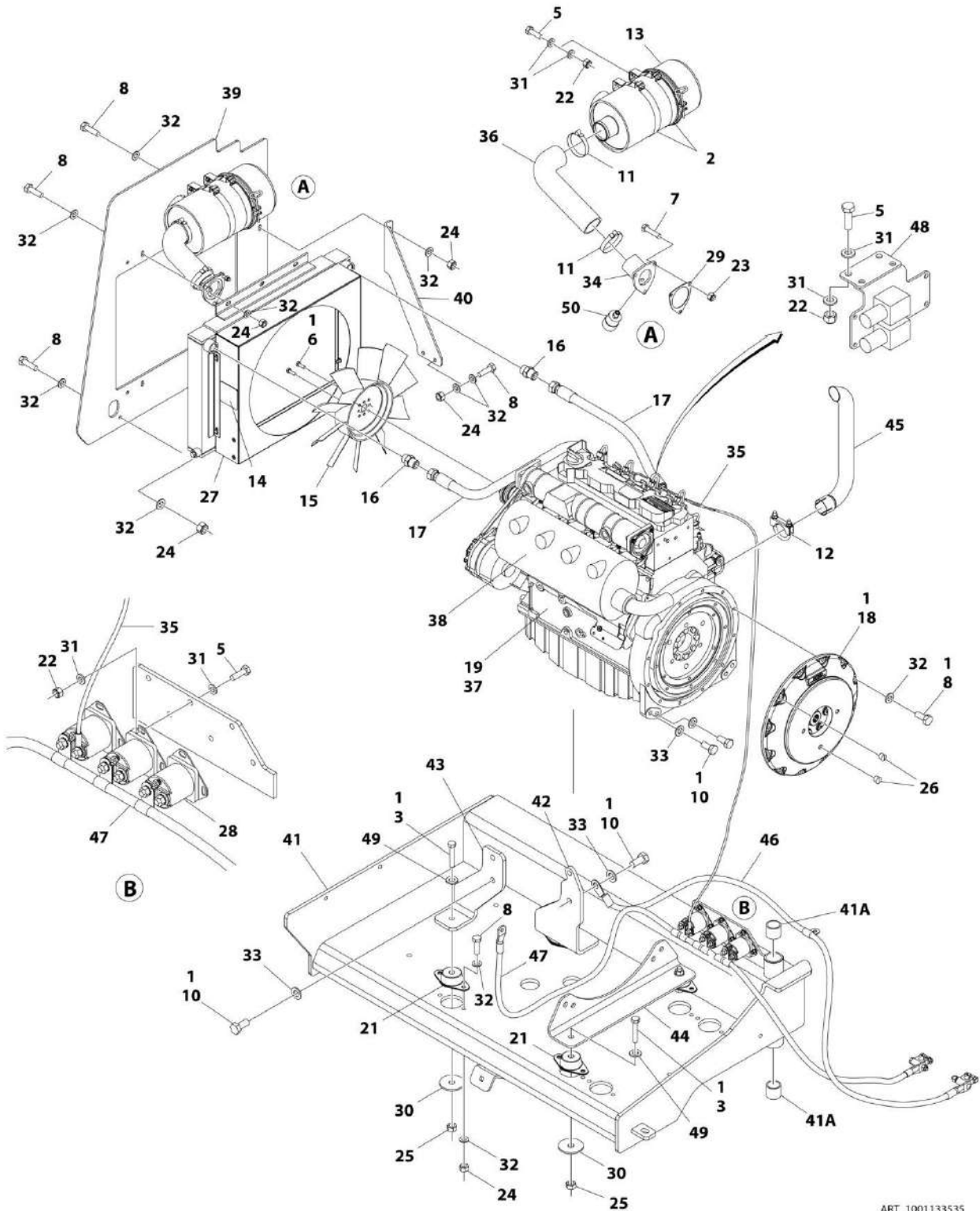
## SECTION 3 - ENGINE

### FIGURE 3-2. ENGINE AND PUMP ASSEMBLY

ITEM	PART NUMBER	QTY	DESCRIPTION	REV
	1001133817	Ref	ENGINE AND PUMP ASSEMBLY	E
1	0100011	AR	Compound, Locking	
2	0641813	2	Bolt 1/2 x 1-5/8	
3	4891600	2	Washer 3/8	
4	1001150756	2	Bolt	
5	1001132305	1	Piston Pump Assembly (See PISTON PUMP ASSEMBLY for Breakdown)	
6	1001132307	1	Gear Pump Assembly (Note: No Serviceable Parts Available - Purchase Complete Pump)	
8	3790152	1	O-Ring	
9	4891800	2	Washer	

# SECTION 3 - ENGINE

## FIGURE 3-3. ENGINE ASSEMBLY



ART\_1001133535



## SECTION 3 - ENGINE

### FIGURE 3-3. ENGINE ASSEMBLY

ITEM	PART NUMBER	QTY	DESCRIPTION	REV
	1001133535	Ref	ENGINE ASSEMBLY	N
1	0100011	AR	Compound, Locking	
2	0340041	2	Band, Air Cleaner	
3	0711221	4	Bolt M12 x 65	
5	0760610	12	Bolt M6 x 20	
6	0760808	4	Bolt M8 x 16	
7	0760815	3	Bolt M8 x 35	
8	0761015	32	Bolt M10 x 35	
10	0771414	8	Bolt M14 x 30 Grade 10.9	
11	1320016	2	Clamp	
12	1320176	1	U-Bolt (Part of Item 38)	
13	1340060	1	Air Cleaner Assembly Filter Element	
13	7012664	1	Element, Filter (Not Shown)	
14	1703162	2	Decal - Caution Fan Blade	
15	2060025	1	Fan	
16	2220451	2	Fitting, Straight	A
17	2720398	2	Hose, Oil Cooler	
19	3020016	AR	Oil, Motor (Not Shown)	
21	3200406	4	Mount, Motor	
22	3290605	12	Nut M6	
23	3290805	3	Nut M8	
24	3291005	21	Nut M10	
25	3331211	4	Nut M12	
26	3520054	2	Plug, Hole	
27	1001150998	1	Radiator	
28	3740067	3	Relay	
29	3960407	1	Gasket, Air Intake	
30	1001139409	4	Washer	
31	4811700	24	Washer M6	
32	4812000	53	Washer M10	
33	4812200	8	Washer M14	
34	4845395	1	Adapter, Air Intake <b>(Prior to SN B300002343)</b>	
34	1001224965	1	Adapter, Air Intake <b>(SN B300002343 to Present)</b>	
35	4923379	1	Harness, Glowplug	
36	1001091179	1	Elbow (Air Intake)	
37	1001098211	1	Engine, Deutz - D2011L04 (See ENGINE COMPONENTS for Breakdown) <b>(Prior to SN B300001631)</b>	
37	1001146368	1	Engine, Deutz - D2011L04 (See ENGINE COMPONENTS for Breakdown) <b>(SN B300001631 to Present)</b>	
38	1001100680	1	Muffler	C
38	7024560	1	Plug, Brass	
39	1001131564	1	Plate, Radiator Mounting	
40	1001131565	1	Support, Radiator Plate	
41	1001131568	1	Tray, Engine	
41A	0961951	2	Bushing	
42		Ref	Bracket, Engine Mounting (Right) Options:	
42	1001132195	1	Machines without SkyPower	
42	1001132204	1	Machines with SkyPower	
43	1001132196	1	Bracket, Engine Mounting (Left)	
44	1001132197	1	Bracket, Engine Mounting (Rear)	

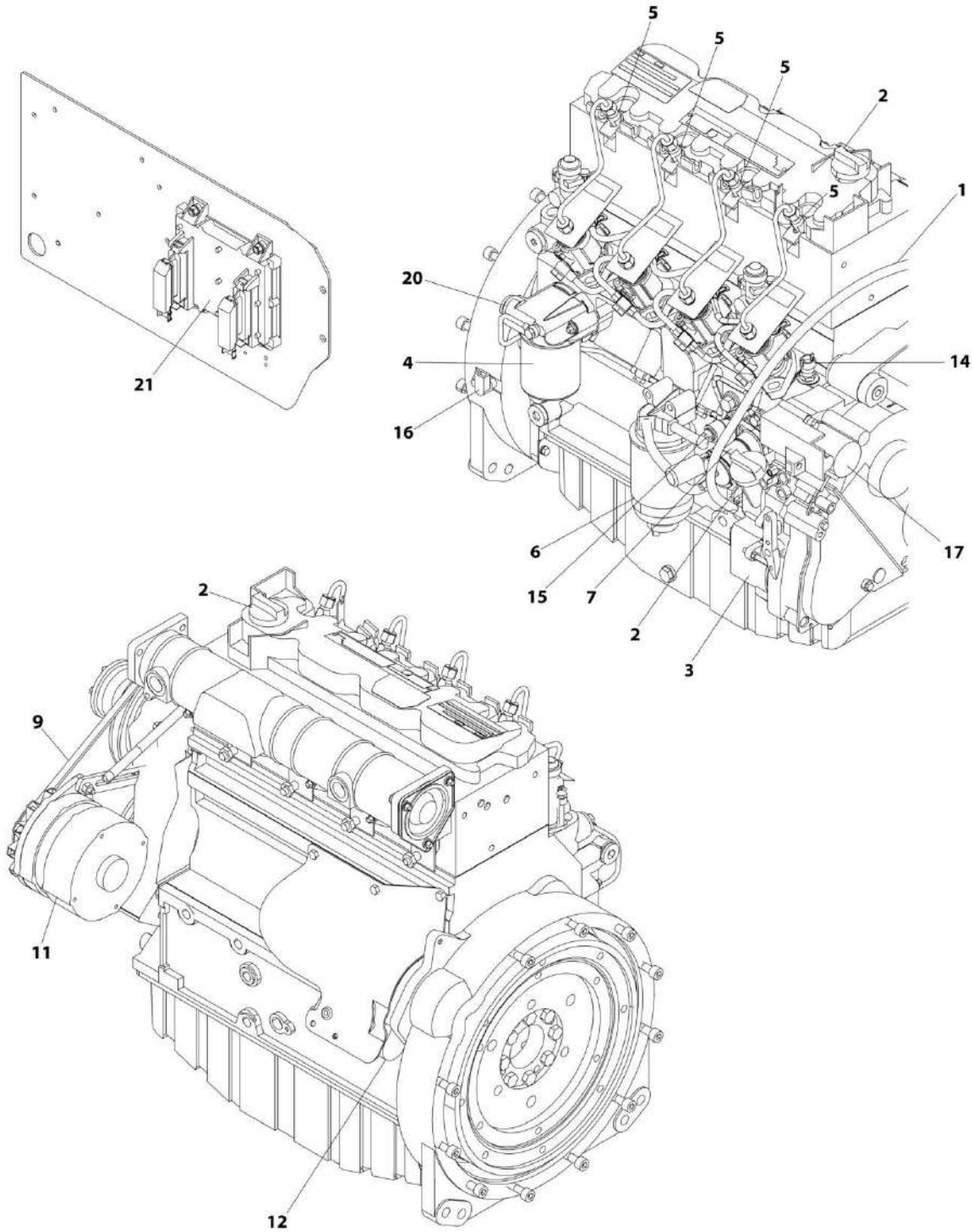
## SECTION 3 - ENGINE

ITEM	PART NUMBER	QTY	DESCRIPTION	REV
45	1001139388	1	Pipe, Exhaust	
46	1001139628	1	Cable, Negative Battery	
47	1001139629	1	Cable, Positive Battery	
48	1001142054	1	Mount, ECM Connector	
49	5241200	4	Washer M12	
50	1001149639	1	Indicator, Air Intake Restriction (SN B300002343 to Present)	



# SECTION 3 - ENGINE

FIGURE 3-4. ENGINE COMPONENTS (Prior to SN B30001631)



ART\_1001098211

## SECTION 3 - ENGINE

**FIGURE 3-4. ENGINE COMPONENTS (Prior to SN B30001631)**

ITEM	PART NUMBER	QTY	DESCRIPTION	REV
	1001098211	Ref	ENGINE COMPONENTS	B
1	7026631	1	Dipstick	
1	7020487	1	Seal, Dipstick	
2	7020465	2	Cap, Filler	
3	70001850	1	Pump, Oil Lube	
3	7020468	1	Seal Between Oil Pump and Engine Block (Not Shown)	
4	7016331	1	Filter, Oil	
4	70001423	1	Bracket, Oil Filter	
5	70003478	4	Injector, Fuel	
5		Ref	Pump, Injector Options:	
5	70000912	4	Series A Injector	
5	70000913	4	Series B Injector	
5	70000914	4	Series C Injector	
5	70000915	4	Series D Injector	
5	See Note	4	Gasket (1 per Injector) (Note: Not Available for Purchase)	
5	70000345	4	Plug, Glow	
6	8320270	1	Filter, Fuel (was p/n 7016328)	
7	70000916	1	Pump Fuel Supply	
7	70000919	1	Hand Pump Used on 70000916 Pump	
7	70000918	1	Seal, Hand Pump Used on 70000916 Pump	
7	70000917	1	O-Seal Between Fuel Pump and Engine Block (Not Shown)	
8	7020449	4	Gasket, Intake Manifold (Not Shown)	
9	7020408	1	V-Belt	
10	7020471	4	Gasket, Exhaust Manifold to Engine Block (Not Shown) (Note: Not Available for Purchase)	
11	7000663	1	Alternator	
11	70001868	1	Regulator, Voltage Options (Not Shown)	
11	70001866	1	Seal, Gasket for 7000663 Alternator (Not Shown)	
11	70002234	1	Bracket, Adjusting (Not Shown)	
12	7020479	1	Starter	
12	7026608	1	Relay	
12	70001498	1	Shield, Starter Heat	
13	See Note	2	Plug- In Connector (Not Shown) (Note: Not Available for Purchase)	
14	7027791	1	Sender, Temperature	
14	See Note	1	Ring, Sealing (Note: Not Available for Purchase)	
15	7027790	1	Sensor, Oil Pressure	
16	7024565	1	Sensor, Speed	
17	7027792	1	Actuator, Throttle	
17	7026607	2	Spring, Actuator (was p/n 7027276)	
18	7020459	1	Thermostat (Located at rear of engine block - Not Shown)	
18	7020460	1	Spring, Compression	
19	70001870	1	Flywheel (Not Shown)	
19	7024579	1	Ring Gear (Located on Flywheel - Not Shown)	
20	7027236	1	Sender, Temperature	
21	7027795	1	Module, Control	
21	7027796	1	Harness, EMR2 Module	
24	70001847	1	Breather Valve (Not Shown)	
24	70001126	1	Seal, Breather Valve (Not Shown)	
25	70001872	1	Harness, Engine (Not Shown)	
25	7027793	1	Plug, Connector	

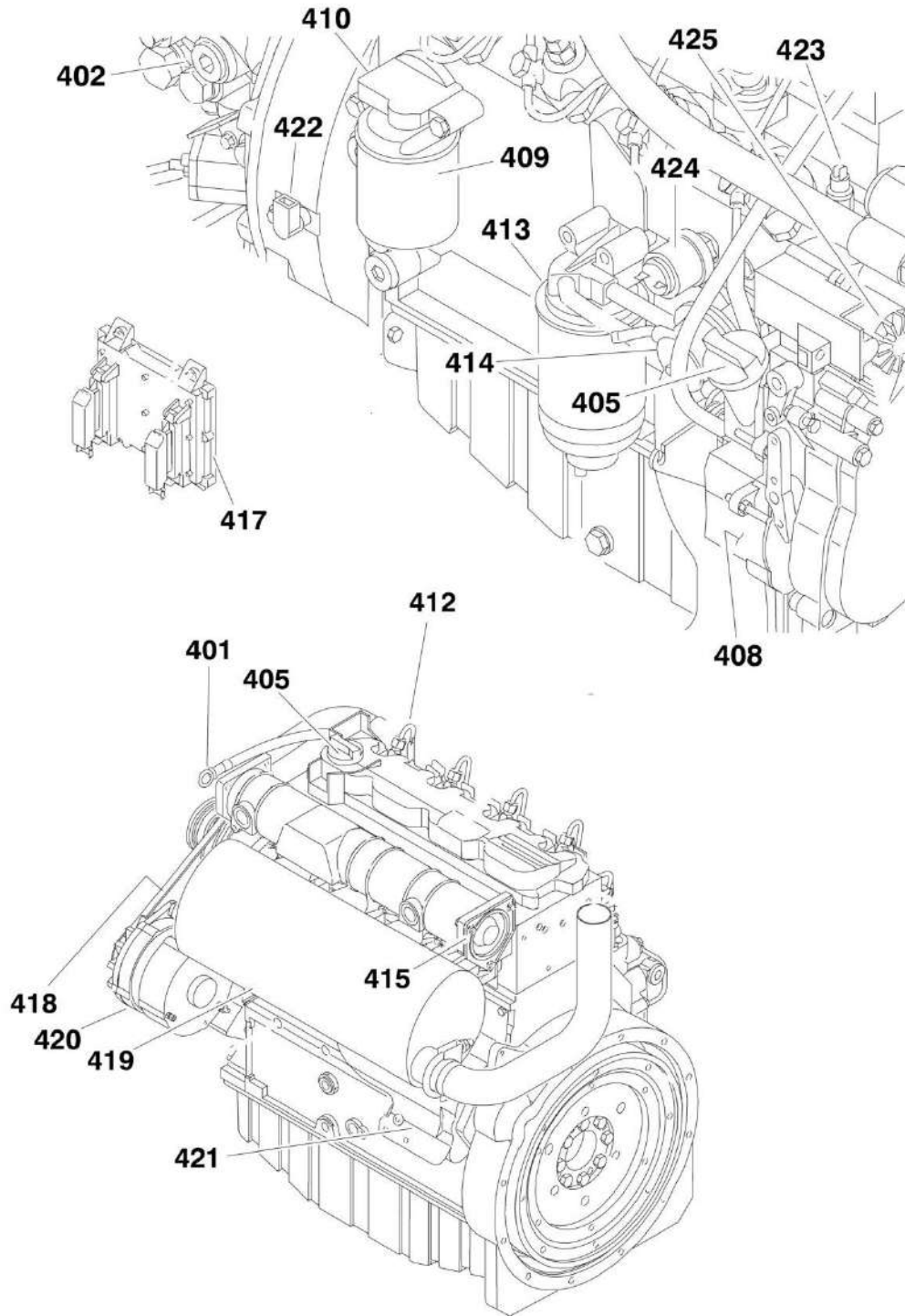
## SECTION 3 - ENGINE

ITEM	PART NUMBER	QTY	DESCRIPTION	REV
26	See Note	1	Gasket, Head (Not Shown) (Note: Not Available for Purchase)	
27	70003623	1	Kit, Timing Belt/Idler (Not Shown)	



# SECTION 3 - ENGINE

FIGURE 3-5. ENGINE COMPONENTS (SN B300001631 to Present)



ART\_1001146368



## SECTION 3 - ENGINE

**FIGURE 3-5. ENGINE COMPONENTS (SN B300001631 to Present)**

ITEM	PART NUMBER	QTY	DESCRIPTION	REV
	1001146368	Ref	ENGINE COMPONENTS (SN B300001631 to Present)	D
401	7026631	1	Dipstick	
401	7020487	1	Seal, Dipstick	
401	70001002	1	Tube, Dipstick	
401	7020403	1	Seal, Dipstick Tube	
402	70003475	1	Thermostat	
403	70002718	1	Seal, Rear Main (Not Shown)	
404	70001870	1	Flywheel (Not Shown)	
404	7024579	1	Ring Gear (Located on Flywheel - Not Shown)	
405	7020465	1	Cap, Filler	
406		Ref	Gasket, Head Options (Not Shown):	
406	70003456	1	Gasket with 1 Notch	
406	70003457	1	Gasket with 2 Notches	
406	70003003	1	Gasket with 3 Notches	
406	7020431	1	Gasket, Valve Cover (Not Shown)	
406	70004273	1	Gasket Kit (Note: Does not include Head Gasket)	
407	70000800	1	Kit, Timing Belt/Idler (Not Shown)	
408	70001850	1	Pump, Oil Lube	
408	7020468	1	Seal Between Oil Pump and Engine Block (Not Shown)	
409	7016331	1	Filter, Oil	
410	70003472	1	Bracket, Oil Filter	
410	7027236	1	Sender, Temperature	
410	70003473	1	Gasket, Bracket to Engine Block	
411	70004268	2	Connector, Radiator Hose (Not Shown)	
411	70004269	2	Ring, Sealing (Not Shown)	
412		Ref	Injector, Fuel	
412		Ref	Pump, Injector Options:	
412	70000912	4	Series A Injector	
412	70000913	4	Series B Injector	
412	70000914	4	Series C Injector	
412	70000915	4	Series D Injector	
413	7016328	1	Filter, Fuel	
413	70001423	1	Bracket, Fuel Filter	
414	70000916	1	Pump Fuel Supply	
414	70001435	1	Repair Kit for 70000916 Pump	
414	70000919	1	Hand Pump	
414	70000918	1	Seal, Hand Pump	
414	70000917	1	O-Seal Between Fuel Pump and Engine Block	
415		Ref	Intake Manifold Components	
415	70003469	1	Flange, Blanking	
415	70003468	1	Seal (Flange to Air Intake Manifold)	
415	70001871	4	Gasket, Intake Manifold to Engine Block (Not Shown)	
415	70003470	8	Screw, Torx Head (Not Shown)	
416	70001847	1	Breather Valve (Not Shown - Located On Front Cover)	
416	70001126	1	Seal, Breather Valve	
417	7027795	1	Module, Control	
417		Ref	Left Module Connections:	
417	7027796	1	Cable, Interconnect (Module to 70001872 Cable)	
417	70004060	1	Plug, Connector	
417	70001872	1	Cable, Harness	

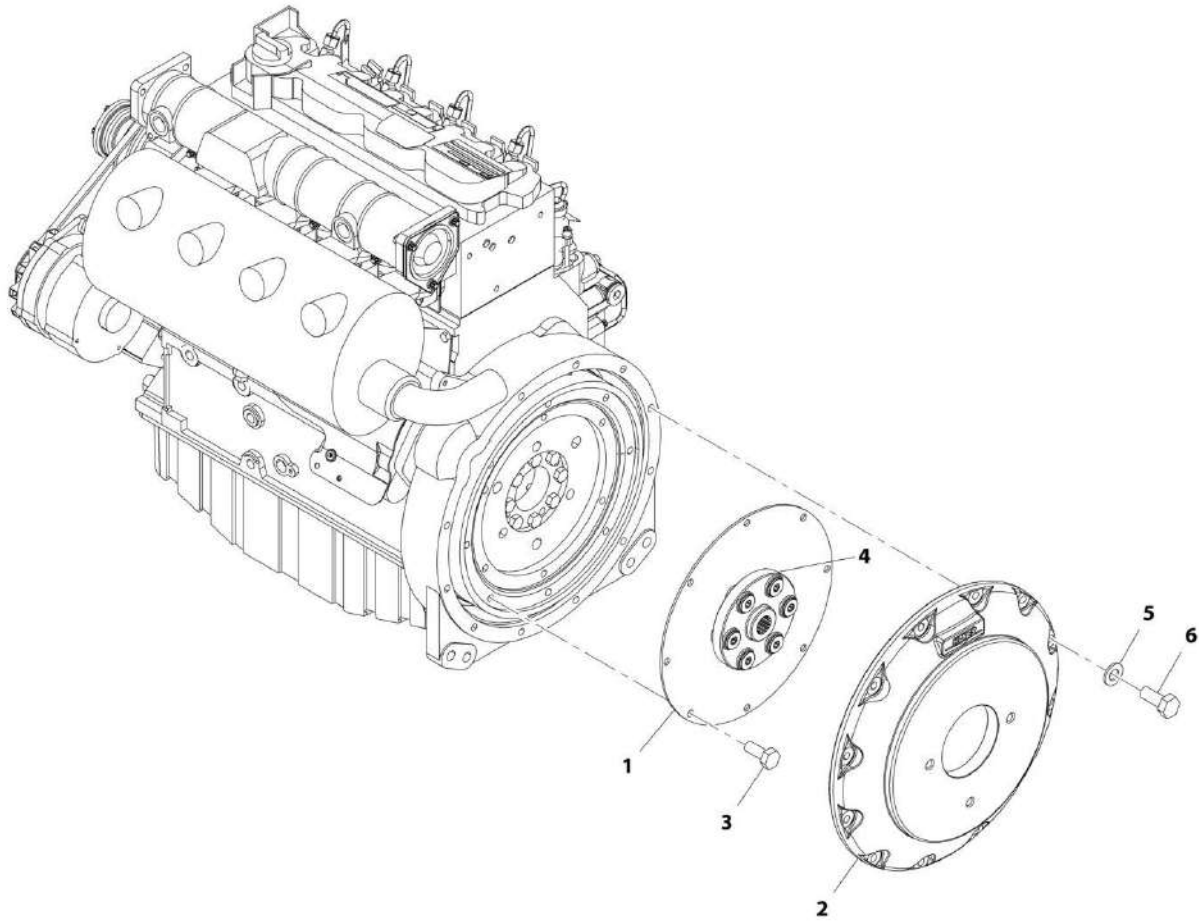
## SECTION 3 - ENGINE

ITEM	PART NUMBER	QTY	DESCRIPTION	REV
417	70004103	1	Cable (Alternator to 70001872 Cable)	
417	70004271	1	Cable (Starter to 70001872 Cable)	
417		Ref	Right Module Connections:	
417	70004059	1	Plug, Diagnostic	
418	7020408	1	V-Belt	
419		Ref	Muffler Options:	
419	7000695	1	Standard Muffler (Supplied with Engine)	
419	0256689	NSS	Spark Arrester Muffler (Use p/n 3220103)	
419	0256690	NSS	Catalytic Muffler (Use p/n 3220104)	
419		Ref	Muffler Components:	
419	1320176	1	Clamp, Saddle for 3220103 Muffler and Standard Muffler	
419	70001017	1	Clamp for 3220104 Muffler	
419	7024560	1	Plug, Brass (3220103 & 3220104 Mufflers)	
419	See Note	1	Pipe, Exhaust Standard Muffler (Note: See Item 255)	
419	7024398	1	Pipe, Exhaust (3220103 & 3220104 Mufflers)	
419	7020471	4	Gasket, Exhaust Manifold to Engine Block	
419	70004270	8	Stud, Muffler	
420	70004056	1	Alternator	
420	70001868	1	Regulator, Voltage Options (Not Shown)	
420	70001866	1	Seal, Gasket for Voltage Regulator (Not Shown)	
420	70000851	1	Bracket, Mounting (Not Shown)	
420	70002234	1	Bracket, Adjusting (Not Shown)	
421	7020479	1	Starter	
421	70004058	1	Relay	
421	70001498	1	Shield, Starter Heat	
422	70004272	1	Sensor, Speed	
422	70003932	1	Spacer, Sensor	
423	7027791	1	Transmitter, Temperature	
424	7027790	1	Sensor, Oil Pressure	
425	7027792	1	Actuator, Throttle	
425	7027276	2	Spring, Actuator	
426	70000345	4	Plug, Glow (Not Shown)	
427	70005479	1	Pulley, Crankshaft (Not Shown)	



# SECTION 3 - ENGINE

## FIGURE 3-6. PUMP COUPLING INSTALLATION



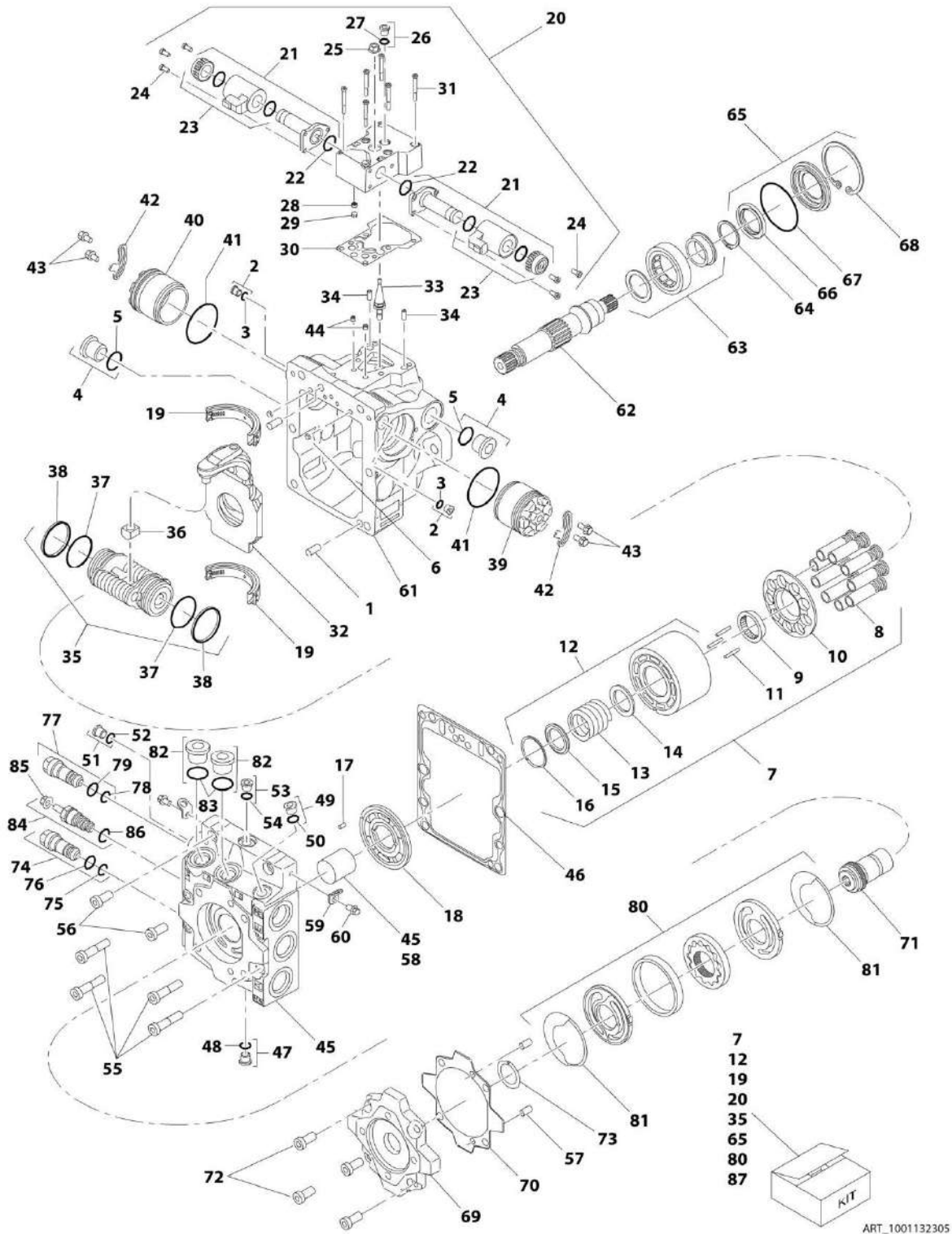
ART\_2902065

**FIGURE 3-6. PUMP COUPLING INSTALLATION**

ITEM	PART NUMBER	QTY	DESCRIPTION	REV
	2902065	Ref	PUMP COUPLING INSTALLATION	I
1	70000793	1	Coupling	
2	See Note	NSS	Plate, Pump Adapter (Note: Use p/n 2902065)	
3	See Note	8	Bolt M10 x 20 Grade 10.9 (Note: Not Available - Purchase Locally)	
4	3020021	AR	Grease, Coupling	
5	See Note	12	Washer M10 (Note: Not Available - Purchase Locally)	
6	See Note	12	Bolt M10 x 30 Grade 10.9 (Note: Not Available - Purchase Locally)	

# SECTION 3 - ENGINE

## FIGURE 3-7. PISTON PUMP ASSEMBLY



ART\_1001132305

## SECTION 3 - ENGINE

### FIGURE 3-7. PISTON PUMP ASSEMBLY

ITEM	PART NUMBER	QTY	DESCRIPTION	REV
	1001132305	Ref	PISTON PUMP ASSEMBLY	C
1	70002132	2	Pin	
2	70002133	2	Plug Assembly (Includes Item 3)	
3	7007207	2	O-Ring (Part of Item 2)	
4	7007419	2	Plug Assembly (Includes Item 5)	
5	7007418	2	O-Ring (Part of Item 4)	
6	70002134	2	Screen	
7	70004021	1	Cylinder Block Kit (Includes Items 8-16)	
8	70004027	1	Piston Assembly Kit (Includes Qty 9 Piston Assemblies) (Part of Item 7)	
9	70002137	1	Guide, Slipper Retainer (Part of Item 7)	
10	70002138	1	Retainer, Slipper (Part of Item 7)	
11	7021275	3	Pin, Slipper Retainer Holddown (Part of Item 7)	
12	70004022	1	Cylinder Block Assembly (Includes Items 13-16) (Part of Item 7)	
13	See Note	NSS	Spring (Note: Use Item 12)	
14	See Note	NSS	Washer (Note: Use Item 12)	
15	See Note	NSS	Washer (Note: Use Item 12)	
16	See Note	NSS	Ring, Retaining (Note: Use Item 12)	
17	7007446	1	Pin	
18	70002601	1	Plate, CW Valve	
19	70002145	1	Swashplate Bearing Kit (Includes Qty 2 Bearings)	
20	70004028	1	EDC Kit (Includes Items 21-31)	
21	70002147	2	Solenoid Valve Assembly (Includes Items 22 & 23) (Part of Item 20)	
22	70002148	2	O-Ring (1 Per Valve Assembly) (Part of Item 21)	
23	70002149	2	Coil, Nut and Seals Kit (1 Per Valve Assembly) (Part of Item 21)	
24	70002150	6	Screw (Part of Item 20)	
25	7022301	1	Nut, Seal (Part of Item 20)	
26	70002151	1	Plug Assembly (Part of Item 20) (Includes Item 27)	
27	7007207	1	O-Ring (Part of Item 26)	
28	70002134	1	Screen (Part of Item 20)	
29	70002153	1	Ring, Locking (Part of Item 20)	
30	70002154	1	Gasket, Control (Part of Item 20)	
31	70002156	6	Capscrew (Part of Item 20)	
32	70002152	1	Swashplate	
33	70002155	1	Link, Swashplate	
34	70002157	2	Pin, Dowel	
35	70004024	1	Servo Piston Assembly (Includes Items 36-38)	
36	70004025		Block, Slider (Part of Item 35)	
37	70002160	2	O-Ring (Part of Item 35)	
38	70002161	2	Ring, Piston (Part of Item 35)	
39	70002603	1	Cylinder, Servo (Includes Item 41)	
40	70002603	1	Cylinder, Servo (Includes Item 41)	
41	70002163	2	O-Ring (Part of Items 39 & 40)	
42	70002164	2	Plate, Locking	
43	70002165	4	Screw	
44	70002604	2	Orifice	
45	70002863	1	Cap, End (Includes Item 58)	
46	70002168	1	Gasket, End Cap	
47	70001958	1	Plug Assembly (Includes Item 48)	

## SECTION 3 - ENGINE

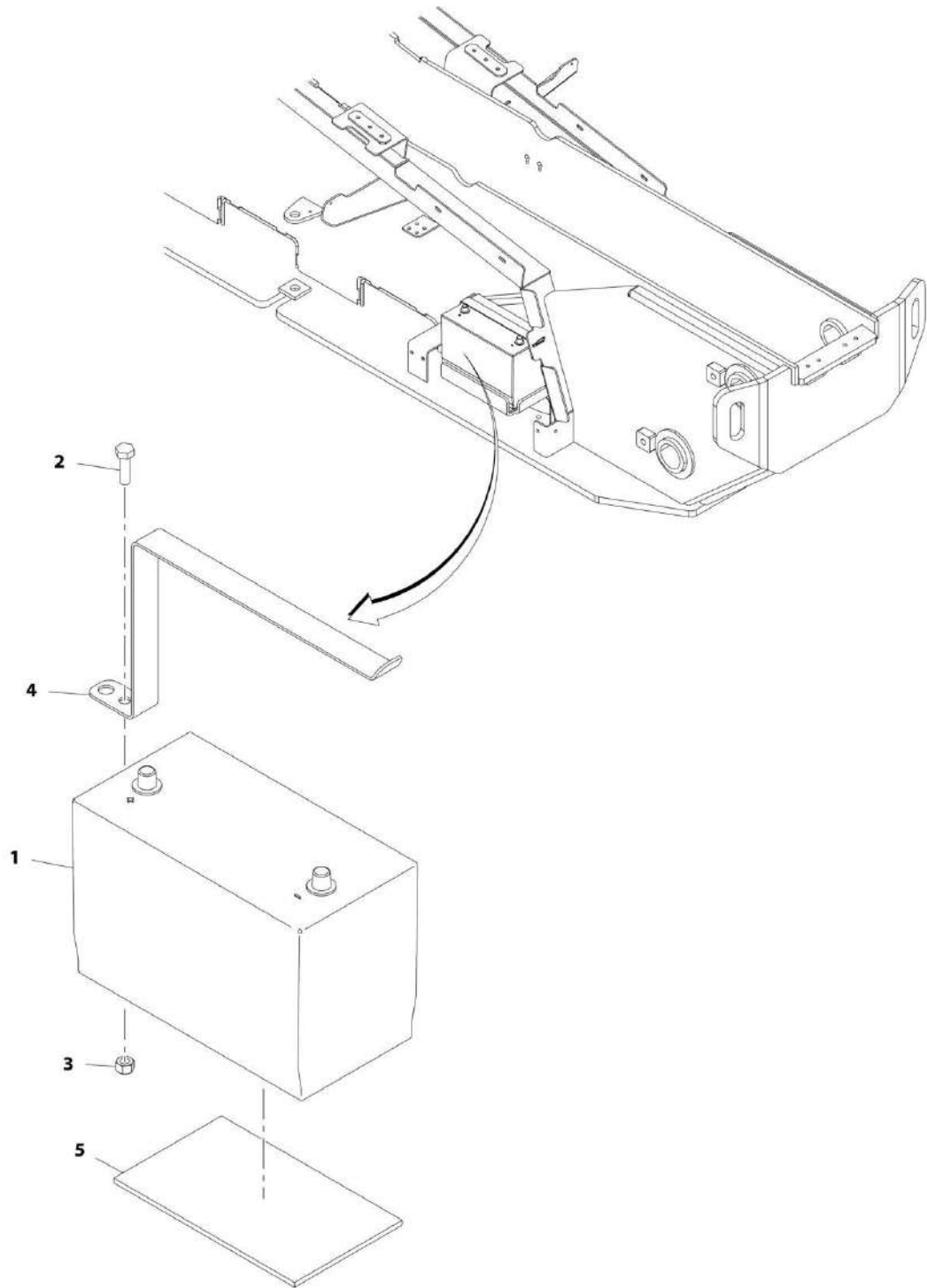
ITEM	PART NUMBER	QTY	DESCRIPTION	REV
48	7021256	1	O-Ring (Part of Item 47)	
49	70001958	1	Plug Assembly (Includes Item 50)	
50	7021256	1	O-Ring (Part of Item 49)	
51	70001958	1	Plug Assembly (Includes Item 52)	
52	7021256	1	O-Ring (Part of Item 51)	
53	70001958	1	Plug Assembly (Includes Item 54)	
54	7021256	1	O-Ring (Part of Item 53)	
55	70002169	4	Capscrew	
56	70002170	2	Capscrew	
57	70002132	2	Pin	
58	70002172	1	Bearing, Journal (Part of Item 45)	
59	7022340	2	Bracket, Lifting	
60	70002165	2	Screw	
61	See Note	NSS	Housing (Note: Not Available - Purchase Complete Assembly)	
62	70002175	1	Shaft	
63	70002176	1	Ball Bearing Kit	
64	70007439	1	Ring, Retaining	
65	70002174	1	Shaft Seal Kit (Includes Items 66-68)	
66	70002177	1	Seal, Lip	
67	70002178	1	O-Ring	
68	7007438	1	Ring, Retaining	
69	70002180	1	Adapter	
70	70002181	1	Seal, Adapter	
71	70002182	1	Coupling	
72	70002185	4	Capscrew	
73	70002186	1	Plate, Thrust	
74	70002188	1	High Pressure Relief Valve Cartridge Assembly (Includes Items 75 & 76)	
75	70002187	1	O-Ring (1 Per Cartridge) (Part of Item 74)	
76	7007415	1	O-Ring (1 Per Cartridge) (Part of Item 74)	
77	70004026	1	High Pressure Relief Valve Cartridge Assembly (Includes Items 75 & 76)	
78	70002187	1	O-Ring (1 Per Cartridge) (Part of Item 74)	
79	7007415	1	O-Ring (1 Per Cartridge) (Part of Item 74)	
80	70002189	1	Charge Pump Kit (Includes Item 81)	
81	70002867	2	Ring, Seal (Part of Item 80)	
82	7023964	2	Plug Assembly (Includes Item 83)	
83	7007415	2	O-Ring (Part of Item 82)	
84	70002191	1	Charge Relief Valve Cartridge Assembly (Includes Items 85 & 86)	
85	7022301	1	Nut, Seal (Part of Item 84)	
86	7007415	1	O-Ring (Part of Item 84)	
87	70002192	1	Overhaul Seal Kit (Includes Items 3, 5, 22, 27, 30, 37, 38, 41, 48, 50, 52, 54, 66, 67, 70, 75, 76, 78, 79, 81, 83 & 86)	





# SECTION 3 - ENGINE

## FIGURE 3-8. BATTERY INSTALLATION



ART\_1001139020

FIGURE 3-8. BATTERY INSTALLATION

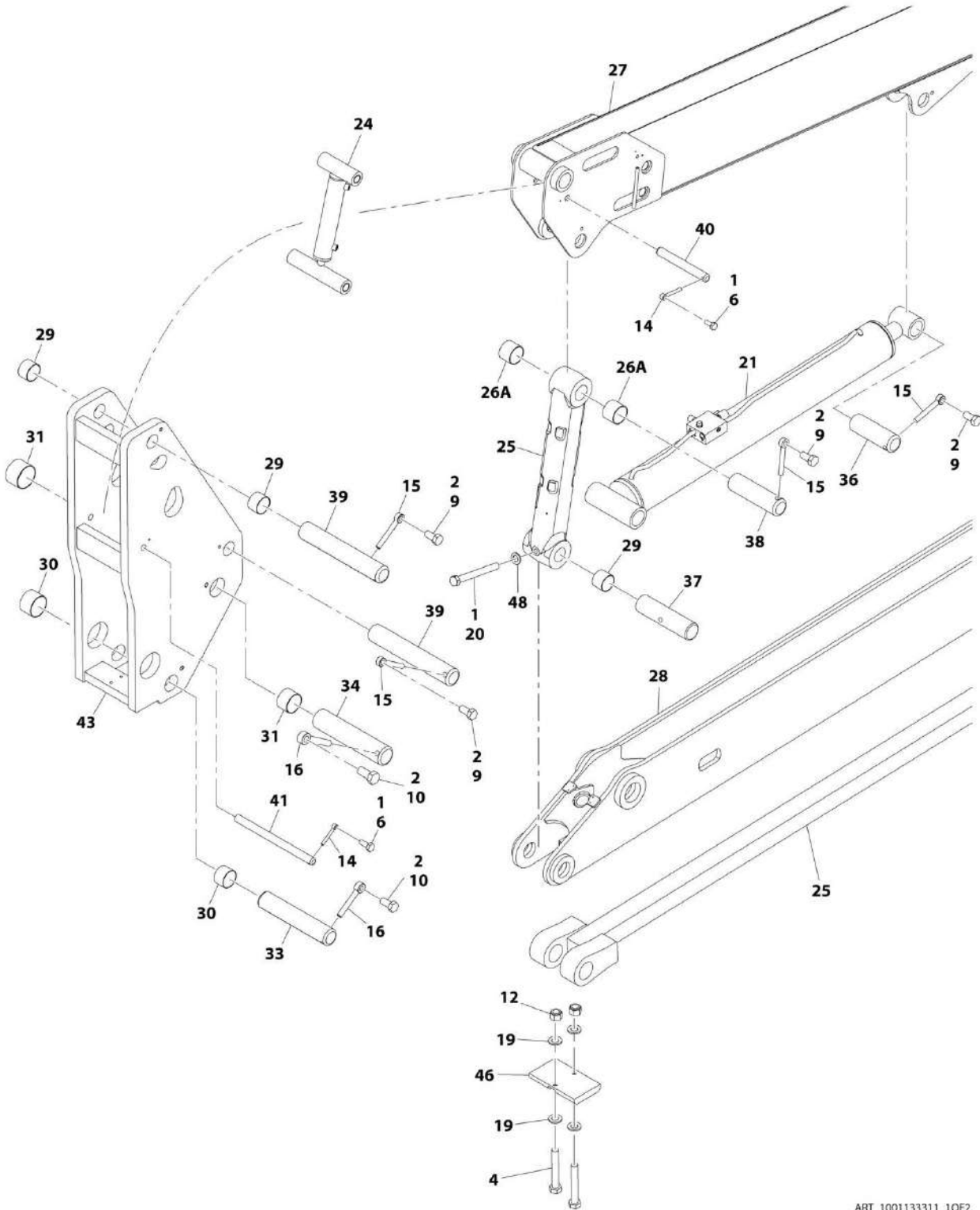
ITEM	PART NUMBER	QTY	DESCRIPTION	REV
	1001139020	Ref	BATTERY INSTALLATION	E
1	0400075	1	Battery	
2	0761015	1	Bolt M10 x 35	
3	3291005	1	Nut M10	
4	1001139748	1	Strap, Battery	
5	1001140252	1	Seat, Battery	



**SECTION 4 - BOOM**

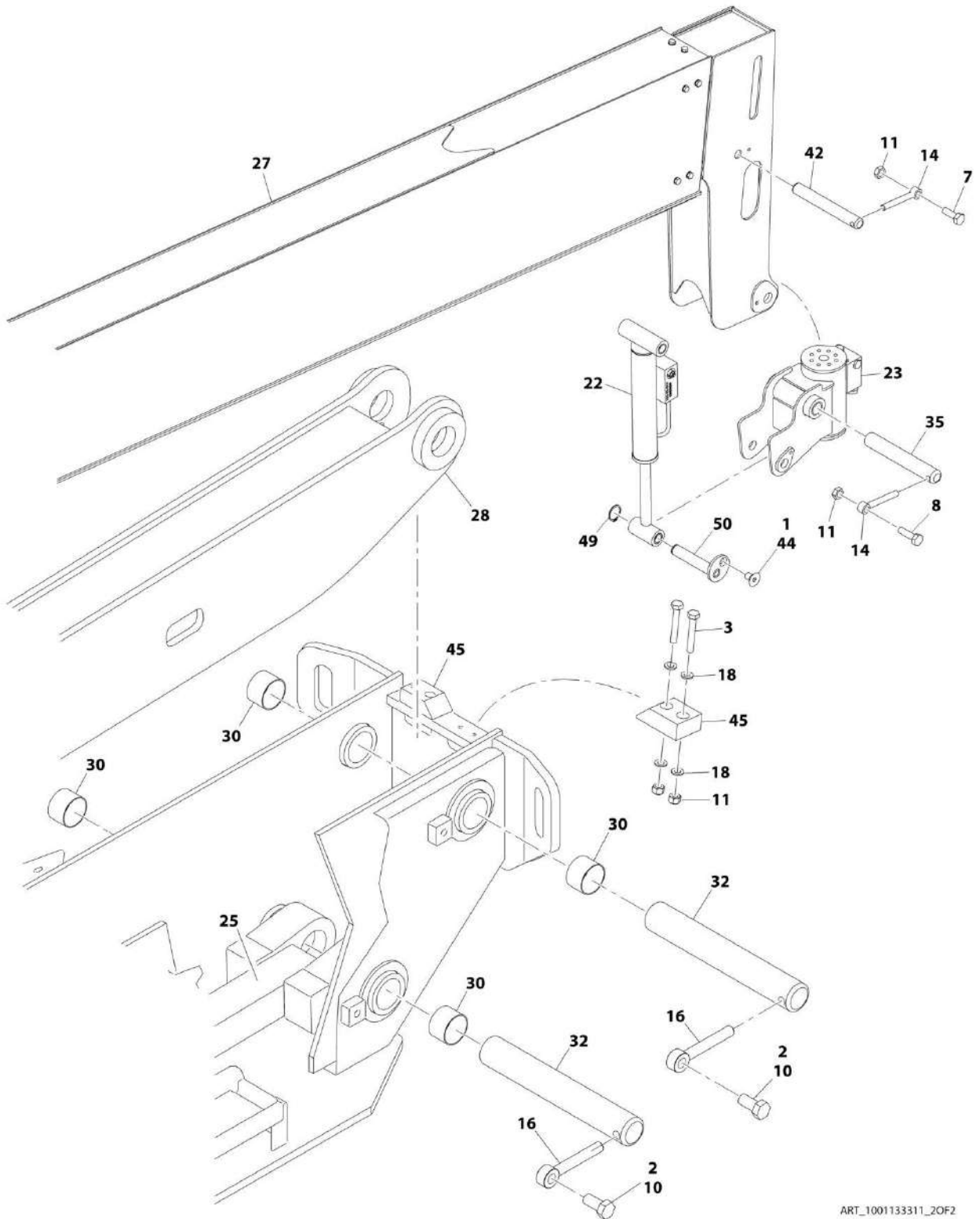
# SECTION 4 - BOOM

## FIGURE 4-1. BOOM AND CYLINDERS INSTALLATION - 24RS



ART\_1001133311\_10F2

# SECTION 4 - BOOM



ART\_1001133311\_20F2

## SECTION 4 - BOOM

FIGURE 4-1. BOOM AND CYLINDERS INSTALLATION - 24RS

ITEM	PART NUMBER	QTY	DESCRIPTION	REV
	1001133311	Ref	BOOM AND CYLINDERS INSTALLATION - 24RS	F
1	0100011	AR	Compound, Locking	
2	0100019	AR	Compound, Locking	
3	0701021	4	Bolt M10 x 65	
4	0701224	2	Bolt M12 x 80	
6	0761012	2	Bolt M10 x 25	
7	0761014	1	Bolt M10 x 30	
8	0761015	1	Bolt M10 x 35	
9	0762013	4	Bolt M20 x 40	
10	0762418	4	Bolt M24 x 50	
11	3291005	6	Nut M10	
12	3291205	2	Nut M12	
14	3841143	4	Keeper, Pin	
15	3841287	4	Keeper, Pin	
16	3841356	4	Keeper, Pin	
18	4812000	8	Washer M10	
19	4812100	4	Washer M12	
20	8310666	1	Bolt M20 x 180	
21	1001131748	1	Lift Cylinder Assembly - Main Boom (See CYLINDER SECTION for Breakdown)	
22	1001132163	1	Level (Platform Slave) Cylinder Assembly (See CYLINDER SECTION for Breakdown)	
23	1001132275	1	Platform Rotator Assembly (See PLATFORM ROTATOR ASSEMBLY - 24RS for Breakdown)	
24	1001132375	1	Master Cylinder Assembly (See CYLINDER SECTION for Breakdown)	
25	1001133196	1	Link, Tower	
26	1001133247	1	Link, Timing	
26A	0962297	2	Bushing	
27	1001133538	1	Main Boom Assembly (See MAIN BOOM ASSEMBLY - 24RS for Breakdown)	
28	1001115672	1	Boom, Tower	
29	1001133926	4	Bearing	
30	1001133927	6	Bearing	
31	1001133928	2	Bearing	
32	1001134314	2	Pin	
33	1001134315	1	Pin	
34	1001134316	1	Pin	
35	1001134317	1	Pin	
36	1001134318	1	Pin	
37	1001134319	1	Pin	
38	1001134320	1	Pin	
39	1001134321	2	Pin	
40	1001134323	1	Pin	
41	1001134324	1	Pin	
42	1001134325	1	Pin	
43	1001135149	1	Upright	
44	1001137032	1	Screw, Countersunk M10 x 16	
45	1001138459	2	Pad, Boom Rest	
46	1001138778	2	Pad	
48	4812500	1	Washer M20	

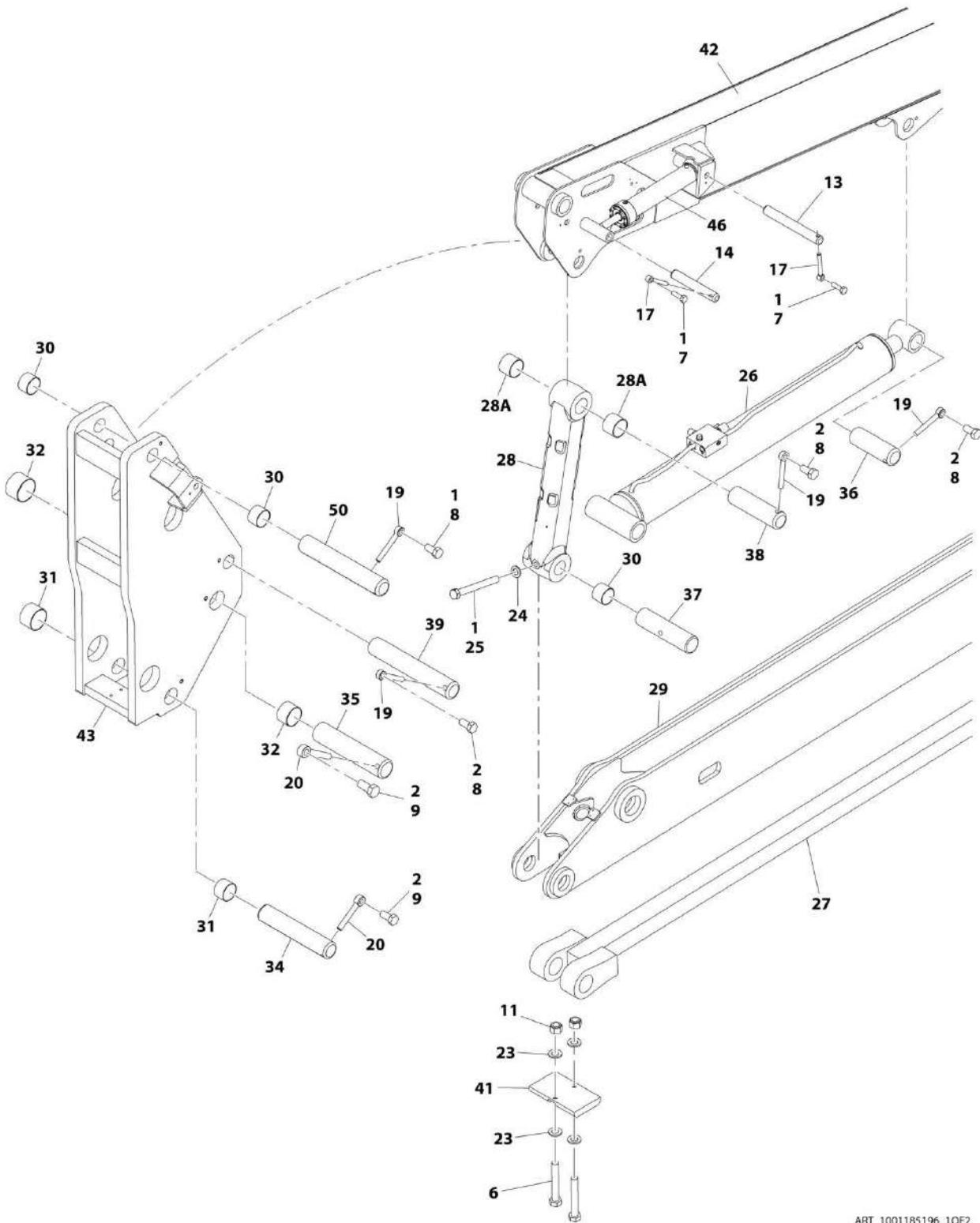


## SECTION 4 - BOOM

ITEM	PART NUMBER	QTY	DESCRIPTION	REV
49	3760115	1	Ring, Retaining	
50	1001148892	1	Pin	

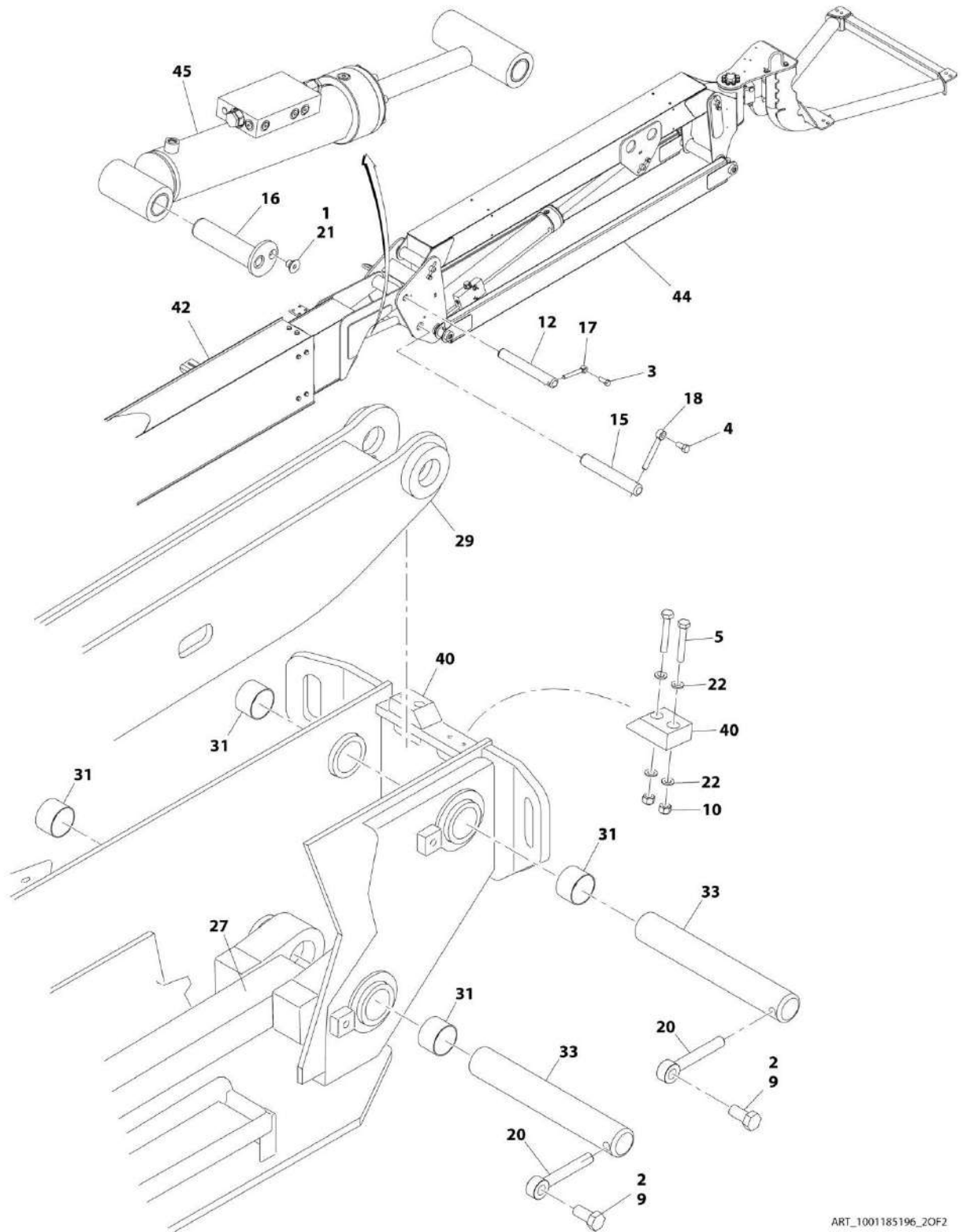
# SECTION 4 - BOOM

## FIGURE 4-2. BOOM AND CYLINDERS INSTALLATION - 24RSJ



ART\_1001185196\_10F2

# SECTION 4 - BOOM



ART\_1001185196\_20F2

## SECTION 4 - BOOM

**FIGURE 4-2. BOOM AND CYLINDERS INSTALLATION - 24RSJ**

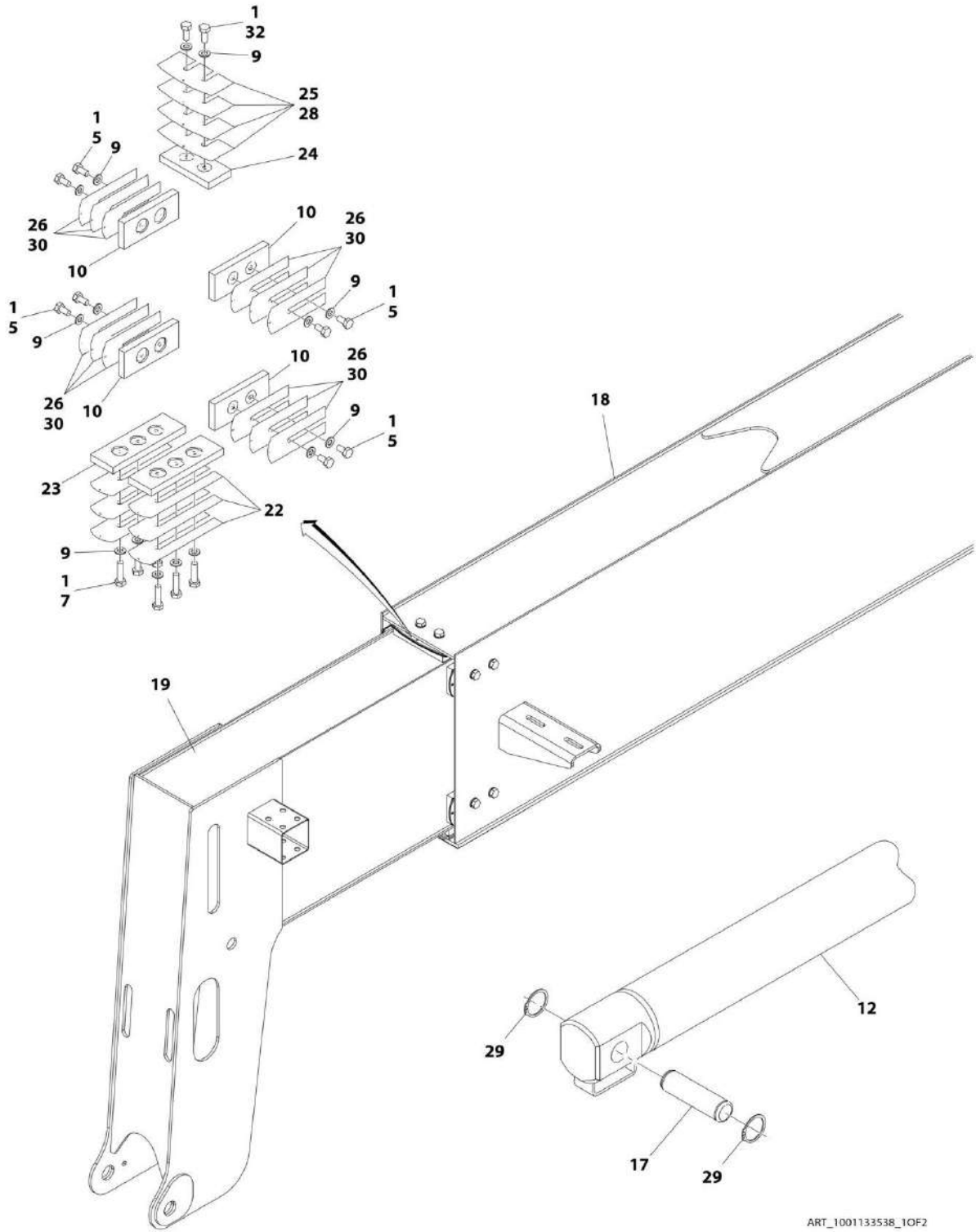
ITEM	PART NUMBER	QTY	DESCRIPTION	REV
	1001185196	Ref	BOOM AND CYLINDERS INSTALLATION - 24RSJ	A
1	0100011	AR	Compound, Locking	
2	0100019	AR	Compound, Locking	
3	0641608	1	Bolt 3/8 x 1	
4	0641808	1	Bolt 1/2 x 1	
5	0701021	4	Bolt M10 x 65	
6	0701224	2	Bolt M12 x 80	
7	0761012	2	Bolt M10 x 25	
8	0762016	4	Bolt M20 x 40	
9	0762418	4	Bolt M24 x 50	
10	3291005	4	Nut M10	
11	3291205	2	Nut M12	
12	3422561	1	Pin	
13	3422579	1	Pin	
14	3422792	1	Pin	
15	3422793	1	Pin	
16	3422932	1	Pin	
17	3841143	3	Keeper, Pin	
18	3841203	1	Keeper, Pin	
19	3841287	4	Keeper, Pin	
20	3841356	4	Keeper, Pin	
21	3900192	1	Screw 3/8 x 1/2	
22	4812000	8	Washer M10	
23	4812100	4	Washer M12	
24	4812500	1	Washer M20	
25	8310666	1	Bolt M20 x 180	
26	1001131748	1	Lift Cylinder Assembly (See CYLINDER SECTION for Breakdown)	
27	1001133196	1	Link, Tower	
28	1001133247	1	Link, Boom Timing	
28A	0962297	2	Bushing	
29	1001133912	1	Boom, Tower	
30	1001133926	4	Bearing	
31	1001133927	6	Bearing	
32	1001133928	2	Bearing	
33	1001134314	2	Pin	
34	1001134315	1	Pin	
35	1001134316	1	Pin	
36	1001134318	1	Pin	
37	1001134319	1	Pin	
38	1001134320	1	Pin	
39	1001134321	1	Pin	
40	1001138459	2	Pad, Rest	
41	1001138778	1	Pad	
42	1001185197	1	Boom, Main Assembly (See MAIN BOOM ASSEMBLY - 24RSJ for Breakdown)	
43	1001185240	1	Upright	
44	1001185314	1	Jib Installation (See JIB INSTALLATION - 24RSJ for Breakdown)	
45	1001185318	1	Level (Platform Slave) Cylinder Assembly (See CYLINDER SECTION for Breakdown)	
46	1001186733	1	Master Cylinder Assembly (See CYLINDER SECTION for	

## SECTION 4 - BOOM

ITEM	PART NUMBER	QTY	DESCRIPTION	REV
			Breakdown)	
47	3790012	1	O-Ring (Not Shown - Located on Platform Box)	
48	4360328	1	Switch, Toggle (Not Shown - Located on Platform Box)	
50	1001187258	1	Pin	

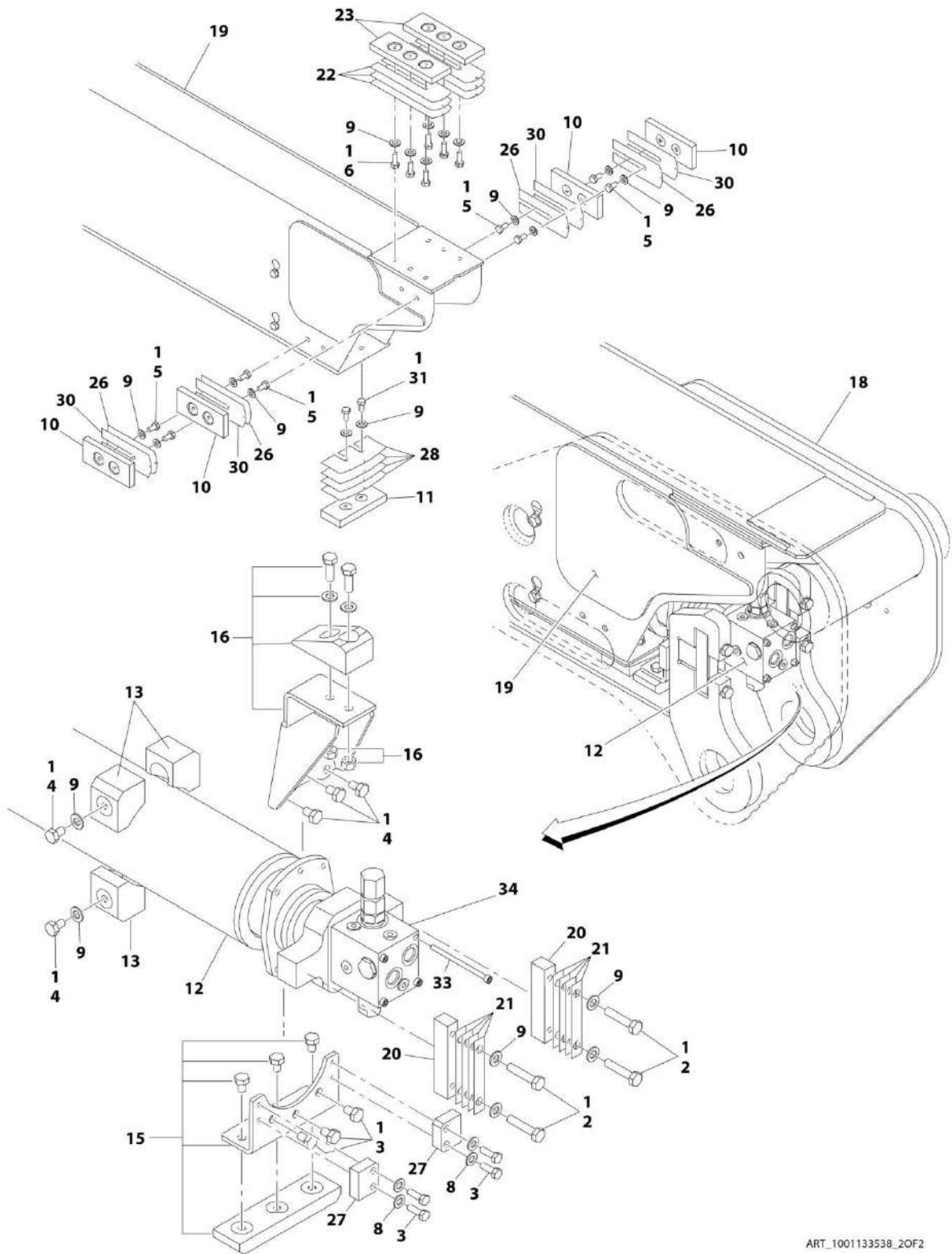
# SECTION 4 - BOOM

## FIGURE 4-3. MAIN BOOM ASSEMBLY - 24RS



ART\_1001133538\_10F2

# SECTION 4 - BOOM



ART\_1001133538\_2OF2

## SECTION 4 - BOOM

FIGURE 4-3. MAIN BOOM ASSEMBLY - 24RS

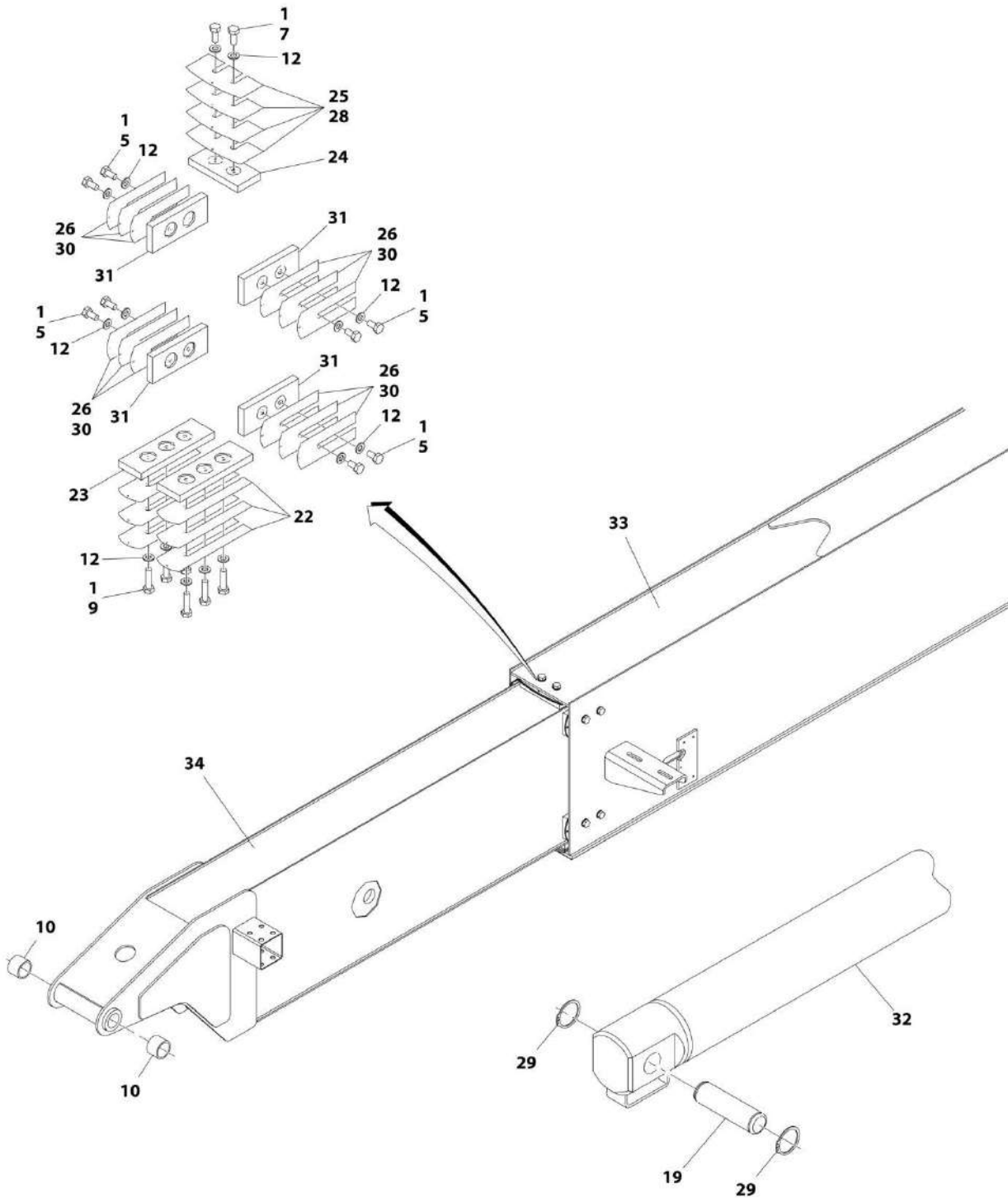
ITEM	PART NUMBER	QTY	DESCRIPTION	REV
	1001133538	Ref	MAIN BOOM ASSEMBLY - 24RS	I
1	0100011	AR	Compound, Locking	
2	0701018	4	Bolt M10 x 50	
3	0760812	4	Bolt M8 x 25	
4	0761008	10	Bolt M10 x 16	
5	0761010	16	Bolt M10 x 20	
6	0761014	6	Bolt M10 x 30	
7	0761016	6	Bolt M10 x 40	
8	4811900	4	Washer M8	
9	4812000	40	Washer M10	
10	1001118287	NLA	Pad, Wear (Use p/n 1001153398)	
11	1001118288	1	Pad, Wear	
12	1001133261	1	Telescope Cylinder Assembly (See CYLINDER SECTION for Breakdown)	
13	1001133500	4	Support, Cylinder	
15	1001133509	1	Mount, Pad	
16	1001133510	1	Mount, Pad	
17	1001134322	1	Pin	
18	1001134692	1	Boom, Base	
19	1001134710	1	Boom, Fly	
20	1001135488	2	Block, Attach	
21	1001136571	10	Shim	
22	1001136575	12	Shim	
23	1001136583	2	Pad, Wear	
24	1001136587	1	Pad, Wear	
25	1001136590	4	Shim	
26	1001136592	8	Shim	
27	1001137993	2	Pad	
28	1001138436	4	Shim	
29	1001138671	2	Ring, Retaining	
30	1001143713	12	Shim	
31	0761011	2	Bolt M10 x 22	
32	0761012	2	Bolt M10 x 25	
33	5271723	4	Bolt M6 x 100	
34	1001133244	1	Valve Block Assembly (See CYLINDER SECTION for Breakdown)	





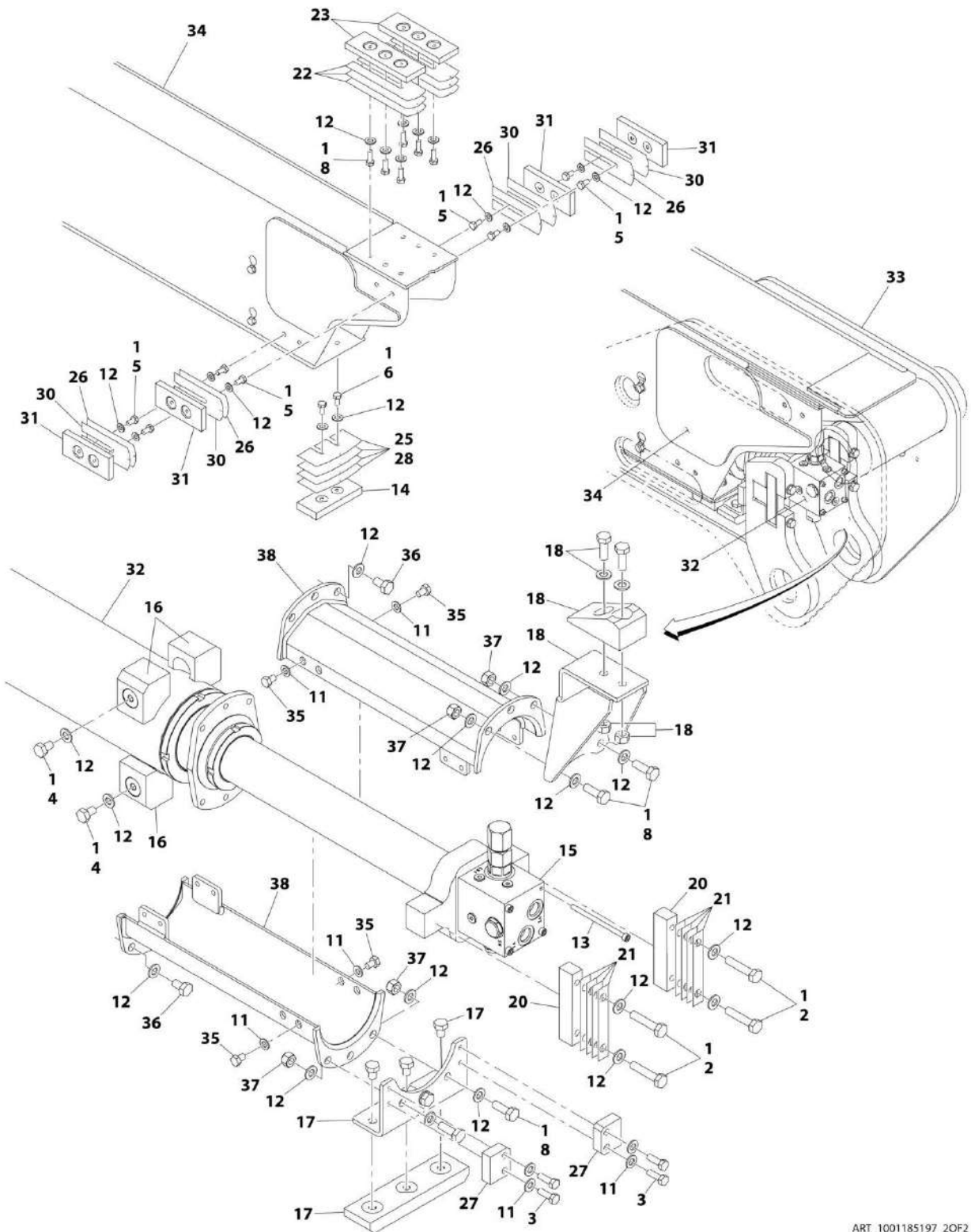
# SECTION 4 - BOOM

## FIGURE 4-4. MAIN BOOM ASSEMBLY - 24RSJ



ART\_1001185197\_10F2

# SECTION 4 - BOOM



ART\_1001185197\_20F2

## SECTION 4 - BOOM

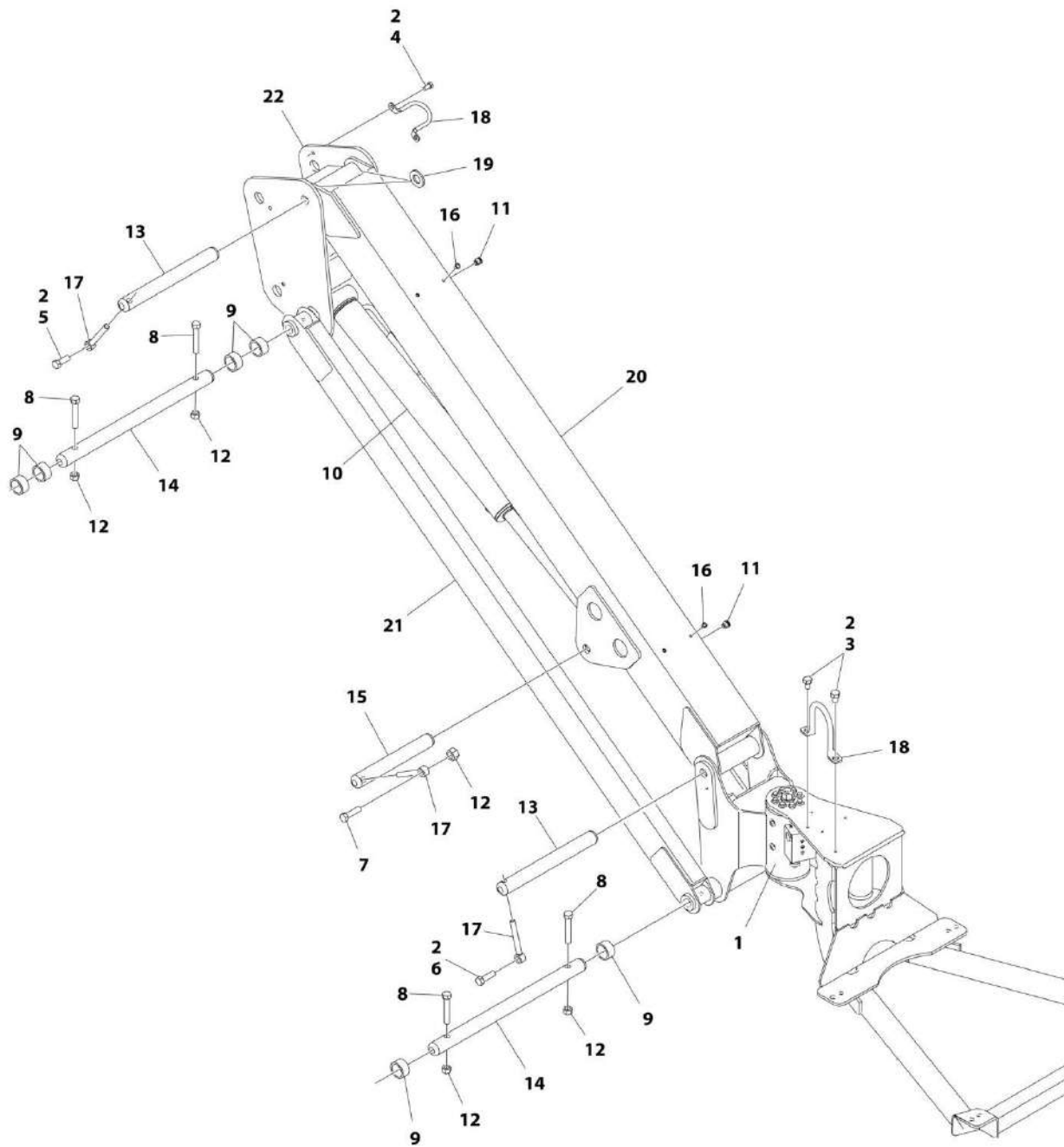
FIGURE 4-4. MAIN BOOM ASSEMBLY - 24RSJ

ITEM	PART NUMBER	QTY	DESCRIPTION	REV
	1001185197	Ref	MAIN BOOM ASSEMBLY - 24RSJ	C
1	0100011	AR	Compound, Locking	
2	0701018	4	Bolt M10 x 50	
3	0760812	4	Bolt M8 x 25	
4	0761008	4	Bolt M10 x 16	
5	0761010	16	Bolt M10 x 20	
6	0761011	2	Bolt M10 x 22	
7	0761012	2	Bolt M10 x 25	
8	0761014	12	Bolt M10 x 30	
9	0761016	6	Bolt M10 x 40	
10	0961951	2	Bushing	
11	4811900	12	Washer M8	
12	4812000	58	Washer M10	
13	5271723	4	Bolt M6 x 100 (Part of Item 32)	
14	1001118288	1	Pad, Wear	
15	1001133244	1	Valve Block Assembly (Part of Item 32) (See CYLINDER SECTION for Breakdown)	
16	1001133500	4	Support, Cylinder	
17	1001133509	1	Mount, Pad	
18	1001133510	1	Mount, Pad	
19	1001134322	1	Pin	
20	1001135488	2	Block, Attach	
21	1001136571	AR	Shim	
22	1001136575	12	Shim	
23	1001136583	4	Pad, Wear	
24	1001136587	1	Pad, Wear	
25	1001136590	AR	Shim	
26	1001136592	AR	Shim	
27	1001137993	2	Pad	
28	1001138436	AR	Shim	
29	1001138671	2	Ring, Retaining	
30	1001143713	AR	Shim	
31	1001153398	8	Pad, Wear	
32	1001180027	1	Telescope Cylinder Assembly (See CYLINDER SECTION for Breakdown)	
33	1001185204	1	Boom, Base	
34	1001185224	1	Boom, Fly	
35	0760806	8	Bolt M8 x 12	
36	0761009	6	Bolt M10 x 18	
37	3291005	6	Nut M10	
38	1001204353	1	Bracket	



# SECTION 4 - BOOM

## FIGURE 4-5. JIB ASSEMBLY - 24RSJ



ART\_1001185314

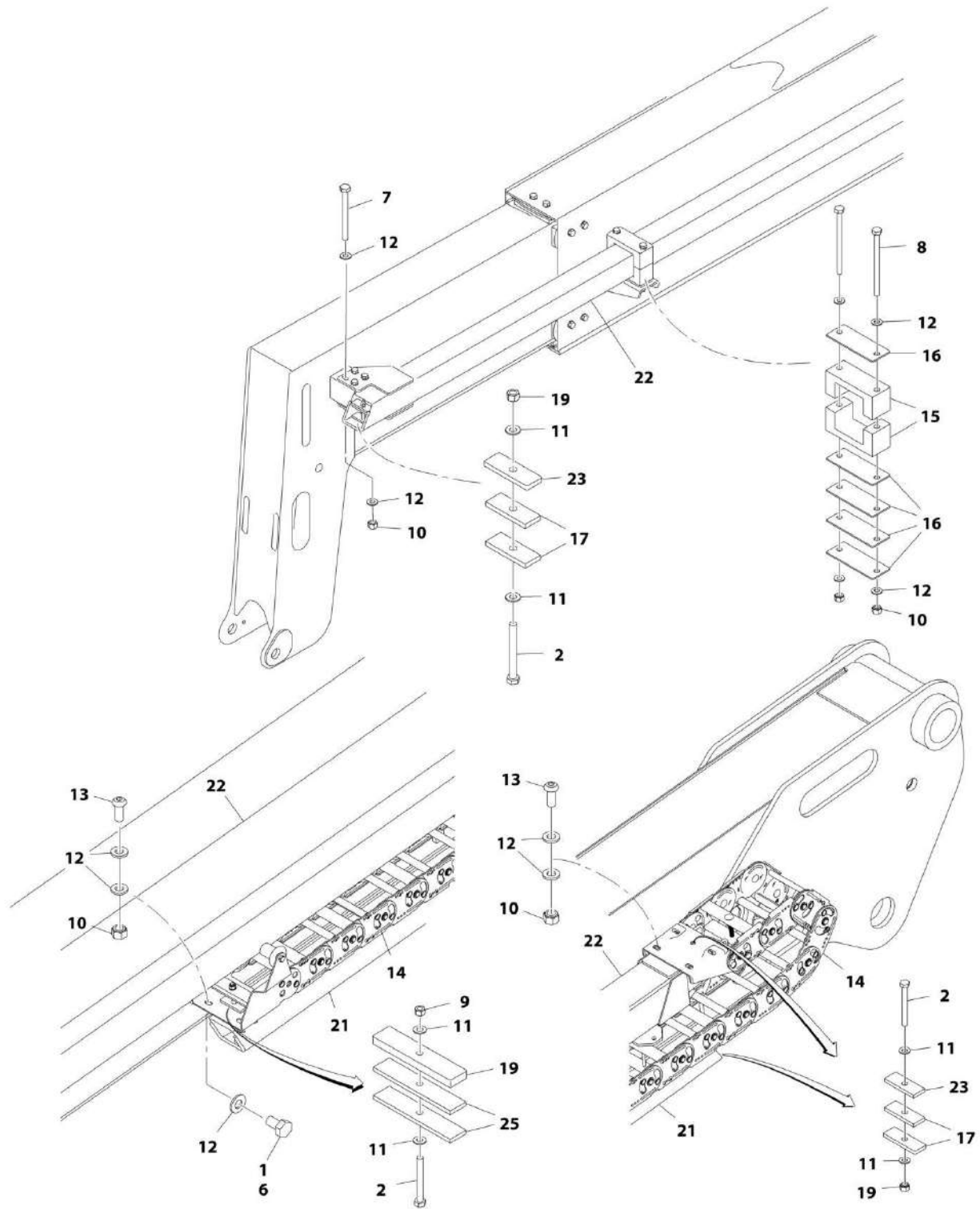
## SECTION 4 - BOOM

### FIGURE 4-5. JIB ASSEMBLY - 24RSJ

ITEM	PART NUMBER	QTY	DESCRIPTION	REV
	1001185314	Ref	JIB ASSEMBLY - 24RSJ	E
1	1001178269	1	Platform Rotator Assembly (See PLATFORM ROTATOR ASSEMBLY - 24RSJ for Breakdown)	
2	0100011	AR	Compound, Locking	
3	0641604	2	Bolt 3/8 x 1/2	
4	0641606	2	Bolt 3/8 x 3/4	
5	0641608	1	Bolt 3/8 x 1	
6	0641610	1	Bolt 3/8 x 1-1/4	
7	0641611	1	Bolt 3/8 x 1-3/8	
8	0641618	4	Bolt 3/8 x 2-1/4	
9	0961947	6	Bearing	
10		Ref	Jib Lift Cylinder Assembly (See CYLINDER SECTION for Breakdown)	
10	1683609	NLA	Jib Lift Cylinder (Use p/n 1001230371) ( <b>Prior to SN B300002343</b> )	
10	1001248012	1	Jib Lift Cylinder ( <b>SN B300002343 through B300002879</b> )	
10	1001230371	1	Jib Lift Cylinder ( <b>SN B300002880 to Present</b> )	
11	2080044	4	Fastener, Rivnut 1/4	
12	3311605	5	Nut 3/8	
13	3422860	2	Pin	
14	3422861	2	Pin	
15	3422867	1	Pin	
16	3520034	4	Plug	
17	3841143	3	Keeper, Pin	
18	3841340	2	Loop, Hose	
19	4740439	2	Washer	
20	1001113386	1	Boom, Top Jib	
21	1001113407	2	Boom, Bottom Jib	
22	1001185317	1	Support	

# SECTION 4 - BOOM

## FIGURE 4-6. POWER TRACK ASSEMBLY



ART\_1001133426

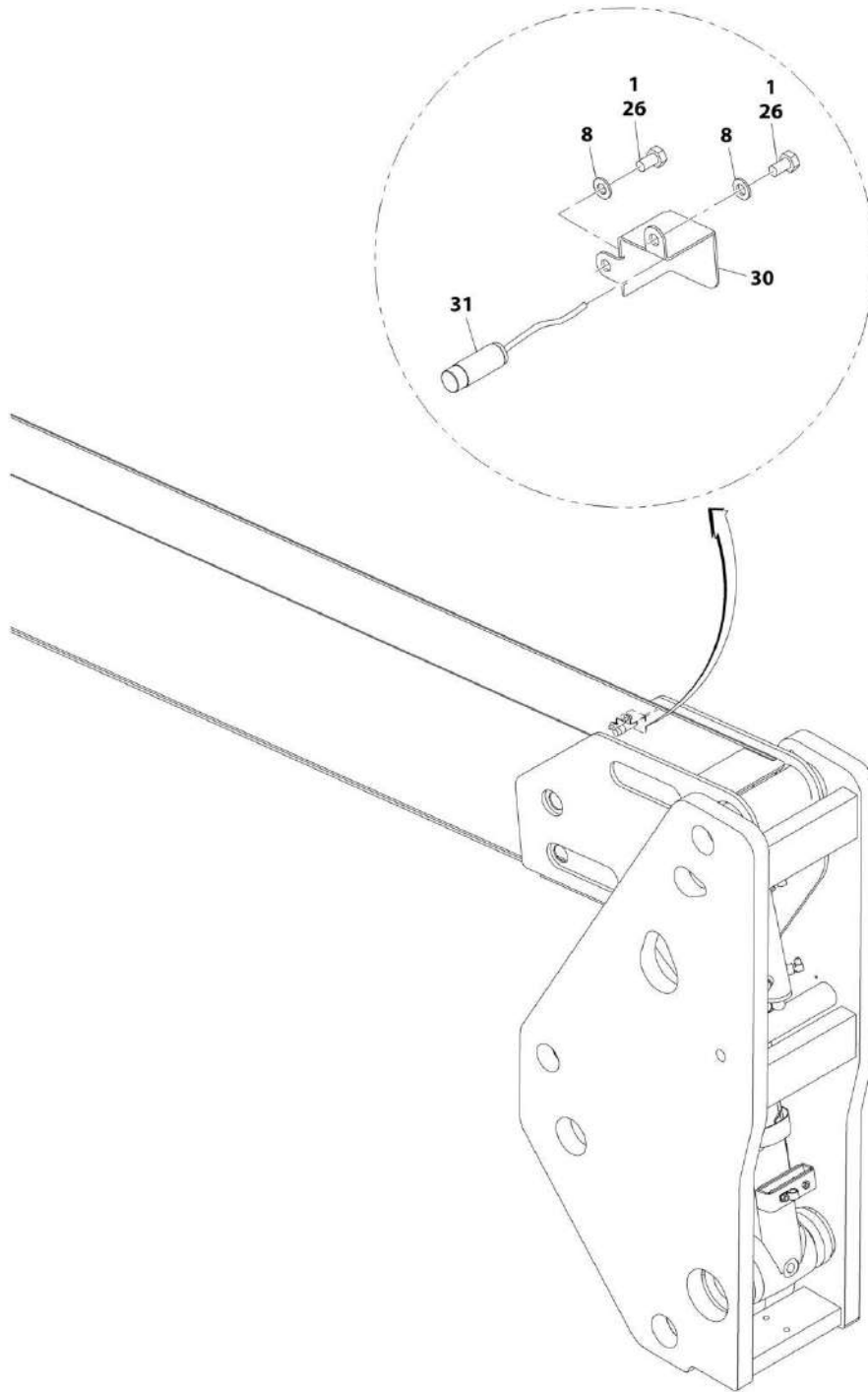


FIGURE 4-6. POWER TRACK ASSEMBLY

ITEM	PART NUMBER	QTY	DESCRIPTION	REV
	1001133426	Ref	POWER TRACK ASSEMBLY	E
1	0100011	AR	Compound, Locking	
2	0700823	4	Bolt M8 x 75	
6	0761009	10	Bolt M10 x 18	
7	0761028	4	Bolt M10 x 110	
8	0761032	2	Bolt M10 x 150	
9	3290805	4	Nut M8	
10	3291005	14	Nut M10	
11	4811900	8	Washer M8	
12	4812000	38	Washer M10	
13	8310668	4	Screw, Button Head M10 x 25 Grade 10.9	
14	1001134407	1	Carrier, Power Track	
14	70004071	1	Repair Kit (Includes One Repair Section)	
14	70004072	1	Bracket Kit (Includes Mounting Feet for Both Ends and Attaching Hardware)	
15	1001136398	2	Pad, Push Tube	
16	1001136400	5	Mount	
17	1001136402	6	Pad	
19	1001136461	1	Plate	
21	1001138946	1	Support	
22	1001138986	1	Tube, Push	
23	1001139078	3	Plate	
25	1001151192	2	Pad	

# SECTION 4 - BOOM

## FIGURE 4-7. PROXIMITY SWITCH INSTALLATION - 24RS



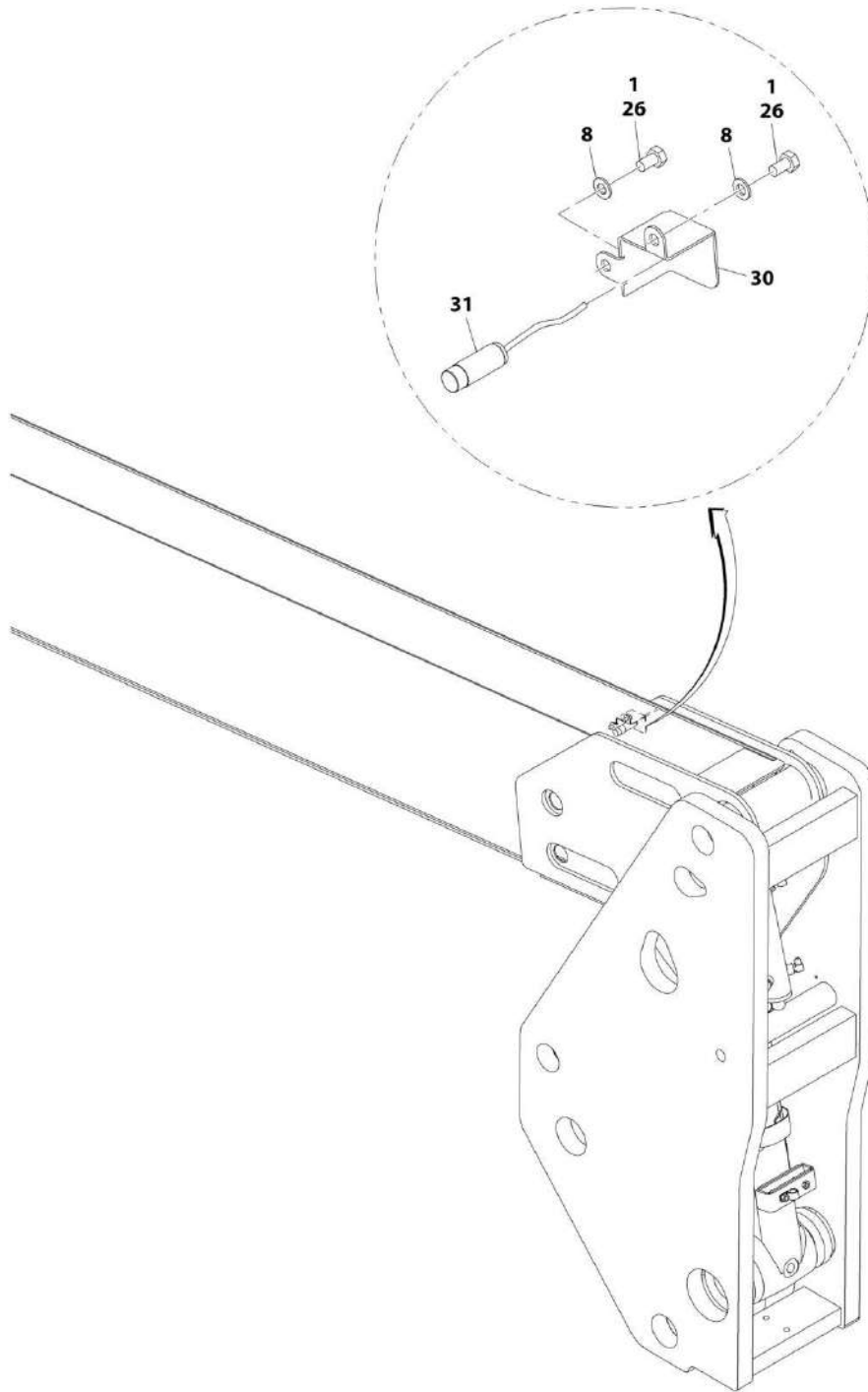
ART\_1001133424\_2OF2

FIGURE 4-7. PROXIMITY SWITCH INSTALLATION - 24RS

ITEM	PART NUMBER	QTY	DESCRIPTION	REV
	1001133424	Ref	PROXIMITY SWITCH INSTALLATION - 24RS	G
1	0100011	AR	Compound, Locking	
8	4811900	2	Washer M8	
26	0760807	2	Bolt M8 x 14	
30	1001149922	1	Cover	
29	1001149542	1	Proximity Sensor Harness (Not Shown - See ELECTRICAL SECTION for Breakdown)	
31	1001150772	1	Sensor, Proximity	

# SECTION 4 - BOOM

FIGURE 4-8. PROXIMITY SWITCH INSTALLATION - 24RSJ



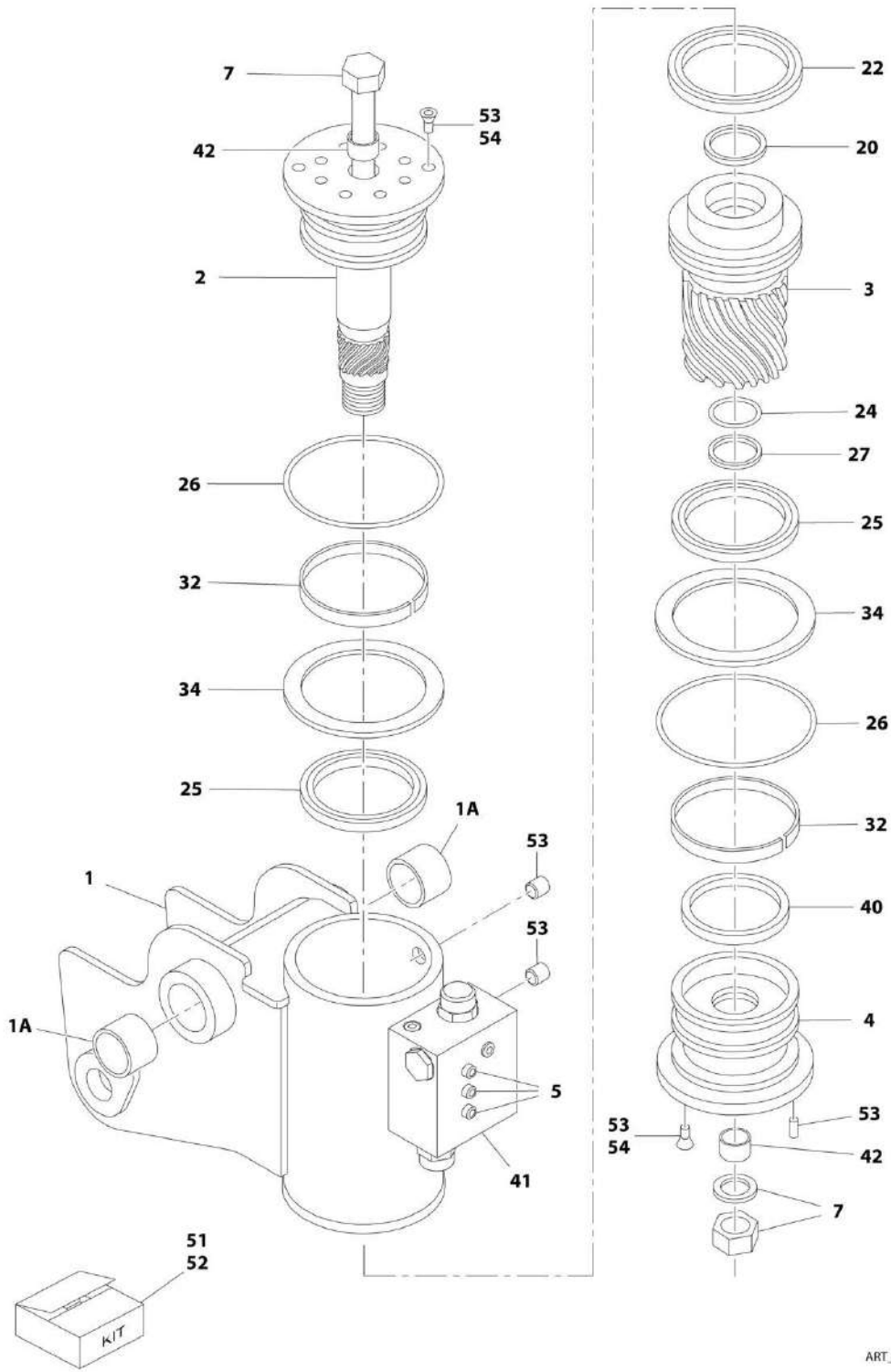
ART\_1001186952\_2OF2

**FIGURE 4-8. PROXIMITY SWITCH INSTALLATION - 24RSJ**

ITEM	PART NUMBER	QTY	DESCRIPTION	REV
	1001186952	Ref	PROXIMITY SWITCH INSTALLATION - 24RSJ	B
1	0100011	AR	Compound, Locking	
8	4811900	2	Washer M8	
26	0760807	2	Bolt M8 x 14	
29	1001149542	1	Proximity Sensor Harness (Not Shown - See ELECTRICAL SECTION for Breakdown)	
30	1001149922	1	Cover	
31	1001150772	1	Sensor, Proximity	

# SECTION 4 - BOOM

## FIGURE 4-9. PLATFORM ROTATOR ASSEMBLY - 24RS



ART\_1001132275

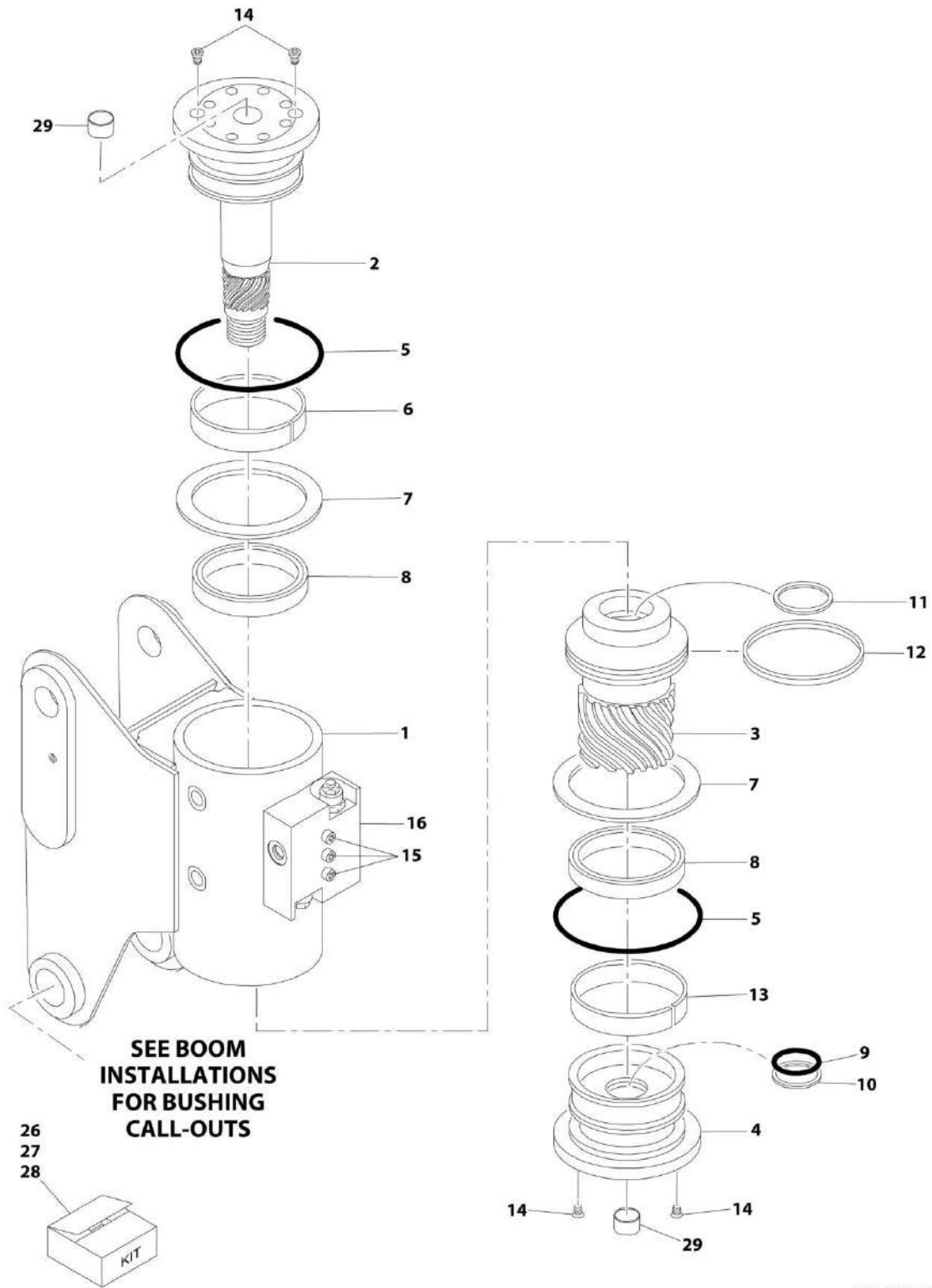
## SECTION 4 - BOOM

**FIGURE 4-9. PLATFORM ROTATOR ASSEMBLY - 24RS**

ITEM	PART NUMBER	QTY	DESCRIPTION	REV
	1001132275	Ref	PLATFORM ROTATOR ASSEMBLY - 24RS	F
1	See Note	1	Case/Bracket Weldment (Note: Not Available - Purchase Complete Rotator)	
1A	70003950	2	Bearing	
2	70003948	1	Shaft	
3	7017163	1	Piston	
4	7017164	1	Cap, End	
5	See Note	3	Capscrew 1/4 x 1-1/2 Grade 8 (Note: Not Available - Purchase Locally)	
7	7017126	1	Tie-Rod Assembly	
20	See Note	NSS	T-Seal, Rod (Note: Use Item 52)	
22	See Note	NSS	T-Seal, Piston (Note: Use Item 52)	
24	See Note	NSS	O-Ring (Note: Use Item 52)	
25	See Note	NSS	Seal (Note: Use Item 52)	
26	See Note	NSS	O-Ring (Note: Use Item 52)	
27	See Note	NSS	Ring, Back-up (Note: Use Item 52)	
32	See Note	NSS	Bearing, Shaft (Note: Use Item 51)	
34	See Note	NSS	Thrustwasher (Note: Use Item 51)	
40	700003949	1	Spacer, Stop	
41	7017183	1	Counterbalance Valve Assembly	
41	7017193	2	Cartridge, Valve (Note: No Seal Kit Available)	
42	See Note	2	Bushing, Shaft (Note: Not Available for Purchase)	
51	7017159	1	Bearing Kit (Includes Items 32 & 34)	
52		Ref	Seal Kit Options (Includes Items 20, 22, 24, 25, 26 & 27)	
52	7017158	1	Standard Seal Kit	
52	70000341	1	Cold Climate Seal Kit	
53	7017142	1	Hardware Kit (Includes Plugs, Dowel Pin and Item 54)	
54	70001697	4	Screw, Countersunk 1/4 x 3/8 Grade 8	

# SECTION 4 - BOOM

## FIGURE 4-10. PLATFORM ROTATOR ASSEMBLY - 24RSJ



ART\_1001178269



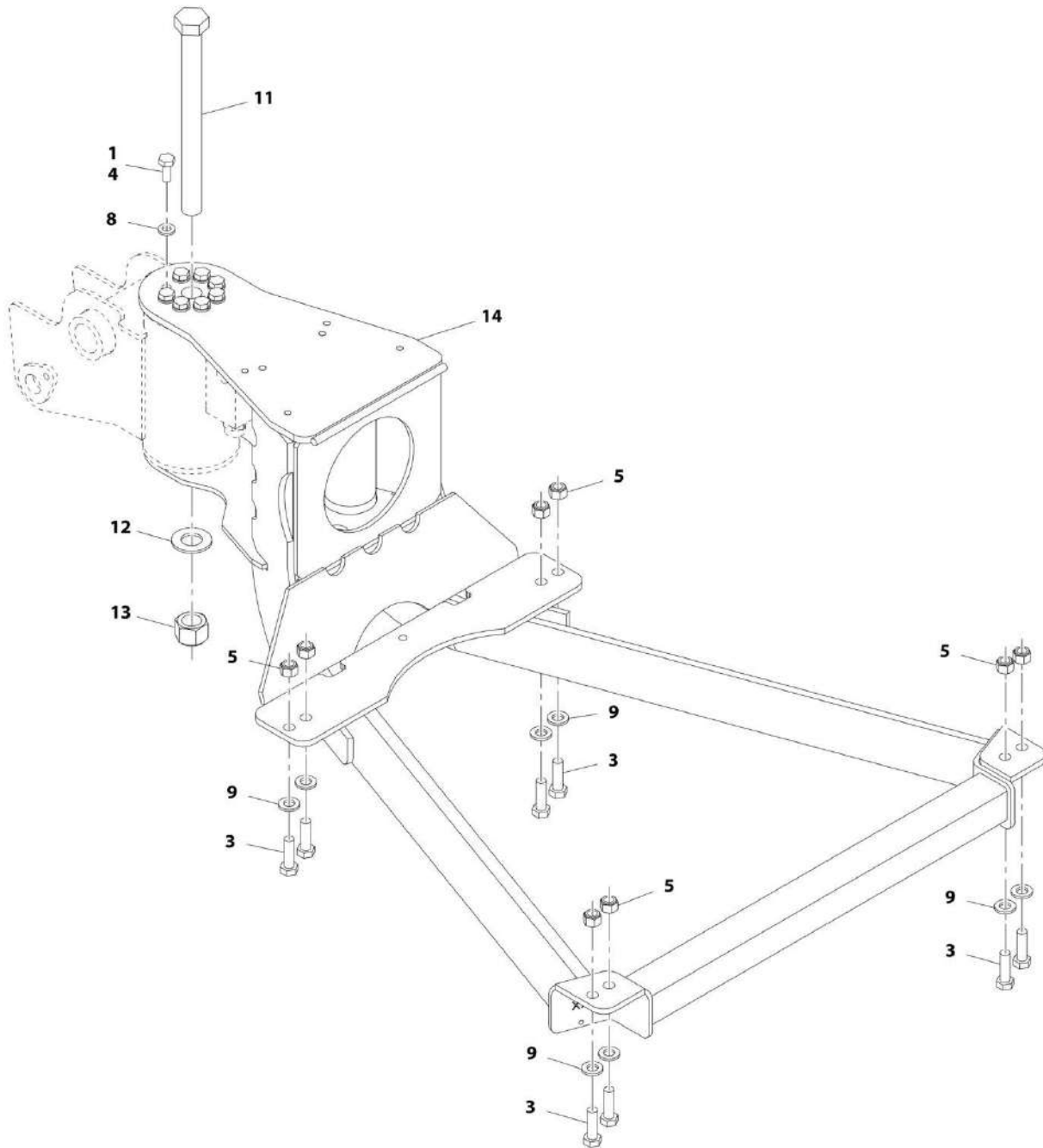
**SECTION 4 - BOOM**

**FIGURE 4-10. PLATFORM ROTATOR ASSEMBLY - 24RSJ**

ITEM	PART NUMBER	QTY	DESCRIPTION	REV
	1001178269	Ref	PLATFORM ROTATOR ASSEMBLY - 24RSJ	A
1	See Note	NSS	Housing/Ring Gear Assembly (Note: Not Available - Purchase Complete Assembly)	
2	7017162	1	Weldment, Shaft	
3	7017163	1	Piston/Sleeve Assembly	
4	7017164	1	Cap, End	
5	See Note	NSS	O-Ring (Note: Use Item 26)	
6	See Note	NSS	Bearing, Shaft (Note: Use Item 27)	
7	See Note	NSS	Thrustwasher (Note: Use Item 27)	
8	See Note	NSS	Packing, Bearing (Note: Use Item 26)	
9	See Note	NSS	Seal, Cap (Note: Use Item 26)	
10	See Note	NSS	Ring, Back-up Cap (Note: Use Item 26)	
11	See Note	NSS	Seal, Rod (Note: Use Item 26)	
12	See Note	NSS	Seal, Piston (Note: Use Item 26)	
13	See Note	NSS	Bearing, Cap (Note: Use Item 27)	
14	70001697	6	Capscrew 1/4 x 3/8 Grade 8	
15	See Note	3	Bolt 1/4 x 1-1/2 Grade 8 (Note: Not Available for Purchase)	
16	7017183	1	Valve Assembly	
16	7017193	2	Cartridge, Valve	
16	See Note	NSS	Seal Kit - 7017193 Valve (Note: Not Available - Purchase Complete Assembly)	
16	See Note	NSS	Cartridge, Valve (Not Shown - Located on Side of Block) (Note: Not Available - Purchase Complete Assembly)	
16	See Note	NSS	Seal Kit - Valve Located on Side of Block (Note: Not Available - Purchase Complete Assembly)	
26	70000342	1	Seal Kit - (Includes Items 5 & 8-12)	
27	7017159	1	Bearing Kit (Includes Items 6, 7 & 13)	
28	7017142	1	Hardware Kit (Includes Qty 2 Plugs, Qty 2 Dowel Pins and Item 14)	
29	7017195	2	Bushing	

# SECTION 4 - BOOM

## FIGURE 4-11. PLATFORM SUPPORT INSTALLATION - WITHOUT LSS - 24RS



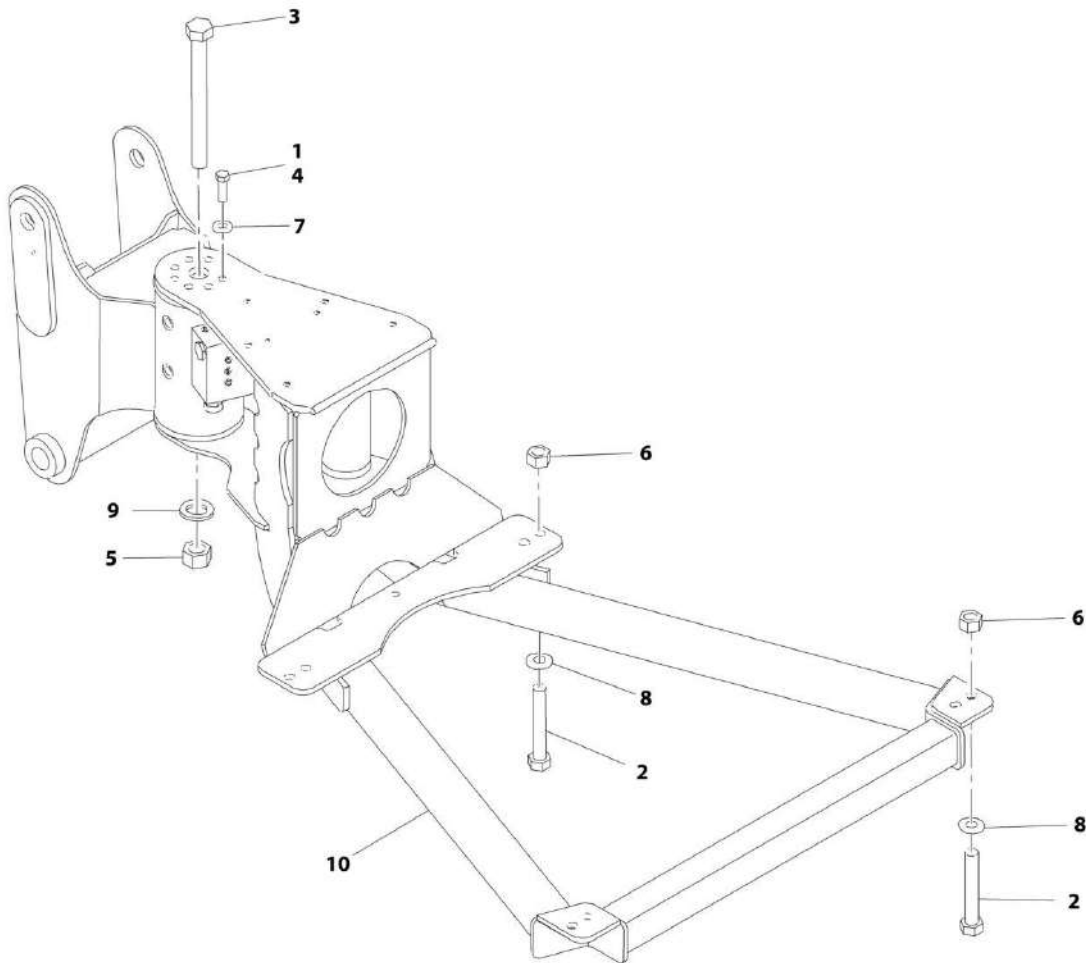
ART\_1001139032

**SECTION 4 - BOOM****FIGURE 4-11. PLATFORM SUPPORT INSTALLATION - WITHOUT LSS - 24RS**

<b>ITEM</b>	<b>PART NUMBER</b>	<b>QTY</b>	<b>DESCRIPTION</b>	<b>REV</b>
	1001139032	Ref	PLATFORM SUPPORT INSTALLATION - WITHOUT LSS - 24RS	D
1	0100011	AR	Compound, Locking	
3	0761216	8	Bolt M12 x 40	
4	0771012	8	Bolt M10 x 25 Grade 10.9	
5	3291205	8	Nut M12	
8	5241000	8	Washer M10	
9	5241200	8	Washer M12	
11	0712444	1	Bolt M24 x 270 Grade 10.9	
12	5242400	1	Washer M24	
13	1001098827	1	Nut M24 Grade 10.9	
14	1001149734	1	Support	

# SECTION 4 - BOOM

## FIGURE 4-12. PLATFORM SUPPORT INSTALLATION - WITHOUT LSS - 24RSJ



ART\_1001115098

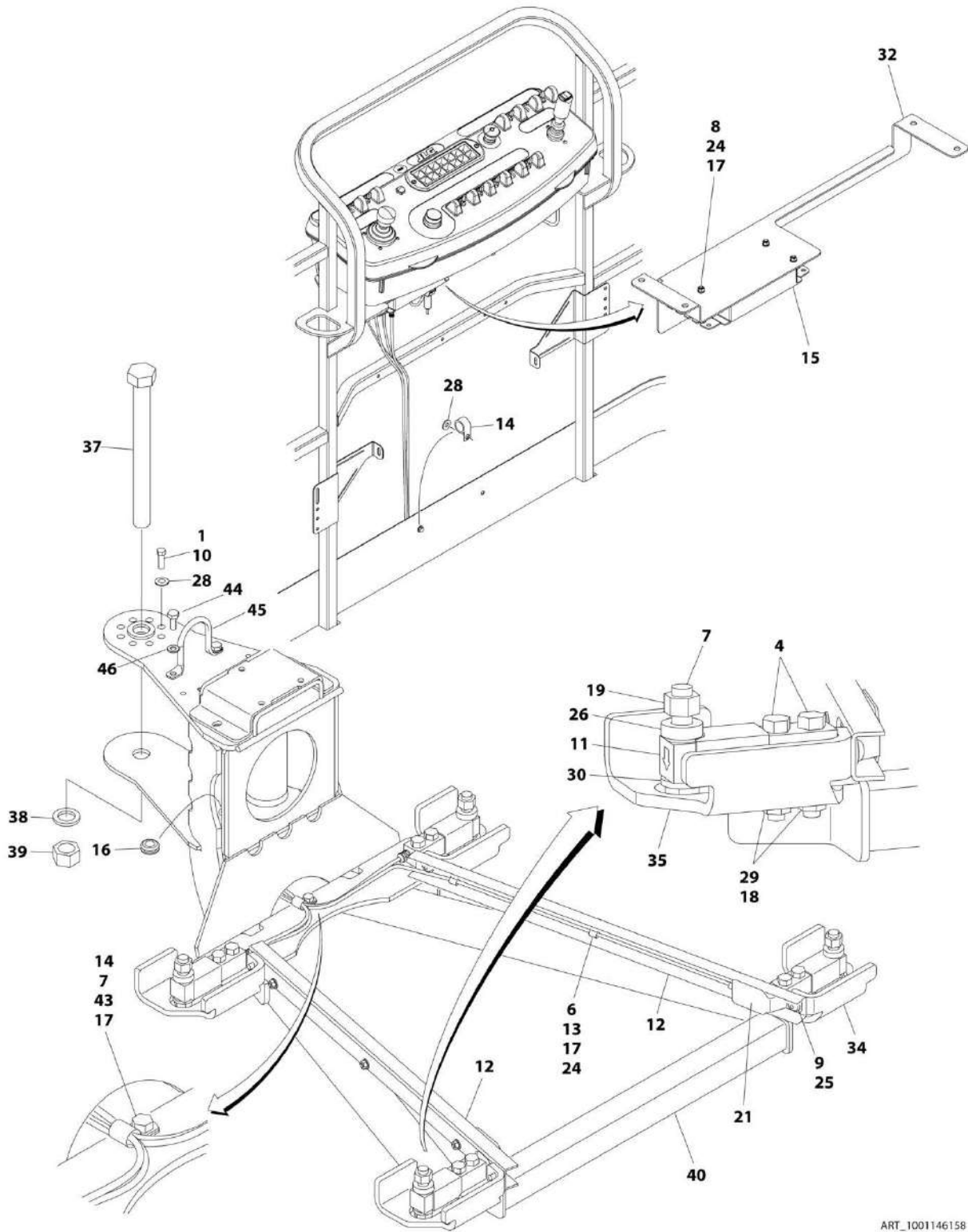
## SECTION 4 - BOOM

**FIGURE 4-12. PLATFORM SUPPORT INSTALLATION - WITHOUT LSS - 24RSJ**

ITEM	PART NUMBER	QTY	DESCRIPTION	REV
	1001115098	Ref	PLATFORM SUPPORT INSTALLATION - WITHOUT LSS -24RSJ	A
1	0100011	AR	Compound, Locking	
2	0641812	8	Bolt 1/2 x 1-1/2	
3	0642684	1	Bolt 1 x 10-1/2	
4	0681608	8	Bolt 3/8 x 1	
5	3272605	NLA	Nut 1 (Use p/n 3300243)	
6	3311805	8	Nut 1/2	
7	4891600	8	Washer 3/8	
8	4891800	8	Washer 1/2	
9	4892600	1	Washer 1	
10	1001113465	1	Support Weldment	

# SECTION 4 - BOOM

## FIGURE 4-13. PLATFORM SUPPORT INSTALLATION (24RS) - WITH LSS



ART\_1001146158

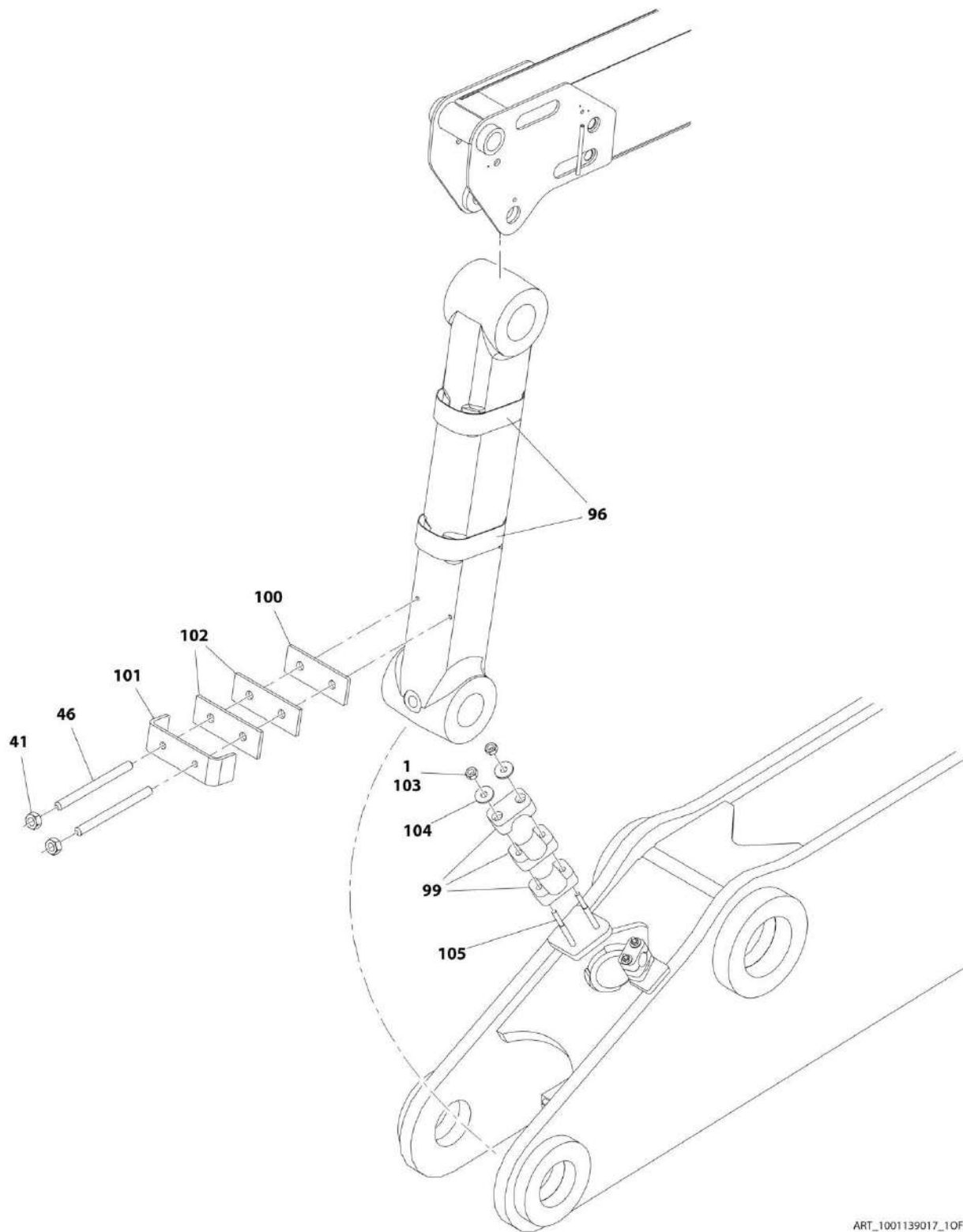
## SECTION 4 - BOOM

**FIGURE 4-13. PLATFORM SUPPORT INSTALLATION (24RS) - WITH LSS**

ITEM	PART NUMBER	QTY	DESCRIPTION	REV
	1001146158	Ref	PLATFORM SUPPORT INSTALLATION (24RS) - WITH LSS	E
1	0100011	AR	Compound, Locking	
4	0701222	1	Bolt 12mm x 70mm	
5	0701624	1	Bolt M16 x 80mm	
6	0760608	1	Bolt 6mm x 16mm	
7	0760610	1	Bolt 6mm x 20mm	
8	0760618	1	Bolt 6mm x 50mm	
9	0760808	1	Bolt 8mm x 16mm	
10	0771012	1	Bolt 10mm x 25mm	
11	0962450	1	Bushing, Spacer	
12	1271538	1	Channel, Load Cell Wire	
13	1320136	1	Clamp, Cable	
14	1320224	1	Clamp, Cable	
15	1600387	1	Controller, Load Sense	
16	2540038	1	Grommet	
17	3290605	1	Nut M6 x 1	
18	3291205	1	Nut M12 x 1.75	
19	3291605	1	Nut M16 x 2	
21	4061054	1	Shield, Strain Relief	
22	4240033	1	Tie Wire	
23	4460428	1	Connector, Strain Relief	
24	4811700	1	Washer 6mm	
25	4811900	1	Washer 8mm	
26	4812300	1	Washer 16mm	
28	5241000	1	Washer 10mm	
29	5241200	1	Washer 12mm	
30	5241600	1	Washer 16mm	
32	1001113483	1	Bracket	
34	1001146213	1	Bracket	
35	1001146214	1	Bracket	
36	2420202	1	Gauge	
37	0712444	1	Bolt 24mm x 270mm	
38	5242400	1	Washer 24mm	
39	1001098827	1	Nut GR10 M24	
40	1001149734	1	Support, Platform	
41	1001150159	1	LSS Harness (Not Shown - See ELECTRICAL Section)	
42	1001150197	1	LSS Harness (Not Shown - See ELECTRICAL Section)	
43	4811702	1	Washer 6mm	
44	0761012	1	Bolt 10mm x 25mm	
45	3841340	1	Hose, Loop	
46	4812000	1	Washer 10mm	

# SECTION 4 - BOOM

## FIGURE 4-14. CLAMPS INSTALLATION (BOOM) - 24RS



ART\_1001139017\_10F9



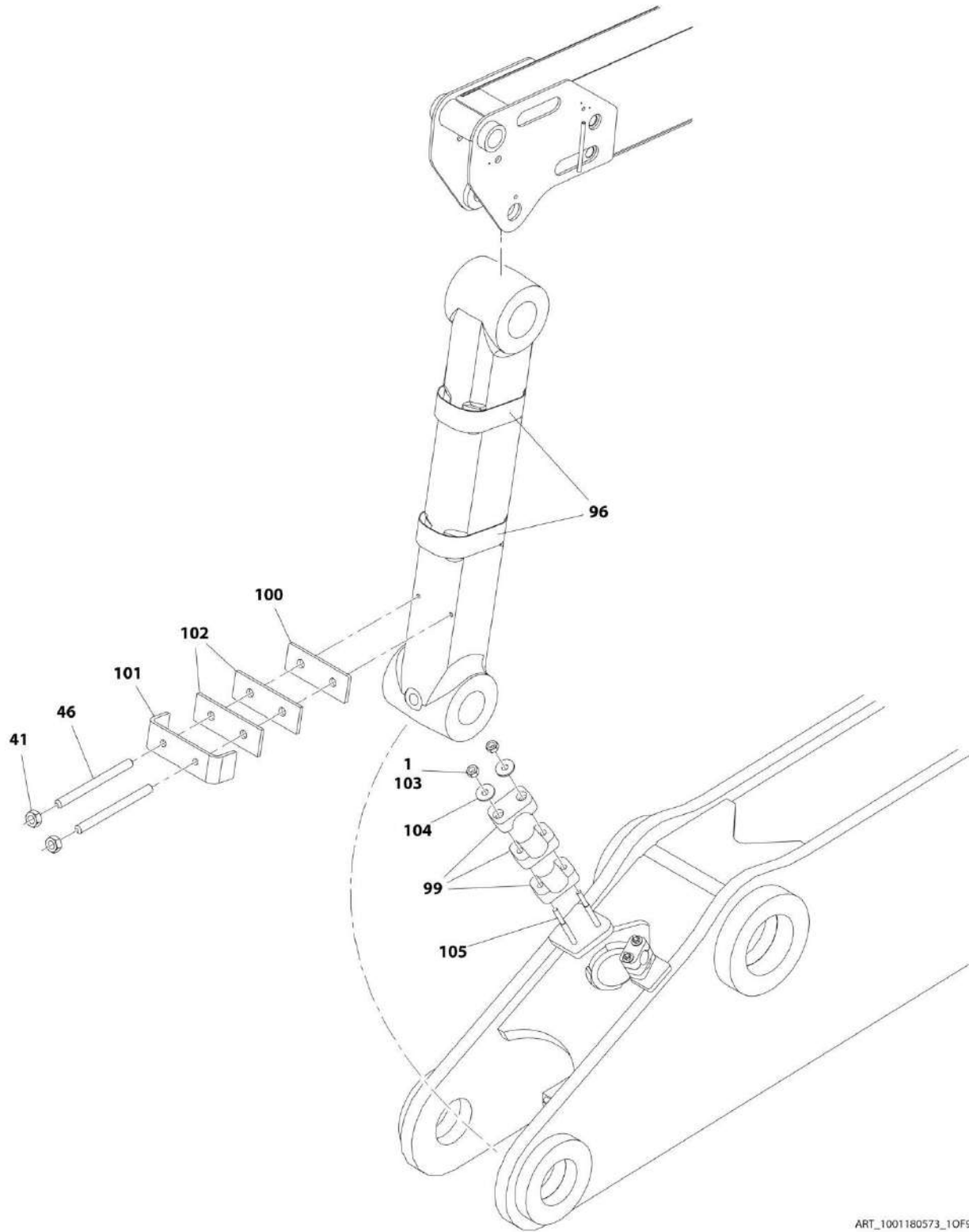
**SECTION 4 - BOOM**

**FIGURE 4-14. CLAMPS INSTALLATION (BOOM) - 24RS**

ITEM	PART NUMBER	QTY	DESCRIPTION	REV
	1001139017	Ref	CLAMPS INSTALLATION (BOOM) - 24RS	D
1	0100011	AR	Compound, Locking	
41	3291001	2	Nut M10	
46	5282020	2	Capscrew M10 x 80	
96	1001143645	2	Strap, Cinch	
99	1001091581	3 Set	Clamp	
100	1001145630	1	Bar	
101	1001145631	1	Plate	
102	1001145635	2	Pad	
103	3290601	2	Nut M10	
104	4811702	2	Washer M6	
105	1001148456	2	Stud	

# SECTION 4 - BOOM

## FIGURE 4-15. CLAMPS INSTALLATION (BOOM) - 24RSJ



ART\_1001180573\_10F9

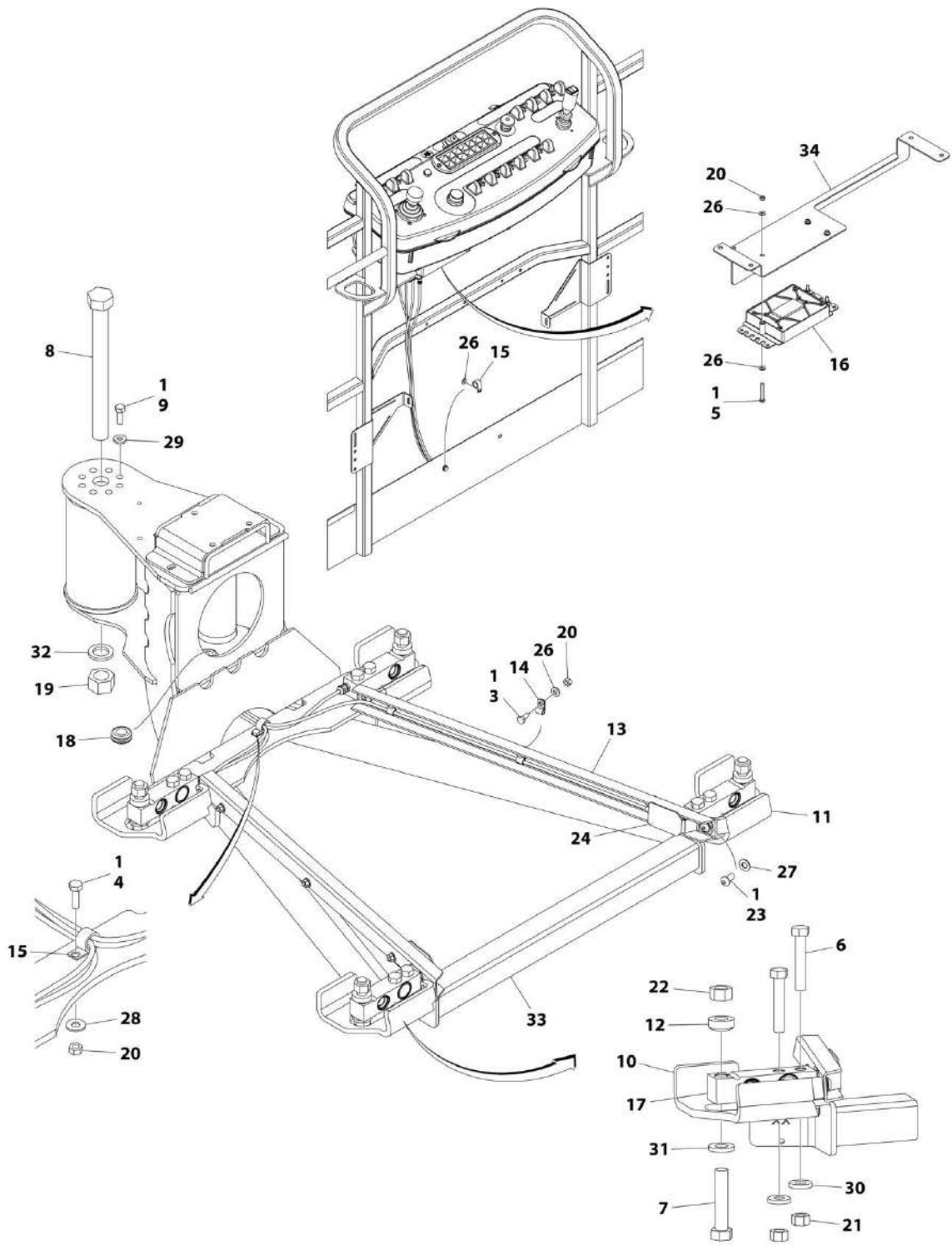
**SECTION 4 - BOOM**

**FIGURE 4-15. CLAMPS INSTALLATION (BOOM) - 24RSJ**

ITEM	PART NUMBER	QTY	DESCRIPTION	REV
	1001180573	Ref	CLAMPS INSTALLATION (BOOM) - 24RSJ	C
1	0100011	AR	Compound, Locking	
41	3291001	2	Nut M10	
46	5282020	2	Capscrew M10 x 80	
96	1001143645	2	Strap, Cinch	
99	1001091581	3 Set	Clamp	
100	1001145630	1	Bar	
101	1001145631	1	Plate	
102	1001145635	2	Pad	
103	3290601	2	Nut M10	
104	4811702	2	Washer M6	
105	1001148456	2	Stud	

# SECTION 4 - BOOM

FIGURE 4-16. PLATFORM SUPPORT INSTALLATION (24RSJ) - WITH LSS



ART\_1001232516

## SECTION 4 - BOOM

**FIGURE 4-16. PLATFORM SUPPORT INSTALLATION (24RSJ) - WITH LSS**

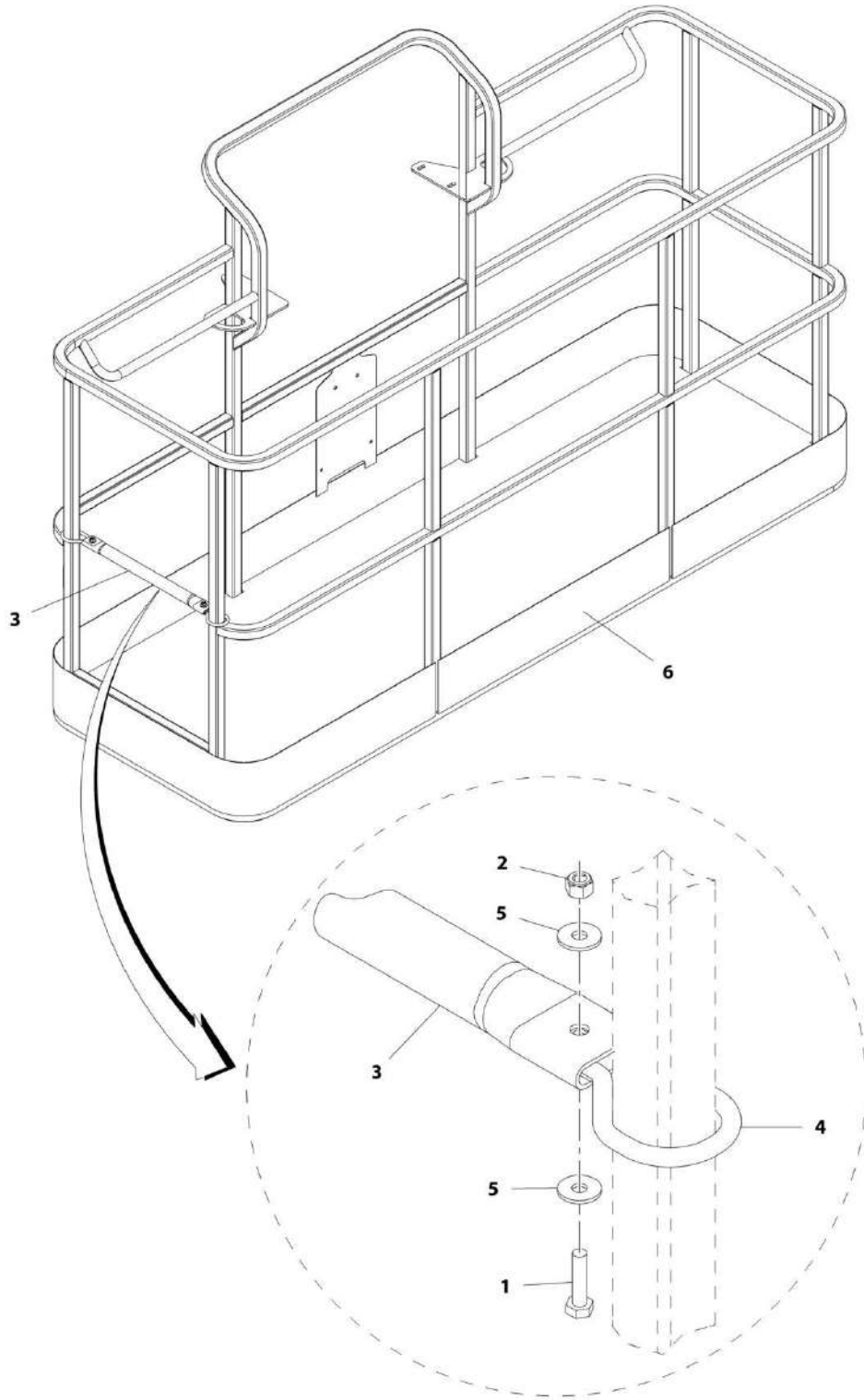
ITEM	PART NUMBER	QTY	DESCRIPTION	REV
	1001232516	Ref	PLATFORM SUPPORT INSTALLATION (24RSJ) - WITH LSS	A
1	0100011	AR	Compound, Locking	
2	0100048	AR	Grease, Dielectric (Not Shown)	
3	0641405	6	Screw 1/4 x 5/8	
4	0641407	1	Screw 1/4 x 7/8	
5	0641416	3	Screw 1/4 x 2	
6	0641822	8	Screw 1/2 x 2-3/4	
7	0642024	4	Screw 5/8 x 3	
8	0642684	1	Screw 1 x 10-1/2	
9	0681608	8	Screw 3/8 x 1	
10	0902919	2	Bracket, LH Cell Load Guard	
11	0902920	2	Bracket, RH Cell Load Guard	
12	0962450	4	Bushing, Spacer	
13	1271538	2	Channel, Load Cell Wire	
14	1320136	6	Clamp, Cable	
15	1320224	2	Clamp, Cable	
16	1600387	1	Controller, Load Sense	
17	2420202	4	Gauge	
18	2540038	1	Grommet	
19	3272605	1	Nut 1	
20	3311405	10	Nut 1/4	
21	3311805	8	Nut 1/2	
22	3312005	4	Nut 5/8	
23	3900283	4	Screw 3/8 x 3/4	
24	4061054	2	Shield, Strain Relief	
25	4240033	AR	Tie-Strap (Not Shown)	
26	4711400	13	Washer 1/4	
27	4711600	4	Washer 3/8	
28	4751400	1	Washer 1/4	
29	4891600	8	Washer 3/8	
30	4891800	8	Washer 1/2	
31	4892000	4	Washer 5/8	
32	4892600	1	Washer 1	
33	1001113465	1	Support, Platform	
34	1001113483	1	Bracket	
35	1001150197	1	LSS Harness (Not Shown - See ELECTRICAL Section)	



**SECTION 5 - PLATFORM**

# SECTION 5 - PLATFORM

## FIGURE 5-1. PLATFORM ASSEMBLY



ART\_1001134293



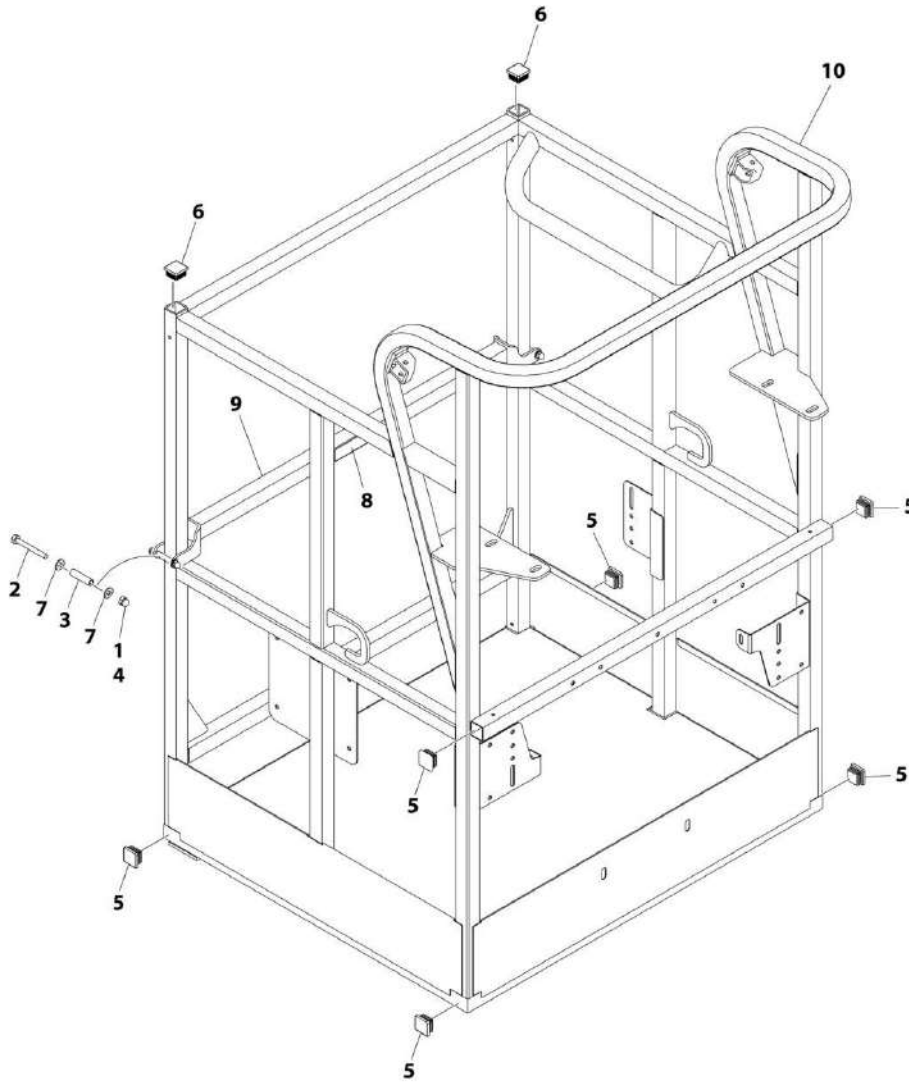
## SECTION 5 - PLATFORM

**FIGURE 5-1. PLATFORM ASSEMBLY**

ITEM	PART NUMBER	QTY	DESCRIPTION	REV
	1001134293	Ref	PLATFORM ASSEMBLY (Prior to SN B300001777)	D
	1001227180	Ref	PLATFORM ASSEMBLY (SN B300001777 to Present)	A
		Ref	Note: Replacement Decals Must be Ordered Separately - See DECAL SECTION.	
1	0760612	2	Bolt M6 x 25	
2	3290605	2	Nut M6	
3	3641585	1	Rail	
4	3841692	2	Loop, Rod	
5	4811702	4	Washer M6	
6	See Note	NLA	Platform Weldment (Note: Purchase Platform Assembly)	

# SECTION 5 - PLATFORM

FIGURE 5-2. PLATFORM ASSEMBLY - 30IN X 3FT (76CM X .91M) - DROP BAR ENTRY (USA BUILT MACHINES)



ART\_1001228215

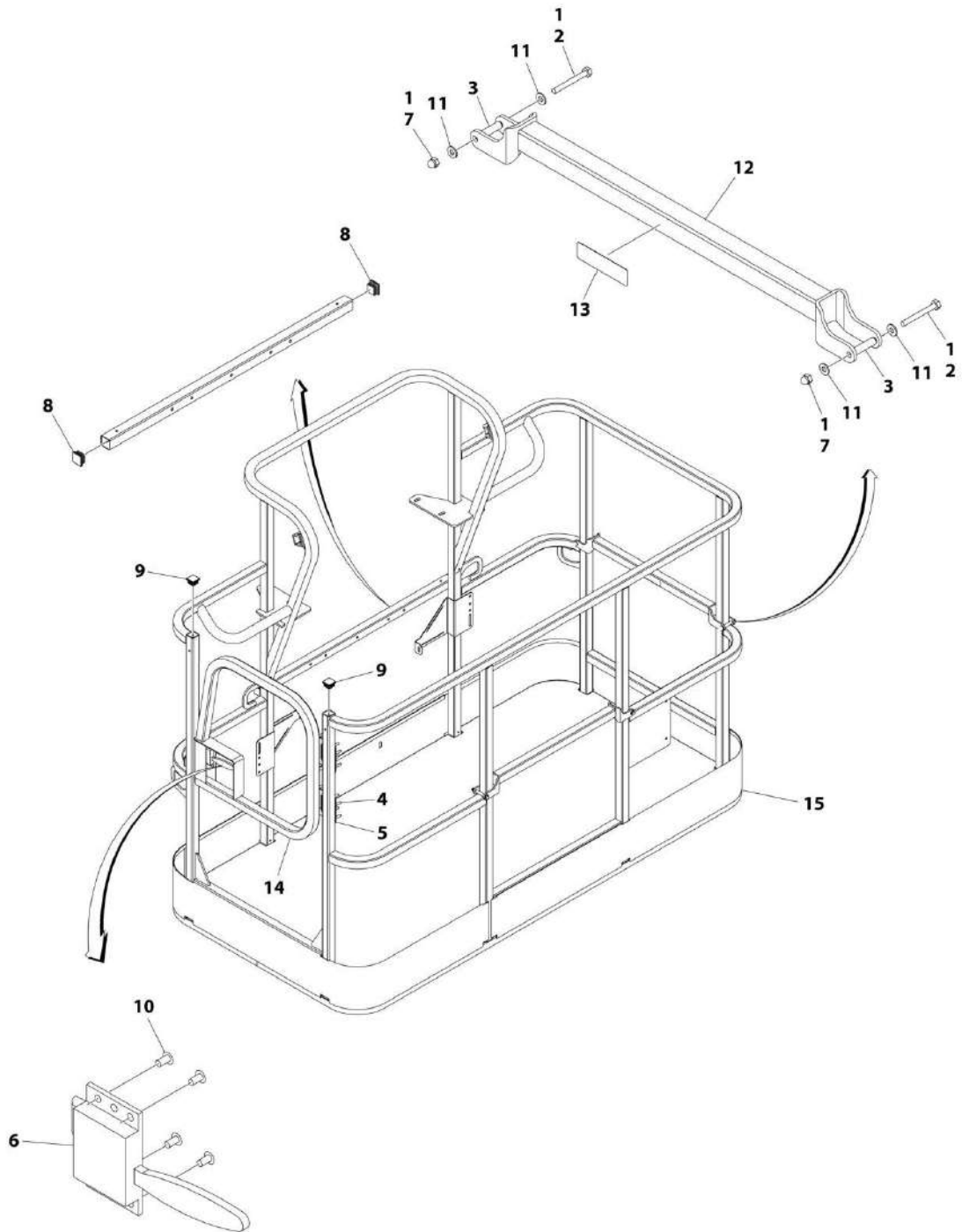
## SECTION 5 - PLATFORM

**FIGURE 5-2. PLATFORM ASSEMBLY - 30IN X 3FT (76CM X .91M) - DROP BAR ENTRY (USA BUILT MACHINES)**

ITEM	PART NUMBER	QTY	DESCRIPTION	REV
	1001228215	Ref	PLATFORM ASSEMBLY - 30IN X 3FT (76CM X .91M) - DROP BAR ENTRY (USA BUILT MACHINES)	A
	See Note	Ref	Note: Platform and Mesh must be ordered separately for Platforms with Mesh. See SPECIAL OPTIONS SECTION for Mesh Installations.	
	See Note	Ref	Note: Replacement Decals Must be Ordered Separately - See DECAL SECTION.	
1	0100011	AR	Compound, Locking	
2	0641418	2	Bolt 1/4 x 2-1/4	
3	0961845	2	Bushing	
4	3300151	2	Nut 1/4	
5	3520072	6	Plug	
6	3520198	2	Plug	
7	4711400	4	Washer 1/4	
8	1001140429	1	Decal - Drop Bar	
9	1001226872	1	Bar, Drop	
10	See Note	NSS	Platform, Weldment (Note: Not Available - Purchase Platform Assembly)	

# SECTION 5 - PLATFORM

FIGURE 5-3. PLATFORM ASSEMBLY - 3FT X 6FT (91.5CM X 1.83M) WITH TRI-ENTRY (1 GATE / 2 DROP BARS)



ART\_1001228376

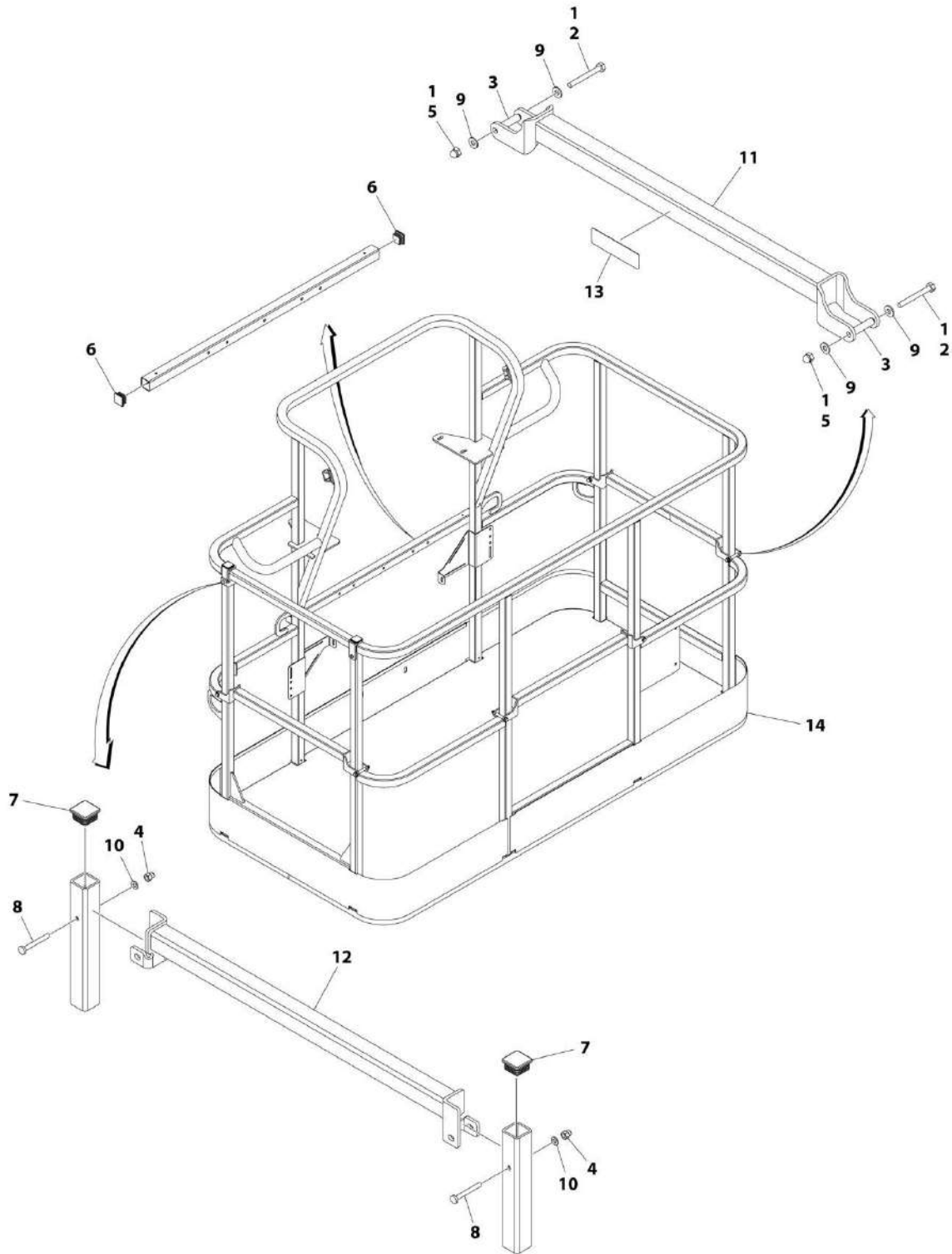
## SECTION 5 - PLATFORM

**FIGURE 5-3. PLATFORM ASSEMBLY - 3FT X 6FT (91.5CM X 1.83M) WITH TRI-ENTRY (1 GATE / 2 DROP BARS)**

ITEM	PART NUMBER	QTY	DESCRIPTION	REV
	1001228376	Ref	PLATFORM ASSEMBLY - 36IN x 6FT (91.5CM x 1.83M)	A
		Ref	Note: Platform and Mesh must be ordered separately for Platforms with Mesh. See SPECIAL OPTIONS SECTION for Mesh Installations.	
		Ref	Note: Replacement Decals Must be Ordered Separately - See DECAL SECTION.	
1	0100011	AR	Compound, Locking	
2	0641418	4	Bolt 1/4 x 2-1/4	
3	0961845	4	Bushing	
4	2080040	16	Fastener	
5	2600281	2	Hinge	
6	2940074	1	Latch	
7	3300151	4	Nut 1/4	
8	3520072	3	Plug	
9	3520198	2	Plug	
10	3820020	4	Rivet	
11	4711400	8	Washer 1/4	
12	1001138494	2	Bar, Drop	
13	1001140429	2	Decal - Drop Bar	
14	1001144629	1	Gate	
15	See Note	NSS	Platform (Note: Not Available - Purchase Platform Assembly)	

# SECTION 5 - PLATFORM

FIGURE 5-4. PLATFORM ASSEMBLY – 3FT X 6FT (91.5CM X 1.83M) WITH TRI-ENTRY (3 DROP BARS)



ART\_1001228377

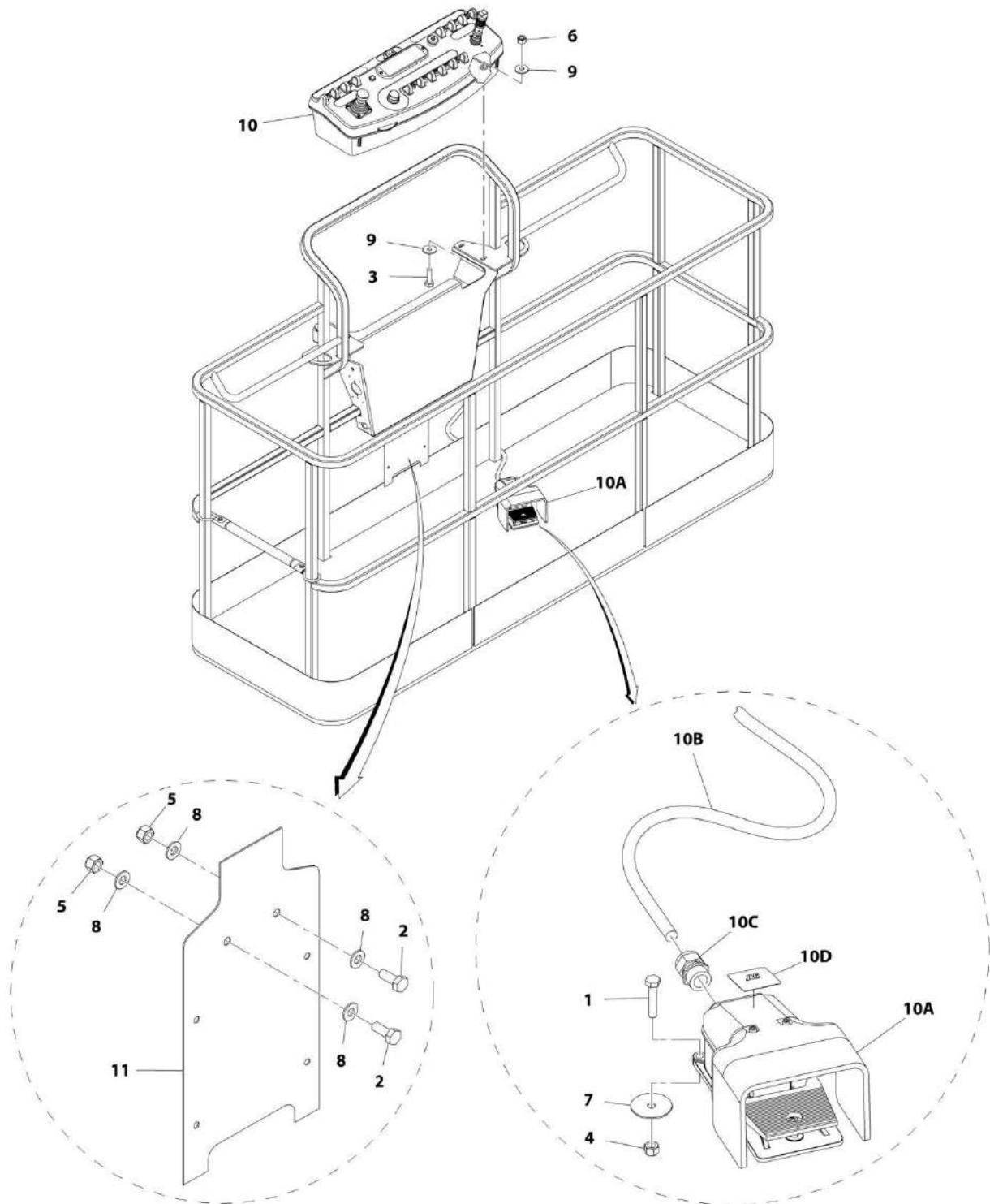
## SECTION 5 - PLATFORM

**FIGURE 5-4. PLATFORM ASSEMBLY – 3FT X 6FT (91.5CM X 1.83M) WITH TRI-ENTRY (3 DROP BARS)**

ITEM	PART NUMBER	QTY	DESCRIPTION	REV
	1001228377	Ref	PLATFORM ASSEMBLY - 36IN x 6FT (91.5CM x 1.83M)	A
		Ref	Note: Platform and Mesh must be ordered separately for Platforms with Mesh. See SPECIAL OPTIONS SECTION for Mesh Installations.	
		Ref	Note: Replacement Decals Must be Ordered Separately - See DECAL SECTION.	
1	0100011	1	Compound, Locking	
2	0641418	6	Bolt 1/4 x 2-1/4	
3	0961845	6	Bushing	
4	3290606	2	Nut M6	
5	3300151	6	Nut 1/4	
6	3520072	2	Plug	
7	3520198	2	Plug	
8	4010618	2	Screw M6 x 50	
9	4711400	12	Washer 1/4	
10	4811700	2	Washer M6	
11	1001138494	3	Bar, Drop	
12	1001138514	1	Rail (Top)	
13	1001140429	3	Decal - Drop Bar	
14	See Note	NSS	Platform, Weldment (Note: Not Available - Purchase Platform Assembly)	

# SECTION 5 - PLATFORM

## FIGURE 5-5. PLATFORM CONSOLE AND FOOTSWITCH INSTALLATION - 24RS



ART\_1001133423



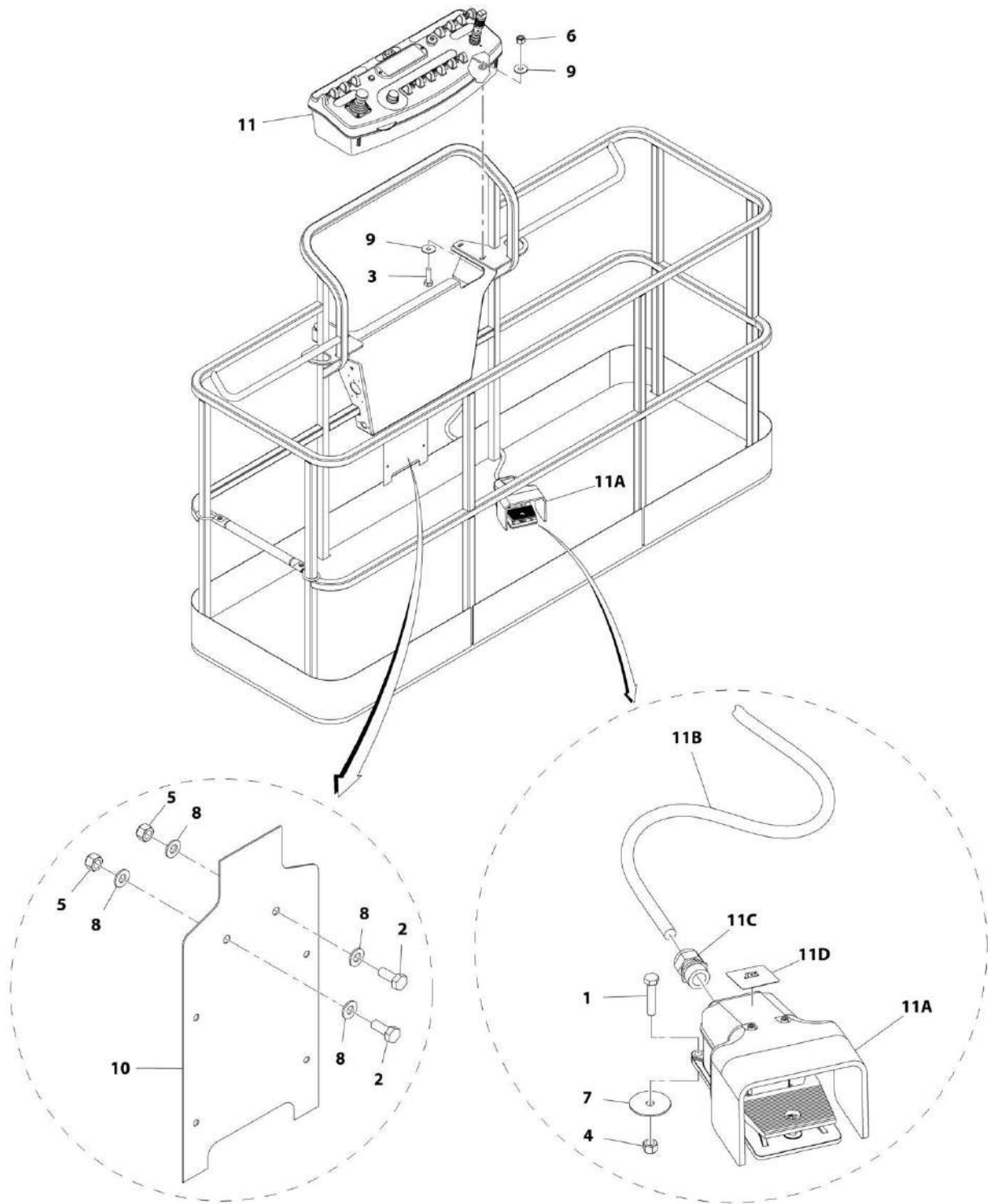
## SECTION 5 - PLATFORM

**FIGURE 5-5. PLATFORM CONSOLE AND FOOTSWITCH INSTALLATION - 24RS**

ITEM	PART NUMBER	QTY	DESCRIPTION	REV
	1001133423	Ref	PLATFORM CONSOLE AND FOOTSWITCH INSTALLATION - 24RS	C
1	0760614	3	Bolt M6 x 30	
2	0760810	2	Bolt M8 x 20	
3	0761015	4	Bolt M10 x 35	
4	3290605	3	Nut M6	
5	3290805	2	Nut M8	
6	3291005	4	Nut M10	
7	4740362	3	Washer, Fender 1/4	
8	4811900	4	Washer M8	
9	4812002	8	Washer M10	
10	1001133602	1	Console Box Assembly (See PLATFORM CONSOLE ASSEMBLY for Breakdown) <b>(Prior to SN B300001446)</b>	
10	1001184188	1	Console Box Assembly (See PLATFORM CONSOLE ASSEMBLY for Breakdown) <b>(SN B300001446 to Present)</b>	
10A	0272970	1	Footswitch Assembly	B
10A	1001117320	1	Footswitch	
10A	70003483	1	Block, Contact	
10B	1060918	7 ft/2.2m	Cable, Electrical - 18/3	
10C	4460071	1	Connector, Strain Relief	
10D	3252347	1	Nameplate (Note: See DECAL SECTION for Other Languages)	
11	1001145439	1	Panel, Pedestal	

# SECTION 5 - PLATFORM

FIGURE 5-6. PLATFORM CONSOLE AND FOOTSWITCH INSTALLATION - 24RSJ (Prior to SN B300001777)



ART\_1001203480

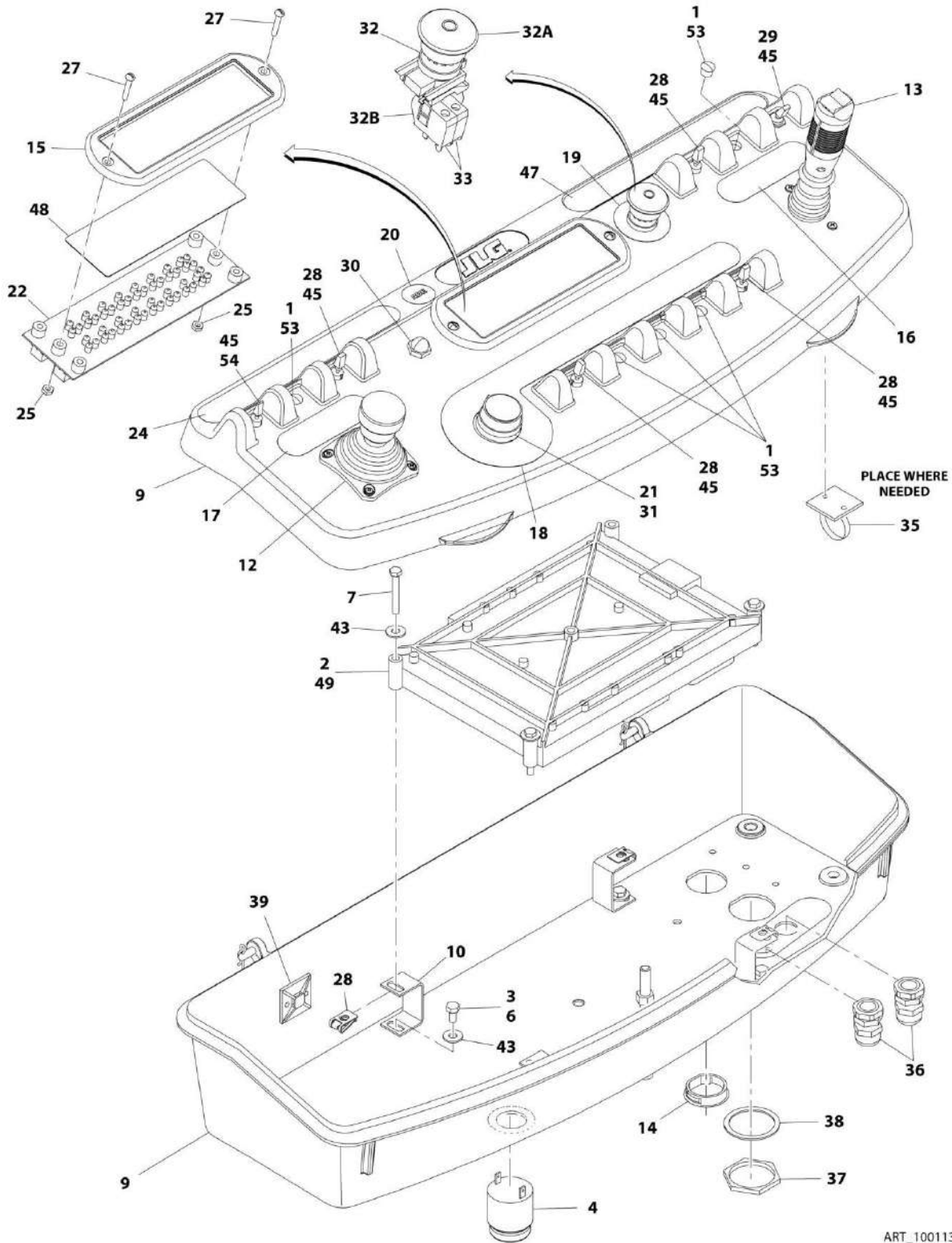
## SECTION 5 - PLATFORM

**FIGURE 5-6. PLATFORM CONSOLE AND FOOTSWITCH INSTALLATION - 24RSJ (Prior to SN B300001777)**

ITEM	PART NUMBER	QTY	DESCRIPTION	REV
	1001203480	Ref	PLATFORM CONSOLE AND FOOTSWITCH INSTALLATION - 24RSJ (Prior to SN B300001777)	A
1	0760614	3	Bolt M6 x 30	
2	0760810	2	Bolt M8 x 20	
3	0761015	4	Bolt M10 x 35	
4	3290605	3	Nut M6	
5	3290805	2	Nut M8	
6	3291005	4	Nut M10	
7	4740362	3	Washer 1/4	
8	4811900	4	Washer M8	
9	4812002	8	Washer M10	
10	1001145439	1	Panel, Pedestal	
11	1001203481	1	Console Box Assembly (See PLATFORM CONSOLE ASSEMBLY for Breakdown)	
11A	0272970	1	Footswitch Assembly	B
11A	1001117320	1	Footswitch	
11A	70003483	1	Block, Contact	
11B	1060918	7 ft/2.2m	Cable, Electrical - 18/3	
11C	4460071	1	Connector, Strain Relief	
11D	3252347	1	Nameplate (Note: See DECAL SECTION for Other Languages)	

# SECTION 5 - PLATFORM

## FIGURE 5-7. PLATFORM CONSOLE ASSEMBLY - 24RS (Prior to SN B300001446)



ART\_1001133602

## SECTION 5 - PLATFORM

**FIGURE 5-7. PLATFORM CONSOLE ASSEMBLY - 24RS (Prior to SN B300001446)**

ITEM	PART NUMBER	QTY	DESCRIPTION	REV
	1001133602	Ref	PLATFORM CONSOLE ASSEMBLY - 24RS (Prior to SN <b>B300001446</b> )	F
1	0100009	AR	Sealant	
2	0100048	AR	Grease, Dielectric	
3	0100081	AR	Adhesive	
4	0140011	1	Alarm	
6	0641404	4	Bolt 1/4 x 1/2	
7	0700617	4	Bolt M6 x 45	
8	1001133752	1	Platform Box Harness (Not Shown - See ELECTRICAL SECTION for Breakdown) (Prior to SN <b>B300002343</b> )	
8	1001217358	1	Platform Box Harness (Not Shown - See ELECTRICAL SECTION for Breakdown) (SN <b>B300002343</b> to Present)	
9	0861441	NLA	Box, Console (See CONSOLE BOX ASSEMBLY for Breakdown) (Use p/n 1001218068)	
10	0902571	4	Bracket, Support	
12	1001118417	NLA	Controller Assembly (Lift and Swing) (See CONTROLLER ASSEMBLY (LIFT AND SWING) for Breakdown) (Use p/n 1001129555)	
13	1001118416	NLA	Controller Assembly (Drive and Steer) (See CONTROLLER ASSEMBLY (DRIVE AND STEER) for Breakdown) (Use p/n 1001166538)	
14	1001110434	1	Plug, Hole	
15	1671176	1	Bezel	
16	1702565	1	Decal - Drive and Steer	
17	1702566	1	Decal - Lift and Swing	
18	1702567	1	Decal - Function Speed	
19	1704260	1	Decal - EMS	
20	1705132	1	Decal - ADE	
21	2560136	1	Handle, Knob	
22	2920154	1	Panel, LED Light	
23	8305919	4	Nut, Retainer M6	
24	1702676	1	Decal - Horn	
25	3311005	2	Nut #10	
27	3911018	2	Bolt #10 x 1-1/8	
28	4360328	4	Switch, Toggle	
29	4360330	1	Switch, Toggle	
30	4360387	1	Switch, Pushbutton	
31	4360407	1	Controller, Speed	
31	See Note	1	Gasket "Top Hat" (Included with Switch) (Note: Not Available - Purchase Complete Controller)	
31	70003784	1	Seal	
32	4360475	1	Switch, Emergency Stop	
32A	7020175	1	Cap, Red	
32B	7020176	1	Contact Block	
33	4360476	1	Block, Contact	
35	4460234	3	Base, Mounting	
36	4460428	2	Connector, Strain Relief	
37	4460470	1	Nut, Terminal	
38	4460471	1	Lockwasher, Terminal	
39	4460488	1	Base, Mounting	
41	4460905	5	Seal, Plug (Not Shown)	
43	4751400	8	Washer 1/4	

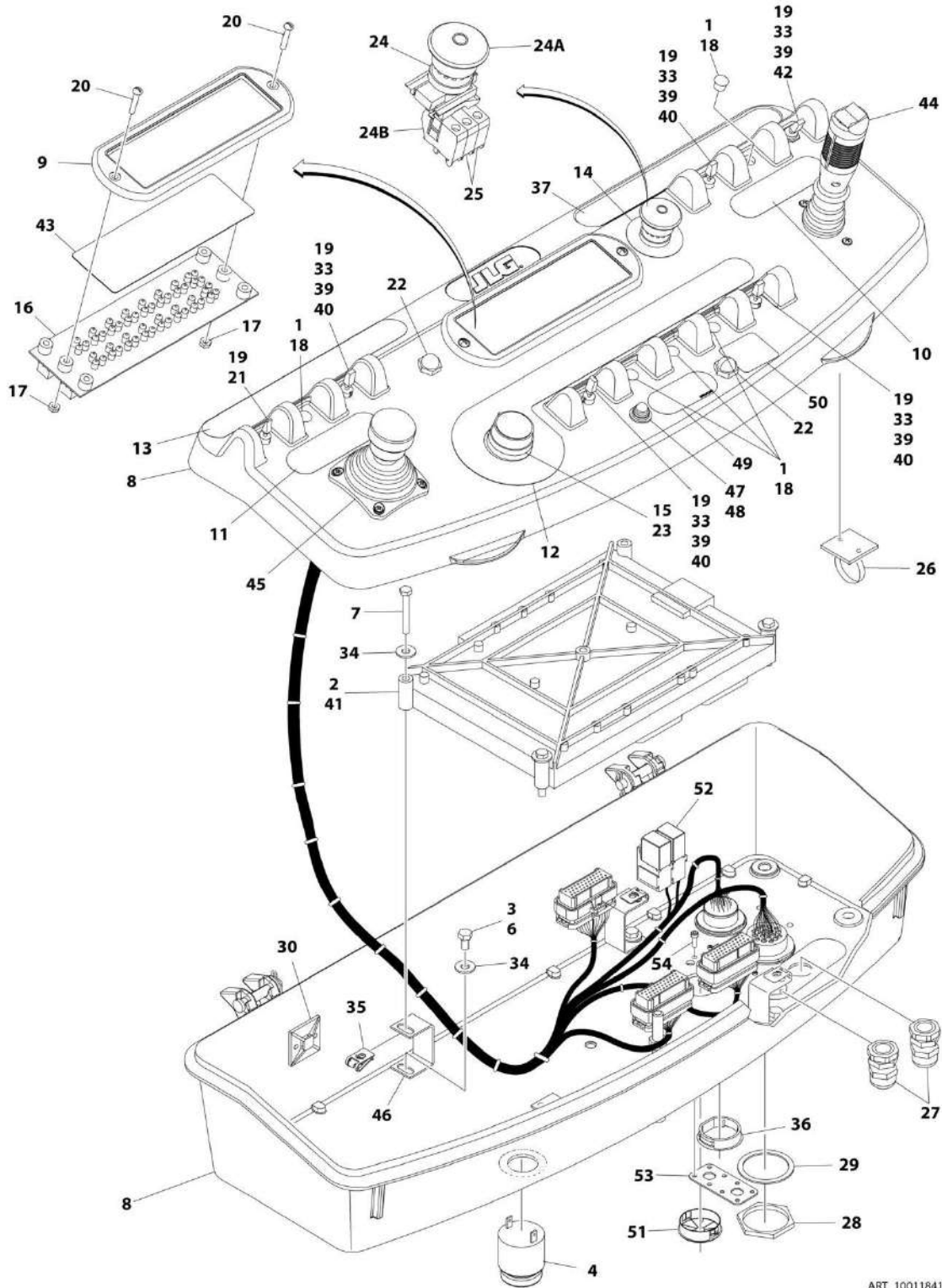
## SECTION 5 - PLATFORM

ITEM	PART NUMBER	QTY	DESCRIPTION	REV
45	3790012	8	O-Ring	
47	1001131168	1	Decal - Stop	
48	1001107952	1	Decal - Display <b>(Prior to SN B300001025)</b>	
48	1001164374	1	Decal - Display <b>(SN B300001025 to Present)</b>	
49	1001118412	1	Controller, Module (Re-calibration Required when Replaced) <b>(Prior to SN B300001025)</b>	
49	1001157196	1	Controller, Module (Re-calibration Required when Replaced) <b>(SN B300001025 to Present)</b>	
52	4460708	1	Receptacle, Female 15 Position (Not Shown)	
53	3520054	5	Plug, Hole	
54	4360331	1	Switch, Toggle	



# SECTION 5 - PLATFORM

## FIGURE 5-8. PLATFORM CONSOLE ASSEMBLY - 24RS (SN B30001446 to Present)



ART\_1001184188



## SECTION 5 - PLATFORM

**FIGURE 5-8. PLATFORM CONSOLE ASSEMBLY - 24RS (SN B300001446 to Present)**

ITEM	PART NUMBER	QTY	DESCRIPTION	REV
	1001184188	Ref	PLATFORM CONSOLE ASSEMBLY - 24RS <b>(SN B300001446 to Present)</b>	C
1	0100009	AR	Sealant	
2	0100011	AR	Compound, Locking	
3	0100048	AR	Grease, Dielectric	
4	0140011	1	Alarm	
6	0641404	4	Bolt 1/4 x 1/2	
7	0700617	4	Bolt M6 x 45	
8	0861441	NLA	Box, Console (See CONSOLE BOX ASSEMBLY for Breakdown) (Use p/n 1001218068) <b>(Prior to SN B300001777)</b>	
8	1001201886	1	Box, Console (See CONSOLE BOX ASSEMBLY for Breakdown) <b>(SN B300001777 through B300002342)</b>	
8	1001218068	1	Box, Console (See CONSOLE BOX ASSEMBLY for Breakdown) <b>(SN B300002343 to Present)</b>	
9	1671176	1	Bezel	
10	1702565	1	Decal - Drive and Steer	
11	1702566	1	Decal - Lift and Swing	
12	1702567	1	Decal - Function Speed	
13	1702676	1	Decal - Horn	
14	1704260	1	Decal - EMS	
15	2560136	1	Handle, Knob	
16	2920154	1	Panel, LED Light	
17	3311005	2	Nut #10	
18	3520054	AR	Plug, Hole	
19	3790012	AR	O-Ring	
20	3911018	2	Bolt #10 x 1-1/8	
21	4360331	1	Switch, Toggle <b>(Prior to SN B300001777)</b>	
21	1001161709	1	Switch, Toggle <b>(SN B300001777 to Present)</b>	
22	4360387	1	Switch, Pushbutton <b>(Prior to SN B300001777)</b>	
22	4360387	2	Switch, Pushbutton <b>(SN B300001777 to Present)</b>	
23	4360407	1	Controller, Speed	
23	See Note	1	Gasket "Top Hat" (Included with Switch) (Note: Not Available - Purchase Complete Controller)	
23	70003784	1	Seal	
24	4360475	1	Switch, Emergency Stop	
24A	7020175	1	Cap, Red	
24B	7020176	1	Contact Block	
25	4360476	2	Block, Contact <b>(Prior to SN B300001777)</b>	
25	4360476	1	Block, Contact <b>(SN B300001777 to Present)</b>	
26	4460234	3	Base, Mounting	
27	4460428	2	Connector, Strain Relief	
28	4460470	1	Nut, Terminal	
29	4460471	1	Lockwasher, Terminal	
30	4460488	1	Base, Mounting	
31	4460708	1	Receptacle, Female 15 Position (Not Shown)	
32	4460905	5	Seal, Plug (Not Shown)	
33	4740397	AR	Washer, Spacer	
34	4751400	8	Washer 1/4	
35	8305919	4	Nut, Retainer M6	
36	1001110434	1	Plug, Hole	
37	1001131168	1	Decal - Stop	

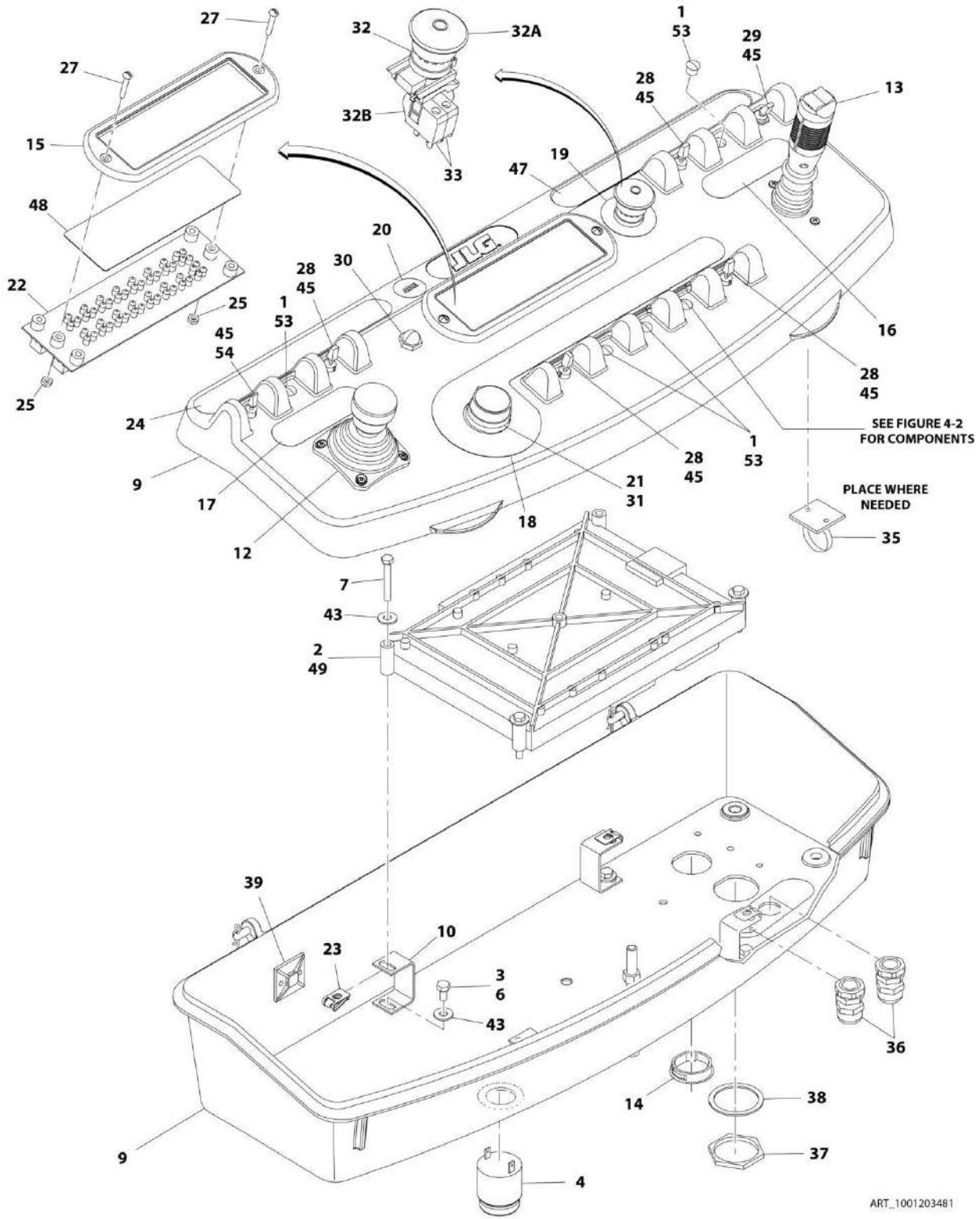
## SECTION 5 - PLATFORM

ITEM	PART NUMBER	QTY	DESCRIPTION	REV
38	1001133752	1	Platform Box Harness (Not Shown - See ELECTRICAL SECTION for Breakdown) <b>(Prior to SN B300001777)</b>	
39	1001217358	1	Platform Box Harness (Not Shown - See ELECTRICAL SECTION for Breakdown) <b>(SN B300001777 to Present)</b>	
39	1001155044	AR	Nut 15/32	
40	1001155045	4	Switch, Toggle	
41	1001157196	1	Controller, Module (Re-calibration Required when Replaced)	
42	1001159256	1	Switch, Toggle	
43	1001164374	1	Decal - Display	
44	1001166538	1	Controller Assembly (Drive and Steer) (See CONTROLLER ASSEMBLY (DRIVE AND STEER) for Breakdown)	
45	1001166539	1	Controller Assembly (Lift and Swing) (See CONTROLLER ASSEMBLY (LIFT AND SWING) for Breakdown) (Use p/n 1001129555)	
46	1001172760	4	Bracket	
47	2920028	1	Light, Indicator <b>(SN B300001777 to Present)</b>	
48	2920029	1	Lamp, Bulb <b>(SN B300001777 to Present)</b>	
49	1001141300	1	Decal, Platform Sensor Override <b>(SN B300001777 to Present)</b>	
50	1001144433	1	Decal, No Weight Skyguard <b>(SN B300001777 to Present)</b>	
51	1001185281	1	Plug, Bushing Heyco UB1500 <b>(SN B300001777 to Present)</b>	
52	1001186431	2	Relay, Micro 35 AMP <b>(SN B300001777 to Present)</b>	
53	1001213882	1	Mount, M/F Connector <b>(SN B300001777 to Present)</b>	
54	3900349	AR	Bolt M2.5 <b>(SN B300001777 to Present)</b>	



# SECTION 5 - PLATFORM

## FIGURE 5-9. PLATFORM CONSOLE ASSEMBLY - 24RSJ



ART\_1001203481

## SECTION 5 - PLATFORM

**FIGURE 5-9. PLATFORM CONSOLE ASSEMBLY - 24RSJ**

ITEM	PART NUMBER	QTY	DESCRIPTION	REV
	1001203481	Ref	PLATFORM CONSOLE ASSEMBLY - 24RSJ	A
1	0100009	AR	Sealant	
2	0100048	AR	Grease, Dielectric	
3	0100011	AR	Compound, Locking	
4	0140011	1	Alarm	
6	0641404	4	Bolt 1/4 x 1/2	
7	0700617	4	Bolt M6 x 45	
8	1001203482	1	Platform Box Harness (Not Shown - See ELECTRICAL SECTION for Breakdown)	
9	0861441	NLA	Box, Console (See CONSOLE BOX ASSEMBLY for Breakdown)	
10	0902571	4	Bracket, Support	
12	1001118417	NLA	Controller Assembly (Lift and Swing) (Original Equipment) (See CONTROLLER ASSEMBLY (LIFT AND SWING) for Breakdown) (Use p/n 1001129555)	
12	1001129555	1	Controller Assembly (Lift and Swing) (Service Replacement) (See CONTROLLER ASSEMBLY (LIFT AND SWING) for Breakdown)	
13	1001118416	NLA	Controller Assembly (Drive and Steer) (Original Equipment) (See CONTROLLER ASSEMBLY (DRIVE AND STEER) for Breakdown)	
13	1001166538	1	Controller Assembly (Drive and Steer) (Service Replacement) (See CONTROLLER ASSEMBLY (DRIVE AND STEER) for Breakdown)	
14	1001110434	1	Plug, Hole	
15	1671176	1	Bezel	
16	1702565	1	Decal - Drive and Steer	
17	1702566	1	Decal - Lift and Swing	
18	1702567	1	Decal - Function Speed	
19	1704260	1	Decal - EMS	
20	1705132	1	Decal - ADE	
21	2560136	1	Handle, Knob	
22	2920154	1	Panel, LED Light	
23	8305919	4	Nut, Retainer M6	
24	1702676	1	Decal - Horn	
25	3311005	2	Nut #10	
27	3911018	2	Bolt #10 x 1-1/8	
28	4360328	4	Switch, Toggle	
29	4360330	1	Switch, Toggle	
30	4360387	1	Switch, Pushbutton	
31	4360407	1	Controller, Speed	
31	See Note	1	Gasket "Top Hat" (Included with Switch) (Note: Not Available - Purchase Complete Controller)	
31	70003784	1	Seal	
32	4360475	1	Switch, Emergency Stop	
32A	7020175	1	Cap, Red	
32B	7020176	1	Contact Block	
33	4360476	2	Block, Contact	
35	4460234	3	Base, Mounting	
36	4460428	2	Connector, Strain Relief	
37	4460470	1	Nut, Terminal	
38	4460471	1	Lockwasher, Terminal	
39	4460488	1	Base, Mounting	
41	4460905	5	Seal, Plug (Not Shown)	

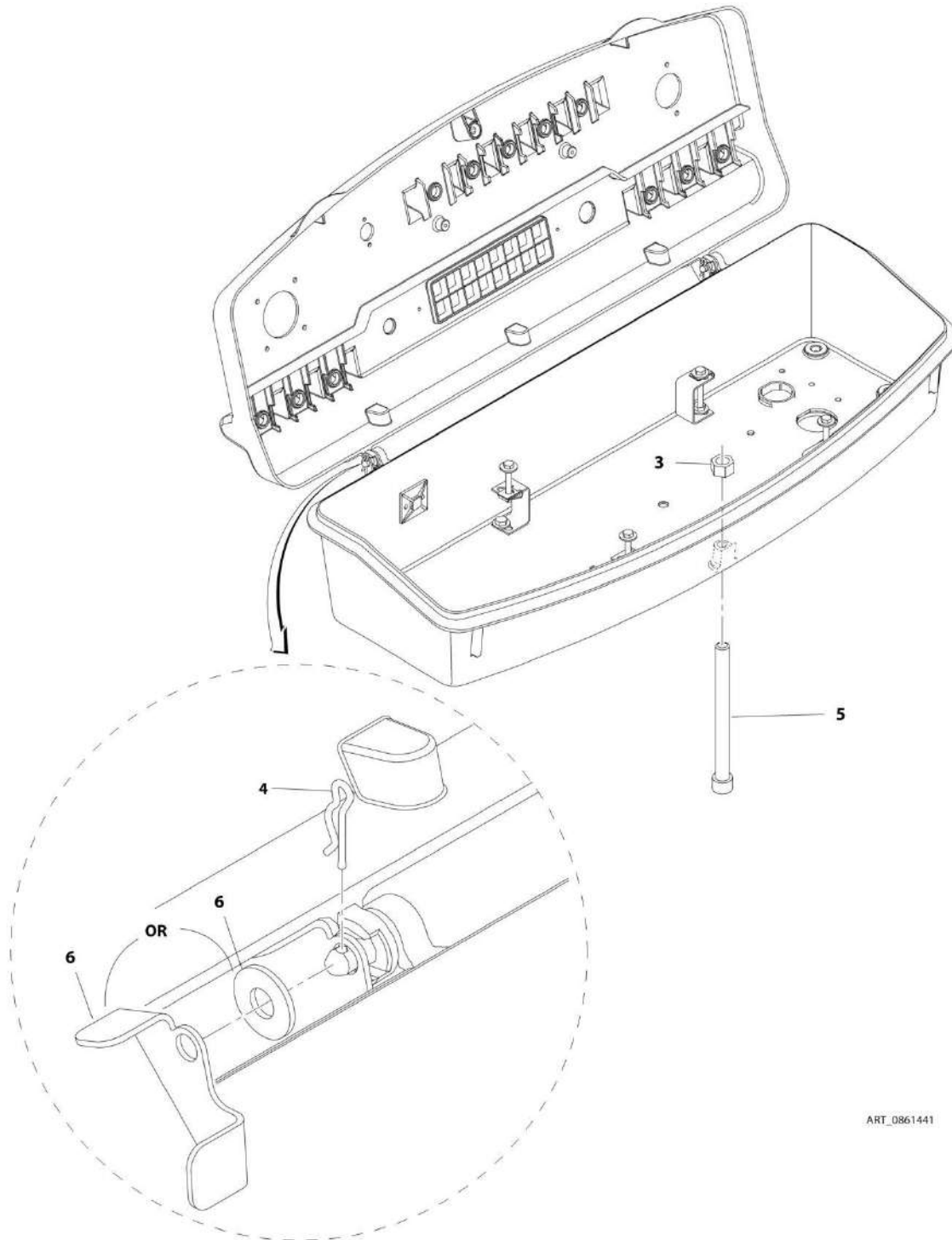
## SECTION 5 - PLATFORM

ITEM	PART NUMBER	QTY	DESCRIPTION	REV
43	4751400	8	Washer 1/4	
45	3790012	8	O-Ring	
47	1001131168	1	Decal - Stop	
48	1001164374	1	Decal - Display	
49	1001157196	1	Controller, Module (Re-calibration Required when Replaced)	
52	4460708	1	Receptacle, Female - 15 Position (Not Shown)	
53	3520054	5	Plug, Hole	
54	4360331	1	Switch, Toggle	



# SECTION 5 - PLATFORM

FIGURE 5-10. CONSOLE BOX ASSEMBLY (Prior to SN B300001777)



ART\_0861441



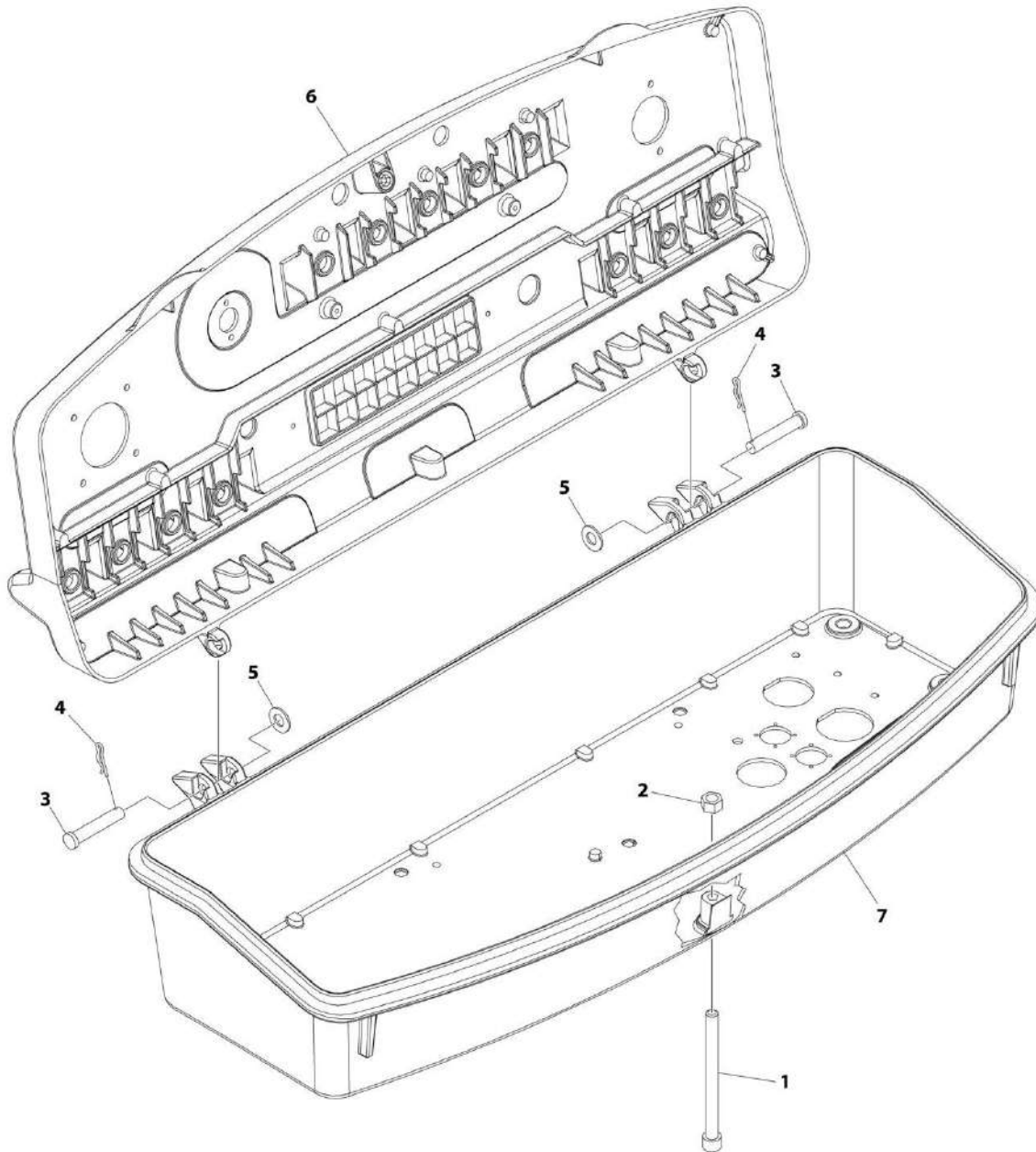
## SECTION 5 - PLATFORM

**FIGURE 5-10. CONSOLE BOX ASSEMBLY (Prior to SN B300001777)**

ITEM	PART NUMBER	QTY	DESCRIPTION	REV
	0861441	Ref	CONSOLE BOX ASSEMBLY (Prior to SN B300001777)	F
3	3311601	1	Nut 3/8	
4	3470003	2	Pin, Cotter	
5	0630568	1	Screw 3/8 x 4-1/2	
6	4711500	2	Washer 5/16	
6	1001200575	2	Bracket, Stop	

# SECTION 5 - PLATFORM

FIGURE 5-11. CONSOLE BOX ASSEMBLY (SN B300001777 through B300002342)



ART\_1001225679

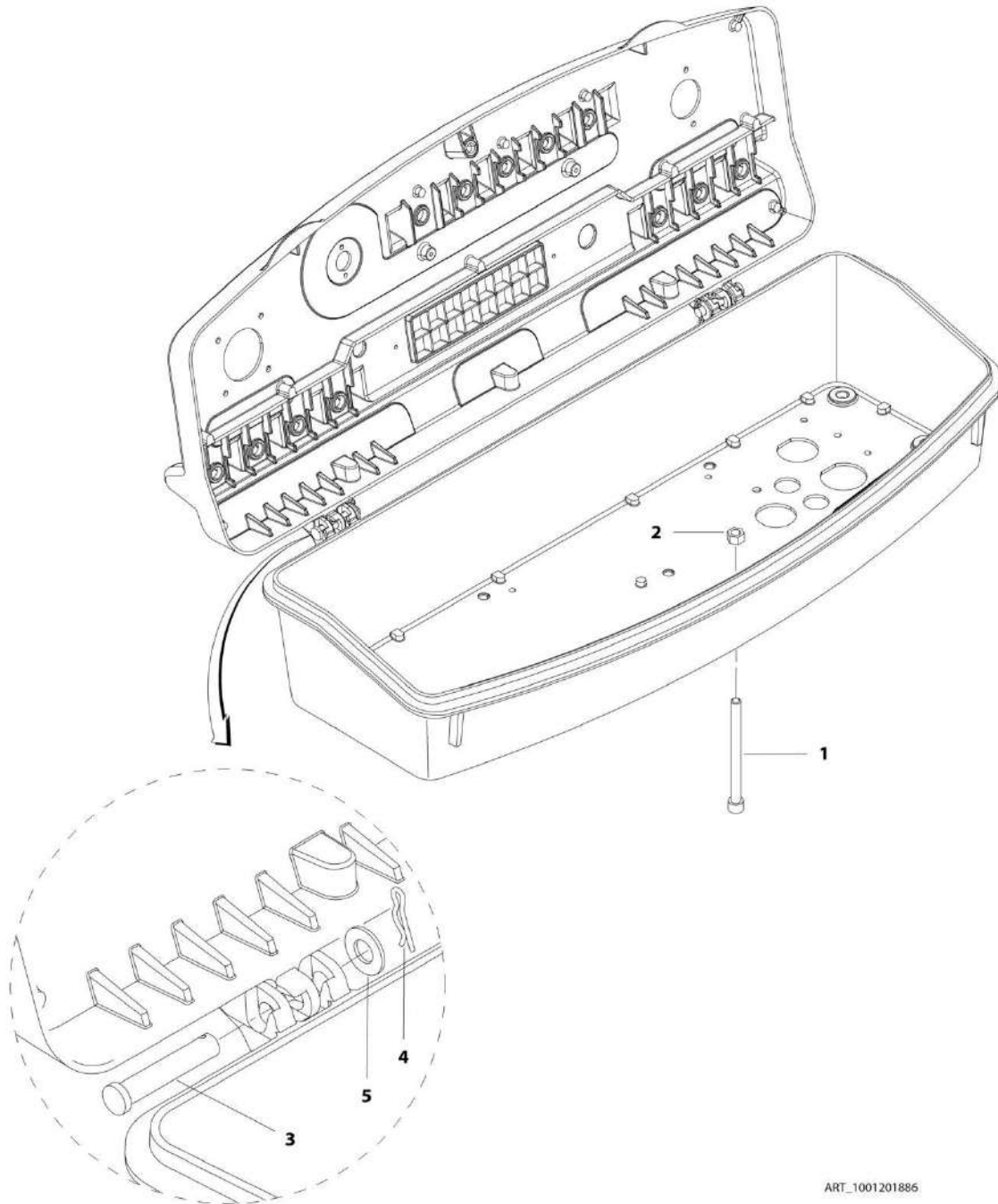
## SECTION 5 - PLATFORM

**FIGURE 5-11. CONSOLE BOX ASSEMBLY (SN B300001777 through B300002342)**

ITEM	PART NUMBER	QTY	DESCRIPTION	REV
	1001225679	Ref	CONSOLE BOX ASSEMBLY (SN B300001777 through <b>B300002342</b> )	B
1	0630568	1	Screw 3/8 x 4-1/2	
2	3311601	1	Nut 3/8	
3	3430616	2	Pin, Clevis	
4	3470003	2	Pin, Cotter	
5	4711600	2	Washer 3/8	
6	1001200803	1	Console Box, Top	
7	1001201436	1	Console Box, Bottom	

# SECTION 5 - PLATFORM

FIGURE 5-12. CONSOLE BOX ASSEMBLY (SN B300001540 to Present)



ART\_1001201886

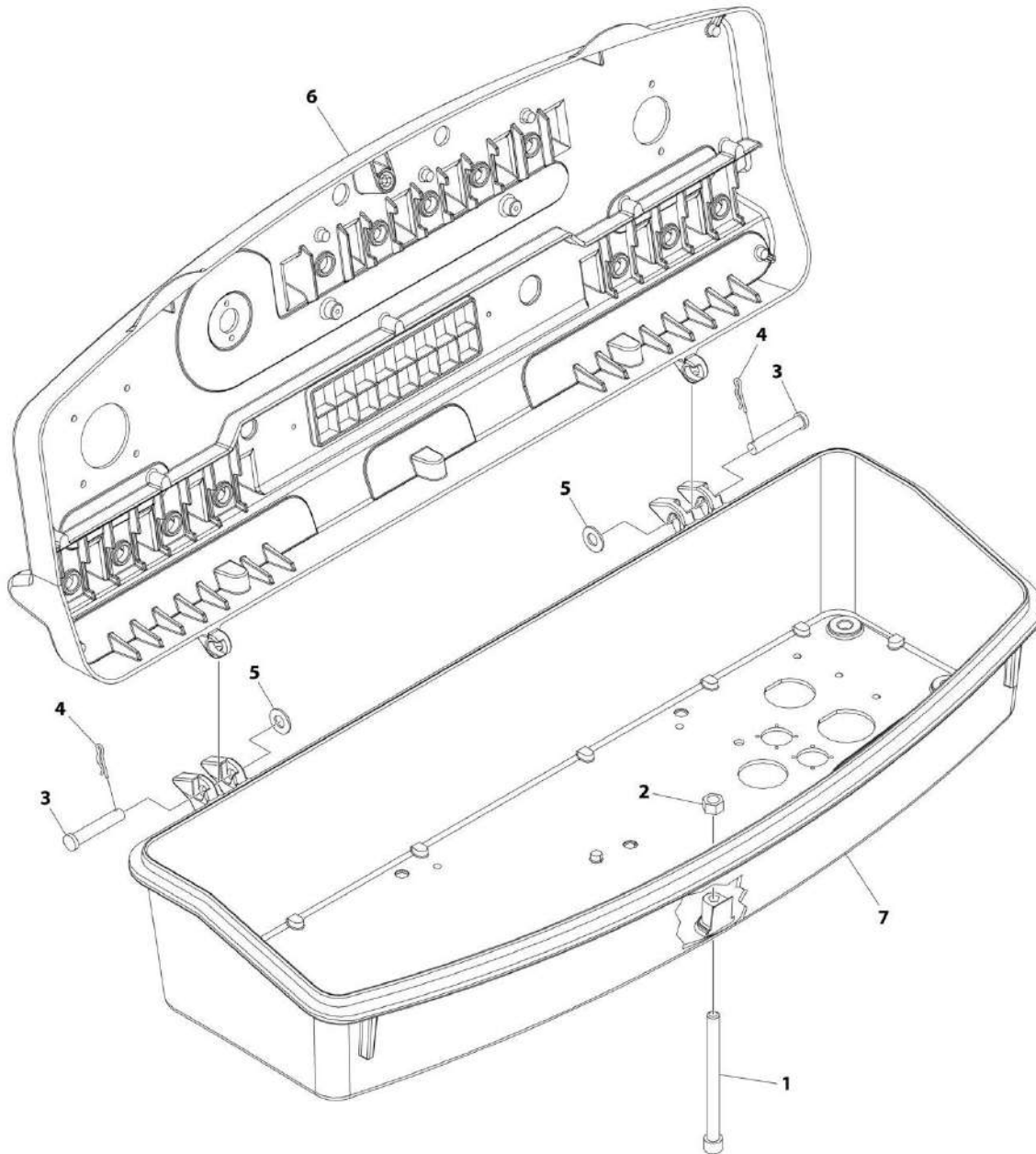
## SECTION 5 - PLATFORM

**FIGURE 5-12. CONSOLE BOX ASSEMBLY (SN B300001540 to Present)**

ITEM	PART NUMBER	QTY	DESCRIPTION	REV
	1001201886	1	CONSOLE BOX ASSEMBLY (SN B300001540 to Present)	
1	0630568	1	Screw 3/8 x 4-1/2	
2	3311601	1	Nut 3/8	
3	3430616	2	Pin, Clevis	
4	3470003	2	Pin, Cotter	
5	4711600	2	Washer 3/8	

# SECTION 5 - PLATFORM

FIGURE 5-13. CONSOLE BOX ASSEMBLY (SN B30002343 to Present)



ART\_1001218068

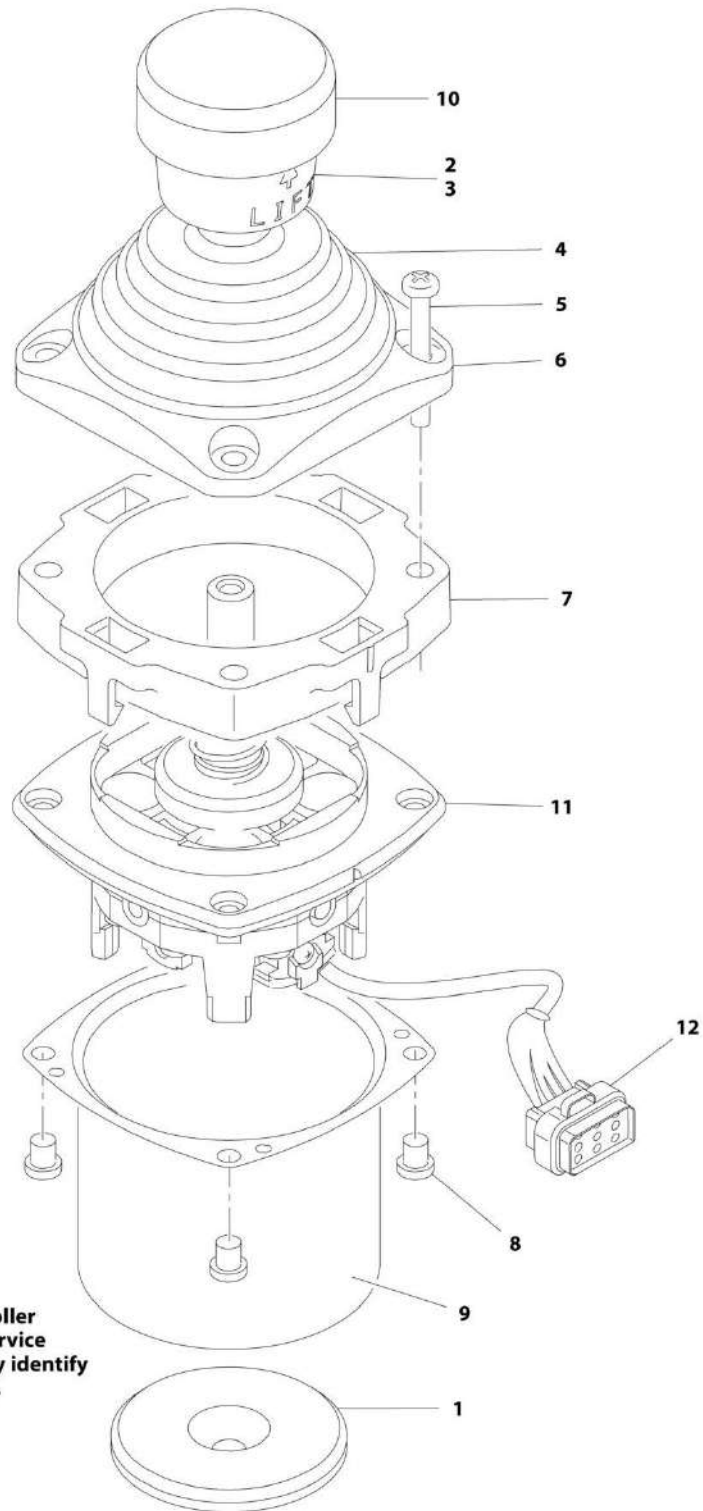
## SECTION 5 - PLATFORM

**FIGURE 5-13. CONSOLE BOX ASSEMBLY (SN B30002343 to Present)**

ITEM	PART NUMBER	QTY	DESCRIPTION	REV
	1001218068	Ref	CONSOLE BOX ASSEMBLY (SN B30002343 to Present)	C
1	0630568	1	Capcrew 3/8 x 4-1/2	
2	3311601	1	Nut 3/8	
3	3430616	2	Pin, Clevis	
4	3470003	2	Pin, Cotter	
5	4711600	2	Washer 3/8	
6	1001200803	1	Console Box, Top	
7	1001201436	1	Console Box, Bottom	

# SECTION 5 - PLATFORM

## FIGURE 5-14. CONTROLLER ASSEMBLY (LIFT AND SWING)



**Note: Original Equipment controller may have been replaced with Service Replacement controller. Visually identify controller before ordering parts.**

ART\_100118417



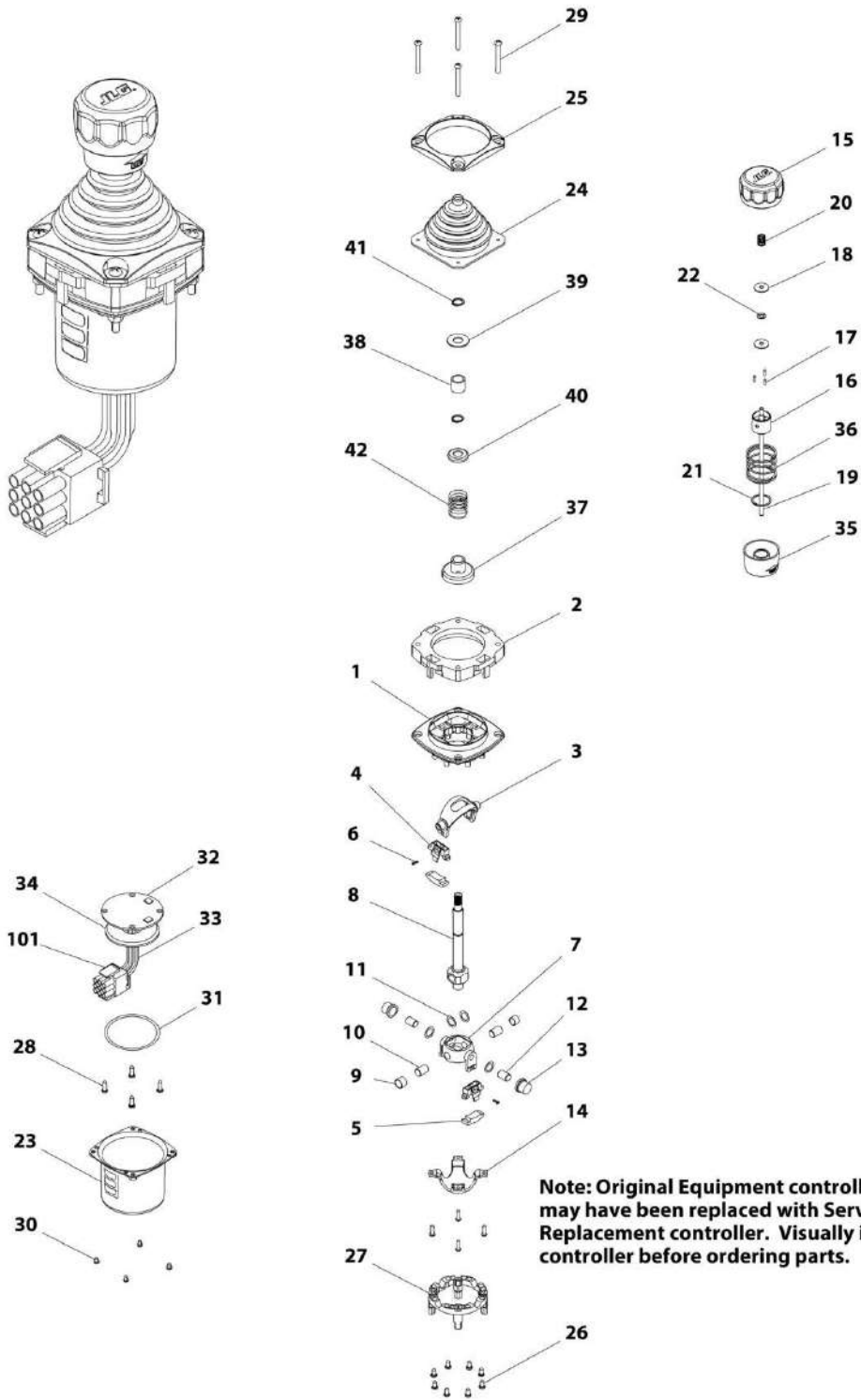
## SECTION 5 - PLATFORM

**FIGURE 5-14. CONTROLLER ASSEMBLY (LIFT AND SWING)**

ITEM	PART NUMBER	QTY	DESCRIPTION	REV
		Ref	USAGE CHART:	
		Ref	- 24RS (Original Equipment) <b>(Prior to SN B300001446)</b>	
		Ref	- 24RSJ (Original Equipment)	
		Ref	Note: Original Equipment controller may have been replaced with Service Replacement controller. Visually identify controller before ordering parts.	
	1001118417	Ref	CONTROLLER ASSEMBLY (LIFT AND SWING)	E
		Ref	Note: Use p/n 1001129555 as Replacement.	
1	70002730	1	Gasket	
2	7003928	1	Spring	
3	7022808	1	Cap, Lift	
4	70002731	1	Boot	
5	70002732	4	Screw	
6	7022815	1	Bezel	
7	70002733	1	Adapter	
8	70002734	4	Screw	
9	70002735	1	Can, Enclosure	
10	70002906	1	Cap	
11	See Note	NSS	Mechanical Assembly (Note: Purchase Kit p/n 1001129555)	
12	7022819	1	Connector - 8 Position	
12	4460871	6	Socket, Female	

# SECTION 5 - PLATFORM

## FIGURE 5-15. CONTROLLER ASSEMBLY (LIFT AND SWING)



ART\_1001166539

## SECTION 5 - PLATFORM

### FIGURE 5-15. CONTROLLER ASSEMBLY (LIFT AND SWING)

ITEM	PART NUMBER	QTY	DESCRIPTION	REV
		Ref	USAGE CHART:	
		Ref	- 24RS (Service Replacement) <b>(Prior to SN B300001446)</b>	
		Ref	- 24RS (Original Equipment) <b>(SN B300001446 to Present)</b>	
		Ref	- 24RSJ (Service Replacement)	
		Ref	Note: Original Equipment controller may have been replaced with Service Replacement controller. Visually identify controller before ordering parts.	
	1001166539	Ref	CONTROLLER ASSEMBLY (LIFT AND SWING)	D
		Ref	Note: Use p/n 1001129555 as Replacement	
1	See Note	1	Main Cast Body (Note: Not Available - Purchase complete Assembly)	
2	70004752	1	Adapter	
3	See Note	NSS	Pivot Arm, Plastic (Note: Not Available - Purchase Complete Assembly)	
4	See Note	NSS	Holder, Magnet (Note: Not Available - Purchase Complete Assembly)	
5	See Note	NSS	Arc, Magnet (Note: Not Available - Purchase Complete Assembly)	
6	See Note	NSS	Screw (Note: Not Available for Purchase)	
7	See Note	NSS	Pivot Arm, Cast (Note: Not Available - Purchase Complete Assembly)	
8	See Note	NSS	Shaft, Main (Note: Not Available - Purchase Complete Assembly)	
9	See Note	NSS	Bearing (Note: Not Available - Purchase Complete Assembly)	
10	See Note	NSS	Pin (Note: Not Available - Purchase Complete Assembly)	
11	See Note	NSS	Shim (Note: Not Available - Purchase Complete Assembly)	
12	See Note	NSS	Pin (Note: Not Available - Purchase Complete Assembly)	
13	See Note	NSS	Bearing (Note: Not Available - Purchase Complete Assembly)	
14	See Note	NSS	Dome, Centering (Note: Not Available - Purchase Complete Assembly)	
15	70004753	1	Cap	
16	70004754	1	Insert, Cap	
17	70004755	3	Pin	
18	70004756	2	Washer	
19	70004757	1	Pin, Centering	
20	70004758	1	Spring	
21	70004759	1	Ring, Retaining	
22	70004760	1	E-Ring	
23	70004761	1	Can, Enclosure	
24	70004762	1	Boot	
25	70004763	1	Bezel	
26	See Note	NSS	Screw (Note: Not Available for Purchase)	
27	See Note	NSS	Base Mounting (Note: Not Available - Purchase Complete Assembly)	
28	See Note	NSS	Screw (Note: Not Available for Purchase)	
29	70004764	4	Screw	
30	70004765	4	Screw	
31	70004766	1	O-Ring	
32	See Note	NSS	Plate (Note: Not Available - Purchase Complete Assembly)	
33	See Note	NSS	Harness (Note: Not Available - Purchase Complete Assembly)	
34	70004767	1	Grommet, Rubber	
35	70004768	1	Housing	
36	70004769	1	Spring	

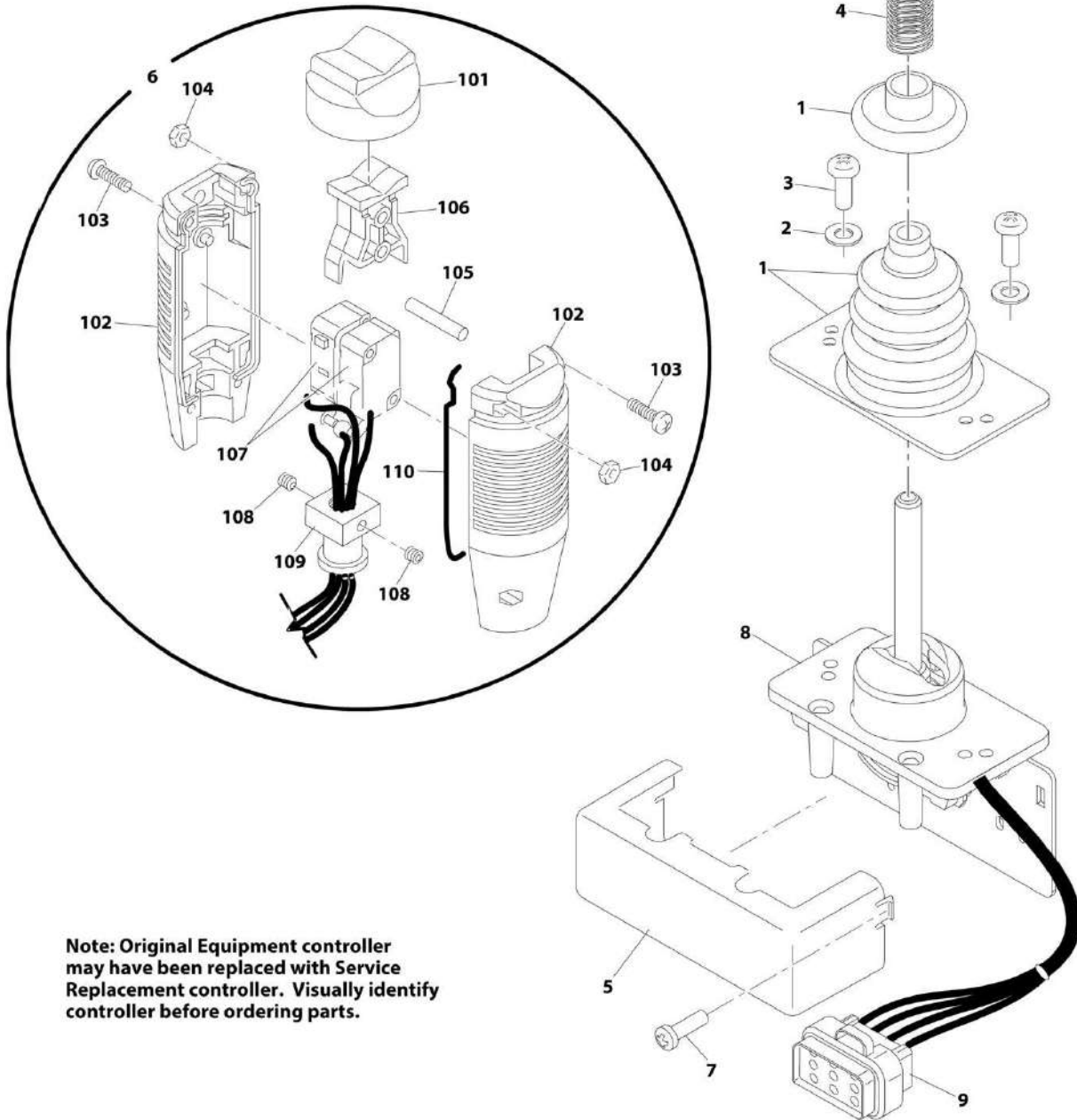
## SECTION 5 - PLATFORM

ITEM	PART NUMBER	QTY	DESCRIPTION	REV
37	70004770	1	Stopper	
38	70004771	1	Spacer	
39	70004772	1	Washer	
40	70004773	1	Disc	
41	70004774	2	Ring, Retaining	
42	70004775	1	Spring	
101	4460265	1	Connector - 9 Position	
101	4460226	6	Socket, Female	



# SECTION 5 - PLATFORM

## FIGURE 5-16. CONTROLLER ASSEMBLY (DRIVE AND STEER)



**Note: Original Equipment controller may have been replaced with Service Replacement controller. Visually identify controller before ordering parts.**

ART\_1001118416

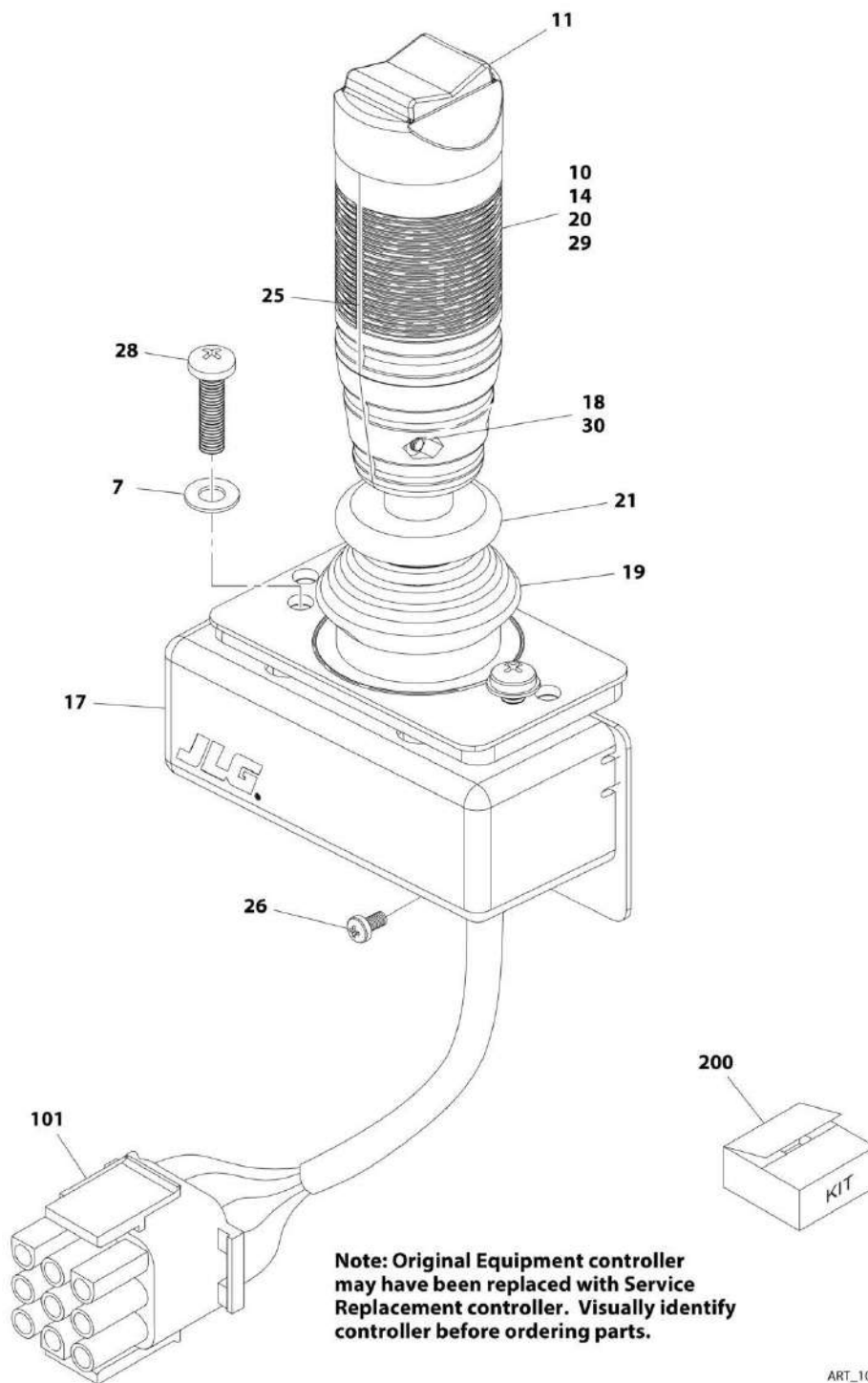
## SECTION 5 - PLATFORM

**FIGURE 5-16. CONTROLLER ASSEMBLY (DRIVE AND STEER)**

ITEM	PART NUMBER	QTY	DESCRIPTION	REV
		Ref	USAGE CHART:	
		Ref	- 24RS (Original Equipment) <b>(Prior to SN B300001446)</b>	
		Ref	- 24RSJ (Original Equipment)	
		Ref	Note: Original Equipment controller may have been replaced with Service Replacement controller. Visually identify controller before ordering parts.	
	1001118416	Ref	CONTROLLER ASSEMBLY (DRIVE AND STEER)	D
1	70002724	1	Boot and Control Lock Assembly	
2	7003941	2	Washer	
3	70002725	2	Screw	
4	7019162	1	Spring	
5	70002726	1	Enclosure	
6	70002727	1	Handle Assembly (See Items 101-110 for Breakdown)	
7	70002728	1	Screw	
8	See Note	NSS	Mechanical Assembly (Note: Use p/n 1001118416)	
9	1001113961	1	Plug, Male - 8 Position (Black) (was p/n 7022825)	
9	4460871	7	Socket, Female	
	70002727	Ref	HANDLE ASSEMBLY	
101	7003972	1	Boot, Switch	
102	7003973	2	Half, Handle	
103	7003980	4	Screw	
104	7019167	4	Nut	
105	7019164	1	Axle	
106	7019165	1	Rocker	
107	70002729	1	Wiring Assembly	
107	7003982	2	Switch, Micro	
108	7003983	2	Setscrew	
109	7019194	1	Coupling	
110	7003989	2	Gasket	

# SECTION 5 - PLATFORM

## FIGURE 5-17. CONTROLLER ASSEMBLY (DRIVE AND STEER)





## SECTION 5 - PLATFORM

**FIGURE 5-17. CONTROLLER ASSEMBLY (DRIVE AND STEER)**

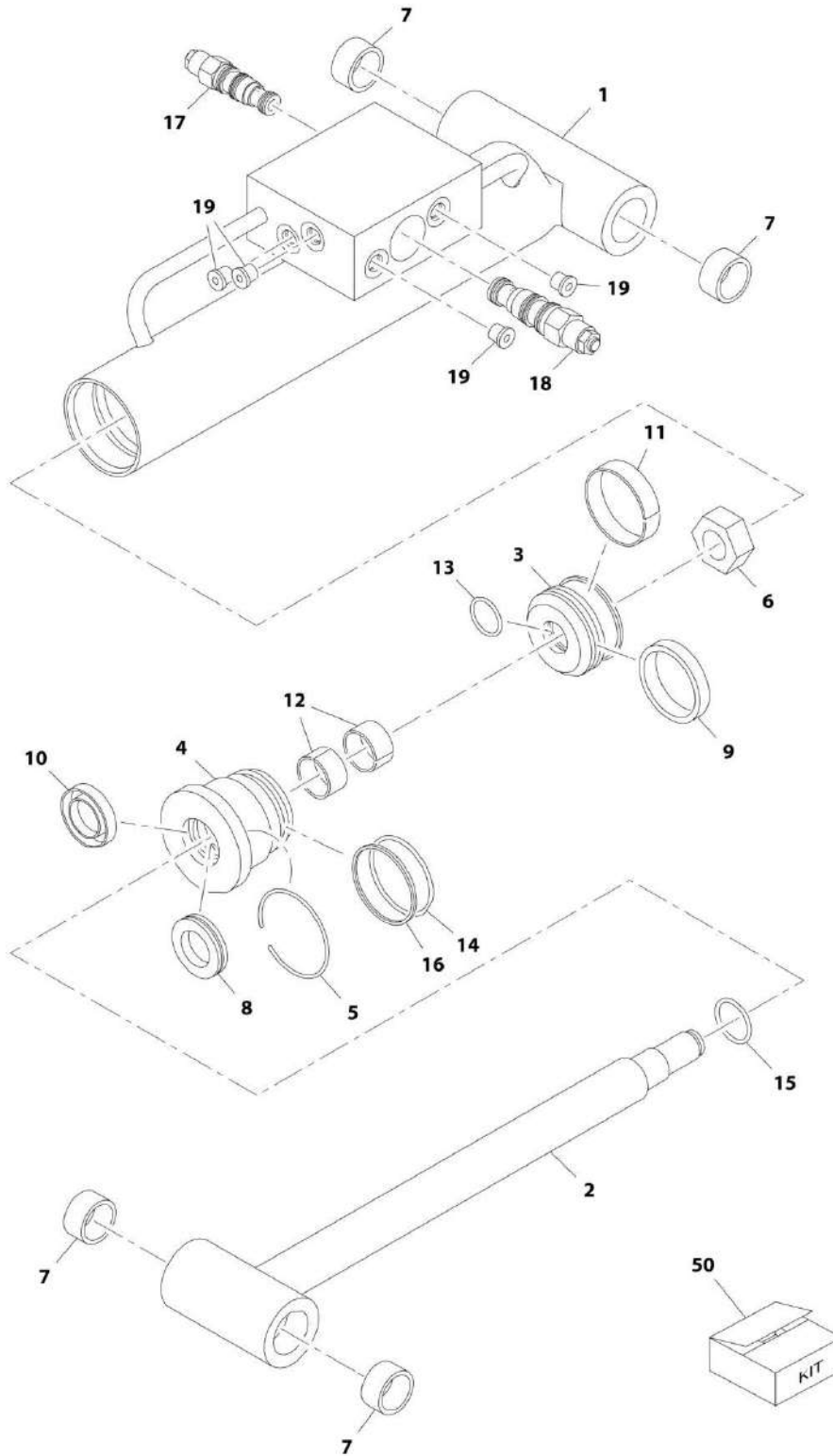
ITEM	PART NUMBER	QTY	DESCRIPTION	REV
		Ref	USAGE CHART:	
		Ref	- 24RS (Service Replacement) <b>(Prior to SN B300001446)</b>	
		Ref	- 24RS (Original Equipment) <b>(SN B300001446 to Present)</b>	
		Ref	- 24RSJ (Original Equipment)	
		Ref	Note: Original Equipment controller may have been replaced with Service Replacement controller. Visually identify controller before ordering parts.	
	1001166538	Ref	CONTROLLER ASSEMBLY (DRIVE AND STEER) (SERVICE REPLACEMENT)	G
7	70004738	2	Washer	
10	70004739	1	Roller	
11	70004740	1	Boot, Switch	
14	70004741	2	Half, Handle	
17	70004742	1	Enclosure	
18	70004743	4	Nut	
19	70004744	NLA	Boot, Controller (Note: Use Item 200)	
20	70004745	NLA	Tube, Locking (Note: Use Item 200)	
21	70004746	NLA	Disc, Looking (Note: Use Item 200)	
25	70004747	2	Seal, Rope	
26	70004748	1	Screw M3 x 6	
28	70004749	2	Screw M5 x 20	
29	70004750	1	Pin, Dowel	
30	70004751	4	Screw M3 x 16	
101	4460265	1	Connector - 9 Position	
101	4460226	7	Socket, Female	
200	70005230	1	Boot Kit (Includes Items 19-21)	



**SECTION 6 - CYLINDER**

# SECTION 6 - CYLINDER

## FIGURE 6-1. LEVEL (PLATFORM SLAVE) CYLINDER ASSEMBLY - 24RS



ART\_1001132163

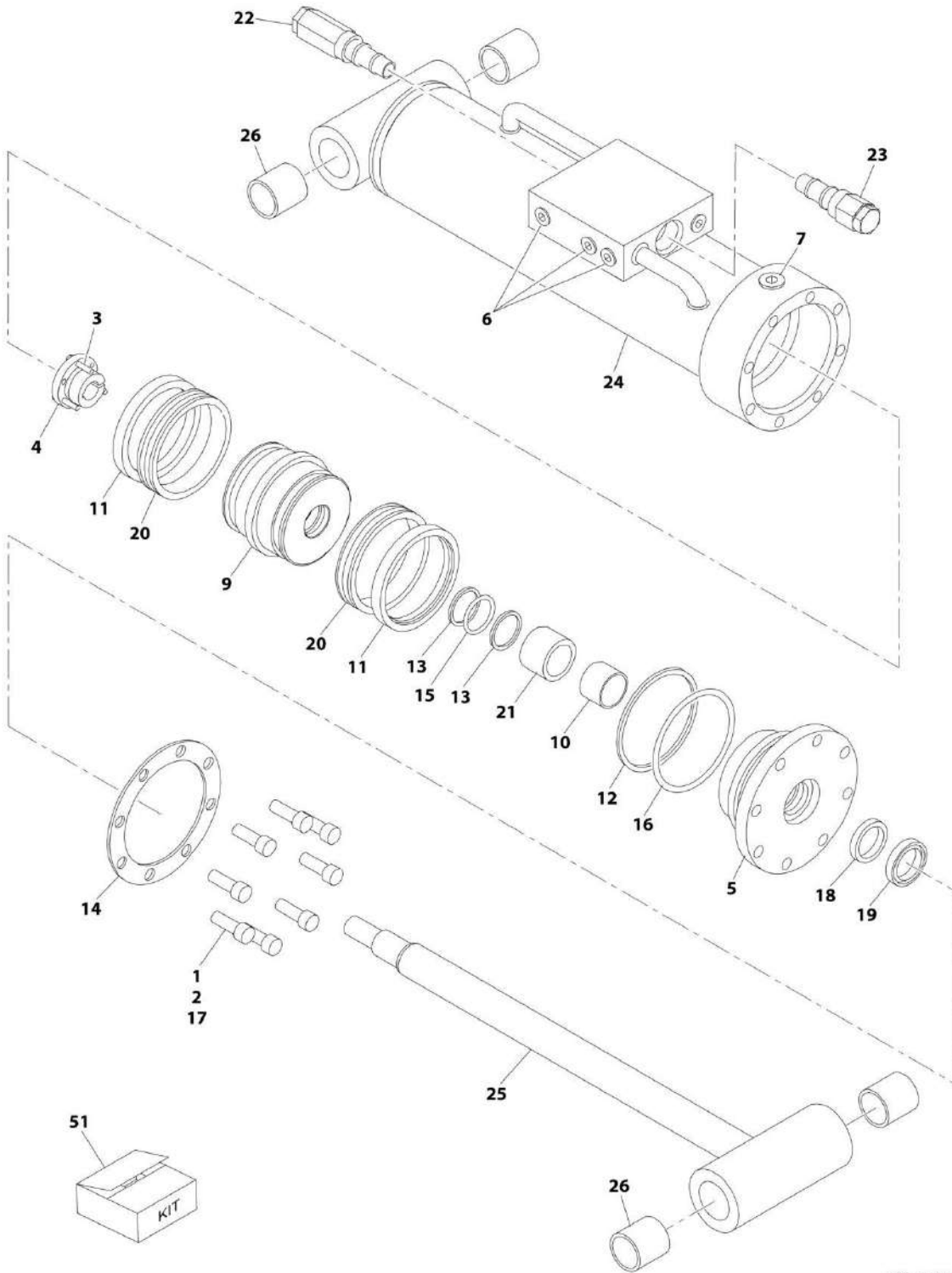
## SECTION 6 - CYLINDER

**FIGURE 6-1. LEVEL (PLATFORM SLAVE) CYLINDER ASSEMBLY - 24RS**

ITEM	PART NUMBER	QTY	DESCRIPTION	REV
	1001132163	Ref	LEVEL (PLATFORM SLAVE) CYLINDER ASSEMBLY - 24RS	D
1	70004217	1	Barrel	
2	70004218	1	Rod	
3	70004212	1	Piston	
4	70004210	1	Head	
5	70004214	1	Lock Wire	
6	70004213	1	Nut	
7	70004219	4	Bearing	
8	See Note	NSS	Seal, Rod (Note: Use Item 50)	
9	See Note	NSS	Seal, Piston (Note: Use Item 50)	
10	See Note	NSS	Wiper (Note: Use Item 50)	
11	See Note	NSS	Ring, Wear (Note: Use Item 50)	
12	See Note	NSS	Ring, Wear (Note: Use Item 50)	
13	See Note	NSS	O-Ring (Note: Use Item 50)	
14	See Note	NSS	O-Ring (Note: Use Item 50)	
15	See Note	NSS	O-Ring (Note: Use Item 50)	
16	See Note	NSS	Ring, Back-up (Note: Use Item 50)	
17	70002413	NLA	Cartridge, Valve (Use p/n 70005209) <b>(SN B30000100 through B300001209)</b>	
17	70005209	1	Cartridge, Valve <b>(SN B300001210 to Present)</b>	
17	2900770	1	Seal Kit - Valve	
18	70002388	1	Cartridge, Valve	
18	2900770	1	Seal Kit - Valve	
19	See Note	4	Plug (Note: Not Available - Purchase Locally)	
50	70004216	1	Seal Kit (Includes Items 8-16)	

# SECTION 6 - CYLINDER

## FIGURE 6-2. LEVEL (PLATFORM SLAVE) CYLINDER ASSEMBLY - 24RSJ



ART\_1001185318

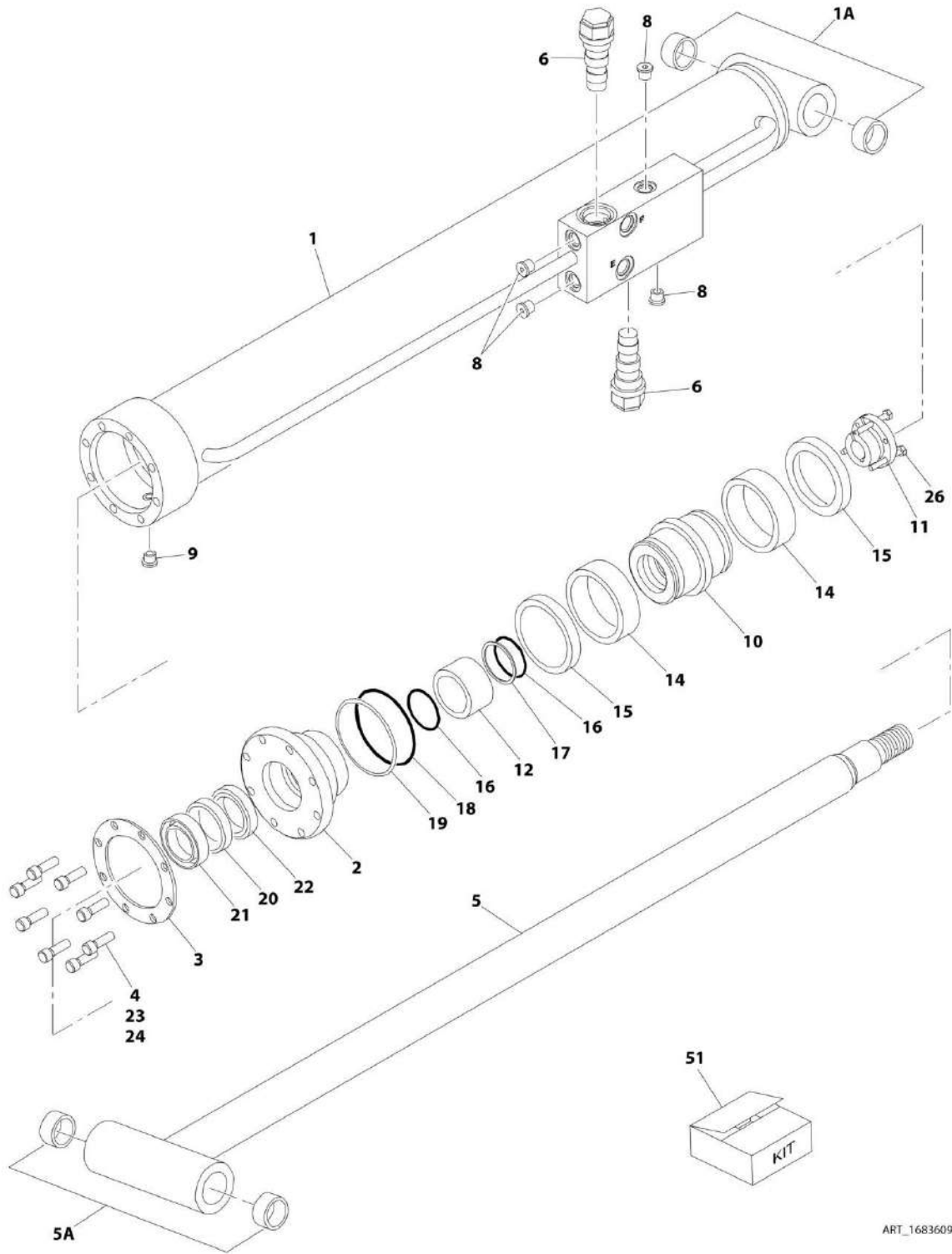
## SECTION 6 - CYLINDER

**FIGURE 6-2. LEVEL (PLATFORM SLAVE) CYLINDER ASSEMBLY - 24RSJ**

ITEM	PART NUMBER	QTY	DESCRIPTION	REV
	1001185318	Ref	LEVEL (PLATFORM SLAVE) CYLINDER ASSEMBLY - 24RSJ	A
1	0100011	AR	Compound, Locking	
2	0100038	AR	Primer, Locking	
3	0630535	3	Bolt 1/4 x 1-1/8	
4	0961894	1	Bushing, Tapered (Includes Item 25)	
5	1683055	1	Head	
6	2220883	8	Plug, O-Ring	
7	2220885	1	Plug, O-Ring	
9	3480188	1	Piston	
10	See Note	NSS	Ring, Wear (Note: Use Item 51)	
11	See Note	NSS	Ring, Lock (Note: Use Item 51)	
12	See Note	NSS	Ring, Back-up (Note: Use Item 51)	
13	See Note	NSS	Ring, Back-up (Note: Use Item 51)	
14	3760369	1	Ring, Washer	
15	See Note	NSS	O-Ring (Note: Use Item 51)	
16	See Note	NSS	O-Ring (Note: Use Item 51)	
17	3931620	8	Capscrew 3/8 x 1-1/4	
18	See Note	NSS	Seal, Rod (Note: Use Item 51)	
19	See Note	NSS	Wiper (Note: Use Item 51)	
20	See Note	NSS	Seal (Note: Use Item 51)	
21	4566468	1	Spacer	
22	4640509	1	Cartridge, Valve	
22	2900792	1	Seal Kit - 4640509 Valve	
23	4640932	1	Cartridge, Valve	
23	7011112	1	Seal Kit - 4640932 Valve	
24	1001185319	1	Barrel Weldment	
25	1001185321	1	Rod Weldment	
26	0961948	4	Bushing	
51	2901301	1	Seal Kit (Includes Items 10-13, 15, 16 & 18-20)	

# SECTION 6 - CYLINDER

FIGURE 6-3. LIFT CYLINDER ASSEMBLY - JIB - 24RSJ (Prior to SN B30002343)



ART\_1683609



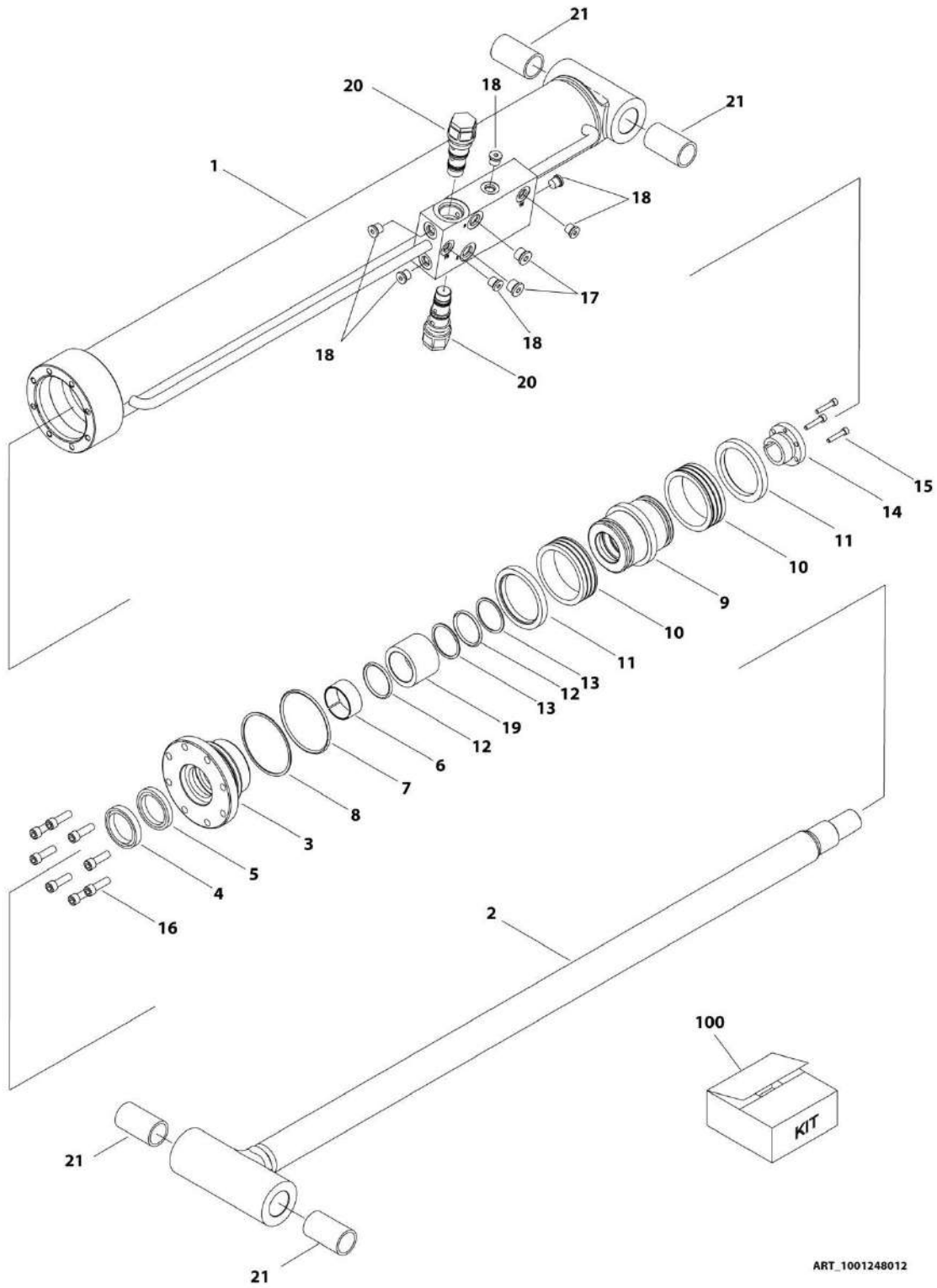
## SECTION 6 - CYLINDER

**FIGURE 6-3. LIFT CYLINDER ASSEMBLY - JIB - 24RSJ (Prior to SN B300002343)**

ITEM	PART NUMBER	QTY	DESCRIPTION	REV
	1683609	Ref	LIFT CYLINDER ASSEMBLY - JIB - 24RSJ	L
1	1684089	1	Barrel	
1A	0962336	2	Bushing	
2	1683053	1	Head	
3	3760368	1	Ring, Washer	
4	3931516	8	Capscrew 5/16 x 1	
5	1684090	1	Rod	
5A	0962336	2	Bushing	
6	4640509	2	Cartridge, Valve	
6	2900792	2	Seal Kit - 4640509 Valve	
8	2220883	2	Plug, O-Ring #4	
9	2220885	1	Plug, O-Ring #6	
10	3480210	1	Piston	
11	0961893	1	Bushing, Tapered	
12	4100100	1	Spacer, Tube	
14	See Note	NSS	Seal (Note: Use Item 51)	
15	See Note	NSS	Ring, Lock (Note: Use Item 51)	
16	See Note	NSS	O-Ring (Note: Use Item 51)	
17	See Note	NSS	Ring, Back-up (Note: Use Item 51)	
18	See Note	NSS	O-Ring (Note: Use Item 51)	
19	See Note	NSS	Ring, Back-up (Note: Use Item 51)	
20	See Note	NSS	Seal, Rod (Note: Use Item 51)	
21	See Note	NSS	Wiper (Note: Use Item 51)	
22	See Note	NSS	Ring, Wear (Note: Use Item 51)	
23	0100011	AR	Compound, Locking	
24	0100038	AR	Primer, Locking	
26	0630534	3	Bolt #10 x 1	
51	2901303	1	Seal Kit Options (Includes Items 14-22)	

# SECTION 6 - CYLINDER

FIGURE 6-4. LIFT CYLINDER ASSEMBLY - JIB (SN B300002343 through B300002879)



ART\_1001248012

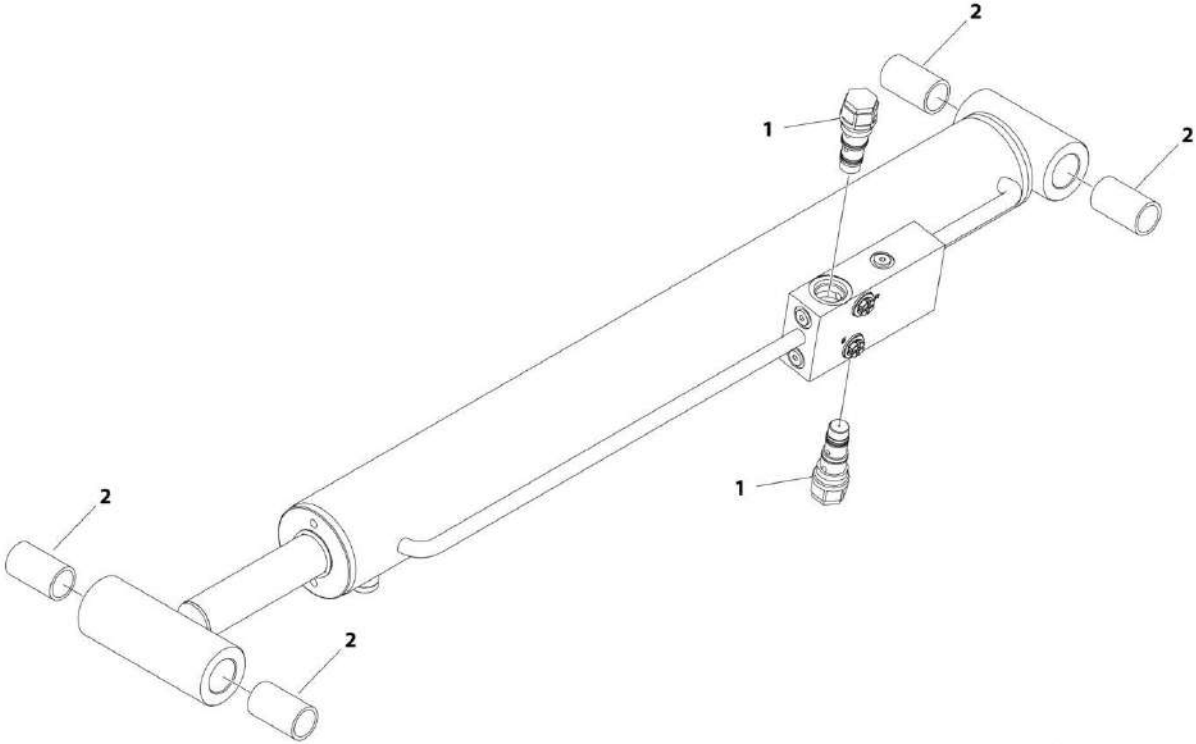
## SECTION 6 - CYLINDER

**FIGURE 6-4. LIFT CYLINDER ASSEMBLY - JIB (SN B300002343 through B300002879)**

ITEM	PART NUMBER	QTY	DESCRIPTION	REV
	1001248012	Ref	LIFT CYLINDER ASSEMBLY - JIB	A
		Ref	Note: Original Cylinder May Have Been Replaced with Service Replacement. Identify PN Stamped on Cylinder Before Ordering Parts.	
1	See Note	NSS	Barrel (Note: Not Available for Purchase)	
2	70006734	1	Rod	
3	70006649	1	Head	
4	See Note	NSS	Wiper (Note: Use Item 100)	
5	See Note	NSS	Seal, Rod (Note: Use Item 100)	
6	See Note	NSS	Ring, Wear (Note: Use Item 100)	
7	See Note	NSS	O-Ring (Note: Use Item 100)	
8	See Note	NSS	Ring, Back-up (Note: Use Item 100)	
9	70006650	1	Piston	
10	See Note	NSS	Seal (Note: Use Item 100)	
11	See Note	NSS	Ring, Lock (Note: Use Item 100)	
12	See Note	NSS	O-Ring (Note: Use Item 100)	
13	See Note	NSS	Ring, Back-up (Note: Use Item 100)	
14	0961893	1	Bushing, Tapered	
15	0630534	3	Capscrew, Socket Head #10 x 1	
16	70006735	8	Capscrew 5/16	
17	2220885	2	Plug, O-Ring	
18	2220883	6	Plug, O-Ring	
19	70006736	1	Spacer	
20	4640509	2	Cartridge, Valve	
20	2900792	2	Seal Kit - 4640509 Valve	
21	0962336	4	Bushing	
100	1001138795	1	Seal Kit (Includes Items 4-8 & 10-13)	

**SECTION 6 - CYLINDER**

**FIGURE 6-5. LIFT CYLINDER ASSEMBLY - JIB (SN B300002880 to Present)**



ART\_1001230371

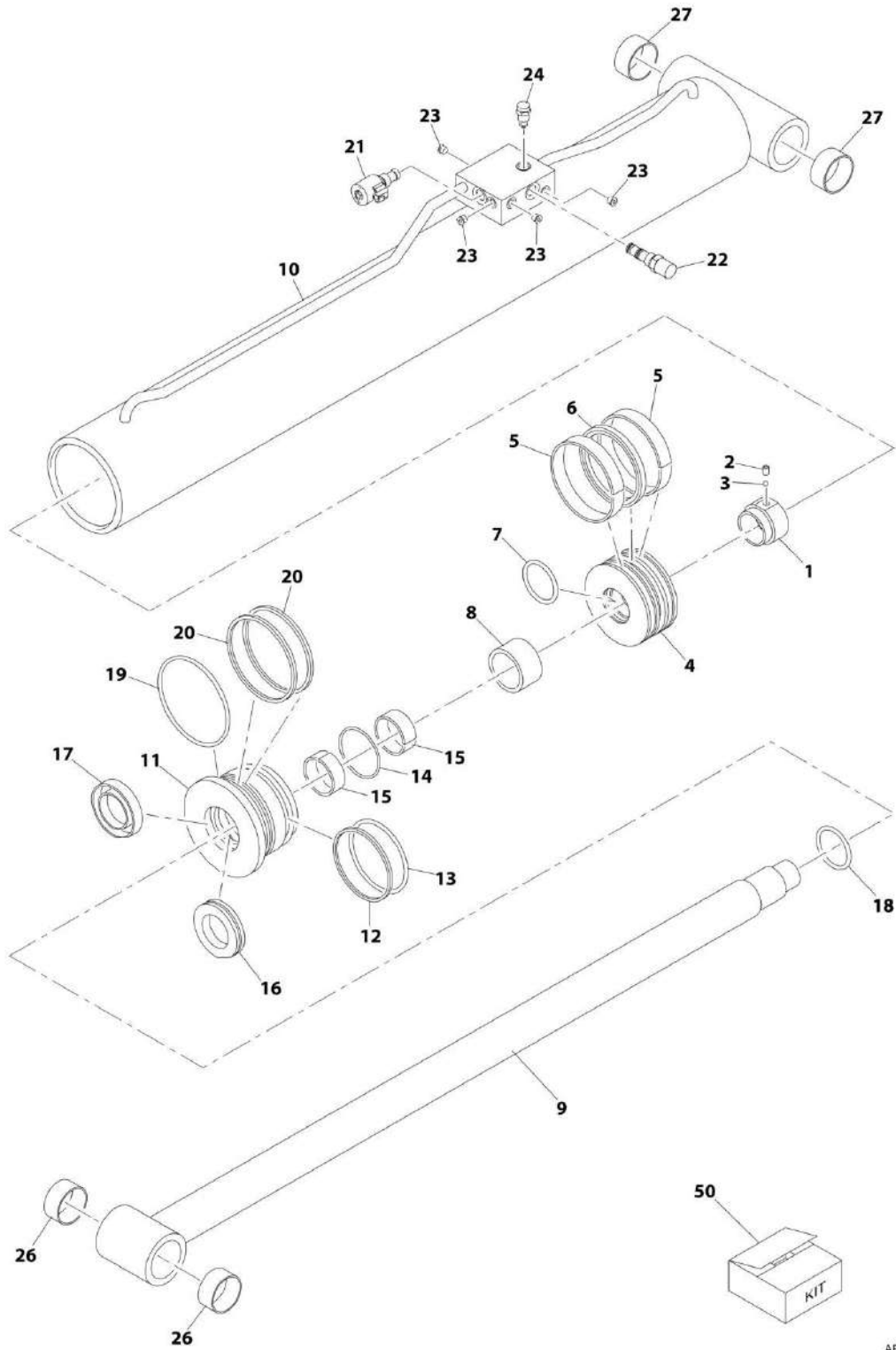
## SECTION 6 - CYLINDER

**FIGURE 6-5. LIFT CYLINDER ASSEMBLY - JIB (SN B300002880 to Present)**

ITEM	PART NUMBER	QTY	DESCRIPTION	REV
	1001230371	Ref	LIFT CYLINDER ASSEMBLY - JIB	A
		Ref	Note: Original Cylinder may have been replaced with Service Replacement. Identify PN Stamped on Cylinder Before Ordering Parts.	
		Ref	Note: No Service Parts Available at time of Printing	
1	4640509	2	Valve, Cartridge	
1	2900792	2	Seal Kit - 4640509 Valve	
2	0962336	4	Bushing	

# SECTION 6 - CYLINDER

## FIGURE 6-6. LIFT CYLINDER ASSEMBLY - MAIN BOOM



ART\_1001131748

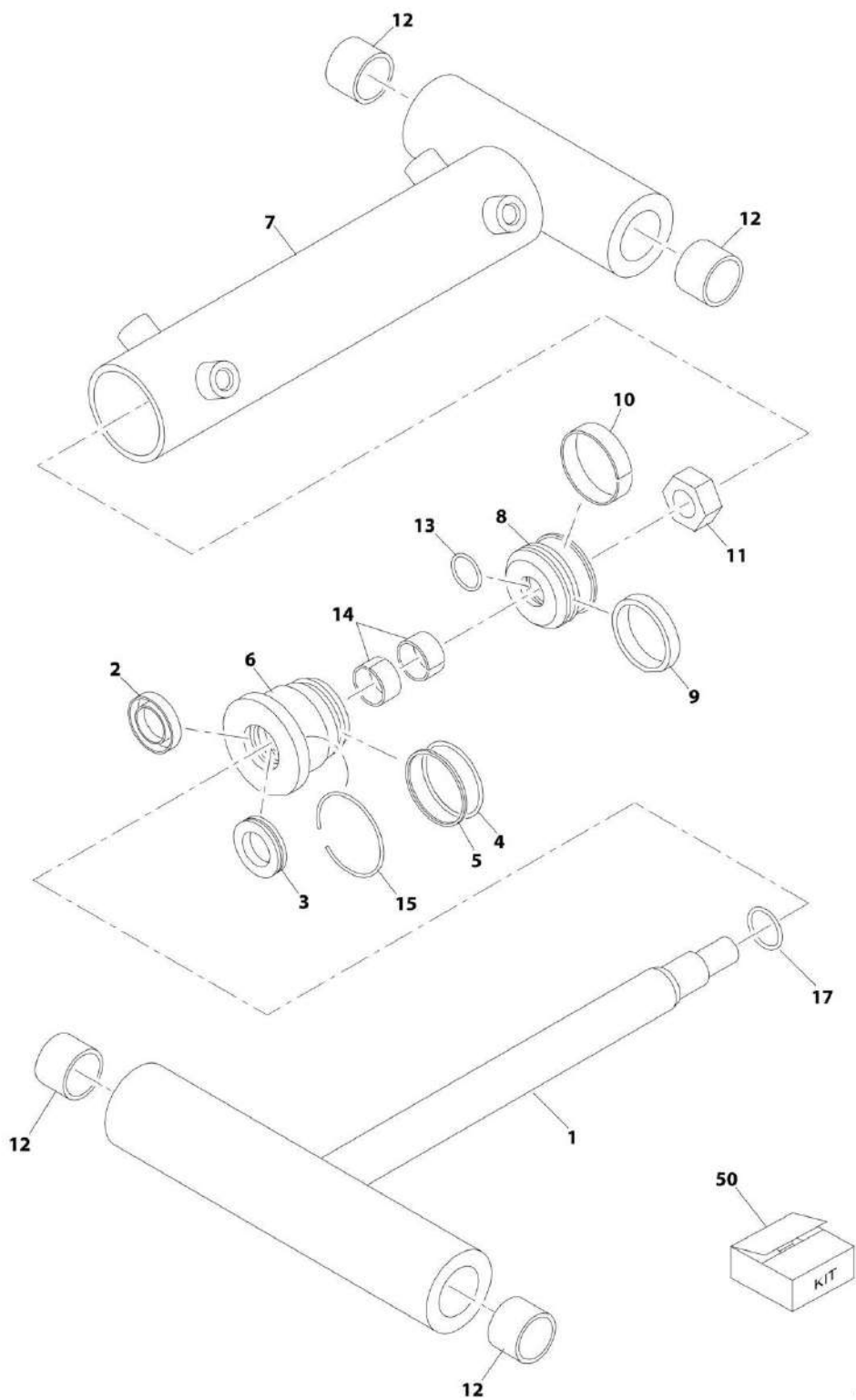
## SECTION 6 - CYLINDER

**FIGURE 6-6. LIFT CYLINDER ASSEMBLY - MAIN BOOM**

ITEM	PART NUMBER	QTY	DESCRIPTION	REV
	1001131748	Ref	LIFT CYLINDER ASSEMBLY - MAIN BOOM	D
1	70004122	1	Nut	
2	70004121	1	Setscrew	
3	70004120	1	Ball	
4	70004119	1	Piston	
5	See Note	NSS	Ring, Wear (Note: Use Item 50)	
6	See Note	NSS	Seal, Piston (Note: Use Item 50)	
7	See Note	NSS	O-Ring (Note: Use Item 50)	
8	70004115	1	Spacer	
9	70004114	1	Rod	
10	70004113	1	Barrel	
11	70004112	1	Head	
12	See Note	NSS	Ring, Back-up (Note: Use Item 50)	
13	See Note	NSS	O-Ring (Note: Use Item 50)	
14	See Note	NSS	Ring, Cushion (Note: Use Item 50)	
15	See Note	NSS	Ring, Wear (Note: Use Item 50)	
16	See Note	NSS	Seal, Rod (Note: Use Item 50)	
17	See Note	NSS	Wiper (Note: Use Item 50)	
18	See Note	NSS	O-Ring (Note: Use Item 50)	
19	See Note	NSS	O-Ring (Note: Use Item 50)	
20	See Note	NSS	Ring, Retaining (Note: Use Item 50)	
21	70004124	1	Cartridge, Valve	
21	7023919	1	Seal Kit - 70004124 Valve	
21	70003788	1	Coil	
21	7022390	1	Nut, Coil	
22	70004123	1	Cartridge, Valve	
22	7012925	1	Seal Kit - 70004123 Valve	
23	See Note	4	Plug (Note: Not Available for Purchase)	
24	4641390	1	Cartridge, Valve	
24	7017496	1	Seal Kit - 4641390 Valve	
26	70004290	2	Bushing	
27	70004291	2	Bushing	
50	70004208	1	Seal Kit (Includes Items 5-7 & 12-20)	

# SECTION 6 - CYLINDER

## FIGURE 6-7. MASTER CYLINDER ASSEMBLY - 24RS



ART\_1001132375



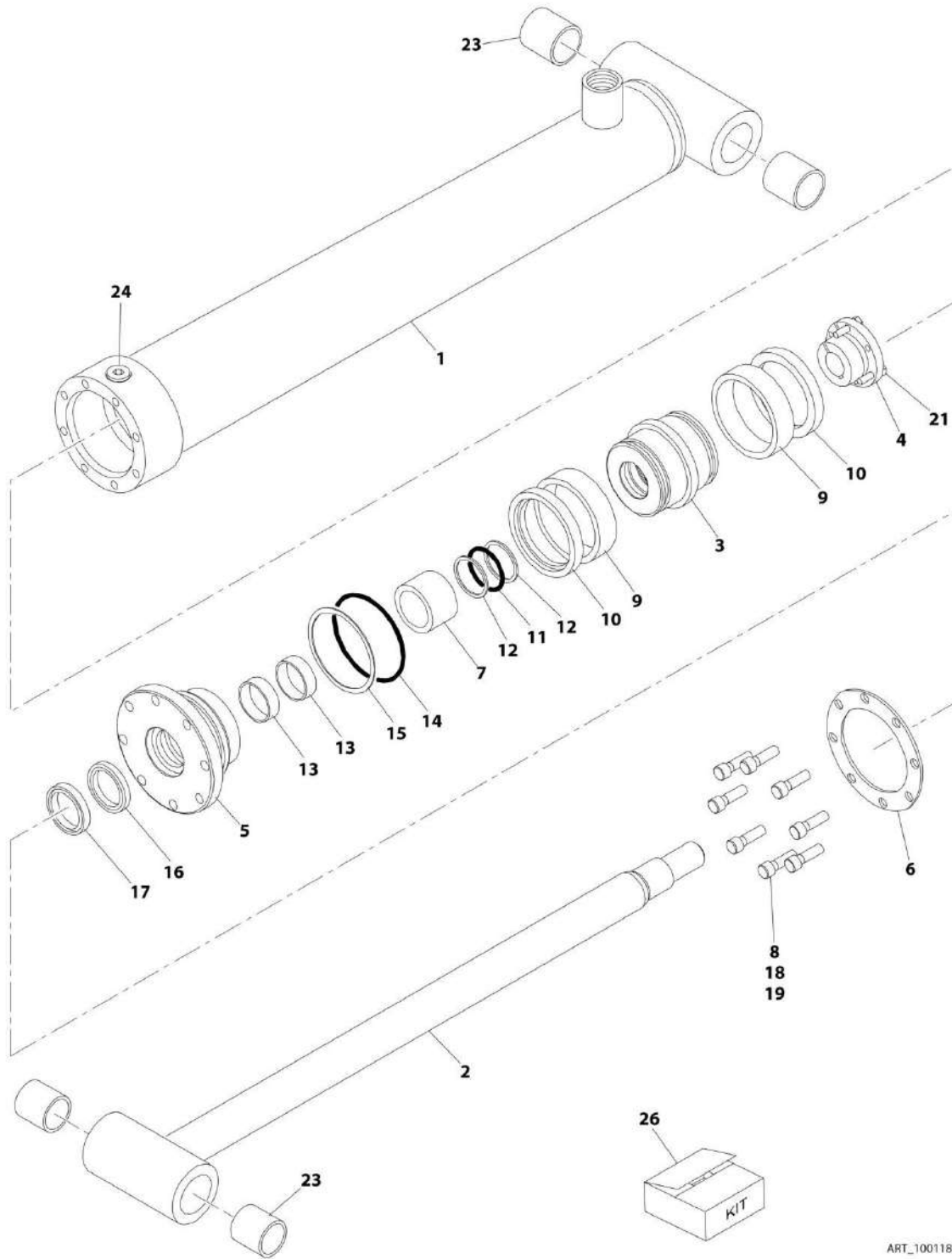
## SECTION 6 - CYLINDER

**FIGURE 6-7. MASTER CYLINDER ASSEMBLY - 24RS**

ITEM	PART NUMBER	QTY	DESCRIPTION	REV
	1001132375	Ref	MASTER CYLINDER ASSEMBLY - 24RS	C
1	70004209	1	Rod	
2	See Note	NSS	Wiper (Note: Use Item 50)	
3	See Note	NSS	Seal, Rod (Note: Use Item 50)	
4	See Note	NSS	O-Ring (Note: Use Item 50)	
5	See Note	NSS	Ring, Back-up (Note: Use Item 50)	
6	70004210	1	Head	
7	70004211	1	Barrel	
8	70004212	1	Piston	
9	See Note	NSS	Seal, Piston (Note: Use Item 50)	
10	See Note	NSS	Ring, Wear (Note: Use Item 50)	
11	70004213	1	Nut	
12	0961951	4	Bearing	
13	See Note	NSS	O-Ring (Note: Use Item 50)	
14	See Note	NSS	Ring, Wear (Note: Use Item 50)	
15	70004214	1	Lock Wire	
17	70004215	1	O-Ring	
50	70004216	1	Seal Kit (Includes Items 2-5, 9, 10, 13 & 14)	

# SECTION 6 - CYLINDER

## FIGURE 6-8. MASTER CYLINDER ASSEMBLY - 24RSJ



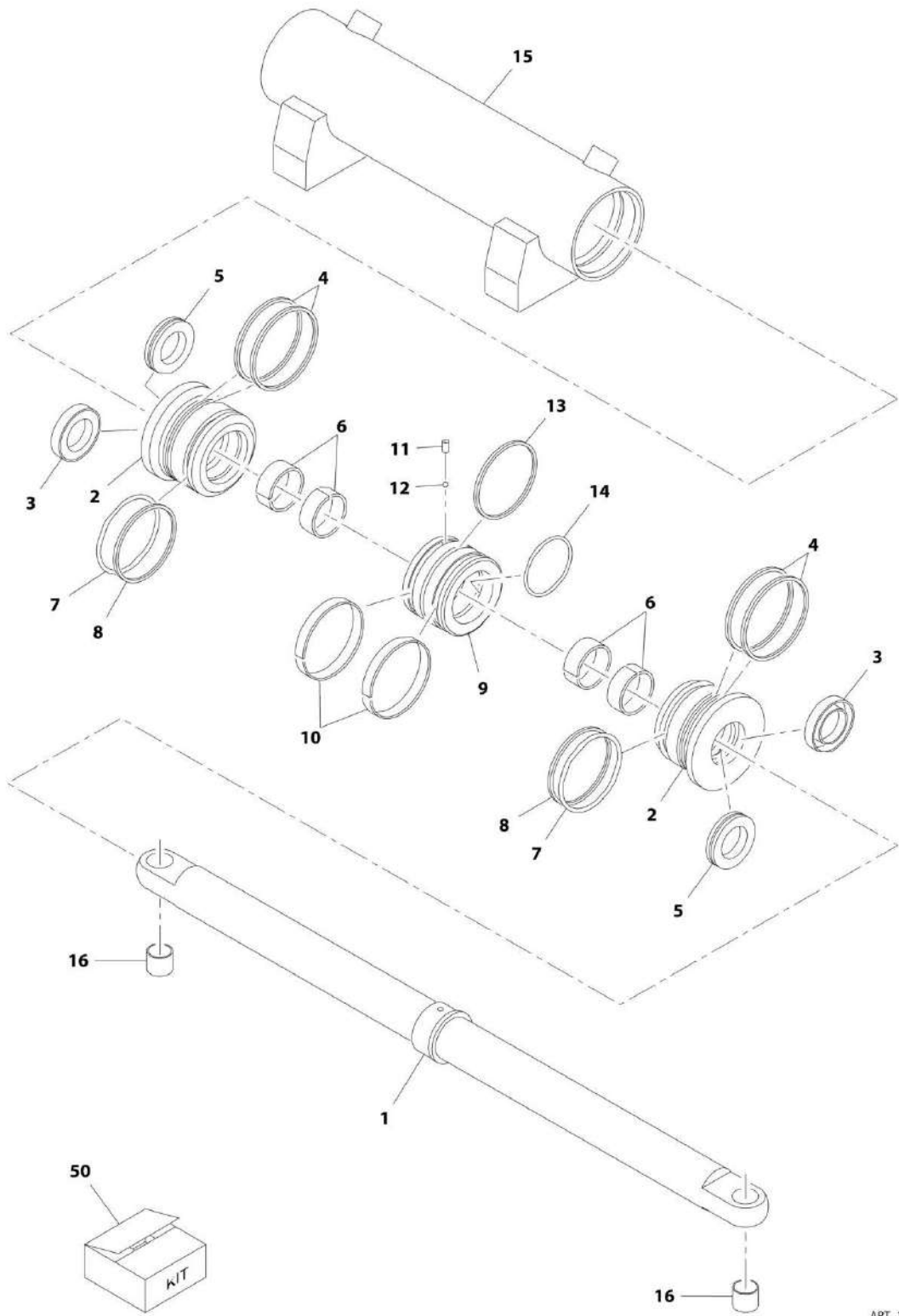
## SECTION 6 - CYLINDER

**FIGURE 6-8. MASTER CYLINDER ASSEMBLY - 24RSJ**

ITEM	PART NUMBER	QTY	DESCRIPTION	REV
	1001186733	Ref	MASTER CYLINDER ASSEMBLY - 24RSJ	A
1	1683949	1	Barrel	
2	1683963	1	Rod	
3	3480188	1	Piston	
4	0961894	1	Bushing, Tapered (Use Item 8 in place of supplied Bolts)	
5	1683055	1	Head	
6	3760369	1	Ring, Washer	
7	1001186734	1	Spacer	
8	3931620	8	Capscrew 3/8 x 1-1/4	
9	See Note	NSS	Seal (Note: Use Item 26)	
10	See Note	NSS	Ring, Lock (Note: Use Item 26)	
11	See Note	NSS	O-Ring (Note: Use Item 26)	
12	See Note	NSS	Ring, Back-up (Note: Use Item 26)	
13	See Note	NSS	Ring, Wear (Note: Use Item 26)	
14	See Note	NSS	Ring, Back-up (Note: Use Item 26)	
15	See Note	NSS	O-Ring (Note: Use Item 26)	
16	See Note	NSS	Seal, Rod (Note: Use Item 26)	
17	See Note	NSS	Wiper (Note: Use Item 26)	
18	0100011	AR	Compound, Locking	
19	0100038	AR	Primer, Locking	
21	0630535	3	Bolt 1/4 x 1-1/8	
23	0961951	4	Bushing	
24	2220885	1	Plug, O-Ring #6	
26	2901301	1	Seal Kit (Includes Items 9-17)	

# SECTION 6 - CYLINDER

## FIGURE 6-9. STEER CYLINDER ASSEMBLY



ART\_1001130477

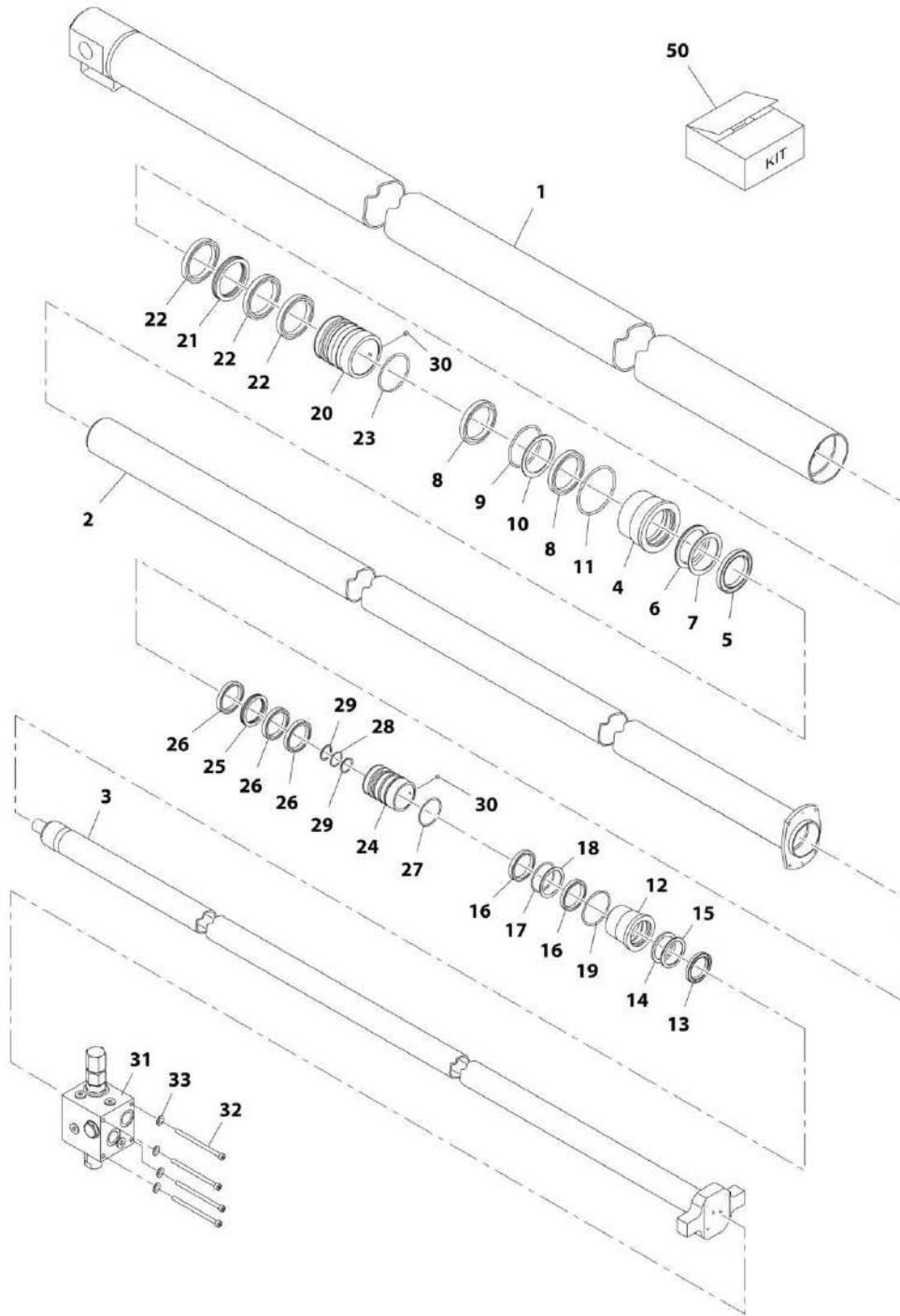
## SECTION 6 - CYLINDER

### FIGURE 6-9. STEER CYLINDER ASSEMBLY

ITEM	PART NUMBER	QTY	DESCRIPTION	REV
	1001130477	Ref	STEER CYLINDER ASSEMBLY	E
1	70004220	1	Rod	
2	70004221	2	Head	
3	See Note	NSS	Wiper (Note: Use Item 50)	
4	70003636	4	Ring, Locking	
5	See Note	NSS	Seal, Rod (Note: Use Item 50)	
6	See Note	NSS	Ring, Wear (Note: Use Item 50)	
7	See Note	NSS	O-Ring (Note: Use Item 50)	
8	See Note	NSS	Ring, Back-up (Note: Use Item 50)	
9	70004222	1	Piston	
10	See Note	NSS	Ring, Wear (Note: Use Item 50)	
11	70004223	1	Setscrew	
12	70004224	1	Ball	
13	See Note	NSS	Seal, Piston (Note: Use Item 50)	
14	See Note	NSS	O-Ring (Note: Use Item 50)	
15	70004225	1	Barrel	
16	70004226	2	Bearing	
50	70004227	1	Seal Kit (Includes Items 3, 5-8, 10, 13 & 14)	

# SECTION 6 - CYLINDER

## FIGURE 6-10. TELESCOPE CYLINDER ASSEMBLY - 24RS



ART\_1001133261

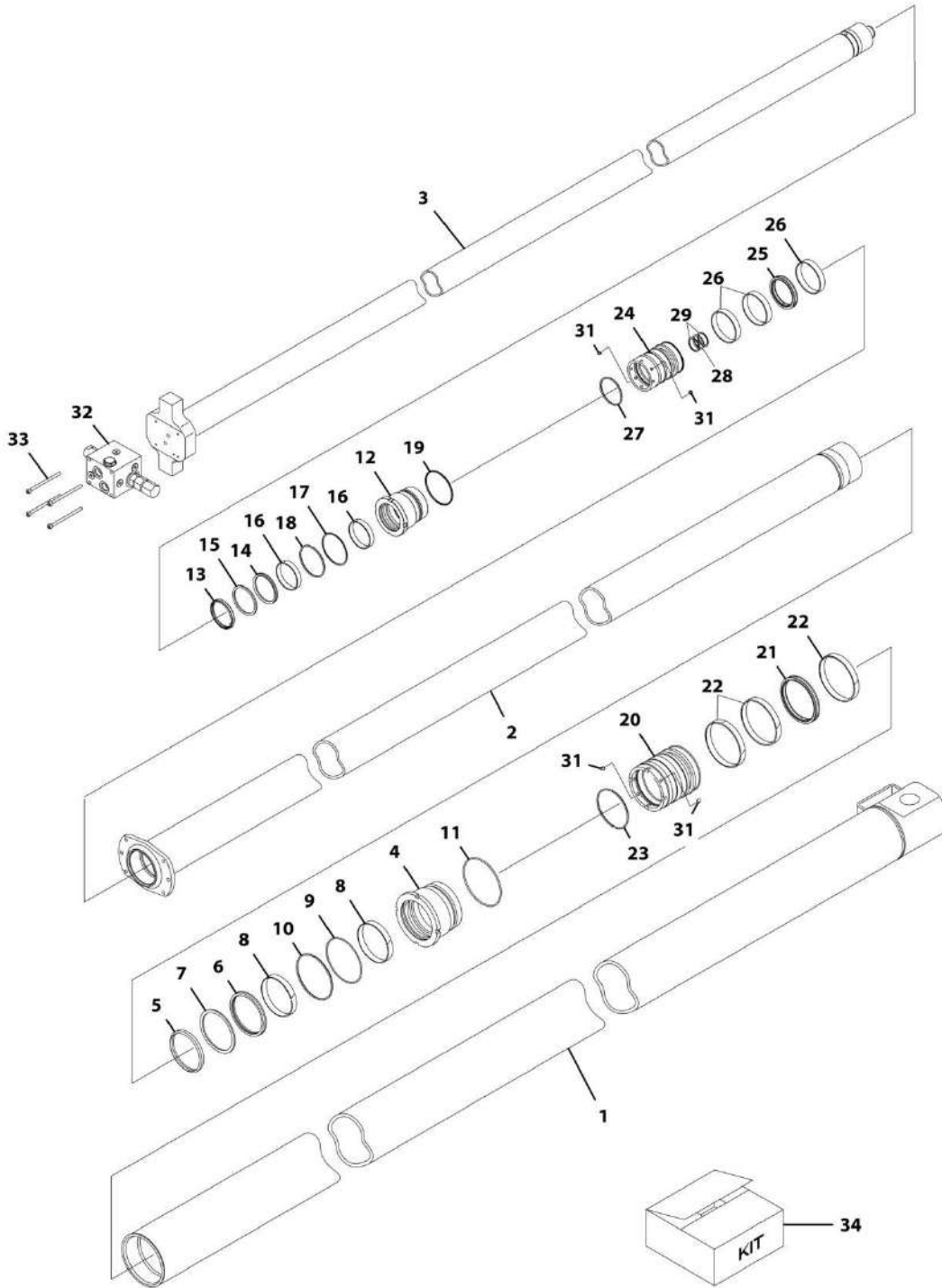
## SECTION 6 - CYLINDER

**FIGURE 6-10. TELESCOPE CYLINDER ASSEMBLY - 24RS**

ITEM	PART NUMBER	QTY	DESCRIPTION	REV
	1001133261	Ref	TELESCOPE CYLINDER ASSEMBLY - 24RS	D
1	70003938	1	Barrel	
2	70003939	1	Rod #1	
3	70003940	1	Rod #2	
4	70003941	1	Head #1	
5	See Note	NSS	Wiper (Note: Use Item 50)	
6	See Note	NSS	Seal, Rod (Note: Use Item 50)	
7	See Note	NSS	Ring, Back-up (Note: Use Item 50)	
8	See Note	NSS	Ring, Wear (Note: Use Item 50)	
9	See Note	NSS	O-Ring (Note: Use Item 50)	
10	See Note	NSS	Ring, Back-up (Note: Use Item 50)	
11	See Note	NSS	O-Ring (Note: Use Item 50)	
12	70003942	1	Head #2	
13	See Note	NSS	Wiper (Note: Use Item 50)	
14	See Note	NSS	Seal, Rod (Note: Use Item 50)	
15	See Note	NSS	Ring, Back-up (Note: Use Item 50)	
16	See Note	NSS	Ring, Wear (Note: Use Item 50)	
17	See Note	NSS	O-Ring (Note: Use Item 50)	
18	See Note	NSS	Ring, Back-up (Note: Use Item 50)	
19	See Note	NSS	O-Ring (Note: Use Item 50)	
20	70003943	1	Piston #1	
21	See Note	NSS	Seal, Piston (Note: Use Item 50)	
22	See Note	NSS	Ring, Wear (Note: Use Item 50)	
23	See Note	NSS	O-Ring (Note: Use Item 50)	
24	70003944	1	Piston #2	
25	See Note	NSS	Seal, Piston (Note: Use Item 50)	
26	See Note	NSS	Ring, Wear (Note: Use Item 50)	
27	See Note	NSS	O-Ring (Note: Use Item 50)	
28	See Note	NSS	O-Ring (Note: Use Item 50)	
29	See Note	NSS	Ring, Back-up (Note: Use Item 50)	
30	70003945	1	Piston #2	
31	1001133244	1	Valve Block Assembly (See VALVE BLOCK ASSEMBLY for Breakdown)	
32	5271723	4	Bolt M6 x 100	
33	4831700	4	Lockwasher M6	
50	70003947	1	Seal Kit (Includes Items 5-11, 13-19, 21-23 & 25-29)	

# SECTION 6 - CYLINDER

## FIGURE 6-11. TELESCOPE CYLINDER ASSEMBLY - 24RSJ



ART\_1001180027



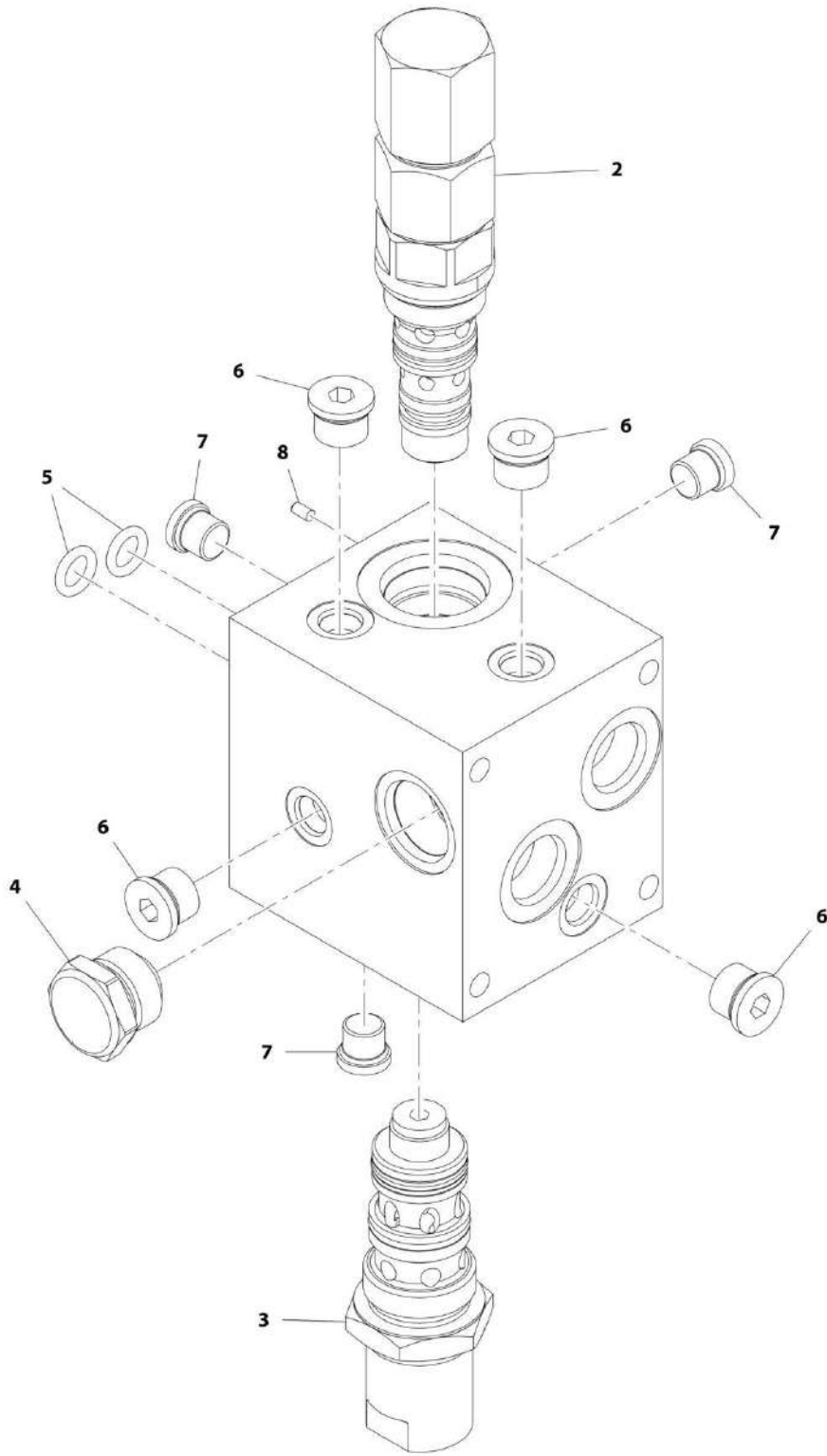
## SECTION 6 - CYLINDER

**FIGURE 6-11. TELESCOPE CYLINDER ASSEMBLY - 24RSJ**

ITEM	PART NUMBER	QTY	DESCRIPTION	REV
	1001180027	Ref	TELESCOPE CYLINDER ASSEMBLY - 24RSJ	A
1	70005430	1	Barrel	
2	70005429	1	Rod #1	
3	70005428	1	Rod #2	
4	70005427	1	Head #1	
5	See Note	1	Wiper (Note: Use Item 34)	
6	See Note	1	Seal, Rod (Note: Use Item 34)	
7	See Note	1	Ring, Back-up (Note: Use Item 34)	
8	See Note	2	Ring, Wear (Note: Use Item 34)	
9	See Note	1	O-Ring (Note: Use Item 34)	
10	See Note	1	Ring, Back-up (Note: Use Item 34)	
11	See Note	1	O-Ring (Note: Use Item 34)	
12	70005426	1	Head #2	
13	See Note	1	Wiper (Note: Use Item 34)	
14	See Note	1	Seal, Rod (Note: Use Item 34)	
15	See Note	1	Ring, Back-up (Note: Use Item 34)	
16	See Note	2	Ring, Wear (Note: Use Item 34)	
17	See Note	1	O-Ring (Note: Use Item 34)	
18	See Note	1	Ring, Back-up (Note: Use Item 34)	
19	See Note	1	O-Ring (Note: Use Item 34)	
20	70003943	1	Piston #1	
21	See Note	1	Seal, Piston (Note: Use Item 34)	
22	See Note	3	Ring, Wear (Note: Use Item 34)	
23	See Note	1	O-Ring (Note: Use Item 34)	
24	70003944	1	Piston #2	
25	See Note	1	Seal, Piston (Note: Use Item 34)	
26	See Note	3	Ring, Wear (Note: Use Item 34)	
27	See Note	1	O-Ring (Note: Use Item 34)	
28	See Note	1	O-Ring (Note: Use Item 34)	
29	See Note	1	Ring, Back-up (Note: Use Item 34)	
30	70022563	2	Setscrew M8	
31	70003945	2	Setscrew M8	
32	1001133244	1	Valve Block Assembly (See VALVE BLOCK ASSEMBLY for Breakdown)	
33	5271723	4	Capscrew M8 x 100	
34	70005425	1	Seal Kit - 1001180027 Cylinder (Includes Items 5-11, 13-19, 21-23 & 25-29)	

# SECTION 6 - CYLINDER

## FIGURE 6-12. VALVE BLOCK ASSEMBLY



ART\_1001133244

## SECTION 6 - CYLINDER

**FIGURE 6-12. VALVE BLOCK ASSEMBLY**

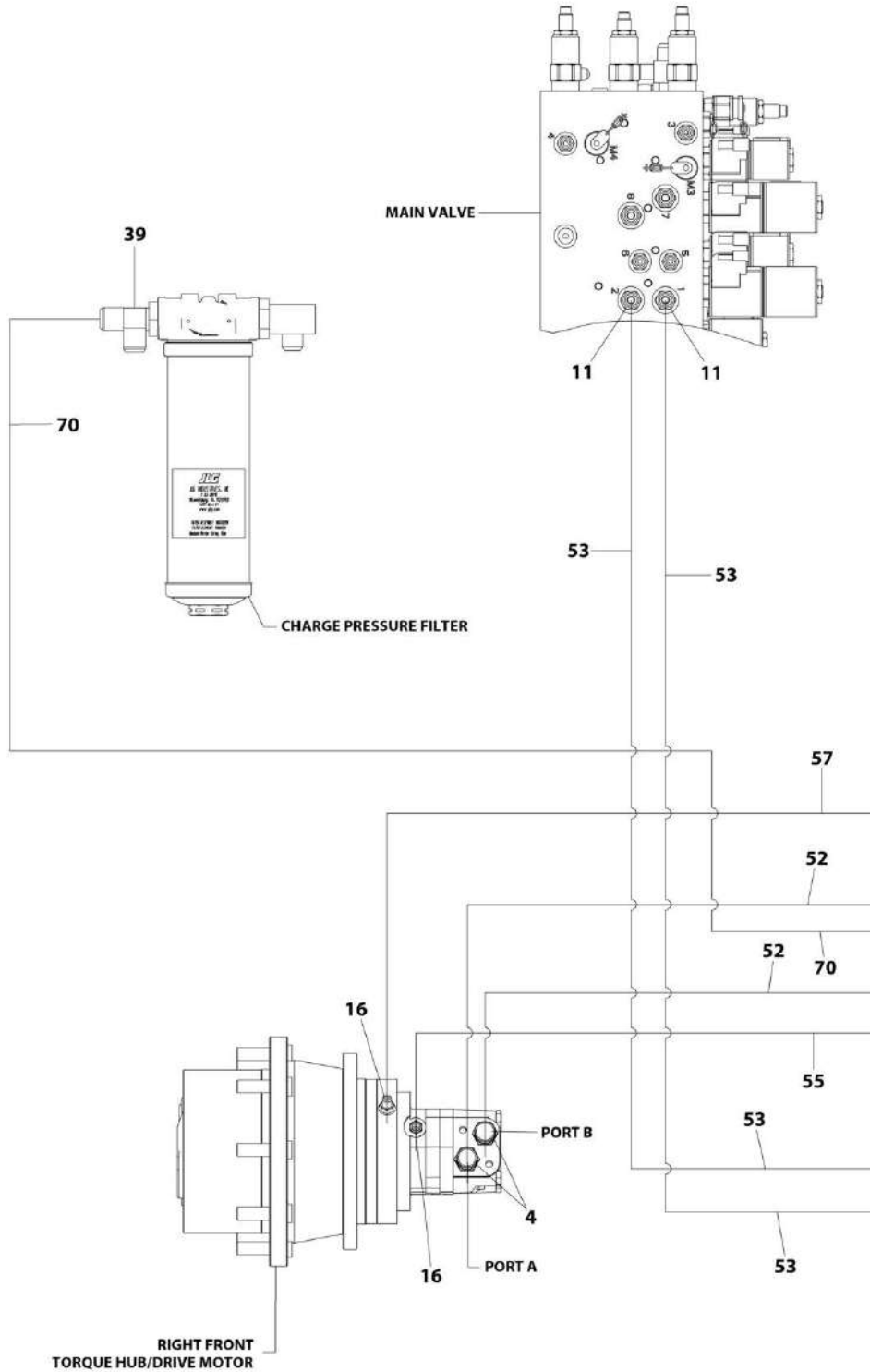
ITEM	PART NUMBER	QTY	DESCRIPTION	REV
	1001133244	Ref	VALVE BLOCK ASSEMBLY	B
2	70003926	1	Cartridge, Counterbalance Valve	
2	See Note	1	Seal Kit - 70003926 Valve (Note: Not Available for Purchase)	
3	70003927	1	Cartridge, Counterbalance Valve	
3	See Note	1	Seal Kit - 70003927 Valve (Note: Not Available for Purchase)	
4	70003928	1	Cartridge, Shuttle Valve	
4	70003929	1	Seal Kit -70003928 Valve	
5	70003982	2	O-Ring	
6	2220885	4	Plug 3/8	
7	2220883	3	Plug 1/4	
8	70003930	1	Roll Pin	



**SECTION 7 - HYDRAULIC**

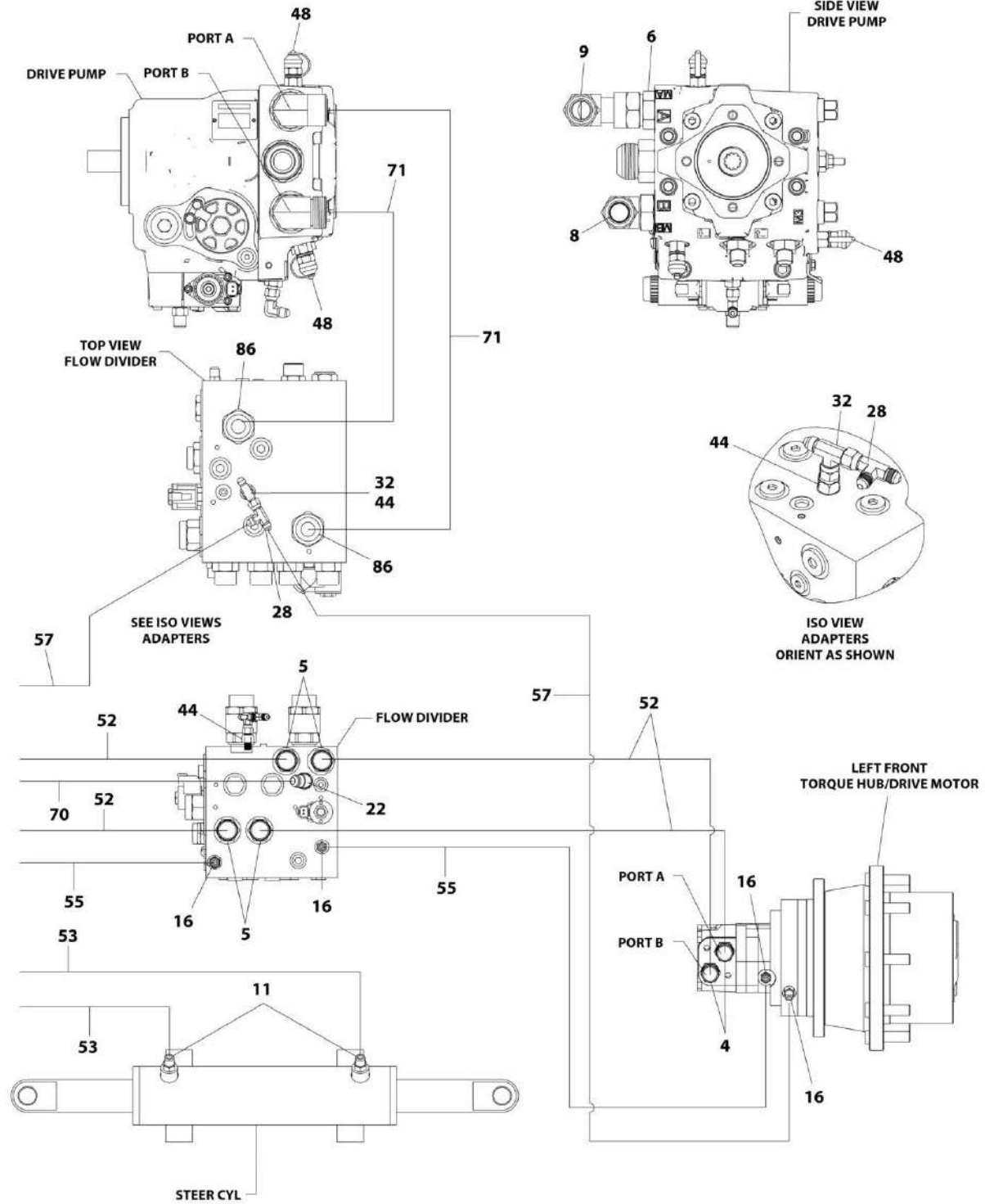
# SECTION 7 - HYDRAULIC

## FIGURE 7-1. HYDRAULIC INSTALLATION (FRONT AXLE) - 24RS



ART\_1001139017\_20F9

# SECTION 7 - HYDRAULIC



ART\_1001139017\_30F9

## SECTION 7 - HYDRAULIC

**FIGURE 7-1. HYDRAULIC INSTALLATION (FRONT AXLE) - 24RS**

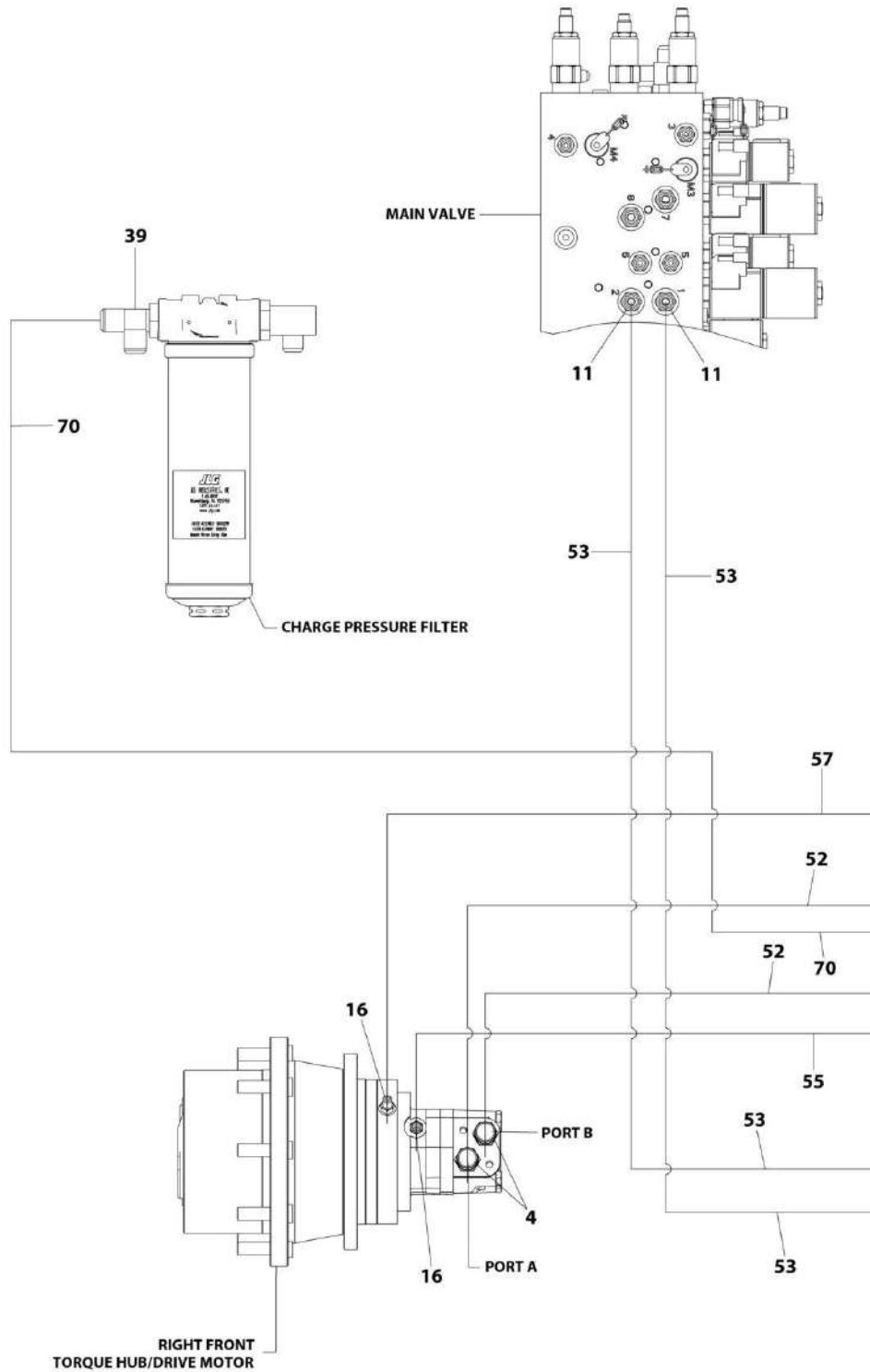
ITEM	PART NUMBER	QTY	DESCRIPTION	REV
	1001139017	Ref	HYDRAULIC INSTALLATION (FRONT AXLE) - 24RS	E
4	2111010	AR	Fitting, Straight ORFS/ORB	
5	2111212	AR	Fitting, Straight ORFS/ORB	
6	2111616	AR	Fitting, Straight ORFS/ORB	
8	2131616	AR	Fitting, 90 ORFS/ORB	
9	2172116	AR	Fitting, 90 ORFS/FORBFS	
11	2220371	AR	Fitting, Straight JIC/ORB	
16	2220415	AR	Fitting, Straight JIC/ORB	
22	2220500	AR	Fitting, 45 JIC/ORB	
28	2220605	AR	Fitting, Tee JIC/FSJIC/JIC	
32	2220861	AR	Fitting, Tee JIC/FSJIC/JIC	
39	2221041	AR	Fitting, Tee	
44	4641282	AR	Valve, Orifice Check	
48	77133089	AR	Valve, Mini Check	
52	1001140292	AR	Hose	
53	1001140314	AR	Hose	
55	1001140475	AR	Hose	
57	1001140608	AR	Hose	
70	1001141701	AR	Hose	
71	1001141770	AR	Hose	
86	1001142679	AR	Fitting, Straight ORFS/ORB	





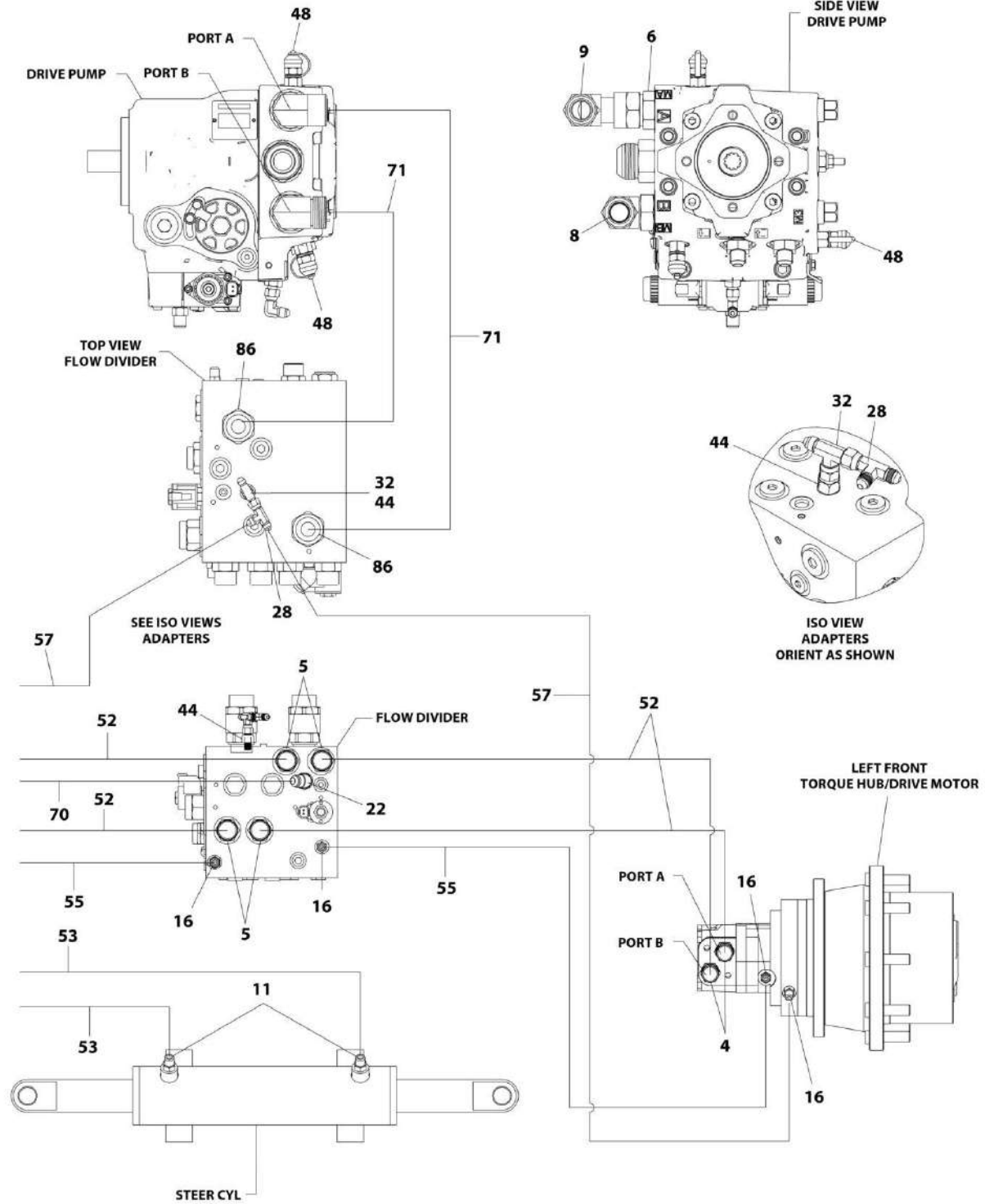
# SECTION 7 - HYDRAULIC

## FIGURE 7-2. HYDRAULIC INSTALLATION (FRONT AXLE) - 24RSJ



ART\_1001180573\_20F9

# SECTION 7 - HYDRAULIC



ART\_1001180573\_30F9

## SECTION 7 - HYDRAULIC

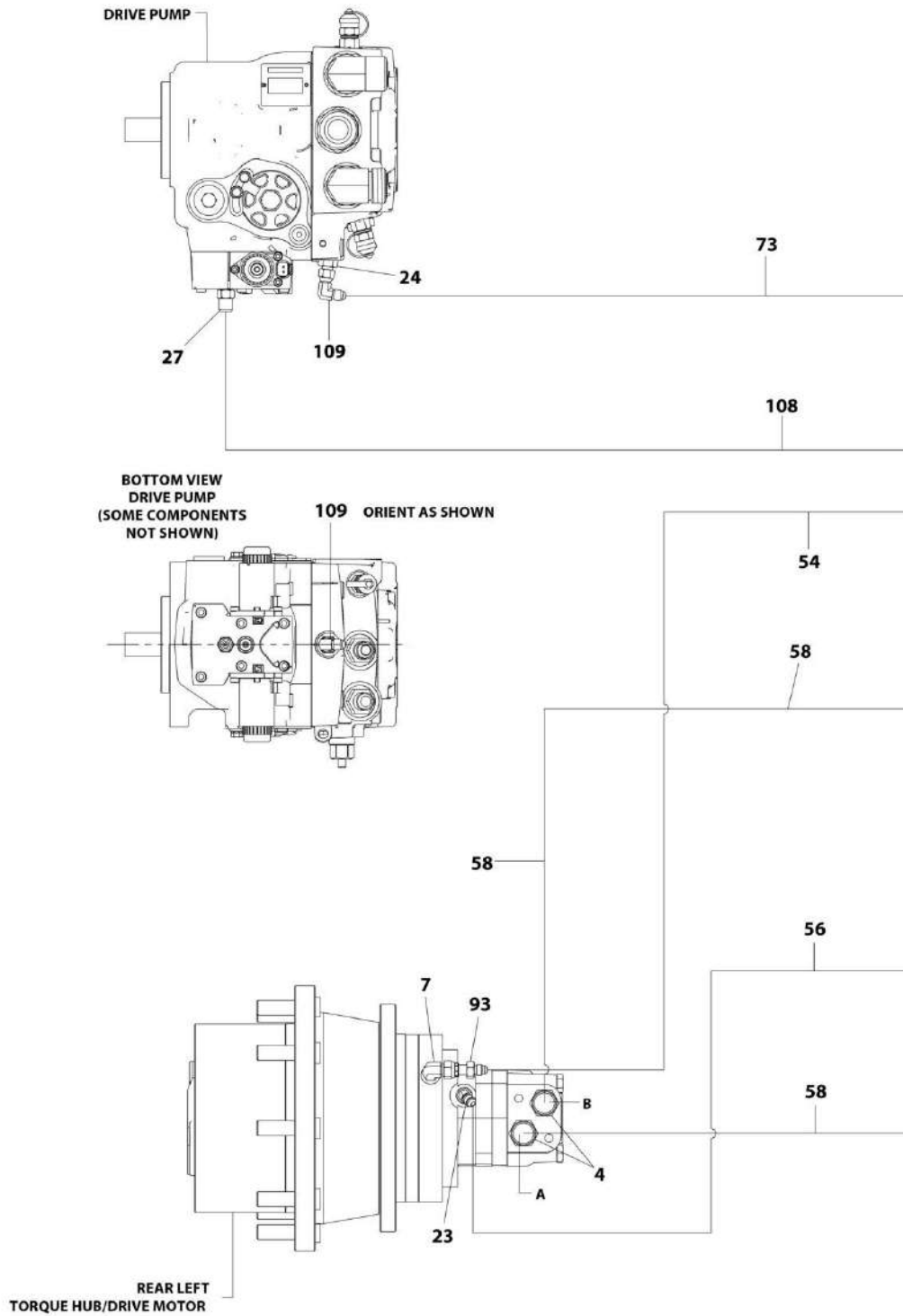
**FIGURE 7-2. HYDRAULIC INSTALLATION (FRONT AXLE) - 24RSJ**

ITEM	PART NUMBER	QTY	DESCRIPTION	REV
	1001180573	Ref	HYDRAULIC INSTALLATION (FRONT AXLE) - 24RSJ	C
4	2111010	AR	Fitting, Straight ORFS/ORB	
5	2111212	AR	Fitting, Straight ORFS/ORB	
6	2111616	AR	Fitting, Straight ORFS/ORB	
8	2131616	AR	Fitting, 90 ORFS/ORB	
9	2172116	AR	Fitting, 90 ORFS/FORBFS	
11	2220371	AR	Fitting, Straight JIC/ORB	
16	2220415	AR	Fitting, Straight JIC/ORB	
22	2220500	AR	Fitting, 45 JIC/ORB	
28	2220605	AR	Fitting, Tee JIC/FSJIC/JIC	
32	2220861	AR	Fitting, Tee JIC/FSJIC/JIC	
39	2221041	AR	Fitting, Tee	
44	4641282	AR	Valve, Orifice Check	
48	77133089	AR	Valve, Mini Check	
52	1001140292	AR	Hose	
53	1001140314	AR	Hose	
55	1001140475	AR	Hose	
57	1001140608	AR	Hose	
70	1001141701	AR	Hose	
71	1001141770	AR	Hose	
86	1001142679	AR	Fitting, Straight ORFS/ORB	



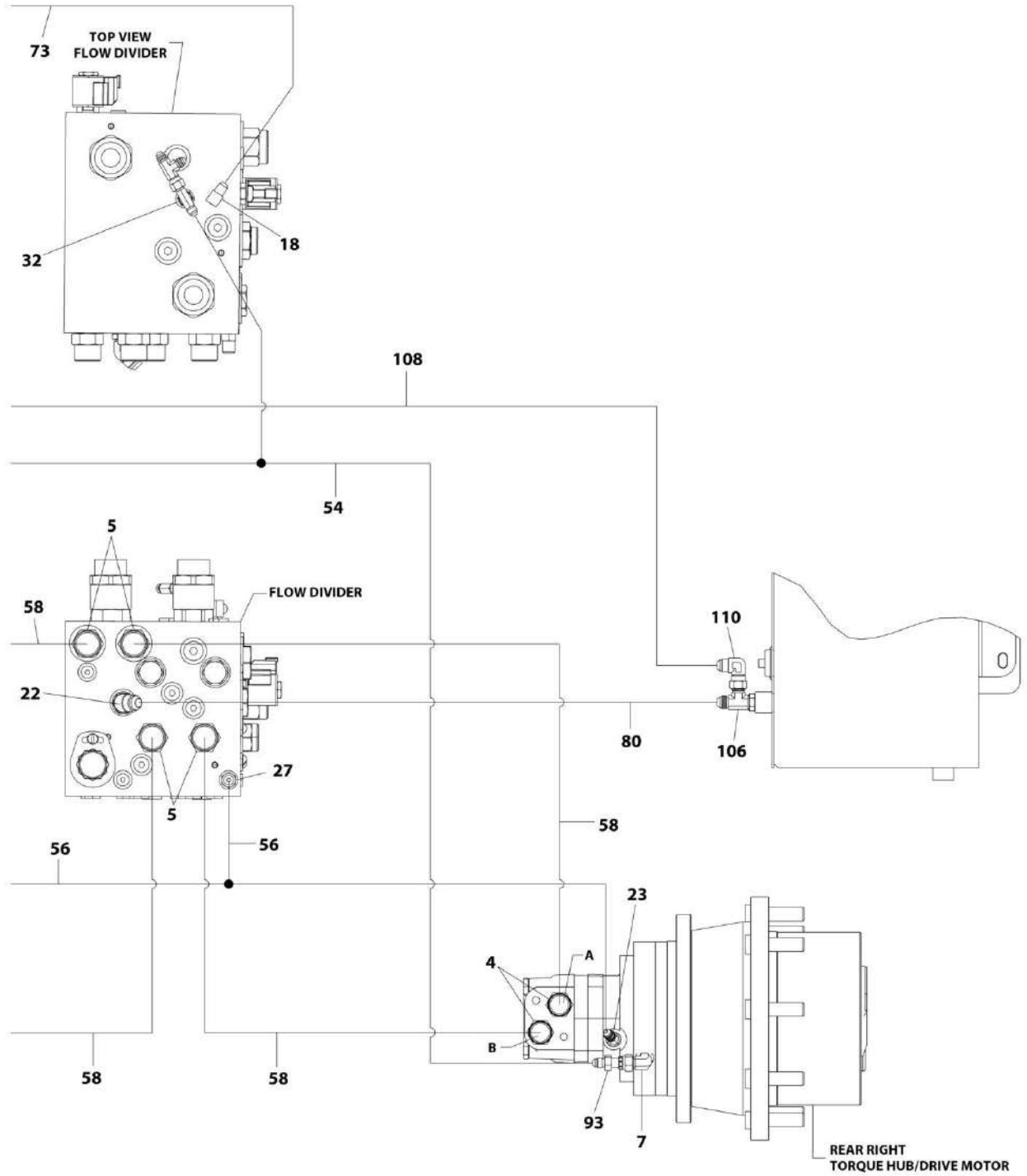
# SECTION 7 - HYDRAULIC

## FIGURE 7-3. HYDRAULIC INSTALLATION (REAR AXLE) - 24RS



ART\_1001139017\_4OF9

# SECTION 7 - HYDRAULIC



ART\_1001139017\_50F9

## SECTION 7 - HYDRAULIC

**FIGURE 7-3. HYDRAULIC INSTALLATION (REAR AXLE) - 24RS**

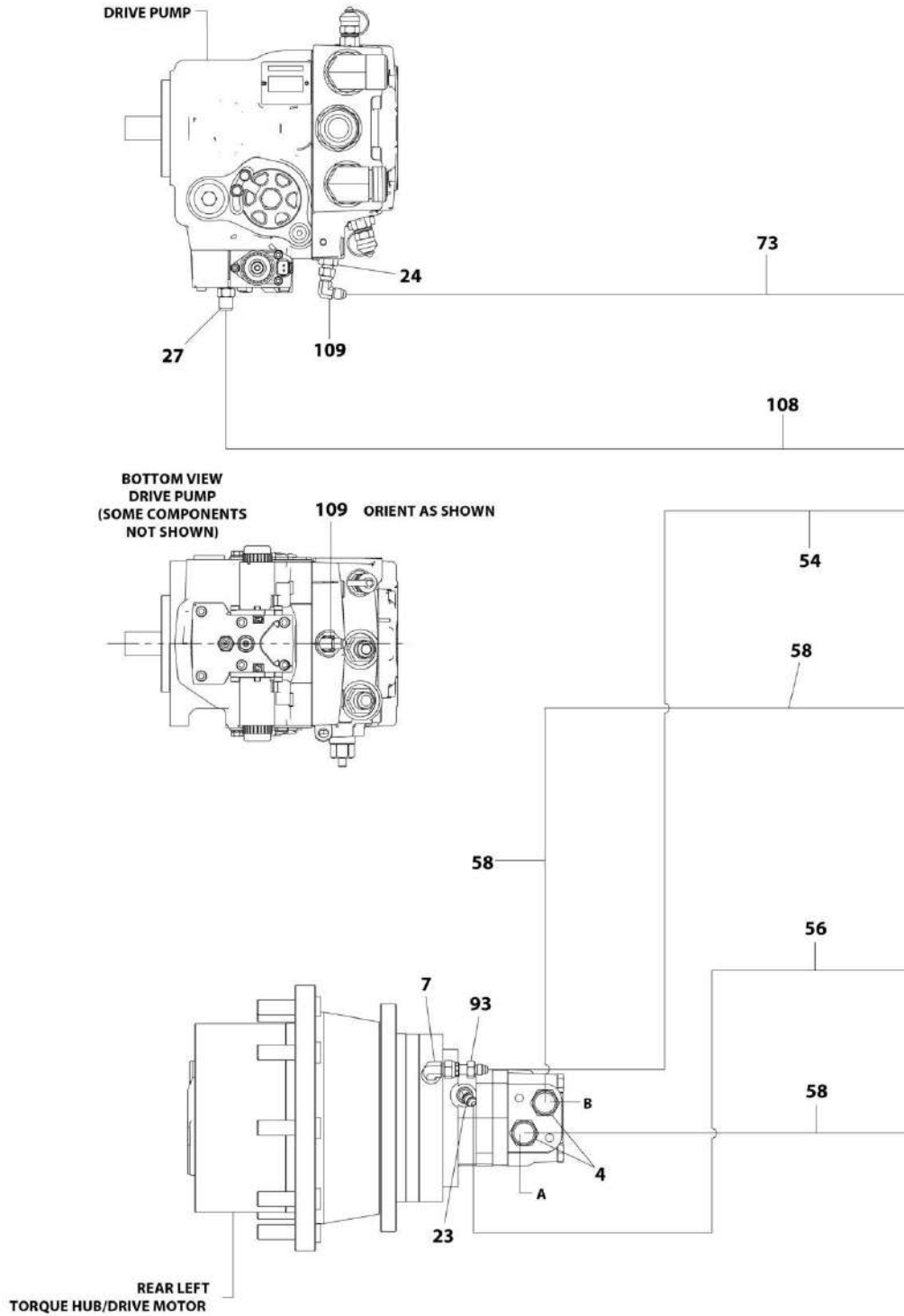
ITEM	PART NUMBER	QTY	DESCRIPTION	REV
	1001139017	Ref	HYDRAULIC INSTALLATION (REAR AXLE) - 24RS	E
4	2111010	AR	Fitting, Straight ORFS/ORB	
5	2111212	AR	Fitting, Straight ORFS/ORB	
7	2130404	AR	Fitting, 90 ORFS/ORB	
18	2220466	AR	Fitting, 90 JIC/ORB	
22	2220500	AR	Fitting, 45 JIC/ORB	
23	2220502	AR	Fitting, 45 JIC/ORB	
24	2220582	AR	Fitting, Straight JIC/ORB	
27	2220603	AR	Fitting, Straight JIC/ORB	
32	2220861	AR	Fitting, Tee JIC/FSJIC/JIC	
54	1001140391	AR	Hose	
56	1001140521	AR	Hose	
58	1001140673	AR	Hose	
73	1001155411	AR	Hose	
80	1001142328	AR	Hose	
93	1001143602	AR	Fitting, Straight JIC/FSORFS	
106	2220602	AR	Fitting, Tee JIC/ORB/JIC	
108	1001155091	AR	Hose	
109	2220654	AR	Fitting, 90 JIC/FSJIC	
110	8765204	AR	Fitting, 90 JIC/FSJIC	





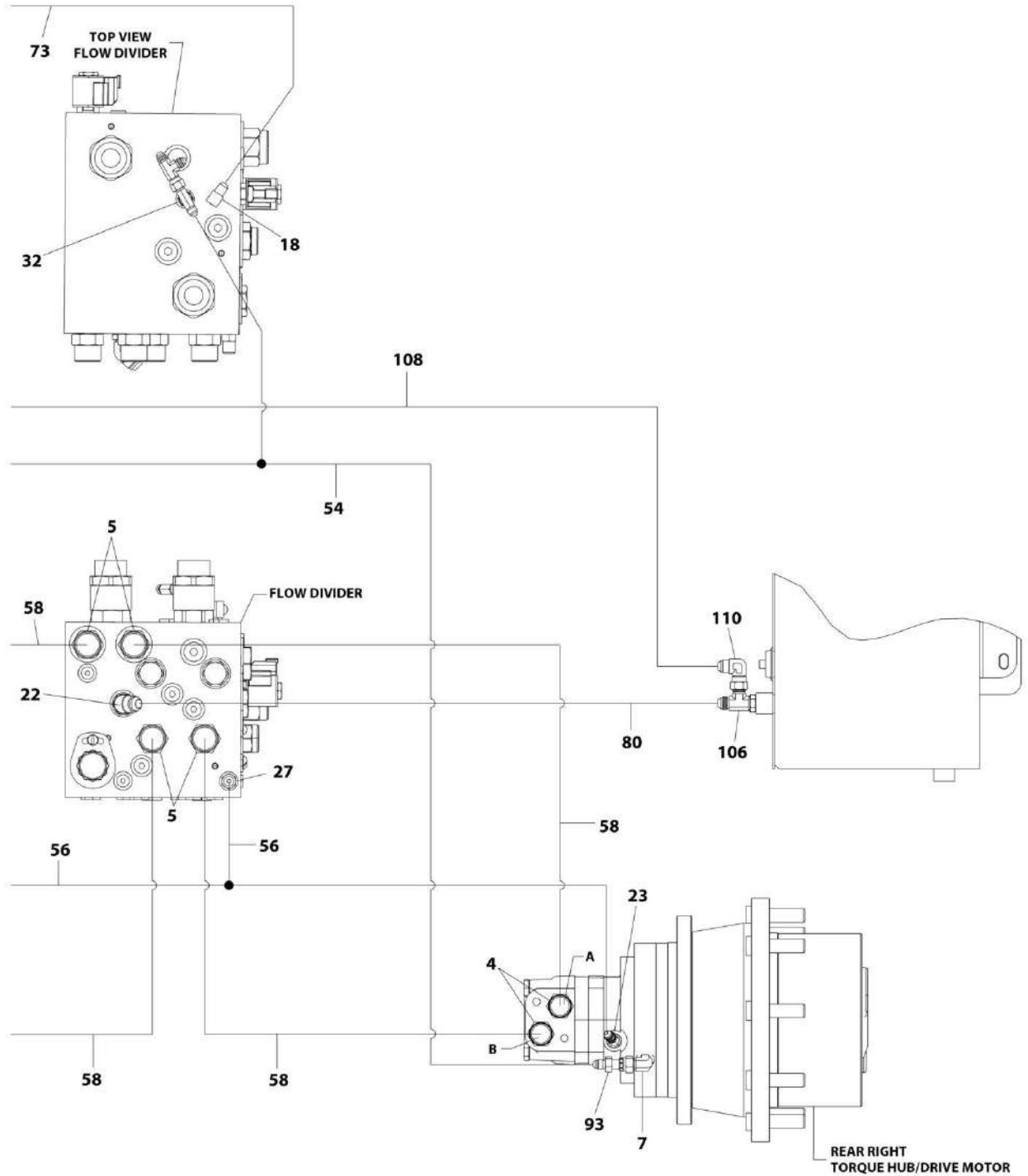
# SECTION 7 - HYDRAULIC

## FIGURE 7-4. HYDRAULIC INSTALLATION (REAR AXLE) - 24RSJ



ART\_1001180573\_4OF9

# SECTION 7 - HYDRAULIC



ART\_1001180573\_5OF9

## SECTION 7 - HYDRAULIC

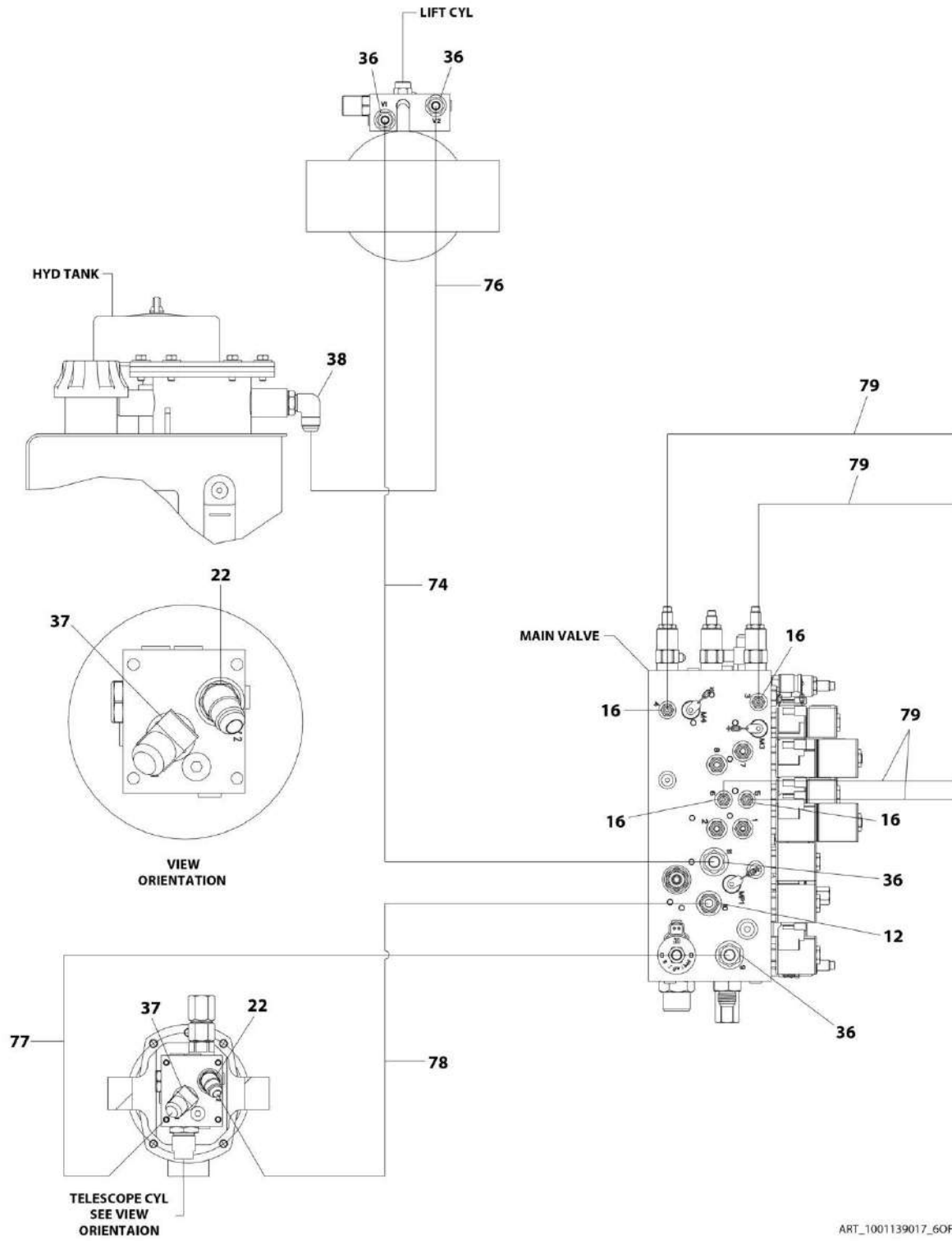
FIGURE 7-4. HYDRAULIC INSTALLATION (REAR AXLE) - 24RSJ

ITEM	PART NUMBER	QTY	DESCRIPTION	REV
	1001180573	Ref	HYDRAULIC INSTALLATION (REAR AXLE) - 24RSJ	C
4	2111010	AR	Fitting, Straight ORFS/ORB	
5	2111212	AR	Fitting, Straight ORFS/ORB	
7	2130404	AR	Fitting, 90 ORFS/ORB	
18	2220466	AR	Fitting, 90 JIC/ORB	
22	2220500	AR	Fitting, 45 JIC/ORB	
23	2220502	AR	Fitting, 45 JIC/ORB	
24	2220582	AR	Fitting, Straight JIC/ORB	
27	2220603	AR	Fitting, Straight JIC/ORB	
32	2220861	AR	Fitting, Tee JIC/FSJIC/JIC	
54	1001140391	AR	Hose	
56	1001140521	AR	Hose	
58	1001140673	AR	Hose	
73	1001155411	AR	Hose	
80	1001142328	AR	Hose	
93	1001143602	AR	Fitting, Straight JIC/FSORFS	
106	2220602	AR	Fitting, Tee JIC/ORB/JIC	
108	1001155091	AR	Hose	
109	2220654	AR	Fitting, 90 JIC/FSJIC	
110	8765204	AR	Fitting, 90 JIC/FSJIC	

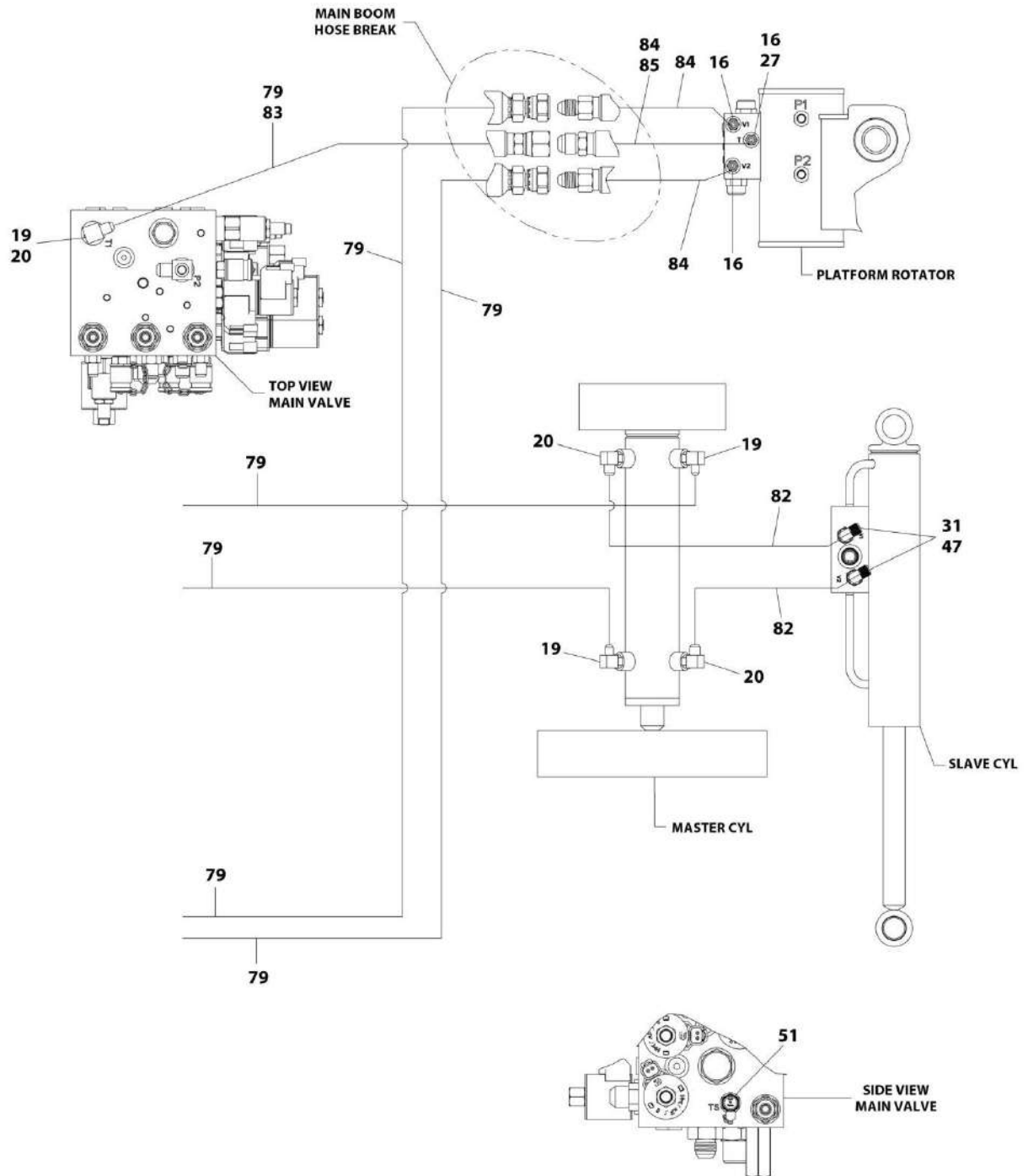


# SECTION 7 - HYDRAULIC

## FIGURE 7-5. HYDRAULIC INSTALLATION (BOOM) - 24RS



# SECTION 7 - HYDRAULIC



ART\_1001139017\_70F9

## SECTION 7 - HYDRAULIC

FIGURE 7-5. HYDRAULIC INSTALLATION (BOOM) - 24RS

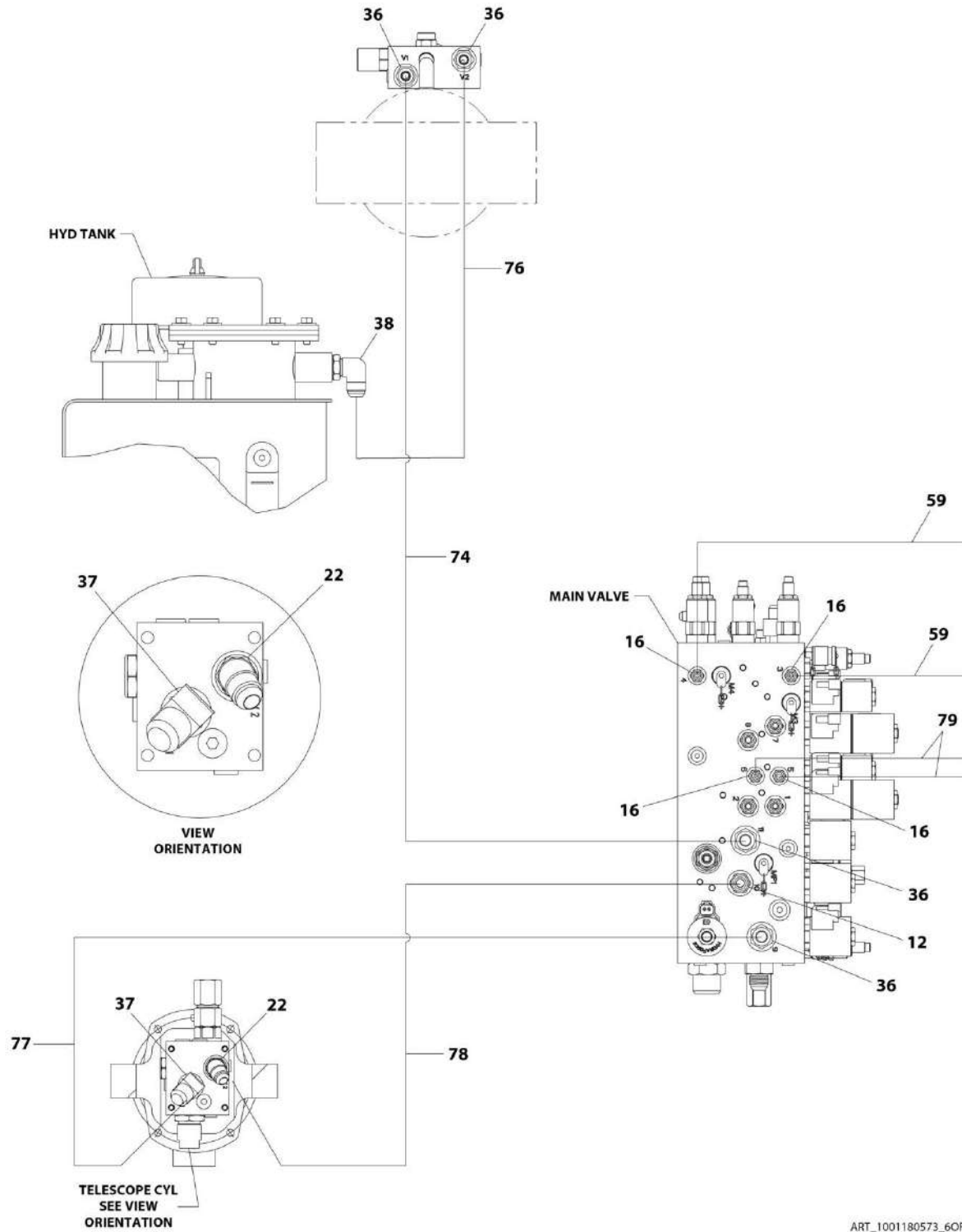
ITEM	PART NUMBER	QTY	DESCRIPTION	REV
	1001139017	Ref	HYDRAULIC INSTALLATION (BOOM) - 24RS	E
12	2220373	AR	Fitting, Straight JIC/ORB	
16	2220415	AR	Fitting, Straight JIC/ORB	
19	2220472	AR	Fitting, 90 JIC/ORB	
20	2220473	AR	Fitting, 90 JIC/ORB	
22	2220500	AR	Fitting, 45 JIC/ORB	
27	2220603	AR	Fitting, Straight JIC/ORB <b>(Prior to SN B300001160)</b>	
31	2220819	AR	Fitting, 90 JIC/ORB	
36	2220947	AR	Fitting, Straight JIC/ORB	
37	2220950	AR	Fitting, 45 JIC/ORB	
38	2221036	AR	Fitting, 90 JIC/ORB	
47	8770016	AR	Fitting, Tee FORB/ORB	
51	1001119455	AR	Valve, Oil Sampling	
74	1001149654	AR	Hose	
76	1001149655	AR	Hose	
77	1001142325	AR	Hose	
78	1001142326	AR	Hose	
79	1001142327	AR	Hose	
82	1001142577	AR	Hose	
83	1001142582	AR	Hose <b>(Prior to SN B300001160)</b>	
84	1001142584	AR	Hose	
85	1001142587	AR	Hose <b>(Prior to SN B300001160)</b>	



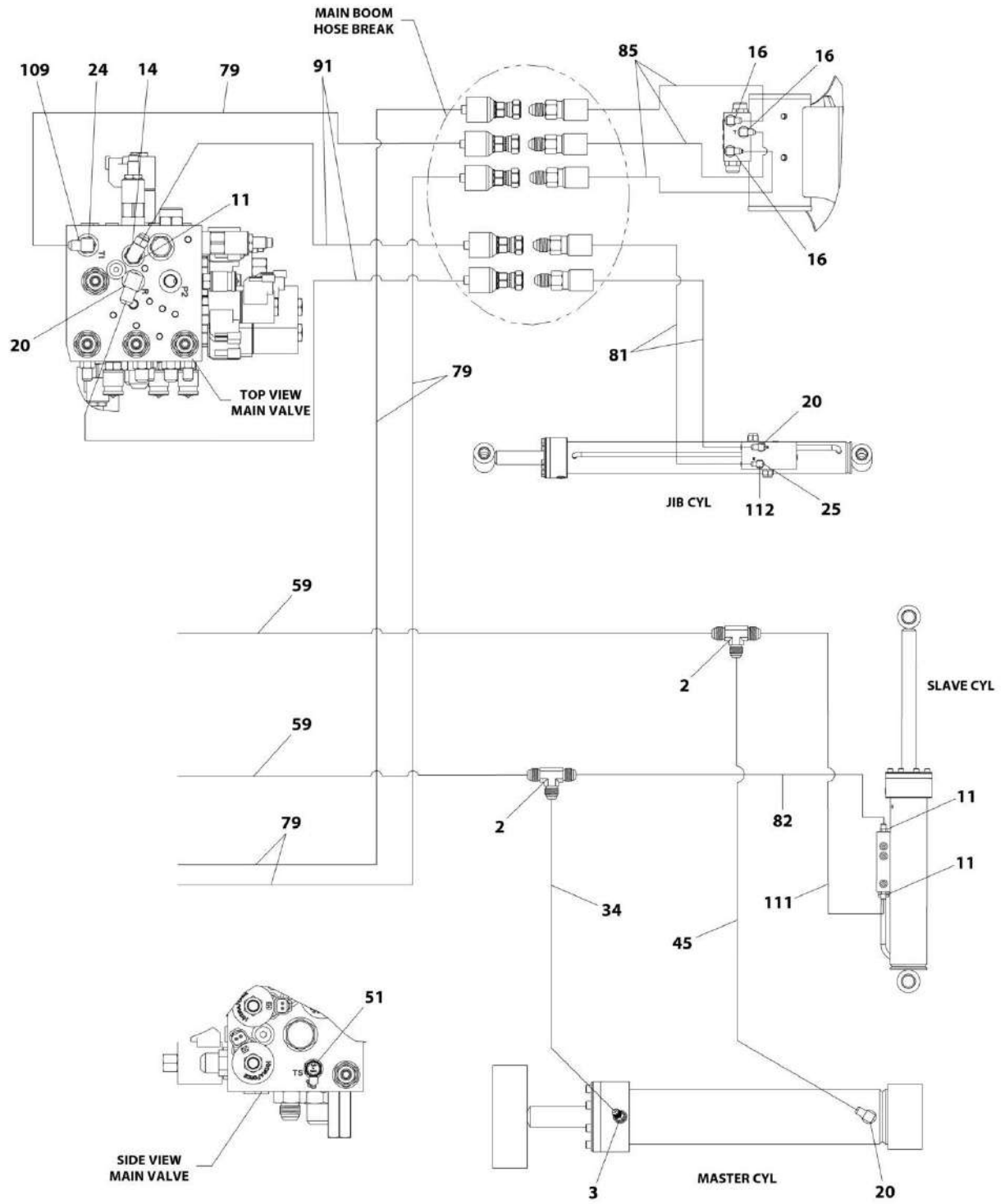


# SECTION 7 - HYDRAULIC

## FIGURE 7-6. HYDRAULIC INSTALLATION (BOOM) - 24RSJ



# SECTION 7 - HYDRAULIC



ART\_1001182573\_70F9

## SECTION 7 - HYDRAULIC

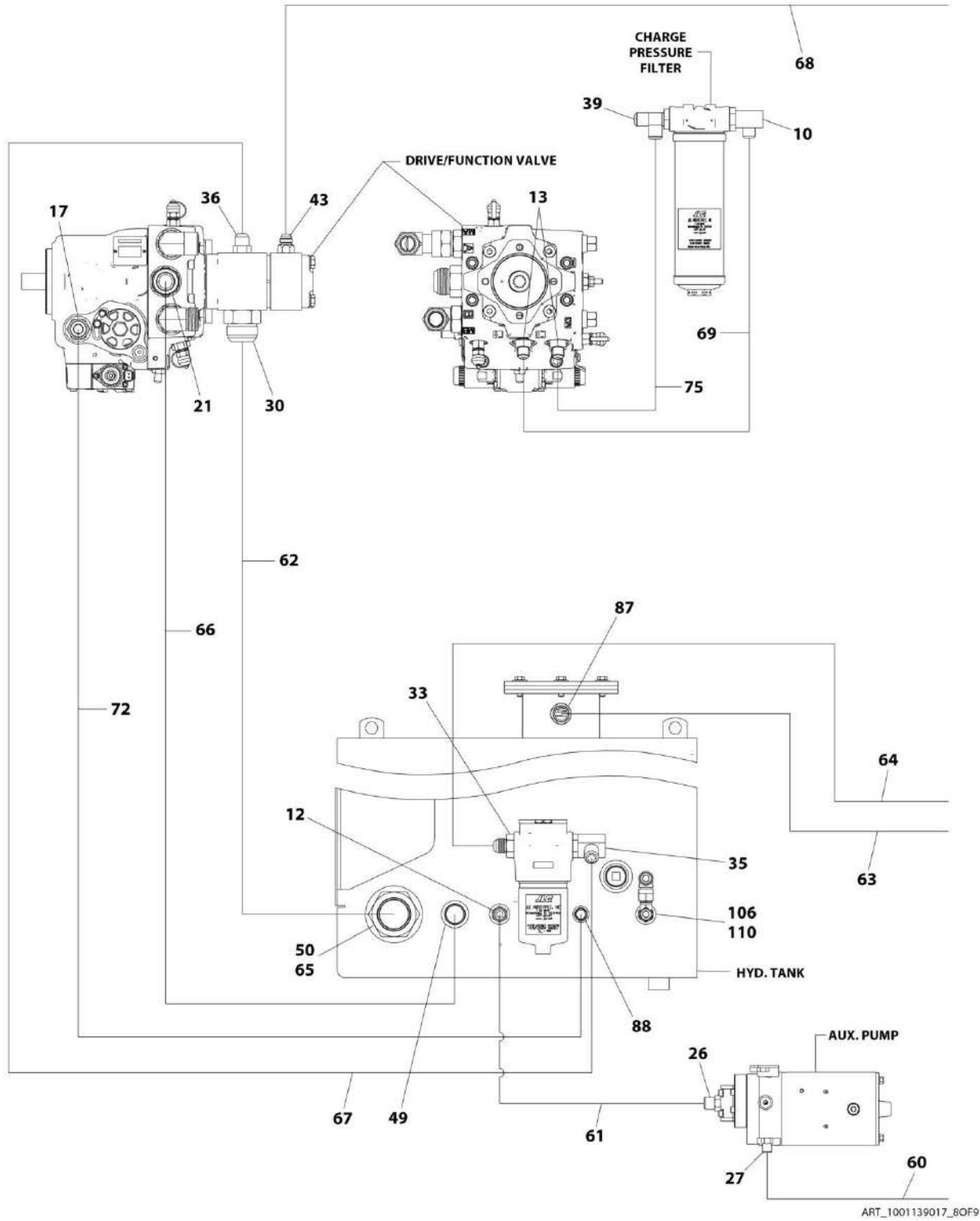
FIGURE 7-6. HYDRAULIC INSTALLATION (BOOM) - 24RSJ

ITEM	PART NUMBER	QTY	DESCRIPTION	REV
	1001180573	Ref	HYDRAULIC INSTALLATION (BOOM) - 24RSJ	C
2	2220490	AR	Fitting, Tee JIC/JIC/JIC	
3	2220501	AR	Fitting, 45 JIC/ORB	
11	2220371	AR	Fitting, Straight JIC/ORB	
12	2220373	AR	Fitting, Straight JIC/ORB	
14	8760268	AR	Fitting, 90 JIC/FSJIC	
16	2220415	AR	Fitting, Straight JIC/ORB	
19	2220472	AR	Fitting, 90 JIC/ORB	
20	2220473	AR	Fitting, 90 JIC/ORB	
22	2220500	AR	Fitting, 45 JIC/ORB	
24	2220582	AR	Fitting, Straight JIC/ORB	
25	2180380	AR	Plug NPTF	
34	1001184249	AR	Hose	
36	2220947	AR	Fitting, Straight JIC/ORB	
37	2220950	AR	Fitting, 45 JIC/ORB	
38	2221036	AR	Fitting, 90 JIC/ORB	
45	1001184250	AR	Hose	
51	1001119455	AR	Valve, Oil Sampling	
59	1001184253	AR	Hose	
74	1001149654	AR	Hose	
76	1001149655	AR	Hose	
77	1001142325	AR	Hose	
78	1001142326	AR	Hose	
79	1001142327	AR	Hose	
81	1001184255	AR	Hose	
82	1001142577	AR	Hose	
85	1001184252	AR	Hose	
91	1001186910	AR	Hose	
109	2220654	AR	Fitting, 90 JIC/FSJIC	
111	1001195961	AR	Hose	
112	2180724	AR	Fitting, 90 JIC/ORB	

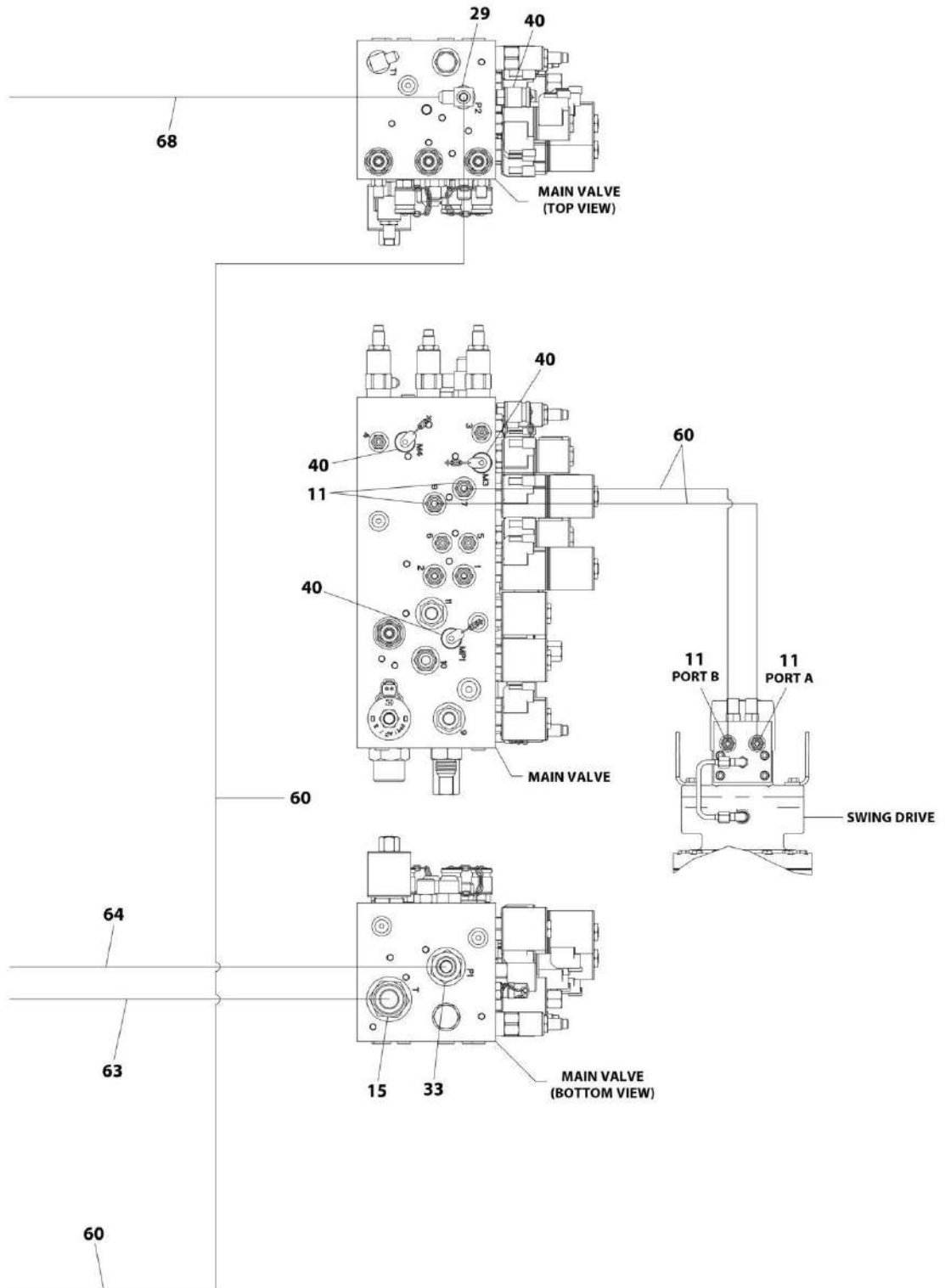


# SECTION 7 - HYDRAULIC

## FIGURE 7-7. HYDRAULIC INSTALLATION (DRIVE PUMP) - 24RS



# SECTION 7 - HYDRAULIC



ART\_1001139017\_90F9

## SECTION 7 - HYDRAULIC

FIGURE 7-7. HYDRAULIC INSTALLATION (DRIVE PUMP) - 24RS

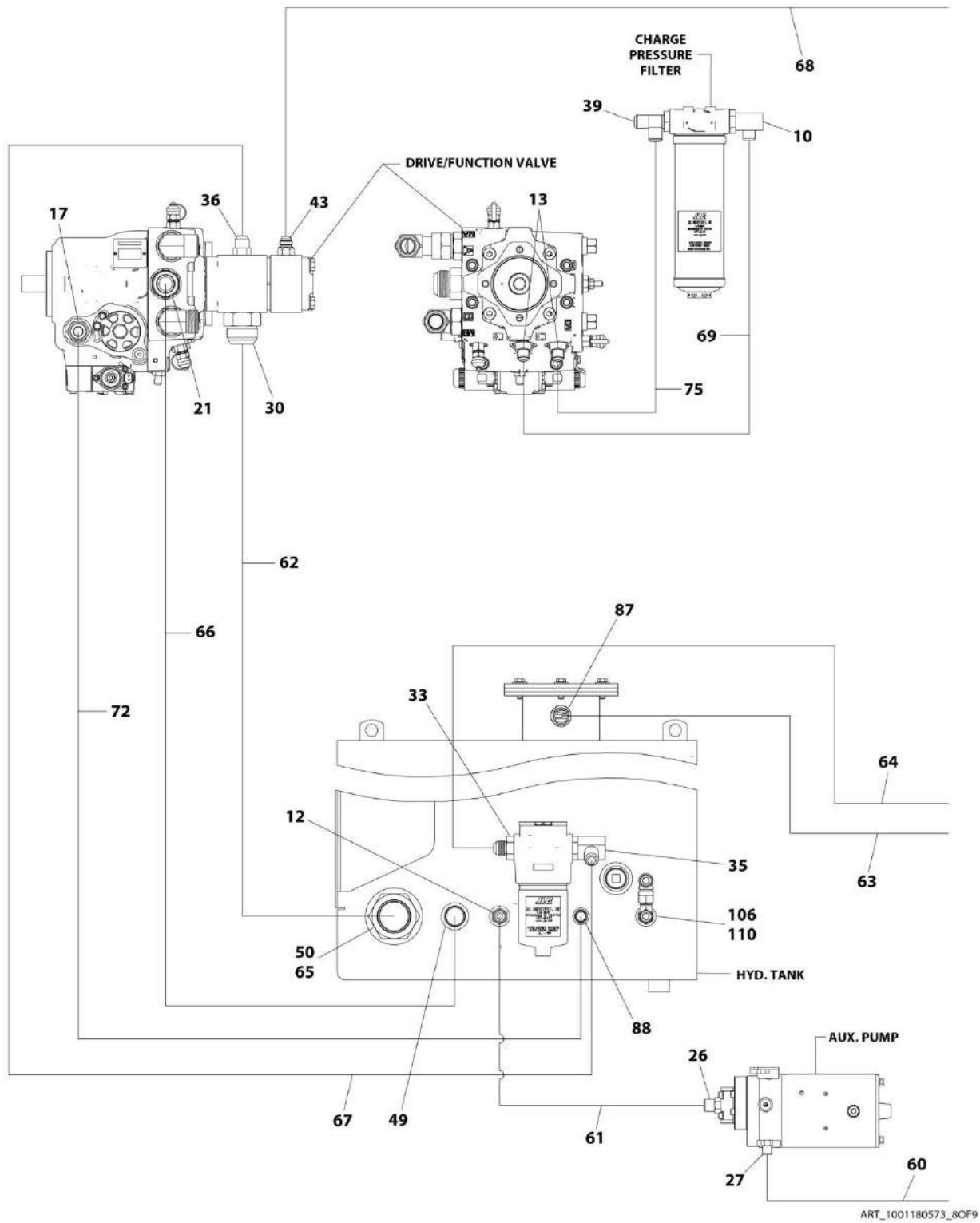
ITEM	PART NUMBER	QTY	DESCRIPTION	REV
	1001139017	Ref	HYDRAULIC INSTALLATION (DRIVE PUMP) - 24RS	E
10	2220366	AR	Fitting, 90 JIC/ORB	
11	2220371	AR	Fitting, Straight JIC/ORB	
12	2220373	AR	Fitting, Straight JIC/ORB	
13	2220374	AR	Fitting, Straight JIC/ORB	
15	2220377	AR	Fitting, Straight JIC/ORB	
17	2220451	AR	Fitting, Straight JIC/ORB	
21	2220479	AR	Fitting, Straight JIC/ORB	
26	2220600	AR	Fitting, Straight JIC/ORB	
27	2220603	AR	Fitting, Straight JIC/ORB	
29	2220606	AR	Fitting, Tee JIC/ORB/JIC	
30	2220689	AR	Fitting, Straight JIC/ORB	
33	2220865	AR	Fitting, Straight JIC/ORB	
35	2220906	4	Fitting, 90 JIC/ORB	
36	2220947	AR	Fitting, Straight JIC/ORB	
39	2221041	AR	Fitting, Tee	
40	2221086	AR	Fitting, Test	
43	4640744	2	Valve, Check	
49	80633030	AR	Clamp	
50	90028720	AR	Clamp	
60	1001141124	AR	Hose	
61	1001141179	AR	Hose	
62	1001141192	AR	Hose	
63	1001141373	AR	Hose	
64	1001141397	AR	Hose	
65	1001141447	AR	Fitting, Straight HB/ORB	
66	1001141466	AR	Hose	
67	1001141531	AR	Hose	
68	1001141582	1	Hose	
69	1001141632	1	Hose	
72	1001141785	1	Hose	
75	1001142246	1	Hose	
87	1001143501	AR	Clamp	
88	1001143517	AR	Clamp	
106	2220602	AR	Fitting, Tee JIC/ORB/JIC	
110	8765204	AR	Fitting, 90 JIC/FSJIC	



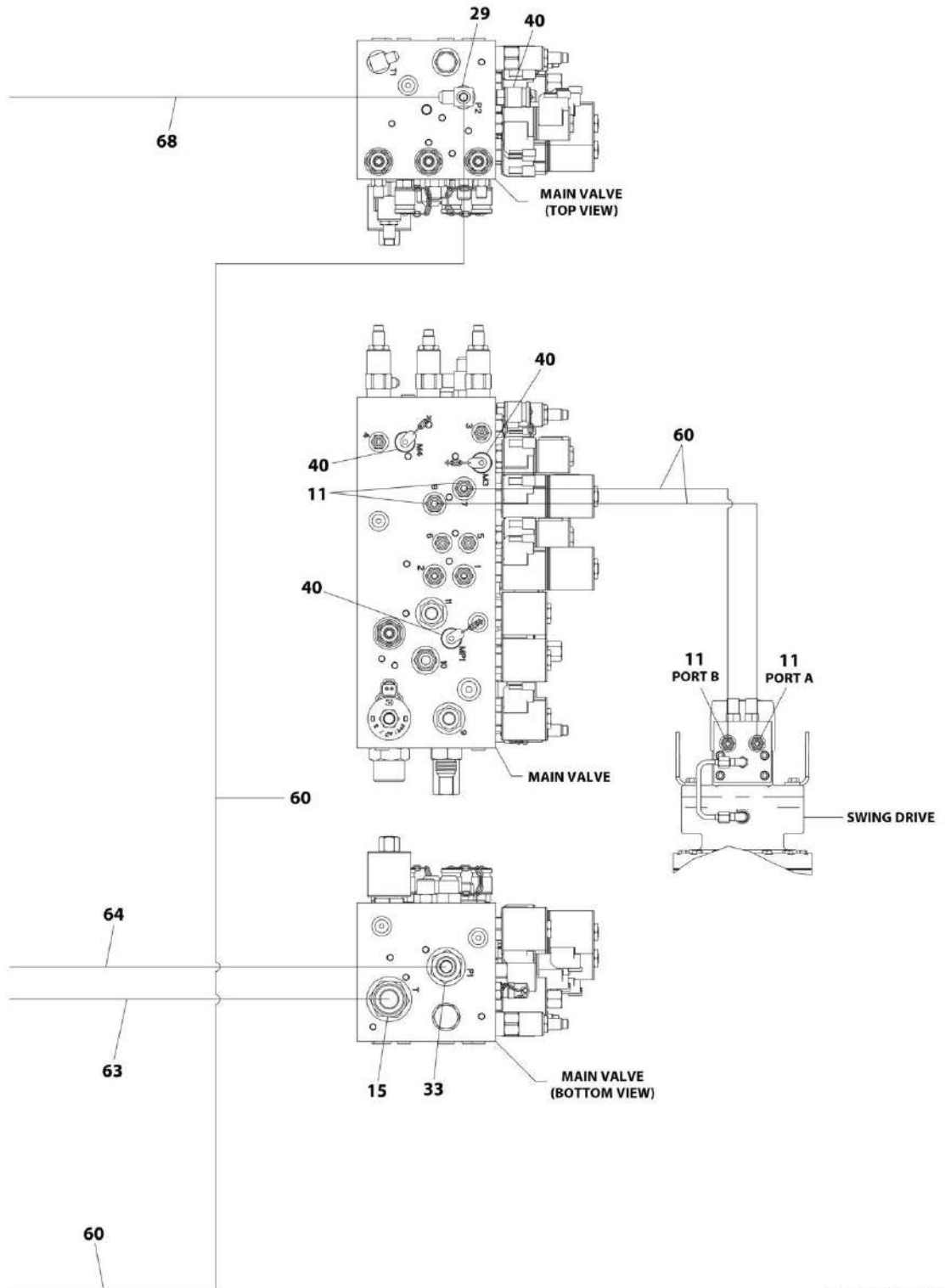


# SECTION 7 - HYDRAULIC

## FIGURE 7-8. HYDRAULIC INSTALLATION (DRIVE PUMP) - 24RSJ



# SECTION 7 - HYDRAULIC



ART\_1001180573\_90F9

## SECTION 7 - HYDRAULIC

**FIGURE 7-8. HYDRAULIC INSTALLATION (DRIVE PUMP) - 24RSJ**

ITEM	PART NUMBER	QTY	DESCRIPTION	REV
	1001180573	Ref	HYDRAULIC INSTALLATION (DRIVE PUMP) - 24RSJ	C
10	2220366	AR	Fitting, 90 JIC/ORB	
11	2220371	AR	Fitting, Straight JIC/ORB	
12	2220373	AR	Fitting, Straight JIC/ORB	
13	2220374	AR	Fitting, Straight JIC/ORB	
15	2220377	AR	Fitting, Straight JIC/ORB	
17	2220451	AR	Fitting, Straight JIC/ORB	
21	2220479	AR	Fitting, Straight JIC/ORB	
26	2220600	AR	Fitting, Straight JIC/ORB	
27	2220603	AR	Fitting, Straight JIC/ORB	
29	2220606	AR	Fitting, Tee JIC/ORB/JIC	
30	2220689	AR	Fitting, Straight JIC/ORB	
33	2220865	AR	Fitting, Straight JIC/ORB	
35	2220906	4	Fitting, 90 JIC/ORB	
36	2220947	AR	Fitting, Straight JIC/ORB	
39	2221041	AR	Fitting, Tee	
40	2221086	AR	Fitting, Test	
43	4640744	2	Valve, Check	
49	80633030	AR	Clamp	
50	90028720	AR	Clamp	
60	1001141124	AR	Hose	
61	1001141179	AR	Hose	
62	1001141192	AR	Hose	
63	1001141373	AR	Hose	
64	1001141397	AR	Hose	
65	1001141447	AR	Fitting, Straight HB/ORB	
66	1001141466	AR	Hose	
67	1001141531	AR	Hose	
68	1001141582	1	Hose	
69	1001141632	1	Hose	
72	1001141785	1	Hose	
75	1001142246	1	Hose	
87	1001143501	AR	Clamp	
88	1001143517	AR	Clamp	
106	2220602	AR	Fitting, Tee JIC/ORB/JIC	
110	8765204	AR	Fitting, 90 JIC/FSJIC	



## SECTION 7 - HYDRAULIC

FIGURE 7-9. HYDRAULIC DIAGRAM LIST

ITEM	PART NUMBER	QTY	DESCRIPTION	REV
		Ref	<b>Note: Information on diagrams not shown is available from JLG Service/Parts Departments. See Service and Maintenance Manual for schematics.</b>	
		Ref	HYDRAULIC DIAGRAM LIST	
	1001139017	Ref	Hydraulic Diagram Installation - 24RS	
	1001180573	Ref	Hydraulic Diagram Installation - 24RSJ	
	1001131498	Ref	Standard Hydraulic Schematic	

**SECTION 8 - ELECTRICAL**

## SECTION 8 - ELECTRICAL

FIGURE 8-1. ELECTRICAL DIAGRAM LIST

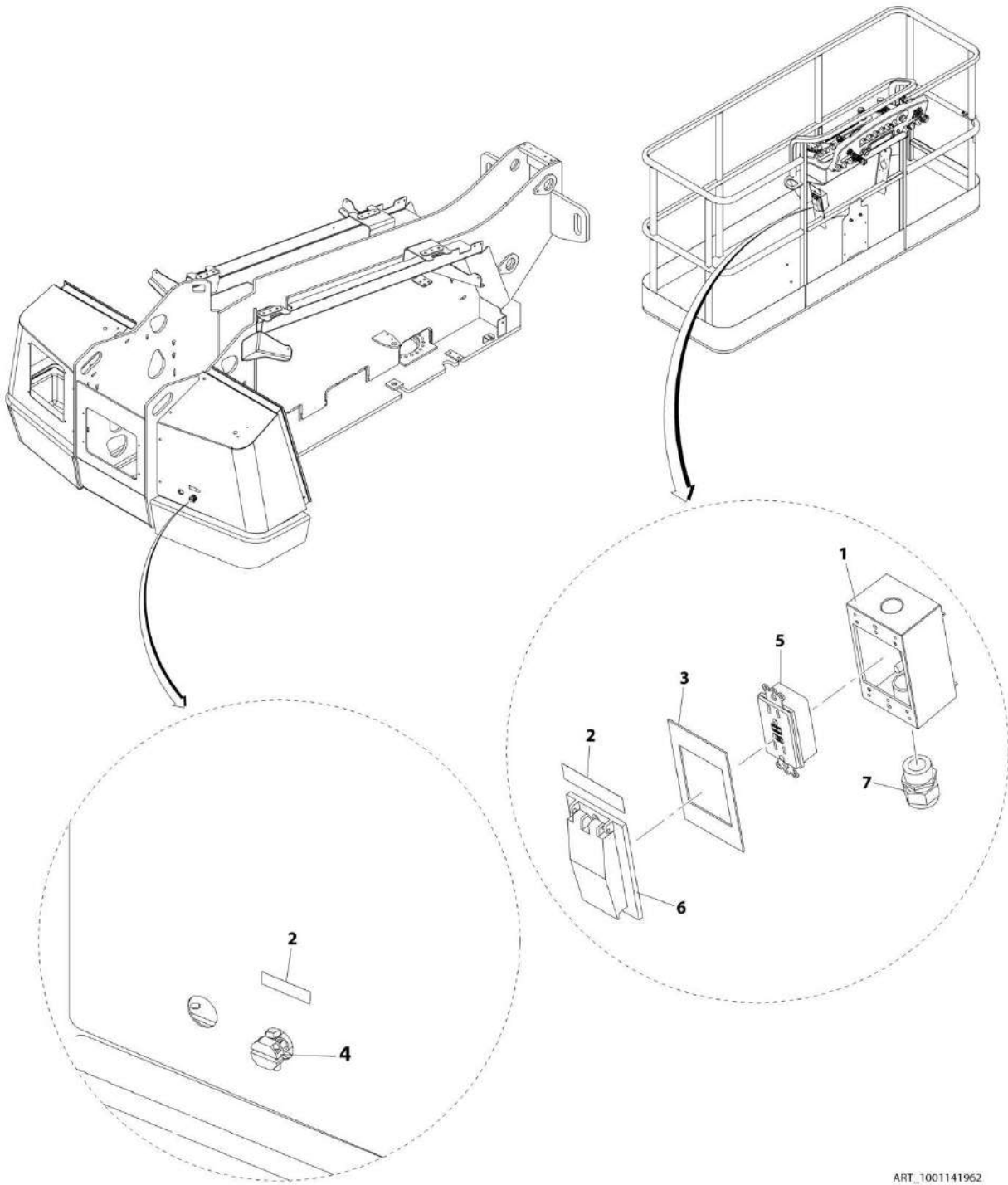
ITEM	PART NUMBER	QTY	DESCRIPTION	REV
		Ref	<b>Note: Diagrams are available from the JLG Service Department. See Service and Maintenance Manual for schematics.</b>	
		Ref	ELECTRICAL DIAGRAM LIST	
	1001145950	Ref	7500W GENERATOR ELECTRICAL DIAGRAM	
	1001129238	Ref	STANDARD ELECTRICAL SCHEMATIC	





# SECTION 8 - ELECTRICAL

FIGURE 8-2. AC AT PLATFORM RECEPACLE COMPONENTS - 110V GFI (ANSI EXPORT SPECS)



ART\_1001141962

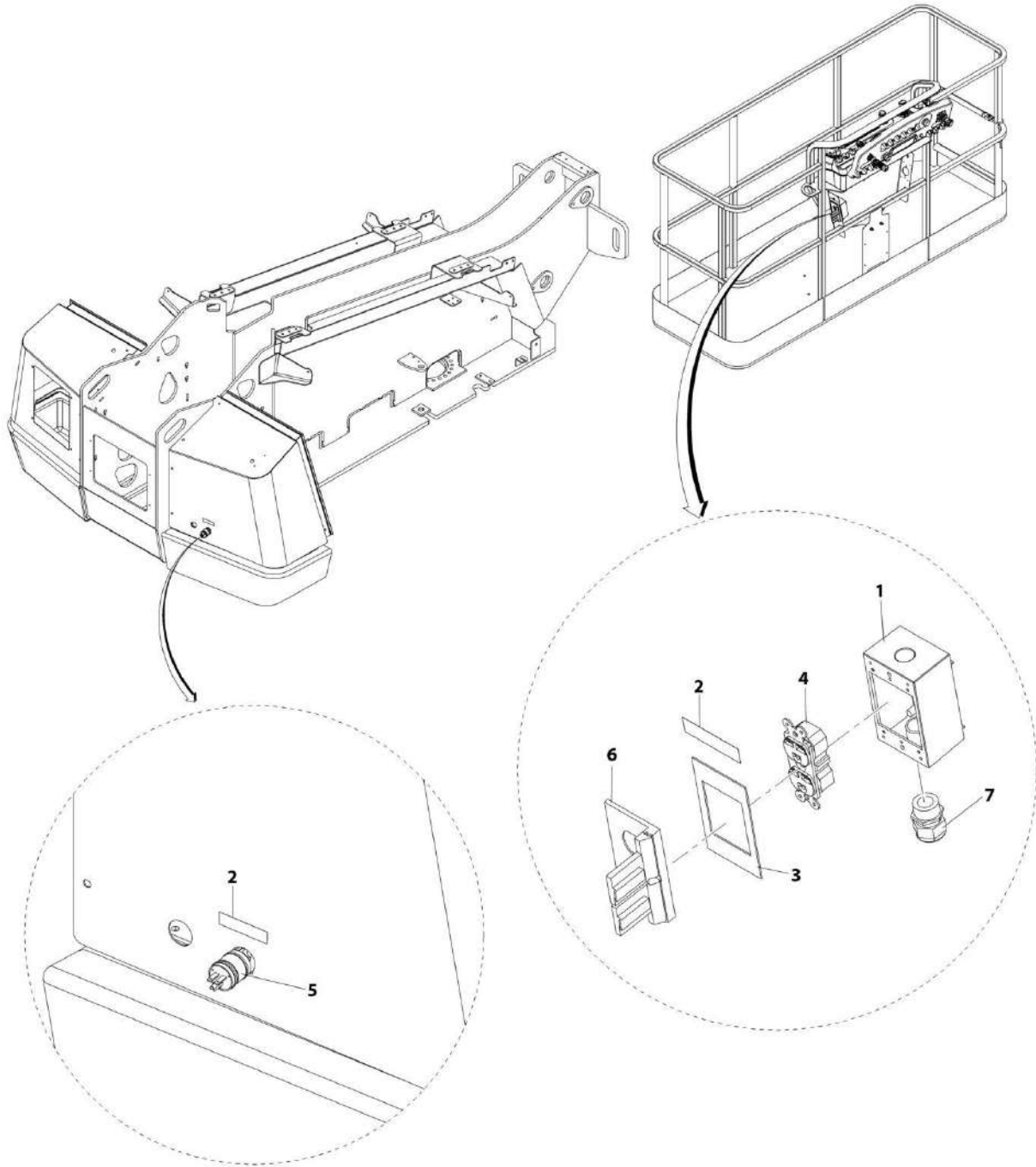
## SECTION 8 - ELECTRICAL

**FIGURE 8-2. AC AT PLATFORM RECEPTACLE COMPONENTS - 110V GFI (ANSI EXPORT SPECS)**

ITEM	PART NUMBER	QTY	DESCRIPTION	REV
	1001141962	Ref	AC AT PLATFORM RECEPTACLE COMPONENTS - 110V GFI (ANSI EXPORT SPECS)	B
1	0860038	1	Box, Switch	
2	3251243	2	Decal - Voltage	
3	3960422	1	Gasket	
4	4460205	1	Plug, Male	
5	4460346	1	Receptacle	
6	1001110873	1	Shield, Cover	
7	4460071	1	Connector, Strain Relief	

# SECTION 8 - ELECTRICAL

FIGURE 8-3. AC AT PLATFORM RECEPTACLE COMPONENTS - 220V (ANSI EXPORT SPECS)



ART\_1001141961

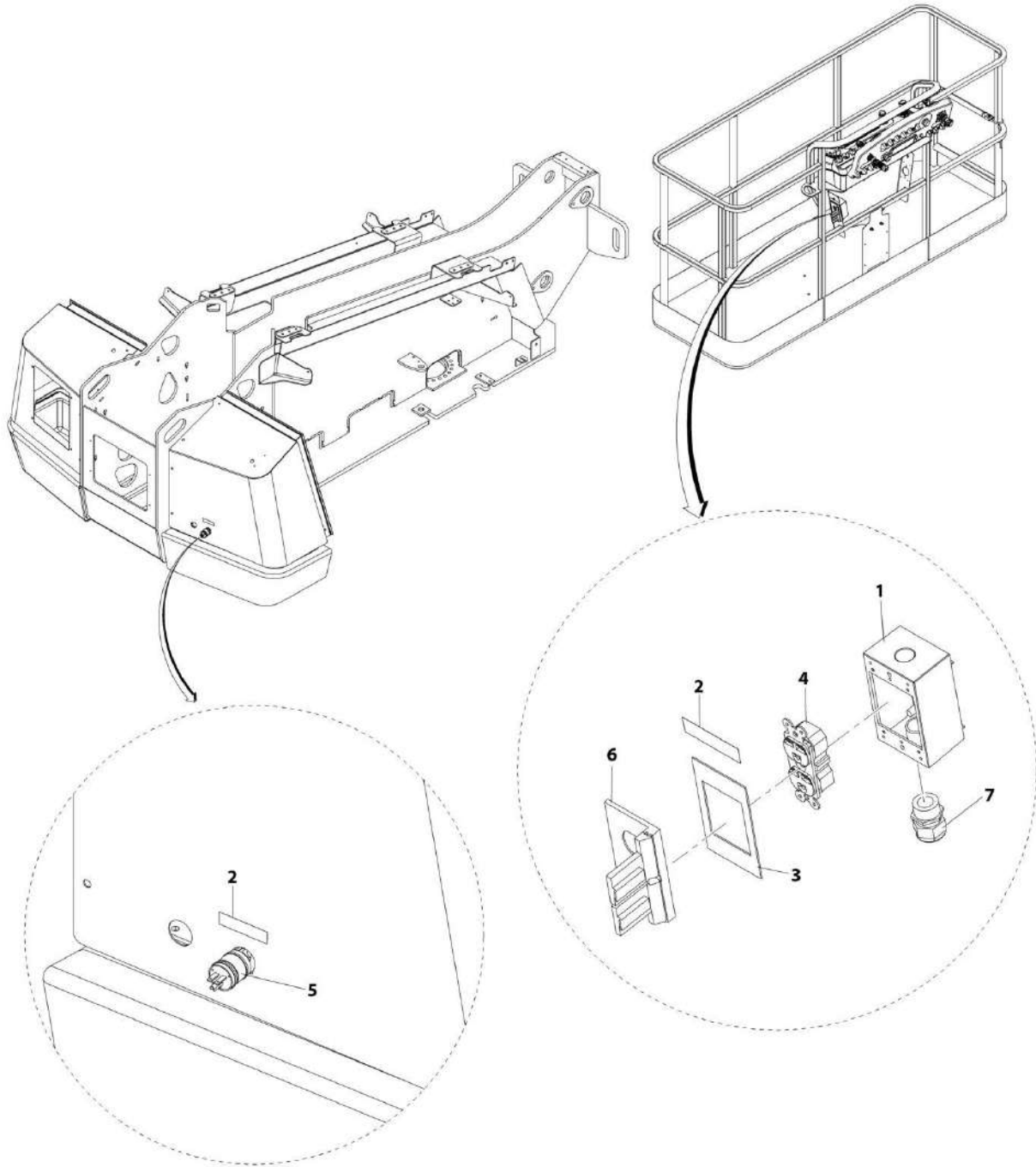
## SECTION 8 - ELECTRICAL

**FIGURE 8-3. AC AT PLATFORM RECEPTACLE COMPONENTS - 220V (ANSI EXPORT SPECS)**

ITEM	PART NUMBER	QTY	DESCRIPTION	REV
	1001141961	Ref	AC AT PLATFORM RECEPTACLE COMPONENTS - 220V (ANSI EXPORT SPECS)	B
1	0860038	1	Box, Switch	
2	3252507	2	Decal - Voltage	
3	3960422	1	Gasket	
4	4460125	1	Receptacle	
5	4460233	1	Plug, Male	
6	4060092	1	Shield, Cover	
7	4460071	1	Connector, Strain Relief	

# SECTION 8 - ELECTRICAL

FIGURE 8-4. AC AT PLATFORM RECEPTACLE COMPONENTS - DEALER/CUSTOMER SUPPLIED



ART\_1001141963

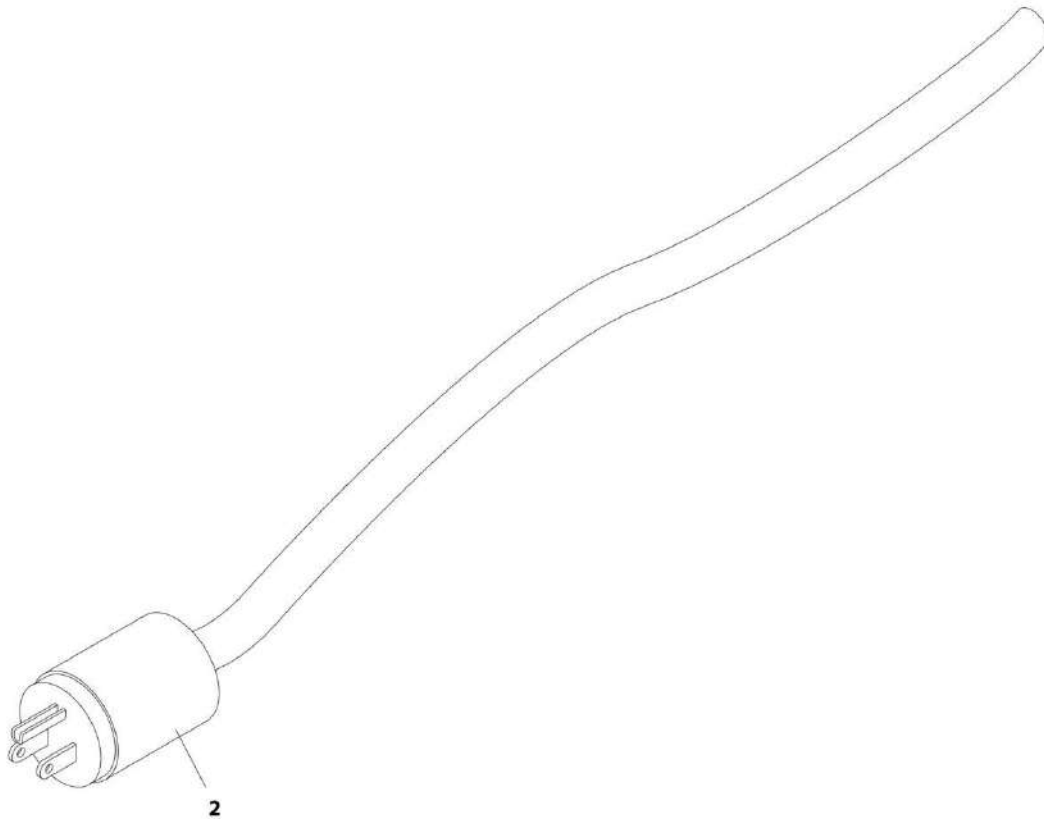
## SECTION 8 - ELECTRICAL

**FIGURE 8-4. AC AT PLATFORM RECEPTACLE COMPONENTS - DEALER/CUSTOMER SUPPLIED**

ITEM	PART NUMBER	QTY	DESCRIPTION	REV
	1001141963	Ref	AC AT PLATFORM RECEPTACLE COMPONENTS - DEALER/CUSTOMER SUPPLIED	B
1	See Note	1	Box, Switch (Note: Not Available - Purchase Locally)	
2	See Note	2	Decal - Voltage (Note: Not Available - Purchase Locally)	
3	See Note	1	Gasket (Note: Not Available - Purchase Locally)	
4	See Note	1	Receptacle (Note: Not Available - Purchase Locally)	
5	See Note	1	Plug, Male (Note: Not Available - Purchase Locally)	
6	See Note	1	Shield, Cover (Note: Not Available - Purchase Locally)	
7	See Note	1	Connector, Strain Relief (Note: Not Available - Purchase Locally)	

## SECTION 8 - ELECTRICAL

FIGURE 8-5. AC CABLE - MAIN BOOM (WITHOUT SKYPOWER) - 24RS



ART\_1001144099



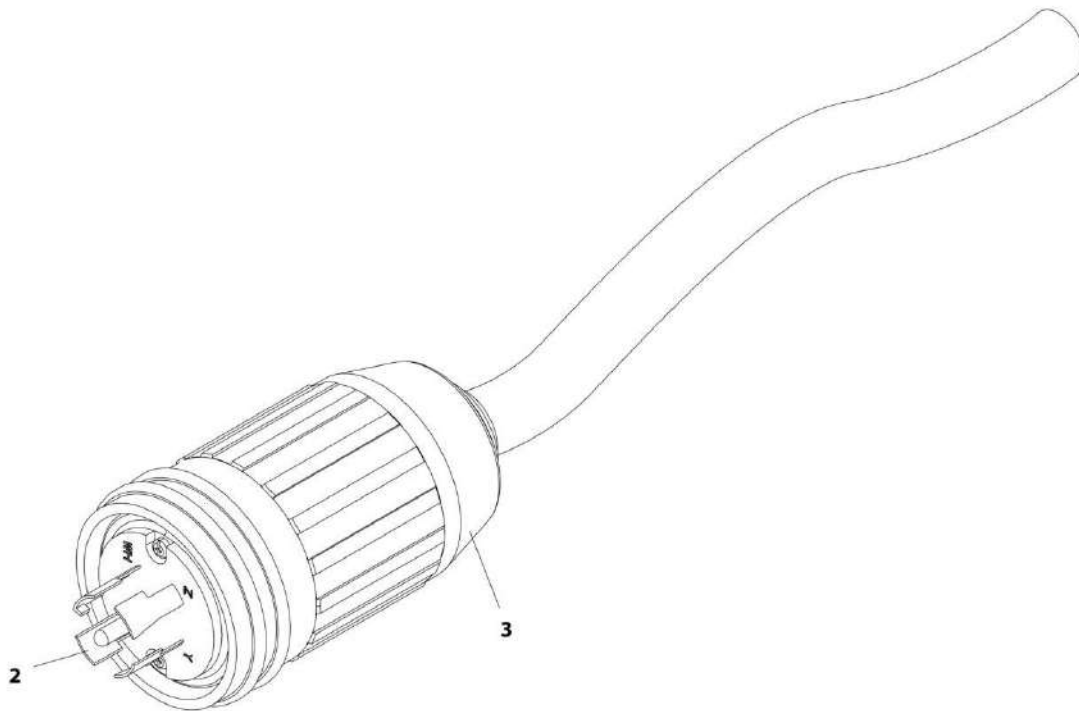
## SECTION 8 - ELECTRICAL

**FIGURE 8-5. AC CABLE - MAIN BOOM (WITHOUT SKYPOWER) - 24RS**

ITEM	PART NUMBER	QTY	DESCRIPTION	REV
2	1001144099 4460205	Ref 1	AC CABLE - MAIN BOOM (WITHOUT SKYPOWER) - 24RS Plug, Male	B

## SECTION 8 - ELECTRICAL

FIGURE 8-6. AC CABLE - MAIN BOOM (WITH SKYPOWER) - 24RS (Prior to SN B300002343)



ART\_1001144124

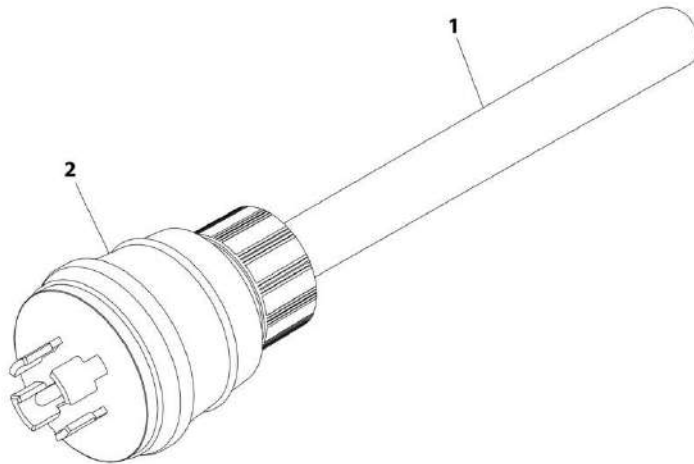
## SECTION 8 - ELECTRICAL

**FIGURE 8-6. AC CABLE - MAIN BOOM (WITH SKYPOWER) - 24RS (Prior to SN B300002343)**

ITEM	PART NUMBER	QTY	DESCRIPTION	REV
	1001144124	Ref	AC CABLE - MAIN BOOM (WITH SKYPOWER) - 24RS (Prior to <b>SN B300002343</b> )	D
2	4460959	1	Plug, Male	
3	1671093	1	Cover, Plug	

## SECTION 8 - ELECTRICAL

FIGURE 8-7. AC CABLE - MAIN BOOM (WITH SKYPOWER) - 24RS (SN B300002343 to Present)



ART\_1001226297

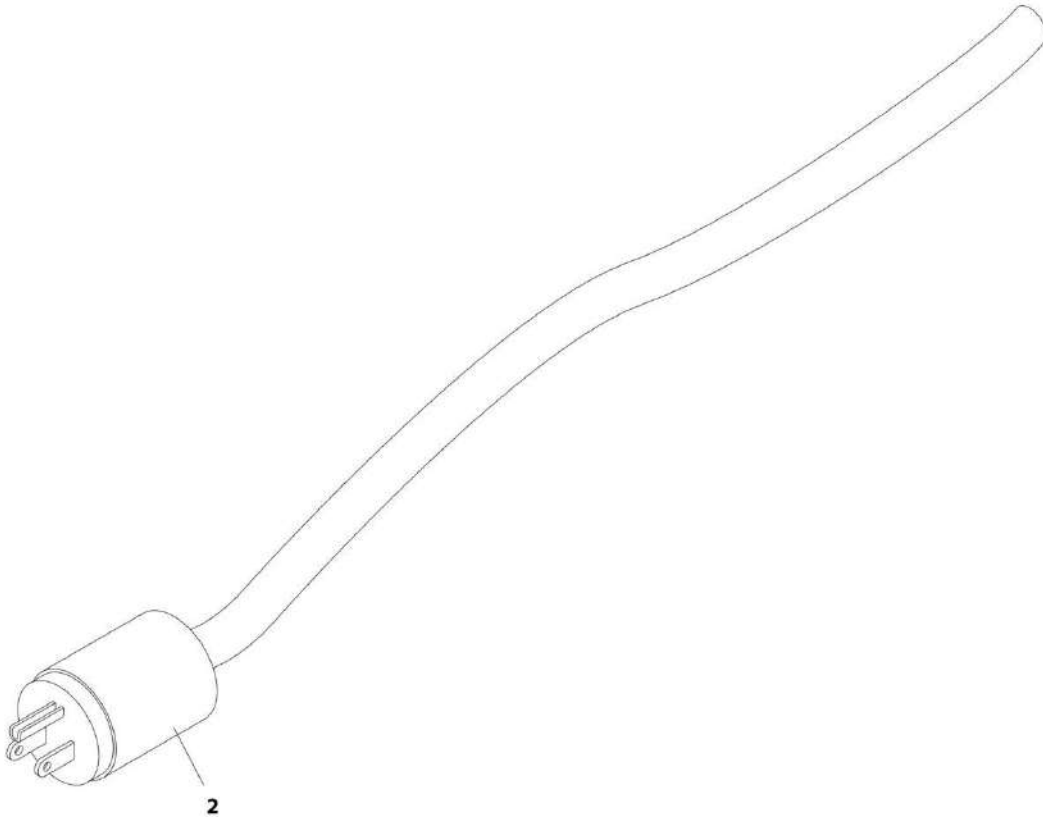
## SECTION 8 - ELECTRICAL

**FIGURE 8-7. AC CABLE - MAIN BOOM (WITH SKYPOWER) - 24RS (SN B300002343 to Present)**

ITEM	PART NUMBER	QTY	DESCRIPTION	REV
	1001226297	Ref	AC CABLE - MAIN BOOM (WITH SKYPOWER) - 24RS (SN <b>B300002343 to Present</b> )	A
1	1060945	75 ft /22.86	Cable	
2	1001218622	1	Plug, Male	

## SECTION 8 - ELECTRICAL

FIGURE 8-8. AC CABLE - MAIN BOOM (WITHOUT SKYPOWER) - 24RSJ



ART\_1001186134

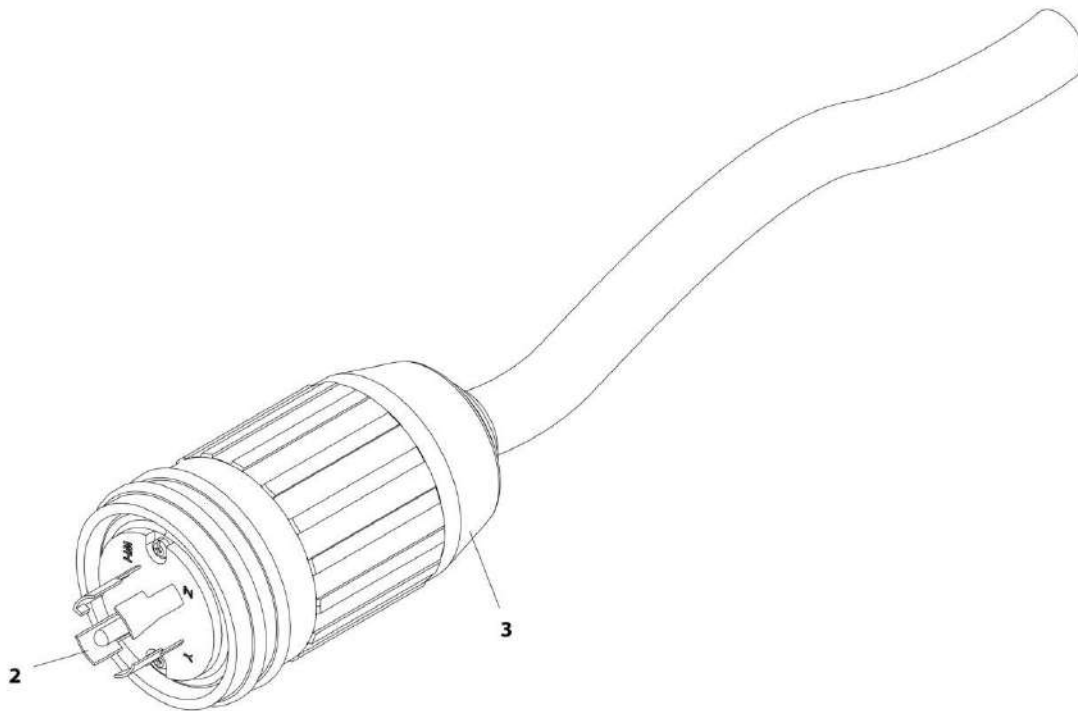
## SECTION 8 - ELECTRICAL

**FIGURE 8-8. AC CABLE - MAIN BOOM (WITHOUT SKYPOWER) - 24RSJ**

ITEM	PART NUMBER	QTY	DESCRIPTION	REV
2	1001186134 4460205	Ref 1	AC CABLE - MAIN BOOM (WITHOUT SKYPOWER) - 24RSJ Plug, Male	A

## SECTION 8 - ELECTRICAL

FIGURE 8-9. AC CABLE - MAIN BOOM (WITH SKYPOWER) - 24RSJ (Prior to SN B300002343)



ART\_1001186135



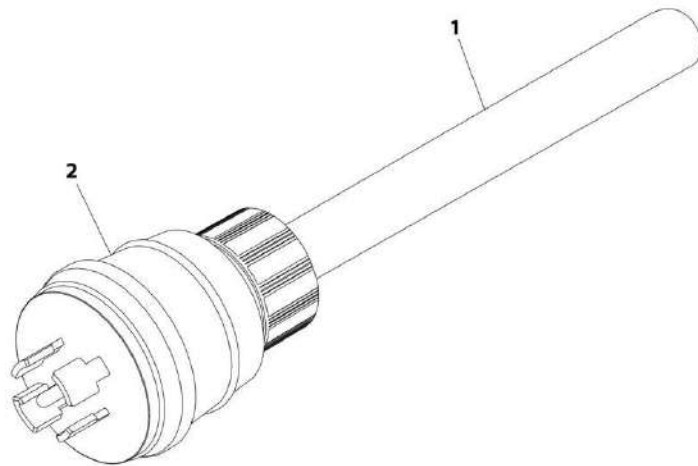
## SECTION 8 - ELECTRICAL

**FIGURE 8-9. AC CABLE - MAIN BOOM (WITH SKYPOWER) - 24RSJ (Prior to SN B300002343)**

ITEM	PART NUMBER	QTY	DESCRIPTION	REV
	1001186135	Ref	AC CABLE - MAIN BOOM (WITH SKYPOWER) - 24RSJ (Prior to <b>SN B300002343</b> )	B
2	4460959	1	Plug, Male	
3	1671093	1	Cover, Plug	

## SECTION 8 - ELECTRICAL

FIGURE 8-10. AC CABLE - MAIN BOOM (WITH SKYPOWER) - 24RSJ (SN B300002343 to Present)



ART\_1001226298

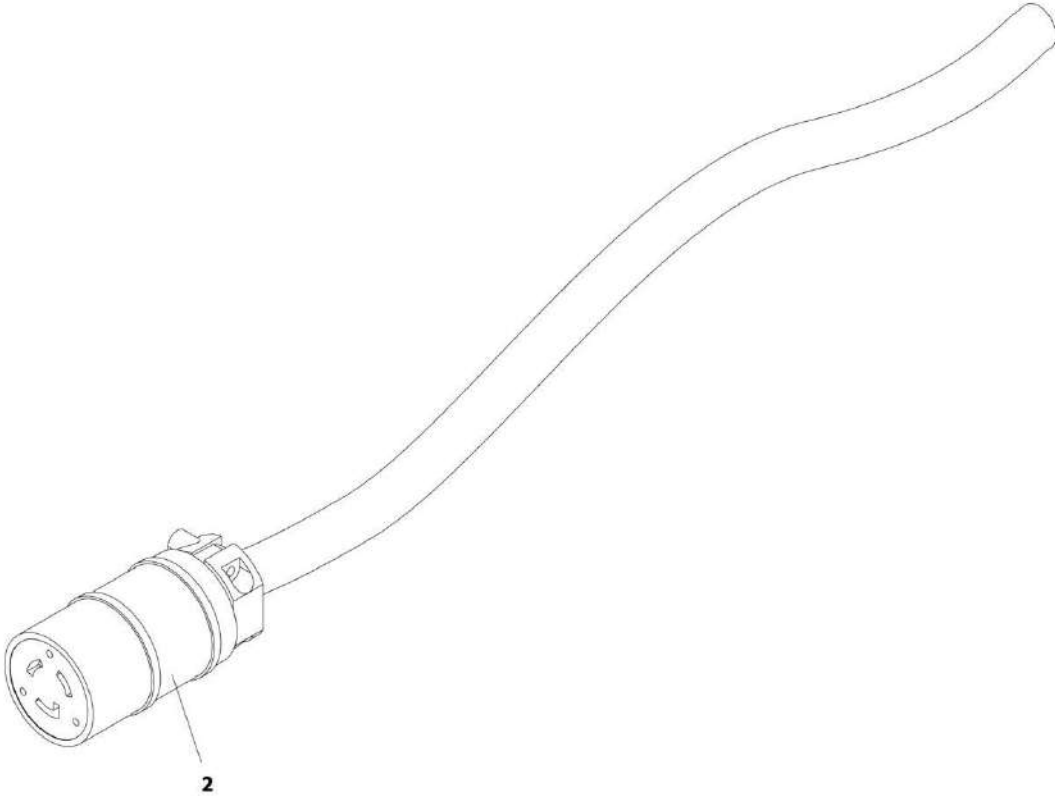
## SECTION 8 - ELECTRICAL

**FIGURE 8-10. AC CABLE - MAIN BOOM (WITH SKYPOWER) - 24RSJ (SN B300002343 to Present)**

ITEM	PART NUMBER	QTY	DESCRIPTION	REV
	1001226298	Ref	AC CABLE - MAIN BOOM (WITH SKYPOWER) - 24RSJ (SN <b>B300002343 to Present</b> )	A
1	1060945	80.41 ft /24.5m	Cable	
2	1001218622	1	Plug, Male	

**SECTION 8 - ELECTRICAL**

**FIGURE 8-11. AC CABLE - TOWER BOOM (WITHOUT SKYPOWER)**



ART\_1001144100

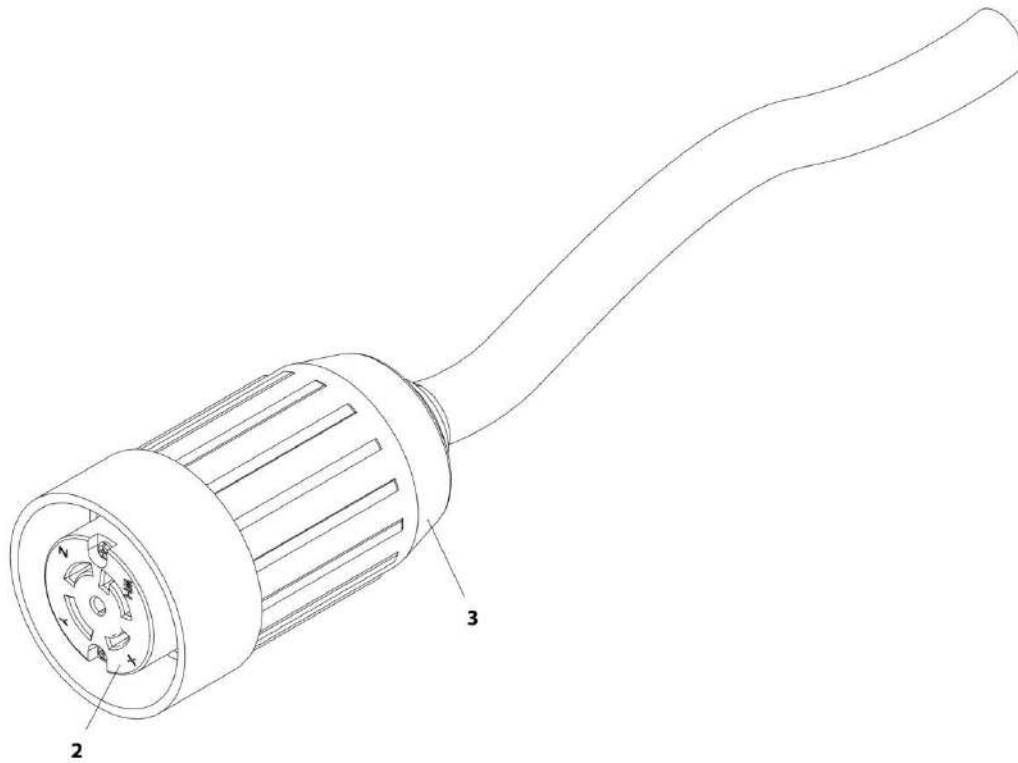
## SECTION 8 - ELECTRICAL

**FIGURE 8-11. AC CABLE - TOWER BOOM (WITHOUT SKYPOWER)**

ITEM	PART NUMBER	QTY	DESCRIPTION	REV
2	1001144100 4460134	Ref 1	AC CABLE - TOWER BOOM (WITHOUT SKYPOWER) Receptacle, Female Twist Lock	B

## SECTION 8 - ELECTRICAL

FIGURE 8-12. AC CABLE - TOWER BOOM (WITH SKYPOWER) (Prior to SN B300002343)



ART\_1001144125

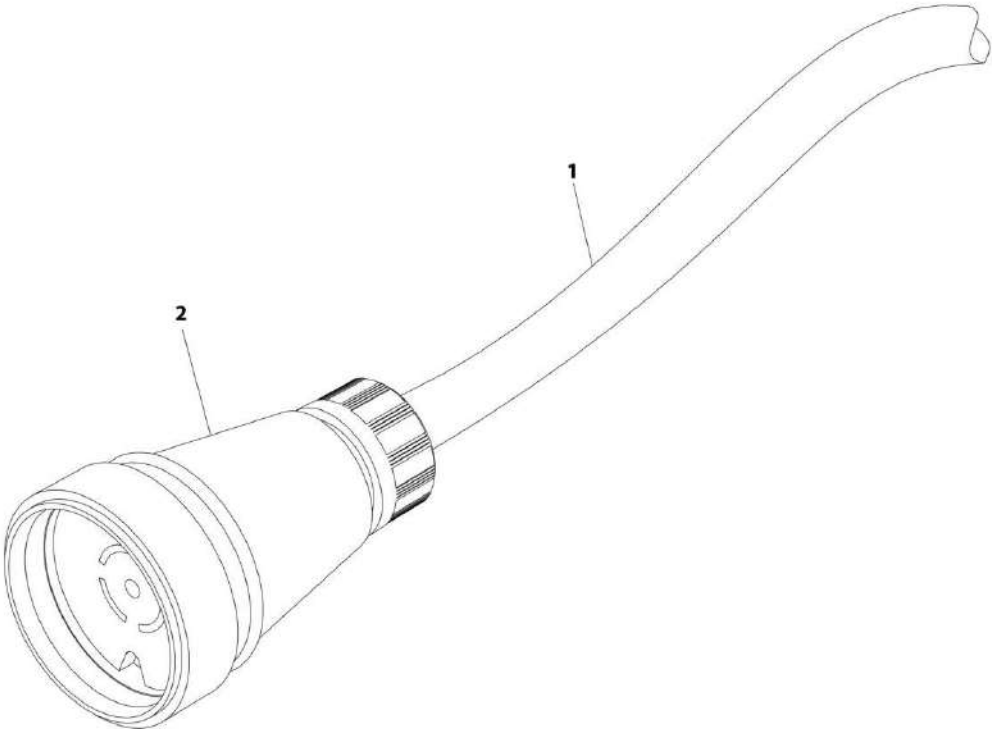
## SECTION 8 - ELECTRICAL

**FIGURE 8-12. AC CABLE - TOWER BOOM (WITH SKYPOWER) (Prior to SN B300002343)**

ITEM	PART NUMBER	QTY	DESCRIPTION	REV
	1001144125	Ref	AC CABLE - TOWER BOOM (WITH SKYPOWER) (Prior to SN <b>B300002343</b> )	D
2	4460960	1	Receptacle, Female Twist Lock	
3	1671092	1	Cover, Plug	

**SECTION 8 - ELECTRICAL**

**FIGURE 8-13. AC CABLE - TOWER BOOM (WITH SKYPOWER) (SN B300002343 to Present)**



ART\_1001226296



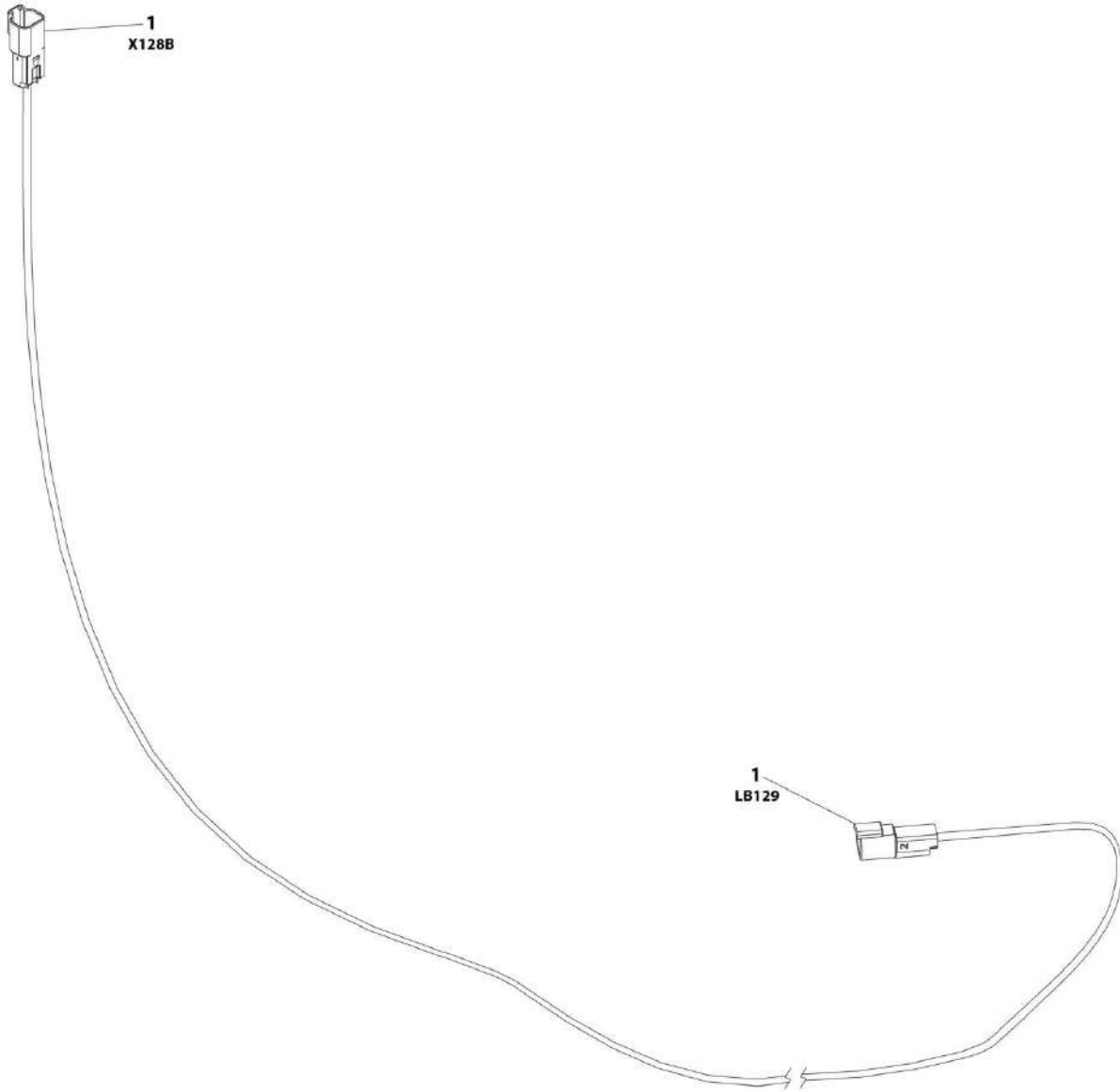
## SECTION 8 - ELECTRICAL

**FIGURE 8-13. AC CABLE - TOWER BOOM (WITH SKYPOWER) (SN B300002343 to Present)**

ITEM	PART NUMBER	QTY	DESCRIPTION	REV
	1001226296	Ref	AC CABLE - TOWER BOOM (WITH SKYPOWER) (SN <b>B300002343 to Present</b> )	A
1	1060945	30 ft /9.14m	AC CABLE - TOWER BOOM (WITH SKYPOWER)	
2	1001218623	1	Receptacle, Female Twist Lock	

# SECTION 8 - ELECTRICAL

## FIGURE 8-14. BEACON HARNESS



ART\_1001138512

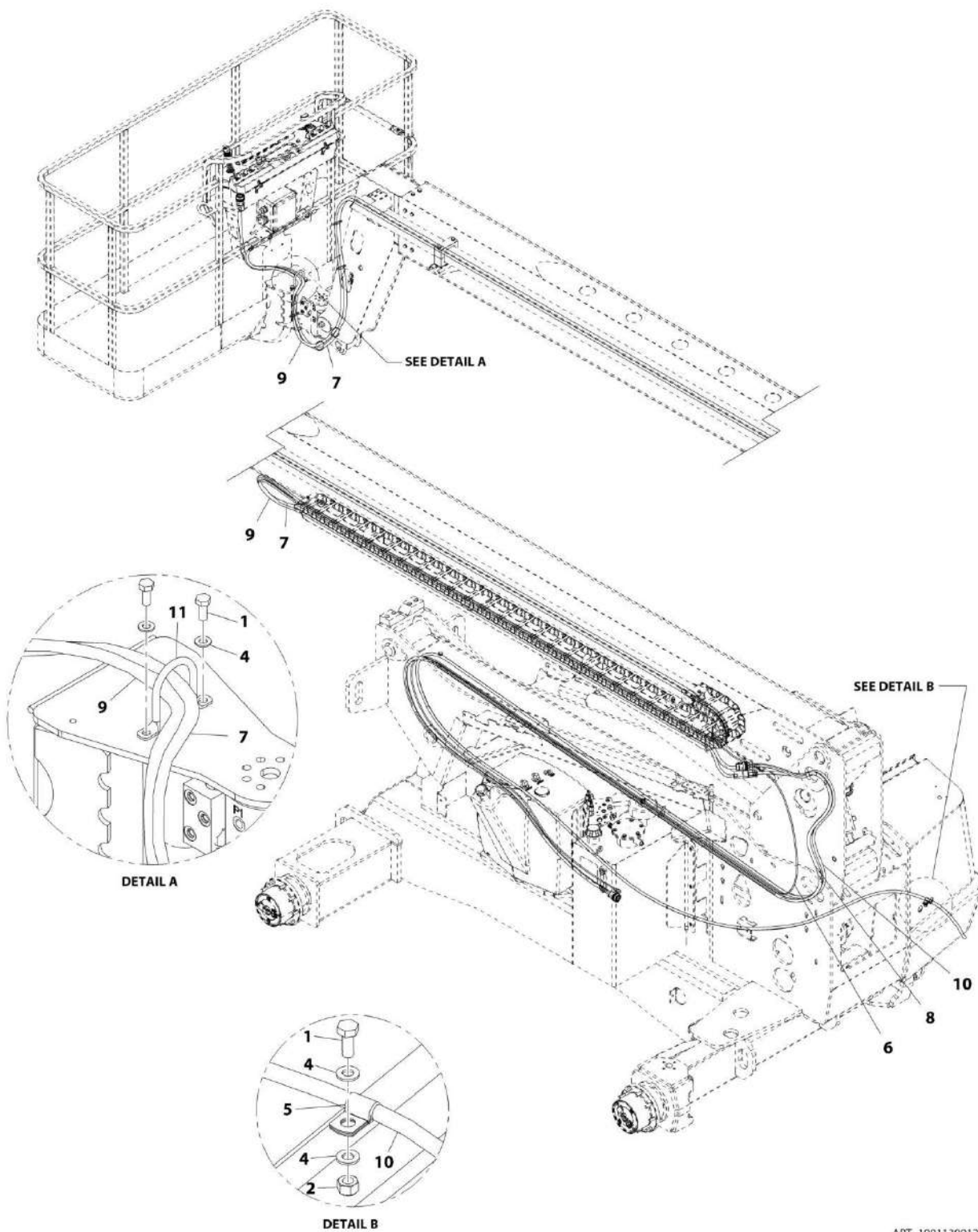
## SECTION 8 - ELECTRICAL

### FIGURE 8-14. BEACON HARNESS

ITEM	PART NUMBER	QTY	DESCRIPTION	REV
	1001138512	Ref	BEACON HARNESS	A
1	4460897	2	Receptacle, Female - 2 Position	
1	4460464	4	Pin, Male	

# SECTION 8 - ELECTRICAL

## FIGURE 8-15. BOOM CABLES INSTALLATION - 24RS WITHOUT SKYPOWER



ART\_1001139012

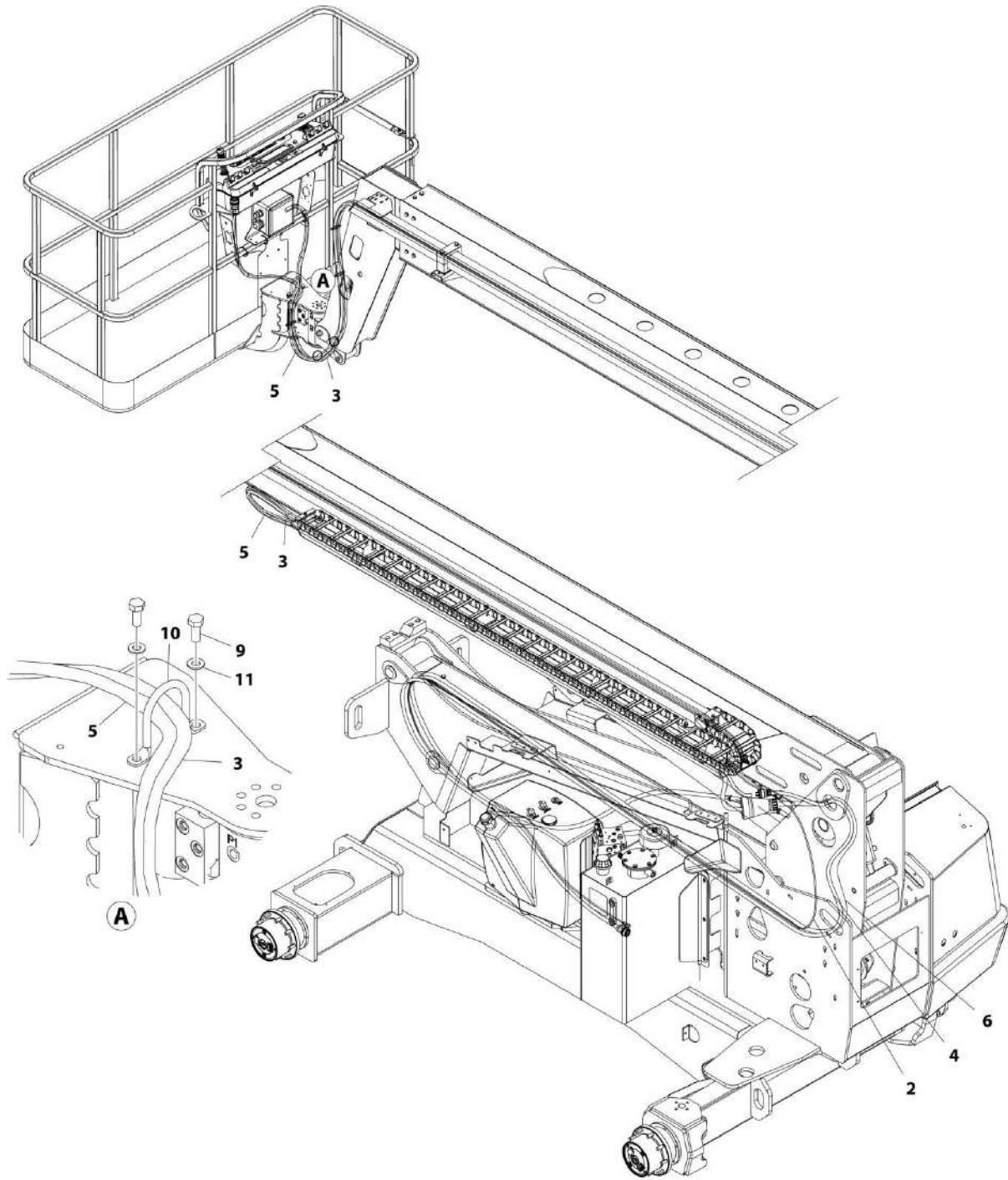
## SECTION 8 - ELECTRICAL

**FIGURE 8-15. BOOM CABLES INSTALLATION - 24RS WITHOUT SKYPOWER**

ITEM	PART NUMBER	QTY	DESCRIPTION	REV
	1001139012	Ref	BOOM CABLES INSTALLATION - 24RS WITHOUT SKYPOWER	C
1	0761012	3	Bolt M10 x 25	
2	3291005	1	Nut M10	
3	4240018	9	Tie-Strap (Not Shown)	
4	4812000	4	Washer M10	
5	1001080996	1	Clamp	
6	1001138509	1	Lift Down Harness (See LIFT DOWN HARNESS for Breakdown)	
7	1001144097	1	Boom Harness - Main Boom (See BOOM HARNESS - MAIN BOOM - 24RS for Breakdown)	
8	1001144098	1	Boom Harness - Tower Boom (See BOOM HARNESS - TOWER BOOM for Breakdown)	
9	1001144099	1	AC to Platform Cable - Main Boom (See AC CABLE - MAIN BOOM (WITHOUT SKYPOWER) - 24RS for Breakdown)	
10	1001144100	1	AC to Platform Cable - Tower Boom (See AC TO PLATFORM CABLE - TOWER BOOM (WITHOUT SKYPOWER) for Breakdown)	
11	3841340	1	Loop, Hose	

# SECTION 8 - ELECTRICAL

## FIGURE 8-16. BOOM CABLES INSTALLATION - 24RS WITH SKYPOWER



ART\_1001142137

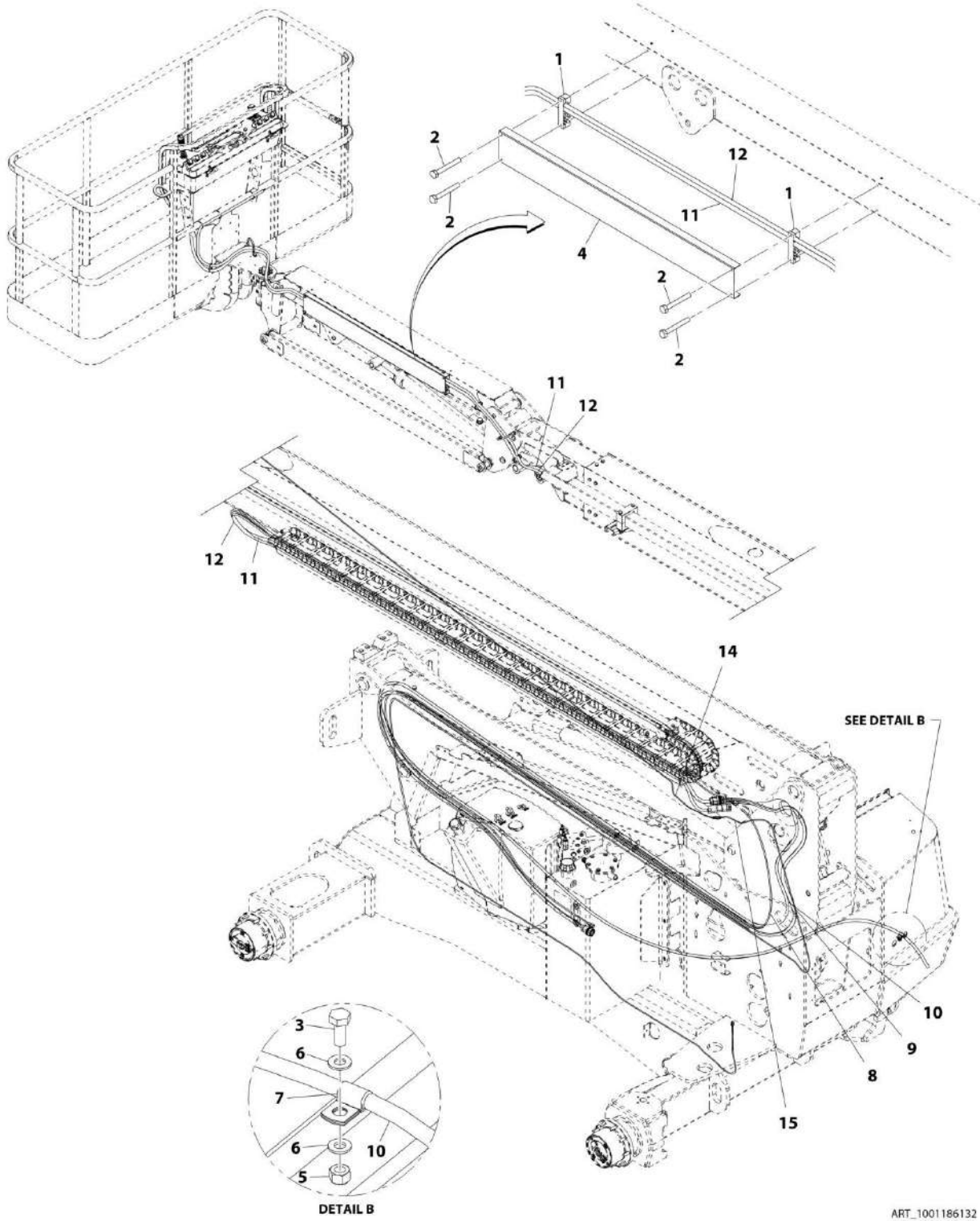
## SECTION 8 - ELECTRICAL

**FIGURE 8-16. BOOM CABLES INSTALLATION - 24RS WITH SKYPOWER**

ITEM	PART NUMBER	QTY	DESCRIPTION	REV
	1001142137	Ref	BOOM CABLES INSTALLATION - 24RS WITH SKYPOWER	E
1	4240018	9	Tie-Strap (Not Shown)	
2	1001138509	1	Lift Down Harness (See LIFT DOWN HARNESS for Breakdown)	
3	1001144097	1	Boom Harness - Main Boom (See BOOM HARNESS - MAIN BOOM - 24RS for Breakdown)	
4	1001144098	1	Boom Harness - Tower Boom (See BOOM HARNESS - TOWER BOOM for Breakdown)	
5	1001144124	1	AC to Platform Cable - Main Boom (See AC CABLE - MAIN BOOM (WITH SKYPOWER) - 24RS for Breakdown) <b>(Prior to SN B300002343)</b>	
5	1001226297	1	AC to Platform Cable - Main Boom (See AC TO PLATFORM CABLE - MAIN BOOM (24RS WITH SKYPOWER) for Breakdown) <b>(SN B300002343 to Present)</b>	
6	1001144125	1	AC to Platform Cable - Tower Boom (See AC TO PLATFORM CABLE - TOWER BOOM (WITH SKYPOWER) for Breakdown) <b>(Prior to SN B300002343)</b>	
6	1001226296	1	AC to Platform Cable - Main Boom (See AC TO PLATFORM CABLE - MAIN BOOM (24RS WITHOUT SKYPOWER) for Breakdown) <b>(SN B300002343 to Present)</b>	
8	1001145631	1	Plate, Clamp (Not Shown)	
9	0761012	2	Bolt M10 x 25 <b>(Prior to SN B300001506)</b>	
10	3841340	1	Loop, Hose <b>(Prior to SN B300001506)</b>	
11	4812000	2	Washer M10 <b>(Prior to SN B300001506)</b>	

# SECTION 8 - ELECTRICAL

## FIGURE 8-17. BOOM CABLES INSTALLATION - 24RSJ WITHOUT SKYPOWER



ART\_1001186132



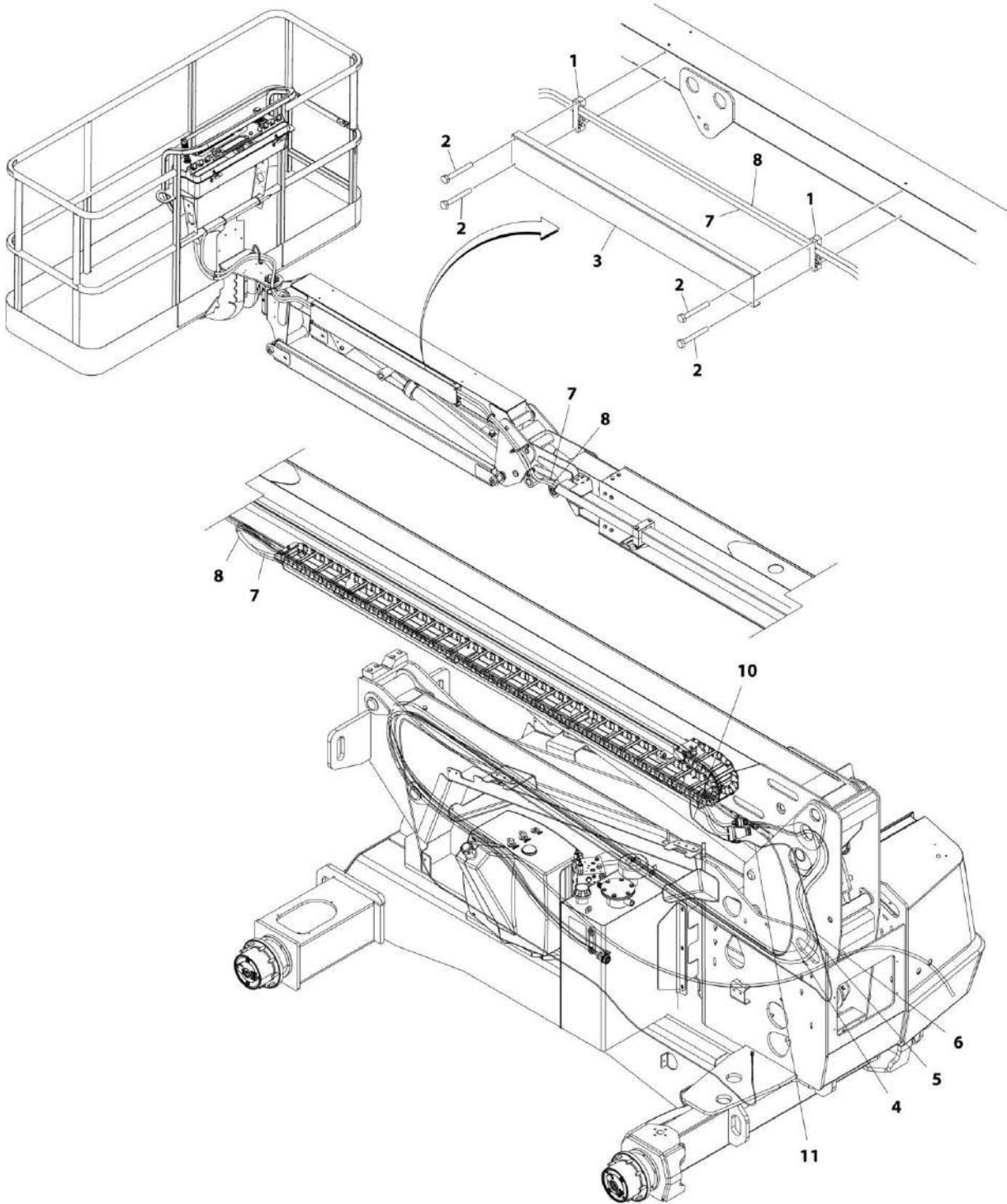
## SECTION 8 - ELECTRICAL

**FIGURE 8-17. BOOM CABLES INSTALLATION - 24RSJ WITHOUT SKYPOWER**

ITEM	PART NUMBER	QTY	DESCRIPTION	REV
	1001186132	Ref	BOOM CABLES INSTALLATION - 24RSJ WITHOUT SKYPOWER	B
1	0561237	2	Block, Clamp	
2	0641416	4	Bolt 1/4 x 2	
3	0761012	1	Bolt M10 x 25	
4	1670769	1	Cover	
5	3291005	1	Nut M10	
6	4812000	2	Washer M10	
7	1001080996	1	Clamp	
8	1001138509	1	Lift Down Harness (See LIFT DOWN HARNESS for Breakdown)	
9	1001144098	1	Boom Harness - Tower Boom (See BOOM HARNESS - TOWER BOOM for Breakdown)	
10	1001144100	1	AC to Platform Cable - Tower Boom (See AC TO PLATFORM CABLE - TOWER BOOM (WITHOUT SKYPOWER) for Breakdown)	
11	1001186133	1	Boom Harness - Main Boom (See BOOM HARNESS - MAIN BOOM - 24RSJ for Breakdown)	
12	1001186134	1	AC to Platform Cable - Main Boom (See AC CABLE - MAIN BOOM (WITHOUT SKYPOWER) - 24RSJ for Breakdown)	
13	4240018	5	Tie-Strap (Not Shown)	
14	1001206599	1	Telescope Harness - Main Boom (See TELESCOPE HARNESS - MAIN BOOM - 24RSJ for Breakdown)	
15	1001206601	1	Telescope Harness - Tower Boom (See TELESCOPE HARNESS - TOWER BOOM - 24RSJ for Breakdown)	

# SECTION 8 - ELECTRICAL

## FIGURE 8-18. BOOM CABLES INSTALLATION - 24RSJ WITH SKYPOWER



ART\_1001186136

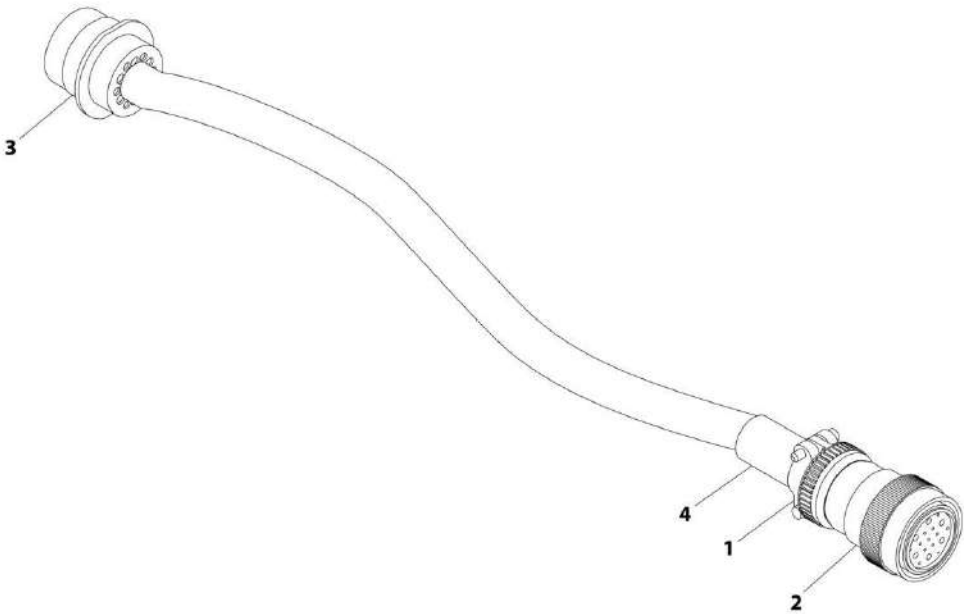
## SECTION 8 - ELECTRICAL

**FIGURE 8-18. BOOM CABLES INSTALLATION - 24RSJ WITH SKYPOWER**

ITEM	PART NUMBER	QTY	DESCRIPTION	REV
	1001186136	Ref	BOOM CABLES INSTALLATION - 24RSJ WITH SKYPOWER	C
1	0561237	2	Block, Clamp	
2	0641416	4	Bolt 1/4 x 2	
3	1670769	1	Cover	
4	1001138509	1	Lift Down Harness (See LIFT DOWN HARNESS for Breakdown)	
5	1001144098	1	Boom Harness - Tower Boom (See BOOM HARNESS - TOWER BOOM for Breakdown)	
6	1001144125	1	AC to Platform Cable - Tower Boom (See AC CABLE - TOWER BOOM (WITH SKYPOWER) for Breakdown) <b>(Prior to SN B300002343)</b>	
6	1001226296	1	AC to Platform Cable - Tower Boom (See AC CABLE - TOWER BOOM (WITH SKYPOWER) for Breakdown) <b>(SN B300002343 to Present)</b>	
7	1001186133	1	Boom Harness - Main Boom (See BOOM HARNESS - MAIN BOOM - 24RSJ for Breakdown)	
8	1001186135	1	AC to Platform Cable - Main Boom (See AC CABLE - MAIN BOOM (WITH SKYPOWER) - 24RSJ for Breakdown) <b>(Prior to SN B300002343)</b>	
8	1001226298	1	AC to Platform Cable - Main Boom (See AC CABLE - MAIN BOOM (WITH SKYPOWER) - 24RSJ for Breakdown) <b>(SN B300002343 to Present)</b>	
9	4240018	4	Tie-Strap (Not Shown)	
10	1001206599	1	Telescope Harness - Main Boom (See TELESCOPE HARNESS - MAIN BOOM - 24RSJ for Breakdown)	
11	1001206601	1	Telescope Harness - Tower Boom (See TELESCOPE HARNESS - TOWER BOOM - 24RSJ for Breakdown)	

**SECTION 8 - ELECTRICAL**

**FIGURE 8-19. BOOM HARNESS - MAIN BOOM - 24RS**



ART\_1001144097

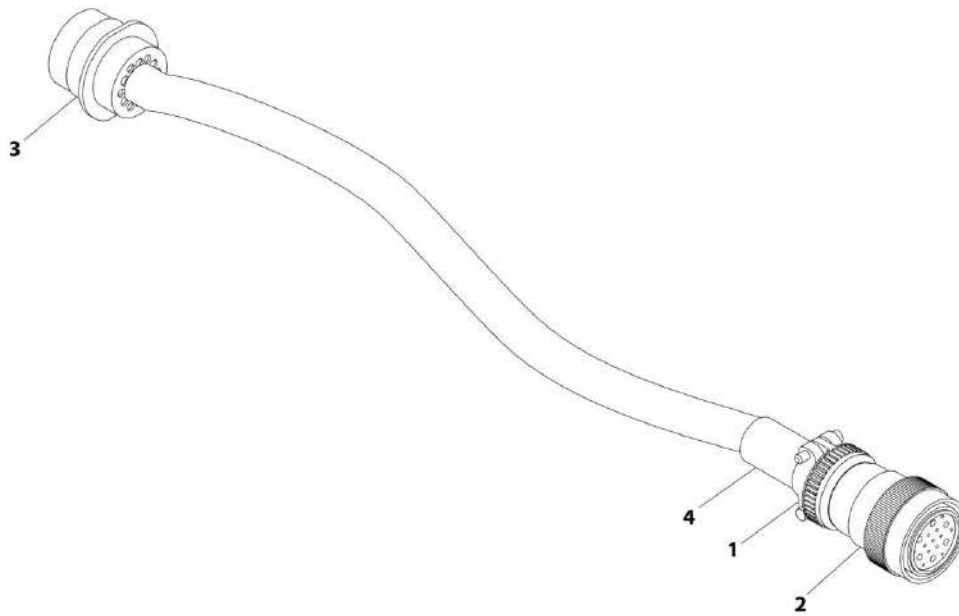
## SECTION 8 - ELECTRICAL

**FIGURE 8-19. BOOM HARNESS - MAIN BOOM - 24RS**

ITEM	PART NUMBER	QTY	DESCRIPTION	REV
	1001144097	Ref	BOOM HARNESS - MAIN BOOM - 24RS	C
1	4460473	1	Clamp, Cable	
2	4460865	1	Connector - 19 Position	
2	2820031	AR	Heat Shrink	
2	4460465	11	Socket, Female	
2	4460509	4	Socket, Female	
2	4460466	4	Plug, Sealing	
2	2820118	AR	Insulator, Tubing	
3	4460866	1	Connector - 19 Position	
3	2820031	AR	Heat Shrink	
3	4460464	11	Pin, Female	
3	4460508	4	Pin, Female	
3	2820118	AR	Insulator, Tubing	
3	4460466	4	Plug, Sealing	
4	1001226400	1	Heat Shrink	

# SECTION 8 - ELECTRICAL

FIGURE 8-20. BOOM HARNESS - MAIN BOOM - 24RSJ



ART\_1001186133

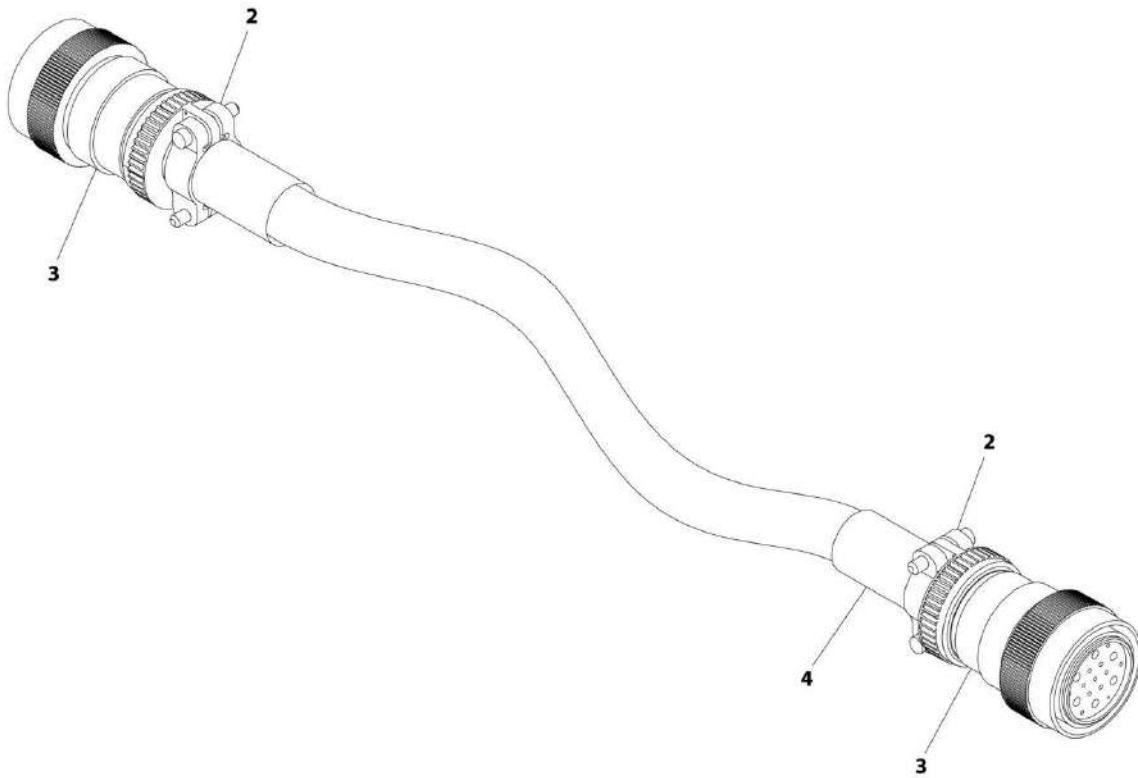
## SECTION 8 - ELECTRICAL

**FIGURE 8-20. BOOM HARNESS - MAIN BOOM - 24RSJ**

ITEM	PART NUMBER	QTY	DESCRIPTION	REV
	1001186133	Ref	BOOM HARNESS - MAIN BOOM - 24RSJ	B
1	4460473	1	Clamp, Cable	
2	4460865	1	Connector - 19 Position	
2	2820031	AR	Heat Shrink	
2	4460465	11	Socket, Female	
2	4460509	4	Socket, Female	
2	4460466	4	Plug, Sealing	
2	2820118	AR	Insulator, Tubing	
3	4460866	1	Connector - 19 Position	
3	2820031	AR	Heat Shrink	
3	4460464	11	Pin, Female	
3	4460508	4	Pin, Female	
3	2820118	AR	Insulator, Tubing	
3	4460466	4	Plug, Sealing	
4	1001226400	1	Heat Shrink	

# SECTION 8 - ELECTRICAL

## FIGURE 8-21. BOOM HARNESS - TOWER BOOM



ART\_1001144098



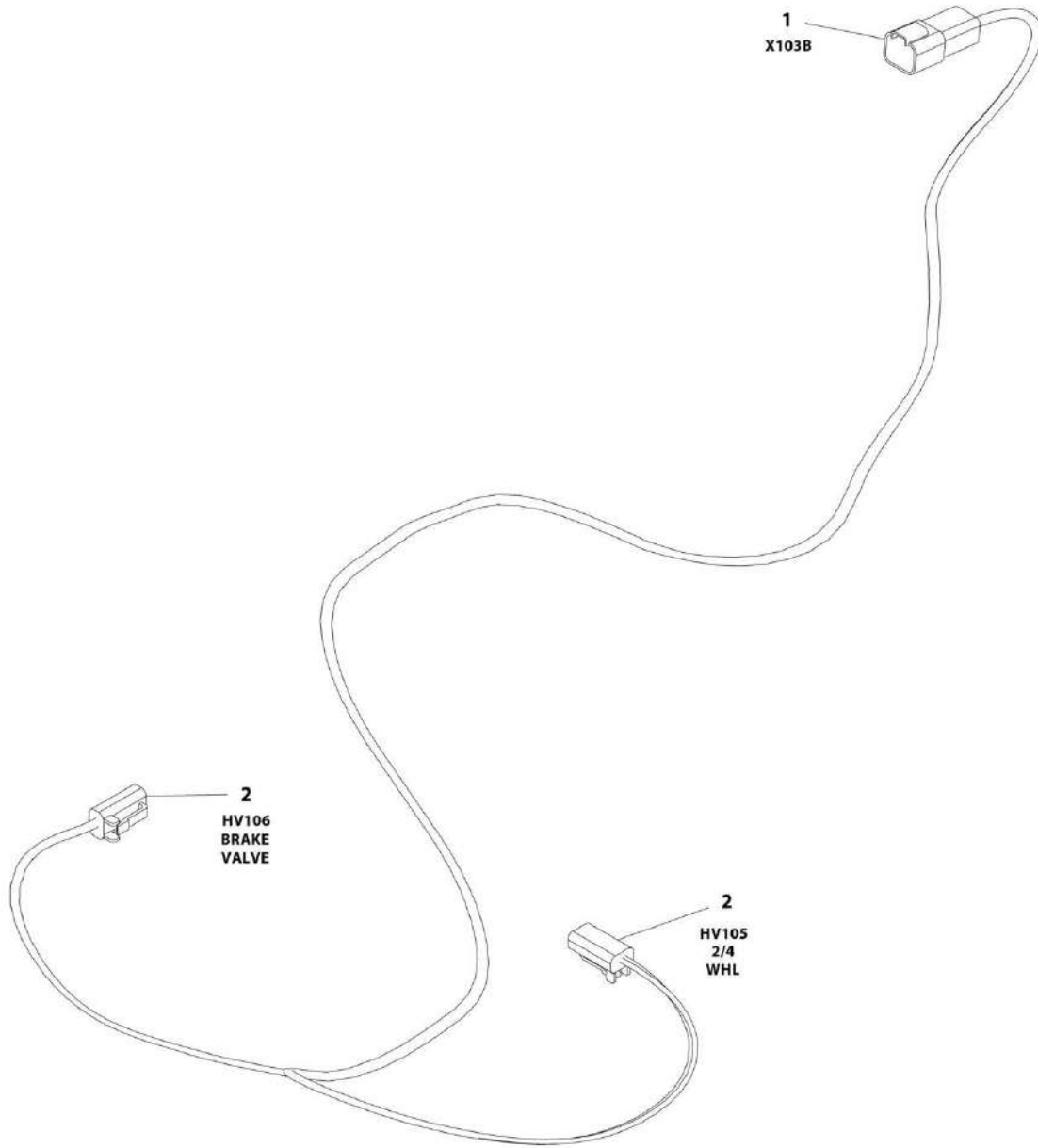
## SECTION 8 - ELECTRICAL

### FIGURE 8-21. BOOM HARNESS - TOWER BOOM

ITEM	PART NUMBER	QTY	DESCRIPTION	REV
	1001144098	Ref	BOOM HARNESS - TOWER BOOM	C
1	2820118	AR	Insulator, Tubing (Not Shown)	
2	4460473	2	Clamp, Cable	
2	2820031	AR	Heat Shrink	
3	4460865	2	Connector - 19 Position	
3	4460465	22	Socket, Female	
3	4460509	8	Socket, Female	
3	4460466	8	Plug, Sealing	
4	1001226400	1	Heat Shrink	

# SECTION 8 - ELECTRICAL

## FIGURE 8-22. CHASSIS HARNESS



ART\_1001134026

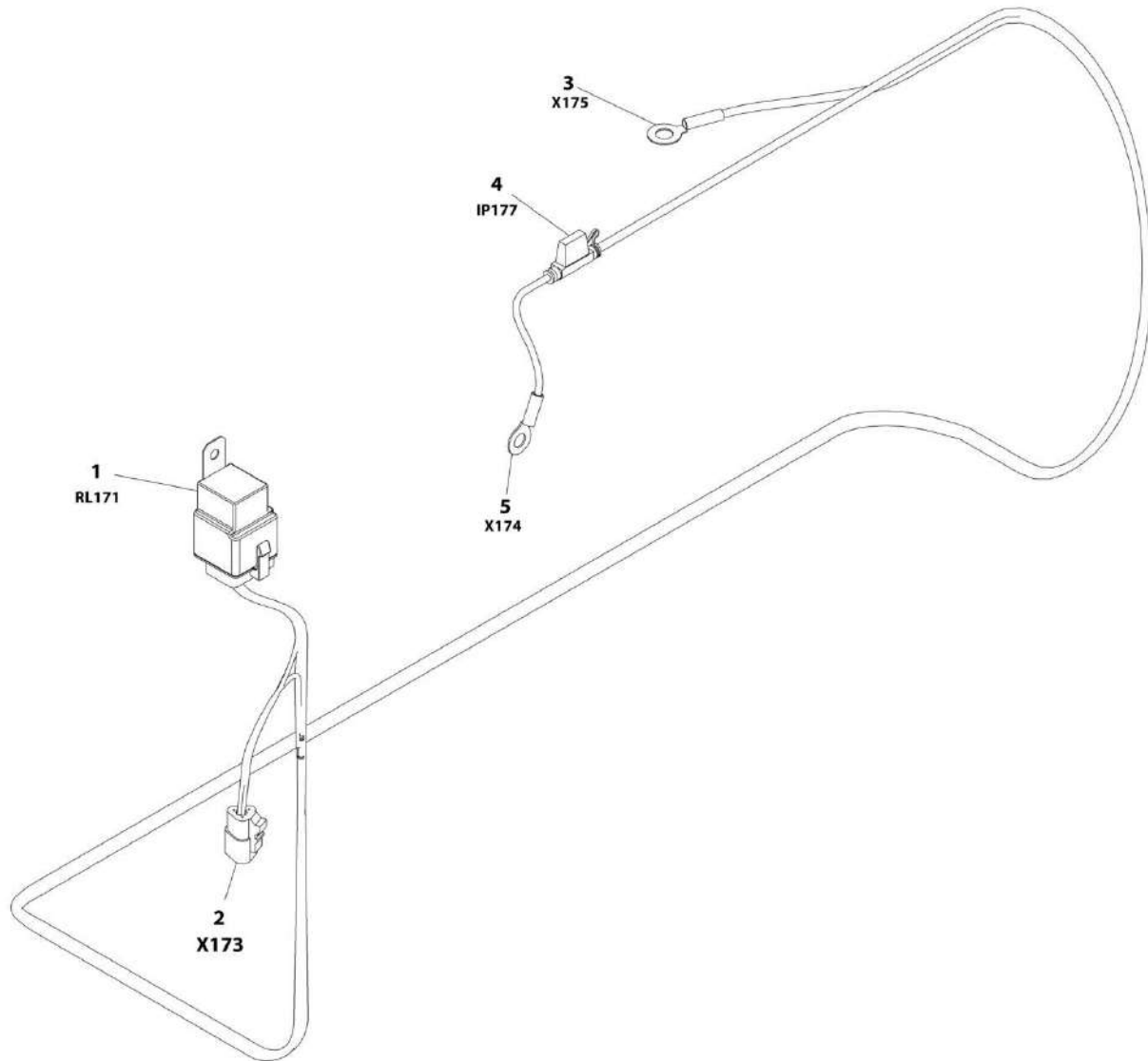
## SECTION 8 - ELECTRICAL

### FIGURE 8-22. CHASSIS HARNESS

ITEM	PART NUMBER	QTY	DESCRIPTION	REV
	1001134026	Ref	CHASSIS HARNESS	B
1	4460932	1	Receptacle, Female - 4 Position	
1	4460464	4	Pin, Male	
2	4460891	2	Plug, Male - 2 Position	
2	4460465	4	Socket, Female	

# SECTION 8 - ELECTRICAL

## FIGURE 8-23. EMR2 POWER HARNESS



ART\_1001159284

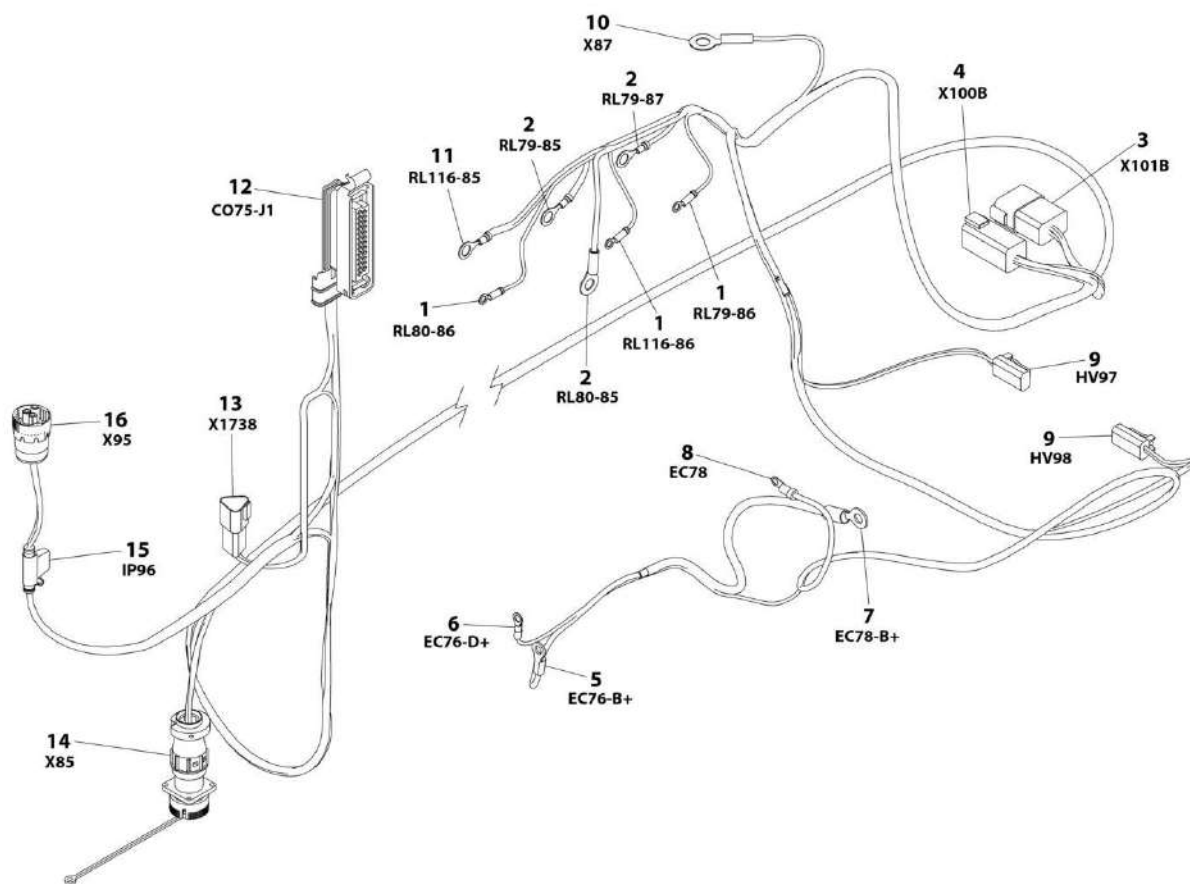
## SECTION 8 - ELECTRICAL

### FIGURE 8-23. EMR2 POWER HARNESS

ITEM	PART NUMBER	QTY	DESCRIPTION	REV
	1001159284	Ref	EMR2 POWER HARNESS	A
1	1001118282	1	Relay	
1	1001116734	1	Terminal	
1	1001116732	3	Terminal	
1	1001128128	1	Terminal	
2	4460539	1	Plug, Male - 3 Position	
2	4460465	3	Socket, Female	
3	1001117110	1	Ring Terminal	
4	2400066	1	Fuseholder	
4	2400064	1	Fuse - 5 Amp	
5	8220045	1	Ring Terminal	

# SECTION 8 - ELECTRICAL

## FIGURE 8-24. ENGINE HARNESS



ART\_1001132556

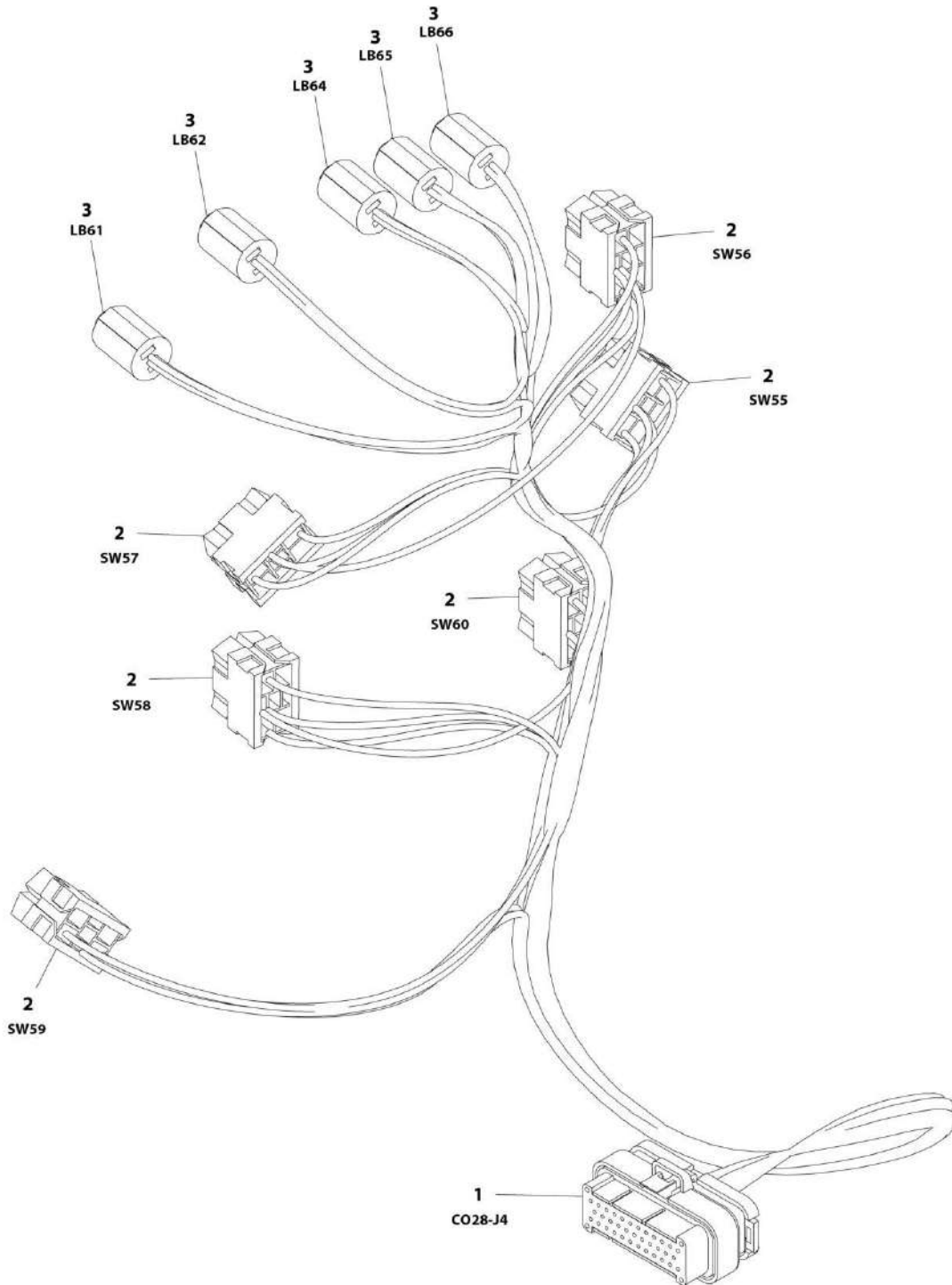
## SECTION 8 - ELECTRICAL

### FIGURE 8-24. ENGINE HARNESS

ITEM	PART NUMBER	QTY	DESCRIPTION	REV
	1001132556	Ref	ENGINE HARNESS	F
1	4460247	3	Terminal	
2	8220045	3	Terminal	
3	4460931	1	Receptacle, Female - 8 Position (Gray)	
3	4460464	8	Pin, Male	
4	4460899	1	Receptacle, Male - 6 Position (Gray)	
4	4460464	4	Pin, Male	
4	4460943	2	Pin, Male (Gold)	
5	4460043	1	Terminal	
6	4460313	1	Terminal	
7	1001117107	1	Terminal	
8	4460142	1	Terminal	
9	4460891	2	Plug, Male - 2 Position	
9	4460465	4	Socket, Female	
10	1001117110	1	Terminal	
11	4460670	1	Terminal	
12	4461052	1	Connector, Receptacle - 25 Position (Deutz Engine Only)	
12	4461005	2	Terminal (Gold) (Deutz Engine Only)	
12	4461006	AR	Seal, Terminal (Deutz Engine Only)	
12	4461060	5	Terminal (Tin) (Deutz Engine Only)	
12	4461054	AR	Seal, Terminal (Deutz Engine Only)	
12	4461053	1	Cover, Plug (Deutz Engine Only)	
12	4461008	AR	Plug, Hole (Deutz Engine Only)	
13	4460536	1	Receptacle, Female - 3 Position (Triangular)	
13	4460943	3	Pin, Male (Gold)	
14	2902443	1	Receptacle Kit (Deutz Engine Only)	
14	4461071	8	Socket, Female (Gold)	
14	4461072	1	Receptacle 8 Position with Mounting Flange	
14	4461073	1	Cap, Dust	
14	4461074	1	Shell	
15	2400060	1	Fuseholder	
15	2400064	1	Fuse - 5 Amp	
16	4460967	1	Plug, Male - 3 Position	
16	4460465	3	Socket, Female	

# SECTION 8 - ELECTRICAL

## FIGURE 8-25. GROUND CONTROL PANEL HARNESS - 24RS



ART\_1001135506



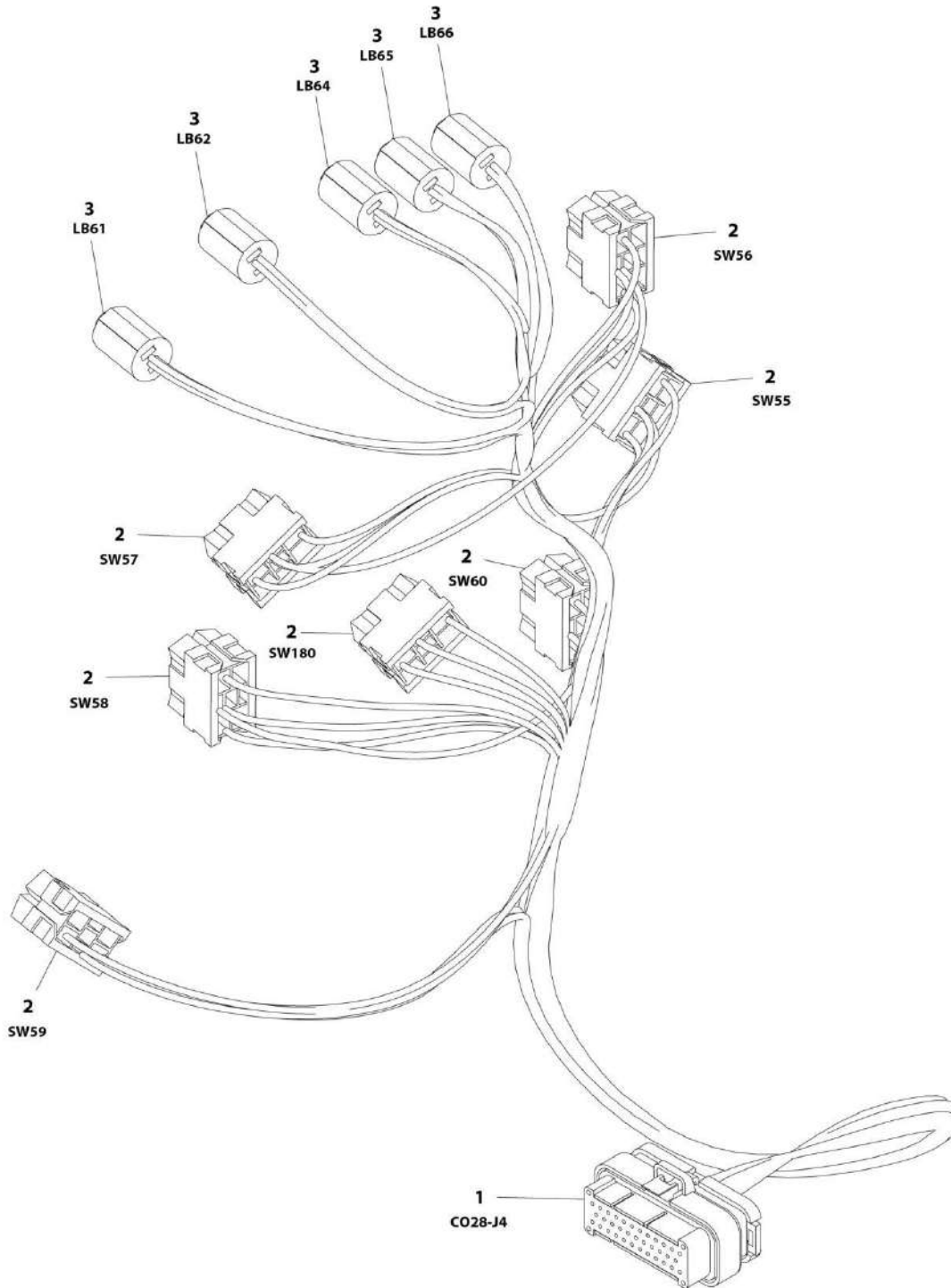
## SECTION 8 - ELECTRICAL

### FIGURE 8-25. GROUND CONTROL PANEL HARNESS - 24RS

ITEM	PART NUMBER	QTY	DESCRIPTION	REV
	1001135506	Ref	GROUND CONTROL PANEL HARNESS - 24RS	A
1	4460876	1	Connector - 35 Position (Blue)	
1	4460871	19	Socket, Female	
1	4460905	16	Seal, Plug	
2	4460418	6	Connector, Female - 6 Position	
2	4460419	23	Socket, Female	
3	4120035	5	Base, Light	
3	4460634	6	Terminal (16 Gauge)	
3	4460635	8	Terminal (12 Gauge)	

# SECTION 8 - ELECTRICAL

## FIGURE 8-26. GROUND CONTROL PANEL HARNESS - 24RSJ



ART\_1001203478

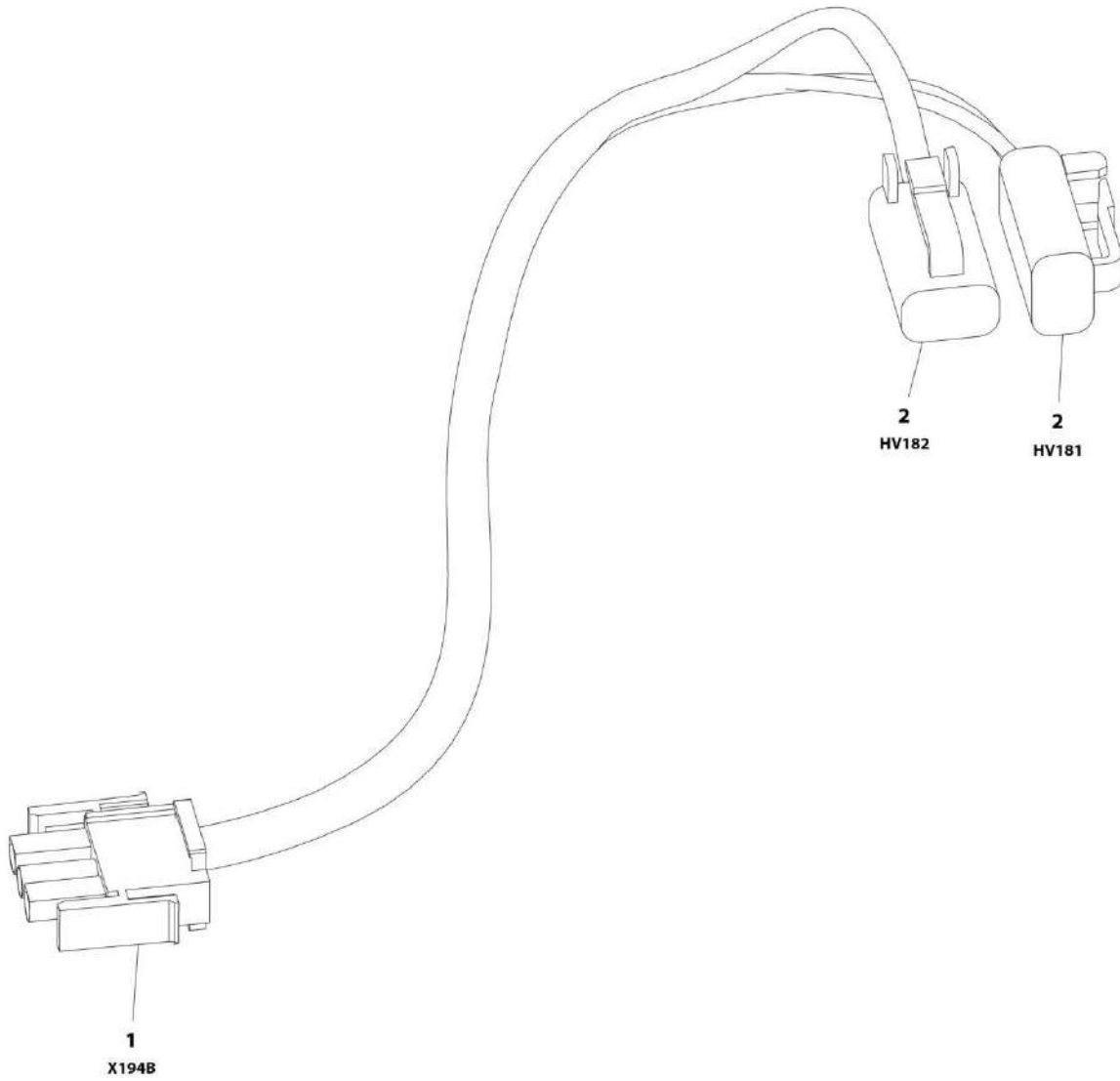
## SECTION 8 - ELECTRICAL

**FIGURE 8-26. GROUND CONTROL PANEL HARNESS - 24RSJ**

ITEM	PART NUMBER	QTY	DESCRIPTION	REV
	1001203478	Ref	GROUND CONTROL PANEL HARNESS - 24RSJ	A
1	4460876	1	Connector - 35 Position (Blue)	
1	4460871	19	Socket, Female	
1	4460905	16	Seal, Plug	
2	4460418	7	Connector, Female - 6 Position	
2	4460419	28	Socket, Female	
3	4120035	5	Base, Light	
3	4460634	6	Terminal (16 Gauge)	
3	4460635	8	Terminal (12 Gauge)	

# SECTION 8 - ELECTRICAL

## FIGURE 8-27. JIB HARNESS



ART\_1001185833

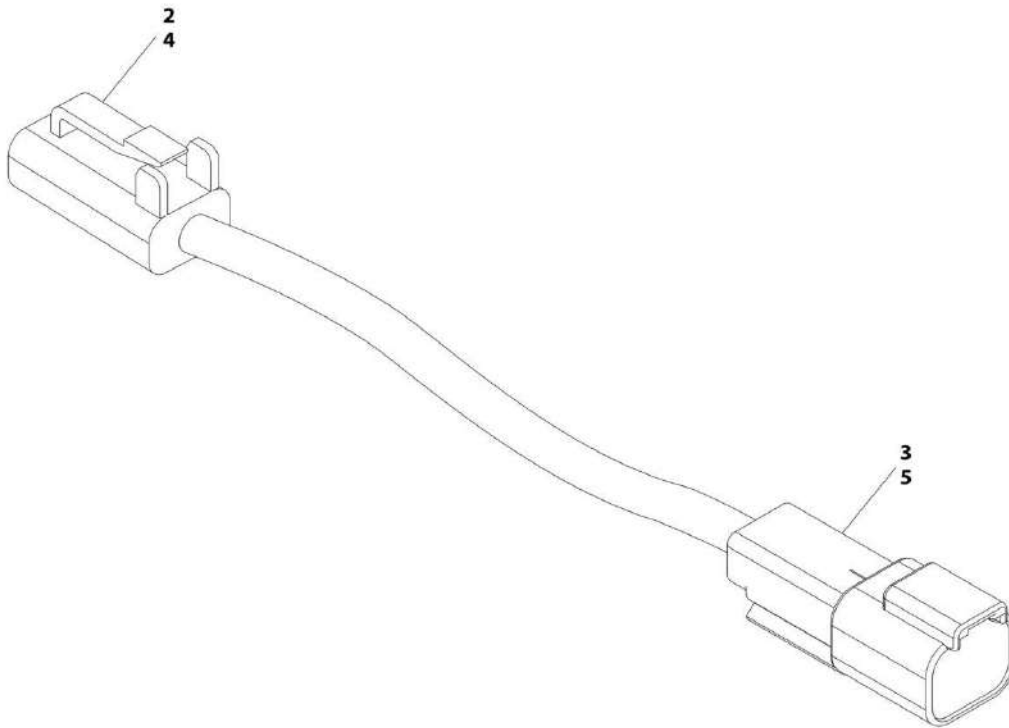
## SECTION 8 - ELECTRICAL

### FIGURE 8-27. JIB HARNESS

ITEM	PART NUMBER	QTY	DESCRIPTION	REV
	1001185833	Ref	JIB HARNESS	A
1	4460326	1	Plug, Male - 3 Position	
1	4460267	3	Terminal	
2	4460891	2	Plug, Male - 2 Position	
2	4460465	4	Socket, Female	

# SECTION 8 - ELECTRICAL

## FIGURE 8-28. LIFT DOWN HARNESS



ART\_1001138509

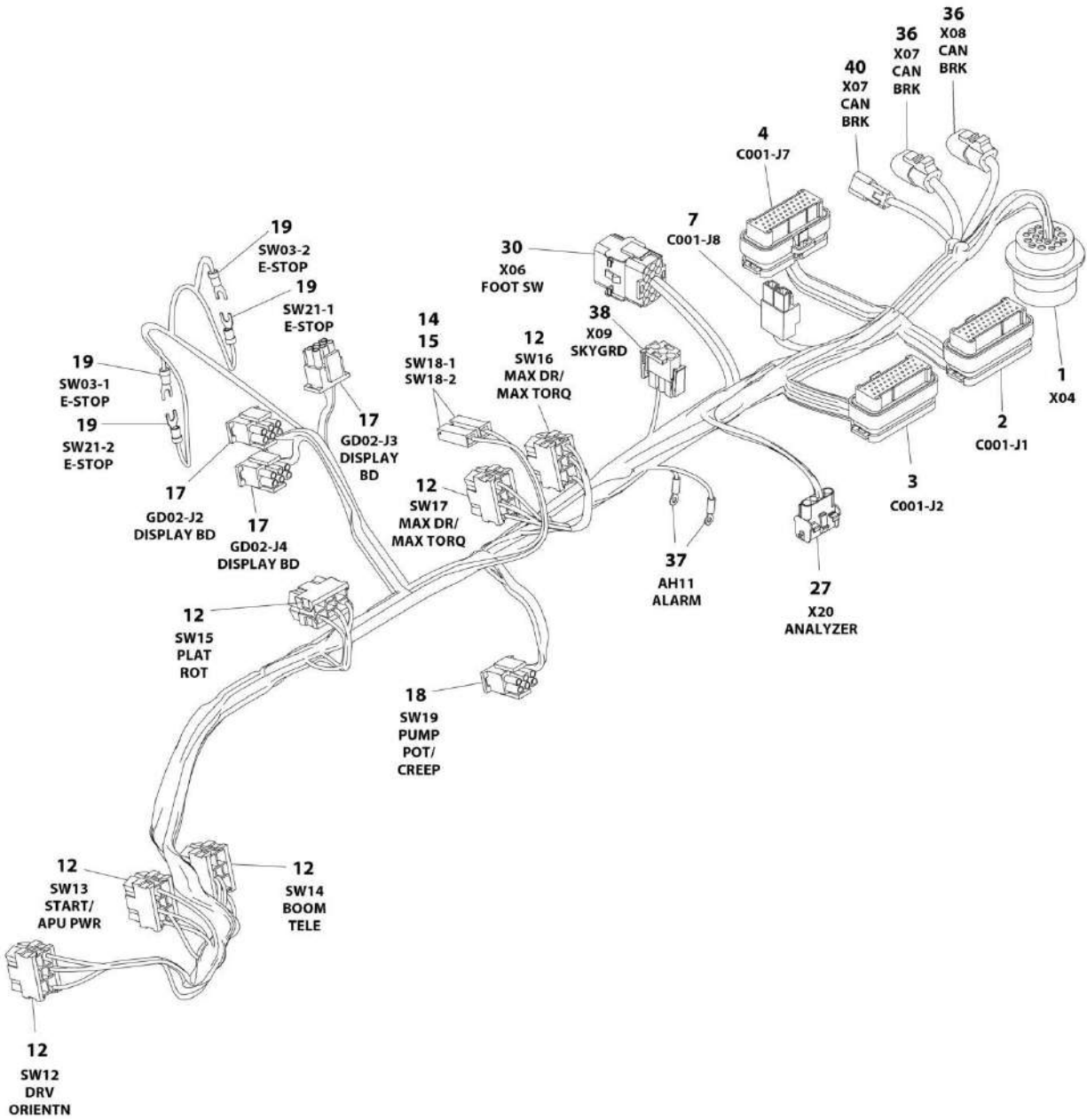
## SECTION 8 - ELECTRICAL

### FIGURE 8-28. LIFT DOWN HARNESS

ITEM	PART NUMBER	QTY	DESCRIPTION	REV
	1001138509	Ref	LIFT DOWN HARNESS	B
2	4460891	1	Plug, Male - 2 Position (Gray)	
3	4460897	1	Receptacle Female - 2 Position	
4	4460465	2	Socket, Female	
5	4460464	2	Pin, Male	

# SECTION 8 - ELECTRICAL

FIGURE 8-29. PLATFORM BOX HARNESS ASSEMBLY - 24RS (Prior to SN B300002343)



ART\_1001133752



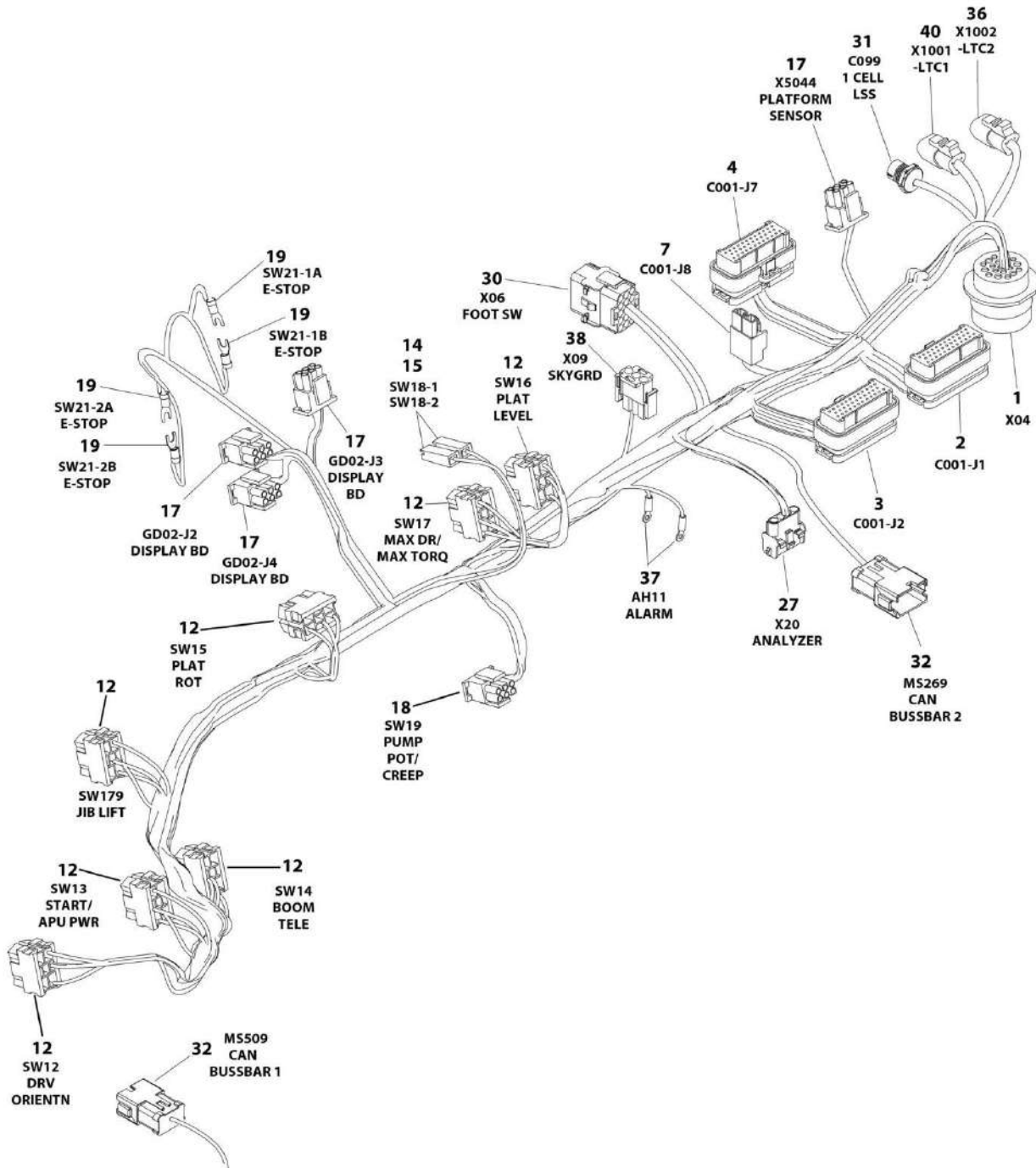
## SECTION 8 - ELECTRICAL

**FIGURE 8-29. PLATFORM BOX HARNESS ASSEMBLY - 24RS (Prior to SN B300002343)**

ITEM	PART NUMBER	QTY	DESCRIPTION	REV
	1001133752	Ref	PLATFORM BOX HARNESS ASSEMBLY - 24RS	E
1	4460866	1	Connector - 19 Position	
1	4460464	5	Pin, Male 16 Ga	
1	4460508	2	Pin, Male 12 Ga	
1	4460943	3	Pin, Male 16 Ga (Gold)	
1	4460466	9	Plug, Sealing	
2	4460874	1	Connector - 35 Position (Natural)	
2	4460871	17	Socket, Female	
3	4460875	1	Connector - 35 Position (Gray)	
3	4460871	14	Socket, Female	
4	4460873	1	Connector - 35 Position (Black)	
4	4460871	16	Socket, Female	
7	4460879	1	Connector, Male - 2 Position	
7	4460887	2	Terminal	
12	4460418	6	Connector, Female - 6 Position	
12	4460419	17	Socket, Female	
14	4460260	2	Ring Terminal	
15	4460259	2	Ring Terminal	
17	4460225	3	Plug, Male - 6 Position	
17	4460226	9	Socket, Female	
18	4460225	1	Plug, Male - 6 Position	
18	4460227	5	Pin, Male	
19	4460888	4	Fork Terminal	
27	4460761	1	Plug, Male - 4 Position	
27	4460227	4	Pin, Male	
30	4460434	1	Plug, Male - 15 Position	
30	4460227	6	Pin, Male	
36	4460539	2	Plug, Male - 3 Position (Triangular)	
36	4460944	6	Socket, Female (Gold)	
37	4460247	2	Ring Terminal	
38	4460326	1	Plug, Male - 3 Position (To SkyGuard Option)	
38	4460227	3	Pin, Male	
40	4460536	1	Receptacle, Female - 3 Position (Triangular)	
40	4460943	3	Pin, Male (Gold)	

# SECTION 8 - ELECTRICAL

## FIGURE 8-30. PLATFORM BOX HARNESS - 24RS (SN B30002343 to Present)



ART\_1001217358

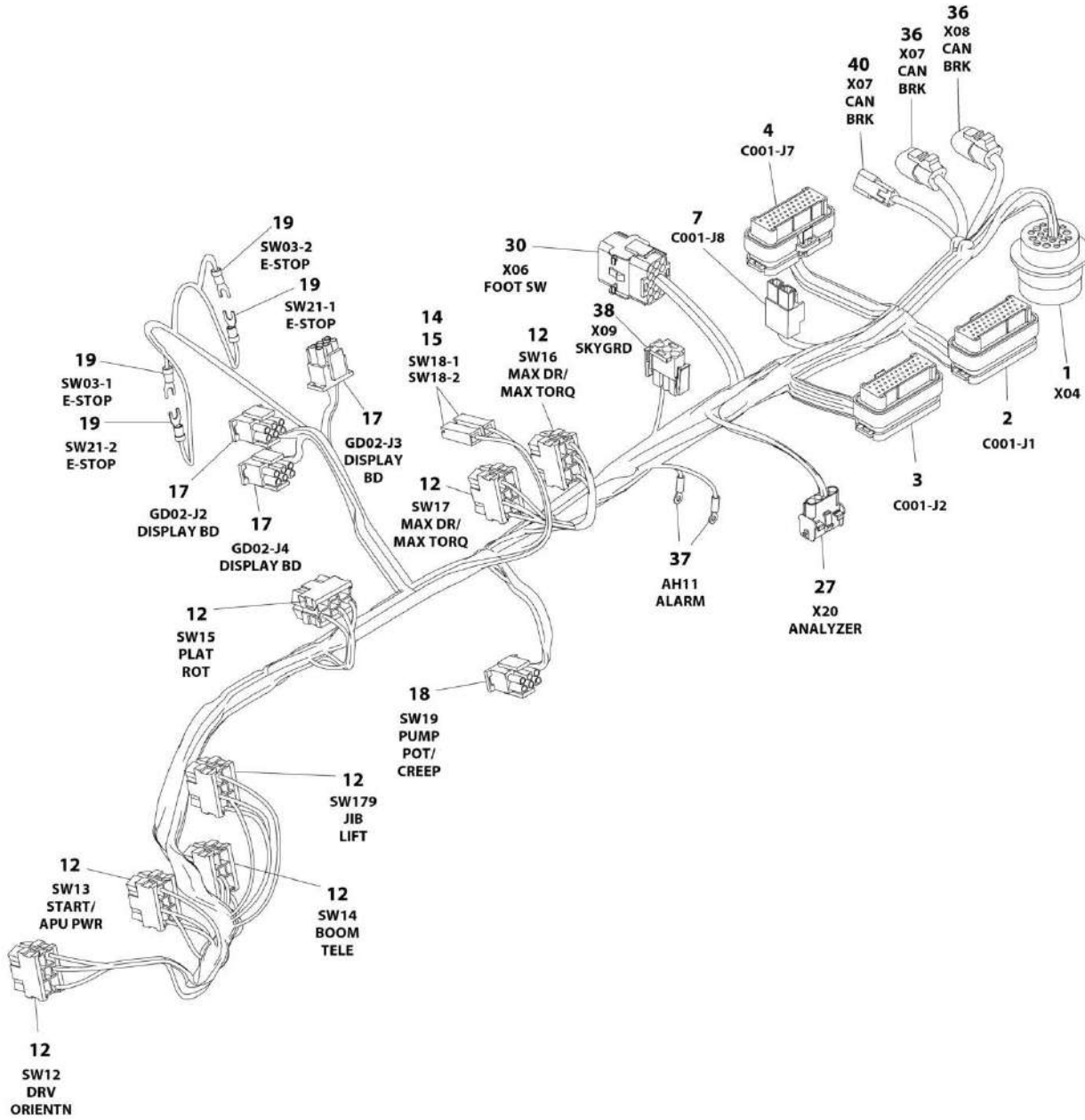
## SECTION 8 - ELECTRICAL

**FIGURE 8-30. PLATFORM BOX HARNESS - 24RS (SN B300002343 to Present)**

ITEM	PART NUMBER	QTY	DESCRIPTION	REV
	1001217358	Ref	PLATFORM BOX HARNESS - 24RS (SN B300002343 to Present)	A
1	4460866	1	Connector - 19 Position	
1	4460464	5	Pin, Male 16 Ga	
1	4460508	2	Pin, Male 12 Ga	
1	4460943	3	Pin, Male 16 Ga (Gold)	
1	4460466	9	Plug, Sealing	
2	4460874	1	Connector - 35 Position (Natural)	
2	4460871	20	Socket, Female	
3	4460875	1	Connector - 35 Position (Gray)	
3	4460871	16	Socket, Female	
4	4460873	1	Connector - 35 Position (Black)	
4	4460871	16	Socket, Female	
7	4460879	1	Connector, Male - 2 Position	
7	4460887	2	Terminal	
12	4460418	7	Connector, Female - 6 Position	
12	4460419	21	Socket, Female	
14	4460260	4	Ring Terminal	
15	4460259	4	Ring Terminal	
17	4460225	4	Plug, Male - 6 Position	
17	4460226	14	Socket, Female	
18	4460225	18	Plug, Male - 6 Position	
18	4460227	5	Pin, Male	
19	4460888	4	Fork Terminal	
27	4460761	1	Plug, Male - 4 Position	
27	4460227	18	Pin, Male	
30	4460434	1	Plug, Male - 15 Position	
31	1001213447	1	Connector, Female - 5 Position	
32	1001119020	2	Connector, Buss Bar	
36	4460539	1	Plug, Male - 3 Position (Triangular)	
36	4460944	20	Socket, Female (Gold)	
37	4460247	2	Ring, Terminal	
40	4460536	1	Receptacle, Female - 3 Position (Triangular)	
40	4460943	6	Pin, Male (Gold)	
41	2820019	1	Tubing, Heat Shrink (Not Shown)	

# SECTION 8 - ELECTRICAL

## FIGURE 8-31. PLATFORM BOX HARNESS ASSEMBLY - 24RSJ



ART\_1001203482

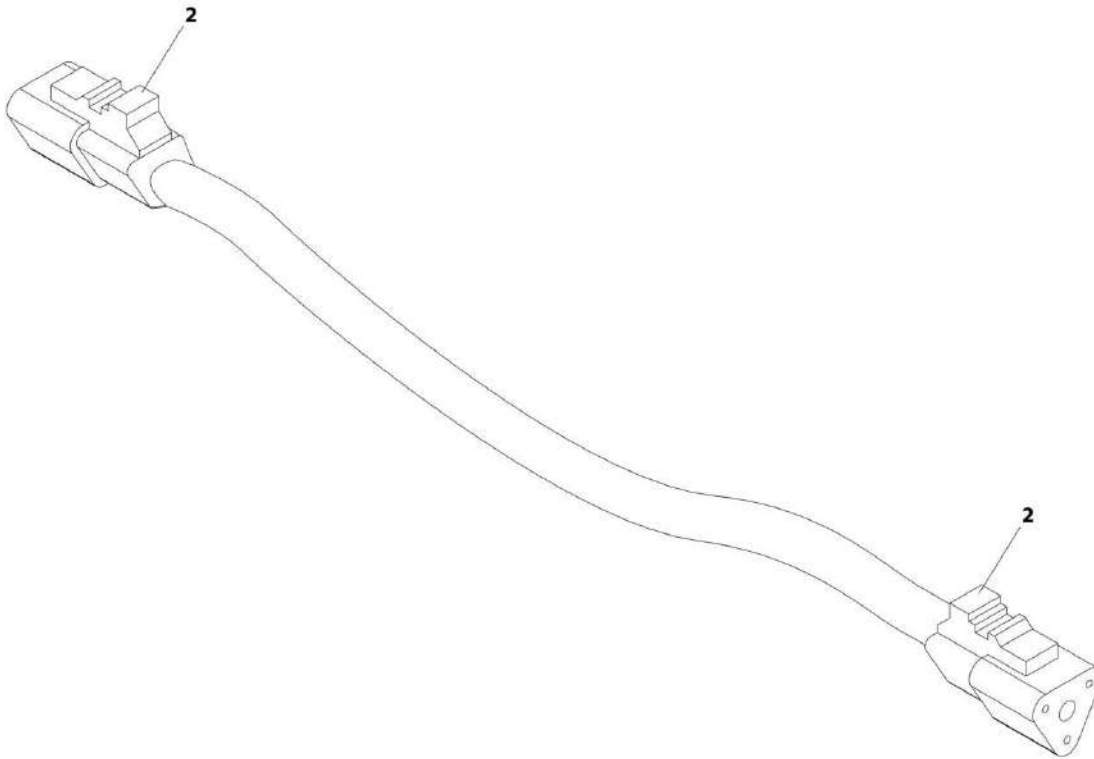
## SECTION 8 - ELECTRICAL

**FIGURE 8-31. PLATFORM BOX HARNESS ASSEMBLY - 24RSJ**

ITEM	PART NUMBER	QTY	DESCRIPTION	REV
	1001203482	Ref	PLATFORM BOX HARNESS - 24RSJ	E
1	4460866	1	Connector - 19 Position	
1	4460464	5	Pin, Male 16 Ga	
1	4460508	2	Pin, Male 12 Ga	
1	4460943	3	Pin, Male 16 Ga (Gold)	
1	4460466	9	Plug, Sealing	
2	4460874	1	Connector - 35 Position (Natural)	
2	4460871	17	Socket, Female	
3	4460875	1	Connector - 35 Position (Gray)	
3	4460871	14	Socket, Female	
4	4460873	1	Connector - 35 Position (Black)	
4	4460871	16	Socket, Female	
7	4460879	1	Connector, Male - 2 Position	
7	4460887	2	Terminal	
12	4460418	7	Connector, Female - 6 Position	
12	4460419	20	Socket, Female	
14	4460260	2	Ring, Terminal	
15	4460259	2	Ring, Terminal	
17	4460225	3	Plug, Male - 6 Position	
17	4460226	11	Socket, Female	
18	4460225	1	Plug, Male - 6 Position	
18	4460227	5	Pin, Male	
19	4460888	4	Fork Terminal	
27	4460761	1	Plug, Male - 4 Position	
27	4460227	4	Pin, Male	
30	4460434	1	Plug, Male - 15 Position	
30	4460227	6	Pin, Male	
36	4460539	2	Plug, Male - 3 Position (Triangular)	
36	4460944	6	Socket, Female (Gold)	
37	4460247	2	Ring, Terminal	
38	4460326	1	Plug, Male - 3 Position (To SkyGuard Option)	
38	4460227	3	Pin, Male	
40	4460536	1	Receptacle, Female - 3 Position (Triangular)	
40	4460943	3	Pin, Male (Gold)	

## SECTION 8 - ELECTRICAL

FIGURE 8-32. PROXIMITY SENSOR HARNESS



ART\_1001149542

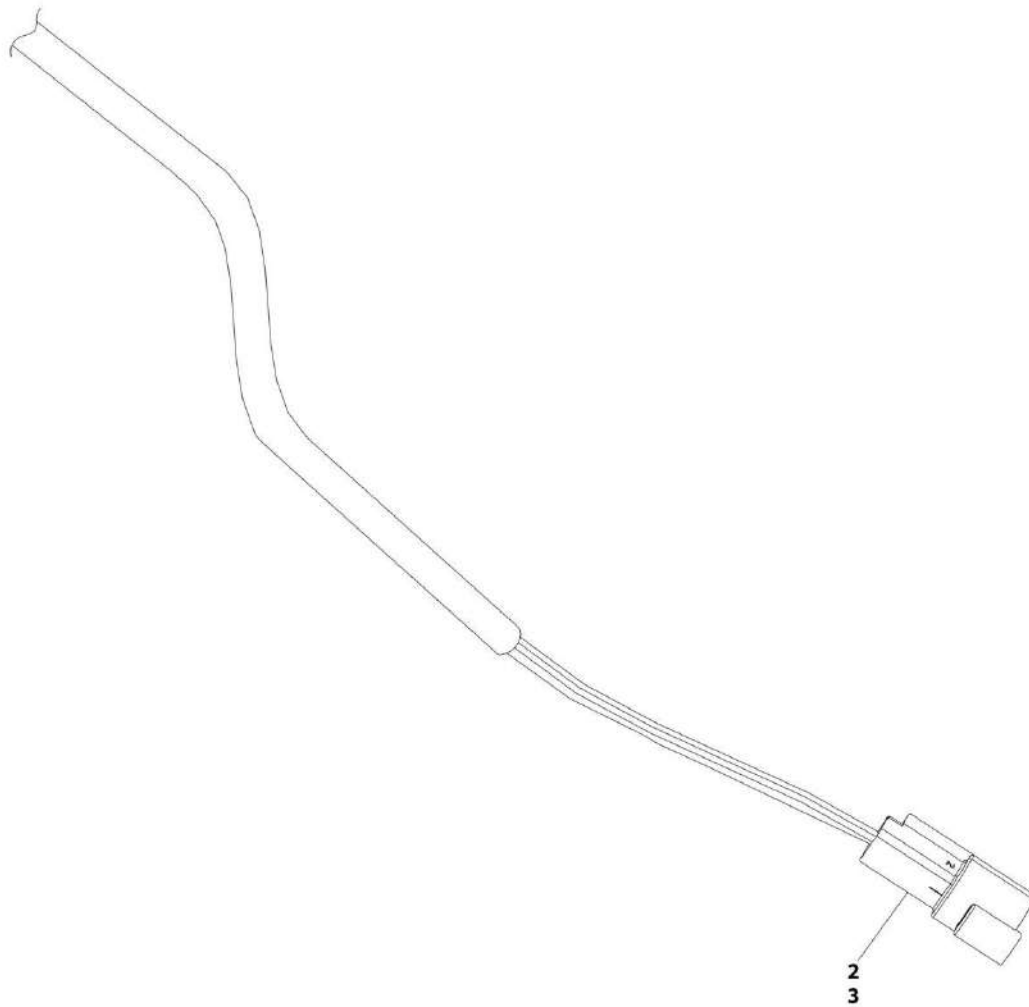
## SECTION 8 - ELECTRICAL

### FIGURE 8-32. PROXIMITY SENSOR HARNESS

ITEM	PART NUMBER	QTY	DESCRIPTION	REV
	1001149542	Ref	PROXIMITY SENSOR HARNESS	B
2	4460539	2	Receptacle, Female - 3 Position	
2	4460465	3	Socket, Female	

# SECTION 8 - ELECTRICAL

## FIGURE 8-33. TELESCOPE HARNESS - MAIN BOOM - 24RSJ



ART\_1001206599



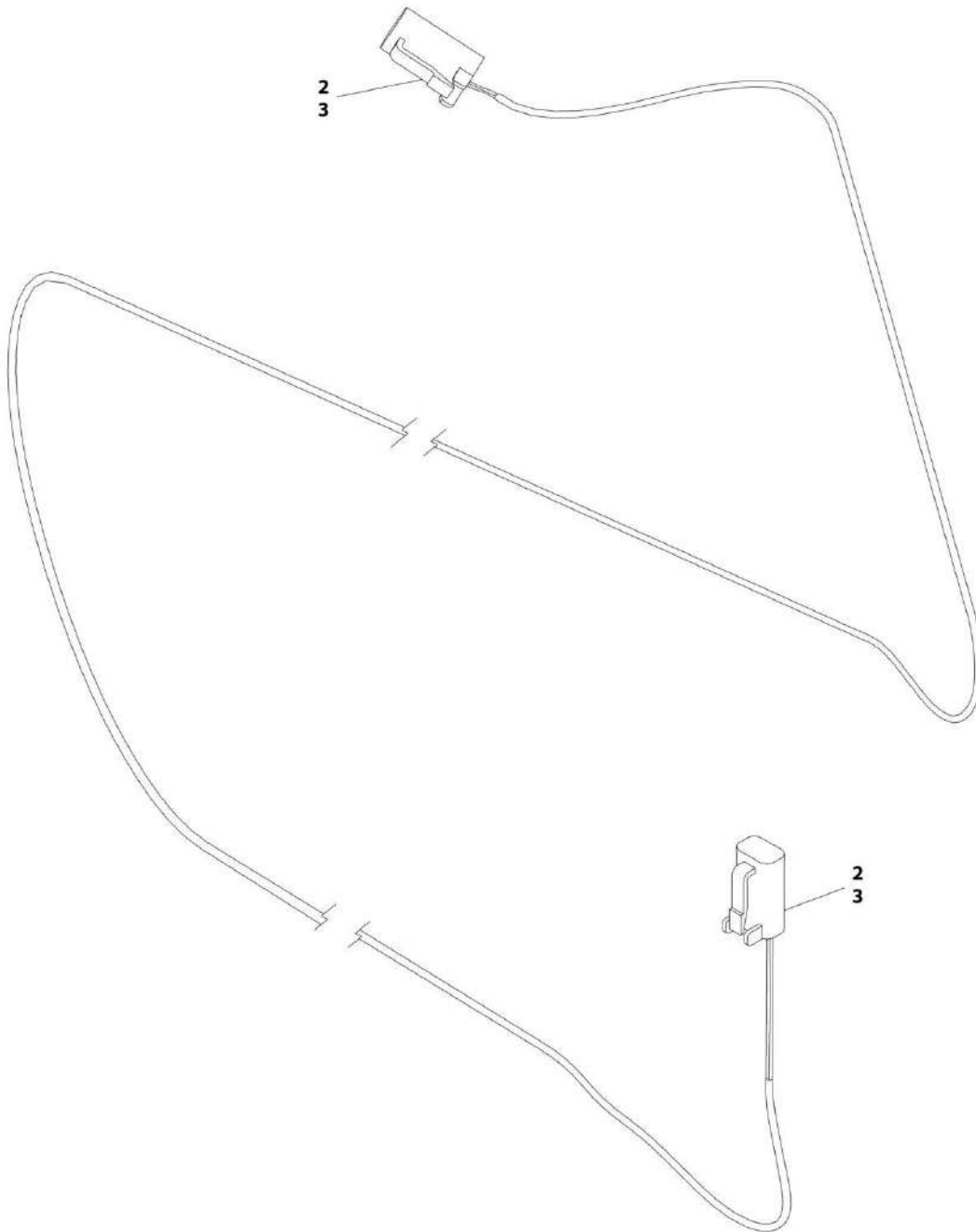
## SECTION 8 - ELECTRICAL

### FIGURE 8-33. TELESCOPE HARNESS - MAIN BOOM - 24RSJ

ITEM	PART NUMBER	QTY	DESCRIPTION	REV
	1001206599	Ref	TELESCOPE HARNESS - MAIN BOOM - 24RSJ	A
2	4460464	2	Pin, Male	
3	4460897	1	Receptacle, Female - 2 Position	

# SECTION 8 - ELECTRICAL

## FIGURE 8-34. TELESCOPE HARNESS - TOWER BOOM - 24RSJ



ART\_1001206601

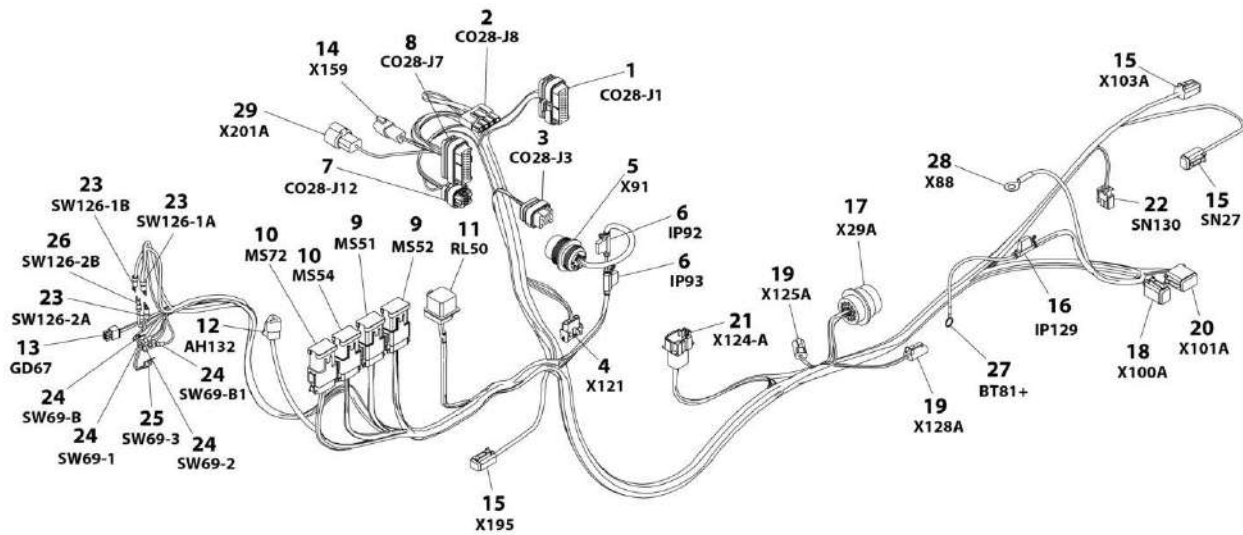
## SECTION 8 - ELECTRICAL

**FIGURE 8-34. TELESCOPE HARNESS - TOWER BOOM - 24RSJ**

ITEM	PART NUMBER	QTY	DESCRIPTION	REV
	1001206601	Ref	TELESCOPE HARNESS - TOWER BOOM - 24RSJ	A
2	4460465	4	Socket, Female	
3	4460891	2	Plug, Male - 2 Position	

# SECTION 8 - ELECTRICAL

## FIGURE 8-35. TURNTABLE HARNESS



ART\_1001132511

## SECTION 8 - ELECTRICAL

### FIGURE 8-35. TURNTABLE HARNESS

ITEM	PART NUMBER	QTY	DESCRIPTION	REV
	1001132511	Ref	TURNTABLE HARNESS	I
1	4460874	1	Connector - 35 Position (Natural)	
1	4460871	15	Socket, Female	
1	4460905	20	Plug, Seal	
2	4460878	1	Housing, Terminal - 4 Position	
2	4460887	4	Terminal	
3	4460872	1	Connector, Male - 14 Position (Black)	
3	4460871	4	Socket, Female	
3	4460905	10	Seal, Plug	
4	4460761	1	Plug, Male - 4 Position	
4	4460267	4	Pin, Male	
5	1001112612	1	Connector - 9 Position (Includes Nut and Lockwasher)	
5	4460496	1	Locknut, Terminal	
5	4460497	1	Nut, Terminal	
5	4460944	3	Socket, Female (Gold)	
5	4460465	3	Socket, Female	
5	4460466	3	Seal, Plug	
5	1001106736	1	Cap, Dust	
6	2400066	2	Fuseholder	
6	260305	2	Fuse 5Amp	
7	1001113961	1	Connector - 8 Position (Black)	
7	4460871	5	Socket, Female	
7	4460905	3	Seal, Plug	
8	4460873	1	Connector - 35 Position (Black)	
8	4460871	21	Socket, Female	
8	4460905	14	Seal, Plug	
9	4460836	2	Plug, Male - 12 Position (Black)	
9	4460837	2	Connector, Bussbar - 12 Position (Black)	
9	1001121172	2	Bracket, Terminal Mounting	
9	4460465	3	Socket, Female	
9	4460942	7	Socket, Female	
9	4460466	13	Seal, Plug	
10	4460933	2	Plug, Male - 12 Position (Gray)	
10	1001119020	2	Connector, Bussbar - 12 Position (Gray)	
10	1001121172	2	Bracket, Terminal Mounting	
10	4460465	9	Socket, Female	
10	4460944	8	Socket, Female	
10	4460466	7	Seal, Plug	
11	1001117057	1	Plug, Male - 5 Position	
11	1001116734	2	Terminal	
11	1001116733	2	Terminal	
11	1001116728	1	Terminal	
11	70020199	2	Diode - 6Amp	
12	4460539	1	Plug, Male - 3 Position (Triangular)	
12	4460465	3	Socket, Female	
13	4460868	1	Plug, Male - 6 Position	
13	4460877	4	Socket, Female	
14	4460536	1	Receptacle, Female - 3 Position (Triangular)	
14	4460464	3	Pin, Male	
15	4460884	3	Plug, Male - 4 Position	

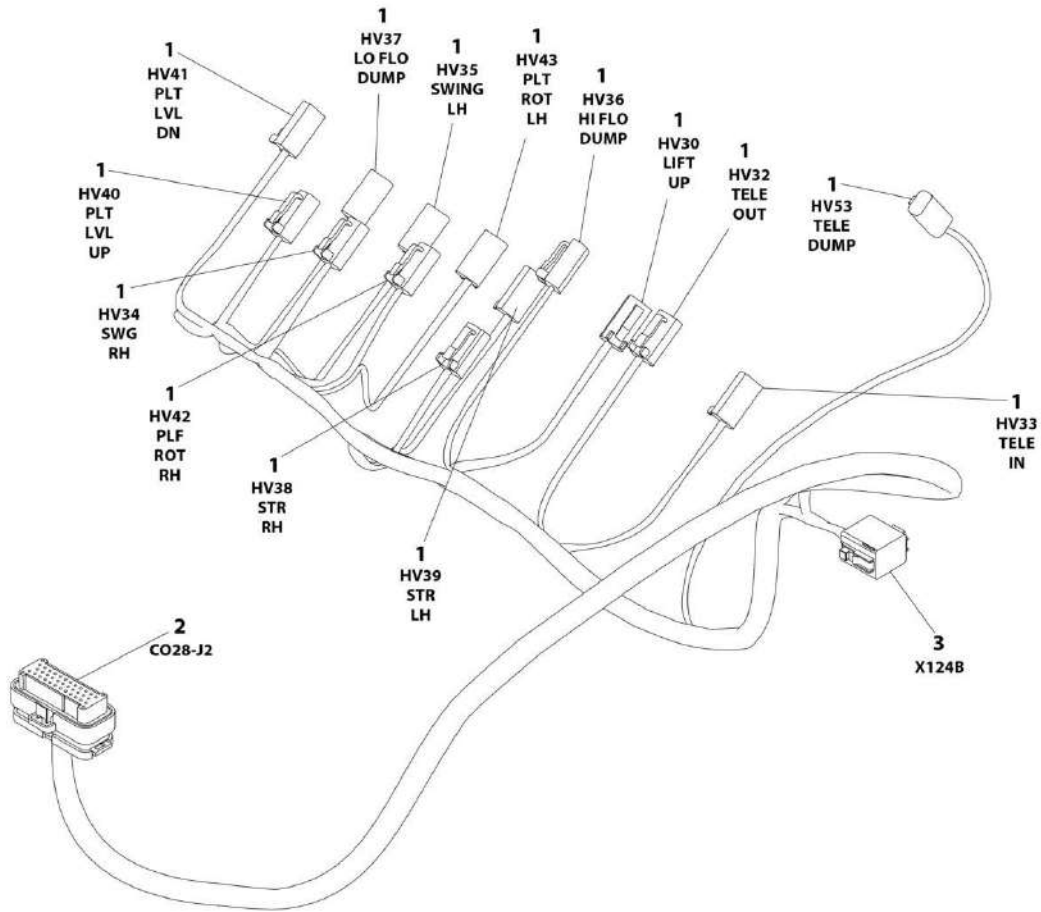
## SECTION 8 - ELECTRICAL

ITEM	PART NUMBER	QTY	DESCRIPTION	REV
15	4460465	10	Socket, Female	
15	4460466	2	Seal, Plug	
16	2400066	1	Fuseholder	
16	2400065	1	Fuse, 30Amp	
17	4460866	1	Connector - 19 Position	
17	4460464	9	Pin, Male 16Ga	
17	4460508	2	Pin, Male 12Ga	
17	4460466	8	Plug, Sealing	
18	4460894	1	Plug, Male - 6 Position	
18	4460465	6	Socket, Female	
19	4460891	2	Plug, Male - 2 Position	
19	4460465	4	Socket, Female	
20	4460930	1	Plug, Male - 8 Position (Gray)	
20	4460465	8	Socket, Female	
21	1001116813	1	Receptacle, Female - 8 Position (Black)	
21	4460464	7	Pin, Male	
21	4460466	1	Plug, Sealing	
22	4460320	1	Receptacle, Female - 2 Position	
22	4460226	2	Pin, Male	
23	4460806	3	Terminal	
24	4460313	4	Terminal	
25	4460042	1	Terminal	
26	4460183	1	Terminal	
27	4460019	1	Terminal	
28	1001117110	1	Terminal	
29	4460897	1	Receptacle, Female - 2 Position	
29	4460464	2	Pin, Male	
29	4460891	1	Plug, Male - 2 Position	



# SECTION 8 - ELECTRICAL

## FIGURE 8-36. VALVE HARNESS - 24RS



ART\_1001134067



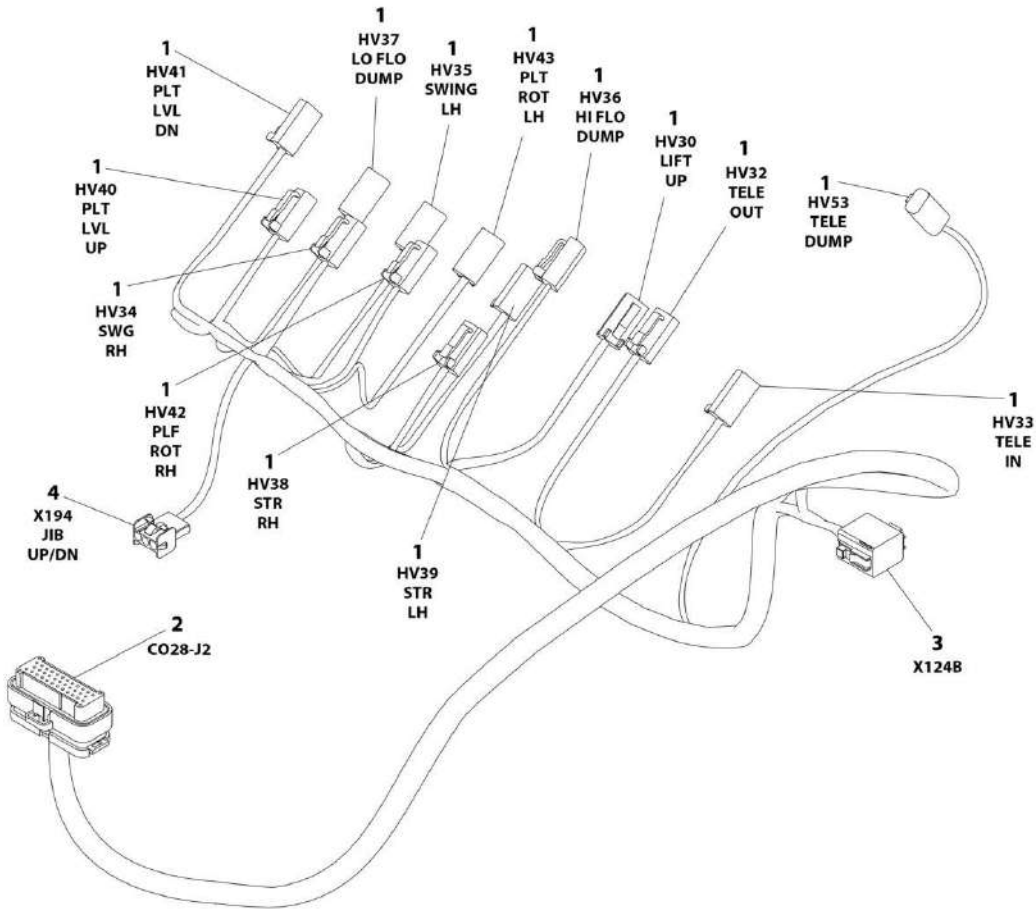
## SECTION 8 - ELECTRICAL

### FIGURE 8-36. VALVE HARNESS - 24RS

ITEM	PART NUMBER	QTY	DESCRIPTION	REV
	1001134067	Ref	VALVE HARNESS - 24RS	C
1	4460891	14	Plug, Male - 2 Position	
1	4460465	28	Socket, Female	
2	4460875	1	Connector - 35 Position (Gray)	
2	4460871	22	Socket, Female	
2	4460905	13	Seal, Plug	
3	4460851	1	Plug, Male - 8 Position (Black)	
3	4460465	7	Socket, Female	
3	4460466	1	Seal, Plug	

# SECTION 8 - ELECTRICAL

## FIGURE 8-37. VALVE HARNESS - 24RSJ



ART\_1001203479

## SECTION 8 - ELECTRICAL

### FIGURE 8-37. VALVE HARNESS - 24RSJ

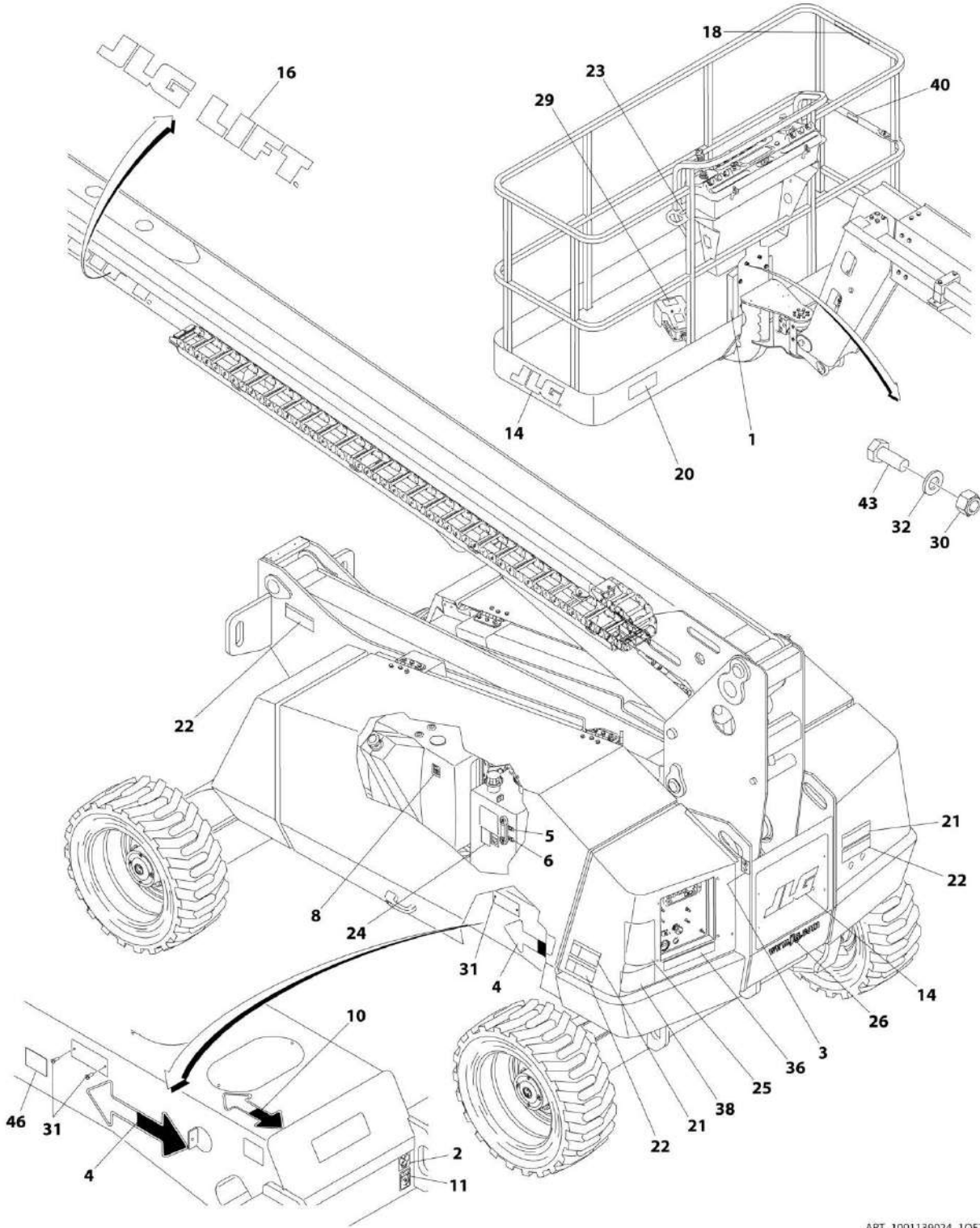
ITEM	PART NUMBER	QTY	DESCRIPTION	REV
	1001203479	Ref	VALVE HARNESS - 24RSJ	A
1	4460891	14	Plug, Male - 2 Position	
1	4460465	28	Socket, Female	
2	4460875	1	Connector - 35 Position (Gray)	
2	4460871	22	Socket, Female	
2	4460905	13	Seal, Plug	
3	4460851	1	Plug, Male - 8 Position (Black)	
3	4460465	7	Socket, Female	
3	4460466	1	Seal, Plug	
4	4460445	1	Receptacle, Female - 3 Position	
4	4460268	3	Terminal	



**SECTION 9 - DECALS**

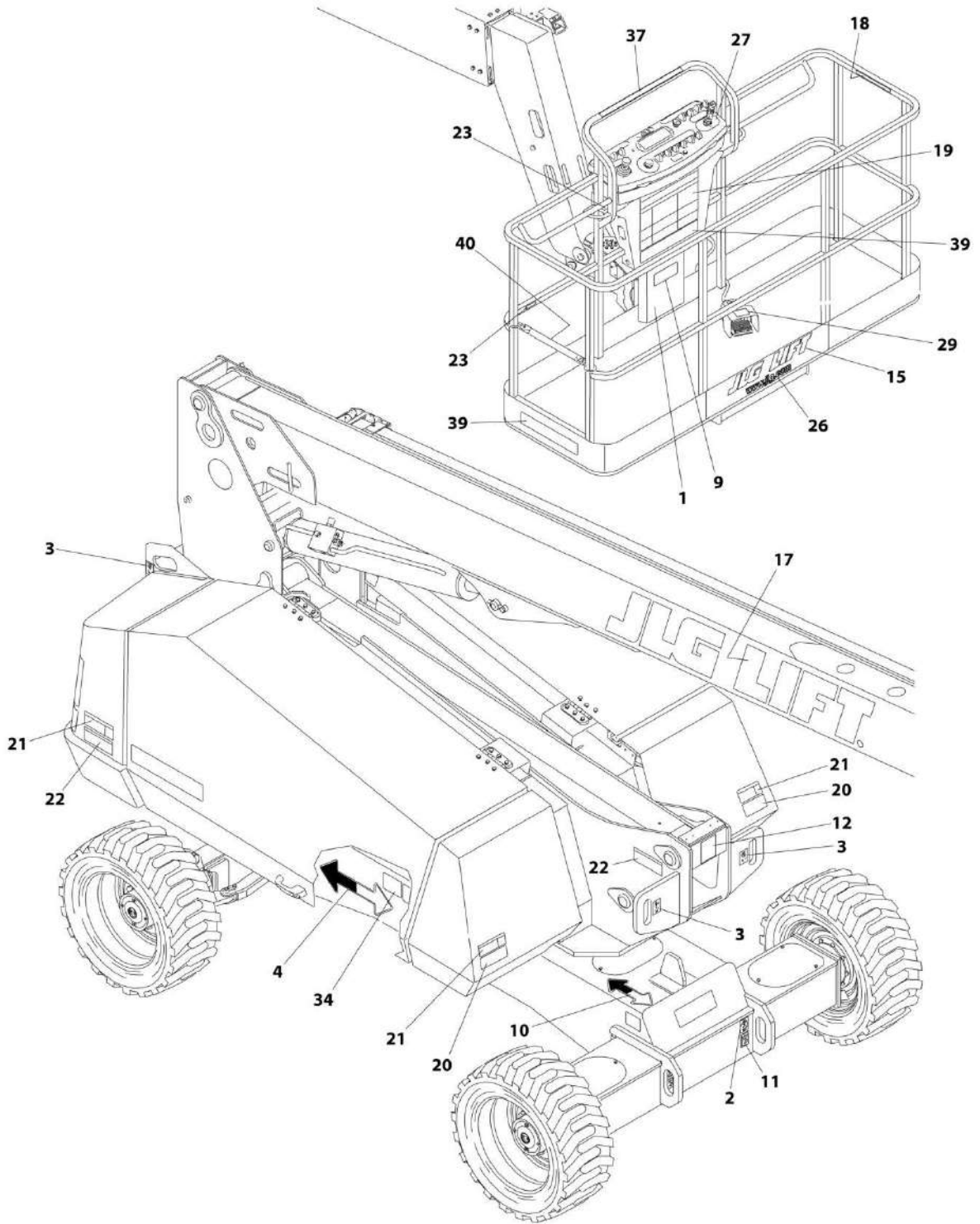
# SECTION 9 - DECALS

## FIGURE 9-1. DECAL INSTALLATION - ANSI SPEC



ART\_1001139024\_10F2

# SECTION 9 - DECALS



ART\_1001139024\_2OF2

## SECTION 9 - DECALS

FIGURE 9-1. DECAL INSTALLATION - ANSI SPEC

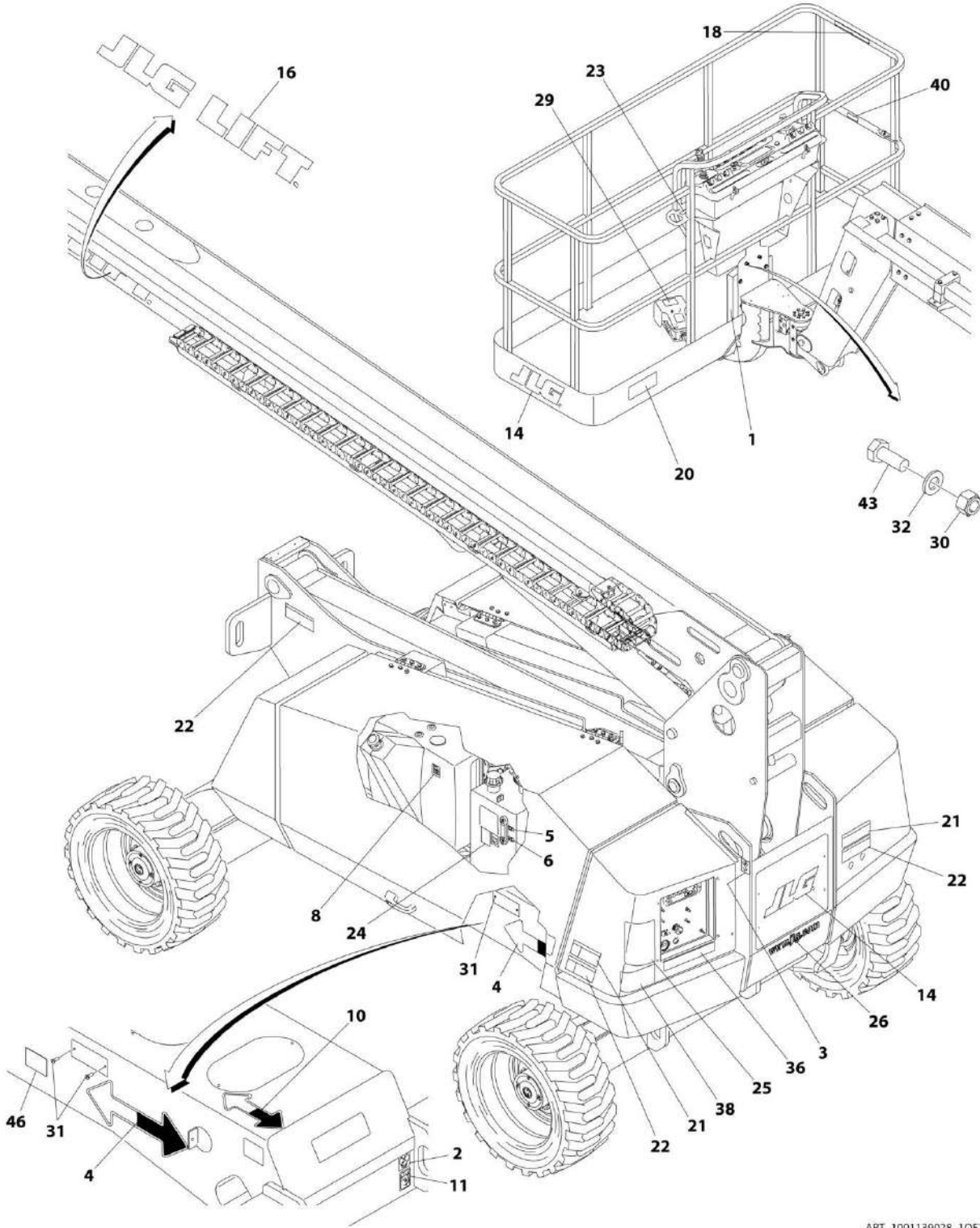
ITEM	PART NUMBER	QTY	DESCRIPTION	REV
	1001139024	Ref	DECAL INSTALLATION - ANSI SPEC	E
1	0860520	1	Box, Manual Storage	
2	1701499	4	Decal - No Tie Down /Lift	
3	1701500	4	Decal - Tie Down /Lift	
4	1701501	2	Decal - Arrow	
5	1701502	1	Decal - High Oil Level	
6	1701503	1	Decal - Low Oil Level	
8	1701505	1	Decal - Fuel	
9	1701509	1	Decal - Manual	
10	1701529	2	Decal - Arrow	
11	1702300	4	Decal - Tie Down /Lift	
12	1702391	1	Decal - Crushing Hazard	
14	1702773	2	Decal - JLG	
15	1702774	1	Decal - JLG Lift	
16	1702861	1	Decal - JLG Lift	
17	1702862	1	Decal - JLG Lift	
18	1702868	2	Decal - No Hands	
19	1703797	1	Decal - Danger/Warning	
20	1703804	4	Decal - Warning/Crushing	
21	1703805	5	Decal - Danger/Electrocution	
22	1703953	5	Decal - Warning/Crushing	
23	1704277	3	Decal - Attach Lanyard Here	
24	1704412	1	Decal - Hydraulic Fluid	
25	1704575	1	Decal - Danger/Warning	
26	1704885	2	Decal - Website	
27	1705351	1	Decal - Drive/Steer	
29	3252347	1	Decal - Footswitch	
30	3311405	4	Nut 1/4	
31	3820001	2	Rivet	
32	4751400	4	Washer 1/4	
34	1001131269	1	Decal - Patent	
36	1001140402	1	Decal - Legend (Ground Controls)	
37	1001140403	1	Decal - Legend (Platform)	
38	1001140405	1	Decal - Warning/Maximum Capacity	
39	1001140406	2	Decal - Warning/Maximum Capacity	
40	1001140429	1	Decal - Drop Bar	
43	0641406	4	Bolt 1/4 x 3/4	
46	1001223055	1	Decal - Yearly Inspection (SN B300002150 to Present)	





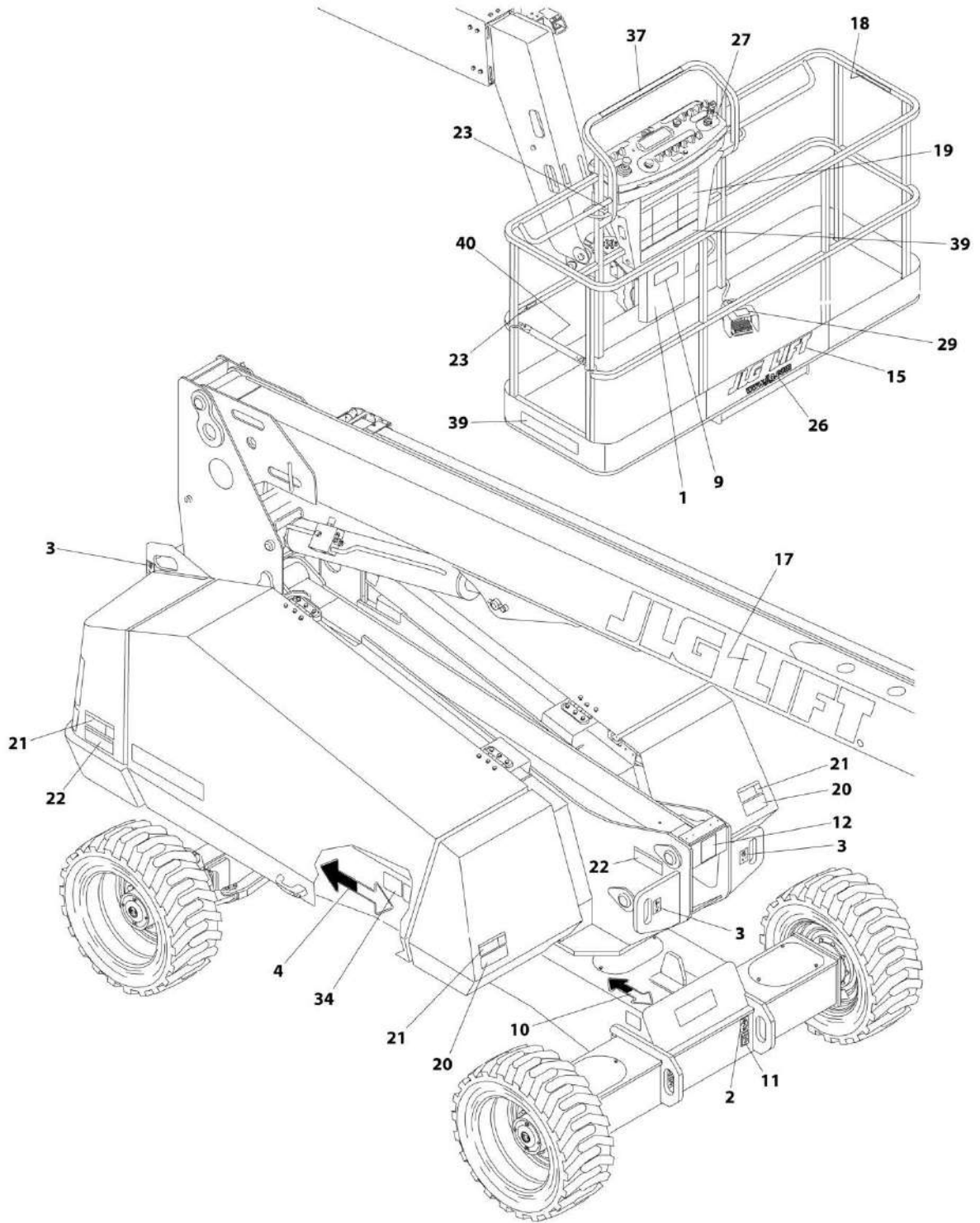
# SECTION 9 - DECALS

## FIGURE 9-2. DECAL INSTALLATION - BRAZIL SPEC



ART\_1001139028\_10F2

# SECTION 9 - DECALS



ART\_100113902B\_2OF2

## SECTION 9 - DECALS

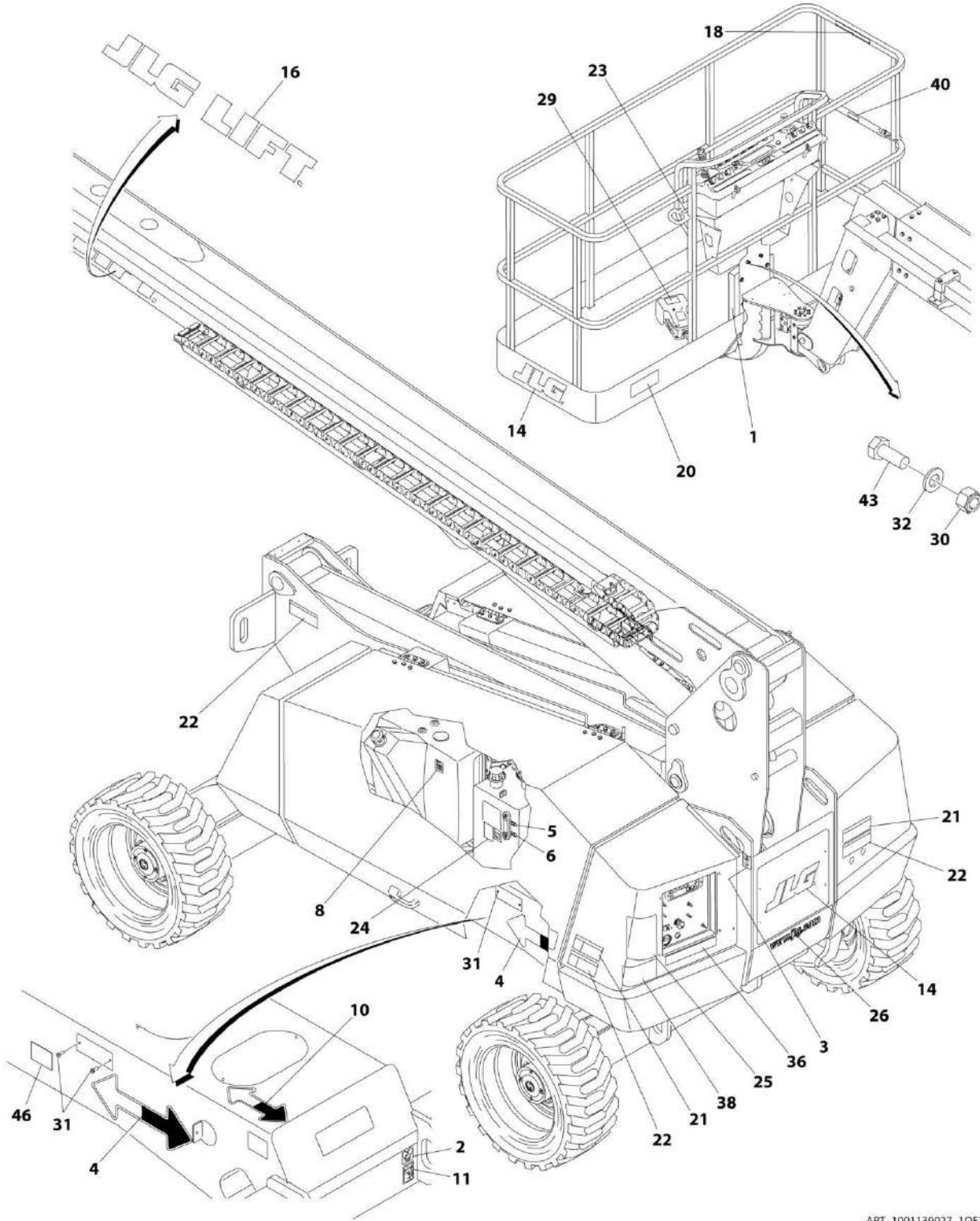
FIGURE 9-2. DECAL INSTALLATION - BRAZIL SPEC

ITEM	PART NUMBER	QTY	DESCRIPTION	REV
	1001139028	Ref	DECAL INSTALLATION - BRAZIL SPEC	E
1	0860520	1	Box, Manual Storage	
2	1701499	4	Decal - No Tie Down /Lift	
3	1701500	4	Decal - Tie Down /Lift	
4	1701501	2	Decal - Arrow	
5	1701502	1	Decal - High Oil Level	
6	1701503	1	Decal - Low Oil Level	
8	1701505	1	Decal - Fuel	
9	1701509	1	Decal - Manual	
10	1701529	2	Decal - Arrow	
11	1702300	4	Decal - Tie Down /Lift	
12	1702391	1	Decal - Crushing Hazard	
14	1702773	2	Decal - JLG	
15	1702774	1	Decal - JLG Lift	
16	1702861	1	Decal - JLG Lift	
17	1702862	1	Decal - JLG Lift	
18	1705967	2	Decal - No Hands	
19	1705895	1	Decal - Danger/Warning	
20	1705898	4	Decal - Warning/Crushing	
21	1705897	5	Decal - Danger/Electrocution	
22	1705903	5	Decal - Warning/Crushing	
23	1704277	3	Decal - Attach Lanyard Here	
24	1704412	1	Decal - Hydraulic Fluid	
25	1705896	1	Decal - Danger/Warning	
26	1704885	2	Decal - Website	
27	1705905	1	Decal - Drive/Steer	
29	1705902	1	Decal - Footswitch	
30	3311405	4	Nut 1/4	
31	3820001	2	Rivet	
32	4751400	4	Washer 1/4	
34	1001131269	1	Decal - Patent	
36	1001140402	1	Decal - Legend (Ground Controls)	
37	1001140403	1	Decal - Legend (Platform)	
38	1001121923	1	Decal - Warning/Maximum Capacity	
39	1001121920	2	Decal - Warning/Maximum Capacity	
40	1001140429	1	Decal - Drop Bar	
43	0641406	4	Bolt 1/4 x 3/4	
46	1001224052	1	Decal - Yearly Inspection (SN B300002150 to Present)	



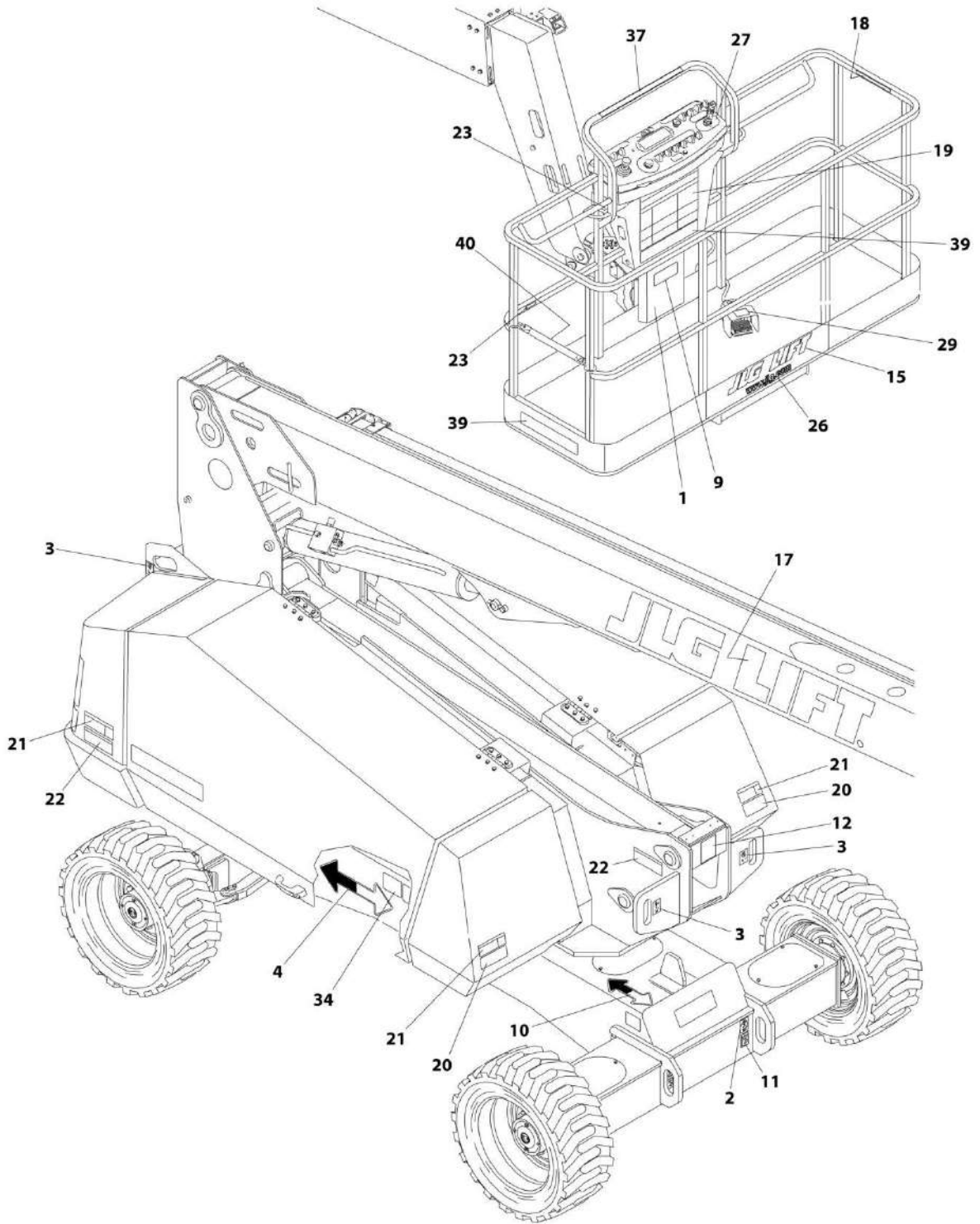
# SECTION 9 - DECALS

## FIGURE 9-3. DECAL INSTALLATION - CHINESE SPEC



ART\_1001139027\_10F2

# SECTION 9 - DECALS



ART\_1001139027\_2OF2

## SECTION 9 - DECALS

FIGURE 9-3. DECAL INSTALLATION - CHINESE SPEC

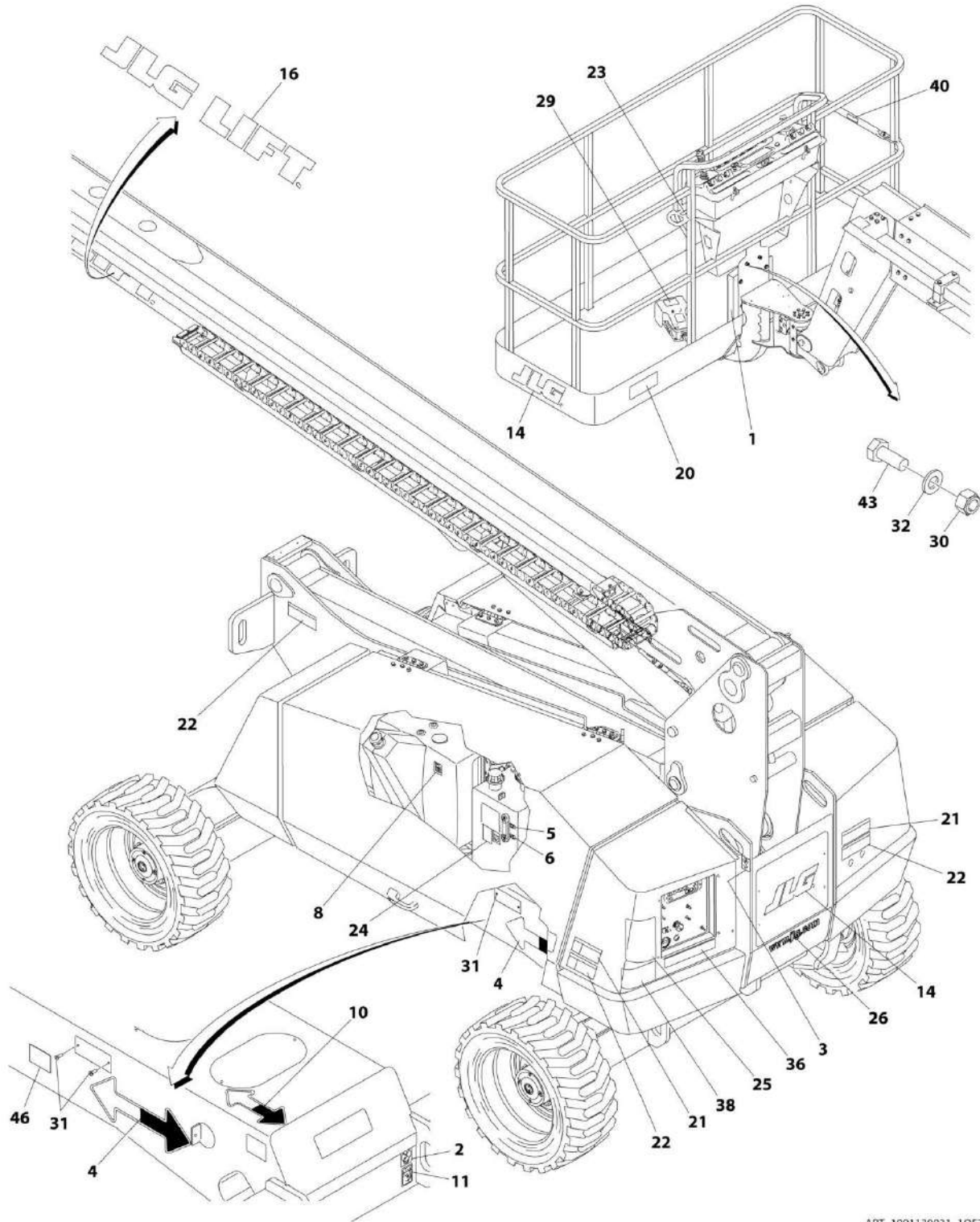
ITEM	PART NUMBER	QTY	DESCRIPTION	REV
	1001139027	Ref	DECAL INSTALLATION - CHINESE SPEC	F
1	0860520	1	Box, Manual Storage	
2	1701499	4	Decal - No Tie Down /Lift	
3	1701500	4	Decal - Tie Down /Lift	
4	1701501	2	Decal - Arrow	
5	1701502	1	Decal - High Oil Level	
6	1701503	1	Decal - Low Oil Level	
8	1701505	1	Decal - Fuel	
9	1701509	1	Decal - Manual	
10	1701529	2	Decal - Arrow	
11	1702300	4	Decal - Tie Down /Lift	
12	1001113168	1	Decal - Crushing Hazard	
14	1702773	2	Decal - JLG	
15	1702774	1	Decal - JLG Lift	
16	1702861	1	Decal - JLG Lift	
17	1702862	1	Decal - JLG Lift	
18	1705968	2	Decal - No Hands	
19	1703925	1	Decal - Danger/Warning	
20	1703949	4	Decal - Warning/Crushing	
21	1703937	5	Decal - Danger/Electrocution	
22	1703943	5	Decal - Warning/Crushing	
23	1704277	3	Decal - Attach Lanyard Here	
24	1704412	1	Decal - Hydraulic Fluid	
25	1001116849	1	Decal - Danger/Warning	
26	1704885	2	Decal - Website	
27	1705351	1	Decal - Drive/Steer	
29	1703982	1	Decal - Footswitch	
30	3311405	4	Nut 1/4	
31	3820001	2	Rivet	
32	4751400	4	Washer 1/4	
34	1001131269	1	Decal - Patent	
36	1001140402	1	Decal - Legend (Ground Controls)	
37	1001140403	1	Decal - Legend (Platform)	
38	1001121823	1	Decal - Warning/Maximum Capacity	
39	1001121810	2	Decal - Warning/Maximum Capacity	
40	1001140429	1	Decal - Drop Bar	
43	0641406	4	Bolt 1/4 x 3/4	
46	1001224051	1	Decal - Yearly Inspection (SN B300002150 to Present)	





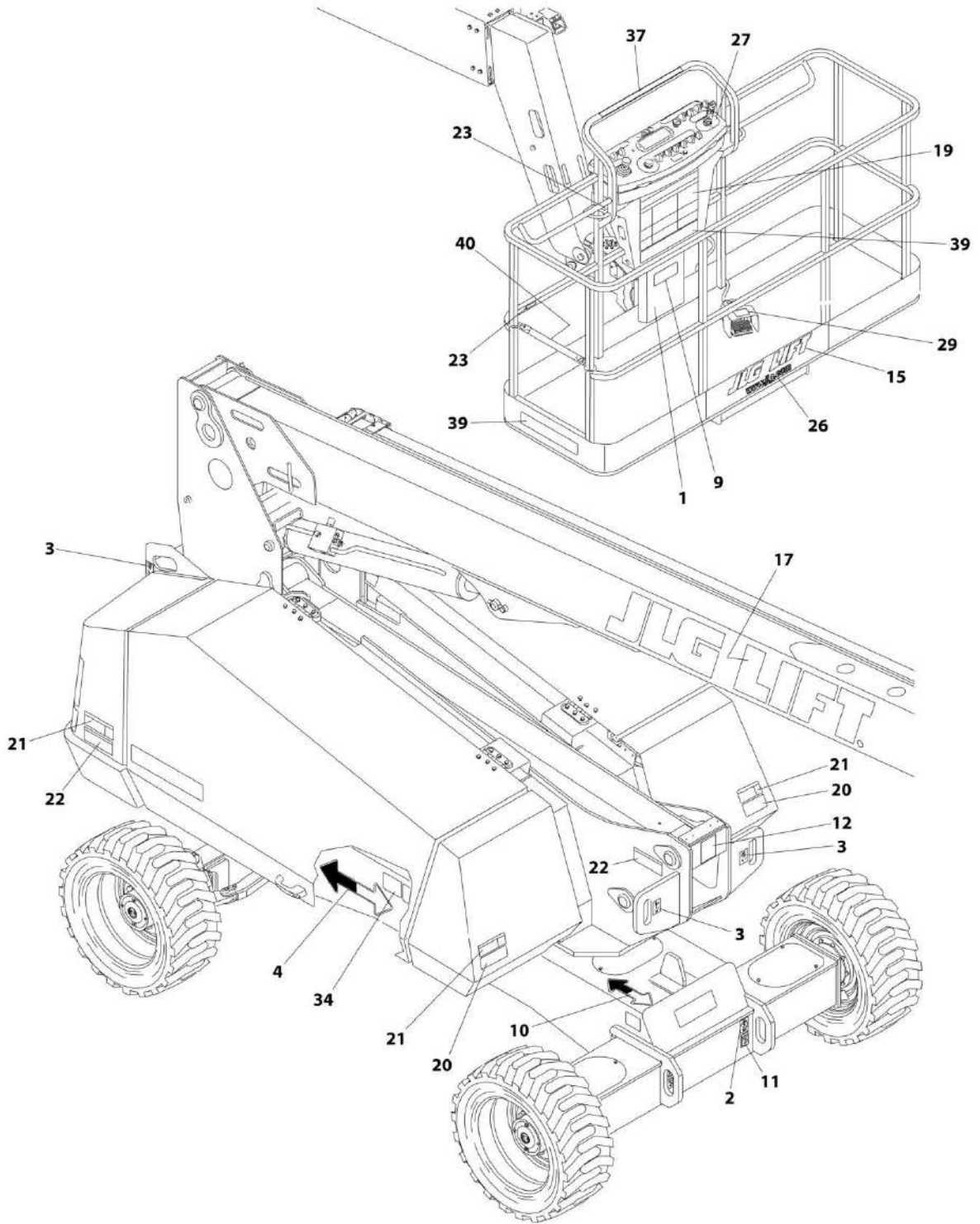
# SECTION 9 - DECALS

## FIGURE 9-4. DECAL INSTALLATION - JAPANESE SPEC



ART\_1001139031\_10F2

# SECTION 9 - DECALS



ART\_1001139031\_2OF2

## SECTION 9 - DECALS

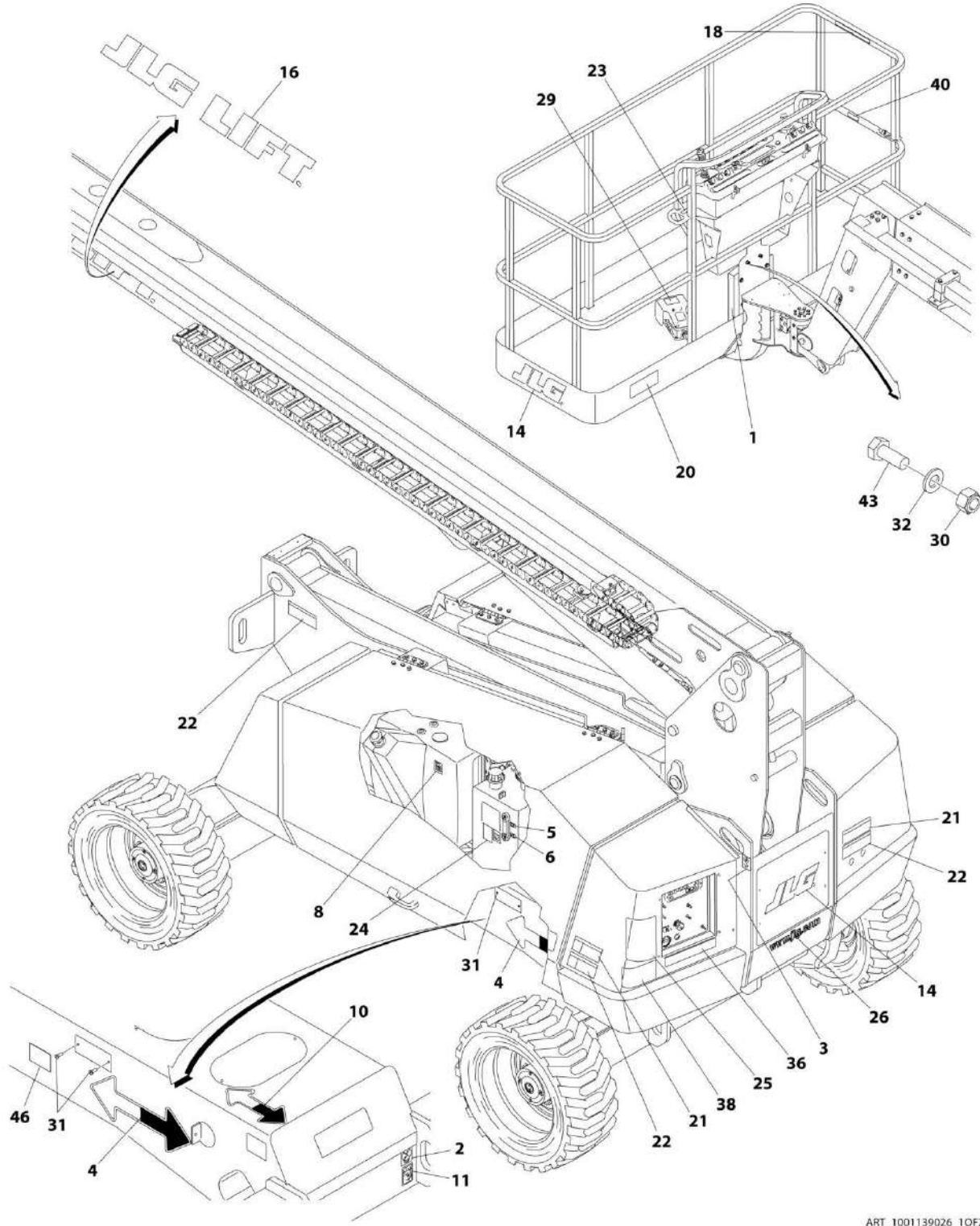
FIGURE 9-4. DECAL INSTALLATION - JAPANESE SPEC

ITEM	PART NUMBER	QTY	DESCRIPTION	REV
	1001139031	Ref	DECAL INSTALLATION - JAPANESE SPEC	E
1	0860520	1	Box, Manual Storage	
2	1701499	4	Decal - No Tie Down /Lift	
3	1701500	4	Decal - Tie Down /Lift	
4	1701501	2	Decal - Arrow	
5	1701502	1	Decal - High Oil Level	
6	1701503	1	Decal - Low Oil Level	
8	1701505	1	Decal - Fuel	
9	1701509	1	Decal - Manual	
10	1701529	2	Decal - Arrow	
11	1702300	4	Decal - Tie Down /Lift	
12	1001113166	1	Decal - Crushing Hazard	
14	1702773	2	Decal - JLG	
15	1702774	1	Decal - JLG Lift	
16	1702861	1	Decal - JLG Lift	
17	1702862	1	Decal - JLG Lift	
19	1703926	1	Decal - Danger/Warning	
20	1703950	4	Decal - Warning/Crushing	
21	1703938	5	Decal - Danger/Electrocution	
22	1703944	5	Decal - Warning/Crushing	
23	1704277	3	Decal - Attach Lanyard Here	
24	1704412	1	Decal - Hydraulic Fluid	
25	1705344	1	Decal - Danger/Warning	
26	1704885	2	Decal - Website	
27	1705426	1	Decal - Drive/Steer	
29	1703980	1	Decal - Footswitch	
30	3311405	4	Nut 1/4	
31	3820001	2	Rivet	
32	4751400	4	Washer 1/4	
34	1001131269	1	Decal - Patent	
36	1001140402	1	Decal - Legend (Ground Controls)	
37	1001140403	1	Decal - Legend (Platform)	
38	1001121821	1	Decal - Warning/Maximum Capacity	
39	1001121808	2	Decal - Warning/Maximum Capacity	
40	1001140429	1	Decal - Drop Bar	
43	0641406	4	Bolt 1/4 x 3/4	
46	1001224053	1	Decal - Yearly Inspection (SN B300002150 to Present)	



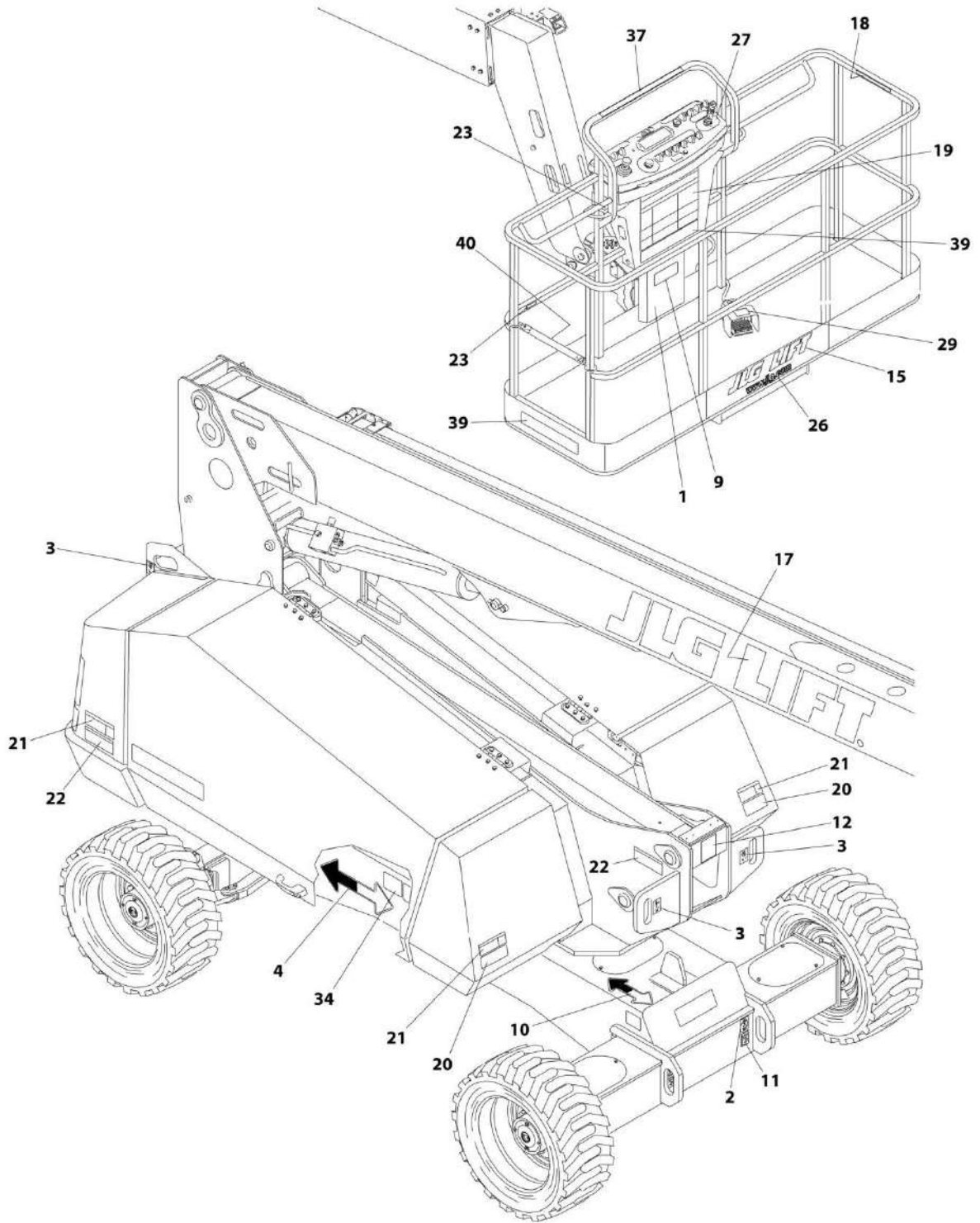
# SECTION 9 - DECALS

## FIGURE 9-5. DECAL INSTALLATION - KOREAN SPEC



ART\_1001139026\_10F2

# SECTION 9 - DECALS



ART\_1001139026\_2OF2

## SECTION 9 - DECALS

FIGURE 9-5. DECAL INSTALLATION - KOREAN SPEC

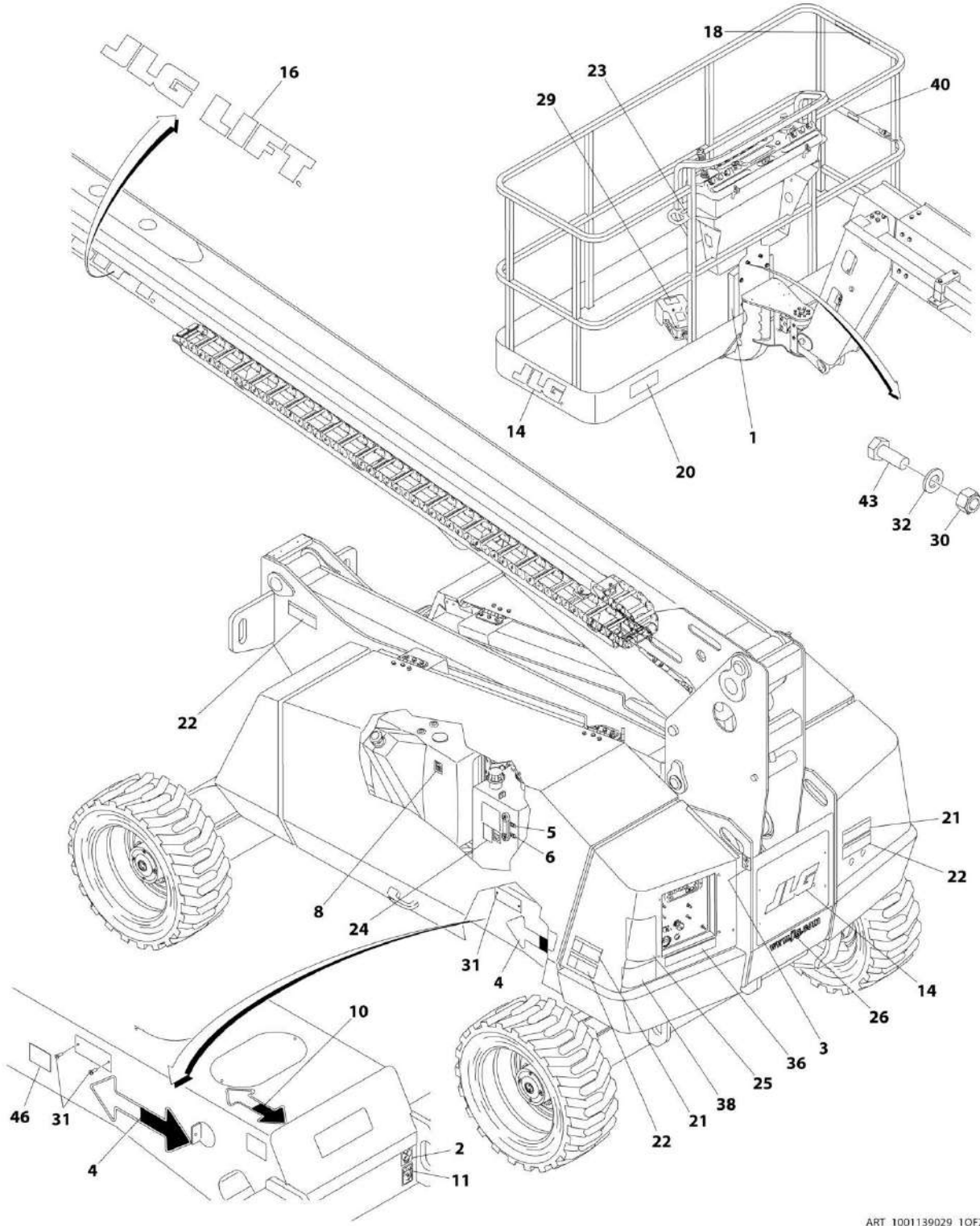
ITEM	PART NUMBER	QTY	DESCRIPTION	REV
	1001139026	Ref	DECAL INSTALLATION - KOREAN SPEC	E
1	0860520	1	Box, Manual Storage	
2	1701499	4	Decal - No Tie Down /Lift	
3	1701500	4	Decal - Tie Down /Lift	
4	1701501	2	Decal - Arrow	
5	1701502	1	Decal - High Oil Level	
6	1701503	1	Decal - Low Oil Level	
8	1701505	1	Decal - Fuel	
9	1701509	1	Decal - Manual	
10	1701529	2	Decal - Arrow	
11	1702300	4	Decal - Tie Down /Lift	
12	1001113509	1	Decal - Crushing Hazard	
14	1702773	2	Decal - JLG	
15	1702774	1	Decal - JLG Lift	
16	1702861	1	Decal - JLG Lift	
17	1702862	1	Decal - JLG Lift	
18	1705969	2	Decal - No Hands	
19	1703927	1	Decal - Danger/Warning	
20	1703951	4	Decal - Warning/Crushing	
21	1703939	5	Decal - Danger/Electrocution	
22	1703945	5	Decal - Warning/Crushing	
23	1704277	3	Decal - Attach Lanyard Here	
24	1704412	1	Decal - Hydraulic Fluid	
25	1705345	1	Decal - Danger/Warning	
26	1704885	2	Decal - Website	
27	1705427	1	Decal - Drive/Steer	
29	1703981	1	Decal - Footswitch	
30	3311405	4	Nut 1/4	
31	3820001	2	Rivet	
32	4751400	4	Washer 1/4	
34	1001131269	1	Decal - Patent	
36	1001140402	1	Decal - Legend (Ground Controls)	
37	1001140403	1	Decal - Legend (Platform)	
38	1001121921	1	Decal - Warning/Maximum Capacity	
39	1001121918	2	Decal - Warning/Maximum Capacity	
40	1001140429	1	Decal - Drop Bar	
43	0641406	4	Bolt 1/4 x 3/4	
46	1001224048	1	Decal - Yearly Inspection (SN B300002150 to Present)	





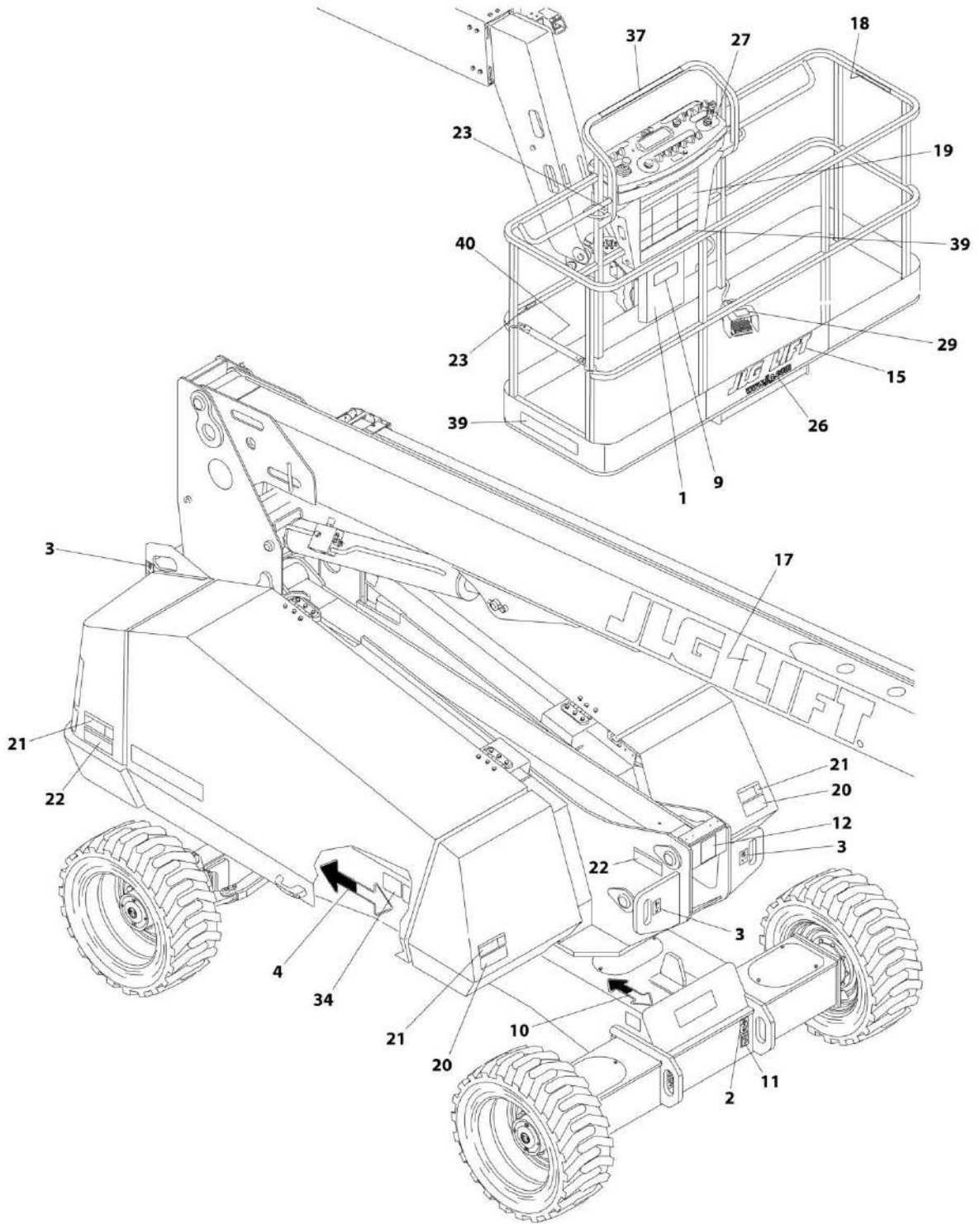
# SECTION 9 - DECALS

## FIGURE 9-6. DECAL INSTALLATION - LATIN AMERICAN SPEC



ART\_1001139029\_10F2

# SECTION 9 - DECALS



ART\_1001139029\_2OF2

## SECTION 9 - DECALS

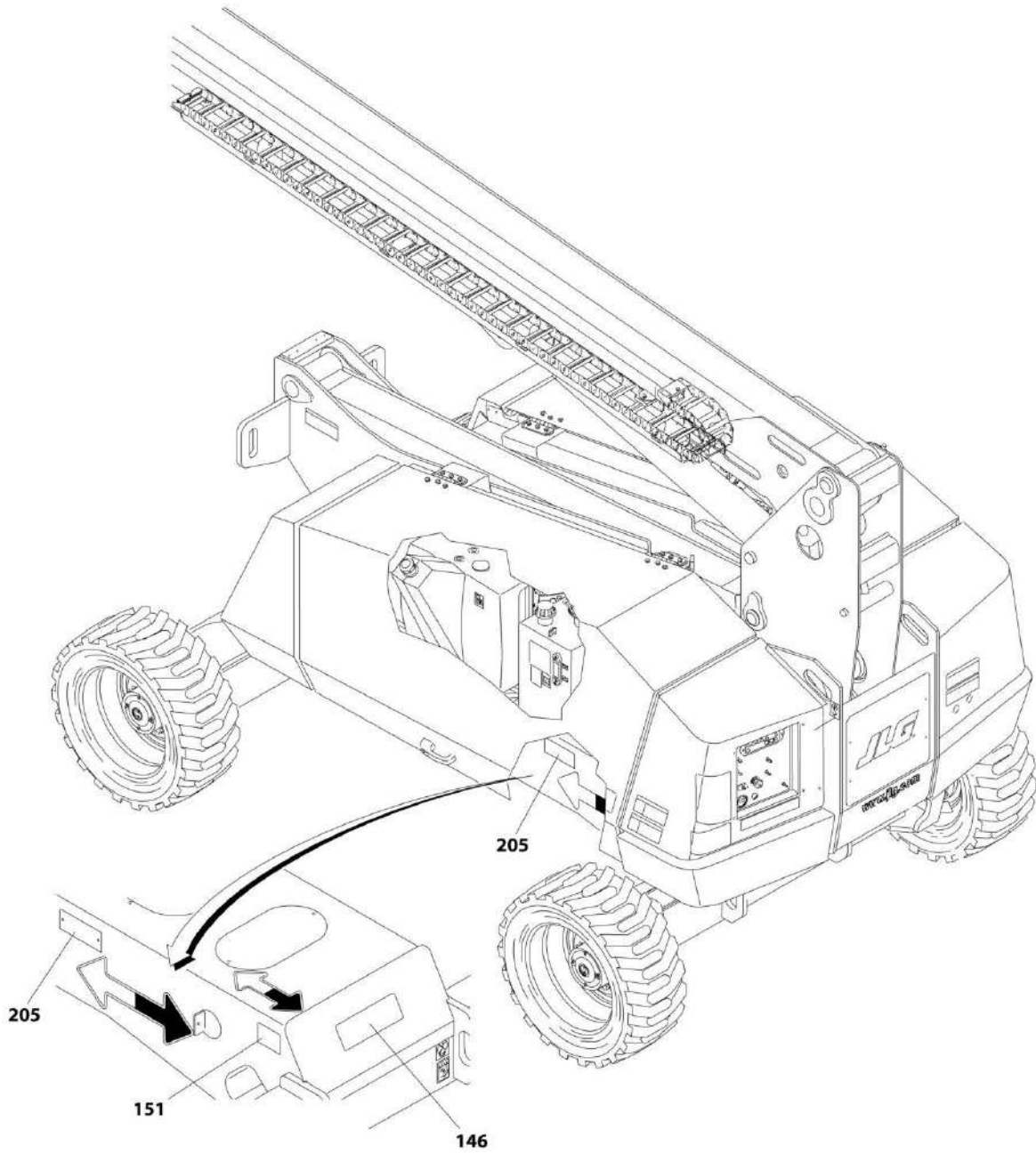
FIGURE 9-6. DECAL INSTALLATION - LATIN AMERICAN SPEC

ITEM	PART NUMBER	QTY	DESCRIPTION	REV
	1001139029	Ref	DECAL INSTALLATION- LATIN AMERICAN SPEC	E
1	0860520	1	Box, Manual Storage	
2	1701499	4	Decal - No Tie Down /Lift	
3	1701500	4	Decal - Tie Down /Lift	
4	1701501	2	Decal - Arrow	
5	1701502	1	Decal - High Oil Level	
6	1701503	1	Decal - Low Oil Level	
8	1701505	1	Decal - Fuel	
9	1701509	1	Decal - Manual	
10	1701529	2	Decal - Arrow	
11	1702300	4	Decal - Tie Down /Lift	
12	1001113171	1	Decal - Crushing Hazard	
14	1702773	2	Decal - JLG	
15	1702774	1	Decal - JLG Lift	
16	1702861	1	Decal - JLG Lift	
17	1702862	1	Decal - JLG Lift	
18	1704001	2	Decal - No Hands	
19	1703923	1	Decal - Danger/Warning	
20	1703947	4	Decal - Warning/Crushing	
21	1703935	5	Decal - Danger/Electrocution	
22	1703941	5	Decal - Warning/Crushing	
23	1704277	3	Decal - Attach Lanyard Here	
24	1704412	1	Decal - Hydraulic Fluid	
25	1705917	1	Decal - Danger/Warning	
26	1704885	2	Decal - Website	
27	1705910	1	Decal - Drive/Steer	
29	1703983	1	Decal - Footswitch	
30	3311405	4	Nut 1/4	
31	3820001	2	Rivet	
32	4751400	4	Washer 1/4	
34	1001131269	1	Decal - Patent	
36	1001140402	1	Decal - Legend (Ground Controls)	
37	1001140403	1	Decal - Legend (Platform)	
38	1001121818	1	Decal - Warning/Maximum Capacity	
39	1001121805	2	Decal - Warning/Maximum Capacity	
40	1001140429	1	Decal - Drop Bar	
43	0641406	4	Bolt 1/4 x 3/4	
46	1001224049	1	Decal - Yearly Inspection (SN B300002150 to Present)	



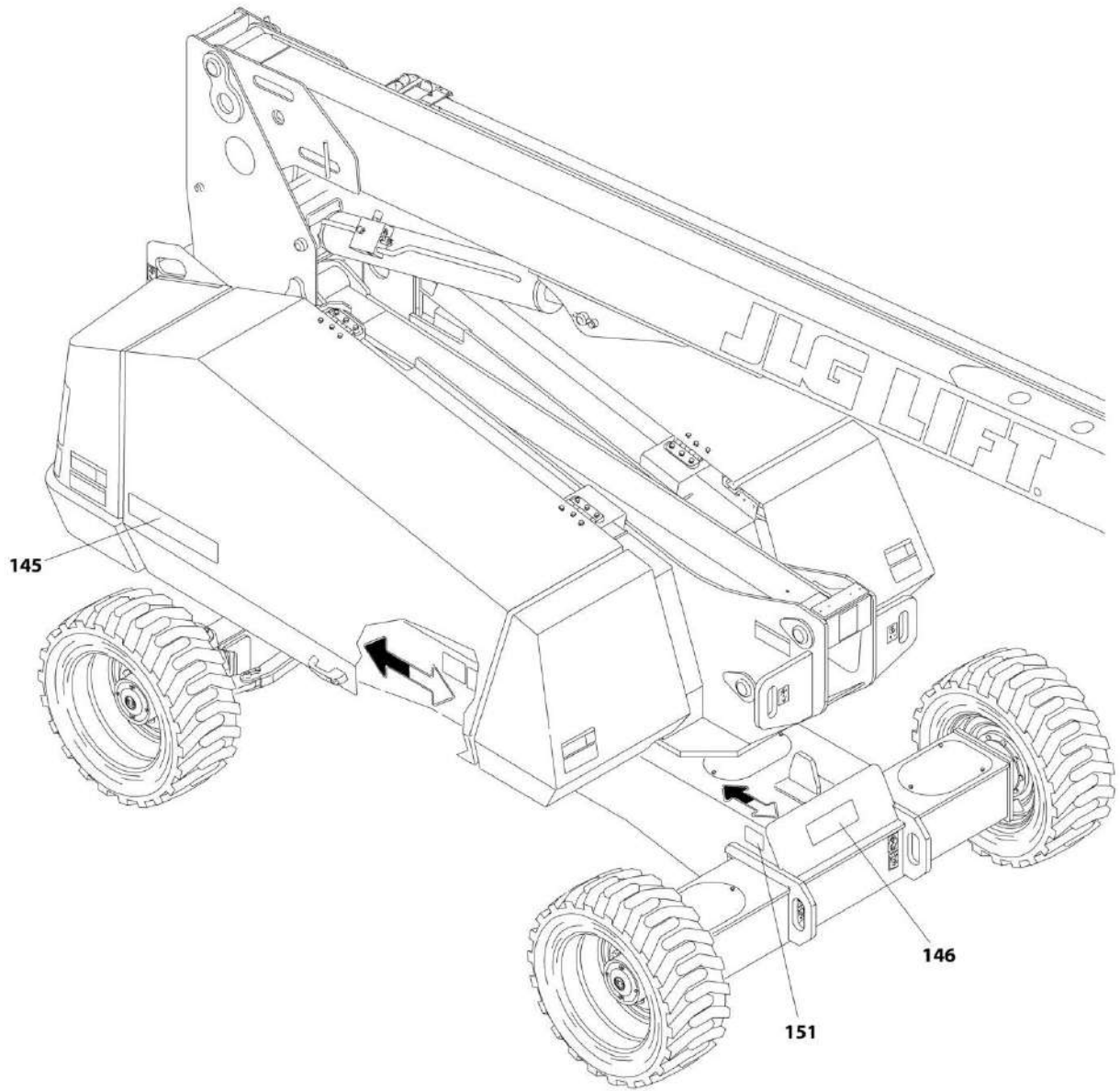
# SECTION 9 - DECALS

## FIGURE 9-7. DECAL INSTALLATION - OPTIONS



ART\_1001133023\_10F2

# SECTION 9 - DECALS



ART\_1001133023\_20F2

## SECTION 9 - DECALS

FIGURE 9-7. DECAL INSTALLATION - OPTIONS

ITEM	PART NUMBER	QTY	DESCRIPTION	REV
	1001133023	Ref	DECAL INSTALLATION - OPTIONS	
145	1001140399	2	Decal - Model Designation 24RS	
145	1001186682	2	Decal - Model Designation 24RSJ	
146	1001140718	2	Decal - Lift Diagram	
151	1001144132	4	Decal - Tire Load	
205	See Note	NSS	Nameplate - Serial Number (Note: Not Available for Purchase)	



## **SECTION 10 - RECOMMENDED SERVICE PARTS STOCK**

## **SECTION 10 - RECOMMENDED SERVICE PARTS STOCK**

# SECTION 10 - RECOMMENDED SERVICE PARTS STOCK

FIGURE 10-1. RECOMMENDED SERVICE PARTS STOCK

ITEM	PART NUMBER	QTY	DESCRIPTION	REV
		Ref	Note: The following list will service one machine (built to current production per date on the front cover) with emergency repair parts which can be installed in the field. Parts from the list should be replaced when inventory is depleted to keep service parts stock supplied. For further information, contact your JLG dealer or the JLG Industries Parts Department.	
		Ref	STANDARD PARTS	
	70002386	1	Coil	
	70003545	1	Element, Filter	
	70002231	1	Element, Filter	
	70003788	1	Coil	
	70003614	1	Hydraulic Tank Filter/Element Kit	
	4360328	1	Switch, Toggle	
	4360475	1	Switch, Mushroom	
	4360476	1	Contact, Switch Block	
	4360469	1	Switch, Key	
	2860030	1	Key, Replacement	
	3740080	1	Relay	
	7012664	1	Element, Air Cleaner	
	3740067	1	Coil	
	7016331	1	Filter, Oil Element	
	8320270	1	Filter, Fuel	
	70004071	1	Carrier Repair Section	
	1001129555	1	Controller (Lift and Swing)	
	1001166538	1	Controller (Drive and Steer)	
	4360330	1	Switch, Toggle	
	4360387	1	Switch, Push Button	
	4360407	1	Control, Speed	
	4360331	1	Switch, Toggle	
	1001118282	1	Relay	
	2400064	2	Fuse 5 Amp	
	260305	2	Fuse 5 Amp	
	70020199	2	Diode	
	2400065	2	Fuse 30 Amp	
		Ref	VARIABLE PARTS	
	70004066	1	Filter, Fuel-Water Separator	
	4360514	1	Switch, Proximity	
	1001137033	1	Switch, Limit	
	4360578	1	Switch, Limit (24RSJ Only)	
	1001120431	1	Module, Ground Control	
	7027795	1	Module, Engine Control	
	1001150772	1	Sensor, Proximity	
	1001157196	1	Module, Platform Control	

**SECTION 11 - SPECIAL OPTIONS**

## SECTION 11 - SPECIAL OPTIONS

FIGURE 11-1. SPECIAL OPTIONS

ITEM	PART NUMBER	QTY	DESCRIPTION	REV
		Ref	Note: This list is to accommodate machines ordered with special equipment. Options may not be applicable to all models. For more specific parts information contact the JLG Parts Department.	
		Ref	SPECIAL OPTIONS	
	1001139021	Ref	Air Line at Platform Installations - 24RS	
	1001187029	Ref	Air Line at Platform Installations - 24RSJ	
	1001177498	Ref	Bellows Installation - 24RS Only	
	1001225678	Ref	Bellows Installation - 24RSJ Only	
	1001177500	Ref	Boom Wipers Installation - 24RS Only	
	1001140709	Ref	ClearSky Telematic Installation	
		Ref	Note: Refer to Manual Supplement p/n 3128499 for available replacement parts.	
	1001140732	Ref	Brazil Spec	
	See Note	Ref	All Other Specs (Note: Not Available)	
	1001140358	Ref	Container Transport Wheels Installation - 24RS	
	1001187030	Ref	Container Transport Wheels Installation - 24RSJ ( <b>Prior to SN B300001590</b> )	
	1001140358	Ref	Container Transport Wheels Installation - 24RSJ ( <b>SN B300001590 to Present</b> )	
	1001191395	Ref	Lockable Fuel Cover (Green)	
	1001202749	Ref	Lockable Fuel Cover (Black)	
		Ref	Decal Installations	
	1001140725	Ref	Decal - ClearSky	
	1001143681	Ref	Decal - SkyPower 50Hz	
	1001146382	Ref	Decal - SkyPower 60Hz	
	1001143672	Ref	Decal - SkyWelder 50Hz	
	1001146373	Ref	Decal - SkyWelder 60Hz	
	1702962	Ref	Decal - Warning Proposition 65	
	1001232904	Ref	Decal - ECO Label	
		Ref	Electrical Connector Kits	
	1001148902	Ref	Amp Connector Kit	
	1001148903	Ref	Deutsch DT Connector Kit	
	1001148904	Ref	Deutsch HD Connector Kit	
	1001148905	Ref	Packard Connector Kit	
	1001148906	Ref	Various Connector Kit	
		Ref	Fluids	
	3020029	Ref	Grease, Bearing (Axle Spindles/Turntable Bearing)	
	2300014	Ref	Hydraulic Fluid - Mobil 424	
	3020016	Ref	Motor Oil	
	1001227446	Ref	Flush Valve Installation	
	1001145713	Ref	Ground Control Cover Installation	
	1001148971	Ref	Lanyard (Bolt-On) Kit (Platform)	
	1001236951	Ref	Low Temp Cutout (Russian Market Only)	
	1001227650	Ref	Oil Cooler Installation	
	0274661	Ref	Pipe Racks Installation	
		Ref	Platform Entry Kits	
	1001142504	Ref	Drop Bar (Replacing Swing Gate with Drop Bar)	
	1001142505	Ref	Swing Gate (Replacing Drop Bar with Swing Gate)	
		Ref	SkyAccessories Options	

## SECTION 11 - SPECIAL OPTIONS

ITEM	PART NUMBER	QTY	DESCRIPTION	REV
		Ref	Note: Refer to Manual Supplement p/n 3124242 for available replacement parts.	
		Ref	SkyGuard Options	
	1001225680	Ref	SkyGuard with Beacon	
	1001225070	Ref	SkyGuard System	
		Ref	SkyPower Options	
	1001141957	Ref	7500W 50Hz Generator	
	1001141956	Ref	7500W 60Hz Generator (Not Available in Japan)	
		Ref	SkyWelder Options	
	0272521	Ref	7500W 50Hz Welder	
	0242254	Ref	7500W 60Hz Welder (Not Available in Japan)	
	1001231235	Ref	SkyWelder Locking Bracket	
	1001128527	Ref	SkyWelder prep 60HZ	
		Ref	Tools for Service	
	2901443	Ref	Analyzer Kit	
	8896941	Ref	Wire Stripper	
	7002821	Ref	Wire Crimper (To install wire ends to wires)	
	7002823	Ref	Pin/Socket Extractor - Universal (For Removal of Pin/Sockets from Connectors)	
	4460467	Ref	Extractor - 16-18 Gauge (For Removal of Pin/Sockets from Deutsch Connectors)	
	4460510	Ref	Extractor - 12-14 Gauge (For Removal of Pin/Sockets from Deutsch Connectors)	
	7002822	Ref	Screwdriver, Potentiometer (To Adjust Drive Controllers)	
	7016654	Ref	Screwdriver, Magnetic	
	7004275	Ref	Seal Installation Tool - 1	
	7004276	Ref	Seal Installation Tool - 1-1/2	
	7002826	Ref	Seal Installation Tool - 2	
	7016655	Ref	Wire Rope Sheave Gauge	
	1001137005	Ref	Software Cable Kit	
	1001179180	Ref	Turntable Bearing Cover Installation	
	1001209059	Ref	Work Surface Installation	



**PART NUMBER INDEX**

# PART NUMBER INDEX

0100009.....181, 185, 189	0701024 ..... 61	0962450 ..... 159, 165	1001129555..... 189, 378
0100011 .... 13, 15, 25, 27, 31, 35, 37, 47, 71, 73, 89, 92, 95, 97, 101, 103, 105, 128, 132, 136, 140, 143, 145, 147, 149, 155, 157, 159, 161, 163, 165, 171, 173, 175, 185, 189, 215, 217, 227	0701222 ..... 159	1001080996 ..... 301, 305	1001130477..... 13, 229
0100019..... 15, 47, 57, 81, 128, 132	0701224 ..... 128, 132	1001091102 ..... 89	1001130651..... 92
0100020..... 101	0701624 ..... 159	1001091179 ..... 105	1001131168..... 182, 185, 190
0100035..... 87	0711221 ..... 105	1001091581 ..... 161, 163	1001131269..... 352, 356, 360, 364, 368, 372
0100038..... 215, 217, 227	0711231 ..... 13	1001097351 ..... 23	1001131498..... 270
0100048..... 165, 181, 185, 189	0711620 ..... 13, 47	1001098211 ..... 105, 109	1001131564..... 105
0100081 ..... 181	0711627 ..... 57	1001099125 ..... 75, 77	1001131565..... 105
0140011 ..... 181, 185, 189	0711628 ..... 57	1001100680 ..... 105	1001131568..... 105
0140043 ..... 83	0712020 ..... 47	1001106736 ..... 83, 341	1001131748..... 128, 132, 223
0242254 ..... 381	0712444 ..... 155, 159	1001107952 ..... 182	1001131788..... 13
0256689 ..... 114	0760410 ..... 89	1001109503 ..... 75, 77	1001132163..... 128, 213
0256690 ..... 114	0760608 ..... 81, 159	1001110434 ..... 181, 185, 189	1001132195..... 105
0272521 ..... 381	0760610 ..... 83, 105, 159	1001110873 ..... 275	1001132196..... 105
0272970 ..... 177, 179	0760612 ..... 65, 101, 169	1001112612 ..... 83, 341	1001132197..... 105
0274661 ..... 380	0760614 ..... 177, 179	1001113166 ..... 364	1001132204..... 105
0340041 ..... 105	0760618 ..... 159	1001113168 ..... 360	1001132232..... 61, 63
0400075 ..... 123	0760806 ..... 140	1001113171 ..... 372	1001132275..... 128, 151
0440162 ..... 101	0760807 ..... 147, 149	1001113386 ..... 143	1001132296..... 35, 37
0561237 ..... 305, 307	0760808 ..... 92, 105, 159	1001113407 ..... 143	1001132299..... 35, 37
0630534 ..... 217, 219	0760810 ..... 177, 179	1001113465 ..... 157, 165	1001132304..... 35, 39
0630535 ..... 215, 227	0760812 ..... 71, 73, 136, 140	1001113483 ..... 159, 165	1001132305..... 103, 119
0630563 ..... 92	0760814 ..... 81, 92	1001113509 ..... 368	1001132307..... 103
0630568 ..... 193, 195, 197, 199	0760815 ..... 105	1001113961 ..... 207, 341	1001132375..... 128, 225
0641403 ..... 87	0761008 ..... 136, 140	1001115098 ..... 157	1001132499..... 15, 19
0641404 ..... 181, 185, 189	0761009 ..... 140, 145	1001115672 ..... 128	1001132500..... 15, 17
0641405 ..... 165	0761010 ... 13, 35, 37, 47, 136, 140	1001116728 ..... 341	1001132511... 71, 73, 341
0641406 ..... 352, 356, 360, 364, 368, 372	0761011 ..... 136, 140	1001116732 ..... 317	1001132519..... 15
0641407 ..... 165	0761012 ... 25, 27, 35, 37, 92, 128, 132, 136, 140, 159, 301, 303, 305	1001116733 ..... 341	1001132556... 71, 73, 319
0641408 ..... 95, 97	0761014 ... 61, 92, 95, 97, 101, 128, 136, 140	1001116734 ..... 317, 341	1001132705..... 57
0641416 ..... 165, 305, 307	0761015 ..... 92, 105, 123, 128, 177, 179	1001116813 ..... 342	1001133023..... 376
0641418 ..... 171, 173, 175	0761016 ..... 71, 73, 101, 136, 140	1001116849 ..... 360	1001133196..... 128, 132
0641418 ..... 171, 173, 175	0761028 ..... 145	1001117057 ..... 341	1001133244..... 136, 140, 231, 233, 235
0641604 ..... 143	0761032 ..... 145	1001117107 ..... 319	1001133247..... 128, 132
0641606 ..... 143	0761216 ..... 155	1001117110 ..... 317, 319, 342	1001133261..... 136, 231
0641608 ..... 132, 143	0761217 ..... 101	1001117320 ..... 177, 179	1001133308..... 15
0641610 ..... 143	0761218 ..... 128	1001118274 ..... 31	1001133310..... 92
0641611 ..... 143	0762013 ..... 128	1001118282 ..... 317, 378	1001133311..... 128
0641618 ..... 143	0762014 ..... 13	1001118287 ..... 136	1001133312..... 57
0641808 ..... 132	0762016 ..... 132	1001118288 ..... 136, 140	1001133313..... 25, 35
0641812 ..... 157	0762418 ..... 128, 132	1001118412 ..... 182	1001133359..... 23
0641813 ..... 103	0771012 ..... 155, 159	1001118416 ..... 181, 189, 207	1001133360..... 23
0641822 ..... 165	0771414 ..... 105	1001118417 ..... 181, 189, 201	1001133361..... 23
0642024 ..... 165	0860038 ..... 275, 277	1001119020 ..... 331, 341	1001133411..... 47, 55
0642684 ..... 157, 165	0860520 ... 352, 356, 360, 364, 368, 372	1001119455 ..... 256, 260	1001133416..... 101
0681608 ..... 157, 165	0861441 ... 181, 185, 189, 193	1001120092 ..... 81	1001133419..... 13
0682013 ..... 15	0902571 ..... 181, 189	1001120431 ..... 83, 378	1001133421..... 23
0700614 ..... 101	0902919 ..... 165	1001121172 ..... 83, 341	1001133422..... 47
0700615 ..... 95, 97	0902920 ..... 165	1001121805 ..... 372	1001133423..... 177
0700617 ..... 181, 185, 189	0940071 ..... 92	1001121808 ..... 364	1001133424..... 71, 147
0700619 ..... 83	0961845 ... 171, 173, 175	1001121810 ..... 360	1001133426..... 145
0700812 ..... 31	0961893 ..... 217, 219	1001121818 ..... 372	1001133428..... 31
0700823 ..... 145	0961894 ..... 215, 227	1001121821 ..... 364	1001133500..... 136, 140
0701018 ..... 67, 136, 140	0961947 ..... 143	1001121823 ..... 360	1001133509..... 136, 140
0701021 ..... 128, 132	0961948 ..... 215	1001121918 ..... 368	1001133535..... 105
	0961951 ... 105, 140, 225, 227	1001121920 ..... 356	1001133538..... 128, 136
	0962297 ..... 128, 132	1001121921 ..... 368	1001133602..... 177, 181
	0962336 ... 217, 219, 221	1001121923 ..... 356	1001133752..... 181, 186, 329
		1001128128 ..... 317	1001133817..... 103
		1001128527 ..... 381	1001133881..... 75
		1001129238 ..... 272	



## PART NUMBER INDEX

1001133909..... 31	1001138722..... 92, 95	1001141373..... 264, 268	1001146213..... 159
1001133911..... 31	1001138748..... 92, 97	1001141397..... 264, 268	1001146214..... 159
1001133912..... 132	1001138778..... 128, 132	1001141447..... 264, 268	1001146368..... 105, 113
1001133926..... 128, 132	1001138795..... 219	1001141466..... 264, 268	1001146373..... 380
1001133927..... 128, 132	1001138946..... 145	1001141531..... 264, 268	1001146382..... 380
1001133928..... 128, 132	1001138986..... 145	1001141582..... 264, 268	1001146991..... 67
1001134026.. 71, 73, 315	1001139012..... 301	1001141632..... 264, 268	1001147054..... 81
1001134067..... 71, 345	1001139016..... 85	1001141701..... 240, 244	1001147055..... 81
1001134289..... 13	1001139017..... 161, 240, 248, 256, 264, 270	1001141770..... 240, 244	1001148387..... 71, 73
1001134293..... 169	1001139020..... 123	1001141785..... 264, 268	1001148425..... 13
1001134314..... 128, 132	1001139021..... 380	1001141956..... 381	1001148430..... 13
1001134315..... 128, 132	1001139023..... 89	1001141957..... 381	1001148456..... 161, 163
1001134316..... 128, 132	1001139024..... 352	1001141961..... 277	1001148482..... 13
1001134317..... 128	1001139026..... 368	1001141962..... 275	1001148486..... 13
1001134318..... 128, 132	1001139027..... 360	1001141963..... 279	1001148537..... 13
1001134319..... 128, 132	1001139028..... 356	1001142054..... 106	1001148538..... 13
1001134320..... 128, 132	1001139029..... 372	1001142137..... 303	1001148540..... 13
1001134321..... 128, 132	1001139031..... 364	1001142167..... 71, 73	1001148610..... 13
1001134322..... 136, 140	1001139032..... 155	1001142246..... 264, 268	1001148892..... 129
1001134323..... 128	1001139078..... 145	1001142325..... 256, 260	1001148902..... 380
1001134324..... 128	1001139384..... 95, 97	1001142326..... 256, 260	1001148903..... 380
1001134325..... 128	1001139388..... 106	1001142327..... 256, 260	1001148904..... 380
1001134407..... 145	1001139409..... 105	1001142328..... 248, 252	1001148905..... 380
1001134543..... 47	1001139521..... 92	1001142504..... 380	1001148906..... 380
1001134692..... 136	1001139522..... 92	1001142505..... 380	1001148971..... 380
1001134710..... 136	1001139528..... 92	1001142577..... 256, 260	1001149160..... 71, 73
1001134767..... 83, 101	1001139532..... 92	1001142582..... 256	1001149542..... 147, 149, 335
1001134790..... 75, 77	1001139533..... 92	1001142584..... 256	1001149639..... 106
1001134791..... 71, 75	1001139534..... 92	1001142587..... 256	1001149654..... 256, 260
1001134830..... 71, 73, 83	1001139535..... 92	1001142679..... 240, 244	1001149655..... 256, 260
1001134979..... 92	1001139628..... 106	1001143138..... 25, 27	1001149734..... 155, 159
1001134980..... 95	1001139629..... 106	1001143139..... 35, 37	1001149749..... 81
1001134981..... 92	1001139748..... 123	1001143140..... 35, 37	1001149866..... 25, 27, 29
1001134982..... 92	1001139812..... 92	1001143340..... 92	1001149922..... 147, 149
1001134983..... 97	1001139886..... 71, 73	1001143417..... 92	1001150159..... 159
1001134984..... 92	1001140252..... 123	1001143446..... 92	1001150197..... 159, 165
1001135097..... 59	1001140292..... 240, 244	1001143501..... 264, 268	1001150268..... 47, 50
1001135149..... 128	1001140314..... 240, 244	1001143517..... 264, 268	1001150756..... 103
1001135196..... 101	1001140358..... 380	1001143602..... 248, 252	1001150772..... 147, 149, 378
1001135488..... 136, 140	1001140391..... 248, 252	1001143645..... 161, 163	1001150998..... 105
1001135506..... 71, 321	1001140399..... 376	1001143672..... 380	1001151025..... 59
1001136173..... 67, 69	1001140402..... 352, 356, 360, 364, 368, 372	1001143681..... 380	1001151192..... 145
1001136300..... 61	1001140403..... 352, 356, 360, 364, 368, 372	1001143683..... 92	1001151250..... 81
1001136398..... 145	1001140405..... 352	1001143684..... 92	1001153398..... 140
1001136400..... 145	1001140406..... 352	1001143713..... 136, 140	1001154973..... 101
1001136402..... 145	1001140429..... 171, 173, 175, 352, 356, 360, 364, 368, 372	1001144097..... 301, 303, 309	1001155044..... 186
1001136461..... 145	1001140475..... 240, 244	1001144098..... 301, 303, 305, 307, 313	1001155045..... 186
1001136571..... 136, 140	1001140521..... 248, 252	1001144099..... 281, 301	1001155091..... 248, 252
1001136575..... 136, 140	1001140563..... 47	1001144100..... 293, 301, 305	1001155411..... 248, 252
1001136583..... 136, 140	1001140608..... 240, 244	1001144124..... 283, 303	1001156423..... 95, 97
1001136587..... 136, 140	1001140673..... 248, 252	1001144125..... 295, 303, 307	1001157196..... 182, 186, 190, 378
1001136590..... 136, 140	1001140709..... 380	1001144132..... 376	1001159256..... 186
1001137005..... 381	1001140710..... 71, 73	1001144433..... 186	1001159284..... 71, 73, 317
1001137032..... 128	1001140718..... 376	1001144627..... 101	1001161709..... 185
1001137033.. 85, 87, 378	1001140725..... 380	1001144629..... 173	1001164374..... 182, 186, 190
1001137372..... 59	1001140732..... 380	1001145439..... 177, 179	1001166538..... 186, 189, 209, 378
1001137435..... 61	1001140733..... 79	1001145630..... 161, 163	1001166539..... 186, 203
1001137993..... 136, 140	1001141075..... 71, 73	1001145631..... 161, 163, 303	1001172760..... 186
1001138436..... 136, 140	1001141124..... 264, 268	1001145635..... 161, 163	1001177498..... 380
1001138459..... 128, 132	1001141179..... 264, 268	1001145713..... 81, 380	1001177500..... 380
1001138494..... 173, 175	1001141192..... 264, 268	1001145950..... 272	1001178269..... 143, 153
1001138509..... 301, 303, 305, 307, 327	1001141300..... 186	1001146158..... 159	1001179180..... 381

# PART NUMBER INDEX

1001179924.....37, 43	1001218623 ..... 297	1701502 ... 352, 356, 360, 364, 368, 372	1705427.....368
1001180027.....140, 233	1001223055 ..... 352	1701503 ... 352, 356, 360, 364, 368, 372	1705895.....356
1001180518.....27, 37	1001224048 ..... 368	1701505 ... 352, 356, 360, 364, 368, 372	1705896.....356
1001180573.....163, 244, 252, 260, 268, 270	1001224049 ..... 372	1701509 ... 352, 356, 360, 364, 368, 372	1705897.....356
1001182997.....61	1001224051 ..... 360	1701529 ... 352, 356, 360, 364, 368, 372	1705898.....356
1001184188.....177, 185	1001224052 ..... 356	1702300 ... 352, 356, 360, 364, 368, 372	1705902.....356
1001184249.....260	1001224053 ..... 364	1702391 ..... 352, 356	1705903.....356
1001184250.....260	1001224965 ..... 105	1702565 .... 181, 185, 189	1705905.....356
1001184252.....260	1001225070 ..... 381	1702566 .... 181, 185, 189	1705910.....372
1001184253.....260	1001225678 ..... 380	1702567 .... 181, 185, 189	1705917.....372
1001184255.....260	1001225679 ..... 195	1702676 .... 181, 185, 189	1705967.....356
1001185196.....132	1001225680 ..... 381	1702773 ... 352, 356, 360, 364, 368, 372	1705968.....360
1001185197.....132, 140	1001226296 ..... 297, 303, 307	1702774 ... 352, 356, 360, 364, 368, 372	1705969.....368
1001185204.....140	1001226297 ..... 285, 303	1702861 ... 352, 356, 360, 364, 368, 372	1706059.....101
1001185224.....140	1001226298 ..... 291, 307	1702862 ... 352, 356, 360, 364, 368, 372	1706060.....101
1001185240.....132	1001226400 ..... 309, 311, 313	1702868 ..... 352	1706061.....101
1001185281.....186	1001226872 ..... 171	1702962 ..... 380	1706062.....101
1001185314.....132, 143	1001227180 ..... 169	1703162 ..... 105	1706063.....101
1001185317.....143	1001227446 ..... 380	1703797 ..... 352	1706712.....75, 77
1001185318.....132, 215	1001227650 ..... 380	1703804 ..... 352	2060025.....105
1001185319.....215	1001228215 ..... 171	1703805 ..... 352	2080040.....81, 173
1001185321.....215	1001228376 ..... 173	1703923 ..... 372	2080044.....143
1001185707.....77	1001228377 ..... 175	1703925 ..... 360	2111010....240, 244, 248, 252
1001185833.....73, 325	1001229941 ..... 65	1703926 ..... 364	2111212....240, 244, 248, 252
1001186132.....305	1001229942 ..... 65	1703927 ..... 368	2111616.....240, 244
1001186133.....305, 307, 311	1001229943 ..... 65	1703935 ..... 372	2130404.....248, 252
1001186134.....287, 305	1001230371 ..... 143, 221	1703937 ..... 360	2131616.....240, 244
1001186135.....289, 307	1001231235 ..... 381	1703938 ..... 364	2160016.....13
1001186136.....307	1001232516 ..... 165	1703939 ..... 368	2172116.....240, 244
1001186431 .....186	1001232904 ..... 380	1703941 ..... 372	2180348.....101
1001186682.....376	1001236951 ..... 380	1703943 ..... 360	2180380.....260
1001186733.....132, 227	1001248012 ..... 143, 219	1703944 ..... 364	2180724.....260
1001186734.....227	1060918 ..... 177, 179	1703945 ..... 368	2180876.....67
1001186910.....260	1060945 .... 285, 291, 297	1703947 ..... 372	2220366.....264, 268
1001186952.....73, 149	10837580 ..... 39, 43	1703949 ..... 360	2220371....240, 244, 260, 264, 268
1001187029.....380	1260017 ..... 59	1703950 ..... 364	2220373....256, 260, 264, 268
1001187030.....380	1271538 ..... 159, 165	1703951 ..... 368	2220374.....264, 268
1001187208.....73, 77	1320016 ..... 105	1703953 ..... 352	2220377.....264, 268
1001187258 .....133	1320022 ..... 67, 101	1703955 ..... 368	2220415....240, 244, 256, 260
1001191395.....380	1320136 ..... 159, 165	1703957 ..... 368	2220451....105, 264, 268
1001195961 .....260	1320176 ..... 105, 114	1703959 ..... 368	2220466.....248, 252
1001200575 .....193	1320224 ..... 159, 165	1703981 ..... 368	2220472.....256, 260
1001200803.....195, 199	1321385 ..... 101	1703982 ..... 360	2220473.....256, 260
1001201436.....195, 199	1340060 ..... 105	1703983 ..... 372	2220479.....264, 268
1001201886.....185, 197	1600387 ..... 159, 165	1704001 ..... 372	2220490.....260
1001202749.....380	1670769 ..... 305, 307	1704260 .... 181, 185, 189	2220500....240, 244, 248, 252, 256, 260
1001203478.....73, 323	1670824 ..... 87	1704277 ... 352, 356, 360, 364, 368, 372	2220501.....260
1001203479.....73, 347	1670829 ..... 75, 77	1704412 ... 352, 356, 360, 364, 368, 372	2220502.....248, 252
1001203480.....179	1670836 ..... 87	1704575 ..... 352	2220582....248, 252, 260
1001203481.....179, 189	1670836 ..... 87	1704885 ... 352, 356, 360, 364, 368, 372	2220600.....264, 268
1001203482 .....189, 333	1671092 ..... 295	1704972 ..... 101	2220602....248, 252, 264, 268
1001203927 .....87	1671093 ..... 283, 289	1705132 ..... 181, 189	2220603....248, 252, 256, 264, 268
1001204353 .....140	1671176 .... 181, 185, 189	1705344 ..... 364	2220605.....240, 244
1001206599.....305, 307, 337	1683053 ..... 217	1705345 ..... 368	2220606.....264, 268
1001206600.....87	1683055 ..... 215, 227	1705351 ..... 352, 360	2220654....248, 252, 260
1001206601.....305, 307, 339	1683609 ..... 143, 217	1705426 ..... 364	2220689.....264, 268
1001209059.....381	1683949 ..... 227		2220819.....256
1001213447 .....331	1683963 ..... 227		2220861....240, 244, 248, 252
1001213882 .....186	1684089 ..... 217		
1001217358.....181, 186, 331	1684090 ..... 217		
1001218068.....185, 199	1701499 ... 352, 356, 360, 364, 368, 372		
1001218622.....285, 291	1701500 ... 352, 356, 360, 364, 368, 372		

# PART NUMBER INDEX

2220865 ..... 264, 268	3290805 ..... 92, 105, 145, 177, 179	3900363.....95, 97	4460346 ..... 275
2220883 ..... 44, 215, 217, 219, 235	3291001 ..... 161, 163	3900392.....71, 73	4460418 ... 321, 323, 329, 331, 333
2220885 ..... 44, 215, 217, 219, 227, 235	3291005 ... 25, 27, 61, 67, 71, 73, 92, 95, 97, 101, 105, 123, 128, 132, 140, 145, 177, 179, 301, 305	3910804.....79	4460419... 321, 323, 329, 331, 333
2220906 ..... 264, 268	3291205 ..... 13, 101, 128, 132, 155, 159	3911018..... 181, 185, 189	4460424 ..... 71, 73
2220947 ... 256, 260, 264, 268	3291601 ..... 47	3930816.....87	4460428... 159, 181, 185, 189
2220950 ..... 256, 260	3291605 ..... 159	3931516.....217	4460434 .... 329, 331, 333
2221036 ..... 256, 260	3300106 ..... 23	3960422.....275, 277	4460445 ..... 347
2221041 ... 240, 244, 264, 268	3300151 ... 171, 173, 175	4010618.....175	4460456 ..... 89
2221086 ..... 264, 268	3311005 ... 181, 185, 189	4031511.....85, 87	4460464 ..... 83, 299, 309, 311, 315, 319, 327, 329, 331, 333, 337, 341, 342
2300014 ..... 380	3311405 ... 165, 352, 356, 360, 364, 368, 372	4060092.....277	4460465 ... 309, 311, 313, 315, 317, 319, 325, 327, 335, 339, 341, 342, 345, 347
2400060 ..... 319	3311601 ... 193, 195, 197, 199	4060865.....89	4460466 ... 309, 311, 313, 329, 331, 333, 341, 342, 345, 347
2400064 ... 317, 319, 378	3311605 ..... 143	4060906.....75, 77	4460467 ..... 381
2400065 ..... 342, 378	3311805 ..... 157, 165	4061054.....159, 165	4460470 .... 181, 185, 189
2400066 ... 317, 341, 342	3312005 ..... 165	4070987.....79	4460471 .... 181, 185, 189
2420202 ..... 159, 165	3331211 ..... 105	4100100.....217	4460473 .... 309, 311, 313
2540038 ..... 159, 165	3391408 ..... 101	4120035.....321, 323	4460488 .... 181, 185, 189
2560136 .... 181, 185, 189	3422561 ..... 132	4160194.....92	4460496 ..... 83, 341
2560187 ..... 95, 97	3422579 ..... 132	424001871, 73, 301, 303, 305, 307	4460497 ..... 83, 341
2600281 ..... 173	3422792 ..... 132	4240033.....159, 165	4460508 ... 309, 311, 329, 331, 333, 342
260305 ..... 341, 378	3422793 ..... 132	436032875, 77, 133, 181, 189, 378	4460509 .... 309, 311, 313
2720058 ..... 101	3422813 ..... 13	4360330..... 181, 189, 378	4460510 ..... 381
2720398 ..... 105	3422860 ..... 143	4360331.... 182, 185, 190, 378	4460536 ..... 83, 319, 329, 331, 333, 341
2760105 ..... 75, 77	3422861 ..... 143	4360387.... 181, 185, 189, 378	4460539 ... 317, 329, 331, 333, 335, 341
2820019 ..... 331	3422867 ..... 143	4360407.... 181, 185, 189, 378	4460634 ..... 321, 323
2820031 ... 309, 311, 313	3422932 ..... 132	4360436.....61	4460635 ..... 321, 323
2820118 .... 309, 311, 313	3430616 .... 195, 197, 199	4360469.....79, 378	4460670 ..... 319
2860030 ..... 79, 378	3470003 ... 193, 195, 197, 199	436047575, 77, 181, 185, 189, 378	4460708 .... 182, 185, 190
2900708 ..... 40, 44	3480188 ..... 215, 227	436047675, 77, 181, 185, 189, 378	4460761 ... 329, 331, 333, 341
2900770 ..... 213	3480210 ..... 217	4360514.....71, 73, 378	4460806 ..... 342
2900792 ... 215, 217, 219, 221	3520034 ..... 143	4360578.....87, 378	4460836 ..... 341
2901301 ..... 215, 227	3520054 ... 105, 182, 185, 190	4420060.....87	4460837 ..... 341
2901303 ..... 217	3520072 ... 171, 173, 175	4460019.....342	4460851 ..... 345, 347
2901443 ..... 381	3520198 .... 171, 173, 175	4460042.....342	4460865 .... 309, 311, 313
2902065 ..... 117	3641585 ..... 169	4460043.....319	4460866 ... 309, 311, 329, 331, 333, 342
2902443 ..... 319	3740067 ..... 105, 378	4460071.... 177, 179, 275, 277	4460868 ..... 341
2920028 ..... 186	3740080 ..... 83, 378	4460125.....277	4460871 ... 201, 207, 321, 323, 329, 331, 333, 341, 345, 347
2920029 ..... 186	3760115 ..... 129	4460134.....293	4460872 ..... 341
2920129 ..... 71, 73	3760170 ..... 59	4460142.....319	4460873 ... 329, 331, 333, 341
2920154 .... 181, 185, 189	3760368 ..... 217	4460183.....342	4460874 ... 329, 331, 333, 341
2920161 ..... 89	3760369 ..... 215, 227	4460205.....275, 281, 287	4460875 ... 329, 331, 333, 345, 347
2940045 ..... 81	3790012 ... 133, 182, 185, 190	4460225.....329, 331, 333	4460876 ..... 321, 323
2940074 ..... 173	3790152 ..... 103	4460226....204, 209, 329, 331, 333, 342	4460877 ..... 341
2940173 ..... 95, 97	3820001 ... 352, 356, 360, 364, 368, 372	446022771, 73, 329, 331, 333	4460878 ..... 341
3020016 ..... 105, 380	3820020 ..... 173	4460233.....277	4460879 .... 329, 331, 333
3020021 ..... 117	3841143 .... 13, 101, 128, 132, 143	4460234..... 181, 185, 189	4460884 ..... 341
3020029 ..... 13, 57, 380	3841203 ..... 132	4460247....319, 329, 331, 333	
3200406 ..... 105	3841287 ..... 128, 132	4460259.....329, 331, 333	
3251243 ..... 275	3841340 ... 143, 159, 301, 303	4460260.....329, 331, 333	
3252347 .... 177, 179, 352	3841356 ..... 128, 132	4460265.....204, 209	
3252507 ..... 277	3841692 ..... 169	4460267.....325, 341	
3271501 ..... 92	3900192 ..... 132	4460268.....347	
3271601 ..... 92	3900283 ..... 165	4460313.....319, 342	
3272605 ..... 157, 165	3900349 ..... 186	4460320.....342	
3290405 ..... 85, 87, 89		4460326.....325, 329, 333	
3290505 ..... 75, 77			
3290601 . 65, 95, 97, 161, 163			
3290605 . 71, 73, 83, 101, 105, 159, 169, 177, 179			
3290606 ..... 175			
3290607 ..... 81			
3290801 ..... 81			

# PART NUMBER INDEX

4460887 .... 329, 331, 333, 341	4812000 ... 25, 27, 35, 37, 47, 61, 67, 71, 73, 95, 97, 101, 105, 128, 132, 136, 140, 145, 159, 301, 303, 305	70002149 ..... 119	70002867 ..... 120
4460888 ..... 329, 331, 333	4812002 ..... 61, 177, 179	70002150 ..... 119	70002906 ..... 201
4460891 ..... 89, 315, 319, 325, 327, 339, 342, 345, 347	4812100 ..... 13, 128, 132	70002151 ..... 119	70002962 ..... 29
4460894 ..... 342	4812102 ..... 101	70002152 ..... 119	70002967 ..... 39, 43
4460897 .... 299, 327, 337, 342	4812200 ..... 105	70002153 ..... 119	70002974 ..... 40, 44
4460899 ..... 319	4812300 ..... 13, 159	70002154 ..... 119	70002975 ..... 39, 43
4460905 .... 181, 185, 189, 321, 323, 341, 345, 347	4812500 ..... 128, 132	70002155 ..... 119	70002976 ..... 39, 43
4460930 ..... 342	4831700 ..... 231	70002156 ..... 119	70003003 ..... 113
4460931 ..... 319	4845395 ..... 105	70002157 ..... 119	70003456 ..... 113
4460932 ..... 315	4891600 .... 103, 157, 165	70002160 ..... 119	70003457 ..... 113
4460933 ..... 341	4891800 .... 103, 157, 165	70002161 ..... 119	70003468 ..... 113
4460942 ..... 341	4892000 ..... 15, 165	70002163 ..... 119	70003469 ..... 113
4460943 .... 319, 329, 331, 333	4892600 ..... 157, 165	70002164 ..... 119	70003470 ..... 113
4460944 .... 329, 331, 333, 341	4923379 ..... 105	70002165 ..... 119, 120	70003472 ..... 113
4460959 ..... 283, 289	5241000 ..... 155, 159	70002168 ..... 119	70003473 ..... 113
4460960 ..... 295	5241200 .... 106, 155, 159	70002169 ..... 120	70003475 ..... 113
4460967 ..... 319	5241600 ..... 47, 57, 159	70002170 ..... 50	70003478 ..... 109
4460968 ..... 87	5242400 ..... 155, 159	70002172 ..... 120	70003483 ..... 177, 179
4461005 ..... 319	5271723 ... 136, 140, 231, 233	70002174 ..... 120	70003545 ..... 35, 37, 378
4461006 ..... 319	5282020 ..... 161, 163	70002175 ..... 120	70003614 ..... 63, 378
4461008 ..... 319	70000341 ..... 151	70002176 ..... 120	70003623 ..... 110
4461052 ..... 319	70000342 ..... 153	70002177 ..... 120	70003636 ..... 229
4461053 ..... 319	70000345 ..... 109, 114	70002178 ..... 120	70003649 ..... 39, 43
4461054 ..... 319	700003949 ..... 151	70002180 ..... 120	70003784 ... 181, 185, 189
4461060 ..... 319	700004034 ..... 50	70002181 ..... 120	70003788 ..... 40, 44, 223, 378
4461071 ..... 319	70000781 ..... 29	70002182 ..... 120	70003926 ..... 235
4461072 ..... 319	70000793 ..... 117	70002185 ..... 120	70003927 ..... 235
4461073 ..... 319	70000800 ..... 113	70002186 ..... 120	70003928 ..... 235
4461074 ..... 319	70000851 ..... 114	70002187 ..... 120	70003929 ..... 235
4566468 ..... 215	70000912 ..... 109, 113	70002188 ..... 120	70003930 ..... 235
4640509 .... 215, 217, 219, 221	70000913 ..... 109, 113	70002189 ..... 120	70003932 ..... 114
4640744 ..... 264, 268	70000914 ..... 109, 113	70002191 ..... 120	70003938 ..... 231
4640932 ..... 215	70000915 ..... 109, 113	70002192 ..... 120	70003939 ..... 231
4641282 ..... 240, 244	70000916 ..... 109, 113	70002209 ..... 29	70003940 ..... 231
4641390 ..... 223	70000917 ..... 109, 113	70002231 ..... 35, 37, 378	70003941 ..... 231
4711400 95, 97, 165, 171, 173, 175	70000918 ..... 109, 113	70002234 ..... 109, 114	70003942 ..... 231
4711500 ..... 193	70000919 ..... 109, 113	7000230 ..... 50	70003943 ..... 231, 233
4711600 .... 165, 195, 197, 199	70001002 ..... 113	70002386 29, 40, 44, 378	70003944 ..... 231, 233
4740057 ..... 47	70001017 ..... 114	70002388 ..... 213	70003945 ..... 231, 233
4740111 ..... 13	70001126 ..... 109, 113	70002401 ..... 39, 43	70003947 ..... 231
4740362 ..... 177, 179	70001423 ..... 109, 113	70002413 ..... 213	70003948 ..... 151
4740397 ..... 185	70001435 ..... 113	7000246 ..... 50	70003950 ..... 151
4740439 ..... 143	70001498 ..... 109, 114	7000247 ..... 50	70003957 ..... 29
4751400 ..... 87, 165, 181, 185, 190, 352, 356, 360, 364, 368, 372	70001697 ..... 151, 153	7000248 ..... 50	70003958 ..... 29
4811400 ..... 85, 87	70001847 ..... 109, 113	7000253 ..... 50	70003959 ..... 29
4811600 ..... 92	70001850 ..... 109, 113	70002601 ..... 119	70003960 ..... 29
4811700 .... 65, 71, 73, 81, 83, 95, 97, 101, 105, 159, 175	70001866 ..... 109, 114	70002603 ..... 119	70003961 ..... 39, 43
4811702 .... 159, 161, 163, 169	70001868 ..... 109, 114	70002604 ..... 119	70003962 ..... 39, 44
4811900 .... 31, 71, 73, 92, 95, 97, 136, 140, 145, 147, 149, 159, 177, 179	70001870 ..... 109, 113	7000263 ..... 50	70003963 ..... 39, 43
	70001871 ..... 113	70002718 ..... 113	70003964 ..... 39, 43
	70001872 ..... 109, 113	70002724 ..... 207	70003965 ..... 39, 43
	70001872 ..... 109, 113	70002725 ..... 207	70003966 ..... 39, 43
	70001958 ..... 119, 120	70002726 ..... 207	70003967 ..... 39, 43
	70002066 ..... 50	70002727 ..... 207	70003968 ..... 39, 43
	70002085 ..... 50	70002728 ..... 207	70003969 ..... 39, 43
	70002132 ..... 119, 120	70002729 ..... 207	70003970 ..... 39, 43
	70002133 ..... 119	70002730 ..... 201	70003971 ..... 39, 43
	70002134 ..... 119	70002731 ..... 201	70003972 ..... 39, 43
	70002137 ..... 119	70002732 ..... 201	70003973 ..... 39, 44
	70002138 ..... 119	70002733 ..... 201	70003974 ..... 40, 44
	70002145 ..... 119	70002734 ..... 201	70003975 ..... 40, 44
	70002147 ..... 119	70002735 ..... 201	70003976 ..... 39, 43
	70002148 ..... 119	7000281 ..... 50	70003977 ..... 40, 44
		70002838 ..... 63	70003978 ..... 40, 44
		70002839 ..... 63	70003980 ..... 29
		70002863 ..... 119	70003981 ..... 29

## PART NUMBER INDEX

70003982	235	70004114	223	70004377	20	7001911	50
70004000	55	70004115	223	70004378	20	7001912	50
70004008	55	70004119	223	70004379	20	7001913	50
70004009	55	70004120	223	70004380	20	7001931	50
70004010	55	70004121	223	70004393	51	7001985	50
70004011	55	70004122	223	70004738	209	70020199	341, 378
70004012	55	70004123	223	70004739	209	70022563	233
70004013	55	70004124	223	70004740	209	7002821	381
70004014	55	70004126	17	70004741	209	7002822	381
70004017	29	70004195	63	70004742	209	7002823	381
70004018	29	70004196	63	70004743	209	7002826	381
70004021	119	70004197	63	70004744	209	7003928	201
70004022	119	70004198	63	70004745	209	7003941	207
70004024	119	70004199	63	70004746	209	7003972	207
70004025	119	70004200	63	70004747	209	7003973	207
70004026	120	70004208	223	70004748	209	7003980	207
70004027	119	70004209	225	70004749	209	7003982	207
70004028	119	70004210	213, 225	70004750	209	7003983	207
70004031	50	70004211	225	70004751	209	7003989	207
70004032	50	70004212	213, 225	70004752	203	7004036	53
70004033	50	70004213	213, 225	70004753	203	7004043	53
70004034	50	70004214	213, 225	70004754	203	7004044	53
70004035	51	70004215	225	70004755	203	7004045	53
70004036	50	70004216	213, 225	70004756	203	7004047	53
70004037	50	70004217	213	70004757	203	7004049	53
70004039	50	70004218	213	70004758	203	7004275	381
70004040	51	70004219	213	70004759	203	7004276	381
70004041	50	70004220	229	70004760	203	7007207	119
70004042	50	70004221	229	70004761	203	7007415	120
70004044	50	70004222	229	70004762	203	7007418	119
70004045	50	70004223	229	70004763	203	7007419	119
70004046	50	70004224	229	70004764	203	7007438	120
70004047	51	70004225	229	70004765	203	7007446	119
70004048	51, 53	70004226	229	70004766	203	7010435	50
70004049	51	70004227	229	70004767	203	7010543	29, 39, 43
70004056	114	70004268	113	70004768	203	7010545	43
70004058	50, 114	70004269	113	70004769	203	7011112	215
70004059	114	70004270	114	70004770	204	7012540	39, 43
70004060	113	70004271	114	70004771	204	7012664	105, 378
70004063	69	70004272	114	70004772	204	7012910	40, 44
70004064	69	70004273	113	70004773	204	7012914	39
70004065	69	70004290	223	70004774	204	7012918	39
70004066	69, 378	70004291	223	70004775	204	7012925	39, 43, 223
70004068	69	70004353	19	70005064	61	7012953	39, 43
70004069	69	70004354	19	70005209	213	7012967	40, 44
70004070	69	70004355	19	70005230	209	7012974	29
70004071	145, 378	70004356	19	70005425	233	7012975	39, 43
70004072	145	70004357	19	70005426	233	7012989	39, 43
70004075	17	70004358	19	70005427	233	7012998	39, 43, 44
70004076	17	70004359	19	70005428	233	7016319	89
70004077	17	70004360	19	70005429	233	7016328	113
70004078	17	70004361	19	70005430	233	7016331	109, 113, 378
70004079	17	70004362	19	70005438	43	7016372	89
70004080	17	70004363	19	70005439	43	7016654	381
70004081	17	70004364	19	70005479	114	7016655	381
70004082	17	70004365	19	70005717	44	7017023	50
70004083	17	70004366	19	70005724	44	7017028	51
70004084	17	70004367	19	70006291	39, 43	7017070	50
70004085	17	70004368	19	7000663	109	7017072	50
70004086	17	70004369	19	70006649	219	7017080	50
70004087	17	70004370	19	70006650	219	7017085	51
70004088	17	70004371	19	70006734	219	7017126	151
70004089	17	70004372	19	70006735	219	7017142	151, 153
70004090	17	70004373	19	70006736	219	7017158	151
70004103	114	70004374	19	7000695	114	7017159	151, 153
70004112	223	70004375	19	70007439	120	7017162	153
70004113	223	70004376	19	7001909	50	7017163	151, 153

## PART NUMBER INDEX

7017164.....	151, 153	7020449 .....	109	7023973 .....	44	7027790.....	109, 114
7017183.....	151, 153	7020459 .....	109	7024379 .....	53	7027791.....	109, 114
7017193.....	151, 153	7020460 .....	109	7024380 .....	53	7027792.....	109, 114
7017195.....	153	7020465 .....	109, 113	7024381 .....	53	7027793.....	109
7017402.....	43	7020468 .....	109, 113	7024389 .....	53	7027795.....	109, 113, 378
7017406.....	29, 40	7020471 .....	109, 114	7024390 .....	53	7027796.....	109, 113
7017410.....	40, 44	7020479 .....	109, 114	7024398 .....	114	7189000015.....	81
7017420.....	43	7020487 .....	109, 113	7024441 .....	63	77133089.....	240, 244
7017421.....	43	7021256 .....	120	7024453 .....	53	80324055.....	53
7017422.....	39, 44	7021275 .....	119	7024458 .....	53	80633030.....	264, 268
7017489.....	39, 43	7021613 .....	39, 43	7024560 .....	105, 114	8220045.....	317, 319
7017496.....	39, 43, 223	7021625 .....	29	7024565 .....	109	8305919.....	181, 185, 189
7019162.....	207	7021653 .....	39, 43, 44	7024579 .....	109, 113	8310666.....	128, 132
7019164.....	207	7022301 .....	119, 120	7024704 .....	50	8310668.....	145
7019165.....	207	7022340 .....	120	7024743 .....	50	8320270.....	109, 378
7019167.....	207	7022390 .....	39, 43, 44, 223	7024763 .....	50	8760268.....	260
7019194.....	207	7022397 .....	29	7024844 .....	29, 40	8765204.....	248, 252, 264, 268
7020175 75, 77, 181, 185, 189		7022399 .....	29	7024845 .....	29	8770016.....	256
7020176 75, 77, 181, 185, 189		7022808 .....	201	7026330 .....	55	8786514.....	23
7020403.....	113	7022815 .....	201	7026607 .....	109	8896941.....	381
7020408.....	109, 114	7022819 .....	201	7026608 .....	109	90028720.....	264, 268
7020431.....	113	7023318 .....	53	7026631 .....	109, 113		
		7023919 .....	40, 223	7027236 .....	109, 113		
		7023964 .....	120	7027276 .....	114		





3121288



An Oshkosh Corporation Company

**Corporate Office**  
**JLG Industries, Inc.**  
**1 JLG Drive**  
**McConnellsburg, PA 17233-9533 USA**  
**☎ (717) 485-5161 (Corporate)**  
**☎ (877) 554-5438 (Customer Support)**  
**☎ (717) 485-6417**

**Visit our website for JLG Worldwide Locations.**  
**[www.jlg.com](http://www.jlg.com)**