



Illustrated Parts Manual

Models 600A 600AJ

SN 0300177361 to Present

**P/N
3121617**

September 1, 2018 - Rev Q

ANSI

CE



AS/NZS



An Oshkosh Corporation Company

REVISION LOG

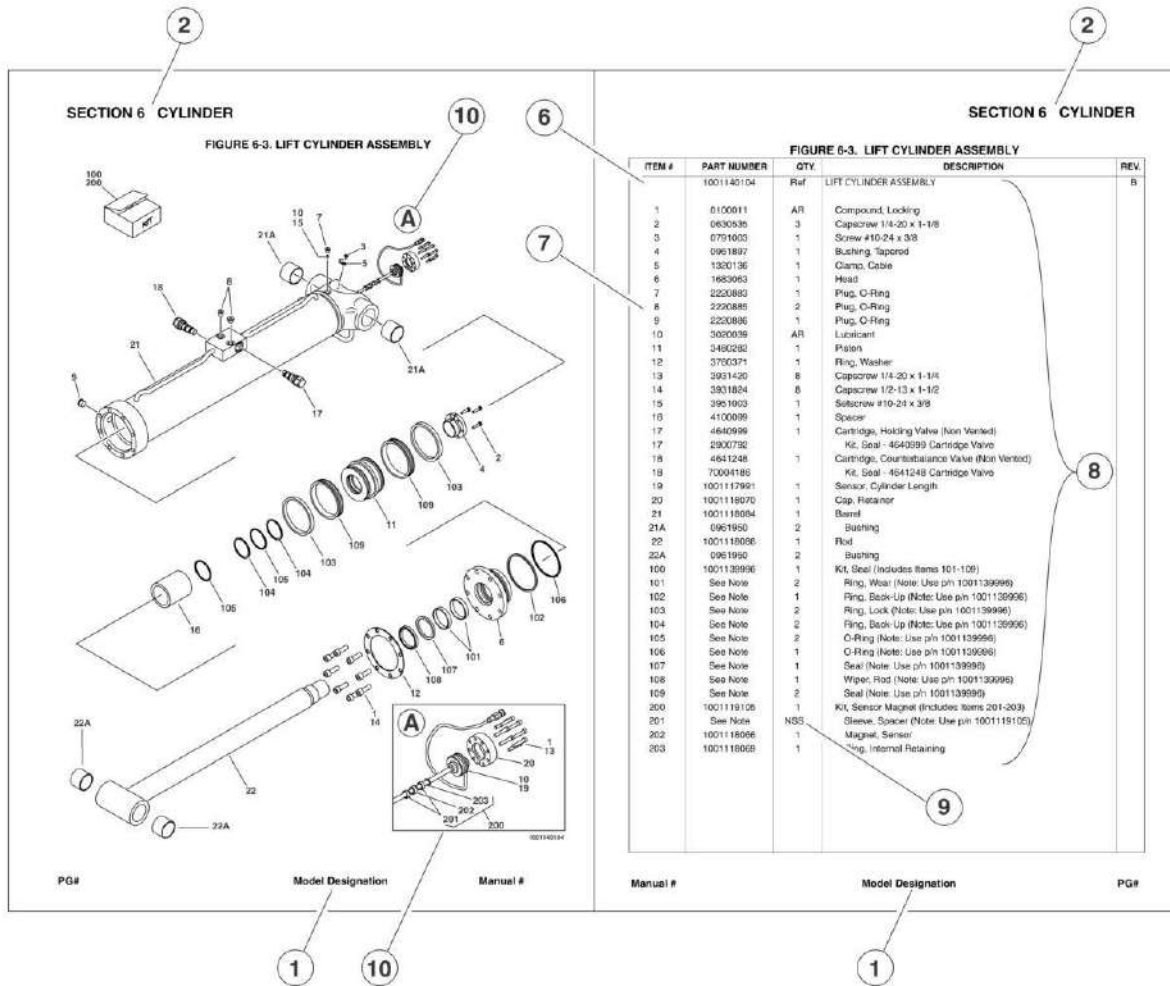
NOTES:

Note: The 600A & 600AJ Boom Lifts are manufactured by JLG Industries in the following countries: USA and China. Refer to the Serial Number Tag to identify the country of manufacture. The country of manufacture may be determined by the Serial Number. machines manufactured in the USA will have a serial number prefix of 03 (i.e. 03xxxxxxx). Machines manufactured in China will have a serial number prefix of B3 (i.e. B3xxxxxxx).

PARTS MANUAL REVISION LOG:

September 1, 2013 - A - Original Issue of Manual (Manual edited to 1001160000 Revision B)
September 30, 2014 - B - Revised Manual (Manual edited to 1001160000 Revision B)
April 3, 2015 - C - Revised Manual (Manual edited to 1001160000 Revision B)
June 1, 2015 - D - Revised Manual (Manual edited to 1001160000 Revision AC)
September 1, 2015 - E - Revised Manual (Manual edited to 1001160000 Revision AL) (Revision 5)
December 14, 2015 - F - Revised Manual (Manual edited to 1001160000 Revision AL) (Revision 3)
March 14, 2016 - G - Revised Manual (Manual edited to 1001160000 Revision AN) (Revision 3)
June 7, 2016 - H - Revised Manual (Manual edited to 1001160000 Revision AN) (Revision 2)
September 14, 2016 - I - Revised Manual (Manual edited to 1001160000 Revision AN) (Revision 2)
December 22, 2016 - J - Revised Manual (Manual edited to 1001160000 Revision BC) (Revision 2)
March 31, 2017 - K - Revised Manual (Manual edited to 1001160000 Revision BC) (Revision 2)
June 15, 2017 - L - Revised Manual (Manual edited to 1001160000 Revision BH) (Revision 1)
September 11, 2017 - M - Revised Manual (Manual edited to 1001160000 Revision BH) (Revision 3)
December 15, 2017 - N - Revised Manual (Manual edited to 1001160000 Revision BJ) (Revision 2)
March 9, 2018 - O - Revised Manual (Manual edited to 1001160000 Revision BL) (Revision 2)
June 22, 2018 - P - Revised Manual (Manual edited to 1001160000 Revision BQ) (Revision 2)
September 1, 2018 - Q - Revised Manual (Manual edited to 1001160000 Revision BS) (Revision 1)

GENERAL INFORMATION



1) MACHINE IDENTIFICATION

Machines are identified by model and in some cases a combination of models, serial number (SN) or regional standard (i.e. ANSI, CE, CSA). Components may also be identified by SN or manufacturer. Common components that may be identified by these characteristics are engines and hydraulic components.

2) PARTS MANUAL ORGANIZATION

Product information in this manual is organized under section titles. Frame, Cylinder, Hydraulic and Electrical are a few examples. Each section is organized by figure and page number. The information within the Figure is then organized by item number, part number, description and corresponding illustration (s).

3) TABLE OF CONTENTS

A table of contents is found toward the beginning of the manual. Figure number, description and page number are provided for quick reference to the page containing the related information.

4) RECOMMENDED SPARE PARTS

The Recommended Spare Parts, located near the end of the manual, reference most frequently used maintenance parts.

5) PART NUMBER INDEX

A numerical index listing all part numbers and the corresponding page number(s) appears at the back of the manual.

GENERAL INFORMATION

6) NON-SERVICED PARTS

In some instances, it is necessary to display non-serviced parts, assemblies or installations. In the case of assemblies and installations there will be a Ref in the Qty column. In case of parts that are not available for service within assemblies or components, there will be a NSS (Not Sold Separately) or NLA (No Longer Available) listed in the Qty. column of the manual.

7) PARTS LIST ITEM NUMBERS

Numbers shown in the item# column correspond to numbers used in the associated illustration (s). Item numbers which are missing from the sequence in the parts list are not used on that page

8) INDENTED PARTS DESCRIPTION

An indented part description is included in the item under which it is indented.

9) ABB REVIATION AND SYMBOLS

AC.....	..Alternating Current	LCD.....	..Liquid Crystal Display
ADE.....	..Advanced Design Electronics	LED.....	..Light Emitting Diodes
ANSI.....	..American National Standards Institute	LH.....	..Left Hand
AR.....	..As Required	LSS.....	..Load Sensing System
ASSY.....	..Assembly	M(m).....	..Metric/Meter
AUX.....	..Auxiliary	MM (mm).....	..Milimeter
AWG.....	..American WireGauge	mA.....	..Miliamps
B/M.....	..Bill of Material	NLA.....	..No Longer Available
CE.....	..European Conformity	NPT.....	..National Pipe Threads
CCW.....	..Counter Clockwise	NSS.....	..Not So Id Separately
cm.....	..Centimeter	OD.....	..Outside Diameter
CW.....	..Clockwise	ORB.....	..O-Ring Boss
CSA.....	..Canadian Standards Association	ORFS.....	..O-Ring Face Seal
CYL.....	..Cylinder	OZ (oz).....	..Ounces
DIA.....	..Diameter	PG.....	..Page
DC.....	..Direct Current	P/N.....	..Part Number
EMS.....	..Emergency Stop	qt.....	..Quarts
ENG.....	..Engine	QTY.....	..Quantity
FT(ft).....	..Feet	REF.....	..Reference
GA(Ga).....	..Gauge	REV.....	..Revision Level
HYD.....	..Hydraulic	RH.....	..Right Hand
Hz.....	..Hertz	SAE.....	..Society of A utomotive Engineers
ID.....	..Inside Diameter	SN.....	..Serial Number
in.....	..inches	SPEC(S).....	..Specifications
ISO.....	..International Organization for Standards	T/T.....	..Turntable
JIC.....	..Joint Industry Council	UGM.....	..Universal Ground Module
KG.....	..Kilogram	V.....	..Volts
L.....	..Liter	W.....	..Watts
LB.....	..Pounds	#.....	..Number

10) ILLUSTRATION REFERENCE LETTERS

When necessary, illustrations may contain reference letters that are intended to track information (i. e. hoses, harnesses) from one point to another or to track visual enlargement of components to show details that may be located in another area on the illustration.

Note: Due to continuous product improvements, JLG Industries, Inc. reserves the right to make specification changes without prior notification. Contact JLG Industries, Inc. for updated information.

TABLE OF CONTENTS

SECTION 1 - FRAME.....	11
FIGURE 1-1. AXLE INSTALLATION	12
FIGURE 1-2. STEERING INSTALLATION (8FT/2.4M WIDE MACHINES WITHOUT TOW PACKAGE)	14
FIGURE 1-3. STEERING INSTALLATION (8FT/2.4M WIDE MACHINES WITH TOW PACKAGE).....	18
FIGURE 1-4. STEERING INSTALLATION (7FT/2.1M WIDE MACHINES)	22
FIGURE 1-5. TIRE AND WHEEL DRIVE INSTALLATIONS.....	26
FIGURE 1-6. DRIVE HUB ASSEMBLY	30
FIGURE 1-7. DRIVE MOTOR ASSEMBLY	34
FIGURE 1-8. DRIVE VALVES AND SHIELDS INSTALLATION (FRAME MOUNTED)	38
FIGURE 1-9. TOW PACKAGE INSTALLATION (OPTIONAL)	42
SECTION 2 - TURNTABLE	45
FIGURE 2-1. CONTROL VALVES INSTALLATIONS	46
FIGURE 2-2. MAIN VALVE BLOCK ASSEMBLY	50
FIGURE 2-3. MAIN VALVE BLOCK ASSEMBLY	54
FIGURE 2-4. ACCESSORY VALVE ASSEMBLIES	58
FIGURE 2-5. SWING DRIVE, TURNTABLE BEARING AND LOCK INSTALLATIONS.....	60
FIGURE 2-6. SWING MOTOR/HUB ASSEMBLY.....	62
FIGURE 2-7. DEUTZ D2011 ENGINE INSTALLATION	66
FIGURE 2-8. DEUTZ TD2.9L4 ENGINE INSTALLATION	74
FIGURE 2-9. BREATHER HEATER INSTALLATION - DEUTZ D2.9L4 ENGINES WITH ARCTIC PACKAGE	86
FIGURE 2-10. FORD ENGINE INSTALLATION.....	88
FIGURE 2-11. GM ENGINE INSTALLATION	100
FIGURE 2-12. PISTON PUMP ASSEMBLY (SN 0300177361 through 0300208081).....	106
FIGURE 2-13. PISTON PUMP ASSEMBLY (SN 0300208082 to Present).....	110
FIGURE 2-14. GEAR PUMP ASSEMBLY	116
FIGURE 2-15. FUEL-WATER SEPARATOR INSTALLATION - DEUTZ D2011	118
FIGURE 2-16. TANK INSTALLATIONS.....	120
FIGURE 2-17. ROTARY COUPLING INSTALLATION	124
FIGURE 2-18. GROUND CONTROL BOX ASSEMBLY (SN 0300177361 through 0300181174).....	128
FIGURE 2-19. GROUND CONTROL BOX ASSEMBLY (SN 0300181175 to Present)	132
FIGURE 2-20. ELECTRICAL OPTIONS INSTALLATIONS (TURNTABLE MOUNTED)	136
FIGURE 2-21. ENGINE TRAY JACK INSTALLATIONS (OPTIONAL)	140
FIGURE 2-22. HOODS INSTALLATIONS	142
FIGURE 2-23. 2500W GENERATOR INSTALLATION - DEUTZ D2011 MACHINES (OPTIONAL).....	148
FIGURE 2-24. 2500W GENERATOR INSTALLATION - DEUTZ TD2.9L4 (OPTIONAL)	152
FIGURE 2-25. 2500W GENERATOR INSTALLATION - FORD MACHINES (OPTIONAL).....	154
FIGURE 2-26. 2500W GENERATOR INSTALLATION - GM MACHINES (OPTIONAL)	158
FIGURE 2-27. 4000W GENERATOR INSTALLATION - DEUTZ D2011 ENGINES.....	162
FIGURE 2-28. 4000W GENERATOR INSTALLATION - DEUTZ TD2.9L4 ENGINES.....	166
FIGURE 2-29. 4000W GENERATOR INSTALLATION - GM ENGINES.....	170
FIGURE 2-30. 7500W SKYPOWER GENERATOR INSTALLATION - DEUTZ ENGINES.....	174
FIGURE 2-31. 7500W SKYPOWER GENERATOR INSTALLATION - FORD ENGINES.....	182
FIGURE 2-32. 7500W SKYPOWER GENERATOR INSTALLATION - GM ENGINES	186
SECTION 3 - BOOM	191
FIGURE 3-1. BOOMS AND CYLINDERS INSTALLATION - 600A.....	192
FIGURE 3-2. BOOMS AND CYLINDERS INSTALLATION - 600AJ.....	196
FIGURE 3-3. TOWER BOOM ASSEMBLY	202
FIGURE 3-4. MAIN BOOM ASSEMBLY	206
FIGURE 3-5. ROTATOR ASSEMBLIES.....	210
FIGURE 3-6. PLATFORM SUPPORT INSTALLATION - WITHOUT LSS OR WITH 4 CELL LSS	212
FIGURE 3-7. PLATFORM SUPPORT INSTALLATION - WITH 1 CELL LSS.....	216
FIGURE 3-8. VALVES AND SWITCHES INSTALLATION (BOOM MOUNTED).....	218
SECTION 4 - PLATFORM.....	223
FIGURE 4-1. PLATFORM ASSEMBLIES.....	224
FIGURE 4-2. CONSOLE BOX INSTALLATION (WITH 1 CELL LSS)	228
FIGURE 4-3. PLATFORM COMPONENTS INSTALLATION (FALL ARREST PLATFORM).....	230
FIGURE 4-4. PLATFORM CONSOLE ASSEMBLY (WITHOUT SKYGUARD).....	232
FIGURE 4-5. PLATFORM CONSOLE ASSEMBLY (WITH SKYGUARD)	236
FIGURE 4-6. CONTROLLER ASSEMBLY (LIFT AND SWING) (SN 0300177361 through 0300188647).....	240

TABLE OF CONTENTS

FIGURE 4-7. CONTROLLER ASSEMBLY (LIFT AND SWING) (SN 0300188648 to Present)	242
FIGURE 4-8. CONTROLLER ASSEMBLY (DRIVE AND STEER) (SN 0300177361 through 0300188647)	246
FIGURE 4-9. CONTROLLER ASSEMBLY (DRIVE AND STEER) (SN 0300188648 to Present)	248
FIGURE 4-10. SKYGUARD SYSTEM INSTALLATION	250
FIGURE 4-11. CROSS RAIL INSTALLATION	252
FIGURE 4-12. PLATFORM PADDING INSTALLATION (30IN/76CM DEPTH PLATFORMS) (OPTIONAL)	254
FIGURE 4-13. SOFT TOUCH SYSTEM INSTALLATION (36IN/91.5CM DEPTH PLATFORMS) (OPTIONAL)	256
FIGURE 4-14. SKYGLAZIER INSTALLATION	260
FIGURE 4-15. SKYWELDER/SKYCUTTER COMBO INSTALLATION (60HZ)	264
FIGURE 4-16. SKYWELDER INSTALLATION (50HZ)	268
FIGURE 4-17. SKYWELDER INSTALLATION (60HZ)	270
FIGURE 4-18. SKYWELDER PREP PACKAGE (60HZ)	272
FIGURE 4-19. WELDER ASSEMBLY	274
FIGURE 4-20. SKYWELDER LOCKING BRACKET INSTALLATION	276
FIGURE 4-21. SKYCUTTER INSTALLATION	278
FIGURE 4-22. PLASMA CUTTER ASSEMBLY	280
FIGURE 4-23. PIPE RACKS INSTALLATION	282
FIGURE 4-24. FALL ARREST INSTALLATION (BOLT-ON EXTERNAL) (6FT/1.82M PLATFORM)	284
FIGURE 4-25. FALL ARREST INSTALLATION (BOLT-ON EXTERNAL) (6FT/1.82M TRI-ENTRY PLATFORM)	286
FIGURE 4-26. FALL ARREST INSTALLATION (BOLT-ON EXTERNAL) (8FT/2.4M PLATFORM)	288
 SECTION 5 - CYLINDER	 291
FIGURE 5-1. AXLE LOCKOUT CYLINDER ASSEMBLY	292
FIGURE 5-2. LEVEL (PLATFORM SLAVE) CYLINDER ASSEMBLY	294
FIGURE 5-3. LEVEL (PLATFORM SLAVE) CYLINDER ASSEMBLY - 600A (SN 0300233771 through 0300241337)	298
FIGURE 5-4. LEVEL (PLATFORM SLAVE) CYLINDER ASSEMBLY - 600A (SN 0300241338 to Present)	300
FIGURE 5-5. LEVEL (PLATFORM SLAVE) CYLINDER ASSEMBLY - 600AJ WITHOUT ARCTIC PACKAGE (SN 0300229829 through 0300241337)	302
FIGURE 5-6. LEVEL (PLATFORM SLAVE) CYLINDER ASSEMBLY - 600AJ WITH ARCTIC PACKAGE (SN 0300229829 through 0300241337)	304
FIGURE 5-7. LEVEL (PLATFORM SLAVE) CYLINDER ASSEMBLY - 600AJ (SN 0300241338 to Present)	306
FIGURE 5-8. LEVEL (UPRIGHT) CYLINDER ASSEMBLY (SN 0300177361 through 0300237381)	308
FIGURE 5-9. LEVEL (UPRIGHT) CYLINDER ASSEMBLY (SN 0300237382 to Present)	310
FIGURE 5-10. LIFT CYLINDER ASSEMBLY - JIB - 600AJ (SN 0300177361 through 0300241337)	312
FIGURE 5-11. LIFT CYLINDER ASSEMBLY - JIB - 600AJ (SN 0300241338 through 0300244755)	314
FIGURE 5-12. LIFT CYLINDER ASSEMBLY - JIB - 600AJ (SN 0300244756 to Present)	316
FIGURE 5-13. LIFT CYLINDER ASSEMBLY - MAIN BOOM (SN 0300177361 through 0300237381)	318
FIGURE 5-14. LIFT CYLINDER ASSEMBLY - MAIN BOOM (SN 0300237382 to Present)	320
FIGURE 5-15. LIFT CYLINDER ASSEMBLY - TOWER BOOM (SN 0300177361 through 0300239707)	322
FIGURE 5-16. LIFT CYLINDER ASSEMBLY - TOWER BOOM (SN 0300239708 to Present)	324
FIGURE 5-17. MASTER CYLINDER ASSEMBLY (SN 0300177361 through 0300241337)	326
FIGURE 5-18. MASTER CYLINDER ASSEMBLY - 600A (SN 0300241338 to Present)	330
FIGURE 5-19. MASTER CYLINDER ASSEMBLY - 600AJ (SN 0300241338 to Present)	332
FIGURE 5-20. STEER CYLINDER ASSEMBLY (7FT/2.1M WIDE MACHINES)	334
FIGURE 5-21. STEER CYLINDER ASSEMBLY (8FT/2.4M WIDE MACHINES)	336
FIGURE 5-22. TELESCOPE CYLINDER ASSEMBLY - MAIN BOOM (600A & 600AJ)	338
FIGURE 5-23. TELESCOPE CYLINDER ASSEMBLY - MAIN BOOM (600A & 600AJ) (SN 0300241338 to Present)	340
FIGURE 5-24. TELESCOPE CYLINDER ASSEMBLY - MAIN BOOM (600AJ) (SN 0300242729 to Present)	342
FIGURE 5-25. TELESCOPE CYLINDER ASSEMBLY - TOWER BOOM (SN 0300177361 through 0300237381)	344
FIGURE 5-26. TELESCOPE CYLINDER ASSEMBLY - TOWER BOOM (SN 0300237382 to Present)	346
 SECTION 6 - HYDRAULIC	 349
FIGURE 6-1. DRIVE HYDRAULIC DIAGRAM - 2WD/2WS	350
FIGURE 6-2. DRIVE HYDRAULIC DIAGRAM - 4WD/2WS	352
FIGURE 6-3. HYDRAULIC DIAGRAM - OSCILLATING AXLE	356
FIGURE 6-4. HYDRAULIC DIAGRAM - STANDARD (SN 0300177361 through 0300181174)	358
FIGURE 6-5. HYDRAULIC DIAGRAM - STANDARD (SN 0300181175 through 0300208081)	364
FIGURE 6-6. HYDRAULIC DIAGRAM - STANDARD (SN 0300208082 to Present)	368
FIGURE 6-7. HYDRAULIC DIAGRAM LIST	374
 SECTION 7 - ELECTRICAL	 377
FIGURE 7-1. ELECTRICAL DIAGRAM LIST	378
FIGURE 7-2. HARNESS COMPONENTS INSTALLATION (SN 0300177361 through 0300181174)	380
FIGURE 7-3. HARNESS COMPONENTS INSTALLATION (SN 0300181175 to Present)	400

TABLE OF CONTENTS

SECTION 8 - DECALS.....	423
FIGURE 8-1. DECAL INSTALLATION (ANSI SPEC)	424
FIGURE 8-2. DECAL INSTALLATION (COUNTRY SPEC).....	428
FIGURE 8-3. DECAL INSTALLATION (AUSTRALIAN AND CE SPECS)	434
SECTION 9 - RECOMMENDED SERVICE PARTS STOCK	437
FIGURE 9-1. MODEL 600A/600AJ STANDARD PARTS	438
FIGURE 9-2. MODEL 600A/600AJ VARIABLE PARTS	440
SECTION 10 - SPECIAL OPTIONS.....	443
FIGURE 10-1. SPECIAL OPTIONS.....	444
PART NUMBER INDEX	453

SECTION 1 - FRAME

SECTION 1 - FRAME

FIGURE 1-1. AXLE INSTALLATION

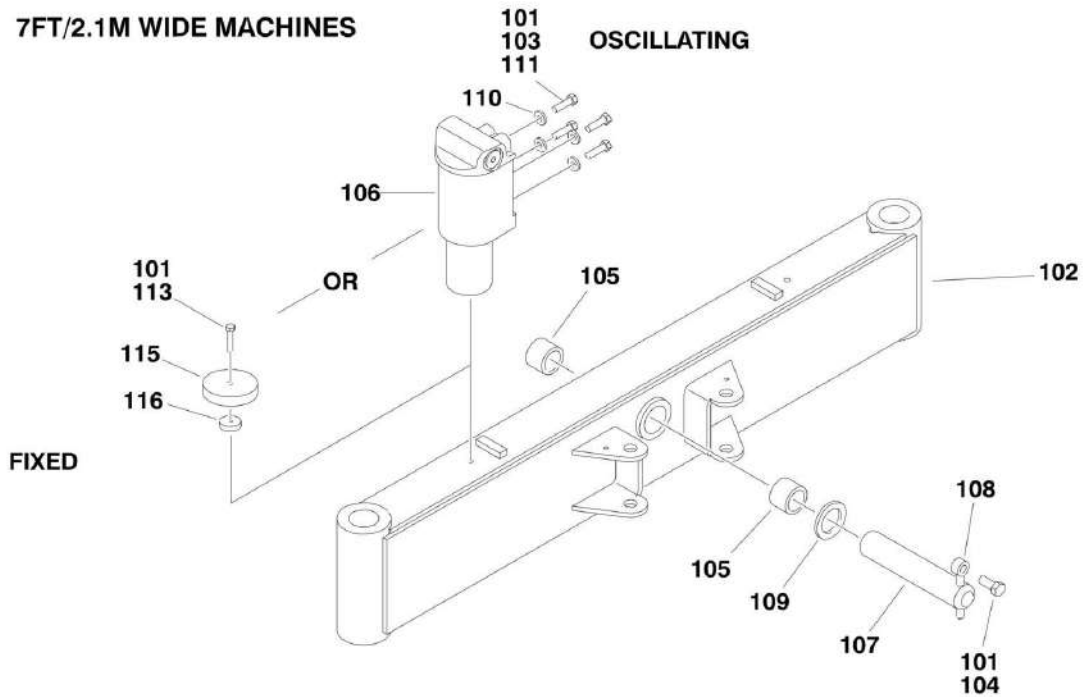
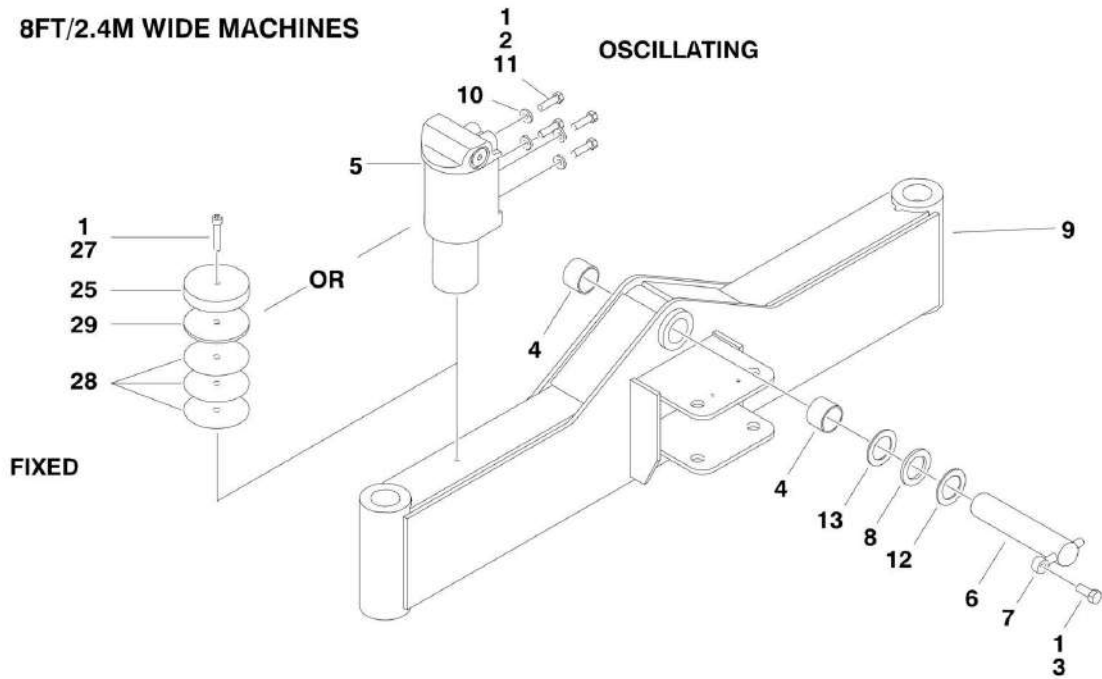
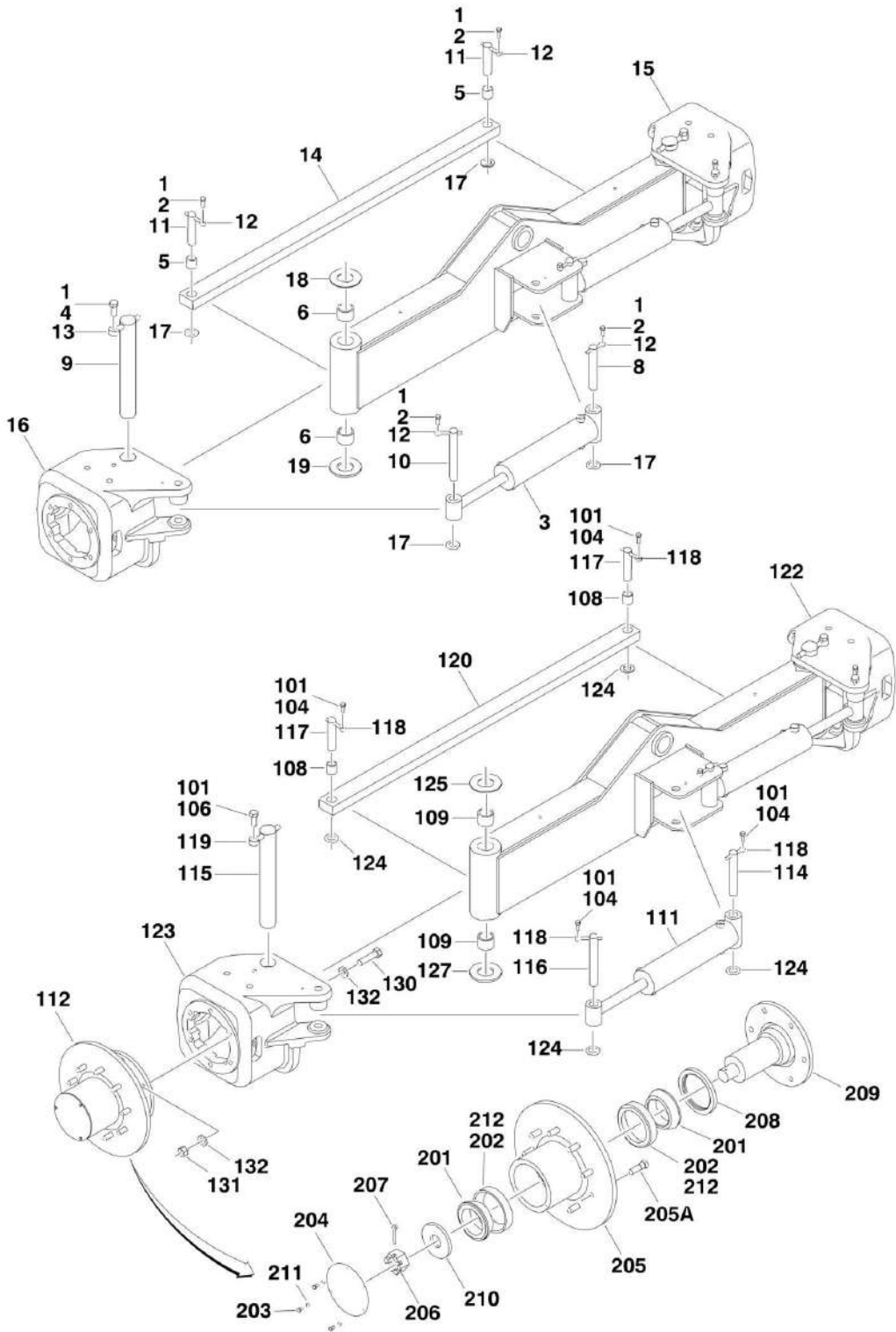


FIGURE 1-1. AXLE INSTALLATION

ITEM	PART NUMBER	QTY	DESCRIPTION	REV
		Ref	AXLE INSTALLATIONS (8FT/2.4M WIDE MACHINES)	
	1001148168	Ref	Oscillating Axle without Tow Package	C
	1001152448	Ref	Oscillating Axle without Tow Package (With Turf Tire)	B
	1001148170	Ref	Oscillating Axle with Tow Package	C
	1001148169	Ref	Fixed Axle Machines	C
1	0100011	AR	Compound, Locking	
2	0641814	8	Bolt 1/2in-13NC x 1-3/4in	
3	0642012	1	Bolt 5/8in-11NC x 1-1/2in	
4	0961950	2	Bearing	
5	1684465	2	Axle Lockout Cylinder Assembly (Oscillating Axle Only) (See CYLINDER SECTION for Breakdown)	
6	3423184	1	Pin	
7	3841258	1	Keeper, Pin	
8	4740158	1	Thrustwasher (1/4in Thick)	
9		Ref	Axle Weldment Options:	
9	1001148171	1	Machines without Tow Package	
9	1001151966	1	Machines without Tow Package (With Turf Tire)	
9	1001148172	1	Machines with Tow Package	
10	4891800	8	Flatwasher 1/2in Hardened	
11	0100038	AR	Primer, Locking	
12	4740229	AR	Thrustwasher (1/8in Thick)	
13	4071101	AR	Shim	
25	3539877	2	Plate, Stop (Fixed Axle Only)	
27	3931840		Capscrew 1/2in-13NC x 2-1/2in	
28	4070944	6	Shim (.06) (Fixed Axle Only)	
29	4070945	2	Shim (.25) (Fixed Axle Only)	
		Ref	AXLE INSTALLATIONS (7FT/2.1M WIDE MACHINES)	
	0274047	Ref	Oscillating Axle without Tow Package	B
	0274256	Ref	Oscillating Axle with Tow Package	B
	0274054	Ref	Fixed Axle	B
101	0100011	AR	Compound, Locking	
102		Ref	Axle Weldment Options:	
102	0280171	1	Machine without Tow Package	
102	0280185	1	Machine with Tow Package	
103	0641814	8	Bolt 1/2in-13NC x 1-3/4in	
104	0642012	1	Bolt 5/8in-11NC x 1-1/2in	
105	0961950	2	Bearing	
106	1684465	2	Axle Lockout Cylinder Assembly (Oscillating Axle Only) (See CYLINDER SECTION for Breakdown)	
107	3422592	1	Pin	
108	3841258	1	Keeper, Pin	
109	4740158	1	Thrustwasher (1/4in Thick)	
110	4891800	8	Flatwasher 1/2in Hardened	
111	0100038	AR	Primer, Locking	
113	0641816	2	Bolt 1/2in-13NC x 2in	
115	3539877	2	Plate, Stop (Fixed Axle Only)	
116	4740542	2	Spacer (Fixed Axle Only)	

SECTION 1 - FRAME

FIGURE 1-2. STEERING INSTALLATION (8FT/2.4M WIDE MACHINES WITHOUT TOW PACKAGE)



SECTION 1 - FRAME

FIGURE 1-2. STEERING INSTALLATION (8FT/2.4M WIDE MACHINES WITHOUT TOW PACKAGE)

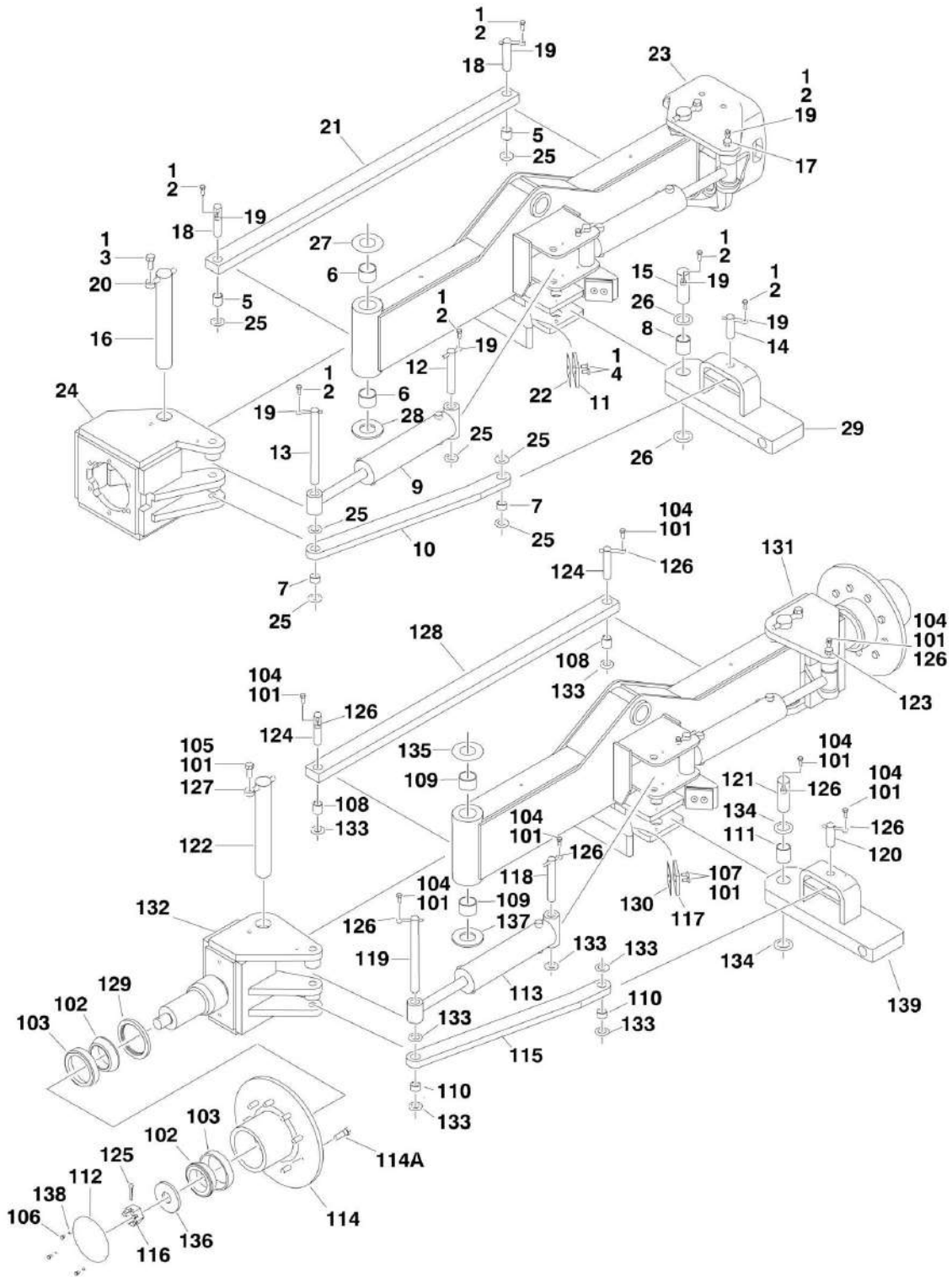
ITEM	PART NUMBER	QTY	DESCRIPTION	REV
		Ref	4WD STEERING INSTALLATION	
	1001148162	Ref	4WD/2WS	C
	1001148163	Ref	4WD/4WS (Note: Double Qty for 4WD/4WS Machines)	B
1	0100011	AR	Compound, Locking	
2	0641608	6	Bolt 3/8in-16NC x 1in	
3	1001097242	2	Steer Cylinder Assembly (See CYLINDER SECTION for Breakdown)	
4	0642012	2	Bolt 5/8in-11NC x 1-1/2in	
5	0962356	2	Bushing	
6	0962131	4	Bushing	
8	3422326	2	Pin	
9	3422900	2	Kingpin	
10	3422902	2	Pin	
11	3422903	2	Pin	
12	3841143	6	Keeper, Pin	
13	3841258	2	Keeper, Pin	
14	1001155574	1	Tie-Rod	
15	1001099387	1	Spindle	
16	1001099196	1	Spindle	
17	4740111	6	Thrustwasher	
18	4740256	2	Thrustwasher	
19	4740463	2	Thrustwasher	
	1001148161	Ref	2WD STEERING INSTALLATION	C
101	0100011	AR	Compound, Locking	
104	0641608	6	Bolt 3/8in-16NC x 1in	
106	0642012	2	Bolt 5/8in-11NC x 1-1/2in	
108	0962356	2	Bushing	
109	0962131	4	Bushing	
111	1001097242	2	Steer Cylinder Assembly (See CYLINDER SECTION for Breakdown)	
112	4130410	2	Hub Assembly (See Items 201-212 for Breakdown)	
114	3422326	2	Pin	
115	3422900	2	Kingpin	
116	3422902	2	Pin	
117	3422903	2	Pin	
118	3841143	6	Keeper, Pin	
119	3841258	2	Keeper, Pin	
120	1001155574	1	Tie-Rod	
122	1001099387	1	Spindle	
123	1001099196	1	Spindle	
124	4740111	6	Thrustwasher	
125	4740256	2	Thrustwasher	
127	4740463	2	Thrustwasher	
130	0682020	12	Bolt 5/8in-11NC x 2-1/2in (Grade 8)	
131	3272001	12	Nut 5/8in-11NC (Grade 8)	
132	4892000	24	Flatwasher 5/8in Hardened	
	4130409	Ref	HUB ASSEMBLY	C
201	0440170	2	Cone, Bearing	
202	0440171	2	Cup, Bearing	
203	0721003	3	Bolt #10-24NC x 3/8in	

SECTION 1 - FRAME

ITEM	PART NUMBER	QTY	DESCRIPTION	REV
204	1120304	1	Cap, Hub	
205	2780271	1	Hub	
205A	0630490	9	Stud, Wheel	
206	3323403	1	Nut, Slotted 1-1/2in -12NF	
207	3451010	1	Pin, Cotter 5/8in x 2-1/2in	
208	3960343	1	Seal, Grease	
209	4130409	1	Adapter, Spindle	
210	4740283	1	Flatwasher, Hardened	
211	4761000	3	Lockwasher #10	
212	3020017	AR	Grease, Bearing	

SECTION 1 - FRAME

FIGURE 1-3. STEERING INSTALLATION (8FT/2.4M WIDE MACHINES WITH TOW PACKAGE)



SECTION 1 - FRAME

FIGURE 1-3. STEERING INSTALLATION (8FT/2.4M WIDE MACHINES WITH TOW PACKAGE)

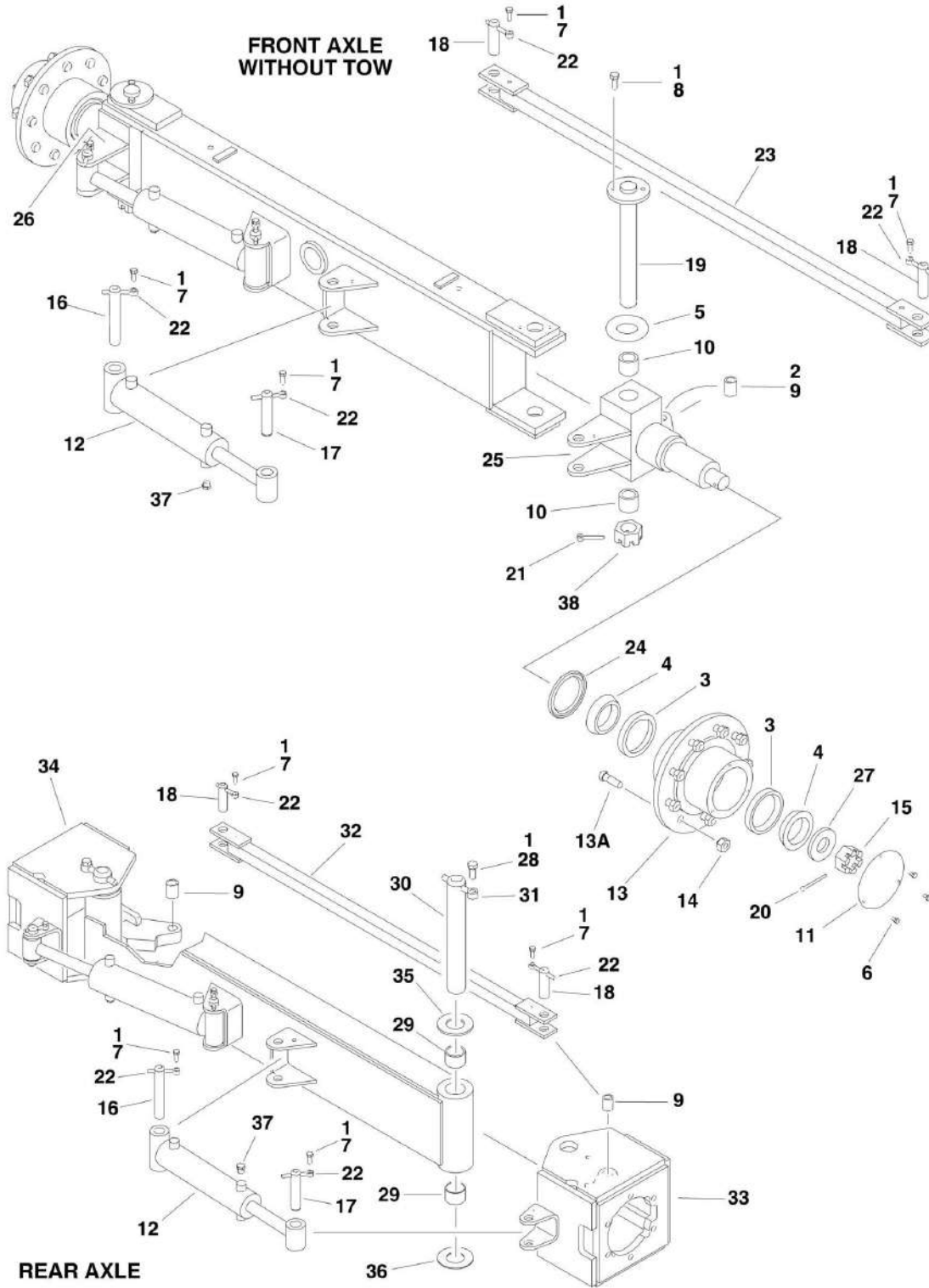
ITEM	PART NUMBER	QTY	DESCRIPTION	REV
		Ref	4WD STEERING INSTALLATION	
	1001148164	Ref	4WD/2WS	C
	1001148166	Ref	4WD/4WS (Note: Double Qty for 4WD/4WS Machines)	C
1	0100011	AR	Compound, Locking	
2	0641608	8	Bolt 3/8in-16NC x 1in	
3	0642012	2	Bolt 5/8in-11NC x 1-1/2in	
4	0741607	4	Screw 3/8in-16NC x 7/8in	
5	0962356	2	Bushing	
6	0962131	4	Bushing	
7	0962292	2	Bushing	
8	0962348	1	Bushing	
9	1001097242	2	Steer Cylinder Assembly (See CYLINDER SECTION for Breakdown)	
10	1001148178	1	Link	
11	3340966	2	Pad	
12	3422326	2	Pin	
13	3422567	1	Pin	
14	3422813	1	Pin	
15	3422848	1	Pin	
16	3422900	2	Pin	
17	3422902	1	Pin	
18	3422903	2	Pin	
19	3841143	8	Keeper, Pin	
20	3841258	2	Keeper, Pin	
21	1001155574	1	Tie-Rod	
22	4071059	2	Shim	
23	1001099387	1	Spindle	
24	4130399	1	Spindle	
25	4740111	9	Thrustwasher	
26	4740155	2	Thrustwasher	
27	4740256	2	Thrustwasher	
28	4740463	2	Thrustwasher	
29	4846935	1	Pivot	
	1001148165	Ref	2WD STEERING INSTALLATION	C
101	0100011	AR	Compound, Locking	
102	0440170	4	Cone, Bearing	
103	0440171	4	Cup, Bearing	
104	0641608	8	Bolt 3/8in-16NC x 1in	
105	0642012	2	Bolt 5/8in-11NC x 1-1/2in	
106	0721003	6	Bolt #10-24NC x 3/8in	
107	0741607	4	Screw 3/8in-16NC x 7/8in	
108	0962356	2	Bushing	
109	0962131	4	Bushing	
110	0962292	2	Bushing	
111	0962348	1	Bushing	
112	1120304	2	Cap, Hub	
113	1001097242	2	Steer Cylinder Assembly (See CYLINDER SECTION for Breakdown)	
114	2780271	2	Hub	
114A	0630490	18	Stud, Wheel (9 Per Hub)	

SECTION 1 - FRAME

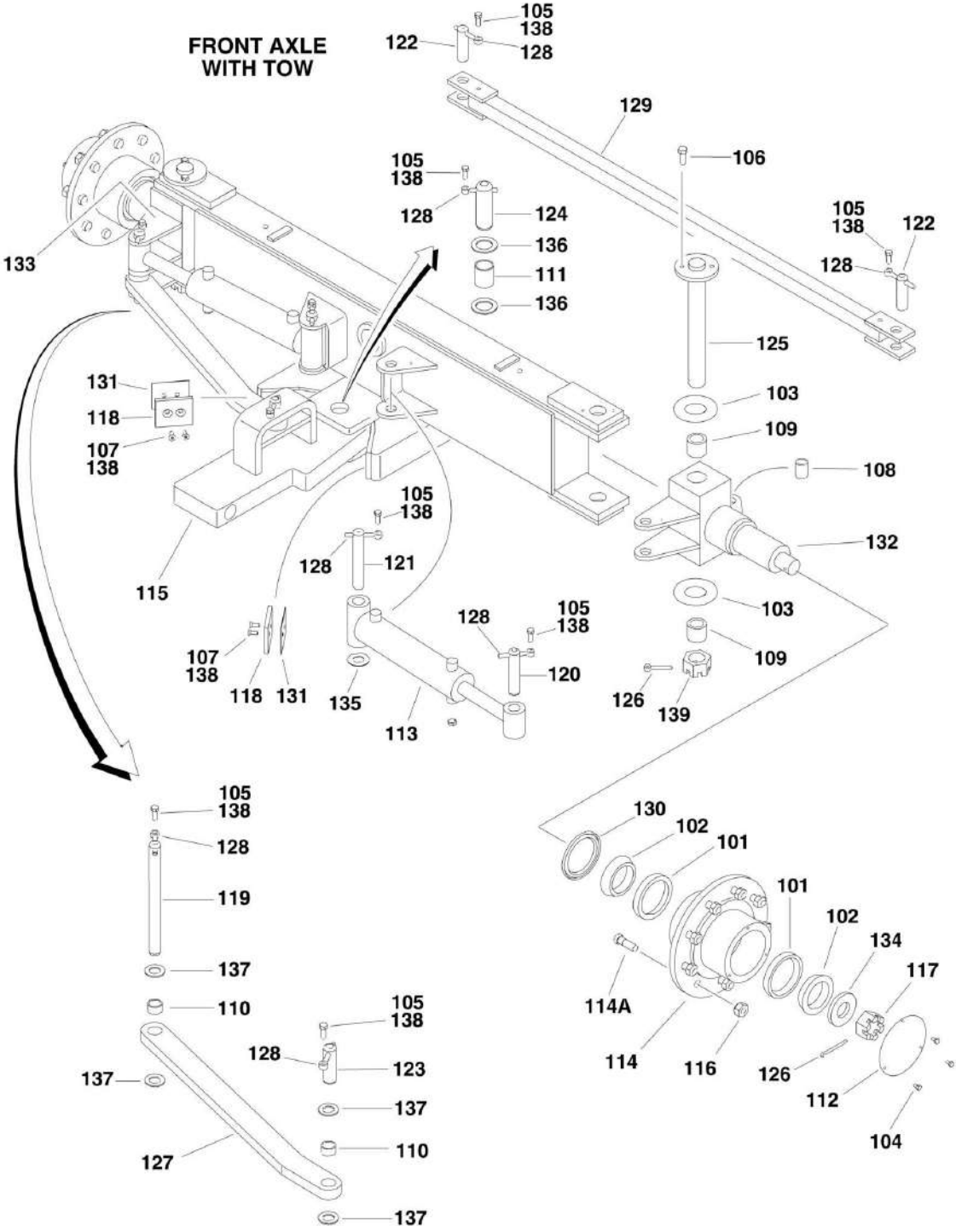
ITEM	PART NUMBER	QTY	DESCRIPTION	REV
115	1001148178	1	Link	
116	3323403	2	Nut, Slotted 1-1/2in -12NF	
117	3340966	2	Pad	
118	3422326	2	Pin	
119	3422567	1	Pin	
120	3422813	1	Pin	
121	3422848	1	Pin	
122	3422900	2	Pin	
123	3422902	1	Pin	
124	3422903	2	Pin	
125	3451010	1	Pin, Cotter 5/8in x 2-1/2in	
126	3841143	8	Keeper, Pin	
127	3841258	2	Keeper, Pin	
128	1001155574	1	Tie-Rod	
129	3960343	2	Seal, Grease	
130	4071059	2	Shim	
131	4130396	1	Spindle	
132	4130400	1	Spindle	
133	4740111	9	Thrustwasher	
134	4740155	2	Thrustwasher	
135	4740256	2	Thrustwasher	
136	4740283	2	Flatwasher, Hardened	
137	4740463	2	Thrustwasher	
138	4761000	6	Lockwasher #10	
139	4846935	1	Pivot	

SECTION 1 - FRAME

FIGURE 1-4. STEERING INSTALLATION (7FT/2.1M WIDE MACHINES)



SECTION 1 - FRAME



SECTION 1 - FRAME

FIGURE 1-4. STEERING INSTALLATION (7FT/2.1M WIDE MACHINES)

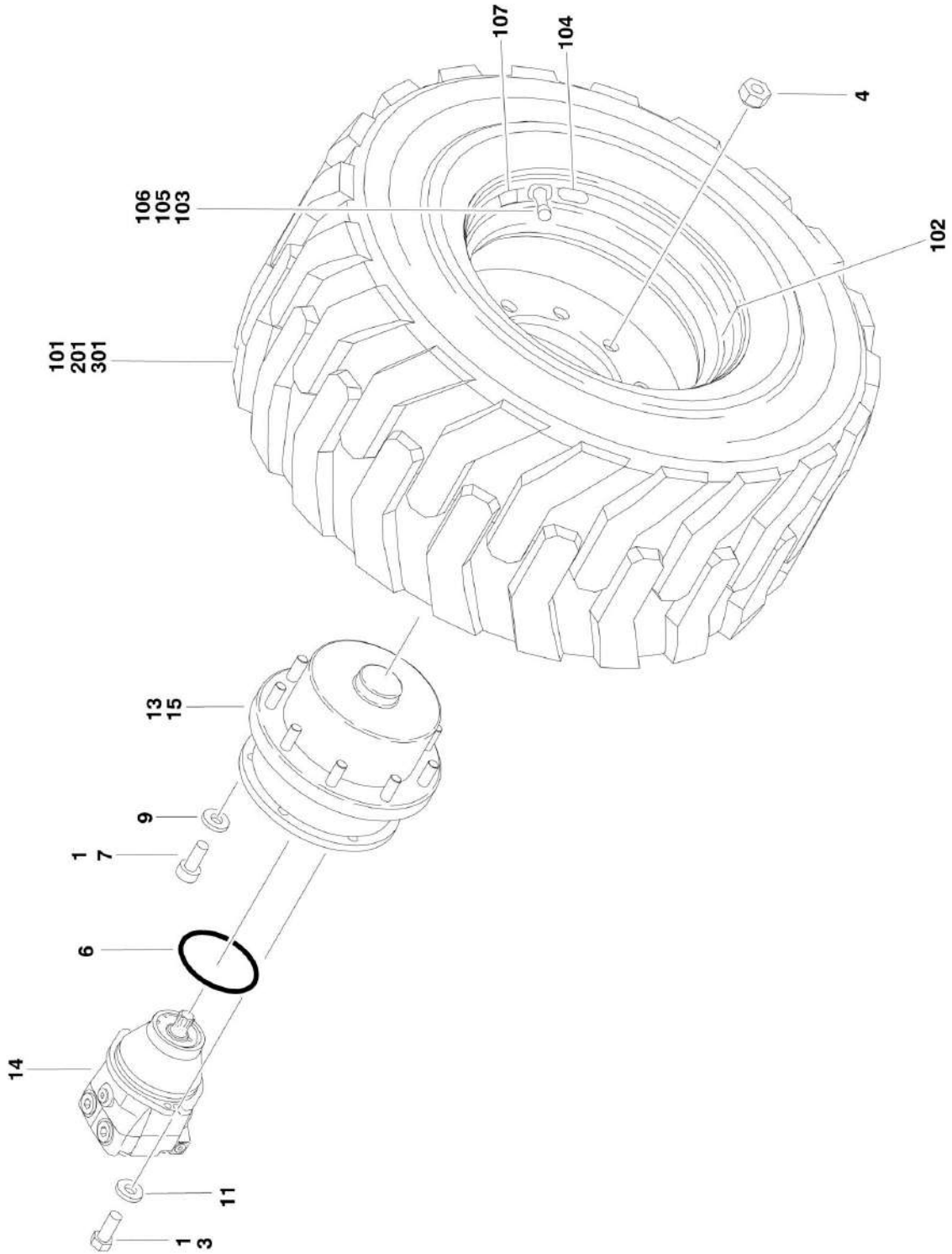
ITEM	PART NUMBER	QTY	DESCRIPTION	REV
		Ref	STEERING INSTALLATION (7FT/2.1M WIDTH MACHINES)	
	0274062	Ref	2WD/4WS with 7ft/2.1m Width Frame without Tow Package	I
1	0100011	AR	Compound, Locking	
2	0100063	AR	Adhesive	
3	0440018	4	Cup, Bearing	
4	0440019	4	Cone, Bearing	
5	0440161	2	Thrustwasher	
6	0641404	6	Bolt 1/4in-20NC x 1/2in	
7	0641608	12	Bolt 3/8in-16NC x 1in	
8	0681608	4	Bolt 3/8in-16NC x 1in (Grade 8)	
9	0962005	4	Bushing	
10	0962272	4	Bushing	
11	1120460	2	Cap, Hub	
12	1684418	4	Steer Cylinder Assembly (See CYLINDER SECTION for Breakdown)	
13	2780276	2	Hub	
13A	0630490	18	Stud, Wheel (9 Per Hub)	
14	3300106	18	Nut, Wheel	
15	3323403	2	Nut, Slotted 1-1/2in-12NF	
16	3422426	4	Pin	
17	3422429	4	Pin	
18	3422430	4	Pin	
19	3423175	2	Kingpin	
20	3450810	2	Pin, Cotter 1/4in x 2-1/2in	
21	3451010	2	Pin, Cotter 5/16in x 2-1/2in	
22	3841143	12	Keeper	
23	3841263	1	Tie-Rod	
24	3960098	2	Seal	
25	4130413	1	Spindle	
26	4130414	1	Spindle	
27	4740016	2	Flatwasher, Hardened	
28	0642012	2	Bolt 5/8in-11NC x 1/1/2in	
29	0962131	4	Bearing	
30	3422900	2	Kingpin	
31	3841258	2	Keeper	
32	2841677	1	Tie-Rod	
33	4130401	1	Spindle	
34	4130402	1	Spindle	
35	4740256	2	Thrustwasher	
36	4740463	2	Thrustwasher	
37	2220237	4	Plug	
38	3313403	2	Nut, Slotted 1-1/2in-6NC	
39	4360331	1	Switch, Toggle (Crab Steer) (Not Shown - Located on Platform Console Box)	
40	3790012	1	O-Ring, Toggle (Crab Steer) (Not Shown - Located on Platform Console Box)	
	0274257	Ref	2WD/2WS with 7ft/2.1m Width Frame without Tow Package	C
101	0440018	4	Cup, Bearing	
102	0440019	4	Cone, Bearing	
103	0440161	4	Thrustwasher	

SECTION 1 - FRAME

ITEM	PART NUMBER	QTY	DESCRIPTION	REV
104	0641404	6	Bolt 1/4in-20NC x 1/2in	
105	0641608	8	Bolt 3/8in-16NC x 1in	
106	0681608	4	Bolt 3/8in-16NC x 1in (Grade 8)	
107	0741607	4	Screw, Countersunk 3/8in-16NC x 7/8in	
108	0962005	2	Bushing	
109	0962272	4	Bushing	
110	0962292	2	Bushing	
111	0962348	1	Bushing	
112	1120460	2	Cap, Hub	
113	1684418	2	Steer Cylinder Assembly (See CYLINDER SECTION for Breakdown)	
114	2780276	2	Hub	
114A	0630490	18	Stud, Wheel (9 Per Hub)	
115	2980125	1	Pivot	
116	3300106	18	Nut, Wheel	
117	3323403	2	Nut, Slotted 1-1/2in-12NF	
118	3340966	2	Pad	
119	3422327	1	Pin	
120	3422426	2	Pin	
121	3422429	AR	Pin	
122	3422430	2	Pin	
123	3422813	1	Pin	
124	3422848	1	Pin	
125	3423175	2	Kingpin	
126	3451010	4	Pin, Cotter 5/16in x 2-1/2in	
127	3575716	1	Link	
128	3841143	6	Keeper	
129	3841263	1	Tie-Rod	
130	3960098	2	Seal	
131	4071059	2	Shim	
132	4130413	1	Spindle	
133	4130414	1	Spindle	
134	4740016	2	Flatwasher, Hardened	
135	4740111	4	Thrustwasher	
136	4740155	2	Thrustwasher	
137	4740184	1	Flatwasher, Special	
138	0100011	AR	Compound, Locking	
139	3313403	2	Nut, Slotted 1-1/2in-6NC	
140	4360331	1	Switch, Toggle (Crab Steer) (Not Shown - Located on Platform Console Box)	
141	3790012	1	O-Ring, Toggle (Crab Steer) (Not Shown - Located on Platform Console Box)	

SECTION 1 - FRAME

FIGURE 1-5. TIRE AND WHEEL DRIVE INSTALLATIONS



SECTION 1 - FRAME

FIGURE 1-5. TIRE AND WHEEL DRIVE INSTALLATIONS

ITEM	PART NUMBER	QTY	DESCRIPTION	REV
		Ref	WHEEL DRIVE INSTALLATIONS	
	1001136667	Ref	Wheel Drive Installations 2WD/2WS	D
	1001136670	Ref	Wheel Drive Installations 2WD/4WS	C
	1001136668	Ref	Wheel Drive Installations 4WD/2WS	F
	1001136669	Ref	Wheel Drive Installations 4WD/4WS	E
		Ref	Note: 2WD Qty Shown. For 4WD, Double Qty Shown.	
1	0100011	AR	Compound, Locking	
3	0681710	4	Bolt 7/16in-14NC x 1-1/4in (Grade 8)	
4	3300106	18	Nut, Wheel	
6	3790158	2	O-Ring	
7		Ref	Capscrew Options:	
7	3932030	AR	Capscrew 5/8in-11NC x 1-7/8in	
7	3932032	AR	Capscrew 5/8in-11NC x 2in	
9	4740393	12	Flatwasher 5/8in Hardened	
11	5241000	4	Flatwasher M10 Hardened	
13	1001113984	2	Drive Hub Assembly (See DRIVE HUB ASSEMBLY for Breakdown)	
14		Ref	Drive Motor Assembly Options (See DRIVE MOTOR ASSEMBLY for Breakdown)	
14	1001136672	2	Drive Motor Assembly 2WD	
14	1001135600	2	Drive Motor Assembly 4WD	
15	3020008	AR	Lube, Gear 80W-90	
		Ref	PNEUMATIC AND FOAM-FILLED TIRE AND WHEEL INSTALLATIONS (8FT/2.4M WIDTH MACHINES)	
	4520328	Ref	Tire and Wheel Installation - Pneumatic (ANSI, ANSI Export and Japanese Specs Only)	B
	0274533	Ref	Tire and Wheel Installation - Pneumatic W/Sealant (ANSI and ANSI Export Spec Only) (Only Available on USA Built Machines)	C
	0275860	Ref	Tire and Wheel Installation - Pneumatic W/Sealant (ANSI, ANSI Export and Japanese Spec Only) (Note: Not an Add-on Option - Special Counterweight Required. Consult JLG Service Dept to add to a machine)	1
	4520346	Ref	Tire and Wheel Installation - Foam-Filled (Available on All Specs)	C
	1001231678	Ref	Tire and Wheel Installation - Foam-Filled Non-Marking (Available on All Specs)	A
		Ref	Note: Assemblies may require ballast/foam filling to manufacturer's specifications prior to installing on a machine. Refer to Operation and Safety or Service and Maintenance Manuals.	
		Ref	Note: Purchase individual tire and/or rim only if able to foam fill tire and wheel assembly, otherwise, purchase complete assembly.	
	4520289	2	Tire and Wheel Assembly - Pneumatic (Left Side)	F
	4520427	2	Tire and Wheel Assembly - Pneumatic W/Sealant (Left Side)	D
	4520290	2	Tire and Wheel Assembly - Pneumatic (Right Side)	F
	4520428	2	Tire and Wheel Assembly - Pneumatic W/Sealant (Right Side)	D
	4520674	4	Tire and Wheel Assembly - Pneumatic Turf/Sand Tire (Note: Not an Add-on Option - Special Counterweight Required. Consult JLG Service Dept to add to a machine)	B
	4520344	2	Tire and Wheel Assembly - Foam-Filled (Left Side)	G
	4520345	2	Tire and Wheel Assembly - Foam-Filled (Right Side)	G

SECTION 1 - FRAME

ITEM	PART NUMBER	QTY	DESCRIPTION	REV
	1001231677	2	Tire and Wheel Assembly - Foam-Filled Non-Marking (Left Side)	A
	1001231676	2	Tire and Wheel Assembly - Foam-Filled Non-Marking (Right Side)	A
101		Ref	Tire Options (1 Per Assembly)	
101	4520288	AR	Tire - IN355/55D625	
101	1001184881	AR	Tire - IN355/55D625 Non-Marking	
101	4520256	AR	Tire - 41/18LLx22.5 Turf/Sand Tire	
102		Ref	Rim, Wheel (1 Per Assembly)	
102	4520287	AR	Tire - IN355/55D625 (24.5 x 11.75)	
102	4520672	AR	Tire - 41/18LLx22.5 Turf/Sand Tire	
103	4640113	AR	Valve, Air (1 Per Assembly) (All Assemblies Except 1001231677 and 1001231676)	
103	4641122	AR	Valve, Air (1 Per Assembly) (1001231677 and 1001231676 Assemblies)	
104		Ref	Decal - Tire Pressure Options (1 Per Assembly)	
104	1702740	AR	Tire - IN355/55D625	
104	1701643	AR	Tire - 41/18LLx22.5 Turf/Sand Tire	
		Ref	Note: Items 105-107 used with tires with sealant only.	
105	1120552	AR	Cap, Valve Stem (1 Per Assembly)	
106	1300019	AR	Sealant, Tire (1 Per Assembly)	
107	1705364	AR	Decal - Tire Sealant (1 Per Assembly)	
201		Ref	AIRBOSS TIRE AND WHEEL INSTALLATIONS (7FT/2.1M WIDTH 600A/600AJ MACHINES)	
		Ref	Note: Available on 600A All Specs except Japanese Specs. Available on 600AJ All Specs except Australian, CE & Japanese Specs.)	
201	4520341	Ref	Tire and Wheel Installation - Air-Boss	A
201	4520284	2	Tire and Wheel Assembly - Right Side	
201	4520283	2	Tire and Wheel Assembly - Left Side	
201	7016206	80	Tire Repair Section (20 Per Assembly)	
201	4520604	Ref	Tire and Wheel Installation - Air-Boss Non Marking	1
201	4520602	2	Tire and Wheel Assembly - Right Side	
201	4520601	2	Tire and Wheel Assembly - Left Side	
201	7020135	80	Tire Repair Section (20 Per Assembly)	
301		Ref	SOLIDBOSS TIRE AND WHEEL INSTALLATIONS (7FT/2.1M WIDTH 600AJ MACHINES)	
301	1001147067	Ref	Tire and Wheel Installation - SolidBoss (Available on ANSI, ANSI Export & CSA Spec Only)	C
301	1001146828	NLA	Tire and Wheel Assembly - Right Side (Use p/n 1001207346) (SN 0300177361 through 0300223869)	
301	1001207346	2	Tire and Wheel Assembly - Right Side (SN 0300223870 to Present)	
301	1001146827	NLA	Tire and Wheel Assembly - Left Side (Use p/n 1001207345) (SN 0300177361 through 0300223869)	
301	1001207345	2	Tire and Wheel Assembly - Left Side (SN 0300223870 to Present)	
301	1001147068	Ref	Tire and Wheel Installation - SolidBoss Non Marking (Available on ANSI, ANSI Export & CSA Spec Only)	B
301	1001147020	NLA	Tire and Wheel Assembly - Right Side (Use p/n 1001214748) (SN 0300177361 through 0300223869)	
301	1001214748	2	Tire and Wheel Assembly - Right Side (SN 0300223870 to Present)	
301	1001147019	NLA	Tire and Wheel Assembly - Left Side (Use p/n 1001214747) (SN 0300177361 through 0300223869)	

SECTION 1 - FRAME

ITEM	PART NUMBER	QTY	DESCRIPTION	REV
301	1001214747	2	Tire and Wheel Assembly - Left Side (SN 0300223870 to Present)	

SECTION 1 - FRAME

FIGURE 1-6. DRIVE HUB ASSEMBLY

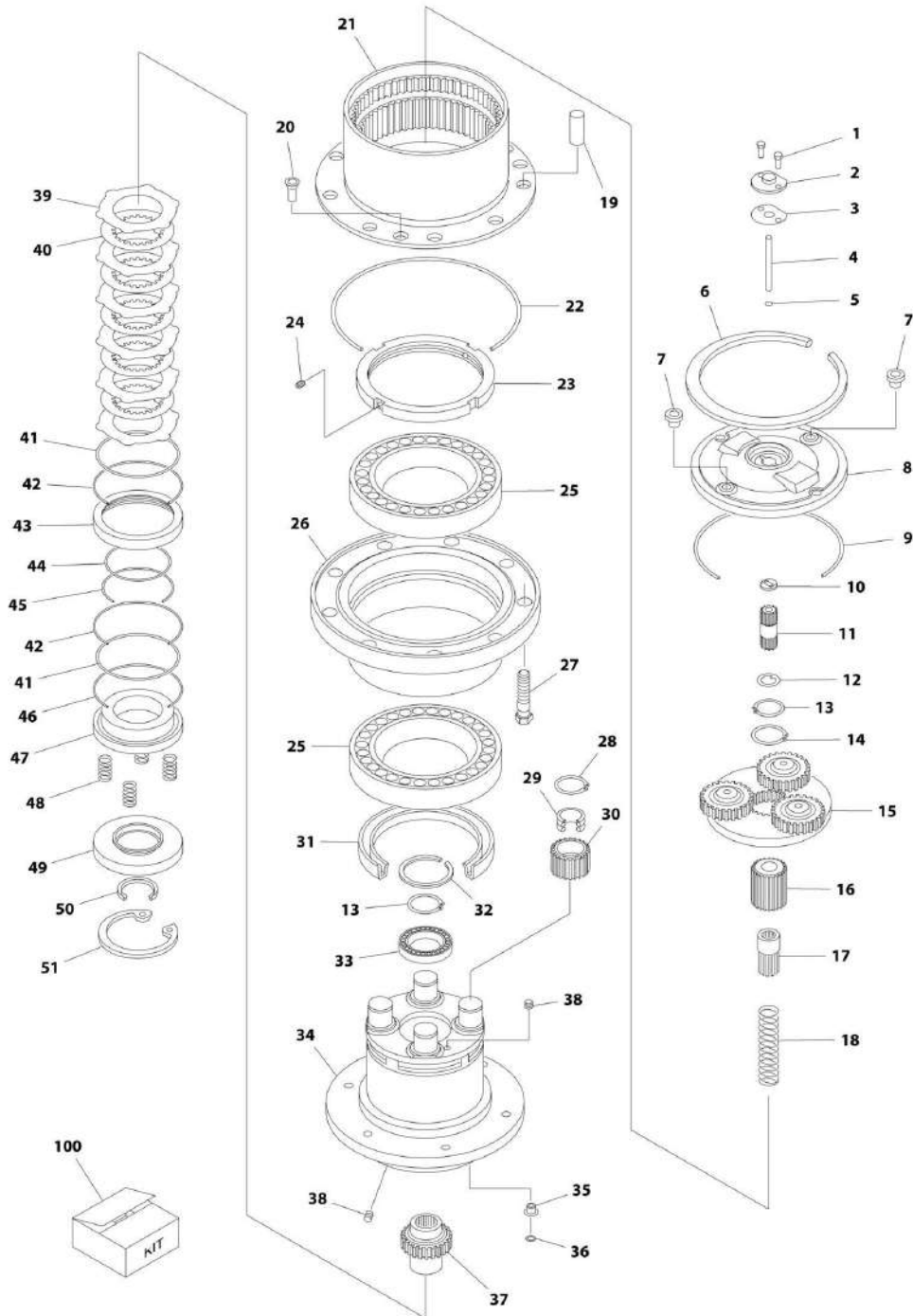


FIGURE 1-6. DRIVE HUB ASSEMBLY

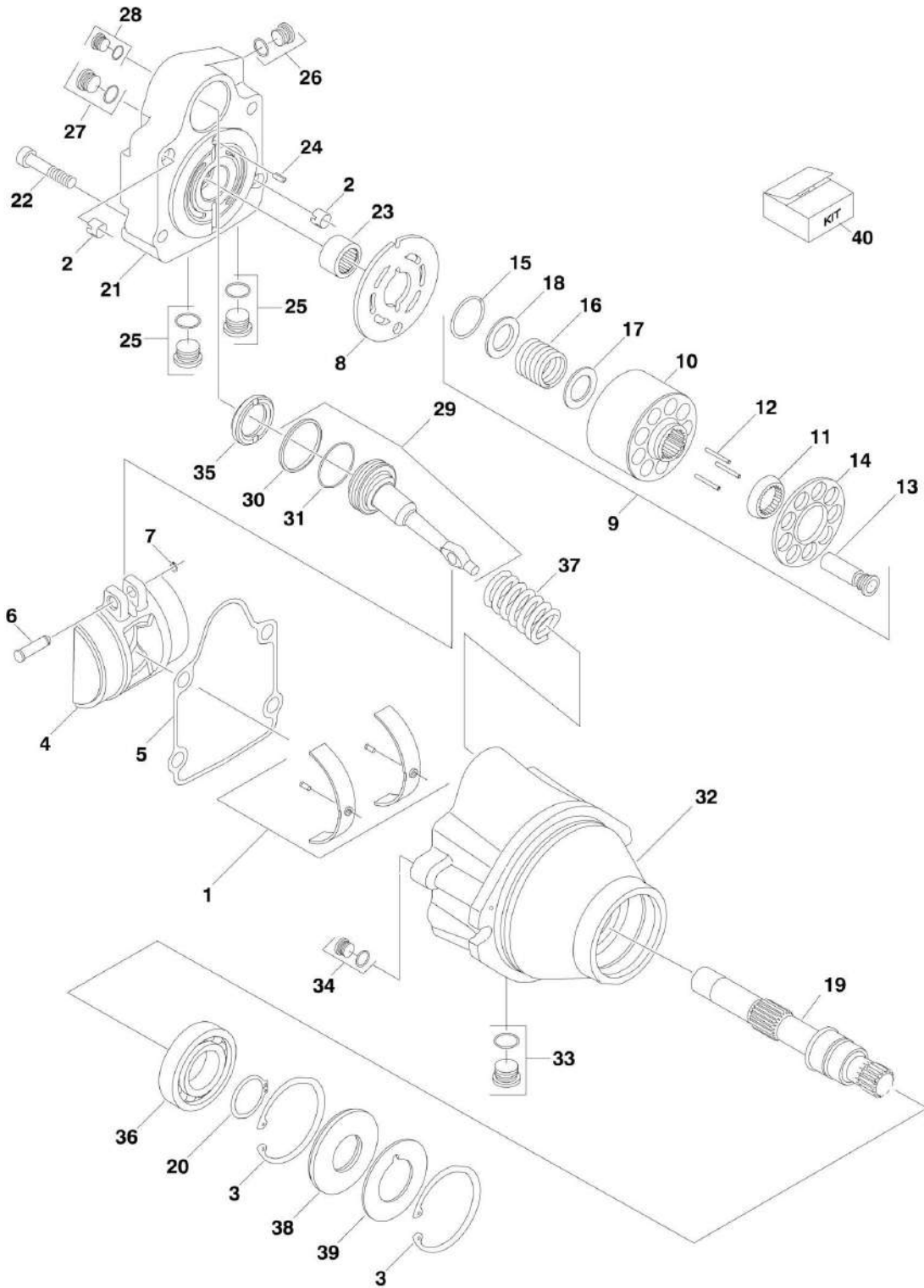
ITEM	PART NUMBER	QTY	DESCRIPTION	REV
	1001113984	Ref	DRIVE HUB ASSEMBLY	E
1	70004353	2	Screw	
2	70005298	1	Cover, Disengagement	
3	70002201	1	Gasket	
4	70002059	1	Pin, Disengagement	
5	See Note	NSS	O-Ring (Note: Use Item 100)	
6	70005299	1	Ring	
7	70002057	4	Plug	
8	70005300	1	Cover	
9	See Note	NSS	O-Ring (Note: Use Item 100)	
10	70002054	1	Shim	
11	70005301	1	Pinion	
12	70005302	1	Shim	
13	70004355	2	Ring, Outer Retention	
14	70004356	1	Ring, Inner Retention	
15	70005303	1	Reduction Gear Assembly	
16	70005304	1	Pinion	
17	70005305	1	Coupling, Disengagement Half	
18	70005306	1	Spring, Disengagement	
19	70005307	9	Plug	
20	70004361	3	Screw	
21	70005308	1	Ring, Planetary	
22	See Note	NSS	O-Ring (Note: Use Item 100)	
23	70005309	1	Nut, Ring	
24	70004363	2	Screw	
25	70005311	2	Bearing	
26	70004365	1	Support, Hub	
27	70005312	9	Column	
28	70004367	4	Ring, Outer Retention	
29	70005313	4	Bearing	
30	70004369	4	Wheel, Planet	
31	See Note	NSS	Seal, Oil (Note: Use Item 100)	
32	70004370	1	Ring	
33	70004371	1	Bearing	
34	70005314	1	Axle, Stub	
35	70005315	1	Plug	
36	See Note	NSS	O-Ring (Note: Use Item 100)	
37	70005316	1	Shaft, Input	
38	70004447	2	Plug	
39	70002027	6	Disc, Steel	
40	70002026	5	Disc, Sintered	
41	See Note	NSS	Seal (Note: Use Item 100)	
42	See Note	NSS	O-Ring (Note: Use Item 100)	
43	70005317	1	Spacer	
44	See Note	NSS	Seal (Note: Use Item 100)	
45	See Note	NSS	O-Ring (Note: Use Item 100)	
46	See Note	NSS	O-Ring (Note: Use Item 100)	
47	70005318	1	Piston	
48	70002020	6	Spring, Brake	
49	70005319	1	Spacer	

SECTION 1 - FRAME

ITEM	PART NUMBER	QTY	DESCRIPTION	REV
50	See Note	NSS	Seal, Oil (Note: Use Item 100)	
51	70005320	1	Ring, Inner Retention	
100	70005321	1	Seal Kit (Includes Items 5, 9, 22, 31, 36, 41, 42, 44, 45, 46 & 50)	

SECTION 1 - FRAME

FIGURE 1-7. DRIVE MOTOR ASSEMBLY



SECTION 1 - FRAME

FIGURE 1-7. DRIVE MOTOR ASSEMBLY

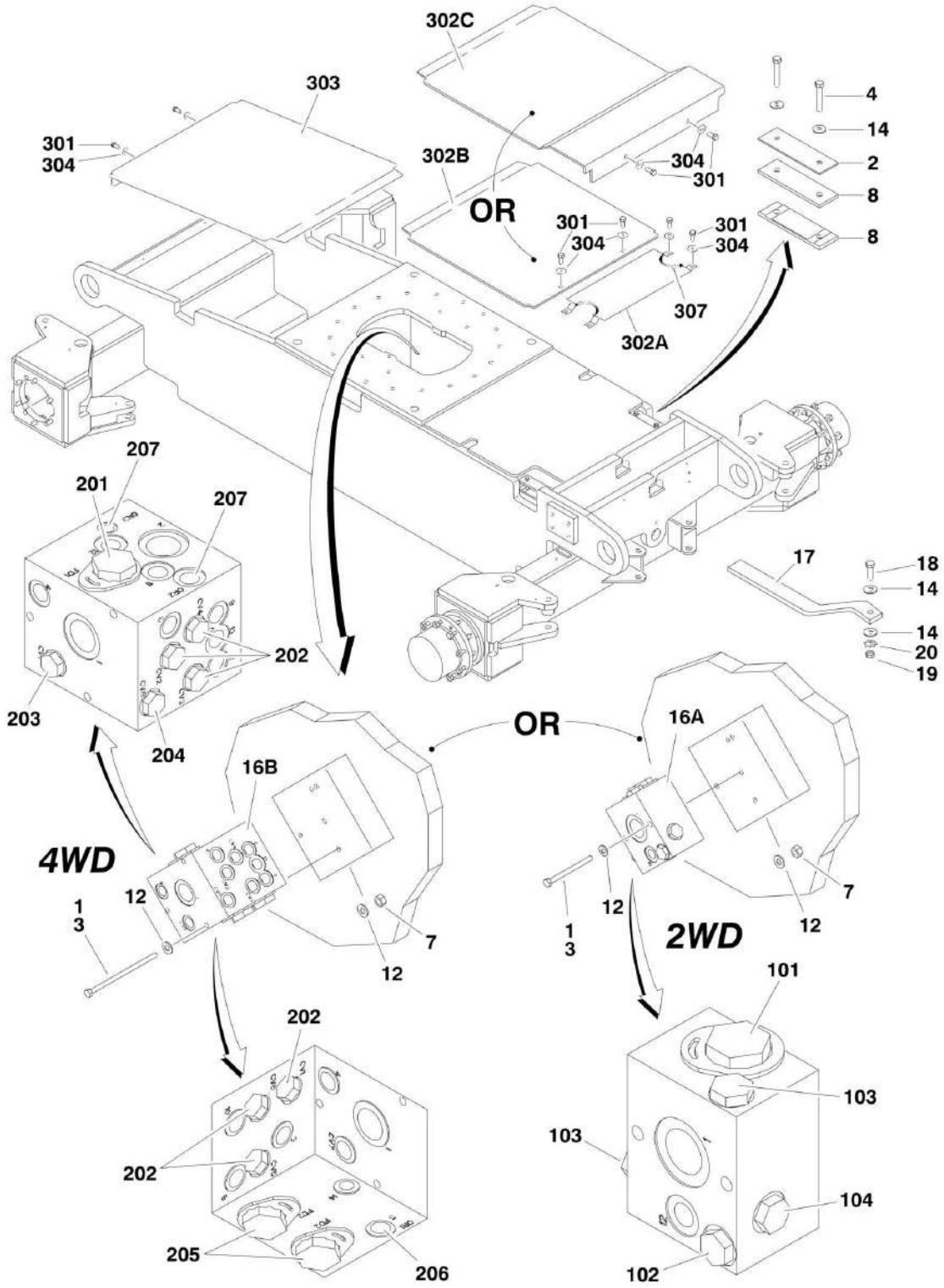
ITEM	PART NUMBER	QTY	DESCRIPTION	REV
		Ref	DRIVE MOTOR ASSEMBLY	
	1001136672	Ref	Drive Motor Assembly 2WD	C
	1001135600	Ref	Drive Motor Assembly 4WD	C
1	70000852	1	Swash Plate Bearing Kit	
2	70003628	2	Pin	
3	70007438	2	Ring, Retaining	
4	70000853	1	Swash Plate	
5	See Note	NSS	Gasket (Note: Use Item 40)	
6	70004201	1	Pin	
7	70004202	1	Ring, Retaining	
8	70000854	1	Plate, Valve	
9	7027740	1	Cylinder Block Kit (Includes Items 10-18)	
10	7027740	1	Block, Cylinder	
11	70000854	1	Guide, Slipper Retainer	
12	7021275	3	Pin, Slipper Hold Down	
13	70004203	9	Piston Assembly	
14	70000857	1	Retainer, Slipper	
15	7022311	1	Ring, Retaining	
16	7024867	1	Spring	
17	7024868	1	Washer	
18	7022314	1	Retainer, Spring	
19	70000858	1	Shaft	
20	7007439	1	Ring, Retaining	
21	70004204	1	Cap, End - Axial	
22	7022368	4	Capscrew	
23	7021249	1	Bearing, Needle	
24	7007446	1	Pin	
25	7007419	2	Plug with O-Ring	
25	See Note	NSS	O-Ring (Note: Not Sold Separately - Purchase Item 25 or 40)	
26	7007420	1	Plug with O-Ring	
26	70000862	1	O-Ring (Note: Not Sold Separately - Purchase Item 26 or 40)	
27	7022321	1	Plug with O-Ring	
27	70000862	1	O-Ring (Note: Not Sold Separately - Purchase Item 27 or 40)	
28	7007420	1	Plug with O-Ring	
28	70000862	1	O-Ring (Note: Not Sold Separately - Purchase Item 28 or 40)	
29		Ref	Servo Piston Assembly Options:	
29	70004207	1	Servo - 2WD	
29	70004205	1	Servo - 4WD	
30	See Note	NSS	Ring, Piston (Note: Not Sold Separately - Purchase Item 29 or 40)	
31	See Note	NSS	O-Ring (Note: Not Sold Separately - Purchase Item 29 or 40)	
32	See Note	NSS	Housing (Note: Not Available - Purchase Complete Motor)	
33	7022321	1	Plug with O-Ring	
33	70000862	1	O-Ring (Note: Not Sold Separately - Purchase Item 33 or 40)	
34	70002133	1	Plug with O-Ring	
34	70000862	1	O-Ring (Note: Not Sold Separately - Purchase Item 34 or 40)	
35	70004205	1	Stop (4WD Motor Only)	
36	70002176	1	Bearing	
37	70000861	1	Spring	
38	See Note	NSS	Seal, Lip (Note: Use Item 40)	

SECTION 1 - FRAME

ITEM	PART NUMBER	QTY	DESCRIPTION	REV
39	7022371	1	Washer, Support	
40	7000862	1	Seal Kit (Includes Items 5, 30, 31, 38 and Plug O-Rings)	

SECTION 1 - FRAME

FIGURE 1-8. DRIVE VALVES AND SHIELDS INSTALLATION (FRAME MOUNTED)



SECTION 1 - FRAME

FIGURE 1-8. DRIVE VALVES AND SHIELDS INSTALLATION (FRAME MOUNTED)

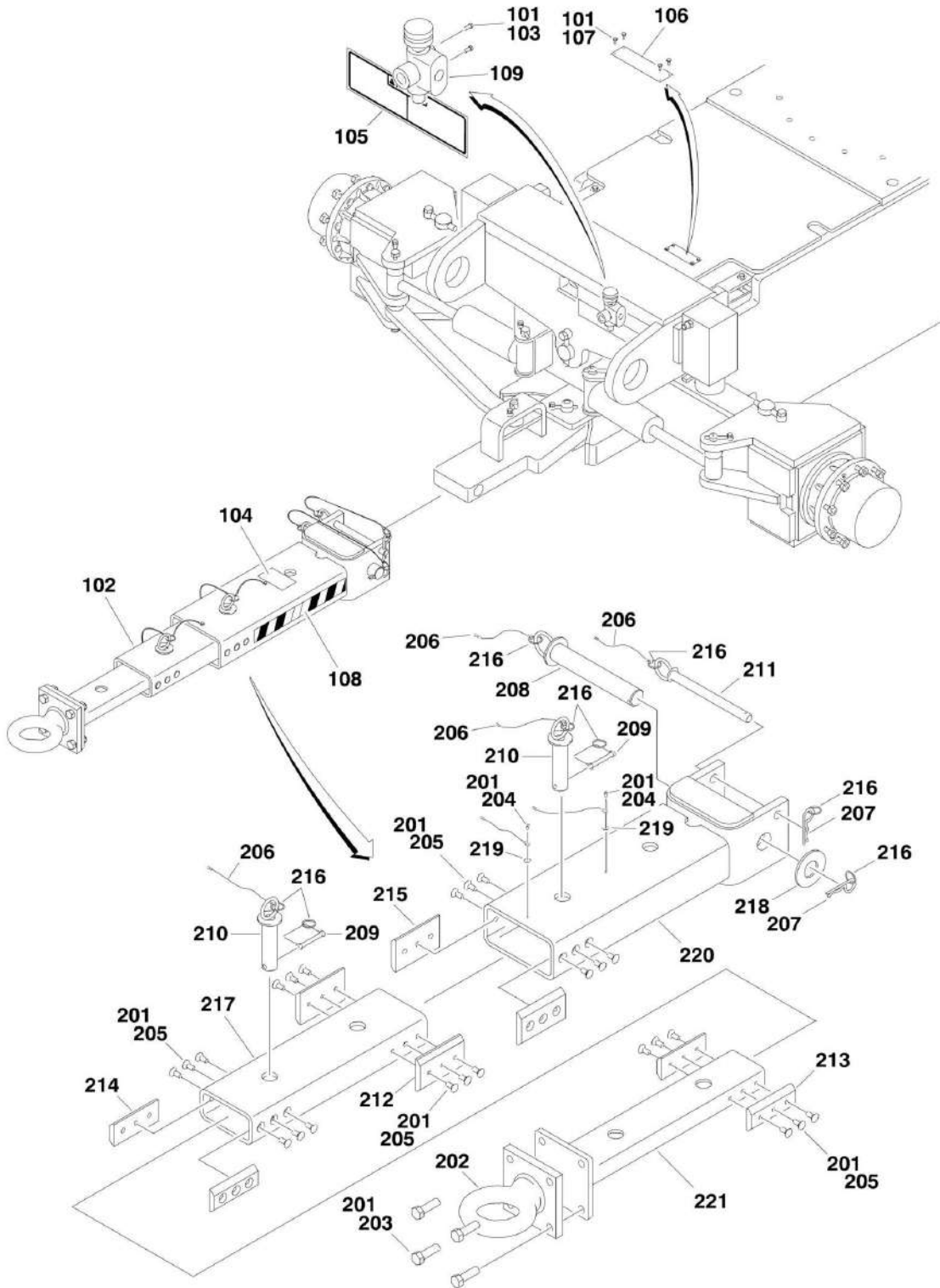
ITEM	PART NUMBER	QTY	DESCRIPTION	REV
		Ref	DRIVE VALVES INSTALLATION	
	1001136667	Ref	Drive Valves installation 2WD/2WS	D
	1001136670	Ref	Drive Valves installation 2WD/4WS	C
	1001136668	Ref	Drive Valves installation 4WD/2WS	F
	1001136669	Ref	Drive Valves installation 4WD/4WS	E
1	0100011	AR	Compound, Locking	
2		Ref	Bar, Clamping	
2	Not Required	0	Bar, Clamping 2WD/2WS	
2	0363012	2	Bar, Clamping 2WD/2WS & 4WD/2WS	
2	0363012	4	Bar, Clamping 4WD/4WS	
3		Ref	Bolt 5/16in-18NC Options:	
3	0641530	2	3-3/4in Length (2WD)	
3	0641552	3	6-1/2in Length (4WD)	
4	0641618	4	Bolt 3/8in-16NC x 2-1/4in	
7	3311505	AR	Locknut 5/16in-18NC	
8	3340911	4	Rubber, Clamp	
12		Ref	Flatwasher Options:	
12	4751500	AR	Flatwasher 5/16in Regular	
12	4711500	AR	Flatwasher 5/16in Thin	
14	4751600	AR	Flatwasher 3/8in Regular	
16		Ref	Flow Divider Valve Assembly Options:	
16A	1001100120	1	2WD (See Items 101-104 for Breakdown)	
16B	1001098503	1	4WD (See Items 201-205 for Breakdown)	
17	4240084	1	Strap, Anti-Static (2WD/4WS Only)	
18	0641611	1	Bolt 3/8in-16NC x 2 3/8in	
19	3271601	1	Nut 3/8in-16NC (Grade 8)	
20	4791600	1	Starwasher 3/8in	
	1001100120	Ref	FLOW DIVIDER ASSEMBLY (2WD)	A
101	7023933	1	Valve, Cartridge (Flow Divider)	
101	7021625	1	Seal Kit - Flow Divider Cartridge	
101	70000781	1	Locking Kit	
102	7024892	1	Valve, Cartridge (Check)	
102	7023936	1	Seal Kit - Check Cartridge	
103	7022397	2	Valve, Cartridge (Check)	
103	7022399	2	Seal Kit - Check Cartridge	
104	7023935	1	Valve, Cartridge (Check)	
104	7023936	1	Seal Kit - Check Cartridge	
	1001098503	Ref	FLOW DIVIDER ASSEMBLIES (4WD)	B
201	7023933	1	Valve, Cartridge (Flow Divider)	
201	7021625	1	Seal Kit - Flow Divider Cartridge	
202		Ref	Valve, Cartridge (Check) Options:	
202	7022397	6	Valve p/n 4641410	
202	7022399	6	Seal Kit - Check Cartridge	
202	70003408	6	Valve p/n 1001098503	
202	7022399	6	Seal Kit - Check Cartridge	
203	7023935	1	Valve, Cartridge (Check)	
203	7023936	1	Seal Kit - Check Cartridge	
204	7024892	1	Valve, Cartridge (Check)	
204	7023936	1	Seal Kit - Check Cartridge	
205	7023917	2	Valve, Cartridge (Flow Divider)	

SECTION 1 - FRAME

ITEM	PART NUMBER	QTY	DESCRIPTION	REV
205	7021625	2	Seal Kit - Flow Divider Cartridge	
206	70002063	1	Plug, Orifice	
207	70002064	2	Plug, Orifice	
		Ref	FRAME SHIELDS INSTALLATION	
	1001151897	Ref	2WD/2WS	C
	0274229	Ref	2WD/4WS (600A/AJ Only)	C
	1001151897	Ref	4WD/2WS	C
	1001152049	Ref	4WD/4WS	C
301		Ref	Bolt Options:	
301	0641505	AR	Bolt 5/16in-16NC x 5/8in	
301	0641608	AR	Bolt 3/8in-16NC x 7/8in	
301	0760608	AR	Bolt M6 x 16mm	
302		Ref	Shield, Frame - Front Options:	
302A	1001161761	1	Machines with 8ft/2.4m Wide Frame (Axle Cover)	
302B	1001151584	1	Machines with 8ft/2.4m Wide Frame (Flat Cover)	
302C	3380560	1	Machines with 7ft/2.1m Wide Frame (Axle/Flat Cover Combo)	
303		Ref	Shield, Frame - Rear Options:	
303	Not Required	0	2WS Machines with 8ft/2.4m Wide Frame	
303	1001152046	1	4WS Machines with 8ft/2.4m Wide Frames	
303	3380558	1	Machines with 7ft/2.1m Wide Frames	
304		Ref	Flatwasher Options:	
304	4751500	AR	Flatwasher 5/16in Regular	
304	4751600	AR	Flatwasher 3/8in Regular	
304	4811702	AR	Flatwasher M6	
307	4060804	AR	Flex-Trim	

SECTION 1 - FRAME

FIGURE 1-9. TOW PACKAGE INSTALLATION (OPTIONAL)



SECTION 1 - FRAME

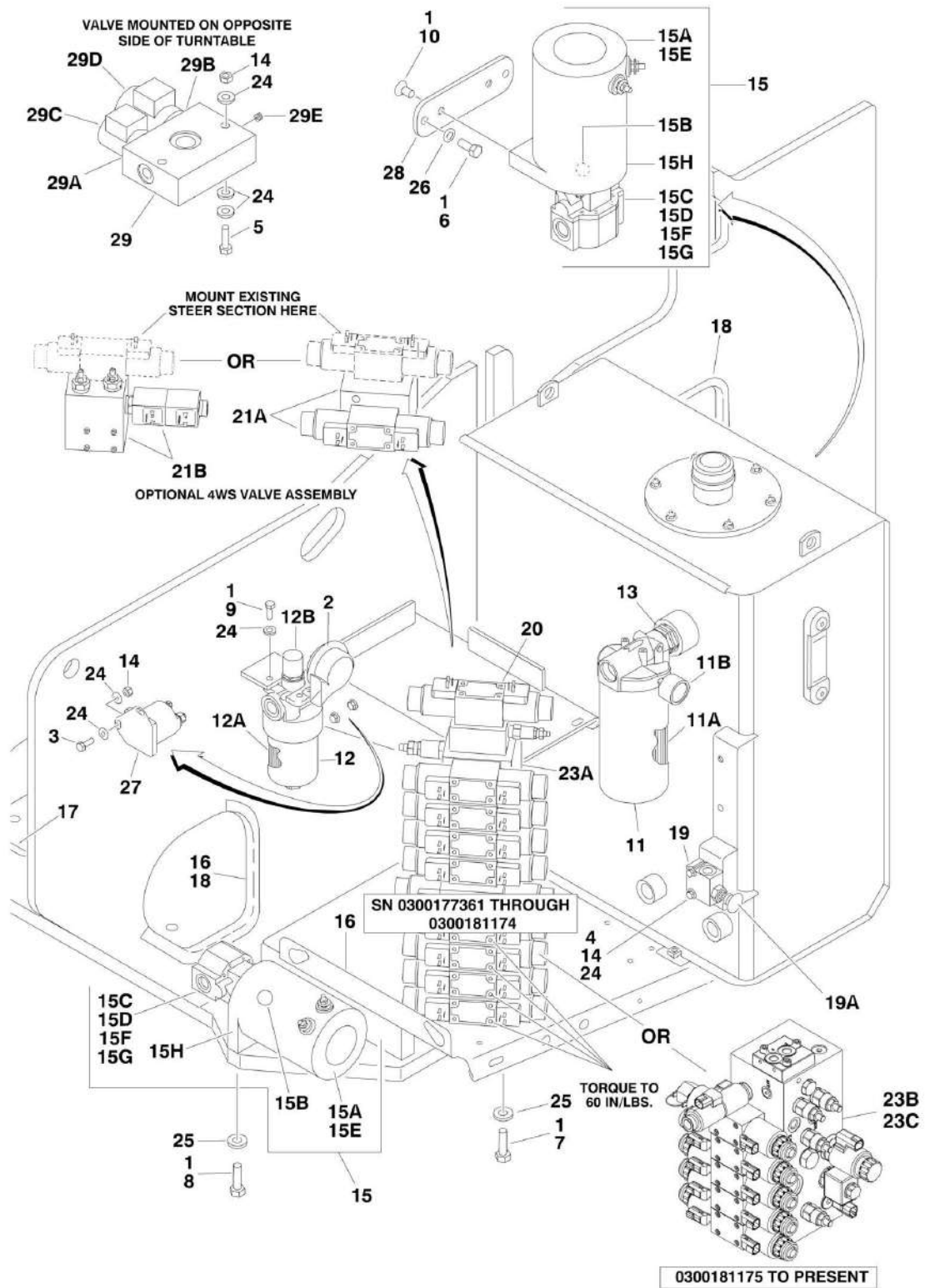
FIGURE 1-9. TOW PACKAGE INSTALLATION (OPTIONAL)

ITEM	PART NUMBER	QTY	DESCRIPTION	REV
		Ref	TOW BAR INSTALLATIONS	
	1001150571	Ref	All Specs except CSA and CE Specs	D
	1001150570	Ref	CSA Spec	C
	1001150569	Ref	CE Spec	A
101	0100011	AR	Compound, Locking	
102	0270528	1	Bar Assembly (See Items 201-221 for Breakdown)	
103	0641516	2	Bolt 5/16in-18NC x 2in	
104	1704578	2	Decal - Crushing (All Specs except CE & CSA Specs)	
104	1706960	2	Decal - Crushing (CE Specs)	
104	1704578	2	Decal - Crushing (CSA Specs) (SN 0300177361 through 0300223274)	
104	1706593	2	Decal - Crushing (CSA Specs) (SN 0300223275 to Present)	
105	1705090	1	Decal - Towing Instruction (All Specs except CSA and CE Specs)	
105	1706957	1	Decal - Towing Instruction (CE Specs)	
105	1705820	1	Decal - Towing Instruction (CSA Specs)	
106	3250872	1	Nameplate, Steer/Tow Select Valve (All Specs except CSA and CE Specs)	
106	Not Required	0	Nameplate, Steer/Tow Select Valve (CE Specs)	
106	1704272	1	Nameplate, Steer/Tow Select Valve (CSA Specs)	
107	3940604	4	Screw, Self-Tapping #6-32NF x 1/2in	
108	4420051	AR	Tape, Safety	
109	4640261	1	Valve, Float Position	
	0270528	Ref	TOW BAR ASSEMBLY	A
201	0100011	AR	Compound, Locking	
202	0362910	1	Pintle, Draw Eye	
203	0642010	4	Bolt 5/8in-11NC x 1-1/4in	
204	0721004	2	Screw, Hex Machine	
205	0741607	24	Screw, Countersunk 3/8in-16NC x 7/8in	
206	1060584	6	Cable, Lanyard	
207	3420372	2	Pin, Cotter	
208	3420447	1	Pin, Towing	
209	3421565	2	Pin, Snap	
210	3422841	2	Pin	
211	3422847	1	Pin	
212	3572009	2	Plate, Slide Stop	
213	3572010	2	Plate, Slide Stop	
214	3572011	2	Plate, Slide Stop	
215	3572012	2	Plate, Slide Stop	
216	3760170	8	Ring, Split	
217	4568133	1	Tube, Tow Bar	
218	4740036	1	Flatwasher	
219	4751000	2	Flatwasher #10 Regular	
220	4846295	1	Tow Bar Attach Weldment	
221	4846296	1	Pintle Attach Weldment	

SECTION 2 - TURNTABLE

SECTION 2 - TURNTABLE

FIGURE 2-1. CONTROL VALVES INSTALLATIONS



SECTION 2 - TURNTABLE

FIGURE 2-1. CONTROL VALVES INSTALLATIONS

ITEM	PART NUMBER	QTY	DESCRIPTION	REV
		Ref	CONTROL VALVES INSTALLATIONS	
		Ref	Machines without LSS or with 4 Cell LSS:	
	1001152535	Ref	Control Valves Installations - 600A 2WS with Deutz D2011 and GM Engines (SN 0300177361 through 0300181174)	C
	1001160038	Ref	Control Valves Installations - 600A 2WS with Deutz D2011, Ford and GM Engines (SN 0300181175 to Present)	B
	1001145379	Ref	Control Valves Installations - 600A 2WS with Deutz TD2.9L4 Engines (SN 0300177361 through 0300181174)	C
	1001164168	Ref	Control Valves Installations - 600A 2WS with Deutz TD2.9L4 Engines (SN 0300181175 to Present)	B
	1001152534	Ref	Control Valves Installations - 600A 4WS with Deutz D2011 and GM Engines (SN 0300177361 through 0300181174)	C
	1001160039	Ref	Control Valves Installations - 600A 4WS with Deutz D2011, Ford and GM Engines (SN 0300181175 to Present)	B
	1001145720	Ref	Control Valves Installations - 600A 4WS with Deutz TD2.9L4 Engines (SN 0300177361 through 0300181174)	D
	1001164160	Ref	Control Valves Installations - 600A 4WS with Deutz TD2.9L4 Engines (SN 0300181175 to Present)	B
	1001152537	Ref	Control Valves Installations - 600AJ 2WS with Deutz D2011 and GM Engines (SN 0300177361 through 0300181174)	C
	1001160068	Ref	Control Valves Installations - 600AJ 2WS with Deutz D2011, Ford and GM Engines (SN 0300181175 to Present)	B
	1001145719	Ref	Control Valves Installations - 600AJ 2WS with Deutz TD2.9L4 Engines (SN 0300177361 through 0300181174)	D
	1001164164	Ref	Control Valves Installations - 600AJ 2WS with Deutz TD2.9L4 Engines (SN 0300181175 to Present)	B
	1001152265	Ref	Control Valves Installations - 600AJ 4WS with Deutz D2011 and GM Engines (SN 0300177361 through 0300181174)	C
	1001164170	Ref	Control Valves Installations - 600AJ 4WS with Deutz D2011, Ford and GM Engines (SN 0300181175 to Present)	B
	1001145721	Ref	Control Valves Installations - 600AJ 4WS with Deutz TD2.9L4 Engines (SN 0300177361 through 0300181174)	D
	1001160069	Ref	Control Valves Installations - 600AJ 4WS with Deutz TD2.9L4 Engines (SN 0300181175 to Present)	B
		Ref	Machines with 1 Cell LSS:	
	1001219471	Ref	Control Valves Installations - 600A 2WS with Deutz D2011 and Ford Engines	B
	1001219477	Ref	Control Valves Installations - 600A 2WS with Deutz TD2.9L4 Engines	B
	1001219472	Ref	Control Valves Installations - 600A 4WS with Deutz D2011 and Ford Engines	B
	1001219475	Ref	Control Valves Installations - 600A 4WS with Deutz TD2.9L4 Engines	B
	1001219473	Ref	Control Valves Installations - 600AJ 2WS with Deutz D2011 and Ford Engines	A
	1001219476	Ref	Control Valves Installations - 600AJ 2WS with Deutz TD2.9L4 Engines	A
	1001219474	Ref	Control Valves Installations - 600AJ 4WS with Deutz D2011 and Ford Engines	A
	1001219478	Ref	Control Valves Installations - 600AJ 4WS with Deutz TD2.9L4 Engines	A
	1001137895	Ref	Auxiliary Pump Installation (Deutz TD2.9L4 & Ford Engines)	C
1	0100011	AR	Compound, Locking	
2	0140001	1	Horn	
3	0641406	AR	Bolt 1/4in-20NC x 3/4in	

SECTION 2 - TURNTABLE

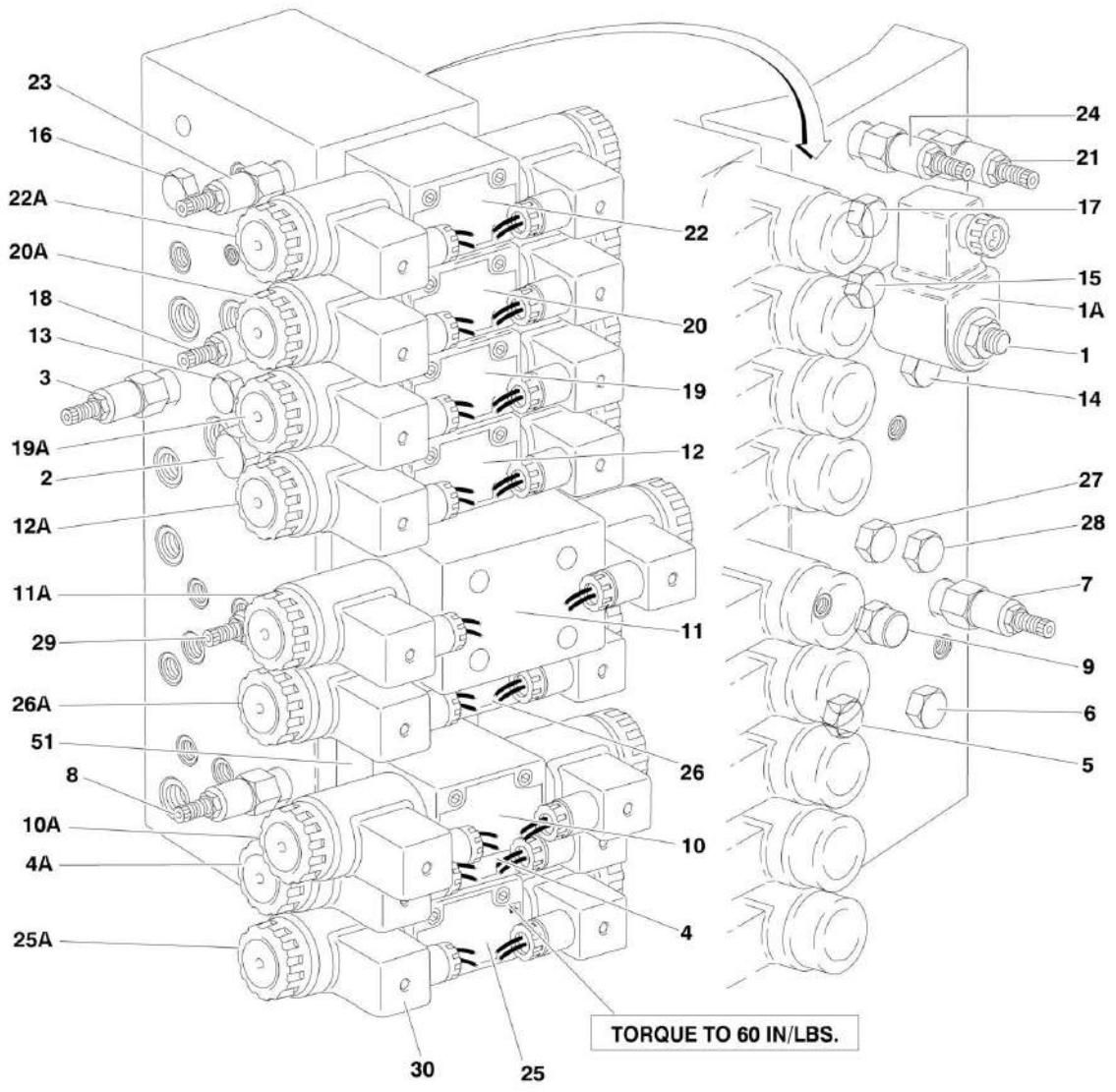
ITEM	PART NUMBER	QTY	DESCRIPTION	REV
4	0641414	2	Bolt 1/4in-20NC x 1-3/4in	
5	0641416	2	Bolt 1/4in-20NC x 2in	
6	0641607	AR	Bolt 3/8in-16NC x 7/8in	
7	0641608	3	Bolt 3/8in-16NC x 1in	
8	0641613	AR	Bolt 3/8in-16NC x 1-5/8in	
9	0651406	3	Bolt 1/4in-28NF x 3/4in	
10	0741606	AR	Screw, Countersunk 1/4in-20NC x 3/4in	
11	2120164	1	Return Filter Assembly	B
11A	2120149	1	Element, Filter	
11B	7020021	1	Manual Indicator	
12	2120209	1	Hydraulic Pressure Filter Assembly	
12A	2120210	1	Element, Filter	
12B	7020020	1	Manual Indicator	
12C	70000934	1	O-Ring, Filter Bowl (Not Shown)	
13	2220893	1	Fitting, Adapter	
14	3311405	AR	Locknut 1/4in x 20NC	
15	3600365	1	Auxiliary Pump Assembly	B
15A	7004290	1	Replacement Motor with Endhead Item 15H (was p/n 7011067)	
15A	7004248	1	Replacement Motor without Endhead Item 15H	
15A	7011065	1	Brush Kit - 7011067 Motor	
15B	7011063	1	Coupling	
15C	7011064	1	Replacement Pump	
15C	7011066	1	Seal Kit - 7011064 Pump	
15C	7004290	1	Relief Valve (Note: Not Available - Replace Complete Pump)	
15D	7011043	4	Bolt (Mounts Pump to Mounting Bracket)	
15E	See Note	2	Bolt (Motor to Bracket) (Note: Not Available for Purchase)	
15F	7011044	1	Gasket	
15G	7011048	4	Lockwasher	
15H	7011062	4	Endhead, Motor	
16	4060804	AR	Trim-Loc 3/16in	
17	4060807	AR	Trim-Loc 3/8in	
18	4060918	AR	Trim-Loc 5/8in	
19	4640866	1	Manual Pull Valve Assembly	
19	2900708	1	Seal Kit - 4640866 Valve	
19A	7012959	1	Knob	
20		Ref	Jib Valve Kit (See ACCESSORY VALVE ASSEMBLIES for Breakdown) Options:	
20	Not Required	0	Jib Valve Kit 600A	
20	4640921	1	Jib Valve Kit 600AJ (SN 0300177361 through 0300181174)	
20	4921927	1	Harness, Jib Valve (Not Shown - See ELECTRICAL SECTION for Breakdown) (SN 0300177361 through 0300181174)	
21		Ref	Valve Assembly (See ACCESSORY VALVE ASSEMBLIES for Breakdown) Options:	
21	Not Required	0	2WS	
21A	4640922	1	4WS Machines with Deutz D2011 and GM Engines (SN 0300177361 through 0300181174)	
21B	1001148664	1	4WS Machines with Deutz TD2.9L4 Engines (SN 0300177361 through 0300181174)	
21B	4921928	1	Harness, 4WS (Not Shown - See ELECTRICAL SECTION for Breakdown) (SN 0300177361 through 0300181174)	
23A	4641452	1	Main Valve Block Assembly (See MAIN VALVE BLOCK ASSEMBLY for Breakdown) (SN 0300177361 through	

SECTION 2 - TURNTABLE

ITEM	PART NUMBER	QTY	DESCRIPTION	REV
			0300181174)	
23B	1001152887	1	Main Valve Block Assembly - 2WS (See MAIN VALVE BLOCK ASSEMBLY for Breakdown) (SN 0300181175 to Present)	
23C	1001152561	1	Main Valve Block Assembly - 4WS (See MAIN VALVE BLOCK ASSEMBLY for Breakdown) (SN 0300181175 to Present)	
24	4711400	AR	Flatwasher 1/4in Thin	
24	4791400	AR	Starwasher 1/4in	
25	4711600	5	Flatwasher 3/8in Thin	
26	4761600	AR	Lockwasher 3/8in	
27	3740067	1	Relay (Machines with Deutz TD2.9L4 Engines Only)	
28	1001144041	1	Plate, Mounting (Machines with Deutz TD2.9L4 Engines Only)	
29	1001099391	1	Brake/Selector Valve Assembly	
29A	7012941	1	Cartridge without Coil	
29A	7010543	1	Seal Kit - 7012941 Cartridge	
29B	7012995	1	Cartridge without Coil	
29B	7012518	1	Seal Kit - 7012995 Cartridge	
29C	7012944	1	Coil	
29D	7012943	1	Coil	
29E	70002209	1	Orifice	

SECTION 2 - TURNTABLE

FIGURE 2-2. MAIN VALVE BLOCK ASSEMBLY



SECTION 2 - TURNTABLE

FIGURE 2-2. MAIN VALVE BLOCK ASSEMBLY

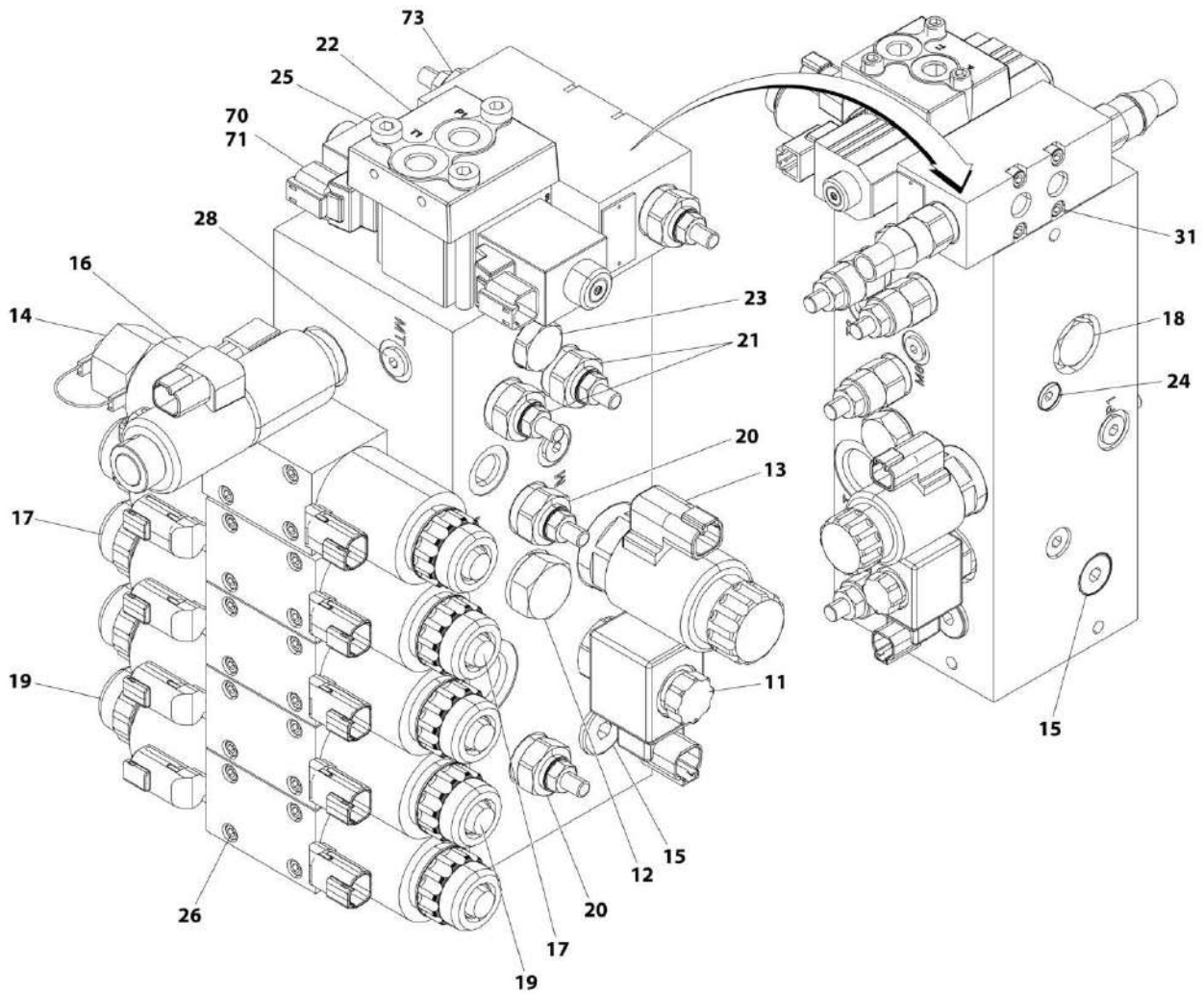
ITEM	PART NUMBER	QTY	DESCRIPTION	REV
	4641452	Ref	MAIN VALVE BLOCK ASSEMBLY (SN 0300177361 through 0300181174)	D
1	7017410	1	Cartridge, Without Coil	
1	7012967	1	Seal Kit - 7017410 Cartridge	
1A	7012944	1	Coil	
2	7017464	1	Cartridge, Pressure Sensing	
2	7012518	1	Seal Kit -7017464 Cartridge	
3	7017418	1	Cartridge (Main Relief)	
3	7012998	1	Seal Kit	
4	7018941	2	Orifice, 1.2mm (Located under Control Valve Assembly)	
4	70001976	1	Control Valve Assembly (Platform Level) (was p/n 7012770)	
4	7012773	1	Seal Kit	
4A	7012772	2	Coil	
4A	7021375	2	Nut	
5	7012914	1	Cartridge, Check Valve	
5	7012918	1	Seal Kit - 7012914 Cartridge	
6	7012914	1	Cartridge, Check Valve	
6	7012918	1	Seal Kit - 7012914 Cartridge	
7	7017427	1	Cartridge, Relief Valve (Platform Level Backward Relief)	
7	7012998	1	Seal Kit - 7017427 Cartridge	
8	7017428	1	Cartridge, Relief Valve (Platform Level Forward Relief)	
8	7012998	1	Seal Kit - 7017428 Cartridge	
9	7012989	1	Cartridge, Flow Control	
9	7012953	1	Seal Kit - 7012989 Cartridge	
10	70001976	1	Control Valve Assembly (Platform Rotate) (was p/n 7012770)	
10	7012773	1	Seal Kit	
10A	7012772	2	Coil	
10A	7018912	2	Nut	
11	70000579	1	Control Valve Assembly (Upper Tele)	
11	70000583	1	Seal Kit - 70000579 Cartridge	
11A	70000582	1	Coil	
11A	70000580	1	Nut, Coil	
12	7012775	1	Control Valve Assembly (Flow Control)	
12	7012773	1	Seal Kit	
12A	7012772	2	Coil	
12A	7018912	2	Nut	
13	7010542	1	Cartridge, Shuttle	
13	7010543	1	Seal Kit - 7010542 Cartridge	
14	7010542	1	Cartridge, Shuttle	
14	7010543	1	Seal Kit - 7010542 Cartridge	
15	7010542	1	Cartridge, Shuttle	
15	7010543	1	Seal Kit - 7010542 Cartridge	
16	7010542	1	Cartridge, Shuttle	
16	7010543	1	Seal Kit - 7010542 Cartridge	
17	7010542	1	Cartridge, Shuttle	
17	7010543	1	Seal Kit - 7010542 Cartridge	
18	7012912	1	Cartridge, Relief Valve	
18	7012998	1	Seal Kit - 7012912 Cartridge	
19	7012775	1	Control Valve Assembly (Upper Lift)	
19	7012773	1	Seal Kit	

SECTION 2 - TURNTABLE

ITEM	PART NUMBER	QTY	DESCRIPTION	REV
19	7012799	1	Lanyard Assembly (Not Shown)	
19A	7012772	2	Coil	
19A	7018912	2	Nut	
20	7012775	1	Control Valve Assembly (Swing)	
20	7012773	1	Seal Kit	
20A	7012772	2	Coil	
20A	7018912	2	Nut	
21	7012912	1	Cartridge, Relief Valve (Swing Right/Left Relief)	
21	7012998	1	Seal Kit - 7012912 Cartridge	
22	7012774	1	Control Valve Assembly (Steer)	
22	7012773	1	Seal Kit	
22A	7012772	2	Coil	
22A	7018912	2	Nut	
23	7017428	1	Cartridge, Relief Valve (Steer Left Relief)	
23	7012998	1	Seal Kit - 7017428 Cartridge	
24	7017428	1	Cartridge, Relief Valve (Steer Right Relief)	
24	7012998	1	Seal Kit - 7017428 Cartridge	
25	70001976	1	Control Valve Assembly (Lower Tele) (was p/n 7012770)	
25	7012773	1	Seal Kit	
25A	7012772	2	Coil	
25A	7021375	2	Nut	
26	7018952	1	Control Valve Assembly (Lower Lift)	
26	7012769	1	Seal Kit - 7018952 Cartridge	
26A	7012772	2	Coil	
26A	7018912	2	Nut	
26A	7012799	1	Lanyard Cable Assembly	
27	7012969	1	Cartridge, Check	
27	7012967	1	Seal Kit - 7012969 Cartridge	
28	7012914	1	Cartridge, Check	
28	7012918	1	Seal Kit - 7012914 Cartridge	
30	4460499	19	Connector, Din with Diode (Part of Valve Harness)	
51	2901763	1	Rotate Sandwich Valve Kit	A
51	7021310	1	Block, Valve	

SECTION 2 - TURNTABLE

FIGURE 2-3. MAIN VALVE BLOCK ASSEMBLY



ART_1001152561

SECTION 2 - TURNTABLE

FIGURE 2-3. MAIN VALVE BLOCK ASSEMBLY

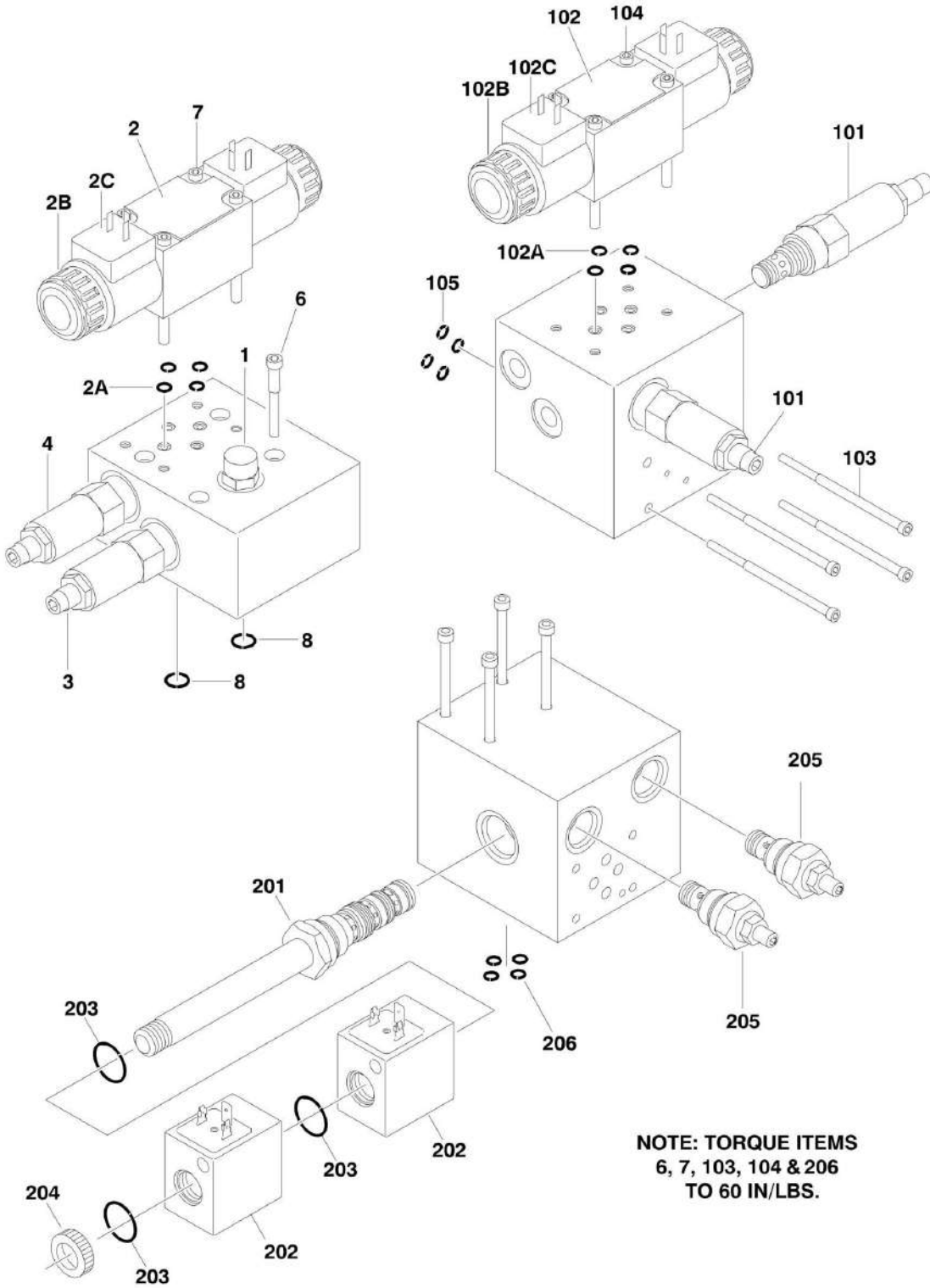
ITEM	PART NUMBER	QTY	DESCRIPTION	REV
	1001152887	Ref	MAIN VALVE BLOCK ASSEMBLY - 2WS (SN 0300181175 to Present)	C
	1001152561	Ref	MAIN VALVE BLOCK ASSEMBLY - 4WS (SN 0300181175 to Present)	E
11	70004652	1	Valve, Cartridge Less Coil (Dump)	
11	70023867	1	Seal kit - 70004652 Valve	
11	70004653	1	Coil	
11	70004654	1	Nut, Coil	
12	70004655	1	Valve, Cartridge	
12	70004656	1	Seal Kit - 70004655 Valve	
13	70004657	1	Valve, Cartridge Less Coil	
13	70004594	1	Seal Kit - 70004657 Valve	
13	70004595	1	Coil	
13	70004597	1	Nut, Coil	
13	70004596	1	O-Ring, Pole Tube	
14	70004659	1	Valve, Cartridge Less Coil (Steer)	
14	70004660	1	Seal - Kit - 70004659 Valve	
14	80434249	2	Coil	
14	70004661	1	Nut, Coil	
14	70024457	1	O-Ring, Pole Tube (Upper)	
14	70004662	1	O-Ring, Pole Tube (Lower)	
15	70023859	5	Valve, Cartridge	
16	70004663	1	Valve Assembly (Lower Lift)	
16	7012773	1	Seal Kit - 70004663 Valve	
16	70004660	2	Coil	
16	7021375	1	Nut, Coil (Plastic)	
16	70004661	2	O-Ring, Pole Tube	
16	70003525	1	Not, Coil (Aluminum)	
16	70004664	1	Lanyard	
17	70004459	2	Valve Assembly (Upper Tele and Lower Tele)	
17	7012773	1	Seal Kit - 70004459 Valve	
17	70004460	2	Coil	
17	7021375	2	Nut, Coil	
17	70004661	2	O-Ring, Pole Tube	
18	70004665	1	Valve, Cartridge	
18	70023862	1	Seal Kit - 70004665 Valve	
19	70004666	2	Valve Assembly (Swing and Upper Lift)	
19	7012773	1	Seal Kit - 70004666 Valve	
19	70004463	2	Coil	
19	7021375	2	Nut, Coil	
19	70004461	2	O-Ring, Pole Tube	
20	70003019	3	Valve, Cartridge	
20	70004052	3	Seal Kit - 70003019	
21	70003019	2	Valve, Cartridge	
21	70004052	2	Seal Kit - 70003019 Valve	
22	70004667	1	Cover	
23	2220886	1	Plug (2WS)	
23	70004670	1	Plug (4WS)	
24	70004668	1	Plug (2WS)	
24	70004665	1	Plug (4WS)	

SECTION 2 - TURNTABLE

ITEM	PART NUMBER	QTY	DESCRIPTION	REV
25	70005201	3	Capscrew (Valve p/n 1001152887 Only)	
25	70021202	1	Bolt Kit (Valve p/n 1001152561 Only)	
26	7018942	20	Capscrew	
27	70005202	2	O-Ring (Not Shown - Located under Item 22)	
28	70002758	6	Plug 7/16	
29	70004617	4	Plug 9/16 (Not Shown)	
30	70002759	1	Plug 3/4 (Not Shown - Located under Item 73)	
31	70005232	1	Bolt Kit (Valve p/n 1001152561 Only)	
32	91474405	2	O-Rings (Not Shown - Located under Item 73) (Valve p/n 1001152561 Only)	
70	70004671	1	Valve Assembly (4WS Rear Steer) (1001152561 Valve Only)	
70	70004672	1	Seal Kit - 70004671 Valve	
71	70004673	2	Coil (4WS Rear Steer) (1001152561 Valve Only)	
73	70004674	2	Valve, Cartridge (4WS Rear Steer) (1001152561 Valve Only)	
73	70004052	2	Seal Kit - 70004052 Valve	

SECTION 2 - TURNTABLE

FIGURE 2-4. ACCESSORY VALVE ASSEMBLIES



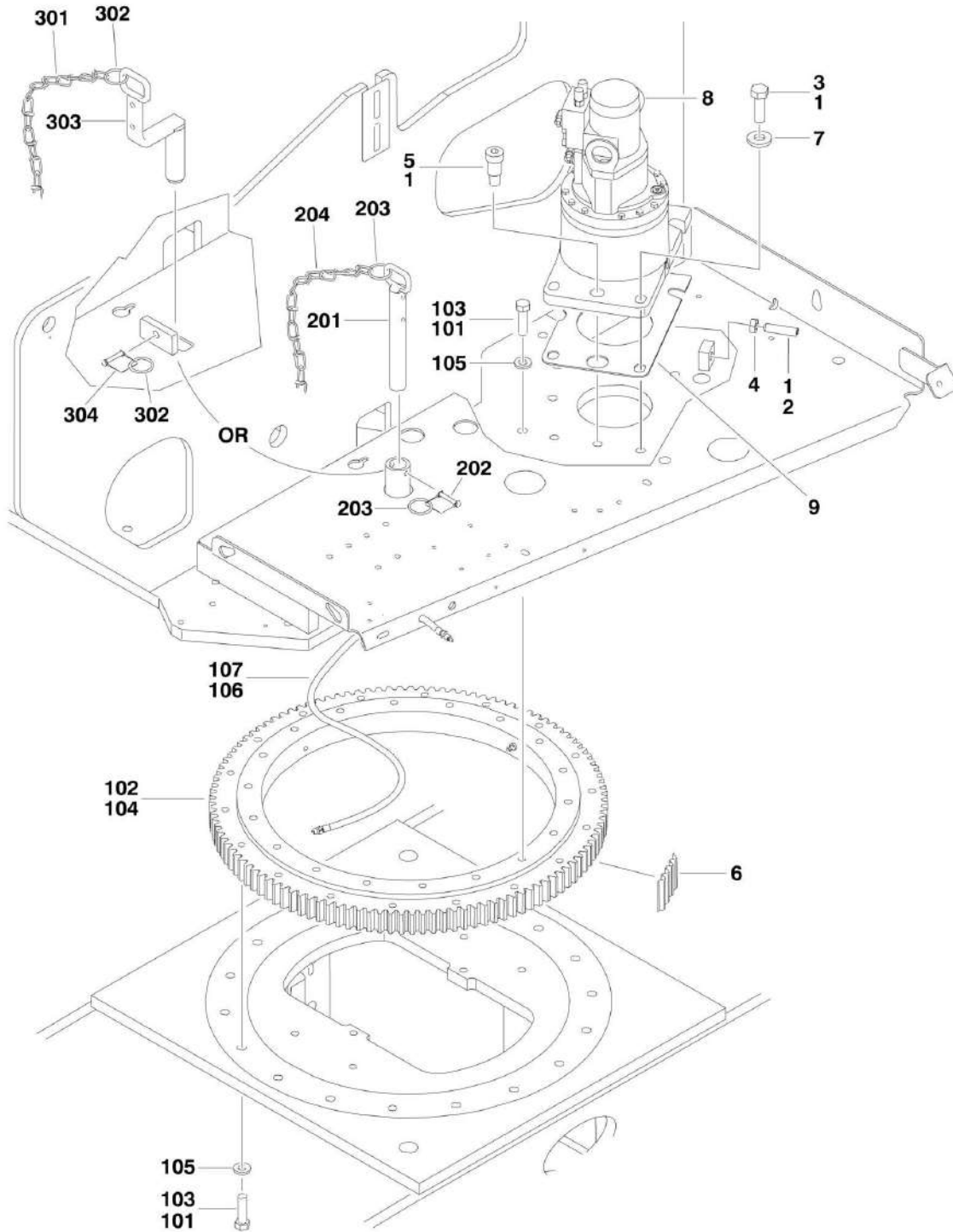
SECTION 2 - TURNTABLE

FIGURE 2-4. ACCESSORY VALVE ASSEMBLIES

ITEM	PART NUMBER	QTY	DESCRIPTION	REV
	4640921	Ref	ARTICULATING JIB VALVE ASSEMBLY	D
1	7012965	1	Cartridge, Flow Control	
1	7012953	1	Seal Kit - 7012965 Cartridge	
2	70001976	1	Directional Control Valve Assembly (was p/n 7012770)	
2	7012773	1	Seal Kit	
2A	7018945	4	O-Ring	
2B	7018912	2	Nut	
2C	7012772	2	Coil	
3	7017421	1	Cartridge, Relief	
3	7012998	1	Seal Kit - 7017421 Cartridge	
4	7017422	1	Cartridge, Relief	
4	7012998	1	Seal Kit - 7017422 Cartridge	
5	4460499	2	Connector, DIN with Diode (Not Shown - Part of Valve Harness)	
6	7018946	4	Capscrew, Socket Head #10-24NC x 5in (Not Shown - Used to Mount Valve Assembly)	
7	7018942	4	Capscrew, Socket Head #10-24NC x 2in	
8	7012776	4	O-Ring (Not Shown - Used to Mount to Main Valve)	
	4640922	Ref	4WS VALVE ASSEMBLY (MACHINES WITH DEUTZ D2011 AND GM ENGINES)	B
101	7017420	2	Cartridge, Flow Control	
101	7012998	2	Seal Kit - 7017420 Cartridge	
102	7012774	1	Directional Control Valve Assembly	
102	7012773	1	Seal Kit	
102A	7018945	4	O-Ring	
102B	7018912	2	Nut	
102C	7012772	2	Coil	
103	7018946	4	Capscrew, Socket Head #10-24NC x 5in (Used to Mount Valve Assembly)	
104	7018942	4	Capscrew, Socket Head #10-24NC x 2in	
105	7018948	4	O-Ring (Used to Mount to Main Valve)	
	1001148664	Ref	4WS VALVE ASSEMBLY (MACHINES WITH DEUTZ TD2.9L4 ENGINES)	B
201	70004165	1	Cartridge Less Coils	
201	70004164	1	Seal Kit - 70004165 Valve	
202	70004161	2	Coil	
203	70004163	1	Seal Kit (Includes O-Rings for between Coil, Nut and Cartridge)	
204	70004162	1	Nut, Coil	
205	70004166	2	Cartridge	
205	70004052	2	Seal Kit - 70004166 Valve (1 Per Cartridge)	
206	7018948	4	O-Ring	

SECTION 2 - TURNTABLE

FIGURE 2-5. SWING DRIVE, TURNTABLE BEARING AND LOCK INSTALLATIONS



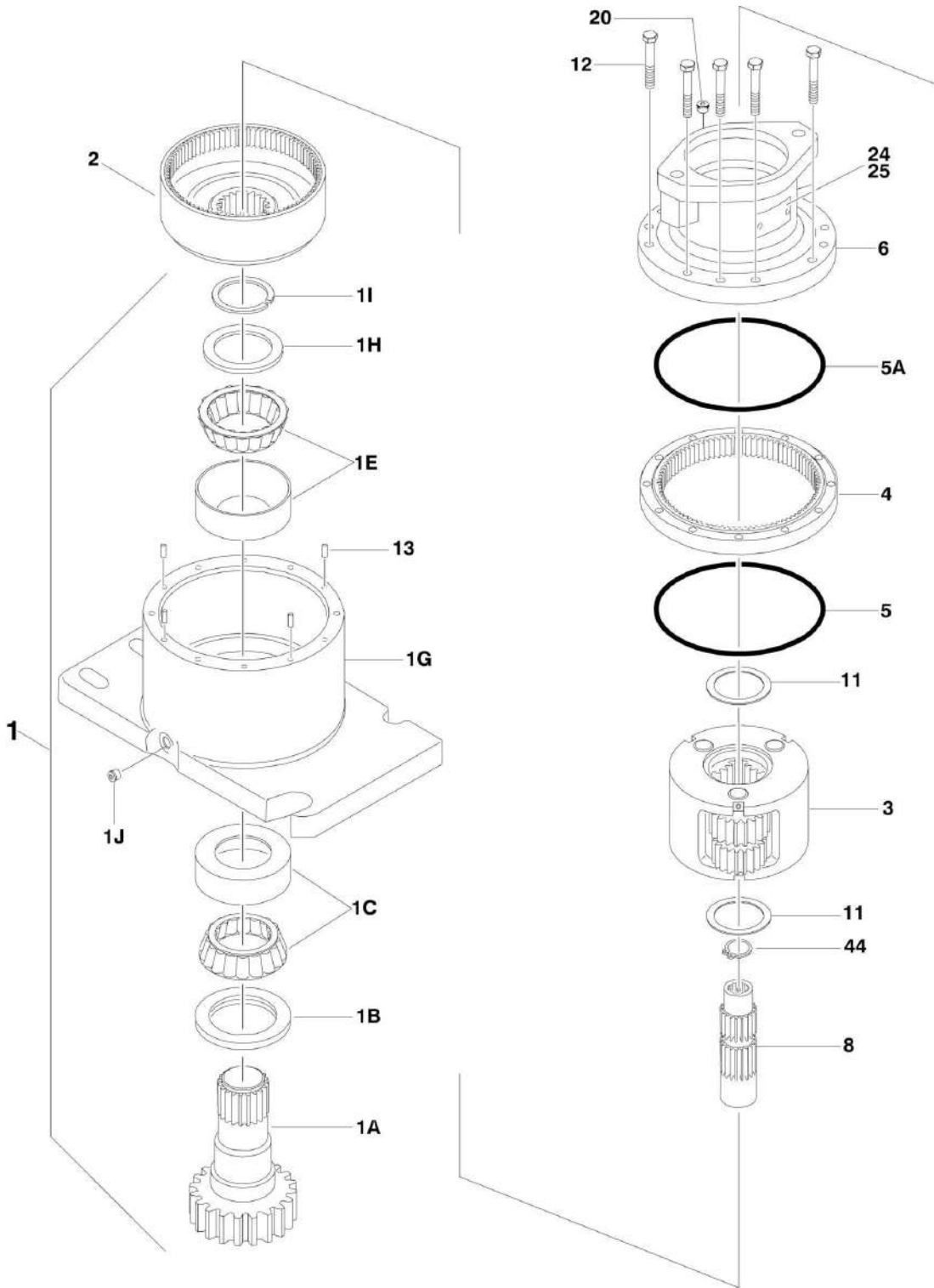
SECTION 2 - TURNTABLE

FIGURE 2-5. SWING DRIVE, TURNTABLE BEARING AND LOCK INSTALLATIONS

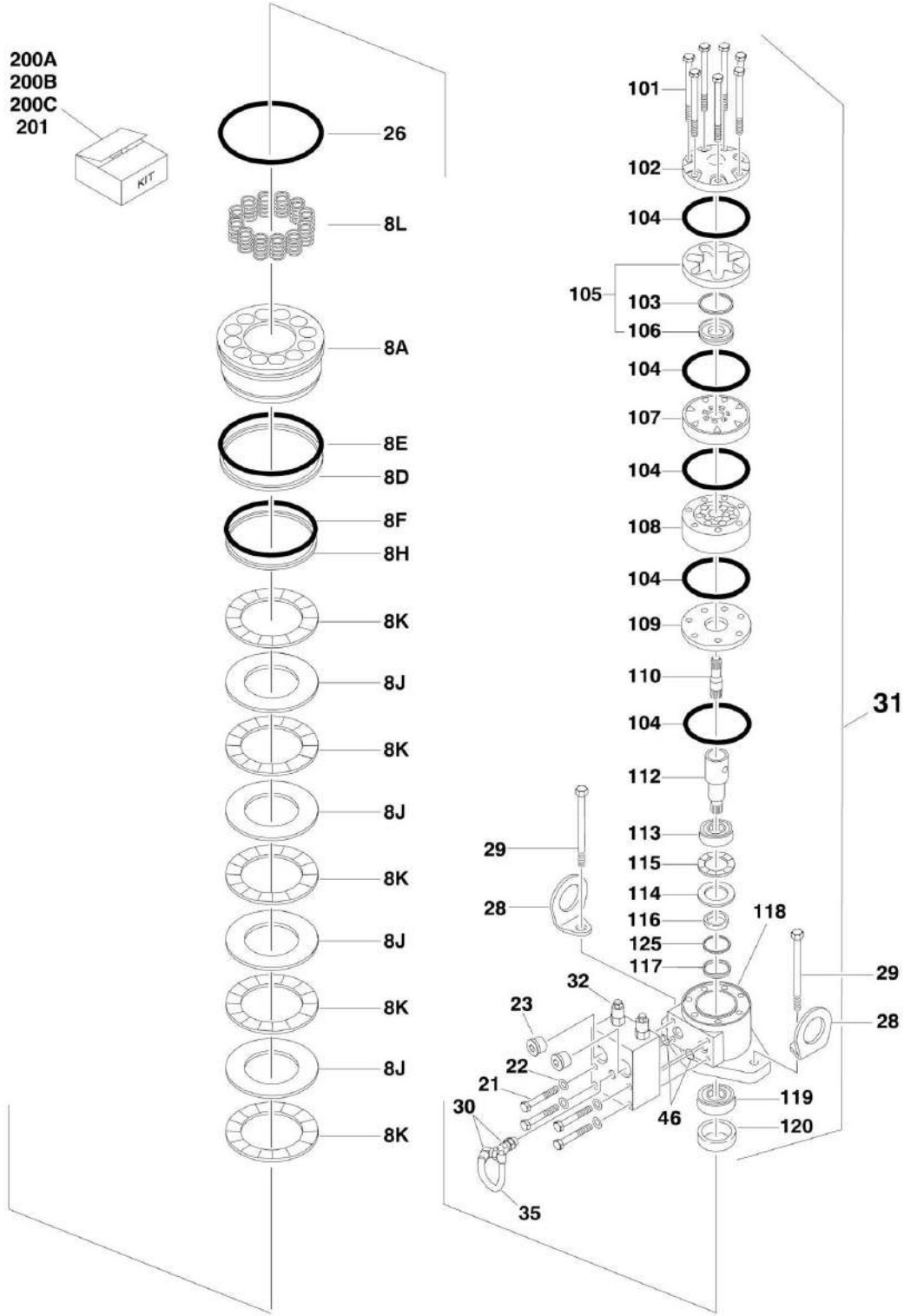
ITEM	PART NUMBER	QTY	DESCRIPTION	REV
	1001152181	Ref	SWING DRIVE INSTALLATION	D
1	0100019	AR	Compound, Locking	
2	3952020	1	Setscrew 5/8in - 11NC x 2-1/2in	
3	0682218	4	Bolt 3/4in - 10NC x 2-1/4in Grade 8	
4	3312002	1	Nut, Jam 5/8in - 11NC	
5	3900293	1	Capscrew 1in x 1-1/4in	
6	4071009	1	Shim (SN 0300177361 through 0300181174)	
6	1001125492	1	Shim (SN 0300181175 to Present)	
7	4740057	4	Flatwasher, Hardened	
8	1001101060	1	Swing Hub Assembly (See SWING MOTOR/HUB ASSEMBLY for Breakdown)	
9	1001152234	1	Plate, Spacer	
	1001150391	Ref	TURNTABLE BEARING AND REMOTE LUBE INSTALLATION	C
101	0100019	AR	Compound, Locking	
102	0440207	1	Bearing, Turntable	
103	0682018	36	Bolt 5/8in - 11NC x 2-1/4in Grade 8	
104	3020029	AR	Lubricant	
105	4892000	36	Flatwasher 5/8in Hardened	
106	0100011	AR	Compound, Locking	
107	1001149927	1	Hose (Includes Grease Fitting and Adapter Fittings)	
	0255410	Ref	TURNTABLE LOCK INSTALLATION (MACHINES WITH DEUTZ D2011 AND GM ENGINES)	B
201	4844958	1	Pin	
202	3421565	1	Pin, Snap	
203	3760170	2	Ring, Quick Release	
204	1260017	9 in/23cm	Chain	
	1001137885	Ref	TURNTABLE LOCK INSTALLATION (MACHINES WITH DEUTZ TD2.9L4 ENGINES)	A
301	1260017	9 in/23cm	Chain	
302	3760170	2	Ring, Quick Release	
303	1001137896	1	Pin	
304	1001145292	1	Pin, Snap	

SECTION 2 - TURNTABLE

FIGURE 2-6. SWING MOTOR/HUB ASSEMBLY



SECTION 2 - TURNTABLE



SECTION 2 - TURNTABLE

FIGURE 2-6. SWING MOTOR/HUB ASSEMBLY

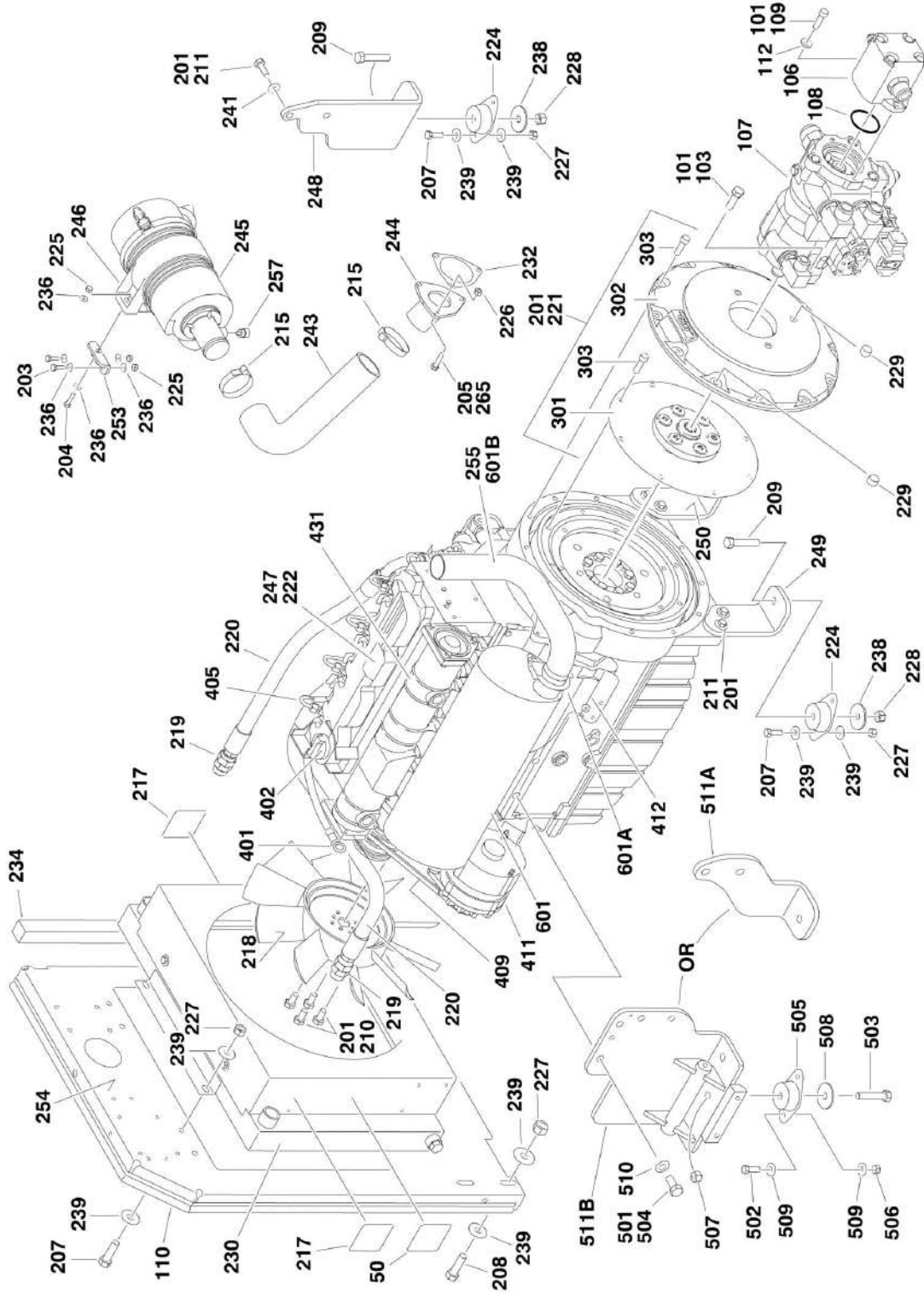
ITEM	PART NUMBER	QTY	DESCRIPTION	REV
	1001101060	Ref	SWING MOTOR/HUB ASSEMBLY	A
1	See Note	1	Housing/Shaft Assembly (Note: Not Available - Purchase Individual Components)	
1A	7010492	1	Shaft, Output	
1B	7000228	1	Seal, Lip	
1C	7000255	1	Bearing Kit (Includes Cup and Cone)	
1E	7000257	1	Bearing Kit (Includes Cup and Cone)	
1G	7024762	1	Housing	
1H	7007633	1	Washer, Thrust	
1I	7000229	1	Ring, Retaining	
1J	7017072	1	Plug, Pipe	
2	7000246	1	Gear, Internal	
3	80424002	1	Carrier Assembly	
4	7000248	1	Gear, Ring	
5	7000230	1	O-Ring	
5A	7017070	1	O-Ring	
6	1001101060	NSS	Housing, Brake (Note: Not Available - Purchase Complete Assembly)	
8	70002065	1	Gear, Sun	
8A	70000782	1	Piston	
8D	70002070	1	O-Ring	
8E	70002071	1	Ring, Back-up	
8F	70002073	1	O-Ring	
8H	70002072	1	Ring, Back-up	
8J	70002067	4	Disc, Rotor	
8K	70002068	5	Disc, Stator	
8L	70002066	14	Spring	
11	7000253	2	Washer, Thrust	
12	7000217	12	Bolt 3/8in-16NC x 2-1/4in (Grade 8)	
13	7017080	4	Pin, Dowel	
20	7017072	1	Plug, Pipe	
21	7024704	4	Bolt 5/16in-18NC x 2in (Grade 8)	
22	See Note	NSS	Lockwasher (Note: Not Available for Purchase)	
23	7017023	2	Plug, Pipe	
24	See Note	NSS	Plate, ID (Note: Not Available for Purchase)	
25	7000281	2	Screw, Drive	
26	7024763	1	O-Ring	
28	See Note	NSS	Lug, Lifting (Note: Not Available for Purchase)	
29	70002069	2	Bolt 1/2in-13NC x 2in (Grade 8)	
30	7017085	2	Elbow	
31	70002075	1	Motor Assembly (See Items 101-125 for Breakdown)	
32	7024784	1	Valve Assembly - Complete (No Serviceable Parts)	
35	70002074	1	Tube	
44	7017028	1	Ring, Internal Retaining	
46	7000213	2	O-Ring	
	70002075	Ref	Motor Assembly	
101	7024454	5	Bolt	
102	7004035	1	Cover, End	
103	7023318	1	Seal, Commutator	
104	7004036	5	Seal, Ring	

SECTION 2 - TURNTABLE

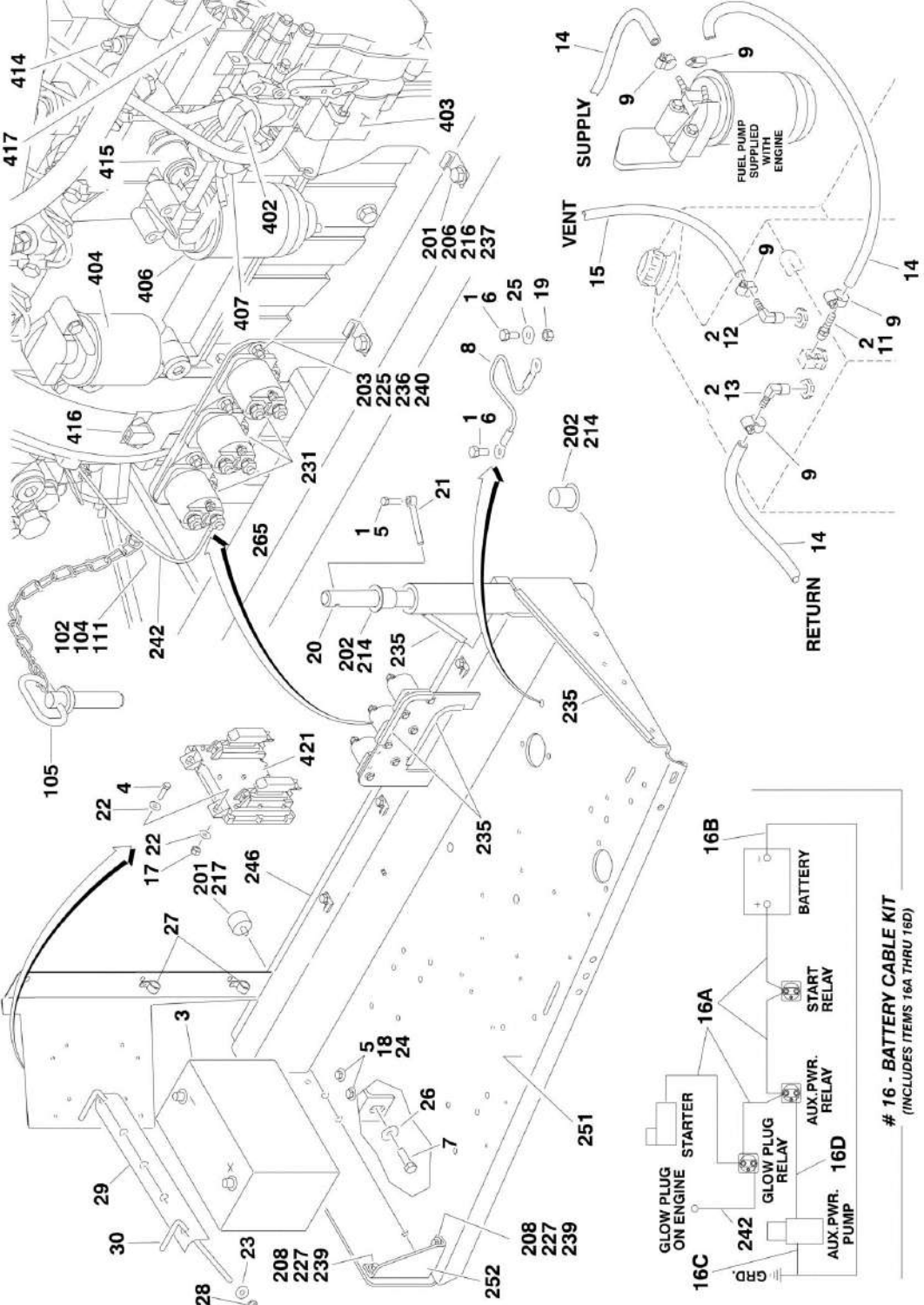
ITEM	PART NUMBER	QTY	DESCRIPTION	REV
105	7024453	1	Commutator and Ring Assembly	
106	7024453	1	Ring	
107	7024379	1	Manifold	
108	7024455	1	Rotor Set	
109	7024380	1	Plate, Wear	
110	7024456	1	Link, Drive	
112	7024458	1	Shaft, Coupling	
113	7024381	1	Bearing, Inner	
114	7004043	1	Washer, Thrust	
115	7004044	1	Bearing, Thrust	
116	7004049	1	Seal, Inner	
117	7004045	1	Washer, Back-up	
118	7024457	1	Housing	
119	7024390	1	Bearing, Outer	
120	7004047	1	Seal	
125	80424043	1	Washer, Back-up	
		Ref	Kit Options:	
200		Ref	Seal Kit Options:	
200A	7024100	1	Swing Hub (Includes Items 1B, 1I, 5, 5A & 11)	
200B	70002086	1	Swing Brake (Includes Items 8D, 8E, 8F, 8H & 26)	
200C	7024396	1	Swing Motor (Includes Items 103, 104, 116, 117, 120 & 125)	
201	70002085	1	Disc Kit - Swing Brake (Includes Items 8J & 8K)	

SECTION 2 - TURNTABLE

FIGURE 2-7. DEUTZ D2011 ENGINE INSTALLATION



SECTION 2 - TURNTABLE



SECTION 2 - TURNTABLE

FIGURE 2-7. DEUTZ D2011 ENGINE INSTALLATION

ITEM	PART NUMBER	QTY	DESCRIPTION	REV
		Ref	DEUTZ ENGINE INSTALLATIONS	
		Ref	Without Arctic Package	
	1001152223	Ref	Tier IVi-Flex Engines (ANSI and CSA Specs)	A
	1001151843	Ref	Tier IVi Engines (ANSI Export, Australian, CE and Japanese Specs) (SN 0300177361 through 0300208081)	B
	1001188963	Ref	Tier IVi Engines (ANSI Export, Australian, CE and Japanese Specs) (SN 0300208082 to Present)	A
	1001235466	Ref	Tier IVi Stage V Engines	B
		Ref	With Arctic Package	
	1001152224	Ref	Tier IVi-Flex Engines (ANSI and CSA Specs)	A
	1001151844	Ref	Tier IVi Engines (ANSI Export, Australian, CE and Japanese Specs) (SN 0300177361 through 0300208081)	C
	1001188964	Ref	Tier IVi Engines (ANSI Export, Australian, CE and Japanese Specs) (SN 0300208082 to Present)	A
1	0100011	AR	Compound, Locking	
2	0100020	AR	Sealant, Pipe	
3	0400075	1	Battery	
4	0641409	4	Bolt 1/4in-20NC x 1-1/8in	
5	0641610	3	Bolt 3/8in-16NC x 1-1/4in	
6	0641808	2	Bolt 1/2in-13NC x 1in	
7	0642010	1	Bolt 5/8in-11NC x 1-1/4in	
8	1060637	1	Cable, Lanyard	
9	1320022	5	Clamp, Hose	
10	1701505	1	Decal - Diesel (Not Shown - Located on Hood)	
11	2180348	1	Fitting, Straight Barbed	
12	2220313	1	Fitting, 90	
13	2221176	1	Fitting, Straight Barbed	
14	2720058	24 ft/7.3m	Hose	
15	2750532	6 ft/1.8m	Hose	
16	2902296	1	Battery Cable Kit (All Except 1001235466 Installation)	F
16	1001241578	1	Battery Cable Kit (1001235466 Installation) (No Info at Time of Printing)	A
16A	1001116240	1	Cable, Battery (Red)	
16B	7027004	1	Cable, Battery (Black)	
16C	7027003	1	Cable (Black)	
16D	7027002	1	Cable (Red)	
17	3311405	4	Locknut 1/4in-20NC	
18	3311605	AR	Locknut 3/8in-16NC	
19	3311805	1	Nut 1/2in-13NC	
20	3422448	1	Pin, Pivot	
21	3841143	1	Pin, Keeper	
22	4711400	8	Flatwasher 1/4in Thin	
23	4751500	2	Flatwasher 5/16in Regular	
24	4751600	4	Flatwasher 3/8in Regular	
25	4751800	1	Flatwasher 1/2in Regular	
26	4752000	1	Flatwasher 5/8in Regular	
27	85941017	2	Clamp	
28	88521205	2	Locknut 5/16in-18NC	
29	91401281	1	Hold-down, Battery	
30	1001093382	2	J-Bolt	
31	1001151070	1	Angle	

SECTION 2 - TURNTABLE

ITEM	PART NUMBER	QTY	DESCRIPTION	REV
50		Ref	Decal - Warning Explosion/Fire Options:	
50	1704972	1	ANSI Spec	
50	1706098	1	Australian and CE Spec	
50	1706059	1	Brazilian Spec	
50	1706060	1	Chinese Spec	
50	1706064	1	CSA Spec	
50	1706062	1	Japanese Spec	
50	1706061	1	Korean Spec	
50	1706063	1	Spanish Language	
		Ref	Note: Arctic Package Items 65 - 75 are Not Shown - Used on Arctic Machines Only.	
65	1060625	1	Cable, Immersion Heater (Located on bottom of Hydraulic Oil Tank) (SN 0300177361 through 0300206631)	
65	1001150918	1	Cable, Immersion Heater (Located on bottom of Hydraulic Oil Tank) (SN 0300206632 to Present)	
66	1060626	1	Cord, 3 Way Extension (Located on Left Front of Engine)	
67	1320223	2	Clamp	
68	1702941	1	Decal - Battery Heater (Located on Battery Heater)	
69	1702942	1	Decal - Engine Block Heater (Located on Right Side of Engine)	
70	1702943	1	Decal - Hydraulic Tank Heater (Located on bottom of Hydraulic Oil Tank)	
71	1702944	1	Decal - Heater Cord (Located on Left Front of Engine)	
72	2580024	1	Heater, Battery (Located on Battery)	
73	2580050	1	Heater, Hydraulic Tank (Located on bottom of Hydraulic Oil Tank) (SN 0300177361 through 0300206631)	
73	1001188972	1	Heater, Hydraulic Tank (Located on bottom of Hydraulic Oil Tank) (SN 0300206632 to Present)	
75	3980007	1	Seat, Battery (Located Under Battery)	
		Ref	ENGINE/PUMP SUBASSEMBLIES	
		Ref	Without Arctic Package	
	1001152221	Ref	Tier IVi-Flex Engines (ANSI and CSA Specs)	A
	1001151841	Ref	Tier IVi Engines (ANSI Export, Australian, CE and Japanese Specs) (SN 0300177361 through 0300208081)	C
	1001188954	Ref	Tier IVi Engines (ANSI Export, Australian, CE and Japanese Specs) (SN 0300208082 to Present)	A
	1001235467	Ref	Tier IVi Stage V Engines	A
		Ref	With Arctic Package	
	1001152222	Ref	Tier IVi-Flex Engines (ANSI and CSA Specs)	A
	1001151842	Ref	Tier IVi Engines (ANSI Export, Australian, CE and Japanese Specs) (SN 0300177361 through 0300208081)	C
	1001188955	Ref	Tier IVi Engines (ANSI Export, Australian, CE and Japanese Specs) (SN 0300208082 to Present)	A
101	0100011	AR	Compound, Locking	
102	0641407	1	Bolt 1/4in-20NC x 7/8in	
103	0641812	2	Bolt 1/2in-13NC x 1-1/2in	
104	3311405	1	Locknut 1/4in-20NC	
105	3422533	1	Pin, Hitch	
106	3600395	1	Gear Pump Assembly with Fittings (See HOOD INSTALLATION for Breakdown)	
107	3600396	1	Piston Pump Assembly with Fittings (See PISTON PUMP ASSEMBLY for Breakdown) (SN 0300177361 through 0300208081)	
107	1001188952	1	Piston Pump Assembly with Fittings (See PISTON PUMP ASSEMBLY for Breakdown) (SN 0300208082 to Present)	

SECTION 2 - TURNTABLE

ITEM	PART NUMBER	QTY	DESCRIPTION	REV
108	3790152	1	O-Ring	
109	3931620	2	Capscrew 3/8in-16NC x 1-1/4in	
110	3960389	5 ft/1.5m	Seal	
111	4751400	8	Flatwasher 1/4in Regular	
112	4891600	2	Flatwasher 3/8in Hardened	
		Ref	ENGINE ASSEMBLIES	
		Ref	Without Arctic Package	
	1001151631	Ref	Tier IVi-Flex Engines (ANSI and CSA Specs)	C
	1001150158	Ref	Tier IVi Engines (ANSI Export, Australian, CE and Japanese Specs)	F
	1001235468	Ref	Tier IVi Stage V Engines	A
		Ref	With Arctic Package	
	1001151635	Ref	Tier IVi-Flex Engines (ANSI and CSA Specs)	D
	1001150179	Ref	Tier IVi Engines (ANSI Export, Australian, CE and Japanese Specs)	F
201	0100011	AR	Compound, Locking	
202	0100062	AR	Compound, Locking	
203	0641407	8	Bolt 1/4in-20NC x 7/8in	
204	0641410	2	Bolt 1/4in-20NC x 1-1/4in	
205	0641510	2	Bolt 5/16in-18NC x 1- 1/4in	
206	0641606	3	Bolt 3/8in-16NC x 3/4in	
207	0641609	14	Bolt 3/8in-16NC x 1-1/8in	
208	0641610	4	Bolt 3/8in-16NC x 1-1/4in	
209	0641820	3	Bolt 1/2in-13NC x 2-1/2in	
210	0700808	4	Bolt M8 x 16mm	
211	0771414	6	Bolt M14 x 30mm	
213	0940070	1	Bumper	
214	0961986	2	Bushing, Flanged	
215	1320016	2	Clamp	
216	1320223	4	J-Clip	
217	1703162	2	Decal - Caution Fan Blade	
218	2060025	1	Fan	
219	2220451	2	Fitting, Straight	
220	2720398	2	Hose, Oil Cooler	
221	2902065	1	Kit, Pump Coupling (See Items 301-302 for Breakdown)	
222		Ref	Oil, Motor Options (Not Shown)	
222	3020016	AR	Oil, Motor 15W-40 (Without Arctic Package)	
222	3020044	AR	Oil, Motor 0W-40 (With Arctic Package)	
224	3200406	3	Mount, Motor (All Except 1001235468 Assembly)	
224	3200401	1	Mount, Motor (Front) (1001235468 Assembly)	
224	3200406	2	Mount, Motor (Rear) (1001235468 Assembly)	
225	3311405	10	Locknut 1/4in-20NC	
226	3311505	3	Locknut 5/16in-18NC	
227	3311605	18	Locknut 3/8in-16NC	
228	3311805	3	Locknut 1/2in-13NC	
229	3520054	AR	Plug, Hole	
230	1001150998	1	Radiator	
231	3740067	3	Relay	
232	3960407	1	Gasket, Air Intake	
233	3960468	1	Seal	
234	3960469	1	Seal	
235	4060805	37 in/1m	Flex-Trim	

SECTION 2 - TURNTABLE

ITEM	PART NUMBER	QTY	DESCRIPTION	REV
236	4711400	14	Flatwasher 1/4in Thin	
237	4711600	3	Flatwasher 3/8in Thin	
238	4740274	3	Washer, Snubbing	
239	4751600	36	Flatwasher 3/8in Regular	
240	4791400	6	Starwasher 1/4in	
241	4812200	2	Flatwasher M14	
242	4923379	1	Harness, Glow Plug	
243	1001130041	1	Elbow	
244	1001139819	1	Adapter, Air Intake	
245	1001141693	1	Air Cleaner Assembly	
245	70003783	1	Element, Filter	
246	1001141694	1	Clamp, Air Filter	
247		Ref	Deutz D2011 Engine Options (See Items 401-427 for Serviced Components)	
247	1001151630	1	Without Arctic Package (All Except 1001235468 Assembly)	
247	1001235457	1	Without Arctic Package (1001235468 Assembly)	
247	1001146368	1	With Arctic Package	
248	1001149704	1	Support, Engine (Front)	
249	1001149705	1	Support, Engine (Rear)	
250	1001149706	1	Support, Engine (Rear)	
251	1001149793	1	Tray	
252	1001150915	1	Support	
253	1001151078	1	Angle	
254	1001151206	1	Plate, Radiator Mounting	
255	1001151251	1	Pipe, Exhaust	
256	0641512	1	Bolt 5/16in-18NC x 1-1/2in	
257	1001143390	1	Indicator, Air Filter Service (SN 0300229131 to Present)	
		Ref	Note: Arctic Package Item 275 Not Shown - Used on Arctic Machines Only.	
275	2580062	1	Heater, Engine Block	
	2902065	Ref	KIT PUMP COUPLING AND MOUNTING PLATE	K
301	70000793	1	Coupling, Hayes	
302	2902065	1	Plate, Pump Adapter	
303	See Note	8	Capscrew M10 x 20 Grade 10.9 (Note: Not Available - Purchase p/n 2902065)	
304	See Note	12	Bolt M10 x 25mm Grade 10.9 (Note: Not Available - Purchase p/n 2902065)	
		Ref	ENGINE COMPONENTS	
	1001151630	Ref	Without Arctic Package (All Except 1001235468 Assembly)	C
	1001235457	Ref	Without Arctic Package (1001235468 Assembly)	A
	1001146368	Ref	With Arctic Package	D
401	7026631	1	Dipstick	
401	7020487	1	O-Ring, Dipstick	
401	7020403	1	Seal, Dipstick Tube	
401	70001002	1	Tube, Dipstick	
402	7020465	2	Cap, Filler	
403	70001850	1	Pump, Oil Lube	
403	7020468	1	Seal Between Oil Pump and Engine Block (Not Shown)	
404	7016331	1	Filter, Oil	
404	70003473	1	Gasket, Oil Filter Bracket to Engine Block	
404	70003472	1	Bracket, Oil Filter (Includes Spring, Control Valve, Temperature Sensor, Seal and Plug)	

SECTION 2 - TURNTABLE

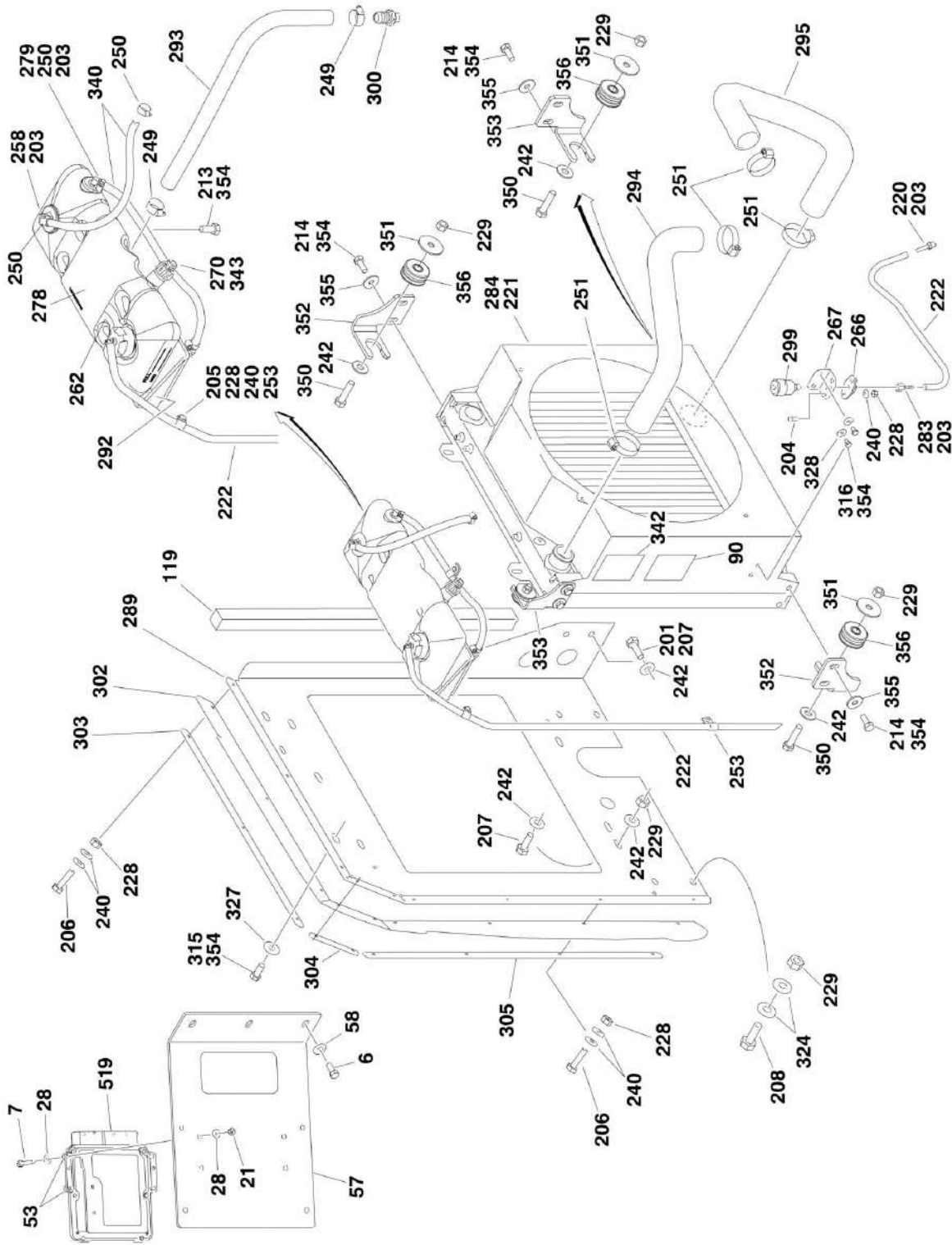
ITEM	PART NUMBER	QTY	DESCRIPTION	REV
404	7027236	1	Sensor, Temperature	
405	70003478	4	Injector, Fuel	
405	70003136	4	Ring, Seal	
405		Ref	Pump, Injector Options:	
405	70000912	AR	Series A Injector	
405	70000913	AR	Series B Injector	
405	70000914	AR	Series C Injector	
405	70000915	AR	Series D Injector	
406	7016328	1	Filter, Fuel	
406	70001423	1	Bracket, Fuel Filter	
407	70000916	1	Pump Fuel Supply	
407	70001435	1	Repair Kit for Pump	
407	70000919	1	Hand Pump	
407	70000918	1	Seal, Hand Pump	
407	70000917	1	O-Seal Between Fuel Pump and Engine Block (Not Shown)	
408	7020471	4	Gasket, Exhaust Manifold (Not Shown)	
408	70004270	8	Stud, Exhaust Manifold (Not Shown)	
409	7020408	1	V-Belt	
410	70001871	4	Gasket, Intake Manifold to Engine Block (Not Shown)	
411	70004056	1	Alternator	
411	70001868	1	Regulator, Voltage Options (Not Shown)	
411	70001866	1	Gasket for Voltage Regulator (Not Shown)	
411	70002234	1	Bracket, Adjusting (Not Shown)	
411	70000851	1	Bracket, Mounting (Not Shown)	
412	7020479	1	Starter	
412	70004058	1	Relay	
412	70001498	1	Shield, Starter Heat	
413	70004059	1	Plug- In Connector for Analyzer (Not Shown)	
413	70004060	1	Plug- In Connector on p/n 7027796 Harness (Not Shown)	
413	7027796	1	Harness, Module to Engine Harness (Not Shown)	
413	70001872	1	Harness, Engine (Not Shown)	
413	70004103	1	Harness, Alternator (Not Shown)	
413	70004271	1	Harness, Starter (Not Shown)	
414	7027791	1	Transmitter, Temperature	
415	7027790	1	Sensor, Oil Pressure	
416	70004272	1	Sensor, Speed	
416	70003932	1	Spacer	
417	7027792	1	Actuator, Throttle	
417	7027276	1	Spring, Actuator	
418	70003475	1	Thermostat (Located at rear of engine block - Not Shown)	
418	7020460	1	Spring, Compression	
419	70001870	1	Flywheel (Not Shown)	
419	7024579	1	Ring Gear (Located on Flywheel - Not Shown)	
421	7027795	1	Module, Control	
422	70000345	4	Plug, Glow (Not Shown)	
424	70001847	1	Breather Valve (Not Shown - Located On Front Cover)	
424	70001126	1	Seal, Breather Valve	
425	70004273	1	Set, Engine Gasket (Not Shown)	
426	70003456	1	Gasket, Head (Not Shown)	
426	70003457	1	Gasket, Head (Not Shown)	
426	70003003	1	Gasket, Head (Not Shown)	

SECTION 2 - TURNTABLE

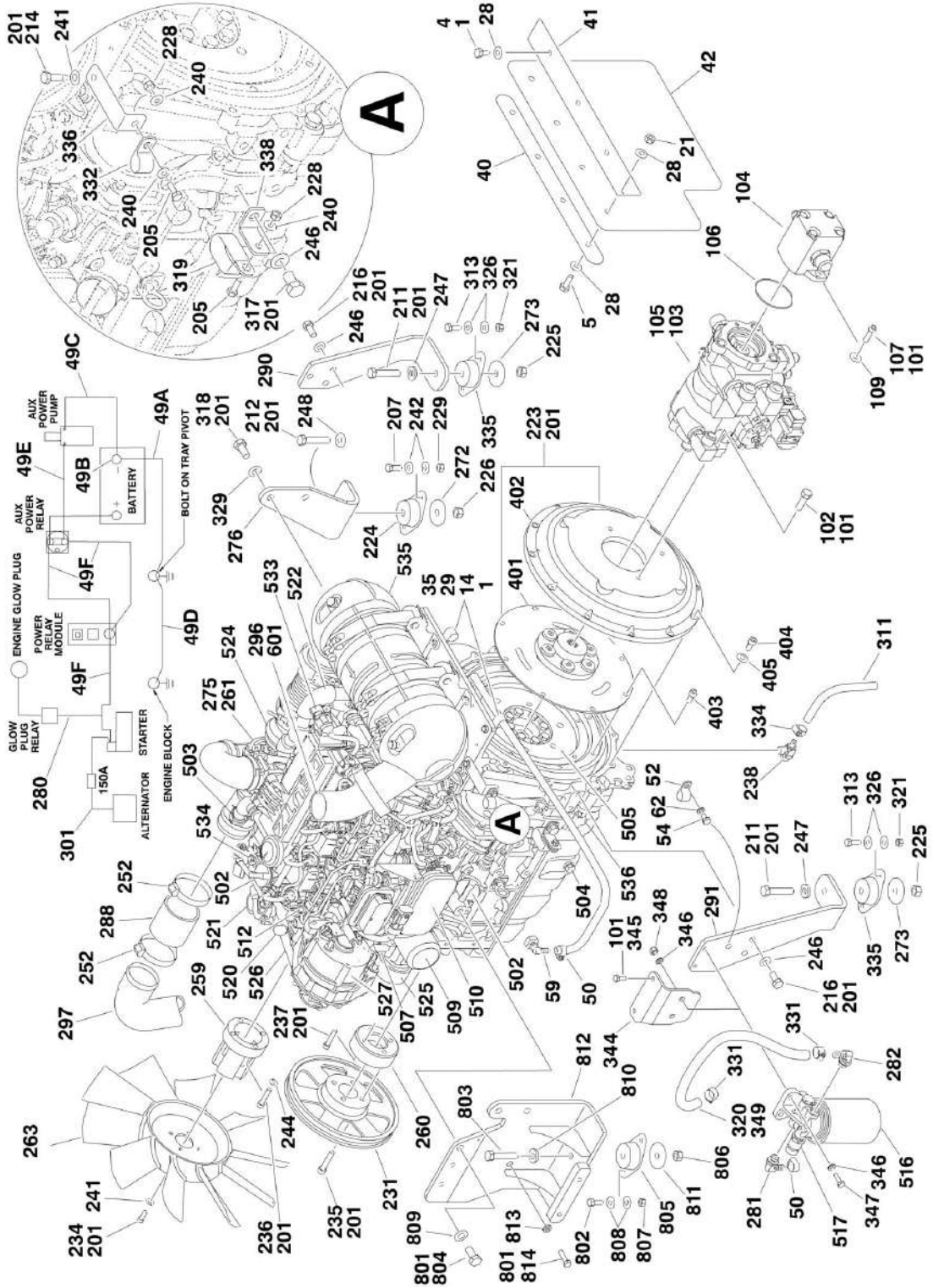
ITEM	PART NUMBER	QTY	DESCRIPTION	REV
427	70003623	1	Kit, Timing Belt/Idler (Not Shown)	
428	70002718	1	Seal, Rear Main (Not Shown)	
429	7020431	1	Gasket, Valve Cover (Not Shown)	
430	70004268	2	Fitting, Radiator Connector (Not Shown - Located Between Item 220 and Engine Block)	
430	70004269	2	Seal for Radiator Connector Fitting (Not Shown)	
431	70003470	1	Manifold, Intake	
		Ref	RIGHT ENGINE SUPPORT INSTALLATIONS	
	1001151253	Ref	Machines without Generator	A
	1001151252	Ref	Machines with Generator	B
501	0100011	AR	Compound, Locking	
502	0641609	2	Bolt 3/8in-16NC x 1-1/8in	
503	0641818	1	Bolt 1/2in-13NC x 2-1/4in	
504	0771414	3	Bolt 14mm x 30mm Grade 10.9	
505	3200401	1	Mount, Motor	
506	3311605	2	Locknut 3/8in-16NC	
507	3311805	1	Locknut 1/2in-13NC	
508	4740274	1	Washer, Snubbing	
509	4751600	4	Flatwasher 3/8in Regular	
510	4812200	3	Flatwasher M14	
511		Ref	Support, Engine (Right Front)	
511A	1001149703	1	Machines without Generator	
511B	1001150890	1	Machines with Generator	
		Ref	MUFFLER INSTALLATIONS	
		Ref	Standard Muffler	
	0256690	Ref	Catalytic Muffler	
	0256689	Ref	Spark Arresting (SN 030087000 through 0300177361)	
	0256689	Ref	Spark Arresting (SN B300000100 through B300001085)	
	1001182906	Ref	Spark Arresting (SN B300001086 to Present)	B
601		Ref	Muffler Options:	
601	7000695		Standard Muffler (Includes Saddle Clamp)	
601	3220104	1	Catalytic Muffler	
601	3220103	1	Spark Arresting	
601A		Ref	Clamp Options:	
601A	Not Available		Standard Muffler	
601A	1320176	1	Catalytic Muffler	
601A	70001017	1	Spark Arresting	
601B		Ref	Tube, Exhaust Options:	
601B	See Note	1	Standard Muffler (Note: Not Part of Muffler Assembly - Must be Purchased Separately - Use Item 255)	
601B	7024398	1	Catalytic and Spark Arresting Mufflers	
601C	7024560	1	Plug, Brass (Not Shown - 3220104 & 3220103 Mufflers Only)	
602	1001169610	1	Spacer, Hood (Not Shown) (Use with 1001182906 Installation Only)	
603	0641608	4	Bolt 3/8in-16NC x 1in (Not Shown) (Use with 1001182906 Installation Only)	

SECTION 2 - TURNTABLE

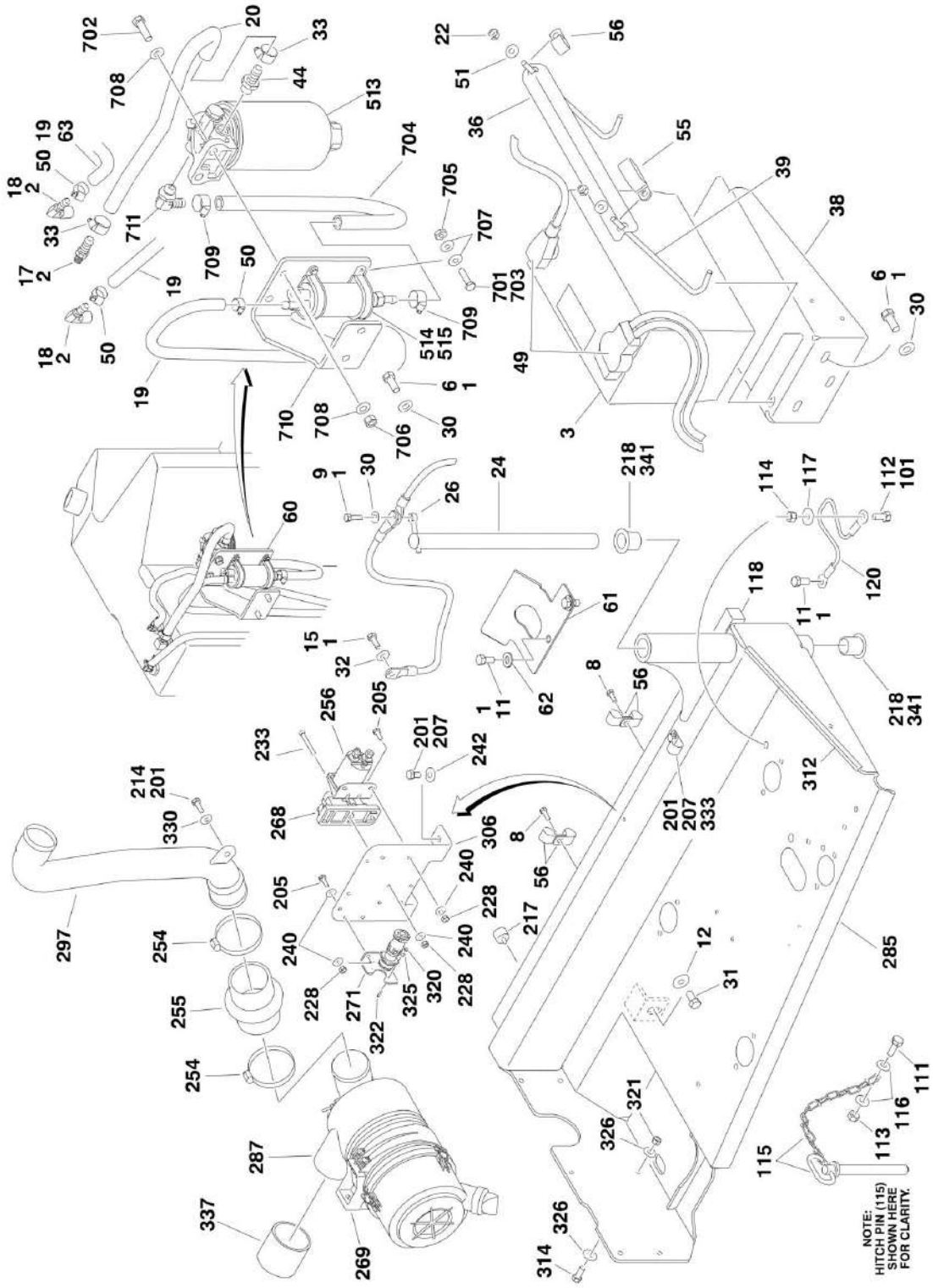
FIGURE 2-8. DEUTZ TD2.9L4 ENGINE INSTALLATION



SECTION 2 - TURNTABLE



SECTION 2 - TURNTABLE



SECTION 2 - TURNTABLE

FIGURE 2-8. DEUTZ TD2.9L4 ENGINE INSTALLATION

ITEM	PART NUMBER	QTY	DESCRIPTION	REV
		Ref	DEUTZ ENGINE INSTALLATIONS	
	1001141928	Ref	Without Arctic Package (SN 0300177361 through 0300208081)	K
	1001188956	Ref	Without Arctic Package (SN 0300208082 through 0300230455)	C
	1001176014	Ref	Without Arctic Package (SN 0300230456 to Present)	C
	1001141931	Ref	With Arctic Package (SN 0300177361 through 0300208081)	L
	1001188965	Ref	With Arctic Package (SN 0300208082 through 0300230455)	C
	1001176017	Ref	With Arctic Package (SN 0300230456 to Present)	E
1	0100011	AR	Compound, Locking	
2	0100020	AR	Sealant, Pipe	
3	0400075	1	Battery	
4	0641404	3	Bolt 1/4in-20NC x 1/2in	
5	0641406	4	Bolt 1/4in-20NC x 3/4in	
6	0641607	9	Screw 3/8in-16NC x 7/8in	
7	0641412	4	Bolt 1/4in-20NC x 1-1/2in	
8	0641608	2	Screw 3/8in-16NC x 1in	
9	0641610	1	Screw 3/8in-16NC x 1-1/4in	
11	0641808	3	Bolt 1/2in-13NC x 1in	
12	0642010	1	Bolt 5/8in-11NC x 1-1/4in	
14	0760810	AR	Bolt M8 x 20mm	
15	0771212	1	Bolt M12 x 25mm Grade 10.9	
16	1701505	1	Decal - Diesel (Not Shown - Located on Hood)	
17	2180832	1	Fitting, Straight Barbed	
18	2220313	2	Fitting, 90 Barbed	
19	2720340	NLA	Hose (Use p/n 1001165035) (SN 0300177361 through 0300181825)	
19	1001165035	29 ft/8.7m	Hose (SN 0300181826 through 0300230455)	
19	1001165035	23.5 ft/ 7.2m	Hose (SN 0300230456 to Present)	
20	2720615	NLA	Hose (Use p/n 1001154405) (SN 0300177361 through 0300181825)	
20	1001154405	3 ft/.9m	Hose (SN 0300181826 to Present)	
21	3311405	8	Locknut 1/4in-20NC	
22	88521205	2	Nut 5/16in-18NC	
24	3422448	1	Pin, Pivot	
26	3841143	1	Pin, Keeper	
28	4711400	19	Flatwasher 1/4in Thin	
29	4711500	AR	Flatwasher 5/16in Thin	
30	4711600	6	Flatwasher 3/8in Thin	
31	4752000	1	Flatwasher 5/8in Regular	
32	4812100	1	Flatwasher M12	
33	8405006	2	Clamp	
35	8406112	2	Clip (SN 0300177361 through 0300219292)	
36	91401281	1	Hold-down, Battery	
38	1001137868	1	Bracket, Battery	
39	1001093382	2	J-Bolt	
40	1001137880	1	Bracket, Battery	
41	1001137881	1	Angle	
42	1001137882	1	Support, Rubber	
44	1001141718	1	Fitting, Straight Barbed (SN 0300177361 through 0300181825)	
44	1001142501	1	Fitting, 90 Degree (SN 0300181826 to Present)	

SECTION 2 - TURNTABLE

ITEM	PART NUMBER	QTY	DESCRIPTION	REV
44	1001222665	1	Harness, Fuel Pump (Pump requiring Ring Terminals) (Not Shown - See ELECTRICAL SECTION for Breakdown) (SN 0300177361 through 0300234681)	
48	1001138491	1	Harness, Fuel Pump (Pump requiring Push-on Terminals) (Not Shown - See ELECTRICAL SECTION for Breakdown) (SN 0300234682 to Present)	
49	1001145047	1	Battery Cable Kit	F
49A	7027072	1	Cable, Battery (Black) (Battery - to Tray Pivot Grd)	
49B	8270147	1	Terminal, Battery (With Boot)	
49B	See Note	1	Boot, Black (Note: Not Available for Purchase)	
49C	7027073	1	Cable, Battery (Black) (Battery - to Aux Pump and Relay Grds)	
49C	See Note	1	Boot, Black (Note: Not Available for Purchase)	
49D	7027074	1	Cable, Battery (Black) (Engine to Tray Pivot Grd)	
49E	7027075	1	Cable (Red) (Aux Relay to Aux Pump)	
49E	70003952	2	Boot, Red	
49F	7027076	1	Cable (Red) (Battery + to Aux Relay/Power Module/Starter)	
49F	See Note	1	Boot, Red (Battery) (Note: Not Available for Purchase)	
50	1320022	5	Clamp	
51	4751500	2	Flatwasher 5/16in Regular	
52	1320061	1	Clamp	
53	1001110425	4	Spacer	
54	0761008	1	Bolt M10 x 16	
55	1321716	2	P-Clamp	
56	8406201	5	Clip	
57	1001137866	1	Plate, Baffle	
58	4751600	3	Flatwasher 3/8in Regular	
59	1001155823	1	Fitting, 90 Quick Disconnect	
60	1001162335	1	Bracket, Fuel Pump/Filter Assembly (See Items 701-711 for Breakdown)	
61	1001172793	1	Guide, Hose (SN 0300185927 to Present)	
62	4711800	AR	Washer 1/2	
63	2750532	5 ft/1.6m	Hose (SN 0300230456 to Present)	
		Ref	Note: Arctic Package Items 77 - 88 are Not Shown - Used on Arctic Machines Only.	
77	1060625	AR	Cable, Immersion Heater (14Ft Length)	
77	1001150918	AR	Cable, Immersion Heater (8Ft Length) (SN 0300206632 through 0300233401)	
78	1320223	3	Clamp, Muffler	
79	1702941	1	Decal - Battery Heater	
80	1702942	1	Decal - Engine Block Heater	
81	1702943	1	Decal - Hydraulic Tank Heater	
82	1702944	1	Decal - Heater Cord	
83	2580050	1	Heater, Hydraulic Tank (SN 0300177361 through 0300206631)	
83	1001188972	1	Heater, Hydraulic Tank (SN 0300206632 to Present)	
84	3980007	1	Seat, Battery	
85	1001150918	1	Cord, 8ft Extension	
86	1060626	1	Plug, 3 Way	
87	2580024	1	Heater, Battery	
88	1001233763	Ref	Breather Heater Installation (Not Shown - See Separate Breakdown in this Section)	
90		Ref	Decal - Warning Explosion/Fire Options:	
90	1704972	1	ANSI Spec	
90	1706098	1	Australian and CE Spec	

SECTION 2 - TURNTABLE

ITEM	PART NUMBER	QTY	DESCRIPTION	REV
90	1706064	1	CSA Spec	
		Ref	ENGINE AND PUMP ASSEMBLIES	
	1001141927	Ref	Without Arctic Package (SN 0300177361 through 0300208081)	E
	1001188957	Ref	Without Arctic Package (SN 0300208082 through 0300230455)	C
	1001176013	Ref	Without Arctic Package (SN 0300230456 to Present)	C
	1001141930	Ref	With Arctic Package (SN 0300177361 through 0300208081)	E
	1001188958	Ref	With Arctic Package (SN 0300208082 through 0300230455)	C
	1001176016	Ref	With Arctic Package (SN 0300230456 to Present)	C
101	0100011	AR	Compound, Locking	
102	0641812	2	Bolt 1/2in-13NC x 1-1/2in	
103	3020037	AR	Grease, Pump Coupling	
104	3600395	1	Gear Pump Assembly with Fittings (See GEAR PUMP ASSEMBLY for Breakdown)	
105	3600396	1	Pump Assembly with Fittings (See PISTON PUMP ASSEMBLY for Breakdown) (SN 0300177361 through 0300208081)	
105	1001188952	1	Pump Assembly with Fittings (See PISTON PUMP ASSEMBLY for Breakdown) (SN 0300208082 to Present)	
106	3790152	1	O-Ring	
107	3931620	2	Bolt 3/8in-16NC x 1-1/4in	
109	4891600	2	Flatwasher 3/8in Hardened	
111	0641406	1	Bolt 1/4in-20NC x 3/4in	
112	0641808	1	Bolt 1/2in-13NC x 1in	
113	3311405	1	Locknut 1/4in-20NC	
114	3311801	1	Nut 1/2in-13NC	
115	3422533	1	Pin, Hitch	
116	4711400	2	Flatwasher 1/4in Thin	
117	4751800	8	Flatwasher 1/2in Regular	
118	1001137873	1	Seal	
119	1001137874	1	Seal	
120	1060637	1	Lanyard	
		Ref	ENGINE ASSEMBLIES	
	1001141926	Ref	Without Arctic Package (SN 0300177361 through 0300230455)	R
	1001176012	Ref	Without Arctic Package (SN 0300230456 to Present)	M
	1001141929	Ref	With Arctic Package (SN 0300177361 through 0300230455)	S
	1001176015	Ref	With Arctic Package (SN 0300230456 to Present)	M
201	0100011	AR	Compound, Locking	
202	0100019	AR	Compound, Locking (Not Shown)	
203	0100020	AR	Sealant	
204	0630407	2	Screw 1/4in-20 x 5/8in	
205	0641406	AR	Bolt 1/4in-20NC x 3/4in	
206	0641408	9	Bolt 1/4in-20NC x 1in	
207	0641608	AR	Bolt 3/8in-16NC x 1in	
208	0641609	4	Bolt 3/8in-16NC x 1-1/8in	
211	0681620	2	Bolt 3/8in-16NC x 2-1/2in Grade 8	
212	0681822	AR	Bolt 1/2in-13NC x 2-3/4in Grade 8	
213	0741605	2	Screw, Flathead 3/8in-16NC x 5/8in	
214	0760810	AR	Bolt M8 x 20mm	
216	0771212	6	Bolt M12 x 25 Grade 10.9	
217	0940070	1	Bumper	
218	0961986	2	Bushing, Flanged	
220	2220315	1	Fitting, Straight Barbed	
221		Ref	Coolant Options:	

SECTION 2 - TURNTABLE

ITEM	PART NUMBER	QTY	DESCRIPTION	REV
221	2300004	AR	Without Arctic Package	
221	2300041	AR	With Arctic Package	
222	1001138248	44 in/1.1m	Tube (SN 0300177361 through 0300230455)	
222	1001138248	67 in/1.7m	Tube (SN 0300230456 to Present)	
223	2902065	1	Pump Coupling Kit (See Items 401-405 for Breakdown)	
224	3200401	2	Mount, Motor	
225	3271601	2	Nut 3/8in-16NC Grade 8	
226	3271801	AR	Nut 1/2in-13NC Grade 8	
228	3311405	AR	Locknut 1/4in-20NC	
229	3311605	AR	Locknut 3/8in-16NC	
231	3580320	1	Pulley	
233	3931432	1	Capscrew 1/4in-20NC x 2in	
234	3931512	4	Capscrew 5/16in-18NC x 3/4in	
235	3931628	4	Capscrew 3/8in-16NC x 1-3/4in	
236	4031914	4	Capscrew M8 x 50mm	
237	4032014	4	Capscrew M10 x 50mm	
238	4640751	1	Valve, Oil Drain	
240	4711400	AR	Flatwasher 1/4in Thin	
241	4711500	AR	Flatwasher 5/16in Thin	
242	4751600	AR	Flatwasher 3/8in Regular	
244	4811900	4	Flatwasher M8	
246	4812100	7	Flatwasher M12	
247	4891600	2	Flatwasher 3/8in Hardened	
248	4891800	AR	Flatwasher 1/2in Hardened	
249	8405007	2	Clamp	
250	8405009	4	Clamp	
251	8405104	4	Clamp	
252	8405204	2	Clamp	
253	8406110	2	Clip	
254	8410011	2	Clamp	
255	91403244	1	Hose	
256	1001117308	1	Relay	
258	1001134488	1	Fitting, 90 Barbed (Part of Item 278)	
259	1001135138	1	Adapter	
260	1001135679	1	Adapter	
261		Ref	Oil, Motor Options:	
261	1001136079	AR	Without Arctic Package	
261	1001136172	AR	With Arctic Package	
262	1001136834	1	Cap, Tank	
263	1001137276	1	Fan	
266	1001138173	1	Support	
267	1001138175	1	Bracket	
268	1001138228	1	Relay, Power Module	
268	70023593	1	Fuse 30Amp (Battery Output)	
268	70023592	1	Fuse 20Amp (Switched Output)	
269	1001138557	1	Clamp	
270	1001138827	1	Sensor, Coolant Level (Part of Item 278)	
271	1001139240	1	Bracket	
272	1001139409	AR	Washer, Special	
273	1001139429	2	Washer, Special	
275	1001139813	1	Engine, Deutz TD2.9L4	

SECTION 2 - TURNTABLE

ITEM	PART NUMBER	QTY	DESCRIPTION	REV
276	1001140454	1	Mount, Front Engine	
278	1001140535	NLA	Tank (Use p/n 1001230635) (SN 0300177361 through 0300241006)	
278	1001230635	1	Tank (Includes items 258, 270 & 279) (SN 0300241007 to Present)	
279	1001140564	1	Fitting, 90 Barbed (Part of Item 278)	
280	1001141304	1	Harness, Glow Plug (See ELECTRICAL SECTION for Breakdown)	
281	1001152489	1	Fitting, 90 Barbed	
282	1001142501	1	Fitting, 90 Barbed (SN 0300177361 through 0300219292)	
283	1001141995	1	Fitting, Straight Barbed	
284	1001155385	1	Radiator (RCP) (SN 0300177361 through 0300230455)	
284	1001167041	1	Radiator (Modine) (SN 0300230456 to Present)	
285	1001142538	1	Tray	
287	1001142615	1	Air Cleaner Assembly Filter Element	
287	91403102	1	Element, Filter (Not Shown)	
288	1001142623	1	Hose, Inlet	
289	1001142634	1	Plate, Radiator Mounting (RCP Radiator) (SN 0300177361 through 0300230455)	
289	1001176723	1	Plate Radiator Mounting (Modine Radiator) (SN 0300230456 to Present)	
290	1001142635	1	Mount, Rear Engine	
291	1001142636	1	Mount, Rear Engine (SN 0300177361 through 0300219292)	
291	1001205051	1	Mount, Rear Engine (SN 0300219293 to Present)	
292	1001142648	1	Bracket, Tank (Used with RCP Radiator) (SN 0300177361 through 0300230455)	
292	1001176419	1	Bracket, Tank (Not Shown - Used with Modine Radiator) (SN 0300230456 to Present)	
293	1001142668	1	Hose (SN 0300177361 through 0300230455)	
293	1001176511	1	Hose (SN 0300230456 to Present)	
294	1001142669	1	Hose, Radiator - Upper (RCP Radiator) (SN 0300177361 through 0300230455)	
294	1001176225	1	Hose, Radiator - Upper (Modine Radiator) (SN 0300230456 to Present)	
295	1001142670	1	Hose, Radiator - Lower (RCP Radiator) (SN 0300177361 through 0300230455)	
295	1001176226	1	Hose, Radiator - Lower (Modine Radiator) (SN 0300230456 to Present)	
296	1001142689	1	Pipe, Exhaust	
297	1001142733	1	Pipe (SN 0300177361 through 0300187632)	
297	1001165842	1	Pipe (SN 0300187633 to Present)	
299	1001143390	1	Indicator, Service	
300	1001143797	1	Fitting, Straight Barbed	
301	1001143907	1	Cable, Alternator Power (See ELECTRICAL SECTION for Breakdown)	
302	1001144409	1	Panel, Rubber	
303	1001144410	1	Bracket, Panel Clamp	
304	1001144411	1	Bracket, Panel Clamp	
305	1001144412	1	Bracket, Panel Clamp	
306	1001145154	1	Plate, Relay Mounting	
310	1001143726	1	Harness, Engine (Not Shown - See ELECTRICAL SECTION for Breakdown)	
311	2720340	6 in /15cm	Hose	
312	4060805	14 in /	Flex-Trim	

SECTION 2 - TURNTABLE

ITEM	PART NUMBER	QTY	DESCRIPTION	REV
		36cm		
313	0641508	4	Bolt 5/16in-18NC x 1in	
314	0641510	2	Bolt 5/16in-18NC x 1-1/4in	
315	0641708	3	Bolt 7/16in-18NC x 1in	
316	0760605	2	Bolt M6 x 10mm	
317	0761210	1	Bolt M12 x 20mm	
318	0771414	AR	Bolt M14 x 30mm Grade 10.9	
319	1321716	1	P-Clamp (SN 0300177361 through 0300196107)	
319	1001181899	1	Clamp (SN 0300196108 to Present)	
320	3310401	3	Nut #4-40NC	
321	3311505	6	Locknut 5/16in-18NC	
322	3910408	3	Screw #4-40NC x 1/2in	
323	4240099	AR	Tie-Strap (Not Shown)	
324	4711600	8	Flatwasher 3/8in Thin	
325	4750400	3	Flatwasher #4 Regular	
326	4751500	12	Flatwasher 5/16in Regular	
327	4711700	3	Flatwasher 7/16in Thin	
328	4811702	2	Flatwasher M6	
329	4812200	AR	Flatwasher M14	
330	4891500	1	Flatwasher 5/16in Hardened	
331	8405006	2	Clamp (SN 0300177361 through 0300219292)	
332	8406102	1	Clip (SN 0300177361 through 0300219292)	
333	8406201	1	Clip	
334	8410013	1	Clamp	
335	1001138170	2	Mount, Motor	
336	1001138717	1	Bracket (SN 0300177361 through 0300219292)	
337	1001141585	1	Hose, Air Inlet	
338	1001148641	1	Bracket (SN 0300177361 through 0300196107)	
339	1001154405	AR	Hose (Not Shown) (SN 0300177361 through 0300219292)	
340	2720015	36 in/.9m	Hose	
341	0100062	AR	Adhesive	
342	1703162	1	Decal - Fan Blade	
343	1001182997	NLA	Adhesive (Use Item 203)	
344	1001178876	1	Mount (SN 0300219293 to Present)	
345	5250810	2	Bolt M8 x 20	
346	0761015	2	Bolt M10 x 35	
347	4812000	8	Washer M10	
348	3291005	2	Nut M10	
349	1001177359	1	Hose (SN 0300219293 to Present)	
350	0641612	AR	Bolt 3/8 x 1-1/2	
351	1001169138	AR	Washer	
352	1001204325	2	Bracket (Modine Radiator) (SN 0300230456 to Present)	
353	1001178223	2	Bracket (Modine Radiator) (SN 0300230456 to Present)	
354	1001180620	AR	Adhesive	
355	4811902	AR	Washer M8	
356	1001169054	4	Isolator (SN 0300230456 to Present)	
		Ref	Note: Arctic Package Item 399 Not Shown - Used on Arctic Machines Only.	
399	1001140312	1	Heater, Engine Block	
399	1001181895	AR	Adhesive	
	2902065	Ref	KIT PUMP COUPLING AND MOUNTING PLATE	K
401	70000793	1	Coupling	

SECTION 2 - TURNTABLE

ITEM	PART NUMBER	QTY	DESCRIPTION	REV
402	2902065	1	Plate, Pump Adapter	
403	See Note	8	Capscrew M10 x 20 Grade 10.9 (Note: Not Available - Purchase Locally)	
404	See Note	12	Bolt M10 x 25 Grade 10.9 (Note: Not Available - Purchase Locally)	
405	See Note	12	Flatwasher M10 (Note: Not Available - Purchase Locally)	
	1001139813	Ref	ENGINE COMPONENTS	J
501	70004274	1	Dipstick (Not Shown - Located On Site Left Front)	
501	70024905	1	Seal	
502	7020465	2	Cap, Oil Fill	
503	70025111	2	Clamp	
504	70025088	1	Plug	
504	7020404	1	Seal	
505	70001870	1	Flywheel with Ring Gear	
505	7024579	1	Gear, Ring	
506		Ref	Gasket and Seal Options (Not Shown)	
506	70024906	1	Gasket, Head	
506	70025206	1	Gasket, Small Valve Cover	
506	70025207	1	Gasket, Large Valve Cover	
506	7002508	1	Gasket, Valve Cover to Air Charge Elbow	
506	70002718	1	Seal, Rear Main	
506	70024907	1	Gasket, Front Cover	
506	70025164	1	Gasket, Exhaust Manifold to Head	
506	70024912	1	Gasket, Exhaust Manifold to Turbocharger	
506	70004279	1	Gasket Kit	
507	70025091	1	Plug	
507	70025082	1	Seal	
507	70025176	1	Spring	
507	70025076	1	Valve, Pressure Control	
508	70025202	1	Pump, Oil Lube (Not Shown - Located Front Left Side)	
508	70025135	1	O-Ring	
508	70025136	1	Seal	
509	7016331	1	Filter, Oil	
510	70004275	1	Cooler, Oil	
510	70024925	1	Gasket	
511	70024924	1	Pump, High Pressure (Not Shown - Located Front Left Side)	
511	70025152	1	O-Ring (Between Pump and Spacer)	
511	70024488	1	Spacer	
511	70025152	1	O-Ring (Between Spacer and Engine Block)	
512	70025181	4	Injector, Fuel	
512	70025140	4	Washer, Sealing	
512	70025146	4	Clamp (Top of Injector)	
512	70025416	4	O-Seal	
512	70025154	4	Shoe, Clamping	
512	70000345	4	Plug, Glow	
512	70025231	1	Harness, Glow Plug (Not Shown)	
513	70025153	NLA	Filter, Fuel (Use p/n 1001225430)	
513	70024513	1	Cable, Sensor	
513	70025239	1	Seal	
514	70024486	1	Pump, Fuel	
515	70025144	2	Clamp	
516	70025160	1	Filter with Head	
516	70025161	NLA	Filter, Fuel (Use p/n 1001225431)	

SECTION 2 - TURNTABLE

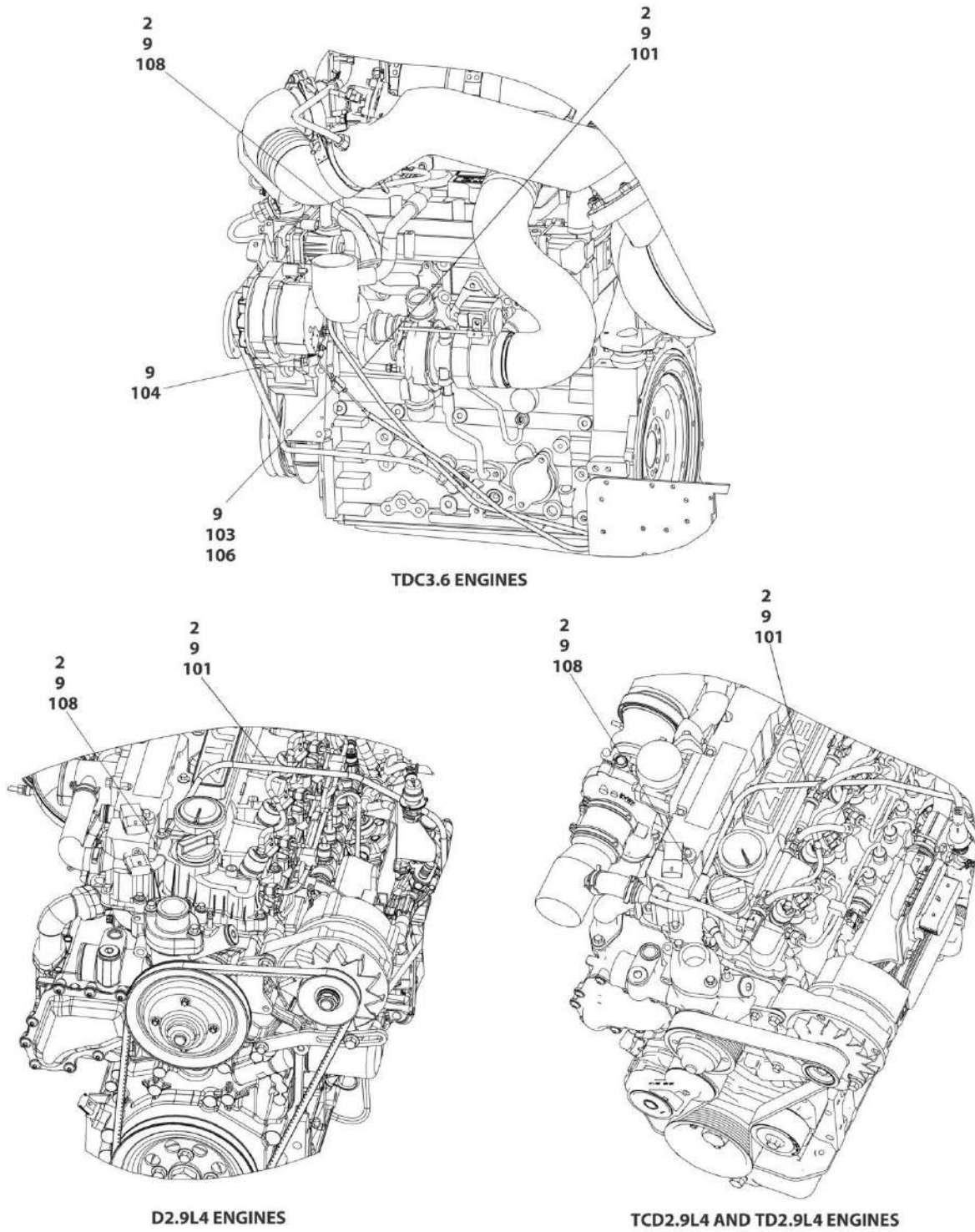
ITEM	PART NUMBER	QTY	DESCRIPTION	REV
517	70024504	1	Sensor, Pressure	
517	70024920	1	Seal	
518	70025151	1	Rail, Fuel (Not Shown)	
518	70025235	1	Repair Kit	
519	70025210	1	ECU (Engine Control Unit)	
520	70024910	1	Pump, Water	
520	70025200	1	Seal	
520	70025084	2	Plug	
520	7020492	2	Seal	
521	70024473	1	Thermostat	
521	70025143	1	O-Seal	
521	70025142	1	Cover, Thermostat	
522	70025178	1	Pipe	
522	70025156	1	Valve, Shuttle	
522	70025179	2	Gasket	
522	70025180	1	Gasket	
523	70025203	1	Module, EGR (Not Shown - Located on Left Side)	
524	70004276	1	Turbocharger	
525	70025477	1	Tensioner, Belt	
526	70004277	1	Belt, Drive	
527	70024914	1	Alternator	
527	70025149	1	Regulator, Voltage	
528	70024915	1	Starter (Not Shown - Located on Left Side)	
529	70025077	1	Harness, Engine (Not Shown)	
530	70024503	2	Sensor, Speed (Not Shown - Located Left Side Front and Flywheel Housing)	
530	70024917	2	Seal	
531	70024918	1	Sender, Temperature (Not Shown - Located Top Front)	
532	70024504	1	Sensor, Pressure (Not Shown - Located Left Side Front)	
532	70024920	1	Seal	
533	70024507	1	Sensor, Pressure	
533	70025120	1	Seal	
534	70024922	1	Sender, Temperature	
534	70025212	1	Seal	
535	70004278	1	Outlet	
535	70025799	1	Muffler, Inlet	
535	70024515	1	Clamp	
535	70025801	1	Gasket	
536	70124530	1	Valve, Pressure Relief	
536	70124538	1	Spring	
536	70104570	1	Ring, Sealing	
536	70025660	1	Screw, Locking	
	1001145750	Ref	SPARK ARRESTER INSTALLATION (OPTIONAL)	A
601	1001145751	1	Arrester, Spark	
	1001162335	Ref	FUEL PUMP/FILTER ASSEMBLY	D
701	0100011	AR	Compound, Locking	
702	0641610	2	Bolt 3/8in-16NC x 1-1/4in	
703	0721006	4	Screw # .10 x .750	
704	1001154405	1.5 ft / .45m	Hose	
705	3311001	4	Nut #10-24NC	
706	3311605	2	Locknut 3/8in-16NC	

SECTION 2 - TURNTABLE

ITEM	PART NUMBER	QTY	DESCRIPTION	REV
707	4711000	8	Flatwasher #10 Thin	
708	4711600	4	Flatwasher 3/8in Thin	
709	8405006	2	Clamp	
710	1001141870	1	Plate, Mounting	
711	1001142501	1	Fitting, Barbed 90 Degree	
	1001177399	Ref	ENGINE MOUNT INSTALLATION WITH GENERATOR	B
	1001177043	Ref	ENGINE MOUNT INSTALLATION WITHOUT GENERATOR	A
801	0100011	AR	Compound, Locking	
802	0641608	2	Bolt 3/8in-16NC x 1in	
803	0681820	1	Bolt 1/2 x 2-1/2 Grade 8	
803	0681822	1	Bolt 1/2 x 2-3/4 Grade 8	
804	0771414	3	Bolt M14 x 30 Grade 10.9	
804	0771415	3	Bolt M14 x 35 Grade 10.9	
805	3200401	1	Mount, Engine	
806	3271801	1	Nut 1/2in-13NC Grade 8	
807	3311605	2	Locknut 3/8in-16NC	
808	4751600	4	Flatwasher 3/8in Regular	
809	4812200	3	Flatwasher M14	
810	4891800	1	Flatwasher 1/2in Hardened	
811	1001139409	1	Washer, Special	
812	1001140466	1	Support, Engine with Generator (SN 0300197408 through 0300227100)	
812	1001202368	1	Support, Engine with Generator (SN 0300227101 to Present)	
812	1001177038	1	Support, Engine without Generator (Not Shown) (SN 0300197408 to Present)	
812	1001140466	1	Support, Engine (SN 0300177361 through 0300197407)	
813	5240800	AR	Washer M8	
814	0700814	AR	Bolt M8 x 30	

SECTION 2 - TURNTABLE

FIGURE 2-9. BREATHER HEATER INSTALLATION - DEUTZ D2.9L4 ENGINES WITH ARCTIC PACKAGE



ART_1001233763

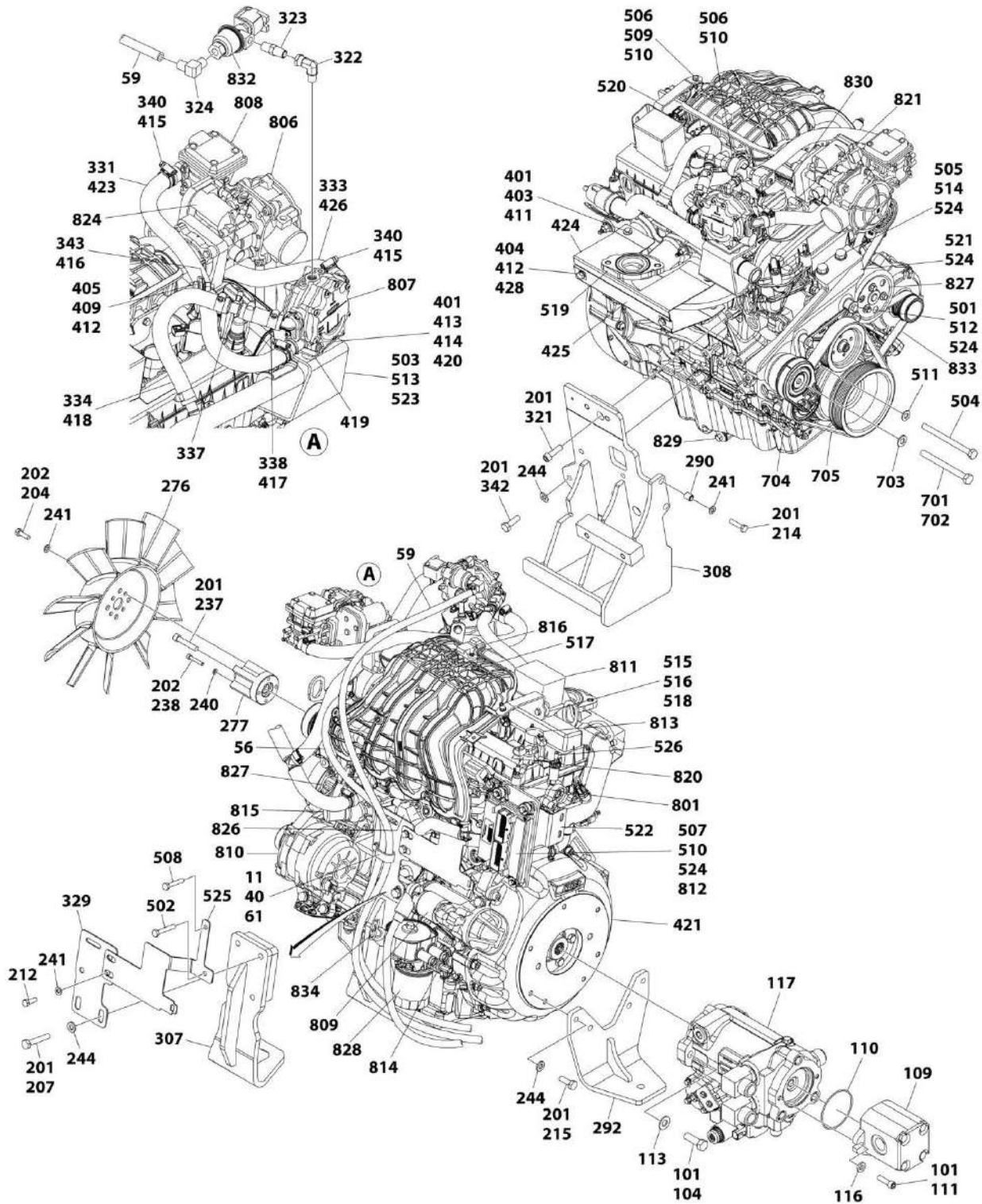
SECTION 2 - TURNTABLE

FIGURE 2-9. BREATHER HEATER INSTALLATION - DEUTZ D2.9L4 ENGINES WITH ARCTIC PACKAGE

ITEM	PART NUMBER	QTY	DESCRIPTION	REV
	1001233763	Ref	BREATHER HEATER INSTALLATION - DEUTZ ENGINES	C
2	4240099	AR	Tie-Strap	
9	1001243895	1	Breather Heater Harness	
101	2820035	10 ft/ 3m	Insulation	
103	2400060	1	Fuseholder with Cover	
104	4460043	1	Terminal, Ring	
105	4460722	1	Terminal, Ring (Not Shown)	
106	1001196634	1	Fuse - 2 Amp	
108	1001232842	1	Breather Heater Kit	

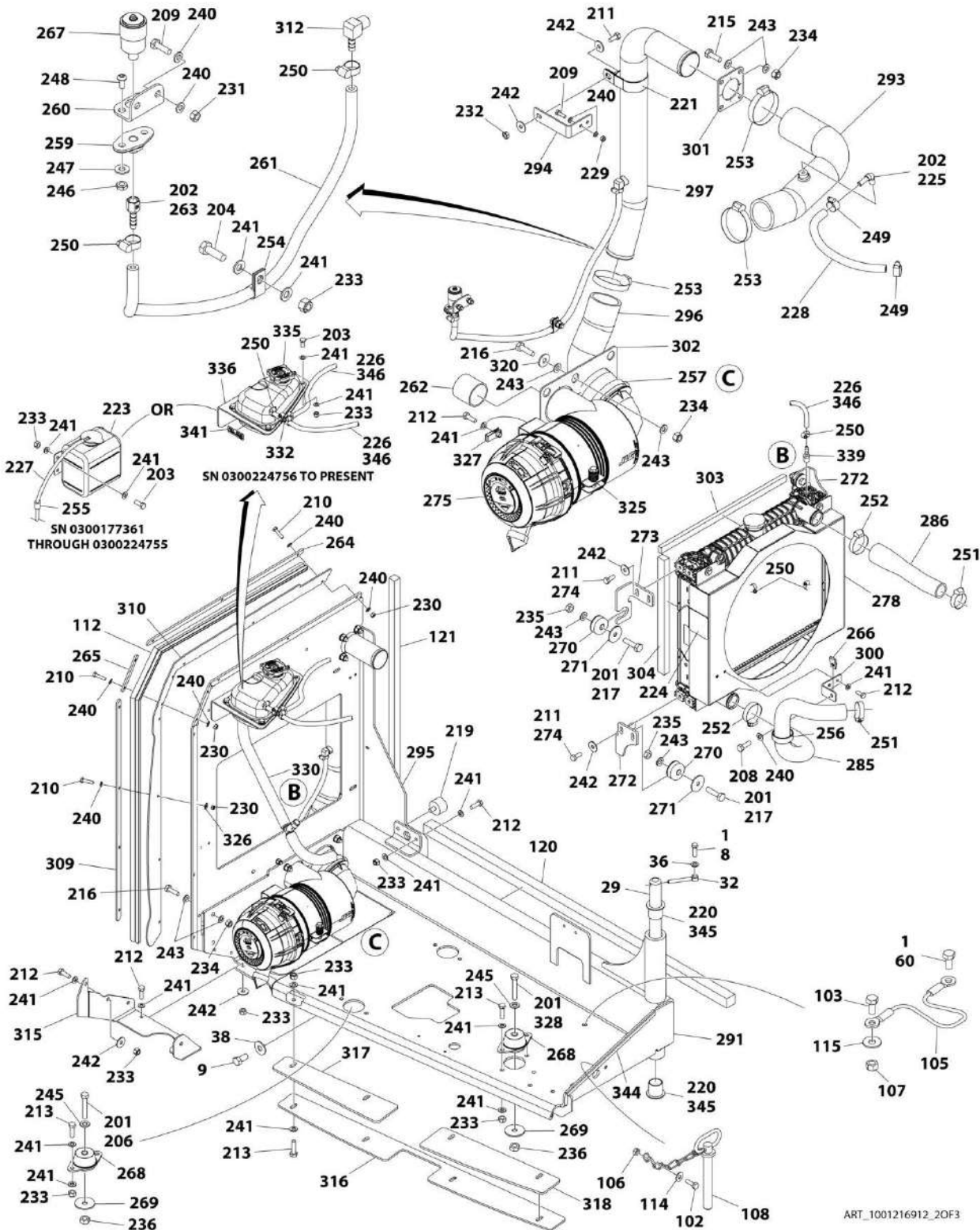
SECTION 2 - TURNTABLE

FIGURE 2-10. FORD ENGINE INSTALLATION



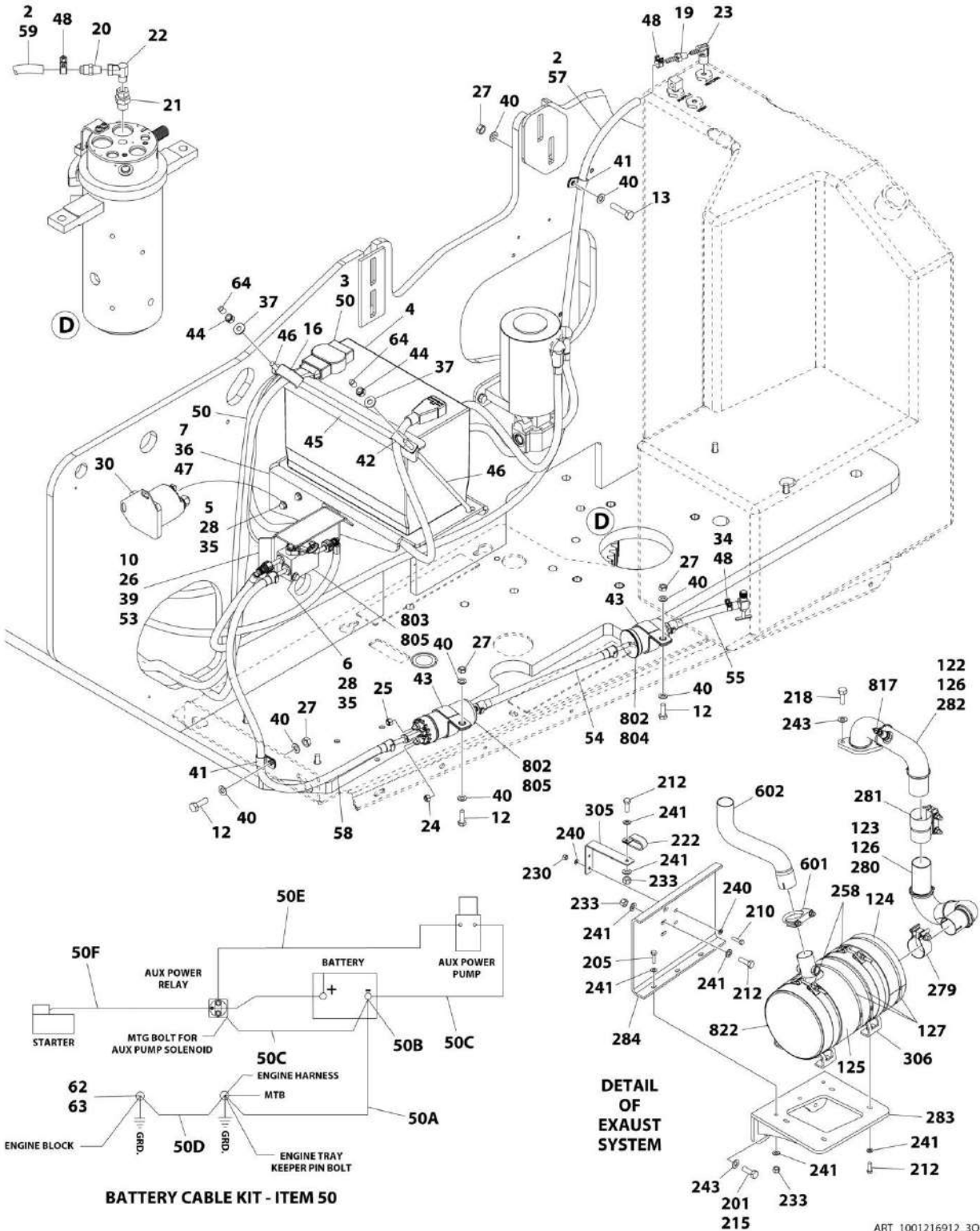
ART_1001216912_10F3

SECTION 2 - TURNTABLE



ART_1001216912_20F3

SECTION 2 - TURNTABLE



ART_1001216912_30F3

SECTION 2 - TURNTABLE

FIGURE 2-10. FORD ENGINE INSTALLATION

ITEM	PART NUMBER	QTY	DESCRIPTION	REV
		Ref	FORD ENGINE INSTALLATION	
	1001216912	Ref	Ford Engine Installation without Arctic Package	E
	1001219073	Ref	Ford Engine Installation with Arctic Package	E
1	0100011	AR	Compound, Locking	
2	0100020	AR	Sealant	
3	0100048	AR	Grease, Terminal	
4	0400075	1	Battery	
5	0641406	2	Bolt 1/4 x 3/4	
6	0641416	2	Bolt 1/4 x 2	
7	0641607	3	Bolt 3/8 x 7/8	
8	0641610	1	Bolt 3/8 x 1-1/4	
9	0642010	1	Bolt 5/8 x 1-1/4	
10	0760612	2	Bolt M6 x 25	
11	0760810	1	Bolt M8 x 20	
12	0760812	3	Bolt M8 x 25	
13	0760815	1	Bolt M8 x 35	
16	1321716	1	Clamp	
17	1701542	1	Decal - Gas (Not Shown)	
18	1701543	1	Decal - LPG (Not Shown)	
19	2180348	1	Fitting, Straight NPT/Barbed	
20	2180418	1	Fitting, Straight	
21	2220005	1	Fitting, Straight NPT	
22	2220064	1	Fitting, Straight	
23	2221176	1	Fitting, 90	
24	3290405	1	Nut M4	
25	3290505	1	Nut M5	
26	3290605	2	Nut M6	
27	3290801	4	Nut M8	
28	3311405	4	Nut 1/4	
29	3422448	1	Pin	
30	3740067	1	Relay	
31	3790012	1	O-Ring (Not Shown - Located on Platform Console Box)	
32	3841143	1	Keeper, Pin	
33	4360336	1	Switch, Toggle (Not Shown - Located on Platform Console Box)	
34	1001221488	1	Tube, Fuel Line	
35	4711400	6	Washer 1/4	
36	4711600	4	Washer 3/8	
37	4751500	2	Washer 5/16	
38	4752000	1	Washer 5/8	
39	4811702	4	Washer M6	
40	4811900	9	Washer M8	
41	8406101	2	Clip	
42	8406201	1	Clip	
43	85941018	2	Clamp	
44	88521205	2	Nut 5/16	
45	91401281	1	Bracket, Battery Hold Down	
46	1001093382	2	J-Bolt	
47	1001137868	1	Bracket, Battery	
48	1001174486	4	Clamp	
50	1001215142	1	Battery Cable Kit	C

SECTION 2 - TURNTABLE

ITEM	PART NUMBER	QTY	DESCRIPTION	REV
50A	7027073	1	Cable, Battery - Ground to Battery -	
50B	8270147	1	Terminal, Battery with Boot	
50C	7027072	1	Cable, Battery - Auxiliary Pump/Relay to Battery -	
50D	70009018	1	Cable, Battery - Engine to Ground	
50E	7027075	1	Cable, Battery - Auxiliary Relay to Auxiliary Pump	
50F	70009019	1	Cable, Battery - Starter/Auxiliary Relay to Battery +	
53	1001217645	1	Bracket	
54	1001217418	1	Hose	
55	1001217419	1	Hose	
56	1001217420	1	Hose	
57	1001217421	1	Hose	
58	1001217422	1	Hose	
59	1001218638	1	Hose	
60	0641808	1	Bolt 1/2 x 1	
61	1321283	1	Clamp	
62	0761008	1	Bolt M10 x 16	
63	4812000	1	Washer M10	
64	1001218572	2	Cap	
		Ref	Note: Arctic Package Items 80-88 Not Shown (Machines with Arctic Package Only)	
80	1060626	1	Plug, 3 Way	
81	1702941	1	Decal - Battery Heater	
82	1702942	1	Decal - Engine Block Heater	
83	1702943	1	Decal - Hydraulic Tank Heater	
84	1702944	1	Decal - Heater Cord	
85	2560024	1	Heater, Battery	
86	3980007	1	Seal, Battery	
87	1001150918	1	Cord, Extension - 8ft	
88	1001188972	1	Heater, Hydraulic Tank Immersion	
		Ref	FORD ENGINE AND PUMP SUB-ASSEMBLY	
	1001216911	Ref	Ford Engine and Pump Sub-Assembly without Arctic Package	D
	1001219072	Ref	Ford Engine and Pump Sub-Assembly with Arctic Package	C
101	0100011	AR	Compound, Locking	
102	0641407	1	Bolt 1/4 x 7/8	
103	0641808	1	Bolt 1/2 x 1	
104	0681812	2	Bolt 1/2 x 1-1/2	
105	1060637	1	Cable, Lanyard	
106	3311405	1	Nut 1/4	
107	3311805	1	Nut 1/2	
108	3422533	1	Pin	
109	3600395	1	Gear Pump and Fittings Assembly (See GEAR PUMP ASSEMBLY for Breakdown)	
110	3790152	1	O-Ring	
111	3931620	2	Capscrew 3/8 x 1-1/4	
112	3960389	60 in /1.5m	Seal (SN 0300177361 through 0300240729)	
113	4711800	2	Washer 1/2	
114	4751400	1	Washer 1/4	
115	4751800	1	Washer 1/2	
116	4891600	2	Washer 3/8	
117	1001188953	1	Piston Pump and Fitting Assembly (See PISTON PUMP ASSEMBLY for Breakdown)	

SECTION 2 - TURNTABLE

ITEM	PART NUMBER	QTY	DESCRIPTION	REV
118		Ref	Oil, Motor Options (Not Shown):	
118	1001190775	AR	Oil, Motor (Machines without Arctic Package)	
118	1001115931	AR	Oil, Motor (Machines with Arctic Package) (SN 0300177361 through 0300240729)	
118	1001190775	1	Oil, Motor (Machines with Arctic Package) (SN 0300240730 to Present)	
120	1001217170	1	Seal	
121	1001217184	1	Seal	
122	1001216532	1	Insulate, Exhaust Pipe	
123	1001216533	1	Insulate, Exhaust Pipe	
124	1001216534	1	Insulate, Muffler	
125	1001216535	1	Insulate, Muffler	
126	1001100825	6	Strap	
127	1001221464	3	Strap	
		Ref	FORD ENGINE ASSEMBLY	
	1001215413	Ref	Ford Engine Assembly without Arctic Package	M
	1001219071	Ref	Ford Engine Assembly with Arctic Package	J
201	0100011	AR	Compound, Locking	
202	0100020	AR	Sealant	
203	0700810	AR	Bolt M8 x 20	
204	0700812	5	Bolt M8 x 25	
205	0700814	3	Bolt M8 x 30	
206	0701224	1	Bolt M12 x 80	
207	0711020	3	Bolt M10 x 60	
208	0760608	2	Bolt M6 x 16	
209	0760610	4	Bolt M6 x 20	
210	0760612	AR	Bolt M6 x 25	
211	0760810	AR	Bolt M8 x 20	
212	0760812	AR	Bolt M8 x 25	
213	0760814	AR	Bolt M8 x 30	
214	0760815	2	Bolt M8 x 35	
215	0761014	11	Bolt M10 x 30	
216	0761015	AR	Bolt M10 x 35	
217	0761016	4	Bolt M10 x 40	
218	0771014	2	Bolt M10 x 30	
219	0940070	1	Bumper	
220	0961986	2	Bearing	
221	1320110	1	Clamp	
222	1321283	1	Clamp (SN 0300177361 through 0300240729)	
222	1001187781	1	Tie-Strap (Not Shown) (SN 0300240730 to Present)	
223	1580011	1	Container, Coolant Overflow (SN 0300177361 through 0300224755)	
224	1703162	2	Decal - Fan Blade	
225	2180467	1	Fitting, Straight NPT/Barbed	
226	2720058	AR	Hose	
227	2720271	39 in/1m	Hose (SN 0300177361 through 0300224755)	
228	1001165035	11 in/26cm	Hose	
229	3290601	2	Nut M6	
230	3290605	AR	Nut M6	
231	3290607	2	Nut M6	
232	3290801	1	Nut M8	

SECTION 2 - TURNTABLE

ITEM	PART NUMBER	QTY	DESCRIPTION	REV
233	3290805	AR	Nut M8	
234	3291005	AR	Nut M10	
235	3291001	4	Nut M10	
236	3291201	3	Nut M12	
237	3931632	1	Capscrew 3/8 x 2	
238	4031711	4	Capscrew M6 x 35	
239	4240099	AR	Tie-Strap (Not Shown)	
240	4811700	AR	Washer M6	
241	4811900	AR	Washer M8	
242	4811902	15	Washer M8	
243	4812000	33	Washer M10	
244	5241000	12	Washer M10	
245	5241200	3	Washer M10	
246	8305401	2	Nut 1/4	
247	8307109	2	Washer 1/4	
248	8310548	2	Screw 1/4 x 1/2	
249	8405006	2	Clamp	
250	8405009	AR	Clamp	
251	8405102	2	Clamp	
252	8405104	2	Clamp	
253	8405203	3	Clamp	
254	8406109	AR	Clip	
255	8406110	2	Clip (SN 0300177361 through 0300224755)	
256	8410001	1	Clamp	
257	8410011	1	Clamp	
258	1001128901	2	Strap, Clamp	
259	1001138173	1	Support	
260	1001138175	1	Bracket	
261	1001138248	31 in/ 77cm	Tube, Nylon	
262	1001141585	1	Hose, Air Cleaner Inlet	
263	1001141995	1	Fitting, Straight NPT/Barbed	
264	1001144410	1	Panel, Clamp	
265	1001144411	1	Panel, Clamp	
266	1001149160	1	Nut, Tinnerman M8	
267	1001149639	1	Indicator, Restriction	
268	1001191610	3	Mount, Motor	
269	1001168018	3	Washer	
270	1001169054	4	Isolator	
271	1001169138	4	Pad	
272	1001170035	2	Bracket	
273	1001176329	2	Bracket	
274	1001180620	AR	Adhesive	
275	1001189979	1	Air Filter Assembly	
275	70005008	1	Element, Filter	
276	1001213357	1	Fan (SN 0300177361 through 0300224755)	
276	1001223042	1	Fan (SN 0300224756 to Present)	
277	1001215647	1	Spacer, Fan	
278	1001215674	1	Radiator (SN 0300177361 through 0300224755)	
278	1001223923	1	Radiator (SN 0300224756 to Present)	
279	1001215681	1	Clamp	
280	1001215899	1	Pipe, Exhaust Inlet	

SECTION 2 - TURNTABLE

ITEM	PART NUMBER	QTY	DESCRIPTION	REV
281	1001215974	1	Clamp	
282	1001216075	1	Pipe, Exhaust Inlet	
283	1001216086	1	Bracket	
284	1001216092	1	Shield, Heat	
285	1001216204	1	Hose, Radiator (Lower)	
286	1001216205	1	Hose, Radiator (Upper)	
290	1001216919	2	Sleeve	
291	1001216951	1	Tray	
292	1001216995	1	Mount, Engine (Rear)	
293	1001217032	1	Tube, Air Intake	
294	1001217046	1	Bracket	
295	1001217082	1	Plate, Radiator	
296	1001217089	1	Tube, Intake (Lower)	
297	1001217090	1	Tube, Intake (Intermediate)	
300	1001217146	1	Support	
301	1001217174	1	Seal	
302	1001217175	1	Seal	
303	1001217183	2	Seal	
304	1001217185	2	Seal	
305	1001217186	1	Support	
306	1001217543	2	Mount	
307	1001218362	1	Mount, Engine (Front Left)	
308	1001218449	1	Mount, Engine (Front Right)	
309	1001218599	1	Panel, Clamp	
310	1001218600	1	Panel, Rubber	
312	1001134488	1	Fitting, 90 Barbed	
313	2300004	AR	Coolant (Not Shown)	
315	1001219445	1	Seal	
316	1001219448	1	Plate	
317	1001219454	1	Seal	
318	1001219456	1	Seal	
320	4812002	6	Washer M10	
321	4032011	AR	Capscrew M10 x 35	
321	5272010	AR	Capscrew M10 x 30	
322	2220064	1	Fitting, 90 FSNPSM/NPTF	
323	2220261	1	Fitting, Straight	
324	2180504	1	Fitting, Straight	
325	1001186426	1	Clamp, Air Cleaner	
326	4811702	1	Washer M6	
327	1001221615	2	Nut, Tinnerman M8	
328	1001098828	AR	Bolt M12 x 70 Grade 10.9	
328	0711223	AR	Bolt M12 x 75	
329	1001222033	1	Plate	
330	1001224489	1	Hose (SN 0300224756 to Present)	
331	1001216531	1/.6m	Hose (SN 0300224756 to Present)	
332	1001224432	1	Fitting, Tee Barbed (SN 0300224756 through 0300240729)	
333	1001224486	1	Hose (SN 0300224756 to Present)	
334	82033995	13 in/ 33cm	Hose (SN 0300224756 through 0300240729)	
334	1001227666	24 in/ 60cm	Hose (SN 0300240730 to Present)	
335	1001223584	1	Tank (SN 0300224756 to Present)	

SECTION 2 - TURNTABLE

ITEM	PART NUMBER	QTY	DESCRIPTION	REV
336	1001224419	1	Bracket (SN 0300224756 to Present)	
337	1001224431	1	Fitting, Tee (SN 0300224756 to Present)	
338	8410009	AR	Clamp (SN 0300224756 to Present)	
339	8420231	1	Fitting, Straight Barbed (SN 0300224756 through 0300240729)	
339	2180348	1	Fitting, Straight Barbed (SN 0300240730 to Present)	
340	1001173535	6	Clamp (SN 0300224756 to Present)	
341	1001225510	1	Decal - Full Cold (SN 0300224756 to Present)	
342	0711014	5	Bolt M10 x 30 (SN 0300224756 to Present)	
343	8406201	1	Clip (SN 0300224756 to Present)	
344	4060805	16 in/.4m	Flex-Trim (SN 0300224756 to Present)	
345	0100062	AR	Adhesive (SN 0300224756 to Present)	
346	1001227667	1	Hose (Includes Tee) (SN 0300240730 to Present)	
350	1001216393	1	Heater, Engine Block (Arctic Package Only) (Not Shown)	
	1001216910	Ref	FORD ENGINE ASSEMBLY - PUMP COUPLING/ FUEL SYSTEM	F
401	0100011	AR	Compound, Locking	
403	0760605	4	Bolt M6 x 10	
404	0760807	2	Bolt M8 x 14	
405	0760812	AR	Bolt M8 x 25	
409	3290805	AR	Nut M8	
411	4811702	4	Washer M6	
412	4811900	AR	Washer M8	
413	5250605	3	Bolt M6 x 10	
414	5260600	1	Nut M6 Class 10	
415	1001173535	4	Clamp (SN 0300177361 through 0300227100)	
416	8406201	1	Clip (SN 0300177361 through 0300227100)	
417	8410009	2	Clamp (SN 0300177361 through 0300227100)	
418	82033995	10 in/ 27cm	Hose (SN 0300177361 through 0300227100)	
419	1001211794	3	Mount, Isolator	
420	1001213045	1	Bracket (SN 0300177361 through 0300232334)	
420	1001227769	1	Bracket (SN 0300232335 to Present)	
421	1001213810	1	Pump Coupling, Kit	
421	70006134	1	Coupling, Pump	
421	70006135	1	Housing, Pump Coupling	
421	70006136	1	Bolt Kit	
423	1001216531	1	Hose (SN 0300177361 through 0300227100)	
424	1001216768	1	Bracket	
425	1001216769	1	Bracket	
426	1001216810	1	Hose (SN 0300177361 through 0300227100)	
428	1001149160	2	Nut, Tinnerman M8	
	1001216065	Ref	FORD ENGINE ASSEMBLY - BRACKETS/EXHAUST MANIFOLD	K
501	0700816	4	Bolt M8 x 40	
502	0700818	1	Bolt M8 x 50	
503	0701014	2	Bolt M10 x 30	
504	0710827	1	Bolt M8 x 100 Grade 10.9	
505	0711216	2	Bolt M12 x 40	
506	0760610	3	Bolt M6 x 20	
507	0760615	4	Bolt M6 x 35	
508	0760817	1	Bolt M8 x 45	
509	3290601	1	Nut M6	
510	4811700	8	Washer M6	
511	4811900	1	Washer M8	

SECTION 2 - TURNTABLE

ITEM	PART NUMBER	QTY	DESCRIPTION	REV
512	4811902	4	Washer M8	
513	4812000	2	Washer M10	
514	4812100	2	Washer M12	
515	5250605	2	Bolt M6 x 10	
516	5260600	2	Nut M6 Class 10	
517	1001210448	1	Engine Ford 2.5L DF MSG425 (See FORD ENGINE COMPONENTS for Serviced Parts)	
518	1001211794	2	Mount	
519	1001214827	1	Manifold, Exhaust	
520	1001215384	1	Bracket	
521	1001216071	1	Bracket	
522	1001216144	1	Support, Muffler	
523	1001216616	1	Mount, Vaporizer (SN 0300177361 through 0300232332)	
523	1001227772	1	Mount, Vaporizer (SN 0300232333 to Present)	
524	0100011	AR	Compound, Locking	
525	1001221545	1	Plate	
526	1001222641	6	Cap	
		Ref	EXHAUST PIPE INSTALLATION	
	1001220215	Ref	Exhaust Pipe Installation without Spark Arrestor	B
	1001219325	Ref	Exhaust Pipe Installation with Spark Arrestor	C
601	1001221397	1	Clamp	
602		Ref	Tail Pipe Options	
602	1001216160	1	Tail Pipe without Spark Arrestor	
602	1001217294	1	Tail Pipe with Spark Arrestor	
602		Ref	Insulate Options	
602	1001216536	1	Insulate without Spark Arrestor	
602	1001217562	1	Insulate with Spark Arrestor	
602	1001100825	3	Strap	
	1001220404	Ref	DRIVE BELT INSTALLATION (MACHINES WITHOUT GENERATOR)	C
701	0100011	AR	Compound, Locking	
702	0701026	1	Bolt M10 x 90	
703	4812002	1	Washer M10	
704	1001216300	1	Pulley	
705	1001216619	1	V-Belt	
		Ref	FORD ENGINE COMPONENTS	
801	70006145	4	Injector, Fuel	
801	70006147	1	Rail, Fuel	
802	70006150	1	Pump, Fuel	
802	70006154	1	Fitting M10	
803	70006151	1	Block, Fuel	
803	70006152	2	Fitting SAE6	
803	70006153	1	Fitting SAE3	
803	70006189	1	Harness, Fuel Block	
804	70006155	1	Filter, Fuel	
805	7022162	8	Clamp	
805	70006157	8	Clip, Fuel Quick Disconnect	
806	70006158	1	Mixer, LP	
806	70006168	1	Mixer Diaphragm Replacement Kit	
806	70006159	1	Adapter, Mixer to Governor	
806	70006160	1	O-Ring, Mixer to Adapter	
806	70006161	1	Seal, Mixer to Adapter	

SECTION 2 - TURNTABLE

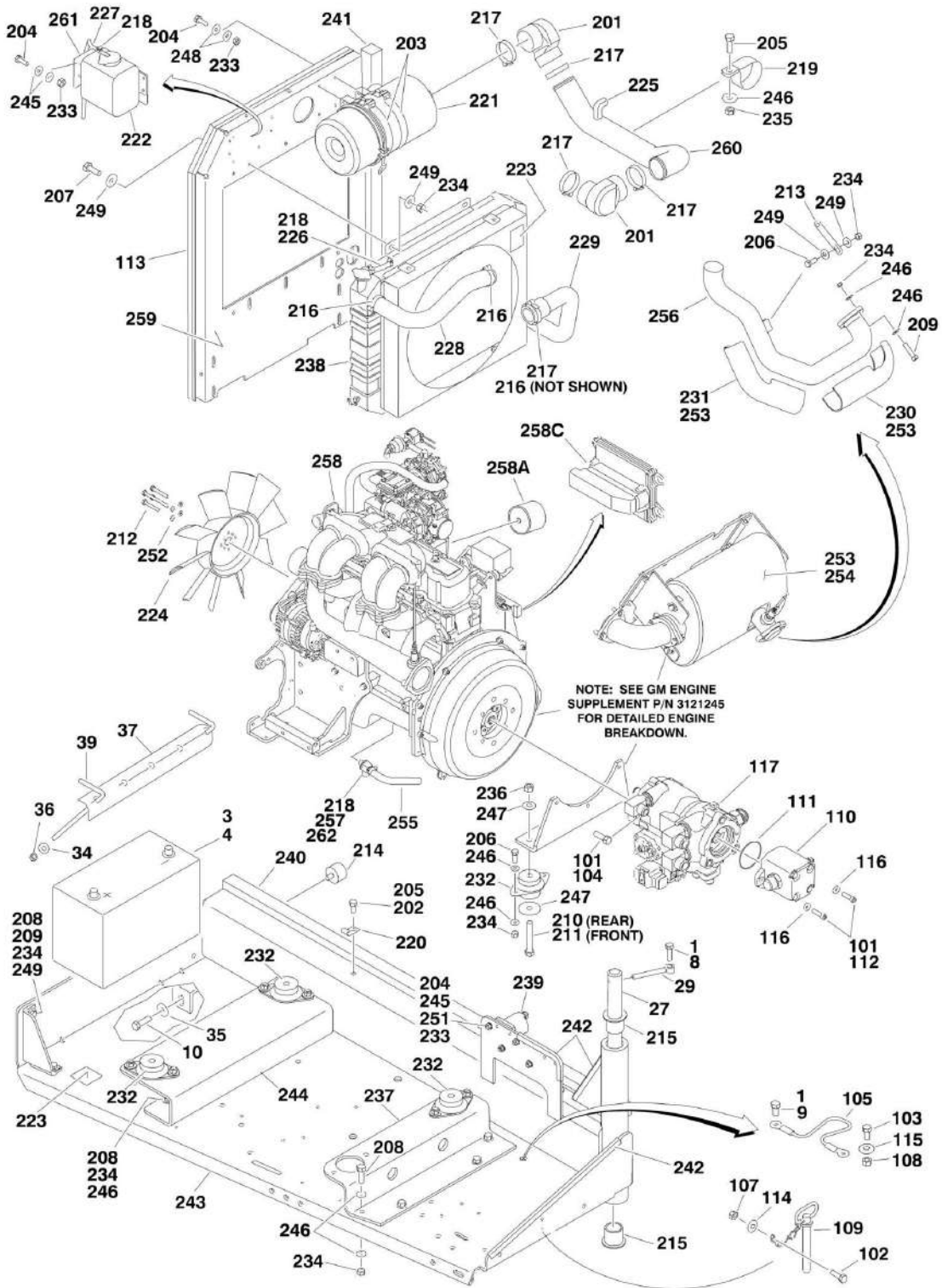
ITEM	PART NUMBER	QTY	DESCRIPTION	REV
807	70006162	1	Regulator, LP Vapor	
807	70006166	2	Fitting, 70	
807	70006167	1	Fitting, Straight	
807	70006165	2	Isolator, Rubber	
808	70006163	1	Regulator, Direct Electronic Pressure	
808	70006164	1	Adapter, Fitting 90	
809	70006169	1	Starter	
809	70006233	1	Harness, Alternator/Starter	
810	70006170	1	Alternator	
811	70006173	1	Cover, Relay Box	
811	70006171	2	Relay (Fuel Pump & Power)	
811	70006172	1	Relay (Starter)	
811	70006175	1	Fuse - 20AMP (Starter)	
811	70006174	1	Decal - Relay Box Cover	
811	70006188	1	Harness, Engine	
811	70006165	2	Isolator, Rubber	
812	70006176	1	Module - Engine Control Unit (ECU/GCP)	
812	70006191	1	Software & Diagnostic Cable	
813	70006177	4	Coil and Boot Assembly	
813	70006178	4	Plug, Spark	
814	70006179	1	Switch, Oil Pressure	
815	70006180	1	Sensor, Knock	
816	70006181	1	Sensor, TMAP	
817	70006182	2	Sensor, O2	
818	70006183	1	Sensor, Coolant Temperature (Not Shown - Located Rear of Engine Block)	
819	70006184	1	Sensor, Crank Position (Not Shown - Located at Front RH Side of Block)	
820	70006185	1	Sensor, Cam Position	
821	70006186	1	Solenoid, Timing	
821	70006187	1	Grommet, Rubber	
822	70006194	1	Muffler	
822	70006195	1	Plug (Located at Muffler Outlet)	
823		Ref	Gasket Options (Not Shown):	
823	70006196	1	Gasket, Exhaust Manifold to Head	
823	70006197	1	Gasket, Exhaust Manifold Outlet	
823	70006200	1	Gasket, Intake Manifold to Head	
823	70006219	1	Gasket Set - Camshaft Cover	
823	70006225	1	Gasket, Cylinder Head	
824	70006198	1	Governor	
824	7027404	1	Gasket, Governor Actuator	
824	70006199	1	Gasket, Governor to Intake Manifold Adapter	
825	70006203	1	Flywheel (Not Shown)	
826	70006205	1	Thermostat (Includes Housing)	
826	70006206	1	Gasket, Water Inlet	
827	70006207	1	Pump, Water	
827	70006208	1	O-Ring, Water Pump	
827	See Note	NSS	Pulley, Water Pump (Note: Not Available for Purchase at This Time)	
828	70006213	1	Filter, Oil	
829	70006215	1	Plug, Oil Drain	
829	70006217	1	Gasket, Oil Drain Plug	

SECTION 2 - TURNTABLE

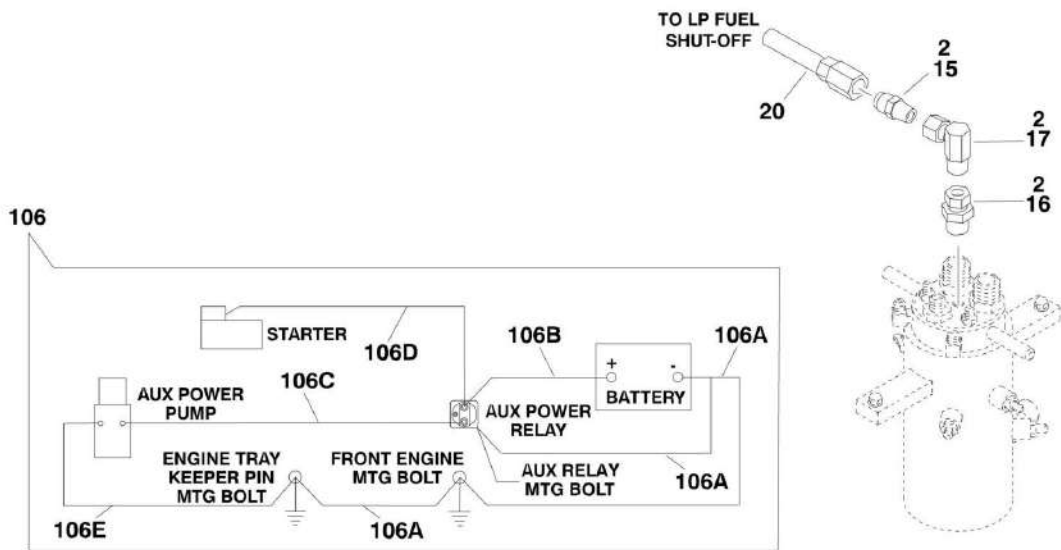
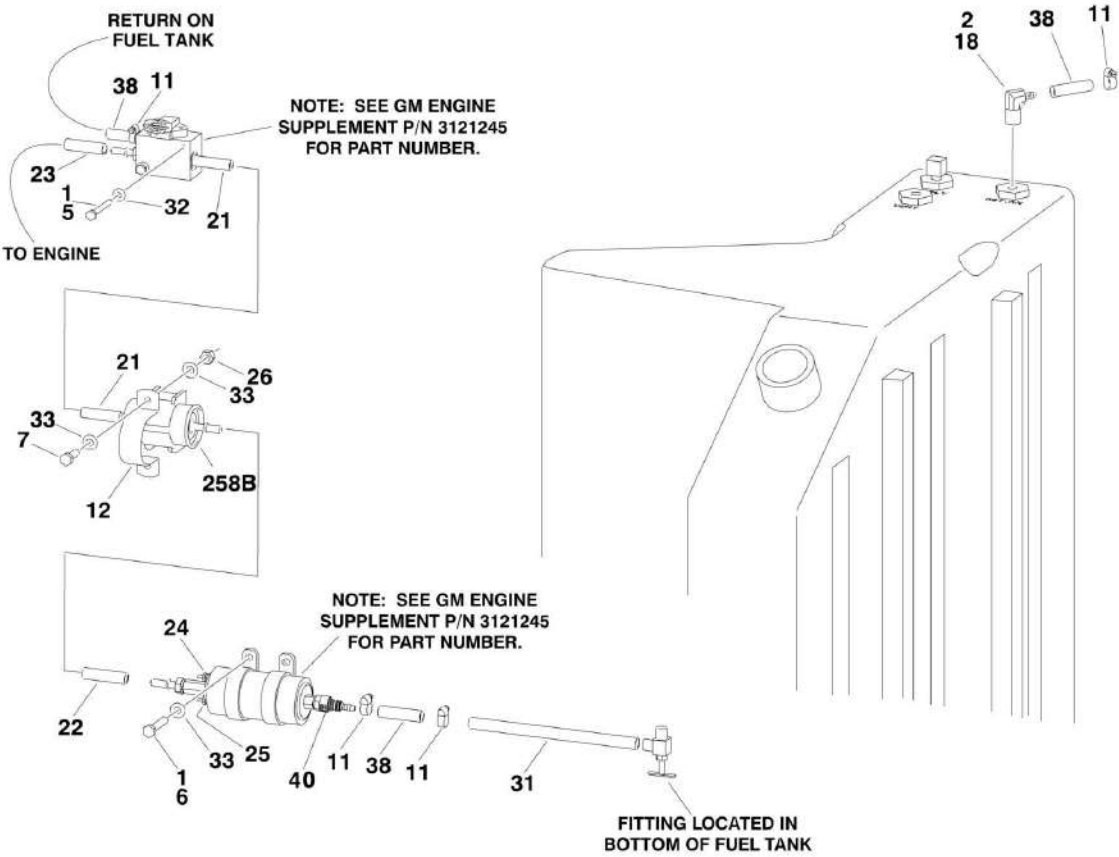
ITEM	PART NUMBER	QTY	DESCRIPTION	REV
830	70006221	1	Cap, Oil Fill	
831	70006232	1	Sensor, Crank (Not Shown)	
832	70006235	1	Valve, Lock-Off (Includes Filter)	
833	70006202	1	Belt	
834	70006236	1	Dipstick	

SECTION 2 - TURNTABLE

FIGURE 2-11. GM ENGINE INSTALLATION



SECTION 2 - TURNTABLE



SECTION 2 - TURNTABLE

FIGURE 2-11. GM ENGINE INSTALLATION

ITEM	PART NUMBER	QTY	DESCRIPTION	REV
		Ref	GM ENGINE INSTALLATION	
	1001114640	Ref	Machines without Arctic Package (SN 0300177361 through 0300208081)	F
	1001188966	Ref	Machines without Arctic Package (SN 0300208082 through 0300222204)	B
	1001216848	Ref	Machines without Arctic Package (SN 0300222205 to Present)	B
	1001114642	Ref	Machines with Arctic Package (SN 0300177361 through 0300208081)	F
	1001188967	Ref	Machines with Arctic Package (SN 0300208082 through 0300222204)	B
	1001216849	Ref	Machines with Arctic Package (SN 0300222205 to Present)	B
1	0100011	AR	Compound, Locking	
2	0100020	AR	Sealant, Pipe	
3	0100048	AR	Grease, Dielectric	
4	0400075	1	Battery (Wet)	
5	0641416	2	Bolt 1/4in-20NC x 2in	
6	0641505	2	Bolt 5/16in-18NC x 5/8in	
7	0641506	2	Bolt 5/16in-18NC x 3/4in	
8	0641608	1	Bolt 3/8in-16NC x 1in	
9	0641808	1	Bolt 1/2in-13NC x 1in	
10	0642010	1	Bolt 5/8in-11NC x 1-1/4in	
11	1320022	NLA	Clamp, Fuel Line (Use p/n 1001174486) (SN 0300147361 through 0300195655)	
11	1001174486	AR	Clamp, Fuel Line (SN 0300195656 to Present)	
12	1320323	1	Clamp	
13	1701542	1	Decal, Gas (Not Shown)	
14	1701543	1	Decal, LPG (Not Shown)	
15	2180418	1	Fitting, Straight	
16	2220005	1	Fitting, Straight	
17	2220064	1	Fitting, Adapter	
18	2221176	1	Fitting, 90	
19		Ref	Coolant Options (Not Shown):	
19	2300004	AR	Machines without Arctic Package	
19	2300041	AR	Machines with Arctic Package	
20	2720392	1	Hose, LP	
21	2720496	1	Hose, High Pressure Fuel Line (SN 0300177361 through 0300181785)	
21	1001156821	1	Hose, High Pressure Fuel Line (SN 0300181786 to Present)	
22	2720566	1	Hose (SN 0300177361 through 0300181785)	
22	1001156823	1	Hose (SN 0300181786 to Present)	
23	2720598	1	Hose (SN 0300177361 through 0300181785)	
23	1001156826	1	Hose (SN 0300181786 to Present)	
24	3290405	1	Locknut M4 x 0.7	
25	3290505	1	Locknut M5 x 0.8	
26	3311505	2	Locknut 5/16in-18NC	
27	3422448	1	Pin	
28	3790012	1	O-Ring (Not Shown - Located in Console Box)	
29	3841143	1	Keeper	
30	4360336	1	Switch, Toggle (Not Shown - Located in Console Box)	
31	4569385	1	Tube, Fuel Line	
32	4711400	2	Flatwasher 1/4in Thin	

SECTION 2 - TURNTABLE

ITEM	PART NUMBER	QTY	DESCRIPTION	REV
33	4711500	6	Flatwasher 5/16in Thin	
34	4751500	2	Flatwasher 5/16in Regular	
35	4752000	1	Flatwasher 5/8in Regular	
36	88521205	2	Locknut 5/16in-18NC	
37	91401281	1	Angle, Battery Hold Down	
38	1001091587	6.25 ft /1.9m	Hose, Fuel Line (SN 0300177361 through 0300181785)	
38	1001156819	6.25 ft /1.9m	Hose, Fuel Line (SN 0300181786 through 0300196752)	
38	1001177157	1	Hose, Fuel Line (Fuel Supply) (SN 0300196753 to Present)	
38	1001177161	1	Hose, Fuel Line (Tank Return Line) (SN 0300196753 to Present)	
39	1001093382	2	Bolt, Battery Hold Down	
40	1001174093	1	Coupling, Quick Connect (SN 0300195656 through 0300196752)	
		Ref	Note: Arctic Package Items 41 - 53 Not Shown - Used on Arctic Machines Only	
41	1060625	1	Cable, Immersion Heater (Located on bottom of Hydraulic Oil Tank) (SN 0300177361 through 0300206631)	
41	1001150918	1	Cable, Immersion Heater (Located on bottom of Hydraulic Oil Tank) (SN 0300206632 to Present)	
42	1060626	1	Cord, 3 Way Extension (Located on Left Front of Engine)	
43	1320223	3	Clamp	
44	1702941	1	Decal - Battery Heater (Located on Battery Heater)	
45	1702942	1	Decal - Engine Block Heater (Located on Right Side of Engine)	
46	1702943	1	Decal - Hydraulic Tank Heater (Located on bottom of Hydraulic Oil Tank)	
47	1702944	1	Decal - Heater Cord (Located on Left Front of Engine)	
48	2580024	1	Heater, Battery (Located on Battery)	
49	2580050	1	Heater, Hydraulic Tank (Located on bottom of Hydraulic Oil Tank) (SN 0300177361 through 0300206631)	
49	1001188972	1	Heater, Hydraulic Tank (Located on bottom of Hydraulic Oil Tank) (SN 0300206632 to Present)	
50	2580063	1	Heater, Engine Block (Located on Right Side of Engine)	
51	3311605	2	Locknut 3/8in-16NC	
52	3980007	1	Seat, Battery (Located Under Battery)	
53	4711600	2	Flatwasher 3/8in Thin	
		Ref	GM ENGINE AND PUMP SUB-ASSEMBLY	
	1001114639	Ref	Machines without Arctic Package (SN 0300177361 through 0300208081)	E
	1001188959	Ref	Machines without Arctic Package (SN 0300208082 through 0300222204)	B
	1001216846	Ref	Machines without Arctic Package (SN 0300222205 to Present)	B
	1001114641	Ref	Machines with Arctic Package (SN 0300177361 through 0300208081)	E
	1001188960	Ref	Machines with Arctic Package (SN 0300208082 through 0300222204)	B
	1001216847	Ref	Machines with Arctic Package (SN 0300222205 to Present)	B
101	0100011	AR	Compound, Locking	
102	0641407	1	Bolt 1/4in-20NC x 7/8in	
103	0641808	1	Bolt 1/2in-13NC x 1in	
104	0641812	2	Bolt 1/2in-13NC x 1-1/2in	
105	1060637	1	Cable, Lanyard	
106	2902531	1	Battery Cable Kit	B
106A	7016822	1	Cable (Battery - to Ground)	

SECTION 2 - TURNTABLE

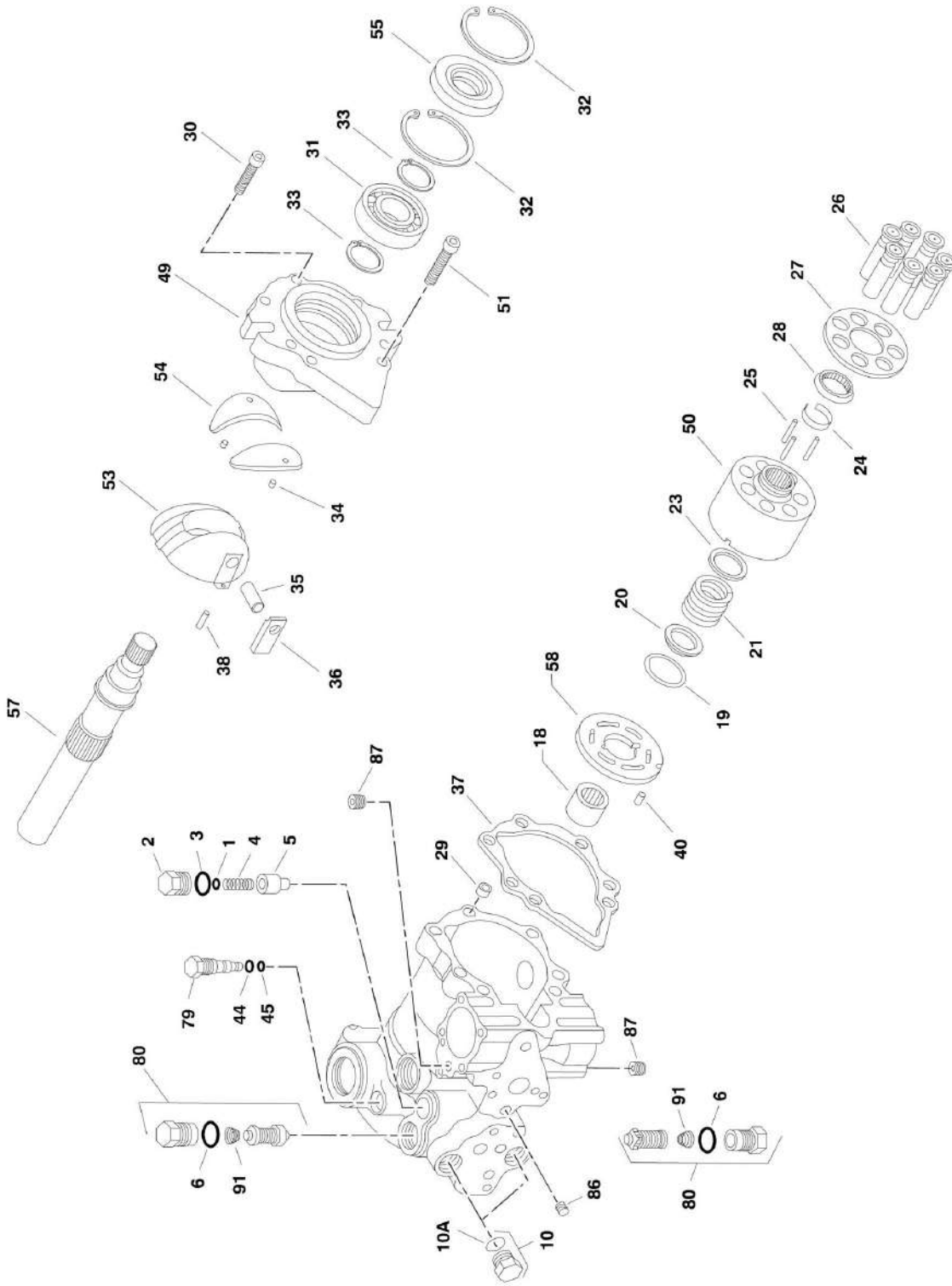
ITEM	PART NUMBER	QTY	DESCRIPTION	REV
106B	7027015	1	Cable (Battery + to Auxiliary Relay)	
106C	7027016	1	Cable (Relay to Auxiliary Pump)	
106D	7027017	1	Cable (Relay to Starter)	
106E	7027003	1	Cable (Auxiliary Pump to Ground)	
107	3311405	1	Locknut 1/4in-20NC	
108	3311805	1	Locknut 1/2in-13NC	
109	3422533	1	Pin, Hitch	
110	3600395	1	Gear Pump Assembly with Fittings (See GEAR PUMP ASSEMBLY for Breakdown)	
111	3790012	1	O-Ring	
112	3931620	2	Bolt 3/8in-16NC x 1-1/4in	
113	3960389	5 ft/1.5m	Seal	
114	4751400	1	Flatwasher 1/4in Regular	
115	4751800	1	Flatwasher 1/2in Regular	
116	4891600	2	Flatwasher 3/8in Hardened	
117	1001093410	1	Piston Pump Assembly with Fittings (See PISTON PUMP ASSEMBLY for Breakdown) (SN 0300177361 through 0300208081)	
117	1001188953	1	Piston Pump Assembly with Fittings (See PISTON PUMP ASSEMBLY for Breakdown) (SN 0300208082 to Present)	
119		Ref	Oil, Engine (Not Shown)	
119	1001115930	AR	10W-30 - without Arctic Package	
119	1001115931	AR	5W-30 Fully Synthetic - with Arctic Package	
	1001114601	Ref	GM ENGINE ASSEMBLY (SN 0300177361 through 0300222204)	D
	1001216845	Ref	GM ENGINE ASSEMBLY (SN 0300222205 to Present)	B
201	0080201	2	Fitting, 90	
202	0100011	AR	Compound, Locking	
203	0340041	2	Band, Mounting	
204	0641406	12	Bolt 1/4in-20NC x 3/4in	
205	0641606	4	Bolt 3/8in-16NC x 3/4in	
206	0641608	9	Bolt 3/8in-16NC x 1in	
207	0641609	4	Bolt 3/8in-16NC x 1-1/8in	
208	0641610	10	Bolt 3/8in-16NC x 1-1/4in	
209	0641612	4	Bolt 3/8in-16NC x 1- 1/2in	
210	0641826	2	Bolt 1/2in-13NC x 3-1/4in	
211	0641828	2	Bolt 1/2in-13NC x 3-1/2in	
212	0700810	4	Bolt M8 x 20mm	
213	0903490	1	Bracket, Exhaust Strap	
214	0940070	1	Bumper	
215	0961986	2	Bearing, Flanged	
216	1320012	3	Clamp	
217	1320016	5	Clamp	
218	1320022	4	Clamp	
219	1320219	1	Clamp	
220	1320223	3	Clamp	
221	1340060	1	Air Cleaner Assembly	
221	7012664	1	Element, Air Cleaner	
222	1580011	1	Container, Coolant Overflow	
223	1703162	2	Decal - Caution Fan	
224	2060025	1	Fan	
225	2180877	1	Fitting 90	
226	2720058	1 ft /0.3m	Hose	

SECTION 2 - TURNTABLE

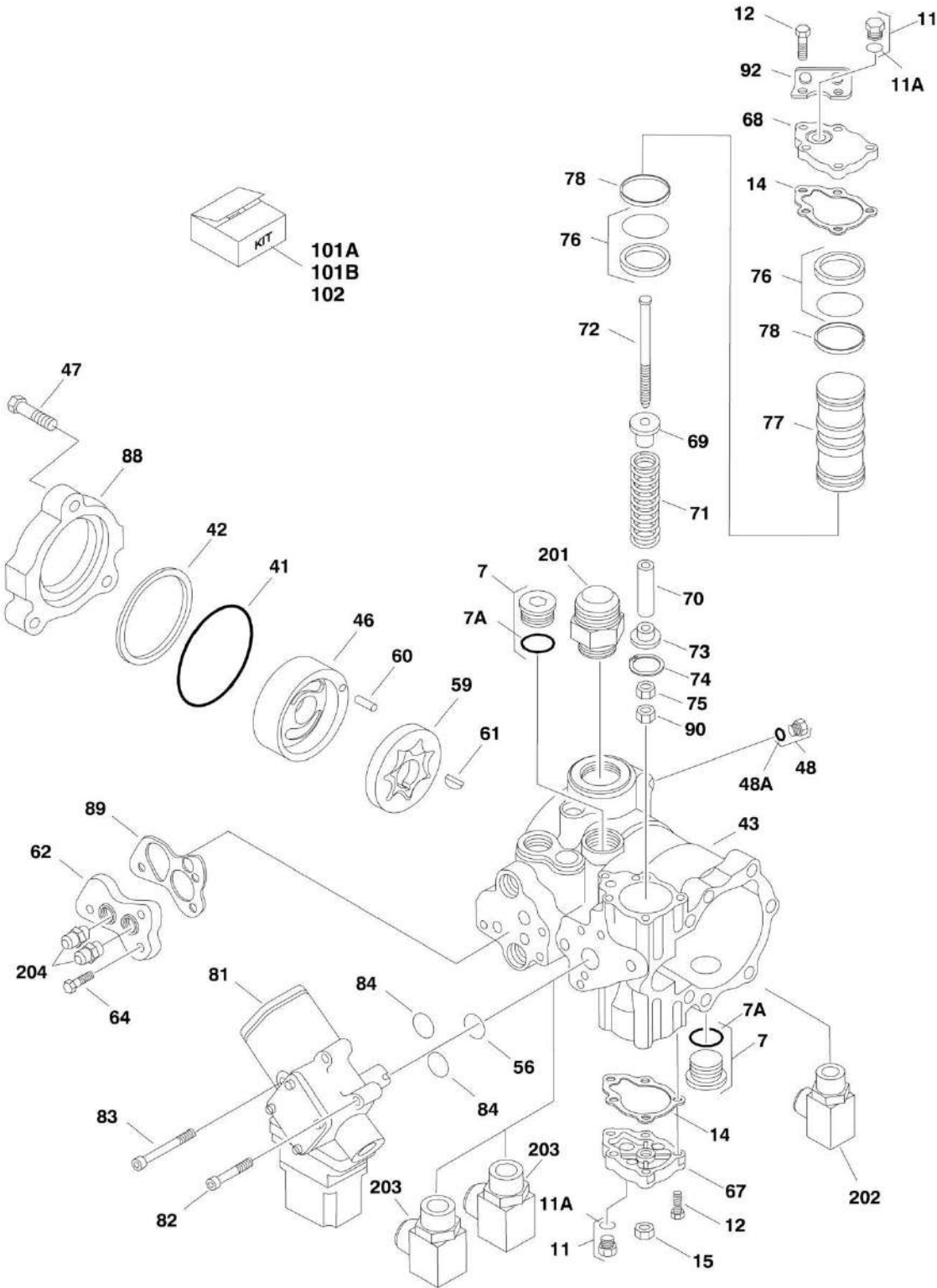
ITEM	PART NUMBER	QTY	DESCRIPTION	REV
227	2720271	18 in /46cm	Hose	
228	2720563	1	Hose, Radiator (Top)	
229	2720564	1	Hose, Radiator (Bottom)	
230	2820243	1	Exhaust Elbow, Insulation	
231	2820244	1	Exhaust, Insulation	
232	3200362	4	Mount, Engine	
233	3311405	12	Locknut 1/4in-20NC	
234	3311605	27	Locknut 3/8in-16NC	
235	3311608	1	Locknut 3/8in-16NC	
236	3311805	4	Locknut 1/2in-13NC	
237	3572280	1	Plate, Engine Mount	
238	3620040	1	Radiator	
238	8180311	1	Cap, Radiator (was p/n 7019656)	
239	3740067	1	Relay	
240	3960468	1	Seal	
241	3960469	1	Seal	
242	4060805	3 ft/0.9m	Seal	
243	4341239	1	Tray, Engine	
244	4341241	1	Mount, Engine (Front)	
245	4711400	16	Flatwasher 1/4in Thin	
246	4711600	37	Flatwasher 3/8in Thin	
247	4740274	4	Flatwasher, Snubbing	
248	4751400	8	Flatwasher 1/4in Regular	
249	4751600	18	Flatwasher 3/8in Regular	
250	4751800	4	Flatwasher 1/2in Regular	
251	4791400	2	Starwasher 1/4in	
252	4831900	4	Lockwasher M8	
253	4920385	10 ft/3m	Wire, Safety	
254	1001091793	1	Insulation, Muffler	
255	1001091892	NLA	Hose (Use p/n 2750532)	
256	1001093248	1	Pipe, Exhaust	
257	1001105872	NLA	Valve, Oil Drain (Use p/n 4640952)	
258	1001114600	1	Engine, GM 3.0L (See GM Engine Supplement p/n 3121245 for Breakdown of Additional Components) (SN 0300177361 through 0300222204)	
258	1001216844	1	Engine, GM 3.0L with Mounting Brackets (See GM Engine Supplement p/n 3121245 for Breakdown of Additional Components) (SN 0300222205 to Present)	
258	1001214862	1	Engine, GM 3.0L without Mounting Brackets (See GM Engine Supplement p/n 3121245 for Breakdown of Additional Components) (SN 0300222205 to Present)	
258	70000164	1	Plug, Spark (Not Shown)	
258A	7027965	1	Filter, Oil	
258B	7027972	1	Filter, Fuel	
258C	70002895	1	Module, Control (ECU)	
259	1001116131	1	Plate, Radiator Mounting	
260	1001116183	1	Tube, Intake	
261	1001116200	1	Bracket	
262	0100020	AR	Sealant	

SECTION 2 - TURNTABLE

FIGURE 2-12. PISTON PUMP ASSEMBLY (SN 0300177361 through 0300208081)



SECTION 2 - TURNTABLE



SECTION 2 - TURNTABLE

FIGURE 2-12. PISTON PUMP ASSEMBLY (SN 0300177361 through 0300208081)

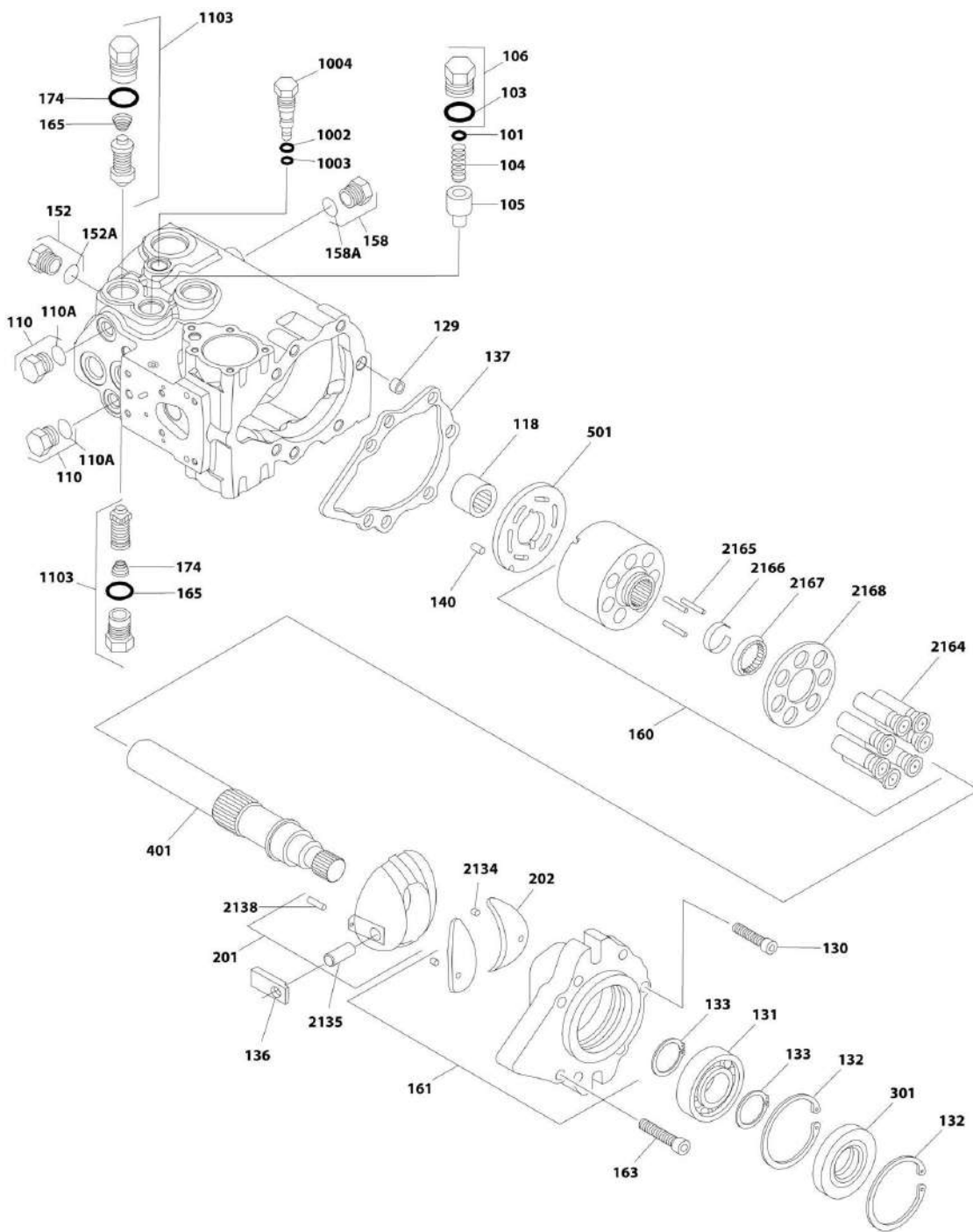
ITEM	PART NUMBER	QTY	DESCRIPTION	REV
	3600381	Ref	PISTON PUMP ASSEMBLY	A
1	7007413	1	Shim Kit	
2	7007414	1	Plug	
3	See Note	NSS	O-Ring (Note: Use Item 101A)	
4	7021200	1	Spring, Relief Valve	
5	7007417	1	Valve, Relief	
6	See Note	NSS	O-Ring (Note: Use Item 101A)	
7	7007419	2	Plug	
7A	7007418	2	O-Ring	
10	7007420	2	Plug	
10A	7021256	2	O-Ring	
11	7007420	2	Plug	
11A	7021256	2	O-Ring	
12	7021223	10	Screw	
14	See Note	NSS	Gasket, Servo Cover (Note: Use Item 101A)	
15	7007423	1	Nut, Special	
18	7007425	1	Bearing, Needle	
19	See Note	NSS	Ring, Retaining (Note: Use Item 102)	
20	See Note	NSS	Washer (Note: Use Item 102)	
21	See Note	NSS	Spring (Note: Use Item 102)	
23	See Note	NSS	Washer (Note: Use Item 102)	
24	See Note	NSS	Retainer (Note: Use Item 102)	
25	See Note	NSS	Pin, Slipper Holddown (Note: Use Item 102)	
26	See Note	NSS	Piston Assembly (Note: Use Item 102)	
27	See Note	NSS	Retainer, Slipper (Note: Use Item 102)	
28	See Note	NSS	Guide, Retainer (Note: Use Item 102)	
29	7007435	1	Pin, Spring	
30	7021202	1	Screw	
31	7007437	1	Bearing, Ball	
32	7007438	2	Ring, Retainer	
33	7007439	2	Ring	
34	7021203	2	Pin, Spring	
35	7007441	1	Handle, Pin	
36	7007442	1	Sleeve, Bearing	
37	See Note	NSS	Gasket, Front Cover (Note: Use Item 101A)	
38	7007444	1	Pin	
40	7007446	1	Pin	
41	7021233	1	O-Ring	
42	7007448	1	Ring, Load Temper	
43	7023977	1	Housing, Pump	
44	See Note	NSS	Ring, Back-Up (Note: Use Item 101A)	
45	See Note	NSS	O-Ring (Note: Use Item 101A)	
46	7007452	1	Cover, Gerotor	
47	7007453	3	Bolt, Hex	
48	7007208	1	Plug	
48A	7007207	1	O-Ring	
49	7007454	1	Cover, Front	
50	See Note	NSS	Block, Cylinder (Note: Use Item 102)	
51	7021207	6	Screw	
53	7007457	1	Swash Plate	

SECTION 2 - TURNTABLE

ITEM	PART NUMBER	QTY	DESCRIPTION	REV
54	7021212	1	Journal, Bearing	
55	7007459	1	Seal, Lip	
56	See Note	NSS	O-Ring (Note: Use Item 101A)	
57	7010121	1	Shaft, Main Pump	
58	7021214	1	Plate, Valve	
59	7007463	1	Gerotor Assembly	
60	7007464	1	Pin	
61	7007465	1	Key, Woodruff	
62	7007466	1	Adaptor, Remote Filtration (Without By-Pass)	
64	7021218	3	Screw	
67	7021220	1	Cover, Servo (Without Adjuster)	
68	7021219	1	Cover, Servo (Without Adjuster)	
69	7023979	1	Guide, Spring	
70	7007484	1	Stop, Servo	
71	7007485	1	Spring	
72	7021221	1	Screw	
73	7007487	1	Guide, Spring	
74	7007488	1	Ring, Retaining	
75	7021222	1	Locknut	
76	See Note	NSS	Ring, Piston (Note: Use Item 101A or 101B)	
77	7007494	1	Piston, Servo	
78	See Note	NSS	O-Ring (Note: Use Item 101A or 101B)	
79	7007472	1	Valve, Bypass	
80	7024851	2	Valve, Pressure Relief (Includes Item 6)	
81	7007474	1	Control, Dual Oil-Filled	
81	7007496	1	Coil Assembly (Pilot)	
81	7007497	1	Plug (Pump)	
81	7007498	1	Plug (Valve Harness)	
82	7001498	2	Screw	
83	7007478	2	Screw	
84	7001433	2	O-Ring	
86	7007475	1	Plug, Orifice/Screen (.156)	
87	7007477	2	Plug, Orifice (.37)	
88	7007476	1	Adapter, Auxiliary Pump	
89	7021217	1	Spacer/Gasket	
90	7021206	1	Nut	
91	7024800	2	Spring	
92	7021201	1	Bracket, Lifting	
101		Ref	Seal Kit Options:	
101A	7021232	1	Seal Kit - Complete (Includes Items 3, 6, 14, 37, 41, 42, 44, 45, 55, 56, 76, 78 & 89)	
101B	7007412	1	Seal Kit - Servo Piston (Includes Items 76 & 78)	
102	7010116	1	Cylinder Block Kit (Includes Items 19-28 & 50)	
		Ref	PISTON PUMP AND FITTING ASSEMBLY	
	3600396	Ref	Deutz Engine Machines	C
	1001093410	Ref	GM Engine Machines	B
201	2220377	1	Fitting, Straight	
202		Ref	Fitting, 90 Options	
202	2220578	1	3600396 Pump	
202	8770157	1	1001093410 Pump	
203	2220646	2	Fitting, 90	
204	2220947	2	Fitting, Straight	

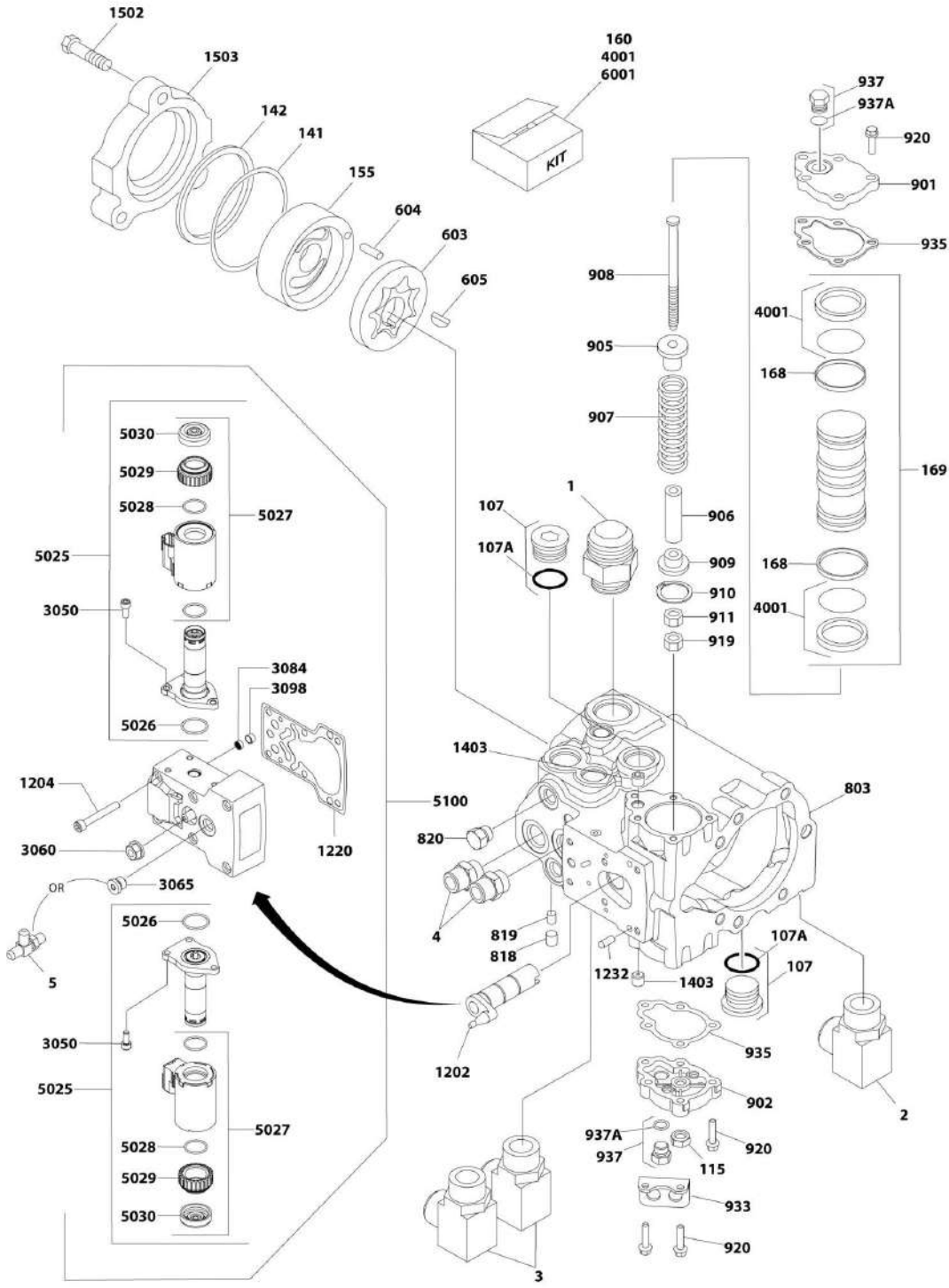
SECTION 2 - TURNTABLE

FIGURE 2-13. PISTON PUMP ASSEMBLY (SN 0300208082 to Present)



ART_1001186542_10F2

SECTION 2 - TURNTABLE



ART_1001186542_20F2

SECTION 2 - TURNTABLE

FIGURE 2-13. PISTON PUMP ASSEMBLY (SN 0300208082 to Present)

ITEM	PART NUMBER	QTY	DESCRIPTION	REV
	1001188952	Ref	PUMP AND FITTING ASSEMBLY - DEUTZ ENGINE MACHINES	A
	1001188953	Ref	PUMP AND FITTING ASSEMBLY - GM & FORD ENGINE MACHINES	A
1	2220377	1	Fitting, Straight JIC/ORB	
2	2220578	1	Fitting, 90 JIC/ORB (Deutz Engine Machines)	
2	8770157	1	Fitting, 90 JIC/ORB (GM Engine Machines)	
2	2220451	1	Fitting, Straight JIC/ORB (Ford Engine Machines)	
3	2220646	2	Fitting, 90 JIC/ORB	
4	2220947	2	Fitting, Straight JIC/ORB	
5	2221034	1	Fitting, Tee JIC/ORB (Deutz & GM Engine Machines)	
5	2220711	1	Fitting, Tee JIC/ORB (Ford Engine Machines)	
	1001186542	1	PISTON PUMP ASSEMBLY	B
101	7007413	1	Shim Kit	
103	7007415	1	O-Ring (Part of Item 106)	
104	7021200	1	Spring, Relief Valve	
105	7007417	1	Valve, Relief	
106	7024874	2	Plug (Includes Items 103)	
107	7007419	2	Plug	
107A	7007418	2	O-Ring	
110	7007420	2	Plug	
110A	7021256	2	O-Ring	
115	7007423	1	Nut, Special	
118	7007425	1	Bearing, Needle	
129	7007435	1	Pin, Spring	
130	7021202	1	Screw	
131	70002176	1	Bearing, Ball	
132	7007438	2	Ring, Retainer	
133	7007439	2	Ring	
136	7007442	1	Sleeve, Bearing	
137	7007443	1	Gasket, Front Cover	
140	7007446	1	Pin	
141	7021233	1	O-Ring	
142	7007448	1	Ring, Load Temper	
152	7007420	1	Plug Assembly	
152A	7021256	1	O-Ring	
155	70005466	1	Cover, Gerotor	
158	7007208	1	Plug	
158A	7007207	1	O-Ring	
160	7010116	1	Cylinder Block Kit (Includes Items 2164-2168)	
161	7024875	1	Cover Assembly - Front (Includes Items 202 & 2134)	
163	7021207	6	Screw	
165	70005467	2	Spring	
168	7021210	2	Bearing	
169	70005468	1	Servo Piston Assembly (Includes Items 168 & 4001)	
174	7007418	2	O-Ring	
201	7007457	1	Swash Plate Assembly (Includes Items 2135 & 2138)	
202	7021212	1	Journal, Bearing	
301	7007459	1	Seal, Lip	
401	7010121	1	Shaft, Main Pump	
501	7021214	1	Plate, Valve	

SECTION 2 - TURNTABLE

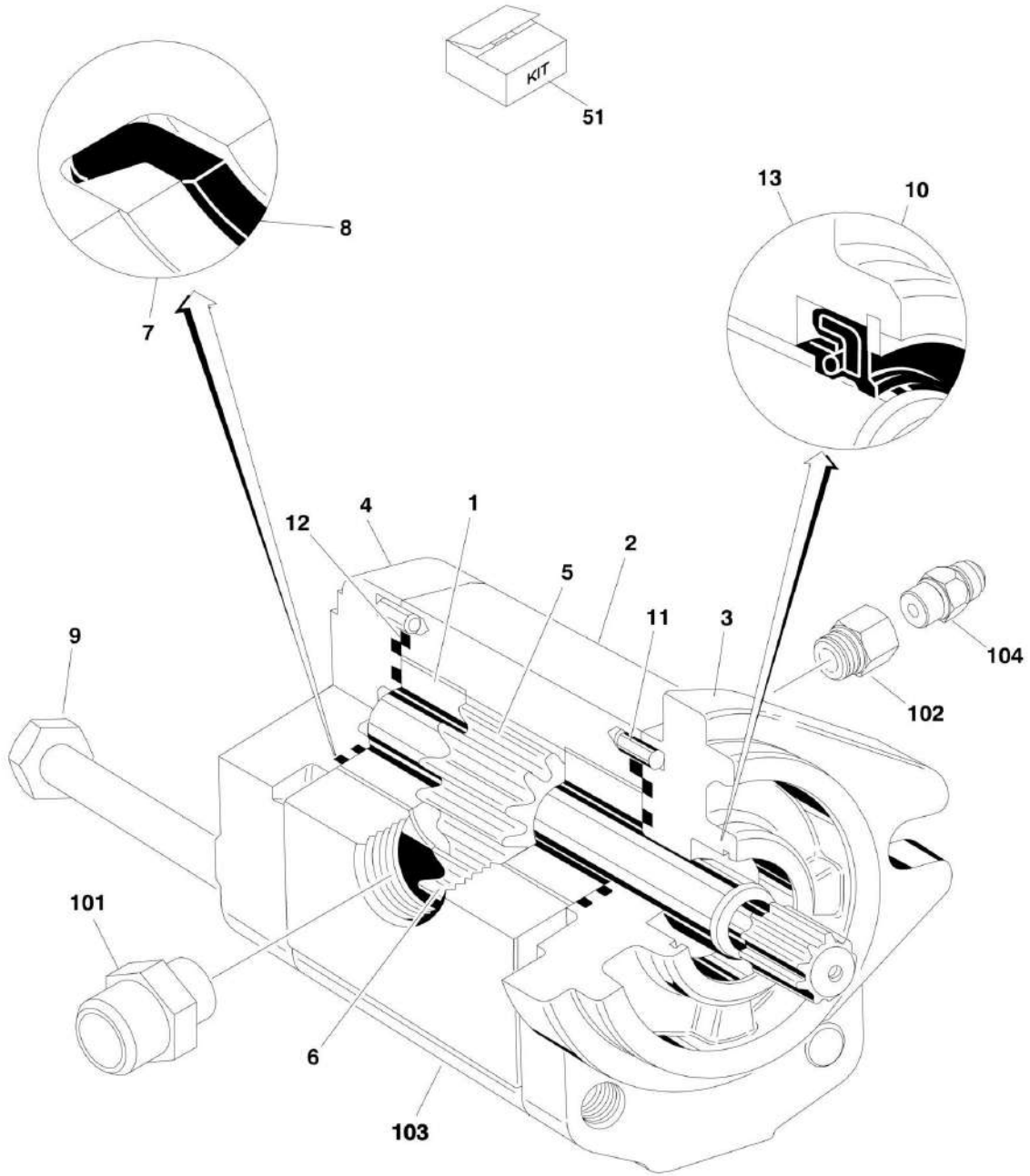
ITEM	PART NUMBER	QTY	DESCRIPTION	REV
603	7007463	1	Gerotor Assembly	
604	7007464	1	Pin	
605	7007465	1	Key, Woodruff	
803	See Note	NSS	Housing, Pump (Note: Use p/n 1001186542)	
818	70005469	1	Plug	
819	70005470	1	Plug	
820	70005469	1	Plug	
901	7021219	1	Cover, Servo (With Adjuster)	
902	7021220	1	Cover, Servo (Without Adjuster)	
905	7023979	1	Guide, Spring	
906	7007484	1	Stop, Servo	
907	7007485	1	Spring	
908	7021221	1	Screw	
909	7007487	1	Guide, Spring	
910	7007488	1	Ring, Retaining	
911	7021222	1	Locknut	
919	7021206	1	Nut	
920	7021223	10	Screw	
933	7021201	1	Bracket, Lifting	
935	7007422	2	Gasket, Servo Cover	
937	7007420	2	Plug	
937A	7021256	2	O-Ring	
1002	7007450	1	Ring, Back-up	
1003	70005471	1	O-Ring	
1004	7024877	1	Valve, Bypass	
1103	7024851	2	Valve, Pressure Relief (Includes Items 165 & 174)	
1202	70005472	1	Sleeve	
1204	70002156	6	Screw	
1220	70002154	1	Gasket	
1232	70002157	2	Pin	
1403	7007477	2	Plug, Orifice (.37)	
1502	7007453	3	Bolt, Hex	
1503	7007476	1	Adapter, Auxiliary Pump	
2134	7021203	2	Pin, Spring	
2135	7007441	1	Handle, Pin	
2138	7007444	1	Pin	
2164	7010117	7	Piston Assembly	
2165	7007431	3	Pin, Slipper Holddown	
2166	7007430	1	Retainer	
2167	7007434	1	Guide, Retainer	
2168	7010119	1	Retainer, Slipper	
3050	70002150	6	Screw	
3060	70005473	1	Nut, Seal	
3065	70002151	1	Plug	
3084	70002134	1	Screen	
3098	70002153	1	Ring	
4001	7007412	1	Seal Kit - Servo Piston	
5025	70002147	2	Solenoid Assembly (Includes Items 5026-5030)	
5026	70002148	2	O-Ring	
5027	70002149	2	Coil Assembly (Includes Items 5028-5030)	
5028	70005474	2	O-Ring	

SECTION 2 - TURNTABLE

ITEM	PART NUMBER	QTY	DESCRIPTION	REV
5029	70005475	2	Screw	
5030	70005476	2	Cap	
5100	70002146	1	EDC Assembly (Includes Items 1204, 1220, 3050-3098 & 5025-5030)	
6001	7021232	1	Seal Kit - Complete (Includes Items 103, 137, 141, 142, 168, 174, 301, 935, 1002, 1003, 4001 and Plug O-Ring)	

SECTION 2 - TURNTABLE

FIGURE 2-14. GEAR PUMP ASSEMBLY



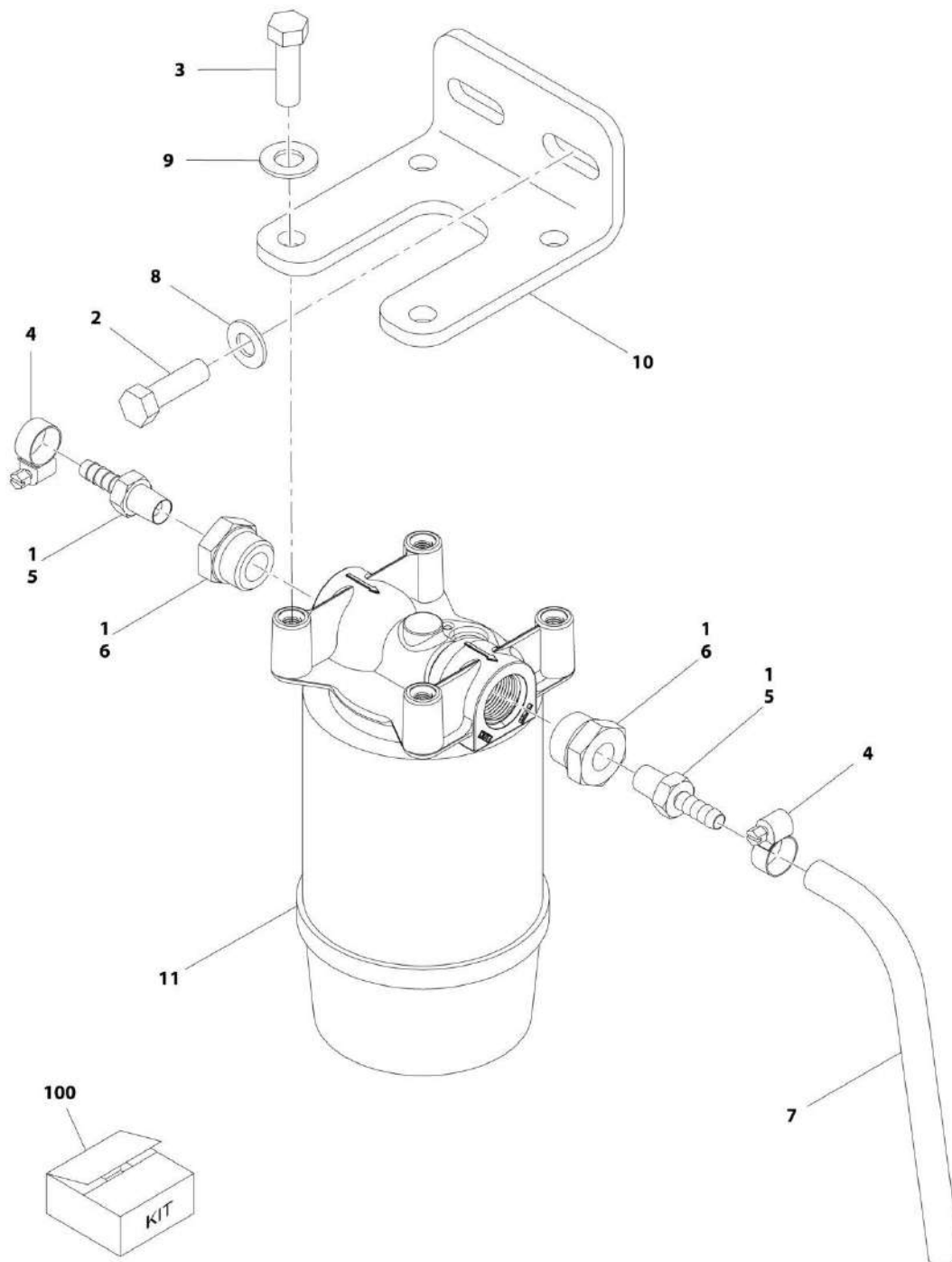
SECTION 2 - TURNTABLE

FIGURE 2-14. GEAR PUMP ASSEMBLY

ITEM	PART NUMBER	QTY	DESCRIPTION	REV
	3600242	Ref	GEAR PUMP ASSEMBLY	
1	7010105	2	Bearing/Bushing	
2	See Note	NSS	Housing (Note: Use Item 3600242)	
3	See Note	NSS	Flange (Note: Use Item 3600242)	
4	7010103	1	Cover	
5	7012987	1	Gear, Drive	
6	7012988	1	Gear, Idler	
7	See Note	NSS	Ring, Anti-Extrusion (Note: Use Item 51)	
8	See Note	NSS	Seal (Note: Use Item 51)	
9	See Note	4	Bolt (Note: Not Available for Purchase)	
10	7010104	1	Ring, Retaining	
11	See Note	NSS	Pin, Dowel (Note: Not Available for Purchase)	
12	See Note	NSS	Seal, O-Ring (Note: Use Item 51)	
13	See Note	NSS	Seal, Shaft (Note: Use Item 51)	
51	7007489	1	Seal Kit (Includes Items 7, 8, 12 & 13)	
	3600395	Ref	GEAR PUMP AND FITTING ASSEMBLY	B
101	2220376	1	Fitting, Straight	
102	2220810	1	Fitting, Reducer	
103	3600242	1	Pump (Includes Items 1 - 13)	
104	4640744	1	Fitting, Check Valve	

SECTION 2 - TURNTABLE

FIGURE 2-15. FUEL-WATER SEPARATOR INSTALLATION - DEUTZ D2011



ART_1001199784

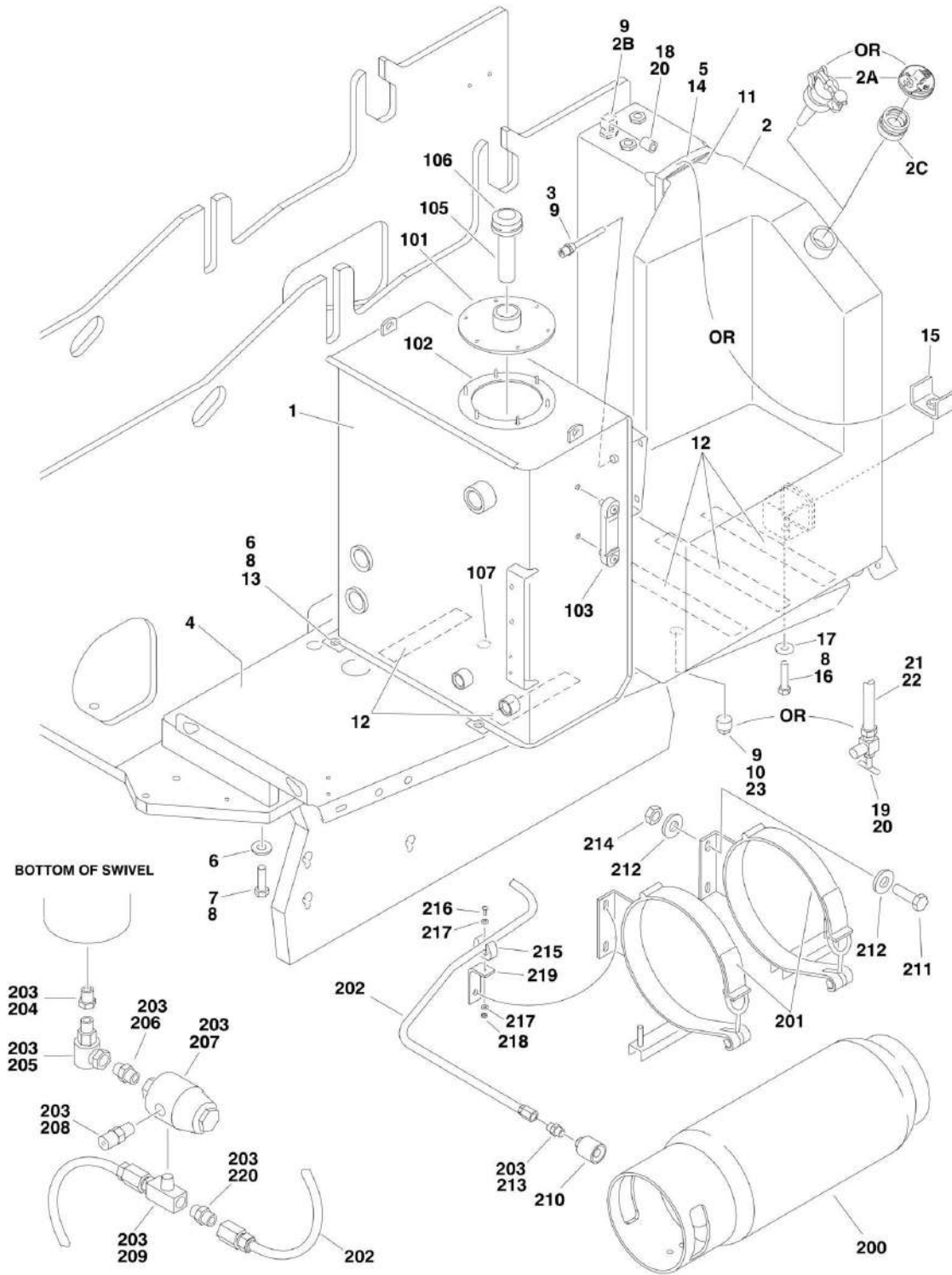
SECTION 2 - TURNTABLE

FIGURE 2-15. FUEL-WATER SEPARATOR INSTALLATION - DEUTZ D2011

ITEM	PART NUMBER	QTY	DESCRIPTION	REV
	1001199784	Ref	FUEL-WATER SEPARATOR INSTALLATION - DEUTZ D2011 (OPTIONAL)	A
1	0100079	AR	Sealant	
2	0641607	2	Bolt 3/8 x 7/8	
3	0641610	4	Bolt 3/8 x 1-1/4	
4	1320022	2	Clamp	
5	2180348	2	Fitting, Straight	
6	2220816	2	Fitting, Straight	
7	2720058	12 in /31cm	Hose	
8	4711600	2	Washer 3/8	
9	4711700	4	Washer 7/16	
10	1001188884	1	Bracket	
11	1001188887	1	Fuel/Water Separator Assembly	
11	1001202280	1	Head	
11	1001202281	1	Element	
100	1001204667	1	Fuel/Water Separator Add-on Kit	

SECTION 2 - TURNTABLE

FIGURE 2-16. TANK INSTALLATIONS



SECTION 2 - TURNTABLE

FIGURE 2-16. TANK INSTALLATIONS

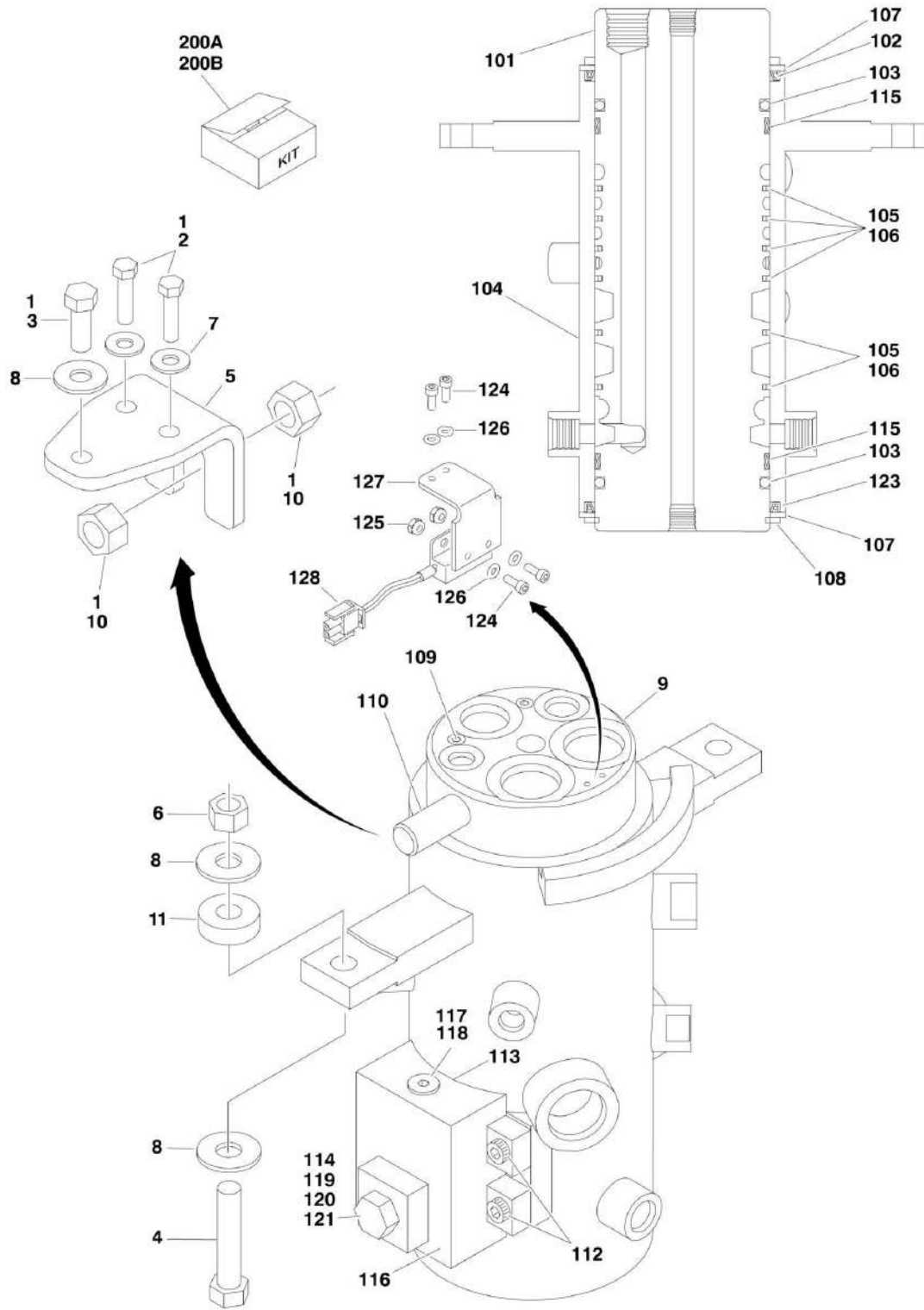
ITEM	PART NUMBER	QTY	DESCRIPTION	REV
		Ref	TANK INSTALLATIONS	
	1001152066	Ref	Machines with Deutz D2011 Engine	C
	1001137865	Ref	Machines with Deutz TD2.9L4 Engine	F
	1001152070	Ref	Machines with Ford & GM Engines	D
1	1001151268	1	Hydraulic Oil Tank Assembly (See Items 101-107 for Breakdown)	
2		Ref	Tank, Fuel Options:	
2	4400399	1	Tank (Deutz Engine Machines) (SN 0300177361 through 0300195206)	
2	1001173896	1	Tank (Deutz Engine Machines) (SN 0300195207 to Present)	
2	1001111514	1	Tank (Gas Engine Machines)	
2A		Ref	Cap, Fuel Tank Options:	
2A	7016314	1	Standard Black - Non-Locking (Diesel Machines)	
2A	70002715	1	Lockable Black (Gas Machines) (Lock Not Included)	
2A	1001151391	1	Lockable Red (Gas Machines) (Lock Not Included) (Note: This Cap must be Purchased Separately) (SN 0300177361 through 0300224542)	
2A	1120487	1	Lockable Blue (Diesel Machines) (Lock Not Included) (Note: This Cap must be Purchased Separately) (SN 0300177361 through 0300224542)	
2B		Ref	Fitting, 90 with Pick-Up Tube Options:	
2B	7019658	1	Diesel Machines	
2B	70004149	1	Gas Machines	
2C	70002716	1	Adapter (Gas Machines Only)	
3	4360436	1	Switch, Fuel Level	
4		Ref	Tray Options:	
4	1001152428	1	Tray -Machines with Deutz D2011 Engine	
4	1001137863	1	Tray - Machines with Deutz TD2.9L4 Engine	
4	1001152428	1	Tray - Machines with Ford & GM Engines (SN 0300177361 through 0300227098)	
	1001137863	1	Tray - Machines with Ford & GM Engines (SN 0300227099 to Present)	
5	4240102	1	Strap, Tank (Diesel Machines Only)	
6	4751600	AR	Flatwasher 3/8in Regular	
7	0641614	AR	Bolt 3/8in-16NC x 1-3/4in	
8	0100011	AR	Compound, Locking	
9	0100079	AR	Sealant, Pipe (SN 0300177361 through 0300198765)	
9	1001182997	AR	Sealant, Pipe (SN 0300198766 to Present)	
10	2200222	1	Plug (Diesel Machines Only)	
11	4280295	18 in /46cm	Strip, Protective (Diesel Machines Only)	
12	4420038	AR	Tape, Rubber	
13	0641606	4	Bolt 3/8in-16NC x 3/4in	
14	3311601	2	Nut 3/8in-16NC (Diesel Machines Only)	
15	1001118133	2	Bracket (Gas Machines Only)	
16	0641818	2	Bolt 1/2in-13NC x 2-1/4in (Gas Machines Only)	
17	4751800	2	Flatwasher 1/2in Regular (Gas Machines Only)	
18	2200233	1	Plug (Gas Machines Only) (SN 0300177361 through 0300198765)	
19	4641022	1	Valve, Needle (Gas Machines Only)	
20	0100020	AR	Sealant	
21	0100062	AR	Retaining Compound #680	
22	4568119	1	Tube, Fuel (Gas Machines Only)	

SECTION 2 - TURNTABLE

ITEM	PART NUMBER	QTY	DESCRIPTION	REV
23	0100020	AR	Sealant (SN 0300198766 to Present)	
	1001151268	Ref	HYDRAULIC OIL TANK ASSEMBLY	H
101	7024439	1	Cover	
102	7024440	1	Gasket	
103	7024441	1	Gauge, Sight	
105	7024443	1	Neck, Fill (Helgensen Brand)	
105	See Note	NSS	Neck, Fill (Hydac Brand) (Note: Use Item 70004862)	
105	7024445	1	Screen (Helgensen Brand)	
105	See Note	NSS	Screen (Hydac Brand) (Note: Use Item 70004862)	
106	7024444	1	Breather/Fill Cap (Helgensen Brand)	
106	70004862	1	Breather/Fill Cap/Strainer Kit (Hydac Brand)	
107	7024446	1	Plug, Magnetic	
	1001151010	Ref	LP TANK BRACKETS INSTALLATION (FORD & GM ENGINE MACHINES ONLY) (8FT/2.4M WIDE MACHINES)	D
	1001178512	Ref	LP TANK BRACKETS INSTALLATION (FORD & GM ENGINE MACHINES ONLY) (7FT/2.1M WIDE MACHINES)	A
200		Ref	Tank, LP - 43.5 Lbs. Options:	
200	4400275	1	Aluminum	
200	4400420	1	Steel	
201	1320220	2	Clamp	
201	1320127	2	Clamp, Toggle (1 Per Clamp)	
202	2720144	2	Hose	
203	0100020	AR	Sealant, Pipe	
204	2221197	1	Fitting, Reducer	
205	2180125	1	Fitting, 90 Swivel	
206	2220261	1	Fitting, Nipple	
207	2180388	1	Fitting, Bulkhead	
208	2180389	1	Valve, Relief	
209	2220418	1	Fitting, Tee Options:	
210	2180387	2	Fitting, Straight	
211	0641617	8	Bolt 3/8in-16NC x 2-1/8in (8ft/2.4m Wide Machines)	
211	0641606	8	Bolt 3/8in-16NC x 3/4in (7ft/2.1m Wide Machines)	
212	4891600	16	Flatwasher 3/8in Hardened (8ft/2.4m Wide Machines)	
212	4751600	8	Flatwasher 3/8in Hardened (7ft/2.1m Wide Machines)	
213	2180418	2	Fitting, Connector	
214	3311605	8	Locknut 3/8in-16NC (8ft/2.4m Wide Machines)	
215	1320218	2	Clamp, Spring	
216	0720804	2	Screw, Round Head #8-32NC x 1/2in	
217	4750800	4	Flatwasher #8 Regular	
218	3310805	2	Locknut #8-32NC	
219	0181949	2	Angle, Support	
220	2221024	2	Fitting, Union Ball Check	

SECTION 2 - TURNTABLE

FIGURE 2-17. ROTARY COUPLING INSTALLATION



SECTION 2 - TURNTABLE

FIGURE 2-17. ROTARY COUPLING INSTALLATION

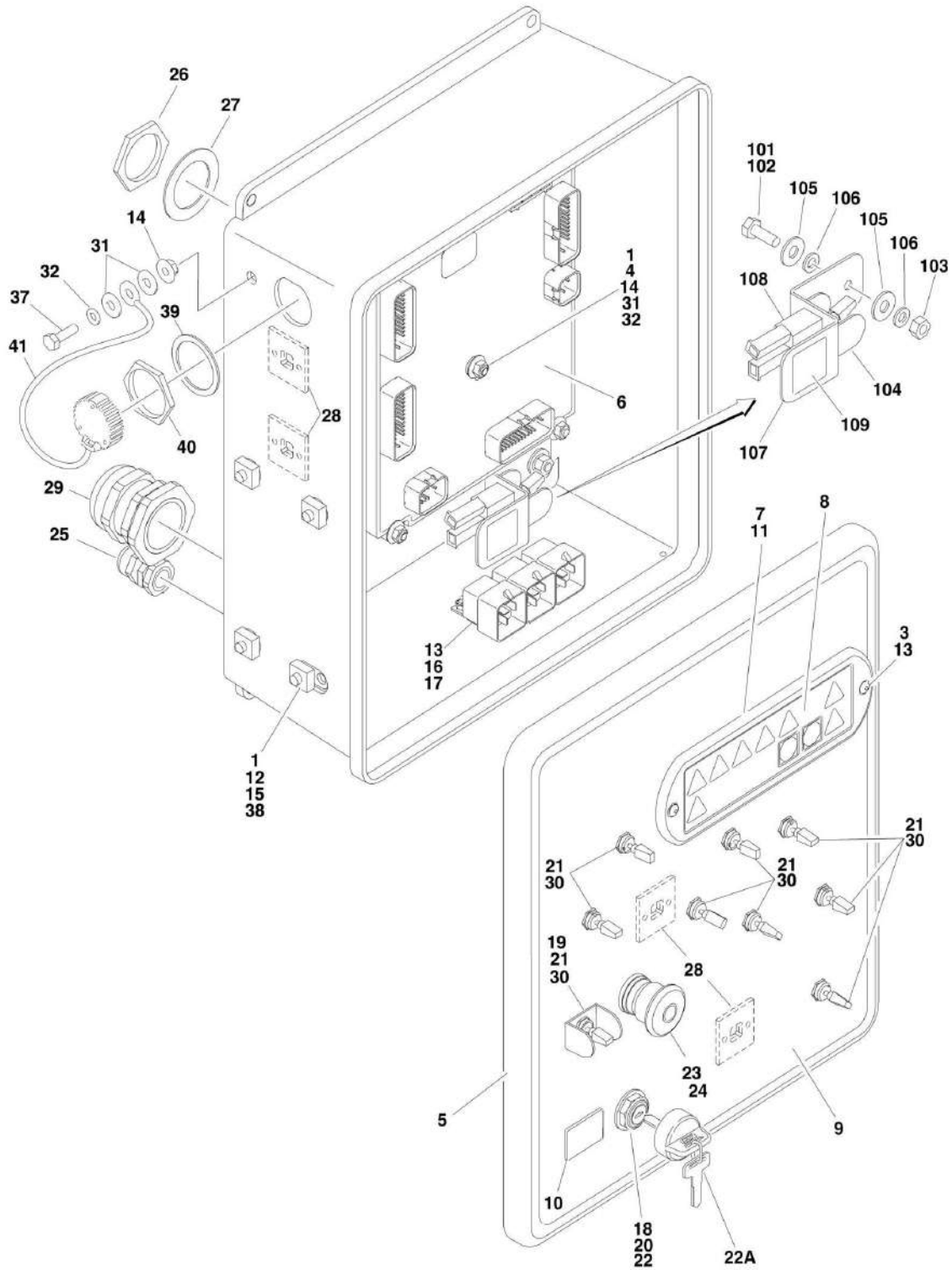
ITEM	PART NUMBER	QTY	DESCRIPTION	REV
		Ref	ROTARY COUPLING INSTALLATION	
	1001107498	Ref	Rotary Coupling Installation 2WS	B
	1001107499	Ref	Rotary Coupling Installation 4WS	B
1	0100011	AR	Compound, Locking	
2	0641612	2	Bolt 3/8in-16NC x 1-1/2in	
3	0641811	1	Bolt 1/2in-13NC x 1-3/8in	
4	0641820	2	Bolt 1/2in-13NC x 2-1/2in	
4	0641824	2	Bolt 1/2in-13NC x 3in	
5	0903056	1	Bracket	
6	3271805	2	Locknut 1/2in-13NC	
7	4751600	2	Flatwasher 3/8in Regular	
8	4751800	5	Flatwasher 1/2in Regular	
9		Ref	Coupling, Rotary Options (See Items 101-121 for Breakdown)	
9	1001106974	1	2WS	
9	1001106975	1	4WS	
10	3322201	2	Locknut 3/4in x 16NF	
11	1001178789	2	Shim (SN 0300191376 to Present)	
		Ref	ROTARY COUPLING ASSEMBLY	
	1001106974	Ref	Rotary Coupling Assembly 2WS	B
	1001106975	Ref	Rotary Coupling Assembly 4WS	B
101	See Note	1	Body (Note: Not Available - Purchase Complete Assembly)	
102		Ref	Seal Options:	
102	70001248	1	Seal 2WS	
102	70002212	1	Seal 4WS	
103	See Note	2	O-Ring (Note: Use Item 200A or 200B) (Note: Use Item 200A or 200B)	
104	See Note	1	Housing (Note: Not Available - Purchase Complete Assembly)	
105		Ref	Seal, Cap	
105	70001248	6	Seal, Cap 2WS	
105	70002212	9	Seal, Cap 4WS	
106		Ref	O-Ring	
106	70001248	6	O-Ring 2WS	
106	70002212	9	O-Ring 4WS	
107		Ref	Ring Options:	
107	7026503	2	Ring 2WS	
107	7026511	2	Ring 4WS	
108		Ref	Ring, Retaining Options:	
108	7026504	1	Ring, Retaining 2WS	
108	7013189	1	Ring, Retaining 4WS	
109		Ref	Plug Options:	
109	80934561	2	Plug 2WS	
109	80934561	4	Plug 4WS	
110	See Note	1	Lug, Torque (Note: Not Available for Purchase)	
112	7026197	4	Bolt 5/16in-18NC x 1-1/4in	
113	See Note	NSS	O-Ring (Note: Use Item 200A or 200B)	
114	See Note	NSS	O-Ring (Note: Use Item 200A or 200B)	
115	See Note	NSS	Bearing (Note: Use Item 200A or 200B)	
116	7024404	1	Block Valve Assembly	
117	7026505	1	Plug	
118	7026506	1	Valve, Check	

SECTION 2 - TURNTABLE

ITEM	PART NUMBER	QTY	DESCRIPTION	REV
119	7026507	1	Plug	
120	7024404	1	Plunger, Valve (Note: Not Available for Purchase)	
121	7026509	1	Spring, Compression	
122	See Note	NSS	Protective Netting (Not Shown) (Note: Not Available for Purchase)	
123		Ref	Seal Options:	
123	70001248	1	Seal 2WS	
123	70002212	1	Seal 4WS	
124	See Note	4	Screw, Socket Head #10-24NC x 1/2in (Note: Not Available for Purchase)	
125	See Note	2	Locknut #10-24NC (Note: Not Available for Purchase)	
126	See Note	4	Flatwasher #10 (Note: Not Available for Purchase)	
127	70003454	1	Bracket, Switch Mounting	
128	4360517	1	Switch, Proximity	
200		Ref	Seal Kit Options:	
200A	70001248	1	2WS (Includes Items 102, 103, 105, 106, 113, 114, 115 & 123)	
200B	70002212	1	4WS (Includes Items 102, 103, 105, 106, 113, 114, 115 & 123)	

SECTION 2 - TURNTABLE

FIGURE 2-18. GROUND CONTROL BOX ASSEMBLY (SN 0300177361 through 0300181174)



SECTION 2 - TURNTABLE

FIGURE 2-18. GROUND CONTROL BOX ASSEMBLY (SN 0300177361 through 0300181174)

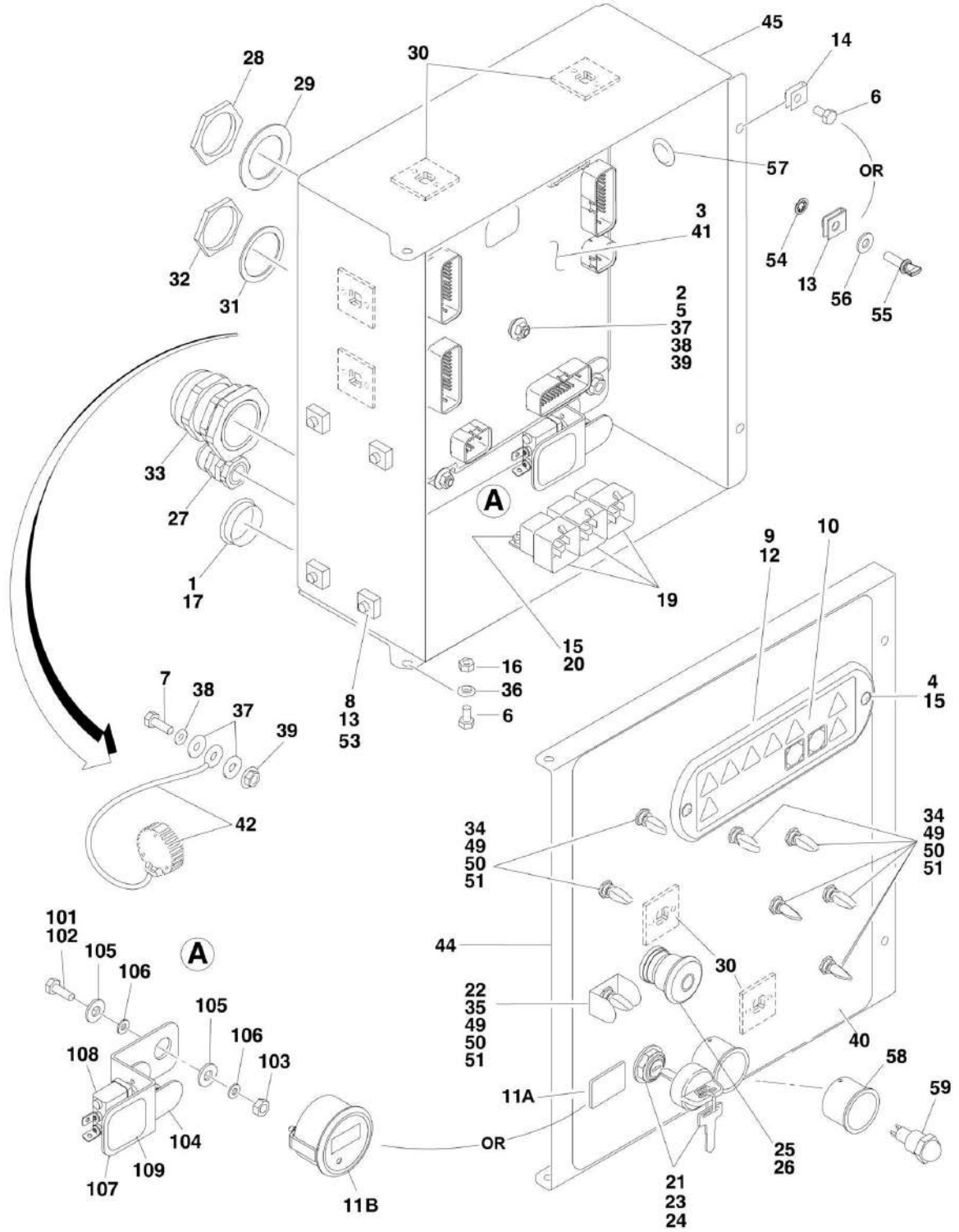
ITEM	PART NUMBER	QTY	DESCRIPTION	REV
		Ref	GROUND CONTROL BOX ASSEMBLIES (SN 0300177361 through 0300181174)	
		Ref	Ground Control Box Assemblies 600A	
	1001110368	Ref	Deutz D2011 Engine (ANSI and ANSI Export Specs)	B
	1001110371	Ref	Deutz D2011 Engine (ANSI Export and CE Specs)	C
	1001145036	Ref	Deutz TD2.9L4 Engine	C
	1001110367	Ref	GM Engine (ANSI and ANSI Export Specs)	C
		Ref	Ground Control Box Assemblies 600AJ	
	1001110370	Ref	Deutz D2011 Engine (ANSI, ANSI Export and Australian Spec)	B
	1001110372	Ref	Deutz D2011 Engine (ANSI Export and CE Specs)	C
	1001145037	Ref	Deutz TD2.9L4 Engine	C
	1001110369	Ref	GM Engine (ANSI and ANSI Export Specs)	C
1	0100011	AR	Compound, Locking	
2	0100048	AR	Grease, Dielectric	
3	0630518	2	Capscrew, Button Head	
4	0630548	5	Tap, Bolt 2-1/2in	
5	1001111021	1	Box, Fiberglass	
6	1001103667	1	Module, Ground Control	
		Ref	Note: Re-calibration Required when Replaced.	
7	1670829	1	Bezel	
8	1706712	1	Decal - Ground Control Display	
9		Ref	Decal - Faceplate Options:	
9	1001102599	1	Decal - Faceplate 600A	
9	1001102600	1	Decal - Faceplate 600AJ	
10	2420172	1	Gauge, Hourmeter	
11	2760105	1	Housing, Display Light	
12	3300205	4	Nut, Retainer	
13	3300408	5	Locknut, Plastic Insert	
14	77143013	11	Nut 1/4in-20NC, Whiz Lock	
15	3539219	1	Plate, Reinforcement	
16	3740049	AR	Relay	
17	3900268	AR	Screw, Flange #10 x 1/2in	
18	3910804	6	Screw #8-32NC x 1/4in	
19	4060906	1	Shield, Toggle Switch	
20		Ref	Shim (.125in Dia) Options:	
20	4070987	1	Shim (.015in Thick)	
20	1001151393	1	Shim (.063in Thick)	
21	4360328	AR	Switch, Toggle Options:	
21		Ref	Switch, Toggle 600A	
21		Ref	Switch, Toggle 600AJ	
22		Ref	Switch, Key Options:	
22	4360469	1	ANSI, ANSI Export and Australian Specs	
22	4360470	1	ANSI Export and CE Specs	
22A	2860030	1	Key, Replacement (Fits Both Switches)	
23	4360475	1	Switch, Emergency Stop	
24	4360476	1	Switch, Contact Block	
25	4460426	1	Terminal, Strain Relief	
26	4460470	1	Nut, Terminal	
27	4460471	1	Lockwasher, Terminal	

SECTION 2 - TURNTABLE

ITEM	PART NUMBER	QTY	DESCRIPTION	REV
28	4460488	6	Mounting Base, Terminal	
29	4460526	1	Connector, Strain Relief	
30	4740444	AR	Washer, Special	
31	4751400	12	Flatwasher 1/4in Regular	
32	4761400	6	Lockwasher 1/4in	
33	4923224	1	Harness, Valve (See ELECTRICAL SECTION for Breakdown) (Not Shown)	
34		Ref	Harness, Engine (See ELECTRICAL SECTION for Breakdown) (Not Shown)	
34	1001110361	1	Deutz D2011 Engine	
34	1001145046	1	Deutz TD2.9L4 Engine	
34	1001110359	1	GM Engine	
35		Ref	Harness, Ground Control Box Options (See ELECTRICAL SECTION for Breakdown) (Not Shown)	
35	1001110379	1	Deutz D2011 Engine	
35	1001145992	1	Deutz TD2.9L4 Engine	
35	1001110379	1	GM Engine	
37	0641407	1	Bolt 1/4in-20NC x 7/8in	
38	0641506	4	Bolt 5/16in-18NC x 3/4in	
39	4460496	1	Lockwasher, Terminal	
40	4460497	1	Nut, Terminal	
41	1001106736	1	Cap, Dust	
	1001115918	Ref	CRIBBING ENABLE SWITCH INSTALLATION	A
101	0100011	AR	Compound, Locking	
102	0641406	1	Bolt 1/4in-20NC x 3/4in	
103	3311401	1	Nut 1/4in-20NC	
104	4060906	1	Guard, Switch	
105	4751400	2	Flatwasher 1/4in Regular	
106	4761400	2	Lockwasher 1/4in	
107	1001115889	1	Bracket	
108	1001115915	1	Cribbing Enable Harness	
108	4360336	1	Switch, Toggle	
108	4460226	2	Socket, Female	
109	1001115967	1	Decal - Cribbing	

SECTION 2 - TURNTABLE

FIGURE 2-19. GROUND CONTROL BOX ASSEMBLY (SN 0300181175 to Present)



SECTION 2 - TURNTABLE

FIGURE 2-19. GROUND CONTROL BOX ASSEMBLY (SN 0300181175 to Present)

ITEM	PART NUMBER	QTY	DESCRIPTION	REV
	1001165547	Ref	GROUND CONTROL BOX ASSEMBLY - 600A DEUTZ TD2.9L4 ENGINE (ANSI AND CSA SPECS) (SN 0300181175 through 0300208081)	D
	1001191912	Ref	GROUND CONTROL BOX ASSEMBLY - 600A DEUTZ TD2.9L4 ENGINE (ANSI AND CSA SPECS) (SN 0300208082 to Present)	C
	1001154671	Ref	GROUND CONTROL BOX ASSEMBLY - 600A DEUTZ D2011 ENGINE (ANSI EXPORT SPECS) (SN 0300181175 through 0300208081)	D
	1001191878	Ref	GROUND CONTROL BOX ASSEMBLY - 600A DEUTZ D2011 ENGINE (ANSI EXPORT SPECS) (SN 0300208082 to Present)	C
	1001154674	Ref	GROUND CONTROL BOX ASSEMBLY - 600A DEUTZ D2011 ENGINE (CE SPECS) (SN 0300181175 through 030020808)	D
	1001188015	Ref	GROUND CONTROL BOX ASSEMBLY - 600A DEUTZ D2011 ENGINE (CE SPECS) (SN 030020809 through 0300208081)	C
	1001191863	Ref	GROUND CONTROL BOX ASSEMBLY - 600A DEUTZ D2011 ENGINE (CE SPECS) (SN 0300208082 to Present)	C
	1001219224	Ref	GROUND CONTROL BOX ASSEMBLY - 600A FORD ENGINE	B
	1001154670	Ref	GROUND CONTROL BOX ASSEMBLY - 600A GM ENGINE (SN 0300181175 through 0300208081)	E
	1001191877	Ref	GROUND CONTROL BOX ASSEMBLY - 600A GM ENGINE (SN 0300208082 to Present)	C
	1001165548	Ref	GROUND CONTROL BOX ASSEMBLY - 600AJ DEUTZ TD2.9L4 ENGINE (ANSI AND CSA SPECS) (SN 0300181175 through 0300208081)	D
	1001191913	Ref	GROUND CONTROL BOX ASSEMBLY - 600AJ DEUTZ TD2.9L4 ENGINE (ANSI AND CSA SPECS) (SN 0300208082 to Present)	D
	1001154673	Ref	GROUND CONTROL BOX ASSEMBLY - 600AJ DEUTZ D2011 ENGINE (ANSI EXPORT AND AUSTRALIAN SPECS) (SN 0300181175 through 0300208081)	D
	1001191909	Ref	GROUND CONTROL BOX ASSEMBLY - 600AJ DEUTZ D2011 ENGINE (ANSI EXPORT AND AUSTRALIAN SPECS) (SN 0300208082 to Present)	C
	1001154675	Ref	GROUND CONTROL BOX ASSEMBLY - 600AJ DEUTZ D2011 ENGINE (CE SPECS) (SN 0300181175 through 030020808)	D
	1001188016	Ref	GROUND CONTROL BOX ASSEMBLY - 600AJ DEUTZ D2011 ENGINE (CE SPECS) (SN 030020809 through 0300208081)	C
	1001191862	Ref	GROUND CONTROL BOX ASSEMBLY - 600AJ DEUTZ D2011 ENGINE (CE SPECS) (SN 0300208082 to Present)	C
	1001219225	Ref	GROUND CONTROL BOX ASSEMBLY - 600AJ FORD ENGINE	B
	1001154672	Ref	GROUND CONTROL BOX ASSEMBLY - 600AJ GM ENGINE (SN 0300181175 through 0300208081)	E
	1001191879	Ref	GROUND CONTROL BOX ASSEMBLY - 600AJ GM ENGINE (SN 0300208082 to Present)	C
1	0100009	AR	Sealant	
2	0100011	AR	Compound, Locking	
3	0100048	AR	Grease, Dielectric	
4	0630518	2	Capscrew, button Head	
5	0630548	5	Bolt, 2-1/2in Tap	
6	0641404	4	Bolt 1/4-20 x 1/2	
7	0641407	1	Bolt 1/4-20 x 7/8	
8	0641507	AR	Bolt 5/16-18 x 7/8	
8	0641506	AR	Bolt 5/16-18 x 3/4	
9	1670829	1	Bezel	
10	1706712	1	Decal - Ground Control Display	
11A	2420172	1	Gauge, Hourmeter	

SECTION 2 - TURNTABLE

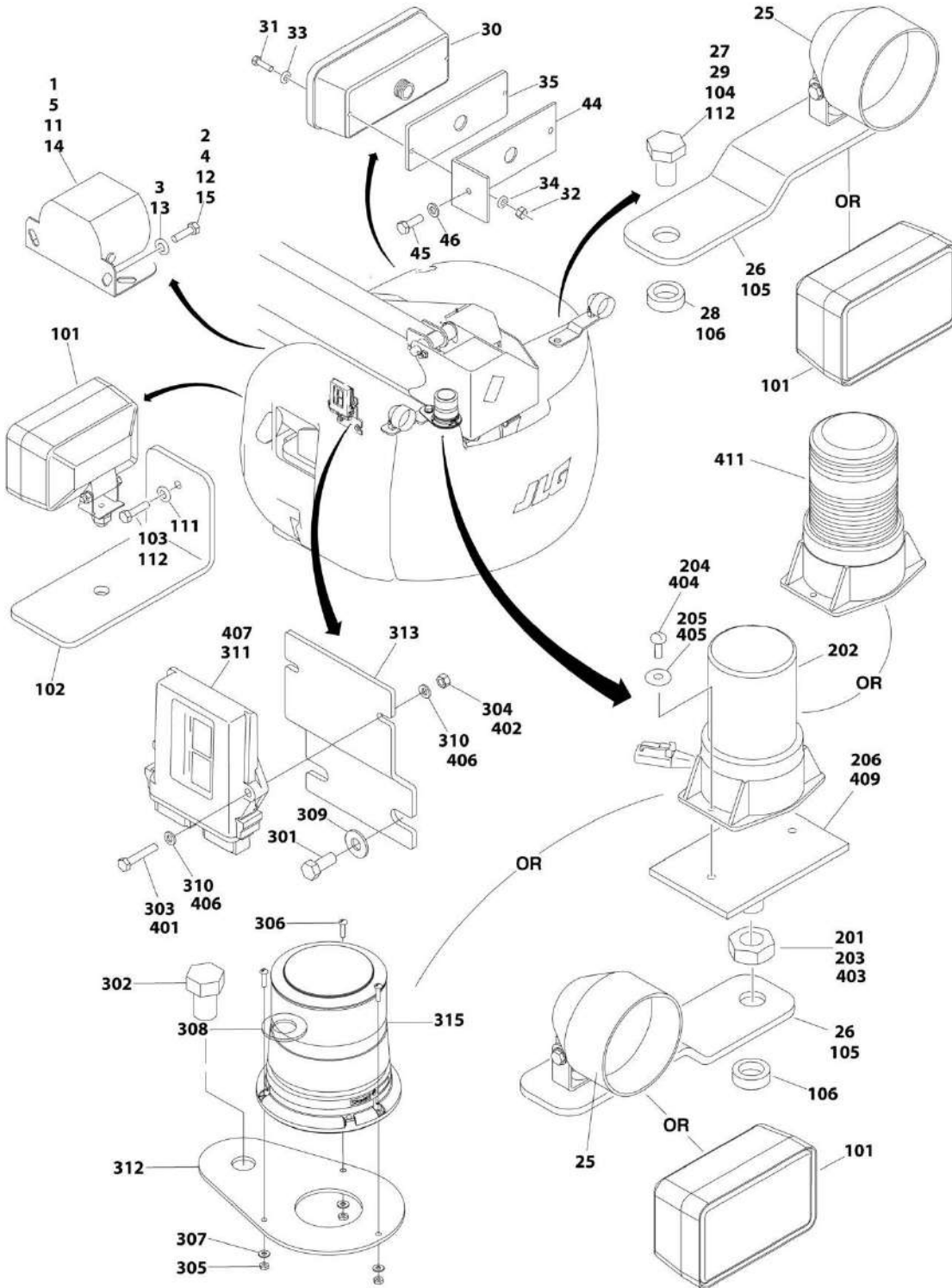
ITEM	PART NUMBER	QTY	DESCRIPTION	REV
11B	1001109503	1	Gauge, Hourmeter	
12	2760105	1	Housing, Display Light	
13	3300205	4	Nut, Retainer	
14	3300353	2	Nut, Tinnerman	
15	3300408	4	Locknut, Plastic Insert	
16	3311405	2	Nut 1/4-20	
17	3520035	1	Plug, Cap	
19	3740049	AR	Relay	
20	3900268	AR	Screw #10 x 1/2	
21	3910804	4	Screw #8-32 x 1/4	
22	4060906	1	Shield, Toggle Switch	
23	4070991	1	Shim	
24	4360469	1	Switch, Key - All Specs except CE Specs	
24	4360470	1	Switch, Key - CE Specs (SN 0300181175 through 0300200808)	
24	4360469	1	Switch, Key - CE Specs (SN 0300200809 to Present)	
24	2860030	1	Key Replacement - All Specs	
25	4360475	1	Switch, Emergency Stop	
25	7020175	1	Cap, Mushroom	
25	7020176	1	Block, Contact	
26	4360476	1	Switch, Contact Block	
27	4460426	1	Connector, Strain Relief	
28	4460470	1	Nut, Terminal (SN 0300177361 through 0300219038)	
28	1001205043	1	Nut, Terminal (SN 0300219039 to Present)	
29	4460471	1	Washer, Terminal (SN 0300177361 through 0300219038)	
29	1001205044	1	Washer, Terminal (SN 0300219039 to Present)	
30	4460488	6	Mounting Base, Terminal	
31	4460496	1	Washer, Terminal (SN 0300177361 through 0300219038)	
31	1001125784	1	Washer, Terminal (SN 0300219039 to Present)	
32	4460497	1	Nut, Terminal (SN 0300177361 through 0300219038)	
32	1001125785	1	Nut, Terminal (SN 0300219039 to Present)	
33	4460526	1	Connector, Strain Relief	
34	4740397	7	Spacer	
35	4740444	1	Washer	
36	4740518	2	Washer	
37	4751400	12	Washer 1/4	
38	4761400	6	Washer 1/4	
39	77143013	11	Nut 1/4-20	
40	1001102599	1	Decal, Faceplate 600A (All Specs except CE)	
40	1001102599	1	Decal, Faceplate 600A (CE Spec) (SN 0300181175 through 0300200808)	
40	1001180093	1	Decal, Faceplate 600A (CE Spec) (SN 0300200809 to Present)	
40	1001102600	1	Decal, Faceplate 600AJ (All Specs except CE)	
40	1001102600	1	Decal, Faceplate 600AJ (CE Spec) (SN 0300181175 through 0300200808)	
40	1001180094	1	Decal, Faceplate 600AJ (CE Spec) (SN 0300200809 to Present)	
41	1001103667	1	Module, Ground Control	
		Ref	Note: Re-calibration Required when Replaced.	
42	1001106736	1	Cap, Dust	
43		Ref	Harness, Ground Control Box Options (Not Shown - See ELECTRICAL SECTION for Breakdown)	
43	1001110379	1	Harness, Ground Control Box (Deutz D2011 Engines - All Specs except CE Spec)	

SECTION 2 - TURNTABLE

ITEM	PART NUMBER	QTY	DESCRIPTION	REV
43	1001110379	1	Harness, Ground Control Box (Deutz D2011 Engines - CE Spec) (SN 0300181175 through 0300200808)	
43	1001185897	1	Harness, Ground Control Box (Deutz D2011 Engines - CE Spec) (SN 0300200809 to Present)	
43	1001145992	1	Harness, Ground Control Box (Deutz TD2.9L4 Engines)	
43	1001110379	1	Harness, Ground Control Box (Ford Engines)	
43	1001110379	1	Harness, Ground Control Box (GM Engines)	
44	1001152173	1	Lid (All Specs except CE Spec) (SN 0300177361 through 0300211784)	
44	1001204150	1	Lid (All Specs except CE Spec) (SN 0300211785 to Present)	
44	1001152173	1	Lid (CE Spec) (SN 0300181175 through 0300200808)	
44	1001188042	1	Lid (CE Spec) (SN 0300200809 through 0300211784)	
44	1001201995	1	Lid (CE Spec) (SN 0300211785 to Present)	
45	1001152175	1	Box (SN 0300177361 through 0300211784)	
45	1001201996	1	Box (SN 0300211785 to Present)	
46	1001164563	1	Harness, Deutz TD2.9L4 Engine (Not Shown - See ELECTRICAL SECTION for Breakdown) (SN 0300181175 through 0300208081)	
46	1001191866	1	Harness, Deutz TD2.9L4 Engine (Not Shown - See ELECTRICAL SECTION for Breakdown) (SN 0300208082 to Present)	
46	1001154390	1	Harness, Deutz D2011 Engine (Not Shown - See ELECTRICAL SECTION for Breakdown) (SN 0300181175 through 0300208081)	
46	1001191868	1	Harness, Deutz D2011 Engine (Not Shown - See ELECTRICAL SECTION for Breakdown) (SN 0300208082 to Present)	
46	1001214507	1	Harness, Ford Engine (Not Shown - See ELECTRICAL SECTION for Breakdown)	
46	1001154388	1	Harness, GM Engine (Not Shown - See ELECTRICAL SECTION for Breakdown) (SN 0300181175 through 0300208081)	
46	1001191867	1	Harness, GM Engine (Not Shown - See ELECTRICAL SECTION for Breakdown) (SN 0300208082 to Present)	
47	1001154392	1	Harness, Valve (Not Shown - See ELECTRICAL SECTION for Breakdown)	
49	1001155043	AR	Washer	
50	1001155044	AR	Nut 15/32-32	
51	1001155045	AR	Switch, Toggle	
53	4891500	4	Washer 5/16	
54	1001188874	2	Nut	
55	1001103308	2	Screw 1/4	
56	4711400	2	Washer 1/4	
57	3520031	2	Plug	
58	1001176469	1	Shroud (CE Spec) (SN 0300200809 to Present)	
59	4360387	1	Switch, Push Button (CE Spec) (SN 0300200809 to Present)	
	1001115918	Ref	CRIBBING ENABLE SWITCH INSTALLATION	A
101	0100011	AR	Compound, Locking	
102	0641406	1	Bolt 1/4in-20NC x 3/4in	
103	3311401	1	Nut 1/4in-20NC	
104	4060906	1	Guard, Switch	
105	4751400	2	Flatwasher 1/4in Regular	
106	4761400	2	Lockwasher 1/4in	
107	1001115889	1	Bracket	
108	1001115915	1	Cribbing Enable Harness	
108	4360336	1	Switch, Toggle	
108	4460226	2	Socket, Female	
109	1001115967	1	Decal - Cribbing	

SECTION 2 - TURNTABLE

FIGURE 2-20. ELECTRICAL OPTIONS INSTALLATIONS (TURNTABLE MOUNTED)



SECTION 2 - TURNTABLE

FIGURE 2-20. ELECTRICAL OPTIONS INSTALLATIONS (TURNTABLE MOUNTED)

ITEM	PART NUMBER	QTY	DESCRIPTION	REV
	0270833	Ref	ALARMS INSTALLATIONS (SN 0300177361 through 0300181174)	D
1	0257887	1	Alarm/Harness Assembly	
1	0140032	1	Alarm	
1	2820035	6 in/15cm	Loom	
1	4460424	1	Plug	
1	4460268	2	Socket	
2	0641406	2	Bolt 1/4in-20NC x 3/4in	
3	4711400	2	Flatwasher 1/4in Thin	
4	0100011	AR	Compound, Locking	
5	0100048	AR	Sealant, Silicone	
	1001160074	Ref	ALARMS INSTALLATIONS (SN 0300181175 to Present)	B
11	0140044	1	Alarm	
12	0641406	2	Bolt 1/4-20 x 3/4	
13	4711400	2	Washer 1/4	
14	0100048	AR	Compound, Dielectric	
15	0100011	AR	Compound, Locking	
	0271552	Ref	LIGHTS INSTALLATIONS (OPTIONAL) (SN 0300177361 through 0300201472)	D
	1001176296	Ref	LIGHTS INSTALLATIONS (OPTIONAL) (SN 0200201473 to Present)	A
25	2920110	2	Headlight	
26	0902206	2	Bracket, Mounting	
27	0642612	1	Bolt 1in-8NC x 1-1/2in	
28	4220162	2	Spacer (SN 0300177361 through 0300184391)	
28	4892600	2	Washer (SN 0300184392 to Present)	
29	0100011	AR	Compound, Locking	
30	2920113	2	Tail Light	
31	3911040	4	Screw, Machine #10-24NC x 2-1/2	
32	3311005	4	Nut #10-24NC	
33	4751000	4	Flatwasher #10 Regular	
34	4740362	4	Washer, Fender	
35	3960461	2	Gasket	
37	4240032	18	Tie-Strap (Not Shown)	
38	4460234	18	Mount, Tie-Strap (Not Shown)	
39	4360522	1	Switch, Push Button (Not Shown - Located on Console)	
41	3820001	11	Pop Rivet (Not Shown)	
42	1705170	1	Decal - Lights (Not Shown - Located on Console)	
43	3311605	2	Nut 3/8 (Not Shown)	
44	0903119	2	Bracket (SN 0300201473 to Present)	
45	0641408	2	Bolt 1/4 x 1	
46	4751400	2	Washer 1/4	
	0274200	Ref	CHASSIS ILLUMINATION LIGHT INSTALLATION	B
101	2920157	4	Lamp, Worklight	
102	0903119	2	Bracket, Light Mounting	
103	0642612	AR	Bolt 1/4in-20NC x 7/8in	
104	0642612	2	Bolt 1in-8NC x 1-1/2in	
105	0902206	2	Bracket, Light Mounting	
106	4220162	2	Spacer	
109	4360522	1	Switch, Push Button (Not Shown - Located on Console)	

SECTION 2 - TURNTABLE

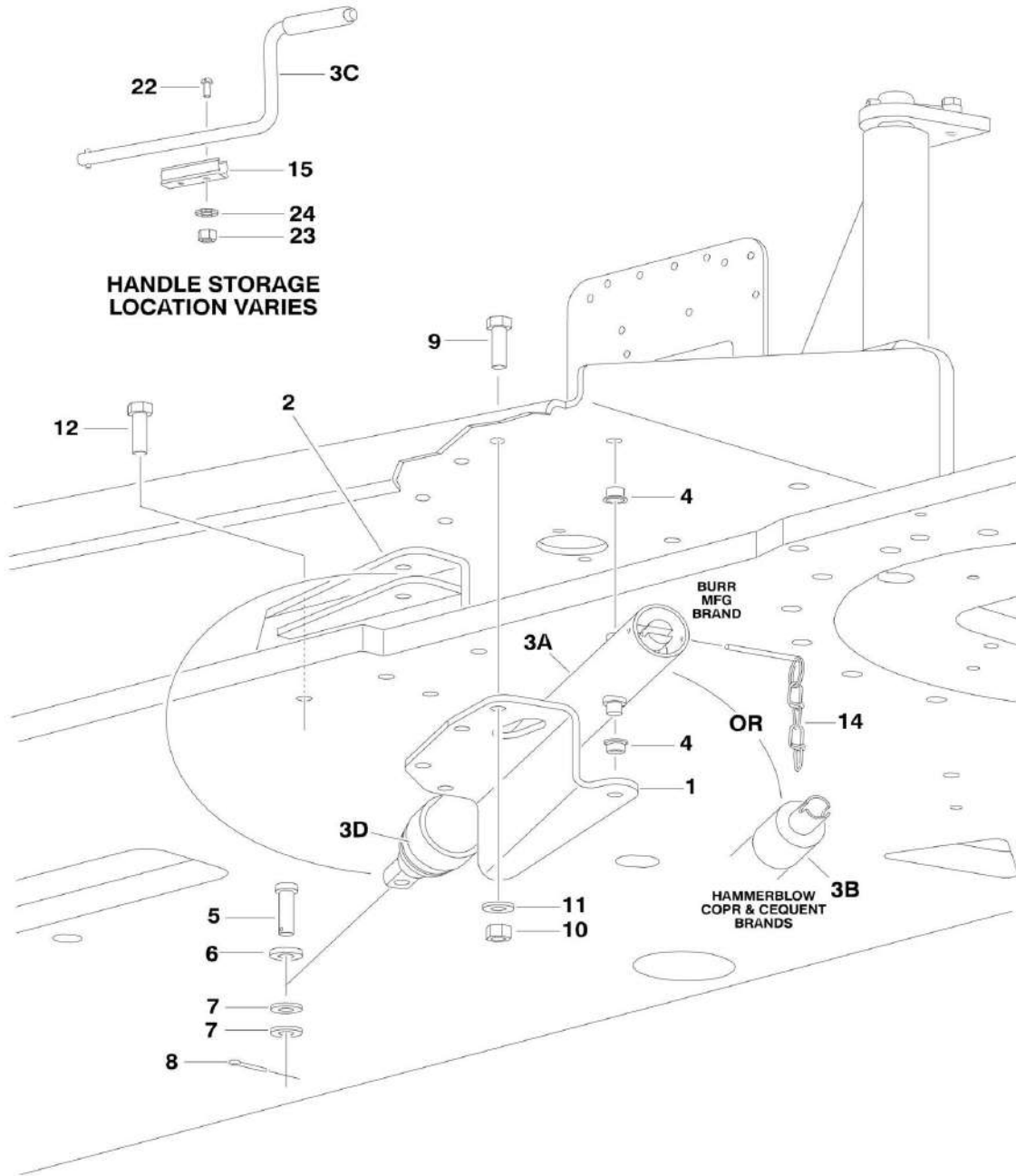
ITEM	PART NUMBER	QTY	DESCRIPTION	REV
110	4460234	10	Mount, Cable (Not Shown)	
111	4751400	2	Flatwasher 1/4in Regular	
112	0100011	AR	Compound, Locking	
113	4240032	21	Strap, Tie (Not Shown)	
114	1705170	1	Decal - Lights	
	1001149955	Ref	STROBE LIGHT AND HARNESS INSTALLATION (AMBER) (OPTIONAL) (SN 0300177361 through 0300181174)	B
	1001160077	Ref	STROBE LIGHT AND HARNESS INSTALLATION (AMBER) (OPTIONAL) (SN 0300181175 to Present)	B
	1001150406	Ref	Strobe Light Assembly (Amber) (Optional)	B
201	0100035	AR	Compound, Locking	
202	2920161	1	Strobe Light/Harness Assembly	
202	7016319	1	Bulb	
202	7016372	1	Lens	
203	3312602	1	Nut, Jam 1in-8NC	
204	3900085	2	Screw #10-32 x 1/2in	
205	4751000	2	Flatwasher 1/4in Thin	
206	1001149994	1	Mount Strobe	
210	1001149818	1	Harness, Strobe Light (Not Shown - See ELECTRICAL SECTION for Breakdown) (SN 0300177361 through 0300181174)	
	1001188857	Ref	STROBE LIGHT AND HARNESS INSTALLATION (BLUE) (OPTIONAL) (SN 0300177361 through 0300217819)	C
	1001207305	Ref	STROBE LIGHT AND HARNESS INSTALLATION (RED) (OPTIONAL) (SN 0300177361 through 0300217138)	B
301	0641607	AR	Bolt 3/8 x 7/8	
302	0642612	1	Bolt 1 x 1-1/2	
303	0700615	2	Bolt M6 x 35	
303	0700617	2	Bolt M6 x 45	
304	3290607	2	Nut M6	
305	3311005	3	Nut #10	
306	3911012	3	Screw #10 x 3/4	
307	4711000	3	Washer #10	
308	4712600	1	Washer 1	
309	4751600	AR	Washer 3/8	
310	4811700	4	Washer M6	
311	1001142683	1	Module, Beacon Light	
312	1001142694	1	Bracket	
313	1001142722	1	Bracket (SN 0300177361 through 0300210914)	
314	1001142736	1	Harness, Beacon Control (Module to Light) (Not Shown - See ELECTRICAL SECTION for Breakdown)	
315	1001143431	1	Light, Strobe (Blue)	
315	1001197067	1	Light, Strobe (Red)	
316	1001150944	1	Harness, Beacon Control (Module to Ground Control Box) (Not Shown - See ELECTRICAL SECTION for Breakdown) (SN 0300177361 through 0300210914)	
	1001205499	Ref	STROBE LIGHT AND HARNESS INSTALLATION (BLUE) (OPTIONAL) (SN 0300217820 to Present)	D
	1001209869	Ref	STROBE LIGHT AND HARNESS INSTALLATION (RED) (OPTIONAL) (SN 0300217139 to Present)	D
401	0700617	2	Bolt M6 x 45	
402	3290607	2	Nut M6	
403	3312602	1	Nut 1	
404	3900085	2	Screw #10 x 1/2	
405	4751000	2	Washer #10	

SECTION 2 - TURNTABLE

ITEM	PART NUMBER	QTY	DESCRIPTION	REV
406	4711700	4	Washer 7/16	
407	1001142683	1	Module, Beacon Control	
408	1001142736	1	Harness, Beacon Control (Module to Ground Control Box) (Not Shown - See ELECTRICAL SECTION for Breakdown)	
409	1001149994	1	Mount	
411	1001200910	1	Light, Strobe (Blue)	
411	1001207004	1	Light, Strobe (Red)	
412	4240032	AR	Tie-Strap (Not Shown)	
413	4460488	AR	Mount, Tie-Strap (Not Shown)	

SECTION 2 - TURNTABLE

FIGURE 2-21. ENGINE TRAY JACK INSTALLATIONS (OPTIONAL)



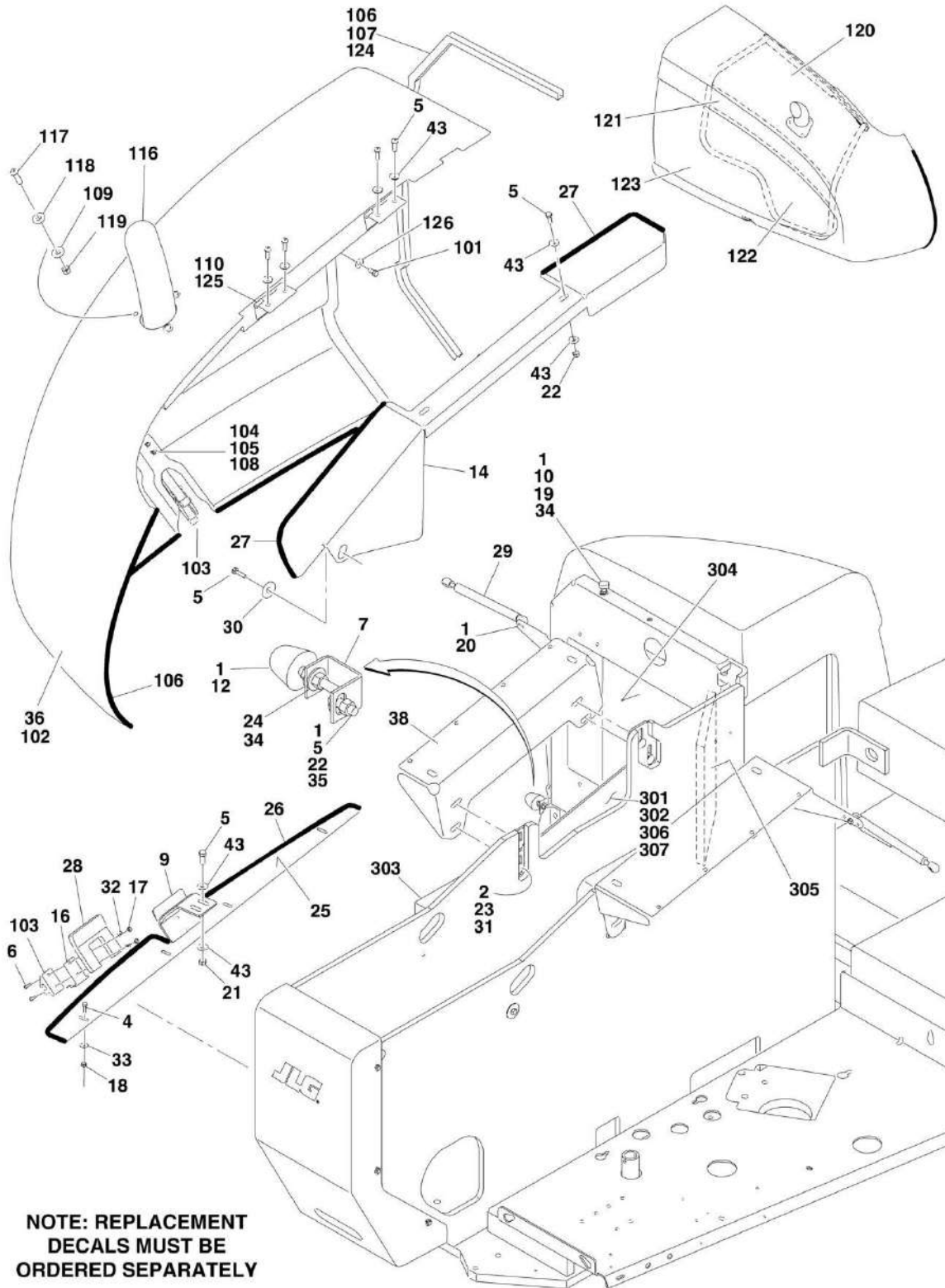
SECTION 2 - TURNTABLE

FIGURE 2-21. ENGINE TRAY JACK INSTALLATIONS (OPTIONAL)

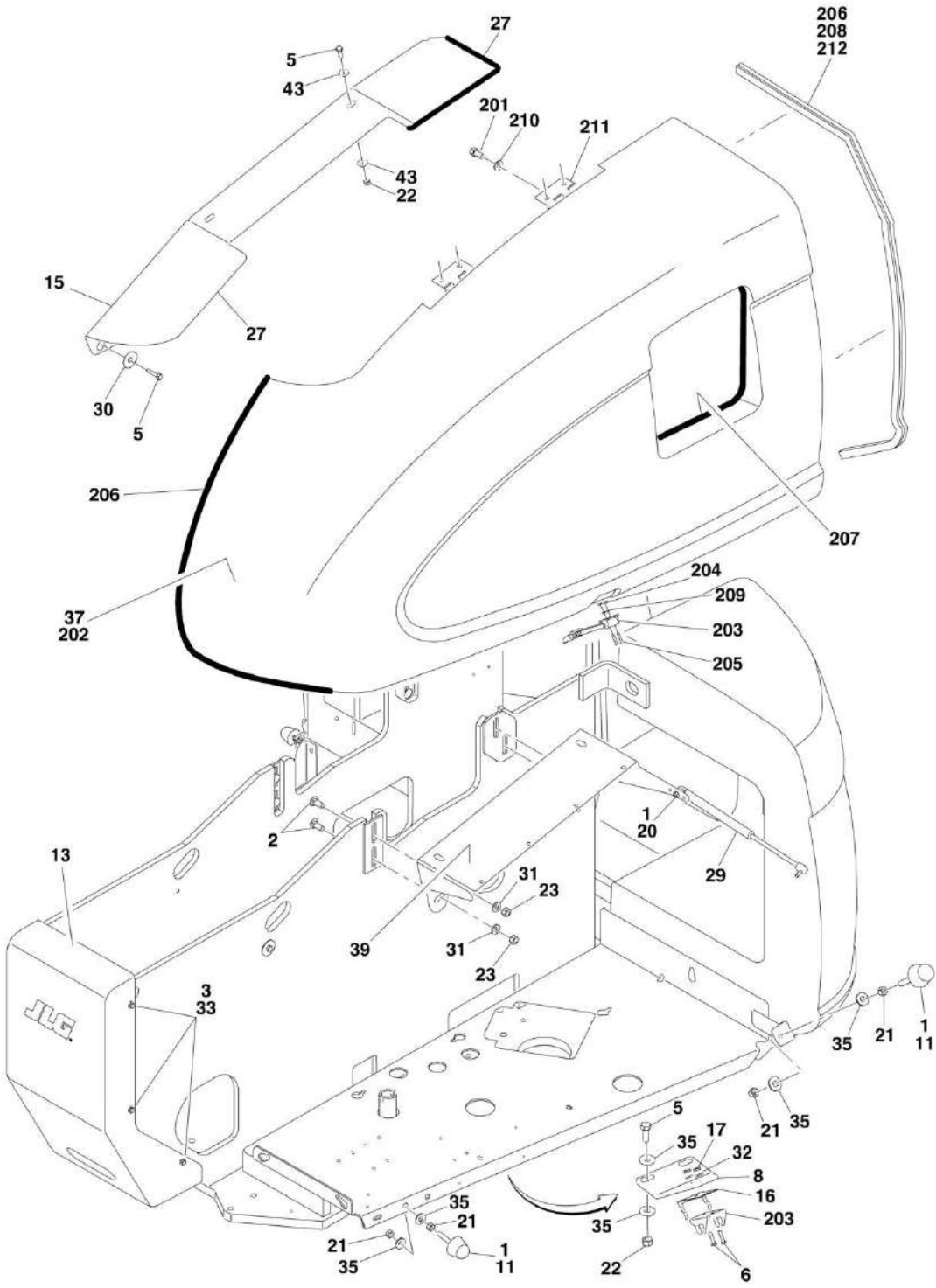
ITEM	PART NUMBER	QTY	DESCRIPTION	REV
		Ref	ENGINE TRAY JACK INSTALLATION	
	0255880	Ref	Machines with Deutz D2011 Engines	6-H
	1001137891	Ref	Machines with Deutz TD2.9L4 Engines	B
	1001218548	Ref	Machines with Ford Engines	A
	0255880	Ref	Machines with GM Engines	6-H
1		Ref	Bracket Options:	
1	3537445	1	Bracket (All Except Ford Engine)	
1	1001218547	1	Bracket (Ford Engines)	
2		Ref	Bracket Options:	
2	4845163	1	Machines with Deutz D2011 Engines	
2	1001137892	1	Machines with Deutz TD2.9L4 & Ford Engines	
2	4845163	1	Machines with GM Engines	
3	2840018	1	Hydraulic Jack Assembly (Deutz D2011 & GM Engines)	
3	2840016	1	Hydraulic Jack Assembly (Deutz TD2.9L4 & Ford Engines)	
3A		Ref	Burr Manufacturing Brand	
3B		Ref	Hammerblow Corp and Cequent Brands	
3C		Ref	Handle Options:	
3C	7016374	1	Burr Manufacturing Brand	
3C	7024598	1	Hammerblow Corp and Cequent Brands	
3D	7016322	1	Wiper (Burr Manufacturing Brand Only)	
4	0962051	2	Bushing, Flanged	
5	3430816	1	Pin, Clevis	
6	4891800	1	Flatwasher 1/2in Hardened	
7	4711800	AR	Flatwasher 1/2in Thin	
8	3450404	1	Pin, Cotter 1/8in x 1in	
9	0641609	AR	Bolt 3/8 x 1-1/8	
9	0761014	AR	Bolt M10 x 30	
10	3311605	AR	Nut 3/8	
10	3291007	AR	Nut M10	
11	4891600	AR	Washer 3/8	
11	4812000	AR	Washer M10	
12	0641810	4	Bolt 1/2in-13NC x 1-1/4in	
14	Not Required	0	Not Required	
15	1380147	1	Clip, Spring	
22	3910608	2	Screw #6-32NC x 1in	
23	3310601	2	Nut #6-32NC	
24	4770600	2	Starwasher #6	

SECTION 2 - TURNTABLE

FIGURE 2-22. HOODS INSTALLATIONS



SECTION 2 - TURNTABLE



NOTE: REPLACEMENT DECALS MUST BE ORDERED SEPARATELY

SECTION 2 - TURNTABLE

FIGURE 2-22. HOODS INSTALLATIONS

ITEM	PART NUMBER	QTY	DESCRIPTION	REV
		Ref	Note: replacement decals must be ordered separately.	
		Ref	HOODS INSTALLATIONS	
	1001152433	Ref	Hoods for Deutz D2011 Engine Machines (ANSI, ANSI Export, CSA and Japanese Specs)	G
	1001152435	Ref	Hoods with Noise Reduction for Deutz D2011 Engine Machines (ANSI Export, Australian, CE and Japanese Specs)	I
	1001137845	Ref	Hoods for Deutz TD2.9L4 & Ford Engine Machines	G
	1001154151	Ref	Hoods for GM Engine Machines	H
1	0100011	AR	Compound, Locking	
2	0630507	8	Bolt, Carriage 1/2in-13NC x 1-1/4in	
3	0641405	6	Bolt 1/4in-20NC x 3/4in	
4	0641407	4	Bolt 1/4in-20NC x 7/8in	
5	0641608	19	Bolt 3/8in-16NC x 1in	
6	0721006	4	Bolt #10-24NC x 3/4in	
7	0902219	1	Bracket, Bumper	
8	1001154514	1	Bracket, Latch - Tank Side (SN 0300177361 through 0300185143)	
8	1001137876	1	Bracket, Latch - Tank Side (SN 0300185144 to Present)	
9	0902335	1	Bracket, Latch - Engine Side	
10	0940049	1	Bumper	
11	0940071	2	Bumper	
12	0940088	1	Bumper	
13	1670767	1	Cover, Turntable	
14	2680433	1	Spacer, Hood (Engine Side)	
15	2680434	1	Spacer, Hood (Tank Side)	
16	2940188	2	Latch, Spring Clip	
17	3311005	4	Locknut #10-24NC	
18	3311405	4	Locknut 1/4in-20NC	
19	3311501	2	Nut 5/16in-18NC	
20	3311505	4	Locknut 5/16in-18NC	
21	3311601	6	Nut 3/8in-16NC	
22	3311605	7	Locknut 3/8in-16NC	
23	3311805	8	Locknut 1/2in-13NC	
24	3321501	2	Nut 5/16in-24NC	
25	3539923	1	Plate, Seal	
26	3960389	3.5 ft/1m	Seal, Bulb (Machines with Deutz D2011 Engine Only)	
27	3960418	7 ft/2.1m	Seal	
28	3960467	1	Seal, Foam	
29	4160143	2	Spring, Gas	
30	4740076	2	Washer, Fender	
31	4740171	8	Flatwasher 1/2in Hardened	
32	4751000	4	Flatwasher #10 Regular	
33	4751400	10	Flatwasher 1/4in Regular	
34	4751500	4	Flatwasher 5/16in Regular	
35	4751600	AR	Flatwasher 3/8in Regular	
35	0940088	1	Bumper	
36		Ref	Hood - Engine Side Options (See Items 101- 120 for Breakdown)	
36	1001160004	1	Hood for Deutz D2011 Engine Machines (ANSI, ANSI Export, CSA and Japanese Specs)	
36	1001160034	1	Hood with Noise Reduction for Deutz D2011 Engine Machines (ANSI Export, Australian, CE and Japanese Specs)	

SECTION 2 - TURNTABLE

ITEM	PART NUMBER	QTY	DESCRIPTION	REV
36	1001160189	1	Hood for Deutz TD2.9L4 & Ford Engine Machines	
36	1001160047	1	Hood for GM Engine Machines	
37		Ref	Hood - Tank Side Options (See Items 201- 213 for Breakdown)	
37	1001160003	1	Hood for Deutz D2011 Engine Machines	
37	1001160190	1	Hood for Deutz TD2.9L4 & Ford Engine Machines	
37	1001160003	1	Hood for GM Engine Machines	
38	1001152556	NLA	Mount - Engine Side (Use p/n 1001235948) (SN 0300177361 through 0300213835)	
38	1001207792	NLA	Mount - Engine Side (Use p/n 1001235948) (SN 0300213836 through 0300251141)	
38	1001235948	1	Mount - Engine Side (SN 0300251142 to Present)	
39	1001152557	1	Mount - Tank Side	
43	4891600	AR	Flatwasher 3/8in Hardened	
		Ref	HOOD - ENGINE SIDE	
	1001160004	Ref	Hoods for Deutz D2011 Engine Machines (ANSI, ANSI Export, CSA and Japanese Specs)	I
	1001160034	Ref	Hoods with Noise Reduction for Deutz D2011 Engine Machines (ANSI Export, Australian, CE and Japanese Specs)	I
	1001160189	Ref	Hoods for Deutz TD2.9L4 & Ford Engine Machines	G
	1001160047	Ref	Hoods for GM Engine Machines	H
101	0641606	4	Bolt 3/8in-16NC x 3/4in	
102		Ref	Hood, Engine Side Options:	
102	1001160004	1	Hood for Deutz D2011 Engine Machines (ANSI, ANSI Export, CSA and Japanese Specs)	
102	1001160034	1	Hood with Noise Reduction for Deutz D2011 Engine Machines (ANSI Export, Australian, CE and Japanese Specs)	
102	1001160189	1	Hood for Deutz TD2.9L4 & Ford Engine Machines	
102	1001160047	1	Hood for GM Engine Machines	
103	2940088	1	Latch	
104	3311005	2	Locknut #10-24NC	
105	3911016	2	Screw #10-24NC x 1in	
106	3960389	3 ft/0.9m	Seal (SN 0300177361 through 0300181748)	
106	1001164281	8 ft/2.4m	Seal (SN 0300181749 to Present)	
107	3960462	68 in/1.7m	Seal	
108	4711000	2	Flatwasher #10 Thin	
109	4751600	AR	Flatwasher 3/8in Regular	
110	1001151670	2	Hinge (SN 0300177361 through 0300206631)	
110	1001188467	2	Hinge (SN 0300206632 to Present)	
116		Ref	Outlet, Exhaust Options:	
116	1001160598	1	Deutz D2011 Engine Machines	
116	1001137860	1	Deutz TD2.9L4 & Ford Engine Machines	
116	1001117039	1	GM Engine Machines	
117	3900232	3	Bolt, Button Head 3/8in-16NC x 1-1/4in (SN 0300177361 through 0300206631)	
117	0641610	3	Bolt 3/8-16NC x 1-1/4 (SN 0300206632 to Present)	
118	4740500	3	Washer, Nylon Shoulder (SN 0300177361 through 0300206631)	
119	3311605	3	Locknut 3/8in-16NC	
120		Ref	Insulation Options:	
120	1001160961	1	Insulation for Deutz D2011 Engine Machines (ANSI, ANSI Export, CSA and Japanese Specs)	
120	1001161025	1	Insulation with Noise Reduction for Deutz D2011 Engine Machines (ANSI Export, Australian, CE and Japanese Specs)	
120	1001161059	1	Insulation for Deutz TD2.9L4 & Ford Engine Machines (SN 0300177361 through 0300185533)	

SECTION 2 - TURNTABLE

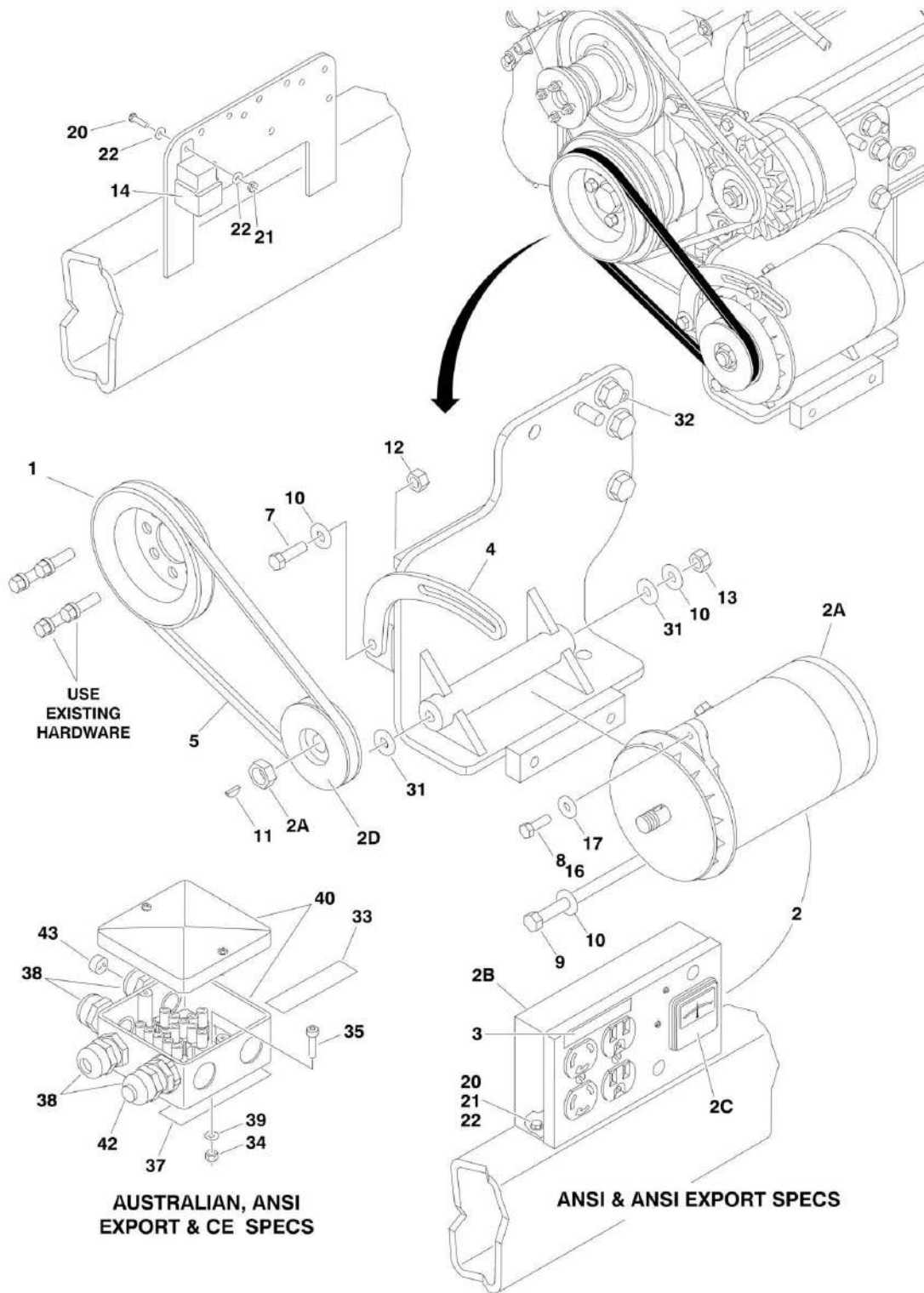
ITEM	PART NUMBER	QTY	DESCRIPTION	REV
120	1001165741	1	Insulation for Deutz TD2.9L4 & Ford Engine Machines (SN 0300185534 to Present)	
120	1001161059	1	Insulation for GM Engine Machines	
121	1001160962		Insulation (SN 0300177361 through 0300181748)	
122		Ref	Insulation Options:	
122	1001160963	1	Insulation for Deutz D2011 Engine Machines (ANSI, ANSI Export, CSA and Japanese Specs)	
122	1001161026	1	Insulation with Noise Reduction for Deutz D2011 Engine Machines (ANSI Export, Australian, CE and Japanese Specs)	
122	1001160963	1	Insulation for Deutz TD2.9L4 & Ford Engine Machines	
122	1001160963	1	Insulation for GM Engine Machines	
123	4061010	1	Insulation Options:	
123	1001160964	1	Insulation for Deutz D2011 Engine Machines (ANSI, ANSI Export, CSA and Japanese Specs)	
123	1001161027	1	Insulation with Noise Reduction for Deutz D2011 Engine Machines (ANSI Export, Australian, CE and Japanese Specs)	
123	1001160964	1	Insulation for Deutz TD2.9L4 & Ford Engine Machines	
123	1001160964	1	Insulation for GM Engine Machines	
124	4060805	62 in/1.6m	Flex-Trim (SN 0300184421 to Present)	
125	1001169610	2	Spacer, Hinge (SN 0300184421 to Present)	
126	4891600	AR	Flatwasher 3/8 Hardened	
	1671216	Ref	HOOD TANK SIDE	
	1001160003	Ref	Hood for Deutz D2011 Engine Machines	H
	1001160190	Ref	Hood for Deutz TD2.9L4 & Ford Engine Machines	G
	1001160003	Ref	Hood for GM Engine Machines	H
201	0641606	4	Bolt 3/8in-16NC x 3/4in	
202		Ref	Hood, Tank Side Options:	
202	1001160003	1	Hood for Deutz D2011 Engine Machines	
202	1001160190	1	Hood for Deutz TD2.9L4 & Ford Engine Machines	
202	1001160003	1	Hood for GM Engine Machines	
203	2940088	1	Latch	
204	3311005	2	Locknut #10-24NC	
205	3911016	2	Screw #10-24NC x 1in	
206	3960389	3 ft /0.9m	Seal (SN 0300177361 through 0300181748)	
206	1001164281	8 ft /2.5m	Seal (SN 0300181749 to Present)	
207	3960438	4.5 ft /1.4m	Seal (SN 0300177361 through 0300184420)	
207	1001166394	4.5 ft /1.4m	Seal (SN 0300184421 to Present)	
208	3960462	5.5 ft /1.6m	Seal	
209	4751000	2	Flatwasher #10 Regular	
210	4751600	4	Flatwasher 3/8in Regular (SN 0300177361 through 0300206631)	
210	4891600	4	Flatwasher 3/8in Hardened (SN 0300206632 to Present)	
211	1001151670	2	Hinge (SN 0300177361 through 0300206631)	
211	1001188467	2	Hinge (SN 0300206632 to Present)	
212	4060805	62 in /1.6m	Flex-Trim (SN 0300184421 to Present)	
	1001152325	Ref	NOISE REDUCTION INSTALLATION (DEUTZ TD2.9L4 ENGINE MACHINES ONLY)	A
301	0100011	AR	Compound, Locking	
302	0641606	5	Bolt 3/8in-16NC x 3/4in	
303	2820078	1	Foam, Acoustical	

SECTION 2 - TURNTABLE

ITEM	PART NUMBER	QTY	DESCRIPTION	REV
304	2820082	1	Foam, Acoustical	
305	2820083	1	Foam, Acoustical	
306	3539988	1	Plate, Baffle	
307	4751600	5	Flatwasher 3/8in Regular	

SECTION 2 - TURNTABLE

FIGURE 2-23. 2500W GENERATOR INSTALLATION - DEUTZ D2011 MACHINES (OPTIONAL)



SECTION 2 - TURNTABLE

FIGURE 2-23. 2500W GENERATOR INSTALLATION - DEUTZ D2011 MACHINES (OPTIONAL)

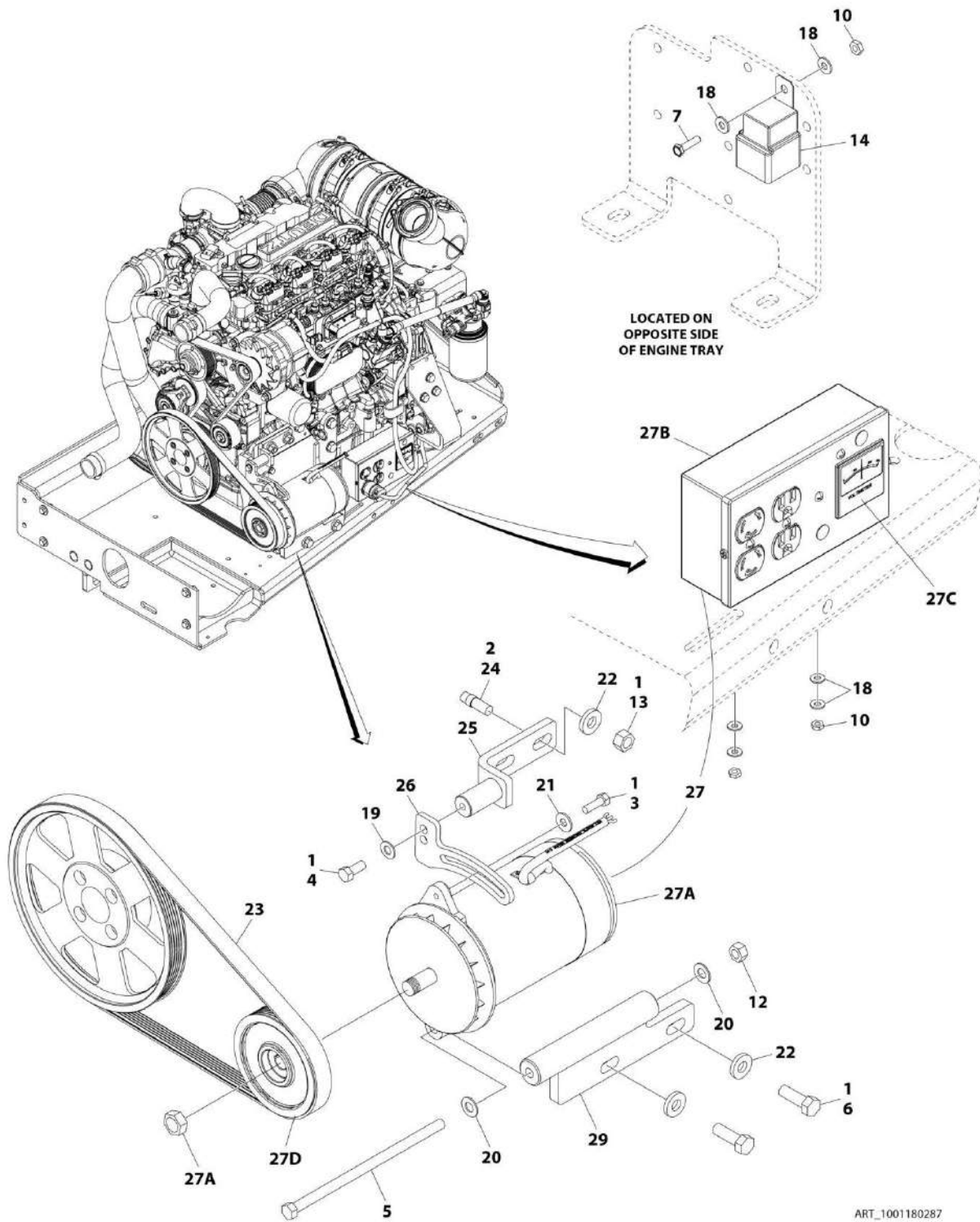
ITEM	PART NUMBER	QTY	DESCRIPTION	REV
		Ref	2500W GENERATOR INSTALLATIONS - DEUTZ D2011 MACHINES (OPTIONAL)	
	1001115405	Ref	110V/60Hz (ANSI and ANSI Export Specs)	A
	1001115406	Ref	220V/50Hz (ANSI Export Specs)	A
	1001115409	Ref	220V/50Hz (Australian and CE Specs)	A
1	3580158	1	Pulley	
2		Ref	Generator and Control Box Assembly Options:	
2	2460055	1	110V/60Hz (ANSI and ANSI Export Specs)	
2	2460056	1	220V/50Hz (ANSI Export Specs)	
2	1001100321	1	220V/50Hz (Australian and CE Specs)	
2A	7012558	1	Generator Only - 110V/60Hz	
2A	1001100321	1	Generator Only - 220V/50Hz	
2A		Ref	Note: Replacement Generators come standard with p/n 3580134 pulley. This pulley may not be correct for all applications. Refer to pulley options below.	
2A		Ref	Armature with Slip Rings Options:	
2A	7026199	1	Armature with Slip Rings - 110V/60Hz	
2A	70000123	1	Armature with Slip Rings - 220V/50Hz	
2A	7012513	4	Cap, Brush Holder	
2A	7020108	4	Brush	
2A	7020109	4	Holder, Brush	
2A	7012514	1	Fan	
2A	7020110	1	Bell, Front	
2A	7020111	1	Bell, Rear	
2A	7020190	2	Bearing	
2B	7019680	1	Box, Control - 110V/60Hz	
2B	70000127	1	Box, Control - 220V/50Hz (ANSI Export Specs)	
2B	Not Required	0	Box, Control - 220V/50Hz (Australian and CE Specs)	
2B		Ref	Receptacle Options:	
2B	4460190	1	Receptacle, Standard (110V Only)	
2B	4460027	1	Receptacle, Twistlock (110V Only)	
2B	70000124	1	Receptacle, Double (220V/50Hz Only)	
2B	70000125	1	Receptacle, Single (220V/50Hz Only)	
2B		Ref	Breaker, Circuit Options:	
2B	4360542	1	Breaker 110V/60Hz	
2B	70000126	1	Breaker 220V/50Hz	
2B	3520028	1	Plug, Hole	
2C		Ref	Voltmeter Options:	
2C	2420203	1	Voltmeter - 110V	
2C	7020192	1	Voltmeter - 220V	
2D		Ref	Pulley Options:	
2D	3580276	1	Pulley - 60Hz	
2D	3580134	1	Pulley - 50Hz	
2D	7027887	1	Key, Woodruff	
3		Ref	Decal Options:	
3	3251243	1	110V/60Hz (ANSI and ANSI Export Specs)	
3	Not Required	0	220V/50Hz (ANSI Export, Australian and CE Specs)	
4	0200742	1	Arm, Adjusting	
5	0480121	1	V-Belt	
7	0641610	1	Bolt 3/8in-16NC x 1-1/4in	

SECTION 2 - TURNTABLE

ITEM	PART NUMBER	QTY	DESCRIPTION	REV
8	0100011	AR	Compound, Locking	
9	0641772	1	Bolt 7/16in-14NC x 9in	
10	4751600	6	Flatwasher 3/8in Regular	
11	2860012	1	Key, Woodruff	
12	3311605	1	Locknut 3/8in-16NC	
13	3311705	1	Locknut 7/16in-14NC	
14	3740080	1	Relay	
16	0641508	1	Bolt 5/16in-18NC x 1in	
17	4751500	AR	Flatwasher 5/16in Regular	
20	0721006	AR	Bolt #10-24NC x 3/4in	
21	3311005	AR	Locknut #10-24NC	
22	4751000	AR	Flatwasher #10 Regular	
25	4360336	1	Switch, Toggle (Not Shown - Located at Platform)	
26	4740397	1	Bushing (Not Shown - Located at Platform)	
27	4060802	1	Guard, Switch (Not Shown - Located at Platform)	
28	3252507	1	Decal - 220V - 50/60Hz (Not Shown - Located on Turntable)	
29	2820031	4 in/10cm	Heat Shrink (Not Shown - Located at Platform)	
30	3251102	1	Decal (Not Shown - Located at Platform)	
		Ref	Note: Items 32-43 Used on ANSI Export, Australian and CE Specs Only.	
32	0641404	1	Bolt 1/4in-20NC x 1/2	
33	3252507	2	Decal - 220V - 50Hz	
		Ref	Note: One Decal Not Shown - Located on the Inside of Platform Rail.	
34	3290505	1	Locknut M5 x 0.8mm	
35	4031608	1	Bolt M5 x 20mm	
36	4240018	1	Tie Strap (Not Shown)	
37	4420060	1	Tape, Double Coated Acrylic Foam	
38	4460968	3	Connector, Strain Relief	
39	4811600	1	Flatwasher M5	
40	1001099869	1	Box, Junction	
42		Ref	Light Red Options:	
42	1001100233	1	125 Vac	
42	1001100234	1	250 Vac	
43	0962449	1	Bushing	
	2902085	1	Kit, Powermite Generator Mounting	

SECTION 2 - TURNTABLE

FIGURE 2-24. 2500W GENERATOR INSTALLATION - DEUTZ TD2.9L4 (OPTIONAL)



ART_1001180287

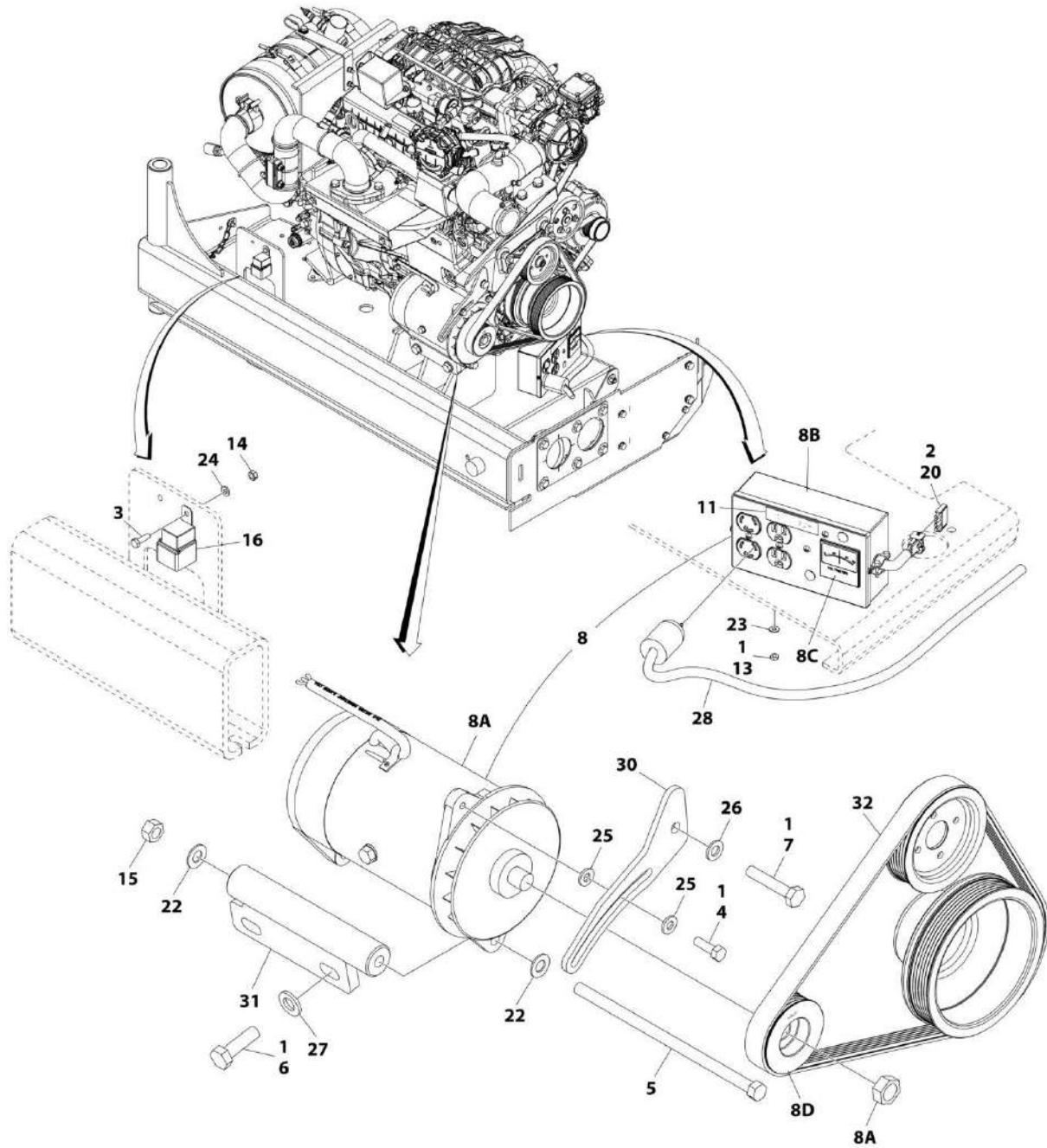
SECTION 2 - TURNTABLE

FIGURE 2-24. 2500W GENERATOR INSTALLATION - DEUTZ TD2.9L4 (OPTIONAL)

ITEM	PART NUMBER	QTY	DESCRIPTION	REV
	1001180287	Ref	2500W GENERATOR INSTALLATION - DEUTZ TD2.9L4 (OPTIONAL)	B
1	0100011	AR	Compound, Locking	
2	0100019	AR	Compound, Locking	
3	0641508	1	Bolt 5/16 x 1	
4	0641607	1	Bolt 3/8 x 7/8	
5	0641772	1	Bolt 7/16 x 9	
6	0641812	2	Bolt 1/2 x 1-1/2	
7	0721006	1	Screw #10 x 3/4	
8	2820031	AR	Heat Shrink (Not Shown - Located at Platform)	
9	3251102	1	Name Plate - Generator On (Not Shown - Located at Platform)	
10	3311005	3	Nut #10	
12	3311705	1	Nut 7/16	
13	3311801	2	Nut 1/2	
14	3740080	1	Relay	
15	4060802	1	Guard, Switch (Not Shown - Located at Platform)	
16	4240018	AR	Strap, Cable Tie (Not Shown)	
17	4360336	1	Switch, Toggle (Not Shown - Located at Platform)	
18	4711000	6	Washer #10	
19	4711600	1	Washer 3/8	
20	4711700	2	Washer 7/16	
21	4751500	1	Washer 5/16	
22	4891800	4	Washer 1/2	
23	1001148138	1	V-Belt	
24	1001163599	2	Stud	
25	1001216015	1	Bracket	
26	1001179837	1	Arm, Adjustment	
27	1001180001	1	Generator and Control Box Assembly	
27A	7012558	1	Generator Only - 110V/60Hz	
27A		Ref	Note: Replacement Generators come standard with p/n 3580134 pulley. This pulley may not be correct for all applications. Refer to pulley options below.	
27A	7026199	1	Armature with Slip Rings	
27A	7012513	4	Cap, Brush Holder	
27A	7020108	4	Brush	
27A	7020109	4	Holder, Brush	
27A	7012514	1	Fan	
27A	7020110	1	Bell, Front	
27A	7020111	1	Bell, Rear	
27A	7020190	2	Bearing	
27B	7019680	1	Box, Control - 110V/60Hz	
27B		Ref	Receptacle Options:	
27B	4460190	1	Receptacle, Standard (110V Only)	
27B	4460027	1	Receptacle, Twistlock (110V Only)	
27B	4360542	1	Breaker, Circuit	
27B	3520028	1	Plug, Hole	
27C	2420203	1	Voltmeter	
27D	3580276	1	Pulley	
27D	7027887	1	Key, Woodruff	
29	1001181243	1	Mount, Generator	

SECTION 2 - TURNTABLE

FIGURE 2-25. 2500W GENERATOR INSTALLATION - FORD MACHINES (OPTIONAL)



ART_1001217188

SECTION 2 - TURNTABLE

FIGURE 2-25. 2500W GENERATOR INSTALLATION - FORD MACHINES (OPTIONAL)

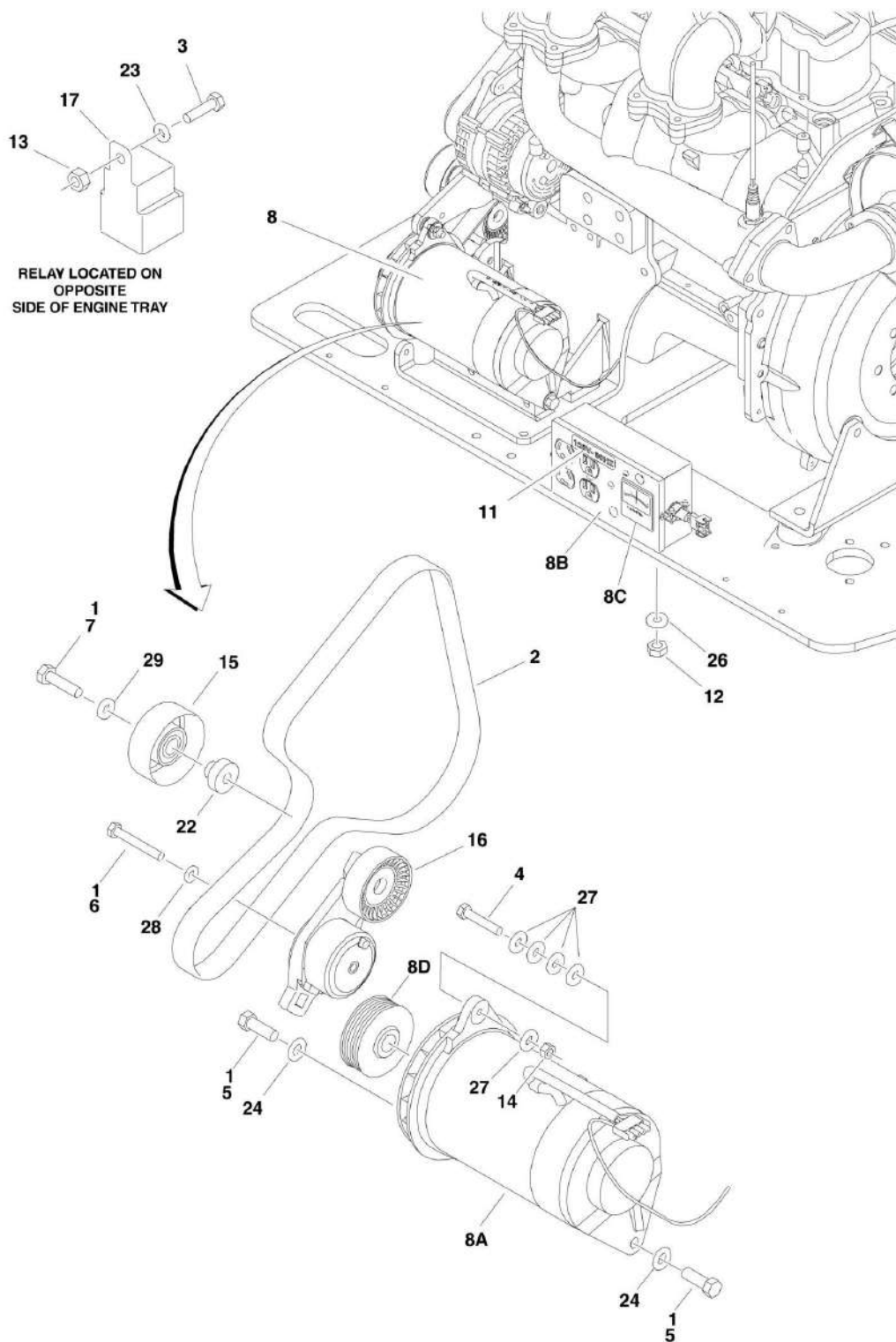
ITEM	PART NUMBER	QTY	DESCRIPTION	REV
	1001217188	Ref	2500W GENERATOR INSTALLATION - FORD MACHINES (OPTIONAL)	F
1	0100011	AR	Compound, Locking	
2	0100048	AR	Grease, Dielectric	
3	0760610	1	Bolt M6 x 20	
4	0641508	1	Bolt 5/16 x 1	
5	0641772	1	Bolt 7/16 x 9	
6	0761216	2	Bolt M12 x 40	
7	0761019	1	Bolt M10 x 55	
8	2460051	1	Generator and Control Box Assembly	
8A	7012558	1	Generator Only - 110V/60Hz	
		Ref	Note: Replacement Generators come standard with pin 3580134 pulley. This pulley may not be correct for all applications. Refer to pulley options below.	
8A	7026199	1	Armature with Slip Rings	
8A	7012513	4	Cap, Brush Holder	
8A	7020108	4	Brush	
8A	7020109	4	Holder, Brush	
8A	7012514	1	Fan	
8A	7020110	1	Bell, Front	
8A	7020111	1	Bell, Rear	
8A	7020190	2	Bearing	
8B	7019680	1	Box, Control - 110V/60Hz	
8B		Ref	Receptacle Options:	
8B	4460190	Ref	Receptacle, Standard (110V Only)	
8B	4460027	1	Receptacle, Twistlock (110V Only)	
8B	4360542	1	Breaker, Circuit	
8B	3520028	1	Plug, Hole	
8C	2420203	1	Voltmeter	
8D	3580324	1	Pulley	
8D	7027887	1	Key, Woodruff	
9	2820031	1	Heat Shrink (Not Shown - Located at Platform)	
10	3251102	1	Nameplate Generator (Not Shown - Located at Platform)	
11	3251243	1	Decal - 120V-60Hz	
13	3311005	2	Nut #10	
14	3290601	1	Nut M6	
15	3311705	1	Nut 7/16	
16	3740080	1	Relay	
17	4060802	1	Guard Switch (Not Shown - Located at Platform)	
18	4240099	AR	Tie-Strap (Not Shown)	
19	4360336	1	Switch, Toggle (Not Shown - Located at Platform)	
20	4460321	1	Plug, Male - 4 Position	
21	4460906	1	Socket, Female (Not Shown)	
22	4711700	2	Washer 7/16	
23	4751000	2	Washer #10	
24	4811700	1	Washer M6	
25	4891500	2	Washer 5/16	
26	4812000	1	Washer M10	
27	5241200	2	Washer M12	
28	4921829	1	Harness, Inverter	

SECTION 2 - TURNTABLE

ITEM	PART NUMBER	QTY	DESCRIPTION	REV
30	1001219632	1	Arm, Adjustment	
31	1001219630	1	Mount, Generator	
32	1001216391	1	V-Belt	

SECTION 2 - TURNTABLE

FIGURE 2-26. 2500W GENERATOR INSTALLATION - GM MACHINES (OPTIONAL)



SECTION 2 - TURNTABLE

FIGURE 2-26. 2500W GENERATOR INSTALLATION - GM MACHINES (OPTIONAL)

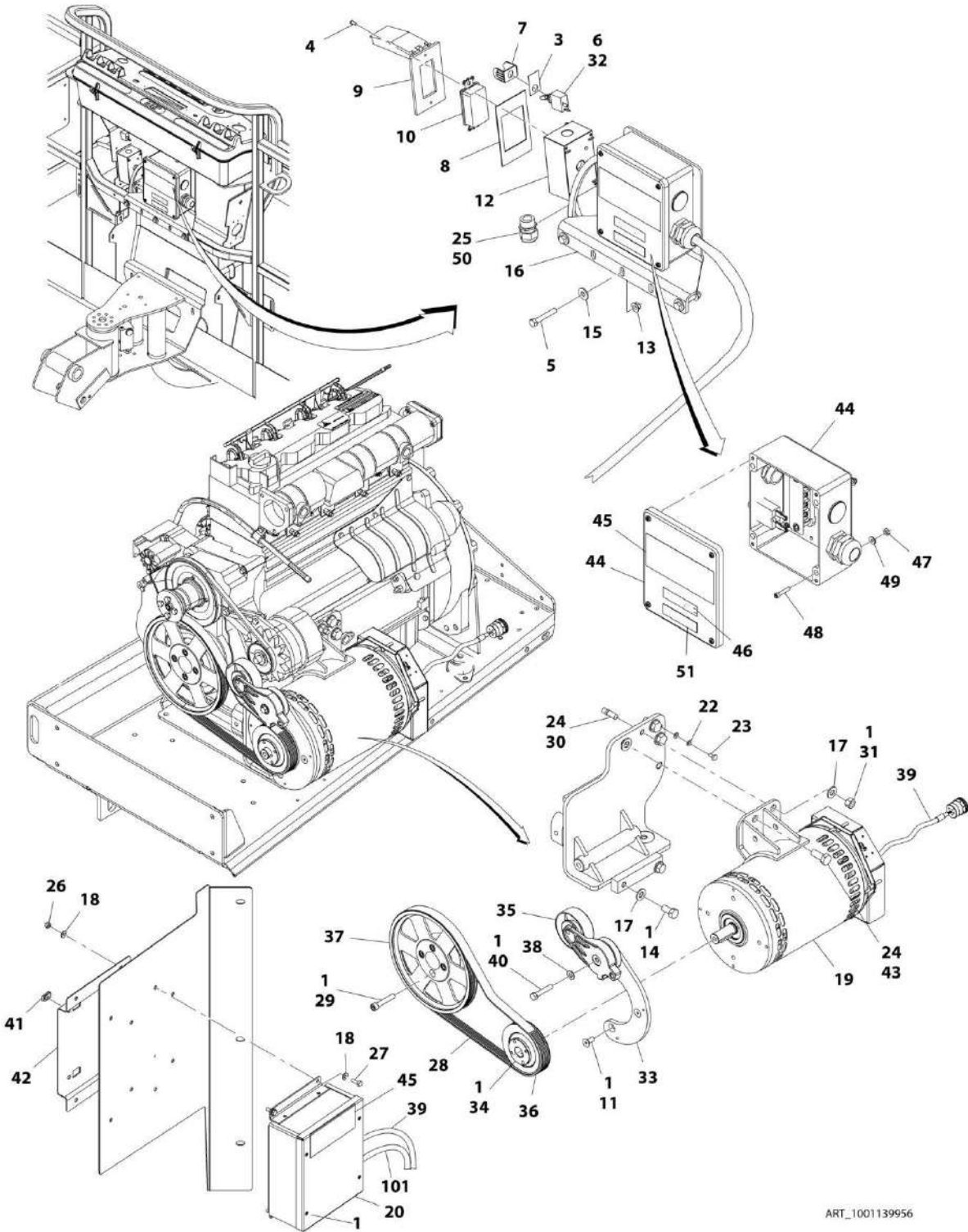
ITEM	PART NUMBER	QTY	DESCRIPTION	REV
		Ref	GENERATOR INSTALLATION OPTIONS:	
	0275039	Ref	110V Generator	E
1	0100011	AR	Compound, Locking	
2	0480142	1	V-Belt	
3	0641405	1	Bolt 1/4in-20NC x 5/8in	
4		Ref	Bolt Options:	
4	0641514	1	Bolt 5/16in-18NC x 1-3/4in	
4	0641510	1	Bolt 5/16in-18NC x 1-1/4in	
5	0641710	2	Bolt 7/16in-14NC x 1-1/4in	
6	0700820	1	Bolt M8 x 60mm	
7	0701016	1	Bolt M10 x 340mm	
8	2460051	1	Generator and Control Box Assembly	
8A	7012558	1	Generator Only - 110V/60Hz	
		Ref	Note: Replacement Generators come standard with p/n 3580134 pulley. This pulley may not be correct for all applications. Refer to pulley options below.	
8A		Ref	Armature with Slip Rings Options:	
8A	7026199	1	Armature with Slip Rings - 110V/60Hz	
8A	70000123	1	Armature with Slip Rings - 220V/50Hz	
8A	7012513	4	Cap, Brush Holder	
8A	7020108	4	Brush	
8A	7020109	4	Holder, Brush	
8A	7012514	1	Fan	
8A	7020110	1	Bell, Front	
8A	7020111	1	Bell, Rear	
8A	7020190	2	Bearing	
8B	7019680	1	Box, Control - 110V/60Hz	
8B		Ref	Receptacle Options:	
8B	4460190	1	Receptacle, Standard (110V Only)	
8B	4460027	1	Receptacle, Twistlock (110V Only)	
8B	4360542	1	Breaker, Circuit	
8B	3520028	1	Plug, Hole	
8C	2420203	1	Voltmeter	
8D	3580324	1	Pulley	
8D	7027887	1	Key, Woodruff	
9	2820031	AR	Heat Shrink (Not Shown - Located at Platform)	
10	3251102	1	Nameplate - Generator (Not Shown - Located at Platform)	
11	3251243	1	Decal - 110 Volt	
12	3311005	2	Locknut # 10-24NC	
13	3311405	1	Locknut 1/4in-20NC	
14	3311505	1	Locknut 5/16in-18NC	
15	3580312	1	Pulley, Idler	
16	3580348	1	Tensioner, Belt	
17	3740080	1	Relay, Bosch	
18	4060802	1	Guard, Switch (Not Shown - Located at Platform)	
19	4240018	AR	Tie-Strap (Not Shown)	
20	4360336	1	Switch, Toggle (Not Shown - Located at Platform)	
21	4460906	3	Terminal (Not Shown)	
22	4568735	1	Spacer, Tube (Idler Pulley Grooved)	
23	4711400	1	Flatwasher 1/4in Thin	

SECTION 2 - TURNTABLE

ITEM	PART NUMBER	QTY	DESCRIPTION	REV
24	4711700	2	Flatwasher 7/16in Thin	
25	4740397	1	Spacer (Not Shown - Located at Platform)	
26	4751000	2	Flatwasher #10 Regular	
27	4751500	AR	Flatwasher 5/16in Regular	
28	4811900	1	Flatwasher M8	
29	4891600	1	Flatwasher 3/8in Hardened	

SECTION 2 - TURNTABLE

FIGURE 2-27. 4000W GENERATOR INSTALLATION - DEUTZ D2011 ENGINES



ART_1001139956

SECTION 2 - TURNTABLE

FIGURE 2-27. 4000W GENERATOR INSTALLATION - DEUTZ D2011 ENGINES

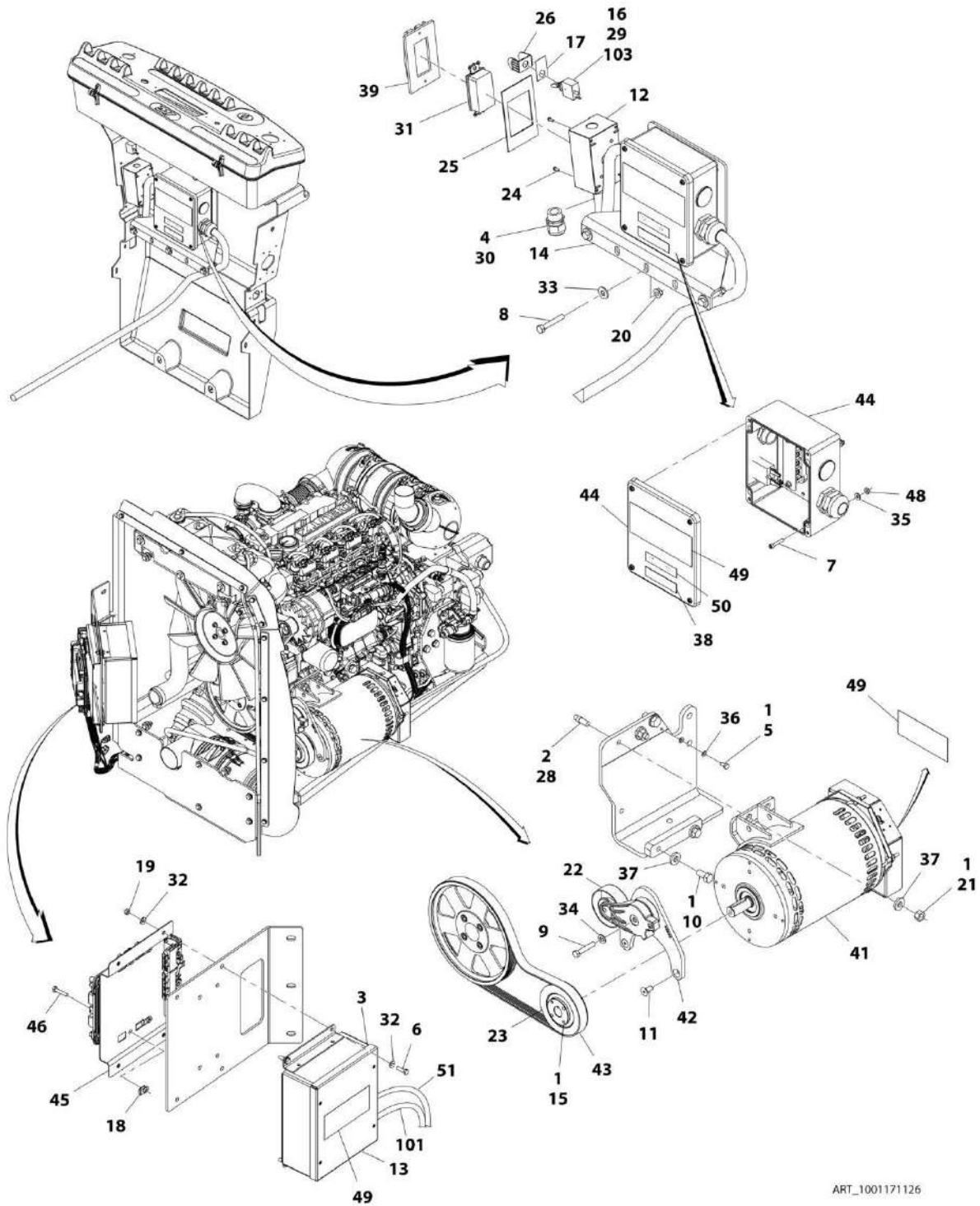
ITEM	PART NUMBER	QTY	DESCRIPTION	REV
		Ref	4000W Generator Installation - Deutz D2011 Engines	
	1001139956	Ref	4000W/60Hz Generator Installation - Deutz D2011 Engines	B
	1001139957	Ref	4000W/50Hz Generator Installation - Deutz D2011 Engines	D
1	0100011	1	Compound, Locking	
3	3251102	1	Nameplate, Generator	
4	3910606	4	Screw #6 x 3/8	
5	0641516	3	Bolt 5/16 x 2	
6	4360336	1	Switch, Toggle	
7	4060802	1	Guard, Switch	
8	3960422	1	Gasket, AC Receptacle (60Hz)	
9	1001110873	1	Cover, Gang Vertical Receptacle GFCI (60Hz)	
10	4460346	1	Receptacle (60Hz)	
11	0741607	3	Screw 3/8 x 7/8	
12	0860038	1	Box, Switch-Weatherhead (60Hz)	
13	3311508	3	Nut 5/16	
14	0641808	2	Bolt 1/2 x 1	
15	4751500	3	Washer 5/16	
16	0902888	1	Bracket, Junction Box (60Hz)	
17	4711800	3	Washer 1/2	
18	4711400	8	Washer 1/4	
19	1001129858	1	Generator Assembly (60Hz)	
19	1001138565	1	Generator Assembly (50Hz)	
19	70003709	1	Ring, Retaining (External)	
19	70003708	1	Ring, Retaining (Internal)	
19	70001966	1	Bearing	
19	70004092	1	Endbell (Shaft End)	
19	70004171	1	Key	
19	70004676	1	Rotor	
19	70004684	1	Stator (60Hz)	
19	70004677	1	Stator (50Hz)	
19	70004678	1	Endbell (Rear)	
19	70004679	1	Cover, Endbell (Rear)	
19	70004680	1	Enclosure, Wiring	
19	70004685	1	Cover, Enclosure (60Hz)	
19	70004681	1	Cover, Enclosure (50Hz)	
19	70004682	1	Switch, Reset (Located on Enclosure Cover)	
19	70004098	1	Connector, Strain Relief (60Hz) (Located on Enclosure Cover)	
19	70004683	1	Connector, Strain Relief (50Hz) (Located on Enclosure Cover)	
20	1001138566	1	Box, Control	
20	70006552	1	Capacitor	
20	70006553	1	Relay	
21	4240018	AR	Tie-Strap (Not Shown)	
22	4791400	2	Washer 1/4	
23	0641404	1	Bolt 1/4 x 1/2	
24	0100019	AR	Compound, Locking	
25	4460071	1	Connector, Strain Relief (60Hz)	
26	3311405	4	Nut 1/4	
27	0641406	4	Bolt 1/4 x 3/4	
28	0480129	1	Belt, Generator (60Hz)	
28	0480126	1	Belt, Generator (50Hz)	

SECTION 2 - TURNTABLE

ITEM	PART NUMBER	QTY	DESCRIPTION	REV
29	4032015	4	Capscrew M10 x 55	
30	4300157	1	Stud	
31	3311801	1	Nut 1/2	
32	2820031	AR	Heat Shrink	
33	1001139357	1	Mount, Tensioner	
34	0962520	1	Bushing, Split	
35	3580317	1	Tensioner, Belt with Pulley	
36	3580318	1	Pulley, Generator (60Hz)	
36	3580319	1	Pulley, Generator (50Hz)	
37	3580320	1	Pulley, Engine Deutz	
38	4711600	1	Washer 3/8	
39	1001152532	1	Harness, Generator	
40	0641616	1	Bolt 3/8 x 2	
41	3300454	4	Nut, U-Style 1/4	
42	3575863	1	Plate	
43	0771415	1	Bolt M14 x 35 Grade 10.9	
44	1001152457	1	Junction Box Assembly (60Hz)	
44	3300396	1	Cover, Breaker	
44	4360070	1	Breaker, Circuit - 15Amp	
44	4460425	1	Connector, Strain Relief (LH Side)	
44	4460426	1	Connector, Strain Relief (RH Side)	
44	1001152530	1	Block, Terminal	
44	1001158363	1	Cover, Terminal Block	
44	1001153260	1	Decal - Wiring Diagram	
45	1705387	3	Decal - Hazardous Voltage (60Hz)	
45	1705489	2	Decal - Hazardous Voltage (50Hz)	
46	3251243	1	Decal, 120V-60Hz (60Hz)	
47	3311005	4	Nut #10	
48	3931016	4	Capscrew #10 x 1	
49	4751000	4	Washer #10	
50	0100020	AR	Sealant	
51	1705374	1	Decal, 240V-60Hz (60Hz)	
61	1001096070	1	Breaker Box Kit (Not Shown) (50Hz) (See ELECTRICAL SECTION for Breakdown)	
62	1001153636	1	Bracket (Attaches Item 61) (Not Shown) (50Hz)	
66	0641415	2	Capscrew 1/4 x 1-7/8 (Attaches Item 61) (Not Shown) (50Hz)	
		Ref	ELECTRICAL DIAGRAM COMPONENTS	
101	1001153197	1	Harness, Generator	
103	4922641	1	Harness, Switch	
105	1001164091	1	Harness, Ground (50Hz) (Not Shown)	

SECTION 2 - TURNTABLE

FIGURE 2-28. 4000W GENERATOR INSTALLATION - DEUTZ TD2.9L4 ENGINES



ART_1001171126

SECTION 2 - TURNTABLE

FIGURE 2-28. 4000W GENERATOR INSTALLATION - DEUTZ TD2.9L4 ENGINES

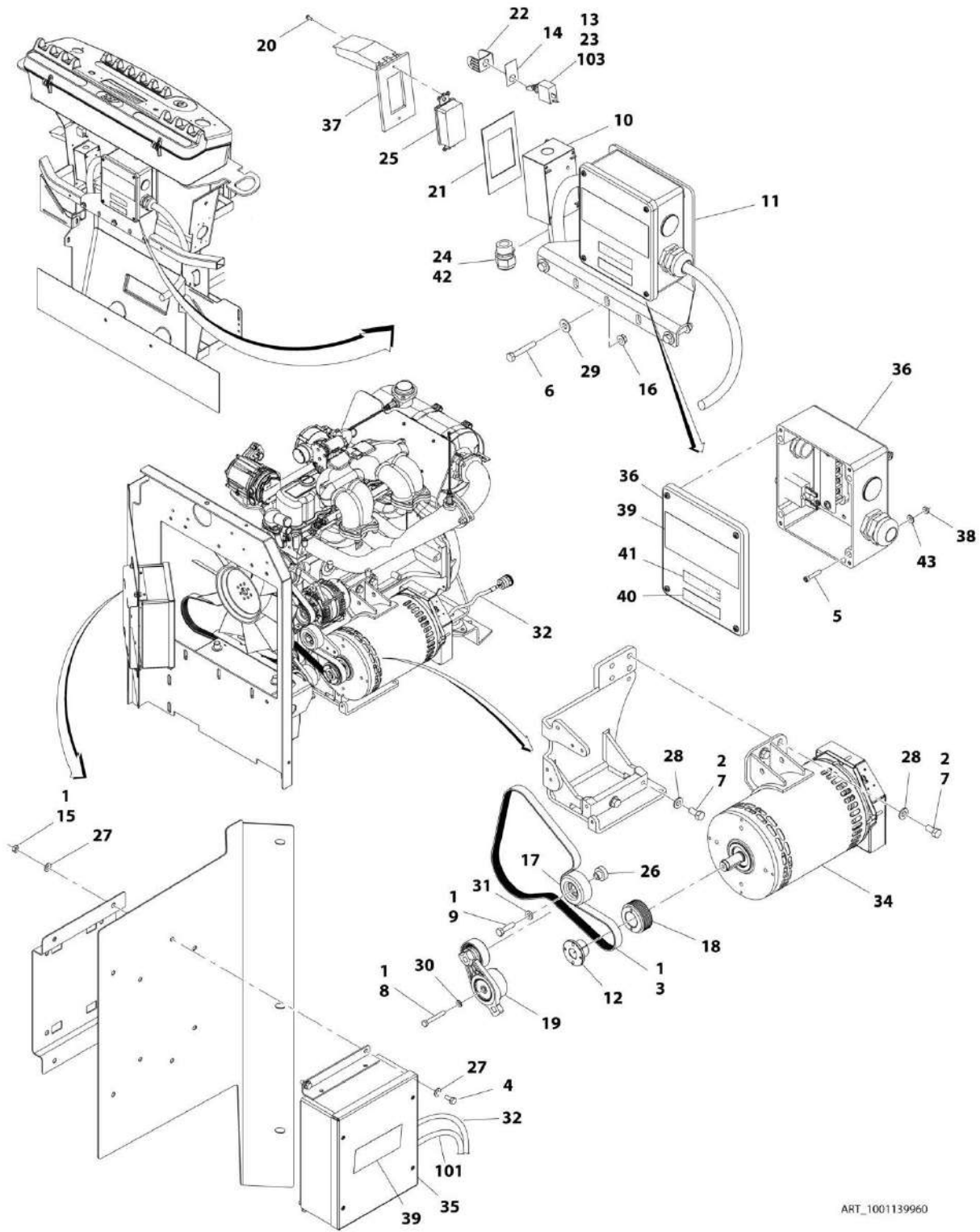
ITEM	PART NUMBER	QTY	DESCRIPTION	REV
		Ref	4000W Generator Installation - Deutz TD2.9L4 Engines	
	1001171126	Ref	4000W/60Hz Generator Installation - Deutz TD2.9L4 Engines	B
	1001171268	Ref	4000W/50Hz Generator Installation - Deutz TD2.9L4 Engines	C
1	0100011	AR	Compound, Locking	
2	0100019	AR	Compound, Locking	
3	0100048	AR	Grease, Dielectric	
4	0100079	AR	Sealant	
5	0641404	1	Bolt 1/4 x 1/2	
6	0641407	4	Bolt 1/4 x 7/8	
7	3931016	4	Capscrew #10 x 1	
8	0641516	3	Bolt 5/16 x 2	
9	0641616	1	Bolt 3/8 x 2 (60Hz)	
9	0641618	1	Bolt 3/8 x 2-1/4 (50Hz)	
10	0641808	2	Bolt 1/2 x 1	
11	0741607	3	Screw, Flathead 3/8in-16NC x 7/8in	
12	0860038	1	Box, Switch (60Hz)	
13	1001138566	1	Box, Control	
13	70006552	1	Capacitor	
13	70006553	1	Relay	
14	0902888	1	Bracket, Junction Box (60Hz)	
15	0962520	1	Bushing, Split	
16	2820031	0.33 ft /.10m	Heat Shrink	
17	3251102	1	Nameplate, Generator	
18	3300454	4	Nut, U-Style 1/4	
19	3311405	4	Nut 1/4	
20	3311508	3	Nut 5/16	
21	3311801	2	Nut 1/2	
22	3580317	1	Tensioner, Belt with Pulley	
23	3580318	1	Pulley, Generator (60Hz)	
23	3580319	1	Pulley, Generator (50Hz)	
24	3910606	4	Screw #6 x 3/8	
25	3960422	1	Gasket, AC Receptacle (60Hz)	
26	4060802	1	Guard, Switch	
27	4240018	AR	Tie-Strap (Not Shown)	
28	1001163599	2	Stud	
29	4360336	1	Switch, Toggle	
30	4460071	1	Connector, Strain Relief (60Hz)	
31	4460346	1	Receptacle (60Hz)	
32	4711400	8	Washer 1/4	
33	4751500	3	Washer 5/16	
34	4711600	1	Washer 3/8	
35	4751000	4	Washer #10	
36	4791400	2	Washer 1/4	
37	4891800	4	Washer 1/2	
38	1705374	1	Decal, 240V (60Hz)	
39	1001110873	1	Cover, Receptacle (60Hz)	
41	1001140346	1	Generator Assembly (60Hz)	
41	1001140347	1	Generator Assembly (50Hz)	
41	70003709	1	Ring, Retaining (External)	

SECTION 2 - TURNTABLE

ITEM	PART NUMBER	QTY	DESCRIPTION	REV
41	70003708	1	Ring, Retaining (Internal)	
41	70001966	1	Bearing	
41	70004092	1	Endbell (Shaft End)	
41	70004099	1	Key	
41	70004676	1	Rotor	
41	70004687	1	Stator (60Hz)	
41	70004686	1	Stator (50Hz)	
41	70004678	1	Endbell (Rear)	
41	70004679	1	Cover, Endbell (Rear)	
41	70004680	1	Enclosure, Wiring	
41	70004685	1	Cover, Enclosure (60Hz)	
41	70004681	1	Cover, Enclosure (50Hz)	
41	70004682	1	Switch, Reset (Located on Enclosure Cover)	
41	70004098	1	Connector, Strain Relief (60Hz) (Located on Enclosure Cover)	
41	70004683	1	Connector, Strain Relief (50Hz) (Located on Enclosure Cover)	
41	4460224	1	Receptacle, Female - 6 Position (Connects to Generator Harness)	
41	4460294	6	Pin, Male (Use with p/n 4460224)	
41	4460807	6	Seal, Terminal (Use with p/n 4460224)	
41	4460808	1	Seal, INterface (Use with p/n 4460224)	
42	1001142643	1	Support, Gen Tensioner	
43	1001142646	1	Belt, Generator (60Hz)	
43	See Note	1	Belt, Generator (50Hz)	
44	1001152457	1	Junction Box Assembly (60Hz)	
44	3300396	1	Cover, Breaker	
44	4360070	1	Breaker, Circuit - 15Amp	
44	4460425	1	Connector, Strain Relief (LH Side)	
44	4460426	1	Connector, Strain Relief (RH Side)	
44	1001152530	1	Block, Terminal	
44	1001158363	1	Cover, Terminal Block	
44	1001153260	1	Decal - Wiring Diagram	
45	1001145330	1	Bracket	
46	0641410	4	Bolt 1/4 x 1-1/4	
47	1001110425	4	Spacer	
48	3311005	4	Nut #10	
49	1705387	3	Decal - Hazardous Voltage (60Hz)	
49	1705489	2	Decal - Hazardous Voltage (50Hz)	
50	3251243	1	Decal, 120V-60Hz (60Hz)	
51	1001152532	1	Harness, Generator	
75	1001096070	1	Breaker Box Kit (Not Shown) (50Hz) (See ELECTRICAL SECTION for Breakdown)	
76	1001153636	1	Bracket (Used to Attach Item 75) (Not Shown) (50Hz)	
		Ref	ELECTRICAL DIAGRAM COMPONENTS	
101	1001153197	1	Harness, Generator (SN 0300177361 through 0300213430)	
101	1001153259	1	Harness, Generator (SN 0300213431 to Present)	
103	4922641	1	Harness, Switch	
105	1001164091	1	Harness, Ground (50Hz) (Not Shown)	

SECTION 2 - TURNTABLE

FIGURE 2-29. 4000W GENERATOR INSTALLATION - GM ENGINES



ART_1001139960

SECTION 2 - TURNTABLE

FIGURE 2-29. 4000W GENERATOR INSTALLATION - GM ENGINES

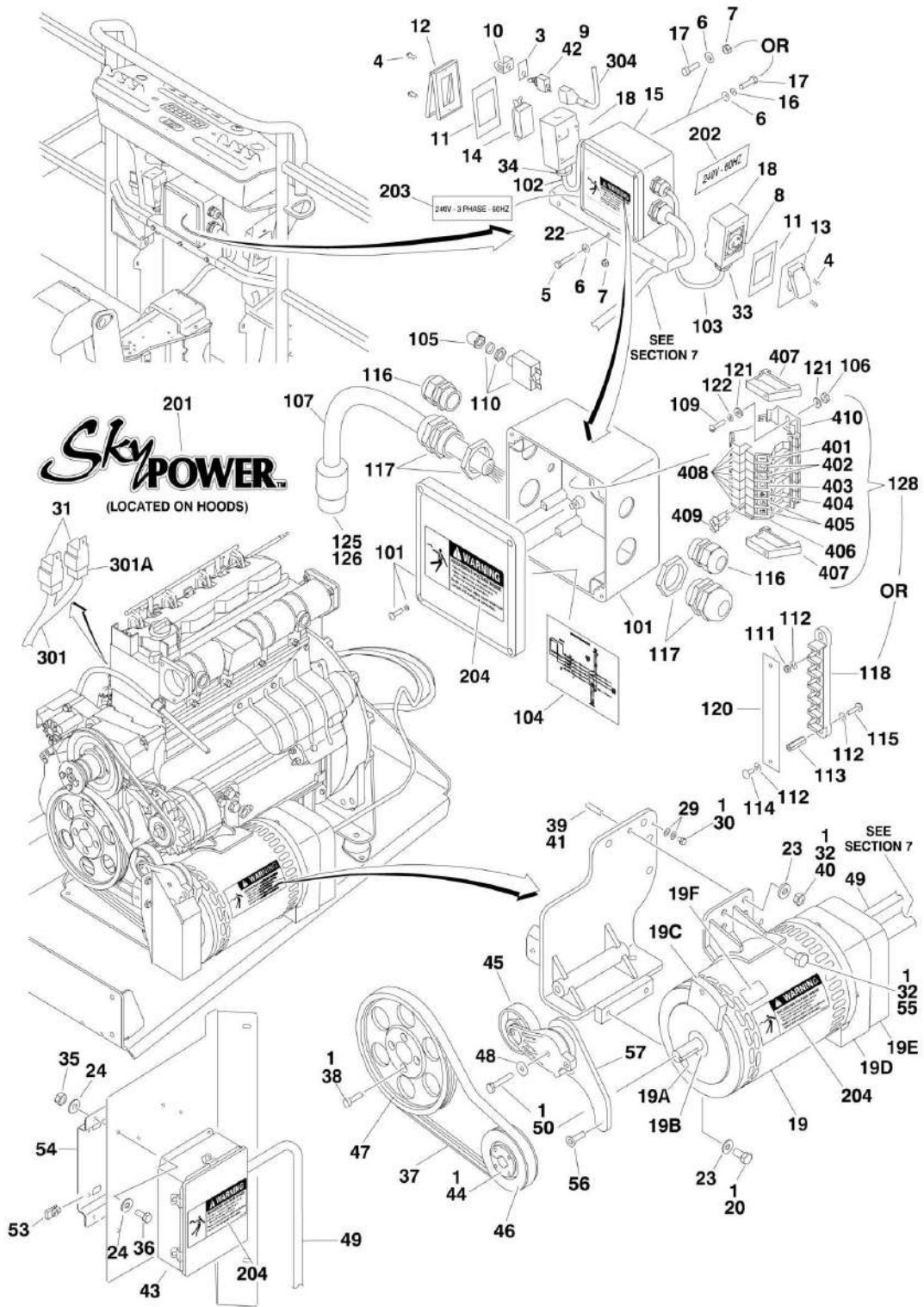
ITEM	PART NUMBER	QTY	DESCRIPTION	REV
	1001139960	Ref	4000W GENERATOR INSTALLATION - GM ENGINES	B
1	0100011	AR	Compound, Locking	
2	0100019	AR	Compound, Locking	
3	0480142	1	Belt, Generator	
4	0641405	4	Bolt 1/4 x 5/8	
5	3931016	4	Capscrew #10 x 1	
6	0641516	3	Bolt 5/16 x 2	
7	0641808	4	Bolt 1/2 x 1	
8	0700820	1	Bolt M8 x 60	
9	0701016	1	Bolt M10 x 40	
10	0860038	1	Box, Switch	
11	0902888	1	Bracket, Junction Box	
12	0962520	1	Bushing, Split	
13	2820031	33 ft / 10.05m	Heat Shrink	
14	3251102	1	Nameplate, Generator	
15	3311405	4	Nut 1/4	
16	3311508	3	Nut 5/16	
17	3580312	1	Pulley, Idler	
18	3580314	1	Pulley, Drive	
19	3580348	1	Tensioner, Belt with Pulley	
20	3910606	4	Screw #6 x 3/8	
21	3960422	1	Gasket	
22	4060802	1	Guard, Switch	
23	4360336	1	Switch, Toggle	
24	4460071	1	Connector, Strain Relief	
25	4460346	1	Receptacle	
26	4568735	1	Tube, Spacer	
27	4711400	8	Washer 1/4	
28	4711800	4	Washer 1/2	
29	4751500	3	Washer 5/16	
30	4811900	1	Washer, M8	
31	4891600	1	Washer 3/8	
32	1001152532	1	Harness, Generator	
34	1001129858	1	Generator Assembly	
34	70003709	1	Ring, Retaining (External)	
34	70003708	1	Ring, Retaining (Internal)	
34	70001966	1	Bearing	
34	70004092	1	Endbell (Shaft End)	
34	70004171	1	Key	
34	70004676	1	Rotor	
34	70004684	1	Stator	
34	70004678	1	Endbell (Rear)	
34	70004679	1	Cover, Endbell (Rear)	
34	70004680	1	Enclosure, Wiring	
34	70004685	1	Cover, Enclosure	
34	70004682	1	Switch, Reset (Located on Enclosure Cover)	
34	70004098	1	Connector, Strain Relief (Located on Enclosure Cover)	
35	1001138566	1	Box, Control	
35	70006552	1	Capacitor	

SECTION 2 - TURNTABLE

ITEM	PART NUMBER	QTY	DESCRIPTION	REV
35	70006553	1	Relay	
36	1001152457	1	Junction Box Assembly	
36	3300396	1	Cover, Breaker	
36	4360070	1	Breaker, Circuit - 15Amp	
36	4460425	1	Connector, Strain Relief (LH Side)	
36	4460426	1	Connector, Strain Relief (RH Side)	
36	1001152530	1	Block, Terminal	
36	1001158363	1	Cover, Terminal Block	
36	1001153260	1	Decal - Wiring Diagram	
37	1001110873	1	Cover	
38	3311005	4	Nut #10	
39	1705387	3	Decal - Hazardous Voltage	
40	1705374	1	Decal - 240V-60Hz	
41	3251243	1	Decal - 120V-60Hz	
42	0100020	AR	Sealant	
43	4751000	4	Washer #10	
		Ref	ELECTRICAL DIAGRAM COMPONENTS	
101	1001153197	1	Harness, Generator	
103	4922641	1	Harness, Switch	

SECTION 2 - TURNTABLE

FIGURE 2-30. 7500W SKYPOWER GENERATOR INSTALLATION - DEUTZ ENGINES



SECTION 2 - TURNTABLE

FIGURE 2-30. 7500W SKYPOWER GENERATOR INSTALLATION - DEUTZ ENGINES

ITEM	PART NUMBER	QTY	DESCRIPTION	REV
		Ref	7500W SKYPOWER GENERATOR INSTALLATION	
	1001115391	Ref	60Hz and Deutz D2011 Engine (ANSI and ANSI Export Specs)	F
	1001145227	Ref	60Hz and Deutz TD2.9L4 Engine (ANSI and ANSI Export Specs)	G
	1001115392	Ref	50Hz and Deutz D2011 Engine (ANSI Export, Australian and CE Specs)	E
	1001145228	1	50Hz and Deutz TD2.9L4 Engine (ANSI Export, Australian and CE Specs)	D
		Ref	Note: See ELECTRICAL SECTION for Boom Cable Components.	
1	0100011	AR	Compound, Locking	
3	3252764	1	Nameplate	
4	3910606	8	Screw #6-32NC x 3/8in	
5	0641516	3	Bolt 5/16in-18NC x 2in	
6		Ref	Flatwasher Options:	
6	4711500	AR	Flatwasher 5/16in Thin	
6	4751000	AR	Flatwasher #10 Regular	
7		Ref	Locknut Options:	
7	3311505	AR	Locknut 5/16in-18NC	
7	3311005	AR	Locknut #10-24NC	
8		Ref	Receptacle, Female Twist-Lock Options (Deutz 2011 Engines Only)	
8	4460958	1	60Hz (ANSI and ANSI Export Specs)	
8	See Note	1	50Hz (ANSI Export, Australian and CE Specs) (Note: Not Available - Purchase Locally)	
9	4360336	1	Switch, Toggle	
10	4060802	1	Guard, Switch	
11		Ref	Gasket Options:	
11	3960422	AR	60Hz (ANSI and ANSI Export Specs)	
11	See Note	AR	50Hz (ANSI Export, Australian and CE Specs) (Note: Not Available - Purchase Locally)	
12		Ref	Cover, Receptacle Options:	
12	See Note	1	Cover for 50Hz (ANSI Export, Australian and CE Specs) (Note: Not Available - Purchase Locally)	
12	1001110873	1	Cover for 60Hz (ANSI and ANSI Export Specs)	
13		Ref	Cover, Receptacle Options (Deutz D2011 Engines Only)	
13	See Note	1	Cover for 50Hz (ANSI Export, Australian and CE Specs) (Note: Not Available - Purchase Locally)	
13	1001110872	1	Cover for 60Hz (ANSI and ANSI Export Specs)	
14		Ref	Receptacle Options:	
14	4460346	1	60Hz (ANSI and ANSI Export Specs)	
14	See Note	1	50Hz (ANSI Export, Australian and CE Specs) (Note: Not Available - Purchase Locally)	
15		Ref	Junction Box Assembly Options (See Items 101-128 for Breakdown)	
15	0861542	1	60Hz and Deutz D2011 Engines (ANSI and ANSI Export Spec) (SN 0300177361 through 0300182752)	
15	1001157592	1	60Hz and Deutz D2011 Engines (ANSI and ANSI Export Spec) (SN 0300182753 to Present)	
15	1001157592	1	60Hz and Deutz TD2.9L4 Engines (ANSI and ANSI Export Spec)	
15	0861567	1	50Hz and Deutz D2011 Engines (ANSI Export, Australian and CE Specs) (SN 0300177361 through 0300182752)	

SECTION 2 - TURNTABLE

ITEM	PART NUMBER	QTY	DESCRIPTION	REV
15	1001157525	1	50Hz and Deutz D2011 Engines (ANSI Export, Australian and CE Specs) (SN 0300182753 to Present)	
15	0861567	1	50Hz and Deutz TD2.9L4 Engines (ANSI Export, Australian and CE Specs)	
16	4761500	4	Lockwasher 5/16in	
17		Ref	Fastener Options:	
17	0641505	4	Bolt 5/16in-18NC x 5/8in	
17	3931016	4	Capscrew #10-24NC x 1in	
18		Ref	Box, Switch Options:	
18	0860038	AR	60Hz (ANSI and ANSI Export Specs)	
18	See Note	AR	50Hz (ANSI Export, Australian and CE Specs) (Note: Not Available - Purchase Locally)	
19		Ref	Generator Assembly Options:	
19	2460048	1	Deutz D2011 Engine	D
19	1001136988	1	Deutz TD2.9L4 Engine (SN 0300177361 through 0300226221)	F
19	1001212223	1	Deutz TD2.9L4 Engine (SN 03002261222 to Present)	A
19	70001100	1	Rotor (Includes p/n 70001384 & 70000863) (Not Shown)	
19	70001384	1	Bearing, Ball Radial (Not Shown)	
19	70000863	1	Fan (Not Shown)	
19		Ref	Stator Options (Not Shown)	
19	70002088	1	2460048 Generator	
19	70004093	1	1001136988 Generator	
19	70006093	1	1001212223 Generator	
19	70002297	1	Stud	
19	70003631	1	Brushholder Assembly (Not Shown) (was p/n 7024484)	
19A		Ref	Key (was p/n 7024561)	
19A	70004171	1	2460048 Generator (was p/n 7024561)	
19A	70004099	1	1001136988 & 1001212223 Generators	
19B	70001966	1	Bearing, Ball Radial (Located in Belt Tensioner Endbell)	
19B	70003708	1	Ring, Internal Retaining (Located in Belt Tensioner Endbell)	
19B	70003709	1	Ring, External Retaining (Located in Belt Tensioner Endbell)	
19C		Ref	Endbell, Belt Tensioner	
19C	70001953	1	2460048 Generator	
19C	70004092	1	1001136988 & 1001212223 Generators	
19D		Ref	Endbell, Brush Block Options (was p/n 70001385)	
19D	70004169	1	2460048 Generator (was p/n 70001385)	
19D	70004094	1	1001136988 & 1001212223 Generators	
19E		Ref	Shroud Options:	
19E	70004169	1	2460048 Generator (was p/n 70002290)	
19E	70004096	1	1001136988 Generator	
19E	70006094	1	1001212223 Generator	
19E		Ref	Block, Connector 6 Position (Not Shown)	
19E	7027799	1	2460048 Generator	
19E	70004097	1	1001136988 Generator	
19E	70002291	1	1001212223 Generator	
19E	7026626	1	Connector - 6 Position with Seal (Not Shown)	
19E	70002460	1	Nut, Brass (Attaches p/n 7027799 to Cover) (Not Shown)	
19E		Ref	Breaker, Circuit 30Amp Options (Not Shown):	
19E	7024485	1	2460048 & 1001136988 Generators	
19E	70006095	1	1001212223 Generator	
19E		Ref	Boot, Breaker Options (Not Shown):	

SECTION 2 - TURNTABLE

ITEM	PART NUMBER	QTY	DESCRIPTION	REV
19E	70001696	1	2460048 & 1001136988 Generators (was p/n 7024486)	
19E	70006096	1	1001212223 Generators	
19E	7026597	1	Connector, W/Leads (Not Shown)	
19E		Ref	Clamp, Cable (Not Shown)	
19E	7026188	1	2460048 Generator	
19E	70004098	1	1001136988 & 1001212223 Generators	
19E	70003708	1	Ring, Retaining (Internal) (Not Shown)	
19E	70003709	1	Ring, Retaining (External) (Not Shown)	
19E		Ref	Plate, End Panel Options:	
19E	70004169	1	2460048 Generator (was p/n 70002255)	
19E	70004095	1	1001136988 Generator	
19E	70006097	1	1001212223 Generator	
19E	70001974	1	Decal - Terminal Connections	
19F	70001973	1	Decal - Warning Moving Parts	
20	0641808	2	Bolt 1/2in-13NC x 1in	
22	0902888	1	Bracket, Box Mounting	
23		Ref	Flatwasher 1/2in Options:	
23	4711800	AR	Flatwasher 1/2in Thin	
23	4891800	AR	Flatwasher 1/2in Hardened	
24	4711400	AR	Flatwasher 1/4in Thin	
28	4240018	AR	Tie-Strap (Not Shown)	
29	4791400	2	Starwasher 1/4in	
30		Ref	Bolt 1/4in-20NC Options:	
30	0641403	1	Bolt 1/4in-20NC x 3/8in	
30	0641404	1	Bolt 1/4in-20NC x 1/2in	
31	3740080	2	Relay (Deutz D2011 Engines Only) (SN 0300177361 through 0300181890)	
32	0100019	AR	Compound, Locking	
33		Ref	Connector, Strain Relief Options (Deutz D2011 Engines Only)	
33	4460051	1	60Hz (ANSI and ANSI Export Specs)	
33	See Note	1	50Hz (ANSI Export, Australian and CE Specs) (Note: Not Available - Purchase Locally)	
34		Ref	Connector, Strain Relief Options:	
34	4460071	1	60Hz (ANSI and ANSI Export Specs)	
34	See Note	1	50Hz (ANSI Export, Australian and CE Specs) (Note: Not Available - Purchase Locally)	
35	3311405	AR	Locknut 1/4in-20NC	
36		Ref	Bolt 1/4in-20NC Options:	
36	0641406	AR	Bolt 1/4in-20NC x 3/4in	
36	0641405	AR	Bolt 1/4in-20NC x 5/8in	
37		Ref	Belt, Drive Options:	
37	0480129	1	60Hz and Deutz D2011 Engine (ANSI and ANSI Export Spec)	
37	1001142646	1	60Hz and Deutz TD2.9L4 Engine (ANSI and ANSI Export Spec)	
37	0480126	1	50Hz (ANSI Export, Australian and CE Specs)	
38	4032015	4	Capscrew M10 x 55mm	
39	4300157	1	Stud (Deutz D2011 Engine)	
39	1001163599	1	Stud (Deutz TD2.9L4 Engine)	
40	3311801	1	Nut 1/2in-13NC	
41	0100062	AR	Adhesive, Loctite #680	
42	2820031	1	Insulator	
43		Ref	Control Box Assembly Options:	

SECTION 2 - TURNTABLE

ITEM	PART NUMBER	QTY	DESCRIPTION	REV
43	0861538	1	60Hz Control Box Assembly (ANSI and ANSI Export Specs)	
43	0861572	1	50Hz Control Box Assembly (ANSI Export, Australian and CE Specs)	
43	7024488	1	Card, Circuit - Generator Power	
43	See Note	1	Fuse (Note: Not Available - Purchase Locally)	
43	7024489	1	Card, Circuit - Control	
		Ref	Note: Same Circuit Card (p/n 7024489) is used for both 60Hz and 50Hz. When replacing card, rocker switch on card must be set for required application.	
43	70000619	1	Harness, Circuit Card	
44	0962520	1	Bushing, Split Taper	
45	3580317	1	Tensioner, Belt	
46		Ref	Pulley Options:	
46	3580318	1	60Hz (ANSI and ANSI Export Specs)	
46	3580319	1	50Hz (ANSI Export, Australian and CE Specs)	
47	3580320	1	Pulley	
48	4711600	1	Flatwasher 3/8in Thin	
49	4922925	1	Harness, Generator	
50		Ref	Bolt 3/8in-16NC Options:	
50	0641616	1	Bolt 3/8in-16NC x 2in	
50	0641618	1	Bolt 3/8in-16NC x 2-1/4in	
53	3300454	4	Nut Special 1/4in-20NC	
54		Ref	Plate, EMR2 Mount Options:	
54	3575863	1	Deutz D2011 Engine	
54	1001145330	1	Deutz TD2.9L4 Engine	
55	0771415	1	Bolt M14 x 35mm	
56	0741607	2	Screw, Flathead 3/8in-16NC x 7/8in (Deutz TD2.9L4 Engines Only)	
57	1001142643	1	Bracket (Deutz TD2.9L4 Engines Only)	
		Ref	JUNCTION BOX ASSEMBLY	
	0861542	Ref	60Hz and Deutz D2011 Engines (ANSI and ANSI Export Spec) (SN 0300177361 through 0300182752)	E
	1001157592	Ref	60Hz and Deutz D2011 Engines (ANSI and ANSI Export Spec) (SN 0300182753 to Present)	C
	1001157592	Ref	60Hz and Deutz TD2.9L4 Engines (ANSI and ANSI Export Spec)	C
	0861567	Ref	50Hz and Deutz D2011 Engines (ANSI Export, Australian and CE Specs) (SN 0300177361 through 0300182752)	B
	1001157525	Ref	50Hz and Deutz D2011 Engines (ANSI Export, Australian and CE Specs) (SN 0300182753 to Present)	B
	0861567	Ref	50Hz and Deutz TD2.9L4 Engines (ANSI Export, Australian and CE Specs)	B
101		Ref	Box, Junction Options:	
101	0861541	1	Deutz D2011 Engines (SN 0300177361 through 0300182752)	
101	1001157521	1	Deutz D2011 Engines (SN 0300182753 to Present)	
101	1001157521	1	Deutz TD2.9L4 Engines	
102		Ref	Cable, Electrical 12/3 Options:	
102	1060494	2 ft/.6m	60Hz (ANSI and ANSI Export Specs) (SN 0300177361 through 0300205261)	
102	1001179154	2 ft/.6m	60Hz (ANSI and ANSI Export Specs) (SN 0300205262 to Present)	
102	See Note	2 ft/.6m	50Hz (ANSI Export, Australian and CE Specs) (Note: Not Available - Purchase Locally) (SN 0300177361 through 0300182752)	

SECTION 2 - TURNTABLE

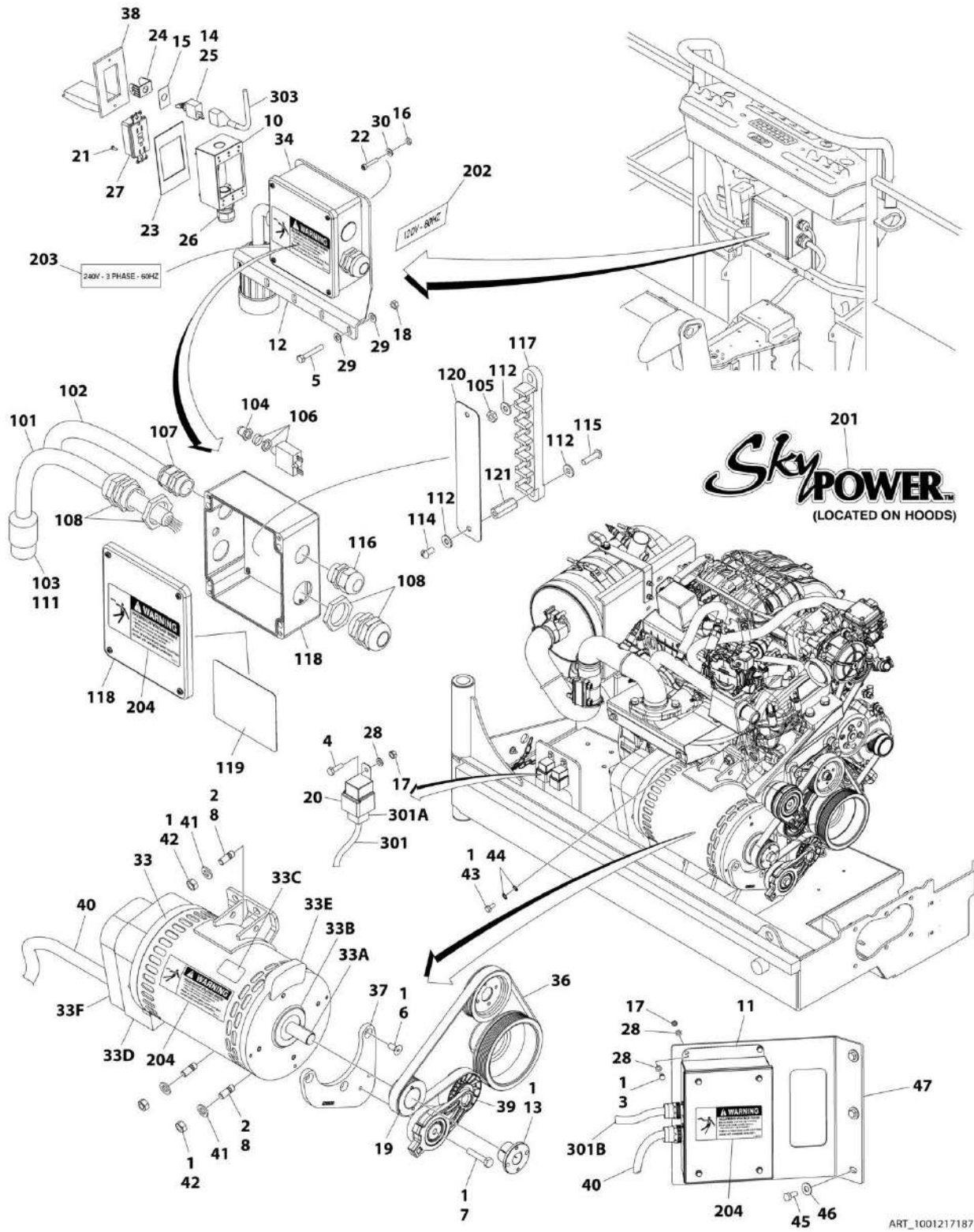
ITEM	PART NUMBER	QTY	DESCRIPTION	REV
103		Ref	Cable, Electrical 10/3 Options:	
103	1060708	2.5 ft /.76m	60Hz and Deutz D2011 Engines (ANSI and ANSI Export Spec) (SN 0300177361 through 0300182752)	
103	Not Required	0	60Hz and Deutz D2011 Engines (ANSI and ANSI Export Spec) (SN 0300182753 to Present)	
103	Not Required	0	60Hz and Deutz TD2.9L4 Engines (ANSI and ANSI Export Spec)	
103	See Note		50Hz (ANSI Export, Australian and CE Specs) (Note: Not Available - Purchase Locally)	
104		Ref	Decal - Wiring Schematic Options:	
104	1705376	1	Deutz D2011 Engines (SN 0300177361 through 0300182752)	
104	1001157528	1	Deutz D2011 Engines (SN 0300182753 to Present)	
104	1001157528	1	Deutz TD2.9L4 Engines (60Hz)	
104	1705376	1	Deutz TD2.9L4 Engines (50Hz)	
105	3300396	1	Cover, Fuse	
106	3310601	2	Nut 6-32NC	
107	1060343	AR	Cable, Electrical 10/4 (60Hz Spec Only)	
109	3910610	2	Bolt 6-32NC x 5/8	
110	4360070	1	Circuit Breaker - 15 Amp	
111	3311001	6	Nut #10-24NC	
112	4711000	10	Flatwasher #10 Thin	
113	1001158008	2	Stand-Off	
114	10702077	2	Screw #10-32NF x 3/8in	
115	10702082	2	Screw #10-32NF x 3/4in	
116	4460425	AR	Strain Relief, Terminal	
116	3520192	AR	Plug (50Hz Spec Only)	
117	4460426	AR	Connector, Strain Relief (60Hz Spec Only)	
117	3520189	AR	Plug (50Hz Spec Only)	
118	1001157520	1	Block, Terminal - 6 Pole	
120	1001158007	1	Cover, PVC	
121	4750600	4	Flatwasher #6 Regular	
122	4760600	2	Lockwasher #6	
125	1671092	1	Cover (60Hz Spec Only)	
126	4460963	1	Connector (60Hz Spec Only)	
128	1001121340	1	Terminal Block Assembly (Deutz D2011 Engines) (See Items 401-410 for Breakdown) (SN 0300177361 through 0300182752)	
		Ref	DECAL INSTALLATION	
	0272435	Ref	60Hz (ANSI and ANSI Export Specs)	D
	0272589	Ref	50Hz (ANSI Export, Australian and CE Specs)	A
201	1705460	2	Decal - SkyPower	
202	1705374	1	Decal - 240V - 60Hz (60Hz Spec Only) (SN 0300177361 through 0300201802)	
202	3251243	1	Decal - 120V - 60Hz (60Hz Spec Only) (Located on Opposite Side) (SN 0300222414 to Present)	
203		Ref	Decal - 240V - 3 Phase Options:	
203	1705375	1	60Hz (ANSI and ANSI Export Specs)	
203	1705461	1	50Hz (ANSI Export, Australian and CE Specs)	
204		Ref	Decal, Hazardous Voltage Options:	
204	1705387	3	60Hz (ANSI and ANSI Export Specs)	
204	1705489	3	50Hz (ANSI Export, Australian and CE Specs)	
		Ref	ELECTRICAL DIAGRAM COMPONENTS	
	1001112586	Ref	Deutz D2011 Engines (SN 0300177361 through 0300182752)	B
	1001157769	Ref	Deutz D2011 Engines (SN 0300182753 to Present)	B

SECTION 2 - TURNTABLE

ITEM	PART NUMBER	QTY	DESCRIPTION	REV
	1001157770	Ref	Deutz TD2.9L4 Engines	A
301		Ref	Generator Harness Options (See ELECTRICAL SECTION for Breakdown)	
301	1001112587	1	Deutz D2011 Engines (SN 0300177361 through 0300182752)	B
301	1001152429	1	Deutz D2011 Engines (SN 0300182753 to Present)	B
301	1001119968	1	Deutz TD2.9L4 Engines	C
301A	4460374	2	Plug, Sealed Relay (Deutz D2011 Engines Only) (SN 0300177361 through 0300182752)	
301A	4460375	7	Terminal (Deutz D2011 Engines Only) (SN 0300177361 through 0300182752)	
301B	4460967	1	Plug, Male - 3 Position	
301B	4460465	3	Socket, Female	
301C		Ref	Component Options:	
301C	2400060	1	Fuseholder (Deutz D2011 Engines) (Not Shown)	
301C	2400064	1	Fuse - 5 Amp (Deutz D2011 Engines) (Not Shown)	
301C	1001117078	1	Fuseholder (Includes Fuse and Cap) (Deutz TD2.9L4 Engines) (Not Shown)	
301C	See Note	1	Fuse - 5 Amp (Deutz TD2.9L4 Engines) (Not Shown) (Note: Use 1001117078 Assembly or Purchase Fuse Locally)	
301C	1001096134	1	Cover, Fuseholder (Deutz TD2.9L4 Engines) (Not Shown)	
301D	4460742	1	Connector - 2 Position (1001152429 Harness) (Not Shown)	
301D	4460743	2	Terminal (1001152429 Harness) (Not Shown)	
304	4922641	1	Switch Harness	
	1001121340	Ref	TERMINAL BLOCK ASSEMBLY (DEUTZ D2011 ENGINES) (SN 0300177361 through 0300182752)	A
401	70002818	2	Marker Strip #1	
402	70002819	4	Marker Strip #2	
403	70002820	2	Marker Strip #3	
404	70002821	2	Marker Strip #4	
405	70002822	4	Marker Strip #5	
406	70002823	1	Terminal, End Barrier	
407	70002824	2	Terminal, End Block	
408	70002825	7	Terminal, Block	
409	70002826	2	Terminal, Cross Connector Jumper	
410	3641533	1	Rail, Relay	

SECTION 2 - TURNTABLE

FIGURE 2-31. 7500W SKYPOWER GENERATOR INSTALLATION - FORD ENGINES



SECTION 2 - TURNTABLE

FIGURE 2-31. 7500W SKYPOWER GENERATOR INSTALLATION - FORD ENGINES

ITEM	PART NUMBER	QTY	DESCRIPTION	REV
	1001217187	Ref	7500W SKYPOWER GENERATOR INSTALLATION - FORD ENGINES	F
		Ref	Note: See ELECTRICAL SECTION for Boom Cable Components.	
1	0100011	AR	Compound, Locking	
2	0100019	AR	Compound, Locking	
3	0760608	4	Bolt M6 x 16	
4	0760610	2	Bolt M6 x 20	
5	0641516	3	Bolt 5/16 x 2	
6	0741607	3	Screw 3/8 x 7/8	
7	0761018	1	Bolt M10 x 50	
8	1001196382	4	Stud	
10	0860038	1	Box, Switch	
11	0861538	1	Control Box Assembly	
11	7024488	1	Card, Circuit - Generator Power	
11	See Note	1	Fuse (Note: Not Available - Purchase Locally)	
11	7024489	1	Card, Circuit - Control	
11	70000619	1	Harness, Circuit Card	
12	0902888	1	Bracket, Box Mounting	
13	0962520	1	Bushing, Spilt Taper	
14	2820031	1	Heat Shrink	
15	3252764	1	Nameplate - AC & Weld	
16	3311005	4	Nut #10	
17	3290601	6	Nut M6	
18	3311505	3	Nut 5/16	
19	3580314	1	Pulley	
20	3740080	2	Relay	
21	3910606	2	Screw #6 x 3/8	
22	3931016	4	Capscrew #10 x 1	
23	3960422	1	Gasket	
24	4060802	1	Guard, Switch	
25	4360336	1	Switch, Toggle	
26	4460071	1	Connector, Strain Relief	
27	4460346	1	Receptacle	
28	4811700	10	Washer #10	
29	4711500	6	Washer 5/16	
30	4751000	4	Washer #10	
33	1001136104	1	Generator Assembly	
33	70003631	1	Brushholder Assembly (Not Shown) (was p/n 7024484)	
33	7024485	1	Breaker, Circuit 30Amp (Not Shown)	
33	70001696	1	Boot, Breaker (was p/n 7024486 - Not Shown)	
33	70001966	1	Bearing, Ball Radial (Located in Belt Tensioner Endbell - Not Shown)	
33	7027799	1	Block, Connector 6 Position (Not Shown)	
33	70002460	6	Nut, Brass (Attaches p/n 7027799 to Cover) (Not Shown)	
33	7026188	1	Clamp, Cable (Not Shown)	
33	7026597	1	Connector, W/Leads (Not Shown)	
33	7026626	1	Connector - 6 Position with Seal (Not Shown)	
33	70002088	1	Stator (Not Shown)	
33	70004169	1	Panel, End (Not Shown) (was p/n 70002255)	

SECTION 2 - TURNTABLE

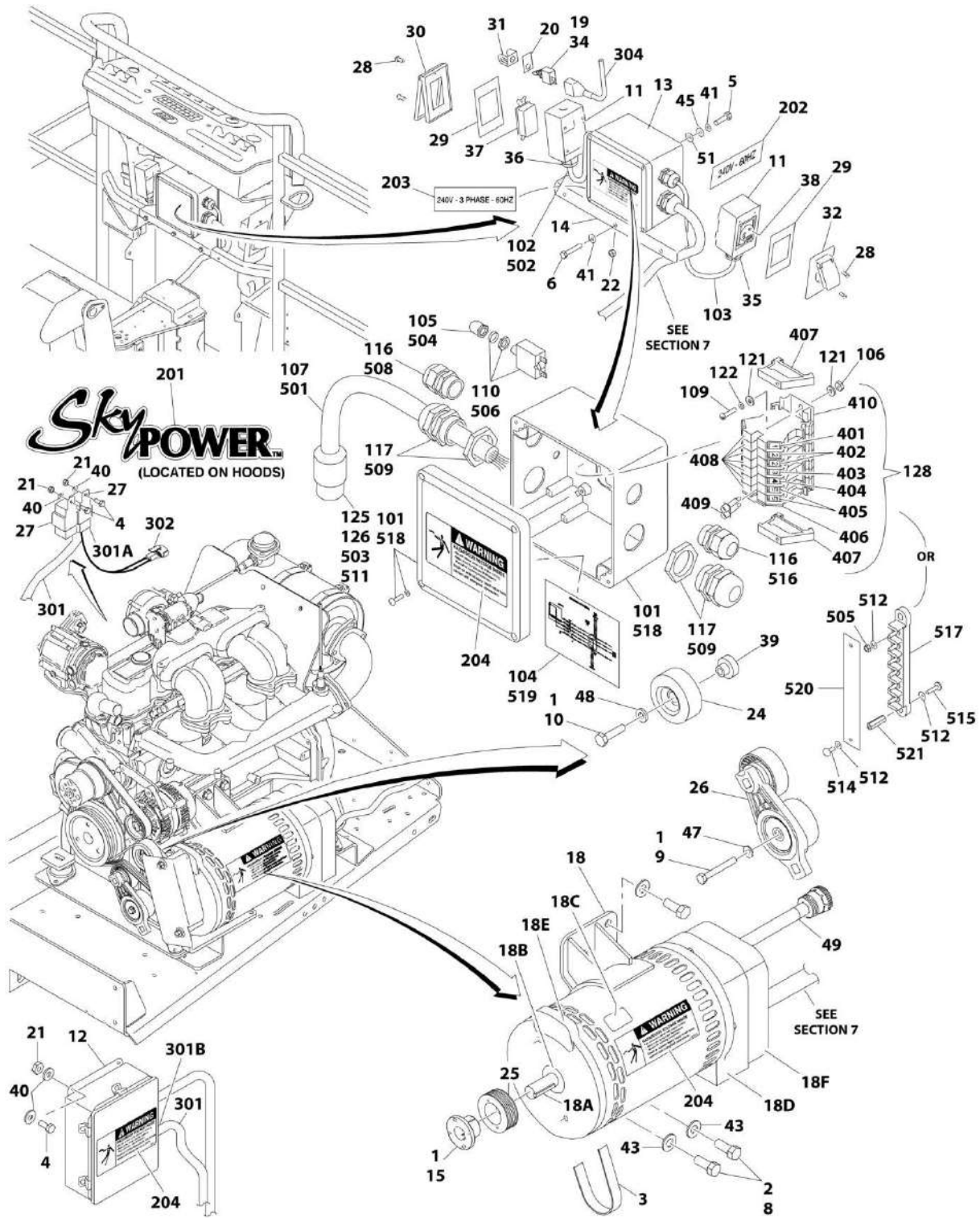
ITEM	PART NUMBER	QTY	DESCRIPTION	REV
33	70001974	1	Decal - Terminal Connections (Not Shown)	
33	70000863	1	Fan (Not Shown)	
33	70002297	4	Stud (Not Shown)	
33A	70004171	1	Key (was p/n 7024561)	
33A	70001100	1	Armature, Generator (Includes Radial Ball Bearing on End with Brushes and Fan)	
33A	70001384	1	Bearing, Ball Radial	
33B	70001966	1	Bearing, Radial Ball	
33B	70003708	1	Ring, Internal Retaining (Located in Belt Tensioner Endbell)	
33B	70003709	1	Ring, External Retaining (Located in Belt Tensioner Endbell)	
33C	70001973	1	Decal - Warning Moving Parts	
33D	70004169	1	Endbell, Brush Block (was p/n 70001385)	
33E	70001953	1	Endbell, Belt Tensioner	
33F	70004169	1	Endbell, Shroud Assembly (was p/n 70002290)	
34	1001157592	1	Junction Box Assembly (See Items 101-121 for Breakdown)	
36	1001216390	1	V-Belt	
37	1001218930	1	Mount, Tensioner	
38	1001110873	1	Cover, Receptacle	
39	3580317	1	Tensioner, Belt	
40	4922925	1	Harness, Generator	
41	5241200	4	Washer M12	
42	3291201	4	Nut M12	
43	0760606	1	Bolt M6 x 12	
44	4871700	2	Washer M6	
45	0641607	3	Bolt 3/8 x 7/8	
46	4751600	3	Washer 3/8	
47	1001137866	1	Bracket	
	1001157592	Ref	JUNCTION BOX ASSEMBLY	C
101	1060343	1.5 ft /0.5m	Cable, Electrical - 10/4 (60Hz Only)	
102	1001179154	2.5 ft /0.8m	Cable Electrical - 12/3	
103	1671092	1	Cover, Connector	
104	3300396	1	Cover, Fuse	
105	3311001	6	Nut #10	
106	4360070	1	Breaker, Circuit 15Amp	
107	4460425	1	Connector, Strain Relief	
108	4460426	2	Connector, Strain Relief	
111	4460963	1	Receptacle	
112	4711000	10	Washer #10	
114	10702077	2	Screw #10 x 3/8	
115	10702082	2	Screw #10 x 3/4	
116	1001152525	1	Plug, Hole	
117	1001157520	1	Block, Terminal Pole	
118	1001157521	1	Box, Junction	
119	1001157528	1	Decal - Box Junction	
120	1001158007	1	Cover	
121	1001158008	2	Standoff	
	0272435	Ref	DECAL INSTALLATION	D
201	1705460	2	Decal - SkyPower	
202	3251243	1	Decal - 120V - 60Hz (60Hz Spec Only) (Located on Opposite Side)	
203	1705375	1	Decal - 240V - 3 Phase	

SECTION 2 - TURNTABLE

ITEM	PART NUMBER	QTY	DESCRIPTION	REV
204	1705387	3	Decal, Hazardous Voltage	
	1001221498	Ref	ELECTRICAL DIAGRAM COMPONENTS	A
301	1001221208	1	Generator Harness	A
301A	4460374	2	Plug, Sealed Relay	
301A	4460375	8	Terminal	
301B	4460967	1	Plug, Male - 3 Position	
301B	4460465	3	Socket, Female	
301C	2400060	2	Fuseholder (Not Shown)	
301C	2400064	2	Fuse - 5 Amp (Not Shown)	
301D	4460742	1	Plug, Male - 2 Position (Not Shown)	
301D	4460743	2	Socket, Female (Not Shown)	
303	4922641	1	Switch Harness	

SECTION 2 - TURNTABLE

FIGURE 2-32. 7500W SKYPOWER GENERATOR INSTALLATION - GM ENGINES



SECTION 2 - TURNTABLE

FIGURE 2-32. 7500W SKYPOWER GENERATOR INSTALLATION - GM ENGINES

ITEM	PART NUMBER	QTY	DESCRIPTION	REV
	0275257	Ref	7500W SKYPOWER GENERATOR INSTALLATION	H
		Ref	Note: See ELECTRICAL SECTION for Boom Cable Components.	
1	0100011	AR	Compound, Locking	
2	0100019	AR	Compound, Locking	
3	0480142	1	Belt, Generator	
4	0641405	6	Bolt 1/4in-20NC x 5/8in	
5	0641505	4	Bolt 5/16in-18NC x 5/8in (SN 0300177361 through 0300182752)	
5	3931016	4	Capscrew #10-24NC x 1in (SN 0300182753 to Present)	
6	0641516	3	Bolt 5/16in-18NC x 2in	
8	0641808	4	Bolt 1/2in-13NC x 1in	
9	0700820	1	Bolt, Metric M8 x 60mm	
10	0701016	1	Bolt, Metric M10 x 40mm	
11	0860038	AR	Box, Switch	
12	0861538	1	Control Box Assembly	
12	7024488	1	Card, Circuit - Generator Power	
12	See Note	1	Fuse (Note: Not Available - Purchase Locally)	
12	7024489	1	Card, Circuit - Control	
12	70000619	1	Harness, Circuit Card	
13	0861542	1	Junction Box Assembly (See Items 101-128 for Breakdown) (SN 0300177361 through 0300182752)	
13	1001157592	1	Junction Box Assembly (See Items 501-521 for Breakdown) (SN 0300182753 to Present)	
14	0902888	1	Bracket, Box Mounting	
15	0962520	1	Bushing, Split Taper	
18	2460048	1	Generator Assembly	
18	70003631	1	Brushholder Assembly (Not Shown) (was p/n 7024484)	
18	7024485	1	Breaker, Circuit 30Amp (Not Shown)	
18	70001696	1	Boot, Breaker (was p/n 7024486 - Not Shown)	
18	70001966	1	Bearing, Ball Radial (Located In Belt Tensioner Endbell - Not Shown)	
18	7027799	1	Block, Connector 6 Position (Not Shown)	
18	70002460	6	Nut, Brass (Attaches p/n 7027799 to Cover) (Not Shown)	
18	7026188	1	Clamp, Cable (Not Shown)	
18	7026597	1	Connector, W/Leads (Not Shown)	
18	7026626	1	Connector - 6 Position with Seal (Not Shown)	
18	70002088	1	Stator (Not Shown)	
18	70004169	1	Panel, End (Not Shown) (was p/n 70002255)	
18	70001974	1	Decal - Terminal Connections (Not Shown)	
18	70000863	1	Fan (Not Shown)	
18	70002297	4	Stud (Not Shown)	
18A	70004171	1	Key (was p/n 7024561)	
18A	70001100	1	Armature, Generator (Includes Radial Ball Bearing on End with Brushes and Fan)	
18A	70001384	1	Bearing, Ball Radial	
18B	70001966	1	Bearing, Radial Ball	
18B	70003708	1	Ring, Internal Retaining (Located in Belt Tensioner Endbell)	
18B	70003709	1	Ring, External Retaining (Located in Belt Tensioner Endbell)	
18C	70001973	1	Decal - Warning Moving Parts	
18D	70004169	1	Endbell, Brush Block (was p/n 70001385)	
18E	70001953	1	Endbell, Belt Tensioner	

SECTION 2 - TURNTABLE

ITEM	PART NUMBER	QTY	DESCRIPTION	REV
18F	70004169	1	Endbell, Shroud Assembly (was p/n 70002290)	
19	2820031	1	Insulator	
20	3252764	1	Nameplate	
21	3311405	6	Locknut 1/4in-20NC	
22	3311505	3	Locknut 5/16in-18NC	
24	3580312	2	Pulley, Idler	
25	3580314	1	Pulley, Drive Grooved	
26	3580348	1	Tensioner, Belt with Pulley	
27	3740080	2	Relay	
28	3910606	AR	Screw #6-32NC x 3/8in	
29	3960422	AR	Gasket	
30	1001114873	1	Cover, Receptacle	
31	4060802	1	Guard, Switch	
32	1001114872	1	Cover, Receptacle (SN 0300177361 through 0300182752)	
34	4360336	1	Switch, Toggle	
35	4460051	1	Connector, Strain Relief (SN 0300177361 through 0300182752)	
36	4460071	1	Connector, Strain Relief	
37	4460346	1	Receptacle	
38	4460958	1	Receptacle, Female Twist-Lock (SN 0300177361 through 0300182752)	
39	4568735	1	Tube, Spacer Pulley Grooved	
40	4711400	10	Flatwasher 1/4in Thin	
41	4711500	AR	Flatwasher 5/16in Thin	
43	4711800	4	Flatwasher 1/2in Thin	
45	4761500	AR	Lockwasher 5/16in	
45	4751000	AR	Flatwasher #10	
47	4811900	1	Flatwasher M8	
48	4891600	1	Flatwasher 3/8in Hardened	
49	4922925	1	Harness, Generator	
51	3311005	AR	Locknut #10-24	
	0861542	Ref	JUNCTION BOX ASSEMBLY (SN 0300177361 through 0300182752)	E
101	0861541	1	Box, Junction	
102	1060494	2 ft /.6m	Cable, Electrical 12/3 (SN 0300177361 through 0300205261)	
102	1001179154	2 ft /.6m	Cable, Electrical 12/3 (SN 0300205262 to Present)	
103	1060708	2.5 ft /.76m	Cable, Electrical 10/3	
104	1705376	1	Decal - Wiring Schematic	
105	3300396	1	Cover, Fuse	
106	3310601	2	Nut 6-32NC	
107	1060343	1.5 ft /.46m	Cable, Electrical 10/4	
109	3910610	2	Bolt 6-32NC x 5/8	
110	4360070	1	Circuit Breaker - 15 Amp	
116	4460425	2	Strain Relief, Terminal	
117	4460426	2	Connector, Strain Relief	
121	4750600	4	Flatwasher #6 Regular	
122	4760600	2	Lockwasher #6	
125	1671092	1	Cover	
126	4460963	1	Connector	
128	1001121340	1	Terminal Block Assembly (See Items 401-410 for Breakdown)	
	0272435	Ref	DECAL INSTALLATION	D

SECTION 2 - TURNTABLE

ITEM	PART NUMBER	QTY	DESCRIPTION	REV
201	1705460	2	Decal - SkyPower	
202	1705374	1	Decal - 240V - 60Hz (60Hz Specs Only) (SN 0300177361 through 0300201802)	
202	3251243	1	Decal - 120V - 60Hz (60Hz Spec Only) (Located on Opposite Side) (SN 0300222577 to Present)	
203	1705375	1	Decal - 240V - 3 Phase	
204	1705387	3	Decal, Hazardous Voltage	
	4933349	Ref	ELECTRICAL DIAGRAM COMPONENTS (SN 0300177361 through 0300182752)	A
	1001157768	Ref	ELECTRICAL DIAGRAM COMPONENTS (SN 0300182753 to Present)	A
301	4923420	1	Generator Harness	A
301A	4460374	2	Plug, Sealed Relay	
301A	4460375	8	Terminal	
301B	4460967	1	Plug, Male - 3 Position	
301B	4460465	3	Socket, Female	
301C	2400060	2	Fuseholder (Not Shown)	
301C	2400064	2	Fuse - 5 Amp (Not Shown)	
302	4460742	1	Connector - 2 Position (SN 0300177361 through 0300182752)	
302	4460743	2	Socket, Female (SN 0300177361 through 0300182752)	
302	4460458	2	Seal (SN 0300177361 through 0300182752)	
304	4922641	1	Switch Harness	
	1001121340	Ref	TERMINAL BLOCK ASSEMBLY	A
401	70002818	2	Marker Strip #1	
402	70002819	4	Marker Strip #2	
403	70002820	2	Marker Strip #3	
404	70002821	2	Marker Strip #4	
405	70002822	4	Marker Strip #5	
406	70002823	1	Terminal, End Barrier	
407	70002824	2	Terminal, End Block	
408	70002825	7	Terminal, Block	
409	70002826	2	Terminal, Cross Connector Jumper	
410	3641533	1	Rail, Relay	
	1001157592	Ref	JUNCTION BOX ASSEMBLY (SN 0300182753 to Present)	C
501	1060343	1.5 ft /.46m	Cable, Electrical - 10/4 (60Hz Only)	
502	1060494	2 ft /.6m	Cable Electrical - 12/3 (SN 0300177361 through 0300205491)	
502	1001179154	2.5 ft /.76m	Cable Electrical - 12/3 (SN 0300205492 to Present)	
503	1671092	1	Cover, Connector	
504	3300396	1	Cover, Fuse	
505	3311001	6	Nut #10	
506	4360070	1	Breaker, Circuit 15Amp	
508	4460425	1	Connector, Strain Relief	
509	4460426	2	Connector, Strain Relief	
511	4460963	1	Receptacle	
512	4711000	10	Washer #10	
514	10702077	2	Screw #10 x 3/8	
515	10702082	2	Screw #10 x 3/4	
516	1001152525	1	Plug, Hole	
517	1001157520	1	Block, Terminal Pole	
518	1001157521	1	Box, Junction	
519	1001157528	1	Decal - Box Junction	

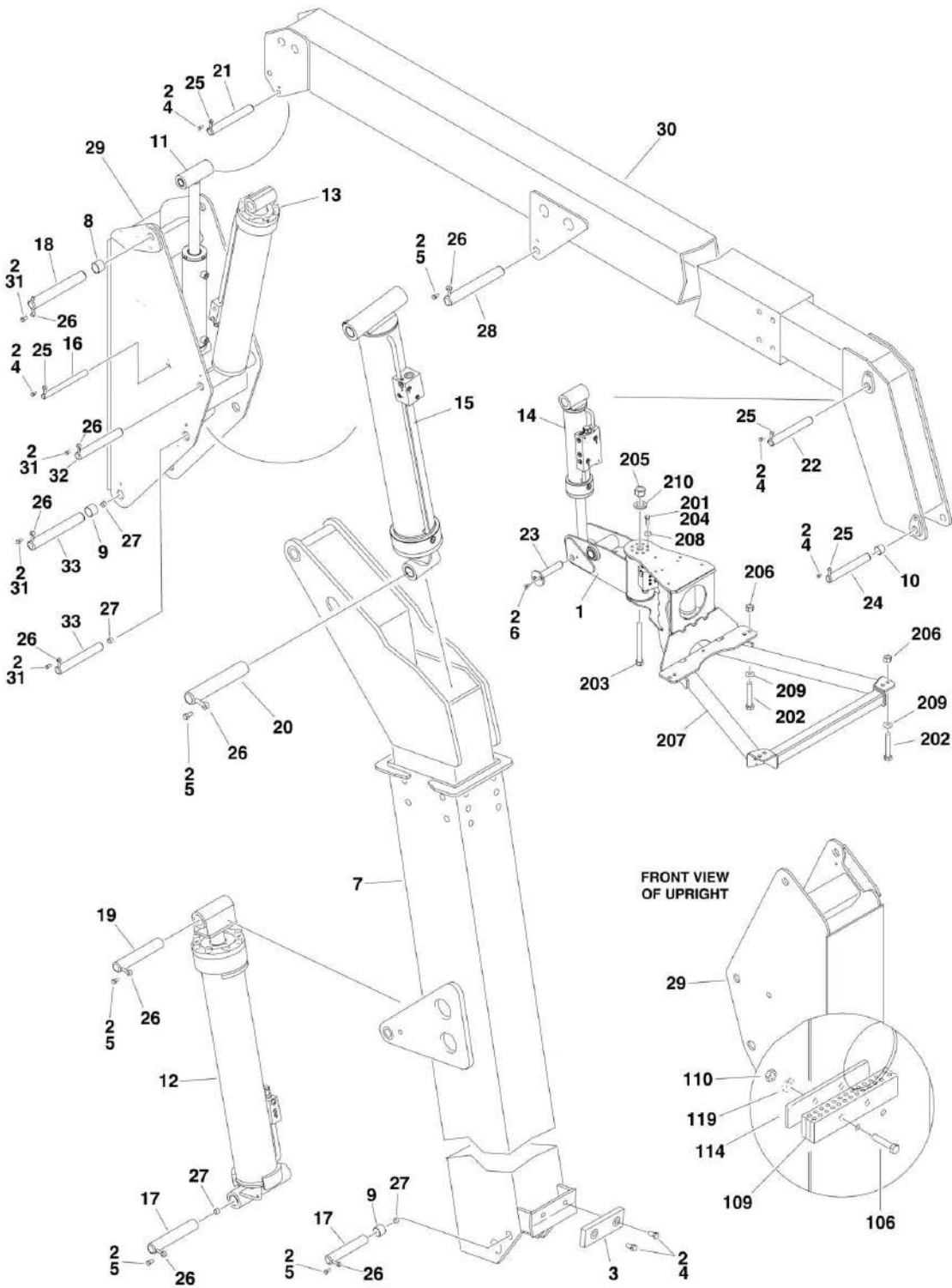
SECTION 2 - TURNTABLE

ITEM	PART NUMBER	QTY	DESCRIPTION	REV
520	1001158007	1	Cover	
521	1001158008	2	Standoff	

SECTION 3 - BOOM

SECTION 3 - BOOM

FIGURE 3-1. BOOMS AND CYLINDERS INSTALLATION - 600A



SECTION 3 - BOOM

FIGURE 3-1. BOOMS AND CYLINDERS INSTALLATION - 600A

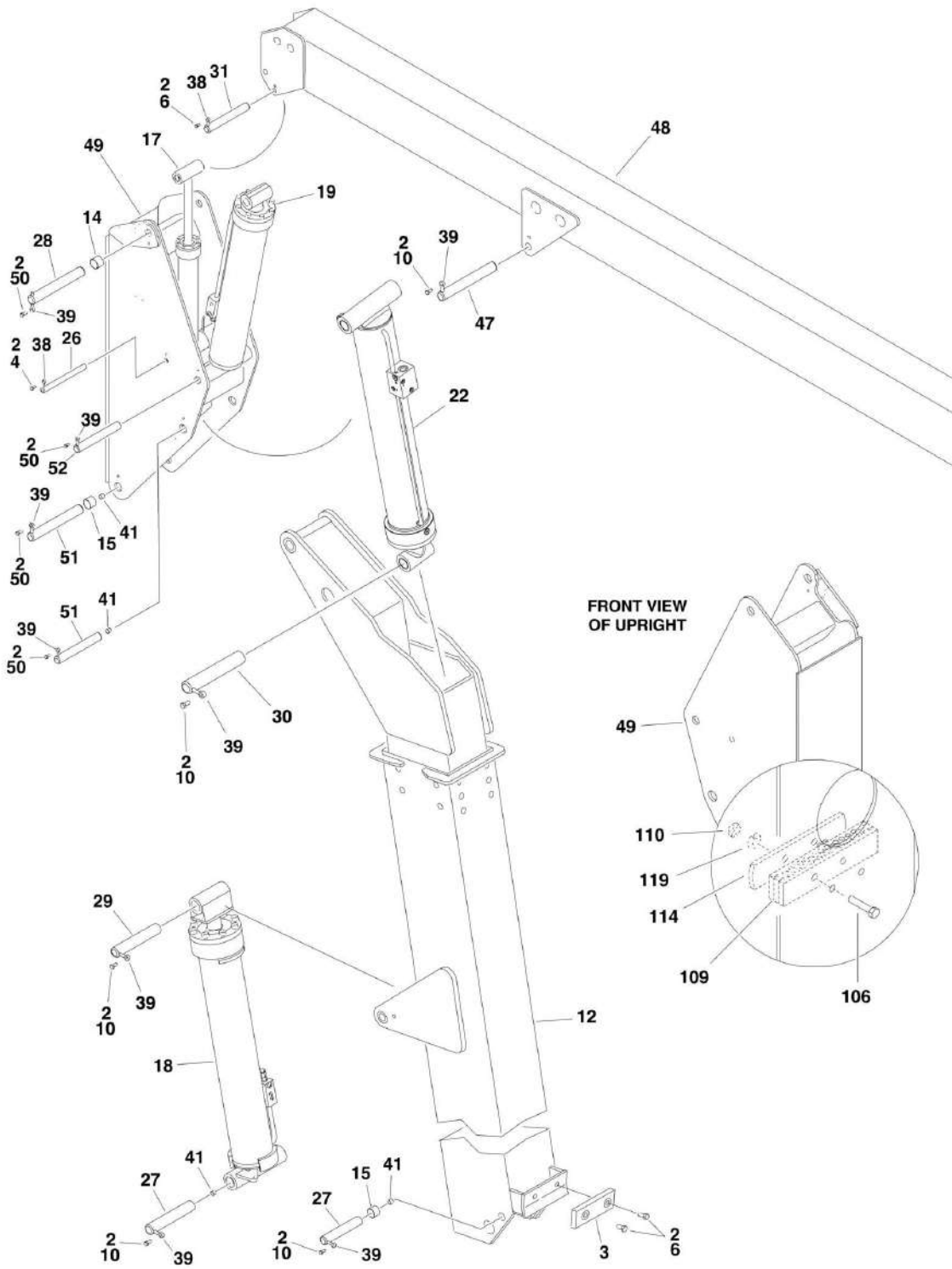
ITEM	PART NUMBER	QTY	DESCRIPTION	REV
	1001152539	Ref	BOOMS AND CYLINDERS INSTALLATION (SN 0300177361 through 0300181174)	D
	1001159692	Ref	BOOMS AND CYLINDERS INSTALLATION (SN 0300181175 to Present)	J
1	0060068	1	Rotator Assembly (See ROTATOR ASSEMBLIES for Breakdown)	
1	1001157222	1	Rotator Assembly (See ROTATOR ASSEMBLIES for Breakdown) (SN 0300181175 through 0300201144)	
1	1001181056	1	Rotator Assembly (See ROTATOR ASSEMBLIES for Breakdown) (SN 0300201145 to Present)	
2	0100011	AR	Compound, Locking	
3	0561076	1	Block, Boom Rest	
4	0641607	6	Bolt 3/8in-16NC x 7/8in	
5	0641810	5	Bolt 1/2in-13NC x 1-1/4in	
6	0741607	1	Screw, Countersunk 3/8in-16NC x 7/8in	
7	0801019	1	Tower Boom Assembly (See TOWER BOOM ASSEMBLY for Breakdown)	
8	0961948	2	Bushing	
9	0961949	4	Bushing	
10	0961951	2	Bushing	
11	1683266	NLA	Master Cylinder Assembly (Use p/n 1001228002) (See CYLINDER SECTION for Breakdown) (SN 0300177361 through 0300241337)	
11	1001228002	1	Master Cylinder Assembly (See CYLINDER SECTION for Breakdown) (SN 0300241338 to Present)	
12	1683288	NLA	Tower Lift Cylinder Assembly (Use p/n 1001228003) (See CYLINDER SECTION for Breakdown) (SN 0300177361 through 0300239707)	
12	1001228003	1	Tower Lift Cylinder Assembly (See CYLINDER SECTION for Breakdown) (SN 0300239708 to Present)	
13	1683294	NLA	Main Lift Cylinder Assembly (Use p/n 1001228004) (See CYLINDER SECTION for Breakdown) (SN 0300177361 through 0300237381)	
13	1001228004	1	Main Lift Cylinder Assembly (See CYLINDER SECTION for Breakdown) (SN 0300237382 to Present)	
14	1683415	NLA	Platform Level Cylinder Assembly (See CYLINDER SECTION for Breakdown) (Use p/n 1001223512) (SN 0300177361 through 0300233770)	
14	1001223512	NLA	Platform Level Cylinder Assembly (Use p/n 1001228008) (See CYLINDER SECTION for Breakdown) (SN 0300233771 through 0300241337)	
14	1001228008	1	Platform Level Cylinder Assembly (See CYLINDER SECTION for Breakdown) (SN 0300241338 to Present)	
15	1684498	NLA	Upright Level Cylinder Assembly (Use p/n 1001228042) (See CYLINDER SECTION FOR BREAKDOWN) (SN 0300177361 through 0300237381)	
15	1001228042	1	Upright Level Cylinder Assembly (See CYLINDER SECTION FOR BREAKDOWN) (SN 0300237382 to Present)	
16	1001155098	1	Pin	
17	3422571	2	Pin (SN 0300177361 through 0300200466)	
17	1001158810	2	Pin (SN 0300200467 to Present)	
18	1001155096	1	Pin	
19	3422573	1	Pin	
20	3422575	1	Pin	
21	3422577	1	Pin	
22	3422578	1	Pin	

SECTION 3 - BOOM

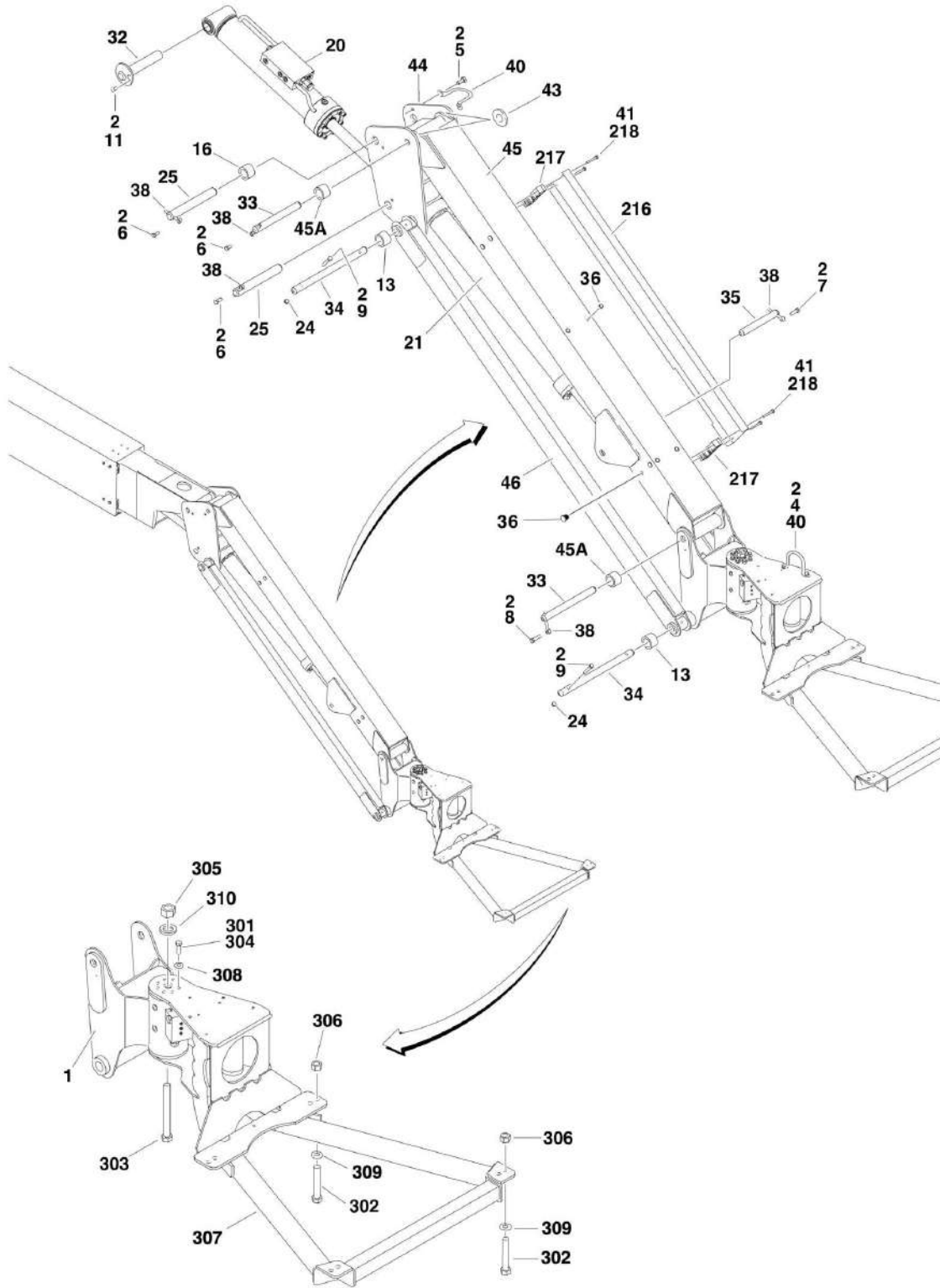
ITEM	PART NUMBER	QTY	DESCRIPTION	REV
23	3422580	1	Pin	
24	3422582	1	Pin	
25	3841143	4	Keeper, Pin - 3/8in	
26	3841203	9	Keeper, Pin - 1/2in	
27	3900239	4	Setscrew (SN 0300177361 through 0300200466)	
28	1001097822	1	Pin	
29	1001152031	1	Upright Weldment	
30	1001152138	1	Main Boom Assembly (See MAIN BOOM ASSEMBLY for Breakdown)	
31	0641808	4	Bolt 1/2in-13NC x 1in	
32	1001155097	1	Pin	
33	1001155093	2	Pin	
	1001152355	Ref	POWER TRACK INSTALLATION	D
106	0641532	2	Bolt 5/16in-18NC x 4in	
109	1320243	1	Clamp, Block	
110	3311505	2	Nut 5/16in-18NC	
114	3570374	1	Plate	
119	4751500	2	Flatwasher 5/16in Regular	
		Ref	PLATFORM SUPPORT INSTALLATION	
	0272070	Ref	Machines without LSS and without SkyGlazier	E
	See Note	Ref	Machines with LSS (Note: See Separate Breakdown in this Section)	
201	0100011	AR	Compound, Locking	
202	0641812	8	Bolt 1/2in-13NC x 1-1/2in	
203	0642684	1	Bolt 1in-8NC x 10-1/2in	
204	0681608	8	Bolt 3/8in-16NC x 1in	
205	3272605	NLA	Locknut 1in-8NC (Use p/n 3300243)	
206	3311805	8	Locknut 1/2in-13NC	
207	4846573	1	Support Weldment	
208	4891600	8	Flatwasher 3/8in Hardened	
209	4891800	8	Flatwasher 1/2in Hardened	
210	4892600	1	Flatwasher 1in Hardened	

SECTION 3 - BOOM

FIGURE 3-2. BOOMS AND CYLINDERS INSTALLATION - 600AJ



SECTION 3 - BOOM



SECTION 3 - BOOM

FIGURE 3-2. BOOMS AND CYLINDERS INSTALLATION - 600AJ

ITEM	PART NUMBER	QTY	DESCRIPTION	REV
		Ref	BOOMS AND CYLINDERS INSTALLATION - 600AJ	
	1001152540	Ref	Machines without Arctic Package (SN 0300177361 through 0300181174)	D
	1001159693	Ref	Machines without Arctic Package (SN 0300181175 to Present)	O
	1001155189	Ref	Machines with Arctic Package (SN 0300177361 through 0300181174)	D
	1001159694	Ref	Machines with Arctic Package (SN 0300181175 to Present)	O
1	0060066	1	Rotator Assembly (See ROTATOR ASSEMBLIES for Breakdown) (SN 0300177361 through 0300181174)	
1	1001157220	1	Rotator Assembly (See ROTATOR ASSEMBLIES for Breakdown) (SN 0300181175 through 0300201144)	
1	1001178256	NLA	Rotator Assembly (See ROTATOR ASSEMBLIES for Breakdown) (Use p/n 1001217780) (SN 0300201145 through 0300235566)	
1	1001217780	1	Rotator Assembly (See ROTATOR ASSEMBLIES for Breakdown) (SN 0300235567 to Present)	
2	0100011	AR	Compound, Locking	
3	0561076	1	Block, Boom Rest	
4	0641604	AR	Bolt 3/8in-16NC x 1/2in	
5	0641606	2	Bolt 3/8in-16NC x 3/4in	
6	0641607	6	Bolt 3/8in-16NC x 7/8in	
7	0641611	1	Bolt 3/8in-16NC x 1-3/8in	
8	0641614	1	Bolt 3/8in-16NC x 1-3/4in	
9	0641618	4	Bolt 3/8in-16NC x 2-1/4in	
10	0641810	5	Bolt 1/2in-13NC x 1-1/4in	
11	0741605	1	Screw, Countersunk 3/8in-16NC x 5/8in	
12	0801019	1	Tower Boom Assembly (See TOWER BOOM ASSEMBLY for Breakdown)	
13	0961947	6	Bushing	
14	0961948	2	Bushing	
15	0961949	4	Bushing	
16	0961951	2	Bushing	
17		Ref	Master Cylinder Assembly Options (See CYLINDER SECTION for Breakdown)	
17	1683263	NLA	Master Cylinder - Machines without Arctic Package (Use p/n 1001228052) (SN 0300177361 through 0300241337)	
17	1001228052	1	Master Cylinder - Machines without Arctic Package (SN 0300241338 to Present)	
17	1001138799	NLA	Master Cylinder - Machines with Arctic Package (Use p/n 1001228052) (SN 0300177361 through 0300241337)	
17	1001228052	1	Master Cylinder - Machines with Arctic Package (SN 0300241338 to Present)	
18	1683288	NLA	Tower Lift Cylinder Assembly (use p/n 1001228003) (See CYLINDER SECTION for Breakdown) (SN 0300177361 through 0300239707)	
18	1001228003	1	Tower Lift Cylinder Assembly (See CYLINDER SECTION for Breakdown) (SN 0300239708 to Present)	
19	1683294	NLA	Main Lift Cylinder Assembly (Use p/n 1001228004) (See CYLINDER SECTION for Breakdown) (SN 0300177361 through 0300237381)	
19	1001228004	1	Main Lift Cylinder Assembly (See CYLINDER SECTION for Breakdown) (SN 0300237382 to Present)	
20		Ref	Platform (Slave) Level Cylinder Assembly Options (See CYLINDER SECTION for Breakdown)	

SECTION 3 - BOOM

ITEM	PART NUMBER	QTY	DESCRIPTION	REV
20	1683418	NLA	Level Cylinder - Machines without Arctic Package (Use p/n 1001228051) (SN 0300177361 through 0300229828)	
20	1001223331	NLA	Level Cylinder - Machines without Arctic Package (Use p/n 1001228051) (SN 0300229829 through 0300241337)	
20	1001228051	1	Level Cylinder - Machines without Arctic Package (SN 0300241338 to Present)	
20	1001138798	NLA	Level Cylinder - Machines with Arctic Package (Use p/n 1001228051) (SN 0300177361 through 0300229828)	
20	1001223335	NLA	Level Cylinder - Machines with Arctic Package (Use p/n 1001228051) (SN 0300229829 through 0300241337)	
20	1001228051	1	Level Cylinder - Machines with Arctic Package (SN 0300241338 to Present)	
21		Ref	Jib Lift Cylinder Assembly Options (See CYLINDER SECTION for Breakdown)	
21	1683609	NLA	Jib Cylinder - Machines without Arctic Package (Use p/n 1001248012) (SN 0300177361 through 0300241337)	
21	1001138792	NLA	Jib Cylinder - Machines with Arctic Package (Use p/n 1001248012) (SN 0300177361 through 0300241337)	
21	1001228012	NLA	Jib Cylinder - All Machines (Use p/n 1001248012) (SN 0300241338 through 0300244755)	
21	1001248012	1	Jib Cylinder - All Machines (SN 0300244756 to Present)	
22	1684498	NLA	Upright Level Cylinder Assembly (Use p/n 1001228042) (See CYLINDER SECTION for Breakdown) (SN 0300177361 through 0300237381)	
22	1001228042	1	Upright Level Cylinder Assembly (See CYLINDER SECTION for Breakdown) (SN 0300237382 to Present)	
23	2080044	4	Rivnut	
24	3311605	5	Locknut 3/8in-16NC	
25	3422561	2	Pin	
26	1001155094	1	Pin	
27	3422571	2	Pin (SN 0300177361 through 0300200466)	
27	1001158810	2	Pin (SN 0300200467 to Present)	
28	1001155096	1	Pin	
29	3422573	1	Pin	
30	3422575	1	Pin	
31	3422579	1	Pin	
32	3422583	1	Pin	
33	3422860	2	Pin	
34	3422861	2	Pin	
35	3422867	1	Pin	
36	3520034	4	Plug (SN 0300177361 through 0300229836)	
36	1001223899	8	Fastener (SN 0300229837 to Present)	
38	3841143	7	Keeper, Pin - 3/8in	
39	3841203	9	Keeper, Pin - 1/2in	
40	3841340	AR	Loop, Hose	
41	3900239	4	Setscrew (SN 0300177361 through 0300200466)	
43	4740439	2	Thrustwasher	
44	4844815	1	Pivot Weldment (SN 0300177361 through 0300181174)	
44	1001169384	1	Pivot Weldment (SN 0300181175 to Present)	
45	4844816	1	Tube - Top	
45A	0962335	4	Bushing	
46	4844817	2	Tube - Bottom	
47	1001097822	1	PIN	
48	1001152253	1	Main Boom Assembly (See MAIN BOOM ASSEMBLY for	

SECTION 3 - BOOM

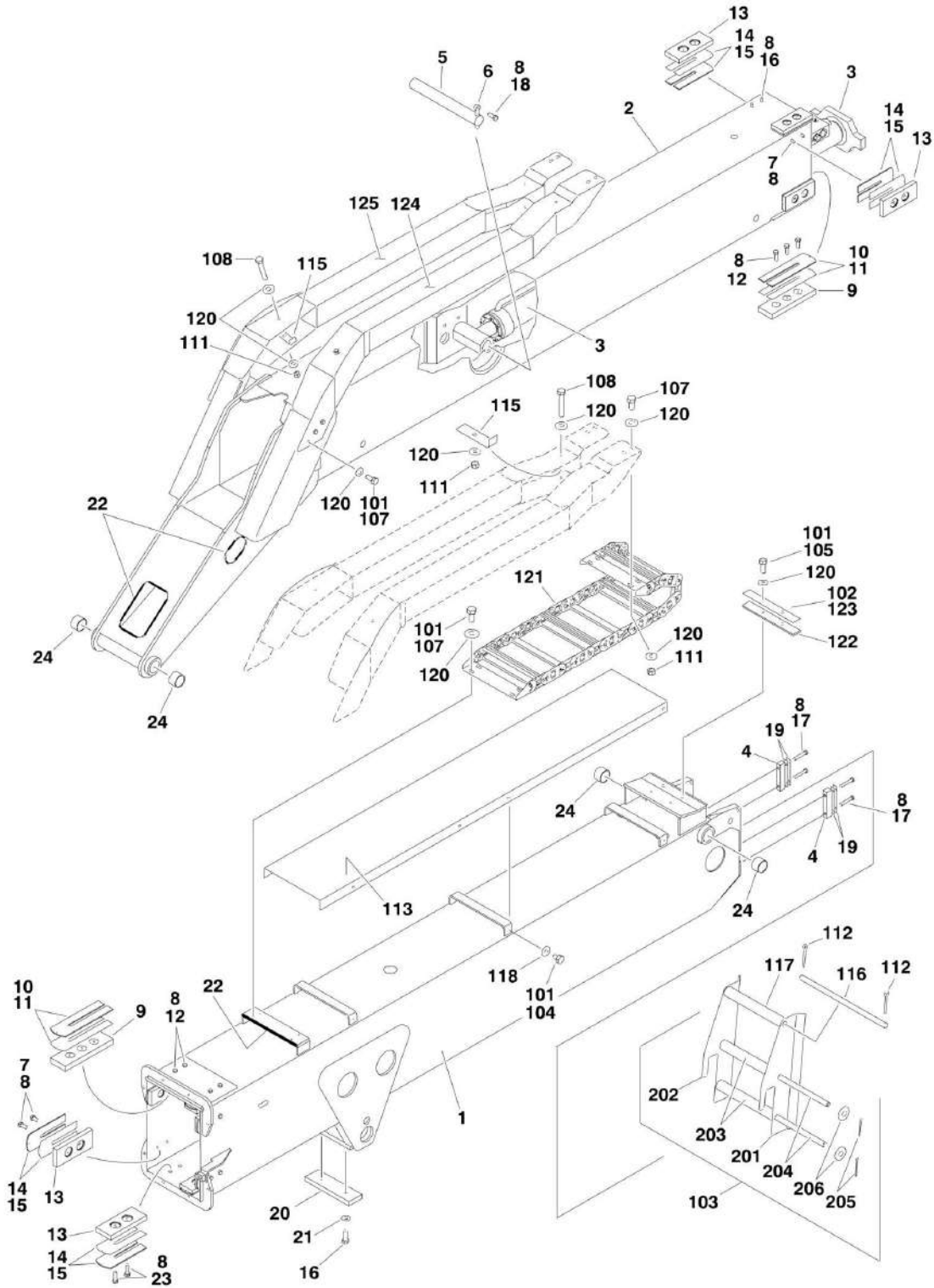
ITEM	PART NUMBER	QTY	DESCRIPTION	REV
48	1001156501	1	Breakdown) (SN 0300177361 through 0300181174) Main Boom Assembly (See MAIN BOOM ASSEMBLY for Breakdown) (SN 0300181175 to Present)	
49	1001152639	1	Upright	
50	0641808	4	Bolt 1/2in-13NC x 1in	
51	1001155093	2	Pin	
52	1001155097	1	Pin	
	1001152355	Ref	POWER TRACK INSTALLATION	D
106	0641532	2	Bolt 5/16in-18NC x 4in	
109	1320243	1	Clamp, Block	
110	3311505	2	Nut 5/16in-18NC	
114	3570374	1	Plate	
119	4751500	2	Flatwasher 5/16in Regular	
		Ref	CABLE COVER INSTALLATION (600AJ ONLY)	
	0270820	Ref	ANSI, ANSI Export, CSA and Japanese Specs without 4000W or 7500W Generator (SN 0300117361 through 0300181174)	6-G
	1001165366	Ref	ANSI, ANSI Export, CSA and Japanese Specs without 4000W or 7500W Generator (SN 0300181175 to Present)	A
	1001153322	Ref	ANSI, ANSI Export, CSA and Japanese Specs with 4000W Generator	A
	0272625	Ref	ANSI, ANSI Export and CSA Specs with 7500W Generator (SN 0300117361 through 0300181174)	2-G
	1001165552	Ref	ANSI, ANSI Export and CSA Specs with 7500W Generator (SN 0300181175 to Present)	A
	0275140	Ref	ANSI, ANSI Export and CSA Specs with Arctic Package without 4000W or 7500W Generator (SN 0300117361 through 0300181174)	1
	1001165556	Ref	ANSI, ANSI Export and CSA Specs with Arctic Package without 4000W or 7500W Generator (SN 0300181175 to Present)	A
	1001093432	Ref	ANSI, ANSI Export and CSA Specs with Arctic Package with 7500W Generator (SN 0300117361 through 0300181174)	2-A
	1001165557	Ref	ANSI, ANSI Export and CSA Specs with Arctic Package with 7500W Generator (SN 0300181175 to Present)	A
	1001115974	Ref	ANSI and ANSI Export with David Clark Communication System without 7500W Generator (Note: Not Shown - Contact your JLG Parts Department) (SN 0300177361 through 0300181174)	B
	1001165558	Ref	ANSI and ANSI Export with David Clark Communication System without 7500W Generator (Note: Not Shown - Contact your JLG Parts Department) (SN 0300181175 to Present)	B
	1001116515	Ref	ANSI and ANSI Export with David Clark Communication System with 7500W Generator (Note: Not Shown - Contact your JLG Parts Department) (SN 0300177361 through 0300181174)	B
	1001165559	Ref	ANSI and ANSI Export with David Clark Communication System with 7500W Generator (Note: Not Shown - Contact your JLG Parts Department) (SN 0300181175 to Present)	B
	0273428	Ref	Australian Specs without 7500W Generator (SN 0300117361 through 0300181174)	1-G
	1001165554	Ref	Australian Specs without 7500W Generator (SN 0300181175 to Present)	A
	0273430	Ref	Australian Specs with 7500W Generator (SN 0300117361 through 0300181174)	1-G
	1001165555	Ref	Australian Specs with 7500W Generator (SN 0300181175 to Present)	A
	0270821	Ref	CE Spec without 7500W Generator (SN 0300117361 through	B

SECTION 3 - BOOM

ITEM	PART NUMBER	QTY	DESCRIPTION	REV
	1001165551	Ref	0300181174) CE Spec without 7500W Generator (SN 0300181175 to Present)	B
	0272627	Ref	CE and Japanese Specs with 7500W Generator (SN 0300117361 through 0300181174)	B
	1001165553	Ref	CE and Japanese Specs with 7500W Generator (SN 0300181175 to Present)	B
216	1670769	1	Cover (SN 0300177361 through 0300181174)	
216	1671034	1	Cover (SN 0300181175 to Present)	
217		Ref	Clamp, Block Options:	
217	0561237	2	All Installations except 1001093432 (SN 0300177361 through 0300181174)	
217	1321700	2	1001093432 Installation Only (SN 0300177361 through 0300181174)	
217	1001165350	2	All Installations (SN 0300181175 to Present)	
218	0641416	4	Bolt 1/4in-20NC x 2in	
		Ref	PLATFORM SUPPORT INSTALLATION	
	0272070	Ref	Machines without LSS	E
	See Note	Ref	Machines with LSS (Note: See Separate Breakdown in this Section)	
301	0100011	AR	Compound, Locking	
302	0641812	8	Bolt 1/2in-13NC x 1-1/2in	
303	0642684	1	Bolt 1in-8NC x 10-1/2in	
304	0681608	8	Bolt 3/8in-16NC x 1in	
305	3272605	NLA	Locknut 1in-8NC (Use p/n 3300243)	
306	3311805	8	Locknut 1/2in-13NC	
307		Ref	Support Weldment Options:	
307	4846573	1	Machines without Load Sensing and without SkyGlazier	
307	See Note	1	Machines without Load Sensing and with SkyGlazier (Note: Refer to JLG Supplement p/n 3124242 for Components)	
307	See Note	1	Machines with Load Sensing and without SkyGlazier (Note: Refer to JLG Supplement p/n 3124287 for Components)	
307	See Note	1	Machines with Load Sensing and with SkyGlazier (Note: Refer to JLG Supplement p/n 3124287 for Components)	
308	4891600	8	Flatwasher 3/8in Hardened	
309	4891800	8	Flatwasher 1/2in Hardened	
310	4892600	1	Flatwasher 1in Hardened	

SECTION 3 - BOOM

FIGURE 3-3. TOWER BOOM ASSEMBLY



SECTION 3 - BOOM

FIGURE 3-3. TOWER BOOM ASSEMBLY

ITEM	PART NUMBER	QTY	DESCRIPTION	REV
	0801019	Ref	TOWER BOOM ASSEMBLY	J
1	0801085	NLA	Base (Use p/n 0801622)	
2	0801637	1	Fly	
3	1683312	NLA	Cylinder Assembly - Tower Telescope (Use p/n 1001228006) (See CYLINDER SECTION for Breakdown) (SN 0300177361 through 0300237381)	
3	1001228006	1	Cylinder Assembly - Tower Telescope (See CYLINDER SECTION for Breakdown) (SN 0300237382 to Present)	
4	0561185	2	Block, Attach	
5	3422575	1	Pin	
6	3841203	1	Keeper, Pin	
7	0641606	26	Bolt 3/8in-16NC x 3/4in	
8	0100011	AR	Compound, Locking	
9	3340871	4	Pad, Wear	
10	4070863	AR	Shim .12	
11	4070864	AR	Shim .05	
12	0641612	12	Bolt 3/8in-16NC x 1-1/2in	
13	3340881	12	Pad, Wear	
14	4070897	AR	Shim .05	
15	4070898	AR	Shim .12	
16	0641608	6	Bolt 3/8in-16NC x 1in	
17	0641618	4	Bolt 3/8in-16NC x 2-1/4in	
18	0641809	1	Bolt 3/8in-16NC x 1-1/8in	
19	4070929	AR	Shim	
20	0561248	1	Block, Boom Rest	
21	4711600	2	Flatwasher 3/8in Thin	
22	4060808	AR	Flex-Trim	
23	0641610	4	Bolt 3/8in-16NC x 1-1/4in	
24	0961949	4	Bushing	
	1001152355	Ref	POWER TRACK INSTALLATION	D
101	0100011	AR	Compound, Locking	
102	0100081	AR	Adhesive (Used with Item 125)	
103	0257573	1	Roller Hanger Assembly (Includes Items 201-205)	
104	0641403	10	Bolt 1/4in-20NC x 3/8in	
105	0641516	2	Bolt 5/16in-18NC x 2in	
107	0641606	14	Bolt 3/8in-16NC x 3/4in	
108	0641618	2	Bolt 3/8in-16NC x 2-1/4in	
111	3311605	8	Locknut 3/8in-16NC	
112	3450606	2	Pin, Cotter	
113	3539228	1	Plate, Cover	
115	3570375	4	Plate (SN 0300177361 through 0300238901)	
115	1001232880	4	Plate (SN 0300238902 to Present)	
116	3571295	1	Rod	
117	4567241	1	Tube	
118	4711400	6	Flatwasher 1/4in Thin	
120	4751600	14	Flatwasher 3/8in Regular	
121	1001099835	1	Power Track Assembly	
121	70002001	AR	Repair Section	
121	70002002	1	Mounting Bracket Kit	
122	1001110500	1	Plate	

SECTION 3 - BOOM

ITEM	PART NUMBER	QTY	DESCRIPTION	REV
123	1001110501	1	Pad	1-A
124	1001151542	1	Bracket	
125	1001151586	1	Bracket	
	0257573	Ref	ROLLER HANGER ASSEMBLY	
201	3570277	1	Plate (Left Side)	
202	3570270	1	Plate (Right Side)	
203	4567241	2	Roller, Tube	
204	3841347	2	Rod	
205	3450306	4	Pin, Cotter	
206	4751800	4	Flatwasher 1/2in Regular	

SECTION 3 - BOOM

FIGURE 3-4. MAIN BOOM ASSEMBLY

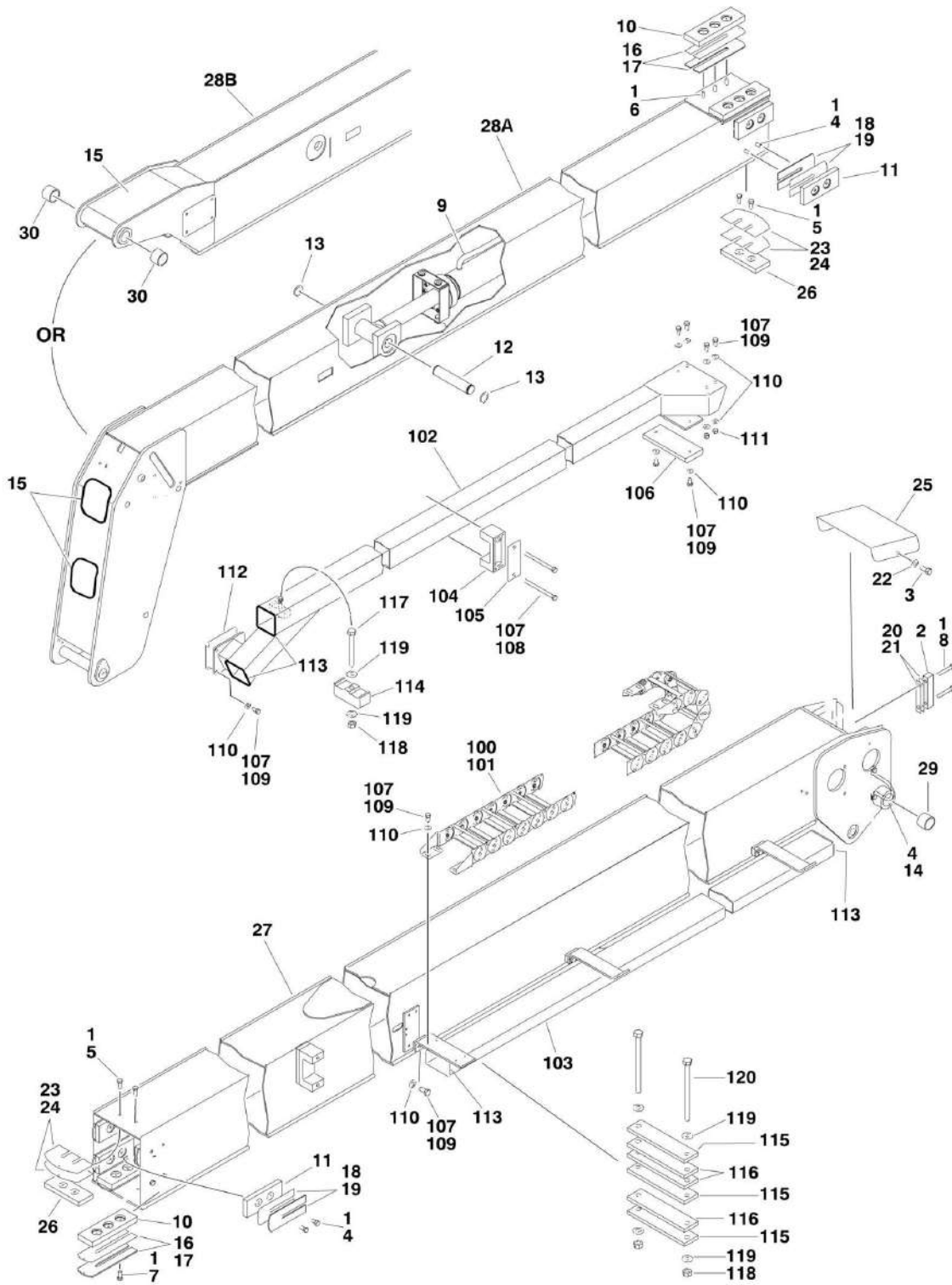


FIGURE 3-4. MAIN BOOM ASSEMBLY

ITEM	PART NUMBER	QTY	DESCRIPTION	REV
		Ref	BOOM ASSEMBLY	
	1001152138	Ref	Boom Assembly 600A	F
	1001152253	Ref	Boom Assembly 600AJ (SN 0300177361 through 0300181174)	E
	1001156501	Ref	Boom Assembly 600AJ (SN 0300181175 to Present)	F
1	0100011	AR	Compound, Locking	
2	0561185	2	Block	
3	0641403	2	Bolt 1/4in-20NC x 3/8	
4	0811606	18	Bolt 3/8in-16NC x 3/4	
5	0811607	4	Bolt 3/8in-16NC x 7/8	
6	0811608	6	Bolt 3/8in-16NC x 1	
7	0811610	6	Bolt 3/8in-16NC x 1-1/4	
8	0641616	AR	Bolt 3/8in-16NC x 2	
8	0641618	AR	Bolt 3/8in-16NC x 2-1/4	
9		Ref	Telescope Cylinder Assembly Options (See CYLINDER SECTION for Breakdown)	
9	1683307	NLA	Telescope Cylinder Assembly 600A (Use p/n 1001228005) (SN 0300177361 through 0300241337)	
9	1001228005	1	Telescope Cylinder Assembly 600A (SN 0300241338 to Present)	
9	1683317	NLA	Telescope Cylinder Assembly 600AJ (Use pn 1001228007) (SN 0300177361 through 0300242728)	
9	1001228007	1	Telescope Cylinder Assembly 600AJ (SN 0300242729 to Present)	
10	3340871	4	Pad, Wear	
11	1001148652	8	Pad, Wear	
12	3422457	1	Pin	
13	3760133	2	Ring, Retaining	
14	3841340	1	Loop, Hose	
15	4060805	AR	Flex-Trim	
16	4070863	AR	Shim .12	
17	4070864	AR	Shim .05	
18	4070897	AR	Shim .05	
19	4070898	AR	Shim .12	
20	4070929	AR	Shim	
21	4071007	AR	Shim	
22	4751200	3	Flatwasher #12 Regular	
23	1001136590	AR	Shim 18Ga	
24	1001138436	AR	Shim 11Ga	
25	1001151826	1	Cover, Boom (SN 0300177361 through 0300182514)	
25	1001162828	1	Cover, Boom (SN 0300182515 to Present)	
26	1001152127	2	Pad, Wear	
27		Ref	Base, Boom Options:	
27	1001152130	1	Base, Boom 600A	
27	1001152249	1	Base, Boom 600AJ	
28		Ref	Fly, Boom Options:	
28A	1001152131	1	Fly, Boom 600A	
28B	1001152246	1	Fly, Boom 600AJ (SN 0300177361 through 0300181174)	
28B	1001156502	1	Fly, Boom 600AJ (SN 0300181175 to Present)	
29	0961948	2	Bushing	
30	0961951	2	Bushing (600AJ Only)	
		Ref	POWER TRACK INSTALLATION	

SECTION 3 - BOOM

ITEM	PART NUMBER	QTY	DESCRIPTION	REV
	0255281	Ref	Power Track Installation 600A	G
	0255288	Ref	Power Track Installation 600AJ	F
100	1001107153	NLA	Power Track Assembly 600A (Use p/n 1001224892) (SN 0300177361 through 0300229510)	
100	70002011	AR	Repair Section (SN 0300177361 through 0300229510)	
100	70002012	1	Mounting Bracket Kit (SN 0300177361 through 0300229510)	
100	1001224892	1	Power Track Assembly 600A (SN 0300229511 to Present)	
100	70006257	1	Repair Section (SN 0300229511 to Present)	
100	70006273	1	Mounting Bracket Kit (SN 0300229511 to Present)	
101	1001099836		Power Track Assembly 600AJ	
101	70001999	AR	Repair Section	
101	70002000	1	Mounting Bracket Kit	
102		Ref	Tube Weldment Options:	
102	4844969	1	Tube Weldment 600A	
102	4844978	1	Tube Weldment 600AJ (SN 030017361 through 0300200466)	
102	1001161417	1	Tube Weldment 600AJ (SN 0300200467 to Present)	
103		Ref	Support, Power Track Options:	
103	4844972	1	Support, Power Track 600A	
103	4844979	1	Support, Power Track 600AJ	
104	3340764	2	Pad, Wear	
105	3538758	1	Plate, Cover Support	
106		Ref	Pad Options:	
106	3340787	1	Pad 600A	
106	3340765	1	Pad 600AJ	
107	0100011	AR	Compound, Locking	
108	0641536	2	Bolt 5/16in-18NC x 4-1/2in	
109	0641606	22	Bolt 3/8in-16NC x 3/4in	
110	4711600	18	Flatwasher 3/8in Thin	
111	3311605	4	Locknut 3/8in-16NC	
112	4070932	AR	Shim	
113	4060803	4 ft/1.2m	Flex-Trim	
114	1320314	1	Clamp, Hose/Cable	
115		Ref	Plate	
115	1001106758	3	Plate 600A	
115	3574185	3	Plate 600AJ	
116		Ref	Shim Options:	
116	1001106759	3	Shim 600A	
116	4071062	3	Shim 600AJ	
117	0641522	1	Bolt 5/16in-18NC x 2-3/4in	
118	3311505	3	Locknut 5/16in-18NC	
119	4711500	6	Flatwasher 5/16in Thin	
120	0641640	2	Bolt 3/8in-16NC x 5in	

SECTION 3 - BOOM

FIGURE 3-5. ROTATOR ASSEMBLIES

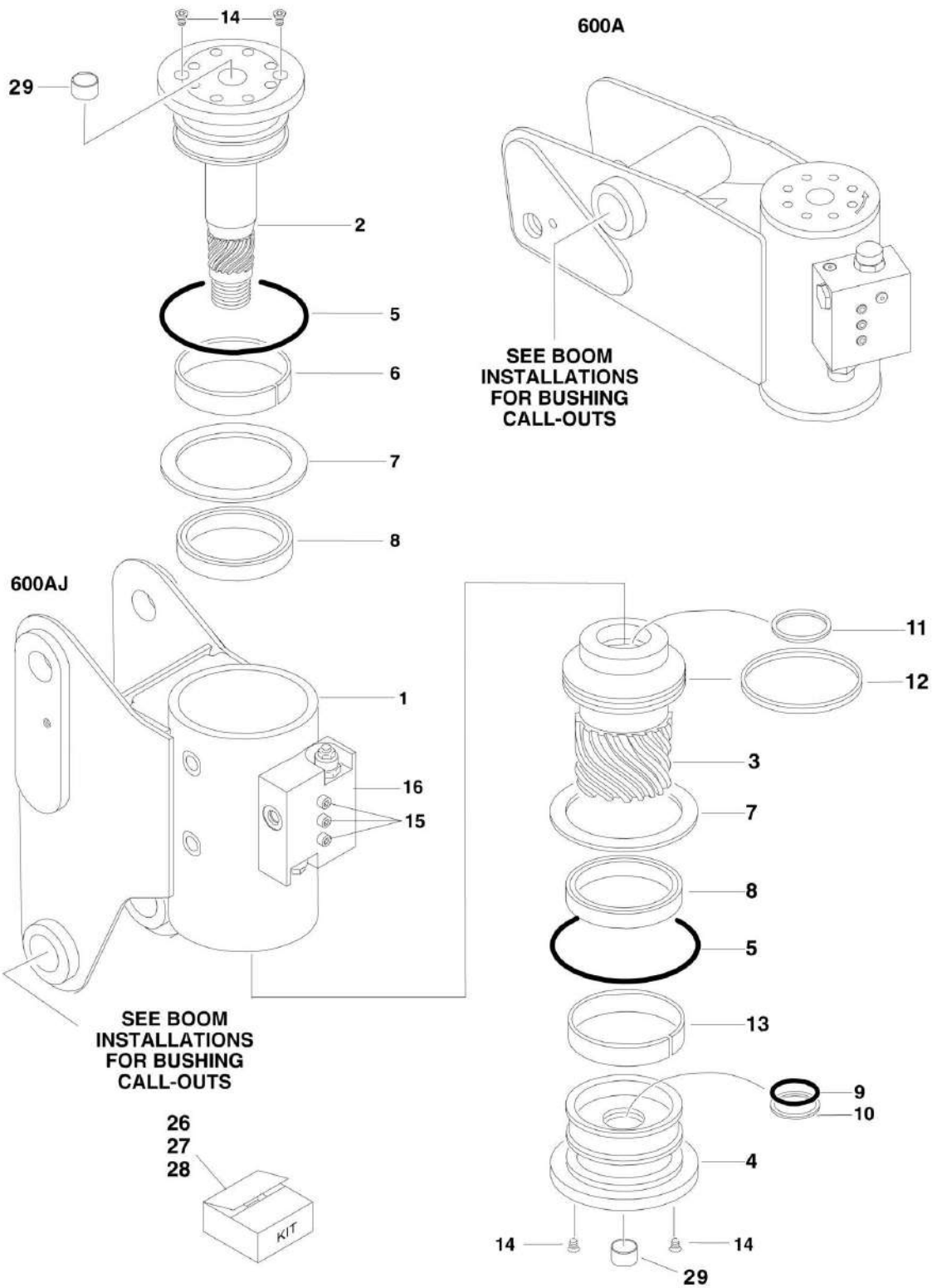
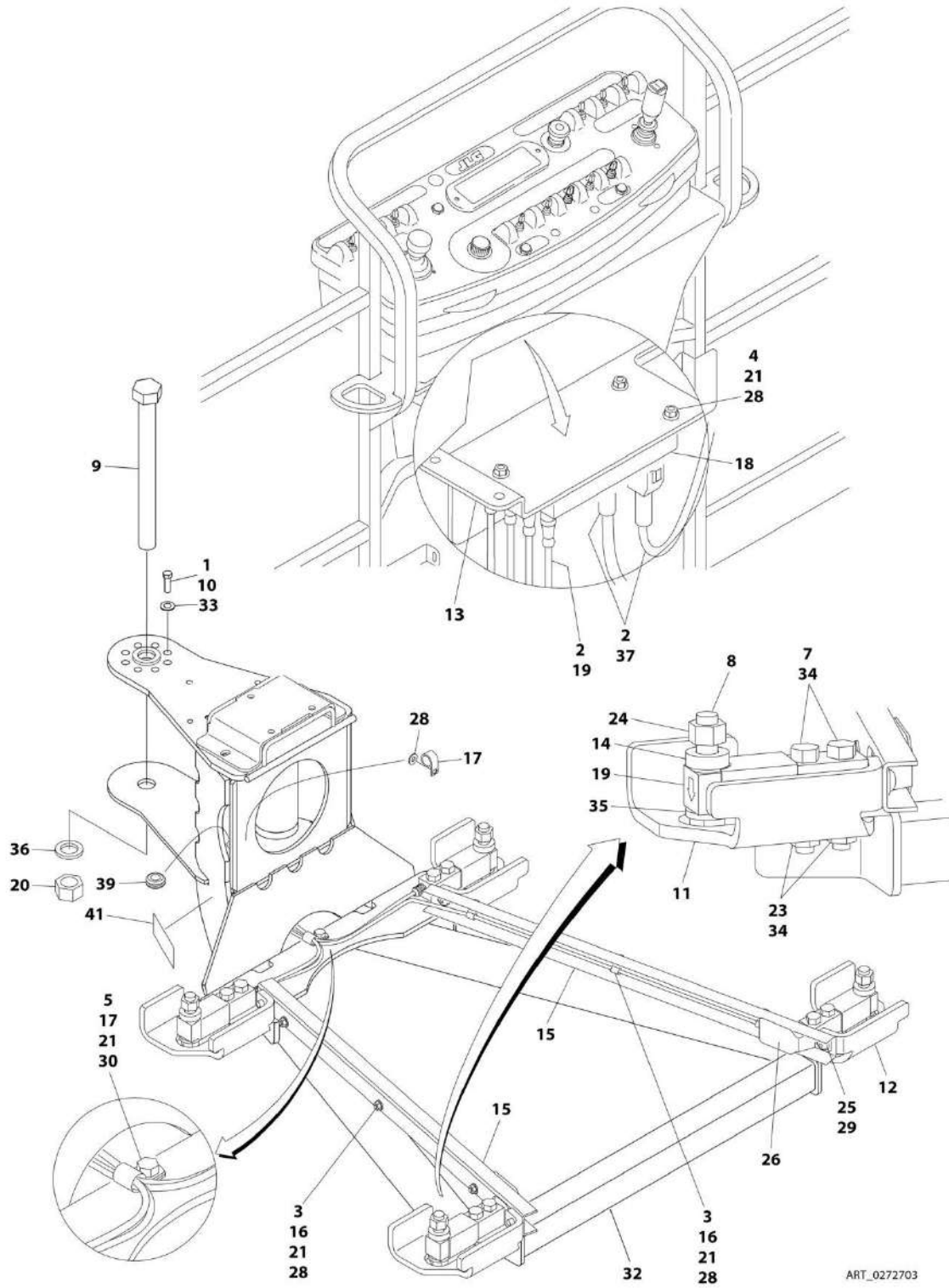


FIGURE 3-5. ROTATOR ASSEMBLIES

ITEM	PART NUMBER	QTY	DESCRIPTION	REV
		Ref	ROTATOR ASSEMBLIES	
	0060068	Ref	Rotator Assemblies 600A (SN 0300177361 through 0300181174)	A
	1001157222	Ref	Rotator Assemblies 600A (SN 0300181175 through 0300201144)	B
	1001181056	Ref	Rotator Assemblies 600A (SN 0300201145 to Present)	A
	0060066	Ref	Rotator Assemblies 600AJ (SN 0300177361 through 0300181174)	C
	1001157220	Ref	Rotator Assemblies 600AJ (SN 0300181175 through 0300201144)	B
	1001178256	Ref	Rotator Assemblies 600AJ (SN 0300201145 through 0300235566)	B
	1001217780	Ref	Rotator Assemblies 600AJ (SN 0300235567 to Present)	A
1	See Note	1	Housing/Ring Gear Assembly (Note: Not Available - Purchase Complete Assembly)	
2	7017162	1	Weldment, Shaft	
3	7017163	1	Piston/Sleeve Assembly	
4	7017164	1	Cap, End	
5	See Note	NSS	O-Ring (Note: Use Item 26)	
6	See Note	NSS	Bearing, Shaft (Note: Use p/n 7017159)	
7	See Note	NSS	Thrustwasher (Note: Use p/n 7017159)	
8	See Note	NSS	Packing, Bearing (Note: Use Item 26)	
9	See Note	NSS	Seal, Cap (Note: Use Item 26)	
10	See Note	NSS	Ring, Back-Up Cap (Note: Use Item 26)	
11	See Note	NSS	Seal, Rod (Note: Use Item 26)	
12	See Note	NSS	Seal, Piston (Note: Use Item 26)	
13	See Note	NSS	Bearing, Cap (Note: Use p/n 7017159)	
14	70001697	6	Capscrew 1/4in-20NC x 3/8in (Grade 8)	
15	See Note	NSS	Bolt 1/4 x 1-1/2 (Grade 8) (Note: Not Available for Purchase)	
16	7017183	1	Valve Assembly (0060068 & 0060066 Rotators)	
16	7017172	1	Valve Assembly (1001157222, 1001157220, 1001178256, 1001181056 & 1001217780 Rotators)	
16	7017193	2	Cartridge, Valve (0060068 & 0060066 Rotators)	
16	7017192	2	Cartridge, Valve (1001157222, 1001157220, 1001178256, 1001181056 & 1001217780 Rotators)	
16	See Note	NSS	Seal Kit - 7017193 & 7017192 Valve (Note: Not Available - Purchase Complete Assembly)	
16	See Note	NSS	Cartridge, Valve (Not Shown - Located on Side of Block) (Note: Not Available - Purchase Complete Assembly)	
16	See Note	NSS	Seal Kit - Valve Located on Side of Block (Note: Not Available - Purchase Complete Assembly)	
26		Ref	Seal Kit Options Rotator (Includes Items 5, 8-12 & 28)	
26	7017158	1	Standard Seal Kit	
26	70000342	1	Low Temperature Seal Kit	
27	7017159	1	Bearing Kit (Includes Items 6, 7 & 13)	
28	7017142	1	Hardware Kit (Includes Qty 2 Plugs, Qty 2 Dowel Pins and Item 14)	
29	7017195	2	Bushing	

SECTION 3 - BOOM

FIGURE 3-6. PLAFORM SUPPORT INSTALLATION - WITHOUT LSS OR WITH 4 CELL LSS



SECTION 3 - BOOM

FIGURE 3-6. PLATFORM SUPPORT INSTALLATION - WITHOUT LSS OR WITH 4 CELL LSS

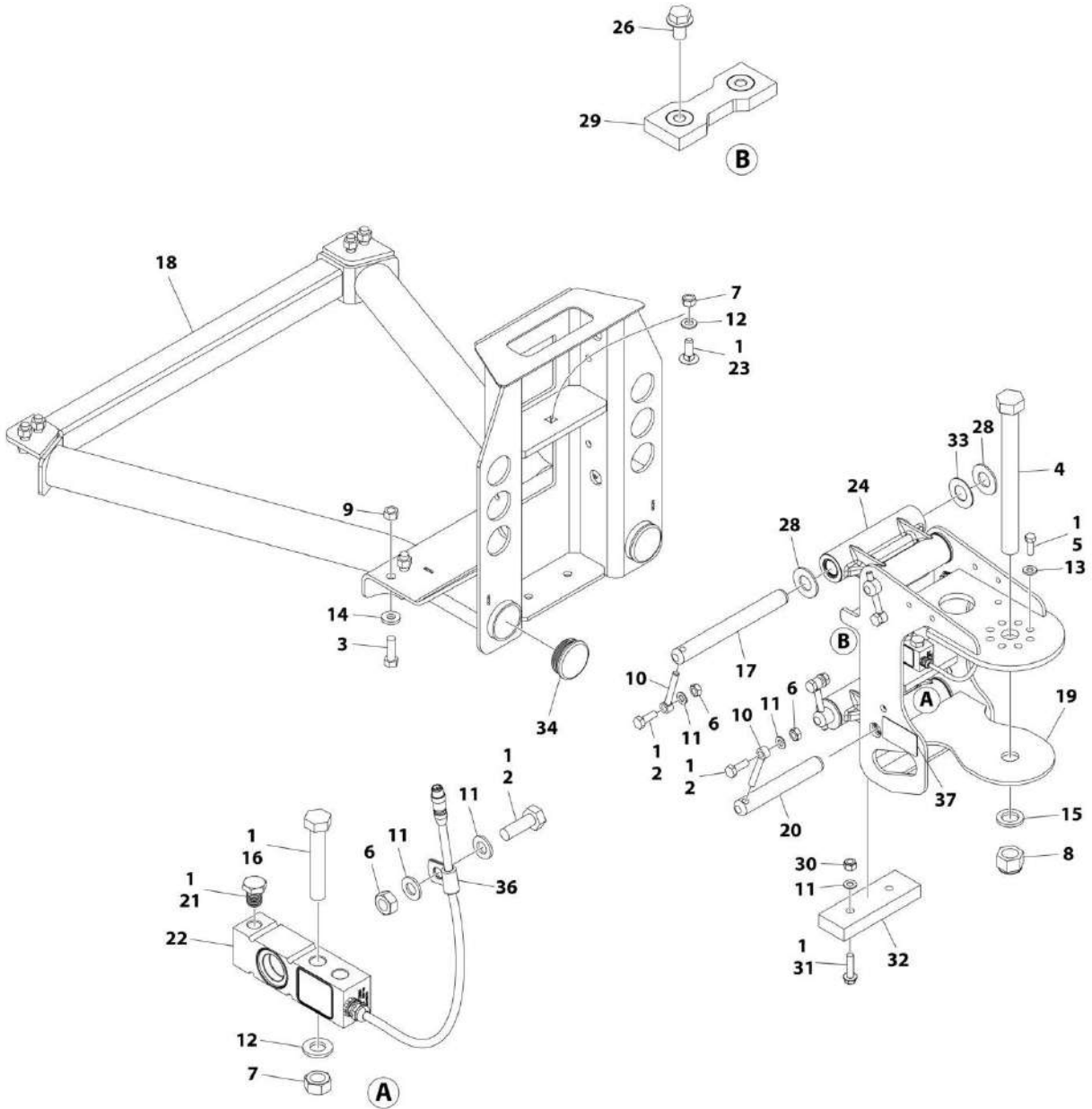
ITEM	PART NUMBER	QTY	DESCRIPTION	REV
	0272703	Ref	PLATFORM SUPPORT INSTALLATION - WITHOUT LSS OR WITH 4 CELL LSS	Q
1	0100011	AR	Compound, Locking	
2	0100048	AR	Grease, Dielectric	
3	0641405	6	Bolt 1/4 x 5/8	
4	0641416	3	Bolt 1/4 x 2	
5	0641407	1	Bolt 1/4 x 7/8	
7	0641822	8	Bolt 1/2 x 2-3/4	
8	0642024	4	Bolt 5/8 x 3	
9	0642684	1	Bolt 1 x 10-1/2	
10	0681608	8	Bolt 3/8 x 1 Grade 8	
11	0902919	2	Bracket, Cell Guard	
12	0902920	2	Bracket, Cell Guard	
13	1001113483	1	Bracket, Module Mount	
14	0962450	4	Bushing, Spacer	
15	1271538	2	Channel	
16	1320136	6	Clamp	
17	1320224	2	Clamp	
18	1600387	1	Module, Control - LSS (Note: Recalibration Required When Replaced)	
19	2420202	4	Cell, Load (Includes Cable)	
20	3272605	1	Nut 1 Grade 8	
21	3311405	10	Nut 1/4	
23	3311805	8	Nut 1/2	
24	3312005	4	Nut 5/8	
25	3900283	4	Screw 3/8 x 3/4	
26	4061054	2	Shield	
27	4240033	AR	Tie-Strap (Not Shown)	
28	4711400	10	Washer 1/4	
29	4711600	4	Washer 3/8	
30	4751400	1	Washer 1/4	
32	4846573	1	Support, Platform	
33	4891600	8	Washer 3/8	
34	4891800	8	Washer 1/2	
35	4892000	4	Washer 5/8	
36	4892600	1	Washer 1	
37	4922869	1	LSS Harness	
37	4922705	1	Analyzer Harness (Not Shown)	
37	4460761	1	Receptacle, Female - 4 Position (Not Shown)	
37	4460226	1	Socket, Female	
37	4460836	1	Connector - 12 Position (Black) (J2)	
37	4460465	1	Socket, Female	
37	4460466	1	Plug, Terminal	
37	0840055	1	Boot	
37	4460933	1	Connector - 12 Position (Grey) (J1)	
37	4460465	1	Socket, Female	
37	4460466	1	Plug, Terminal	
37	0840055	1	Boot	
39	2540038	1	Grommet	
40	2920129	1	Bulb, Light (Not Shown - Located on Ground Control Box)	

SECTION 3 - BOOM

ITEM	PART NUMBER	QTY	DESCRIPTION	REV
41	1001216630	2	Decal - Tie Down/No Lift	

SECTION 3 - BOOM

FIGURE 3-7. PLATFORM SUPPORT INSTALLATION - WITH 1 CELL LSS



ART_1001167596

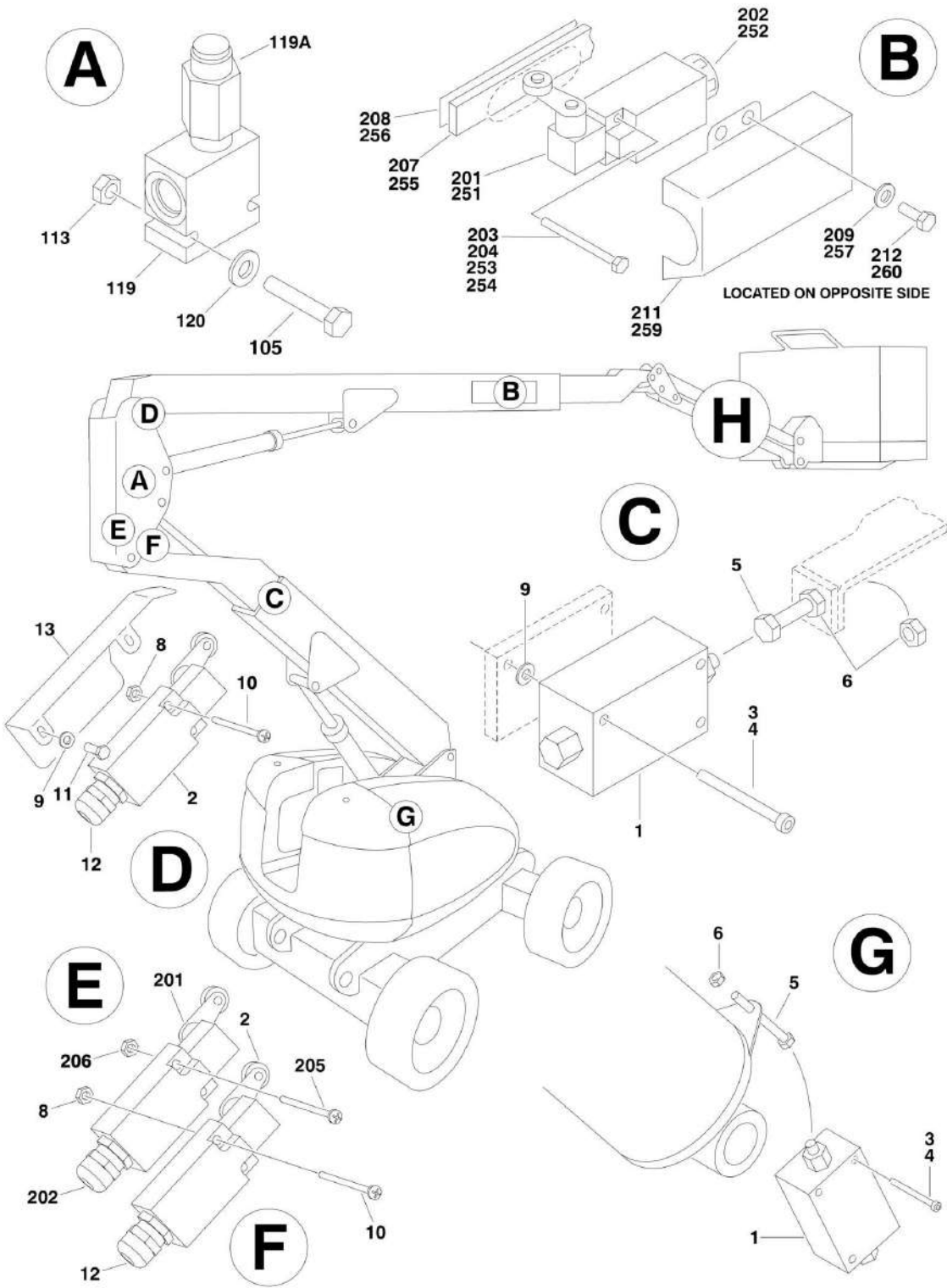
SECTION 3 - BOOM

FIGURE 3-7. PLATFORM SUPPORT INSTALLATION - WITH 1 CELL LSS

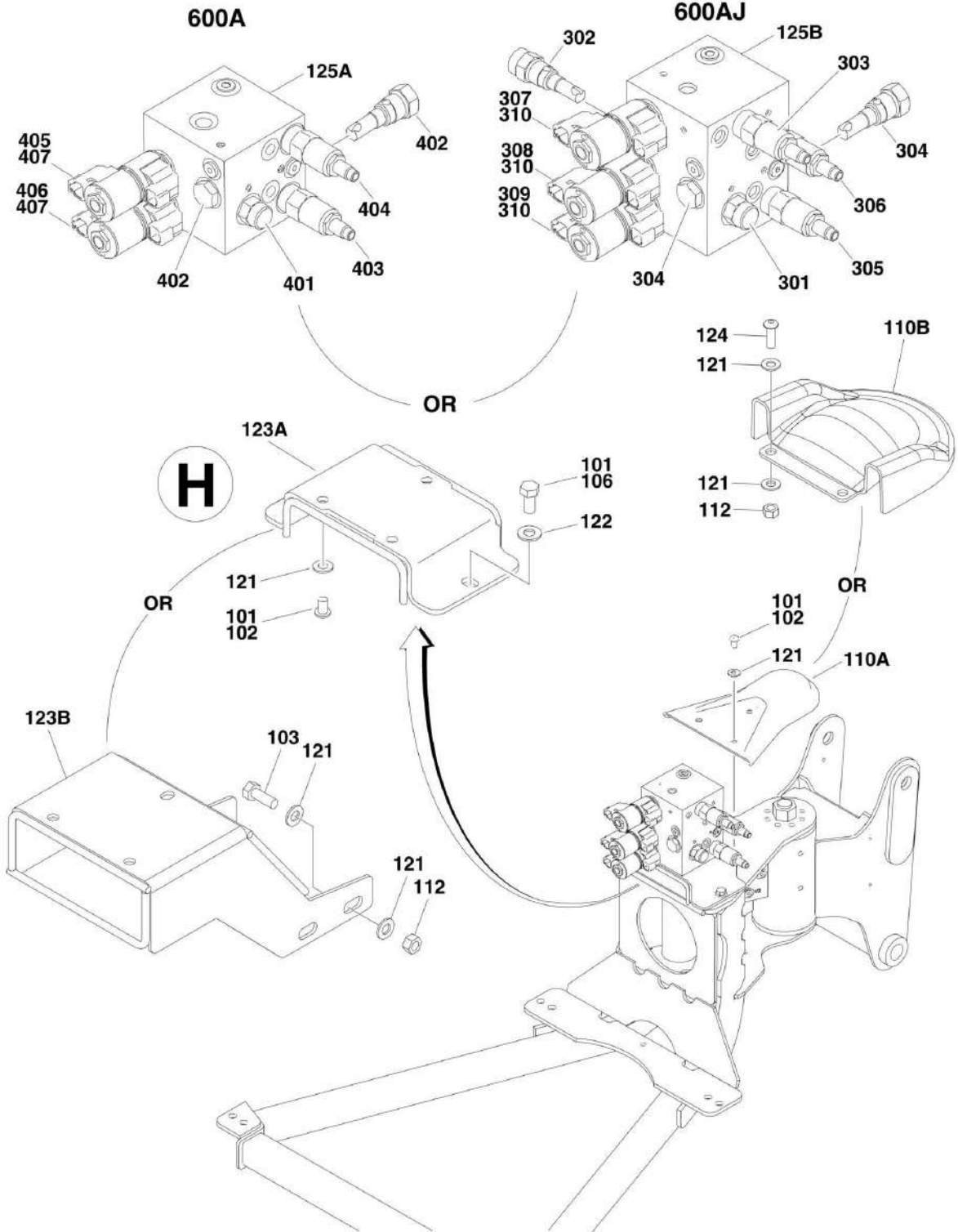
ITEM	PART NUMBER	QTY	DESCRIPTION	REV
	1001167596	Ref	PLATFORM SUPPORT INSTALLATION - WITH 1 CELL LSS	J
1	0100011	AR	Compound, Locking	
2	0761014	5	Bolt M10 x 30	
3	0641812	8	Bolt 1/2 x 1-1/2	
3	0761216	8	Bolt M12 x 40	
4	0642684	1	Bolt 1 x 10-1/2	
5	0681608	8	Bolt 3/8 x 1	
6	3291001	5	Nut M10	
7	3291201	3	Nut M12	
8	3300243	1	Nut 1	
9	3311805	8	Nut 1/2	
9	3291205	8	Nut M12	
10	3841143	4	Keeper, Pin	
11	4812000	8	Washer M10	
12	4812100	3	Washer M12	
13	4891600	8	Washer 3/8	
14	4891800	8	Washer 1/2	
14	5241200	8	Washer M12	
15	4892600	1	Washer 1	
16	1001098828	2	Bolt M12 x 70 Grade 10.9	
17	1001167565	2	Pin	
18	1001200494	1	Support, Platform	
19	1001167567	1	Support, Rotator	
20	1001168402	2	Pin	
21	1001188622	1	Screw	
22	1001172663	1	Gauge, Load Sensing	
23	1001188844	1	Bolt M12 x 35	
24	1001201351	2	Link, LSS Assembly	
26	5251008	2	Bolt M10 x 16	
28	1001189002	8	Bearing	
29	1001190985	1	Pad, Wear	
30	3291005	2	Nut M10	
31	5251016	2	Bolt M10 x 40	
32	1001200491	1	Pad, Wear	
33	1001189001	4	Bearing	
34	1001204725	2	Plug	
36	91203039	1	Clamp	
37	1001216630	2	Decal - Tie Down/No Lift	

SECTION 3 - BOOM

FIGURE 3-8. VALVES AND SWITCHES INSTALLATION (BOOM MOUNTED)



SECTION 3 - BOOM



SECTION 3 - BOOM

FIGURE 3-8. VALVES AND SWITCHES INSTALLATION (BOOM MOUNTED)

ITEM	PART NUMBER	QTY	DESCRIPTION	REV
	1001155267	Ref	BOOM VALVES AND LIMIT SWITCHES INSTALLATION (ALL SPECS)	C
1	4641436	2	Valve, Manual 2-Way	
2	4360578	2	Switch, Limit	
3	3931430	6	Bolt, Socket Head 1/4in-20NC x 1-7/8in	
4	0100011	AR	Compound, Locking	
5	0630427	2	Bolt, Special	
6	3311801	3	Nut 1/2in-13NC	
8	3310801	4	Nut #8-32NC	
9	4751400	8	Flatwasher 1/4in Regular	
10	3930828	4	Bolt, Socket Head #8-32NC x 1-3/4in	
11	3931408	2	Bolt, Socket 1/4in-20NC x 1/2in	
12	4460968	2	Connector, Strain Relief	
13	1001155399	1	Cover, Switch	
		Ref	CONTROL VALVES INSTALLATION (ALL SPECS)	
		Ref	Machines without LSS or 4 Cell LSS:	
	1001152535	Ref	Control Valves Installation 600A 2WS with Deutz D2011 and GM Engines (SN 0300177361 through 0300181174)	C
	1001160038	Ref	Control Valves Installation 600A 2WS with Deutz D2011, Ford and GM Engines (SN 0300181175 to Present)	B
	1001145379	Ref	Control Valves Installation 600A 2WS with Deutz TD2.9L4 Engines (SN 0300177361 through 0300181174)	C
	1001164168	Ref	Control Valves Installation 600A 2WS with Deutz TD2.9L4 Engines (SN 0300181175 to Present)	B
	1001152534	Ref	Control Valves Installation 600A 4WS with Deutz D2011 and GM Engines (SN 0300177361 through 0300181174)	C
	1001160039	Ref	Control Valves Installation 600A 4WS with Deutz D2011, Ford and GM Engines (SN 0300181175 to Present)	B
	1001145720	Ref	Control Valves Installation 600A 4WS with Deutz TD2.9L4 Engines (SN 0300177361 through 0300181174)	D
	1001164160	Ref	Control Valves Installation 600A 4WS with Deutz TD2.9L4 Engines (SN 0300181175 to Present)	B
	1001152537	Ref	Control Valves Installation 600AJ 2WS with Deutz D2011 and GM Engines (SN 0300177361 through 0300181174)	C
	1001160068	Ref	Control Valves Installation 600AJ 2WS with Deutz D2011, Ford and GM Engines (SN 0300181175 to Present)	B
	1001145719	Ref	Control Valves Installation 600AJ 2WS with Deutz TD2.9L4 Engines (SN 0300177361 through 0300181174)	D
	1001164164	Ref	Control Valves Installation 600AJ 2WS with Deutz TD2.9L4 Engines (SN 0300181175 to Present)	B
	1001152265	Ref	Control Valves Installation 600AJ 4WS with Deutz D2011 and GM Engines (SN 0300177361 through 0300181174)	C
	1001164170	Ref	Control Valves Installation 600AJ 4WS with Deutz D2011, Ford and GM Engines (SN 0300181175 to Present)	B
	1001145721	Ref	Control Valves Installation 600AJ 4WS with Deutz TD2.9L4 Engines (SN 0300177361 through 0300181174)	D
	1001160069	Ref	Control Valves Installation 600AJ 4WS with Deutz TD2.9L4 Engines (SN 0300181175 to Present)	B
		Ref	Machines with 1 Cell LSS:	
	1001219471	Ref	Control Valves Installations - 600A 2WS with Deutz D2011 and Ford Engines	B
	1001219477	Ref	Control Valves Installations - 600A 2WS with Deutz TD2.9L4 Engines	B
	1001219472	Ref	Control Valves Installations - 600A 4WS with Deutz D2011	B

SECTION 3 - BOOM

ITEM	PART NUMBER	QTY	DESCRIPTION	REV
	1001219475	Ref	and Ford Engines Control Valves Installations - 600A 4WS with Deutz TD2.9L4 Engines	B
	1001219473	Ref	Control Valves Installations - 600AJ 2WS with Deutz D2011 and Ford Engines	A
	1001219476	Ref	Control Valves Installations - 600AJ 2WS with Deutz TD2.9L4 Engines	A
	1001219474	Ref	Control Valves Installations - 600AJ 4WS with Deutz D2011 and Ford Engines	A
	1001219478	Ref	Control Valves Installations - 600AJ 4WS with Deutz TD2.9L4 Engines	A
101	0100011	AR	Compound, Locking (SN 0300181175 to Present)	
102	0630467	6	Screw 5/6-18 x 1/2 (SN 0300181175 to Present)	
103	0641507	4	Bolt 5/16 x 7/8	
105	0641424	2	Bolt 1/4-20 x 3	
106	0641606	2	Bolt 3/8-16 x 3/4 (SN 0300181175 to Present)	
110A	1670964	1	Cover (Machines without LSS or with 4 Cell LSS) (SN 0300181175 to Present)	
110B	1001207969	1	Cover (Machines with 1 Cell LSS)	
112	3311505	6	Nut 5/16	
113	3311405	2	Nut 1/4-20	
119	4640929	1	Valve Assembly - Relief	
119A	7012970	1	Cartridge Valve	
119A	7012953	1	Seal Kit - 7012970 Valve	
120	4711400	2	Washer 1/4	
121	4711500	AR	Washer 5/16 (SN 0300181175 to Present)	
122	4711600	2	Washer 3/8 (SN 0300181175 to Present)	
123A	4846218	1	Plate, Valve Mounting (Machines without LSS or with 4 Cell LSS) (SN 0300181175 to Present)	
123B	1001226744	1	Plate, Valve Mounting (Machines with 1 Cell LSS)	
124	88261024	2	Screw 5/16 x 1	
125A	1001152564	1	Control Valve Assembly - 600A (See Items 401-409 for Breakdown) (SN 0300181175 to Present)	
125B	1001152565	1	Control Valve Assembly - 600AJ (See Items 301-312 for Breakdown) (SN 0300181175 to Present)	
	0255699	Ref	LIMIT SWITCHES INSTALLATION - 600A DUAL CAPACITY (ANSI, ANSI EXPORT, CSA AND JAPANESE SPECS)	D
201	4360578	2	Switch, Limit	
202	4460968	2	Connector, Strain Relief	
203	0100035	AR	Compound, Locking	
204	3930816	2	Bolt, Socket Head #8-32NC x 1in	
205	3930824	2	Bolt, Socket Head #8-32NC x 1-1/2in	
206	3310805	2	Locknut #8-32NC	
207	1001106480	1	Bar, Fiberglass	
208	4420060	9.8 ft/3m	Tape, Foam	
209	4751400	4	Flatwasher 1/4in Regular	
211	1670824	1	Cover, Switch	
212	0641403	4	Bolt 1/4in-20NC x 3/8in	
		Ref	TRANSPORT POSITION SWITCHES INSTALLATION (CE SPEC ONLY)	
	0256331	Ref	Transport Position Switches Installation 600A	B
	0256336	Ref	Transport Position Switches Installation 600AJ	C
251	4360578	1	Switch, Limit	
252	4460968	1	Connector, Strain Relief	

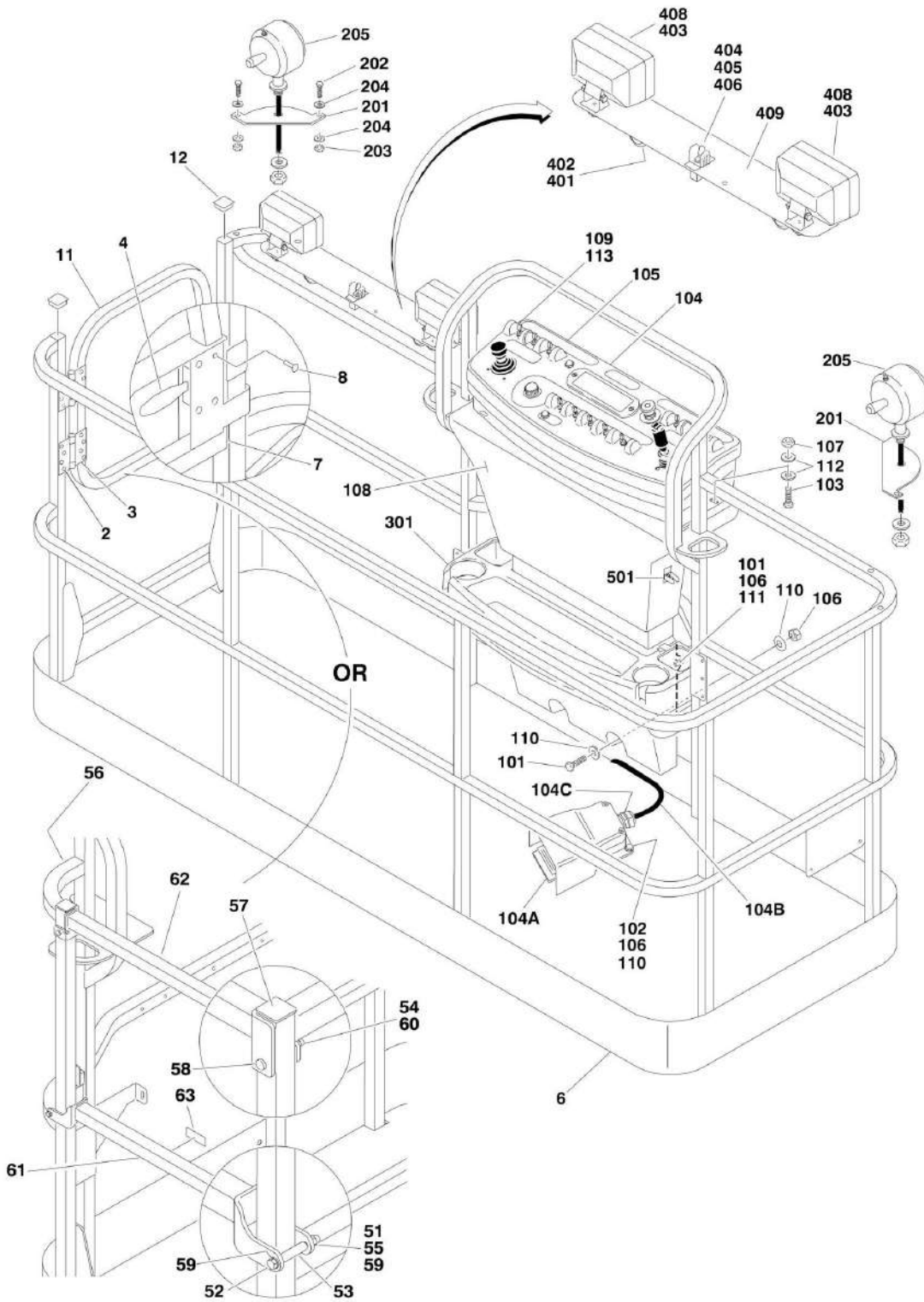
SECTION 3 - BOOM

ITEM	PART NUMBER	QTY	DESCRIPTION	REV
253	0100035	AR	Compound, Locking	
254	3930816	2	Bolt, Socket Head #8-32NC x 1in	
255		Ref	Bar, Fiberglass	
255	0362611	1	Bar, Fiberglass 600A	
255	1001106480	1	Bar, Fiberglass 600AJ	
256	4420060	AR	Tape, Foam	
256	4420060	13.1 ft /4m	Tape, Foam 600A	
256	4420060	10.5 ft /3.2m	Tape, Foam 600AJ	
257	4751400	4	Flatwasher 1/4in Regular	
259	1670824	1	Cover, Switch	
260	0641403	4	Bolt 3/8in-16NC x 3/8in	
	1001152565	Ref	CONTROL VALVE ASSEMBLY - 600AJ	C
301	7012989	1	Valve, Flow	
301	7012953	1	Seal Kit - 7012989 Valves	
302	7012965	1	Valve, Flow	
302	7012953	1	Seal Kit - 7012965 Valves	
303	70003790	1	Valve, Relief	
303	7021653	1	Seal Kit - 70003790 Valve	
304	7012914	2	Valve, Cartridge	
304	7012918	2	Seal Kit - 7012914 Valve	
305	7023911	1	Valve, Relief	
305	7012967	1	Seal Kit - 7023911 Valve	
306	7023912	1	Valve, Relief	
306	7012967	1	Seal Kit - 7023912 Valve	
307	7017452	1	Valve, Solenoid (Jib)	
307	7017402	2	Seal Kit - 7017452 Valve	
308	7017452	1	Valve, Solenoid (Platform Level)	
308	7017402	1	Seal Kit - 7017452 Valve	
309	7017452	1	Valve, Solenoid (Rotator)	
309	7017402	2	Seal Kit - 7017452 Valve	
310	70002386	6	Coil	
311	70002064	2	Plug, Orifice (Not Shown)	
312	7017406	2	Plug (Not Shown)	
	1001152564	Ref	CONTROL VALVE ASSEMBLY - 600A	D
401	7012965	1	Valve, Flow	
401	7012953	1	Seal Kit - 7012965 Valves	
402	7012914	2	Valve, Cartridge	
402	7012918	2	Seal Kit - 7012914 Valve	
403	7023911	1	Valve, Relief	
403	7012967	1	Seal Kit - 7023911 Valve	
404	7023912	1	Valve, Relief	
404	7012967	1	Seal Kit - 7023912 Valve	
405	7017452	1	Valve, Solenoid (Platform Level)	
405	7017402	1	Seal Kit - 7017452 Valve	
406	7017452	1	Valve, Solenoid (Rotator)	
406	7017402	2	Seal Kit - 7017452 Valve	
407	70002386	4	Coil	
408	70002064	2	Plug, Orifice (Not Shown)	
409	7017406	2	Plug (Not Shown)	

SECTION 4 - PLATFORM

SECTION 4 - PLATFORM

FIGURE 4-1. PLATFORM ASSEMBLIES



SECTION 4 - PLATFORM

FIGURE 4-1. PLATFORM ASSEMBLIES

ITEM	PART NUMBER	QTY	DESCRIPTION	REV
		Ref	PLATFORM ASSEMBLY WITH GATE	
	1001144027	Ref	2.6ft x 4ft (0.70m x 1.22m) with No Mesh (SN 0300177361 through 0300200808)	D
	1001186387	Ref	2.6ft x 4ft (0.70m x 1.22m) with No Mesh (SN 0300200809 to Present)	C
	1001144026	Ref	2.6ft x 5ft (0.70m x 1.52m) with No Mesh (SN 0300177361 through 0300200808)	D
	1001186386	Ref	2.6ft x 5ft (0.70m x 1.52m) with No Mesh (SN 0300200809 to Present)	C
	1001144024	Ref	3ft x 6ft (0.90m x 1.83m) with No Mesh (SN 0300177361 through 0300200808)	D
	1001186384	Ref	3ft x 6ft (0.90m x 1.83m) with No Mesh (SN 0300200809 to Present)	C
	1001228376	Ref	3ft x 6ft (0.9m x 1.83m) with Tri-Entry (1 Gate/2 Drop Bars)	A
	1001144023	Ref	3ft x 8ft (0.90m x 2.44m) with No Mesh (SN 0300177361 through 0300200808)	D
	1001186383	Ref	3ft x 8ft (0.90m x 2.44m) with No Mesh (SN 0300200809 to Present)	D
		Ref	Note: Platform and Mesh must be ordered separately for Platforms with Mesh. See SPECIAL OPTIONS SECTION for Mesh Installations.	
		Ref	Note: Replacement Decals Must Be Purchased Separately - See DECALS SECTION.	
		Ref	Note: When replacing 8ft/2.44m platform with Soft Touch option, new Soft Touch Rail p/n 4846673 must be purchased to accommodate limit switch locations.	
		Ref	Note: When replacing platform on machines with SkyCutter option, new bracket p/n 1001145405 must be purchased to accommodate SkyCutter components.	
2	2080040	16	Fastener, Huck	
3	2600281	2	Hinge, Self-Closing	
4	2940074	1	Latch	
6	See Note	NSS	Platform (Note: Purchase Platform Assembly)	
7	3520072	AR	Plug	
8	3820020	4	Rivet	
9	4751000	4	Flatwasher #10 Regular	
11	1001144629	1	Gate	
12	3520198	2	Plug	
14	3520072	2	Plug (Not Shown - Used on Mid Rail Behind Console Box)	
		Ref	PLATFORM ASSEMBLY WITH DROP-BAR	
	1001228215	Ref	3ft x 2.5ft (1m x .76m)	A
	1001144018	Ref	4ft x 2.5ft (1.2m x .76m) (SN 0300177361 through 0300200808)	D
	1001186375	Ref	4ft x 2.5ft (1.2m x .76m) (SN 0300200809 to Present)	B
	1001144019	Ref	5ft x 2.5ft (1.5m x .76m) (SN 0300177361 through 0300200808)	D
	1001186377	Ref	5ft x 2.5ft (1.5m x .76m) (SN 0300200809 to Present)	C
	1001144021	Ref	6ft x 3ft (1.83m x .91m) (SN 0300177361 through 0300200808)	D
	1001186379	Ref	6ft x 3ft (1.83m x .91m) (SN 0300200809 to Present)	B
	1001228377	Ref	3ft x 6ft (0.9m x 1.83m) with Tri-Entry (3 Drop Bars)	A
	1001144022	Ref	8ft x 3ft (2.44m x .91m) (SN 0300177361 through 0300200808)	D
	1001186382	Ref	8ft x 3ft (2.44m x .91m)	B
		Ref	Note: replacement decals must be ordered separately - See	

SECTION 4 - PLATFORM

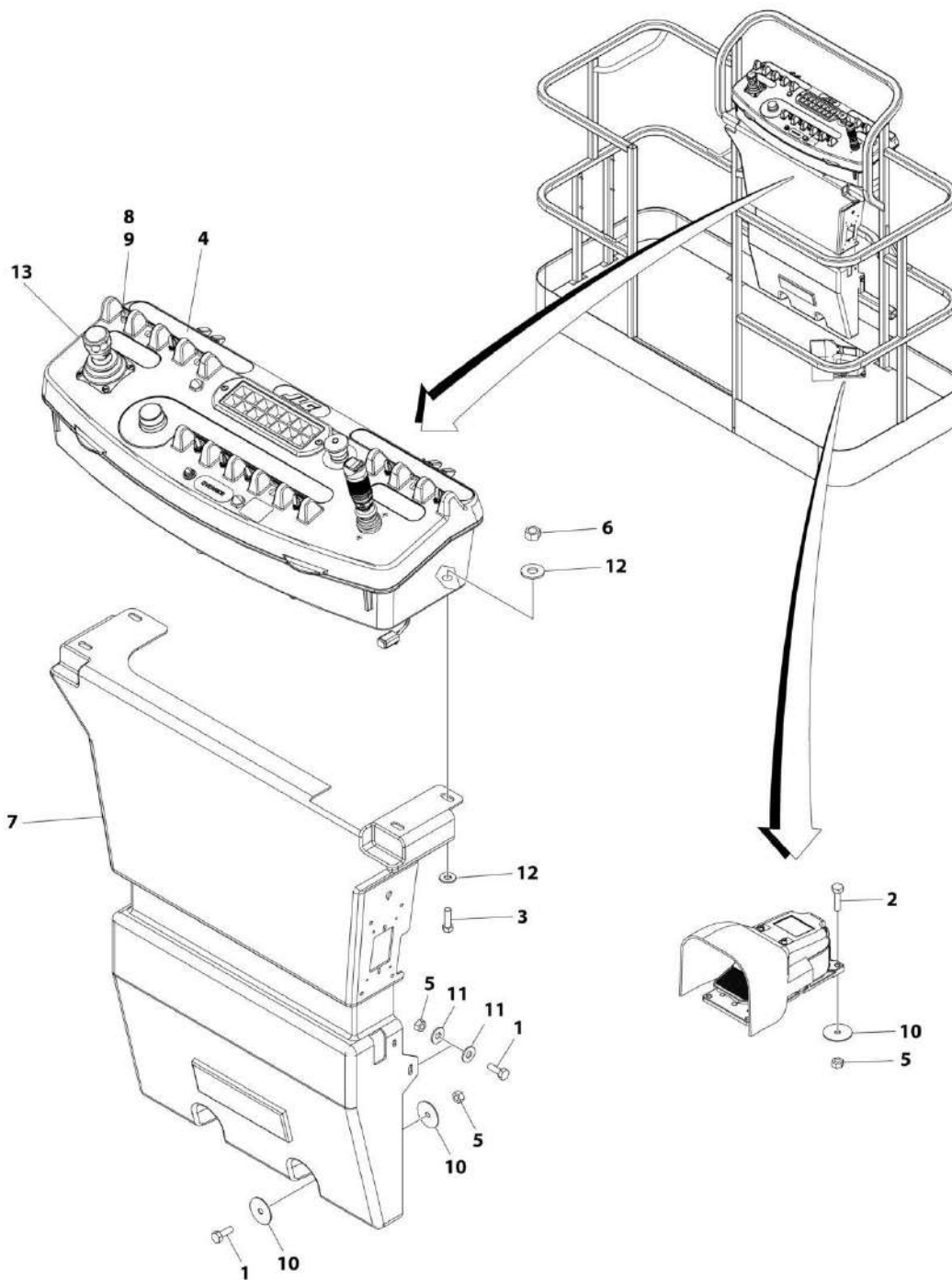
ITEM	PART NUMBER	QTY	DESCRIPTION	REV
			DECALS SECTION.	
51	0100011	AR	Compound, Locking	
52	0641418	AR	Bolt 1/4 x 2-1/4	
52	0641420	AR	Bolt 1/4 x 2-1/2	
53	0961845	2	Bushing	
54	3290606	2	Nut M6	
55	3300151	2	Nut, Acorn	
56	See Note	NSS	Platform (Note: Purchase Platform Assembly)	
57	3520198	2	Plug	
58	4010618	2	Screw M6 x 50mm	
59	4711400	4	Flatwasher 1/4in	
60	4811700	2	Flatwasher M6	
61	1001138494	1	Bar, Drop (All except 3ft x 2.5ft (1m x .76m) Platform)	
61	1001226872	1	Bar, Drop (3ft x 2.5ft (1m x .76m) Platform Only)	
62	1001138514	1	Rail (Top)	
63	1001140429	1	Decal - Drop-Bar	
64	3520072	2	Plug (Not Shown - Used on Mid Rail Behind Console Box)	
	1001145835	Ref	CONSOLE BOX INSTALLATION (WITHOUT SKYGUARD) (SN 0300177361 through 0300181174)	A
	1001159096	Ref	CONSOLE BOX INSTALLATION (WITHOUT SKYGUARD) (SN 0300181175 to Present)	C
	1001190113	Ref	CONSOLE BOX INSTALLATION (WITH SKYGUARD) (WITHOUT LSS OR WITH 4 CELL LSS)	B
101	0641406	4	Bolt 1/4in-20NC x 3/4in	
102	0641408	3	Bolt 1/4in-20NC x 1in	
103	0641610	4	Bolt 3/8in-16NC x 1-1/4in	
104	1001145834	1	Platform Console Box Assembly (Without SkyGuard) (See PLATFORM CONSOLE ASSEMBLY for Breakdown) (SN 0300177361 through 0300181174)	
104	1001159099	1	Platform Console Box Assembly (Without SkyGuard) (See PLATFORM CONSOLE ASSEMBLY for Breakdown) (SN 0300181175 through 0300188647)	
104	1001166672	1	Platform Console Box Assembly (Without SkyGuard) (See PLATFORM CONSOLE ASSEMBLY for Breakdown) (SN 0300188648 through 0300219885)	
104	1001202577	1	Platform Console Box Assembly (Without SkyGuard) (See PLATFORM CONSOLE ASSEMBLY for Breakdown) (SN 0300219886 to Present)	
104	1001190089	1	Platform Console Box Assembly (With SkyGuard) (See PLATFORM CONSOLE ASSEMBLY for Breakdown) (SN 0300177361 through 0300219885)	
104	1001202573	1	Platform Console Box Assembly (With SkyGuard) (See PLATFORM CONSOLE ASSEMBLY for Breakdown) (SN 0300219886 to Present)	
104A	1001117174	1	Footswitch Assembly (Includes Footswitch and Items 104B & 104C)	
104A	1001117172	1	Footswitch	
104A	70002902	1	Block, Contact for 1001117172 Footswitch	
104A	70002903	1	Gasket for 1001117172 Footswitch	
104A	70002905	1	Cover for 1001117172 Footswitch	
104A	70002904	1	Bolt Replacement Kit for 1001117172 Footswitch	
104B	1060918	7 ft/2.14m	Cable, Electrical - 18/3	
104C	4460071	1	Connector, Strain Relief	
105	1702676		Decal	
106	3311405	7	Locknut 1/4in-20NC	

SECTION 4 - PLATFORM

ITEM	PART NUMBER	QTY	DESCRIPTION	REV
107	3311605	4	Locknut 3/8in-16NC	
108	3380434	1	Panel, Decal Mount	
109	4360331	1	Switch, Toggle	
110	4740362	7	Washer, Fender 1/4in	
111	4751400	4	Flatwasher 1/4in Regular	
112	4751600	8	Flatwasher 3/8in Regular	
113	3790012	1	O-Ring	
	0273492	Ref	WORKLIGHTS INSTALLATIONS (OPTIONAL)	D
201	3536089	2	Plate, Mounting	
202		Ref	Hardware Options:	
202	0641414	4	Bolt 1/4in-20NC x 1-3/4in (USA Built Machines) (SN 0300087000 through 0300112399)	
202	2080040	4	Fastener, Huck (USA Built Machines) (SN 0300112400 to Present)	
203	3311405	4	Locknut 1/4in-20NC (USA Built Machines Only) (SN 0300087000 through 0300112400)	
204	4711400	8	Flatwasher 1/4in Thin (USA Built Machines Only) (SN 0300087000 through 0300112400)	
205	2920140	2	Worklight	
205	7016399	2	Bulb, Replacement (1 Per Worklight)	
206	4240099	10	Tie-Strap (Not Shown)	
207	2820035	9	Loom, Vinyl (Not Shown)	
209	4460426	1	Connector, Strain Relief Options (Not Shown - Located at Console Box)	
		Ref	TRAY INSTALLATIONS (OPTIONAL)	
301	1580012	1	Tray, Storage (Center)	
302	1580013	1	Tray, Storage (Rail Mounted - Not Shown)	
	0274180	Ref	FLOODLIGHT INSTALLATION	A
401	0641518	2	Bolt 5/16in-18NC x 2-1/4in	
402	2560173	2	Handle	
403	2920157	2	Lamp, Work Light	
404	3250585	1	Nameplate - Light On	
405	4060802	1	Guard, Switch	
406	4360336	1	Switch, Toggle	
407	4420037	1	Tape, Insulation (Not Shown)	
408	4751800	2	Flatwasher 1/2in Regular	
409	4846561	1	Mount, Light	
410	4922892	1	Harness 12/3 (Lower Boom) (Not Shown)	
411	4922894	1	Harness 12/3 (Upper Boom) (Not Shown)	
		Ref	2500W GENERATOR INSTALLATION (OPTIONAL)	
501	4360336	1	Switch, Toggle	
501	4740397	1	Bushing	
501	4060802	1	Guard, Switch	
501	3251102	1	Decal - Generator ON/OFF	

SECTION 4 - PLATFORM

FIGURE 4-2. CONSOLE BOX INSTALLATION (WITH 1 CELL LSS)



ART_1001221703

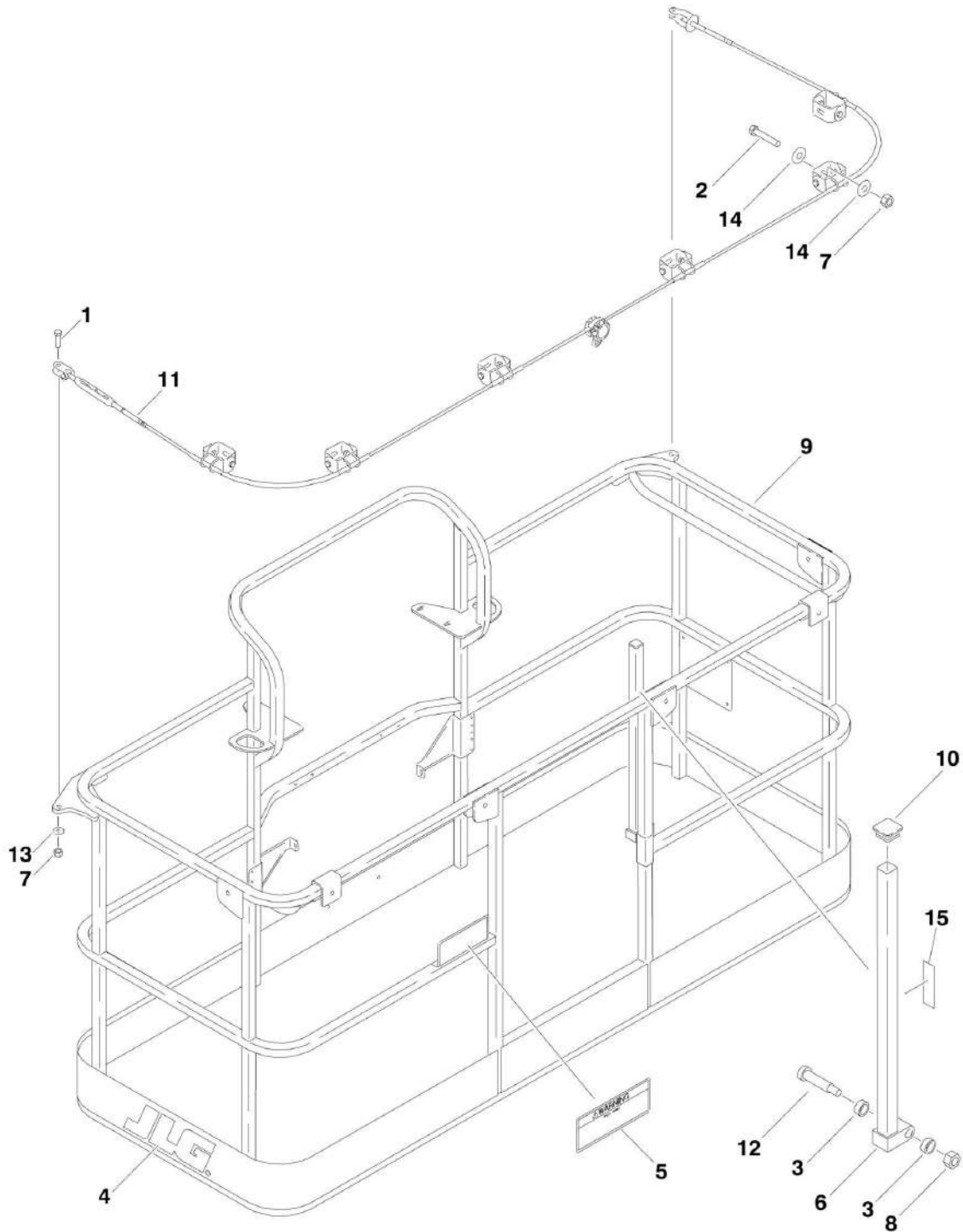
SECTION 4 - PLATFORM

FIGURE 4-2. CONSOLE BOX INSTALLATION (WITH 1 CELL LSS)

ITEM	PART NUMBER	QTY	DESCRIPTION	REV
	1001221703	Ref	CONSOLE BOX INSTALLATION (WITH 1 CELL LSS)	A
1	0641406	4	Bolt 1/4 x 3/4	
2	0641408	3	Bolt 1/4 x 1	
3	0641610	4	Bolt 3/8 x 16	
4	1702676	1	Decal	
5	3311405	7	Nut 1/4	
6	3311605	4	Nut 3/8	
7	3380434	1	Panel, Decal Mount	
8	3790012	1	O-Ring	
9	4360331	1	Switch, Toggle	
10	4740362	7	Washer	
11	4751400	4	Washer 1/4	
12	4751600	8	Washer 3/8	
13	1001219973	1	Platform Console Box Assembly (See Separate Breakdown in this Section)	

SECTION 4 - PLATFORM

FIGURE 4-3. PLATFORM COMPONENTS INSTALLATION (FALL ARREST PLATFORM)



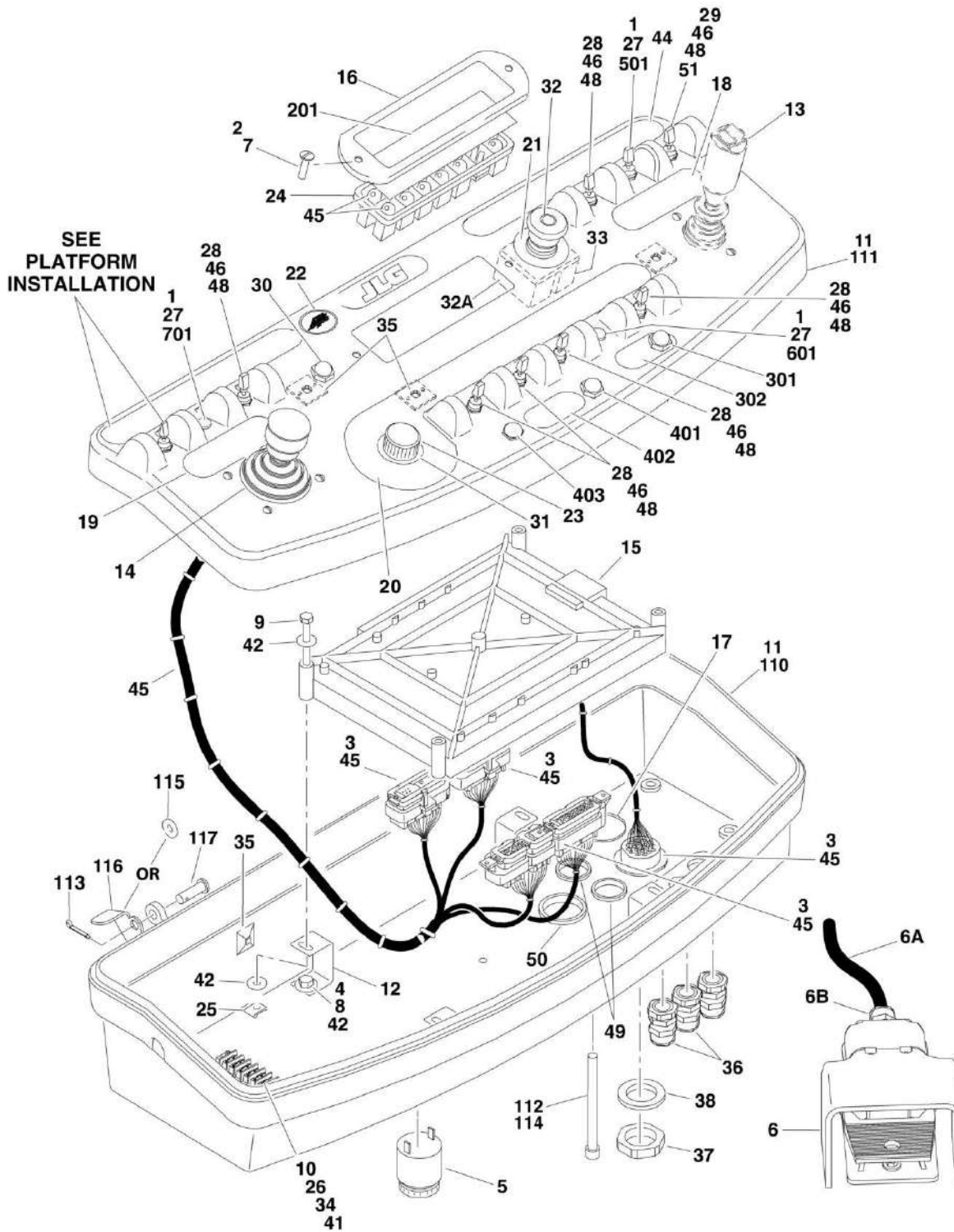
SECTION 4 - PLATFORM

FIGURE 4-3. PLATFORM COMPONENTS INSTALLATION (FALL ARREST PLATFORM)

ITEM	PART NUMBER	QTY	DESCRIPTION	REV
		Ref	PLATFORM ASSEMBLY (FALL ARREST)	
		Ref	Note: Not Available on CE Specs.	
	3510884	Ref	3ft x 6ft (0.9m x 1.83m) (SN 0300177361 through 0300185926)	F
	1001144597	Ref	3ft x 6ft (0.9m x 1.83m) (SN 0300185927 through 0300200808)	D
	1001186333	Ref	3ft x 6ft (0.9m x 1.83m) (SN 0300200809 to Present)	C
	3510868	Ref	3ft x 8ft (0.9m x 2.44m) (SN 0300177361 through 0300185926)	F
	1001144596	Ref	3ft x 8ft (0.9m x 2.44m) (SN 0300185927 through 0300200808)	D
	1001186334	Ref	3ft x 8ft (0.9m x 2.44m) (SN 0300200809 to Present)	D
		Ref	Note: Replacement Decals Must Be Purchased Separately - See DECALS SECTION.	
1	0681814	2	Bolt 1/2in-13NC x 1-3/4in (Grade 8)	
2	0681822	AR	Bolt 1/2in-13NC x 2-3/4in (Grade 8)	
3	0962270	2	Bearing	
4	1702773	1	Decal - JLG (3ft x 8ft (0.9m x 2.44m) Platform Only)	
5	1705014	1	Decal - Safety	
6	2410014	1	Gate Weldment	
7	3271805	AR	Locknut 1/2in-13NC (Grade 8)	
8	3311605	1	Locknut 3/8in-16NC	
9	See Note	NSS	Platform (Note: Purchase Platform Assembly)	
10	3520072	1	Cap-Plug	
11		Ref	Cable, Fall Arrest Options:	
11	1060919	NLA	Cable (3ft x 6ft (0.9m x 1.83m) Platform) (Use p/n 1001203655) (SN 0300177361 through 0300213938)	
11	1001203655	1	Cable (3ft x 6ft (0.9m x 1.83m) Platform) (SN 0300213939 to Present)	
11	3890040	NLA	Cable (3ft x 8ft (0.9m x 2.44m) Platform) (Use p/n 1001203656) (SN 0300177361 through 0300215775)	
11	1001203656	1	Cable (3ft x 8ft (0.9m x 2.44m) Platform) (SN 0300215776 to Present)	
12	3900054	1	Bolt 1/2in-13NC x 1 3/4in	
13	4711800	AR	Flatwasher 1/2in Thin	
14	4751800	AR	Flatwasher 1/2in Regular	
15	1706385	1	Decal - Drop Bar	

SECTION 4 - PLATFORM

FIGURE 4-4. PLATFORM CONSOLE ASSEMBLY (WITHOUT SKYGUARD)



SECTION 4 - PLATFORM

FIGURE 4-4. PLATFORM CONSOLE ASSEMBLY (WITHOUT SKYGUARD)

ITEM	PART NUMBER	QTY	DESCRIPTION	REV
	1001145834	Ref	CONSOLE BOX AND FOOTSWITCH ASSEMBLY (SN 0300177361 through 0300181174)	C
	1001159099	Ref	CONSOLE BOX AND FOOTSWITCH ASSEMBLY (SN 0300181175 through 0300188647)	B
	1001166672	Ref	CONSOLE BOX AND FOOTSWITCH ASSEMBLY (SN 0300188648 through 0300219885)	C
	1001202577	Ref	CONSOLE BOX AND FOOTSWITCH ASSEMBLY (SN 0300219886 to Present)	C
1	0100009	AR	Sealant	
2	0100035	AR	Compound, Locking	
3	0100048	AR	Grease, Dielectric	
4	0100081	AR	Adhesive	
5	0140011	1	Alarm	
6	1001117174	1	Footswitch Assembly (Includes Footswitch and Items 6A & 6B)	
6	1001117172	1	Footswitch	
6	70002902	1	Block, Contact for 1001117172 Footswitch	
6	70002903	1	Gasket for 1001117172 Footswitch	
6	70002905	1	Cover for 1001117172 Footswitch	
6	70002904	1	Bolt Replacement Kit for 1001117172 Footswitch	
6A	1060918	7 ft/2.14m	Cable, Electrical - 18/3	
6A	4460042	3	Terminal, Ring (Not Shown)	
6A	4460464	1	Pin, Male	
6A	4460226	2	Socket, Female	
6B	4460071	1	Connector, Strain Relief	
6B	0100020	AR	Sealant	
7	0630464	2	Screw, Button Head #10-24NC x 1/2in	
8	0641404	4	Bolt 1/4in-20NC x 1/2in	
9	0641414	4	Bolt 1/4in-20NC x 1 3/4in	
10	0721006	2	Bolt #10-24NC x 3/4in	
11		Ref	Box, Console Options (See Items 101-117 for Breakdown):	
11	0861537	1	Box, Console (SN 0300177361 through 0300219885)	
11	1001201890	1	Box, Console (SN 0300219886 to Present)	
12	0902751	4	Bracket, Card Support (SN 0300177361 through 0300219885)	
12	1001172760	4	Bracket, Card Support (SN 0300219886 to Present)	
13	1001118416	NLA	Controller Assembly (Drive and Steer) (Use p/n 1001212415) (See CONTROLLER ASSEMBLY (DRIVE AND STEER) for Breakdown) (SN 0300181175 through 0300188647)	
13	1001166538	NLA	Controller Assembly (Drive and Steer) (Use p/n 1001212415) (See CONTROLLER ASSEMBLY (DRIVE AND STEER) for Breakdown) (SN 0300188648 to Present)	
14	1001118417	NLA	Controller Assembly (Lift and Swing) (Use p/n 1001129555) (See CONTROLLER ASSEMBLY (LIFT AND SWING) for Breakdown) (SN 0300181175 through 0300188647)	
14	1001166539	NLA	Controller Assembly (Lift and Swing) (Use p/n 1001129555) (See CONTROLLER ASSEMBLY (LIFT AND SWING) for Breakdown) (SN 0300188648 to Present)	
15	1001106355	1	Controller, Module (SN 0300177361 through 0300181174)	
15		Ref	Note: Re-calibration Required when Replaced.	
15	1001106938	1	Controller, Module (SN 0300181175 to Present)	
15		Ref	Note: Re-calibration Required when Replaced.	
16	1670829	1	Bezel	
17	1001110434	1	Plug	

SECTION 4 - PLATFORM

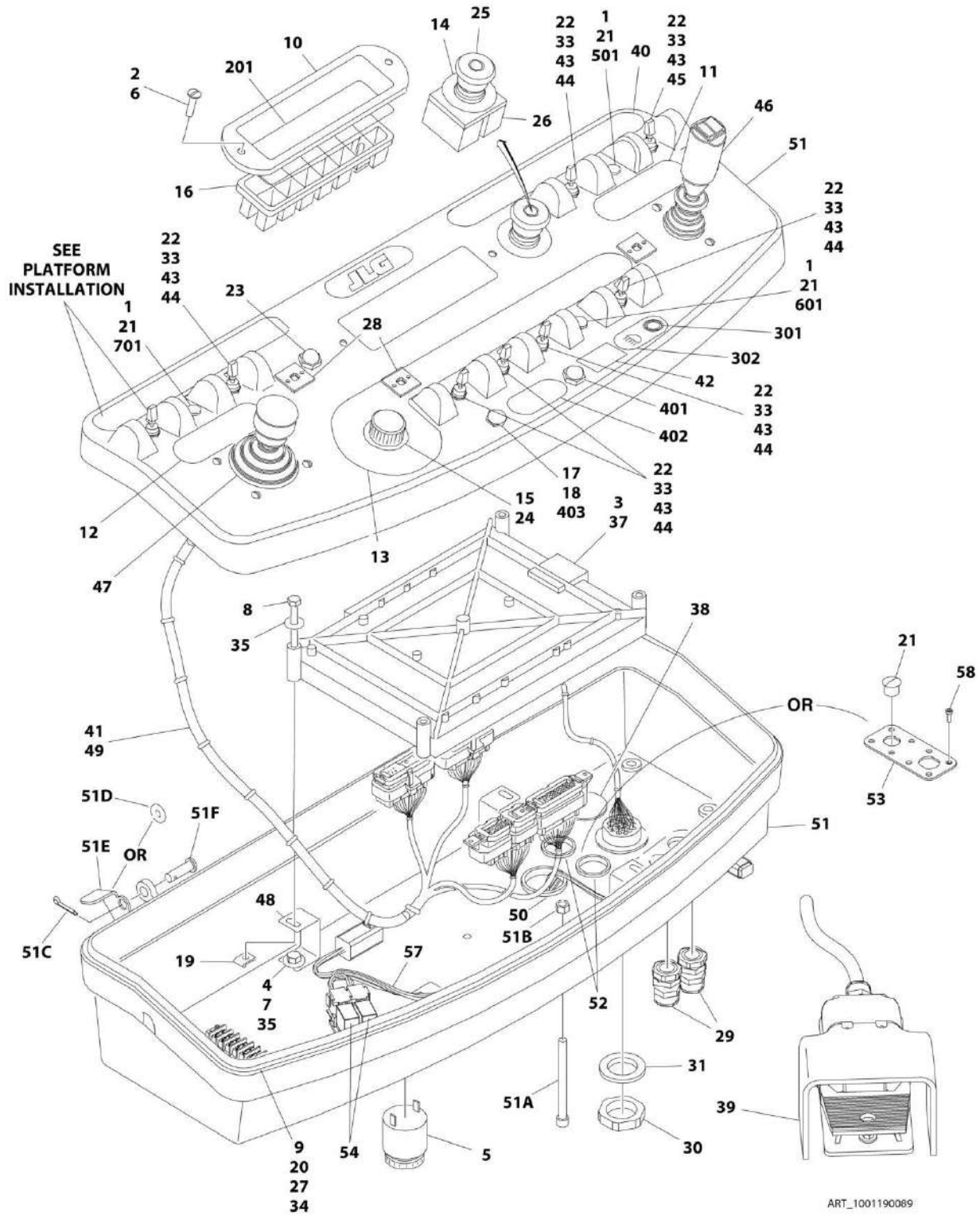
ITEM	PART NUMBER	QTY	DESCRIPTION	REV
18	1702565	1	Decal (Drive and Steer)	
19	1702566	1	Decal (Lift and Swing)	
20	1702567	1	Decal (Function Speed)	
21	1704260	1	Decal - EMS	
22	1705132	1	Decal - ADE (SN 0300177361 through 0300219885)	
23	2560136	1	Handle, Knob	
24	2760105	1	Housing, Display Light	
25	3300353	4	Nut, Tinnerman	
26	3311005	2	Locknut #10-24NC	
27	3520054	3	Plug, Hole	
28	4360328	6	Switch, Toggle (SN 0300177361 through 0300181174)	
28	1001155045	6	Switch, Toggle (SN 0300181175 to Present)	
29	4360330	1	Switch, Toggle (SN 0300177361 through 0300181174)	
29	1001159256	1	Switch, Toggle (SN 0300181175 to Present)	
30	4360387	1	Switch, Pushbutton	
31	4360407	1	Controller, Speed	
31	See Note	1	Gasket "Top Hat" (Included with Switch) (Note: Not Available - Purchase Complete Controller)	
31	70003784	1	Seal (Note: Must be purchased separately)	
32	4360475	1	Switch, Emergency Stop	
32	7020175	1	Cap, Red	
32	7020176	1	Contact Block	
33	4360476	1	Block, Contact	
34	4460007	1	Bar, Buss	
35	4460234	3	Base, Mounting	
36	4460428	2	Connector, Strain Relief	
37	4460470	1	Nut, Terminal	
38	4460471	1	Lockwasher, Terminal	
39	4460708	2	Connector, Female - 15 Position (Not Shown - See ELECTRICAL SECTION for Location)	
41	4751000	AR	Flatwasher #10 Regular	
42	4751400	8	Flatwasher 1/4in Regular	
43	4922666	1	Harness, Analyzer Cable (Not Shown - See ELECTRICAL SECTION for Breakdown)	
44	1001131168	1	Decal (Stop)	
45	1001107753	1	Harness, Platform Box (See ELECTRICAL SECTION for Breakdown)	
46	3790012	7	O-Ring	
47	1001139135	1	Platform Valve Harness (Not shown- See ELECTRICAL SECTION for Breakdown)	
48	1001155044	7	Nut (SN 0300181175 to Present)	
49	3520033	2	Plug (SN 0300219886 through 0300224049)	
49	1001220486	1	Plug (SN 0300224050 to Present)	
50	3520035	1	Plug (SN 0300219886 to Present)	
51	4740397	1	Spacer (SN 0300219886 to Present)	
	0861537	Ref	CONSOLE BOX ASSEMBLY (SN 0300177361 through 0300219885)	I
	1001201890	Ref	CONSOLE BOX ASSEMBLY (SN 0300219886 to Present)	A
110	See Note	NSS	Console Bottom (Note: Not Available for Purchase)	
111	See Note	NSS	Console Top (Note: Not Available for Purchase)	
112	3311601	1	Nut 3/8in-16NC	
113	3470003	2	Hairpin	
114	0630568	1	Screw 3/8in-16NC x 4-1/2in	

SECTION 4 - PLATFORM

ITEM	PART NUMBER	QTY	DESCRIPTION	REV
115	4711500	AR	Washer 5/16	
115	4751600	AR	Washer 3/8	
116	1001200575	2	Bracket	
117	3430616	2	Pin (SN 0300219886 to Present)	
		Ref	LIGHT PANEL DECAL INSTALLATION	
	1001108763	Ref	ANSI, ANSI Export, CSA and Japanese Specs	B
	1001108764	Ref	ANSI Export, Australian and CE Specs	A
201		Ref	Decal - Display Options:	
201	1001121657	1	ANSI, ANSI Export, CSA and Japanese Specs	
201	1001107926	1	ANSI Export, Australian and CE Specs	
		Ref	LIGHT SWITCH INSTALLATION	
	0271552	Ref	Head and Tail Lights Installation (Optional) (SN 0300177361 through 0300201472)	D
	1001176296	Ref	Head and Tail Lights Installation (Optional) (SN 0300201473 to Present)	
	0274200	Ref	Chassis Illumination Light Installation (Optional)	B
301	4360522	1	Switch, Push Button	
302	1705170	1	Decal - Lights (SN 0300136623 to Present)	
		Ref	SOFT TOUCH SYSTEM INSTALLATIONS	
	0273824	Ref	6ft Platform	D
	0272427	Ref	8ft Platform	G
	1001108256	Ref	6ft/1.8m Platform w/Fall Arrest	C
	0273706	Ref	8ft/2.4m Platform w/Fall Arrest	D
401	4360387	1	Switch, Pushbutton	
402	1702938	1	Decal - Soft Touch Override	
403	2920028	1	Lamp, Indicator	
403	2920029	1	Bulb, Light	
		Ref	DUAL FUEL SWITCH INSTALLATION (GM POWERED MACHINES ONLY)	
501	4360336	1	Switch, Toggle	
501	3790012	1	O-Ring	
		Ref	JIB SWITCH INSTALLATION (600AJ ONLY)	
601	4360328	1	Switch, Toggle	
601	3790012	1	O-Ring	
		Ref	CRAB STEER INSTALLATION (4WS ONLY)	
701	4360331	1	Switch, Toggle	
701	3790012	1	O-Ring	

SECTION 4 - PLATFORM

FIGURE 4-5. PLATFORM CONSOLE ASSEMBLY (WITH SKYGUARD)



SECTION 4 - PLATFORM

FIGURE 4-5. PLATFORM CONSOLE ASSEMBLY (WITH SKYGUARD)

ITEM	PART NUMBER	QTY	DESCRIPTION	REV
	1001190089	Ref	PLATFORM CONSOLE ASSEMBLY - WITH SKYGUARD (WITHOUT LSS OR WITH 4 CELL LSS) (SN 0300177361 through 0300219885)	C
	1001202573	Ref	PLATFORM CONSOLE ASSEMBLY - WITH SKYGUARD (WITHOUT LSS OR WITH 4 CELL LSS) (SN 0300219886 to Present)	D
	1001219973	Ref	PLATFORM CONSOLE ASSEMBLY - WITH SKYGUARD (WITH 1 CELL LSS)	B
1	0100009	AR	Sealant	
2	0100035	AR	Compound, Locking	
3	0100048	AR	Grease, Dielectric	
4	0100081	AR	Adhesive (SN 0300219886 through 03000300237184)	
5	0140011	1	Alarm	
6	0630464	2	Screw #10 x 1/2	
7	0641404	4	Bolt 1/4 x 1/2	
8	0641414	4	Bolt 1/4 x 1-3/4	
9	0721006	2	Screw #10 X 3/4	
10	1670829	1	Bezel	
11	1702565	1	Decal - Drive and Steer	
12	1702566	1	Decal - Lift and Swing	
13	1702567	1	Decal - Function Speed	
14	1704260	1	Decal, Emergency Stop	
15	2560136	1	Knob	
16	2760105	1	Fixture, Light	
17	2920028	1	Light, Indicator	
18	2920029	1	Lamp, Bulb	
19	3300353	4	Nut, Tinnerman	
20	3311005	2	Nut #10	
21	3520054	AR	Plug, Hole	
22	3790012	7	O-Ring	
23	4360387	2	Switch, Push Button	
24	4360407	1	Switch, Flow Control	
24	See Note	1	Gasket "Top Hat" (Included with Switch (Note: Not Available for Purchase))	
24	70003784	1	Seal	
25	4360475	1	Switch, Emergency Stop	
25	7020175	1	Cap, Red	
25	7020176	1	Block, Contact	
26	4360476	1	Switch, Contact	
27	4460007	1	Bussbar	
28	4460234	3	Mount Cable, Tie	
29	4460428	2	Connector, Strain Relief	
30	4460470	1	Terminal, Nut	
31	4460471	1	Terminal, Washer	
32	4460708	2	Connector - 15 Position (Not Shown)	
33	4740397	7	Spacer, Washer	
34	4751000	2	Washer #10	
35	4751400	8	Washer 1/4	
36	4922666	1	Harness, Analyzer Cable (Not Shown) (See ELECTRICAL SECTION for Breakdown)	
37	1001106938	1	Module, Control	

SECTION 4 - PLATFORM

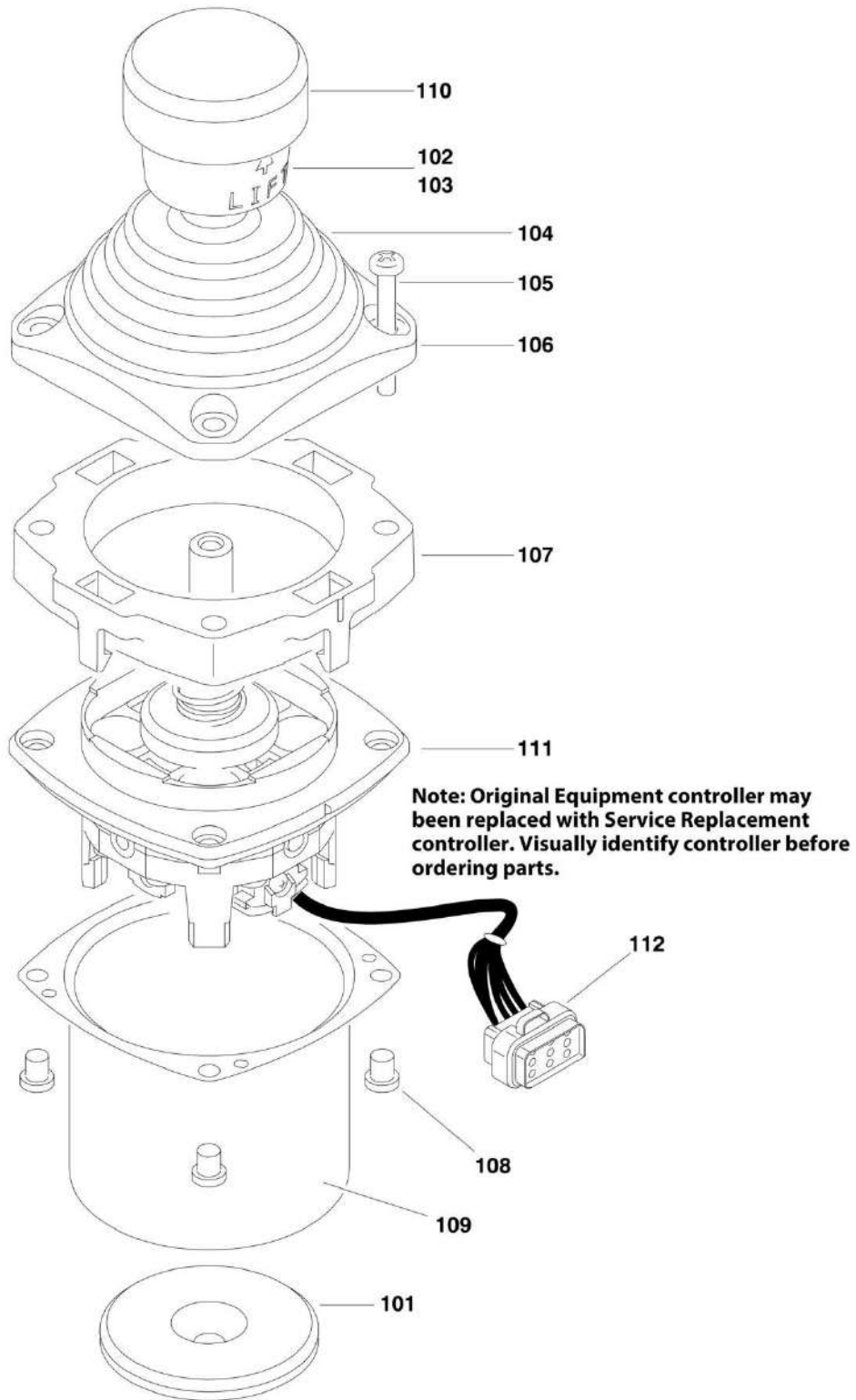
ITEM	PART NUMBER	QTY	DESCRIPTION	REV
		Ref	Note: Re-calibration Required when Replaced.	
38	1001110434	1	Plug, Hole	
39	1001117174	1	Footswitch Assembly	
39	1001117172	1	Footswitch	
39	70002902	1	Block, Contact for 1001117172 Footswitch	
39	70002903	1	Gasket for 1001117172 Footswitch	
39	70002905	1	Cover for 1001117172 Footswitch	
39	70002904	1	Bolt Replacement Kit for 1001117172 Footswitch	
39	1060918	7 ft/2.14m	Cable, Electrical - 18/3	
39	4460042	3	Terminal, Ring (Not Shown)	
39	4460464	1	Pin, Male	
39	4460226	2	Socket, Female	
39	4460071	1	Connector, Strain Relief	
39	0100020	AR	Sealant	
40	1001131168	1	Decal - Stop	
41	1001139135	1	Harness, Platform Valve (See ELECTRICAL SECTION for Breakdown)	
42	1001144433	1	Decal - No Weight SkyGuard	
43	1001155044	7	Nut 15/32	
44	1001155045	6	Switch, Toggle	
45	1001159256	1	Switch, Toggle	
46	1001166538	NLA	Controller Assembly - Drive/Steer (Use p/n 1001212415) (See CONTROLLER ASSEMBLY (DRIVE AND STEER) for Breakdown)	
47	1001166539	NLA	Controller Assembly - Lift/Swing (Use p/n 1001129555) (See CONTROLLER ASSEMBLY (LIFT AND SWING) for Breakdown)	
48	1001172760	4	Bracket	
49	1001185280	1	Harness, Console Box (Machines without LSS or with 4 Cell LSS) (See ELECTRICAL SECTION for Breakdown)	
49	1001220281	1	Harness, Console Box (Machines with 1 Cell LSS) (See ELECTRICAL SECTION for Breakdown)	
50	1001185281	1	Plug	
51	1001189116	1	Console Box Components (Machines without LSS or with Cell LSS) (SN 0300177361 through 0300219885)	D
51	1001201891	1	Console Box Components (Machines without LSS or with 4 Cell LSS) (SN 0300219886 to Present)	A
51	1001215228	1	Console Box Components (Machines with 1 Cell LSS)	A
51A	0630568	1	Capscrew 3/8 x 4-1/2	
51B	3311601	1	Nut 3/8	
51C	3470003	1	Hairpin	
51D	4711500	AR	Washer 5/16	
51D	4751600	AR	Washer 3/8	
51E	1001200575	2	Bracket (SN 0300219886 to Present)	
51F	3430616	2	Pin (SN 0300219886 to Present)	
52	3520033	AR	Plug (SN 0300219886 through 0300224049)	
52	1001220486	AR	Plug (SN 0300224050 to Present)	
53	1001213882	1	Mount (Machines with 1 Cell LSS)	
54	1001186431	2	Relay (Machines with 1 Cell LSS)	
54	4240032	AR	Tie-Strap	
54	4460488	AR	Mount, Tie-Strap	
57	1001225580	1	Interface Harness (Machines with 1 Cell LSS)	
58	3900349	AR	Capscrew M2.5	
		Ref	LIGHT PANEL DECAL INSTALLATION	
	1001108763	Ref	ANSI, ANSI Export, CSA and Japanese Specs	B

SECTION 4 - PLATFORM

ITEM	PART NUMBER	QTY	DESCRIPTION	REV
	1001108764	Ref	ANSI Export, Australian and CE Specs	A
201		Ref	Decal - Display Options:	
201	1001121657	1	ANSI, ANSI Export, CSA and Japanese Specs	
201	1001107926	1	ANSI Export, Australian and CE Specs	
		Ref	LIGHT SWITCH INSTALLATION	
	0271552	Ref	Head and Tail Lights Installation (Optional) (SN 0300177361 through 0300201472)	D
	1001176296	Ref	Head and Tail Lights Installation (Optional) (SN 0300201473 to Present)	A
	0274200	Ref	Chassis Illumination Light Installation (Optional)	B
301	4360522	1	Switch, Push Button	
302	1705170	1	Decal - Lights (SN 0300136623 to Present)	
		Ref	SOFT TOUCH SYSTEM INSTALLATIONS	
	0273824	Ref	6ft Platform	D
	0272427	Ref	8ft Platform	G
	1001108256	Ref	6ft/1.8m Platform with Fall Arrest	C
	0273706	Ref	8ft/2.4m Platform with Fall Arrest	D
401	4360387	1	Switch, Push Button	
402	1702938	1	Decal - Soft Touch Override	
403	2920028	1	Lamp, Indicator	
403	2920029	1	Bulb, Light	
		Ref	DUAL FUEL SWITCH INSTALLATION (GM POWERED MACHINES ONLY)	
501	4360336	1	Switch, Toggle	
501	3790012	1	O-Ring	
		Ref	JIB SWITCH INSTALLATION (600AJ ONLY)	
601	4360328	1	Switch, Toggle	
601	3790012	1	O-Ring	
		Ref	CRAB STEER INSTALLATION (4WS ONLY)	
701	4360331	1	Switch, Toggle	
701	3790012	1	O-Ring	

SECTION 4 - PLATFORM

FIGURE 4-6. CONTROLLER ASSEMBLY (LIFT AND SWING) (SN 0300177361 through 0300188647)



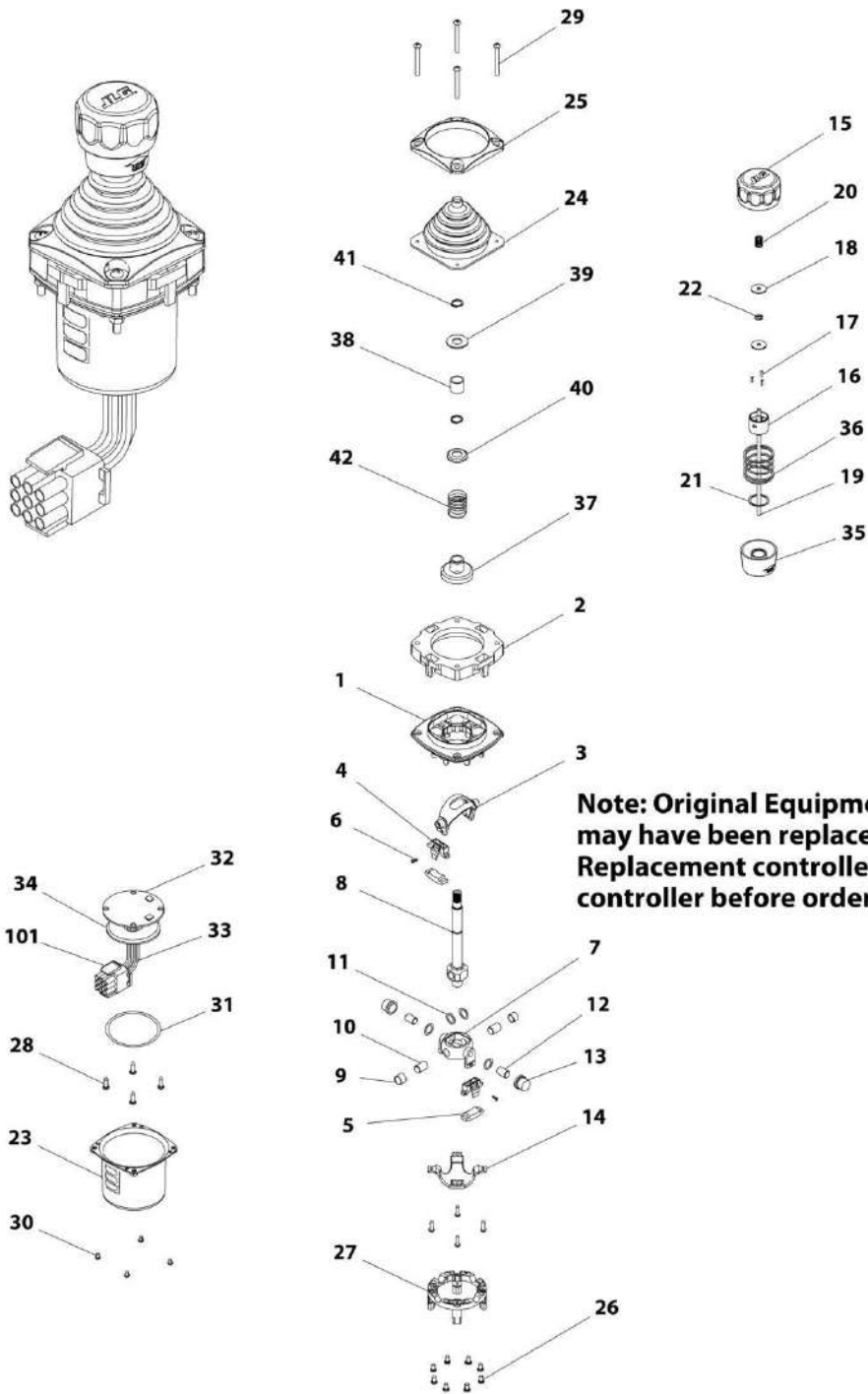
SECTION 4 - PLATFORM

FIGURE 4-6. CONTROLLER ASSEMBLY (LIFT AND SWING) (SN 0300177361 through 0300188647)

ITEM	PART NUMBER	QTY	DESCRIPTION	REV
		Ref	Note: Original Equipment controller may have been replaced with a Service Replacement controller. Visually identify controller before ordering parts.	
	1001118417	Ref	CONTROLLER ASSEMBLY (LIFT AND SWING)	E
		Ref	Note: Use p/n 1001129555 as Replacement.	
101	70002730	1	Gasket	
102	7003928	1	Spring	
103	7022808	1	Cap, Lift	
104	70002731	1	Boot	
105	70002732	4	Screw	
106	7022815	1	Bezel	
107	70002733	1	Adapter	
108	70002734	4	Screw	
109	70002735	1	Can, Enclosure	
110	70002906	1	Cap	
111	See Note	NSS	Mechanical Assembly (Note: Use p/n 1001129555)	
112	7022819	1	Plug, Male 8 Position (Natural) (Not Shown)	
112	4460871	6	Socket, Female	

SECTION 4 - PLATFORM

FIGURE 4-7. CONTROLLER ASSEMBLY (LIFT AND SWING) (SN 0300188648 to Present)



Note: Original Equipment controller may have been replaced with Service Replacement controller. Visually identify controller before ordering parts.

ART_1001166539

SECTION 4 - PLATFORM

FIGURE 4-7. CONTROLLER ASSEMBLY (LIFT AND SWING) (SN 0300188648 to Present)

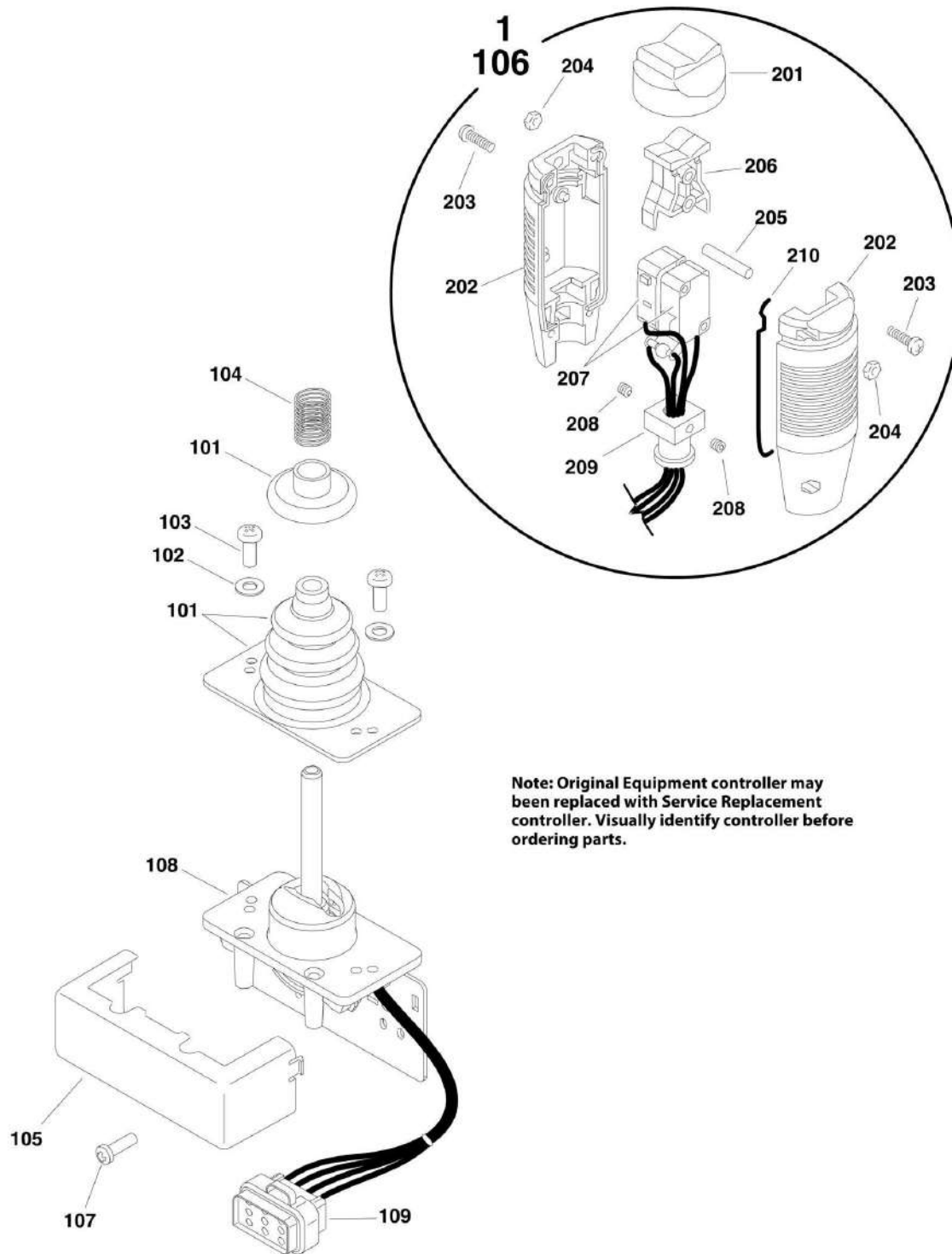
ITEM	PART NUMBER	QTY	DESCRIPTION	REV
		Ref	Note: Original Equipment controller may have been replaced with a Service Replacement controller. Visually identify controller before ordering parts.	
	1001166539	Ref	CONTROLLER ASSEMBLY (LIFT AND SWING)	D
		Ref	Note: Use p/n 1001129555 as replacement.	
1	See Note	1	Main Cast Body (Note: Not Available - Purchase Complete Assembly)	
2	70004752	1	Adapter	
3	See Note	NSS	Pivot Arm, Plastic (Note: Not Available - Purchase Complete Assembly)	
4	See Note	NSS	Holder, Magnet (Note: Not Available - Purchase Complete Assembly)	
5	See Note	NSS	Arc, Magnet (Note: Not Available - Purchase Complete Assembly)	
6	See Note	NSS	Screw (Note: Not Available for Purchase)	
7	See Note	NSS	Pivot Arm, Cast (Note: Not Available - Purchase Complete Assembly)	
8	See Note	NSS	Shaft, Main (Note: Not Available - Purchase Complete Assembly)	
9	See Note	NSS	Bearing (Note: Not Available - Purchase Complete Assembly)	
10	See Note	NSS	Pin (Note: Not Available - Purchase Complete Assembly)	
11	See Note	NSS	Shim (Note: Not Available - Purchase Complete Assembly)	
12	See Note	NSS	Pin (Note: Not Available - Purchase Complete Assembly)	
13	See Note	NSS	Bearing (Note: Not Available - Purchase Complete Assembly)	
14	See Note	NSS	Dome, Centering (Note: Not Available - Purchase Complete Assembly)	
15	70004753	1	Cap	
16	70004754	1	Insert, Cap	
17	70004755	3	Pin	
18	70004756	2	Washer	
19	70004757	1	Pin, Centering	
20	70004758	1	Spring	
21	70004759	1	Ring, Retaining	
22	70004760	1	E-Ring	
23	70004761	1	Can, Enclosure	
24	70004762	1	Boot	
25	70004763	1	Bezel	
26	See Note	NSS	Screw (Note: Not Available for Purchase)	
27	See Note	NSS	Base Mounting (Note: Not Available - Purchase Complete Assembly)	
28	See Note	NSS	Screw (Note: Not Available for Purchase)	
29	70004764	4	Screw	
30	70004765	4	Screw	
31	70004766	1	O-Ring	
32	See Note	NSS	Plate (Note: Not Available - Purchase Complete Assembly)	
33	See Note	NSS	Harness (Note: Not Available - Purchase Complete Assembly)	
34	70004767	1	Grommet, Rubber	
35	70004768	1	Housing	
36	70004769	1	Spring	
37	70004770	1	Stopper	
38	70004771	1	Spacer	
39	70004772	1	Washer	
40	70004773	1	Disc	

SECTION 4 - PLATFORM

ITEM	PART NUMBER	QTY	DESCRIPTION	REV
41	70004774	2	Ring, Retaining	
42	70004775	1	Spring	
101	4460265	1	Connector - 9 Position	
101	4460226	6	Socket, Female	

SECTION 4 - PLATFORM

FIGURE 4-8. CONTROLLER ASSEMBLY (DRIVE AND STEER) (SN 0300177361 through 0300188647)



Note: Original Equipment controller may be replaced with Service Replacement controller. Visually identify controller before ordering parts.

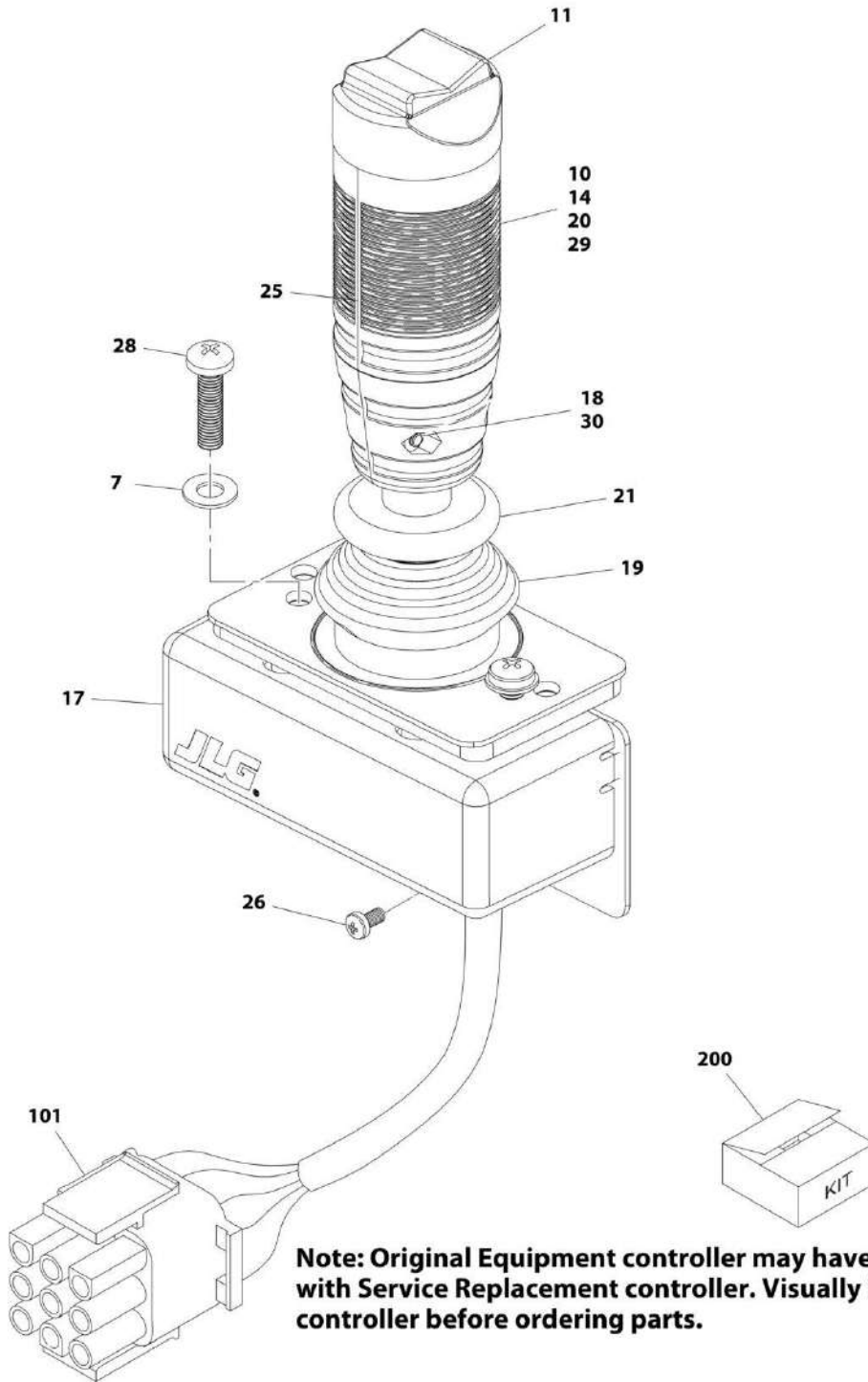
SECTION 4 - PLATFORM

FIGURE 4-8. CONTROLLER ASSEMBLY (DRIVE AND STEER) (SN 0300177361 through 0300188647)

ITEM	PART NUMBER	QTY	DESCRIPTION	REV
		Ref	Note: Original Equipment controller may have been replaced with a Service Replacement controller. Visually identify controller before ordering parts.	
	1001118416	Ref	CONTROLLER ASSEMBLY (DRIVE AND STEER)	D
		Ref	Note: Use p/n 1001212415 as replacement.	
101	70002724	1	Boot and Control Lock Assembly	
102	7003941	2	Washer	
103	70002725	2	Screw	
104	7019162	1	Spring	
105	70002726	1	Enclosure	
106	70002727	1	Handle Assembly (See Items 201-210 for Breakdown)	
107	70002728	1	Screw	
108	1001118416	NSS	Mechanical Assembly (Note: Not Available for Purchase)	
109	7022825	1	Plug, Male - 8 Position (Black)	
109	4460871	7	Socket, Female	
	70002727	Ref	HANDLE ASSEMBLY	
201	7003972	1	Boot, Switch	
202	7003973	2	Half, Handle	
203	7003980	4	Screw	
204	7019167	4	Nut	
205	7019164	1	Axle	
206	7019165	1	Rocker	
207	70002729	1	Wiring Assembly	
207	7003982	2	Switch, Micro	
208	7003983	2	Setscrew	
209	7019194	1	Coupling	
210	7003989	2	Gasket	

SECTION 4 - PLATFORM

FIGURE 4-9. CONTROLLER ASSEMBLY (DRIVE AND STEER) (SN 0300188648 to Present)



ART_1001166538

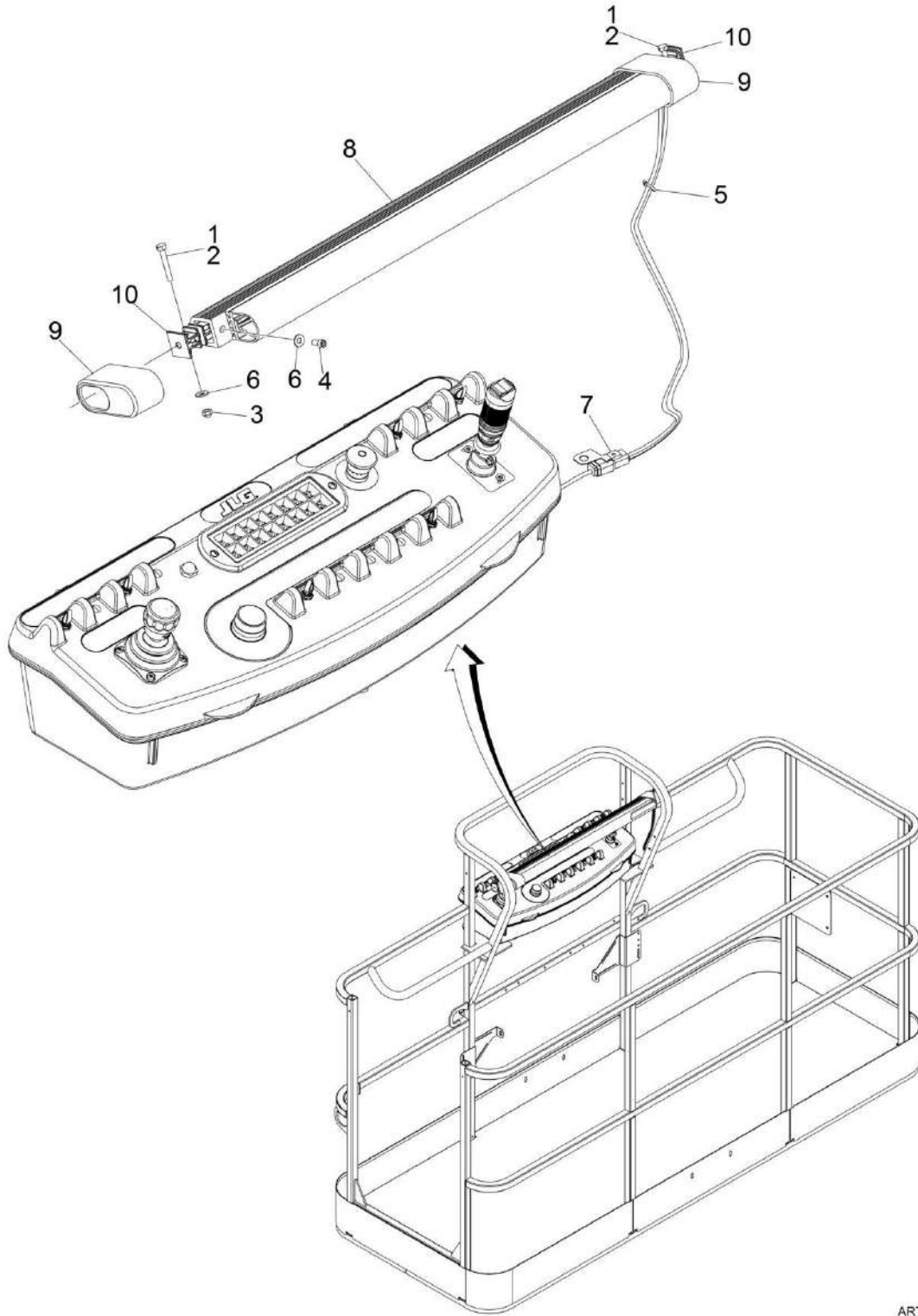
SECTION 4 - PLATFORM

FIGURE 4-9. CONTROLLER ASSEMBLY (DRIVE AND STEER) (SN 0300188648 to Present)

ITEM	PART NUMBER	QTY	DESCRIPTION	REV
		Ref	Note: Original Equipment controller may have been replaced with a Service Replacement controller. Visually identify controller before ordering parts.	
	1001166538	Ref	CONTROLLER ASSEMBLY (DRIVE AND STEER)	G
		Ref	Note: Use p/n 1001212415 as Replacement.	
7	70004738	2	Washer	
10	70004739	1	Roller	
11	70004740	1	Boot, Switch	
14	70004741	2	Half, Handle	
17	70004742	1	Enclosure	
18	70004743	4	Nut	
19	70004744	NLA	Boot, Controller (Use Item 200)	
20	70004745	NLA	Tube, Locking (Use Item 200)	
21	70004746	NLA	Disc, Looking (Use Item 200)	
25	70004747	2	Seal, Rope	
26	70004748	1	Screw M3 x 6mm	
28	70004749	2	Screw M5 x 20mm	
29	70004750	1	Pin, Dowel	
30	70004751	4	Screw M3 x 16mm	
101	4460265	1	Connector - 9 Position	
101	4460226	7	Socket, Female	
200	70005230	1	Boot Kit (Includes Items 19-21)	

SECTION 4 - PLATFORM

FIGURE 4-10. SKYGUARD SYSTEM INSTALLATION



ART_1001187508

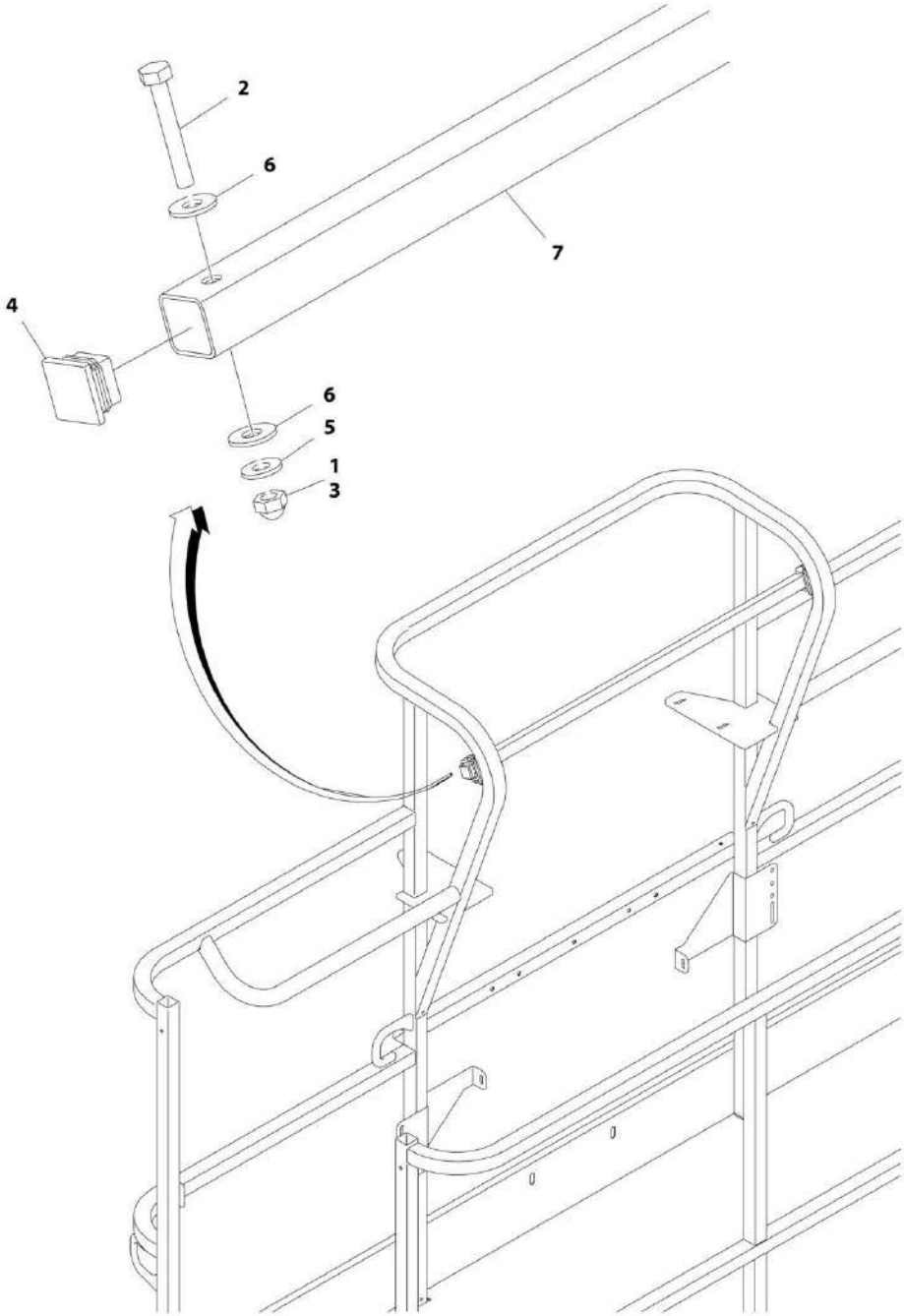
SECTION 4 - PLATFORM

FIGURE 4-10. SKYGUARD SYSTEM INSTALLATION

ITEM	PART NUMBER	QTY	DESCRIPTION	REV
	1001187508	Ref	SKYGUARD SYSTEM INSTALLATION (SN 0300200809 to Present)	C
		Ref	Note: For Machines SN 0300177361 through SN 0300200808, refer to SPECIAL OPTIONS Section.	
1	0100011	AR	Compound, Locking	
2	0641414	2	Bolt 1/4 x 1-3/4	
3	3300430	2	Nut, Acorn 1/4	
4	3931424	AR	Capscrew 1/4 x 1-1/2	
4	3931408	AR	Capscrew 1/4 x 1/2	
5	4240033	AR	Tie-Strap	
6	4711400	AR	Washer 1/4	
7	1001120328	1	Mount	
8	1001137673	1	Switch, SkyGuard Assembly	
9	1001186517	2	Cover, Platform Sensor	
10	1001188889	2	Support, Block (SN 0300177361 through 0300241337)	
10	1001209664	2	Support, Block (SN 0300241338 to Present)	

SECTION 4 - PLATFORM

FIGURE 4-11. CROSS RAIL INSTALLATION



ART_1001182138

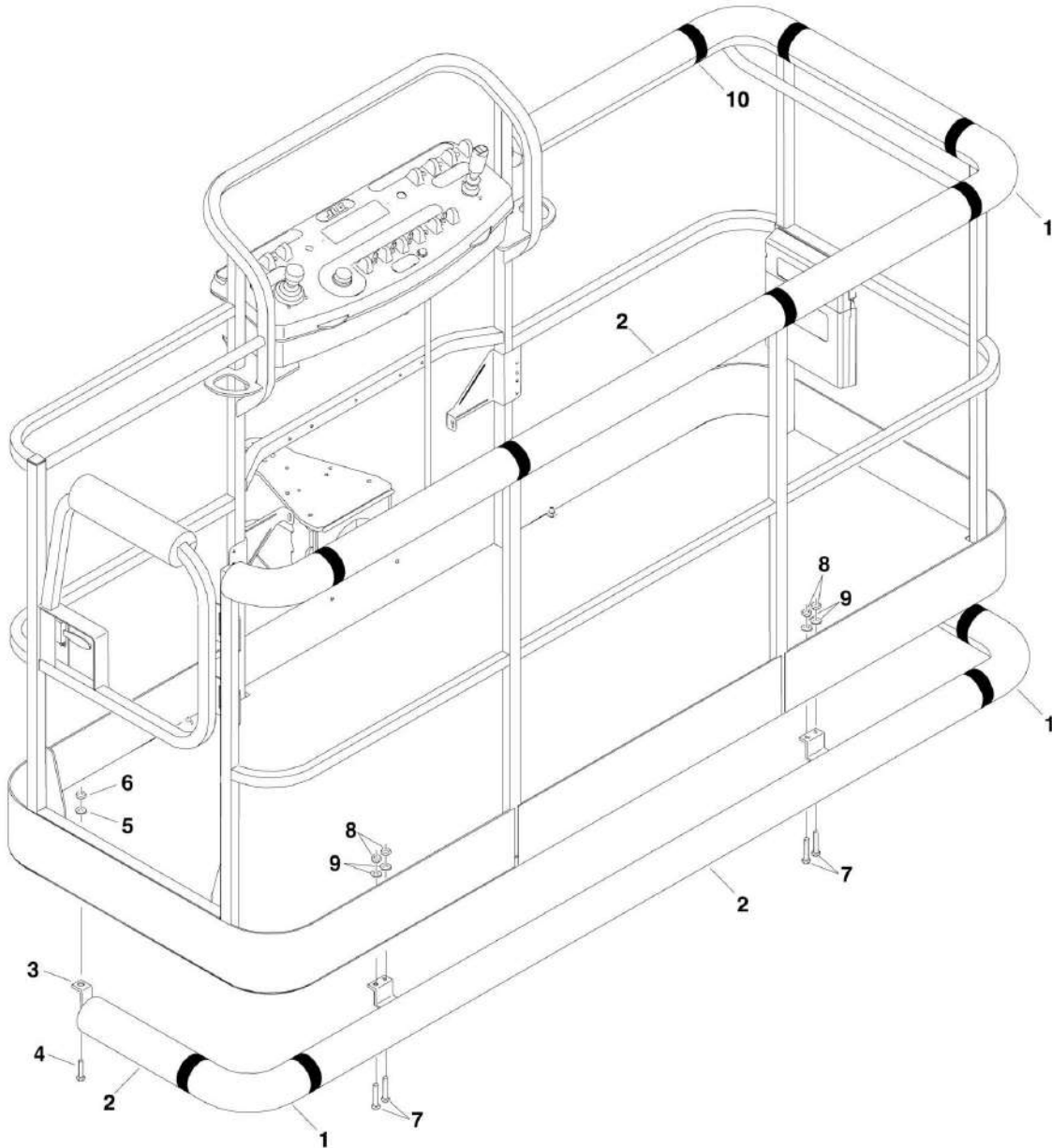
SECTION 4 - PLATFORM

FIGURE 4-11. CROSS RAIL INSTALLATION

ITEM	PART NUMBER	QTY	DESCRIPTION	REV
	1001182138	Ref	CROSS RAIL INSTALLATION	A
1	0100071	AR	Compound, Locking	
2	0641414	2	Bolt 1/4 x 1-3/4	
3	3300430	2	Nut 1/4	
4	3520182	2	Plug	
5	4711400	2	Washer 1/4	
6	4751400	4	Washer 1/4	
7	1001191708	1	Bar	

SECTION 4 - PLATFORM

FIGURE 4-12. PLATFORM PADDING INSTALLATION (30IN/76CM DEPTH PLATFORMS) (OPTIONAL)



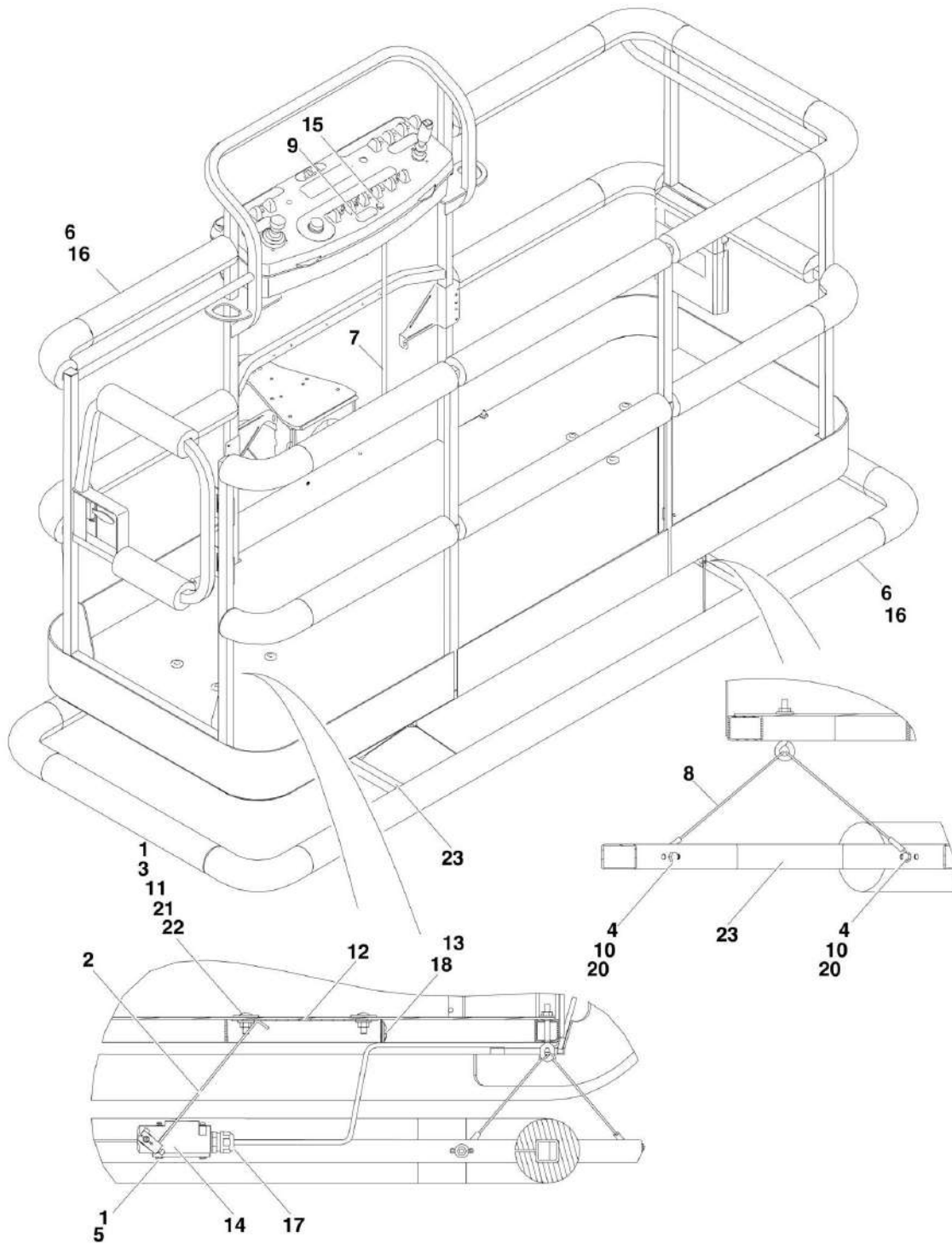
SECTION 4 - PLATFORM

FIGURE 4-12. PLATFORM PADDING INSTALLATION (30IN/76CM DEPTH PLATFORMS) (OPTIONAL)

ITEM	PART NUMBER	QTY	DESCRIPTION	REV
	0273542	Ref	PADDING INSTALLATION (30 X 48 SIDE ENTRY PLATFORM) Note: Only Available on ANSI, ANSI Export and CSA Specs	A
		Ref		
1	0940092	4	Bumper, Pad (Corner)	
2	0940094	9 ft/2.7m	Bumper, Pad (Square Tubing)	
3	0940131	1	Bumper, Rail	
4	0641516	2	Bolt 5/16in-18NC x 2in	
5	4751500	2	Flatwasher 5/16in Regular	
6	3311505	2	Locknut 5/16in-18NC	
7	0641813	4	Bolt 1/2in-13NC x 1-5/8in	
8	3311805	4	Locknut 1/2in-13NC	
9	4891800	4	Flatwasher 1/2in Hardened	
10	4420068	30 ft/9.1m	Tape	

SECTION 4 - PLATFORM

FIGURE 4-13. SOFT TOUCH SYSTEM INSTALLATION (36IN/91.5CM DEPTH PLATFORMS) (OPTIONAL)



SECTION 4 - PLATFORM

**FIGURE 4-13. SOFT TOUCH SYSTEM INSTALLATION (36IN/91.5CM DEPTH PLATFORMS)
(OPTIONAL)**

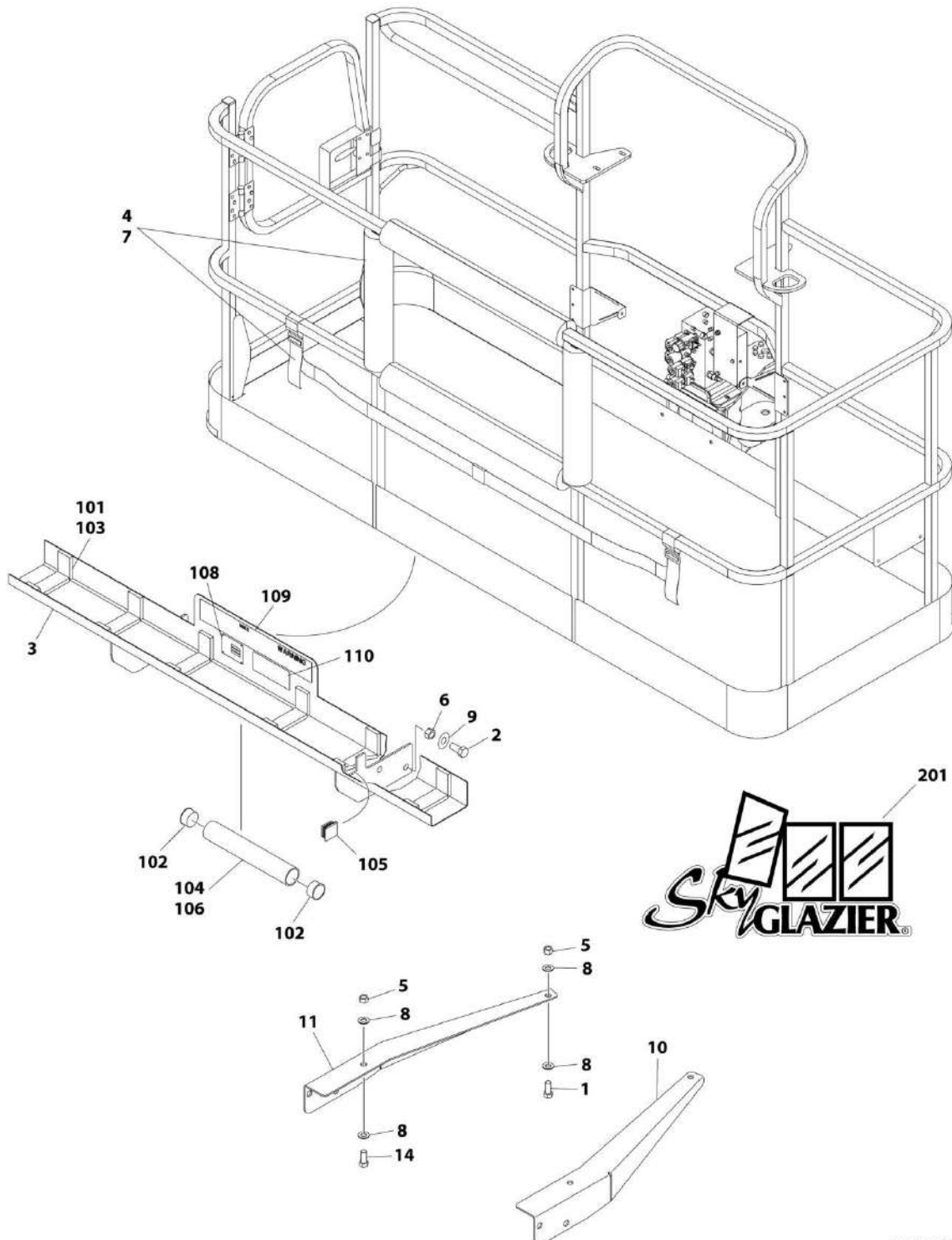
ITEM	PART NUMBER	QTY	DESCRIPTION	REV
		Ref	SOFT TOUCH SYSTEM INSTALLATIONS	
	0273824	Ref	6ft Platform	D
	0272427	Ref	8ft Platform	G
	1001108256	Ref	6ft/1.8m Platform w/Fall Arrest	C
	0273706	Ref	8ft/2.4m Platform w/Fall Arrest	D
1	0100011	AR	Compound, Locking	
2	0200048	2	Arm, Switch	
3	0630462	8	Bolt, Carriage	
4	0641414	8	Bolt 1/4in-20NC x 1-3/4in	
5		Ref	Bolt Options:	
5	0721005	4	Bolt #10-24NC x 5/8in	
5	0731005	4	Bolt #10-32NF x 5/8in	
6		Ref	Bumper Kits (Includes Corners and Enough Straight Material for One Platform)	
6	0940134	1	6ft Platform	
6	0940103	1	8ft Platform	
6	0940177	1	6ft Platform with Fall Arrest	
6	0940133	1	8ft Platform with Fall Arrest	
6	0940092	1	Bumper (Corner) Options:	
6		Ref	6ft/8ft Platform without Fall Arrest	
6		Ref	6ft/8ft Platform with Fall Arrest	
6	0940094	AR	Bumper (12ft Length)	
7	1060341	23 ft/7m	Cable, Electrical - 16/2	
8	1060903	4	Wire Rope and Eyebolt Assembly	
9	1702938	1	Decal - Soft Touch Override	
10	3311401	8	Nut 1/4in-20NC	
11	3311501	8	Nut 5/16in-18NC	
12		Ref	Plate, Switch Strike Options:	
12	3575359	2	6ft Platform	
12	3574091	2	8ft Platform	
13	4240099	7	Tie-Strap	
14	4360057	2	Switch, Limit	
15	4360387	1	Switch, Push Button	
16	4420068	AR	Tape, Adhesive	
16	1001197017	AR	Tie-Strap	
17	4460049	2	Connector, Strain Relief	
18	4460234	7	Tie-Strap	
19	4460425	1	Connector, Strain Relief	
20	4751400	8	Flatwasher 1/4in Regular	
21	4751500	AR	Flatwasher 5/16in Regular	
22	4751800	8	Flatwasher 1/2in Regular	
23		Ref	Rail, Soft Touch Options:	
23	3641569	1	6ft Platform	
23	4846673	1	8ft Platform	
24		Ref	Soft-Touch Installation Kit Options (Not Shown) (Includes Items 2-23)	
		Ref	Note: May not be available for all machines depending on existing options. Contact JLG Parts Dept before ordering.	
24	1001121592	1	Kit - 6ft Platform without Fall Arrest	

SECTION 4 - PLATFORM

ITEM	PART NUMBER	QTY	DESCRIPTION	REV
24	1001121593	1	Kit - 8ft Platform without Fall Arrest	

SECTION 4 - PLATFORM

FIGURE 4-14. SKYGLAZIER INSTALLATION



ART_1001099422

SECTION 4 - PLATFORM

FIGURE 4-14. SKYGLAZIER INSTALLATION

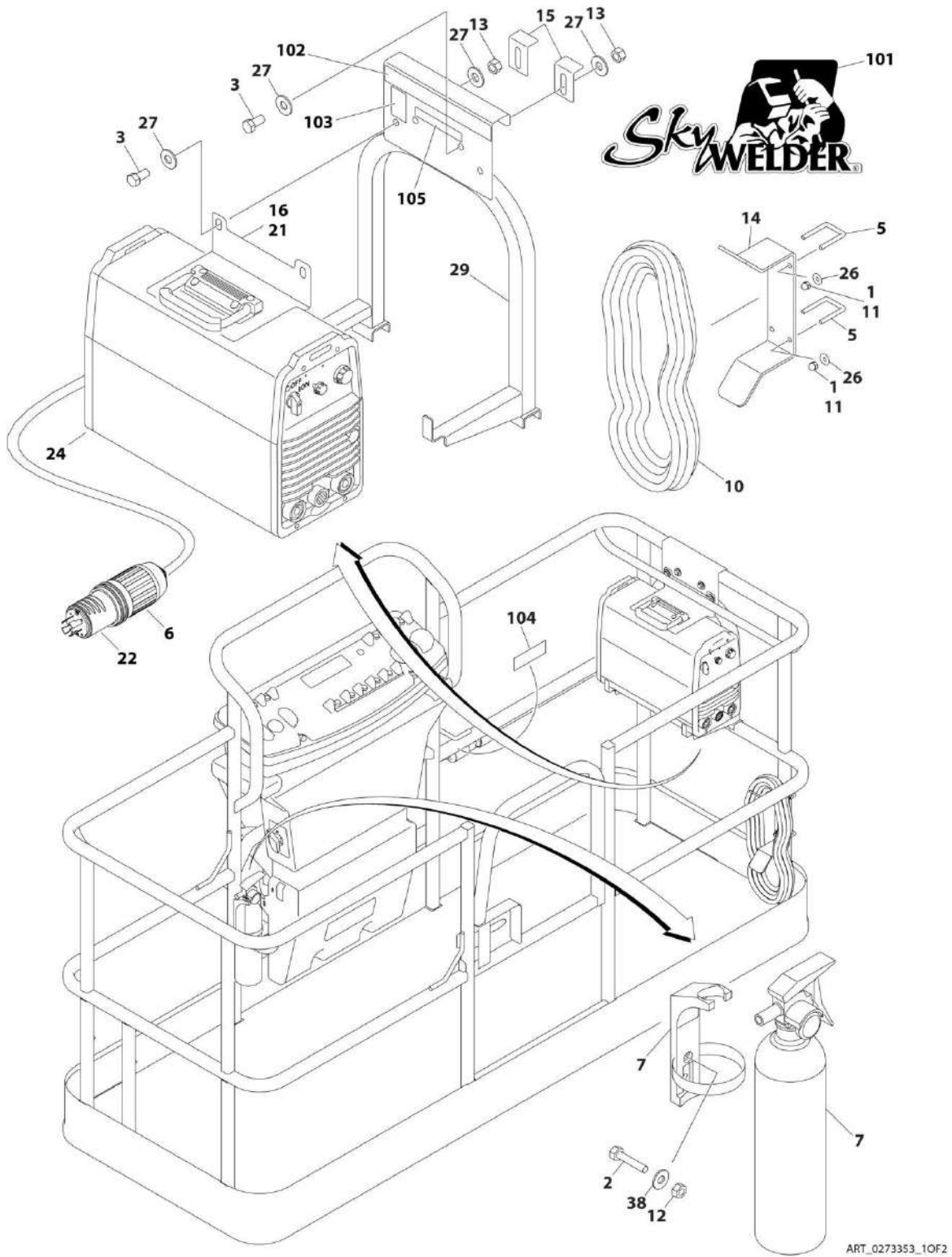
ITEM	PART NUMBER	QTY	DESCRIPTION	REV
	1001101422	Ref	SKYGLAZIER INSTALLATION (ANSI, ANSI EXPORT & CSA SPECS)	C
	1001102647	Ref	SKYGLAZIER INSTALLATION (AUSTRALIAN SPECS) (SN 0300177361 through 0300235566)	C
	1001101422	Ref	SKYGLAZIER INSTALLATION (AUSTRALIAN SPECS) (SN 0300235567 to Present)	C
	1001099422	Ref	SKYGLAZIER INSTALLATION (AUSTRALIAN SPECS) (SN 0300235567 to Present)	C
	1001099421	Ref	SKYGLAZIER INSTALLATION (LATIN AMERICAN SPECS)	C
		Ref	Note: Only Available on 600AJ for Brazil & Latin American Specs. Available on 600A & 600AJ for ANSI, ANSI Export, Australian & CSA Specs.	
1	0642012	2	Bolt 5/8 x 1-1/2	
1	0642026	2	Bolt 5/8 x 3-1/4	
2	0642212	4	Bolt 3/4 x 1-1/2	
3	1001101421	1	Tray Assembly (All Spec except Brazil & Latin American Specs) (See Items 101-110 for Breakdown)	
3	0272951	1	Tray Assembly (Brazil Spec) (See Items 101-110 for Breakdown)	
3	0272948	1	Tray Assembly (Latin American Spec) (See Items 101-110 for Breakdown)	
4	2902212	1	Bumpers and Strap Kit	
4	0940102	1	Bumper Only	
4	4240149	1	Strap Only	
5	3312005	4	Nut 5/8	
5	1001149924	AR	Nut, Plastic 5/8	
6	3312205	4	Nut 3/4	
7	4420014	AR	Tape	
8	4712000	6	Washer 5/8	
9	4712200	8	Washer 3/4	
10	1001099366	1	Support	
11	1001099367	1	Support	
14	8310129	2	Bolt 5/8 x 2-1/2	
14	0642026	2	Bolt 5/8 X 3-1/4	
14	8310230	2	Bolt 5/8 x 4	
	1001101421	Ref	TRAY ASSEMBLY (ALL SPECS EXCEPT BRAZIL & LATIN AMERICAN SPECS)	E
	0272951	Ref	TRAY ASSEMBLY (BRAZIL SPECS)	E
	0272948	Ref	TRAY ASSEMBLY (LATIN AMERICAN SPECS)	E
101	0100081	AR	Adhesive	
102	1120555	2	Cap, Tube	
103	3340956	1	Pad Kit	
104	3460334	1	Tube	
105	3520071	2	Plug	
106	4420066	AR	Tape, Double Sided	
108	See Note	NSS	Nameplate - Serial Number (Note: Not Available for Purchase)	
109	1001163131	1	Decal - Glazier Capacity (All Specs except Brazil & Latin American Specs)	
109	1001163297	2	Decal - Glazier Capacity (Brazil Specs)	
109	1001163296	2	Decal - Glazier Capacity (Latin American Specs)	
110	1701509	2	Decal - Manual	
	0272418	Ref	SKYGLAZIER DECAL INSTALLATION	4

SECTION 4 - PLATFORM

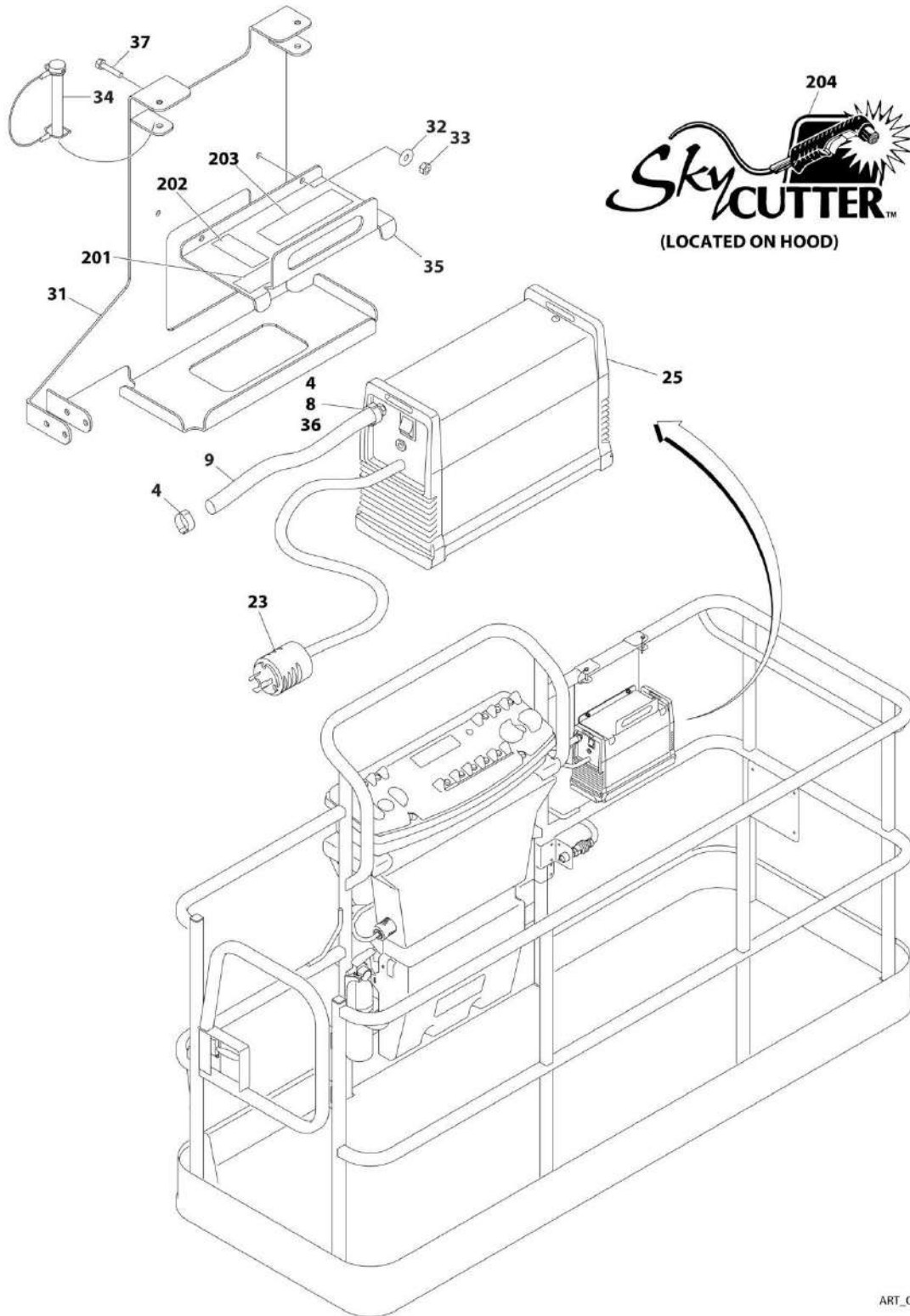
ITEM	PART NUMBER	QTY	DESCRIPTION	REV
201	1705358	2	Decal - SkyGlazier	

SECTION 4 - PLATFORM

FIGURE 4-15. SKYWELDER/SKYCUTTER COMBO INSTALLATION (60HZ)



SECTION 4 - PLATFORM



ART_0273353_20F2

SECTION 4 - PLATFORM

FIGURE 4-15. SKYWELDER/SKYCUTTER COMBO INSTALLATION (60HZ)

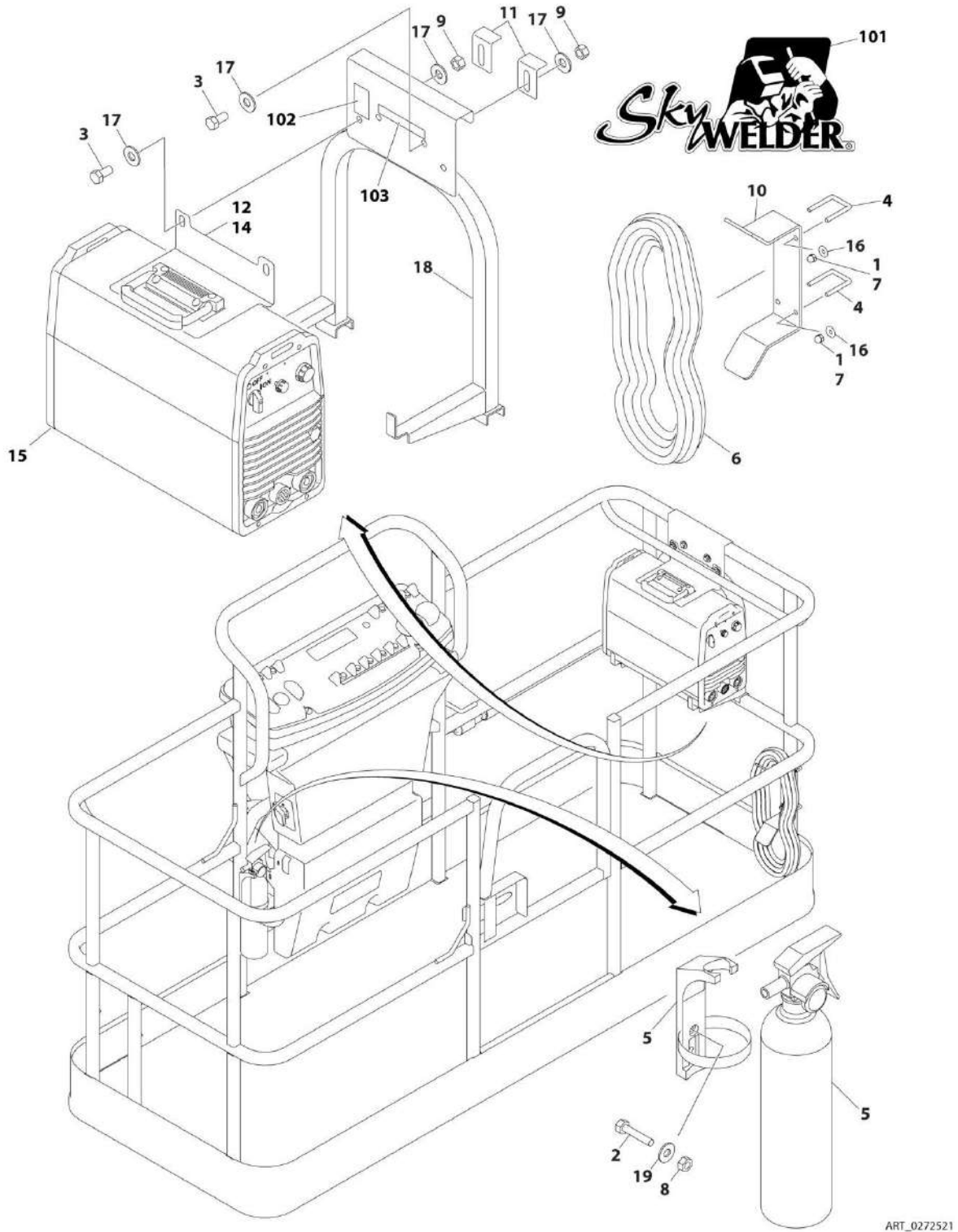
ITEM	PART NUMBER	QTY	DESCRIPTION	REV
	0273353	Ref	SKYWELDER/SKYCUTTER COMBO INSTALLATION (60HZ)	G
		Ref	Note: ANSI, ANSI Export, CSA and Japanese Spec Only.	
1	0100011	AR	Compound, Locking	
2	0630518	2	Screw #10 x 3/4	
3	0641606	4	Bolt 3/8 x 3/4	
4	1320177	2	Clamp	
5	1320302	2	Clamp	
6	1671093	1	Cover, Plug	
7	2030010	1	Extinguisher, Fire	
8	2180832	1	Fitting, Barbed/NPT	
9	2720160	4.5 ft/ 1.37m	Hose	
10	2902217	1	Weld Leads Kit	
11	3300151	4	Nut 1/4	
12	3311005	2	Nut #10	
13	3311605	4	Nut 3/8	
14	3573400	1	Bracket	
15	3577121	2	Angle	
16	3573642	1	Plate	
20	4240099	AR	Tie-Strap (Not Shown)	
21	4420037	2.36 ft/ .71m	Tape	
22	4460962	1	Plug, Twist Lock	
23	4460971	1	Plug, Twist Lock	
24	4530028	1	Welder Assembly (See WELDER ASSEMBLY for Breakdown)	
25	1001098012	1	Plasma Cutter Assembly (See PLASMA CUTTER ASSEMBLY for Breakdown)	
26	4751400	4	Washer 1/4	
27	4751600	8	Washer 3/8	
29	4846627	1	Support	
31	1001145405	1	Bracket	
32	4811700	2	Washer M6	
33	3290605	2	Nut M6	
34	3421453	3	Pin	
35	3576799	1	Plate, Hold-Down	
36	0100020	1	Sealant	
37	4010608	2	Screw M6 x 16	
38	4751000	2	Washer #10	
	0272448	Ref	SKYWELDER DECAL INSTALLATION	B
101	1705355	2	Decal - SkyWelder	
102	1702868	1	Decal - No Hands	
103	1705305	1	Decal - Weld Leads	
104	1705375	1	Decal - 240V - 3 Phase - 60 Hz	
105	1705466	NLA	Decal - Weight (Use p/n 1001228988) (SN 0300177361 through 0300232659)	
105	1001228988	1	Decal - Weight (SN 0300232660 to Present)	
	0272599	Ref	SKYCUTTER DECAL INSTALLATION	B
201	1702868	1	Decal - No Hands	
202	1705305	1	Decal - Weld Leads	
203	1705466	NLA	Decal - Weight (Use p/n 1001228988) (SN 0300177361 through 0300232659)	

SECTION 4 - PLATFORM

ITEM	PART NUMBER	QTY	DESCRIPTION	REV
203	1001228988	1	Decal - Weight (SN 0300232660 to Present)	
204	1705490	2	Decal - SkyCutter	

SECTION 4 - PLATFORM

FIGURE 4-16. SKYWELDER INSTALLATION (50HZ)



ART_0272521

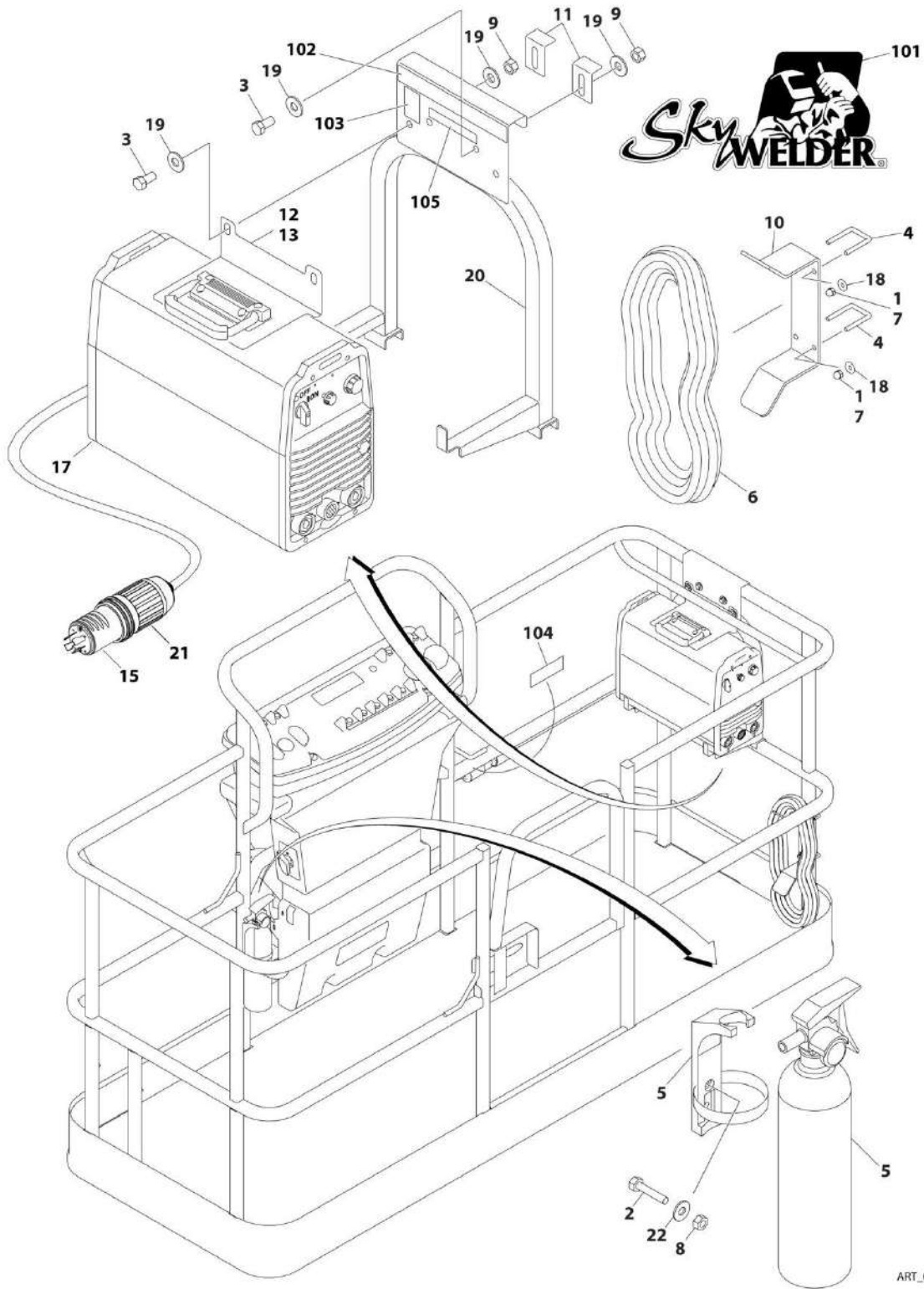
SECTION 4 - PLATFORM

FIGURE 4-16. SKYWELDER INSTALLATION (50HZ)

ITEM	PART NUMBER	QTY	DESCRIPTION	REV
	0272521	Ref	SKYWELDER INSTALLATION (50HZ)	F
		Ref	Note: ANSI Export, Australian, CE & Japanese Specs Only.	
1	0100011	AR	Compound, Locking	
2	0630518	2	Screw #10 x 3/4	
3	0641606	4	Bolt 3/8 x 3/4	
4	1320302	2	U-Clamp	
5	2030010	1	Extinguisher, Fire	
6	2902217	1	Weld Leads Kit	
7	3300151	4	Nut 1/4	
8	3311005	2	Nut #10	
9	3311605	4	Nut 3/8	
10	3573400	1	Bracket	
11	3577121	2	Angle	
12	3573642	1	Plate	
13	4240099	AR	Tie-Strap (Not Shown)	
14	4420037	AR	Tape	
15	4530028	1	Welder Assembly (See WELDER ASSEMBLY for Breakdown)	
16	4751400	4	Washer 1/4	
17	4751600	8	Washer 3/8	
18	4846627	1	Support	
19	4751000	2	Washer #10	
	0272588	Ref	SKYWELDER DECAL INSTALLATION	B
101	1705355	2	Decal - SkyWelder	
102	1705305	1	Decal - Weld Lead	
103	1705466	NLA	Decal - Weight (Use p/n 1001228988) (SN 0300177361 through 0300232659)	
103	1001228988	1	Decal - Weight (SN 0300232660 to Present)	

SECTION 4 - PLATFORM

FIGURE 4-17. SKYWELDER INSTALLATION (60HZ)



ART_0272254

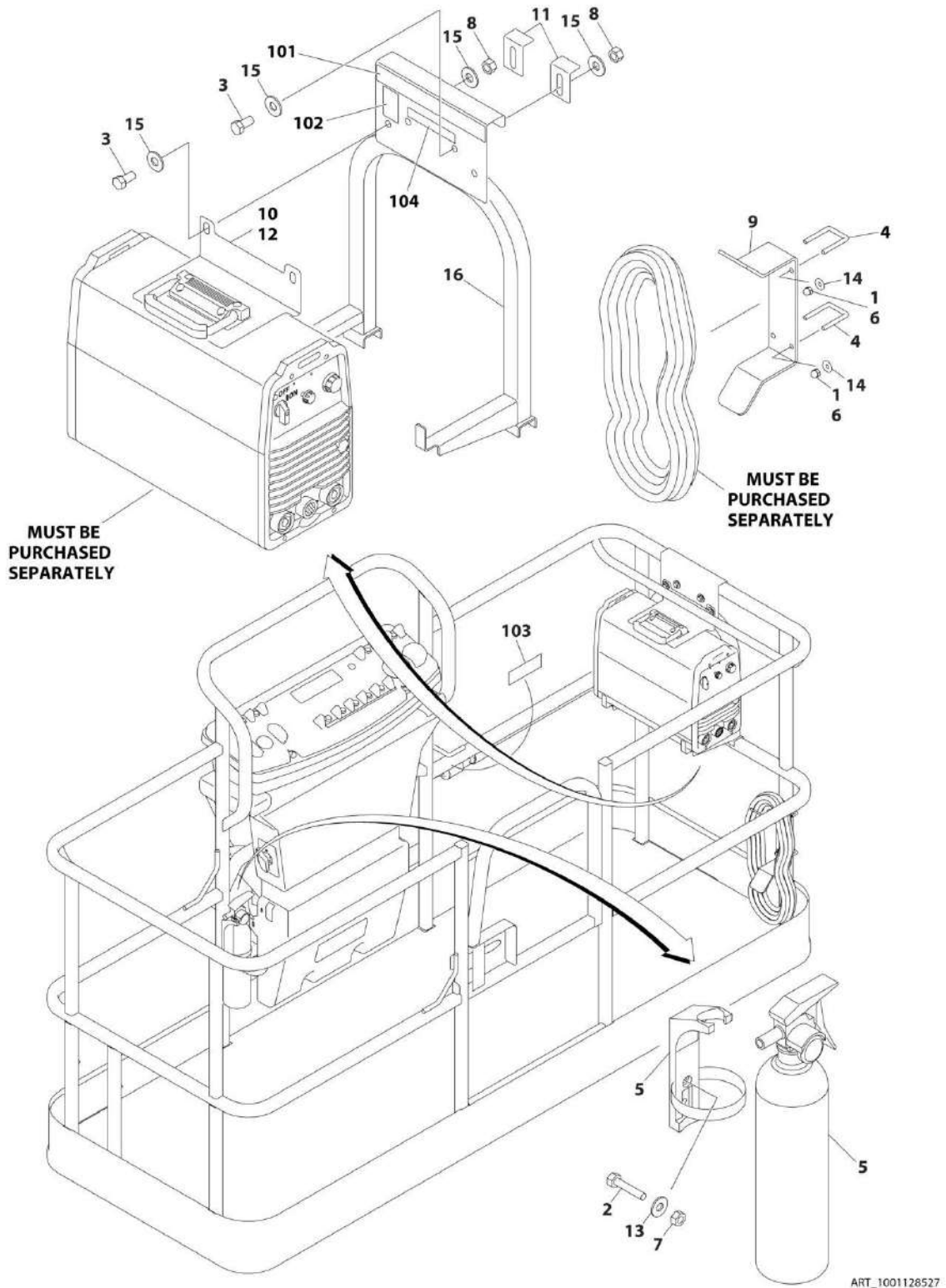
SECTION 4 - PLATFORM

FIGURE 4-17. SKYWELDER INSTALLATION (60HZ)

ITEM	PART NUMBER	QTY	DESCRIPTION	REV
	0272254	Ref	SKYWELDER INSTALLATION (60HZ)	I
		Ref	Note: ANSI, ANSI Export and CSA Specs Only.	
1	0100011	AR	Compound, Locking	
2	0630518	2	Screw #10 x 3/4	
3	0641606	4	Bolt 3/8 x 3/4	
4	1320302	2	U-Clamp	
5	2030010	1	Extinguisher, Fire	
6	2902217	1	Weld Leads Kit	
7	3300151	4	Nut 1/4	
8	3311005	2	Nut #10	
9	3311605	4	Nut 3/8	
10	3573400	1	Bracket	
11	3577121	2	Angle	
12	3573642	1	Plate	
13	4420037	AR	Tape	
14	4240099	AR	Tie-Strap (Not Shown)	
15	4460962	1	Plug, Male Twistlock	
17	4530028	1	Welder Assembly (See WELDER ASSEMBLY for Breakdown)	
18	4751400	4	Washer 1/4	
19	4751600	8	Washer 3/8	
20	4846627	1	Support	
21	1671093	1	Cover, Plug	
22	4751000	2	Washer #10	
	0272448	Ref	SKYWELDER DECAL INSTALLATION	B
101	1705355	2	Decal - SkyWelder	
102	1702868	1	Decal - No Hands	
103	1705305	1	Decal - Weld Lead	
104	1705375	1	Decal - 240V - 3 Phase - 60Hz	
105	1705466	NLA	Decal - Weight (Use p/n 1001228988) (SN 0300177361 through 0300232659)	
105	1001228988	1	Decal - Weight (SN 0300232660 to Present)	

SECTION 4 - PLATFORM

FIGURE 4-18. SKYWELDER PREP PACKAGE (60HZ)



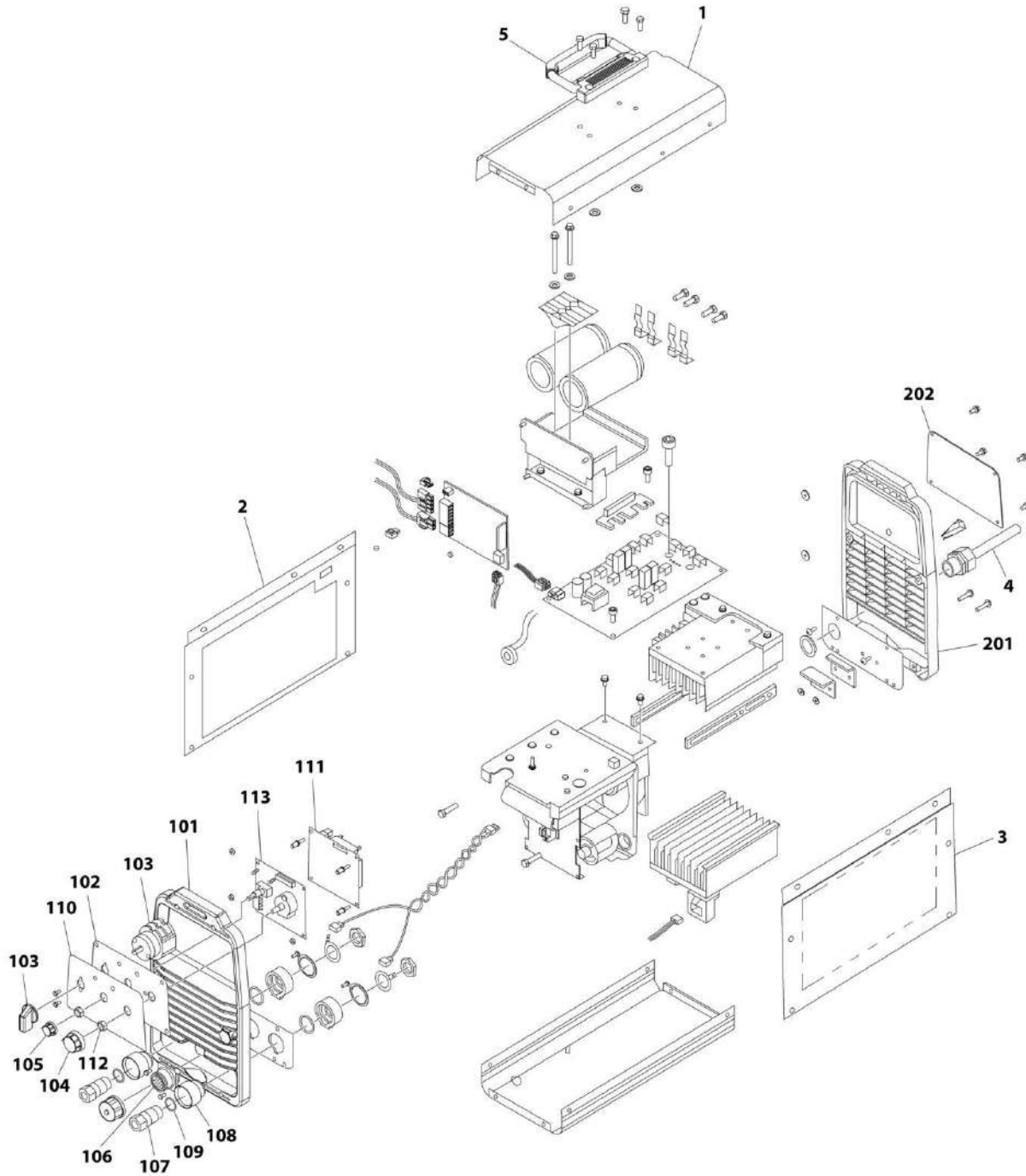
SECTION 4 - PLATFORM

FIGURE 4-18. SKYWELDER PREP PACKAGE (60HZ)

ITEM	PART NUMBER	QTY	DESCRIPTION	REV
	1001128527	Ref	SKYWELDER PREP PACKAGE (60HZ)	
		Ref	Note: ANSI, ANSI Export and CSA Specs Only.	
1	0100011	AR	Compound, Locking	
2	0630518	2	Screw #10 x 3/4	
3	0641606	4	Bolt 3/8 x 3/4	
4	1320302	2	U-Clamp	
5	2030010	1	Extinguisher, Fire	
6	3300151	4	Nut 1/4	
7	3311005	2	Nut #10	
8	3311605	4	Nut 3/8	
9	3573400	1	Bracket	
10	3573642	1	Plate	
11	3577121	2	Angle	
12	4420037	AR	Tape	
13	4751000	2	Washer #10	
14	4751400	4	Washer 1/4	
15	4751600	8	Washer 3/8	
16	4846627	1	Support	
	1001128556	Ref	SKYWELDER DECAL INSTALLATION	B
101	1702868	1	Decal - No Hands	
102	1705305	1	Decal - Weld Lead	
103	1705375	1	Decal - 240V - 3 Phase - 60Hz	
104	1705466	1	Decal - Weight (SN 0300177361 through 0300232659)	
104	1001228988	1	Decal – Weight (SN 0300232660 to Present)	

SECTION 4 - PLATFORM

FIGURE 4-19. WELDER ASSEMBLY



ART_4530028

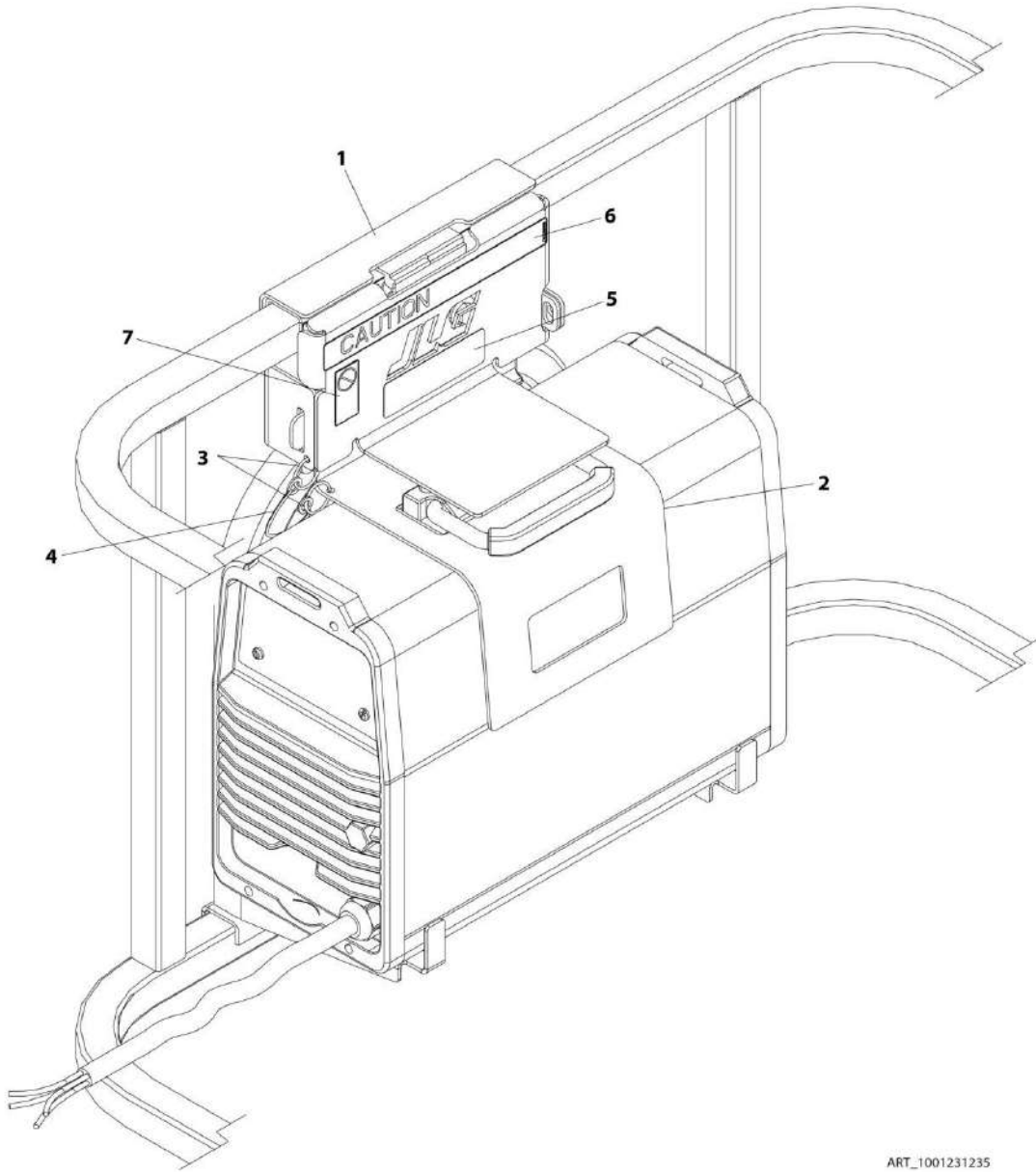
SECTION 4 - PLATFORM

FIGURE 4-19. WELDER ASSEMBLY

ITEM	PART NUMBER	QTY	DESCRIPTION	REV
	4530028	Ref	WELDER ASSEMBLY	B
		Ref	Note: For Other Components, contact your Miller Welder Dealer.	
1	7027773	1	Cover, Top	
1	7027774	1	Decal - Static Precautionary Warning	
2	See Note	NSS	Panel, LH Side (Note: Part of Item 1. Purchase Item 1)	
3	See Note	NSS	Panel, RH Side (Note: Part of Item 1. Purchase Item 1)	
4	7024467	1	Cable, Power	
4	7027775	1	Decal - Electrical Shock Warning (Not Shown)	
5	7027776	1	Handle, Carrying	
101	7024462	1	Panel, Front	
102	7024463	1	Panel, Console	
103	7024469	1	Switch with Lead	
104	7024470	1	Knob	
105	7024471	1	Knob	
106	7024472	1	Receptacle with Leads and Plugs	
107	7024473	2	Receptacle, Twistlock Female	
108	7024474	2	Insulator	
109	7024475	2	O-Ring	
110	7027777	1	Nameplate	
111	7027779	1	Circuit Card Assembly (Process Control)	
112	7024478	2	Nut	
113	7027778	1	Circuit Card Assembly (Operator Interface)	
201	7024462	1	Panel, Rear	
202	7027780	1	Panel, Cover	

SECTION 4 - PLATFORM

FIGURE 4-20. SKYWELDER LOCKING BRACKET INSTALLATION



ART_1001231235

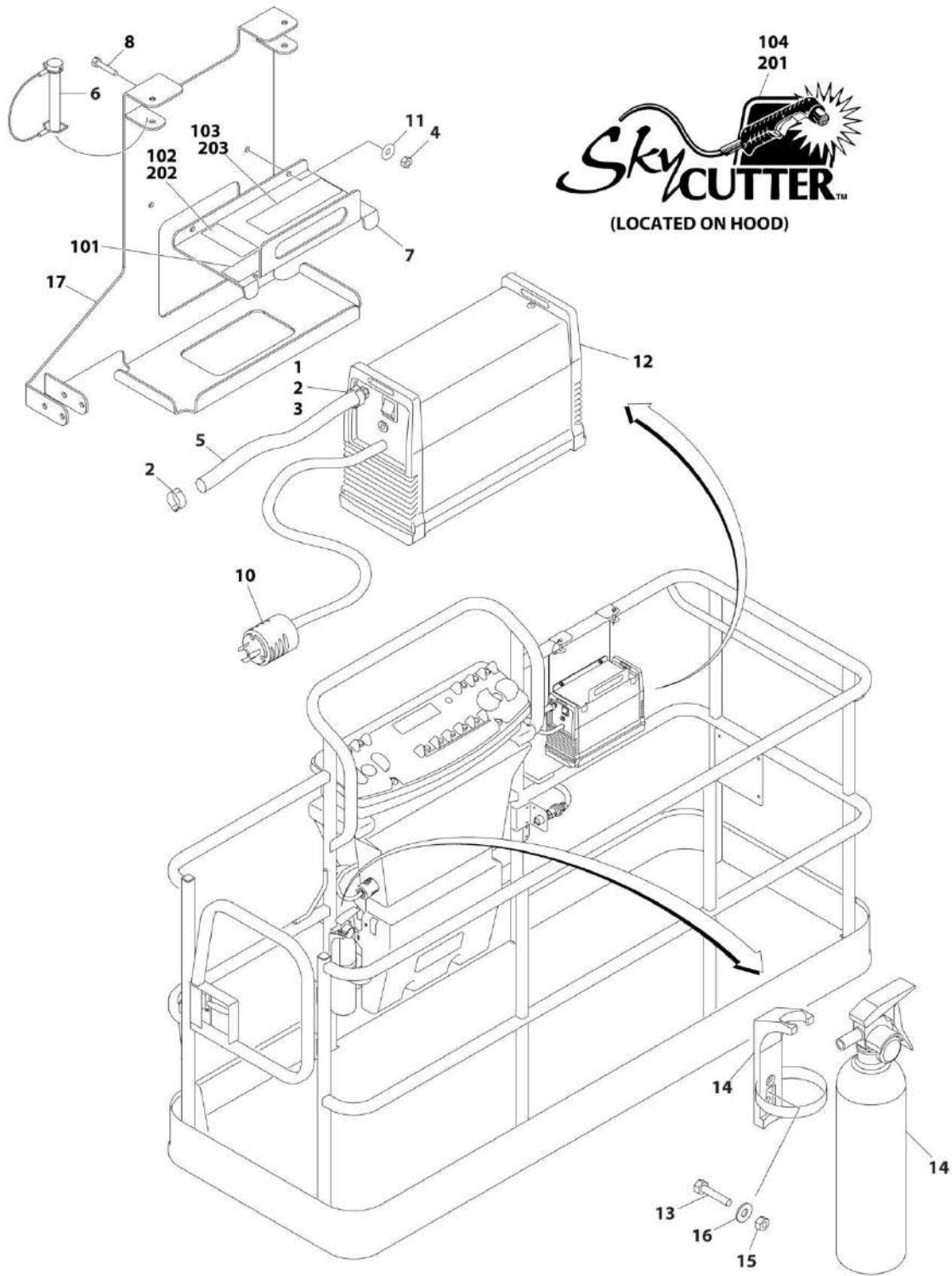
SECTION 4 - PLATFORM

FIGURE 4-20. SKYWELDER LOCKING BRACKET INSTALLATION

ITEM	PART NUMBER	QTY	DESCRIPTION	REV
	1001231235	Ref	SKYWELDER LOCKING BRACKET INSTALLATION	A
1	1001231180	1	Bracket	
2	1001231183	1	Plate	
3	3760170	2	Ring	
4	1060379	1	Lanyard	
5	1001228988	1	Decal - Weight	
6	1702868	1	Decal - No Hands	
7	1705305	1	Decal - Weld Lead	

SECTION 4 - PLATFORM

FIGURE 4-21. SKYCUTTER INSTALLATION



ART_1001098149

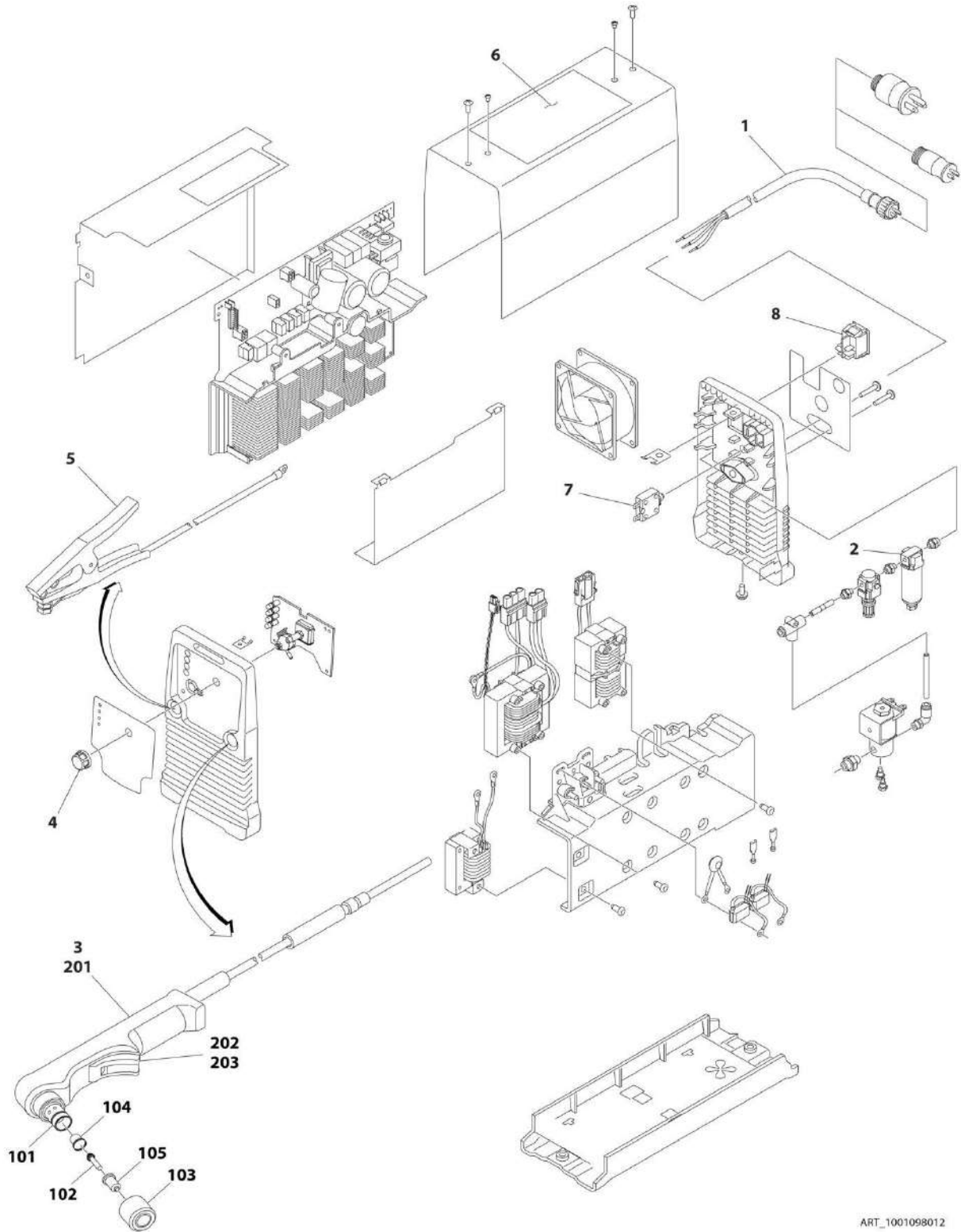
SECTION 4 - PLATFORM

FIGURE 4-21. SKYCUTTER INSTALLATION

ITEM	PART NUMBER	QTY	DESCRIPTION	REV
	1001098149	Ref	SKYCUTTER INSTALLATION	D
		Ref	Note: ANSI, ANSI Export, CSA and Japanese Specs Only.	
		Ref	Note: When replacing platform on machines with SkyCutter option, new bracket p/n 1001145405 must be purchased to accommodate SkyCutter components.	
1	0100020	AR	Sealant	
2	1320177	2	Clamp, Hose	
3	2180832	1	Fitting, NPT/Barbed	
4	3290605	2	Nut M6	
5	2720160	3 ft/.9m	Hose	
6	3421453	3	Pin	
7	3576799	1	Plate, Hold-Down	
8	4010608	2	Screw M6 x 16	
10	4460971	1	Plug, Twistlock	
11	4811700	2	Washer M6	
12	1001098012	1	Plasma Cutter Assembly (See PLASMA CUTTER ASSEMBLY for Breakdown)	
13	0630518	2	Screw #10 x 3/4	
14	2030010	1	Extinguisher, Fire	
15	3311005	2	Nut #10	
16	4751000	2	Washer #10	
17	1001145405	1	Support	
	0272599	Ref	SKYCUTTER DECAL INSTALLATION (ANSI, ANSI EXPORT & CSA SPECS)	B
101	1702868	1	Decal - No Hands	
102	1705305	1	Decal - Weld Lead	
103	1705466	NLA	Decal - Weight (Use p/n 1001228988) (SN 0300177361 through 0300232659)	
103	1001228988	1	Decal - Weight (SN 0300232660 to Present)	
104	1705490	2	Decal - SkyCutter	
	0272607	Ref	SKYCUTTER DECAL INSTALLATION (JAPANESE SPECS)	B
201	1705490	2	Decal - SkyCutter	
202	1705305	1	Decal - Weld Lead	
203	1705466	NLA	Decal - Weight (Use p/n 1001228988) (SN 0300177361 through 0300232659)	
203	1001228988	1	Decal - Weight (SN 0300232660 to Present)	

SECTION 4 - PLATFORM

FIGURE 4-22. PLASMA CUTTER ASSEMBLY



ART_1001098012

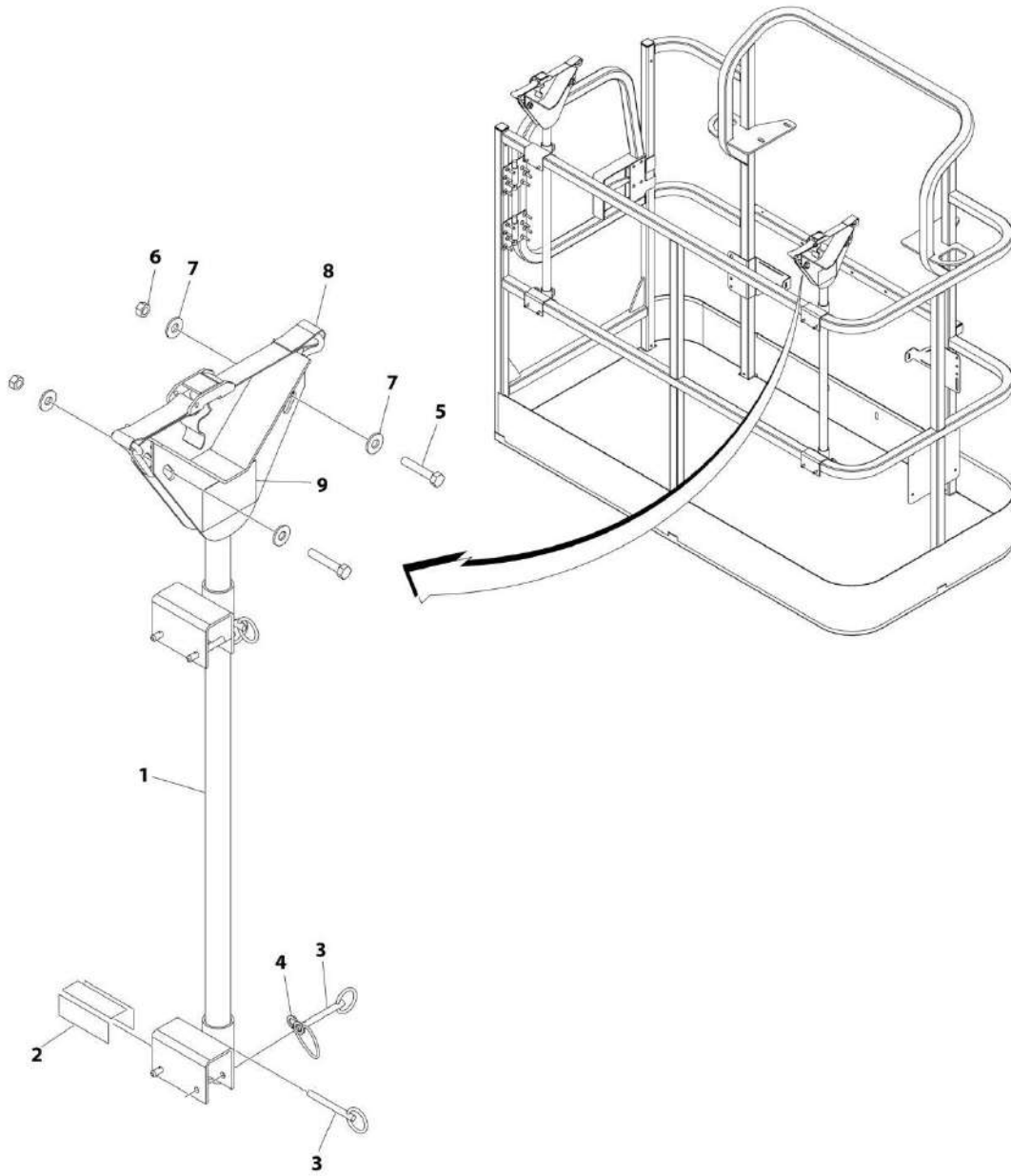
SECTION 4 - PLATFORM

FIGURE 4-22. PLASMA CUTTER ASSEMBLY

ITEM	PART NUMBER	QTY	DESCRIPTION	REV
	1001098012	Ref	PLASMA CUTTER ASSEMBLY	A
		Ref	Note: For Other Components, contact your Miller Welder Dealer.	
1	70001424	1	Cable, Power	
1	70001425	1	Decal - Voltage Warning	
2	70001427	1	Filter, Regulator	
3	70001428	1	Torch Assembly (See Items 101-203 for Breakdown)	
4	7024471	1	Knob	
5	70001429	1	Clamp with Cable	
6	70001430	1	Decal - Caution	
7	70001431	1	Breaker, Circuit	
8	70001432	1	Switch, Rocker	
	70001428	Ref	TORCH ASSEMBLY	
101	7024530	1	O-Ring	
102	7024531	1	Electrode	
103	7024532	1	Cup, Retaining	
104	7024533	1	Swirl Ring	
105	7024534	1	Tip	
201	7024535	1	Handle, Torch	
202	7024536	1	Switch	
203	7024537	1	Trigger	

SECTION 4 - PLATFORM

FIGURE 4-23. PIPE RACKS INSTALLATION



ART_PIPE RACKS

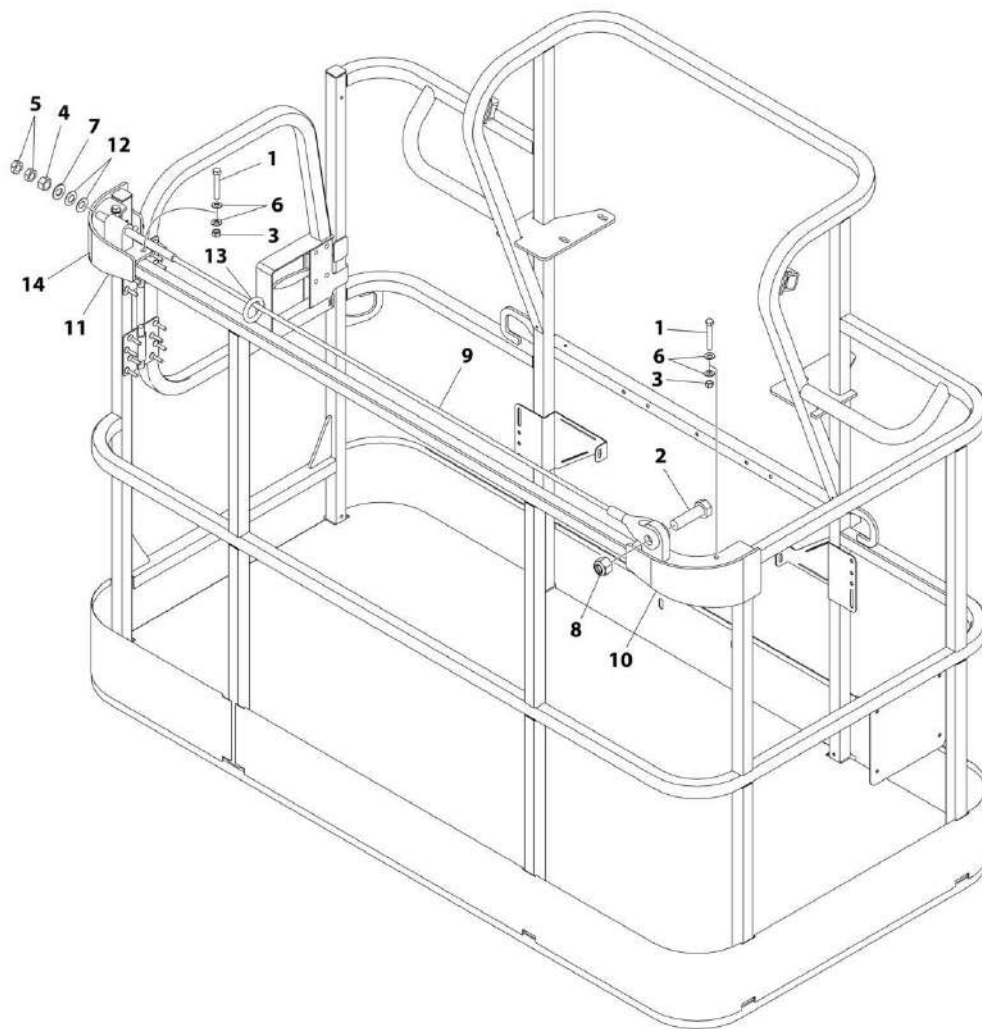
SECTION 4 - PLATFORM

FIGURE 4-23. PIPE RACKS INSTALLATION

ITEM	PART NUMBER	QTY	DESCRIPTION	REV
	0257728	Ref	PIPE RACK INSTALLATION (ANSI & CSA SPECS)	2/C
	0274661	Ref	PIPE RACK INSTALLATION (AUSTRALIAN SPECS)	1/A
		Ref	Note: Available on ANSI, Australian & CSA Specs	
1	4845582	2	Rack, Pipe	
2	4420062	AR	Tape	
3	3422661	10	Pin	
4	1060379	4	Lanyard	
5	0641514	4	Bolt 5/16 x 1-3/4	
6	3311505	4	Nut 5/16	
7	4751500	8	Washer 5/16	
8	0480100	2	Tie-Down	
9	1703683	2	Decal - Capacity (ANSI & CSA Specs)	
9	1706510	2	Decal - Capacity (Australian Specs)	

SECTION 4 - PLATFORM

FIGURE 4-24. FALL ARREST INSTALLATION (BOLT-ON EXTERNAL) (6FT/1.82M PLATFORM)



ART_1001236747

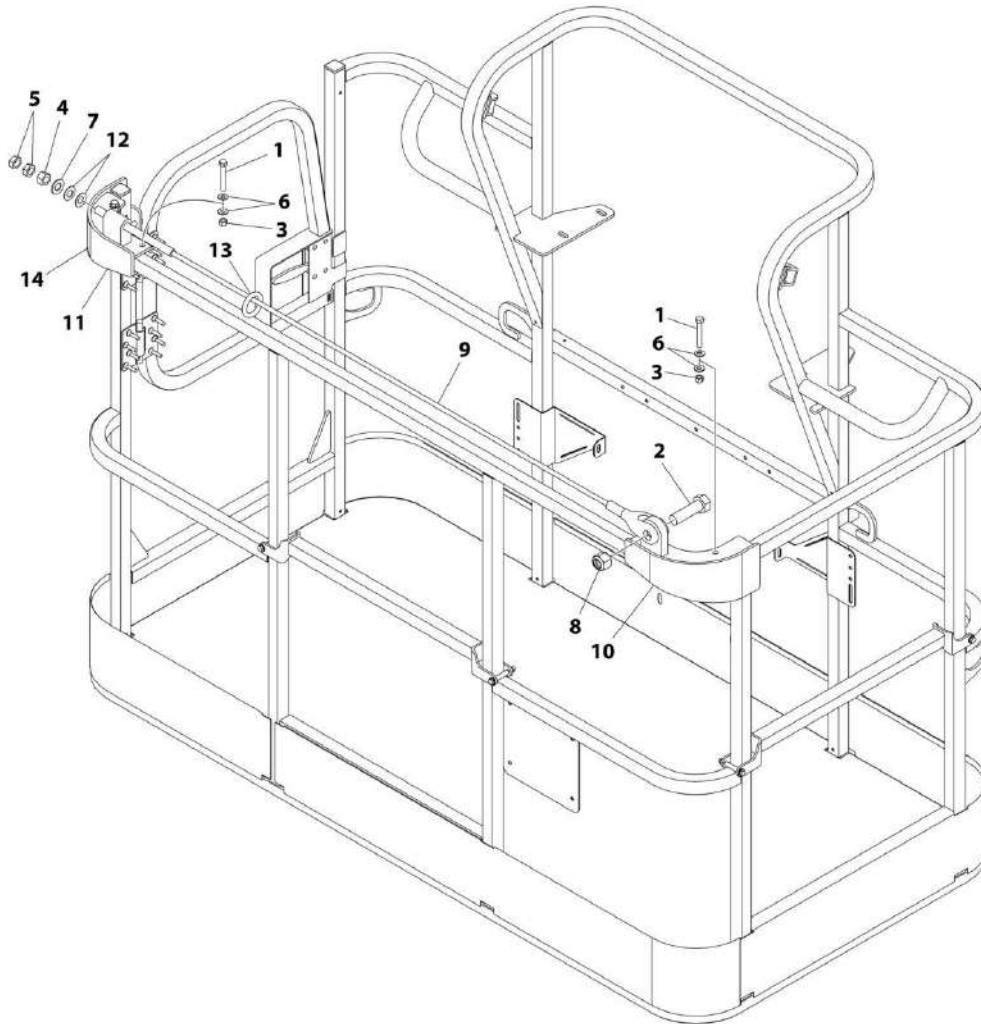
SECTION 4 - PLATFORM

FIGURE 4-24. FALL ARREST INSTALLATION (BOLT-ON EXTERNAL) (6FT/1.82M PLATFORM)

ITEM	PART NUMBER	QTY	DESCRIPTION	REV
	1001236747	Ref	FALL ARREST INSTALLATION (BOLT - ON) 6FT/1.82M PLATFORM	A
1	0681620	6	Bolt 3/8 x 2-1/2	
2	0682424	1	Bolt 7/8 x 3	
3	3271605	6	Nut 3/8	
4	3272001	1	Nut 5/8	
5	3312002	2	Nut 5/8	
6	4711600	12	Washer 3/8	
7	4712000	1	Washer 5/8	
8	88521214	1	Nut 7/8	
9	1001231950	1	Rope	
10	1001232010	1	Bracket (RH)	
11	1001232011	1	Bracket (LH)	
12	1001236891	2	Washer	
13	1001236895	1	Ring	
14	1001238263	1	Decal - Warning Falling Hazard	

SECTION 4 - PLATFORM

FIGURE 4-25. FALL ARREST INSTALLATION (BOLT-ON EXTERNAL) (6FT/1.82M TRI-ENTRY PLATFORM)



ART_1001238463

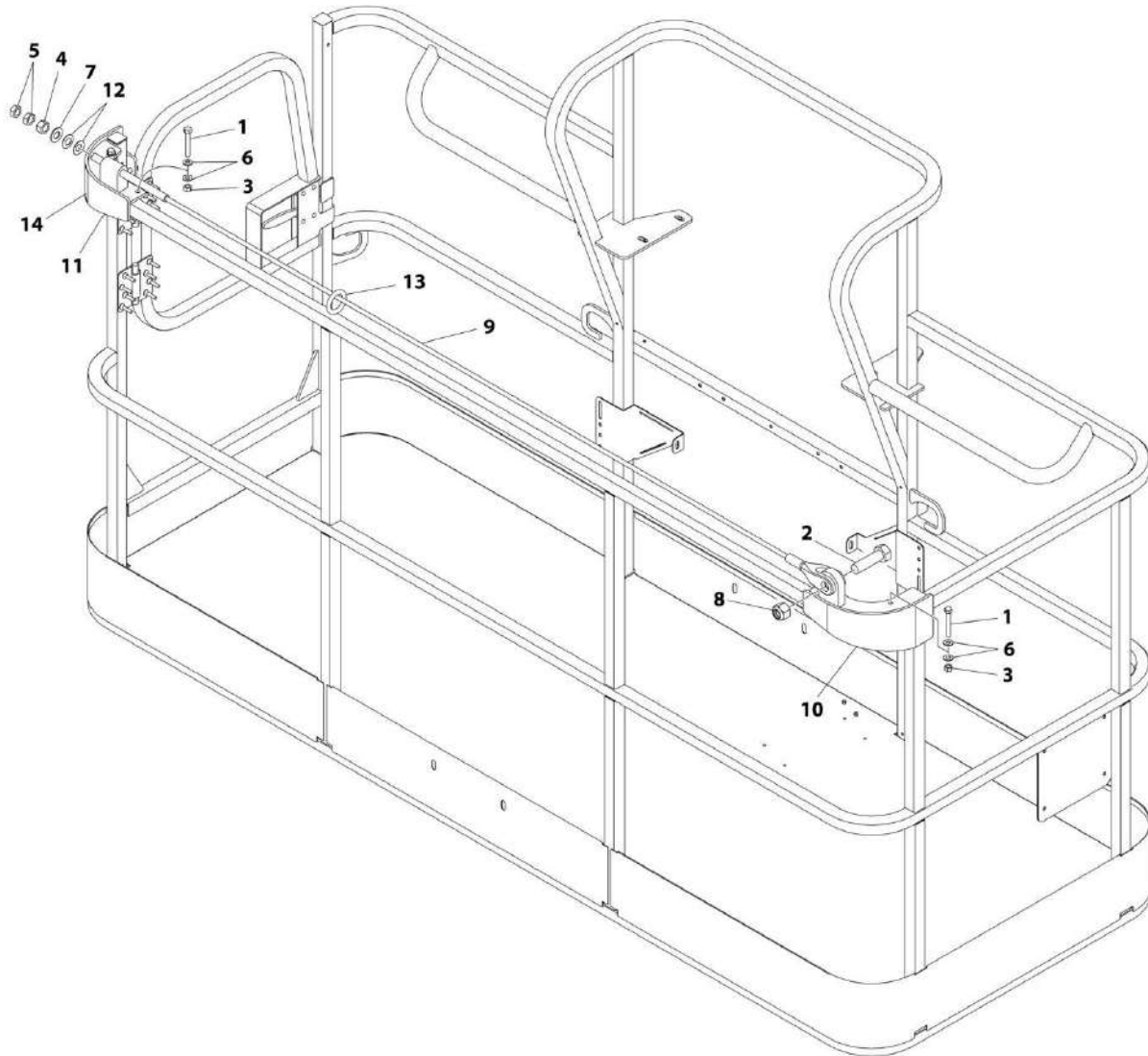
SECTION 4 - PLATFORM

FIGURE 4-25. FALL ARREST INSTALLATION (BOLT-ON EXTERNAL) (6FT/1.82M TRI-ENTRY PLATFORM)

ITEM	PART NUMBER	QTY	DESCRIPTION	REV
	1001238463	Ref	FALL ARREST INSTALLATION (BOLT - ON) 6FT/1.82M PLATFORM	B
1	0681620	6	Bolt 3/8 x 2-1/2	
2	0682424	1	Bolt 7/8 x 3	
3	3271605	6	Nut 3/8	
4	3272001	1	Nut 5/8	
5	3312002	2	Nut 5/8	
6	4711600	12	Washer 3/8	
7	4712000	1	Washer 5/8	
8	88521214	1	Nut 7/8	
9	1001231950	1	Rope	
10	1001232010	1	Bracket (RH)	
11	1001232011	1	Bracket (LH)	
12	1001236891	2	Washer	
13	1001236895	1	Ring	
14	1001238263	1	Decal - Warning Falling Hazard	

SECTION 4 - PLATFORM

FIGURE 4-26. FALL ARREST INSTALLATION (BOLT-ON EXTERNAL) (8FT/2.4M PLATFORM)



ART_1001236746

SECTION 4 - PLATFORM

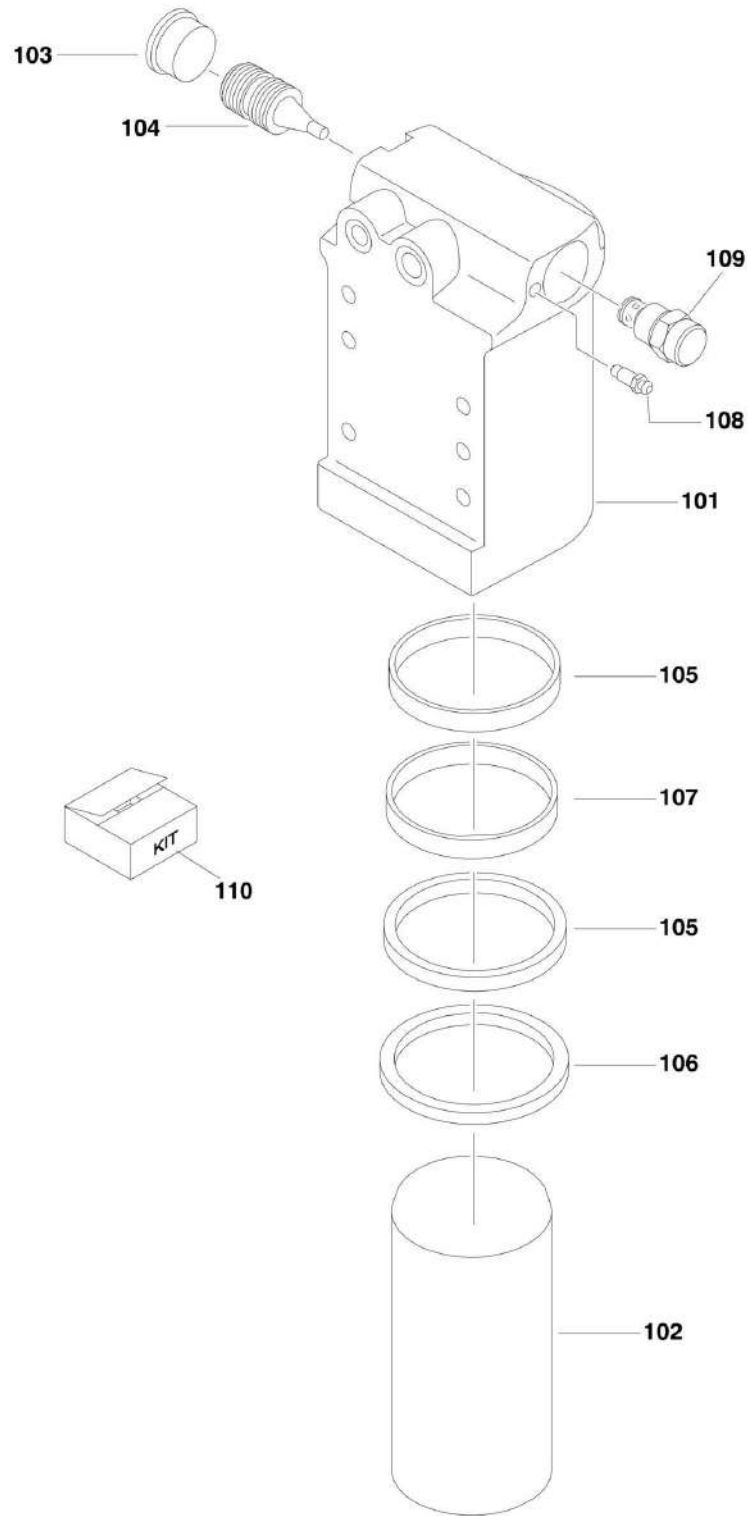
FIGURE 4-26. FALL ARREST INSTALLATION (BOLT-ON EXTERNAL) (8FT/2.4M PLATFORM)

ITEM	PART NUMBER	QTY	DESCRIPTION	REV
	1001236746	Ref	FALL ARREST INSTALLATION (BOLT - ON) 8FT/2.4M PLATFORM	A
1	0681620	6	Bolt 3/8 x 2-1/2	
2	0682424	1	Bolt 7/8 x 3	
3	3271605	6	Nut 3/8	
4	3272001	1	Nut 5/8	
5	3312002	2	Nut 5/8	
6	4711600	12	Washer 3/8	
7	4712000	1	Washer 5/8	
8	88521214	1	Nut 7/8	
9	1001231949	1	Rope	
10	1001232010	1	Bracket (RH)	
11	1001232011	1	Bracket (LH)	
12	1001236891	2	Washer	
13	1001236895	1	Ring	
14	1001238263	1	Decal - Warning Falling Hazard	

SECTION 5 - CYLINDER

SECTION 5 - CYLINDER

FIGURE 5-1. AXLE LOCKOUT CYLINDER ASSEMBLY



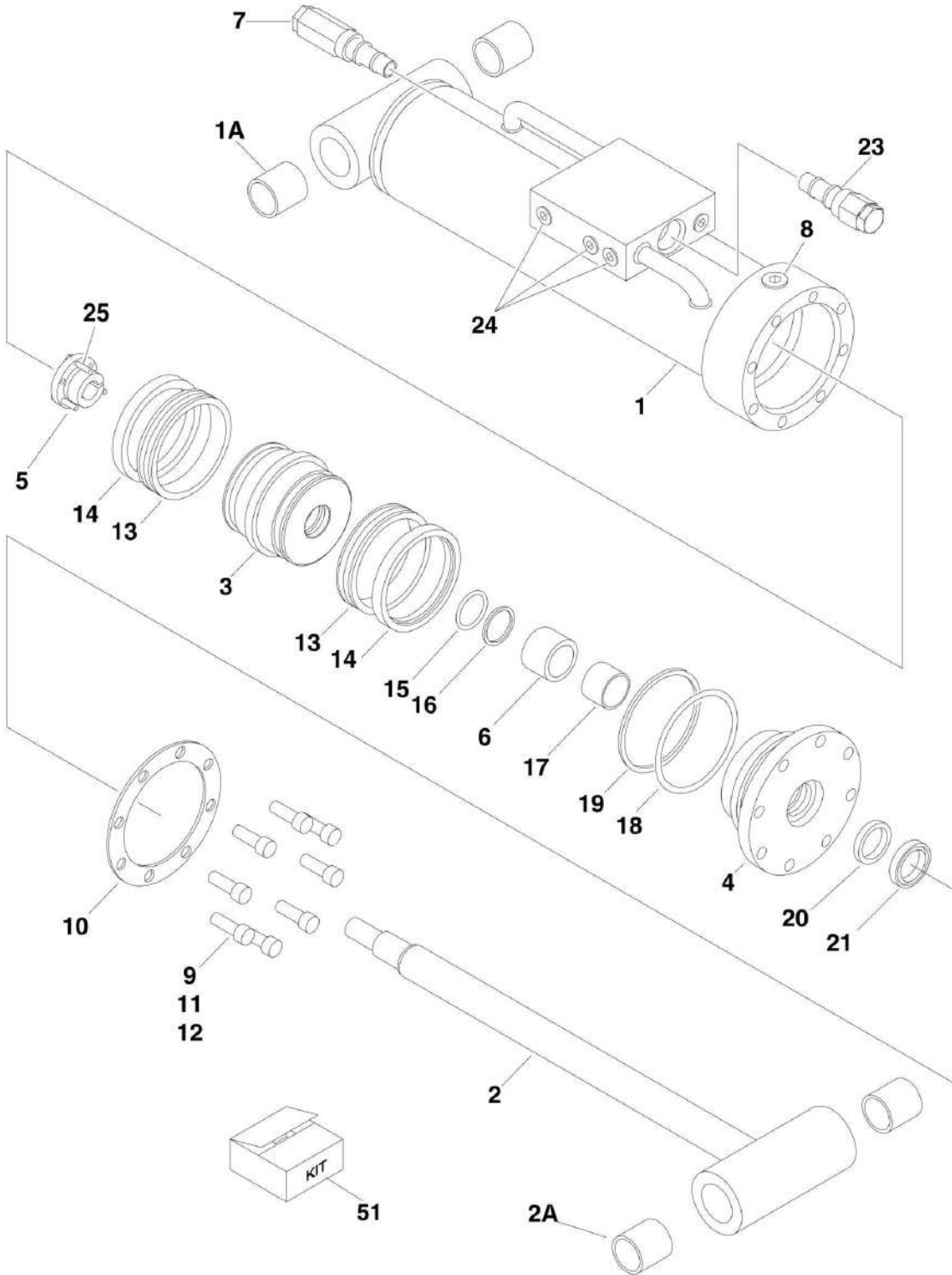
SECTION 5 - CYLINDER

FIGURE 5-1. AXLE LOCKOUT CYLINDER ASSEMBLY

ITEM	PART NUMBER	QTY	DESCRIPTION	REV
	1684465	Ref	AXLE LOCKOUT CYLINDER ASSEMBLY Note: Original Cylinder may have been replaced with Service Replacement. Identify PN Stamped on Cylinder Before Ordering Parts.	J
		Ref		
101	0370026	1	Barrel	
102	1684290	1	Rod	
103	2220890	1	Plug	
104	3480288	1	Piston, Pilot	
105	See Note	NSS	Ring, Wear (Note: Use Item 110)	
106	See Note	NSS	Wiper (Note: Use Item 110)	
107	See Note	NSS	Seal, Rod (Note: Use Item 110)	
108	4640858	1	Bleeder	
109	4641390	1	Cartridge, Valve	
109	7017496	1	Seal Kit	
110	2902266	1	Seal Kit (Includes Items 105-107)	

SECTION 5 - CYLINDER

FIGURE 5-2. LEVEL (PLATFORM SLAVE) CYLINDER ASSEMBLY



SECTION 5 - CYLINDER

FIGURE 5-2. LEVEL (PLATFORM SLAVE) CYLINDER ASSEMBLY

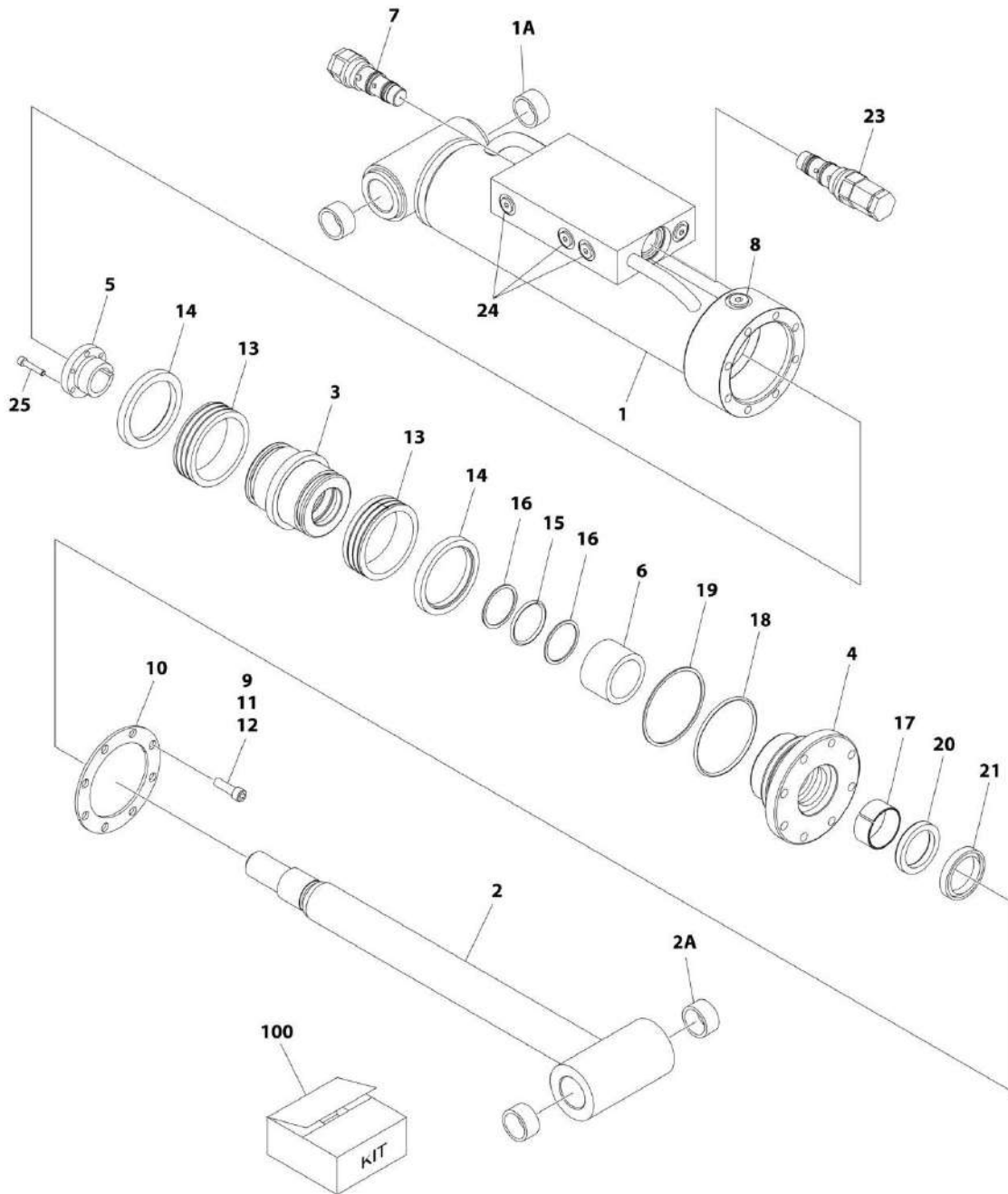
ITEM	PART NUMBER	QTY	DESCRIPTION	REV
		Ref	PLATFORM LEVEL (SLAVE) CYLINDER ASSEMBLY	
		Ref	Note: Original Cylinder may have been replaced with Service Replacement. Identify PN Stamped on Cylinder Before Ordering Parts.	
	1683415	Ref	Platform Level (Slave) Cylinder Assembly 600A (SN 0300177361 through 0300233770)	H
	1683418	Ref	Platform Level (Slave) Cylinder Assembly 600AJ without Arctic Package (SN 0300177361 through 0300233770)	G
	1001138798	Ref	Platform Level (Slave) Cylinder Assembly 600AJ with Arctic Package (SN 0300177361 through 0300233770)	B
1	1683952	1	Barrel (Note: Item 1A not included - Purchase Separately)	
1A		Ref	Bushing Options:	
1A	0961947	2	Bushing 600A	
1A	0961951	2	Bushing 600AJ	
2		Ref	Rod Options:	
2	1683976	1	Rod 600A (Note: Includes Item 2A)	
2	1683963	1	Rod 600AJ (Note: Item 2A not included - Purchase Separately)	
2A		Ref	Bushing Options:	
2A	0961947	2	Bushing 600A	
2A	0961951	2	Bushing 600AJ	
3		Ref	Piston Options:	
3	3480210	1	Piston 600A	
3	3480188	1	Piston 600AJ	
4		Ref	Head Options:	
4	1683053	1	Head 600A	
4	1683055	1	Head 600AJ	
5		Ref	Bushing, Tapered (Includes Item 25) Options:	
5	0961893	1	Bushing, Tapered 600A	
5	0961894	1	Bushing, Tapered 600AJ	
6	4566468	1	Spacer	
7	4640509	1	Cartridge, Valve	
7	2900792	1	Seal Kit - 4640509 Valve	
8	2220885	1	Plug, O-Ring	
9		Ref	Capscrew, Socket Head Options:	
9	3931516	8	Capscrew 5/16 x1	
9	3931620	8	Capscrew 3/8 x 1-1/4	
10		Ref	Ring, Washer Options:	
10	3760368	1	Ring, Washer 600A	
10	3760369	1	Ring, Washer 600AJ	
11	0100011	AR	Compound, Locking	
12	0100038	AR	Primer, Locking	
13	See Note	NSS	Seal (Note: Use Item 51)	
14	See Note	NSS	Ring, Lock (Note: Use Item 51)	
15	See Note	NSS	O-Ring (Note: Use Item 51)	
16	See Note	NSS	Ring, Back-up (Note: Use Item 51)	
17	See Note	NSS	Ring, Wear (Note: Use Item 51)	
18	See Note	NSS	O-Ring (Note: Use Item 51)	
19	See Note	NSS	Ring, Back-up (Note: Use Item 51)	
20	See Note	NSS	Seal, Rod (Note: Use Item 51)	
21	See Note	NSS	Wiper (Note: Use Item 51)	
23	4640932	1	Cartridge, Valve	

SECTION 5 - CYLINDER

ITEM	PART NUMBER	QTY	DESCRIPTION	REV
23	7011112	1	Seal Kit - 4640932 Valve	
24	2220883	8	Plug, O-Ring	
25		Ref	Bolt Options:	
25	0630534	3	Bolt 600A - Bolt #10 - 24NC x 1in	
25	0630535	3	Bolt 600AJ - Bolt 1/4in - 20NC x 1-1/8in	
51		Ref	Seal Kit Options (Includes Items 13-21)	
51	2901303	1	Seal Kit 600A	
51	2901301	1	Seal Kit 600AJ without Arctic Package	
51	1001138796	1	Seal Kit 600AJ with Arctic Package	

SECTION 5 - CYLINDER

FIGURE 5-3. LEVEL (PLATFORM SLAVE) CYLINDER ASSEMBLY - 600A (SN 0300233771 through 0300241337)



ART_1001223512

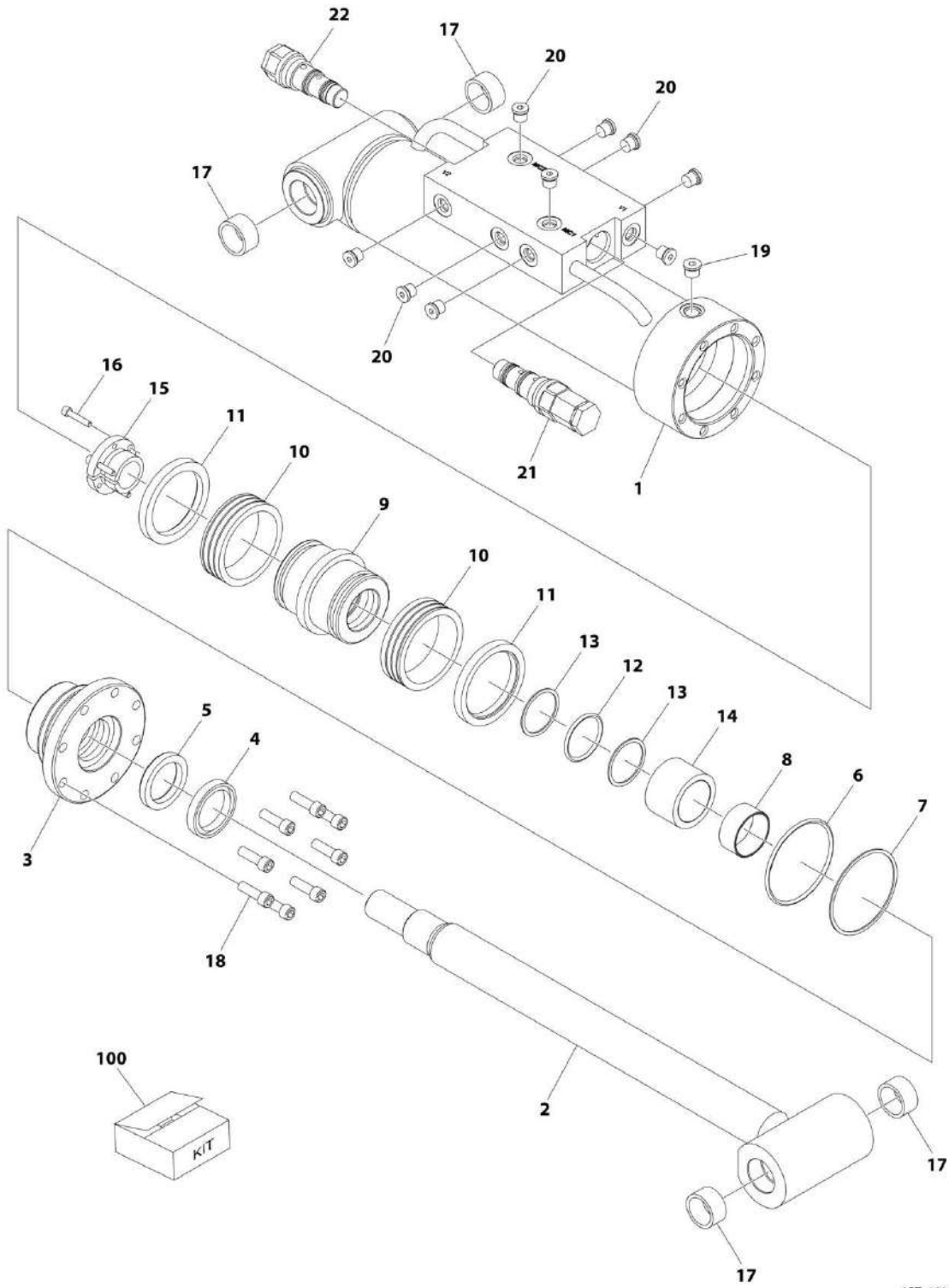
SECTION 5 - CYLINDER

FIGURE 5-3. LEVEL (PLATFORM SLAVE) CYLINDER ASSEMBLY - 600A (SN 0300233771 through 0300241337)

ITEM	PART NUMBER	QTY	DESCRIPTION	REV
	1001223512	Ref	PLATFORM LEVEL (SLAVE) CYLINDER ASSEMBLY - 600A (SN 0300233771 through 0300241337)	A
		Ref	Note: Original Cylinder may have been replaced with Service Replacement. Identify PN Stamped on Cylinder Before Ordering Parts.	
1	1001223511	1	Barrel	
1A	0961947	2	Bushing	
2	1683976	1	Rod	
2A	0961947	2	Bushing	
3	3480210	1	Piston	
4	1683053	1	Head	
5	0961893	1	Bushing, Tapered	
6	4566468	1	Spacer	
7	4640509	1	Cartridge, Valve	
7	2900792	1	Seal Kit - 4640509 Valve	
8	2220885	1	Plug, O-Ring	
9	3931516	8	Capscrew, Socket Head	
10	3760368	1	Ring, Washer	
11	0100011	AR	Compound, Locking	
12	0100038	AR	Primer, Locking	
13	See Note	NSS	Seal (Note: Use Item 100)	
14	See Note	NSS	Ring, Lock (Note: Use Item 100)	
15	See Note	NSS	O-Ring (Note: Use Item 100)	
16	See Note	NSS	Ring, Back-up (Note: Use Item 100)	
17	See Note	NSS	Ring, Wear (Note: Use Item 100)	
18	See Note	NSS	O-Ring (Note: Use Item 100)	
19	See Note	NSS	Ring, Back-up (Note: Use Item 100)	
20	See Note	NSS	Seal, Rod (Note: Use Item 100)	
21	See Note	NSS	Wiper (Note: Use Item 100)	
23	4640932	1	Cartridge, Valve	
23	7011112	1	Seal Kit - 4640932 Valve	
24	2220883	8	Plug, O-Ring	
25	0630534	3	Bolt #10 x 1	
100	2901303	1	Seal Kit (Includes Items 13-21)	

SECTION 5 - CYLINDER

FIGURE 5-4. LEVEL (PLATFORM SLAVE) CYLINDER ASSEMBLY - 600A (SN 0300241338 to Present)



ART_1001228008

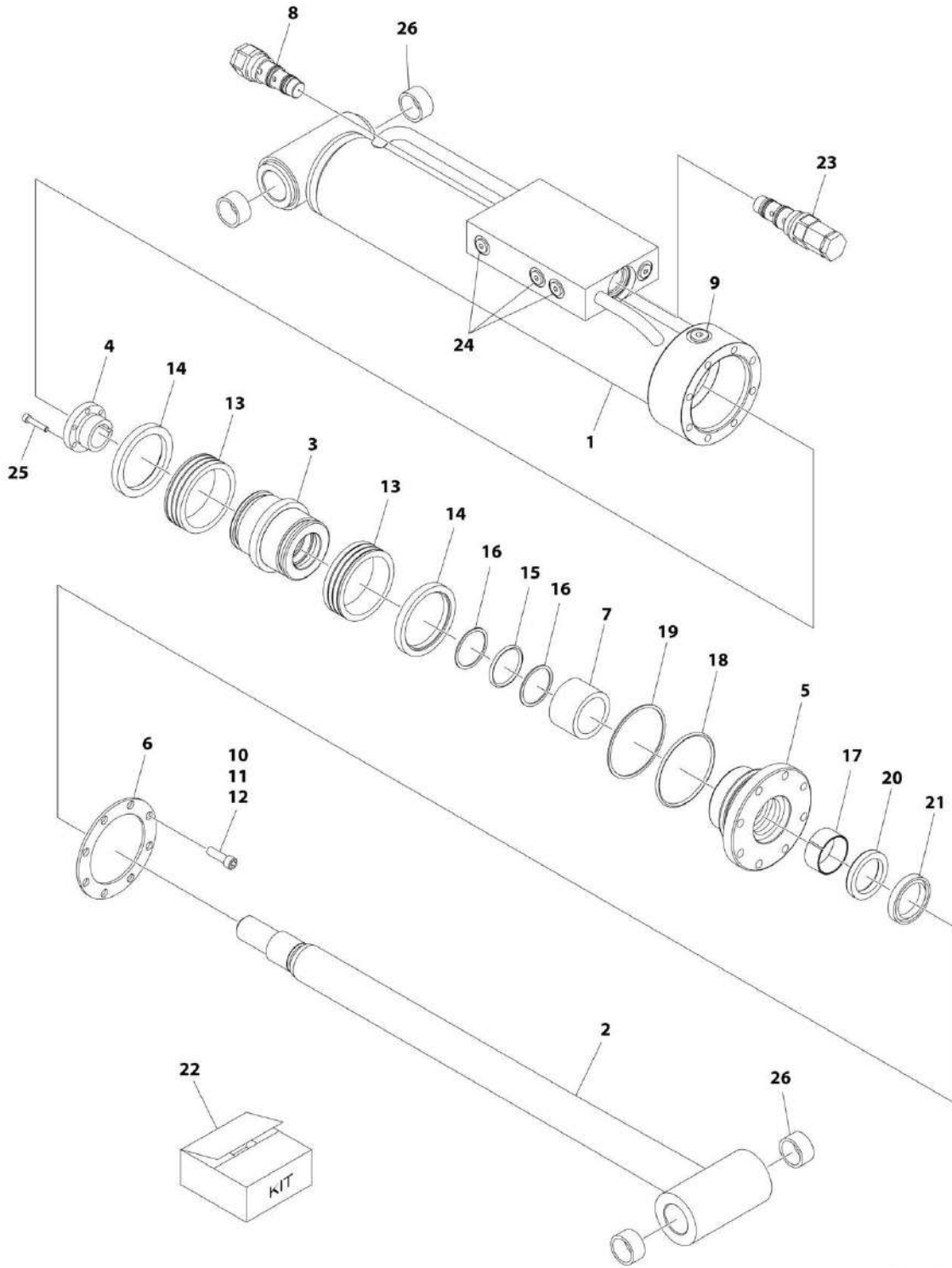
SECTION 5 - CYLINDER

FIGURE 5-4. LEVEL (PLATFORM SLAVE) CYLINDER ASSEMBLY - 600A (SN 0300241338 to Present)

ITEM	PART NUMBER	QTY	DESCRIPTION	REV
	1001228008	Ref	LEVEL CYLINDER ASSEMBLY - PLATFORM SLAVE	C
		Ref	Note: Original Cylinder may have been replaced with Service Replacement. Identify PN Stamped on Cylinder Before Ordering Parts.	
1	See Note	NSS	Barrel (Note: Use p/n 1001228008)	
2	70006648	1	Rod	
3	70006649	1	Head	
4	See Note	NSS	Wiper (Note: Use Item 100)	
5	See Note	NSS	Seal Rod (Note: Use Item 100)	
6	See Note	NSS	O-Ring (Note: Use Item 100)	
7	See Note	NSS	Ring, Back-up (Note: Use Item 100)	
8	See Note	NSS	Ring, Wear (Note: Use Item 100)	
9	70006650	1	Piston	
10	See Note	NSS	Seal (Note: Use Item 100)	
11	See Note	NSS	Ring, Lock (Note: Use Item 100)	
12	See Note	NSS	O-Ring (Note: Use Item 100)	
13	See Note	NSS	Ring, Back-up (Note: Use Item 100)	
14	70006651	1	Spacer	
15	0961893	1	Bushing, Tapered	
16	0630534	3	Bolt #10 x 1	
17	0961947	4	Bushing	
18	3931516	8	Capscrew, Socket Head	
19	2220885	AR	Plug, O-Ring	
20	2220883	10	Plug, O-Ring	
21	4640932	1	Cartridge, Valve	
21	7011112	1	Seal Kit - 4640932 Valve	
22	4640509	1	Cartridge, Valve	
22	2900792	1	Seal Kit - 4640509 Valve	
100	2901303	1	Seal Kit - 1001228008 Cylinder (Includes Items 4-8 & 10-13)	

SECTION 5 - CYLINDER

FIGURE 5-5. LEVEL (PLATFORM SLAVE) CYLINDER ASSEMBLY - 600AJ WITHOUT ARCTIC PACKAGE (SN 0300229829 through 0300241337)



ART_1001223331

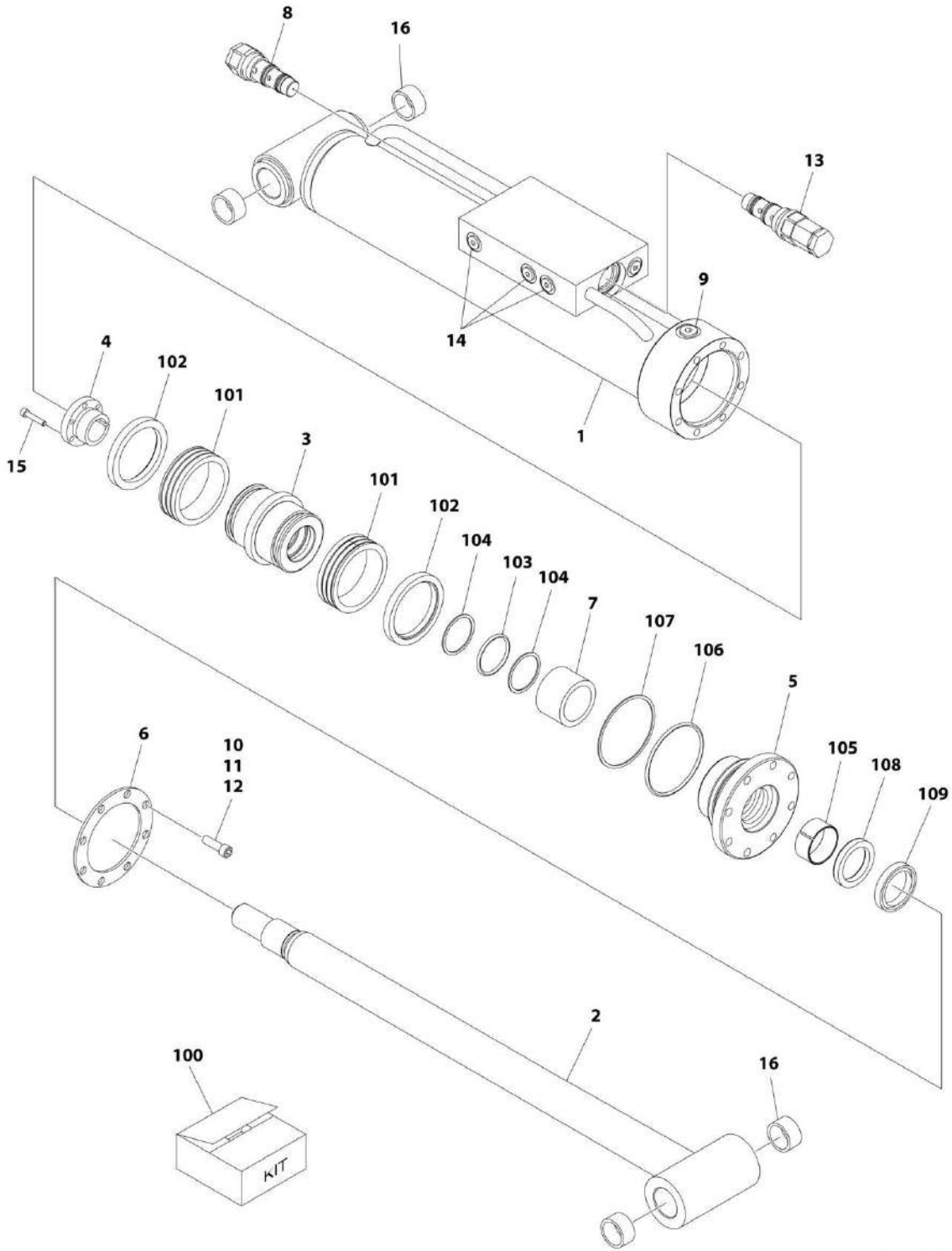
SECTION 5 - CYLINDER

FIGURE 5-5. LEVEL (PLATFORM SLAVE) CYLINDER ASSEMBLY - 600AJ WITHOUT ARCTIC PACKAGE (SN 0300229829 through 0300241337)

ITEM	PART NUMBER	QTY	DESCRIPTION	REV
	1001223331	Ref	LEVEL CYLINDER ASSEMBLY	B
		Ref	Note: Original Cylinder may have been replaced with Service Replacement. Identify PN Stamped on Cylinder Before Ordering Parts.	
1	1001223332	1	Barrel	
2	1683963	1	Rod	
3	3480188	1	Head	
4	0961894	1	Bushing, Tapered	
5	1683055	1	Head	
6	3760369	1	Ring, Washer	
7	4566468	1	Spacer	
8	4640509	1	Cartridge, Valve	
8	2900792	1	Seal Kit - 4640509 Valve	
9	2220885	1	Plug	
10	3931620	8	Capscrew 3/8 x 1-1/4	
11	0100011	AR	Compound, Locking	
12	0100038	AR	Primer, Locking	
13	See Note	NSS	Seal (Note: Use Item 22)	
14	See Note	NSS	Ring, Lock (Note: Use Item 22)	
15	See Note	NSS	O-Ring (Note: Use Item 22)	
16	See Note	NSS	Ring, Back-up (Note: Use Item 22)	
17	See Note	NSS	Ring, Wear (Note: Use Item 22)	
18	See Note	NSS	O-Ring (Note: Use Item 22)	
19	See Note	NSS	Ring, Back-up (Note: Use Item 22)	
20	See Note	NSS	Seal (Note: Use Item 22)	
21	See Note	NSS	Wiper (Note: Use Item 22)	
22	2901301	1	Seal Kit (Includes Items 13-21)	
23	4640932	1	Cartridge, Valve	
23	7011112	1	Seal Kit - 4640932 Valve	
24	2220883	8	Plug	
25	0630535	3	Bolt 1/4 x 1-1/8	
26	0961951	4	Bushing	

SECTION 5 - CYLINDER

FIGURE 5-6. LEVEL (PLATFORM SLAVE) CYLINDER ASSEMBLY - 600AJ WITH ARCTIC PACKAGE
(SN 0300229829 through 0300241337)



ART_1001223335

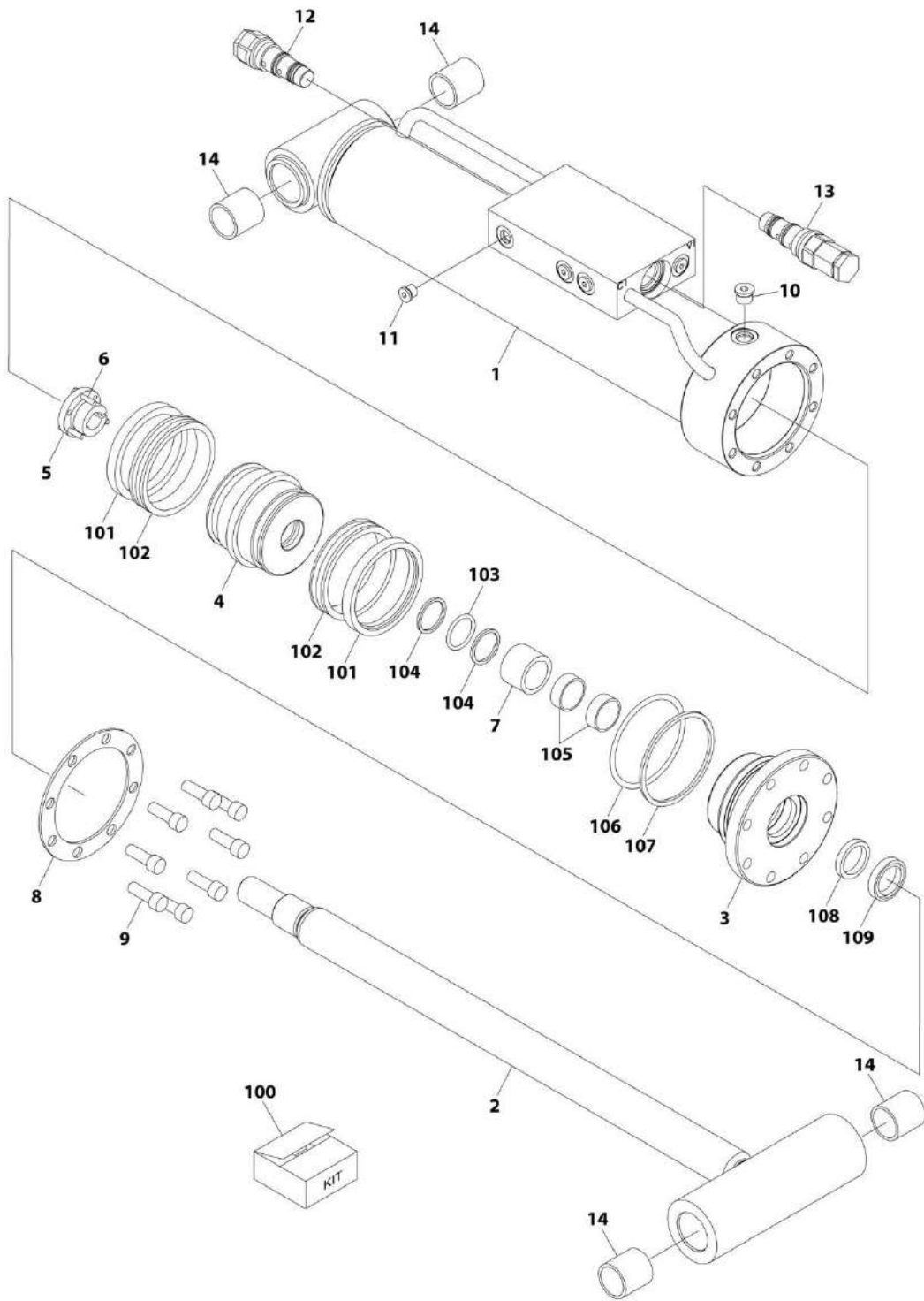
SECTION 5 - CYLINDER

**FIGURE 5-6. LEVEL (PLATFORM SLAVE) CYLINDER ASSEMBLY - 600AJ WITH ARCTIC PACKAGE
(SN 0300229829 through 0300241337)**

ITEM	PART NUMBER	QTY	DESCRIPTION	REV
	1001223335	Ref	LEVEL CYLINDER ASSEMBLY	B
		Ref	Note: Original Cylinder may have been replaced with Service Replacement. Identify PN Stamped on Cylinder Before Ordering Parts.	
1	1001223332	1	Barrel	
2	1683963	1	Rod	
3	3480188	1	Head	
4	0961894	1	Bushing, Tapered	
5	1683055	1	Head	
6	3760369	1	Ring, Washer	
7	4566468	1	Spacer	
8	4640509	1	Cartridge, Valve	
8	2900792	1	Seal Kit - 4640509 Valve	
9	2220885	1	Plug	
10	3931620	8	Capscrew 3/8 x 1-1/4	
11	0100011	AR	Compound, Locking	
12	0100038	AR	Primer, Locking	
13	4640932	1	Cartridge, Valve	
13	7011112	1	Seal Kit - 4640932 Valve	
14	2220883	8	Plug	
15	0630535	3	Bolt 1/4 x 1-1/8	
16	0961951	4	Bushing	
100	1001138796	1	Seal Kit (Includes Items 101-109)	
101	See Note	NSS	Seal (Note: Use Item 100)	
102	See Note	NSS	Ring, Lock (Note: Use Item 100)	
103	See Note	NSS	O-Ring (Note: Use Item 100)	
104	See Note	NSS	Ring, Back-up (Note: Use Item 100)	
105	See Note	NSS	Ring, Wear (Note: Use Item 100)	
106	See Note	NSS	O-Ring (Note: Use Item 100)	
107	See Note	NSS	Ring, Back-up (Note: Use Item 100)	
108	See Note	NSS	Seal (Note: Use Item 100)	
109	See Note	NSS	Wiper (Note: Use Item 100)	

SECTION 5 - CYLINDER

FIGURE 5-7. LEVEL (PLATFORM SLAVE) CYLINDER ASSEMBLY - 600AJ (SN 0300241338 to Present)



ART_1001228051

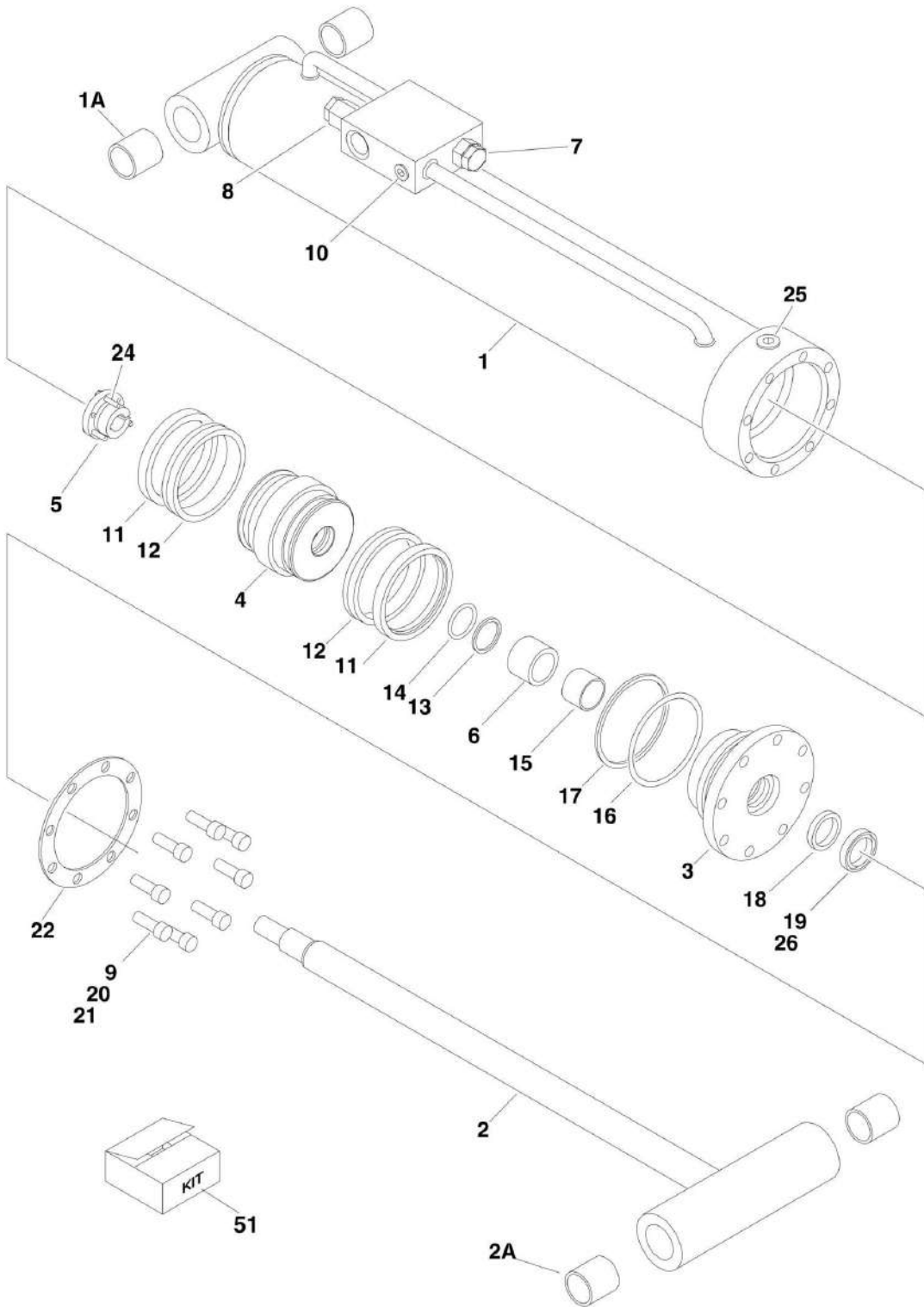
SECTION 5 - CYLINDER

FIGURE 5-7. LEVEL (PLATFORM SLAVE) CYLINDER ASSEMBLY - 600AJ (SN 0300241338 to Present)

ITEM	PART NUMBER	QTY	DESCRIPTION	REV
	1001228051	Ref	LEVEL CYLINDER ASSEMBLY	A
		Ref	Note: Original Cylinder May Have Been Replaced with Service Replacement. Identify PN Stamped on Cylinder Before Ordering Parts.	
1	See Note	NSS	Barrel (Note: Use p/n 1001228051)	
2	70006823	1	Rod	
3	70006446	1	Head	
4	70006445	1	Piston	
5	70006444	1	Bushing, Tapered	
6	0630535	3	Bolt 1/4 x 1-1/8	
7	70006443	1	Spacer	
8	70006822	1	Ring, Washer	
9	3931620	8	Capscrew 3/8 x 1-1/4	
10	2220885	1	Plug, O-Ring	
11	2220883	8	Plug, O-Ring	
12	4640509	1	Cartridge, Valve	
12	2900792	1	Seal Kit - 4640509 Valve	
13	4640932	1	Cartridge, Valve	
13	7011112	1	Seal Kit - 4640932 Valve	
14	0961951	4	Bushing	
100	1001138796	1	Seal Kit - 1001228051 Cylinder (Includes Items 101-109)	
101	See Note	NSS	Ring, Lock (Note: Use Item 100)	
102	See Note	NSS	Seal (Note: Use Item 100)	
103	See Note	NSS	O-Ring (Note: Use Item 100)	
104	See Note	NSS	Ring, Back-up (Note: Use Item 100)	
105	See Note	NSS	Ring, Wear (Note: Use Item 100)	
106	See Note	NSS	O-Ring (Note: Use Item 100)	
107	See Note	NSS	Ring, Back-up (Note: Use Item 100)	
108	See Note	NSS	Seal, Rod (Note: Use Item 100)	
109	See Note	NSS	Wiper (Note: Use Item 100)	

SECTION 5 - CYLINDER

FIGURE 5-8. LEVEL (UPRIGHT) CYLINDER ASSEMBLY (SN 0300177361 through 0300237381)



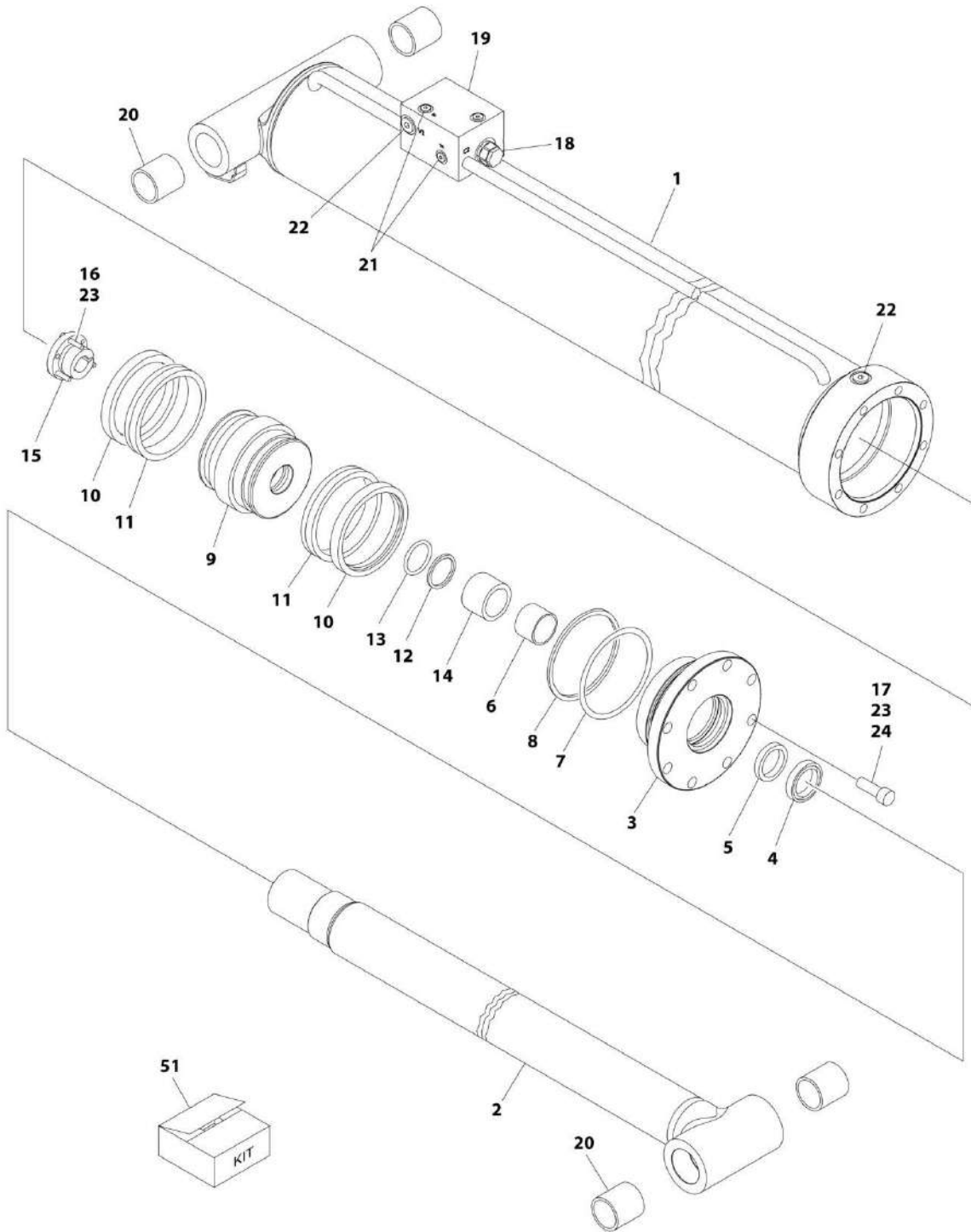
SECTION 5 - CYLINDER

FIGURE 5-8. LEVEL (UPRIGHT) CYLINDER ASSEMBLY (SN 0300177361 through 0300237381)

ITEM	PART NUMBER	QTY	DESCRIPTION	REV
	1684498	Ref	UPRIGHT LEVEL CYLINDER ASSEMBLY	E
		Ref		
			Note: Original Cylinder may have been replaced with Service Replacement. Identify PN Stamped on Cylinder Before Ordering Parts.	
1	0370035	1	Barrel Weldment	
1A	0961949	2	Bushing	
2	1684015	1	Rod Weldment	
2A	0961949	2	Bushing	
3	1683067	1	Head	
4	3480206	1	Piston	
5	0961898	1	Bushing, Tapered (Use Item#24 in place of supplied bolts)	
6	4566501	1	Spacer, Tube	
7	4640509	1	Cartridge, Valve	
7	2900792	1	Seal Kit - 4640509 Valve	
8	4640605	1	Cartridge, Valve	
8	2900792	1	Seal Kit - 4640605 Valve	
9	3932032	8	Bolt, Socket Head 5/16in-11NC x 2in	
10	2220883	2	Plug, O-Ring	
11	See Note	NSS	Ring, Lock (Note: Use Item 51)	
12	See Note	NSS	Seal, Hydrolock (Note: Use Item 51)	
13	See Note	NSS	O-Ring (Note: Use Item 51)	
14	See Note	NSS	Ring, Back-up (Note: Use Item 51)	
15	See Note	NSS	Ring, Wear (Note: Use Item 51)	
16	See Note	NSS	O-Ring (Note: Use Item 51)	
17	See Note	NSS	Ring, Back-up (Note: Use Item 51)	
18	See Note	NSS	Seal, Rod (Note: Use Item 51)	
19	See Note	NSS	Wiper (Note: Use Item 51)	
20	0100011	AR	Compound, Locking	
21	0100038	AR	Primer, Locking	
22	3760372	1	Washer, Ring	
24	0630536	3	Bolt 3/8in-16NC x 1-1/2in	
25	2220886	1	Plug, O-Ring	
26	0100063	AR	Adhesive	
51	2901285	1	Seal Kit (Includes Items 11-19)	

SECTION 5 - CYLINDER

FIGURE 5-9. LEVEL (UPRIGHT) CYLINDER ASSEMBLY (SN 0300237382 to Present)



ART_1001228042

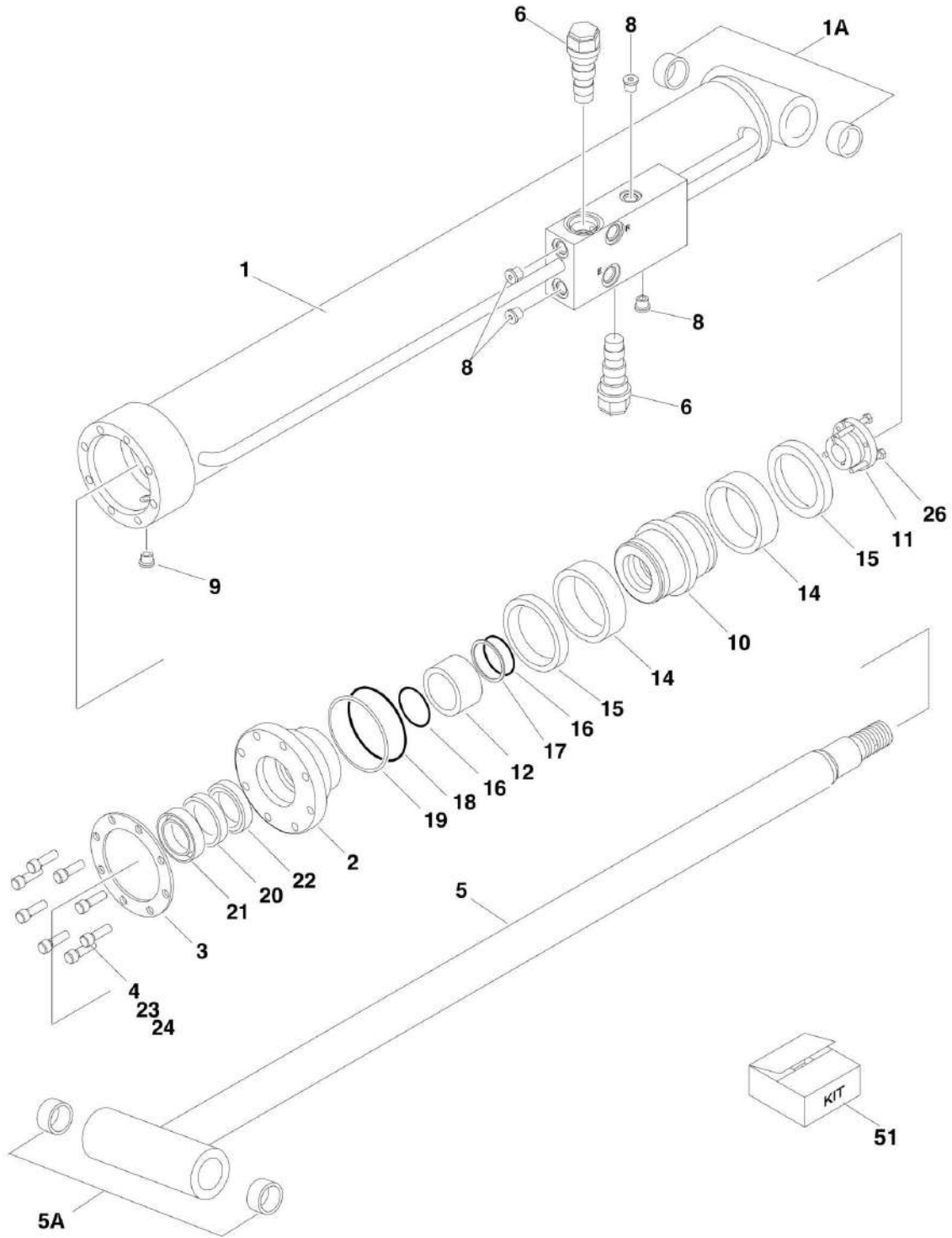
SECTION 5 - CYLINDER

FIGURE 5-9. LEVEL (UPRIGHT) CYLINDER ASSEMBLY (SN 0300237382 to Present)

ITEM	PART NUMBER	QTY	DESCRIPTION	REV
	1001228042	Ref	UPRIGHT LEVEL CYLINDER ASSEMBLY	A
		Ref	Note: Original Cylinder may have been replaced with Service Replacement. Identify PN Stamped on Cylinder Before Ordering Parts.	
1	See Note	NSS	Barrel Weldment (Note: Not Available for Purchase)	
2	70006489	1	Rod Weldment	
3	70006488	1	Head	
4	See Note	NSS	Wiper (Note: Use Item 51)	
5	See Note	NSS	Seal, Rod (Note: Use Item 51)	
6	See Note	NSS	Ring, Wear (Note: Use Item 51)	
7	See Note	NSS	O-Ring (Note: Use Item 51)	
8	See Note	NSS	Ring, Back-up (Note: Use Item 51)	
9	70006487	1	Piston	
10	See Note	NSS	Ring, Lock (Note: Use Item 51)	
11	See Note	NSS	Seal, Hydrolock (Note: Use Item 51)	
12	See Note	NSS	O-Ring (Note: Use Item 51)	
13	See Note	NSS	Ring, Back-up (Note: Use Item 51)	
14	70006486	1	Spacer, Tube	
15	0961898	1	Bushing, Tapered (Use Item #16 in place of supplied bolts)	
16	0630536	3	Bolt 3/8 x 1-1/2	
17	3932032	8	Bolt, Socket Head 5/16 x 2	
18	4640509	1	Cartridge, Valve	
18	2900792	1	Seal Kit - 4640509 Valve	
19	4640605	1	Cartridge, Valve	
19	2900792	1	Seal Kit - 4640605 Valve	
20	0961949	4	Bushing	
21	2220883	5	Plug, O-Ring	
22	2220886	3	Plug, O-Ring	
23	0100011	AR	Compound, Locking	
24	0100038	AR	Primer, Locking	
51	2901285	1	Seal Kit (Includes Items 4-8 & 10-13)	

SECTION 5 - CYLINDER

FIGURE 5-10. LIFT CYLINDER ASSEMBLY - JIB - 600AJ (SN 0300177361 through 0300241337)



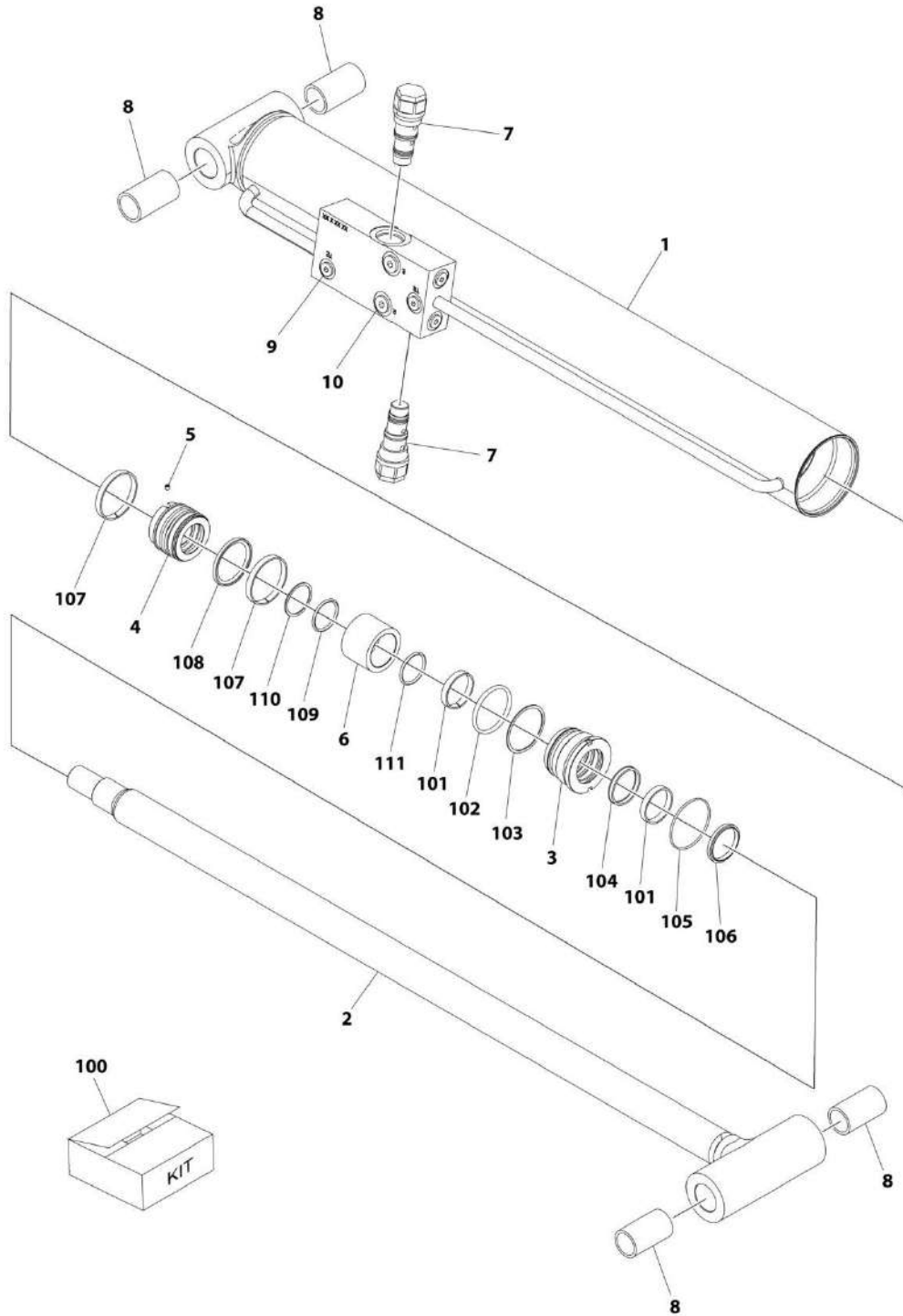
SECTION 5 - CYLINDER

FIGURE 5-10. LIFT CYLINDER ASSEMBLY - JIB - 600AJ (SN 0300177361 through 0300241337)

ITEM	PART NUMBER	QTY	DESCRIPTION	REV
		Ref	JIB LIFT CYLINDER ASSEMBLY - 600AJ ONLY	
		Ref	Note: Original Cylinder may have been replaced with Service Replacement. Identify PN Stamped on Cylinder Before Ordering Parts.	
	1683609	Ref	Jib Lift Cylinder Assembly 600AJ without Arctic Package	I
	1001138792	Ref	Jib Lift Cylinder Assembly 600AJ (with Arctic Package)	A
1	1684089	1	Barrel	
1A	0962336	2	Bushing	
2	1683053	1	Head	
3	3760368	1	Ring, Washer	
4	3931516	8	Capscrew, Socket Head 5/16in-18NC x 1in	
5	1684090	1	Rod	
5A	0962336	2	Bushing	
6	4640509	2	Cartridge, Valve	
6	2900792	2	Seal Kit - 4640509 Valve	
8	2220883	2	Plug, O-Ring #4	
9	2220885	1	Plug, O-Ring #6	
10	3480210	1	Piston	
11	0961893	1	Bushing, Tapered	
12	4100100	1	Spacer, Tube	
14	See Note	NSS	Seal (Note: Use Item 51)	
15	See Note	NSS	Ring, Lock (Note: Use Item 51)	
16	See Note	NSS	O-Ring (Note: Use Item 51)	
17	See Note	NSS	Ring, Back-up (Note: Use Item 51)	
18	See Note	NSS	O-Ring (Note: Use Item 51)	
19	See Note	NSS	Ring, Back-up (Note: Use Item 51)	
20	See Note	NSS	Seal, Rod (Note: Use Item 51)	
21	See Note	NSS	Wiper (Note: Use Item 51)	
22	See Note	NSS	Ring, Wear (Note: Use Item 51)	
23	0100011	AR	Compound, Locking	
24	0100038	AR	Primer, Locking	
26	0630534	3	Bolt #10 - 24NC x 1in	
51		Ref	Seal Kit Options (Includes Items 14-22)	
51	2901303	1	Seal Kit without Arctic Package	
51	1001138795	1	Seal Kit with Arctic Package	

SECTION 5 - CYLINDER

FIGURE 5-11. LIFT CYLINDER ASSEMBLY - JIB - 600AJ (SN 0300241338 through 0300244755)



ART_1001228012

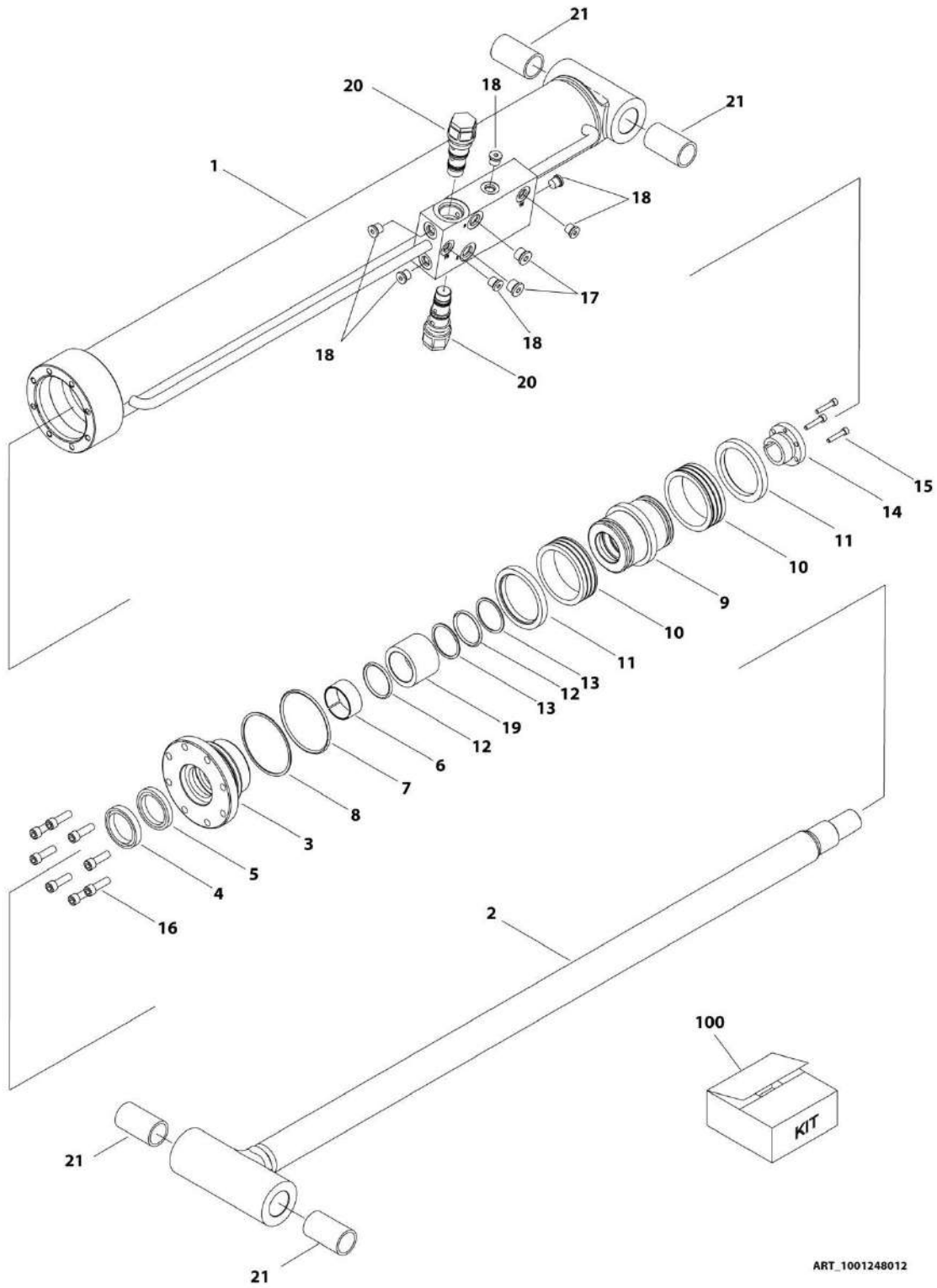
SECTION 5 - CYLINDER

FIGURE 5-11. LIFT CYLINDER ASSEMBLY - JIB - 600AJ (SN 0300241338 through 0300244755)

ITEM	PART NUMBER	QTY	DESCRIPTION	REV
	1001228012	Ref	LIFT CYLINDER ASSEMBLY - JIB	C
		Ref	Note: Original Cylinder May Have Been Replaced with Service Replacement. Identify PN Stamped on Cylinder Before Ordering Parts.	
1	See Note	NSS	Barrel (Note: Not Available for Purchase)	
2	70006572	1	Rod	
3	70006571	1	Head	
4	70006570	1	Piston	
5	70023915	1	Screw	
6	70006569	1	Spacer	
7	4640509	2	Cartridge, Valve	
7	2900792	2	Seal Kit - 4640509 Valve	
8	0962336	4	Bushing	
9	2220883	6	Plug, O-Ring	
10	2220885	2	Plug, O-Ring	
100	70006568	1	Seal Kit (Includes Items 101-111)	
101	See Note	NSS	Ring, Wear (Note: Use Item 100)	
102	See Note	NSS	O-Ring (Note: Use Item 100)	
103	See Note	NSS	Ring, Back-up (Note: Use Item 100)	
104	See Note	NSS	Seal, Rod (Note: Use Item 100)	
105	See Note	NSS	O-Ring (Note: Use Item 100)	
106	See Note	NSS	Wiper (Note: Use Item 100)	
107	See Note	NSS	Ring, Wear (Note: Use Item 100)	
108	See Note	NSS	Seal (Note: Use Item 100)	
109	See Note	NSS	O-Ring (Note: Use Item 100)	
110	See Note	NSS	Ring, Back-up (Note: Use Item 100)	
111	See Note	NSS	O-Ring (Note: Use Item 100)	

SECTION 5 - CYLINDER

FIGURE 5-12. LIFT CYLINDER ASSEMBLY - JIB - 600AJ (SN 0300244756 to Present)



ART_1001248012

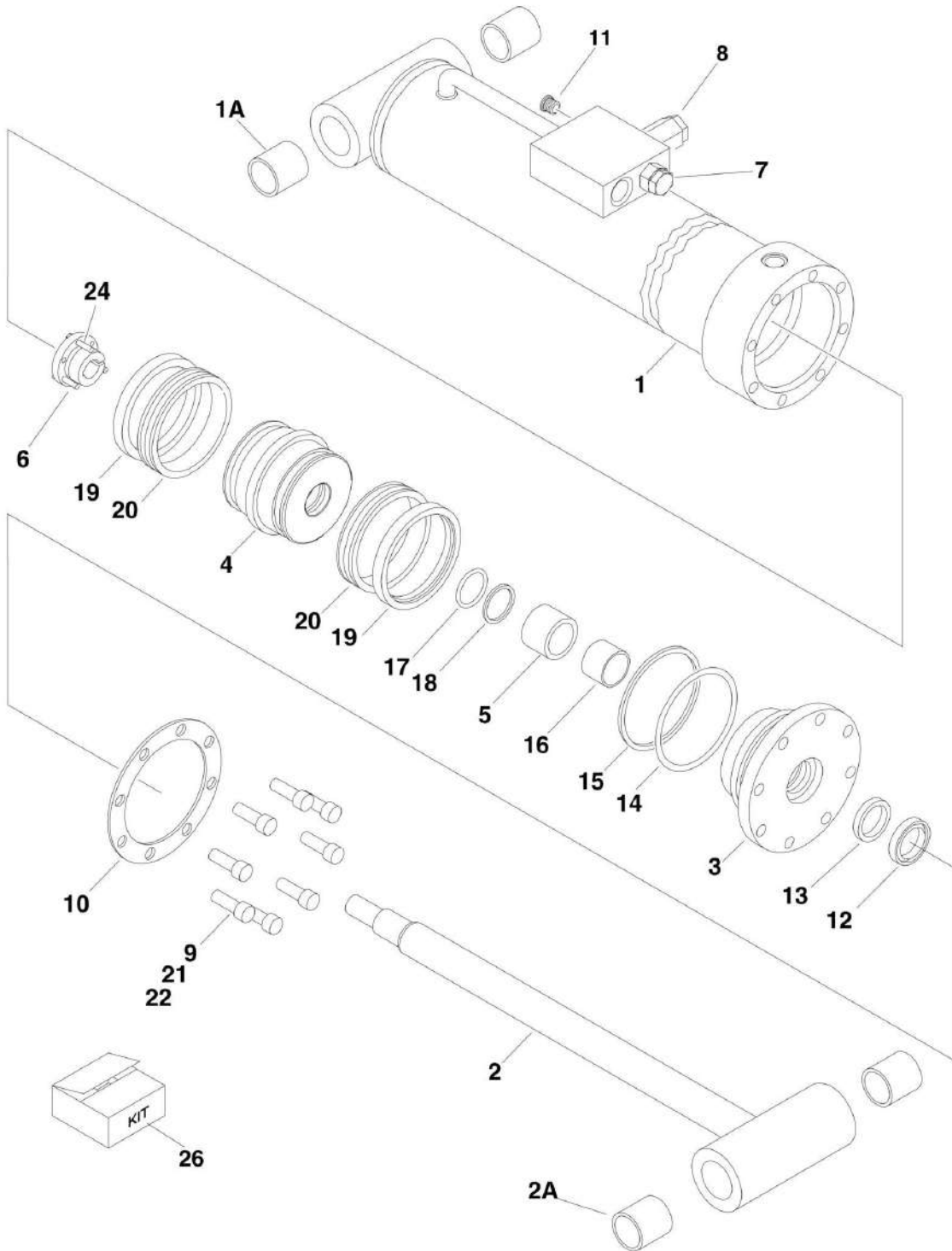
SECTION 5 - CYLINDER

FIGURE 5-12. LIFT CYLINDER ASSEMBLY - JIB - 600AJ (SN 0300244756 to Present)

ITEM	PART NUMBER	QTY	DESCRIPTION	REV
	1001248012	Ref	LIFT CYLINDER ASSEMBLY - JIB	B
		Ref	Note: Original Cylinder May Have Been Replaced with Service Replacement. Identify PN Stamped on Cylinder Before Ordering Parts.	
1	See Note	NSS	Barrel (Note: Not Available for Purchase)	
2	70006734	1	Rod	
3	70006649	1	Head	
4	See Note	NSS	Wiper (Note: Use Item 100)	
5	See Note	NSS	Seal, Rod (Note: Use Item 100)	
6	See Note	NSS	Ring, Wear (Note: Use Item 100)	
7	See Note	NSS	O-Ring (Note: Use Item 100)	
8	See Note	NSS	Ring, Back-up (Note: Use Item 100)	
9	70006650	1	Piston	
10	See Note	NSS	Seal (Note: Use Item 100)	
11	See Note	NSS	Ring, Lock (Note: Use Item 100)	
12	See Note	NSS	O-Ring (Note: Use Item 100)	
13	See Note	NSS	Ring, Back-up (Note: Use Item 100)	
14	0961893	1	Bushing, Tapered	
15	0630534	3	Capscrew, Socket Head #10 x 1	
16	70006735	8	Capscrew 5/16	
17	2220885	2	Plug, O-Ring	
18	2220883	6	Plug, O-Ring	
19	70006736	1	Spacer	
20	4640509	2	Cartridge, Valve	
20	2900792	2	Seal Kit - 4640509 Valve	
21	0962336	4	Bushing	
100	1001138795	1	Seal Kit (Includes Items 4-8 & 10-13)	

SECTION 5 - CYLINDER

FIGURE 5-13. LIFT CYLINDER ASSEMBLY - MAIN BOOM (SN 0300177361 through 0300237381)



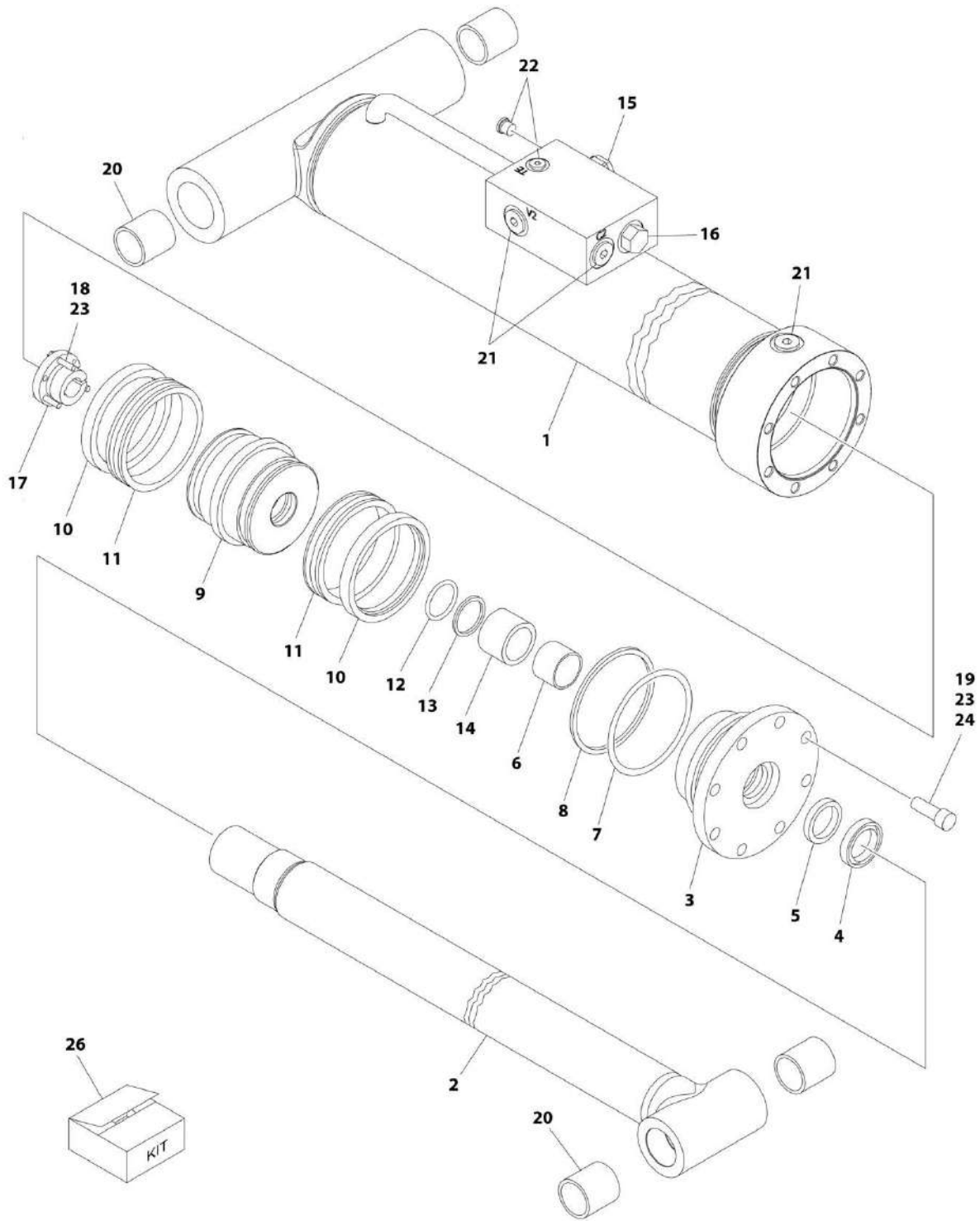
SECTION 5 - CYLINDER

FIGURE 5-13. LIFT CYLINDER ASSEMBLY - MAIN BOOM (SN 0300177361 through 0300237381)

ITEM	PART NUMBER	QTY	DESCRIPTION	REV
	1683294	Ref	LIFT CYLINDER ASSEMBLY - MAIN BOOM Note: Original Cylinder may have been replaced with Service Replacement. Identify PN Stamped on Cylinder Before Ordering Parts.	J
		Ref		
1	1684001	1	Barrel	
1A	0961948	2	Bushing	
2	1684005	1	Rod	
2A	0961948	2	Bushing	
3	1683061	1	Head	
4	3480211	1	Piston	
5	4566408	1	Spacer	
6	0961897	1	Bushing, Tapered	
7	4640438	1	Cartridge, Valve	
7	2900770	1	Seal Kit - 4640438 Valve	
8	4640509	1	Cartridge, Valve	
8	2900792	1	Seal Kit - 4640509 Valve	
9	3931720	8	Capscrew, Socket Head 7/16in-14NC x 1-1/4in	
10	3760370	1	Ring, Washer	
11	2220883	1	Plug, O-Ring #6	
12	See Note	NSS	Wiper (Note: Use Item 26)	
13	See Note	NSS	Seal, Rod (Note: Use Item 26)	
14	See Note	NSS	O-Ring (Note: Use Item 26)	
15	See Note	NSS	Ring, Back-up (Note: Use Item 26)	
16	See Note	NSS	Ring, Wear (Note: Use Item 26)	
17	See Note	NSS	O-Ring (Note: Use Item 26)	
18	See Note	NSS	Ring, Back-up (Note: Use Item 26)	
19	See Note	NSS	Ring, Lock (Note: Use Item 26)	
20	See Note	NSS	Seal (Note: Use Item 26)	
21	0100011	AR	Compound, Locking	
22	0100038	AR	Primer, Locking	
24	0630535	3	Bolt 1/4in-20NC x 1-1/8in	
26	2901273	1	Seal Kit (Includes Items 12-20)	

SECTION 5 - CYLINDER

FIGURE 5-14. LIFT CYLINDER ASSEMBLY - MAIN BOOM (SN 0300237382 to Present)



ART_1001228004

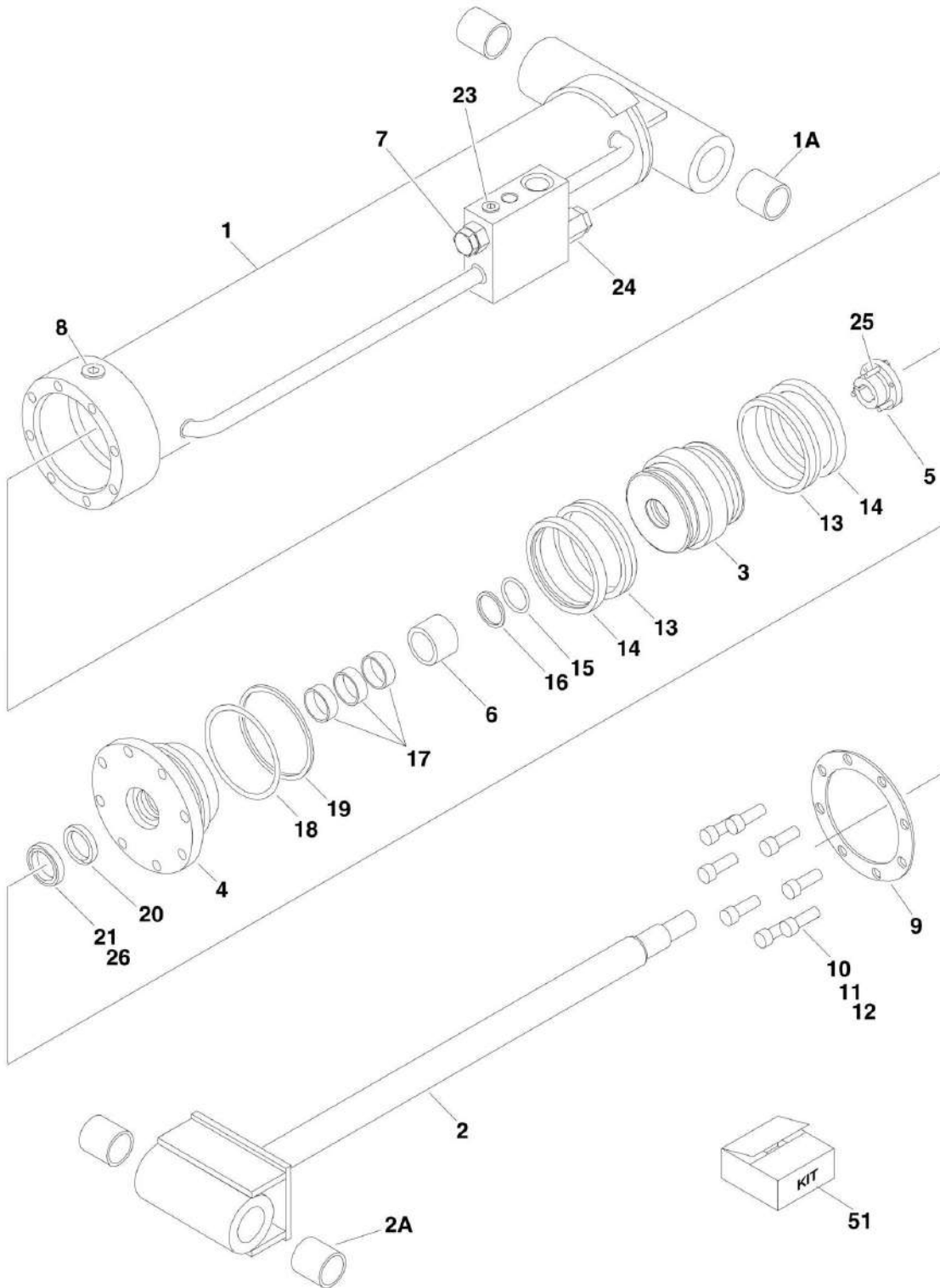
SECTION 5 - CYLINDER

FIGURE 5-14. LIFT CYLINDER ASSEMBLY - MAIN BOOM (SN 0300237382 to Present)

ITEM	PART NUMBER	QTY	DESCRIPTION	REV
	1001228004	Ref	LIFT CYLINDER ASSEMBLY - MAIN BOOM	A
		Ref	Note: Original Cylinder may have been replaced with Service Replacement. Identify PN Stamped on Cylinder Before Ordering Parts.	
1	See Note	NSS	Barrel (Note: Not Available for Purchase)	
2	70006481	1	Rod	
3	70006480	1	Head	
4	See Note	NSS	Wiper (Note: Use Item 26)	
5	See Note	NSS	Seal, Rod (Note: Use Item 26)	
6	See Note	NSS	Ring, Wear (Note: Use Item 26)	
7	See Note	NSS	O-Ring (Note: Use Item 26)	
8	See Note	NSS	Ring, Back-up (Note: Use Item 26)	
9	70006479	1	Piston	
10	See Note	NSS	Ring, Lock (Note: Use Item 26)	
11	See Note	NSS	Seal (Note: Use Item 26)	
12	See Note	NSS	O-Ring (Note: Use Item 26)	
13	See Note	NSS	Ring, Back-up (Note: Use Item 26)	
14	70006478	1	Spacer	
15	4640509	1	Cartridge, Valve	
15	2900792	1	Seal Kit - 4640509 Valve	
16	4640438	1	Cartridge, Valve	
16	2900770	1	Seal Kit - 4640438 Valve	
17	0961897	1	Bushing, Tapered	
18	0630535	3	Bolt 1/4 x 1-1/8	
19	3931720	8	Capscrew, Socket Head 7/16 x 1-1/4	
20	0961948	2	Bushing	
21	2220886	4	Plug, O-Ring	
22	2220883	3	Plug, O-Ring	
23	0100011	AR	Compound, Locking	
24	0100038	AR	Primer, Locking	
26	2901273	1	Seal Kit (Includes Items 4-8 & 10-13)	

SECTION 5 - CYLINDER

FIGURE 5-15. LIFT CYLINDER ASSEMBLY - TOWER BOOM (SN 0300177361 through 0300239707)



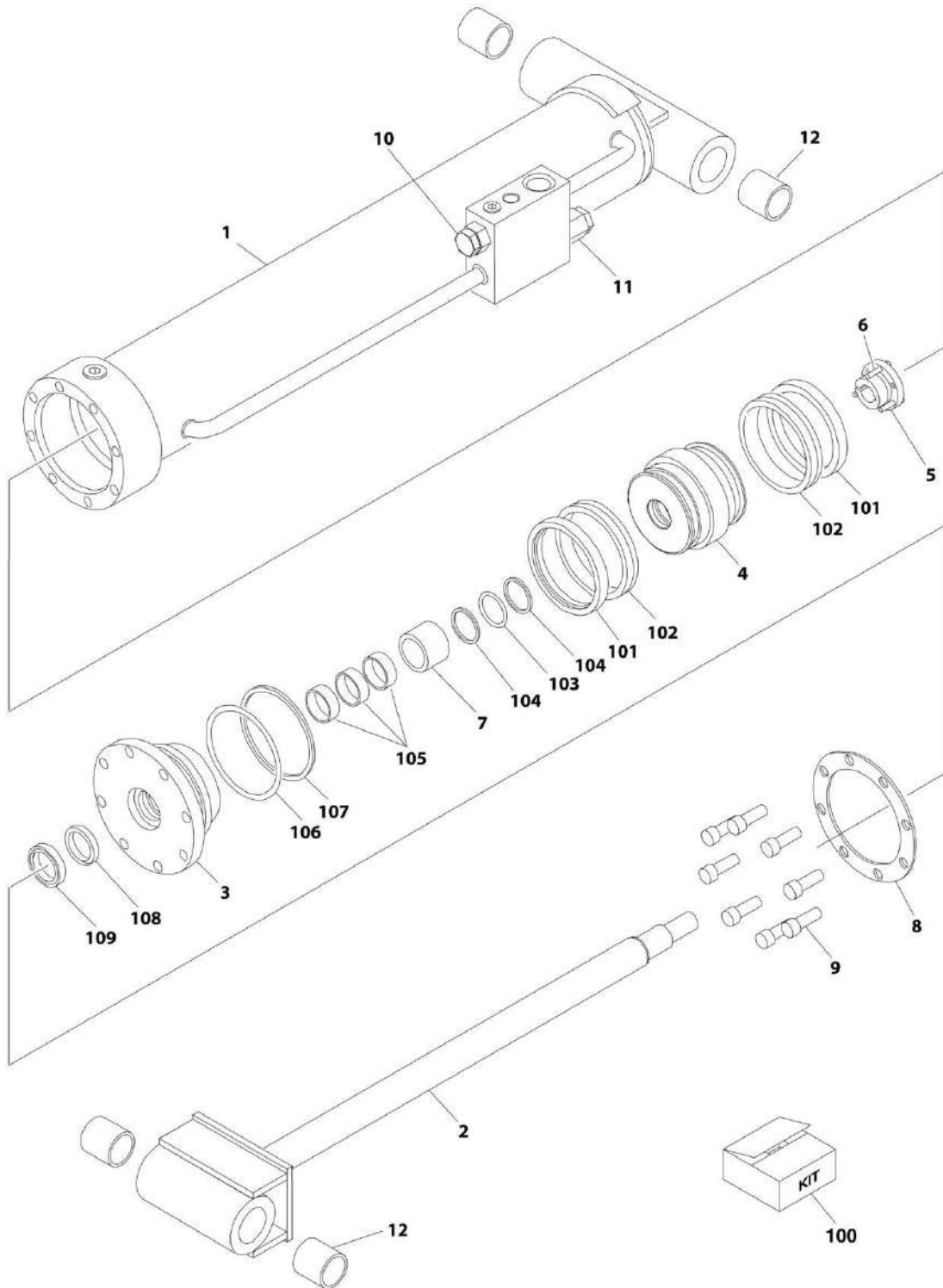
SECTION 5 - CYLINDER

FIGURE 5-15. LIFT CYLINDER ASSEMBLY - TOWER BOOM (SN 0300177361 through 0300239707)

ITEM	PART NUMBER	QTY	DESCRIPTION	REV
	1683288	Ref	LIFT CYLINDER ASSEMBLY - TOWER BOOM	M
		Ref		
1	1684017	1	Barrel	
1A	0961949	2	Bushing	
2	1684019	1	Rod	
2A	0961949	2	Bushing	
3	3480216	1	Piston	
4	1683069	1	Head	
5	0961899	1	Bushing, Tapered	
6	4566667	1	Spacer	
7	4640605	1	Cartridge, Valve	
7	2900792	1	Seal Kit - 4640605 Valve	
8	2220888	1	Plug	
9	3760384	1	Ring, Washer	
10	3932240	8	Capscrew 3/4 x 2-1/2	
11	0100011	AR	Compound, Locking	
12	0100038	AR	Primer, Locking	
13	See Note	NSS	Seal (Note: Use Item 51)	
14	See Note	NSS	Ring, Lock (Note: Use Item 51)	
15	See Note	NSS	O-Ring (Note: Use Item 51)	
16	See Note	NSS	Ring, Back-Up (Note: Use Item 51)	
17	See Note	NSS	Ring, Wear (Note: Use Item 51)	
18	See Note	NSS	O-Ring (Note: Use Item 51)	
19	See Note	NSS	Ring, Back-Up (Note: Use Item 51)	
20	See Note	NSS	Seal, Rod (Note: Use Item 51)	
21	See Note	NSS	Wiper (Note: Use Item 51)	
23	2220883	2	Plug	
24	4640509	1	Cartridge, Valve	
24	2900792	1	Seal Kit - 4640509 Valve	
25	0630536	3	Bolt 3/8 x 1-1/2	
26	0100063	AR	Adhesive	
51	2901322	1	Seal Kit (Includes Items 13-21)	

SECTION 5 - CYLINDER

FIGURE 5-16. LIFT CYLINDER ASSEMBLY - TOWER BOOM (SN 03000239708 to Present)



ART_1001228003

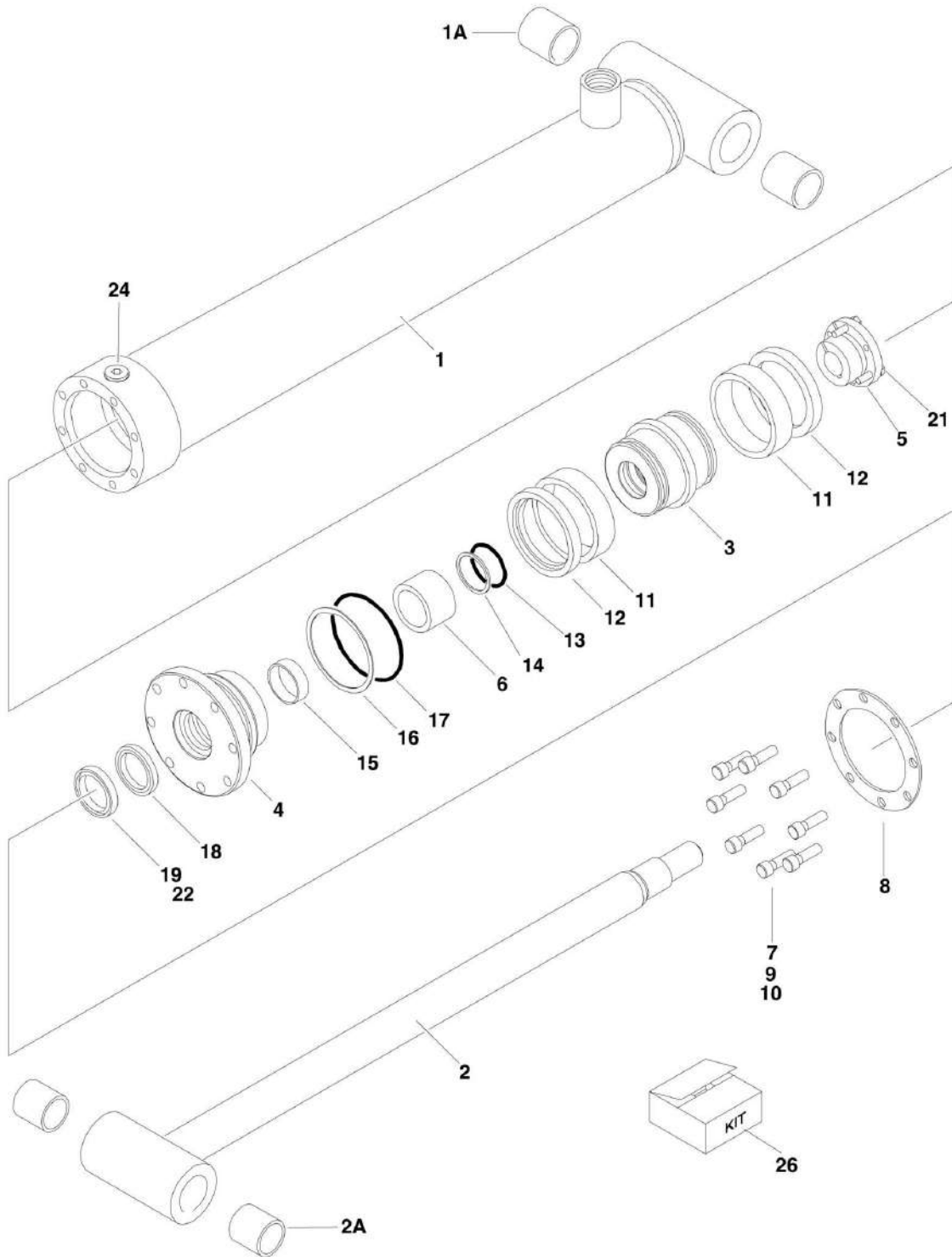
SECTION 5 - CYLINDER

FIGURE 5-16. LIFT CYLINDER ASSEMBLY - TOWER BOOM (SN 03000239708 to Present)

ITEM	PART NUMBER	QTY	DESCRIPTION	REV
	1001228003	Ref	LIFT CYLINDER ASSEMBLY	C
		Ref	Note: Original Cylinder may have been replaced with Service Replacement. Identify PN Stamped on Cylinder Before Ordering Parts.	
1	See Note	NSS	Barrel (Note: Not Available For Purchase)	
2	70006374	1	Rod	
3	70006373	1	Head	
4	70006372	1	Piston	
5	70006371	1	Bushing, Tapered	
6	0630536	3	Bolt 3/8 x 1-1/2	
7	70006370	1	Spacer	
8	70006369	1	Ring, Washer	
9	3932240	8	Capscrew 3/4 x 2-1/2	
10	4640605	1	Cartridge, Valve	
10	2900792	1	Seal Kit - 4640605 Valve	
11	4640509	1	Cartridge, Valve	
11	2900792	1	Seal Kit - 4640509 Valve	
12	0961949	4	Bushing	
100	2901322	1	Seal Kit (Includes Items 101-109)	
101	See Note	NSS	Ring, Lock (Note: Use Item 100)	
102	See Note	NSS	Seal (Note: Use Item 100)	
103	See Note	NSS	O-Ring (Note: Use Item 100)	
104	See Note	NSS	Ring, Back-up (Note: Use Item 100)	
105	See Note	NSS	Ring, Wear (Note: Use Item 100)	
106	See Note	NSS	O-Ring (Note: Use Item 100)	
107	See Note	NSS	Ring, Back-up (Note: Use Item 100)	
108	See Note	NSS	Seal, Rod (Note: Use Item 100)	
109	See Note	NSS	Wiper (Note: Use Item 100)	

SECTION 5 - CYLINDER

FIGURE 5-17. MASTER CYLINDER ASSEMBLY (SN 0300177361 through 0300241337)



SECTION 5 - CYLINDER

FIGURE 5-17. MASTER CYLINDER ASSEMBLY (SN 0300177361 through 0300241337)

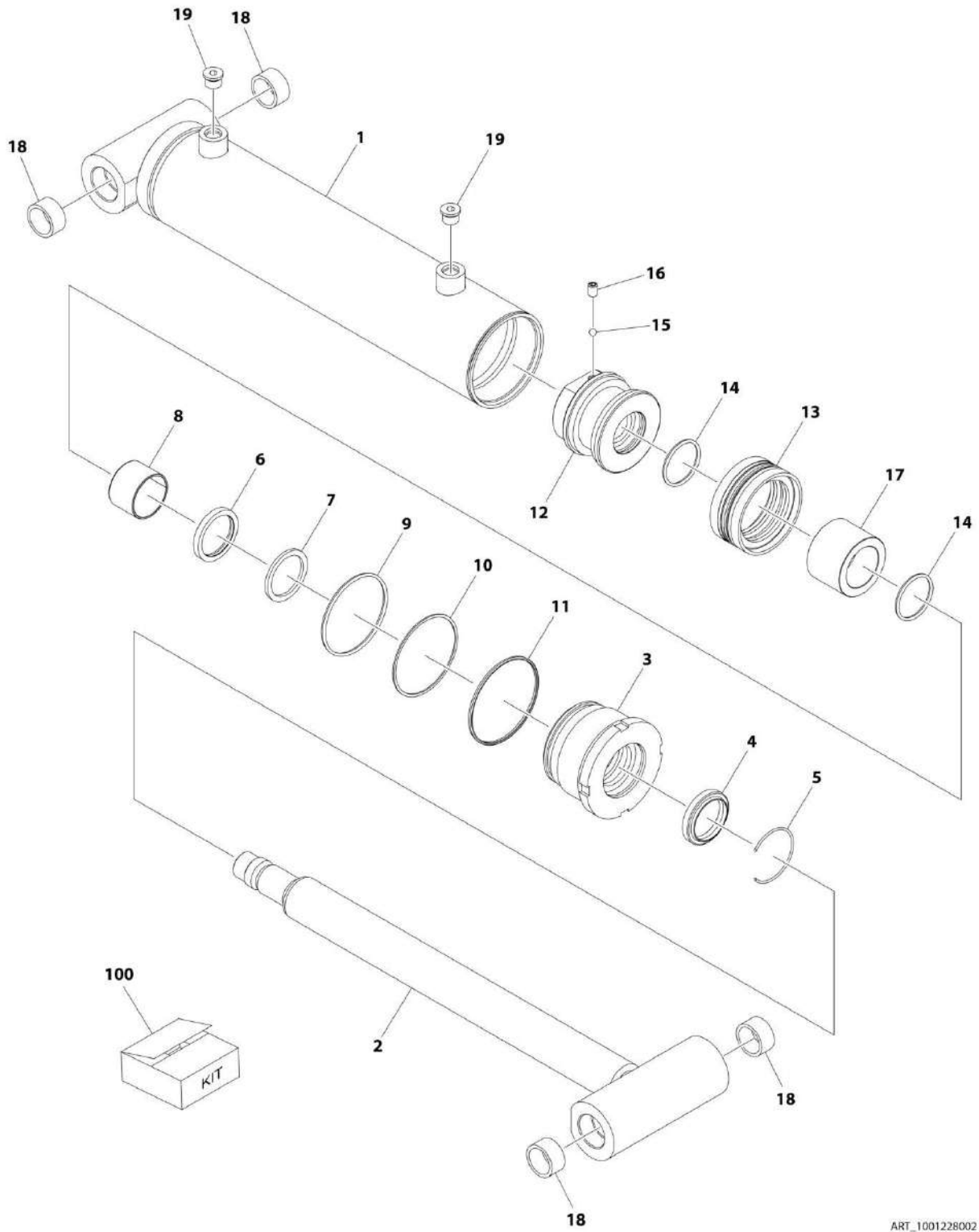
ITEM	PART NUMBER	QTY	DESCRIPTION	REV
		Ref	MASTER CYLINDER ASSEMBLY	
		Ref	Note: Original Cylinder may have been replaced with Service Replacement. Identify PN Stamped on Cylinder Before Ordering Parts.	
	1683266	Ref	Master Cylinder Assembly 600A	I
	1683263	Ref	Master Cylinder Assembly 600AJ without Arctic Package	L
	1001138799	Ref	Master Cylinder Assembly 600AJ with Arctic Package	B
1		Ref	Barrel Options:	
1	1683972	1	Barrel 600A (Note: Includes Item 1A)	
1	1683949	1	Barrel 600AJ (Note: Item 1A not included - Purchase Separately)	
1A		Ref	Bushing Options:	
1A	0961947	2	Bushing 600A - Bushing	
1A	0961951	2	Bushing 600AJ - Bushing	
2		Ref	Rod Options:	
2	1683973	1	Rod 600A (Note: Includes Item 2A)	
2	1683962	1	Rod 600AJ (Note: Item 2A not included - Purchase Separately)	
2A		Ref	Bushing Options:	
2A	0961947	2	Bushing 600A - Bushing	
2A	0961951	2	Bushing 600AJ - Bushing	
3		Ref	Piston Options:	
3	3480210	1	Piston 600A	
3	3480188	1	Piston 600AJ	
4		Ref	Head Options:	
4	1683053	1	Head 600A	
4	1683055	1	Head 600AJ	
5		Ref	Bushing, Tapered Options (Use Item 21 in place of supplied bolts)	
5	0961893	1	Bushing, Tapered 600A	
5	0961894	1	Bushing, Tapered 600AJ	
6	4566468	1	Spacer	
7		Ref	Capscrew, Socket Head Options:	
7	3931516	8	Capscrew, Socket Head 600A - Capscrew, Socket Head 5/16in-18NC x 1in	
7	3931620	8	Capscrew, Socket Head 600AJ - Capscrew, Socket Head 3/8in-16NC x 1-1/4in	
8		Ref	Ring, Washer Options:	
8	3760368	1	Ring, Washer 600A	
8	3760369	1	Ring, Washer 600AJ	
9	0100011	AR	Compound, Locking	
10	0100038	AR	Primer, Locking	
11	See Note	NSS	Seal (Note: Use Item 26)	
12	See Note	NSS	Ring, Lock (Note: Use Item 26)	
13	See Note	NSS	O-Ring (Note: Use Item 26)	
14	See Note	NSS	Ring, Back-up (Note: Use Item 26)	
15	See Note	NSS	Ring, Wear (Note: Use Item 26)	
16	See Note	NSS	O-Ring (Note: Use Item 26)	
17	See Note	NSS	Ring, Back-up (Note: Use Item 26)	
18	See Note	NSS	Seal, Rod (Note: Use Item 26)	
19	See Note	NSS	Wiper (Note: Use Item 26)	
21		Ref	Bolt Options:	

SECTION 5 - CYLINDER

ITEM	PART NUMBER	QTY	DESCRIPTION	REV
21	0630534	3	Bolt 600A - Bolt #10 - 24NC x 1in	
21	0630535	3	Bolt 600AJ - Bolt 1/4in-20NC x 1-1/8in	
22	0100063	AR	Adhesive	
24	2220885	1	Plug, O-Ring #6 (600AJ Only)	
26		Ref	Seal Kit Options (Includes Items 11-19)	
26	2901303	1	Seal Kit 600A	
26	2901301	1	Seal Kit 600AJ without Arctic Package	
26	1001138796	1	Seal Kit 600AJ with Arctic Package	

SECTION 5 - CYLINDER

FIGURE 5-18. MASTER CYLINDER ASSEMBLY - 600A (SN 0300241338 to Present)



ART_1001228002

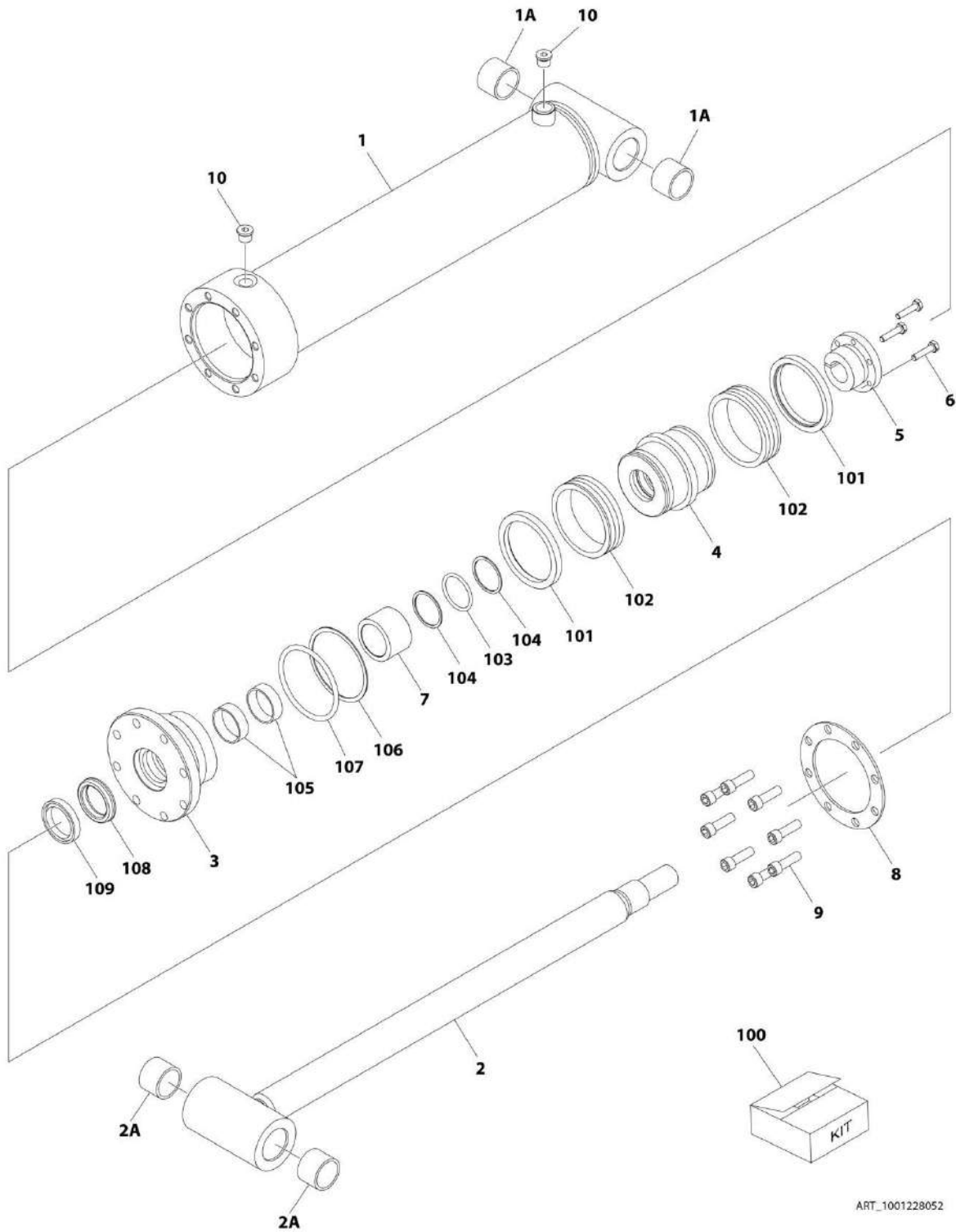
SECTION 5 - CYLINDER

FIGURE 5-18. MASTER CYLINDER ASSEMBLY - 600A (SN 0300241338 to Present)

ITEM	PART NUMBER	QTY	DESCRIPTION	REV
	1001228002	Ref	MASTER CYLINDER ASSEMBLY	B
		Ref	Note: Original Cylinder May Have Been Replaced with Service Replacement. Identify PN Stamped on Cylinder Before Ordering Parts.	
1	See Note	NSS	Barrel (Note: Not Available for Purchase)	
2	70006774	1	Rod	
3	70006599	1	Head	
4	See Note	NSS	Wiper Rod (Note: Use Item 100)	
5	70002373	1	Ring, Retaining	
6	See Note	NSS	Seal, Rod (Note: Use Item 100)	
7	See Note	NSS	Ring, Back-up (Note: Use Item 100)	
8	See Note	NSS	Ring, Wear (Note: Use Item 100)	
9	See Note	NSS	O-Ring (Note: Use Item 100)	
10	See Note	NSS	Ring, Back-up (Note: Use Item 100)	
11	See Note	NSS	O-Ring (Note: Use Item 100)	
12	70006597	1	Piston	
13	See Note	NSS	Seal Piston (Note: Use Item 100)	
14	See Note	NSS	O-Ring (Note: Use Item 100)	
15	70022564	1	Ball	
16	70006601	1	Setscrew	
17	70006775	1	Spacer	
18	0961947	4	Bushing	
19	70023371	2	Plug, O-Ring	
100	70006776	1	Seal Kit (Includes Items 4, 6-11, 13 & 14)	

SECTION 5 - CYLINDER

FIGURE 5-19. MASTER CYLINDER ASSEMBLY - 600AJ (SN 0300241338 to Present)



ART_1001228052

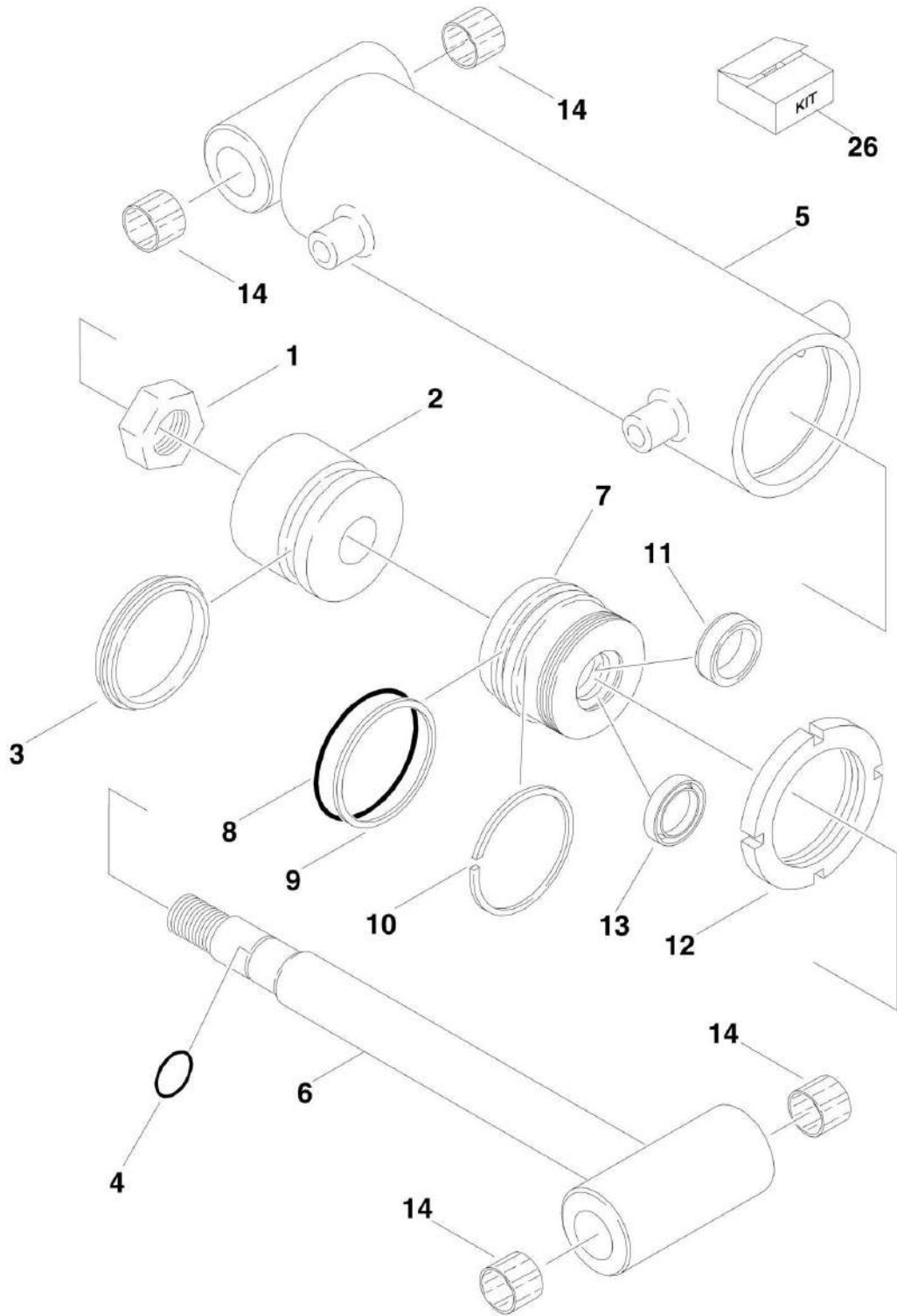
SECTION 5 - CYLINDER

FIGURE 5-19. MASTER CYLINDER ASSEMBLY - 600AJ (SN 0300241338 to Present)

ITEM	PART NUMBER	QTY	DESCRIPTION	REV
	1001228052	Ref	MASTER CYLINDER ASSEMBLY	B
		Ref	Note: Original Cylinder May Have Been Replaced with Service Replacement. Identify PN Stamped on Cylinder Before Ordering Parts.	
1	See Note	NSS	Barrel (Note: Not Available for Purchase)	
1A	0961951	2	Bushing	
2	70006447	1	Rod Weldment	
2A	0961951	2	Bushing	
3	70006446	1	Head	
4	70006445	1	Piston	
5	70006444	1	Bushing, Tapered	
6	0630535	3	Capscrew 1/4 x 1-1/8	
7	70006443	1	Spacer	
8	70006442	1	Ring, Washer	
9	3931620	8	Capscrew 3/8 x 1-1/4	
10	2220885	2	Plug, O-Ring	
100	1001138796	1	Seal Kit (Includes Items 101-109)	
101	See Note	NSS	Ring, Wear (Note: Use Item 100)	
102	See Note	NSS	Seal, Piston (Note: Use Item 100)	
103	See Note	NSS	O-Ring (Note: Use Item 100)	
104	See Note	NSS	Ring, Back-up (Note: Use Item 100)	
105	See Note	NSS	Ring, Wear (Note: Use Item 100)	
106	See Note	NSS	O-Ring (Note: Use Item 100)	
107	See Note	NSS	Ring, Back-up (Note: Use Item 100)	
108	See Note	NSS	Seal, Rod (Note: Use Item 100)	
109	See Note	NSS	Wiper, Rod (Note: Use Item 100)	

SECTION 5 - CYLINDER

FIGURE 5-20. STEER CYLINDER ASSEMBLY (7FT/2.1M WIDE MACHINES)



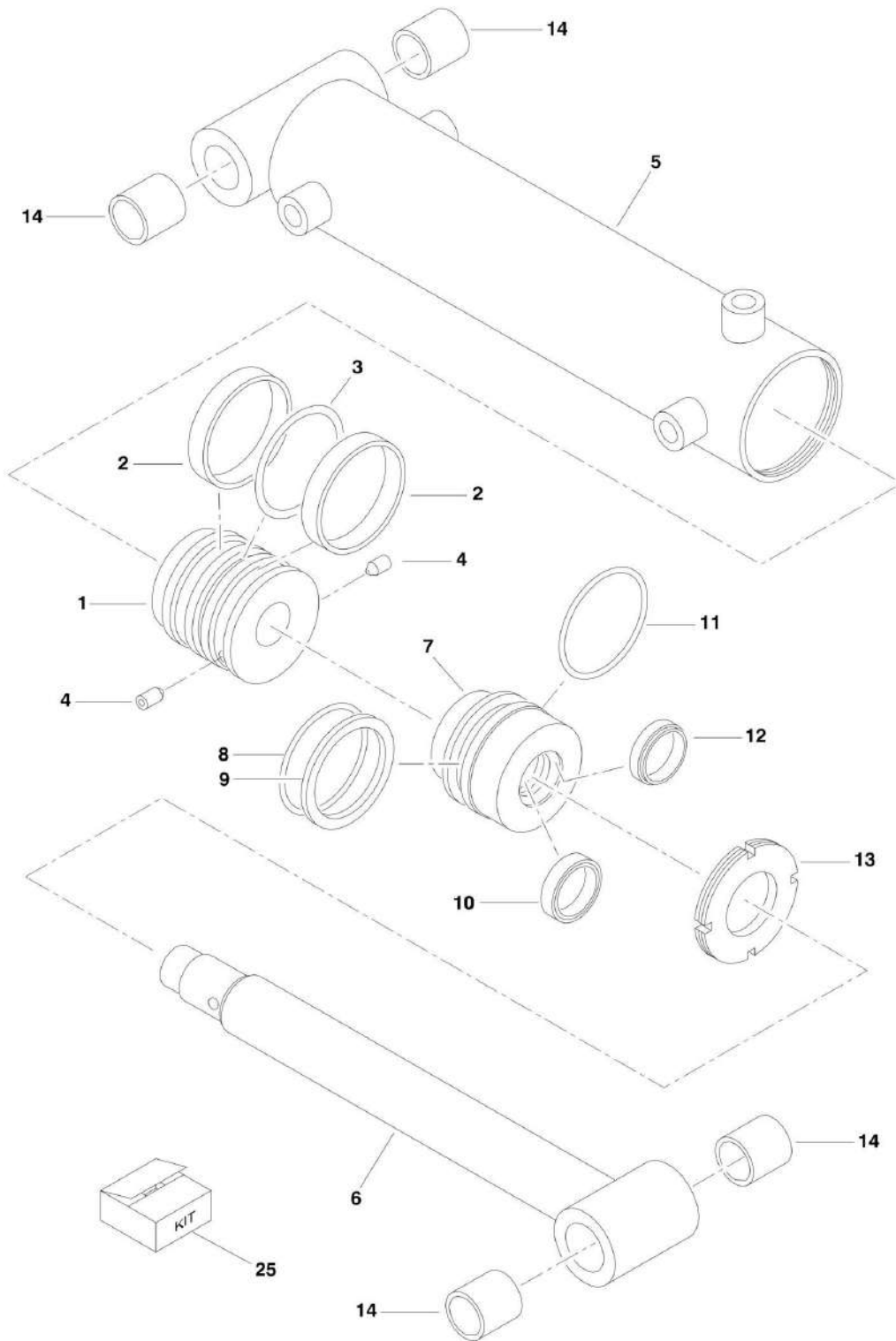
SECTION 5 - CYLINDER

FIGURE 5-20. STEER CYLINDER ASSEMBLY (7FT/2.1M WIDE MACHINES)

ITEM	PART NUMBER	QTY	DESCRIPTION	REV
	1684418	Ref	STEER CYLINDER ASSEMBLY (7FT/2.1M WIDE MACHINES) Note: Original Cylinder may have been replaced with Service Replacement. Identify PN Stamped on Cylinder Before Ordering Parts.	A
		Ref		
1	7001626	1	Locknut	
2	7001627	1	Piston	
3	7001625	1	Seal	
4	7001625	1	O-Ring	
5	See Note	1	Barrel (Note: Not Available for Purchase)	
6	7023038	1	Rod	
7	7001629	1	Guide	
8	See Note	NSS	O-Ring (Note: Use Item 26)	
9	See Note	NSS	Ring, Back-Up (Note: Use Item 26)	
10	See Note	NSS	Ring, Retaining (Note: Use Item 26)	
11	See Note	NSS	Seal, Lip (Note: Use Item 26)	
12	7001630	1	Nut, Spanner	
13	See Note	NSS	Ring, Wiper (Note: Use Item 26)	
14	0961890	4	Bushing	
26	7001625	1	Seal Kit (Includes Items 3, 4, 8-11 & 13)	

SECTION 5 - CYLINDER

FIGURE 5-21. STEER CYLINDER ASSEMBLY (8FT/2.4M WIDE MACHINES)



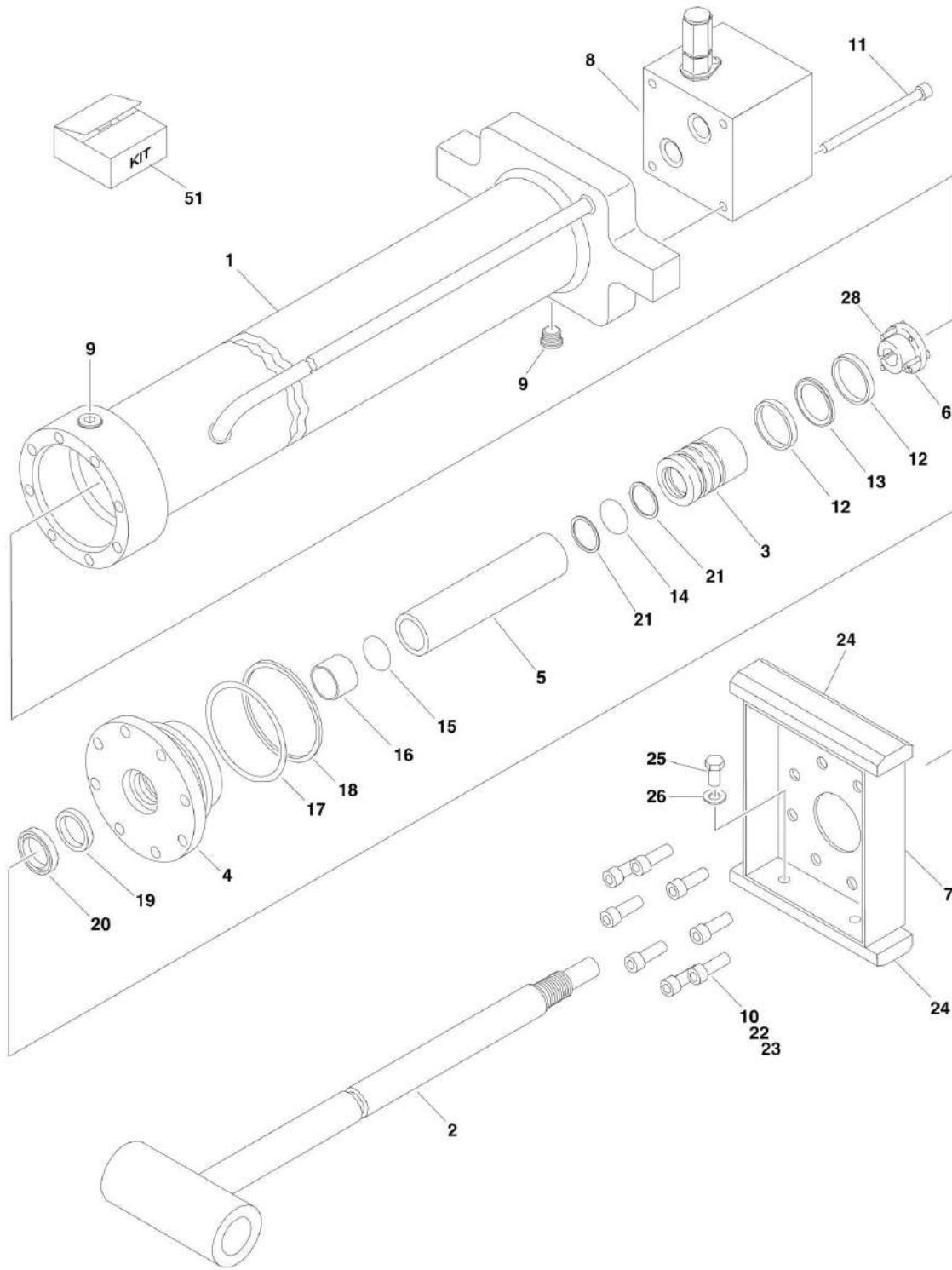
SECTION 5 - CYLINDER

FIGURE 5-21. STEER CYLINDER ASSEMBLY (8FT/2.4M WIDE MACHINES)

ITEM	PART NUMBER	QTY	DESCRIPTION	REV
	1001097242	Ref	STEER CYLINDER ASSEMBLY (8FT/2.4M WIDE MACHINES) Note: Original Cylinder may have been replaced with Service Replacement. Identify PN Stamped on Cylinder Before Ordering Parts.	A
		Ref		
1	70002752	1	Piston	
1	0100011	AR	Compound, Locking	
1	0100038	AR	Primer, Locking	
2	See Note	NSS	Seal (Note: Use Item 25)	
3	See Note	NSS	O-Ring (Note: Use Item 25)	
4	70002745	2	Setscrew	
5	70002753	1	Barrel	
6	70002754	1	Rod	
7	70002755	1	Head	
8	See Note	NSS	O-Ring (Note: Use Item 25)	
9	See Note	NSS	Ring, Back-Up (Note: Use Item 25)	
10	See Note	NSS	Seal (Note: Use Item 25)	
11	See Note	NSS	O-Ring (Note: Use Item 25)	
12	See Note	NSS	Wiper (Note: Use Item 25)	
13	70002756	1	Nut, Spanner	
13	0100011	AR	Compound, Locking	
13	0100038	AR	Primer, Locking	
14	0962356	4	Bushing	
25	70002757	1	Seal Kit (Includes Items 2, 3 & 8-12)	

SECTION 5 - CYLINDER

FIGURE 5-22. TELESCOPE CYLINDER ASSEMBLY - MAIN BOOM (600A & 600AJ)



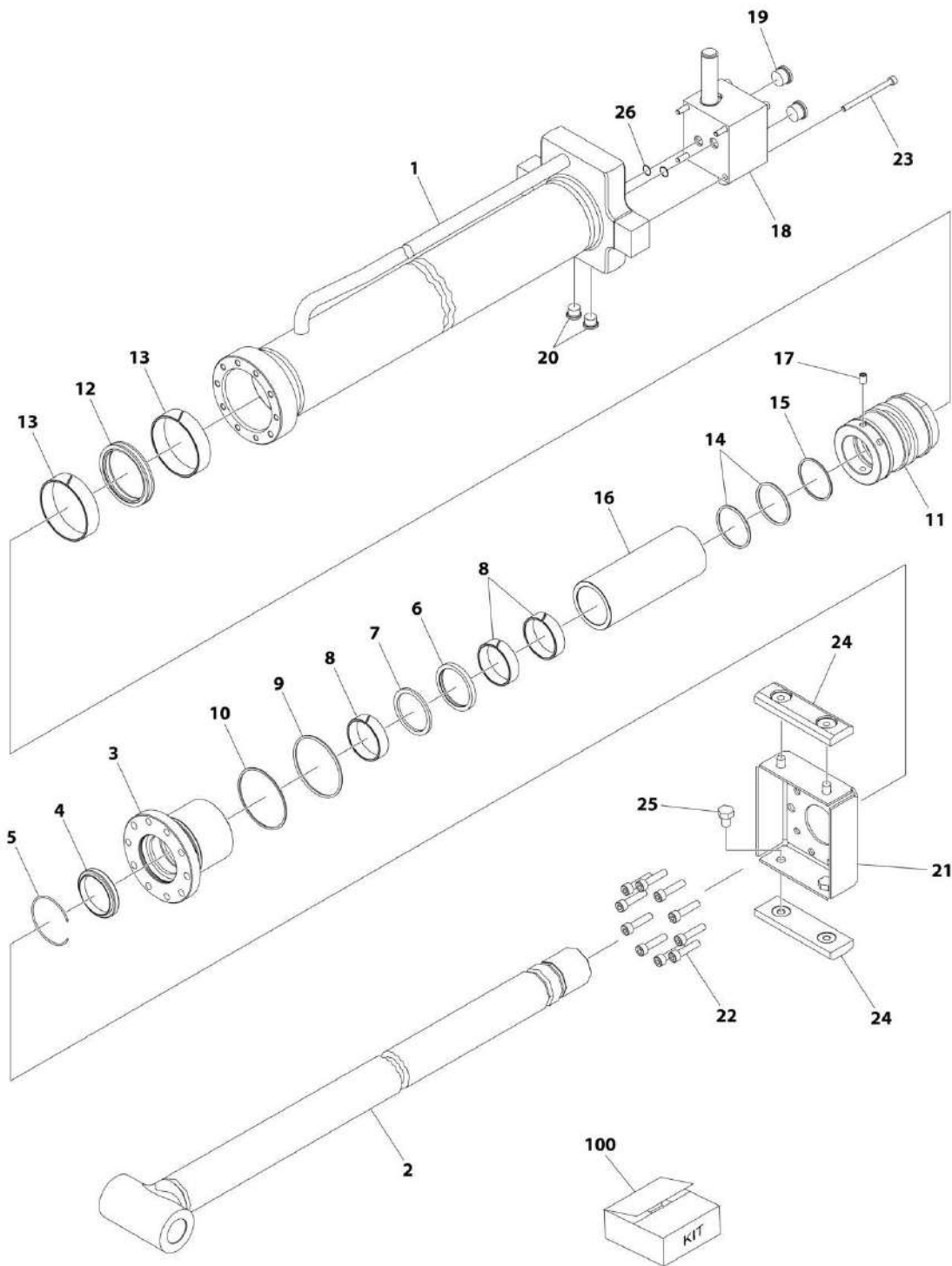
SECTION 5 - CYLINDER

FIGURE 5-22. TELESCOPE CYLINDER ASSEMBLY - MAIN BOOM (600A & 600AJ)

ITEM	PART NUMBER	QTY	DESCRIPTION	REV
		Ref	TELESCOPE CYLINDER ASSEMBLY - MAIN BOOM	
		Ref	Note: Original Cylinder may have been replaced with Service Replacement. Identify PN Stamped on Cylinder Before Ordering Parts.	
	1683307	Ref	Telescope Cylinder Assembly 600A (SN 0300177361 through 0300241337)	H
	1683317	Ref	Telescope Cylinder Assembly 600AJ (SN 0300177361 through 0300242728)	6-H
1		Ref	Barrel Options:	
1	1683308	1	Barrel 600A	
1	1683318	1	Barrel 600AJ	
2		Ref	Rod Options:	
2	1684308	1	Rod 600A	
2	1684310	1	Rod 600AJ	
3	3480212	1	Piston	
4	1683054	1	Head	
5	4566425	1	Spacer	
6	0961896	1	Bushing, Tapered	
7		Ref	Plate, Wear Pad Mounting Options:	
7	3538771	1	Plate, Wear Pad Mounting 600A	
7	3538247	1	Plate, Wear Pad Mounting 600AJ	
8	4640862	1	Valve Block Assembly (Note: No Service Parts Available - Replace Complete Assembly)	
9	2220885	2	Plug, O-Ring	
10	3931516	8	Capscrew, Socket Head 5/16in-18NC x 1in	
11	3931448	4	Capscrew, Socket Head 1/4in-20NC x 3in	
12	See Note	NSS	Ring, Wear (Note: Use Item 51)	
13	See Note	NSS	Seal (Note: Use Item 51)	
14	See Note	NSS	O-Ring (Note: Use Item 51)	
15	See Note	NSS	O-Ring (Note: Use Item 51)	
16	See Note	NSS	Ring, Wear (Note: Use Item 51)	
17	See Note	NSS	O-Ring (Note: Use Item 51)	
18	See Note	NSS	Ring, Back-Up (Note: Use Item 51)	
19	See Note	NSS	Seal, Rod (Note: Use Item 51)	
20	See Note	NSS	Wiper (Note: Use Item 51)	
21	See Note	NSS	Ring, Back-Up (Note: Use Item 51)	
22	0100038	AR	Primer, Locking	
23	0100011	AR	Compound, Locking	
24	3340608	2	Pad, Wear	
25	0641604	4	Bolt 3/8in-16NC x 1/2in	
26	4751600	4	Flatwasher 3/8in Regular	
28	0630535	3	Bolt 1/4in-20NC x 1-1/8in	
51	2901861	1	Seal Kit (Includes Items 12-21)	

SECTION 5 - CYLINDER

FIGURE 5-23. TELESCOPE CYLINDER ASSEMBLY - MAIN BOOM (600A & 600AJ) (SN 0300241338 to Present)



ART_1001228005

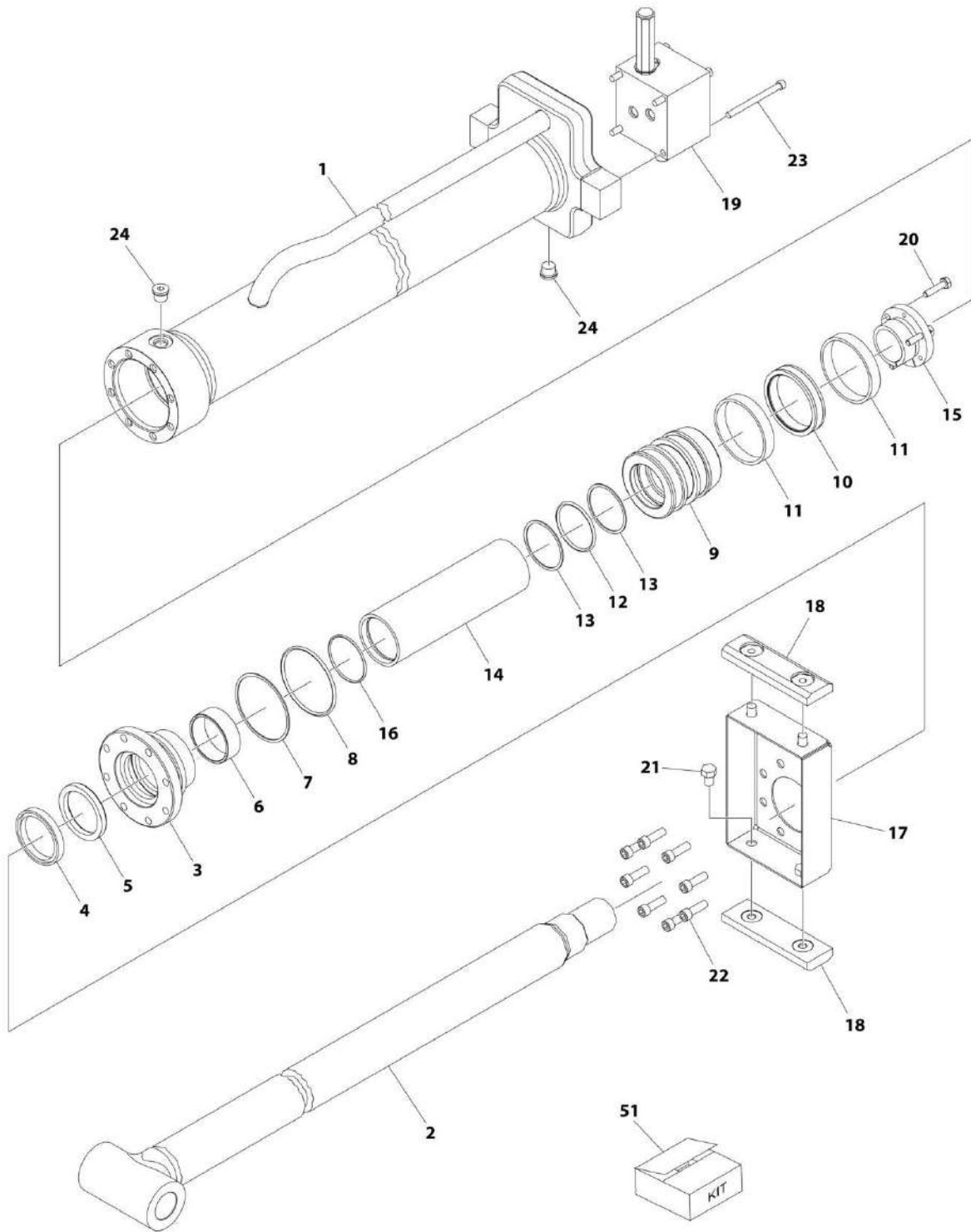
SECTION 5 - CYLINDER

FIGURE 5-23. TELESCOPE CYLINDER ASSEMBLY - MAIN BOOM (600A & 600AJ) (SN 0300241338 to Present)

ITEM	PART NUMBER	QTY	DESCRIPTION	REV
	1001228005	Ref	TELESCOPE CYLINDER ASSEMBLY - MAIN BOOM	C
		Ref	Note: Original Cylinder may have been replaced with Service Replacement. Identify PN Stamped on Cylinder Before Ordering Parts.	
1	See Note	NSS	Barrel (Note: Use p/n 1001228005)	
2	70006813	1	Rod	
3	70006814	1	Head	
4	See Note	NSS	Wiper (Note: Use Item 100)	
5	70002412	1	Ring, Retaining	
6	See Note	NSS	Seal, Rod (Note: Use Item 100)	
7	See Note	NSS	Ring, Back-up (Note: Use Item 100)	
8	See Note	NSS	Ring, Wear (Note: Use Item 100)	
9	See Note	NSS	O-Ring (Note: Use Item 100)	
10	See Note	NSS	Ring, Back-up (Note: Use Item 100)	
11	70006815	1	Piston	
12	See Note	NSS	Seal (Note: Use Item 100)	
13	See Note	NSS	Ring, Wear (Note: Use Item 100)	
14	See Note	NSS	O-Ring (Note: Use Item 100)	
15	See Note	NSS	Ring, Back-up (Note: Use Item 100)	
16	70006816	1	Spacer	
17	70006817	1	Setscrew	
18	4640862	1	Valve Block Assembly (Note: No Service Parts Available - Replace Complete Assembly)	
19	70023373	2	Plug	
20	70023371	2	Plug	
21	70006818	1	Plate, Wear Pad	
22	70006793	10	Capscrew	
23	70006819	4	Capscrew	
24	3340608	2	Pad, Wear	
25	70006820	3	Bolt	
26	3790110	2	O-Ring (Located Between Barrel & Valve)	
100	70006821	1	Seal Kit (Includes Items 4, 6-10 & 12-15)	

SECTION 5 - CYLINDER

FIGURE 5-24. TELESCOPE CYLINDER ASSEMBLY - MAIN BOOM (600AJ) (SN 0300242729 to Present)



ART_1001228007

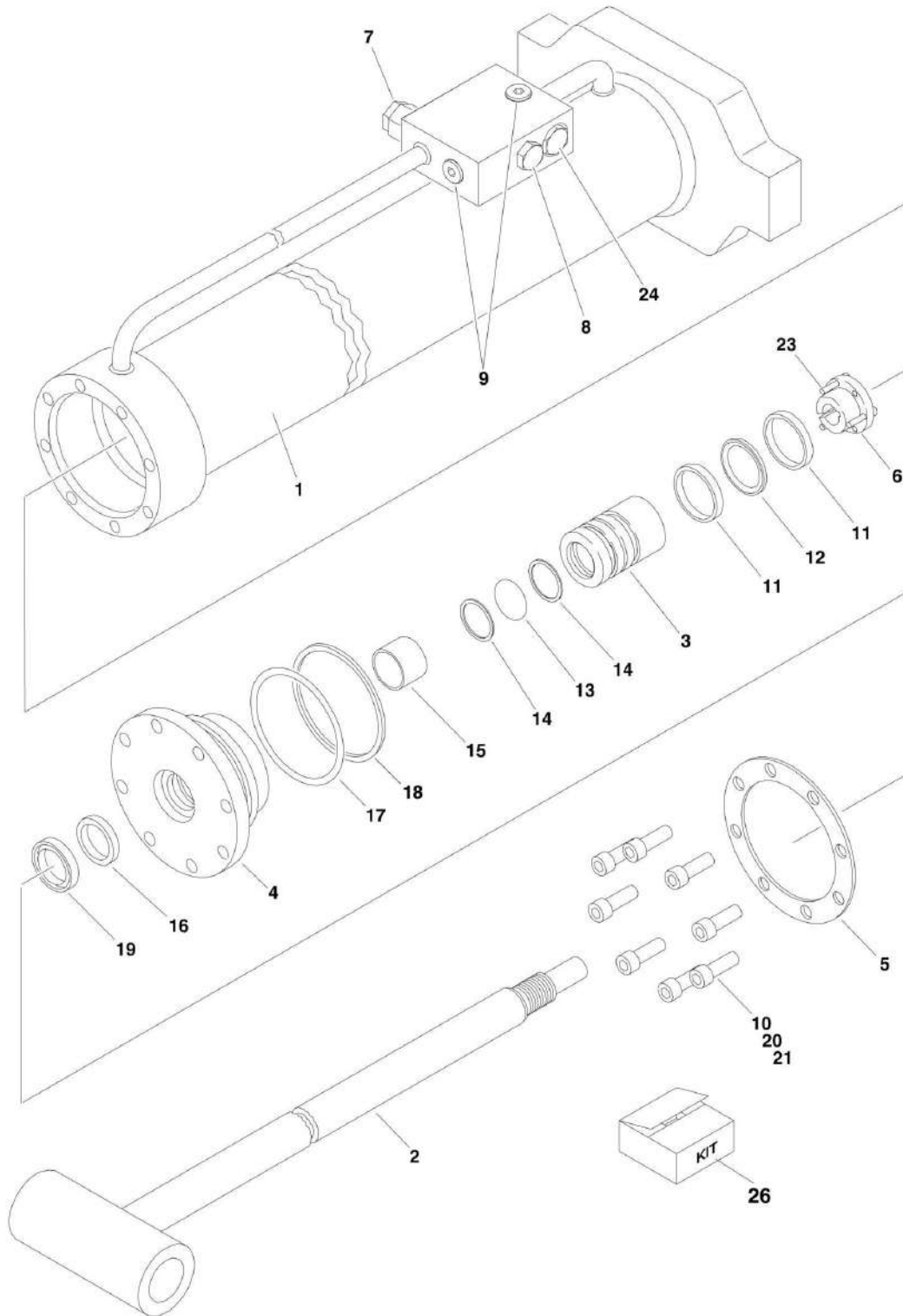
SECTION 5 - CYLINDER

FIGURE 5-24. TELESCOPE CYLINDER ASSEMBLY - MAIN BOOM (600AJ) (SN 0300242729 to Present)

ITEM	PART NUMBER	QTY	DESCRIPTION	REV
	1001228007	Ref	TELESCOPE CYLINDER ASSEMBLY	C
		Ref	Note: Original Cylinder may have been replaced with Service Replacement. Identify PN Stamped on Cylinder Before Ordering Parts.	
1	See Note	NSS	Barrel (Note: Use p/n 1001228007)	
2	70006654	1	Rod	
3	70006483	1	Head	
4	See Note	NSS	Wiper (Note: Use Item 51)	
5	See Note	NSS	Seal, Rod (Note: Use Item 51)	
6	See Note	NSS	Ring, Wear (Note: Use Item 51)	
7	See Note	NSS	O-Ring (Note: Use Item 51)	
8	See Note	NSS	Ring, Back-up (Note: Use Item 51)	
9	70006482	1	Piston	
10	See Note	NSS	Seal (Note: Use Item 51)	
11	See Note	NSS	Ring, Wear (Note: Use Item 51)	
12	See Note	NSS	O-Ring (Note: Use Item 51)	
13	See Note	NSS	Ring, Back-up (Note: Use Item 51)	
14	70006655	1	Spacer	
15	0961896	1	Bushing, Tapered	
16	See Note	NSS	O-Ring (Note: Use Item 51)	
17	3538247	1	Plate, Wear Pad Mounting	
18	3340608	2	Pad, Wear	
19	4640862	1	Valve Block Assembly (Note: No Service Part Available - Replace Complete Assembly)	
20	0630535	3	Bolt 1/4 x 1-1/8	
21	0641604	4	Bolt 3/8 x 1/2	
22	3931516	8	Capscrew 5/16 x 1	
22	0100038	AR	Primer, Locking	
22	0100011	AR	Compound, Locking	
23	3931448	4	Capscrew 1/4 x 3	
24	2220885	2	Plug, O-Ring	
51	2901861	1	Seal Kit - 1001228007 Cylinder (Includes Item 4-8, 10-13 & 16)	

SECTION 5 - CYLINDER

FIGURE 5-25. TELESCOPE CYLINDER ASSEMBLY - TOWER BOOM (SN 0300177361 through 0300237381)



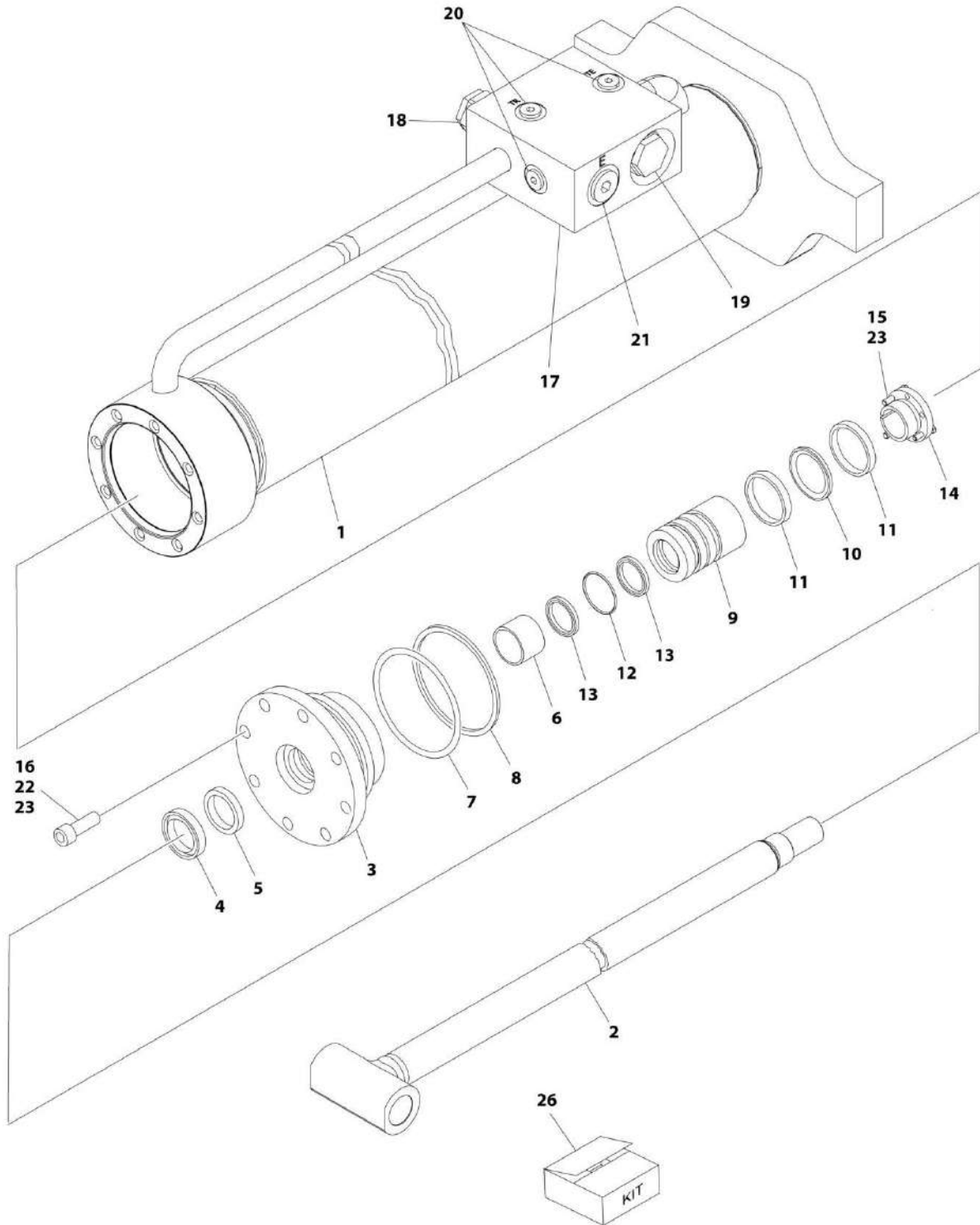
SECTION 5 - CYLINDER

FIGURE 5-25. TELESCOPE CYLINDER ASSEMBLY - TOWER BOOM (SN 0300177361 through 0300237381)

ITEM	PART NUMBER	QTY	DESCRIPTION	REV
	1683312	Ref	TELESCOPE CYLINDER ASSEMBLY - TOWER BOOM	J
		Ref		
1	1683313	1	Barrel	
2	1683314	1	Rod	
3	3480212	1	Piston	
4	1683054	1	Head	
5	3760368	1	Ring, Washer	
5	1001228417	1	Ring, Washer	
6	0961896	1	Bushing, Tapered	
7	4640509	2	Cartridge, Valve	
7	2900792	2	Seal Kit - 4640509 Valve	
8	4640647	1	Cartridge, Valve	
8	2900770	1	Seal Kit - 4640647 Valve	
9	2220883	2	Plug, O-Ring	
10	3931516	8	Capscrew, Socket Head 5/16in-18NC x 1in	
11	See Note	NSS	Ring, Wear (Note: Use Item 26)	
12	See Note	NSS	T-Seal (Note: Use Item 26)	
13	See Note	NSS	O-Ring (Note: Use Item 26)	
14	See Note	NSS	Ring, Back-Up (Note: Use Item 26)	
15	See Note	NSS	Ring, Wear (Note: Use Item 26)	
16	See Note	NSS	Seal, Rod (Note: Use Item 26)	
17	See Note	NSS	O-Ring (Note: Use Item 26)	
18	See Note	NSS	Ring, Back-Up (Note: Use Item 26)	
19	See Note	NSS	Wiper (Note: Use Item 26)	
20	0100038	AR	Primer, Locking	
21	0100011	AR	Compound, Locking	
23	0630535	3	Bolt 1/4in-20NC x 1-1/8in	
24	4640999	1	Cartridge, Valve	
24	7011185	1	Seal Kit - 4640999 Valve	
26	2901861	1	Seal Kit (Includes Items 11-19)	

SECTION 5 - CYLINDER

FIGURE 5-26. TELESCOPE CYLINDER ASSEMBLY - TOWER BOOM (SN 0300237382 to Present)



ART_1001228006

SECTION 5 - CYLINDER

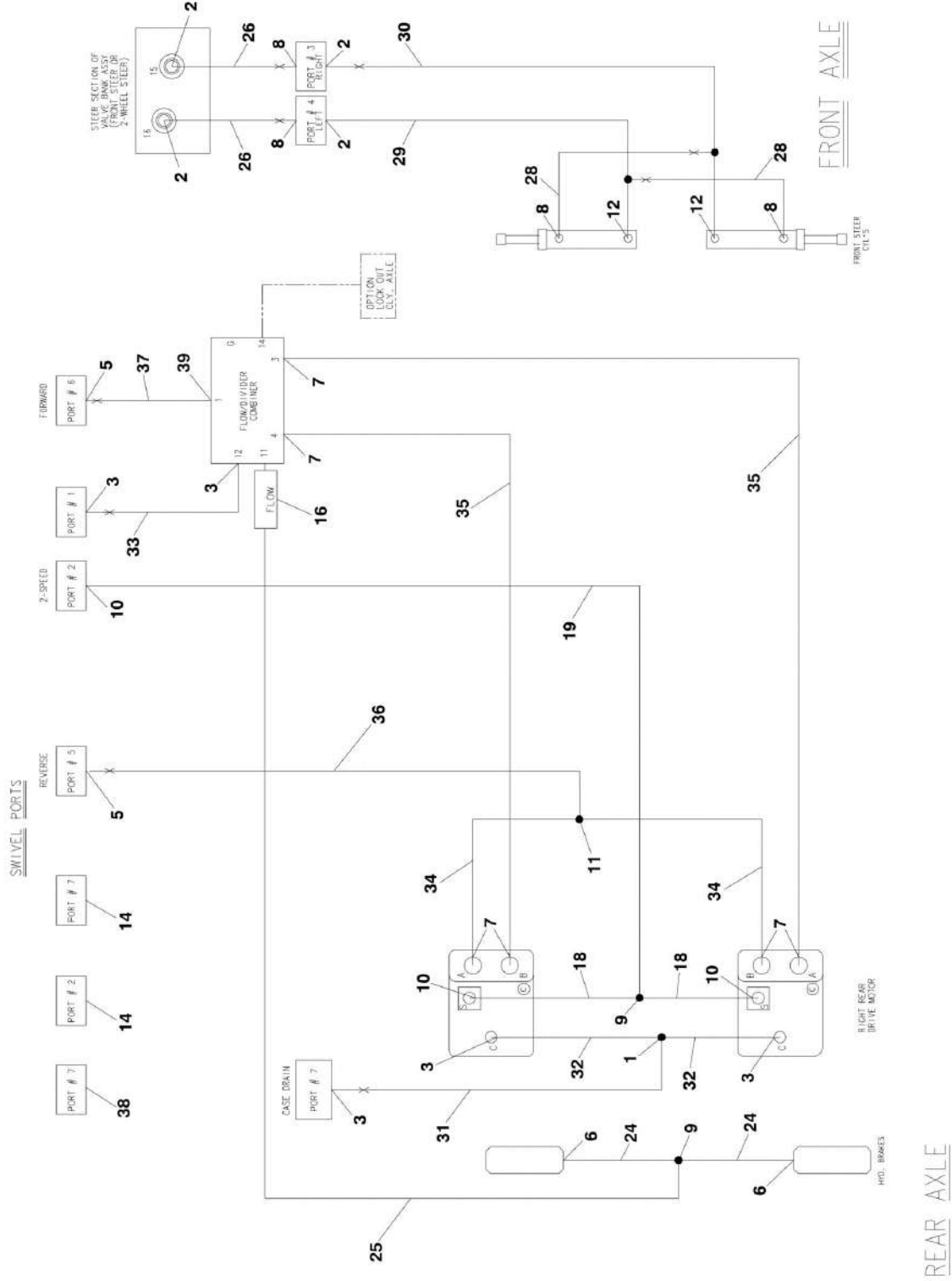
FIGURE 5-26. TELESCOPE CYLINDER ASSEMBLY - TOWER BOOM (SN 0300237382 to Present)

ITEM	PART NUMBER	QTY	DESCRIPTION	REV
	1001228006	Ref	TELESCOPE CYLINDER ASSEMBLY - TOWER BOOM	A
		Ref	Note: Original Cylinder may have been replaced with Service Replacement. Identify PN Stamped on Cylinder Before Ordering Parts.	
1	See Note	NSS	Barrel (Note: Not Available for Purchase)	
2	70006484	1	Rod	
3	70006483	1	Head	
4	See Note	NSS	Wiper (Note: Use Item 26)	
5	See Note	NSS	Seal, Rod (Note: Use Item 26)	
6	See Note	NSS	Ring, Wear (Note: Use Item 26)	
7	See Note	NSS	O-Ring (Note: Use Item 26)	
8	See Note	NSS	Ring, Back-Up (Note: Use Item 26)	
9	70006482	1	Piston	
10	See Note	NSS	T-Seal (Note: Use Item 26)	
11	See Note	NSS	Ring, Wear (Note: Use Item 26)	
12	See Note	NSS	O-Ring (Note: Use Item 26)	
13	See Note	NSS	Ring, Back-Up (Note: Use Item 26)	
14	0961896	1	Bushing, Tapered	
15	0630535	3	Bolt 1/4 x 1-1/8	
16	3931516	8	Capscrew, Socket Head 5/16 x 1	
17	4640647	1	Cartridge, Valve	
17	2900770	1	Seal Kit - 4640647 Valve	
18	4640509	2	Cartridge, Valve	
18	2900792	2	Seal Kit - 4640509 Valve	
19	4640999	1	Cartridge, Valve	
19	2900792	1	Seal Kit - 4640999 Valve	
20	2220883	3	Plug, O-Ring	
21	2220886	2	Plug, O-Ring	
22	0100038	AR	Primer, Locking	
23	0100011	AR	Compound, Locking	
26	2901861	1	Seal Kit (Includes Items 4-8 & 10-13)	

SECTION 6 - HYDRAULIC

SECTION 6 - HYDRAULIC

FIGURE 6-1. DRIVE HYDRAULIC DIAGRAM - 2WD/2WS



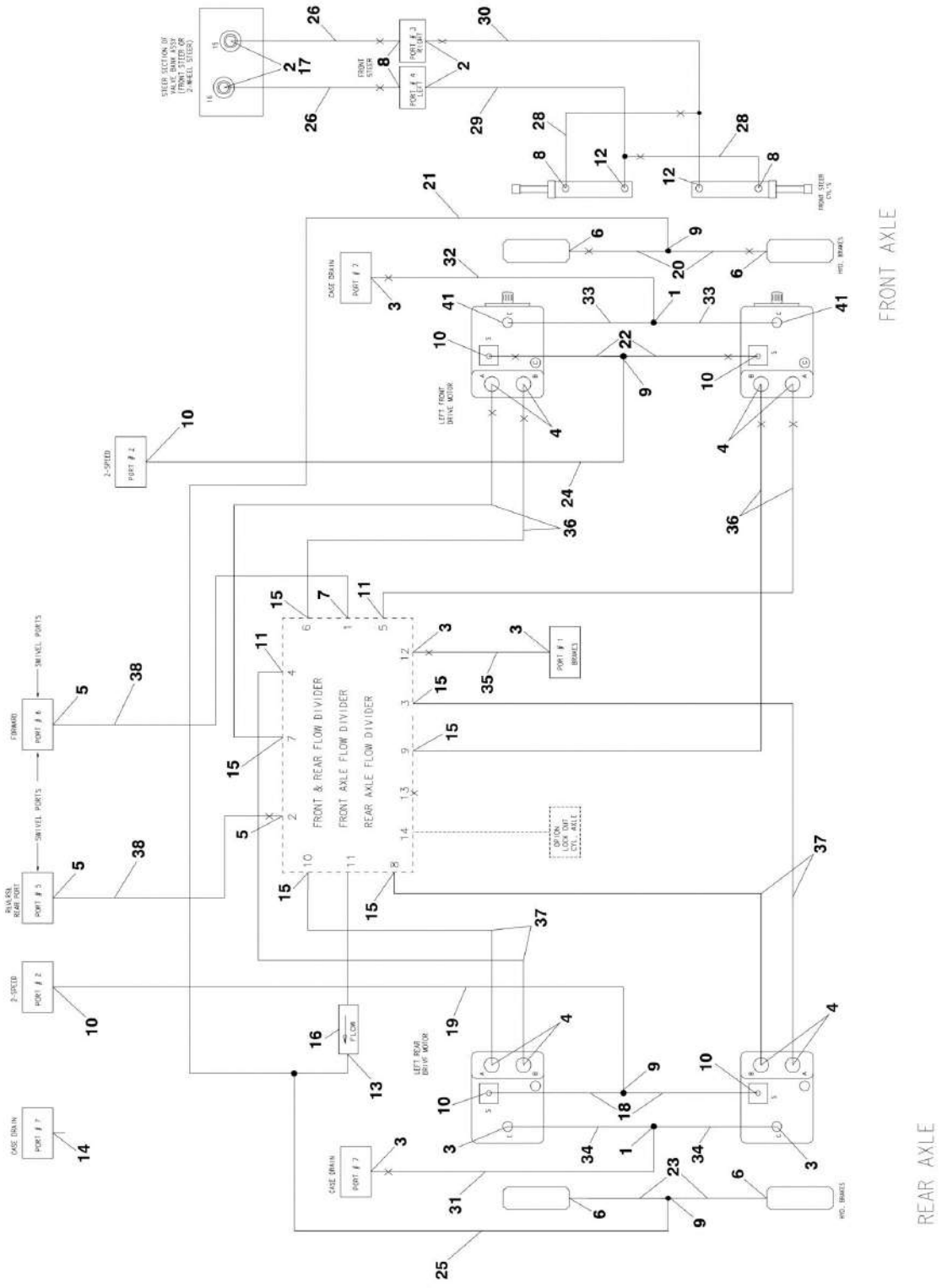
SECTION 6 - HYDRAULIC

FIGURE 6-1. DRIVE HYDRAULIC DIAGRAM - 2WD/2WS

ITEM	PART NUMBER	QTY	DESCRIPTION	REV
	1001140416	Ref	DRIVE HYDRAULIC DIAGRAM - 2WD/2WS	D
1	2220362	1	Fitting, Tee	
2	2220371	4	Fitting, Straight	
3	2220373	5	Fitting, Straight	
5	2220377	2	Fitting, Straight	
6	2220415	2	Fitting, Straight	
7	2220451	6	Fitting, Straight	
8	2220473	4	Fitting, 90	
9	2220504	2	Fitting, Tee	
10	2220582	3	Fitting, Straight	
11	2221170	1	Fitting, Tee	
12	2220606	2	Fitting, Tee	
14	2220237	2	Fitting, Plug	
16	4641307	1	Valve, Check	
18	1001152527	2	Hose	
19	2753924	1	Hose	
24	1001152529	2	Hose (38 in Length)	
24	1001152527	2	Hose (34 in Length)	
25	1001155379	1	Hose	
26	2752620	2	Hose	
28	2753397	2	Hose	
29	2752475	1	Hose	
30	2752611	1	Hose	
31	2752928	1	Hose	
32	1001140449	2	Hose	
33	2752929	1	Hose	
34	1001151364	2	Hose	
35	1001151365	2	Hose	
36	2752341	1	Hose	
37	2754227	1	Hose	
38	2220238	1	Plug	
39	2220646	1	Fitting, 90	

SECTION 6 - HYDRAULIC

FIGURE 6-2. DRIVE HYDRAULIC DIAGRAM - 4WD/2WS



SECTION 6 - HYDRAULIC

FIGURE 6-2. DRIVE HYDRAULIC DIAGRAM - 4WD/2WS

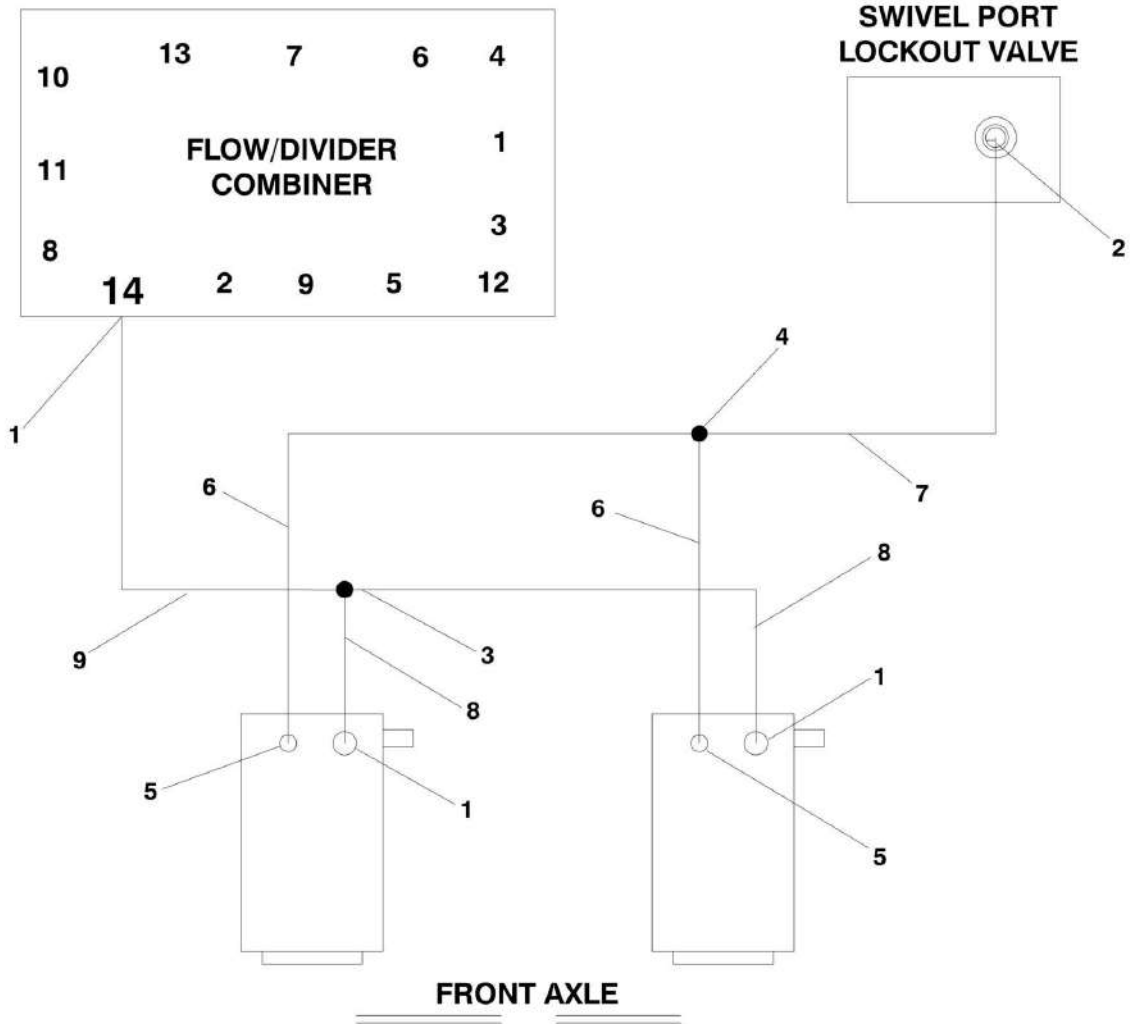
ITEM	PART NUMBER	QTY	DESCRIPTION	REV
		Ref	DRIVE HYDRAULIC DIAGRAM - 4WD/2WS	
	1001140418	Ref	Machines without Arctic Package	D
	1001140420	Ref	Machines with Arctic Package	D
1	2220362	2	Fitting, Tee	
2	2220371	4	Fitting, Straight	
3	2220373	6	Fitting, Straight	
4	2220375	8	Fitting, Straight	
5	2220377	3	Fitting, Straight	
6	2220415	4	Fitting, Straight	
7	2220646	1	Fitting, 90	
8	2220473	4	Fitting, 90	
9	2220504	4	Fitting, Tee	
10	2220582	6	Fitting, Straight	
11	2220596	2	Fitting, 90	
12	2220606	2	Fitting, Tee	
13	2220861	1	Fitting, Tee	
14	2220237	1	Fitting, Plug	
15		Ref	Fitting Options:	
15	2220500	6	Fitting, 45	
15	2220373	6	Fitting, Straight	
16	4641284	1	Valve, Check	
17	2220507	2	Fitting, 90 (Machines with Arctic Package Only)	
18	1001152527	2	Hose	
19	2753924	1	Hose	
20		Ref	Hose Options:	
20	2753926	2	Machines without Arctic Package	
20	2754731	2	Machines with Arctic Package	
21	2753929	1	Hose	
22		Ref	Hose Options:	
22	1001140451	2	Machines without Arctic Package	
22	1001140456	2	Machines with Arctic Package	
23	1001152529	2	Hose (38 in Length)	
23	1001152529	2	Hose (34 in Length)	
24	2752592	1	Hose	
25	2752910	1	Hose	
26	2752620	2	Hose	
28	2754235	2	Hose	
29	2752475	1	Hose	
30	2752611	1	Hose	
31	2752928	1	Hose	
32	2754231	1	Hose	
33		Ref	Hose Options:	
33	1001140455	2	Machines without Arctic Package	
33	1001140458	2	With Arctic Package	
34	1001140449	2	Hose	
35	2753929	1	Hose	
36		Ref	Hose Options:	
36	1001152491	4	Machines without Arctic Package	
36	1001152499	4	Machines with Arctic Package	
37	1001151358	4	Hose	

SECTION 6 - HYDRAULIC

ITEM	PART NUMBER	QTY	DESCRIPTION	REV
38	2754227	2	Hose	
41	2220474	2	Fitting, 90	

SECTION 6 - HYDRAULIC

FIGURE 6-3. HYDRAULIC DIAGRAM - OSCILLATING AXLE



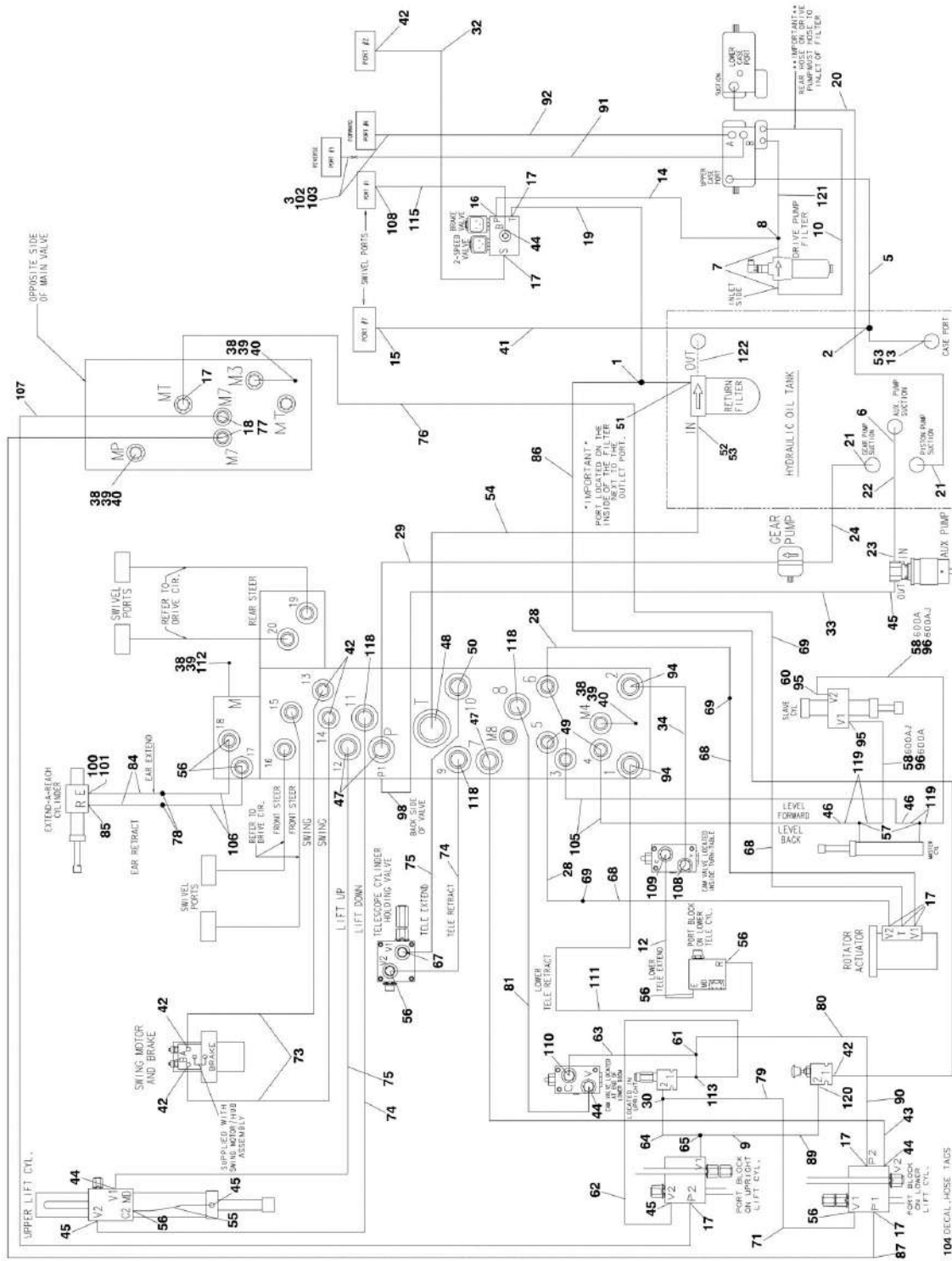
SECTION 6 - HYDRAULIC

FIGURE 6-3. HYDRAULIC DIAGRAM - OSCILLATING AXLE

ITEM	PART NUMBER	QTY	DESCRIPTION	REV
		Ref	(Illustration and Parts List Usage)	
		Ref	AXLE LOCKOUT DIAGRAM - OSCILLATING AXLE	
	2792690	Ref	7ft/2.1m Wide Machines	1
	1283429	1	7ft/2.1m Wide Machines	U
	1001151349	Ref	8ft/2.4m Wide Machines	B
	1001151350	1	8ft/2.4m Wide Machines	D
1	2220371	AR	Fitting, Straight	
2	2220468	1	Fitting, Straight	
3	2220490	1	Fitting, Tee (SN 0300177361 through 0300206978)	
3	See Note	NSS	Fitting (Part of Item 12 - Use Item 12) (SN 0300206979 to Present)	
4	2220504	1	Fitting, Tee	
4	See Note	NSS	Fitting (Part of Item 13 - Use Item 13)	
5	2220415	2	Fitting, Straight	
6		Ref	Hose Options:	
6	2751434	2	7ft/2.1m Wide Machines	
6	1001151366	2	8ft/2.4m Wide Machines (SN 100117361 through 0300206978)	
6	See Note	NSS	8ft/2.4m Wide Machines (Use Item 7) (SN 0300206979 to Present)	
7		Ref	Hose Options:	
7	2751410	1	Hose (SN 0300177361 through 0300206978)	
7	1001188891	1	Hose (SN 0300206979 to Present)	
8		Ref	Hose Options:	
8	2753933	2	7ft/2.1m Wide Machines	
8	1001151367	2	8ft/2.4m Wide Machines (SN 0300177361 through 0300206978)	
8	See Note	NSS	8ft/2.4m Wide Machines (Use Item 9) (SN 0300206979 to Present)	
9		Ref	Hose Options:	
9	2752462	1	Hose (SN 0300177361 through 0300206978)	
9	1001188890	1	Hose (SN 0300206979 to Present)	

SECTION 6 - HYDRAULIC

FIGURE 6-4. HYDRAULIC DIAGRAM - STANDARD (SN 0300177361 through 0300181174)



SECTION 6 - HYDRAULIC

FIGURE 6-4. HYDRAULIC DIAGRAM - STANDARD (SN 0300177361 through 0300181174)

ITEM	PART NUMBER	QTY	DESCRIPTION	REV
		Ref	Hydraulic Diagram - Standard (SN 0300177361 through 0300181174)	
	1001152598	Ref	Hydraulic Diagram - Standard 600A with Deutz D2011 Engine Machines	G
	1001150727	Ref	Hydraulic Diagram - Standard 600A with Deutz TD2.9L4 Engine Machines	C
	1001150720	Ref	Hydraulic Diagram – Standard 600A with Deutz TD2.9L4 Engine Machines	C
	1001152598	Ref	Hydraulic Diagram - Standard 600A with GM Engine Machines	G
	1001152609	Ref	Hydraulic Diagram - Standard 600AJ with Deutz D2011 Engine Machines	F
	1001150728	Ref	Hydraulic Diagram - Standard 600AJ with Deutz TD2.9L4 Engine Machines	C
	1001150720	Ref	Hydraulic Diagram – Standard 600AJ with Deutz TD2.9L4 Engine Machines	C
	1001152609	Ref	Hydraulic Diagram - Standard 600AJ with GM Engine Machines	F
1	2220605	1	Fitting, Tee	
2	2220409	1	Fitting, 45 (Deutz D2011 and GM Engines)	
3	2220377	2	Fitting, Straight	
5		Ref	Hose Options:	
5	1001093549	1	Machines with Deutz D2011 Engines	
5	1001150714	1	Machines with Deutz TD2.9L4 Engines	
5	1001093549	1	Machines with GM Engines	
6	2220578	1	Fitting, 90 (Deutz D2011 and GM Engines)	
6	2220451	1	Fitting, 90 (Deutz TD2.9L4 Engines)	
7	2221042	2	Fitting, 90	
8	2220948	1	Fitting, Tee	
9	2220618	1	Fitting, Reducer	
10	2754329	1	Hose	
12	2753132	1	Hose	
13	2220738	1	Fitting, Tee (Deutz D2011 and GM Engines)	
14		Ref	Hose Options:	
14	2754328	1	Machines with Deutz D2011 Engines	
14	1001150717	1	Machines with Deutz TD2.9L4 Engines	
14	2754328	1	Machines with GM Engines	
15	2220375	AR	Fitting, Straight	
16		Ref	Fitting, 90 Options:	
16	2220474	1	Machines with Deutz D2011 Engines	
16	2220596	1	Machines with Deutz TD2.9L4 Engines	
16	2220474	1	Machines with GM Engines	
17	2220466	9	Fitting, 90	
18	2220415	2	Fitting, Straight	
19		Ref	Hose Options:	
19	2753325	1	Machines with Deutz D2011 Engines	
19	1001143496	1	Machines with Deutz TD2.9L4 Engines	
19	2753325	1	Machines with GM Engines	
20		Ref	Hose Options:	
20	2752723	1	Machines with Deutz D2011 Engines	
20	1001150716	1	Machines with Deutz TD2.9L4 Engines	
20	2752723	1	Machines with GM Engines	

SECTION 6 - HYDRAULIC

ITEM	PART NUMBER	QTY	DESCRIPTION	REV
21	2220379	2	Fitting, Straight	
22	2752656	1	Hose	
23	2220567	1	Fitting, 90	
24		Ref	Hose Options:	
24	2752724	1	Machines with Deutz D2011 Engines	
24	1001150718	1	Machines with Deutz TD2.9L4 Engines	
24	2752724	1	Machines with GM Engines	
28	2752604	2	Hose (Note: Also Requires #69 & #68 for Complete Run Up Boom)	
29	2752929	1	Hose	
30	2220602	1	Fitting, Tee	
32	2751396	1	Hose	
33		Ref	Hose Options:	
33	2752635	1	Machines with Deutz D2011 Engines	
33	2752478	1	Machines with Deutz TD2.9L4 Engines	
33	2752635	1	Machines with GM Engines	
34	2753133	1	Hose	
38	2220428	AR	Fitting, Quick Coupling	
39	2220429	AR	Cap, Dust	
40	2220873	3	Fitting	
41	2753968	1	Hose	
42	2220582	6	Fitting, Straight	
43		Ref	Hose Options:	
43	2752506	1	Hose 600A	
43	2752516	1	Hose 600AJ	
44	2220596	4	Fitting, 90	
45	2220628	4	Fitting, 90	
46	2220609	2	Fitting, Reducer	
47	2220381	3	Fitting, Long Straight	
48	2220974	1	Fitting, Long Straight	
49	2220923	4	Fitting, Long Straight	
50	2220374	1	Fitting	
51	2220574	1	Fitting, Straight	
52	2220921	1	Fitting, Reducer	
53	2220498	AR	Fitting, 45	
54		Ref	Hose Options:	
54	2752783	1	Machines with Deutz D2011 Engines	
54	1001150712	1	Machines with Deutz TD2.9L4 Engines	
54	2752783	1	Machines with GM Engines	
55	2752469	1	Hose	
56	2220372	AR	Fitting, Straight (600A - Qty 5 / 600AJ - Qty 7)	
57	2220899	2	Fitting, Tee	
58		Ref	Hose Options:	
58	2752636	1	Hose 600A	
58	2752468	1	Hose 600AJ	
60	2220657	1	Fitting, 45 (600A Only)	
61	2221065	1	Fitting, Tee	
62	2752462	1	Hose	
63	2753134	1	Hose	
64	2752497	1	Hose	
65	2220999	1	Fitting, Tee	
67	2220500	1	Fitting, 45	

SECTION 6 - HYDRAULIC

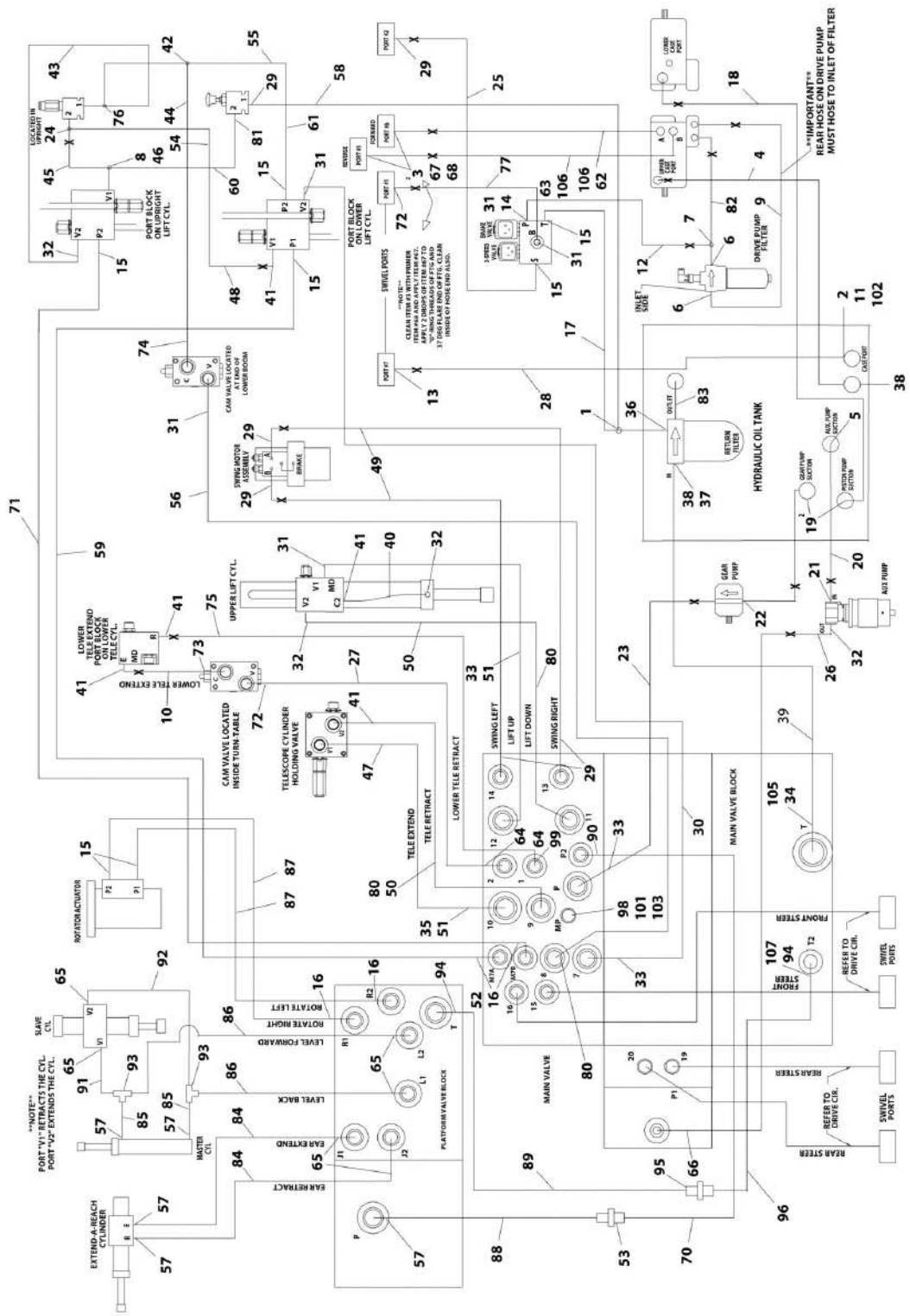
ITEM	PART NUMBER	QTY	DESCRIPTION	REV
68	2752601	3	Hose (Note: Also Requires #69 & #28 or #76 for Complete Run Up Boom)	
69	2220510	3	Fitting, Coupling	
71	2753052	1	Hose	
73	2752600	2	Hose	
74	2753055	2	Hose	
75	2752939	2	Hose	
76	2752579	1	Hose (Note: Also Requires #69 & #28 or #76 for Complete Run Up Boom)	
77	2220654	2	Fitting, 90	
78	2220511	1	Fitting, Coupling (600AJ Only)	
79	2753056	1	Hose	
80	2752991	1	Hose	
81	2753135	1	Hose	
84	2753047	2	Hose (600AJ Only) (Note: Also Requires #78 & #106 for Complete Run Up Boom)	
85	2220473	1	Fitting, 90 (600AJ Only)	
86	2752453	1	Hose	
87	2752593	1	Hose	
89	2752990	1	Hose	
90	2752985	1	Hose	
91		Ref	Hose Options:	
91	2752341	1	72in/1.83m Length	
91	10011507157	1	68in/1.73m Length	
91	2752343	1	66in/1.68m Length	
92		Ref	Hose Options:	
92	2752343	1	72in/1.83m Length	
92	2752341	1	66in/1.68m Length	
94	2220998	2	Fitting, Straight	
95	2220603	2	Fitting, Straight	
96		Ref	Hose Options:	
96	2753046	1	Hose 600A	
96	2752650	1	Hose 600AJ	
98	2220473	1	Fitting, 90	
100	2180724	1	Fitting, Modified 90 (600AJ Only)	
101	2180380	1	Plug, Orifice.06 (600AJ Only)	
102	0100011	AR	Compound, Locking	
103	0100038	AR	Primer, Locking	
104	1703534	2	Decal, Hose Tags (Not Shown)	
105	2752989	2	Hose	
106	2752618	2	Hose (600AJ Only) (Note: Also Requires #78 & #106 for Complete Run Up Boom)	
107	2752987	1	Hose	
108	2220373	2	Fitting, Straight	
109	2220947	1	Fitting, Straight	
110	2221036	1	Fitting, O-Ring	
111	2752484	1	Hose	
112	2220873	1	Fitting, Nipple (600AJ ONLY)	
113	2221053	1	Fitting, Tee	
115	2752519	1	Hose	
118	1001104423	3	Fitting, Adapter	
119	2220507	4	Fitting, 90 Adapter	

SECTION 6 - HYDRAULIC

ITEM	PART NUMBER	QTY	DESCRIPTION	REV
120	2220472	1	Fitting, 90	
121	2754330	1	Hose	
122	2220893	1	Fitting, Straight	

SECTION 6 - HYDRAULIC

FIGURE 6-5. HYDRAULIC DIAGRAM - STANDARD (SN 0300181175 through 0300208081)



ART_1001159704

SECTION 6 - HYDRAULIC

FIGURE 6-5. HYDRAULIC DIAGRAM - STANDARD (SN 0300181175 through 0300208081)

ITEM	PART NUMBER	QTY	DESCRIPTION	REV
		Ref	HYDRAULIC DIAGRAM- STANDARD (SN 0300181175 through 0300208081)	
	1001159703	Ref	Standard Hydraulic Diagram 600A with Deutz D2011 Engine	L
	1001164329	Ref	Standard Hydraulic Diagram 600A with Deutz TD2.9L4 Engine	K
	1001159703	Ref	Standard Hydraulic Diagram 600A with GM Engine	L
	1001159704	Ref	Standard Hydraulic Diagram 600AJ with Deutz D2011 Engine	K
	1001164277	Ref	Standard Hydraulic Diagram 600AJ with Deutz TD2.9L4 Engine	J
	1001159704	Ref	Standard Hydraulic Diagram 600AJ with GM Engine	J
1	2220605	1	Fitting, Tee	
2	2220409	AR	Fitting, 45	
3	2220377	2	Fitting, Straight	
4	1001093549	1	Hose (Deutz D2011 and GM Engines)	
4	100150714	1	Hose (Deutz TD2.9L4 Engines)	
5	2220578	1	Fitting, 90 (Deutz D2011 and GM Engines)	
5	2220451	1	Fitting, 90 (Deutz TD2.9L4 Engines)	
6	2221042	2	Fitting, 90	
7	2220948	1	Fitting, Tee	
8	2220618	1	Fitting, Straight	
9	2754329	1	Hose	
10	2753132	1	Hose	
11	2220738	1	Fitting, Tee (Deutz D2011 and GM Engines Only)	
12	2754328	1	Hose (Deutz D2011 and GM Engines)	
12	1001150717	1	Hose (Deutz TD2.9L4 Engines)	
13	2220375	1	Fitting, Straight	
14	2220474	AR	Fitting, 90	
15	2220466	AR	Fitting, 90	
16	2220415	4	Fitting, Straight	
17	2753325	1	Hose (Deutz D2011 and GM Engines)	
17	1001143496	1	Hose (Deutz TD2.9L4 Engines)	
18	2752723	1	Hose (Deutz D2011 and GM Engines)	
18	1001150716	1	Hose (Deutz TD2.9L4 Engines) (SN 0300181175 through 0300183397)	
18	1001172535	1	Hose (Deutz TD2.9L4 Engines) (SN 0300183398 through 0300208081)	
19	2220379	2	Fitting, Straight	
20	2752656	1	Hose	
21	2220567	1	Fitting, 90	
22	2752724	1	Hose (Deutz D2011 and GM Engines)	
22	1001150718	1	Hose (Deutz TD2.9L4 Engines)	
23	2752929	1	Hose	
24	2220602	1	Fitting, Tee	
25	2751396	1	Hose	
26	2752635	1	Hose (Deutz D2011 and GM Engines)	
26	2752478	1	Hose (Deutz TD2.9L4 Engines)	
27	2753133	1	Hose (Deutz D2011 and GM Engines)	
27	1001161029	1	Hose (600A Deutz TD2.9L4 Engines)	
27	2753133	1	Hose (600AJ Deutz TD2.9L4 Engines)	
28	2753968	1	Hose	
29	2220582	6	Fitting, Straight	

SECTION 6 - HYDRAULIC

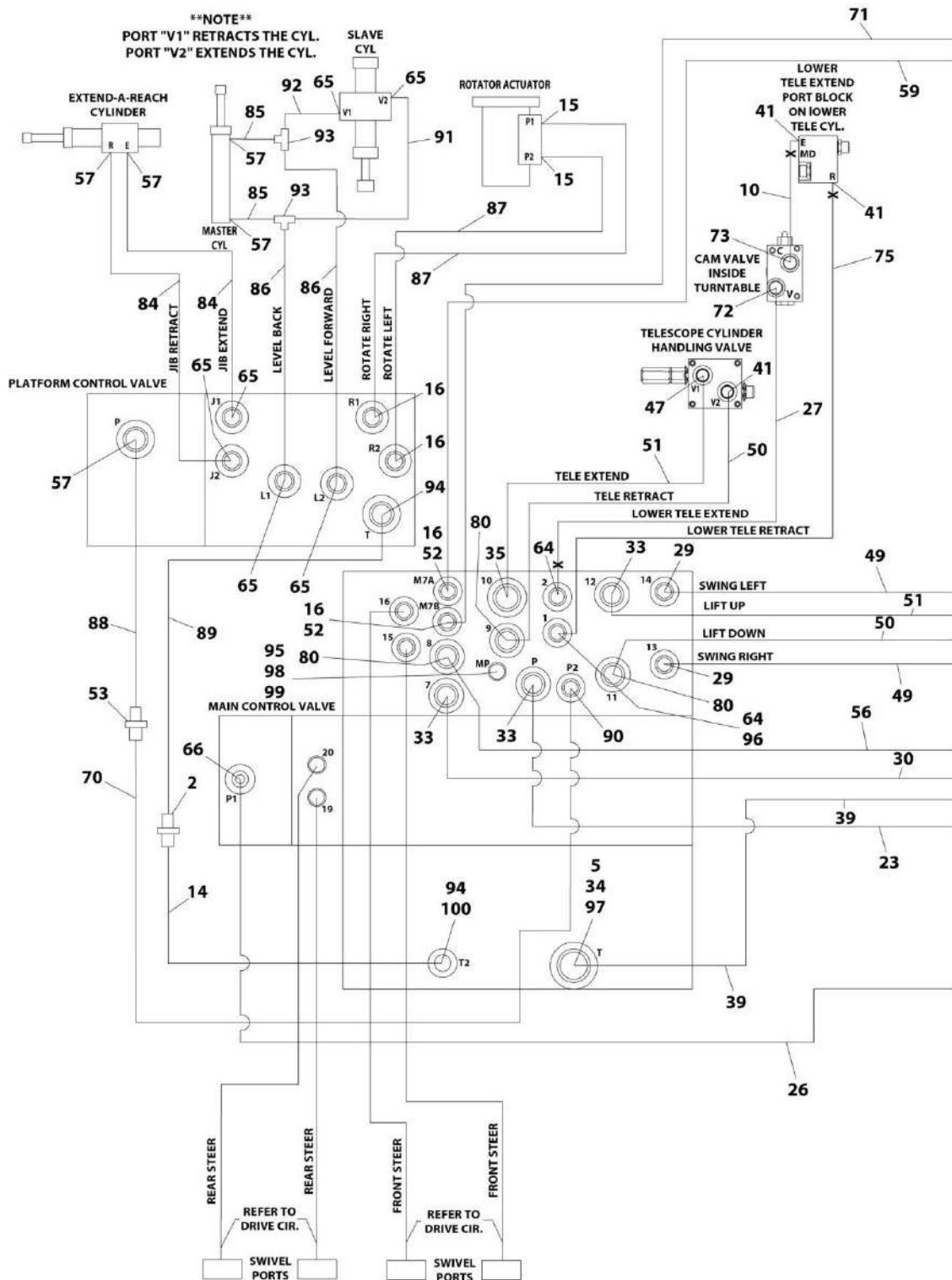
ITEM	PART NUMBER	QTY	DESCRIPTION	REV
30	2752506	1	Hose (600A)	
30	2752516	1	Hose (600AJ)	
31	2220596	AR	Fitting, 90	
32	2220628	4	Fitting, 90	
33	2220381	3	Fitting, Straight	
34	2220451	1	Fitting, Straight	
35	2220374	1	Fitting, Straight	
36	2220574	1	Fitting, Straight	
37	2220921	1	Fitting, Straight	
38	2220498	AR	Fitting, 45	
40	2752469	1	Hose	
41	2220372	5	Fitting, Straight	
42	2221065	1	Fitting, Tee	
43	2752462	1	Hose	
44	2753134	1	Hose	
45	2752497	1	Hose	
46	2220999	1	Fitting, Tee	
47	2220500	1	Fitting, 45	
48	2753052	1	Hose	
49	2752600	2	Hose	
50	2753055	2	Hose	
51	2752939	2	Hose	
52	2220654	2	Hose	
53	2220511	1	Fitting, Straight	
54	2753056	1	Hose	
55	2752991	1	Hose	
56	2753135	1	Hose	
57	2220473	AR	Fitting, 90	
58	2752453	1	Hose	
59	2752593	1	Hose	
60	2752900	1	Hose	
61	2752985	1	Hose	
62	2752343	1	Hose (SN 0300181175 through 0300191375)	
63	2752341	1	Hose (SN 0300181175 through 0300191375)	
64	2220998	2	Fitting, Straight	
65	2220603	AR	Fitting, Straight	
66	2220473	1	Fitting, 90	
67	0100011	AR	Compound, Locking	
68	0100038	AR	Primer, Locking	
69	1703534	2	Decal - Hose Tags (Not Shown)	
70	1001161030	1	Hose	
71	2752987	1	Hose	
72	2220373	1	Fitting, Straight	
73	2220947	1	Fitting, Straight	
74	2221036	1	Fitting, 90	
75	1001161031	1	Hose (600A with Deutz TD2.9L4) (SN 100181175 through 0300191374)	
75	2752484	1	Hose (600A with Deutz TD2.9L4) (SN 0300191376 through 0300208081)	
75	2752484	1	Hose (600AJ with Deutz TD2.9L4)	
75	2752484	1	Hose (600A and 600AJ with Deutz D2011 and GM Engine)	
76	2221053	1	Fitting, Tee	

SECTION 6 - HYDRAULIC

ITEM	PART NUMBER	QTY	DESCRIPTION	REV
77	2752519	1	Hose	
80	1001104423	3	Fitting, Straight	
81	2220472	1	Fitting, 90	
82	2754330	1	Hose	
83	2220893	1	Fitting, Straight	
84	1001155672	2	Hose (600AJ only)	
85	1001161032	2	Hose (600A)	
85	1001155675	2	Hose (600AJ)	
86	1001161033	2	Hose (600A)	
86	1001155673	2	Hose (600AJ)	
87	1001159707	2	Hose (600A)	
87	1001155669	2	Hose (600AJ)	
88	1001159707	1	Hose (600A)	
88	1001155678	1	Hose (600AJ)	
89	1001161160	1	Hose (600A)	
89	1001155677	1	Hose (600AJ)	
90	80233041	1	Fitting, Straight	
91	1001161035	1	Hose (600A)	
91	1001155670	1	Hose (600AJ)	
92	1001155663	1	Hose (600A)	
92	1001155671	1	Hose (600AJ)	
93	2220490	2	Fitting, Tee	
94	2220490	AR	Fitting, Straight	
95	2220512	1	Fitting, Straight	
96	1001161036	1	Hose	
98	2220415	1	Fitting, Straight (600A with Deutz D2011 and GM Engine)	
98	2221086	1	Fitting Test (600A with Deutz TD2.9L4 Engine)	
98	2220415	1	Fitting, Straight (600AJ)	
99	2220657	1	Fitting, 45	
101	2752995	1	Hose	
102	2220578	1	Fitting, 90	
103	91143177	1	Fitting, Test Port	
104	2220726	AR	Fitting, 90 (SN 0300181175 through 0300194599)	
105	2220409	1	Fitting, 45	
106	1001150715	2	Hose (SN 0300191375 through 0300208081)	
107	2220386	1	Fitting, 90 (SN 0300194600 through 0300208081)	

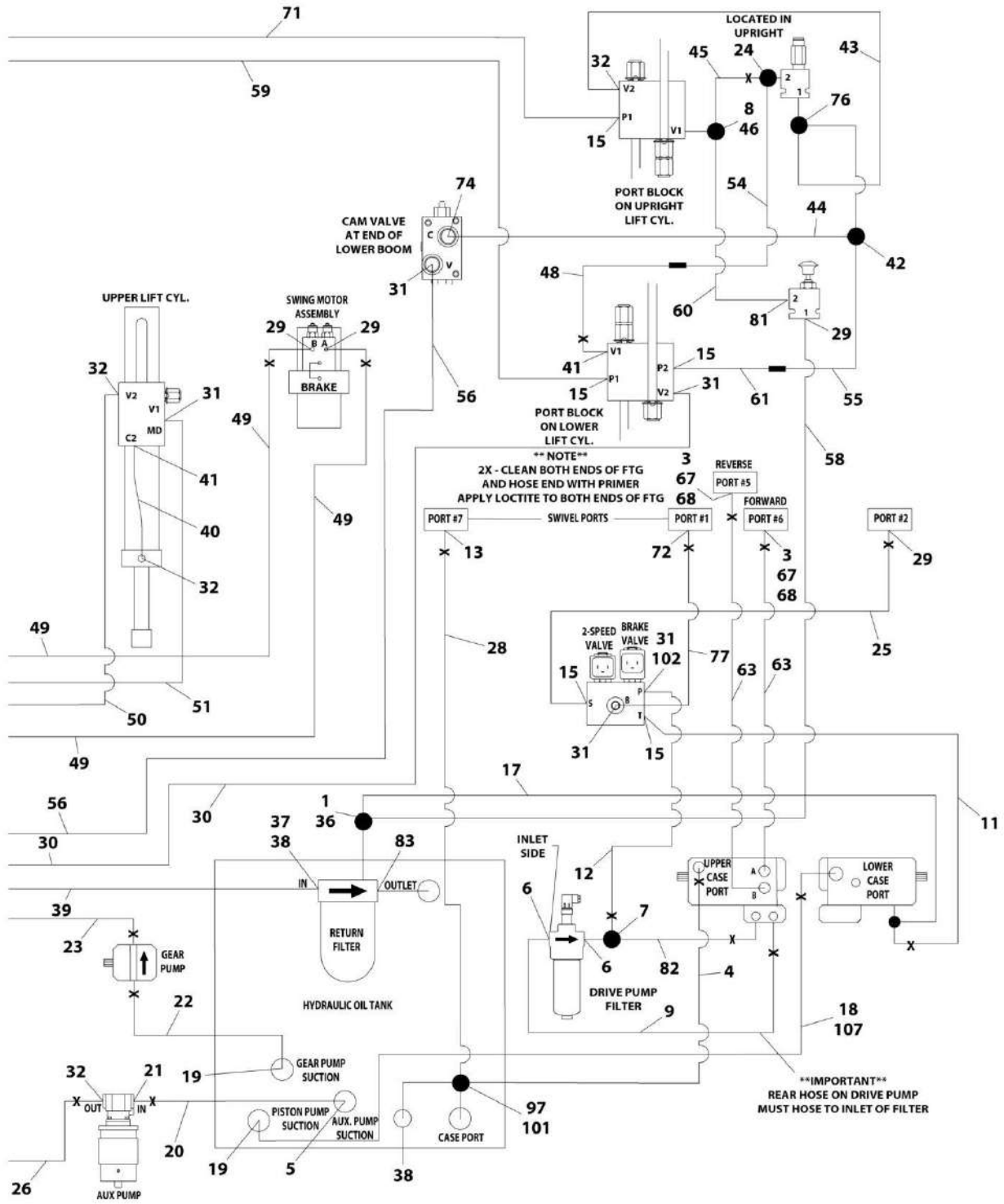
SECTION 6 - HYDRAULIC

FIGURE 6-6. HYDRAULIC DIAGRAM - STANDARD (SN 030020802 to Present)



ART_1001189668_1OF2

SECTION 6 - HYDRAULIC



ART_1001189668_2OF2

SECTION 6 - HYDRAULIC

FIGURE 6-6. HYDRAULIC DIAGRAM - STANDARD (SN 0300208082 to Present)

ITEM	PART NUMBER	QTY	DESCRIPTION	REV
		Ref	HYDRAULIC DIAGRAM- STANDARD (SN 0300208082 to Present)	
	1001189669	Ref	Standard Hydraulic Diagram 600A with Deutz D2011 Engine	D
	1001189667	Ref	Standard Hydraulic Diagram 600A with Deutz TD2.9L4 Engine	C
	1001221614	Ref	Standard Hydraulic Diagram 600A with Ford Engine	C
	1001189669	Ref	Standard Hydraulic Diagram 600A with GM Engine	D
	1001189668	Ref	Standard Hydraulic Diagram 600AJ with Deutz D2011 Engine	A
	1001189666	Ref	Standard Hydraulic Diagram 600AJ with Deutz TD2.9L4 Engine	C
	1001221613	Ref	Standard Hydraulic Diagram 600AJ with Ford Engine	C
	1001189668	Ref	Standard Hydraulic Diagram 600AJ with GM Engine	A
1	2220605	1	Fitting, Tee	
2	2220512	1	Fitting, Straight	
3	2220377	2	Fitting, Straight	
4	1001093549	1	Hose (Deutz D2011 and GM Engines)	
4	100150714	1	Hose (Deutz TD2.9L4 Engines)	
4	2751362	1	Hose (Ford Engines)	
5	2220578	1	Fitting, 90 (Deutz D2011 and GM Engines)	
5	2220451	AR	Fitting, 90 (Deutz TD2.9L4 and Ford Engines)	
6	2221042	2	Fitting, 90	
7	2220948	1	Fitting, Tee	
8	2220618	1	Fitting, Straight	
9	2754329	1	Hose	
10	2753132	1	Hose	
11	2752573	1	Hose (Deutz D2011 and GM Engines)	
11	2753002	1	Hose (Deutz TD2.9L4 Engines)	
11	2753000	1	Hose (Ford Engines)	
12	2754328	1	Hose (Deutz D2011 and GM Engines)	
12	1001150717	1	Hose (Deutz TD2.9L4 and Ford Engines)	
13	2220375	1	Fitting, Straight	
14	1001161036	1	Hose	
15	2220466	7	Fitting, 90	
16	2220415	AR	Fitting, Straight	
17	2753390	1	Hose	
18	2752723	1	Hose (Deutz D2011 and GM Engines)	
18	1001172535	1	Hose (Deutz TD2.9L4 Engines)	
18	1001150715	1	Hose (Ford Engines) (SN 0300177361 through 0300245525)	
19	2220379	2	Fitting, Straight	
20	2752656	1	Hose	
21	2220567	1	Fitting, 90	
22	2752724	1	Hose (Deutz D2011, Ford and GM Engines)	
22	1001150718	1	Hose (Deutz TD2.9L4 Engines)	
23	2752929	1	Hose	
24	2220602	1	Fitting, Tee	
25	2751396	1	Hose	
26	2752635	1	Hose (Deutz D2011 and GM Engines)	
26	2752478	1	Hose (Deutz TD2.9L4 and Ford Engines)	
27	2753133	1	Hose (Deutz D2011, Ford and GM Engines)	
27	1001161029	1	Hose (600A Deutz TD2.9L4 Engines)	
27	2753133	1	Hose (600AJ Deutz TD2.9L4 Engines)	

SECTION 6 - HYDRAULIC

ITEM	PART NUMBER	QTY	DESCRIPTION	REV
28	2753968	1	Hose	
29	2220582	AR	Fitting, Straight	
30	2752506	1	Hose	
31	2220596	AR	Fitting, 90	
32	2220628	4	Fitting, 90	
33	2220381	3	Fitting, Straight	
34	2220451	1	Fitting, Straight	
35	2220374	1	Fitting, Straight	
36	2220574	1	Fitting, Straight	
37	2220921	1	Fitting, Straight	
38	2220498	AR	Fitting, 45	
39	2752783	1	Hose	
40	2752469	1	Hose	
41	2220372	5	Fitting, Straight	
42	2221065	1	Fitting, Tee	
43	2752462	1	Hose	
44	2753134	1	Hose	
45	2752497	1	Hose	
46	2220999	1	Fitting, Tee	
47	2220500	1	Fitting, 45	
48	2753052	1	Hose	
49	2752600	2	Hose	
50	2753055	2	Hose	
51	2752939	2	Hose	
52	2220654	2	Hose (SN 0300208082 through 0300237381)	
53	2220511	1	Fitting, Straight	
54	2753056	1	Hose	
55	2752991	1	Hose	
56	2753135	1	Hose	
57	2220473	AR	Fitting, 90	
58	2752453	1	Hose	
59	2752593	1	Hose	
60	2752990	1	Hose	
61	2752985	1	Hose	
63	1001150715	AR	Hose	
64	2220998	2	Fitting, Straight	
65	2220603	AR	Fitting, Straight	
66	2220473	AR	Fitting, 90	
67	0100011	AR	Compound, Locking	
68	0100038	AR	Primer, Locking	
69	1703534	2	Decal - Hose Tags (Not Shown)	
70	1001161030	1	Hose	
71	2752987	1	Hose	
72	2220373	1	Fitting, Straight	
73	2220947	1	Fitting, Straight	
74	2221036	1	Fitting, 90	
75	2752484	1	Hose	
76	2221053	1	Fitting, Tee	
77	2752519	1	Hose	
80	1001104423	3	Fitting, Straight	
81	2220582	AR	Fitting, Straight	

SECTION 6 - HYDRAULIC

ITEM	PART NUMBER	QTY	DESCRIPTION	REV
81	2220472	1	Fitting, 90	
82	2754330	1	Hose	
83	2220893	1	Fitting, Straight	
84	1001155672	2	Hose (600AJ only)	
85	1001161032	2	Hose (600A)	
85	1001155675	2	Hose (600AJ)	
86	1001161033	2	Hose (600A)	
86	1001155673	2	Hose (600AJ)	
87	1001159707	2	Hose (600A)	
87	1001155669	2	Hose (600AJ)	
88	1001161034	1	Hose (600A)	
88	1001155678	1	Hose (600AJ)	
89	1001161160	1	Hose (600A)	
89	1001155677	1	Hose (600AJ)	
90	80233041	1	Fitting, Straight	
91	1001193683	1	Hose (600A)	
91	1001155670	1	Hose (600AJ)	
92	1001155663	1	Hose (600A)	
92	1001155671	1	Hose (600AJ)	
93	2220490	2	Fitting, Tee	
94	2220600	2	Fitting, Straight	
95	2220415	AR	Fitting, Straight	
96	1001161036	1	Hose	
96	2220657	1	Fitting, 45	
97	2220409	2	Fitting, 45	
98	2752995	1	Hose	
99	91143177	1	Fitting, Test	
100	2220386	1	Fitting, 90	
101	2220738	1	Fitting, Tee (Deutz D2011 and GM Engines)	
101	2220578	1	Fitting, 90 (Deutz TD2.9L4 and Ford Engines)	
102	2220474	1	Fitting, 90 (Deutz D2011 and GM Engines)	
107	2752723	1	Hose (Ford Engines) (SN 0300245526 to Present)	

SECTION 6 - HYDRAULIC

FIGURE 6-7. HYDRAULIC DIAGRAM LIST

ITEM	PART NUMBER	QTY	DESCRIPTION	REV
		Ref	Note: Diagrams not shown are available from JLG Service/Parts Departments.	
		Ref	DRIVE HYDRAULIC DIAGRAMS	
	1001140416	Ref	Drive Hydraulic Diagrams 2WD/2WS	
	1001140417	Ref	2WD/4WS (SN 0300177361 through 0300181174)	
	1001161038	Ref	2WD/4WS (SN 0300181175 to Present)	
	1001140418	Ref	4WD/2WS (Machines without Arctic Package)	
	1001140420	Ref	4WD/2WS (Machines with Arctic Package)	
	1001140419	Ref	4WD/4WS (Machines without Arctic Package) (SN 0300177361 through 0300181174)	
	1001161039	Ref	4WD/4WS (Machines without Arctic Package) (SN 0300181175 to Present)	
	1001140421	Ref	4WD/4WS (Machines with Arctic Package) (SN 0300177361 through 0300181174)	
	1001161040	Ref	4WD/4WS (Machines with Arctic Package) (SN 0300181175 to Present)	
		Ref	FLUSHING LOOP HYDRAULIC DIAGRAMS	
	1001152619	Ref	Flushing Loop Hydraulic Diagrams 2WD	
	1001152620	Ref	Flushing Loop Hydraulic Diagrams 4WD	
	4641329	1	Valve, Flushing Loop (Located inside Frame) (SN 0300177361 through 0300226518)	
	1001224927	1	Valve, Flushing Loop (Located inside Frame) (SN 0300226519 to Present)	
	7024881	1	Piston, Pilot	
	7021639	2	Cartridge, Check Valve	
	2900756	2	Seal Kit - 7021639 Valve	
		Ref	OIL COOLER HYDRAULIC DIAGRAMS	
	1001152172	Ref	Deutz D2011 Engine Machines	
	1001142678	Ref	Deutz TD2.9L4 Engine Machines	
	0272062	Ref	GM Engine Machines	
	1283309	1	GM Engine Machines	
		Ref	OSCILLATING AXLE HYDRAULIC DIAGRAMS	
	2792690	Ref	7ft/2.1m Wide Machines	
	1283429	1	7ft/2.1m Wide Machines	
	1001151349	Ref	8ft/2.4m Wide Machines	
	1001151350	1	8ft/2.4m Wide Machines	
		Ref	STANDARD HYDRAULIC DIAGRAM	
	1001152598	Ref	Standard Hydraulic Diagram 600A with Deutz D2011 Engine (SN 0300177361 through 0300181174)	
	1001159703	Ref	Standard Hydraulic Diagram 600A with Deutz D2011 Engine (SN 0300181175 through 0300208081)	
	1001189669	Ref	Standard Hydraulic Diagram 600A with Deutz D2011 Engine (SN 0300208082 to Present)	
	1001150727	Ref	Standard Hydraulic Diagram 600A with Deutz TD2.9L4 Engine (SN 0300177361 through 0300181174)	
	1001164329	Ref	Standard Hydraulic Diagram 600A with Deutz TD2.9L4 Engine (SN 0300181175 through 0300208081)	
	1001189667	Ref	Standard Hydraulic Diagram 600A with Deutz TD2.9L4 Engine (SN 0300208082 to Present)	
	1001152598	Ref	Standard Hydraulic Diagram 600A with GM Engine (SN 0300177361 through 0300181174)	

SECTION 6 - HYDRAULIC

ITEM	PART NUMBER	QTY	DESCRIPTION	REV
	1001159703	Ref	Standard Hydraulic Diagram 600A with GM Engine (SN 0300181175 through 0300208081)	
	1001189669	Ref	Standard Hydraulic Diagram 600A with GM Engine (SN 0300208082 to Present)	
	1001152609	Ref	Standard Hydraulic Diagram 600AJ with Deutz D2011 Engine (SN 0300177361 through 0300181174)	
	1001159704	Ref	Standard Hydraulic Diagram 600AJ with Deutz D2011 Engine (SN 0300181175 through 0300208081)	
	1001189668	Ref	Standard Hydraulic Diagram 600AJ with Deutz D2011 Engine (SN 0300208082 to Present)	
	1001150728	Ref	Standard Hydraulic Diagram 600AJ with Deutz TD2.9L4 Engine (SN 0300177361 through 0300181174)	
	1001164277	Ref	Standard Hydraulic Diagram 600AJ with Deutz TD2.9L4 Engine (SN 0300181175 through 0300208081)	
	1001189666	Ref	Standard Hydraulic Diagram 600AJ with Deutz TD2.9L4 Engine (SN 0300208082 to Present)	
	1001152609	Ref	Standard Hydraulic Diagram 600AJ with GM Engine (SN 0300177361 through 0300181174)	
	1001159704	Ref	Standard Hydraulic Diagram 600AJ with GM Engine (SN 0300181175 through 0300208081)	
	1001189668	Ref	Standard Hydraulic Diagram 600AJ with GM Engine (SN 0300208082 to Present)	
		Ref	STANDARD HYDRAULIC SCHEMATIC	
	2792691	Ref	Hydraulic Schematic Deutz D2011 Engine Machines (SN 0300177361 through 0300181174)	
	1001157605	Ref	Hydraulic Schematic Deutz D2011 Engine Machines (SN 0300181175 to Present)	
	1001152254	Ref	Hydraulic Schematic Deutz TD2.9L4 Engine Machines (SN 0300177361 through 0300196751)	
	1001157605	Ref	Hydraulic Schematic Deutz TD2.9L4 Engine Machines (SN 0300196752 to Present)	
	2792691	Ref	Hydraulic Schematic GM Engine Machines (SN 0300177361 through 0300181174)	
	1001157605	Ref	Hydraulic Schematic GM Engine Machines (SN 0300181175 to Present)	
	2792630	Ref	TOW HYDRAULIC DIAGRAM	

SECTION 7 - ELECTRICAL

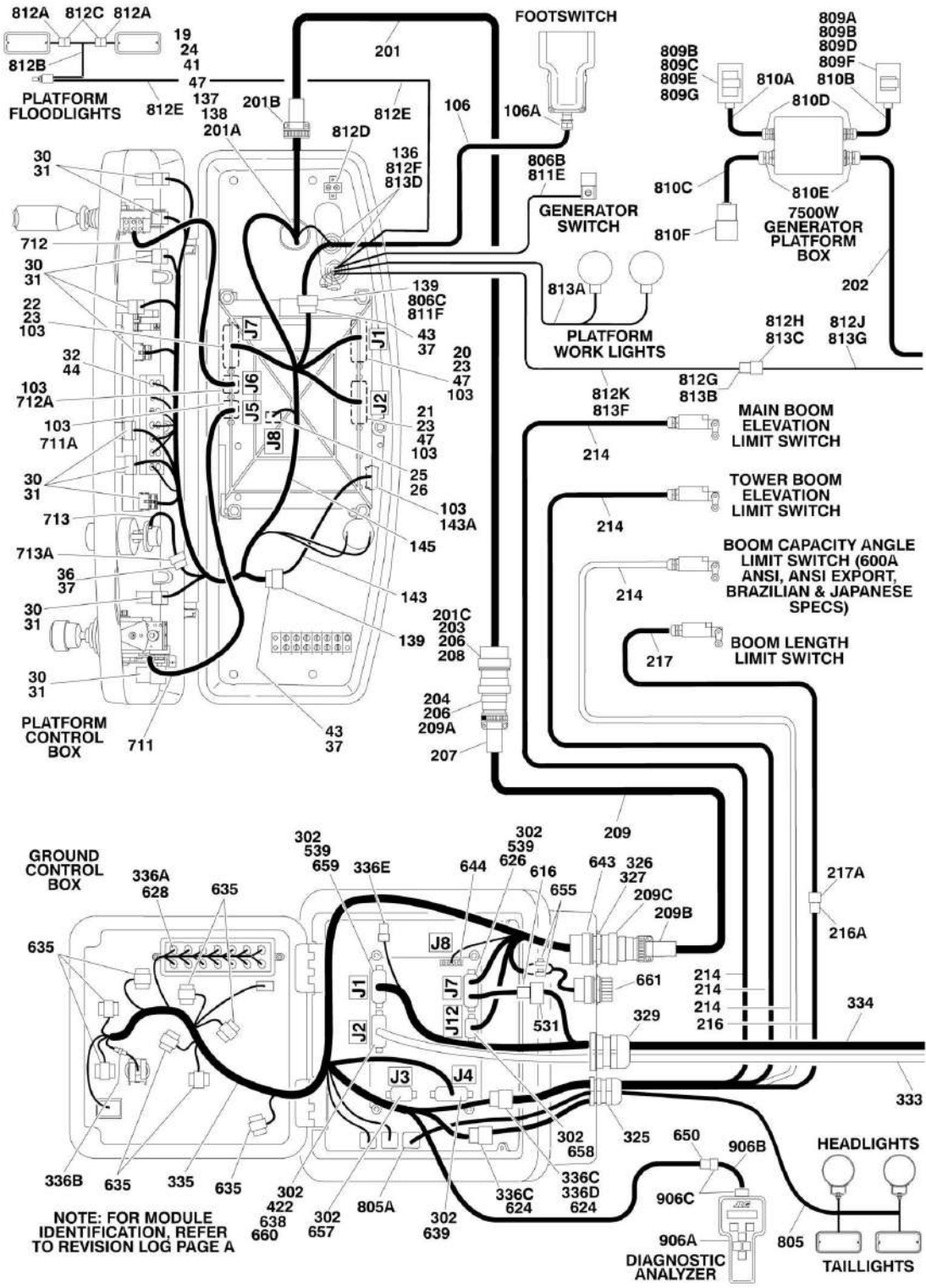
SECTION 7 - ELECTRICAL

FIGURE 7-1. ELECTRICAL DIAGRAM LIST

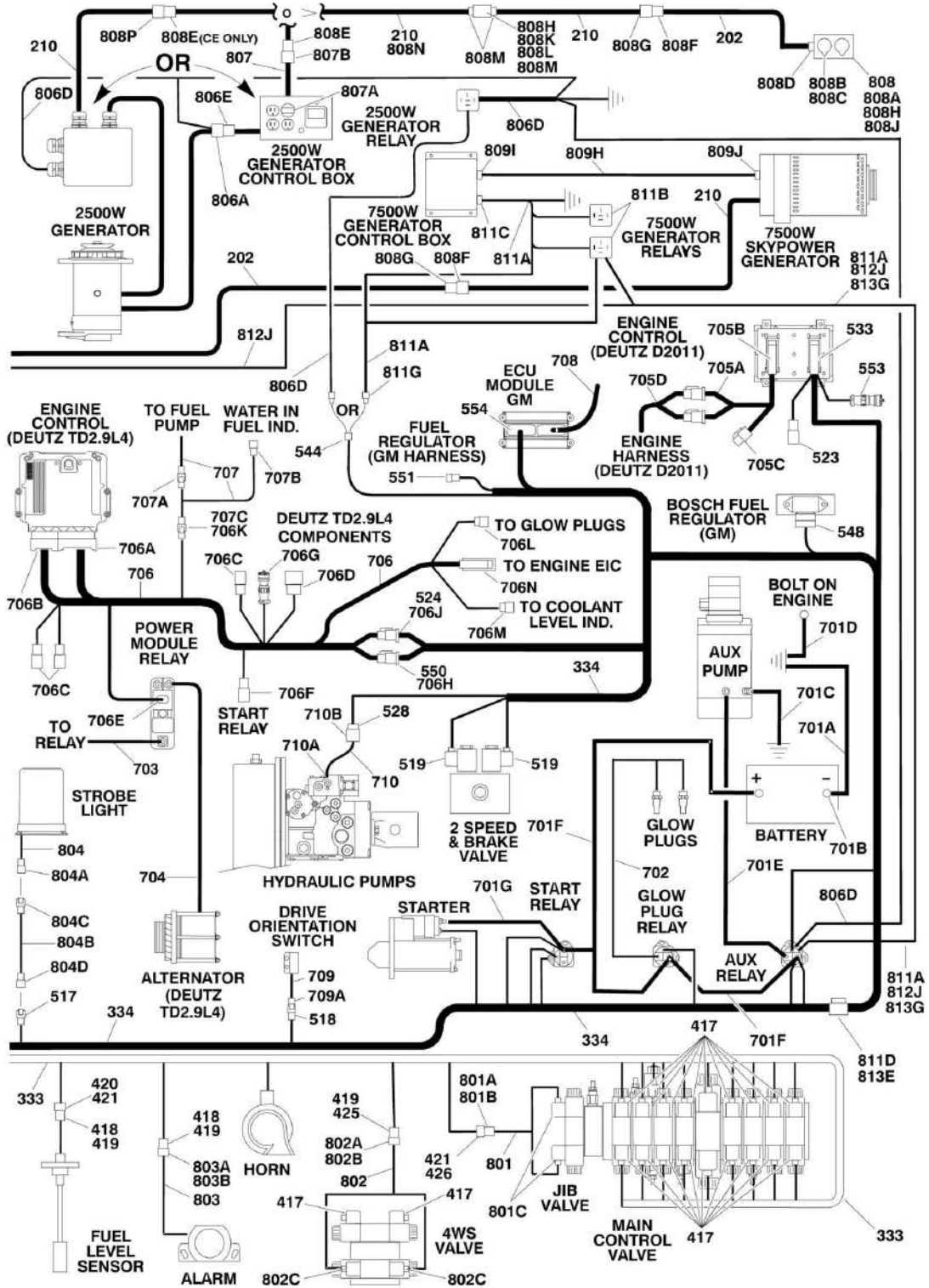
ITEM	PART NUMBER	QTY	DESCRIPTION	REV
		Ref	Note: Diagrams are available from the JLG Service Department. Schematics are shown in Service and Maintenance Manual.	
	4933312	Ref	CHASSIS ILLUMINATION ELECTRICAL DIAGRAM	
	1282571	Ref	COLD WEATHER START ELECTRICAL DIAGRAM (GM)	
		Ref	DRIVE CUTOFF KIT ELECTRICAL DIAGRAMS	
	4932990	Ref	Drive Cutoff Kit (Above Elevation Beyond Transport)	
	4932993	Ref	Drive Cutoff Kit (Above Elevation Tilt) (ANSI, ANSI Export, Australian and Japanese Specs Only)	
	4933308	Ref	FLOOD LIGHTS ELECTRICAL DIAGRAM	
		Ref	GENERATOR ELECTRICAL DIAGRAMS	
		Ref	2500W Options:	
	1001112588	Ref	Deutz Engine with 110V/60Hz Generator	
	1001112743	Ref	Deutz Engine with 220V/50Hz Generator	
	4933350	Ref	Ford & GM Engines	
		Ref	4000W Options:	
	1001194437	Ref	4000W/50Hz (ANSI Export and Japanese Spec)	
	1001159648	Ref	4000W/50Hz (Australian Spec)	
	1001153025	Ref	4000W/50Hz (220V) (CE Spec)	
	1001160271	Ref	4000W/50Hz (110V) (CE UK Spec)	
	1001132055	Ref	4000W/60Hz (Deutz D2011 & GM Engines)	
	1001132055	Ref	4000W/60Hz (Deutz TD2.9L4 Engines) (SN 0300177361 through 0300213430)	
	1001153257	Ref	4000W/60Hz (Deutz TD2.9L4 Engines) (SN 0300213431 to Present)	
		Ref	7500W Options:	
	1001112586	Ref	Deutz D2011 Engines (SN 0300177361 through 0300182752)	
	1001157769	Ref	Deutz D2011 Engines (SN 0300182753 to Present)	
	1001122528	Ref	Deutz TD2.9L4 Engines	
	1001221498	Ref	Ford Engines	
	4933349	Ref	GM Engine (SN 0300177361 through 0300182752)	
	1001157768	Ref	GM Engine (SN 0300182753 to Present)	
		Ref	GROUND CONTROL BOX ELECTRICAL DIAGRAMS	
	1001110381	Ref	Deutz D2011 Engines (SN 0300177361 through 0300181174)	
	1001154396	Ref	Deutz D2011 Engines (SN 0300181175 to Present)	
	1001157770	Ref	Deutz TD2.9L4 Engines (SN 0300177361 through 0300181174)	
	1001164564	Ref	Deutz TD2.9L4 Engines (SN 0300181175 to Present)	
	1001110380	Ref	GM Engines (SN 0300177361 through 0300181174)	
	1001154395	Ref	GM Engines (SN 0300181175 through 0300232332)	
	1001224136	Ref	GM Engines (SN 0300232333 to Present)	
	4933219	Ref	HEADLIGHTS/TAILLIGHTS ELECTRICAL DIAGRAM	
	4933218	Ref	PLATFORM SOFT TOUCH SYSTEM ELECTRICAL DIAGRAM	
	0273492	Ref	PLATFORM WORKLIGHTS ELECTRICAL DIAGRAM	
		Ref	STANDARD ELECTRICAL SCHEMATIC	
	1001110345	Ref	Standard Schematic (SN 0300177361 through 0300181174)	
	1001151752	Ref	Standard Schematic (SN 0300181175 through 0300195160)	
	1001178004	Ref	Standard Schematic (SN 0300195161 to Present)	
	1001131992	Ref	GM Engine Schematic (Engine Schematic Only. Used in addition to Standard Schematic)	

SECTION 7 - ELECTRICAL

FIGURE 7-2. HARNESS COMPONENTS INSTALLATION (SN 0300177361 through 0300181174)



SECTION 7 - ELECTRICAL



SECTION 7 - ELECTRICAL

FIGURE 7-2. HARNESS COMPONENTS INSTALLATION (SN 0300177361 through 0300181174)

ITEM	PART NUMBER	QTY	DESCRIPTION	REV
	1001107753	Ref	PLATFORM BOX HARNESS ASSEMBLY	D
19	4460866	1	Connector - 19 Position	
20	4460874	1	Connector - 35 Position (Natural)	
21	4460875	1	Connector - 35 Position (Gray)	
22	4460873	1	Connector - 35 Position (Black)	
23	4460871	70	Socket, Female	
24	4460464	7	Pin, Male (16 Gauge)	
25	4460879	1	Terminal, Housing 2 Position	
26	4460887	2	Terminal, (12 Gauge)	
30	4460418	9	Connector - 6 Position	
31	4460419	27	Terminal, Female	
32	4120035	13	Base, Light	
36	4460225	1	Plug, Male - 6 Position	
37	4460227	30	Pin, Male	
41	4460508	3	Pin, Male (12 Gauge)	
43	4460434	2	Connector - 15 Position	
44	2920129	13	Lamp, Indicator	
47	4460905	26	Seal, Plug	
	1001145834	Ref	PLATFORM BOX ASSEMBLY COMPONENTS	B
103	0100048	AR	Grease, Dielectric	
106	See Note	1	Footswitch Harness	
106	1060918	8 ft/2.4m	Cable, Electrical - 18/3	
106A	4460071	1	Connector, Strain Relief	
136	4460428	2	Connector, Strain Relief	
137	4460470	1	Nut, Terminal	
138	4460471	1	Lockwasher, Terminal	
139	4460708	2	Connector, Female - 15 Position	
143	4922666	1	Harness, Analyzer Cable	2-B
143	4460226	4	Socket, Female (Not Shown - Located at J2)	
143A	4460761	1	Connector, Female - 4 Position	
143A	4460227	4	Pin, Male	
145	1001107753	1	Harness, Platform Console Box (Includes Items 1-44)	
		Ref	BOOM CABLES INSTALLATION	
		Ref	Boom Cables Installation - 600A	
	0270818	Ref	ANSI, ANSI Export, CSA and Japanese Specs without 7500W Generator	6
	1001153321	Ref	ANSI, ANSI Export, CSA and Japanese Specs with 4000W Generator	A
	0272624	Ref	ANSI, ANSI Export and CSA Specs with 7500W Generator	2
	0275265	Ref	ANSI, ANSI Export and CSA Specs with Arctic Package without 7500W Generator	1
	1001093436	Ref	ANSI, ANSI Export and CSA Specs with Arctic Package with 7500W Generator	2-A
	0270819	Ref	CE Specs without 7500W Generator	6
	0272626	Ref	CE and Japanese Specs with 7500W Generator	2
		Ref	Boom Cables Installation - 600AJ	
	0270820	Ref	ANSI, ANSI Export, CSA and Japanese Specs without 7500W Generator	6-G
	0272625	Ref	ANSI, ANSI Export and CSA Specs with 7500W Generator	2-G
	0275140	Ref	ANSI, ANSI Export and CSA Specs with Arctic Package without 7500W Generator	1

SECTION 7 - ELECTRICAL

ITEM	PART NUMBER	QTY	DESCRIPTION	REV
	1001093432	Ref	ANSI, ANSI Export and CSA Specs with Arctic Package with 7500W Generator	2-A
	1001115974	Ref	ANSI and ANSI Export Specs with David Clark Communication System without 7500W Generator (Note: Not Shown - Contact your JLG Parts Department)	B
	1001116515	Ref	ANSI and ANSI Export Specs with David Clark Communication System with 7500W Generator (Note: Not Shown - Contact your JLG Parts Department)	B
	0273428	Ref	Australian Specs without 7500W Generator	1-G
	0273430	Ref	Australian Specs with 7500W Generator	1-G
	0270821	Ref	CE Spec without 7500W Generator	B
	0272627	Ref	CE and Japanese Specs with 7500W Generator	B
201		Ref	Harness, Main Boom Options:	
201	4922493	1	Harness, Main Boom without Arctic Package	C
201	4923472	1	Harness, Main Boom with Arctic Package	1-A
201		Ref	Cable Options:	
201	1060896	45.5 ft/ 13.9m	Cable without Arctic Package	
201	4923462	45.5 ft/ 13.9m	Cable with Arctic Package	
201A	4460865	1	Connector (19 Pin)	
201A	4460465	11	Socket, Female - #16	
201A	4460509	4	Socket, Female - #12	
201A	4460466	4	Seal, Plug	
201B	4460473	1	Clamp, Cable	
201C	4460464	11	Pin, Male (16-18 Gauge)	
201C	4460508	4	Pin, Male (10-12 Gauge)	
201C	2820118	AR	Shrink, Heat	
202		Ref	Cable, Electrical (Main Boom) Options (Does not include plug ends)	
202		Ref	Without SkyPower:	
202	4922894	1	ANSI, ANSI Export, CSA and Japanese Specs (12/3)	
202	4923474	1	ANSI, ANSI Export and CSA Specs with Arctic Pkg (12/3)	
202	4922895	1	Australian and CE Specs (12/3)	
202	4922810	1	With SkyPower	
203	2820031	AR	Shrink, Heat	
204	4460865	1	Connector - 19 Position	
206	4460466	8	Seal, Plug	
207	4460473	1	Clamp, Cable	
208	4460866	1	Connector (19 Pin)	
209		Ref	Harness, Tower Boom Cable Options:	
209	4922494	1	Harness, Tower Boom Cable without Arctic Package	C
209	4923473	1	Harness, Tower Boom Cable with Arctic Package	1-A
209		Ref	Cable Options:	
209	1060896	35.5 ft/ 10.8m	Cable without Arctic Package	
209	4923462	35.5 ft/ 10.8m	Cable with Arctic Package	
209A	4460465	11	Socket, Female - #16	
209A	4460509	4	Socket, Female - #12	
209A	2820118	AR	Shrink, Heat	
209B	4460473	1	Clamp, Cable	
209C	4460865	1	Connector - 19 Position	
209C	4460465	11	Socket, Female - #16	

SECTION 7 - ELECTRICAL

ITEM	PART NUMBER	QTY	DESCRIPTION	REV
209C	4460509	4	Socket, Female - #12	
209C	4460466	4	Seal, Plug	
210		Ref	Cable, Electrical (Tower Boom) Options (Does not include plug ends)	
210		Ref	Without SkyPower:	
210	4922892	1	ANSI, ANSI Export, CSA and Japanese Specs (12/3)	
210	4923475	1	ANSI, ANSI Export and CSA Specs with Arctic Package (12/3)	
210	4922893	1	Australian, CE and Latin American Specs (12/3)	
210	4922811	1	With SkyPower	
214	1061033	AR	Cable, Electrical - 18/2 Main Boom Limit Switch	
214		Ref	600A ANSI, ANSI Export, CSA and Japanese Specs	
214		Ref	600AJ ANSI, ANSI Export, CSA and Japanese Specs	
214		Ref	600A & 600AJ Australian and CE Specs	
214	4923476	3	600A ANSI, ANSI Export and CSA Spec with Arctic Package	
214	4923476	2	600AJ ANSI, ANSI Export and CSA Spec with Arctic Package	
216		Ref	Cable, Electrical - 18/2 Main Boom Length Options:	
216	4922891	1	600A All Specs except Australian Specs	1-A
216	Not Required	0	600A Australian Specs	
216	4923500	1	600A ANSI, ANSI Export and CSA Spec with Arctic Package	1-A
216	Not Required	0	600AJ All Specs except CE Spec	
216	4922891	1	600AJ CE Spec	1-A
216	Not Required	0	600AJ ANSI, ANSI Export and CSA Spec with Arctic Package	
216A	4460891	1	Plug, Male - 2 Position	
216A	4460465	2	Socket, Female	
217		Ref	Cable, Electrical - 18/2 Main Boom Length Options:	
217	4922890	1	Cable, Electrical 600A All Specs	1-A
217	4923501	1	Cable, Electrical 600A ANSI, ANSI Export and CSA Spec with Arctic Package	1-A
217	Not Required	0	Cable, Electrical 600AJ All Specs except CE Spec	
217	4922896	1	Cable, Electrical 600AJ CE Spec	1-A
217	Not Required	0	Cable, Electrical 600AJ ANSI, ANSI Export and CSA Spec with Arctic Package	
217A	4460897	1	Receptacle, Female - 2 Position	
217A	4460464	2	Pin, Male	
		Ref	GROUND CONTROL BOX COMPONENTS	
		Ref	Ground Control Box Components 600A	
	1001110368	Ref	Deutz D2011 Engine (ANSI and ANSI Export Specs)	A
	1001110371	Ref	Deutz D2011 Engine (ANSI Export and CE Specs)	A
	1001145036	Ref	Deutz TD2.9L4 Engine	A
	1001110367	Ref	GM Engine	B
		Ref	Ground Control Box Components 600AJ	
	1001110370	Ref	Deutz D2011 Engine (ANSI, ANSI Export and Australian Spec)	A
	1001110372	Ref	Deutz D2011 Engine (ANSI Export and CE Specs)	A
	1001145037	Ref	Deutz TD2.9L4 Engine	A
	1001110369	Ref	GM Engine	B
302	0100048	AR	Grease, Dielectric	
325	4460426	1	Terminal, Strain Relief	
326	4460470	1	Nut, Terminal	
327	4460471	1	Lockwasher, Terminal	
329	4460526	1	Connector, Strain Relief	

SECTION 7 - ELECTRICAL

ITEM	PART NUMBER	QTY	DESCRIPTION	REV
333	4923224	1	Valve Harness Assembly (See 401 to 426 for Breakdown)	
334		Ref	Engine Harness Assembly (See 501 to 554 for Breakdown)	
334	1001110361	1	Deutz D2011 Engine Machines	
334	1001145046	1	Deutz TD2.9L4 Engine Machines	
334	1001110359	1	GM Engine Machines	
335		Ref	Ground Control Box Harness Assembly (See Items 601-661 for Breakdown)	
335	1001110379	1	Deutz D2011 Engine Machines	
335	1001145992	1	Deutz TD2.9L4 Engine Machines	
335	1001110379	1	GM Engine Machines	
336		Ref	Ground Control Box Wiring Diagram (Not Shown)	
336	1001110381	1	Deutz D2011 Engine Machines	F
336	1001145994	1	Deutz TD2.9L4 Engine Machines	A
336	1001110380	1	GM Engine Machines	E
336A	2920129	AR	Bulb, Light	
336B	2400065	1	Fuse, 30Amp (Deutz TD2.9L4 Engines)	
336B	2400066	1	Fuse, Holder with Cover (Deutz TD2.9L4 Engines)	
336B	1001173590	1	Fuse Holder with Fuse - 30AMP	
336C	4460708	2	Connector, Female - 15 Position	
336C	4460226	AR	Socket, Female	
336C	4460906	AR	Plug, Terminal	
336D	4922637	1	Harness, Jumper	
336E	4460894	1	Plug, Male - 6 Position	
336E	4460892	1	Connector, Female - 6 Position	
	4923224	Ref	VALVE HARNESS ASSEMBLY	4-E
417	4460880	19	DIN Connector	
418	4460320	2	Plug, Male - 2 Position	
419	4460267	7	Pin, Male	
420	4460424	1	Receptacle, Female - 2 Position	
421	4460268	5	Socket, Female	
422	4460871	31	Socket, Female	
425	4460326	1	Plug, Male - 3 Position	
426	4460445	1	Receptacle, Female - 3 Position	
		Ref	ENGINE HARNESS ASSEMBLIES	
	1001110361	Ref	Deutz D2011 Engine Machines	A
	1001145046	Ref	Deutz TD2.9L4 Engine Machines	D
	1001110359	Ref	GM Engine Machines	B
517	4460424	1	Receptacle, Female - 2 Position	
517	4460268	2	Socket, Female	
518	4460424	1	Receptacle, Female - 2 Position	
518	4460226	2	Socket, Female	
519	4460880	2	DIN Connector without Diode	
523	4461070	1	Receptacle, Female with Resistor (3 Position) (Deutz D2011 Engines Only)	
523	4461095	1	Plug, Male - 3 Position (Deutz D2011 Engines Only)	
523	4460944	3	Socket, Female (Deutz D2011 Engines Only)	
524	4460931	1	Connector, Male - 8 Position (Deutz TD2.9L4 Engines Only)	
524	4460464	4	Pin, Male	
524	4460466	4	Seal, Plug	
528	4460460	1	Connector, Male - 4 Position	
528	4460457	AR	Terminal, Female	
528	4460458	AR	Seal, Terminal	

SECTION 7 - ELECTRICAL

ITEM	PART NUMBER	QTY	DESCRIPTION	REV
531	4460539	1	Connector, Male - 3 Position	
531	4460944	3	Socket, Female	
533	4461052	1	Connector, Receptacle - 25 Position (Deutz D2011 Engines Only)	
533	4461005	5	Terminal (Gold) (Deutz D2011 Engines Only)	
533	4461006	5	Seal, Terminal (Deutz D2011 Engines Only)	
533	4461060	2	Terminal (Tin) (Deutz D2011 Engines Only)	
533	4461054	2	Seal, Terminal (Deutz D2011 Engines Only)	
533	4461053	1	Cover, Plug (Deutz D2011 Engines Only)	
533	4461008	AR	Plug, Hole (Deutz D2011 Engines Only)	
539	4460871	AR	Socket, Female	
544	4461157	1	Receptacle, Female - 2 Position (Deutz Engines Only)	
544	4460979	2	Pin, Male (Deutz Engines Only)	
544	4460458	2	Seal, Terminal (Deutz Engines Only)	
548	4461121	1	Plug, Male - 4 Position (GM Engines Only)	
548	4461122	NLA	Socket, Female (GM Engines Only) (use p/n 1001126484)	
548	4461123	NLA	Seal, Terminal (GM Engines Only) (use p/n 1001126485)	
550	4460899	1	Connector, Male - 6 Position (Deutz TD2.9L4 Engines Only)	
550	4460464	5	Pin, Male	
550	4460943	5	Pin, Male (Gold)	
550	4460466	1	Seal, Plug	
551	4461124	1	Receptacle, Female - 4 Position (GM Engines Only)	
551	4460693	4	Pin, Male (GM Engines Only)	
551	4460608	4	Seal, Terminal (GM Engines Only)	
551	4461161	1	Lock, Terminal (GM Engines Only)	
553	2902443	1	Kit, Receptacle (Deutz Engines Only)	
553	4461071	8	Terminal, Female (Gold) (Deutz D2011 Engines Only)	
553	4461072	1	Connector, Flange Mount (Deutz D2011 Engines Only)	
553	4461073	1	Connector, Dust Cap (Deutz D2011 Engines Only)	
553	4461074	1	Connector, Shell (Deutz D2011 Engines Only)	
554	4461109	1	Plug, Male - 16 Position (GM Engines Only)	
554	4461111	7	Pin, Male (GM Engines Only)	
554	4461113	7	Seal, Terminal (GM Engines Only)	
554	4461222	9	Plug, Cavity (GM Engines Only)	
		Ref	GROUND CONTROL HARNESS ASSEMBLY	
	1001110379	Ref	Deutz D2011 Engine Machines	B
	1001145992	Ref	Deutz TD2.9L4 Engine Machines	A
	1001110379	Ref	GM Engine Machines	B
616	4460536	1	Connector, Female 3 - Position	
616	4460943	3	Pin, Male	
621	3990010	2	Diode - 6 Amp (Not Shown)	
624	4460434	2	Connector, Male 15 - Position	
624	4460227	AR	Pin	
626	4460873	1	Connector, Male - 35 Position (Black)	
626	4460871	AR	Socket, Female	
626	4460905	AR	Plug, Seal	
628	4120035	6	Base, Light	
628	4460634	7	Terminal (16 Gauge)	
628	4460635	5	Terminal (12 Gauge)	
635	4460418	9	Connector, Female - 6 Position	
635	4460419	24	Socket, Female	
638	4460871	AR	Socket, Female	

SECTION 7 - ELECTRICAL

ITEM	PART NUMBER	QTY	DESCRIPTION	REV
639	4460876	1	Connector, Male - 35 Position (Blue)	
639	4460871	28	Socket, Female	
639	4460905	AR	Plug, Seal	
643	4460866	1	Connector - 19 Position	
643	4460464	7	Pin, Male (16 Gauge)	
643	4460508	3	Pin, Male (12 Gauge)	
644	4460878	1	Housing, Terminal - 4 Position	
644	4460887	3	Terminal (12 Gauge)	
650	4460761	1	Connector, Female 4 - Position	
650	4460227	4	Pin, Male	
655	8229242	2	Fuse 5A	
655	2400060	2	Holder, Fuse	
657	1001106339	1	Connector, Male - 14 Position	
657	4460871	2	Socket, Female	
657	4460905	AR	Plug, Seal	
658	1001106340	1	Connector, Male - 14 Position	
658	4460871	5	Socket, Female	
659	4460874	1	Connector, Natural	
659	4460871	10	Socket, Female	
659	4460905	AR	Plug, Seal	
660	4460875	1	Connector, Gray	
660	4460871	2	Socket, Female	
661	1001112612	1	Connector - 9 Position	
661	4460943	4	Pin, Male	
		Ref	STANDARD HARNESS COMPONENTS	
701		Ref	Battery Cable Kit Options:	
701	2902296	1	Deutz D2011 Engines	D
701	1001145047	1	Deutz TD2.9L4 Engines	D
701	2902531	1	GM Engine Machines	B
701A		Ref	Cable, Battery (Black) (Battery - to Tray Pivot Grd) Options:	
701A	7027004	1	Deutz D2011 Engines	
701A	7027072	1	Deutz TD2.9L4 Engines	
701A	7016822	1	GM Engine Machines	
701B	8270147	1	Terminal, Battery (with Boot) (Deutz TD2.9L4 Engines Only)	
701B	See Note	1	Boot, Black (Note: Not Available for Purchase)	
701C		Ref	Cable, Battery (Black) (Battery - to Aux Pump and Relay Grds)	
701C	7027003	1	Deutz D2011 Engines	
701C	7027073	1	Deutz TD2.9L4 Engines	
701C	7027003	1	GM Engine Machines	
701C	See Note	1	Boot, Black (Note: Not Available for Purchase)	
701D		Ref	Cable, Battery (Black) (Engine to Tray Pivot Grd)	
701D	Not Required	0	Deutz D2011 Engines	
701D	7027074	1	Deutz TD2.9L4 Engines	
701D	See Note	1	GM Engine Machines (Note: Use Item 701A)	
701E		Ref	Cable (Red) (Aux Relay to Aux Pump)	
701E	7027002	1	Deutz D2011 Engines	
701E	7027075	1	Deutz TD2.9L4 Engines	
701E	7027016	1	GM Engine Machines	
701E	See Note	2	Boot, Red (Note: Not Available for Purchase)	
701F		Ref	Cable (Red) (Battery + to Aux Relay/Power Module/Starter)	
701F	1001116240	1	Deutz D2011 Engines	

SECTION 7 - ELECTRICAL

ITEM	PART NUMBER	QTY	DESCRIPTION	REV
701F	7027076	1	Deutz TD2.9L4 Engines	
701F	7027015	1	GM Engine Machines	
701F	See Note	2	Boot, Red (Note: Not Available for Purchase)	
701G		Ref	Cable (Red) (Relay to Starter)	
701G	See Note	1	Deutz D2011 Engines (Note: Use Item 701F)	
701G	See Note	1	Deutz TD2.9L4 Engines (Note: Use Item 701F)	
701G	7027017	1	GM Engine Machines	
701G	See Note	2	Boot, Red (Note: Not Available for Purchase)	
702	4923379	1	Harness, Glow Plugs (Deutz D2011 Engine Machines Only)	
703	1001141304	1	Harness, Glow Plugs (Deutz TD2.9L4 Engine Machines Only)	
704	1001143907	1	Cable, Alternator Power (Deutz TD2.9L4 Engine Machines Only)	
705		Ref	Deutz Engine Harness Components (Deutz D2011 Engine Machines Only)	
705A	7027796	1	Deutz Engine Harness	
705B	See Note	1	Receptacle, Female - 25 Position (Note: Not Available - Purchase Complete Harness)	
705B	See Note	1	Cover, Receptacle (Note: Not Available - Purchase Complete Harness)	
705B	See Note	5	Terminal (Note: Not Available - Purchase Complete Harness)	
705B	See Note	5	Seal (Note: Not Available - Purchase Complete Harness)	
705B	See Note	2	Terminal (Note: Not Available - Purchase Complete Harness)	
705B	See Note	2	Seal (Note: Not Available - Purchase Complete Harness)	
705B	See Note	18	Plug, Hole (Note: Not Available - Purchase Complete Harness)	
705C	7027793	1	Plug-In, Connector	
705D	70001872	1	Deutz Engine Harness (For other replacement parts refer to Deutz engine dealer)	
706	1001143726	1	Deutz TD2.9L4 Engine Harness	G
706A	1001133956	1	Connector (Includes Cover, Locks and Retention Plate)	
706A	1001126352	6	Terminal	
706A	1001126353	6	Seal, Terminal	
706A	1001126384	19	Terminal	
706A	1001126351	3	Terminal	
706A	1001126356	63	Plug, Seal	
706A	1001126357	2	Plug, Seal	
706B	1001133957	1	Connector (Includes Cover, Locks and Retention Plate)	
706B	1001126384	17	Terminal	
706B	1001126351	13	Terminal	
706B	1001126356	19	Plug, Seal	
706B	1001126357	11	Plug, Seal	
706C	4461070	3	Receptacle, Female with Resistor (3 Position)	
706C	4461095	6	Plug, Male - 3 Position	
706C	4460944	6	Socket, Female	
706C	4460466	2	Seal, Plug	
706D	80484084	1	Receptacle, Female - 8 Position	
706D	8229242	1	Fuse - 5A	
706D	80983191	1	Fuse - 10A	
706D	1001147264	1	Cap	
706D	1001116727	8	Plug	
706D	4460458	4	Seal	
706E	1001116952	1	Plug, Male - 2 Position	
706E	4460465	2	Socket, Female	
706F	1001138110	1	Plug, Male - 2 Position	

SECTION 7 - ELECTRICAL

ITEM	PART NUMBER	QTY	DESCRIPTION	REV
706F	1001138111	2	Socket, Female	
706F	1001138113	2	Seal	
706G	2902443	1	Kit, Receptacle	
706G	4461071	8	Terminal, Female (Gold)	
706G	4461072	1	Connector, Flange Mount	
706G	4461073	1	Connector, Dust Cap	
706G	4461074	1	Connector, Shell	
706H	4460894	1	Plug, Male - 6 Position	
706H	4460465	3	Socket, Female	
706H	4460944	2	Socket, Female	
706H	4460466	1	Seal, Plug	
706J	4460930	1	Plug, Male - 8 Position	
706J	4460465	1	Socket, Female	
706J	4460466	7	Seal, Plug	
706K	4460884	1	Plug, Male - 4 Position	
706K	4460465	2	Socket, Female	
706K	4460942	2	Socket, Female	
706L	1001142938	1	Plug, Male - 2 Position	
706L	1001142940	2	Terminal, Female	
706L	1001142941	2	Seal	
706M	1001133714	1	Plug, Male - 4 Position	
706M	1001133715	3	Terminal, Female	
706M	1001135650	3	Seal	
706M	1001135651	NLA	Plug, Cavity (Use p/n 4461008)	
706N	1001126362	1	Receptacle, Female - 62 Position	
706N	1001126363	33	Terminal	
706N	1001126364	33	Seal	
706N	1001126391	23	Plug	
706N	4461008	4	Plug, Cavity	
706N	1001126365	2	Terminal	
706N	4461054	2	Seal	
707	1001138491	NLA	Fuel Harness (Deutz TD2.9L4 Engines Only) (Use p/n 1001222665 - Includes Items 707-707C)	D
707A	4460897	1	Receptacle, Female - 2 Position	
707A	4460941	2	Pin, Male	
707A	4460891	1	Plug, Male - 2 Position	
707A	4460942	2	Socket, Female	
707B	1001116983	1	Receptacle, Female - 2 Position	
707B	1001116710	2	Terminal	
707B	4461054	2	Seal	
707C	4460932	1	Receptacle, Female - 4 Position	
707C	4460941	2	Pin, Male	
707C	4460464	2	Pin, Male	
708		Ref	GM Engine Harness (GM Engine Machines Only)	
	7027991	1	Tier 1 Engines	
	70000718	1	Tier 2 Engines	
	70002848	1	Tier 3 & 4 Interim Engines	
	7027989	1	Connector, Male - 10 Position (Not Shown)	
	See Note	1	Box, Fuse (Note: Parts of Harness - Not Available for Purchase)	
	70002627	1	Cover, Fuse Box	
	70001950	2	Relay (Power and Fuel Pump)	
	70001951	1	Relay (Starter)	

SECTION 7 - ELECTRICAL

ITEM	PART NUMBER	QTY	DESCRIPTION	REV
	70001931	1	Fuse - 60 Amp (Alternator)	
	See Note	1	Fuse - 20 Amp (Note: Not Available - Purchase Locally)	
	See Note	3	Fuse - 15 Amp (Note: Not Available - Purchase Locally)	
	See Note	1	Fuse - 10 Amp (Note: Not Available - Purchase Locally)	
	See Note	1	Fuse - 5 Amp (Note: Not Available - Purchase Locally)	
709	4360517	1	Switch, Proximity	
709A	4460320	1	Connector - 2 Position	
709A	4460227	2	Pin, Male	
710	See Note	1	Pump Harness (Note: Not Available for Purchase)	
710A	7007497	1	Plug (Pump End)	
710B	7007498	1	Plug (Engine Harness End)	
711	See Note	1	Controller Harness Assembly (Lift and Swing) (Note: Not Available for Purchase)	
711A	7022819	1	Plug, Male - 8 Position (Natural)	
711A	4460871	8	Socket, Female	
712	See Note	1	Controller Harness/Circuit Board Assembly (Drive and Steer) (Note: Not Available for Purchase)	
712A	7022825	1	Plug, Male - 8 Position (Black)	
712A	4460871	7	Socket, Female	
713	See Note	1	Controller Harness (Speed Control) (Note: Not Available for Purchase)	
713A	4460224	1	Receptacle, Female - 6 Position	
713A	4460226	6	Socket, Female	
		Ref	OPTIONAL HARNESS COMPONENTS	
801	4921927	1	Jib Valve Harness (600AJ Only)	3-F
801A	4460326	1	Plug, Male - 3 Position	
801B	4460267	3	Pin, Male	
801C	4460499	2	Connector, DIN with Diode	
802	4921928	1	4WS Valve Harness	3-E
802A	4460268	3	Socket, Female	
802B	4460445	1	Connector, Female - 3 Position	
802C	4460499	2	Connector, DIN with Diode	
803	0257887	1	Alarm Harness (Includes Alarm)	
803	0140032	1	Alarm	
803	2820035	6 in/15cm	Loom	
803A	4460424	1	Plug, Male - 2 Position	
803B	4460268	2	Socket, Female	
804	2920161	1	Strobe Light Harness (Includes Strobe Light)	B
804A	4460891	1	Plug, Male - 2 Position	
804A	4460465	2	Socket, Female	
804B	1001149818	1	Strobe Light Extension Harness	B
804C	4460897	1	Receptacle, Female -2 Position	
804C	4460464	2	Pin, Male	
804D	4460320	2	Plug, Male - 2 Position	
804D	4460267	4	Pin, Male	
805	See Note	1	Headlight and Taillight/Chassis Illumination Harness (Note: Not Available for Purchase)	
805	1060341	AR	Cable, Electrical 16/2 Options:	
805	1060341	37 ft/ 11.3m	Headlights and Taillights	
805	1060341	40 ft/ 12.2m	Chassis Illumination Lights	
805A	3740049	1	Relay	

SECTION 7 - ELECTRICAL

ITEM	PART NUMBER	QTY	DESCRIPTION	REV
805A	4460259	3	Terminal	
805A	4460260	4	Housing, Terminal	
805A	4460297	1	Terminal	
805A	4922643	1	Lights Harness for Ground Control Box	B
805A	4460226	2	Socket, Female	
806		Ref	2500W Generator Electrical Components Options:	
806	1001112588	Ref	Deutz Engines 110V/220V with Generator Control Box	A
806	1001112743	Ref	Deutz Engines 110V/220V without Generator Control Box	B
806	4933350	Ref	GM Engine	A
806A	4460321	1	Connector, Male - 4 Position (Deutz and GM Engines Specs with Generator Control Box)	
806A	4460906	4	Socket, Female	
806B	4922641	1	Harness - On/Off Switch	
806C	4460226	2	Socket, Female	
806D		Ref	Powermite Control Box to Relay Options:	
806D	1001112589	1	Deutz Engines	
806D	4923445	1	GM Engines	
806D	4460374	1	Plug, Sealed Relay	
806D	4460375	3	Terminal	
806D	4460742	1	Plug, Male - 2 Position	
806D	4460743	1	Socket, Female	
806D	4460458	1	Seal, Terminal	
806E	4460961	1	Connector, Female - 4 Position (Deutz and GM Engines Specs with Generator Control Box)	
806E	4460705	4	Pin, Male	
807		Ref	Generator to Rear of Boom Harness Options:	
		Ref	Note: Harness used to connect AC at platform harness to generator receptacle to power platform receptacle.	
807	4921829	1	110V (ANSI, ANSI Export and Japanese Specs)	2
807	4921954	1	220V (ANSI and ANSI Export Specs)	2
807	See Note	1	110V/220V (Australian, CE, Latin American and Brazilian Specs) (Note: Not Available for Purchase)	
807		Ref	Cable, Electrical - 12/3 Options:	
807	1060494	6 ft/1.8m	110V (ANSI, ANSI Export and Japanese Specs)	
807	1060494	26 ft/8m	220V (ANSI and ANSI Export Specs)	
807	1060461	6 ft/1.8m	110V/220V (Australian, CE, Latin American and Brazilian Specs)	
807A		Ref	Plug, Male Options:	
807A	4460205	1	110V (ANSI, ANSI Export and Japanese Specs)	
807A	4460233	1	220V (ANSI and ANSI Export Specs)	
807A	Not Required	0	110V/220V (Australian, CE, Latin American and Brazilian Specs) (Purchase Locally)	
807A	4460027	1	Receptacle, Twist Lock (110V Only)	
807B		Ref	Receptacle, Female Options:	
807B	4460134	1	110V (ANSI, ANSI Export and Japanese Specs)	
807B	4460701	1	220V (ANSI and ANSI Export Specs)	
807B	Not Required	0	110V/220V (Australian, CE, Latin American and Brazilian Specs) (Purchase Locally)	
808		Ref	AC to Platform Receptacle Components Options:	
808	0255382	Ref	110V GFI Receptacle (ANSI, ANSI Export and Japanese Specs)	B
808	0257176	Ref	220V Receptacle (ANSI, ANSI Export and Japanese Specs)	B
808	0272433	Ref	SkyPower Machines (All Specs)	B
808	0274618	Ref	Dual AC (ANSI Export Spec Option)	2-B

SECTION 7 - ELECTRICAL

ITEM	PART NUMBER	QTY	DESCRIPTION	REV
808	0256202	Ref	110V/220V (Australian, Latin American and Brazilian Specs)	B
808		Ref	110V/220V (CE Spec Only)	
808		Ref	Without Powermite Generator:	
808	0256202	Ref	110V/220V (No Plug)	B
808	0275653	Ref	220V with CEE7 Post Ground Receptacle and Plug and Circuit Breaker (2x4 Box)	C
808	0275654	Ref	220V with CEE7 Side Ground Receptacle and Plug and Circuit Breaker (2x4 Box)	C
808	0275660	Ref	220V with AFSINT 107 Keyed Ground Receptacle and Plug and Circuit Breaker (2x4 Box)	C
808	0275656	Ref	110V with IEC Yellow Receptacle and Plug and Circuit Breaker	C
808	0275652	Ref	220V with IEC Blue Receptacle and Plug and Circuit Breaker	C
808	0275655	Ref	220V with CEE7 Post Ground Receptacle and Plug and Circuit Breaker (70mm x 70mm Box)	C
808	0275651	Ref	220V with CEE7 Side Ground Receptacle and Plug and Circuit Breaker (70mm x 70mm Box)	C
808		Ref	With Powermite Generator:	
808	1001100397	Ref	220V with CEE7 Post Ground Receptacle and Plug and Circuit Breaker (2x4 Box)	D
808	1001100398	Ref	220V with CEE7 Side Ground Receptacle and Plug and Circuit Breaker (2x4 Box)	D
808	1001100399	Ref	220V with AFSINT 107 Keyed Ground Receptacle and Plug and Circuit Breaker (2x4 Box)	C
808	1001100400	Ref	110V with IEC Yellow Receptacle and Plug and Circuit Breaker	C
808	1001100401	Ref	220V with IEC Blue Receptacle and Plug and Circuit Breaker	C
808	1001100402	Ref	220V with CEE7 Post Ground Receptacle and Plug and Circuit Breaker (70mm x 70mm Box)	C
808	1001100403	Ref	220V with CEE7 Side Ground Receptacle and Plug and Circuit Breaker (70mm x 70mm Box)	C
808A		Ref	Box, Switch Options:	
808A	0860038	1	0255382, 0257176 & 0274618 Installations	
808A	Not Required	0	0256202 Installations (Purchase Locally)	
808A	0861731	1	0275253, 0275254, 0275660, 1001100397, 1001100398 & 1001100399 Installations	
808A	0861781	1	0275656, 0275652, 1001100400 & 1001100401 Installations	
808A	See Note	1	0275655, 0275651, 1001100402 & 1001100403 Installations (Note: was p/n 0861782 which is no longer available. Use p/n 1001100344 CEE7 Side Ground Service Kit or p/n 1001100343 CEE7 Post Ground Service Kit. Kit include Box p/n 1001141967 & Items 808B, 808C, 808E & 808P)	
808A	1001141967	1	1001100343, 1001100344, 1001141970 & 1001141971 Kits	
808B		Ref	Receptacle Options:	
808B	4460346	1	0255382 & 0274618 Installations	
808B	4460125	1	0257176 Installation	
808B	Not Required	0	0256202 Installation (Purchase Locally)	
808B	4461244	1	0275253 & 1001100397 Installations	
808B	4461245	1	0275654 & 1001100398 Installations	
808B	4461246	1	0275660 & 1001100399 Installations	
808B	4461198	1	0275656 & 1001100400 Installations	
808B	4461201	1	0275652 & 1001100401 Installations	
808B	4461204	NLA	0275655 & 1001100402 Installations (Use p/n 1001100343)	
808B	4461207	NLA	0275651 & 1001100403 Installations (Use p/n 1001100344)	
808B	1001141968	1	1001100343 & 1001141971 Kits	

SECTION 7 - ELECTRICAL

ITEM	PART NUMBER	QTY	DESCRIPTION	REV
808B	1001141969	1	1001100344 & 1001141970 Kits	
808C		Ref	Shield, Cover Options:	
808C	1001110873	1	0255382 & 0274618 Installations (Top Hinged)	
808C	4060092	1	0257176 Installation	
808C	Not Required	0	0256202 Installation (Purchase Locally)	
808C	4461244	1	0275253 & 1001100397 Installations	
808C	4461245	1	0275654 & 1001100398 Installations	
808C	4461246	1	0275660 & 1001100399 Installations	
808C	4461198	1	0275656 & 1001100400 Installations	
808C	4461201	1	0275652 & 1001100401 Installations	
808C	4461204	NLA	0275655 & 1001100402 Installations (Use p/n 1001100343)	
808C	4461207	NLA	0275651 & 1001100403 Installations (Use p/n 1001100344)	
808C	1001141968	1	1001100343 & 1001141971 Kits	
808C	1001141969	1	1001100344 & 1001141970 Kits	
808D		Ref	Connector, Strain Relief Options:	
808D	4460071	1	0255382, 0257176 & 0274618 Installations	
808D	Not Required	0	0256202 Installations (Purchase Locally)	
808D	4460968	1	0275653, 0275654, 0275660, 0275656, 0275652, 0275655, 0275651, 1001100397, 1001100398, 1001100399, 1001100400, 1001100401, 1001100402 & 1001100403 Installations	
808E		Ref	Plug, Male Options:	
808E	4460205	1	0255382 & 0274618 Installations	
808E	4460233	1	0257176 Installation	
808E	Not Required	0	0256202 Installation (Purchase Locally)	
808E	4461202	NLA	0275653, 0275655, 1001100397 & 1001100402 Installations & 1001100343 & 1001141971 Kits (Use p/n 4461205)	
808E	4461199	1	0275652 & 1001100401 Installations	
808E	4461249	1	0275660 & 1001100399 Installations	
808E	4461196	1	0275656 & 1001100400 Installations	
808E	4461205	1	0275654, 0275651, 1001100398 & 1001100403 Installations & 1001100344 & 1001141970 Kits	
808F		Ref	Plug, Male Options:	
808F	4460205	1	0255382 & 0274618 Installations (Qty 4 Req'd for Dual AC)	
808F	4460233	1	0257176 Installation	
808F	4460709	1	0256202, 0275653, 0275654, 0275660, 0275656, 0275652, 0275655, 0275651, 1001100397, 1001100398, 1001100399, 1001100400, 1001100401, 1001100402 & 1001100403 Installations	
808F	4460960	1	0272433 Installation	
808F		Ref	Cover (Optional)	
808F	1671093	1	0272433 Installation	
808F	1001156352	1	0256202 Installation	
808G		Ref	Connector, Female Options:	
808G	4460134	1	0255382 & 0274618 Installations (Qty 2 Required for Dual AC)	
808G	4460701	1	0257176 Installation	
808G	4460710	1	0256202, 0275653, 0275654, 0275660, 0275656, 0275652, 0275655, 0275651, 1001100397, 1001100398, 1001100399, 1001100400, 1001100401, 1001100402 & 1001100403 Installations	
808G	4460959	1	0272433 Installation	
808G		Ref	Cover (Optional)	
808G	1671092	1	0272433 & 1001160272 Installations	

SECTION 7 - ELECTRICAL

ITEM	PART NUMBER	QTY	DESCRIPTION	REV
808G	1001156351	1	0256202 Installation	
808H		Ref	Hardware Options:	
808H	0641405	AR	Bolt 1/4in - 20NC x 5/8in	
808H	0641407	AR	Bolt 1/4in - 20NC x 7/8in	
808H	0641416	AR	Bolt 1/4in - 20NC x 2in	
808H	0700408	AR	Screw M4 x 16mm	
808H	3290405	AR	Locknut M4	
808H	3311405	AR	Locknut 1/4in - 20NC	
808H	4711400	AR	Flatwasher 1/4in Thin	
808H	4811400	AR	Flatwasher M4	
808J		Ref	Bracket, Receptacle Box Mounting Options:	
808J	Not Required	0	0255382, 0274618, 0257176 & 0256202 Installations	
808J	0903484	1	0275653, 0275654, 0275660, 0275656, 0275652, 0275655, 0275651, 1001100397, 1001100398, 1001100399, 1001100401, 1001100402 & 1001100403 Installations	
808K		Ref	Bracket, Circuit Breaker Mounting Options:	
808K	Not Required	0	0255382, 0274618, 0257176 & 0256202 Installations	
808K	0903612	1	0275653, 0275654, 0275660, 0275656, 0275652, 0275655, 0275651, 1001100397, 1001100398, 1001100399, 1001100400, 1001100401, 1001100402 & 1001100403 Installations	
808L		Ref	Breaker, Circuit Kit Options (Required on All CE Spec Installations except 0256202 Installation)	
808L	1001096070	AR	Kit (Without Powermite Generator Control Box)	D
808L	1001109554	AR	Kit (With Powermite Generator Control Box)	B
808L		Ref	Circuit Breaker Options:	
808L	1001109477	NLA	Breaker 10A (Use p/n 1001181046) (SN 0300177361 through 0300204452)	
808L	1001109475	1	Breaker 16A	
808L	1001109482	1	Breaker 30mA	
808L	0861880	1	Breaker Box	
808L	4460957	1	Terminal Block	
808L	4460956	1	Barrier, Terminal Block End	
808M	1001101191	2	Connector, Strain Relief Options (Required Only on CE Spec Installations except 0256202 Installation)	
808N	1060908	12 ft/3.7m	Cable, Extension (Required Only on CE Spec Installations except 0256202 Installation)	
808P		Ref	Connector, Female Options:	
808P	Not Required	0	0255382, 0274618, 0257176, 0275653, 0275654, 0275660, 0275656, 0275652, 0275655 & 0275651 Installations	
808P	Not Required	0	0256202 Installation (Purchase Locally)	
808P	4461203	1	1001100402 & 1001100397 Installations & 1001100343 & 1001141971 Kits	
808P	4461200	1	1001100401 Installation	
808P	4461250	1	1001100399 Installation	
808P	4461197	1	1001100400 Installation	
808P	4461206	1	1001100403 & 1001100398 Installations & 1001100344 & 1001141970 Kits	
		Ref	Kit, Plug and Socket Options:	
		Ref	Without Generator:	
	0275452	1	Receptacle Box Kit (220V CEE7 Post Ground) (Includes Items 808A, 808B, 808C & 808E) (0275653 Installation)	C
	0275453	1	Receptacle Box Kit (220V CEE7 Side Ground) (Includes Items 808A, 808B, 808C & 808E) (0275654 Installation)	1

SECTION 7 - ELECTRICAL

ITEM	PART NUMBER	QTY	DESCRIPTION	REV
	0275454	1	Receptacle Box Kit (220V AFSINT 107 Keyed Ground) (Includes Items 808A, 808B, 808C & 808E) (0275660 Installation)	1
	0275216	1	Receptacle Box Kit (110V IEC Yellow) (Includes Items 808A, 808B, 808C & 808E) (0275656 Installation)	1
	0275217	1	Receptacle Box Kit (220V IEC Blue) (Includes Items 808A, 808B, 808C & 808E) (0275652 Installation)	1
	0275218	NLA	Receptacle Box Kit (220V CEE7 Post Ground) (Includes Items 808A, 808B, 808C & 808E) (0275655 Installation) (Use p/n 1001100343)	C
	0275219	NLA	Receptacle Box Kit (220V CEE7 Side Ground) (Includes Items 808A, 808B, 808C & 808E) (0275651 Installation) (Use p/n 1001100344)	B-B
		Ref	With Generator:	
	1001100345	1	Receptacle Box Kit (220V CEE7 Post Ground) (Includes Items 808A, 808B, 808C, 808E & 808P) (1001100397 Installation)	2
	1001100347	1	Receptacle Box Kit (220V CEE7 Side Ground) (Includes Items 808A, 808B, 808C, 808E & 808P) (1001100398 Installation)	3
	1001100346	1	Receptacle Box Kit (220V AFSINT 107 Keyed Ground) (Includes Items 808A, 808B, 808C, 808E & 808P)(1001100399 Installation)	2
	1001100341	1	Receptacle Box Kit (110V IEC Yellow) (Includes Items 808A, 808B, 808C, 808E & 808P) (1001100400 Installation)	2
	1001100342	1	Receptacle Box Kit (220V IEC Blue) (Includes Items 808A, 808B, 808C, 808E & 808P) (1001100401 Installation)	2
	1001100343	1	Receptacle Box Kit (220V CEE7 Post Ground) (Includes Items 808A, 808B, 808C, 808E & 808P) (1001100402 Installation)	B
	1001100344	1	Receptacle Box Kit (220V CEE7 Side Ground) (Includes Items 808A, 808B, 808C, 808E & 808P) (1001100403 Installation)	B
809		Ref	7500W SKYPOWER GENERATOR INSTALLATION	
809	1001115391	Ref	60Hz and Deutz D2011 Engine	C
809	1001145227	Ref	60Hz and Deutz TD2.9L4 Engine	C
809	1001115392	Ref	50Hz Spec and Deutz D2011 Engine	B
809	0275257	Ref	60Hz Spec and GM Engine	F
		Ref	Note: SkyPower Generator is Standard on ANSI and CSA Specs. Optional on All Other Specs.	
809A		Ref	Receptacle, Female Twist-Lock Options:	
809A	4460958	1	60Hz Spec	
809A	See Note	1	50Hz Spec (Note: Not Available - Purchase Locally)	
809B		Ref	Gasket Options:	
809B	3960422	2	60Hz Spec	
809B	See Note	2	50Hz Spec (Note: Not Available - Purchase Locally)	
809C		Ref	Cover, Receptacle Options:	
809C	1001110873	1	60Hz Spec	
809C	See Note	1	50Hz Spec (Note: Not Available - Purchase Locally)	
809D		Ref	Cover, Receptacle Options:	
809D	1001110872	1	60Hz Spec	
809D	See Note	1	50Hz Spec (Note: Not Available - Purchase Locally)	
809E		Ref	Receptacle Options:	
809E	4460346	1	60Hz Spec	
809E	See Note	1	50Hz Spec (Note: Not Available - Purchase Locally)	
809F	4460051	1	Connector, Strain Relief	

SECTION 7 - ELECTRICAL

ITEM	PART NUMBER	QTY	DESCRIPTION	REV
809G	4460071	1	Connector, Strain Relief	
809H	4922925	1	Harness, Generator	C
809I	77363233	1	Plug, Male - 6 Position	
809I	4460465	6	Socket, Female	
809J	4460225	1	Plug, Male - 6 Position	
809J	4460268	6	Socket, Female	
810		Ref	7500W SkyPower Generator Junction Box Components	
810	0861542	Ref	60Hz Spec (Deutz D2011 and GM Engines)	C
810	1001157592	Ref	60Hz (Deutz TD2.9L4 Engines)	
810	0861567	Ref	50Hz Specs	B
810A		Ref	Cable, Electrical 12/3	
810A	1060494	2 ft /.6m	60Hz Spec	
810A	See Note	2 ft /.6m	50Hz Spec (Note: Not Available - Purchase Locally)	
810B		Ref	Cable, Electrical 10/3 (Deutz D2011 and GM Engines Only)	
810B	1060708	2.5 ft/ .76m	60Hz Spec	
810B	See Note	2.5 ft/ .76m	50Hz Spec (Note: Not Available - Purchase Locally)	
810C	1060343	1.5 ft/ .46m	Cable, Electrical 10/4 (60Hz Spec Only)	
810D	4460425	2	Connector, Strain Relief (Deutz D2011 and GM Engine Machines Only)	
810D	1001152525	1	Plug (Deutz TD2.9L4 Engine Machines)	
810E		Ref	Component Options:	
810E	4460426	2	Connector, Strain Relief (60Hz Spec Only)	
810E	4460426	1	Connector, Strain Relief (50Hz Spec Only)	
810E	3520189	1	Plug (50Hz Spec Only)	
810F	1671092	1	Cover (60Hz Spec Only)	
810F	4460963	1	Connector (60Hz Spec Only)	
811		Ref	7500W Generator Electrical Diagram Components	
811	1001112586	Ref	Deutz D2011 Engine Machines	A
811	1001122528	Ref	Deutz TD2.9L4 Engine Machines	B
811	4933349	Ref	GM Engine Machines	B
811A		Ref	Generator Harness Options:	
811A	1001112587	1	Deutz D2011 Engine Machines	A
811A	1001119968	1	Deutz TD2.9L4 Engine Machines	C
811A	4923420	1	GM Engine Machines	A
811B	4460374	2	Plug, Sealed Relay	
811B	4460375	7	Terminal	
811C	4460967	1	Plug, Male - 3 Position	
811C	4460465	3	Socket, Female	
811D	2400060	1	Fuseholder	
811D	2400064	1	Fuse - 5 Amp	
811D		Ref	Component Options:	
811D	2400060	1	Fuseholder (Deutz D2011 and GM Engines)	
811D	2400064	1	Fuse - 5 Amp (Deutz D2011 and GM Engines)	
811D	1001117078	1	Fuseholder (Includes Fuse and Cap) (Deutz D2011 Engines)	
811D	See Note	1	Fuse - 5 Amp (Deutz D2011 Engines) (Note: Use 1001117078 Assembly or Purchase Fuse Locally)	
811D	1001096134	1	Cover, Fuseholder (Deutz D2011 Engines)	
811E	4922641	1	Switch Harness	
811F	4460226	2	Socket, Female	

SECTION 7 - ELECTRICAL

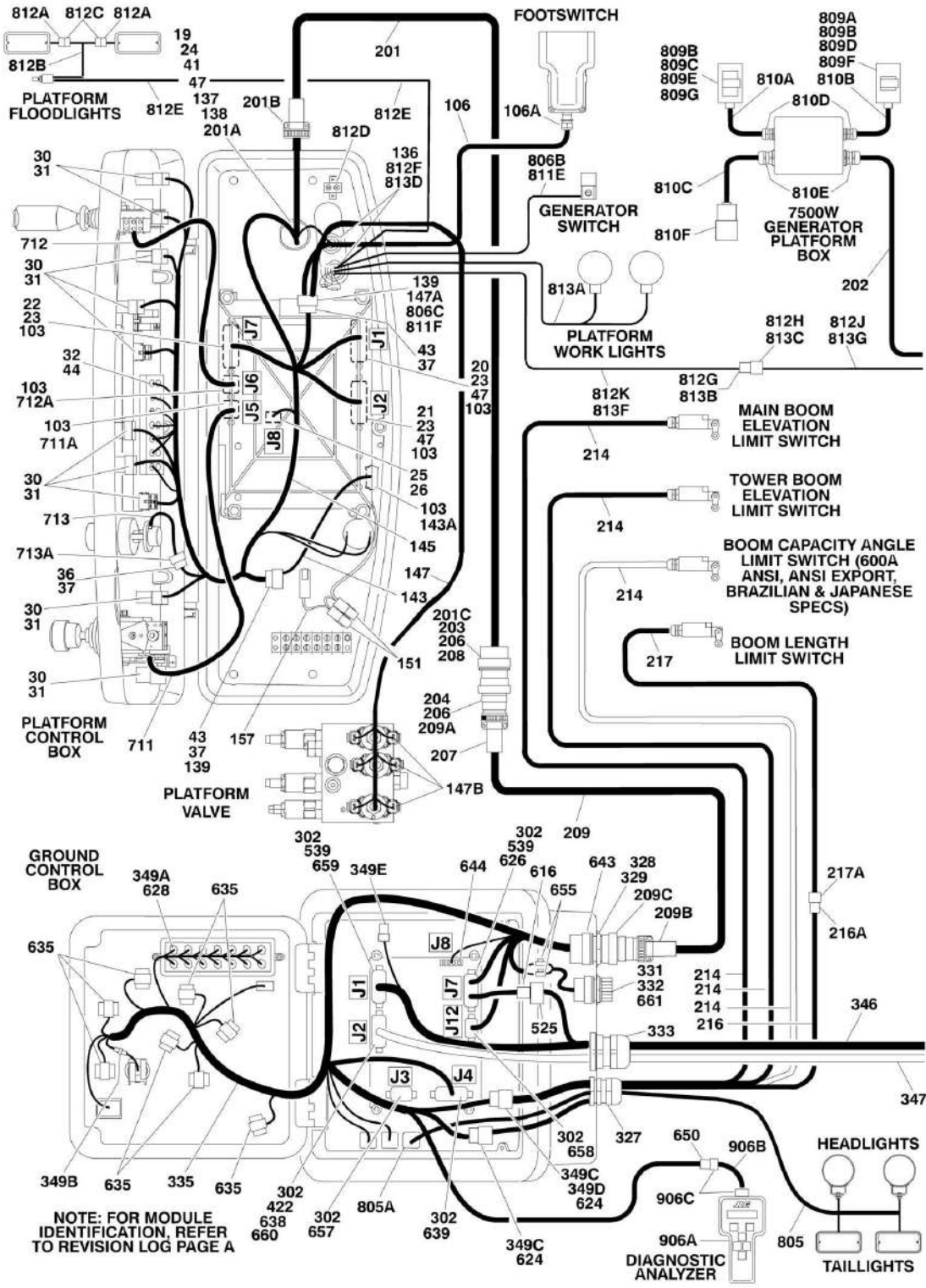
ITEM	PART NUMBER	QTY	DESCRIPTION	REV
811G	4460742	1	Plug, Male - 2 Position	
811G	4460743	2	Socket, Female	
811G	4460458	2	Seal, Terminal	
812	4933308	1	Floodlights Harness Components	1-A
812A	4460320	2	Plug, Male - 2 Position	
812A	4460227	4	Pin, Male	
812B	4922764	1	Floodlight Harness (Lights to Switch)	1-A
812C	4460424	2	Connector, Female - 2 Position	
812C	4460226	4	Socket, Female	
812D	4360232	1	Circuit Breaker - 15 Amp	
812E	1060977	1	Cord, 2 Wire Coiled (Console Box Circuit Breaker to Switch)	
812F	4460425	1	Connector, Strain Relief	
812G	4460459	1	Plug, Male - 3 Position	
812G	4460790	3	Socket, Female	
812G	4460789	3	Seal	
812H	4460476	1	Receptacle, Female	
812H	4460850	3	Pin, Male	
812H	4460790	3	Socket, Female	
812J	1060494	33 ft/ 10.1m	Electrical Cable 12/3 (Lower Boom to Aux Relay)	
812K	1060494	47 ft/ 14.3m	Electrical Cable 12/3 (Upper Boom to Console Box)	
813		Ref	Platform Worklights Components	
813A	2920140	2	Platform Worklights External Harness (Includes Light and Wire Only)	
813B	4460459	1	Plug, Male - 3 Position	
813B	4460790	3	Socket, Female	
813B	4460789	3	Seal	
813C	4460476	1	Receptacle, Female	
813C	4460850	3	Pin, Male	
813C	4460790	3	Socket, Female	
813D	4460426	1	Connector, Strain Relief	
813E	2400070	1	Fuse	
813E	2400066	1	Holder, Fuse	
813F	4922894	1	Worklights Harness (Upper Boom to Worklights)	
813F	1060494	47 ft/ 14.3m	Cable, Electrical - 12/3	
813G	4922892	1	Worklights Harness (Lower Boom to Aux. Power Solenoid)	
813G	1060494	33 ft/ 10.1m	Cable, Electrical - 12/3	
		Ref	TOOLS	
901	7002821	1	Crimper (For Wire to Pin/Socket Connections) (Not Shown)	
902	7002823	1	Extractor (For Removal of Pin/Socket from Connectors) (Not Shown)	
903	4460467	1	Extractor, Pin (Blue 16-18 Gauge) (For Removal of Pin/Socket from Connectors) (Not Shown)	
904	4460510	1	Extractor, Pin (Yellow 12-14 Gauge) (For Removal of Pin/Socket from Connectors) (Not Shown)	
905	7002828	1	Stripper, Wire (Not Shown)	
906	2901443	1	Analyzer Kit (Not Shown)	
906A	1600244	1	Analyzer	
906B	1060633	1	Cable, Analyzer	1-A
906C	4460321	2	Plug, Male	

SECTION 7 - ELECTRICAL

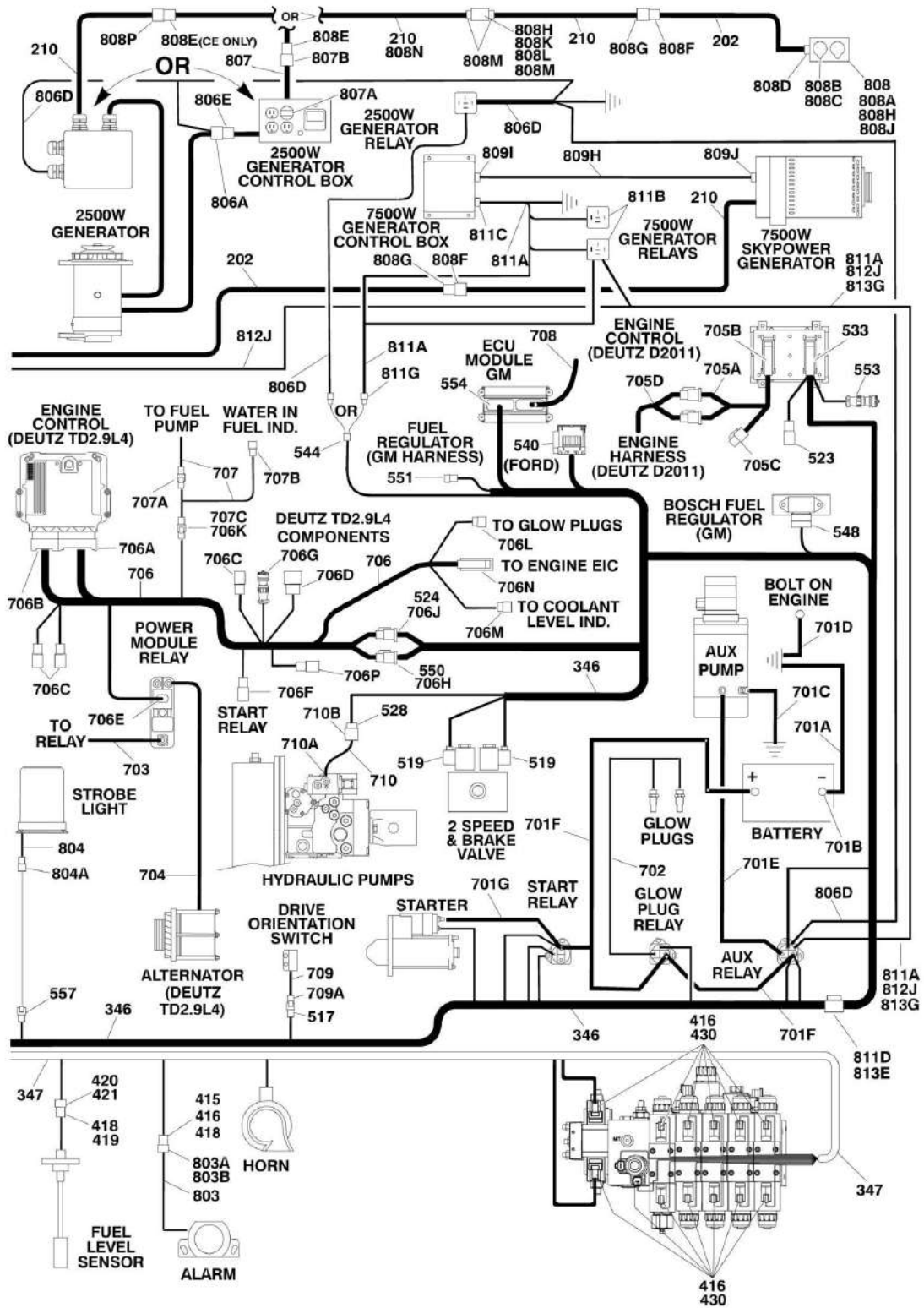
ITEM	PART NUMBER	QTY	DESCRIPTION	REV
906C	4460226	8	Socket, Female	
907	1001137005	1	Software Cable Kit (Not Shown)	

SECTION 7 - ELECTRICAL

FIGURE 7-3. HARNESS COMPONENTS INSTALLATION (SN 0300181175 to Present)



SECTION 7 - ELECTRICAL



SECTION 7 - ELECTRICAL

FIGURE 7-3. HARNESS COMPONENTS INSTALLATION (SN 0300181175 to Present)

ITEM	PART NUMBER	QTY	DESCRIPTION	REV
	1001107753	Ref	PLATFORM BOX HARNESS ASSEMBLY (MACHINES WITHOUT SKYGUARD)	F
	1001185280	Ref	PLATFORM BOX HARNESS ASSEMBLY (MACHINES WITH SKYGUARD/WITHOUT LSS OR WITH 4 CELL LSS)	B
	1001220281	Ref	PLATFORM BOX HARNESS ASSEMBLY (MACHINES WITH SKYGUARD/WITH 1 CELL LSS)	F
19	4460866	1	Connector - 19 Position	
20	4460874	1	Connector - 35 Position (Natural)	
21	4460875	1	Connector - 35 Position (Gray)	
22	4460873	1	Connector - 35 Position (Black)	
23	4460871	70	Socket, Female	
24	4460464	7	Pin, Male (16 Gauge)	
25	4460879	1	Terminal, Housing 2 Position	
26	4460887	2	Terminal, (12 Gauge)	
30	4460418	9	Connector - 6 Position	
31	4460419	27	Terminal, Female	
32	4120035	13	Base, Light	
36	4460225	1	Plug, Male- 6 Position	
37	4460227	30	Pin, Male	
41	4460508	3	Pin, Male (12 Gauge)	
43	4460434	2	Connector - 15 Position	
44	2920129	13	Lamp, Indicator	
47	4460905	26	Seal, Plug	
50	4460884	1	Connector - 4 Position (Not Shown - To Platform Sensor) (With SkyGuard)	
50	4460944	4	Socket (Not Shown - To Platform Sensor) (With SkyGuard)	
50	4460932	1	Receptacle - 4 Position (Not Shown - To Platform Sensor) (With SkyGuard)	
54	4460536	1	Receptacle - 3 Position (Not Shown) (With SkyGuard)	
54	4460943	1	Pin, Male (Not Shown) (With SkyGuard)	
55	4460539	1	Plug - 3 Position (Not Shown) (With SkyGuard)	
55	4460944	1	Socket, Female (Not Shown) (With SkyGuard)	
57	4460708	1	Connector - 15 Position (Not Shown - Mates with Item 43) (With SkyGuard)	
57	4460226	3	Socket (Not Shown) (With SkyGuard)	
58	4460894	1	Plug, Male - 6 Position (Not Shown) (Machines with 1 Cell LSS)	
58	4460465	5	Socket, Female (Not Shown) (Machines with 1 Cell LSS)	
59	4460933	1	Plug, Male - 12 Position (Not Shown) (Machines with 1 Cell LSS)	
59	1001119020	1	Bussbar (Not Shown) (Machines with 1 Cell LSS)	
62	1001213447	1	Receptacle, Female - 5 Postion (Not Shown) (Machines with 1 Cell LSS)	
		Ref	PLATFORM BOX ASSEMBLY COMPONENTS	
103	0100048	AR	Grease, Dielectric	
106	See Note	1	Footswitch Harness	
106	1060918	8 ft/2.4m	Cable, Electrical - 18/3	
106A	4460071	1	Connector, Strain Relief	
136	4460428	2	Connector, Strain Relief	
137	4460470	1	Nut, Terminal	
138	4460471	1	Lockwasher, Terminal	
139	4460708	2	Connector, Female - 15 Position	
143	4922666	1	Harness, Analyzer Cable	C

SECTION 7 - ELECTRICAL

ITEM	PART NUMBER	QTY	DESCRIPTION	REV
143	4460226	4	Socket, Female (Not Shown - Located at J2)	
143A	4460761	1	Connector, Female - 4 Position	
143A	4460227	1	Pin, Male	
145	1001107753	1	Harness, Platform Console Box (Without SkyGuard) (Includes Items 1-44)	
145	1001185280	1	Harness, Platform Console Box (With SkyGuard) (Includes Items 1-44)	
147	1001139135	1	Platform Valve Harness Assembly	
147A	4460226	7	Socket, Female	
147B	4460891	6	Plug, Male - 2 Position	
147B	1001116992	12	Socket, Female	
151	1001186431	2	Relay (Machines with 1 Cell LSS)	
157	1001225580	1	Harness, Interface (Machines with 1 Cell LSS)	
		Ref	BOOM CABLES INSTALLATION	
		Ref	Boom Cables Installation 600A	
	0270818	Ref	ANSI, ANSI Export, CSA and Japanese Specs without 7500W Generator	6
	1001153321	Ref	ANSI, ANSI Export, CSA and Japanese Specs with 4000W Generator	A
	0272624	Ref	ANSI, ANSI Export and CSA Specs with 7500W Generator	2
	0275265	Ref	ANSI, ANSI Export and CSA Specs with Arctic Package without 7500W Generator	1
	1001093436	Ref	ANSI, ANSI Export and CSA Specs with Arctic Package with 7500W Generator	2-A
	0270819	Ref	CE Specs without 4000W or 7500W Generator	6
	0272626	Ref	CE and Japanese Specs with 7500W Generator	2
		Ref	Boom Cables Installation 600AJ	
	1001165366	Ref	ANSI, ANSI Export, CSA and Japanese Specs without 4000W or 7500W Generator	A
	1001153322	Ref	ANSI, ANSI Export, CSA and Japanese Specs with 4000W Generator	A
	1001165552	Ref	ANSI, ANSI Export and CSA Specs with 7500W Generator	A
	1001165556	Ref	ANSI, ANSI Export and CSA Specs with Arctic Package without 4000W or 7500W Generator	A
	1001165557	Ref	ANSI, ANSI Export and CSA Specs with Arctic Package with 7500W Generator	A
	1001165558	Ref	ANSI and ANSI Export with David Clark Communication System without 7500W Generator (Note: Not Shown - Contact your JLG Parts Department)	B
	1001165559	Ref	ANSI and ANSI Export with David Clark Communication System with 7500W Generator (Note: Not Shown - Contact your JLG Parts Department)	B
	1001165554	Ref	Australian Specs without 7500W Generator	A
	1001165555	Ref	Australian Specs with 7500W Generator	A
	1001165551	Ref	CE Spec without 7500W Generator	B
	1001165553	Ref	CE and Japanese Specs with 7500W Generator	B
201		Ref	Harness, Main Boom Options:	
201	4922493	1	Harness, Main Boom without Arctic Package	D
201	4923472	1	Harness, Main Boom with Arctic Package	B
201		Ref	Cable Options	
201	1060896	45.5 ft/ 13.9m	Cable without Arctic Package	
201	4923462	45.5 ft/ 13.9m	Cable with Arctic Package	
201A	4460865	1	Connector - 19 Position	

SECTION 7 - ELECTRICAL

ITEM	PART NUMBER	QTY	DESCRIPTION	REV
201A	4460465	11	Socket, Female - #16	
201A	4460509	4	Socket, Female - #12	
201A	4460466	4	Seal, Plug	
201B	4460473	1	Clamp, Cable	
201C	4460464	11	Pin, Male (16-18 Gauge)	
201C	4460508	4	Pin, Male (10-12 Gauge)	
201C	2820118	AR	Shrink, Heat	
202		Ref	Cable, Electrical (Main Boom) Options (Does not include plug ends)	
202		Ref	Without SkyPower:	
202	4922894	1	ANSI, ANSI Export, CSA and Japanese Specs (12/3)	
202	4923474	1	ANSI, ANSI Export and CSA Specs with Arctic Pkg (12/3)	
202	4922895	1	Australian and CE Specs (12/3)	
202	4922810	1	With SkyPower 7500W Generator	
202	1001156489	1	With 4000W Generator (10/4)	
203	2820031	1	Shrink, Heat	
204	4460865	1	Connector - 19 Position	
206	4460466	8	Seal, Plug	
207	4460473	1	Clamp, Cable	
208	4460866	1	Connector (19 Pin)	
209		Ref	Harness, Tower Boom Cable Options:	
209	4922494	1	Harness, Tower Boom Cable without Arctic Package	C
209	4923473	1	Harness, Tower Boom Cable Arctic Package	B
209		Ref	Cable Options:	
209	1060896	35.5 ft/ 10.8m	Cable without Arctic Package	
209	4923462	35.5 ft/ 10.8m	Cable with Arctic Package	
209A	4460465	11	Socket, Female - #16	
209A	4460509	4	Socket, Female - #12	
209A	2820118	AR	Shrink, Heat	
209B	4460473	1	Clamp, Cable	
209C	4460865	1	Connector - 19 Position	
209C	4460465	11	Connector (19 Pin)	
209C	4460509	4	Socket, Female - #12	
209C	4460466	4	Seal, Plug	
210		Ref	Cable, Electrical (Tower Boom) Options (Does not include plug ends)	
210		Ref	Without SkyPower:	
210	4922892	1	ANSI, ANSI Export, CSA and Japanese Specs (12/3)	
210	4923475	1	ANSI, ANSI Export and CSA Specs with Arctic Package (12/3)	
210	4922893	1	Australian, CE and Latin American Specs (12/3)	
210	4922811	1	With SkyPower 7500W Generator	
210	1001156490	1	With 4000W Generator (10/4)	
214	1061033	1	Cable, Electrical - 18/2 Main Boom Limit Switch	
214		Ref	600A ANSI, ANSI Export, CSA and Japanese Specs	
214		Ref	600AJ ANSI, ANSI Export, CSA and Japanese Specs	
214		Ref	600A & 600AJ Australian and CE Specs	
214	4923476	3	600A ANSI, ANSI Export and CSA Spec with Arctic Package	
214	4923476	2	600AJ ANSI, ANSI Export and CSA Spec with Arctic Package	
216		Ref	Cable, Electrical - 18/2 Main Boom Length Options:	

SECTION 7 - ELECTRICAL

ITEM	PART NUMBER	QTY	DESCRIPTION	REV
216	4922891	1	600A All Specs except Australian Specs	1-A
216	Not Required	0	600A Australian Specs	
216	4923500	1	600A ANSI, ANSI Export and CSA Spec with Arctic Package	1-A
216	Not Required	0	600AJ All Specs except CE Spec	
216	4922891	1	600AJ CE Spec	1-A
216	Not Required	0	600AJ ANSI, ANSI Export and CSA Spec with Arctic Package	
216A	4460891	1	Plug, Male - 2 Position	
216A	4460465	2	Socket, Female	
217		Ref	Cable, Electrical - 18/2 Main Boom Length Options	
217	4922890	1	600A All Specs	1-A
217	4923501	1	600A ANSI, ANSI Export and CSA Spec with Arctic Package	1-A
217	Not Required	0	600AJ All Specs except CE Spec	
217	4922896	1	600AJ CE Spec	1-A
217	Not Required	0	600AJ ANSI, ANSI Export and CSA Spec with Arctic Package	
217A	4460897	1	Receptacle, Female - 2 Position	
217A	4460464	2	Pin, Male	
		Ref	GROUND CONTROL BOX COMPONENTS	
		Ref	Ground Control Box Components 600A:	
	1001154671	Ref	Deutz D2011 Engine ((ANSI Export Specs)	D
	1001154674	Ref	Deutz D2011 Engine (CE Specs) (SN 0300181175 through 0300200808)	D
	1001188015	Ref	Deutz D2011 Engine (CE Specs) (SN 0300200809 to Present)	C
	1001165547	Ref	Deutz TD2.9L4 Engine	D
	1001219224	Ref	Ford Engine	B
	1001154670	Ref	GM Engine	E
		Ref	Ground Control Box Components 600AJ:	
	1001154673	Ref	Deutz D2011 Engine (ANSI Export and Australian Spec)	D
	1001154675	Ref	Deutz D2011 Engine (CE Specs) (SN 0300181175 through 0300200808)	D
	1001188016	Ref	Deutz D2011 Engine (CE Specs) (SN 0300200809 to Present)	C
	1001165548	Ref	Deutz TD2.9L4 Engine	D
	1001219225	Ref	Ford Engine	B
	1001154672	Ref	GM Engine	E
302	0100048	1	Grease, Dielectric	
327	4460426	1	Terminal, Strain Relief	
328	4460470	1	Nut, Terminal	
329	4460471	1	Lockwasher, Terminal	
331	4460496	1	Washer, Terminal	
332	4460497	1	Nut, Terminal	
333	4460526	1	Connector, Strain Relief	
343		Ref	Ground Control Box Harness Assembly (See Items 601-661 for Breakdown)	
343	1001110379	Ref	Harness, Ground Control Box (Deutz D2011 Engines - All Specs except CE Spec)	
343	1001110379	Ref	Harness, Ground Control Box (Deutz D2011 Engines - CE Spec) (SN 0300181175 through 0300200808)	
343	1001185897	Ref	Harness, Ground Control Box (Deutz D2011 Engines - CE Spec) (SN 0300200809 to Present)	
343	1001145992	Ref	Harness, Ground Control Box (Deutz TD2.9L4 Engines)	
343	1001110379	Ref	Harness, Ground Control Box (Ford and GM Engines)	
346		Ref	Engine Harness Assembly (See 517 to 557 for Breakdown)	
346	1001154390	1	Deutz D2011 Engine Machines (SN 0300181175 through 0300200801)	

SECTION 7 - ELECTRICAL

ITEM	PART NUMBER	QTY	DESCRIPTION	REV
346	1001191868	1	Deutz D2011 Engine Machines (SN 0300208082 to Present)	
346	1001164563	1	Deutz TD2.9L4 Engine Machines (SN 0300181175 through 0300208081)	
346	1001191866	1	Deutz TD2.9L4 Engine Machines (SN 0300208082 to Present)	
346	1001214507	1	Ford Engine Machines	
346	1001154388	1	GM Engine Machines (SN 0300181175 through 0300208081)	
346	1001191867	1	GM Engine Machines (SN 0300208082 to Present)	
347	1001154392	1	Valve Harness Assembly (See 401 to 430 for Breakdown)	
349		Ref	Ground Control Box Wiring Diagram (Not Shown)	
349	1001154396	1	Deutz D2011 Engine Machines	B
349	1001164564	1	Deutz TD2.9L4 Engine Machines	C
349	1001154395	1	Ford and GM Engine Machines (SN 0300177361 through 0300232332)	C
349	1001224136	1	Ford and GM Engine Machines (SN 0300232333 to Present)	A
349A	2920129	AR	Bulb, Light	
349B	1001173590	AR	Fuse Assembly	A
349B	2400065	1	Fuse, 30Amp	
349B	2400066	1	Fuse, Holder with Cover	
349C	4460708	2	Connector, Female - 15 Position	
349C	4460226	AR	Socket, Female	
349D	4922637	1	Harness, Jumper	
349E	4460894	1	Plug, Male - 6 Position	
349E	4460892	1	Connector, Female - 6 Position	
	1001154392	1	VALVE HARNESS ASSEMBLY	C
415	4460539	1	Plug, Male - 3 Position	
416	1001116692	34	Socket, Female	
418	4460466	1	Plug, Sealing	
419	4460267	5	Pin, Male	
420	4460424	1	Receptacle, Female - 2 Position	
421	4460268	5	Socket, Female	
422	4460871	26	Socket, Female	
430	4460891	16	Plug, Male - 2 Position	
		Ref	ENGINE HARNESS ASSEMBLIES	
	1001154390	Ref	Deutz D2011 Engine Machines (SN 0300181175 through 0300208081)	B
	1001191868	Ref	Deutz D2011 Engine Machines (SN 0300208082 to Present)	A
	1001164563	Ref	Deutz TD2.9L4 Engine Machines (SN 0300181175 through 0300208081)	A
	1001191866	Ref	Deutz TD2.9L4 Engine Machines (SN 0300208082 to Present)	B
	1001214507	Ref	Ford Engine Machines	E
	1001154388	Ref	GM Engine Machines (SN 0300181175 through 0300208081)	B
	1001191867	Ref	GM Engine Machines (SN 0300208082 to Present)	B
517	4460424	1	Receptacle, Female - 2 Position	
517	4460226	2	Socket, Female	
519	4460880	2	DIN Connector without Diode	
523	4461070	1	Receptacle, Female with Resistor (3 Position) (Deutz D2011 Engines Only)	
523	4461095	1	Plug, Male - 3 Position (Deutz D2011 Engines Only)	
523	4460944	3	Socket, Female (Deutz D2011 Engines Only)	
524	4460931	1	Connector, Male - 8 Position (Deutz TD2.9L4 Engines Only)	
524	4460464	4	Pin, Male	
524	4460466	4	Seal, Plug	

SECTION 7 - ELECTRICAL

ITEM	PART NUMBER	QTY	DESCRIPTION	REV
525	4460539	1	Connector, Male - 3 Position	
525	4460944	3	Socket, Female	
528	4460460	1	Connector, Male - 4 Position (SN 0300181175 through 0300208081)	
528	4460457	AR	Terminal, Female (SN 0300181175 through 0300208081)	
528	4460891	2	Plug, Male - 2 Position (SN 0300208082 to Present)	
528	4460465	2	Socket, Female (SN 0300208082 to Present)	
528	4460458	AR	Seal, Terminal	
533	4461052	1	Connector, Receptacle - 25 Position (Deutz D2011 Engines Only)	
533	4461005	5	Terminal (Gold) (Deutz D2011 Engines Only)	
533	4461006	5	Seal, Terminal (Deutz D2011 Engines Only)	
533	4461060	2	Terminal (Tin) (Deutz D2011 Engines Only)	
533	4461054	1	Seal, Terminal (Deutz D2011 Engines Only)	
533	4461053	AR	Cover, Plug (Deutz D2011 Engines Only)	
533	4461008	AR	Plug, Hole (Deutz D2011 Engines Only)	
539	4460871	AR	Socket, Female	
540	1001215016	1	Connector, Ford - 42 Position	
540	1001215091	5	Pin, Male	
540	1001215534	33	Plug, Terminal	
540	1001216212	1	Pin, Male	
544	4461157	1	Receptacle, Female - 2 Position	
544	4460979	2	Pin, Male	
544	4460458	2	Seal, Terminal	
548	4461121	1	Plug, Male - 4 Position (GM Engines Only)	
548	1001126484	4	Socket, Female (GM Engines Only)	
548	1001126485	4	Seal, Terminal (GM Engines Only)	
550	4460899	1	Connector, Male - 6 Position (Deutz TD2.9L4 Engines Only)	
550	4460464	5	Pin, Male	
550	4460943	5	Pin, Male (Gold)	
550	4460466	1	Seal, Plug	
551	4461124	1	Receptacle, Female - 4 Position (GM Engines Only)	
551	4460693	4	Pin, Male (GM Engines Only)	
551	4460608	4	Seal, Terminal (GM Engines Only)	
551	4461161	1	Lock, Terminal (GM Engines Only)	
553	2902443	1	Kit, Receptacle (Deutz Engines Only)	
553	4461071	8	Terminal, Female (Gold) (Deutz D2011 Engines Only)	
553	4461072	1	Connector, Flange Mount (Deutz D2011 Engines Only)	
553	4461073	1	Connector, Dust Cap (Deutz D2011 Engines Only)	
553	4461074	1	Connector, Shell (Deutz D2011 Engines Only)	
554	4461109	1	Plug, Male - 16 Position (GM Engines Only)	
554	4461111	7	Pin, Male (GM Engines Only)	
554	4461113	7	Seal, Terminal (GM Engines Only)	
554	4461222	9	Plug, Cavity (GM Engines Only)	
557	4460897	1	Receptacle, Female - 2 Position	
557	4460464	2	Socket, Female	
Ref			GROUND CONTROL HARNESS ASSEMBLY	
Ref	1001110379	Ref	Harness, Ground Control Box (Deutz D2011 Engines - All Specs except CE Spec)	F
Ref	1001110379	Ref	Harness, Ground Control Box (Deutz D2011 Engines - CE Spec) (SN 0300181175 through 0300208080)	F
Ref	1001185897	Ref	Harness, Ground Control Box (Deutz D2011 Engines - CE	C

SECTION 7 - ELECTRICAL

ITEM	PART NUMBER	QTY	DESCRIPTION	REV
			Spec) (SN 0300200809 to Present)	
	1001145992	Ref	Harness, Ground Control Box (Deutz TD2.9L4 Engines)	B
	1001110379	Ref	Harness, Ground Control Box (GM Engines)	F
616	4460536	1	Connector, Female 3- Position	
616	4460943	3	Pin, Male	
621	3990010	2	Diode - 6 Amp (Not Shown)	
624	4460434	2	Connector, Male 15 - Position	
624	4460227	AR	Pin	
626	4460873	1	Connector, Male - 35 Position (Black)	
626	4460871	AR	Socket, Female	
626	4460905	AR	Plug, Seal	
628	4120035	AR	Base, Light	
628	4460634	AR	Terminal (16 Gauge)	
628	4460635	AR	Terminal (12 Gauge)	
635	4460618	9	Connector, Female - 6 Position	
635	4460419	24	Socket, Female	
638	4460871	AR	Socket, Female	
	4460876	1	Connector, Male - 35 Position (Blue)	
639	4460871	28	Socket, Female	
639	4460905	AR	Plug, Seal	
643	4460866	1	Connector - 19 Position	
643	4460464	7	Pin, Male (16 Gauge)	
643	4460508	3	Pin, Male (12 Gauge)	
644	4460878	1	Housing, Terminal - 4 Position	
644	4460887	3	Terminal (12 Gauge)	
650	4460761	1	Connector, Female 4 - Position	
650	4460227	4	Pin, Male	
655	8229242	2	Fuse 5A	
655	2400060	2	Holder, Fuse	
657	1001106339	1	Connector, Male - 14 Position	
657	4460871	2	Socket, Female	
657	4460905	AR	Plug, Seal	
658	1001106340	1	Connector, Male - 14 Position	
658	4460871	5	Socket, Female	
659	4460874	1	Connector, Natural	
659	4460871	10	Socket, Female	
659	4460905	AR	Plug, Seal	
660	4460875	1	Connector, Gray	
660	4460871	2	Socket, Female	
661	1001112612	1	Connector - 9 Position	
661	4460943	4	Pin, Male	
662	4460868	1	Connector - 4 Position (Not Shown - MD1 Connection)	
662	4460877	4	Terminal (Not Shown - MD1 Connection)	
666	4460884	1	Connector - 4 Position (Not Shown - Telematics Connection)	
666	4460465	4	Socket, Female (Not Shown - Telematics Connection)	
666	1001192401	1	Cap, Dust (Not Shown - Telematics Connection)	
		Ref	STANDARD HARNESS COMPONENTS	
701		Ref	Battery Cable Kit Options:	
701	2902296	1	Deutz D2011 Engines	F
701	1001145047	1	Deutz TD2.9L4 Engines	F
701	2902531	1	GM Engine Machines	B

SECTION 7 - ELECTRICAL

ITEM	PART NUMBER	QTY	DESCRIPTION	REV
701A		Ref	Cable, Battery (Black) (Battery – to Tray Pivot Grd) Options:	
701A	7027004	1	Deutz D2011 Engines	
701A	7027072	1	Deutz TD2.9L4 Engines	
701A	7016822	1	GM Engine Machines	
701B	8270147	1	Terminal, Battery (with Boot) (Deutz TD2.9L4 Engines Only)	
701B	See Note	1	Boot, Black (Note: Not Available for Purchase)	
701C		Ref	Cable, Battery (Black) (Battery – to Aux Pump and Relay Grds)	
701C	7027003	1	Deutz D2011 Engines	
701C	7027073	1	Deutz TD2.9L4 Engines	
701C	7027003	1	GM Engine Machines	
701C	See Note	1	Boot, Black (Note: Not Available for Purchase)	
701D		Ref	Cable, Battery (Black) (Engine to Tray Pivot Grd)	
701D	Not Required	0	Deutz D2011 Engines	
701D	7027074	1	Deutz TD2.9L4 Engines	
701D	See Note	1	GM Engine Machines (Note: Use Item 701A)	
701E		Ref	Cable (Red) (Aux Relay to Aux Pump)	
701E	7027002	1	Deutz D2011 Engines	
701E	7027075	1	Deutz TD2.9L4 Engines	
701E	7027016	1	GM Engine Machines	
701E	See Note	2	Boot, Red (Note: Not Available for Purchase)	
701F		Ref	Cable (Red) (Battery + to Aux Relay/Power Module/Starter)	
701F	1001116240	1	Deutz D2011 Engines	
701F	7027076	1	Deutz TD2.9L4 Engines	
701F	7027015	1	GM Engine Machines	
701F	See Note	2	Boot, Red (Note: Not Available for Purchase)	
701G		Ref	Cable (Red) (Relay to Starter)	
701G	See Note	1	Deutz D2011 Engines (Note: Use Item 701F)	
701G	See Note	1	Deutz TD2.9L4 Engines (Note: Use Item 701F)	
701G	7027017	1	GM Engine Machines	
701G	See Note	2	Boot, Red (Note: Not Available for Purchase)	
702	4923379	1	Harness, Glow Plugs (Deutz D2011 Engine Machines Only)	
703	1001141304	1	Harness, Glow Plugs (Deutz TD2.9L4 Engine Machines Only)	
704	1001143907	1	Cable, Alternator Power (Deutz TD2.9L4 Engine Machines Only)	
704	70004103	1	Cable, Alternator (Deutz D2011 Engine Machines Only)	
705		Ref	Deutz Engine Harness Components (Deutz D2011 Engine Machines Only)	
705A	7027796	1	Deutz Engine Harness (Deutz D2011 Engines)	
705B	See Note	1	Receptacle, Female - 25 Position (Deutz D2011 Engines) (Note: Not Available - Purchase Complete Harness)	
705B	See Note	1	Cover, Receptacle (Deutz D2011 Engines) (Note: Not Available - Purchase Complete Harness)	
705B	See Note	5	Terminal (Deutz D2011 Engines) (Note: Not Available - Purchase Complete Harness)	
705B	See Note	5	Seal (Deutz D2011 Engines) (Note: Not Available - Purchase Complete Harness)	
705B	See Note	2	Terminal (Deutz D2011 Engines) (Note: Not Available - Purchase Complete Harness)	
705B	See Note	2	Seal (Deutz D2011 Engines) (Note: Not Available - Purchase Complete Harness)	
705B	See Note	18	Plug, Hole (Deutz D2011 Engines) (Note: Not Available - Purchase Complete Harness)	
705C	7027793	1	Connector, Female (Deutz D2011 Engines)	
705C	70004060	1	Plug, Male	

SECTION 7 - ELECTRICAL

ITEM	PART NUMBER	QTY	DESCRIPTION	REV
705D	70001872	1	Deutz Engine Harness (Deutz D2011 Engines) (For other replacement parts refer to Deutz engine dealer)	
705E	70025231	1	Glow Plug Harness (Deutz TD2.9L4 Engines) (Not Shown - Connects To 706L)	
705F	70025077	1	Fuel Injector Harness (Deutz TD2.9L4 Engines) (Not Shown)	
705G	70004271	1	Starter Harness (Deutz D2011 Engines) (Not Shown)	
706	1001143726	1	Deutz TD2.9L4 Engine Harness	K
706A	1001133956	1	Connector (Includes Cover, Locks and Retention Plate)	
706A	1001126352	6	Terminal	
706A	1001156353	6	Seal, Terminal	
706A	1001126384	19	Terminal	
706A	1001126351	3	Terminal	
706A	1001126356	63	Plug, Seal	
706A	1001126357	2	Plug, Seal	
706B	1001133957	1	Connector (Includes Cover, Locks and Retention Plate)	
706B	1001126384	17	Terminal	
706B	1001126351	13	Terminal	
706B	1001126356	19	Plug, Seal	
706B	1001126357	11	Plug, Seal	
706C	4461070	3	Receptacle, Female with Resistor (3 Position)	
706C	4461095	6	Plug, Male - 3 Position	
706C	4460944	6	Socket, Female	
706C	4460466	2	Seal, Plug	
706D	80484084	1	Receptacle, Female - 8 Position	
706D	8229242	1	Fuse - 5A	
706D	80983191	1	Fuse - 10A	
706D	1001147264	1	Cap	
706D	1001116727	8	Plug	
706D	4460458	4	Seal	
706E	1001116952	1	Plug, Male - 2 Position	
706E	4460465	2	Socket, Female	
706F	1001138110	1	Plug, Male - 2 Position	
706F	1001138111	2	Socket, Female	
706F	1001138113	2	Seal	
706G	2902443	1	Kit, Receptacle	
706G	4461071	8	Terminal, Female (Gold)	
706G	4461072	1	Connector, Flange Mount	
706G	4461073	1	Connector, Dust Cap	
706G	4461074	1	Connector, Shell	
706H	4460894	1	Plug, Male - 6 Position	
706H	4460465	3	Socket, Female	
706H	4460944	2	Socket, Female	
706H	4460466	1	Seal, Plug	
706J	4460930	1	Plug, Male - 8 Position	
706J	4460465	1	Socket, Female	
706J	4460466	7	Seal, Plug	
706K	4460884	1	Plug, Male - 4 Position (SN 0300181175 through 0300224542)	
706K	1001220379	1	Plug, Male - 4 Position (SN 0300224543 to Present)	
706K	4460465	2	Socket, Female	
706K	4460942	2	Socket, Female	
706K	4460932	1	Receptacle, Female	
706K	4460466	4	Plug, Terminal	

SECTION 7 - ELECTRICAL

ITEM	PART NUMBER	QTY	DESCRIPTION	REV
706L	1001142938	1	Plug, Male - 2 Position	
706L	1001142940	2	Terminal, Female	
706L	1001142941	2	Seal	
706M	1001133714	1	Plug, Male - 4 Position	
706M	1001133715	3	Terminal, Female	
706M	1001135650	3	Seal	
706M	1001135651	NLA	Plug, Cavity (Use p/n 4461008)	
706N	1001126362	1	Receptacle, Female - 62 Position	
706N	1001126363	33	Terminal	
706N	1001126364	33	Seal	
706N	1001126391	23	Plug	
706N	4461008	4	Plug, Cavity	
706N	1001126365	2	Terminal	
706N	4461054	2	Seal	
706N	1001151856	1	Conduit, 90 Elbow	
706P	4460891	1	Plug, Male - 2 Position	
706P	4460465	2	Socket, Female	
706P	1001171403	1	Resistor Assembly 1.5ohm-1/4watt	
706P	4460897	1	Receptacle, Female - 2 Position	
706P	4460464	2	Pin, Male	
707	1001222665	1	Fuel Pump Harness (Deutz TD2.9L4 Engines Only) (Note: Pump requiring Ring Terminals) (SN 0300177361 through 0300234681)	A
707	1001138491	1	Fuel Pump Harness (Deutz TD2.9L4 Engines Only) (Note: Pump requiring Push-on Terminals) (SN 0300234682 to Present)	D
707A	4460897	1	Receptacle, Female - 2 Position	
707A	4460941	2	Pin, Male	
707A	4460891	1	Plug, Male - 2 Position	
707A	4460942	2	Socket, Female	
707B	1001116983	1	Receptacle, Female - 2 Position	
707B	1001116710	2	Terminal	
707B	4461054	2	Seal	
707C	4460932	1	Receptacle, Female - 4 Position	
707C	4460941	2	Pin, Male	
707C	4460464	2	Pin, Male	
708		Ref	GM Engine Harness (GM Engine Machines Only)	
	7027991	1	Tier 1 Engines	
	70000718	1	Tier 2 Engines	
	70002848	1	Tier 3 & 4 Interim Engines	
	7027989	1	Connector, Male - 10 Position (Not Shown)	
	See Note	1	Box, Fuse (Note: Parts of Harness - Not Available for Purchase)	
	70002627	1	Cover, Fuse Box	
	70001950	2	Relay (Power and Fuel Pump)	
	70001951	1	Relay (Starter)	
	70001931	1	Fuse - 60 Amp (Alternator)	
	See Note	1	Fuse - 20 Amp (Note: Not Available - Purchase Locally)	
	See Note	3	Fuse - 15 Amp (Note: Not Available - Purchase Locally)	
	See Note	1	Fuse - 10 Amp (Note: Not Available - Purchase Locally)	
	See Note	1	Fuse - 5 Amp (Note: Not Available - Purchase Locally)	
709	4360517	1	Switch, Proximity	
709A	4460320	1	Connector - 2 Position	
709A	4460227	2	Pin, Male	
710	See Note	1	Pump Harness (Note: Not Available for Purchase) (SN	

SECTION 7 - ELECTRICAL

ITEM	PART NUMBER	QTY	DESCRIPTION	REV
			0300181175 through 0300208081)	
710A	7007497	1	Plug (Pump End)	
710B	7007498	1	Plug (Engine Harness End)	
711	See Note	1	Controller Harness Assembly (Lift and Swing) (Note: Not Available for Purchase)	
711A	7022819	1	Plug, Male - 8 Position (Natural)	
711A	4460871	8	Socket, Female	
712	See Note	1	Controller Harness/Circuit Board Assembly (Drive and Steer) (Note: Not Available for Purchase)	
712A	7022825	1	Plug, Male - 8 Position (Black)	
712A	4460871	7	Socket, Female	
713	See Note	1	Controller Harness (Speed Control) (Note: Not Available for Purchase)	
713A	4460224	1	Receptacle, Female - 6 Position	
713A	4460226	6	Socket, Female	
		Ref	OPTIONAL HARNESS COMPONENTS	
803	0257887	1	Alarm Harness (Includes Alarm)	
803	0140044	1	Alarm	
803A	4460536	1	Receptacle, Female - 3 Position	
803B	1001116693	3	Pin, Male	
804	2920161	1	Strobe Light (Amber) Harness (Includes Strobe Light)	B
804A	4460891	1	Plug, Male - 2 Position	
804A	4460465	2	Socket, Female	
804B		Ref	Strobe Light (Blue & Red) Harness Components (Not Shown)	
804A	4460897	1	Receptacle, Female - 2 Position	
804A	4460464	2	Pin, Male	
804B	1001142736	1	Beacon Control Harness (Module To Light) (Not Shown)	F
804B	1001150944	1	Beacon Control Harness (Module To Ground Control Box) (Not Shown) (SN 0300177361 through 0300210914)	
805	See Note	1	Headlight and Taillight/Chassis Illumination Harness (Note: Not Available for Purchase)	
805	1060341	AR	Cable, Electrical 16/2 Options:	
805	1060341	37 ft/ 11.3m	Headlights and Taillights	
805	1060341	40 ft/ 12.2m	Chassis Illumination Lights	
805A	3740049	1	Relay	
805A	4460259	3	Terminal	
805A	4460260	4	Housing, Terminal	
805A	4460297	1	Terminal	
805A	4922643	1	Lights Harness for Ground Control Box	B
805A	4460226	2	Socket, Female	
806		Ref	2500W Generator Electrical Components Options:	
806	1001112588	AR	Deutz D2011 Engines 110V/220V with Generator Control Box	B
806	1001112743	1	Deutz D2011 Engines 110V/220V without Generator Control Box	B
806	1001180050	1	Deutz TD2.9L4 Engines	A
806	4933350	1	Ford & GM Engines	C
806A	4460321	1	Connector, Male - 4 Position (Deutz and GM Engines Specs with Generator Control Box)	
806A	4460906	AR	Socket, Female	
806A	4460268	AR	Socket, Female	
806B	4922641	1	Harness - On/Off Switch	
806C	4460226	2	Socket, Female	

SECTION 7 - ELECTRICAL

ITEM	PART NUMBER	QTY	DESCRIPTION	REV
806D		Ref	Powermite Control Box to Relay Options	
806D	1001112589	1	Deutz D2011 Engines	
806D	1001180052	1	Deutz TD2.9L4 Engines	A
806D	4923445	1	Ford & GM Engines	
806D	4460374	AR	Plug, Sealed Relay	
806D	4460375	3	Terminal	
806D	4460742	1	Plug, Male - 2 Position	
806D	4460743	1	Socket, Female	
806D	4460458	1	Seal, Terminal	
806D	4460465	2	Socket, Female	
806E	4460961	1	Connector, Female - 4 Position (Deutz and GM Engines Specs with Generator Control Box)	
806E	4460705	4	Pin, Male	
807		Ref	Generator to Rear of Boom Harness Options:	
		Ref	Note: Harness used to connect AC at platform harness to generator receptacle to power platform receptacle.	
807	4921829	1	110V (ANSI, ANSI Export and Japanese Specs)	2
807	4921954	1	220V (ANSI and ANSI Export Specs)	2
807	See Note	1	110V/220V (Australian, CE, Latin American and Brazilian Specs) (Note: Not Available for Purchase)	
807		Ref	Cable, Electrical - 12/3 Options:	
807	1060494	6 ft/1.8m	110V (ANSI, ANSI Export and Japanese Specs)	
807	1060494	26 ft/8m	220V (ANSI and ANSI Export Specs)	
807	1060461	6 ft/1.8m	110V/220V (Australian, CE, Latin American and Brazilian Specs)	
807A		Ref	Plug, Male Options	
807A	4460205	1	110V (ANSI, ANSI Export and Japanese Specs)	
807A	4460233	1	220V (ANSI and ANSI Export Specs)	
807A	Not Required	0	110V/220V (Australian, CE, Latin American and Brazilian Specs) (Purchase Locally)	
807A	4460027	1	Receptacle, Twist Lock (110V Only)	
807B		Ref	Receptacle, Female Options:	
807B	4460134	1	110V (ANSI, ANSI Export and Japanese Specs)	
807B	4460701	1	220V (ANSI and ANSI Export Specs)	
807B	Not Required	0	110V/220V (Australian, CE, Latin American and Brazilian Specs) (Purchase Locally)	
808		Ref	AC to Platform Receptacle Components Options:	
808	0255382	Ref	110V GFI Receptacle (ANSI, ANSI Export and Japanese Specs)	C
808	0257176	Ref	220V Receptacle (ANSI, ANSI Export, China and Japanese Specs)	C
808	0272433	Ref	SkyPower Machines (All Specs)	D
808	0274618	Ref	Dual AC (ANSI Export Spec Option)	2-B
808	0256202	Ref	110V/220V (ANSI Export, Australian and CE Specs) (SN 0300177361 through 0300236676)	D
808	1001213655	Ref	110V/220V (ANSI Export, Australian, China and CE Specs) (SN 0300236677 to Present)	A
808	1001160272	Ref	110V AC Cable used with 4000W/60Hz Generator	A
808	1001194365	Ref	220V Receptacle used with 4000W Generator (ANSI Export, Australian and Japanese Spec)	A
808	1001171131	Ref	240V Receptacle with GFCI used with 4000W Generator (Not Shown)	
808	1001159121	Ref	240V Receptacle with GFCI used with 7500W Generator (Not Shown)	
808		Ref	110V/220V (CE Spec Only)	

SECTION 7 - ELECTRICAL

ITEM	PART NUMBER	QTY	DESCRIPTION	REV
808		Ref	Without Powermite Generator (CE Specs)	
808	0256202	Ref	110V/220V (ANSI Export, Australian, China and CE Specs) (SN 0300177361 through 0300236676)	D
808	1001213655	Ref	110V/220V (ANSI Export, Australian, China and CE Specs) (SN 0300236677 to Present)	A
808	0275653	1	220V with CEE7 Post Ground Receptacle and Plug and Circuit Breaker (2x4 Box)	G
808	0275654	1	220V with CEE7 Side Ground Receptacle and Plug and Circuit Breaker (2x4 Box)	G
808	0275660	1	220V with AFSINT 107 Keyed Ground Receptacle and Plug and Circuit Breaker (2x4 Box)	G
808	0275656	1	110V with IEC Yellow Receptacle and Plug and Circuit Breaker	F
808	0275652	1	220V with IEC Blue Receptacle and Plug and Circuit Breaker	F
808	0275655	1	220V with CEE7 Post Ground Receptacle and Plug and Circuit Breaker (70mm x 70mm Box)	F
808	0275651	1	220V with CEE7 Side Ground Receptacle and Plug and Circuit Breaker (70mm x 70mm Box) (SN 0300181175 through 0300181922)	D
808	1001153638	1	220V with CEE7 Side Ground Receptacle and Plug and Circuit Breaker (70mm x 70mm Box) (SN 0300181923 to Present)	D
808		Ref	With Powermite Generator (CE Specs)	
808	1001100397	Ref	220V with CEE7 Post Ground Receptacle and Plug and Circuit Breaker (2x4 Box)	H
808	1001100398	Ref	220V with CEE7 Side Ground Receptacle and Plug and Circuit Breaker (2x4 Box)	H
808	1001100399	Ref	220V with AFSINT 107 Keyed Ground Receptacle and Plug and Circuit Breaker (2x4 Box)	G
808	1001100400	Ref	110V with IEC Yellow Receptacle and Plug and Circuit Breaker	F
808	1001100401	Ref	220V with IEC Blue Receptacle and Plug and Circuit Breaker	F
808	1001100402	Ref	220V with CEE7 Post Ground Receptacle and Plug and Circuit Breaker (70mm x 70mm Box)	F
808	1001100403	Ref	220V with CEE7 Side Ground Receptacle and Plug and Circuit Breaker (70mm x 70mm Box)	F
808		Ref	With 4000W Generator (CE Specs)	
808	1001194203	Ref	110V IEC Yellow Receptacle and Plug	B
808	1001194204	Ref	220V IEC Blue Receptacle and Plug	B
808	1001194197	Ref	220V CEE7 Post Ground Receptacle and Plug (2x4 Box)	B
808	1001194198	Ref	220V CEE7 Side Ground Receptacle and Plug (2x4 Box)	B
808	1001194200	Ref	220V AFSINT 107 Keyed Ground Receptacle	B
808A		Ref	Box, Switch Options:	
808A	0860038	1	0255382, 0257176 & 0274618 Installations	
808A	Not Required	0	0255382, 0257176 & 0274618 Installations	
808A	0861731	1	0275253, 0275254, 0275660, 1001100397, 1001100398, 1001100399, 1001194197, 1001194198, 1001194200 & 1001194365 Installations	
808A	0861781	1	0275656, 0275652, 1001100400, 1001100401, 1001194203 & 1001194204 Installations	
808A	See Note	1	0275655, 0275651, 1001100402 & 1001100403 Installations (Note: was p/n 0861782 which is no longer available. Use p/n 1001100344 CEE7 Side Ground Service Kit or p/n 1001100343 CEE7 Post Ground Service Kit. Kit include Box p/n 1001141967 & Items 808B, 808C, 808E & 808P)	
808A	1001141967	1	1001100343, 1001100344, 1001141970 & 1001141971 Kits	
808B		Ref	Receptacle Options	

SECTION 7 - ELECTRICAL

ITEM	PART NUMBER	QTY	DESCRIPTION	REV
808B	4460346	1	0255382 & 0274618 Installations	
808B	4460125	1	0257176 Installation	
808B	Not Required	0	0256202 Installation (Purchase Locally)	
808B	4461244	1	0275253, 1001100397 & 1001194197 Installations	
808B	4461245	1	0275654, 1001100398 & 1001194198 Installations	
808B	4461246	1	0275660, 1001100399 & 1001194200 Installations	
808B	4461198	1	0275656, 1001100400 & 1001194203 Installations	
808B	4461201	1	0275652, 1001100401 & 1001194204 Installations	
808B	4461204	NLA	0275655 & 1001100402 Installations (Use p/n 1001100343)	
808B	4461207	NLA	0275651 & 1001100403 Installations (Use p/n 1001100344)	
808B	1001141968	1	1001100343 & 1001141971 Kits	
808B	1001141969	1	1001100344 & 1001141970 Kits	
808C		Ref	Shield, Cover Options	
808C	1001110873	1	0255382 & 0274618 Installations (Top Hinged)	
808C	4060092	1	0257176 Installation	
808C	Not Required	0	0256202 Installation (Purchase Locally)	
808C	4461244	1	0275253, 1001100397 & 1001194197 Installations	
808C	4461245	1	0275654, 1001100398 & 1001194198 Installations	
808C	4461246	1	0275654, 1001100398 & 1001194200 Installations	
808C	4461198	1	0275656, 1001100400 & 1001194203 Installations	
808C	4461201	1	0275652, 1001100401 & 1001194204 Installations	
808C	4461204	NLA	0275655 & 1001100402 Installations (Use p/n 1001100343)	
808C	4461207	NLA	0275651 & 1001100403 Installations (Use p/n 1001100344)	
808C	1001141968	1	1001100343 & 1001141971 Kits	
808C	1001141969	1	1001100344 & 1001141970 Kits	
808D		Ref	Connector, Strain Relief Options	
808D	4460071	1	0255382, 0257176 & 0274618 Installations	
808D	Not Required	0	0256202 Installations (Purchase Locally)	
808D	4460968	1	0275656, 0275652, 0275655, 0275651, 1001100400, 1001100401, 1001100402, 1001100403, 1001194203 & 1001194204 Installations	
808D	4460968	1	0275653, 0275654, 0275660, 1001100397, 1001100398, 1001100399 Installations (SN 0300177361 through 0300223869)	
808D	4460662	1	0275653, 0275654, 0275660, 1001100397, 1001100398, 1001100399 Installations (SN 0300223870 to Present)	
808D	4460662	1	1001194197, 1001194198, 1001194200 & 1001194365 Installations	
808E		Ref	Plug, Male Options:	
808E	4460205	1	0255382 & 0274618 Installations	
808E	4460233	1	0257176 Installation	
808E	Not Required	0	0256202 Installation (Purchase Locally)	
808E	4461202	NLA	0275653, 0275655, 1001100397 & 1001100402 Installations & 1001100343 & 1001141971 Kits (Use p/n 4461205)	
808E	4461199	1	0275652 & 1001100401 Installations	
808E	4461249	1	0275660 & 1001100399 Installations	
808E	4461196	1	0275656 & 1001100400 Installations	
808E	4461205	1	0275654, 0275651, 1001100398 & 1001100403 Installations & 1001100344 & 1001141970 Kits	
808F		Ref	Plug, Male Options:	
808F	4460205	1	0274618 Installation (Qty 4 Required for Dual AC)	
808F	4460205	1	0255382 Installation (Qty 4 Required for Dual AC) (SN 0300177361 through 0300236676)	

SECTION 7 - ELECTRICAL

ITEM	PART NUMBER	QTY	DESCRIPTION	REV
808F	1001227309	1	0255382 Installation (Qty 4 Required for Dual AC) (SN 0300236677 to Present)	
808F	4460233	1	0257176 Installation (SN 0300177361 through 0300236676)	
808F	1001227309	1	0257176 Installation (SN 0300236677 to Present)	
808F	4460709	1	0256202 Installation (SN 0300177361 through 0300236676)	
808F	1001213584	1	0256202 Installation (SN 0300236677 to Present)	
808F	1001217095	1	1001213655 Installation (SN 0300236677 to Present)	
808F	4460709	1	0275653, 0275654, 0275660, 0275656, 0275652, 0275655, 0275651, 1001100397, 1001100398, 1001100399, 1001100400, 1001100401, 1001100402 & 1001100403 Installations	
808F	4460960	1	0272433 Installation (SN 0300181175 through 03002288563)	
808F	1001218622	1	0272433 Installation (SN 0300228564 to Present)	
808F	4460962	1	1001160272 Installation	
808F		Ref	Cover (Optional)	
808F	1671093	1	0272433 Installation (SN 0300181175 through 0300228563)	
808F	1001156352	1	0256202 Installation	
808F	1671093	1	1001160272 Installation	
808G		Ref	Connector, Female Options	
808G	4460134	1	0274618 Installation (Qty 2 Required for Dual AC)	
808G	4460134	1	0255382 Installation (Qty 2 Required for Dual AC) (SN 0300177361 through 0300236676)	
808G	1001227310	1	0255382 Installation (Qty 2 Required for Dual AC) (SN 0300236677 to Present)	
808G	4460701	1	0257176 Installation (SN 0300177361 through 0300236676)	
808G	1001227310	1	0257176 Installation (SN 0300236677 to Present)	
808G	4460710	1	0256202 Installation (SN 0300177361 through 0300236676)	
808G	1001213585	1	0256202 Installation (SN 0300236677 to Present)	
808G	1001217096	1	1001213655 Installation (SN 0300236677 to Present)	
808G	4460710	1	0275653, 0275654, 0275660, 0275656, 0275652, 0275655, 0275651, 1001100397, 1001100398, 1001100399, 1001100400, 1001100401, 1001100402 & 1001100403 Installations	
808G	4460959	1	0272433 Installation (SN 0300181175 through 03002288563)	
808G	1001218623	1	0272433 Installation (SN 0300228564 to Present)	
808G		Ref	Cover (Optional)	
808G	1671092	1	0272433 Installation (SN 0300181175 through 03002288563)	
808G	1001156351	1	0256202 Installation (SN 0300177361 through 0300236676)	
808G	1671092	1	1001160272 Installation	
808H		Ref	Hardware Options:	
808H	0641405	AR	Bolt 1/4in - 20NC x 5/8in	
808H	0641407	AR	Bolt 1/4in - 20NC x 7/8in	
808H	0641416	AR	Bolt 1/4in - 20NC x 2in	
808H	0700408	AR	Screw M4 x 16mm	
808H	3290405	AR	Locknut M4	
808H	3311405	AR	Locknut 1/4in - 20NC	
808H	4711400	AR	Flatwasher 1/4in Thin	
808H	4811400	AR	Flatwasher M4	
808J		Ref	Bracket, Receptacle Box Mounting Options:	
808J	Not Required	0	0255382, 0274618, 0257176 & 0256202 Installations	
808J	0903484	1	0275653, 0275654, 0275660, 0275656, 0275652, 0275655, 0275651, 1001100397, 1001100398, 1001100399, 1001100401, 1001100402 & 1001100403 Installations (SN 0300177361 through 0300200808)	

SECTION 7 - ELECTRICAL

ITEM	PART NUMBER	QTY	DESCRIPTION	REV
808J	1001193018	1	0275653, 0275654, 0275660, 0275656, 0275652, 0275655, 0275651, 1001100397, 1001100398, 1001100399, 1001100401, 1001100402 & 1001100403 Installations (SN 0300200809 to Present)	
808J	1001193018	1	1001194197, 1001194198, 1001194200, 1001194203, 1001194204 & 1001194365 Installations	
808K		Ref	Bracket, Circuit Breaker Mounting Options:	
808K	Not Required	0	0255382, 0274618, 0257176 & 0256202 Installations	
808K	0903612	1	0275653, 0275654, 0275660, 0275656, 0275652, 0275655, 0275651, 1001100397, 1001100398, 1001100399, 1001100400, 1001100401, 1001100402, 1001100103 & 1001153638 Installations (SN 0300177361 through 0300188307)	
808K	1001170797	1	0275653, 0275654, 0275660, 0275656, 0275652, 0275655, 0275651, 1001100397, 1001100398, 1001100399, 1001100400, 1001100401, 1001100402, 1001100103 & 1001153638 Installations (SN 0300188308 through 0300194781)	
808K	1001153636	1	0275653, 0275654, 0275660, 0275656, 0275652, 0275655, 0275651, 1001100397, 1001100398, 1001100399, 1001100400, 1001100401, 1001100402, 1001100103 & 1001153638 Installations (SN 0300194782 to Present)	
808L		Ref	Breaker, Circuit Kit Options (Required on All CE Spec Installations except 0256202 Installation)	
808L	1001096070	AR	Kit (Without Powermite Generator Control Box)	E
808L	1001109554	AR	Kit (With Powermite Generator Control Box)	C
808L		Ref	Circuit Breaker Options:	
808L	1001109477	NLA	Breaker 10A (Use p/n 1001181046) (SN 0300177361 through 0300204452)	
808L	1001109475	NLA	Breaker 16A (Use p/n 1001181045) (SN 0300177361 through 0300204452)	
808L	1001109482	NLA	Breaker 30mA (Use p/n 1001181045 for 30mA/16A Breaker Boxes or p/n 1001181046 for 30mA/10A Breaker Boxes) (SN 0300177361 through 0300204452)	
808L	1001181045	1	Breaker 16A/30mA Combination (SN 0300204453 to Present)	
808L	1001181046	1	Breaker 10A/30mA Combination (SN 0300204453 to Present)	
808L	0861880	1	Breaker Box	
808L	4460957	1	Terminal Block	
808L	4460956	1	Barrier, Terminal Block End	
800M	1001101191	2	Connector, Strain Relief Options (Required Only on CE Spec Installations except 0256202 Installation)	
808N	1060908	12 ft/3.7m	Cable, Extension (Required Only on CE Spec Installations except 0256202 Installation)	
808P		Ref	Connector, Female Options:	
808P	Not Required	0	0255382, 0274618, 0257176, 0275653, 0275654, 0275660, 0275656, 0275652, 0275655 & 0275651 Installations	
808P	Not Required	0	0256202 Installation (Purchase Locally)	
808P	4461203	1	1001100402 & 1001100397 Installations & 1001100343 & 1001141971 Kits	
808P	4461200	1	1001100401 Installation	
808P	4461250	1	1001100399 Installation	
808P	4461197	1	1001100400 Installation	
808P	4461206	1	1001100403 & 1001100398 Installations & 1001100344 & 1001141970 Kits	
		Ref	Kit, Plug and Socket Options:	

SECTION 7 - ELECTRICAL

ITEM	PART NUMBER	QTY	DESCRIPTION	REV
		Ref	Without Generator	
	0275452	1	Receptacle Box Kit (220V CEE7 Post Ground) (Includes Items 808A, 808B, 808C & 808E) (0275653 Installation)	C
	0275453	1	Receptacle Box Kit (220V CEE7 Side Ground) (Includes Items 808A, 808B, 808C & 808E) (0275654 Installation)	1
	0275454	1	Receptacle Box Kit (220V AFSINT 107 Keyed Ground) (Includes Items 808A, 808B, 808C & 808E) (0275660 Installation)	1
	0275216	1	Receptacle Box Kit (110V IEC Yellow) (Includes Items 808A, 808B, 808C & 808E) (0275656 Installation)	1
	0275217	1	Receptacle Box Kit (220V IEC Blue) (Includes Items 808A, 808B, 808C & 808E) (0275652 Installation)	1
	0275218	NLA	Receptacle Box Kit (220V CEE7 Post Ground) (Includes Items 808A, 808B, 808C & 808E) (0275655 Installation) (Use p/n 1001100343)	C
	0275219	NLA	Receptacle Box Kit (220V CEE7 Side Ground) (Includes Items 808A, 808B, 808C & 808E) (0275651, 1001153638 & 1001160272 Installation) (Use p/n 1001100344)	B
		Ref	With Generator	
	1001100345	1	Receptacle Box Kit (220V CEE7 Post Ground) (Includes Items 808A, 808B, 808C, 808E & 808P) (1001100397 Installation)	C
	1001100347	1	Receptacle Box Kit (220V CEE7 Side Ground) (Includes Items 808A, 808B, 808C, 808E & 808P) (1001100398 Installation)	3
	1001100346	1	Receptacle Box Kit (220V AFSINT 107 Keyed Ground) (Includes Items 808A, 808B, 808C, 808E & 808P) (1001100399 Installation)	2
	1001100341	1	Receptacle Box Kit (110V IEC Yellow) (Includes Items 808A, 808B, 808C, 808E & 808P) (1001100400 Installation)	2
	1001100342	1	Receptacle Box Kit (220V IEC Blue) (Includes Items 808A, 808B, 808C, 808E & 808P) (1001100401 Installation)	2
	1001100343	1	Receptacle Box Kit (220V CEE7 Post Ground) (Includes Items 808A, 808B, 808C, 808E & 808P) (1001100402 Installation)	C
	1001100344	1	Receptacle Box Kit (220V CEE7 Side Ground) (Includes Items 808A, 808B, 808C, 808E & 808P) (1001100403 Installation)	B
809		Ref	7500W SKYPOWER GENERATOR INSTALLATION	
809	1001115391	Ref	60Hz and Deutz D2011 Engine	F
809	1001145227	Ref	60Hz and Deutz TD.2.9L4 Engine	F
809	1001115392	Ref	50Hz Spec and Deutz D2011 Engine	E
809	1001145228	Ref	50Hz and Deutz TD.2.9L4 Engine	D
809	1001217187	Ref	60Hz Spec and Ford Engine	F
809	0275257	Ref	60Hz Spec and GM Engine	F
		Ref	Note: SkyPower Generator is Standard on ANSI and CSA Specs. Optional on All Other Specs.	
809A		Ref	Receptacle, Female Twist-Lock Options	
809A	4460958	1	60Hz Spec	
809A	See Note	1	50Hz Spec (Note: Not Available - Purchase Locally)	
809B		Ref	Gasket Options:	
809B	3960422	2	60Hz Spec	
809B	See Note	2	50Hz Spec (Note: Not Available - Purchase Locally)	
809C		Ref	Cover, Receptacle Options:	
809C	1001110873	1	60Hz Spec	
809C	See Note	1	50Hz Spec (Note: Not Available - Purchase Locally)	

SECTION 7 - ELECTRICAL

ITEM	PART NUMBER	QTY	DESCRIPTION	REV
809D		Ref	Cover, Receptacle Options:	
809D	1001110872	1	60Hz Spec	
809D	See Note	1	50Hz Spec (Note: Not Available - Purchase Locally)	
809E		Ref	Receptacle Options:	
809E	4460346	1	60Hz Spec	
809E	See Note	1	50Hz Spec (Note: Not Available - Purchase Locally)	
809F	4460051	1	Connector, Strain Relief	
809G	4460071	1	Connector, Strain Relief	
809H	4922925	1	Harness, Generator	C
809I	77363233	1	Plug, Male - 6 Position	
809I	4460465	1	Socket, Female	
809J	4460225	1	Plug, Male - 6 Position	
809J	4460268	1	Socket, Female	
810		Ref	7500W SkyPower Generator Junction Box Components	
810	0861542	Ref	60Hz Spec (Deutz D2011 and GM Engines) (SN 0300181175 through 0300182752)	E
810	1001157592	Ref	60Hz Spec (Deutz D2011 and GM Engines) (SN 0300182753 to Present)	C
810	1001157592	Ref	60Hz (Deutz TD2.9L4 and Ford Engines)	C
810	0861567	Ref	50Hz Specs (Deutz D2011 Engines) (SN 0300181175 through 0300182752)	B
810	1001157525	Ref	50Hz Specs (Deutz D2011 Engines) (SN 0300182753 to Present)	B
810	0861567	Ref	50Hz Specs (Deutz TD2.9L4 Engines)	B
810A		Ref	Cable, Electrical 12/3	
810A	1060494	2 ft/.6m	60Hz Spec (SN 0300177361 through 0300205261)	
810A	1001179154	2 ft/.6m	60Hz Spec (SN 0300205262 to Present)	
810A	See Note	2 ft/.6m	50Hz Spec (Note: Not Available - Purchase Locally)	
810B		Ref	Cable, Electrical 10/3 (Deutz D2011 and GM Engines Only)	
810B	1060708	2.5 ft/.76m	60Hz Spec	
810B	See Note	2 ft/.76m	50Hz Spec (Note: Not Available - Purchase Locally)	
810C	1060343	1.5 ft/.46m	Cable, Electrical 10/4 (60Hz Spec Only)	
810D	4460425	2	Connector, Strain Relief (Deutz D2011 and GM Engine Machines Only)	
810D	1001152525	1	Plug (Deutz TD2.9L4 Engine Machines)	
810D	3520192	1	Plug (50Hz Spec Only)	
810E		Ref	Component Options:	
810E	4460426	2	Connector, Strain Relief (60Hz Spec Only)	
810E	4460426	1	Connector, Strain Relief (50Hz Spec Only)	
810E	3520189	1	Plug (50Hz Spec Only)	
810F	1671092	1	Cover (60Hz Spec Only)	
810F	4460963	1	Connector (60Hz Spec Only)	
811		Ref	7500W Generator Electrical Diagram Components	
811	1001112586	Ref	Deutz D2011 Engine Machines (SN 0300181175 through 0300182752)	B
811	1001157769	Ref	Deutz D2011 Engine Machines (SN 0300182753 to Present)	B
811	1001122528	Ref	Deutz TD2.9L4 Engine Machines	B
811	1001221498	Ref	Ford Engine Machines	A
811	4933349	Ref	GM Engine Machines (SN 0300181175 through 0300182752)	B
811	1001157768	Ref	GM Engine Machines (SN 0300182753 to Present)	A
811A		Ref	Generator Harness Options:	

SECTION 7 - ELECTRICAL

ITEM	PART NUMBER	QTY	DESCRIPTION	REV
811A	1001112587	1	Deutz D2011 Engine Machines (SN 0300177361 through 0300181890)	B
811A	1001152429	1	Deutz D2011 Engine Machines (SN 0300181891 to Present)	B
811A	1001119968	1	Deutz TD2.9L4 Engine Machines	B
811A	1001221208	1	Ford Engine Machines	A
811A	4923420	1	GM Engine Machines	A
811A	4460742	1	Connector - 2 Position (1001152429 Harness) (Not Shown)	
811A	4460743	2	Terminal (1001152429 Harness) (Not Shown)	
811B	4460374	2	Plug, Sealed Relay (1001112587 & 4983420 Harness)	
811B	4460375	7	Terminal (1001112587 & 4983420 Harness)	
811C	4460967	1	Plug, Male - 3 Position	
811C	4460465	3	Socket, Female	
811D	2400060	1	Fuseholder	
811D	2400064	1	Fuse - 5 Amp	
811D		Ref	Component Options:	
811D	2400060	1	Fuseholder (Deutz D2011 and GM Engines)	
811D	2400064	1	Fuse - 5 Amp (Deutz D2011 and GM Engines)	
811D	1001117078	1	Fuseholder (Includes Fuse and Cap) (Deutz D2011 Engines)	
811D	See Note	1	Fuse - 5 Amp (Deutz D2011 Engines) (Note: Use 1001117078 Assembly or Purchase Fuse Locally)	
811D	1001096134	1	Cover, Fuseholder (Deutz D2011 Engines)	
811E	4922641	1	Switch Harness	
811F	4460226	2	Socket, Female	
811G	4460742	1	Plug, Male - 2 Position	
811G	4460743	2	Socket, Female	
811G	4460458	2	Seal, Terminal	
812	4933308	1	Floodlights Harness Components	1-A
812A	4460320	2	Plug, Male - 2 Position	
812A	4460227	4	Pin, Male	
812B	4922764	1	Floodlight Harness (Lights to Switch)	1-A
812C	4460424	1	Connector, Female - 2 Position	
812C	4460226	4	Socket, Female	
812D	4360232	1	Circuit Breaker - 15 Amp	
812E	1060977	1	Cord, 2 Wire Coiled (Console Box Circuit Breaker to Switch)	
812F	4460425	1	Connector, Strain Relief	
812G	4460459	1	Plug, Male - 3 Position	
812G	4460790	3	Socket, Female	
812G	4460789	3	Seal	
812H	4460476	1	Receptacle, Female	
812H	4460850	3	Pin, Male	
812H	4460790	3	Socket, Female	
812J	1060494	33 ft/ 10.1m	Electrical Cable 12/3 (Lower Boom to Aux Relay)	
812K	1060494	47 ft/ 14.3m	Electrical Cable 12/3 (Upper Boom to Console Box)	
813		Ref	Platform Worklights Components	
813A	2920140	2	Platform Worklights External Harness (Includes Light and Wire Only)	
813B	4460459	1	Plug, Male - 3 Position	
813B	4460790	3	Socket, Female	
813B	4460789	3	Seal	
813C	4460476	1	Receptacle, Female	

SECTION 7 - ELECTRICAL

ITEM	PART NUMBER	QTY	DESCRIPTION	REV
813C	4460850	3	Pin, Male	
813C	4460790	3	Socket, Female	
813D	4460426	1	Connector, Strain Relief	
813E	2400070	1	Fuse	
813E	2400066	1	Holder, Fuse	
813F	4922894	1	Worklights Harness (Upper Boom to Worklights)	
813F	1060494	47/ 14.3mm	Cable, Electrical - 12/3	
813G	4922892	1	Worklights Harness (Lower Boom to Aux. Power Solenoid)	
813G	1060494	33 ft/ 10.1mm	Cable, Electrical - 12/3	
		Ref	TOOLS	
901	7002821	1	Crimper (For Wire to Pin/Socket Connections) (Not Shown)	
902	7002823	1	Extractor (For Removal of Pin/Socket from Connectors) (Not Shown)	
903	4460467	1	Extractor, Pin (Blue 16-18 Gauge) (For Removal of Pin/Socket from Connectors) (Not Shown)	
904	4460510	1	Extractor, Pin (Yellow 12-14 Gauge) (For Removal of Pin/Socket from Connectors) (Not Shown)	
905	7002828	1	Stripper, Wire (Not Shown)	
906	2901443	1	Analyzer Kit (Not Shown)	
906A	1600244	1	Analyze	
906B	1060633	1	Cable, Analyzer	
906C	4460321	2	Plug, Male	
906C	4460226	8	Socket, Female	
907	1001137005	1	Software Cable Kit (Not Shown)	

SECTION 8 - DECALS

SECTION 8 - DECALS

FIGURE 8-1. DECAL INSTALLATION (ANSI SPEC)

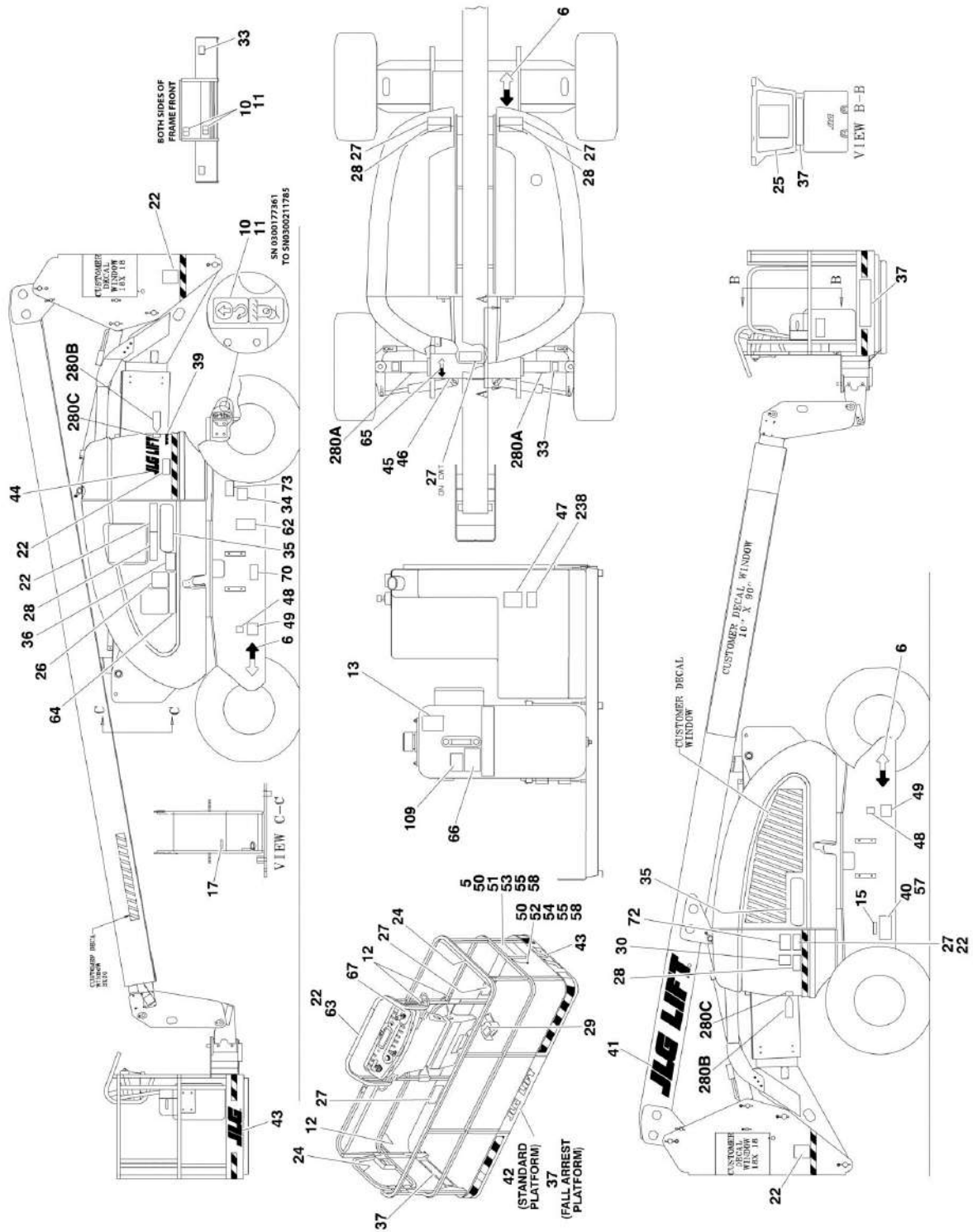
ITEM	PART NUMBER	QTY	DESCRIPTION	REV
	1283403	Ref	Decals Installations	AD
	0274094	Ref	Decals Installation - JLG Logo	C
	1001156889	Ref	Decals Installation - 600A	H
	1001156890	Ref	Decal Installation - 600AJ	H
5	1701509	1	Decal - Manual	
6	1701529	6	Decal - Arrow	
10	1703811	4	Decal - Tie Down/Lift	
11	1703814	6	Decal - Tie Down	
12	1704277	4	Decal - Attach Lanyard Here	
13	1704412	1	Decal - Hydraulic Oil Chart	
15	1705514	1	Decal - CSA (SN 0300222711 to Present)	
17	3251243	1	Nameplate - 120V-60Hz	
22	1703953	7	Decal - Warning Crushing	
24	1702868	2	Decal - No Hands	
25	1703797	1	Decal - Warning/Danger	
26	1705336	1	Decal - Warning Inspection (MTB)	
27	1703804	6	Decal - Warning Crushing	
28	1703805	5	Decal - Danger Electrocution	
29	3252347	1	Nameplate - Footswitch	
30	3251813	1	Decal - USA	
33	1001156891	4	Decal - Max Tire Load	
34	See Note	NSS	Decal - Bar Code (Note: Not Available for Purchase)	
35		Ref	Decal Options:	
35	1702818	2	Decal - 600A	
35	1702819	2	Decal - 600AJ	
36		Ref	Decal Capacity Options:	
36	1001121813	1	Decal Capacity 600A	
36	1001121814	1	Decal Capacity 600AJ	
37		Ref	Decal Capacity Options:	
37	1001121800	2	Decal Capacity 600A	
37	1001121801	2	Decal Capacity 600AJ	
38	1001108923	1	Decal - EPA/Carb Fuel Spec	
39	1704885	1	Decal - Website	
40	See Note	NSS	Nameplate, Manufacturer Serial Number (Note: Not Available for Purchase)	
41	1702861	2	Decal - JLG Lift (8in Height)	
42	1702774	1	Decal - JLG Lift (3-1/2in Height)	
43	1702773	1	Decal - JLG (5in Height)	
44	1702860	1	Decal - JLG Lift (5in Height)	
45	3250872	1	Nameplate - Steer/Tow Selector	
46	1705090	1	Decal - Towing Instructions	
47		Ref	Decal - Fuel Options:	
47	1701505	1	Diesel	
47	1701542	1	Gas	
48	1701543	1	Decal - LP Gas (Gas Engine Machines Only)	
49	1700818	2	Decal - LP Gas (Liquid) (Gas Engine Machines Only)	
50	0100011	AR	Compound, Locking	
51	0641406	4	Bolt 1/4in-20NC x 3/4in	
53	0860520	1	Box, Manual Storage	
55	3311405	4	Locknut 1/4in-20NC	

SECTION 8 - DECALS

ITEM	PART NUMBER	QTY	DESCRIPTION	REV
57	3820001	4	Rivet	
58	4751400	8	Flatwasher 1/4in Regular	
62	1001131269	1	Decal - Patent	
63	1001108493	1	Decal - Legend	
64	1706941	1	Decal - Legend (MTB)	
65	1703687	1	Decal - Direction Arrow	
66	1702265	1	Decal - Upright Level Over-Ride	
67	1705351	1	Decal - Drive/Steer Instructions	
70	1001223055	1	Decal - Yearly Inspection (SN 0300233771 to Present)	
72	1001229007	1	Decal - Lift Diagram (SN 0300235285 to Present)	
73	1001223453	1	Decal - ICES (SN 0300240734 to Present)	
74	0256487	1	Decal - Prop 65 (Diesel)	
74	0256488	1	Decal - Prop 65 (Gas)	
	1001160000	Ref	OPTIONAL DECAL COMPONENTS	
108		Ref	Decal Installation - Warning Prop 65 Options:	
108	0256487	Ref	Installation for Diesel Machines (SN 100177361 through 0300245525)	2-B
108	1702962	1	Decal - Warning Prop 65 (Diesel Machines) (SN 100177361 through 0300245525)	
108	1001231801	1	Decal - Warning Prop 65 (Diesel Machines) (SN 0300245526 to Present)	
108	0256488	Ref	Installation for Gas Machines (SN 100177361 through 0300245525)	2-B
108	1702961	1	Decal - Warning Prop 65 (Gas Machines) (SN 100177361 through 0300245525)	
108	1001236338	1	Decal - Warning Prop 65 (Gas Machines) (SN 0300246526 to Present)	
109		Ref	Decal - Biodegradable Hydraulic Fluid Options:	
109	1702788	1	Biodegradable Hydraulic Fluid	
109	1704174	1	Synthetic Biodegradable Hydraulic Fluid	
238	1001125387	1	Decal - Ultra Low Sulfur Fuel (Machines with Deutz TD2.9L4 Engines Only)	
280	1001220864	Ref	Transport Decal Kit (SN 0300224050 to Present)	
280A	1001220512	2	Decal - Lower Boom (SN 0300224050 to Present)	
208B	1001220510	2	Decal - Warning Arrow (SN 0300224050 to Present)	
208C	1001220511	2	Decal - Warning Stripe (SN 0300224050 to Present)	

SECTION 8 - DECALS

FIGURE 8-2. DECAL INSTALLATION (COUNTRY SPEC)



SECTION 8 - DECALS

FIGURE 8-2. DECAL INSTALLATION (COUNTRY SPEC)

ITEM	PART NUMBER	QTY	DESCRIPTION	REV
	1283403	Ref	DECALS INSTALLATIONS	AD
	0274094	Ref	Decals - JLG Logo	C
	1001156974	Ref	Decal Installations 600A Brazil Spec (Portuguese Languages)	F
	1001156985	Ref	Decal Installations 600A Canadian (CSA) Spec (English/French Languages)	G
	1001156980	Ref	Decal Installations 600A Chinese Spec (English/Simplified Chinese Languages)	F
	1001156979	Ref	Decal Installations 600A Chinese Spec (English/Traditional Chinese Languages)	F
	1001156976	Ref	Decal Installations 600A Japanese Spec	F
	1001156983	Ref	Decal Installations 600A Korean Spec	F
	1001156972	Ref	Decal Installations 600A Latin American Spec (English/Spanish Languages)	F
	1001156975	Ref	Decal Installations 600AJ Brazilian Spec (Portuguese Languages)	F
	1001156986	Ref	Decal Installations 600AJ Canadian (CSA) Spec (English/French Languages)	G
	1001156982	Ref	Decal Installations 600AJ Chinese Spec (English/Simplified Chinese Languages)	F
	1001156981	Ref	Decal Installations 600AJ Chinese Spec (English/Traditional Chinese Languages)	F
	1001156977	Ref	Decal Installations 600AJ Japanese Spec	F
	1001156984	Ref	Decal Installations 600AJ Korean Spec	F
	1001156973	Ref	Decal Installations 600AJ Latin American Spec (English/Spanish Languages)	F
5	1701509	1	Decal - Manual	
6	1701529	6	Decal - Arrow	
10	1703811	4	Decal - Tie Down/Lift	
11	1703814	6	Decal - Tie Down	
12	1704277	4	Decal - Attach Lanyard Here	
13	1704412	1	Decal - Hydraulic Oil Chart	
15	1705514	1	Decal - CSA (CSA Specs Only)	
17	3251243	1	Nameplate - 120V-60HZ (All Specs except Brazil Spec)	
22		Ref	Decal - Warning Crushing Options:	
22	1705903	4	Brazil Specs	
22	1703942	4	Canadian (CSA) Spec	
22	1001116845	4	Chinese (Simplified) Spec	
22	1703943	4	Chinese (Traditional) Spec	
22	1703944	4	Japanese Spec	
22	1703945	4	Korean Spec	
22	1703941	4	Latin American Spec	
24		Ref	Decal - No Hands Options:	
24	1705967	2	Brazil Specs	
24	1704000	2	Canadian (CSA) Spec	
24	1706968	2	Chinese (Simplified) Spec	
24	1001116846	AR	Chinese (Traditional) Spec	
24	Not Required	0	Japanese Spec	
24	1705969	2	Korean Spec	
24	1704001	2	Latin American Spec	
25		Ref	Decal - Warning/Danger Options:	
25	1705895	1	Brazil Specs	
25	1703924	1	Canadian (CSA) Spec	

SECTION 8 - DECALS

ITEM	PART NUMBER	QTY	DESCRIPTION	REV
25	1001116847	1	Chinese (Simplified) Spec	
25	1703925	1	Chinese (Traditional) Spec	
25	1703926	1	Japanese Spec	
25	1703927	1	Korean Spec	
25	1703923	1	Latin American Spec	
26		Ref	Decal - Warning Inspection (MTB) Options:	
26	1705896	1	Brazil Specs	
26	1705347	1	Canadian (CSA) Spec	
26	1001116848	1	Chinese (Simplified) Spec	
26	1001116849	1	Chinese (Traditional) Spec	
26	1705344	1	Japanese Spec	
26	1705345	1	Korean Spec	
26	1705917	1	Latin American Spec	
27		Ref	Decal - Warning Crushing Options:	
27	1705898	6	Brazil Specs	
27	1703948	6	Canadian (CSA) Spec	
27	1001116850	6	Chinese (Simplified) Spec	
27	1703949	6	Chinese (Traditional) Spec	
27	1703950	6	Japanese Spec	
27	1703951	6	Korean Spec	
27	1703947	6	Latin American Spec	
28		Ref	Decal - Danger Electrocution Options:	
28	1705897	5	Brazil Specs	
28	1703936	5	Canadian (CSA) Spec	
28	1703937	5	Chinese (Simplified) Spec	
28	1001116851	5	Chinese (Traditional) Spec	
28	1703938	5	Japanese Spec	
28	1703939	5	Korean Spec	
28	1703935	5	Latin American Spec	
29		Ref	Decal - Foot Switch Options:	
29	1705902	1	Brazil Specs	
29	1703984	1	Canadian (CSA) Spec	
29	1001116852	1	Chinese (Simplified) Spec	
29	1703982	1	Chinese (Traditional) Spec	
29	1703980	1	Japanese Spec	
29	1703981	2	Korean Spec	
29	1703983	1	Latin American Spec	
30	3251813	1	Decal - USA	
33	1001156891	4	Decal - Max Tire Load	
34	See Note	NSS	Decal - Bar Code (Note: Not Available for Purchase)	
35		Ref	Decal Options:	
35	1702818	2	Decal - 600A	
35	1702819	2	Decal - 600AJ	
36		Ref	Decal Capacity Options:	
36		Ref	Decal Capacity 600A	
36	1001121819	1	Brazil Specs	
36	1001121815	1	Canadian (CSA) Spec	
36	1001121824	1	Chinese (Simplified) Spec	
36	1001121822	1	Chinese (Traditional) Spec	
36	1001121820	1	Japanese Spec	
36	1001122201	1	Korean Spec	

SECTION 8 - DECALS

ITEM	PART NUMBER	QTY	DESCRIPTION	REV
36	1001121817	1	Latin American Spec	
36		Ref	Decal Capacity 600AJ	
36	1001121655	1	Brazil Specs	
36	1001121816	1	Canadian (CSA) Spec	
36	1001121825	1	Chinese (Simplified) Spec	
36	1001121823	1	Chinese (Traditional) Spec	
36	1001121821	1	Japanese Spec	
36	1001121921	1	Korean Spec	
36	1001121815	1	Latin American Spec	
37		Ref	Decal Capacity Options:	
37		Ref	Decal Capacity 600A	
37	1001121806	1	Brazil Specs	
37	1001121802	1	Canadian (CSA) Spec	
37	1001121811	1	Chinese (Simplified) Spec	
37	1001121809	1	Chinese (Traditional) Spec	
37	1001121807	1	Japanese Spec	
37	1001122200	1	Korean Spec	
37	1001121804	1	Latin American Spec	
37		Ref	Decal Capacity 600AJ	
37	1001121656	1	Brazil Specs	
37	1001121803	1	Canadian (CSA) Spec	
37	1001121812	1	Chinese (Simplified) Spec	
37	1001121810	1	Chinese (Traditional) Spec	
37	1001121808	1	Japanese Spec	
37	1001121918	1	Korean Spec	
37	1001121805	1	Latin American Spec	
39	1704885	1	Decal - Website	
40	See Note	NSS	Nameplate, Manufacturers Serial Number (Note: Not Available for Purchase)	
41	1702861	2	Decal - JLG Lift (8in Height)	
42	1702774	1	Decal - JLG Lift (3-1/2in Height)	
43	1702773	1	Decal - JLG (5in Height)	
44	1702860	1	Decal - JLG Lift (5in Height)	
45	3250872	1	Nameplate - Steer/Tow Selector	
46	1705090	1	Decal - Towing Instructions	
47		Ref	Decal - Fuel	
47	1701505	1	Diesel	
47	1701542	1	Gas	
48	1701543	1	Decal - LP Gas (Gas Engine Machines Only)	
49		Ref	Decal - LP Gas (Liquid) Options (Gas Engine Machines Only)	
49	1700818	2	ANSI Export Specs	
49	Not Required	0	Brazil Specs	
49	1704271	2	Canadian (CSA) Spec	
49	Not Required	0	Chinese Specs	
49	Not Required	0	Japanese Specs	
49	Not Required	0	Korean Specs	
49	1702720	2	Latin American Spec	
50	0100011	AR	Compound, Locking	
51	0641406	4	Bolt 1/4in-20NC x 3/4in	
52	0641408	AR	Bolt 1/4in-20NC x 1in	
53	0860520	1	Box, Manual Storage	
54	1060279	AR	Cable, Lanyard (Brazil, CSA, Chinese, Japanese and Latin	

SECTION 8 - DECALS

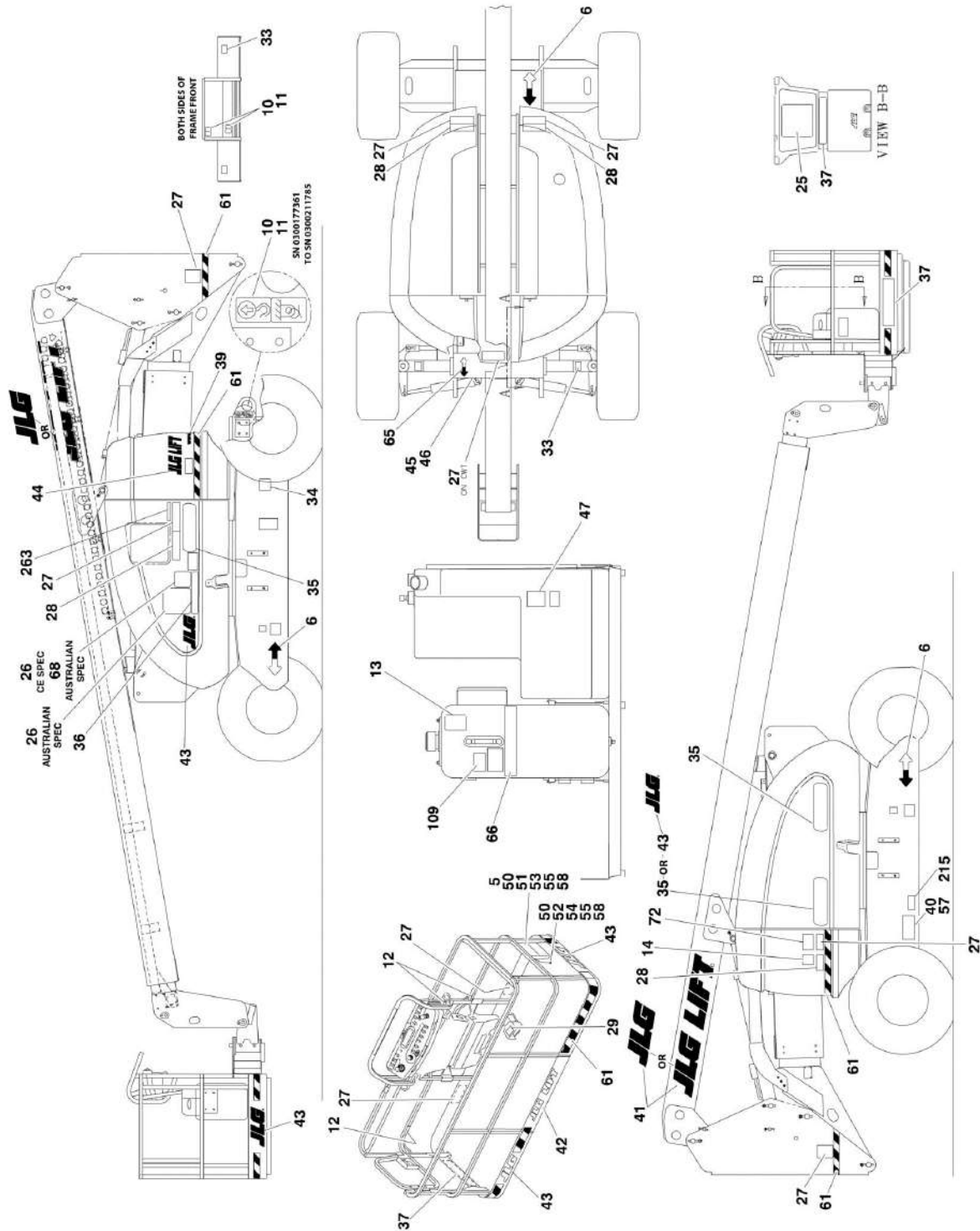
ITEM	PART NUMBER	QTY	DESCRIPTION	REV
			America Specs Only) (SN 0300177361 through 0300195474)	
55	3311405	AR	Locknut 1/4in-20NC	
57	3820001	4	Rivet	
58	4751400	AR	Flatwasher 1/4in Regular	
62		Ref	Decal - Patent Options:	
62	1001131269	1	CSA, Specs	
62	Not Required	0	Brazil, Chinese, Japanese and Latin American Spec	
62	1001131269	AR	Korean Specs (600A Qty 0 / 600AJ Qty 1)	
63	1001108493	1	Decal - Legend	
64	1706941	1	Decal - Legend (MTB)	
65	1703687	1	Decal - Direction Arrow (6-3/4in)	
66		Ref	Decal - Upright Level Over-Ride Options:	
66	1703544	1	Brazil Specs	
66	1703990	1	Canadian (CSA) Spec	
66	1001116861	1	Chinese (Simplified) Spec	
66	1001116862	1	Chinese (Traditional) Spec	
66	1702271	1	Japanese Specs	
66	17023987	1	Japanese Specs	
66	1702617	1	Latin American Spec	
67		Ref	Decal - Drive/Steer Instructions Options:	
67	1705905	1	Brazil Specs	
67	1705429	1	Canadian (CSA) Spec	
67	1705430	1	Chinese (Simplified) Spec	
67	1001116863	1	Chinese (Traditional) Spec	
67	1705426	1	Japanese Specs	
67	1705427	1	Korean Specs	
67	1705910	1	Latin American Spec	
70		Ref	Decal - Yearly Inspection: (SN 0300233771 to Present)	
70	1001224052	1	Brazil Specs	
70	1001223971	1	CSA Specs	
70	1001224051	1	Chinese (Simplified) Specs	
70	1001224050	1	Chinese (Traditional) Specs	
70	1001224053	1	Japanese Specs	
70	1001224048	1	Korean Specs	
70	1001224049	1	Latin American Specs	
72	1001229007	1	Decal - Lift Diagram (SN 0300235285 to Present)	
73	1001223453	1	Decal - ICES (CSA Spec Only) (SN 0300240734 to Present)	
	1001160000	Ref	OPTIONAL DECAL COMPONENTS	
109		Ref	Decal - Biodegradable Hydraulic Fluid Options:	
109	1702788	1	Biodegradable Hydraulic Fluid (English Language)	
109	1704174	1	Synthetic Biodegradable Hydraulic Fluid (English Language)	
238	1001125387	1	Decal - Ultra Low Sulfur Fuel (CSA Machines with Deutz TD2.9L4 Engines Only)	
238	1001139654	1	Decal - Ultra Low Sulfur Fuel (Japanese Machines with Deutz TD2.9L4 Engines Only)	
253	1001143852	1	Decal - Emission Compliance (Optional on ANSI Export Diesel Machines) (Not Shown)	
280	1001220864	Ref	Transpor Decal Kit (CSA Spec Only) (SN 0300224050 to Present)	
208A	1001220512	2	Decal - Lower Boom (CSA Spec Only) (SN 0300224050 to Present)	
208B	1001220510	2	Decal - Warning Arrow (CSA Spec Only) (SN 0300224050 to Present)	

SECTION 8 - DECALS

ITEM	PART NUMBER	QTY	DESCRIPTION	REV
208C	1001220511	2	Decal- Warning Stripe (CSA Spec Only) (SN 0300224050 to Present)	

SECTION 8 - DECALS

FIGURE 8-3. DECAL INSTALLATION (AUSTRALIAN AND CE SPECS)



SECTION 8 - DECALS

FIGURE 8-3. DECAL INSTALLATION (AUSTRALIAN AND CE SPECS)

ITEM	PART NUMBER	QTY	DESCRIPTION	REV
	1283403	Ref	DECAL INSTALLATION - AUSTRALIAN SPECS	AD
	1283403	Ref	DECAL INSTALLATION - CE SPECS (SN 0300177361 through 0300220797)	AD
	1001217567	Ref	DECAL INSTALLATION - CE SPECS (SN 0300220798 to Present)	D
	0274094	Ref	Decals - JLG Logo	C
	See Note	Ref	Decal Installation 600A Australian Spec (Note: 600A Not Available in Australia)	
	1001156987	Ref	Decal Installation 600A CE Spec	H
	1001156978	Ref	Decal Installation 600AJ Australian Spec	F
	1001156988	Ref	Decal Installation 600AJ CE Spec	H
5	1701509	1	Decal - Manual	
6	1701529	3	Decal - Arrow	
10	1703811	4	Decal - Tie Down/Lift	
11	1703814	4	Decal - Tie Down	
12	1704277	AR	Decal - Attach Lanyard Here	
13	1704412	1	Decal - Hydraulic Oil Chart	
14	1705084	1	Decal - Sound Level	
25	1705921	1	Decal - Tipping/Electrical Platform	
26	1705822	1	Decal - Electrical/Safety Manual	
27	1701518	10	Decal - Warning Crushing	
28	1705961	AR	Decal - Danger Electrocution	
29	1705828	1	Decal - Footswitch	
33	1001156891	4	Decal - Max Tire Load	
34	See Note	NSS	Decal - Bar Code (Note: Not Available for Purchase) (SN 0300195474 to Present)	
35		Ref	Decal Options:	
35	1702818	2	Decal - 600A	
35	1702819	2	Decal - 600AJ	
36	1705978	1	Decal - 230kg Capacity	
37	1705978	2	Decal - 230kg Capacity	
39	1704885	AR	Decal - Website (Australian Specs)	
39	1704885	1	Decal- Website (CE Specs) (SN 0300177361 through 0300220797)	
40	See Note	NSS	Nameplate, Manufacturer Serial Number (Note: Not Available for Purchase)	
41	1702861	2	Decal - JLG Lift (8in Height)	
41	1001159323	2	Decal - JLG (8in Height)	
42	1702774	1	Decal - JLG Lift (3-1/2in Height)	
43	1702773	AR	Decal - JLG (5in Height)	
44	1702860	1	Decal - JLG Lift (5in Height)	
44	1701435	1	Decal - JLG (3-1/2in Height)	
45	3250872	1	Nameplate - Steer/Tow Selector	
46	1705090	1	Decal - Towing Instructions	
47	1701505	1	Decal - Fuel (Diesel)	
50	0100011	AR	Compound, Locking	
51	0641406	4	Bolt 1/4in-20NC x 3/4in	
52	0641408	AR	Bolt 1/4in-20NC x 1in	
53	0860520	1	Box, Manual Storage	
54	1060279	1	Cable, Lanyard (SN 0300177361 through 0300195474)	
55	3311405	AR	Locknut 1/4in-20NC	

SECTION 8 - DECALS

ITEM	PART NUMBER	QTY	DESCRIPTION	REV
57	3820001	4	Rivet	
58	4751400	AR	Flatwasher 1/4in Regular	
61	4420051	22 ft/6.7m	Decal - Warning Stripe	
65	1703687	1	Decal - Direction Arrow (6-3/4in)	
66	1705977	1	Decal - Upright Level Over-Ride	
68	1001112551	1	Decal - Emergency Controls (Australian Spec Only)	
72	1001229007	1	Decal - Lift Diagram (SN 0300235285 to Present)	
	1001160000	Ref	OPTIONAL DECAL COMPONENTS	
109		Ref	Decal - Biodegradable Hydraulic Fluid Options:	
109	1702788	1	Biodegradable Hydraulic Fluid (English Language)	
109	1703479	1	Biodegradable Hydraulic Fluid (German Language)	
109	1704174	1	Synthetic Biodegradable Hydraulic Fluid (English Language)	
109	1704175	1	Synthetic Biodegradable Hydraulic Fluid (German Language)	
215	1001143852	1	Decal - Emission Compliance (Diesel Machines)	
263	1001197408	1	Decal - MSSO (CE Spec) (SN 0300200809 to Present)	

SECTION 9 - RECOMMENDED SERVICE PARTS STOCK

SECTION 9 - RECOMMENDED SERVICE PARTS STOCK

SECTION 9 - RECOMMENDED SERVICE PARTS STOCK

FIGURE 9-1. MODEL 600A/600AJ STANDARD PARTS

ITEM	PART NUMBER	QTY	DESCRIPTION	REV
	Note	Ref	Note: The following list will service one machine (built to current production per date on the front cover) with emergency repair parts which can be installed in the field. Parts from the list should be replaced when inventory is depleted to keep service parts stock supplied. For further information, contact your JLG dealer or the JLG Industries Parts Department.	
		Ref	STANDARD PARTS	
	2120149	12	Element, Filter	
	2120210	12	Element Filter	
	3740067	1	Relay	
	7012944	1	Coil	
	7012943	1	Coil	
	70004595	1	Coil	
	80434249	1	Coil	
	70004660	1	Coil	
	70004463	1	Coil	
	70004673	1	Coil	
	4360517	1	Switch	
	3740049	1	Relay	
	4360328	1	Switch	
	2860030	1	Key, Replacement	
	4360475	1	Switch, Mushroom	
	4360476	1	Contact, Switch Block	
	70002386	1	Coil	
	2940074	1	Latch	
	4360331	1	Switch, Toggle	
	4360330	1	Switch, Toggle	
	4360387	1	Switch, Push Button	
	4360407	1	Controller	
	2400065	2	Fuse, 30Amp	
	8229242	2	Fuse, 5Amp	
	80983191	2	Fuse, 10Amp	
	3990010	2	Diode, 6Amp	

SECTION 9 - RECOMMENDED SERVICE PARTS STOCK

FIGURE 9-2. MODEL 600A/600AJ VARIABLE PARTS

ITEM	PART NUMBER	QTY	DESCRIPTION	REV
	Note	Ref	Note: The following list will service one machine (built to current production per date on the front cover) with emergency repair parts which can be installed in the field. Parts from the list should be replaced when inventory is depleted to keep service parts stock supplied. For further information, contact your JLG dealer or the JLG Industries Parts Department.	
		Ref	VARIABLE PARTS	
		Ref	Note: p/n Item not available at time of printing.	
	70004161	1	Coil (Machines with Deutz TD2.9L4 Engine)	
	70003783	12	Element, Air Cleaner (Machines with Deutz 2011 Engine)	
	7016328	1	Filter, Fuel (Machines with Deutz D2011 Engine)	
	7016331	4	Filter, Oil (Machines with Deutz D2011 Engine)	
	7027795	1	Engine EMR2 Control Module (Machines with Deutz D2011 Engine)	
	91403102	12	Element, Air Cleaner (Machines with Deutz TD2.9L4 Engine)	
	70025153	NLA	Filter, Fuel (Machines with Deutz TD2.9L4 Engine) (Use p/n 1001225430)	
	70025161	NLA	Filter, Fuel (Machines with Deutz TD2.9L4 Engine) (Use p/n 1001225431)	
	7016331	4	Filter, Oil (Machines with Deutz TD2.9L4 Engine)	
	70025210	1	Engine Control Module (Machines with Deutz TD209L4 Engine)	
	1001117308	1	Relay (Machines with Deutz TD2.9L4 Engine)	
	1001138228	1	Power Module/Relay (Machines with Deutz TD2.9L4 Engine)	
	70005008	12	Element, Air Cleaner (Machines with Ford Engine)	
	7012664	12	Element, Air Cleaner (Machines with GM Engine)	
	7027972	12	Filter, Fuel (Machines with GM Engine)	
	7027965	12	Filter, Oil (Machines with GM Engine)	
	70002895	1	GM ECU Control Module (Machines with GM Engine)	
	7024444	1	Breather/Fill Cap (Helgensen Brand)	
	70004862	1	Breather/Fill Cap (Hydac Brand)	
	1001103667	1	Module, Ground Control	
	4360469	1	Switch, Key (All Specs except CE Spec)	
	4360470	1	Switch, Key (CE Specs Only)	
	4360522	1	Switch, Push Button (Machines with Lights Option)	
	4360336	1	Switch, Toggle (Machines with Ford or GM Engine or Cribbing Enable Switch or 2500W Generator)	
	3740080	1	Relay, Bosch (Machine with Generator)	
	4360336	1	Switch, Toggle (Machine with Generator)	
	4360542	1	Breaker, Circuit - 110Volt (Machines with 2500W Generator)	
	70000126	1	Breaker, Circuit - 220Volt (Machines with 2500W Generator)	
	4360070	1	Breaker, Circuit (Machines with SkyPower 7500W Generator)	
	2400064	1	Fuse - 5 Amp (Deutz D2011 and GM Machines with SkyPower 7500W Generator)	
		Ref	Fuse - 5 Amp (Deutz TD2.9L4 Machines with SkyPower 7500W Generator)	
	70002011	1	Power Track Repair Section (600A)	
	70001999	1	Power Track Repair Section (600AJ)	
	4360578	1	Switch, Limit	
	1001106938	1	Platform Control Module	
	4360057	1	Switch, Limit (Machines with Soft Touch System Engine)	
	4360232	1	Breaker, Circuit (Machines with Floodlights Option)	

SECTION 9 - RECOMMENDED SERVICE PARTS STOCK

ITEM	PART NUMBER	QTY	DESCRIPTION	REV
	2400070	2	Fuse (Machine with Worklights Engine)	
	1001129555	1	Lift/Swing Controller Kit	
	1001212415	1	Drive/Steer Controller Kit	

SECTION 10 - SPECIAL OPTIONS

SECTION 10 - SPECIAL OPTIONS

FIGURE 10-1. SPECIAL OPTIONS

ITEM	PART NUMBER	QTY	DESCRIPTION	REV
		Ref	Note: This list is to accommodate machines ordered with special equipment. Options may not be applicable to all models. For more specific parts information contact JLG Parts Department.	
		Ref	MISCELLANEOUS SPECIAL OPTIONS	
	1001204884	Ref	Air Intake Shut-off Valve Installation (Deutz DT2.9L4 Engines) (ANSI & CSA Specs)	
		Ref	Airline to Platform Installation Options:	
	0256342	Ref	1/2in - 600A	
	0271475	Ref	1/2in Airline and (1) Welding Cable - 600A	
	0275295	Ref	1/2in - 600A with Arctic Package	
	0258966	Ref	1/2in - 600AJ	
	1001093438	Ref	1/2in - 600AJ with Arctic Package	
	1001205011	Ref	Arctic Package Add-on Kit (600A without SkyPower)	
	1001205010	Ref	Arctic Package Add-on Kit (600A with SkyPower)	
	1001205013	Ref	Arctic Package Add-on Kit (600AJ without SkyPower)	
	1001205012	Ref	Arctic Package Add-on Kit (600AJ with SkyPower)	
		Ref	Boom Cable Installation with Communication System (600AJ Only)	
	1001115974	Ref	Intercom System	
	1001116515	Ref	Intercom System and 7500W Generator	
	1001220153	Ref	Boom Cable Add-on Kit (4000W/60Hz Generator)	
	70006436	1	Bearing and Seal Kit	
		Ref	Boom Wiper Installation	
	0256276	Ref	Boom Wiper Installation 600A	
	0256366	Ref	Boom Wiper Installation 600AJ	
	1001116419	Ref	Cable Carrier Tray Installation (30in Platform) (SN 0300177361 through 0300224542)	
	1001116420	Ref	Cable Carrier Tray Installation (36in Platform) (SN 0300177361 through 0300224542)	
	1001172045	Ref	Cable/Ladder Carrier Installation (SN 0300224543 to Present)	
		Ref	ClearSky Telematics Installation (Factory Installed) (SN 0300177361 through 0300232661)	
		Ref	Note: Refer to Manual Supplement p/n 3128499 for available replacement parts.	
	1001152503	Ref	ClearSky Telematics (ANSI Spec) (Factory Installed) (SN 0300177361 through 0300232661)	
	1001152506	Ref	ClearSky Telematics (Australian Spec) (Factory Installed) (SN 0300177361 through 0300232661)	
	1001152505	Ref	ClearSky Telematics (Brazil and New Zealand Specs) (Factory Installed) (SN 0300177361 through 0300232661)	
	1001152504	Ref	ClearSky Telematics (CSA Specs) (Factory Installed) (SN 0300177361 through 0300232661)	
		Ref	ClearSky Telematics Installation (Factory Installed) (SN 0300232662 to Present)	
	1001227472	Ref	ClearSky Telematics - Canbus (ANSI and CSA Specs) (Factory Installed) (SN 0300232662 to Present)	
	1001228946	Ref	ClearSky Telematics - Canbus (ANSI Export and CE Specs) (SN 0300232662 to Present)	
	1001229107	Ref	ClearSky Telematics 3-Wire Connection (ANSI and CSA Specs) (Factory Installed) (SN 0300232662 to Present)	
	1001233237	Ref	ClearSky Telematics 3-Wire Connection (ANSI Export and CE	

SECTION 10 - SPECIAL OPTIONS

ITEM	PART NUMBER	QTY	DESCRIPTION	REV
			Specs) (Factory Installed) (SN 0300232662 to Present)	
		Ref	ClearSky Telematics Installation (Add-on Kits)	
		Ref	ADE Machines (Add-on Kit)	
	1001104982	Ref	ClearSky Telematics (ANSI Spec) (Add-on Kit)	
	1001104983	Ref	ClearSky Telematics (ANSI Export) (Add-on Kit)	
	1001139130	Ref	ClearSky Telematics (Australian Specs) (Add-on Kit)	
	1001104984	Ref	ClearSky Telematics (CSA Spec) (Add-on Kit)	
		Ref	ADE/UGM Machines (Add-on Kit)	
	1001119942	Ref	ClearSky Telematics (ANSI Spec) (Add-on Kit)	
	1001121612	Ref	ClearSky Telematics (ANSI Export) (Add-on Kit)	
	1001139148	Ref	ClearSky Telematics (Australian Spec) (Add-on Kit)	
	Not Available	Ref	ClearSky Telematics (Brazil and New Zealand Specs) (Add-on Kit)	
	1001234099	Ref	ClearSky Telematics (CE Specs) (Add-on Kit)	
	1001119948	Ref	ClearSky Telematics (CSA Spec) (Add-on Kit)	
		Ref	Cold Weather Package	
	1001152340	Ref	Cold Weather Package - Deutz D2011 Engines	
	0274883	Ref	Cold Weather Package with Transformer - Deutz D2011 Engines	
	1001151900	Ref	Cold Weather Package - Deutz TD2.9L4 Engines	
	1001217832	Ref	Cold Weather Package - Ford Engines	
	0275262	Ref	Cold Weather Package - GM Engines	
	0273172	Ref	Container Shipment Preparation (Wheel Installation)	
	1001152960	Ref	Counterweight Installation (Required for Turf/Sand Tires)	
	1001152960	Ref	Counterweight Installation (600A Required for Soft Touch Systems)	
	1001157013	Ref	Counterweight Installation (600AJ Required for Soft Touch Systems)	
	1001115970	Ref	Communication System (David Clark) Installation (600AJ Only)	
		Ref	Cylinder Bellows Installation (Boom)	
	0255927	Ref	Cylinder Bellows Installation (Boom) 600A	
	0255928	Ref	Cylinder Bellows Installation (Boom) 600AJ	
		Ref	Cylinder Bellows Installation (Frame)	
	1001151379	Ref	2WD/2WS & 4WD/2WS 8ft/2.4m Width Machines	
	1001151380	Ref	2WD/4WS & 4WD/4WS 8ft/2.4m Width Machines	
	1001152771	Ref	2WD/4WS 7ft/2.1m Width Machines	
	1001236211	Ref	Cylinder Valve Cover Kit - Level Cylinder	
		Ref	Decal Installations Options:	
	1001196613	Ref	Decal - Ahern Rentals	
	1702788	Ref	Decal - Biodegradable Hydraulic Fluid (English Language)	
	1703479	Ref	Decal - Biodegradable Hydraulic Fluid (German Language)	
	1704174	Ref	Decal - Biodegradable (Synthetic) Hydraulic Fluid (English Language)	
	1704175	Ref	Decal - Biodegradable (Synthetic) Hydraulic Fluid (German Language)	
	1001154502	Ref	Decal - Boels Rentals	
	1001196710	Ref	Decal - Blueline Rentals	
	1001127095	Ref	Decal - ClearSky	
	1001214030	Ref	Decal - EAC (CIS & Russian Specs)	
	0257195	Ref	Decal - Government Warranty	
	0275840	Ref	Decal - Head and Engquist Equipment L.L.C. (H and E)	
	1001221897	Ref	Decal - Herc Rentals (SN 0300223465 to Present)	

SECTION 10 - SPECIAL OPTIONS

ITEM	PART NUMBER	QTY	DESCRIPTION	REV
	1001128988	Ref	Decal - Hertz (SN 0300177361 through 0300223464)	
	1001222199	Ref	Decal - Hertz (Canada)	
	1001143075	Ref	Decal - Hewitt Rental (ANSI Spec)	
	1001143510	Ref	Decal - Hewitt Rental (CSA Spec)	
	1702868	Ref	Decal - No Hands - English Language (Platform with Mesh to Top Rail)	
	1705968	Ref	Decal - No Hands - English/Simplified Chinese Dual Language (Platform with Mesh to Top Rail)	
	1001116846	Ref	Decal - No Hands - English/Traditional Chinese Dual Language (Platform with Mesh to Top Rail)	
	1704000	Ref	Decal - No Hands - English/French Dual Language (Platform with Mesh to Top Rail)	
	1705969	Ref	Decal - No Hands - English/Korean Dual Language (Platform with Mesh to Top Rail)	
	1705967	Ref	Decal - No Hands - English/Portuguese Dual Language (Platform with Mesh to Top Rail)	
	1704001	Ref	Decal - No Hands - English/Spanish Dual Language (Platform with Mesh to Top Rail)	
	1001140623	Ref	Decal - Leavitt	
	0274246	Ref	Decal - National Equipment Services (NES)	
	0256487	Ref	Decal - Prop 65 Warning (Diesel Machines) (California Spec)	
	0256488	Ref	Decal - Prop 65 Warning (Gasoline Machines) (California Spec)	
	1001200124	Ref	Decal - Quick Reference (Danish) (Lomax Rentals)	
	1001200121	Ref	Decal - Quick Reference (Dutch) (Lomax Rentals)	
	1001180861	Ref	Decal - Quick Reference (English) (Lomax Rentals)	
	1001200120	Ref	Decal - Quick Reference (French) (Lomax Rentals)	
	1001200122	Ref	Decal - Quick Reference (German) (Lomax Rentals)	
	1001200127	Ref	Decal - Quick Reference (Norwegian) (Lomax Rentals)	
	1001200126	Ref	Decal - Quick Reference (Spanish) (Lomax Rentals)	
	1001200125	Ref	Decal - Quick Reference (Swedish) (Lomax Rentals)	
	1001218708	Ref	Decal - Riwal	
	1001141300	Ref	Decal - SkyGuard Override	
	1001141302	Ref	Decal - SkyGuard Override (With SoftTouch)	
	0271123	Ref	Decal - Sunbelt (SN 0300177361 through 0300205723)	
	1001197850	Ref	Decal - Sunbelt (SN 0300205724 to Present)	
	1001215086	Ref	Decal - Sunshine State	
	1001236997	Ref	Decal - Synergy Equipment	
	1001235122	Ref	Decal - Thompson Cat Rental	
	0272312	Ref	Decal - Tire Sealant	
	1001151067	Ref	Decal - Titan Rental	
	0271895	Ref	Decal - United Rentals	
	1001098291	Ref	Decal - UPS (SN 0300177361 through 0300253903)	
	1001243344	Ref	Decal - UPS (SN 0300253904 to Present)	
	1001141471	Ref	Decal - Volvo	
		Ref	Decal Kits Options:	
	2902307	Ref	Decal Kit - Country Spec (ANSI and ANSI Export)	
	2902329	Ref	Decal Kit - Country Spec (Australian and CE)	
	2902312	Ref	Decal Kit - Country Spec (Brazil)	
	2902322	Ref	Decal Kit - Country Spec (CSA)	
	1001116844	Ref	Decal Kit - Country Spec (Chinese - Simplified)	
	2902309	Ref	Decal Kit - Country Spec (Chinese - Traditional)	
	2902308	Ref	Decal Kit - Country Spec (Japanese)	
	2902310	Ref	Decal Kit - Country Spec (Korean)	

SECTION 10 - SPECIAL OPTIONS

ITEM	PART NUMBER	QTY	DESCRIPTION	REV
	2902311	Ref	Decal Kit - Country Spec (Latin America)	
	2902303	Ref	Decal Kit - Master	
	1001193632	Ref	Decal Kit - Machine (ANSI Spec Only)	
	1001108718	Ref	Decal Kit - Platform (600A)	
	1001238895	Ref	Decal Kit - Platform (600AJ)	
	1001119561	Ref	Decal Kit - Platform Console Box	
	1001156892	Ref	Decal Kit - Tire Load	
	4932990	Ref	Drive Cutout Kit (Above Elevation Beyond Transport)	
	4932993	Ref	Drive Cutout Kit (Above Elevation Tilt) (ANSI, ANSI Export, Australian and Japanese Specs Only)	
		Ref	Electrical Connector Kits	
	1001148902	Ref	Amp/Tyco Electrical Connector Kit	
	1001148903	Ref	Deutsch DT Electrical Connector Kit	
	1001148904	Ref	Deutsch HD Electrical Connector Kit	
	1001148905	Ref	Packard Electrical Connector Kit	
	1001148906	Ref	Various Electrical Connectors Kit	
	1001218022	Ref	Engine Block Heater Installations (Ford Engines Only)	
	0275261	Ref	Engine Block Heater Installations (GM Engines Only)	
	1001237883	Ref	Fall Arrest (Bolt-on) Add-on Kit (6ft/1.82m Platform (ANSI, ANSI Export, CHINA, CSA & Japanese Specs Only) (Fits Platform p/ns 1001186384 & 1001144024)	
	1001237882	Ref	Fall Arrest (Bolt-on) Add-on Kit (8ft/2.4m Platform (ANSI, ANSI Export, CHINA, CSA & Japanese Specs Only) (Fits Platform p/ns 1001186383 & 1001144023)	
		Ref	Fan Cover/Grille Options:	
	1001185078	Ref	Fan Cover Add-on Kit (Deutz D2011 Engines)	
	1001182599	Ref	Fan Cover Installation (Deutz D2011 Engines)	
	1001093389	Ref	Fan Grille Installation (Deutz D2011 Engines)	
	1001213223	Ref	Fan & Belt Grille Add-on Kit (Deutz D2011 Engines without Generator)	
	1001202122	Ref	Fan & Belt Grille Installation (Deutz D2011 Engines without Generator)	
	1001213222	Ref	Fan & Belt Grille Add-on Kit (Deutz D2011 Engines with Generator)	
	1001202398	Ref	Fan & Belt Grille Installation (Deutz D2011 Engines with Generator)	
	1001149126	Ref	Fan Grille Installation (Deutz TD2.9L4 Engines) (RCP Radiator Only)	
	1001177694	Ref	Fan Grille Installation (Deutz TD2.9L4 Engines) (Modine Radiator Only)	
	1001213219	Ref	Fan & Belt Grille Add-on Kit (Deutz TD2.9L4 Engines without Generator) (Modine Radiator)	
	1001202397	Ref	Fan & Belt Grille Installation (Deutz TD2.9L4 Engines without Generator) (Modine Radiator)	
	1001213220	Ref	Fan & Belt Grille Add-on Kit (Deutz TD2.9L4 Engines without Generator) (RCP Radiator)	
	1001202082	Ref	Fan & Belt Grille Installation (Deutz TD2.9L4 Engines without Generator) (RCP Radiator)	
	1001213227	Ref	Fan & Belt Grille Add-on Kit (Deutz TD2.9L4 Engines with Generator) (Modine Radiator)	
	1001213181	Ref	Fan & Belt Grille Installation (Deutz TD2.9L4 Engines with Generator) (Modine Radiator)	
	1001213221	Ref	Fan & Belt Grille Add-on Kit (Deutz TD2.9L4 Engines with Generator) (RCP Radiator)	
	1001202331	Ref	Fan & Belt Grille Installation (Deutz TD2.9L4 Engines with	

SECTION 10 - SPECIAL OPTIONS

ITEM	PART NUMBER	QTY	DESCRIPTION	REV
			Generator) (RCP Radiator)	
	1001093389	Ref	Fan Grille Installation (Ford and GM Engines)	
		Ref	Filter Kits:	
		Ref	Combined Filter Kit (Hydraulic/Air and Fuel/Engine Oil)	
	1001166960	1	Deutz D2011 Engine	
	1001181148	1	Deutz Engine (SN 0300181927 to Present)	
	1001114127	1	GM Engine	
		Ref	Hydraulic/Air Filter Kits	
	1001109684	1	Deutz D2011 Engine	
	1001167020	1	Deutz D2011 Engine	
	1001204458	1	Deutz TD2.9L4 Engines	
		Ref	Fuel/Engine Oil Filter Kits	
	1001110133	1	Deutz D2011 Engine	
	1001204460	1	Deutz TD2.9L4 Engine	
	1001139099	Ref	Fire Extinguisher Installation	
		Ref	Fluids	
		Ref	Coolant	
	2300004	Ref	Machines without Arctic Package	
	2300041	Ref	Machines with Arctic Package	
	3020017	Ref	Lubricant (Steer Spindles)	
	3020008	Ref	Lubricant (Drive Hubs)	
	3020037	Ref	Lubricant (Pump Coupling)	
	2300040	Ref	Diesel Fuel Conditioner	
		Ref	Engine Oil	
	3020016	Ref	Motor Oil Mobil Delvac MX 15W-40 (Deutz D2011 Engine Machines without Arctic Package)	
	3020044	Ref	Motor Oil 0W-40 (Deutz D2011 Engine Machines with Arctic Package)	
	1001136079	Ref	Motor Oil Mobil Delvac MX 15W-40 (Deutz TD2.9L4 Engine Machines without Arctic Package)	
	1001136172	Ref	Motor Oil 0W-40 (Deutz TD2.9L4 Engine Machines with Arctic Package)	
	1001115930	Ref	Motor Oil 10W-30 (Ford & GM Engine Machines without Arctic Package)	
	1001115931	Ref	Motor Oil 5W-30 Synthetic (Ford Engine Machines with Arctic Package) (SN 0300177361 through 0300240729)	
	1001190775	Ref	Motor Oil 5W-30 Non-Synthetic (Ford Engine Machines with Arctic Package) (SN 0300240730 to Present)	
	1001115931	Ref	Motor Oil 5W-30 Synthetic (GM Engine Machines with Arctic Package)	
		Ref	Hydraulic Fluids	
	2300014	Ref	Mobil 424	
	2300027	Ref	Mobil 224H Bio	
	2300029	Ref	Mobil EAL ISO 46 Bio	
	2300016	Ref	Mobil DTE 10 EXCEL 32 (was DTE 13 ISO 32)	
	2300019	Ref	Quaker State Quintolubric 888-46 Fire Resistant	
	2300039	Ref	Exxon Univas HV126 (Arctic Package Only)	
	1001117294	Ref	Footswitch Shield (Arctic Package)	
	1001202749	Ref	Fuel Cap Cover Installation (Black) (All Machines) (Note: Lock p/n 1001102157 Must be purchased separately)	
	1001191395	Ref	Fuel Cap Cover Installation (Green) (Diesel Machines) (Note: Lock p/n 1001102157 Must be purchased separately)	
	1001191394	Ref	Fuel Cap Cover Installation (Red) (Gasoline Machines) (Note: Lock p/n 1001102157 Must be purchased separately)	

SECTION 10 - SPECIAL OPTIONS

ITEM	PART NUMBER	QTY	DESCRIPTION	REV
		Ref	Generator Options:	
	See Note	Ref	Generator (2500W) Add-on Kit (Note: Contact JLG Parts Dept)	
	1001175816	Ref	Generator (4000W/50Hz) Add-on Kit - Deutz D2011	
	1001213607	Ref	Generator (4000W/60Hz) Add-on Kit - Deutz D2011	
	1001211799	Ref	Generator (4000W/50Hz) Add-on Kit - Deutz TD2.9L4	
	1001213605	Ref	Generator (4000W/60Hz) Add-on Kit - Deutz TD2.9L4	
	See Note	Ref	Generator (7500W) Add-on Kit (Note: Contact JLG Parts Dept)	
		Ref	Hose Kits (Contact JLG Customer Service for contents of kits):	
	1001166791	Ref	Hose Kit - Boom Lower	
	1001209349	Ref	Hose Kit - Boom Lower (SN 0300177361 through 0300181174)	
	1001212515	Ref	Hose Kit - Boom Lower	
	1001209350	Ref	Hose Kit - Boom Lower (600AJ- Deutz D2011 Engine) (SN 0300181175 through 0300208081)	
	1001193682	Ref	Hose Kit - Boom Upper (600A - Deutz TD2.9L4/Ford/GM Engines) (SN 0300208082 to Present)	
	1001209347	Ref	Hose Kit - Boom Upper (600A - Deutz TD2.9L4/Ford/GM Engines) (SN 0300208082 to Present)	
	1001166790	Ref	Hose Kit - Boom Upper (600AJ - Deutz D2011 Engines) (SN 0300181175 through 0300208081)	
	1001166790	Ref	Hose Kit - Boom Upper (600AJ - Deutz TD2.9L4 Engines) (SN 0300208082 to Present)	
	1001209348	Ref	Hose Kit - Boom Upper (600AJ - Deutz D2011 Engine) (SN 0300181175 through 0300208081)	
	1001209348	Ref	Hose Kit - Boom Upper (600AJ - Deutz TD2.9L4 Engines) (SN 0300208082 to Present)	
	1001209628	Ref	Hose Kit - Platform Valve (600A)	
	1001209629	Ref	Hose Kit - Platform Valve (600AJ) (SN 0300181175 to Present)	
	2902471	Ref	Hose Kit - Power Track Lower (600A)	
	1001204904	Ref	Hose Kit - Power Track Lower (600AJ) (SN 0300177361 through 0300181174)	
	2902470	Ref	Hose Kit - Power Track Upper (600A)	
	2902472	Ref	Hose Kit - Power Track Upper (600AJ) (SN 0300177361 through 0300181174)	
	1001239617	Ref	Hose Kit - Power Track Upper (600AJ) (SN 0300181175 to Present)	
	1001241405	Ref	Hostile Environment Add-on Kit (600A - 7FT Chassis)	
	1001204923	Ref	Hostile Environment Add-on Kit (600A - 8FT Chassis)	
	1001241406	Ref	Hostile Environment Add-on Kit (600AJ - 7FT Chassis)	
	1001204924	Ref	Hostile Environment Add-on Kit (600AJ - 8FT Chassis)	
	1001094475	Ref	Hourmeter for Generator Installation	
	1001148971	Ref	Lanyard (Bolt-On) Kit Installation	
	1001183407	Ref	Low Temperature Cut-out Switch Installation (Russian Specs) (SN 0300177361 through 0300245287)	
	1001236951	Ref	Low Temperature Cut-out Switch Installation (Russian Specs) (SN 0300245288 to Present)	
		Ref	Oil Cooler Options (Requires Flushing Loop Options):	
	1001152172	Ref	Oil Cooler Installation (Deutz D2011 Engine)	
	1001142678	Ref	Oil Cooler Installation (Deutz TD2.9L4 Engine) (RCP Cooler) (SN 0300177361 through 0300227100)	
	1001176667	Ref	Oil Cooler Installation (Deutz TD2.9L4 Engine) (Ymer Cooler) (SN 0300227101 to Present)	
	1001204296	Ref	Oil Cooler Replacement Kit (Deutz TD2.9L4 Engine Only)	

SECTION 10 - SPECIAL OPTIONS

ITEM	PART NUMBER	QTY	DESCRIPTION	REV
			(RCP to Ymer Cooler)	
	1001218393	Ref	Oil Cooler Installation (Ford Engine)	
	0272062	Ref	Oil Cooler Installation (GM Engine)	
	0258703	Ref	Platform Console Cover Installation (Clear Polycarbonate) (SN 0300177361 through 0300200808)	
	1001195304	Ref	Platform Console Cover Installation (Clear Polycarbonate) (SN 0300200809 to Present)	
	1001110974	Ref	Platform Console Cover Installation (Steel) (All Specs except Chinese and Korean)	
	1001125230	Ref	Platform Console Cover Installation (Steel) (Chinese Specs)	
	1001125229	Ref	Platform Console Cover Installation (Steel) (Korean Specs)	
	1001205175	Ref	Platform Console Cover Add-on Kit (Steel)	
		Ref	Platform Entry Kit	
	1001142504	Ref	Kit, Replace Swing Gate with Drop Bar	
	1001142505	Ref	Kit, Replace Drop Bar with Swing Gate	
		Ref	Platform Mesh to Top Rail Add-on Kits:	
	1001214552	Ref	30in x 4ft (76cm x 1.22m) with Gate	
	1001214559	Ref	30in x 5ft (76cm x 1.52m) with Gate	
	1001214561	Ref	36in x 6ft (91.5cm x 1.83m) with Gate	
	1001214562	Ref	36in x 8ft (91.5cm x 2.44m) with Gate	
		Ref	Platform Mesh to Top Rail Installations	
	0273147	Ref	30in x 4ft (76cm x 1.22m)	
	0273146	Ref	30in x 5ft (76cm x 1.52m)	
	0273149	Ref	36in x 6ft (91.5cm x 1.83m)	
	0273145	Ref	36in x 8ft (91.5cm x 2.44m)	
		Ref	Platform Mesh to Mid Rail Add-on Kits:	
	1001214478	Ref	30in x 4ft (76cm x 1.22m) with Gate	
	1001214515	Ref	30in x 5ft (76cm x 1.52m) with Gate	
	1001214540	Ref	36in x 6ft (91.5cm x 1.83m) with Gate	
	1001214548	Ref	36in x 8ft (91.5cm x 2.44m) with Gate	
		Ref	Platform Mesh to Mid Rail Installation	
	1001140318	Ref	30in x 4ft (76cm x 1.22m)	
	1001140315	Ref	30in x 5ft (76cm x 1.52m)	
	1001138772	Ref	36in x 6ft (91.5cm x 1.83m)	
	1001138773	Ref	36in x 8ft (91.5cm x 2.44m)	
	1001149730	Ref	Platform Mid Rail Repair Kit	
		Ref	Platform, Top Rail Extension	
	0272733	Ref	3ft x 6ft Platforms	
	0272725	Ref	3ft x 8ft Platforms	
	1001209059	Ref	Platform Work Surface Installation	
	1001200234	Ref	Radiator Replacement Kit (RCP to Modine) (Deutz TD2.9L4 Engine Only)	
	1001171018	Ref	RCD Box Installation (Brazil Spec)	
	1001157965	Ref	RCD Box Add-on Kit	
	1001099572	Ref	Security Lock (Programmable) Installation	
		Ref	SkyGuard Component Options: (SN 0300177361 through 0300202808)	
	1001206477	Ref	SkyGuard Complete Add-on Kit (Blue Beacon)	
	1001143669	NLA	SkyGuard Complete Add-on Kit (Blue Beacon) (Use p/n 1001206477)	
	1001210026	Ref	SkyGuard Complete Add-on Kit (Red Beacon)	
	1001197016	Ref	SkyGuard Platform Sensor Kit	
	1001137672	Ref	SkyGuard Platform Sensor Kit	

SECTION 10 - SPECIAL OPTIONS

ITEM	PART NUMBER	QTY	DESCRIPTION	REV
	1001137440	1	SkyGuard Platform Sensor Harness	
	1001186431	2	Relay	
	1001206311	Ref	SkyGuard Blue Beacon Kit	
	1001143256	NLA	SkyGuard Blue Beacon Kit (Use p/n 1001206311)	
	1001210025	Ref	SkyGuard Red Beacon Kit	
	1001176372	Ref	SkyGuard Removal Plug Kit	
		Ref	Strobe Light Installations (Amber)	
	1001152965	Ref	Platform Mounted	
	1001154231	Ref	Platform/Ground Mounted	
	1001200293	Ref	Telematics Installation (Customer Supplied)	
	1001210089	Ref	Telematics - Cat	
	1001228363	Ref	Telematics - Herc	
	1001209282	Ref	Telematics - Loxam	
	1001210090	Ref	Telematics - Riwal	
	1001195610	Ref	Telematics - United Rentals (M6)	
	1001214463	Ref	Telematics - United Rentals (M8)	
	1001228577	Ref	Telematics Canbus Installation (Customer Supplied)	
	0272301	Ref	Tire Sealant Installation	
		Ref	Tools for Service	
	2901443	1	Analyzer Kit	
	7002840	1	Antirotation Pin Removal Tool	
	8896941	1	Wire Stripper	
	7002821	1	Wire Crimper (To install wire ends to wires)	
	7002823	1	Pin/Socket Extractor - Universal (To Remove Pins/Sockets from Connectors)	
	4460467	1	Extractor - 16-18 Gauge (For Removal of Pin/Sockets from Deutsch Connectors)	
	4460510	1	Extractor - 12-14 Gauge (For Removal of Pin/Sockets from Deutsch Connectors)	
	7002822	1	Screwdriver, Potentiometer (To Adjust Drive Controllers)	
	7016654	1	Screwdriver, Magnetic	
	7004275	1	Seal Installation Tool - 1in	
	7004276	1	Seal Installation Tool - 1 1/2in	
	7002826	1	Seal Installation Tool - 2in	
	7016655	1	Wire Rope Sheave Gauge	
	7016652	1	Huck Bolt Fastener (For Small Huck Bolts Only)	
	2900838	1	U.S. Standards Fastener (Hardware) Kit	
	7014676	1	U.S. Standards Tool Kit	
	1001137005	1	Software Cable Kit	
	1001238825	Ref	Turntable Bearing Kit	
	0256344	Ref	Weld Leads Installation - 600A	
	0272772	Ref	Weld Leads Installation - 600AJ (1 Cable)	

PART NUMBER INDEX

PART NUMBER INDEX

0060066.....	198, 211	0256331	221	0274094	425, 429, 435	0630518....	129, 133, 266, 269, 271, 273, 279
0060068.....	193, 211	0256336	221	0274180	227	0630534....	296, 299, 301, 313, 317, 328
0080201.....	104	0256342	444	0274200	137, 235, 239	0630535....	296, 303, 305, 307, 319, 321, 328, 333, 339, 343, 345, 347
0100009.....	133, 233, 237	0256344	451	0274229	40	0630536....	309, 311, 323, 325
0100011....	13, 15, 19, 24, 25, 27, 39, 43, 47, 61, 68, 69, 70, 73, 77, 79, 84, 85, 91, 92, 93, 96, 97, 102, 103, 104, 121, 125, 129, 130, 133, 135, 137, 138, 144, 146, 150, 153, 155, 159, 163, 167, 171, 175, 183, 187, 193, 194, 198, 201, 203, 207, 208, 213, 217, 220, 221, 226, 251, 257, 266, 269, 271, 273, 295, 299, 303, 305, 309, 311, 313, 319, 321, 323, 327, 337, 339, 343, 345, 347, 361, 366, 371, 425, 431, 435	0256366	444	0274246	446	0630548.....	129, 133
010001961, 79, 153, 163, 167, 171, 177, 183, 187	0256487	426, 446	0274256	13	0630568.....	234, 238	
0100020....	68, 77, 79, 91, 93, 102, 105, 121, 122, 164, 172, 233, 238, 266, 279	0256488	426, 446	0274257	24	0641403....	177, 203, 207, 221, 222
0100035....	138, 221, 222, 233, 237	0256689	73	0274533	27	0641404..	24, 25, 77, 133, 150, 163, 167, 177, 233, 237
0100038.....	13, 295, 299, 303, 305, 309, 311, 313, 319, 321, 323, 327, 337, 339, 343, 345, 347, 361, 366, 371	0256690	73	0274618	391, 413	0641405....	144, 159, 171, 177, 187, 213, 394, 416
0100048.....	91, 102, 129, 133, 137, 155, 167, 213, 233, 237, 382, 384, 402, 405	0257176	391, 413	0274661	283	0641406....	47, 77, 79, 91, 104, 130, 135, 137, 163, 177, 226, 229, 425, 431, 435
0100062..	70, 82, 96, 121, 177	0257195	445	0274883	445	0641407..	69, 70, 92, 103, 130, 133, 144, 167, 213, 394, 416
0100063.....	24, 309, 323, 328	0257573	203, 204	0275039	159	0641408.....	79, 137, 226, 229, 431, 435
0100071.....	253	0257728	283	0275140	200, 382	0641409.....	68
0100079.....	119, 121, 167	0257887 ...	137, 390, 412	0275216	395, 418	0641410.....	70, 168
0100081....	203, 233, 237, 261	0258703	450	0275217	395, 418	0641412.....	77
0140001.....	47	0258966	444	0275218	395, 418	0641414.....	48, 227, 233, 237, 251, 253, 257
0140011.....	233, 237	0270528	43	0275219	395, 418	0641415.....	164
0140032.....	137, 390	0270818	382, 403	0275257 ...	187, 395, 418	0641416	48, 91, 102, 201, 213, 394, 416
0140044.....	137, 412	0270819	382, 403	0275261	447	0641418.....	226
0181949.....	122	0270820	200, 382	0275262	445	0641420.....	226
0200048.....	257	0270821	200, 383	0275265	382, 403	0641424.....	221
0200742.....	149	0270833	137	0275295	444	0641505.....	40, 102, 176, 187
0255281.....	208	0271123	446	0275452	394, 418	0641506....	102, 130, 133
0255288.....	208	0271475	444	0275453	394, 418	0641507.....	133, 221
0255382.....	391, 413	0271552 ...	137, 235, 239	0275454	395, 418	0641508.....	82, 150, 153, 155
0255410.....	61	0271895	446	0275651	392, 414	0641510.....	70, 82, 159
0255699.....	221	0272062	374, 450	0275652	392, 414	0641512.....	71
0255880.....	141	0272070	194, 201	0275653	392, 414	0641514.....	159, 283
0255927.....	445	0272254	271	0275654	392, 414	0641516.....	43, 163, 167, 171, 175, 183, 187, 203, 255
0255928.....	445	0272301	451	0275655	392, 414	0641518.....	227
0256202....	392, 413, 414	0272312	446	0275656	392, 414	0641522.....	208
0256276.....	444	0272418	261	0275660	392, 414	0641530.....	39
		0272427 ...	235, 239, 257	0275840	445	0641532.....	194, 200
		0272433	391, 413	0275860	27	0641536.....	208
		0272435 ...	179, 184, 188	0280171	13	0641552.....	39
		0272448	266, 271	0280185	13	0641604....	198, 339, 343
		0272521	269	0340041	104	0641606....	70, 104, 121, 122, 145, 146, 198, 203, 208, 221, 266, 269, 271, 273
		0272588	269	0362611	222	0641607..	48, 77, 91, 119, 138, 153, 184, 193, 198
		0272589	179	0362910	43	0641608....	15, 19, 24, 25, 40, 48, 73, 77, 79, 85, 102, 104, 144, 203
		0272599	266, 279	0363012	39		
		0272607	279	0370026	293		
		0272624	382, 403	0370035	309		
		0272625	200, 382	0400075 ..	68, 77, 91, 102		
		0272626	382, 403	0440018	24		
		0272627	201, 383	0440019	24		
		0272703	213	0440161	24		
		0272725	450	0440170	15, 19		
		0272733	450	0440171	15, 19		
		0272772	451	0440207	61		
		0272948	261	0480100	283		
		0272951	261	0480121	149		
		0273145	450	0480126	163, 177		
		0273146	450	0480129	163, 177		
		0273147	450	0480142 ...	159, 171, 187		
		0273149	450	0561076	193, 198		
		0273172	445	0561185	203, 207		
		0273353	266	0561237	201		
		0273428	200, 383	0561248	203		
		0273430	200, 383	0630407	79		
		0273492	227, 378	0630427	220		
		0273542	255	0630462	257		
		0273706 ...	235, 239, 257	0630464	233, 237		
		0273824 ...	235, 239, 257	0630467	221		
		0274047	13	0630490	16, 19, 24, 25		
		0274054	13	0630507	144		
		0274062	24				

PART NUMBER INDEX

0641609 . 70, 73, 79, 104, 141	0700816 96	0861781 392, 414	1001093382 ... 68, 77, 91, 103
0641610 ... 68, 70, 77, 84, 91, 104, 119, 145, 149, 203, 226, 229	0700818 96	0861880 394, 417	1001093389 447, 448
0641611 39, 198	0700820 159, 171, 187	0902206 137	1001093410 104, 109
0641612 82, 104, 125, 203	0701014 96	0902219 144	1001093432 200, 383
0641613 48	0701016 159, 171, 187	0902335 144	1001093436 382, 403
0641614 121, 198	0701026 97	0902751 233	1001093438 444
0641616 ... 164, 167, 178, 207	0701224 93	0902888 163, 167, 171, 177, 183, 187	1001093549 359, 365, 370
0641617 122	0710827 96	0902919 213	1001094475 449
0641618 39, 167, 178, 198, 203, 207	0711014 96	0902920 213	1001096070 164, 168, 394, 417
0641640 208	0711020 93	0903056 125	1001096134 180, 396, 420
0641708 82	0711216 96	0903119 137	1001097242 .. 15, 19, 337
0641710 159	0711223 95	0903484 394, 416	1001097822 194, 199
0641772 150, 153, 155	0720804 122	0903490 104	1001098012 266, 279, 281
0641808 ... 68, 77, 79, 92, 102, 103, 163, 167, 171, 177, 187, 194, 200	0721003 15, 19	0903612 394, 417	1001098149 279
0641809 203	0721004 43	0904009 144	1001098291 446
0641810 ... 141, 193, 198	0721005 257	0940049 144	1001098503 39
0641811 125	0721006 84, 144, 150, 153, 233, 237	0940070 ... 70, 79, 93, 104	1001098828 95, 217
0641812 69, 79, 103, 153, 194, 201, 217	0731005 257	0940071 144	1001099196 15
0641813 255	0741605 79, 198	0940088 144	1001099366 261
0641814 13	0741606 48	0940092 255, 257	1001099367 261
0641816 13	0741607 . 19, 25, 43, 163, 167, 178, 183, 193	0940094 255, 257	1001099387 15, 19
0641818 73, 121	0760605 82, 96	0940102 261	1001099391 49
0641820 70, 125	0760606 184	0940103 257	1001099421 261
0641822 213	0760608 40, 93, 183	0940131 255	1001099422 261
0641824 125	0760610 93, 96, 155, 183	0940133 257	1001099572 450
0641826 104	0760612 91, 93	0940134 257	1001099835 203
0641828 104	0760615 96	0940177 257	1001099836 208
0642010 ... 43, 68, 77, 91, 102	0760807 96	0961845 226	1001099869 150
0642012 ... 13, 15, 19, 24, 261	0760810 ... 77, 79, 91, 93	0961890 335	1001100120 39
0642024 213	0760812 91, 93, 96	0961893 295, 299, 301, 313, 317, 327	1001100233 150
0642026 261	0760814 93	0961894 295, 303, 305, 327	1001100234 150
0642212 261	0760815 91, 93	0961896 339, 343, 345, 347	1001100321 149
0642612 137, 138	0760817 96	0961897 319, 321	1001100341 395, 418
0642684 ... 194, 201, 213, 217	0761008 78, 92	0961898 309, 311	1001100342 395, 418
0651406 48	0761014 93, 141, 217	0961899 323	1001100343 395, 418
0681608 24, 25, 194, 201, 213, 217	0761015 82, 93	0961947 198, 295, 299, 301, 327, 331	1001100344 395, 418
0681620 79, 285, 287, 289	0761016 93	0961948 193, 198, 207, 319, 321	1001100345 395, 418
0681710 27	0761018 183	0961949 193, 198, 203, 309, 311, 323, 325	1001100346 395, 418
0681812 92	0761019 155	0961950 13	1001100347 392, 414
0681814 231	0761210 82	0961951 193, 198, 207, 295, 303, 305, 307, 327, 333	1001100398 392, 414
0681820 85	0771014 93	0961986 ... 70, 79, 93, 104	1001100399 392, 414
0681822 79, 85, 231	0771212 77, 79	0962005 24, 25	1001100400 392, 414
0682018 61	0771414 70, 73, 82, 85	0962051 141	1001100401 392, 414
0682020 15	0771415 85, 164, 178	0962131 15, 19, 24	1001100402 392, 414
0682218 61	0801019 193, 198, 203	0962270 231	1001100403 392, 414
0682424 285, 287, 289	0801085 203	0962272 24, 25	1001101060 61, 64
0700408 394, 416	0801637 203	0962292 19, 25	1001101191 394, 417
0700615 138	0811606 207	0962299 19, 25	1001101421 261
0700617 138	0811607 207	0962335 199	1001101422 261
0700808 70	0811608 207	0962336 313, 315, 317	1001102599 129, 134
0700810 93, 104	0811610 207	0962348 19, 25	1001102600 129, 134
0700812 93	0840055 213	0962356 15, 19, 337	1001102647 261
0700814 85, 93	0860038 ... 163, 167, 171, 176, 183, 187, 392, 414	0962449 150	1001103308 135
	0860520 425, 431, 435	0962450 213	1001103667 129, 134, 440
	0861537 233, 234	0962520 164, 167, 171, 178, 183, 187	1001104423 361, 367, 371
	0861538 178, 183, 187	1001091587 103	1001104982 445
	0861541 178, 188	1001091793 105	1001104983 445
	0861542 ... 175, 178, 187, 188, 396, 419	1001091892 105	1001104984 445
	0861567 ... 175, 176, 178, 396, 419	1001093248 105	
	0861572 178		
	0861731 392, 414		

PART NUMBER INDEX

1001105872.....105	1001112743.....378, 391, 412	1001118417.....233, 241	1001128527.....273
1001106339.....387, 408	1001113483.....213	1001119020.....402	1001128556.....273
1001106340.....387, 408	1001113984.....27, 31	1001119561.....447	1001128901.....94
1001106355.....233	1001114127.....448	1001119942.....445	1001128988.....446
1001106480.....221, 222	1001114600.....105	1001119948.....445	1001129555.....441
1001106736.....130, 134	1001114601.....104	1001119968.....180, 396, 420	1001129858.....163, 171
1001106758.....208	1001114639.....103	1001120328.....251	1001130041.....71
1001106759.....208	1001114640.....102	1001121340.....179, 180, 188, 189	1001131168.....234, 238
1001106938.....233, 237, 440	1001114641.....103	1001121592.....257	1001131269.....426, 432
1001106974.....125	1001114642.....102	1001121593.....258	1001131992.....378
1001106975.....125	1001114872.....188	1001121612.....445	1001132055.....378
1001107153.....208	1001114873.....188	1001121655.....431	1001133714.....389, 411
1001107498.....125	1001115391.....175, 395, 418	1001121656.....431	1001133715.....389, 411
1001107499.....125	1001115392.....175, 395, 418	1001121657.....235, 239	1001133956.....388, 410
1001107753.....234, 382, 402, 403	1001115405.....149	1001121800.....425	1001133957.....388, 410
1001107926.....235, 239	1001115406.....149	1001121801.....425	1001134488.....80, 95
1001108256.....235, 239, 257	1001115409.....149	1001121802.....431	1001135138.....80
1001108493.....426, 432	1001115889.....130, 135	1001121803.....431	1001135600.....27, 35
1001108718.....447	1001115915.....130, 135	1001121804.....431	1001135650.....389, 411
1001108763.....235, 238	1001115918.....130, 135	1001121805.....431	1001135651.....389, 411
1001108764.....235, 239	1001115930.....104, 448	1001121806.....431	1001135679.....80
1001108923.....425	1001115931.....93, 104, 448	1001121807.....431	1001136079.....80, 448
1001109475.....394, 417	1001115967.....130, 135	1001121808.....431	1001136104.....183
1001109477.....394, 417	1001115970.....445	1001121809.....431	1001136172.....80, 448
1001109482.....394, 417	1001115974.....200, 383, 444	1001121810.....431	1001136590.....207
1001109503.....134	1001116131.....105	1001121811.....431	1001136667.....27, 39
1001109554.....394, 417	1001116183.....105	1001121812.....431	1001136668.....27, 39
1001109684.....448	1001116200.....105	1001121813.....425	1001136669.....27, 39
1001110133.....448	1001116240.....68, 387, 409	1001121814.....425	1001136670.....27, 39
1001110345.....378	1001116419.....444	1001121815.....430, 431	1001136672.....27, 35
1001110359.....130, 385	1001116420.....444	1001121816.....431	1001136834.....80
1001110361.....130, 385	1001116515.....200, 383, 444	1001121817.....431	1001136988.....176
1001110367.....129, 384	1001116692.....406	1001121819.....430	1001137005.....398, 421, 451
1001110368.....129, 384	1001116693.....412	1001121820.....430	1001137276.....80
1001110369.....129, 384	1001116710.....389, 411	1001121821.....431	1001137440.....451
1001110370.....129, 384	1001116727.....388, 410	1001121822.....430	1001137672.....450
1001110371.....129, 384	1001116844.....446	1001121823.....431	1001137673.....251
1001110372.....129, 384	1001116845.....429	1001121824.....430	1001137845.....144
1001110379.....130, 134, 135, 385, 386, 405, 407, 408	1001116846.....429, 446	1001121825.....431	1001137860.....145
1001110380.....378, 385	1001116847.....430	1001121918.....431	1001137863.....121
1001110381.....378, 385	1001116848.....430	1001121921.....431	1001137865.....121
1001110425.....78, 168	1001116849.....430	1001122200.....431	1001137866.....78, 184
1001110434.....233, 238	1001116850.....430	1001122201.....430	1001137868.....77, 91
1001110500.....203	1001116851.....430	1001122528.....378, 396, 419	1001137873.....79
1001110501.....204	1001116852.....430	1001125229.....450	1001137874.....79
1001110872.....175, 395, 419	1001116861.....432	1001125230.....450	1001137876.....144
1001110873.....163, 167, 172, 175, 184, 393, 395, 415, 418	1001116862.....432	1001125387.....426, 432	1001137880.....77
1001110974.....450	1001116952.....388, 410	1001125492.....61	1001137881.....77
1001111021.....129	1001116983.....389, 411	1001125784.....134	1001137882.....77
1001111514.....121	1001116992.....403	1001125785.....134	1001137885.....61
1001112551.....436	1001117039.....145	1001126351.....388, 410	1001137891.....141
1001112586.....179, 378, 396, 419	1001117078.....180, 396, 420	1001126352.....388, 410	1001137892.....141
1001112587.....180, 396, 420	1001117172.....226, 233, 238	1001126353.....388	1001137895.....47
1001112588.....378, 391, 412	1001117174.....226, 233, 238	1001126356.....388, 410	1001137896.....61
1001112589.....391, 413	1001117294.....448	1001126357.....388, 410	1001138110.....388, 410
1001112612.....387, 408	1001117308.....80, 440	1001126362.....389, 411	1001138111.....389, 410
	1001118133.....121	1001126363.....389, 411	1001138113.....389, 410
	1001118416.....233, 247	1001126364.....389, 411	1001138170.....82
		1001126365.....389, 411	1001138173.....80, 94
		1001126384.....388, 410	1001138175.....80, 94
		1001126391.....389, 411	1001138228.....80, 440
		1001126484.....407	1001138248.....80, 94
		1001126485.....407	1001138436.....207
		1001127095.....445	1001138491.....78, 389, 411
			1001138494.....226
			1001138514.....226

PART NUMBER INDEX

1001138557 80	1001141968..... 392, 393, 415	1001145330..... 168, 178	1001150715 367, 370, 371
1001138565 163	1001141969..... 393, 415	1001145379..... 47, 220	10011507157 361
1001138566 163, 167, 171	1001141995..... 81, 94	1001145405..... 266, 279	1001150716 359, 365
1001138717 82	1001142501..... 77, 81, 85	1001145719..... 47, 220	1001150717 359, 365, 370
1001138772 450	1001142504..... 450	1001145720..... 47, 220	1001150718 360, 365, 370
1001138773 450	1001142505..... 450	1001145721..... 47, 220	1001150720 359
1001138792 199, 313	1001142538..... 81	1001145750..... 84	1001150727 359, 374
1001138795 313, 317	1001142615..... 81	1001145751..... 84	1001150728 359, 375
1001138796 296, 305, 307, 328, 333	1001142623..... 81	1001145834..... 226, 233, 382	1001150890 73
1001138798 199, 295	1001142634..... 81	1001145835..... 226	1001150915 71
1001138799 198, 327	1001142635..... 81	1001145992..... 130, 135, 385, 386, 405, 408	1001150918 ... 69, 78, 92, 103
1001138827 80	1001142636..... 81	1001145994..... 385	1001150944 138, 412
1001139099 448	1001142643..... 168, 178	1001146368..... 71	1001150998 70
1001139130 445	1001142646..... 168, 177	1001146827..... 28	1001151010 122
1001139135 234, 238, 403	1001142648..... 81	1001146828..... 28	1001151067 446
1001139148 445	1001142668..... 81	1001147019..... 28	1001151070 68
1001139240 80	1001142669..... 81	1001147020..... 28	1001151078 71
1001139357 164	1001142670..... 81	1001147067..... 28	1001151206 71
1001139409 80, 85	1001142678..... 374, 449	1001147068..... 28	1001151251 71
1001139429 80	1001142683..... 138, 139	1001147264..... 388, 410	1001151252 73
1001139654 432	1001142689..... 81	1001148138 153	1001151253 73
1001139813 80, 83	1001142694..... 138	1001148161 15	1001151268 121, 122
1001139819 71	1001142722..... 138	1001148162 15	1001151349 357, 374
1001139956 163	1001142733..... 81	1001148163 15	1001151350 357, 374
1001139957 163	1001142736..... 138, 139, 412	1001148164 19	1001151358 353
1001139960 171	1001142938..... 389, 411	1001148165 19	1001151364 351
1001140312 82	1001142940..... 389, 411	1001148166 19	1001151365 351
1001140315 450	1001142941..... 389, 411	1001148168 13	1001151366 357
1001140318 450	1001143075..... 446	1001148169 13	1001151367 357
1001140346 167	1001143256..... 451	1001148170 13	1001151379 445
1001140347 167	1001143390..... 71, 81	1001148171 13	1001151380 445
1001140416 351, 374	1001143431..... 138	1001148172 13	1001151391 121
1001140417 374	1001143496..... 359, 365	1001148178 19, 20	1001151393 129
1001140418 353, 374	1001143510..... 446	1001148641 82	1001151542 204
1001140419 374	1001143669..... 450	1001148652 207	1001151584 40
1001140420 353, 374	1001143726. 81, 388, 410	1001148664 48, 59	1001151586 204
1001140421 374	1001143797..... 81	1001148902..... 447	1001151630 71
1001140429 226	1001143852..... 432, 436	1001148903..... 447	1001151631 70
1001140449 351, 353	1001143907. 81, 388, 409	1001148904 447	1001151635 70
1001140451 353	1001144018..... 225	1001148905 447	1001151670 145, 146
1001140454 81	1001144019..... 225	1001148906 447	1001151752 378
1001140455 353	1001144021..... 225	1001148971 449	1001151826 207
1001140456 353	1001144022..... 225	1001149126 447	1001151841 69
1001140458 353	1001144023..... 225	1001149160 94, 96	1001151842 69
1001140466 85	1001144024..... 225	1001149639 94	1001151843 68
1001140535 81	1001144026..... 225	1001149703 73	1001151844 68
1001140564 81	1001144027..... 225	1001149704 71	1001151856 411
1001140623 446	1001144041..... 49	1001149705 71	1001151897 40
1001141300 446	1001144409..... 81	1001149706 71	1001151900 445
1001141302 446	1001144410..... 81, 94	1001149730 450	1001151966 13
1001141304 81, 388, 409	1001144411..... 81, 94	1001149793 71	1001152031 194
1001141471 446	1001144412..... 81	1001149818..... 138, 390	1001152046 40
1001141585 82, 94	1001144433..... 238	1001149924 261	1001152049 40
1001141693 71	1001144596..... 231	1001149927 61	1001152066 121
1001141694 71	1001144597..... 231	1001149955 138	1001152070 121
1001141718 77	1001144629..... 225	1001149994 138, 139	1001152127 207
1001141870 85	1001145036..... 129, 384	1001150158 70	1001152130 207
1001141926 79	1001145037..... 129, 384	1001150179 70	1001152131 207
1001141927 79	1001145046..... 130, 385	1001150391 61	1001152138 194, 207
1001141928 77	1001145047. 78, 387, 408	1001150406 138	1001152172 374, 449
1001141929 79	1001145154..... 81	1001150569 43	1001152173 135
1001141930 79	1001145227..... 175, 395, 418	1001150570 43	1001152175 135
1001141931 77	1001145228..... 175, 418	1001150571 43	1001152181 61
1001141967 392, 414	1001145292..... 61	1001150712 360	
		1001150714 359	

PART NUMBER INDEX

1001152221.....69	1001154151..... 144	1001156980..... 429	1001160962..... 146
1001152222.....69	1001154231..... 451	1001156981..... 429	1001160963..... 146
1001152223.....68	1001154388..... 135, 406	1001156982..... 429	1001160964..... 146
1001152224.....68	1001154390..... 135, 405, 406	1001156983..... 429	1001161025..... 145
1001152234.....61	1001154392..... 135, 406	1001156984..... 429	1001161026..... 146
1001152246.....207	1001154395..... 378, 406	1001156985..... 429	1001161027..... 146
1001152249.....207	1001154396..... 378, 406	1001156986..... 429	1001161029..... 365, 370
1001152253..... 199, 207	1001154405..... 77, 82, 84	1001156987..... 435	1001161030..... 366, 371
1001152254..... 375	1001154502..... 445	1001156988..... 435	1001161031..... 366
1001152265..... 47, 220	1001154514..... 144	1001157013..... 445	1001161032..... 367, 372
1001152325..... 146	1001154670..... 133, 405	1001157220..... 198, 211	1001161033..... 367, 372
1001152340..... 445	1001154671..... 133, 405	1001157222..... 193, 211	1001161034..... 372
1001152355..... 194, 200, 203	1001154672..... 133, 405	1001157520..... 179, 184, 189	1001161035..... 367
1001152428..... 121	1001154673..... 133, 405	1001157521..... 178, 184, 189	1001161036..... 367, 370, 372
1001152429..... 180, 420	1001154674..... 133, 405	1001157525..... 176, 178, 419	1001161038..... 374
1001152433..... 144	1001154675..... 133, 405	1001157528..... 179, 184, 189	1001161039..... 374
1001152435..... 144	1001155043..... 135	1001157592..... 175, 178, 184, 187, 189, 396, 419	1001161040..... 374
1001152448..... 13	1001155044..... 135, 234, 238	1001157605..... 375	1001161059..... 145, 146
1001152457..... 164, 168, 172	1001155093..... 194, 200	1001157768..... 189, 378, 419	1001161160..... 367, 372
1001152489..... 81	1001155094..... 199	1001157769..... 179, 378, 419	1001161417..... 208
1001152491..... 353	1001155096..... 193, 199	1001157770..... 180, 378	1001161761..... 40
1001152499..... 353	1001155097..... 194, 200	1001157965..... 450	1001162335..... 78, 84
1001152503..... 444	1001155098..... 193	1001158007..... 179, 184, 190	1001162828..... 207
1001152504..... 444	1001155189..... 198	1001158008..... 179, 184, 190	1001163131..... 261
1001152505..... 444	1001155267..... 220	1001158363..... 164, 168, 172	1001163296..... 261
1001152506..... 444	1001155379..... 351	1001158810..... 193, 199	1001163297..... 261
1001152525..... 184, 189, 396, 419	1001155385..... 81	1001159096..... 226	1001163599..... 153, 167, 177
1001152527..... 351, 353	1001155399..... 220	1001159099..... 226, 233	1001164091..... 164, 168
1001152529..... 351, 353	1001155574..... 15, 19, 20	1001159121..... 413	1001164160..... 47, 220
1001152530..... 164, 168, 172	1001155663..... 367, 372	1001159256..... 234, 238	1001164164..... 47, 220
1001152532..... 164, 168, 171	1001155669..... 367, 372	1001159323..... 435	1001164168..... 47, 220
1001152534..... 47, 220	1001155670..... 367, 372	1001159648..... 378	1001164170..... 47, 220
1001152535..... 47, 220	1001155671..... 367, 372	1001159692..... 193	1001164277..... 365, 375
1001152537..... 47, 220	1001155672..... 367, 372	1001159693..... 198	1001164281..... 145, 146
1001152539..... 193	1001155673..... 367, 372	1001159694..... 198	1001164329..... 365, 374
1001152540..... 198	1001155675..... 367, 372	1001159703..... 365, 374, 375	1001164563..... 135, 406
1001152556..... 145	1001155677..... 367, 372	1001159704..... 365, 375	1001164564..... 378, 406
1001152557..... 145	1001155678..... 367, 372	1001159707..... 367, 372	1001165035..... 77, 93
1001152561..... 49, 55	1001155823..... 78	1001160000..... 426, 432, 436	1001165350..... 201
1001152564..... 221, 222	1001156351..... 394, 416	1001160003..... 145, 146	1001165366..... 200, 403
1001152565..... 221, 222	1001156352..... 393, 416	1001160004..... 144, 145	1001165547..... 133, 405
1001152598..... 359, 374	1001156353..... 410	1001160034..... 144, 145	1001165548..... 133, 405
1001152609..... 359, 375	1001156489..... 404	1001160038..... 47, 220	1001165551..... 201, 403
1001152619..... 374	1001156490..... 404	1001160039..... 47, 220	1001165552..... 200, 403
1001152620..... 374	1001156501..... 200, 207	1001160047..... 145	1001165553..... 201, 403
1001152639..... 200	1001156502..... 207	1001160068..... 47, 220	1001165554..... 200, 403
1001152771..... 445	1001156819..... 103	1001160069..... 47, 220	1001165555..... 200, 403
1001152887..... 49, 55	1001156821..... 102	1001160074..... 137	1001165556..... 200, 403
1001152960..... 445	1001156823..... 102	1001160077..... 138	1001165557..... 200, 403
1001152965..... 451	1001156826..... 102	1001160189..... 145	1001165558..... 200, 403
1001153025..... 378	1001156889..... 425	1001160190..... 145, 146	1001165559..... 200, 403
1001153197..... 164, 168, 172	1001156890..... 425	1001160271..... 378	1001165741..... 146
1001153257..... 378	1001156891..... 425, 430, 435	1001160272..... 413	1001165842..... 81
1001153259..... 168	1001156892..... 447	1001160598..... 145	1001166394..... 146
1001153260..... 164, 168, 172	1001156972..... 429	1001160961..... 145	1001166538..... 233, 238, 249
1001153321..... 382, 403	1001156973..... 429		1001166539..... 233, 238, 243
1001153322..... 200, 403	1001156974..... 429		1001166672..... 226, 233
1001153636..... 164, 168, 417	1001156975..... 429		1001166790..... 449
1001153638..... 414	1001156976..... 429		1001166791..... 449
	1001156977..... 429		1001166960..... 448
	1001156978..... 435		1001167020..... 448
	1001156979..... 429		1001167041..... 81
			1001167565..... 217

PART NUMBER INDEX

1001167567 217	1001181045..... 417	1001189116..... 238	1001201996 135
1001167596 217	1001181046..... 417	1001189666..... 370, 375	1001202082 447
1001168018 94	1001181056..... 193, 211	1001189667..... 370, 374	1001202122 447
1001168402 217	1001181148..... 448	1001189668..... 370, 375	1001202280 119
1001169054 82, 94	1001181243..... 153	1001189669..... 370, 374, 375	1001202281 119
1001169138 82, 94	1001181895..... 82	1001189979..... 94	1001202331 447
1001169384 199	1001181899..... 82	1001190089..... 226, 237	1001202368 85
1001169610 73, 146	1001182138..... 253	1001190113..... 226	1001202397 447
1001170035 94	1001182599..... 447	1001190775..... 93, 448	1001202398 447
1001170797 417	1001182906..... 73	1001190985..... 217	1001202573 226, 237
1001171018 450	1001182997..... 82, 121	1001191394..... 448	1001202577 226, 233
1001171126 167	1001183407..... 449	1001191395..... 448	1001202749 448
1001171131 413	1001184881..... 28	1001191610..... 94	1001203655 231
1001171268 167	1001185078..... 447	1001191708..... 253	1001203656 231
1001171403 411	1001185280..... 238, 402, 403	1001191862..... 133	1001204150 135
1001172045 444	1001185281..... 238	1001191863..... 133	1001204296 449
1001172535 365, 370	1001185897..... 135, 405, 407	1001191866..... 135, 406	1001204325 82
1001172663 217	1001186333..... 231	1001191867..... 135, 406	1001204458 448
1001172760 233, 238	1001186334..... 231	1001191868..... 135, 406	1001204460 448
1001172793 78	1001186375..... 225	1001191877..... 133	1001204667 119
1001173535 96	1001186377..... 225	1001191878..... 133	1001204725 217
1001173590 385, 406	1001186379..... 225	1001191879..... 133	1001204884 444
1001173896 121	1001186382..... 225	1001191909..... 133	1001204904 449
1001174093 103	1001186383..... 225	1001191912..... 133	1001204923 449
1001174486 91, 102	1001186384..... 225	1001191913..... 133	1001204924 449
1001175816 449	1001186386..... 225	1001192401..... 408	1001205010 444
1001176012 79	1001186387..... 225	1001193018..... 417	1001205011 444
1001176013 79	1001186426..... 95	1001193632..... 447	1001205012 444
1001176014 77	1001186431..... 238, 403, 451	1001193682..... 449	1001205013 444
1001176015 79	1001186517..... 251	1001193683..... 372	1001205043 134
1001176016 79	1001186542..... 112	1001194197..... 414	1001205044 134
1001176017 77	1001187508..... 251	1001194198..... 414	1001205051 81
1001176225 81	1001187781..... 93	1001194200..... 414	1001205175 450
1001176226 81	1001188015..... 133, 405	1001194203..... 414	1001205499 138
1001176296 137, 235, 239	1001188016..... 133, 405	1001194204..... 414	1001206311 451
1001176329 94	1001188042..... 135	1001194365..... 413	1001206477 450
1001176372 451	1001188467..... 145, 146	1001194437..... 378	1001207004 139
1001176419 81	1001188622..... 217	1001195304..... 450	1001207305 138
1001176469 135	1001188844..... 217	1001195610..... 451	1001207345 28
1001176511 81	1001188857..... 138	1001196382..... 183	1001207346 28
1001176667 449	1001188874..... 135	1001196613..... 445	1001207792 145
1001176723 81	1001188877..... 119	1001196634..... 87	1001207969 221
1001177038 85	1001188887..... 119	1001196710..... 445	1001209059 450
1001177043 85	1001188889..... 251	1001197016..... 450	1001209282 451
1001177157 103	1001188890..... 357	1001197017..... 257	1001209347 449
1001177161 103	1001188891..... 357	1001197067..... 138	1001209348 449
1001177359 82	1001188952... 69, 79, 112	1001197408..... 436	1001209349 449
1001177399 85	1001188953. 92, 104, 112	1001197850..... 446	1001209350 449
1001177694 447	1001188954..... 69	1001197850..... 446	1001209628 449
1001178004 378	1001188955..... 69	1001199784..... 119	1001209629 449
1001178223 82	1001188956..... 77	1001200120..... 446	1001209664 251
1001178256 198, 211	1001188957..... 79	1001200121..... 446	1001209869 138
1001178512 122	1001188958..... 79	1001200122..... 446	1001210025 451
1001178789 125	1001188959..... 103	1001200124..... 446	1001210026 450
1001178876 82	1001188960..... 103	1001200125..... 446	1001210089 451
1001179154 178, 184, 188, 189, 419	1001188963..... 68	1001200126..... 446	1001210090 451
1001179837 153	1001188964..... 68	1001200127..... 446	1001210448 97
1001180001 153	1001188965..... 77	1001200234..... 450	1001211794 96, 97
1001180050 412	1001188966..... 102	1001200293..... 451	1001211799 449
1001180052 413	1001188967..... 102	1001200491..... 217	1001212223 176
1001180093 134	1001188972... 69, 78, 92, 103	1001200494..... 217	1001212223 176
1001180094 134	1001189001..... 217	1001200575..... 235, 238	1001212415 441
1001180287 153	1001189002..... 217	1001200910..... 139	1001212515 449
1001180620 82, 94		1001201351..... 217	1001213045 96
1001180861 446		1001201890..... 233, 234	1001213181 447
		1001201891..... 238	1001213219 447
		1001201995..... 135	1001213220 447
			1001213221 447

PART NUMBER INDEX

1001213222.....	447	1001216844.....	105	1001219473.....	47, 221	1001227472.....	444
1001213223.....	447	1001216845.....	104	1001219474.....	47, 221	1001227666.....	95
1001213227.....	447	1001216846.....	103	1001219475.....	47, 221	1001227667.....	96
1001213357.....	94	1001216847.....	103	1001219476.....	47, 221	1001227769.....	96
1001213447.....	402	1001216848.....	102	1001219477.....	47, 220	1001227772.....	97
1001213584.....	416	1001216849.....	102	1001219478.....	47, 221	1001228002.....	193, 331
1001213585.....	416	1001216910.....	96	1001219630.....	156	1001228003.....	193, 198, 325
1001213605.....	449	1001216911.....	92	1001219632.....	156	1001228004.....	193, 198, 321
1001213607.....	449	1001216912.....	91	1001219973.....	229, 237	1001228005.....	207, 341
1001213655.....	413, 414	1001216919.....	95	1001220153.....	444	1001228006.....	203, 347
1001213810.....	96	1001216951.....	95	1001220215.....	97	1001228007.....	207, 343
1001213882.....	238	1001216995.....	95	1001220281.....	238, 402	1001228008.....	193, 301
1001214030.....	445	1001217032.....	95	1001220379.....	410	1001228012.....	199, 315
1001214463.....	451	1001217046.....	95	1001220404.....	97	1001228042.....	193, 199, 311
1001214478.....	450	1001217082.....	95	1001220486.....	234, 238	1001228051.....	199, 307
1001214507.....	135, 406	1001217089.....	95	1001220510.....	426, 432	1001228052.....	198, 333
1001214515.....	450	1001217090.....	95	1001220511.....	426, 433	1001228215.....	225
1001214540.....	450	1001217095.....	416	1001220512.....	426, 432	1001228363.....	451
1001214548.....	450	1001217096.....	416	1001220864.....	426, 432	1001228376.....	225
1001214552.....	450	1001217146.....	95	1001221208.....	185, 420	1001228377.....	225
1001214559.....	450	1001217170.....	93	1001221397.....	97	1001228417.....	345
1001214561.....	450	1001217174.....	95	1001221464.....	93	1001228577.....	451
1001214562.....	450	1001217175.....	95	1001221488.....	91	1001228946.....	444
1001214747.....	29	1001217183.....	95	1001221498.....	185, 378, 419	1001228988.....	266, 267, 269, 271, 273, 277, 279
1001214748.....	28	1001217184.....	93	1001221545.....	97	1001229007.....	426, 432, 436
1001214827.....	97	1001217185.....	95	1001221613.....	370	1001229107.....	444
1001214862.....	105	1001217186.....	95	1001221614.....	370	1001230635.....	81
1001215016.....	407	1001217187.....	183, 418	1001221615.....	95	1001231180.....	277
1001215086.....	446	1001217188.....	155	1001221703.....	229	1001231183.....	277
1001215091.....	407	1001217294.....	97	1001221897.....	445	1001231235.....	277
1001215142.....	91	1001217418.....	92	1001222033.....	95	1001231676.....	28
1001215228.....	238	1001217419.....	92	1001222199.....	446	1001231677.....	28
1001215384.....	97	1001217420.....	92	1001222641.....	97	1001231678.....	27
1001215413.....	93	1001217421.....	92	1001222665.....	78, 411	1001231801.....	426
1001215534.....	407	1001217422.....	92	1001223042.....	94	1001231949.....	289
1001215647.....	94	1001217543.....	95	1001223055.....	426	1001231950.....	285, 287
1001215674.....	94	1001217562.....	97	1001223331.....	199, 303	1001232010.....	285, 287, 289
1001215681.....	94	1001217567.....	435	1001223332.....	303, 305	1001232011.....	285, 287, 289
1001215899.....	94	1001217645.....	92	1001223335.....	199, 305	1001232842.....	87
1001215974.....	95	1001217780.....	198, 211	1001223453.....	426, 432	1001232880.....	203
1001216015.....	153	1001217832.....	445	1001223511.....	299	1001233237.....	444
1001216065.....	96	1001218022.....	447	1001223512.....	193, 299	1001233763.....	78, 87
1001216071.....	97	1001218362.....	95	1001223584.....	95	1001234099.....	445
1001216075.....	95	1001218393.....	450	1001223899.....	199	1001235122.....	446
1001216086.....	95	1001218449.....	95	1001223923.....	94	1001235457.....	71
1001216092.....	95	1001218547.....	141	1001223971.....	432	1001235466.....	68
1001216144.....	97	1001218548.....	141	1001224048.....	432	1001235467.....	69
1001216160.....	97	1001218572.....	92	1001224049.....	432	1001235468.....	70
1001216204.....	95	1001218599.....	95	1001224050.....	432	1001235948.....	145
1001216205.....	95	1001218600.....	95	1001224051.....	432	1001236211.....	445
1001216212.....	407	1001218622.....	416	1001224052.....	432	1001236338.....	426
1001216300.....	97	1001218623.....	416	1001224053.....	432	1001236746.....	289
1001216390.....	184	1001218638.....	92	1001224136.....	378, 406	1001236747.....	285
1001216391.....	156	1001218708.....	446	1001224419.....	96	1001236891.....	285, 287, 289
1001216393.....	96	1001218930.....	184	1001224431.....	96	1001236895.....	285, 287, 289
1001216531.....	95, 96	1001219071.....	93	1001224432.....	95	1001236951.....	449
1001216532.....	93	1001219072.....	92	1001224486.....	95	1001236997.....	446
1001216533.....	93	1001219073.....	91	1001224489.....	95	1001237882.....	447
1001216534.....	93	1001219224.....	133, 405	1001224892.....	208		
1001216535.....	93	1001219225.....	133, 405	1001224927.....	374		
1001216536.....	97	1001219325.....	97	1001225510.....	96		
1001216616.....	97	1001219445.....	95	1001225580.....	238, 403		
1001216619.....	97	1001219448.....	95	1001226744.....	221		
1001216630.....	214, 217	1001219454.....	95	1001226872.....	226		
1001216768.....	96	1001219456.....	95	1001227309.....	416		
1001216769.....	96	1001219471.....	47, 220	1001227310.....	416		
1001216810.....	96	1001219472.....	47, 220				

PART NUMBER INDEX

1001237883	447	1320224	213	1684418.....	24, 25, 335	1703943	429
1001238263	285, 287, 289	1320243	194, 200	1684465.....	13, 293	1703944	429
1001238463	287	1320302 ...	266, 269, 271, 273	1684498.....	193, 199, 309	1703945	429
1001238825	451	1320314	208	1700818.....	425, 431	1703947	430
1001238895	447	1320323	102	1701435.....	435	1703948	430
1001239617	449	1321283	92, 93	170150568, 77, 425, 431, 435		1703949	430
1001241405	449	1321700	201	1701509....	261, 425, 429, 435	1703950	430
1001241406	449	1321716	78, 82, 91	1701518.....	435	1703951	430
1001241578	68	1340060	104	1701518.....	435	1703953	425
1001243344	446	1380147	141	1701529....	425, 429, 435	1703980	430
1001243895	87	1580011	93, 104	1701542.....	91, 102, 425, 431	1703981	430
1001248012	199, 317	1580012	227	1701542.....	91, 102, 425, 431	1703982	430
100150714	365, 370	1580013	227	1701543.....	91, 102, 425, 431	1703983	430
1060279	431, 435	1600244	397, 421	1701643.....	28	1703984	430
1060341 ...	257, 390, 412	1600387	213	1701643.....	28	1703990	432
1060343 ...	179, 184, 188, 189, 396, 419	1670767	144	1702265.....	426	1704000	429, 446
1060379	277, 283	1670769	201	1702271	432	1704001	429, 446
1060461	391, 413	1670824	221, 222	1702271	432	1704174 ...	426, 432, 436, 445
1060494 ...	178, 188, 189, 391, 396, 397, 413, 419, 420, 421	1670829 ...	129, 133, 233, 237	17023987	432	1704175	436, 445
1060584	43	1670964	221	1702565.....	234, 237	1704260	234, 237
1060625	69, 78, 103	1671034	201	1702566.....	234, 237	1704271	431
1060626 ..	69, 78, 92, 103	1671092 ...	179, 184, 188, 189, 393, 396, 416, 419	1702567	234, 237	1704272	43
1060633	397, 421	1671093 ...	266, 271, 393, 416	1702617	432	1704272 ...	425, 429, 435
1060637 ..	68, 79, 92, 103	1671093 ...	266, 271, 393, 416	1702676.....	226, 229	1704277 ...	425, 429, 435
1060708 ...	179, 188, 396, 419	1671216	146	1702720.....	431	1704412 ...	425, 429, 435
1060896	383, 403, 404	1683053 ...	295, 299, 313, 327	1702740.....	28	1704578	43
1060903	257	1683054	339, 345	1702773....	231, 425, 431, 435	1704885 ...	425, 431, 435
1060908	394, 417	1683055 ...	295, 303, 305, 327	1702774....	425, 431, 435	1704972	69, 78
1060918 ...	226, 233, 238, 382, 402	1683061	319	1702788....	426, 432, 436, 445	1705014	231
1060919	231	1683067	309	1702818....	425, 430, 435	1705084	435
1060977	397, 420	1683069	323	1702819....	425, 430, 435	1705090	43, 425, 431, 435
1061033	384, 404	1683263	198, 327	1702860....	425, 431, 435	1705132	234
10702077 ..	179, 184, 189	1683266	193, 327	1702861....	425, 431, 435	1705170 ...	137, 138, 235, 239
10702082 ..	179, 184, 189	1683288	193, 198, 323	1702868....	266, 271, 273, 277, 279, 425, 446	1705305 ...	266, 269, 271, 273, 277, 279
1120304	16, 19	1683294	193, 198, 319	1702938....	235, 239, 257	1705336	425
1120460	24, 25	1683307	207, 339	1702941 ...	69, 78, 92, 103	1705344	430
1120487	121	1683308	339	1702942...	69, 78, 92, 103	1705345	430
1120552	28	1683312	203, 345	1702943...	69, 78, 92, 103	1705347	430
1120555	261	1683313	345	1702944...	69, 78, 92, 103	1705351	426
1260017	61	1683314	345	1702961	426	1705355 ...	266, 269, 271
1271538	213	1683317	207, 339	1702962	426	1705358	262
1282571	378	1683318	339	1703162...	70, 82, 93, 104	1705364	28
1283309	374	1683415	193, 295	1703479.....	436, 445	1705374 ...	164, 167, 172, 179, 189
1283403	425, 429, 435	1683418	199, 295	1703534....	361, 366, 371	1705375 ...	179, 184, 189, 266, 271, 273
1283429	357, 374	1683609	199, 313	1703544.....	432	1705376	179, 188
1300019	28	1683949	327	1703683.....	283	1705387 ...	164, 168, 172, 179, 185, 189
1320012	104	1683952	295	1703687....	426, 432, 436	1705426	432
1320016	70, 104	1683962	327	1703797	425	1705427	432
132002268, 78, 102, 104, 119		1683963	295, 303, 305	1703805.....	425	1705429	432
1320061	78	1683972	327	1703811	425, 429, 435	1705430	432
1320110	93	1683973	327	1703814	425, 429, 435	1705460	179, 184, 189
1320127	122	1683976	295, 299	1703923.....	430	1705461	179
1320136	213	1684001	319	1703924.....	429	1705466 ...	266, 269, 271, 273, 279
1320176	73	1684005	319	1703925.....	430	1705489	164, 168, 179
1320177	266, 279	1684015	309	1703926.....	430	1705490	267, 279
1320218	122	1684017	323	1703927.....	430	1705514	425, 429
1320219	104	1684019	323	1703935.....	430	1705820	43
1320220	122	1684089	313	1703936.....	430	1705822	435
1320223 .	69, 70, 78, 103, 104	1684090	313	1703937.....	430	1705828	435
		1684290	293	1703938.....	430	1705895	429
		1684308	339	1703939.....	430		
		1684310	339	1703941.....	429		
				1703942.....	429		

PART NUMBER INDEX

1705896.....430	2220375 ... 353, 359, 365, 370	315, 317, 328, 333, 339, 343	2720160.....266, 279
1705897.....430	2220376 117	2220886 55, 309, 311, 321, 347	2720271..... 93, 105
1705898.....430	2220377 ... 109, 112, 351, 353, 359, 365, 370	2220888 323	2720340..... 77, 81
1705902.....430	2220379 360, 365, 370	2220890 293	2720392..... 102
1705903.....429	2220381 360, 366, 371	2220893 48, 362, 367, 372	2720398..... 70
1705905.....432	2220386 367, 372	2220899 360	2720496..... 102
1705910.....432	2220409 ... 359, 365, 367, 372	2220921 360, 366, 371	2720563..... 105
1705917.....430	2220415 ... 351, 353, 357, 359, 365, 367, 370, 372	2220923 360	2720564..... 105
1705921.....435	2220418 122	2220947 ... 109, 112, 361, 366, 371	2720566..... 102
1705961.....435	2220428 360	2220974 360	2720598..... 102
1705967.....429, 446	2220429 360	2220998 361, 366, 371	2720615..... 77
1705968.....446	2220451 70, 112, 351, 359, 365, 366, 370, 371	2221024 122	2750532..... 68, 78
1705969.....429, 446	2220466 359, 365, 370	2221034 112	2751362..... 370
1705977.....436	2220468 357	2221036 361, 366, 371	2751396.... 360, 365, 370
1705978.....435	2220472 362, 367, 372	2221042 359, 365, 370	2751410..... 357
1706059.....69	2220473 ... 351, 353, 361, 366, 371	2221053 361, 366, 371	2751434..... 357
1706060.....69	2220474 ... 354, 359, 365, 372	2221065 360, 366, 371	2752341.... 351, 361, 366
1706061.....69	2220490 357, 367, 372	2221086 367	2752343..... 361, 366
1706062.....69	2220498 360, 366, 371	2221170 351	2752453.... 361, 366, 371
1706063.....69	2220500 ... 353, 360, 366, 371	2221176 68, 91, 102	2752462.... 357, 360, 366, 371
1706064.....69, 79	2220504 351, 353, 357	2221197 122	2752468..... 360
1706098.....69, 78	2220507 353, 361	2300004 80, 95, 102, 448	2752469.... 360, 366, 371
1706385.....231	2220510 361	2300014 448	2752475..... 351, 353
1706510.....283	2220511 361, 366, 371	2300016 448	2752478.... 360, 365, 370
1706593.....43	2220512 367, 370	2300019 448	2752484.... 361, 366, 371
1706712..... 129, 133	2220567 ... 360, 365, 370	2300027 448	2752497.... 360, 366, 371
1706941.....426, 432	2220574 360, 366, 371	2300029 448	2752506.... 360, 366, 371
1706957.....43	2220578 ... 109, 112, 359, 365, 367, 370, 372	2300039 448	2752516..... 360, 366
1706960.....43	2220582 ... 351, 353, 360, 365, 371	2300040 448	2752519.... 361, 367, 371
1706968.....429	2220596 ... 353, 359, 360, 366, 371	2300041 80, 102, 448	2752573..... 370
2030010....266, 269, 271, 273, 279	2220600 372	2400060 87, 180, 185, 189, 387, 396, 408, 420	2752579..... 361
2060025..... 70, 104	2220602 ... 360, 365, 370	2400064 ... 180, 185, 189, 396, 420, 440	2752592..... 353
2080040..... 225, 227	2220603 ... 361, 366, 371	2400065 385, 406, 438	2752593.... 361, 366, 371
2080044..... 199	2220605 359, 365, 370	2400066 ... 385, 397, 406, 421	2752600.... 361, 366, 371
2120149..... 48, 438	2220606 351, 353	2400070 397, 421, 441	2752601..... 361
2120164..... 48	2220609 360	2410014 231	2752604..... 360
2120209..... 48	2220618 ... 359, 365, 370	2420172 129, 133	2752611..... 351, 353
2120210..... 48, 438	2220628 ... 360, 366, 371	2420202 213	2752618..... 361
2180125..... 122	2220646 ... 109, 112, 351, 353	2420203 ... 149, 153, 155, 159	2752620..... 351, 353
2180348... 68, 91, 96, 119	2220654 361, 366, 371	2460048 176, 187	2752635.... 360, 365, 370
2180380..... 361	2220657 ... 360, 367, 372	2460051 155, 159	2752636..... 360
2180387..... 122	2220711 112	2460055 149	2752650..... 361
2180388..... 122	2220726 367	2460056 149	2752656.... 360, 365, 370
2180389..... 122	2220738 ... 359, 365, 372	2540038 213	2752723.... 359, 365, 370, 372
2180418..... 91, 102, 122	2220810 117	2560024 92	2752724.... 360, 365, 370
2180467..... 93	2220816 119	2560136 234, 237	2752783..... 360, 371
2180504..... 95	2220861 353	2560173 227	2752900..... 366
2180724..... 361	2220873 360, 361	2580024 69, 78, 103	2752910..... 353
2180832..... 77, 266, 279	2220883 ... 296, 299, 301, 303, 305, 307, 309, 311, 313, 315, 317, 319, 321, 323, 345, 347	2580050 69, 78, 103	2752928..... 351, 353
2180877..... 104	2220885 ... 295, 299, 301, 303, 305, 307, 313,	2580062 71	2752929.... 351, 360, 365, 370
2200222..... 121		2580063 103	2752939.... 361, 366, 371
2200233..... 121		2600281 225	2752985.... 361, 366, 371
2220005..... 91, 102		2680433 144	2752987.... 361, 366, 371
2220064..... 91, 95, 102		2680434 144	2752989..... 361
2220237..... 24, 351, 353		2720015 82	2752990..... 361, 371
2220238..... 351		2720058 68, 93, 104, 119	2752991.... 361, 366, 371
2220261..... 95, 122		2720144 122	2752995..... 367, 372
2220313..... 68, 77			2753000..... 370
2220315..... 79			2753002..... 370
2220362..... 351, 353			2753046..... 361
2220371..... 351, 353, 357			2753047..... 361
2220372..... 360, 366, 371			2753052.... 361, 366, 371
2220373.... 351, 353, 361, 366, 371			2753055.... 361, 366, 371
2220374.... 360, 366, 371			2753056.... 361, 366, 371

PART NUMBER INDEX

2753132 359, 365, 370	2902266 293	3290801 91, 93	3323403 16, 20, 24, 25
2753133 360, 365, 370	2902296 68, 387, 408	3290805 94, 96	3340608 339, 341, 343
2753134 360, 366, 371	2902303 447	3291001 94, 217	3340764 208
2753135 361, 366, 371	2902307 446	3291005 82, 94, 217	3340765 208
2753325 359, 365	2902308 446	3291007 141	3340787 208
2753390 370	2902309 446	3291201 94, 184, 217	3340871 203, 207
2753397 351	2902310 446	3291205 217	3340881 203
2753924 351, 353	2902311 447	3300106 24, 25, 27	3340911 39
2753926 353	2902312 446	3300151 226, 266, 269, 271, 273	3340956 261
2753929 353	2902322 446	3300205 129, 134	3340966 19, 20, 25
2753933 357	2902329 446	3300243 217	3380434 227, 229
2753968 360, 365, 371	2902443 ... 386, 389, 407, 410	3300353 134, 234, 237	3380558 40
2754227 351, 354	2902470 449	3300396 164, 168, 172, 179, 184, 188, 189	3380560 40
2754231 353	2902471 449	3300408 129, 134	3420372 43
2754235 353	2902472 449	3300430 251, 253	3420447 43
2754328 359, 365, 370	2902531 ... 103, 387, 408	3300454 164, 167, 178	3421453 266, 279
2754329 359, 365, 370	2920028 ... 235, 237, 239	3310401 82	3421565 43, 61
2754330 362, 367, 372	2920029 ... 235, 237, 239	3310601 141, 179, 188	3422326 15, 19, 20
2754731 353	2920110 137	3310801 220	3422327 25
2760105 ... 129, 134, 234, 237	2920113 137	3310805 122, 221	3422426 24, 25
2780271 16, 19	2920129 ... 213, 382, 385, 402, 406	3311001 84, 179, 184, 189	3422429 24, 25
2780276 24, 25	2920140 227, 397, 420	3311005 137, 138, 144, 145, 146, 150, 153, 155, 159, 164, 168, 172, 175, 183, 188, 234, 237, 266, 269, 271, 273, 279	3422430 24, 25
2792630 375	2920157 137, 227	3311401 130, 135, 257	3422448 ... 68, 77, 91, 102
2792690 357, 374	2920161 ... 138, 390, 412	3311405 48, 68, 69, 70, 77, 79, 80, 91, 92, 104, 105, 134, 144, 159, 163, 167, 171, 177, 188, 213, 221, 226, 227, 229, 394, 416, 425, 432, 435	3422457 207
2792691 375	2940074 225, 438	3311501 144, 257	3422533 ... 69, 79, 92, 104
2820031 ... 150, 153, 155, 159, 164, 167, 171, 177, 183, 188, 383, 404	2940088 145, 146	3311505 ... 39, 70, 82, 102, 144, 159, 175, 183, 188, 194, 200, 208, 221, 255, 283	3422561 199
2820035 87, 137, 227, 390	2940188 144	3311508 163, 167, 171	3422567 19, 20
2820078 146	2980125 25	3311601 121, 144, 234, 238	3422571 193, 199
2820082 147	3020008 27, 448	3311605 68, 70, 73, 80, 84, 85, 103, 105, 122, 137, 141, 144, 145, 150, 199, 203, 208, 227, 229, 231, 266, 269, 271, 273	3422573 193, 199
2820083 147	3020016 70, 448	3311608 105	3422575 193, 199, 203
2820118 383, 404	3020017 16, 448	3311705 150, 153, 155	3422577 193
2820243 105	3020029 61	3311801 79, 153, 164, 167, 177, 220	3422578 193
2820244 105	3020037 79, 448	3311805 68, 70, 73, 92, 104, 105, 144, 194, 201, 213, 217, 255	3422579 199
2840016 141	3020044 70, 448	3312002 61, 285, 287, 289	3422580 194
2840018 141	3200362 105	3312005 213, 261	3422582 194
2841677 24	3200401 ... 70, 73, 80, 85	3312205 261	3422583 199
2860012 150	3200406 70	3313403 24, 25	3422592 13
2860030 129, 134, 438	3220103 73	3321501 144	3422661 283
2900708 48	3220104 73	3322201 125	3422813 19, 20, 25
2900756 374	3250585 227		3422841 43
2900770 ... 319, 321, 345, 347	3250872 43, 425, 431, 435		3422847 43
2900792 ... 295, 299, 301, 303, 305, 307, 309, 311, 313, 315, 317, 319, 321, 323, 325, 345, 347	3251102 ... 150, 153, 155, 159, 163, 167, 171, 227		3422848 19, 20, 25
2900838 451	3251243 ... 149, 155, 159, 164, 168, 172, 179, 184, 189, 425, 429		3422860 199
2901273 319, 321	3251813 425, 430		3422861 199
2901285 309, 311	3252347 425		3422867 199
2901301 296, 303, 328	3252507 150		3422900 15, 19, 20, 24
2901303 ... 296, 299, 301, 313, 328	3252764 175, 183, 188		3422902 15, 19, 20
2901322 323, 325	3271601 39, 80		3422903 15, 19, 20
2901443 397, 421, 451	3271605 ... 285, 287, 289		3423175 24, 25
2901763 52	3271801 80, 85		3423184 13
2901861 ... 339, 343, 345, 347	3271805 125, 231		3430616 235, 238
2902065 ... 70, 71, 80, 82, 83	3272001 15, 285, 287, 289		3430816 141
2902085 150	3272605 194, 201, 213		3450306 204
2902212 261	3290405 91, 102, 394, 416		3450404 141
2902217 266, 269, 271	3290505 91, 102, 150		3450606 203
	3290601 93, 96, 155, 183		3450810 24
	3290605 91, 93, 266, 279		3451010 16, 20, 24, 25
	3290606 226		3460334 261
	3290607 93, 138		3470003 234, 238
			3480188 ... 295, 303, 305, 327
			3480206 309
			3480210 ... 295, 299, 313, 327
			3480211 319
			3480212 339, 345
			3480216 323

PART NUMBER INDEX

3480288.....293	3641533 180, 189	3931620 . 70, 79, 92, 104,	4120035....382, 386, 402,
3510868.....231	3641569 257	295, 303, 305, 307,	408
3510884.....231	3740049 ... 129, 134, 390,	327, 333	4130396.....20
3520028.... 149, 153, 155,	412, 438	3931628 80	4130399.....19
159	3740067. 49, 70, 91, 105,	3931632 94	4130400.....20
3520031 135	438	3931720 319, 321	4130401.....24
3520033..... 234, 238	3740080 ... 150, 153, 155,	3931840 13	4130402.....24
3520034.....199	159, 177, 183, 188, 440	3932030 27	4130409..... 15, 16
3520035..... 134, 234	3760133 207	3932032 27, 309, 311	4130410..... 15
3520054..... 70, 234, 237	3760170 43, 61, 277	3932240 323, 325	4130413..... 24, 25
3520071 261	3760368 ... 295, 299, 313,	3940604 43	4130414..... 24, 25
3520072..... 225, 226, 231	327, 345	3952020 61	4160143..... 144
3520182..... 253	3760369 ... 295, 303, 305,	3960098 24, 25	4220162..... 137
3520189.... 179, 396, 419	327	3960343 16, 20	4240018.... 150, 153, 159,
3520192..... 179, 419	3760370 319	3960389 70, 92, 104, 144,	163, 167, 177
3520198..... 225, 226	3760372 309	145, 146	4240032.... 137, 138, 139,
3536089..... 227	3760384 323	3960407 70	238
3537445..... 141	3790012 . 24, 25, 91, 102,	3960418 144	4240033..... 213, 251
3538247 339, 343	104, 227, 229, 234,	3960422 ... 163, 167, 171,	4240084..... 39
3538758..... 208	235, 237, 239	175, 183, 188, 395, 418	4240099.. 82, 87, 94, 155,
3538771 339	3790110 341	3960438 146	227, 257, 266, 269, 271
3539219..... 129	3790152 70, 79, 92	3960461 137	4240102..... 121
3539228..... 203	3790158 27	3960462 145, 146	4240149..... 261
3539877 13	3820001 ... 137, 426, 432,	3960467 144	4280295..... 121
3539923..... 144	436	3960468 70, 105	4300157..... 164, 177
3539988..... 147	3820020 225	3960469 70, 105	4341239..... 105
3570270..... 204	3841143 ... 15, 19, 20, 24,	3980007 .. 69, 78, 92, 103	4341241..... 105
3570277..... 204	25, 68, 77, 91, 102,	3990010 386, 408, 438	4360057..... 257, 440
3570374..... 194, 200	194, 199, 217	4010608 266, 279	4360070.... 164, 168, 172,
3570375..... 203	3841203 194, 199, 203	4010618 226	179, 184, 188, 189, 440
3571295..... 203	3841258 ... 13, 15, 19, 20,	4031608 150	4360232.... 397, 420, 440
3572009..... 43	24	4031711 94	4360328.... 129, 234, 235,
3572010..... 43	3841263 24, 25	4031914 80	239, 438
3572011..... 43	3841340 199, 207	4032011 95	4360330..... 234, 438
3572012..... 43	3841347 204	4032014 80	4360331 24, 25, 227, 229,
3572280..... 105	3890040 231	4032015 164, 177	235, 239, 438
3573400.... 266, 269, 271,	3900054 231	4060092 393, 415	4360336..... 91, 102, 130,
273	3900085 138	4060802 ... 150, 153, 155,	135, 150, 153, 155,
3573642.... 266, 269, 271,	3900232 145	159, 163, 167, 171,	159, 163, 167, 171,
273	3900239 194, 199	175, 183, 188, 227	175, 183, 188, 227,
3574091 257	3900268 129, 134	4060803 208	235, 239, 440
3574185 208	3900283 213	4060804 40, 48	4360387.... 135, 234, 235,
3575359..... 257	3900293 61	4060805 . 70, 81, 96, 105,	237, 239, 257, 438
3575716..... 25	3900349 238	146, 207	4360407.... 234, 237, 438
3575863..... 164, 178	3910408 82	4060807 48	4360436..... 121
3576799..... 266, 279	3910606 ... 163, 167, 171,	4060808 203	4360469.... 129, 134, 440
3577121 266, 269, 271,	175, 183, 188	4060906 ... 129, 130, 134,	4360470.... 129, 134, 440
273	3910608 141	135	4360475.... 129, 134, 234,
3580134..... 149	3910610 179, 188	4060918 48	237, 438
3580158..... 149	3910804 129, 134	4061010 146	4360476.... 129, 134, 234,
3580276..... 149, 153	3911012 138	4061054 213	237, 438
3580312.... 159, 171, 188	3911016 145, 146	4070863 203, 207	4360517.... 126, 390, 411,
3580314.... 171, 183, 188	3911040 137	4070864 203, 207	438
3580317.... 164, 167, 178,	3930816 221, 222	4070897 203, 207	4360522.... 137, 235, 239,
184	3930824 221	4070898 203, 207	440
3580318.... 164, 167, 178	3930828 220	4070929 203, 207	4360542.... 149, 153, 155,
3580319.... 164, 167, 178	3931016 ... 164, 167, 171,	4070932 208	159, 440
3580320..... 80, 164, 178	176, 183, 187	4070944 13	4360578.... 220, 221, 440
3580324..... 155, 159	3931408 220, 251	4070945 13	4400275..... 122
3580348.... 159, 171, 188	3931424 251	4070987 129	4400399..... 121
3600242..... 117	3931430 220	4070991 134	4400420..... 122
3600365..... 48	3931432 80	4071007 207	4420014..... 261
3600381..... 108	3931448 339, 343	4071009 61	4420037.... 227, 266, 269,
3600395.. 69, 79, 92, 104,	3931512 80	4071059 19, 20, 25	271, 273
117	3931516 ... 295, 299, 301,	4071062 208	4420038..... 121
3600396..... 69, 79, 109	313, 327, 339, 343,	4071101 13	4420051..... 43, 436
3620040..... 105	345, 347	4100100 313	4420060.... 150, 221, 222

PART NUMBER INDEX

4420062 283	188, 189, 227, 384,	4460761.....213, 382, 387,	4460968 ... 150, 220, 221,
4420066 261	396, 397, 405, 419, 421	403, 408	393, 415
4420068 255, 257	4460428 ... 234, 237, 382,	4460789.....397, 420	4460971 266, 279
4460007 234, 237	402	4460790.....397, 420, 421	4460979 386, 407
4460027 ... 149, 153, 155,	4460434 ... 382, 386, 402,	4460807.....168	4461005 386, 407
159, 391, 413	408	4460808.....168	4461006 386, 407
4460042 233, 238	4460445 385, 390	4460836.....213	4461008... 386, 389, 407,
4460043 87	4460457 385, 407	4460850.....397, 420, 421	411
4460049 257	4460458 ... 189, 385, 386,	4460865.....383, 403, 404	4461052 386, 407
4460051 ... 177, 188, 395,	388, 391, 397, 407,	4460866.....382, 383, 387,	4461053 386, 407
419	410, 413, 420	402, 404, 408	4461054... 386, 389, 407,
4460071 ... 163, 167, 171,	4460459 397, 420	4460868.....408	411
177, 183, 188, 226,	4460460 385, 407	4460871....241, 247, 382,	4461060 386, 407
233, 238, 382, 393,	4460464 ... 233, 238, 382,	385, 386, 387, 390,	4461070... 385, 388, 406,
396, 402, 415, 419	383, 384, 385, 386,	402, 406, 407, 408, 412	410
4460125 392, 415	387, 389, 390, 402,	4460873....382, 386, 402,	4461071 ... 386, 389, 407,
4460134 ... 391, 393, 413,	404, 405, 406, 407,	408	410
416	408, 411, 412	4460874....382, 387, 402,	4461072... 386, 389, 407,
4460190 ... 149, 153, 155,	4460465 ... 180, 185, 189,	408	410
159	213, 383, 384, 388,	4460875....382, 387, 402,	4461073... 386, 389, 407,
4460205 ... 391, 393, 413,	389, 390, 396, 402,	408	410
415	404, 405, 407, 408,	4460876.....387, 408	4461074... 386, 389, 407,
4460224 168, 390, 412	410, 411, 412, 413,	4460877.....408	410
4460225 ... 382, 396, 402,	419, 420	4460878.....387, 408	4461095 ... 385, 388, 406,
419	4460466 ... 213, 383, 384,	4460879.....382, 402	410
4460226 ... 130, 135, 213,	385, 386, 388, 389,	4460880.....385, 406	4461109 386, 407
233, 238, 244, 249,	404, 406, 407, 410	4460884....389, 402, 408,	4461111 386, 407
382, 385, 390, 391,	4460467 397, 421, 451	410	4461113 386, 407
396, 397, 398, 402,	4460470 ... 129, 134, 234,	4460887....382, 387, 402,	4461121 386, 407
403, 406, 412, 420, 421	237, 382, 384, 402, 405	408	4461122 386
4460227 ... 382, 386, 387,	4460471 ... 129, 134, 234,	4460891....384, 389, 390,	4461123 386
390, 397, 402, 403,	237, 382, 384, 402, 405	403, 405, 406, 407,	4461124 386, 407
408, 411, 420	4460473 383, 404	411, 412	4461157 386, 407
4460233 ... 391, 393, 413,	4460476 397, 420	4460892.....385, 406	4461161 386, 407
415, 416	4460488 ... 130, 134, 139,	4460894....385, 389, 402,	4461196 393, 415
4460234 ... 137, 138, 234,	238	406, 410	4461197 394, 417
237, 257	4460496 130, 134, 405	4460897....384, 389, 390,	4461198 392, 393, 415
4460259 391, 412	4460497 130, 134, 405	405, 407, 411, 412	4461199 393, 415
4460260 391, 412	4460499 52, 59, 390	4460899 386, 407	4461200 394, 417
4460265 244, 249	4460508 ... 382, 383, 387,	4460905....382, 386, 387,	4461201 392, 393, 415
4460267 385, 390, 406	402, 404, 408	402, 408	4461202 393, 415
4460268 ... 137, 385, 390,	4460509 383, 384, 404	4460906....155, 159, 385,	4461203 394, 417
396, 406, 412, 419	4460510 397, 421, 451	391, 412	4461204 392, 393, 415
4460294 168	4460526 ... 130, 134, 384,	4460930.....389, 410	4461205 393, 415
4460297 391, 412	405	4460931.....385, 406	4461206 394, 417
4460320 ... 385, 390, 397,	4460536 ... 386, 402, 408,	4460932....389, 402, 410,	4461207 392, 393, 415
411, 420	412	411	4461222 386, 407
4460321 ... 155, 391, 397,	4460539 ... 386, 402, 406,	4460933.....213, 402	4461244 392, 393, 415
412, 421	407	4460941.....389, 411	4461245 392, 393, 415
4460326 385, 390	4460608 386, 407	4460942....389, 410, 411	4461246 392, 393, 415
4460346 ... 163, 167, 171,	4460618 408	4460943....386, 387, 402,	4461249 393, 415
175, 183, 188, 392,	4460634 386, 408	407, 408	4461250 394, 417
395, 415, 419	4460635 386, 408	4460944....385, 386, 388,	4520256 28
4460374 ... 180, 185, 189,	4460662 415	389, 402, 406, 407, 410	4520283 28
391, 396, 413, 420	4460693 386, 407	4460956.....394, 417	4520284 28
4460375 ... 180, 185, 189,	4460701 ... 391, 393, 413,	4460957.....394, 417	4520287 28
391, 396, 413, 420	416	4460958....175, 188, 395,	4520288 28
4460418 382, 386, 402	4460705 391, 413	418	4520289 27
4460419 ... 382, 386, 402,	4460708 ... 234, 237, 382,	4460959.....393, 416	4520290 27
408	385, 402, 406	4460960.....393, 416	4520328 27
4460424 ... 137, 385, 390,	4460709 393, 416	4460961.....391, 413	4520341 28
397, 406, 420	4460710 393, 416	4460962....266, 271, 416	4520344 27
4460425 ... 164, 168, 172,	4460722 87	4460963....179, 184, 188,	4520345 27
179, 184, 188, 189,	4460742 ... 180, 185, 189,	189, 396, 419	4520346 27
257, 396, 397, 419, 420	391, 397, 413, 420	4460967....180, 185, 189,	4520427 27
4460426 ... 129, 134, 164,	4460743 ... 180, 185, 189,	396, 420	4520428 27
168, 172, 179, 184,	391, 397, 413, 420		4520601 28

PART NUMBER INDEX

4520602.....28	4712000 ... 261, 285, 287, 289	4791400 49, 71, 105, 163, 167, 177	4922869.....213
4520604.....28	4712200 261	4791600 39	4922890.....384, 405
4520672.....28	4712600 138	4811400 394, 416	4922891.....384, 405
4520674.....27	4740016 24, 25	4811600 150	4922892.... 227, 384, 397, 404, 421
4530028.... 266, 269, 271, 275	4740036 43	4811700 94, 96, 138, 155, 183, 226, 266, 279	4922893.....384, 404
4566408.....319	4740057 61	4811702 ... 40, 82, 91, 95, 96	4922894.... 227, 383, 397, 404, 421
4566425.....339	4740076 144	4811900 ... 80, 91, 94, 96, 160, 171, 188	4922895.....383, 404
4566468.... 295, 299, 303, 305, 327	4740111 15, 19, 20, 25	4811902 82, 94, 97	4922896.....384, 405
4566501.....309	4740155 19, 20, 25	4812000 ... 82, 92, 94, 97, 141, 155, 217	4922925.... 178, 184, 188, 396, 419
4566667.....323	4740158 13	4812002 95, 97	4923224 130, 385
4567241 203, 204	4740171 144	4812100 ... 77, 80, 97, 217	4923379..... 71, 388, 409
4568119.....121	4740184 25	4812200 71, 73, 82, 85	4923420.... 189, 396, 420
4568133.....43	4740229 13	4831900 105	4923445.....391, 413
4568735.... 159, 171, 188	4740256 15, 19, 20, 24	4844815 199	4923462.... 383, 403, 404
4569385.....102	4740274 71, 73, 105	4844816 199	4923472.....383, 403
4640113.....28	4740283 16, 20	4844817 199	4923473.....383, 404
4640261 43	4740362 137, 227, 229	4844958 61	4923474.....383, 404
4640438.....319, 321	4740393 27	4844969 208	4923475.....384, 404
4640509.... 295, 299, 301, 303, 305, 307, 309, 311, 313, 315, 317, 319, 321, 323, 325, 345, 347	4740397 ... 134, 150, 160, 227, 234, 237	4844972 208	4923476.....384, 404
4640605.... 309, 311, 323, 325	4740439 199	4844978 208	4923501.....384, 405
4640647.....345, 347	4740444 130, 134	4844979 208	4932990.....378, 447
4640744.....117	4740463 15, 19, 20, 24	4845163 141	4932993.....378, 447
4640751 80	4740500 145	4845582 283	4933218.....378
4640858.....293	4740518 134	4846218 221	4933219.....378
4640862.... 339, 341, 343	4740542 13	4846295 43	4933308.... 378, 397, 420
4640866.....48	4750400 82	4846296 43	4933312.....378
4640921.....48, 59	4750600 179, 188	4846561 227	4933349.... 189, 378, 396, 419
4640922.....48, 59	4750800 122	4846573 194, 201, 213	4933350.... 378, 391, 412
4640929.....221	4751000 43, 137, 138, 144, 146, 150, 155, 160, 164, 167, 172, 175, 183, 188, 225, 234, 237, 266, 269, 271, 273, 279	4846627 ... 266, 269, 271, 273	5240800.....85
4640932.... 295, 299, 301, 303, 305, 307	4751200 207	4846673 257	5241000.....27, 94
4640999.....345, 347	4751400 70, 92, 104, 105, 130, 134, 135, 137, 138, 144, 213, 220, 221, 222, 227, 229, 234, 237, 253, 257, 266, 269, 271, 273, 426, 432, 436	4846935 19, 20	5241200.... 94, 155, 184, 217
4641022.....121	4751500 ... 39, 40, 68, 78, 82, 91, 103, 144, 150, 153, 160, 163, 167, 171, 194, 200, 255, 257, 283	4871700 184	5250605.....96, 97
4641122.....28	4751600 ... 39, 40, 68, 71, 73, 78, 80, 85, 105, 121, 122, 125, 138, 144, 145, 146, 147, 150, 184, 203, 227, 229, 235, 238, 266, 269, 271, 273, 339	4891500 82, 135, 155	5250810.....82
4641284.....353	4751800. 68, 79, 92, 104, 105, 121, 125, 204, 227, 231, 257	4891600 ... 70, 79, 80, 92, 104, 122, 141, 145, 146, 160, 171, 188, 194, 201, 213, 217	5251008.....217
4641307.....351	4752000 ... 68, 77, 91, 103	4891800 . 13, 80, 85, 141, 153, 167, 177, 194, 201, 213, 217, 255	5251016.....217
4641329.....374	4760600 179, 188	4892000 15, 61, 213	5260600.....96, 97
4641390.....293	4761000 16, 20	4892600 ... 137, 194, 201, 213, 217	5272010.....95
4641436.....220	4761400 130, 134, 135	4920385 105	70000123..... 149, 159
4641452.....48, 51	4761400 130, 134, 135	4921829 155, 391, 413	70000124..... 149
4711000.... 85, 138, 145, 153, 179, 184, 189	4761500 176, 188	4921927 48, 390	70000125..... 149
4711400.... 49, 68, 71, 77, 79, 80, 91, 102, 105, 135, 137, 159, 163, 167, 171, 177, 188, 203, 213, 221, 226, 227, 251, 253, 394, 416	4761600 49	4921928 48, 390	70000126..... 149, 440
4711500.. 39, 77, 80, 103, 175, 183, 188, 208, 221, 235, 238	4770600 141	4921954 391, 413	70000127..... 149
4711600.... 49, 71, 77, 82, 85, 91, 103, 105, 119, 153, 164, 167, 178, 203, 208, 213, 221, 285, 287, 289		4922493 383, 403	70000164..... 105
4711700.... 82, 119, 139, 153, 155, 160		4922494 383, 404	70000342..... 211
4711800 78, 92, 141, 163, 171, 177, 188, 231		4922637 385, 406	70000345..... 72, 83
		4922641 ... 164, 168, 172, 180, 185, 189, 391, 396, 412, 420	70000579..... 51
		4922643 391, 412	70000580..... 51
		4922666 ... 234, 237, 382, 402	70000582..... 51
		4922705 213	70000583..... 51
		4922764 397, 420	70000619... 178, 183, 187
		4922810 383, 404	70000718..... 389, 411
		4922811 384, 404	70000781..... 39
			70000782..... 64
			70000793..... 71, 82
			70000851..... 72
			70000852..... 35
			70000853..... 35
			70000854..... 35
			70000857..... 35
			70000858..... 35
			70000861..... 35

PART NUMBER INDEX

70000862	35, 36	70002072	64	70002819.....	180, 189	70004201.....	35
70000863 ..	176, 184, 187	70002073	64	70002820.....	180, 189	70004202.....	35
70000912	72	70002074	64	70002821.....	180, 189	70004203.....	35
70000913	72	70002075	64	70002822.....	180, 189	70004204.....	35
70000914	72	70002085	65	70002823.....	180, 189	70004205.....	35
70000915	72	70002086	65	70002824.....	180, 189	70004207.....	35
70000916	72	70002088 ..	176, 183, 187	70002825.....	180, 189	70004268.....	73
70000917	72	7000213	64	70002826.....	180, 189	70004269.....	73
70000918	72	70002133	35	70002848.....	389, 411	70004270.....	72
70000919	72	70002134	113	70002895.....	105, 440	70004271.....	72, 410
70000934	48	70002146	114	70002902...226, 233, 238		70004272.....	72
70001002	71	70002147	113	70002903...226, 233, 238		70004273.....	72
70001017	73	70002148	113	70002904...226, 233, 238		70004274.....	83
70001100 ..	176, 184, 187	70002149	113	70002905...226, 233, 238		70004275.....	83
70001126	72	70002150	113	70002906.....	241	70004276.....	84
70001248	125, 126	70002151	113	70003003.....	72	70004277.....	84
70001384 ..	176, 184, 187	70002153	113	70003019.....	55	70004278.....	84
70001423	72	70002154	113	70003136.....	72	70004279.....	83
70001424	281	70002156	113	70003408.....	39	70004353.....	31
70001425	281	70002157	113	70003454.....	126	70004355.....	31
70001427	281	7000217	64	70003456.....	72	70004356.....	31
70001428	281	70002176	35, 112	70003457.....	72	70004361.....	31
70001429	281	70002201	31	70003470.....	73	70004363.....	31
70001430	281	70002209	49	70003472.....	71	70004365.....	31
70001431	281	70002212	125, 126	70003473.....	71	70004367.....	31
70001432	281	70002234	72	70003475.....	72	70004369.....	31
70001435	72	7000228	64	70003478.....	72	70004370.....	31
70001498	72	7000229	64	70003525.....	55	70004371.....	31
70001696 ..	177, 183, 187	70002291	176	70003623.....	73	70004447.....	31
70001697	211	70002297 ..	176, 184, 187	70003628.....	35	70004459.....	55
70001847	72	7000230	64	70003631...176, 183, 187		70004460.....	55
70001850	71	70002373	331	70003708..163, 168, 171, 176, 177, 184, 187		70004461.....	55
70001866	72	70002386	222, 438	70003709..163, 167, 171, 176, 177, 184, 187		70004463.....	55, 438
70001868	72	70002412	341	70003783.....	71, 440	70004594.....	55
70001870	72, 83	7000246	64	70003784.....	234, 237	70004595.....	55, 438
70001871	72	70002460 ..	176, 183, 187	70003790.....	222	70004596.....	55
70001872 ...	72, 388, 410	7000248	64	70003792.....	72	70004597.....	55
70001931	390, 411	7000253	64	70003932.....	72	70004617.....	56
70001950	389, 411	7000255	64	70003952.....	78	70004652.....	55
70001951	389, 411	7000257	64	70003952.....	78	70004653.....	55
70001953 ..	176, 184, 187	70002627	389, 411	70004052.....	55, 56, 59	70004654.....	55
70001966 ..	163, 168, 171, 176, 183, 184, 187	70002715	121	70004056.....	72	70004655.....	55
70001973 ..	177, 184, 187	70002716	121	70004058.....	72	70004656.....	55
70001974 ..	177, 184, 187	70002718	73, 83	70004059.....	72	70004657.....	55
70001976	51, 52, 59	70002724	247	70004060.....	72, 409	70004659.....	55
70001999	208, 440	70002725	247	70004092..163, 168, 171, 176		70004660.....	55, 438
70002000	208	70002726	247	70004093.....	176	70004661.....	55
70002001	203	70002727	247	70004094.....	176	70004662.....	55
70002002	203	70002728	247	70004095.....	177	70004663.....	55
70002011	208, 440	70002729	247	70004096.....	176	70004664.....	55
70002012	208	70002730	241	70004096.....	176	70004665.....	55
70002020	31	70002731	241	70004097.....	176	70004666.....	55
70002026	31	70002732	241	70004098..163, 168, 171, 177		70004667.....	55
70002027	31	70002733	241	70004099.....	168, 176	70004668.....	55
70002054	31	70002734	241	70004103.....	72, 409	70004670.....	55
70002057	31	70002735	241	70004103.....	72, 409	70004671.....	56
70002059	31	70002745	337	70004149.....	121	70004672.....	56
70002063	40	70002752	337	70004161.....	59, 440	70004673.....	56, 438
70002064	40, 222	70002753	337	70004162.....	59	70004674.....	56
70002065	64	70002754	337	70004163.....	59	70004676..163, 168, 171	
70002066	64	70002755	337	70004164.....	59	70004677.....	163
70002067	64	70002756	337	70004165.....	59	70004678..163, 168, 171	
70002068	64	70002757	337	70004166.....	59	70004679..163, 168, 171	
70002069	64	70002758	56	70004169..176, 177, 183, 184, 187, 188		70004680..163, 168, 171	
70002070	64	70002759	56	70004171..163, 171, 176, 184, 187		70004681.....	163, 168
70002071	64	7000281	64			70004682..163, 168, 171	
		70002818	180, 189			70004683.....	163, 168

PART NUMBER INDEX

70004684.....	163, 171	70005318.....	31	70006196.....	98	70006775.....	331
70004685.....	163, 168, 171	70005319.....	31	70006197.....	98	70006776.....	331
70004686.....	168	70005320.....	32	70006198.....	98	70006793.....	341
70004687.....	168	70005321.....	32	70006199.....	98	70006813.....	341
70004738.....	249	70005466.....	112	70006200.....	98	70006814.....	341
70004739.....	249	70005467.....	112	70006202.....	99	70006815.....	341
70004740.....	249	70005468.....	112	70006203.....	98	70006816.....	341
70004741.....	249	70005469.....	113	70006205.....	98	70006817.....	341
70004742.....	249	70005470.....	113	70006206.....	98	70006818.....	341
70004743.....	249	70005471.....	113	70006207.....	98	70006819.....	341
70004744.....	249	70005472.....	113	70006208.....	98	70006820.....	341
70004745.....	249	70005473.....	113	70006213.....	98	70006821.....	341
70004746.....	249	70005474.....	113	70006215.....	98	70006822.....	307
70004747.....	249	70005475.....	114	70006217.....	98	70006823.....	307
70004748.....	249	70005476.....	114	70006219.....	98	7000695.....	73
70004749.....	249	70006093.....	176	70006221.....	99	70007438.....	35
70004750.....	249	70006094.....	176	70006225.....	98	70009018.....	92
70004751.....	249	70006095.....	176	70006232.....	99	70009019.....	92
70004752.....	243	70006096.....	177	70006233.....	98	7001433.....	109
70004753.....	243	70006097.....	177	70006235.....	99	7001498.....	109
70004754.....	243	70006134.....	96	70006236.....	99	7001625.....	335
70004755.....	243	70006135.....	96	70006257.....	208	7001626.....	335
70004756.....	243	70006136.....	96	70006273.....	208	7001627.....	335
70004757.....	243	70006145.....	97	70006369.....	325	7001629.....	335
70004758.....	243	70006147.....	97	70006370.....	325	7001630.....	335
70004759.....	243	70006150.....	97	70006371.....	325	70021202.....	56
70004760.....	243	70006151.....	97	70006372.....	325	70022564.....	331
70004761.....	243	70006152.....	97	70006373.....	325	70023371.....	331, 341
70004762.....	243	70006153.....	97	70006374.....	325	70023373.....	341
70004763.....	243	70006154.....	97	70006436.....	444	70023592.....	80
70004764.....	243	70006155.....	97	70006442.....	333	70023593.....	80
70004765.....	243	70006157.....	97	70006443.....	307, 333	70023859.....	55
70004766.....	243	70006158.....	97	70006444.....	307, 333	70023862.....	55
70004767.....	243	70006159.....	97	70006445.....	307, 333	70023867.....	55
70004768.....	243	70006160.....	97	70006446.....	307, 333	70023915.....	315
70004769.....	243	70006161.....	97	70006447.....	333	70024457.....	55
70004770.....	243	70006162.....	98	70006478.....	321	70024473.....	84
70004771.....	243	70006163.....	98	70006479.....	321	70024486.....	83
70004772.....	243	70006164.....	98	70006480.....	321	70024488.....	83
70004773.....	243	70006165.....	98	70006481.....	321	70024503.....	84
70004774.....	244	70006166.....	98	70006482.....	343, 347	70024504.....	84
70004775.....	244	70006167.....	98	70006483.....	343, 347	70024507.....	84
70004862.....	122, 440	70006168.....	97	70006484.....	347	70024513.....	83
70005008.....	94, 440	70006169.....	98	70006486.....	311	70024515.....	84
70005201.....	56	70006170.....	98	70006487.....	311	70024905.....	83
70005202.....	56	70006171.....	98	70006488.....	311	70024906.....	83
70005230.....	249	70006172.....	98	70006489.....	311	70024907.....	83
70005232.....	56	70006173.....	98	70006552.....	163, 167, 171	70024910.....	84
70005298.....	31	70006174.....	98	70006553.....	163, 167, 172	70024912.....	83
70005299.....	31	70006175.....	98	70006568.....	315	70024914.....	84
70005300.....	31	70006176.....	98	70006569.....	315	70024915.....	84
70005301.....	31	70006177.....	98	70006570.....	315	70024917.....	84
70005302.....	31	70006178.....	98	70006571.....	315	70024918.....	84
70005303.....	31	70006179.....	98	70006572.....	315	70024920.....	84
70005304.....	31	70006180.....	98	70006597.....	331	70024922.....	84
70005305.....	31	70006181.....	98	70006599.....	331	70024924.....	83
70005306.....	31	70006182.....	98	70006601.....	331	70024925.....	83
70005307.....	31	70006183.....	98	70006648.....	301	70025076.....	83
70005308.....	31	70006184.....	98	70006649.....	301, 317	70025077.....	84, 410
70005309.....	31	70006185.....	98	70006650.....	301, 317	7002508.....	83
70005311.....	31	70006186.....	98	70006651.....	301	70025082.....	83
70005312.....	31	70006187.....	98	70006654.....	343	70025084.....	84
70005313.....	31	70006188.....	98	70006655.....	343	70025088.....	83
70005314.....	31	70006189.....	97	70006734.....	317	70025091.....	83
70005315.....	31	70006191.....	98	70006735.....	317	70025111.....	83
70005316.....	31	70006194.....	98	70006736.....	317	70025120.....	84
70005317.....	31	70006195.....	98	70006774.....	331	70025135.....	83

PART NUMBER INDEX

70025136 83	7007418 108, 112	7011185.....345	7017402..... 222
70025140 83	7007419 35, 108, 112	70124530.....84	7017406..... 222
70025142 84	7007420 35, 108, 112,	70124538.....84	7017410..... 51
70025143 84	113	7012513.....149, 153, 155,	7017418..... 51
70025144 83	7007422 113	159	7017420..... 59
70025146 83	7007423 108, 112	7012514.....149, 153, 155,	7017421..... 59
70025149 84	7007425 108, 112	159	7017422..... 59
70025151 84	7007430 113	7012518.....49, 51	7017427..... 51
70025152 83	7007431 113	7012558.....149, 153, 155,	7017428..... 51, 52
70025153 83, 440	7007434 113	159	7017452..... 222
70025154 83	7007435 108, 112	7012664.....104, 440	7017464..... 51
70025156 84	7007437 108	7012769.....52	7017496..... 293
70025160 83	7007438 108, 112	7012772.....51, 52, 59	7018912..... 51, 52, 59
70025161 83, 440	7007439 35, 108, 112	7012773.....51, 52, 55, 59	7018941..... 51
70025164 83	7007441 108, 113	7012774.....52, 59	7018942..... 56, 59
70025176 83	7007442 108, 112	7012775.....51, 52	7018945..... 59
70025178 84	7007443 112	7012776.....59	7018946..... 59
70025179 84	7007444 108, 113	7012799.....52	7018948..... 59
70025180 84	7007446 35, 108, 112	7012912.....51, 52	7018952..... 52
70025181 83	7007448 108, 112	7012914.....51, 52, 222	7019162..... 247
70025200 84	7007450 113	7012918.....51, 52, 222	7019164..... 247
70025202 83	7007452 108	7012941.....49	7019165..... 247
70025203 84	7007453 108, 113	7012943.....49, 438	7019167..... 247
70025206 83	7007454 108	7012944.....49, 51, 438	7019194..... 247
70025207 83	7007457 108, 112	7012953.....51, 59, 221, 222	7019658..... 121
70025210 84, 440	7007459 109, 112	7012959.....48	7019680... 149, 153, 155,
70025212 84	7007463 109, 113	7012965.....59, 222	159
70025231 83, 410	7007464 109, 113	7012967.....51, 52, 222	7020020..... 48
70025235 84	7007465 109, 113	7012969.....52	7020021..... 48
70025239 83	7007466 109	7012970.....221	7020108... 149, 153, 155,
70025416 83	7007472 109	7012987.....117	159
70025477 84	7007474 109	7012988.....117	7020109... 149, 153, 155,
70025660 84	7007475 109	7012989.....51, 222	159
70025799 84	7007476 109, 113	7012995.....49	7020110... 149, 153, 155,
70025801 84	7007477 109, 113	7012998.....51, 52, 59	159
7002821 ... 397, 421, 451	7007478 109	7013189.....125	7020111... 149, 153, 155,
7002822 451	7007484 109, 113	7014676.....451	159
7002823 ... 397, 421, 451	7007485 109, 113	7016206.....28	7020135..... 28
7002826 451	7007487 109, 113	7016314.....121	7020175 ... 134, 234, 237
7002828 397, 421	7007488 109, 113	7016319.....138	7020176 ... 134, 234, 237
7002840 451	7007489 117	7016322.....141	7020190... 149, 153, 155,
7003928 241	7007494 109	7016328.....72, 440	159
7003941 247	7007496 109	7016331.....71, 83, 440	7020192..... 149
7003972 247	7007497 ... 109, 390, 412	7016372.....138	7020403..... 71
7003973 247	7007498 ... 109, 390, 412	7016374.....141	7020404..... 83
7003980 247	7007633 64	7016399.....227	7020408..... 72
7003982 247	7010103 117	7016652.....451	7020431..... 73
7003983 247	7010104 117	7016654.....451	7020460..... 72
7003989 247	7010105 117	7016655.....451	7020465..... 71, 83
7004035 64	7010116 109, 112	7016822.....103, 387, 409	7020468..... 71
7004036 64	7010117 113	7017023.....64	7020471..... 72
7004043 65	7010119 113	7017028.....64	7020479..... 72
7004044 65	7010121 109, 112	7017070.....64	7020487..... 71
7004045 65	70104570 84	7017072.....64	7020492..... 84
7004047 65	7010492 64	7017080.....64	7021200..... 108, 112
7004049 65	7010542 51	7017085.....64	7021201..... 109, 113
7004248 48	7010543 49, 51	7017142.....211	7021202..... 108, 112
7004275 451	7011043 48	7017158.....211	7021203..... 108, 113
7004276 451	7011044 48	7017159.....211	7021206..... 109, 113
7004290 48	7011048 48	7017162.....211	7021207..... 108, 112
7007207 108, 112	7011062 48	7017163.....211	7021210..... 112
7007208 108, 112	7011063 48	7017164.....211	7021212..... 109, 112
7007412 109, 113	7011064 48	7017172.....211	7021214..... 109, 112
7007413 108, 112	7011065 48	7017183.....211	7021217..... 109
7007414 108	7011066 48	7017192.....211	7021218..... 109
7007415 112	7011112 ... 296, 299, 301,	7017193.....211	7021219..... 109, 113
7007417 108, 112	303, 305, 307	7017195.....211	7021220..... 109, 113

PART NUMBER INDEX

7021221.....	109, 113	7024446.....	122	7026503.....	125	80233041.....	367, 372
7021222.....	109, 113	7024453.....	65	7026504.....	125	80424002.....	64
7021223.....	108, 113	7024454.....	64	7026505.....	125	80424043.....	65
7021232.....	109, 114	7024455.....	65	7026506.....	125	80434249.....	55, 438
7021233.....	108, 112	7024456.....	65	7026507.....	126	80484084.....	388, 410
7021249.....	35	7024457.....	65	7026509.....	126	80934561.....	125
7021256.....	108, 112, 113	7024458.....	65	7026511.....	125	80983191... 388, 410, 438	
7021275.....	35	7024462.....	275	7026597....	177, 183, 187	8180311.....	105
7021310.....	52	7024463.....	275	7026626....	176, 183, 187	82033995.....	95, 96
7021375.....	51, 52, 55	7024467.....	275	7026631.....	71	8229242....	387, 388, 408,
7021625.....	39, 40	7024469.....	275	7027002.....	68, 387, 409	410, 438	
7021639.....	374	7024470.....	275	7027003.....	68, 104, 387,	8270147.78, 92, 387, 409	
7021653.....	222	7024471.....	275, 281	409		8305401.....	94
7022162.....	97	7024472.....	275	7027004.....	68, 387, 409	8307109.....	94
7022311.....	35	7024473.....	275	7027015....	104, 388, 409	8310129.....	261
7022314.....	35	7024474.....	275	7027016....	104, 387, 409	8310230.....	261
7022321.....	35	7024475.....	275	7027017....	104, 388, 409	8310548.....	94
7022368.....	35	7024478.....	275	7027072....	78, 92, 387, 409	8405006....	77, 82, 85, 94
7022371.....	36	7024485....	176, 183, 187	7027073....	78, 92, 387, 409	8405007.....	80
7022397.....	39	7024488....	178, 183, 187	7027074.....	78, 387, 409	8405009.....	80, 94
7022399.....	39	7024489....	178, 183, 187	7027075....	78, 92, 387, 409	8405102.....	94
7022808.....	241	7024530.....	281	7027076.....	78, 388, 409	8405104.....	80, 94
7022815.....	241	7024531.....	281	7027236.....	72	8405203.....	94
7022819....	241, 390, 412	7024532.....	281	7027276.....	72	8405204.....	80
7022825....	247, 390, 412	7024533.....	281	7027404.....	98	8406101.....	91
7023038.....	335	7024534.....	281	7027740.....	35	8406102.....	82
7023318.....	64	7024535.....	281	7027773.....	275	8406109.....	94
7023911.....	222	7024536.....	281	7027774.....	275	8406110.....	80, 94
7023912.....	222	7024537.....	281	7027775.....	275	8406112.....	77
7023917.....	39	7024560.....	73	7027776.....	275	8406201....	78, 82, 91, 96
7023933.....	39	7024579.....	72, 83	7027777.....	275	8410001.....	94
7023935.....	39	7024598.....	141	7027778.....	275	8410009.....	96
7023936.....	39	7024704.....	64	7027779.....	275	8410011.....	80, 94
7023977.....	108	7024762.....	64	7027780.....	275	8410013.....	82
7023979.....	109, 113	7024763.....	64	7027790.....	72	8420231.....	96
7024100.....	65	7024784.....	64	7027791.....	72	85941017.....	68
7024379.....	65	7024800.....	109	7027792.....	72	85941018.....	91
7024380.....	65	7024851.....	109, 113	7027793.....	388, 409	8770157.....	109, 112
7024381.....	65	7024867.....	35	7027795.....	72, 440	88261024.....	221
7024390.....	65	7024868.....	35	7027796....	72, 388, 409	88521205.68, 77, 91, 103	
7024396.....	65	7024874.....	112	7027799....	176, 183, 187	88521214... 285, 287, 289	
7024398.....	73	7024875.....	112	7027887... 149, 153, 155,		8896941.....	451
7024404.....	125, 126	7024877.....	113	159		91143177.....	367, 372
7024439.....	122	7024881.....	374	7027965.....	105, 440	91203039.....	217
7024440.....	122	7024892.....	39	7027972.....	105, 440	91401281.68, 77, 91, 103	
7024441.....	122	7026188....	177, 183, 187	7027989.....	389, 411	91403102.....	81, 440
7024443.....	122	7026197.....	125	7027991.....	389, 411	91403244.....	80
7024444.....	122, 440	7026199... 149, 153, 155,		77143013.....	129, 134	91474405.....	56
7024445.....	122	159		77363233.....	396, 419		



3121617



An Oshkosh Corporation Company

Corporate Office
JLG Industries, Inc.
1 JLG Drive
McConnellsburg, PA 17233-9533 USA
☎ (717) 485-5161 (Corporate)
☎ (877) 554-5438 (Customer Support)
☎ (717) 485-6417

Visit our website for JLG Worldwide Locations.
www.jlg.com