



Illustrated Parts Manual

Models **800A** **800AJ**

SN 0300183034 to Present

P/N
3121629

September 19, 2018 - Rev P

ANSI

CE



AS/NZS



An Oshkosh Corporation Company

REVISION LOG

April 30, 2014 - A - Original Issue Of Manual (Manual edited to 1001156800 Revision J)1
November 17, 2014 - B - Revised Manual
July 15, 2015 - C - Revised Manual (Manual edited to 1001156800 Revision AR)
September 15, 2015 - D - Revised Manual (Manual edited to 1001156800 Revision AS) (Revision 6)
December 7, 2015 - E - Revised Manual (Manual edited to 1001156800 Revision AS) (Revision 5)
March 7, 2016 - F - Revised Manual (Manual edited to 1001156800 Revision AS) (Revision 2)
June 9, 2016 - G - Revised Manual (Manual edited to 1001156800 Revision AU) (Revision 2)
September 9, 2016 - H - Revised Manual (Manual edited to 1001156800 Revision AU) (Revision 2)
December 9, 2016 - I - Revised Manual (Manual edited to 1001156800 Revision BE) (Revision 2)
March 20, 2017 - J - Revised Manual (Manual edited to 1001156800 Revision BE) (Revision 2)
June 23, 2017 - K - Revised Manual (Manual edited to 1001156800 Revision BP) (Revision 2)
September 29, 2017 - L - Revised Manual (Manual edited to 1001156800 Revision CB) (Revision 2)
December 15, 2017 - M - Revised Manual (Manual edited to 1001156800 Revision CB) (Revision 2)
March 23, 2018 - N - Revised Manual (Manual edited to 1001156800 Revision CL) (Revision 2)
June 29, 2018 - O - Revised Manual (Manual Edited to B/M 1001156800 Revision CM) (Revision 2)
September 19, 2018 - P - Revised Manual (Manual Edited to B/M 1001156800 Revision CN) (Revision 2)

GENERAL INFORMATION

SECTION 6 CYLINDER

FIGURE 6-3. LIFT CYLINDER ASSEMBLY

PG# Model Designation Manual #

SECTION 6 CYLINDER

FIGURE 6-3. LIFT CYLINDER ASSEMBLY

ITEM #	PART NUMBER	QTY.	DESCRIPTION	REV.
	1001140104	Ref	LIFT CYLINDER ASSEMBLY	B
1	0100011	AR	Compound, Locking	
2	0400336	3	Cap screw 1/4-20 x 1-1/8	
3	0701003	1	Screw #10-24 x 3/8	
4	0901897	1	Bushing, Tapped	
5	1300136	1	Clamp, Cable	
6	1600063	1	Head	
7	2200880	1	Plug, O-Ring	
8	2200888	2	Plug, O-Ring	
9	2200886	1	Plug, O-Ring	
10	3000036	AR	Lubricant	
11	3400292	1	Platen	
12	3700371	1	Ring, Washer	
13	3901420	8	Cap screw 1/4-20 x 1-1/4	
14	3931604	8	Cap screw 1/2-13 x 1-1/2	
15	3981803	1	Set screw #10-24 x 3/8	
16	4100099	1	Spacer	
17	4640999	1	Cartridge, Holding Valve (Non Vented)	
17	2300730		Kit, Seal - 4640999 Cartridge Valve	
18	4641248	1	Cartridge, Counterbalance Valve (Non Vented)	
18	70004186		Kit, Seal - 4641248 Cartridge Valve	
19	100113991	1	Sensor, Cylinder Length	
20	1001118070	1	Cap, Retainer	
21	1001118054	1	Barrel	
21A	0901890	2	Bushing	
22	1001118066	1	Rod	
22A	0901890	2	Bushing	
100	1001139996	1	Kit, Seal (includes items 101-109)	
101	See Note	2	Ring, Wear (Note: Use pin 1001139996)	
102	See Note	1	Ring, Back-Up (Note: Use pin 1001139996)	
103	See Note	2	Ring, Lock (Note: Use pin 1001139996)	
104	See Note	2	Ring, Back-Up (Note: Use pin 1001139996)	
105	See Note	2	O-Ring (Note: Use pin 1001139996)	
106	See Note	1	O-Ring (Note: Use pin 1001139996)	
107	See Note	1	Seal (Note: Use pin 1001139996)	
108	See Note	1	Wiper, Rod (Note: Use pin 1001139996)	
109	See Note	2	Seal (Note: Use pin 1001139996)	
200	1001118108	1	Kit, Sensor Magnet (includes items 201-203)	
201	See Note	NSS	Stem, Spacer (Note: Use pin 1001118108)	
202	1001118066	1	Magnet, Sensor	
203	1001118059	1	Ring, Internal Retaining	

Manual # Model Designation PG#

1) MACHINE IDENTIFICATION

Machines are identified by model and in some cases a combination of models, serial number (SN) or regional standard (i.e. ANSI, CE, CSA). Components may also be identified by SN or manufacturer. Common components that may be identified by these characteristics are engines and hydraulic components.

2) PARTS MANUAL ORGANIZATION

Product information in this manual is organized under section titles. Frame, Cylinder, Hydraulic and Electrical are a few examples. Each section is organized by figure and page number. The information within the Figure is then organized by item number, part number, description and corresponding illustration(s).

3) TABLE OF CONTENTS

A table of contents is found toward the beginning of the manual. Figure number, description and page number are provided for quick reference to the page containing the related information.

4) RECOMMENDED SPARE PARTS

The Recommended Spare Parts, located near the end of the manual, reference most frequently used maintenance parts.

5) PART NUMBER INDEX

A numerical index listing all part numbers and the corresponding page number(s) appears at the back of the manual.

GENERAL INFORMATION

6) NON-SERVICED PARTS

In some instances, it is necessary to display non-serviced parts, assemblies or installations. In the case of assemblies and installations there will be a Ref in the Qty column. In case of parts that are not available for service within assemblies or components, there will be a NSS (Not Sold Separately) or NLA (No Longer Available) listed in the Qty. column of the manual.

7) PARTS LIST ITEM NUMBERS

Numbers shown in the item# column correspond to numbers used in the associated illustration (s). Item numbers which are missing from the sequence in the parts list are not used on that page

8) INDENTED PARTS DESCRIPTION

An indented part description is included in the item under which it is indented.

9) ABB REVIATION AND SYMBOLS

AC.....	..Alternating Current	LCD.....	..Liquid Crystal Display
ADE.....	..Advanced Design Electronics	LED.....	..Light Emitting Diodes
ANSI.....	..American National Standards Institute	LH.....	..Left Hand
AR.....	..As Required	LSS.....	..Load Sensing System
ASSY.....	..Assembly	M(m).....	..Metric/Meter
AUX.....	..A uxiliary	MM (mm).....	..Milimeter
AWG.....	..American WireG auge	mA.....	..Miliamps
B/M.....	..Bill of Material	NLA.....	..No Longer A vailable
CE.....	..European Conformity	NPT.....	..National Pipe Threads
CCW.....	..Counter Clockwise	NSS.....	..Not So ld Separately
cm.....	..Centimet er	OD.....	..Outside Diameter
CW.....	..Clockwise	ORB.....	..O-Ring Boss
CSA.....	..Canadian Standards Association	ORFS.....	..O-Ring Face Seal
CYL.....	..Cylinder	OZ (oz).....	..Ounces
DIA.....	..Diameter	PG.....	..Page
DC.....	..Direct Current	P/N.....	..Part Number
EMS.....	..Emergency Stop	qt.....	..Quarts
ENG.....	..Engine	QTY.....	..Quantity
FT (ft).....	..Feet	REF.....	..Reference
GA (Ga).....	..G auge	REV.....	..Revision Level
HYD.....	..Hydraulic	RH.....	..Right Hand
Hz.....	..Her tz	SAE.....	..Society of A utomotive E ngineers
ID.....	..Inside Diameter	SN.....	..Serial Number
in.....	..inches	SPEC(S).....	..Specifications
ISO.....	..I nternational Organization for Stand ards	T/T.....	..T urntable
JIC.....	..Joint Industry Council	UGM.....	..Univ ersal G round Module
KG.....	..Kilogram	V.....	..Volts
L.....	..Liter	W.....	..Watts
LB.....	..P ounds	#.....	..Number

10) ILLUSTRATION REFERENCE LETTERS

When necessary, illustrations may contain reference letters that are intended to track information (i. e. hoses, harnesses) from one point to another or to track visual enlargement of components to show details that may be located in another area on the illustration.

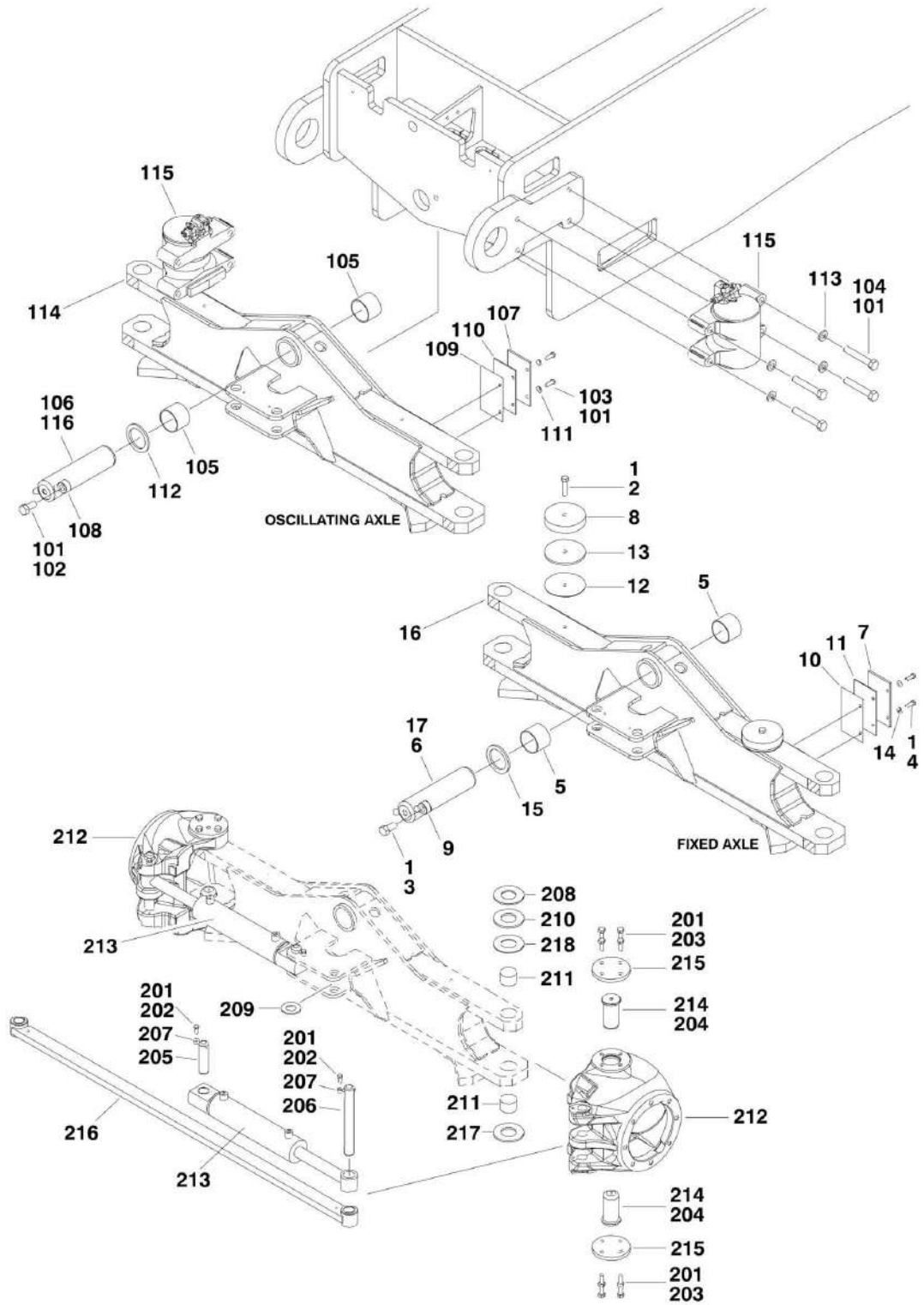
Note: Due to continuous product improvements, JLG Industries, Inc. reserves the right to make specification changes without prior notification. Contact JLG Industries, Inc. for updated information.

TOC

SECTION 1 - FRAME

SECTION 1 - FRAME

FIGURE 1-1. AXLE AND STEERING INSTALLATION WITHOUT TOW PACKAGE



SECTION 1 - FRAME

FIGURE 1-1. AXLE AND STEERING INSTALLATION WITHOUT TOW PACKAGE

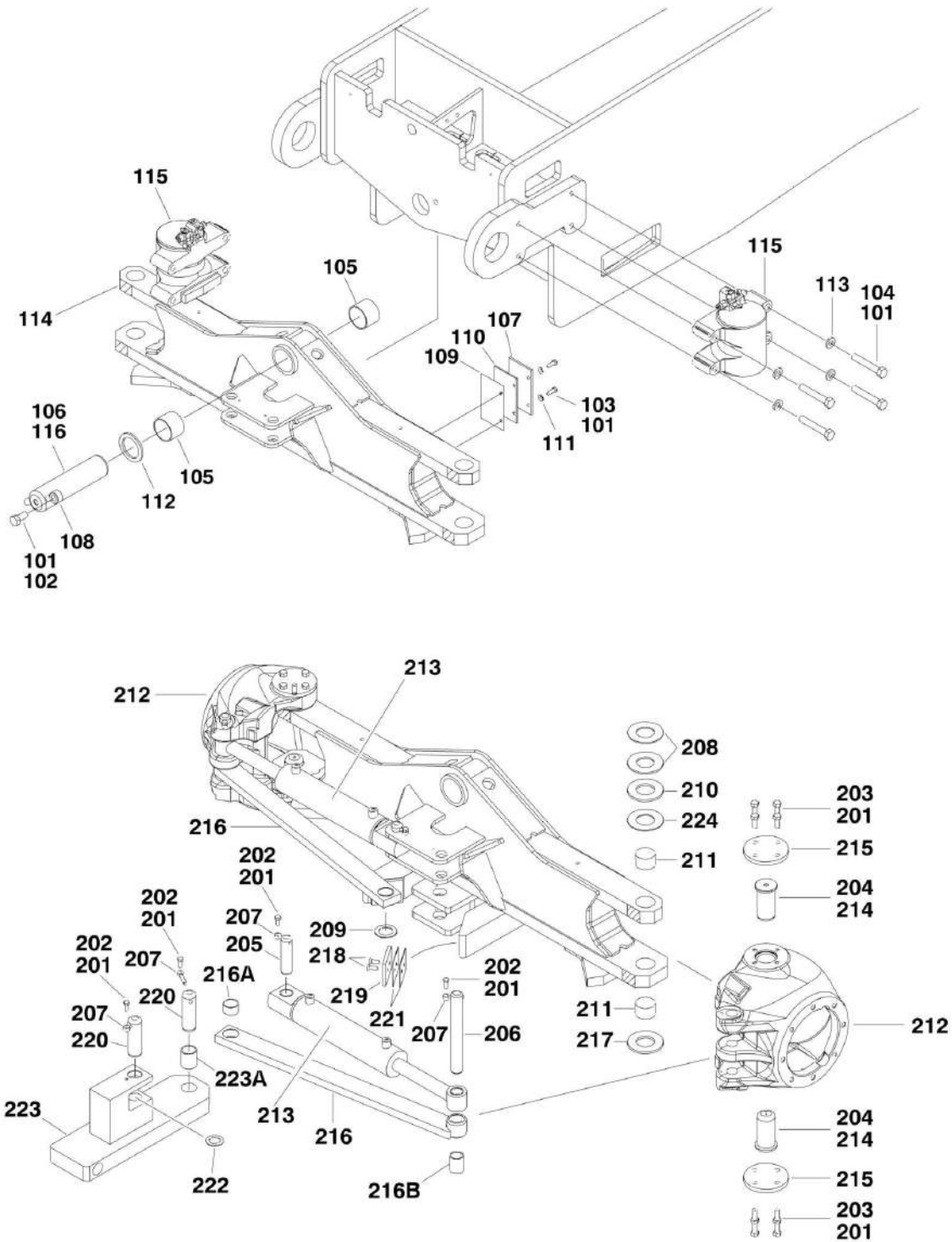
ITEM	PART NUMBER	QTY	DESCRIPTION	REV
	1001151037	Ref	FIXED AXLE INSTALLATION	C
1	0100011	AR	Compound, Locking	
2	0641818	2	Bolt 1/2-13 x 2-1/4	
3	0642212	1	Bolt 3/4-10 x 1-1/2	
4	0681608	4	Bolt 3/8-16 x 1 Grade 8	
5	0962102	2	Bushing	
6	3020039	AR	Lubricant	
7	3538047	2	Shim, Wear	
8	3539877	2	Plate, Stop	
9	3841287	1	Keeper, Pin	
10	4070878	AR	Shim 1/16	
11	4070879	AR	Shim 1/8	
12	4070944	AR	Shim 1/16	
13	4070945	AR	Shim 1/4	
14	4711600	4	Washer 3/8	
15	4740472	1	Washer, Special	
16	1001152719	1	Axle	
17	1001156710	1	Pin	
	1001154584	Ref	OSCILLATING AXLE INSTALLATION	D
101	0100011	AR	Compound, Locking	
102	0642212	1	Bolt 3/4-10 x 1-1/2	
103	0681608	4	Bolt 3/8-16 x1 Grade 8	
104	0682236	8	Bolt 3/4-10 x 4-1/2 Grade 8	
105	0962102	2	Bushing	
106	3020039	AR	Lubricant	
107	3538047	2	Shim, Axle Wear	
108	3841287	1	Shaft, Keeper	
109	4070878	AR	Shim, Axle Wear	
110	4070879	AR	Shim, Axle Wear	
111	4711600	4	Washer 3/8	
112	4740472	1	Washer, Special	
113	4892200	8	Washer 3/4	
114	1001152719	1	Axle	
115	1001154258	NLA	Axle Lockout Cylinder Assembly (Use p/n 1001204560) (See CYLINDER SECTION for Breakdown) (SN 0300183034 through 0300214572)	
115	1001204560	2	Axle Lockout Cylinder Assembly (See CYLINDER SECTION for Breakdown) (SN 0300214573 to Present)	
116	1001156710	1	Pin	
	1001151034	Ref	STEERING INSTALLATIONS (2WS)	F
	1001151035	Ref	STEERING INSTALLATIONS (4WS)	E
		Ref	Note: Qtys shown are for 2WS. Double qtys for 4WS.	
201	0100011	AR	Compound, Locking	
202	0641607	4	Bolt 3/8-16 x 7/8	
203	0641810	16	Bolt 1/2-13 x 1-1/4	
204	3020029	AR	Lubricant	
205	3422417	2	Pin	
206	3422790	2	Pin	
207	3841520	4	Keeper, Pin	
208	4740256	AR	Washer, Thrust	

SECTION 1 - FRAME

ITEM	PART NUMBER	QTY	DESCRIPTION	REV
209	4740473	2	Washer, Special	
210	1001103810	AR	Washer, Thrust	
211	1001165657	4	Bearing	
212	1001150372	2	Spindle	
213	1001150539	2	Steer Cylinder Assembly (See CYLINDER SECTION for Breakdown)	
214	1001161355	4	Kingpin	
215	1001150937	4	Plate	
216	1001151980	1	Tie-Rod	
217	1001161399	2	Washer, Thrust	
218	4740463	AR	Washer, Thrust	

SECTION 1 - FRAME

FIGURE 1-2. AXLE AND STEERING INSTALLATION WITH TOW PACKAGE



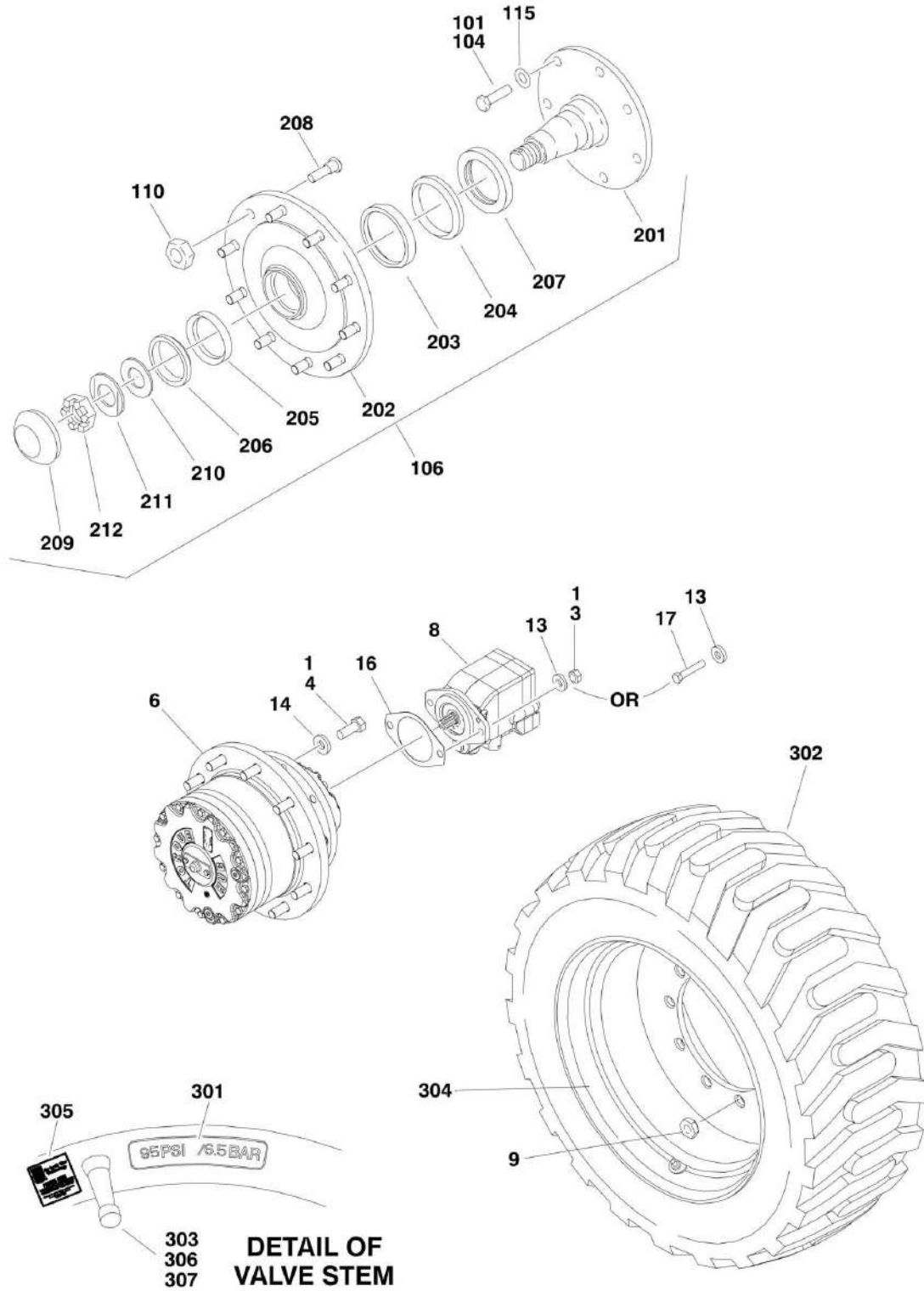
SECTION 1 - FRAME

FIGURE 1-2. AXLE AND STEERING INSTALLATION WITH TOW PACKAGE

ITEM	PART NUMBER	QTY	DESCRIPTION	REV
	1001155194	Ref	OSCILLATING AXLE INSTALLATION	D
101	0100011	AR	Compound, Locking	
102	0642212	1	Bolt 3/4-10 x 1-1/2	
103	0681608	4	Bolt 3/8-16 x1in Grade 8	
104	0682236	8	Bolt 3/4-10 x 4-1/2 Grade 8	
105	0962102	2	Bushing	
106	3020039	AR	Lubricant	
107	3538047	2	Shim, Axle Wear	
108	3841287	1	Shaft, Keeper	
109	4070878	AR	Shim, Axle Wear	
110	4070879	AR	Shim, Axle Wear	
111	4711600	4	Washer 3/8in Thin	
112	4740472	1	Washer, Special	
113	4892200	8	Washer 3/4	
114	1001154875	1	Axle	
115	1001154258	NLA	Axle Lockout Cylinder Assembly (Use p/n 1001204560) (See CYLINDER SECTION for Breakdown) (SN 0300183034 through 0300214572)	
115	1001204560	2	Axle Lockout Cylinder Assembly (See CYLINDER SECTION for Breakdown) (SN 0300214573 to Present)	
116	1001156710	1	Pin	
	1001155192	Ref	STEERING INSTALLATION	D
201	0100011	AR	Compound, Locking	
202	0641607	6	Bolt 3/8-16 x 7/8	
203	0641810	16	Bolt 1/2-13 x 1-1/4	
204	3020029	AR	Lubricant	
205	3422417	2	Pin	
206	3422790	2	Pin	
207	3841520	6	Keeper, Pin	
208	4740256	AR	Washer, Thrust	
209	4740473	2	Washer, Special	
210	1001103810	AR	Washer, Thrust	
211	1001165657	4	Bearing	
212	1001150372	2	Spindle	
213	1001150539	2	Steer Cylinder Assembly (See CYLINDER SECTION for Breakdown)	
214	1001161355	4	Kingpin	
215	1001150937	4	Plate	
216	1001154931	2	Tie-Rod	
216A	0962181	1	Bushing	
216B	0962152	1	Bushing	
217	1001161399	2	Washer, Thrust	
218	0741609	4	Screw 3/8-16 x 1-1/8	
219	3340966	2	Pad, Stop	
220	3422848	2	Pin, Hitch	
221	4071059	AR	Shim	
222	4740155	3	Washer, Thrust	
223	1001155035	1	Link	
223A	0962348	1	Bushing	
224	4740463	AR	Washer, Thrust	

SECTION 1 - FRAME

FIGURE 1-3. TIRE AND WHEEL DRIVE INSTALLATIONS



SECTION 1 - FRAME

FIGURE 1-3. TIRE AND WHEEL DRIVE INSTALLATIONS

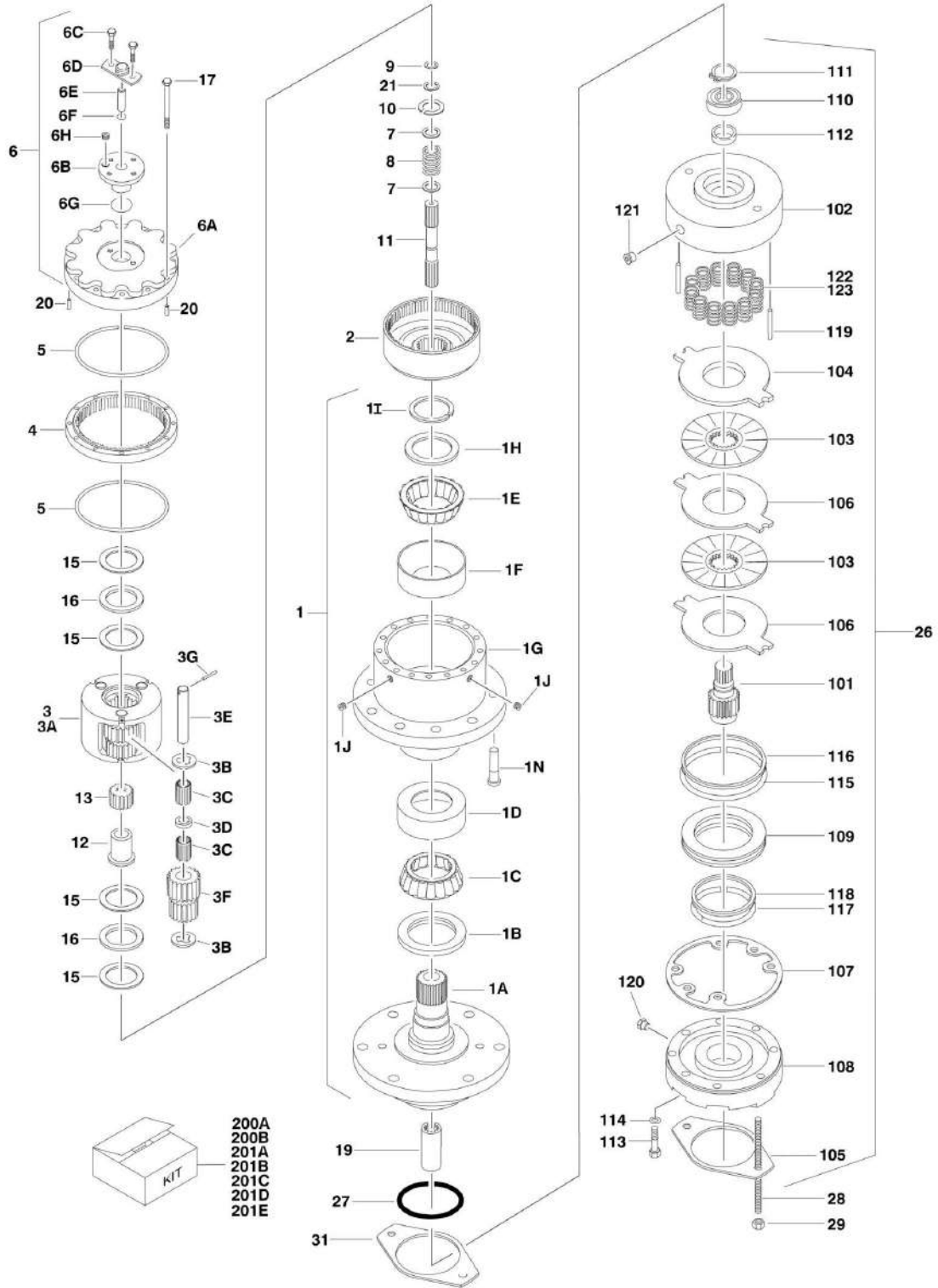
ITEM	PART NUMBER	QTY	DESCRIPTION	REV
	1001157015	Ref	WHEEL DRIVE INSTALLATION (2WD)	C
	1001157016	Ref	WHEEL DRIVE INSTALLATION (4WD/2WS)	C
	1001157094	Ref	WHEEL DRIVE INSTALLATION (4WD/4WS)	C
		Ref	Note: Qtys shown are for 2WS. Double qtys for 4WS.	
1	0100011	AR	Compound, Locking	
3	3311801	4	Nut 1/2-13 (SN 0300183034 through 0300244579)	
4	0682016	16	Bolt 5/8-11 x 2 Grade 8	
5	2300016	AR	Fluid, Hydraulic (Not Shown) (SN 0300183034 through 0300244579)	
6	2780272	NLA	Drive Hub Assembly (Use p/n 1001228544) (See DRIVE HUB ASSEMBLY for Breakdown) (SN 0300183034 through 0300244579)	
6	1001219219	2	Drive Hub Assembly (See DRIVE HUB ASSEMBLY for Breakdown) (SN 0300244580 to Present)	
7	3020008	AR	Lubricant (Not Shown)	
8	3160347	2	Drive Motor Assembly (2WD) (See DRIVE MOTOR ASSEMBLY for Breakdown)	
8	3160348	4	Drive Motor Assembly (4WD) (See DRIVE MOTOR ASSEMBLY for Breakdown)	
9	3300007	20	Nut, Wheel	
13	4891800	4	Washer, 1/2	
14	4892000	16	Washer 5/8	
16	3960526	2	Gasket (SN 0300244580 to Present)	
17	0681822	4	Bolt 1/2 x 2-3/4 Grade 8 (SN 0300244580 to Present)	
	1001157015	Ref	HUB INSTALLATION (2WD ONLY)	C
101	0100011	AR	Compound, Locking	
104	0682016	16	Bolt 5/8-16 x 2 Grade 8	
106	2780229	2	Hub Assembly (See Items 201-212 for Breakdown)	
110	3300007	20	Lugnut	
115	4892000	16	Washer 5/8	
	2780229	Ref	HUB ASSEMBLY (2WD ONLY)	A
201	7017052	2	Spindle (1 per Assembly)	
202	7017053	2	Housing (1 per Assembly)	
203	7010404	2	Cup, Bearing - Inner (1 per Assembly)	
204	7010405	2	Cone, Bearing - Inner (1 per Assembly)	
205	7017056	2	Cup, Bearing - Outer (1 per Assembly)	
206	7017055	2	Cone, Bearing - Outer (1 per Assembly)	
207	7010406	2	Seal, Lip (1 per Assembly)	
208	7000265	20	Stud (10 per Assembly)	
209	7017054	2	Dust Cap (1 per Assembly)	
210	7017051	2	Washer, Special (1 per Assembly)	
211	7017057	2	Washer, Tanged (1 per Assembly)	
212	7017058	2	Nut, Bearing (1 per Assembly)	
	0270885	Ref	TIRE AND WHEEL INSTALLATION 15-625 NHS PNEUMATIC (AVAILABLE ON ALL SPECS EXCEPT AUSTRALIAN AND CE SPECS)	D
	0272322	Ref	TIRE AND WHEEL INSTALLATION 15-625 NHS PNEUMATIC W/SEALANT (AVAILABLE ON ANSI SPECS ONLY)	C
	0270886	Ref	TIRE AND WHEEL INSTALLATION 15-625 NHS FOAM-FILLED (AVAILABLE ON ALL SPECS)	D
	0270888	Ref	TIRE AND WHEEL INSTALLATION 18-625 NHS FOAM-FILLED (AVAILABLE ON ALL SPECS)	C

SECTION 1 - FRAME

ITEM	PART NUMBER	QTY	DESCRIPTION	REV
	1001169757	Ref	TIRE AND WHEEL INSTALLATION 18-625 NHS FOAM-FILLED NON-MARKING (AVAILABLE ON ALL SPECS)	A
	0271083	2	Tire and Wheel Assembly - 15-625 NHS Pneumatic LH Side	D
	0271084	2	Tire and Wheel Assembly - 15-625 NHS Pneumatic RH Side	D
	0272334	2	Tire and Wheel Assembly - 15-625 NHS Pneumatic with Sealant LH Side	D
	0272333	2	Tire and Wheel Assembly - 15-625 NHS Pneumatic with Sealant RH Side	D
	0271085	2	Tire and Wheel Assembly - 15-625 NHS Foam-Filled LH Side	H
	0271086	2	Tire and Wheel Assembly - 15-625 NHS Foam-Filled RH Side	H
	0271090	2	Tire and Wheel Assembly - 18-625 NHS Foam-Filled LH Side	F
	0271091	2	Tire and Wheel Assembly - 18-625 NHS Foam-Filled RH Side	F
	1001169755	2	Tire and Wheel Assembly - 18-625 NHS Foam-Filled Non-Marking LH Side	C
	1001169756	2	Tire and Wheel Assembly - 18-625 NHS Foam-Filled Non-Marking RH Side	C
		Ref	Note: Assemblies may require ballast/foam filling to manufacturer's specifications prior to installing on a machine. Refer to Operation and Safety or Service and Maintenance Manuals. Purchase individual tire and/or rim only if able to foam fill tire and wheel assembly, otherwise, purchase complete assembly.	
301	1702701	1	Decal - 95 PSI/6.5 Bar (Pneumatic Tires Only)	
302	4520252	1	Tire 15-625	
302	4520253	1	Tire 18-625	
302	1001169754	1	Tire 18-625 Non-Marking	
303	4640113	1	Valve, Air (All Pneumatic Tires)	
303	4641122	1	Valve, Air (All Foam-Filled Tires)	
304	4860224	1	Rim, Wheel - 13 x 24.5 Rim (Use with 15-625 Tires)	
304	4860225	1	Rim, Wheel -15 x 24.5 Rim (Use with 18-625 Tires)	
305	1705364	AR	Decal - Tire Sealant (With Sealant Only)	
306	1300019	AR	Chemical, Tire Sealant (Green) (With Sealant Only)	
307	1120552	AR	Cap, Valve Stem (Green) (With Sealant Only)	

SECTION 1 - FRAME

FIGURE 1-4. DRIVE HUB/BRAKE ASSEMBLY (SN 0300183034 through 0300244579)



SECTION 1 - FRAME

FIGURE 1-4. DRIVE HUB/BRAKE ASSEMBLY (SN 0300183034 through 0300244579)

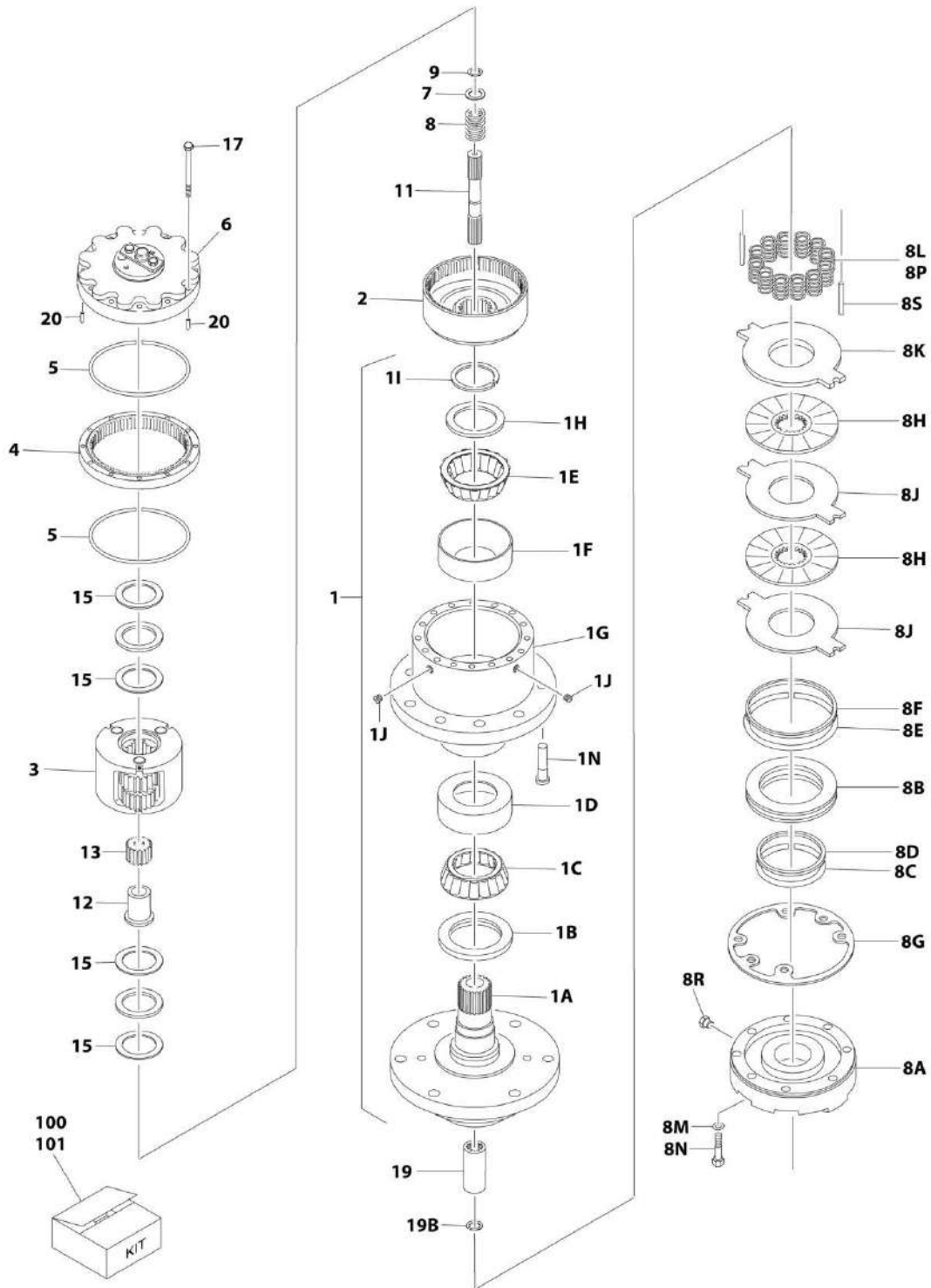
ITEM	PART NUMBER	QTY	DESCRIPTION	REV
	2780272	Ref	DRIVE HUB/BRAKE ASSEMBLY (SN 0300183034 through 0300244579)	E
	2780227	Ref	Hub Assembly	B
1	See Note	1	Spindle/Housing Assembly (Note: Not Available - Purchase Individual Components)	
1A	7010464	1	Spindle	
1B	7000236	1	Seal	
1C	7000273	1	Cone, Bearing	
1D	7000272	1	Cup, Bearing	
1E	7000275	1	Cone, Bearing	
1F	7000274	1	Cup, Bearing	
1G	7017033	1	Housing	
1H	7000239	1	Washer, Thrust	
1I	7000240	1	Ring, Retaining	
1J	7001928	1	Plug, Pipe	
1N	7000265	10	Stud, Wheel	
2	7024782	1	Gear, Ring	
3	See Note	1	Carrier Assembly (Note: Not Available - Purchase Individual Components)	
3A	7024147	1	Carrier	
3B	7001901	6	Washer, Thrust, Tanged	
3C	7001902	96	Bearing, Needle	
3D	7001903	3	Spacer, Thrust	
3E	7024146	3	Shaft, Planet	
3F	7024148	3	Gear, Cluster	
3G	7001906	3	Roll Pin	
4	7024151	1	Gear, Internal	
5	7000224	1	O-Ring	
6	See Note	1	Cover Assembly (Note: Not Available - Purchase Individual Components)	
6A	7024155	1	Cover	
6B	7024783	1	Cap	
6C	7000220	4	Bolt 1/4-20 x 3/4in	
6D	7000231	1	Cap, Disengage	
6E	7000235	1	Rod, Disengage	
6F	7000213	1	O-Ring	
6G	7000238	1	O-Ring	
6H	7017048	1	Plug, Pipe	
7	7000282	2	Washer, Thrust	
8	7000283	1	Spring	
9	7000284	1	Ring, Retaining	
10	7017027	1	Ring, Retaining	
11	7024781	1	Shaft, Input	
12	7024154	1	Spacer, Input	
13	7024149	1	Gear, Sun	
15	7000287	4	Washer, Thrust	
16	7000288	2	Washer, Thrust	
17	7000289	12	Bolt 3/8-16 x 2-1/2in Grade 8	
19	7000290	1	Coupling	
20	7017047	2	Pin, Dowel	

SECTION 1 - FRAME

ITEM	PART NUMBER	QTY	DESCRIPTION	REV
21	7017050	1	Washer, Thrust	
26	7024182	1	Brake Assembly (Includes Items 101-123)	
27	7024763	2	O-Ring	
28	7024717	2	Stud 1/2-13 x 4-5/8in	
29	7024718	2	Nut 1/2-13	
31	70005483	1	Gasket	
	7024182	Ref	BRAKE ASSEMBLY	
101	7024189	1	Shaft	
102	See Note	NSS	Housing (Note: Not Available - Purchase Complete Assembly)	
103	See Note	NSS	Plate, Friction (Note: Use Item 201C)	
104	See Note	NSS	Plate, Pressure (Note: Use Item 201C)	
105	7000731	1	Gasket	
106	See Note	NSS	Plate, Outer (Note: Use Item 201C)	
107	See Note	NSS	Gasket (Note: Use Item 200B, 201C or 201D)	
108	7024191	1	Cylinder	
109	7024192	1	Piston	
110	See Note	NSS	Bearing, Ball (Note: Use Item 201D)	
111	See Note	NSS	Ring, Retaining (Note: Use Item 201D)	
112	See Note	NSS	Seal, Shaft (Note: Use Item 201D)	
113	See Note	NSS	Capscrew (Note: Not Available for Purchase)	
114	See Note	NSS	Washer, Lock (Note: Not Available for Purchase)	
115	See Note	NSS	O-Ring (Note: Use Item 200B)	
116	See Note	NSS	Ring, Back-up (Note: Use Item 200B)	
117	See Note	NSS	O-Ring (Note: Use Item 200B)	
118	See Note	NSS	Ring, Back-up (Note: Use Item 200B)	
119	7024190	2	Pin, Dowel	
120	See Note	NSS	Plug (Note: Not Available for Purchase)	
121	See Note	NSS	Plug (Note: Not Available for Purchase)	
122	See Note	NSS	Spring Kit (Natural) (Note: Use Item 201B)	
123	See Note	NSS	Spring Kit (Blue) (Note: Use Item 201B)	
		Ref	KIT OPTIONS:	
200A	7017068	1	Seal Kit - Hub (Includes Items 1B, 1I, 5, 6F, 6G, 15 & 16)	
200A	70006431	1	Seal Kit - Hub (Includes Items 1B, 1I, 5, 6F, 6G & 17)	
200B	7024194	1	Seal Kit - 7024182 Brake (Includes Items 105, 107 & 115-118)	
201A	7024195	NLA	Spring Kit - 7024182 Brake (Includes 12 Natural Colored Springs) (Note: Use p/n 7024196)	
201B	7024196	1	Spring Kit - 7024182 Brake (Includes 12 Natural & 2 Blue Colored Springs)	
201C	7024193	1	Friction Disc Kit - 7024182 Brake (Includes Items 103, 104, 106 & 107)	
201D	7024197	1	Bearing Kit - 7024182 Brake (Includes Items 107 & 110-112)	
201E	70006430	1	Bearing Kit - Hub (Includes Items 1B-1F, 1I, 5, 6F & 17)	

SECTION 1 - FRAME

FIGURE 1-5. DRIVE HUB/BRAKE ASSEMBLY (SN 0300244580 to Present)



ART_1001219219

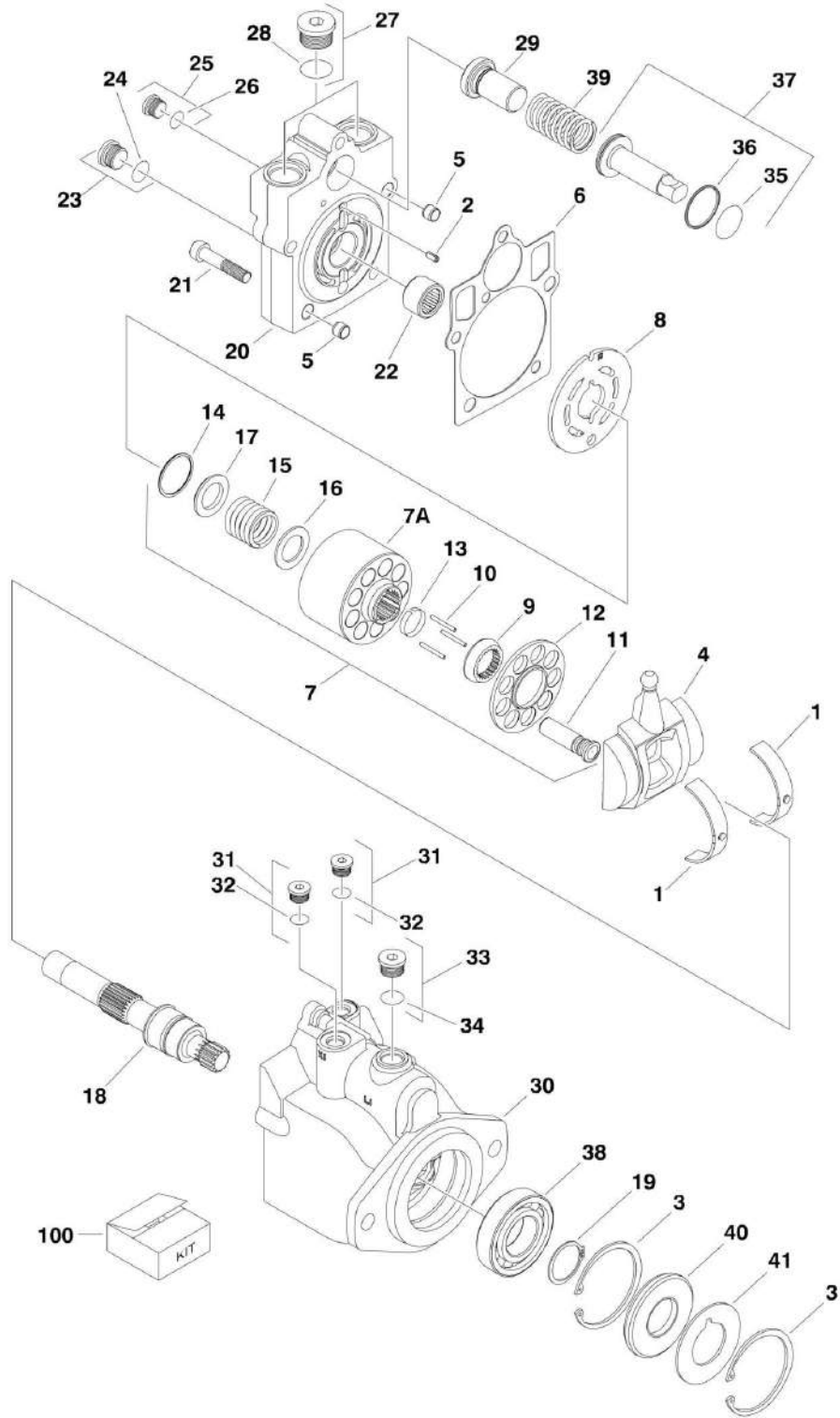
SECTION 1 - FRAME

FIGURE 1-5. DRIVE HUB/BRAKE ASSEMBLY (SN 0300244580 to Present)

ITEM	PART NUMBER	QTY	DESCRIPTION	REV
	1001219219	Ref	DRIVE HUB/BRAKE ASSEMBLY (SN 0300244580 to Present)	B
1	See Note	NSS	Spindle/Housing Assembly (Note: Not Available - Purchase Individual Components)	
1A	70006677	1	Spindle	
1B	70006678	1	Seal	
1C	1001091460	1	Cone, Bearing	
1D	1001091460	1	Cup, Bearing	
1E	1001091461	1	Cone, Bearing	
1F	1001091461	1	Cup, Bearing	
1G	See Note	NSS	Housing (Note: Not Available - Not Available for Purchase)	
1H	7000239	1	Thrustwasher	
1I	7000240	1	Ring, Retaining	
1J	7001928	1	Plug, Pipe	
1N	See Note	NSS	Stud, Wheel (Note: Not Available - Not Available for Purchase)	
2	7024782	1	Gear, Ring	
3	70006673	1	Carrier Assembly	
4	7024151	1	Gear, Internal	
5	7000224	2	O-Ring	
6	70006674	NSS	Cover Assembly (Note: Not Available - Not Available for Purchase)	
7	70006691	1	Thrustwasher	
8	7000283	1	Spring	
8A	7024191	1	Housing, Piston	
8B	70006684	1	Piston	
8C	70006688	1	O-Ring	
8D	70006689	1	Ring, Back-up	
8E	70006686	1	O-Ring	
8F	70006687	1	Ring, Back-up	
8G	70006679	1	Gasket	
8H	70006683	2	Brake, Stator	
8J	70006681	2	Brake, Rotor	
8K	70006682	1	Plate, Pressure	
8L	80344004	10	Spring	
8M	70006685	6	Capscrew	
8N	70006690	6	Lockwasher	
8P	70006680	2	Spring	
8R	7017082	2	Plug	
8S	7024190	2	Pin, Dowel	
9	7000284	1	Ring, Retaining	
11	70006675	1	Shaft, Input	
12	7024154	1	Spacer, Input	
13	7024149	1	Gear, Sun	
15	70006692	2	Thrustwasher	
17	7000289	12	Bolt 3/8 x 2-1/2in (Grade 8)	
19	70006676	1	Coupling	
19B	7017028	1	Ring, Retaining	
20	7017047	2	Pin, Dowel	
100	70006832	1	Friction Disc Kit (Includes Items 8G, 8H, 8J & 8K)	
101	70006833	1	Seal Kit (Includes Items - 8C-8G)	

SECTION 1 - FRAME

FIGURE 1-6. DRIVE MOTOR ASSEMBLY



SECTION 1 - FRAME

FIGURE 1-6. DRIVE MOTOR ASSEMBLY

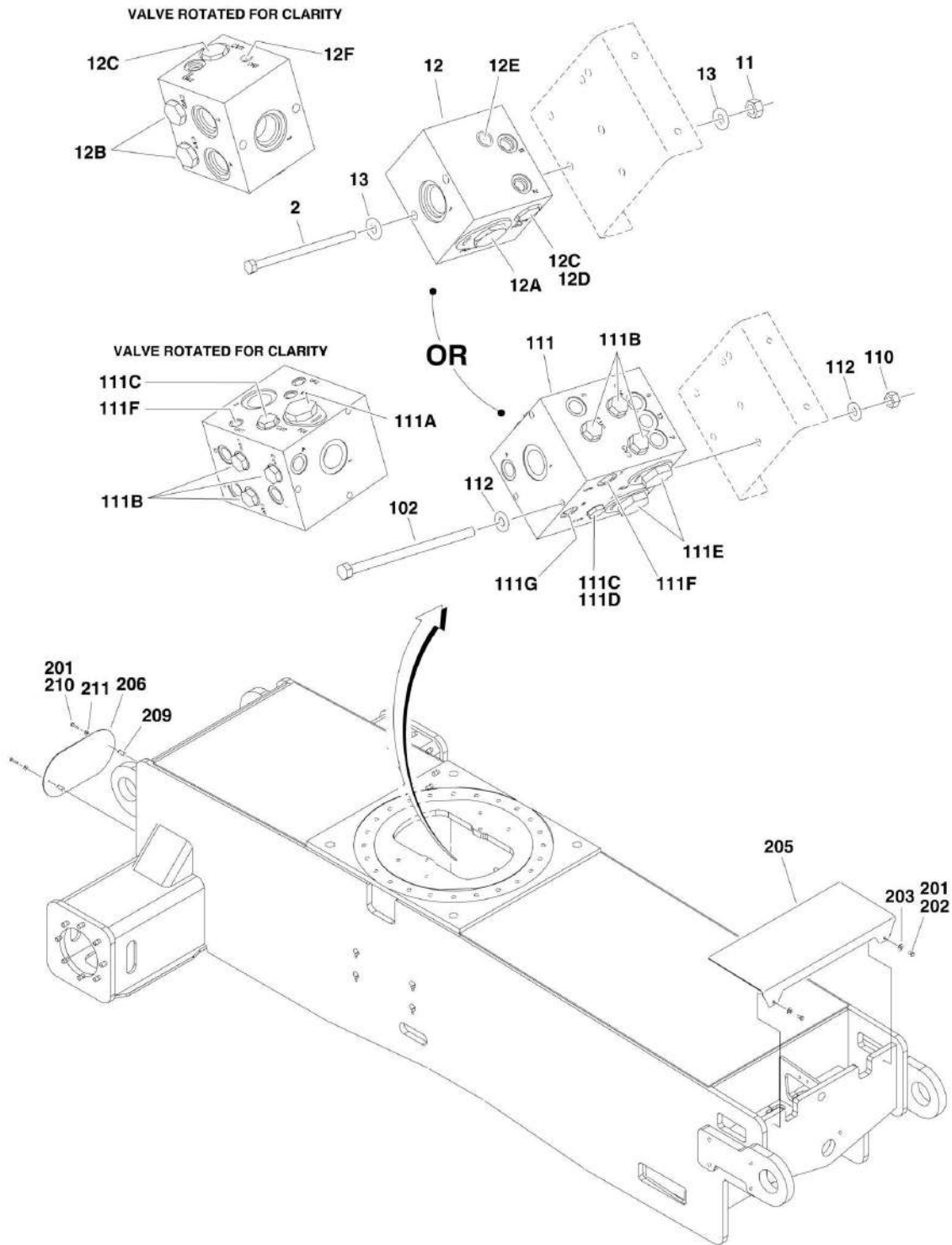
ITEM	PART NUMBER	QTY	DESCRIPTION	REV
	3160347	Ref	DRIVE MOTOR ASSEMBLY (2WD)	B
	3160348	Ref	DRIVE MOTOR ASSEMBLY (4WD)	D
1	7022302	2	Bearing, Journal	
2	7007446	1	Pin	
3	7007438	2	Ring, Retaining	
4	70000794	1	Swash Plate (2WD)	
4	7022305	1	Swash Plate (4WD)	
5	See Note	2	Pin (Note: Not Available for Purchase)	
6	See Note	NSS	Gasket (Note: Use Item 100)	
7	7027740	1	Cylinder Block Kit (2WD) (Includes Items 7A & 9-17)	
7	7023907	1	Cylinder Block Kit (4WD) (Includes Items 7A & 9-17)	
7A	See Note	NSS	Block, Cylinder (Note: Use Item 7)	
8	7024862	1	Plate, Valve (2WD)	
8	7023908	1	Plate, Valve (4WD)	
9	See Note	NSS	Guide, Slipper Retainer (2WD) (Note: Use Item 7)	
9	7021277	1	Guide, Slipper Retainer (4WD)	
10	7021275	3	Pin, Slipper Hold Down	
11	See Note	NSS	Piston Assembly (2WD) (Note: Use Item 7)	
11	See Note	NSS	Piston Assembly (4WD) (Note: Use Item 7)	
12	See Note	NSS	Retainer, Slipper (2WD) (Note: Use Item 7)	
12	7022310	1	Retainer, Slipper (4WD)	
13	See Note	NSS	Retainer, Hold Down Pin (2WD) (Note: Use Item 7)	
13	7021276	1	Retainer, Hold Down Pin (4WD)	
14	7022311	1	Ring, Retaining	
15	7024867	1	Spring (2WD)	
15	7022312	1	Spring (4WD)	
16	7022313	1	Washer (2WD)	
16	7024868	1	Washer (4WD)	
17	7022314	1	Retainer, Spring	
18	7023910	1	Shaft	
19	7007439	1	Ring, Retaining	
20	70000795	1	Cap, End - Axial (2WD)	
20	70000797	1	Cap, End - Axial (4WD)	
21	7022368	5	Screw	
22	7021249	1	Bearing, Needle	
23	2220886	1	Plug (Includes Item 24)	
24	See Note	NSS	O-Ring (Note: Use Item 23 or 100)	
25	2220883	1	Plug (Includes Item 26)	
26	See Note	NSS	O-Ring (Note: Use Item 25 or 100)	
27	2220888	2	Plug (Includes Item 28)	
28	See Note	NSS	O-Ring (Note: Use Item 27 or 100)	
29	7027741	1	Seat, Spring (2WD)	
29	7022372	1	Seat, Spring (4WD)	
30	See Note	NSS	Housing (Note: Not Available - Purchase Complete Assembly)	
31	2220883	2	Plug (Use Item 32)	
32	See Note	NSS	O-Ring (Note: Use Item 31 or 100)	
33	2220886	1	Plug (Use Item 34)	
34	See Note	NSS	O-Ring (Note: Use Item 33 or 100)	
35	See Note	NSS	O-Ring (Note: Use Item 100)	
36	See Note	NSS	Ring, Seal (Note: Use Item 100)	

SECTION 1 - FRAME

ITEM	PART NUMBER	QTY	DESCRIPTION	REV
37	7024871	1	Piston, Servo (2WD) (Includes Items 35 & 36)	
37	7024854	1	Piston, Servo (4WD) (Includes Items 35 & 36)	
38	7007437	1	Bearing	
39	7022326	1	Spring	
40	See Note	NSS	Seal, Lip (Note: Use Item 100)	
41	7022371	1	Washer, Support	
		Ref	KIT OPTIONS:	
100	7022328	1	Seal Kit (Includes Items 6, 24, 26, 28, 32, 34, 35, 36 & 40)	

SECTION 1 - FRAME

FIGURE 1-7. FRAME VALVES AND SHIELDS INSTALLATIONS



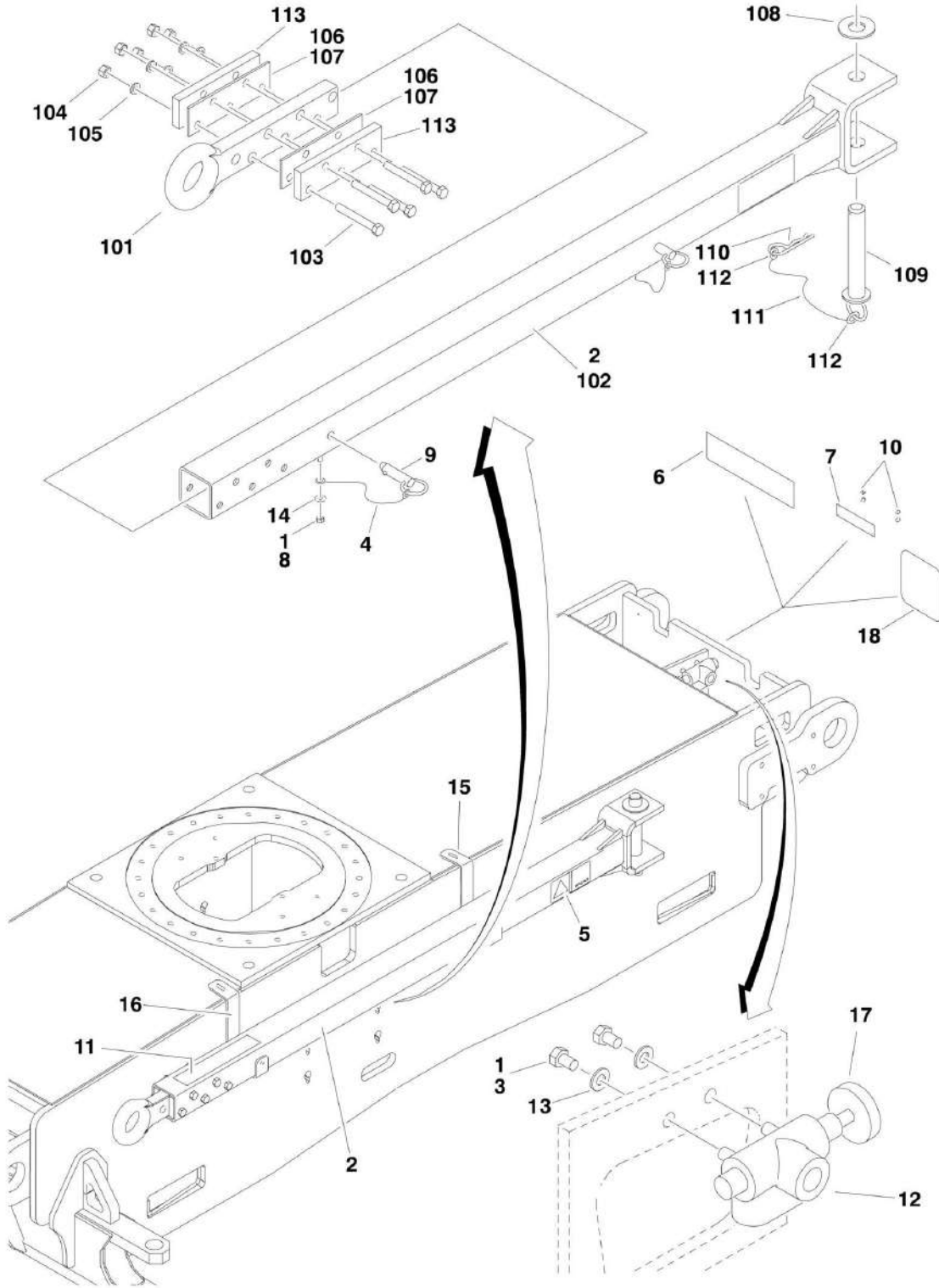
SECTION 1 - FRAME

FIGURE 1-7. FRAME VALVES AND SHIELDS INSTALLATIONS

ITEM	PART NUMBER	QTY	DESCRIPTION	REV
	1001157015	Ref	DRIVE VALVES INSTALLATION - 2WD	C
2	0641542	2	Bolt 5/16-18 x 5-1/4	
11	3311505	2	Nut 5/16-18	
12	1001099870	1	Flow Divider Valve Assembly	B
12A	7023933	1	Cartridge, Flow Divider	
12A	7021625	1	Seal Kit - 7023933 Cartridge	
12A	70000781	1	Lockdown Kit	
12B	7022397	2	Cartridge, Check	
12B	7022399	2	Seal Kit - 7022397 Cartridge	
12C	70002390	2	Cartridge, Check	
12C	7022399	2	Seal Kit - 70002390 Cartridge	
12D	7024881	1	Piston, Pilot	
12E	7017406	1	Plug	
12F	7024844	1	Plug	
12F	7017492	1	Orifice	
13	4711500	4	Washer 5/16in Thin	
	1001157016	Ref	DRIVE VALVES INSTALLATION - 4WD/2WS	C
	1001157094	Ref	DRIVE VALVES INSTALLATION - 4WD/4WS	C
102	0641560	3	Bolt 5/16-18 x 7-1/2	
110	3311505	3	Nut 5/16-18	
111	4641303	1	Flow Divider Valve Assembly	
111A	7023933	1	Cartridge, Flow Divider	
111A	7021625	1	Seal Kit - 7023933 Cartridge	
111B	7022397	6	Cartridge, Check	
111B	7022399	6	Seal Kit - 7022397 Cartridge	
111C	7021639	2	Cartridge, Check Valves	
111C	2900756	2	Seal Kit - 7022398 Cartridge	
111D	7024881	1	Piston, Pilot	
111E	7023917	2	Cartridge, Flow Divider	
111E	7021625	2	Seal Kit - 7023917 Cartridge	
111F	70003935	2	Orifice	
111G	70003936	1	Orifice	
112	4711500	6	Washer 5/16	
	1001158203	Ref	FRAME SHIELDS INSTALLATION (2WS)	D
	1001158204	Ref	FRAME SHIELDS INSTALLATION (4WS)	C
201	0100011	AR	Compound, Locking	
202	0641606	2	Bolt, 3/8in - 16 x 3/4	
203	4751600	2	Washer 3/8	
204	1001158187	1	Cover	
205	4280296	27 in /68cm	Trim	
206	1001158188	1	Cover (2WS Only)	
209	8580420	2	Nut, Well (2WS Only)	
210	0641410	2	Bolt 1/4-20 x 1-1/4 (2WS Only)	
211	4751400	2	Washer 1/4 (2WS Only)	

SECTION 1 - FRAME

FIGURE 1-8. TOW PACKAGE INSTALLATION



SECTION 1 - FRAME

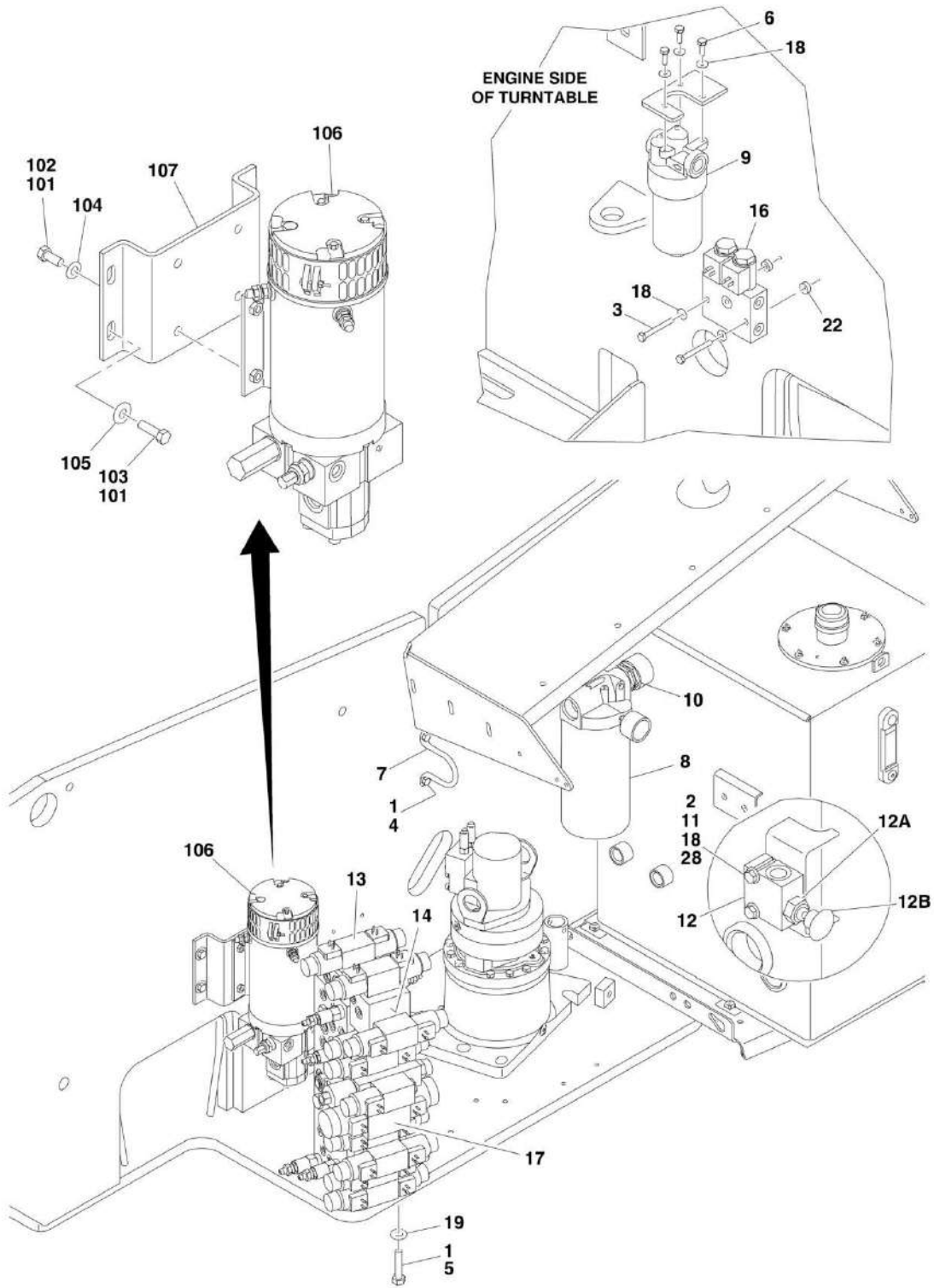
FIGURE 1-8. TOW PACKAGE INSTALLATION

ITEM	PART NUMBER	QTY	DESCRIPTION	REV
	1001158258	Ref	TOW BAR INSTALLATION (ANSI and ANSI EXPORT SPECS)	B
	1001166806	Ref	TOW BAR INSTALLATION (CE SPECS)	B
1	0100011	AR	Compound, Locking	
2	0232121	1	Tow Bar Assembly (See Items 101-113 For Breakdown)	
3	0641508	2	Bolt 5/16-18 x 1	
3	0641504	2	Bolt 5/16-18 x 1/2	
4	1260017	2 ft/0.3m	Chain	
5	1704578	2	Decal - Crushing (ANSI/ANSI Export Specs)	
5	1706960	2	Decal - Crushing (CE Specs)	
6	1705090	1	Decal - Towing Instructions (ANSI/ANSI Export Specs Only)	
7	3250872	1	Nameplate - Steer/Tow Valve (ANSI/ANSI Export Specs Only)	
8	3311401	2	Nut 1/4-20	
9	3420292	2	Pin	
10	3820001	4	Rivet, Pop (ANSI/ANSI Export Specs Only)	
11	4420051	2 ft/0.3m	Tape	
12	4640261	1	Valve, Float Position	
13	4711500	AR	Washer 5/16	
14	4751400	2	Washer 1/4	
15	1001158522	1	Bracket	
16	1001158522	1	Bracket	
17	1001160780	1	Rod, Extension	
18	1706957		Decal - Tow Bar and Steer Select (CE Spec Only)	
	0232121	Ref	TOW BAR ASSEMBLY	7-G
101	0360406	1	Bar, Draw	
102	4843777	1	Bar, Tow	
103	0642038	5	Bolt 5/8-11 x 4-3/4	
104	3312001	5	Nut 5/8-11	
105	4762000	5	Washer, Lock 5/8	
106	4070450	AR	Shim, Spacer	
107	4070561	AR	Shim, Spacer	
108	4740036	1	Washer 1-1/2	
109	3420447	1	Pin	
110	3420372	1	Pin	
111	1260135	1	Chain	
112	3760170	2	Ring	
113	4070560	2	Shim	

SECTION 2 - TURNTABLE

SECTION 2 - TURNTABLE

FIGURE 2-1. CONTROL VALVES AND AUXILIARY PUMP INSTALLATIONS



SECTION 2 - TURNTABLE

FIGURE 2-1. CONTROL VALVES AND AUXILIARY PUMP INSTALLATIONS

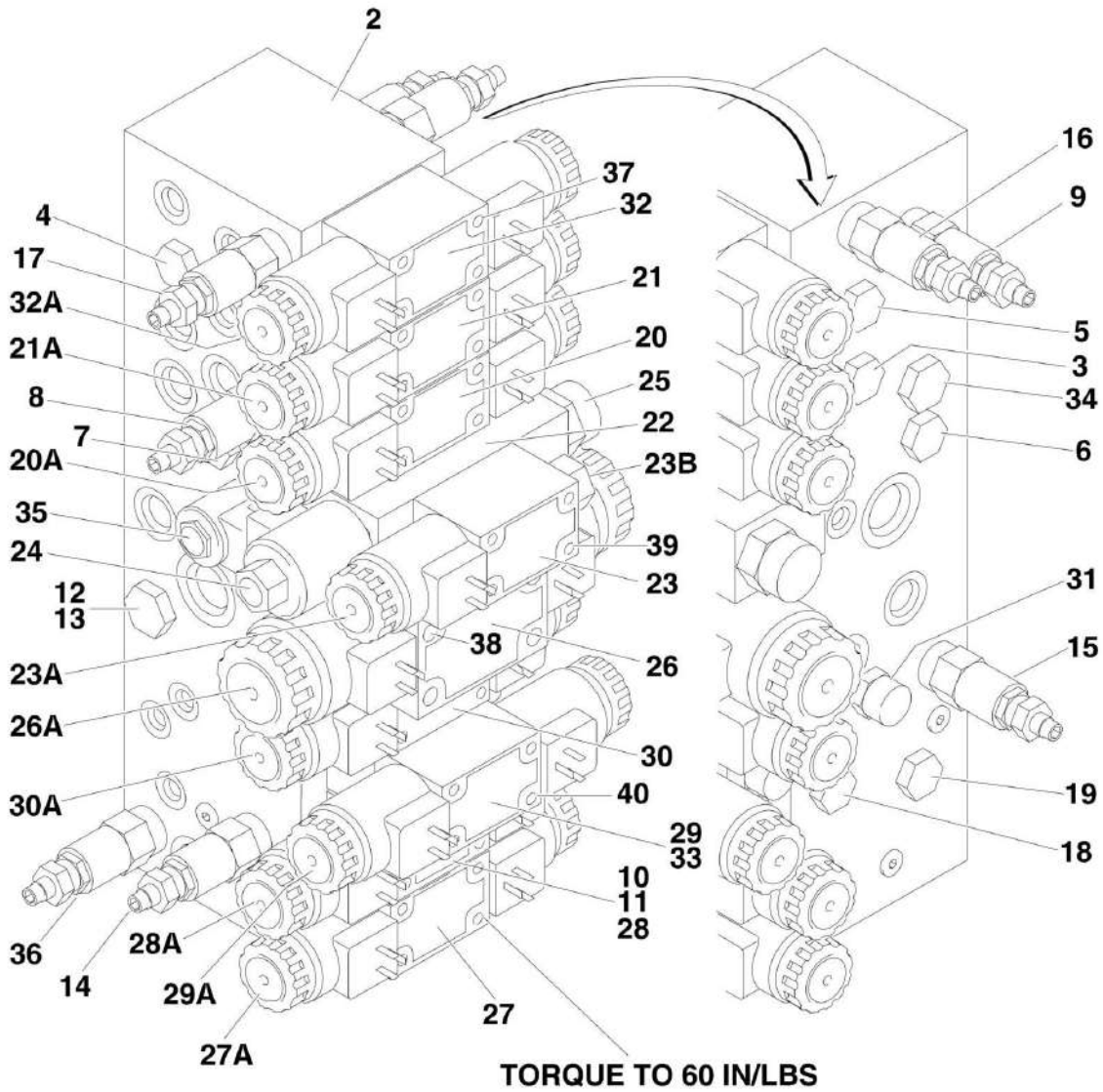
ITEM	PART NUMBER	QTY	DESCRIPTION	REV
		Ref	VALVES INSTALLATION	
		Ref	Machines without LSS or with 4 Cell LSS:	
	1001156794	Ref	Valves Installation - 800A (2WS) (SN 0300183034 through 0300194139)	C
	1001170128	Ref	Valves Installation - 800A (2WS) (SN 0300194140 to Present)	F
	1001156795	Ref	Valves Installation - 800A (4WS) (SN 0300183034 through 0300194139)	C
	1001170129	Ref	Valves Installation - 800A (4WS) (SN 0300194140 to Present)	F
	1001156796	Ref	Valves Installation - 800AJ (2WS) (SN 0300183034 through 0300194139)	C
	1001170132	Ref	Valves Installation - 800AJ (2WS) (SN 0300194140 to Present)	F
	1001156797	Ref	Valves Installation - 800AJ (4WS) (SN 0300183034 through 0300194139)	C
	1001170134	Ref	Valves Installation - 800AJ (4WS) (SN 0300194140 to Present)	F
		Ref	Machines with 1 Cell LSS:	
	1001219983	Ref	Valves Installation - 800A (2WS)	C
	1001219984	Ref	Valves Installation - 800A (4WS)	C
	1001219985	Ref	Valves Installation - 800AJ (2WS)	B
	1001219986	Ref	Valves Installation - 800AJ (4WS)	B
1	0100011	AR	Compound, Locking	
2	0641416	AR	Bolt 1/4-20 x 2	
2	0641618	AR	Bolt 1/4 x 2-1/4	
3	0641418	AR	Bolt 1/4-20 x 2-1/4	
4	0641606	AR	Bolt 3/8-16 x 3/4	
5	0641614	AR	Bolt 3/8-16 x 1-3/4	
6	0651406	AR	Bolt 1/4-28 x 3/4	
7	3841340		Loop, Hose	
8	2120167	1	Return Filter Assembly (SN 0300183034 through 0300196955)	
8	2120168	1	Element, Filter	
8	7020021	1	Indicator, Clogged	
9	2120209	1	Pressure Filter Assembly	
9	2120210	1	Element, Filter	
9	70000934	1	O-Ring, Filter Bowl	
9	7020020	1	Indicator, Clog	
10	2220893	1	Fitting, Adapter (SN 0300183034 through 0300196955)	
11	3311405	2	Nut 1/4-20	
12	4640866	1	Valve Assembly (Level)	
12A	7017466	1	Cartridge	
12A	2900708	1	Seal Kit - Cartridge (Use p/n 7017496)	
12B	7012959	1	Knob	
13	4640921	1	Valve Assembly - Jib (800AJ Only) (See ACCESSORY VALVE ASSEMBLY for Breakdown) (SN 0300183034 through 0300194139)	
14	4640922	1	Valve Assembly Options: (4WS Only) (See ACCESSORY VALVE ASSEMBLY for Breakdown) (SN 0300183034 through 0300194139)	
16	4641317	1	Valve Assembly (Brake and 2 Speed)	
16	7012944	2	Coil	
16	7012941	2	Cartridge without Coil	
16	7010543	2	Seal Kit - 7012941 Cartridge (1 Per Cartridge)	
17		Ref	Main Control Valve Assembly Options: (See MAIN CONTROL VALVE ASSEMBLY for Breakdown)	

SECTION 2 - TURNTABLE

ITEM	PART NUMBER	QTY	DESCRIPTION	REV
	4641453	1	Main Control Valve Assembly (SN 0300183034 through 0300194139)	
	1001172218	NLA	Main Control Valve Assembly (2WS) (Use p/n 1001228170) (SN 0300194140 through 0300238223)	
	1001228170	1	Main Control Valve Assembly (2WS) (SN 0300238224 to Present)	
	1001172219	NLA	Main Control Valve Assembly (4WS) (Use p/n 1001228171) (SN 0300194140 through 0300238223)	
	1001228171	1	Main Control Valve Assembly (4WS) (SN 0300238224 to Present)	
18	4711400	AR	Washer 1/4	
19	4711600	AR	Washer 3/8	
20	4921927	1	Harness Assembly (Jib Control) (800AJ Only) (Not Shown - See ELECTRICAL SECTION for Breakdown) (SN 0300183034 through 0300194139)	
21	4921928	1	Harness Assembly (4WS Only) (Not Shown - See ELECTRICAL SECTION for Breakdown) (SN 0300183034 through 0300194139)	
22	1001110425	2	Spacer	
28	0641414	AR	Bolt 1/4-20 x 1 3/4	
	1001142005	Ref	AUXILIARY PUMP INSTALLATION WITH BRACKET	C
	1001156137	Ref	AUXILIARY PUMP INSTALLATION WITHOUT BRACKET	A
101	0100011	AR	Compound, Locking	
102	0641607	4	Bolt 3/8-16 x 7/8 (Pump without Bracket)	
102	0811612	4	Bolt 3/8-16 x 1-1/2 Grade 8 (Pump with Bracket)	
103	0641610	4	Bolt 3/8-16 x 1-1/4 (Pump without Bracket Only)	
104	4711600	4	Washer 3/8 (Pump without Bracket Only)	
105	4751600	4	Washer 3/8 (Pump without Bracket Only)	
106	1001137460	1	Pump, Auxiliary (See AUXILIARY PUMP ASSEMBLY for Breakdown)	
107	1001141783	1	Bracket, Pump Mounting	

SECTION 2 - TURNTABLE

FIGURE 2-2. MAIN CONTROL VALVE ASSEMBLY (SN 0300183034 through 0300194139)



SECTION 2 - TURNTABLE

FIGURE 2-2. MAIN CONTROL VALVE ASSEMBLY (SN 0300183034 through 0300194139)

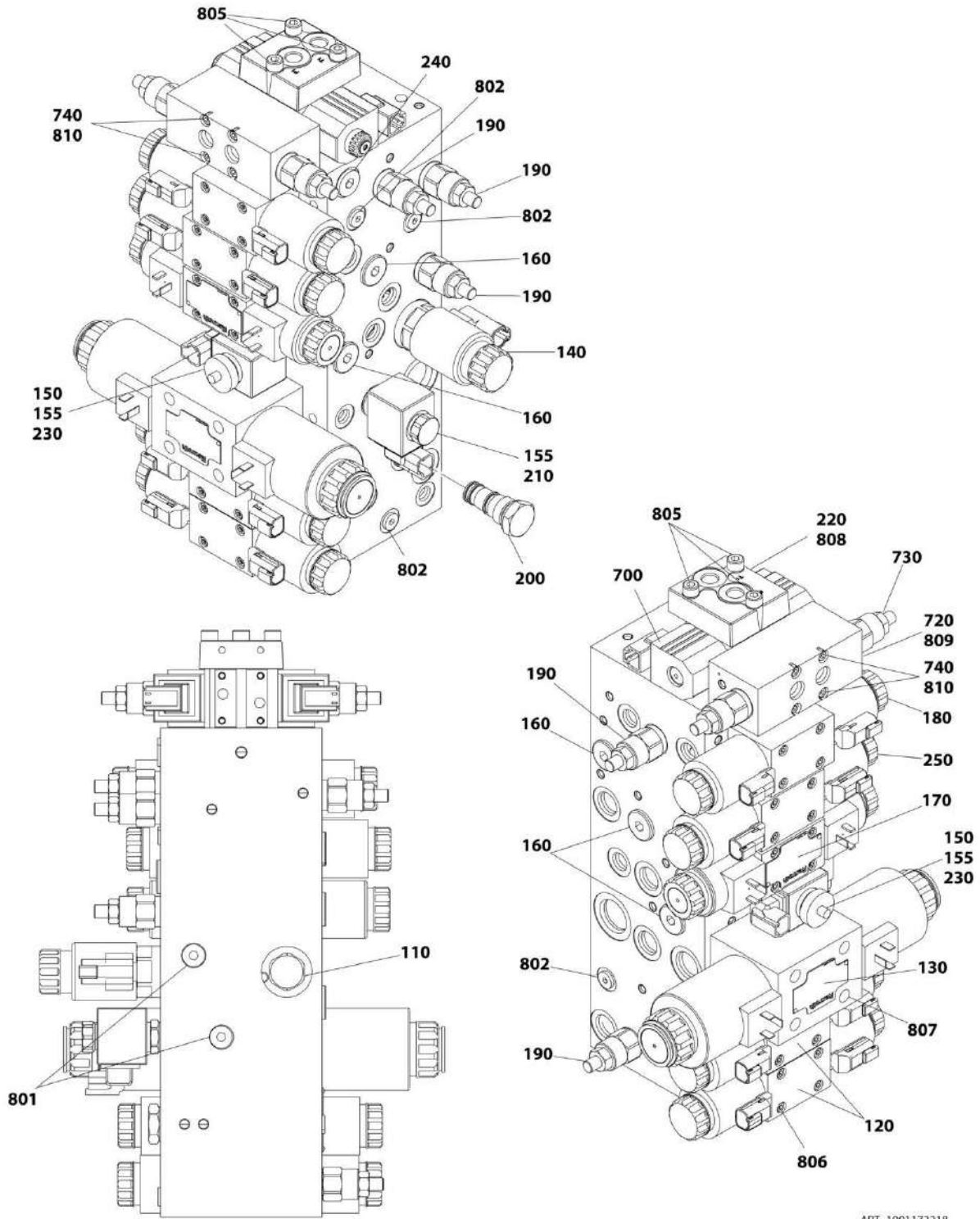
ITEM	PART NUMBER	QTY	DESCRIPTION	REV
	4641453	Ref	MAIN CONTROL VALVE ASSEMBLY	B
2	See Note	1	Block (Note: Not Available - Purchase Complete Assembly)	
3	7010542	1	Cartridge, Load Sensing (Main Lift)	
3	7010543	1	Seal Kit - 7010542 Cartridge	
4	7010542	1	Cartridge, Load Sensing	
4	7010543	1	Seal Kit - 7010542 Cartridge	
5	7010542	1	Cartridge, Load Sensing (Swing)	
5	7010543	1	Seal Kit - 7010542 Cartridge	
6	7010542	1	Cartridge, Load Sensing	
6	7010543	1	Seal Kit - 7010542 Cartridge	
7	7010542	1	Cartridge, Load Sensing (Main)	
7	7010543	1	Seal Kit - 7010542 Cartridge	
8	7017420	1	Cartridge, Relief Valve (Main Lift)	
8	7012998	1	Seal Kit - 7017420 Cartridge	
9	7017423	1	Cartridge, Relief Valve (Swing)	
9	7012998	1	Seal Kit - 7017420 Cartridge	
10	7018941	1	Orifice	
11	7018941	1	Orifice	
12	4641192	1	Cartridge, Check Valve (Tower Lift)	
12	2900708	1	Seal Kit - 4641192 Cartridge	
13	7021602	1	Piston, Pilot	
14	7017428	1	Cartridge, Relief Valve (Platform Level Down)	
14	7012998	1	Seal Kit - 7017428 Cartridge	
15	7017427	1	Cartridge, Relief Valve (Platform Level Up)	
15	7012998	1	Seal Kit - 7017427 Cartridge	
16	7017428	1	Cartridge, Relief Valve (Front Steer)	
16	7012998	1	Seal Kit - 7017428 Cartridge	
17	7017428	1	Cartridge, Relief Valve (Front Steer)	
17	7012998	1	Seal Kit - 7017428 Cartridge	
18	7012914	1	Cartridge, Pilot Check (Platform Level)	
18	7012918	1	Seal Kit - 7012914 Cartridge	
19	7012914	1	Cartridge, Pilot Check (Platform Level)	
19	7012918	1	Seal Kit - 7012914 Cartridge	
20	7018992	1	Control Valve Assembly (Main Lift)	
20	7012773	1	Seal Kit - 7018992 Valve	
20A	7018991	2	Coil	
20A	7018912	2	Nut	
21	7012775	1	Control Valve Assembly (Swing)	
21	7012773	1	Seal Kit - 7012775 Valve	
21A	7012772	2	Coil	
21A	7018912	2	Nut	
22	70002946	1	Flow Control Manifold Assembly (Main) (Includes Items 24 & 25)	
23	7018994	1	Control Valve Assembly (Main)	
23	7012773	1	Seal Kit - 7018994 Valve	
23A	7012772	1	Coil	
23A	7018912	1	Nut	
23B	7018993	1	Plug	
24	7017475	1	Cartridge without Coil	
24	7010545	1	Seal Kit - 7017475 Cartridge	
24	7000645	1	Coil	

SECTION 2 - TURNTABLE

ITEM	PART NUMBER	QTY	DESCRIPTION	REV
25	7021601	1	Cartridge, Flow Regulator (Main)	
25	7017477	1	Seal Kit - 7021601 Cartridge	
26	70000579	1	Control Valve Assembly (Main Tele)	
26	70000583	1	Seal Kit	
26A	70000582	1	Coil	
26A	70000580	1	Nut, Coil	
27	70001976	1	Control Valve Assembly (Tower Tele)	
27	7012773	1	Seal Kit - 7012770 Valve	
27A	7012772	2	Coil	
27A	7018912	2	Nut	
28	70001976	1	Control Valve Assembly (Platform Level)	
28	7012773	1	Seal Kit - 7012770 Valve	
28A	7012772	2	Coil	
28A	7018912	2	Nut	
29	70001976	1	Control Valve Assembly (Platform Rotate)	
29	7012773	1	Seal Kit - 7012770 Valve	
29A	7012772	2	Coil	
29A	7018912	2	Nut	
30	70001976	1	Control Valve Assembly (Tower Lift)	
30	7012773	1	Seal Kit - 7012770 Valve	
30A	7012772	2	Coil	
30A	7018912	2	Nut	
31	7012989	1	Cartridge, Flow Regulator (Platform Rotate)	
31	7012953	1	Seal Kit - 7012989 Cartridge	
32	7012774	1	Control Valve Assembly (Front Steer)	
32	7012773	1	Seal Kit - 7012774 Valve	
32A	7012772	2	Coil	
32A	7018912	2	Nut	
33	7021310	AR	Valve, Sandwich (Platform Rotate)	
33	7018945	2	O-Rings, Replacement - 7021310 Valve	
34	7017478	1	Cartridge, Check Valve (Main Pressure)	
34	7017477	1	Seal Kit - 7017478 Cartridge	
35	7012941	1	Cartridge without Coil (Main Dump)	
35	7010543	1	Seal Kit - 7017452 Cartridge	
35	7012944	1	Coil	
36	7017428	1	Cartridge, Relief Valve (Tower Tele)	
36	7012998	1	Seal Kit - 7017428 Cartridge	
37	7018942	28	Capscrew #10-24 x 2	
38	7018951	4	Capscrew 1/4-20 x 1-1/2	
39	7021311	4	Capscrew #10-24 x 4-1/2	
40	3931048	4	Capscrew #10-24 x 3	

SECTION 2 - TURNTABLE

FIGURE 2-3. MAIN CONTROL VALVE ASSEMBLY (SN 0300194140 through 0300238223)



ART_1001172218

SECTION 2 - TURNTABLE

FIGURE 2-3. MAIN CONTROL VALVE ASSEMBLY (SN 0300194140 through 0300238223)

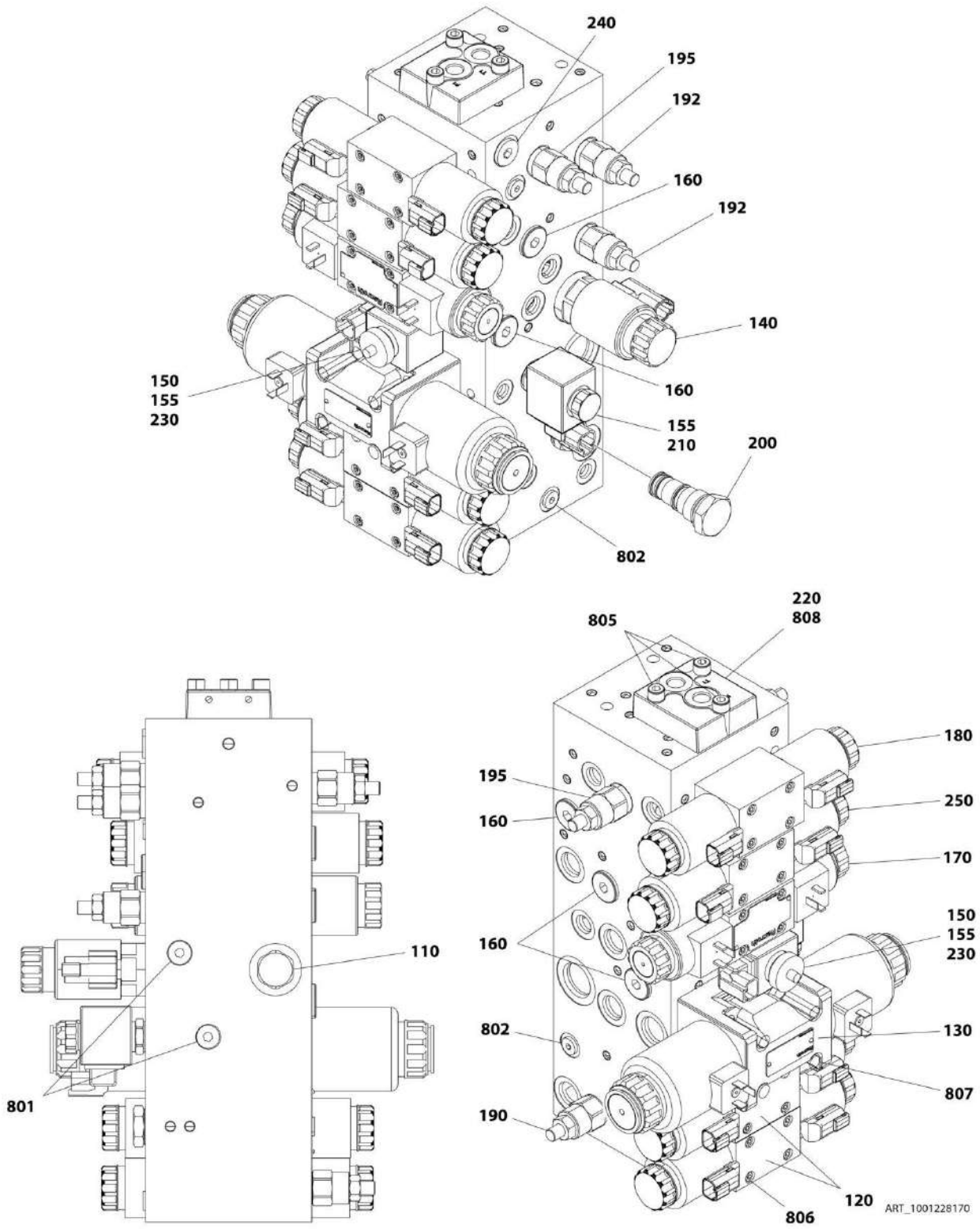
ITEM	PART NUMBER	QTY	DESCRIPTION	REV
	1001172218	Ref	MAIN CONTROL VALVE ASSEMBLY (2WS)	D
	1001172219	Ref	MAIN CONTROL VALVE ASSEMBLY (4WS)	D
110	70005194	1	Valve, Check Cartridge	
110	70004584	1	Seal Kit - 70005194 Valve	
120	70004459	2	Valve Assembly (Tower Tele and Tower Lift)	
120	7012773	2	Seal Kit - 70004459 Valve	
120	70004460	4	Coil	
120	7021375	4	Nut, Coil	
120	70004461	4	O-Ring, Pole Tube	
130	70000579	1	Valve Assembly (Upper Tele)	
130	70000583	1	Seal Kit - 70000579 Valve	
130	70000582	2	Coil	
130	70000580	2	Nut, Coil	
130	7021363	2	O-Ring, Pole Tube	
140	70004657	1	Valve, Cartridge (Flow Control)	
140	70004594	1	Seal Kit - 70004657 Valve	
140	70004595	1	Coil	
140	70004596	1	O-Ring, Pole Tube	
140	70004597	1	Nut, Coil	
150	70004698	1	Valve, Cartridge Less Coil (Steer Dump)	
150	70004055	1	Seal Kit - 70004698 Valve	
155	70004653	2	Coil	
155	70004051	2	Nut, Coil	
160	70023859	5	Valve, Shuffle Cartridge	
160	70023860	5	Seal Kit - 70023859 Valve	
170	7018992	1	Valve Assembly (Upper Lift)	
170	7012773	1	Seal Kit - 7018992 Valve	
170	7018991	2	Coil	
170	7021375	2	Nut, Coil	
170	70004461	2	O-Ring, Pole Tube	
180	70005195	1	Valve Assembly (Front Steer)	
180	7012773	1	Seal Kit - 70005195 Valve	
180	70004463	2	Coil	
180	7021375	2	Nut, Coil	
180	70004461	2	O-Ring, Pole Tube	
190	70003019	5	Valve, Relief Cartridge	
190	70004052	5	Seal kit - 70003019 Valve	
200	70004665	1	Valve, Check - Cartridge	
200	70023862	1	Seal Kit - 70004665 Valve	
210	70004457	1	Valve, Cartridge Less Coil (Main Dump)	
210	70004050	1	Seal Kit - 70004457 Valve	
220	70004667	1	Cover	
230	70005196	1	Orifice .118	
240	70005197	1	Plug (2WS)	
240	70004052	1	Seal Kit - 70004670 Plug	
250	70005198	1	Valve Assembly (Swing)	
250	7012773	1	Seal Kit - 70005198 Valve	
250	70004463	2	Coil	
250	7021375	2	Nut, Coil	
250	70004461	2	O-Ring, Pole Tube	

SECTION 2 - TURNTABLE

ITEM	PART NUMBER	QTY	DESCRIPTION	REV
700	70004671	1	Valve Assembly (Rear Steer) (4WS Only)	
700	70004673	2	Coil	
720	See Note	NLA	Valve Assembly (Rear Steer) (4WS Only) (Note: Not Available for Purchase)	
730	70003019	2	Valve, Pressure Relief Cartridge	
730	70004052	2	Seal Kit - 70003019 Valve	
740	70005232	4	Capscrew (4WS Only)	
801	70005199	2	Plug	
802	70005200	4	Plug	
805	70005201	3	Capscrew	
806	7018942	20	Capscrew	
807	7018951	4	Capscrew	
808	70005202	2	O-Ring	
809	91474405	2	O-Ring (4WS Only)	
810	70021202	1	Bolt Kit (4WS Only)	

SECTION 2 - TURNTABLE

FIGURE 2-4. MAIN VALVE ASSEMBLY (SN 0300238224 to Present)



SECTION 2 - TURNTABLE

FIGURE 2-4. MAIN VALVE ASSEMBLY (SN 0300238224 to Present)

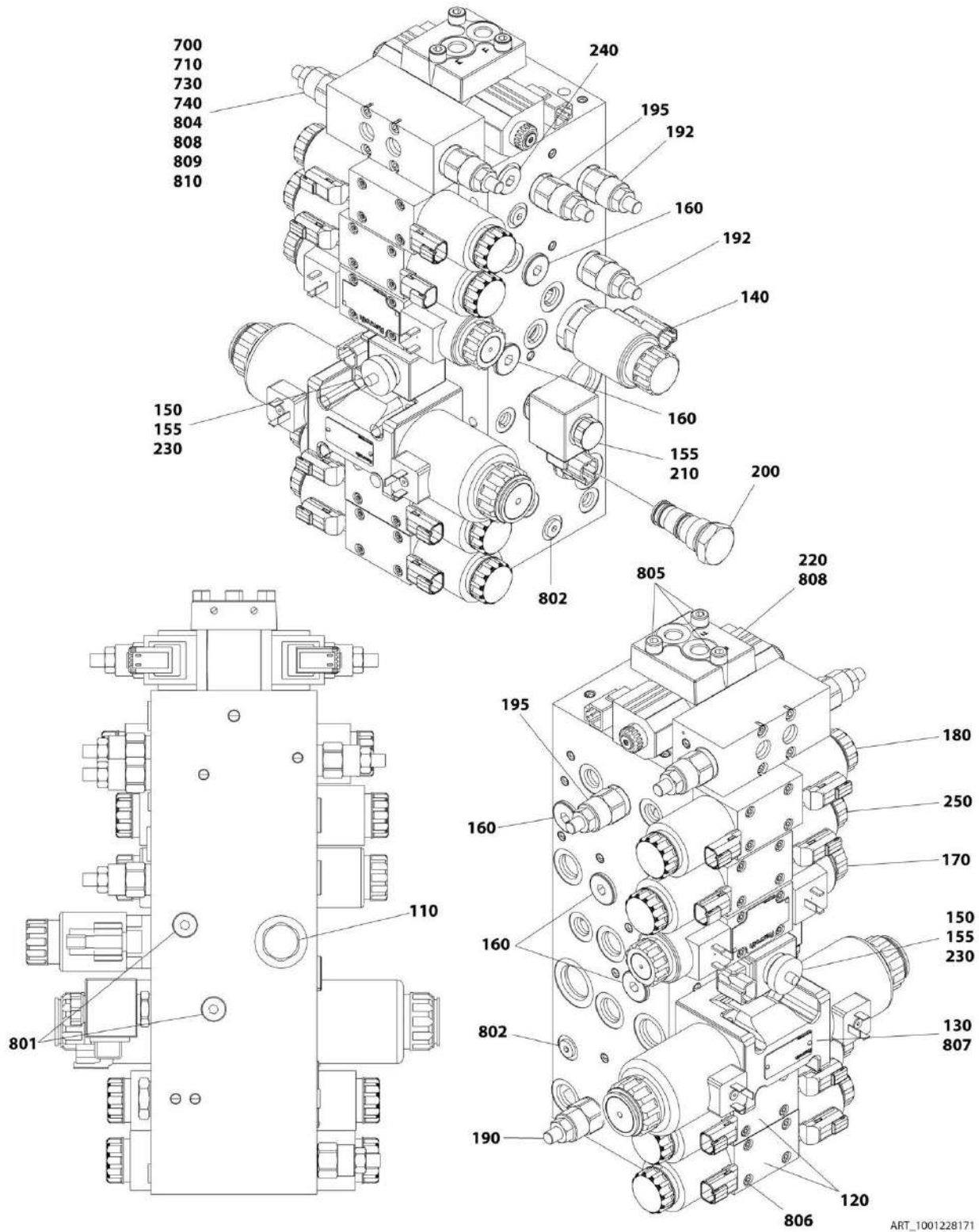
ITEM	PART NUMBER	QTY	DESCRIPTION	REV
	1001228170	Ref	MAIN VALVE ASSEMBLY	A
110	70005194	1	Valve, Check Cartridge	
110	70004584	1	Seal Kit - 70005194 Valve	
120	70004459	2	Valve Assembly (Tower Tele and Tower Lift)	
120	7012773	2	Seal Kit - 70004459 Valve	
120	70004460	4	Coil	
120	7021375	4	Nut, Coil	
120	70004461	4	O-Ring, Pole Tube	
130	70006955	1	Valve Assembly (Upper Tele)	
130	70006957	1	Seal Kit - 70006955 Valve	
130	70006956	2	Coil	
140	70004657	1	Valve, Cartridge (Flow Control)	
140	70004594	1	Seal Kit - 70004657 Valve	
140	70004595	1	Coil	
140	70004596	1	O-Ring, Pole Tube	
140	70004597	1	Nut, Coil	
150	70004598	1	Valve, Cartridge Less Coil (Steer Dump)	
150	70004055	1	Seal Kit - 70004598 Valve	
155	70004653	2	Coil	
155	70004051	2	Nut, Coil	
160	70023859	5	Valve, Shuffle Cartridge	
160	70023860	5	Seal Kit - 70023859 Valve	
170	7018992	1	Valve Assembly (Upper Lift)	
170	7024021	1	Seal Kit - 7018992 Valve	
170	7018991	2	Coil	
170	7021375	2	Nut, Coil	
170	70004461	2	O-Ring, Pole Tube	
180	70005195	1	Valve Assembly (Front Steer)	
180	7012773	1	Seal Kit - 70005195 Valve	
180	70004463	2	Coil	
180	7021375	2	Nut, Coil	
180	70004461	2	O-Ring, Pole Tube	
190	70006959	1	Valve, Relief Cartridge	
190	See Note	NSS	Seal Kit - 70006959 Valve (Note: Not Available for Purchase)	
192	70006960	2	Valve, Relief Cartridge	
192	See Note	NSS	Seal Kit - 70006960 Valve (Note: Not Available for Purchase)	
195	70006958	2	Valve, Relief Cartridge	
195	See Note	NSS	Seal Kit - 70006958 Valve (Note: Not Available for Purchase)	
200	70004665	1	Valve, Check - Cartridge	
200	70023862	1	Seal Kit - 70004665 Valve	
210	70004457	1	Valve, Cartridge Less Coil (Main Dump)	
210	70004050	1	Seal Kit - 70004665 Valve	
210	70004653	1	Coil	
220	70004667	1	Cover	
230	70005196	1	Orifice .118	
240	70005197	1	Plug (2WS)	
240	70004052	1	Seal Kit - 70005197 Plug	
250	70005198	1	Valve Assembly (Swing)	
250	70006961	1	Seal Kit - 70005198 Valve	
250	70004463	2	Coil	

SECTION 2 - TURNTABLE

ITEM	PART NUMBER	QTY	DESCRIPTION	REV
250	7021375	2	Nut, Coil	
250	70004461	2	O-Ring, Pole Tube	
801	70005199	2	Plug	
802	70005200	4	Plug	
805	70005201	3	Capscrew	
806	7018942	20	Capscrew	
807	7018951	4	Capscrew	
808	70005202	2	O-Ring	

SECTION 2 - TURNTABLE

FIGURE 2-5. MAIN VALVE ASSEMBLY (SN 0300238224 to Present)



ART_1001228171

SECTION 2 - TURNTABLE

FIGURE 2-5. MAIN VALVE ASSEMBLY (SN 0300238224 to Present)

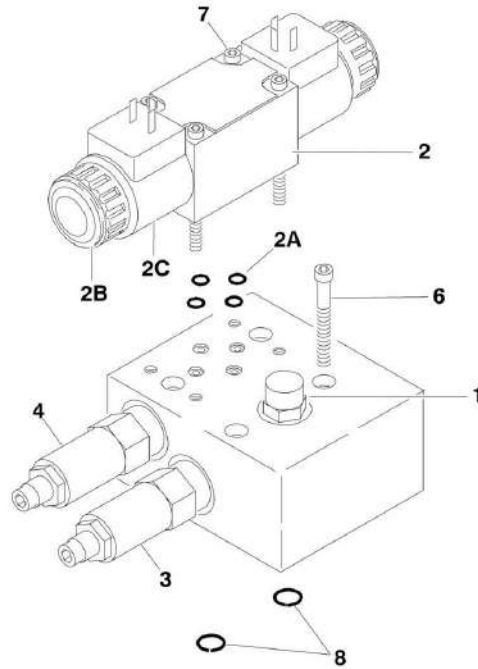
ITEM	PART NUMBER	QTY	DESCRIPTION	REV
	1001228171	Ref	MAIN VALVE ASSEMBLY	A
110	70005194	1	Valve, Check Cartridge	
110	70004584	1	Seal Kit - 70005194 Valve	
120	70004459	2	Valve Assembly (Tower Tele and Tower Lift)	
120	7012773	2	Seal Kit - 70004459 Valve	
120	70004460	4	Coil	
120	7021375	4	Nut, Coil	
120	70004461	4	O-Ring, Pole Tube	
130	70006955	1	Valve Assembly (Upper Tele)	
130	70006957	1	Seal Kit - 70006955 Valve	
130	70006956	2	Coil	
140	70004657	1	Valve, Cartridge (Flow Control)	
140	70004594	1	Seal Kit - 70004657 Valve	
140	70004595	1	Coil	
140	70004596	1	O-Ring, Pole Tube	
140	70004597	1	Nut, Coil	
150	70004598	1	Valve, Cartridge Less Coil (Steer Dump)	
150	70004055	1	Seal Kit - 70004598 Valve	
155	70004653	2	Coil	
155	70004051	2	Nut, Coil	
160	70023859	5	Valve, Shuffle Cartridge	
160	70023860	5	Seal Kit - 70023859 Valve	
170	7018992	1	Valve Assembly (Upper Lift)	
170	7024021	1	Seal Kit - 7018992 Valve	
170	7018991	2	Coil	
170	7021375	2	Nut, Coil	
170	70004461	2	O-Ring, Pole Tube	
180	70005195	1	Valve Assembly (Front Steer)	
180	7012773	1	Seal Kit - 70005195 Valve	
180	70004463	2	Coil	
180	7021375	2	Nut, Coil	
180	70004461	2	O-Ring, Pole Tube	
190	70006959	1	Valve, Relief Cartridge	
190	See Note	NSS	Seal Kit - 70006959 Valve (Note: Not Available for Purchase)	
192	70006960	2	Valve, Relief Cartridge	
192	See Note	NSS	Seal Kit - 70006960 Valve (Note: Not Available for Purchase)	
195	70006962	2	Valve, Relief Cartridge	
195	See Note	NSS	Seal Kit - 70006958 Valve (Note: Not Available for Purchase)	
200	70004665	1	Valve, Check - Cartridge	
200	70023862	1	Seal Kit - 70004665 Valve	
210	70004457	1	Valve, Cartridge Less Coil (Main Dump)	
210	70004050	1	Seal Kit - 70004665 Valve	
210	70004653	1	Coil	
220	70004667	1	Cover	
230	70005196	1	Orifice .118	
240	70004670	1	Blocking Plug	
250	70005198	1	Valve Assembly (Swing)	
250	70006961	1	Seal Kit - 70005198 Valve	
250	70004463	2	Coil	
250	7021375	2	Nut, Coil	

SECTION 2 - TURNTABLE

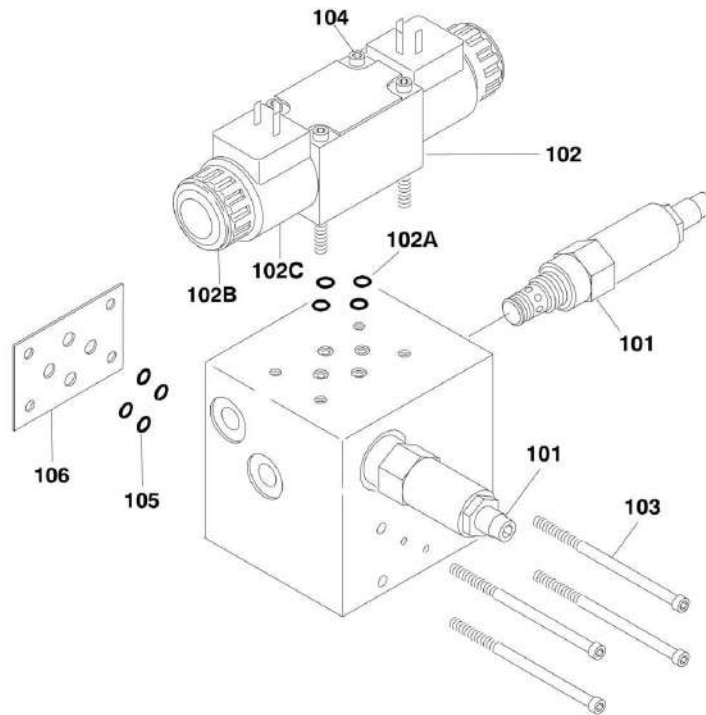
ITEM	PART NUMBER	QTY	DESCRIPTION	REV
250	70004461	2	O-Ring, Pole Tube	
700	70004671	1	Valve Assembly (Rear Steer)	
710	70004673	2	Coil	
730	70006963	2	Valve, Relief Cartridge	
740	70005232	4	Capscrew	
801	70005199	2	Plug	
802	70005200	4	Plug	
805	70005201	3	Capscrew	
806	7018942	20	Capscrew	
807	7018951	4	Capscrew	
808	70005202	2	O-Ring	
809	91474405	2	O-Ring	
810	70021202	1	Bolt Kit	

SECTION 2 - TURNTABLE

FIGURE 2-6. ACCESSORY VALVE ASSEMBLY



**NOTE: TORQUE ITEMS 6, 7, 103 & 104
TO 60 IN/LBS.**



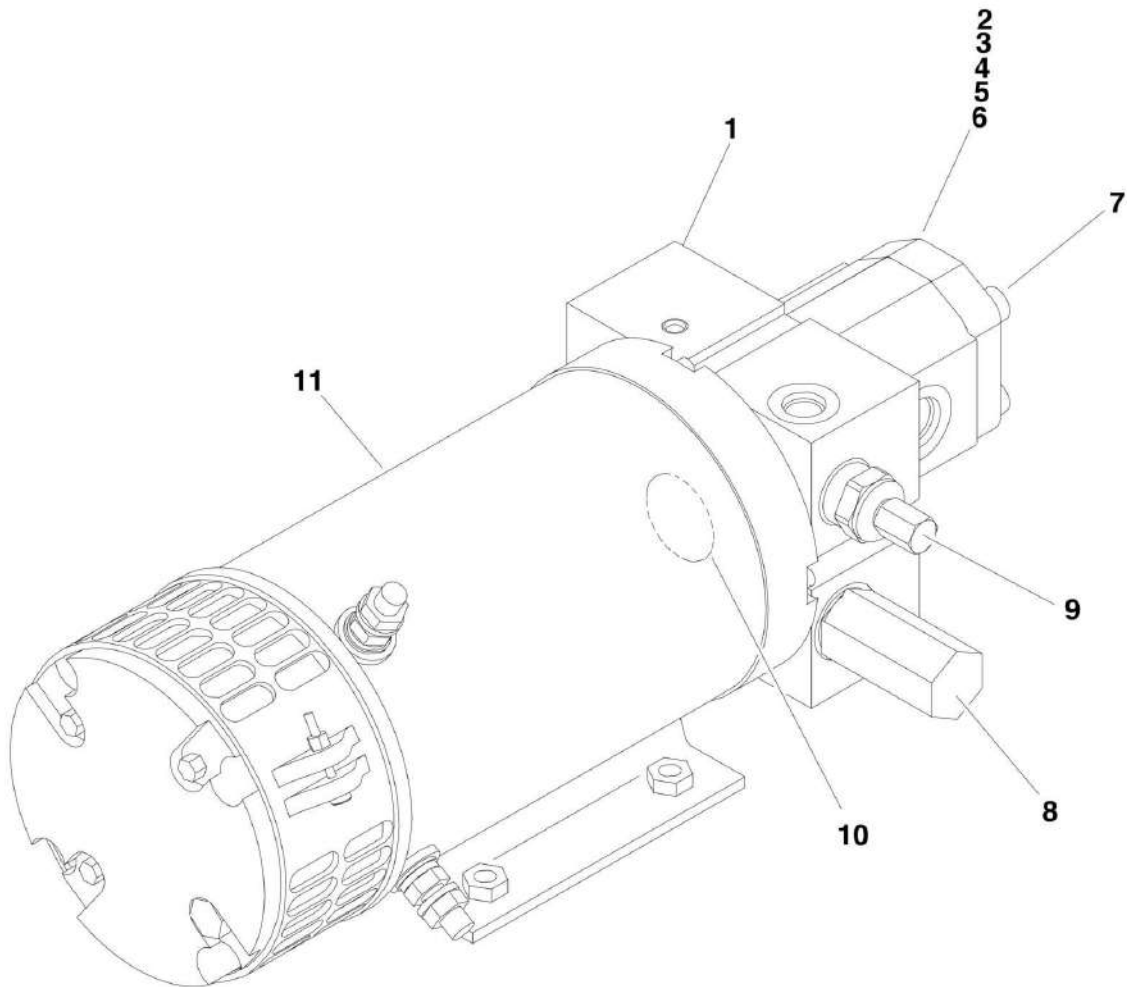
SECTION 2 - TURNTABLE

FIGURE 2-6. ACCESSORY VALVE ASSEMBLY

ITEM	PART NUMBER	QTY	DESCRIPTION	REV
		Ref	ACCESSORY VALVE ASSEMBLIES	
	4640921	Ref	ARTICULATING JIB VALVE ASSEMBLY (SN 0300183034 through 0300194139)	D
1	7012965	1	Cartridge, Flow Control	
1	7012953	1	Seal Kit - 7012965 Cartridge	
2	70001976	1	Directional Control Valve Assembly	
2	7012773	1	Seal Kit	
2A	7018945	4	O-Ring	
2B	7018912	2	Nut	
2C	7012772	2	Coil	
3	7017421	1	Cartridge, Relief	
3	7012998	1	Seal Kit - 7017421 Cartridge	
4	7017422	1	Cartridge, Relief	
4	7012998	1	Seal Kit - 7017422 Cartridge	
5	4460499	2	Connector, DIN with Diode (Not Shown - Part of Valve Harness)	
6	7012777	4	Capscrew 5/16-18 x 2-1/4 (Used to Mount Valve Assembly)	
7	7018942	4	Capscrew #10-24 x 2	
8	7012776	2	O-Ring (Used to Mount Main Valve)	
		Ref	4WS VALVE ASSEMBLY OPTIONS:	
	4640922	Ref	4WS Valve Assembly (SN 0300183034 through 0300194139)	B
101	7017420	1	Cartridge, Relief	
101	7012998	1	Seal Kit - 7017420 Cartridge	
102	7012774	1	Directional Control Valve Assembly	
102	7012773	1	Seal Kit	
102A	7018945	4	O-Ring	
102B	7018912	2	Nut	
102C	7012772	2	Coil	
103	7018946	4	Capscrew #10-24 x 5 (Used to Mount Main Valve)	
104	7018942	4	Capscrew #10-24 x 2	
105	7018948	4	O-Ring (Used to Mount Main Valve)	
106	7018947	1	Plate, O-Ring	

SECTION 2 - TURNTABLE

FIGURE 2-7. AUXILIARY PUMP ASSEMBLY



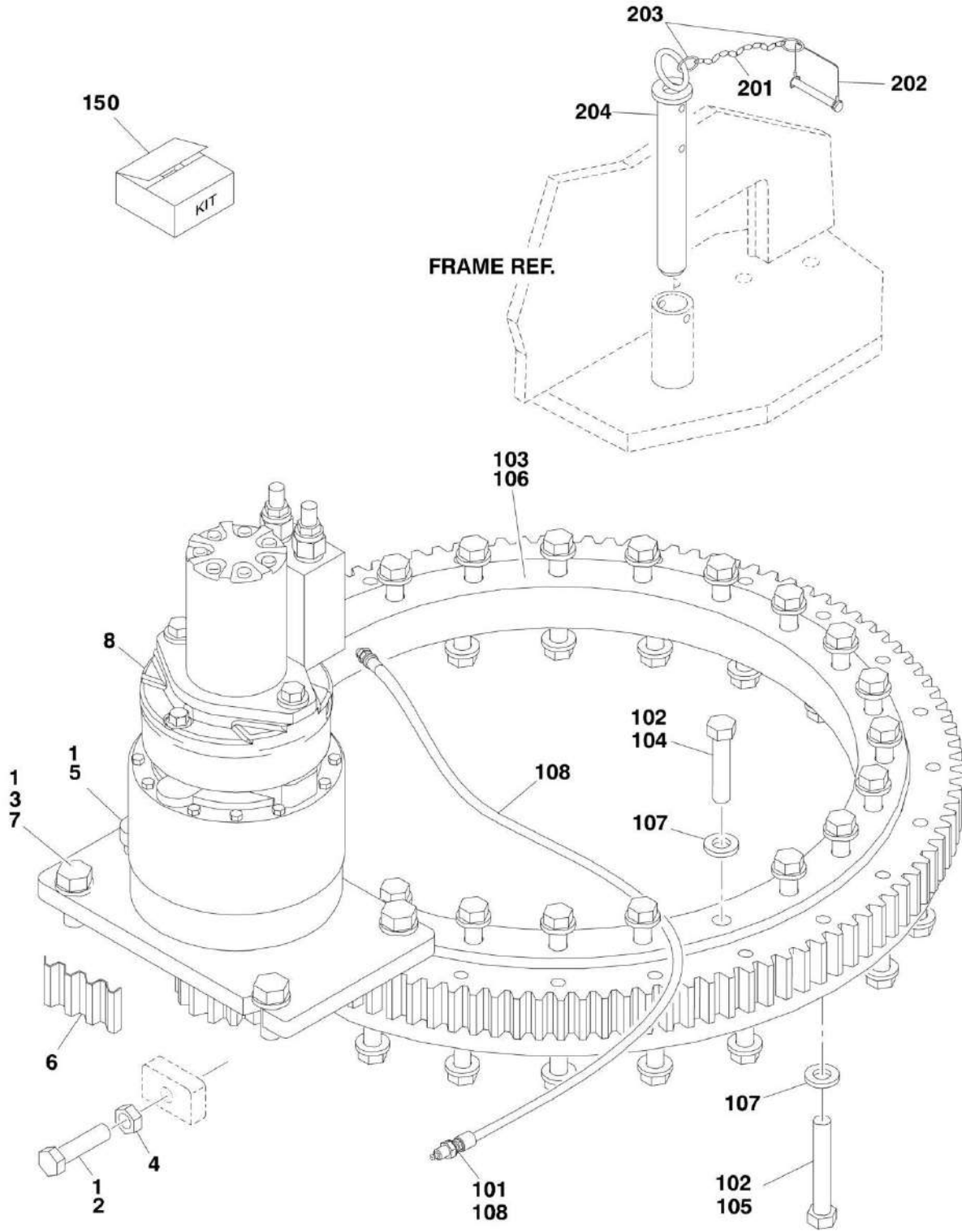
SECTION 2 - TURNTABLE

FIGURE 2-7. AUXILIARY PUMP ASSEMBLY

ITEM	PART NUMBER	QTY	DESCRIPTION	REV
	1001137460	Ref	AUXILIARY PUMP ASSEMBLY	A
1	70004125	1	Base Assembly	
1	70003993	1	Seal, Shaft	
2	See Note	NSS	Pin, Dowel (Note: Use Item 1)	
3	See Note	NSS	O-Ring (Note: Use Item 1)	
4	See Note	NSS	Pump (Note: Use Item 1)	
5	See Note	NSS	O-Ring (Note: Use Item 1)	
6	See Note	NSS	Cover, Rear (Note: Use Item 1)	
7	See Note	NSS	Screw (Note: Use Item 1)	
8	70003989	1	Valve, Logic	
9	See Note	1	Valve, Relief (Note: Use Item 1)	
10	See Note	1	Shaft, Intermediate (Note: Use Item 1)	
11	70003992	1	Motor	

SECTION 2 - TURNTABLE

FIGURE 2-8. TURNTABLE BEARING AND SWING DRIVE INSTALLATION



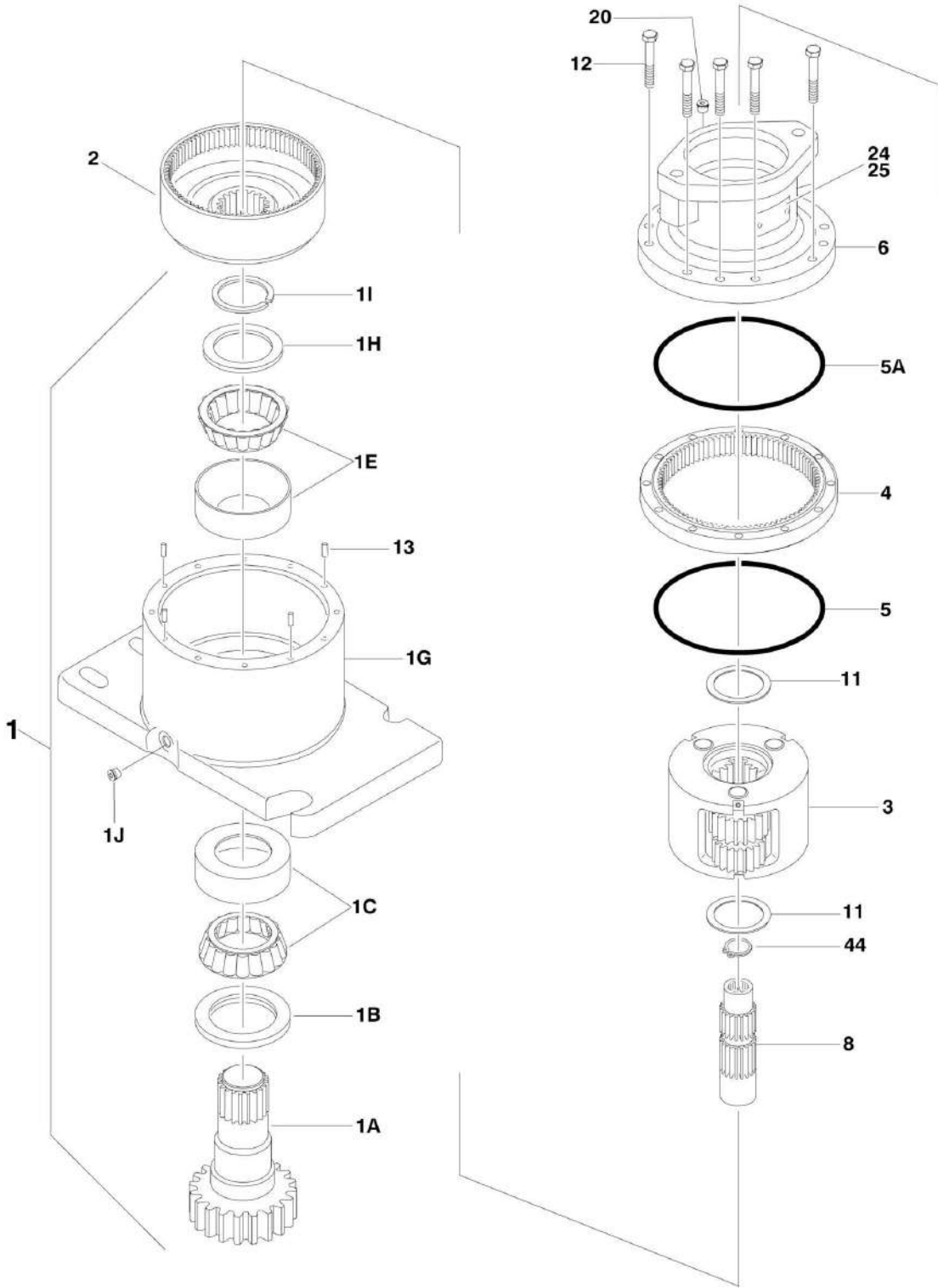
SECTION 2 - TURNTABLE

FIGURE 2-8. TURNTABLE BEARING AND SWING DRIVE INSTALLATION

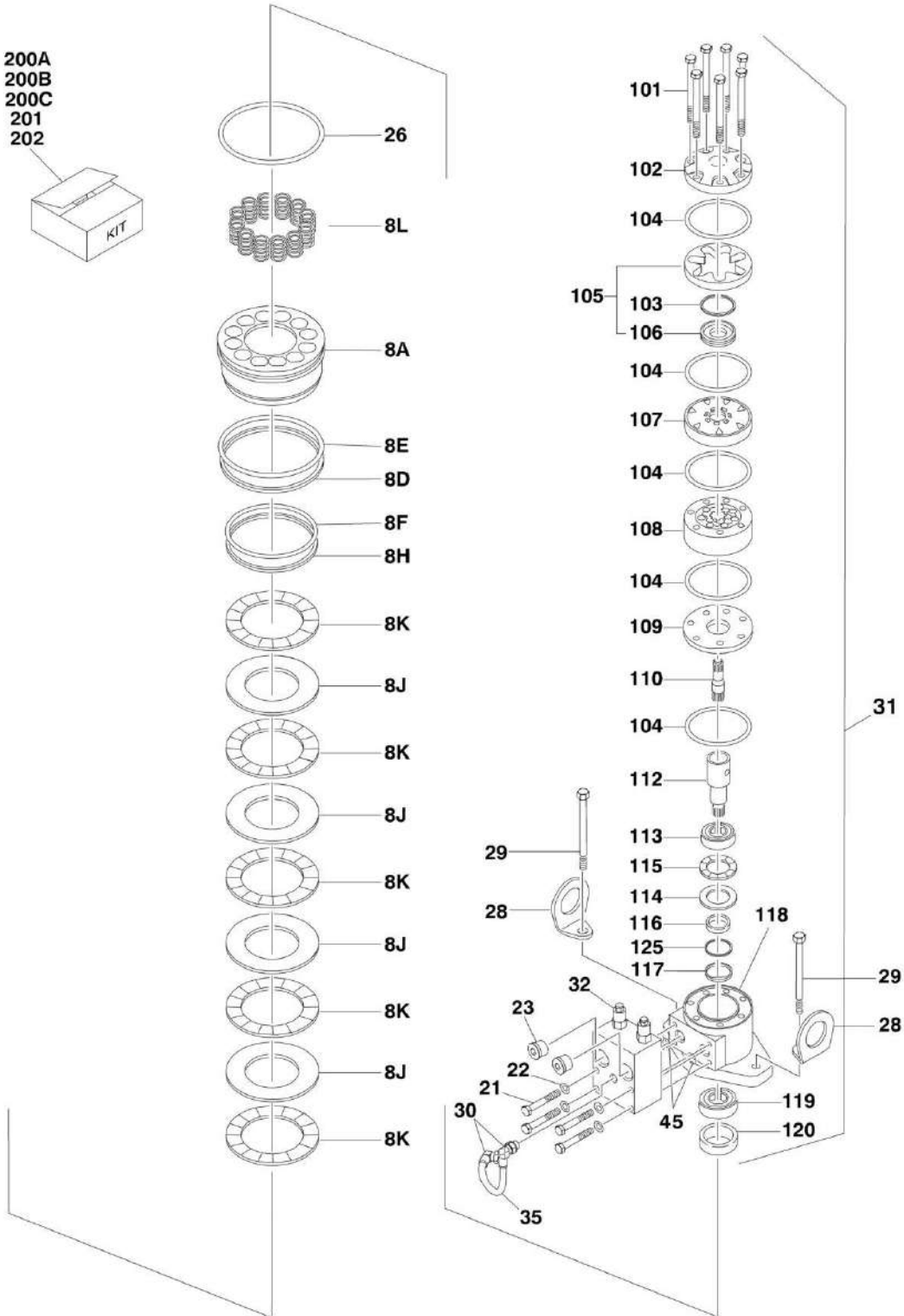
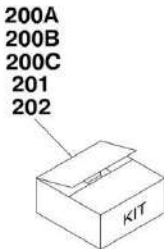
ITEM	PART NUMBER	QTY	DESCRIPTION	REV
	1001156136	Ref	SWING DRIVE INSTALLATION	A
1	0100019	AR	Compound, Locking	
2	0642018	1	Bolt 5/8-11 x 2-1/4	
3	0682216	4	Bolt 3/4 -10 x 2 Grade 8	
4	3312002	1	Nut 5/8 - 11	
5	3900293	1	Screw 1 x 1-1/4	
6	4071009	1	Shim	
7	4740057	4	Washer	
8	1001101060	1	Motor, Swing Assembly (See SWING MOTOR/HUB ASSEMBLY for Breakdown)	
	1001157049	Ref	TURNTABLE BEARING INSTALLATION	A
101	0100011	AR	Compound, Locking	
102	0100019	AR	Compound, Locking	
103	0440244	1	Bearing, Turntable	
104	0682023	24	Bolt 5/8 -11 x 2-7/8 Grade 8	
105	0682032	24	Bolt 5/8-11 x 4 Grade 8	
106	3020029	AR	Lubricant	
107	4892000	48	Washer 5/8	
108	1001157058	1	Hose	
150	2915094	1	TURNTABLE BEARING KIT	
	1001156798	Ref	TURNTABLE LOCK INSTALLATION	A
201	1260017	9 in/23cm	Chain	
202	3421565	1	Pin, Snap	
203	3760170	2	Ring, Quick Release	
204	4844958	1	Pin	

SECTION 2 - TURNTABLE

FIGURE 2-9. SWING MOTOR/HUB ASSEMBLY



SECTION 2 - TURNTABLE



SECTION 2 - TURNTABLE

FIGURE 2-9. SWING MOTOR/HUB ASSEMBLY

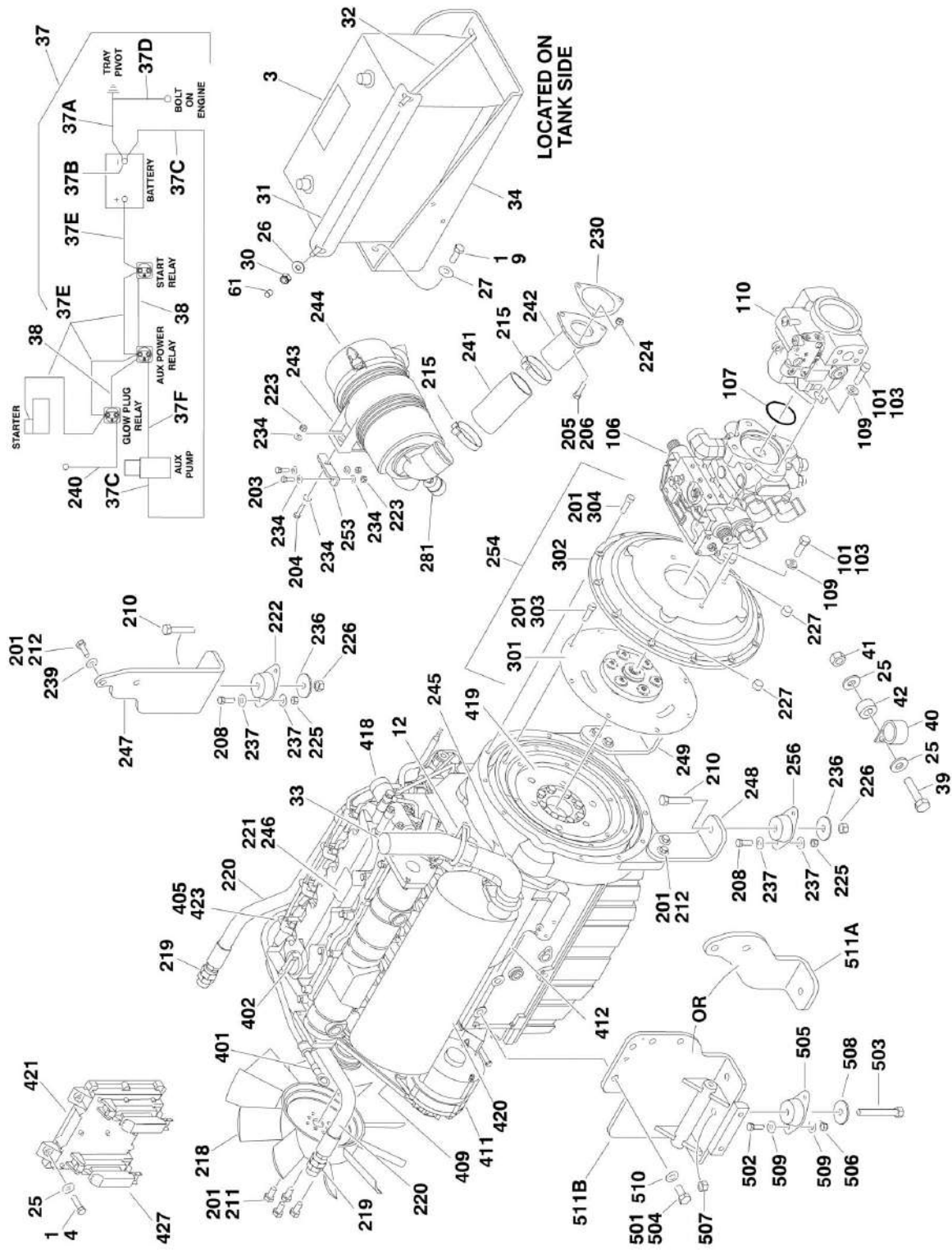
ITEM	PART NUMBER	QTY	DESCRIPTION	REV
	1001101060	Ref	SWING MOTOR/HUB ASSEMBLY	A
1	See Note	1	Housing/Shaft Assembly (Note: Not Available - Purchase Individual Components)	
1A	7010492	1	Shaft, Output	
1B	7000228	1	Seal, Lip	
1C	7000255	1	Bearing Kit (Includes Cup and Cone)	
1E	7000257	1	Bearing Kit (Includes Cup and Cone)	
1G	7024762	1	Housing	
1H	7007633	1	Washer, Thrust	
1I	7000229	1	Ring, Retaining	
1J	7017072	1	Plug, Pipe	
2	7000246	1	Gear, Internal	
3	80424002	1	Carrier Assembly	
4	7000248	1	Gear, Ring	
5	7000230	1	O-Ring	
5A	7017070	1	O-Ring	
6	See Note	1	Housing, Brake (Note: Not Available - Purchase Complete Assembly)	
8	70002065	1	Gear, Sun	
8A	70000782	1	Piston	
8D	70002070	1	O-Ring	
8E	70002071	1	Ring, Back-up	
8F	70002073	1	O-Ring	
8H	70002072	1	Ring, Back-up	
8J	70002067	4	Disc, Rotor	
8K	70002068	5	Disc, Stator	
8L	70002066	14	Spring	
11	7000253	2	Washer, Thrust	
12	7000217	12	Bolt 3/8-16 x 2-1/4 Grade 8	
13	7017080	4	Pin, Dowel	
20	7017072	1	Plug, Pipe	
21	7024704	4	Bolt 5/16-18 x 2 Grade 8	
22	See Note	4	Lockwasher (Note: Not Available for Purchase)	
23	7017023	2	Plug, Pipe	
24	See Note	1	Plate, ID (Note: Not Available for Purchase)	
25	7000281	2	Screw, Drive	
26	7024763	1	O-Ring	
28	See Note	2	Lug, Lifting (Note: Not Available for Purchase)	
29	70002069	2	Bolt 1/2-13 x 2 Grade 8	
30	7017085	2	Elbow	
31	70002075	1	Motor Assembly (See Items 101-125 for Breakdown)	
32	7024784	1	Valve Assembly - Complete (No Serviceable Parts)	
35	70002074	1	Tube	
44	7017028	1	Ring, Internal Retaining	
45	7000213	2	O-Ring	
	70002075	Ref	MOTOR ASSEMBLY	
101	7024454	5	Bolt	
102	7004035	1	Cover, End	
103	7023318	1	Seal, Commutator	
104	7004036	5	Seal, Ring	

SECTION 2 - TURNTABLE

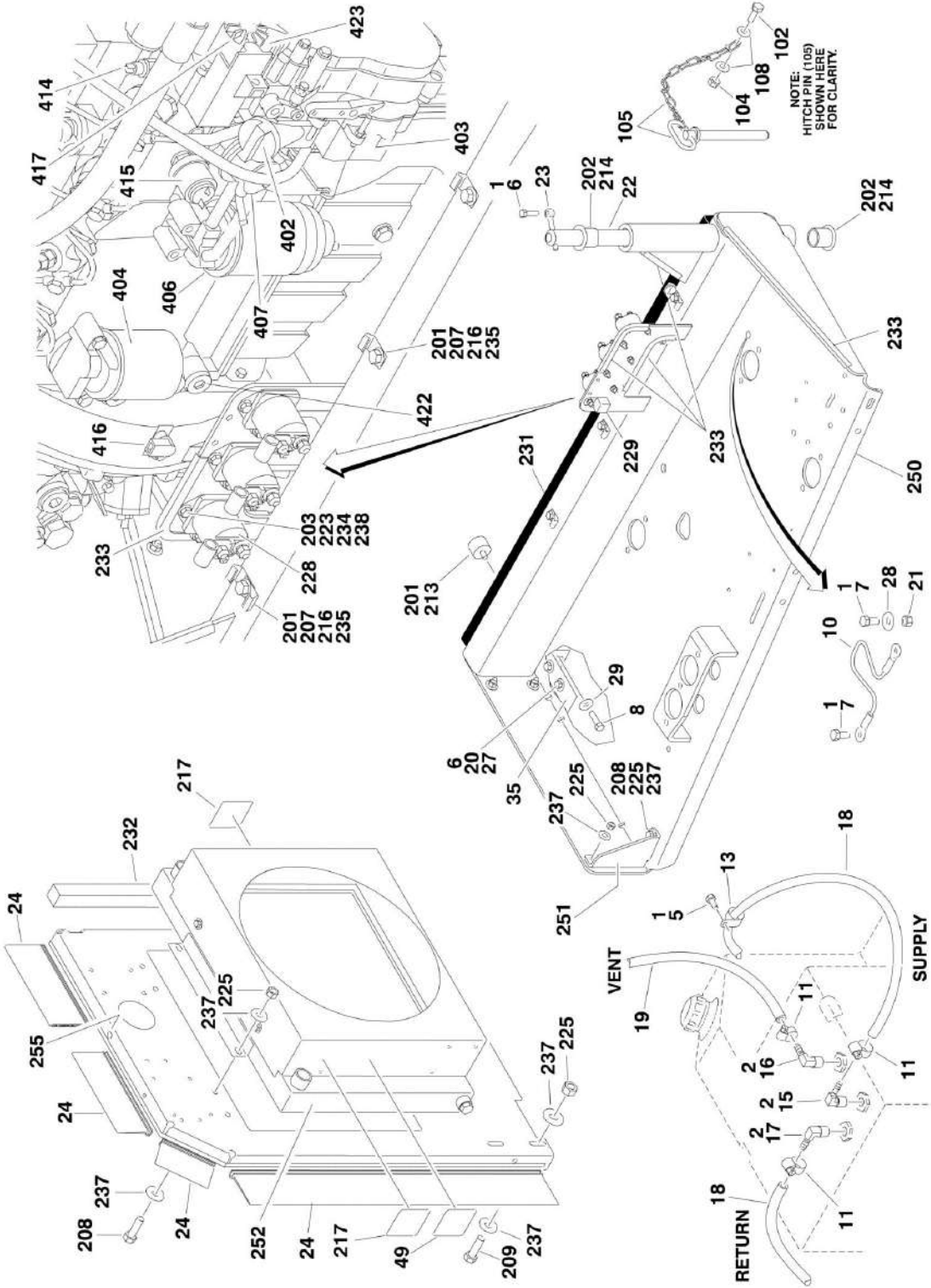
ITEM	PART NUMBER	QTY	DESCRIPTION	REV
105	7024453	1	Commutator and Ring Assembly	
106	See Note	1	Ring (Note: Use p/n 7024453)	
107	7024379	1	Manifold	
108	7024455	1	Rotor Set	
109	7024380	1	Plate, Wear	
110	7024456	1	Link, Drive	
112	7024458	1	Shaft, Coupling	
113	7024381	1	Bearing, Inner	
114	7004043	1	Washer, Thrust	
115	7004044	1	Bearing, Thrust	
116	7004049	1	Seal, Inner	
117	7004045	1	Washer, Back-up	
118	7024457	1	Housing	
119	7024390	1	Bearing, Outer	
120	7004047	1	Seal	
125	80424043	1	Washer, Back-up	
		Ref	KIT OPTIONS:	
200A	7024100	1	Kit - Swing Hub (Includes Items 1B, 1I, 5, 5A & 11)	
200A	70006437	1	Kit - Swing Hub (Includes Items 1B, 1I, 5, 5A, 12 & 26)	
200B	70002086	1	Kit - Swing Brake (Includes Items 8D, 8E, 8F, 8H & 26)	
200C	7024396	1	Kit - Swing Motor (Includes Items 103, 104, 116, 117, 120 & 125)	
201	70002085	1	Disc Kit - Swing Brake (Includes Items 8J & 8K)	
202	70006436	1	Bearing & Seal Kit (Includes Items 1B, 1C, 1E, 1I, 5, 5A, 12 & 26)	

SECTION 2 - TURNTABLE

FIGURE 2-10. DEUTZ D2011 ENGINE INSTALLATION



SECTION 2 - TURNTABLE



SECTION 2 - TURNTABLE

FIGURE 2-10. DEUTZ D2011 ENGINE INSTALLATION

ITEM	PART NUMBER	QTY	DESCRIPTION	REV
	1001154238	Ref	DEUTZ D2011 ENGINE INSTALLATION WITHOUT ARCTIC PACKAGE (ALL SPECS EXCEPT CE SPEC)	E
	1001160967	Ref	DEUTZ D2011 ENGINE INSTALLATION WITHOUT ARCTIC PACKAGE (CE SPEC ONLY) (SN 0300183034 through 0300199946)	B
	1001154238	Ref	DEUTZ D2011 ENGINE INSTALLATION WITHOUT ARCTIC PACKAGE (CE SPEC ONLY) (SN 0300199947 to Present)	E
	1001154239	Ref	DEUTZ D2011 ENGINE INSTALLATION WITH ARCTIC PACKAGE (ALL SPECS) (SN 0300183034 through 0300196955)	E
	1001178178	Ref	DEUTZ D2011 ENGINE INSTALLATION WITH ARCTIC PACKAGE (ALL SPECS) (SN 0300196956 to Present)	D
1	0100011	AR	Compound, Locking	
2	0100020	AR	Sealant, Pipe	
3	0400075	1	Battery	
4	0641410	4	Bolt 1/4-20 x 1-1/4	
5	0641508	1	Bolt 5/16-18 x 1	
6	0641610	3	Bolt 3/8-16 x 1-1/4	
7	0641808	2	Bolt 1/2-13 x 1	
8	0642010	1	Bolt 5/8-11 x 1-1/4	
9	0681608	3	Bolt 3/8-16 x 1 Grade 8	
10	1060637	1	Cable, Lanyard	
11	1320022	5	Clamp, Hose	
12	1320176	1	Clamp	
13	1321339	1	Clamp	
14	1701505	1	Decal - Diesel (Not Shown - Located on Hood)	
15	2180348	1	Fitting, Straight NPT/Barbed	
16	2220313	1	Fitting, 90 NPT/Barbed	
17	2221176	1	Fitting, 90 NPT/Barbed	
18	2720058	30 ft/9m	Hose	
19	2750532	6 ft/1.8m	Hose	
20	3311605	2	Locknut 3/8-16	
21	3311801	1	Nut 1/2-13	
22	3422446	1	Pin, Pivot	
23	3841143	1	Pin, Keeper	
24	3960548	5 ft/1.5m	Seal	
25	4711400	AR	Washer 1/4	
26	4751500	2	Washer 5/16	
27	4751600	1	Washer 3/8	
28	4751800	1	Washer 1/2	
29	4752000	1	Washer 5/8	
30	88521205	1	Nut 5/16-18	
31	91401281	1	Hold-down, Battery	
32	1001093382	2	Bolt, Battery Hold-down	
33	1001101600	1	Tube, Exhaust	
34	1001162497	1	Bracket	
35	1001151070	1	Plate	
37	1001155143	1	Kit, Battery Cable	C
37A	7027092	1	Cable, Battery (Black) (Battery - to Tray Pivot and Relay Grd)	
37B	8270147	1	Terminal, Battery (With Boot) Cable, Battery (Black)	
37C	7027093	1	Cable, Battery (Black) (Battery - to Aux Pump Ground)	
37D	7027053	1	Cable, Battery (Black) (Engine to Tray Pivot Grd)	

SECTION 2 - TURNTABLE

ITEM	PART NUMBER	QTY	DESCRIPTION	REV
37E	7027094	1	Cable (Red) (Battery + to Relays/Starter)	
37F	7027095	1	Cable (Red) (Aux Relay to Aux Pump)	
38	4922737	1	Harness, Engine Ground	
39	0641409	1	Bolt 1/4 x 1-1/8	
40	1320224	1	Clamp	
41	3311405	1	Nut 1/4	
42	1001110425	1	Spacer	
49	1704972	1	Decal - Warning Explosion/Fire (ANSI Spec)	
49	1706098	1	Decal - Warning Explosion/Fire (Australian and CE Spec)	
49	1706059	1	Decal - Warning Explosion/Fire (Brazilian Spec)	
49	1706060	1	Decal - Warning Explosion/Fire (Chinese Spec)	
49	1706064	1	Decal - Warning Explosion/Fire (CSA Spec)	
49	1706062	1	Decal - Warning Explosion/Fire (Japanese Spec)	
49	1706061	1	Decal - Warning Explosion/Fire (Korean Spec)	
49	1706063	1	Decal - Warning Explosion/Fire (Spanish Language)	
50		Ref	Note: Arctic Package Items 50-60 Not Shown - Used on Arctic Machines Only	
50	1060625	1	Cable, Immersion Heater (Located on bottom of Hydraulic Oil Tank) (SN 0300183034 through 0300185002)	
51	1060626	1	Cord, 3 Way Extension (Located on Left Front of Engine)	
52	1320223	2	Clamp	
53	1702941	1	Decal - Battery Heater (Located on Battery Heater)	
54	1702942	1	Decal - Engine Block Heater (Located on Right Side of Engine)	
55	1702943	1	Decal - Hydraulic Tank Heater (Located on bottom of Hydraulic Oil Tank)	
56	1702944	1	Decal - Heater Cord (Located on Left Front of Engine)	
57	2580024	1	Heater, Battery (Located on Battery)	
58	2580050	1	Heater, Hydraulic Tank (Located on bottom of Hydraulic Oil Tank) (SN 0300183034 through 0300207789)	
58	1001188972	1	Heater, Hydraulic Tank (Located on bottom of Hydraulic Oil Tank) (SN 0300207790 to Present)	
59	3980007	1	Seat, Battery	
60	1001150918	1	Cord, 8ft Extension (Located near Battery)	
61	1001218572	2	Cap, Vinyl (SN 0300232933 to Present)	
	1001154236	Ref	ENGINE AND PUMP ASSEMBLY WITHOUT ARCTIC PACKAGE (ALL SPECS EXCEPT CE SPEC)	D
	1001160966	Ref	ENGINE AND PUMP ASSEMBLY WITHOUT ARCTIC PACKAGE (CE SPEC ONLY) (SN 0300183034 through 0300199946)	B
	1001154236	Ref	ENGINE AND PUMP ASSEMBLY WITHOUT ARCTIC PACKAGE (CE SPEC ONLY) (SN 0300199947 to Present)	D
	1001154237	Ref	ENGINE AND PUMP ASSEMBLY WITH ARCTIC PACKAGE (ALL SPECS)	D
101	0100011	AR	Compound, Locking	
102	0641407	1	Bolt 1/4-20 x 7/8	
103	0641812	4	Bolt 1/2-13 x 1-1/2	
104	3311405	1	Nut 1/4-20	
105	3422532	1	Pin, Hitch	
106	1001142522	1	Hydrostatic Pump Assembly with Fittings (See HYDROSTATIC PUMP ASSEMBLY for Breakdown) (SN 0300183034 through 0300207789)	
106	1001187510	1	Hydrostatic Pump Assembly with Fittings (See HYDROSTATIC PUMP ASSEMBLY for Breakdown) (SN 0300207790 through 03002400878)	
106	1001225745	1	Hydrostatic Pump Assembly with Fittings (See HYDROSTATIC	

SECTION 2 - TURNTABLE

ITEM	PART NUMBER	QTY	DESCRIPTION	REV
			PUMP ASSEMBLY for Breakdown) (SN 0300240879 to Present)	
107	3790044	1	O-Ring	
108	4751400	1	Washer 1/4	
109	4891800	4	Washer 1/2	
110	1001094595	1	Variable Pump Assembly with Fittings (See VARIABLE PUMP ASSEMBLY for Breakdown)	
	1001153396	Ref	ENGINE ASSEMBLY WITHOUT ARCTIC PACKAGE (ALL SPECS EXCEPT CE SPEC)	C
	1001160965	Ref	ENGINE ASSEMBLY WITHOUT ARCTIC PACKAGE (CE SPEC ONLY) (SN 0300183034 through 0300199946)	B
	1001153396	Ref	ENGINE ASSEMBLY WITHOUT ARCTIC PACKAGE (CE SPEC ONLY) (SN 0300199947 to Present)	C
	1001153779	Ref	ENGINE ASSEMBLY WITH ARCTIC PACKAGE (ALL SPECS)	D
201	0100011	AR	Compound, Locking	
202	0100062	AR	Compound, Locking	
203	0641407	8	Bolt 1/4-20 x 7/8	
204	0641410	2	Bolt 1/4-20 x 1-1/4	
205	0641510	2	Bolt 5/16-18 x 1-1/4	
206	0641512	1	Bolt 5/16-18 x 1-1/2	
207	0641606	3	Bolt 3/8-16 x 3/4	
208	0641609	14	Bolt 3/8-16 x 1-1/8	
209	0641610	4	Bolt 3/8-16 x 1-1/4	
210	0641820	2	Bolt 1/2-13 x 2-1/2	
211	0700808	4	Bolt M8 x 16mm	
212	0771414	6	Bolt M14 x 30mm Grade 10.9	
213	0940070	1	Bumper	
214	0961986	2	Bushing, Flanged	
215	1320016	2	Clamp	
216	1320223	4	J-Clip	
217	1703162	2	Decal - Caution Fan Blade	
218	2060025	1	Fan	
219	2220451	2	Fitting, Straight	
220	2720398	2	Hose, Oil Cooler	
221	3020016	AR	Oil, Motor (Without Arctic Package) (Not Shown)	
221	3020044	AR	Oil, Motor (With Arctic Package) (Not Shown)	
222	3200401	3	Mount, Motor	
223	3311405	10	Nut 1/4in-20NC	
224	3311505	3	Nut 5/16in-18NC	
225	3311605	18	Nut 3/8in-16NC	
226	3311805	3	Nut 1/2in-13NC	
227	3520054	2	Plug	
228	3740067	3	Relay	
229	3740080	1	Relay	
230	3960407	1	Gasket, Air Intake	
231	3960468	1	Seal	
232	3960469	1	Seal	
233	4060805	37 in/1m	Flex-Trim	
234	4711400	14	Washer 1/4	
235	4711600	3	Washer 3/8	
236	4740274	3	Washer, Snubbing	
237	4751600	36	Washer 3/8	
238	4791400	6	Washer, Star 1/4	

SECTION 2 - TURNTABLE

ITEM	PART NUMBER	QTY	DESCRIPTION	REV
239	4812200	2	Washer M14	
240	4923379	1	Harness, Glow Plug (See ELECTRICAL SECTION for Breakdown)	
241	1001001939	1	Hose, Flex	
242	1001146273	1	Adapter, Air Intake	
243	1001147812	1	Clamp	
244	1001147813	1	Air Cleaner Assembly Filter Element	
244	70004020	1	Element, Filter (Not Shown)	
245	1001147820	1	Pipe, Exhaust - All Specs except CE Specs	
245	See Note	NSS	Pipe, Exhaust - CE Specs (Note: Part of Muffler - Not Sold Separately)	
246	1001147823	1	Engine, Deutz D2011 All Specs except CE Specs (See Items for 401-428 for Serviced Components)	
246	1001144319	1	Engine, Deutz D2011 CE Specs (See Items for 401-428 for Serviced Components) (SN 0300183034 through 0300199946)	
246	1001147823	1	Engine, Deutz D2011 CE Specs (See Items for 401-428 for Serviced Components) (SN 0300199947 to Present)	
247	1001149704	1	Support, Engine	
248	1001149705	1	Support, Engine	
249	1001149706	1	Support, Engine	
250	1001149793	1	Tray, Engine	
251	1001150915	1	Gusset	
252	1001150998	1	Radiator	
253	1001152459	1	Plate, Air Cleaner Mounting	
254	1001153282	1	Pump Coupling Kit (See Items 301-304 for Breakdown)	
255	1001153414	1	Plate, Radiator Mounting	
256	3200401	2	Mount, Motor - All Specs except CE Specs	
256	3200406	2	Mount, Motor - CE Specs	
280		Ref	Note: Arctic Package Items 280 Not Shown - Used on Arctic Machines Only	
280	2580062	1	Heater, Block (Not Shown - Located in Oil Pan)	
281	1001143390	1	Indicator (SN 0300232933 to Present)	
	1001153282	Ref	PUMP COUPLING KIT	C
301	70004183	1	Coupling, Guardian	
302	See Note	NSS	Plate, Pump Adapter (Note: Use p/n 1001153282)	
303	See Note	8	Capscrew M10 x 20 Grade 10.9 (Note: Not Available - Purchase Locally or Purchase Kit)	
304	See Note	12	Capscrew M10 x 25 Grade 10.9 (Note: Not Available - Purchase Locally or Purchase Kit)	
	1001147823	Ref	ENGINE COMPONENTS (ALL SPECS EXCEPT CE SPEC)	B
	1001144319	Ref	ENGINE COMPONENTS (CE SPEC) (SN 0300183034 through 0300199946)	B
	1001147823	Ref	ENGINE COMPONENTS (CE SPEC) (SN 0300199947 to Present)	B
401	70004287	1	Dipstick - 1001147823 Engine (All Specs except CE Specs)	
401	7026631	1	Dipstick - 1001144319 Engine (CE Specs)	
401	70000044	1	Seal, Dipstick - 1001147823 Engine (All Specs except CE Specs)	
401	7020487	1	Seal, Dipstick - 1001144319 Engine (CE Specs)	
401	70001002	1	Tube, Dipstick - 1001147823 Engine (All Specs except CE Specs)	
401	See Note	1	Tube, Dipstick - 1001144319 Engine (CE Specs) (Note: Not Available for Purchase)	
401	7020403	1	Seal, Dipstick Tube - 1001147823 Engine (All Specs except CE Specs)	
401	See Note	1	Seal, Dipstick Tube - 1001144319 Engine (CE Specs) (Note: Not Available for Purchase)	

SECTION 2 - TURNTABLE

ITEM	PART NUMBER	QTY	DESCRIPTION	REV
402	7020465	2	Cap, Filler	
403	70001850	1	Pump, Oil Lube	
403	7020468	1	Seal Between Oil Pump and Engine Block (Not Shown)	
404	7016331	1	Filter, Oil	
404	70003472	1	Bracket, Oil Filter Mounting (1001147823 Engine Only)	
404	7027236	1	Sensor, Oil Temperature (1001147823 Engine Only)	
404	70025082	1	Ring, Sealing (1001147823 Engine Only)	
405	70000912	4	Pump, Injector - Series A Injector	
405	70000913	4	Pump, Injector - Series B Injector	
405	70000914	4	Pump, Injector - Series C Injector	
405	70000915	4	Pump, Injector - Series D Injector	
405	70003464	4	Seal/Gasket, Pump - 1001147823 Engine (All Specs except CE Specs) (1 per Injector)	
405	See Note	4	Seal/Gasket, Pump - 1001144319 Engine (CE Specs Only) (Note: Not Available for Purchase)	
405	70003478	4	Injector, Fuel - 1001147823 Engine (All Specs except CE Specs)	
405	See Note	4	Injector, Fuel - 1001144319 Engine (CE Specs Only) (Note: Not Available for Purchase)	
405	70003136	4	Seal/Gasket, Injector - 1001147823 Engine (All Specs except CE Specs) (1 per Injector)	
405	See Note	4	Seal/Gasket, Injector - 1001144319 Engine (CE Specs Only) (1 per Injector) (Note: Not Available for Purchase)	
406	7016328	1	Filter, Fuel - 1001147823 Engine (All Specs except CE Specs)	
406	8320270	1	Filter, Fuel - 1001144319 Engine (CE Specs Only)	
406	70003465	1	Sensor - 1001147823 Engine (All Specs except CE Specs)	
406	70001848	1	Sensor - 1001144319 Engine (CE Specs Only)	
406	70003466	2	Seal, Sensor - 1001147823 Engine (All Specs except CE Specs)	
406	70001132	2	Seal, Sensor - 1001144319 Engine (CE Specs Only)	
407	70000916	1	Pump, Fuel Supply	
407	70001435	1	Repair Kit for Fuel Supply Pump	
407	70000919	1	Hand Pump for Fuel Supply Pump	
407	70000917	1	O-Seal Between Fuel Pump and Engine Block	
407	70000918	1	O-Seal Between Fuel Pump and Hand Pump	
408	70001871	4	Gasket, Intake Manifold - 1001147823 Engine (All Specs except CE Specs) (Not Shown)	
408	7020449	4	Gasket, Intake Manifold - 1001144319 Engine (CE Specs Only) (Not Shown)	
409	7020408	1	V-Belt	
410		Ref	Exhaust Manifold Components (Not Shown)	
410	70001835	1	Gasket, Exhaust Adapter to Exhaust Rail	
410	70001841	1	Valve, Exhaust (Fits into Exhaust Adapter)	
410	70001836	1	Gasket, Exhaust Rail to Cylinder Head	
410	70001837	1	Gasket, Exhaust Manifold to Muffler	
410	70001838	2	Gasket, Exhaust Manifold to Engine Block (1001144319 Engine Only)	
410	7020471	4	Gasket, Exhaust Manifold to Engine Block (1001144319 Engine Only)	
410	70001874	1	Restrictor, Choke (Fits between qty 2 of p/n 70001838) (1001144319 Engine Only)	
410	70001839	2	Flange, Sealing (1001144319 Engine Only)	
410	70002200	4	Stud, Mounting - 1001147823 Engine (All Specs except CE Specs)	
410	70004270	4	Stud, Mounting - 1001144319 Engine (CE Specs Only)	
410	See Note	AR	Nut, Exhaust Manifold - 1001147823 Engine (All Specs except	

SECTION 2 - TURNTABLE

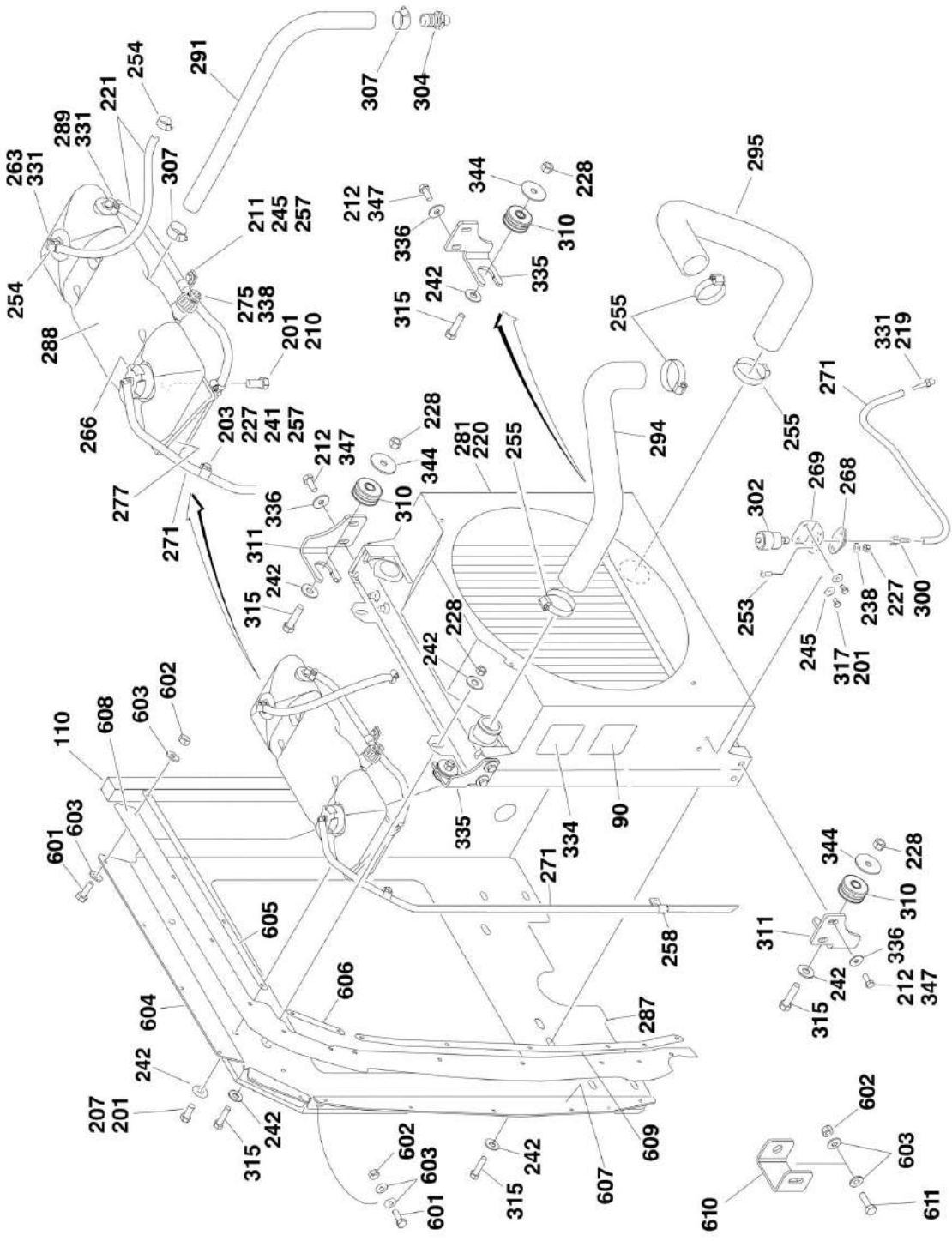
ITEM	PART NUMBER	QTY	DESCRIPTION	REV
			CE Specs) (Note: Not Available for Purchase)	
410	70003476	AR	Nut, Exhaust Manifold - 1001144319 Engine (CE Specs Only)	
411	70004056	1	Alternator - 1001147823 Engine (All Specs except CE Specs)	
411	7000663	1	Alternator - 1001144319 Engine (CE Specs Only)	
411	70001868	1	Regulator, Voltage (Not Shown)	
411	70001866	1	Seal, Voltage Regulator (Not Shown)	
411	70002234	1	Bar, Alternator Adjustment	
412	7020479	1	Starter	
412	70004058	1	Relay - 1001147823 Engine (All Specs except CE Specs)	
412	7026608	1	Relay - 1001144319 Engine (CE Specs Only)	
413	70004060	2	Plug-In Connector - 1001147823 Engine (All Specs except CE Specs) (Not Shown)	
413	See Note	2	Plug-In Connector - 1001144319 Engine (CE Specs Only) (Not Shown) (Note: Not Available for Purchase)	
414	7027791	1	Transmitter, Temperature	
415	7027790	1	Sensor, Oil Pressure	
416	70004272	1	Sensor, Speed - 1001147823 Engine (All Specs except CE Specs)	
416	7024565	1	Sensor, Speed - 1001144319 Engine (CE Specs Only)	
417	7027792	1	Throttle Actuator	
417	7027276	2	Springs	
418	70003475	1	Thermostat - 1001147823 Engine (All Specs except CE Specs) (Located at rear of engine block - Not Shown)	
418	7020459	1	Thermostat - 1001144319 Engine (CE Specs Only) (Located at rear of engine block - Not Shown)	
419	70001870	1	Flywheel with Ring Gear	
419	7024579	1	Gear, Ring 110 Tooth	
420	7000695	1	Muffler - 1001147823 Engine (Standard on All Specs except CE Specs)	
420	1001099051	1	Muffler - 1001144319 Engine (Standard on CE Specs Only) (Note: Not Included with Engine - Must be Purchased Separately)	
420	1001101241	1	Catalytic Muffler Option on ANSI Export, Australian, CE and Japanese Specs (SN 0300183034 through 0300243317)	
420	1001099051	1	Spark Arresting Muffler Option on ANSI Export, Australian and CE Specs (SN 0300243318 to Present)	
420	70001844	1	U-Clamp (1001147823 Engine Only)	
420	7020471	1	Gasket (1001147823 Engine Only)	
421	7027795	1	Module, Control	
422	70001181	1	Valve, Pressure Control	
422	70124410	1	Spring	
422	70025082	1	Seal	
422	70124440	1	Screw, Locking	
423	70000345	4	Plug, Glow	
424	70000800	1	Camshaft Pulley Repair Kit (Not Shown) (1001147823 Engine Only)	
425	70001847	1	Breather, Front Cover (Not Shown) (1001144319 Engine Only)	
425	70001126	1	Seal, Front Cover Breather (Not Shown) (1001144319 Engine Only)	
426	70002415	1	Gasket, Head with 1 Notch (Not Shown)	
426	70002416	1	Gasket, Head with 2 Notches (Not Shown)	
426	70002417	1	Gasket, Head with 3 Notches (Not Shown)	
427	7027796	1	Harness, Engine (Connects to Item 421)	
427	70001872	1	Harness, Engine (Connects to p/n 7027796)	
428		Ref	Gaskets and Seals - Miscellaneous (Not Shown)	
428	70004289	1	Gasket Set - 1001147823 Engine (All Specs except CE Specs)	

SECTION 2 - TURNTABLE

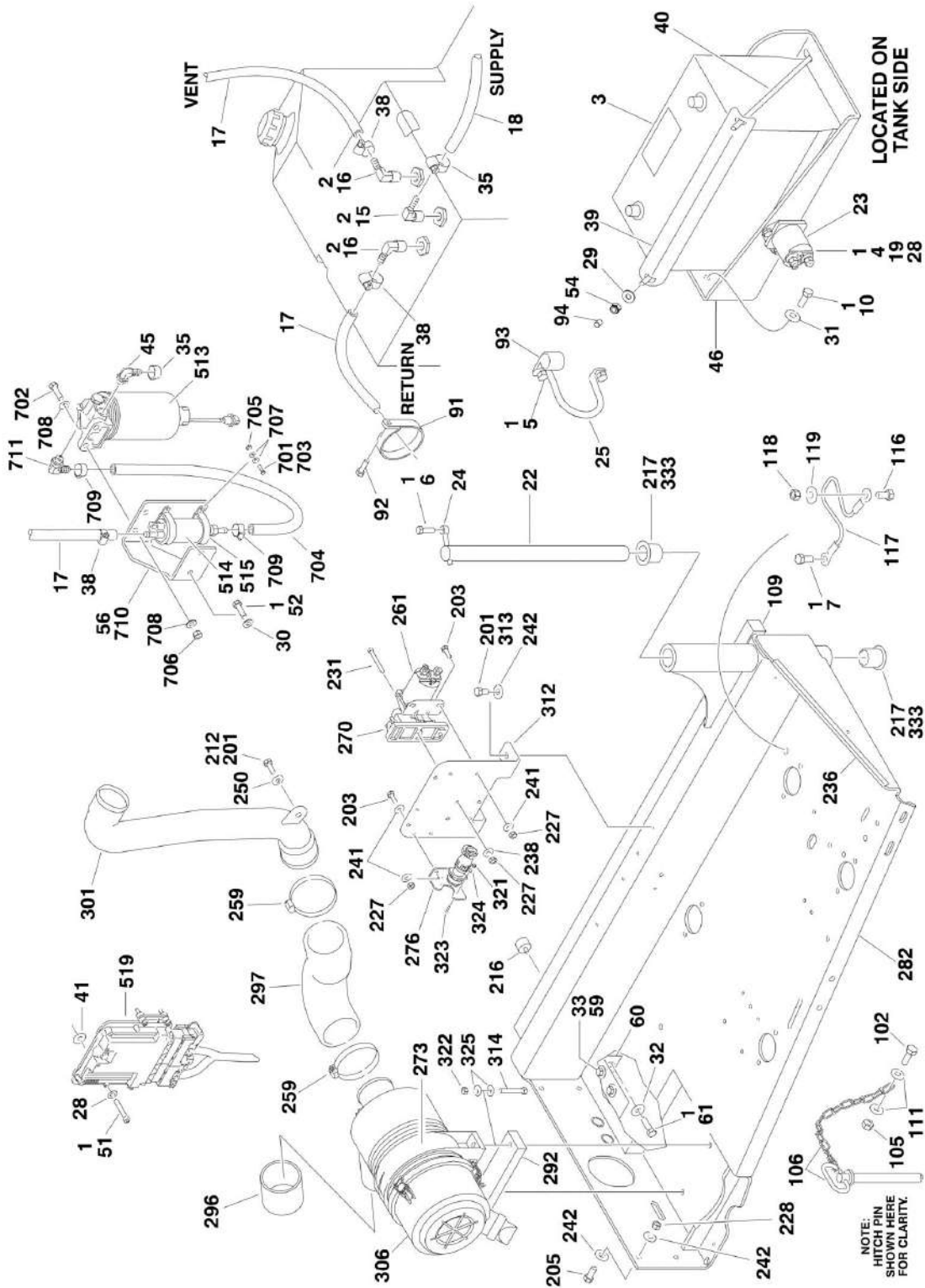
ITEM	PART NUMBER	QTY	DESCRIPTION	REV
428	See Note	1	Gasket Set - 1001144319 Engine (CE Specs Only) (Note: Not Available for Purchase)	
428	70002718	1	Seal, Rear Main - 1001147823 Engine (All Specs except CE Specs)	
428	See Note	1	Seal, Rear Main - 1001144319 Engine (CE Specs Only) (Note: Not Available for Purchase)	
428	70004280	1	Seal, Front Main - 1001147823 Engine (All Specs except CE Specs)	
428	See Note	1	Seal, Front Main - 1001144319 Engine (CE Specs Only) (Note: Not Available for Purchase)	
429	70025752	1	Valve, Pressure Relief (Not Shown - Located at Engine Front Left)	
429	70025753	1	Spring	
429	70005916	1	Seal	
429	70005917	1	Plug, Locking	
	1001151253	Ref	RIGHT ENGINE SUPPORT INSTALLATION (MACHINES WITHOUT GENERATORS)	A
	1001151252	Ref	RIGHT ENGINE SUPPORT INSTALLATION (MACHINES WITH GENERATORS)	B
501	0100011	AR	Compound, Locking	
502	0641609	2	Bolt 3/8-16 x 1-1/8	
503	0641820	1	Bolt 1/2-13 x 2-1/2	
504	0711414	3	Bolt M14 x 30 Grade 10.9	
505	3200401	1	Mount, Motor	
506	3311605	2	Nut 3/8-16	
507	3311805	1	Nut 1/2-13	
508	4740274	1	Washer, Snubbing	
509	4751600	4	Washer 3/8	
510	4812200	3	Washer M14	
511A	1001149703	1	Support, Engine (Right Front) (Machines without Generator)	
511B	1001150890	1	Support, Engine (Right Front) (Machines with Generator)	

SECTION 2 - TURNTABLE

FIGURE 2-11. DEUTZ TD2.9L4 ENGINE INSTALLATION



SECTION 2 - TURNTABLE



SECTION 2 - TURNTABLE

FIGURE 2-11. DEUTZ TD2.9L4 ENGINE INSTALLATION

ITEM	PART NUMBER	QTY	DESCRIPTION	REV
	1001140414	Ref	DEUTZ ENGINE INSTALLATION WITHOUT ARCTIC PACKAGE (SN 0300183034 through 0300196955)	K
	1001178176	Ref	DEUTZ ENGINE INSTALLATION WITHOUT ARCTIC PACKAGE (ANSI SPEC) (SN 0300196956 through 0300227034)	F
	1001185670	Ref	DEUTZ ENGINE INSTALLATION WITHOUT ARCTIC PACKAGE (ANSI SPEC) (SN 0300227035 to Present)	D
	1001235491	Ref	DEUTZ ENGINE INSTALLATION WITHOUT ARCTIC PACKAGE - STAGE V (ANSI SPEC)	B
	1001142855	Ref	DEUTZ ENGINE INSTALLATION WITH ARCTIC PACKAGE (ANSI SPEC) (SN 0300183034 through 0300196955)	K
	1001178177	Ref	DEUTZ ENGINE INSTALLATION WITH ARCTIC PACKAGE (ANSI SPEC) (SN 0300196956 through 0300227034)	G
	1001185672	Ref	DEUTZ ENGINE INSTALLATION WITH ARCTIC PACKAGE (ANSI SPEC) (SN 0300227035 to Present)	E
	1001215474	Ref	DEUTZ ENGINE INSTALLATION (CHINA SPEC ONLY) (SN 0300183034 through 0300225843)	A
	1001223783	Ref	DEUTZ ENGINE INSTALLATION (CHINA SPEC) (SN 0300225843 through 0300238787)	B
	1001227616	Ref	DEUTZ ENGINE INSTALLATION (CHINA SPEC) (SN 0300238788 to Present)	B
1	0100011	AR	Compound, Locking	
2	0100020	AR	Sealant, Pipe	
3	0400075	1	Battery	
4	0641406	AR	Bolt 1/4-20 x 3/4	
5	0641608	AR	Bolt 3/8-16 x 1	
6	0641610	1	Bolt 3/8-16 x 1-1/4	
7	0641808	1	Bolt 1/2-13 x 1	
10	0681608	3	Bolt 3/8-16 x 1 Grade 8	
13	0771212	1	Bolt M12 x 25 Grade 10.9	
14	1701505	1	Decal - Diesel Fuel (Not Shown Located on Fuel Tank)	
15	2180832	1	Fitting, 90 NPT/ Barbed	
16	2220313	2	Fitting, 90 NPT/Barbed	
17	1001165035	28 ft/ 8.5m	Hose	
17	2750532	4 ft/ 1.2m	Hose (Vent Line) (SN 0300227035 to Present)	
17	2750532	4 ft/ 1.2m	Hose (Vent Line) (China Spec)	
18	1001154405	54 in/ 1.4m	Hose	
19	3311405	AR	Nut 1/4-20	
22	3422446	1	Pin, Pivot	
23	3740067	1	Relay	
24	3841143	1	Pin, Keeper	
25	3841340	AR	Loop, Hose (SN 0300183034 through 0300196955)	
28	4711400	AR	Washer 1/4	
29	4711500	4	Washer 5/16	
30	4711600	2	Washer 3/8	
31	4751600	3	Washer 3/8	
32	4752000	1	Washer 5/8	
33	4812100	3	Washer M12	
35	8405006	2	Clamp	
37	8406112	2	Clip (SN 0300183034 through 0300219143)	
38	8410013	4	Clamp	

SECTION 2 - TURNTABLE

ITEM	PART NUMBER	QTY	DESCRIPTION	REV
39	91401281	1	Hold-down, Battery	
40	1001093382	2	Bolt, Battery Hold-down	
41	1001110425	4	Spacer	
45	1001141718	1	Fitting, Straight Metric/Barbed (SN 0300183034 through 0300196955)	
45	1001142501	1	Fitting, Straight Metric/Barbed (SN 0300196956 to Present)	
46	1001162497	1	Bracket, Battery	
49	1001143736	1	Battery Cable Kit (Not Shown)	E
49A	7027084	1	Cable, Battery (Black) (Battery - to Tray Pivot Grd)	
49B	8270147	1	Terminal, Battery (With Boot)	
49C	7027085	1	Cable, Battery (Black) (Battery - to Aux Pump and Relay Grds)	
49D	7027086	1	Cable, Battery (Black) (Engine to Tray Pivot Grd)	
49E	7027087	1	Cable (Red) (Battery + to Aux Relay/Power Module/Starter)	
49F	7027088	1	Cable (Red) (Aux Relay to Aux Pump)	
50	1001138491	1	Harness, Fuel (Not Shown - See ELECTRICAL SECTION for Breakdown)	
51	0641412	4	Bolt 1/4-20 x 1-1/2	
52	0641606	AR	Bolt 3/8-16 x 3/4	
52	0641611	AR	Bolt 3/8-16 x 1-3/8	
54	88521205	1	Nut 5/16-18	
55	1001155823	1	Fitting, Quick Disconnect 90	
56	1001162335	1	Bracket Assembly Less Filter/Pump (See Items 701-711 for Breakdown)	
56	1001227224	1	Bracket Assembly Less Filter/Pump (See Items 701-711 for Breakdown) (China Specs) (SN 0300238788 to Present)	
57	4240033	AR	Tie-Strap (Not Shown)	
58	0760810	2	Bolt M8 x 20	
59	0641611	AR	Bolt 3/8-16 x 1-3/8	
60	1001153359	1	Mount, Engine	
61	0642012	1	Bolt 5/8-11 x 1-1/2	
62	1320061	1	Clamp (SN 0300219143 to Present)	
63	4812000	1	Washer M10	
64	0761008	1	Bolt M10 x 16	
70		Ref	Note: Arctic Package Items 70-81 (Not Shown - Used on Arctic Machines Only)	
70	1702941	1	Decal - Battery Heater	
71	1702942	1	Decal - Engine Block Heater	
72	1702943	1	Decal - Hydraulic Tank Heater	
73	1702944	1	Decal - Heater Cord	
74	2580050	1	Heater, Hydraulic Tank (SN 0300183034 through 0300207789)	
74	1001188972	1	Heater, Hydraulic Tank (SN 0300207790 to Present)	
75	1060625	1	Cable, Immersion Heater (SN 0300183034 through 0300196955)	
76	3980007	1	Seat, Battery	
77	1060626	1	Cord, 3 Way Extension	
79	2580024	1	Heater, Battery	
80	1001150918	1	Cord, 8ft Extension	
81	1001233763	Ref	Breather Heater Installation (Not Shown - See Separate Breakdown in this Section)	
90	1704972	1	Decal - Warning Explosion/Fire - ANSI Spec	
90	1706098	1	Decal - Warning Explosion/Fire - Australian and CE Spec	
90	1706060	1	Decal - Warning Explosion/Fire - Chinese Spec	
90	1706064	1	Decal - Warning Explosion/Fire - CSA Spec	

SECTION 2 - TURNTABLE

ITEM	PART NUMBER	QTY	DESCRIPTION	REV
91	1321339	1	Clamp (SN 0300207790 to Present)	
92	0641508	1	Bolt 5/16 - 18 x 1 (SN 0300207790 to Present)	
93	8406102	1	Clip (SN 0300225843 to Present)	
94	1001218572	1	Cap, Vinyl (SN 0300232933 to Present)	
95	1320011	1	Clamp, Muffler (Located on Exhaust) (China Spec Only) (SN 0300238788 to Present)	
95	1001221212	1	Clamp (Located on Exhaust) (China Spec Only) (SN 0300238788 to Present)	
96	1001227617	1	Pipe, Exhaust (Located on Exhaust) (China Spec Only) (SN 0300238788 to Present)	
97	1001227620	1	Plate (Located on Exhaust) (China Spec Only) (SN 0300238788 to Present)	
	1001140413	Ref	ENGINE AND PUMP ASSEMBLY WITHOUT ARCTIC PACKAGE (SN 0300183034 through 0300227034)	K
	1001185667	Ref	ENGINE AND PUMP ASSEMBLY WITHOUT ARCTIC PACKAGE (ANSI SPEC) (SN 0300227035 to Present)	E
	1001235490	Ref	ENGINE AND PUMP ASSEMBLY WITHOUT ARCTIC PACKAGE - STAGE V (ANSI SPEC)	A
	1001142854	Ref	ENGINE AND PUMP ASSEMBLY WITH ARCTIC PACKAGE (ANSI SPEC) (SN 0300183034 through 0300227034)	K
	1001185671	Ref	ENGINE AND PUMP ASSEMBLY WITH ARCTIC PACKAGE (ANSI SPEC) (SN 0300227035 to Present)	E
	1001215474	Ref	ENGINE AND PUMP ASSEMBLY (CHINA SPEC ONLY) (SN 0300183034 through 0300225842)	A
	1001223782	Ref	ENGINE AND PUMP ASSEMBLY (CHINA SPEC) (SN 0300225483 through 0300238787)	B
	1001227615	Ref	ENGINE AND PUMP ASSEMBLY (CHINA SPEC) (SN 0300238788 to Present)	D
101	0100011	AR	Compound, Locking	
102	0641406	1	Bolt 1/4-20 x 3/4	
103	0641812	4	Bolt 1/2-13 x 1-1/2	
105	3311405	1	Nut 1/4-20	
106	3422532	1	Pin, Hitch	
107	1001142522	1	Hydrostatic Pump Assembly (ANSI Spec) (See HYDROSTATIC PUMP ASSEMBLY for Breakdown) (SN 0300183034 through 0300207789)	
107	1001187510	1	Hydrostatic Pump Assembly (ANSI Spec) (See HYDROSTATIC PUMP ASSEMBLY for Breakdown) (SN 0300207790 through 0300240878)	
107	1001225745	1	Hydrostatic Pump Assembly (ANSI Spec) (See HYDROSTATIC PUMP ASSEMBLY for Breakdown) (SN 0300240879 to Present)	
107	1001187510	1	Hydrostatic Pump Assembly (China Spec) (See HYDROSTATIC PUMP ASSEMBLY for Breakdown) (SN 0300183034 through 0300240878)	
107	1001225745	1	Hydrostatic Pump Assembly (China Spec) (See HYDROSTATIC PUMP ASSEMBLY for Breakdown) (SN 0300240879 to Present)	
108	3790044	1	O-Ring	
109	3960468	1	Seal	
110	3960469	1	Seal	
111	4751400	2	Washer 1/4	
112	4891800	4	Washer 1/2	
113	1001094595	1	Variable Pump Assembly with Fittings (See VARIABLE PUMP ASSEMBLY for Breakdown)	
115	3020037	AR	Lubricant	
116	0641808	1	Bolt 1/2-13 x 1	
117	1060637	1	Lanyard	

SECTION 2 - TURNTABLE

ITEM	PART NUMBER	QTY	DESCRIPTION	REV
118	3311801	1	Nut 1/2-13	
119	4751800	1	Washer 1/2	
	1001140412	Ref	ENGINE ASSEMBLY WITHOUT ARCTIC PACKAGE (SN 0300183034 through 0300229742)	T
	1001176027	Ref	ENGINE ASSEMBLY WITHOUT ARCTIC PACKAGE (ANSI SPEC) (SN 0300229743 to Present)	M
	1001235489	Ref	ENGINE ASSEMBLY WITHOUT ARCTIC PACKAGE - STAGE V (ANSI SPEC)	B
	1001142853	Ref	ENGINE ASSEMBLY WITH ARCTIC PACKAGE (ANSI SPEC) (SN 0300183034 through 0300229742)	T
	1001176035	Ref	ENGINE ASSEMBLY WITH ARCTIC PACKAGE (ANSI SPEC) (SN 0300229743 to Present)	M
	1001214050	Ref	ENGINE ASSEMBLY (CHINA SPEC ONLY) (SN 0300183034 through 0300238787)	G
	1001227614	Ref	ENGINE ASSEMBLY (CHINA SPEC) (SN 0300238788 to Present)	E
201	0100011	AR	Compound, Locking	
203	0641406	AR	Bolt 1/4-20 x 3/4	
204	0641608	8	Bolt 3/8-16 x 1	
205	0641609	6	Bolt 3/8-16 x 1-1/8	
207	0641708	2	Bolt 7/16-14 x 1	
210	0741605	2	Screw 3/8-16 x 5/8	
211	0760606	AR	Bolt M6 x 12	
211	0760605	AR	Bolt M6 x 10	
212	0760810	AR	Bolt M8 x 20	
214	0771212	6	Bolt M12 x 25 Grade 10.9	
215	0771414	AR	Bolt M14 x 30 Grade 10.9	
215	0771415	AR	Bolt M14 x 35 Grade 10.9	
216	0940070	1	Bumper	
217	0961986	2	Bushing, Flanged	
219	2220315	1	Fitting, Straight Barbed	
220	2300004	AR	Coolant - Without Arctic Package	
220	2300041	AR	Coolant - With Arctic Package	
221	2720015	40 in/1m	Hose	
222	2720340	12 in /30.5cm	Hose	
223	1001153282	1	Pump Coupling Kit (See Items 401-403 for Breakdown)	
224	1001136079	AR	Oil, Motor - Without Arctic Package	
224	1001136172	AR	Oil, Motor - With Arctic Package	
225	3200401	4	Mount, Motor	
226	3271801	4	Nut 1/2-13 Grade 8	
227	3311405	AR	Nut 1/4-20	
228	3311605	AR	Nut 3/8-16	
230	3580320	1	Pulley	
231	3931432	1	Capscrew 1/4-20 x 2	
232	3931512	4	Capscrew 5/16-18 x 3/4	
233	3931628	4	Capscrew 3/8-16 x 1-3/4	
234	4031914	4	Capscrew M8 x 50	
235	4032014	4	Capscrew M10 x 50	
236	4060805	15 in /38cm	Flex-Trim	
237	4640751	1	Valve, Oil Drain	
238	4711400	AR	Washer 1/4	
239	4711500	AR	Washer 5/16	

SECTION 2 - TURNTABLE

ITEM	PART NUMBER	QTY	DESCRIPTION	REV
240	4711700	2	Washer 7/16	
241	4751400	10	Washer 1/4	
242	4751600	36	Washer 3/8	
245	4811702	3	Washer M6	
246	4811900	4	Washer M8	
247	4812000	AR	Washer M10	
248	4812100	7	Washer M12	
249	4812200	5	Washer M14	
250	4891500	1	Washer 5/16	
251	4891800	4	Washer 1/2	
253	0630407	2	Screw 1/4-20 x 5/8	
254	8405009	4	Clamp	
255	8405104	4	Clamp	
256	8405204	2	Clamp	
257	8406109	2	Clip	
258	8406110	1	Clip	
259	8410011	2	Clamp	
260	8410013	1	Clamp	
261	1001117308	1	Relay	
263	1001134488	1	Fitting, 90 NPT/ Barbed (ANSI Specs) (SN 0300183034 through 0300240878)	
263	1001134488	1	Fitting, 90 NPT/ Barbed (China Specs)	
264	1001135138	1	Adapter	
265	1001135679	1	Adapter	
266	1001136834	1	Cap, Tank	
267	1001137276	1	Fan	
268	1001138173	1	Support	
269	1001138175	1	Bracket	
270	1001138228	1	Relay, Power Module	
270	70023593	1	Fuse 30Amp (Battery Output)	
270	70023592	1	Fuse 20Amp (Switch Output)	
271	1001138248	62 in/1.6m	Tube	
273	1001138557	1	Clamp	
274	1001142623	1	Hose, Inlet	
275	1001138827	1	Sensor, Coolant Level (SN 0300183034 through 0300240878)	
275	1001138827	1	Sensor, Coolant Level (China Specs)	
276	1001139240	1	Bracket	
277	1001139303	1	Bracket, Tank (ANSI Spec) (SN 0300183034 through 0300229742)	
277	1001176419	1	Bracket, Tank (ANSI Spec) (SN 0300229743 to Present)	
277	1001176419	1	Bracket, Tank (China Spec)	
278	1001139409	4	Washer, Special	
280	1001139813	1	Engine, Deutz TD2.9L4 (ANSI Spec) (See Items 501-536 for Serviced Components)	
280	1001235488	1	Engine, Deutz TD2.9L4 - STAGE V (ANSI Spec) (See Items 501-536 for Serviced Components)	
280	1001214039	1	Engine, Deutz TD2.9L4 (China Spec) (See Items 501-535 for Serviced Components) (SN 0300183034 through 0300238787)	
280	1001223591	1	Engine, Deutz TD2.9L4 (China Spec) (See Items 501-535 for Serviced Components) (SN 0300238788 to Present)	
281	1001155384	1	Radiator (RCP Radiator) (ANSI Spec) (SN 0300183034 through 0300229742)	
281	1001167042	1	Radiator (Modine Radiator) (ANSI Spec) (SN 0300229743 to	

SECTION 2 - TURNTABLE

ITEM	PART NUMBER	QTY	DESCRIPTION	REV
			Present)	
281	1001167042	1	Radiator (Modine Radiator) (China Spec)	
282	1001140362	1	Tray (SN 0300183034 through 0300229742)	
282	1001190610	1	Tray (ANSI Spec) (SN 0300229743 to Present)	
282	1001190610	1	Tray (China Spec)	
283	1001140448	1	Mount, Rear Engine	
284	1001140450	1	Mount, Rear Engine	
285	1001140454	1	Mount, Front Engine	
286	1001140466	1	Mount, Generator/Engine (SN 0300183034 through 0300229742)	
286	1001202368	1	Mount, Generator/Engine (ANSI Spec) (SN 0300229743 to Present)	
286	1001202368	1	Mount, Generator/Engine (China Spec)	
287	1001140487	1	Plate, Mounting (RCP Radiator) (SN 0300183034 through 0300229742)	
287	1001186985	1	Plate, Mounting (Modine Radiator) (ANSI Spec) (SN 0300229743 to Present)	
287	1001186985	1	Plate, Mounting (China Spec)	
288	1001140535	1	Tank (SN 0300183034 through 0300240878)	
288	1001230635	1	Tank (Include Items 263, 275, 289 & 338) (ANSI Specs) (SN 0300240879 to Present)	
288	1001140535	1	Tank (China Specs)	
289	1001140564	1	Fitting, 90 NPT/ Barbed (SN 0300183034 through 0300240878)	
289	1001140564	1	Fitting, 90 NPT/ Barbed (China Specs)	
290	1001141304	1	Harness, Glow Plug (Not Shown - See ELECTRICAL SECTION for Breakdown)	
291	1001141370	1	Hose	
292	1001141419	1	Shim	
293	1001141546	1	Shim (SN 0300183034 through 0300219142)	
294	1001141583	1	Hose, Radiator - Upper (SN 0300183034 through 0300229742)	
294	1001177844	1	Hose, Radiator - Upper (ANSI Spec) (SN 0300229743 to Present)	
294	1001177844	1	Hose, Radiator - Upper (China Spec)	
295	1001141584	1	Hose, Radiator - Lower (SN 0300183034 through 0300229742)	
295	1001177845	1	Hose, Radiator - Lower (ANSI Spec) (SN 0300229743 to Present)	
295	1001177845	1	Hose, Radiator - Lower (China Spec)	
296	1001141585	1	Hose, Inlet	
297	1001141586	1	Pipe, Intake	
298	1001152489	1	Fitting, 90 Metric/ Barbed	
300	1001141995	1	Fitting, Straight NPT/Barbed	
301	1001165842	1	Pipe	
302	1001143390	1	Indicator, Service	
303	1001143726	1	Harness, Deutz Engine (Not Shown - See ELECTRICAL SECTION for Breakdown)	
304	1001143797	1	Fitting, Straight Metric/Barbed	
305	1001143907	1	Cable, Alternator Power (Not Shown - See ELECTRICAL SECTION for Breakdown)	
306	1001138489	1	Air Cleaner Assembly	
306	91403102	1	Element, Filter (Not Shown)	
307	8405007	2	Clamp	
310	1001169054	4	Pad, Isolator (ANSI Spec) (SN 0300229743 to Present)	
310	1001169054	4	Pad, Isolator (China Spec)	
311	1001204325	2	Bracket, Radiator (ANSI Spec) (SN 0300229743 to Present)	

SECTION 2 - TURNTABLE

ITEM	PART NUMBER	QTY	DESCRIPTION	REV
311	1001204325	2	Bracket, Radiator (China Spec)	
312	1001145154	1	Plate, Relay Mounting	
313	0641605	2	Bolt 3/8-16 x 5/8	
314	0641518	2	Bolt 5/16-18 x 2-1/4	
315	0641607	4	Bolt 3/8-16 x 7/8	
315	0641612	4	Bolt 3/8-16 x 1-1/2	
316	0681820	4	Bolt 1/2-13 x 2-1/2 Grade 8	
316	0681822	4	Bolt 1/2-13 x 2-3/4 Grade 8	
317	0760605	1	Bolt M6 x 10	
318	0761210	1	Bolt M12 x 20	
319	1321716	1	P-Clamp (SN 0300183034 through 0300195981)	
319	1001181899	1	P-Clamp (SN 0300195982 to Present)	
320	1001154405	20 in /51cm	Hose (SN 0300183034 through 0300219142)	
321	3310401	3	Nut #4-40	
322	3311505	2	Locknut 5/16-18	
323	3910408	3	Screw #4-40 x 1/2	
324	4750400	3	Washer #4	
325	4751500	4	Washer 5/16	
326	8405006	2	Clamp (SN 0300183034 through 0300219142)	
327	8406102	AR	Clip	
328	1001138717	1	Bracket (SN 0300183034 through 0300219142)	
329	1001142501	1	Fitting, 90 Metric/Barbed (SN 0300183034 through 0300219142)	
330	1001148641	1	Bracket (SN 0300183034 through 0300195981)	
331	0100020	AR	Sealant	
332	4240099	AR	Tie-Strap (Not Shown)	
333	0100062	AR	Compound, Locking	
334	1703162	1	Decal - Caution Fan Blade	
335	1001178223	2	Bracket, Radiator (ANSI Spec) (SN 0300229743 to Present)	
335	1001178223	2	Bracket, Radiator (China Spec)	
336	4811902	8	Washer M8	
338	1001182997	AR	Adhesive (SN 0300183034 through 0300240878)	
338	1001182997	AR	Adhesive (China Specs Only)	
339	1001178876	1	Mount, Fuel Filter (SN 0300229743 to Present)	
339	1001224937	1	Mount, Fuel Filter (China Specs) (SN 0300238788 to Present)	
340	1001177359	1	Hose (SN 0300229743 to Present)	
342	5250810	2	Bolt M8 x 20	
343	0761015	2	Bolt M10 x 35	
344	1001169138	4	Washer (ANSI Spec) (SN 0300229743 to Present)	
344	1001169138	4	Washer (China Spec)	
345	5240800	1	Washer M8	
346	0700814	1	Bolt M8 x 30	
347	1001180620	AR	Adhesive	
348	1001224940	1	Pipe, Exhaust (China Specs) (SN 0300238788 to Present)	
348	1001221212	1	Clamp (China Specs) (SN 0300238788 to Present)	
348	1001221219	1	Clamp, Band (China Specs) (SN 0300238788 to Present)	
349	1001223593	1	Muffler (China Specs) (SN 0300238788 to Present)	
350	1001128901	2	Strap (China Specs) (SN 0300238788 through 0300240879)	
350	1001233089	2	Strap (China Specs) (SN 0300240880 to Present)	
351	1001224936	2	Mount (China Specs) (SN 0300238788 to Present)	
352	1001221203	1	Bracket (China Specs) (SN 0300238788 to Present)	
380		Ref	Note: Arctic Package Item 351 (Used on Arctic Machines Only)	

SECTION 2 - TURNTABLE

ITEM	PART NUMBER	QTY	DESCRIPTION	REV
			Not Shown.	
380	1001140312	1	Heater, Engine Block	
380	1001181895	AR	Adhesive	
	1001153282	Ref	PUMP COUPLING INSTALLATION	D
401	70004183	1	Coupling	
402	See Note	NSS	Plate, Pump Adapter (Note: Use p/n 1001153282)	
403	See Note	NSS	Capscrew M10 x 20 Grade 10.9 (Note: Use p/n 1001153282)	
404	See Note	NSS	Capscrew M10 x 25 Grade 10.9 (Note: Use 1001153282)	
	1001139813	Ref	ENGINE COMPONENTS (ANSI SPEC)	J
	1001235488	Ref	ENGINE COMPONENTS - STAGE V (ANSI SPEC)	B
	1001214039	Ref	ENGINE COMPONENTS (CHINA SPEC ONLY) (SN 0300183034 through 0300238787)	C
	1001223591	Ref	ENGINE COMPONENTS (CHINA SPEC) (SN 0300238788 to Present)	B
501	70004274	1	Dipstick (Not Shown - Located On Side Left Front) (ANSI Spec)	
501	70024904	1	Dipstick (Not Shown - Located On Side Left Front) (China Specs Only)	
501	70024905	1	Seal	
502	7020465	2	Cap, Oil Fill	
503	70025111	2	Clamp	
503	70005920	1	Hose, Breather	
504	70025088	1	Plug (ANSI Specs)	
504	70005941	2	Plug (China Specs)	
504	7020404	1	Seal (ANSI Specs)	
504	70005942	1	Seal (China Specs)	
505	70001870	1	Flywheel with Ring Gear	
505	7024579	1	Gear, Ring	
506		Ref	Gasket and Seal Options (Not Shown):	
506	70024906	1	Gasket, Head	
506	70025206	1	Gasket, Small Valve Cover	
506	70025207	1	Gasket, Large Valve Cover (ANSI Specs)	
506	70005171	1	Gasket, Large Valve Cover (China Specs)	
506	7002508	1	Gasket, Valve Cover to Air Charge Elbow	
506	70002718	1	Seal, Rear Main	
506	70004280	1	Seal, Front Main	
506	70024907	1	Gasket, Front Cover (ANSI Specs)	
506	See Note	NSS	Gasket, Front Cover (China Specs) (Note: Not Available for Purchase)	
506	70025164	1	Gasket, Exhaust Manifold to Head	
506	70024912	1	Gasket, Exhaust Manifold to Turbocharger	
506	70021895	2	Gasket, Exhaust Bend (China Specs)	
506	70005177	1	Gasket, Charge Air Pipe to Head (China Specs)	
506	70004279	1	Gasket Kit	
507	70025091	1	Plug	
507	70025082	1	Seal	
507	70025176	1	Spring	
507	70025076	1	Valve	
508	70025202	1	Pump, Oil Lube (Not Shown - Located Front Left Side) (ANSI Specs)	
508	70005172	1	Pump, Oil Lube (Not Shown - Located Front Left Side) (China Specs)	
508	70025135	1	O-Ring (ANSI Specs)	
508	See Note	NSS	O-Ring (China Specs) (Note: Use p/n 70005172)	

SECTION 2 - TURNTABLE

ITEM	PART NUMBER	QTY	DESCRIPTION	REV
508	70025136	1	Seal (ANSI Specs)	
508	70005173	1	Gasket (China Specs)	
509	7016331	1	Filter, Oil	
510	70004275	1	Cooler, Oil (ANSI Specs)	
510	70024494	1	Cooler, Oil (China Specs)	
510	70024925	1	Gasket	
511	70024924	1	Pump, High Pressure (Not Shown - Located Front Left Side)	
511	70025152	1	O-Ring (Between Pump and Spacer)	
511	70024488	1	Spacer	
511	70024517	1	O-Ring (Between Spacer and Engine Block)	
512	70025181	4	Injector, Fuel	
512	70025140	4	Washer, Sealing	
512	70025146	4	Clamp (Top of Injector)	
512	70025416	4	O-Seal	
512	70025154	4	Shoe, Clamping	
512	70000345	4	Plug, Glow	
512	70025231	1	Harness, Glow Plug (Not Shown)	
513	70025153	NLA	Filter, Fuel (Use p/n 1001225430)	
513	70024513	1	Cable, Sensor	
513	70025239	1	Seal	
514	70024486	1	Pump, Fuel (ANSI Specs)	
514	1001226098	1	Pump, Fuel (China Specs) (was p/n 70005174)	
515	70025144	2	Clamp	
516	70025160	1	Filter with Head (ANSI Spec)	
516	70024961	1	Filter with Head (China Spec)	
516	70025161	NLA	Filter, Fuel (Use p/n 1001225431)	
517	70024504	1	Sensor, Pressure	
517	70024920	1	Seal	
518	70025151	1	Rail, Fuel (Not Shown)	
518	70025235	1	Repair Kit	
519	70025210	1	ECU (Engine Control Unit)	
520	70024910	1	Pump, Water	
520	70025200	1	Seal	
520	70025084	2	Plug	
520	7020492	2	Seal	
521	70024473	1	Thermostat (ANSI Specs)	
521	70005929	1	Thermostat (China Specs)	
521	70025143	1	O-Seal (ANSI Specs)	
521	70005184	1	O-Seal (China Specs)	
521	70025142	1	Cover, Thermostat	
522	70025178	1	Pipe	
522	70025156	1	Valve, Shuttle (ANSI Specs)	
522	70025768	1	Valve, Shuttle (China Specs)	
522	70025179	2	Gasket	
522	70025180	1	Gasket	
523	70025203	1	Module, EGR (Not Shown - Located on Left Side)	
524	70004276	1	Turbocharger	
524	70005527	1	Clamp (Turbocharger to Compensator) (China Specs)	
524	70004504	1	Compensator (China Specs)	
525	70025477	1	Tensioner, Belt	
526	70004277	1	Belt, Drive	

SECTION 2 - TURNTABLE

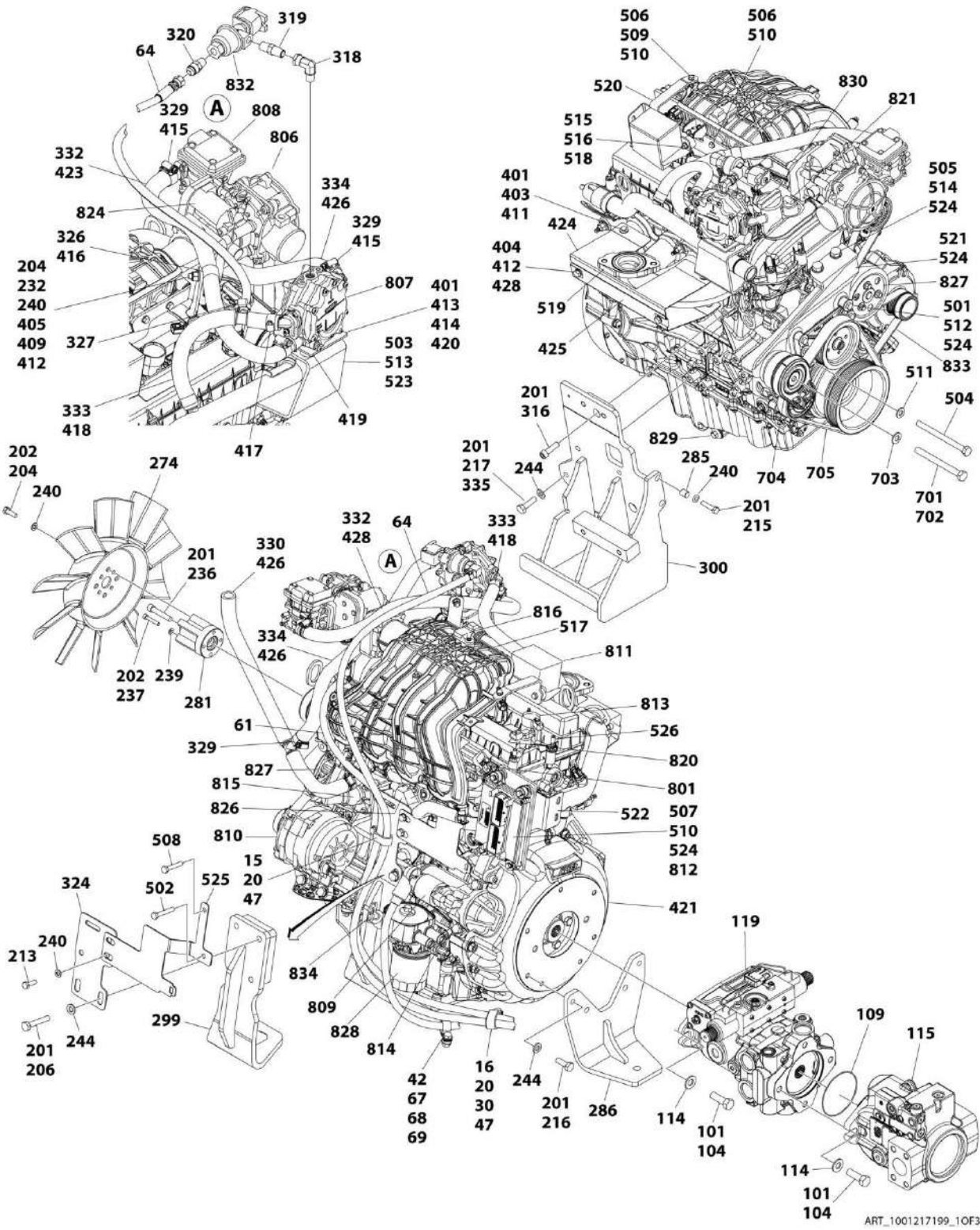
ITEM	PART NUMBER	QTY	DESCRIPTION	REV
527	70024914	1	Alternator	
527	70025149	1	Regulator, Voltage	
528	70024915	1	Starter (Not Shown - Located on Left Side)	
528	70005648	1	Relay	
528	70005647	1	Solenoid	
529	70025077	1	Harness, Engine (Not Shown)	
530	70024503	2	Sensor, Speed (Not Shown - Located Left Side Front and Flywheel Housing) (ANSI Specs)	
530	70026210	2	Sensor, Speed (Not Shown - Located Left Side Front and Flywheel Housing) (China Specs)	
530	70024917	2	Seal	
531	70024918	1	Sender, Temperature (Not Shown - Located Top Front)	
532	70024504	1	Sensor, Pressure (Not Shown - Located Left Side Front)	
532	70024920	1	Seal	
533	70024507	1	Sensor, Pressure	
533	70025120	1	Seal	
534	70024922	1	Sender, Temperature	
534	70025212	1	Seal	
535	70025799	1	Muffler, DOC (ANSI Specs)	
535	70005937	1	Muffler, DOC (China Specs Only) (SN 0300183034 through 0300238787)	
535	70024515	1	Clamp (ANSI Specs)	
535	70025245	2	Clamp, Mounting (China Specs)	
535	70025877	2	Clamp, Muffler (China Specs Only) (SN 0300183034 through 0300238787)	
535	70025801	1	Gasket (Between Inlet and Outlet) (ANSI Specs)	
535	70004278	1	Outlet, Muffler (ANSI Specs)	
535	70025246	1	Outlet, Muffler (China Specs Only) (SN 0300183034 through 0300238787)	
536	70025660	1	Plug	
536	70104570	1	Seal	
536	70124538	1	Spring	
536	70124530	1	Valve, Pressure Relief	
	1001143483	Ref	BAFFLES INSTALLATION (STEEL HOODS) (ANSI SPEC)	B
	1001143484	Ref	BAFFLES INSTALLATION (ABS HOODS) (ANSI SPEC)	C
	1001215474	Ref	BAFFLES INSTALLATION (STEEL HOODS) (CHINA SPEC)	A
601	0641406	AR	Bolt 1/4-20 x 3/4	
602	3311405	19	Nut 1/4-20	
603	4711400	38	Washer 1/4	
604	1001141711	1	Bracket (SN 0300183034 through 0300199946)	
604	1001174745	1	Bracket (SN 0300199947 to Present)	
605	1001142031	1	Bracket	
606	1001142032	1	Bracket	
607	1001143449	1	Bracket	
608	1001143472	1	Baffle (SN 0300183034 through 0300199946)	
608	1001174746	1	Baffle (SN 0300199947 to Present)	
608	1001143575	1	Baffle (SN 0300183034 through 0300199946)	
608	1001195967	1	Baffle (SN 0300199947 to Present)	
609	1001143525	1	Bracket	
610	1001143860	1	Bracket, Bumper (ABS Hoods)	
611	0641407	1	Bolt 1/4 x 78	
	1001162335	Ref	BRACKET ASSEMBLY (LESS FUEL PUMP AND FILTER)	D

SECTION 2 - TURNTABLE

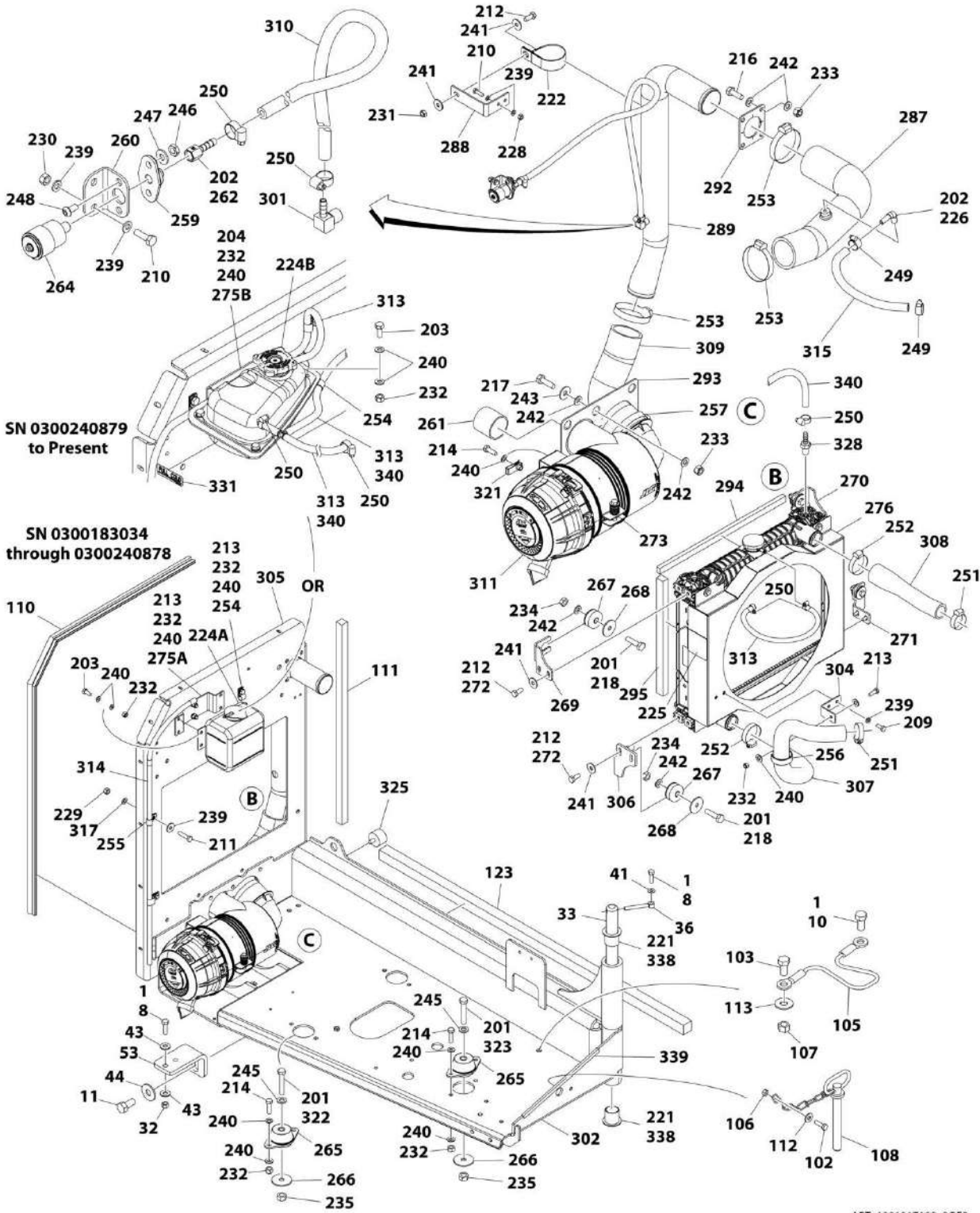
ITEM	PART NUMBER	QTY	DESCRIPTION	REV
	1001227224	Ref	BRACKET ASSEMBLY (LESS FUEL PUMP AND FILTER) (CHINA SPECS) (SN 0300238788 to Present)	B
701	0100011	AR	Locking, Compound	
702	0641610	2	Bolt 3/8-16 x 1-1/4	
703	0721006	4	Bolt #10-24 x 3/4	
704	1001154405	1.5 ft /0.4m	Hose	
705	3311001	4	Nut #10-24	
706	3311605	2	Nut 3/8-16NC	
707	4711000	8	Washer #10	
708	4711600	4	Washer 3/8	
709	8405006	2	Clamp	
710	1001141870	1	Plate, Fuel Pump Mount	
710	1001226285	1	Plate, Fuel Pump Mount (China Specs) (SN 0300238788 to Present)	
711	1001142501	1	Fitting, 90 Metric/Barbed	
711	1001141718	1	Fitting, Straight (Not Shown) (China Specs) (SN 0300238788 to Present)	
	1001216220	Ref	EXHAUST PIPE INSTALLATION WITHOUT SPARK ARRESTER	A
	1001145750	Ref	EXHAUST PIPE INSTALLATION WITH SPARK ARRESTER	B
801	1001149908	1	Pipe, Exhaust without Spark Arrester	
801	1001145751	1	Pipe, Exhaust with Spark Arrester	
	1001202311	Ref	FUEL PUMP BRACKET INSTALLATION (MACHINES WITH ABS HOODS)	A
901	0100011	AR	Compound, Locking	
902	0760810	2	Bolt M8 x 20	
903	0761008	1	Bolt M10 x 16	
904	0761015	2	Bolt M10 x 35	
905	1320061	2	Clamp	
906	3291005	2	Nut M10	
907	4811900	2	Washer M8	
908	4812000	5	Washer M10	
909	1001178876	1	Bracket	

SECTION 2 - TURNTABLE

FIGURE 2-12. FORD ENGINE INSTALLATION

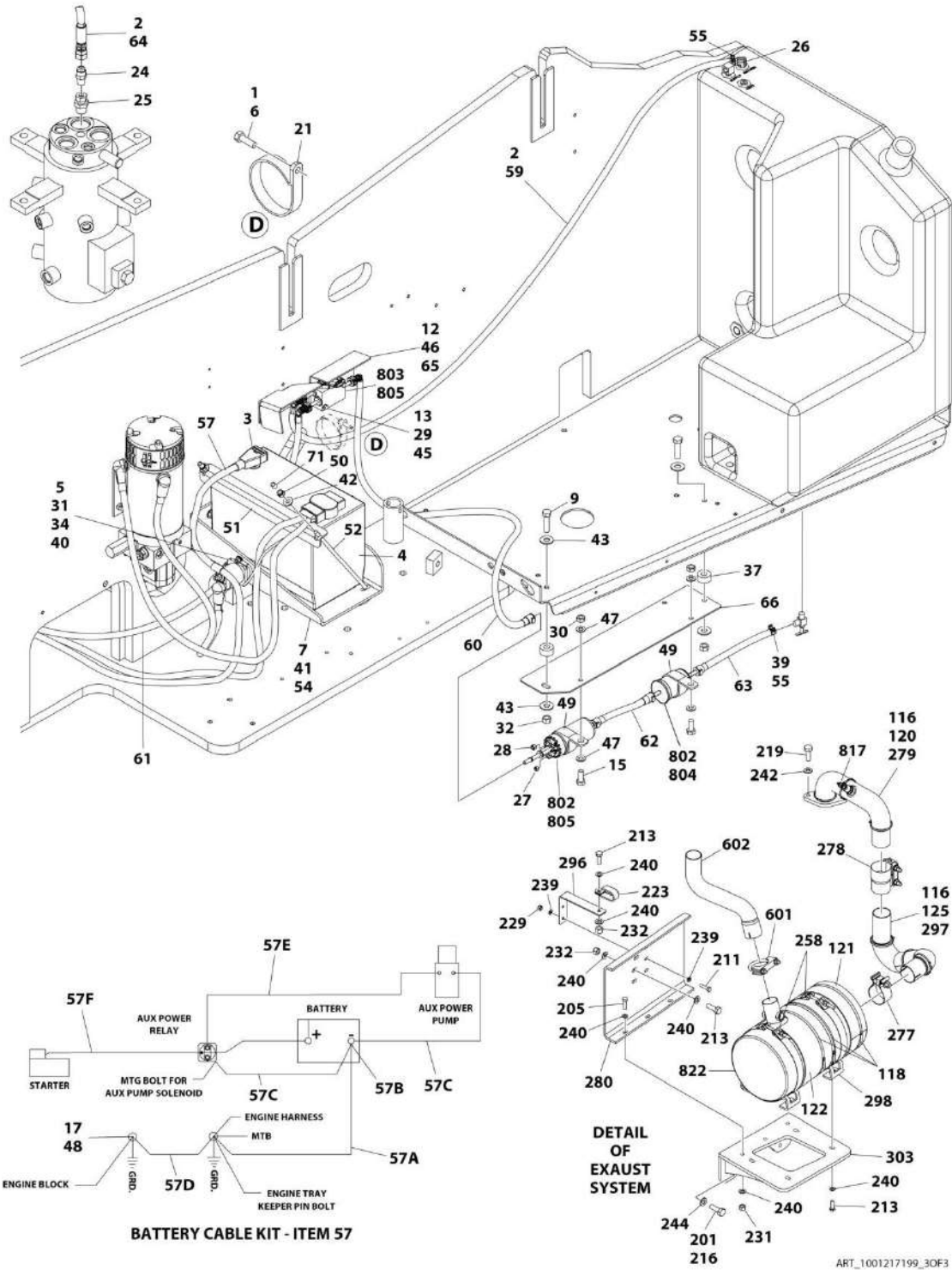


SECTION 2 - TURNTABLE



ART_1001217199_20F3

SECTION 2 - TURNTABLE



ART_1001217199_3OF3

SECTION 2 - TURNTABLE

FIGURE 2-12. FORD ENGINE INSTALLATION

ITEM	PART NUMBER	QTY	DESCRIPTION	REV
		Ref	FORD ENGINE INSTALLATION	
	1001217199	Ref	Ford Engine Installation without Arctic Package	E
	1001219610	Ref	Ford Engine Installation with Arctic Package	E
1	0100011	AR	Compound, Locking	
2	0100020	AR	Sealant	
3	0100048	AR	Grease, Terminal	
4	0400075	1	Battery	
5	0641406	AR	Bolt 1/4 x 3/4	
6	0641508	1	Bolt 5/16 x 1	
7	0641607	3	Bolt 3/8 x 7/8	
8	0641610	3	Bolt 3/8 x 1-1/4	
9	0641612	2	Bolt 3/8 x 1-1/2	
10	0641808	1	Bolt 1/2 x 1	
11	0642010	1	Bolt 5/8 x 1-1/4	
12	0760610	2	Bolt M6 x 20	
12	0641406	2	Bolt 1/4 x 3/4	
13	0760619	2	Bolt M6 x 55	
13	0641420	2	Bolt 1/4 x 2-1/2	
15	0760810	3	Bolt M8 x 20	
16	0760812	1	Bolt M8 x 25	
16	0641408	1	Bolt 1/4 x 1	
17	0761008	1	Bolt M10 x 16	
20	1321283	2	Clamp	
21	1321339	1	Clamp	
22	1701542	1	Decal - Gas (Not Shown)	
23	1701543	1	Decal - LPG (Not Shown)	
24	2180418	1	Fitting, Straight	
25	2220005	1	Fitting, Straight NPT	
26	2221176	1	Fitting, 90	
27	3290405	1	Nut M4	
28	3290505	1	Nut M5	
29	3290607	2	Nut M6	
29	3311405	2	Nut 1/4	
30	3290801	AR	Nut M8	
30	3311405	AR	Nut 1/4	
31	3311405	AR	Nut 1/4	
32	3311605	4	Nut 3/8	
33	3422446	1	Pin	
34	3740067	1	Relay	
35	3790012	1	O-Ring (Not Shown - Located on Platform Console Box)	
36	3841143	1	Keeper, Pin	
37	4071122	2	Shim	
38	4360336	1	Switch, Toggle (Not Shown - Located on Platform Console Box)	
39	1001221488	1	Tube, Fuel Line	
40	4711400	AR	Washer 1/4	
41	4711600	4	Washer 3/8	
42	4751500	AR	Washer 5/16	
42	4751400	AR	Washer 1/4	
43	4751600	8	Washer 3/8	
44	4752000	1	Washer 5/8	

SECTION 2 - TURNTABLE

ITEM	PART NUMBER	QTY	DESCRIPTION	REV
45	4811700	AR	Washer M6	
45	4751400	AR	Washer 1/4	
46	4811702	2	Washer M6	
46	4711400	2	Washer 1/4	
47	4811900	7	Washer M8	
47	4751400	AR	Washer 1/4	
48	4812000	1	Washer M10	
49	85941018	2	Clamp	
50	88521205	2	Nut 5/16	
51	91401281	1	Bracket, Battery Hold Down	
52	1001093382	2	J-Bolt	
53	1001153359	1	Mount	
54	1001162497	1	Bracket, Battery	
55	1001174486	2	Clamp	
57	1001216568	1	Battery Cable Kit	B
57A	7027084	1	Cable, Battery - Ground to Battery -	
57B	8270147	1	Terminal, Battery with Boot	
57C	7027085	1	Cable, Battery - Auxiliary Pump/Relay to Battery -	
57D	7027086	1	Cable, Battery - Engine to Ground	
57E	7027088	1	Cable, Battery - Auxiliary Relay to Auxiliary Pump	
57F	70009020	1	Cable, Battery - Starter/Auxiliary Relay to Battery +	
59	1001219364	1	Hose	
60	1001219365	1	Hose	
61	1001219366	1	Hose	
62	1001219367	1	Hose	
63	1001219368	1	Hose	
64	1001219369	1	Hose	
65	1001219370	1	Bracket	
66	1001219809	1	Bracket	
67	0771012	1	Bolt M10 x 25	
67	0641408	1	Bolt 1/4 x 1	
68	3291001	1	Nut M10	
68	3311405	1	Nut 1/4	
69	8406201	1	Clip	
70	4240099	AR	Tie-Strap (Not Shown)	
71	1001218572	2	Cap	
		Ref	Note: Arctic Package Items 80-88 Not Shown (Machines with Arctic Package Only)	
80	1060626	1	Plug, 3 Way	
81	1702941	1	Decal - Battery Heater	
82	1702942	1	Decal - Engine Block Heater	
83	1702943	1	Decal - Hydraulic Tank Heater	
84	1702944	1	Decal - Heater Cord	
85	2560024	1	Heater, Battery	
86	3980007	1	Seal, Battery	
87	1001150918	1	Cord, Extension - 8ft	
88	1001188972	1	Heater, Hydraulic Tank Immersion	
		Ref	FORD ENGINE AND PUMP SUB-ASSEMBLY	
	1001217192	Ref	Ford Engine and Pump Sub-Assembly without Arctic Package	E
	1001219609	Ref	Ford Engine and Pump Sub-Assembly with Arctic Package	C
101	0100011	AR	Compound, Locking	
102	0641407	1	Bolt 1/4 x 7/8	

SECTION 2 - TURNTABLE

ITEM	PART NUMBER	QTY	DESCRIPTION	REV
103	0641808	1	Bolt 1/2 x 1	
104	0641812	4	Bolt 1/2 x 1-1/2	
105	1060637	1	Cable, Lanyard	
106	3311405	1	Nut 1/4	
107	3311805	1	Nut 1/2	
108	3422532	1	Pin	
109	3790044	1	O-Ring	
110	3960389	60 in/ 1.5m	Seal (SN 0300183034 through 0300240878)	
111	3960469	1	Seal	
112	4751400	1	Washer 1/4	
113	4751800	1	Washer 1/2	
114	4891800	4	Washer 1/2	
115	1001094595	1	Variable Pump Assembly (See VARIABLE PUMP ASSEMBLY for Breakdown)	
116	1001100825	6	Strap	
117	1001115930	AR	Oil, Motor (Not Shown) (SN 0300183034 through 0300240878)	
117	1001190775	AR	Oil, Motor (Not Shown) (SN 0300240879 to Present)	
118	1001221464	3	Strap	
119	1001187510	1	Hydrostatic Pump Assembly (See HYDROSTATIC PUMP ASSEMBLY for Breakdown) (SN 0300183034 through 0300240878)	
119	1001225745	1	Hydrostatic Pump Assembly (See HYDROSTATIC PUMP ASSEMBLY for Breakdown) (SN 0300240879 to Present)	
120	1001216532	1	Insulate, Exhaust Pipe	
121	1001216534	1	Insulate, Muffler	
122	1001216535	1	Insulate, Muffler	
123	1001217170	1	Seal	
125	1001218085	1	Insulate, Exhaust Pipe	
		Ref	FORD ENGINE ASSEMBLY	
	1001217191	Ref	Ford Engine Assembly without Arctic Package	L
	1001219608	Ref	Ford Engine Assembly with Arctic Package	I
201	0100011	AR	Compound, Locking	
202	0100020	AR	Sealant	
203	0700810	AR	Bolt M8 x 20	
204	0700812	4	Bolt M8 x 25	
205	0700814	3	Bolt M8 x 30	
206	0711020	3	Bolt M10 x 60	
209	0760608	2	Bolt M6 x 16	
210	0760610	4	Bolt M6 x 20	
211	0760612	AR	Bolt M6 x 25	
212	0760810	AR	Bolt M8 x 20	
213	0760812	AR	Bolt M8 x 25	
214	0760814	AR	Bolt M8 x 30	
215	0760815	2	Bolt M8 x 35	
216	0761014	11	Bolt M10 x 30	
217	0761015	AR	Bolt M10 x 35	
218	0761016	4	Bolt M10 x 40	
219	0771014	2	Bolt M10 x 30	
221	0961986	2	Bearing	
222	1320110	1	Clamp	
223	1321283	AR	Clamp (SN 0300183034 through 0300240878)	

SECTION 2 - TURNTABLE

ITEM	PART NUMBER	QTY	DESCRIPTION	REV
223	1001187781	AR	Tie-Strap (Not Shown) (SN 0300240879 to Present)	
224A	1580011	1	Container, Coolant Overflow (SN 0300183034 through 0300240878)	
224B	1001223584	1	Container, Coolant Overflow (SN 0300240879 to Present)	
225	1703162	2	Decal - Fan Blade	
226	2180467	1	Fitting, Straight NPT/Barbed	
227	2300004	AR	Coolant (Not Shown)	
228	3290601	2	Nut M6	
229	3290605	AR	Nut M6	
230	3290607	2	Nut M6	
231	3290801	4	Nut M8	
232	3290805	AR	Nut M8	
233	3291005	AR	Nut M10	
234	3291001	4	Nut M10	
235	3291201	3	Nut M12	
236	3931640	1	Capscrew 3/8 x 2-1/2	
237	4031711	4	Capscrew M6 x 35	
238	4240099	AR	Tie-Strap (Not Shown)	
239	4811700	AR	Washer M6	
240	4811900	AR	Washer M8	
241	4811902	10	Washer M8	
242	4812000	AR	Washer M10	
243	4812002	6	Washer M10	
244	5241000	15	Washer M10	
245	5241200	3	Washer M10	
246	8305401	2	Nut 1/4	
247	8307109	2	Washer 1/4	
248	8310548	2	Screw 1/4 x 1/2	
249	8405006	2	Clamp	
250	8405009	AR	Clamp	
251	8405102	2	Clamp	
252	8405104	2	Clamp	
253	8405203	3	Clamp	
254	8406109	AR	Clip	
255	8406110	2	Clip (SN 0300183034 through 0300240878)	
256	8410001	1	Clamp	
257	8410011	1	Clamp	
258	1001128901	2	Strap, Clamp	
259	1001138173	1	Support	
260	1001138175	1	Bracket	
261	1001141585	1	Hose, Air Cleaner Inlet	
262	1001141995	1	Fitting, Straight NPT/Barbed	
264	1001149639	1	Indicator, Restriction	
265	1001191610	3	Mount, Motor	
266	1001168018	3	Washer	
267	1001169054	4	Isolator	
268	1001169138	4	Pad	
269	1001169967	1	Bracket	
270	1001170035	1	Bracket	
271	1001176329	1	Bracket	
272	1001180620	AR	Adhesive	
273	1001186426	1	Clamp, Air Cleaner	

SECTION 2 - TURNTABLE

ITEM	PART NUMBER	QTY	DESCRIPTION	REV
274	1001213357	1	Fan (SN 0300183034 through 0300240878)	
274	1001223042	1	Fan (SN 0300240879 to Present)	
275A	1001213482	1	Bracket (SN 0300183034 through 0300240878)	
275B	1001225442	1	Bracket (SN 0300240879 to Present)	
276	1001215674	1	Radiator (SN 0300183034 through 0300240878)	
276	1001223923	1	Radiator (SN 0300240879 to Present)	
277	1001215681	1	Clamp	
278	1001215974	1	Clamp	
279	1001216075	1	Pipe, Exhaust Inlet	
280	1001216092	1	Shield, Heat	
281	1001216201	1	Spacer, Fan	
285	1001216919	2	Sleeve	
286	1001216995	1	Mount, Engine (Rear)	
287	1001217032	1	Tube, Air Intake	
288	1001217046	1	Bracket	
289	1001217090	1	Tube, Intake (Intermediate)	
292	1001217174	1	Seal	
293	1001217175	1	Seal	
294	1001217183	2	Seal	
295	1001217185	2	Seal	
296	1001217186	1	Support	
297	1001217317	1	Pipe, Exhaust Inlet	
298	1001217543	2	Mount	
299	1001218362	1	Mount, Engine (Front Left)	
300	1001218449	1	Mount, Engine (Front Right)	
301	1001134488	1	Fitting, 90 Barbed	
302	1001219259	1	Tray	
303	1001219345	1	Bracket	
304	1001219361	1	Support	
305	1001219363	1	Plate, Radiator	
306	1001219480	1	Bracket	
307	1001219611	1	Hose, Radiator (Lower)	
308	1001219612	1	Hose, Radiator (Upper)	
309	1001219613	1	Tube, Intake (Lower)	
310	1001138248	31 in/ 77cm	Tube, Nylon	
311	1001189979	1	Air Filter Assembly	
311	70005008	1	Element, Filter	
313	2720058	12 in/ 29cm	Hose (SN 0300183034 through 0300240878)	
313	2720058	55 in/ 1.5m	Hose (SN 0300240879 to Present)	
314	2720271	3 ft/.9m	Hose (SN 0300183034 through 0300240878)	
315	1001165035	7 in/ 18cm	Hose (SN 0300183034 through 0300240878)	
315	1001165035	10 in/ 26cm	Hose (SN 0300240879 to Present)	
316	4032011	AR	Capscrew M10 x 35	
316	5272010	AR	Capscrew M10 x 30	
317	4811702	AR	Washer M6	
318	2220064	1	Fitting, 90 FSNPSM/NPTF	
319	2220261	1	Fitting, Straight	
320	2180418	1	Fitting, Straight	

SECTION 2 - TURNTABLE

ITEM	PART NUMBER	QTY	DESCRIPTION	REV
321	1001221615	2	Nut, Tinnerman M8	
322	0701224	AR	Bolt M12 x 80	
323	1001098828	AR	Bolt M12 x 70 Grade 10.9	
323	0711223	AR	Bolt M12 x 75	
324	1001222033	1	Plate	
325	0940070	1	Bumper	
326	8406201	1	Clip (SN 0300240879 to Present)	
327	8410009	2	Clamp (SN 0300240879 to Present)	
328	2180348	1	Fitting, Straight Barbed (SN 0300240879 to Present)	
329	1001173535	6	Clamp (SN 0300240879 to Present)	
330	1001224489	1	Hose (Includes Tee) (SN 0300240879 to Present)	
331	1001225510	1	Decal - Full Cold (SN 0300240879 to Present)	
332	1001216531	1	Hose (SN 0300240879 to Present)	
333	1001227666	1	Hose (SN 0300240879 to Present)	
334	1001224486	1	Hose (SN 0300240879 to Present)	
335	0711014	5	Bolt M10 x 30 (SN 0300240879 to Present)	
338	0100062	AR	Adhesive (SN 0300240879 to Present)	
339	4060805	16 in/ 41cm	Flex-Trim (SN 0300240879 to Present)	
340	1001227667	1	Hose (SN 0300240879 to Present)	
350	1001216393	1	Heater, Engine Block (Arctic Package Only) (Not Shown)	
	1001216910	Ref	FORD ENGINE ASSEMBLY - PUMP COUPLING/ FUEL SYSTEM	F
401	0100011	AR	Compound, Locking	
403	0760605	4	Bolt M6 x 10	
404	0760807	2	Bolt M8 x 14	
405	0760812	AR	Bolt M8 x 25	
409	3290805	AR	Nut M8	
411	4811702	4	Washer M6	
412	4811900	AR	Washer M8	
413	5250605	3	Bolt M6 x 10	
414	5260600	1	Nut M6 Class 10	
415	1001173535	4	Clamp (SN 0300183034 through 0300227034)	
416	8406201	1	Clip (SN 0300183034 through 0300227034)	
417	8410009	2	Clamp (SN 0300183034 through 0300227034)	
418	82033995	10 in/ 27cm	Hose (SN 0300183034 through 0300227034)	
419	1001211794	3	Mount, Isolator	
420	1001213045	1	Bracket (SN 0300183034 through 0300232564)	
420	1001227769	1	Bracket (SN 0300232565 to Present)	
421	1001213810	1	Pump Coupling, Kit	
421	70006134	1	Coupling	
421	70006135	1	Housing	
421	70006136	1	Hardware Kit	
423	1001216531	1	Hose (SN 0300183034 through 0300227034)	
424	1001216768	1	Bracket	
425	1001216769	1	Bracket	
426	1001216810	1	Hose (SN 0300183034 through 0300227034)	
428	1001149160	2	Nut, Tinnerman M8	
	1001216065	Ref	FORD ENGINE ASSEMBLY - BRACKETS/EXHAUST MANIFOLD	K
501	0700816	4	Bolt M8 x 40	
502	0700818	1	Bolt M8 x 50	
503	0701014	2	Bolt M10 x 30	

SECTION 2 - TURNTABLE

ITEM	PART NUMBER	QTY	DESCRIPTION	REV
504	0710827	1	Bolt M8 x 100 Grade 10.9	
505	0711216	2	Bolt M12 x 40	
506	0760610	3	Bolt M6 x 20	
507	0760615	4	Bolt M6 x 35	
508	0760817	1	Bolt M8 x 45	
509	3290601	1	Nut M6	
510	4811700	8	Washer M6	
511	4811900	1	Washer M8	
512	4811902	4	Washer M8	
513	4812000	1	Washer M10	
514	4812100	2	Washer M12	
515	5250605	2	Bolt M6 x 10	
516	5260600	2	Nut M6 Class 10	
517	1001210448	1	Engine, Ford 2.5L (See Ford Engine Components for Serviced Parts)	
518	1001211794	2	Mount	
519	1001214827	1	Manifold, Exhaust	
520	1001215384	1	Bracket	
521	1001216071	1	Bracket	
522	1001216144	1	Support, Muffler	
523	1001216616	1	Mount, Vaporizer (SN 0300183034 through 0300232560)	
523	1001227772	1	Mount, Vaporizer (SN 0300232561 to Present)	
524	0100011	AR	Compound, Locking	
525	1001221545	1	Plate	
526	1001222641	6	Cap	
		Ref	EXHAUST PIPE INSTALLATION	
	1001220141	Ref	Exhaust Pipe Installation without Spark Arrestor	B
	1001219906	Ref	Exhaust Pipe Installation with Spark Arrestor	B
601	1320176	1	Clamp (SN 0300183034 through 0300246269)	
601	1001221397	1	Clamp (SN 0300246270 to Present)	
602		Ref	Tail Pipe Options	
602	1001217478	1	Tail Pipe without Spark Arrestor	
602	1001217477	1	Tail Pipe with Spark Arrestor	
602	1001218089	1	Insulate	
602	1001100825	3	Strap	
	1001220404	Ref	DRIVE BELT INSTALLATION (MACHINES WITHOUT	C
701	0100011	AR	Compound, Locking	
702	0701026	1	Bolt M10 x 90	
703	4812002	1	Washer M10	
704	1001216300	1	Pulley	
705	1001216619	1	V-Belt	
	1001210448	Ref	FORD ENGINE COMPONENTS	
801	70006145	4	Injector, Fuel	
801	70006147	1	Rail, Fuel	
802	70006150	1	Pump, Fuel	
802	70006154	1	Fitting M10	
803	70006151	1	Block, Fuel	
803	70006152	2	Fitting SAE6	
803	70006153	1	Fitting SAE3	
803	70006189	1	Harness, Fuel Block	
804	70006155	1	Filter, Fuel	
805	7022162	8	Clamp	

SECTION 2 - TURNTABLE

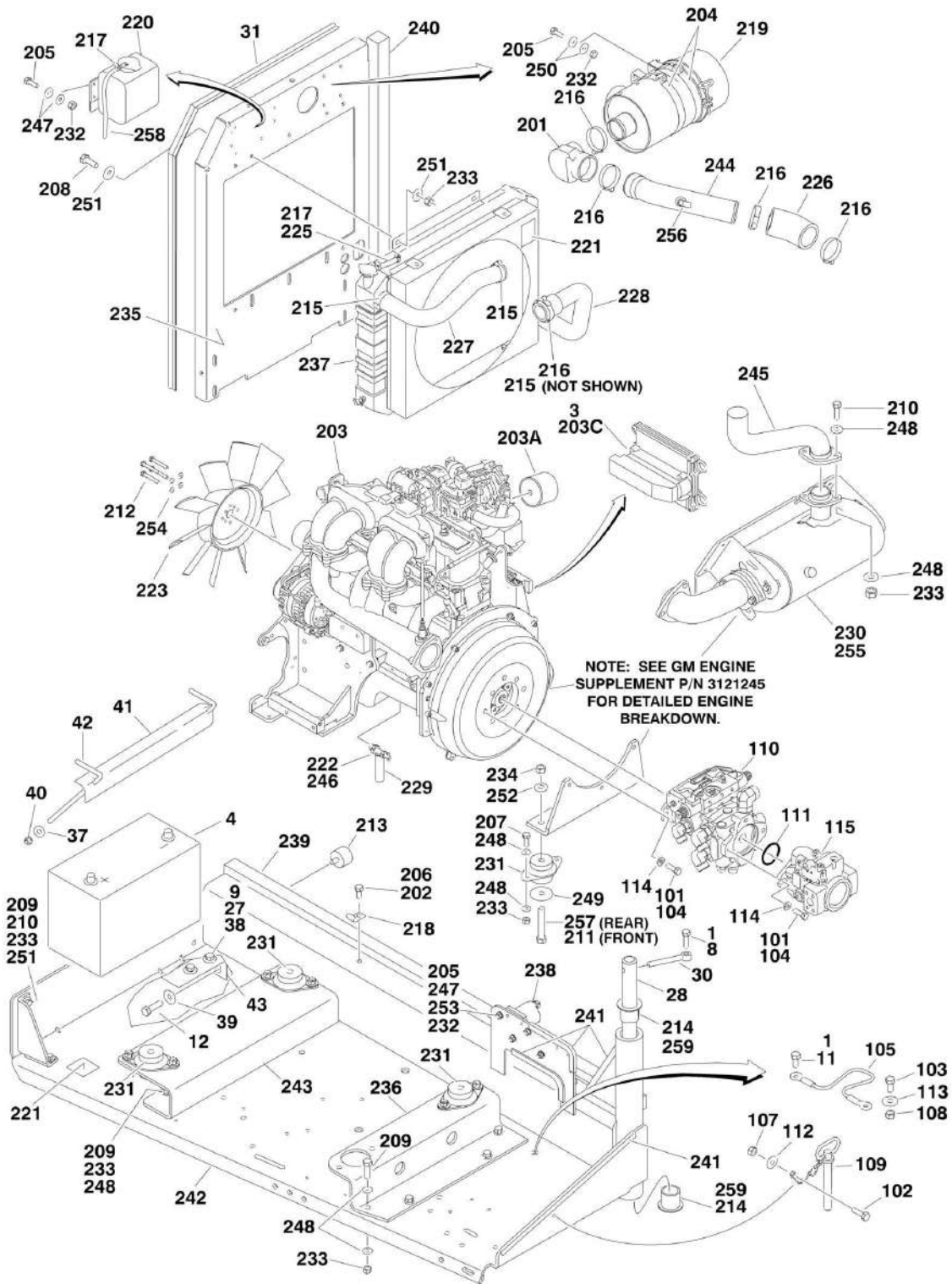
ITEM	PART NUMBER	QTY	DESCRIPTION	REV
805	70006157	8	Clip, Fuel Quick Disconnect	
806	70006158	1	Mixer, LP	
806	70006168	1	Mixer Diaphragm Replacement Kit	
806	70006159	1	Adapter, Mixer to Governor	
806	70006160	1	O-Ring, Mixer to Adapter	
806	70006161	1	Seal, Mixer to Adapter	
807	70006162	1	Regulator, LP Vapor	
807	70006166	2	Fitting, 70	
807	70006167	1	Fitting, Straight	
807	70006165	2	Isolator, Rubber	
808	70006163	1	Regulator, Direct Electronic Pressure	
808	70006164	1	Adapter, Fitting 90	
809	70006169	1	Starter	
809	70006233	1	Harness, Alternator/Starter	
810	70006170	1	Alternator	
811	70006173	1	Cover, Relay Box	
811	70006171	2	Relay (Fuel Pump & Power)	
811	70006172	1	Relay (Starter)	
811	70006175	1	Fuse - 20AMP (Starter)	
811	70006174	1	Decal - Relay Box Cover	
811	70006188	1	Harness, Engine	
811	70006165	2	Isolator, Rubber	
812	70006176	1	Module - Engine Control Unit (ECU/GCP)	
812	70006191	1	Software & Diagnostic Cable	
813	70006177	4	Coil and Boot Assembly	
813	70006178	4	Plug, Spark	
814	70006179	1	Switch, Oil Pressure	
815	70006180	1	Sensor, Knock	
816	70006181	1	Sensor, TMAP	
817	70006182	2	Sensor, O2	
818	70006183	1	Sensor, Coolant Temperature (Not Shown - Located Rear of Engine Block)	
819	70006184	1	Sensor, Crank Position (Not Shown - Located at Front RH Side of Block)	
820	70006185	1	Sensor, Cam Position	
821	70006186	1	Solenoid, Timing	
821	70006187	1	Grommet, Rubber	
822	70006194	1	Muffler	
822	70006195	1	Plug (Located at Muffler Outlet)	
823		Ref	Gasket Options (Not Shown):	
823	70006196	1	Gasket, Exhaust Manifold to Head	
823	70006197	1	Gasket, Exhaust Manifold Outlet	
823	70006200	1	Gasket, Intake Manifold to Head	
823	70006219	1	Gasket Set - Camshaft Cover	
823	70006225	1	Gasket, Cylinder Head	
824	70006198	1	Governor	
824	7027404	1	Gasket, Governor Actuator	
824	70006199	1	Gasket, Governor to Intake Manifold Adapter	
825	70006203	1	Flywheel (Not Shown)	
826	70006205	1	Thermostat (Includes Housing)	
826	70006206	1	Gasket, Water Inlet	
827	70006207	1	Pump, Water	

SECTION 2 - TURNTABLE

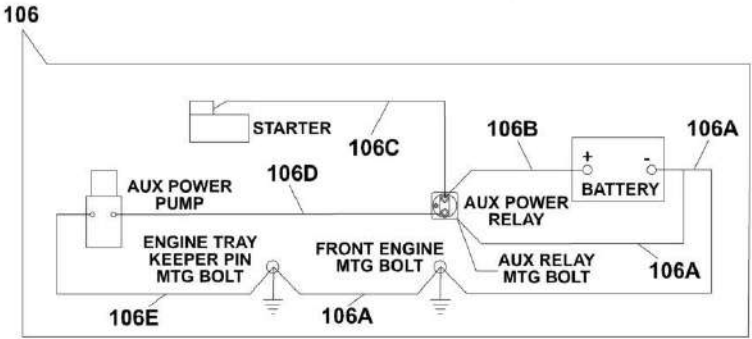
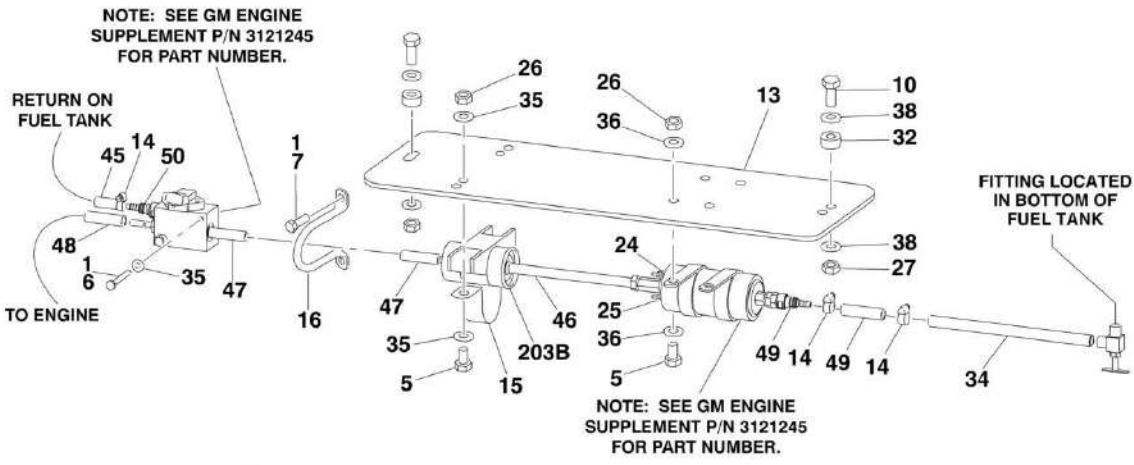
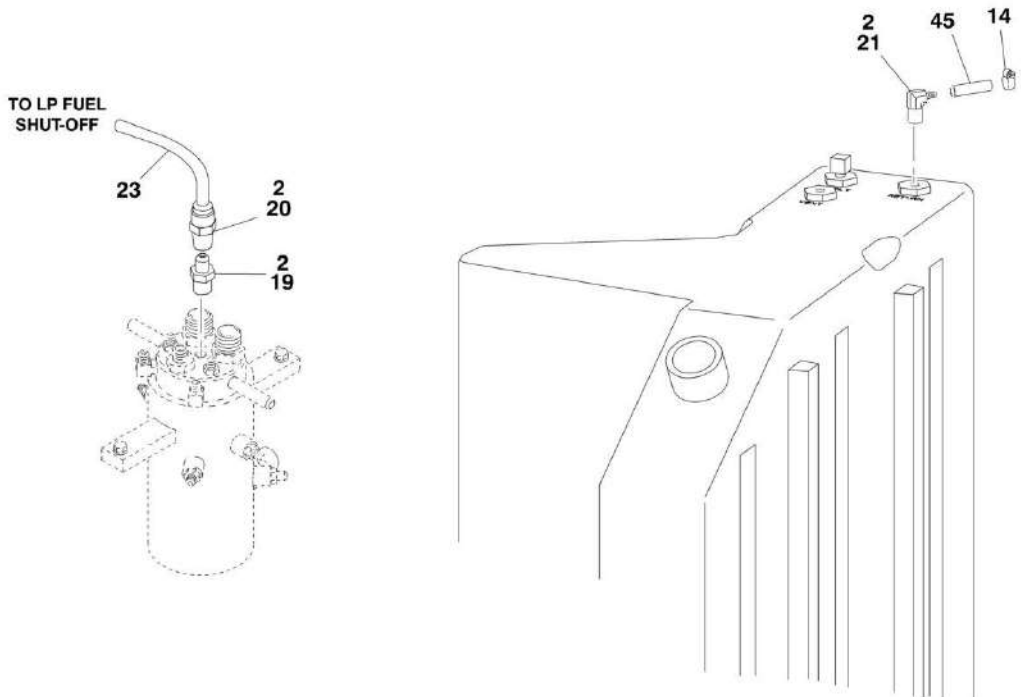
ITEM	PART NUMBER	QTY	DESCRIPTION	REV
827	70006208	1	O-Ring, Water Pump	
827	See Note	NSS	Pulley, Water Pump (Note: Not Available for Purchase at This Time)	
828	70006213	1	Filter, Oil	
829	70006215	1	Plug, Oil Drain	
829	70006217	1	Gasket, Oil Drain Plug	
830	70006221	1	Cap, Oil Fill	
831	70006232	1	Sensor, Crank (Not Shown)	
832	70006235	1	Valve, Lock-Off (Includes Filter)	
833	70006202	1	Belt	
834	70006236	1	Dipstick	

SECTION 2 - TURNTABLE

FIGURE 2-13. GM ENGINE INSTALLATION



SECTION 2 - TURNTABLE



SECTION 2 - TURNTABLE

FIGURE 2-13. GM ENGINE INSTALLATION

ITEM	PART NUMBER	QTY	DESCRIPTION	REV
	1001156467	Ref	GM ENGINE INSTALLATION WITHOUT ARCTIC PACKAGE (SN 0300183034 through 0300221629)	E
	1001216719	Ref	GM ENGINE INSTALLATION WITHOUT ARCTIC PACKAGE (SN 0300221630 to Present)	B
	1001156469	Ref	GM ENGINE INSTALLATION WITH ARCTIC PACKAGE (SN 0300183034 through 0300196955)	F
	1001178179	Ref	GM ENGINE INSTALLATION WITH ARCTIC PACKAGE (SN 0300196956 through 0300221629)	C
	1001216720	Ref	GM ENGINE INSTALLATION WITH ARCTIC PACKAGE (SN 0300221630 to Present)	B
1	0100011	AR	Compound, Locking	
2	0100020	AR	Sealant, Pipe	
3	0100048	AR	Grease, Dielectric	
4	0400075	1	Battery (Wet)	
5	0641406	4	Bolt 1/4-20 x 3/4	
6	0641418	2	Bolt 1/4-20 x 2-1/4	
7	0641508	1	Bolt 5/16-18 x 1	
8	0641608	1	Bolt 3/8-16 x 1	
9	0641610	2	Bolt 3/8-16 x 1-1/4	
10	0641612	2	Bolt 3/8-16 x 1-1/2	
11	0641808	1	Bolt 1/2-13 x 1	
12	0642010	1	Bolt 5/8-11 x 1-1/4	
13	0903510	1	Bracket	
14	1001174486	AR	Clamp, Fuel Line	
15	1320323	1	Clamp	
16	1321339	1	Clamp	
17	1701542	1	Decal, Gas (Not Shown - Located on Fuel Tank)	
18	1701543	2	Decal, LPG (Not Shown - Located on Frame)	
19	2180418	1	Fitting, Straight SAE	
20	2220005	1	Fitting, Straight, NPT	
21	2221176	1	Fitting, 90 NPT/Barbed	
22	2300004	AR	Coolant (Machines without Arctic Package) (Not Shown)	
22	2300041	AR	Coolant (Machines with Arctic Package) (Not Shown)	
23	2720392	1	Hose, LP	
24	3290405	1	Nut M4	
25	3290505	1	Nut M5	
26	3311405	4	Nut 1/4-20	
27	3311605	4	Nut 3/8-16	
28	3422446	1	Pin	
29	3790012	1	O-Ring (Not Shown - Located in Console Box)	
30	3841143	1	Keeper	
31	3960389	6 ft/1.5m	Seal	
32	4071122	2	Shim	
33	4360336	1	Switch, Toggle (Not Shown - Located in Console Box)	
34	4569385	1	Tube, Fuel Line	
35	4711400	12	Washer 1/4	
36	4751400	8	Washer 1/4	
37	4751500	2	Washer 5/16	
38	4751600	8	Washer 3/8	
39	4752000	1	Washer 5/8	
40	88521205	2	Nut 5/16-18	

SECTION 2 - TURNTABLE

ITEM	PART NUMBER	QTY	DESCRIPTION	REV
41	91401281	1	Angle, Battery Hold Down	
42	1001093382	2	Bolt, Battery Hold-down	
43	1001153359	1	Mount	
45	1001156819	68 in/1.7m	Hose, Fuel Line (SN 0300183034 through 0300196955)	
45	1001177159	1	Hose, Fuel Line (SN 0300196956 to Present)	
46	1001156823	1	Hose (6in/15cm Length)	
47	1001156824	1	Hose (4ft/1.2m Length)	
48	1001156825	1	Hose	
49	1001156819	68 in /1.7m	Hose, Fuel Line (SN 0300183034 through 0300196955)	
49	1001177165	1	Hose, Fuel Line (SN 0300196956 to Present)	
50	1001174093	2	Coupling, Quick Connect	
70		Ref	Note: Arctic Package Items 70 - 82 (Used on Arctic Machines Only) (Not Shown)	
71	1060625	1	Cable, Immersion Heater (SN 0300183034 through 0300207789)	
71	1001150918	1	Cable, Immersion Heater (SN 0300207790 to Present)	
72	1060626	1	Cord, 3 Way Extension	
73	1320223	3	Clamp	
74	1702941	1	Decal - Battery Heater	
75	1702942	1	Decal - Engine Block Heater	
76	1702943	1	Decal - Hydraulic Tank Heater	
77	1702944	1	Decal - Heater Cord	
79	2580024	1	Heater, Battery	
80	2580050	1	Heater, Hydraulic Tank (SN 0300183034 through 0300207789)	
80	1001188972	1	Heater, Hydraulic Tank (SN 0300207790 to Present)	
81	2580063	1	Heater, Engine Block	
82	3980007	1	Seat, Battery	
	1001156471	Ref	GM ENGINE AND PUMP ASSEMBLY WITHOUT ARCTIC PACKAGE (SN 0300183034 through 0300221629)	E
	1001216715	Ref	GM ENGINE AND PUMP ASSEMBLY WITHOUT ARCTIC PACKAGE (SN 0300221630 to Present)	C
	1001156473	Ref	GM ENGINE AND PUMP ASSEMBLY WITH ARCTIC PACKAGE (SN 0300183034 through 0300221629)	D
	1001216716	Ref	GM ENGINE AND PUMP ASSEMBLY WITH ARCTIC PACKAGE (SN 0300221630 to Present)	C
101	0100011	AR	Compound, Locking	
102	0641407	1	Bolt 1/4-20 x 7/8	
103	0641808	1	Bolt 1/2-13 x 1	
104	0641812	4	Bolt 1/2-13 x 1-1/2	
105	1060637	1	Cable, Lanyard	
106	2902533	1	Battery Cable Kit	B
106A	7027018	1	Cable (Battery - to Ground)	
106B	7027015	1	Cable (Battery + to Auxiliary Relay)	
106C	7027017	1	Cable (Auxiliary Relay to Starter)	
106D	7016824	1	Cable (Auxiliary Relay to Auxiliary Pump)	
106E	7016825	1	Cable (Ground to Auxiliary Pump)	
107	3311405	1	Nut 1/4-20	
108	3311805	1	Nut 1/2-13	
109	3422532	1	Pin, Hitch	
110	1001142522	1	Hydrostatic Pump Assembly with Fittings (See HYDROSTATIC PUMP ASSEMBLY for Breakdown) (SN 0300183034 through 0300207789)	

SECTION 2 - TURNTABLE

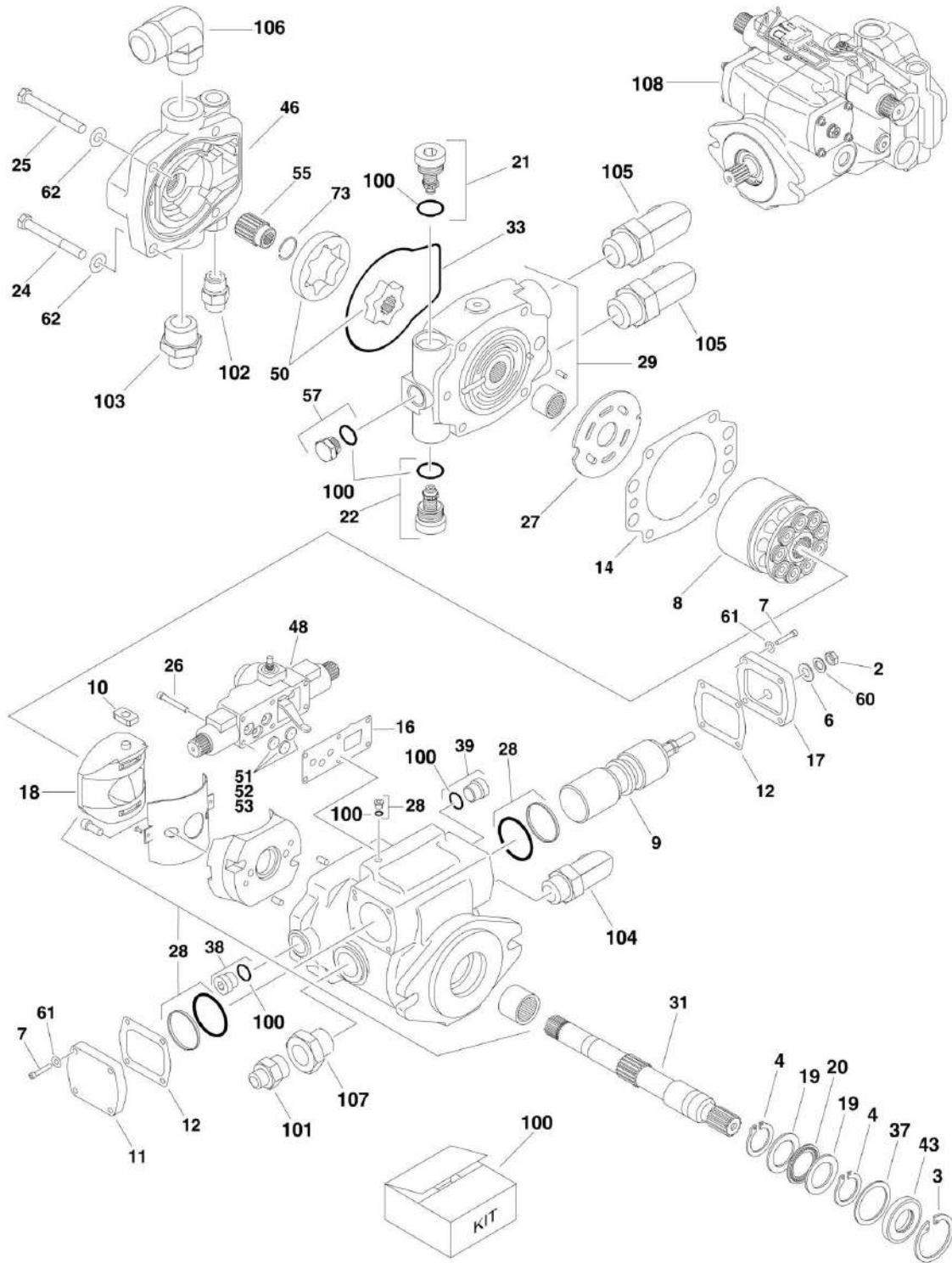
ITEM	PART NUMBER	QTY	DESCRIPTION	REV
110	1001187510	1	Hydrostatic Pump Assembly with Fittings (See HYDROSTATIC PUMP ASSEMBLY for Breakdown) (SN 0300207790 to Present)	
111	3790044	1	O-Ring	
112	4751400	1	Washer 1/4	
113	4751800	1	Washer 1/2	
114	4891800	4	Washer, 1/2	
115	1001094595		Variable Pump Assembly with Fittings (See VARIABLE PUMP ASSEMBLY for Breakdown)	
117	1001115930	AR	Oil, 10W-30 Motor (Machines without Arctic Package)	
117	1001115931	AR	Oil, 5W-30 Motor (Machines with Arctic Package)	
	1001114632	Ref	GM ENGINE ASSEMBLY (SN 0300183034 through 0300221629)	F
	1001216714	Ref	GM ENGINE ASSEMBLY (SN 0300221630 to Present)	B
201	0080201	1	Adapter, Elbow	
202	0100011	AR	Compound, Locking	
203	1001114595	NLA	Engine, GM 3.0L (Use p/n 1001216713) (See GM Engine Supplement P/N 3121245 for Breakdown of Additional Components) (SN 0300183034 through 0300221629)	
203	1001216713	1	Engine, GM 3.0L (See GM Engine Supplement P/N 3121245 for Breakdown of Additional Components) (SN 0300221630 to Present)	
203A	7027965	1	Filter, Oil	
203B	7027972	1	Filter, Fuel	
203C	70002895	1	Module, Control (ECU)	
203D	70000164	4	Spark Plug (Not Shown)	
204	0340041	2	Band, Mounting	
205	0641406	10	Bolt 1/4-20 x 3/4	
206	0641606	3	Bolt 3/8-16 x 3/4	
207	0641608	8	Bolt 3/8-16NC x 1	
208	0641609	4	Bolt 3/8-16 x 1-1/8	
209	0641610	10	Bolt 3/8-16 x 1-1/4	
210	0641612	4	Bolt 3/8-16 x 1-1/2	
211	0641828	2	Bolt 1/2-13 x 3-1/2	
212	0700810	4	Bolt M8 x 20	
213	0940070	1	Bumper	
214	0961986	2	Bearing, Flanged	
215	1320012	3	Clamp	
216	1320016	5	Clamp	
217	1320022	AR	Clamp	
218	1320223	3	Clamp	
219	1340060	1	Air Cleaner Assembly	
219	7012664	1	Element, Air Cleaner	
220	1580011	1	Container, Coolant Overflow	
221	1703162	2	Decal - Caution Fan	
222	0100020	AR	Locking Compound	
223	2060025	1	Fan	
225	2720058	5.5 in /14cm	Hose	
226	1001116544	1	Duct	
227	2720563	1	Hose, Radiator (Top)	
228	2720564	1	Hose, Radiator (Bottom)	
229	2750532	1 ft/0.3m	Hose	
230	1001091794	1	Insulation, Muffler	
231	3200362	4	Mount, Engine	

SECTION 2 - TURNTABLE

ITEM	PART NUMBER	QTY	DESCRIPTION	REV
232	3311405	12	Nut 1/4-20	
233	3311605	26	Nut 3/8-16	
234	3311805	4	Nut 1/2-13	
235	3539872	1	Plate, Radiator Mounting	
236	3572280	1	Plate, Engine Mount	
237	3620040	1	Radiator	
237	8180311	1	Cap, Radiator (was p/n 7019656)	
238	3740067	1	Relay	
239	3960468	1	Seal	
240	3960469	1	Seal	
241	4060805	3 ft/0.9m	Flex-Trim	
242	4341239	1	Tray, Engine	
243	4341241	1	Mount, Engine (Front)	
244	1001116545	1	Tube, Intake	
245	4569394	1	Pipe, Exhaust	
246	4640952	1	Valve, Oil Drain	
247	4711400	12	Washer 1/4	
248	4711600	36	Washer 3/8	
249	4740274	4	Washer, Snubbing	
250	4751400	8	Washer 1/4	
251	4751600	16	Washer 3/8	
252	4751800	4	Washer 1/2	
253	4791400	2	Washer 1/4	
254	4831900	4	Washer M8	
255	4920385	10 ft/3m	Wire, Safety	
256	2180877	1	Fitting Elbow	
257	0641826	2	Bolt 1/2-13 x 3-1/4	
258	2720271	18 in /46cm	Hose	
259	0100062	AR	Retaining Compound	

SECTION 2 - TURNTABLE

FIGURE 2-14. HYDROSTATIC PUMP ASSEMBLY (SN 0300183034 through 0300207789)



SECTION 2 - TURNTABLE

FIGURE 2-14. HYDROSTATIC PUMP ASSEMBLY (SN 0300183034 through 0300207789)

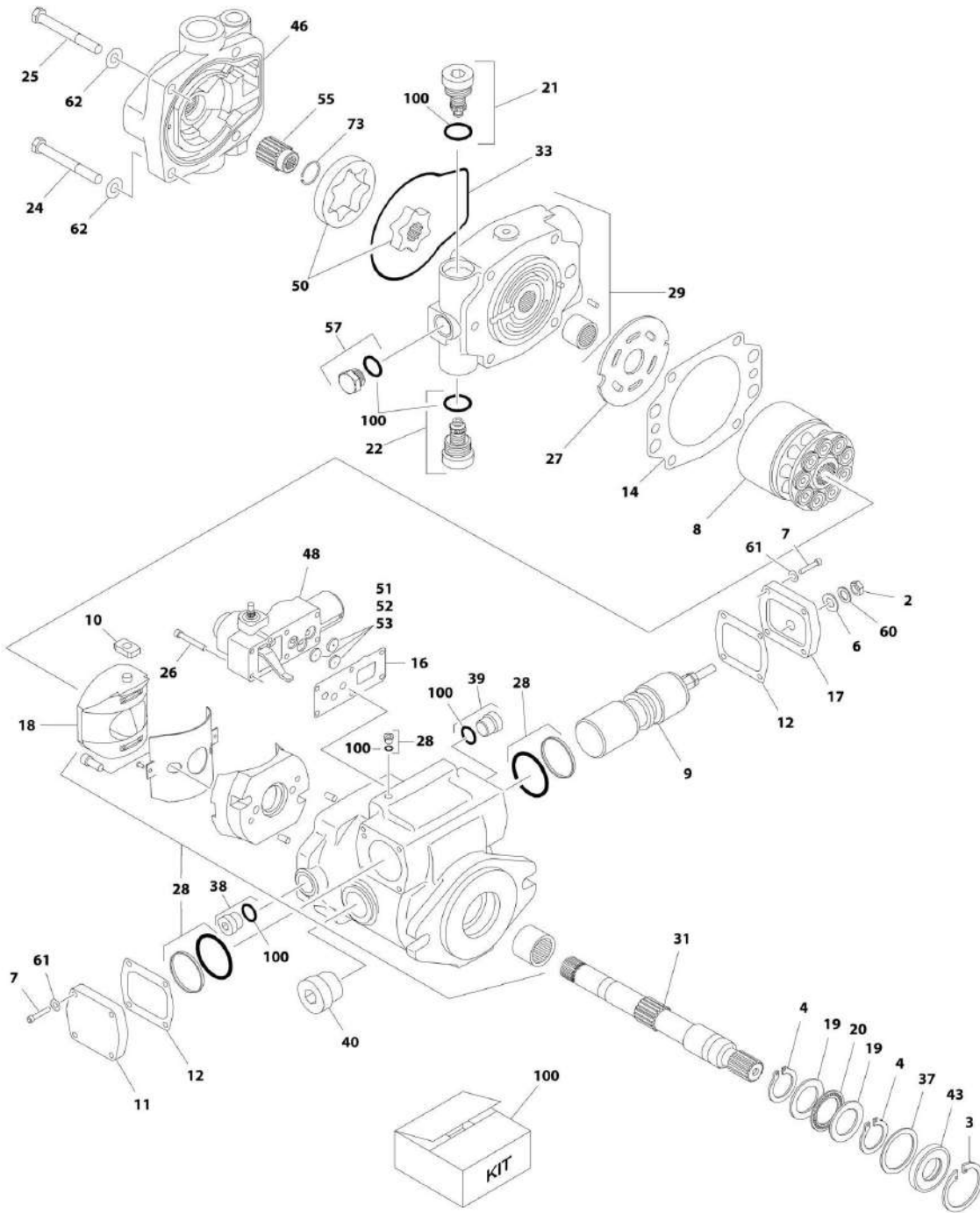
ITEM	PART NUMBER	QTY	DESCRIPTION	REV
	1001142522	Ref	PUMP ASSEMBLY	B
2	70004329	1	Nut	
3	See Note	NSS	Ring, Retaining (Note: Use Item 100)	
4	See Note	NSS	Ring, Retaining (Note: Use Item 100)	
6	See Note	NSS	Washer, Seal (Note: Use Item 100)	
7	70004330	8	Capscrew	
8	70004331	1	Cylinder Block Assembly	
9	70004332	1	Servo Piston Assembly	
10	70004333	1	Follower, Servo Piston	
11	70004334	1	Cover	
12	70005116	2	Gasket, Cover	
14	See Note	NSS	Gasket, Housing (Note: Use Item 100)	
16	See Note	NSS	Gasket, Control Housing (Note: Use Item 100)	
17	70004335	1	Cover	
18	70004336	1	Camplate Assembly	
19	7004907	2	Race, Thrust	
20	7004908	1	Bearing, Thrust	
21	70004337	1	Relief Valve Assembly	
22	70004337	1	Relief Valve Assembly	
24	70004338	2	Capscrew	
25	70004338	2	Capscrew	
26	70004339	6	Capscrew	
27	70004340	1	Plate, Valve	
28	See Note	NSS	Housing (Note: Not Available - Purchase Assembly)	
29	70004341	1	End Cover Assembly	
31	70004342	1	Shaft, Drive	
33	See Note	NSS	O-Ring (Note: Use Item 100)	
37	7004906	1	Washer	
38	See Note	NSS	Plug (Note: Not Available for Purchase)	
39	See Note	NSS	Plug (Note: Not Available for Purchase)	
43	See Note	NSS	Seal, Shaft (Note: Use Item 100)	
46	70004343	1	Adapter, Charge Pump	
48	70004344	1	Servo Control Assembly	
50	70004345	1	Gerotor	
51	70004346	1	Orifice	
52	70004346	1	Orifice	
53	70004346	1	Orifice	
55	70004347	1	Coupler	
57	See Note	NSS	Plug (Note: Not Available for Purchase)	
60	70004348	1	Washer	
61	70004349	8	Washer	
62	70004350	4	Washer	
73	70004351	1	Ring, Retaining	
100	70004352	1	Seal Kit - Pump (Includes Items 3, 4, 6, 12, 14, 16, 33 & 43 and Valve and Plug O-Rings and Seals)	
	1001153622	Ref	PUMP AND FITTING ASSEMBLY	B
101	2220221	1	Fitting, Straight	
102	2220374	1	Fitting, Straight	
103	2220451	1	Fitting, Straight	
104	2220582	1	Fitting, Straight	

SECTION 2 - TURNTABLE

ITEM	PART NUMBER	QTY	DESCRIPTION	REV
105	2220646	2	Fitting, Elbow	
106	2220800	1	Fitting, Straight	
107	8770050	1	Fitting, Elbow	
108	1001142522	1	Pump Assembly (Includes Items 2-73) (SN 0300183034 through 0300207789)	
200	70005663	1	Tool, Port Plate for Pump p/n 1001142522 (Not Shown)	

SECTION 2 - TURNTABLE

FIGURE 2-15. HYDROSTATIC PUMP ASSEMBLY (SN 0300207790 to Present)



ART_1001187510

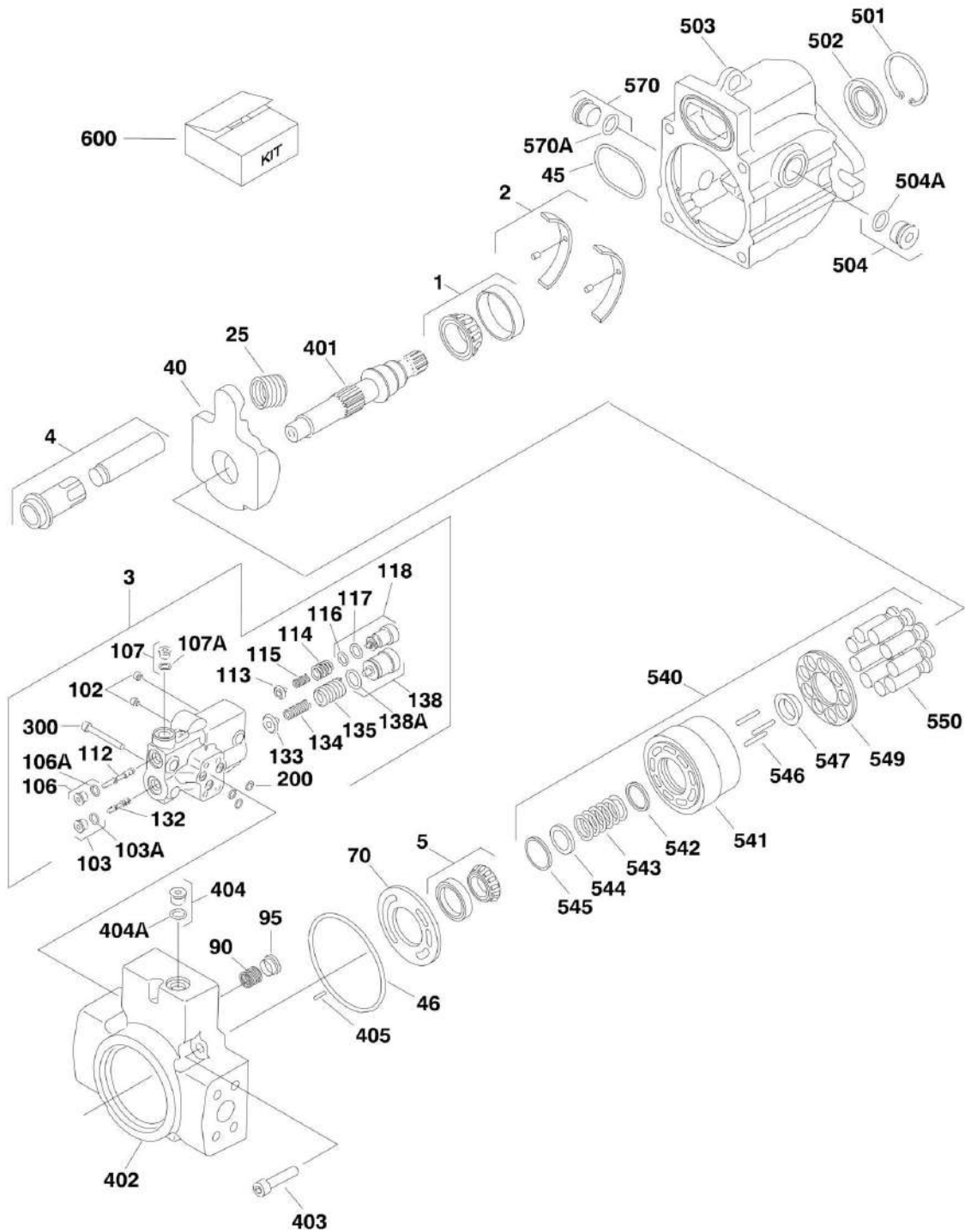
SECTION 2 - TURNTABLE

FIGURE 2-15. HYDROSTATIC PUMP ASSEMBLY (SN 0300207790 to Present)

ITEM	PART NUMBER	QTY	DESCRIPTION	REV
		Ref	HYDROSTATIC PUMP ASSEMBLY	
	1001187510	Ref	HYDROSTATIC PUMP ASSEMBLY (SN 0300207790 through 0300240878)	C
	1001225745	Ref	HYDROSTATIC PUMP ASSEMBLY (SN 0300240879 to Present)	A
2	70004329	1	Nut	
3	See Note	NSS	Ring, Retaining (Note: Use Item 100)	
4	See Note	NSS	Ring, Retaining (Note: Use Item 100)	
6	See Note	NSS	Washer, Seal (Note: Use Item 100)	
7	70005464	8	Capscrew	
8	70004331	1	Cylinder Block Assembly	
9	70004332	1	Servo Piston Assembly	
10	70004333	1	Follower, Servo Piston	
11	70005458	1	Cover	
12	See Note	NSS	Gasket, Cover (Note: Use Item 100)	
14	See Note	NSS	Gasket, Housing (Note: Use Item 100)	
16	See Note	NSS	Gasket, Control Housing (Note: Use Item 100)	
17	70005459	1	Cover	
18	70004336	1	Camplate Assembly	
19	7004907	2	Race, Thrust	
20	7004908	1	Bearing, Thrust	
21	70004337	1	Relief Valve Assembly	
22	70004337	1	Relief Valve Assembly	
24	70004338	2	Capscrew	
25	70004338	2	Capscrew	
26	70005465	6	Capscrew	
27	70004340	1	Plate, Valve	
28	See Note	NSS	Housing (Note: Not Available - Purchase Assembly)	
29	70005460	1	End Cover Assembly	
31	70004342	1	Shaft, Drive	
33	See Note	NSS	O-Ring (Note: Use Item 100)	
37	7004906	1	Washer	
38	70005461	1	Plug	
39	70005461	1	Plug	
40	70005462	1	Plug	
43	See Note	NSS	Seal, Shaft (Note: Use Item 100)	
46	70004343	1	Adapter, Charge Pump	
48	70004344	1	Servo Control Assembly	
50	70004345	1	Gerotor	
51	70004346	1	Orifice	
52	70004346	1	Orifice	
53	70004346	1	Orifice	
55	70004347	1	Coupler	
57	70005463	1	Plug	
60	70004348	1	Washer	
61	70004349	8	Washer	
62	70004350	4	Washer	
73	70004351	1	Ring, Retaining	
100	70004352	1	Seal Kit - Pump (Includes Items 3, 4, 6, 12, 14, 16, 33 & 43 and Valve and Plug O-Rings and Seals)	

SECTION 2 - TURNTABLE

FIGURE 2-16. VARIABLE PUMP ASSEMBLY



SECTION 2 - TURNTABLE

FIGURE 2-16. VARIABLE PUMP ASSEMBLY

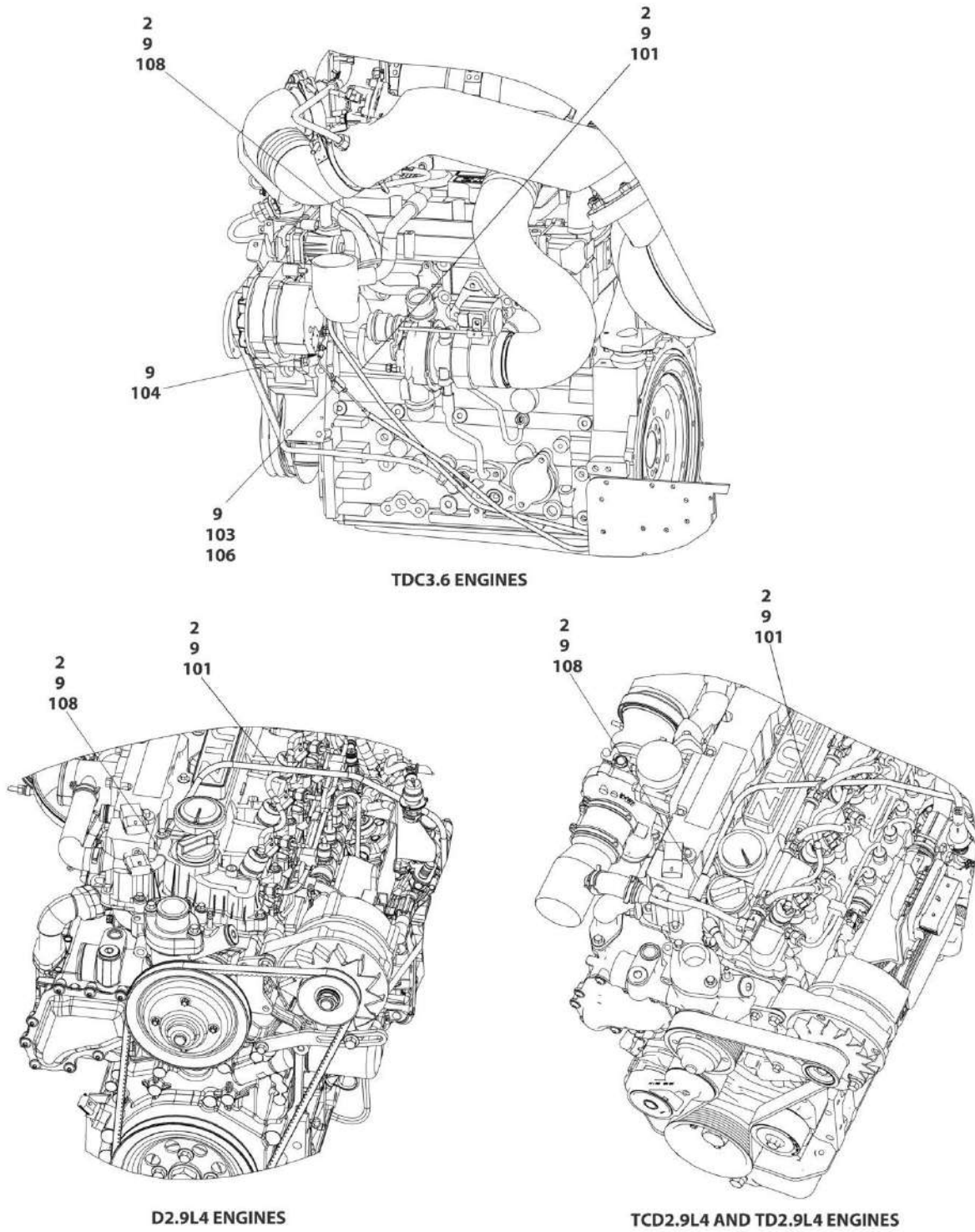
ITEM	PART NUMBER	QTY	DESCRIPTION	REV
	1001094595	Ref	PUMP ASSEMBLY	A
1	7023947	1	Bearing, Front (Includes Cup and Cone)	
2	7023948	1	Bearings, Swash Plate (Includes Both Sides and Pins)	
3	7023956	1	Control Valve Assembly (Includes Items 102-300)	
4	7023949	1	Servo Piston Assembly	
5	7023950	1	Bearing, Rear (Includes Cup and Cone)	
25	7023951	1	Spring	
40	7023952	1	Swash Plate	
45	See Note	NSS	O-Ring (Note: Use Item 600)	
46	See Note	NSS	O-Ring (Note: Use Item 600)	
70	70001954	1	Plate, Valve	
90	70001955	1	Spring, Check Valve	
95	70001956	1	Poppet, Check Valve	
102	See Note	NSS	Setscrew (Note: Use Item 3)	
103	See Note	NSS	Plug (Note: Use Item 3)	
103A	See Note	NSS	O-Ring (Note: Use Item 600)	
106	See Note	NSS	Plug (Note: Use Item 3)	
106A	See Note	NSS	O-Ring (Note: Use Item 600)	
107	See Note	NSS	Plug (Note: Use Item 3)	
107A	See Note	NSS	O-Ring (Note: Use Item 600)	
112	See Note	NSS	Spool, Control (Note: Use Item 3)	
113	See Note	NSS	Guide, Spring (Note: Use Item 3)	
114	See Note	NSS	Spring (Note: Use Item 3)	
115	See Note	NSS	Spring (Note: Use Item 3)	
116	See Note	NSS	O-Ring (Note: Use Item 600)	
117	See Note	NSS	Ring, Back-up (Note: Use Item 600)	
118	See Note	NSS	Plug, Adjusting (Note: Use Item 3)	
132	See Note	NSS	Spool, Control (Note: Use Item 3)	
133	See Note	NSS	Guide, Spring (Note: Use Item 3)	
134	See Note	NSS	Spring (Note: Use Item 3)	
135	See Note	NSS	Spring (Note: Use Item 3)	
138	See Note	NSS	Plug, PC Adjusting (Note: Use Item 3)	
138A	See Note	NSS	O-Ring (Note: Use Item 600)	
200	See Note	NSS	Ring, Seal (Note: Use Item 600)	
300	7023957	4	Screw	
401	7023958	1	Shaft	
402	70001957	1	Cap, End	
403	7023960	4	Screw	
404	7022318	1	Plug	
404A	See Note	NSS	O-Ring (Note: Use Item 600)	
405	7023961	1	Pin	
501	7023962	1	Ring, Retaining	
502	See Note	NSS	Seal, Lip (Note: Use Item 600)	
503	See Note	NSS	Housing (Note: Not Available - Purchase Assembly)	
504	7023964	1	Plug	
504A	7007415	1	O-Ring	
540	7023965	1	Cylinder Block Assembly	
541	See Note	NSS	Block, Cylinder (Note: Use Item 540)	
542	7024868	1	Washer	
543	7024867	1	Spring	

SECTION 2 - TURNTABLE

ITEM	PART NUMBER	QTY	DESCRIPTION	REV
544	7022314	1	Retainer, Spring	
545	7022311	1	Ring, Retaining	
546	7021275	3	Pin, Slipper	
547	7024864	1	Guide, Slipper	
549	7024866	1	Retainer, Slipper	
550	7023966	9	Piston Assembly	
570	7023964	1	Plug	
570A	7007415	1	O-Ring	
600	7023967	1	Seal Kit - Complete (Includes Items 45 , 46, 103A, 106A, 107A, 118, 138A, 200, 444A & 502)	

SECTION 2 - TURNTABLE

FIGURE 2-17. BREATHER HEATER INSTALLATION - DEUTZ D2.9L4 ENGINES WITH ARCTIC PACKAGE



ART_1001233763

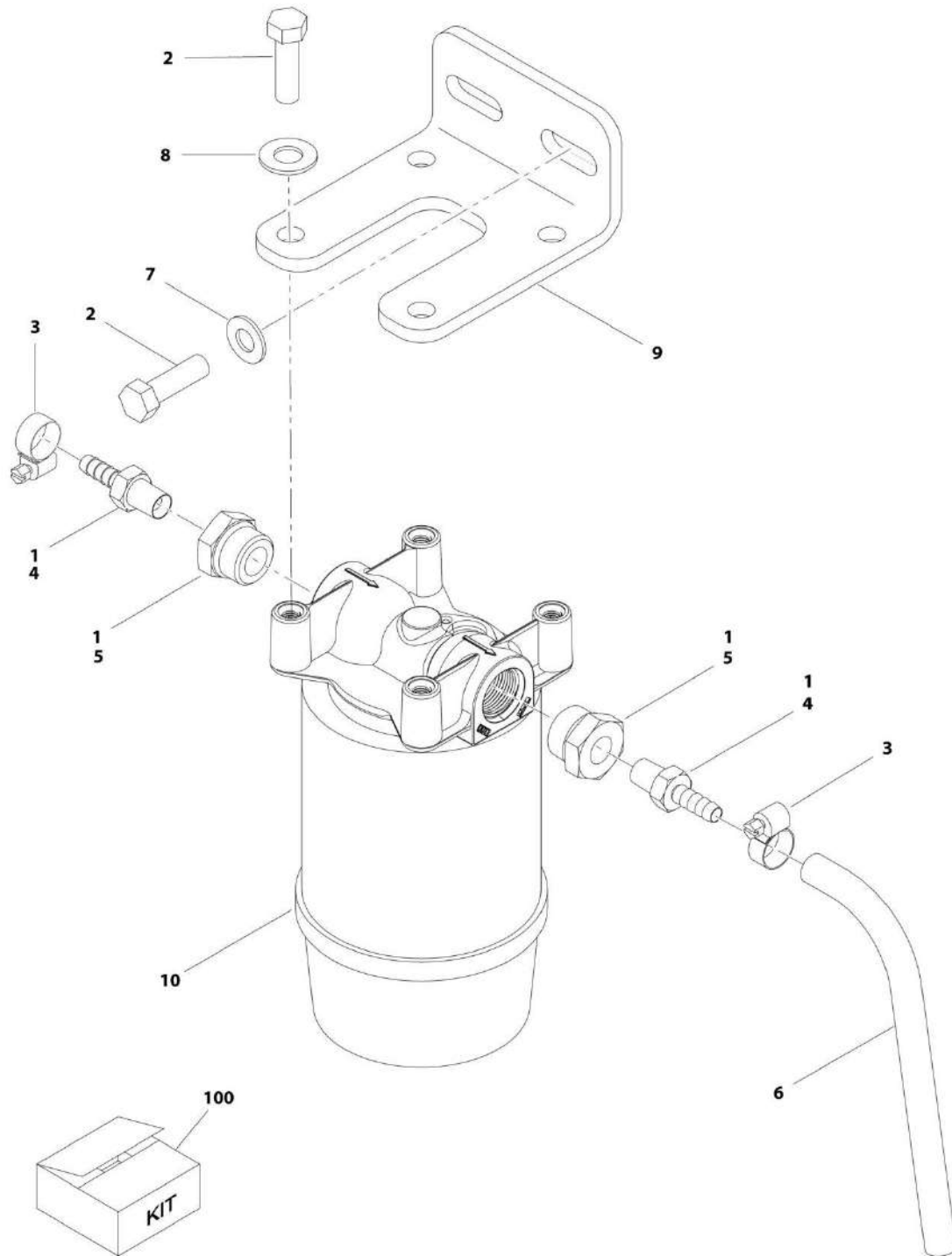
SECTION 2 - TURNTABLE

FIGURE 2-17. BREATHER HEATER INSTALLATION - DEUTZ D2.9L4 ENGINES WITH ARCTIC PACKAGE

ITEM	PART NUMBER	QTY	DESCRIPTION	REV
	1001233763	Ref	BREATHER HEATER INSTALLATION - DEUTZ ENGINES	C
2	4240099	AR	Tie-Strap	
9	1001243895	1	Breather Heater Harness	
101	2820035	10 ft/ 3m	Insulation	
103	2400060	1	Fuseholder with Cover	
104	4460043	1	Terminal, Ring	
105	4460722	1	Terminal, Ring (Not Shown)	
106	1001196634	1	Fuse - 2 Amp	
108	1001232842	1	Breather Heater Kit	

SECTION 2 - TURNTABLE

FIGURE 2-18. FUEL-WATER SEPARATOR INSTALLATION - DEUTZ TD2011 (OPTIONAL)



ART_1001199733

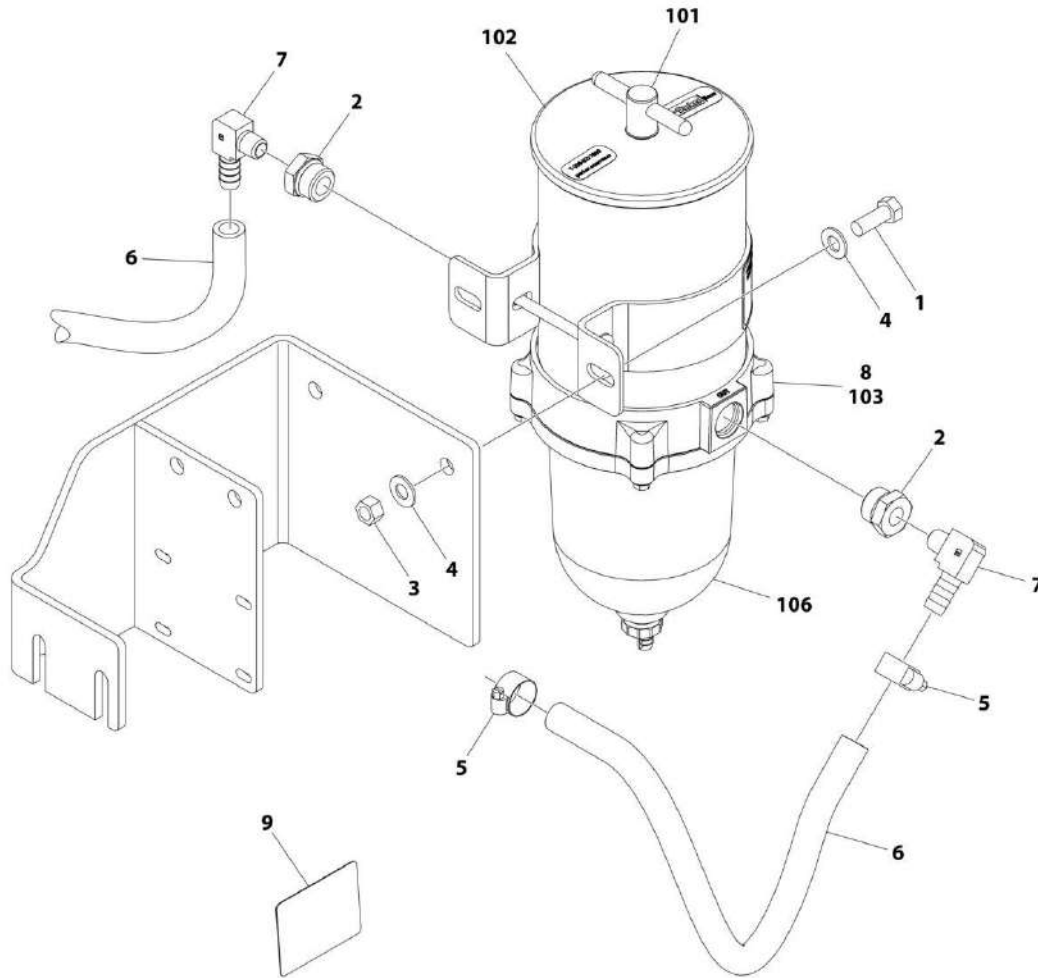
SECTION 2 - TURNTABLE

FIGURE 2-18. FUEL-WATER SEPARATOR INSTALLATION - DEUTZ TD2011 (OPTIONAL)

ITEM	PART NUMBER	QTY	DESCRIPTION	REV
	1001199733	Ref	FUEL-WATER SEPARATOR INSTALLATION - DEUTZ TD2011 (OPTIONAL)	A
1	0100079	1	Sealant	
2	0641610	6	Bolt 3/8-16 X 1-1/4	
3	1320022	2	Clamp	
4	2180348	2	Fitting, Straight	
5	2220816	2	Fitting, Straight	
6	2720058	35 in/89cm	Hose	
7	4711600	2	Washer 3/8	
8	4711700	4	Washer 7/16	
9	1001188884	1	Bracket	
10	1001188887	1	Fuel/Water Separator Assembly	
10	1001202280	1	Head	
10	1001202281	1	Element	
100	1001204667	1	Fuel/Water/Separator Add-On Kit	

SECTION 2 - TURNTABLE

FIGURE 2-19. FUEL-WATER SEPARATOR INSTALLATION (CHINA SPECS) (SN 0300238788 through 0300246968)



NOTE : LOCATED ON HOOD

ART_1001226286

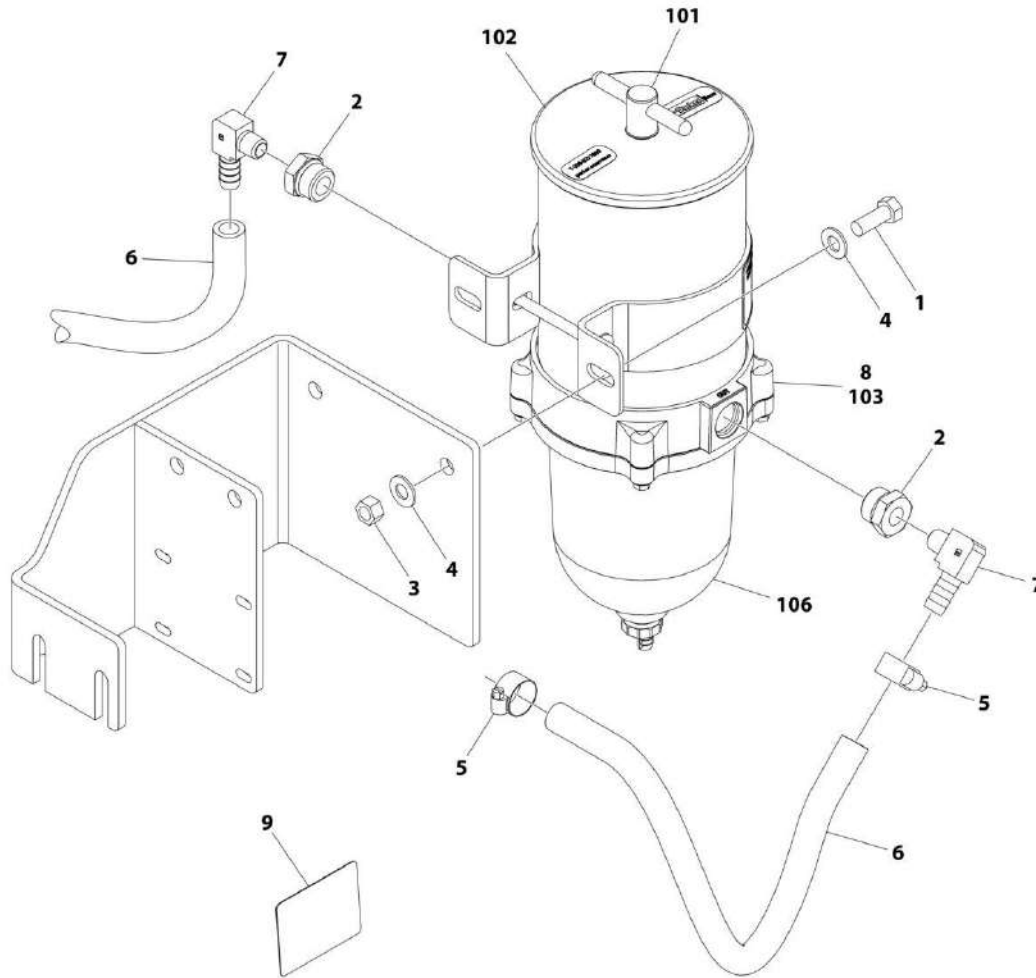
SECTION 2 - TURNTABLE

FIGURE 2-19. FUEL-WATER SEPARATOR INSTALLATION (CHINA SPECS) (SN 0300238788 through 0300246968)

ITEM	PART NUMBER	QTY	DESCRIPTION	REV
	1001226286	Ref	FUEL FILTER INSTALLATION	B
1	0641608	2	Bolt 3/8 x 1	
2	2220816	2	Fitting, Straight NPT	
3	3311605	2	Nut 3/8	
4	4711600	4	Washer 3/8	
5	8405006	2	Clamp	
6	1001154405	54 in/ 1.4m	Hose	
7	1001178797	2	Fitting, 90	
8	1001222817	1	Fuel Filter Assembly (See Items 101-107 for Breakdown)	
9	1001226923	1	Decal - Fuel Water Separator	
	1001222817	Ref	FUEL FILTER ASSEMBLY	
101	70006403	1	T-Handle Kit (Includes O-Ring)	
102	70006404	1	Lid Kit (Includes Gasket)	
103	70006405	1	Element	
104	70006406	1	Checkball & Gasket Kit (Not Shown)	
105	70006407	1	Centrifuge and Baffle Kit (Not Shown)	
106	70006409	1	Bowl Kit (Includes Gasket, O-Ring and Drain)	
106	70006408	1	Gasket, Bowl	
107	70006410	1	Bowl Ring Kit (Includes Gasket & Hardware) (Not Shown)	

SECTION 2 - TURNTABLE

FIGURE 2-20. FUEL-WATER SEPARATOR INSTALLATION (CHINA SPECS) (SN 0300246969 to Present)



NOTE : LOCATED ON HOOD

ART_1001230032

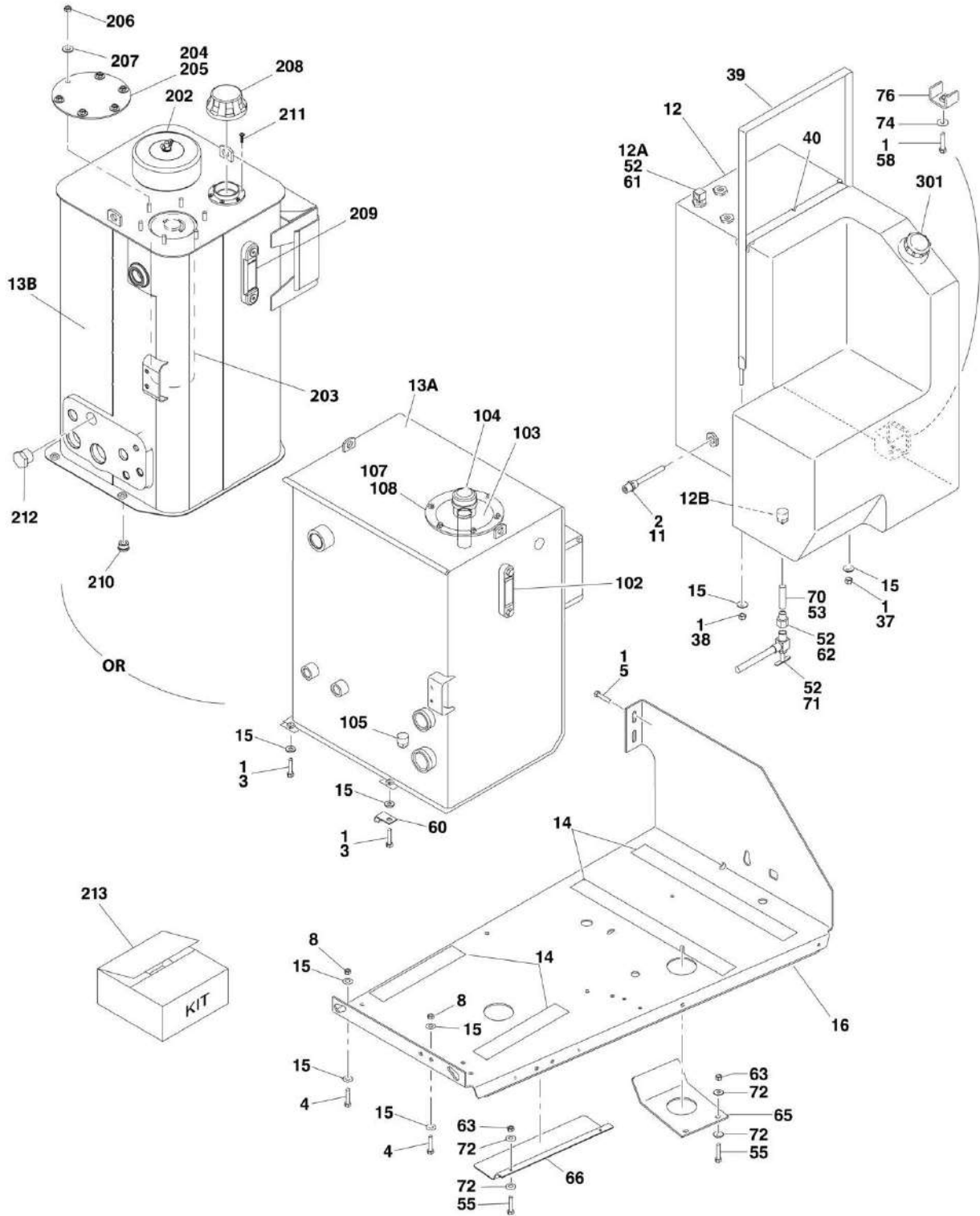
SECTION 2 - TURNTABLE

FIGURE 2-20. FUEL-WATER SEPARATOR INSTALLATION (CHINA SPECS) (SN 0300246969 to Present)

ITEM	PART NUMBER	QTY	DESCRIPTION	REV
	1001230032	Ref	FUEL FILTER INSTALLATION	A
1	0641608	2	Bolt 3/8 x 1	
2	2220816	2	Fitting, Straight NPT	
3	3311605	2	Nut 3/8	
4	4711600	4	Washer 3/8	
5	8405006	2	Clamp	
6	1001154405	54 in/ 1.65m	Hose	
7	1001178797	2	Fitting, 90	
8	1001222817	1	Fuel Filter Assembly (See Items 101-107 for Breakdown)	
9	1001226923	1	Decal - Fuel Water Separator	
	1001222817	Ref	FUEL FILTER ASSEMBLY	
101	70006403	1	T-Handle Kit (Includes O-Ring)	
102	70006404	1	Lid Kit (Includes Gasket)	
103	70006405	1	Element	
104	70006406	1	Checkball & Gasket Kit (Not Shown)	
105	70006407	1	Centrifuge and Baffle Kit (Not Shown)	
106	70006409	1	Bowl Kit (Includes Gasket, O-Ring and Drain)	
106	70006408	1	Gasket, Bowl	
107	70006410	1	Bowl Ring Kit (Includes Gasket & Hardware) (Not Shown)	

SECTION 2 - TURNTABLE

FIGURE 2-21. TANK INSTALLATIONS



SECTION 2 - TURNTABLE

FIGURE 2-21. TANK INSTALLATIONS

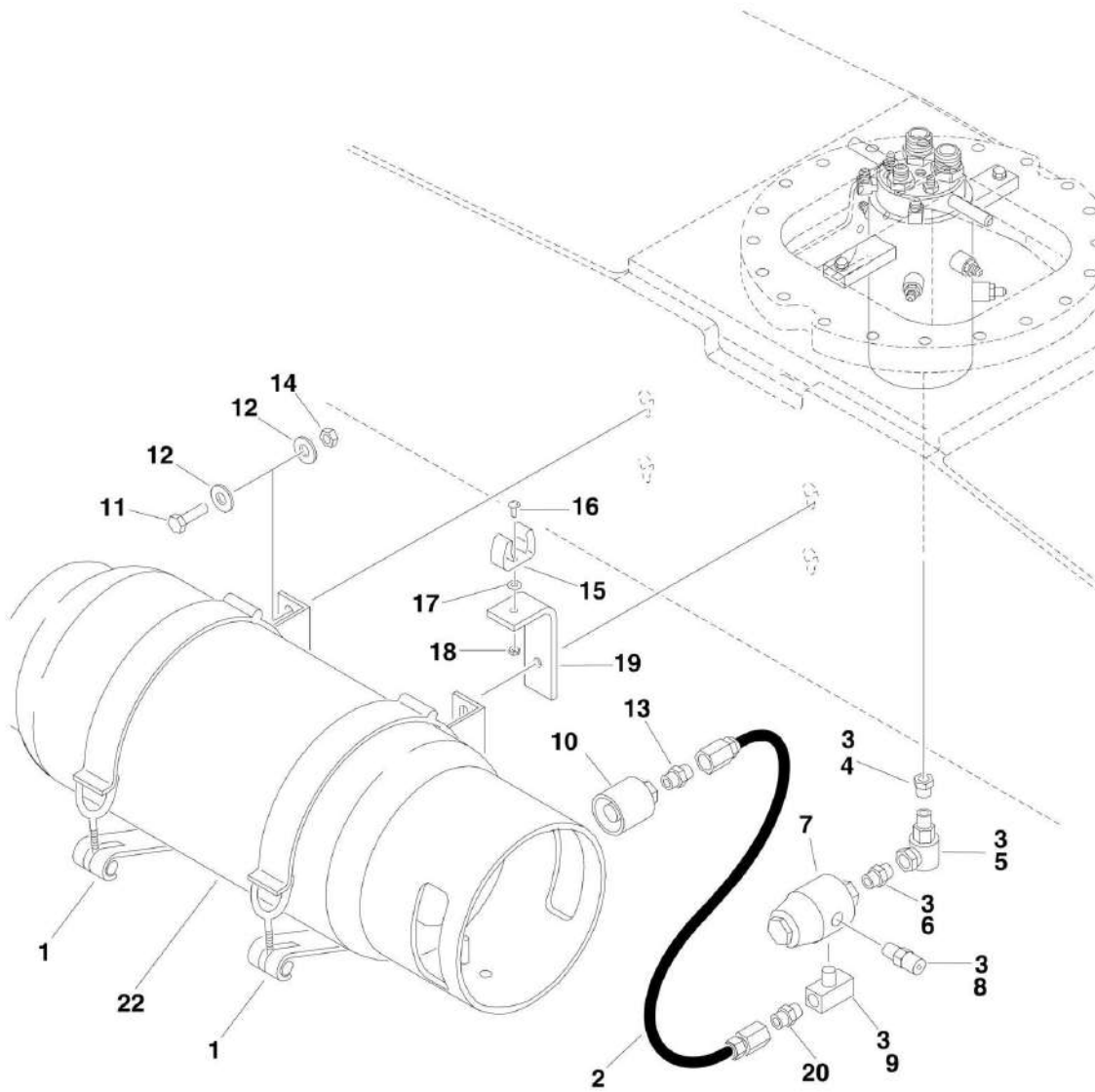
ITEM	PART NUMBER	QTY	DESCRIPTION	REV
	1001156176	Ref	TANKS INSTALLATION - DIESEL MACHINES (SN 0300183034 through 0300196955)	D
	1001178174	Ref	TANKS INSTALLATION - DIESEL MACHINES (SN 0300196956 to Present)	D
	1001156793	Ref	TANKS INSTALLATION - GAS MACHINES (SN 0300183034 through 0300196955)	D
	1001178175	Ref	TANKS INSTALLATION - GAS MACHINES (SN 0300196956 to Present)	B
1	0100011	AR	Compound, Locking	
2	0100079	AR	Sealant (SN 0300183034 through 0300196955)	
2	1001182997	AR	Adhesive (SN 0300196956 to Present)	
3	0641607	4	Bolt 3/8-16 x 7/8	
4	0641614	2	Bolt 3/8-16 x 1-3/4	
5	0811608	2	Bolt 3/8-16 x 1	
8	3311605	2	Nut 3/8-16	
11	4360436	1	Switch, Fuel Level	
12	4400400	1	Tank, Fuel (Includes Non-Locking Cap) (Diesel Machines) (SN 0300183034 through 0300195370)	
12	1001173897	1	Tank, Fuel (Includes Non-Locking Cap) (Diesel Machines) (SN 0300195371 to Present)	
12	1001111514	1	Tank, Fuel (Includes Non-Locking Cap) (Gas Machines)	
12A	7019658	1	Fitting and Pick-up Tube (Diesel Machines) (SN 0300183034 through 0300195370)	
12A	70004148	1	Fitting and Pick-up Tube (Diesel Machines) (SN 0300195371 to Present)	
12A	70004149	1	Fitting and Pick-up Tube (Gas Machines)	
12B	2200222	1	Fitting (Diesel Machines Only)	
12B	0100020	AR	Sealant	
13A	1001161901	1	Hydraulic Tank Assembly (See Items 101-108 for Breakdown) (SN 0300183034 through 0300196955)	
13B	1001178057	1	Hydraulic Tank Assembly (See Items 201-213 for Breakdown) (SN 0300196956 to Present)	
14	4420038	73 in /1.85m	Tape, Rubber (Diesel Machines)	
14	4420038	45 in /1.14m	Tape, Rubber (Gas Machines)	
15	4751600	8	Washer 3/8	
16	1001156190	1	Tray	
30		Ref	Note: Items 38-40 Used on Diesel Machines Only.	
38	3311601	2	Nut 3/8-16 (Diesel Machines Only)	
39	1001231888	1	Strap Assembly (Includes Strap & Protective Strip)	
39	4240113	1	Strap, Tank (Diesel Machines Only)	
40	4280295	25 in /63cm	Strip, Protective (Diesel Machines Only)	
50		Ref	Note: Items 52-76 Used on Gas Machines Only.	
52	0100020	AR	Sealant, Pipe	
53	0100062	AR	Compound, Locking	
55	0641508	4	Bolt 5/16-18 x 1	
58	0641818	2	Bolt 1/2-13 x 2-1/4	
60	1320223	1	Clamp	
61	2200233	1	Plug	
62	2221270	1	Fitting, Brass (SN 0300183034 through 0300187377)	

SECTION 2 - TURNTABLE

ITEM	PART NUMBER	QTY	DESCRIPTION	REV
63	3311505	4	Nut 5/16-18	
65	3572423	1	Plate, Valve Needle	
66	3576755	1	Cover, Fuel Pump	
70	4568119	1	Tube, Fuel	
71	4641022	1	Valve, Needle	
72	4711500	8	Washer 5/16	
74	4751800	2	Washer 1/2	
76	1001118133	2	Bracket	
	1001161901	Ref	HYDRAULIC TANK ASSEMBLY (SN 0300183034 through 0300196955)	C
102	7024441	1	Gauge, Sight	
103	7024443	1	Neck, Fill	
103	7024445	1	Screen	
104	7024444	1	Breather/Fill Cap	
105	7024446	1	Plug, Magnetic	
107	Not Available	1	Cover	
108	7024440	1	Gasket	
	1001178057	Ref	HYDRAULIC TANK ASSEMBLY (SN 0300196956 to Present)	D
202	70005708	1	Breather Assembly (Includes Breather, Element and Wingnut)	
202	See Note	NSS	Element, Breather (Note: Use p/n 70005708 or Item 213)	
203	See Note	NSS	Element, Hydraulic (Note: Use Item 213)	
204	70002839	1	Gasket	
205	See Note	NSS	Cover (Note: Not Available for Purchase)	
206	4751500	6	Washer 5/16	
207	3311501	6	Nut 5/16	
208	70002838	1	Cap, Fill	
209	7024441	1	Gauge, Level	
210	70002112	1	Plug	
211	See Note	NSS	Screw #10 x 3/4 (Note: Not Available - Purchase Locally)	
212	See Note	NSS	Plug (Note: Not Available - Purchase Locally)	
213	70002814	1	Hydraulic Tank Service Kit (Includes Items 202-204)	
		Ref	FUEL TANK CAP INSTALLATION	
301	7016314	Ref	Cap, Standard - Diesel Machines (Part of Item 3)	
301	70002715	Ref	Cap, Standard - Gas Machines (Part of Item 3)	
301	70002716	Ref	Adapter, Cap, Standard - Gas Machines (Part of Item 3)	
301	1120487	Ref	Cap, Optional Lockable - Diesel Machines	

SECTION 2 - TURNTABLE

FIGURE 2-22. LP TANK INSTALLATIONS (FORD AND GM ENGINE MACHINES ONLY)



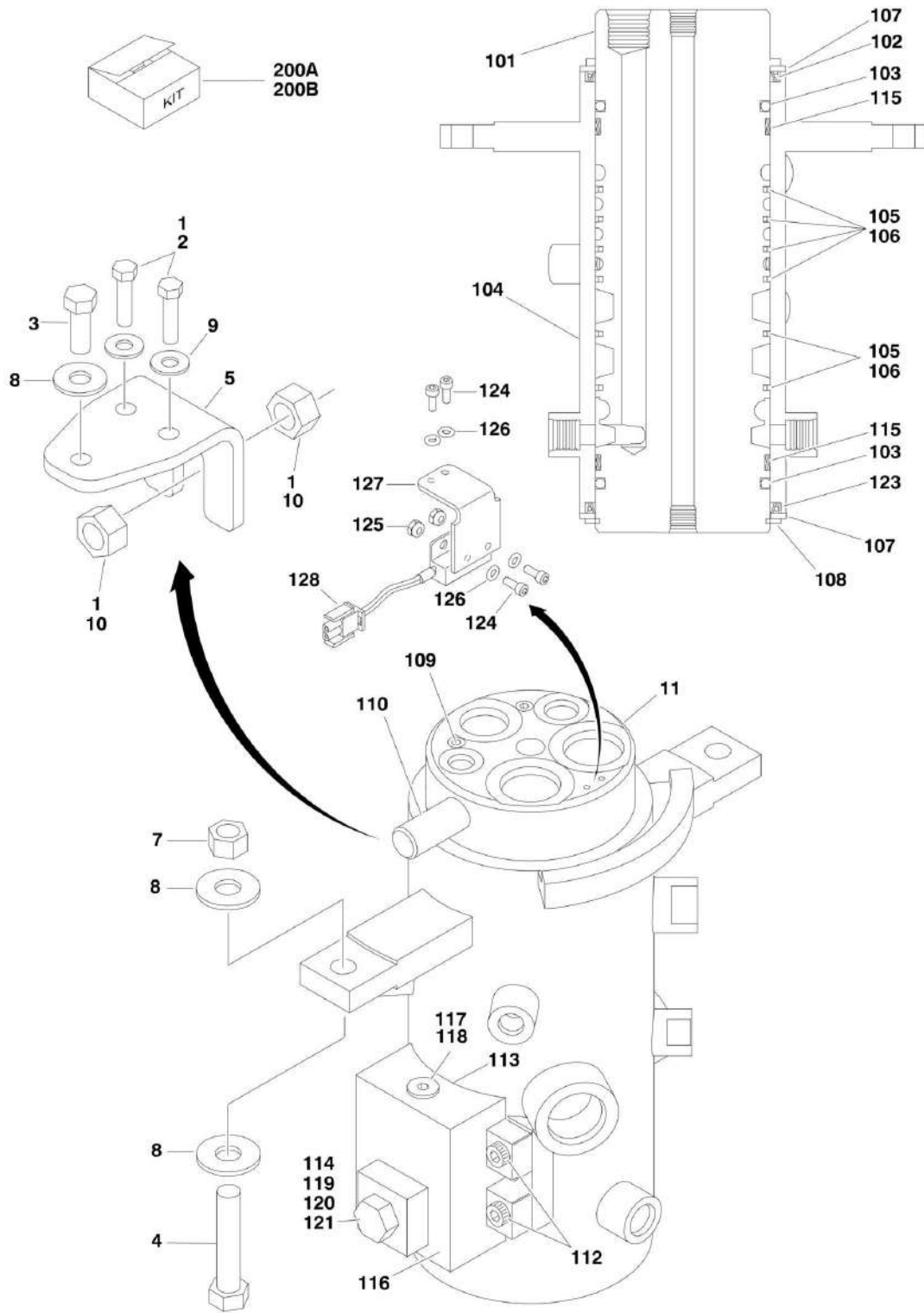
SECTION 2 - TURNTABLE

FIGURE 2-22. LP TANK INSTALLATIONS (FORD AND GM ENGINE MACHINES ONLY)

ITEM	PART NUMBER	QTY	DESCRIPTION	REV
	1001151010	Ref	LP TANK AND BRACKETS INSTALLATION	D
1	1320220	2	Clamp Kit - LP	
1	1320127	2	Clamp, Toggle (1 Per Clamp)	
2	2720144	2	Hose	
3	0100020	AR	Sealant, Pipe	
4	2221197	1	Fitting, Reducer NPT/NPT	
5	2180125	1	Fitting, Elbow NPT/NPT	
6	2220261	1	Fitting, Nipple NPT/NPT	
7	2180388	1	Filter, Bulkhead NPT/NPT	
8	2180389	1	Valve, Relief	
9	2220418	1	Fitting, Tee	
10	2180387	2	Fitting, LP Tank	
11	0641617	8	Bolt 3/8-16 x 2-1/8	
12	4751600	8	Washer 3/8	
13	2180418	2	Fitting, Straight SAE	
14	3311605	8	Nut 3/8-16	
15	1320218	2	Clamp, Spring	
16	0720804	2	Screw #8-32 x 1/2	
17	4750800	4	Washer #8	
18	3310805	2	Nut #8-32	
19	0181949	2	Support, Angle	
20	2221024	2	Fitting, Ball Check SAE/NPT	
22	4400275	1	LP Tank - Aluminum	
22	4400420	1	LP Tank - Steel	

SECTION 2 - TURNTABLE

FIGURE 2-23. ROTARY COUPLING INSTALLATION



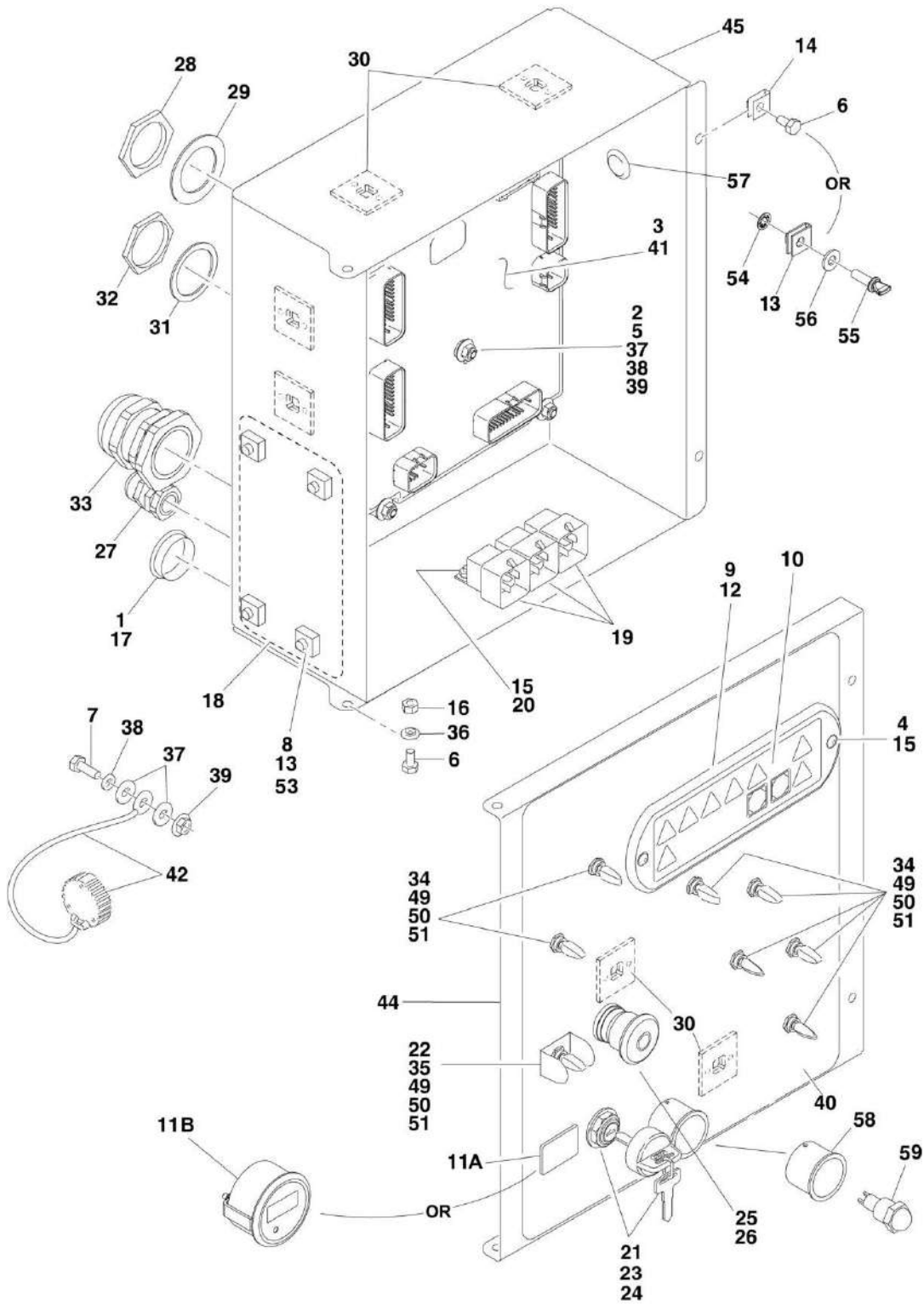
SECTION 2 - TURNTABLE

FIGURE 2-23. ROTARY COUPLING INSTALLATION

ITEM	PART NUMBER	QTY	DESCRIPTION	REV
	1001107529	Ref	ROTARY COUPLING INSTALLATION - 2WS	B
	1001107530	Ref	ROTARY COUPLING INSTALLATION - 4WS	B
1	0100011	AR	Compound, Locking	
2	0641611	2	Bolt 3/8-16 x 1-3/8	
3	0641812	1	Bolt 1/2-13 x 1-1/2	
4	0641820	2	Bolt 1/2-13 x 2-1/2	
5	0903056	1	Bracket (SN 0300183034 through 0300226024)	
5	0903242	1	Bracket (SN 0300226025 to Present)	
7	3271805	2	Nut 1/2-13	
8	4751800	5	Washer 1/2	
9	4891600	2	Washer 3/8	
10	3322201	2	Nut 3/4-16	
11	1001106974	1	Coupling, Rotary - 2WS (See Items 101-128 for Breakdown):	
11	1001106975	1	Coupling, Rotary - 4WS (See Items 101-128 for Breakdown):	
	1001106974	Ref	ROTARY COUPLING ASSEMBLY - 2WS	B
	1001106975	Ref	ROTARY COUPLING ASSEMBLY - 4WS	B
101	See Note	NSS	Body (Note: Not Available - Purchase Complete Assembly)	
102	See Note	NSS	Seal - 2WS (Note: Use Item 200A or 200B)	
103	See Note	NSS	O-Ring (Note: Use Item 200A or 200B)	
104	See Note	NSS	Housing (Note: Not Available - Purchase Complete Assembly)	
105	See Note	NSS	Seal, Cap (Note: Use Item 200A or 200B)	
106	See Note	NSS	O-Ring (Note: Use Item 200A or 200B)	
107	7026503	2	Ring - 2WS	
107	7026511	2	Ring - 4WS	
108	7026504	1	Ring, Retaining - 2WS	
108	7013189	1	Ring, Retaining - 4WS	
109	80934561	AR	Plug	
110	See Note	NSS	Lug, Torque (Note: Not Available for Purchase)	
112	7026197	4	Bolt 5/16-18 x 1-1/4	
113	See Note	NSS	O-Ring (Note: Use Item 200A or 200B)	
114	See Note	NSS	O-Ring (Note: Use Item 200A or 200B)	
115	See Note	NSS	Bearing (Note: Use Item 200A or 200B)	
116	7024404	1	Block Valve Assembly	
117	7026505	1	Plug	
118	7026506	1	Valve, Check	
119	7026507	1	Plug	
120	See Note	NSS	Plunger, Valve (Note Use p/n 7024404)	
121	7026509	1	Spring, Compression	
123	See Note	NSS	Seal (Note: Use Item 200A or 200B)	
124	See Note	NSS	Capscrew #10-24 x 1/2 (Note: Not Available for Purchase)	
125	See Note	NSS	Nut #10-24 (Note: Not Available for Purchase)	
126	See Note	NSS	Flatwasher #10 (Note: Not Available for Purchase)	
127	70003454	1	Bracket, Switch Mounting	
128	4360517	1	Switch, Proximity	
200A	70001248	1	Seal Kit - 2WS (Includes Items 102, 103, 105, 106, 113, 114, 115 & 123)	
200B	70002212	1	Seal Kit - 4WS (Includes Items 102, 103, 105, 106, 113, 114, 115 & 123)	

SECTION 2 - TURNTABLE

FIGURE 2-24. GROUND CONTROL BOX ASSEMBLY



SECTION 2 - TURNTABLE

FIGURE 2-24. GROUND CONTROL BOX ASSEMBLY

ITEM	PART NUMBER	QTY	DESCRIPTION	REV
		Ref	GROUND CONTROL BOX ASSEMBLY - 800A DEUTZ TD2.9L4 ENGINE	
	1001165774	Ref	Ground Control Box Assembly - 800A Deutz TD2.9L4 Engine (All Specs except CE Spec) (SN 0300183034 through 0300194139)	C
	1001171501	Ref	Ground Control Box Assembly - 800A Deutz TD2.9L4 Engine (All Specs except CE Spec) (SN 0300194140 to Present)	D
	1001184176	Ref	Ground Control Box Assembly - 800A Deutz TD2.9L4 Engine (CE Specs) (SN 0300183034 through 0300201003)	B
	1001188007	Ref	Ground Control Box Assembly - 800A Deutz TD2.9L4 Engine (CE Specs) (SN 0300201004 to Present)	B
		Ref	GROUND CONTROL BOX ASSEMBLY - 800A DEUTZ D2011 ENGINE	
	1001153832	Ref	Ground Control Box Assembly - 800A Deutz D2011 Engine (All Specs except CE Spec) (SN 0300183034 through 0300194139)	C
	1001171509	Ref	Ground Control Box Assembly - 800A Deutz TD2.9L4 Engine (All Specs except CE Spec) (SN 0300194140 to Present)	C
	1001153834	Ref	Ground Control Box Assembly - 800A Deutz D2011 Engine (CE Specs) (SN 0300183034 through 0300194139)	C
	1001171512	Ref	Ground Control Box Assembly - 800A Deutz D2011 Engine (CE Specs) (SN 0300194140 through 0300201003)	C
	1001193691	Ref	Ground Control Box Assembly - 800A Deutz D2011 Engine (CE Specs) (SN 0300201004 to Present)	A
		Ref	GROUND CONTROL BOX ASSEMBLY - 800A FORD ENGINE	
	1001218777	Ref	Ground Control Box Assembly - 800A Ford Engine	B
	1001218776	Ref	Ground Control Box Assembly - 800AJ Ford Engine	B
		Ref	GROUND CONTROL BOX ASSEMBLY - 800A GM ENGINE	
	1001153830	Ref	Ground Control Box Assembly - 800A GM Engine (SN 0300183034 through 0300194139)	C
	1001171506	Ref	Ground Control Box Assembly - 800A GM Engine (SN 0300194140 to Present)	C
		Ref	GROUND CONTROL BOX ASSEMBLY - 800AJ DEUTZ TD2.9L4 ENGINE	
	1001165775	Ref	Ground Control Box Assembly - 800AJ Deutz TD2.9L4 Engine (All Specs except CE Spec) (SN 0300183034 through 0300194139)	C
	1001171502	Ref	Ground Control Box Assembly - 800AJ Deutz TD2.9L4 Engine (All Specs except CE Spec) (SN 0300194140 to Present)	D
	1001184177	Ref	Ground Control Box Assembly - 800AJ Deutz TD2.9L4 Engine (CE Specs) (SN 0300183034 through 0300201003)	B
	1001188008	Ref	Ground Control Box Assembly - 800AJ Deutz TD2.9L4 Engine (CE Specs) (SN 0300201004 to Present)	B
		Ref	GROUND CONTROL BOX ASSEMBLY - 800AJ DEUTZ D2011 ENGINE	
	1001153833	Ref	Ground Control Box Assembly - 800AJ Deutz D2011 Engine (All Specs except CE Spec) (SN 0300183034 through 0300194139)	C
	1001171510	Ref	Ground Control Box Assembly - 800AJ Deutz D2011 Engine (All Specs except CE Spec) (SN 0300194140 to Present)	C
	1001153835	Ref	Ground Control Box Assembly - 800AJ Deutz D2011 Engine (CE Specs) (SN 0300183034 through 0300194139)	C
	1001171513	Ref	Ground Control Box Assembly - 800AJ Deutz D2011 Engine (CE Specs) (SN 0300194140 through 0300201003)	C
	1001193692	Ref	Ground Control Box Assembly - 800AJ Deutz D2011 Engine (CE Specs) (SN 0300201004 to Present)	A
		Ref	GROUND CONTROL BOX ASSEMBLY - 800AJ GM ENGINE	
	1001153831	Ref	Ground Control Box Assembly - 800AJ GM Engine (SN 0300183034 through 0300194139)	C

SECTION 2 - TURNTABLE

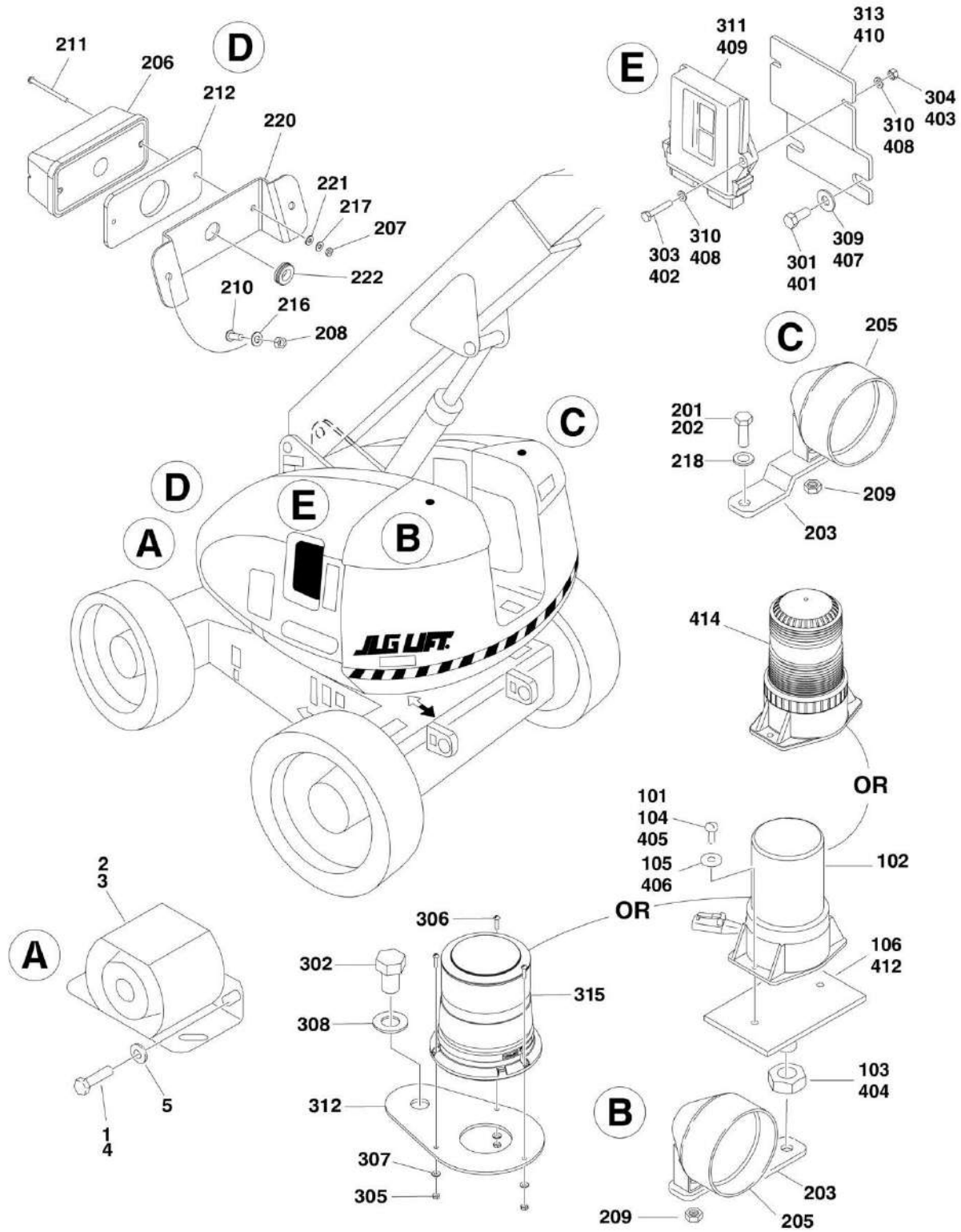
ITEM	PART NUMBER	QTY	DESCRIPTION	REV
	1001171507	Ref	Ground Control Box Assembly - 800AJ GM Engine (SN 0300194140 to Present)	C
1	0100009	AR	Sealant	
2	0100011	AR	Compound, Locking	
3	0100048	AR	Grease, Dielectric	
4	0630518	2	Capscrew, Button Head	
5	0630548	5	Bolt, 2-1/2in Tap	
6	0641404	AR	Bolt 1/4-20 x 1/2	
7	0641407	1	Bolt 1/4-20 x 7/8	
8	0641506	4	Bolt 5/16-18 x 3/4	
9	1670829	1	Bezel	
10	1706712	1	Decal - Ground Control Display	
11A	2420172	1	Gauge, Hourmeter	
11B	1001109503	1	Gauge, Hourmeter	
12	2760105	1	Housing, Display Light	
13	3300205	4	Nut, Retainer	
14	3300353	2	Nut, Tinnerman	
15	3300408	4	Locknut, Plastic Insert	
16	3311405	2	Nut 1/4-20	
17	3520035	1	Plug, Cap	
18	3539219	1	Plate, Reinforcement (SN 0300183034 through 0300200669)	
19	3740049	AR	Relay	
20	3900268	2	Screw #10x1/2	
21	3910804	4	Screw #8-32 x 1/4	
22	4060906	1	Shield, Toggle Switch	
23	4070991	1	Shim	
24	4360469	1	Switch, Key - All Specs except CE Specs	
24	4360470	1	Switch, Key - CE Specs (SN 03001830034 through 0300201003)	
24	4360469	1	Switch, Key - CE Specs (SN 0300201004 to Present)	
24	2860030	1	Key Replacement - All Specs	
25	4360475	1	Switch, Emergency Stop	
25	7020175	1	Cap, Mushroom	
25	7020176	1	Block, Contact	
26	4360476	1	Switch, Contact Block	
27	4460426	1	Connector, Strain Relief	
28	4460470	1	Nut, Terminal	
29	4460471	1	Lockwasher, Terminal	
30	4460488	6	Mounting Base, Terminal	
31	4460496	1	Washer, Terminal	
32	4460497	1	Nut, Terminal	
33	4460526	1	Connector, Strain Relief	
34	4740397	7	Spacer	
35	4740444	1	Washer	
36	4740518	2	Washer	
37	4751400	12	Washer 1/4	
38	4761400	6	Washer 1/4	
39	77143013	11	Nut 1/4-20	
40	1001102599	1	Decal, Faceplate 800A (All Specs except CE)	
40	1001102599	1	Decal, Faceplate 800A (CE Spec) (SN 0300183034 through 0300201003)	
40	1001180093	1	Decal, Faceplate 800A (CE Spec) (SN 0300201004 to Present)	
40	1001102600	1	Decal, Faceplate 800AJ (All Specs except CE)	

SECTION 2 - TURNTABLE

ITEM	PART NUMBER	QTY	DESCRIPTION	REV
40	1001102600	1	Decal, Faceplate 800AJ (CE Spec) (SN 0300183034 through 0300201003)	
40	1001180094	1	Decal, Faceplate 800AJ (CE Spec) (SN 0300201004 to Present)	
41	1001103667	1	Module, Ground Control (Note: Recalibration Required When Replaced.)	
42	1001106736	1	Cap, Dust	
43	1001110225	1	Harness, Ground Control Box (Deutz D2011 Engines - All Specs except CE Specs) (Not Shown - See ELECTRICAL SECTION for Breakdown)	
43	1001110225	1	Harness, Ground Control Box (Deutz D2011 Engines - CE Specs) (Not Shown - See ELECTRICAL SECTION for Breakdown) (SN 0300183034 through 0300201003)	
43	1001185131	1	Harness, Ground Control Box (Deutz D2011 Engines - CE Specs) (Not Shown - See ELECTRICAL SECTION for Breakdown) (SN 0300201004 to Present)	
43	1001145937	1	Harness, Ground Control Box (Deutz DT2.9L4 Engines - All Specs except CE Specs) (Not Shown - See ELECTRICAL SECTION for Breakdown)	
43	1001145937	1	Harness, Ground Control Box (Deutz DT2.9L4 Engines - CE Specs) (Not Shown - See ELECTRICAL SECTION for Breakdown) (SN 0300183034 through 0300201003)	
43	1001185131	1	Harness, Ground Control Box (Deutz DT2.9L4 Engines - CE Specs) (Not Shown - See ELECTRICAL SECTION for Breakdown) (SN 0300201004 to Present)	
43	1001110225	1	Harness, Ground Control Box (Ford & GM Engines) (Not Shown - See ELECTRICAL SECTION for Breakdown)	
44	1001152173	1	Lid (All Specs except CE Spec)	
44	1001152173	1	Lid (CE Spec) (SN 0300183034 through 0300201003)	
44	1001188042	1	Lid (CE Spec) (SN 0300201004 to Present)	
45	1001152175	1	Box	
46	1001165776	1	Harness, Deutz TD2.9L4 Engine (Not Shown - See ELECTRICAL SECTION for Breakdown)	
46	1001153713	1	Harness, Deutz D2011 Engine (Not Shown - See ELECTRICAL SECTION for Breakdown)	
46	1001216230	1	Harness, Ford Engine (Not Shown - See ELECTRICAL SECTION for Breakdown)	
46	1001153712	1	Harness, GM Engine (Not Shown - See ELECTRICAL SECTION for Breakdown)	
47		Ref	Harness, Platform Valve Options: (Not Shown - See ELECTRICAL SECTION for Breakdown)	
47	1001153715	1	Harness, Valve (SN 0300183034 through 0300194139)	
47	1001170808	1	Harness, Valve (SN 0300194140 to Present)	
49	1001155043	AR	Washer	
50	1001155044	AR	Nut 15/32-32	
51	1001155045	AR	Switch, Toggle	
53	4891500	4	Washer 5/16	
54	1001188874	2	Nut	
55	1001103308	2	Screw 1/4	
56	4711400	2	Washer 1/4	
57	3520031	2	Plug	
58	1001176469	1	Shroud (CE Spec) (SN 0300201004 to Present)	
59	4360387	1	Switch, Push Button (CE Spec) (SN 0300201004 to Present)	

SECTION 2 - TURNTABLE

FIGURE 2-25. ELECTRICAL OPTIONS INSTALLATION (TURNTABLE MOUNTED)



SECTION 2 - TURNTABLE

FIGURE 2-25. ELECTRICAL OPTIONS INSTALLATION (TURNTABLE MOUNTED)

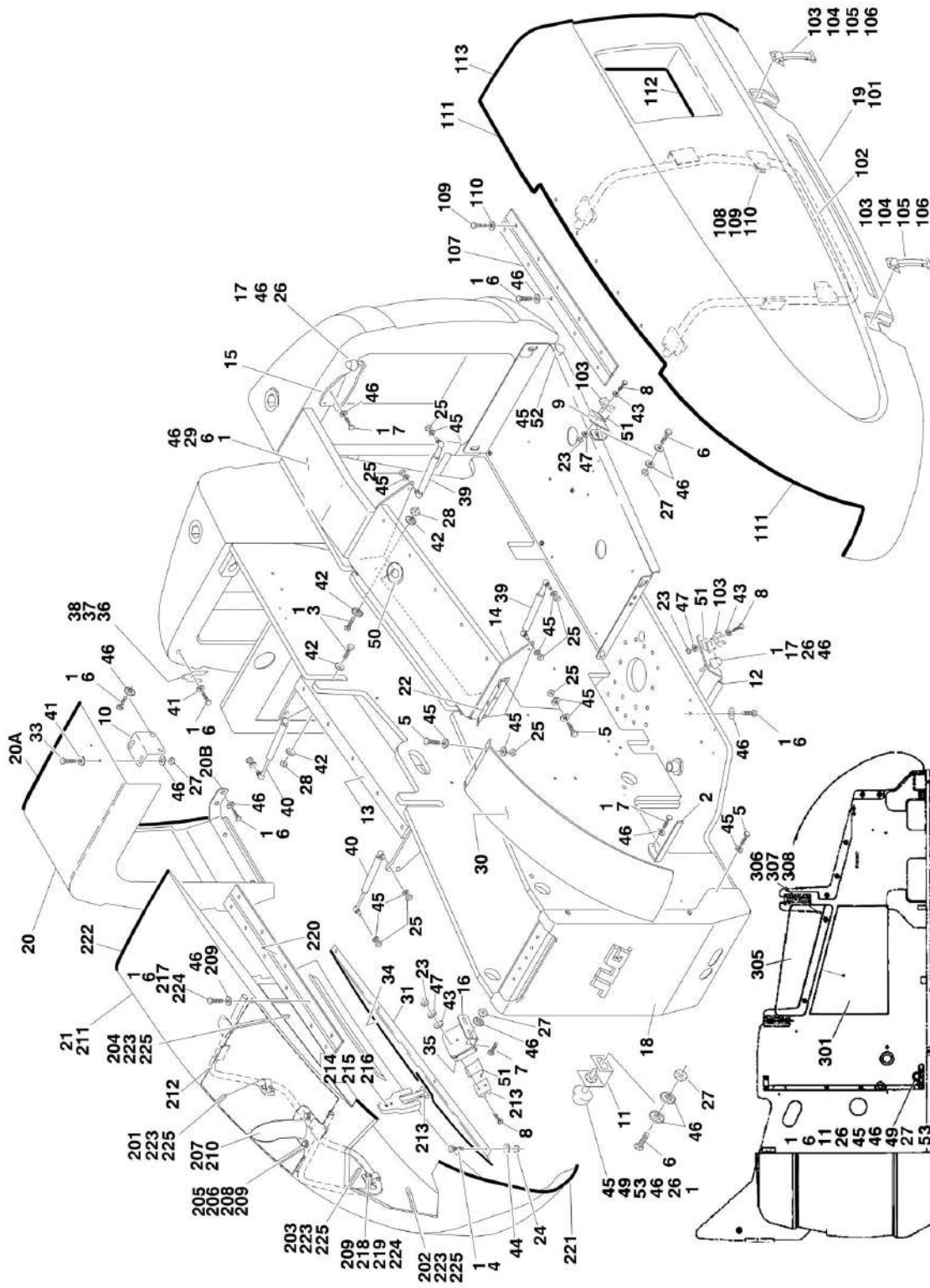
ITEM	PART NUMBER	QTY	DESCRIPTION	REV
	1001155364	Ref	ALARMS INSTALLATION	A
1	0100011	AR	Compound, Locking	
2	0100048	AR	Sealant, Silicone	
3	0140044		Alarm	
4	0641405	2	Bolt 1/4-20 x 5/8	
5	4711400	2	Washer 1/4	
	1001149955	Ref	STROBE LIGHT INSTALLATION (AMBER) (OPTIONAL) (SN 0300183034 through 0300190437)	A
	1001160077	Ref	STROBE LIGHT INSTALLATION (AMBER) (OPTIONAL) (SN 0300190438 to Present)	B
	1001150406	Ref	STROBE LIGHT INSTALLATION (AMBER) (OPTIONAL)	B
101	0100035	AR	Compound, Locking	
102	2920161	1	Strobe Light/Harness Assembly	
102	7016319	1	Bulb	
102	7016372	1	Lens	
103	3312602	1	Nut 1-8	
104	3900085	2	Screw #10-32 x 1/2	
105	4751000	2	Washer 1/4	
106	1001149994	1	Mount Strobe	
112	1001149818	1	Harness, Strobe Light Extension (Not Shown - See ELECTRICAL SECTION for Breakdown)	
	0271768	Ref	HEADLIGHTS AND TAILLIGHTS (ABS HOODS) (OPTIONAL)	E
	1001164786	Ref	HEADLIGHTS AND TAILLIGHTS (STEEL HOODS) (OPTIONAL)	C
201	0100011	AR	Compound, Locking	
202	0642612	2	Bolt 1-8 x 1-1/2	
203	0902206	2	Bracket, Mounting	
204	1705170	1	Decal - Lights (Not Shown - Located on Console)	
205	2920110	2	Headlight	
206	2920113	2	Taillight	
207	3311005	4	Nut #10-24	
208	3311505	4	Nut 5/16-18 (Steel Hoods Only)	
209	3311605	2	Nut 3/8-16	
210	3900210	4	Screw 5/16-18 x 3/4 (Steel Hoods Only)	
211	3911040	4	Screw #10-24 x 2-1/2	
212	3960461	2	Gasket	
213	4240032	AR	Tie-Strap (Not Shown)	
214	4360522	1	Switch, Push Button (Not Shown - Located on Console):	
215	4460234	AR	Mount, Tie-Strap (Not Shown)	
216	4711500	4	Washer 5/16 (Steel Hoods Only)	
217	4751000	4	Washer #10	
218	4892600	2	Washer 1	
220	1001165118	2	Support (Steel Hoods Only)	
221	4220162	4	Spacer (ABS Hoods Only)	
222	1001188354	2	Grommet (SN 0300252004 to Present)	
	1001189173	Ref	STROBE LIGHT AND HARNESS INSTALLATION (BLUE) (OPTIONAL) (SN 0300183034 through 0300217058)	B
	1001207307	Ref	STROBE LIGHT AND HARNESS INSTALLATION (RED) (OPTIONAL) (SN 0300183034 through 0300217058)	B
301	0641610	2	Bolt 3/8 x 1-1/4	
302	0642612	1	Bolt 1 x 1-1/2	
303	0700615	2	Bolt M6 x 35	

SECTION 2 - TURNTABLE

ITEM	PART NUMBER	QTY	DESCRIPTION	REV
304	3290607	2	Nut M6	
305	3311005	3	Nut #10	
306	3911012	3	Screw #10 x 3/4	
307	4711000	3	Washer #10	
308	4712600	1	Washer 1	
309	4751600	2	Washer 3/8	
310	4811700	4	Washer M6	
311	1001142683	1	Module, Beacon Light	
312	1001142694	1	Bracket	
313	1001142722	1	Bracket	
314	1001142736	1	Harness, Beacon Control (Module to Light) (Not Shown)	
315	1001143431	1	Light, Strobe (Blue)	
315	1001197067	1	Light, Strobe (Red)	
316	1001150944	1	Harness, Beacon Control (Module to Ground Control) (Not Shown)	
	1001205493	Ref	STROBE LIGHT AND HARNESS INSTALLATION (BLUE) (OPTIONAL) (SN 0300217059 to Present)	D
	1001209871	Ref	STROBE LIGHT AND HARNESS INSTALLATION (RED) (OPTIONAL) (SN 0300217059 to Present)	D
401	0641610	2	Bolt 3/8 x 1-1/4	
402	0700615	2	Bolt M6 x 35	
403	3290607	2	Nut M6	
404	3312602	1	Nut 1	
405	3900085	2	Screw #10 x 1/2	
406	4751000	2	Washer #10	
407	4751600	2	Washer 3/8	
408	4811700	4	Washer M6	
409	1001142683	1	Module, Beacon Light	
410	1001142722	1	Bracket	
411	1001142736	1	Harness, Beacon Control (Module to Light) (Not Shown)	
412	1001149994	1	Mount	
414	1001200910	1	Light, Strobe (Blue)	
414	1001207004	1	Light, Strobe (Red)	
415	4240032	AR	Tie-Strap (Not Shown)	
416	4240033	AR	Tie-Strap (Not Shown)	
417	4460488	AR	Mount, Tie-Strap (Not Shown)	

SECTION 2 - TURNTABLE

FIGURE 2-26. HOODS INSTALLATION (ABS)



SECTION 2 - TURNTABLE

FIGURE 2-26. HOODS INSTALLATION (ABS)

ITEM	PART NUMBER	QTY	DESCRIPTION	REV
	1001099137	Ref	HOODS INSTALLATION (DEUTZ D2011 ENGINES)	E
	1001143609	Ref	HOODS INSTALLATION (DEUTZ DT2.9L4 ENGINES)	E
1	0100011	AR	Compound, Locking	
2	0362770	1	Bar, Panel Mounting	
3	0630507	8	Bolt, Carriage 1/2-13 x 1-1/4	
3	0811812	8	Bolt	
4	0641406	4	Bolt 1/4-20 x 3/4	
5	0641506	AR	Bolt 5/16-18 x 3/4	
5	0641508	AR	Bolt 5/16-18 x 1	
6	0641608	22	Bolt 3/8-16 x 1	
7	0641609	5	Bolt 3/8-16 x 1-1/8	
8	0721006	6	Screw #10-24 x 3/4	
9	0902143	1	Bracket, Latch (Tank Side)	
10	0902161	1	Bracket, Hood Spacer Mounting (Engine Side)	
11	0902219	2	Bracket, Bumper	
12	0902223	1	Bracket, Latch (Tank Side)	
13	0902351	1	Bracket, Hood Mounting (Engine Side) (SN 0300183034 through 0300216385)	
	1001207558	1	Bracket, Hood Mounting (Engine Side) (SN 0300216386 to Present)	
14	0902412	1	Bracket, Hood Mounting (Tank Side)	
15	0902426	1	Bracket, Bumper - Counterweight Mounted	
16	0902491	1	Bracket, Latch (Engine Side)	
17	0940071	2	Bumper	
18	1670842	1	Cover, Turntable End	
19	1671228	1	Hood Assembly - Tank Side (See Items 101-113 for Breakdown)	
19		Ref	Note: Replacement Decals Must be Ordered Separately - See DECALS SECTION.	
20	1671233	1	Spacer Assembly (Deutz D2011 Engines)	
20	1001149673	1	Spacer Assembly (Deutz DT2.9L4 Engines)	
20A	3960453	68 in /1.73m	Seal	
20B	0903308	1	Bracket	
21	1001099138	1	Hood Assembly - Engine Side (Deutz D2011 Engines) (See Items 201-225 for Breakdown):	
21	1001143607	1	Hood Assembly - Engine Side (Deutz DT2.9L4 Engines) (See Items 201-225 for Breakdown):	
21		Ref	Note: Replacement Decals Must be Ordered Separately - See DECAL SECTION.	
22	2600244	1	Adapter, Panel Hinge	
23	3311001	6	Nut #10-24	
24	3311405	4	Nut 1/4-20	
25	3311505	9	Nut 5/16-18	
26	3311601	AR	Nut 3/8-16	
27	3311605	7	Nut 3/8-16	
28	3311805	8	Nut 1/2-13	
28	1001150260	4	Plate, Hinge Block	
29	3380442	1	Cover, Top (Tank Side)	
30	3380444	1	Panel, Adapter	
31	3571712	1	Plate, Seal (Deutz D2011 Engines)	
31	1001143858	1	Plate, Seal (Deutz DT2.9L4 Engines)	

SECTION 2 - TURNTABLE

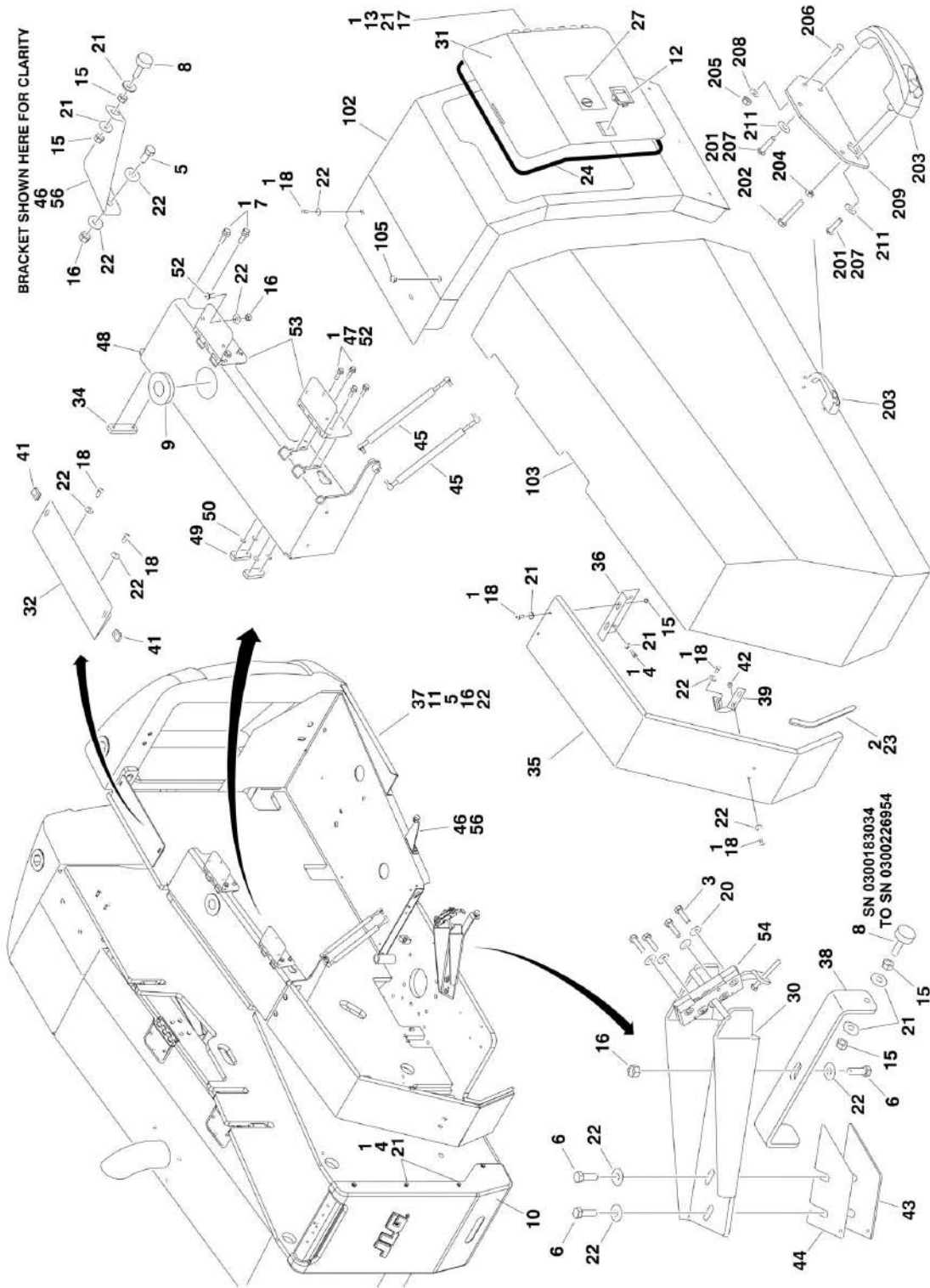
ITEM	PART NUMBER	QTY	DESCRIPTION	REV
33	3900232	2	Screw 3/8-16 x 1-1/4	
34	3960389	3.5 ft/1m	Seal	
35	3960470	1	Seal, Latch	
36	4070410	AR	Shim 1/16	
37	4070411	AR	Shim 1/8	
38	4070412	AR	Shim 3/16	
39	4160139	2	Spring, Gas (Tank Side)	
40	4160143	1	Spring, Gas (Engine Side)	
41	4740076	5	Washer, Fender	
42	4740171	8	Washer, Hardened	
43	4751000	6	Washer #10	
44	4751400	4	Washer 1/4	
45	4751500	AR	Washer 5/16	
46	4751600	AR	Washer 3/8	
47	4761000	6	Washer #10	
49	3321501	AR	Nut 5/16-24	
50	1120601	1	Cap, Plug	
51	2940188	3	Latch, Spring Clip	
52	0940049	1	Stopper, Hood	
52	3311501	2	Nut 5/16-18	
53	0940071	1	Bumper (SN 0300183034 through 0300216385)	
53	0940088	1	Bumper (SN 0300216386 to Present)	
	1671228	Ref	HOOD ASSEMBLY (TANK SIDE)	A
101	1671231	1	Hood	
102	1671232	1	Frame, Tubular	
103	2940088	2	Latch	
104	0721008	4	Screw, Machine #10-24NC x 1in	
105	4751000	4	Flatwasher #10	
106	3311005	4	Locknut #10-24NC	
107	2600233	1	Hinge	
108	1321384	4	Hold Down	
109	0641606	9	Bolt 3/8in-16NC x 3/4in	
110	4711600	9	Flatwasher 3/8in Narrow	
111	3960464	83 in /2.11m	Seal	
112	3960438	55 in/1.4m	Seal	
113	3960462	53 in /1.35m	Seal	
	1001099138	Ref	HOOD ASSEMBLY (ENGINE SIDE) (DEUTZ D2011 ENGINES)	B
	1001143607	Ref	HOOD ASSEMBLY (ENGINE SIDE) (DEUTZ DT2.9L4 ENGINES)	F
201	1001101673	1	Insulation/Foam (Deutz D2011 Engines)	
202	2820233	1	Insulation, Rear Sound (Deutz D2011 Engines)	
203	2820234	1	Insulation, Center Sound (Deutz D2011 Engines)	
204	2820235	1	Insulation, Rear Sound (Deutz D2011 Engines)	
205	3311605	AR	Nut 3/8-16	
206	3900232	AR	Screw 3/8-16 x 1-1/4	
206	3900316	AR	Screw 3/8-16 x 1	
207	1001101623	1	Shield, Heat Gasket	
208	4740500	AR	Washer	
209	4751600	AR	Washer 3/8	
210	1001099121	1	Exhaust Tube Weldment (Deutz D2011 Engines)	
210	1001143611	1	Exhaust Tube Weldment (Deutz DT2.9L4 Engines)	

SECTION 2 - TURNTABLE

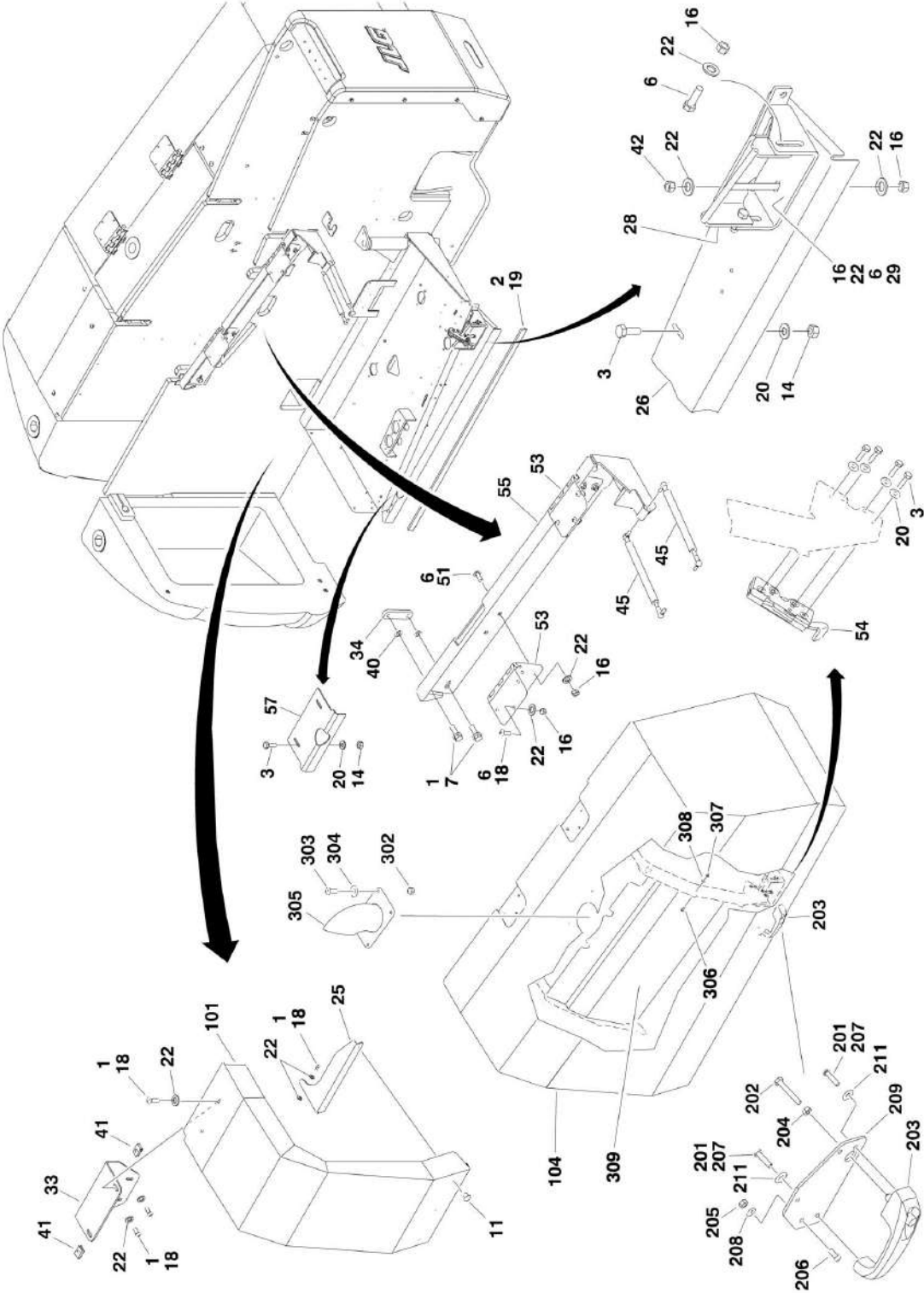
ITEM	PART NUMBER	QTY	DESCRIPTION	REV
211	1001099139	1	Hood Kit (Must also purchase Items 201, 202, 203, 204 & 207) (Deutz D2011 Engines)	
211	1001143601	1	Hood Kit (Must also purchase Items 223 & 225) (Deutz DT2.9L4 Engines)	
211		Ref	Note: Replacement Decals Must be Ordered Separately - See DECALS SECTION.	
212	1671230	1	Frame, Tubular (Deutz D2011 Engines)	
212	1001153435	1	Frame, Tubular (Deutz DT2.9L4 Engines)	
213	2940088	1	Latch	
214	0721008	2	Screw, Machine #10-24NC x 1in	
215	4751000	2	Washer #10	
216	3311005	2	Nut #10-24NC	
217	0641608	AR	Bolt 3/8-16 x 1	
217	0641606	AR	Bolt 3/8-16 x 3/4	
218	1321384	4	Hold Down	
219	0641606	4	Bolt 3/8-16 x 3/4	
220	2600209	1	Hinge	
221	3960464	65 in /1.67m	Seal	
222	3960462	61 in /1.55m	Seal	
223	1001117140	AR	Tape	
224	0100011	AR	Compound, Locking	
225	1001101673	1	Insulation (Deutz DT2.9L4 Engines)	
	0256823	Ref	NOISE REDUCTION INSTALLATION	3-C
301	2820078	1	Foam, Acoustical (Turntable Side)	
305	3539955	1	Plate, Baffle	
306	0641506	2	Bolt 5/16-18 x 3/4	
307	4751500	2	Washer 5/16	
308	0100011	AR	Compound, Locking	

SECTION 2 - TURNTABLE

FIGURE 2-27. HOODS INSTALLATION (STEEL)



SECTION 2 - TURNTABLE



SECTION 2 - TURNTABLE

FIGURE 2-27. HOODS INSTALLATION (STEEL)

ITEM	PART NUMBER	QTY	DESCRIPTION	REV
		Ref	NOTE: REPLACEMENT DECALS MUST BE PURCHASED SEPARATELY - SEE DECALS SECTION.	
	1001156188	Ref	HOODS INSTALLATION (DEUTZ D2011 ENGINES MACHINES)	J
	1001173876	Ref	HOODS INSTALLATION (DEUTZ TD2.9L4 ENGINES MACHINES)	F
	1001220190	Ref	HOODS INSTALLATION (FORD ENGINES MACHINES)	B
	1001156188	Ref	HOODS INSTALLATION (GM ENGINES MACHINES)	J
1	0100011	AR	Compound, Locking	
2	0100081	AR	Adhesive	
3	0641408	12	Bolt 1/4-20 x 1	
4	0641508	8	Bolt 5/16-18 x 1	
5	0641607	AR	Bolt 3/8-16 x 7/8	
6	0641609	AR	Bolt 3/8-16 x 1-1/8	
7	0811812	AR	Bolt 1/2-13 x 2-1/4	
8	0940049	AR	Stopper, Hood	
9	1120601	1	Plug	
10	1670842	1	Cover, Turntable End	
11	2080040	AR	Fastener	
12	2940045	1	Latch, Paddle	
13	3300364	3	Nut, Tinnerman 5/16-18	
14	3311405	4	Nut 1/4-20	
15	3311501	AR	Nut 5/16-18	
16	3311605	AR	Nut 3/8-16	
17	3900210	3	Screw 5/16-18 x 3/4	
18	3900316	AR	Screw 3/8-16 x 1	
19	3960389	4.2 ft /1.3m	Seal	
20	4751400	AR	Washer 1/4	
21	4751500	AR	Washer 5/16	
22	4751600	AR	Washer 3/8	
23	1001110166	59 in/1.5m	Seal	
24	1001113047	6.5 ft/2m	Seal	
25	1001117234	1	Bracket	
26	1001117249	1	Plate (Deutz & GM Engine Machines)	
26	1001220067	1	Plate (Ford Engine Machines)	
27	1001117307	1	Decal - Emergency Stop	
28	1001117523	1	Bracket, Striker	
29	1001117525	1	Bracket, Striker Mounting	
30	1001117568	1	Bracket, Striker	
31	1001117598	1	Door	
32	1001158175	1	Bracket, Hood Mounting	
33	1001157867	1	Bracket, Hood Mounting	
34	1001150260	4	Plate, Hinge	
35	1001155899	1	Plate, Spacer	
36	1001157612	1	Bracket, Hood Support	
37	1001157726	1	Bracket, Hood Support	
38	1001157735	1	Bracket, Stop	
39	1001158077	1	Bracket, Spacer Panel	
40	2080072	4	Retainer, Bolt	
41	88662523	4	Nut, Tinnerman	
42	3311601	AR	Nut 3/8-16NC	

SECTION 2 - TURNTABLE

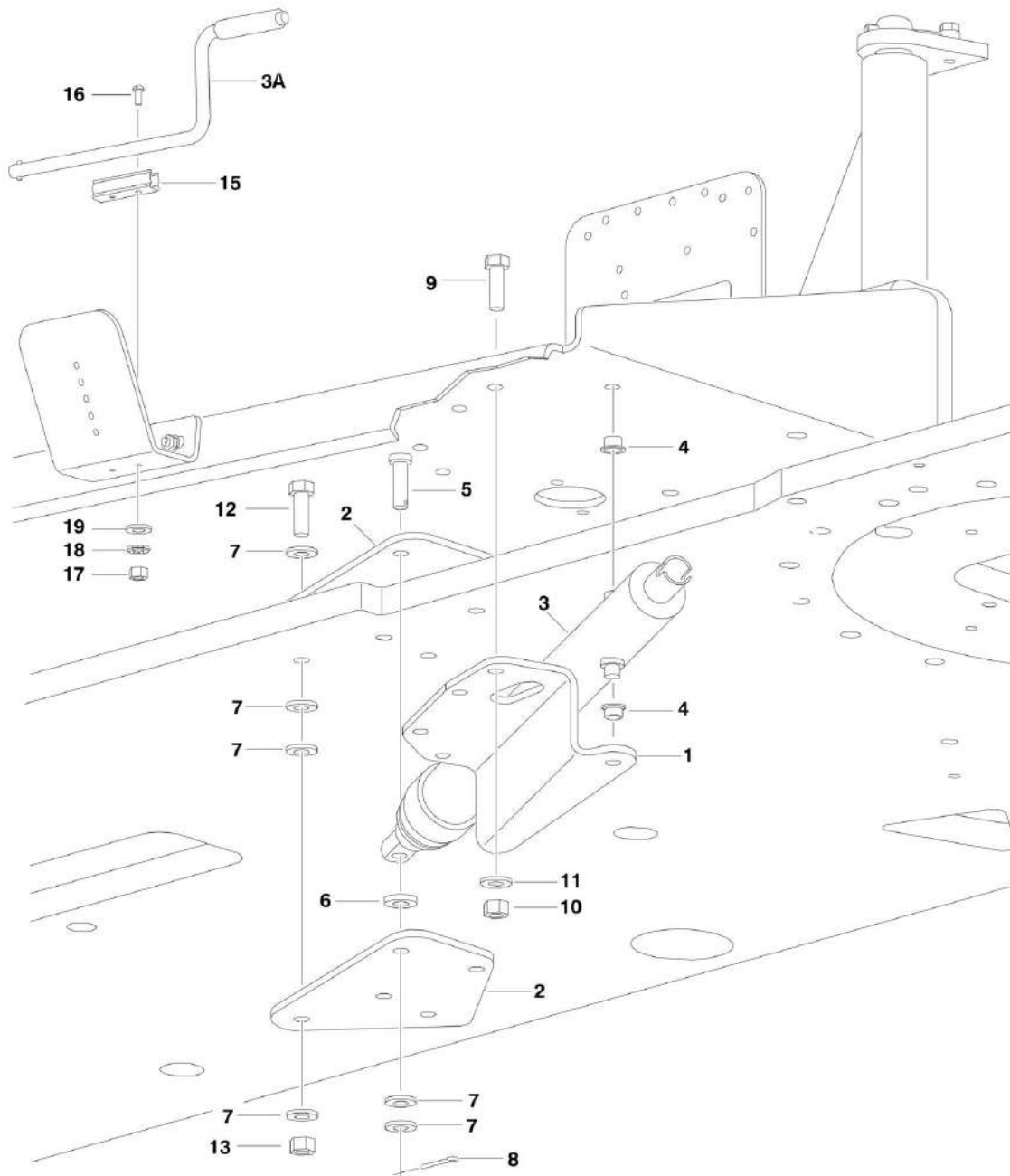
ITEM	PART NUMBER	QTY	DESCRIPTION	REV
43	1001121122	AR	Shim 3	
44	1001121123	AR	Shim 1.5	
45	4160194	4	Spring, Gas	
46	1001161089	1	Bracket, Bumper	
47	0811610	AR	Screw 3/8-16 x 1-1/4	
48	1001155895	1	Mount, Hood	
49	1001169935	4	Plate, Hinge (SN 0300183034 through 0300219218)	
49	1001186251	4	Plate, Hinge (SN 0300219219 to Present)	
50	8310070	8	Nut 3/8	
51	0630485	AR	Bolt 3/8-16 x 1	
52	0641608	AR	Bolt 3/8-16 x 1	
53	2600280	4	Hinge (SN 0300183034 through 0300219218)	
53	1001186254	4	Hinge (SN 0300219219 to Present)	
54	2940173	2	Latch, Rotary	
55	1001150253	1	Mount, Hood (SN 0300183034 through 0300219218)	
55	1001196768	1	Mount, Hood (SN 0300219219 to Present)	
56	1001161089	1	Bracket (GM Engine Machines Only)	
57	1001220002	1	Plate (Ford Engine Machines Only)	
100	1001174408	1	Kit, Hood (Includes Items 101-104) (Deutz D2011 Engine Machines)	
100	1001174277	1	Kit, Hood (Includes Items 101-104) (Deutz TD2.9L4 Engine Machines)	
100	1001174408	1	Kit, Hood (Includes Items 101-104) (Ford & GM Engine Machines)	
101	1001117219	1	Hood, Fixed Engine Side	
102	1001120962	1	Hood, Fixed Tank Side	
103	1001157209	1	Hood Assembly - Tank Side (Includes Items 201-211)	
104	1001157208	1	Hood Assembly - Engine Side (Deutz D2011 Engine Machines) (Includes Items 201-211) (Note: Heat Shield item 309 must be transferred from original hood or replaced before putting machine back in service)	
104	1001162915	1	Hood Assembly - Engine Side (Deutz TD2.9L4 Engine Machines) (Includes Items 201-211) (Note: Heat Shield item 309 must be transferred from original hood or replaced before putting machine back in service)	
104	1001157208	1	Hood Assembly - Engine Side (Ford & GM Engine Machines) (Includes Items 201-211) (Note: Heat Shield item 309 must be transferred from original hood or replaced before putting machine back in service)	
105	3250030	1	Plug	
	1001157208	Ref	HOOD ASSEMBLY - ENGINE SIDE (DEUTZ D2011 ENGINE MACHINES)	D
	1001162915	Ref	HOOD ASSEMBLY - ENGINE SIDE (DEUTZ TD2.9L4 ENGINE MACHINES)	C
	1001157208	Ref	HOOD ASSEMBLY - ENGINE SIDE (FORD & GM ENGINE MACHINES)	D
201	0100011	AR	Compound, Locking	
202	0700617	1	Bolt M6 x 45	
202	0700618	1	Bolt M6 x 50	
203	2560187	1	Handle, Push Button	
204	3290601	1	Nut M6	
205	3311505	3	Nut 5/16-18	
206	3900210	3	Screw 5/16-18 x 3/4	
207	3900363	2	Screw M6 x 25mm	
208	4711500	3	Washer 5/16	

SECTION 2 - TURNTABLE

ITEM	PART NUMBER	QTY	DESCRIPTION	REV
209	1001116290	1	Plate, Latch Mounting	
211	4751400	2	Washer 1/4	
	1001158167	Ref	HOODS INSTALLATION (DEUTZ D2011 ENGINES MACHINES)	D
	1001173878	Ref	HOODS INSTALLATION (DEUTZ TD2.9L4 ENGINES MACHINES)	B
	1001220189	Ref	HOODS INSTALLATION (FORD ENGINE MACHINES)	A
	1001158171	Ref	HOODS INSTALLATION (GM ENGINES MACHINES)	C
302	3311605	4	Nut 3/8-16	
303	3900316	4	Screw 3/8-16 x 1	
303	0641608	4	Bolt 3/8-16 x 1	
304	4751600	AR	Washer 3/8	
305	1001116456	1	Pipe, Exhaust (Deutz D2011 Engine Machines)	
305	1001144527	1	Pipe, Exhaust (Deutz TD2.9L4 Engine Machines)	
305	1001116457	1	Pipe, Exhaust (Ford & GM Engine Machines)	
306	0641406	3	Bolt 1/4-20 x 3/4	
307	3311405	3	Nut 1/4-20	
308	4751400	3	Washer 1/4	
309	1001150561	1	Shield, Heat (Deutz D2011 Engine Machines)	
309	1001163101	1	Shield, Heat (Deutz TD2.9L4 Engine Machines)	
309	1001150561	1	Shield, Heat (Ford Engine Machines) (SN 0300183034 through 0300246269)	
309	1001150561	1	Shield, Heat (GM Engine Machines)	

SECTION 2 - TURNTABLE

FIGURE 2-28. ENGINE TRAY JACK INSTALLATION (OPTIONAL)



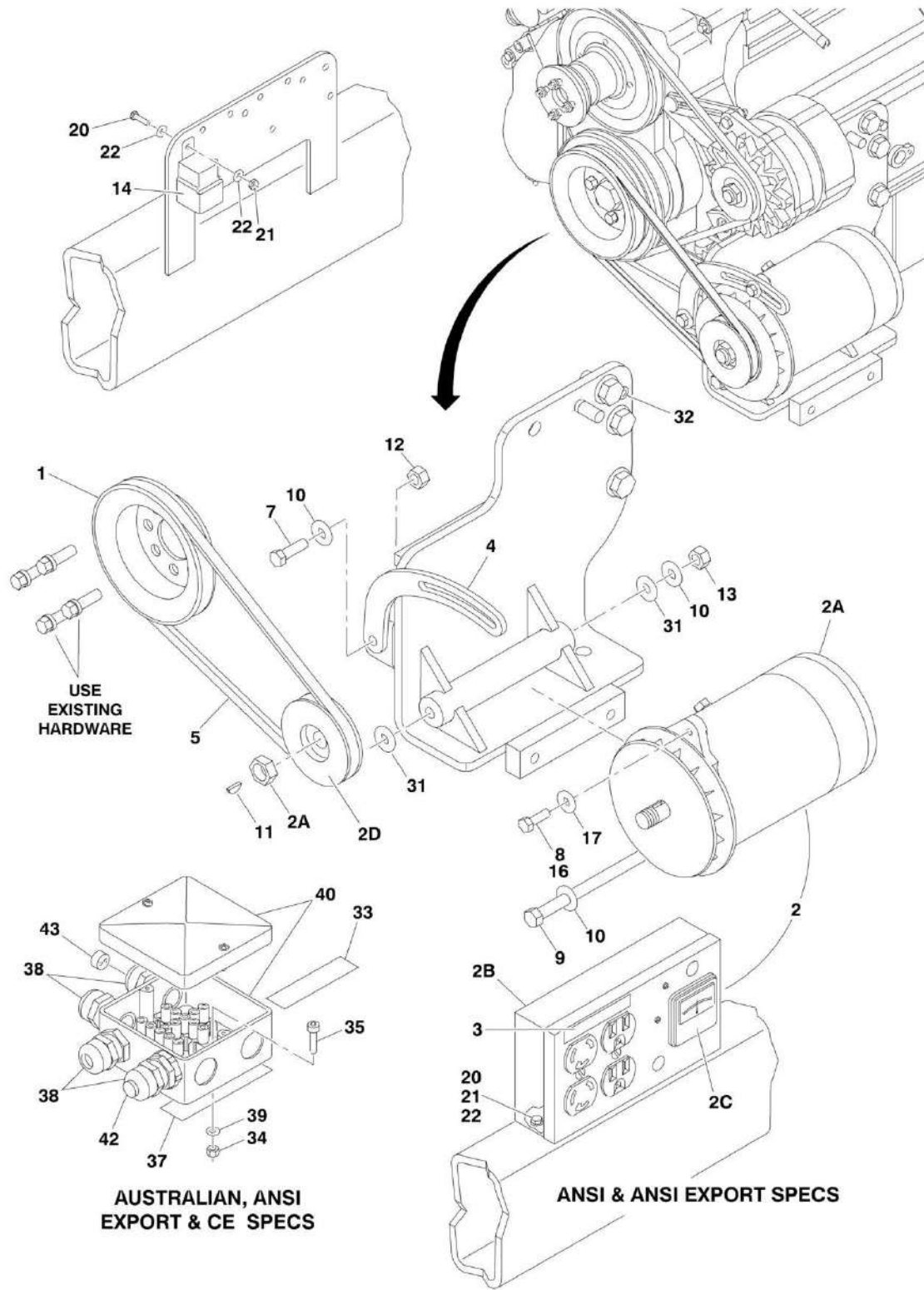
SECTION 2 - TURNTABLE

FIGURE 2-28. ENGINE TRAY JACK INSTALLATION (OPTIONAL)

ITEM	PART NUMBER	QTY	DESCRIPTION	REV
	0258728	Ref	ENGINE TRAY JACK INSTALLATION (DEUTZ & GM ENGINE MACHINES)	2-C
	1001219881	Ref	ENGINE TRAY JACK INSTALLATION (FORD ENGINE MACHINES)	B
1	3537445	1	Bracket (Deutz & GM Engine Machines)	
1	1001218547	1	Bracket (Ford Engine Machines)	
2	3537446	2	Bracket	
3	2840016	1	Jack and Handle Assembly	F
3A	7024598	1	Handle	
4	0962051	2	Bearing, Flange	
5	3430816	1	Pin, Clevis	
6	4891800	1	Washer 1/2	
7	4711800	6	Washer 1/2	
8	3450404	1	Pin, Cotter 1/8 x 1	
9	0641609	AR	Bolt 3/8 x 1-1/8	
9	0761014	AR	Bolt M10 x 30	
10	3311605	AR	Nut 3/8	
10	3291007	AR	Nut M10	
11	4891600	AR	Washer 3/8	
11	4812000	AR	Washer M10	
12	0641818	4	Bolt 1/2-13 x 2-1/4	
13	3311805	4	Nut 1/2-13	
15	1380147	1	Clip, Spring	
16	3910608	2	Screw #6-32 x 1	
17	3310601	2	Nut #6-32	
18	4770600	2	Washer #6	
19	4740119	2	Washer	

SECTION 2 - TURNTABLE

FIGURE 2-29. 2500W GENERATOR INSTALLATION - DEUTZ D2011 MACHINES (OPTIONAL)



SECTION 2 - TURNTABLE

FIGURE 2-29. 2500W GENERATOR INSTALLATION - DEUTZ D2011 MACHINES (OPTIONAL)

ITEM	PART NUMBER	QTY	DESCRIPTION	REV
		Ref	2500W GENERATOR INSTALLATION - DEUTZ D2011 ENGINES MACHINES (OPTIONAL)	
	1001115405	Ref	110V/60Hz (ANSI and ANSI Export Specs)	A
	1001115406	Ref	220V/50Hz (ANSI Export Specs)	A
	1001115409	Ref	220V/50Hz (Australian and CE Specs)	A
1	3580158	1	Pulley	
2		Ref	Generator and Control Box Assembly Options:	
2	2460055	1	110V/60Hz (ANSI and ANSI Export Specs)	
2	2460056	1	220V/50Hz (ANSI Export Specs):	
2	1001100321	1	220V/50Hz (Australian and CE Specs):	
2A	7012558	1	Generator Only - 110V/60Hz	
2A	1001100321	1	Generator Only - 220V/50Hz	
2A		Ref	Note: Replacement Generators come standard with p/n 3580134 pulley. This pulley may not be correct for all applications. Refer to pulley options below.	
2A		Ref	Armature with Slip Rings Options:	
2A	7026199	1	Armature with Slip Rings - 110V/60Hz	
2A	70000123	1	Armature with Slip Rings - 220V/50Hz	
2A	7012513	4	Cap, Brush Holder	
2A	7020108	4	Brush	
2A	7020109	4	Holder, Brush	
2A	7012514	1	Fan	
2A	7020110	1	Bell, Front	
2A	7020111	1	Bell, Rear	
2A	7020190	1	Bearing	
2B	7019680	1	Box, Control - 110V/60Hz	
2B	70000127	1	Box, Control - 220V/50Hz (ANSI Export Specs)	
2B	Not Required	0	Box, Control - 220V/50Hz (Australian and CE Specs)	
2B		Ref	Receptacle Options:	
2B	4460190	1	Receptacle, Standard (110V Only)	
2B	4460027	1	Receptacle, Twistlock (110V Only)	
2B	70000124	1	Receptacle, Double (220V/50Hz Only)	
2B	70000125	1	Receptacle, Single (220V/50Hz Only)	
2B		Ref	Breaker, Circuit Options:	
2B	4360542	1	Breaker 110V/60Hz	
2B	70000126	1	Breaker 220V/50Hz	
2B	3520028	1	Plug, Hole	
2C		Ref	Voltmeter Options:	
2C	2420203	1	Voltmeter - 110V	
2C	7020192	1	Voltmeter - 220V	
2D		Ref	Pulley Options:	
2D	3580276	1	Pulley - 60Hz	
2D	3580134	1	Pulley - 50Hz	
2D	7027887	1	Key, Woodruff	
3		Ref	Decal Options:	
3	3251243	1	110V/60Hz (ANSI and ANSI Export Specs)	
3	Not Required	0	220V/50Hz (ANSI Export, Australian and CE Specs)	
4	0200742	1	Arm, Adjusting	
5	0480121	1	V-Belt	
7	0641610	1	Bolt 3/8in-16NC x 1-1/4in	

SECTION 2 - TURNTABLE

ITEM	PART NUMBER	QTY	DESCRIPTION	REV
8	0100011	AR	Compound, Locking	
9	0641772	1	Bolt 7/16in-14NC x 9in	
10	4751600	6	Flatwasher 3/8in Regular	
11	2860012	1	Key, Woodruff	
12	3311605	1	Locknut 3/8in-16NC	
13	3311705	1	Locknut 7/16in-14NC	
14	3740080	1	Relay	
16	0641508	1	Bolt 5/16in-18NC x 1in	
17	4751500	AR	Flatwasher 5/16in Regular	
20	0721006	AR	Bolt #10-24NC x 3/4in	
21	3311005	AR	Locknut #10-24NC	
22	4751000	AR	Flatwasher #10 Regular	
25	4360336	1	Switch, Toggle (Not Shown - Located at Platform)	
26	4740397	1	Bushing (Not Shown - Located at Platform)	
27	4060802	1	Guard, Switch (Not Shown - Located at Platform)	
28	3252507	1	Decal - 220V - 50/60Hz (Not Shown - Located on Turntable)	
29	2820031	4 in/10cm	Heat Shrink (Not Shown - Located at Platform)	
30	3251102	1	Decal (Not Shown - Located at Platform)	
		Ref	Note: Items 32-43 Used on ANSI Export, Australian and CE Specs Only.	
32	0641404	1	Bolt 1/4in-20NC x 1/2	
33	3252507	2	Decal - 220V - 50Hz	
		Ref	Note: One Decal Not Shown - Located on the Inside of Platform Rail.	
34	3290505	1	Locknut M5 x 0.8mm	
35	4031608	1	Bolt M5 x 20mm	
36	4240018	1	Tie Strap (Not Shown)	
37	4420060	1	Tape, Double Coated Acrylic Foam	
38	4460968	3	Connector, Strain Relief	
39	4811600	1	Flatwasher M5	
40	1001099869	1	Box, Junction	
42		Ref	Light Red Options:	
42	1001100233	1	125 Vac	
42	1001100234	1	250 Vac	
43	0962449	1	Bushing	

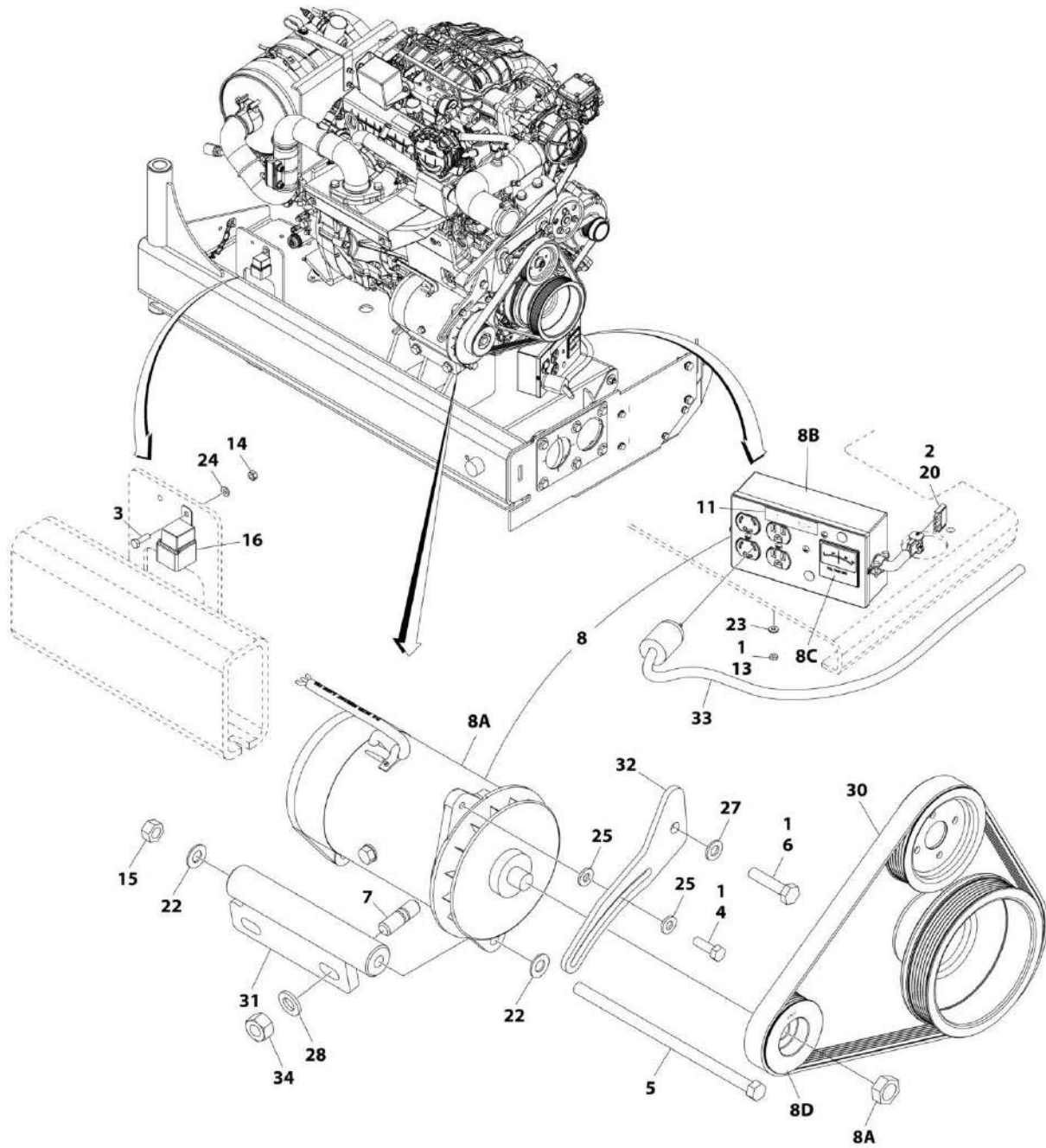
SECTION 2 - TURNTABLE

FIGURE 2-30. 2500W GENERATOR INSTALLATION - DEUTZ TD2.9L4 MACHINES (OPTIONAL)

ITEM	PART NUMBER	QTY	DESCRIPTION	REV
	1001180287	Ref	2500W GENERATOR INSTALLATION - DEUTZ TD2.9L4 (OPTIONAL)	B
1	0100011	AR	Compound, Locking	
2	0100019	AR	Compound, Locking	
3	0641508	1	Bolt 5/16 x 1	
4	0641607	1	Bolt 3/8 x 7/8	
5	0641772	1	Bolt 7/16 x 9	
6	0641812	2	Bolt 1/2 x 1-1/2	
7	0721006	1	Screw #10 x 3/4	
8	2820031	AR	Heat Shrink (Not Shown - Located at Platform)	
9	3251102	1	Name Plate - Generator On (Not Shown - Located at Platform)	
10	3311005	3	Nut #10	
12	3311705	1	Nut 7/16	
13	3311801	2	Nut 1/2	
14	3740080	1	Relay	
15	4060802	1	Guard, Switch (Not Shown - Located at Platform)	
16	4240018	AR	Strap, Cable Tie (Not Shown)	
17	4360336	1	Switch, Toggle (Not Shown - Located at Platform)	
18	4711000	6	Washer #10	
19	4711600	1	Washer 3/8	
20	4711700	2	Washer 7/16	
21	4751500	1	Washer 5/16	
22	4891800	4	Washer 1/2	
23	1001148138	1	V-Belt	
24	1001163599	2	Stud	
25	1001216015	1	Bracket	
26	1001179837	1	Arm, Adjustment	
27	1001180001	1	Generator and Control Box Assembly	
27A	7012558	1	Generator Only - 110V/60Hz	
27A		Ref	Note: Replacement Generators come standard with p/n 3580134 pulley. This pulley may not be correct for all applications. Refer to pulley options below.	
27A	7026199	1	Armature with Slip Rings	
27A	7012513	4	Cap, Brush Holder	
27A	7020108	4	Brush	
27A	7020109	4	Holder, Brush	
27A	7012514	1	Fan	
27A	7020110	1	Bell, Front	
27A	7020111	1	Bell, Rear	
27A	7020190	2	Bearing	
27B	7019680	1	Box, Control - 110V/60Hz	
27B		Ref	Receptacle Options:	
27B	4460190	1	Receptacle, Standard (110V Only)	
27B	4460027	1	Receptacle, Twistlock (110V Only)	
27B	4360542	1	Breaker, Circuit	
27B	3520028	1	Plug, Hole	
27C	2420203	1	Voltmeter	
27D	3580276	1	Pulley	
27D	7027887	1	Key, Woodruff	
29	1001181243	1	Mount, Generator	

SECTION 2 - TURNTABLE

FIGURE 2-31. 2500W GENERATOR INSTALLATION - FORD MACHINES (OPTIONAL)



ART_1001219619

SECTION 2 - TURNTABLE

FIGURE 2-31. 2500W GENERATOR INSTALLATION - FORD MACHINES (OPTIONAL)

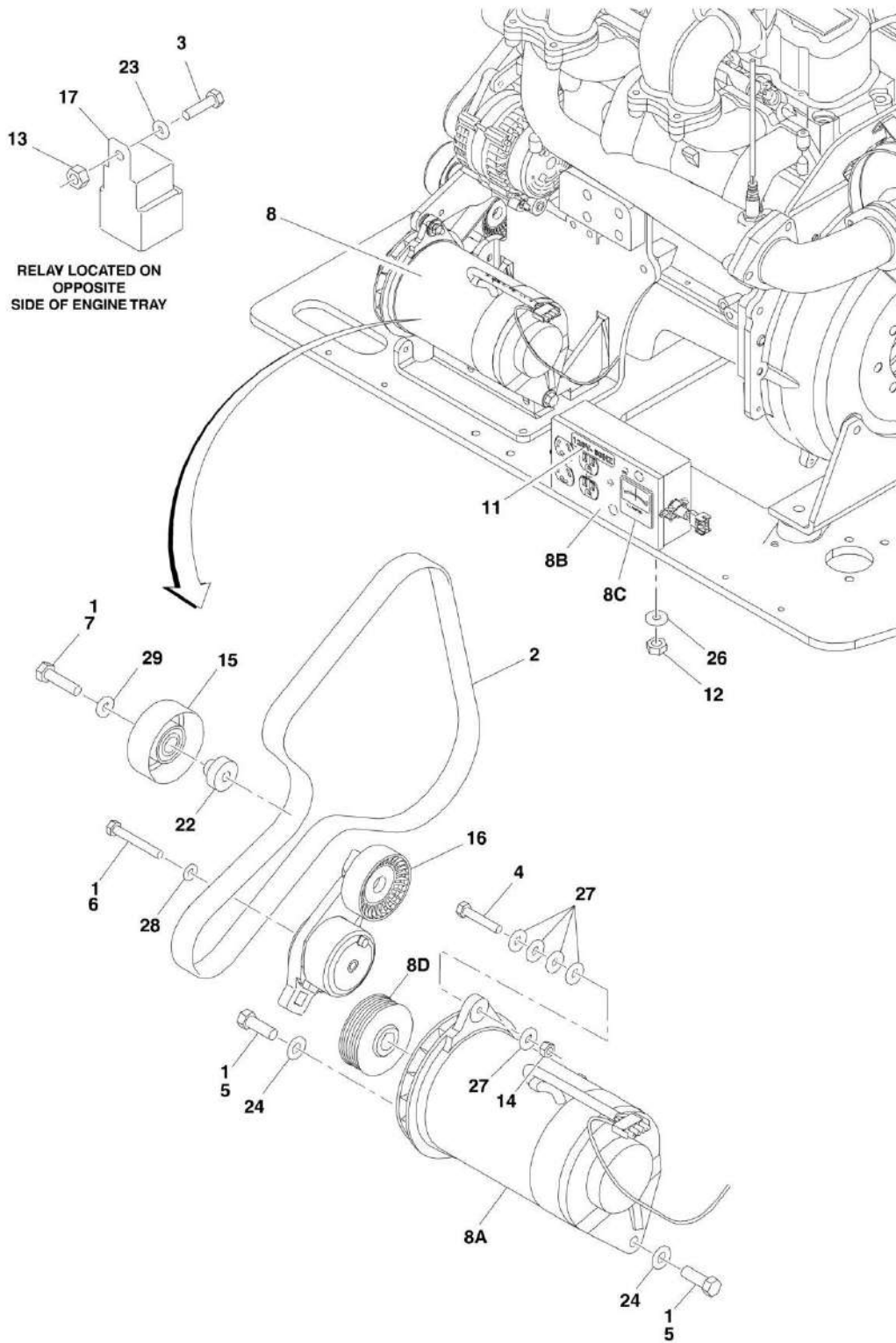
ITEM	PART NUMBER	QTY	DESCRIPTION	REV
	1001219619	Ref	2500W GENERATOR INSTALLATION - FORD MACHINES (OPTIONAL)	E
1	0100011	AR	Compound, Locking	
2	0100048	AR	Grease, Dielectric	
3	0760610	1	Bolt M6 x 20	
4	0641508	1	Bolt 5/16 x 1	
5	0641772	1	Bolt 7/16 x 9	
6	0761016	1	Bolt M10 x 40	
7	1001155041	1	Stud	
8	2460051	1	Generator and Control Box Assembly	
8A	7012558	1	Generator Only - 110V/60Hz	
		Ref	Note: Replacement Generators come standard with pin 3580134 pulley. This pulley may not be correct for all applications. Refer to pulley options below.	
8A	7026199	1	Armature with Slip Rings	
8A	7012513	4	Cap, Brush Holder	
8A	7020108	4	Brush	
8A	7020109	4	Holder, Brush	
8A	7012514	1	Fan	
8A	7020110	1	Bell, Front	
8A	7020111	1	Bell, Rear	
8A	7020190	2	Bearing	
8B	7019680	1	Box, Control - 110V/60Hz	
8B		Ref	Receptacle Options:	
8B	4460190	1	Receptacle, Standard (110V Only)	
8B	4460027	1	Receptacle, Twistlock (110V Only)	
8B	4360542	1	Breaker, Circuit	
8B	3520028	1	Plug, Hole	
8C	2420203	1	Voltmeter	
8D	3580324	1	Pulley	
8D	7027887	1	Key, Woodruff	
9	2820031	1	Heat Shrink (Not Shown - Located at Platform)	
10	3251102	1	Nameplate Generator (Not Shown - Located at Platform)	
11	3251243	1	Decal - 120V-60Hz	
13	3311005	2	Nut #10	
14	3290601	1	Nut M6	
15	3311705	1	Nut 7/16	
16	3740080	1	Relay	
17	4060802	1	Guard Switch (Not Shown - Located at Platform)	
18	4240099	AR	Tie-Strap (Not Shown)	
19	4360336	1	Switch, Toggle (Not Shown - Located at Platform)	
20	4460321	1	Plug, Male - 4 Position	
22	4711700	2	Washer 7/16	
23	4751000	2	Washer #10	
24	4811700	1	Washer M6	
25	4891500	2	Washer 5/16	
27	4812000	1	Washer M10	
28	4812200	2	Washer M14	
30	1001216391	1	V-Belt	
31	1001219630	1	Mount, Generator	

SECTION 2 - TURNTABLE

ITEM	PART NUMBER	QTY	DESCRIPTION	REV
32	1001219632	1	Arm, Adjustment	
33	4921829	1	Harness, Inverter	
34	3291201	2	Nut M12	

SECTION 2 - TURNTABLE

FIGURE 2-32. 2500W GENERATOR INSTALLATION - GM MACHINES (OPTIONAL)



SECTION 2 - TURNTABLE

FIGURE 2-32. 2500W GENERATOR INSTALLATION - GM MACHINES (OPTIONAL)

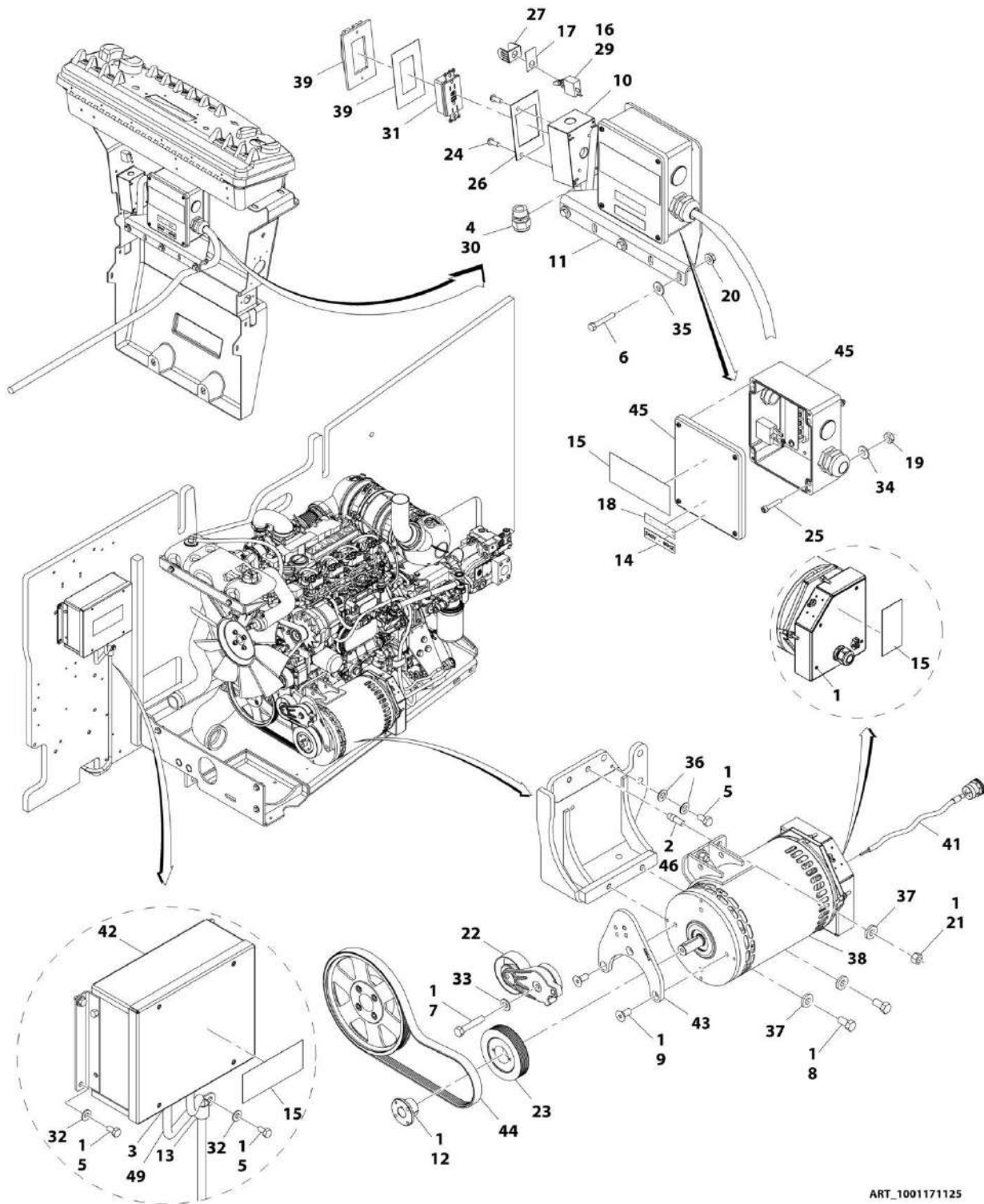
ITEM	PART NUMBER	QTY	DESCRIPTION	REV
		Ref	GENERATOR INSTALLATION - GM ENGINES (OPTIONAL):	
	0275039	Ref	110V Generator	E
1	0100011	AR	Compound, Locking	
2	0480142	1	V-Belt	
3	0641405	1	Bolt 1/4in-20NC x 5/8in	
4		Ref	Bolt Options:	
4	0641514	1	Bolt 5/16in-18NC x 1-3/4in	
4	0641510	1	Bolt 5/16in-18NC x 1-1/4in	
5	0641710	2	Bolt 7/16in-14NC x 1-1/4in	
6	0700820	1	Bolt M8 x 60mm	
7	0701016	1	Bolt M10 x 340mm	
8	2460051	1	Generator and Control Box Assembly	
8A	7012558	1	Generator Only - 110V/60Hz	
		Ref	Note: Replacement Generators come standard with p/n 3580134 pulley. This pulley may not be correct for all applications. Refer to pulley options below.	
8A		Ref	Armature with Slip Rings Options:	
8A	7026199	1	Armature with Slip Rings - 110V/60Hz	
8A	70000123	1	Armature with Slip Rings - 220V/50Hz	
8A	7012513	4	Cap, Brush Holder	
8A	7020108	4	Brush	
8A	7020109	4	Holder, Brush	
8A	7012514	1	Fan	
8A	7020110	1	Bell, Front	
8A	7020111	1	Bell, Front	
8A	7020190	2	Bearing	
8B	7019680	1	Box, Control - 110V/60Hz	
8B		Ref	Receptacle Options:	
8B	4460190	1	Receptacle, Standard (110V Only)	
8B	4460027	1	Receptacle, Twistlock (110V Only)	
8B	4360542	1	Breaker, Circuit	
8B	3520028	1	Plug, Hole	
8C	2420203	1	Voltmeter	
8D	3580324	1	Pulley	
8D	7027887	1	Key, Woodruff	
9	2820031	AR	Heat Shrink (Not Shown - Located at Platform)	
10	3251102	1	Nameplate - Generator (Not Shown - Located at Platform)	
11	3251243	1	Decal - 110 Volt	
12	3311005	2	Locknut # 10-24NC	
13	3311405	1	Locknut 1/4in-20NC	
14	3311505	1	Locknut 5/16in-18NC	
15	3580312	1	Pulley, Idler	
16	3580348	1	Tensioner, Belt	
17	3740080	1	Relay, Bosch	
18	4060802	1	Guard, Switch (Not Shown - Located at Platform)	
19	4240018	AR	Tie-Strap (Not Shown)	
20	4360336	1	Switch, Toggle (Not Shown - Located at Platform)	
21	4460906	3	Terminal (Not Shown)	
22	4568735	1	Spacer, Tube (Idler Pulley Grooved)	
23	4711400	1	Flatwasher 1/4in Thin	

SECTION 2 - TURNTABLE

ITEM	PART NUMBER	QTY	DESCRIPTION	REV
24	4711700	2	Flatwasher 7/16in Thin	
25	4740397	1	Spacer (Not Shown - Located at Platform)	
26	4751000	2	Flatwasher #10 Regular	
27	4751500	AR	Flatwasher 5/16in Regular	
28	4811900	1	Flatwasher M8	
29	4891600	1	Flatwasher 3/8in Hardened	

SECTION 2 - TURNTABLE

FIGURE 2-33. 4000W GENERATOR INSTALLATION - DEUTZ TD2.9L4 ENGINES



ART_1001171125

SECTION 2 - TURNTABLE

FIGURE 2-33. 4000W GENERATOR INSTALLATION - DEUTZ TD2.9L4 ENGINES

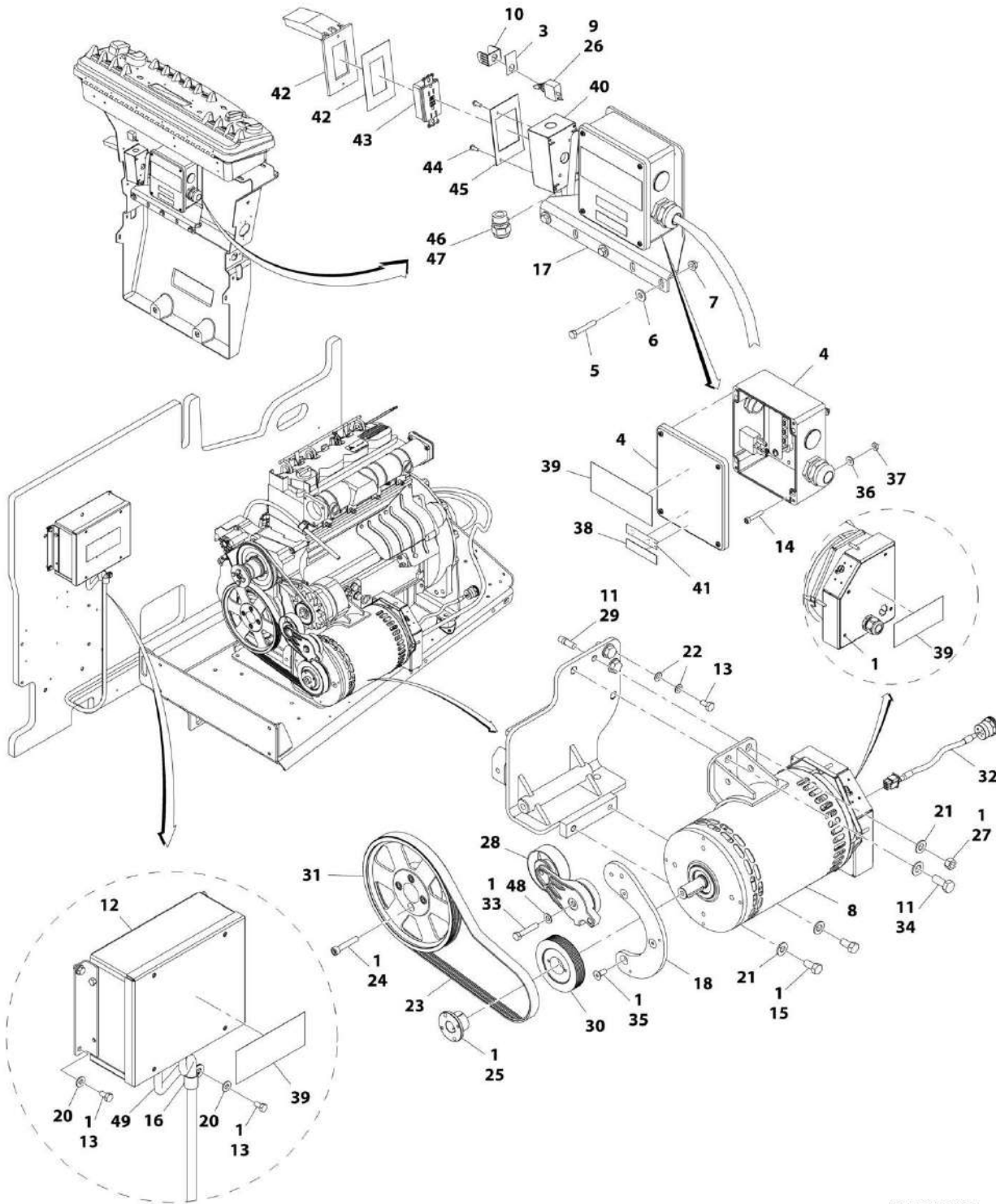
ITEM	PART NUMBER	QTY	DESCRIPTION	REV
		Ref	4000W GENERATOR INSTALLATION - DEUTZ TD2.9L4 ENGINES	
	1001171125	1	4000W/60Hz Generator Installation - Deutz TD2.9L4 Engines	B
	1001180218	1	4000W/50Hz Generator Installation - Deutz TD2.9L4 Engines	D
1	0100011	AR	Compound, Locking	
2	0100019	AR	Compound, Locking	
3	0100048	AR	Grease Dielectric	
4	0100079	AR	Sealant	
5	0641404	6	Bolt 1/4 x 1/2	
6	0641516	3	Bolt 5/16 x 2	
7	0641616	1	Bolt 3/8 x 2	
8	0641808	2	Bolt 1/2 x 1	
9	0741607	3	Screw 3/8 x 7/8	
10	0860038	1	Box, Switch (60Hz)	
11	0902888	1	Bracket, Junction Box (60Hz)	
12	0962520	1	Bushing, Split	
13	1320318	1	Clamp	
14	1705374	1	Decal - 240V (60Hz)	
15	1705387	3	Decal - Hazardous Voltage (60Hz)	
15	1705389	2	Decal - Hazardous Voltage (50Hz)	
16	2820031	0.33 ft /0.1m	Heat Shrink	
17	3251102	1	Nameplate, Generator	
18	3251243	1	Decal - 120V (60Hz)	
19	3311005	4	Nut #10	
20	3311508	3	Nut 5/16	
21	3311801	2	Nut 1/2	
22	3580317	1	Tensioner, Belt with Pulley	
23	3580318	1	Pulley, Generator (60Hz)	
23	3580319	1	Pulley, Generator (50Hz)	
24	3910606	4	Screw 6 x 3/8	
25	3931016	4	Capscrew #10 x 1	
26	3960422	1	Gasket, AC Receptacle (60Hz)	
27	4060802	1	Guard, Switch	
28	4240018	AR	Tie-Strap (Not Shown)	
29	4360336	1	Switch, Toggle	
30	4460071	1	Connector, Strain Relief (60Hz)	
31	4460346	1	Receptacle (60Hz)	
32	4711400	5	Washer 1/4	
33	4711600	1	Washer 3/8	
34	4751000	4	Washer #10	
35	4751500	3	Washer 5/16	
36	4791400	2	Washer 1/4	
37	4891800	4	Washer 1/2	
38	1001140346	1	Generator Assembly (60Hz)	
38	1001140347	1	Generator Assembly (50Hz)	
38	70003709	1	Ring, Retaining (External)	
38	70003708	1	Ring, Retaining (Internal)	
38	70001966	1	Bearing	
38	70004092	1	Endbell (Shaft End)	
38	70004099	1	Key	

SECTION 2 - TURNTABLE

ITEM	PART NUMBER	QTY	DESCRIPTION	REV
38	70004676	1	Rotor	
38	70004687	1	Stator (60Hz)	
38	70004686	1	Stator (50Hz)	
38	70004678	1	Endbell (Rear)	
38	70004679	1	Cover, Endbell (Rear)	
38	70004680	1	Enclosure, Wiring	
38	70004685	1	Cover, Enclosure (60Hz)	
38	70004681	1	Cover, Enclosure (50Hz)	
38	70004682	1	Switch, Reset (Located on Enclosure Cover)	
38	70004098	1	Connector, Strain Relief (60Hz) (Located on Enclosure Cover)	
38	70004683	1	Connector, Strain Relief (50Hz) (Located on Enclosure Cover)	
38	4460224	1	Connector - 6 Position (50Hz) (Located on Enclosure Cover)	
38	4460294	2	Pin, Male (50Hz) (Located on Enclosure Cover)	
39	1001110873	1	Cover, Receptacle (60Hz)	
41	1001152532	1	Harness, Generator	
42	1001138566	1	Control Box Assembly	
42	70006552	1	Capacitor	
42	70006553	1	Relay	
43	1001142643	1	Support, Tensioner	
44	1001142646	1	Belt, Generator (60Hz)	
44	1001142645	1	Belt, Generator (50Hz)	
45	1001152457	1	Junction Box Assembly (60Hz)	
45	3300396	1	Cover, Breaker	
45	4360070	1	Breaker, Circuit - 15Amp	
45	4460425	1	Connector, Strain Relief (LH Side)	
45	4460426	1	Connector, Strain Relief (RH Side)	
46	1001163599	2	Stud	
49	1001153197	1	Generator Harness (Generator Control Box to Engine Harness) (SN 0300183034 through 0300213719)	
49	1001153259	1	Generator Harness (Generator Control Box to Engine Harness) (SN 0300213720 to Present)	
75	1001096070	1	Breaker Box Kit (Not Shown) (50Hz) (See ELECTRICAL SECTION for Breakdown) (SN 0300183034 through 0300214275)	
75	1001165368	1	Breaker Box Kit (Not Shown) (50Hz) (See ELECTRICAL SECTION for Breakdown) (SN 0300214276 to Present)	
76	1001153636	1	Bracket (Used to Attach Item 75) (Not Shown) (50Hz)	

SECTION 2 - TURNTABLE

FIGURE 2-34. 4000W GENERATOR INSTALLATION - DEUTZ D2011 ENGINES



ART_1001139952

SECTION 2 - TURNTABLE

FIGURE 2-34. 4000W GENERATOR INSTALLATION - DEUTZ D2011 ENGINES

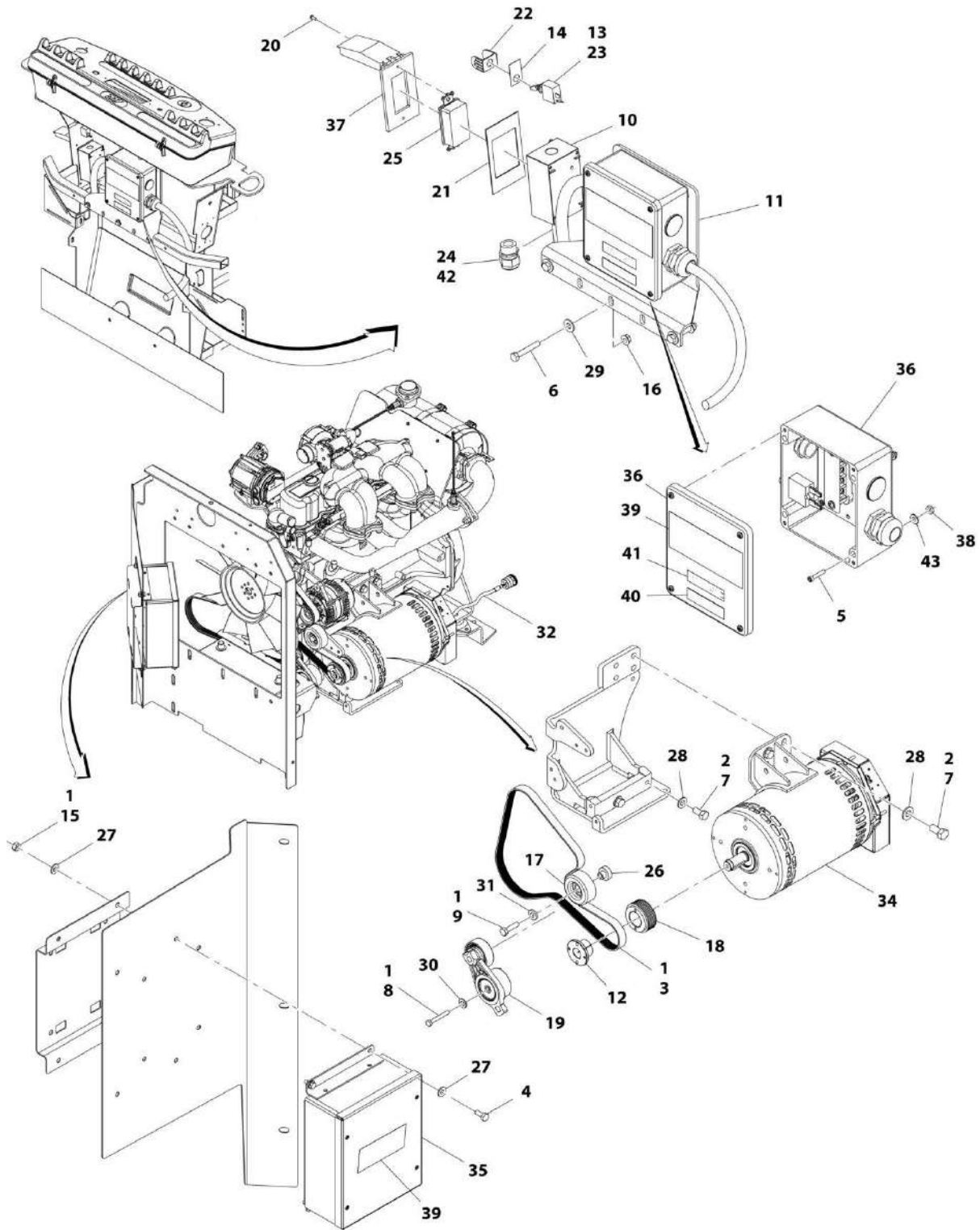
ITEM	PART NUMBER	QTY	DESCRIPTION	REV
		Ref	4000W GENERATOR INSTALLATION - DEUTZ D2011 ENGINES	
	1001139952	Ref	4000W/60Hz Generator Installation - Deutz D2011 Engines	B
	1001139953	Ref	4000W/50Hz Generator Installation - Deutz D2011 Engines (SN 0300183034 through 0300195352)	D
	1001179912	Ref	4000W/50Hz Generator Installation - Deutz D2011 Engines (SN 0300195353 to Present)	E
1	0100011	AR	Compound, Locking	
3	3251102	1	Nameplate - Generator	
4	1001152457	1	Junction Box Assembly (60Hz)	
4	3300396	1	Cover, Breaker	
4	4360070	1	Breaker, Circuit - 15Amp	
4	4460425	1	Connector, Strain Relief (LH Side)	
4	4460426	1	Connector, Strain Relief (RH Side)	
5	0641516	3	Bolt 5/16 x 2	
6	4751500	3	Washer 5/16	
7	3311508	3	Nut 5/16	
8	1001129858	1	Generator Assembly (60Hz)	
8	70003709	1	Ring, Retaining (External)	
8	70003708	1	Ring, Retaining (Internal)	
8	70001966	1	Bearing	
8	70004092	1	Endbell (Shaft End)	
8	70004171	1	Key	
8	70004676	1	Rotor	
8	70004684	1	Stator (60Hz)	
8	70004677	1	Stator (50Hz)	
8	70004678	1	Endbell (Rear)	
8	70004679	1	Cover, Endbell (Rear)	
8	70004680	1	Enclosure, Wiring	
8	70004685	1	Cover, Enclosure (60Hz)	
8	70004681	1	Cover, Enclosure (50Hz)	
8	70004682	1	Switch, Reset (Located on Enclosure Cover)	
8	70004098	1	Connector, Strain Relief (60Hz) (Located on Enclosure Cover)	
8	70004683	1	Connector, Strain Relief (50Hz) (Located on Enclosure Cover)	
8	1001138565	1	Generator Assembly (50Hz)	
9	4360336	1	Switch, Toggle	
10	4060802	1	Guard, Switch	
11	0100019	AR	Compound, Locking	
12	1001138566	1	Control Box Assembly	
12	70006552	1	Capacitor	
12	70006553	1	Relay	
13	0641404	6	Bolt 1/4 x 1/2	
14	3931016	4	Capscrew #10 x 1	
15	0641808	2	Bolt 1/2 x 1	
16	1320318	1	Clamp	
17	0902888	1	Bracket (60Hz)	
18	1001139357	1	Mount, Tensioner	
19	4240018	AR	Tie-Strap (Not Shown)	
20	4711400	5	Washer 1/4	
21	4711800	3	Washer 1/2	
22	4791400	2	Washer 1/4	

SECTION 2 - TURNTABLE

ITEM	PART NUMBER	QTY	DESCRIPTION	REV
23	0480129	1	Belt, Generator (60Hz)	
23	0480126	1	Belt, Generator (50Hz)	
24	4032015	4	Capscrew M10 x 55	
25	0962520	1	Bushing, Split	
26	2820031	0.33 ft /0.1m	Heat Shrink	
27	3311801	1	Nut 1/2	
28	3580317	1	Tensioner, Belt with Pulley	
29	4300157	1	Stud	
30	3580318	1	Pulley, Generator (60Hz)	
30	3580319	1	Pulley, Generator (50Hz)	
31	3580320	1	Pulley, Engine	
32	1001152532	1	Harness, Generator	
33	0641616	1	Bolt 3/8 x 2	
34	0771415	1	Bolt M14 x 35	
35	0741607	3	Screw 3/8 x 7/8	
36	4751000	4	Washer #10	
37	3311005	4	Nut #10	
38	1705374	1	Decal - 240V (60Hz)	
39	1705387	3	Decal - Hazardous Voltage (60Hz)	
39	1705389	1	Decal - Hazardous Voltage (50Hz)	
40	0860038	1	Box, Switch - Weatherhead (60Hz)	
41	3251243	1	Decal - 120V (60Hz)	
42	1001110873	1	Cover, Receptacle (60Hz)	
43	4460346	1	Receptacle (60Hz)	
44	3910606	4	Screw #6 x 3/8	
45	3960422	1	Gasket (60Hz)	
46	0100020	AR	Sealant #567	
47	4460071	1	Connector (60Hz)	
48	4711600	1	Washer 3/8	
49	1001153197	1	Generator Harness (Generator Control Box to Engine Harness)	
61	1001096070	1	Breaker Box Kit (Not Shown) (50Hz) (See ELECTRICAL SECTION for Breakdown) (SN 0300183034 through 0300214275)	
61	1001165368	1	Breaker Box Kit (Not Shown) (50Hz) (See ELECTRICAL SECTION for Breakdown) (SN 0300214276 to Present)	
62	1001153636	1	Bracket (Attaches Item 61) (Not Shown) (50Hz)	

SECTION 2 - TURNTABLE

FIGURE 2-35. 4000W GENERATOR INSTALLATION - GM ENGINES



SECTION 2 - TURNTABLE

FIGURE 2-35. 4000W GENERATOR INSTALLATION - GM ENGINES

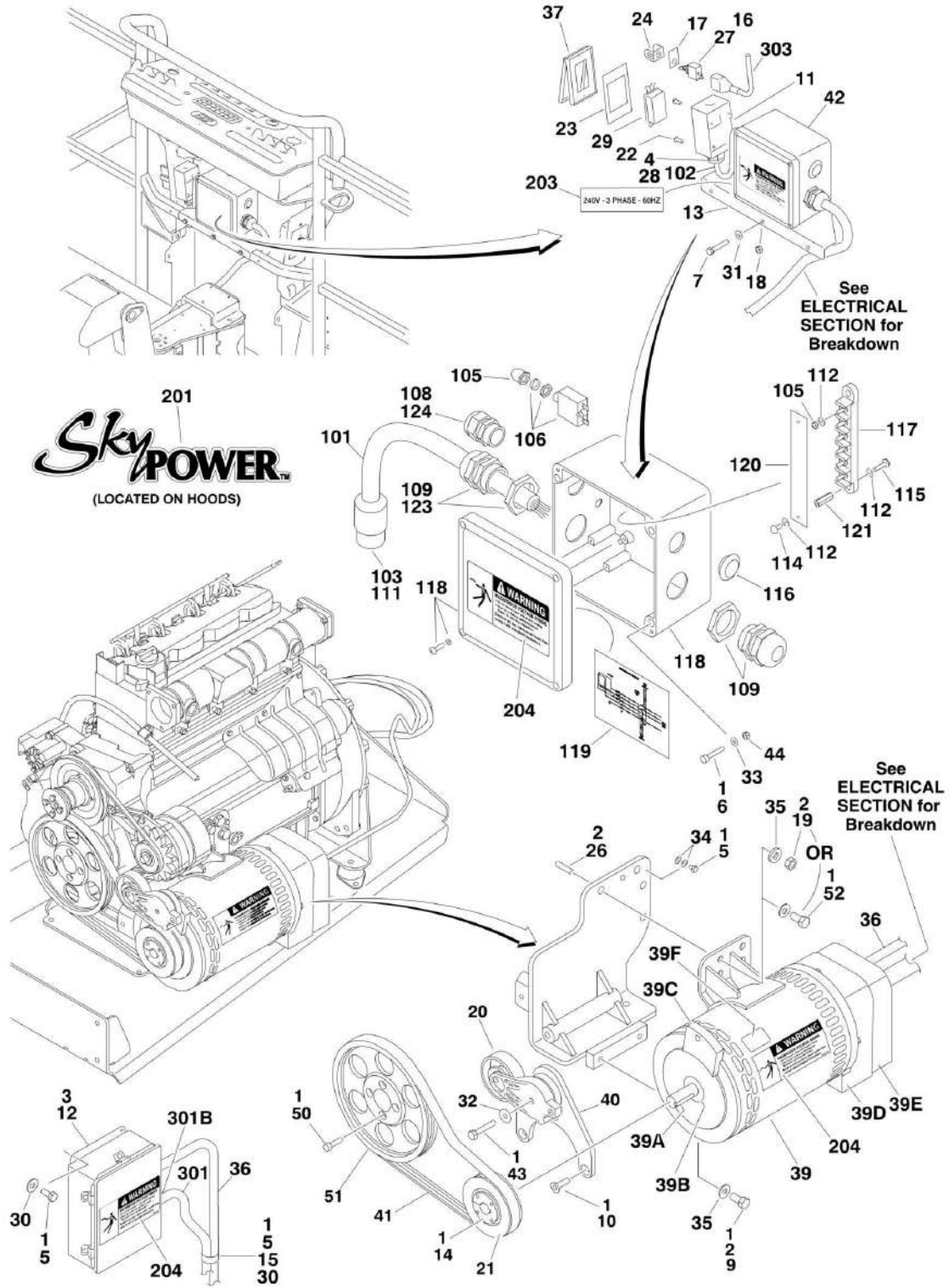
ITEM	PART NUMBER	QTY	DESCRIPTION	REV
	1001139960	Ref	4000W GENERATOR INSTALLATION - GM ENGINES	
1	0100011	AR	Compound, Locking	
2	0100019	AR	Compound, Locking	
3	0480142	1	Belt, Generator	
4	0641405	4	Bolt 1/4 x 5/8	
5	3931016	4	Capscrew #10 x 1	
6	0641516	3	Bolt 5/16 x 2	
7	0641808	4	Bolt 1/2 x 1	
8	0700820	1	Bolt M8 x 60	
9	0701016	1	Bolt M10 x 40	
10	0860038	1	Box, Switch	
11	0902888	1	Bracket, Junction Box	
12	0962520	1	Bushing, Split	
13	2820031	33 ft /10.1m	Heat Shrink	
14	3251102	1	Nameplate, Generator	
15	3311405	4	Nut 1/4	
16	3311508	3	Nut 5/16	
17	3580312	1	Pulley, Idler	
18	3580314	1	Pulley, Drive	
19	3580348	1	Tensioner, Belt with Pulley	
20	3910606	4	Screw #6 x 3/8	
21	3960422	1	Gasket	
22	4060802	1	Guard, Switch	
23	4360336	1	Switch, Toggle	
24	4460071	1	Connector, Strain Relief	
25	4460346	1	Receptacle	
26	4568735	1	Tube, Spacer	
27	4711400	8	Washer 1/4	
28	4711800	4	Washer 1/2	
29	4751500	3	Washer 5/16	
30	4811900	1	Washer M8	
31	4891600	1	Washer 3/8	
32	1001152532	1	Harness, Generator	
34	1001129858	1	Generator Assembly	
34	70003709	1	Ring, Retaining (External)	
34	70003708	1	Ring, Retaining (Internal)	
34	70001966	1	Bearing	
34	70004092	1	Endbell (Shaft End)	
34	70004171	1	Key	
34	70004676	1	Rotor	
34	70004684	1	Stator	
34	70004678	1	Endbell (Rear)	
34	70004679	1	Cover, Endbell (Rear)	
34	70004680	1	Enclosure, Wiring	
34	70004685	1	Cover, Enclosure	
34	70004682	1	Switch, Reset (Located on Enclosure Cover)	
34	70004098	1	Connector, Strain Relief (Located on Enclosure Cover)	
35	1001138566	1	Box, Control	
35	70006552	1	Capacitor	

SECTION 2 - TURNTABLE

ITEM	PART NUMBER	QTY	DESCRIPTION	REV
35	70006553	1	Relay	
36	1001152457	1	Junction Box Assembly	
36	3300396	1	Cover, Breaker	
36	4360070	1	Breaker, Circuit - 15Amp	
36	4460425	1	Connector, Strain Relief (LH Side)	
36	4460426	1	Connector, Strain Relief (RH Side)	
37	1001110873	1	Cover	
38	3311005	4	Nut #10	
39	1705387	3	Decal - Hazardous Voltage	
40	1705374	1	Decal - 240V-60Hz	
41	3251243	1	Decal - 120V-60Hz	
42	0100020	AR	Sealant	
43	4751000	4	Washer #10	

SECTION 2 - TURNTABLE

FIGURE 2-36. 7500W SKYPOWER GENERATOR INSTALLATION - DEUTZ ENGINE MACHINES



SECTION 2 - TURNTABLE

FIGURE 2-36. 7500W SKYPOWER GENERATOR INSTALLATION - DEUTZ ENGINE MACHINES

ITEM	PART NUMBER	QTY	DESCRIPTION	REV
	1001115387	Ref	7500W 60HZ SKYPOWER GENERATOR INSTALLATION - DEUTZ D2011 ENGINE MACHINES	F
	1001115389	Ref	7500W 50HZ SKYPOWER GENERATOR INSTALLATION - DEUTZ D2011 ENGINE MACHINES	E
	1001141421	Ref	7500W 60HZ SKYPOWER GENERATOR INSTALLATION - DEUTZ TD2.9L4 ENGINE MACHINES	F
	1001141422	Ref	7500W 50HZ SKYPOWER GENERATOR INSTALLATION - DEUTZ TD2.9L4 ENGINE MACHINES	F
1	0100011	AR	Compound, Locking	
2	0100062	AR	Compound, Locking	
2	0100019	AR	Compound, Locking	
3	0100048	AR	Compound, Silicone	
4	0100079	AR	Sealant	
5	0641404	6	Bolt 1/4-20 x 1/2	
6	3931016	4	Capscrew 3/8-16 x 1	
7	0641516	3	Bolt 5/16in-18NC x 2in	
9	0641808	2	Bolt 1/2-13 x 1	
10	0741607	3	Screw 3/8-16 x 7/8 (Deutz TD2.9L4 Engines Only)	
11	0860038	1	Box, Switch (60Hz Spec)	
11	See Note	1	Box, Switch (50Hz Spec) (Note: Not Available - Purchase Locally)	
12	0861538	1	Control Box Assembly (60Hz Spec)	
12	0861572	1	Control Box Assembly (50Hz Spec)	
12	7024488	1	Card, Circuit - Generator Power	
12	See Note	1	Fuse (Note: Not Available - Purchase Locally)	
12	70000619	1	Harness, Control Box (Internal)	
12	7024489	1	Card, Circuit - Control	
		Ref	Note: Same Circuit Card (P/N 7024489) is used for both 60Hz & 50Hz Specs. When replacing card, rocker switch on card must be set for required application.	
13	0902888	1	Bracket, Box Mounting	
14	0962520	1	Bushing, Split Taper	
15	1320318	1	Clamp	
16	2820031	1	Insulator	
17	3252764	1	Nameplate	
18	3311505	3	Nut 5/16-18	
19	3311801	AR	Nut 1/2-13	
20	3580317	1	Tensioner, Belt	
21	3580318	1	Pulley (60Hz Specs)	
21	3580319	1	Pulley (50Hz Specs)	
22	3910606	4	Screw #6-32 x 3/8	
23	3960422	1	Gasket (60Hz Specs)	
23	See Note	1	Gasket (50Hz Specs) (Note: Not Available - Purchase Locally)	
24	4060802	1	Guard, Switch	
25	4240018	AR	Tie-Strap (Not Shown)	
26	4300157	AR	Stud (Deutz D2011 Engines)	
26	1001163599	AR	Stud (Deutz TD2.9L4 Engines)	
27	4360336	1	Switch, Toggle	
28	4460071	1	Connector, Strain Relief (60Hz Specs)	
28	See Note	1	Connector, Strain Relief (50Hz Specs) (Note: Not Available - Purchase Locally)	
29	4460346	1	Receptacle, Female (60Hz Specs)	

SECTION 2 - TURNTABLE

ITEM	PART NUMBER	QTY	DESCRIPTION	REV
29	See Note	1	Receptacle, Female (50Hz Specs) (Note: Not Available - Purchase Locally)	
30	4711400	5	Washer 1/4	
31	4711500	6	Washer 5/16	
31	4751500	3	Washer 5/16	
32	4711600	1	Washer 3/8	
33	4751000	4	Washer #10	
34	4791400	2	Washer 1/4	
35	4711800	4	Washer 1/2 (Deutz D2011 Engines)	
35	4891800	4	Washer 1/2 (Deutz TD2.9L4 Engines)	
36	4922925	1	Harness, Generator	
37	1001110873	1	Cover, Receptacle (60Hz Specs)	
37	See Note	1	Cover, Receptacle (50Hz Specs) (Note: Not Available - Purchase Locally)	
39	2460048	1	Generator Assembly (Deutz D2011 Engines)	
39	1001136988	1	Generator Assembly (Deutz TD2.9L4 Engines) (SN 0300183034 through 0300226047)	
39	1001212223	1	Generator Assembly (Deutz TD2.9L4 Engines) (SN 0300226048 to Present)	
39	70001100	1	Rotor (Includes p/n 70001384 & 70000863) (Not Shown)	
39	70001384	1	Bearing, Ball Radial (Not Shown):	
39	70000863	1	Fan (Not Shown)	
39	70002088	1	Stator - 2460048 Generator	
39	70004093	1	Stator - 1001136988 Generator	
39	70006093	1	Stator - 1001212223 Generator	
39	70002297	1	Stud	
39	7024484	NLA	Brushholder Assembly (Not Shown) (Use p/n 70003631)	
39A	7024561	NLA	Key - 2460048 Generator (Use p/n 70004171)	
39A	70004099	1	Key - 1001136988 & 1001212223 Generators	
39B	70001966	1	Bearing, Ball Radial (Located in Belt Tensioner Endbell)	
39B	70003708	1	Ring, Internal Retaining (Located in Belt Tensioner Endbell)	
39B	70003709	1	Ring, External Retaining (Located in Belt Tensioner Endbell)	
39C	70001953	1	Endbell, Belt Tensioner - 2460048 Generator	
39C	70004092	1	Endbell, Belt Tensioner - 1001136988 & 1001212223 Generators	
39D	70001385	NLA	Endbell, Brush Block - 2460048 Generator (was p/n 70004169)	
39D	70004094	1	Endbell, Brush Block - 1001136988 & 1001212223 Generators	
39E	70002290	NLA	Shroud - 2460048 Generator (Use p/n 70004169)	
39E	70004096	1	Shroud - 1001136988 Generator	
39E	70006094	1	Shroud - 1001212223 Generator	
39E	See Note	NSS	Insulator, Endbell - 2460048 Generator (Note: Not Available for Purchase)	
39E	70004097	1	Insulator, Endbell - 1001136988 Generator	
39E	70002291	1	Insulator, Endbell - 1001212223 Generator	
39E	7027799	1	Block, Connector 6 Position (Not Shown)	
39E	70002460	1	Nut, Brass (Attaches p/n 7027799 to Cover) (Not Shown)	
39E		Ref	Breaker, Circuit 30Amp Options (Not Shown):	
39E	7024485	1	Breaker - 2460048 & 1001136988 Generators	
39E	70006095	1	Breaker - 1001212223 Generator	
39E		Ref	Boot, Breaker Options (Not Shown):	
39E	70001696	1	Boot - 2460048 & 1001136988 Generators (was p/n 7024486)	
39E	70006096	1	Boot - 1001212223 Generator	
39E	7026626	1	Connector, 6 Position (Includes Seal) (Not Shown - Plugs into Item 36)	

SECTION 2 - TURNTABLE

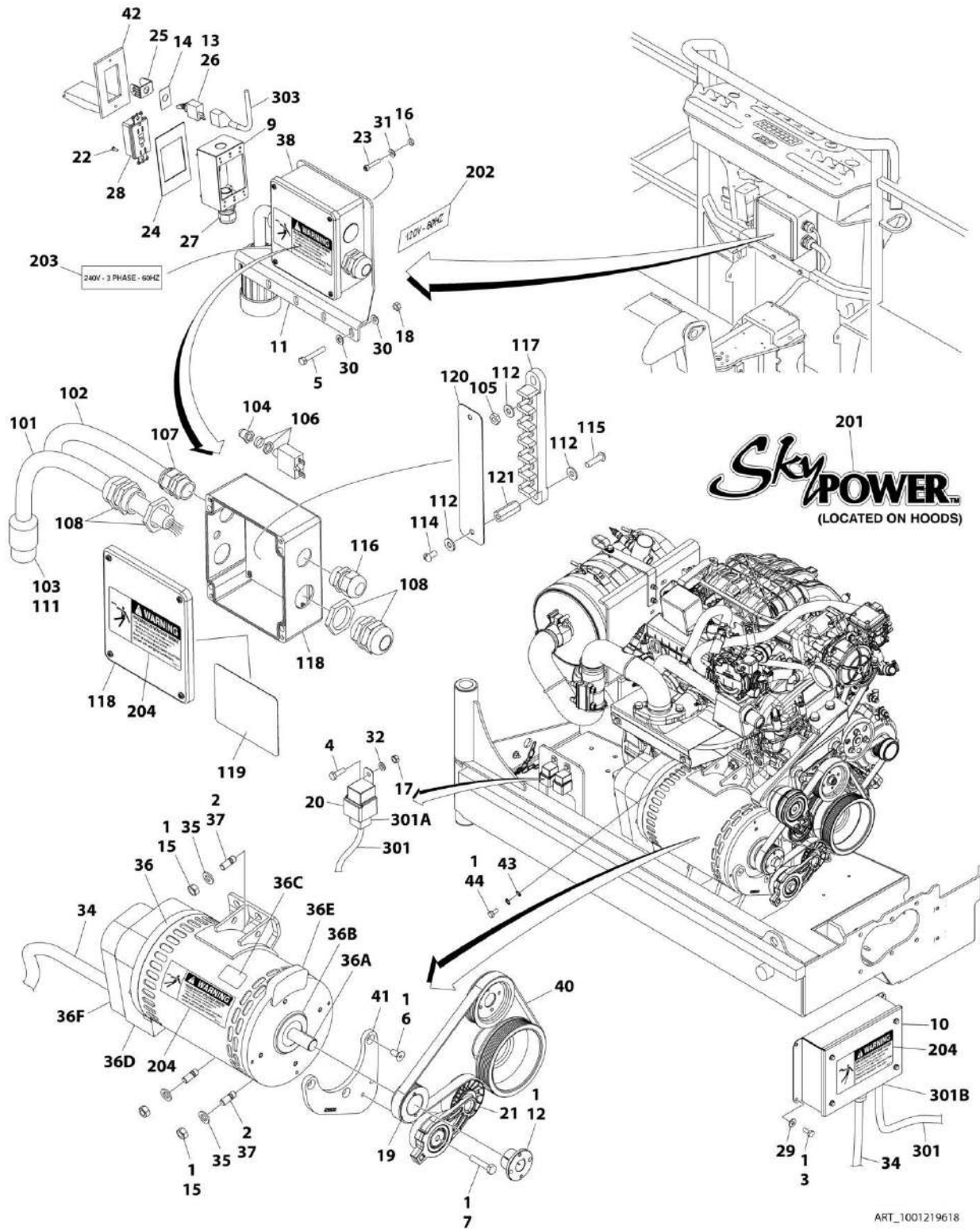
ITEM	PART NUMBER	QTY	DESCRIPTION	REV
39E	7026597	1	Connector, W/Leads (Not Shown)	
39E		Ref	Clamp, Cable (Not Shown)	
39E	7026188	1	Clamp - 2460048 Generator	
39E	70004098	1	Clamp - 1001136988 & 1001212223 Generators	
39E		Ref	Plate, End Panel Options:	
39E	70004169	1	Plate, End Panel - 2460048 Generator	
39E	70004095	1	Plate, End Panel - 1001136988 Generator	
39E	70006097	1	Plate, End Panel - 1001212223 Generator	
39E	70001974	1	Decal - Terminal Connections	
39F	70001973	1	Decal - Warning Moving Parts	
40	1001142643	1	Support (Deutz TD2.9L4 Engines Only)	
41	0480129	1	Belt, Drive (Deutz D2011 Engine with 60Hz Generator)	
41	0480126	1	Belt, Drive (Deutz D2011 Engine with 50Hz Generator)	
41	1001142646	1	Belt, Drive (Deutz TD2.9L4 Engine with 60Hz Generator)	
41	1001142645	1	Belt, Drive (Deutz TD2.9L4 Engine with 50Hz Generator)	
42	1001157592	1	Junction Box Assembly (60Hz Specs) (See Items 101-124 for Breakdown)	
42	1001157525	1	Junction Box Assembly (50Hz Spec) (See Items 101-124 for Breakdown)	
43	0641618	1	Bolt 3/8-16 x 2-1/4 (Deutz D2011 Engines)	
43	0641616	1	Bolt 3/8-16 x 2 (Deutz TD2.9L4 Engines)	
44	3311005	4	Nut #10-24	
50	3931628	4	Capscrew 3/8-16 x 1-3/4 (Deutz TD2.9L4 Engines)	
50	4032015	4	Capscrew M10 x 55 (Deutz D2011 Engines)	
51	3580320	1	Pulley	
52	0771415	1	Bolt M14 x 35mm Grade 10.9 (Deutz D2011 Engine Only)	
	1001157592	Ref	JUNCTION BOX ASSEMBLY (60HZ SPECS)	C
	1001157525	Ref	JUNCTION BOX ASSEMBLY (50HZ SPEC)	B
101	1060343	1.5 ft /.46m	Cable, Electrical 10/4 (60Hz Spec Only)	
102	1060494	2 ft/61cm	Cable, Electrical 12/3 (SN 0300183034 through 0300205491)	
102	1001179154	2.5 ft /.76m	Cable, Electrical 12/3 (SN 0300205492 to Present)	
102	See Note	2 ft /61cm	Cable, Electrical 10/4 (50Hz Spec) (Note: Not Available - Purchase Locally)	
103	1671092	1	Cover (60Hz Spec Only)	
104	3300396	1	Cover, Fuse	
105	3311001	6	Nut #10-24	
106	4360070	1	Circuit Breaker - 15 Amp	
108	4460425	1	Connector, Strain Relief	
109	4460426	2	Connector, Strain Relief	
111	4460963	1	Connector (60Hz Spec Only)	
112	4711000	4	Washer #10	
114	10702077	2	Screw #10-32 x 3/8	
115	10702082	2	Screw #10-32 x 3/4	
116	1001152525	1	Plug	
117	1001157520	1	Block, Terminal	
118	1001157521	1	Box, Junction	
119	1001157528	1	Decal - Wiring Schematic	
120	1001158007	1	Cover, PVC	
121	1001158008	1	Stand-Off	
123	3520189	1	Plug (50Hz Spec Only)	

SECTION 2 - TURNTABLE

ITEM	PART NUMBER	QTY	DESCRIPTION	REV
124	3520192	1	Plug (50Hz Spec Only)	
	0272435	Ref	DECAL INSTALLATION (60HZ SPECS)	D
	0272589	Ref	DECAL INSTALLATION (50HZ SPECS)	A
201	1705460	2	Decal - SkyPower	
202	3251243	1	Decal - 120V - 60Hz (60Hz Spec Only) (Not Shown - Located on Platform Receptacle) (SN 0300222414 to Present)	
203	1705375	1	Decal - 240V - 3 Phase (60Hz Spec)	
203	1705461	1	Decal - 240V - 3 Phase (50Hz Spec)	
204	1705387	3	Decal, Hazardous Voltage(60Hz Spec)	
204	1705489	3	Decal, Hazardous Voltage(50Hz Spec)	
	1001157770	Ref	ELECTRICAL DIAGRAM COMPONENTS (DEUTZ D2011 ENGINES)	A
	1001157769	Ref	ELECTRICAL DIAGRAM COMPONENTS (DEUTZ TD2.9L4 ENGINES)	B
301	1001119968	1	Generator Harness (Deutz D2011 Engines) (See ELECTRICAL SECTION for Breakdown)	C
301	1001152429	1	Generator Harness (Deutz TD2.9L4 Engines) (See ELECTRICAL SECTION for Breakdown)	C
301A	2400060	1	Fuseholder (Includes Fuse and Cap)	
301A	2400064	1	Fuse - 5 Amp (Not Shown)	
301A	1001117078	1	Fuseholder (Includes Fuse and Cap) (Deutz TD2.9L4 Engines) (Not Shown)	
301A	See Note	1	Fuse - 5 Amp (Deutz TD2.9L4 Engines) (Not Shown) (Note: Use 1001117078 Assembly or Purchase Fuse Locally)	
301A	1001096134	1	Cover, Fuseholder (Deutz TD2.9L4 Engines) (Not Shown)	
301B	4460967	1	Plug, Male - 3 Position	
301B	4460465	3	Socket, Female	
303	4922641	1	Switch Harness	

SECTION 2 - TURNTABLE

FIGURE 2-37. 7500W SKYPOWER GENERATOR INSTALLATION - FORD ENGINES



SECTION 2 - TURNTABLE

FIGURE 2-37. 7500W SKYPOWER GENERATOR INSTALLATION - FORD ENGINES

ITEM	PART NUMBER	QTY	DESCRIPTION	REV
	1001219618	Ref	7500W SKYPOWER GENERATOR INSTALLATION - FORD ENGINES	D
		Ref	Note: See ELECTRICAL SECTION for Boom Cable Components.	
1	0100011	AR	Compound, Locking	
2	0100019	AR	Compound, Locking	
3	0641405	4	Bolt 1/4 x 5/8	
4	0760610	2	Bolt M6 x 20	
5	0641516	3	Bolt 5/16 x 2	
6	0741607	3	Screw 3/8 x 7/8	
7	0761018	1	Bolt M10 x 50	
9	0860038	1	Box, Switch	
10	0861538	1	Control Box Assembly	
10	7024488	1	Card, Circuit - Generator Power	
10	See Note	1	Fuse (Note: Not Available - Purchase Locally)	
10	7024489	1	Card, Circuit - Control	
10	70000619	1	Harness, Circuit Card	
11	0902888	1	Bracket, Box Mounting	
12	0962520	1	Bushing, Split Taper	
13	2820031	1	Heat Shrink	
14	3252764	1	Nameplate - AC & Weld	
15	3291201	4	Nut M12	
16	3311005	4	Nut #10	
17	3290601	2	Nut M6	
18	3311505	3	Nut 5/16	
19	3580314	1	Pulley	
20	3740080	2	Relay	
21	3580317	1	Tensioner, Belt	
22	3910606	2	Screw #6 x 3/8	
23	3931016	4	Capscrew #10 x 1	
24	3960422	1	Gasket	
25	4060802	1	Guard, Switch	
26	4360336	1	Switch, Toggle	
27	4460071	1	Connector, Strain Relief	
28	4460346	1	Receptacle	
29	4711400	4	Washer 1/4	
30	4711500	6	Washer 5/16	
31	4751000	4	Washer #10	
32	4811700	2	Washer M6	
34	4922925	1	Harness, Generator	
35	5241200	4	Washer M12	
36	1001136104	1	Generator Assembly	
36	70003631	1	Brushholder Assembly (Not Shown) (was p/n 7024484)	
36	7024485	1	Breaker, Circuit 30Amp (Not Shown)	
36	70001696	1	Boot, Breaker (was p/n 7024486 - Not Shown)	
36	70001966	1	Bearing, Ball Radial (Located In Belt Tensioner Endbell - Not Shown)	
36	7027799	1	Block, Connector 6 Position (Not Shown)	
36	70002460	6	Nut, Brass (Attaches p/n 7027799 to Cover) (Not Shown)	
36	7026188	1	Clamp, Cable (Not Shown)	
36	7026597	1	Connector, W/Leads (Not Shown)	

SECTION 2 - TURNTABLE

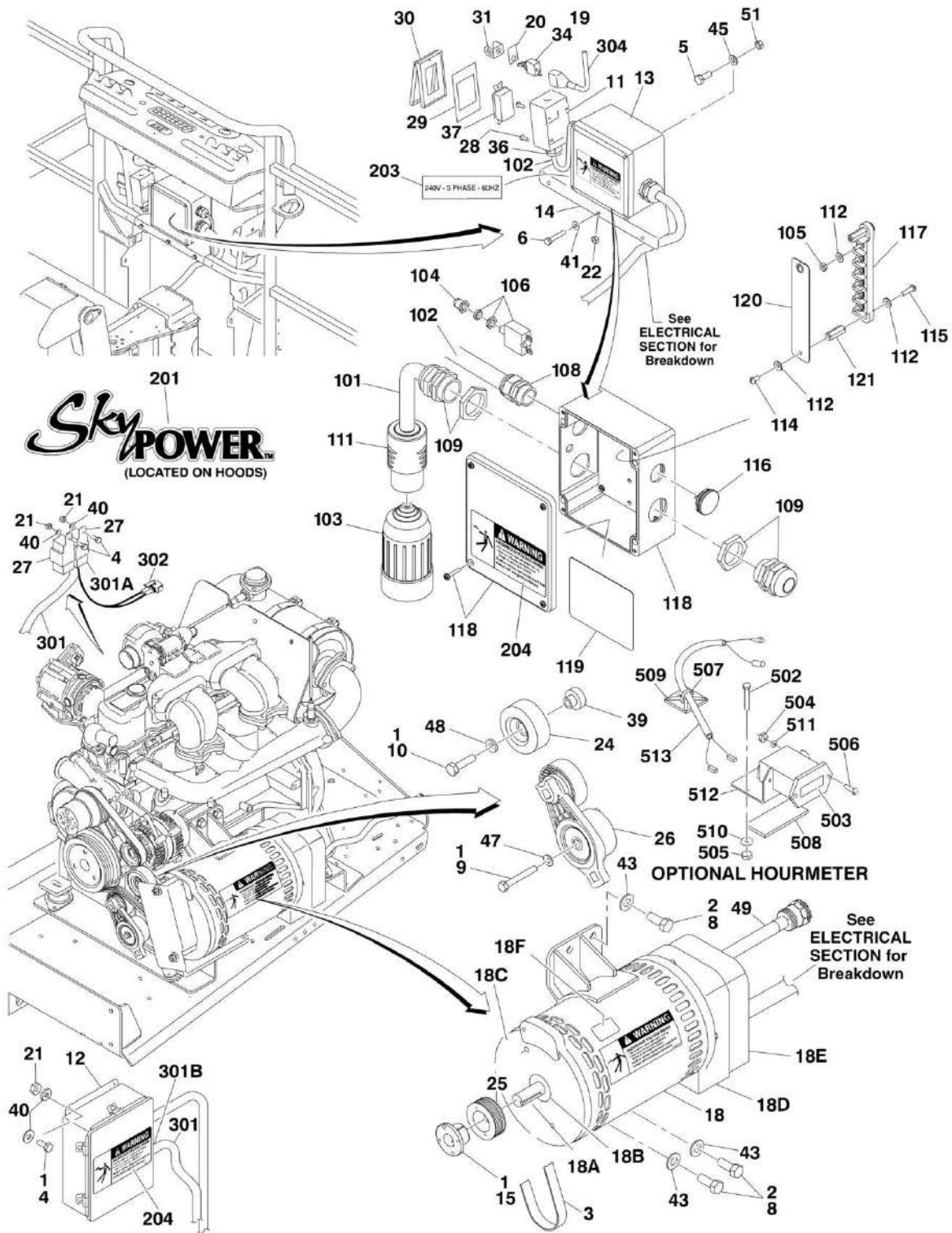
ITEM	PART NUMBER	QTY	DESCRIPTION	REV
36	7026626	1	Connector - 6 Position with Seal (Not Shown)	
36	70002088	1	Stator (Not Shown)	
36	70004169	1	Panel, End (Not Shown) (was p/n 70002255)	
36	70001974	1	Decal - Terminal Connections (Not Shown)	
36	70000863	1	Fan (Not Shown)	
36	70002297	4	Stud (Not Shown)	
36A	70004171	1	Key (was p/n 7024561)	
36A	70001100	1	Armature, Generator (Includes Radial Ball Bearing on End with Brushes and Fan)	
36A	70001384	1	Bearing, Ball Radial	
36B	70001966	1	Bearing, Radial Ball	
36B	70003708	1	Ring, Internal Retaining (Located in Belt Tensioner Endbell)	
36B	70003709	1	Ring, External Retaining (Located in Belt Tensioner Endbell)	
36C	70001973	1	Decal - Warning Moving Parts	
36D	70004169	1	Endbell, Brush Block (was p/n 70001385)	
36E	70001953	1	Endbell, Belt Tensioner	
36F	70004169	1	Endbell, Shroud Assembly (was p/n 70002290)	
37	1001196382	4	Stud	
38	1001157592	1	Junction Box Assembly (See Items 101-121 for Breakdown)	
40	1001216390	1	V-Belt	
41	1001218930	1	Mount, Tensioner	
42	1001110873	1	Cover, Receptacle	
43	4871700	2	Washer M6	
44	0760606	1	Bolt M6 x 12	
	1001157592	Ref	JUNCTION BOX ASSEMBLY	C
101	1060343	1.5 ft /0.46m	Cable, Electrical - 10/4 (60Hz Only)	
102	1001179154	2.5 ft /0.76m	Cable Electrical - 12/3	
103	1671092	1	Cover, Connector	
104	3300396	1	Cover, Fuse	
105	3311001	6	Nut #10	
106	4360070	1	Breaker, Circuit 15Amp	
107	4460425	1	Connector, Strain Relief	
108	4460426	2	Connector, Strain Relief	
111	4460963	1	Receptacle	
112	4711000	10	Washer #10	
114	10702077	2	Screw #10 x 3/8	
115	10702082	2	Screw #10 x 3/4	
116	1001152525	1	Plug, Hole	
117	1001157520	1	Block, Terminal Pole	
118	1001157521	1	Box, Junction	
119	1001157528	1	Decal - Box Junction	
120	1001158007	1	Cover	
121	1001158008	2	Standoff	
	0272435	Ref	DECAL INSTALLATION	D
201	1705460	2	Decal - SkyPower	
202	3251243	1	Decal - 120V - 60Hz (60Hz Spec Only) (Located on Opposite Side)	
203	1705375	1	Decal - 240V - 3 Phase	
204	1705387	3	Decal, Hazardous Voltage	
	1001221498	Ref	ELECTRICAL DIAGRAM COMPONENTS	A
301	1001221208	1	Generator Harness	A

SECTION 2 - TURNTABLE

ITEM	PART NUMBER	QTY	DESCRIPTION	REV
301A	4460374	2	Plug, Sealed Relay	
301A	4460375	8	Terminal	
301B	4460967	1	Plug, Male - 3 Position	
301B	4460465	3	Socket, Female	
301C	2400060	2	Fuseholder (Not Shown)	
301C	2400064	2	Fuse - 5 Amp (Not Shown)	
301D	4460742	1	Plug, Male - 2 Position (Not Shown)	
301D	4460743	2	Socket, Female (Not Shown)	
303	4922641	1	Switch Harness	

SECTION 2 - TURNTABLE

FIGURE 2-38. 7500W SKYPOWER GENERATOR INSTALLATION - GM MACHINES



SECTION 2 - TURNTABLE

FIGURE 2-38. 7500W SKYPOWER GENERATOR INSTALLATION - GM MACHINES

ITEM	PART NUMBER	QTY	DESCRIPTION	REV
		Ref	Note: Only Available on USA Built Machines.	
	0275257	Ref	7500W SKYPOWER GENERATOR INSTALLATION	G
		Ref	Note: See ELECTRICAL SECTION for Boom Cable Installation.	
1	0100011	AR	Compound, Locking	
2	0100019	AR	Compound, Locking	
3	0480142	1	Belt, Generator	
4	0641405	6	Bolt 1/4-20 x 5/8	
5	3931016	4	Bolt #10 x 1	
6	0641516	3	Bolt 5/16-18 x 2	
8	0641808	4	Bolt 1/2-13 x 1	
9	0700820	1	Bolt M8 x 60	
10	0701016	1	Bolt M10 x 40	
11	0860038	1	Box, Switch	
12	0861538	1	Control Box Assembly	
12	7024488	1	Card, Circuit - Generator Power	
12	See Note	1	Fuse (Note: Not Available - Purchase Locally)	
12	7024489	1	Card, Circuit - Control	
12	70000619	1	Harness, Control Box (Internal)	
13	1001157592	1	Junction Box Assembly (See Items 101-121 for Breakdown)	
14	0902888	1	Bracket, Box Mounting	
15	0962520	1	Bushing, Split Taper	
18	2460048	1	Generator Assembly	
18	70001100	1	Rotor (Includes p/n 70001384 & 70000863) (Not Shown)	
18	70001384	1	Bearing, Ball Radial (Not Shown)	
18	70000863	1	Fan (Not Shown)	
18	70002088	1	Stator (Not Shown)	
18	70002297	1	Stud (Not Shown)	
18	7024484	1	Brushholder Assembly (Not Shown) (Use p/n 70003631)	
18A	7024561	1	Key (Use p/n 70004171)	
18B	70001966	1	Bearing, Shaft (Front)	
18C	70001953	1	Endbell (Front)	
18D	70001385	1	Endbell, Brush Block (Use p/n 70004169)	
18E	70002290	1	Shroud (Use p/n 70004169)	
18E	7027799	1	Block, Connection - 6 Position (Not Shown)	
18E	7026626	1	Connector with Seal - 6 Position (Not Shown)	
18E	70002460	6	Nut, Brass (Attaches p/n 7027799 to Cover) (Not Shown)	
18E	7024485	1	Breaker, Circuit 30Amp (Not Shown)	
18E	70001696	1	Boot, Breaker (Not Shown)	
18E	7026597	1	Connector, W/Lead (Not Shown)	
18E	7026188	1	Connector, Clamp (Not Shown)	
18E	70002255	1	Plate, End Panel (Use p/n 70004169)	
18E	70001974	1	Decal - Terminal Connections (Not Shown)	
18F	70001973	1	Decal - Warning Moving Parts	
19	2820031	1	Insulator	
20	3252764	1	Nameplate	
21	3311405	6	Nut 1/4-20	
22	3311505	3	Nut 5/16-18	
24	3580312	1	Pulley, Idler	
25	3580314	1	Pulley, Drive Grooved	
26	3580348	1	Tensioner, Belt with Pulley	

SECTION 2 - TURNTABLE

ITEM	PART NUMBER	QTY	DESCRIPTION	REV
27	3740080	2	Relay	
28	3910606	4	Screw #6-32 x 3/8	
29	3960422	1	Gasket	
30	1001110873	1	Cover, Receptacle	
31	4060802	1	Guard, Switch	
34	4360336	1	Switch, Toggle	
36	4460071	1	Connector, Strain Relief	
37	4460346	1	Receptacle	
39	4568735	1	Tube, Spacer Pulley Grooved	
40	4711400	10	Washer 1/4	
41	4711500	6	Washer 5/16	
43	4711800	4	Washer 1/2	
45	4751000	4	Washer #10	
47	4811900	1	Washer M8	
48	4891600	1	Washer 3/8	
49	4922925	1	Harness, Generator	
51	3311005	4	Nut #10	
	1001157592	Ref	JUNCTION BOX ASSEMBLY	C
101	1060343	1.5 ft /.46m	Cable, Electrical - 1014 (60Hz Only)	
102	1060494	2 ft /.6m	Cable, Electrical - 12/3 (SN 0300183034 through 0300205491)	
102	1001179154	2.5 ft /.76m	Cable, Electrical - 12/3 (SN 0300205492 to Present)	
103	1671092	1	Cover, Connector	
104	3300396	1	Cover, Fuse	
105	3311001	6	Nut #10	
106	4360070	1	Breaker, Circuit 15 AMP	
108	4460425	1	Connector, Strain Relief	
109	4460426	2	Connector, Strain Relief	
111	4460963	1	Receptacle	
112	4711000	10	Washer #10	
114	10702077	2	Screw #10 x 3/8	
115	10702082	2	Screw #10 x 3/4	
116	1001152525	1	Plug, Hole	
117	1001157520	1	Block, Terminal Pole	
118	1001157521	1	Box, Junction	
119	1001157528	1	Decal - Box Junction	
120	1001158007	1	Cover	
121	1001158008	2	Standoff	
	0272435	Ref	DECAL INSTALLATION	D
201	1705460	2	Decal - SkyPower	
202	1705374	1	Decal - 240V - 60Hz (SN 0300183034 through 0300202003)	
202	3251243	1	Decal - 120V - 60Hz (Located on Opposite Side) (SN 0300222414 to Present)	
203	1705375	1	Decal - 240V - 3 Phase	
204	1705387	3	Decal, Hazardous Voltage	
	4933349	Ref	ELECTRICAL DIAGRAM COMPONENTS	A
301	4923420	1	Generator Harness	A
301A	4460374	2	Plug, Sealed Relay	
301A	4460375	8	Terminal	
301B	4460967	1	Plug, Male - 3 Position	
301B	4460465	3	Socket, Female	

SECTION 2 - TURNTABLE

ITEM	PART NUMBER	QTY	DESCRIPTION	REV
301C	2400060	2	Fuseholder (Not Shown)	
301C	2400064	2	Fuse - 5 Amp (Not Shown)	
302	4460742	1	Connector - 2 Position	
302	4460743	2	Socket, Female	
302	4460458	2	Seal	
304	4922641	1	Switch Harness	
	1001094475	Ref	HOURMETER INSTALLATION (OPTIONAL)	D
502	0720808	2	Screw #8-32 x 1	
503	2420165	1	Hourmeter	
504	3310601	2	Nut #6-32	
505	3310805	2	Nut #8-32	
506	3910608	2	Screw #6-32 x 1/2	
507	4240032	4	Tie-Strap	
508	4420060	3 in/7cm	Tape, Double-Sided	
509	4460234	3	Mount, Tie-Strap	
510	4750800	2	Washer #8	
511	4760600	2	Washer #6	
512	1001094375	1	Bracket, Hourmeter	
513	1001094509	1	Harness, Hourmeter	
514	4460018	1	Connector, Butt Splice (Not Shown)	

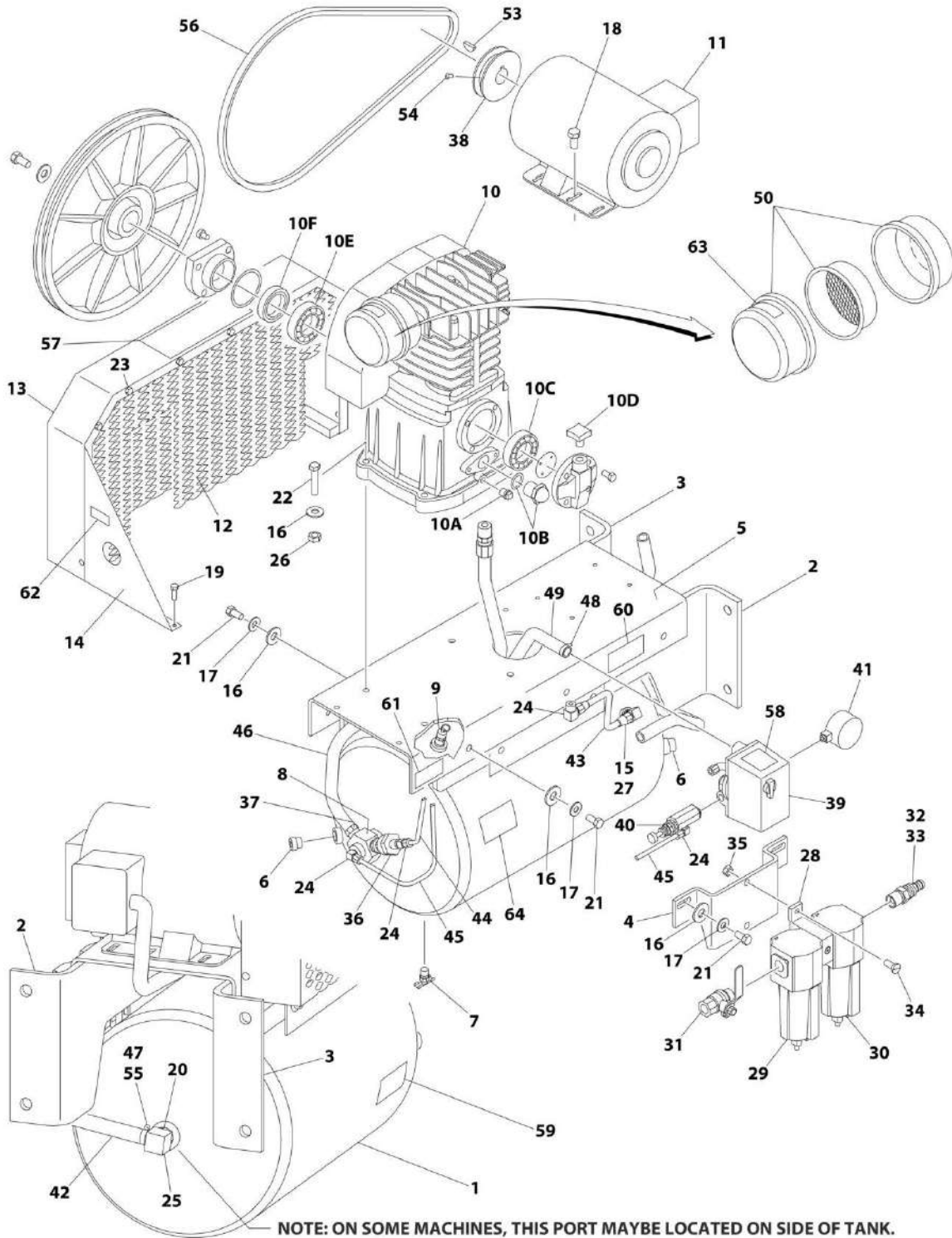
SECTION 2 - TURNTABLE

FIGURE 2-39. SKYAIR AIR COMPRESSOR INSTALLATION

ITEM	PART NUMBER	QTY	DESCRIPTION	REV
		Ref	SKYAIR AIR COMPRESSOR INSTALLATION	
	0274031	Ref	SkyAir Air Compressor Installation (Deutz D2011 & GM Engines)	D
	1001144438	Ref	SkyAir Air Compressor Installation (Deutz TD2.9L4 Engines)	B
		Ref	Note: ANSI, ANSI Export and CSA Specs Only.	
		Ref	Note: 60Hz Machines Only.	
1	0100011	AR	Compound, Locking	
2	0100019	AR	Compound, Locking	
3	0100020	AR	Sealant	
4	0641405	4	Bolt 1/4 x 5/8	
5	0641410	2	Bolt 1/4 x 1-1/4	
7	0641810	4	Bolt 1/2 x 1-1/4	
8	0861642	1	Control Box Assembly	
8A	4460633	3	Connector, Strain Relief	
8B	70002948	AR	Cable, Electrical - 12/4 (13ft/4m)	
8C	70002948	AR	Cable, Electrical - 12/4 (30in/76cm)	
9	0903088	2	Bracket, Generator Box	
10	2220252	1	Fitting, Adapter NPT	
11	2220750	1	Fitting	
12	2221037	1	Fitting, Barbed	
13	2720545	1	Hose, Air	
14	3300454	4	Nut, Tinnerman 1/4	
15	3311405	AR	Nut 1/4	
16	3311605	3	Nut 3/8	
17	3575874	1	Bracket, Module	
18	3600386	1	Air Compressor Assembly (See AIR COMPRESSOR ASSEMBLY for Breakdown)	
19	3720021	1	Filter/Regulator Assembly	
19	7027781	1	Service Kit (Includes Gaskets and Seals)	
19	7027782	1	Filter	
19	7027784	1	Gauge	
19	7027783	1	Valve, Drain	
20	3931424	AR	Capscrew 1/4 x 1-1/2	
20	0641409	AR	Bolt 1/4 x 1-1/8	
21	4711400	AR	Washer 1/4	
22	4711600	4	Washer 3/8	
23	4751800	4	Washer 1/2	
25	1001110425	AR	Spacer	
26		Ref	Bracket, Control Box	
26A	4340747	1	Bracket (Deutz D2011 and GM Engines)	
26B	1001144447	1	Bracket (Deutz TD2.9L4 Engines)	
27	0641606	1	Bolt 3/8 x 3/4 (Not Shown)	
28	8406201	1	Clip (Not Shown)	
29	0641609	3	Bolt 3/8 x 1-1/8	
	0273687	Ref	DECAL INSTALLATION	A
101	1705836	1	Decal - Hazard Voltage	
102	1705837	1	Decal - Air Compressor	
103	1705886	2	Decal - SkyAir	

SECTION 2 - TURNTABLE

FIGURE 2-40. AIR COMPRESSOR ASSEMBLY



ART_3600386

SECTION 2 - TURNTABLE

FIGURE 2-40. AIR COMPRESSOR ASSEMBLY

ITEM	PART NUMBER	QTY	DESCRIPTION	REV
	3600386	Ref	AIR COMPRESSOR ASSEMBLY	B
1	7026632	1	Tank	
2	See Note	1	Bracket, Mounting (Note: Not Available for Purchase)	
3	See Note	1	Bracket, Mounting (Note: Not Available for Purchase)	
4	See Note	1	Bracket, Regulator Mounting (Note: Not Available for Purchase)	
5	See Note	1	Deck (Note: Not Available for Purchase)	
6	See Note	2	Plug (Note: Not Available for Purchase)	
7	7026633	1	Valve, Drain	
8	7026634	1	Valve, Check	
9	7026635	1	Valve, Safety	
10	7026636	1	Pump Assembly	
10	7026659	1	Gasket and Seal Kit	
10A	7026651	1	Plug, Oil Drain	
10B	7026652	1	Gauge, Oil Sight	
10C	7026653	1	Bearing	
10D	7026654	1	Cap, Oil Fill	
10E	7026655	1	Bearing	
10F	7026656	1	Seal	
11	7026637	1	Motor Assembly	
11	See Note	1	Brush Kit (Note: Not Available for Purchase)	
12	See Note	1	Screen, Inner (Note: Not Available for Purchase)	
13	See Note	1	Guard, Belt (Note: Not Available for Purchase)	
14	See Note	2	Support (Note: Not Available for Purchase)	
15	See Note	1	Bushing (Note: Not Available for Purchase)	
16	4751600	18	Washer 3/8	
17	4761600	10	Washer 3/8	
18	0641506	4	Bolt 5/16 x 3/4	
19	0641406	8	Bolt 1/4 x 3/4	
20	See Note	1	Bushing (Note: Not Available for Purchase)	
21	0641610	10	Bolt 3/8 x 1-1/4	
22	0641616	4	Bolt 3/8 x 2	
23	See Note	10	Bolt 1/4 x 1/2 (Note: Not Available for Purchase)	
24	See Note	4	Fitting (Note: Not Available for Purchase)	
25	See Note	1	Fitting, Barbed (Note: Not Available for Purchase)	
26	3311605	4	Nut 3/8	
27	See Note	1	Fitting, Compression (Note: Not Available for Purchase)	
28	See Note	1	Bracket, Mounting (Note: Not Available for Purchase)	
29	7026660	1	Filter, Oil Removal	
30	7026661	1	Filter, Water Removal	
31	70001663	1	Valve, Ball Shut-Off	
32	See Note	1	Bushing (Note: Not Available for Purchase)	
33	See Note	1	Fitting, Barbed (Note: Not Available for Purchase)	
34	See Note	2	Screw 1/4 x 1 (Note: Not Available for Purchase)	
35	3311405	2	Nut 1/4	
36	See Note	1	Unloader (Note: Not Available for Purchase)	
37	See Note	1	Fitting (Note: Not Available for Purchase)	
38	See Note	1	Pulley (Note: Not Available for Purchase)	
39	7026638	1	Switch, Pressure	
40	7026639	1	Valve, Pilot	
41	7026640	1	Gauge	

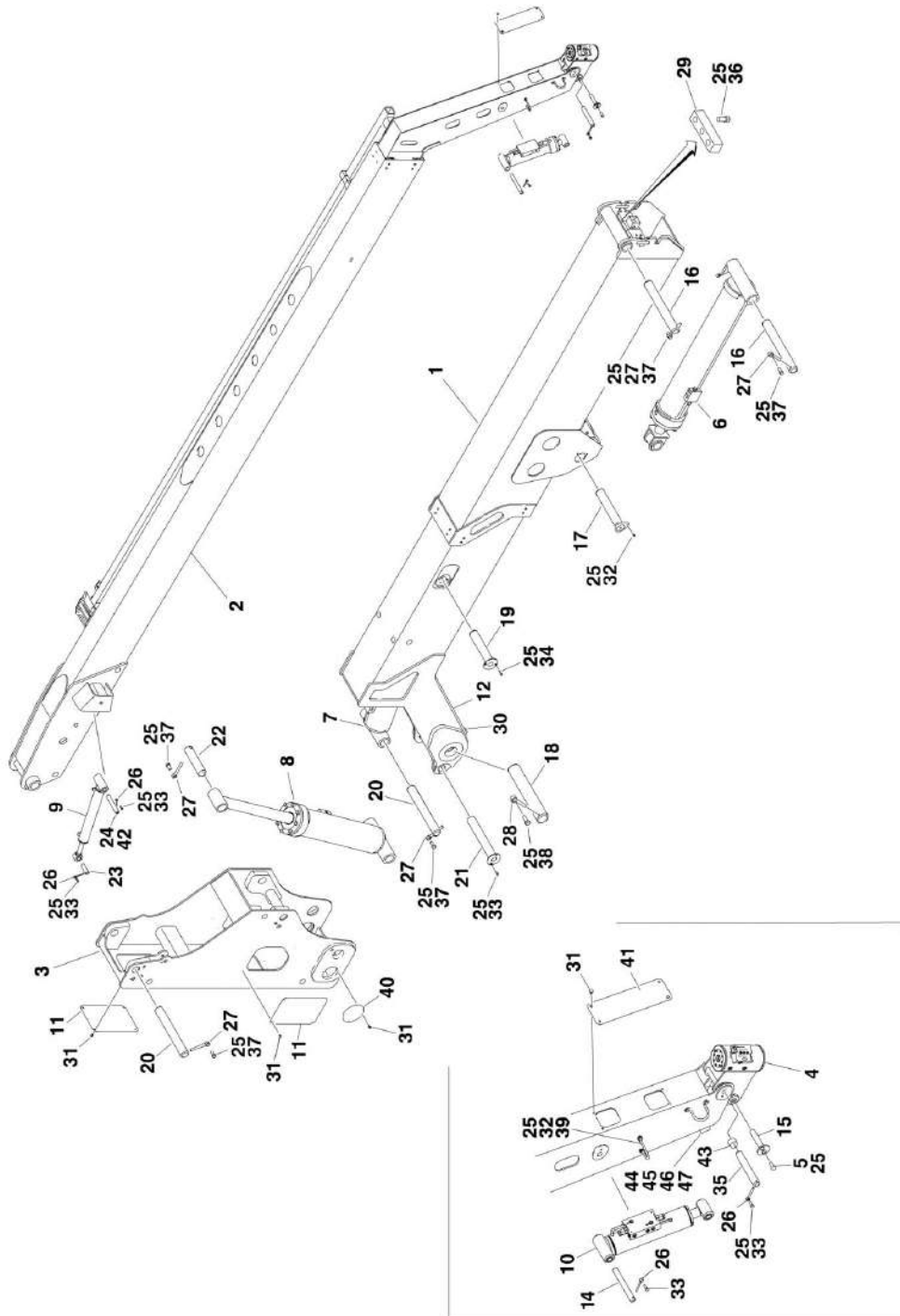
SECTION 2 - TURNTABLE

ITEM	PART NUMBER	QTY	DESCRIPTION	REV
42	See Note	1	Hose (Note: Not Available for Purchase)	
43	See Note	1	Tube, Feed (Note: Not Available for Purchase)	
44	See Note	1	Tube (Note: Not Available for Purchase)	
45	See Note	1	Tube (Note: Not Available for Purchase)	
46	See Note	1	Aftercooler (Note: Not Available for Purchase)	
47	See Note	2	Clamp (Note: Not Available for Purchase)	
48	See Note	2	Clamp (Note: Not Available for Purchase)	
49	See Note	1	Harness, Wiring (Note: Not Available for Purchase)	
50	7026658	1	Filter Assembly	
50	7026641	1	Element, Filter	
51	See Note	23 oz	Oil, Compressor (Note: Not Available for Purchase)	
52	0100020	AR	Sealant	
53	See Note	1	Key (Note: Not Available for Purchase)	
54	See Note	2	Setscrew (Note: Not Available for Purchase)	
55	See Note	2	Cover, Clamp End (Note: Not Available for Purchase)	
56	7026642	1	Belt	
57	7026643	1	Decal - Unit Warning	
58	7026644	1	Decal - Pressure Switch Warning	
59	7026645	1	Decal - Drain Tank Warning	
60	7026646	1	Decal - Compressor Maintenance	
61	7026647	1	Decal - Initial Oil Fill	
62	7026648	1	Decal - Hot Surfaces Warning	
63	7026649	1	Decal - Paper Element Cleaning	
64	7026650	1	Decal - Dual Control	

SECTION 3 - BOOM

SECTION 3 - BOOM

FIGURE 3-1. BOOM AND CYLINDER INSTALLATION - 800A



SECTION 3 - BOOM

FIGURE 3-1. BOOM AND CYLINDER INSTALLATION - 800A

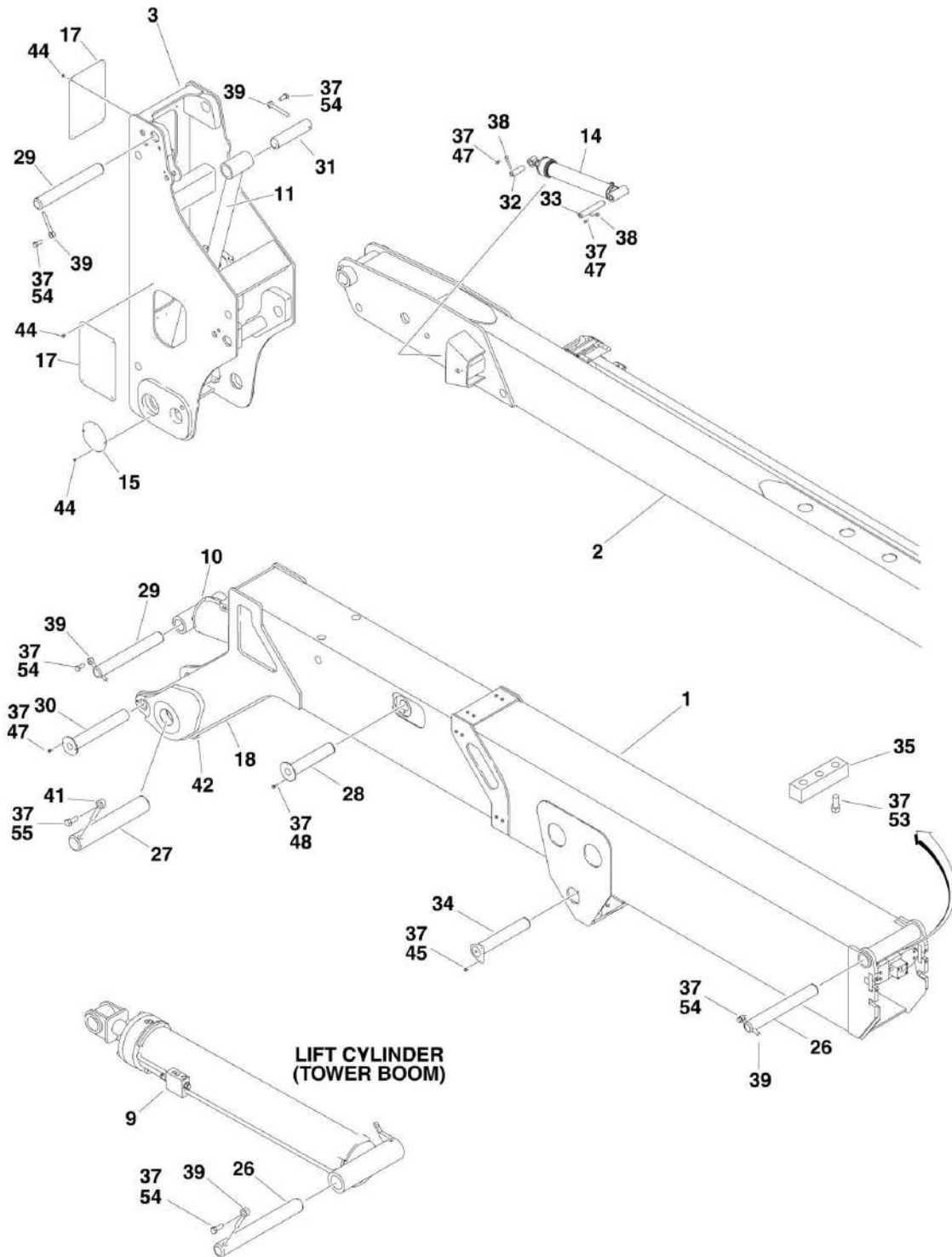
ITEM	PART NUMBER	QTY	DESCRIPTION	REV
		Ref	BOOMS AND CYLINDERS INSTALLATION - 800A	
	0272381	Ref	Booms and Cylinders Installation - 800A (SN 0300183034 through 0300192720)	H
	1001170987	Ref	Booms and Cylinders Installation - 800A (SN 0300192720 to Present)	H
1	0801132	1	Boom Assembly - Tower (See TOWER BOOM ASSEMBLY for Breakdown)	
2	0801135	1	Boom Assembly - Main (See MAIN BOOM ASSEMBLIES for Breakdown)	
3	4845593	1	Upright	
4		Ref	Rotator Actuator Assembly Options: (See ROTATOR ASSEMBLY for Breakdown)	
4	0060069	NLA	Rotator Actuator Assembly (Use p/n 1001170989) (SN 0300183034 through 0300192720)	
4	1001170989	1	Rotator Actuator Assembly (SN 0300192720 through 0300201336)	
4	1001181059	1	Rotator Actuator Assembly (SN 0300201337 to Present)	
5	0741607	1	Screw 3/8-16 x 7/8	
6	1683537	NLA	Tower Boom Lift Cylinder Assembly (Use p/n 1001228009) (See CYLINDER SECTION for Breakdown) (SN 0300183034 through 0300239885)	
6	1001228009	1	Tower Boom Lift Cylinder Assembly (See CYLINDER SECTION for Breakdown) (SN 0300239886 to Present)	
7	1684497	NLA	Upright Level (Slave) Cylinder Assembly (Use p/n 1001228041) (See CYLINDER SECTION for Breakdown) (SN 0300183034 through 0300239885)	
7	1001228041	1	Upright Level (Slave) Cylinder Assembly (See CYLINDER SECTION for Breakdown) (SN 0300239886 to Present)	
8	1683547	NLA	Main Boom Lift Cylinder Assembly (Use p/n 1001228010) (See CYLINDER SECTION for Breakdown) (SN 0300183034 through 0300239885)	
8	1001228010	1	Main Boom Lift Cylinder Assembly (See CYLINDER SECTION for Breakdown) (SN 0300239886 to Present)	
9	1683608	NLA	Master Cylinder Assembly (Use p/n 1001228011) (See CYLINDER SECTION for Breakdown) (SN 0300183034 through 0300245050)	
9	1001228011	1	Master Cylinder Assembly (See CYLINDER SECTION for Breakdown) (SN 0300245051 to Present)	
10	1684408	NLA	Platform Level (Slave) Cylinder Assembly (Use p/n 1001228033) (See CYLINDER SECTION for Breakdown) (SN 0300183034 through 0300245050)	
10	1001228033	1	Platform Level (Slave) Cylinder Assembly (See CYLINDER SECTION for Breakdown) (SN 0300245051 to Present)	
11	1670844	4	Cover, Upright	
12	1670850	1	Cover, Tower Fly	
14	3422578	1	Pin	
15	3422580	1	Pin	
16	3422681	2	Pin	
17	3422729	1	Pin	
18	3422683	1	Pin	
19	3422684	1	Pin	
20	3422685	2	Pin	
21	3422686	1	Pin	
22	3422687	1	Pin	

SECTION 3 - BOOM

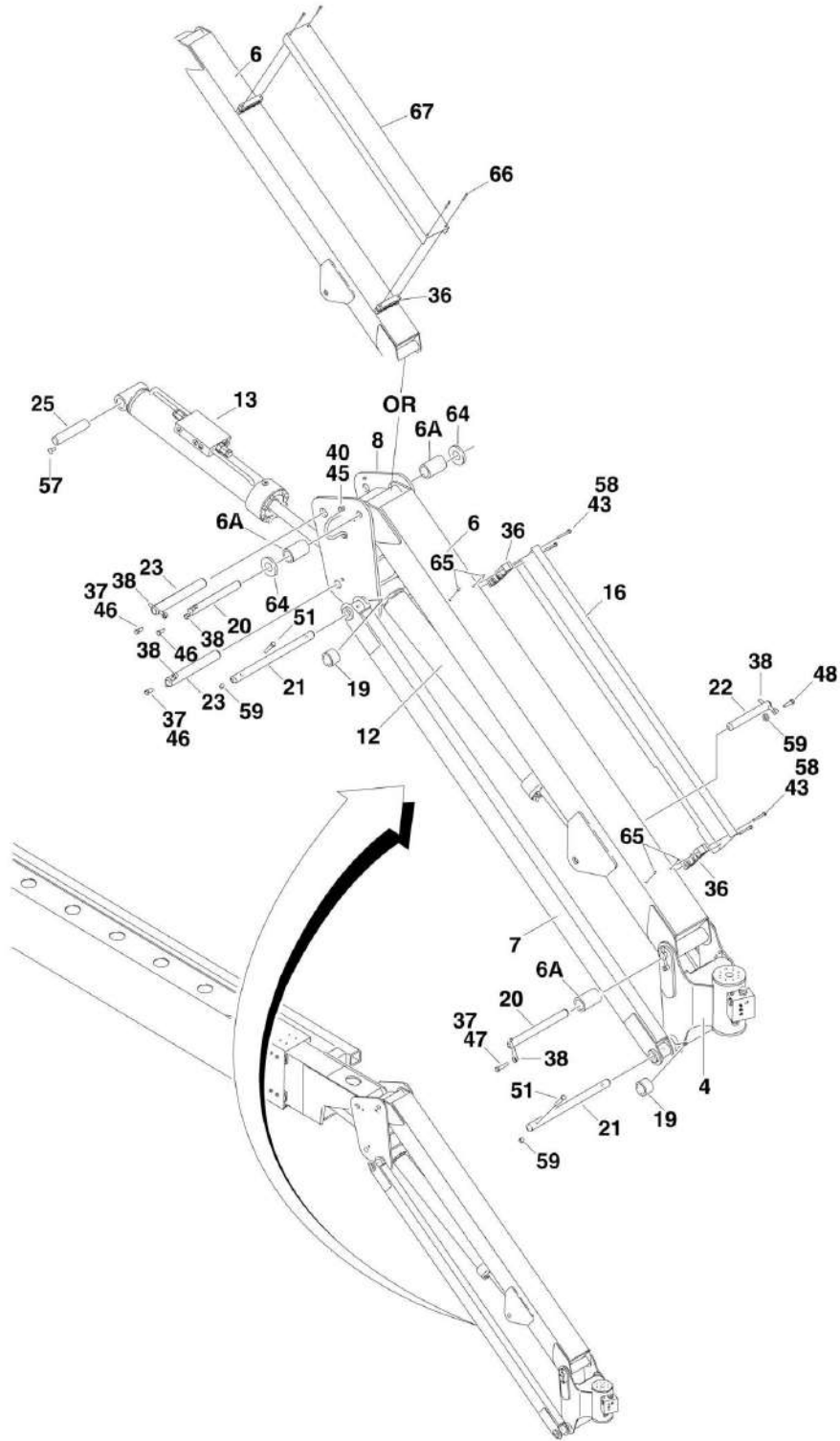
ITEM	PART NUMBER	QTY	DESCRIPTION	REV
23	3422688	1	Pin	
24	3422689	1	Pin	
25	0100011	AR	Compound, Locking	
26	3841143	4	Keeper, Pin	
27	3841287	5	Keeper, Pin	
28	3841356	1	Keeper, Pin	
29	3340835	1	Pad, Rest	
30	0641404	4	Bolt 1/4-20 x 1/2	
31	0641604	28	Bolt 3/8-16 x 1/2	
32	0641606	6	Bolt 3/8-16 x 3/4	
33	0641608	6	Bolt 3/8-16 x 1	
34	0641611	2	Bolt 3/8-16 x 1-3/8	
35	3422582	1	Pin	
36	0641820	3	Bolt 1/2-13 x 2-1/2	
36	0641840	3	Bolt 1/2-13 x 5	
37	0642214	5	Bolt 3/4-10 x 1-3/4	
38	0642620	1	Bolt 1-8 x 2-1/2	
39	3841340	2	Rod, Hose Loop	
40	1120510	2	Cover, Upright	
41	1670864	1	Cover, Fly Hose	
42	3900239	1	Setscrew 3/8-16 x 1/2	
43	0961951	2	Bearing	
44	0641516	1	Bolt 5/16-18 x 2	
45	1320159	1	Clamp	
46	4711500	1	Washer 5/16	
47	3311505	1	Nut 5/16-18	
48	1001213705	1	Plug (Not Shown - Located on T/T near item 16 Pin) (SN 0300216163 to Present)	

SECTION 3 - BOOM

FIGURE 3-2. BOOM AND CYLINDER INSTALLATION - 800AJ



SECTION 3 - BOOM



SECTION 3 - BOOM

FIGURE 3-2. BOOM AND CYLINDER INSTALLATION - 800AJ

ITEM	PART NUMBER	QTY	DESCRIPTION	REV
	0272131	Ref	BOOMS AND CYLINDERS INSTALLATION WITHOUT ARCTIC PACKAGE (SN 0300183034 through 0300194139)	N
	1001170448	Ref	BOOMS AND CYLINDERS INSTALLATION WITHOUT ARCTIC PACKAGE (SN 0300194140 to Present)	L
	1001138790	Ref	BOOMS AND CYLINDERS INSTALLATION WITH ARCTIC PACKAGE (SN 0300183034 through 0300194139)	E
	1001170449	Ref	BOOMS AND CYLINDERS INSTALLATION WITH ARCTIC PACKAGE (SN 0300194140 to Present)	L
1	0801132	1	Boom Assembly -Tower (See TOWER BOOM ASSEMBLY for Breakdown)	
2	1001149286	1	Boom Assembly - Main (See MAIN BOOM ASSEMBLY for Breakdown)	
3	4845593	1	Upright	
4		Ref	Rotator Actuator Assembly Options: (See ROTATOR ASSEMBLY for Breakdown)	
4	0060066	NLA	Rotator Actuator Assembly (Use p/n 1001157220) (SN 0300183034 through 0300194139)	
4	1001157220	1	Rotator Actuator Assembly (SN 0300194140 through 0300201336)	
4	1001178256	NLA	Rotator Actuator Assembly (Use p/n 1001217780) (SN 0300201337 through 0300234279)	
4	1001217780	1	Rotator Actuator Assembly (SN 0300234280 to Present)	
6	4844816	1	Tube, Jib (Top)	
6A	0962335	4	Bearing	
7	4844817	2	Tube, Jib (Bottom)	
8	4845716	1	Pivot (SN 0300183034 through 0300194139)	
8	1001170548	1	Pivot (SN 0300194140 to Present)	
9	1683537	NLA	Tower Boom Lift Cylinder Assembly (Use p/n 1001228009) (See CYLINDER SECTION for Breakdown) (SN 0300183034 through 0300239885)	
9	1001228009	1	Tower Boom Lift Cylinder Assembly (See CYLINDER SECTION for Breakdown) (SN 0300239886 to Present)	
10	1684497	NLA	Upright Level (Slave) Cylinder Assembly (Use p/n 1001228041) (See CYLINDER SECTION for Breakdown) (SN 0300183034 through 0300239885)	
10	1001228041	1	Upright Level (Slave) Cylinder Assembly (See CYLINDER SECTION for Breakdown) (SN 0300239886 to Present)	
11	1683547	NLA	Main Boom Lift Cylinder Assembly (Use p/n 1001228010) (See CYLINDER SECTION for Breakdown) (SN 0300183034 through 0300239885)	
11	1001228010	1	Main Boom Lift Cylinder Assembly (See CYLINDER SECTION for Breakdown) (SN 0300239886 to Present)	
12		Ref	Jib Lift Cylinder Assembly Options (See CYLINDER SECTION for Breakdown):	
12	1683609	NLA	Jib Lift Cylinder Assembly (Machines without Arctic Package) (Use p/n 1001248012) (See CYLINDER SECTION for Breakdown) (SN 0300183034 through 0300245050)	
12	1001138792	NLA	Jib Lift Cylinder Assembly (Machines with Arctic Package) (Use p/n 1001248012) (See CYLINDER SECTION for Breakdown) (SN 0300183034 through 0300245050)	
12	1001228012	NLA	Jib Lift Cylinder Assembly (All Machines) (Usage May Vary) (Use p/n 1001248012) (SN 0300245051 through 0300245146)	
12	1001248012	1	Jib Lift Cylinder Assembly (All Machines) (Usage May Vary) (See CYLINDER SECTION for Breakdown) (SN 0300245051 through 0300245146)	

SECTION 3 - BOOM

ITEM	PART NUMBER	QTY	DESCRIPTION	REV
12	1001248012	1	Jib Lift Cylinder Assembly (All Machines) (See CYLINDER SECTION for Breakdown) (SN 0300245147 to Present)	
13	1684228	NLA	Jib Level (Slave) Cylinder Assembly (Machines without Arctic Package) (Use pn 101228030)(See CYLINDER SECTION for Breakdown) (SN 0300183034 through 0300240878)	
13	1001138791	NLA	Jib Level (Slave) Cylinder Assembly (Machines with Arctic Package) (Use pn 101228030) (See CYLINDER SECTION for Breakdown) (SN 0300183034 through 0300240878)	
13	1001228030	1	Jib Level (Slave) Cylinder Assembly (See CYLINDER SECTION for Breakdown) (SN 0300240879 to Present)	
14	1683682	NLA	Master Cylinder Assembly (Use p/n 1001228050) (Machines without Arctic Package) (See CYLINDER SECTION for Breakdown) (SN 0300183034 through 0300243317)	
14	1001228050	1	Master Cylinder Assembly (Machines without Arctic Package) (See CYLINDER SECTION for Breakdown) (SN 0300243318 to Present)	
14	1001138793	NLA	Master Cylinder Assembly (Use p/n 1001228050) (Machines with Arctic Package) (See CYLINDER SECTION for Breakdown) (SN 0300183034 through 0300243317)	
14	1001228050	1	Master Cylinder Assembly (Machines with Arctic Package) (See CYLINDER SECTION for Breakdown) (SN 0300243318 to Present)	
15	1120510	2	Cover, Upright	
16	1670769	1	Cover, Cable (SN 0300183034 through 0300194139)	
17	1670844	4	Cover, Upright	
18	1670850	1	Cover, Tower Fly	
19	0961947	6	Bearing	
20	3422860	2	Pin	
21	3422861	2	Pin	
22	3422867	1	Pin	
23	3422561	2	Pin	
25	3422583	1	Pin	
26	3422681	2	Pin	
27	3422683	1	Pin	
28	3422684	1	Pin	
29	3422685	2	Pin	
30	3422686	1	Pin	
31	3422687	1	Pin	
32	3422688	1	Pin	
33	3422689	1	Pin	
34	3422729	1	Pin	
35	3340835	1	Pad, Rest	
36		Ref	Clamp, Block Options:	
36	0561237	2	Clamp, Block (SN 0300183034 through 0300194139)	
36	1001165350	2	Clamp, Block (SN 0300194140 to Present)	
37	0100011	AR	Compound, Locking	
38	3841143	7	Keeper, Pin	
39	3841287	5	Keeper, Pin	
40	3841340	1	Rod, Hose Loop	
41	3841356	1	Keeper, Pin	
42	0641404	4	Bolt 1/4-20 x 1/2	
43	0641416	4	Bolt 1/4-20 x 2	
44	0641604	24	Bolt 3/8-16 x 1/2	
45	0641606	4	Bolt 3/8-16 x 3/4	

SECTION 3 - BOOM

ITEM	PART NUMBER	QTY	DESCRIPTION	REV
46	0641607	3	Bolt 3/8-16 x 7/8	
47	0641608	5	Bolt 3/8-16 x 1	
48	0641611	3	Bolt 3/8-16 x 1-3/8	
51	0641618	4	Bolt 3/8-16 x 2-1/4	
53	0641820	3	Bolt 1/2-13 x 2-1/2	
53	0641840	3	Bolt 1/2-13 x 5	
54	0642214	5	Bolt 3/4-10 x 1-3/4	
55	0642620	1	Bolt 1-8 x 2-1/2	
57	0741607	1	Screw 3/8-16 x 7/8	
58	2080044	4	Rivnut 1/4-20	
59	3311605	5	Nut 3/8-16	
64	4740439	2	Washer, Thrust	
65	3520034	AR	Plug	
66	0641424	4	Bolt 1/4-20 x 3	
67	1671034	1	Cover, Jib	
68	1001213705	1	Plug (Not Shown - Located on T/T near item 26 Pin) (SN 0300216163 to Present)	

SECTION 3 - BOOM

FIGURE 3-3. TOWER BOOM ASSEMBLY

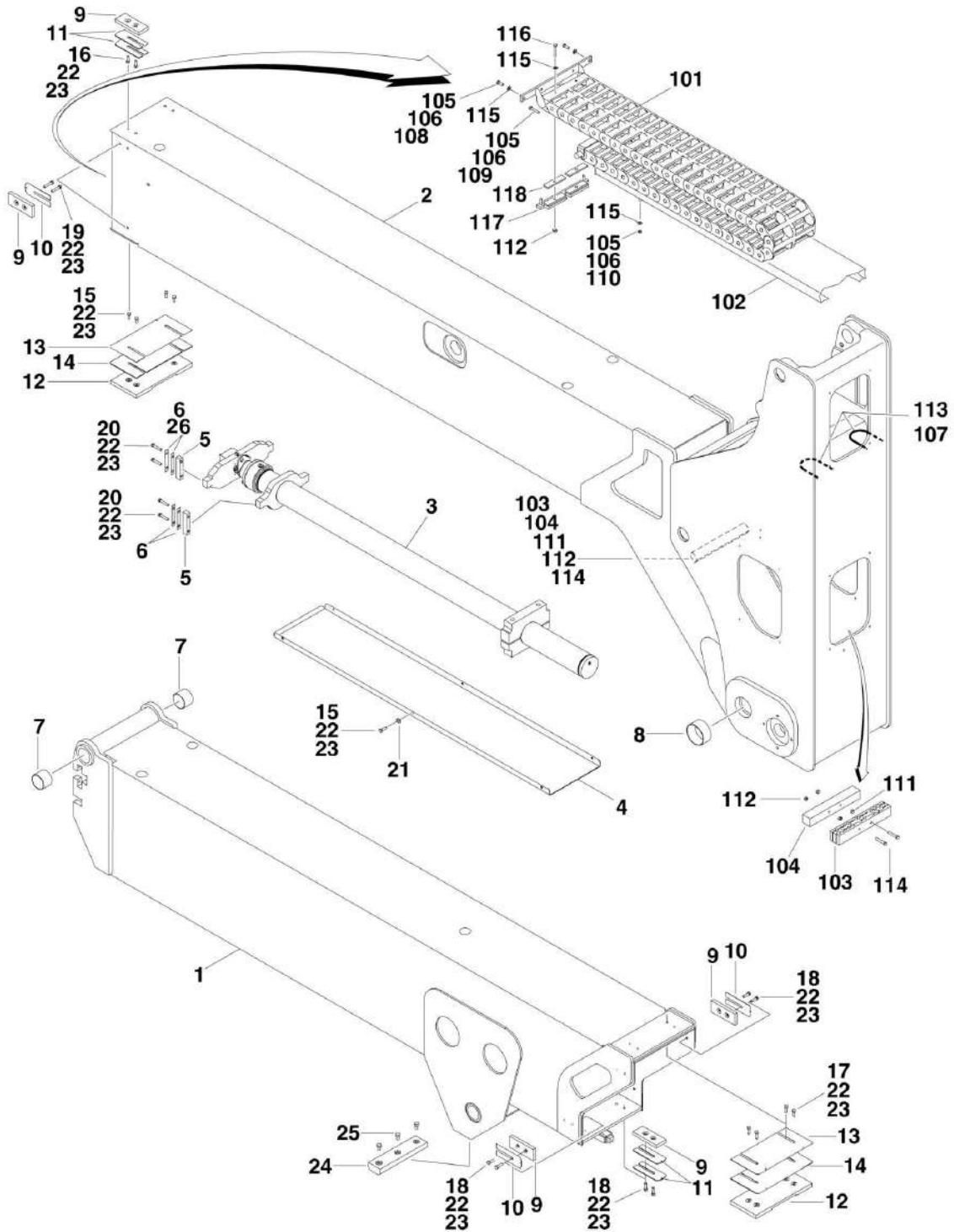


FIGURE 3-3. TOWER BOOM ASSEMBLY

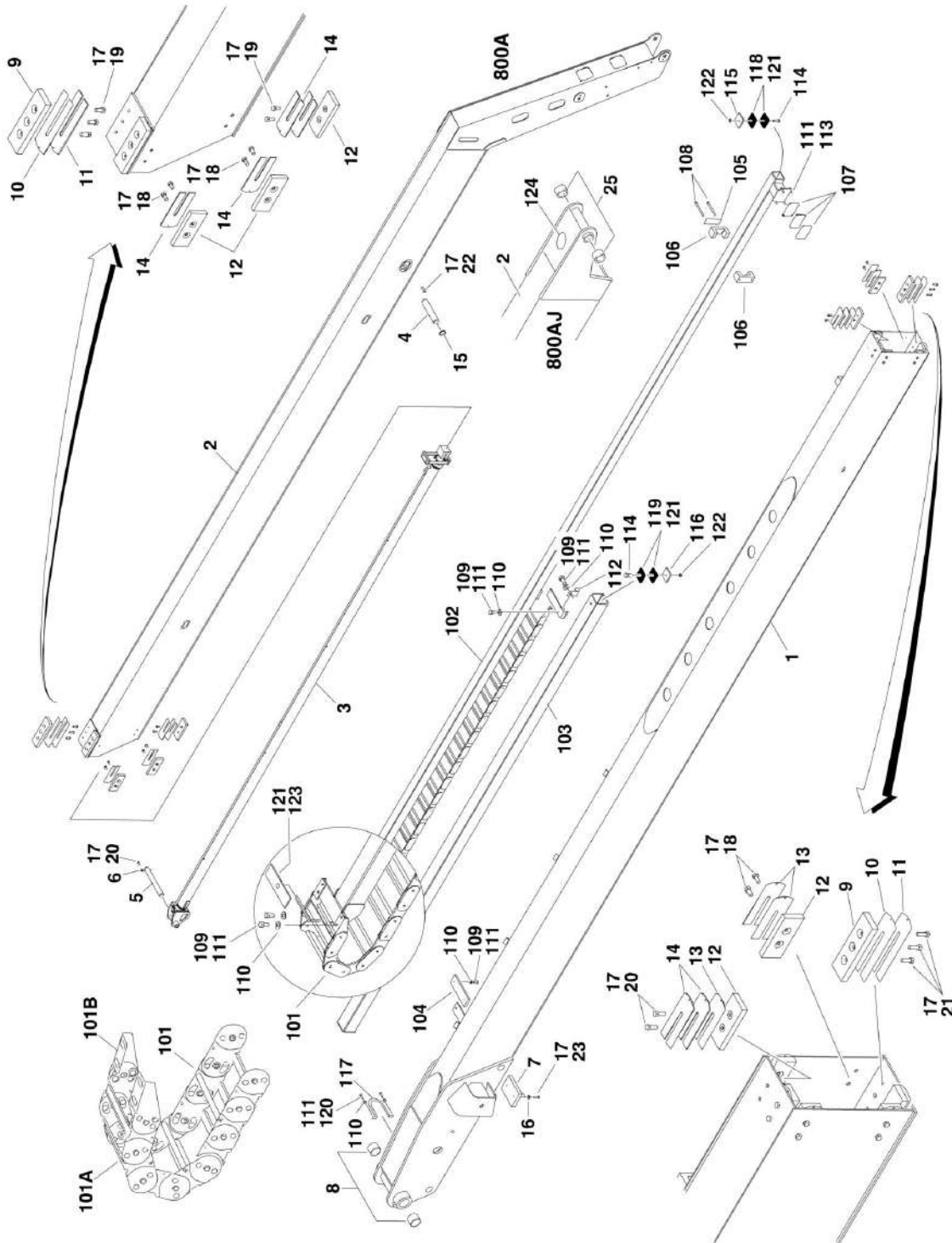
ITEM	PART NUMBER	QTY	DESCRIPTION	REV
	0801132	Ref	TOWER BOOM ASSEMBLY	H
1	0801594	1	Base, Boom	
2	0801496	1	Fly, Boom	
3	1683606	1	Tower Telescope Cylinder Assembly (See CYLINDER SECTION for Breakdown) (SN 0300183034 through 0300200669)	
3	1001188840	NLA	Tower Telescope Cylinder Assembly (Use p/n 1001228086) (See CYLINDER SECTION for Breakdown) (SN 0300200670 through 0300243317)	
3	1001228086	1	Tower Telescope Cylinder Assembly (See CYLINDER SECTION for Breakdown) (SN 0300243318 to Present)	
4	4340706	1	Support	
5	0561185	4	Block, Attach	
6	4070929	8	Shim 1/16	
7	0962102	2	Bushing	
8	0962122	2	Bushing	
9	3340881	12	Pad, Wear	
10	4070897	8	Shim .05	
11	4070898	8	Shim .12	
12	3340828	2	Pad, Wear	
13	4070967	2	Shim .05	
14	4070968	2	Shim .12	
15	0641607	10	Bolt 3/8-16 x 7/8	
16	0641608	4	Bolt 3/8-16 x 1	
17	0641609	4	Bolt 3/8-16 x 1-1/8	
18	0641610	12	Bolt 3/8-16 x 1-1/4	
19	0641615	8	Bolt 3/8-16 x 1-7/8	
20	0641616	8	Bolt 3/8-16 x 2in	
21	4711600	6	Washer 3/8	
22	0100011	AR	Compound, Locking	
23	0100038	AR	Primer, Locking	
24	3340835	1	Pad, Boom Rest	
25	0641806	3	Bolt 1/2-13 x 3/4	
26	4071007	4	Shim 20Ga	
		Ref	POWER TRACK INSTALLATION WITHOUT ARCTIC PACKAGE	
	0257764	Ref	Power Track Installation without Arctic Package (SN 0300183034 through 0300194139)	I
	1001171203	Ref	Power Track Installation without Arctic Package (SN 0300194140 to Present)	D
		Ref	POWER TRACK INSTALLATION WITH ARCTIC PACKAGE	
	1001094661	Ref	Power Track Installation without Arctic Package (SN 0300183034 through 0300194139)	C
	1001171202	Ref	Power Track Installation without Arctic Package (SN 0300194140 to Present)	C
101	1180346	1	Track, Power	
101	7020064	1	Bracket, End (Moving)	
101	7020065	1	Bracket, End (Fixed)	
101	7020066	1	Section, Repair	
101	7020067	1	Link, Repair	
102	4845680	1	Tube, Hose	
103		Ref	Clamp, Block Options: (Without Arctic Package)	
103	1320251	2	Clamp, Block (SN 0300183034 through 0300194139)	

SECTION 3 - BOOM

ITEM	PART NUMBER	QTY	DESCRIPTION	REV
103	1001172179	2	Clamp, Block (SN 0300194140 to Present)	
103		Ref	Clamp, Block Options: (With Arctic Package)	
103	1001094662	2	Clamp, Block (SN 0300183034 through 0300194139)	
103	1001172179	2	Clamp, Block (SN 0300194140 to Present)	
104	1320250	2	Bar, Clamp	
105	0100011	AR	Compound, Locking	
106	0100038	AR	Primer, Locking	
107	0641605	AR	Bolt 3/8-16 x 5/8	
108	0641606	2	Bolt 3/8-16 x 3/4	
109	0641622	2	Bolt 3/8-16 x 2-3/4	
110	3311601	4	Nut 3/8-16	
111	3311602	4	Nut 3/8-16	
112	3311605	6	Nut 3/8-16	
113	3841340	AR	Rod, Hose Loop	
114	3900262	4	Bolt 3/8-16 x 4-3/4	
115	4711600	AR	Washer 3/8	
116	0641624	2	Bolt 3/8-16 x 3	
117	0259420	1	Clamp Assembly	
117	3340859	2	Pad, Rubber	
118	3340859	2	Pad, Rubber	

SECTION 3 - BOOM

FIGURE 3-4. MAIN BOOM ASSEMBLY



SECTION 3 - BOOM

FIGURE 3-4. MAIN BOOM ASSEMBLY

ITEM	PART NUMBER	QTY	DESCRIPTION	REV
	0801135	Ref	MAIN BOOM ASSEMBLY - 800A	L
	1001149286	Ref	MAIN BOOM ASSEMBLY - 800AJ	C
1	0801585	1	Base, Boom (800A)	
1	0801591	1	Base, Boom (800AJ)	
2	0801138	1	Fly, Boom (800A)	
2	0801573	1	Fly, Boom (800AJ)	
3	1683607	1	Telescope Cylinder Assembly (800A) (Use p/n 1001228088) (See CYLINDER SECTION for Breakdown) (SN 0300183034 through 0300200669)	
3	1001188968	NLA	Telescope Cylinder Assembly (800A) (Use p/n 1001228088) (See CYLINDER SECTION for Breakdown) (SN 0300200670 through 0300245050)	
3	1001228088	1	Telescope Cylinder Assembly (800A) (See CYLINDER SECTION for Breakdown) (SN 0300245051 to Present)	
3	1001149284	NLA	Telescope Cylinder Assembly (800AJ) (Use p/n 1001228087) (See CYLINDER SECTION for Breakdown) (SN 0300183034 through 0300243317)	
3	1001228087	1	Telescope Cylinder Assembly (800AJ) (See CYLINDER SECTION for Breakdown) (SN 0300243318 to Present)	
4	3422457	1	Pin	
5	3422690	1	Pin	
6	3841143	1	Keeper, Pin	
7	0561295	1	Block, Boom Rest	
8	0962102	2	Bushing	
9	3340871	4	Pad, Wear	
10	4070863	4	Shim 1/8	
11	4070864	4	Shim .05	
12	1001148652	12	Pad, Wear	
13	4070897	10	Shim .05	
14	4070898	12	Shim 1/8	
15	3760133	2	Ring, Retaining	
16	4711600	2	Washer 3/8	
17	0100011	AR	Compound, Locking	
18	0641606	16	Bolt 3/8-16 x 3/4	
19	0641607	10	Bolt 3/8-16 x 7/8	
20	0641608	5	Bolt 3/8-16 x 1	
21	0641609	6	Bolt 3/8-16 x 1-1/8	
22	3900259	4	Bolt, Shoulder	
23	0641612	2	Bolt 3/8-16 x 1-1/2	
25	Not Required	0	Bushing (800A)	
25	0961951	2	Bushing (800AJ)	
	0258076	Ref	POWER TRACK INSTALLATION (800A)	L
	0258077	Ref	POWER TRACK INSTALLATION (800AJ)	K
101	1001099840	1	Track, Power (800A)	
101	1001099837	1	Track, Power (800AJ)	
101A	70002013	AR	Carrier Repair Section (Includes 1 Pin Assembly for each end)	
101B	70002014	1	Mounting Foot Kit (Includes Both Pair of Feet)	
102	4845701	1	Tube, Push (800A)	
102	4845729	1	Tube, Push (800AJ)	
103	4845702	1	Support (800A)	
103	4845730	1	Support (800AJ)	

SECTION 3 - BOOM

ITEM	PART NUMBER	QTY	DESCRIPTION	REV
104	3340840	1	Pad	
105	3538758	1	Plate, Backing (SN 0300183034 through 0300233689)	
105	1001136400	1	Plate, Backing (SN 0300233690 to Present)	
106	3340764	2	Pad	
107	4070969	3	Shim	
108	0641640	2	Bolt 3/8-16 x 5	
109	0641606	AR	Bolt 3/8-16 x 3/4	
110	4711600	22	Washer 3/8	
111	0100011	AR	Compound, Locking	
112	1320263	1	Clamp (SN 0300183034 through 0300233689)	
112	91203039	1	Clamp (SN 0300233690 to Present)	
113	0641612	4	Bolt 3/8-16 x 1-1/2 (800A)	
113	0641607	4	Bolt 3/8-16 x 7/8 (800AJ)	
114	0641624	2	Bolt 3/8-16 x 3	
115	1320289	1	Clamp, Hose	
116	1320288	1	Clamp, Hose	
117	3841406	1	Loop, Hose	
118	3340943	2	Pad, Rubber	
119	3340941	2	Pad, Rubber	
120	3900283	2	Screw 3/8-16 x 3/4i	
121	0100081	AR	Adhesive	
122	3311605	2	Nut 3/8-16	
123	4071052	2	Shim	
124	Not Required	0	Flex-Trim (800A)	
124	4060805	8 in/20cm	Flex-Trim (800AJ)	

SECTION 3 - BOOM

FIGURE 3-5. ROTATOR ASSEMBLY

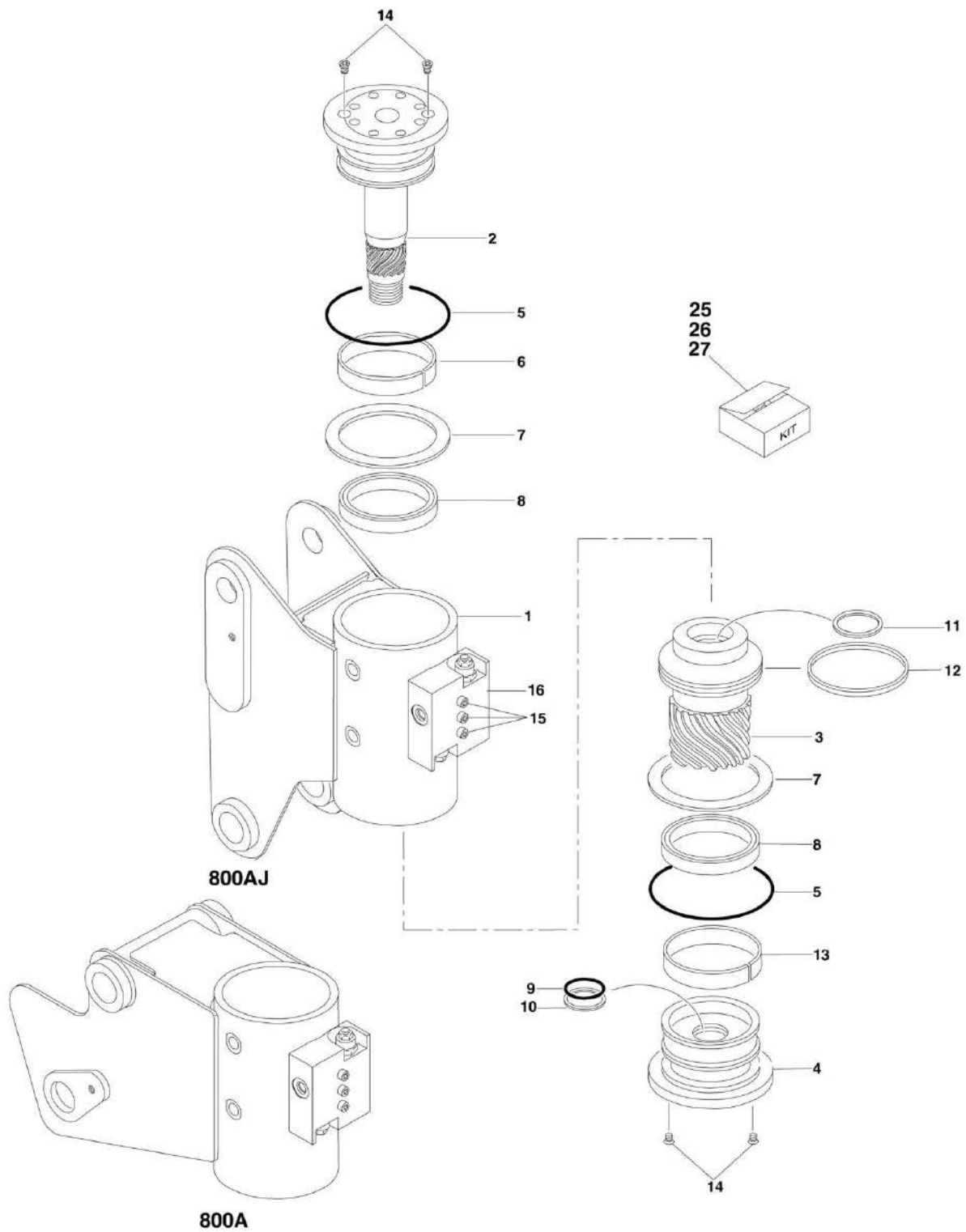
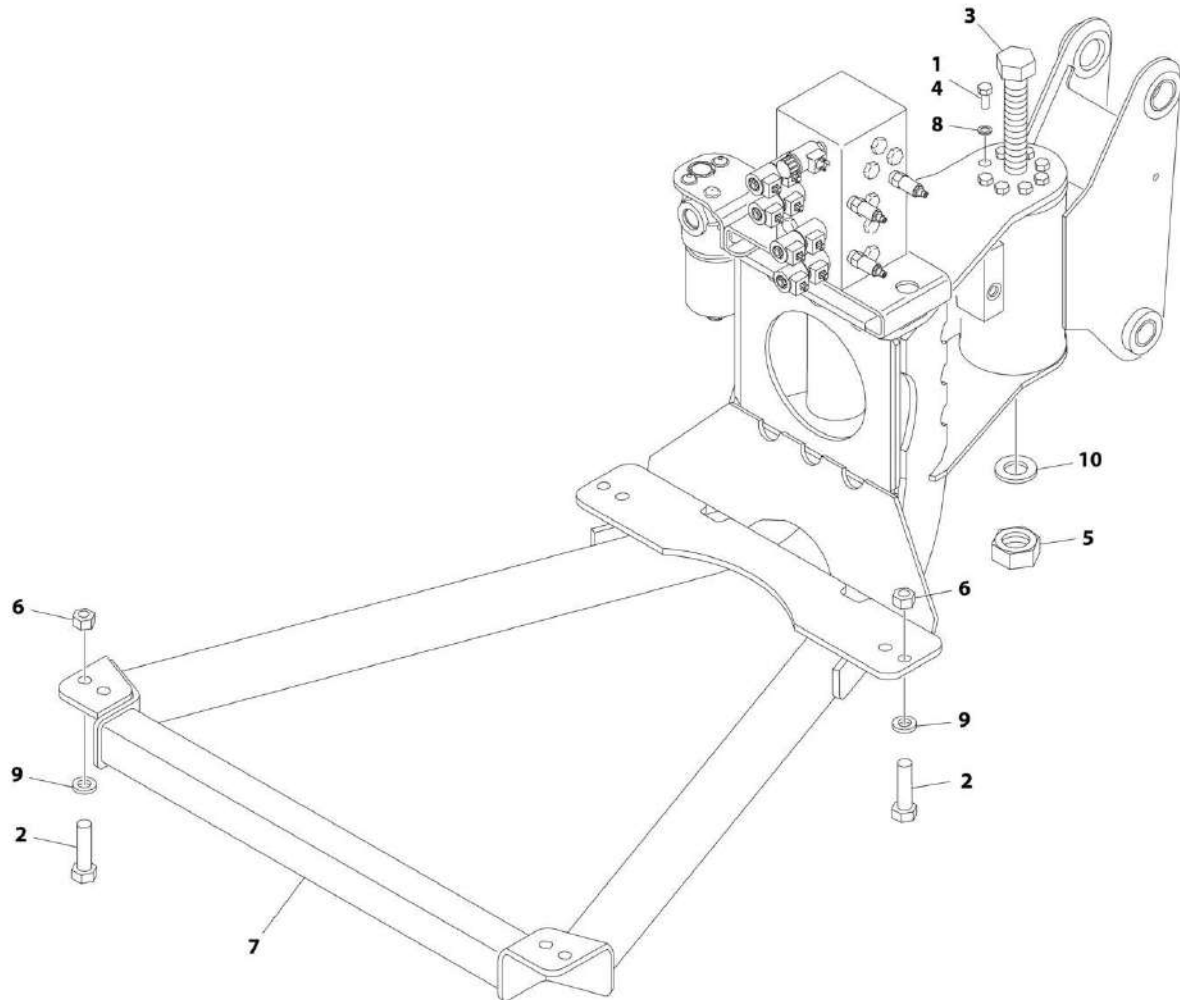


FIGURE 3-5. ROTATOR ASSEMBLY

ITEM	PART NUMBER	QTY	DESCRIPTION	REV
		Ref	ROTATOR ASSEMBLY (800A)	
	0060069	Ref	Rotator Assembly (SN 0300183034 through 0300194139)	B
	1001170989	Ref	Rotator Assembly (SN 0300194140 through 0300201336)	B
	1001181059	Ref	Rotator Assembly (SN 0300201337 to Present)	
		Ref	ROTATOR ASSEMBLY (800AJ)	
	0060066	Ref	Rotator Assembly (SN 0300183034 through 0300194139)	C
	1001157220	Ref	Rotator Assembly (SN 0300194140 through 0300201336)	B
	1001178256	Ref	Rotator Assembly (SN 0300201337 through 0300234279)	B
	1001217780	Ref	Rotator Assembly (SN 0300234280 to Present)	A
1	See Note	1	Housing/Ring Gear Assembly (Note: Not Available - Purchase Complete Assembly)	
2	7017162	1	Shaft	
2	7017195	2	Bushing, Shaft	
3	7017163	1	Piston/Sleeve Assembly	
4	7017164	1	Cap, End	
5	See Note	NSS	O-Ring (Note: Use Item 25)	
6	See Note	NSS	Bearing, Shaft (Note: Use Item 26)	
7	See Note	NSS	Washer, Thrust (Note: Use Item 26)	
8	See Note	NSS	Packing, Bearing (Note: Use Item 25)	
9	See Note	NSS	Seal, Cap (Note: Use Item 25)	
10	See Note	NSS	Ring, Back-up Cap (Note: Use Item 25)	
11	See Note	NSS	Seal, Rod (Note: Use Item 25)	
12	See Note	NSS	Seal, Piston (Note: Use Item 25)	
13	See Note	NSS	Bearing, Cap (Note: Use Item 26)	
14	70001697	6	Capscrew 1/4-20 x 3/8 Grade 8	
15	See Note	3	Bolt 1/4-20 x 1-1/2 Grade 8 (Note: Not Available - Purchase Locally)	
16	7017183	1	Valve Assembly (0060069 & 0060066 Rotators)	
16	7017172	1	Valve Assembly (1001170989, 1001157220, 1001181059, 1001178256 & 1001217780 Rotators)	
16	7017193	2	Cartridge, Valve (0060069 & 0060066 Rotators)	
16	7017192	2	Cartridge, Valve (1001170989, 1001157220, 1001181059, 1001178256 & 1001217780 Rotators)	
16	See Note	NSS	Seal Kit - 7017193 & 7017192 Valve (Note: Not Available - Purchase Cartridge)	
16	See Note	NSS	Cartridge, Valve (Not Shown - Located on Side of Block) (Note: Not Available - Purchase Complete Valve)	
16	See Note	NSS	Seal Kit - Valve Located on Side of Block (Note: Not Available - Purchase Cartridge)	
25	7017158	1	Seal Kit (Standard) (Includes Items 5, 8-12 & 27) (0060066, 0060069, 1001170989 & 1001157220 Rotators)	
25	70000342	1	Seal Kit (Low Temperature) (Includes Items 5, 8-12 & 27) (Std On 1001181059, 1001178256 & 1001217780 Rotators/Optional on All Others)	
26	7017159	1	Bearing Kit (Includes Items 6, 7 & 13)	
27	7017142	1	Hardware Kit (Includes Dowel Pins, Plugs and Item 14)	

SECTION 3 - BOOM

FIGURE 3-6. PLATFORM SUPPORT INSTALLATION - WITHOUT LSS



ART_0272070

FIGURE 3-6. PLATFORM SUPPORT INSTALLATION - WITHOUT LSS

ITEM	PART NUMBER	QTY	DESCRIPTION	REV
	0272070	Ref	PLATFORM SUPPORT INSTALLATION - WITHOUT LSS	G
1	0100011	AR	Compound, Locking	
2	0641812	8	Bolt 1/2 x 1-1/2	
3	0642684	1	Bolt 1 x 10-1/4	
4	0681608	8	Bolt 3/8 x 1	
5	3300243	1	Nut 1	
6	3311805	8	Nut 1/2	
7	4846573	1	Support	
8	4891600	8	Washer 3/8	
9	4891800	8	Washer 1/2	
10	4892600	1	Washer 1	

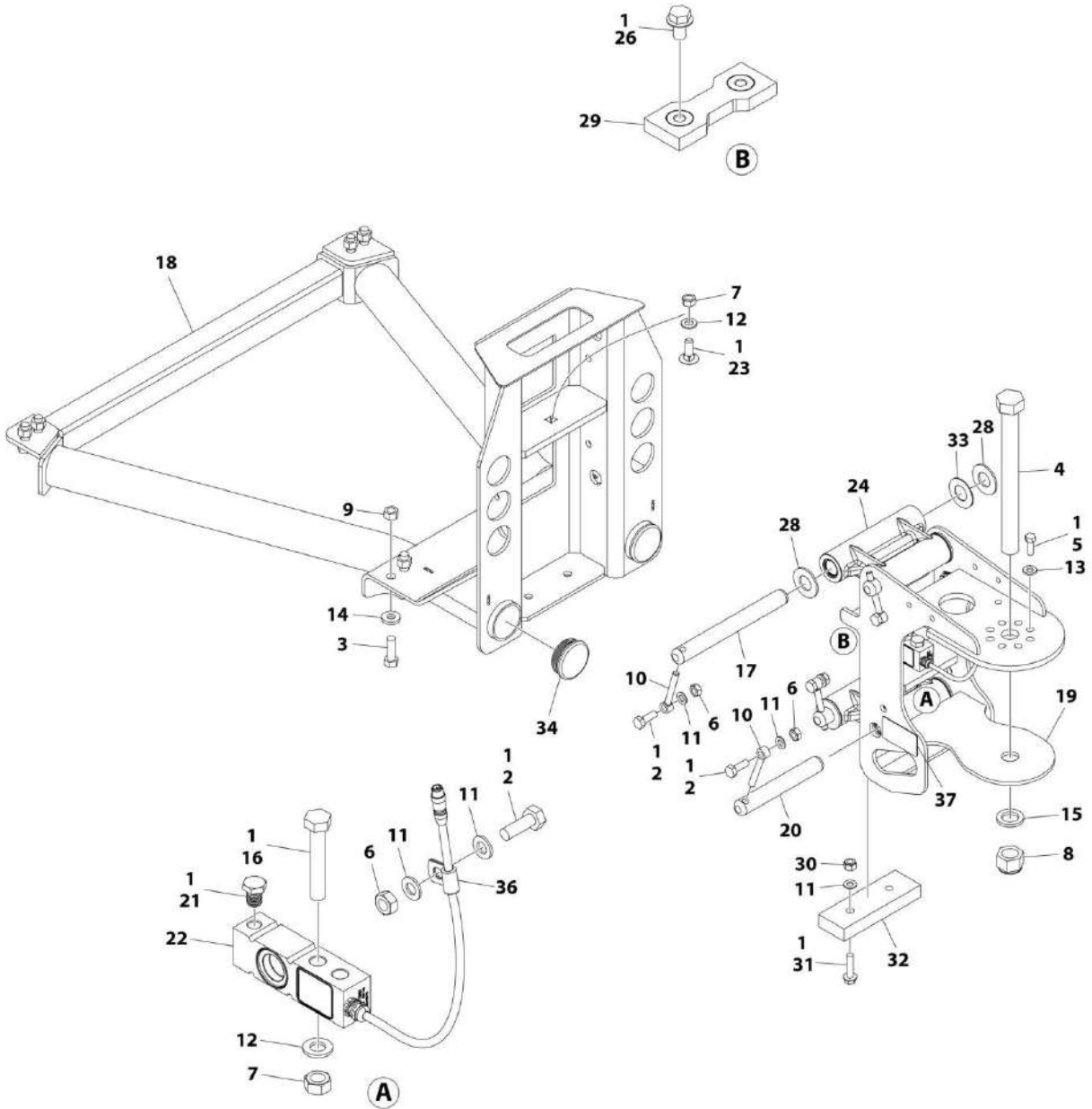
SECTION 3 - BOOM

FIGURE 3-7. PLATFORM SUPPORT INSTALLATION - WITH 4 CELL LSS

ITEM	PART NUMBER	QTY	DESCRIPTION	REV
	0272703	Ref	PLATFORM SUPPORT INSTALLATION - WITH 4 CELL LSS	Q
1	0100011	AR	Compound, Locking	
2	0100048	AR	Grease, Dielectric	
3	0641405	6	Bolt 1/4 x 5/8	
4	0641416	3	Bolt 1/4 x 2	
5	0641407	1	Bolt 1/4 x 7/8	
7	0641822	8	Bolt 1/2 x 2-3/4	
8	0642024	4	Bolt 5/8 x 3	
9	0642684	1	Bolt 1 x 10-1/2	
10	0681608	8	Bolt 3/8 x 1 Grade 8	
11	0902919	2	Bracket, Cell Guard	
12	0902920	2	Bracket, Cell Guard	
13	1001113483	1	Bracket, Module Mount	
14	0962450	4	Bushing, Spacer	
15	1271538	2	Channel	
16	1320136	6	Clamp	
17	1320224	2	Clamp	
18	1600387	1	Module, Control - LSS (Note: Recalibration Required When Replaced)	
19	2420202	4	Cell, Load (Includes Cable)	
20	3272605	1	Nut 1 Grade 8	
21	3311405	10	Nut 1/4	
23	3311805	8	Nut 1/2	
24	3312005	4	Nut 5/8	
25	3900283	4	Screw 3/8 x 3/4	
26	4061054	2	Shield	
27	4240033	AR	Tie-Strap (Not Shown)	
28	4711400	10	Washer 1/4	
29	4711600	4	Washer 3/8	
30	4751400	1	Washer 1/4	
32	4846573	1	Support, Platform	
33	4891600	8	Washer 3/8	
34	4891800	8	Washer 1/2	
35	4892000	4	Washer 5/8	
36	4892600	1	Washer 1	
37	4922869	1	LSS Harness	
37	4922705	1	Analyzer Harness (Not Shown)	
37	4460761	1	Receptacle, Female - 4 Position (Not Shown)	
37	4460226	1	Socket, Female	
37	4460836	1	Connector - 12 Position (Black) (J2)	
37	4460465	1	Socket, Female	
37	4460466	1	Plug, Terminal	
37	0840055	1	Boot	
37	4460933	1	Connector - 12 Position (Grey) (J1)	
37	4460465	1	Socket, Female	
37	4460466	1	Plug, Terminal	
37	0840055	1	Boot	
39	2540038	1	Grommet	
40	2920129	1	Bulb, Light (Not Shown - Located on Ground Control Box)	
41	1001216630	2	Decal - Tie Down/No Lift	

SECTION 3 - BOOM

FIGURE 3-8. PLATFORM SUPPORT INSTALLATION - WITH 1 CELL LSS



ART_1001167596

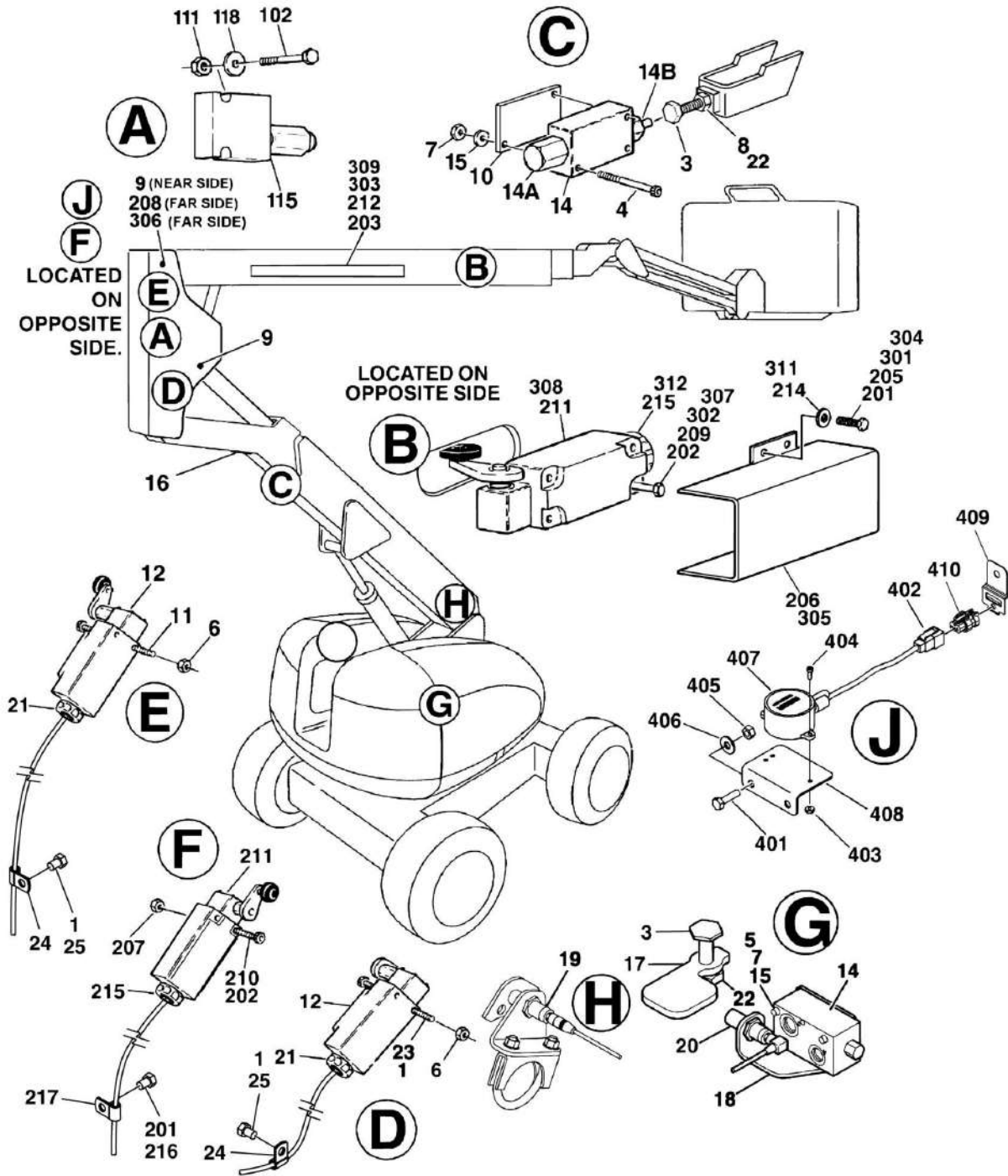
SECTION 3 - BOOM

FIGURE 3-8. PLATFORM SUPPORT INSTALLATION - WITH 1 CELL LSS

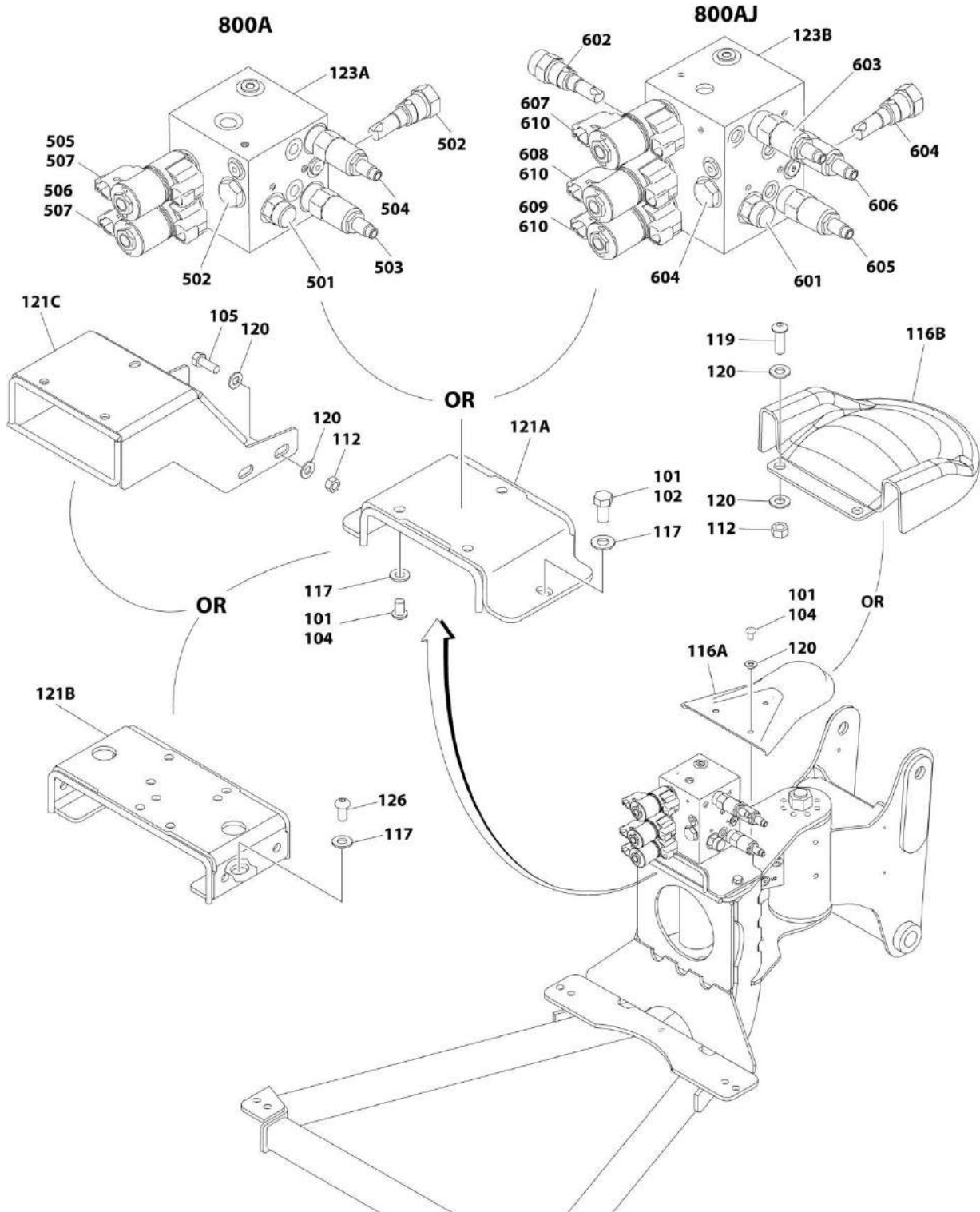
ITEM	PART NUMBER	QTY	DESCRIPTION	REV
	1001167596	Ref	PLATFORM SUPPORT INSTALLATION - WITH 1 CELL LSS	J
1	0100011	AR	Compound, Locking	
2	0761014	5	Bolt M10 x 30	
3	0641812	8	Bolt 1/2 x 1-1/2	
3	0761216	8	Bolt M12 x 40	
4	0642684	1	Bolt 1 x 10-1/2	
5	0681608	8	Bolt 3/8 x 1	
6	3291001	5	Nut M10	
7	3291201	3	Nut M12	
8	3300243	1	Nut 1	
9	3311805	8	Nut 1/2	
9	3291205	8	Nut M12	
10	3841143	4	Keeper, Pin	
11	4812000	8	Washer M10	
12	4812100	3	Washer M12	
13	4891600	8	Washer 3/8	
14	4891800	8	Washer 1/2	
14	5241200	8	Washer M12	
15	4892600	1	Washer 1	
16	1001098828	2	Bolt M12 x 70 Grade 10.9	
17	1001167565	2	Pin	
18	1001200494	1	Support, Platform	
19	1001167567	1	Support, Rotator	
20	1001168402	2	Pin	
21	1001188622	1	Screw	
22	1001172663	1	Gauge, Load Sensing	
23	1001188844	1	Bolt M12 x 35	
24	1001201351	2	Link, LSS Assembly	
26	5251008	2	Bolt M10 x 16	
28	1001189002	8	Bearing	
29	1001190985	1	Pad, Wear	
30	3291005	2	Nut M10	
31	5251016	2	Bolt M10 x 40	
32	1001200491	1	Pad, Wear	
33	1001189001	4	Bearing	
34	1001204725	2	Plug	
36	91203039	1	Clamp	
37	1001216630	2	Decal - Tie Down/No Lift	

SECTION 3 - BOOM

FIGURE 3-9. VALVE AND LIMIT SWITCH INSTALLATIONS (BOOM MOUNTED)



SECTION 3 - BOOM



SECTION 3 - BOOM

FIGURE 3-9. VALVE AND LIMIT SWITCH INSTALLATIONS (BOOM MOUNTED)

ITEM	PART NUMBER	QTY	DESCRIPTION	REV
	0258217	Ref	BOOM VALVES AND LIMIT SWITCHES INSTALLATION	S
1	0100011	AR	Compound, Locking	
3	0630427	2	Bolt, Special	
4	3931436	3	Capscrew 1/4-20 x 2-1/4	
5	3931464	3	Capscrew 1/4-20 x 4	
5	3931432	3	Capscrew 1/4 x 2	
6	3310801	4	Nut #8-32	
7	3311405	AR	Locknut 1/4-20	
8	3311801	1	Nut 1/2-13	
9	3520035	2	Plug, Cap	
10	3570928	2	Plate, Spacer	
11	3930824	2	Capscrew #8-32 x 1-1/2	
12	4360578	2	Switch, Limit	
14	4641435	2	Valve, Switch	
14A	7011342	2	Valve, Check (1 per Assembly)	
14A	7011333	2	Seal Kit - Check Valve (1 per Assembly)	
14B	See Note	NSS	Valve, Plunger (1 per Assembly) (Note: Not Available - Purchase Complete Valve Assembly)	
14B	See Note	NSS	Seal Kit (1 per Assembly) (Note: Not Available for Purchase)	
15	4751400	AR	Washer 1/4	
16	4060805	7 in/25cm	Trim, Edge	
17	3572606	1	Plate, Switch Target	
18	3572607	1	Plate, Switch Mount	
19	4360498	1	Switch Proximity	
20	4360499	1	Switch Proximity	
21	4460968	2	Connector, Strain Relief	
22	88521008	2	Nut 1/2-13	
23	3930824	2	Capscrew #8-32 x 1-1/2	
24	91203039	2	Clamp	
25	0641604	2	Bolt 3/8 x 1/2	
		Ref	VALVES INSTALLATION	
		Ref	Machines without LSS or with 4 Cell LSS:	
	1001156794	Ref	Valves Installation - 800A (2WS) (SN 0300183034 through 0300194139)	C
	1001170128	Ref	Valves Installation - 800A (2WS) (SN 0300194140 to Present)	F
	1001156795	Ref	Valves Installation - 800A (4WS) (SN 0300183034 through 0300194139)	C
	1001170129	Ref	Valves Installation - 800A (4WS) (SN 0300194140 to Present)	F
	1001156796	Ref	Valves Installation - 800AJ (2WS) (SN 0300183034 through 0300194139)	C
	1001170132	Ref	Valves Installation - 800AJ (2WS) (SN 0300194140 to Present)	F
	1001156797	Ref	Valves Installation - 800AJ (4WS) (SN 0300183034 through 0300194139)	C
	1001170134	Ref	Valves Installation - 800AJ (4WS) (SN 0300194140 to Present)	F
		Ref	Machines with 1 Cell LSS:	
	1001219983	Ref	Valves Installation - 800A (2WS)	B
	1001219984	Ref	Valves Installation - 800A (4WS)	B
	1001219985	Ref	Valves Installation - 800AJ (2WS)	A
	1001219986	Ref	Valves Installation - 800AJ (4WS)	A
101	0100011	AR	Compound, Locking	
102	0641416	2	Bolt 1/4-20 x 2	

SECTION 3 - BOOM

ITEM	PART NUMBER	QTY	DESCRIPTION	REV
102	0641418	1	Bolt 1/4 x 2-1/4	
104	0630467	4	Screw 5/16 x 1/2	
105	0641507	4	Bolt 5/16 x 7/8	
107	0641606	2	Bolt 3/8 x 3/4	
111	3311405	2	Nut 1/4-20	
112	3311505	6	Nut 5/16	
115	4640929	1	Valve Assembly (Relief) (SN 0300183034 through 0300213730)	
115	1001200054	1	Valve Assembly (Relief) (SN 0300213731 to Present)	
115	7012970	1	Cartridge	
115	7012953	1	Seal Kit - 7012970 Cartridge	
116A	1670964	1	Cover (Machines without LSS or with 4 Cell LSS) (SN 0300194140 to Present)	
116B	1001207969	1	Cover (Machines with 1 Cell LSS)	
117	4711600	5	Washer 3/8	
118	4711400	4	Washer 1/4	
119	88261024	2	Screw 5/16 x 1	
120	4711500	AR	Washer 5/16	
121A	4846218	1	Bracket, Mounting (Machines without LSS or with 4 Cell LSS) (SN 0300194140 through 0300196955)	
121B	4341264	1	Bracket, Mounting (Machines without LSS or with 4 Cell LSS) (SN 0300196956 to Present)	
121C	1001226744	1	Bracket, Mounting (Machines with 1 Cell LSS)	
123A	1001152564	1	Control Valve Assembly - 800A (See Items 501-509 for Breakdown) (SN 0300194140 to Present)	
123B	1001152565	1	Control Valve Assembly - 800AJ (See Items 601-612 for Breakdown) (SN 0300194140 to Present)	
126	3900283	2	Screw 3/8 x 3/4	
	0258338	Ref	LIMIT SWITCHES INSTALLATION - 800A DUAL CAPACITY (ANSI, ANSI EXPORT, CSA AND JAPANESE SPECS)	I
201	0100011	AR	Compound, Locking	
202	0100035	AR	Compound, Locking	
203	1001106482	1	Bar, Fiberglass	
205	0641403	4	Bolt 1/4-20 x 3/8	
206	3380535	1	Cover	
207	3310801	2	Nut #8-32	
208	3520035	1	Plug, Cap	
209	3930816	2	Capscrew #8-32 x 1	
210	3930824	2	Capscrew #8-32 x 1-1/2	
211	4360578	2	Switch, Limit	
212	4420060	2	Tape, Double Sided	
214	4751400	4	Washer 1/4	
215	4460968	2	Connector, Strain Relief	
216	0641604	1	Bolt 3/8 x 1/2	
217	91203039	1	Clamp	
	0258384	Ref	TRANSPORT POSITION SWITCH INSTALLATION - 800A (CE SPEC)	F
	0258567	Ref	TRANSPORT POSITION SWITCH INSTALLATION - 800AJ (CE SPEC)	F
301	0100011	AR	Compound, Locking	
302	0100035	AR	Compound, Locking	
303	1001106477		Bar, Fiberglass (800A)	
303	1001106481		Bar, Fiberglass (800AJ)	

SECTION 3 - BOOM

ITEM	PART NUMBER	QTY	DESCRIPTION	REV
304	0641403	4	Bolt 1/4-20 x 3/8	
305	3380535	1	Cover, Switch	
306	3520035	1	Plug, Cap	
307	3930816	2	Capscrew #8-32 x 1	
308	4360578	1	Switch, Limit	
309	4420060	AR	Tape, Double Sided Foam	
311	4751400	1	Washer 1/4	
312	4460968	1	Connector, Strain Relief	
	0275733	Ref	TILT SENSOR INSTALLATION	B
401	0641408	2	Bolt 1/4-20 x 1	
402	0100048	AR	Grease, Dielectric	
403	3310605	3	Nut #6-32	
404	3930606	3	Screw #6-32	
405	3311405	2	Nut 1/4-20	
406	4751400	2	Washer 1/4	
407	1001094400	1	Sensor, Dual Axis	
408	1001096736	1	Bracket, Tilt Sensor	
409	1001153749	1	Bracket (SN 0300236625 to Present)	
410	1001200497	1	Connector - 3 Position (SN 0300236625 to Present)	
	1001152564	Ref	CONTROL VALVE ASSEMBLY - 800A	D
501	7012965	1	Valve, Flow	
501	7012953	1	Seal Kit - 7012965 Valves	
502	7012914	2	Valve, Cartridge	
502	7012918	2	Seal Kit - 7012914 Valve	
503	7023911	1	Valve, Relief	
503	7012967	1	Seal Kit - 7023911 Valve	
504	7023912	1	Valve, Relief	
504	7012967	1	Seal Kit - 7023912 Valve	
505	7017452	1	Valve, Solenoid (Platform Level)	
505	7017402	1	Seal Kit - 7017452 Valve	
506	7017452	1	Valve, Solenoid (Rotator)	
506	7017402	2	Seal Kit - 7017452 Valve	
507	70002386	4	Coil	
508	70002064	2	Plug, Orifice (Not Shown)	
509	7017406	2	Plug (Not Shown)	
	1001152565	Ref	CONTROL VALVE ASSEMBLY - 800AJ	C
601	7012989	1	Valve, Flow	
601	7012953	1	Seal Kit - 7012989 Valve	
602	7012965	1	Valve, Flow	
602	7012953	1	Seal Kit - 7012965 Valve	
603	70003790	1	Valve, Relief	
603	7021653	1	Seal Kit - 70003790 Valve	
604	7012914	2	Valve, Cartridge	
604	7012918	2	Seal Kit - 7012914 Valve	
605	7023911	1	Valve, Relief	
605	7012967	1	Seal Kit - 7023911 Valve	
606	7023912	1	Valve, Relief	
606	7012967	1	Seal Kit - 7023912 Valve	
607	7017452	1	Valve, Solenoid (Jib)	
607	7017402	2	Seal Kit - 7017452 Valve	
608	7017452	1	Valve, Solenoid (Platform Level)	

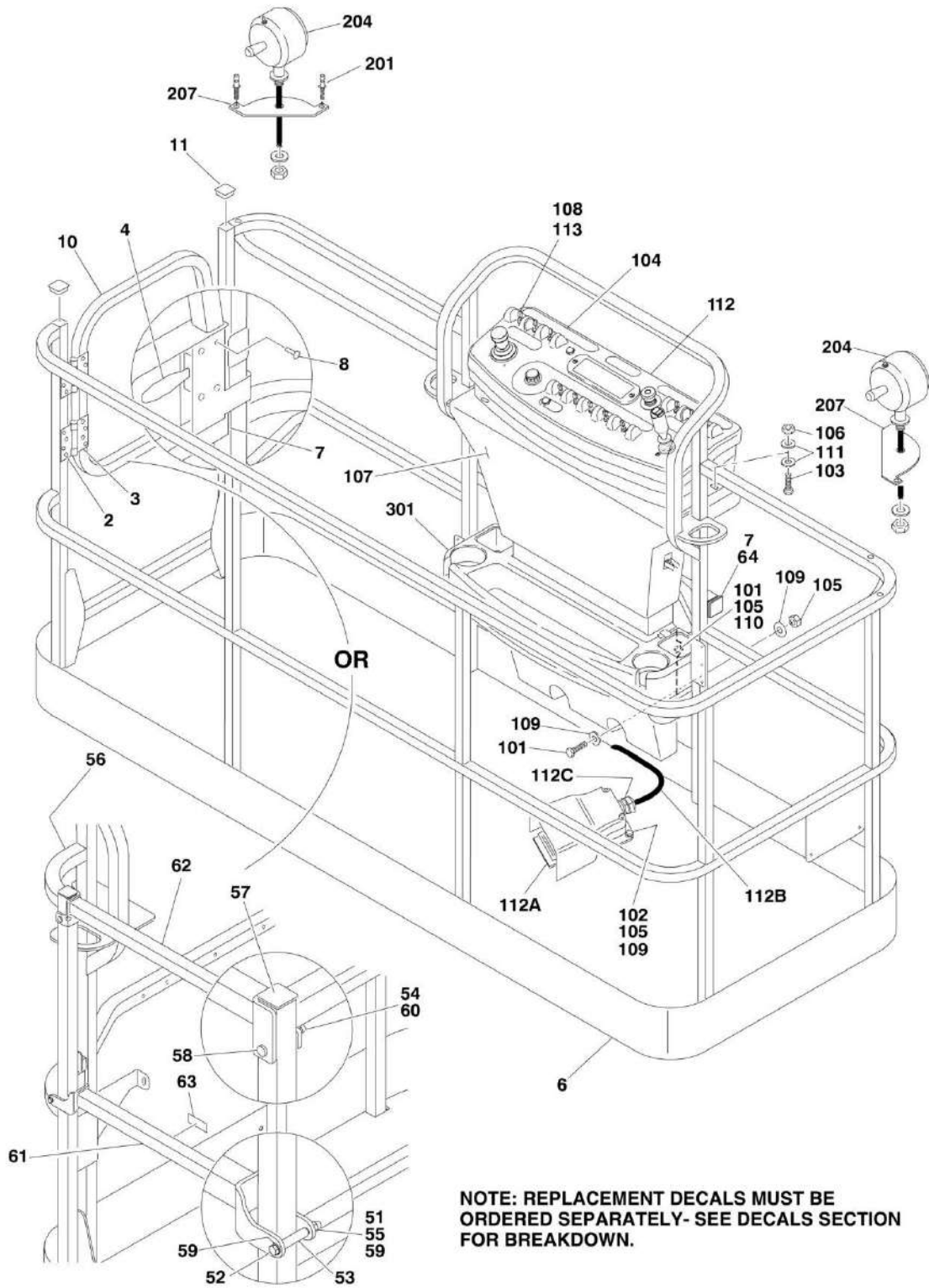
SECTION 3 - BOOM

ITEM	PART NUMBER	QTY	DESCRIPTION	REV
608	7017402	1	Seal Kit - 7017452 Valve	
609	7017452	1	Valve, Solenoid (Rotator)	
609	7017402	2	Seal Kit - 7017452 Valve	
610	70002386	6	Coil	
611	70002064	2	Plug, Orifice (Not Shown)	
612	7017406	2	Plug (Not Shown)	

SECTION 4 - PLATFORM

SECTION 4 - PLATFORM

FIGURE 4-1. PLATFORM COMPONENTS INSTALLATION



SECTION 4 - PLATFORM

FIGURE 4-1. PLATFORM COMPONENTS INSTALLATION

ITEM	PART NUMBER	QTY	DESCRIPTION	REV
	1001144027	Ref	PLATFORM ASSEMBLY WITH GATE - 30IN X 4FT (76CM X 1.22M) (SN 0300183034 through 0300201003)	D
	1001186387	Ref	PLATFORM ASSEMBLY WITH GATE - 30IN X 4FT (76CM X 1.22M) (SN 0300201004 to Present)	C
	1001144025	Ref	PLATFORM ASSEMBLY WITH GATE - 30IN X 6FT (76CM X 1.83M) (SN 0300183034 through 0300201003)	D
	1001186385	Ref	PLATFORM ASSEMBLY WITH GATE - 30IN X 6FT (76CM X 1.83M) (SN 0300201004 to Present)	C
	1001144024	Ref	PLATFORM ASSEMBLY WITH GATE- 36IN X 6FT (91.5CM X 1.83M) (SN 0300183034 through 0300201003)	D
	1001186384	Ref	PLATFORM ASSEMBLY WITH GATE- 36IN X 6FT (91.5CM X 1.83M) (SN 0300201004 to Present)	C
	1001228376	Ref	PLATFORM ASSEMBLY WITH 1 GATE / 2 DROP BARS (TRI-ENTRY) - 36IN X 6FT (91.5CM X 1.83M)	A
	1001144023	Ref	PLATFORM ASSEMBLY WITH GATE - 36IN X 8FT (91.5CM X 2.44M) (SN 0300183034 through 0300201003)	D
	1001186383	Ref	PLATFORM ASSEMBLY WITH GATE - 36IN X 8FT (91.5CM X 2.44M) (SN 0300201004 to Present)	D
		Ref	Note: For Platforms with Mesh, Platforms and Mesh must be ordered separately. See SPECIAL OPTIONS SECTION for Mesh Installations.	
		Ref	Note: Replacement Decals Must be purchased separately - See DECALS SECTION.	
		Ref	Note: When replacing 8ft/2.44m platform with Soft Touch option, new Soft Touch Rail p/n 4846673 must be purchased to accommodate limit switch locations.	
		Ref	Note: When replacing platform on machines with SkyCutter option, new bracket p/n 1001145405 must be purchased to accommodate SkyCutter components.	
2	2080040	16	Fastener, Huck	
3	2600281	2	Hinge, Self-Closing	
4	2940074	1	Latch	
6	See Note	1	Platform (Note: Not Available - Purchase Platform Assembly)	
7	3520072	3	Cap, Plug	
8	3820020	4	Rivet, Pop	
10	1001144629	1	Gate	
11	3520198	2	Cap, Plug	
	1001228215	Ref	PLATFORM ASSEMBLY WITH DROP-BAR - 30IN X 3FT (76CM X 1M)	A
	1001144018	Ref	PLATFORM ASSEMBLY WITH DROP-BAR - 30IN X 4FT (76CM X 1.22M) (SN 0300183034 through 0300201003)	D
	1001186375	Ref	PLATFORM ASSEMBLY WITH DROP-BAR - 30IN X 4FT (76CM X 1.22M) (SN 0300201004 to Present)	B
	1001144020	Ref	PLATFORM ASSEMBLY WITH DROP-BAR - 30IN X 6FT (76CM X 1.83M) (SN 0300183034 through 0300201003)	D
	1001186378	Ref	PLATFORM ASSEMBLY WITH DROP-BAR - 30IN X 6FT (76CM X 1.83M) (SN 0300201004 to Present)	C
	1001144021	Ref	PLATFORM ASSEMBLY WITH DROP-BAR - 36IN X 6FT (91.5CM X 1.83M) (SN 0300183034 through 0300201003)	D
	1001186379	Ref	PLATFORM ASSEMBLY WITH DROP-BAR - 36IN X 6FT (91.5CM X 1.83M) (SN 0300201004 to Present)	B
	1001228377	Ref	PLATFORM ASSEMBLY WITH 3 DROP BARS (TRI-ENTRY) - 36IN X 6FT (91.5CM X 1.83M)	A
	1001144022	Ref	PLATFORM ASSEMBLY WITH DROP-BAR - 36IN X 8FT (91.5CM X 2.44M) (SN 0300183034 through 0300201003)	D

SECTION 4 - PLATFORM

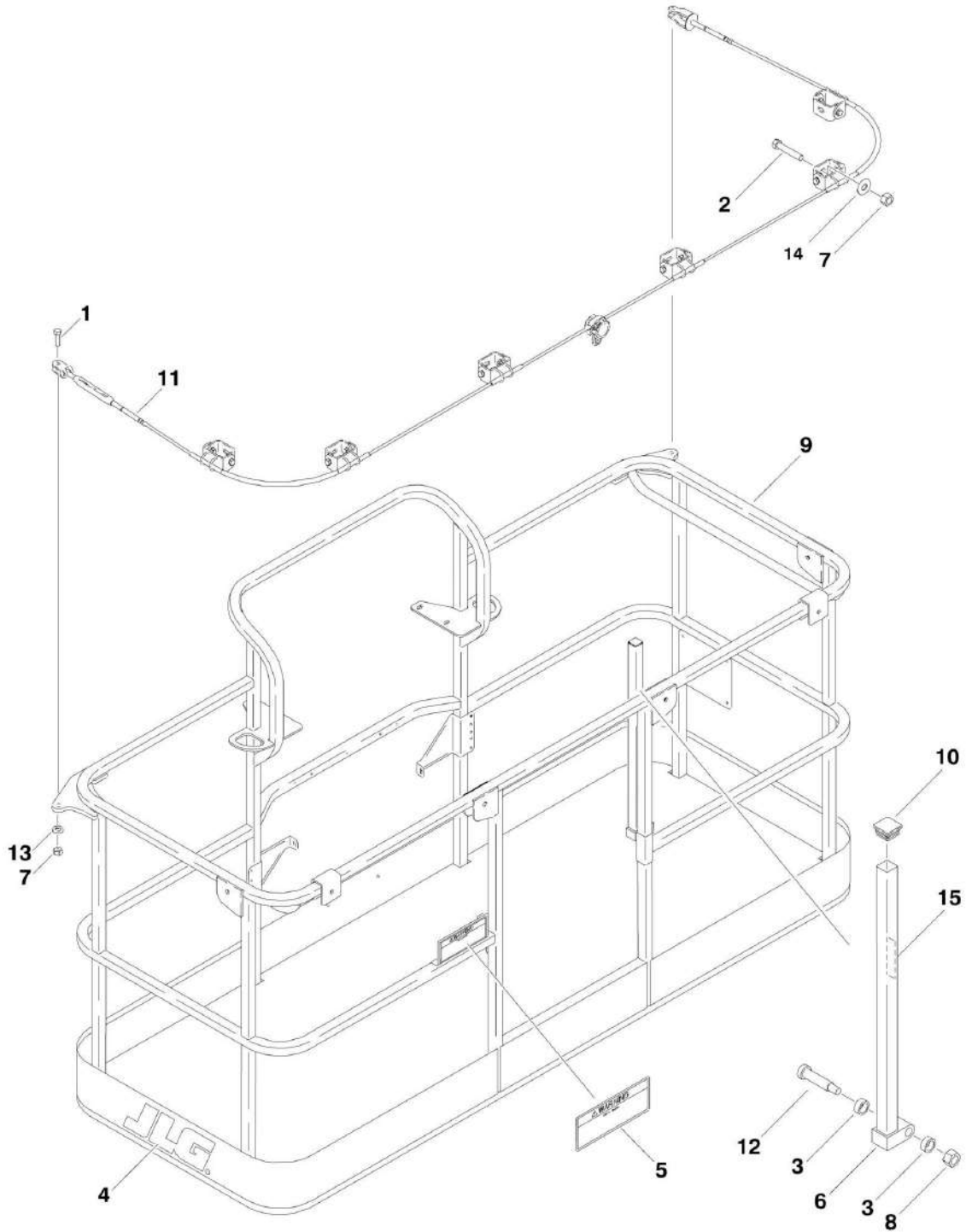
ITEM	PART NUMBER	QTY	DESCRIPTION	REV
	1001186382	1	PLATFORM ASSEMBLY WITH DROP-BAR - 36IN X 8FT (91.5CM X 2.44M) (SN 0300201004 to Present)	C
		Ref	Note: For Platforms with Mesh, Platforms and Mesh must be ordered separately. See SPECIAL OPTIONS SECTION for Mesh Installations.	
		Ref	Note: Replacement Decals Must be Ordered Separately - See DECALS SECTION.	
		Ref	Note: When replacing 8ft/2.44m platform with Soft Touch option, new Soft Touch Rail p/n 4846673 must be purchased to accommodate limit switch locations.	
		Ref	Note: When replacing platform on machines with SkyCutter option, new bracket p/n 1001145405 must be purchased to accommodate SkyCutter components.	
51	0100011	AR	Compound, Locking	
52	0641418	2	Bolt 1/4-20 x 2-1/4	
53	0961845	2	Bushing	
54	3290606	2	Nut M6	
55	3300151	2	Nut, Acorn	
56	See Note	1	Platform (Note: Not Available - Purchase Complete Platform Assembly)	
57	3520198	2	Cap, Plug	
58	4010618	2	Screw M6 x 50	
59	4711400	4	Washer 1/4	
60	4811700	2	Washer M6	
61	1001138494	1	Bar, Drop (All except 30IN X 3FT (76CM X 1M) Platform)	
61	1001226872	1	Bar, Drop (30IN X 3FT (76CM X 1M) Platform)	
62	1001138514	1	Rail (Top)	
63	1001140429	1	Decal - Drop-Bar	
64	3520072	2	Cap, Plug	
	1001117427	Ref	CONSOLE BOX INSTALLATION WITHOUT SKYGUARD (MACHINES WITHOUT LSS OR WITH 4 CELL LSS) (SN 0300183034 through 0300190139)	B
	1001159096	Ref	CONSOLE BOX INSTALLATION WITHOUT SKYGUARD (MACHINES WITHOUT LSS OR WITH 4 CELL LSS) (SN 0300190140 to Present)	C
	1001190113	Ref	CONSOLE BOX INSTALLATION WITH SKYGUARD (MACHINES WITHOUT LSS OR WITH 4 CELL LSS)	B
	1001221703	Ref	CONSOLE BOX ASSEMBLY (MACHINES WITH 1 CELL LSS)	A
101	0641406	4	Bolt 1/4-20 x 3/4	
102	0641408	3	Bolt 1/4-20 x 1	
103	0641610	4	Bolt 3/8-16 x 1-1/4	
104	1702676	1	Decal - Horn	
105	3311405	7	Nut 1/4-20	
106	3311605	4	Nut 3/8-16	
107	3380434	1	Panel, Decal Mount	
108	3790012	1	O-Ring	
109	4740362	7	Washer 1/4	
110	4751400	4	Washer 1/4	
111	4751600	8	Washer 3/8	
112		Ref	Platform Console Box Assembly Options (See PLATFORM CONSOLE ASSEMBLY for Breakdown):	
		Ref	Machines without LSS or with 4 Cell LSS:	
112	1001117428	NLA	Platform Console Box Assembly (Without SkyGuard) (Use p/n 1001166677) (SN 0300183034 through 0300188905)	
112	1001166677	1	Platform Console Box Assembly (Without SkyGuard) (SN	

SECTION 4 - PLATFORM

ITEM	PART NUMBER	QTY	DESCRIPTION	REV
112	1001166672	1	0300188906 through 0300190139) Platform Console Box Assembly (Without SkyGuard) (SN	
112	1001202577	1	0300190140 through 0300219553) Platform Console Box Assembly (Without SkyGuard) (SN	
112	1001190089	1	0300219554 to Present) Platform Console Box Assembly (With SkyGuard) (SN	
112	1001202573	1	0300183034 through 030219553) Platform Console Box Assembly (With SkyGuard) (SN	
		Ref	Machines with 1 Cell LSS:	
112	1001219973	Ref	Platform Console Assembly	
112A	1001117174	1	Footswitch Assembly (Includes Footswitch and Items 112B-112E)	
112A	1001117172	1	Footswitch Less Cable	
112A	70002902	1	Switch, 20Amp	
112A	70002903	1	Gasket	
112A	70002904	4	Replacement Kit, Bolt	
112A	70002905	1	Cover, Aluminum	
112B	1060918	7 ft/2.14m	Cable, Electrical - 18/3	
112C	4460071	1	Connector, Strain Relief	
112D	4460226	2	Socket, Female (Not Shown - Used with Footswitch) (See ELECTRICAL SECTION for Location)	
112E	4460464	1	Terminal, Deutsch (Not Shown - Used with Footswitch) (See ELECTRICAL SECTION for Location)	
113	4360331	1	Switch, Toggle	
	0273484	Ref	WORKLIGHTS INSTALLATION (OPTIONAL) 800A	D
	0273485	Ref	WORKLIGHTS INSTALLATION (OPTIONAL) 800AJ	D
201	2080040	4	Blind Fastener, Huck	
204	2920140	2	Worklight	
204	7016399	2	Bulb, Replacement (1 Per Worklight)	
207	3536089	2	Plate, Mounting	
213	4460426		Connector, Strain Relief (Not Shown - Located at Console Box)	
217	2820035	9 ft/2.7m	Loom, Vinyl (Not Shown)	
218	4240099	10	Tie-Strap (Not Shown)	
		Ref	TRAY INSTALLATIONS (OPTIONAL)	
301	1580012	1	Tray, Storage (Center)	
302	1580013	1	Tray, Storage (Rail Mounted - Not Shown)	

SECTION 4 - PLATFORM

FIGURE 4-2. PLATFORM COMPONENTS INSTALLATION (FALL ARREST FOR PLATFORM)



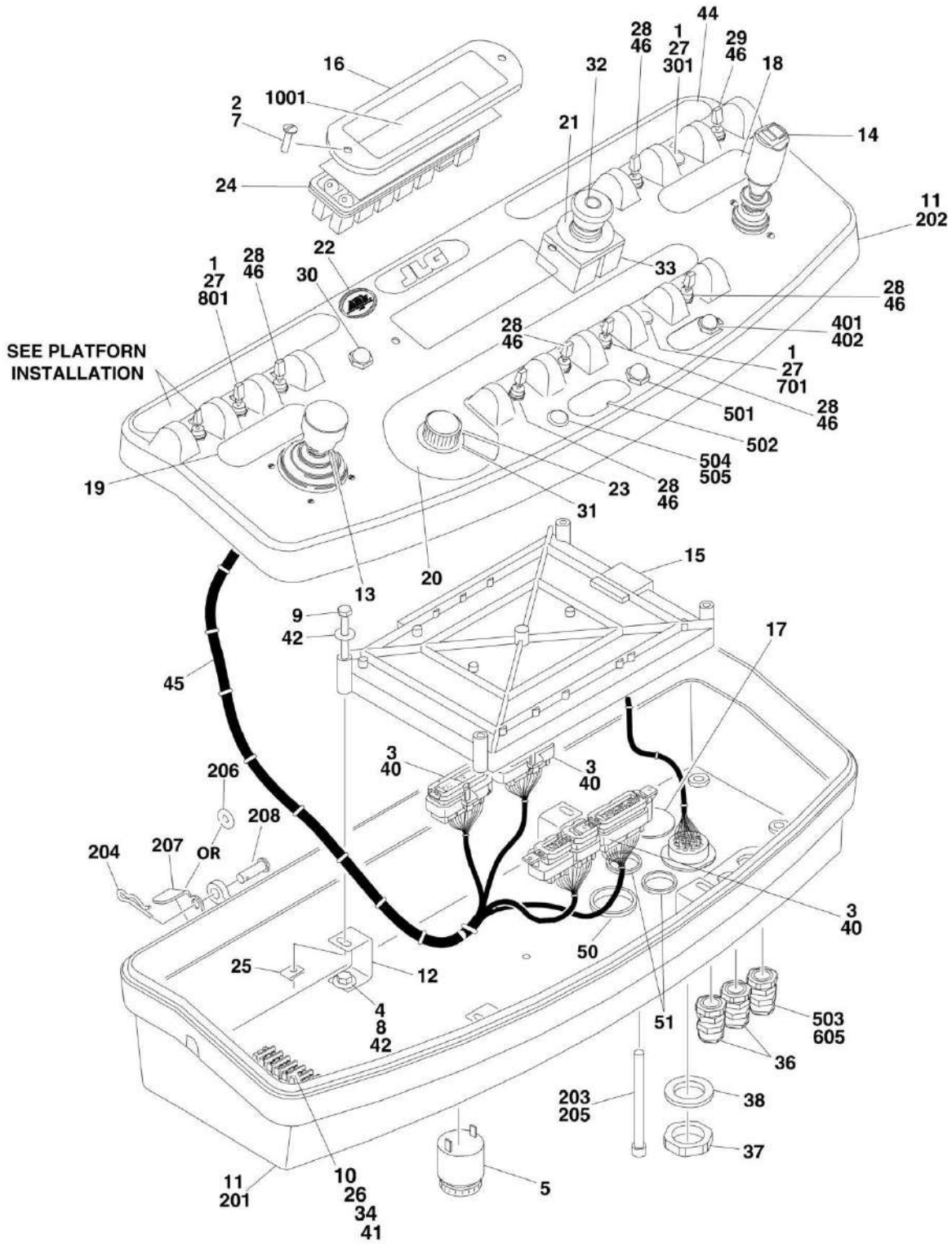
SECTION 4 - PLATFORM

FIGURE 4-2. PLATFORM COMPONENTS INSTALLATION (FALL ARREST FOR PLATFORM)

ITEM	PART NUMBER	QTY	DESCRIPTION	REV
	3510884	Ref	PLATFORM ASSEMBLY WITH FALL ARREST (6FT) (SN 0300183034 through 0300186656)	F
	1001144597	Ref	PLATFORM ASSEMBLY WITH FALL ARREST (6FT) (SN 0300186657 through 0300201003)	D
	1001186333	Ref	PLATFORM ASSEMBLY WITH FALL ARREST (6FT) (SN 0300201004 to Present)	C
	3510868	Ref	PLATFORM ASSEMBLY WITH FALL ARREST (8FT) (SN 0300183034 through 0300186656)	F
	1001144596	Ref	PLATFORM ASSEMBLY WITH FALL ARREST (8FT) (SN 0300186657 through 0300201003)	D
	1001186334	Ref	PLATFORM ASSEMBLY WITH FALL ARREST (8FT) (SN 0300201004 to Present)	D
		Ref	Note: Replacement Decals Must be purchased separately - See DECALS SECTION.	
1	0681814	2	Bolt 1/2-13 x 1-3/4 Grade 8	
2	0681822	AR	Bolt 1/2-13 x 2-3/4 Grade 8	
3	0962270	2	Bearing	
4	1702773	1	Decal - JLG	
5	1705014	1	Decal - Safety	
6	2410014	1	Gate	
7	3271805	AR	Nut 1/2-13 Grade 8	
8	3311605	1	Nut 3/8-16	
9	See Note	1	Platform (Note: Purchase Platform Assembly)	
10	3520072	1	Cap-Plug	
11	1060919	NLA	Cable, Fall Arrest (6ft Platform) (Use p/n 1001203655) (SN 0300183034 through 0300214275)	
11	1001203655	1	Cable, Fall Arrest (6ft Platform) (SN 0300214276 to Present)	
11	3890040	NLA	Cable, Fall Arrest (8ft Platform) (Use p/n 1001203656) (SN 0300183034 through 0300215876)	
11	1001203656	1	Cable, Fall Arrest (8ft Platform) (SN 0300215877 to Present)	
12	3900054	1	Bolt 1/2in-13NC x 1-3/4in	
13	4711800	AR	Washer 1/2	
14	4751800	AR	Washer 1/2	
15	1706385	1	Decal - Drop Bar	

SECTION 4 - PLATFORM

FIGURE 4-3. PLATFORM CONSOLE ASSEMBLY (WITHOUT SKYGUARD)



SECTION 4 - PLATFORM

FIGURE 4-3. PLATFORM CONSOLE ASSEMBLY (WITHOUT SKYGUARD)

ITEM	PART NUMBER	QTY	DESCRIPTION	REV
	1001117428	Ref	CONSOLE BOX ASSEMBLY (SN 0300183034 through 0300188905)	D
	1001166677	Ref	CONSOLE BOX ASSEMBLY (SN 0300188906 through 0300190139)	A
	1001166672	Ref	CONSOLE BOX ASSEMBLY (SN 0300180140 through 0300219553)	C
	1001202577	Ref	CONSOLE BOX ASSEMBLY (SN 0300219554 to Present)	C
1	0100009	AR	Sealant	
2	0100035	AR	Compound, Locking	
3	0100048	AR	Grease, Dielectric	
4	0100081	AR	Adhesive	
5	0140011	1	Alarm	
7	0630464	2	Screw #10-24 x 1/2	
8	0641404	4	Bolt 1/4-20 x 1/2	
9	0641414	4	Bolt 1/4-20 x 1-3/4	
10	0721006	2	Bolt #10-24 x 3/4	
11	0861537	1	Box, Console (See Items 201-208 for Breakdown) (SN 0300183034 through 0300219553)	
11	1001201890	1	Box, Console (See Items 201-208 for Breakdown) (SN 0300219554 to Present)	
12		Ref	Bracket, Card Support Options:	
12	0902751	4	Bracket, Support (SN 0300183034 through 0300188905)	
12	1001172760	4	Bracket, Support (SN 0300188906 to Present)	
13		Ref	Controller Assembly - Lift and Swing (See CONTROLLER ASSEMBLY - SWING AND LIFT for Breakdown) (Use p/n 1001129555)	
13	1001118417	NLA	Controller Assembly - Lift and Swing (Use p/n 1001129555) (SN 0300183034 through 0300188905)	
13	1001166539	NLA	Controller Assembly - Lift and Swing (Use p/n 1001129555) (SN 0300188906 to Present)	
14		Ref	Controller Assembly - Drive and Steer (See CONTROLLER ASSEMBLY - DRIVE AND STEER for Breakdown)	
14	1001118416	NLA	Controller Assembly - Drive and Steer (Use p/n 1001212415) (SN 0300183034 through 0300188905)	
14	1001166538	NLA	Controller Assembly - Drive and Steer (Use p/n 1001212415) (SN 0300188906 to Present)	
15	1001106355	1	Controller, Module (Re-calibration Required when Replaced) (SN 0300183034 through 0300190139)	
15	1001106938	1	Controller, Module (Re-calibration Required when Replaced) (SN 0300190140 to Present)	
16	1670829	1	Bezel	
17	1001110434	1	Plug	
18	1702565	1	Decal (Drive and Steer)	
19	1702566	1	Decal (Lift and Swing)	
20	1702567	1	Decal (Function Speed)	
21	1704260	1	Decal - EMS	
22	1705132	1	Decal - ADE (SN 0300183034 through 0300219553)	
23	2560136	1	Handle, Knob	
24	2760105	1	Housing, Display Light	
25	3300353	4	Nut, Tinnerman	
26	3311005	2	Nut #10-24	
27	3520054	AR	Plug, Hole	
28		Ref	Switch, Toggle Options:	

SECTION 4 - PLATFORM

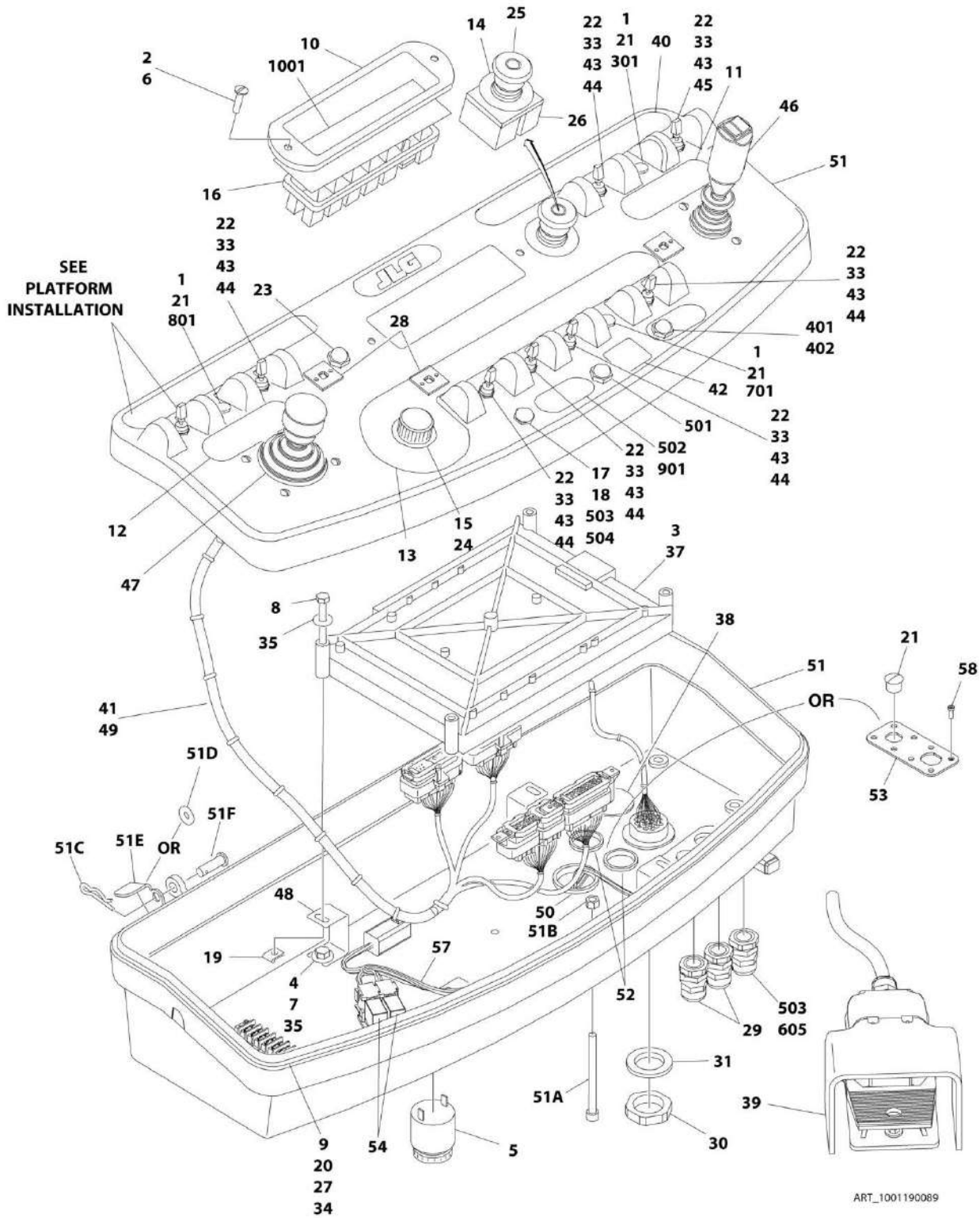
ITEM	PART NUMBER	QTY	DESCRIPTION	REV
28	4360328	6	Switch, Toggle (SN 0300183034 through 0300188905)	
28	1001155045	6	Switch, Toggle (SN 0300188906 to Present)	
29		Ref	Switch, Toggle Options:	
29	4360330	1	Switch, Toggle (SN 0300183034 through 0300188905)	
29	1001159256	1	Switch, Toggle (SN 0300188906 to Present)	
30	4360387	1	Switch, Push Button	
31	4360407	1	Controller, Speed	
31	See Note	1	Gasket "Top Hat" (Included with Switch) (Note: Not Available for Purchase)	
31	70003784	1	Seal	
32	4360475	1	Switch, Emergency Stop	
32	7020175	1	Cap, Red	
32	7020176	1	Contact Block	
33	4360476	1	Block, Contact	
34	4460007	1	Bar, Buss	
35	4460234	3	Mount, Tie-Strap (Not Shown)	
36	4460428	2	Connector, Strain Relief	
37	4460470	1	Nut	
38	4460471	1	Washer	
39	4460708	2	Terminal, 15 Pin (See ELECTRICAL SECTION for Location)	
40	4460905	5	Plug, Seal (See ELECTRICAL SECTION for Location)	
41	4751000	2	Washer #10	
42	4751400	8	Washer 1/4	
43	4922666	1	Harness, Analyzer Cable (Not Shown - See ELECTRICAL SECTION for Breakdown)	
44	1001131168	1	Decal (Stop)	
45	1001107753	1	Harness, Platform Box (See ELECTRICAL SECTION for Breakdown)	
46	3790012	7	O-Ring	
47	4740397	AR	Washer, Spacer	
48	1001155044	7	Nut, Special	
49	1001139135	1	Platform Valve Harness (Not Shown - See ELECTRICAL SECTION for Breakdown)) (SN 0300194140 to Present)	
50	3520035	1	Plug (SN 0300219554 to Present)	
51	3520033	2	Plug (SN 0300219554 through 0300224293)	
51	1001220486	2	Plug (SN 0300224294 to Present)	
	0861537	Ref	CONSOLE BOX ASSEMBLY (SN 0300183034 through 0300219553)	I
	1001201890	Ref	CONSOLE BOX ASSEMBLY (SN 0300219554 to Present)	B
201	See Note	NSS	Console Bottom (Note: Not Available for Purchase)	
202	See Note	NSS	Console Top (Note: Not Available for Purchase)	
203	3311601	1	Nut 3/8-16	
204	3470003	2	Pin, Hair	
205	0630568	1	Screw 3/8-16 x 4-1/2	
206	4711500	AR	Washer 5/16	
206	4711600	AR	Washer 3/8	
207	1001200575	2	Bracket	
208	3430616	2	Pin (SN 0300219554 to Present)	
	1001156467	Ref	DUAL FUEL SWITCH INSTALLATION (GM ENGINES ONLY)	B
301	4360336	1	Switch, Toggle	
301	3790012	1	O-Ring	
	0271768	Ref	HEAD AND TAIL LIGHTS INSTALLATION WITH ABS HOODS (OPTIONAL)	D

SECTION 4 - PLATFORM

ITEM	PART NUMBER	QTY	DESCRIPTION	REV
	1001164786	Ref	HEAD AND TAIL LIGHTS INSTALLATION WITH STEEL HOODS (OPTIONAL)	A
401	4360522	1	Switch, Push Button	
402	1705170	1	Decal - Lights	
	0273824	Ref	SOFT TOUCH SYSTEM INSTALLATION - 6FT/1.83M PLATFORM (OPTIONAL)	B
	1001108256	Ref	SOFT TOUCH SYSTEM INSTALLATION - 6FT/1.83M FALL ARREST PLATFORM (OPTIONAL)	D
	0272427	Ref	SOFT TOUCH SYSTEM INSTALLATION - 8FT/2.44M PLATFORM (OPTIONAL)	A
	0273706	Ref	SOFT TOUCH SYSTEM INSTALLATION - 8FT/2.44M FALL ARREST PLATFORM (OPTIONAL)	B
501	4360387	1	Switch, Push Button	
502	1702938	1	Decal - Soft Touch Override	
503	4460425	1	Connector, Strain Relief	
504	2920028	1	Lamp, Indicator	
505	2920029	1	Bulb	
	0273484	Ref	PLATFORM WORKLIGHT INSTALLATION (OPTIONAL) (800A)	D
	0273485	Ref	PLATFORM WORKLIGHT INSTALLATION (OPTIONAL) (800AJ)	D
605	4460426	1	Connector, Strain Relief	
	0271340	Ref	JIB SWITCH INSTALLATION (800AJ ONLY)	1
701	4360328	1	Switch, Toggle	
701	3790012	1	O-Ring	
	0258945	Ref	STEER SWITCH (4WS) INSTALLATION (OPTIONAL)	A
801	4360331	1	Switch, Toggle	
801	3790012	1	O-Ring	
	1001108763	Ref	LIGHT PANEL DECAL INSTALLATION - ANSI, ANSI EXPORT AND CSA SPECS	A
	1001108764	Ref	LIGHT PANEL DECAL INSTALLATION - AUSTRALIAN AND CE SPECS	A
1001	1001107927	1	Decal - Light Panel Display (ANSI, ANSI Export, and CSA Specs)	
1001	1001107926	1	Decal - Light Panel Display (Australian and CE Spec)	

SECTION 4 - PLATFORM

FIGURE 4-4. PLATFORM CONSOLE ASSEMBLY - WITH SKYGUARD



SECTION 4 - PLATFORM

FIGURE 4-4. PLATFORM CONSOLE ASSEMBLY - WITH SKYGUARD

ITEM	PART NUMBER	QTY	DESCRIPTION	REV
	1001190089	Ref	PLATFORM CONSOLE ASSEMBLY - WITH SKYGUARD (MACHINES WITHOUT LSS OR WITH 4 CELL LSS) (SN 0300183034 through 0300219553)	C
	1001202573	Ref	PLATFORM CONSOLE ASSEMBLY - WITH SKYGUARD (MACHINES WITHOUT LSS OR WITH 4 CELL LSS) (SN 0300219554 to Present)	D
	1001219973	Ref	PLATFORM CONSOLE ASSEMBLY - WITH SKYGUARD (WITH 1 CELL LSS)	B
1	0100009	AR	Sealant	
2	0100035	AR	Compound, Locking	
3	0100048	AR	Grease, Dielectric	
4	0100081	AR	Adhesive (SN 0300183034 through 0300237343)	
5	0140011	1	Alarm	
6	0630464	2	Screw #10 x 3/4	
7	0641404	4	Bolt 1/4 x 1/2	
8	0641414	4	Bolt 1/4 x 1-3/4	
9	0721006	2	Screw #10 x 3/4	
10	1670829	1	Bezel	
11	1702565	1	Decal - Drive and Steer	
12	1702566	1	Decal - Lift and Swing	
13	1702567	1	Decal - Function Speed	
14	1704260	1	Decal, Emergency Stop	
15	2560136	1	Knob	
16	2760105	1	Fixture, Light	
17	2920028	1	Light, Indicator	
18	2920029	1	Lamp, Bulb	
19	3300353	4	Nut, Tinnerman	
20	3311005	2	Nut #10	
21	3520054	AR	Plug, Hole	
22	3790012	7	O-Ring	
23	4360387	2	Switch, Push Button	
24	4360407	1	Switch, Flow Control	
24	See Note	1	Gasket "Top Hat" (Included with Switch) (Note: Not Available for Purchase)	
24	70003784	1	Seal	
25	4360475	1	Switch, Emergency Stop	
25	7020175	1	Cap, Red	
25	7020176	1	Block, Contact	
26	4360476	1	Switch, Contact	
27	4460007	1	Bussbar	
28	4460234	3	Mount Cable, Tie	
29	4460428	2	Connector, Strain Relief	
30	4460470	1	Terminal, Nut	
31	4460471	1	Terminal, Washer	
32	4460708	2	Connector - 15 Position	
33	4740397	7	Spacer, Washer	
34	4751000	2	Washer #10	
35	4751400	8	Washer 1/4	
36	4922666	1	Harness, Analyzer Cable (See ELECTRICAL SECTION for Breakdown)	
37	1001106938	1	Module, Control	

SECTION 4 - PLATFORM

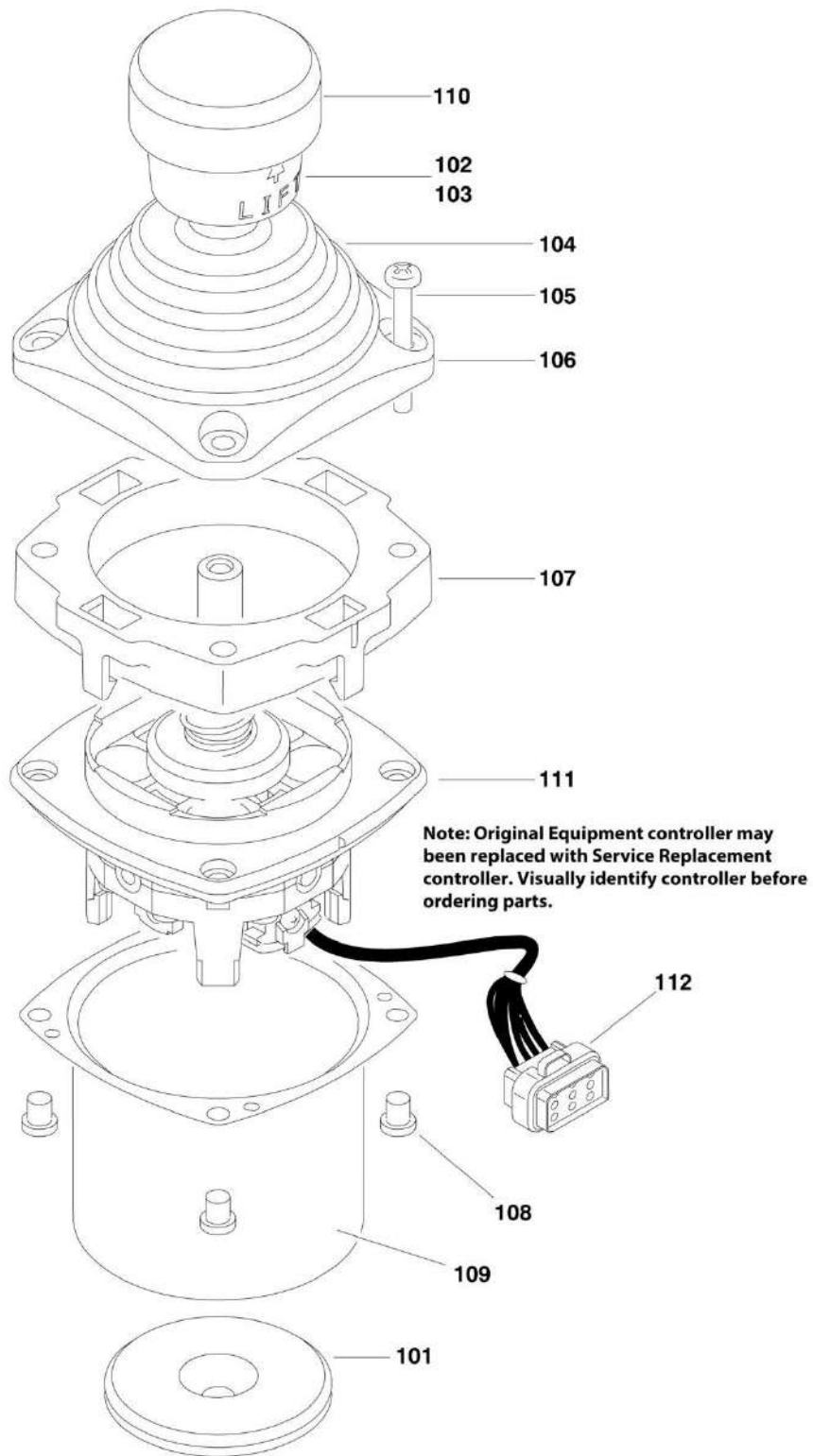
ITEM	PART NUMBER	QTY	DESCRIPTION	REV
38	1001110434	1	Plug, Hole	
39	1001117174	1	Footswitch Assembly	
39	1001117172	1	Footswitch	
39	70002902	1	Block, Contact for 1001117172 Footswitch	
39	70002903	1	Gasket for 1001117172 Footswitch	
39	70002905	1	Cover for 1001117172 Footswitch	
39	70002904	1	Bolt Replacement Kit for 1001117172 Footswitch	
39	1060918	7 ft/ 2.14m	Cable, Electrical - 18/3	
39	4460042	3	Terminal, Ring (Not Shown)	
39	4460464	1	Pin, Male	
39	4460226	2	Socket, Contact	
39	4460071	1	Connector, Strain Relief	
39	0100020	AR	Sealant	
40	1001131168	1	Decal - Stop	
41	1001139135	1	Harness, Platform Valve (See ELECTRICAL SECTION for Breakdown)	
42	1001144433	1	Decal - No Weight SkyGuard	
43	1001155044	7	Nut 15/32	
44	1001155045	6	Switch, Toggle	
45	1001159256	1	Switch, Toggle	
46	1001166538	NLA	Controller Drive/Steer (Use p/n 1001212415) (See CONTROLLER ASSEMBLY (DRIVE AND STEER) for Breakdown)	
47	1001166539	NLA	Controller Lift/Swing (Use p/n 1001129555) (See CONTROLLER ASSEMBLY (LIFT AND SWING) for Breakdown)	
48	1001172760	4	Bracket	
49	1001185280	1	Harness, Console Box (Machines without LSS or with 4 Cell LSS) (See ELECTRICAL SECTION for Breakdown)	
49	1001220281	1	Harness, Console Box (Machines with 1 Cell LSS) (See ELECTRICAL SECTION for Breakdown)	
50	1001185281	1	Plug	
51	1001189116	1	Console Box Assembly (Machines without LSS or with 4 Cell LSS) (SN 0300183034 through 0300219553)	D
51	1001201891	1	Console Box Assembly (Machines without LSS or with 4 Cell LSS) (SN 0300219554 to Present)	A
51	1001215228	1	Console Box Assembly (Machines with 1 Cell LSS)	A
51A	0630568	1	Screw 3/8in-16NC x 4-1/2in	
51B	3311601	1	Nut 3/8in-16NC	
51C	3470003	2	Hairpin	
51D	4711500	AR	Washer 5/16	
51D	4711600	AR	Washer 3/8	
51E	1001200575	2	Bracket	
51F	3430616	2	Pin (SN 0300219554 to Present)	
52	3520033	AR	Plug (SN 0300219554 through 0300224293)	
52	1001220486	AR	Plug (SN 0300224294 to Present)	
53	1001213882	1	Mount (Machines with 1 Cell LSS)	
54	1001186431	2	Relay (Machines with 1 Cell LSS)	
54	4240032	AR	Tie-Strap	
54	4460488	AR	Mount, Tie-Strap	
57	1001225580	1	Interface Harness (Machines with 1 Cell LSS)	
58	3900349	AR	Capscrew M2.5	
	1001156467	Ref	DUAL FUEL SWITCH INSTALLATION (GM ENGINES ONLY)	B
301	4360336	1	Swith, Toggle	

SECTION 4 - PLATFORM

ITEM	PART NUMBER	QTY	DESCRIPTION	REV
301	3790012	1	O-Ring	
	0271768	Ref	HEAD AND TAILLIGHTS INSTALLATION WITH ABS HOODS (OPTIONAL)	E
	1001164786	Ref	HEAD AND TAILLIGHTS INSTALLATION WITH STEEL HOODS (OPTIONAL)	B
401	4360522	1	Switch, Push Button	
402	1705170	1	Decal - Lights	
	0273824	Ref	SOFT TOUCH SYSTEM INSTALLATION - 6FT/1.83M PLATFORM (OPTIONAL)	B
	1001108256	Ref	SOFT TOUCH SYSTEM INSTALLATION - 6FT/1.83M FALL ARREST PLATFORM (OPTIONAL)	D
	0272427	Ref	SOFT TOUCH SYSTEM INSTALLATION - 8FT/2.44M PLATFORM (OPTIONAL)	A
	0273706	Ref	SOFT TOUCH SYSTEM INSTALLATION - 8FT/2.44M FALL ARREST PLATFORM (OPTIONAL)	B
501	4360387	1	Switch, Push Button	
502	1702938	1	Decal - Soft Touch Override	
503	4460425	1	Connector, Strain Relief	
504	2920028	1	Lamp, Indicator	
505	2920029	1	Bulb, Light	
	0273484	Ref	PLATFORM WORKLIGHTS INSTALLATION (OPTIONAL) (800A)	D
	0273485	Ref	PLATFORM WORKLIGHTS INSTALLATION (OPTIONAL) (800AJ)	D
605	4460426	1	Connector, Strain Relief	
	0271340	Ref	JIB SWITCH INSTALLATION (800AJ ONLY)	1
701	4360328	1	Switch, Toggle	
701	3790012	1	O-Ring	
	0258945	Ref	STEER SWITCH (4WS) INSTALLATION (OPTIONAL)	A
801	4360331	1	Switch, Toggle	
801	3790012	1	O-Ring	
		Ref	SKYGUARD OVERRIDE DECALS INSTALLATION	
901	1001141300	1	Decal - SkyGuard Override	
901	1001141302	1	Decal - SkyGuard Override with Soft Touch	
	1001108763	Ref	LIGHT PANEL DECAL INSTALLATION - DUAL CAPACITY	A
	1001108764	Ref	LIGHT PANEL DECAL INSTALLATION - SINGLE CAPACITY	A
1001	1001107927	1	Decal - Light Panel Display (Dual Capacity)	
1001	1001107926	1	Decal - Light Panel Display (Single Capacity)	

SECTION 4 - PLATFORM

FIGURE 4-5. CONTROLLER ASSEMBLY - SWING AND LIFT (SN 0300183034 through 0300188905)



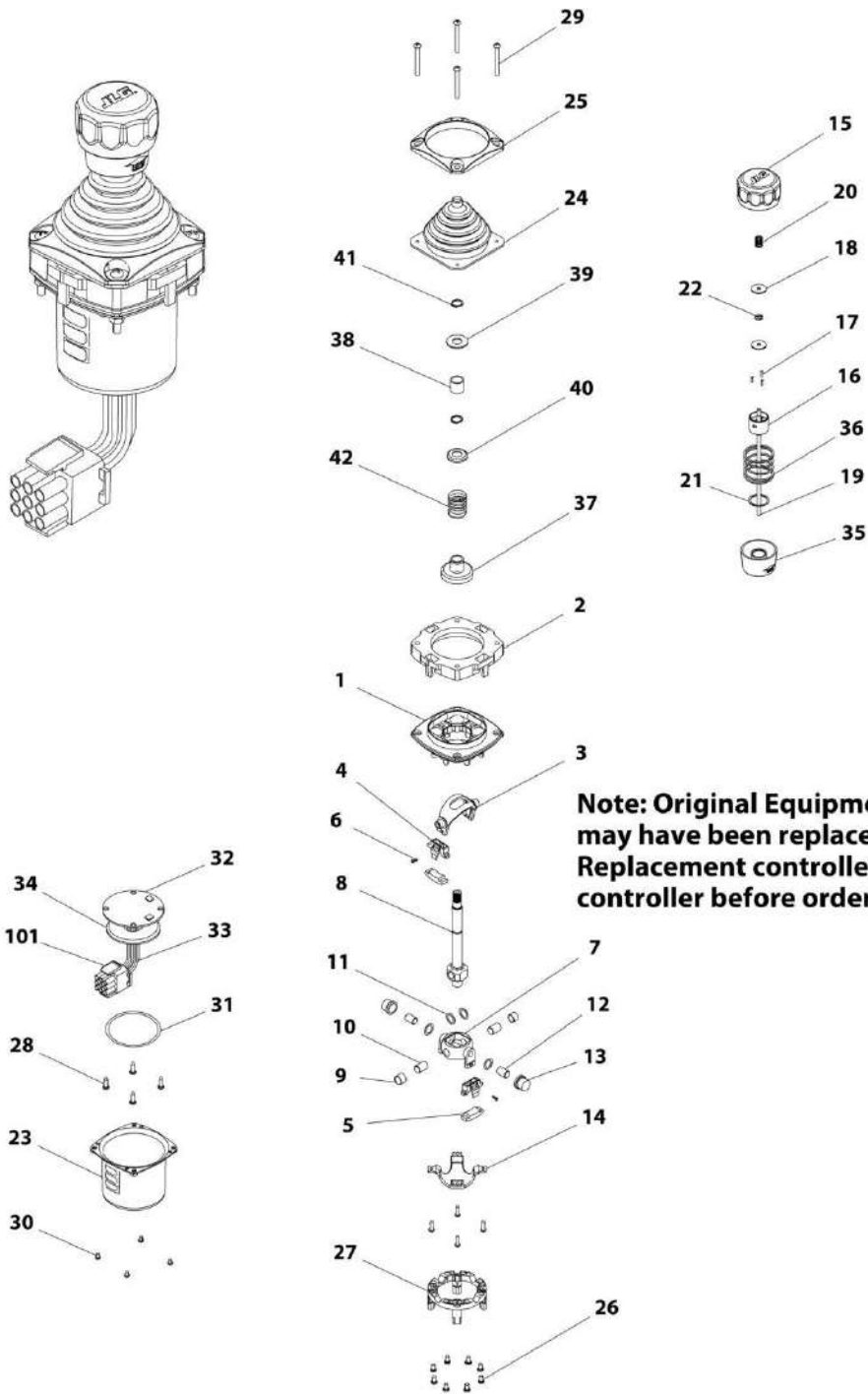
SECTION 4 - PLATFORM

FIGURE 4-5. CONTROLLER ASSEMBLY - SWING AND LIFT (SN 0300183034 through 0300188905)

ITEM	PART NUMBER	QTY	DESCRIPTION	REV
		Ref	Note: Original Equipment controller may have been replaced with a Service Replacement controller. Visually identify controller before ordering parts.	
	1001118417	Ref	CONTROLLER ASSEMBLY (SN 0300183034 through 0300188905)	E
		Ref	Note: Use p/n 1001129555 as Replacement.	
101	70002730	1	Gasket	
102	7003928	1	Spring	
103	7022808	1	Cap, Lift	
104	70002731	1	Boot	
105	70002732	4	Screw	
106	7022815	1	Bezel	
107	70002733	1	Adapter	
108	70002734	4	Screw	
109	70002735	1	Can, Enclosure	
110	70002906	1	Cap	
111	See Note	1	Mechanical Assembly (Note: Not Available - Purchase Complete Assembly)	
112	7022819	1	Plug, Male 8 Position (Natural) (Not Shown)	
112	4460871	6	Socket, Female	

SECTION 4 - PLATFORM

FIGURE 4-6. CONTROLLER ASSEMBLY - SWING AND LIFT (SN 0300188906 to Present)



ART_1001166539

SECTION 4 - PLATFORM

FIGURE 4-6. CONTROLLER ASSEMBLY - SWING AND LIFT (SN 0300188906 to Present)

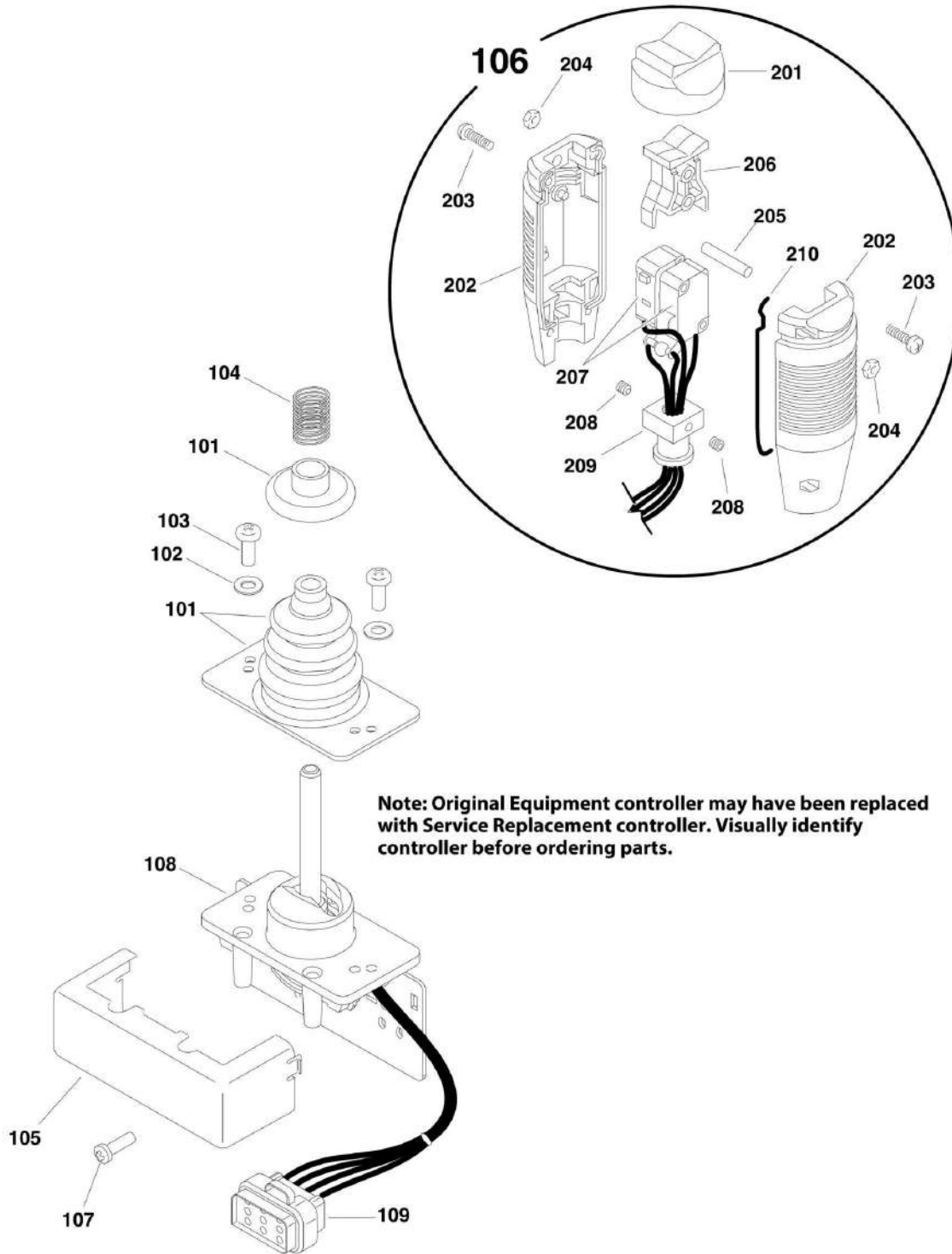
ITEM	PART NUMBER	QTY	DESCRIPTION	REV
		Ref	Note: Original Equipment controller may have been replaced with a Service Replacement controller. Visually identify controller before ordering parts.	
	1001166539	Ref	CONTROLLER ASSEMBLY – SWING AND LIFT (SN 0300188906 to Present)	D
		Ref	Note: Use p/n 1001129555 as replacement.	
1	See Note	1	Main Cast Body (Note: Not Available - Purchase Complete Assembly)	
2	70004752	1	Adapter	
3	See Note	1	Pivot Arm, Plastic (Note: Not Available - Purchase Complete Assembly)	
4	See Note	2	Holder, Magnet (Note: Not Available - Purchase Complete Assembly)	
5	See Note	2	Arc, Magnet (Note: Not Available - Purchase Complete Assembly)	
6	See Note	2	Screw (Note: Not Available for Purchase)	
7	See Note	1	Pivot Arm, Cast (Note: Not Available - Purchase Complete Assembly)	
8	See Note	1	Shaft, Main (Note: Not Available - Purchase Complete Assembly)	
9	See Note	2	Bearing (Note: Not Available - Purchase Complete Assembly)	
10	See Note	2	Pin (Note: Not Available - Purchase Complete Assembly)	
11	See Note	4	Shim (Note: Not Available - Purchase Complete Assembly)	
12	See Note	2	Pin (Note: Not Available - Purchase Complete Assembly)	
13	See Note	2	Bearing (Note: Not Available - Purchase Complete Assembly)	
14	See Note	1	Dome, Centering (Note: Not Available - Purchase Complete Assembly)	
15	70004753	1	Cap	
16	70004754	1	Insert, Cap	
17	70004755	3	Pin	
18	70004756	2	Washer	
19	70004757	1	Pin, Centering	
20	70004758	1	Spring	
21	70004759	1	Ring, Retaining	
22	70004760	1	E-Ring	
23	70004761	1	Can, Enclosure	
24	70004762	1	Boot	
25	70004763	1	Bezel	
26	See Note	8	Screw (Note: Not Available for Purchase)	
27	See Note	1	Base Mounting (Note: Not Available - Purchase Complete Assembly)	
28	See Note	4	Screw (Note: Not Available for Purchase)	
29	70004764	4	Screw	
30	70004765	4	Screw	
31	70004766	1	O-Ring	
32	See Note	1	Plate (Note: Not Available - Purchase Complete Assembly)	
33	See Note	1	Harness (Note: Not Available - Purchase Complete Assembly)	
34	70004767	1	Grommet, Rubber	
35	70004768	1	Housing	
36	70004769	1	Spring	
37	70004770	1	Stopper	
38	70004771	1	Spacer	
39	70004772	1	Washer	
40	70004773	1	Disc	

SECTION 4 - PLATFORM

ITEM	PART NUMBER	QTY	DESCRIPTION	REV
41	70004774	2	Ring, Retaining	
42	70004775	1	Spring	
101	4460265	1	Connector - 9 Position	
101	4460226	6	Socket, Female	

SECTION 4 - PLATFORM

FIGURE 4-7. CONTROLLER ASSEMBLY - DRIVE AND STEER (SN 0300183034 through 0300188905)



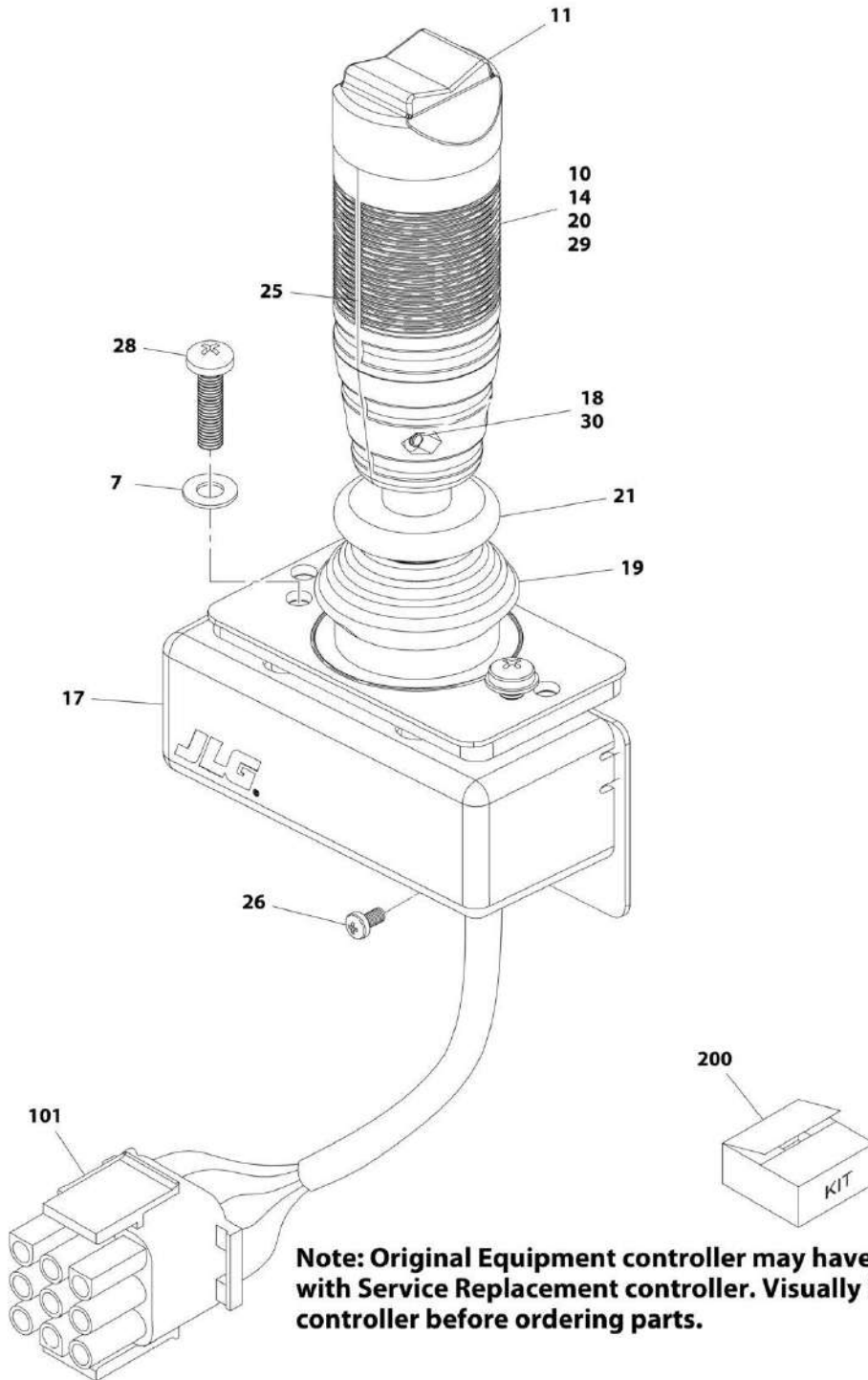
SECTION 4 - PLATFORM

FIGURE 4-7. CONTROLLER ASSEMBLY - DRIVE AND STEER (SN 0300183034 through 0300188905)

ITEM	PART NUMBER	QTY	DESCRIPTION	REV
		Ref	Note: Original Equipment controller may have been replaced with a Service Replacement controller. Visually identify controller before ordering parts.	
	1001118416	Ref	CONTROLLER ASSEMBLY (SN 0300183034 through 0300188905)	D
		Ref	Note: Use p/n 1001212415 as Replacement.	
101	70002724	1	Boot and Control Lock Assembly	
102	7003941	2	Washer	
103	70002725	2	Screw	
104	7019162	1	Spring	
105	70002726	1	Enclosure	
106	70002727	1	Handle Assembly (See Items 201-210 for Breakdown)	
107	70002728	1	Screw	
108	See Note	1	Mechanical Assembly (Note: Not Available - Purchase Complete Assembly)	
109	1001113961	1	Plug, Male - 8 Position (Black) (was p/n 7022825)	
109	4460871	7	Socket, Female	
	70002727	Ref	HANDLE ASSEMBLY	
201	7003972	1	Boot, Switch	
202	7003973	2	Half, Handle	
203	7003980	4	Screw	
204	7019167	4	Nut	
205	7019164	1	Axle	
206	7019165	1	Rocker	
207	70002729	1	Wiring Assembly	
207	7003982	2	Switch, Micro	
208	7003983	2	Setscrew	
209	7019194	1	Coupling	
210	7003989	2	Gasket	

SECTION 4 - PLATFORM

FIGURE 4-8. CONTROLLER ASSEMBLY - DRIVE AND STEER (SN 0300188906 to Present)



ART_1001166538

SECTION 4 - PLATFORM

FIGURE 4-8. CONTROLLER ASSEMBLY - DRIVE AND STEER (SN 0300188906 to Present)

ITEM	PART NUMBER	QTY	DESCRIPTION	REV
		Ref	Note: Original Equipment controller may have been replaced with a Service Replacement controller. Visually identify controller before ordering parts.	
	1001166538	Ref	CONTROLLER ASSEMBLY - DRIVE AND STEER (SN 0300188906 to Present)	G
		Ref	Note: Use p/n 1001212415 as Replacement.	
7	70004738	2	Washer	
10	70004739	1	Roller	
11	70004740	1	Boot, Switch	
14	70004741	2	Half, Handle	
17	70004742	1	Enclosure	
18	70004743	4	Nut	
19	70004744	NLA	Boot, Controller (Use Item 200)	
20	70004745	NLA	Tube, Locking (Use Item 200)	
21	70004746	NLA	Disc, Locking (Use Item 200)	
25	70004747	2	Seal, Rope	
26	70004748	1	Screw, M3 x 6mm	
28	70004749	2	Screw, M5 x 20mm	
29	70004750	1	Pin, Dowel	
30	70004751	4	Screw, M3 x 16mm	
101	4460265	1	Connector - 9 Position	
101	4460226	7	Socket, Female	
200	70005230	1	Boot Kit (Includes Items 19-21)	

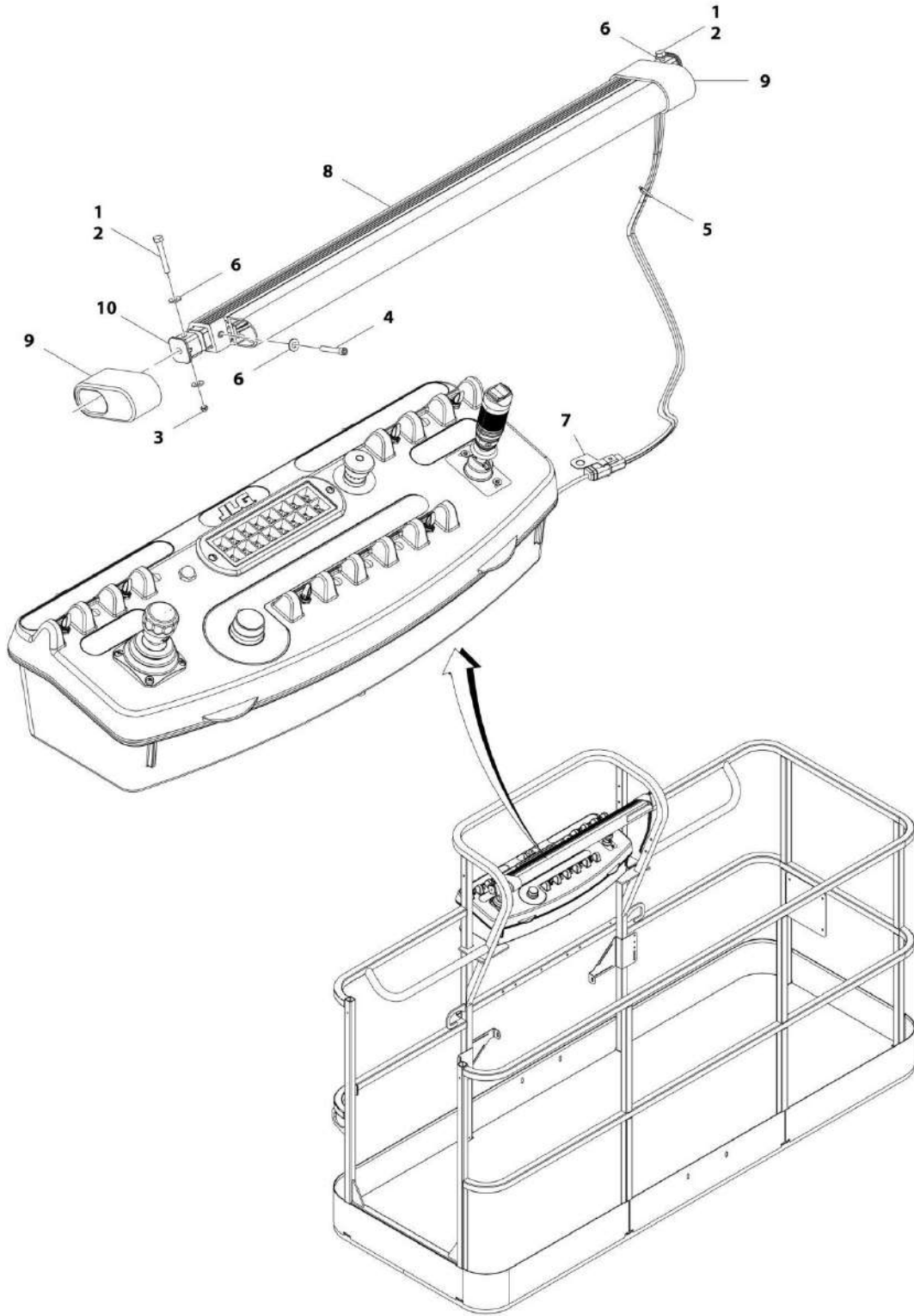
SECTION 4 - PLATFORM

FIGURE 4-9. SOFT TOUCH SYSTEM INSTALLATION (OPTIONAL)

ITEM	PART NUMBER	QTY	DESCRIPTION	REV
	0273824	Ref	SOFT TOUCH SYSTEM INSTALLATION - 6FT/1.83M PLATFORM (OPTIONAL)	D
	1001108256	Ref	SOFT TOUCH SYSTEM INSTALLATION - 6FT/1.83M FALL ARREST PLATFORM (OPTIONAL)	C
	0272427	Ref	SOFT TOUCH SYSTEM INSTALLATION - 8FT/2.44M PLATFORM (OPTIONAL)	G
	0273706	Ref	SOFT TOUCH SYSTEM INSTALLATION - 8FT/2.44M FALL ARREST PLATFORM (OPTIONAL)	D
1	0100011	AR	Compound, Locking	
2	0200048	2	Arm, Switch Activator	
3	0630462	8	Bolt	
4	0641414	8	Bolt 1/4-20 x 1-3/4	
5	0731005	4	Screw #10-32 x 5/8	
6	0940134	1	Bumper Kit (6ft/1.8m Platform)	
6	0940103	1	Bumper Kit (8ft/2.4m Platform)	
6	0940177	1	Bumper Kit (6ft/1.8m Platform with Fall Arrest)	
6	0940133	1	Bumper Kit (8ft/2.4m Platform with Fall Arrest)	
7	1060341	AR	Cable, Electrical - 16/2	
8	1060903	4	Wire Rope and Eyebolt Assembly	
10	3311401	8	Nut 1/4-20	
11	3311501	8	Nut 5/16-18	
12	3575359	2	Plate, Striker (6ft/1.8m Platforms)	
12	3574091	2	Plate, Striker (8ft/2.4m Platforms)	
13	4240099	7	Tie-Strap (Not Shown)	
14	4360057	2	Switch, Limit	
16	4420068	AR	Tape, Yellow Adhesive	
16	1001197017	AR	Tie-Strap (not Shown)	
17	4460425	2	Connector, Strain Relief (6ft/1.8m Platforms)	
17	4460049	2	Connector, Strain Relief (8ft/2.4m Platforms)	
17	4460049	2	Connector, Strain Relief (All Platforms with all Arrest)	
18	4460234	AR	Base, Tie-Strap Mounting (Not Shown)	
20	4751400	8	Washer 1/4	
21	4751500	AR	Washer 5/16	
22	4751800	8	Washer 1/2	
23	3641569	1	Rail, SoftTouch (6ft/1.8m Platforms)	
23	4846673	1	Rail, SoftTouch (8ft/2.4m Platforms)	
	1001157013	Ref	SOFT TOUCH COUNTERWEIGHT INSTALLATION (NOT SHOWN)	C
	1001157012	1	Counterweight (Located in Frame)	

SECTION 4 - PLATFORM

FIGURE 4-10. SKYGUARD SYSTEM INSTALLATION



ART_1001187508

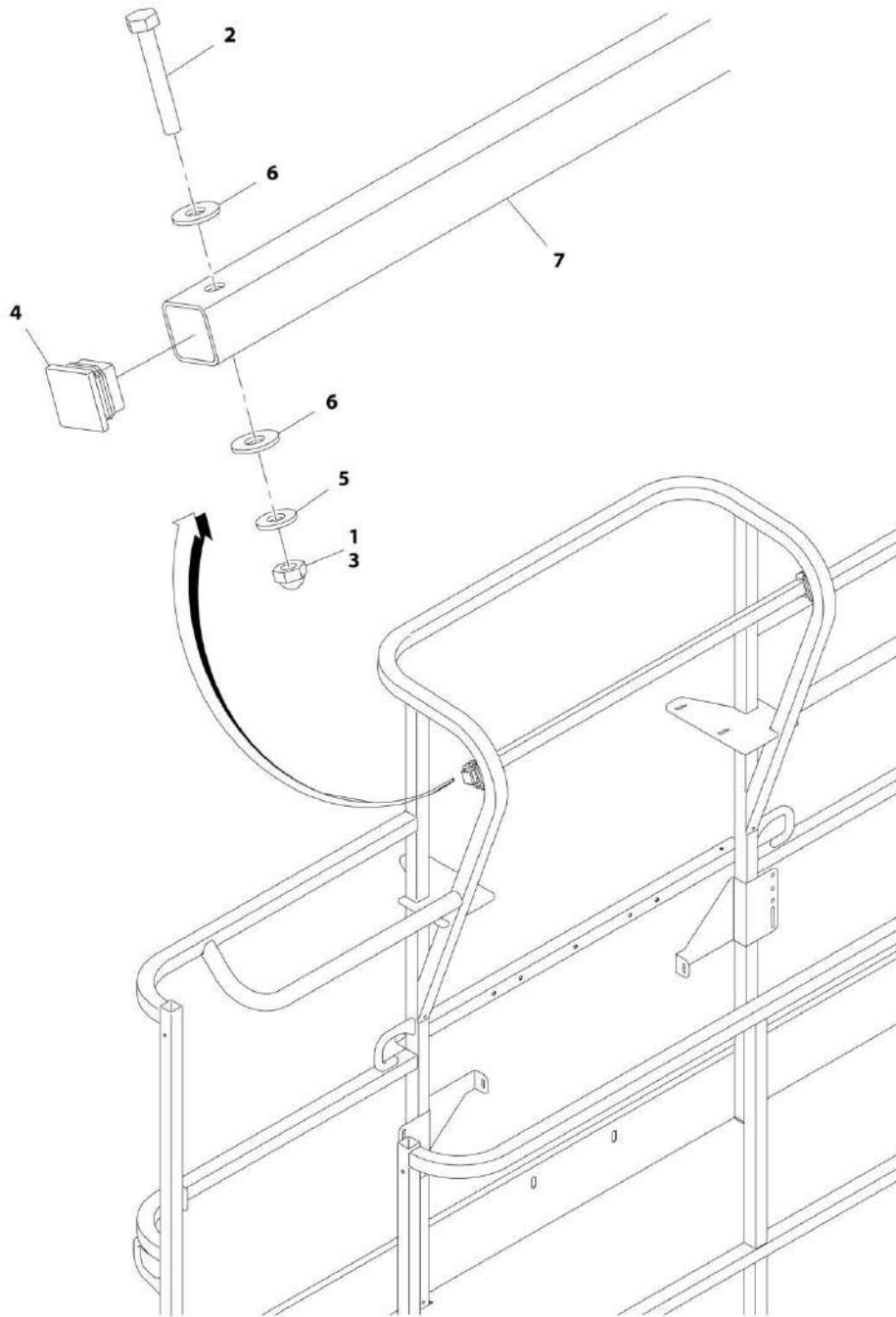
SECTION 4 - PLATFORM

FIGURE 4-10. SKYGUARD SYSTEM INSTALLATION

ITEM	PART NUMBER	QTY	DESCRIPTION	REV
	1001187508	Ref	SKYGUARD SYSTEM INSTALLATION (SN 0300200809 to Present)	C
		Ref	Note: For Machines SN 0300183034 through SN 0300201003, refer to SPECIAL OPTIONS Section.	
1	0100011	AR	Compound, Locking	
2	0641414	2	Bolt, 1/4-20 x 1-3/4	
3	3300430	2	Nut, Acorn 1/4-20	
4	3931424	2	Capscrew, 1/4-20 x 1-1/2	
4	3931408	2	Capscrew 1/4 x 1/2	
5	4240033	AR	Tie-Strap	
6	4711400	AR	Washer, 1/4	
7	1001120328	1	Mount	
8	1001137673	1	Switch, SkyGuard Assembly	
9	1001186517	2	Cover, Platform Sensor	
10	1001188889	NLA	Support, Block (Use p/n 1001209664) (SN 0300200809 through 0300244579)	
10	1001209664	2	Support, Block (SN 0300244580 to Present)	

SECTION 4 - PLATFORM

FIGURE 4-11. CROSS RAIL INSTALLATION



ART_1001182138

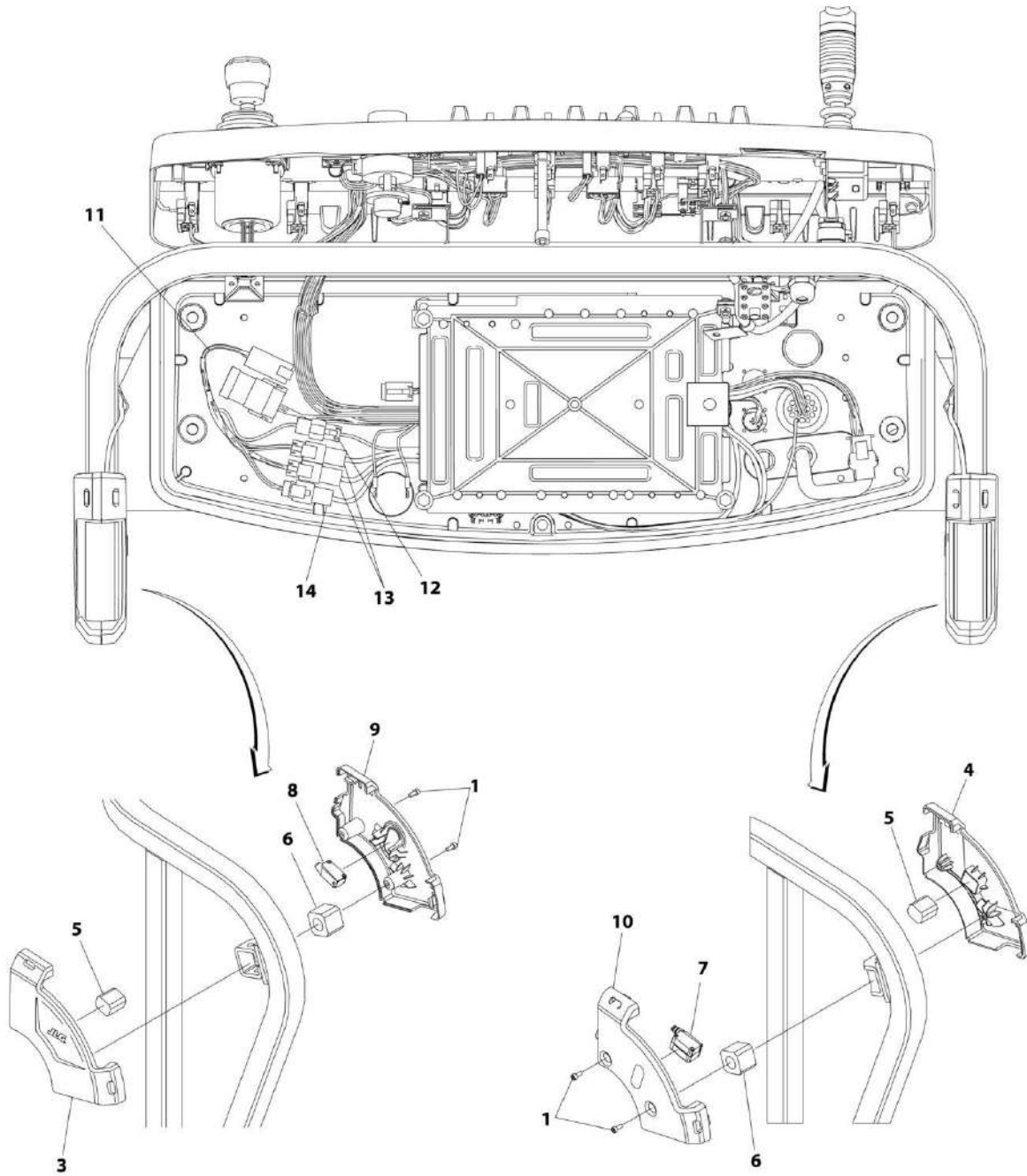
SECTION 4 - PLATFORM

FIGURE 4-11. CROSS RAIL INSTALLATION

ITEM	PART NUMBER	QTY	DESCRIPTION	REV
	1001182138	Ref	CROSS RAIL INSTALLATION	A
1	0100071	AR	Compound, Locking	
2	0641414	2	Bolt 1/4 x 1-3/4	
3	3300430	2	Nut 1/4	
4	3520182	2	Plug	
5	4711400	2	Washer 1/4	
6	4751400	4	Washer 1/4	
7	1001191708	1	Bar	

SECTION 4 - PLATFORM

FIGURE 4-12. SKYEYE INSTALLATION



ART_1001229341

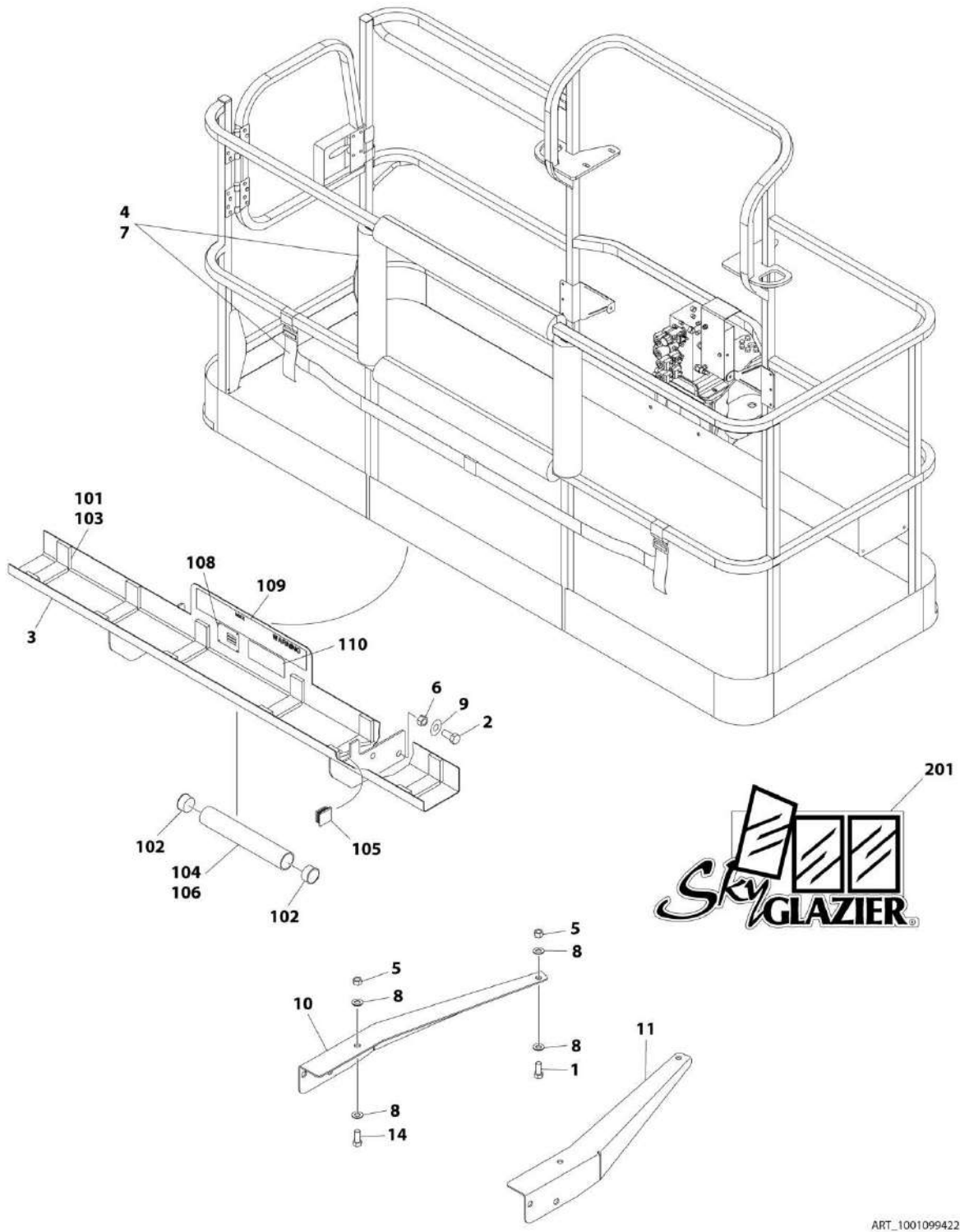
SECTION 4 - PLATFORM

FIGURE 4-12. SKYEYE INSTALLATION

ITEM	PART NUMBER	QTY	DESCRIPTION	REV
	1001229341	Ref	SKYEYE INSTALLATION	A
1	4031505	4	Bolt M4 x 10	
2	4240033	AR	Tie-Strap (Not Shown)	
3	1001227633	1	Housing, LH Outer	
4	1001227634	1	Housing, RH Outer	
5	1001227985	2	Shim	
6	1001227987	2	Shim	
7	1001228224	2	Sensor, Receiver	
8	1001228225	1	Sensor, Emitter	
9	1001232164	1	Housing, LH Inner	
10	1001232165	1	Housing, RH Inner	
11	1001237865	1	Harness, Skyeeye Intermediate (See Separate Breakdown in ELECTRICAL SECTION)	
12	1001238319	1	Harness, Skyeeye Drain Jumper	
12	1001187674	1	Plug, Male - 2 Position	
12	4460942	1	Terminal	
12	4460466	1	Plug, Terminal	
12	4460508	1	Pin, Male	
13	1001237863	2	Harness, Skyeeye Receiver (See Separate Breakdown in ELECTRICAL SECTION)	
14	1001237864	1	Harness, Skyeeye Emitter (See Separate Breakdown in ELECTRICAL SECTION)	

SECTION 4 - PLATFORM

FIGURE 4-13. SKYGLAZIER INSTALLATION



ART_1001099422

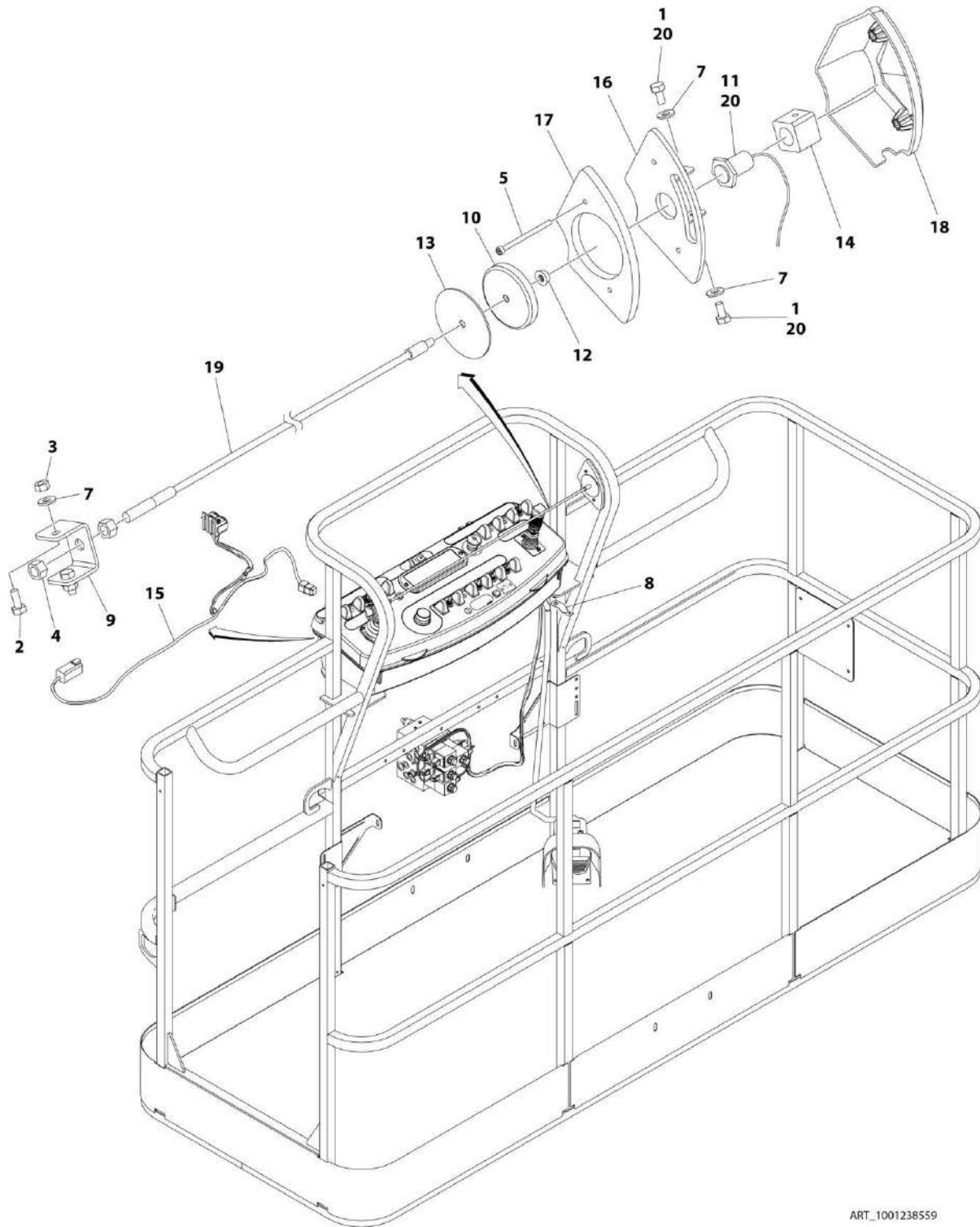
SECTION 4 - PLATFORM

FIGURE 4-13. SKYGLAZIER INSTALLATION

ITEM	PART NUMBER	QTY	DESCRIPTION	REV
	1001101422	Ref	SKYGLAZIER INSTALLATION (ANSI, ANSI EXPORT AND CSA SPECS)	C
	1001102647	Ref	SKYGLAZIER INSTALLATION (AUSTRALIAN SPECS) (SN 0300183034 through 0300234279)	C
	1001101422	Ref	SKYGLAZIER INSTALLATION (AUSTRALIAN SPECS) (SN 0300234280 to Present)	C
	1001099422	Ref	SKYGLAZIER INSTALLATION (BRAZIL SPECS)	C
	1001099421	Ref	SKYGLAZIER INSTALLATION (LATIN AMERICAN SPECS)	C
		Ref	Note: ANSI, ANSI Export (Brazil and Latin American), Australian and CSA Specs Only.	
1	0642012	2	Bolt 5/8 x 1-1/2	
1	0642026	2	Bolt 5/8 x 3-1/4	
2	0642212	4	Bolt 3/4 x 1-1/2	
3	1001101421	1	Tray Assembly (All Spec except Brazil and Latin American Specs) (See Items 101-110 for Breakdown)	
3	0272951	1	Tray Assembly (Brazil Spec) (See Items 101-110 for Breakdown)	
3	0272948	1	Tray Assembly (Latin American Spec) (See Items 101-110 for Breakdown)	
4	2902212	1	Bumpers and Strap Kit	
4	0940102	1	Bumper Only	
4	4240149	1	Strap Only	
5	3312005	4	Nut 5/8	
5	1001149924	AR	Nut, Plastic 5/8	
6	3312205	4	Nut 3/4	
7	4420014	AR	Tape	
8	4712000	6	Washer 5/8	
9	4712200	8	Washer 3/4	
10	1001099366	1	Support	
11	1001099367	1	Support	
14	8310129	2	Bolt 5/8 x 2-1/2	
14	0642026	2	Bolt 5/8 x 3-1/4	
14	8310230	2	Bolt 5/8 x 4	
	1001101421	Ref	TRAY ASSEMBLY (ALL SPECS EXCEPT BRAZIL AND LATIN AMERICAN SPECS)	E
	0272951	Ref	TRAY ASSEMBLY (BRAZIL SPECS)	E
	0272948	Ref	TRAY ASSEMBLY (LATIN AMERICAN SPECS)	E
101	0100081	AR	Adhesive	
102	1120555	2	Cap, Tube	
103	3340956	1	Pad Kit	
104	3460334	1	Tube	
105	3520071	2	Plug	
106	4420066	AR	Tape, Double Sided	
108	See Note	NSS	Nameplate - Serial Number (Note: Not Available for Purchase)	
109	1001163131	1	Decal - Glazier Capacity (All Specs except Brazil and Latin American Specs)	
109	1001163297	2	Decal - Glazier Capacity (Brazil Specs)	
109	1001163296	2	Decal - Glazier Capacity (Latin American Specs)	
110	1701509	2	Decal - Manual	
	0272418	Ref	SKYGLAZIER DECAL INSTALLATION	4
201	1705358	2	Decal - SkyGlazier	

SECTION 4 - PLATFORM

FIGURE 4-14. SKYLINE INSTALLATION



ART_1001238559

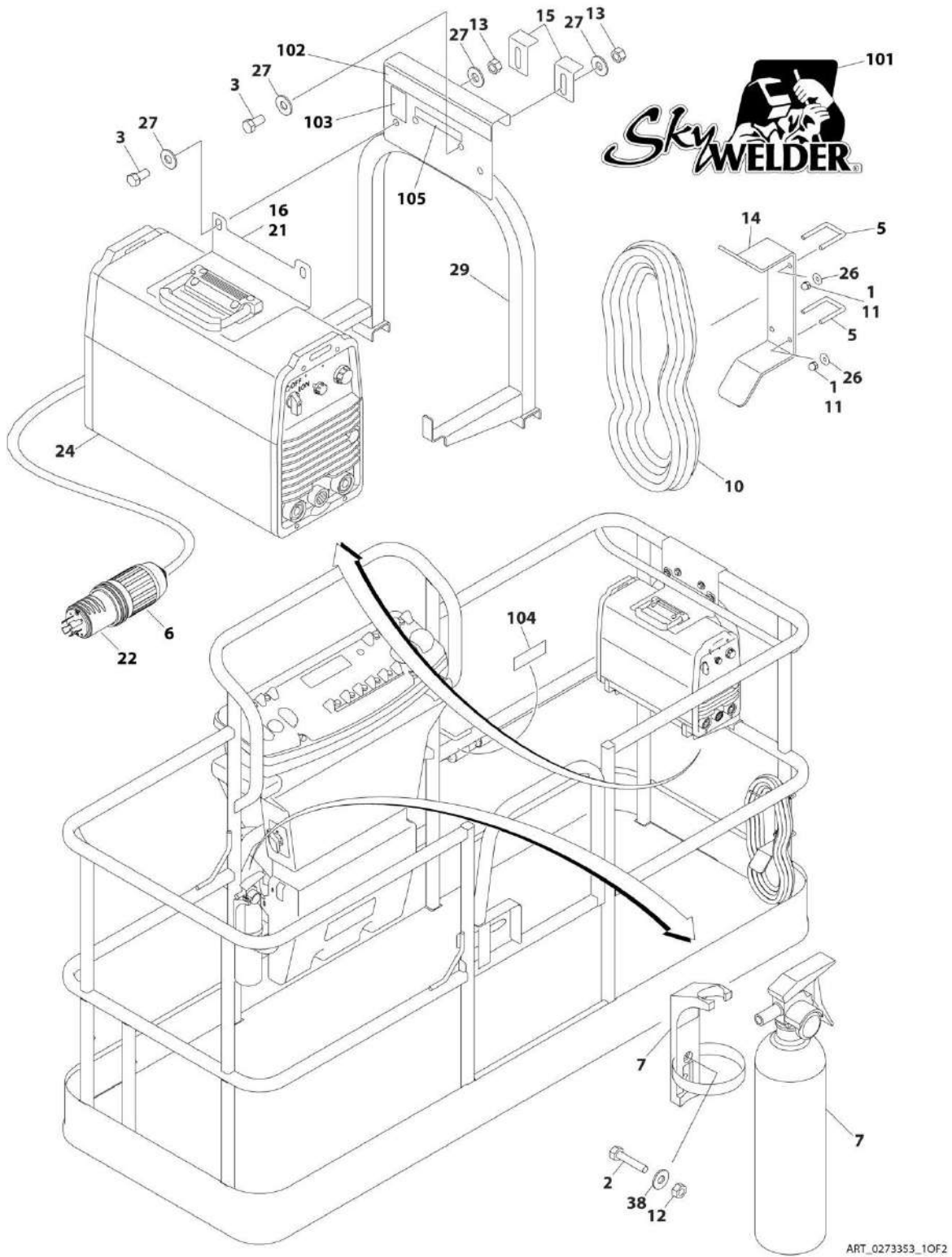
SECTION 4 - PLATFORM

FIGURE 4-14. SKYLINE INSTALLATION

ITEM	PART NUMBER	QTY	DESCRIPTION	REV
	1001238559	Ref	SKYLINE INSTALLATION	B
1	0641404	2	Bolt 1/4 x 1/2	
2	0641405	2	Bolt 1/4 x 5/8	
3	3311405	2	Nut 1/4	
4	3311601	2	Nut 3/8	
5	4031516	2	Capscrew M4 x 60	
6	4240033	AR	Tie-Strap (Not Shown)	
7	4711400	4	Washer 1/4	
8	1001120328	1	Mount	
9	1001232642	1	Bracket	
10	1001232650	1	Magnet	
11	1001232667	1	Sensor, Proximity	
12	1001235011	1	Nut	
13	1001235013	1	Washer	
14	1001236552	1	Block	
15	1001238418	1	Harness, Skyline (See Separate Breakdown in ELECTRICAL SECTION)	
16	1001238472	1	Mount	
17	1001238477	1	Housing, LH	
18	1001241965	1	Housing, RH	
19	1001238824	1	Rope	
20	0100011	AR	Compound, Locking	

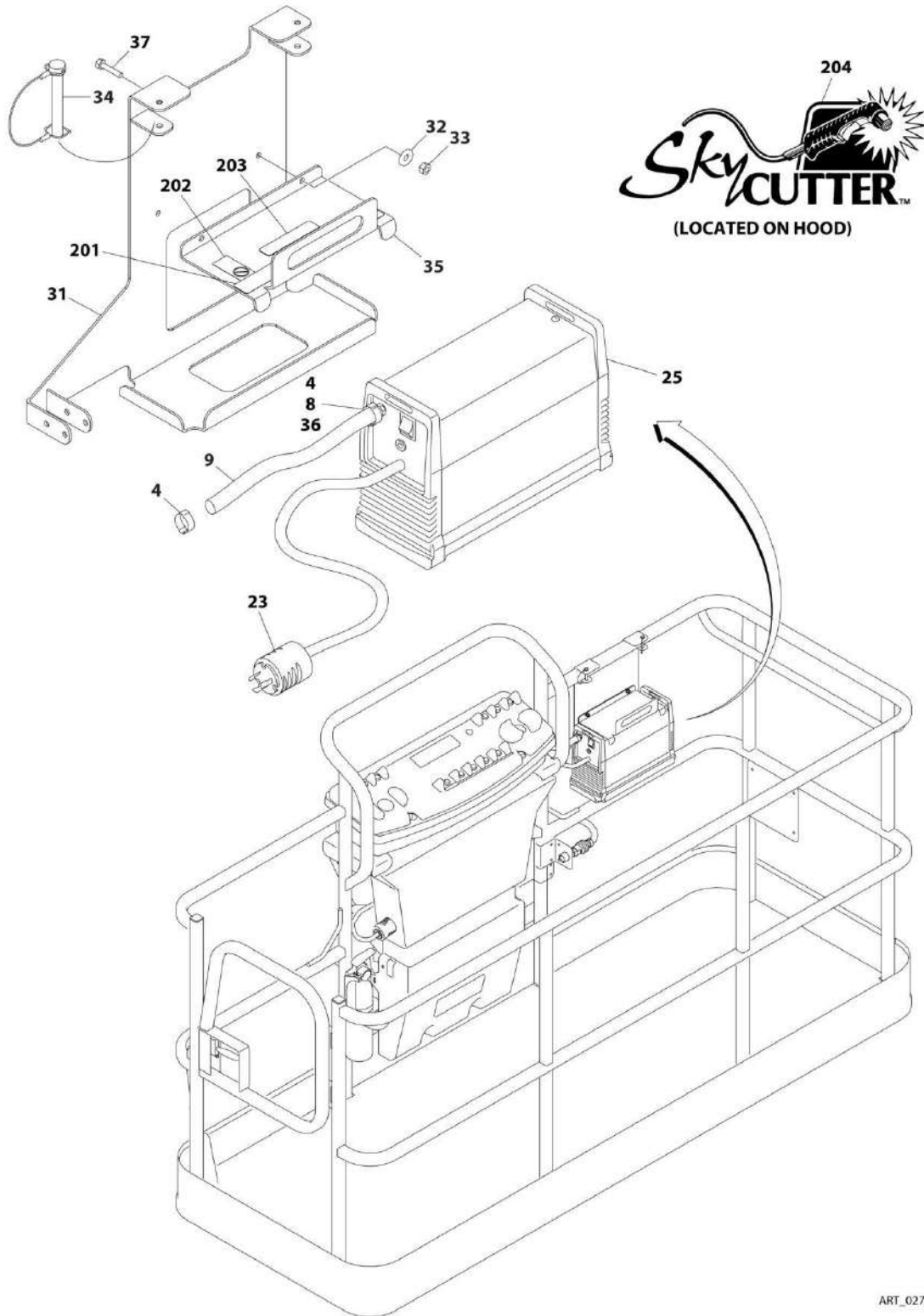
SECTION 4 - PLATFORM

FIGURE 4-15. SKYWELDER/SKYCUTTER COMBO INSTALLATION (60HZ)



ART_0273353_10F2

SECTION 4 - PLATFORM



ART_0273353_20F2

SECTION 4 - PLATFORM

FIGURE 4-15. SKYWELDER/SKYCUTTER COMBO INSTALLATION (60HZ)

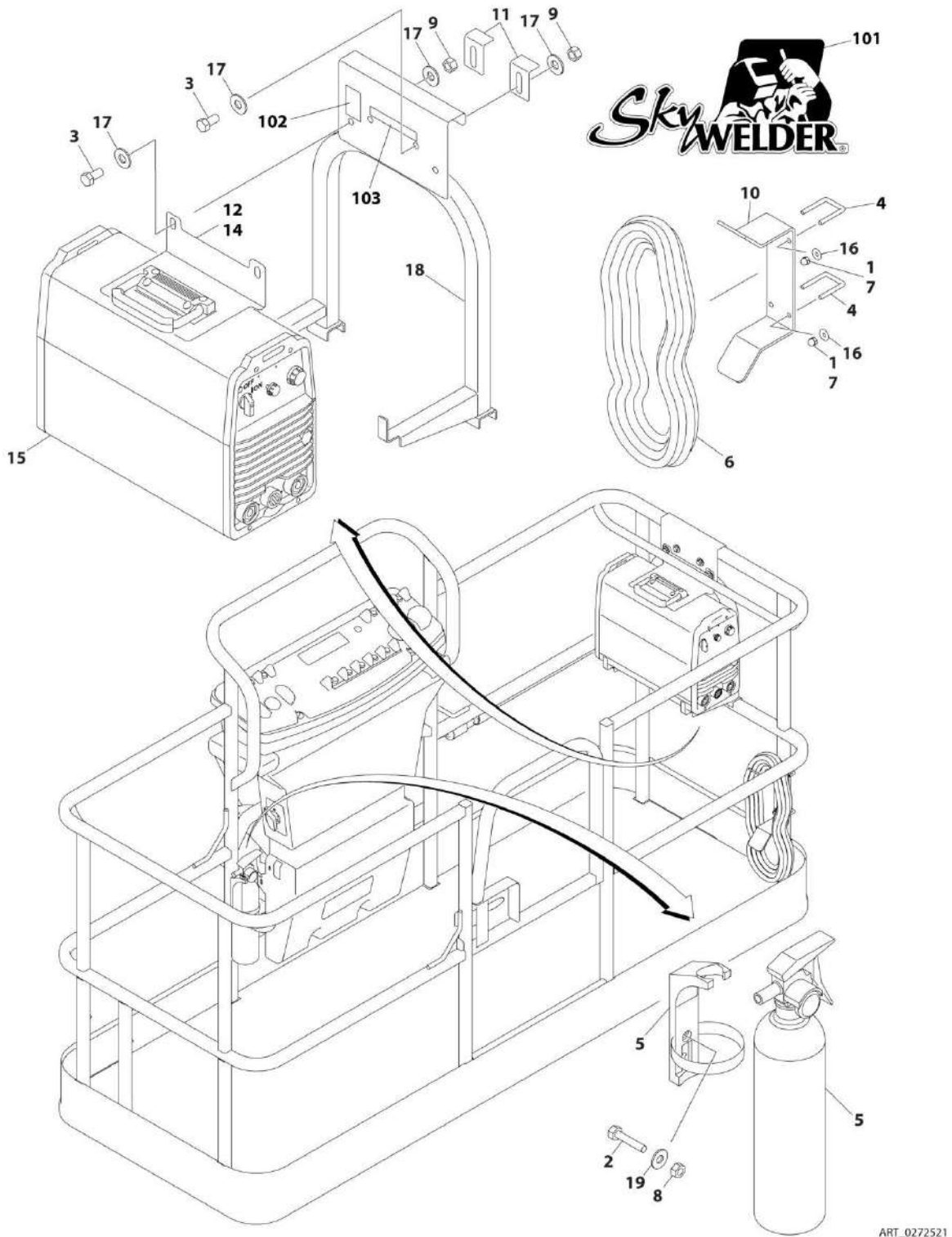
ITEM	PART NUMBER	QTY	DESCRIPTION	REV
	0273353	Ref	SKYWELDER/SKYCUTTER COMBO INSTALLATION (60HZ)	G
		Ref	Note: ANSI, ANSI Export and CSA Spec Only.	
1	0100011	AR	Compound, Locking	
2	0630518	2	Screw #10 x 3/4	
3	0641606	4	Bolt 3/8 x 3/4	
4	1320177	2	Clamp	
5	1320302	2	Clamp	
6	1671093	1	Cover, Plug	
7	2030010	1	Extinguisher, Fire	
8	2180832	1	Fitting, Barbed/NPT	
9	2720160	4.5 ft /1.37m	Hose	
10	2902217	1	Weld Leads Kit	
11	3300151	4	Nut 1/4	
12	3311005	2	Nut #10	
13	3311605	4	Nut 3/8	
14	3573400	1	Bracket	
15	3577121	2	Angle	
16	3573642	1	Plate	
20	4240099	AR	Tie-Strap (Not Shown)	
21	4420037	2.36 ft /.71m	Tape	
22	4460962	1	Plug, Twist Lock	
23	4460971	1	Plug, Twist Lock	
24	4530028	1	Welder Assembly (See WELDER ASSEMBLY for Breakdown)	
25	1001098012	1	Plasma Cutter Assembly (See PLASMA CUTTER ASSEMBLY for Breakdown)	
26	4751400	4	Washer 1/4	
27	4751600	8	Washer 3/8	
29	4846627	1	Support	
31	1001145405	1	Bracket	
32	4811700	2	Washer M6	
33	3290605	2	Nut M6	
34	3421453	3	Pin	
35	3576799	1	Plate, Hold-Down	
36	0100020	1	Sealant	
37	4010608	2	Screw M6 x 16	
38	4751000	2	Washer #10	
	0272448	Ref	SKYWELDER DECAL INSTALLATION	B
101	1705355	2	Decal - SkyWelder	
102	1702868	1	Decal - No Hands	
103	1705305	1	Decal - Weld Leads	
104	1705375	1	Decal - 240V - 3 Phase - 60 Hz	
105	1705466	NLA	Decal - Weight (Use p/n 1001228988) (SN 0300183034 through 0300233689)	
105	1001228988	1	Decal - Weight (SN 0300234690 to Present)	
	0272599	Ref	SKYCUTTER DECAL INSTALLATION	B
201	1702868	1	Decal - No Hands	
202	1705305	1	Decal - Weld Leads	
203	1705466	NLA	Decal - Weight (Use p/n 1001228988) (SN 0300183034 through 0300233689)	

SECTION 4 - PLATFORM

ITEM	PART NUMBER	QTY	DESCRIPTION	REV
203	1001228988	1	Decal - Weight (SN 0300234690 to Present)	
204	1705490	2	Decal - SkyCutter	

SECTION 4 - PLATFORM

FIGURE 4-16. SKYWELDER INSTALLATION (50HZ)



ART_0272521

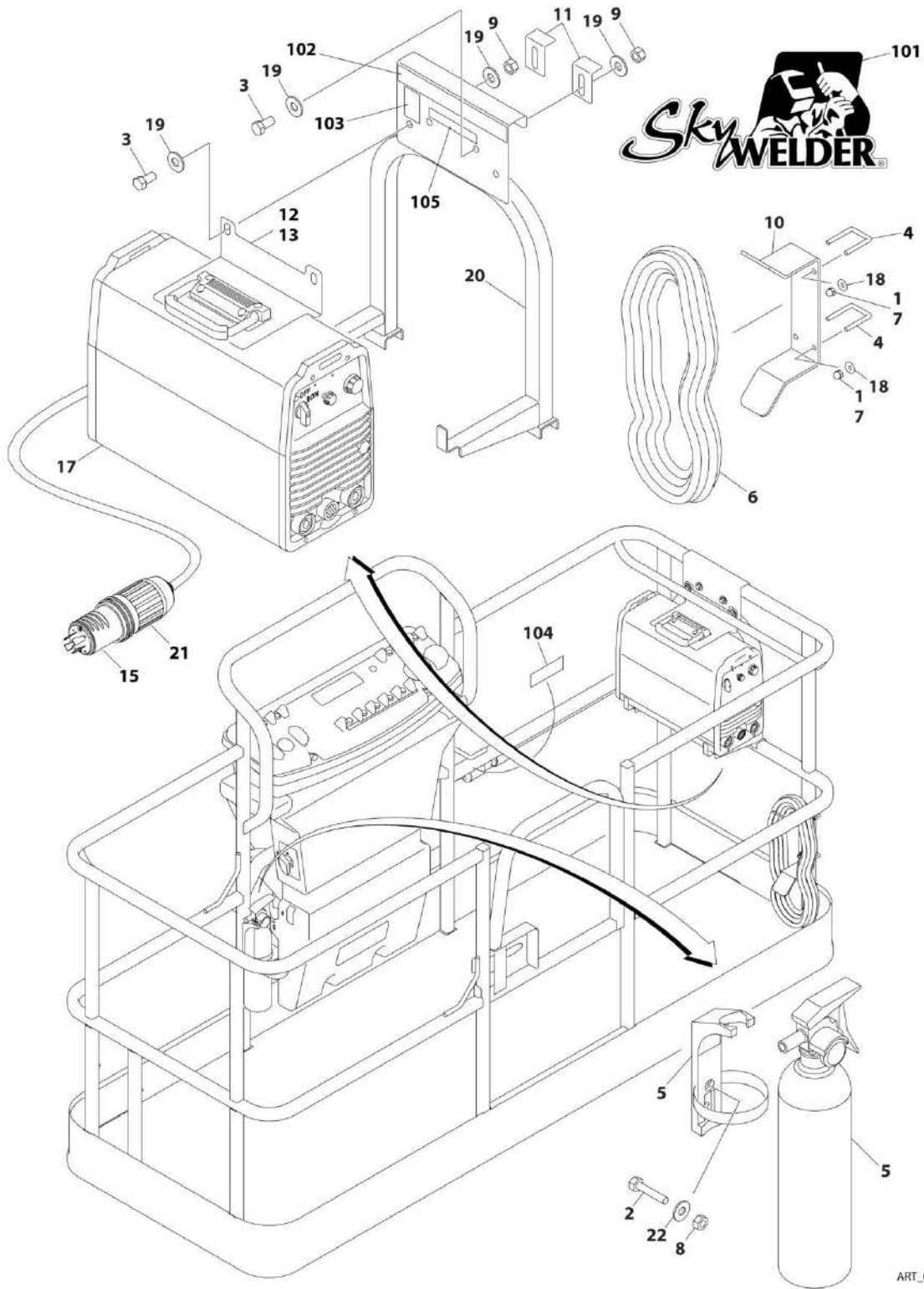
SECTION 4 - PLATFORM

FIGURE 4-16. SKYWELDER INSTALLATION (50HZ)

ITEM	PART NUMBER	QTY	DESCRIPTION	REV
	0272521	Ref	SKYWELDER INSTALLATION (50HZ)	F
		Ref	Note: ANSI Export, Australian, CE and Japanese Specs Only.	
1	0100011	AR	Compound, Locking	
2	0630518	2	Screw #10 x 3/4	
3	0641606	4	Bolt 3/8 x 3/4	
4	1320302	2	U-Clamp	
5	2030010	1	Extinguisher, Fire	
6	2902217	1	Weld Leads Kit	
7	3300151	4	Nut 1/4	
8	3311005	2	Nut #10	
9	3311605	4	Nut 3/8	
10	3573400	1	Bracket	
11	3577121	2	Angle	
12	3573642	1	Plate	
13	4240099	AR	Tie-Strap (Not Shown)	
14	4420037	AR	Tape	
15	4530028	1	Welder Assembly (See WELDER ASSEMBLY for Breakdown)	
16	4751400	4	Washer 1/4	
17	4751600	8	Washer 3/8	
18	4846627	1	Support	
19	4751000	2	Washer #10	
	0272588	Ref	SKYWELDER DECAL INSTALLATION	B
101	1705355	2	Decal - SkyWelder	
102	1705305	1	Decal - Weld Lead	
103	1705466	NLA	Decal - Weight (Use p/n 1001228988) (SN 0300183034 through 0300234689)	
103	1001228988	1	Decal - Weight (SN 0300234690 to Present)	

SECTION 4 - PLATFORM

FIGURE 4-17. SKYWELDER INSTALLATION (60HZ)



ART_0272254

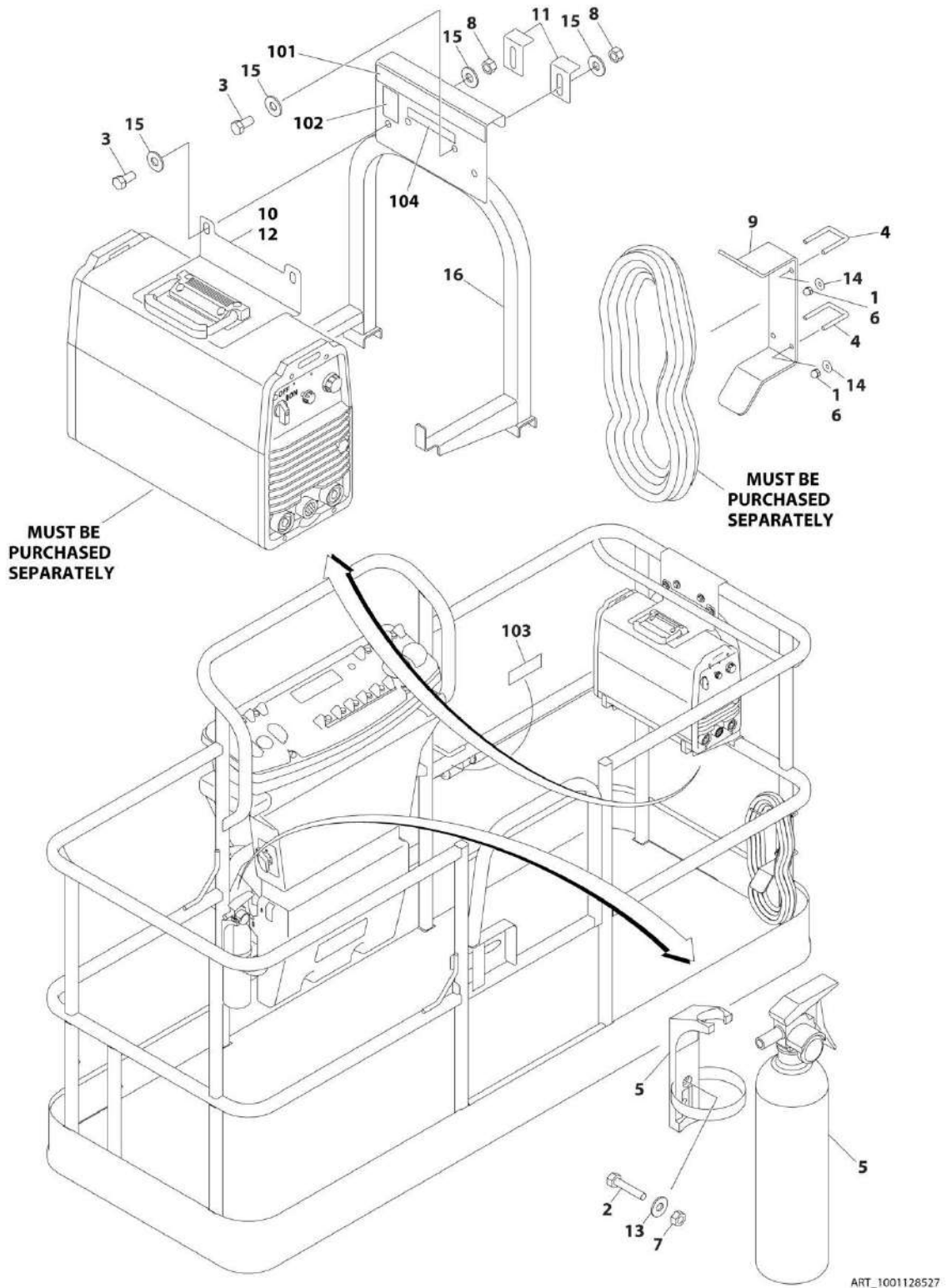
SECTION 4 - PLATFORM

FIGURE 4-17. SKYWELDER INSTALLATION (60HZ)

ITEM	PART NUMBER	QTY	DESCRIPTION	REV
	0272254	Ref	SKYWELDER INSTALLATION (60HZ)	I
		Ref	Note: ANSI, ANSI Export, CSA and Japanese Specs Only.	
1	0100011	AR	Compound, Locking	
2	0630518	2	Screw #10 x 3/4	
3	0641606	4	Bolt 3/8 x 3/4	
4	1320302	2	U-Clamp	
5	2030010	1	Extinguisher, Fire	
6	2902217	1	Weld Leads Kit	
7	3300151	4	Nut 1/4	
8	3311005	2	Nut #10	
9	3311605	4	Nut 3/8	
10	3573400	1	Bracket	
11	3577121	2	Angle	
12	3573642	1	Plate	
13	4420037	AR	Tape	
14	4240099	AR	Tie-Strap (Not Shown)	
15	4460962	1	Plug, Male Twistlock	
17	4530028	1	Welder Assembly (See WELDER ASSEMBLY for Breakdown)	
18	4751400	4	Washer 1/4	
19	4751600	8	Washer 3/8	
20	4846627	1	Support	
21	1671093	1	Cover, Plug	
22	4751000	2	Washer #10	
	0272448	Ref	SKYWELDER DECAL INSTALLATION	B
101	1705355	2	Decal - SkyWelder	
102	1702868	1	Decal - No Hands	
103	1705305	1	Decal - Weld Lead	
104	1705375	1	Decal - 240V - 3 Phase - 60Hz	
105	1705466	NLA	Decal - Weight (Use p/n 1001228988) (SN 0300183034 through 0300234689)	
105	1001228988	1	Decal - Weight (SN 0300234690 to Present)	

SECTION 4 - PLATFORM

FIGURE 4-18. SKYWELDER PREP PACKAGE (60HZ)



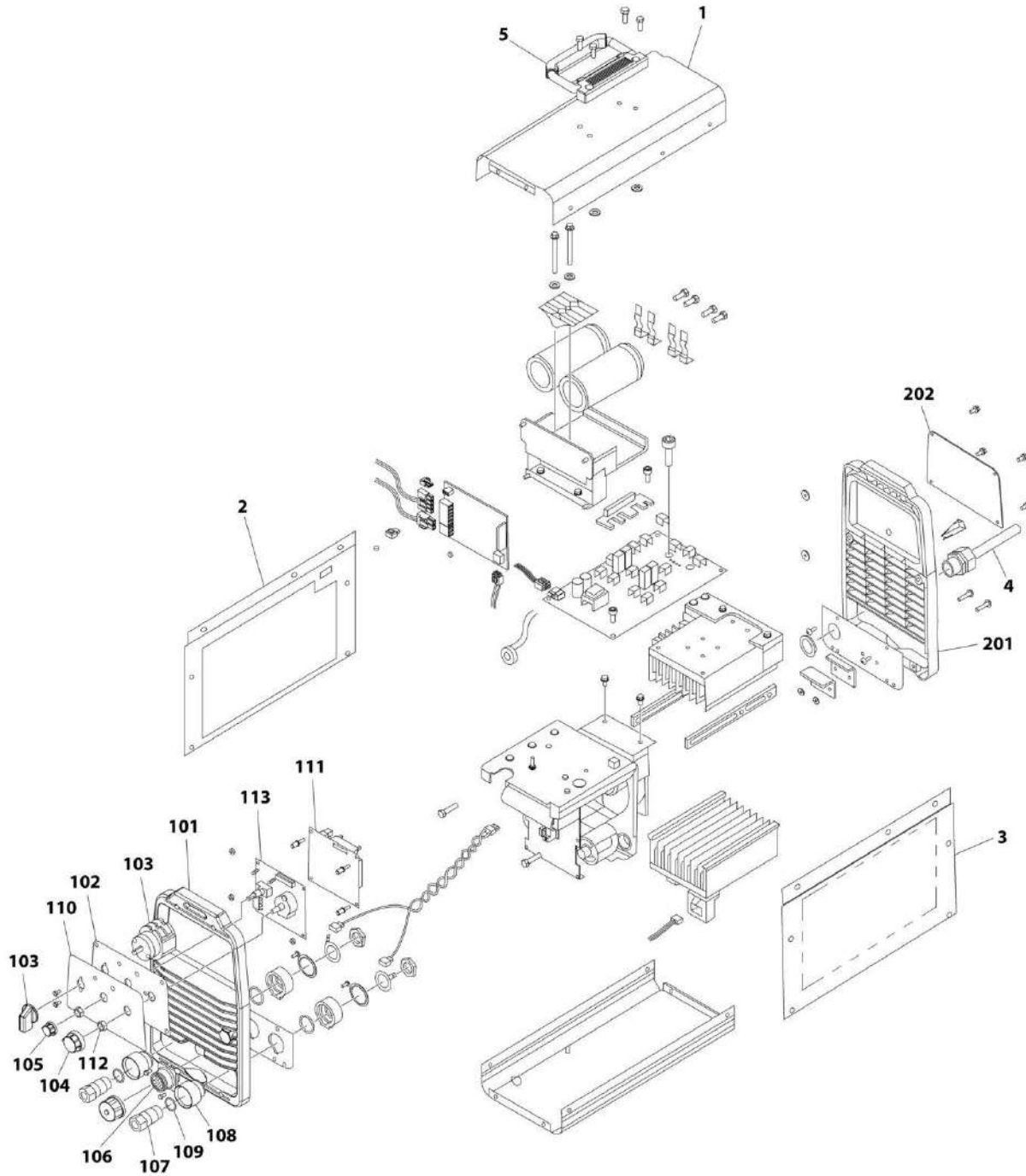
SECTION 4 - PLATFORM

FIGURE 4-18. SKYWELDER PREP PACKAGE (60HZ)

ITEM	PART NUMBER	QTY	DESCRIPTION	REV
	1001128527	Ref	SKYWELDER PREP PACKAGE (60HZ)	B
		Ref	Note: ANSI, ANSI Export and CSA Specs Only.	
1	0100011	AR	Compound, Locking	
2	0630518	2	Screw #10 x 3/4	
3	0641606	4	Bolt 3/8 x 3/4	
4	1320302	2	U-Clamp	
5	2030010	1	Extinguisher, Fire	
6	3300151	4	Nut 1/4	
7	3311005	2	Nut #10	
8	3311605	4	Nut 3/8	
9	3573400	1	Bracket	
10	3573642	1	Plate	
11	3577121	2	Angle	
12	4420037	AR	Tape	
13	4751000	2	Washer #10	
14	4751400	4	Washer 1/4	
15	4751600	8	Washer 3/8	
16	4846627	1	Support	
	1001128556	Ref	SKYWELDER DECAL INSTALLATION	B
101	1702868	1	Decal - No Hands	
102	1705305	1	Decal - Weld Lead	
103	1705375	1	Decal - 240V - 3 Phase - 60Hz	
104	1705466	NLA	Decal - Weight (Use p/n 1001228988) (SN 0300183034 through 0300234689)	
104	1001228988	1	Decal - Weight (SN 0300234690 to Present)	

SECTION 4 - PLATFORM

FIGURE 4-19. WELDER ASSEMBLY



ART_4530028

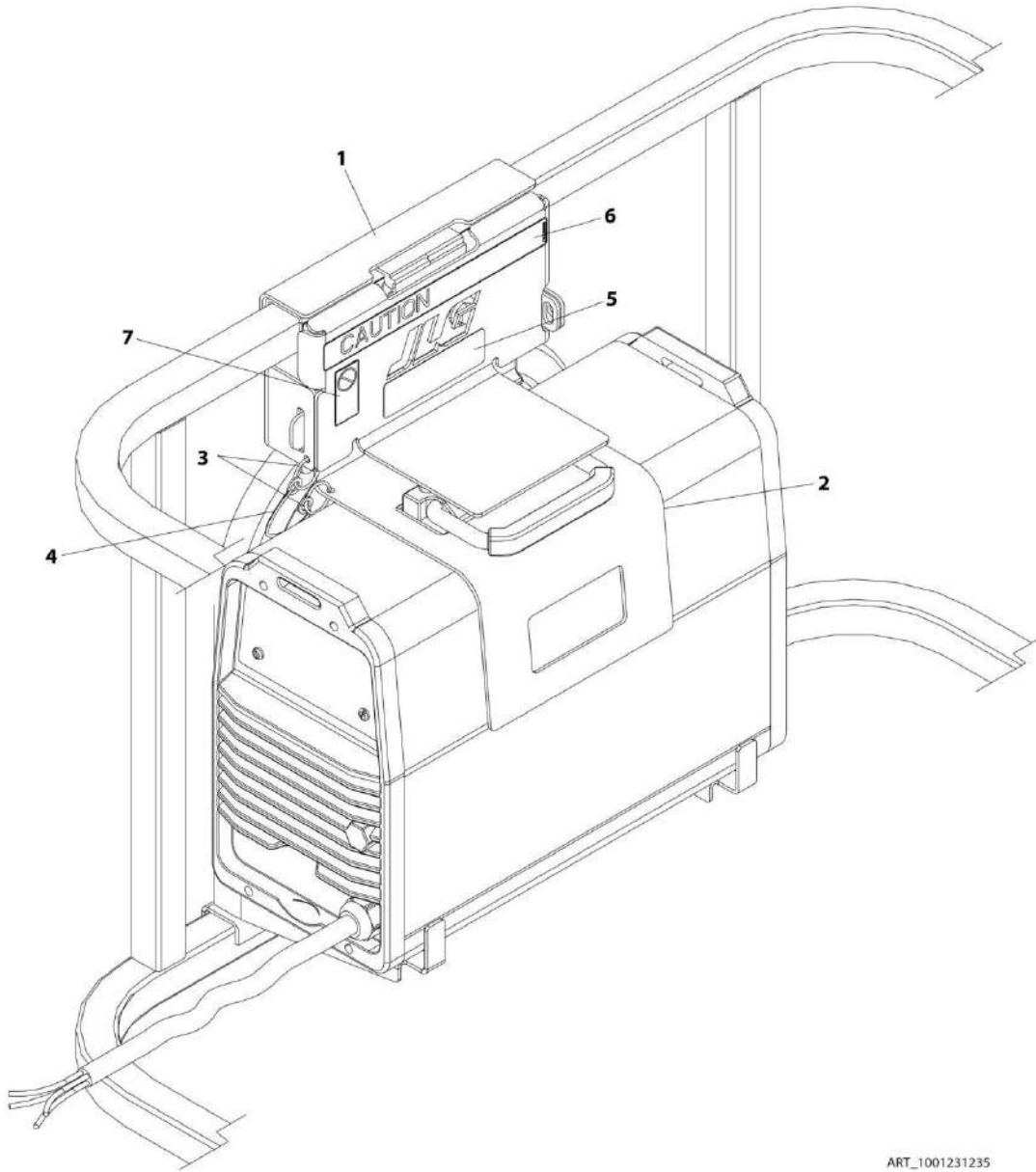
SECTION 4 - PLATFORM

FIGURE 4-19. WELDER ASSEMBLY

ITEM	PART NUMBER	QTY	DESCRIPTION	REV
	4530028	Ref	WELDER ASSEMBLY	B
		Ref	Note: For Other Components, contact your Miller Welder Dealer.	
1	7027773	1	Cover, Top	
1	7027774	1	Decal - Static Precautionary Warning	
2	See Note	NSS	Panel, LH Side (Note: Part of Item 1. Purchase Item 1)	
3	See Note	NSS	Panel, RH Side (Note: Part of Item 1. Purchase Item 1)	
4	7024467	1	Cable, Power	
4	7027775	1	Decal - Electrical Shock Warning (Not Shown)	
5	7027776	1	Handle, Carrying	
101	7024462	1	Panel, Front	
102	7024463	1	Panel, Console	
103	7024469	1	Switch with Lead	
104	7024470	1	Knob	
105	7024471	1	Knob	
106	7024472	1	Receptacle with Leads and Plugs	
107	7024473	2	Receptacle, Twistlock Female	
108	7024474	2	Insulator	
109	7024475	2	O-Ring	
110	7027777	1	Nameplate	
111	7027779	1	Circuit Card Assembly (Process Control)	
112	7024478	2	Nut	
113	7027778	1	Circuit Card Assembly (Operator Interface)	
201	7024462	1	Panel, Rear	
202	7027780	1	Panel, Cover	

SECTION 4 - PLATFORM

FIGURE 4-20. SKYWELDER LOCKING BRACKET INSTALLATION



ART_1001231235

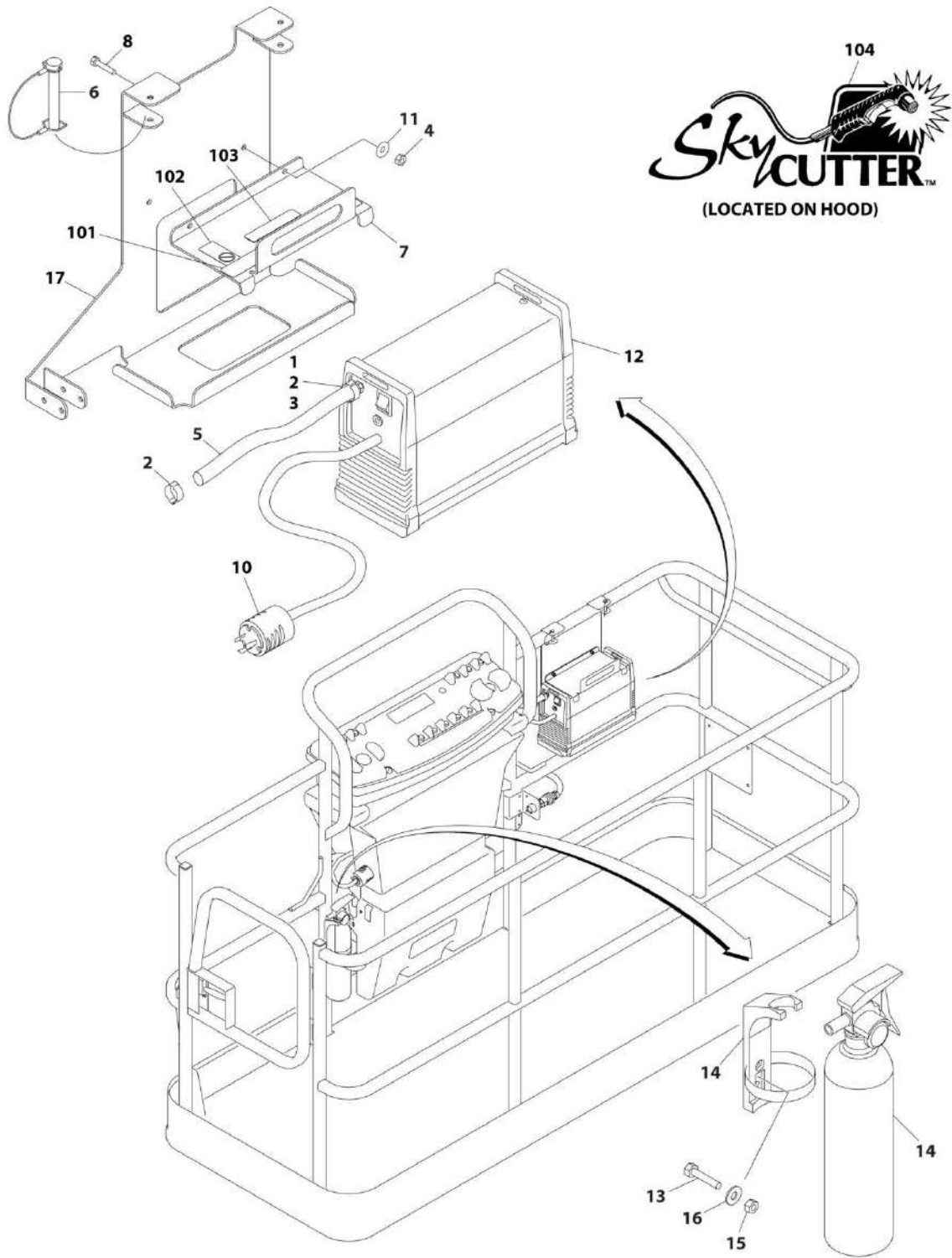
SECTION 4 - PLATFORM

FIGURE 4-20. SKYWELDER LOCKING BRACKET INSTALLATION

ITEM	PART NUMBER	QTY	DESCRIPTION	REV
	1001231235	Ref	SKYWELDER LOCKING BRACKET INSTALLATION	A
1	1001231180	1	Bracket	
2	1001231183	1	Plate	
3	3760170	2	Ring	
4	1060379	1	Lanyard	
5	1001228988	1	Decal - Weight	
6	1702868	1	Decal - No Hands	
7	1705305	1	Decal - Weld Lead	

SECTION 4 - PLATFORM

FIGURE 4-21. SKYCUTTER INSTALLATION



ART_1001098149

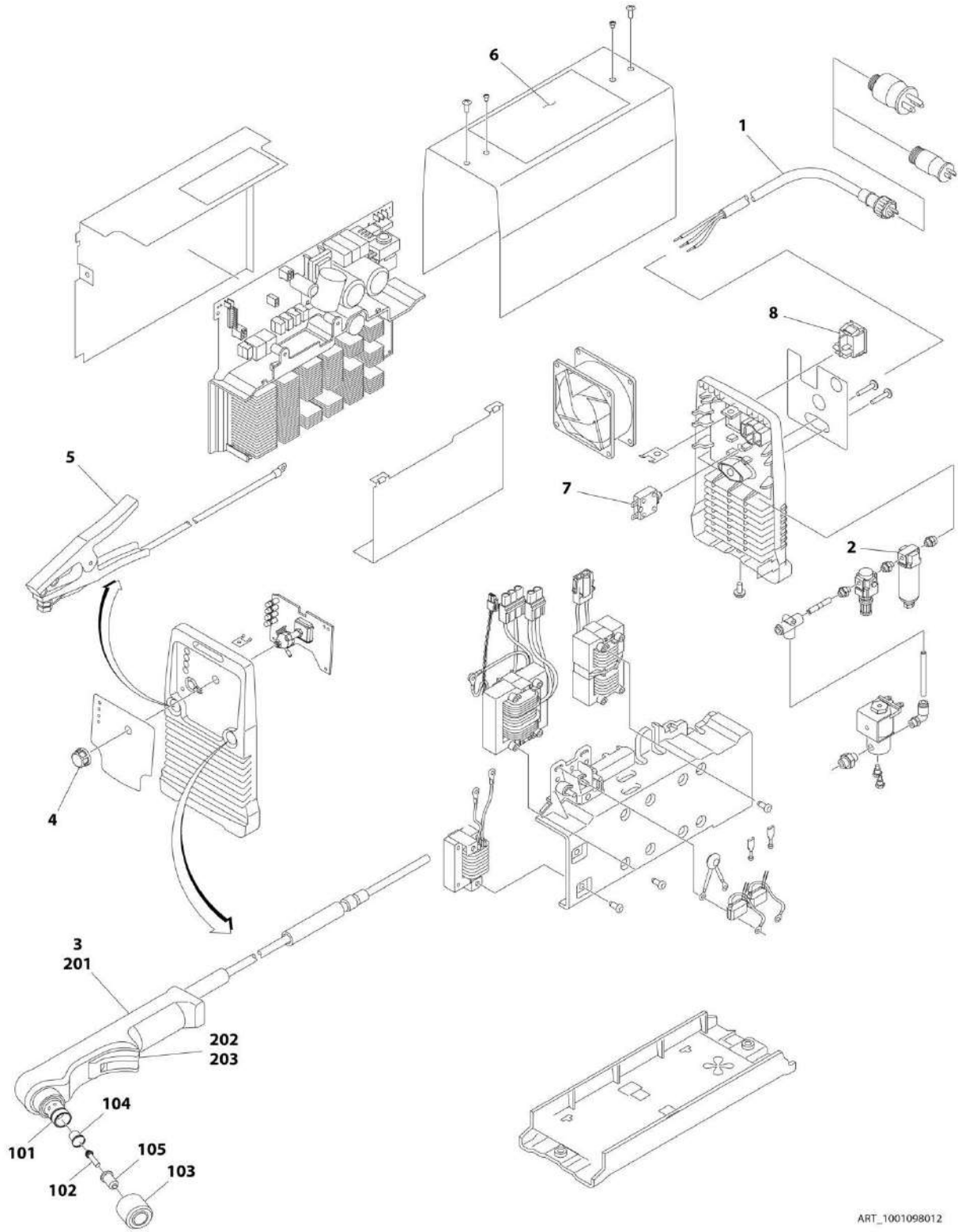
SECTION 4 - PLATFORM

FIGURE 4-21. SKYCUTTER INSTALLATION

ITEM	PART NUMBER	QTY	DESCRIPTION	REV
	1001098149	Ref	SKYCUTTER INSTALLATION	D
		Ref	Note: ANSI, ANSI Export and CSA Specs Only.	
		Ref	Note: When replacing platform on machines with SkyCutter option, new bracket p/n 1001145405 must be purchased to accommodate SkyCutter components.	
1	0100020	AR	Sealant	
2	1320177	2	Clamp, Hose	
3	2180832	1	Fitting, NPT/Barbed	
4	3290605	2	Nut M6	
5	2720160	3 ft /.9m	Hose	
6	3421453	3	Pin	
7	3576799	1	Plate, Hold-Down	
8	4010608	2	Screw M6 x 16	
10	4460971	1	Plug, Twistlock	
11	4811700	2	Washer M6	
12	1001098012	1	Plasma Cutter Assembly (See PLASMA CUTTER ASSEMBLY for Breakdown)	
13	0630518	2	Screw #10 x 3/4	
14	2030010	1	Extinguisher, Fire	
15	3311005	2	Nut #10	
16	4751000	2	Washer #10	
17	1001145405	1	Support	
	0272599	Ref	SKYCUTTER DECAL INSTALLATION (ANSI, ANSI EXPORT AND CSA SPECS)	B
101	1702868	1	Decal - No Hands	
102	1705305	1	Decal - Weld Lead	
103	1705466	NLA	Decal - Weight (Use p/n 1001228988) (SN 0300183034 through 0300234689)	
103	1001228988	1	Decal - Weight (SN 0300234690 to Present)	
104	1705490	2	Decal - SkyCutter	

SECTION 4 - PLATFORM

FIGURE 4-22. PLASMA CUTTER ASSEMBLY



ART_1001098012

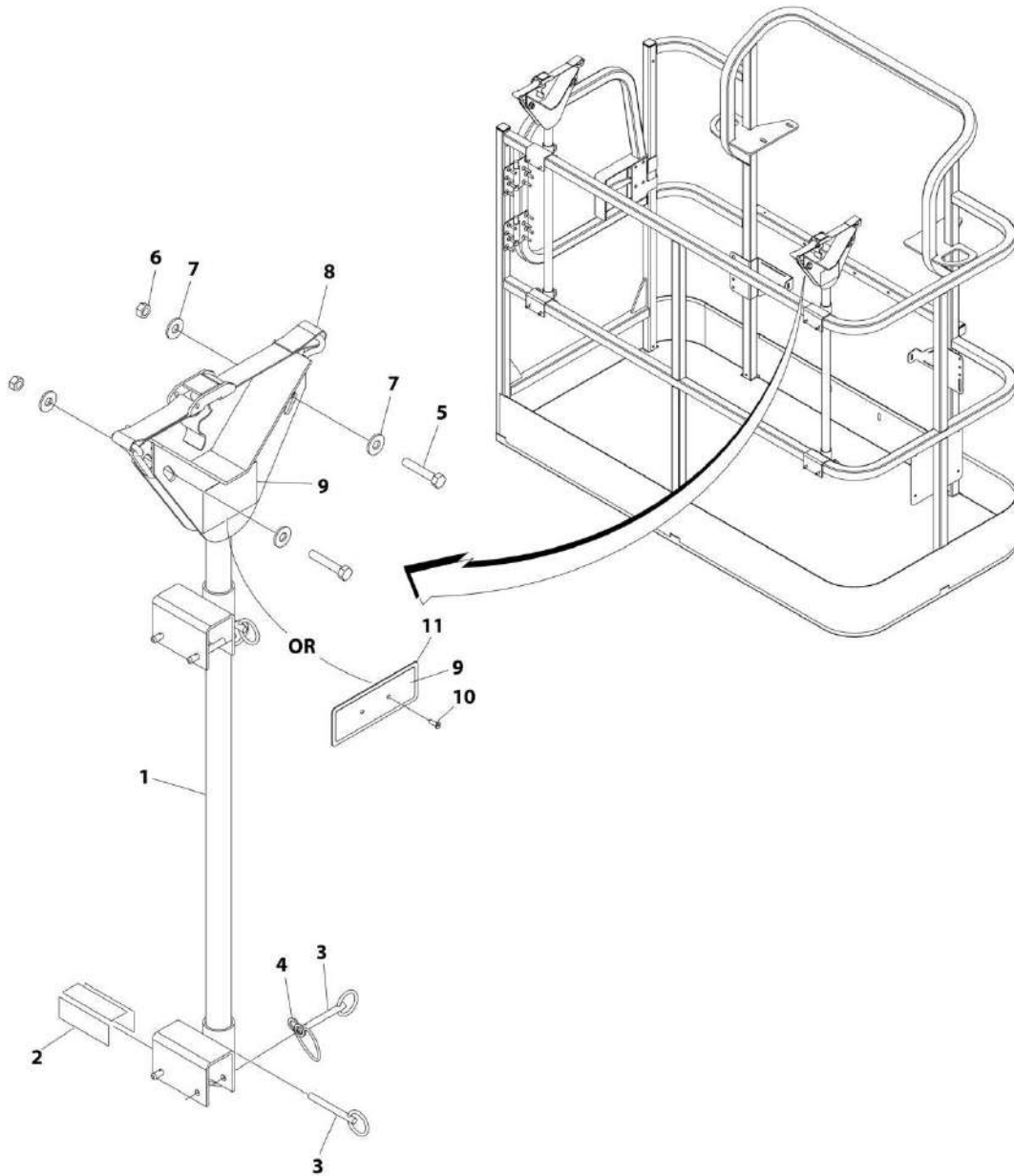
SECTION 4 - PLATFORM

FIGURE 4-22. PLASMA CUTTER ASSEMBLY

ITEM	PART NUMBER	QTY	DESCRIPTION	REV
	1001098012	Ref	PLASMA CUTTER ASSEMBLY	A
		Ref	Note: For Other Components, contact your Miller Welder Dealer.	
1	70001424	1	Cable, Power	
1	70001425	1	Decal - Voltage Warning	
2	70001427	1	Filter, Regulator	
3	70001428	1	Torch Assembly (See Items 101-203 for Breakdown)	
4	7024471	1	Knob	
5	70001429	1	Clamp with Cable	
6	70001430	1	Decal - Caution	
7	70001431	1	Breaker, Circuit	
8	70001432	1	Switch, Rocker	
	70001428	Ref	TORCH ASSEMBLY	
101	7024530	1	O-Ring	
102	7024531	1	Electrode	
103	7024532	1	Cup, Retaining	
104	7024533	1	Swirl Ring	
105	7024534	1	Tip	
201	7024535	1	Handle, Torch	
202	7024536	1	Switch	
203	7024537	1	Trigger	

SECTION 4 - PLATFORM

FIGURE 4-23. PIPE RACKS INSTALLATION



ART_0257728

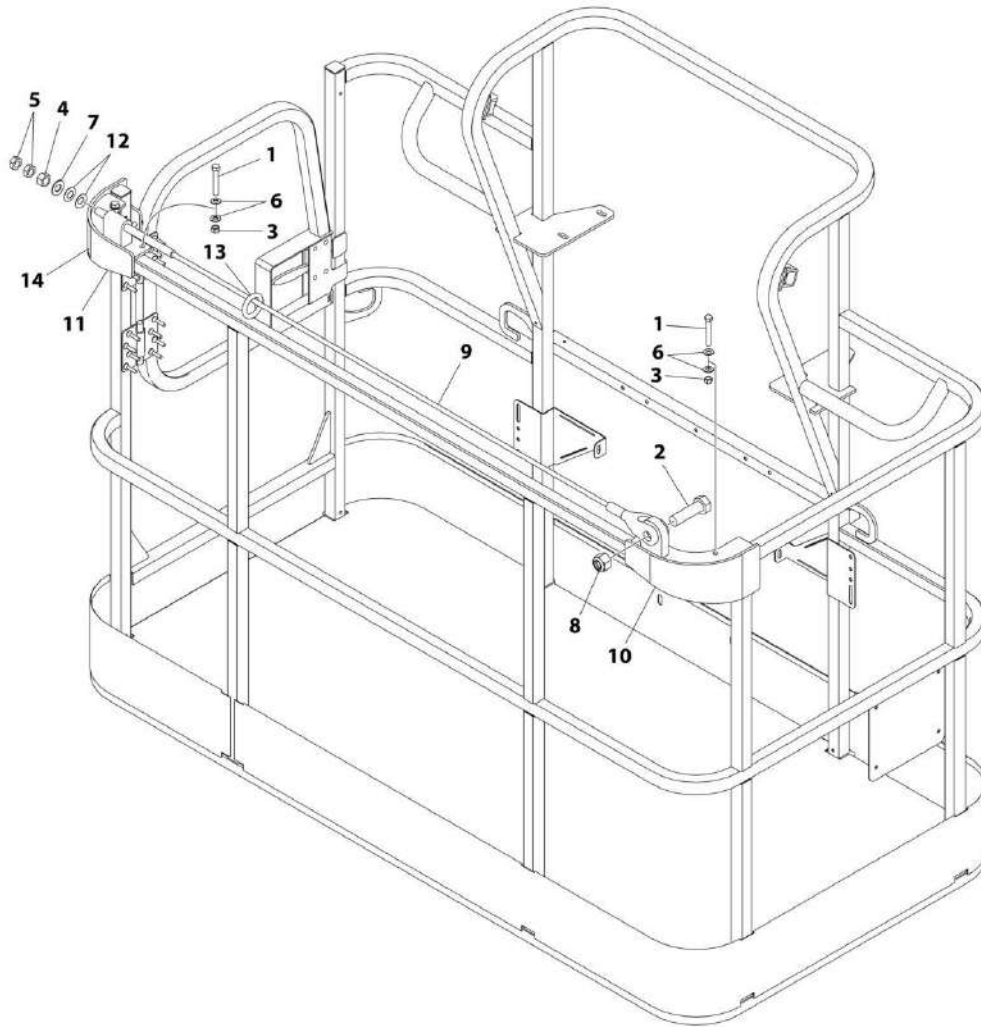
SECTION 4 - PLATFORM

FIGURE 4-23. PIPE RACKS INSTALLATION

ITEM	PART NUMBER	QTY	DESCRIPTION	REV
	0257728	Ref	PIPE RACK INSTALLATION (ANSI AND CSA SPECS)	2/C
	1001107497	Ref	PIPE RACK INSTALLATION (ANSI EXPORT SPECS)	A
	0274661	Ref	PIPE RACK INSTALLATION (AUSTRALIAN SPECS)	1/A
		Ref	Note: Available on ANSI, ANSI Export, Australian and CSA Specs	
1	4845582	2	Rack, Pipe	
2	4420062	AR	Tape	
3	3422661	10	Pin	
4	1060379	4	Lanyard	
5	0641514	4	Bolt 5/16 x 1-3/4	
6	3311505	4	Nut 5/16	
7	4751500	8	Washer 5/16	
8	0480100	2	Tie-Down	
9	1703683	2	Decal - Capacity (ANSI and CSA Specs)	
9	1706510	2	Decal - Capacity (Australian Specs)	
9	1001106450	2	Decal - Capacity (ANSI Export Specs)	
10	3820001	4	Rivet	
11	1001107469	2	Plate, Mounting	

SECTION 4 - PLATFORM

FIGURE 4-24. FALL ARREST INSTALLATION (BOLT-ON EXTERNAL) (6FT/1.82M PLATFORM)



ART_1001236747

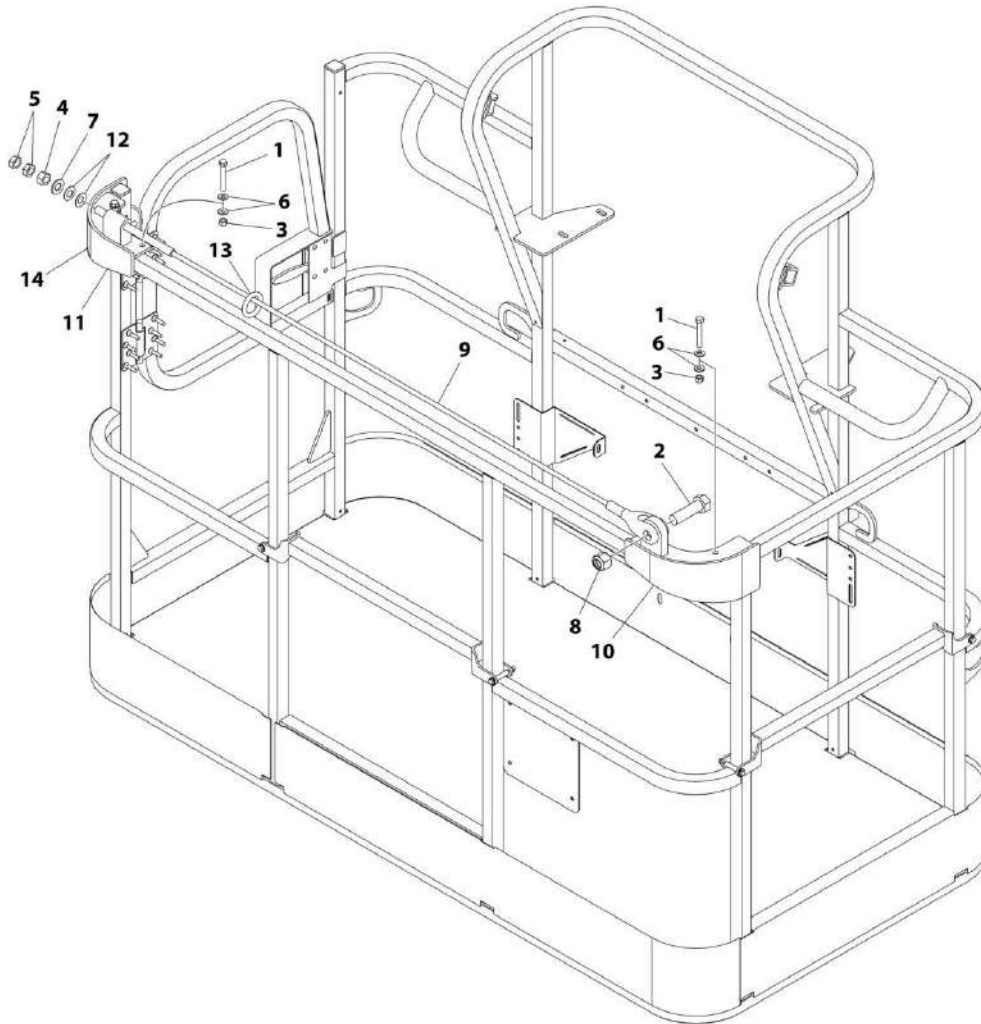
SECTION 4 - PLATFORM

FIGURE 4-24. FALL ARREST INSTALLATION (BOLT-ON EXTERNAL) (6FT/1.82M PLATFORM)

ITEM	PART NUMBER	QTY	DESCRIPTION	REV
	1001236747	Ref	FALL ARREST INSTALLATION (BOLT - ON) 6FT/1.82M PLATFORM	A
1	0681620	6	Bolt 3/8 x 2-1/2	
2	0682424	1	Bolt 7/8 x 3	
3	3271605	6	Nut 3/8	
4	3272001	1	Nut 5/8	
5	3312002	2	Nut 5/8	
6	4711600	12	Washer 3/8	
7	4712000	1	Washer 5/8	
8	88521214	1	Nut 7/8	
9	1001231950	1	Rope	
10	1001232010	1	Bracket (RH)	
11	1001232011	1	Bracket (LH)	
12	1001236891	2	Washer	
13	1001236895	1	Ring	
14	1001238263	1	Decal - Warning Falling Hazard	

SECTION 4 - PLATFORM

FIGURE 4-25. FALL ARREST INSTALLATION (BOLT-ON EXTERNAL) (6FT/1.82M TRI-ENTRY PLATFORM)



ART_1001238463

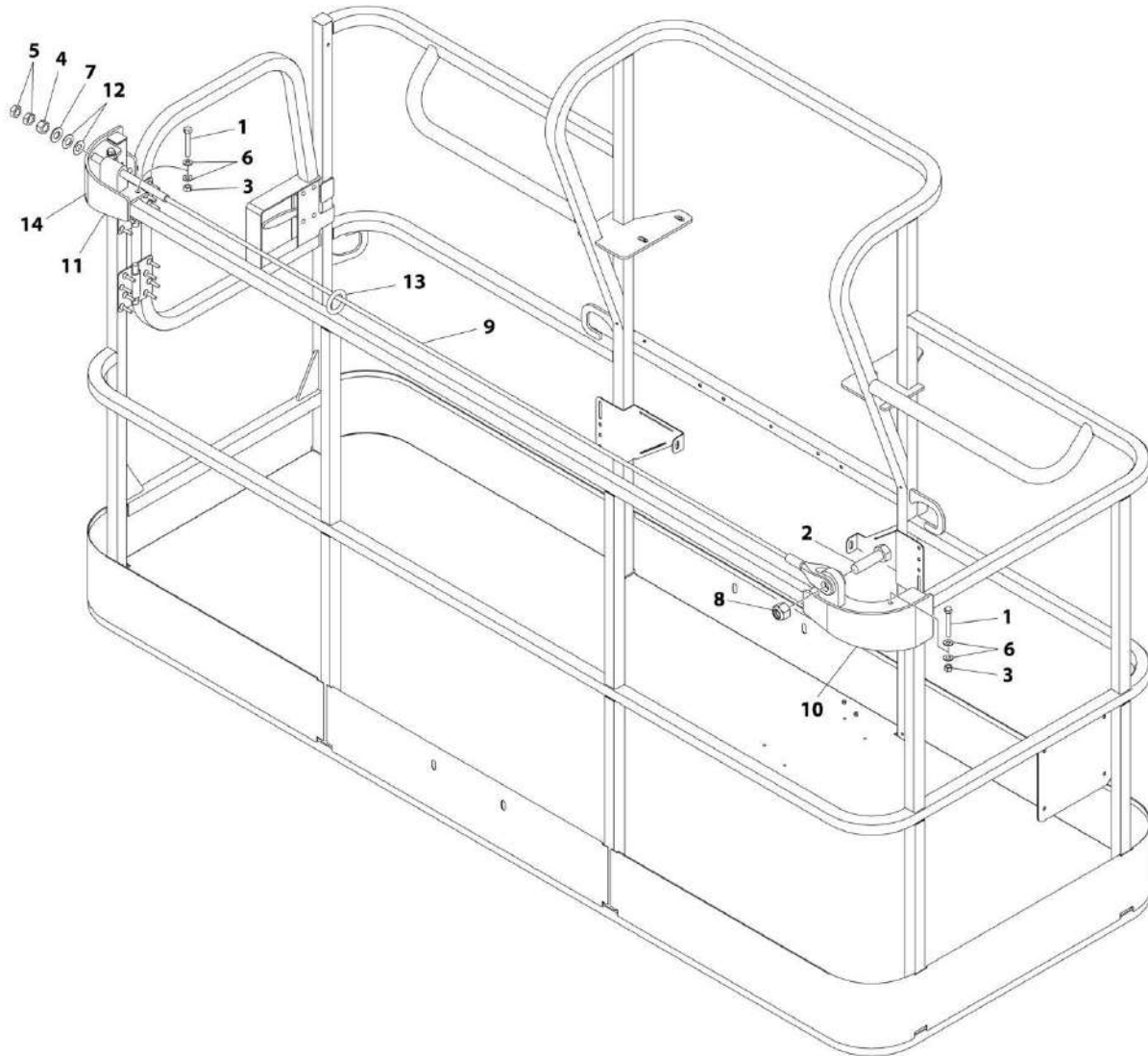
SECTION 4 - PLATFORM

FIGURE 4-25. FALL ARREST INSTALLATION (BOLT-ON EXTERNAL) (6FT/1.82M TRI-ENTRY PLATFORM)

ITEM	PART NUMBER	QTY	DESCRIPTION	REV
	1001238463	Ref	FALL ARREST INSTALLATION (BOLT - ON) 6FT/1.82M PLATFORM	B
1	0681620	6	Bolt 3/8 x 2-1/2	
2	0682424	1	Bolt 7/8 x 3	
3	3271605	6	Nut 3/8	
4	3272001	1	Nut 5/8	
5	3312002	2	Nut 5/8	
6	4711600	12	Washer 3/8	
7	4712000	1	Washer 5/8	
8	88521214	1	Nut 7/8	
9	1001231950	1	Rope	
10	1001232010	1	Bracket (RH)	
11	1001232011	1	Bracket (LH)	
12	1001236891	2	Washer	
13	1001236895	1	Ring	
14	1001238263	1	Decal - Warning Falling Hazard	

SECTION 4 - PLATFORM

FIGURE 4-26. FALL ARREST INSTALLATION (BOLT-ON EXTERNAL) (8FT/2.4M PLATFORM)



ART_1001236746

SECTION 4 - PLATFORM

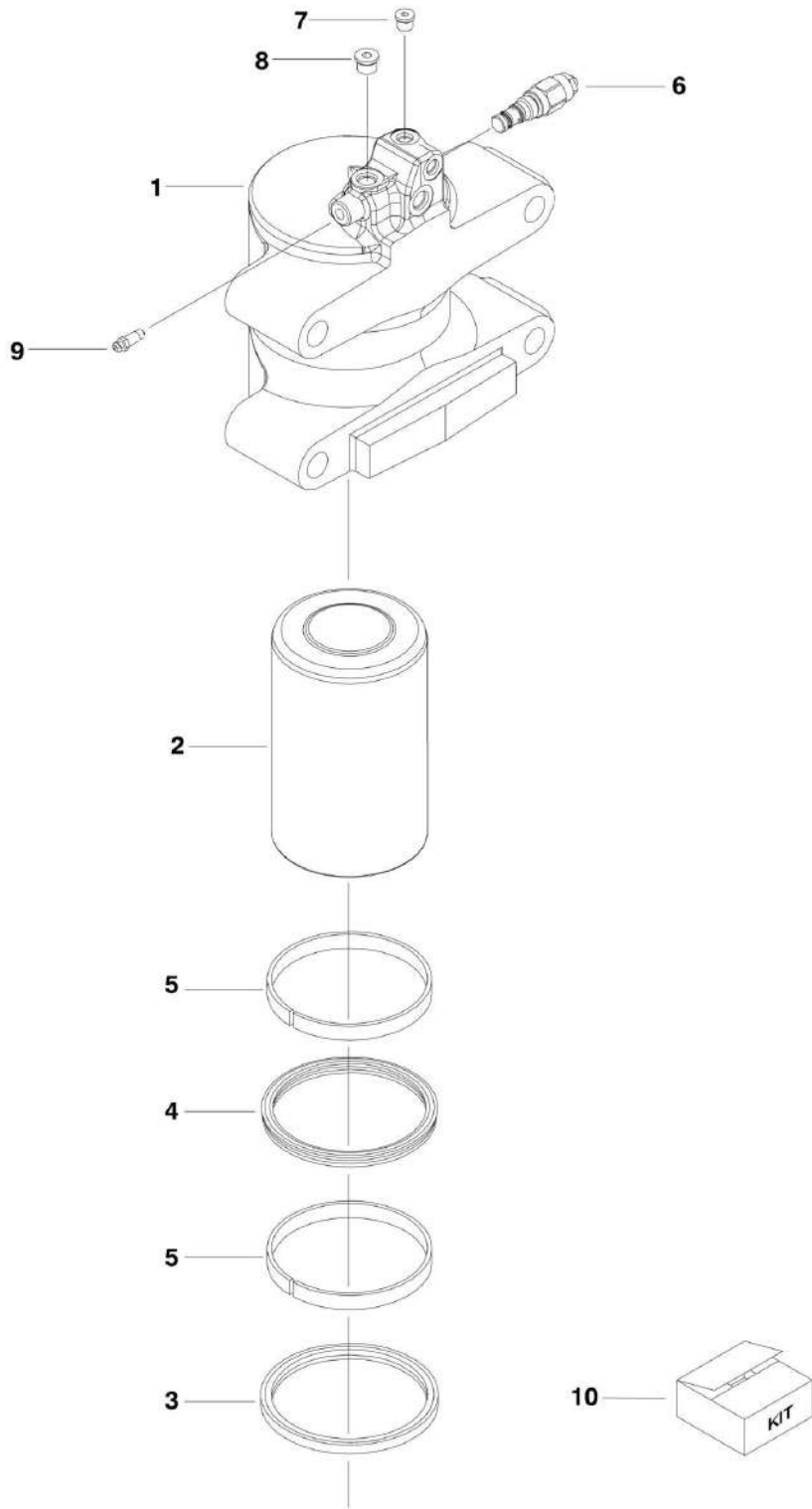
FIGURE 4-26. FALL ARREST INSTALLATION (BOLT-ON EXTERNAL) (8FT/2.4M PLATFORM)

ITEM	PART NUMBER	QTY	DESCRIPTION	REV
	1001236746	Ref	FALL ARREST INSTALLATION (BOLT - ON) 8FT/2.4M PLATFORM	A
1	0681620	6	Bolt 3/8 x 2-1/2	
2	0682424	1	Bolt 7/8 x 3	
3	3271605	6	Nut 3/8	
4	3272001	1	Nut 5/8	
5	3312002	2	Nut 5/8	
6	4711600	12	Washer 3/8	
7	4712000	1	Washer 5/8	
8	88521214	1	Nut 7/8	
9	1001231949	1	Rope	
10	1001232010	1	Bracket (RH)	
11	1001232011	1	Bracket (LH)	
12	1001236891	2	Washer	
13	1001236895	1	Ring	
14	1001238263	1	Decal - Warning Falling Hazard	

SECTION 5 - CYLINDER

SECTION 5 - CYLINDER

FIGURE 5-1. AXLE LOCKOUT CYLINDER ASSEMBLY



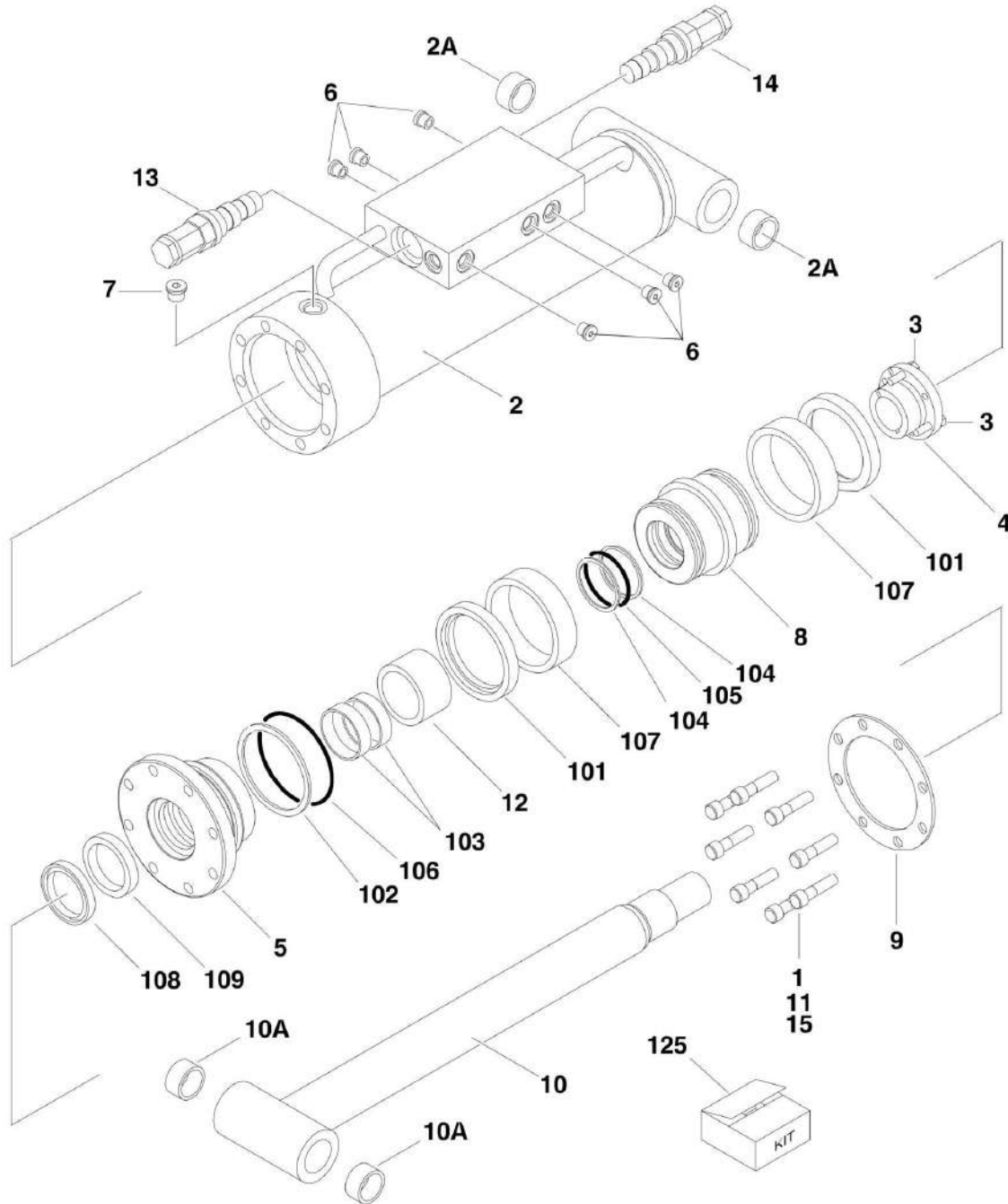
SECTION 5 - CYLINDER

FIGURE 5-1. AXLE LOCKOUT CYLINDER ASSEMBLY

ITEM	PART NUMBER	QTY	DESCRIPTION	REV
	1001154258	Ref	AXLE LOCKOUT CYLINDER ASSEMBLY (SN 0300183034 through 0300214572)	D
	1001204560	Ref	AXLE LOCKOUT CYLINDER ASSEMBLY (SN 0300214573 to Present)	A
		Ref	Note: Original Cylinder may have been replaced with Service Replacement. Identify PN Stamped on Cylinder Before Ordering Parts.	
1	1001154126	1	Barrel	
2	1001154687	1	Rod	
3	See Note	NSS	Wiper (Note: Use Item 10)	
4	See Note	NSS	Seal, Rod (Note: Use Item 10)	
5	See Note	NSS	Ring, Wear (Note: Use Item 10)	
6	1001117372	1	Cartridge, Valve (Counterbalance)	
6	70002842	1	Seal Kit - 1001117372 Valve (1 Per Assembly)	
7	2220883	1	Plug, O-Ring	
8	2220885	1	Plug, O-Ring	
9	4640858	1	Valve, Bleeder	
10	1001098167	1	Seal Kit (Includes Items 3-5)	

SECTION 5 - CYLINDER

FIGURE 5-2. LEVEL (SLAVE) CYLINDER ASSEMBLY - JIB (800AJ ONLY) (SN 0300183034 through 0300240878)



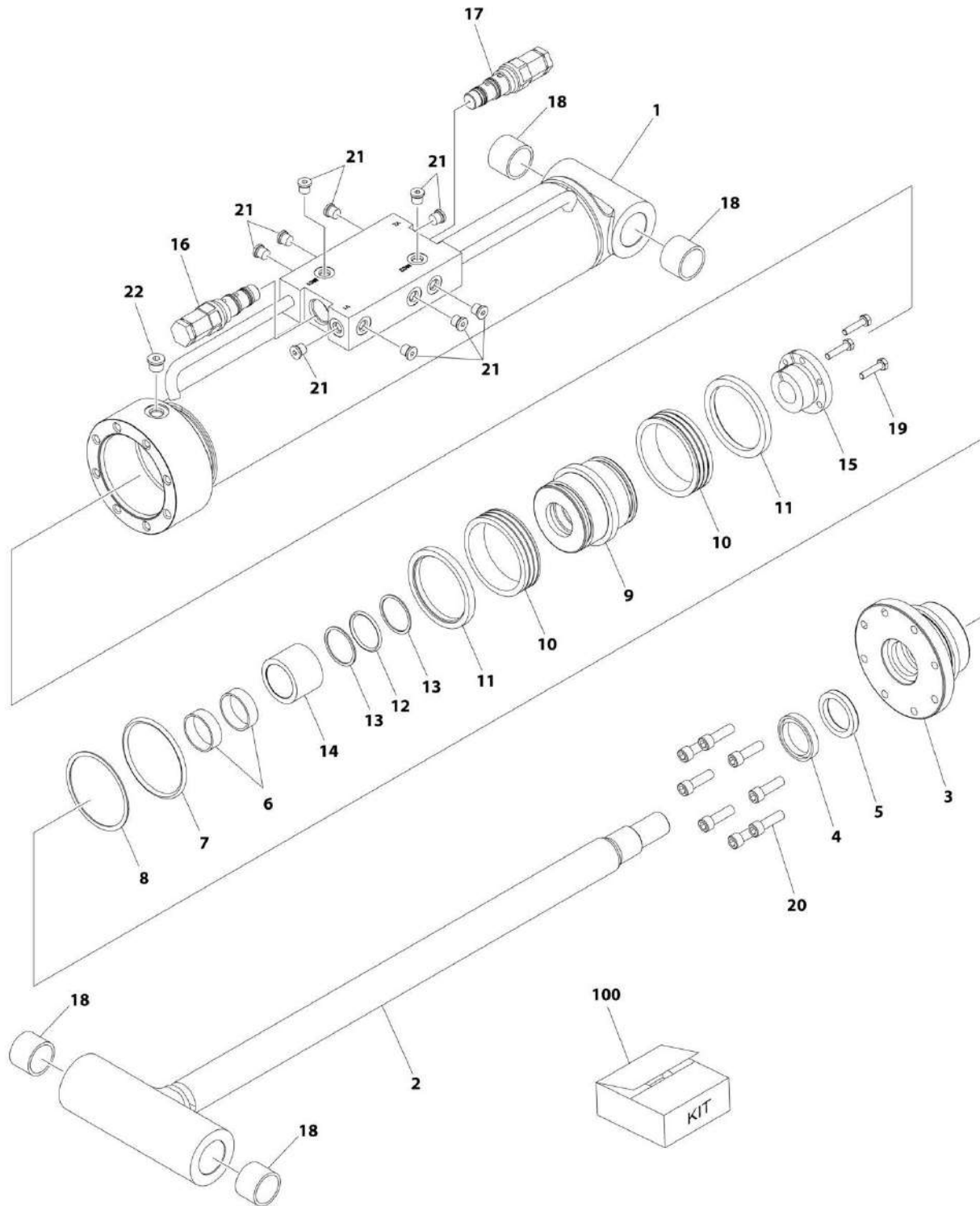
SECTION 5 - CYLINDER

FIGURE 5-2. LEVEL (SLAVE) CYLINDER ASSEMBLY - JIB (800AJ ONLY) (SN 0300183034 through 0300240878)

ITEM	PART NUMBER	QTY	DESCRIPTION	REV
	1684228	Ref	LEVEL (SLAVE) CYLINDER ASSEMBLY - JIB WITHOUT ARCTIC PACKAGE (800AJ)	F
	1001138791	Ref	LEVEL (SLAVE) CYLINDER ASSEMBLY - JIB WITH ARCTIC PACKAGE (800AJ)	B
		Ref	Note: Original Cylinder may have been replaced with Service Replacement. Identify PN Stamped on Cylinder Before Ordering Parts.	
1	0100011	AR	Compound, Locking	
2	1684230	1	Barrel (Note: Includes Item 2A)	
2A	0961951	4	Bushing	
3	0630535	3	Capscrew 1/4-20 x 1	
4	0961894	1	Bushing, Tapered	
5	1683055	1	Head	
6	2220883	6	Plug	
7	2220885	1	Plug	
8	3480188	1	Piston	
9	3760369	1	Ring, Washer	
10	1684232	1	Rod (Note: Includes Item 10A)	
10A	0961951	4	Bushing	
11	3931620	8	Capscrew 3/8-16 x 1-1/4	
12	4566468	1	Spacer, Tube	
13	4640605	1	Valve, Cartridge	
13	2900792	1	Seal Kit - 4640605 Valve	
14	4640932	1	Valve, Cartridge	
14	7011112	1	Seal Kit - 4640932 Valve	
15	0100038	AR	Primer, Locking	
101	See Note	NSS	Ring, Lock (Note: Use Item 125)	
102	See Note	NSS	Ring, Back-up (Note: Use Item 125)	
103	See Note	NSS	Ring, Wear (Note: Use Item 125)	
104	See Note	NSS	Ring, Back-up (Note: Use Item 125)	
105	See Note	NSS	O-Ring (Note: Use Item 125)	
106	See Note	NSS	O-Ring (Note: Use Item 125)	
107	See Note	NSS	Seal (Note: Use Item 125)	
108	See Note	NSS	Wiper (Note: Use Item 125)	
109	See Note	NSS	Seal (Note: Use Item 125)	
125	2901301	1	Seal Kit (Machines without Arctic Package) (Includes Items 101-109)	
125	1001138796	1	Seal Kit (Machines with Arctic Package) (Includes Items 101-109)	

SECTION 5 - CYLINDER

FIGURE 5-3. LEVEL (SLAVE) CYLINDER ASSEMBLY - JIB (800AJ ONLY) (SN 0300240879 to Present)



ART_1001228030

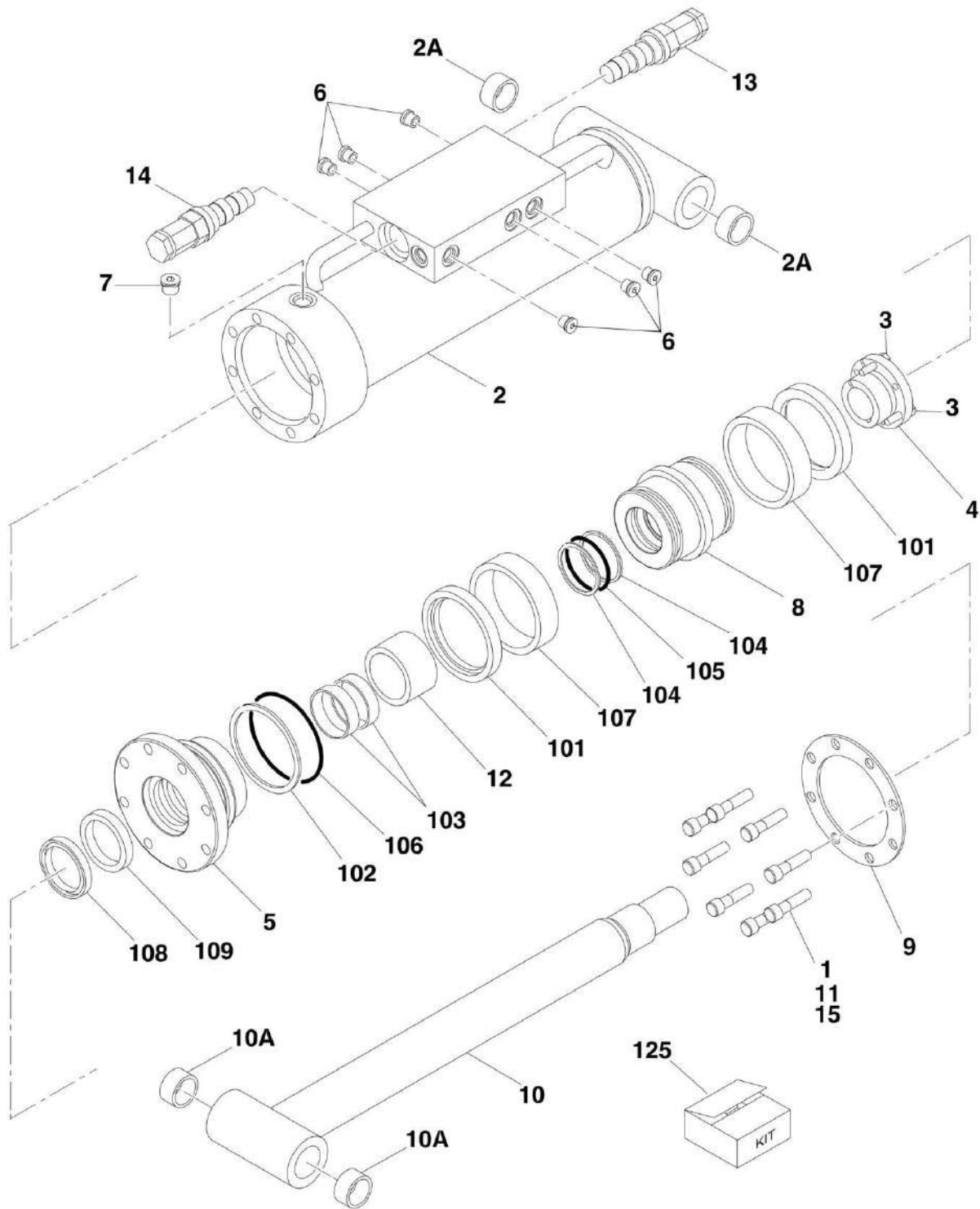
SECTION 5 - CYLINDER

FIGURE 5-3. LEVEL (SLAVE) CYLINDER ASSEMBLY - JIB (800AJ ONLY) (SN 0300240879 to Present)

ITEM	PART NUMBER	QTY	DESCRIPTION	REV
	1001228030	Ref	LEVEL (SLAVE) CYLINDER ASSEMBLY	C
		Ref	Note: Original Cylinder may have been replaced with Service Replacement. Identify PN Stamped on Cylinder Before Ordering Parts.	
1	See Note	NSS	Barrel (Note: Not Available for Purchase)	
2	70006642	1	Rod	
3	70006643	1	Head	
4	See Note	NSS	Wiper (Note: Use Item 100)	
5	See Note	NSS	Seal (Note: Use Item 100)	
6	See Note	NSS	Ring, Wear (Note: Use Item 100)	
7	See Note	NSS	O-Ring (Note: Use Item 100)	
8	See Note	NSS	Ring, Back-up (Note: Use Item 100)	
9	70006644	1	Piston	
10	See Note	NSS	Seal (Note: Use Item 100)	
11	See Note	NSS	Ring, Lock (Note: Use Item 100)	
12	See Note	NSS	O-Ring (Note: Use Item 100)	
13	See Note	NSS	Ring, Back-up (Note: Use Item 100)	
14	70006645	1	Spacer, Tube	
15	0961894	1	Bushing, Tapered	
16	4640932	1	Valve, Cartridge	
16	7011112	1	Seal Kit - 4640932 Valve	
17	4640605	1	Valve, Cartridge	
17	2900792	1	Seal Kit - 4640605 Valve	
18	0961951	4	Bushing	
19	0630535	3	Bolt	
20	3931620	8	Capscrew 3/8-16 x 1-1/4	
21	2220883	10	Plug, O-Ring	
22	2220885	AR	Plug, O-Ring	
100	1001138796	1	Seal Kit (Includes Items 4-8 & 10-13)	

SECTION 5 - CYLINDER

FIGURE 5-4. LEVEL (SLAVE) CYLINDER ASSEMBLY - PLATFORM (800A ONLY) (SN 0300183034 through 0300245050)



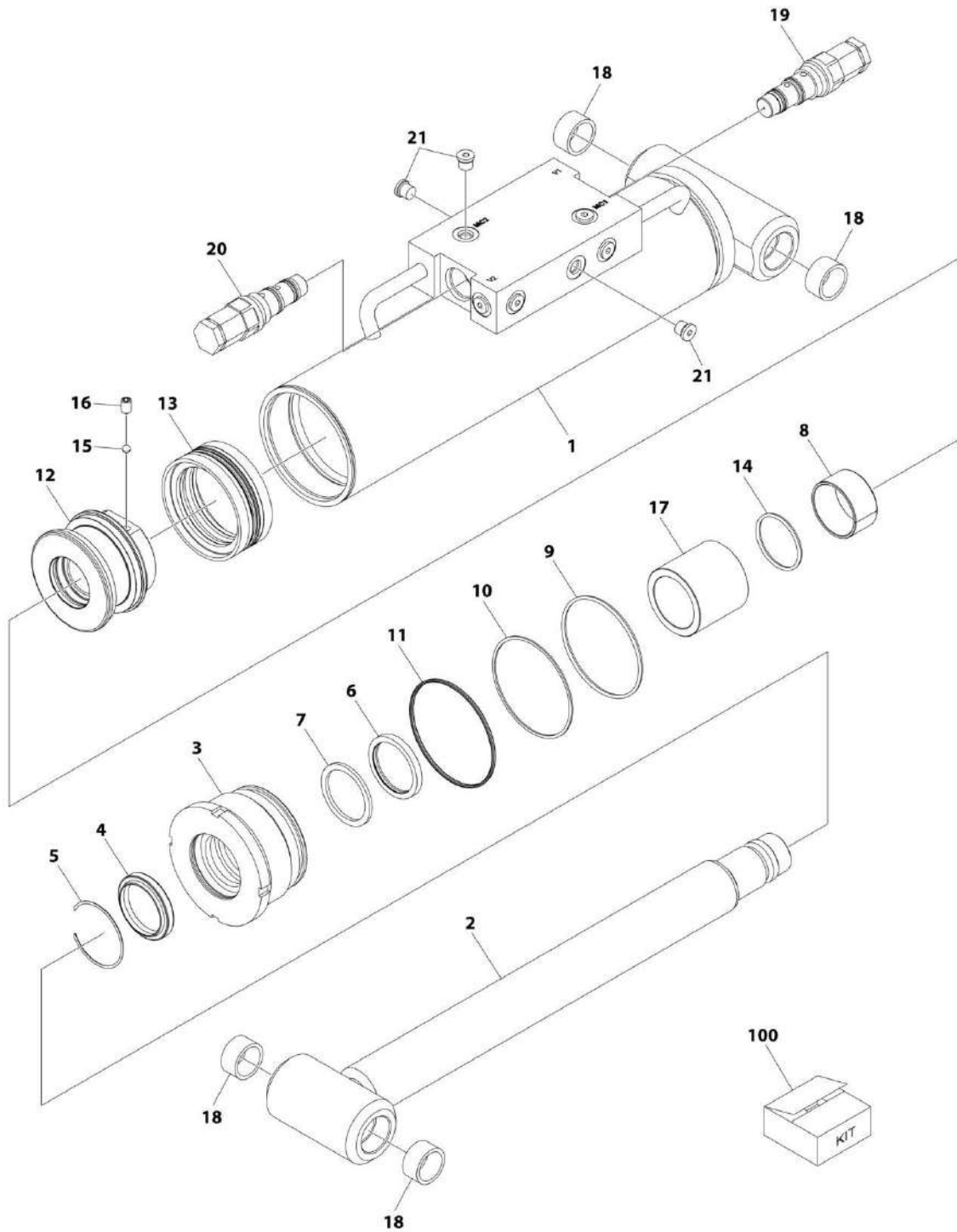
SECTION 5 - CYLINDER

FIGURE 5-4. LEVEL (SLAVE) CYLINDER ASSEMBLY - PLATFORM (800A ONLY) (SN 0300183034 through 0300245050)

ITEM	PART NUMBER	QTY	DESCRIPTION	REV
	1684408	Ref	LEVEL (SLAVE) CYLINDER ASSEMBLY - PLATFORM (800A) (SN 0300183034 through 0300245050)	F
		Ref	Note: Original Cylinder may have been replaced with Service Replacement. Identify PN Stamped on Cylinder Before Ordering Parts.	
1	0100011	AR	Compound, Locking	
2	0370022	1	Barrel (Note: Includes Item 2A)	
2A	0961947	4	Bushing	
3	0630535	3	Capscrew 1/4-20 x 1	
4	0961902	1	Bushing, Tapered	
5	1683074	1	Head	
6	2220883	6	Plug	
7	2220885	1	Plug	
8	3480233	1	Piston	
9	3760369	1	Ring, Washer	
10	3850018	1	Rod (Note: Includes Item 10A)	
10A	0961947	4	Bushing	
11	3931620	8	Capscrew 3/8-16 x 1-1/4	
12	4567434	1	Spacer, Tube	
13	4640605	1	Valve, Cartridge	
13	2900792	1	Seal Kit - 4640605 Valve	
14	4640932	1	Valve, Cartridge	
14	7011112	1	Seal Kit - 4640932 Valve	
15	0100038	AR	Primer, Locking	
101	See Note	NSS	Ring, Lock (Note: Use Item 125)	
102	See Note	NSS	Ring, Back-up (Note: Use Item 125)	
103	See Note	NSS	Ring, Wear (Note: Use Item 125)	
104	See Note	NSS	Ring, Back-up (Note: Use Item 125)	
105	See Note	NSS	O-Ring (Note: Use Item 125)	
106	See Note	NSS	O-Ring (Note: Use Item 125)	
107	See Note	NSS	Seal (Note: Use Item 125)	
108	See Note	NSS	Wiper (Note: Use Item 125)	
109	See Note	NSS	Seal (Note: Use Item 125)	
125	2901556	1	Seal Kit (Includes Items 101-109)	

SECTION 5 - CYLINDER

FIGURE 5-5. LEVEL (SLAVE) CYLINDER ASSEMBLY - PLATFORM (800A ONLY) (SN 0300245051 to Present)



ART_1001228033

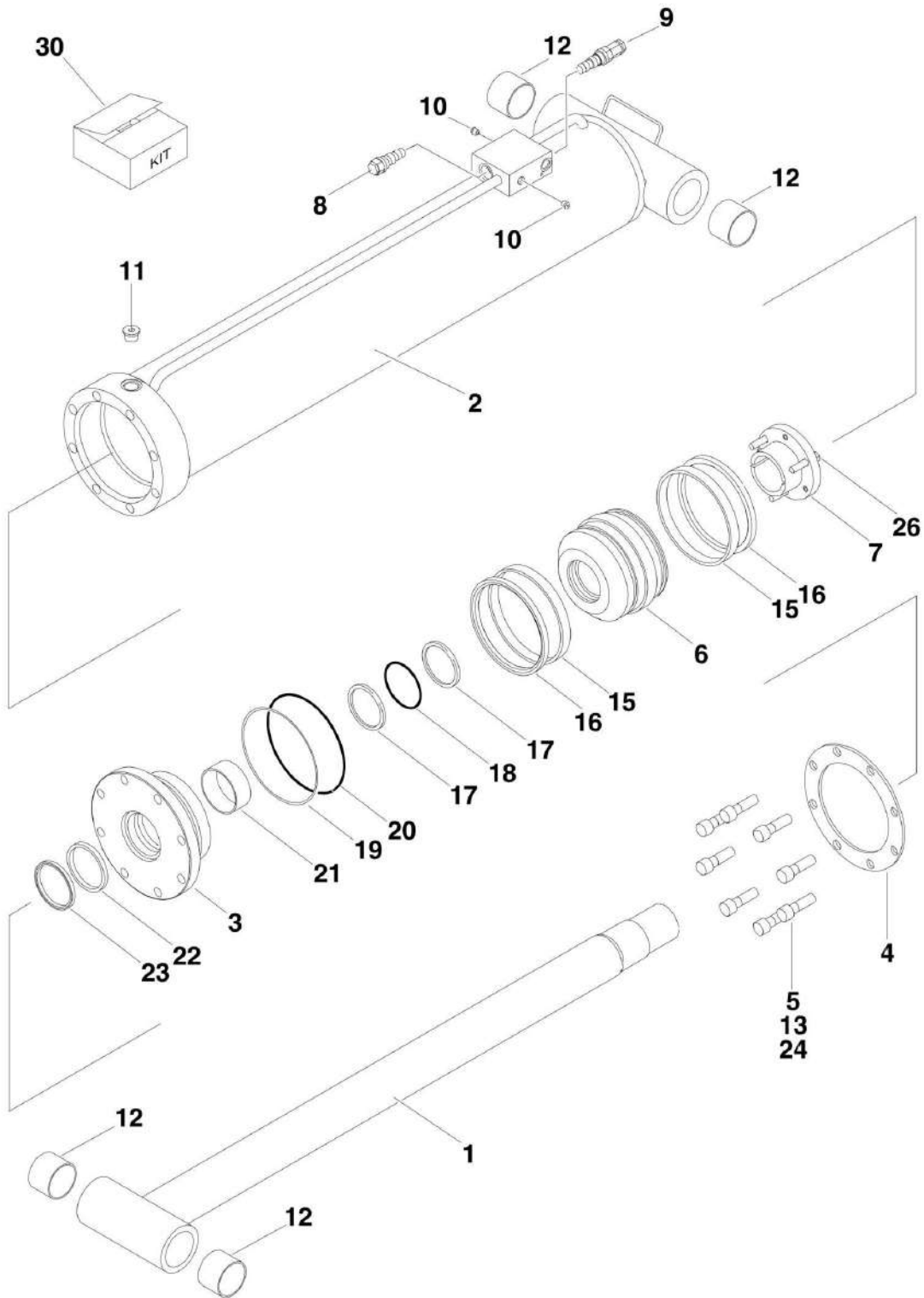
SECTION 5 - CYLINDER

FIGURE 5-5. LEVEL (SLAVE) CYLINDER ASSEMBLY - PLATFORM (800A ONLY) (SN 0300245051 to Present)

ITEM	PART NUMBER	QTY	DESCRIPTION	REV
	1001228033	Ref	LEVEL (SLAVE) CYLINDER ASSEMBLY - PLATFORM	A
		Ref	Note: Original Cylinder may have been replaced with Service Replacement. Identify PN Stamped on Cylinder Before Ordering Parts.	
1	See Note	NSS	Barrel (Note: Not Available for Purchase)	
2	70006782	1	Rod	
3	70006783	1	Head	
4	See Note	NSS	Wiper (Note: Use Item 100)	
5	70002410	1	Ring, Retaining	
6	See Note	NSS	Seal, Rod (Note: Use Item 100)	
7	See Note	NSS	Ring, Back-up (Note: Use Item 100)	
8	70005793	1	Spacer	
9	See Note	NSS	O-Ring (Note: Use Item 100)	
10	See Note	NSS	Ring, Back-up (Note: Use Item 100)	
11	See Note	NSS	O-Ring (Note: Use Item 100)	
12	70006590	1	Piston	
13	See Note	NSS	Seal (Note: Use Item 100)	
14	See Note	NSS	O-Ring (Note: Use Item 100)	
15	70022564	1	Ball (Steel)	
16	70006601	1	Setscrew	
17	70006784	1	Spacer, Tube	
18	0961947	4	Bushing	
19	4640605	1	Valve, Cartridge	
19	2900792	1	Seal Kit - 4640605 Valve	
20	4640932	1	Valve, Cartridge	
20	7011112	1	Seal Kit - 4640932 Valve	
21	2220883	10	Plug	
100	2901526	1	Seal Kit (Includes Items 4, 6, 7, 9-11, 13 & 14)	

SECTION 5 - CYLINDER

FIGURE 5-6. LEVEL (SLAVE) CYLINDER ASSEMBLY - UPRIGHT (SN 0300183034 through 0300239885)



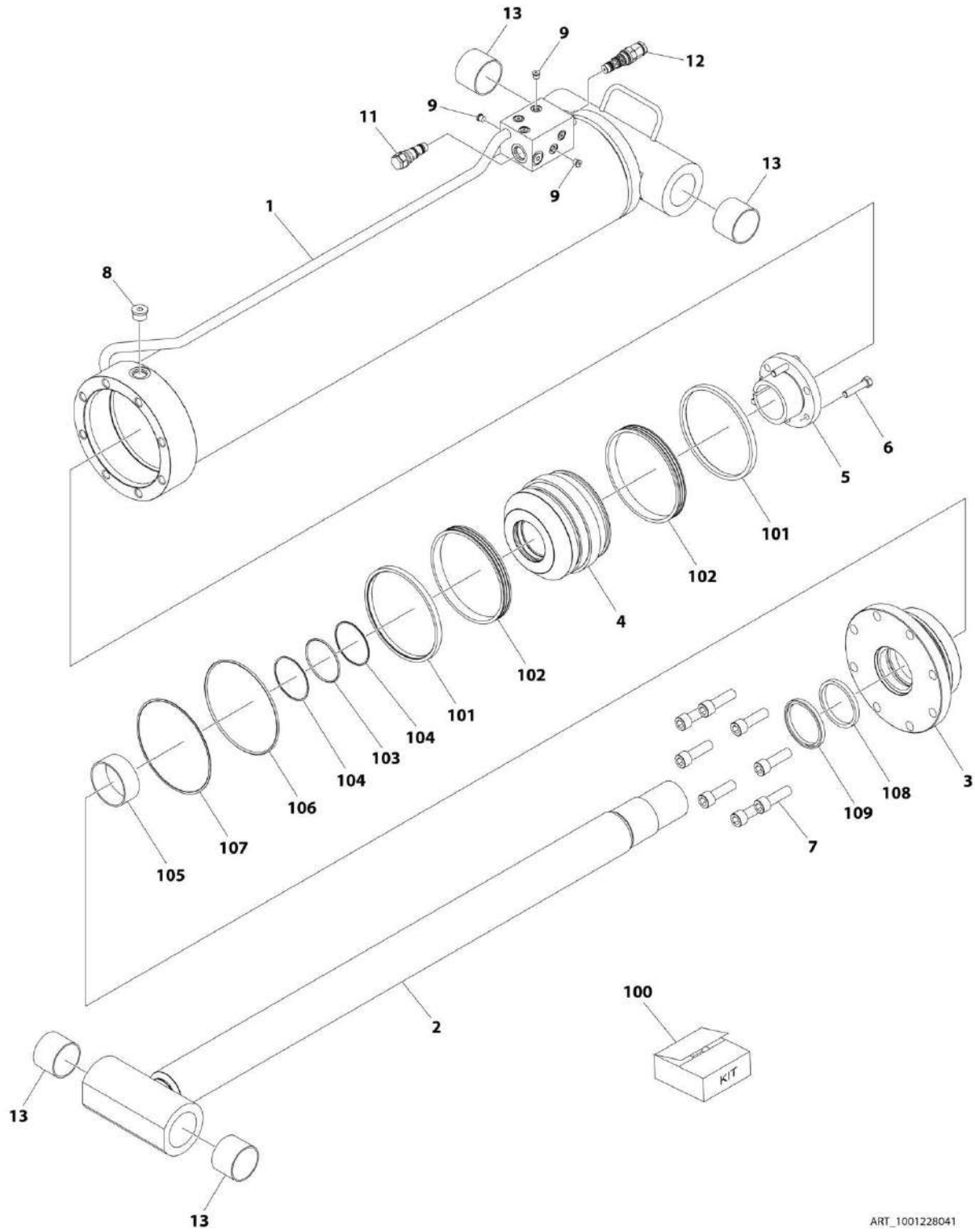
SECTION 5 - CYLINDER

FIGURE 5-6. LEVEL (SLAVE) CYLINDER ASSEMBLY - UPRIGHT (SN 0300183034 through 0300239885)

ITEM	PART NUMBER	QTY	DESCRIPTION	REV
	1684497	Ref	LEVEL (SLAVE) CYLINDER ASSEMBLY - UPRIGHT	D
		Ref	Note: Original Cylinder may have been replaced with Service Replacement. Identify PN Stamped on Cylinder Before Ordering Parts.	
1	1683544	1	Rod	
2	0370034	1	Barrel	
3	1683071	1	Head	
4	3760374	1	Ring, Washer	
5	3932240	8	Capscrew 3/4 x 2-1/2	
6	3480237	1	Piston	
7	0961901	1	Bushing, Tapered	
8	4640509	1	Cartridge, Valve	
8	2900792	1	Seal Kit - 4640509 Valve	
9	4640605	1	Cartridge, Valve	
9	2900792	1	Seal Kit - 4640605 Valve	
10	2220883	2	Plug, O-Ring	
11	2220888	1	Plug, O-Ring	
12	0962102	4	Bushing	
13	0100011	AR	Compound, Locking	
15	See Note	NSS	Seal (Note: Use Item 30)	
16	See Note	NSS	Ring, Lock (Note: Use Item 30)	
17	See Note	NSS	Ring, Back-up (Note: Use Item 30)	
18	See Note	NSS	Ring, Washer (Note: Use Item 30)	
19	See Note	NSS	Ring, Back-up (Note: Use Item 30)	
20	See Note	NSS	O-Ring (Note: Use Item 30)	
21	See Note	NSS	Ring, Wear (Note: Use Item 30)	
22	See Note	NSS	Seal, Rod (Note: Use Item 30)	
23	See Note	NSS	Wiper (Note: Use Item 30)	
24	0100038	AR	Primer, Locking	
26	0630537	3	Bolt	
30	2901526	1	Seal Kit (Includes Items 15-23)	

SECTION 5 - CYLINDER

FIGURE 5-7. LEVEL (SLAVE) CYLINDER ASSEMBLY - UPRIGHT (SN 0300239886 to Present)



ART_1001228041

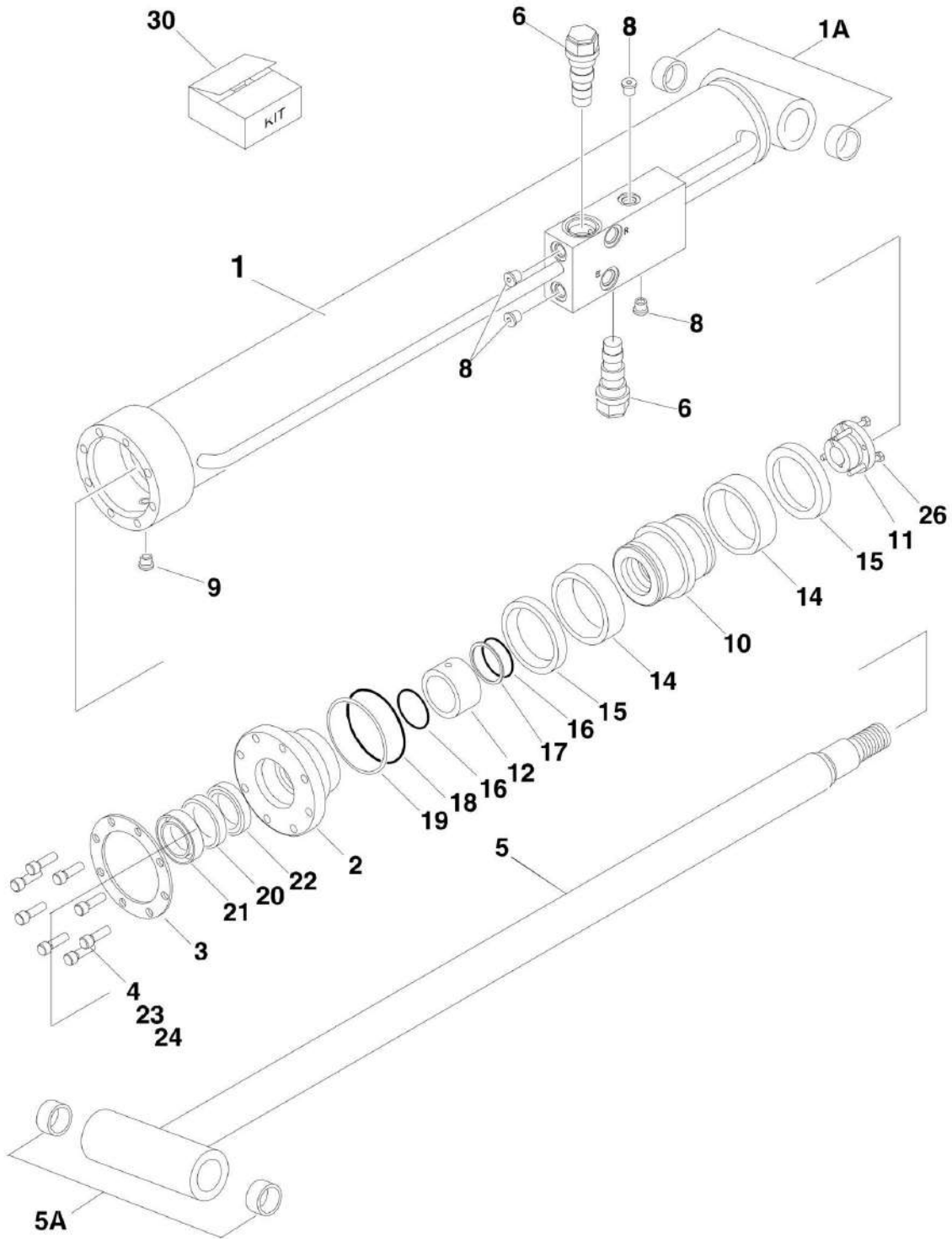
SECTION 5 - CYLINDER

FIGURE 5-7. LEVEL (SLAVE) CYLINDER ASSEMBLY - UPRIGHT (SN 0300239886 to Present)

ITEM	PART NUMBER	QTY	DESCRIPTION	REV
	1001228041	Ref	LEVEL CYLINDER ASSEMBLY	B
		Ref	Note: Original Cylinder may have been replaced with Service Replacement. Identify PN Stamped on Cylinder Before Ordering Parts.	
1	See Note	NSS	Barrel (Note: Not Available for Purchase)	
2	70006391	1	Rod	
3	70006390	1	Head	
4	70006389	1	Piston	
5	70006385	1	Bushing, Tapered	
6	0630537	3	Bolt	
7	3932240	8	Capscrew 3/4 x 2-1/2	
8	2220888	1	Plug, O-Ring	
9	2220883	6	Plug, O-Ring	
11	4640509	1	Cartridge, Valve	
11	2900792	1	Seal Kit - 4640509 Valve	
12	4640605	1	Cartridge, Valve	
12	2900792	1	Seal Kit - 4640605 Valve	
13	0962102	4	Bushing	
100	2901526	1	Seal Kit (Includes Items 101-109)	
101	See Note	NSS	Ring, Lock (Note: Use Item 100)	
102	See Note	NSS	Seal (Note: Use Item 100)	
103	See Note	NSS	Ring, Washer (Note: Use Item 100)	
104	See Note	NSS	Ring, Back-up (Note: Use Item 100)	
105	See Note	NSS	Ring, Wear (Note: Use Item 100)	
106	See Note	NSS	O-Ring (Note: Use Item 100)	
107	See Note	NSS	Ring, Back-up (Note: Use Item 100)	
108	See Note	NSS	Seal, Rod (Note: Use Item 100)	
109	See Note	NSS	Wiper (Note: Use Item 100)	

SECTION 5 - CYLINDER

FIGURE 5-8. LIFT CYLINDER ASSEMBLY - JIB (800AJ ONLY) (SN 0300183034 through 0300245050)



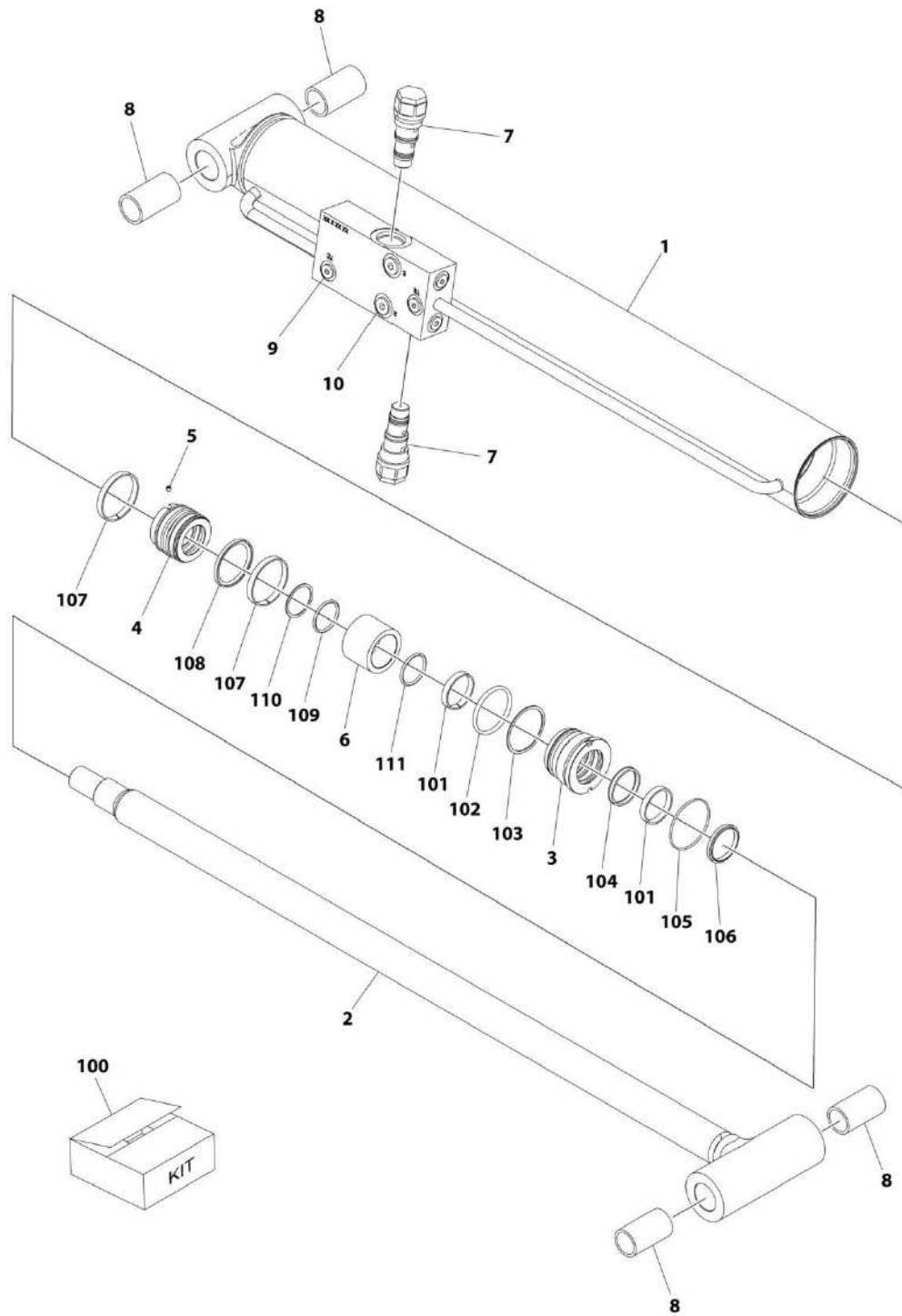
SECTION 5 - CYLINDER

FIGURE 5-8. LIFT CYLINDER ASSEMBLY - JIB (800AJ ONLY) (SN 0300183034 through 0300245050)

ITEM	PART NUMBER	QTY	DESCRIPTION	REV
	1683609	Ref	JIB LIFT CYLINDER ASSEMBLY (MACHINES WITHOUT ARCTIC PACKAGE)	L
	1001138792	Ref	JIB LIFT CYLINDER ASSEMBLY (MACHINES WITH ARCTIC PACKAGE)	B
		Ref	Note: Original Cylinder may have been replaced with Service Replacement. Identify PN Stamped on Cylinder Before Ordering Parts.	
1	1684089	1	Barrel (Note: Includes Item 1A)	
1A	0962336	2	Bushing	
2	1683053	1	Head	
3	3760368	1	Washer, Ring	
4	3931516	8	Capscrew 5/16-18 x 2	
5	1684090	1	Rod (Note: Includes Item 5A)	
5A	0962336	2	Bushing	
6	4640509	2	Cartridge, Valve (Counterbalance Non-Vented)	
6	2900792	2	Seal Kit - 4640509 Valve	
8	2220883	4	Plug, O-Ring	
9	2220885	1	Plug, O-Ring	
10	3480210	1	Piston	
11	0961893	1	Bushing, Tapered	
12	4100100	1	Spacer, Tube	
14	See Note	NSS	Seal, Piston (Note: Use Item 30)	
15	See Note	NSS	Ring, Lock (Note: Use Item 30)	
16	See Note	NSS	O-Ring (Note: Use Item 30)	
17	See Note	NSS	Ring, Back-up (Note: Use Item 30)	
18	See Note	NSS	O-Ring (Note: Use Item 30)	
19	See Note	NSS	Ring, Back-up (Note: Use Item 30)	
20	See Note	NSS	Seal (Note: Use Item 30)	
21	See Note	NSS	Wiper (Note: Use Item 30)	
22	See Note	NSS	Ring, Wear (Note: Use Item 30)	
23	0100011	AR	Compound, Locking	
24	0100038	AR	Primer, Locking	
26	0630534	3	Capscrew #10-24 x 1	
30	2901303	1	Seal Kit (Machines without Arctic Package) (Includes Items 14-22)	
30	1001138795	1	Seal Kit (Machines with Arctic Package) (Includes Items 14-22)	

SECTION 5 - CYLINDER

FIGURE 5-9. LIFT CYLINDER ASSEMBLY - JIB (800AJ ONLY) (USAGE MAY VARY) (SN 0300245051 through 0300245146)



ART_1001228012

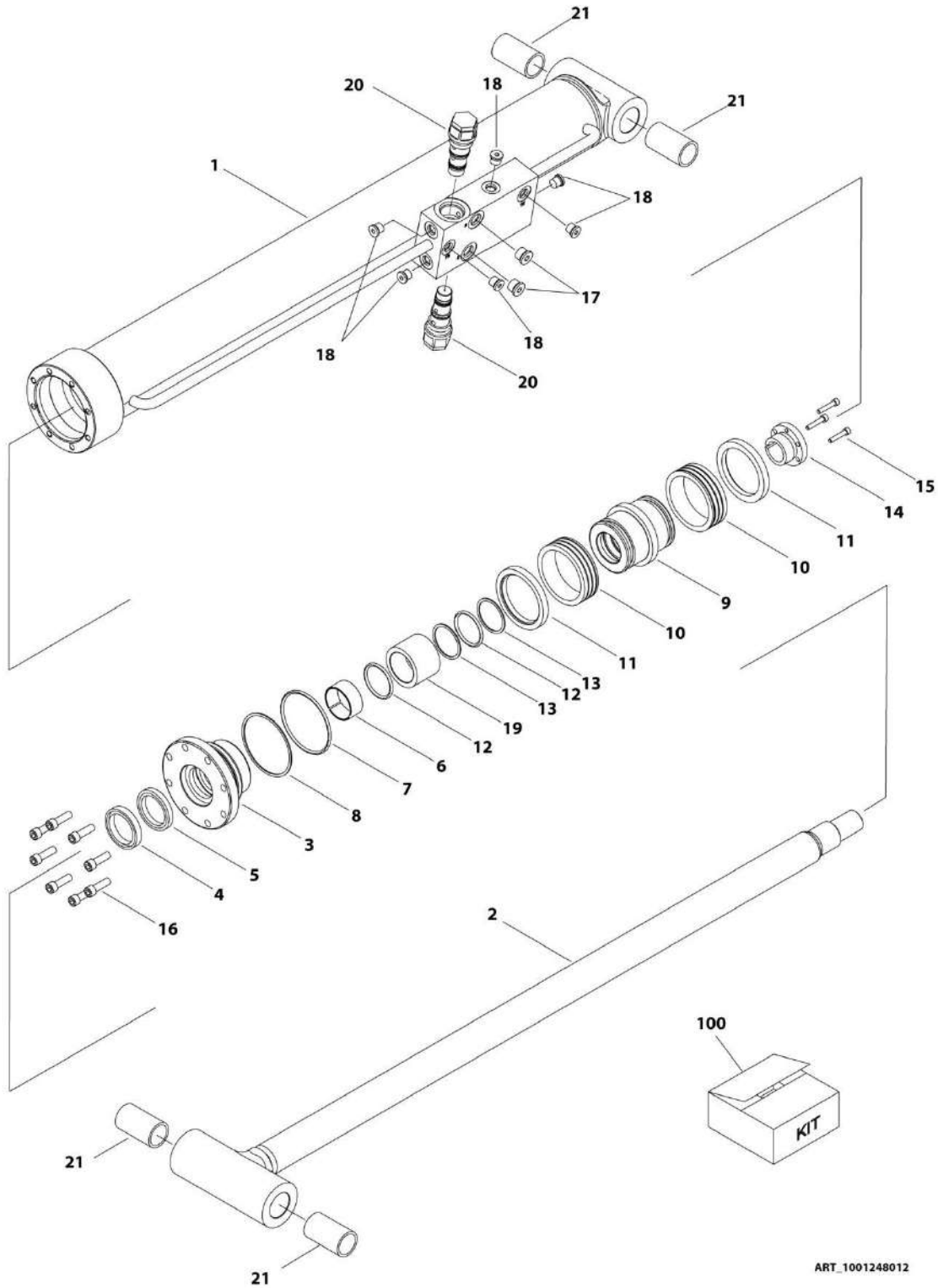
SECTION 5 - CYLINDER

FIGURE 5-9. LIFT CYLINDER ASSEMBLY - JIB (800AJ ONLY) (USAGE MAY VARY) (SN 0300245051 through 0300245146)

ITEM	PART NUMBER	QTY	DESCRIPTION	REV
	1001228012	Ref	LIFT CYLINDER ASSEMBLY - JIB	C
		Ref	Note: Original Cylinder May Have Been Replaced with Service Replacement. Identify PN Stamped on Cylinder Before Ordering Parts.	
1	See Note	NSS	Barrel (Note: Not Available for Purchase)	
2	70006572	1	Rod	
3	70006571	1	Head	
4	70006570	1	Piston	
5	70023915	1	Screw	
6	70006569	1	Spacer	
7	4640509	2	Cartridge, Valve	
7	2900792	2	Seal Kit - 4640509 Valve	
8	0962336	4	Bushing	
9	2220883	6	Plug, O-Ring	
10	2220885	2	Plug, O-Ring	
100	70006568	1	Seal Kit (Includes Items 101-111)	
101	See Note	NSS	Ring, Wear (Note: Use Item 100)	
102	See Note	NSS	O-Ring (Note: Use Item 100)	
103	See Note	NSS	Ring, Back-up (Note: Use Item 100)	
104	See Note	NSS	Seal, Rod (Note: Use Item 100)	
105	See Note	NSS	O-Ring (Note: Use Item 100)	
106	See Note	NSS	Wiper (Note: Use Item 100)	
107	See Note	NSS	Ring, Wear (Note: Use Item 100)	
108	See Note	NSS	Seal (Note: Use Item 100)	
109	See Note	NSS	O-Ring (Note: Use Item 100)	
110	See Note	NSS	Ring, Back-up (Note: Use Item 100)	
111	See Note	NSS	O-Ring (Note: Use Item 100)	

SECTION 5 - CYLINDER

FIGURE 5-10. LIFT CYLINDER ASSEMBLY - JIB (800AJ ONLY) (USAGE MAY VARY) (SN 030024501 through 0300245146)



ART_1001248012

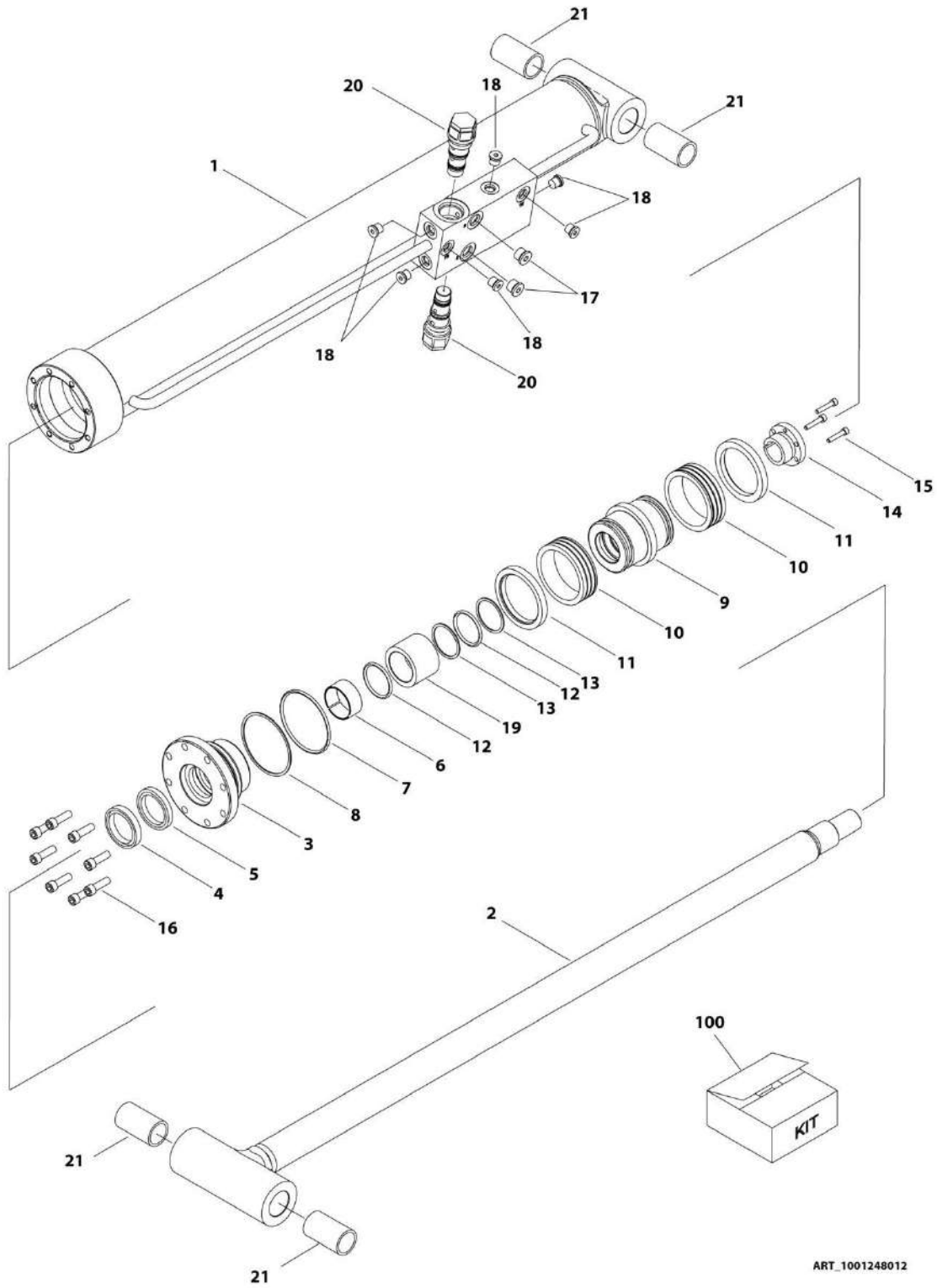
SECTION 5 - CYLINDER

FIGURE 5-10. LIFT CYLINDER ASSEMBLY - JIB (800AJ ONLY) (USAGE MAY VARY) (SN 0300245051 through 0300245146)

ITEM	PART NUMBER	QTY	DESCRIPTION	REV
	1001248012	Ref	LIFT CYLINDER ASSEMBLY - JIB	B
		Ref	Note: Original Cylinder May Have Been Replaced with Service Replacement. Identify PN Stamped on Cylinder Before Ordering Parts.	
1	See Note	NSS	Barrel (Note: Not Available for Purchase)	
2	70006734	1	Rod	
3	70006649	1	Head	
4	See Note	NSS	Wiper (Note: Use Item 100)	
5	See Note	NSS	Seal, Rod (Note: Use Item 100)	
6	See Note	NSS	Ring, Wear (Note: Use Item 100)	
7	See Note	NSS	O-Ring (Note: Use Item 100)	
8	See Note	NSS	Ring, Back-up (Note: Use Item 100)	
9	70006650	1	Piston	
10	See Note	NSS	Seal (Note: Use Item 100)	
11	See Note	NSS	Ring, Lock (Note: Use Item 100)	
12	See Note	NSS	O-Ring (Note: Use Item 100)	
13	See Note	NSS	Ring, Back-up (Note: Use Item 100)	
14	0961893	1	Bushing, Tapered	
15	0630534	3	Capscrew, Socket Head #10 x 1	
16	70006735	8	Capscrew 5/16	
17	2220885	2	Plug, O-Ring	
18	2220883	6	Plug, O-Ring	
19	70006736	1	Spacer	
20	4640509	2	Cartridge, Valve	
20	2900792	2	Seal Kit - 4640509 Valve	
21	0962336	4	Bushing	
100	1001138795	1	Seal Kit (Includes Items 4-8 & 10-13)	

SECTION 5 - CYLINDER

FIGURE 5-11. LIFT CYLINDER ASSEMBLY - JIB (800AJ ONLY) (SN 0300245147 to Present)



ART_1001248012

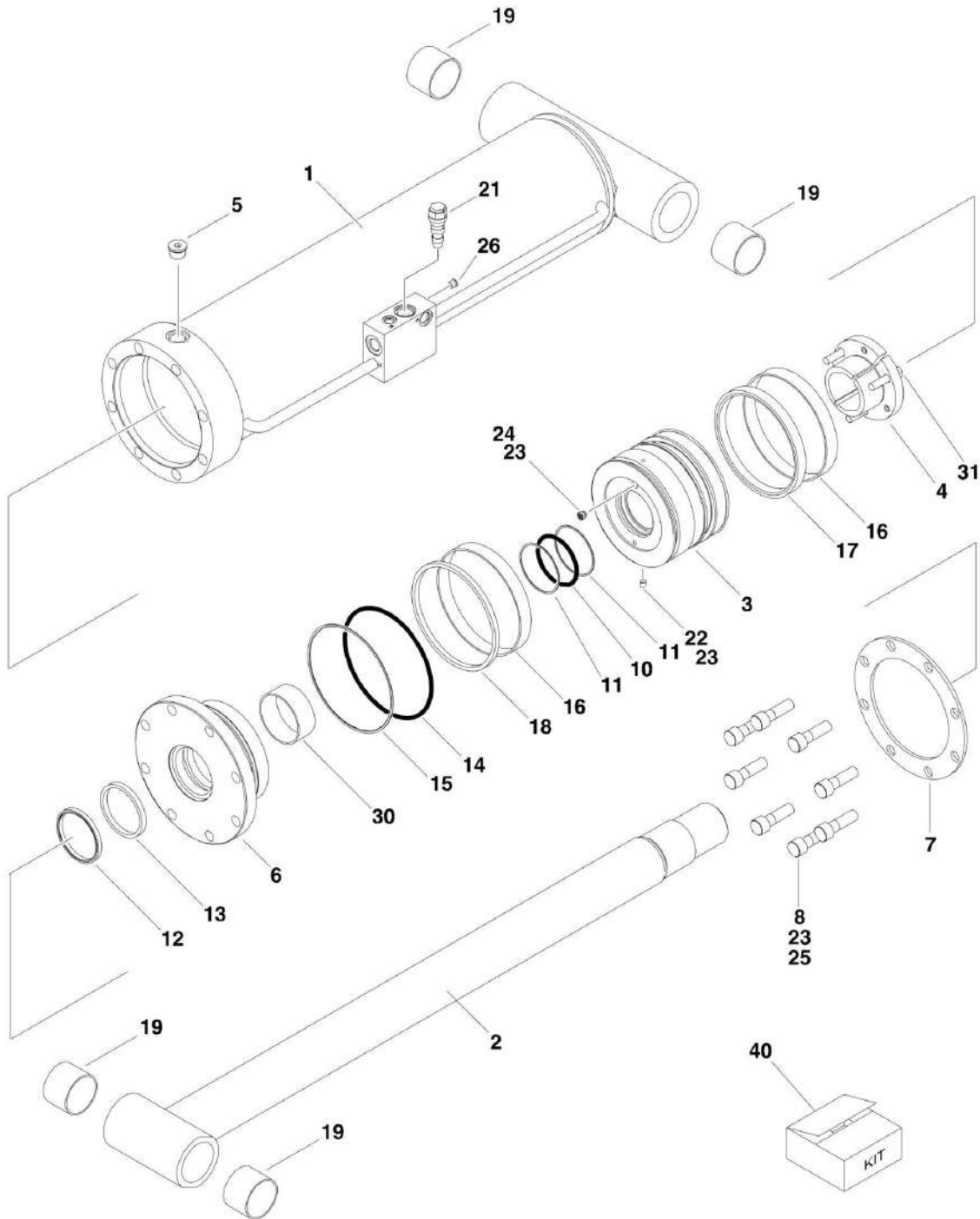
SECTION 5 - CYLINDER

FIGURE 5-11. LIFT CYLINDER ASSEMBLY - JIB (800AJ ONLY) (SN 0300245147 to Present)

ITEM	PART NUMBER	QTY	DESCRIPTION	REV
	1001248012	Ref	LIFT CYLINDER ASSEMBLY - JIB	B
		Ref	Note: Original Cylinder May Have Been Replaced with Service Replacement. Identify PN Stamped on Cylinder Before Ordering Parts.	
1	See Note	NSS	Barrel (Note: Not Available for Purchase)	
2	70006734	1	Rod	
3	70006649	1	Head	
4	See Note	NSS	Wiper (Note: Use Item 100)	
5	See Note	NSS	Seal, Rod (Note: Use Item 100)	
6	See Note	NSS	Ring, Wear (Note: Use Item 100)	
7	See Note	NSS	O-Ring (Note: Use Item 100)	
8	See Note	NSS	Ring, Back-up (Note: Use Item 100)	
9	70006650	1	Piston	
10	See Note	NSS	Seal (Note: Use Item 100)	
11	See Note	NSS	Ring, Lock (Note: Use Item 100)	
12	See Note	NSS	O-Ring (Note: Use Item 100)	
13	See Note	NSS	Ring, Back-up (Note: Use Item 100)	
14	0961893	1	Bushing, Tapered	
15	0630534	3	Capscrew, Socket Head #10 x 1	
16	70006735	8	Capscrew 5/16	
17	2220885	2	Plug, O-Ring	
18	2220883	6	Plug, O-Ring	
19	70006736	1	Spacer	
20	4640509	2	Cartridge, Valve	
20	2900792	2	Seal Kit - 4640509 Valve	
21	0962336	4	Bushing	
100	1001138795	1	Seal Kit (Includes Items 4-8 & 10-13)	

SECTION 5 - CYLINDER

FIGURE 5-12. LIFT CYLINDER ASSEMBLY - MAIN BOOM (SN 0300183034 through 0300239885)



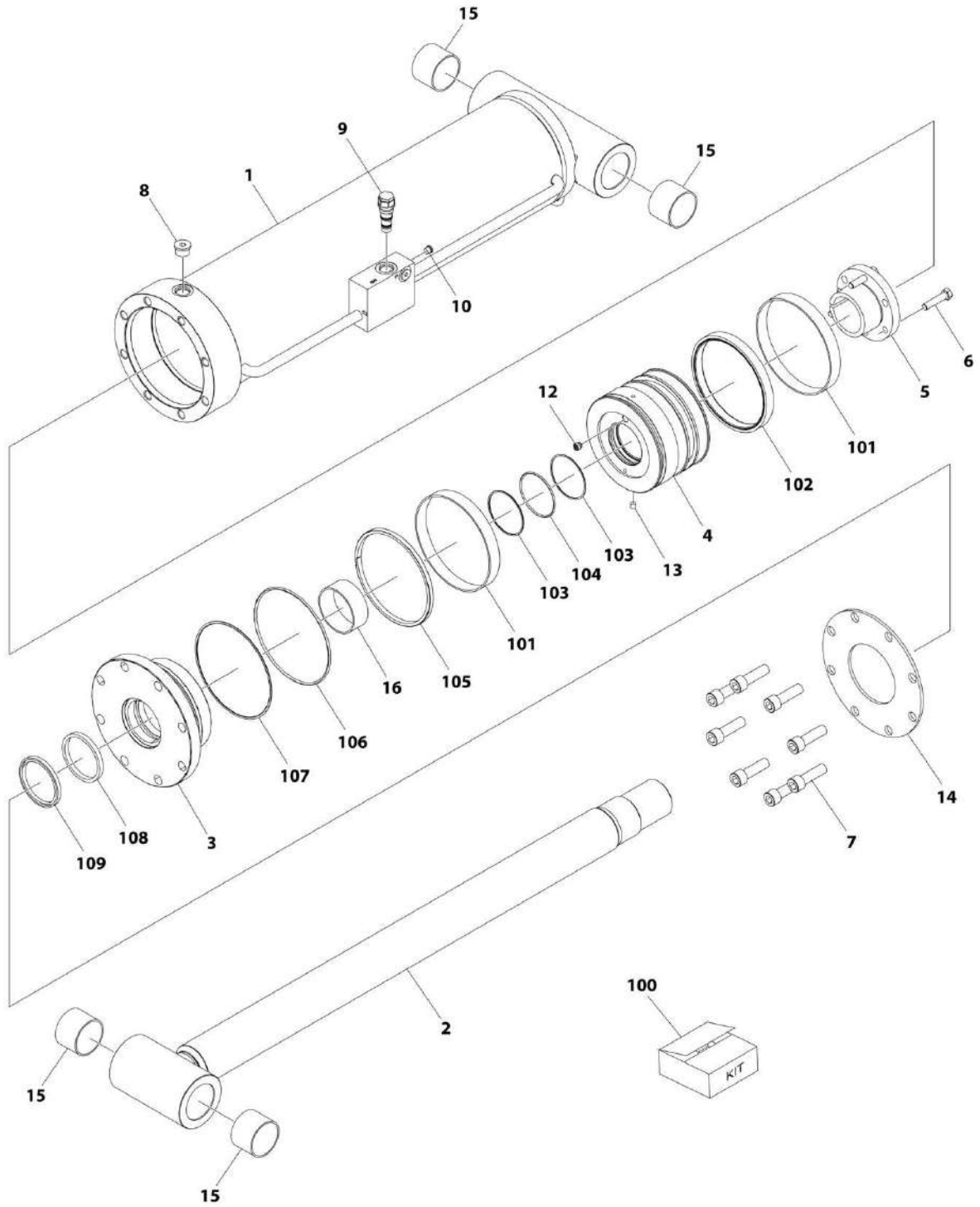
SECTION 5 - CYLINDER

FIGURE 5-12. LIFT CYLINDER ASSEMBLY - MAIN BOOM (SN 0300183034 through 0300239885)

ITEM	PART NUMBER	QTY	DESCRIPTION	REV
	1683547	Ref	LIFT CYLINDER ASSEMBLY - MAIN BOOM	M
		Ref	Note: Original Cylinder may have been replaced with Service Replacement. Identify PN Stamped on Cylinder Before Ordering Parts.	
1	1683821	1	Barrel	
2	1683549	1	Rod	
3	3480238	1	Piston	
4	0961901	1	Bushing, Tapered	
5	2220888	1	Plug, O-Ring	
6	1683071	1	Head	
7	3760374	1	Washer, Ring	
8	3932240	8	Capscrew 3/4 x 2-1/2	
10	See Note	NSS	O-Ring (Note: Use Item 40)	
11	See Note	NSS	Ring, Back-up (Note: Use Item 40)	
12	See Note	NSS	Wiper (Note: Use Item 40)	
13	See Note	NSS	Seal, Rod (Note: Use Item 40)	
14	See Note	NSS	O-Ring (Note: Use Item 40)	
15	See Note	NSS	Ring, Back-up (Note: Use Item 40)	
16	See Note	NSS	Ring, Wear (Note: Use Item 40)	
17	See Note	NSS	T-Seal (Note: Use Item 40)	
18	See Note	NSS	Seal (Note: Use Item 40)	
19	0962102	4	Bushing	
21	4640509	1	Cartridge, Valve	
21	2900792	1	Seal Kit - 4640509 Valve	
22	2180615	1	Orifice	
23	0100011	AR	Compound, Locking	
24	4641027	1	Plug, Check Valve	
25	0100038	AR	Primer, Locking	
26	2220883	1	Plug	
30	See Note	NSS	Ring, Wear (Note: Use Item 40)	
31	0630537	3	Bolt	
40	2901514	1	Seal Kit (Includes Items 10-18 & 30)	

SECTION 5 - CYLINDER

FIGURE 5-13. LIFT CYLINDER ASSEMBLY - MAIN BOOM (SN 0300239886 to Present)



ART_1001228010

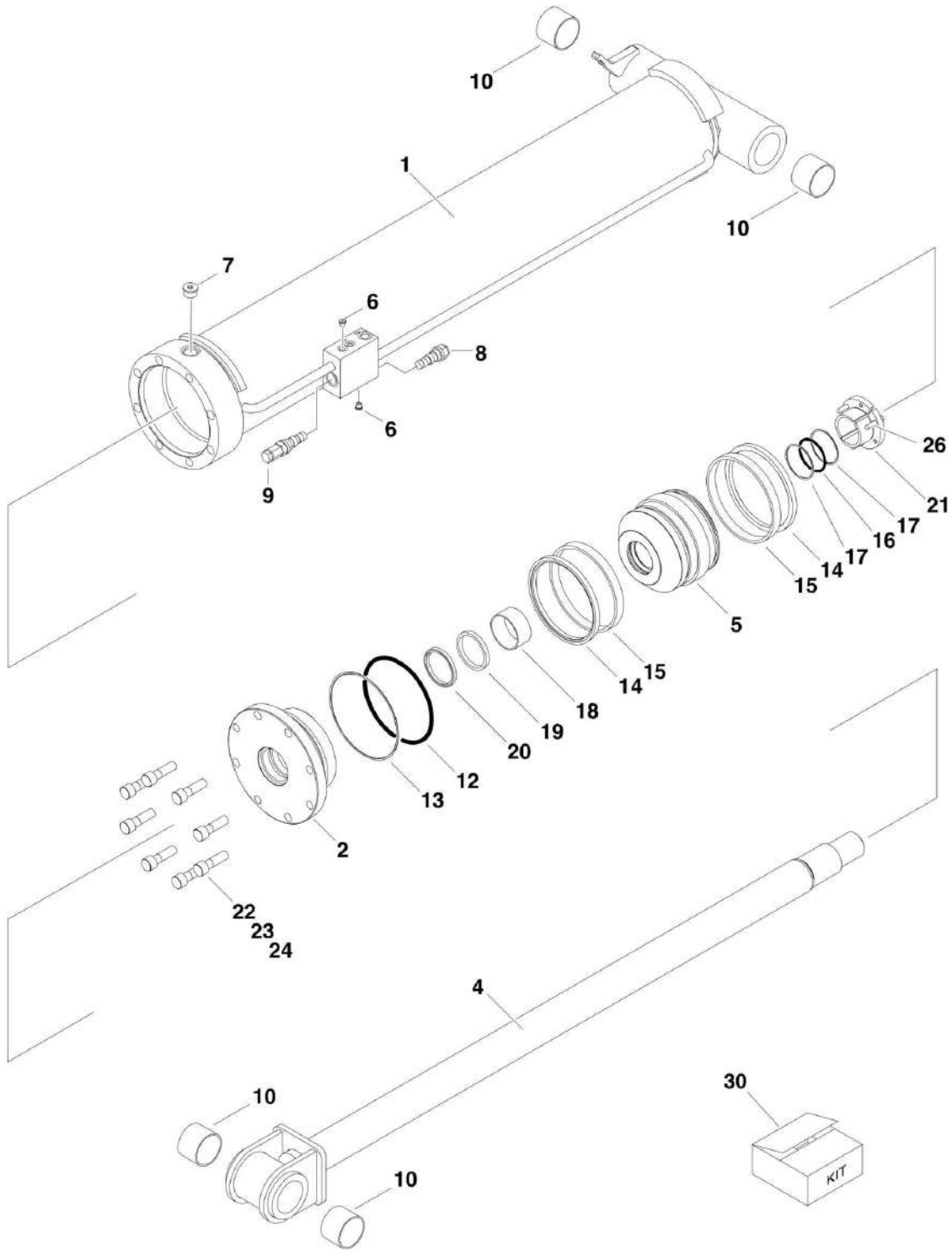
SECTION 5 - CYLINDER

FIGURE 5-13. LIFT CYLINDER ASSEMBLY - MAIN BOOM (SN 0300239886 to Present)

ITEM	PART NUMBER	QTY	DESCRIPTION	REV
	1001228010	Ref	LIFT CYLINDER ASSEMBLY	B
		Ref	Note: Original Cylinder may have been replaced with Service Replacement. Identify PN Stamped on Cylinder Before Ordering Parts.	
1	See Note	NSS	Barrel (Note: Not Available for Purchase)	
2	70006388	1	Rod	
3	70006387	1	Head	
4	70006386	1	Piston	
5	70006385	1	Bushing, Tapered	
6	0630537	3	Bolt	
7	3932240	8	Capscrew 3/4 x 2-1/2	
7	See Note	AR	Compound, Locking (Note: Use Loctite 263)	
8	2220888	1	Plug	
9	4640509	1	Cartridge, Valve	
9	2900792	1	Seal Kit - 4640509 Valve	
10	2220883	1	Plug	
12	4641027	1	Plug, Check Valve	
13	2180615	1	Orifice	
14	70006384	1	Washer, Ring	
15	0962102	4	Bushing	
16	See Note	NSS	Ring, Wear (Note: Use Item 100)	
100	2901514	1	Seal Kit (Includes Items 16 and 101-109)	
101	See Note	NSS	Ring, Wear (Note: Use Item 100)	
102	See Note	NSS	T-Seal (Note: Use Item 100)	
103	See Note	NSS	Ring, Back-up (Note: Use Item 100)	
104	See Note	NSS	O-Ring (Note: Use Item 100)	
105	See Note	NSS	Seal (Note: Use Item 100)	
106	See Note	NSS	O-Ring (Note: Use Item 100)	
107	See Note	NSS	Ring Back-up (Note: Use Item 100)	
108	See Note	NSS	Seal, Rod (Note: Use Item 100)	
109	See Note	NSS	Wiper (Note: Use Item 100)	

SECTION 5 - CYLINDER

FIGURE 5-14. LIFT CYLINDER ASSEMBLY - TOWER BOOM (SN 0300183034 through 0300239885)



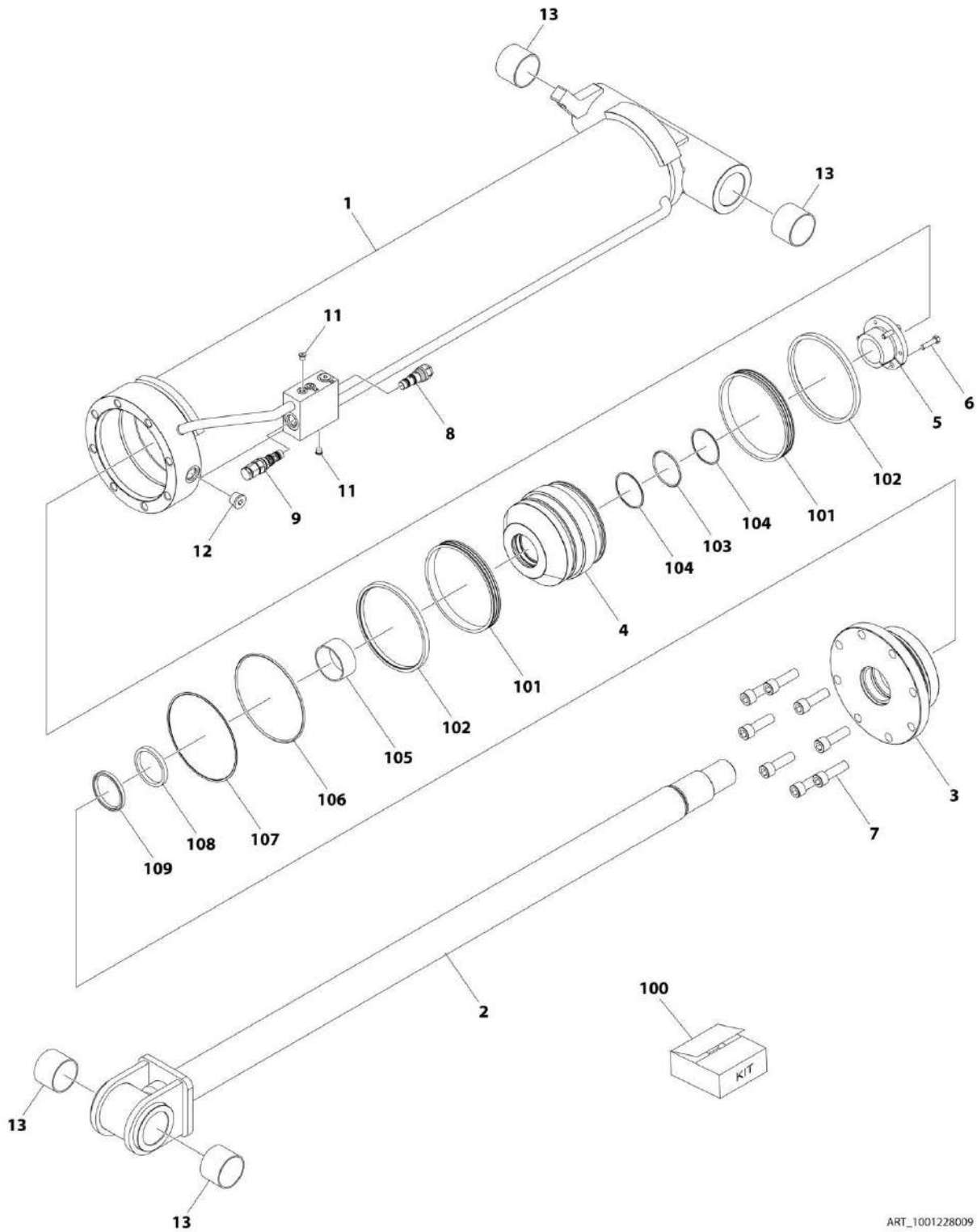
SECTION 5 - CYLINDER

FIGURE 5-14. LIFT CYLINDER ASSEMBLY - TOWER BOOM (SN 0300183034 through 0300239885)

ITEM	PART NUMBER	QTY	DESCRIPTION	REV
	1683537	Ref	LIFT CYLINDER ASSEMBLY - TOWER BOOM	J
		Ref	Note: Original Cylinder may have been replaced with Service Replacement. Identify PN Stamped on Cylinder Before Ordering Parts.	
1	1683823	1	Barrel	
2	1683818	1	Head	
4	1683539	1	Rod	
5	3480236	1	Piston	
6	2220883	2	Plug, O-Ring	
7	2220888	1	Plug, O-Ring	
8	4640509	1	Cartridge, Valve	
8	2900792	1	Seal Kit - 4640999 Valve	
9	4640605	1	Cartridge, Valve	
9	2900792	1	Seal Kit - 4640605 Valve	
10	0962102	4	Bushing	
12	See Note	NSS	O-Ring (Note: Use Item 30)	
13	See Note	NSS	Ring, Back-up (Note: Use Item 30)	
14	See Note	NSS	Ring, Lock (Note: Use Item 30)	
15	See Note	NSS	Seal (Note: Use Item 30)	
16	See Note	NSS	O-Ring (Note: Use Item 30)	
17	See Note	NSS	Ring, Back-up (Note: Use Item 30)	
18	See Note	NSS	Ring, Wear (Note: Use Item 30)	
19	See Note	NSS	Seal (Note: Use Item 30)	
20	See Note	NSS	Wiper (Note: Use Item 30)	
21	0961903	1	Bushing, Tapered	
22	3932240	8	Capscrew 3/4 x 2-1/2	
23	0100011	AR	Compound, Locking	
24	0100038	AR	Primer, Locking	
26	0630536	3	Bolt	
30	2901537	1	Seal Kit (Includes Items 12-20)	

SECTION 5 - CYLINDER

FIGURE 5-15. LIFT CYLINDER ASSEMBLY - TOWER BOOM (SN 0300239886 to Present)



ART_1001228009

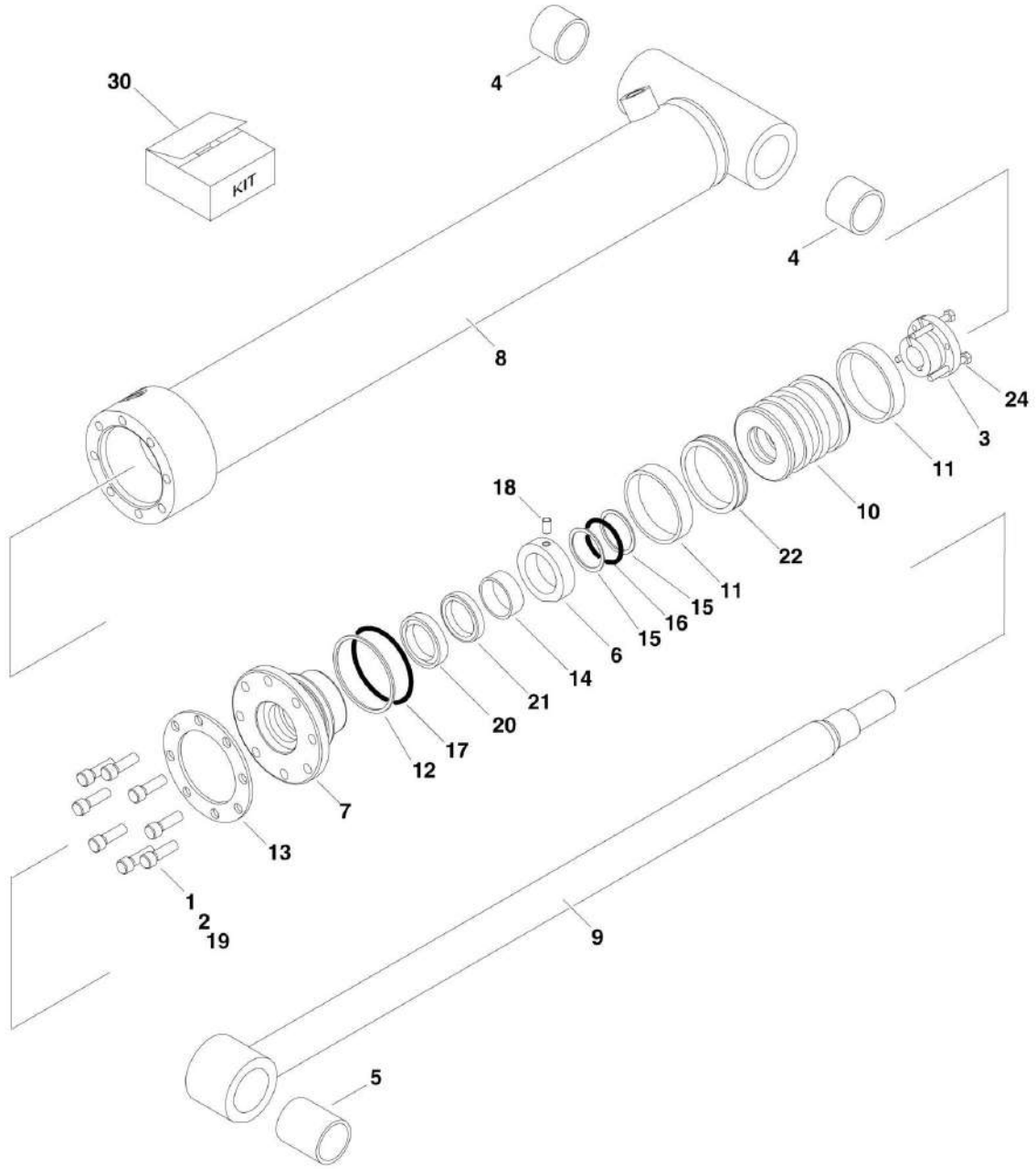
SECTION 5 - CYLINDER

FIGURE 5-15. LIFT CYLINDER ASSEMBLY - TOWER BOOM (SN 0300239886 to Present)

ITEM	PART NUMBER	QTY	DESCRIPTION	REV
	1001228009	Ref	LIFT CYLINDER ASSEMBLY	B
		Ref	Note: Original Cylinder may have been replaced with Service Replacement. Identify PN Stamped on Cylinder Before Ordering Parts.	
1	See Note	NSS	Barrel (Note: Not Available for Purchase)	
2	70006378	1	Rod	
3	70006377	1	Head	
4	70006376	1	Piston	
5	70006375	1	Bushing, Tapered	
6	0630536	3	Bolt	
7	3932240	8	Capscrew 3/4 x 2-1/2	
8	4640509	1	Cartridge, Valve	
8	2900792	1	Seal Kit - 4640999 Valve	
9	4640605	1	Cartridge, Valve	
9	2900792	1	Seal Kit - 4640605 Valve	
11	2220883	4	Plug, O-Ring	
12	2220888	1	Plug, O-Ring	
13	0962102	4	Bushing	
100	2901537	1	Seal Kit (Includes Items 101-109)	
101	See Note	NSS	Seal (Note: Use Item 100)	
102	See Note	NSS	Ring, Lock (Note: Use Item 100)	
103	See Note	NSS	O-Ring (Note: Use Item 100)	
104	See Note	NSS	Ring, Back-up (Note: Use Item 100)	
105	See Note	NSS	Ring, Wear (Note: Use Item 100)	
106	See Note	NSS	O-Ring (Note: Use Item 100)	
107	See Note	NSS	Ring, Back-up (Note: Use Item 100)	
108	See Note	NSS	Seal (Note: Use Item 100)	
109	See Note	NSS	Wiper (Note: Use Item 100)	

SECTION 5 - CYLINDER

FIGURE 5-16. MASTER CYLINDER ASSEMBLY (800A) (SN 0300183034 through 0300245050)



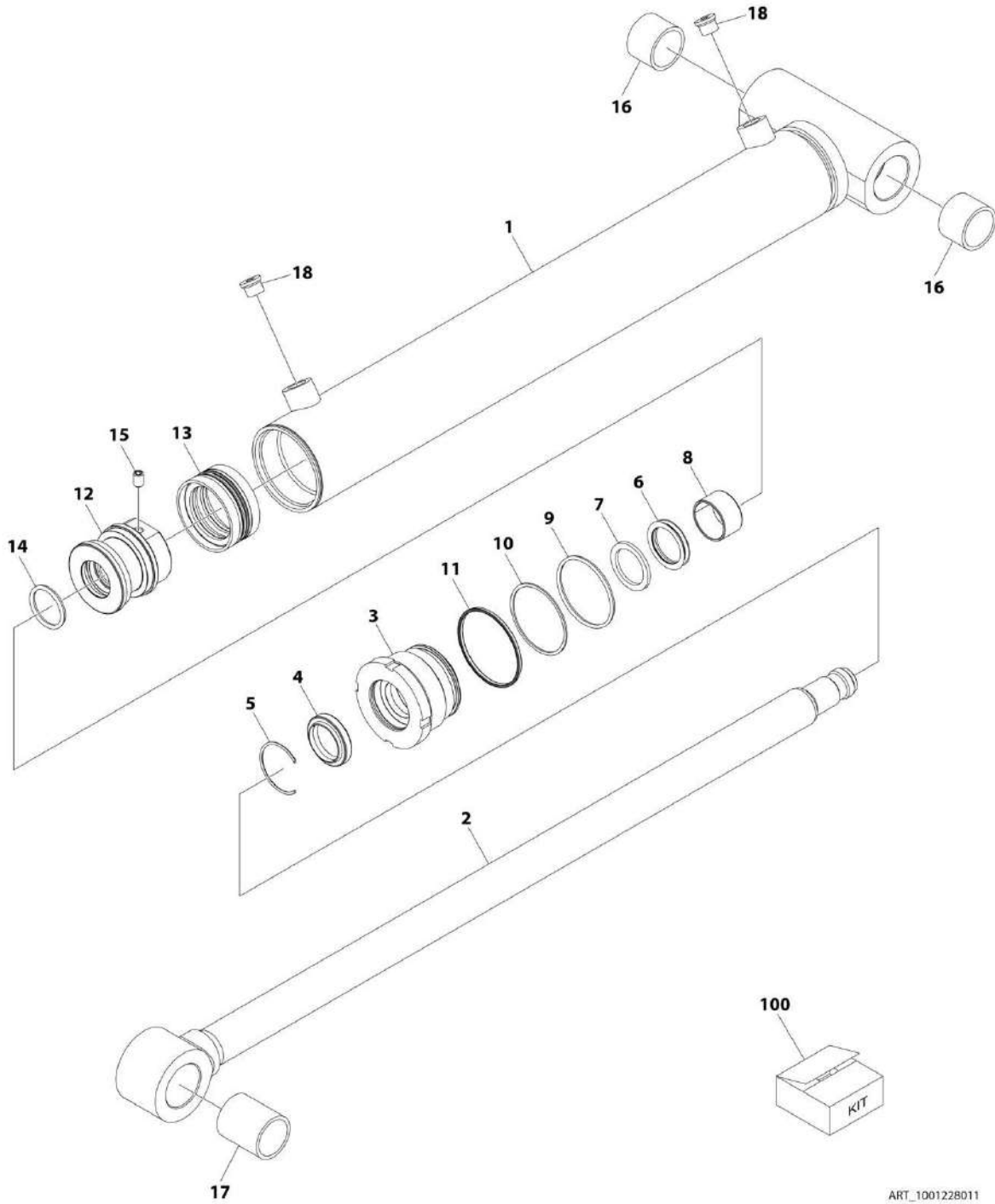
SECTION 5 - CYLINDER

FIGURE 5-16. MASTER CYLINDER ASSEMBLY (800A) (SN 0300183034 through 0300245050)

ITEM	PART NUMBER	QTY	DESCRIPTION	REV
	1683608	Ref	MASTER CYLINDER ASSEMBLY (800A) (SN 0300183034 through 0300245050)	J
		Ref		
1	0100011	AR	Compound, Locking	
2	0100038	AR	Primer, Locking	
3	0962185	1	Bushing, Tapered	
4	0961951	2	Bushing	
5	0962155	1	Bushing	
6	0962156	1	Spacer, Tube	
7	1683050	1	Head	
8	1684114	1	Barrel	
9	1684115	1	Rod	
10	3480232	1	Piston	
11	See Note	NSS	Ring, Wear (Note: Use Item 30)	
12	See Note	NSS	Ring, Back-up (Note: Use Item 30)	
13	3760367	1	Ring, Washer	
14	See Note	NSS	Ring, Wear (Note: Use Item 30)	
15	See Note	NSS	Ring, Back-up (Note: Use Item 30)	
16	See Note	NSS	O-Ring (Note: Use Item 30)	
17	See Note	NSS	O-Ring (Note: Use Item 30)	
18	3900139	1	Setscrew 1/4-20 x 1/2	
19	3931516	8	Capscrew 5/16-18 x 1	
20	See Note	NSS	Wiper (Note: Use Item 30)	
21	See Note	NSS	Seal (Note: Use Item 30)	
22	See Note	NSS	T-Seal (Note: Use Item 30)	
24	0630534	3	Capscrew #10-24 x 1	
30	2901549	1	Seal Kit - 1683608 Cylinder (Includes Items 11, 12, 14-17 & 20-22)	

SECTION 5 - CYLINDER

FIGURE 5-17. MASTER CYLINDER ASSEMBLY (800A) (SN 0300245051 to Present)



ART_1001228011

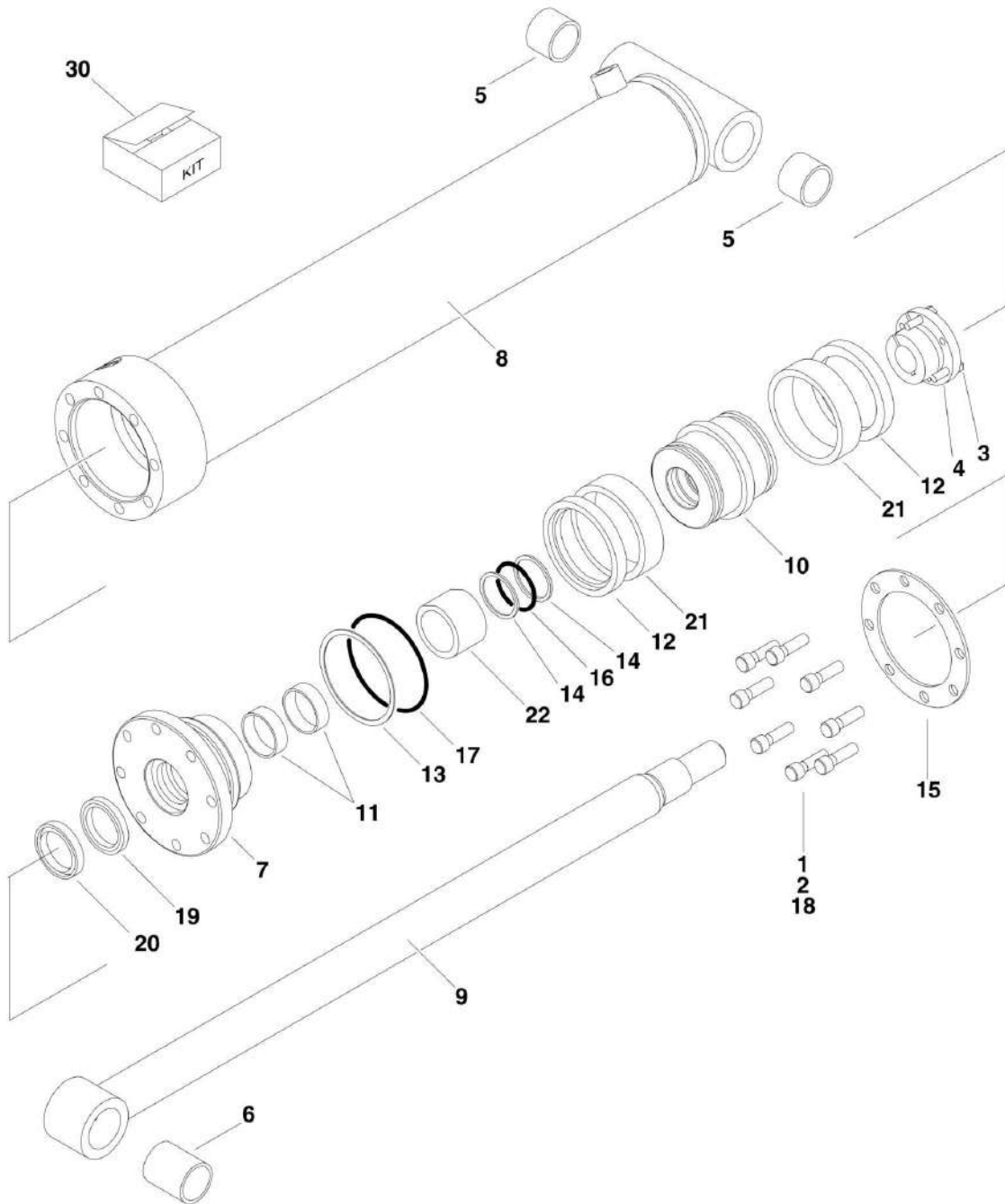
SECTION 5 - CYLINDER

FIGURE 5-17. MASTER CYLINDER ASSEMBLY (800A) (SN 0300245051 to Present)

ITEM	PART NUMBER	QTY	DESCRIPTION	REV
	1001228011	Ref	MASTER CYLINDER ASSEMBLY (800A)	B
		Ref	Note: Original Cylinder may have been replaced with Service Replacement. Identify PN Stamped on Cylinder Before Ordering Parts.	
1	See Note	NSS	Barrel (Note: Not Available for Purchase)	
2	70006777	1	Rod	
3	70006778	1	Head	
4	See Note	NSS	Wiper (Note: Use Item 100)	
5	70002366	1	Ring, Retaining	
6	See Note	NSS	Seal, Rod (Note: Use Item 100)	
7	See Note	NSS	Ring, Back-up (Note: Use Item 100)	
8	70006779	1	Ring, Wear	
9	See Note	NSS	O-Ring (Note: Use Item 100)	
10	See Note	NSS	Ring, Back-up (Note: Use Item 100)	
11	70050801	NSS	O-Ring (Note: Use Item 100)	
12	70006780	1	Piston	
13	See Note	NSS	Seal (Note: Use Item 100)	
14	See Note	NSS	O-Ring (Note: Use Item 100)	
15	70006596	1	Setscrew	
16	0961951	2	Bushing	
17	0962155	1	Bushing	
18	2220885	2	Plug	
100	70006781	1	Seal Kit (Includes Items 4, 6, 7, 9-11, 13 & 14)	

SECTION 5 - CYLINDER

FIGURE 5-18. MASTER CYLINDER ASSEMBLY (800AJ) (SN 0300183034 through 0300243317)



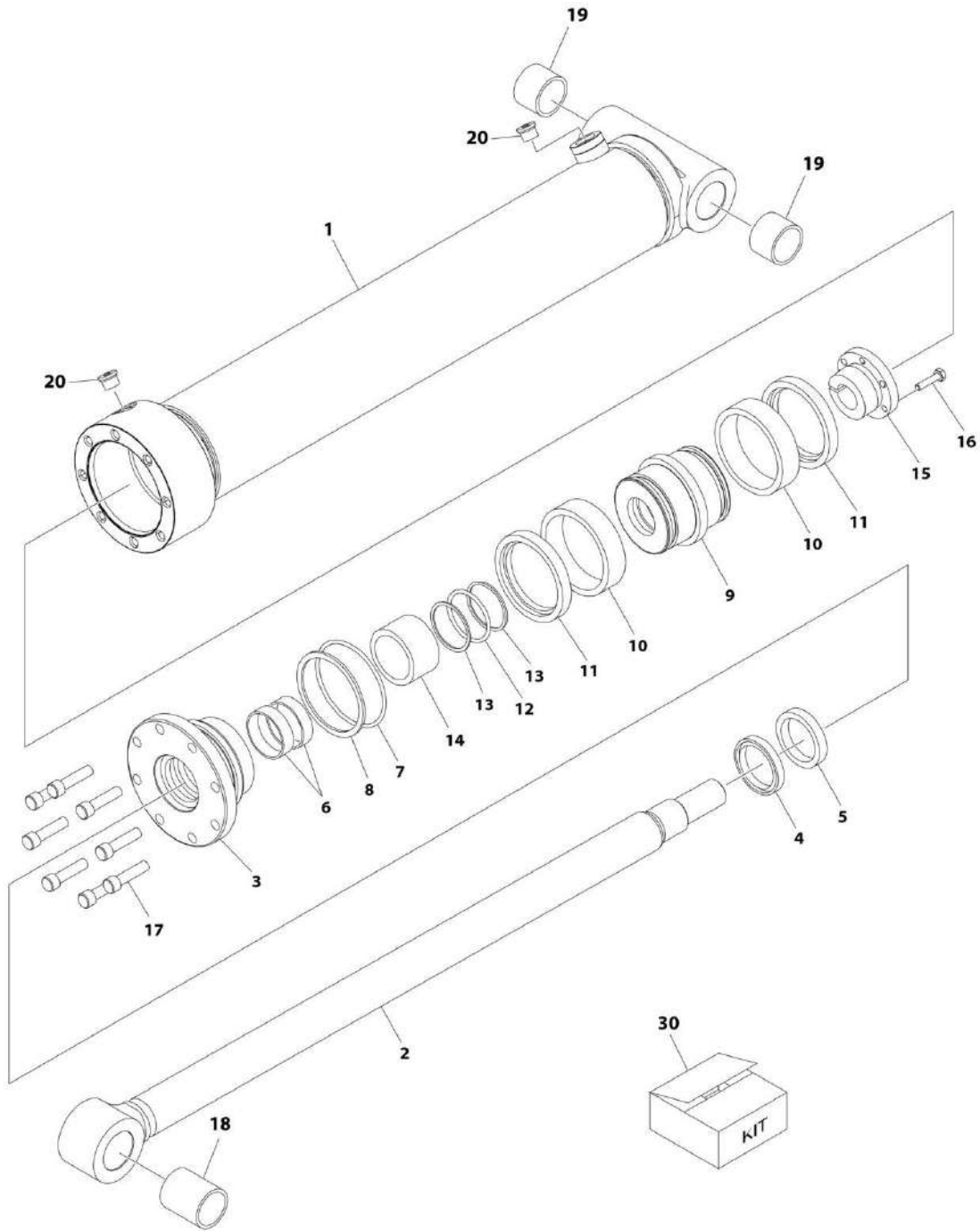
SECTION 5 - CYLINDER

FIGURE 5-18. MASTER CYLINDER ASSEMBLY (800AJ) (SN 0300183034 through 0300243317)

ITEM	PART NUMBER	QTY	DESCRIPTION	REV
	1683682	Ref	MASTER CYLINDER ASSEMBLY (MACHINES WITHOUT ARCTIC PACKAGE)	H
	1001138793	Ref	MASTER CYLINDER ASSEMBLY (MACHINES WITH ARCTIC PACKAGE)	B
		Ref	Note: Original Cylinder may have been replaced with Service Replacement. Identify PN Stamped on Cylinder Before Ordering Parts.	
1	0100011	AR	Compound, Locking	
2	0100038	AR	Primer, Locking	
3	0630535	3	Capscrew 1/4-20 x 1-1/8	
4	0961894	1	Bushing, Tapered	
5	0961951	2	Bushing	
6	0962155	1	Bushing	
7	1683055	1	Head	
8	1684125	1	Barrel	
9	1684126	1	Rod	
10	3480188	1	Piston	
11	See Note	NSS	Ring, Wear (Note: Use Item 30)	
12	See Note	NSS	Ring, Lock (Note: Use Item 30)	
13	See Note	NSS	Ring, Back-up (Note: Use Item 30)	
14	See Note	NSS	Ring, Back-up (Note: Use Item 30)	
15	3760369	1	Ring, Washer	
16	See Note	NSS	O-Ring (Note: Use Item 30)	
17	See Note	NSS	O-Ring (Note: Use Item 30)	
18	3931620	8	Capscrew 3/8-16 x 1-1/4	
19	See Note	NSS	Seal, Rod (Note: Use Item 30)	
20	See Note	NSS	Wiper (Note: Use Item 30)	
21	See Note	NSS	Seal (Note: Use Item 30)	
22	4566468	1	Spacer, Tube	
30	2901301	1	Seal Kit (Machines without Arctic Package) (Includes Items 11-14, 16, 17 & 19-21)	
30	1001138796	1	Seal Kit (Machines with Arctic Package) (Includes Items 11-14, 16, 17 & 19-21)	

SECTION 5 - CYLINDER

FIGURE 5-19. MASTER CYLINDER ASSEMBLY (800AJ) (SN 0300243318 to Present)



ART_1001228050

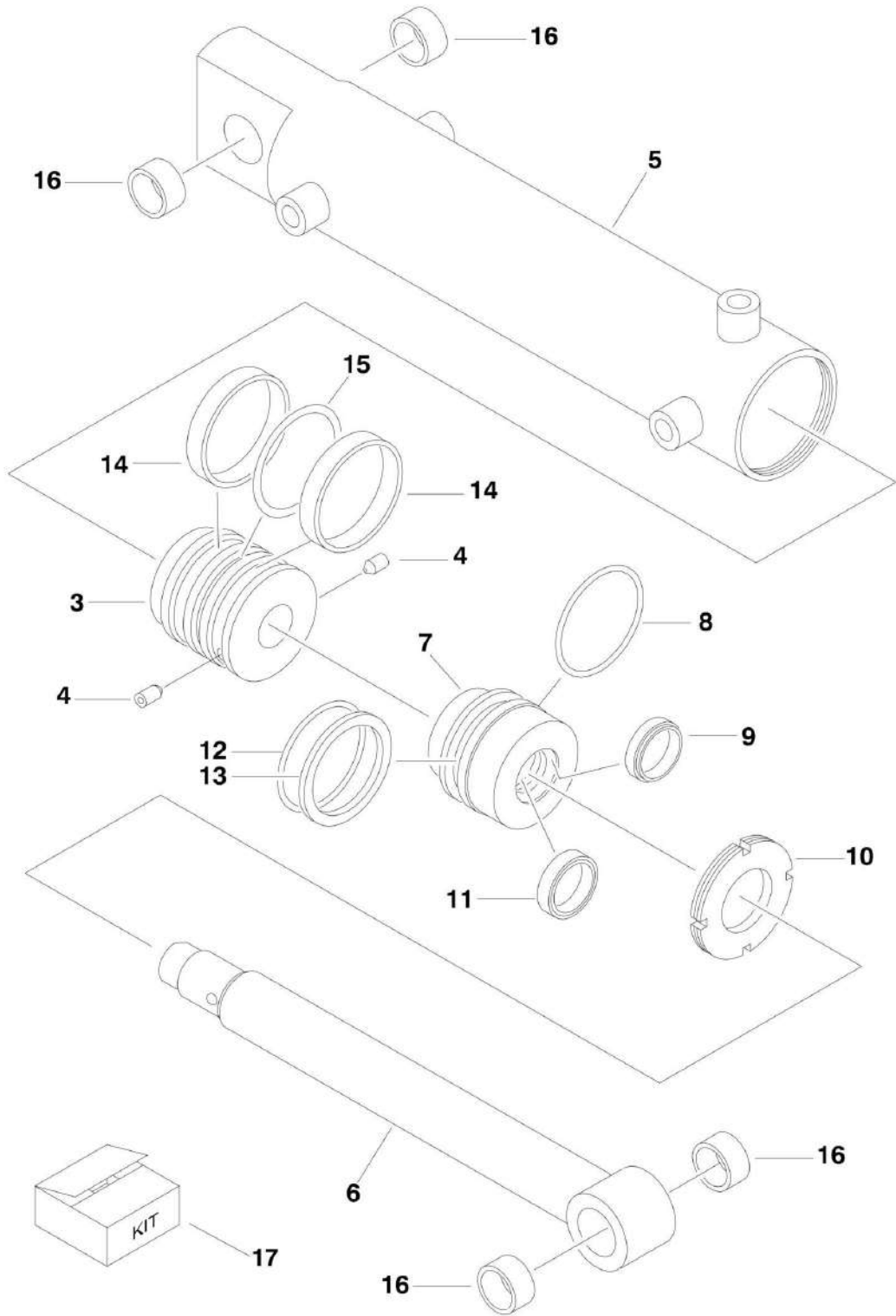
SECTION 5 - CYLINDER

FIGURE 5-19. MASTER CYLINDER ASSEMBLY (800AJ) (SN 0300243318 to Present)

ITEM	PART NUMBER	QTY	DESCRIPTION	REV
	1001228050	Ref	MASTER CYLINDER ASSEMBLY (MACHINES WITHOUT ARCTIC PACKAGE)	A
		Ref	Note: Original Cylinder may have been replaced with Service Replacement. Identify PN Stamped on Cylinder Before Ordering Parts.	
1	See Note	NSS	Barrel (Note: Not Available for Purchase)	
2	70006668	1	Rod	
3	70006643	1	Head	
4	See Note	NSS	Wiper (Note: Use Item 30)	
5	See Note	NSS	Seal, Rod (Note: Use Item 30)	
6	See Note	NSS	Ring, Wear (Note: Use Item 30)	
7	See Note	NSS	O-Ring (Note: Use Item 30)	
8	See Note	NSS	Ring, Back-up (Note: Use Item 30)	
9	70006644	1	Piston	
10	See Note	NSS	Ring, Wear (Note: Use Item 30)	
11	See Note	NSS	Ring, Lock (Note: Use Item 30)	
12	See Note	NSS	O-Ring (Note: Use Item 30)	
13	See Note	NSS	Ring, Back-up (Note: Use Item 30)	
14	70006651	1	Spacer, Tube	
15	0961894	1	Bushing, Tapered	
16	0630535	3	Capscrew 1/4 x 1-1/8	
17	3931620	8	Capscrew 3/8 x 1-1/4	
18	0962155	1	Bushing	
19	0961951	2	Bushing	
20	2220885	2	Plug, O-Ring	
30	1001138796	1	Seal Kit (Machines with Arctic Package) (Includes Items 4-8 & 10-13)	

SECTION 5 - CYLINDER

FIGURE 5-20. STEER CYLINDER ASSEMBLY



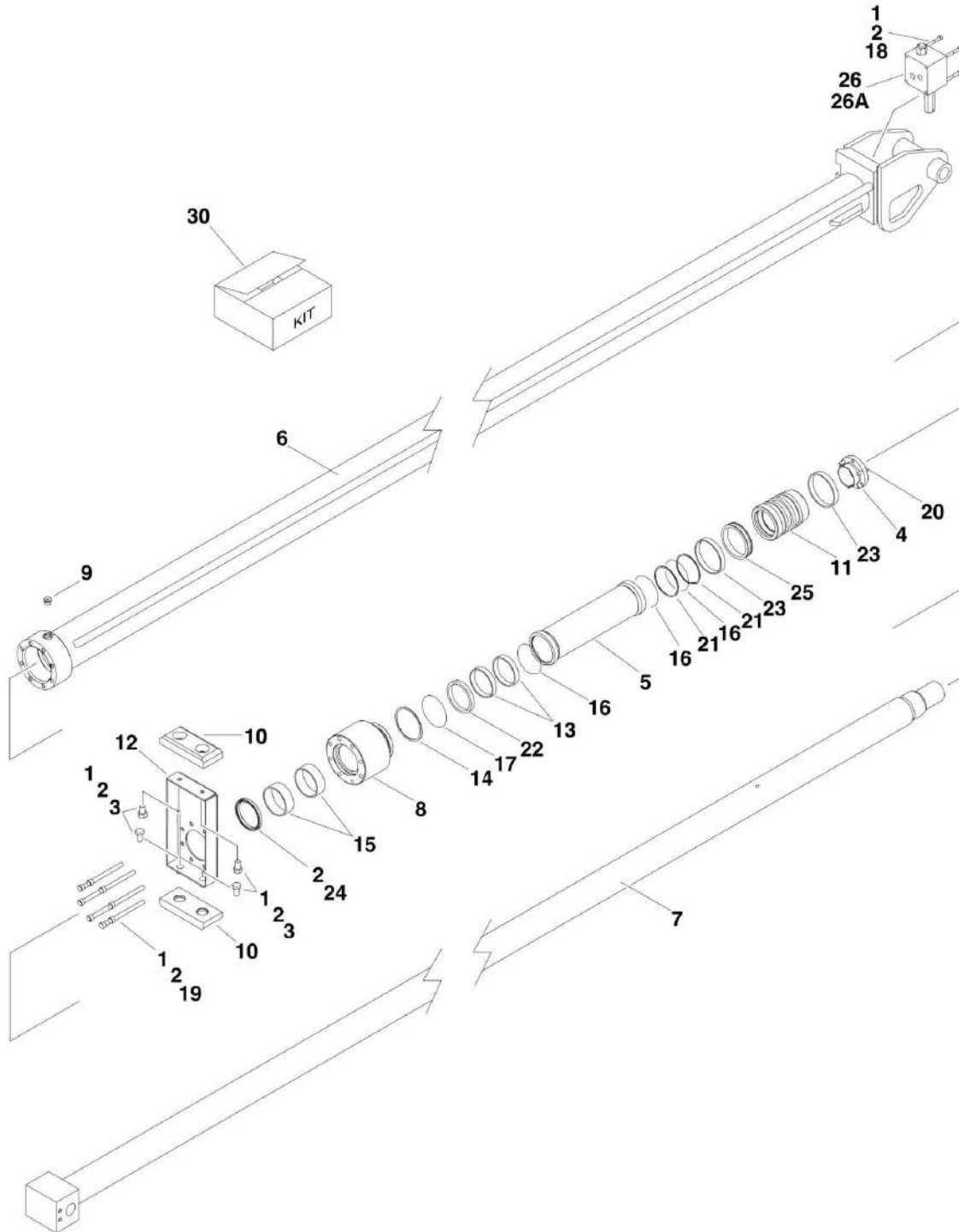
SECTION 5 - CYLINDER

FIGURE 5-20. STEER CYLINDER ASSEMBLY

ITEM	PART NUMBER	QTY	DESCRIPTION	REV
	1001150539	Ref	STEER CYLINDER ASSEMBLY	F
		Ref	Note: Original Cylinder may have been replaced with Service Replacement. Identify PN Stamped on Cylinder Before Ordering Parts.	
3	70002744	1	Piston	
4	70002745	2	Setscrew M6 x 10	
5	70004381	1	Barrel	
6	70004382	1	Rod	
7	70002748	1	Head	
8	See Note	NSS	Ring (Note: Use Item 100)	
9	See Note	NSS	Wiper (Note: Use Item 100)	
10	70002749	1	Nut, Spanner	
11	See Note	NSS	Seal (Note: Use Item 100)	
12	See Note	NSS	O-Ring (Note: Use Item 100)	
13	See Note	NSS	Ring, Back-up (Note: Use Item 100)	
14	See Note	NSS	Ring, Wear (Note: Use Item 100)	
15	See Note	NSS	Seal (Note: Use Item 100)	
16	0962152	4	Bushings	
100	70002751	1	Seal Kit (Includes Items 8, 9 & 11-15)	

SECTION 5 - CYLINDER

FIGURE 5-21. TELESCOPE CYLINDER ASSEMBLY - MAIN BOOM



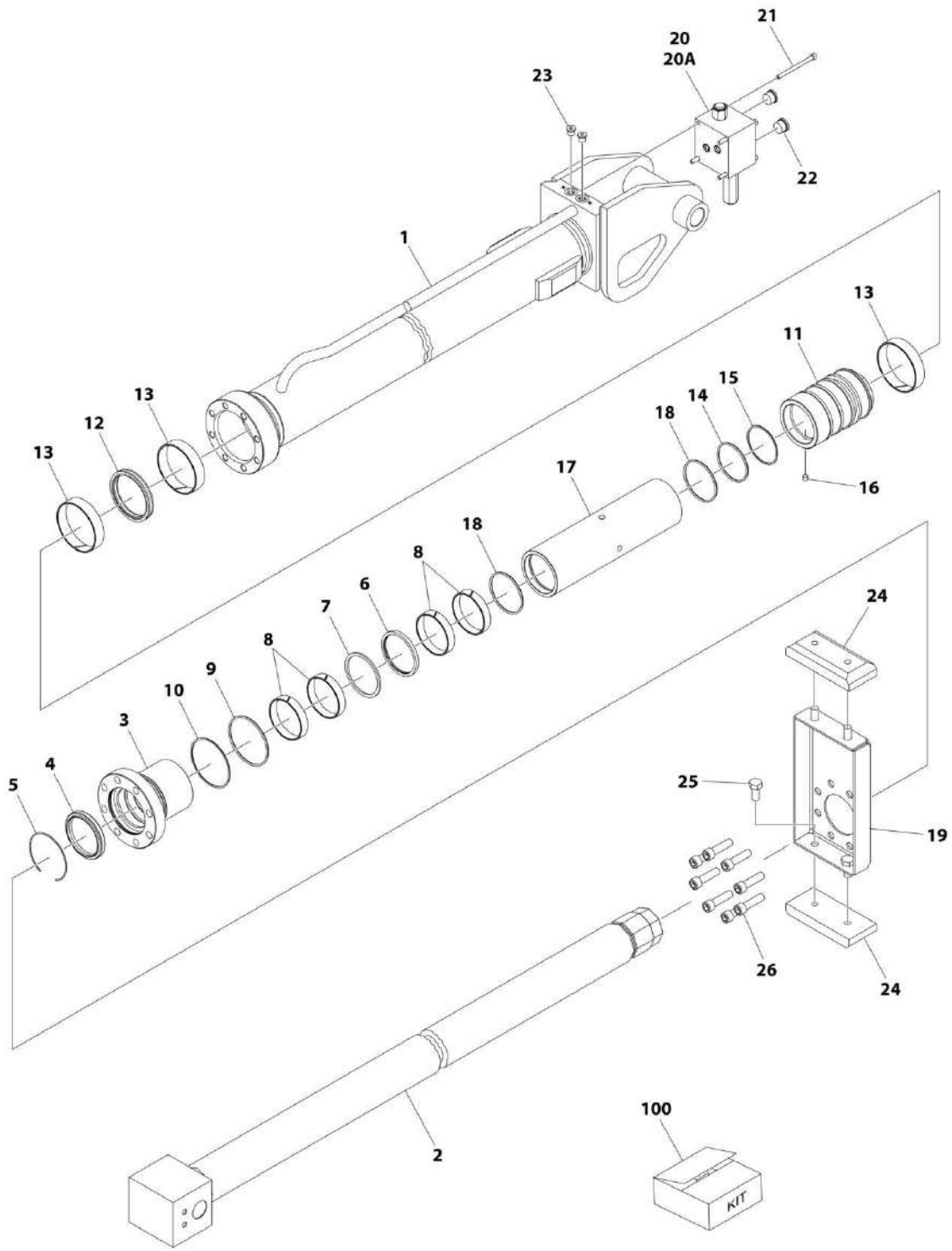
SECTION 5 - CYLINDER

FIGURE 5-21. TELESCOPE CYLINDER ASSEMBLY - MAIN BOOM

ITEM	PART NUMBER	QTY	DESCRIPTION	REV
	1683607	Ref	TELESCOPE CYLINDER ASSEMBLY (800A) (SN 0300183034 through 0300200669)	I
	1001188968	Ref	TELESCOPE CYLINDER ASSEMBLY (800A) (SN 0300200670 through 0300245050)	B
	1001149284	Ref	TELESCOPE CYLINDER ASSEMBLY (800AJ) (SN 0300183034 through 0300243317)	B
		Ref	Note: Original Cylinder may have been replaced with Service Replacement. Identify PN Stamped on Cylinder Before Ordering Parts.	
1	0100011	AR	Compound, Locking	
2	0100038	AR	Primer, Locking	
3	0641806	4	Bolt 1/2-13 x 3/4	
4	0961897	1	Bushing, Tapered	
5	0962524	1	Spacer, Tube	
6	1683647	1	Barrel (800A)	
6	1683673	1	Barrel (800AJ)	
7	1683648	1	Rod (800A)	
7	1683675	1	Rod (800AJ)	
8	1683663	1	Head	
9	2220885	1	Plug, O-Ring	
10	3340838	2	Pad, Wear	
11	3480234	1	Piston	
12	3570775	1	Plate	
13	See Note	NSS	Ring, Wear (Note: Use Item 30)	
14	See Note	NSS	Ring, Back-up (Note: Use Item 30)	
15	See Note	NSS	Ring, Wear (Note: Use Item 30)	
16	See Note	NSS	O-Ring (Note: Use Item 30)	
17	See Note	NSS	O-Ring (Note: Use Item 30)	
18	3931448	4	Capscrew 1/4-20 x 3	
19	3931664	8	Capscrew 3/8-16 x 4	
20	0630535	3	Bolt 1/4-20 x 1-1/8	
21	See Note	NSS	Ring, Back-up (Note: Use Item 30)	
22	See Note	NSS	Seal, Rod (Note: Use Item 30)	
23	See Note	NSS	Ring, Wear (Note: Use Item 30)	
24	See Note	NSS	Wiper (Note: Use Item 30)	
25	See Note	NSS	T-Seal (Note: Use Item 30)	
26	4641033	1	Valve Assembly (No serviceable parts - sold as assembly only)	
26A	7024508	2	O-Ring (Between Valve and Cylinder Barrel)	
30	2901712	NLA	Seal Kit (800A) (Includes Items 13-17 & 21-25) (Use p/n 1001188843) (SN 0300183034 through 0300200669)	
30	1001188843	1	Seal Kit (800A) (Includes Items 13-17 & 21-25) (SN 0300200670 to Present)	
30	1001149391	1	Seal Kit (800AJ) (Includes Items 13-17 & 21-25)	

SECTION 5 - CYLINDER

FIGURE 5-22. TELESCOPE CYLINDER ASSEMBLY - MAIN BOOM (800A) (SN 0300245051 to Present)



ART_1001228088

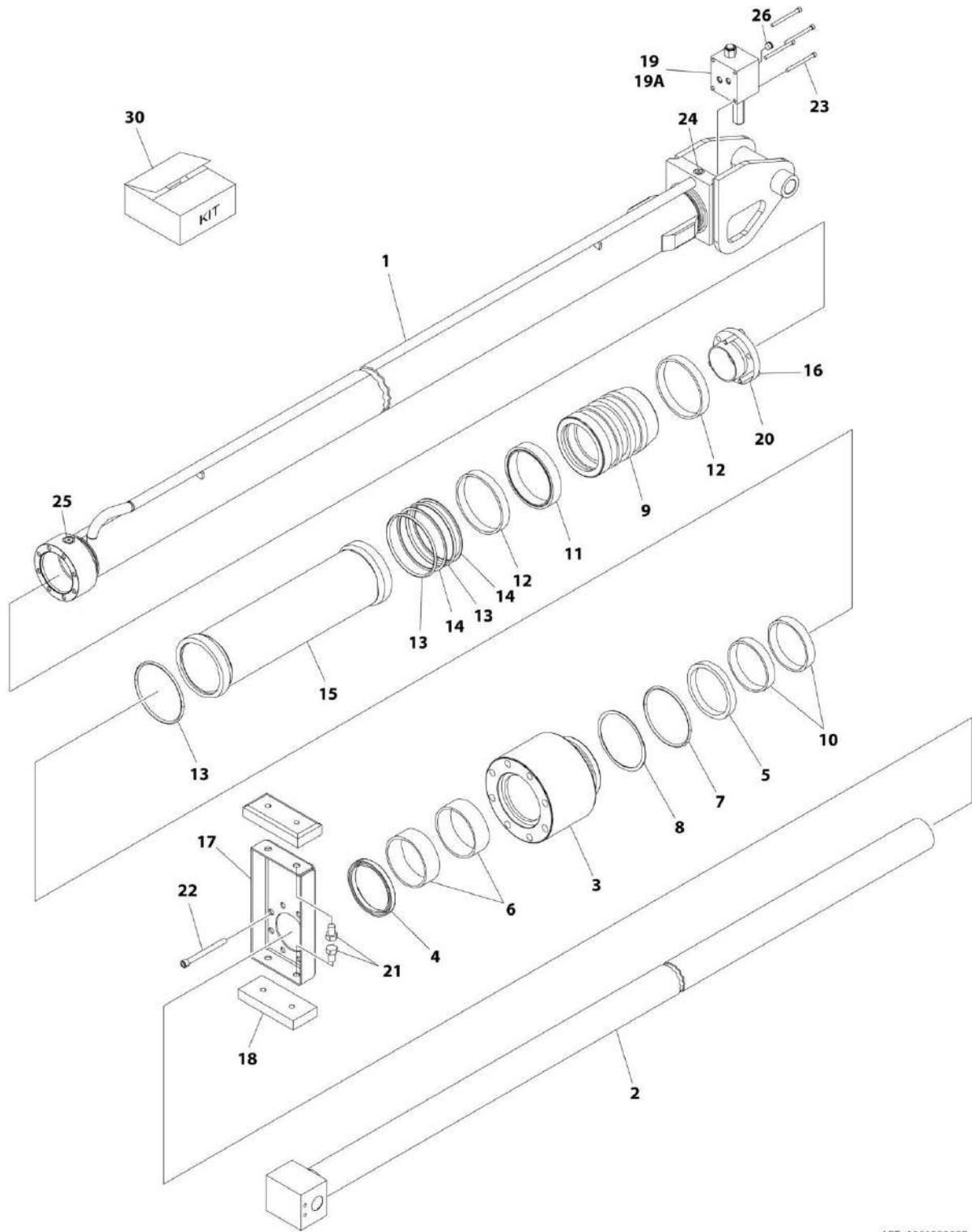
SECTION 5 - CYLINDER

FIGURE 5-22. TELESCOPE CYLINDER ASSEMBLY - MAIN BOOM (800A) (SN 0300245051 to Present)

ITEM	PART NUMBER	QTY	DESCRIPTION	REV
	1001228088	Ref	TELESCOPE CYLINDER ASSEMBLY - MAIN BOOM	C
		Ref	Note: Original Cylinder may have been replaced with Service Replacement. Identify PN Stamped on Cylinder Before Ordering Parts.	
1	See Note	NSS	Barrel (Note: Not Available for Purchase)	
2	70006796	1	Rod	
3	70006797	1	Head	
4	See Note	NSS	Wiper (Note: Use Item 100)	
5	70027259	1	Ring, Retaining	
6	See Note	NSS	Seal, Rod (Note: Use Item 100)	
7	See Note	NSS	Ring, Back-up (Note: Use Item 100)	
8	See Note	NSS	Ring, Wear (Note: Use Item 100)	
9	See Note	NSS	O-Ring (Note: Use Item 100)	
10	See Note	NSS	Ring, Back-up (Note: Use Item 100)	
11	70006798	1	Piston	
12	See Note	NSS	Seal (Note: Use Item 100)	
13	See Note	NSS	Ring, Wear (Note: Use Item 100)	
14	See Note	NSS	O-Ring (Note: Use Item 100)	
15	See Note	NSS	Ring, Back-up (Note: Use Item 100)	
16	70006799	1	Setscrew	
17	70006800	1	Spacer, Tube	
18	See Note	NSS	O-Ring (Note: Use Item 100)	
19	70006801	1	Plate	
20	4641033	1	Valve Assembly (No serviceable parts - sold as assembly only)	
20A	7024508	2	O-Ring (Between Valve and Cylinder Barrel)	
21	70006802	4	Capscrew M6	
22	2220886	2	Plug, O-Ring	
23	2220883	2	Plug, O-Ring	
24	3340838	2	Pad, Wear	
25	0641806	4	Bolt 1/2 x 3/4	
26	70006803	8	Capscrew M12	
100	70006804	1	Seal Kit - 1001228088 Cylinder (Includes Items 4, 6-10, 12-15 & 18)	

SECTION 5 - CYLINDER

FIGURE 5-23. TELESCOPE CYLINDER ASSEMBLY - MAIN BOOM (800AJ) (SN 0300243318 to Present)



ART_1001228087

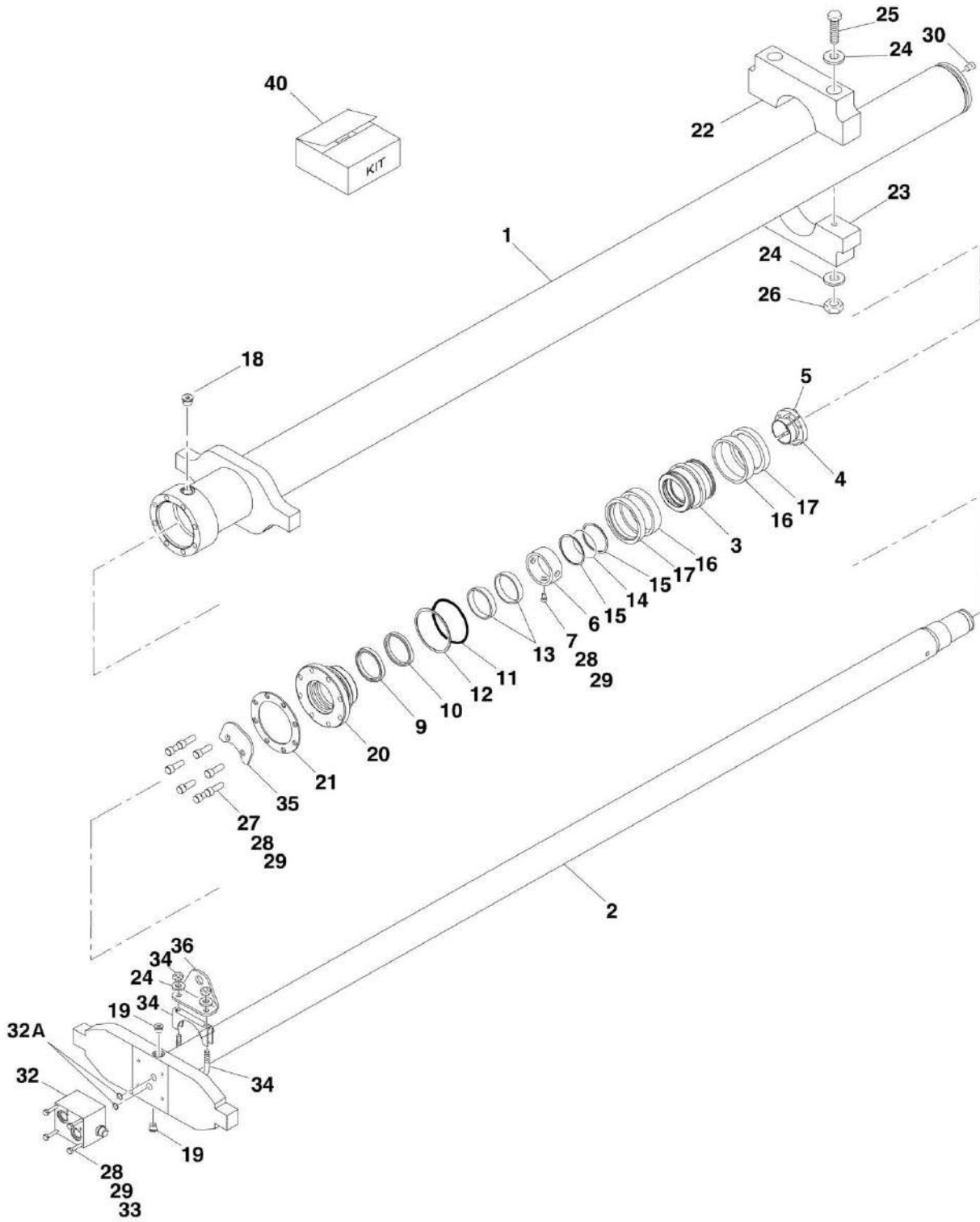
SECTION 5 - CYLINDER

FIGURE 5-23. TELESCOPE CYLINDER ASSEMBLY - MAIN BOOM (800AJ) (SN 0300243318 to Present)

ITEM	PART NUMBER	QTY	DESCRIPTION	REV
	1001228087	Ref	TELESCOPE CYLINDER ASSEMBLY	D
		Ref	Note: Original Cylinder may have been replaced with Service Replacement. Identify PN Stamped on Cylinder Before Ordering Parts.	
1	See Note	NSS	Barrel (Note: Not Available for Purchase)	
2	70006669	1	Rod	
3	70006670	1	Head	
4	See Note	NSS	Wiper (Note: Use Item 30)	
5	See Note	NSS	Seal, Rod (Note: Use Item 30)	
6	See Note	NSS	Ring, Wear (Note: Use Item 30)	
7	See Note	NSS	O-Ring (Note: Use Item 30)	
8	See Note	NSS	Ring, Back-up (Note: Use Item 30)	
9	70006671	1	Piston	
10	See Note	NSS	Ring, Wear (Note: Use Item 30)	
11	See Note	NSS	Seal, Piston (Note: Use Item 30)	
12	See Note	NSS	Ring, Wear (Note: Use Item 30)	
13	See Note	NSS	O-Ring (Note: Use Item 30)	
14	See Note	NSS	Ring, Back-up (Note: Use Item 30)	
15	70006672	1	Spacer	
16	0961897	1	Bushing, Tapered	
17	3570775	1	Plate	
18	3340838	2	Pad, Wear	
19	4641033	1	Valve Assembly (No serviceable parts - sold as assembly only)	
19A	7024508	2	O-Ring (Between Valve and Cylinder Barrel)	
20	0630535	3	Bolt 1/4 x 1-1/8	
21	0641806	4	Bolt 1/2 x 3/4	
22	3931664	8	Capscrew 3/8 x 4	
23	3931448	4	Capscrew 1/4 x 3	
24	2220883	1	Plug, O-Ring	
25	2220885	1	Plug, O-Ring	
26	2220886	1	Plug, O-Ring	
30	1001149391	1	Seal Kit (Includes Items 4-8 & 10-14)	

SECTION 5 - CYLINDER

FIGURE 5-24. TELESCOPE CYLINDER ASSEMBLY - TOWER BOOM



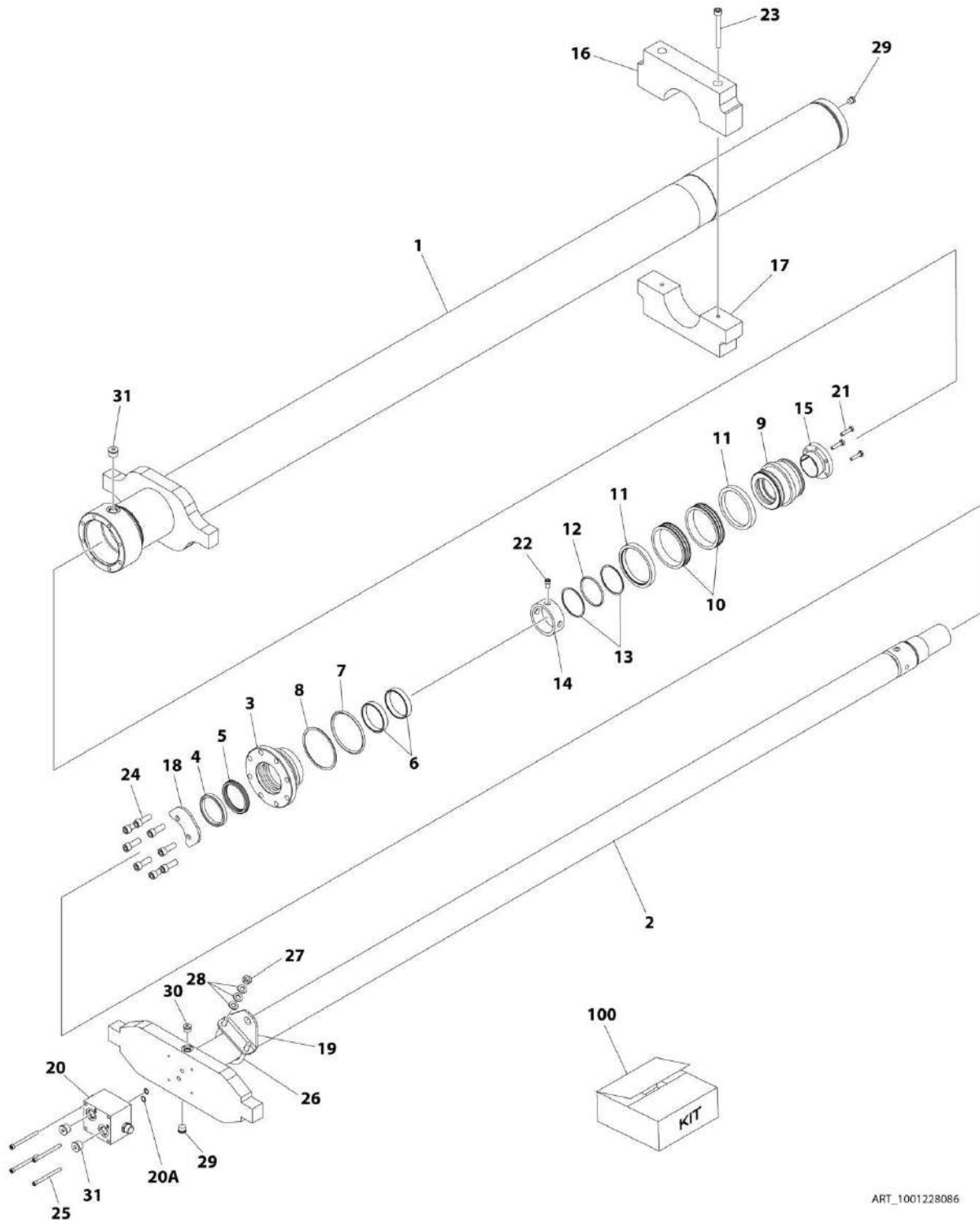
SECTION 5 - CYLINDER

FIGURE 5-24. TELESCOPE CYLINDER ASSEMBLY - TOWER BOOM

ITEM	PART NUMBER	QTY	DESCRIPTION	REV
	1683606	Ref	TELESCOPE CYLINDER ASSEMBLY (SN 0300183034 through 0300200669)	L
	1001188840	Ref	TELESCOPE CYLINDER ASSEMBLY (SN 0300200670 through 0300243317)	C
		Ref	Note: Original Cylinder may have been replaced with Service Replacement. Identify PN Stamped on Cylinder Before Ordering Parts.	
1	1683632	1	Barrel	
2	1683629	1	Rod	
3	3480211	1	Piston	
4	0961897	1	Bushing, Tapered	
5	0630535	3	Bolt 1/4-20 x 1-1/8	
6	4567413	1	Spacer, Tube	
7	3931508	1	Capscrew 5/16-18 x 1/2	
9	See Note	NSS	Wiper (Note: Use Item 40)	
10	See Note	NSS	Seal (Note: Use Item 40)	
11	See Note	NSS	O-Ring (Note: Use Item 40)	
12	See Note	NSS	Ring, Back-up (Note: Use Item 40)	
13	See Note	NSS	Ring, Wear (Note: Use Item 40)	
14	See Note	NSS	O-Ring (Note: Use Item 40)	
15	See Note	NSS	Ring, Back-up (Note: Use Item 40)	
16	See Note	NSS	Seal (Note: Use Item 40)	
17	See Note	NSS	Ring, Lock (Note: use Item 40)	
18	2220886	1	Plug, O-Ring	
19	2220885	2	Plug, O-Ring	
20	1683061	1	Head	
21	3760370	1	Ring, Washer	
22	3340834	1	Pad, Support	
23	3340833	1	Pad, Support	
24	4711600	10	Washer 3/8	
25	0641652	3	Bolt, 3/8 x 6-1/2	
26	3271605	2	Nut 3/8in-16NC	
27	3931720	2	Capscrew 7/16-14 x 1-1/4	
28	0100038	AR	Primer, Locking	
29	0100011	AR	Compound, Locking	
30	2220883	1	Plug, O-Ring	
32	4641032	1	Valve Assembly (No serviceable parts - sold as assembly only)	
32A	7024397	2	O-Ring (Between Valve and Cylinder Barrel)	
33	3931448	4	Capscrew 1/4-20	
34	1320011	1	Clamp, Exhaust (SN 0300183034 through 0300240203)	
34	1001228506	1	U-Bolt (SN 0300240204 to Present)	
35	3572604	1	Plate, Proximity Switch Target	
36	3572605	1	Plate, Proximity Switch Mount	
40	2901273	1	Seal Kit (Includes Items 9-17)	

SECTION 5 - CYLINDER

FIGURE 5-25. TELESCOPE CYLINDER ASSEMBLY - TOWER BOOM (SN 0300243318 to Present)



ART_1001228086

SECTION 5 - CYLINDER

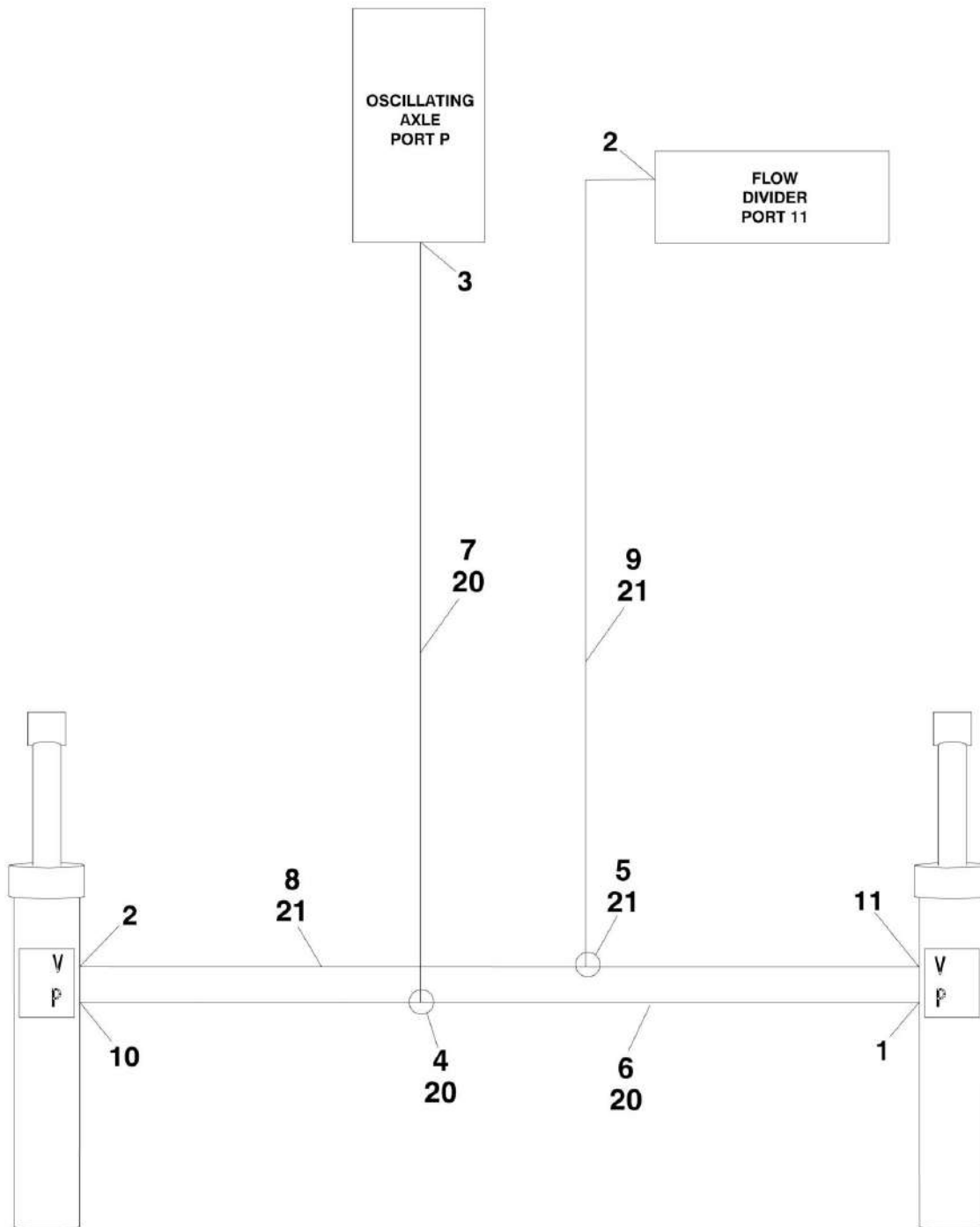
FIGURE 5-25. TELESCOPE CYLINDER ASSEMBLY - TOWER BOOM (SN 0300243318 to Present)

ITEM	PART NUMBER	QTY	DESCRIPTION	REV
	1001228086	Ref	TELESCOPE CYLINDER ASSEMBLY	B
		Ref	Note: Original Cylinder may have been replaced with Service Replacement. Identify PN Stamped on Cylinder Before Ordering Parts.	
1	See Note	NSS	Barrel (Note: Not Available for Purchase)	
2	70006921	1	Rod	
3	70006480	1	Head	
4	See Note	NSS	Wiper (Note: Use Item 100)	
5	See Note	NSS	Seal, Rod (Note: Use Item 100)	
6	See Note	NSS	Ring, Wear (Note: Use Item 100)	
7	See Note	NSS	O-Ring (Note: Use Item 100)	
8	See Note	NSS	Ring, Back-up (Note: Use Item 100)	
9	70006479	1	Piston	
10	See Note	NSS	Seal, Piston (Note: Use Item 100)	
11	See Note	NSS	Ring, Lock (Note: use Item 100)	
12	See Note	NSS	O-Ring (Note: Use Item 100)	
13	See Note	NSS	Ring, Back-up (Note: Use Item 100)	
14	70006922	1	Spacer	
15	0961897	1	Bushing, Tapered	
16	70006923	1	Pad, Wear	
17	70006924	1	Pad, Wear	
18	70006925	1	Plate	
19	70006926	1	Plate	
20	4641032	1	Valve Assembly (No serviceable parts - sold as assembly only)	
20A	7024397	2	O-Ring (Between Valve and Cylinder Barrel)	
21	0630535	3	Bolt 1/4 x 1-1/8	
22	70006731	1	Bolt	
23	70006927	2	Bolt M10	
24	70006728	8	Bolt 7/16	
25	70006733	4	Bolt M8	
26	70006928	1	U-Bolt M10	
27	70005594	2	Nut M10	
28	70006344	6	Washer M10	
29	2220883	2	Plug, O-Ring	
30	2220885	1	Plug, O-Ring	
31	2220886	3	Plug, O-Ring	
100	1001188842	1	Seal Kit - 1001228086 Cylinder (Includes Items 4-8 & 10-13)	

SECTION 6 - HYDRAULIC

SECTION 6 - HYDRAULIC

FIGURE 6-1. AXLE LOCKOUT HYDRAULIC DIAGRAM



SECTION 6 - HYDRAULIC

FIGURE 6-1. AXLE LOCKOUT HYDRAULIC DIAGRAM

ITEM	PART NUMBER	QTY	DESCRIPTION	REV
	1001157400	Ref	AXLE LOCKOUT HYDRAULIC DIAGRAM	F
1	2110406	1	Fitting, Straight - ORFS/ORB	
2	2110606	2	Fitting, Straight - ORFS/ORB	
3	2110408	1	Fitting, Straight - ORFS/ORB	
4	2170704	1	Fitting, Tee - ORFS/ORFS/ORFS (SN 0300183034 through 0300213730)	
5	2170706	1	Fitting, Tee - ORFS/ORFS/ORFS (SN 0300183034 through 0300213730)	
6	2754337	1	Hose (SN 0300183034 through 0300213730)	
7	1001170644	1	Hose (SN 0300183034 through 0300213730)	
8	2753979	1	Hose (SN 0300183034 through 0300213730)	
9	2753735	1	Hose (SN 0300183034 through 0300213730)	
10	2170104	1	Fitting, Straight - ORFS/ORB (SN 0300183034 through 0300227034)	
10	2110406	1	Fitting, Straight - ORFS/ORB (SN 0300227035 to Present)	
11	2170106	1	Fitting, Straight - ORFS/ORB (SN 0300183034 through 0300227034)	
11	2110606	1	Fitting, Straight - ORFS/ORB (SN 0300227035 to Present)	
20	1001198339	1	Hose with Crimped Tee (SN 0300213731 to Present)	
21	1001198336	1	Hose with Crimped Tee (SN 0300213731 to Present)	

SECTION 6 - HYDRAULIC

FIGURE 6-2. DRIVE HYDRAULIC DIAGRAM - 2WD (SN 0300183034 through 0300196955)

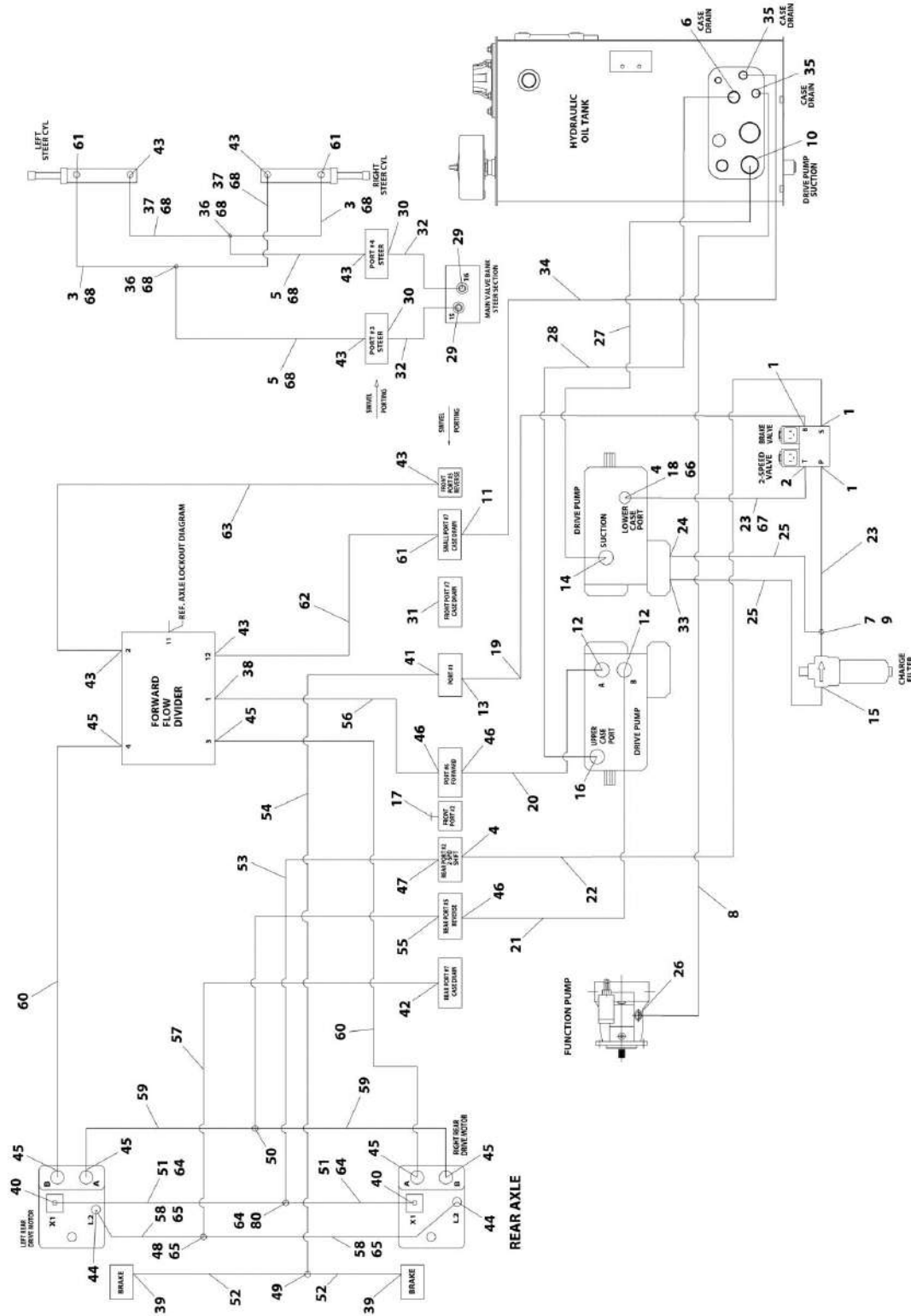
ITEM	PART NUMBER	QTY	DESCRIPTION	REV
	1001157448	Ref	DRIVE HYDRAULIC DIAGRAM - 2WD (SN 0300183034 through 0300196955)	E
1	2220466	3	Fitting, 90 JIC/ORB	
2	2220940	1	Fitting, 90 JIC/ORB	
4	2220582	2	Fitting, Straight JIC/ORB	
7	2220618	1	Fitting, Straight JIC/JIC	
9	2220602	1	Fitting, Tee JIC/ORB	
10	2220380	1	Fitting, Straight JIC/ORB	
11	2220375	1	Fitting, Straight JIC/ORB	
13	2220468	1	Fitting, Straight JIC/ORB	
15	2220596	1	Fitting, 90 JIC/ORB	
17	2220237	1	Fitting, Plug ORB	
19	2752997	1	Hose	
20	1001116332	1	Hose	
21	100116333	1	Hose	
22	2751399	1	Hose	
23	2752434	2	Hose	
25	2752494	1	Hose	
27	2752754	1	Hose	
28	2752651	1	Hose	
29	2220501	2	Fitting, 45 JIC/ORBL	
29	2220371	2	Fitting, Straight JIC/ORB	
30	2220473	2	Fitting, 90 JIC/ORB	
32	2752489	2	Hose	
34	2751500	1	Hose	
35	2220738	1	Fitting, Straight JIC/ORB	
36	2220386	1	Fitting, 90 JIC/JIC	
37	2220622	1	Fitting, Reducer JIC/JIC	
38	2151616	1	Fitting, 45 ORFS/ORB	
39	2110404	2	Fitting, Straight ORFS/ORB	
40	2110406	2	Fitting, Straight ORFS/ORB	
41	2110408	1	Fitting, Straight ORFS/ORB	
42	2130808	1	Fitting, 90 ORFS/ORB	
43	2110606	7	Fitting, Straight ORFS/ORB	
44	2110808	2	Fitting, Straight ORFS/ORB	
45	2111212	6	Fitting, Straight ORFS/ORB	
46	2111616	3	Fitting, Straight ORFS/ORB	
47	2150406	1	Fitting, 45 ORFS/ORB	
48	2170508	1	Fitting, Tee ORFS/ ORFS/ORB	
49	2170504	2	Fitting, Tee ORFS	
50	2170412	1	Fitting, Tee ORFS/ ORFS/ORB	
51	2754401	2	Hose	
52	2753725	2	Hose	
53	2753550	1	Hose	
54	2753622	1	Hose	
55	2220550	1	Fitting, Straight ORB/ORB	
56	2753635	1	Hose	
57	2753685	1	Hose	
58	2754240	2	Hose	
59	1001159854	2	Hose	

SECTION 6 - HYDRAULIC

ITEM	PART NUMBER	QTY	DESCRIPTION	REV
60	2753688	2	Hose	
62	2754242	1	Hose	
63	2754243	1	Hose	
64	2130606	3	Fitting, 90 ORFS/ORB	
66	2170506	2	Fitting, Tee ORFS/ORFS/ORFS	
67	1001159340	2	Hose	
68	2753626	2	Hose	
69	2753732	2	Hose	
71	2220385	1	Fitting, Tee JIC	
72	2752934	1	Hose	
73	2131616	2	Fitting, 90 ORFS/ORB	
74	8770050	1	Fitting, 90 JIC/ORB	
75	2220578	1	Fitting, 90 JIC/ORB	
76	2220221	1	Fitting, Reducer ORB/ORB	
77	2220374	1	Fitting, Straight JIC/ORB	
78	2220671	1	Fitting, 90 JIC/ORB	
79	2220238	1	Fitting, Plug ORB	
80	2220800	1	Fitting, Straight JIC	
81	2752494	1	Hose	

SECTION 6 - HYDRAULIC

FIGURE 6-3. DRIVE HYDRAULIC DIAGRAM - 2WD (SN 0300196956 to Present)



ART_100178203

SECTION 6 - HYDRAULIC

FIGURE 6-3. DRIVE HYDRAULIC DIAGRAM - 2WD (SN 0300196956 to Present)

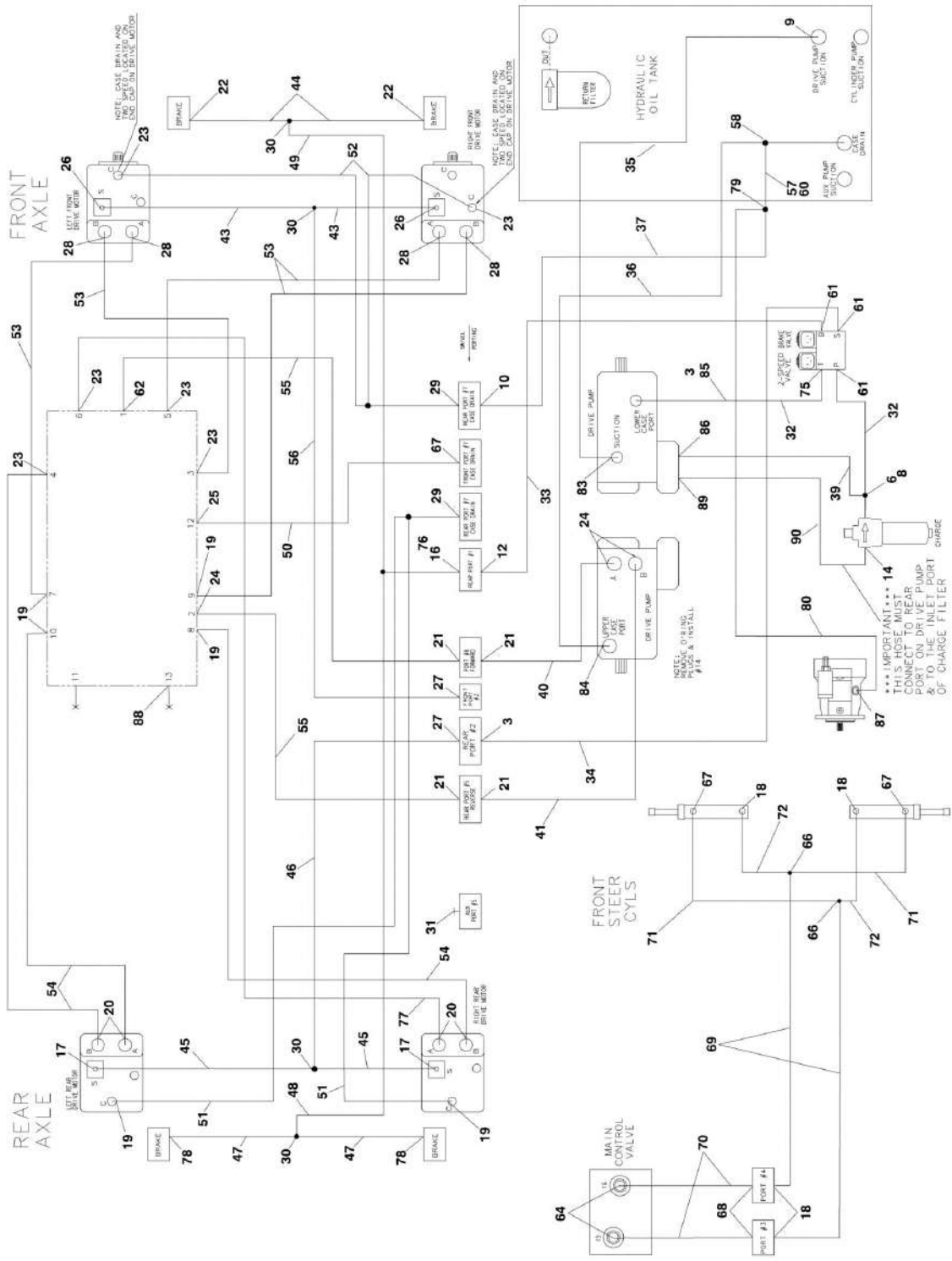
ITEM	PART NUMBER	QTY	DESCRIPTION	REV
	1001178203	Ref	DRIVE HYDRAULIC DIAGRAM - 2WD (SN 0300196956 to Present)	I
1	2220466	3	Fitting, 90 ORB/FL	
2	2220940	1	Fitting, 90 ORB/FL	
3	2753656	2	Hose (SN 0300196956 through 0300227034)	
4	2220582	AR	Fitting, Straight ORB/FL	
5	2753732	2	Hose (SN 0300196956 through 0300227034)	
6	2220451	1	Fitting, Straight JIC/ORB	
7	2220618	1	Fitting, Reducer FL/FL (SN 0300196956 through 0300213730)	
8	2752938	1	Hose	
9	2220602	1	Fitting, Tee ORB/FL (SN 0300196956 through 0300213730)	
9	1001199394	1	Fitting, Tee JIC/ORB/JIC	
10	2220380	1	Fitting, Straight ORB/FL	
11	2220375	1	Fitting, Straight ORB/FL	
12	2131616	2	Fitting, 90 ORFS/ORB	
13	2220468	1	Fitting, Straight ORB/FL	
14	8770050	1	Fitting, 90 JIC/ORB	
15	2220596	1	Fitting, 90 ORB/FL	
16	2220578	1	Fitting, 90 JIC/ORB	
17	2220237	1	Fitting, Plug ORB	
18	2220221	1	Fitting, Reducer ORB/ORB (SN 0300196956 through 0300227034)	
19	2752997	1	Hose	
20	1001156332	1	Hose	
21	1001156333	1	Hose	
22	2751399	1	Hose	
23	2752434	AR	Hose	
24	2220374	1	Fitting, Straight JIC/ORB	
25	2752494	2	Hose (SN 0300196956 through 0300227034)	
25	2752495	2	Hose (SN 0300227035 to Present)	
26	2220671	1	Fitting, 90 JIC/ORB	
27	2752754	1	Hose	
28	1001188135	1	Hose	
29	2220371	2	Fitting, Straight JIC/ORB	
30	2220473	2	Fitting, 90 ORB/FL	
31	2220238	1	Fitting, Plug ORB	
32	2752489	2	Hose	
33	2220800	1	Fitting, Straight ORB/FL	
34	2751500	1	Hose	
35	2220373	2	Fitting, Straight JIC/ORB	
36	2170506	2	Fitting, Tee ORFS (SN 0300196956 through 0300227034)	
37	1001159340	2	Hose (SN 0300196956 through 0300227034)	
38	2151616	1	Fitting, 45 ORFS/ORB	
39	2110404	2	Fitting, Straight ORFS/ORB	
40	2110406	2	Fitting, Straight ORFS/ORB	
41	2110408	1	Fitting, Straight ORFS/ORB	
42	2130808	1	Fitting, 90 ORFS/ORB	
43	2110606	7	Fitting, Straight ORFS/ORB	
44	2110808	2	Fitting, Straight ORFS/ORB	
45	2111212	6	Fitting, Straight ORFS/ORB	

SECTION 6 - HYDRAULIC

ITEM	PART NUMBER	QTY	DESCRIPTION	REV
46	2111616	3	Fitting, Straight ORFS/ORB	
47	2150406	1	Fitting, 45 ORFS/ORB	
48	2170508	1	Fitting, Tee ORFS/ORFS/ORB (SN 0300196956 through 0300213730)	
49	2170504	1	Fitting, Tee ORFS	
50	2170412	1	Fitting, Tee ORFS/ORB/ORFS (SN 0300196956 through 0300213730)	
50	1001199395	1	Fitting, Tee ORFS/ORFS/ORB (SN 0300213731 to Present)	
51	2754401	2	Hose (SN 0300196956 through 0300213730)	
52	2753725	2	Hose (SN 0300196956 through 0300246395)	
52	2754337	2	Hose (SN 0300246396 to Present)	
53	2753550	1	Hose (SN 0300196956 through 0300213730)	
54	2753622	1	Hose	
55	2220550	1	Fitting, Straight FORB/ORB (SN 0300196956 through 0300213730)	
56	2753635	1	Hose	
57	2753685	1	Hose (SN 0300196956 through 0300213730)	
58	2754240	2	Hose (SN 0300196956 through 0300213730)	
59	1001159854	2	Hose	
60	2753688	2	Hose	
61	2130606	3	Fitting, 90 ORFS/ORB	
62	2754242	1	Hose	
63	2754243	1	Hose	
64	1001198340	1	Hose with Crimped Tee (SN 0300213731 to Present)	
65	1001198334	1	Hose with Crimped Tee (SN 0300213731 to Present)	
66	1001215296	1	Fitting, 90 JIC/ORB (SN 0300227035 to Present)	
67	1001151354	1	Hose (SN 0300227035 to Present)	
68	1001198333	2	Hose with Crimped Tee (SN 0300227035 to Present)	
80	2170504	1	Fitting, Tee ORFS (SN 0300196956 through 0300213730)	

SECTION 6 - HYDRAULIC

FIGURE 6-4. DRIVE HYDRAULIC DIAGRAM - 4WD/2WS (SN 0300183034 through 0300196955)



SECTION 6 - HYDRAULIC

FIGURE 6-4. DRIVE HYDRAULIC DIAGRAM - 4WD/2WS (SN 0300183034 through 0300196955)

ITEM	PART NUMBER	QTY	DESCRIPTION	REV
	1001157447	Ref	DRIVE HYDRAULIC DIAGRAM - 4WD/2WS MACHINES (SN 0300183034 through 0300196955)	E
	1001157449	Ref	DRIVE HYDRAULIC DIAGRAM - 4WD/2WS MACHINES WITH ARCTIC PACKAGE (SN 0300183034 through 0300196955)	E
3	2220582	2	Fitting, Straight ORB/JIC	
6	2220618	1	Fitting, Straight JIC/JIC	
8	2220602	1	Fitting, Tee ORB/JIC	
9	2220380	1	Fitting, Straight ORB/JIC	
10	2220375	1	Fitting, Straight ORB/JIC	
12	2220468	1	Fitting, Straight ORB/JIC	
14	2220596	1	Fitting, 90 ORB/JIC	
16	2170350	1	Fitting, Tee ORFS/ORFS/OBS	
17	2110406	2	Fitting, Straight ORFS/OBS	
18	2110606	4	Fitting, Straight ORFS/OBS	
19	2110808	6	Fitting, Straight ORFS/OBS	
20	2110812	4	Fitting, Straight ORFS/OBS	
21	2111616	4	Fitting, Straight ORFS/OBS	
22	2110404	2	Fitting, Straight ORFS/OBS	
23	2130808	6	Fitting, 90 ORFS/OBS	
24	2131616	3	Fitting, 90 ORFS/OBS	
25	2130604	1	Fitting, 90 ORFS/OBS	
26	2130406	2	Fitting, 90 ORFS/OBS	
27	2150406	2	Fitting, 45 ORFS/OBS	
28	2110812	4	Fitting, 45 ORFS/OBS	
29	2170408	2	Fitting, Tee ORFS/ORFS/OBS	
30	2170504	4	Fitting, Tee ORFS/ORFS/ORFS	
31	2220237	1	Fitting, Plug OBS	
32	2752434	2	Hose	
33	2752997	1	Hose	
34	2751399	1	Hose	
35	2752754	1	Hose	
36	2752651	1	Hose	
37	2751500	1	Hose	
39	2752494	1	Hose	
40	1001156332	1	Hose	
41	1001156333	1	Hose	
43	2754678	2	Hose (Without Arctic Package)	
43	1001159294	2	Hose (With Arctic Package)	
44	2754512	2	Hose (Without Arctic Package)	
44	1001106957	2	Hose (With Arctic Package)	
45	2754401	2	Hose	
46	2753550	1	Hose	
47	2754337	2	Hose	
48	2753622	1	Hose	
49	2753542	1	Hose	
50	2753626	1	Hose	
51	2753686	2	Hose	
52	2753628	2	Hose (Without Arctic Package)	
52	2754720	2	Hose (With Arctic Package)	
53	2753970	4	Hose (Without Arctic Package)	

SECTION 6 - HYDRAULIC

ITEM	PART NUMBER	QTY	DESCRIPTION	REV
53	2754743	4	Hose (With Arctic Package)	
54	2753971	3	Hose	
55	2753634	2	Hose	
56	2753940	1	Hose	
57	2220386	1	Fitting, 90 JIC/JIC	
58	2220738	1	Fitting, Tee ORB/JIC	
60	2220622	1	Fitting, Reducer JIC/JIC	
61	2220466	3	Fitting, 90 ORB/JIC	
62	2151616	1	Fitting, 45 ORFS/ORB	
64	2220501	2	Fitting, 45 ORB/JIC	
64	2220371	2	Fitting, Straight ORB/JIC	
66	2170506	2	Fitting, Tee ORFS/ORFS/ORFS	
67	2130606	3	Fitting, 90 ORFS/ORB	
68	2220473	2	Fitting, 90 ORB/JIC	
69	2753732	2	Hose	
70	2752489	2	Hose	
71	2753656	2	Hose	
72	1001159340	2	Hose	
75	2220940	1	Fitting, 90 ORB/JIC	
76	2220591	1	Fitting, Reducer ORB/ORB	
77	2754338	1	Hose	
78	2110404	2	Fitting, Straight ORFS/ORB	
79	2220385	1	Fitting, Tee JIC	
80	2752934	1	Hose	
83	8770050	1	Fitting, 90 JIC/ORB	
84	2220578	1	Fitting, 90 JIC/ORB	
85	2220221	1	Fitting, Reducer ORB/ORB	
86	2220374	1	Fitting, Straight JIC/ORB	
87	2220671	1	Fitting, 90 JIC/ORB	
88	2220238	1	Plug ORB	
89	2220800	1	Fitting, Straight ORB/ORB	
90	2752494	1	Hose	

SECTION 6 - HYDRAULIC

FIGURE 6-5. DRIVE HYDRAULIC DIAGRAM - 4WD/2WS (SN 0300196956 to Present)

ITEM	PART NUMBER	QTY	DESCRIPTION	REV
	1001178204	Ref	DRIVE HYDRAULIC DIAGRAM - 4WD/2WS MACHINES (SN 0300196956 to Present)	H
	1001178205	Ref	DRIVE HYDRAULIC DIAGRAM - 4WD/2WS MACHINES WITH ARCTIC PACKAGE (SN 0300196956 to Present)	G
1	2752494	2	Hose (SN 0300196956 through 0300227034)	
1	2752495	2	Hose (SN 0300227035 to Present)	
2	2220800	1	Fitting, Straight ORB/FL	
3	2220582	AR	Fitting, Straight ORB/FL	
4	2220238	1	Fitting, Plug ORB	
5	2220671	1	Fitting, 90 JIC/ORB	
6	2220618	1	Fitting, Reducer FL/FL (SN 0300196956 through 0300213730)	
7	2220374	1	Fitting, Straight JIC/ORB	
8	2220602	1	Fitting, Tee ORB/FL (SN 0300196956 through 0300213730)	
8	1001199394	1	Fitting, Tee JIC/ORB/JIC (SN 0300213731 to Present)	
9	2220380	1	Fitting, Straight ORB/FL	
10	2220375	1	Fitting, Straight ORB/FL	
11	2220221	1	Fitting, Reducer ORB/ORB (SN 0300196956 through 0300227034)	
12	2220468	1	Fitting, Straight ORB/FL	
13	2220578	1	Fitting, 90 JIC/ORB	
14	2220596	1	Fitting, 90 JIC/FL	
15	8770050	1	Fitting, 90 JIC/ORB	
16	2170350	1	Fitting, Tee ORFS/ORFS/ORB (SN 0300196956 through 0300227034)	
17	2110406	2	Fitting, Straight ORFS/ORB	
18	2110606	4	Fitting, Straight ORFS/ORB	
19	2110808	6	Fitting, Straight ORFS/ORB	
20	2110812	4	Fitting, Straight ORFS/ORB	
21	2111616	4	Fitting, Straight ORFS/ORB	
22	2110404	2	Fitting, Straight ORFS/ORB	
23	2130808	6	Fitting, 90 ORFS/ORB	
24	2131616	3	Fitting, 90 ORFS/ORB	
25	2130604	1	Fitting, 90 ORFS/ORB	
26	2130406	2	Fitting, 90 ORFS/ORB	
27	2150406	2	Fitting, 45 ORFS/ORB	
28	2110812	4	Fitting, 45 ORFS/ORB	
29	2170408	2	Fitting, Tee ORFS/ORFS/ORB	
30	2170504	2	Fitting, Tee ORFS	
31	2220237	1	Fitting, Plug ORB	
32	2752434	AR	Hose	
33	2752997	1	Hose	
34	2751399	1	Hose	
35	2752754	1	Hose	
36	1001188135	1	Hose	
37	2751500	1	Hose	
38	2752938	1	Hose	
39	2752489	2	Hose	
40	1001156332	1	Hose	
41	1001156333	1	Hose	
42	2220451	1	Fitting, Straight JIC/ORB	

SECTION 6 - HYDRAULIC

ITEM	PART NUMBER	QTY	DESCRIPTION	REV
43	2754678	2	Hose (Without Arctic Package) (SN 0300196956 through 0300213730)	
43	1001159294	2	Hose (With Arctic Package) (SN 0300196956 through 0300213730)	
44	2754512	2	Hose (Without Arctic Package)	
44	1001106957	2	Hose (With Arctic Package)	
45	2754401	2	Hose (SN 0300196956 through 0300213730)	
46	2753550	1	Hose (SN 0300196956 through 0300213730)	
47	2754337	2	Hose	
48	2753622	1	Hose	
49	2753542	1	Hose	
50	2753626	1	Hose	
51	2753686	2	Hose	
52	2753628	2	Hose (Without Arctic Package)	
52	2754720	2	Hose (With Arctic Package)	
53	2753970	4	Hose (Without Arctic Package)	
53	2754743	4	Hose (With Arctic Package)	
54	2753971	3	Hose	
55	2753634	2	Hose	
56	2753940	1	Hose (SN 0300196956 through 0300213730)	
57	2753656	2	Hose (SN 0300196956 through 0300213730)	
58	2220373	2	Fitting, Straight JIC/ORB	
59	2110404	2	Fitting, Straight ORFS/ORB	
60	2220940	1	Fitting, 90 ORB/FL	
61	2220466	3	Fitting, 90 ORB/FL	
62	2151616	1	Fitting, 90 ORFS/ORB	
63	2754338	1	Hose	
64	2220371	2	Fitting, Straight JIC/ORB	
65	2220591	1	Fitting, Reducer ORB (SN 0300196956 through 0300227034)	
66	2170506	2	Fitting, Tee ORFS (SN 0300196956 through 0300213730)	
67	2130606	3	Fitting, 90 ORFS/ORB	
68	2220473	2	Fitting, 90 ORB/FL	
69	1001198333	2	Hose with Crimped Tee (SN 0300213731 to Present)	
70	1001159340	2	Hose (SN 0300196956 through 0300213730)	
71	1001198341	1	Hose with Crimped Tee (Without Arctic Package) (SN 0300213731 to Present)	
71	1001204269	1	Hose with Crimped Tee (With Arctic Package) (SN 0300213731 to Present)	
72	1001198340	1	Hose with Crimped Tee (SN 0300213731 to Present)	
73	1001198338	1	Fitting, Tee ORFS/ORB (SN 0300227035 to Present)	
74	1001215296	1	Fitting, 90 JIC/ORB (SN 0300227035 to Present)	
75	1001151354	1	Hose (SN 0300227035 to Present)	
80	2170504	2	Fitting, Tee ORFS (SN 0300196956 through 0300213730)	
81	2753732	2	Hose (SN 0300196956 through 0300213730)	

SECTION 6 - HYDRAULIC

FIGURE 6-6. STANDARD HYDRAULIC DIAGRAM (SN 0300183034 through 0300194139)

ITEM	PART NUMBER	QTY	DESCRIPTION	REV
	1001156597	Ref	STANDARD HYDRAULIC DIAGRAM (800A) (SN 0300183034 through 0300194139)	C
	1001156598	Ref	STANDARD HYDRAULIC DIAGRAM (800AJ) (SN 0300183034 through 0300194139)	C
1	2220381	2	Fitting, Straight ORB/JIC	
2	2220415	10	Fitting, Straight ORB/JIC	
3	2753199	1	Hose	
4	2220373	6	Fitting, Straight ORB/JIC	
5	2220500	3	Fitting, 45 ORB/JIC	
6	2220947	1	Fitting, Straight ORB/JIC	
7	2220376	1	Fitting, Straight ORB/JIC	
8	2220593	2	Fitting, Straight ORB/JIC	
9	2220371	4	Fitting, Straight ORB/JIC	
10	2220873	4	Fitting, Straight ORB/NPT	
11	2220428	AR	Fitting, Quick Disconnect	
12	2220429	AR	Fitting, Dust Cap	
13	2220502	1	Fitting, 45 ORB/JIC	
14	2220737	1	Split Flange Kit #24	
15	2220478	1	Split Flange Kit #16	
18	2753200	1	Hose	
19	2220466	4	Fitting, 90 ORB/JIC	
20	2220582	1	Fitting, Straight ORB/JIC	
21	2220473	AR	Fitting, 90 ORB/JIC	
22	2220602	1	Fitting, Tee ORB/JIC	
23	2220999	2	Fitting, Tee ORB/JIC	
24	2220619	1	Fitting, Reducer JIC/JIC	
25	2220605	2	Fitting, Tee JIC/JIC	
27	2220765	1	Fitting, Straight ORB/JIC	
28	2220379	1	Fitting, Straight ORB/JIC	
29	2220574	1	Fitting, Straight NPT/JIC	
30	2220596	4	Fitting, 90 ORB/JIC	
31	2220385	1	Fitting, Tee JIC/JIC	
32	2220618	1	Fitting, Reducer JIC/JIC	
34	2220852	2	Fitting, Straight ORB/JIC	
35	2753197	1	Hose	
36	2753196	1	Hose	
37	2220490	2	Fitting, Tee JIC/JIC	
38	4567139	1	Tube	
39	0100020	AR	Sealant, Pipe	
40	2753216	1	Hose	
41	2753195	1	Hose	
42	2753231	1	Hose	
43	2753010	2	Hose	
44	2752468	1	Hose	
45	2752721	1	Hose	
46	2752438	1	Hose	
47	2753192	1	Hose	
48	2752494	1	Hose	
49	2753008	1	Hose	
51	4640780	1	Fitting, Check Valve	

SECTION 6 - HYDRAULIC

ITEM	PART NUMBER	QTY	DESCRIPTION	REV
52	2753118	1	Hose	
55	2220609	2	Fitting, Reducer JIC/JIC	
57	2220577	1	Fitting, Straight ORB/JIC	
59	2752768	1	Hose	
60	2752930	1	Hose	
62	2752462	2	Hose	
65	2753189	2	Hose	
66	2752767	1	Hose	
67	2752766	1	Hose	
68	2753190	1	Hose	
69	2753191	1	Hose	
70	2752978	1	Hose	
71	2752585	2	Hose	
72	2753009	3	Hose (800A)	
72	2753006	3	Hose (800AJ)	
73	2753007	3	Hose	
74	2753124	1	Hose	
75	2753125	1	Hose	
76	2753129	2	Hose (800A)	
76	2753126	2	Hose (800AJ)	
77	2220501	AR	Fitting, 45 ORB/JIC	
78	4567757	1	Tube	
79	Not Required	0	Fitting (800A)	
79	2220591	2	Fitting, Reducer ORB/ORB (800AJ)	
80	Not Required	0	Hose (800A)	
80	2753123	2	Hose (800AJ)	
81	Not Required	0	Hose (800A)	
81	2753128	2	Hose (800AJ)	
82	4100062	4	Protection, Nylon Hose (Not Shown - Located at Tower Boom Power Track)	
83	Not Required	0	Fitting (800A)	
83	2220873	1	Fitting, Straight ORB/NPT (800AJ)	
84	2220947	1	Fitting, Straight JIC/ORB	
85	2221036	1	Fitting, 90 ORB/JIC	
86	2220950	1	Fitting, 45 ORB/JIC	
91	2220603	3	Fitting, Straight ORB/JIC	
92	Not Required	0	Fitting (800A)	
92	2180724	1	Fitting (800AJ)	
93	Not Required	0	Orifice (800A)	
93	2180380	1	Orifice (800AJ)	
94	0100019	AR	Compound, Locking	
95	1001109690	2	Hose	
98	1001143192	1	Hose	
99	2220899	1	Fitting, Tee ORB/JIC/JIC	
101	2220498	1	Fitting, 45 ORB/JIC	
102	1001149410	1	Hose	
103	1001177614	1	Hose	

SECTION 6 - HYDRAULIC

FIGURE 6-7. STANDARD HYDRAULIC DIAGRAM (SN 0300194140 through 0300196955)

ITEM	PART NUMBER	QTY	DESCRIPTION	REV
	1001173292	Ref	STANDARD HYDRAULIC DIAGRAM (800A) (SN 0300194140 through 0300196955)	E
	1001173293	Ref	STANDARD HYDRAULIC DIAGRAM (800AJ) (SN 0300194140 through 0300196955)	E
1	2220381	2	Fitting, Straight ORB/JIC	
2	2220415	8	Fitting, Straight ORB/JIC	
3	2753199	1	Hose	
4	2220373	6	Fitting, Straight ORB/JIC	
5	2220500	3	Fitting, 45 ORB/JIC	
6	2220947	1	Fitting, Straight ORB/JIC	
7	2220376	1	Fitting, Straight ORB/JIC (800A)	
7	2220600	1	Adapter, Straight/JIC (800AJ)	
8	2220593	2	Fitting, Straight ORB/JIC	
9	2220371	3	Fitting, Straight ORB/JIC	
10	1001179271	2	Hose (800A)	
10	2753126	2	Hose (800AJ)	
11	1001179270	1	Hose (800A)	
11	1001179546	1	Hose (800AJ)	
12	1001179269	1	Hose (800A)	
12	1001179545	1	Hose (800AJ)	
13	1001179329	1	Hose	
14	2220737	1	Split Flange Kit #24	
15	2220478	1	Split Flange Kit #16	
16	1001161033	2	Hose (800A)	
16	1001155673	2	Hose (800AJ)	
17	1001152637	2	Hose (800A)	
17	1001119602	2	Hose (800AJ)	
18	2753200	1	Hose	
19	2220466	3	Fitting, 90 ORB/JIC	
20	2220582	1	Fitting, Straight ORB/JIC	
21	2220473	5	Fitting, 90 ORB/JIC	
22	2220602	1	Fitting, Tee ORB/JIC	
23	2220999	2	Fitting, Tee ORB/JIC	
24	2220619	1	Fitting, Reducer JIC/JIC	
25	2220605	1	Fitting, Tee JIC/JIC	
26	2751512	1	Hose (800 AJ)	
27	2220765	1	Fitting, Straight ORB/JIC	
28	2220379	1	Fitting, Straight ORB/JIC	
29	2220574	1	Fitting, Straight NPT/JIC	
30	2220596	4	Fitting, 90 ORB/JIC	
31	2220385	1	Fitting, Tee JIC/JIC	
32	2220618	1	Fitting, Reducer JIC/JIC	
33	2752484	1	Hose	
34	2220852	2	Fitting, Straight ORB/JIC	
35	2753197	1	Hose	
36	2753196	1	Hose	
37	2220490	2	Fitting, Tee JIC/JIC	
38	Not Required	0	Hose (800A)	
38	2753442	2	Hose (800AJ)	
40	2753216	1	Hose	

SECTION 6 - HYDRAULIC

ITEM	PART NUMBER	QTY	DESCRIPTION	REV
41	2753195	1	Hose	
42	2753231	1	Hose	
43	2753010	2	Hose	
44	2752468	1	Hose	
45	2752721	1	Hose	
46	2752438	1	Hose	
47	2753192	1	Hose	
48	2752494	1	Hose	
49	2753008	1	Hose	
50	2221086	4	Fitting, Diagnostic Test Port	
51	4640780	1	Fitting, Check Valve	
52	2753118	1	Hose	
53	1001136881	1	Fitting, 45 ORB/JIC	
55	2220472	2	Fitting, 90 ORB/FL (800AJ)	
56	2753123	1	Hose	
57	2220577	1	Fitting, Straight ORB/JIC	
58	2221034	1	Fitting, Tee FL/FL/ORB	
59	2752768	1	Hose	
60	2752930	1	Hose	
62	2752462	2	Hose	
65	2753189	2	Hose	
66	2752767	1	Hose	
67	2752766	1	Hose	
68	2753190	1	Hose	
69	2753191	1	Hose	
70	2752978	1	Hose	
71	2752585	2	Hose (800A)	
71	Not Required	0	Hose (800AJ)	
72	1001159707	2	Hose (800A)	
72	2753006	3	Hose (800AJ)	
77	2220501	AR	Fitting, 45 ORB/JIC	
78	4567757	1	Tube	
79	4100062	4	Protection, Hose (Not Shown - Located at Tower Boom Power Track)	
80	2220947	1	Fitting, Straight JIC/ORB	
81	2221036	1	Fitting, 90 ORB/JIC	
82	2220950	1	Fitting, 45 ORB/JIC	
87	2220603	5	Fitting, Straight ORB/JIC	
88	1001109690	2	Hose	
91	2752434	1	Hose	
92	2220899	1	Fitting, Tee ORB/JIC/JIC	
94	2220498	1	Fitting, 45 ORB/JIC	
95	1001149410	1	Hose	

SECTION 6 - HYDRAULIC

FIGURE 6-8. STANDARD HYDRAULIC DIAGRAM (SN 0300196956 to Present)



ART_100178201

SECTION 6 - HYDRAULIC

FIGURE 6-8. STANDARD HYDRAULIC DIAGRAM (SN 0300196956 to Present)

ITEM	PART NUMBER	QTY	DESCRIPTION	REV
	1001178200	Ref	STANDARD HYDRAULIC DIAGRAM (800A) (SN 0300196956 to Present)	I
	1001178201	Ref	STANDARD HYDRAULIC DIAGRAM (800AJ) (SN 0300196956 to Present)	J
1	2220381	5	Fitting, Straight ORB/FL	
2	2220415	AR	Fitting, Straight ORB/FL	
3	2753199	1	Hose	
4	2220373	AR	Fitting, Straight ORB/FL	
5	2220500	AR	Fitting, 45 ORB/FL	
6	2220947	1	Fitting, Straight ORB/FL	
7	2220600	1	Fitting, Straight JIC/ORB	
8	2220593	2	Fitting, Straight ORB/FL	
9	2220371	3	Fitting, Straight ORB/FL	
10	1001179271	2	Hose (800A)	
10	2753126	2	Hose (800AJ)	
11	1001179270	2	Hose (800A)	
11	1001179546	1	Hose (800AJ)	
12	1001179269	1	Hose (800A)	
12	1001179545	1	Hose (800AJ)	
13	1001179329	1	Fitting, Straight JIC/ORB	
14	2220737	1	Split Flange Kit #24	
15	2220478	1	Split Flange Kit #16	
16	1001155673	2	Hose	
17	1001119602	2	Hose	
18	2753200	1	Hose	
19	2220466	3	Fitting, 90 ORB/FL	
20	2220582	1	Fitting, Straight ORB/FL	
21	2220473	5	Fitting, 90 ORB/FL	
22	2220602	1	Fitting, Tee ORB/FL (SN 0300196956 through 0300213730)	
23	2220999	2	Fitting, Tee ORB/FL (SN 0300196956 through 0300213730)	
24	2220619	1	Fitting, Reducer JIC/JIC (SN 0300196956 through 0300213730)	
24	1001197272	1	Fitting, Tee JIC/ORB/JIC (SN 0300213731 through 0300227034)	
25	2220605	1	Fitting, Tee FL/FL (Prior to SN 0300252004)	
25	2220605	2	Fitting, Tee FL/FL (SN 0300252004 to Present)	
26	1001182162	1	Hose	
27	2220765	1	Fitting, Straight ORB/FL	
28	2220377	1	Fitting, Straight JIC/ORB	
29	2220582	1	Fitting, Straight JIC/ORB	
30	2220596	AR	Fitting, 90 ORB/FL	
31	2220385	1	Fitting, Tee FL/FL (SN 0300196956 through 0300213730)	
32	2220618	1	Fitting, Reducer JIC/JIC (SN 0300196956 through 0300227034)	
33	2752461	1	Hose	
34	2220852	2	Fitting, Straight ORB/FL	
35	2753197	1	Hose	
36	2753196	1	Hose	
37	2220490	2	Fitting, Tee FL/FL	
38	2753442	2	Hose (800AJ)	
40	1001179079	1	Hose	
41	2753195	1	Hose	
42	2753231	1	Hose	

SECTION 6 - HYDRAULIC

ITEM	PART NUMBER	QTY	DESCRIPTION	REV
43	2753010	2	Hose	
44	2752468	1	Hose	
45	2752723	1	Hose	
46	2753274	1	Hose	
47	2753192	1	Hose	
48	2752494	1	Hose	
49	2753008	1	Hose	
50	2221086	4	Fitting, Diagnostic Test Port, EM3A	
51	4640780	1	Fitting, Check Valve	
52	2753118	1	Hose	
53	1001136881	1	Fitting, 45 ORB/FG	
55	2220472	AR	Fitting, 90 ORB/FL (800AJ)	
56	2753123	1	Hose	
57	2220577	1	Fitting, Straight ORB/FL	
58	2221034	1	Fitting, Tee FL/FL/ORB	
59	2752768	1	Hose	
60	2752930	1	Hose	
61	4567139	1	Tube	
62	2752484	1	Hose	
65	2753189	2	Hose	
66	2752767	1	Hose	
67	2752766	1	Hose	
68	2753190	1	Hose	
69	2753191	1	Hose	
70	2752978	1	Hose	
72	1001159707	2	Hose	
77	2220501	2	Fitting, 45 ORB/FL	
78	4567757	1	Tube	
79	4100062	4	Protection, Hose (Not Shown - Located at Tower Boom Power Track)	
80	2220947	1	Fitting, O-Ring FL	
81	2221036	1	Fitting, 90 ORB/FL	
82	2220950	1	Fitting, 45 ORB/FL	
87	2220603	5	Fitting, Straight ORB/FL	
88	1001109690	2	Hose	
91	2752434	1	Hose	
92	2220899	1	Fitting, Tee ORB/FL/FL	
94	2220451	1	Fitting, Straight JIC/ORB	
95	1001149410	1	Hose	
96	2220468	1	Fitting, Straight JIC/ORB (SN 0300213731 to Present)	
97	1001215289	1	Fitting, Tee JIC/ORB/JIC (SN 0300227035 to Present)	
98	2752995	1	Hose (SN 0300252004 to Present)	
99	91143177	1	Fitting - Diagnostic Test Port (SN 0300252004 to Present)	

SECTION 6 - HYDRAULIC

FIGURE 6-9. HYDRAULIC DIAGRAM LIST

ITEM	PART NUMBER	QTY	DESCRIPTION	REV
		Ref	Note: Common diagrams shown in this parts manual. Diagrams not shown are available from JLG Service/Parts Departments.	
	1001157400	Ref	Axle Lockout Hydraulic Diagram (Machines with Oscillating Axle)	
	1001157448	Ref	Drive Hydraulic Diagram - 2WD/2WS Machines (SN 0300183034 through 0300196955)	
	1001178203	Ref	Drive Hydraulic Diagram - 2WD/2WS Machines (Separate Tow Diagram) (SN 0300196956 to Present)	
	1001217194	Ref	Drive Hydraulic Diagram - 2WD/2WS Machines (Includes Tow Diagram) (SN 0300196956 to Present)	
	1001157447	Ref	Drive Hydraulic Diagram - 4WD/2WS Machines (SN 0300183034 through 0300196955)	
	1001178204	Ref	Drive Hydraulic Diagram - 4WD/2WS Machines (Separate Tow Diagram) (SN 0300196956 to Present)	
	1001217195	Ref	Drive Hydraulic Diagram - 4WD/2WS Machines (Includes Tow Diagram) (SN 0300196956 to Present)	
	1001157449	Ref	Drive Hydraulic Diagram - 4WD/2WS Machines with Arctic Package (SN 0300183034 through 0300196955)	
	1001178205	Ref	Drive Hydraulic Diagram - 4WD/2WS Machines with Arctic Package (Separate Tow Diagram) (SN 0300196956 to Present)	
	1001217196	Ref	Drive Hydraulic Diagram - 4WD/2WS Machines with Arctic Package (Includes Tow Diagram) (SN 0300196956 to Present)	
	1001157446	Ref	Drive Hydraulic Diagram - 4WD/4WS Machines (SN 0300183034 through 0300196955)	
	1001178202	Ref	Drive Hydraulic Diagram - 4WD/4WS Machines (Separate Tow Diagram) (SN 0300196956 to Present)	
	1001217197	Ref	Drive Hydraulic Diagram - 4WD/4WS Machines (Includes Tow Diagram) (SN 0300196956 to Present)	
	1001157450	Ref	Drive Hydraulic Diagram - 4WD/4WS Machines with Arctic Package (SN 0300183034 through 0300196955)	
	1001178206	Ref	Drive Hydraulic Diagram - 4WD/4WS Machines with Arctic Package (Separate Tow Diagram) (SN 0300196956 to Present)	
	1001156172	Ref	Oil Cooler Hydraulics - Deutz D2011 Engines	
	1001142677	Ref	Oil Cooler Hydraulics - Deutz TD2.9L4 Engines	
	1283309	Ref	Oil Cooler Hydraulics - GM Engines	
		Ref	Standard Hydraulic Diagram Options- 800A	
	1001156597	Ref	Standard Hydraulic Diagram - 800A (SN 0300183034 through 0300194139)	
	1001173292	Ref	Standard Hydraulic Diagram - 800A (SN 0300194140 through 0300196955)	
	1001178200	Ref	Standard Hydraulic Diagram - 800A (SN 0300196956 to Present)	
		Ref	Standard Hydraulic Diagram Options - 800AJ	
	1001156598	Ref	Standard Hydraulic Diagram - 800AJ (SN 0300183034 through 0300194139)	
	1001173293	Ref	Standard Hydraulic Diagram - 800AJ (SN 0300194140 through 0300196955)	
	1001178201	Ref	Standard Hydraulic Diagram - 800AJ (SN 0300196956 to Present)	
	1001159879	Ref	Standard Hydraulic Schematic (SN 0300183034 through 0300196955)	
	1001170855	Ref	Standard Hydraulic Schematic (SN 0300196956 to Present)	
		Ref	Tow Package Hydraulic Diagram Options:	
	2792700	Ref	Tow Package Hydraulic Diagram (SN 0300183034 through	

SECTION 6 - HYDRAULIC

ITEM	PART NUMBER	QTY	DESCRIPTION	REV
	1001157401	Ref	0300211595) Tow Package Hydraulic Diagram (SN 0300211596 through 0300227034)	
	See Note	Ref	Tow Package Hydraulic Diagram (Note: See Drive Hydraulic Diagrams) (SN 0300227035 to Present)	

SECTION 7 - ELECTRICAL

SECTION 7 - ELECTRICAL

FIGURE 7-1. ELECTRICAL DIAGRAM LIST

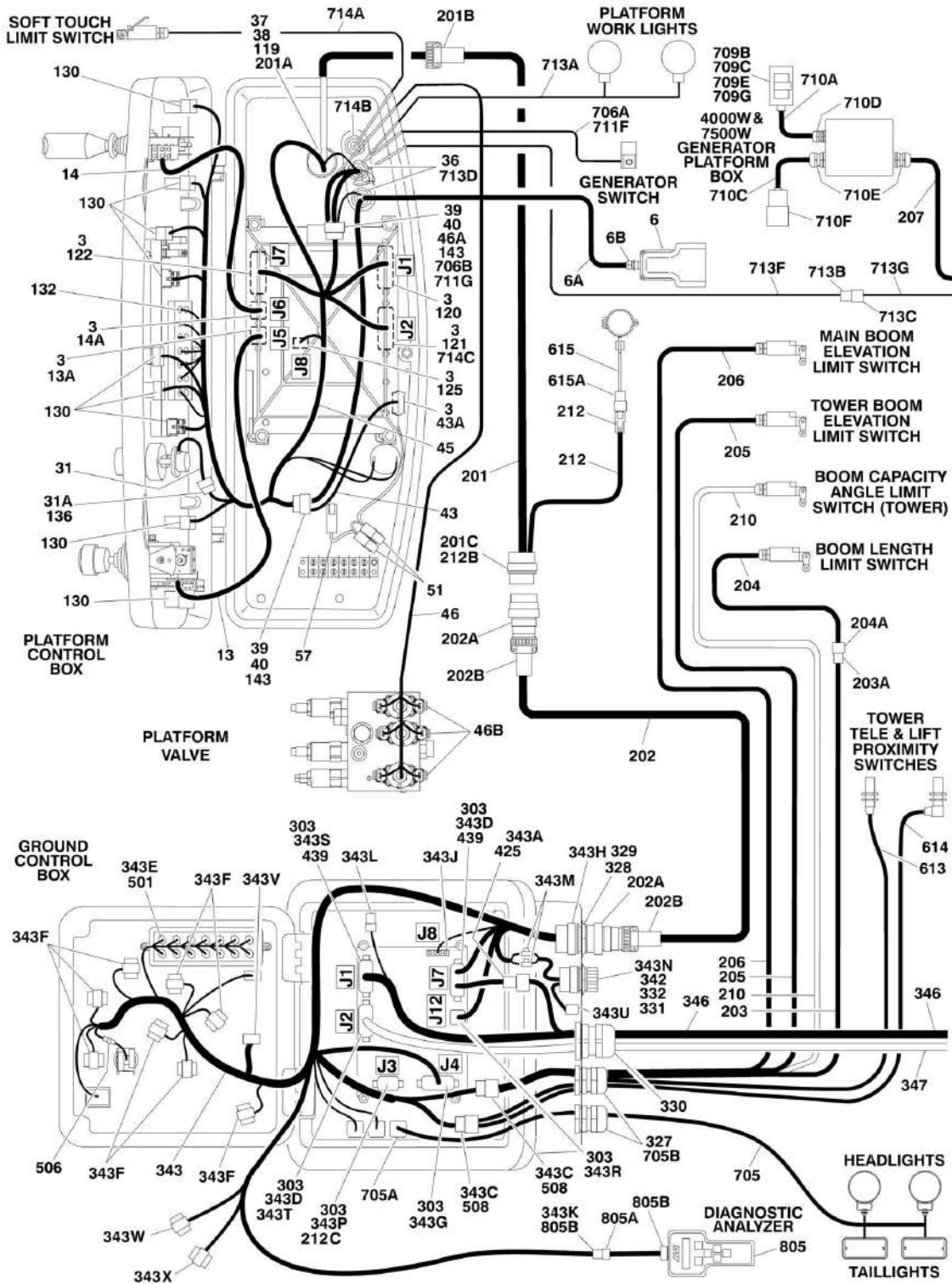
ITEM	PART NUMBER	QTY	DESCRIPTION	REV
		Ref	Note: Diagrams not shown are available from the JLG Service Department. Schematics shown in the Service and Maintenance Manual.	
	1282571	Ref	COLD WEATHER START ELECTRICAL DIAGRAM (GM ENGINE MACHINES)	
	4933350	Ref	GENERATOR (2500W 110V 60Hz) ELECTRICAL DIAGRAM (FORD & GM ENGINES)	
	1001112588	Ref	GENERATOR (2500W 110V 50-60Hz) ELECTRICAL DIAGRAM (DEUTZ D2011 ENGINES)	
	1001112743	Ref	GENERATOR (2500W 220V 50Hz) ELECTRICAL DIAGRAM (DEUTZ D2011 ENGINES)	
	1001180050	Ref	GENERATOR (2500W 60Hz) ELECTRICAL DIAGRAM (DEUTZ TD2.9L4 ENGINES)	
	1001132055	Ref	GENERATOR (4000W 60Hz) ELECTRICAL DIAGRAM (GM ENGINES)	
	1001132055	Ref	GENERATOR (4000W 60Hz) ELECTRICAL DIAGRAM (DEUTZ D2011 ENGINES)	
	1001153257	Ref	GENERATOR (4000W 60Hz) ELECTRICAL DIAGRAM (DEUTZ DT2.9L4 ENGINES)	
	1001153025	Ref	GENERATOR (4000W 50Hz) ELECTRICAL DIAGRAM (DEUTZ D2011 ENGINES) (ANSI EXPORT AND JAPANESE SPECS) (SN 0300183034 through 0300204764)	
	1001194437	Ref	GENERATOR (4000W 50Hz) ELECTRICAL DIAGRAM (DEUTZ D2011 ENGINES) (ANSI EXPORT AND JAPANESE SPECS) (SN 0300204765 to Present)	
	1001159648	Ref	GENERATOR (4000W 50Hz) ELECTRICAL DIAGRAM (DEUTZ D2011 ENGINES) (AUSTRALIAN SPECS)	
	1001153025	Ref	GENERATOR (4000W 50Hz) ELECTRICAL DIAGRAM (DEUTZ D2011 ENGINES) (CE SPECS)	
	1001160271	Ref	GENERATOR (4000W 50Hz) ELECTRICAL DIAGRAM (DEUTZ D2011 ENGINES) (CE UK SPECS)	
	1001221498	Ref	GENERATOR (7500W) ELECTRICAL DIAGRAM (FORD ENGINES)	
	1001157768	Ref	GENERATOR (7500W) ELECTRICAL DIAGRAM (GM ENGINES)	
	1001157769	Ref	GENERATOR (7500W) ELECTRICAL DIAGRAM (DEUTZ D2011 ENGINES)	
	1001157770	Ref	GENERATOR (7500W) ELECTRICAL DIAGRAM (DEUTZ DT2.9L4 ENGINES)	
	1001153719	Ref	GROUND CONTROL BOX ELECTRICAL DIAGRAM (DEUTZ D2011 ENGINES)	
	1001165779	Ref	GROUND CONTROL BOX ELECTRICAL DIAGRAM (DEUTZ TD2.9L4 ENGINES)	
	1001153718	Ref	GROUND CONTROL BOX ELECTRICAL DIAGRAM (FORD & GM ENGINE) (SN 0300183034 through 0300232564)	
	1001224137	Ref	GROUND CONTROL BOX WIRING DIAGRAM - FORD & GM ENGINE (SN 0300232565 to Present)	
	4933231	Ref	HEADLIGHT/TAILLIGHT ELECTRICAL DIAGRAM (ABS HOODS)	
	4933219	Ref	HEADLIGHT/TAILLIGHT LIGHTS ELECTRICAL DIAGRAM (STEEL HOODS)	
	1001094475	Ref	HOURMETER (FOR GENERATOR) ELECTRICAL DIAGRAM	
	4933278	Ref	LSS PLATFORM MODULE ELECTRICAL DIAGRAM	
	4933218	Ref	PLATFORM SOFT TOUCH SYSTEM ELECTRICAL DIAGRAM	
	0273484	Ref	PLATFORM WORKLIGHTS ELECTRICAL DIAGRAM (800A)	
	0273485	Ref	PLATFORM WORKLIGHTS ELECTRICAL DIAGRAM (800AJ)	

SECTION 7 - ELECTRICAL

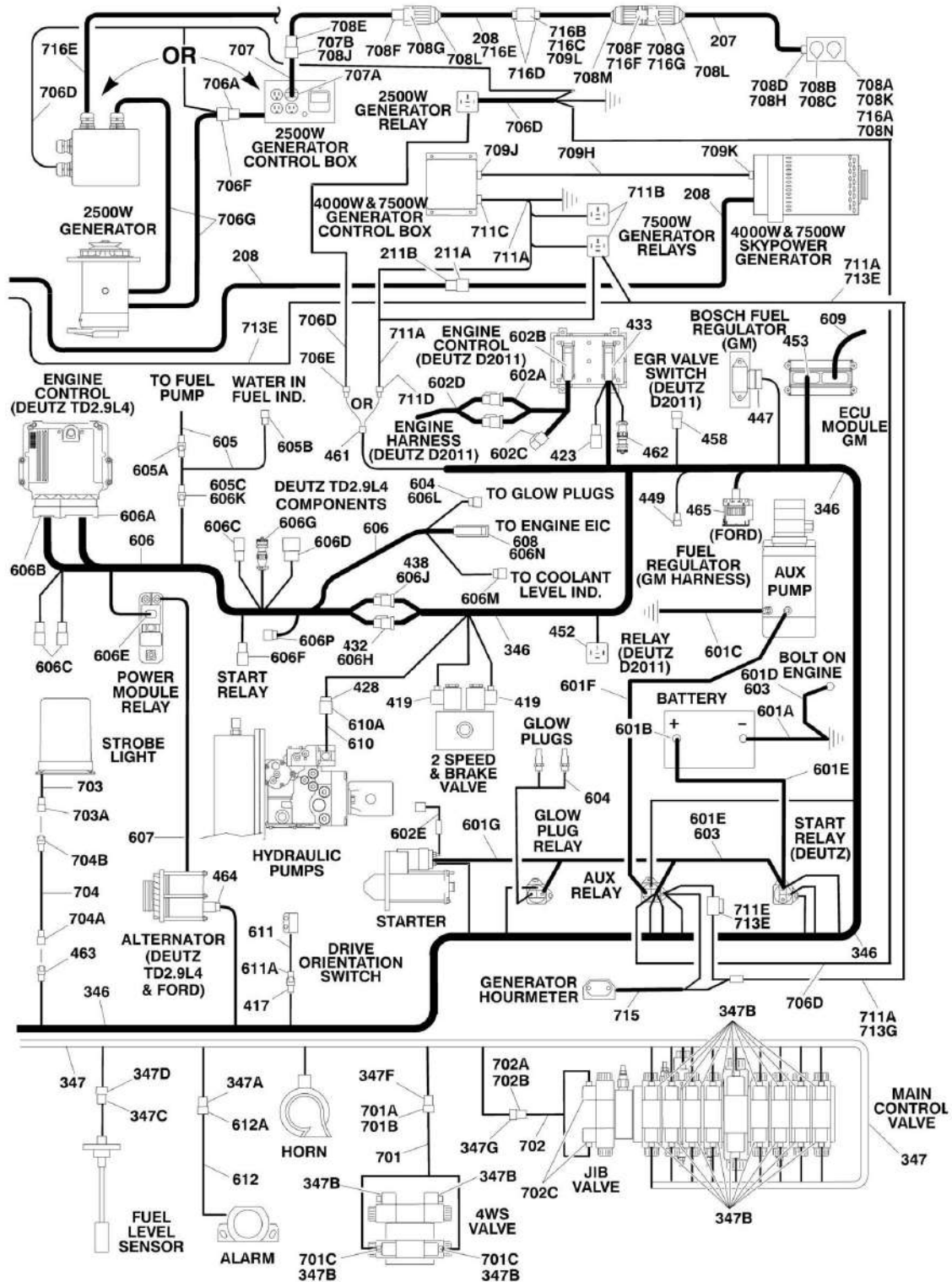
ITEM	PART NUMBER	QTY	DESCRIPTION	REV
	4933304	Ref	SKYAIR ELECTRICAL DIAGRAM	
	1001156225	Ref	STANDARD ELECTRICAL SCHEMATIC (SN 0300183034 through 0300194139)	
	1001176712	Ref	STANDARD ELECTRICAL SCHEMATIC (SN 0300194140 to Present)	
	1001131992	Ref	STANDARD ELECTRICAL SCHEMATIC - GM ENGINE SCHEMATIC (ENGINE SCHEMATIC ONLY. P/N 1001156225 & 1001176712 ARE SCHEMATIC FOR COMPLETE MACHINE)	

SECTION 7 - ELECTRICAL

FIGURE 7-2. HARNESS COMPONENTS INSTALLATION



SECTION 7 - ELECTRICAL



SECTION 7 - ELECTRICAL

FIGURE 7-2. HARNESS COMPONENTS INSTALLATION

ITEM	PART NUMBER	QTY	DESCRIPTION	REV
		Ref	PLATFORM BOX ASSEMBLY COMPONENTS	
3	0100048	AR	Grease, Dielectric	
6		Ref	Footswitch Components:	
6A	1060918	7 ft/2.13m	Cable, Electrical - 18/3	
6A	1001098122	3	Terminal, Ring	
6A	4460226	2	Socket, Female	
6A	4460464	1	Pin, Male	
6B	4460071	2	Connector, Strain Relief	
13	See Note	1	Controller Harness Assembly (Lift and Swing) (Note: Not Available for Purchase)	
13A	7022819	1	Plug, Male - 8 Position (Natural)	
13A	4460871	8	Socket, Female	
14	See Note	1	Controller Harness/Circuit Board Assembly (Drive and Steer) (Note: Not Available for Purchase)	
14A	7022825	1	Plug, Male - 8 Position (Black)	
14A	4460871	7	Socket, Female	
31	See Note	1	Controller Harness (Speed Control) (Note: Not Available for Purchase)	
31A	4460224	1	Receptacle, Female - 6 Position	
31A	4460226	6	Socket, Female	
36	4460428	2	Connector, Strain Relief	
37	4460470	1	Nut, Terminal	
38	4460471	1	Washer, Terminal	
39	4460708	2	Connector, Female 15 Position	
40	4460905	5	Seal, Plug	
43	4922666	1	Harness, Analyzer Cable	C
43	4460226	4	Socket, Female (Not Shown - Located at J2)	
43A	4460761	1	Connector, Female - 4 Position	
43A	4460227	4	Pin, Male	
45	1001107753	1	Harness, Console Box (Without SkyGuard) (See Items 119-157 for Breakdown)	
45	1001185280	1	Harness, Console Box (With SkyGuard) (See Items 119-157 for Breakdown)	
46	1001139135	1	Platform Valve Harness Assembly (SN 0300194140 to Present)	A
46A	4460226	7	Socket, Female	
46B	4460891	6	Plug, Male - 2 Position	
46B	1001116992	12	Socket, Female	
51	1001186431	2	Relay (Machines with 1 Cell LSS)	
57	1001225580	1	Harness, Interface (Machines with 1 Cell LSS)	
	1001107753	Ref	PLATFORM BOX HARNESS ASSEMBLY (WITHOUT SKYGUARD)	F
	1001185280	Ref	PLATFORM BOX HARNESS ASSEMBLY (WITH SKYGUARD)	B
	1001220281	Ref	PLATFORM BOX HARNESS ASSEMBLY (MACHINES WITH SKYGUARD/WITH 1 CELL LSS)	E
119	4460866	1	Connector 19 Position	
119	4460464	7	Pin, Male (16 Gauge)	
119	4460508	3	Pin, Male (12 Gauge)	
120	4460874	1	Plug, Male 35 Position (Natural)	
120	4460871	29	Socket, Female	
121	4460875	1	Plug, Male 35 Position (Gray)	
121	4460871	24	Socket, Female	
122	4460873	1	Plug, Male 35 Position (Black)	

SECTION 7 - ELECTRICAL

ITEM	PART NUMBER	QTY	DESCRIPTION	REV
122	4460871	26	Socket, Female	
125	4460879	1	Plug, Male 2 Position	
125	4460887	2	Terminal (12 Gauge)	
130	4460418	9	Connector 6 Position	
130	4460419	27	Terminal, Female	
132	4120035	13	Base, Light	
132	4460634	13	Terminal, (16 Gauge)	
132	4460635	13	Terminal, (12 Gauge)	
132	2920129	13	Lamp, Indicator	
136	4460225	1	Plug, Male 6 Position	
136	4460227	5	Pin, Male	
143	4460434	2	Plug, Male 15 Position	
143	4460227	25	Pin, Male	
150	4460884	1	Connector - 4 Position (Not Shown - To Platform Sensor) (With SkyGuard)	
150	4460944	4	Socket (Not Shown - To Platform Sensor) (With SkyGuard)	
150	4460932	1	Receptacle - 4 Position (Not Shown -To Platform Sensor) (With SkyGuard)	
154	4460536	1	Receptacle - 3 Position (Not Shown) (With SkyGuard)	
154	4460943	1	Pin, Male (Not Shown) (With SkyGuard)	
155	4460539	1	Plug - 3 Position (Not Shown) (With SkyGuard)	
155	4460944	1	Socket, Female (Not Shown) (With SkyGuard)	
157	4460708	1	Connector - 15 Position (Not Shown - Mates with Item 43) (With SkyGuard)	
157	4460226	3	Socket (Not Shown) (With SkyGuard)	
158	4460894	1	Plug, Male - 6 Position (Not Shown) (Machines with 1 Cell LSS)	
158	4460465	5	Socket, Female (Not Shown) (Machines with 1 Cell LSS)	
159	4460933	1	Plug, Male - 12 Position (Not Shown) (Machines with 1 Cell LSS)	
159	1001119020	1	Bussbar (Not Shown) (Machines with 1 Cell LSS)	
162	1001213447	1	Receptacle, Female - 5 Position (Not Shown) (Machines with 1 Cell LSS)	
	0271374	Ref	BOOM CABLE INSTALLATION (800A WITHOUT GENERATOR - ANSI, ANSI EXPORT AND CSA SPECS) (SN 0300183034 through 0300236624)	G
	1001227519	Ref	BOOM CABLE INSTALLATION (800A WITHOUT GENERATOR - ANSI, ANSI EXPORT AND CSA SPECS) (SN 0300236625 to Present)	A
	0271375	Ref	BOOM CABLE INSTALLATION (800A WITHOUT GENERATOR - CE SPECS) (SN 0300183034 through 0300236624)	F
	1001227779	Ref	BOOM CABLE INSTALLATION (800A WITHOUT GENERATOR - CE SPECS) (SN 0300236625 to Present)	A
	0271374	Ref	BOOM CABLE INSTALLATION (800A WITHOUT GENERATOR - CHINA AND JAPANESE SPECS) (SN 0300183034 through 0300236624)	
	1001232259	Ref	BOOM CABLE INSTALLATION (800A WITHOUT GENERATOR - CHINA AND JAPANESE SPECS) (SN 0300236625 to Present)	
	1001153328	Ref	BOOM CABLE INSTALLATION (800A WITH 4000W GENERATOR) (SN 0300183034 through 0300236624)	B
	1001227524	Ref	BOOM CABLE INSTALLATION (800A WITH 4000W GENERATOR) (SN 0300236625 to Present)	A
	0272429	Ref	BOOM CABLE INSTALLATION (800A WITH 7500W SKYPOWER GENERATOR - ANSI, ANSI EXPORT AND CSA SPECS) (SN 0300183034 through 0300236624)	F
	1001227780	Ref	BOOM CABLE INSTALLATION (800A WITH 7500W SKYPOWER GENERATOR - ANSI, ANSI EXPORT AND CSA SPECS) (SN	A

SECTION 7 - ELECTRICAL

ITEM	PART NUMBER	QTY	DESCRIPTION	REV
	0272430	Ref	0300236625 to Present) BOOM CABLE INSTALLATION (800A WITH 7500W SKYPOWER GENERATOR - CE SPECS) (SN 0300183034 through 0300236624)	F
	1001227784	Ref	BOOM CABLE INSTALLATION (800A WITH 7500W SKYPOWER GENERATOR - CE SPECS) (SN 0300236625 to Present)	A
	1001093748	Ref	BOOM CABLE INSTALLATION (800A WITH ARCTIC PACKAGE - ANSI, ANSI EXPORT AND CSA SPECS) (SN 0300183034 through 0300236624)	B
	1001227727	Ref	BOOM CABLE INSTALLATION (800A WITH ARCTIC PACKAGE - ANSI, ANSI EXPORT AND CSA SPECS) (SN 0300236625 to Present)	A
	1001091330	Ref	BOOM CABLE INSTALLATION (800A WITH 7500W SKYPOWER GENERATOR AND ARCTIC PACKAGE - ANSI, ANSI EXPORT AND CSA SPECS) (SN 0300183034 through 0300236624)	D
	1001227611	Ref	BOOM CABLE INSTALLATION (800A WITH 7500W SKYPOWER GENERATOR AND ARCTIC PACKAGE - ANSI, ANSI EXPORT AND CSA SPECS) (SN 0300236625 to Present)	A
	0271376	Ref	BOOM CABLE INSTALLATION (800AJ WITHOUT GENERATOR - ALL SPECS EXCEPT AUSTRALIAN AND CE SPECS) (SN 0300183034 through 0300236624)	C
	1001227610	Ref	BOOM CABLE INSTALLATION (800AJ WITHOUT GENERATOR - ALL SPECS EXCEPT AUSTRALIAN AND CE SPECS) (SN 0300236625 to Present)	A
	0273434	Ref	BOOM CABLE INSTALLATION (800AJ WITHOUT GENERATOR - AUSTRALIAN SPECS) (SN 0300183034 through 0300236624)	B
	1001227800	Ref	BOOM CABLE INSTALLATION (800AJ WITHOUT GENERATOR - AUSTRALIAN SPECS) (SN 0300236625 to Present)	A
	0271377	Ref	BOOM CABLE INSTALLATION (800AJ WITHOUT GENERATOR - CE SPECS) (SN 0300183034 through 0300236624)	D
	1001227783	Ref	BOOM CABLE INSTALLATION (800AJ WITHOUT GENERATOR - CE SPECS) (SN 0300236625 to Present)	A
	1001153329	Ref	BOOM CABLE INSTALLATION (800AJ WITH 4000W GENERATOR) (SN 0300183034 through 0300236624)	B
	1001227520	Ref	BOOM CABLE INSTALLATION (800AJ WITH 4000W GENERATOR) (SN 0300236625 to Present)	A
	0272431	Ref	BOOM CABLE INSTALLATION (800AJ WITH 7500W SKYPOWER GENERATOR - ANSI, ANSI EXPORT AND CSA SPECS) (SN 0300183034 through 0300236624)	C
	1001227782	Ref	BOOM CABLE INSTALLATION (800AJ WITH 7500W SKYPOWER GENERATOR - ANSI, ANSI EXPORT AND CSA SPECS) (SN 0300236625 to Present)	B
	0272432	Ref	BOOM CABLE INSTALLATION (800AJ WITH 7500W SKYPOWER GENERATOR - AUSTRALIAN AND CE SPECS) (SN 0300183034 through 0300236624)	C
	1001227781	Ref	BOOM CABLE INSTALLATION (800AJ WITH 7500W SKYPOWER GENERATOR - AUSTRALIAN AND CE SPECS) (SN 0300236625 to Present)	A
	0275204	Ref	BOOM CABLE INSTALLATION (800AJ WITH 7500W SKYPOWER GENERATOR AND ARCTIC PACKAGE - ANSI, ANSI EXPORT AND CSA SPECS) (SN 0300183034 through 0300236624)	B
	1001227785	Ref	BOOM CABLE INSTALLATION (800AJ WITH 7500W SKYPOWER GENERATOR AND ARCTIC PACKAGE - ANSI, ANSI EXPORT AND CSA SPECS) (SN 0300236625 to Present)	A
	1001092093	Ref	BOOM CABLE INSTALLATION (800AJ WITH 7500W SKYPOWER GENERATOR AND ARCTIC PACKAGE - ANSI, ANSI EXPORT AND CSA SPECS) (SN 0300183034 through 0300236624)	B
	1001227799	Ref	BOOM CABLE INSTALLATION (800AJ WITH 7500W SKYPOWER GENERATOR AND ARCTIC PACKAGE - ANSI, ANSI EXPORT	A

SECTION 7 - ELECTRICAL

ITEM	PART NUMBER	QTY	DESCRIPTION	REV
			AND CSA SPECS) (SN 0300236625 to Present)	
	1001116474	Ref	BOOM CABLE INSTALLATION (800AJ WITH ARCTIC PACKAGE - ANSI, ANSI EXPORT AND CSA SPECS) (SN 0300183034 through 0300236624)	B
	1001227801	Ref	BOOM CABLE INSTALLATION (800AJ WITH ARCTIC PACKAGE - ANSI, ANSI EXPORT AND CSA SPECS) (SN 0300236625 to Present)	A
201	4922575	1	Harness Assembly - Main Boom (12/4 -18/8) (800A) (SN 0300183034 through 0300236624)	F
201	1001227488	1	Harness Assembly - Main Boom (12/4 -18/8) (800A) (SN 0300236625 to Present)	A
201	1001091315	1	Harness Assembly - Main Boom (12/4 -18/8) (800A with Arctic Package) (SN 0300183034 through 0300236624)	D
201	1001227302	1	Harness Assembly - Main Boom (12/4 -18/8) (800A with Arctic Package) (SN 0300236625 to Present)	A
201	4922582	1	Harness Assembly - Main Boom (12/4 -18/8) (800AJ) (SN 0300183034 through 0300236624)	G
201	1001227518	1	Harness Assembly - Main Boom (12/4 -18/8) (800AJ) (SN 0300236625 to Present)	A
201	4923490	1	Harness Assembly - Main Boom (12/4 -18/8) (800AJ with Arctic Package) (SN 0300183034 through 0300236624)	D
201	1001227351	1	Harness Assembly - Main Boom (12/4 -18/8) (800AJ with Arctic Package) (SN 0300236625 to Present)	A
201	1060896	AR	Cable, Electrical - 4 #12 AWG, 8 #18 AWG & 1 STP #18 AWG (Without Arctic Package)	
201	4923462	67 ft/ 20.4m	Cable, Electrical - 4 #12 AWG, 8 #18 AWG & 1 STP #18 AWG (800A with Arctic Package)	
201	4923462	64 ft/ 19.5m	Cable, Electrical - 4 #12 AWG, 8 #18 AWG & 1 STP #18 AWG (800AJ with Arctic Package)	
201	0100009	AR	Sealant	
201A	4460865	1	Connector - 19 Position	
201A	4460465	11	Socket, Female	
201A	4460509	4	Socket, Female	
201A	4460466	4	Seal, Plug	
201B	4460473	1	Clamp, Cable	
201C	4460866	1	Connector - 19 Position	
201C	4460464	AR	Pin, Male (16 Gauge)	
201C	4460508	4	Pin, Male (12 Gauge)	
201C	4460466	4	Seal, Plug	
202	4922576	1	Harness Assembly - Tower Boom (12/4 - 18/8) (Without Arctic Package)	E
202	4923489	1	Harness Assembly - Tower Boom (12/4 - 18/8) (With Arctic Package)	B
202	1060896	44 ft/ 13.4m	Cable, Electrical - 4 #12 AWG, 8 #18 AWG & 1 STP #18 AWG (Without Arctic Package)	
202	4923462	44 ft/ 13.4m	Cable, Electrical - 4 #12 AWG, 8 #18 AWG & 1 STP #18 AWG (With Arctic Package)	
202A	4460865	2	Connector - 19 Position	
202A	4460465	22	Socket, Female	
202A	4460509	8	Socket, Female	
202A	4460466	8	Seal, Plug	
202B	4460473	2	Clamp, Cable	
203	4922579	1	Harness Assembly - Tower Boom (18/2) (800A - ANSI, ANSI Export and CSA Specs without Arctic Package)	
203	1001091323	1	Harness Assembly - Tower Boom (18/2) (800A - ANSI, ANSI Export and CSA Specs with Arctic Package)	

SECTION 7 - ELECTRICAL

ITEM	PART NUMBER	QTY	DESCRIPTION	REV
203	4922579	1	Harness Assembly - Tower Boom (18/2) (800AJ - CE Specs)	
203	1060902	47 ft/ 14.3m	Cable, Electrical - 18/2 (Without Arctic Package)	
203	4923466	47 ft/ 14.3m	Cable, Electrical - 18/2 (With Arctic Package)	
203A	4460465	2	Socket, Female	
203A	4460891	1	Connector, Terminal - 2 Position	
204	4922868	1	Harness Assembly - Main Boom (18/2) (800A - ANSI, ANSI Export and CSA Specs without Arctic Package)	
204	1001091319	1	Harness Assembly - Main Boom (18/2) (800A - ANSI, ANSI Export and CSA Specs with Arctic Package)	
204	4922580	1	Harness Assembly - Main Boom (18/2) (800AJ- CE Specs)	
204	1060902	30 ft/9.1m	Cable, Electrical - 18/2 (Without Arctic Package)	
204	4923466	30 ft/9.1m	Cable, Electrical - 18/2 (With Arctic Package)	
204A	4460464	2	Pin, Male	
204A	4460897	1	Plug, Terminal - 2 Position	
205	4922578	1	Harness Assembly - Tower Boom (18/2) (800A without Arctic Package)	
205	4923487	1	Harness Assembly - Tower Boom (18/2) (800A with Arctic Package) (With 7500W Generator)	
205	4922578	1	Harness Assembly - Tower Boom (18/2) (800AJ without Arctic Package)	
205	4923487	1	Harness Assembly - Tower Boom (18/2) (800AJ with Arctic Package - without 7500W Generator)	
205	4923487	1	Harness Assembly - Tower Boom (18/2) (800AJ (With Arctic Package) - with 7500W Generator)	
206	4922578	1	Harness Assembly - Main Boom (18/2) without Arctic Package)	
206	4923487	1	Harness Assembly - Main Boom (18/2) with Arctic Package)	
207	4922215	1	Harness Assembly - Main Boom (800A - All Specs except Australian and CE Specs (10/3) without Arctic Package)	
207	4922218	1	Harness Assembly - Main Boom (800A - CE, China and Japanese Specs (10/3)	
207	1001156695	1	Harness Assembly - Main Boom (800A - All Specs (10/4) with 4000W Generator	
207	1001125127	1	Harness Assembly - Main Boom (800A - All Specs (8/5) without Arctic Package and 7500W SkyPower Generator	
207	1001091324	1	Harness Assembly - Main Boom (800A - ANSI, ANSI Export and CSA Specs (10/3) with Arctic Package	
207	1001125127	1	Harness Assembly - Main Boom (800A - ANSI, ANSI Export and CSA Specs (8/5) with Arctic Package and 7500W SkyPower Generator	
207	4922216	1	Harness Assembly - Main Boom (800AJ - All Specs except Australian Specs (10/3) without Arctic Package	
207	4922219	1	Harness Assembly - Main Boom (800AJ - Australian and CE Specs (10/3)	
207	1001156694	1	Harness Assembly - Main Boom (800AJ - All Specs (10/4) with 4000W Generator	
207	1001125126	1	Harness Assembly - Main Boom (800AJ - All Specs (8/5) with 7500W SkyPower Generator	
207	4923485	1	Harness Assembly - Main Boom (800AJ - ANSI, ANSI Export and CSA Specs (10/3) with Arctic Package	
208	4922217	1	Harness Assembly - Tower Boom - ANSI, ANSI Export and CSA Specs (10/3)	
208	4922220	1	Harness Assembly - Tower Boom - Australian and CE Specs (10/3)	
208	4922217	1	Harness Assembly - Tower Boom - China and Japanese Specs (SN 0300183034 through 0300236624)	

SECTION 7 - ELECTRICAL

ITEM	PART NUMBER	QTY	DESCRIPTION	REV
208	4922220	1	Harness Assembly - Tower Boom - China and Japanese Specs (SN 0300236625 to Present)	
208	1001156693	1	Harness Assembly - Tower Boom - All Specs (10/4) 4000W Generator	
208	1001125125	1	Harness Assembly - Tower Boom - All Specs (8/5) without Arctic Package and 7500W SkyPower Generator	
208	4923486	1	Harness Assembly - Tower Boom - ANSI, ANSI Export and CSA Specs (10/3) with Arctic Package	
208	1001125125	1	All Specs except Australian and CE Specs (8/5) with Arctic Package and 7500W SkyPower Generator	
209	1320256	1	Clamp, Block (Machines without Arctic Package) (Not Shown- Located on back of T/T)	
209	1001092384	1	Clamp, Block (Machines with Arctic Package) (Not Shown-Located on back of T/T)	
210	4922578	1	Harness Assembly (18/2) (800A Only - All Specs except Australian and CE Specs (Without Arctic Package)	
210	4923487	1	Harness Assembly (18/2) (800A Only - ANSI, ANSI Export and CSA Specs (With Arctic Package)	
211	0272433	1	Cable Connector Installation (With 7500W SkyPower Generator)	D
211A	4460959	1	Connector, Male (With 7500W Generator) (SkyPower) (SN 0300183034 through 0300228785)	
211A	1001218622	1	Connector, Male (With 7500W Generator) (SkyPower) (SN 0300228786 to Present)	
211A	1671093	1	Cover, Male Connector (Optional) (SN 0300183034 through 0300228785)	
211B	4460960	1	Connector, Female (With 7500W Generator) (SkyPower) (SN 0300183034 through 0300228785)	
211B	1001218623	1	Connector, Female (With 7500W Generator) (SkyPower) (SN 0300228786 to Present)	
211B	1671092	1	Cover, Female Connector (Optional) (SN 0300183034 through 0300228785)	
212	4923613	1	Harness, Tilt Switch (Part of Main Boom Harness) (SN 0300183034 through 0300236624)	C
212	1001227359	1	Harness Tilt Switch (SN 0300236625 to Present)	A
212A	1001097051	1	Connector - 4 Position	
212A	1001097082	3	Pin, Male (Gold)	
212A	4460466	1	Seal, Plug	
212B	4460464	3	Pin, Male (4923613 Harness)	
212C	4460944	3	Pin, Male (1001227359 Harness)	
		Ref	GROUND CONTROL BOX COMPONENTS	
303	0100048	AR	Grease, Dielectric	
327	4460426	AR	Connector, Strain Relief	
328	4460470	1	Nut, Terminal	
329	4460471	1	Washer, Terminal	
331	4460496	1	Washer, Terminal	
332	4460497	1	Nut, Terminal	
333	4460526	1	Connector, Strain Relief	
342	1001106736	1	Cap, Dust	
343	1001110225	1	Harness, Ground Control Box (Deutz D2011 Engines - All Specs except CE Specs)	G
343	1001110225	1	Harness, Ground Control Box (Deutz D2011 Engines - CE Specs) (SN 0300183034 through 0300201003)	G
343	1001185131	1	Harness, Ground Control Box (Deutz D2011 Engines - CE Specs) (SN 0300201004 to Present)	E
343	1001145937	1	Harness, Ground Control Box (Deutz DT2.9L4 Engines - All Specs except CE Specs)	F

SECTION 7 - ELECTRICAL

ITEM	PART NUMBER	QTY	DESCRIPTION	REV
343	1001145937	1	Harness, Ground Control Box (Deutz DT2.9L4 Engine - CE Specs) (SN 0300183034 through 0300201003)	F
343	1001185131	1	Harness, Ground Control Box (Deutz DT2.9L4 Engines - CE Specs) (SN 0300201004 to Present)	E
343	1001110225	1	Harness, Ground Control Box (Ford & GM Engines)	G
343A	4460536	1	Connector, Female 3 Position	
343A	4460943	3	Pin, Male	
343B	3990010	2	Diode - 6 Amp (Not Shown)	
343C	4460434	2	Plug, Male 15- Position	
343C	4460227	22	Pin	
343D	4460873	1	Connector, 35 Position (Black)	
343D	4460871	21	Socket, Female	
343D	4460905	AR	Seal, Plug	
343E	4120035	AR	Base, Light	
343E	4460634	AR	Terminal (16 Gauge)	
343E	4460635	AR	Terminal (12 Gauge)	
343F	4460418	9	Connector, Female- 6 Position	
343F	4460419	27	Socket, Female	
343G	4460876	1	Connector, 35 Position (Blue)	
343G	4460871	29	Socket, Female	
343G	4460905	AR	Seal, Plug	
343H	4460866	1	Connector - 19 Position	
343H	4460464	7	Pin, Male (16 Gauge)	
343H	4460508	3	Pin, Male (12 Gauge)	
343J	4460878	1	Housing, Terminal - 4 Position	
343J	4460887	3	Terminal (12 Gauge)	
343K	4460761	1	Connector, Female 4- Position	
343K	4460227	4	Pin, Male	
343L	4460894	3	Plug, Male - 6 Position	
343L	4460465	AR	Socket, Female	
343L	4460892	3	Terminal, Buss Connector - 6 Position	
343L	4460466	3	Plug, Terminal	
343M	8229242	2	Fuse 5A	
343M	2400060	2	Holder, Fuse	
343N	1001112612	1	Connector - 9 Position	
343N	4460943	4	Pin, Male	
343P	1001106339	1	Connector, Male - 14 Position	
343P	4460871	2	Socket, Female	
343P	4460905	AR	Plug, Seal	
343R	1001106340	1	Connector, Male - 14 Position	
343R	4460871	5	Socket, Female	
343S	4460874	1	Connector, Natural	
343S	4460871	10	Socket, Female	
343S	4460905	AR	Plug, Seal	
343T	4460875	1	Connector, Gray	
343T	4460871	2	Socket, Female	
343T	4460905	AR	Plug, Seal	
343U	4460884	1	Plug, Male - 4 Position	
343U	1001192401	1	Cap, Dust	
343U	4460365	4	Socket, Female	
343V	4460868	1	Plug, Male - 6 Position (CE Spec) (SN 0300201004 to Present)	
343V	4460877	4	Terminal (CE Spec) (SN 0300201004 to Present)	

SECTION 7 - ELECTRICAL

ITEM	PART NUMBER	QTY	DESCRIPTION	REV
343W	1001200497	1	Plug, Male - 3 Position (SN 0300236625 to Present)	
343W	4460944	3	Socket, Female (SN 0300236625 to Present)	
343X	1001229530	1	Receptacle, Female - 3 Position (SN 0300236625 to Present)	
343X	1001229531	1	Pin, Male (SN 0300236625 to Present)	
346	1001153713	1	Engine Harness Assembly - Deutz D2011 Engine Machines (See 401 to 465 for Breakdown)	
346	1001165776	1	Engine Harness Assembly - Deutz TD2.9L4 Engine Machines (See 401 to 465 for Breakdown)	
346	1001216230	1	Engine Harness Assembly - Ford Engine Machines (See 401 to 465 for Breakdown)	
346	1001153712	1	Engine Harness Assembly - GM Engine Machines (See 401 to 465 for Breakdown)	
347	1001153715	1	Valve Harness Assembly (SN 0300183034 through 0300194139)	E
347	1001170808	1	Valve Harness Assembly (SN 0300194140 to Present)	F
347A	4460539	1	Connector, Male - 3 Position	
347A	4460465	2	Socket, Female	
347A	4460466	1	Seal, Plug	
347B	4460880	AR	Connector, DIN	
347B	4460891	13	Plug, Male - 2 Position (SN 0300194140 to Present)	
347B	4460465	26	Socket, Female (SN 0300194140 to Present)	
347C	4460320	2	Connector, Female - 2 Position (SN 0300183034 through 0300194139)	
347C	4460267	5	Pin, Male (SN 0300183034 through 0300194139)	
347D	4460424	1	Connector, Male- 2 Position	
347D	4460268	2	Pin, Female	
347E	4460871	33	Socket, Female	
347F	4460326	1	Connector, Male - 3 Position (SN 0300183034 through 0300194139)	
347F	4460267	7	Pin, Male (SN 0300183034 through 0300194139)	
347G	4460445	1	Connector, Female - 3 Position (SN 0300183034 through 0300194139)	
347G	4460268	5	Pin, Female (SN 0300183034 through 0300194139)	
348	1001153719	AR	Ground Control Box Wiring Diagram - Deutz D2011 Engine (Not Shown - See Items 501 to 510 for Breakdown)	
348	1001165779	AR	Ground Control Box Wiring Diagram - Deutz TD2.9L4 Engine (Not Shown - See Items 501 to 510 for Breakdown) (SN 0300183034 through 0300232564)	
348	1001153718	AR	Ground Control Box Wiring Diagram - Ford & GM Engine (Not Shown - See Items 501 to 510 for Breakdown) (SN 0300183034 through 0300232564)	
348	1001224137	AR	Ground Control Box Wiring Diagram - Ford & GM Engine (Not Shown - See Items 501 to 510 for Breakdown) (SN 0300232565 to Present)	
	1001153713	Ref	ENGINE HARNESS ASSEMBLY - DEUTZ D2011 ENGINE	B
	1001165776	Ref	ENGINE HARNESS ASSEMBLY - DEUTZ TD2.9L4 ENGINE	D
	1001216230	Ref	ENGINE HARNESS ASSEMBLY - FORD ENGINE	B
	1001153712	Ref	ENGINE HARNESS ASSEMBLY - GM ENGINE	B
417	4460424	1	Receptacle, Female - 2 Position	
417	4460226	2	Socket, Female	
419	4460880	2	DIN Connector without Diode	
423	4461070	1	Receptacle, Female with Resistor (3 Position) (Deutz D2011 Engine Only)	
423	4461095	1	Plug, Male - 3 Position (Deutz D2011 Engine Only)	
423	4460944	3	Socket, Female (Deutz D2011 Engine Only)	
425	4460539	1	Plug, Male - 3 Position	

SECTION 7 - ELECTRICAL

ITEM	PART NUMBER	QTY	DESCRIPTION	REV
425	4460944	3	Socket, Female	
428	4460460	1	Connector, Male - 4 Position	
428	4460457	4	Terminal, Female	
428	4460458	4	Seal, Terminal	
432	4460899	1	Connector, Male - 6 Position (Deutz TD2.9L4 Engine Only)	
432	4460464	6	Pin, Male	
433	4461052	1	Connector, Receptacle - 25 Position (Deutz D2011 Engine Only)	
433	4461005	5	Terminal (Gold) (Deutz D2011 Engine Only)	
433	4461006	5	Seal, Terminal (Deutz D2011 Engine Only)	
433	4461060	2	Terminal (Tin) (Deutz D2011 Engine Only)	
433	4461054	2	Seal, Terminal (Deutz D2011 Engine Only)	
433	4461053	1	Cover, Plug (Deutz D2011 Engine Only)	
433	4461008	18	Plug, Hole (Deutz D2011 Engine Only)	
438	4460931	1	Connector, Male - 8 Position (Deutz TD2.9L4 Engine Only)	
438	4460464	4	Pin, Male	
438	4460466	4	Seal, Plug	
439	4460871	AR	Socket, Female	
447	4461121	1	Plug, Male - 4 Position (GM Engine Only)	
447	4461122	4	Socket, Female (GM Engine Only)	
447	4461123	4	Seal, Terminal (GM Engine Only)	
449	4461124	1	Receptacle, Female - 4 Position (GM Engine Only)	
449	4460693	4	Pin, Male (GM Engine Only)	
449	4460608	4	Seal, Terminal (GM Engine Only)	
449	4461161	1	Lock, Terminal (GM Engine Only)	
452	4460374	1	Plug, Sealed Relay (Deutz D2011 Engine)	
452	4460375	4	Terminal (Deutz D2011 Engine)	
453	4461109	1	Plug, Male - 16 Position (GM Engine Only)	
453	4461111	7	Pin, Male (GM Engine Only)	
453	4461113	7	Seal, Terminal (GM Engine Only)	
453	4461222	9	Plug, Terminal (GM Engine Only)	
458	1001102290	1	Connector, 2 Position (Deutz D2011 Engine)	
458	1001102304	2	Seal (Deutz D2011 Engine)	
458	1001102291	2	Terminal, Receptacle (Deutz D2011 Engine)	
461	4461157	1	Receptacle, Female - 2 Position (Deutz D2011 and GM Engines)	
461	4460979	2	Pin, Male (Deutz D2011 and GM Engines)	
461	4460458	2	Seal, Terminal (Deutz D2011 and GM Engines)	
462	2902443	1	Kit, Receptacle (Deutz D2011 Engine Only)	
462	4461071	8	Terminal, Female (Gold) (Deutz D2011 Engine Only)	
462	4461072	1	Connector, Flange Mount (Deutz D2011 Engine Only)	
462	4461073	1	Connector, Dust Cap (Deutz D2011 Engine Only)	
462	4461074	1	Connector, Shell (Deutz D2011 Engine Only)	
463	4460897	1	Connector, Female - 2 Position	
463	4460464	2	Pin, Male	
464	4461157	1	Plug, Male - 2 Position (Ford Engine Only)	
464	4460979	2	Terminal (Ford Engine Only)	
464	4460458	2	Seal, Terminal (Ford Engine Only)	
465	1001215016	1	Connector - 42 Position (Ford Engine Only)	
465	1001215091	5	Terminal (Ford Engine Only)	
465	1001215534	33	Plug, Terminal (Ford Engine Only)	
465	1001216212	1	Terminal (Ford Engine Only)	
465	1001216213	3	Plug, Terminal (Ford Engine Only)	

SECTION 7 - ELECTRICAL

ITEM	PART NUMBER	QTY	DESCRIPTION	REV
	1001153719	Ref	GROUND CONTROL BOX WIRING DIAGRAM - DEUTZ D2011 ENGINE	E
	1001165779	Ref	GROUND CONTROL BOX WIRING DIAGRAM - DEUTZ TD2.9L4 ENGINE	F
	1001153718	Ref	GROUND CONTROL BOX WIRING DIAGRAM - FORD & GM ENGINE (SN 0300183034 through 0300232564)	F
	1001224137	Ref	GROUND CONTROL BOX WIRING DIAGRAM - FORD & GM ENGINE (SN 0300236625 to Present)	B
501	2920129	AR	Bulb, Light	
506	1001173590	1	Fuse Holder with Fuse - 30AMP	
506	2400065	1	Fuse, 30Amp	
506	2400066	1	Fuse, Holder	
508	4460708	2	Receptacle, Female - 15 Position	
508	4460226	AR	Socket, Female	
508	4460905	AR	Plug, Seal	
510	4922637	1	Harness, Jumper (Not Shown)	
		Ref	STANDARD HARNESS COMPONENTS	
601	1001155143	1	Battery Cable Kit - Deutz D2011 Engines Machines	C
601	1001143736	1	Battery Cable Kit - Deutz TD2.9L4 Engines Machines	E
601	2902533	1	Battery Cable Kit - GM Engine Machines	B
601A	7027092	1	Cable, Battery (Black) (Battery - to Tray Pivot and Relay Grounds) (Deutz D2011 Engines Machines)	
601A	7027084	1	Cable, Battery (Black) (Battery - to Tray Pivot and Relay Grounds) (Deutz TD2.9L4 Engines Machines)	
601A	7027018	1	Cable, Battery (Black) (Battery - to Tray Pivot and Relay Grounds) (GM Engine Machines)	
601B	8270147	1	Terminal, Battery (With Boot) Cable, Battery (Black) (Deutz Engines Only)	
601C	7027093	1	Cable, Battery (Black) (Battery - to Aux Pump Ground) (Deutz D2011 Engines Machines)	
601C	7027085	1	Cable, Battery (Black) (Battery - to Aux Pump Ground) (Deutz TD2.9L4 Engines Machines)	
601C	7016825	1	Cable, Battery (Black) (Battery - to Aux Pump Ground) (GM Engine Machines)	
601D	7027053	1	Cable, Battery (Black) (Engine to Tray Pivot Grd) (Deutz D2011 Engines Machines)	
601D	7027086	1	Cable, Battery (Black) (Engine to Tray Pivot Grd) (Deutz TD2.9L4 Engines Machines)	
601D	Not Required	0	Cable, Battery (Black) (Engine to Tray Pivot Grd) (GM Engine Machines)	
601E	7027094	1	Cable (Red) (Battery + to Relays/Starter) (Deutz D2011 Engines Machines)	
601E	7027087	1	Cable (Red) (Battery + to Relays/Starter) (Deutz TD2.9L4 Engines Machines)	
601E	7027015	1	Cable (Red) (Battery + to Relays/Starter) (GM Engine Machines) (Note: Requires Item 601G to complete run to Starter)	
601F	7027095	1	Cable (Red) (Aux Relay to Aux Pump) (Deutz D2011 Engines Machines)	
601F	7027088	1	Cable (Red) (Aux Relay to Aux Pump) (Deutz TD2.9L4 Engines Machines)	
601F	7016824	1	Cable (Red) (Aux Relay to Aux Pump) (GM Engine Machines)	
601G	See Note	1	Cable (Auxiliary Relay to Starter) (Deutz D2011 Engines Machines) (Note: Use p/n 7027094)	
601G	See Note	1	Cable (Auxiliary Relay to Starter) (Deutz TD2.9L4 Engines Machines) (Note: Use p/n 7027087)	
601G	7027017	1	Cable (Auxiliary Relay to Starter) (GM Engine Machines)	

SECTION 7 - ELECTRICAL

ITEM	PART NUMBER	QTY	DESCRIPTION	REV
602		Ref	Deutz Engine Harness Components (Deutz Engine Machines Only)	
602A	7027796	1	Engine Harness (D2011 Engine Only)	
602B	See Note	1	Receptacle, Female - 25 Position (Note: Not Available - Purchase Complete Harness)	
602C	70004060	1	Plug-In, Connector (Deutz D2011 Engine Only)	
602D	70001872	1	Engine Harness (For other replacement parts refer to Deutz engine dealer) (D2011 Engine Only)	
602E	70004271	1	Cable, Starter Interconnect (Connects Item 602D to Starter) (D2011 Engine Only)	
603	4922737	1	Harness, Engine Grounding Harness (Deutz D2011 Engine Only)	
604	4923379		Harness, Glow Plug (Deutz D2011 Engine Only)	B
604	70025231		Harness, Glow Plug (Deutz TD2.9L4 Engine Only)	
604	70025233		Connector for 70025231 Harness Deutz TD2.9L4 Engine	
604	1001141304		Wire, Fuse Link (Not Shown) (Deutz TD2.9L4 Engine Only)	
605	1001222665	1	Fuel Harness (Deutz TD2.9L4 Engines Only) (Note: Machines requiring Ring Terminals at Pump) (SN 0300183034 through 0300234681)	A
605	1001138491	1	Fuel Harness (Deutz TD2.9L4 Engines Only) (Note: Machines requiring Push-on Terminals at Pump) (SN 0300234682 to Present)	D
605A	4460897	1	Receptacle, Female - 2 Position	
605A	4460941	2	Pin, Male	
605A	4460891	1	Plug, Male - 2 Position	
605A	4460942	2	Socket, Female	
605A	8220051	AR	Terminal, Ring (SN 0300234682 to Present)	
605B	1001116983	1	Receptacle, Female - 2 Position	
605B	1001116710	2	Terminal	
605B	4461054	2	Seal	
605C	4460932	1	Receptacle, Female - 4 Position	
605C	4460941	2	Pin, Male	
605C	4460464	2	Pin, Male	
606	1001143726	1	Deutz TD2.9L4 Engine Harness	K
606A	1001133956	1	Connector (Includes Cover, Locks and Retention Plate)	
606A	1001126352	6	Terminal	
606A	1001126353	6	Seal, Terminal	
606A	1001126384	19	Terminal	
606A	1001126351	3	Terminal	
606A	1001126356	63	Plug, Seal	
606A	1001126357	2	Plug, Seal	
606B	1001133957	1	Connector (Includes Cover, Locks and Retention Plate)	
606B	1001126384	17	Terminal	
606B	1001126351	13	Terminal	
606B	1001126356	19	Plug, Seal	
606B	1001126357	11	Plug, Seal	
606C	4461070	3	Receptacle, Female with Resistor (3 Position)	
606C	4461095	6	Plug, Male - 3 Position	
606C	4460944	6	Socket, Female	
606C	4460466	2	Seal, Plug	
606D	80484084	1	Receptacle, Female - 8 Position	
606D	8229242	1	Fuse - 5A	
606D	80983191	1	Fuse - 10A	
606D	1001147264	1	Cap	

SECTION 7 - ELECTRICAL

ITEM	PART NUMBER	QTY	DESCRIPTION	REV
606D	1001116727	8	Plug	
606D	4460458	4	Seal	
606E	1001116952	1	Plug, Male - 2 Position	
606E	4460465	2	Socket, Female	
606F	1001138110	1	Plug, Male - 2 Position	
606F	1001138111	2	Socket, Female	
606F	1001138113	2	Seal	
606G	2902443	1	Kit, Receptacle	
606G	4461071	8	Terminal, Female (Gold)	
606G	4461072	1	Connector, Flange Mount	
606G	4461073	1	Connector, Dust Cap	
606G	4461074	1	Connector, Shell	
606H	4460894	1	Plug, Male - 6 Position	
606H	4460465	3	Socket, Female	
606H	4460944	2	Socket, Female	
606H	4460466	1	Seal, Plug	
606J	4460930	1	Plug, Male - 8 Position	
606J	4460465	1	Socket, Female	
606J	4460466	7	Seal, Plug	
606K	4460884	1	Plug, Male - 4 Position (SN 0300183034 through 0300224727)	
606K	1001220379	1	Plug, Male - 4 Position (SN 0300224728 to Present)	
606K	4460465	2	Socket, Female	
606K	4460942	2	Socket, Female	
606K	4460932	1	Receptacle, Female - 4 Position	
606K	4460466	4	Plug, Terminal	
606L	1001142938	1	Plug, Male - 2 Position	
606L	1001142940	2	Terminal, Female	
606L	1001142941	2	Seal	
606M	1001133714	1	Plug, Male - 4 Position	
606M	1001133715	3	Terminal, Female	
606M	1001135650	3	Seal	
606M	1001135651	1	Plug, Cavity (Use p/n 4461008)	
606N	1001126362	1	Receptacle, Female - 62 Position	
606N	1001126363	33	Terminal	
606N	1001126364	33	Seal	
606N	1001126391	23	Plug	
606N	4461008	4	Plug, Cavity	
606N	1001126365	2	Terminal	
606N	4461054	2	Seal	
606N	4460465	2	Socket, Female (Strobe Light - 2920161)	
606N	1001151856	1	Elbow, Conduct	
606P	4460891	1	Plug, Male - 2 Position	
606P	4460465	2	Socket, Female	
606P	1001171403	1	Resistor Assembly (Note: Not Available for Purchase)	
606P	4460897	1	Receptacle, Female - 2 Position	
606P	See Note	NSS	Resistor (Note: Use p/n 1001171403)	
607	1001143907	1	Alternator Power Cable (Deutz TD2.9L4 Engines)	
607	1001098764	1	Boot, Red (Deutz TD2.9L4 Engines)	
607	70004103	1	Cable, Alternator Interconnect (Not Shown - Connects item 602D to Alternator) (D2011 Engine Only)	
608	70025077	1	Harness, Engine (Deutz TD2.9L4 Engines)	
609	70002898	1	Harness, GM Engine (GM Engine Machines Only)	

SECTION 7 - ELECTRICAL

ITEM	PART NUMBER	QTY	DESCRIPTION	REV
609	See Note	1	Box, Fuse (Note: Parts of Harness - Not Available for Purchase)	
609	70002627	1	Cover, Fuse Box	
609	70001950	2	Relay (Power and Fuel Pump)	
609	70001951	1	Relay (Starter)	
609	70001931	1	Fuse - 60 Amp (Alternator)	
609	See Note	1	Fuse - 20 Amp (Note: Not Available - Purchase Locally)	
609	See Note	3	Fuse - 15 Amp (Note: Not Available - Purchase Locally)	
609	See Note	1	Fuse - 10 Amp (Note: Not Available - Purchase Locally)	
609	See Note	1	Fuse - 5 Amp (Note: Not Available - Purchase Locally)	
610	See Note	1	Pump Harness (Note: Not Available for Purchase)	
610A	7007498	1	Plug	
611	4360517	1	Harness, Swivel Coupling Sensor (Includes Sensor)	
611A	4460320	1	Plug, Male - 2 Position	
611A	4460227	2	Pin, Male	
612	0140044	1	Alarm Harness (Includes Alarm)	
612A	4460536	1	Plug, Male - 3 Position	
612A	4460464	2	Pin, Male	
612A	4460466	1	Plug, Sealing	
613	4360498	2	Proximity Switch Harness (Includes Switch)	
614	4360499	2	Proximity Switch Harness (Includes Switch)	
615	1001094400	Ref	Tilt Sensor Harness (Includes Sensor)	C
615A	4461077	1	Plug, Male 4 Position	
615A	4460918	6	Socket, Female (Gold)	
		Ref	OPTIONAL HARNESS COMPONENTS	
701	4921928	1	4WS Valve Harness (SN 0300183034 through 0300194139)	E
701A	4460268	3	Socket, Female	
701B	4460445	1	Connector, Female - 3 Position	
701C	4460499	2	Connector, DIN with Diode	
702	4921927	1	Jib Valve Harness (800AJ Only)	H
702A	4460326	1	Plug, Male - 3 Position	
702B	4460267	3	Pin, Male	
702C	4460499	2	Connector, DIN with Diode	
703	2920161	1	Strobe (Amber) Light Harness (Includes Strobe Light)	
703A	4460891	1	Connector, Male - 2 Position (Strobe Light - 2920161)	
703A	4460465	2	Socket, Female (Strobe Light - 2920161)	
703B	1001142736	1	Strobe (Blue) Light Harness (Module to Light) (Not Shown)	
703C	1001150944	1	Strobe (Blue) Light Harness (Module to Ground Control Box) (Not Shown)	
704	1001149818	1	Strobe (Amber) Light Extension Harness	D
704A	4460320	1	Connector, Female - 2 Position	
704A	4460267	2	Pin, Male	
704B	4460897	1	Connector, Female - 2 Position	
704B	4460464	2	Pin, Male	
705	See Note	1	Headlight and Taillight/Chassis Illumination Harness (Note: Not Available for Purchase)	
705	1060341	37 ft/ 11.3m	Cable, Electrical 16/2 (ABS Hoods)	
705	1060341	48 ft/14m	Cable, Electrical 16/2 (Steel Hoods)	
705A	3740049	1	Relay	
705A	4460259	3	Terminal	
705A	4460260	4	Housing, Terminal	
705A	4460297	1	Terminal	

SECTION 7 - ELECTRICAL

ITEM	PART NUMBER	QTY	DESCRIPTION	REV
705A	4922643	1	Lights Harness for Ground Control Box	C
705A	4460226	2	Socket, Female	
705B	4460426	1	Connector, Strain Relief	
706	1001112743	Ref	2500W Generator Electrical Diagram (50Hz - Deutz D2011 Engines)	B
706	1001112588	Ref	2500W Generator Electrical Diagram (50Hz - 60Hz - Deutz D2011 Engines)	B
706	1001180050	Ref	2500W Generator Electrical Diagram (60Hz - Deutz TD2.9L4 Engines)	B
706	4933350	Ref	2500W Generator Electrical Diagram (60Hz - GM Engines)	C
706A	4460321	1	Connector, Male - 4 Position (ANSI Spec Only)	
706A	4460906	AR	Socket, Female	
706A	4460268	AR	Socket, Female	
706B	4922641	1	Harness - On/Off Switch	
706C	4460268	2	Socket, Female	
706D	1001112589	1	Harness, Control Box to Relay (Deutz D2011 Engines)	A
706D	1001180052	1	Harness, Control Box to Relay (Deutz DT2.9L4 Engines)	
706D	4923445	1	Harness, Control Box to Relay (GM Engines)	A
706D	4460374	1	Plug, Sealed Relay	
706D	4460375	3	Terminal	
706E	4460742	1	Plug, Male - 2 Position (Deutz D2011 and GM Engines)	
706E	4460743	1	Socket, Female (Deutz D2011 and GM Engines)	
706E	4460458	1	Seal, Terminal (Deutz D2011 and GM Engines)	
706F	4460961	1	Connector, Female - 4 Position (ANSI Spec Only)	
706F	4460705	4	Pin, Male	
706G	7020193	1	Harness, Generator Power	
707	4921829	1	Generator to Rear of Boom 110V Harness	2
707	4921955	1	Generator to Rear of Boom 220V Harness	-
707		Ref	Note: Harness used to connect AC at platform harness to 2500W Generator Control Box receptacle.	
707	1060494	6 ft/1.8m	Cable, Electrical - 12/3	
707A	4460205	1	Plug, Male (110V)	
707A	4460233	1	Plug, Male (220V)	
707B	4460134	1	Receptacle, Female (110V)	
707B	4460701	1	Receptacle, Female (220V)	
708		Ref	AC to Platform Receptacle Components Options:	
708	0272259	Ref	AC Cable to 110V GFI Receptacle at Platform Installation (ANSI, ANSI Export, CSA and Japanese Specs without Generator or with 2500W Generator)	C
708	0272260	Ref	AC Cable to 220V GFI Receptacle Platform Installation (ANSI, CSA and Japanese Spec without Generator or with 2500W Generator)	C
708	1001171131	Ref	240V Receptacle with GFCI used with 4000W Generator (Not Shown)	B
708	1001159121	Ref	240V Receptacle with GFCI used with 7500W Generator (Not Shown)	B
708	0256202	Ref	AC Cable Only/ No Receptacle at Platform Installation (ANSI Export, Australian, CE and Japanese Specs without Generator or with 2500W Generator)	D
708	1001091969	Ref	AC Cable to 110V IEC Yellow Receptacle and Plug and Circuit Breaker (CE Spec without Generator or with 2500W Generator) (Note: Requires 0256202 Cable Only Installation and 1001177710 Breaker Box Installation)	C
708	1001194203	Ref	AC Cable to 110V IEC Yellow Receptacle and Plug and Circuit Breaker (CE Spec with 4000W Generator) (SN 0300183034)	B

SECTION 7 - ELECTRICAL

ITEM	PART NUMBER	QTY	DESCRIPTION	REV
708	1001206253	Ref	through 0300213788) AC Cable to 110V IEC Yellow Receptacle and Plug and Circuit Breaker (CE Spec with 4000W Generator) (SN 0300213789 to Present)	A
708	1001091970	Ref	AC Cable to 220V IEC Blue Receptacle and Plug and Circuit Breaker (CE Spec without Generator or with 2500W Generator) (Note: Requires 0256202 Cable Only Installation and 1001077710 Breaker Box Installation)	C
708	1001194204	Ref	AC Cable to 220V IEC Blue Receptacle and Plug and Circuit Breaker (CE Spec with 4000W Generator) (SN 0300183034 through 0300213788)	B
708	1001206254	Ref	AC Cable to 220V IEC Blue Receptacle and Plug and Circuit Breaker (CE Spec with 4000W Generator) (SN 0300213789 to Present)	A
708	1001091971	NLA	AC Cable to 220V CEE 7 Post Ground Receptacle and Plug and Circuit Breaker (70mm x 70mm Box) (Use p/n 1001091973) (CE Spec without Generator or with 2500W Generator) (Note: Requires 0256202 Cable Only Installation and 1001177710 Breaker Box Installation)	C
708	1001091972	NLA	AC Cable to 220V CEE 7 Side Ground Receptacle and Plug and Circuit Breaker (70mm x 70mm Box) (Use p/n 1001091974) (CE Spec without Generator or with 2500W Generator) (Note: Requires 0256202 Cable Only Installation & 1001177710 Breaker Box Installation)	C
708	1001091973	Ref	AC Cable to 220V CEE 7 Post Ground Receptacle and Plug and Circuit Breaker (2x4 Box) (CE Spec without Generator or with 2500W Generator) (Note: Requires 0256202 Cable Only Installation & 1001077710 Breaker Box Installation)	F
708	1001194197	Ref	AC Cable to 220V CEE 7 Post Ground Receptacle and Plug and Circuit Breaker (2x4 Box) (CE Spec with 4000W Generator) (SN 0300183034 through 0300213788)	B
708	1001206250	Ref	AC Cable to 220V CEE 7 Post Ground Receptacle and Plug and Circuit Breaker (2x4 Box) (CE Spec with 4000W Generator) (SN 0300213789 to Present)	A
708	1001091974	Ref	AC Cable to 220V CEE 7 Side Ground Receptacle and Plug and Circuit Breaker (2x4 Box) (CE Spec without Generator or with 2500W Generator) (Note: Requires 0256202 Cable Only Installation & 1001077710 Breaker Box Installation)	F
708	1001194198	Ref	AC Cable to 220V CEE 7 Side Ground Receptacle and Plug and Circuit Breaker (2x4 Box) (CE Spec with 4000W Generator) (SN 0300183034 through 0300213788)	B
708	1001206251	Ref	AC Cable to 220V CEE 7 Side Ground Receptacle and Plug and Circuit Breaker (2x4 Box) (CE Spec with 4000W Generator) (SN 0300213789 to Present)	A
708	1001091975	Ref	AC Cable to 220V AFSINT 107 Keyed Ground Receptacle and Plug and Circuit Breaker (2x4 Box) (CE Spec without Generator or with 2500W Generator) (Note: Requires 0256202 Cable Only Installation & 1001077710 Breaker Box Installation)	D
708	1001194200	Ref	AC Cable to 220V AFSINT 107 Keyed Ground Receptacle and Plug and Circuit Breaker (2x4 Box) (CE Spec with 4000W Generator) (SN 0300183034 through 0300213788)	B
708	1001206252	Ref	AC Cable to 220V AFSINT 107 Keyed Ground Receptacle and Plug and Circuit Breaker (2x4 Box) (CE Spec with 4000W Generator) (SN 0300213789 to Present)	A
708	1001194365	Ref	AC Receptacle - 220V (2x4 Box) (ANSI Export Spec) (SN 0300183034 through 0300213788)	A
708	1001206255	Ref	AC Receptacle - 220V (2x4 Box) (ANSI Export Spec) (SN 03002137889 to Present)	A
708	1001160272	Ref	AC Cable to Receptacle Platform Installation (Machines with 4000W Generator)	B

SECTION 7 - ELECTRICAL

ITEM	PART NUMBER	QTY	DESCRIPTION	REV
708	0272433	Ref	AC Cable to Receptacle Platform Installation (Machines with 7500W SkyPower Generator)	B
708	3251242	1	Decal - 240V/50Hz (Not Shown)	
708A	0860038	1	Box, Switch - 0272259 & 0272260 Installations	
708A	Not Required	0	Box, Switch - 0256202 Installation (Note: Use Receptacle Kit or Purchase Locally)	
708A	0861781	1	Box, Switch - 1001091969, 1001091970, 1001194203, 1001194204 Installations	
708A	0861782	NLA	Box, Switch - 1001091971, 1001091972, 1001100329 Installations (Note: Use p/n 1001141970 CEE 7 Side Ground Service Kit or p/n 1001141971 CEE 7 Post Ground Service Kit. Kits includes Box p/n 1001141967 and items 708B, 708C, 708E & 708J)	
708A	0861731	1	Box, Switch - 1001091969, 1001091970, 1001194197, 1001194198, 1001194200, 1001194365 Installations	
708A	1001141967	1	Box, Switch - 1001100343, 1001100344, 1001141970 & 1001141971 Kits	
708B	4460346	1	Receptacle - 0272259 Installation	
708B	4460125	1	Receptacle - 0272260 Installation	
708B	Not Required	0	Receptacle - 0256202 Installation (Note: Use Receptacle Kit or Purchase Locally)	
708B	4461198	1	Receptacle - 1001091969 & 1001194203 Installations	
708B	4461201	1	Receptacle - 1001091970 & 1001194204 Installations	
708B	4461204	NLA	Receptacle - 1001091971 Installations (Note: Use p/n 100110343)	
708B	4461207	NLA	Receptacle - 1001091972 Installations (Note: Use p/n 100110344)	
708B	4461244	1	Receptacle - 1001091973 & 1001194197 Installations	
708B	4461245	1	Receptacle - 1001091974 & 1001194198 Installations	
708B	4461246	1	Receptacle - 1001091975 & 1001194200 Installations	
708B	1001141968	1	Receptacle - 1001100343 & 1001141971 Kits	
708B	1001141969	1	Receptacle - 1001100344 & 1001141970 Kits	
708C	1001110873	1	Shield, Cover - 0272259 Installation	
708C	4060092	1	Shield, Cover - 0272260 Installation	
708C	Not Required	0	Shield, Cover - 0256202 Installation (Purchase Locally)	
708C	See Note	Ref	Shield, Cover - 1001091973, 1001091974, 1001091975, 1001091969, 1001091970, 1001091971, 1001091972, 1001100331, 1001100333, 1001100337, 1001100326, 1001100327, 1001100328 & 1001100329, 1001194197, 1001194198, 1001194200, 1001194203, 1001194204 Installations (Note: Shield Included with Receptacle - Purchase Item 708B)	
708C	1670603	1	Shield, Cover - 1001194365 Installation	
708C	3960422	1	Gasket, Cover (0272259 & 0272260 Installations Only)	
708D	4460051	1	Connector, Strain Relief - 0272259 & 0272260 Installations	
708D	Not Required	0	Connector, Strain Relief - 0256202 Installation (Note: Use Receptacle Kit or Purchase Locally)	
708D	1001101191	1	Connector, Strain Relief - 1001091969, 1001091970, 1001091971, 1001091972, 1001091973, 1001091974, 1001091975, 1001206250, 1001206251, 1001206252, 1001206253, 1001206254 & 1001206255 Installations	
708D	4460968	1	Connector, Strain Relief -1001194203 & 1001194204 Installations	
708D	4460662	1	Connector, Strain Relief - 1001194197, 1001194198 & 1001194200 Installations	
708E	4460205	1	Plug, Male - 0272259 Installation	
708E	4460233	1	Plug, Male - 0272260 Installation	

SECTION 7 - ELECTRICAL

ITEM	PART NUMBER	QTY	DESCRIPTION	REV
708E	Not Required	0	Plug, Male - 0256202 Installation (Note: Use Receptacle Kit or Purchase Locally)	
708E	4461196	1	Plug, Male - 1001091969 Installation	
708E	4461199	1	Plug, Male - 1001091970 Installation	
708E	4461202	NLA	Plug, Male (Use p/n 44601205) - 1001091971, 1001091973 Installations & 1001100343 & 1001141971 Kits	
708E	4461205	1	Plug, Male - 1001091972, 1001091974 Installations & 1001100344 & 1001141970 Kits	
708E	4461249	1	Plug, Male - 1001091975 Installation	
708E	Not Required	0	Plug, Male - 1001100326, 1001100327, 1001100328, 1001100329, 1001100331, 1001100333 & 1001100337 Installations	
708F	4460205	AR	Plug, Male - 0272259 Installation	
708F	1001213584	AR	Plug, Male - 0272259 Installation	
708F	4460233	AR	Plug, Male - 0272260 Installation	
708F	1001213584	AR	Plug, Male - 0272260 Installation	
708F	4460709	AR	Plug, Male - 0256202, 1001091969, 1001100326, 1001091970, 1001100327 1001091971, 1001100328, 1001091972, 1001100329, 1001091973, 1001100331, 1001091974, 1001100333, 1001091975 & 1001100337 Installations	
708F	1001213584	AR	Plug, Male - 0256202 Installation (SN 0300236850 to Present)	
708F	4460692	1	Plug, Male - 1001160272 Installation	
708F	4460959	1	Plug, Male - 0272433 Installation	
708G	4460134	1	Connector, Female - 0272259 Installation (SN 0300183034 through 0300236849)	
708G	1001213585	1	Connector, Female - 0272259 Installation (SN 0300236850 to Present)	
708G	4460701	1	Connector, Female - 0272260 Installation (SN 0300183034 through 0300236849)	
708G	1001213585	1	Connector, Female - 0272260 Installation (SN 0300236850 to Present)	
708G	4460710	AR	Connector, Female - 0256202, 1001091969, 1001100326, 1001091970, 1001100327 1001091971, 1001100328, 1001091972, 1001100329, 1001091973, 1001100331, 1001091974, 1001100333, 1001091975 & 1001100337 Installations	
708G	1001213585	AR	Connector, Female - 0256202 Installation (SN 0300236850 to Present)	
708G	4460963	2	Connector, Female - 1001160272 Installation	
708G	4460960	2	Connector, Female - 0272433 Installation	
708H	1001101196	1	Connector, Adapter - 1001091969, 1001091970, 1001091971, 1001091972, 1001206253 & 1001206254 Installations	
708H	1001101197	1	Connector, Adapter - 1001091973, 1001091974, 1001091975, 1001206250, 1001206251, 1001206252 & 1001206255 Installations	
708J	4461197	1	Receptacle, Female - 1001100326 Installation (CE Specs with 2500W Generator Control Box Only)	
708J	4461200	1	Receptacle, Female - 1001100327 Installation (CE Specs with 2500W Generator Control Box Only)	
708J	4461203	1	Receptacle, Female - 1001100328 & 1001100331 Installations & 1001100343 & 1001141971 Kits (CE Specs with 2500W Generator Control Box Only)	
708J	4461206	1	Receptacle, Female - 1001100329 & 1001100333 Installations & 1001100344 & 1001141970 Kits (CE Specs with 2500W Generator Control Box Only)	
708J	4461250	1	1001100337 Installation (CE Specs with 2500W Generator Control Box Only)	

SECTION 7 - ELECTRICAL

ITEM	PART NUMBER	QTY	DESCRIPTION	REV
708K	0275216	1	Receptacle Box Kit - 110V IEC Yellow (1001091969 Installation) (For CE Machines without 2500W Generator Only) (Includes Items 708A, 708B, 708C & 708E)	1
708K	0275217	1	Receptacle Box Kit - 220V IEC Blue (1001091970 Installation) (For CE Machines without 2500W Generator Only) (Includes Items 708A, 708B, 708C & 708E)	1
708K	0275218	NLA	Receptacle Box Kit - 220V CEE 7 Post Ground (1001091971 Installation) (Use p/n 1001100343) (For CE Machines without 2500W Generator Only) (Includes Items 708A, 708B, 708C & 708E)	C
708K	0275219	NLA	Receptacle Box Kit - 220V CEE 7 Side Ground (1001091972 Installation) (Use p/n 1001100343)	B
708K	0275452	1	Receptacle Box Kit - 220V CEE 7 Post Ground (1001091973 Installation) (For CE Machines without 2500W Generator Only) (Includes Items 708A, 708B, 708C & 708E)	C
708K	0275453	1	Receptacle Box Kit - 220V CEE 7 Side Ground (1001091974 Installation) (For CE Machines without 2500W Generator Only) (Includes Items 708A, 708B, 708C & 708E)	1
708K	0275454	1	Receptacle Box Kit - 220V AFSINT 107 Keyed Ground (1001091975 Installation) (For CE Machines without 2500W Generator Only) (Includes Items 708A, 708B, 708C & 708E)	1
708K	1001100341	1	Receptacle Box Kit - 110V IEC Yellow (1001100326 Installation) (For CE Machines with 2500W Generator Only) (Includes Items 708A, 708B, 708C, 708E & 708J)	2
708K	1001100342	1	Receptacle Box Kit - 220V IEC Blue (1001100327 Installation) (For CE Machines with 2500W Generator Only) (Includes Items 708A, 708B, 708C, 708E & 708J)	2
708K	1001091971	NLA	Receptacle Box Kit - 220V CEE 7 Post Ground (1001100328 Installation) (Use p/n 1001100343 Kit) (For CE Machines with 2500W Generator Only) (Includes Items 708A, 708B, 708C, 708E & 708J)	B
708K	1001091970	NLA	Receptacle Box Kit - 220V CEE 7 Side Ground (1001100329 Installation) (Use p/n 1001100344 Kit) (For CE Machines with 2500W Generator Only) (Includes Items 708A, 708B, 708C, 708E & 708J)	B
708K	1001100345	1	Receptacle Box Kit - 220V CEE 7 Post Ground (1001100331 Installation) (For CE Machines with 2500W Generator Only) (Includes Items 708A, 708B, 708C, 708E & 708J)	C
708K	1001100347	1	Receptacle Box Kit - 220V CEE 7 Side Ground (1001100333 Installation) (For CE Machines with 2500W Generator Only) (Includes Items 708A, 708B, 708C, 708E & 708J)	2
708K	1001100346	1	Receptacle Box Kit - 220V AFSINT 107 Keyed Ground (1001100337 Installation) (For CE Machines with 2500W Generator Only) (Includes Items 708A, 708B, 708C, 708E & 708J)	2
708L	1001156351	2	Cover, Connector - 0256202 Installation (SN 0300183034 through 0300236849)	
708L	1671092	1	Cover, Connector - 01001160272 & 0272433 Installations	
708M	1001156352	1	Cover, Plug - 0256202 Installation (SN 0300183034 through 0300236849)	
708M	1671093	1	Cover, Plug - 01001160272 & 0272433 Installations	
708N	1001193018	1	Bracket, Receptacle Box - 1001091969, 1001091970, 1001091971, 1001091972, 1001091973, 1001091974, 1001091975, 1001194203, 1001194204, 1001194197, 1001194198, 1001194200, 1001194365 Installations (SN 0300201004 to Present)	
709	1001139952	Ref	4000W Generator Installation - Deutz D2011 Engine (60Hz)	B
709	1001139953	Ref	4000W Generator Installation - Deutz D2011 Engine (50Hz) (SN 0300183034 through 0300195352)	D
709	1001179912	Ref	4000W Generator Installation - Deutz D2011 Engine (50Hz) (SN	E

SECTION 7 - ELECTRICAL

ITEM	PART NUMBER	QTY	DESCRIPTION	REV
			0300195353 to Present)	
709	1001171125	Ref	4000W Generator Installation - Deutz DT2.9L4 Engine (60Hz)	A
709	1001180218	Ref	4000W Generator Installation - Deutz DT2.9L4 Engine (50Hz)	D
709	1001139960	Ref	4000W Generator Installation - GM Engine	A
709	1001115387	Ref	7500W SkyPower Generator Installation - Deutz D2011 Engine (60Hz)	F
709	1001115389	Ref	7500W SkyPower Generator Installation - Deutz D2011 Engine (50Hz)	E
709	1001141421	Ref	7500W SkyPower Generator Installation - Deutz DT2.9L4 Engine (60Hz)	E
709	1001141422	Ref	7500W SkyPower Generator Installation - Deutz DT2.9L4 Engine (50Hz)	E
709	0275257	Ref	7500W SkyPower Generator Installation - GM Engine	G
709B	3960422	1	Gasket - 60Hz Spec	
709B	See Note	NLA	Gasket - 50Hz Spec (Note: Not Available - Purchase Locally)	
709C	1001110873	Ref	Cover, Receptacle - 60Hz Spec (Top Hinged Cover)	
709C	See Note	NLA	Cover, Receptacle - 50Hz Spec (Note: Not Available - Purchase Locally)	
709E	4460346	Ref	Receptacle - 60Hz Spec	
709E	See Note	NLA	Receptacle - 50Hz Spec (Note: Not Available - Purchase Locally)	
709G	4460071	1	Connector, Strain Relief	
709H	1001152532	Ref	Harness, Generator - 4000W Generator	A
709H	4922925	1	Harness, Generator - 7500W SkyPower Generator	C
709J	See Note	NLA	Plug, Male - 6 Position - 7500W SkyPower Generator (Note: Not Available for Purchase)	
709J	77363233	1	Plug, Male - 6 Position - 4000W SkyPower Generator (Note: Not Available for Purchase)	
709J	77363229	6	Socket, Female - 7500W SkyPower Generator	
709J	4460465	2	Socket, Female - 4000W Generator	
709K	4460225	1	Plug, Male - 6 Position	
709K	4460226	6	Socket, Female - 7500W SkyPower Generator	
709K	4460268	2	Socket, Female - 4000W Generator	
709K	4460807	1	Seal - 4000W Generator	
709K	4460808	1	Seal - 4000W Generator	
709L		Ref	Breaker Box Assembly (50Hz) (See Items 716C-716G for Components)	
710	1001152457	Ref	4000W Generator Junction Box Components (60Hz) (Call-out # Not Shown)	B
710	1001152458	Ref	4000W Generator Junction Box Components (50Hz) (Call-out # Not Shown)	B
710	1001157592	Ref	7500W SkyPower Generator Junction Box Components (60Hz) (Call-out # Not Shown)	D
710	1001157525	Ref	7500W SkyPower Generator Junction Box Components (50Hz) (Call-out # Not Shown)	D
710A	1060494	2 ft/.6m	Cable, Electrical 12/3 - 60Hz Spec (SN 0300183034 through 0300205491)	
710A	1001179154	2.5 ft/.76m	Cable, Electrical 12/3 - 60Hz Spec (SN 0300205492 to Present)	
710C	1060343	1.5 ft/.46m	Cable, Electrical 10/4 (7500W 60Hz Spec Only)	
710D	4460425	1	Connector, Strain Relief	
710E	4460426	2	Connector, Strain Relief (60Hz Spec Only)	
710E	4460426	1	Connector, Strain Relief (50Hz Spec Only)	
710E	3520189	1	Plug (50Hz Spec Only)	
710F	1671092	1	Cover (7500W 60Hz Spec Only)	

SECTION 7 - ELECTRICAL

ITEM	PART NUMBER	QTY	DESCRIPTION	REV
710F	4460963	1	Connector (7500W 60Hz Spec Only)	
711	1001132055	Ref	4000W Generator Electrical Diagram - 60Hz - Deutz D2011 & GM Engine Machines	A
711	1001153257	Ref	4000W Generator Electrical Diagram - 60Hz - Deutz DT2.9L4 Engine Machines	A
711	1001153025	Ref	4000W Generator Electrical Diagram - 50Hz - Deutz Engine Machines (ANSI Export & Japanese Specs) (SN 0300183034 through 0300204764)	C
711	1001194437	Ref	4000W Generator Electrical Diagram - 50Hz - Deutz Engine Machines (ANSI Export & Japanese Specs) (SN 0300204765 to Present)	B
711	1001159648	Ref	4000W Generator Electrical Diagram - 50Hz - Deutz Engine Machines with Australian Specs	C
711	1001153025	Ref	4000W Generator Electrical Diagram - 50Hz - Deutz Engine Machines with CE Specs	C
711	1001160271	Ref	4000W Generator Electrical Diagram - 50Hz - Deutz Engine Machines with CE UK Specs	C
711	1001157769	Ref	7500W SkyPower Generator Electrical Diagram - Deutz D2011 Engine Machines (Call-out # Not Shown)	B
711	1001157770	Ref	7500W SkyPower Generator Electrical Diagram - Deutz TD2.9L4 Engine Machines (Call-out # Not Shown)	A
711	1001221498	Ref	7500W SkyPower Generator Electrical Diagram - Ford Engine Machines (Call-out # Not Shown)	A
711	1001157768	Ref	7500W SkyPower Generator Electrical Diagram - GM Engine Machines (Call-out # Not Shown)	A
711A	1001153197	1	Generator Harness - 4000W Generator (Deutz D2011 & GM Engines)	B
711A	1001153197	1	Generator Harness - 4000W Generator (Deutz DT2.9L4 Engines) (SN 0300183034 through 0300213719)	B
711A	1001153259	1	Generator Harness - 4000W Generator (Deutz DT2.9L4 Engines) (SN 0300213720 to Present)	B
711A	1001152429	1	Generator Harness - 7500W/50Hz SkyPower Generator (Deutz Engine Machines)	C
711A	1001119968	1	Generator Harness - 7500W/60Hz SkyPower Generator (Deutz Engine Machines)	C
711A	1001221208	1	Generator Harness - 7500W SkyPower Generator (Ford Engine Machines)	A
711A	4923420	1	Generator Harness - 7500W SkyPower Generator (GM Engine Machines)	A
711B	4460374	2	Plug, Sealed Relay (7500W SkyPower Generator with Ford & GM Engines Only)	
711B	4460375	7	Terminal (7500W SkyPower Generator with Ford & GM Engines Only)	
711C	4460967	1	Plug, Male - 3 Position	
711C	4460465	3	Socket, Female	
711D	4460742	1	Plug, Male - 2 Position (4000W/60Hz Generator) (Deutz D2011 & GM Engines)	
711D	4460743	2	Socket, Female (4000W/60Hz Generator) (Deutz D2011 & GM Engines)	
711D	4460458	1	Seal (4000W/60Hz Generator) (Deutz D2011 & GM Engines)	
711D	1001116727	1	Seal (4000W/60Hz Generator) (Deutz D2011 & GM Engines)	
711D	4460742	1	Plug, Male - 2 Position (7500W SkyPower Generator 50Hz Deutz & 60Hz - Ford & GM Engines Only)	
711D	4460743	2	Socket, Female (7500W SkyPower Generator 550Hz Deutz & 60Hz - Ford & GM Engines Only)	
711D	4460458	2	Seal (7500W SkyPower Generator 550Hz Deutz & 60Hz - GM Engines Only)	

SECTION 7 - ELECTRICAL

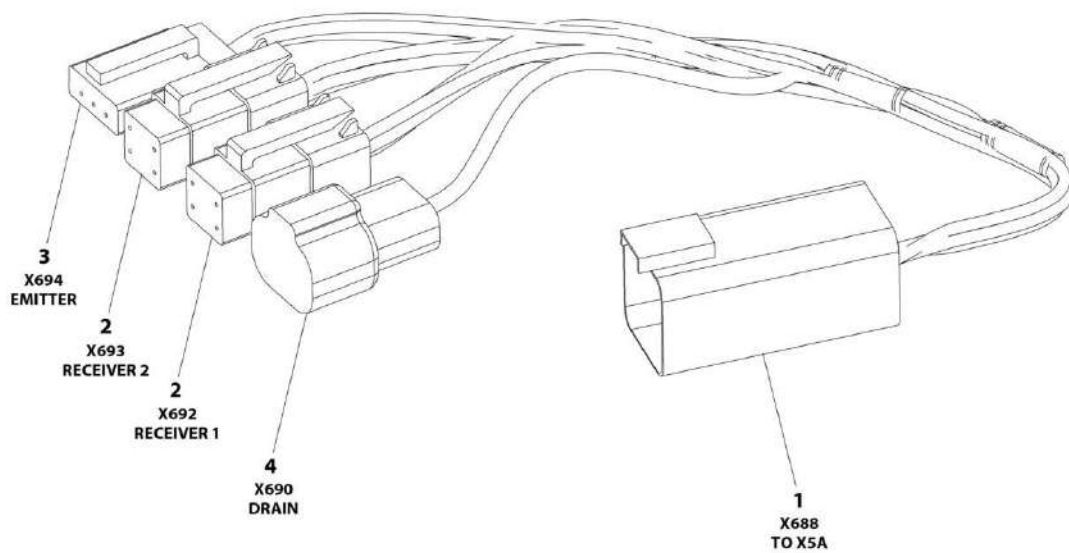
ITEM	PART NUMBER	QTY	DESCRIPTION	REV
711E	2400060	1	Fuseholder (50Hz Deutz & 60Hz - GM Engines)	
711E	2400064	1	Fuse - 5 Amp (50Hz Deutz & 60Hz - GM Engines)	
711E	1001117078	1	Fuseholder (Includes Fuse and Cap) (60Hz - Deutz Engine)	
711E	See Note	1	Fuse - 5 Amp (60Hz - Deutz Engines) (Note: Use 1001117078 Assembly or Purchase Fuse Locally)	
711E	1001096134	1	Cover, Fuseholder (60Hz - Deutz Engines)	
711F	4922641	1	Switch Harness	
711G	4460268	2	Socket, Female	
711H	1001164091	1	Harness, Ground (4000W/50Hz) (Not Shown)	
712	See Note	1	Lights Harness (Note: Not Available for Purchase)	
712	1060341	48 ft/ 14.6m	Cable, Electrical - 16/2	
712A	3740049	1	Relay	
712B	4922643	1	Harness, Bagged (Located at Ground Control Box) (Not Shown)	
712C	4460426	1	Connector, Strain Relief	
713A	2920140	2	Platform Worklights Harness (External) Options (Includes Light and Wire Only)	
713B	1001098234	AR	Connector, Female - 3 Position	
713C	1001098349	1	Connector, Male - 3 Position (Platform Worklights Only)	
713D	4460426	1	Connector, Strain Relief	
713E	2400070	1	Fuse - 20 Amp	
713F	4922215	1	Platform Worklights Main Boom Harness (800A)	
713F	4922216	1	Platform Worklights Main Boom Harness (800AJ)	
713G	4922217	1	Platform Worklights Tower Boom Harness	
714A	1060341	23 ft/7.1m	Cable, SoftTouch System - 16/2	
714B	4460425	1	Connector, Strain Relief - 6ft Platforms	
714B	4460049	1	Connector, Strain Relief - 8ft Platforms	
714C	4460226	2	Socket, Female	
715	1001094509	1	Generator Hourmeter Harness	
716	1001206256	Ref	AC Cable to Breaker (Required Only on CE Spec)	A
716	1001177710	Ref	AC Cable to Breaker (Required Only on CE Spec without 2500W Generator Installation)	C
716	1001171016	Ref	AC Cable to Breaker (Required Only on Brazil Spec with AC to Platform without 7500W SkyPower Generator)	
716A	0903484	1	Bracket, Receptacle Box Mounting (CE Spec Only)	
716B	1001177035	1	Bracket, Circuit Breaker Mounting (CE Spec)	
716B	0903697	1	Bracket, Circuit Breaker Mounting (Brazil Spec)	
716C	1001109654	1	Breaker Box Kit (Without Generator)	B
716C	1001109654	1	Breaker Box Kit (2500W/50Hz & 7500W/50Hz Generators)	B
716C	1001096070	1	Breaker Box Kit (4000W/50Hz Generator) (SN 0300183034 through 0300214275)	E
716C	1001165368	1	Breaker Box Kit (4000W/50Hz Generator) (SN 0300214276 to Present)	B
716C	1001109477	NLA	Circuit Breaker 10A (Use p/n 1001181046) (SN 0300183034 through 0300204765)	
716C	1001109475	NLA	Circuit Breaker 16A (Use p/n 1001181045) (SN 0300183034 through 0300204765)	
716C	1001109482	NLA	Circuit Breaker 30mA (Use p/n 1001181046 When Paired with 10A Breaker / Use p/n 1001181045 When Paired with 16A Breaker) (SN 0300183034 through 0300204765)	
716C	1001181046	1	Circuit, Breaker 10A/30mA Combination (SN 0300204766 to Present)	
716C	1001181045	1	Circuit, Breaker 16A/30mA Combination (SN 0300204766 to Present)	

SECTION 7 - ELECTRICAL

ITEM	PART NUMBER	QTY	DESCRIPTION	REV
716C	0861880	1	Breaker Box	
716C	4460956	1	Terminal, Block End Barrier	
716C	1060908	6 ft/1.8m	Cable, Extension	
716C	4460957	1	Terminal Block	
716D	1001101191	1	Connector, Strain Relief (Top) (1001109654 Box)	
716D	1001097150	1	Connector, Strain Relief (Bottom) (1001109654 Box)	
716D	1001097150	2	Connector, Strain Relief (1001096070 Box)	
716D	1001101191	2	Connector, Strain Relief (1001165368 Box)	
716E	1060908	12 ft/3.6m	Cable, Electrical 12/3 (1001109654 & 1001096070 Boxes)	
716E	1060545	12 ft/3.6m	Cable, Electrical 10/3 (1001165368 Box)	
716F	4460709	1	Plug, Male (CE Spec Only)	
716F	1001213584	1	Plug, Male (CE Spec Only) (1001177710 Installation) (SN 0300236850 to Present)	
716G	4460710	1	Connector, Female (CE Spec Only)	
716G	1001213585	1	Connector, Female (CE Spec Only) (1001177710 Installation) (SN 0300236850 to Present)	
		Ref	TOOLS	
801	7002821	1	Crimper (For Wire to Pin/Socket Connections) (Not Shown)	
802	7002823	1	Extractor (For Removal of Pin/Socket from Connectors) (Not Shown)	
803	4460467	1	Extractor, Pin (Blue 16-18 Gauge) (For Removal of Pin/Socket from Connectors) (Not Shown)	
803	4460510	1	Extractor, Pin (Yellow 12-14 Gauge) (For Removal of Pin/Socket from Connectors) (Not Shown)	
804	7002828	1	Stripper, Wire (Not Shown)	
805	1600244	1	Analyzer	
805A	1060633	1	Cable, Analyzer	1-A
805B	4460321	2	Plug, Male	
805B	4460226	8	Socket, Female	

SECTION 7 - ELECTRICAL

FIGURE 7-3. SKYEYE INTERMEDIATE HARNESS



ART_1001237865

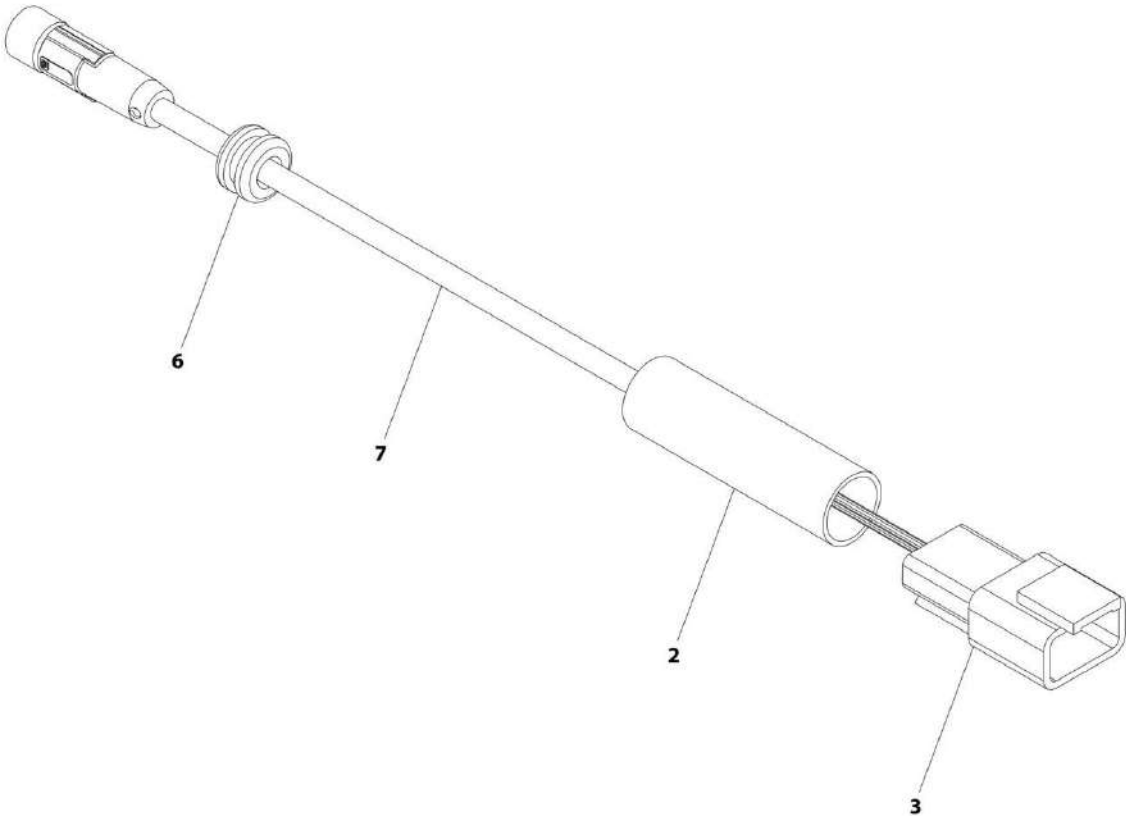
SECTION 7 - ELECTRICAL

FIGURE 7-3. SKYEYE INTERMEDIATE HARNESS

ITEM	PART NUMBER	QTY	DESCRIPTION	REV
	1001237865	Ref	SKYEYE INTERMEDIATE HARNESS	A
1	4460899	1	Connector - 6 Position	
1	4460943	4	Pin, Male	
1	4460466	2	Plug, Terminal	
2	4461077	2	Connector - 4 Position	
2	1001119619	8	Socket, Female	
3	4460911	1	Connector - 3 Position	
3	1001119619	3	Socket, Female	
4	1001187681	1	Connector - 2 Position	
4	4460941	1	Pin, Male	
4	4460466	1	Plug, Terminal	

SECTION 7 - ELECTRICAL

FIGURE 7-4. SKYEYE EMITTER HARNESS



ART_1001237864

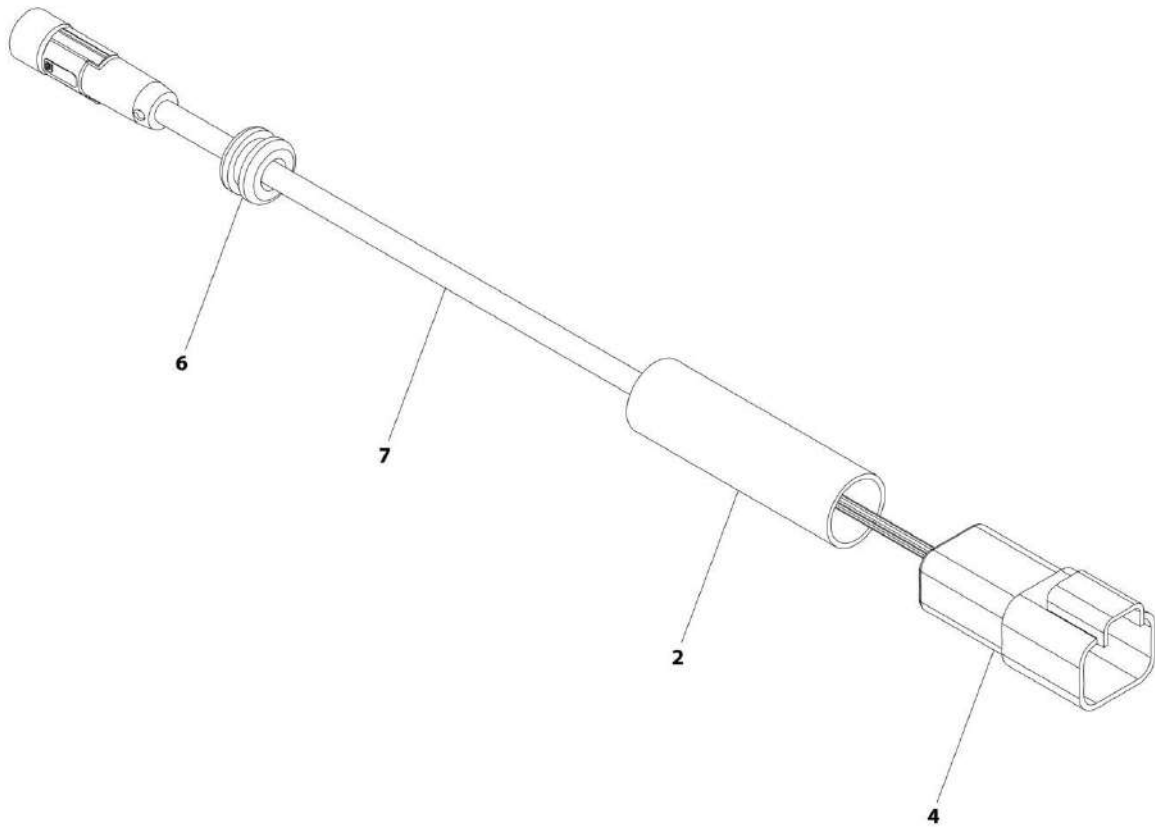
SECTION 7 - ELECTRICAL

FIGURE 7-4. SKYEYE EMITTER HARNESS

ITEM	PART NUMBER	QTY	DESCRIPTION	REV
	1001237864	Ref	SKYEYE EMITTER HARNESS	A
2	2820247	AR	Tubing, Heat Shrink	
3	4460910	1	Connector - 3 Position	
3	1001119620	3	Pin, Male	
6	1001227996	1	Grommet	
7	1001237862	1	Cable, M8 Female Cordset	

SECTION 7 - ELECTRICAL

FIGURE 7-5. SKYEYE RECEIVER HARNESS



ART_1001237863

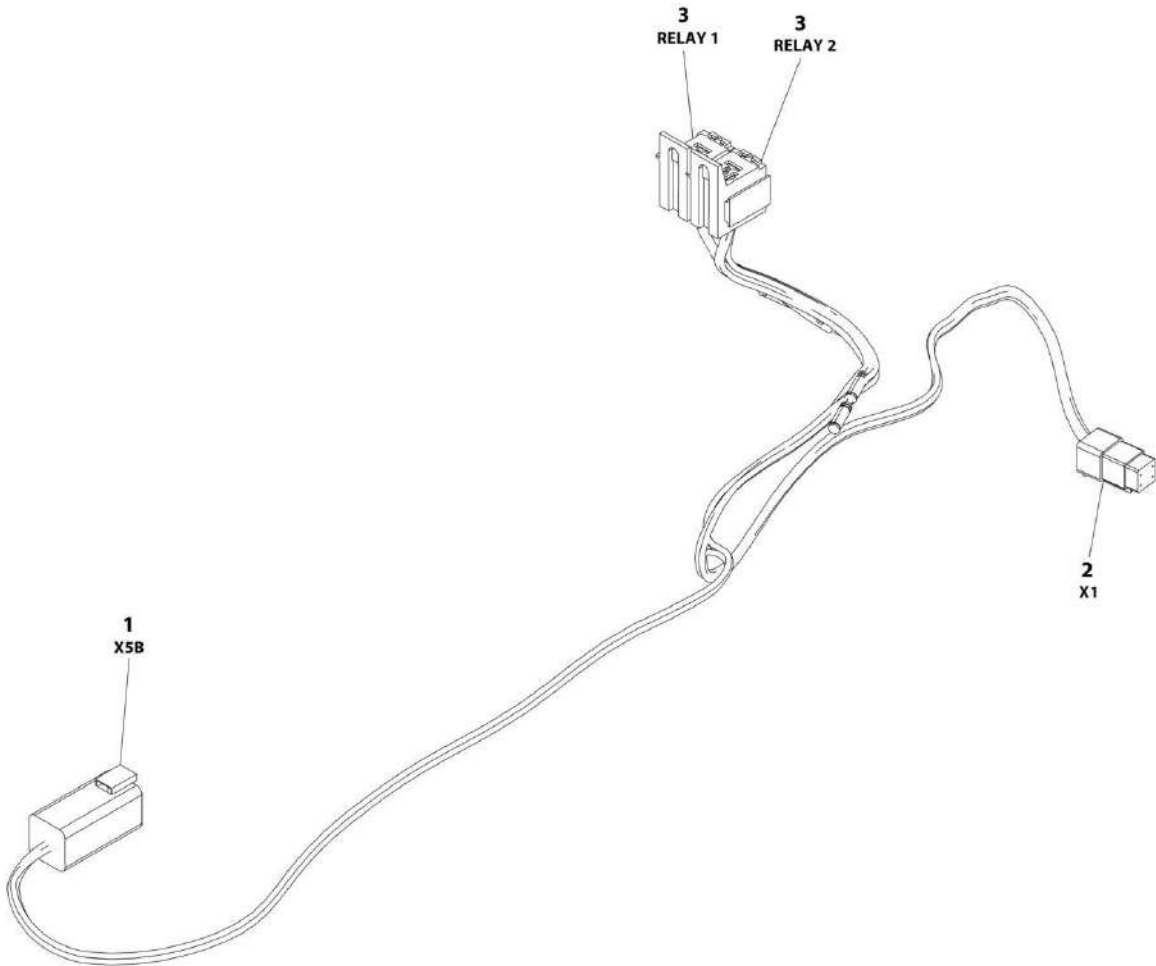
SECTION 7 - ELECTRICAL

FIGURE 7-5. SKYEYE RECEIVER HARNESS

ITEM	PART NUMBER	QTY	DESCRIPTION	REV
	1001237863	Ref	SKYEYE RECEIVER HARNESS	A
2	2820247	AR	Tubing, Heat Shrink	
4	1001097051	1	Connector - 4 Position	
4	1001119620	4	Pin, Male	
6	1001227996	1	Grommet	
7	1001237862	1	Cable, M8 Female Cordset	

SECTION 7 - ELECTRICAL

FIGURE 7-6. SKYLINE HARNESS



ART_1001238418

SECTION 7 - ELECTRICAL

FIGURE 7-6. SKYLINE HARNESS

ITEM	PART NUMBER	QTY	DESCRIPTION	REV
	1001238418	Ref	SKYLINE HARNESS	A
1	4460899	1	Connector - 6 Position	
1	4460464	4	Pin, Male	
1	4460466	2	Plug, Terminal	
2	4461077	1	Connector - 4 Position	
2	1001126009	4	Socket, Female	
3	1001186432	2	Plug, Relay	
3	1001118388	5	Terminal	
3	1001118384	3	Terminal	
3	3740086	2	Relay	
3	3990013	2	Diode	

SECTION 8 - DECALS

SECTION 8 - DECALS

FIGURE 8-1. DECAL INSTALLATION (ANSI SPEC)

ITEM	PART NUMBER	QTY	DESCRIPTION	REV
	0274519	Ref	DECALS INSTALLATION - JLG LOGO	E
	0274460	Ref	DECALS INSTALLATION - 800A	H
	0274461	Ref	DECALS INSTALLATION - 800AJ	H
2	1701499	2	Decal - No Tie Down/Lift	
5	1701509	1	Decal - Manual	
7	1703811	4	Decal - Tie Down/Lift	
8	1703814	6	Decal - Tie Down	
9	1704277	3	Decal - Attach Lanyard Here	
10	1704412	1	Decal - Hydraulic Oil Chart	
12	1705514	1	Decal - CSA (SN 0300222892 to Present)	
13	3251243	1	Nameplate - 120V-60Hz	
18	1703953	5	Decal - Warning Crushing	
20	1702868	2	Decal - No Hands	
21	1703797	1	Decal - Warning/Danger	
22	1705336	1	Decal - Warning Inspection (MTB)	
23	1703804	4	Decal - Warning Crushing	
24	1703805	5	Decal - Danger Electrocution	
25	3252347	1	Decal - Footswitch	
26	3251813	1	Decal - USA	
29	1703960	4	Decal - Max Tire Load	
30	See Note	1	Decal - Bar Code (Note: Not Available for Purchase)	
31	1703772	2	Decal - 800A	
31	1703773	2	Decal - 800AJ	
32	1701501	4	Decal - Arrow	
33	1001121800	2	Decal - 500LBS Unrestricted Capacity (800A)	
33	1001121801	2	Decal - 500LBS Maximum Capacity (800AJ)	
34	1001121813	1	Decal - 500LBS Unrestricted Capacity (800A)	
34	1001121814	1	Decal - 500LBS Maximum Capacity (800AJ)	
35	1704885	1	Decal - Website	
36	See Note	1	Nameplate - Manufacturers Serial Number (Note: Not Available for Purchase)	
37	1001096141	1	Decal - Upright Level Override	
38	1703959	2	Decal - Quick Stick	
39	1001131269	1	Decal - Patent	
40	1001108495	1	Decal - Legend	
41	1001095809	1	Decal - Legend (MTB)	
43	3820001	4	Rivet	
44	1702861	2	Decal - JLG Lift (8in Height)	
45	1702774	1	Decal - JLG Lift (3-1/2in Height)	
46	1702773	1	Decal - JLG (5in Height)	
47	3250872	1	Nameplate - Steer/Tow Selector	
48	1705090	1	Decal - Towing Instructions	
49	1701505	1	Decal - Fuel (Diesel)	
49	1701542	1	Decal - Fuel (Gas)	
50	1701543	2	Decal - LP Gas (GM Engine Machines Only)	
51	1700818	2	Decal - LP Gas (Liquid) (GM Engine Machines Only)	
53	1703175	1	Decal - Lanyard Attach (GM Spec Only)	
54	1702962	1	Decal - Warning (Proposition 65) (California Spec -Diesel Machines Only) (SN 0300183034 through 0300243317)	
54	1001231801	1	Decal - Warning (Proposition 65) (California Spec -Diesel	

SECTION 8 - DECALS

ITEM	PART NUMBER	QTY	DESCRIPTION	REV
54	1702961	1	Machines Only) (SN 0300243318 to Present) Decal - Warning (Proposition 65) (California Spec -Gas Machines Only) (SN 0300183034 through 0300243317)	
54	1001236338	1	Decal - Warning (Proposition 65) (California Spec -Gas Machines Only) (SN 0300243318 to Present)	
55	1702788	1	Decal - Bio Hydraulic Fluid	
56	1705351	1	Decal - Drive Orientation	
60	1001223055	1	Decal - Yearly Inspection (SN 0300234048 to Present)	
61	1001229113	1	Decal - Lift Diagram (SN 0300237344 to Present)	
62	1001223453	1	Decal - ICES (SN 0300243318 to Present)	
71	1001125387	1	Decal - Low Sulfur Fuel (Deutz Engine Machines)	
	0258671	Ref	MANUAL STORAGE BOX INSTALLATION	C
101	0860520	1	Box, Manual Storage	
101	0641406	4	Bolt 1/4-20 x 3/4	
101	4751400	4	Washer 1/4	
101	3311405	4	Nut 1/4-20	
	1001220864	Ref	TRANSPORT DECALS INSTALLATION (SN 0300224236 to Present)	A
201	1001220512	2	Decal - Lower Boom	
202	1001220510	2	Decal - Warning Arrow	
203	1001220511	2	Decal - Warning Stripe	

SECTION 8 - DECALS

FIGURE 8-2. DECAL INSTALLATION (COUNTRY SPEC)

ITEM	PART NUMBER	QTY	DESCRIPTION	REV
	0274519	Ref	DECAL INSTALLATION - JLG LOGO	E
	0274470	Ref	DECAL INSTALLATION - 800A DUAL LANGUAGE ENGLISH/CHINESE	F
	0274472	Ref	DECAL INSTALLATION - 800A DUAL LANGUAGE ENGLISH/FRENCH	G
	0274466	Ref	DECAL INSTALLATION - 800A DUAL LANGUAGE ENGLISH/SPANISH	F
	0274468	Ref	DECAL INSTALLATION - 800A DUAL LANGUAGE SPANISH/PORTUGUESE	E
	0274462	Ref	DECAL INSTALLATION - 800A DUAL LANGUAGE ENGLISH/JAPANESE	F
	0274464	Ref	DECAL INSTALLATION - 800A DUAL LANGUAGE ENGLISH/KOREAN	F
	0274471	Ref	DECAL INSTALLATION - 800AJ DUAL LANGUAGE CHINESE/ENGLISH	F
	0274473	Ref	DECAL INSTALLATION - 800AJ DUAL LANGUAGE ENGLISH/FRENCH	G
	0274467	Ref	DECAL INSTALLATION - 800AJ DUAL LANGUAGE ENGLISH/SPANISH	F
	0274469	Ref	DECAL INSTALLATION - 800AJ DUAL LANGUAGE SPANISH/PORTUGUESE	E
	0274463	Ref	DECAL INSTALLATION - 800AJ DUAL LANGUAGE ENGLISH/JAPANESE	F
	0274465	Ref	DECAL INSTALLATION - 800AJ DUAL LANGUAGE ENGLISH/KOREAN	F
2	1701499	2	Decal - No Tie Down/Lift	
5	1701509	1	Decal - Manual	
7	1703811	4	Decal - Tie Down/Lift	
8	1703814	6	Decal - Tie Down	
9	1704277	3	Decal - Attach Lanyard Here	
10	1704412	1	Decal - Hydraulic Oil Chart	
12	1705514	1	Decal - CSA (CSA Spec Only)	
13	Not Required	0	Nameplate - 110V - Dual Language English/Chinese	
13	3251243	1	Nameplate - 110V - Dual Language English/French	
13	3251243	1	Nameplate - 110V - Dual Language English/Spanish	
13	3251243	1	Nameplate - 110V - Dual Language Spanish/Portuguese	
13	Not Required	0	Nameplate - 110V - Dual Language English/Japanese	
13	Not Required	0	Nameplate - 110V - Dual Language English/Korean	
13	3252507	1	Nameplate - 220V - All Specs	
18	1703943	3	Decal - Warning/Crushing - Dual Language English/Chinese	
18	1703942	3	Decal - Warning/Crushing - Dual Language English/French	
18	1703941	3	Decal - Warning/Crushing - Dual Language English/Spanish	
18	1705903	3	Decal - Warning/Crushing - Dual Language Spanish/Portuguese	
18	1703944	3	Decal - Warning/Crushing - Dual Language English/Japanese	
18	1703945	3	Decal - Warning/Crushing - Dual Language English/Korean	
20	1705968	2	Decal - No Hands - Dual Language English/Simplified Chinese	
20	1001116846	2	Decal - No Hands - Dual Language English/Traditional Chinese	
20	1704000	2	Decal - No Hands - Dual Language English/French	
20	1704001	2	Decal - No Hands - Dual Language English/Spanish	
20	1705967	2	Decal - No Hands - Dual Language Spanish/Portuguese	
20	Not Required	0	Decal - No Hands - Dual Language English/Japanese	
20	1705969	2	Decal - No Hands - Dual Language English/Korean	

SECTION 8 - DECALS

ITEM	PART NUMBER	QTY	DESCRIPTION	REV
21	1703925	1	Decal - Danger/Warning - Dual Language English/Chinese	
21	1703924	1	Decal - Danger/Warning - Dual Language English/French	
21	1703923	1	Decal - Danger/Warning - Dual Language English/Spanish	
21	1705895	1	Decal - Danger/Warning - Dual Language Spanish/Portuguese	
21	1703926	1	Decal - Danger/Warning - Dual Language English/Japanese	
21	1703927	1	Decal - Danger/Warning - Dual Language English/Korean	
22	1705348	1	Decal - Warning Inspection - Dual Language English/Simplified Chinese	
22	1001116849	1	Decal - Warning Inspection - Dual Language English/Traditional Chinese	
22	1705347	1	Decal - Warning Inspection - Dual Language English/French	
22	1705917	1	Decal - Warning Inspection - Dual Language English/Spanish	
22	1705896	1	Decal - Warning Inspection - Dual Language Spanish/Portuguese	
22	1705344	1	Decal - Warning Inspection - Dual Language English/Japanese	
22	1705345	1	Decal - Warning Inspection - Dual Language English/Korean	
23	1703949	6	Decal - Crushing - Dual Language English/Chinese	
23	1703948	6	Decal - Crushing - Dual Language English/French	
23	1703947	6	Decal - Crushing - Dual Language English/Spanish	
23	1705898	6	Decal - Crushing - Dual Language Spanish/Portuguese	
23	1703950	6	Decal - Crushing - Dual Language English/Japanese	
23	1703951	6	Decal - Crushing - Dual Language English/Korean	
24	1703937	4	Decal - Danger/Electrocution - Dual Language English/Simplified Chinese	
24	1001116851	4	Decal - Danger/Electrocution - Dual Language English/Traditional Chinese	
24	1703936	4	Decal - Danger/Electrocution - Dual Language English/French	
24	1703935	4	Decal - Danger/Electrocution - Dual Language English/Spanish	
24	1705897	4	Decal - Danger/Electrocution - Dual Language Spanish/Portuguese	
24	1703938	4	Decal - Danger/Electrocution - Dual Language English/Japanese	
24	1703939	4	Decal - Danger/Electrocution - Dual Language English/Korean	
25	1703982	1	Decal - Footswitch - Dual Language English/Chinese	
25	1703984	1	Decal - Footswitch - Dual Language English/French	
25	1703983	1	Decal - Footswitch - Dual Language English/Spanish	
25	1705902	1	Decal - Footswitch - Dual Language Spanish/Portuguese	
25	1703980	1	Decal - Footswitch - Dual Language English/Japanese	
25	1703981	1	Decal - Footswitch - Dual Language English/Korean	
26	3251813	1	Decal - USA	
29	1703960	4	Decal - Max Tire Load	
30	See Note	1	Decal - Bar Code (Note: Not Available for Purchase)	
31	1703772		Decal - 800A	
31	1703773		Decal - 800AJ	
32	1701501	4	Decal- Arrow	
33	1001121809		Decal - 500LBS Max Capacity - 800A Dual Language English/Chinese	
33	1001121810		Decal - 500LBS Max Capacity - 800AJ Dual Language English/Chinese	
33	1001121802		Decal - 500LBS Max Capacity - 800A Dual Language English/French	
33	1001121803		Decal - 500LBS Max Capacity - 800AJ Dual Language English/French	
33	1001121804		Decal - 500LBS Max Capacity - 800A Dual Language English/Spanish	
33	1001121805		Decal - 500LBS Max Capacity - 800AJ Dual Language	

SECTION 8 - DECALS

ITEM	PART NUMBER	QTY	DESCRIPTION	REV
33	1001121806		English/Spanish Decal - 500LBS Max Capacity - 800A Dual Language Spanish/Portuguese	
33	1001121656		Decal - 500LBS Max Capacity - 800AJ Dual Language Spanish/Portuguese	
33	1001121807		Decal - 500LBS Max Capacity - 800A Dual Language English/Japanese	
33	1001121808		Decal - 500LBS Max Capacity - 800AJ Dual Language English/Japanese	
33	1001122200		Decal - 500LBS Max Capacity - 800A Dual Language English/Korean	
33	1001121918		Decal - 500LBS Max Capacity - 800AJ Dual Language English/Korean	
34	1001121822		Decal - 500LBS Max Capacity - 800A Dual Language English/Chinese Decals	
34	1001121823		Decal - 500LBS Max Capacity - 800AJ Dual Language English/Chinese Decals	
34	1001121815		Decal - 500LBS Max Capacity - 800A Dual Language English/French Decals	
34	1001121816		Decal - 500LBS Max Capacity - 800AJ Dual Language English/French Decals	
34	1001121817		Decal - 500LBS Max Capacity - 800A Dual Language English/Spanish Decals	
34	1001121818		Decal - 500LBS Max Capacity - 800AJ Dual Language English/Spanish Decals	
34	1001121819		Decal - 500LBS Max Capacity - 800A Dual Language Spanish/Portuguese Decals	
34	1001121655		Decal - 500LBS Max Capacity - 800AJ Dual Language Spanish/Portuguese Decals	
34	1001121820		Decal - 500LBS Max Capacity - 800A Dual Language English/Japanese Decals	
34	1001121821		Decal - 500LBS Max Capacity - 800AJ Dual Language English/Japanese Decals	
34	1001122201		Decal - 500LBS Max Capacity - 800A Dual Language English/Korean Decals	
34	1001121921		Decal - 500LBS Max Capacity - 800AJ Dual Language English/Korean Decals	
35	1704885	1	Decal - Website	
36	See Note	1	Nameplate, Manufacturers (Note: Not Available for Purchase)	
37	1705977	1	Decal - Upright Level Override	
38	1703959	2	Decal - Quick Stick	
39	1001131269	1	Decal - Patent	
40	1001108495	1	Decal - Legend	
41	1001095809	1	Decal - Legend (MTB)	
43	3820001	4	Rivet (Not Shown)	
44	1702861	2	Decal - JLG Lift (8in Height)	
45	1702774	2	Decal - JLG Lift (3-1/2in Height)	
46	1702773	1	Decal - JLG (5in Height)	
47	3250872	1	Nameplate - Steer/Tow Selector	
48	1705090	1	Decal - Towing Instructions	
49	1701505	1	Decal - Fuel (Diesel)	
49	1701542	1	Decal - Fuel (Gas)	
50	1701543	2	Decal - LP Gas (GM Engine Machines Only)	
51	1700818	2	Decal - LP Gas (Liquid) (GM Engine Machines Only) (ANSI Spec)	
51	1702720	2	Decal - LP Gas (Liquid) (GM Engine Machines Only) (ANSI Export)	

SECTION 8 - DECALS

ITEM	PART NUMBER	QTY	DESCRIPTION	REV
			Spec)	
51	1704271	2	Decal - LP Gas (Liquid) (GM Engine Machines Only) (CSA Spec)	
53	1001143852	1	Decal - Emission Compliance	
55	1702788	1	Decal - Bio Hydraulic Fluid	
56	1705430	1	Decal - Drive Orientation - Dual Language English/Chinese	
56	1705429	1	Decal - Drive Orientation - Dual Language English/French	
56	1705910	1	Decal - Drive Orientation - Dual Language English/Spanish	
56	1705905	1	Decal - Drive Orientation - Dual Language Spanish/Portuguese	
56	1705426	1	Decal - Drive Orientation - Dual Language English/Japanese	
56	1705427	1	Decal - Drive Orientation - Dual Language English/Korean	
60	1001224050	1	Decal - Yearly Inspection - Dual Language English/Chinese (SN 0300234048 to Present)	
60	1001223971	1	Decal - Yearly Inspection - Dual Language English/French (SN 0300234048 to Present)	
60	1001224049	1	Decal - Yearly Inspection - Dual Language English/Spanish (SN 0300234048 to Present)	
60	1001224052	1	Decal - Yearly Inspection - Dual Language English/Portuguese (SN 0300234048 to Present)	
60	1001224053	1	Decal - Yearly Inspection - Dual Language English/Japanese (SN 0300234048 to Present)	
60	1001224048	1	Decal - Yearly Inspection - Dual Language English/Korean (SN 0300234048 to Present)	
61	1001229113	1	Decal - Lift Diagram (SN 0300237344 to Present)	
62	1001223453	1	Decal - ICES - Dual Language English/French (SN 0300243318 to Present)	
71	1001125387	1	Decal - Ultra Low Sulfur Fuel (CSA Spec)	
87	See Note	1	Nameplate - ECO (China Specs) (Note: Not Available for Purchase) (SN B0300000100 to Present)	
87	3820001	4	Rivet	
	0258671	Ref	MANUAL STORAGE BOX INSTALLATION	C
101	0860520	1	Box, Manual Storage	
101	0641406	4	Bolt 1/4-20 x 3/4	
101	4751400	4	Washer 1/4	
101	3311405	4	Nut 1/4-20	
	1001220864	Ref	TRANSPORT DECALS INSTALLATION (OPTIONAL) (SN 0300224236 to Present)	A
201	1001220512	2	Decal - Lower Boom	
202	1001220510	2	Decal - Warning Arrow	
203	1001220511	2	Decal - Warning Stripe	

SECTION 8 - DECALS

FIGURE 8-3. DECAL INSTALLATION (AUSTRALIAN AND CE SPEC)

ITEM	PART NUMBER	QTY	DESCRIPTION	REV
	0274519	Ref	STANDARD DECAL INSTALLATION - JLG LOGO (SN 0300183034 through 0300220116)	D
	1001114373	Ref	STANDARD DECAL INSTALLATION - AUSTRALIAN SPEC 800A	E
	1001114374	Ref	STANDARD DECAL INSTALLATION - AUSTRALIAN SPEC 800AJ	F
	0274474	Ref	STANDARD DECAL INSTALLATION - CE SPEC 800A	F
	0274475	Ref	STANDARD DECAL INSTALLATION - CE SPEC 800AJ	F
	1283407	Ref	STANDARD DECAL CHART - AUSTRALIAN SPECS	S
	1283407	Ref	STANDARD DECAL CHART - CE SPECS (SN 0300183034 through 0300220116)	S
	1001217649	Ref	STANDARD DECAL CHART - CE SPECS (SN 0300220117 to Present)	C
2	1701499	2	Decal - No Tie Down/Lift	
5	1701509	1	Decal - Manual	
7	1703811	4	Decal - Tie Down/Lift	
8	1703814	6	Decal - Tie Down	
9	1704277	3	Decal - Attach Lanyard Here	
10	1704412	1	Decal - Hydraulic Oil Chart	
11	1705980	1	Decal - Sound Power Level	
21	1705921	1	Decal - Tipping/Electrical (PLF)	
22	1705822	1	Decal - Electrical/Safety Manual	
23	1701518	10	Decal - Warning Crushing	
24	1705961	5	Decal - Danger Electrocution	
25	1705828	1	Decal - Footswitch	
29	1703960	4	Decal - Max Tire Load	
30	See Note	1	Decal - Bar Code (Note: Not Available for Purchase)	
31	1703772	2	Decal - 800A	
31	1703773	2	Decal - 800AJ	
32	1701501	4	Decal - Arrow	
33	1705978	2	Decal Capacity	
34	1705978	1	Decal Capacity	
35	1704885	AR	Decal - Website	
36	See Note	1	Nameplate, Manufacturers (Note: Not Available for Purchase)	
37	1705977	1	Decal - Upright Level Override	
38	1703959	2	Decal - Quick Stick	
42	3251242	1	Nameplate 240V-50Hz	
43	3820001	2	Rivet	
44	1702861	AR	Decal - JLG Lift (8in Height)	
45	1702774	AR	Decal - JLG Lift (3-1/2in Height)	
46	1702773	AR	Decal - JLG (5in Height)	
47	3250872	1	Nameplate - Steer/Tow Selector	
48	1705090	1	Decal - Towing Instructions	
49	1701505	1	Decal - Fuel	
52	4420051	1	Decal - Safety Striping	
53	1001143852	1	Decal - Emission Compliance	
55	1702788	AR	Decal - Bio Hydraulic Fluid - CE/Australian Spec	
55	1703479	AR	Decal - Bio Hydraulic Fluid - German Spec	
57	1001112551	1	Decal - Emergency Controls - Australian Spec	
57	Not Required	0	Decal - Emergency Controls - CE Spec	
58	1001197408	1	Decal - MSSO - CE Spec	
60	1001159323	AR	Decal - JLG (8in Height)	

SECTION 8 - DECALS

ITEM	PART NUMBER	QTY	DESCRIPTION	REV
61	1001229113	1	Decal - Lift Diagram (SN 0300237344 to Present)	
71	1001139654	1	Decal - Ultra Low Sulfur Fuel (SN 0300201004 to Present)	
	0258671	Ref	MANUAL STORAGE BOX INSTALLATION	C
101	0860520	1	Box, Manual Storage	
101	0641406	4	Bolt 1/4-20 x 3/4	
101	4751400	4	Washer 1/4	
101	3311405	4	Nut 1/4-20	
	1001220864	Ref	TRANSPORT DECAL KIT (OPTIONAL) (SN 0300224236 to Present)	A
201	1001220512	2	Decal - Lower Boom	
202	1001220510	2	Decal - Warning Arrow	
203	1001220511	2	Decal - Warning Stripe	

SECTION 9 - RECOMMENDED SERVICE PARTS STOCK

SECTION 9 - RECOMMENDED SERVICE PARTS STOCK

SECTION 9 - RECOMMENDED SERVICE PARTS STOCK

FIGURE 9-1. MODEL 800A/800AJ STANDARD PARTS

ITEM	PART NUMBER	QTY	DESCRIPTION	REV
	Note	Ref	Note: The following list will service one machine (built to current production per date on the front cover) with emergency repair parts which can be installed in the field. Parts from the list should be replaced when inventory is depleted to keep service parts stock supplied. For further information, contact your JLG dealer or the JLG Industries Parts Department.	
		Ref	STANDARD PARTS	
	2120168	4	Element, Filter	
	2120210	4	Element Filter	
	7012944	1	Coil	
	7018991	1	Coil	
	70004460	1	Coil	
	70000582	1	Coil	
	70004595	1	Coil	
	70004653	1	Coil	
	70004463	1	Coil	
	70004673	1	Coil	
	3740067	1	Relay	
	70002814	1	Hydraulic Tank Service Kit	
	3740049	1	Relay	
	2860030	1	Key, Replacement	
	4360475	1	Switch, Mushroom	
	1001155045	1	Switch, Toggle	
	7020066	1	Power Track Repair Section	
	70002013	1	Power Track Repair Section	
	1001166539	1	Controller (Lift and Swing)	
	1001166538	1	Controller (Drive and Steer)	
	4360328	1	Switch, Toggle	
	4360330	1	Switch, Toggle	
	4360387	1	Switch, Push Button	
	4360407	1	Controller, Speed	
	3990010	2	Diode	
	2400065	2	Fuse - 30 Amp	

SECTION 9 - RECOMMENDED SERVICE PARTS STOCK

FIGURE 9-2. MODEL 800A/800AJ VARIABLE PARTS

ITEM	PART NUMBER	QTY	DESCRIPTION	REV
		Ref	Note: The following list will service one machine (built to current production per date on the front cover) with emergency repair parts which can be installed in the field. Parts from the list should be replaced when inventory is depleted to keep service parts stock supplied. For further information, contact your JLG dealer or the JLG Industries Parts Department.	
		Ref	VARIABLE PARTS	
	3740080	1	Relay (Deutz D2011 Engine Machines)	
	70004020	1 Dozen	Element, Air Cleaner (Deutz D2011 Engine Machines)	
	7016331	1 Dozen	Filter, Oil (Deutz D2011 Engine Machines)	
	7016328	1 Dozen	Filter, Fuel (Deutz D2011 Engine Machines - All Specs except CE Spec)	
	8320270	1 Dozen	Filter, Fuel (Deutz D2011 Engine Machines - CE Specs Only)	
	70004058	1	Relay (Deutz D2011 Engine Machines - All Specs except CE Spec)	
	7026608	1	Relay (Deutz D2011 Engine Machines - CE Specs Only)	
	7027795	1	Module, Engine Control (Deutz D2011 Engine Machines)	
	1001117308	1	Relay (Deutz TD2.9L4 Engine Machines)	
	1001138228	1	Module, Relay (Deutz TD2.9L4 Engine Machines)	
	91403102	1 Dozen	Element, Air Cleaner (Deutz TD2.9L4 Engine Machines)	
	7016331	1 Dozen	Filter, Oil (Deutz TD2.9L4 Engine Machines)	
	70025161	1 Dozen	Filter, Fuel (Deutz TD2.9L4 Engine Machines) (Use p/n 1001225431)	
	70025153	1 Dozen	Filter, Fuel (Deutz TD2.9L4 Engine Machines) (Use p/n 1001225430)	
	70025203	1	Module, Engine Control (Deutz TD2.9L4 Engine Machines)	
	70005008	1	Element, Air Cleaner (Ford Engine Machines)	
	70006213	1	Filter, Oil (Ford Engine Machines)	
	70006155	1	Filter, Fuel (Ford Engine Machines)	
	70006176	1	Module, Engine Control (Ford Engine Machines)	
	70006171	1	Relay (Ford Engine Machines)	
	70006172	1	Relay (Ford Engine Machines)	
	70006175	2	Fuse - 200Amp (Ford Engine Machines)	
	7012664	1 Dozen	Element, Air Cleaner (GM Engine Machines)	
	7027965	1 Dozen	Filter, Oil (GM Engine Machines)	
	7027972	1 Dozen	Filter, Fuel (GM Engine Machines)	
	70002895	1	Module, Engine Control (GM Engine Machines)	
	4360517	1	Switch, Proximity	
	4360469	1	Switch, Key (ANSI and Australian Spec)	
	4360470	1	Switch, Key (CE Spec)	
	1001103667	1	Module, Ground Control	
	4360336	1	Switch, Toggle (Machines with Generator Option)	
	4360070	1	Breaker, Circuit (Machines with SkyPower)	
	2400064	2	Fuse - 5 Amp (Deutz D2011 and GM Engine Machines with SkyPower)	
	4360578	1	Switch, Limit	
	4360498	1	Switch, Proximity	
	4360499	1	Switch, Proximity	
	1001094400	1	Sensor, Dual Axle	
	2940074	1	Latch (Platform with Gate)	
	1001106355	1	Controller, Module Platform	

SECTION 9 - RECOMMENDED SERVICE PARTS STOCK

ITEM	PART NUMBER	QTY	DESCRIPTION	REV
	4360336	1	Switch, Toggle (Machines with Dual Fuel Option)	
	4360522	1	Switch, Toggle (Machines with Lights Option)	
	4360331	1	Switch, Toggle (Machines with 4WD or 4WS Options)	
	4360057	1	Switch, Limit (Machines with Soft Touch Option)	
	8229242	2	Fuse (Deutz TD2.9L4 Engine Machines)	
	80983191	2	Fuse (Deutz TD2.9L4 Engine Machines)	
	70001931	2	Fuse (GM Engine Machines)	
	2400070	2	Fuse (Machines with Platform Worklights)	
	1001181045	1	Circuit Breaker (CE Spec Machines with AC to Platform)	
	1001181046	1	Circuit Breaker (CE Spec Machines with AC to Platform)	

SECTION 10 - SPECIAL OPTIONS

SECTION 10 - SPECIAL OPTIONS

FIGURE 10-1. SPECIAL OPTION

ITEM	PART NUMBER	QTY	DESCRIPTION	REV
		Ref	Note: This list is to accommodate machines ordered with special equipment. Options may not be applicable to all models. For more specific parts information contact JLG Parts Department.	
		Ref	MISCELLANEOUS SPECIAL OPTIONS	
	1340061	Ref	Air Cleaner Pre-Cleaner (SN 0300182743 through 0300236624)	
	See Note	Ref	Air Compressor Installation (Note: See SKY ACCESSORIES)	
	1001229762	Ref	Air Intake Shut-off Valve (Deutz TD2.9L4 Engines)	
	0258802	Ref	Airline to Platform Installation - 1/2in 800A	
	0258805	Ref	Airline to Platform Installation - 1/2in 800AJ	
	1001093746	Ref	Airline to Platform Installation - 1/2in 800A (With Arctic Package)	
	1001092092	Ref	Airline to Platform Installation - 1/2in 800AJ (With Arctic Package)	
	1001205026	Ref	Arctic Package Add-on Kit (800A with Deutz TD2.9L4 Engines & without SkyPower)	
	1001205025	Ref	Arctic Package Add-on Kit (800A with Deutz TD2.9L4 Engines & with SkyPower)	
	1001205029	Ref	Arctic Package Add-on Kit (800AJ with Deutz TD2.9L4 Engines & without SkyPower)	
	1001205028	Ref	Arctic Package Add-on Kit (800AJ with Deutz TD2.9L4 Engines & with SkyPower)	
	1001217005	Ref	Beacon Light Kit (Blue)	
	0258734	Ref	Bellows Installation - Boom 800A	
	0258737	Ref	Bellows Installation - Boom 800AJ	
	1001158259	Ref	Bellows Installation - Chassis (Fixed Axle 2WS)	
	1001158260	Ref	Bellows Installation - Chassis (Fixed Axle 4WS)	
	0258387	Ref	Bellows Installation - Chassis (Oscillating Axle 2WS)	
	0258758	Ref	Bellows Installation - Chassis (Oscillating Axle 4WS)	
	1001220151	Ref	Boom Cables Add-on Kit (4000W/60Hz Generators)	
	2910887	Ref	Boom Wear Pad Kit	
	0258654	Ref	Boom Wipers Installation	
	1001233047	Ref	Breather Heater Kit (Deutz TD2.9L4 Engines)	
	1001172045	Ref	Cable/Ladder Carrier Installation (800AJ Only)	
	1001230834	Ref	Cable/Hose Protection Installation (Boom/Jib) (Without LSS)	
	1001233472	Ref	Cable/Hose Protection Installation (Boom/Jib) (With LSS)	
		Ref	ClearSky Telematics Installation (Factory Installed) (Note: For ClearSky Telematics on Machines SN 0300183034 through 0300234681 Refer to ClearSky (Telematics) Manual p/n 3128499 for Service Parts.) (SN 0300183034 through 0300234681)	
	1001112990	Ref	ClearSky (Telematic) Installation (Factory Installed) - ABS Hoods (ANSI Spec) (Note: Refer to Manual Supplement p/n 3128499 for available replacement parts) (SN 0300183034 through 0300234681)	
	1001112991	Ref	ClearSky (Telematic) Installation (Factory Installed) - ABS Hoods (ANSI Export and Japanese Specs) ClearSky (Note: Refer to Manual Supplement p/n 3128499 for available replacement parts) (SN 0300183034 through 0300234681)	
	1001112992	Ref	SN 0300183034 through 0300234681 (Telematic) Installation (Factory Installed) - ABS Hoods (CSA Spec) (Note: Refer to Manual Supplement p/n 3128499 for available replacement parts)	
	1001118963	Ref	ClearSky (Telematic) Installation (Factory Installed) - Steel Hoods (ANSI Spec) (Note: Refer to Manual Supplement p/n 3128499 for available replacement parts) (SN 0300183034 through 0300234681)	

SECTION 10 - SPECIAL OPTIONS

ITEM	PART NUMBER	QTY	DESCRIPTION	REV
	1001134103	Ref	ClearSky (Telematic) Installation (Factory Installed) - Steel Hoods (Australian Spec) (Note: Refer to Manual Supplement p/n 3128499 for available replacement parts) (SN 0300183034 through 0300234681)	
	1001127087	Ref	ClearSky (Telematic) Installation (Factory Installed) - Steel Hoods (Brazil and New Zealand Specs Only) (Note: Refer to Manual Supplement p/n 3128499 for available replacement parts) (SN 0300183034 through 0300234681)	
	1001118964	Ref	ClearSky (Telematic) Installation (Factory Installed) - Steel Hoods (CSA Spec) (Note: Refer to Manual Supplement p/n 3128499 for available replacement parts) (SN 0300183034 through 0300234681)	
		Ref	ClearSky Telematics Installation (Factory Installed) (SN 0300234682 to Present)	
	1001227448	Ref	ClearSky Telematics Installation - Canbus Connection (Factory Installed) (ANSI & CSA Specs) (SN 0300234682 to Present)	
	1001228949	Ref	ClearSky Telematics Installation - Canbus Connection (Factory Installed) (ANSI Export & CE Specs)	
	1001229107	Ref	ClearSky Telematics Installation - 3 Wire Connection (Factory Installed) (ANSI & CSA Specs) (SN 0300234682 to Present)	
	1001233237	Ref	ClearSky Telematics Installation - 3 Wire Connection (Factory Installed) (ANSI Export & CE Specs)	
	1001119939	Ref	ClearSky (Telematic) Kit (Dealer Installed) (ANSI Spec)	
	1001139151	Ref	ClearSky (Telematic) Kit (Dealer Installed) (Australian Spec)	
	1001234099	Ref	ClearSky (Telematic) Kit (Dealer Installed) (CE Spec)	
	1001119947	Ref	ClearSky (Telematic) Kit (Dealer Installed) (CSA Spec)	
	1001155185	Ref	Cold Weather Package Installation - Deutz D2011 Engines (SN 0300183034 through 0300193955)	
	1001178208	Ref	Cold Weather Package Installation - Deutz D2011 Engines (SN 0300196956 to Present)	
	1001151900	Ref	Cold Weather Package Installation - Deutz TD2.9L4 Engines (SN 0300183034 through 0300196955)	
	1001178207	Ref	Cold Weather Package Installation - Deutz TD2.9L4 Engines (SN 0300196956 to Present)	
	1001219840	Ref	Cold Weather Package Installation - Ford Engines	
	0275262	Ref	Cold Weather Package Installation - GM Engines	
	0274883	Ref	Cold Weather Transformer Installation (ANSI Export, Australian, CE and Japanese Specs Only)	
	1001109263	Ref	Communication System (David Clark) Installation (800AJ ANSI Spec Only)	
	1001232190	Ref	Control Box Kit (Includes Platform Console Box Assembly and Ground Control Box Assembly)	
	1001149126	Ref	Cover, Fan (Deutz TD2.9L4 Engines Only)	
	1001115918	Ref	Cribbing Installation	
	1702788	Ref	Decal - Biodegradable Hydraulic Fluid (All except German Spec)	
	1703479	Ref	Decal - Biodegradable Hydraulic Fluid (German Spec Only)	
	1001116565	Ref	Decal - ClearSky (ANSI Spec) (ABS Hoods)	
	1001116566	Ref	Decal - ClearSky (CSA Spec) (ABS Hoods)	
	1001127094	Ref	Decal - ClearSky (Steel Hoods)	
	3252221	Ref	Decal - CSA (CSA Spec)	
	1001214030	Ref	Decal - EAC (CIS & Russian Specs)	
	0257195	Ref	Decal - Government Warranty	
	1703175	Ref	Decal - Lanyard Attach (GM K-1 Spec)	
	1702868	Ref	Decal - No Hands (ANSI/ANSI Export Spec)	
	1705968	Ref	Decal - No Hands (Chinese Specs - English/Chinese)	
	1704000	Ref	Decal - No Hands (CSA Spec)	

SECTION 10 - SPECIAL OPTIONS

ITEM	PART NUMBER	QTY	DESCRIPTION	REV
	1704001	Ref	Decal - No Hands (ANSI Export - English/Spanish)	
	1705969	Ref	Decal - No Hands (ANSI Export - Korean/English)	
	1705967	Ref	Decal - No Hands (ANSI Export - Portuguese/English)	
	1702962	Ref	Decal - Prop 65 Warning (Diesel Machines) (California Spec) (SN 0300183034 through 0300243317)	
	1001231801	Ref	Decal - Prop 65 Warning (Diesel Machines) (California Spec) (SN 0300243318 to Present)	
	1702961	Ref	Decal - Prop 65 Warning (Gasoline Machines) (California Spec) (SN 0300183034 through 0300243317)	
	1001236338	Ref	Decal - Prop 65 Warning (Gasoline Machines) (California Spec) (SN 0300243318 to Present)	
	1001200124	Ref	Decal - Quick Reference (Danish) (Lomax Rentals)	
	1001200121	Ref	Decal - Quick Reference (Dutch) (Lomax Rentals)	
	1001180861	Ref	Decal - Quick Reference (English) (Lomax Rentals)	
	1001200120	Ref	Decal - Quick Reference (French) (Lomax Rentals)	
	1001200122	Ref	Decal - Quick Reference (German) (Lomax Rentals)	
	1001200127	Ref	Decal - Quick Reference (Norwegian) (Lomax Rentals)	
	1001200126	Ref	Decal - Quick Reference (Spanish) (Lomax Rentals)	
	1001200125	Ref	Decal - Quick Reference (Swedish) (Lomax Rentals)	
	0258541	Ref	Decals - Warning Stripes	
		Ref	Decals Kits:	
	2902307	Ref	Decal Kit - Country Spec (ANSI Spec)	
	2902329	Ref	Decal Kit - Country Spec (Australian and CE Specs)	
	2902312	Ref	Decal Kit - Country Spec (Brazil Specs)	
	2902309	Ref	Decal Kit - Country Spec (Chinese Specs)	
	2902322	Ref	Decal Kit - Country Spec (CSA Spec)	
	2902308	Ref	Decal Kit - Country Spec (Japanese Specs)	
	2902310	Ref	Decal Kit - Country Spec (Korean Specs)	
	2902311	Ref	Decal Kit - Country Spec (Latin American Specs)	
	1001193638	Ref	Decal Kit - Machine	
	2902303	NLA	Decal Kit - Master (Common Decals) (All Specs except CE Specs) (Use p/n 1001229560) (SN 0300183034 through 0300234681)	
	1001229560	Ref	Decal Kit - Master (Common Decals) (All Specs except CE Specs) (SN 0300234682 to Present)	
	2902303	NLA	Decal Kit - Master (Common Decals) (CE Specs) (Use p/n 1001229560) (SN 0300183034 through 0300211595)	
	1001199949	Ref	Decal Kit - Master (Common Decals) (CE Specs) (SN 0300211596 to Present)	
	1001108720	Ref	Decal Kit - Platform (800A)	
	1001108721	Ref	Decal Kit - Platform (800AJ)	
	1001119563	Ref	Decal Kit - Platform Console	
	2902353	Ref	Decal Kit - Tire Load	
	2902396	Ref	Drive/Steer Cutout Kit	
	1001148902	Ref	Electrical Connector Kits - Amp	
	1001148903	Ref	Electrical Connector Kits - Deutsch DT	
	1001148904	Ref	Electrical Connector Kits - Deutsch HD	
	1001148905	Ref	Electrical Connector Kits - Packard	
	1001148906	Ref	Electrical Connector Kits - Various	
	1001218022	Ref	Engine Block Heater Installation - Ford Engines	
	0275261	Ref	Engine Block Heater Installation - GM Engines	
	1001108962	Ref	Exhaust Rain Cap Installation (Australian and CE Specs)	
	1001121306	Ref	Exhaust Rain Cap Installation (Japanese Spec)	

SECTION 10 - SPECIAL OPTIONS

ITEM	PART NUMBER	QTY	DESCRIPTION	REV
		Ref	Fan Cover/Grille Options:	
	1001185078	Ref	Fan Cover Add-on Kit (Deutz D2011 Engines)	
	1001182599	Ref	Fan Cover Installation (Deutz D2011 Engines)	
	1001093389	Ref	Fan Grille Installation (Deutz D2011 Engines)	
	1001213223	Ref	Fan & Belt Grille Add-on Kit (Deutz D2011 Engines without Generator)	
	1001202122	Ref	Fan & Belt Grille Installation (Deutz D2011 Engines without Generator)	
	1001213222	Ref	Fan & Belt Grille Add-on Kit (Deutz D2011 Engines with Generator)	
	1001202398	Ref	Fan & Belt Grille Installation (Deutz D2011 Engines without Generator)	
	1001149126	Ref	Fan Grille Installation (Deutz DT2.9L4 Engines) (RCP Radiator)	
	1001177694	Ref	Fan Grille Installation (Deutz DT2.9L4 Engines) (Modine Radiator)	
	1001213219	Ref	Fan & Belt Grille Add-on Kit (Deutz DT2.9L4 Engines without Generator) (Modine Radiator)	
	1001202397	Ref	Fan & Belt Grille Installation (Deutz DT2.9L4 Engines without Generator) (Modine Radiator)	
	1001213220	Ref	Fan & Belt Grille Add-on Kit (Deutz DT2.9L4 Engines without Generator) (RCP Radiator)	
	1001202082	Ref	Fan & Belt Grille Installation (Deutz DT2.9L4 Engines without Generator) (RCP Radiator)	
	1001213227	Ref	Fan & Belt Grille Add-on Kit (Deutz DT2.9L4 Engines with Generator) (Modine Radiator)	
	1001213181	Ref	Fan & Belt Grille Installation (Deutz DT2.9L4 Engines with Generator) (Modine Radiator)	
	1001213221	Ref	Fan & Belt Grille Add-on Kit (Deutz DT2.9L4 Engines with Generator) (RCP Radiator)	
	1001202331	Ref	Fan & Belt Grille Installation (Deutz DT2.9L4 Engines with Generator) (RCP Radiator)	
	1001093389	Ref	Fan Grille Installation (Ford & GM Engines)	
	1001204616	Ref	Filter (Fuel) Relocation Kit - Deutz TD2.9L4 Engines	
		Ref	Filter Kits:	
		Ref	Combined Filter Kit Options (Hydraulic/Air and Fuel/Engine Oil)	
	1001111014	Ref	Deutz D2011 Engine Machines (SN 0300183034 through 0300185827)	
	1001241773	Ref	Deutz D2011 Engine Machines (SN 0300185828 through 0300196954)	
	1001241774	Ref	Deutz D2011 Engine Machines (SN 0300196955 to Present)	
	1001181150	Ref	Deutz TD2.9L4 Engine Machines (SN 0300183034 through 0300196955)	
	1001195533	Ref	Deutz TD2.9L4 Engine Machines (SN 0300196956 to Present)	
	1001114115	Ref	Ford Engine Machines (SN 0300183034 through 0300185827)	
	1001241775	Ref	Ford Engine Machines (SN 0300185828 through 0300196954)	
	1001241776	Ref	Ford Engine Machines (SN 0300196955 to Present)	
	1001114056	Ref	GM Engine Machines (SN 0300183034 through 0300196955)	
	1001225666	Ref	GM Engine Machines (SN 0300196956 to Present)	
		Ref	Hydraulic/Air Filter Kits:	
		Ref	Deutz D2011 & GM Engines (Not Available for Purchase)	
	1001204453	1	Deutz DT2.9L4 Engines (SN 0300183034 through 0300196955)	
	1001204455	1	Deutz DT2.9L4 Engines (SN 0300196956 to Present)	
		Ref	Engine Fuel/Engine Oil Filter Kits:	
		Ref	Deutz D2011 & GM Engines (Not Available for Purchase)	

SECTION 10 - SPECIAL OPTIONS

ITEM	PART NUMBER	QTY	DESCRIPTION	REV
	1001204460	1	Deutz DT2.9L4 Engines	
	1001139099	Ref	Fire Extinguisher Installation (20lb)	
	2300004	Ref	Fluids - Coolant, Standard (Deutz TD2.9L4/GM Engines without Arctic Package)	
	2300041	Ref	Fluids - Coolant, Standard (Deutz TD2.9L4/GM Engines with Arctic Package)	
	3020016	Ref	Fluids - Engine Oil, (15W-40) (Deutz D2011 without Arctic Package)	
	3020044	Ref	Fluids - Engine Oil, (0W-40) (Deutz D2011 Engines with Arctic Package)	
	1001136079	Ref	Fluids - Engine Oil, (15W-40) (Deutz TD2.9L4 Engines without Arctic Package)	
	1001136172	Ref	Fluids - Engine Oil, (5W-40) (Deutz TD2.9L4 Engines with Arctic Package)	
	1001115930	Ref	Fluids - Engine Oil, (10W-30) (Ford Engine) (SN 0300183034 through 0300240878)	
	1001190775	Ref	Fluids - Engine Oil, (5W-30) (Ford Engine) (SN 0300240879 to Present)	
	1001115930	Ref	Fluids - Engine Oil, (10W-30) (GM Engine without Arctic Package)	
	1001115931	Ref	Fluids - Engine Oil, (5W-30) (GM Engines with Arctic Package)	
	2300014	Ref	Fluids - Hydraulic Fluids - Mobil 424	
	2300027	Ref	Fluids - Hydraulic Fluids - Mobil 224H Bio	
	2300016	Ref	Fluids - Hydraulic Fluids - Mobil DTE 10 Excel 32	
	2300021	Ref	Fluids - Hydraulic Fluids - Union Carbide Ucon HP5046 Fire Resistant	
	2300039	Ref	Fluids - Hydraulic Fluids - Exxon Unavis Hvl (Arctic Package Only)	
	3020039	Ref	Fluids - Lubricant (Axle Pivot)	
	3020029	Ref	Fluids - Lubricant (Kingpin)	
	3020037	Ref	Fluids - Lubricant (Engine Pump Coupling)	
	1001117294	Ref	Footswitch Shield (Note: Move Decal to Shield)	
	1001202749	Ref	Fuel Cap Cover Installation (Black) (Note: Lock p/n 1001102157 must be Purchased Separately)	
	1001191395	Ref	Fuel Cap Cover Installation (Green) (Diesel Machines) (Note: Lock p/n 1001102157 must be Purchased Separately)	
	1001191394	Ref	Fuel Cap Cover Installation (Red) (Gas Machines) (Note: Lock p/n 1001102157 must be Purchased Separately)	
	2902085	Ref	Generator 2500W Add-on Kit (Deutz D2011 Engines)	
	1001212067	Ref	Generator 4000W 50Hz Add-on Kit (Deutz D2011 Engines)	
	1001213604	Ref	Generator 4000W 60Hz Add-on Kit (Deutz D2011 Engines)	
	1001211798	Ref	Generator 4000W 50Hz Add-on Kit (Deutz DT2.9L4 Engines)	
	1001213602	Ref	Generator 4000W 60Hz Add-on Kit (Deutz DT2.9L4 Engines)	
	1001094475	Ref	Generator Hourmeter Installation	
	1001121736	Ref	Hood Conversion Kit - Caterpillar (ABS to Steel)	
	1001121735	Ref	Hood Conversion Kit - Deutz (ABS to Steel)	
	1001121737	Ref	Hood Conversion Kit - GM (ABS to Steel)	
	1001241410	Ref	Hostile Environment - 2WD Add-on Kit (800A)	
	1001241412	Ref	Hostile Environment - 4WD Add-on Kit (800A)	
	1001241413	Ref	Hostile Environment - 2WD Add-on Kit (800AJ)	
	1001241415	Ref	Hostile Environment - 4WD Add-on Kit (800AJ)	
	1001210685	Ref	Hose Kit - Boom (Upper) (800A) (SN 0300183034 through 0300194139)	
	1001210683	Ref	Hose Kit - Boom (Upper) (800A) (SN 0300194140 through 0300196955)	
	1001210684	Ref	Hose Kit - Boom (Upper) (800A) (SN 0300196956 to Present)	

SECTION 10 - SPECIAL OPTIONS

ITEM	PART NUMBER	QTY	DESCRIPTION	REV
	1001210687	Ref	Hose Kit - Boom (Upper) (800AJ) (SN 0300183034 through 0300194139)	
	1001210686	Ref	Hose Kit - Boom (Upper) (800AJ) (SN 0300194140 to Present)	
	1001239623	Ref	Hose Kit - Platform Valve (800A) (SN 0300194140 through 0300196955)	
	1001209630	Ref	Hose Kit - Platform Valve (800A) (SN 0300196956 to Present)	
	1001209631	Ref	Hose Kit - Platform Valve (800AJ) (SN 0300194140 through 0300196955)	
	1001209632	Ref	Hose Kit - Platform Valve (800A) (SN 0300196956 to Present)	
	2902457	Ref	Hose Kit - Powertrack (Lower) (800A) (SN 0300183034 through 0300194138)	
	1001204901	Ref	Hose Kit - Powertrack (Lower) (800AJ) (SN 0300183034 through 0300194138)	
	2902456	Ref	Hose Kit - Powertrack (Upper) (800A) (SN 0300183034 through 0300194139)	
	1001239620	Ref	Hose Kit - Powertrack (Upper) (800A) (SN 0300194140 through 0300196955)	
	1001239621	Ref	Hose Kit - Powertrack (Upper) (800A) (SN 0300196956 to Present)	
	2902459	Ref	Hose Kit - Powertrack (Upper) (800AJ) (SN 0300183034 through 0300194138)	
	1001148971	Ref	Lanyard (Bolt-On) Kit Installation	
	1001236211	Ref	Leveling Cylinder Valve Cover Assembly Kit	
	1001183407	Ref	Low Temperature Cutout Installation (Russian Specs) (SN 0300183034 through 0300245050)	
	1001236951	Ref	Low Temperature Cutout Installation (Russian Specs) (SN 0300246051 to Present)	
		Ref	Oil Coller Options:	
	1001156172	Ref	Oil Cooler Installation - Deutz D2011 Engine Machines	
	1001142677	Ref	Oil Cooler Installation - Deutz TD2.9L4 Engine Machines (RCP Cooler) (SN 0300183034 through 0300227034)	
	1001184569	Ref	Oil Cooler Installation - Deutz TD2.9L4 Engine Machines (YMER Cooler) (SN 0300227035 to Present)	
	1001219633	Ref	Oil Cooler Installation - Ford Engine Machines	
	0272040	Ref	Oil Cooler Installation - GM Engine Machines	
	1001200700	Ref	Oil Cooler Replacement Kit (RCP to YMER)	
	0257728	Ref	Pipe Racks Installation - ANSI and CSA Spec	
	0274661	Ref	Pipe Racks Installation - Australian Spec	
	1001107497	Ref	Pipe Racks Installation - ANSI Export Spec (English/Spanish Language)	
	0258703	Ref	Platform Console Cover Installation (SN 0300183034 through 0300201003)	
	1001195304	Ref	Platform Console Cover Installation (Factory Installed) (SN 0300201004 to Present)	
	1001110974	Ref	Platform Console Enclosure Cover Installation - Steel	
	1001122821	Ref	Platform Console Cover Installation (Chinese Spec) (SN 0300201004 through 0300233689)	
	1001110974	Ref	Platform Console Cover Installation (ANSI Export, CE-LRC & Chinese Spec) (SN 0300233690 to Present)	
	1001205175	Ref	Platform Console Cover Add-on Kit (SN 0300201004 to Present)	
	2915228	Ref	Platform Conversion Kit (Front to Side Entry)	
	1001142504	Ref	Platform Entry Kit - Drop Bar (To Replace Swing Gate with Drop Bar)	
	1001142505	Ref	Platform Entry Kit - Swing Gate (To Replace Drop Bar with Swing Gate)	
	0273147	Ref	Platform Mesh to Top Rail Installation - 2.5ft x 4ft Platforms	

SECTION 10 - SPECIAL OPTIONS

ITEM	PART NUMBER	QTY	DESCRIPTION	REV
			(ANSI/ANSI Export and CSA Specs)	
	0273149	Ref	Platform Mesh to Top Rail Installation - 3ft x 6ft Platforms (ANSI/ANSI Export and CSA Specs)	
	0273145	Ref	Platform Mesh to Top Rail Installation - 3ft x 8ft Platforms (ANSI/ANSI Export and CSA Specs)	
		Ref	Platform Mesh to Top Rail Add-on Kits:	
	1001214552	Ref	30in x 4ft (76cm x 1.22m) with Gate	
	1001214561	Ref	36in x 6ft (91.5cm x 1.83m) with Gate	
	1001214562	Ref	36in x 8ft (91.5cm x 2.44m) with Gate	
	0272733	Ref	Platform, Top Rail Extension Installation - 3ft x 6ft Platforms	
	0272725	Ref	Platform, Top Rail Extension Installation - 3ft x 8ft Platforms	
	1001209059	Ref	Platform Work Surface Installation	
	1001162546	Ref	Pump Coupling Replacement Kit	
	1001139944	Ref	Pump Mounting Bracket Kit (Sauer Danfoss)	
	1001199488	Ref	Radiator Replacement Kit (RCP to Modine Radiator)	
	1001206477	Ref	SkyGuard Complete Add-On Kit (Blue Beacon) (UGM Machines) (Note: Requires 7500W SkyPower Generator)	
	1001143669	NLA	SkyGuard Complete Add-On Kit (Blue Beacon) (UGM Machines) (Note: Requires 7500W SkyPower Generator) (Use p/n 1001206477)	
	1001210026	Ref	SkyGuard Complete Add-On Kit (Red Beacon) (UGM Machines) (Note: Requires 7500W SkyPower Generator)	
	1001197016	Ref	SkyGuard Platform Sensor Kit (UGM Machines)	
	1001137672	Ref	SkyGuard Platform Sensor Kit (UGM Machines)	
	1001137440	1	SkyGuard Sensor Harness	
	1001186431	2	Relay	
	1001206311	Ref	SkyGuard Strobe Light Kit - Hood Mounted (Blue Beacon)	
	1001143256	NLA	SkyGuard Strobe Light Kit - Hood Mounted (Blue Beacon) (Use p/n 1001206311)	
	1001210025	Ref	SkyGuard Strobe Light Kit - Hood Mounted (Red Beacon)	
	1001176372	Ref	SkyGuard Plug Removal Kit	
	1001152965	Ref	Strobe Light Installation - Platform Mounted (Amber)	
	1001154231	Ref	Strobe Light Installation - Platform/Ground Mounted (Amber)	
	1001228357	Ref	Telematics Retrofit Harness Kit	
	1001230840	Ref	Tilt Sensor Kit	
	0272324	Ref	Tire Sealant Installation (15IN385/65D 19.5 Tires) (ANSI Spec)	
	1300019	AR	Sealant	
	0272312	1	Decal - Tire Sealant	
	0273364	Ref	Tire Sealant Installation (IN445/55D 19.5 Tires) (ANSI Spec)	
	1300019	AR	Sealant	
	0272313	1	Decal - Tire Sealant	
		Ref	Tools for Service	
	1600244	1	Analyzer, Machine System	
	7002840	1	Antirotation Pin Removal Tool	
	8896941	1	Wire Stripper	
	7002821	1	Wire Crimper (To install wire ends to wires)	
	7002823	1	Pin/Socket Extractor - Universal (To Remove Pins/Sockets from Connectors)	
	4460467	1	Extractor - 16-18 Gauge (For Removal of Pin/Sockets from Deutsch Connectors)	
	4460510	1	Extractor - 12-14 Gauge (For Removal of Pin/Sockets from Deutsch Connectors)	
	7002822	1	Screwdriver, Potentiometer (To Adjust Drive Controllers)	
	7016654	1	Screwdriver, Magnetic	

SECTION 10 - SPECIAL OPTIONS

ITEM	PART NUMBER	QTY	DESCRIPTION	REV
	7004275	1	Seal Installation Tool - 1in	
	7004276	1	Seal Installation Tool - 1-1/2in	
	7002826	1	Seal Installation Tool - 2in	
	7016655	1	Wire Rope Sheave Gauge	
	7016652	1	Huck Bolt Fastener (For Small Huck Bolts Only)	
	70000017	1	ADE Software CD	
	1001137005	1	Software Cable Kit	
	70005663	1	Tool, Port Plate for Pump p/n 1001142522	
	0258826	Ref	Weld Leads to Platform Installation (800A)	
	0258827	Ref	Weld Leads to Platform Installation (800AJ)	
	0256196	Ref	Wheel Covers Installation	

PART NUMBER INDEX

PART NUMBER INDEX

Index



3121629



An Oshkosh Corporation Company

Corporate Office
JLG Industries, Inc.
1 JLG Drive
McConnellsburg, PA 17233-9533 USA
☎ (717) 485-5161 (Corporate)
☎ (877) 554-5438 (Customer Support)
☎ (717) 485-6417

Visit our website for JLG Worldwide Locations.
www.jlg.com