



Illustrated Parts Manual

Models
680S
800S
810SJ
860SJ

SN 0300182743 to Present &
SN B300001092 to Present

P/N
3121632

October 18, 2018 - Rev O

ANSI

CE



AS/NZS



An Oshkosh Corporation Company

REVISION LOG

NOTES:

Note: SN 0300174290, 0300180894 & 0300181347 also built to the same specs as machines built SN 0300182743 to Present.

Note: The 800S & 860SJ Boom Lifts are manufactured by JLG Industries in the following countries: USA and China. Refer to the Serial Number Tag to identify the country of manufacture. The country of manufacture may be determined by the Serial Number. Machines manufactured in the USA will have a serial number prefix of 03 (i.e. 03XXXXXXXX). Machines manufactured in China will have a serial number prefix of B3 (i.e. B3XXXXXXXX).

Note: Model 810SJ - All components are the same as used on the 860SJ models with the exception of the Decal & Boom Installations. These components can be found in Section 10 - Special Options.

REVISION LOG:

January 17, 2014 - A - Original Issue of Manual (Edited to B/M 1001160050 Rev E & B/M 1001156802 Rev D)
October 6, 2014 - B - Revised Manual (Edited to B/M 1001156802 Rev D)
November 25, 2015 - C - Revised Manual (Edited to B/M 1001156802 Rev D)
January 8, 2016 - D - Revised Manual (Edited to B/M 1001156802 Rev AM) (Revision 4)
April 29, 2016 - E - Revised Manual (Edited to B/M 1001156802 Rev AP) (Revision 2)
July 22, 2016 - F - Revised Manual (Edited to B/M 1001156802 Rev AP) (Revision 3)
October 21, 2016 - G - Revised Manual (Edited to B/M 1001156802 Rev AP) (Revision 2)
January 16, 2017 - H - Revised Manual (Edited to B/M 1001156802 Rev BL) (Revision 2)
April 20, 2017 - I - Revised Manual (Edited to B/M 1001156802 Rev BL) (Revision 2)
July 28, 2017 - J - Revised Manual (Edited to B/M 1001156802 Rev BL) (Revision 2)
October 6, 2017 - K - Revised Manual (Edited to B/M 1001156802 Rev BM) (Revision 2)
January 31, 2018 - L - Revised Manual (Edited to B/M 1001156802 Rev BZ) (Revision 2)
April 12, 2018 - M - Revised Manual (Edited to B/M 1001156802 Rev CE) (Revision 2)
July 27, 2018 - N - Revised Manual (Edited to B/M 1001156802 Rev CE) (Revision 2)
October 18, 2018 - O - Revised Manual (Edited to B/M 1001156802 Rev CE) (Revision 1)

GENERAL INFORMATION

SECTION 6 CYLINDER

FIGURE 6-3. LIFT CYLINDER ASSEMBLY

PG# Model Designation Manual #

SECTION 6 CYLINDER

FIGURE 6-3. LIFT CYLINDER ASSEMBLY

ITEM #	PART NUMBER	QTY	DESCRIPTION	REV.
	1001140104		LIFT CYLINDER ASSEMBLY	B
1	0100011	AR	Compound Locking	
2	0430535	3	Cap screw 1/4-20 x 1-1/8	
3	0701003	1	Screw #10-24 x 3/8	
4	0901897	1	Bushing, Tapped	
5	1301136	1	Camp, Cable	
6	1653063	1	Head	
7	2200893	1	Plug, O-Ring	
8	2200888	2	Plug, O-Ring	
9	2200896	1	Plug, O-Ring	
10	3000039	AR	Lubricant	
11	3490292	1	Platen	
12	3700371	1	Ring, Washer	
13	3931420	8	Cap screw 1/4-20 x 1-1/4	
14	3931824	8	Cap screw 1/2-13 x 1-1/2	
15	3951903	1	Screw #10-24 x 3/8	
16	4100099	1	Spacer	
17	4640996	1	Cartridge, Holding Valve (Non Vented)	
17	2300732		Kit, Seal - 4640999 Cartridge Valve	
18	4641248	1	Cartridge, Counterbalance Valve (Non Vented)	
18	4641248		Kit, Seal - 4641248 Cartridge Valve	
19	70004180	1	Sensor, Cylinder Length	
19	100117991	1	Cap, Retainer	
20	100118070	1	Barrel	
21	100118054	1	Bushing	
21A	0901950	2	Flod	
22	100118096	1	Bushing	
22A	0901950	2	Kit, Seal (includes items 101-109)	
100	100113996	1	Ring, Wear (Note: Use pin 100113996)	
101	See Note	2	Ring, Back-Up (Note: Use pin 100113996)	
102	See Note	1	Ring, Lock (Note: Use pin 100113996)	
103	See Note	2	Ring, Back-Up (Note: Use pin 100113996)	
104	See Note	2	O-Ring (Note: Use pin 100113996)	
105	See Note	2	O-Ring (Note: Use pin 100113996)	
106	See Note	1	Seal (Note: Use pin 100113996)	
107	See Note	1	Wiper, Rod (Note: Use pin 100113996)	
108	See Note	1	Seal (Note: Use pin 100113996)	
109	See Note	2	Kit, Sensor Magnet (includes items 201-203)	
200	100118108	1	Sleeve, Spacer (Note: Use pin 100118108)	
201	See Note	NSS	Magnet, Sensor	
202	100118096	1	Ring, Internal Retaining	
203	100118096	1		

Manual # Model Designation PG#

1) MACHINE IDENTIFICATION

Machines are identified by model and in some cases a combination of models, serial number (SN) or regional standard (i.e. ANSI, CE, CSA). Components may also be identified by SN or manufacturer. Common components that may be identified by these characteristics are engines and hydraulic components.

2) PARTS MANUAL ORGANIZATION

Product information in this manual is organized under section titles. Frame, Cylinder, Hydraulic and Electrical are a few examples. Each section is organized by figure and page number. The information within the Figure is then organized by item number, part number, description and corresponding illustration(s).

3) TABLE OF CONTENTS

A table of contents is found toward the beginning of the manual. Figure number, description and page number are provided for quick reference to the page containing the related information.

4) RECOMMENDED SPARE PARTS

The Recommended Spare Parts, located near the end of the manual, reference most frequently used maintenance parts.

5) PART NUMBER INDEX

A numerical index listing all part numbers and the corresponding page number(s) appears at the back of the manual.

GENERAL INFORMATION

6) NON-SERVICED PARTS

In some instances, it is necessary to display non-serviced parts, assemblies or installations. In the case of assemblies and installations there will be a Ref in the Qty column. In case of parts that are not available for service within assemblies or components, there will be a NSS (Not Sold Separately) or NLA (No Longer Available) listed in the Qty. column of the manual.

7) PARTS LIST ITEM NUMBERS

Numbers shown in the item# column correspond to numbers used in the associated illustration (s). Item numbers which are missing from the sequence in the parts list are not used on that page

8) INDENTED PARTS DESCRIPTION

An indented part description is included in the item under which it is indented.

9) ABB REVIATION AND SYMBOLS

AC.....	..Alternating Current	LCD.....	..Liquid Crystal Display
ADE.....	..Advanced Design Electronics	LED.....	..Light Emitting Diodes
ANSI.....	..American National Standards Institute	LH.....	..Left Hand
AR.....	..As Required	LSS.....	..Load Sensing System
ASSY.....	..Assembly	M(m).....	..Metric/Meter
AUX.....	..Auxiliary	MM (mm).....	..Milimeter
AWG.....	..American WireGauge	mA.....	..Miliamps
B/M.....	..Bill of Material	NLA.....	..No Longer Available
CE.....	..European Conformity	NPT.....	..National Pipe Threads
CCW.....	..Counter Clockwise	NSS.....	..Not So Id Separately
cm.....	..Centimeter	OD.....	..Outside Diameter
CW.....	..Clockwise	ORB.....	..O-Ring Boss
CSA.....	..Canadian Standards Association	ORFS.....	..O-Ring Face Seal
CYL.....	..Cylinder	OZ (oz).....	..Ounces
DIA.....	..Diameter	PG.....	..Page
DC.....	..Direct Current	P/N.....	..Part Number
EMS.....	..Emergency Stop	qt.....	..Quarts
ENG.....	..Engine	QTY.....	..Quantity
FT(ft).....	..Feet	REF.....	..Reference
GA(Ga).....	..Gauge	REV.....	..Revision Level
HYD.....	..Hydraulic	RH.....	..Right Hand
Hz.....	..Hertz	SAE.....	..Society of A utomotive Engineers
ID.....	..Inside Diameter	SN.....	..Serial Number
in.....	..inches	SPEC(S).....	..Specifications
ISO.....	..International Organization for Standards	T/T.....	..Turntable
JIC.....	..Joint Industry Council	UGM.....	..Universal Ground Module
KG.....	..Kilogram	V.....	..Volts
L.....	..Liter	W.....	..Watts
LB.....	..Pounds	#.....	..Number

10) ILLUSTRATION REFERENCE LETTERS

When necessary, illustrations may contain reference letters that are intended to track information (i. e. hoses, harnesses) from one point to another or to track visual enlargement of components to show details that may be located in another area on the illustration.

Note: Due to continuous product improvements, JLG Industries, Inc. reserves the right to make specification changes without prior notification. Contact JLG Industries, Inc. for updated information.

TABLE OF CONTENTS

SECTION 1 - FRAME.....	11
FIGURE 1-1. AXLE AND STEERING INSTALLATION WITHOUT TOW PACKAGE	12
FIGURE 1-2. AXLE AND STEERING INSTALLATION WITH TOW PACKAGE	16
FIGURE 1-3. TIRE AND WHEEL DRIVE INSTALLATIONS	20
FIGURE 1-4. DRIVE HUB/BRAKE ASSEMBLY (SN 0300182743 through 0300244559, SN B300001092 through B300002866)	24
FIGURE 1-5. DRIVE HUB/BRAKE ASSEMBLY (SN 0300244560 to Present, SN B300002867 to Present)	28
FIGURE 1-6. DRIVE MOTOR ASSEMBLY	32
FIGURE 1-7. FRAME VALVES AND SHIELDS INSTALLATIONS	36
FIGURE 1-8. TOW PACKAGE INSTALLATION	38
SECTION 2 - TURNTABLE	41
FIGURE 2-1. CONTROL VALVES AND AUXILIARY PUMP INSTALLATIONS	42
FIGURE 2-2. MAIN CONTROL VALVE ASSEMBLY (SN 0300182743 through 0300190436).....	46
FIGURE 2-3. MAIN CONTROL VALVE ASSEMBLY (SN 0300190437 to Present, SN B300001092 to Present).....	48
FIGURE 2-4. TURNTABLE BEARING AND SWING DRIVE INSTALLATION.....	50
FIGURE 2-5. SWING MOTOR/HUB ASSEMBLY.....	52
FIGURE 2-6. DEUTZ D2011 ENGINE INSTALLATION	56
FIGURE 2-7. DEUTZ TD2.9L4 ENGINE INSTALLATION	66
FIGURE 2-8. FORD ENGINE INSTALLATION.....	82
FIGURE 2-9. GM ENGINE INSTALLATION	94
FIGURE 2-10. HYDROSTATIC PUMP ASSEMBLY (SN 0300182743 through 0300208405, SN B300001092 through B300001325).....	100
FIGURE 2-11. HYDROSTATIC PUMP ASSEMBLY (SN 0300208406 through 0300240852, SN B300001326 through B300002584).....	104
FIGURE 2-12. HYDROSTATIC PUMP ASSEMBLY (SN 0300240853 to Present, SN B300002585 to Present).....	106
FIGURE 2-13. VARIABLE PUMP ASSEMBLY	108
FIGURE 2-14. FUEL-WATER SEPARATOR INSTALLATION - DEUTZ D2011.....	112
FIGURE 2-15. FUEL-WATER SEPARATOR INSTALLATION - DEUTZ TD2.9L4.....	114
FIGURE 2-16. BREATHER HEATER INSTALLATION - DEUTZ D2.9L4 ENGINE WITH ARCTIC PACKAGE.....	116
FIGURE 2-17. TANK INSTALLATIONS.....	118
FIGURE 2-18. LP TANK INSTALLATIONS (FORD & GM ENGINE MACHINES ONLY)	122
FIGURE 2-19. ROTARY COUPLING INSTALLATION	124
FIGURE 2-20. GROUND CONTROL BOX ASSEMBLY.....	126
FIGURE 2-21. LIMIT SWITCHES, LIGHTS AND ALARM INSTALLATIONS	132
FIGURE 2-22. HOODS INSTALLATION (ABS).....	138
FIGURE 2-23. HOODS (STEEL) AND LIFTING PLATE INSTALLATIONS.....	144
FIGURE 2-24. ENGINE TRAY JACK INSTALLATION (OPTIONAL).....	150
FIGURE 2-25. 2500W GENERATOR INSTALLATION - DEUTZ D2011 MACHINES (OPTIONAL).....	152
FIGURE 2-26. 2500W GENERATOR INSTALLATION - DEUTZ TD2.9L4 MACHINES (OPTIONAL).....	156
FIGURE 2-27. 2500W GENERATOR INSTALLATION - FORD MACHINES (OPTIONAL)	158
FIGURE 2-28. 2500W GENERATOR INSTALLATION - GM MACHINES (OPTIONAL)	162
FIGURE 2-29. 4000W GENERATOR INSTALLATION - DEUTZ D2011 ENGINES.....	166
FIGURE 2-30. 4000W GENERATOR INSTALLATION - DEUTZ TD2.9L4 ENGINES.....	170
FIGURE 2-31. 4000W GENERATOR INSTALLATION - GM ENGINES.....	174
FIGURE 2-32. 7500W SKYPOWER GENERATOR INSTALLATION - DEUTZ ENGINES.....	178
FIGURE 2-33. 7500W SKYPOWER GENERATOR INSTALLATION - FORD ENGINES.....	184
FIGURE 2-34. 7500W SKYPOWER GENERATOR INSTALLATION - GM ENGINES	188
FIGURE 2-35. SKYAIR AIR COMPRESSOR INSTALLATION.....	192
FIGURE 2-36. AIR COMPRESSOR ASSEMBLY	194
SECTION 3 - BOOM	197
FIGURE 3-1. TOWER BOOM, UPRIGHT AND CYLINDERS INSTALLATION	198
FIGURE 3-2. MAIN BOOM INSTALLATION - 800S/680S.....	202
FIGURE 3-3. MAIN BOOM INSTALLATION - 860SJ	206
FIGURE 3-4. MAIN BOOM ASSEMBLIES	210
FIGURE 3-5. ROTATOR ASSEMBLY	214
FIGURE 3-6. PLATFORM SUPPORT AND CONTROL VALVES INSTALLATIONS.....	218
FIGURE 3-7. PLATFORM VALVE ASSEMBLIES (860SJ ONLY) (SN 0300182743 through 0300190436).....	222
FIGURE 3-8. PLATFORM VALVE ASSEMBLIES (800S/680S) (SN 0300190437 to Present, SN B300001092 to Present)	224
FIGURE 3-9. PLATFORM SUPPORT INSTALLATION - WITH 4 CELL LSS.....	226
FIGURE 3-10. PLATFORM SUPPORT INSTALLATION - WITH 1 CELL LSS.....	230
FIGURE 3-11. BOOM CABLE CLAMPS INSTALLATIONS.....	232

TABLE OF CONTENTS

SECTION 4 - PLATFORM	235
FIGURE 4-1. PLATFORM COMPONENTS INSTALLATION	236
FIGURE 4-2. PLATFORM COMPONENTS INSTALLATION (FALL ARREST PLATFORM)	242
FIGURE 4-3. PLATFORM CONSOLE ASSEMBLY (WITHOUT SKYGUARD)	244
FIGURE 4-4. PLATFORM CONSOLE ASSEMBLY (WITH SKYGUARD)	248
FIGURE 4-5. CONTROLLER ASSEMBLY (LIFT AND SWING)	252
FIGURE 4-6. CONTROLLER ASSEMBLY (LIFT AND SWING)	254
FIGURE 4-7. CONTROLLER ASSEMBLY (DRIVE AND STEER)	258
FIGURE 4-8. CONTROLLER ASSEMBLY (DRIVE AND STEER)	260
FIGURE 4-9. SOFT TOUCH SYSTEM INSTALLATION (OPTIONAL)	262
FIGURE 4-10. PLATFORM BUMPER PADDING INSTALLATION (OPTIONAL)	264
FIGURE 4-11. SKYGUARD SYSTEM INSTALLATION (SN 0300182743 through 0300255782, SN B300001092 to Present)	266
FIGURE 4-12. SKYGUARD BAR INSTALLATION (SN 0300255783 to Present)	268
FIGURE 4-13. CROSS RAIL INSTALLATION	270
FIGURE 4-14. SKYEYE INSTALLATION	272
FIGURE 4-15. SKYGLAZIER INSTALLATION	274
FIGURE 4-16. SKYLINE INSTALLATION	276
FIGURE 4-17. SKYWELDER/SKYCUTTER COMBO INSTALLATION (60HZ)	278
FIGURE 4-18. SKYWELDER INSTALLATION (50HZ)	282
FIGURE 4-19. SKYWELDER INSTALLATION (60HZ)	284
FIGURE 4-20. SKYWELDER PREP PACKAGE (60HZ)	286
FIGURE 4-21. WELDER ASSEMBLY	288
FIGURE 4-22. SKYCUTTER INSTALLATION	290
FIGURE 4-23. PLASMA CUTTER ASSEMBLY	292
FIGURE 4-24. PIPE RACKS INSTALLATION	294
FIGURE 4-25. FALL ARREST INSTALLATION (BOLT-ON EXTERNAL) (6FT/1.82M PLATFORM)	296
FIGURE 4-26. FALL ARREST INSTALLATION (BOLT-ON EXTERNAL) (6FT/1.82M TRI-ENTRY PLATFORM)	298
FIGURE 4-27. FALL ARREST INSTALLATION (BOLT-ON EXTERNAL) (8FT/2.4M PLATFORM)	300
SECTION 5 - CYLINDER	303
FIGURE 5-1. AXLE LOCKOUT CYLINDER ASSEMBLY (SN 0300182743 to Present, SN B300001092 through B300002483)	304
FIGURE 5-2. AXLE LOCKOUT CYLINDER ASSEMBLY (SN B300002484 to Present)	306
FIGURE 5-3. LEVEL CYLINDER ASSEMBLY - PLATFORM SLAVE (800S/680S) (SN 0300182743 through 0300183962)	308
FIGURE 5-4. LEVEL CYLINDER ASSEMBLY - PLATFORM SLAVE (800S/680S) (SN 0300183963 through 0300193126)	310
FIGURE 5-5. LEVEL CYLINDER ASSEMBLY - PLATFORM SLAVE (800S/680S) (SN 0300193127 through 0300198300)	312
FIGURE 5-6. LEVEL CYLINDER ASSEMBLY - PLATFORM SLAVE (800S/680S) (SN 0300198301 through 0300198660)	314
FIGURE 5-7. LEVEL CYLINDER ASSEMBLY - PLATFORM SLAVE (800S/680S) (SN 0300198661 through 0300243278, SN B300001092 through B300002584)	316
FIGURE 5-8. LEVEL CYLINDER ASSEMBLY - PLATFORM SLAVE (800S/680S) (SN 0300243279 to Present, SN B300002585 to Present)	318
FIGURE 5-9. LEVEL CYLINDER ASSEMBLY - PLATFORM SLAVE (860SJ) (SN 0300182743 through 0300244707, SN B300001092 through B300002483)	320
FIGURE 5-10. LEVEL CYLINDER ASSEMBLY - PLATFORM SLAVE (860SJ) (SN 0300244708 to Present)	322
FIGURE 5-11. LEVEL CYLINDER ASSEMBLY - PLATFORM SLAVE (860SJ) (SN B300002484 to Present)	324
FIGURE 5-12. LEVEL CYLINDER ASSEMBLY - JIB (860SJ ONLY) (SN 0300182743 through 0300244707, SN B300001092 through B300002483)	326
FIGURE 5-13. LEVEL CYLINDER ASSEMBLY - JIB (860SJ ONLY) (SN 0300244708 to Present)	328
FIGURE 5-14. LEVEL CYLINDER ASSEMBLY - JIB (860SJ) (SN B300002484 to Present)	330
FIGURE 5-15. LIFT CYLINDER ASSEMBLY - MAIN BOOM (800S/680S) (SN 0300182743 through 0300239593, SN B300001092 through B300002483)	332
FIGURE 5-16. LIFT CYLINDER ASSEMBLY - MAIN BOOM (800S/680S) (SN 0300239594 to Present, SN B300002484 to Present)	334
FIGURE 5-17. LIFT CYLINDER ASSEMBLY - MAIN BOOM (860SJ) (SN 0300182743 through 0300239858, SN B300001092 through B300002483)	336
FIGURE 5-18. LIFT CYLINDER ASSEMBLY - MAIN BOOM (860SJ) (SN 0300239859 to Present)	338
FIGURE 5-19. LIFT CYLINDER ASSEMBLY - MAIN BOOM (860SJ) (SN B300002484 to Present)	340
FIGURE 5-20. STEER CYLINDER ASSEMBLY (SN 0300182743 to Present, SN B300001092 through B300002483)	342
FIGURE 5-21. STEER CYLINDER ASSEMBLY (SN B300002484 to Present)	344
FIGURE 5-22. TELESCOPE CYLINDER ASSEMBLY	346
FIGURE 5-23. TELESCOPE CYLINDER ASSEMBLY (680S) (SN 0300244880 to Present)	350
FIGURE 5-24. TELESCOPE CYLINDER ASSEMBLY (800S) (SN 0300243279 to Present, SN B300002585 to Present)	352
FIGURE 5-25. TELESCOPE CYLINDER ASSEMBLY (860SJ) (SN 030024708 to Present, SN B300002588 to Present)	354
SECTION 6 - HYDRAULIC	357

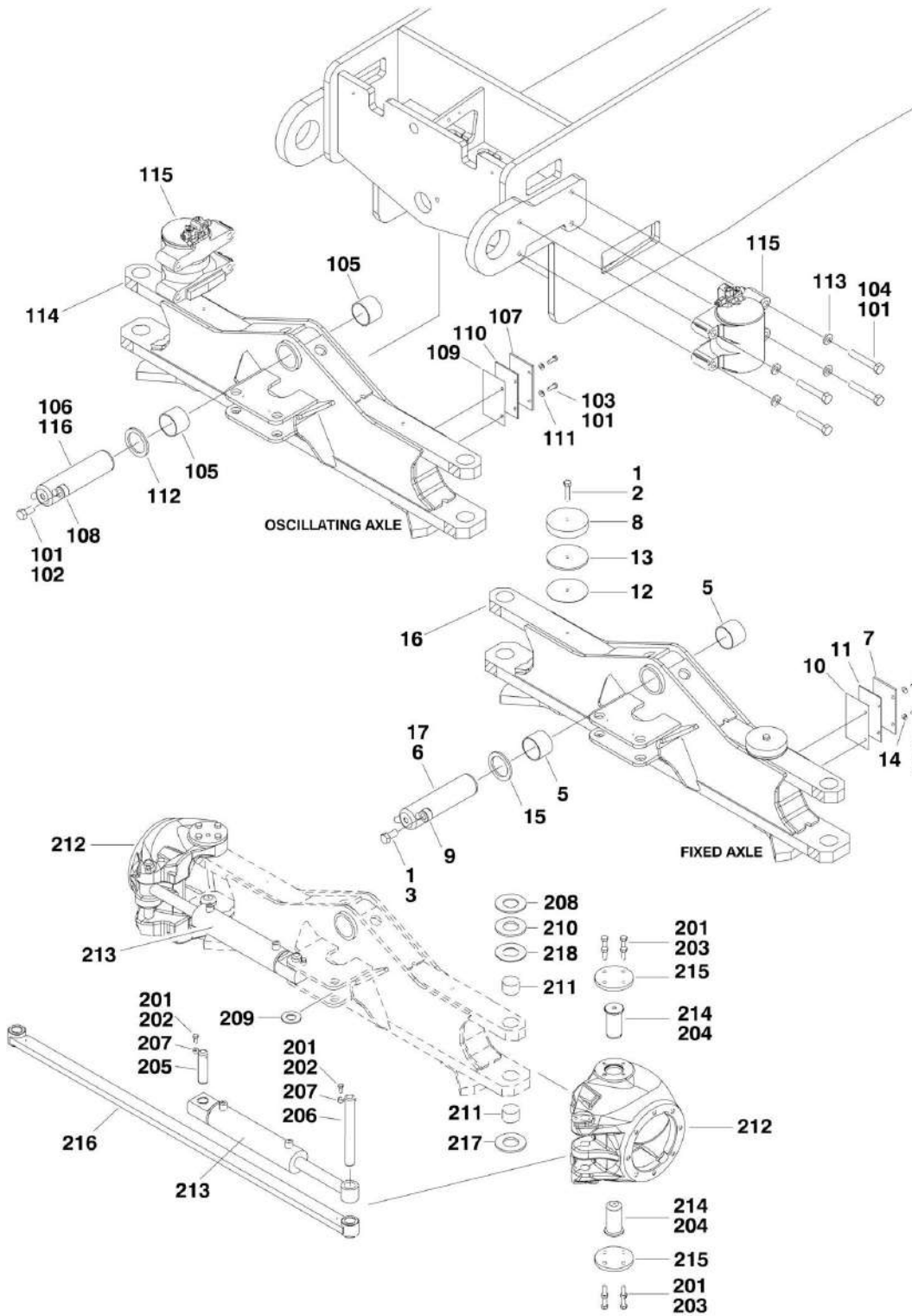
TABLE OF CONTENTS

FIGURE 6-1. AXLE LOCKOUT HYDRAULIC DIAGRAM	358
FIGURE 6-2. DRIVE HYDRAULIC DIAGRAM - 2WD (SN 0300182743 through 0300196954, SN B300001092 through B300001096)	360
FIGURE 6-3. DRIVE HYDRAULIC DIAGRAM - 2WD (SN 0300196955 to Present, SN B300001097 to Present).....	364
FIGURE 6-4. DRIVE HYDRAULIC DIAGRAM - 4WD (SN 0300182743 through 0300196954, SN B300001092 through B300001096)	368
FIGURE 6-5. DRIVE HYDRAULIC DIAGRAM - 4WD (SN 0300196955 to Present, SN B300001097 to Present).....	372
FIGURE 6-6. MANUAL DESCENT HYDRAULIC DIAGRAM (OPTIONAL)	378
FIGURE 6-7. STANDARD HYDRAULIC DIAGRAM (SN 0300182743 through 0300190436).....	380
FIGURE 6-8. STANDARD HYDRAULIC DIAGRAM (SN 0300190437 through 0300196954, SN B300001092 through B300001096)	384
FIGURE 6-9. STANDARD HYDRAULIC DIAGRAM (SN 0300196955 to Present, SN B300001097 to Present)	388
FIGURE 6-10. HYDRAULIC DIAGRAM LIST	392
SECTION 7 - ELECTRICAL	395
FIGURE 7-1. ELECTRICAL DIAGRAM LIST	396
FIGURE 7-2. HARNESS COMPONENTS INSTALLATION.....	398
FIGURE 7-3. SKYEYE INTERMEDIATE HARNESS	424
FIGURE 7-4. SKYEYE RECEIVER HARNESS	426
FIGURE 7-5. SKYEYE EMITTER HARNESS.....	428
FIGURE 7-6. SKYLINE HARNESS.....	430
FIGURE 7-7. INTERFACE HARNESS - WITH 1 CELL LSS	432
SECTION 8 - DECALS.....	435
FIGURE 8-1. DECAL INSTALLATION (ANSI SPEC)	436
FIGURE 8-2. DECAL INSTALLATION (COUNTRY SPEC).....	440
FIGURE 8-3. DECAL INSTALLATION (AUSTRALIAN AND CE SPEC).....	446
FIGURE 8-4. DECAL INSTALLATION (CE SPEC).....	450
SECTION 9 - RECOMMENDED SERVICE PARTS STOCK	453
FIGURE 9-1. MODEL 800S/860SJ STANDARD PARTS	454
FIGURE 9-2. MODEL 800S/860SJ VARIABLE PARTS	456
SECTION 10 - SPECIAL OPTIONS	457
FIGURE 10-1. SPECIAL OPTIONS.....	458
PART NUMBER INDEX	467

SECTION 1 - FRAME

SECTION 1 - FRAME

FIGURE 1-1. AXLE AND STEERING INSTALLATION WITHOUT TOW PACKAGE



SECTION 1 - FRAME

FIGURE 1-1. AXLE AND STEERING INSTALLATION WITHOUT TOW PACKAGE

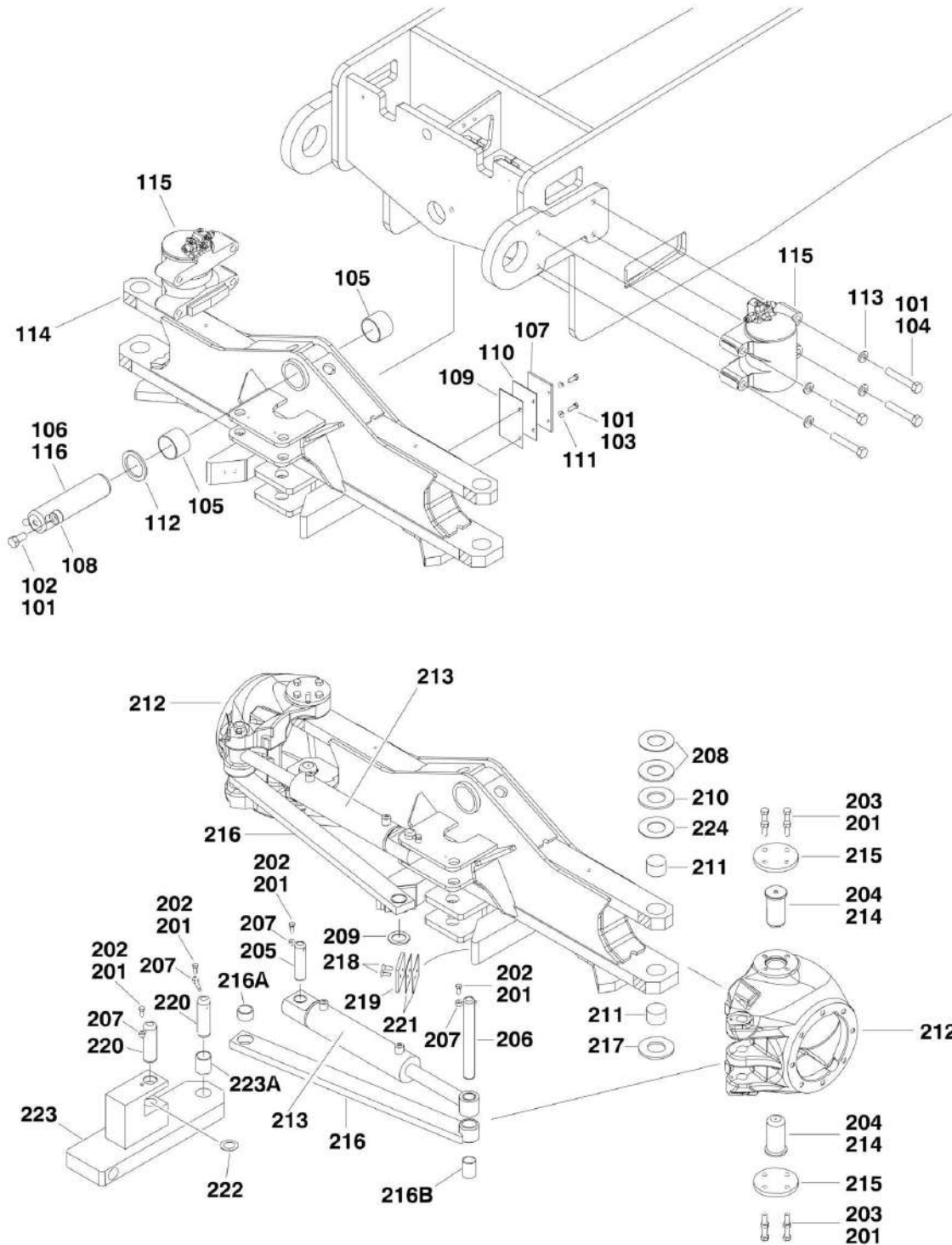
ITEM	PART NUMBER	QTY	DESCRIPTION	REV
	1001151037	Ref	FIXED AXLE INSTALLATION	B
1	0100011	AR	Compound, Locking	
2	0641818	2	Bolt 1/2in-13NC x 2-1/4in	
3	0642212	1	Bolt 3/4in-10NC x 1-1/2in	
4	0681608	4	Bolt 3/8in-16NC x 1in Grade 8	
5	0962102	2	Bushing	
6	3020039	AR	Lubricant	
7	3538047	AR	Shim, Wear	
8	3539877	2	Plate, Stop	
9	3841287	1	Keeper, Pin	
10	4070878	AR	Shim 1/16in	
11	4070879	AR	Shim 1/8in	
12	4070944	AR	Shim 1/16in	
13	4070945	AR	Shim 1/4in	
14	4711600	4	Flatwasher 3/8in Thin	
15	4740472	1	Washer, Special	
16	1001152719	1	Axle	
17	1001156710	1	Pin	
		Ref	OSCILLATING AXLE INSTALLATION	
	1001154584	Ref	Oscillating Axle Installation (SN 0300182743 to Present)	D
	1001154584	Ref	Oscillating Axle Installation (SN B300001092 through B300002483)	D
	1001231147	Ref	Oscillating Axle Installation (SN B300002484 to Present)	A
101	0100011	AR	Compound, Locking	
102	0642212	1	Bolt 3/4in-10NC x 1-1/2in	
103	0681608	4	Bolt 3/8in-16NC x1in Grade 8	
104	0682236	8	Bolt 3/4in-10NC x 4-1/2in Grade 8	
105	0962102	2	Bushing	
106	3020039	AR	Lubricant	
107	3538047	AR	Shim, Axle Wear	
108	3841287	1	Shaft, Keeper 3/8in Dia x 6in	
109	4070878	AR	Shim, Axle Wear	
110	4070879	AR	Shim, Axle Wear	
111	4711600	4	Flatwasher 3/8in Thin	
112	4740472	1	Washer, Special	
113	4892200	8	Flatwasher 3/4in Hardened	
114	1001152719	1	Axle	
115		Ref	Axle Lockout Cylinder Assembly Options (See CYLINDER SECTION for Breakdown):	
115	1001154258	NLA	Axle Lockout Cylinder (Use p/n 1001204560) (SN 0300182743 through 0300214570)	
115	1001204560	2	Axle Lockout Cylinder (SN 0300214571 to Present)	
115	1001154258	NLA	Axle Lockout Cylinder (Use p/n 1001204560) (SN B300001092 through B300001499)	
115	1001204560	2	Axle Lockout Cylinder (SN B300001500 through B300002483)	
115	1001230374	2	Axle Lockout Cylinder (SN B300002484 to Present)	
116	1001156710	1	Pin	
		Ref	STEER INSTALLATIONS	
	1001151034	Ref	Steer Installation (SN 0300182743 to Present)	F
	1001151034	Ref	Steer Installation (SN B300001092 through B300002483)	F

SECTION 1 - FRAME

ITEM	PART NUMBER	QTY	DESCRIPTION	REV
	1001230783	Ref	Steer Installation (SN B300002484 to Present)	A
201	0100011	AR	Compound, Locking	
202	0641607	4	Bolt 3/8in-16NC x 7/8in	
203	0641810	16	Bolt 1/2in-13NC x 1-1/4in	
204	3020029	AR	Lubricant	
205	3422417	2	Pin	
206	3422790	2	Pin	
207	3841520	4	Keeper, Pin	
208	4740256	AR	Thrustwasher	
209	4740473	2	Washer, Special	
210	1001103810	2	Thrustwasher	
211	1001165657	4	Bearing	
212	1001150372	2	Spindle	
213		Ref	Steer Cylinder Assembly (See CYLINDER SECTION for Breakdown)	
213	1001150539	1	Steer Cylinder (SN 0300182743 to Present)	
213	1001150539	1	Steer Cylinder (SN B300001092 through B300002483)	
213	1001230375	1	Steer Cylinder (SN B300002484 to Present)	
214	1001161355	4	Kingpin	
215	1001150937	4	Plate	
216	1001151980	1	Tie-Rod	
217	1001161399	2	Thrustwasher	
218	4740463	AR	Thrustwasher	

SECTION 1 - FRAME

FIGURE 1-2. AXLE AND STEERING INSTALLATION WITH TOW PACKAGE



SECTION 1 - FRAME

FIGURE 1-2. AXLE AND STEERING INSTALLATION WITH TOW PACKAGE

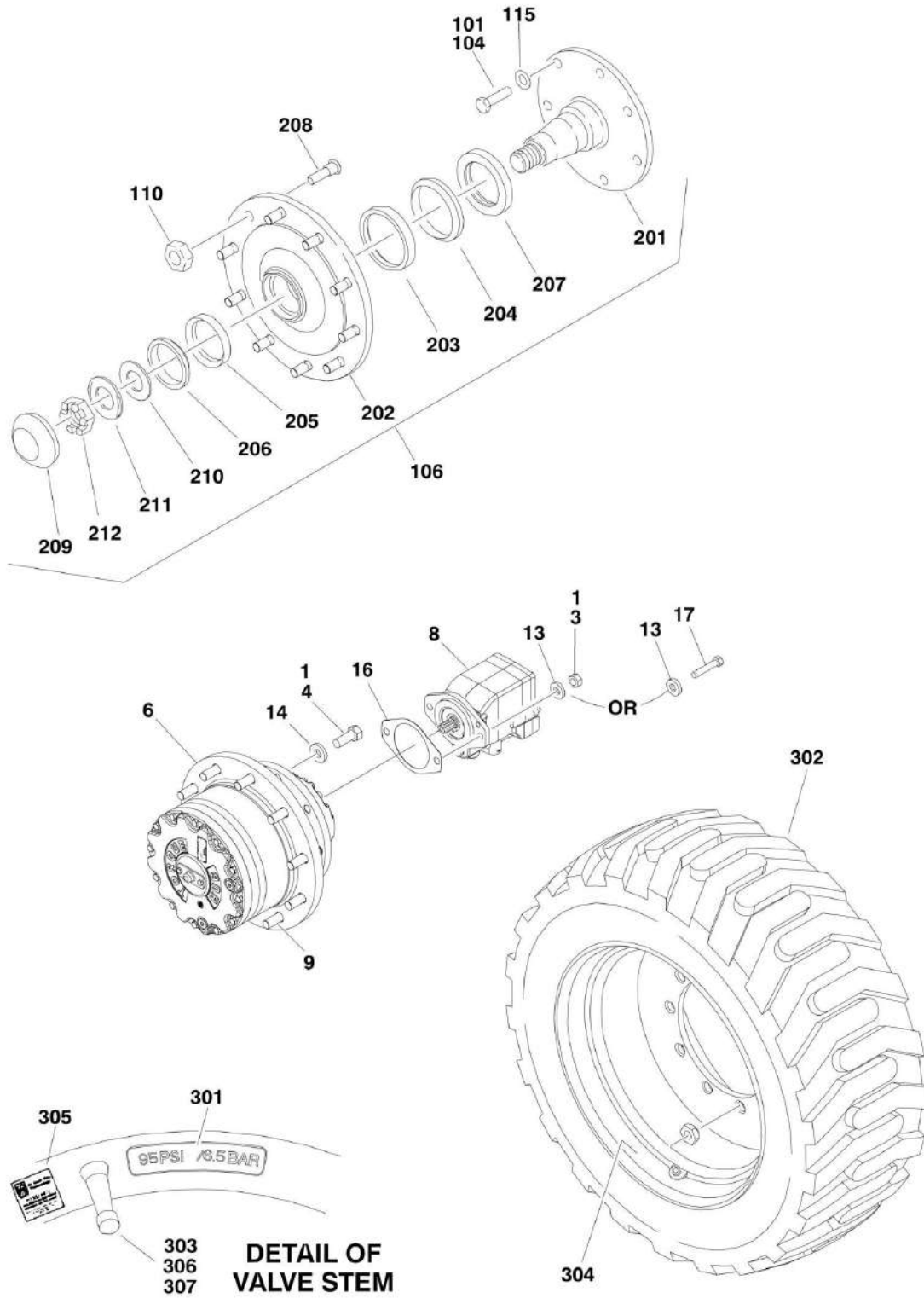
ITEM	PART NUMBER	QTY	DESCRIPTION	REV
		Ref	OSCILLATING AXLE INSTALLATION	
	1001155194	Ref	Oscillating Axle Installation (SN 0300182743 to Present)	D
	1001155194	Ref	Oscillating Axle Installation (SN B300001092 through B300002483)	D
	1001232540	Ref	Oscillating Axle Installation (SN B300002484 to Present)	A
101	0100011	AR	Compound, Locking	
102	0642212	1	Bolt 3/4in-10NC x 1-1/2in	
103	0681608	4	Bolt 3/8in-16NC x1in Grade 8	
104	0682236	8	Bolt 3/4in-10NC x 4-1/2in Grade 8	
105	0962102	2	Bushing	
106	3020039	AR	Lubricant	
107	3538047	AR	Shim, Axle Wear	
108	3841287	1	Shaft, Keeper 3/8in Dia x 6in	
109	4070878	AR	Shim, Axle Wear	
110	4070879	AR	Shim, Axle Wear	
111	4711600	4	Flatwasher 3/8in Thin	
112	4740472	1	Washer, Special	
113	4892200	8	Flatwasher 3/4in Hardened	
114	1001154875	1	Axle	
115		Ref	Axle Lockout Cylinder Assembly (See CYLINDER SECTION for Breakdown):	
115	1001154258	NLA	Axle Lockout Cylinder (Use p/n 1001204560) (SN 0300182743 through 0300214570)	
115	1001204560	1	Axle Lockout Cylinder (SN 0300214571 to Present)	
115	1001154258	NLA	Axle Lockout Cylinder (Use p/n 1001204560) (SN B300001092 through B300001499)	
115	1001204560	1	Axle Lockout Cylinder (SN B300001500 through B300002483)	
115	1001230374	1	Axle Lockout Cylinder (SN B300002484 to Present)	
116	1001156710	1	Pin	
		Ref	STEER INSTALLATION	
	1001155192	Ref	Steer Installation (SN 0300182743 to Present)	F
	1001155192	Ref	Steer Installation (SN B300001092 through B300002483)	F
	1001232539	Ref	Steer Installation (SN B300002484 to Present)	A
201	0100011	AR	Compound, Locking	
202	0641607	6	Bolt 3/8in-16NC x 7/8in	
203	0641810	16	Bolt 1/2in-13NC x 1-1/4in	
204	3020029	AR	Lubricant	
205	3422417	2	Pin	
206	3422790	2	Pin	
207	3841520	6	Keeper, Pin	
208	4740256	AR	Thrustwasher	
209	4740473	2	Washer, Special	
210	1001103810	2	Thrustwasher	
211	1001165657	4	Bearing	
212	1001150372	2	Spindle	
213		Ref	Steer Cylinder Assembly (See CYLINDER SECTION for Breakdown)	
213	1001150539	1	Steer Cylinder (SN 0300182743 to Present)	
213	1001150539	1	Steer Cylinder (SN B300001092 through B300002483)	
213	1001230375	1	Steer Cylinder (SN B300002484 to Present)	
214	1001161355	4	Kingpin	

SECTION 1 - FRAME

ITEM	PART NUMBER	QTY	DESCRIPTION	REV
215	1001150937	4	Plate	
216	1001154931	2	Tie-Rod	
216A	0962181	1	Bushing	
216B	0962152	1	Bushing	
217	1001161399	2	Thrustwasher	
218	0741609	4	Screw 3/8in-16NC x 1-1/8in	
219	3340966	2	Pad, Stop	
220	3422848	2	Pin, Hitch	
221	4071059	AR	Shim	
222	4740155	3	Thrustwasher	
223	1001155035	1	Link	
223A	0962348	1	Bushing	
224	4740463	AR	Thrustwasher	

SECTION 1 - FRAME

FIGURE 1-3. TIRE AND WHEEL DRIVE INSTALLATIONS



SECTION 1 - FRAME

FIGURE 1-3. TIRE AND WHEEL DRIVE INSTALLATIONS

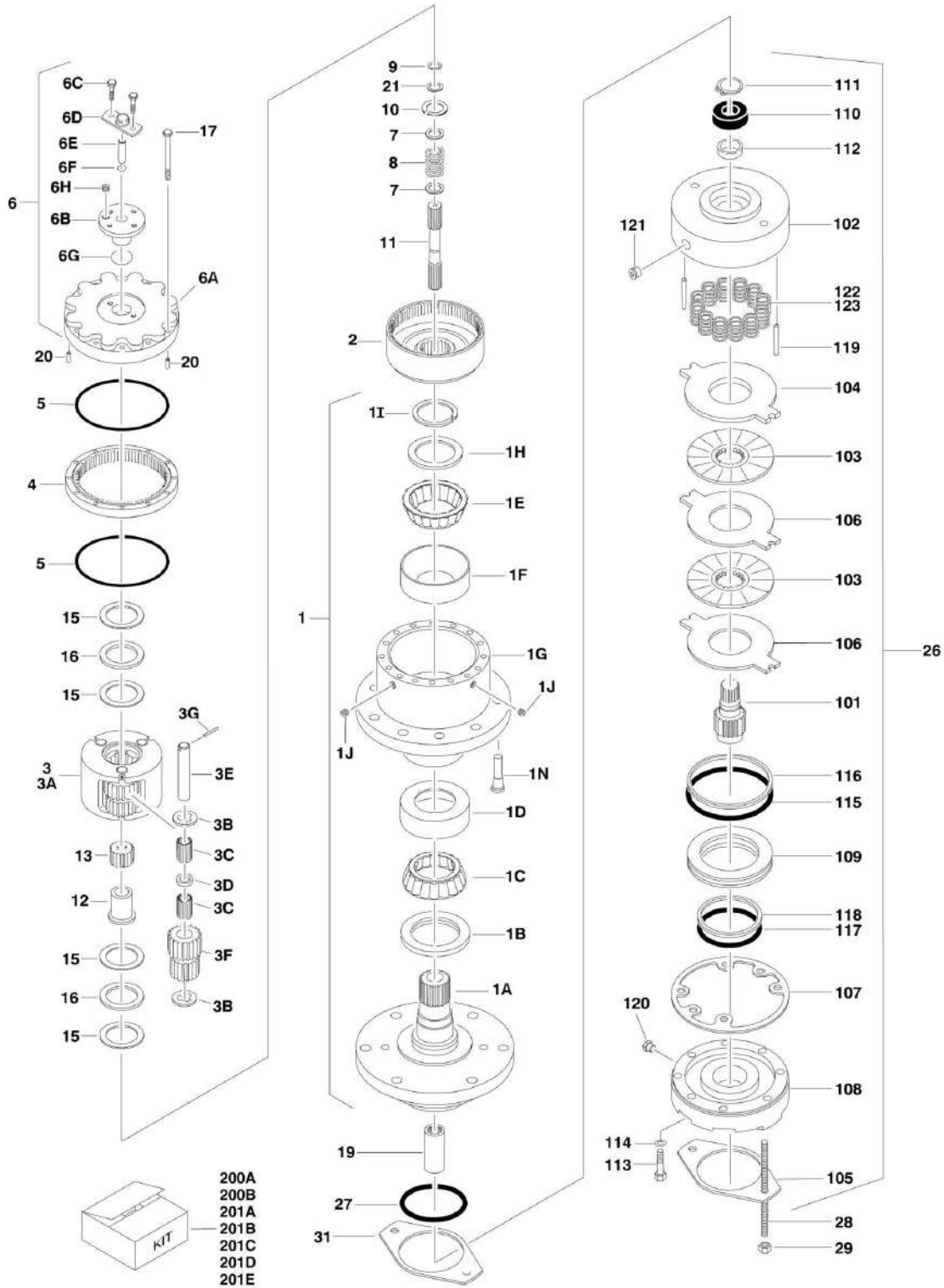
ITEM	PART NUMBER	QTY	DESCRIPTION	REV
		Ref	WHEEL DRIVE INSTALLATION	
	1001157015	Ref	Wheel Drive Installation 2WD	C
	1001157016	Ref	Wheel Drive Installation 4WD	C
		Ref	Note: 2WD Qty Shown. For 4WD, Double Qty Shown.	
1	0100011	AR	Compound, Locking	
3	3311801	4	Nut 1/2in-13 NC (SN 0300182743 through 0300244559, SN B300001092 through B300002866)	
4	0682016	16	Bolt 5/8in-11NC x 2in Grade 8	
5	2300016	AR	Fluid, Hydraulic (Not Shown) (SN 0300182743 through 0300244559, SN B300001092 through B300002866)	
6	2780272	NLA	Drive Hub Assembly (Use p/n 1001228544) (See DRIVE HUB ASSEMBLY for Breakdown) (SN 0300182743 through 0300244559, SN B300001092 through B300002866)	
6	1001219219	2	Drive Hub Assembly (See DRIVE HUB ASSEMBLY for Breakdown) (SN 0300244560 to Present, SN B300002867 to Present)	
7	3020008	AR	Lubricant (Not Shown)	
8		Ref	Drive Motor Assembly Options (See DRIVE MOTOR ASSEMBLY for Breakdown):	
8	3160347	2	2WD Rear	
8	3160348	4	4WD Front and Rear	
9	3300007	20	Nut, Wheel	
13	4891800	4	Flatwasher, 1/2in Hardened	
14	4892000	16	Flatwasher 5/8in Hardened	
16	3960526	2	Gasket (SN 0300244560 to Present, SN B300002867 to Present)	
17	0681822	4	Bolt 1/2 x 2-3/4 Grade 8 (SN 0300244560 to Present, SN B300002867 to Present)	
	1001157015	Ref	HUB INSTALLATION (2WD ONLY)	C
101	0100011	AR	Compound, Locking	
104	0682016	16	Bolt 5/8in-16NC x 2in Grade 8	
106	2780229	2	Hub Assembly (See Items 201-212 for Breakdown)	
110	3300007	20	Lugnut	
115	4892000	16	Flatwasher 5/8in Hardened	
	2780229	Ref	HUB ASSEMBLY (2WD ONLY)	A
201	7017052	2	Spindle (1 per Assembly)	
202	7017053	2	Housing (1 per Assembly)	
203	7010404	2	Cup, Bearing - Inner (1 per Assembly)	
204	7010405	2	Cone, Bearing - Inner (1 per Assembly)	
205	7017056	2	Cup, Bearing - Outer (1 per Assembly)	
206	7017055	2	Cone, Bearing - Outer (1 per Assembly)	
207	7010406	2	Seal, Lip (1 per Assembly)	
208	7000265	20	Stud (10 per Assembly)	
209	7017054	2	Dust Cap (1 per Assembly)	
210	7017051	2	Washer, Special (1 per Assembly)	
211	7017057	2	Washer, Tanged (1 per Assembly)	
212	7017058	2	Nut, Bearing (1 per Assembly)	
		Ref	TIRE AND WHEEL INSTALLATIONS	
	0270885	Ref	15-625 NHS Pneumatic Tire (Available on All Specs except Australian and CE Specs)	D
	0272322	Ref	15-625 NHS Pneumatic Tire with Sealant (Available on ANSI Specs Only)	D

SECTION 1 - FRAME

ITEM	PART NUMBER	QTY	DESCRIPTION	REV
	1001209983	Ref	41/18LL x 22.5 Pneumatic Sand Tire (Note: For Model 810SJ, See Special Options Section)	B
	0270886	Ref	15-625 NHS Foam-Filled Tire (Available on All Specs)	D
	0270888	Ref	18-625 NHS Foam-Filled Tire (Available on All Specs)	C
	1001169757	Ref	18-625 NHS Foam-Filled Tire (Non-Marking) (Available on All Specs)	A
	0271083	2	15-625 NHS Pneumatic Left Side Tire	D
	0271084	2	15-625 NHS Pneumatic Right Side Tire	D
	0272334	2	15-625 NHS Pneumatic with Sealant Left Side Tire	D
	0272333	2	15-625 NHS Pneumatic with Sealant Right Side Tire	D
	1001209983	4	41/18LL x 22.5 Pneumatic Sand Tire	B
	0271085	2	15-625 NHS Foam-Filled Left Side Tire	H
	0271086	2	15-625 NHS Foam-Filled Right Side Tire	H
	0271090	2	18-625 NHS Foam-Filled Left Side Tire	F
	1001169755	2	18-625 NHS Foam-Filled Non-Marking Left Side Tire	C
	0271091	2	18-625 NHS Foam-Filled Right Side Tire	F
	1001169756	2	18-625 NHS Foam-Filled Non-Marking Right Side Tire	C
		Ref	Note: Assemblies may require ballast/foam filling to manufacturer's specifications prior to installing on a machine. Refer to Operation and Safety or Service and Maintenance Manuals. Purchase individual tire and/or rim only if able to foam fill tire and wheel assembly, otherwise, purchase complete assembly.	
301	1702701	1	Decal - 95psi/6.5 Bar (15-625 Tires) (Pneumatic NHS Tires Only)	
301	1701643	1	Decal - 70psi/5 Bar (Pneumatic Sand Tires Only)	
302		Ref	Tire Options:	
302	4520252	1	15-625 Tire	
302	4520253	1	18-625 Tire	
302	1001169754	1	18-625 Tire - Non-Marking	
302	4520256	1	41/18LL x 22.5 Sand Tire	
303	4640113	1	Valve, Air (Pneumatic Tires)	
303	4641122	1	Valve, Air (Foam-Filled Tires)	
304		Ref	Rim, Wheel Options:	
304	4860224	1	13 x 24.5 Rim (Use with 15-625 Tires)	
304	4860225	1	15 x 24.5 Rim (Use with 18-625 Tires)	
304	1001209982	1	14 x 22.5 Rim (Used with Sand Tires)	
305	1705364	AR	Decal - Tire Sealant (With Sealant Only)	
306	1300019	AR	Chemical, Tire Sealant (Green) (With Sealant Only)	
307	1120552	AR	Cap, Valve Stem (Green) (With Sealant Only)	

SECTION 1 - FRAME

FIGURE 1-4. DRIVE HUB/BRAKE ASSEMBLY (SN 0300182743 through 0300244559, SN B300001092 through B300002866)



SECTION 1 - FRAME

FIGURE 1-4. DRIVE HUB/BRAKE ASSEMBLY (SN 0300182743 through 0300244559, SN B300001092 through B300002866)

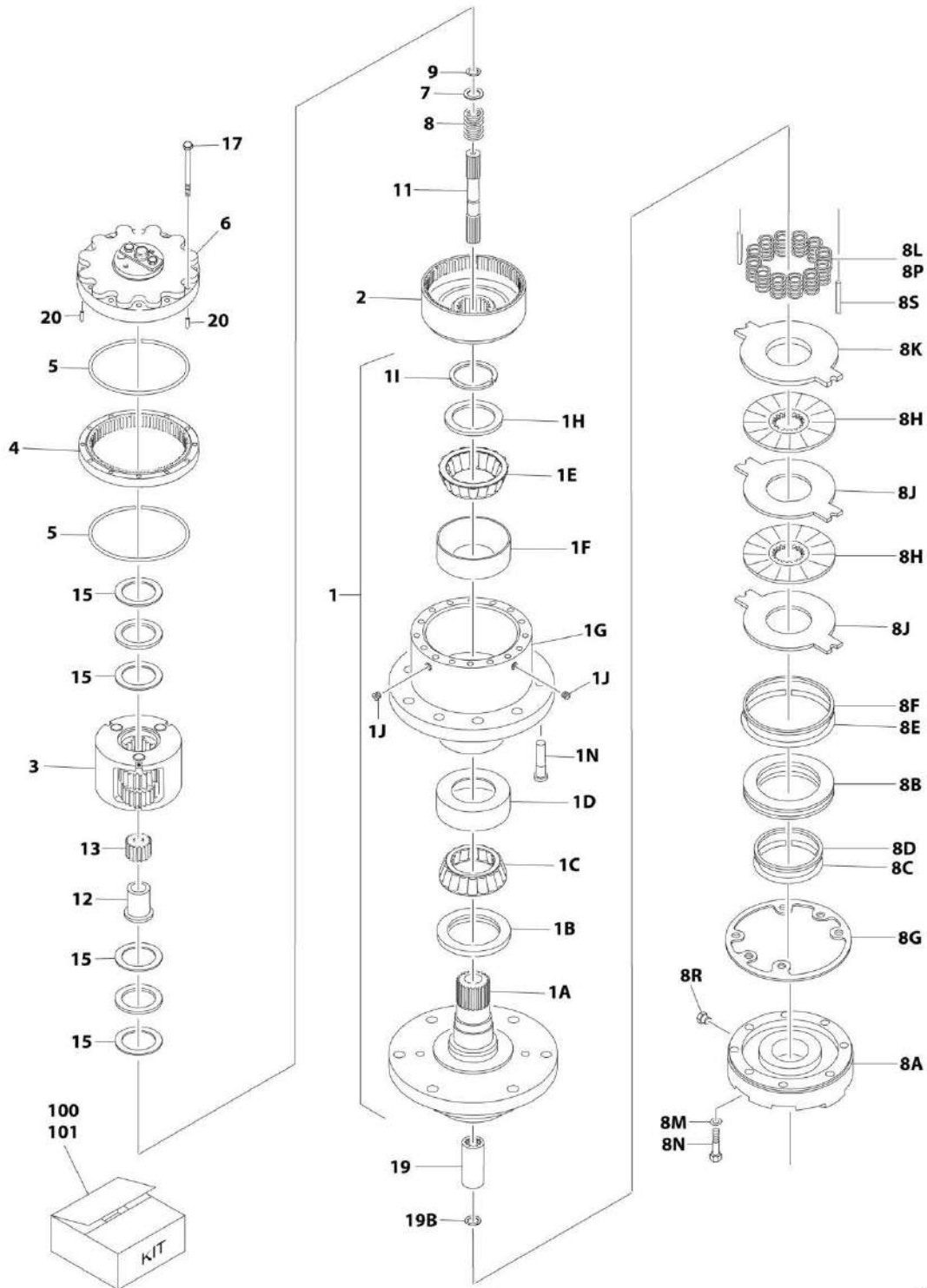
ITEM	PART NUMBER	QTY	DESCRIPTION	REV
	2780272	Ref	DRIVE HUB/BRAKE ASSEMBLY (SN 0300182743 through 0300244559, SN B300001092 through B300002866)	E
	2780227	Ref	Hub Assembly	B
1	See Note	NSS	Spindle/Housing Assembly (Note: Not Available - Purchase Individual Components)	
1A	7010464	1	Spindle	
1B	7000236	1	Seal	
1C	7000273	1	Cone, Bearing	
1D	7000272	1	Cup, Bearing	
1E	7000275	1	Cone, Bearing	
1F	7000274	1	Cup, Bearing	
1G	7017033	1	Housing	
1H	7000239	1	Thrustwasher	
1I	7000240	1	Ring, Retaining	
1J	7001928	1	Plug, Pipe	
1N	7000265	10	Stud, Wheel	
2	7024782	1	Gear, Ring	
3	7024145	1	Carrier Assembly	
3A	7024147	NLA	Carrier (use p/n 7024145)	
3B	7001901	6	Thrustwasher, Tanged	
3C	7001902	96	Bearing, Needle	
3D	7001903	3	Spacer, Thrust	
3E	7024146	3	Shaft, Planet	
3F	7024148	3	Gear, Cluster	
3G	7001906	3	Rollpin	
4	7024151	1	Gear, Internal	
5	7000224	1	O-Ring	
6	See Note	NSS	Cover Assembly (Note: Not Available - Purchase Individual Components)	
6A	7024155	1	Cover	
6B	7024783	1	Cap	
6C	7000220	4	Bolt 1/4in-20NC x 3/4in	
6D	7000231	1	Cap, Disengage	
6E	7000235	1	Rod, Disengage	
6F	7000213	1	O-Ring	
6G	7000238	1	O-Ring	
6H	7017048	1	Plug, Pipe	
7	7000282	2	Thrustwasher	
8	7000283	1	Spring	
9	7000284	1	Ring, Retaining	
10	7017027	1	Ring, Retaining	
11	7024781	1	Shaft, Input	
12	7024154	1	Spacer, Input	
13	7024149	1	Gear, Sun	
15	7000287	4	Thrustwasher	
16	7000288	2	Thrustwasher	
17	7000289	12	Bolt 3/8in-16NC x 2-1/2in (Grade 8)	
19	7000290	1	Coupling	
20	7017047	2	Pin, Dowel	

SECTION 1 - FRAME

ITEM	PART NUMBER	QTY	DESCRIPTION	REV
21	7017050	1	Thrustwasher	
26	7024182	1	Brake Assembly (Includes Items 101-123)	
27	7024763	2	O-Ring	
28	7024717	2	Stud 1/2in-13NC x 4-5/8in	
29	7024718	2	Nut 1/2in-13NC	
31	70005483	1	Gasket	
	7024182	Ref	BRAKE ASSEMBLY	
101	7024189	1	Shaft	
102	See Note	NSS	Housing (Note: Use p/n 7024182)	
103	See Note	NSS	Plate, Friction (Note: Use Item 201C)	
104	See Note	NSS	Plate, Pressure (Note: Use Item 201C)	
105	7000731	1	Gasket	
106	See Note	NSS	Plate, Outer (Note: Use Item 201C)	
107	See Note	NSS	Gasket (Note: Use Items 200B, 201C or 201D)	
108	7024191	1	Cylinder	
109	7024192	1	Piston	
110	See Note	NSS	Bearing, Ball (Note: Use Item 201D)	
111	See Note	NSS	Ring, Retaining (Note: Use Item 201D)	
112	See Note	NSS	Seal, Shaft (Note: Use Item 201D)	
113	See Note	NSS	Capscrew (Note: Purchase Locally)	
114	See Note	NSS	Lockwasher (Note: Purchase Locally)	
115	See Note	NSS	O-Ring (Note: Use Item 200B)	
116	See Note	NSS	Ring, Back-up (Note: Use Item 200B)	
117	See Note	NSS	O-Ring (Note: Use Item 200B)	
118	See Note	NSS	Ring, Back-up (Note: Use Item 200B)	
119	7024190	2	Pin, Dowel	
120	See Note	NSS	Plug (Note: Purchase Locally)	
121	See Note	NSS	Plug (Note: Purchase Locally)	
122	See Note	NSS	Spring Kit (Natural) (Note: Use Item 201B)	
123	See Note	NSS	Spring Kit (Blue) (Note: Use Item 201B)	
		Ref	KIT OPTIONS:	
200		Ref	Seal Kit Options:	
200A	7017068	1	Seal Kit - Hub (Includes Items 1B,1I, 5, 6F, 6G, 15 & 16)	
200A	70006431	1	Seal Kit - Hub (Includes Items 1B,1I, 5, 6F & 17)	
200B	7024194	1	Seal Kit - 7024182 Brake (Includes Items 105, 107 & 115-118)	
201		Ref	Repair Kit Options:	
201A	7024195	NLA	Spring Kit - 7024182 Brake (Includes 12 Natural Colored Springs) (Use p/n 7024196)	
201B	7024196	1	Spring Kit - 7024182 Brake (Includes 12 Natural and 2 Blue Colored Springs)	
201C	7024193	1	Friction Disc Kit - 7024182 Brake (Includes Items 103, 104, 106 & 107)	
201D	7024197	1	Bearing Kit - 7024182 Brake (Includes Items 107 & 110-112)	
201E	70006430	1	Bearing Kit - Hub (Includes Items 1B-1F, 1I, 5, 6F & 17)	

SECTION 1 - FRAME

FIGURE 1-5. DRIVE HUB/BRAKE ASSEMBLY (SN 0300244560 to Present, SN B300002867 to Present)



SECTION 1 - FRAME

FIGURE 1-5. DRIVE HUB/BRAKE ASSEMBLY (SN 0300244560 to Present, SN B300002867 to Present)

ITEM	PART NUMBER	QTY	DESCRIPTION	REV
	1001219219	Ref	DRIVE HUB/BRAKE ASSEMBLY (SN 0300244560 to Present, SN B300002867 to Present)	B
		Ref	Note: No Service Parts Breakdown at Time of Printing.	
1	See Note	NSS	Spindle/Housing Assembly (Note: Not Available - Purchase Individual Components)	
1A	70006677	1	Spindle	
1B	70006678	1	Seal	
1C	1001091460	1	Cone, Bearing	
1D	1001091460	1	Cup, Bearing	
1E	1001091461	1	Cone, Bearing	
1F	1001091461	1	Cup, Bearing	
1G	See Note	NSS	Housing (Note: Not Available - Not Available for Purchase)	
1H	7000239	1	Thrustwasher	
1I	7000240	1	Ring, Retaining	
1J	7001928	1	Plug, Pipe	
1N	See Note	NSS	Stud, Wheel (Note: Not Available - Not Available for Purchase)	
2	7024782	1	Gear, Ring	
3	70006673	1	Carrier Assembly	
4	7024151	1	Gear, Internal	
5	7000224	2	O-Ring	
6	70006674	NSS	Cover Assembly (Note: Not Available - Not Available for Purchase)	
7	70006691	1	Thrustwasher	
8	7000283	1	Spring	
8A	7024191	1	Housing, Piston	
8B	70006684	1	Piston	
8C	See Note	NSS	O-Ring (Note: Use Item 101)	
8D	See Note	NSS	Ring, Back-up (Note: Use Item 101)	
8E	See Note	NSS	O-Ring (Note: Use Item 101)	
8F	See Note	NSS	Ring, Back-up (Note: Use Item 101)	
8G	See Note	NSS	Gasket (Note: Use Items 100 & 101)	
8H	See Note	NSS	Brake, Stator (Note: Use Item 100)	
8J	See Note	NSS	Brake, Rotor (Note: Use Item 100)	
8K	See Note	NSS	Plate, Pressure (Note: Use Item 100)	
8L	80344004	10	Spring	
8M	70006685	6	Capscrew	
8N	70006690	6	Lockwasher	
8P	70006680	2	Spring	
8R	7017082	2	Plug	
8S	7024190	2	Pin, Dowel	
9	7000284	1	Ring, Retaining	
11	70006675	1	Shaft, Input	
12	7024154	1	Spacer, Input	
13	7024149	1	Gear, Sun	
15	70006692	2	Thrustwasher	
17	7000289	12	Bolt 3/8 x 2-1/2in (Grade 8)	
19	70006676	1	Coupling	
19B	7017028	1	Ring, Retaining	
20	7017047	2	Pin, Dowel	
100	70006832	1	Friction Disc Kit	

SECTION 1 - FRAME

ITEM	PART NUMBER	QTY	DESCRIPTION	REV
101	70006833	1	Seal Kit	

SECTION 1 - FRAME

FIGURE 1-6. DRIVE MOTOR ASSEMBLY

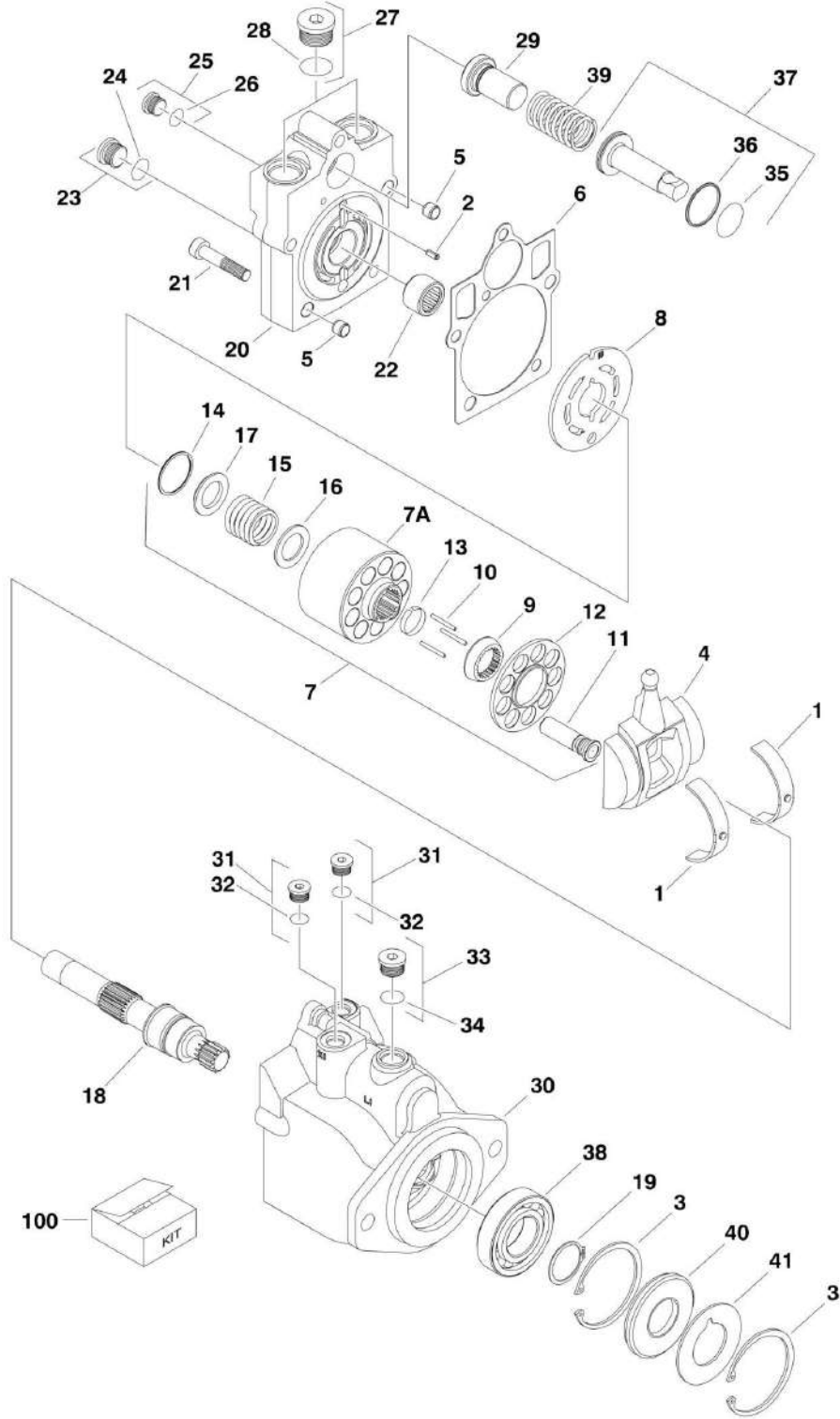


FIGURE 1-6. DRIVE MOTOR ASSEMBLY

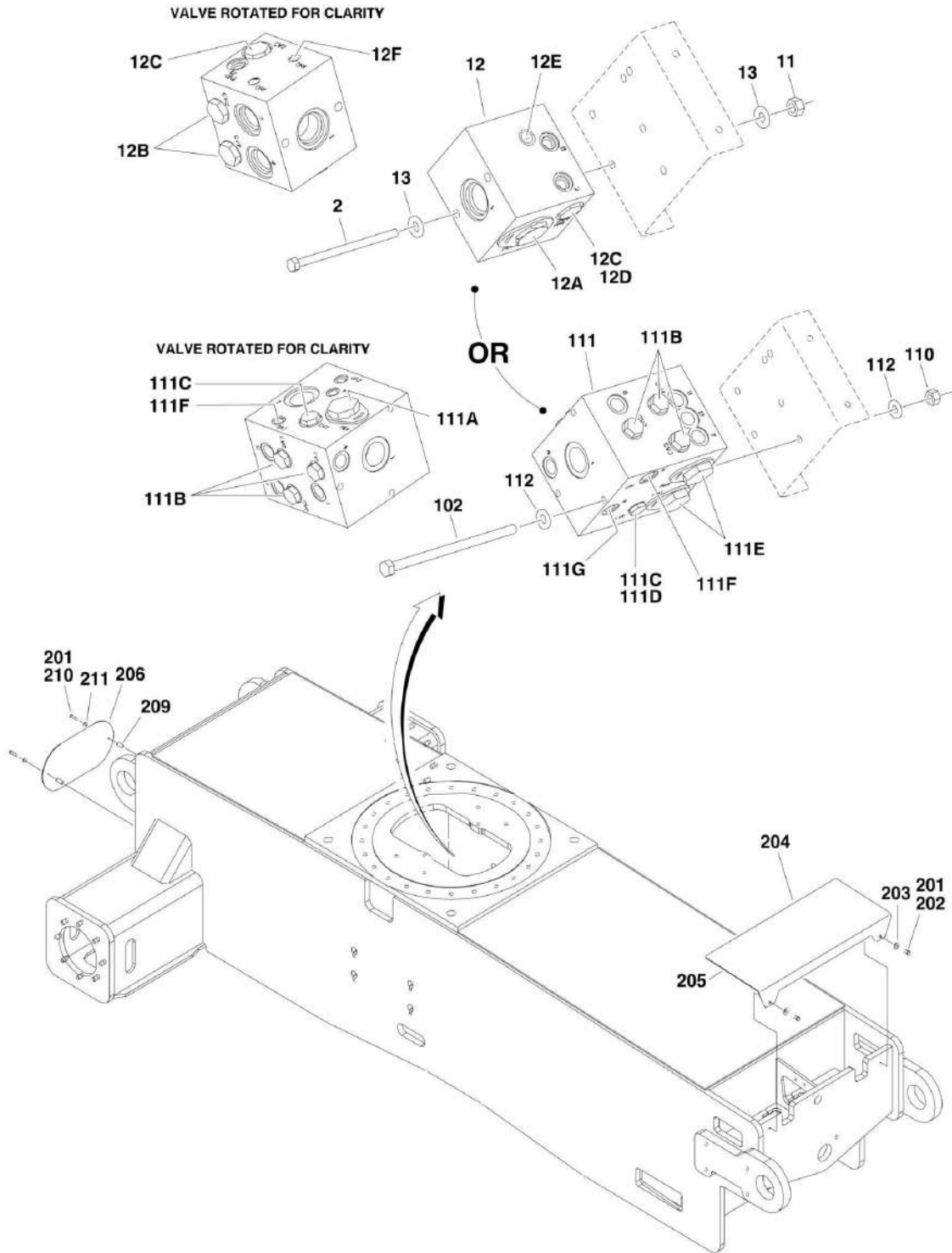
ITEM	PART NUMBER	QTY	DESCRIPTION	REV
		Ref	DRIVE MOTOR ASSEMBLIES:	
	3160347	Ref	Drive Motor Assemblies 2WD	B
	3160348	Ref	Drive Motor Assemblies 4WD	D
1	7022302	2	Bearing, Journal	
2	7007446	1	Pin	
3	7007438	2	Ring, Retaining	
4		Ref	Swash Plate Options:	
4	70000794	1	Swash Plate 2WD	
4	7022305	1	Swash Plate 4WD	
5	See Note	NSS	Pin (Note: Not Available for Purchase)	
6	See Note	NSS	Gasket (Note: Use Item 100)	
7		Ref	Cylinder Block Kit (Includes Items 7A & 9-17)	
7	7027740	1	Cylinder Block Kit 2WD	
7	7023907	1	Cylinder Block Kit 4WD	
7A	See Note	NSS	Block, Cylinder (Note: Purchase Item 7)	
8		Ref	Plate, Valve Options:	
8	7024862	1	Plate, Valve 2WD	
8	7023908	1	Plate, Valve 4WD	
9		Ref	Guide, Slipper Retainer Options:	
9	See Note	NSS	Guide, Slipper Retainer 2WD (Note: Purchase Item 7)	
9	7021277	1	Guide, Slipper Retainer 4WD	
10	7021275	3	Pin, Slipper Hold Down	
11	See Note	NSS	Piston Assembly (Note: Purchase Item 7)	
12		Ref	Retainer, Slipper Options:	
12	See Note	NSS	Retainer, Slipper 2WD (Note: Purchase Item 7)	
12	7022310	1	Retainer, Slipper 4WD	
13		Ref	Retainer, Hold Down Pin Options:	
13	Not Required	0	Retainer, Hold Down Pin 2WD	
13	7021276	1	Retainer, Hold Down Pin 4WD	
14	7022311	1	Ring, Retaining	
15		Ref	Spring Options:	
15	7024867	1	Spring 2WD	
15	7022312	1	Spring 4WD	
16		Ref	Washer Options:	
16	7022313	1	Washer 2WD	
16	7024868	1	Washer 4WD	
17	7022314	1	Retainer, Spring	
18	7023910	1	Shaft	
19	7007439	1	Ring, Retaining	
20		Ref	Cap, End - Axial Options:	
20	70000795	1	Cap, End - Axial 2WD	
20	70000797	1	Cap, End - Axial 4WD	
21	7022368	5	Screw	
22	7021249	1	Bearing, Needle	
23	2220886	1	Plug (Includes Item 24)	
24	See Note	NSS	O-Ring (Note: Use Item 23 or 100)	
25	2220883	1	Plug (Includes Item 26)	
26	See Note	NSS	O-Ring (Note: Use Item 25 or 100)	
27	2220888	2	Plug (Includes Item 28)	
28	See Note	NSS	O-Ring (Note: Use Item 27 or 100)	

SECTION 1 - FRAME

ITEM	PART NUMBER	QTY	DESCRIPTION	REV
29		Ref	Seat, Spring Options:	
29	7027741	1	Seat, Spring 2WD	
29	7022372	1	Seat, Spring 4WD	
30	See Note	NSS	Housing (Note: Not Available - Purchase Complete Assembly)	
31	2220883	2	Plug (Includes Item 32)	
32	See Note	NSS	O-Ring (Note: Use Item 31 or 100)	
33	2220886	1	Plug (Includes Item 34)	
34	See Note	NSS	O-Ring (Note: Use Item 33 or 100)	
35	See Note	NSS	O-Ring (Note: Use Item 100)	
36	See Note	NSS	Ring, Seal (Note: Use Item 100)	
37		Ref	Piston, Servo Options (Includes Items 35 & 36):	
37	7024871	1	Piston, Servo 2WD	
37	7024854	1	Piston, Servo 4WD	
38	7007437	1	Bearing	
39	7022326	1	Spring	
40	See Note	NSS	Seal, Lip (Note: Use Item 100)	
41	7022371	1	Washer, Support	
		Ref	KIT OPTIONS:	
100	7022328	1	Seal Kit (Includes Items 6, 24, 26, 28, 32, 34, 35, 36 & 40)	

SECTION 1 - FRAME

FIGURE 1-7. FRAME VALVES AND SHIELDS INSTALLATIONS



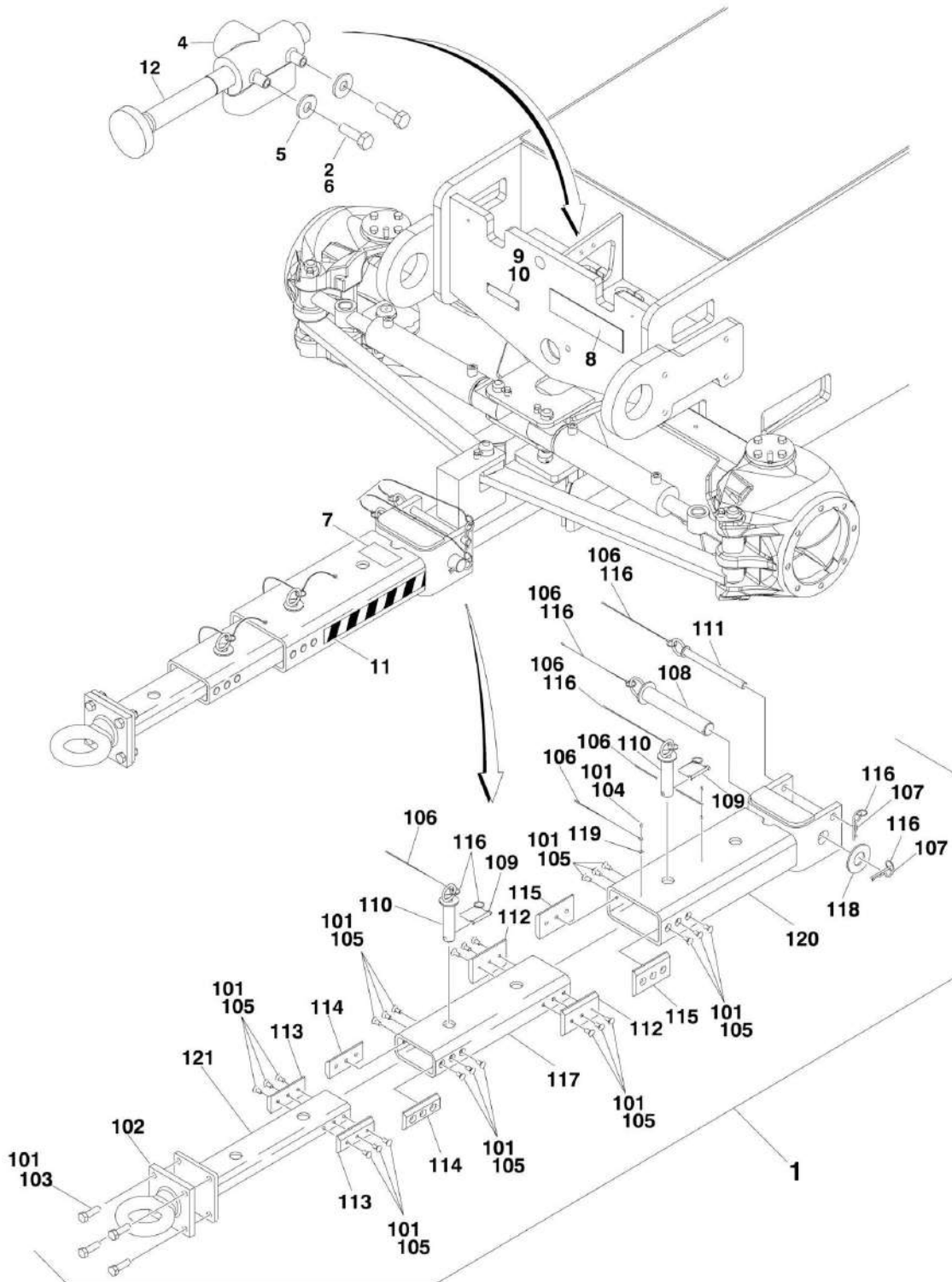
SECTION 1 - FRAME

FIGURE 1-7. FRAME VALVES AND SHIELDS INSTALLATIONS

ITEM	PART NUMBER	QTY	DESCRIPTION	REV
	1001157015	Ref	DRIVE VALVES INSTALLATION - 2WD	C
2	0641542	2	Bolt 5/16in-18NC x 5-1/4in	
11	3311505	2	Locknut 5/16in-18NC	
12	1001099870	1	Flow Divider Valve Assembly	B
12A	7023933	1	Cartridge, Flow Divider	
12A	7021625	1	Seal Kit - 7023933 Cartridge	
12A	70000781	1	Lockdown Kit	
12B	7022397	2	Cartridge, Check	
12B	7022399	2	Seal Kit - 7022397 Cartridge	
12C	70002390	2	Cartridge, Check	
12C	7022399	2	Seal Kit - 70002390 Cartridge	
12D	7024881	1	Piston, Pilot	
12E	7017406	1	Plug	
12F	7024844	1	Plug	
12F	7017492	1	Orifice	
13	4711500	4	Flatwasher 5/16in Thin	
	1001157016	Ref	DRIVE VALVES INSTALLATION - 4WD	C
102	0641560	3	Bolt 5/16in-18NC x 7-1/2in	
110	3311505	3	Locknut 5/16in-18NC	
111	4641303	1	Flow Divider Valve Assembly	
111A	7023933	1	Cartridge, Flow Divider	
111A	7021625	1	Seal Kit - 7023933 Cartridge	
111B	7022397	6	Cartridge, Check	
111B	7022399	6	Seal Kit - 7022397 Cartridge	
111C	7021639	2	Cartridge, Check Valves	
111C	2900756	2	Seal Kit - 7021639 Cartridge	
111D	7024881	1	Piston, Pilot	
111E	7023917	2	Cartridge, Flow Divider	
111E	7021625	2	Seal Kit - 7023917 Cartridge	
111F	70003935	2	Orifice	
111G	70003936	1	Orifice	
112	4711500	6	Flatwasher 5/16in Thin	
	1001158203	Ref	FRAME SHIELDS INSTALLATIONS	D
201	0100011	AR	Compound, Locking	
202	0641606	2	Bolt, 3/8in - 16NC x 3/4in	
203	4751600	2	Flatwasher 3/8in Regular	
204	1001158187	1	Cover	
205	4280296	27 in /68cm	Trim	
206	1001158188	1	Cover	
209	8580420	2	Nut, Well	
210	0641410	2	Bolt 1/4in-20NC x 1-1/4in	
211	4751400	2	Flatwasher 1/4in Regular	

SECTION 1 - FRAME

FIGURE 1-8. TOW PACKAGE INSTALLATION



SECTION 1 - FRAME

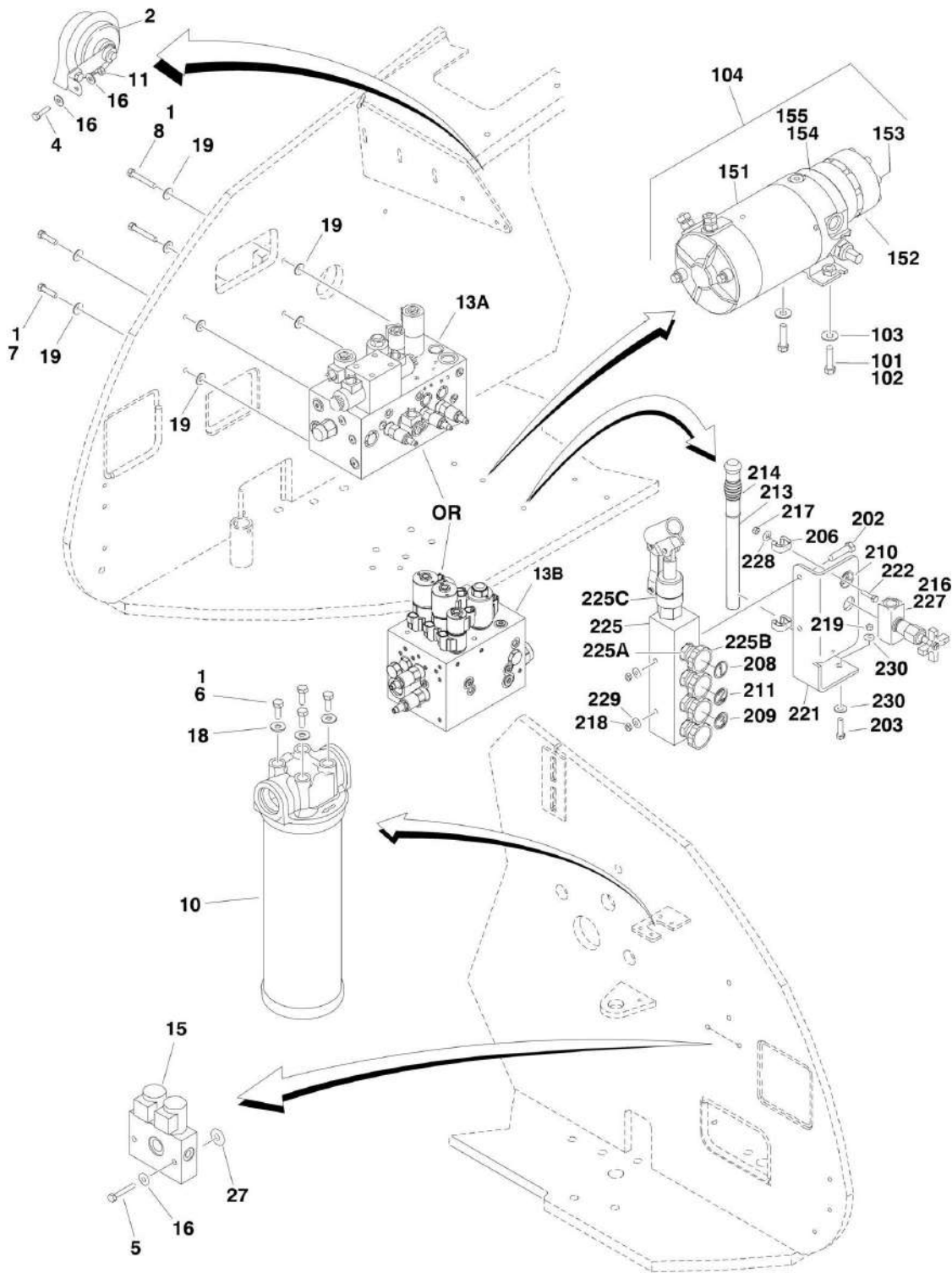
FIGURE 1-8. TOW PACKAGE INSTALLATION

ITEM	PART NUMBER	QTY	DESCRIPTION	REV
	1001158436	Ref	TOW BAR INSTALLATION (ENGLISH DECALS)	B
	1001220283	Ref	TOW BAR INSTALLATION (FRENCH/ENGLISH DECALS)	A
1	0250528	1	Tow Bar Assembly (See Items 101-121 for Breakdown)	
2	0641508	2	Bolt 5/16in-18NC x 1in	
4	4640261	1	Valve, Select	
5	4751500	4	Flatwasher 5/16in Regular	
6	0100011	AR	Compound, Locking	
7	1704578	2	Decal - Crushing (English Language)	
7	1706593	2	Decal - Crushing (English/French Dual Language)	
8	1705090	1	Decal - Towing Instructions (English Language)	
8	1705820	1	Decal - Towing Instructions (English/French Dual Language)	
9	3250872	1	Decal/Nameplate - Steer/Tow Select Valve (English Language)	
9	1704272	1	Decal/Nameplate - Steer/Tow Select Valve (English/French Dual Language)	
10	3820001	AR	Rivet	
11	4420051	AR	Tape, Safety	
12	1001160780	1	Extension, Rod	
	0270528	Ref	TOW BAR ASSEMBLY	A
101	0100011	AR	Compound, Locking	
102	0362910	1	Pintle, Draw Eye	
103	0642010	4	Bolt 5/8in-11NC x 1-1/4in	
104	0721004	2	Screw, Hex Machine	
105	0741607	24	Screw, Countersunk 3/8in-16NC x 7/8in	
106	1060584	6	Cable, Lanyard	
107	3420372	2	Pin, Cotter	
108	3420447	1	Pin, Towing	
109	3421565	2	Pin, Snap	
110	3422841	2	Pin	
111	3422847	1	Pin	
112	3572009	2	Plate, Slide Stop	
113	3572010	2	Plate, Slide Stop	
114	3572011	2	Plate, Slide Stop	
115	3572012	2	Plate, Slide Stop	
116	3760170	8	Ring, Split	
117	4568133	1	Tube, Tow Bar	
118	4740036	1	Flatwasher	
119	4751000	2	Flatwasher #10 Regular	
120	4846295	1	Tow Bar Attach Weldment	
121	4846296	1	Pintle Attach Weldment	

SECTION 2 - TURNTABLE

SECTION 2 - TURNTABLE

FIGURE 2-1. CONTROL VALVES AND AUXILIARY PUMP INSTALLATIONS



SECTION 2 - TURNTABLE

FIGURE 2-1. CONTROL VALVES AND AUXILIARY PUMP INSTALLATIONS

ITEM	PART NUMBER	QTY	DESCRIPTION	REV
		Ref	VALVES INSTALLATIONS	
		Ref	Valves Installations 800S/680S without Hostile Environment/without LSS or with 4 Cell LSS	
	1001161980	Ref	Machines with Deutz D2011 & GM Engines (SN 0300182743 through 0300190436)	C
	1001149531	Ref	Machines with Deutz TD2.9L4 Engines (SN 0300182743 through 0300190436)	D
	1001167198	Ref	Machines with All Deutz, Ford & GM Engines (SN 0300190437 to Present)	A
	1001167198	Ref	Machines with All Deutz & GM Engines (SN B300001092 to Present)	A
		Ref	Valves Installation 800S without Hostile Environment/with 1 Cell LSS	
	1001219979	Ref	Machines with All Deutz & Ford Engines	A
		Ref	Valves Installations 800S with Hostile Environment/without LSS or with 4 Cell LSS	
	1001161982	Ref	Machines with Deutz D2011 & GM Engines (SN 0300182743 through 0300190436)	C
	1001149531	Ref	Machines with Deutz TD2.9L4 Engines (SN 0300182743 through 0300190436)	D
	1001167200	Ref	Machines with All Deutz, Ford & GM Engines (SN 0300190437 to Present)	A
	1001167200	Ref	Machines with All Deutz & GM Engines (SN B300001092 to Present)	A
		Ref	Valves Installations 860SJ without LSS or with 4 Cell LSS	
	1001161981	Ref	Machines with Deutz D2011 & GM Engines (SN 0300182743 through 0300190436)	C
	1001149532	Ref	Machines with Deutz TD2.9L4 Engines (SN 0300182743 through 0300190436)	D
	1001167199	Ref	Machines with All Deutz, Ford & GM Engines (SN 0300190437 to Present)	A
	1001167199	Ref	Machines with All Deutz & GM Engines (SN B300001092 to Present)	A
		Ref	Valves Installation 860SJ with 1 Cell LSS	
	1001219980	Ref	Machines with All Deutz & Ford Engines	A
1	0100011	AR	Compound, Locking	
2	0140001	1	Horn (Deutz TD2.9L4 Machines Only) (SN 0300190437 to Present)	
4	0641408	1	Bolt 1/4in-20NC x 1in	
5	0641418	2	Bolt 1/4in-20NC x 2-1/4in	
6	0641606	6	Bolt 3/8in-16NC x 3/4in	
7	0641612	4	Bolt 3/8in-16NC x 1-1/2in	
7	0641613	4	Bolt 3/8in-16NC x 1-5/8in	
10	1001108617	AR	Hydraulic Filter Assembly Options:	
10	70002231	1	Element, Filter	
11	3311405	1	Locknut 1/4in-20NC	
13A	4641432	1	Main Control Valve Assembly (See MAIN CONTROL VALVE ASSEMBLY for Breakdown) (SN 0300182743 through 0300190436)	
13B	1001154598	1	Main Control Valve Assembly (See MAIN CONTROL VALVE ASSEMBLY for Breakdown) (SN 0300190437 to Present)	
13B	1001154598	1	Main Control Valve Assembly (See MAIN CONTROL VALVE ASSEMBLY for Breakdown) (SN B300001092 to Present)	
15	4641317	1	Dual Select Valve Assembly	C

SECTION 2 - TURNTABLE

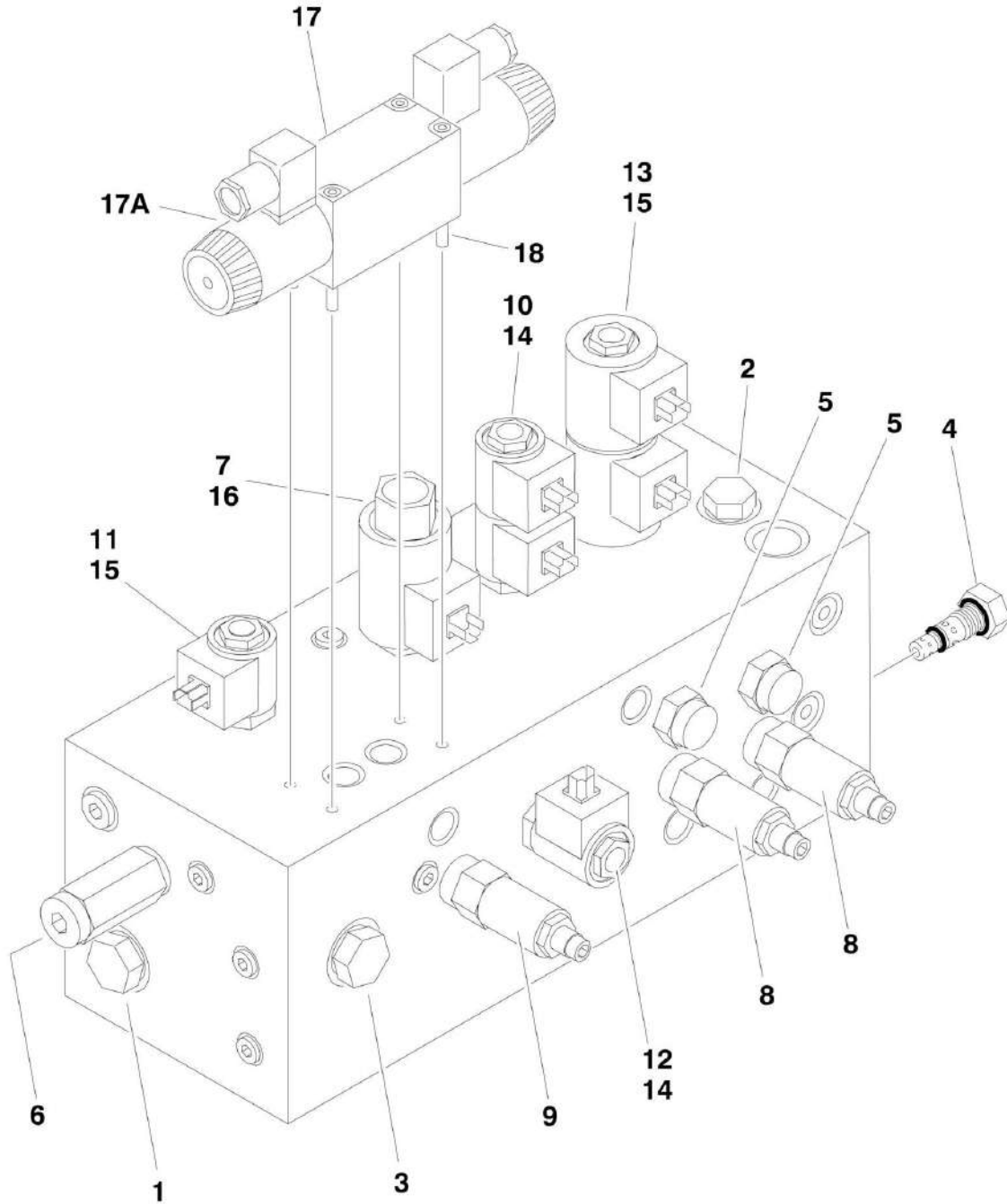
ITEM	PART NUMBER	QTY	DESCRIPTION	REV
15	7012944	2	Coil	
15	7012941	2	Cartridge Less Coil	
15	7010543	2	Seal Kit - 7012941 Valve (1 Per Cartridge)	
16	4711400	AR	Flatwasher 1/4in Thin	
18	4711600	10	Flatwasher 3/8in Thin	
19	4751600	12	Flatwasher 3/8in Regular	
27	1001110425	1	Spacer	
	1001157262	Ref	AUXILIARY PUMP INSTALLATION	B
101	0100011	AR	Compound, Locking	
102	0641606	2	Bolt 3/8in-16NC x 3/4in	
103	4751600	2	Flatwasher 3/8in Regular	
104	1001137459	1	Auxiliary Pump Assembly (See Items 151-155 for Breakdown)	
	1001137459	Ref	AUXILIARY PUMP ASSEMBLY	A
151	70003998	1	Motor	
152	70004266	1	Pump	
153	70001020	4	Screw	
154	70003612	2	O-Ring	
155	70004267	1	O-Ring	
	1001157261	Ref	MANUAL DESCENT INSTALLATION (OPTIONAL) (SN 0300182743 through 0300187355)	A
202	0641420	2	Bolt 1/4in-20NC x 2-1/2in	
203	0641507	2	Bolt 5/16in-18NC x 7/8in	
206	1380136	2	Clip, Gripper	
207	1702901	1	Decal - Manual Descent (Not Shown - Located on hood)	
208	1702903	1	Decal - #1	
209	1702924	1	Decal - #3	
210	1702925	1	Decal - #4	
211	1702927	1	Decal - #2	
212	1705589	1	Decal - Manual Descent (Not Shown - Located on Hydraulic Tank)	
213	2560122	1	Handle	
214	2560123	1	Handle, Grip	
216	2900062	1	Kit, Valve Mounting	
217	3311005	2	Locknut #10-24NC	
218	3311405	2	Locknut 1/4in-20NC	
219	3311505	4	Locknut 5/16in-18NC	
221	3574179	1	Plate, Valve Mounting	
222	3911008	2	Screw #10-24NC x 1/2in	
225	4640930	1	Manifold, Manual Descent Assembly	
225A		Ref	Cartridge, Needle Options:	
225A	4640902	4	Cartridge, Needle (was p/n 7012954) (Original Equipment)	
225A	7012953	4	Seal, Kit - 7012954 Cartridge	
225A	4640902	4	Cartridge, Needle (Service Replacement)	
225A	7012953	4	Seal, Kit - 4640902 Cartridge	
225B	7012961	4	Knob	
225C		Ref	Cartridge, Pump Options:	
225C	70004019	1	Cartridge, Pump (was p/n 7012694) (Original Equipment)	
225C	7012699	1	Seal, Kit - 7012694 Cartridge	
225C	70004019	1	Cartridge, Pump (Service Replacement)	
225C	7017496	1	Seal, Kit - 70004019 Cartridge (was p/n 2900756)	
227	4641263	1	Valve, Metering	
228	4751000	2	Flatwasher #10 Regular	
229	4751400	2	Flatwasher 1/4in Regular	

SECTION 2 - TURNTABLE

ITEM	PART NUMBER	QTY	DESCRIPTION	REV
230	4751500	6	Flatwasher 5/16in Regular	

SECTION 2 - TURNTABLE

FIGURE 2-2. MAIN CONTROL VALVE ASSEMBLY (SN 0300182743 through 0300190436)



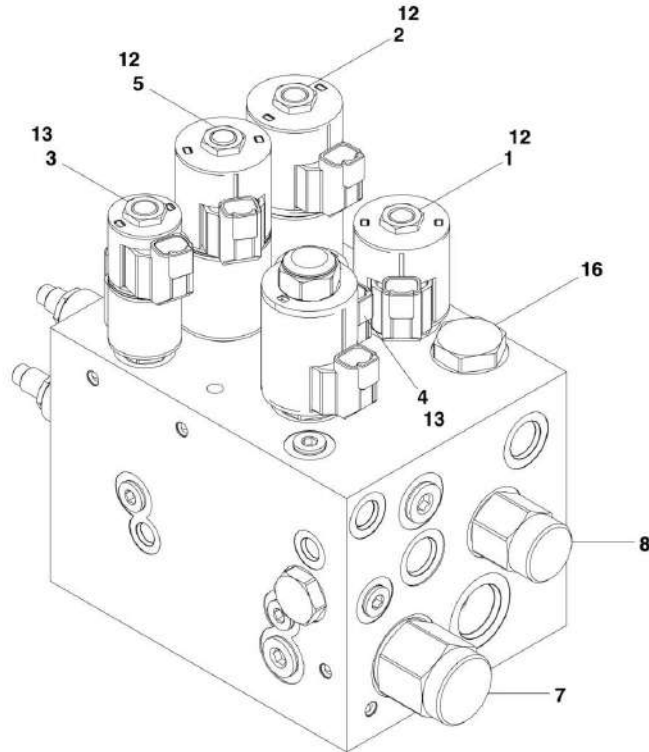
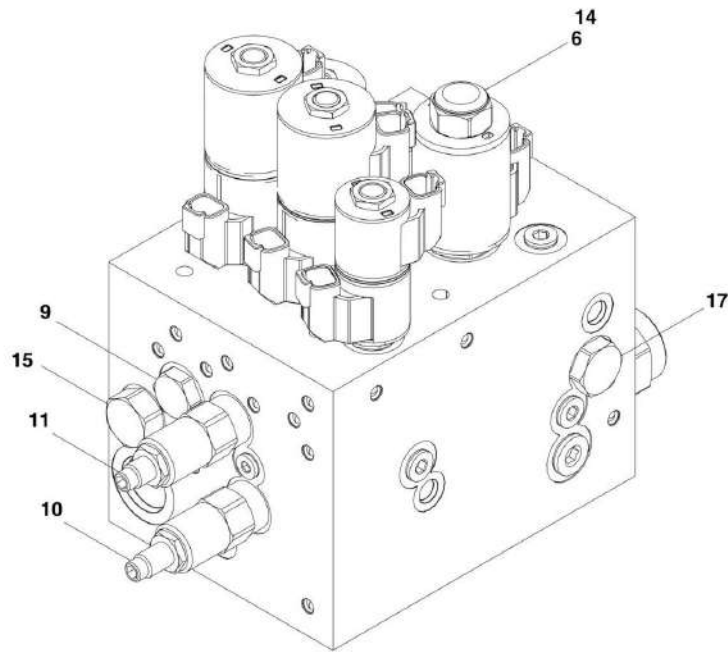
SECTION 2 - TURNTABLE

FIGURE 2-2. MAIN CONTROL VALVE ASSEMBLY (SN 0300182743 through 0300190436)

ITEM	PART NUMBER	QTY	DESCRIPTION	REV
	4641432	Ref	MAIN CONTROL VALVE ASSEMBLY	D
1	70004581	1	Cartridge, Check Valve	
1	70004571	1	Seal Kit - 70004581 Cartridge	
2	7012975	1	Cartridge, Check Valve	
2	7012967	1	Seal Kit - 7012975 Cartridge	
3	7023985	1	Cartridge, Check Valve	
3	7017496	1	Seal Kit - 7023985 Cartridge	
4	70004579	1	Cartridge, Flow Regulator (Steer)	
4	70004580	1	Seal Kit - 70004579 Cartridge	
5	10837580	2	Cartridge, Load Sensing (Steer and Swing) (was p/n 7010542)	
5	7010543	2	Seal Kit - 7010542 Cartridge	
6	70004576	1	Cartridge, Pilot	
6	70004577	1	Seal Kit - 70004576 Cartridge	
7	70004693	1	Cartridge, Proportional Flow (Tele)	
7	70004694	1	Seal Kit - 70004693 Cartridge	
8	7017422	2	Cartridge, Relief Valve (Steer and Swing)	
8	7012998	2	Seal Kit - 7017422 Cartridge	
9	7017489	1	Cartridge, Relief Valve (Tele Out Relief)	
9	7012998	1	Seal Kit - 7017489 Cartridge	
10	7023922	1	Cartridge, Solenoid (Swing)	
10	7017402	1	Seal Kit - 7023922 Cartridge	
11	70004570	1	Cartridge, Solenoid (Main Dump)	
11	70004571	1	Seal Kit - 70004570 Cartridge	
12	7021612	1	Cartridge, Solenoid (Lift Up Dump)	
12	7010543	1	Seal Kit - 7021612 Cartridge	
13	7023925	1	Cartridge, Solenoid (Steer Direction)	
13	7012903	1	Seal Kit - 7023925 Cartridge	
14	7012944	3	Coil	
15	7012943	3	Coil	
15	70003024	1	Spacer, Coil	
16	7017451	1	Coil	
17	70000579	1	Control Valve Assembly (Tele Direction)	
17	70000583	1	Seal Kit	
17A	70000582	1	Coil	
17A	70000580	1	Nut, Coil	
18	See Note	NSS	Capscrew (Note: Not Available for Purchase)	

SECTION 2 - TURNTABLE

FIGURE 2-3. MAIN CONTROL VALVE ASSEMBLY (SN 0300190437 to Present, SN B300001092 to Present)



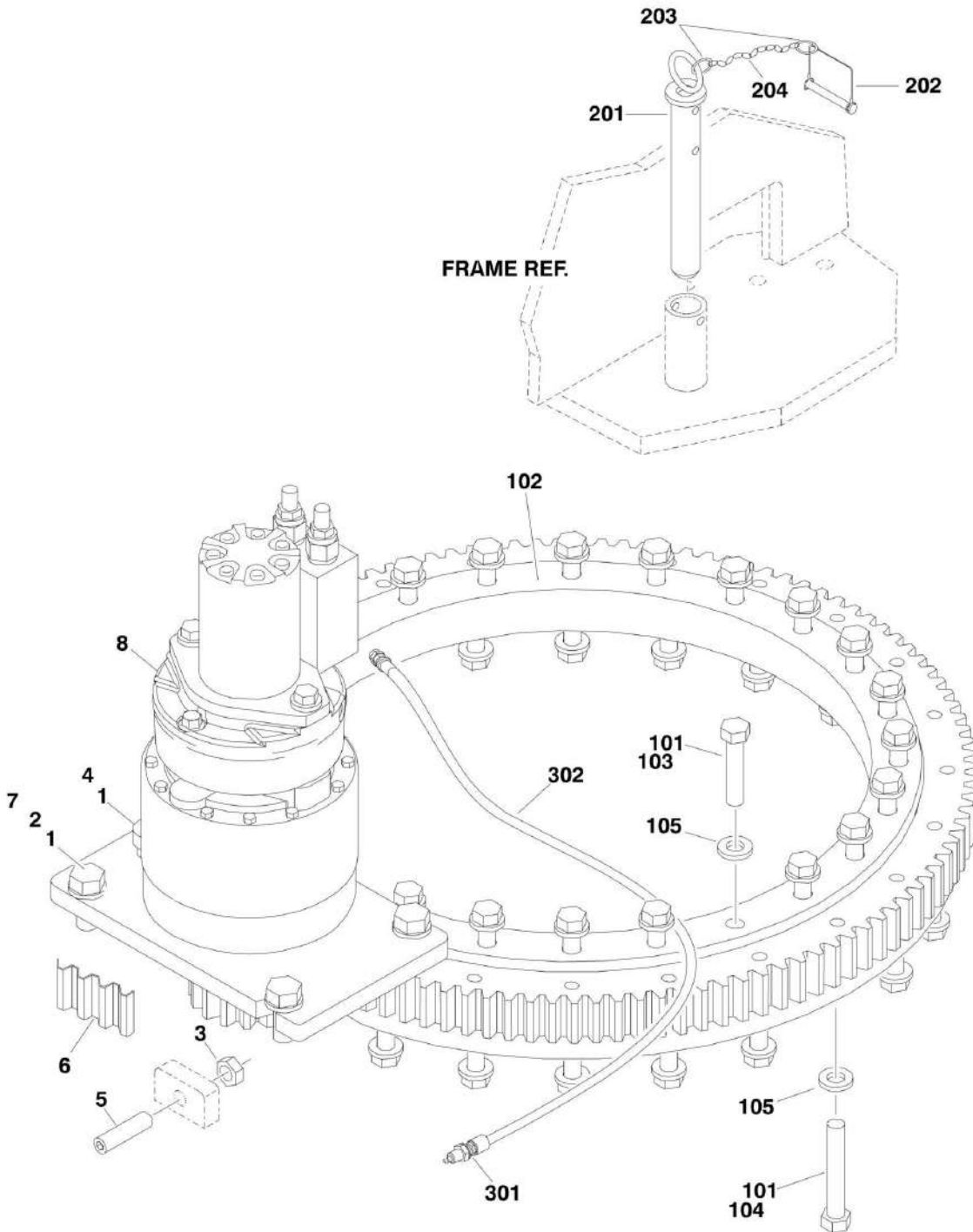
SECTION 2 - TURNTABLE

FIGURE 2-3. MAIN CONTROL VALVE ASSEMBLY (SN 0300190437 to Present, SN B300001092 to Present)

ITEM	PART NUMBER	QTY	DESCRIPTION	REV
	1001154598	Ref	MAIN CONTROL VALVE ASSEMBLY (SN 0300190437 to Present, SN B300001092 to Present)	C
1	70004570	1	Cartridge, Solenoid Valve (Main Dump)	
1	70004571	1	Seal Kit - 70004570 Valve	
1	70005725	1	Lock Down Kit	
2	7023925	1	Cartridge, Solenoid Valve (Steer)	
2	7012903	1	Seal Kit - 7023925 Valve	
3	7017452	1	Cartridge, Solenoid Valve (Tele)	
3	7017402	1	Seal Kit - 7017452 Valve	
4	7021612	1	Cartridge, Solenoid Valve (Lift)	
4	7012907	1	Seal Kit - 7021612 Valve	
5	70003022	1	Cartridge, Solenoid Valve (Swing)	
5	7012903	1	Seal Kit - 70003022 Valve	
6	70004572	1	Cartridge, Solenoid Valve (Tele)	
6	70004573	1	Seal Kit - 70004572 Valve	
7	70004574	1	Cartridge, Valve	
7	70004575	1	Seal Kit - 70004574 Valve	
8	70004576	1	Cartridge, Valve	
8	70004577	1	Seal Kit - 70004576 Valve	
9	10837580	1	Cartridge, Valve	
9	7010543	1	Seal Kit - 10837580 Valve	
10	7017422	1	Cartridge, Valve	
10	7012998	1	Seal Kit - 7017422 Valve	
11	70004578	1	Cartridge, Valve	
11	7021653	1	Seal Kit - 70004578 Valve	
12	70003788	5	Coil	
13	70002386	3	Coil	
14	70003789	1	Coil	
15	70004579	1	Cartridge, Valve	
15	70004580	1	Seal Kit - 70004579 Valve	
16	70004581	1	Cartridge, Valve	
16	70004571	1	Seal Kit - 70004581 Valve	
17	7023985	1	Cartridge, Valve	
17	7017496	1	Seal Kit - 7023985 Valve	

SECTION 2 - TURNTABLE

FIGURE 2-4. TURNTABLE BEARING AND SWING DRIVE INSTALLATION



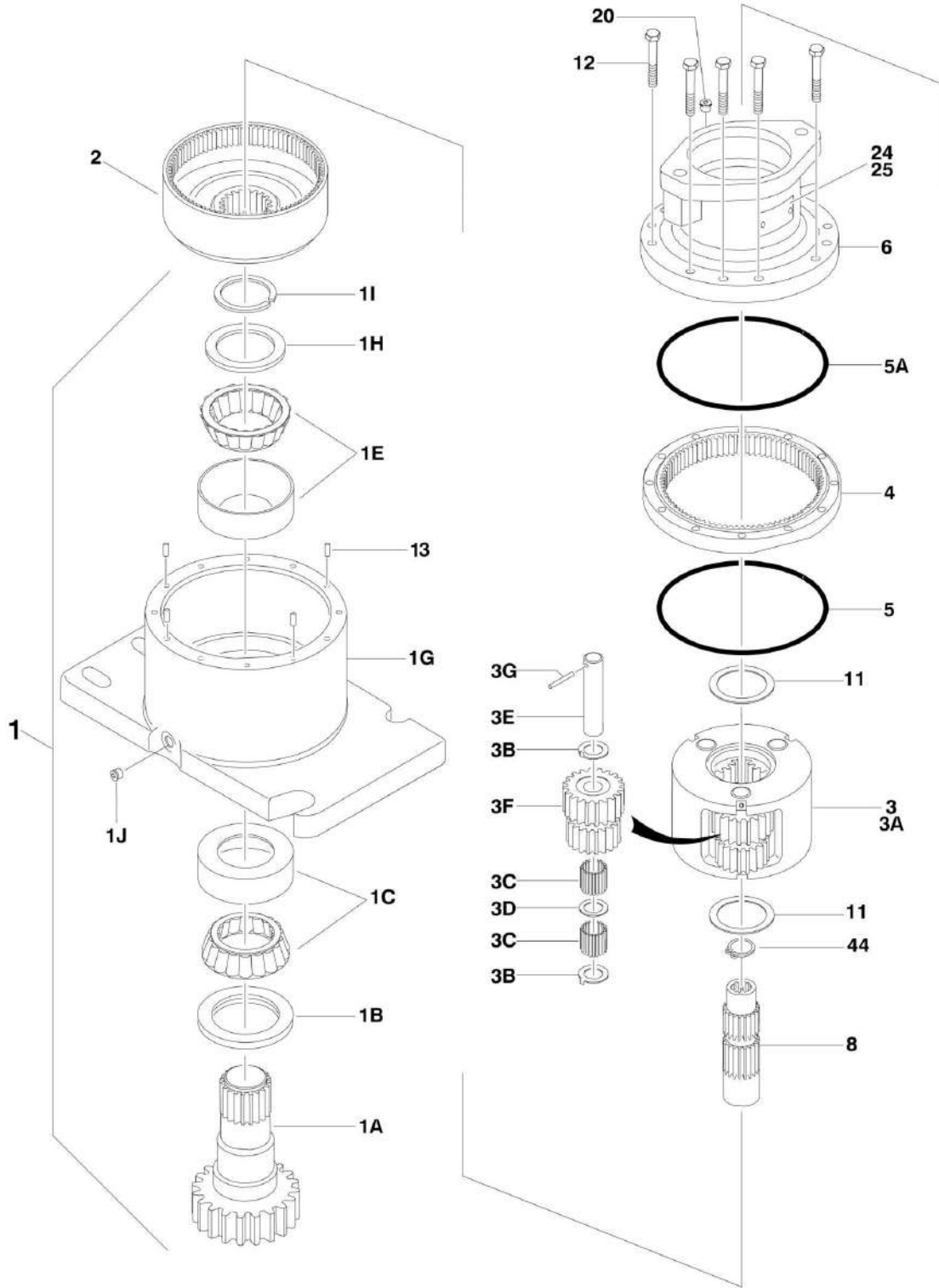
SECTION 2 - TURNTABLE

FIGURE 2-4. TURNTABLE BEARING AND SWING DRIVE INSTALLATION

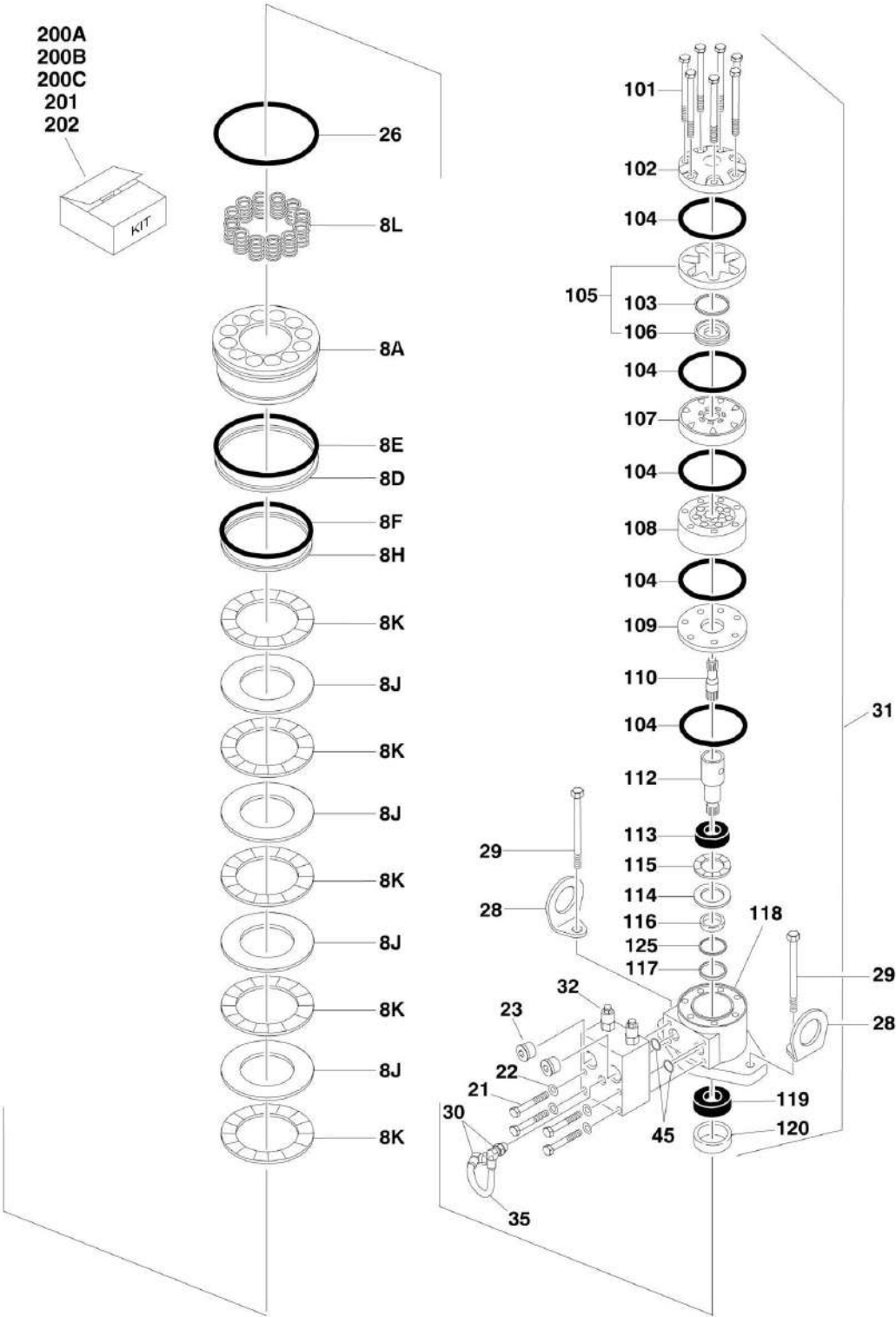
ITEM	PART NUMBER	QTY	DESCRIPTION	REV
	1001094899	Ref	SWING DRIVE INSTALLATION	D
1	0100019	AR	Compound, Locking	
2	0682216	4	Bolt 3/4in-10NC x 2in Grade 8	
3	3312002	1	Nut, Jam 3/4in-10NC	
4	3900293	1	Bolt, Shoulder	
5	3952020	2	Setscrew 5/8in-11NC x 2-1/2in	
6	4071009	1	Shim (SN 0300182743 through 0300189311)	
6	1001125492	1	Shim (SN 0300189312 to Present)	
6	1001125492	1	Shim (SN B300001092 to Present)	
7	4740057	4	Flatwasher 3/4in Hardened	
8	1001101060	1	Swing Motor/Swing Hub Assembly (See SWING MOTOR/HUB ASSEMBLY for Breakdown)	
	0271002	Ref	TURNTABLE BEARING INSTALLATION	E
101	0100019	AR	Compound, Locking	
102	0440244	1	Bearing, Turntable	
103	0682023	24	Bolt 5/8in - 11NC x 2-7/8in Grade 8	
104	0682032	24	Bolt 5/8in - 11NC x 4in Grade 8	
105	4892000	48	Flatwasher, 5/8in Hardened	
	0259147	Ref	TURNTABLE LOCK INSTALLATION	B
201	4844958	1	Pin	
202	3421565	1	Pin, Snap	
203	3760170	2	Ring, Quick Release	
204	1260017	9 in/23cm	Chain	
	1001161076	Ref	REMOTE BEARING LUBE INSTALLATION	A
301	0100011	AR	Compound, Locking	
302	1001157058	1	Hose and Fitting Assembly	

SECTION 2 - TURNTABLE

FIGURE 2-5. SWING MOTOR/HUB ASSEMBLY



SECTION 2 - TURNTABLE



SECTION 2 - TURNTABLE

FIGURE 2-5. SWING MOTOR/HUB ASSEMBLY

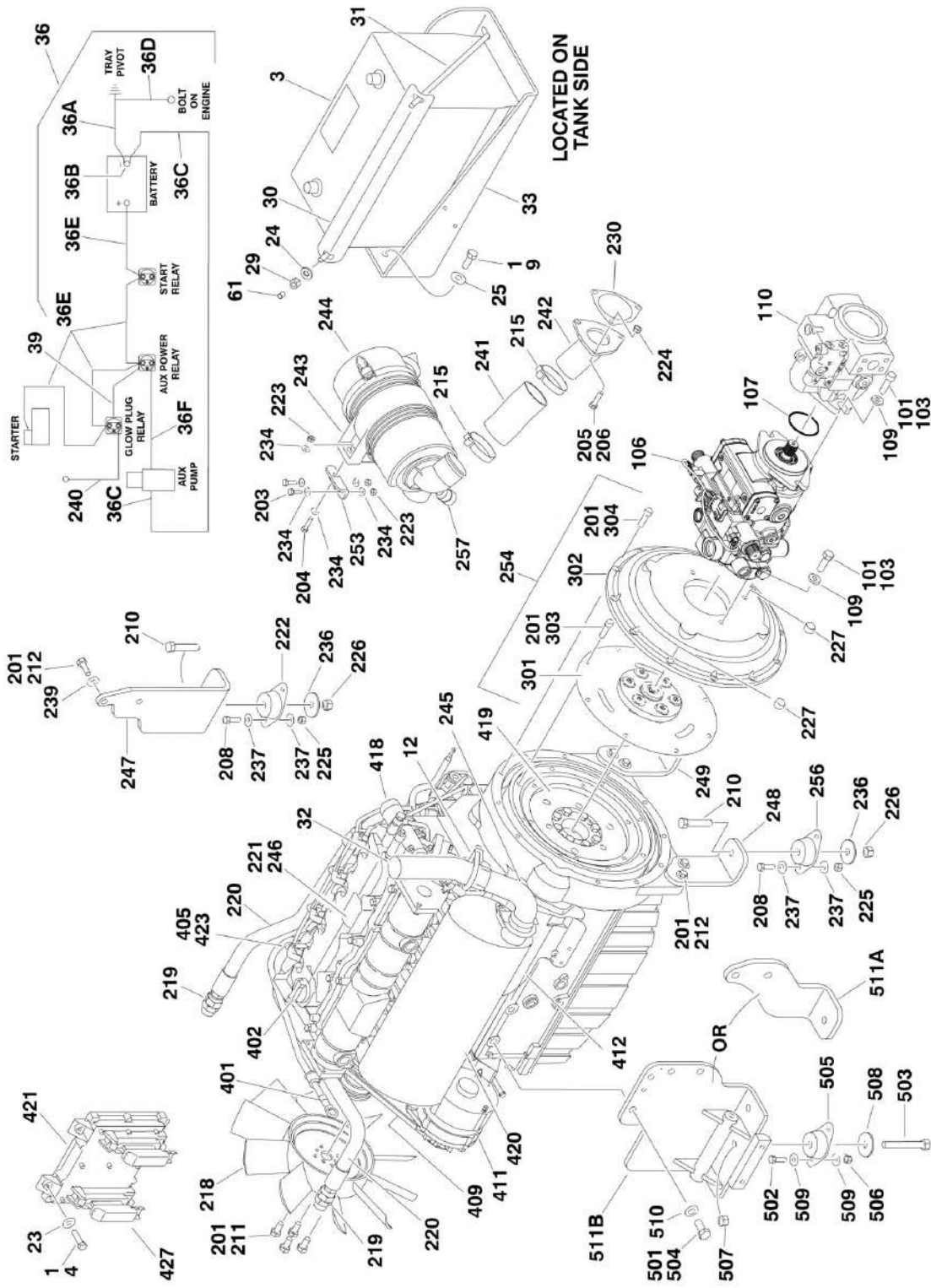
ITEM	PART NUMBER	QTY	DESCRIPTION	REV
	1001101060	Ref	SWING MOTOR/HUB ASSEMBLY	A
1	See Note	NSS	Housing/Shaft Assembly (Note: Not Available - Purchase Individual Components)	
1A	7010492	1	Shaft, Output	
1B	7000228	1	Seal, Lip	
1C	7000255	1	Bearing Kit (Includes Cup and Cone)	
1E	7000257	1	Bearing Kit (Includes Cup and Cone)	
1G	7024762	1	Housing	
1H	7007633	1	Thrustwasher	
1I	7000229	1	Ring, Retaining	
1J	7017072	1	Plug, Pipe	
2	7000246	1	Gear, Internal	
3	80424002	1	Carrier Assembly	
3A	7001931	1	Carrier	
3B	7001985	6	Washer, Tanged	
3C	7001909	84	Bearing, Needle	
3D	7000263	3	Thrustwasher	
3E	7001911	3	Shaft, Planet	
3F	7001912	3	Gear, Cluster	
3G	7010474	3	Rollpin	
4	7000248	1	Gear, Ring	
5	7000230	1	O-Ring	
5A	7017070	1	O-Ring	
6	See Note	NSS	Housing, Brake (Note: Not Available - Purchase Complete Assembly)	
8	70002065	1	Gear, Sun	
8A	70000782	1	Piston	
8D	70002070	1	O-Ring	
8E	70002071	1	Ring, Back-up	
8F	70002073	1	O-Ring	
8H	70002072	1	Ring, Back-up	
8J	70002067	4	Disc, Rotor	
8K	70002068	5	Disc, Stator	
8L	70002066	14	Spring	
11	7000253	2	Thrustwasher	
12	7000217	12	Bolt 3/8in-16NC x 2-1/4in (Grade 8)	
13	7017080	4	Pin, Dowel	
20	7017072	1	Plug, Pipe	
21	7024704	4	Bolt 5/16in-18NC x 2in (Grade 8)	
22	See Note	NSS	Lockwasher (Note: Not Available for Purchase)	
23	7017023	2	Plug, Pipe	
24	See Note	NSS	Plate, ID (Note: Not available for purchase)	
25	7000281	2	Screw, Drive	
26	7024763	1	O-Ring	
28	See Note	NSS	Lug, Lifting (Note: Not Available for Purchase)	
29	70002069	2	Bolt 1/2in-13NC x 2in (Grade 8)	
30	7017085	2	Elbow	
31	70002075	1	Motor Assembly (See Items 101-125 for Breakdown)	
32	7024784	1	Valve Assembly - Complete (No Serviceable Parts)	
35	70002074	1	Tube	

SECTION 2 - TURNTABLE

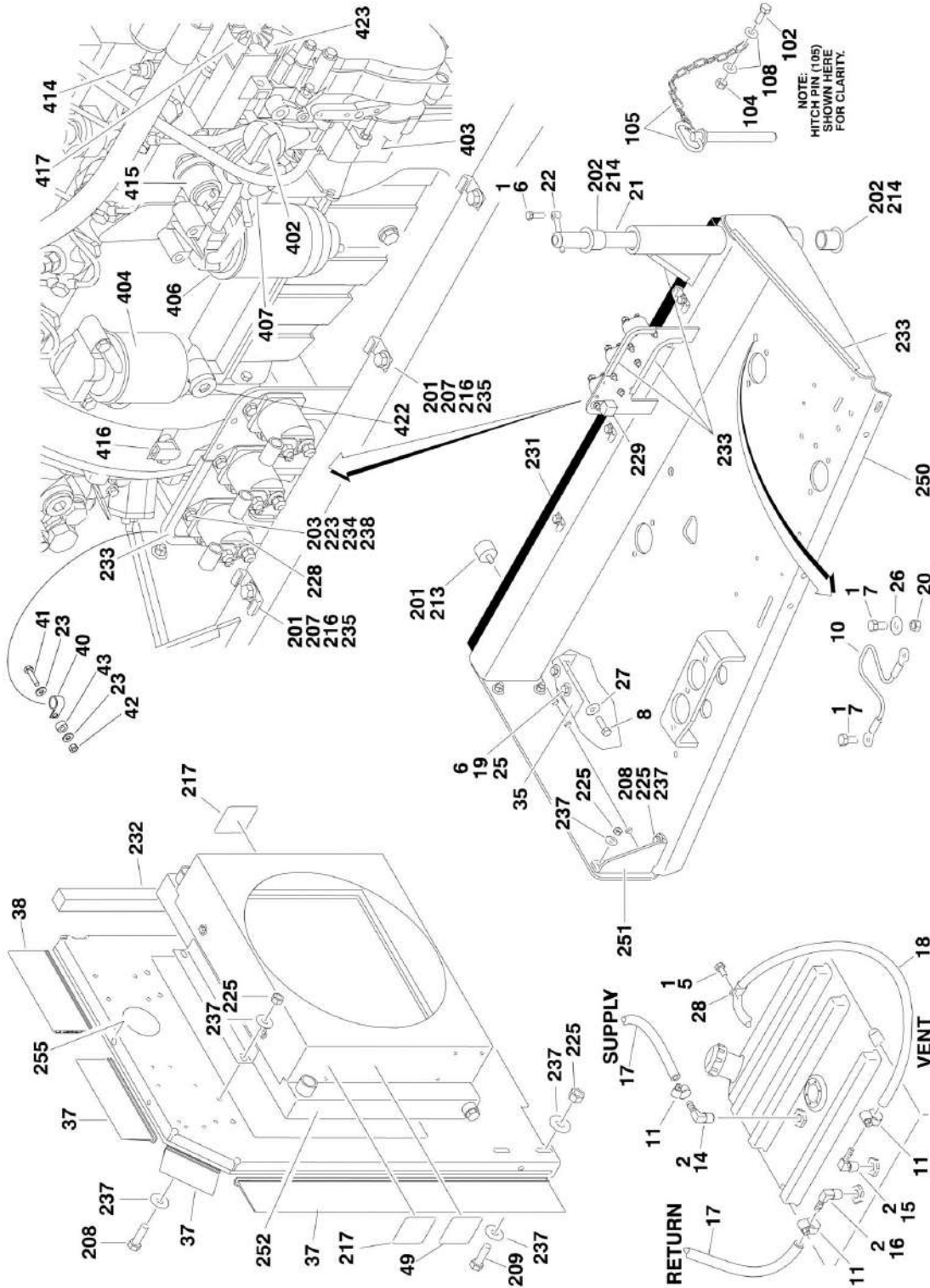
ITEM	PART NUMBER	QTY	DESCRIPTION	REV
44	7017028	1	Ring, Internal Retaining	
45	70000213	2	O-Ring	
	70002075	Ref	MOTOR ASSEMBLY	
101	7024454	5	Bolt	
102	7004035	1	Cover, End	
103	7023318	1	Seal, Commutator	
104	7004036	5	Seal, Ring	
105	7024453	1	Commutator and Ring Assembly	
106	7024453	1	Ring	
107	7024379	1	Manifold	
108	7024455	1	Rotor Set	
109	7024380	1	Plate, Wear	
110	7024456	1	Link, Drive	
112	7024458	1	Shaft, Coupling	
113	7024381	1	Bearing, Inner	
114	7004043	1	Thrustwasher	
115	7004044	1	Bearing, Thrust	
116	7004049	1	Seal, Inner	
117	7004045	1	Washer, Back-up	
118	7024457	1	Housing	
119	7024390	1	Bearing, Outer	
120	7004047	1	Seal	
125	80424043	1	Washer, Back-up	
		Ref	KIT OPTIONS:	
200		Ref	Seal Kit Options:	
200A	7024100	1	Swing Hub (Includes Items 1B, 1I, 5, 5A & 11)	
200A	70006437	1	Swing Hub (Includes Items 1B, 1I, 5, 5A, 12 & 26)	
200B	70002086	1	Swing Brake (Includes Items 8D, 8E, 8F, 8H & 26)	
200C	7024396	1	Swing Motor (Includes Items 103, 104, 116, 117, 120 & 125)	
201	70002085	1	Disc Kit - Swing Brake (Includes Items 8J & 8K)	
202	70006436	1	Bearing and Seal Kit (Includes Items 1B, 1C, 1E, 1I, 5, 5A, 12 & 26)	

SECTION 2 - TURNTABLE

FIGURE 2-6. DEUTZ D2011 ENGINE INSTALLATION



SECTION 2 - TURNTABLE



SECTION 2 - TURNTABLE

FIGURE 2-6. DEUTZ D2011 ENGINE INSTALLATION

ITEM	PART NUMBER	QTY	DESCRIPTION	REV
		Ref	DEUTZ D2011 ENGINE INSTALLATION	
	1001156170	Ref	Without Arctic Package (All Specs except CE Spec)	G
	1001160977	Ref	Without Arctic Package (CE Spec Only)	C
	1001156171	Ref	With Arctic Package (All Specs) (SN 0300182743 through 0300196954)	F
	1001178212	Ref	With Arctic Package (All Specs) (SN 0300196955 to Present)	E
	1001178212	Ref	With Arctic Package (All Specs) (SN B300001097 to Present)	E
1	0100011	AR	Compound, Locking	
2	0100020	AR	Sealant, Pipe	
3	0400075	1	Battery	
4	0641410	4	Bolt 1/4in-20NC x 1-1/4in	
5	0641608	1	Bolt 3/8in-16NC x 1in	
6	0641610	3	Bolt 3/8in-16NC x 1-1/4in	
7	0641808	2	Bolt 1/2in-13NC x 1in	
8	0642010	1	Bolt 5/8in-11NC x 1-1/4in	
9	0681608	3	Bolt 3/8in-16NC x 1in Grade 8	
10	1060637	1	Cable, Lanyard	
11	1320022	5	Clamp, Hose	
12	1320176	1	Clamp	
13	1701505	1	Decal - Diesel (Not Shown - Located on Hood)	
14	2180348	1	Fitting, Straight Barbed	
15	2220313	1	Fitting, Elbow	
16	2221176	1	Fitting, Elbow Barbed	
17	2720058	30 ft/9.2m	Hose	
18	2750532	7 ft/2.1m	Hose	
19	3311605	4	Locknut 3/8in-16NC	
20	3311801	1	Nut 1/2in-13NC	
21	3422446	1	Pin, Pivot	
22	3841143	1	Pin, Keeper	
23	4711400	AR	Flatwasher 1/4in Thin	
24	4751500	2	Flatwasher 5/16in Regular	
25	4751600	7	Flatwasher 3/8in Regular	
26	4751800	1	Flatwasher 1/2in Regular	
27	4752000	1	Flatwasher 5/8in Regular	
28	8406102	1	Clip	
29	88521205		Locknut 5/16in-18NC	
30	91401281	1	Hold-down, Battery	
31	1001093382	2	Bolt, Battery Hold-down	
32	1001101600	1	Tube, Exhaust	
33	1001162497	1	Bracket	
35	1001151070	1	Plate	
36	1001155143	1	Battery Cable Kit	C
36A	7027092	1	Cable, Battery (Black) (Battery - to Tray Pivot and Relay Grds)	
36B	8270147	1	Terminal, Battery (With Boot) Cable, Battery (Black)	
36C	7027093	1	Cable, Battery (Black) (Battery - to Aux Pump Ground)	
36D	7027053	1	Cable, Battery (Black) (Engine to Tray Pivot Grd)	
36E	7027094	1	Cable (Red) (Battery + to Relays/Starter)	
36F	7027095	1	Cable (Red) (Aux Relay to Aux Pump)	
37	3960548	44 in/1.1m	Seal	
38	3960549	11 in	Seal	

SECTION 2 - TURNTABLE

ITEM	PART NUMBER	QTY	DESCRIPTION	REV
		/28cm		
39	4922737	1	Harness, Engine Ground (SN 0300182743 through 0300208405)	
39	4922737	1	Harness, Engine Ground (SN B300001092 through B300001327)	
40	1320224	1	Clamp (SN 0300247153 to Present, SN B300003181 to Present)	
41	0641409	1	Bolt ¼ x 1-1/8	
42	3311405	1	Nut 1/4	
43	1001110425	1	Spacer (SN 0300247153 to Present, SN B300003181 to Present)	
49		Ref	Decal - Warning Explosion/Fire	
49	1704972	1	ANSI Spec	
49	1706098	1	Australian and CE Spec	
49	1706059	1	Brazilian Spec	
49	1706060	1	Chinese Spec	
49	1706064	1	CSA Spec	
49	1706062	1	Japanese Spec	
49	1706061	1	Korean Spec	
49	1706063	1	Spanish Language	
		Ref	Note: Arctic Package Items 50-59 Not Shown - Used on Arctic Machines Only.	
50	1060625	1	Cable, Immersion Heater (Located on bottom of Hydraulic Oil Tank) (SN 0300182743 through 0300185003)	
51	1060626	1	Cord, 3 Way Extension (Located on Left Front of Engine)	
52	1320223	2	Clamp (SN 0300182743 through 0300196954)	
53	1702941	1	Decal - Battery Heater (Located on Battery Heater)	
54	1702942	1	Decal - Engine Block Heater (Located on Right Side of Engine)	
55	1702943	1	Decal - Hydraulic Tank Heater (Located on bottom of Hydraulic Oil Tank)	
56	1702944	1	Decal - Heater Cord (Located on Left Front of Engine)	
57	2580024	1	Heater, Battery (Located on Battery)	
58	2580050	1	Heater, Hydraulic Tank (Located on bottom of Hydraulic Oil Tank) (SN 0300182743 through 0300208405)	
58	1001188972	1	Heater, Hydraulic Tank (Located on bottom of Hydraulic Oil Tank) (SN 0300208406 to Present)	
58	2580050	1	Heater, Hydraulic Tank (Located on bottom of Hydraulic Oil Tank) (SN B300001097 through B300001323)	
58	1001188972	1	Heater, Hydraulic Tank (Located on bottom of Hydraulic Oil Tank) (SN B300001324 to Present)	
59	3980007	1	Seat, Battery	
60	1001150918	1	Cable, Immersion Heater (Located on bottom of Hydraulic Oil Tank) (SN 0300196955 to Present)	
60	1001150918	1	Cable, Immersion Heater (Located on bottom of Hydraulic Oil Tank) (SN B300001097 to Present)	
61	1001218572	2	Cap, Vinyl (SN 0300232903 to Present)	
		Ref	ENGINE AND PUMP ASSEMBLIES	
	1001154236	Ref	Without Arctic Package (All Specs except CE Spec)	D
	1001160966	Ref	Without Arctic Package (CE Spec Only)	B
	1001154237	Ref	With Arctic Package (All Specs)	D
101	0100011	AR	Compound, Locking	
102	0641407	1	Bolt 1/4in-20NC x 7/8in	
103	0641812	4	Bolt 1/2in-13NC x 1-1/2in	
104	3311405	1	Locknut 1/4in-20NC	

SECTION 2 - TURNTABLE

ITEM	PART NUMBER	QTY	DESCRIPTION	REV
105	3422532	1	Pin, Hitch	
106	1001152522	1	Hydrostatic Pump Assembly with Fittings (See HYDROSTATIC PUMP ASSEMBLY for Breakdown) (SN 0300182743 through 0300208405)	
106	1001187510	NLA	Hydrostatic Pump Assembly with Fittings (Use p/n 1001225745) (See HYDROSTATIC PUMP ASSEMBLY for Breakdown) (SN 0300208406 through 0300240852)	
106	1001225745	1	Hydrostatic Pump Assembly with Fittings (See HYDROSTATIC PUMP ASSEMBLY for Breakdown) (SN 0300240853 to Present)	
106	1001152522	1	Hydrostatic Pump Assembly with Fittings (See HYDROSTATIC PUMP ASSEMBLY for Breakdown) (SN B300001092 through B300001325)	
106	1001187510	NLA	Hydrostatic Pump Assembly with Fittings (Use p/n 1001225745) (See HYDROSTATIC PUMP ASSEMBLY for Breakdown) (SN B300001326 through B300002584)	
106	1001225745	1	Hydrostatic Pump Assembly with Fittings (See HYDROSTATIC PUMP ASSEMBLY for Breakdown) (SN B300002585 to Present)	
107	3790044	1	O-Ring	
108	4751400	1	Flatwasher 1/4in Regular	
109	4891800	4	Flatwasher 1/2in Hardened	
110	1001094595		Variable Pump Assembly with Fittings (See VARIABLE PUMP ASSEMBLY for Breakdown)	
		Ref	ENGINE ASSEMBLIES	
	1001153396	Ref	Without Arctic Package (All Specs except CE Spec)	C
	1001160965	Ref	Without Arctic Package (CE Spec Only)	B
	1001153779	Ref	With Arctic Package (All Specs)	D
201	0100011	AR	Compound, Locking	
202	0100062	AR	Compound, Locking	
203	0641407	8	Bolt 1/4in-20NC x 7/8in	
204	0641410	2	Bolt 1/4in-20NC x 1-1/4in	
205	0641510	2	Bolt 5/16in-18NC x 1-1/4in	
206	0641512	1	Bolt 5/16in-18NC x 1-1/2in	
207	0641606	3	Bolt 3/8in-16NC x 3/4in	
208	0641609	14	Bolt 3/8in-16NC x 1-1/8in	
209	0641610	4	Bolt 3/8in-16NC x 1-1/4in	
210	0641820	2	Bolt 1/2in-13NC x 2-1/2in	
211	0700808	4	Bolt M8 x 16mm	
212	0771414	6	Bolt M14 x 30mm Grade 10.9	
213	0940070	1	Bumper	
214	0961986	2	Bushing, Flanged	
215	1320016	2	Clamp	
216	1320223	4	J-Clip	
217	1703162	2	Decal - Caution Fan Blade	
218	2060025	1	Fan	
219	2220451	2	Fitting, Straight	
220	2720398	2	Hose, Oil Cooler	
221		Ref	Oil, Motor Options (Not Shown):	
221	3020016	15 qts/ 14.2L	Without Arctic Package	
221	3020044	15 qts/ 14.2L	With Arctic Package	
222	3200406	1	Mount, Motor	
223	3311405	10	Locknut 1/4in-20NC	

SECTION 2 - TURNTABLE

ITEM	PART NUMBER	QTY	DESCRIPTION	REV
224	3311505	3	Locknut 5/16in-18NC	
225	3311605	18	Locknut 3/8in-16NC	
226	3311805	3	Locknut 1/2in-13NC	
227	3520054	2	Plug	
228	3740067	3	Relay	
229	3740080	1	Relay	
230	3960407	1	Gasket, Air Intake	
231	3960468	1	Seal	
232	3960469	1	Seal	
233	4060805	37 in/1m	Flex-Trim	
234	4711400	14	Flatwasher 1/4in Thin	
235	4711600	3	Flatwasher 3/8in Thin	
236	4740274	3	Washer, Snubbing	
237	4751600	36	Flatwasher 3/8in Regular	
238	4791400	6	Starwasher 1/4in	
239	4812200	2	Flatwasher M14	
240	4923379	1	Harness, Glow Plug (See ELECTRICAL SECTION for Breakdown)	
241	1001001939	1	Hose, Flex	
242	1001146273	1	Adapter, Air Intake	
243	1001147812	1	Clamp	
244	1001147813	1	Air Cleaner Assembly Filter Element	
244	70004020	1	Element, Filter (Not Shown)	
245		Ref	Pipe, Exhaust Options:	
245	1001147820	AR	Pipe - All Specs except CE Specs	
245	See Note	NSS	Pipe - CE Specs (Note: Part of Muffler - Not Sold Separately)	
246		Ref	Engine, Deutz D2011 (See Items for 401-428 for Serviced Components)	
246	1001147823	1	Engine - All Specs except CE Specs	
246	1001144319	1	Engine - CE Specs	
247	1001149704	1	Support, Engine	
248	1001149705	1	Support, Engine	
249	1001149706	1	Support, Engine	
250	1001149793	1	Tray, Engine	
251	1001150915	1	Gusset	
252	1001150998	1	Radiator	
253	1001152459	1	Plate, Air Cleaner Mounting	
254	1001153282	1	Pump Coupling Kit (See Items 301-304 for Breakdown)	
255	1001153414	1	Plate, Radiator Mounting	
256		Ref	Mount, Motor Options:	
256	3200401	2	Mount - All Specs except CE Specs	
256	3200106	2	Mount - CE Specs	
257	1001143390	1	Indicator (SN 0300232903 to Present)	
		Ref	Note: Arctic Package Items 280 Not Shown - Used on Arctic Machines Only.	
280	2580062		Heater, Block (Not Shown - Located in Oil Pan)	
	1001153282	Ref	PUMP COUPLING KIT	D
301	70004183	1	Coupling, Guardian	
302	See Note	NSS	Plate, Pump Adapter (Note: Use p/n 1001153282)	
303	See Note	NSS	Capscrew M10 x 20mm Grade 10.9 (Note: Purchase Locally)	
304	See Note	NSS	Capscrew M10 x 25mm Grade 10.9 (Note: Purchase Locally)	
		Ref	ENGINE COMPONENTS	

SECTION 2 - TURNTABLE

ITEM	PART NUMBER	QTY	DESCRIPTION	REV
	1001147823	Ref	All Specs except CE Spec	B
	1001144319	Ref	CE Spec Only	B
401		Ref	Dipstick Options:	
401	70004287	1	1001147823 Engine (All Specs except CE Specs)	
401	7026631	1	1001144319 Engine (CE Specs Only)	
401		Ref	Seal, Dipstick Options:	
401	70000044	1	1001147823 Engine (All Specs except CE Specs)	
401	7020487	1	1001144319 Engine (CE Specs Only)	
401		Ref	Tube, Dipstick Options:	
401	70001002	1	1001147823 Engine (All Specs except CE Specs)	
401	See Note	NSS	1001144319 Engine (CE Specs Only) (Note: Not Available for Purchase)	
401		Ref	Seal, Dipstick Tube Options:	
401	7020403	1	1001147823 Engine (All Specs except CE Specs)	
401	See Note	NSS	1001144319 Engine (CE Specs Only) (Note: Not Available for Purchase)	
402	7020465	2	Cap, Filler	
403	70001850	1	Pump, Oil Lube	
403	7020468	1	Seal Between Oil Pump and Engine Block (Not Shown)	
404	7016331	1	Filter, Oil	
404	70003472	1	Bracket, Oil Filter Mounting (1001147823 Engine Only)	
404	7027236	1	Sensor, Oil Temperature (1001147823 Engine Only)	
404	70025082	1	Ring, Sealing (1001147823 Engine Only)	
405		Ref	Pump, Injector Options:	
405	70000912	4	Series A Injector	
405	70000913	4	Series B Injector	
405	70000914	4	Series C Injector	
405	70000915	4	Series D Injector	
405		Ref	Seal/Gasket, Pump (1 per Injector) Options:	
405	70003464	4	1001147823 Engine (All Specs except CE Specs)	
405	See Note	NSS	1001144319 Engine (CE Specs Only) (Note: Not Available for Purchase)	
405		Ref	Injector, Fuel	
405	70003478	4	1001147823 Engine (All Specs except CE Specs)	
405	See Note	NSS	1001144319 Engine (CE Specs Only) (Note: Not Available for Purchase)	
405		Ref	Seal/Gasket, Injector (1 per Injector) Options:	
405	70003136	4	1001147823 Engine (All Specs except CE Specs)	
405	See Note	NSS	1001144319 Engine (CE Specs Only) (Note: Not Available for Purchase)	
406	7016328	1	Filter, Fuel	
406		Ref	Sensor Options:	
406	70003465	1	1001147823 Engine (All Specs except CE Specs)	
406	70001848	1	1001144319 Engine (CE Specs Only)	
406		Ref	Seal, Sensor Options:	
406	70003466	2	1001147823 Engine (All Specs except CE Specs)	
406	70001132	2	1001144319 Engine (CE Specs Only)	
407	70000916	1	Pump, Fuel Supply	
407	70001435	1	Repair Kit for Fuel Supply Pump	
407	70000919	1	Hand Pump for Fuel Supply Pump	
407	70000917	1	O-Seal Between Fuel Pump and Engine Block	
407	70000918	1	O-Seal Between Fuel Pump and Hand Pump	

SECTION 2 - TURNTABLE

ITEM	PART NUMBER	QTY	DESCRIPTION	REV
408		Ref	Gasket, Intake Manifold Options (Not Shown):	
408	70001871	4	1001147823 Engine (All Specs except CE Specs)	
408	7020449	4	1001144319 Engine (CE Specs Only)	
409	7020408	1	V-Belt	
410		Ref	Exhaust Manifold Components (Not Shown)	
410	70001835	1	Gasket, Exhaust Adapter to Exhaust Rail	
410	70001841	1	Valve, Exhaust (Fits into Exhaust Adapter)	
410	70001836	1	Gasket, Exhaust Rail to Cylinder Head	
410	70001837	1	Gasket, Exhaust Manifold to Muffler	
410	70001838	2	Gasket, Exhaust Manifold to Engine Block (1001144319 Engine Only)	
410	7020471	4	Gasket, Exhaust Manifold to Engine Block (1001144319 Engine Only)	
410	70001874	1	Restrictor, Choke (Fits between Qty 2 of p/n 70001838) (1001144319 Engine Only)	
410	70001839	2	Flange, Sealing (1001144319 Engine Only)	
410		Ref	Stud, Mounting Options:	
410	70002200	4	1001147823 Engine (All Specs except CE Specs)	
410	70004270	4	1001144319 Engine (CE Specs Only)	
410		Ref	Nut, Exhaust Manifold	
410	See Note	NSS	1001147823 Engine (All Specs except CE Specs) (Note: Not Available for Purchase)	
410	70003476	AR	1001144319 Engine (CE Specs Only)	
411		Ref	Alternator Options:	
411	70004056	1	1001147823 Engine (All Specs except CE Specs)	
411	7000663	1	1001144319 Engine (CE Specs Only)	
411	70001868	1	Regulator, Voltage (Not Shown)	
411	70001866	1	Seal, Voltage Regulator (Not Shown)	
411	70002234	1	Bar, Alternator Adjustment	
412	7020479	1	Starter	
412		Ref	Relay Options:	
412	70004058	1	1001147823 Engine (All Specs except CE Specs)	
412	7026608	1	1001144319 Engine (CE Specs Only)	
413		Ref	Plug-In Connector (Not Shown) Options:	
413	70004060	2	1001147823 Engine (All Specs except CE Specs)	
413	See Note	NSS	1001144319 Engine (CE Specs Only) (Note: Not Available for Purchase)	
414	7027791	1	Transmitter, Temperature	
415	7027790	1	Sensor, Oil Pressure	
416		Ref	Sensor, Speed Options:	
416	70004272	1	1001147823 Engine (All Specs except CE Specs)	
416	7024565	1	1001144319 Engine (CE Specs Only)	
417	7027792	1	Throttle Actuator	
417	7027276	2	Springs	
418		Ref	Thermostat Options (Located at rear of engine block - Not Shown):	
418	70003475	1	1001147823 Engine (All Specs except CE Specs)	
418	7020459	1	1001144319 Engine (CE Specs Only)	
419	70001870	1	Flywheel with Ring Gear	
419	7024579	1	Gear, Ring 110 Tooth	
420		Ref	Muffler Options:	
420	7000695	1	1001147823 Engine (Standard on All Specs except CE Specs)	
420	1001099051	1	1001144319 Engine (Standard on CE Specs Only) (Note: Not	

SECTION 2 - TURNTABLE

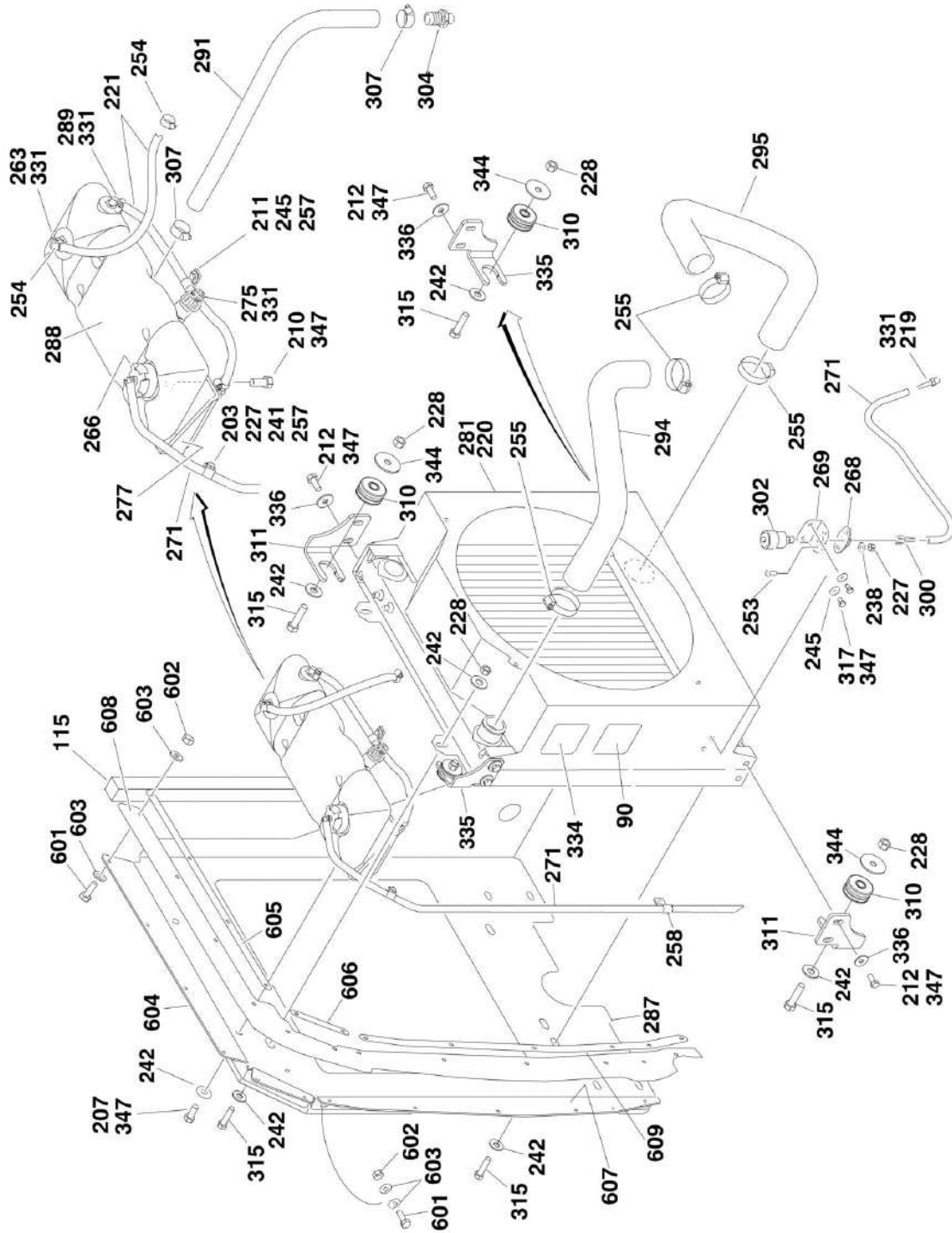
ITEM	PART NUMBER	QTY	DESCRIPTION	REV
420	1001101241	1	Included with Engine - Must be Purchased Separately) Catalytic Muffler Option on ANSI Export, Australian, CE and Japanese Specs (SN 0300183034 through 0300243317, SN B300001097 through B300243279)	
420	1001099051	1	Spark Arresting Muffler Option on ANSI Export, Australian and CE Specs (SN 0300243318 to Present, SN B300243280 to Present)	
420	70001844	1	U-Clamp (1001147823 Engine Only)	
420	7020471	1	Gasket (1001147823 Engine Only)	
421	7027795	1	Module, Control	
422	70001181	1	Valve, Pressure Control	
422	70124410	1	Spring	
422	70025082	1	Seal	
422	70124440	1	Screw, Locking	
423	70000345	4	Plug, Glow	
424	70000800	1	Camshaft Pulley Repair Kit (Not Shown) (1001147823 Engine Only)	
425	70001847	1	Breather, Front Cover (Not Shown) (1001144319 Engine Only)	
425	70001126	1	Seal, Front Cover Breather (Not Shown) (1001144319 Engine Only)	
426		Ref	Gasket, Head Options (Not Shown):	
426	70002415	1	Gasket with 1 Notch	
426	70002416	1	Gasket with 2 Notches	
426	70002417	1	Gasket with 3 Notches	
427	7027796	1	Harness, Engine (Connects to Item 421)	
427	70001872	1	Harness, Engine (Connects to p/n 7027796)	
428		Ref	Gaskets and Seals - Miscellaneous (Not Shown)	
428		Ref	Gasket Set	
428	70004289	1	1001147823 Engine (All Specs except CE Specs)	
428	See Note	NSS	1001144319 Engine (CE Specs Only) (Note: Not Available for Purchase)	
428		Ref	Seal, Rear Main	
428	70002718	1	1001147823 Engine (All Specs except CE Specs)	
428	See Note	NSS	1001144319 Engine (CE Specs Only) (Note: Not Available for Purchase)	
428		Ref	Seal, Front Main	
428	70004280	1	1001147823 Engine (All Specs except CE Specs)	
428	See Note	NSS	1001144319 Engine (CE Specs Only) (Note: Not Available for Purchase)	
429	70025752	1	Valve, Pressure Relief (Not Shown - Located at Engine Front Left)	
429	70025753	1	Spring	
429	70005916	1	Seal	
429	70005917	1	Screw, Locking	
		Ref	RIGHT ENGINE SUPPORT INSTALLATIONS	
	1001151253	Ref	Machines without Generator	A
	1001151252	Ref	Machines with Generator	B
501	0100011	AR	Compound, Locking	
502	0641609	2	Bolt 3/8in-16NC x 1-1/8in	
503	0641818	1	Bolt 1/2in-13NC x 2-1/4in	
504	0771414	3	Bolt 14mm x 30mm Grade 10.9	
505	3200401	1	Mount, Motor	
506	3311605	2	Locknut 3/8in-16NC	
507	3311805	1	Locknut 1/2in-13NC	

SECTION 2 - TURNTABLE

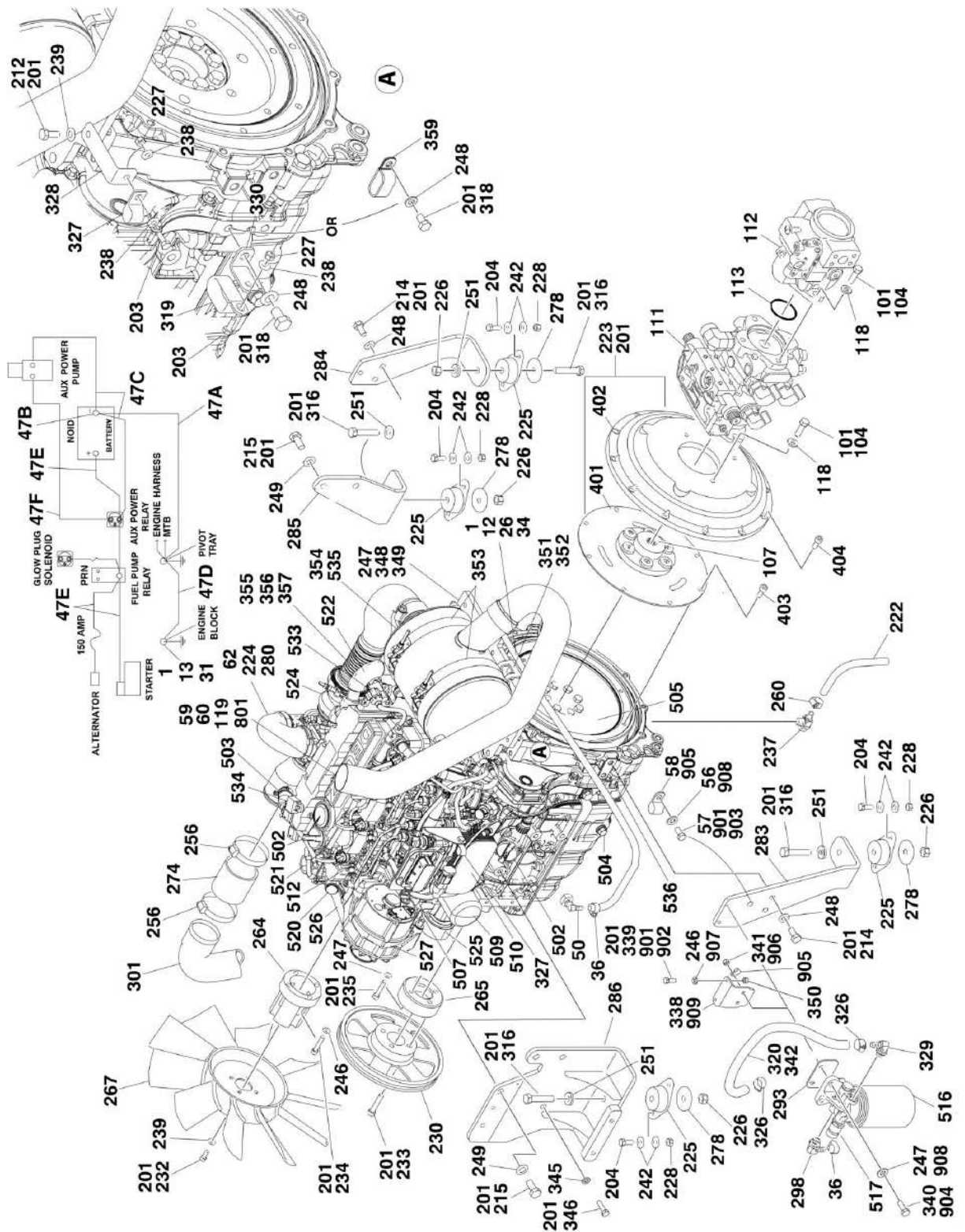
ITEM	PART NUMBER	QTY	DESCRIPTION	REV
508	4740274	1	Washer, Snubbing	
509	4751600	4	Flatwasher 3/8in Regular	
510	4812200	3	Flatwasher M14	
511		Ref	Support, Engine (Right Front)	
511A	1001149703	1	Machines without Generator	
511B	1001150890	1	Machines with Generator	

SECTION 2 - TURNTABLE

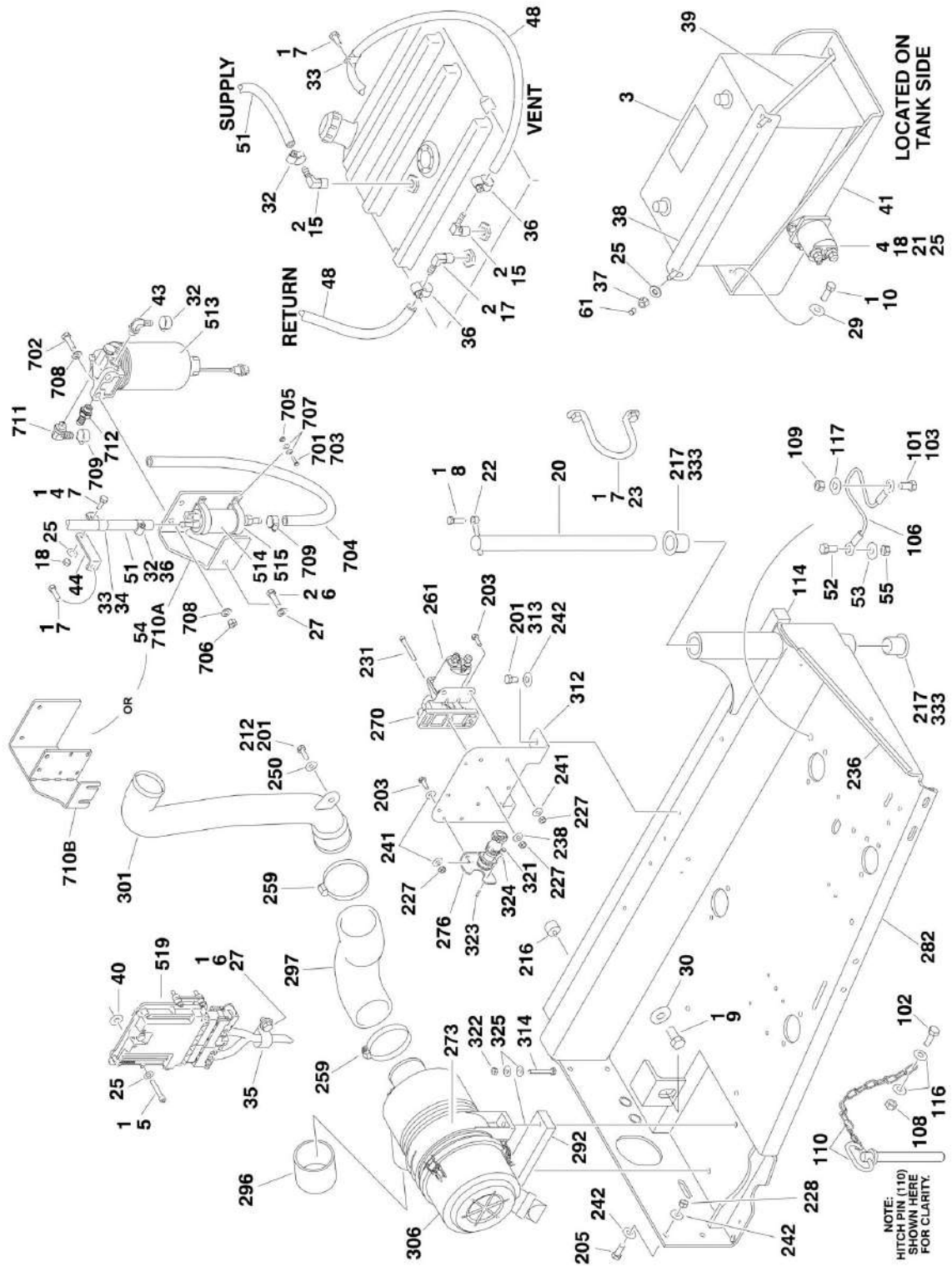
FIGURE 2-7. DEUTZ TD2.9L4 ENGINE INSTALLATION



SECTION 2 - TURNTABLE



SECTION 2 - TURNTABLE



SECTION 2 - TURNTABLE

FIGURE 2-7. DEUTZ TD2.9L4 ENGINE INSTALLATION

ITEM	PART NUMBER	QTY	DESCRIPTION	REV
		Ref	DEUTZ TD2.9L4 ENGINE INSTALLATION	
		Ref	800S/680S	
	1001173971	Ref	800S/680S without Arctic Package (SN 0300182743 through 0300227014)	E
	1001185674	Ref	800S/680S without Arctic Package (SN 0300227015 to Present, SN B300001599 to Present)	F
	1001173979	Ref	800S with Arctic Package (SN 0300182743 through 0300196954)	C
	1001178227	Ref	800S with Arctic Package (SN 0300196955 through 0300227014)	E
	1001185676	Ref	800S with Arctic Package (SN 0300227015 to Present, SN B300001599 to Present)	H
	1001214778	Ref	800S (China III Engines) (SN B300001092 through B300001738)	A
	1001223784	Ref	800S (China III Engines) (SN B300001739 through B300002369)	B
	1001223758	Ref	800S (China III Engines) (SN B300002370 to Present)	D
	1001235492	Ref	800S (Stage V Pre-Buy Engines)	B
		Ref	860SJ	
	1001148560	Ref	860SJ without Arctic Package (SN 0300182743 through 0300227014)	K
	1001185674	Ref	860SJ without Arctic Package (SN 0300227015 to Present, SN B300001599 to Present)	F
	1001148567	Ref	860SJ with Arctic Package (SN 0300182743 through 0300196954)	K
	1001178214	Ref	860SJ with Arctic Package (SN 0300196955 through 0300227014)	E
	1001185676	Ref	860SJ with Arctic Package (SN 0300227015 to Present, SN B300001599 to Present)	H
	1001178214	Ref	860SJ with Arctic Package (SN B300001092 through B300001749)	E
	1001223784	Ref	860SJ (China III Engines) (SN B300001739 through B300002369)	B
	1001223758	Ref	860SJ (China III Engines) (SN B300002370 to Present)	D
	1001235492	Ref	860SJ (Stage V Pre-Buy Engines)	B
1	0100011	AR	Compound, Locking	
2	0100020	AR	Sealant, Pipe	
3	0400075	AR	Battery	
4	0641406	AR	Bolt 1/4in-20NC x 3/4in	
5	0641412	4	Bolt 1/4in-20NC x 1-1/2in	
6	0641606	3	Screw 3/8in-16NC x 3/4in	
7	0641608	AR	Screw 3/8in-16NC x 1in	
8	0641610	1	Screw 3/8in-16NC x 1-1/4in	
9	0642010	1	Bolt 5/8in-11NC x 1-1/4in	
10	0681608	3	Screw 3/8in-16NC x 1in Grade 8	
12	0760810	AR	Bolt M8 x 20mm	
13	0771212	1	Bolt M12 x 25mm Grade 10.9	
14	1701505	1	Decal - Diesel Fuel (Not Shown Located on Fuel Tank or Hood)	
15	2180832	1	Fitting, Elbow Barbed	
16	2200222	1	Plug (Not Shown - Located in Bottom of Fuel Tank)	
17	2220313	2	Fitting, Elbow	
18	3311405	AR	Locknut 1/4in-20NC	
20	3422446	1	Pin, Pivot	

SECTION 2 - TURNTABLE

ITEM	PART NUMBER	QTY	DESCRIPTION	REV
21	3740067	1	Relay	
22	3841143	1	Pin, Keeper	
23	3841340	1	Loop, Hose (SN 0300182743 through 0300227014)	
23	3841340	1	Loop, Hose (SN B300001092 through B300001749)	
25	4711400	AR	Flatwasher 1/4in Thin	
26	4711500	AR	Flatwasher 5/16in Thin	
27	4711600	3	Flatwasher 3/8in Thin	
29	4751600	3	Flatwasher 3/8in Regular	
30	4752000	1	Flatwasher 5/8in Regular	
31	4812100	1	Flatwasher M12	
32	8405006	2	Clamp	
33	8406102	AR	Clip	
34	8406112	AR	Clip (SN 0300182743 through 0300219104)	
35	8406201	1	Clip	
36	8410013	AR	Clamp	
37	88521205	AR	Locknut 5/16in-18NC	
38	91401281	AR	Hold-down, Battery	
39	1001093382	AR	Bolt, Battery Hold-down	
40	1001110425	4	Spacer	
41	1001162497	1	Bracket, Battery	
43	1001142501	1	Fitting, Elbow Barbed	
44	1001148149	1	Bracket (SN 0300182743 through 0300185387)	
46	1001222665	1	Fuel Pump Harness requiring Ring Terminals (Not Shown - See ELECTRICAL SECTION for Breakdown) (SN 0300182743 through 0300234668, SN B300001092 through B300002065)	
46	1001138491	1	Fuel Pump Harness requiring Push-on Terminals (Not Shown - See ELECTRICAL SECTION for Breakdown) (SN 0300134669 to Present, SN B300002066 to Present)	
47	1001143736	1	Battery Cable Kit (Not Shown)	E
47A	7027084	1	Cable, Battery (Black) (Battery - to Tray Pivot Grd)	
47B	8270147	1	Terminal, Battery (With Boot)	
47C	7027085	1	Cable, Battery (Black) (Battery - to Aux Pump and Relay Grds)	
47D	7027086	1	Cable, Battery (Black) (Engine to Tray Pivot Grd)	
47E	7027087	1	Cable (Red) (Battery + to Aux Relay/Power Module/Starter)	
47F	7027088	1	Cable (Red) (Aux Relay to Aux Pump)	
48	1001165035	AR	Hose	
48	2750532	AR	Hose (Vent Line - USA Built Machines) (SN 0300227015 to Present)	
48	2750532	AR	Hose (Vent Line - China Built Machines)	
50	1001155823	1	Fitting, Quick Disconnect Elbow	
51	1001154405	AR	Hose	
52	0641814	1	Bolt 1/2in-13NC x 1-3/4in	
53	4751800	1	Flatwasher 1/2in Regular	
54		Ref	Bracket Assembly Less Filter/Pump (See Items 701-711 for Breakdown)	
54	1001162335	1	All Machines Except China III Engines	
54	1001227224	1	China III Engines Only	
55	3311805	1	Locknut 1/2in-13NC	
56	4812000	AR	Washer M10	
57	0761008	AR	Bolt M10 x 16	
58	1320061	1	Clamp (SN 0300219105 to Present)	
58	1320061	1	Clamp (SN B300001739 to Present)	

SECTION 2 - TURNTABLE

ITEM	PART NUMBER	QTY	DESCRIPTION	REV
59	1001223704	1	Pipe Exhaust (SN 0300240853 to Present)	
59	1001223704	1	Pipe Exhaust (SN B300002633 to Present)	
60	1001221212	1	Clamp (SN 0300240853 to Present)	
60	1001221212	1	Clamp (SN B300002370 to Present)	
61	1001218572	AR	Cap, Vinyl (SN 0300232903 to Present)	
62	1001233763	1	Deutz Breather Heater Installation (with Arctic Package) (See BREATHER HEATER INSTALLATION – DEUTZ TD2.9L4 ENGINE WITH ARCTIC PACKAGE for Breakdown) (SN 0300246356 to Present, SN B300002607 to Present)	
62	1001196634	1	Fuse, 2 Amp	
62	1001232842	1	Breather Heater Kit	
62	2400060	1	Holder, Fuse	
		Ref	Note: Arctic Package Items 70 - 79 (Not Shown - Used on Arctic Machines Only)	
70	1702941	1	Decal - Battery Heater	
71	1702942	1	Decal - Engine Block Heater	
72	1702943	1	Decal - Hydraulic Tank Heater	
73	1702944	1	Decal - Heater Cord	
74		Ref	Heater, Hydraulic Tank Options:	
74	2580050	1	Heater (SN 0300182743 through 0300208405)	
74	1001188972	1	Heater (SN 0300208406 to Present)	
74	2580050	1	Heater (SN B300001092 through B300001323)	
74	1001188972	1	Heater (SN B300001324 to Present)	
75	3980007	1	Seat, Battery	
76	1060626	1	Cord, 3 Way Extension	
77	2580024	1	Heater, Battery	
79	1001150918	1	Cord, 8ft Extension	
90		Ref	Decal - Warning Explosion/Fire Options:	
90	1704972	1	ANSI Spec	
90	1706098	1	Australian and CE Spec	
90	1706060	1	China Spec	
90	1706064	1	CSA Spec	
		Ref	ENGINE AND PUMP ASSEMBLY	
		Ref	800S/680S	
	1001173972	Ref	800S/680S without Arctic Package (SN 0300182743 through 0300227014)	F
	1001185673	Ref	800S/680S without Arctic Package (SN 0300227015 through 0300232902)	D
	1001185667	Ref	800S/680S without Arctic Package (SN 0300232903 to Present, SN B300001599 to Present)	E
	1001173980	Ref	800S with Arctic Package (SN 0300182743 through 0300227014)	F
	1001185675	Ref	800S with Arctic Package (SN 0300227015 through 0300232902)	D
	1001185671	Ref	800S with Arctic Package (SN 0300232903 to Present, SN B300001599 to Present)	E
	1001173972	Ref	800S (China III Engines) (SN B300001092 through B300001738)	F
	1001223782	Ref	800S (China III Engines) (SN B300001739 through B300002369)	B
	1001226257	Ref	800S (China III Engines) (SN B300002370 through B300002584)	D
	1001227615	Ref	800S (China III Engines) (SN B300002585 to Present)	C
	1001235490	Ref	800S (Stage V Pre-Buy Engines)	A

SECTION 2 - TURNTABLE

ITEM	PART NUMBER	QTY	DESCRIPTION	REV
		Ref	860SJ	
	1001148550	Ref	860SJ without Arctic Package (SN 0300182743 through 0300227014)	H
	1001185673	Ref	860SJ without Arctic Package (SN 0300227015 to Present)	D
	1001185667	Ref	860SJ without Arctic Package (SN 0300232903 to Present, SN B300001599 to Present)	E
	1001148566	Ref	860SJ with Arctic Package (SN 0300182743 through 0300227014)	H
	1001185675	Ref	860SJ with Arctic Package (SN 0300227015 through 0300232902)	D
	1001185671	Ref	860SJ with Arctic Package (SN 0300232903 to Present, SN B300001599 to Present)	E
	1001148550	Ref	860SJ (China III Engines) (SN B300001092 through B300001738)	H
	1001223782	Ref	860SJ (China III Engines) (SN B300001739 through B300002369)	B
	1001226257	Ref	860SJ (China III Engines) (SN B300002370 through B300002584)	D
	1001227615	Ref	860SJ (China III Engines) (SN B300002585 to Present)	C
	1001235490	Ref	860SJ (Stage V Pre-Buy Engines)	A
101	0100011	AR	Compound, Locking	
102	0641406	AR	Bolt 1/4in-20NC x 3/4in	
103	0641808	1	Bolt 1/2in-13NC x 1in	
104	0641812	4	Bolt 1/2in-13NC x 1-1/2in	
106	1060637	1	Lanyard	
107	3020037	AR	Lubricant	
108	3311405	1	Locknut 1/4in-20NC	
109	3311801	AR	Nut 1/2in-13NC	
110	3422532	1	Pin, Hitch	
111		Ref	Hydrostatic Pump Assembly with Fittings (See HYDROSTATIC PUMP ASSEMBLY for Breakdown)	
111	1001152522	1	Pump Assembly with Fittings (SN 0300182743 through 0300208405)	
111	1001187510	NLA	Pump Assembly with Fittings (Use p/n 1001225745) (SN 0300208406 through 0300240852, SN B300001092 through B300002584)	
111	1001225745	1	Pump Assembly with Fittings (SN 0300240853 to Present, SN B300002585 to Present)	
111	1001152522	1	Pump Assembly with Fittings (China III Engines) (SN B300001092 through B300001323)	
111	1001187510	1	Pump Assembly with Fittings (Use p/n 1001225745) (China III Engines) (SN B30001324 through B300002605)	
111	1001225745	1	Pump Assembly with Fittings (China III Engines) (SN B30002606 to Present)	
112	1001094595		Variable Pump Assembly with Fittings (See VARIABLE PUMP ASSEMBLY for Breakdown)	
113	3790044	1	O-Ring	
114	3960468	1	Seal	
115	3960469	1	Seal	
116	4751400	2	Flatwasher 1/4in Regular	
117	4751800	1	Flatwasher 1/2in Regular	
118	4891800	4	Flatwasher 1/2in Hardened	
119	1001158145	1	Pipe, Exhaust (SN 0300182743 through 0300232902)	
		Ref	ENGINE ASSEMBLY	
		Ref	800S/680S USA Built Machines	

SECTION 2 - TURNTABLE

ITEM	PART NUMBER	QTY	DESCRIPTION	REV
	1001173974	Ref	800S/680S without Arctic Package (SN 0300182743 through 0300227014)	I
	1001176027	Ref	800S/680S without Arctic Package (SN 0300227015 to Present, SN B300001599 to Present)	M
	1001173981	Ref	800S with Arctic Package (SN 0300182743 through 0300227014)	K
	1001176035	Ref	800S with Arctic Package (SN 0300227015 to Present, SN B300001599 to Present)	M
	1001214050	Ref	800S (China III Engines) (SN B300001092 through B300002369)	G
	1001223592	Ref	800S (China III Engines) (SN B300002370 through B300002584)	F
	1001227614	Ref	800S (China III Engines) (SN B300002585 to Present)	E
	1001235489	Ref	800S (Stage V Pre-Buy Engines)	B
		Ref	860SJ	
	1001140412	Ref	860SJ without Arctic Package (SN 0300182743 through 0300227014)	T
	1001176027	Ref	860SJ without Arctic Package (SN 0300227015 to Present, SN B300001599 to Present)	M
	1001142853	Ref	860SJ with Arctic Package (SN 0300182743 through 0300227014)	T
	1001176035	Ref	860SJ with Arctic Package (SN 0300227015 to Present, SN B300001599 to Present)	M
	1001214050	Ref	860SJ (China III Engines) (SN B300001092 through B300002369)	G
	1001223592	Ref	860SJ (China III Engines) (SN B300002370 through B300002584)	F
	1001227614	Ref	860SJ (China III Engines) (SN B300002585 to Present)	E
	1001235489	Ref	860SJ (Stage V Pre-Buy Engines)	B
201	0100011	AR	Compound, Locking	
203	0641406	AR	Bolt 1/4in-20NC x 3/4in	
204	0641608	8	Bolt 3/8in-16NC x 1in	
205	0641609	6	Bolt 3/8in-16NC x 1-1/8in	
207	0641708	2	Bolt 7/16in-14NC x 1in	
210	0741605	AR	Screw, Flathead 3/8in-16NC x 5/8in	
211	0760606	1	Bolt M6 x 12mm	
212	0760810	AR	Bolt M8 x 20mm	
214	0771212	6	Bolt M12 x 25 Grade 10.9	
215	0771414	AR	Bolt M14 x 30mm Grade 10.9	
215	0771415	AR	Bolt M14 x 35mm Grade 10.9	
216	0940070	1	Bumper	
217	0961986	2	Bushing, Flanged	
219	2220315	1	Fitting, Straight Barbed	
220		Ref	Coolant Options:	
220	2300004	AR	Without Arctic Package	
220	2300041	AR	With Arctic Package	
221	2720015	40 in/1m	Hose	
222	2720340	12 in / 30.5cm	Hose	
223	1001153282	1	Pump Coupling Kit (See Items 401-403 for Breakdown)	
224		Ref	Oil, Motor Options:	
224	1001136079	AR	Without Arctic Package	
224	1001136172	AR	With Arctic Package	
225	3200401	4	Mount, Motor	

SECTION 2 - TURNTABLE

ITEM	PART NUMBER	QTY	DESCRIPTION	REV
226	3271801	4	Nut 1/2in-13NC Grade 8	
227	3311405	AR	Locknut 1/4in-20NC	
228	3311605	16	Locknut 3/8in-16NC	
230	3580320	1	Pulley	
231	3931432	1	Capscrew 1/4in-20NC x 2in	
232	3931512	4	Capscrew 5/16in-18NC x 3/4in	
233	3931628	4	Capscrew 3/8in-16NC x 1-3/4in	
234	4031914	4	Capscrew M8 x 50mm	
235	4032014	4	Capscrew M10 x 50mm	
236	4060805	15 in / 38cm	Flex-Trim	
237	4640751	1	Valve, Oil Drain	
238	4711400	AR	Flatwasher 1/4in Thin	
239	4711500	AR	Flatwasher 5/16in Thin	
240	4711700	2	Flatwasher 7/16in Thin	
241	4751400	10	Flatwasher 1/4in Regular	
241	4791400	AR	Starwasher 1/4	
242	4751600	AR	Flatwasher 3/8in Regular	
245	4811702	AR	Flatwasher M6	
246	4811900	AR	Flatwasher M8	
247	4812000	AR	Flatwasher M10	
248	4812100	7	Flatwasher M12	
249	4812200	5	Flatwasher M14	
250	4891500	1	Flatwasher 5/16in Hardened	
251	4891800	4	Flatwasher 1/2in Hardened	
253	0630407	2	Screw 1/4in-20 x 5/8in	
254	8405009	4	Clamp	
255	8405104	4	Clamp	
256	8405204	2	Clamp	
257	8406109	AR	Clip	
258	8406110	1	Clip	
259	8410011	2	Clamp	
260	8410013	1	Clamp	
261	1001117308	1	Relay	
263	1001134488	1	Fitting, Elbow Barbed (Part of Item 288)	
264	1001135138	1	Adapter	
265	1001135679	1	Adapter	
266	1001136834	1	Cap, Tank	
267	1001137276	1	Fan	
268	1001138173	1	Support	
269	1001138175	1	Bracket	
270	1001138228	1	Relay, Power Module	
270	70023593	1	Fuse 30Amp (Battery Output)	
270	70023592	1	Fuse 20Amp (Switched Output)	
271	1001138248	62 in/1.6m	Tube	
273	1001138557	1	Clamp	
274	1001142623	1	Hose, Inlet	
275	1001138827	1	Sensor, Coolant Level (Part of Item 288)	
276	1001139240	1	Bracket	
277	1001139303	1	Bracket, Tank (SN 0300182743 through 0300229742)	
277	1001176419	1	Bracket, Tank (SN 0300229743 to Present)	
277	1001176419	1	Bracket, Tank (China III Engines)	

SECTION 2 - TURNTABLE

ITEM	PART NUMBER	QTY	DESCRIPTION	REV
278	1001139409	4	Washer, Special	
280	1001139813	1	Engine, Deutz TD2.9L4 (See Items 501-535 for Serviced Components)	
280	1001214039	1	Engine, Deutz TD2.9L4 (China III Engines) (See Items 501-535 for Serviced Components) (SN B300001092 through B300002369)	
280	1001223591	1	Engine, Deutz TD2.9L4 (China III Engines) (See Items 501-535 for Serviced Components) (SN B300002370 to Present)	
280	1001235488	1	Engine, Deutz TD2.9L4 (Stage V Pre-Buy) (See Items 501-535 for Serviced Components)	
281	1001155384	1	Radiator (RCP) (SN 0300182743 through 0300229742)	
281	1001167042	1	Radiator (Modine) (SN 0300229743 to Present, SN B300001092 to Present)	
281	1001167042	1	Radiator (Modine) (China III Engines)	
282		Ref	Tray Options:	
282	1001173976	1	Tray (800S/680S) (SN 0300182743 through 0300229742)	
282	1001190610	1	Tray (800S/680S) (SN 0300229743 to Present, SN B300001092 to Present)	
282	1001140362	1	Tray (860SJ) (SN 0300182743 through 0300229742)	
282	1001190610	1	Tray (860SJ) (SN 0300229743 to Present, SN B300001092 to Present)	
282	1001190610	1	Tray (800S/860SJ) (China III Engines)	
283	1001140448	1	Mount, Rear Engine	
284	1001140450	1	Mount, Rear Engine	
285	1001140454	1	Mount, Front Engine	
286	1001140466	1	Mount, Generator/Engine (SN 0300182743 through 0300229742)	
286	1001202368	1	Mount, Generator/Engine (SN 0300229743 to Present, SN B300001092 to Present)	
286	1001202368	1	Mount, Generator/Engine (China III Engines)	
287		Ref	Plate, Mounting Options:	
287	1001173978	1	Plate, Mounting (800S/680S) (RCP Radiator) (SN 0300182743 through 0300229742)	
287	1001186985	1	Plate, Mounting (800S/680S) (Modine Radiator) (SN 0300229743 to Present, SN B300001092 to Present)	
287	1001140487	1	Plate, Mounting (860SJ) (RCP Radiator) (SN 0300182743 through 0300229742)	
287	1001186985	1	Plate, Mounting (860SJ) (Modine Radiator) (SN 0300229743 to Present, SN B300001092 to Present)	
287	1001186985	1	Plate, Mounting (800S/860SJ) (China III Engines)	
288	1001140535	NLA	Tank (Use p/n 1001230635) (SN 0300182743 through 0300241332, SN B300001092 through B300002584)	
288	1001230635	1	Tank (Includes Items 263, 275 & 289) (SN 0300241333 to Present, SN B300002585 to Present)	
289	1001140564	1	Fitting, Elbow Barbed (Part of Item 288)	
290	1001141304	1	Harness, Glow Plug (Not Shown - See ELECTRICAL SECTION for Breakdown)	
291	1001141370	1	Hose	
292	1001141419	1	Shim	
293	1001141546	1	Shim (860SJ) (SN 0300182743 through 0300219104)	
294	1001141583	1	Hose, Radiator - Upper (SN 0300182743 through 0300229742)	
294	1001177844	1	Hose, Radiator - Upper (SN 0300229743 to Present, SN B300001092 to Present)	
294	1001177844	1	Hose, Radiator - Upper (China III Engines)	

SECTION 2 - TURNTABLE

ITEM	PART NUMBER	QTY	DESCRIPTION	REV
295	1001141584	1	Hose, Radiator - Lower (SN 0300182743 through 0300229742)	
295	1001177845	1	Hose, Radiator - Lower (SN 0300229743 to Present, SN B300001092 to Present)	
295	1001177845	1	Hose, Radiator - Lower (China III Engines)	
296	1001141585	1	Hose, Inlet	
297	1001141586	1	Pipe, Intake	
298	1001152489	1	Fitting, Elbow Barbed	
300	1001141995	1	Fitting, Straight Barbed	
301		Ref	Pipe Options:	
301	1001142733	1	Pipe (SN 0300182743 through 0300187749)	
301	1001165842	1	Pipe (SN 0300187750 to Present)	
301	1001165842	1	Pipe (SN B300001092 to Present)	
302	1001143390	1	Indicator, Service	
303	1001143726	1	Harness, Deutz Engine (Not Shown - See ELECTRICAL SECTION for Breakdown)	
304	1001143797	1	Fitting, Straight Barbed	
305	1001143907	1	Cable, Alternator Power (Not Shown - See ELECTRICAL SECTION for Breakdown)	
306	1001138489	1	Air Cleaner Assembly Filter Element	
306	91403102	1	Element, Filter (Not Shown)	
307	8405007	2	Clamp	
310	1001169054	4	Pad, Isolator (SN 0300229743 to Present, SN B300001092 to Present)	
310	1001169054	4	Pad, Isolator (China III Engines)	
311	1001204325	2	Bracket, Radiator (USA Built Machines) (SN 0300229743 to Present, SN B300001092 to Present)	
311	1001204325	2	Bracket, Radiator (China III Engines)	
312	1001145154	1	Plate, Relay Mounting	
313	0641605	2	Bolt 3/8in-16NC x 5/8in	
314	0641518	2	Bolt 5/16in-18NC x 2-1/4in	
315	0641607	4	Bolt 3/8in-16NC x 7/8in	
315	0641612	4	Bolt 3/8in-16NC x 1-1/2in	
316	0681820	4	Bolt 1/2in-13NC x 2-1/2in Grade 8	
316	0681822	4	Bolt 1/2in-13NC x 2-3/4in Grade 8	
317	0760605	2	Bolt M6 x 10mm	
318	0761210	1	Bolt M12 x 20mm	
319	1321716	1	P-Clamp (SN 0300182743 through 0300196000)	
320	1001154405	20 in / 51cm	Hose (SN 0300182743 through 0300219104)	
321	3310401	3	Nut #4-40NC	
322	3311505	2	Locknut 5/16in-18NC	
323	3910408	3	Screw #4-40NC x 1/2in	
324	4750400	3	Flatwasher #4 Regular	
325	4751500	4	Flatwasher 5/16in Regular	
326	8405006	2	Clamp (SN 0300182743 through 0300219104)	
327	8406102	AR	Clip	
328	1001138717	1	Bracket (SN 0300182743 through 0300219104)	
329	1001142501	1	Fitting, Elbow Barbed (SN 0300182743 through 0300219104)	
330	1001148641	1	Bracket (SN 0300182742 through 0300196000)	
331	0100020	AR	Sealant	
332	4240099	AR	Tie-Strap (Not Shown)	
333	0100062	AR	Compound, Locking	

SECTION 2 - TURNTABLE

ITEM	PART NUMBER	QTY	DESCRIPTION	REV
334	1703162	1	Decal - Caution Fan Blade	
335	1001178223	2	Bracket, Radiator (SN 0300229743 to Present, SN B300001092 to Present)	
335	1001178223	2	Bracket, Radiator (China III Engines)	
336	4811902	8	Washer M8	
338	1001178876	1	Bracket (SN 0300219105 to Present, SN B300001092 to Present)	
338	1001178876	1	Bracket (China III Engines) (SN B300001092 through B300002369)	
338	1001224937	1	Bracket (China III Engines) (SN B300002370 to Present)	
339	5250810	AR	Bolt M8 x 20	
339	0760815	AR	Bolt M8 x 35	
340	0761015	AR	Bolt M10 x 35	
341	3291005	2	Nut M10	
342	1001177359	1	Hose (SN 0300219105 to Present, SN B300001092 to Present)	
344	1001169138	4	Washer (SN 0300229743 to Present, SN B300001092 to Present)	
344	1001169138	4	Washer (China III Engines)	
345	5240800	1	Washer M8	
346	0700814	1	Bolt M8 x 30	
347	1001180620	AR	Adhesive	
348	1001221203	1	Muffler Bracket Assembly (China III Engines) (SN B300002370 to Present)	
349	0701025	4	Bolt M10 x 85 (China III Engines) (SN B300002370 to Present)	
350	3290801	2	Nut M8 (China III Engines) (SN B300002370 to Present)	
351	1001224936	2	Mount (China III Engines) (SN B300002370 to Present)	
352	0760814	4	Bolt M8 x 30 (China III Engines) (SN B300002370 to Present)	
353	1001128901	2	Strap (China III Engines) (SN B300002370 through B300002584)	
353	1001233089	2	Strap (China III Engines) (SN B300002585 to Present)	
354	1001223593	1	Muffler (China III Engines) (SN B300002370 to Present)	
355	1001224940	1	Pipe, Flex (China III Engines) (SN B300002370 to Present)	
356	1001221212	1	Clamp (China III Engines) (SN B300002370 to Present)	
357	1001221219	1	Clamp (China III Engines) (SN B300002370 to Present)	
359	1001181899	1	Clamp (China III Engines) (SN B300002370 to Present)	
		Ref	Note: Arctic Package Item 361 (Used on Arctic Machines Only) Not Shown.	
361	1001181895	AR	Adhesive	
361	1001140312	1	Heater, Engine Block	
	1001153282	Ref	PUMP COUPLING INSTALLATION	D
401	70004183	1	Coupling	
402	See Note	NSS	Plate, Pump Adapter (Note: Use p/n 1001153282)	
403	See Note	NSS	Capscrew M10 x 20mm Grade 10.9 (Note: Purchase Locally)	
404	See Note	NSS	Capscrew M10 x 25mm Grade 10.9 (Note: Purchase Locally)	
	1001139813	Ref	ENGINE COMPONENTS	J
	1001214039	Ref	ENGINE COMPONENTS (CHINA III ENGINES) (SN B300001092 through B300002369)	C
	1001223591	Ref	ENGINE COMPONENTS (CHINA III ENGINES) (SN B300002370 to Present)	B
	1001235488	Ref	ENGINE COMPONENTS (STAGE V PRE-BUY ENGINE)	B
501	70004274	1	Dipstick (Not Shown - Located On Side Left Front) (Includes Seal)	
501	70024904	1	Dipstick (Not Shown - Located On Side Left Front) (Includes Seal) (China III Engines)	

SECTION 2 - TURNTABLE

ITEM	PART NUMBER	QTY	DESCRIPTION	REV
501	70024905	1	Seal	
502	7020465	2	Cap, Oil Fill	
503	70025111	2	Clamp	
503	70005920	1	Hose, Breather	
504	70025088	1	Plug	
504	70005941	1	Plug (China III Engines)	
504	7020404	1	Seal	
504	70005942	1	Seal (China III Engines)	
505	70001870	1	Flywheel with Ring Gear	
505	7024579	1	Gear, Ring	
506		Ref	Gasket and Seal Options (Not Shown):	
506	70024906	1	Gasket, Head	
506	70025206	1	Gasket, Small Valve Cover	
506	70025207	1	Gasket, Large Valve Cover	
506	70005171	1	Gasket, Valve Cover (China III Engines)	
506	7002508	1	Gasket, Valve Cover to Air Charge Elbow	
506	70002718	1	Seal, Rear Main	
506	See Note	NSS	Seal, Front Main (Note: Not Available for Purchase)	
506	70004280	1	Seal, Front Main (China III Engines)	
506	70024907	1	Gasket, Front Cover	
506	70028185	1	Gasket, Front Cover (China III Engines)	
506	70005177	1	Gasket, Air Charge Manifold to Head/Block (Not Shown) (China III Engines)	
506	70025164	1	Gasket, Exhaust Manifold to Head	
506	70024912	1	Gasket, Exhaust Manifold to Turbocharger	
506	70021895	2	Gasket, Exhaust Manifold (Outlet) (China III Engines)	
506	70004279	1	Gasket Kit (1001139813 & 1001235488 Engine)	
506	See Note	NSS	Gasket Kit (1001214039 Engine) (Note: Not Available for Purchase)	
506	70005938	1	Gasket Kit (1001223591 Engine)	
507	70025076	1	Valve, Pressure Control (1001139813, 1001214039 & 1001235488 Engines)	
507	70025176	1	Spring	
507	70025082	1	Seal	
507	70025091	1	Screw, Locking	
507	See Note	NSS	Valve, Pressure Control (1001223591 Engine) (Note: Not Available for Purchase)	
507	70025082	1	Seal	
508	70025202	1	Pump, Oil Lube (Not Shown - Located Front Left Side)	
508	70005172	1	Pump, Oil Lube (Not Shown - Located Front Left Side) (China III Engines)	
508	70025135	1	O-Ring	
508	70025135	1	O-Ring (China III Engines)	
508	70025136	1	Seal	
508	70005173	1	Gasket (China III Engines)	
509	7016331	1	Filter, Oil	
510	70004275	1	Cooler, Oil	
510	70024494	1	Cooler, Oil (China III Engines)	
510	70024925	1	Gasket	
511	70024924	1	Pump, High Pressure (Not Shown - Located Front Left Side)	
511	70025152	1	O-Ring (Between Pump and Spacer)	
511	70024488	1	Spacer	

SECTION 2 - TURNTABLE

ITEM	PART NUMBER	QTY	DESCRIPTION	REV
511	70024517	1	O-Ring (Between Spacer and Engine Block)	
512	70025181	4	Injector, Fuel	
512	70025140	4	Washer, Sealing	
512	70025146	4	Clamp (Top of Injector)	
512	70025145	4	O-Seal	
512	70025154	4	Shoe, Clamping	
512	70000345	4	Plug, Glow	
512	70025231	1	Harness, Glow Plug (Not Shown)	
513	70024961	1	Filter with Head	
513	70025153	NLA	Filter, Fuel (Use p/n 1001225430)	
513	70024513	1	Sensor with Cable	
513	70025239	1	Seal	
514	70024486	1	Pump, Fuel (1001139813 & 1001235488 Engine)	
514	1001226098	1	Pump, Fuel (1001214039 Engine)	
514	70006144	1	Pump, Fuel (1001223591 Engine)	
515	70025144	2	Clamp	
516	70025160	1	Filter with Head (1001139813, 1001214039 & 1001235488 Engines)	
516	70004511	1	Filter with Head (1001223591 Engine)	
516	70025161	NLA	Filter, Fuel (Use p/n 1001225431) (1001139813, 1001214039 & 1001235488 Engines)	
516	1001225432	1	Filter, Fuel (1001223591 Engine)	
517	70024504	1	Sensor, Pressure (1001139813, 1001214039 & 1001235488 Engines)	
517	70028538	1	Sensor, Pressure (1001223591 Engine)	
517	70024920	1	Seal	
518	70025151	1	Rail, Fuel (Not Shown)	
518	70025235	1	Repair Kit	
519	70025210	1	ECU (Engine Control Unit)	
520	70024910	1	Pump, Water (1001139813, 1001214039 & 1001235488 Engines)	
520	70028802	1	Pump, Water (1001223591 Engine)	
520	70025200	1	Seal	
520	70025084	2	Plug	
520	7020492	2	Seal	
521	70024473	1	Thermostat (USA Built Machines)	
521	70005929	1	Thermostat (China Built Machines)	
521	70025143	1	O-Seal (USA Built Machines)	
521	70005184	1	O-Seal (China Built Machines)	
521	70005931	1	Gasket, Cover	
521	70025142	1	Cover, Thermostat	
522	70025178	1	Pipe (1001139813, 1001214039 & 1001235488 Engines)	
522	See Note	NSS	Pipe (1001223591 Engine) (Note: Not Available for Purchase)	
522	70025156	1	Valve, Shuttle (1001139813 & 1001235488 Engine)	
522	70025768	1	Valve, Shuttle (1001214039 Engine)	
522	See Note	NSS	Valve, Shuttle (1001223591 Engine) (Note: Not Available for Purchase)	
522	70025179	2	Gasket	
522	70025180	1	Gasket	
523	70025203	1	Module, EGR (Not Shown - Located on Left Side)	
524	70004276	1	Turbocharger	
525	70025477	1	Tensioner, Belt	
526	70004277	1	Belt, Drive	

SECTION 2 - TURNTABLE

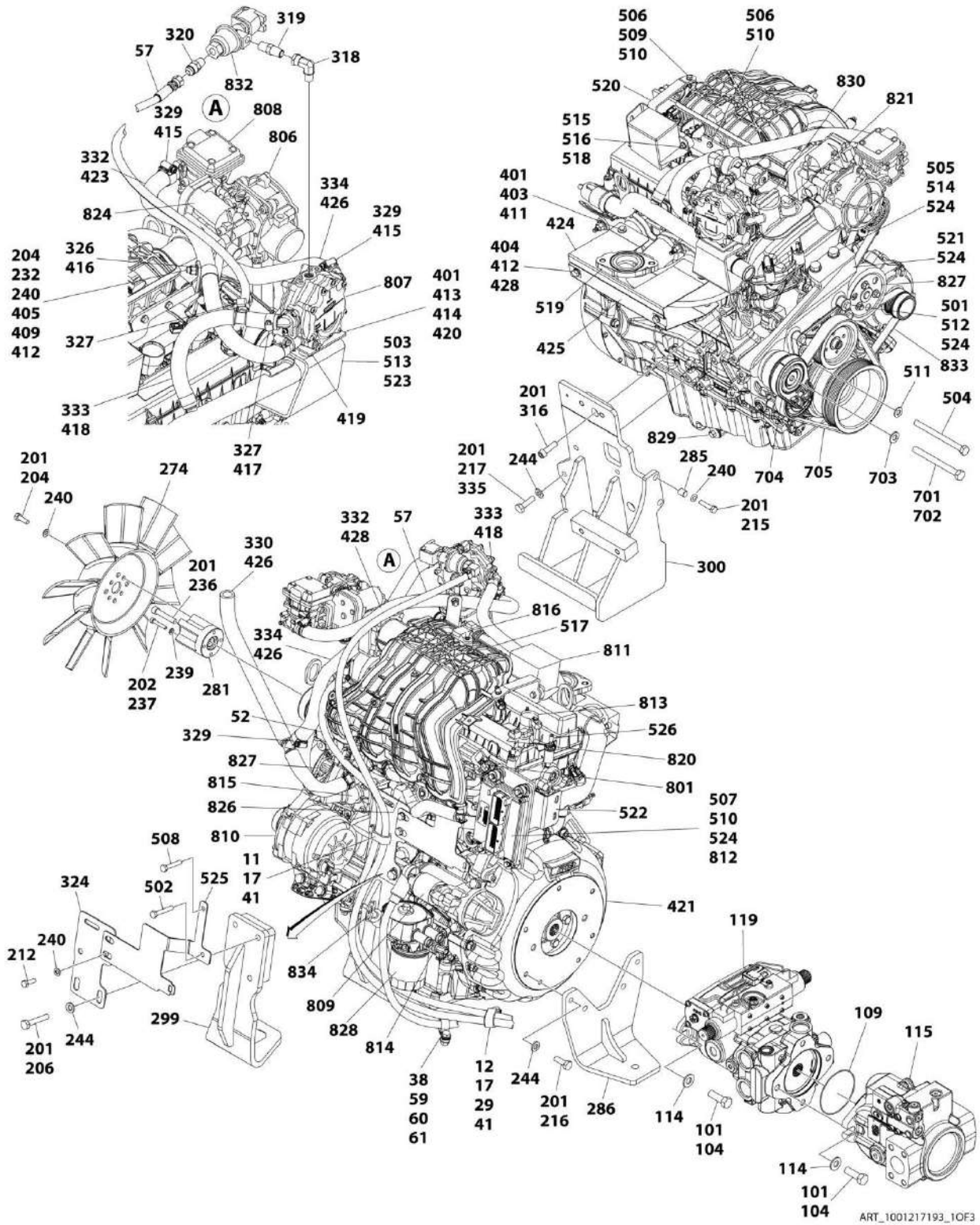
ITEM	PART NUMBER	QTY	DESCRIPTION	REV
527	70024914	1	Alternator (1001139813, 1001214039 & 1001235488 Engines)	
527	70025149	1	Regulator, Voltage	
527	70006652	1	Alternator (1001139813 & 1001235488 Engines)	
527	70006653	1	Regulator, Voltage	
528	70024915	1	Starter (Not Shown - Located on Left Side)	
528	70005647	1	Solenoid	
528	70005648	1	Relay	
529	70025077	1	Harness, Engine (Not Shown)	
530	70024503	2	Sensor, Speed (Not Shown - Located Left Side Front and Flywheel Housing)	
530	70026210	2	Sensor, Speed (Not Shown - Located Left Side Front and Flywheel Housing) (China III Engines)	
530	70024917	1	Seal (Flywheel Housing Location)	
530	70005191	1	O-Ring (Front Engine Block Location)	
531	70024918	1	Sender, Temperature (Not Shown - Located Top Front)	
532	70024504	1	Sensor, Pressure (Not Shown - Located Left Side Front)	
532	70024920	1	Seal	
533	70024507	1	Sensor, Pressure	
533	70025120	1	Seal	
534	70024922	1	Sender, Temperature	
534	70025212	1	Seal	
535	70025799	1	Muffler	
535	70005937	1	Muffler (China III Engines) (SN B300001092 through B300002632)	
535	70004278	1	Outlet, Muffler	
535	70025246	1	Outlet, Muffler (China III Engines) (SN B300001092 through B300002632)	
535	70024515	2	Clamp	
535	70025245	2	Clamp (China III Engines) (SN B300001092 through B300002632)	
535	70025801	3	Gasket	
535	70025242	3	Gasket (China III Engines) (SN B300001092 through B300002632)	
536	70124530	1	Valve, Pressure Relief	
536	70124538	1	Spring	
536	70104570	1	Seal	
536	70025660	1	Screw, Locking	
	1001143483	Ref	BAFFLES INSTALLATION - STEEL HOODS	B
	1001143484	Ref	BAFFLES INSTALLATION - ABS HOODS	C
601	0641406	AR	Bolt 1/4in-20NC x 3/4in	
601	0641407	AR	Bolt 1/4in-20NC x 7/8in	
602	3311405	19	Locknut 1/4in-20NC	
603	4711400	38	Flatwasher 1/4in Thin	
604		Ref	Bracket Options:	
604	1001141711	1	Bracket (Steel Hoods) (SN 0300182743 through 0300199944)	
604	1001174745	1	Bracket (Steel Hoods) (SN 0300199945 to Present)	
604	1001141711	1	Bracket (Steel Hoods) (SN B300001092 through B300001153)	
604	1001174745	1	Bracket (Steel Hoods) (SN B300001154 to Present)	
604	1001141711	1	Bracket (ABS Hoods) (SN 0300182743 through 0300205490)	
604	1001174745	1	Bracket (ABS Hoods) (SN 0300205491 to Present)	
604	1001141711	1	Bracket (ABS Hoods) (SN B300001092 through B300001245)	
604	1001174745	1	Bracket (ABS Hoods) (SN B300001246 to Present)	
605	1001142031	1	Bracket	

SECTION 2 - TURNTABLE

ITEM	PART NUMBER	QTY	DESCRIPTION	REV
606	1001142032	1	Bracket	
607	1001143449	1	Bracket	
608		Ref	Seal Options:	
608	1001143472	1	Seal (Steel Hoods) (SN 0300182743 through 0300199944)	
608	1001174746	1	Seal (Steel Hoods) (SN 0300199945 to Present)	
608	1001143472	1	Seal (Steel Hoods) (SN B300001092 through B300001153)	
608	1001174746	1	Seal (Steel Hoods) (SN B300001154 to Present)	
608	1001143575	1	Seal (ABS Hoods) (SN 0300182743 through 0300205490)	
608	1001195967	1	Seal (ABS Hoods) (SN 0300205491 to Present)	
608	1001143575	1	Seal (ABS Hoods) (SN B300001092 through B300001245)	
608	1001195967	1	Seal (ABS Hoods) (SN B300001246 to Present)	
609	1001143525	1	Bracket	
		Ref	BRACKET ASSEMBLY (LESS FUEL PUMP AND FILTER)	
	1001162335	Ref	All Machines Except China III Engines	D
	1001227224	Ref	China III Engines Only	B
701	0100011	AR	Locking, Compound	
702	0641610	2	Bolt 3/8in-16NC x 1-1/4in	
703	0721006	4	Bolt #10-24NC x 3/4in	
704	1001154405	1.5 ft/ 0.4m	Hose	
705	3311001	4	Nut #10-20NC	
706	3311605	2	Locknut 3/8in-16NC	
707	4711000	8	Flatwasher #10 Thin	
708	4711600	4	Flatwasher 3/8in Thin	
709	8405006	2	Clamp	
710A	1001141870	1	Plate, Fuel Pump Mount (SN 0300182743 to Present, SN B300001092 through B300002369)	
710B	1001226285	1	Plate, Fuel Pump Mount (SN B300002370 to Present)	
711	1001142501	1	Fitting, Elbow Barbed	
712	1001141718	1	Fitting, Straight Barbed (China III Engines) (SN B300002867 to Present)	
	1001216221	Ref	EXHAUST PIPE INSTALLATION WITHOUT SPARK ARRESTOR	A
	1001145750	Ref	EXHAUST PIPE INSTALLATION WITH SPARK ARRESTER (SN 0300182743 through 0300232902, SN B300001092 through B300001960)	B
	1001216167	Ref	EXHAUST PIPE INSTALLATION WITH SPARK ARRESTOR (SN 0300232903 to Present, SN B300001961 to Present)	A
801	1001158145	1	Pipe, Exhaust without Spark Arrestor	
801	1001145751	1	Pipe, Exhaust with Spark Arrestor (SN 0300182743 through 0300232902, SN B300001092 through B300001960)	
801	1001216166	1	Pipe, Exhaust with Spark Arrestor (SN 0300232903 to Present, SN B300001961 to Present)	
	1001202311	Ref	FUEL PUMP BRACKET INSTALLATION (MACHINES WITH ABS HOODS)	A
901	0100011	AR	Compound, Locking	
902	0760810	2	Bolt M8 x 20	
903	0761008	1	Bolt M10 x 16	
904	0761015	2	Bolt M10 x 35	
905	1320061	2	Clamp	
906	3291005	2	Nut M10	
907	4811900	2	Washer M8	
908	4812000	5	Washer M10	
909	1001178876	1	Bracket	

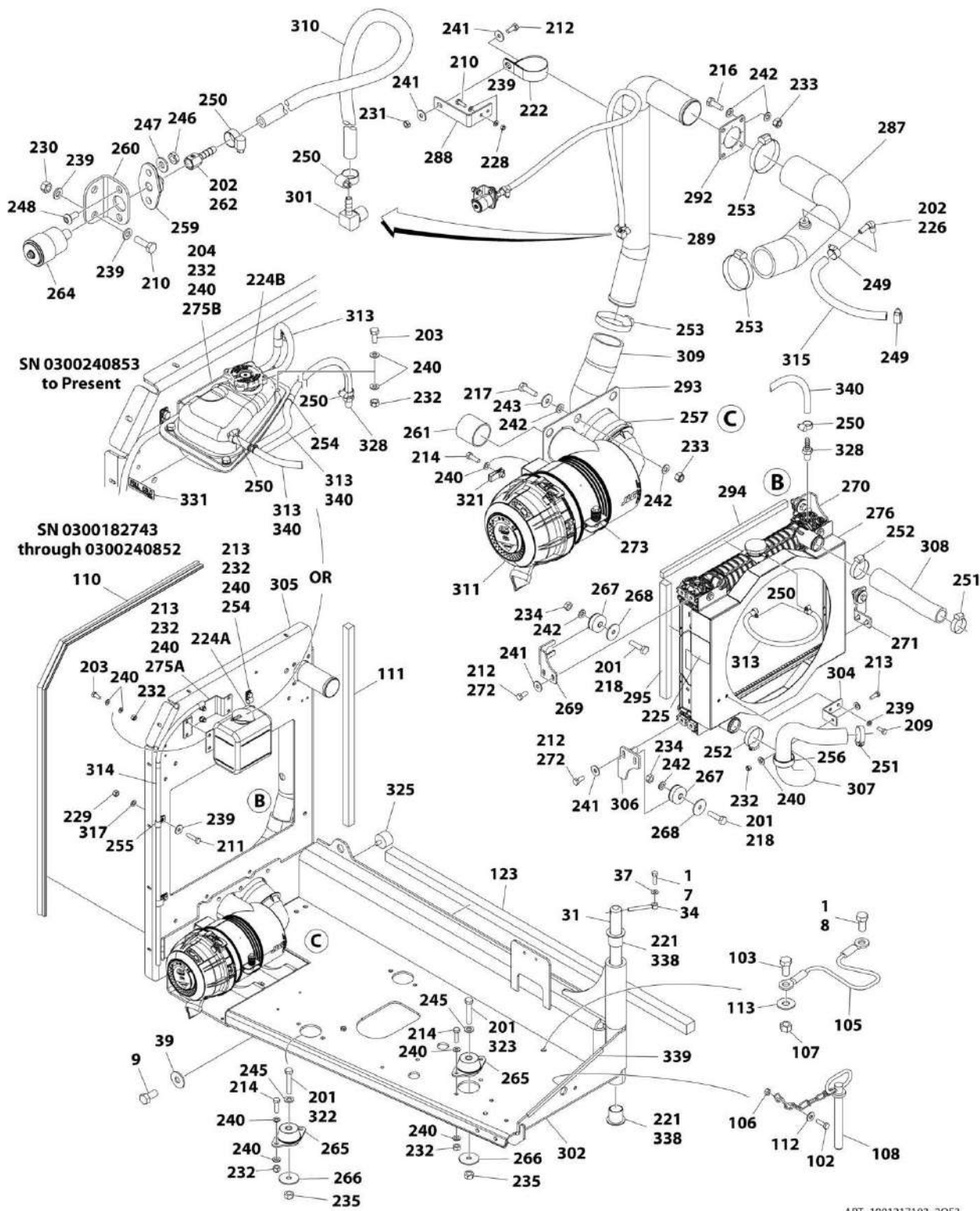
SECTION 2 - TURNTABLE

FIGURE 2-8. FORD ENGINE INSTALLATION



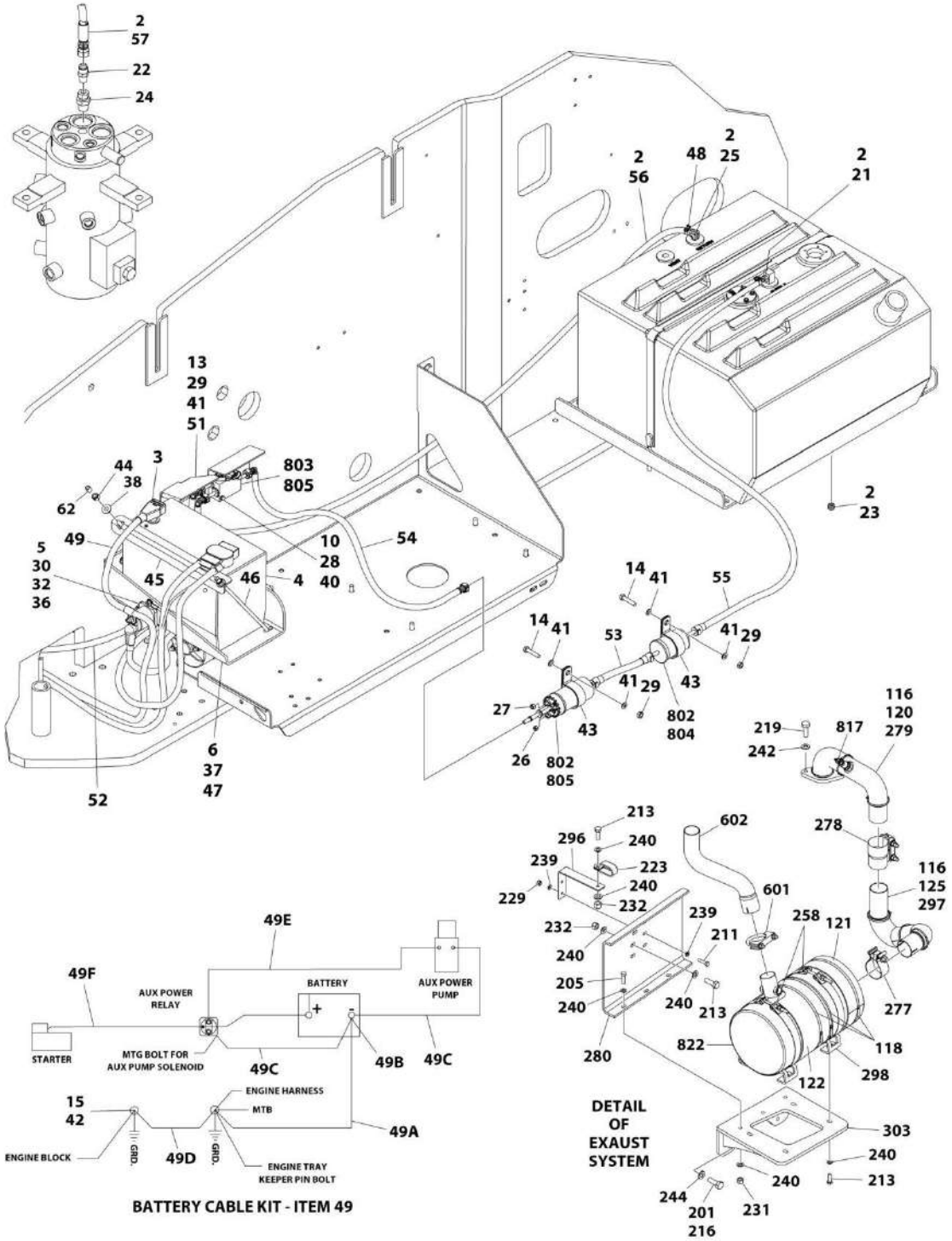
ART_1001217193_1OF3

SECTION 2 - TURNTABLE



ART_1001217193_20F3

SECTION 2 - TURNTABLE



ART_1001217193_30F3

SECTION 2 - TURNTABLE

FIGURE 2-8. FORD ENGINE INSTALLATION

ITEM	PART NUMBER	QTY	DESCRIPTION	REV
		Ref	FORD ENGINE INSTALLATION	
	1001217193	Ref	Ford Engine Installation	F
1	0100011	AR	Compound, Locking	
2	0100020	AR	Sealant	
3	0100048	AR	Grease, Terminal	
4	0400075	1	Battery	
5	0641406	2	Bolt 1/4 x 3/4	
6	0641607	3	Bolt 3/8 x 7/8	
7	0641610	1	Bolt 3/8 x 1-1/4	
8	0641808	1	Bolt 1/2 x 1	
9	0642010	1	Bolt 5/8 x 1-1/4	
10	0760619	2	Bolt M6 x 55	
11	0760810	1	Bolt M8 x 20	
12	0760812	1	Bolt M8 x 25	
12	0641408	1	Bolt 1/4 x 1	
13	0760820	2	Bolt M8 x 60	
13	0641412	2	Bolt 1/4 x 1-1/2	
14	0760816	2	Bolt M8 x 40	
15	0761008	1	Bolt M10 x 16	
17	1321283	2	Clamp	
18	1700818	1	Decal - LP Gas (Not Shown)	
19	1701542	1	Decal - Gas (Not Shown)	
20	1701543	1	Decal - LPG (Not Shown)	
21	2180348	1	Fitting, Straight NPT/Barbed	
22	2180418	1	Fitting, Straight	
23	2200222	1	Plug	
24	2220005	1	Fitting, Straight NPT	
25	2221176	1	Fitting, 90	
26	3290405	1	Nut M4	
27	3290505	1	Nut M5	
28	3290607	2	Nut M6	
28	3311405	2	Nut 1/4	
29	3290801	5	Nut M8	
29	3311405	AR	Nut 1/4	
30	3311405	AR	Nut 1/4	
31	3422446	1	Pin	
32	3740067	1	Relay	
33	3790012	1	O-Ring (Not Shown - Located on Platform Console Box)	
34	3841143	1	Keeper, Pin	
35	4360336	1	Switch, Toggle (Not Shown - Located on Platform Console Box)	
36	4711400	4	Washer 1/4	
37	4711600	4	Washer 3/8	
38	4751500	AR	Washer 5/16	
38	4751400	AR	Washer 1/4	
39	4752000	1	Washer 5/8	
40	4811700	4	Washer M6	
40	4751400	AR	Washer 1/4	
41	4811900	AR	Washer M8	
41	4751400	AR	Washer 1/4	
42	4812000	1	Washer M10	

SECTION 2 - TURNTABLE

ITEM	PART NUMBER	QTY	DESCRIPTION	REV
43	85941018	2	Clamp	
44	88521205	2	Nut 5/16	
45	91401281	1	Bracket, Battery Hold Down	
46	1001093382	2	J-Bolt	
47	1001162497	1	Bracket, Battery	
48	1001174486	2	Clamp	
49	1001216568	1	Battery Cable Kit	
49A	7027084	1	Cable, Battery - Ground to Battery -	
49B	8270147	1	Terminal, Battery with Boot	
49C	7027085	1	Cable, Battery - Auxiliary Pump/Relay to Battery -	
49D	7027086	1	Cable, Battery - Engine to Ground	
49E	7027088	1	Cable, Battery - Auxiliary Relay to Auxiliary Pump	
49F	70009020	1	Cable, Battery - Starter/Auxiliary Relay to Battery +	
51	1001219370	1	Bracket	
52	1001219634	1	Hose	
53	1001219635	1	Hose (SN 0300182743 through 0300247152)	
53	1001156823	1	Hose (SN 0300247153 to Present)	
54	1001219636	1	Hose	
55	1001219637	1	Hose	
56	1001219638	1	Hose	
57	1001219639	1	Hose	
58	4240099	AR	Tie-Strap (Not Shown)	
59	0771012	1	Bolt M10 x 25	
59	0641408	1	Bolt 1/4 x 1	
60	3291001	1	Nut M10	
60	3311405	1	Nut 1/4	
61	8406201	1	Clip	
62	1001218572	2	Cap	
		Ref	FORD ENGINE AND PUMP SUB-ASSEMBLY	
	1001217192	Ref	Ford Engine and Pump Sub-Assembly	E
101	0100011	AR	Compound, Locking	
102	0641407	1	Bolt 1/4 x 7/8	
103	0641808	1	Bolt 1/2 x 1	
104	0641812	4	Bolt 1/2 x 1-1/2	
105	1060637	1	Cable, Lanyard	
106	3311405	1	Nut 1/4	
107	3311805	1	Nut 1/2	
108	3422532	1	Pin	
109	3790044	1	O-Ring	
110	3960389	60 in/1.5m	Seal (SN 0300182743 through 0300240852)	
111	3960469	1	Seal	
112	4751400	1	Washer 1/4	
113	4751800	1	Washer 1/2	
114	4891800	4	Washer 1/2	
115	1001094595	1	Variable Pump Assembly (See VARIABLE PUMP ASSEMBLY for Breakdown)	
116	1001100825	6	Strap	
117	1001115930	AR	Oil, Motor (Not Shown) (SN 0300182743 through 0300240852)	
117	1001190775	AR	Oil, Motor (Not Shown) (SN 0300240853 to Present)	
118	1001221464	3	Strap	
119	1001187510	NLA	Hydrostatic Pump Assembly (Use p/n 1001225745) (See HYDROSTATIC PUMP ASSEMBLY for Breakdown) (SN	

SECTION 2 - TURNTABLE

ITEM	PART NUMBER	QTY	DESCRIPTION	REV
119	1001225745	1	0300182743 through 0300240852) Hydrostatic Pump Assembly (See HYDROSTATIC PUMP ASSEMBLY for Breakdown) (SN 0300240853 to Present)	
120	1001216532	1	Insulate, Exhaust Pipe	
121	1001216534	1	Insulate, Muffler	
122	1001216535	1	Insulate, Muffler	
123	1001217170	1	Seal	
125	1001218085	1	Insulate, Exhaust Pipe	
		Ref	FORD ENGINE ASSEMBLY	
	1001217191	Ref	Ford Engine Assembly	K
201	0100011	AR	Compound, Locking	
202	0100020	AR	Sealant	
203	0700810	AR	Bolt M8 x 20	
204	0700812	AR	Bolt M8 x 25	
205	0700814	AR	Bolt M8 x 30	
206	0711020	3	Bolt M10 x 60	
209	0760608	2	Bolt M6 x 16	
210	0760610	4	Bolt M6 x 20	
211	0760612	AR	Bolt M6 x 25	
211	0760812	AR	Bolt M8 x 25	
212	0760810	AR	Bolt M8 x 20	
213	0760812	AR	Bolt M8 x 25	
214	0760814	AR	Bolt M8 x 30	
214	0761015	AR	Bolt M10 x 35	
215	0760815	2	Bolt M8 x 35	
216	0761014	11	Bolt M10 x 30	
217	0761015	AR	Bolt M10 x 35	
218	0761016	4	Bolt M10 x 40	
219	0771014	2	Bolt M10 x 30	
221	0961986	2	Bearing	
222	1320110	1	Clamp	
223	1321283	1	Clamp (SN 0300182743 through 0300240852)	
223	1001187781	1	Clamp (SN 0300240853 to Present)	
224A	1580011	1	Container, Coolant Overflow (SN 0300182743 through 0300240852)	
224B	1001223584	1	Container, Coolant Overflow (SN 0300240853 to Present)	
225	1703162	2	Decal - Fan Blade	
226	2180467	1	Fitting, Straight NPT/Barbed	
227	2300004	AR	Coolant (Not Shown)	
228	3290601	2	Nut M6	
229	3290605	AR	Nut M6	
229	3290805	AR	Nut M8	
230	3290607	2	Nut M6	
231	3290801	4	Nut M8	
232	3290805	AR	Nut M8	
232	3291005	AR	Nut M10	
233	3291005	AR	Nut M10	
234	3291001	4	Nut M10	
235	3291201	3	Nut M12	
236	3931640	1	Capscrew 3/8 x 2-1/2	
237	4031711	4	Capscrew M6 x 35	
238	4240099	AR	Tie-Strap (Not Shown)	

SECTION 2 - TURNTABLE

ITEM	PART NUMBER	QTY	DESCRIPTION	REV
239	4811700	AR	Washer M6	
239	4811900	AR	Washer M8	
240	4811900	AR	Washer M8	
240	4812000	AR	Washer M10	
241	4811902	10	Washer M8	
242	4812000	AR	Washer M10	
243	4812002	6	Washer M10	
244	5241000	15	Washer M10	
245	5241200	3	Washer M10	
246	8305401	2	Nut 1/4	
247	8307109	2	Washer 1/4	
248	8310548	2	Screw 1/4 x 1/2	
249	8405006	2	Clamp	
250	8405009	AR	Clamp	
251	8405102	2	Clamp	
252	8405104	2	Clamp	
253	8405203	3	Clamp	
254	8406109	AR	Clip	
255	8406110	2	Clip	
255	8406109	2	Clip	
256	8410001	1	Clamp	
257	8410011	1	Clamp	
258	1001128901	2	Strap, Clamp	
259	1001138173	1	Support	
260	1001138175	1	Bracket	
261	1001141585	1	Hose, Air Cleaner Inlet	
262	1001141995	1	Fitting, Straight NPT/Barbed	
264	1001149639	1	Indicator, Restriction	
265	1001191610	3	Mount, Motor	
266	1001168018	3	Washer	
267	1001169054	4	Isolator	
268	1001169138	4	Pad	
269	1001169967	1	Bracket	
270	1001170035	1	Bracket	
271	1001176329	1	Bracket	
272	1001180620	AR	Adhesive	
273	1001186426	1	Clamp, Air Cleaner	
274	1001213357	1	Fan (SN 0300182743 through 0300240852)	
274	1001223042	1	Fan (SN 0300240853 to Present)	
275A	1001213482	1	Bracket (SN 0300182743 through 0300240852)	
275B	1001225442	1	Bracket (SN 0300240853 to Present)	
276	1001215674	1	Radiator (SN 0300182743 through 0300240852)	
276	1001223923	1	Radiator (SN 0300240853 to Present)	
277	1001215681	1	Clamp	
278	1001215974	1	Clamp	
279	1001216075	1	Pipe, Exhaust Inlet	
280	1001216092	1	Shield, Heat	
281	1001216201	1	Spacer, Fan	
285	1001216919	2	Sleeve	
286	1001216995	1	Mount, Engine (Rear)	
287	1001217032	1	Tube, Air Intake	

SECTION 2 - TURNTABLE

ITEM	PART NUMBER	QTY	DESCRIPTION	REV
288	1001217046	1	Bracket	
289	1001217090	1	Tube, Intake (Intermediate)	
292	1001217174	1	Seal	
293	1001217175	1	Seal	
294	1001217183	2	Seal	
295	1001217185	2	Seal	
296	1001217186	1	Support	
297	1001217317	1	Pipe, Exhaust Inlet	
298	1001217543	2	Mount	
299	1001218362	1	Mount, Engine (Front Left)	
300	1001218449	1	Mount, Engine (Front Right)	
301	1001134488	1	Fitting, 90 Barbed	
302	1001219259	1	Tray	
303	1001219345	1	Bracket	
304	1001219361	1	Support	
305	1001219363	1	Plate, Radiator	
306	1001219480	1	Bracket	
307	1001219611	1	Hose, Radiator (Lower)	
308	1001219612	1	Hose, Radiator (Upper)	
309	1001219613	1	Tube, Intake (Lower)	
310	1001138248	31 in/ 77cm	Tube, Nylon	
311	1001189979	1	Air Filter Assembly	
311	70005008	1	Element, Filter	
313	2720058	AR	Hose	
314	2720271	3 ft/.9m	Hose (SN 0300182743 through 0300240852)	
315	1001165035	AR	Hose	
316	4032011	1	Capscrew M10 x 35	
316	5272010	1	Capscrew M10 x 35	
317	4811702	2	Washer M6	
317	4811900	2	Washer M8	
318	2220064	1	Fitting, 90 FSNPSM/NPTF	
319	2220261	1	Fitting, Straight	
320	2180418	1	Fitting, Straight	
321	1001221615	2	Nut, Tinnerman M8	
322	0701224	1	Bolt M12 x 80	
322	1001098828	1	Bolt M12 x 70 Grade 10.9	
323	1001098828	2	Bolt M12 x 70 Grade 10.9	
323	0711223	3	Bolt M12 x 75 Grade 10.9	
324	1001222033	1	Plate	
325	0940070	1	Bumper	
326	8406201	1	Clip (SN 0300240853 to Present)	
327	8410009	2	Clamp (SN 0300240853 to Present)	
328	2180348	1	Fitting (SN 0300240853 to Present)	
329	1001173535	6	Clamp (SN 0300240853 to Present)	
330	1001224489	1	Hose (SN 0300240853 to Present)	
331	1001225510	1	Decal - Fill Level (SN 0300240853 to Present)	
332	1001216531	1	Hose (SN 0300240853 to Present)	
333	1001227666	13 in/ 33cm	Hose (SN 0300240853 to Present)	
334	1001224486	1	Hose (SN 0300240853 to Present)	
335	0761015	5	Bolt M10 x 35 (SN 0300182743 through 0300240852)	

SECTION 2 - TURNTABLE

ITEM	PART NUMBER	QTY	DESCRIPTION	REV
335	0711014	5	Bolt M10 x 30 (SN 0300240853 to Present)	
338	0100062	AR	Compound, Locking (SN 0300240853 to Present)	
339	4060805	16 in/ 40.6cm	Flex-Trim (SN 0300240853 to Present)	
340	1001227667	1	Hose (SN 0300240853 to Present)	
	1001216910	Ref	FORD ENGINE ASSEMBLY - PUMP COUPLING/ FUEL SYSTEM	F
401	0100011	AR	Compound, Locking	
403	0760605	4	Bolt M6 x 10	
404	0760807	2	Bolt M8 x 14	
405	0760812	AR	Bolt M8 x 25	
409	3290805	AR	Nut M8	
411	4811702	4	Washer M6	
412	4811900	4	Washer M8	
413	5250605	3	Bolt M6 x 10	
414	5260600	1	Nut M6 Class 10	
415	1001173535	4	Clamp (SN 0300182743 through 030022715)	
416	8406201	1	Clip (SN 0300182743 through 030022715)	
417	8410009	2	Clamp (SN 0300182743 through 030022715)	
418	82033995	10 in/ 27cm	Hose (SN 0300182743 through 030022715)	
419	1001211794	3	Mount, Isolator	
420	1001213045	1	Bracket (SN 0300182743 through 0300232537)	
420	1001227769	1	Bracket (SN 0300232538 to Present)	
421	1001213810	1	Pump Coupling, Kit	
421	70006134	1	Coupling	
421	70006135	1	Housing	
421	70006136	1	Hardware Kit	
423	1001216531	1	Hose (SN 0300182743 through 030022715)	
424	1001216768	1	Bracket	
425	1001216769	1	Bracket	
426	1001216810	1	Hose (SN 0300182743 through 030022715)	
428	1001149160	2	Nut, Tinnerman M8	
	1001216065	Ref	FORD ENGINE ASSEMBLY - BRACKETS/EXHAUST MANIFOLD	K
501	0700816	4	Bolt M8 x 40	
502	0700818	1	Bolt M8 x 50	
503	0701014	2	Bolt M10 x 30	
504	0710827	1	Bolt M8 x 100 Grade 10.9	
505	0711216	2	Bolt M12 x 40	
506	0760610	3	Bolt M6 x 20	
507	0760615	4	Bolt M6 x 35	
508	0760817	1	Bolt M8 x 45	
509	3290601	1	Nut M6	
510	4811700	8	Washer M6	
511	4811900	1	Washer M8	
512	4811902	4	Washer M8	
513	4812000	1	Washer M10	
514	4812100	2	Washer M12	
515	5250605	2	Bolt M6 x 10	
516	5260600	2	Nut M6 Class 10	
517	1001210448	1	Engine, Ford 2.5L (See Ford Engine Components for Serviced Parts)	
518	1001211794	2	Mount	

SECTION 2 - TURNTABLE

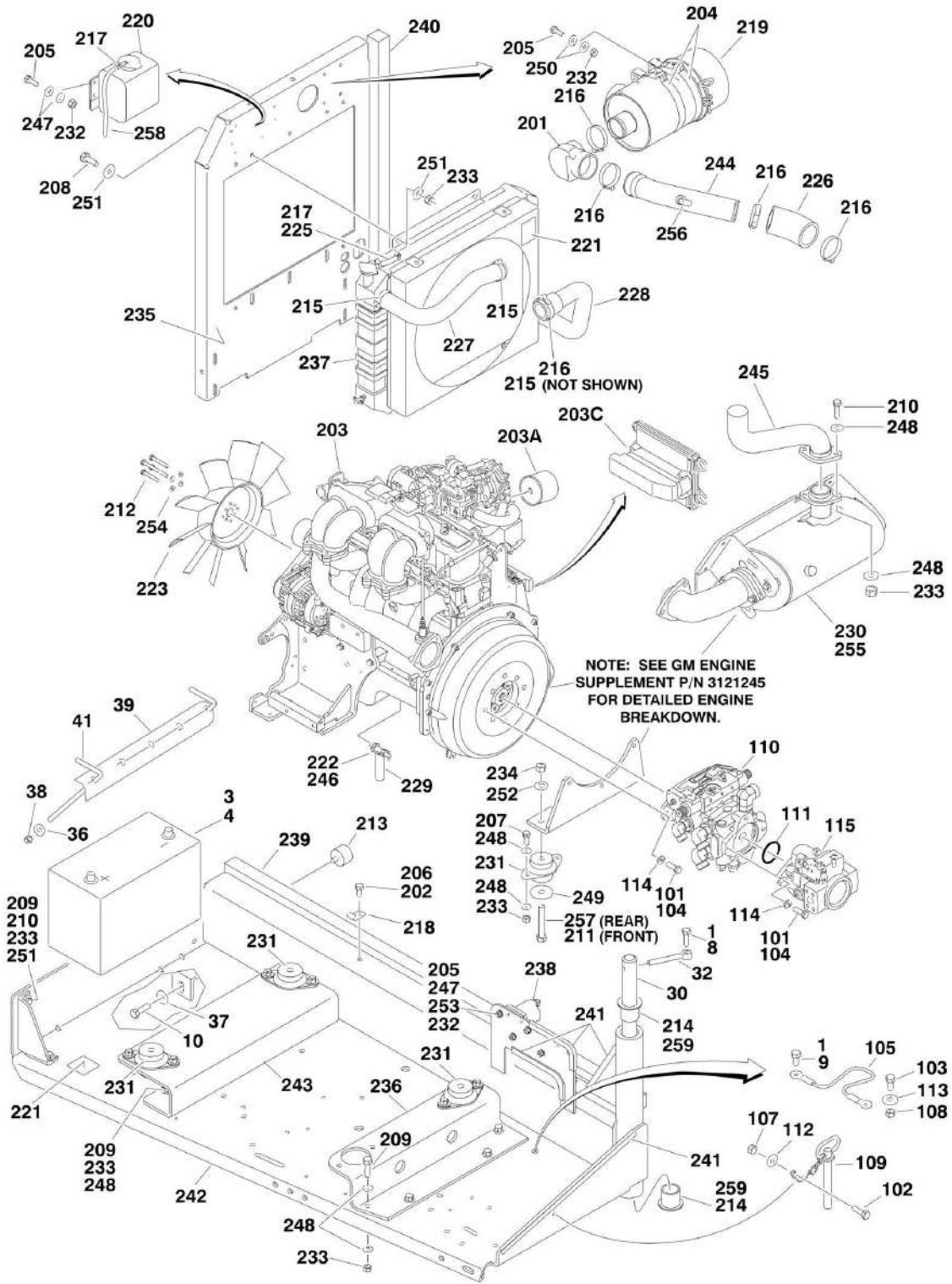
ITEM	PART NUMBER	QTY	DESCRIPTION	REV
519	1001214827	1	Manifold, Exhaust	
520	1001215384	1	Bracket	
521	1001216071	1	Bracket	
522	1001216144	1	Support, Muffler	
523	1001216616	1	Mount, Vaporizer (SN 0300182743 through 0300232535)	
523	1001227772	1	Mount, Vaporizer (SN 0300232536 to Present)	
524	0100011	AR	Compound, Locking	
525	1001221545	1	Plate	
526	1001222641	6	Cap	
		Ref	EXHAUST PIPE INSTALLATION	
	1001220142	Ref	Exhaust Pipe Installation without Spark Arrestor	B
	1001219907	Ref	Exhaust Pipe Installation with Spark Arrestor	B
601	1320176	1	Clamp (SN 0300182743 through 0300245226)	
601	1001221397	1	Clamp (SN 0300245227 to Present)	
602		Ref	Tail Pipe Options	
602	1001217350	1	Tail Pipe without Spark Arrestor	
602	1001217476	1	Tail Pipe with Spark Arrestor	
602	1001218087	1	Insulate	
602	1001100825	3	Strap	
	1001220404	Ref	DRIVE BELT INSTALLATION (MACHINES WITHOUT GENERATOR)	C
701	0100011	AR	Compound, Locking	
702	0701026	1	Bolt M10 x 90	
703	4812000	1	Washer M10	
703	4812002	1	Washer M10	
704	1001216300	1	Pulley	
705	1001216619	1	V-Belt	
	1001210448	Ref	FORD ENGINE COMPONENTS	F
801	70006145	4	Injector, Fuel	
801	70006147	1	Rail, Fuel	
802	70006150	1	Pump, Fuel	
802	70006154	1	Fitting M10	
803	70006151	1	Block, Fuel	
803	70006152	2	Fitting SAE6	
803	70006153	1	Fitting SAE3	
803	70006189	1	Harness, Fuel Block	
804	70006155	1	Filter, Fuel	
805	7022162	8	Clamp	
805	70006157	8	Clip, Fuel Quick Disconnect	
806	70006158	1	Mixer, LP	
806	70006168	1	Mixer Diaphragm Replacement Kit	
806	70006159	1	Adapter, Mixer to Governor	
806	70006160	1	O-Ring, Mixer to Adapter	
806	70006161	1	Seal, Mixer to Adapter	
807	70006162	1	Regulator, LP Vapor	
807	70006166	2	Fitting, 70	
807	70006167	1	Fitting, Straight	
807	70006165	2	Isolator, Rubber	
808	70006163	1	Regulator, Direct Electronic Pressure	
808	70006164	1	Adapter, Fitting 90	
809	70006169	1	Starter	
809	70006233	1	Harness, Alternator/Starter	

SECTION 2 - TURNTABLE

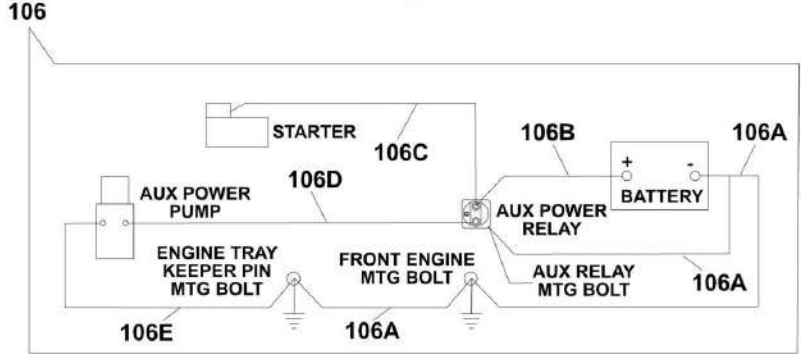
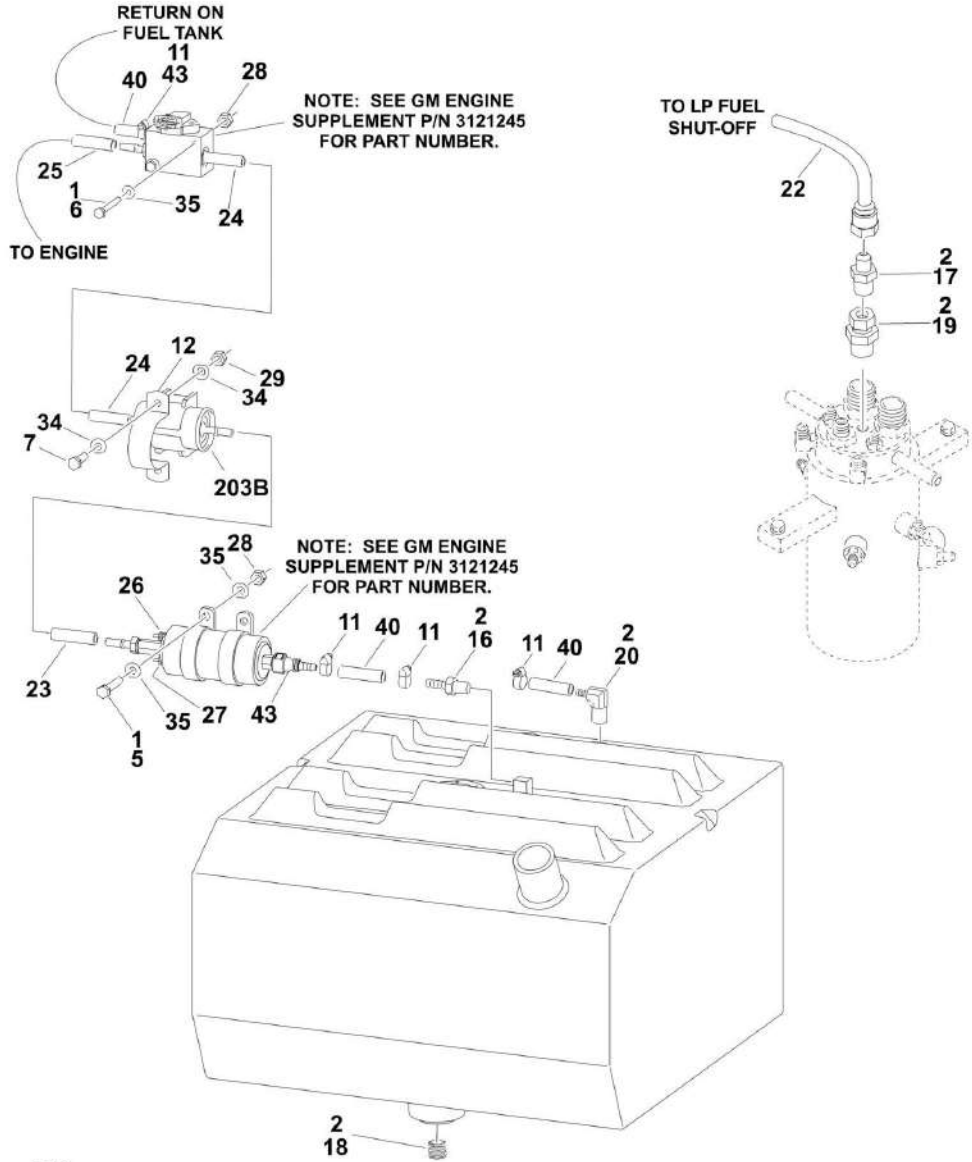
ITEM	PART NUMBER	QTY	DESCRIPTION	REV
810	70006170	1	Alternator	
811	70006173	1	Cover, Relay Box	
811	70006171	2	Relay (Fuel Pump & Power)	
811	70006172	1	Relay (Starter)	
811	70006175	1	Fuse - 20AMP (Starter)	
811	70006174	1	Decal - Relay Box Cover	
811	70006188	1	Harness, Engine	
811	70006165	2	Isolator, Rubber	
812	70006176	1	Module - Engine Control Unit (ECU/GCP)	
812	70006191	1	Software & Diagnostic Cable	
813	70006177	4	Coil and Boot Assembly	
813	70006178	4	Plug, Spark	
814	70006179	1	Switch, Oil Pressure	
815	70006180	1	Sensor, Knock	
816	70006181	1	Sensor, TMAP	
817	70006182	2	Sensor, O2	
818	70006183	1	Sensor, Coolant Temperature (Not Shown - Located Rear of Engine Block)	
819	70006184	1	Sensor, Crank Position (Not Shown - Located at Front RH Side of Block)	
820	70006185	1	Sensor, Cam Position	
821	70006186	1	Solenoid, Timing	
821	70006187	1	Grommet, Rubber	
822	70006194	1	Muffler	
822	70006195	1	Plug (Located at Muffler Outlet)	
823		Ref	Gasket Options (Not Shown)	
823	70006196	1	Gasket, Exhaust Manifold to Head	
823	70006197	1	Gasket, Exhaust Manifold Outlet	
823	70006200	1	Gasket, Intake Manifold to Head	
823	70006219	1	Gasket Set - Camshaft Cover	
823	70006225	1	Gasket, Cylinder Head	
824	70006198	1	Governor	
824	7027404	1	Gasket, Governor Actuator	
824	70006199	1	Gasket, Governor to Intake Manifold Adapter	
825	70006203	1	Flywheel (Not Shown)	
826	70006205	1	Thermostat (Includes Housing)	
826	70006206	1	Gasket, Water Inlet	
827	70006207	1	Pump, Water	
827	70006208	1	O-Ring, Water Pump	
827	See Note	NSS	Pulley, Water Pump (Note: Not Available for Purchase at This Time)	
828	70006213	1	Filter, Oil	
829	70006215	1	Plug, Oil Drain	
829	70006217	1	Gasket, Oil Drain Plug	
830	70006221	1	Cap, Oil Fill	
831	70006232	1	Sensor, Crank (Not Shown)	
832	70006235	1	Valve, Lock-Off (Includes Filter)	
833	70006202	1	Belt	
834	70006236	1	Dipstick	

SECTION 2 - TURNTABLE

FIGURE 2-9. GM ENGINE INSTALLATION



SECTION 2 - TURNTABLE



SECTION 2 - TURNTABLE

FIGURE 2-9. GM ENGINE INSTALLATION

ITEM	PART NUMBER	QTY	DESCRIPTION	REV
	1001156470	Ref	GM ENGINE INSTALLATION (SN 0300182743 through 0300221608)	F
	1001216721	Ref	GM ENGINE INSTALLATION (SN 0300221609 to Present)	B
	1001156470	Ref	GM ENGINE INSTALLATION (SN B300001092 through B300001575)	F
	1001216721	Ref	GM ENGINE INSTALLATION (SN B300001576 to Present)	B
1	0100011	AR	Compound, Locking	
2	0100020	AR	Sealant, Pipe	
3	0100048	AR	Grease, Dielectric	
4	0400075	1	Battery (Wet)	
5	0641412	2	Bolt 1/4in-20NC x 1-1/2in	
6	0641422	2	Bolt 1/4in-20NC x 2-3/4in	
7	0641511	2	Bolt 5/16in-18NC x 1-3/8in	
8	0641608	1	Bolt 3/8in-16NC x 1in	
9	0641808	1	Bolt 1/2in-13NC x 1in	
10	0642010	1	Bolt 5/8in-11NC x 1-1/4in	
11	1001174486	AR	Clamp, Fuel Line	
12	1320323	1	Clamp	
13	1700818	2	Decal - LP Gas (Liquid) (Not Shown)	
14	1701542	1	Decal, Gas (Not Shown)	
15	1701543	2	Decal, LPG (Not Shown)	
16	2180348	1	Fitting, Barbed	
17	2180418	1	Fitting, Straight	
18	2200222	1	Fitting, Plug	
19	2220005	1	Fitting, Straight	
20	2221176	1	Fitting, Elbow	
21	2300004	AR	Fluid, Anti-Freeze (Not Shown)	
22	2720392	1	Hose, LP	
23	2720566	1	Hose, Hi Pressure Fuel Line (6in/15cm Length) (SN 0300182743 through 0300183271)	
23	1001156823	1	Hose, Hi Pressure Fuel Line (6in/15cm Length) (SN 0300183272 to Present)	
23	1001156823	1	Hose, Hi Pressure Fuel Line (6in/15cm Length) (SN B300001092 to Present)	
24	2720567	1	Hose, Hi Pressure Fuel Line (4ft/1.2m Length) (SN 0300182743 through 0300183271)	
24	1001156824	1	Hose, Hi Pressure Fuel Line (4ft/1.2m Length) (SN 0300183272 to Present)	
24	1001156824	1	Hose, Hi Pressure Fuel Line (4ft/1.2m Length) (SN B300001092 to Present)	
25	2720580	1	Hose (SN 0300182743 through 0300183271)	
25	1001156825	1	Hose (SN 0300183272 to Present)	
25	1001156825	1	Hose (SN B300001092 to Present)	
26	3290405	1	Locknut M4 x 0.7	
27	3290505	1	Locknut M5 x 0.8	
28	3311405	4	Locknut 1/4in x 20NC	
29	3311505	2	Locknut 5/16in-18NC	
30	3422446	1	Pin	
31	3790012	1	O-Ring (Not Shown - Located in Console Box)	
32	3841143	1	Keeper	
33	4360336	1	Switch, Toggle (Not Shown - Located in Console Box)	

SECTION 2 - TURNTABLE

ITEM	PART NUMBER	QTY	DESCRIPTION	REV
34	4711500	4	Flatwasher 5/16in Thin	
35	4751400	8	Flatwasher 1/4in Regular	
36	4751500	2	Flatwasher 5/16in Regular	
37	4752000	1	Flatwasher 5/8in Regular	
38	88521205	2	Locknut, Nylon Insert 5/16in-18NC	
39	91401281	1	Angle, Battery Hold Down	
40	1001091587	1	Hose, Fuel Line (SN 0300182743 through 0300183271)	
40	1001156819	1	Hose, Fuel Line (SN 0300183272 through 0300196954)	
40	1001177228	1	Hose, Fuel Line (SN 0300196955 to Present)	
40	1001156819	1	Hose, Fuel Line (SN B300001092 through B300001102)	
40	1001177228	1	Hose, Fuel Line (SN B300001103 to Present)	
41	1001093382	2	Bolt, Battery Hold-down	
43	1001174093	2	Coupling, Quick Disconnect (SN 0300183272 through 0300196954)	
43	1001177155	1	Hose, Fuel (SN 0300196955 to Present)	
43	1001174093	1	Coupling, Quick Disconnect (SN B300001092 through B300001102)	
43	1001177155	1	Hose, Fuel (SN B300001103 to Present)	
	1001156471	Ref	GM ENGINE AND PUMP ASSEMBLIES (SN 0300182743 through 0300221608)	E
	1001216715	Ref	GM ENGINE AND PUMP ASSEMBLIES (SN 0300221609 to Present)	C
	1001156471	Ref	GM ENGINE AND PUMP ASSEMBLIES (SN B300001092 through B300001575)	E
	1001216715	Ref	GM ENGINE AND PUMP ASSEMBLIES (SN B300001576 to Present)	C
101	0100011	AR	Compound, Locking	
102	0641407	1	Bolt 1/4in-20NC x 7/8in	
103	0641808	1	Bolt 1/2in-13NC x 1in	
104	0641812	4	Bolt 1/2in-13NC x 1-1/2in	
105	1060637	1	Cable, Lanyard	
106	2902533	1	Battery Cable Kit	D
106A	7027018	1	Cable (Battery - to Ground)	
106B	7027015	1	Cable (Battery + to Auxiliary Relay)	
106C	7027017	1	Cable (Auxiliary Relay to Starter)	
106D	7016824	1	Cable (Auxiliary Relay to Auxiliary Pump)	
106E	7016825	1	Cable (Ground to Auxiliary Pump)	
107	3311405	1	Locknut 1/4in-20NC	
108	3311805	1	Locknut 1/2in-13NC	
109	3422532	1	Pin, Hitch	
110	1001152522	1	Hydrostatic Pump Assembly with Fittings (See HYDROSTATIC PUMP ASSEMBLY for Breakdown) (SN 0300182743 through 0300208405)	
110	1001187510	1	Hydrostatic Pump Assembly with Fittings (See HYDROSTATIC PUMP ASSEMBLY for Breakdown) (SN 0300208406 to Present)	
110	1001152522	1	Hydrostatic Pump Assembly with Fittings (See HYDROSTATIC PUMP ASSEMBLY for Breakdown) (SN B300001092 through B300001327)	
110	1001187510	1	Hydrostatic Pump Assembly with Fittings (See HYDROSTATIC PUMP ASSEMBLY for Breakdown) (SN B300001328 to Present)	
111	3790044	1	O-Ring	
112	4751400	1	Flatwasher 1/4in Regular	
113	4751800	1	Flatwasher 1/2in Regular	
114	4891800	4	Flatwasher, 1/2in Hardened	

SECTION 2 - TURNTABLE

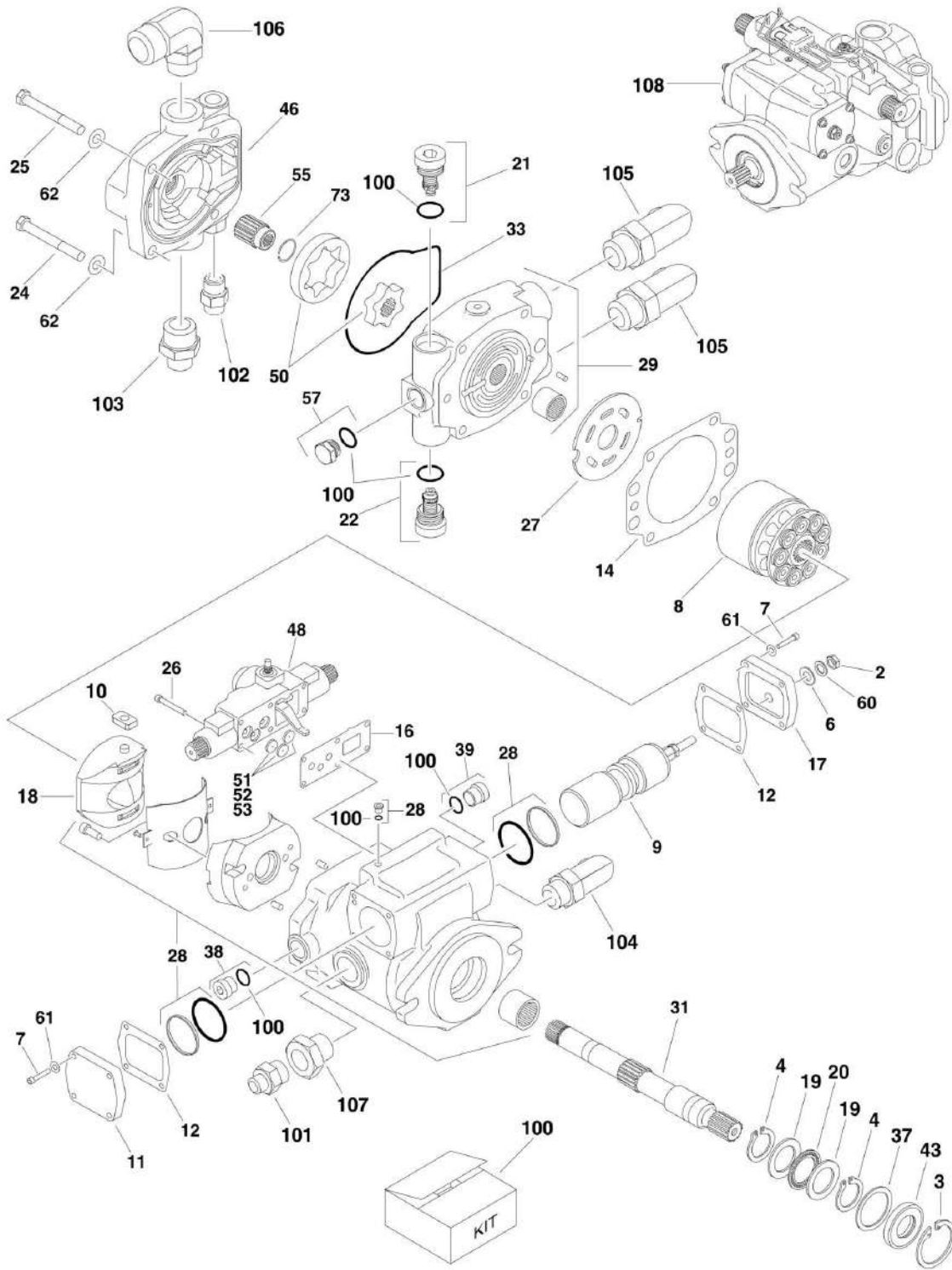
ITEM	PART NUMBER	QTY	DESCRIPTION	REV
115	1001094595		Variable Pump Assembly with Fittings (See VARIABLE PUMP ASSEMBLY for Breakdown)	
117	1001115930	AR	Oil, 10W-30 Motor	
	1001114632	Ref	GM ENGINE ASSEMBLY (SN 0300182743 through 0300221608)	F
	1001216714	Ref	GM ENGINE ASSEMBLY (SN 0300221609 to Present)	B
	1001114632	Ref	GM ENGINE ASSEMBLY (SN B300001092 through B300001575)	F
	1001216714	Ref	GM ENGINE ASSEMBLY (SN B300001576 to Present)	B
201	0080201	1	Adapter, Elbow	
202	0100011	AR	Compound, Locking	
203	1001114595	1	Engine, GM 3.0L (See GM Engine Supplement P/N 3121245 for Breakdown of Additional Components) (SN 0300182743 through 0300221608)	
203	1001214862	1	Engine, GM 3.0L without Mounting Brackets (See GM Engine Supplement P/N 3121245 for Breakdown of Additional Components) (SN 0300221609 to Present)	
203	1001216713	1	Engine, GM 3.0L with Mounting Brackets(See GM Engine Supplement P/N 3121245 for Breakdown of Additional Components) (SN 0300221609 to Present)	
203	1001114595	1	Engine, GM 3.0L (See GM Engine Supplement P/N 3121245 for Breakdown of Additional Components) (SN B300001092 through 0300001575)	
203	1001214862	1	Engine, GM 3.0L without Mounting Brackets (See GM Engine Supplement P/N 3121245 for Breakdown of Additional Components) (SN B300001576 to Present)	
203	1001216713	1	Engine, GM 3.0L with Mounting Brackets (See GM Engine Supplement P/N 3121245 for Breakdown of Additional Components) (SN B300001576 to Present)	
203A	7027965	1	Filter, Oil	
203B	7027972	1	Filter, Fuel	
203C	70002895	1	Module, Control (ECU)	
203D	70000164	4	Sparkplug (Not Shown)	
204	0340041	2	Band, Mounting	
205	0641406	10	Bolt 1/4in-20NC x 3/4in	
206	0641606	3	Bolt 3/8in-16NC x 3/4in	
207	0641608	8	Bolt 3/8in-16NC x 1in	
208	0641609	4	Bolt 3/8in-16NC x 1-1/8in	
209	0641610	10	Bolt 3/8in-16NC x 1-1/4in	
210	0641612	4	Bolt 3/8in-16NC x 1-1/2in	
211	0641828	2	Bolt 1/2in-13NC x 3-1/2in	
212	0700810	4	Bolt M8 x 20mm	
213	0940070	1	Bumper	
214	0961986	2	Bearing, Flanged	
215	1320012	3	Clamp	
216	1320016	5	Clamp	
217	1320022	AR	Clamp	
218	1320223	3	Clamp	
219	1340060	1	Air Cleaner Assembly	
219	7012664	1	Element, Air Cleaner	
220	1580011	1	Container, Coolant Overflow	
221	1703162	2	Decal - Caution Fan	
222	0100020	AR	Locking Compound	
223	2060025	1	Fan	
225	2720058	5.5 in /14cm	Hose	

SECTION 2 - TURNTABLE

ITEM	PART NUMBER	QTY	DESCRIPTION	REV
226	1001116544	1	Duct	
227	2720563	1	Hose, Radiator (Top)	
228	2720564	1	Hose, Radiator (Bottom)	
229	2750532	1 ft/0.3m	Hose	
230	1001091794	1	Insulation, Muffler	
231	3200362	4	Mount, Engine	
232	3311405	12	Locknut 1/4in-20NC	
233	3311605	26	Locknut 3/8in-16NC	
234	3311805	4	Locknut 1/2in-13NC	
235	3539872	1	Plate, Radiator Mounting	
236	3572280	1	Plate, Engine Mount	
237	3620040	1	Radiator	
237	8180311	1	Cap, Radiator (was p/n 7019656)	
238	3740067	1	Relay	
239	3960468	1	Seal	
240	3960469	1	Seal	
241	4060805	3 ft/0.9m	Flex-Trim	
242	4341239	1	Tray, Engine	
243	4341241	1	Mount, Engine (Front)	
244	1001116545	1	Tube, Intake	
245	4569394	1	Pipe, Exhaust	
246	4640952	1	Valve, Oil Drain	
247	4711400	12	Flatwasher 1/4in Thin	
248	4711600	36	Flatwasher 3/8in Thin	
249	4740274	4	Flatwasher, Snubbing	
250	4751400	8	Flatwasher 1/4in Regular	
251	4751600	16	Flatwasher 3/8in Regular	
252	4751800	4	Flatwasher 1/2in Regular	
253	4791400	2	Starwasher 1/4in	
254	4831900	4	Lockwasher M8	
255	4920385	10 ft/3m	Wire, Safety	
256	2180877	1	Fitting Elbow	
257	0641826	2	Bolt 1/2in-13NC x 3-1/4in	
258	2720271	18 in /46cm	Hose	
259	0100062	AR	Retaining Compound	

SECTION 2 - TURNTABLE

FIGURE 2-10. HYDROSTATIC PUMP ASSEMBLY (SN 0300182743 through 0300208405, SN B300001092 through B300001325)



SECTION 2 - TURNTABLE

FIGURE 2-10. HYDROSTATIC PUMP ASSEMBLY (SN 0300182743 through 0300208405, SN B300001092 through B300001325)

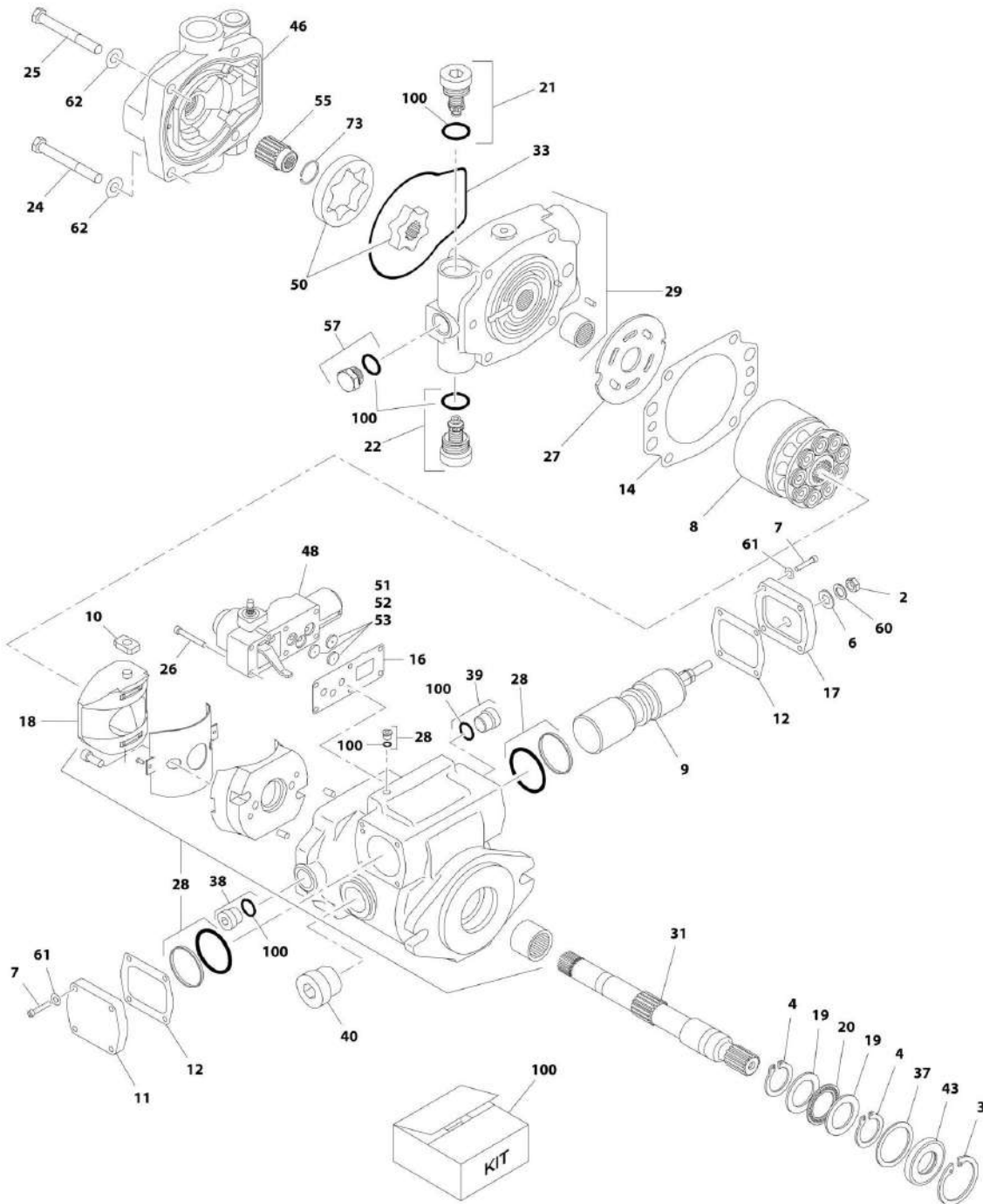
ITEM	PART NUMBER	QTY	DESCRIPTION	REV
	1001142522	Ref	PUMP ASSEMBLY (SN 0300182743 through 0300208405, SN B300001092 through B300001325)	C
2	See Note	NSS	Nut (Note: Not Available for Purchase)	
3	See Note	NSS	Ring, Retaining (Note: Use Item 100)	
4	See Note	NSS	Ring, Retaining (Note: Use Item 100)	
6	See Note	NSS	Washer, Seal (Note: Use Item 100)	
7	70004330	8	Capscrew	
8	70004331	1	Cylinder Block Assembly	
9	70004332	1	Servo Piston Assembly	
10	70004333	1	Follower, Servo Piston	
11	70004334	1	Cover	
12	70005116	2	Gasket, Cover	
14	See Note	NSS	Gasket, Housing (Note: Use Item 100)	
16	See Note	NSS	Gasket, Control Housing (Note: Use Item 100)	
17	70004335	1	Cover	
18	70004336	1	Camplate Assembly	
19	7004907	2	Race, Thrust	
20	7004908	1	Bearing, Thrust	
21	70004337	1	Relief Valve Assembly	
22	70004337	1	Relief Valve Assembly	
24	70004338	2	Capscrew	
25	70004338	2	Capscrew	
26	70004339	6	Capscrew	
27	70004340	1	Plate, Valve	
28	See Note	NSS	Housing (Note: Not Available for Purchase)	
29	70004341	1	End Cover Assembly	
31	70004342	1	Shaft, Drive	
33	See Note	NSS	O-Ring (Note: Use Item 100)	
37	7004906	1	Washer	
38	See Note	NSS	Plug (Note: Not Available for Purchase)	
39	See Note	NSS	Plug (Note: Not Available for Purchase)	
43	See Note	NSS	Seal, Shaft (Note: Use Item 100)	
46	70004343	1	Adapter, Charge Pump	
48	70004344	1	Servo Control Assembly	
50	70004345	1	Gerotor	
51	70004346	1	Orifice	
52	70004346	1	Orifice	
53	70004346	1	Orifice	
55	70004347	1	Coupler	
57	See Note	NSS	Plug (Note: Not Available for Purchase)	
60	70004348	1	Washer	
61	70004349	8	Washer	
62	70004350	4	Washer	
73	70004351	1	Ring, Retaining	
100	70004352	1	Seal Kit - Pump (Includes Items 3, 4, 6, 12, 14, 16, 33 & 43 and Valve and Plug O-Rings and Seals)	
	1001152522	Ref	PUMP AND FITTING ASSEMBLY	C
101	2110408	1	Fitting, Straight	
102	2110810	1	Fitting, Straight	

SECTION 2 - TURNTABLE

ITEM	PART NUMBER	QTY	DESCRIPTION	REV
103	2111016	1	Fitting, Straight	
104	2131212	1	Fitting, Elbow	
105	2131616	2	Fitting, Elbow	
106	2132016	1	Fitting, Elbow	
107	2220811	1	Fitting, Reducer	
108	1001142522	1	Pump Assembly (Includes Items 1-73)	
200	70005663	1	Tool, Port Plate for Pump p/n 1001142522 (Not Shown)	

SECTION 2 - TURNTABLE

FIGURE 2-11. HYDROSTATIC PUMP ASSEMBLY (SN 0300208406 through 0300240852, SN B300001326 through B300002584)



ART_1001187510-A

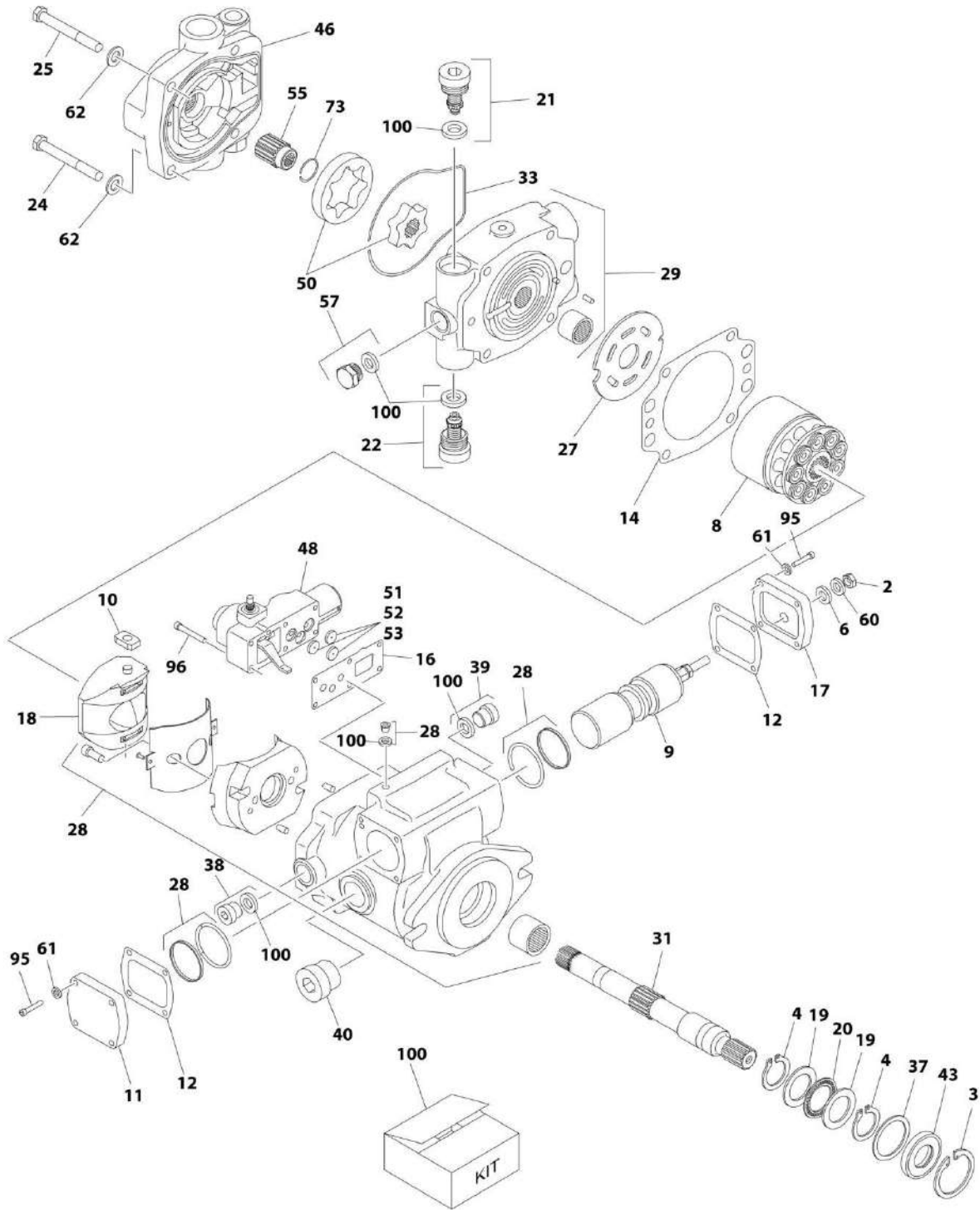
SECTION 2 - TURNTABLE

FIGURE 2-11. HYDROSTATIC PUMP ASSEMBLY (SN 0300208406 through 0300240852, SN B300001326 through B300002584)

ITEM	PART NUMBER	QTY	DESCRIPTION	REV
	1001187510	Ref	HYDROSTATIC PUMP ASSEMBLY (SN 0300208406 through 0300240852, SN B300001326 through B300002584)	C
2	See Note	NSS	Nut (Note: Use Item 100)	
3	See Note	NSS	Ring, Retaining (Note: Use Item 100)	
4	See Note	NSS	Ring, Retaining (Note: Use Item 100)	
6	See Note	NSS	Washer, Seal (Note: Use Item 100)	
7	70005464	8	Capscrew	
8	70004331	1	Cylinder Block Assembly	
9	70004332	1	Servo Piston Assembly	
10	70004333	1	Follower, Servo Piston	
11	70005458	1	Cover	
12	See Note	NSS	Gasket, Cover (Note: Use Item 100)	
14	See Note	NSS	Gasket, Housing (Note: Use Item 100)	
16	See Note	NSS	Gasket, Control Housing (Note: Use Item 100)	
17	70005459	1	Cover	
18	70004336	1	Camplate Assembly	
19	7004907	2	Race, Thrust	
20	7004908	1	Bearing, Thrust	
21	70004337	1	Relief Valve Assembly	
22	70004337	1	Relief Valve Assembly	
24	70004338	2	Capscrew	
25	70004338	2	Capscrew	
26	70005465	6	Capscrew	
27	70004340	1	Plate, Valve	
28	See Note	NSS	Housing (Note: Not Available - Purchase Assembly)	
29	70005460	1	End Cover Assembly	
31	70004342	1	Shaft, Drive	
33	See Note	NSS	O-Ring (Note: Use Item 100)	
37	7004906	1	Washer	
38	70005461	1	Plug	
39	70005461	1	Plug	
40	70005462	1	Plug	
43	See Note	NSS	Seal, Shaft (Note: Use Item 100)	
46	70004343	1	Adapter, Charge Pump	
48	70004344	1	Servo Control Assembly	
50	70004345	1	Gerotor	
51	70004346	1	Orifice	
52	70004346	1	Orifice	
53	70004346	1	Orifice	
55	70004347	1	Coupler	
57	70005463	1	Plug	
60	70004348	1	Washer	
61	70004349	8	Washer	
62	70004350	4	Washer	
73	70004351	1	Ring, Retaining	
100	70004352	1	Seal Kit - Pump (Includes Items 2, 3, 4, 6, 12, 14, 16, 33 & 43 and Valve and Plug O-Rings and Seals)	

SECTION 2 - TURNTABLE

FIGURE 2-12. HYDROSTATIC PUMP ASSEMBLY (SN 0300240853 to Present, SN B300002585 to Present)



ART_1001225745

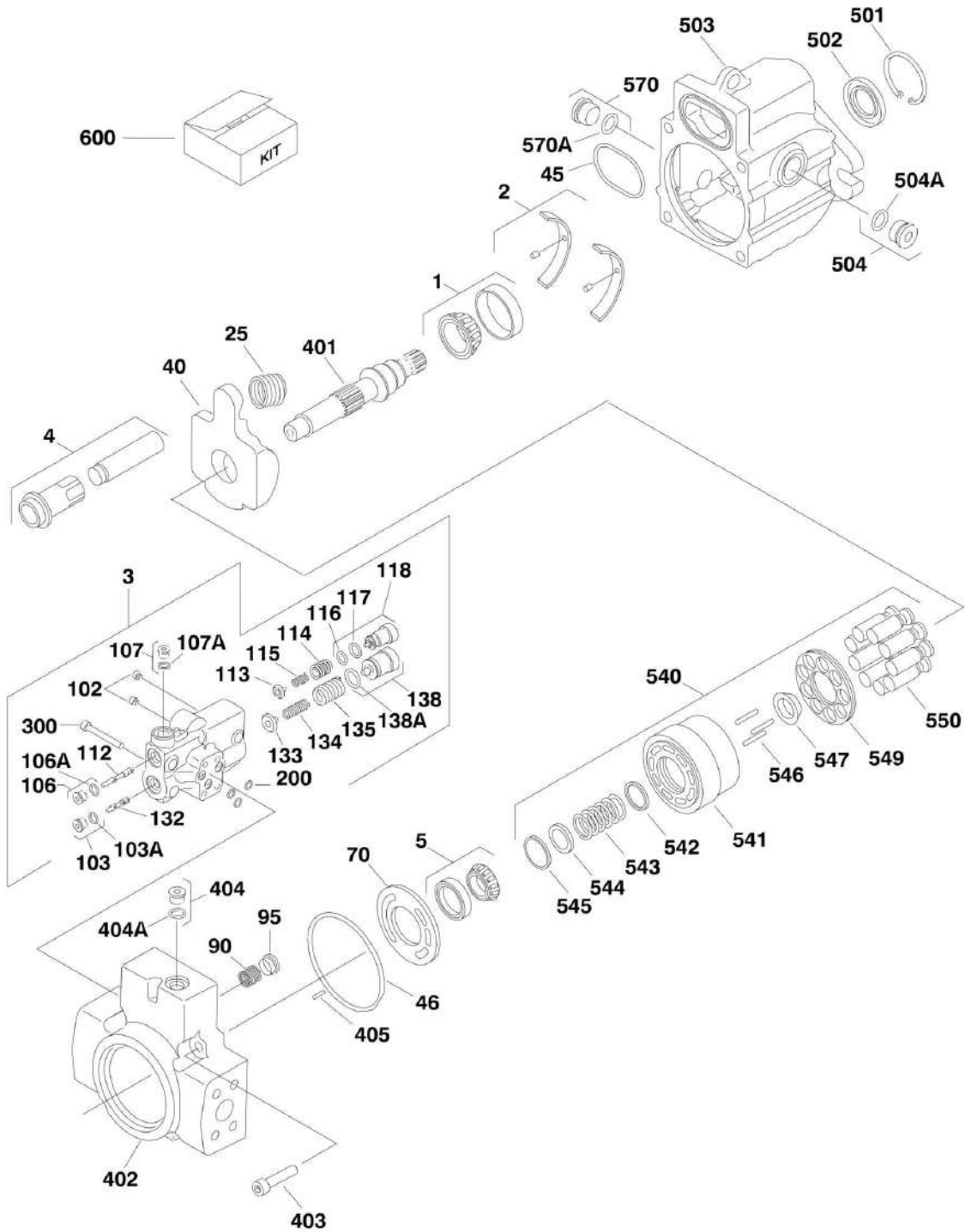
SECTION 2 - TURNTABLE

FIGURE 2-12. HYDROSTATIC PUMP ASSEMBLY (SN 0300240853 to Present, SN B300002585 to Present)

ITEM	PART NUMBER	QTY	DESCRIPTION	REV
	1001225745	Ref	HYDROSTATIC PUMP ASSEMBLY	A
2	70004329	1	Nut	
3	See Note	NSS	Ring, Retaining (Note: Use Item 100)	
4	See Note	NSS	Ring, Retaining (Note: Use Item 100)	
6	See Note	NSS	Washer, Seal (Note: Use Item 100)	
8	70004331	1	Cylinder Block Assembly	
9	70004332	1	Servo Piston Assembly	
10	70004333	1	Follower, Servo Piston	
11	70005458	1	Cover	
12	See Note	NSS	Gasket, Cover (Note: Use Item 100)	
14	See Note	NSS	Gasket, Housing (Note: Use Item 100)	
16	See Note	NSS	Gasket, Control Housing (Note: Use Item 100)	
17	70005459	1	Cover	
18	70004336	1	Camplate Assembly	
19	7004907	2	Race, Thrust	
20	7004908	1	Bearing, Thrust	
21	70004337	1	Relief Valve Assembly	
22	70004337	1	Relief Valve Assembly	
24	70004338	2	Capscrew	
25	70004338	2	Capscrew	
27	70004340	1	Plate, Valve	
28	See Note	NSS	Housing (Note: Not Available - Purchase Assembly)	
29	70005460	1	End Cover Assembly	
31	70004342	1	Shaft, Drive	
33	See Note	NSS	O-Ring (Note: Use Item 100)	
37	7004906	1	Washer	
38	70005461	1	Plug	
39	70005461	1	Plug	
40	70005462	1	Plug	
43	See Note	NSS	Seal, Shaft (Note: Use Item 100)	
46	70004343	1	Adapter, Charge Pump	
48	70004344	1	Servo Control Assembly	
50	70004345	1	Gerotor	
51	70004346	1	Orifice	
52	70004346	1	Orifice	
53	70004346	1	Orifice	
55	70004347	1	Coupler	
57	70005463	1	Plug	
60	70004348	1	Washer	
61	70004349	8	Washer	
62	70004350	4	Washer	
73	70004351	1	Ring, Retaining	
95	70005464	8	Capscrew	
96	70005465	6	Capscrew	
100	70004352	1	Seal Kit - Pump (Includes Items 3, 4, 6, 12, 14, 16, 33 & 43 and Valve and Plug O-Rings and Seals)	

SECTION 2 - TURNTABLE

FIGURE 2-13. VARIABLE PUMP ASSEMBLY



SECTION 2 - TURNTABLE

FIGURE 2-13. VARIABLE PUMP ASSEMBLY

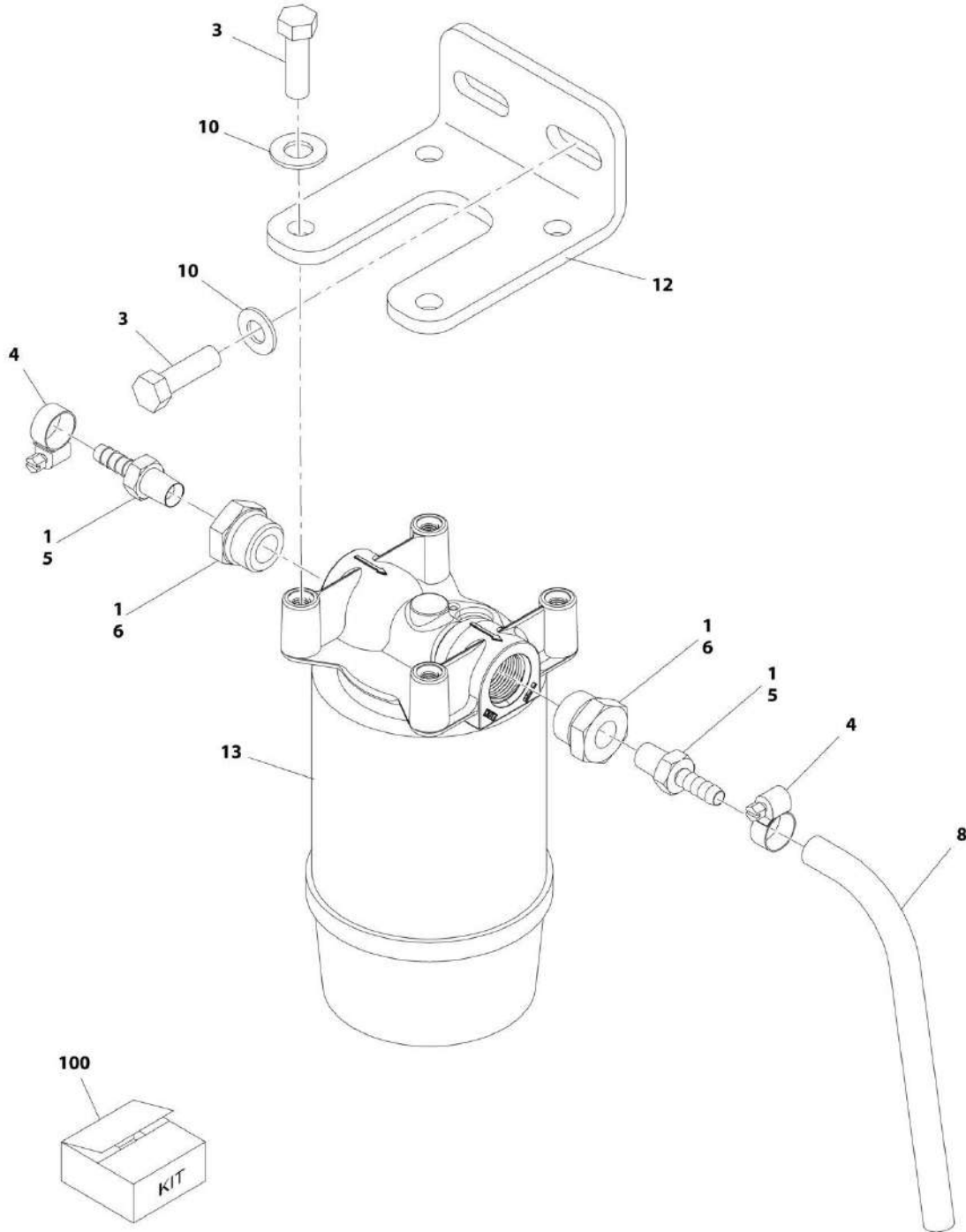
ITEM	PART NUMBER	QTY	DESCRIPTION	REV
	1001094595	Ref	PUMP ASSEMBLY	A
1	7023947	1	Bearing, Front (Includes Cup and Cone)	
2	7023948	1	Bearings, Swash Plate (Includes Both Sides and Pins)	
3	7023956	1	Control Valve Assembly (Includes Items 102-300)	
4	7023949	1	Servo Piston Assembly	
5	7023950	1	Bearing, Rear (Includes Cup and Cone)	
25	7023951	1	Spring	
40	7023952	1	Swash Plate	
45	See Note	NSS	O-Ring (Note: Use Item 600)	
46	See Note	NSS	O-Ring (Note: Use Item 600)	
70	70001954	1	Plate, Valve	
90	70001955	1	Spring, Check Valve	
95	70001956	1	Poppet, Check Valve	
102	See Note	NSS	Setscrew (Note: Use Item 3)	
103	See Note	NSS	Plug (Note: Use Item 3)	
103A	See Note	NSS	O-Ring (Note: Use Item 103 or 600)	
106	See Note	NSS	Plug (Note: Use Item 3)	
106A	See Note	NSS	O-Ring (Note: Use Item 106 or 600)	
107	See Note	NSS	Plug (Note: Use Item 3)	
107A	See Note	NSS	O-Ring (Note: Use Item 107 or 600)	
112	See Note	NSS	Spool, Control (Note: Use Item 3)	
113	See Note	NSS	Guide, Spring (Note: Use Item 3)	
114	See Note	NSS	Spring (Note: Use Item 3)	
115	See Note	NSS	Spring (Note: Use Item 3)	
116	See Note	NSS	O-Ring (Note: Use Item 600)	
117	See Note	NSS	Ring, Back-up (Note: Use Item 600)	
118	See Note	NSS	Plug, Adjusting (Note: Use Item 3)	
132	See Note	NSS	Spool, Control (Note: Use Item 3)	
133	See Note	NSS	Guide, Spring (Note: Use Item 3)	
134	See Note	NSS	Spring (Note: Use Item 3)	
135	See Note	NSS	Spring (Note: Use Item 3)	
138	See Note	NSS	Plug, PC Adjusting (Note: Use Item 3)	
138A	See Note	NSS	O-Ring (Note: Use Item 138 or 600)	
200	See Note	NSS	Ring, Seal (Note: Use Item 600)	
300	7023957	4	Screw	
401	7023958	1	Shaft	
402	70001957	1	Cap, End	
403	7023960	4	Screw	
404	7022318	1	Plug	
404A	See Note	NSS	O-Ring (Note: Use Item 404 or 600)	
405	7023961	1	Pin	
501	7023962	1	Ring, Retaining	
502	See Note	NSS	Seal, Lip (Note: Use Item 600)	
503	See Note	NSS	Housing (Note: Purchase Complete Assembly)	
504	7023964	1	Plug	
504A	7007415	1	O-Ring	
540	7023965	1	Cylinder Block Assembly	
541	See Note	NSS	Block, Cylinder (Note: Use Item 540)	
542	7024868	1	Washer	
543	7024867	1	Spring	

SECTION 2 - TURNTABLE

ITEM	PART NUMBER	QTY	DESCRIPTION	REV
544	7022314	1	Retainer, Spring	
545	7022311	1	Ring, Retaining	
546	7021275	3	Pin, Slipper	
547	7024864	1	Guide, Slipper	
549	7024866	1	Retainer, Slipper	
550	7023966	9	Piston Assembly	
570	7023964	1	Plug	
570A	7007415	1	O-Ring	
600	7023967	1	Seal Kit - Complete (Includes Items 45, 46, 103A, 106A, 107A, 116, 117, 138A, 200, 404A & 502)	

SECTION 2 - TURNTABLE

FIGURE 2-14. FUEL-WATER SEPARATOR INSTALLATION - DEUTZ D2011



ART_1001196428

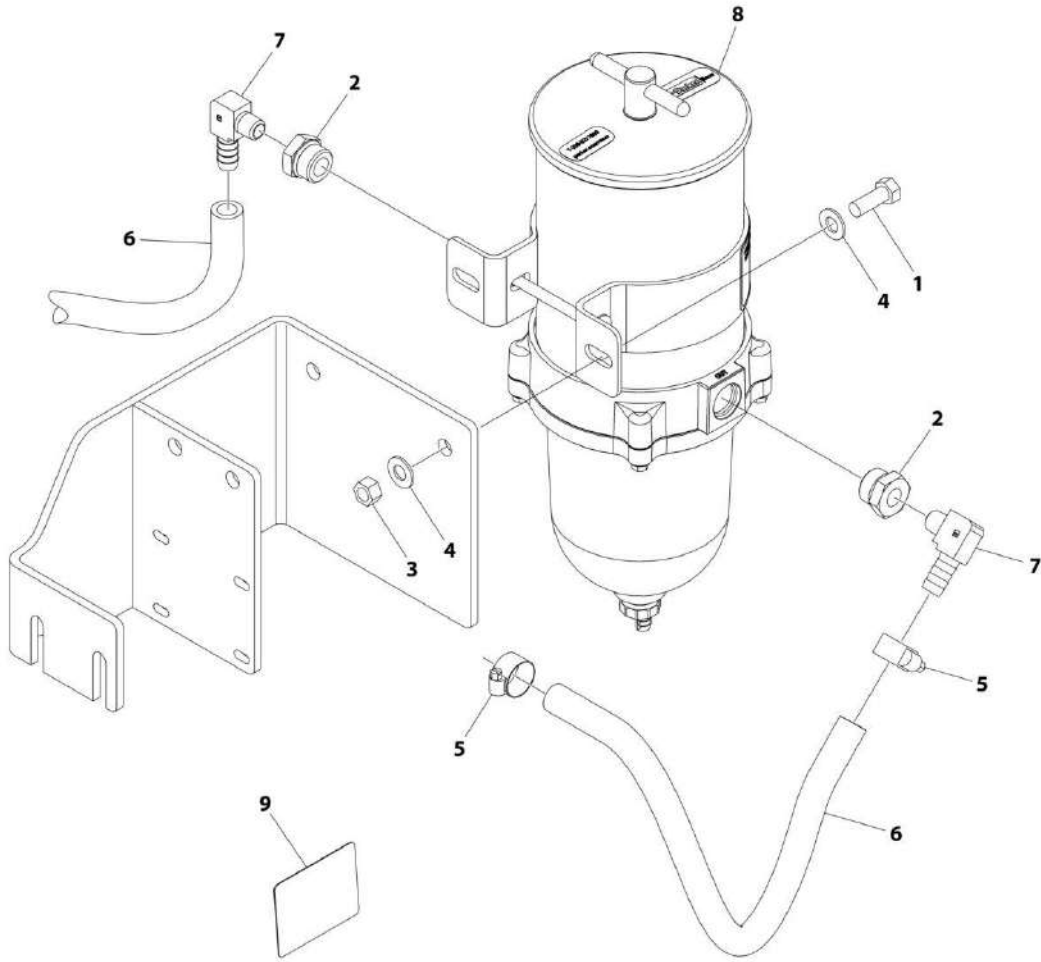
SECTION 2 - TURNTABLE

FIGURE 2-14. FUEL-WATER SEPARATOR INSTALLATION - DEUTZ D2011

ITEM	PART NUMBER	QTY	DESCRIPTION	REV
	1001196428	Ref	FUEL-WATER SEPARATOR INSTALLATION - DEUTZ D2011 (OPTIONAL)	B
1	0100020	AR	Sealant	
3	0641610	6	Bolt 3/8 x 1-1/4	
4	1320022	2	Clamp	
5	2180348	2	Fitting, Straight	
6	2220816	2	Fitting, Straight	
8	2720058	12 in /31cm	Hose	
10	4751600	6	Washer 3/8	
12	1001188884	1	Bracket	
13	1001188887	1	Fuel/Water Separator Assembly	
13	1001202280	1	Head	
13	1001202281	1	Element	
100	1001204667	1	Fuel/Water Separator Add-on Kit	

SECTION 2 - TURNTABLE

FIGURE 2-15. FUEL-WATER SEPARATOR INSTALLATION - DEUTZ TD2.9L4



NOTE : LOCATED ON HOOD

ART_1001226286

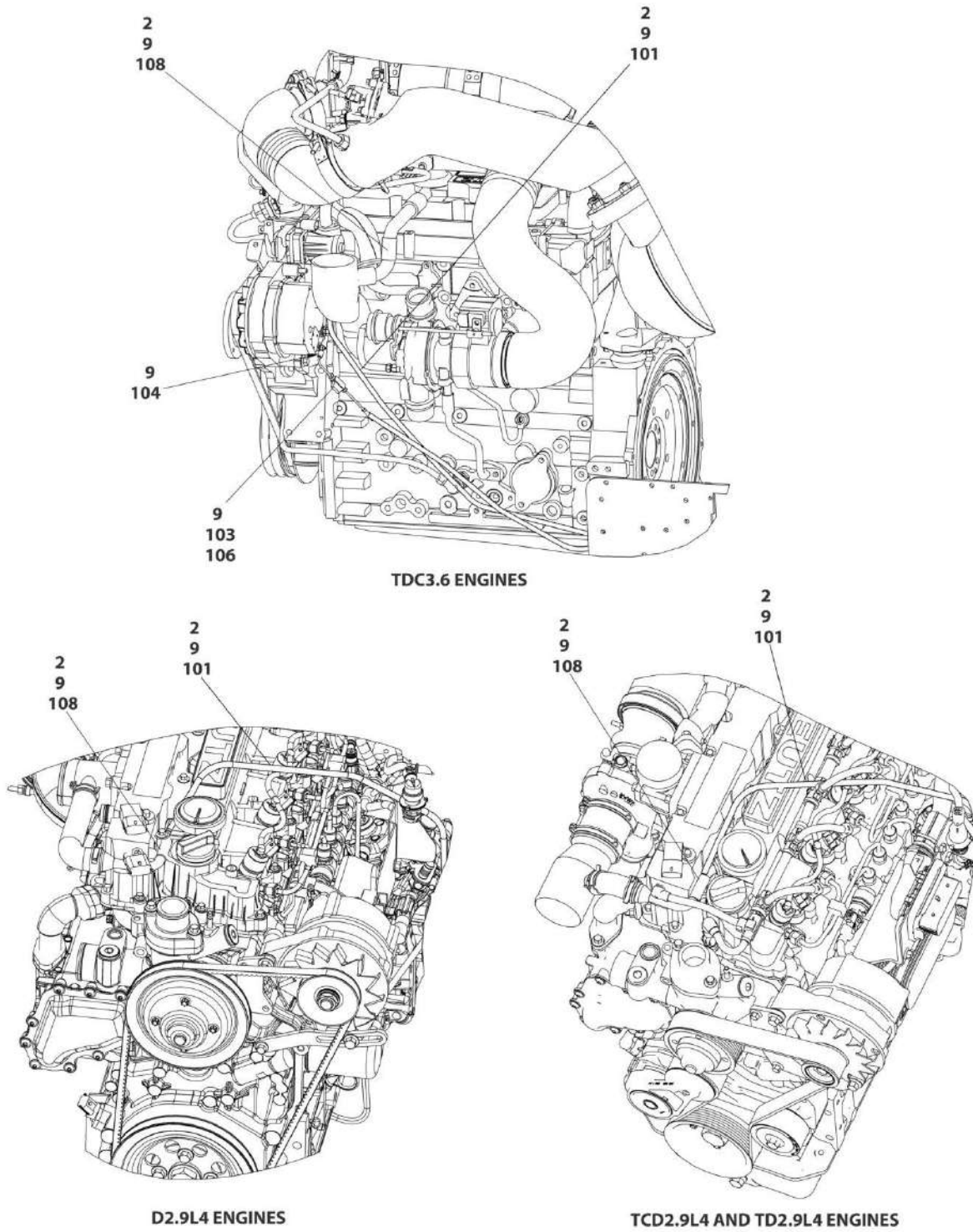
SECTION 2 - TURNTABLE

FIGURE 2-15. FUEL-WATER SEPARATOR INSTALLATION - DEUTZ TD2.9L4

ITEM	PART NUMBER	QTY	DESCRIPTION	REV
	1001226286	Ref	FUEL-WATER SEPARATOR INSTALLATION - DEUTZ TD2.9L4	B
1	0641608	2	Bolt 3/8 x 1	
2	2220816	2	Fitting, Straight	
3	3311605	2	Nut 3/8	
4	4711600	4	Washer 3/8	
5	8405006	2	Clamp	
6	1001154405	7 ft/ 213m	Hose	
7	1001178797	2	Fitting, Elbow	
8	1001222817	1	Filter, Fuel	
9	1001226923	1	Decal - Fuel Water Separator	

SECTION 2 - TURNTABLE

FIGURE 2-16. BREATHER HEATER INSTALLATION - DEUTZ D2.9L4 ENGINE WITH ARCTIC PACKAGE



ART_1001233763

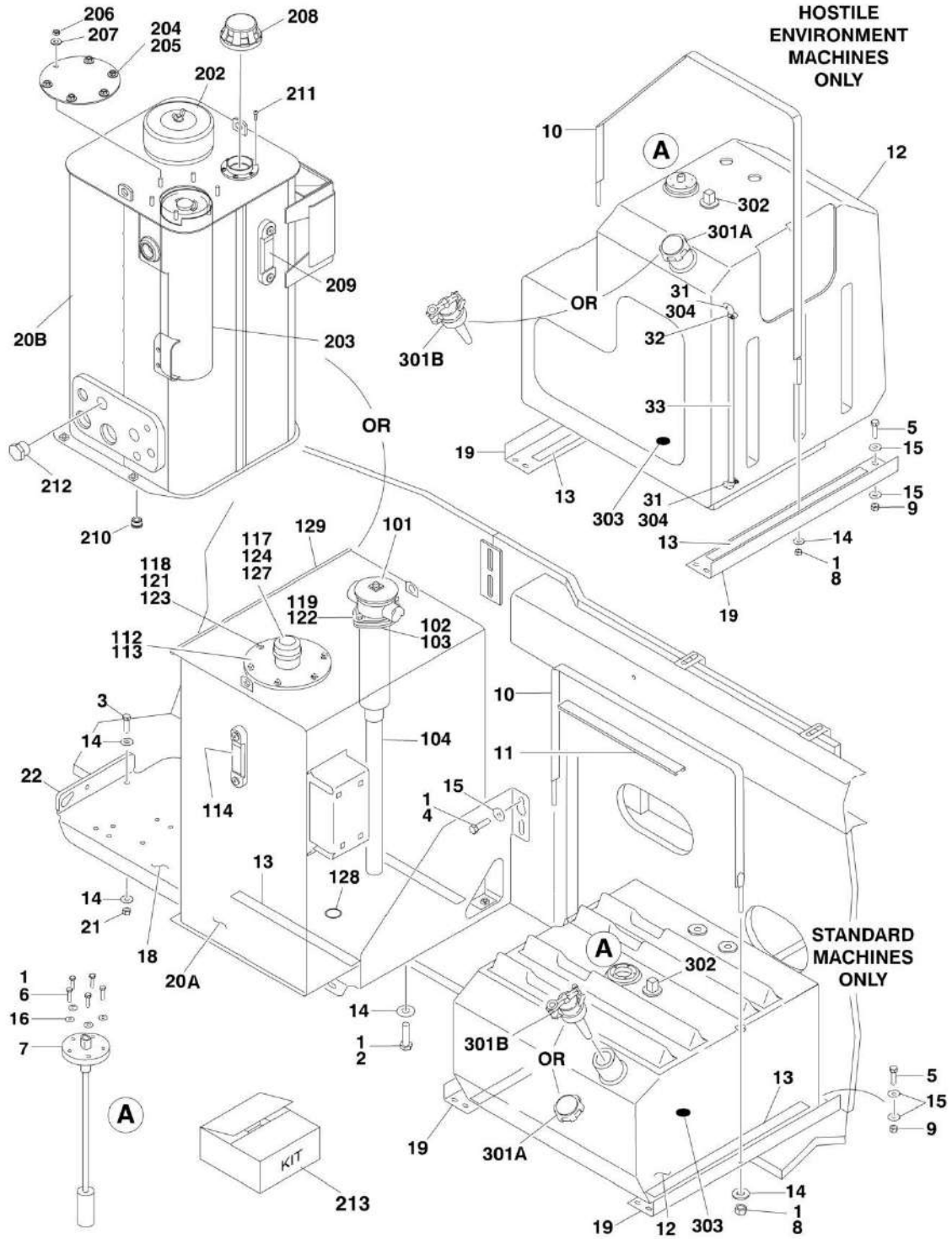
SECTION 2 - TURNTABLE

FIGURE 2-16. BREATHER HEATER INSTALLATION - DEUTZ D2.9L4 ENGINE WITH ARCTIC PACKAGE

ITEM	PART NUMBER	QTY	DESCRIPTION	REV
	1001233763	Ref	BREATHER HEATER INSTALLATION - DEUTZ ENGINES	C
2	4240099	AR	Tie-Strap	
9	1001243895	1	Breather Heater Harness	
101	2820035	10 ft/ 3m	Insulation	
103	2400060	1	Fuseholder with Cover	
104	4460043	1	Terminal, Ring	
105	4460722	1	Terminal, Ring (Not Shown)	
106	1001196634	1	Fuse - 2 Amp	
108	1001232842	1	Breather Heater Kit	

SECTION 2 - TURNTABLE

FIGURE 2-17. TANK INSTALLATIONS



SECTION 2 - TURNTABLE

FIGURE 2-17. TANK INSTALLATIONS

ITEM	PART NUMBER	QTY	DESCRIPTION	REV
		Ref	TANKS INSTALLATION	
		Ref	USA Built Machines	
	1001157258	Ref	Deutz Engine Machines (SN 0300182743 through 0300196954)	E
	1001178209	Ref	Deutz Engine Machines (SN 0300169955 to Present)	A
	1001157260	Ref	Deutz Engine Machines with Hostile Environment Package (SN 0300182743 through 0300196954)	E
	1001178211	Ref	Deutz Engine Machines with Hostile Environment Package (SN 0300196955 to Present)	B
	1001157259	Ref	Ford & GM Engine Machines (SN 0300182743 through 0300196954)	B
	1001178210	Ref	Ford & GM Engine Machines (SN 0300196955 to Present)	A
		Ref	China Built Machines	
	1001157258	Ref	Deutz Engine Machines (SN B300001092 through B300001096)	E
	1001178209	Ref	Deutz Engine Machines (SN B300001097 to Present)	A
	1001157260	Ref	Deutz Engine Machines with Hostile Environment Package (SN B300001092 through B300001096)	E
	1001178211	Ref	Deutz Engine Machines with Hostile Environment Package (SN B300001097 to Present)	A
1	0100011	AR	Compound, Locking	
2	0641607	4	Bolt 3/8in-16NC x 7/8in	
3	0641614	2	Bolt 3/8in-16NC x 1-3/4in	
4	0641808	2	Bolt 1/2in-13NC x 1in	
5	0641816	4	Bolt 1/2in-13NC x 2in	
6	0731007	AR	Capscrew #10-32NF x 7/8in	
6	0731005	AR	Capscrew #10-32NF x 5/8in	
7		Ref	Gauge, Fuel Level Options:	
7	1001148607	1	Standard Machines	
7	1001109048	1	Hostile Environment Machines	
7	4460834	1	Connector - 2 Position (Hostile Environment Machines Only)	
7	4460842	2	Terminal (Hostile Environment Machines Only)	
8	3311601	2	Nut 3/8in-16NC	
9	3311805	4	Locknut 1/2in-13NC	
10		Ref	Strap, Tank Mounting Options:	
10	4240139	1	Standard Machines	
10	1001110059	1	Hostile Environment Machines	
11		Ref	Strip, Protector Options:	
11	4280295	30 in /76cm	Standard Machines (SN 0300182743 through 0300207673)	
11	4280295	30 in /76cm	Standard Machines (SN B300001092 through B300001300)	
11	Not Required	0	Hostile Environment Machines	
12		Ref	Fuel Tank Assembly Options (See Items 301-303 for Breakdown):	
12	4400439	1	Deutz Engines (USA Built Machines) (SN 0300182743 through 0300189714)	
12	1001160567	1	Deutz Engines (USA Built Machines) (SN 0300189715 to Present)	
12	1001160567	1	Deutz Engines (USA Built Machines) (SN B300001092 to Present)	
12	1001108579	1	Deutz Engines with Hostile Environment Package	

SECTION 2 - TURNTABLE

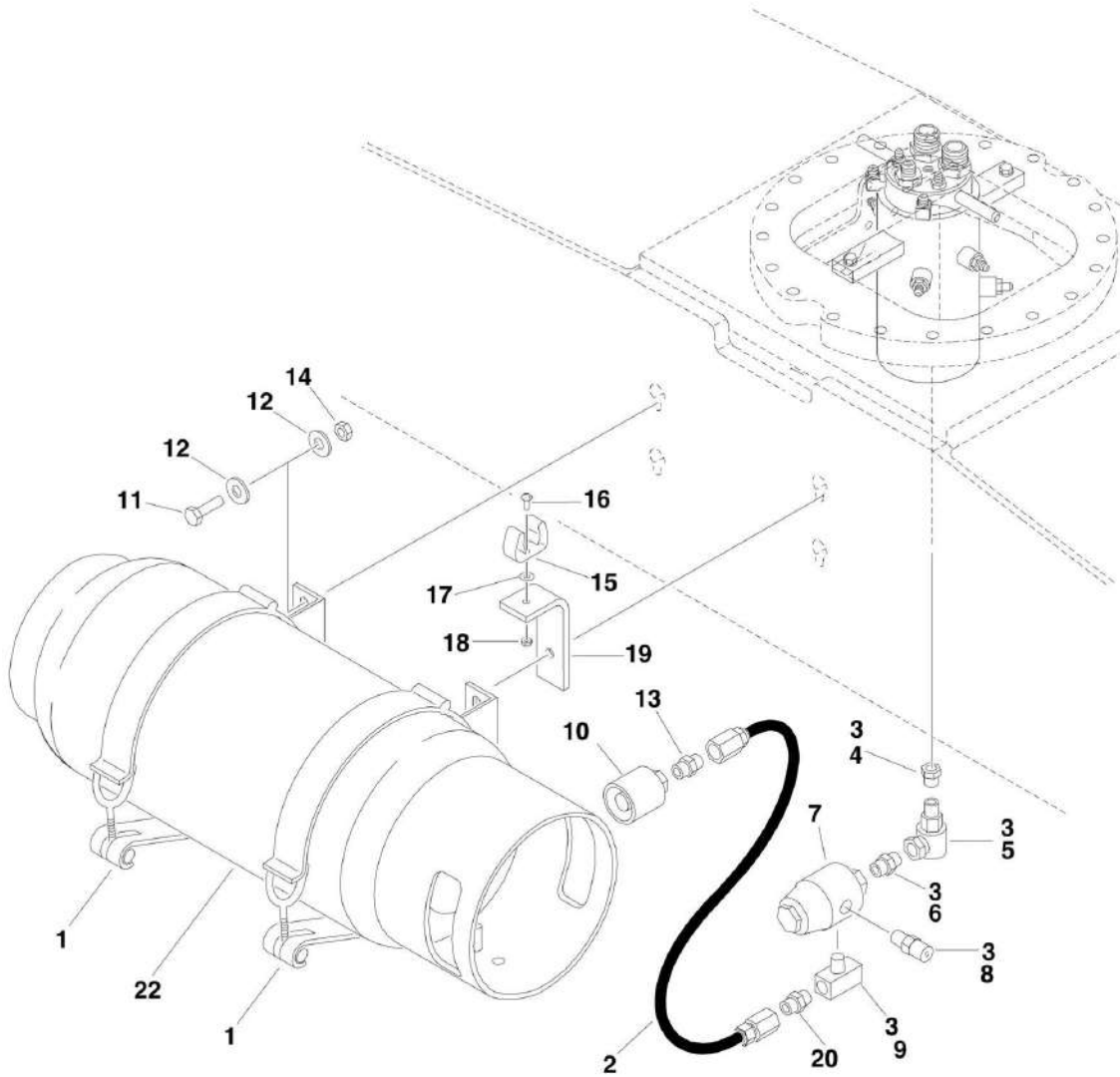
ITEM	PART NUMBER	QTY	DESCRIPTION	REV
12	1001091563	1	Ford & GM Engine Machines (SN 0300182743 through 0300185779)	
12	1001160559	1	Ford & GM Engine Machines (SN 0300185780 to Present)	
13	4420038	6 ft/1.7m	Tape, Rubber	
14	4711600	10	Flatwasher 3/8in Thin	
14	4751600	AR	Flatwasher 3/8in Regular	
15	4711800	10	Flatwasher 1/2in Thin	
16	4751000	AR	Flatwasher #10 Regular	
18	1001156805	1	Tray, Tank	
19	1001157056	2	Mount	
20		Ref	Hydraulic Tank Assembly Options:	
20A	1001158290	1	Tank Assembly (See Items 101-113 for Breakdown) (SN 0300182743 through 0300196954)	
20B	1001178057	1	Tank Assembly (See Items 151-155 for Breakdown) (SN 0300196955 to Present)	
20A	1001158290	1	Tank Assembly (See Items 101-113 for Breakdown) (SN B300001092 through B300001096)	
20B	1001178057	1	Tank Assembly (See Items 151-155 for Breakdown) (SN B300001097 to Present)	
21	3311605	2	Locknut 3/8in-16NC	
22		Ref	Flex-Trim Options:	
22	4060804	9 in /23cm	Flex-Trim (SN 0300201336 to Present)	
22	4060804	9 in /23cm	Flex-Trim (SN B300001189 to Present)	
		Ref	Note: Items 31-33 Used on Hostile Environment Machines Only.	
31	2180467	2	Fitting, Barb	
32	8405009	2	Clamp, Gear	
33	1001113103	1	Tube, Fuel Sight	
	1001158290	Ref	HYDRAULIC TANK ASSEMBLY (SN 0300182743 through 0300196954)	B
	1001158290	Ref	HYDRAULIC TANK ASSEMBLY (SN B300001092 through B300001096)	B
101	7024374	1	Filter Assembly	
101	7024375	1	Element, Filter	
102	7023306	1	Seal, Cover	
103	7023347	1	Gasket, Flange to Tank	
104	Not Available	1	Pipe, CPVC	
112	7024439	1	Cover	
113	7024440	1	Gasket	
114	7024441	1	Gauge, Sight	
117	7024443	1	Neck, Fill	
118	83304174	6	Nut 1/4in-20NC	
119	4751600	2	Flatwasher 3/8in Regular	
121	83304173	6	Flatwasher 1/4in	
122	83304170	2	Bolt 3/8in-16NC x 1-1/2in	
123	83304172	6	Stud 1/4in-20NC	
124	7024445	1	Screen	
127	7024444	1	Breather/Fill Cap	
128	7024446	1	Plug, Magnetic	
129	Not Available	22 in /55cm	Trim	
	1001178057	Ref	HYDRAULIC TANK ASSEMBLY (SN 0300196955 to Present)	D
	1001178057	Ref	HYDRAULIC TANK ASSEMBLY (SN B300001097 to Present)	D

SECTION 2 - TURNTABLE

ITEM	PART NUMBER	QTY	DESCRIPTION	REV
202	70005708	1	Breather Assembly (Includes Breather, Element & Wingnut)	
202	See Note	NSS	Breather (Note: Use p/n 70005708 or Item 213)	
203	See Note	NSS	Element, Hydraulic (Note: Use Item 213)	
204	70002839	1	Gasket	
205	See Note	NSS	Cover (Note: Not Available for Purchase)	
206	4751500	6	Washer 5/16	
207	3311501	6	Nut 5/16	
208	70002838	1	Cap, Fill	
209	7024441	1	Gauge, Level	
210	70002112	1	Plug	
211	See Note	NSS	Screw #10 x 3/4 (Note: Not Available - Purchase Locally)	
212	See Note	NSS	Plug (Note: Not Available - Purchase Locally)	
213	70002814	1	Hydraulic Tank Service Kit (Includes Items 202-204)	
		Ref	FUEL TANK ASSEMBLY	
	4400439	Ref	Deutz Engines (USA Built Machines) (SN 0300182743 through 0300189714)	H
	1001160567	Ref	Deutz Engines (USA Built Machines) (SN 0300189715 to Present)	E
	1001160567	Ref	Deutz Engines (USA Built Machines) (SN B300001092 to Present)	E
	1001108579	Ref	Deutz Engines with Hostile Environment Package	F
	1001091563	Ref	Ford & GM Engine Machines (SN 0300182743 through 0300185779)	C
	1001160559	Ref	Ford & GM Engine Machines (SN 0300185780 to Present)	C
301		Ref	Cap Options:	
301A	7016314	1	Cap (Standard Non-Locking) (4400439 Tank)	
301A	70004414	1	Cap (Standard Non-Locking) (1001160567 Tank)	
301A	7016314	1	Cap (Standard Non-Locking) (1001108579 Tank)	
301A	70001103	1	Cap (Standard Non-Locking) (1001091563 Tank)	
301A	1001211336	1	Cap (Standard Non-Locking) (1001160559 Tank)	
301B	1120487	1	Optional Lockable (Diesel Machines Only) (Note: Lock Not Included) (SN 0300182743 through 0300199155)	
301B		Ref	Optional Lockable (Diesel Machines Only) (SN 0300199156 to Present)	
301B	1120487	1	Optional Lockable (Diesel Machines Only) (Note: Lock Not Included) (SN B300001092 through B300001150)	
301B		Ref	Optional Lockable (Diesel Machines Only) (SN B300001151 to Present)	
302		Ref	Tube, Fuel Pickup Options:	
302	7020048	1	Tube, Pickup (4400439 Tank)	
302	7020043	1	Tube, Pickup (1001160567 Tank)	
302	70004413	1	Tube, Pickup (1001108579 Tank)	
302	7020043	1	Tube, Pickup (1001091563 Tank)	
302	7020043	1	Tube, Pickup (1001160559 Tank)	
303	See Note	1	Plug (Note: See Engine Installation for Callout)	
304	2200222	2	Plug (1001108579 Tank)	
304	0100020	AR	Sealant (1001108579 Tank)	

SECTION 2 - TURNTABLE

FIGURE 2-18. LP TANK INSTALLATIONS (FORD & GM ENGINE MACHINES ONLY)



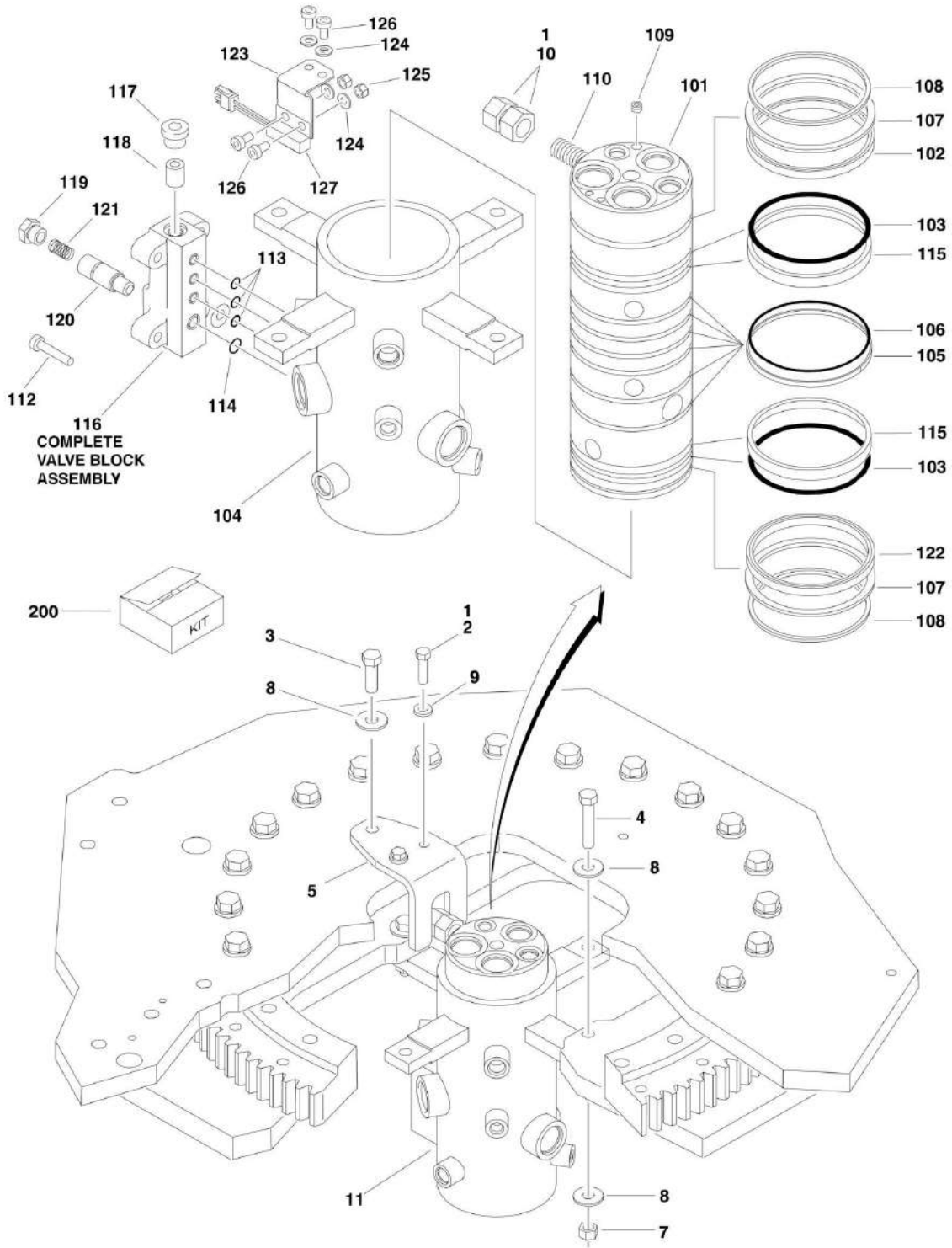
SECTION 2 - TURNTABLE

FIGURE 2-18. LP TANK INSTALLATIONS (FORD & GM ENGINE MACHINES ONLY)

ITEM	PART NUMBER	QTY	DESCRIPTION	REV
	1001151010	Ref	LP TANK AND BRACKETS INSTALLATION	D
1	1320220	2	Clamp Kit - LP	
1	1320127	2	Clamp, Toggle (1 Per Clamp)	
2	2720144	2	Hose	
3	0100020	AR	Sealant, Pipe	
4	2221197	1	Fitting, Reducer	
5	2180125	1	Fitting - Elbow	
6	2220261	1	Fitting, Nipple	
7	2180388	1	Filter, Bulkhead	
8	2180389	1	Valve, Relief	
9	2220418	1	Fitting, Tee	
10	2180387	2	Fitting, LP Tank	
11	0641617	8	Bolt 3/8in-16NC x 2-1/8in	
12	4751600	8	Flatwasher 3/8in Regular	
13	2180418	2	Fitting, Straight	
14	3311605	8	Locknut 3/8in-16NC	
15	1320218	2	Clamp, Spring	
16	0720804	2	Screw #8-32NC x 1/2in	
17	4750800	4	Flatwasher #8 Regular	
18	3310805	2	Locknut #8-32NC	
19	0181949	2	Support, Angle	
20	2221024	2	Fitting, Ball Check	
22		Ref	LP Tank Options:	
22	4400275	1	Aluminum	
22	4400420	1	Steel	

SECTION 2 - TURNTABLE

FIGURE 2-19. ROTARY COUPLING INSTALLATION



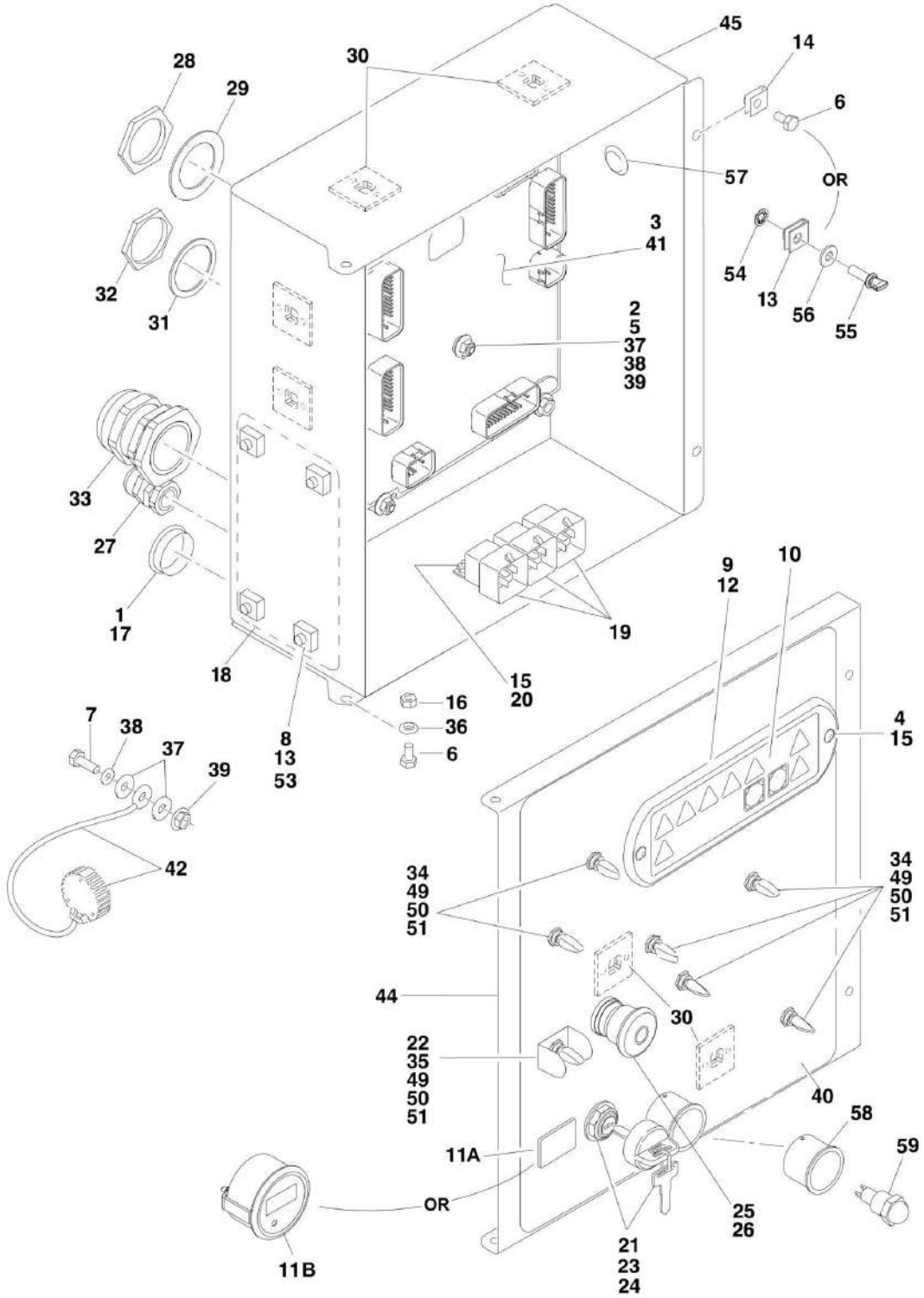
SECTION 2 - TURNTABLE

FIGURE 2-19. ROTARY COUPLING INSTALLATION

ITEM	PART NUMBER	QTY	DESCRIPTION	REV
	1001107531	Ref	ROTARY COUPLING INSTALLATION	A
1	0100011	AR	Compound, Locking	
2	0641611	2	Bolt 3/8in-16NC x 1-3/8in	
3	0641812	1	Bolt 1/2in-13NC x 1-1/2in	
4	0641820	2	Bolt 1/2in-13NC x 2-1/2in	
5	0903242	1	Bracket	
7	3271805	2	Locknut 1/2in-13NC	
8	4751800	5	Flatwasher 1/2in Regular	
9	4891600	2	Flatwasher 3/8in Hardened	
10	3322201	2	Locknut 3/4in x 16NF	
11	1001106974	1	Coupling, Rotary (See Items 101-128 for Breakdown)	
	1001106974	Ref	ROTARY COUPLING ASSEMBLY	B
101	1001106974	1	Body (Note: Not Available - Purchase Complete Assembly)	
102	70001248	1	Seal, Poly	
103	70001248	2	O-Ring/Seal	
104	See Note	NSS	Housing (Note: Not Available - Purchase Complete Assembly)	
105	70001248	6	Seal, Cap	
106	70001248	6	O-Ring	
107	7026503	2	Ring, Thrust	
108	7026504	2	Ring, Retaining	
109	80934561	2	Plug	
110	See Note	NSS	Lug, Torque (Note: Not Available for Purchase)	
112	7026197	4	Capscrew	
113	70001248	3	O-Ring	
114	70001248	1	O-Ring	
115	70001248	2	Bearing	
116	7024404	1	Block Valve Assembly	
117	7026505	1	Plug	
118	7026506	1	Valve, Check	
119	7026507	1	Plug	
120	7024404	1	Plunger, Valve (Note: Not Available for Purchase)	
121	7026509	1	Spring	
122	70001248	1	Seal, Oil	
123	70003454	1	Bracket, Switch Mounting	
124	4711000	4	Flatwasher #10 Thin	
125	See Note	NSS	Locknut 1/4in-24NF (Note: Not Available for Purchase)	
126	See Note	NSS	Capscrew 1/4in-24NF (Note: Not Available for Purchase)	
127	4360517	1	Switch, Proximity	
128	See Note	AR	Protective Netting (Not Shown) (Note: Not Available for Purchase)	
200	70001248	Ref	Seal Kit - (Includes Items 102, 103, 105, 106, 113, 114, 115 & 122)	

SECTION 2 - TURNTABLE

FIGURE 2-20. GROUND CONTROL BOX ASSEMBLY



SECTION 2 - TURNTABLE

FIGURE 2-20. GROUND CONTROL BOX ASSEMBLY

ITEM	PART NUMBER	QTY	DESCRIPTION	REV
		Ref	GROUND CONTROL BOX ASSEMBLY - 800S/680S DEUTZ TD2.9L4 ENGINE	
		Ref	USA Built Machines:	
	1001165772	Ref	Ground Control Box Assembly - 800S/680S Deutz TD2.9L4 Engine (All Specs except CE Spec) (SN 0300182743 through 0300190436)	E
	1001168339	Ref	Ground Control Box Assembly - 800S/680S Deutz TD2.9L4 Engine (All Specs except CE Spec) (SN 0300190437 to Present)	D
	1001184181	Ref	Ground Control Box Assembly - 800S/680S Deutz TD2.9L4 Engine (CE Specs) (SN 0300182743 through 0300201002)	B
	1001188004	Ref	Ground Control Box Assembly - 800S/680S Deutz TD2.9L4 Engine (CE Specs) (SN 0300201003 to Present)	B
		Ref	China Built Machines:	
	1001168339	Ref	Ground Control Box Assembly - 800S Deutz TD2.9L4 Engine (All Specs except CE Spec) (SN B300001092 to Present)	D
	1001184181	Ref	Ground Control Box Assembly - 800S Deutz TD2.9L4 Engine (CE Specs) (SN B300001092 through B300001179)	B
	1001188004	Ref	Ground Control Box Assembly - 800S Deutz TD2.9L4 Engine (CE Specs) (SN B300001180 to Present)	B
		Ref	GROUND CONTROL BOX ASSEMBLY - 800S/680S DEUTZ D2011 ENGINE	
		Ref	USA Built Machines:	
	1001158928	Ref	Ground Control Box Assembly - 800S/680S Deutz D2011 Engine (All Specs except CE Spec) (SN 0300182743 through 0300190436)	D
	1001168335	Ref	Ground Control Box Assembly - 800S/680S Deutz D2011 Engine (All Specs except CE Spec) (SN 0300190437 to Present)	C
	1001158930	Ref	Ground Control Box Assembly - 800S/680S Deutz D2011 Engine (CE Specs) (SN 0300182743 through 0300190436)	D
	1001168337	Ref	Ground Control Box Assembly - 800S/680S Deutz D2011 Engine (CE Specs) (SN 0300190437 through 0300201002)	C
	1001193809	Ref	Ground Control Box Assembly - 800S/680S Deutz D2011 Engine (CE Specs) (SN 0300201003 to Present)	A
		Ref	China Built Machines:	
	1001168335	Ref	Ground Control Box Assembly - 800S Deutz D2011 Engine (All Specs except CE Spec) (SN B300001092 to Present)	C
	1001168337	Ref	Ground Control Box Assembly - 800S Deutz D2011 Engine (CE Specs) (SN B300001092 through B300001179)	C
	1001193809	Ref	Ground Control Box Assembly - 800S Deutz D2011 Engine (CE Specs) (SN B300001180 to Present)	A
		Ref	GROUND CONTROL BOX ASSEMBLY - 800S FORD ENGINE	
		Ref	USA Built Machines:	
	1001218775	Ref	Ground Control Box Assembly - 800S Ford Engine	B
		Ref	GROUND CONTROL BOX ASSEMBLY - 800S GM ENGINE	
		Ref	USA Built Machines:	
	1001158926	Ref	Ground Control Box Assembly - 800S GM Engine (SN 0300182743 through 0300190436)	D
	1001168292	Ref	Ground Control Box Assembly - 800S GM Engine (SN 0300190437 to Present)	C
		Ref	China Built Machines:	
	1001168292	Ref	Ground Control Box Assembly - 800S GM Engine	C
		Ref	GROUND CONTROL BOX ASSEMBLY - 860SJ DEUTZ TD2.9L4 ENGINE	

SECTION 2 - TURNTABLE

ITEM	PART NUMBER	QTY	DESCRIPTION	REV
		Ref	USA Built Machines:	
	1001165773	Ref	Ground Control Box Assembly - 860SJ Deutz TD2.9L4 Engine (All Specs except CE Spec) (SN 0300182743 through 0300190436)	D
	1001168340	Ref	Ground Control Box Assembly - 860SJ Deutz TD2.9L4 Engine (All Specs except CE Spec) (SN 0300190437 to Present)	C
	1001184182	Ref	Ground Control Box Assembly - 860SJ Deutz TD2.9L4 Engine (CE Specs) (SN 0300182743 through 0300201002)	B
	1001188005	Ref	Ground Control Box Assembly - 860SJ Deutz TD2.9L4 Engine (CE Specs) (SN 0300201003 to Present)	A
		Ref	China Built Machines:	
	1001168340	Ref	Ground Control Box Assembly - 860SJ Deutz TD2.9L4 Engine (All Specs except CE Spec) (SN B300001092 to Present)	C
	1001184182	Ref	Ground Control Box Assembly - 860SJ Deutz TD2.9L4 Engine (CE Specs) (SN B300001092 through B300001179)	B
	1001188005	Ref	Ground Control Box Assembly - 860SJ Deutz TD2.9L4 Engine (CE Specs) (SN B300001180 to Present)	A
		Ref	GROUND CONTROL BOX ASSEMBLY - 860SJ DEUTZ D2011 ENGINE	
		Ref	USA Built Machines:	
	1001158929	Ref	Ground Control Box Assembly - 860SJ Deutz D2011 Engine (All Specs except CE Spec) (SN 0300182743 through 0300190436)	D
	1001168336	Ref	Ground Control Box Assembly - 860SJ Deutz D2011 Engine (All Specs except CE Spec) (SN 0300190437 to Present)	C
	1001158931	Ref	Ground Control Box Assembly - 860SJ Deutz D2011 Engine (CE Specs) (SN 0300182743 through 0300190436)	D
	1001168338	Ref	Ground Control Box Assembly - 860SJ Deutz D2011 Engine (CE Specs) (SN 0300190437 through 0300201002)	C
	1001193690	Ref	Ground Control Box Assembly - 860SJ Deutz D2011 Engine (CE Specs) (SN 0300201003 to Present)	A
		Ref	China Built Machines:	
	1001168336	Ref	Ground Control Box Assembly - 860SJ Deutz D2011 Engine (All Specs except CE Spec) (SN B300001092 to Present)	C
	1001168338	Ref	Ground Control Box Assembly - 860SJ Deutz D2011 Engine (CE Specs) (SN B300001092 through B300001179)	C
	1001193690	Ref	Ground Control Box Assembly - 860SJ Deutz D2011 Engine (CE Specs) (SN B300001180 to Present)	A
		Ref	GROUND CONTROL BOX ASSEMBLY - 860SJ FORD ENGINE	
		Ref	USA Built Machines:	
	1001218774	Ref	Ground Control Box Assembly - 860SJ Ford Engine	B
		Ref	GROUND CONTROL BOX ASSEMBLY - 860SJ GM ENGINE	
		Ref	USA Built Machines:	
	1001158927	Ref	Ground Control Box Assembly - 860SJ GM Engine (SN 0300182743 through 0300190436)	D
	1001168334	Ref	Ground Control Box Assembly - 860SJ GM Engine (SN 0300190437 to Present)	C
		Ref	China Built Machines:	
	1001168334	Ref	Ground Control Box Assembly - 860SJ GM Engine	C
1	0100009	AR	Sealant	
2	0100011	AR	Compound, Locking	
3	0100048	AR	Grease, Dielectric	
4	0630518	2	Capscrew, Button Head	
5	0630548	5	Bolt, 2-1/2in Tap	

SECTION 2 - TURNTABLE

ITEM	PART NUMBER	QTY	DESCRIPTION	REV
6	0641404	AR	Bolt 1/4-20 x 1/2	
7	0641407	1	Bolt 1/4-20 x 7/8	
8	0641506	4	Bolt 5/16-18 x 3/4	
9	1670829	1	Bezel	
10	1706712	1	Decal - Ground Control Display	
11A	2420172	1	Gauge, Hourmeter	
11B	1001109503	1	Gauge, Hourmeter	
12	2760105	1	Housing, Display Light	
13	3300205	4	Nut, Retainer	
14	3300353	2	Nut, Tinnerman	
15	3300408	4	Locknut, Plastic Insert	
16	3311405	2	Nut 1/4-20	
17	3520035	1	Plug, Cap	
18	3539219	1	Plate, Reinforcement (SN 0300182743 through 0300199945)	
18	3539219	1	Plate, Reinforcement (SN B300001092 through B300001154)	
19	3740049	AR	Relay	
20	3900268	2	Screw #10 x 1/2	
21	3910804	4	Screw #8-32 x 1/4	
22	4060906	1	Shield, Toggle Switch	
23	4070991	1	Shim	
24	4360469	1	Switch, Key - All Specs except CE Specs	
24	4360470	1	Switch, Key - CE Specs (SN 0300182743 through 0300201002)	
24	4360469	1	Switch, Key - CE Specs (SN 0300201003 to Present)	
24	4360470	1	Switch, Key - CE Specs (SN B300001092 through B300001179)	
24	4360469	1	Switch, Key - CE Specs (SN B300001180 to Present)	
24	2860030	1	Key Replacement - All Specs	
25	4360475	1	Switch, Emergency Stop	
25	7020175	1	Cap, Mushroom	
25	7020176	1	Block, Contact	
26	4360476	1	Switch, Contact Block	
27	4460426	1	Connector, Strain Relief	
28	4460470	1	Nut, Terminal	
29	4460471	1	Lockwasher, Terminal	
30	4460488	6	Mounting Base, Terminal	
31	4460496	1	Washer, Terminal	
32	4460497	1	Nut, Terminal	
33	4460526	1	Connector, Strain Relief	
34	4740397	7	Spacer	
35	4740444	1	Washer	
36	4740518	2	Washer	
37	4751400	12	Washer 1/4	
38	4761400	6	Washer 1/4	
39	77143013	11	Nut 1/4-20	
40	1001102601	1	Decal - Faceplate 800S/680S (All Specs except CE)	
40	1001102601	1	Decal - Faceplate 800S/680S (CE Spec) (SN 0300182743 through 0300201002)	
40	1001180091	1	Decal - Faceplate 800S/680S (CE Spec) (SN 0300201003 to Present)	
40	1001102601	1	Decal - Faceplate 800S/680S (CE Spec) (SN B300001092 through B300001179)	

SECTION 2 - TURNTABLE

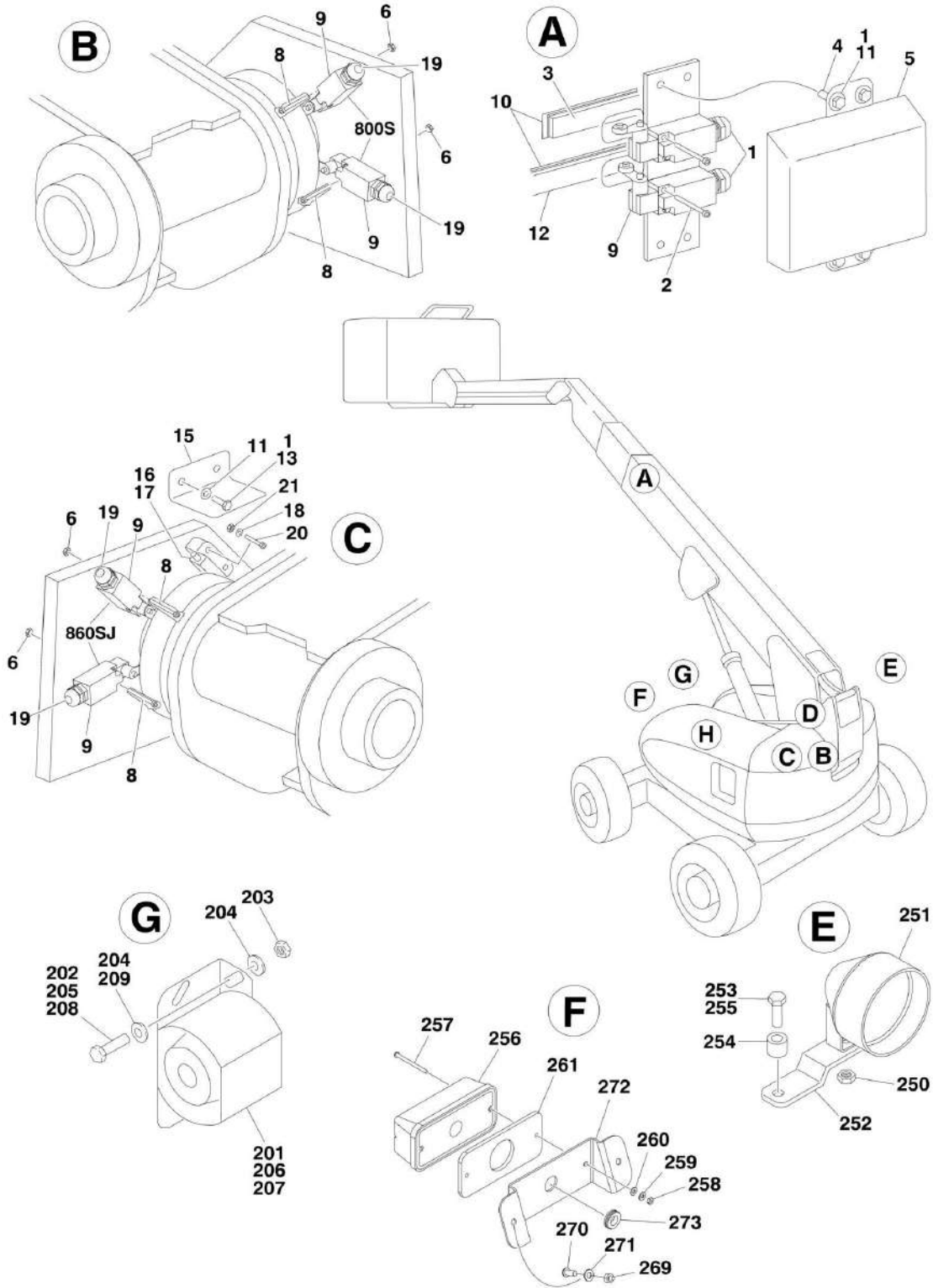
ITEM	PART NUMBER	QTY	DESCRIPTION	REV
40	1001180091	1	Decal - Faceplate 800S/680S (CE Spec) (SN B300001180 to Present)	
40	1001102602	1	Decal - Faceplate 860SJ (All Specs except CE)	
40	1001102602	1	Decal - Faceplate 860SJ (CE Spec) (SN 0300182743 through 0300201002)	
40	1001180092	1	Decal - Faceplate 860SJ (CE Spec) (SN 0300201003 to Present)	
40	1001102602	1	Decal - Faceplate 860SJ (CE Spec) (SN B300001092 through B300001179)	
40	1001180092	1	Decal - Faceplate 860SJ (CE Spec) (SN B300001180 to Present)	
41	1001103667	1	Module, Ground Control (Note: Re-calibration Required when Replaced)	
42	1001106736	1	Cap, Dust	
43	1001110339	1	Harness, Ground Control Box (Deutz D2011 Engines - All Specs except CE Specs) (Not Shown - See ELECTRICAL SECTION for Breakdown)	
43	1001110339	1	Harness, Ground Control Box (Deutz D2011 Engines - CE Specs) (Not Shown - See ELECTRICAL SECTION for Breakdown) (SN 0300182743 through 0300201002)	
43	1001186236	1	Harness, Ground Control Box (Deutz D2011 Engines - CE Specs) (Not Shown - See ELECTRICAL SECTION for Breakdown) (SN 0300201003 to Present)	
43	1001110339	1	Harness, Ground Control Box (Deutz D2011 Engines - CE Specs) (Not Shown - See ELECTRICAL SECTION for Breakdown) (SN B300001092 through B300001179)	
43	1001186236	1	Harness, Ground Control Box (Deutz D2011 Engines - CE Specs) (Not Shown - See ELECTRICAL SECTION for Breakdown) (SN B300001180 to Present)	
43	1001146010	1	Harness, Ground Control Box (Deutz DT2.9L4 Engines - All Specs except CE Specs) (Not Shown - See ELECTRICAL SECTION for Breakdown)	
43	1001146010	1	Harness, Ground Control Box (Deutz DT2.9L4 Engines - CE Specs) (Not Shown - See ELECTRICAL SECTION for Breakdown) (SN 0300182743 through 0300201002)	
43	1001186236	1	Harness, Ground Control Box (Deutz DT2.9L4 Engines - CE Specs) (Not Shown - See ELECTRICAL SECTION for Breakdown) (SN 0300201003 to Present)	
43	1001146010	1	Harness, Ground Control Box (Deutz DT2.9L4 Engines - CE Specs) (Not Shown - See ELECTRICAL SECTION for Breakdown) (SN B300001092 through B300001179)	
43	1001186236	1	Harness, Ground Control Box (Deutz DT2.9L4 Engines - CE Specs) (Not Shown - See ELECTRICAL SECTION for Breakdown) (SN B300001180 to Present)	
43	1001110339	1	Harness, Ground Control Box (Ford & GM Engines) (Not Shown - See ELECTRICAL SECTION for Breakdown)	
44	1001152174	1	Lid (All Specs except CE Spec)	
44	1001152174	1	Lid (CE Spec) (SN 0300182743 through 0300201002)	
44	1001188041	1	Lid (CE Spec) (SN 0300201003 to Present)	
44	1001152174	1	Lid (CE Spec) (SN B300001092 through B300001179)	
44	1001188041	1	Lid (CE Spec) (SN B300001180 to Present)	
45	1001169234	1	Box Less Lid	
46	1001165776	1	Harness, Deutz TD2.9L4 Engine (Not Shown - See ELECTRICAL SECTION for Breakdown)	
46	1001154324	1	Harness, Deutz D2011 Engine (Not Shown - See ELECTRICAL SECTION for Breakdown)	
46	1001216327	1	Harness, Ford Engine (Not Shown - See ELECTRICAL SECTION for Breakdown)	

SECTION 2 - TURNTABLE

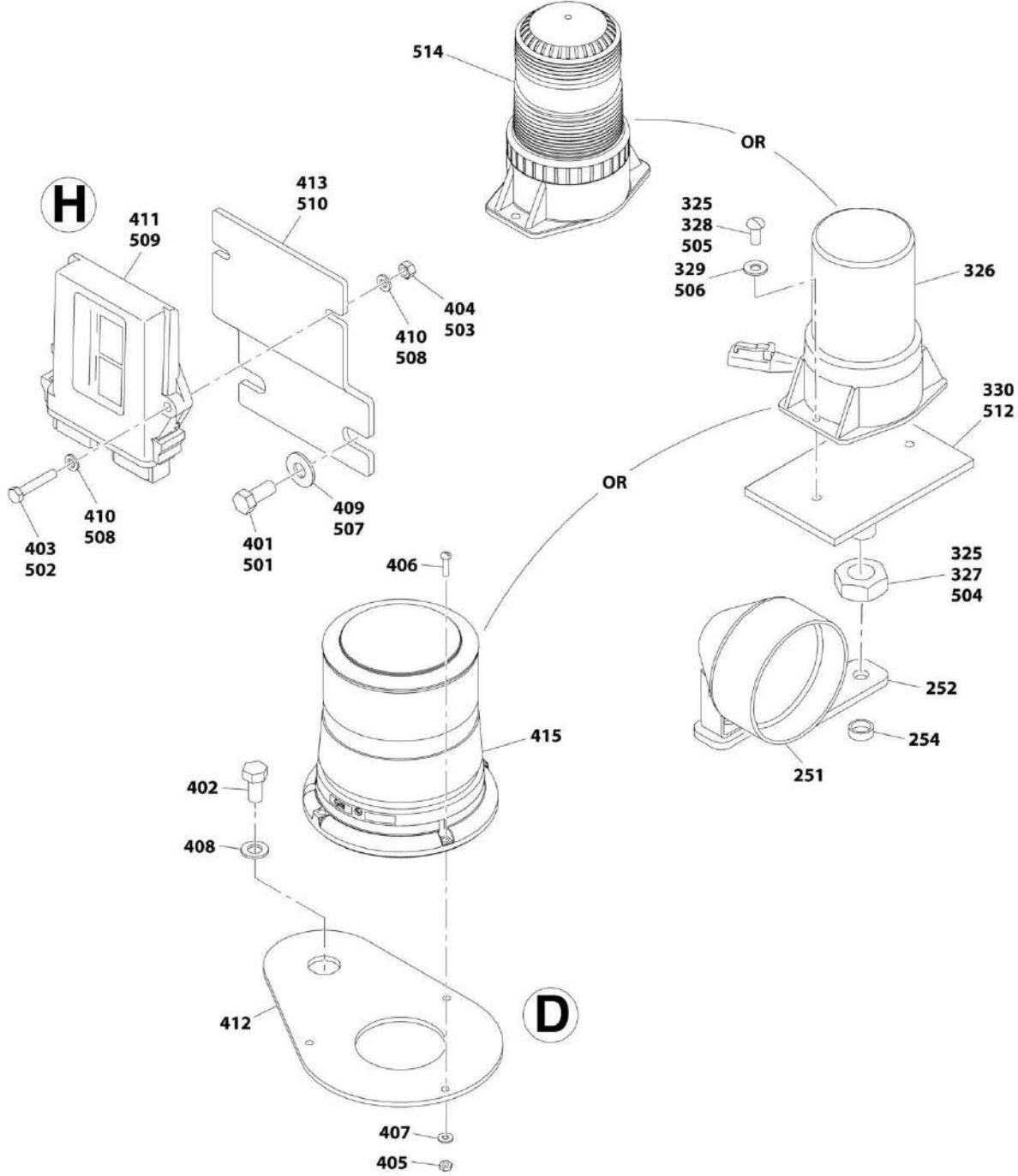
ITEM	PART NUMBER	QTY	DESCRIPTION	REV
46	1001154323	1	Harness, GM Engine (Not Shown - See ELECTRICAL SECTION for Breakdown)	
47		Ref	Harness, Platform Valve Options: (Not Shown - See ELECTRICAL SECTION for Breakdown)	
47	1001154327	1	Harness, Valve (SN 0300182743 through 0300190436)	
47	1001168024	1	Harness, Valve (SN 0300190437 to Present)	
47	1001168024	1	Harness, Valve (SN B300001092 to Present)	
49	1001155043	AR	Washer	
50	1001155044	AR	Nut 15/32-32	
51	1001155045	AR	Switch, Toggle	
53	4891500	4	Washer 5/16	
54	1001188874	2	Nut	
55	1001103308	2	Screw 1/4	
56	4711400	2	Washer 1/4	
57	3520031	2	Plug	
58	1001176469	1	Shroud (CE Spec) (SN 0300201003 to Present)	
58	1001176469	1	Shroud (CE Spec) (SN B300001180 to Present)	
59	4360387	1	Switch, Push Button (CE Spec) (SN 0300201003 to Present)	
59	4360387	1	Switch, Push Button (CE Spec) (SN B300001180 to Present)	

SECTION 2 - TURNTABLE

FIGURE 2-21. LIMIT SWITCHES, LIGHTS AND ALARM INSTALLATIONS



SECTION 2 - TURNTABLE



SECTION 2 - TURNTABLE

FIGURE 2-21. LIMIT SWITCHES, LIGHTS AND ALARM INSTALLATIONS

ITEM	PART NUMBER	QTY	DESCRIPTION	REV
		Ref	LIMIT SWITCHES INSTALLATION	
		Ref	USA Built Machines: (SN 0300182743 through 0300236015)	
	0271360	Ref	Limit Switches Installation 800S/680S (All Specs except Australian and CE Specs)	K
	1001091187	Ref	Limit Switches Installation 800S/680S (Australian and CE Specs Only)	E
	0271362	Ref	Limit Switches Installation 860SJ (All Specs except Australian and CE Specs)	K
	1001091188	Ref	Limit Switches Installation 860SJ (Australian and CE Specs Only)	E
		Ref	USA Built Machines: (SN 0300236016 to Present)	
	1001224902	Ref	Limit Switches Installation 800S/680S (All Specs except Australian, CE and China Specs)	A
	1001224900	Ref	Limit Switches Installation 800S/680S (Australian, CE and China Specs Only)	A
	1001224903	Ref	Limit Switches Installation 860SJ (All Specs except Australian and CE Specs)	A
	1001224901	Ref	Limit Switches Installation 860SJ (Australian and CE Specs Only)	A
		Ref	China Built Machines:	
	0271360	Ref	Limit Switches Installation 800S (All Specs except Australian and CE Specs)	K
	1001091187	Ref	Limit Switches Installation 800S (Australian and CE Specs Only)	E
	0271362	Ref	Limit Switches Installation 860SJ (All Specs except Australian and CE Specs)	K
	1001091188	Ref	Limit Switches Installation 860SJ (Australian and CE Specs Only)	E
1	0100011	AR	Compound, Locking	
2	0100035	AR	Compound, Locking	
3	1001106480	Ref	Bar, Fiberglass (Top)	
3	1001106480	1	All Specs except Australian and CE Specs	
3	Not Required	0	Australian and CE Specs Only	
4	0641403	4	Bolt 1/4 x 3/8	
5	1671022	1	Cover, Limit Switch	
6	3310805	AR	Nut #8	
7	3930816	AR	Capscrew #8 x 1	
8	3930828	AR	Capscrew #8 x 1-3/4	
8	1001223804	AR	Capscrew #8 x 2-1/4	
9	4360578	Ref	Switch, Limit Options: (Note: P/N 4360578 does not include #19 Connector - Purchase Separately)	
9	4360578	4	All Specs except Australian and CE Specs	
9	4360578	2	Australian and CE Specs Only	
10	4420060	Ref	Tape, Double Sided Options:	
10	4420060	31.2 ft /9.5m	All Specs except Australian and CE Specs	
10	4420060	12.3 ft /3.8m	Australian and CE Specs Only	
11	4751400	6	Washer 1/4	
12	1001106449	1	Bar, Fiberglass (Bottom)	
13	0641406	2	Bolt 1/4 x 3/4	
15	1671059	1	Cover, Proximity Switch	
16	4071043	1	Shim	

SECTION 2 - TURNTABLE

ITEM	PART NUMBER	QTY	DESCRIPTION	REV
17	4360517	1	Switch, Proximity	
18	1001097942	4	Washer #8	
19	4460968	Ref	Connector, Strain Relief Options:	
19	4460968	4	All Specs except Australian and CE Specs	
19	4460968	2	Australian and CE Specs Only	
20	1001097939	AR	Capscrew #8 x 1-3/4	
20	1001223804	AR	Capscrew #8 x 2-1/4	
21	1001097945	2	Nut #8	
		Ref	ALARM INSTALLATION	
	0271999	Ref	Deutz DT2.9L4 Engines (SN 0300182743 through 0300185779)	A
201	0257887	1	Alarm/Harness Assembly	
201	0140032	1	Alarm	
201	2820035	6 in/15cm	Loom	
201	4460424	1	Plug	
201	4460268	2	Socket	
202	0641410	2	Bolt 1/4 x 1-1/4	
203	3311405	2	Nut 1/4	
204	4711400	4	Washer 1/4	
	1001158364	Ref	Deutz D2011 & GM Engines	A
	1001158364	Ref	Deutz TD2.9L4 Engines (SN 0300185780 to Present)	A
	1001158364	Ref	Deutz TD2.9L4 Engines (SN B300001092 to Present)	A
205	0100011	AR	Compound, Locking	
206	0100048	AR	Grease, Dielectric	
207	0140044	1	Alarm	
208	0641405	2	Bolt 1/4 x 5/8	
209	4711400	2	Washer 1/4	
		Ref	LIGHTS INSTALLATIONS (OPTIONAL)	
	0271552	Ref	Headlights and Taillights (ABS Hoods)	E
	1001164786	Ref	Headlights and Taillights (Steel Hoods)	C
	0272057	Ref	Floodlights (ABS Hoods) (Not Shown)	C
	1001184259	Ref	Floodlights (Steel Hoods) (Not Shown)	B
250	3311605	2	Nut 3/8	
251		Ref	Light Options:	
251	2920110	2	Headlight	
251	2920157	2	Floodlight (Not Shown)	
252	0902206	2	Bracket, Mounting	
253	0642612	1	Bolt 1 x 1-1/2	
254		Ref	Spacer Options:	
254	4220162	2	Spacer	
254	4892600	2	Washer 1	
255	0100011	AR	Compound, Locking	
256		Ref	Light Options:	
256	2920113	2	Taillight	
256	2920157	2	Floodlight (Not Shown)	
257	3911040	4	Screw #10 x 2-1/2	
258	3311005	4	Nut #10	
259	4751000	4	Washer #10	
260	4740362	4	Washer, Fender	
261	3960461	2	Gasket	
263	4240032	AR	Tie-Strap (Not Shown)	
264	4460234	AR	Mount, Tie-Strap (Not Shown)	

SECTION 2 - TURNTABLE

ITEM	PART NUMBER	QTY	DESCRIPTION	REV
265	4360522	1	Switch, Push Button (Not Shown - Located on Console)	
267	3820001	11	Rivet, Pop (Not Shown)	
268	1705170	1	Decal - Lights (Not Shown - Located on Console)	
269	3311505	4	Nut 5/16 (Steel Hoods Only)	
270	3900210	4	Screw 5/16 x 3/4 (Steel Hoods Only)	
271	4711500	4	Washer 5/16 (Steel Hoods Only)	
272	1001165118	2	Support (Steel Hoods Only)	
273	1001188354	2	Grommet (Steel Hoods Only) (SN 0300251468 to Present, SN B300003219 to Present)	
	1001149955	Ref	STROBE LIGHT INSTALLATION (AMBER) (OPTIONAL) (SN 0300182743 through 0300190436)	A
	1001160077	Ref	STROBE LIGHT INSTALLATION (SN 0300190437 to Present)	B
	1001160077	Ref	STROBE LIGHT INSTALLATION (SN B300001092 to Present)	B
	1001150406	Ref	Strobe Light Sub-Assembly (Amber)	B
325	0100035	AR	Compound, Locking	
326	2920161	1	Strobe Light/Harness Assembly	
326	7016319	1	Bulb	
326	7016372	1	Lens	
327	3312602	1	Nut 1	
328	3900085	2	Screw #10 x 1/2	
329	4751000	2	Washer 1/4	
330	1001149994	1	Mount Strobe	
331	1001149818	1	Harness, Strobe Light Extension (Not Shown - See ELECTRICAL SECTION for Breakdown) (SN 0300182743 through 0300190436)	
	1001189174	Ref	STROBE LIGHT INSTALLATION (BLUE) (OPTIONAL) (Use p/n 1001242253) (SN 0300182743 through 0300217034)	B
	1001189174	Ref	STROBE LIGHT INSTALLATION (BLUE) (OPTIONAL) (Use p/n 1001205494) (SN B300001092 through B300001698)	B
	1001207308	Ref	STROBE LIGHT INSTALLATION (RED) (OPTIONAL) (Use p/n 1001242254) (SN 0300182743 through 0300217034)	B
	1001207308	Ref	STROBE LIGHT INSTALLATION (RED) (OPTIONAL) (Use p/n 1001205494) (SN B300001092 through B300001698)	B
401	0641610	2	Bolt 3/8 x 1-1/4	
402	0642612	1	Bolt 1 x 1-1/2	
403	0700615	2	Bolt M6 x 35	
404	3290607	2	Nut M6	
405	3311005	3	Nut #10	
406	3911012	3	Screw #10 x 3/4	
407	4711000	3	Washer #10	
408	4712600	1	Washer 1	
409	4751600	2	Washer 3/8	
410	4811700	4	Washer M6	
411	1001142683	1	Module, Beacon Light	
412	1001142694	1	Bracket	
413	1001142722	1	Bracket	
414	1001142736	1	Harness, Beacon Control (Module to Light) (Not Shown - See ELECTRICAL SECTION for Breakdown)	
415	1001143431	1	Light, Strobe (Blue)	
415	1001197067	1	Light, Strobe (Red)	
416	1001150944	1	Harness, Beacon Control (Module to Ground Control Box) (Not Shown - See ELECTRICAL SECTION for Breakdown)	
	1001205494	NLA	STROBE LIGHT INSTALLATION (BLUE) (OPTIONAL) (Use p/n 1001242253) (SN 0300217035 through 0300255782)	E

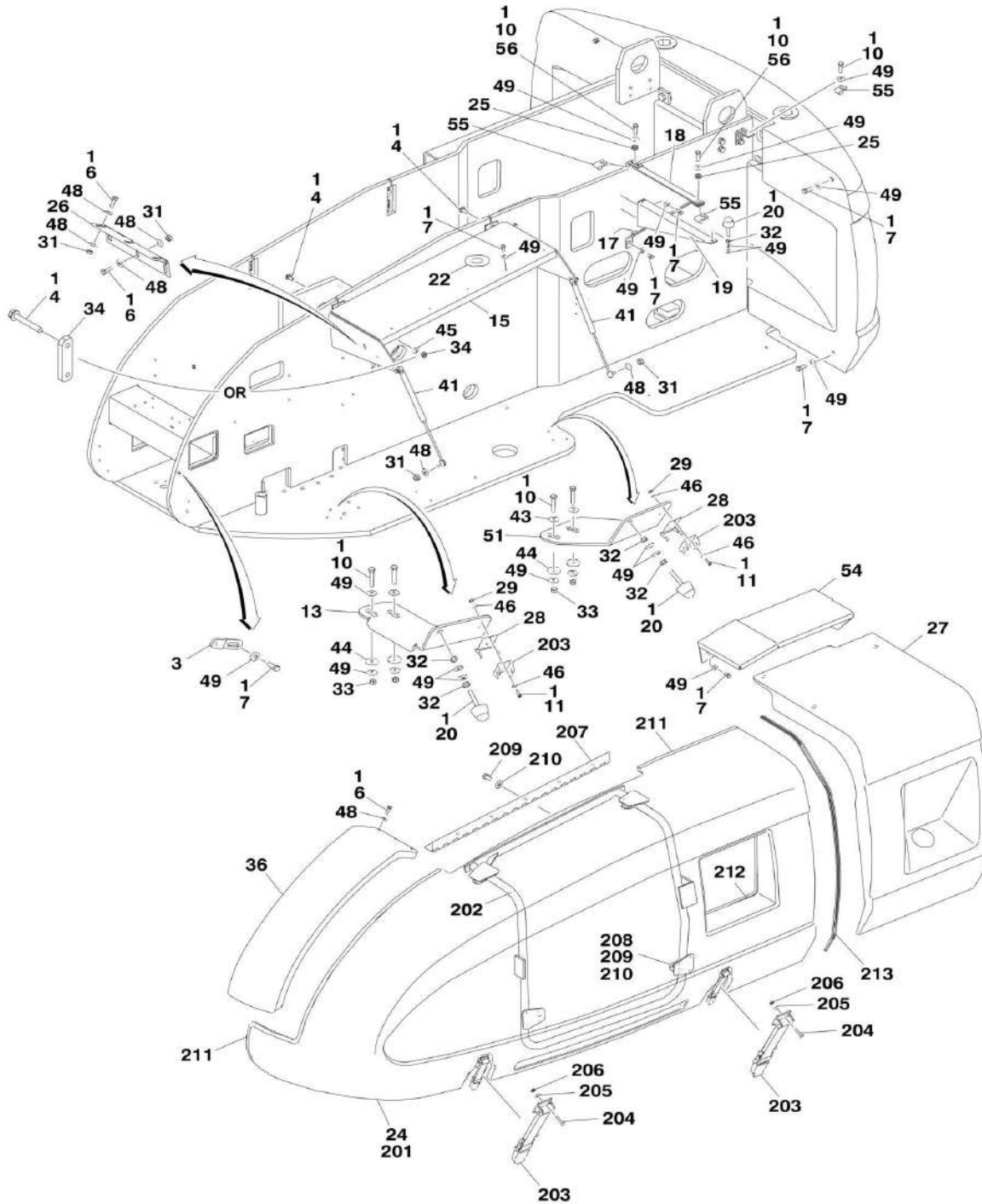
SECTION 2 - TURNTABLE

ITEM	PART NUMBER	QTY	DESCRIPTION	REV
	1001242253	Ref	STROBE LIGHT INSTALLATION (BLUE) (OPTIONAL) (SN 0300255783 to Present)	A
	1001205494	Ref	STROBE LIGHT INSTALLATION (BLUE) (OPTIONAL) (SN B300001699 to Present)	E
	1001209872	NLA	STROBE LIGHT INSTALLATION (RED) (OPTIONAL) (Use p/n 1001242254) (SN 0300217035 through 0300255782)	E
	1001242254	Ref	STROBE LIGHT INSTALLATION (RED) (OPTIONAL) (SN 0300255783 to Present)	A
	1001209872	Ref	STROBE LIGHT INSTALLATION (RED) (OPTIONAL) (SN B300001699 to Present)	E
501	0641610	2	Bolt 3/8 x 1-1/4	
502	0700615	2	Bolt M6 x 35	
503	3290607	2	Nut M6	
504	3312602	1	Nut 1	
505	3900085	2	Screw #10 x 1/2	
506	4751000	2	Washer #10	
507	4751600	2	Washer 3/8	
508	4811700	4	Washer M6	
509	1001142683	1	Module, Beacon Light	
510	1001142722	1	Bracket	
511	1001142736	1	Harness, Beacon Control (Module to Light) (Not Shown - See ELECTRICAL SECTION for Breakdown)	
512	1001149994	1	Mount, Strobe	
514	1001200910	1	Light, Strobe (Blue)	
514	1001207004	1	Light, Strobe (Red)	
515	4240032	AR	Tie-Strap (Not Shown)	
516	4460488	AR	Mount, Tie-Strap (Not Shown)	
517	1001217005	1	Beacon Light Kit – Blue (Not Shown - Includes Items 504-506, 512 & 514) (SN 0300255783 to Present)	

SECTION 2 - TURNTABLE

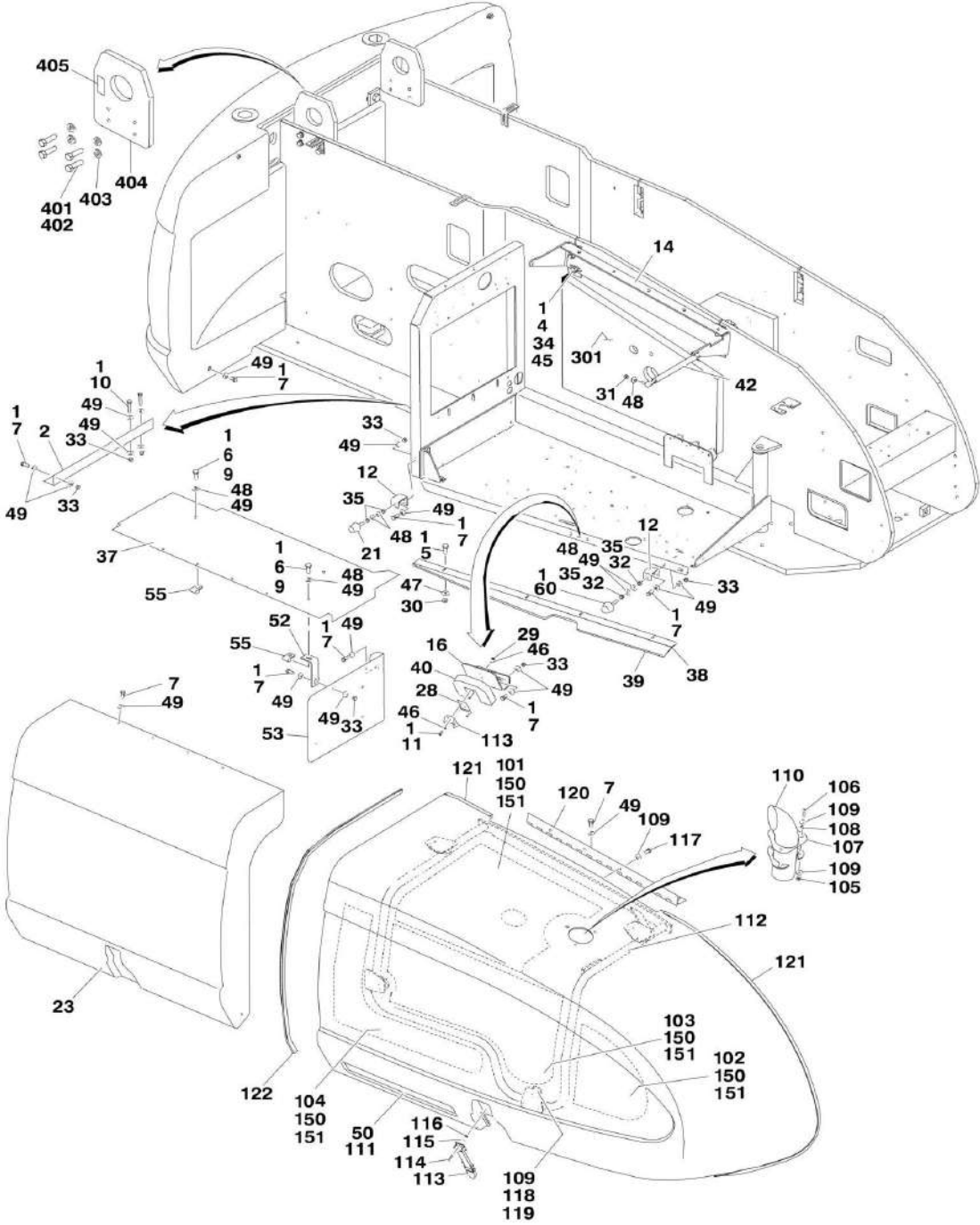
FIGURE 2-22. HOODS INSTALLATION (ABS)

NOTE: REPLACEMENT DECALS MUST BE PURCHASED SEPARATELY.



SECTION 2 - TURNTABLE

NOTE: REPLACEMENT DECALS MUST BE PURCHASED SEPARATELY.



SECTION 2 - TURNTABLE

FIGURE 2-22. HOODS INSTALLATION (ABS)

ITEM	PART NUMBER	QTY	DESCRIPTION	REV
		Ref	NOTE: REPLACEMENT DECALS MUST BE PURCHASED SEPARATELY - SEE DECALS SECTION.	
	1001157415	Ref	HOODS INSTALLATION - DEUTZ D2011 & GM ENGINES	F
	1001148561	Ref	HOODS INSTALLATION - DEUTZ DT2.9L4 ENGINES	E
1	0100011	AR	Compound, Locking	
2	0182077	1	Angle, Hood Support (SN 0300182743 through 0300196638)	
2	1001161711	1	Angle, Hood Support (SN 0300196639 to Present)	
2	1001161711	1	Angle, Hood Support (SN B300001092 to Present)	
3	0362770	1	Bar, Panel Mounting	
4	0630507	8	Bolt, Carriage 1/2in-13NC x 1-1/4in	
4	0811812	8	Bolt 1/2 x 1-1/2	
5	0641406	4	Bolt 1/4in-20NC x 3/4in	
6	0641508	AR	Bolt 5/16in-18NC x 1in	
7	0641608	AR	Bolt 3/8in-16NC x 1in	
8	0641609	2	Bolt 3/8in-16NC x 1-1/8in	
9	0641610	AR	Bolt 3/8in-16NC x 1-1/4in	
10	0641616	AR	Bolt 3/8in-16NC x 2in	
11	0721006	6	Screw #10-24NC x 3/4in	
12	0902219	2	Bracket, Bumper	
13	0902223	1	Bracket, Latch	
14	0902351	1	Bracket, Hood Mounting (SN 0300183034 through 0300216489)	
14	1001207558	1	Bracket, Hood Mounting (SN 0300216490 to Present)	
14	0902351	1	Bracket, Hood Mounting (SN B300001092 through B300001499)	
14	1001207558	1	Bracket, Hood Mounting (SN B300001500 to Present)	
15	0902412	1	Bracket, Hood Mounting	
16	0902491	1	Bracket, Latch	
17	0902673	1	Bracket, Support (Front Cover)	
18	0902674	1	Bracket, Support (Front Cover)	
19	0902769	1	Bracket, Bumper Support	
20	0940071	3	Bumper	
21	0940088	1	Bumper	
22	1120601	1	Plug, Cap	
23	1671201	1	Cover	
24	1671228	1	Hood Assembly (See Items 201-213 for Breakdown)	
25	2540035	AR	Grommet	
26	2600244	1	Hinge, Adapter Panel	
27	2680490	1	Hood, Right Cover	
28	2940188	3	Latch, Spring Clip	
29	3311005	6	Locknut #10-24NC	
30	3311405	4	Locknut 1/4in-20NC	
31	3311505	9	Locknut 5/16in-18NC	
32	3311601	AR	Nut 3/8in-16NC	
33	3311605	12	Locknut 3/8in-16NC	
34	3311805	8	Locknut 1/2in-13NC	
34	1001150260	4	Plate	
35	3321501	AR	Nut 5/16in-24NF	
36	3380444	1	Panel, Adapter	
37	3380575	1	Panel, Cover	
38	3571712	1	Plate, Seal (Deutz D2011 & GM Engines) (SN 0300183034 through 0300216489)	

SECTION 2 - TURNTABLE

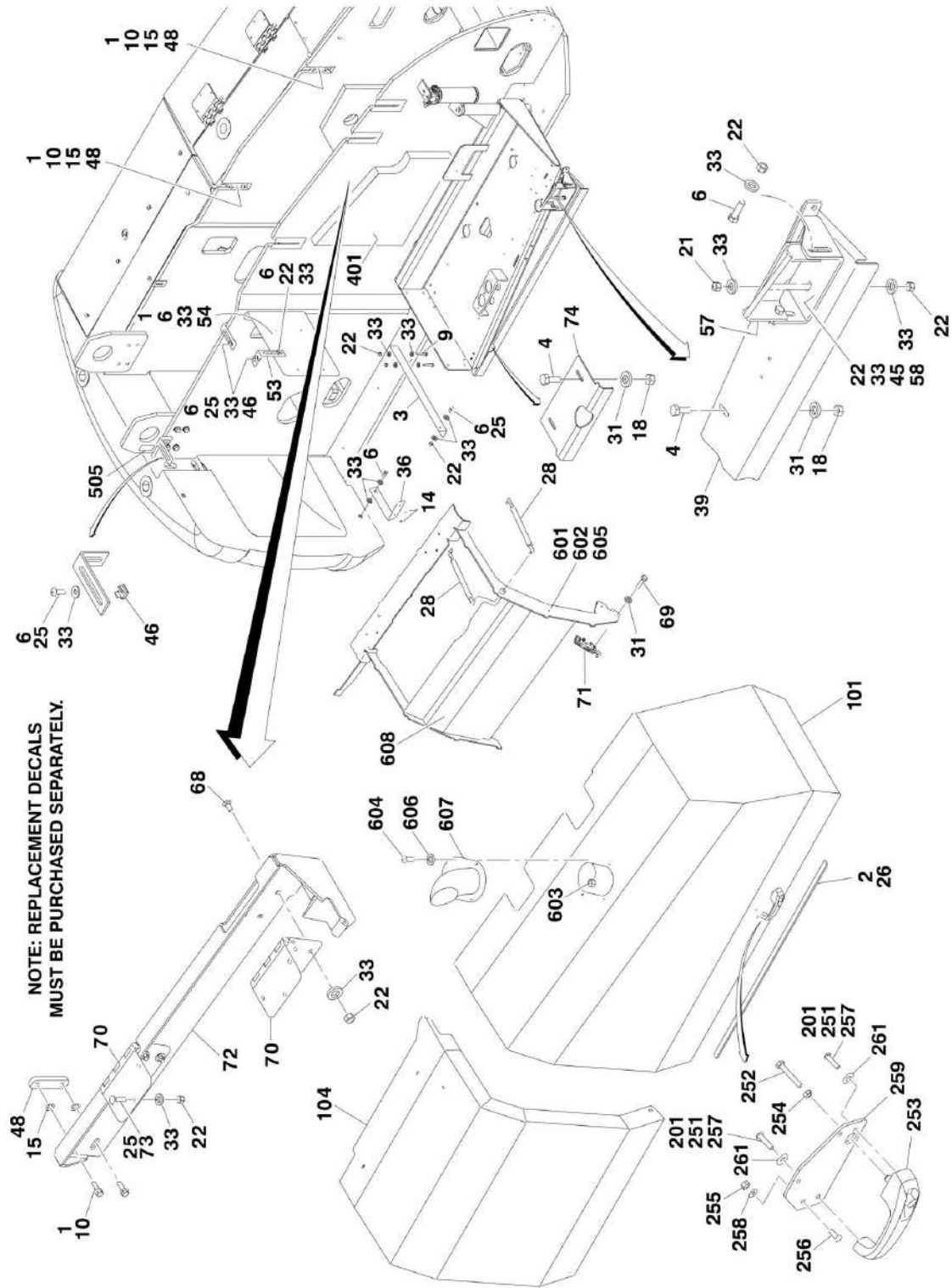
ITEM	PART NUMBER	QTY	DESCRIPTION	REV
38	1001208024	1	Plate, Seal (Deutz D2011 & GM Engines) (SN 0300216490 to Present)	
38	3571712	1	Plate, Seal (Deutz D2011 & GM Engines) (SN B300001092 through B300001499)	
38	1001208024	1	Plate, Seal (Deutz D2011 & GM Engines) (SN B300001500 to Present)	
38	1001143858	1	Plate, Seal (Deutz DT2.9L4 Engines) (SN 0300183034 through 0300216489)	
38	1001204648	1	Plate, Seal (Deutz DT2.9L4 Engines) (SN 0300216490 to Present)	
38	1001143858	1	Plate, Seal (Deutz DT2.9L4 Engines) (SN B300001092 through B300001499)	
38	1001204648	1	Plate, Seal (Deutz DT2.9L4 Engines) (SN B300001500 to Present)	
39	3960389	3.5 ft/ 1.1m	Seal	
40	3960470	1	Seal, Latch	
41	4160139	2	Spring, Gas (Tank Side)	
42	4160143	1	Spring, Gas (Engine Side)	
43	4711600	2	Flatwasher 3/8in Thin	
44	4740076	AR	Washer, Fender	
45	4740171	8	Washer, Hardened	
46	4751000	12	Flatwasher #10 Regular	
47	4751400	4	Flatwasher 1/4in Regular	
48	4751500	AR	Flatwasher 5/16in Regular	
49	4751600	AR	Flatwasher 3/8in Regular	
50	1001099138	1	Hood Assembly (Deutz D2011 & GM Engines) (See Items 101-151 for Breakdown)	
50	1001143607	1	Hood Assembly (Deutz DT2.9L4 Engines) (See Items 101-151 for Breakdown)	
51	1001157021	1	Bracket	
52	1001157474	1	Bracket	
53	1001157475	1	Panel	
54	1001157736	1	Panel	
55	1001126828	6	Nut, Tinnerman	
56	0641614	AR	Bolt 3/8in-16NC x 1-3/4in	
60	0940071	1	Bumper (SN 0300183034 through 0300216489)	
60	0940088	1	Bumper (SN 0300216490 to Present)	
60	0940071	1	Bumper (SN B300001092 through B300001527)	
60	0940088	1	Bumper (SN B300001528 to Present)	
	1001099138	Ref	HOOD ASSEMBLY (ENGINE SIDE) (DEUTZ D2011 & GM ENGINES)	B
	1001143607	Ref	HOOD ASSEMBLY (ENGINE SIDE) (DEUTZ DT2.9L4 ENGINES)	F
101	1001101673	1	Insulation (Deutz D2011 & GM Engines)	
102	2820233	1	Insulation, Rear Sound (Deutz D2011 & GM Engines)	
103	2820234	1	Insulation, Center Sound (Deutz D2011 & GM Engines)	
104	2820235	1	Insulation, Rear Sound (Deutz D2011 & GM Engines)	
105	3311605	AR	Locknut 3/8in x 16NC	
106	3900232	AR	Screw, Button Head 3/8in-16NC x 1-1/4in	
106	3900316	AR	Screw, Button Head 3/8in-16NC x 1in	
107	1001101623	1	Shield, Heat Gasket (Deutz D2011 & GM Engines)	
108	4740500	AR	Washer (Special)	
109	4751600	AR	Flatwasher 3/8in Regular	
110	1001099121	1	Tube, Exhaust (Deutz D2011 & GM Engines)	

SECTION 2 - TURNTABLE

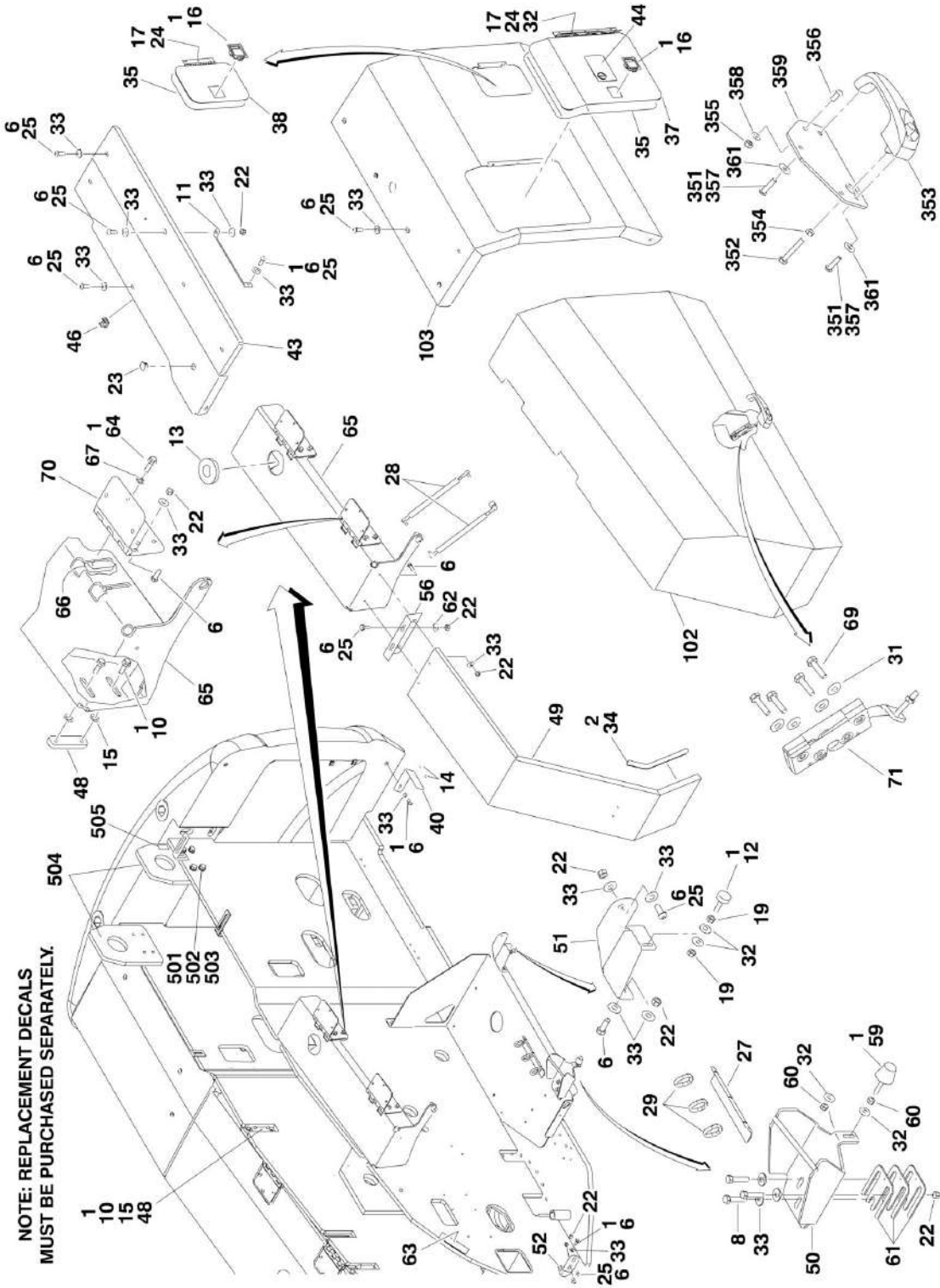
ITEM	PART NUMBER	QTY	DESCRIPTION	REV
110	1001143611	1	Tube, Exhaust (Deutz DT2.9L4 Engines)	
111	1001099139	1	Hood (Deutz D2011 & GM Engines) (Note: Must Install Insulation Before Putting Machine Back in Service - Items 101-104, 107 & 110)	
111	1001143601	1	Hood (Deutz DT2.9L4 Engines) (Note: Must Install Insulation Before Putting Machine Back in Service - Items 110, 150 & 151)	
112	1671230	1	Frame, Tubular (Deutz D2011 & GM Engines)	
112	1001153435	1	Frame, Tubular (Deutz DT2.9L4 Engines)	
113	2940088	1	Latch	
114	0721008	2	Screw, Machine #10-24NC x 1in	
115	4751000	2	Flatwasher #10 Regular	
116	3311005	2	Locknut #10-24NC	
117	0641608	6	Bolt 3/8in-16NC x 1in	
118	1321384	4	Hold Down	
119	0641606	4	Bolt 3/8in-16NC x 3/4in	
120	2600209	1	Hinge	
121	3960464	65 in/ 1.67m	Seal	
122	3960462	61 in/ 1.55m	Seal	
150	1001152566	AR	Insulation, Heat (Deutz DT2.9L4 Engines)	
151	1001117140	AR	Tape, Aluminum (Deutz DT2.9L4 Engines)	
	1671228	Ref	HOOD ASSEMBLY (TANK SIDE)	A
201	1671231	1	Hood	
202	1671232	1	Frame, Tubular	
203	2940088	2	Latch	
204	0721008	4	Screw, Machine #10-24NC x 1in	
205	4751000	4	Flatwasher #10 Regular	
206	3311005	4	Locknut #10-24NC	
207	2600233	1	Hinge	
208	1321384	4	Hold Down	
209	0641606	9	Bolt 3/8in-16NC x 3/4in	
210	4711600	9	Flatwasher 3/8in Thin	
211	3960464	83 in/ 2.11m	Seal	
212	3960438	55 in/1.4m	Seal	
213	3960462	53 in/ 1.35m	Seal	
	0272081	Ref	NOISE REDUCTION INSTALLATION (DEUTZ ENGINE MACHINES)	4-D
301	2820078	1	Foam, Acoustical	
	1001158084	Ref	LIFTING PLATE INSTALLATION	B
401	0100019	AR	Compound, Locking	
402	0682016	8	Bolt 5/8in-11NC x 2in Grade 8	
403	4892000	8	Flatwasher 5/8in Hardened	
404	1001157870	2	Plate, Lifting	
405	1703811	2	Decal - Lift	

SECTION 2 - TURNTABLE

FIGURE 2-23. HOODS (STEEL) AND LIFTING PLATE INSTALLATIONS



SECTION 2 - TURNTABLE



NOTE: REPLACEMENT DECALS
MUST BE PURCHASED SEPARATELY.

SECTION 2 - TURNTABLE

FIGURE 2-23. HOODS (STEEL) AND LIFTING PLATE INSTALLATIONS

ITEM	PART NUMBER	QTY	DESCRIPTION	REV
		Ref	NOTE: REPLACEMENT DECALS MUST BE PURCHASED SEPARATELY - SEE DECALS SECTION.	
		Ref	HOODS INSTALLATIONS	
	1001157416	Ref	Standard Machines - Deutz D2011 & GM Engine Machines	G
	1001173872	Ref	Standard Machines - Deutz DT2.9L4 Engine Machines	E
	1001220393	Ref	Standard Machines - Ford Engine Machines	A
	1001157753	Ref	Hostile Environment Machines - Deutz D2011 & GM Engine Machines	F
	1001173870	Ref	Hostile Environment Machines - Deutz DT2.9L4 Engine Machines	D
1	0100011	AR	Compound, Locking	
2	0100081	AR	Adhesive	
3	1001161711	1	Mount	
4	0641406	AR	Bolt 1/4in-20NC x 3/4in	
6	0641608	AR	Bolt 3/8in-16NC x 7/8in	
8	0641613	3	Bolt 3/8in-16NC x 1-5/8in	
9	0641616	2	Bolt 3/8in-16NC x 2in	
10	0811812	8	Bolt 1/2in-13NC x 1-1/2in	
11	0902673	1	Bracket	
12	0940049	2	Stopper, Hood	
13	1120601	1	Plug	
14	2080040	4	Fastener, Huck	
15	2080072	4	Retainer	
16	2940045	2	Latch, Paddle	
17	3300364	5	Nut, Tinnerman	
18	3311405	AR	Locknut 1/4in-20NC	
19	3311501	2	Nut 5/16in-18NC	
21	3311601	1	Nut 3/8in-16NC	
22	3311605	42	Locknut 3/8in-16NC	
23	3520030	1	Plug, Hole	
24	3900210	5	Screw, Button Head 5/16in-18 x 3/4in	
25	3900316	AR	Screw, Button Head 3/8in-16NC x 1in	
26	3960389	54 in/1.4m	Seal	
27	4061032	1	Shield (SN 0300182743 through 0300226928)	
27	4061032	1	Shield (SN B300001092 through B300001749)	
28	4160194	4	Spring, Gas	
29	4240018	3	Tie-Strap (Not Shown)	
31	4751400	AR	Flatwasher 1/4in Regular	
32	4751500	7	Flatwasher 5/16in Regular	
33	4751600	AR	Flatwasher 3/8in Regular	
34	1001110166	59 in /1.5mm	Seal	
35	1001113047	84 in /2.14m	Seal	
36	1001116280	1	Bracket, Hood	
37	1001116322	1	Door	
38		Ref	Door Options:	
38	1001116344	1	Standard Machines	
38	1001125501	1	Hostile Environment Machines (Not Shown)	
39	1001117249	1	Plate, Seal (Deutz and GM Engine Machines)	
39	1001220067	1	Plate, Seal (Ford Engine Machines)	

SECTION 2 - TURNTABLE

ITEM	PART NUMBER	QTY	DESCRIPTION	REV
40	1001116358	1	Bracket	
43	1001117027	1	Bracket	
44	1001117307	1	Decal - Emergency Stop	
45	1001117525	1	Bracket, Striker Plate (SN 0300182743 through 0300219203)	
45	1001186501	1	Bracket, Striker Plate (SN 0300219204 to Present)	
45	1001117525	1	Bracket, Striker Plate (SN B300001092 through B300001753)	
45	1001186501	1	Bracket, Striker Plate (SN B300001754 to Present)	
46	1001126828	5	Nut, Tinnerman	
		Ref	Note: Customer must transfer Item 108 Heat Shield to Hood Assembly before putting machine back in service.	
48	1001150260	4	Plate	
49		Ref	Plate, Spacer Options:	
49	1001155899	1	Plate (SN 0300182743 through 0300187375)	
49	1001173580	1	Plate (SN 0300187376 to Present)	
49	1001173580	1	Plate (SN B300001092 to Present)	
50	1001157024	1	Bracket, Striker	
51	1001157025	1	Bracket	
52	1001157344	1	Bracket	
53	1001157474	1	Bracket	
54	1001157475	1	Panel	
56	1001157612	1	Bracket	
57	1001117523	1	Bracket (SN 0300182743 through 0300219203)	
57	1001186502	1	Bracket (SN 0300219204 to Present)	
57	1001117523	1	Bracket (SN B300001092 through B300001753)	
57	1001186502	1	Bracket (SN B300001754 to Present)	
58	0641611	2	Bolt 3/8in-16NC x 1-3/8in	
59	0940088	1	Bumper	
60	3321501	2	Nut 5/16in-24NF	
61	4071048	3	Shim	
62	4711600	4	Flatwasher 3/8in Thin	
63	4420038	6 in/16cm	Tape	
64	0811610	8	Screw 3/8in-16NC x 1-1/4in	
65	1001157284	1	Mount	
66	1001169935	4	Plate (SN 0300182743 through 0300219203)	
66	1001186251	1	Plate (SN 0300219204 to Present)	
66	1001169935	1	Plate (SN B300001092 through B300001753)	
66	1001186251	1	Plate (SN B300001754 to Present)	
67	8310070	8	Pushnut 3/8in	
68	0630485	8	Bolt, Carriage	
69	0641408	8	Bolt 1/4in-20NC x 1in	
70	2600280	4	Hinge (SN 0300182743 through 0300219203)	
70	1001186254	4	Hinge (SN 0300219204 to Present)	
70	2600280	4	Hinge (SN B300001092 through B300001753)	
70	1001186254	1	Hinge (SN B300001754 to Present)	
71	2940173	2	Latch	
72	1001150253	1	Bracket (SN 0300182743 through 0300219203)	
72	1001196768	1	Bracket (SN 0300219204 to Present)	
72	1001150253	1	Bracket (SN B300001092 through B300001753)	
72	1001196768	1	Bracket (SN B300001754 to Present)	
73	0641609	6	Bolt 3/8 x 1-1/8	
74	1001220002	1	Baffle (Ford Engine Machines)	
100	1001174283	1	Hood Kit - Standard Machines (Deutz D2011, Ford & GM)	C

SECTION 2 - TURNTABLE

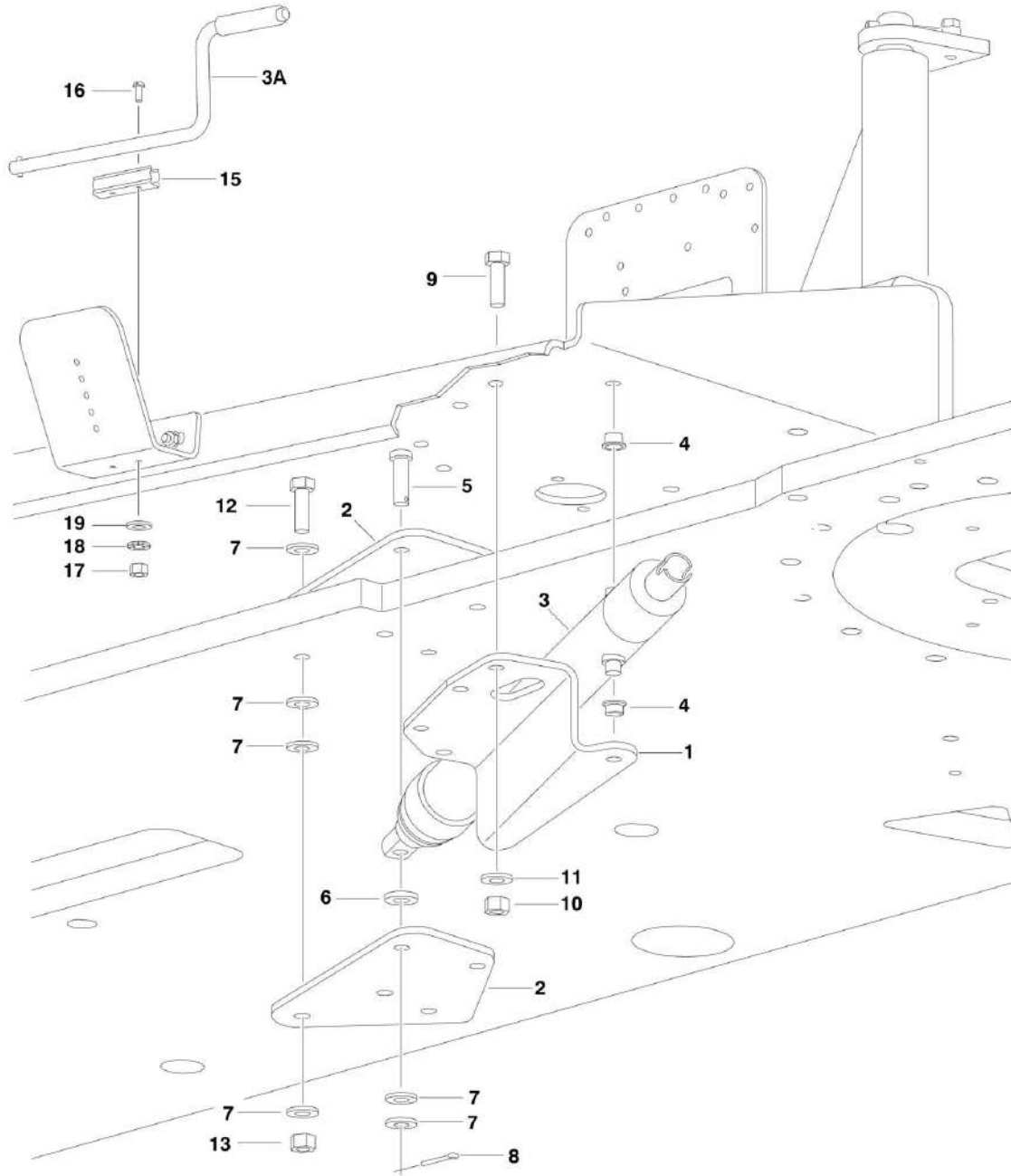
ITEM	PART NUMBER	QTY	DESCRIPTION	REV
100	1001174282	1	Engines) (Not Shown - Includes Items 101-104) Hood Kit - Hostile Environment Machines (Deutz D2011 & GM Engines) (Not Shown - Includes Items 101-104)	C
100	1001174143	1	Hood Kit - Standard Machines (Deutz DT2.9L4 Engines) (Not Shown - Includes Items 101-104)	C
100	1001174101	1	Hood Kit - Hostile Environment Machines (Deutz DT2.9L4 Engines) (Not Shown - Includes Items 101-104)	C
101		Ref	Note: Customer must transfer Item 607 (Stack) & 608 (Heat Shield) to new Hood before putting machine back in service.	
101	1001157208	1	Hood Assembly - Engine Side Rear (Deutz D2011, Ford & GM Engines) (See Items 251-261 for Breakdown)	
101	1001162915	1	Hood Assembly - Engine Side Rear (Deutz DT2.9L4 Engines) (See Items 251-261 for Breakdown)	
102	1001157209	1	Hood Assembly - Tank Side Rear (See Items 351-361 for Breakdown)	
103	1001116558	1	Hood - Tank Side Front (Standard Machines)	
103	1001125502	1	Hood - Tank Side Front (Hostile Environment Machines) (Not Shown)	
104	1001116620	1	Hood - Engine Side Front	
	1001157208	Ref	HOOD ASSEMBLY - ENGINE SIDE REAR (DEUTZ D2011, FORD & GM ENGINE)	D
	1001162915	Ref	HOOD ASSEMBLY - ENGINE SIDE REAR (DEUTZ TD2.9L4 ENGINES)	C
		Ref	Note: Customer must transfer Item 607 (Stack) & 608 (Heat Shield) to new Hood before putting machine back in service.	
251	0100011	AR	Compound, Locking	
252	0700617	AR	Bolt M6 x 45mm	
252	0700618	AR	Bolt M6 x 50mm	
253	2560187	1	Handle, Push Button	
254	3290601	1	Nut M6	
255	3311505	3	Locknut 5/16in-18NC	
256	3900210	3	Screw, Button Head 5/16in-18NC x 3/4in	
257	3900363	2	Screw, Button Head M6 x 25mm	
258	4711500	3	Flatwasher 5/16in Thin	
259	1001116290	1	Plate, Latch Mounting	
261	4751400	2	Flatwasher 1/4in Regular	
	1001157209	Ref	HOOD ASSEMBLY - TANK SIDE REAR	B
351	0100011	AR	Compound, Locking	
352	0700617	1	Bolt M6 x 45mm	
353	2560187	1	Handle, Push Button	
354	3290601	1	Nut M6	
355	3311505	3	Locknut 5/16in-18NC	
356	3900210	3	Screw, Button Head 5/16in-18NC x 3/4in	
357	3900363	2	Screw, Button Head M6 x 25mm	
358	4711500	3	Flatwasher 5/16in Thin	
359	1001116290	1	Plate, Latch Mounting	
361	4751400	2	Flatwasher 1/4in Regular	
	0272081	Ref	NOISE REDUCTION INSTALLATION (DEUTZ ENGINE MACHINES)	4-D
401	2820078	1	Foam, Acoustical	
	1001158084	Ref	LIFTING PLATE INSTALLATION	B
501	0100019	AR	Compound, Locking	
502	0682016	8	Bolt 5/8in-11NC x 2in Grade 8	

SECTION 2 - TURNTABLE

ITEM	PART NUMBER	QTY	DESCRIPTION	REV
503	4892000	8	Flatwasher 5/8in Hardened	
504	1001157870	2	Plate, Lifting	
505	1703811	2	Decal - Lift	
		Ref	HOODS INSTALLATIONS	
	1001157752	Ref	Deutz D2011 Engine Machines	C
	1001157755	Ref	Deutz D2011 Engine Machines with Hostile Environment Package	C
	1001173871	Ref	Deutz DT2.9L4 Machines	B
	1001173869	Ref	Deutz DT2.9L4 Machines with Hostile Environment Package	B
	1001220392	Ref	Ford Engine Machines	A
	1001157751	Ref	GM Engine Machines	C
601	0641406	3	Bolt 1/4in-20NC x 3/4in	
602	3311405	3	Locknut 1/4in-20NC	
603	3311605	4	Locknut 3/8in-16NC	
604	3900316	AR	Screw, Button Head 3/8in-16NC x 1in	
604	0641608	AR	Bolt 3/8 x 1	
605	4751400	3	Flatwasher 1/4in Regular	
606	4751600	8	Flatwasher 3/8in Regular	
607		Ref	Stack, Exhaust Options:	
607	1001116456	1	Deutz D2011 Engine Machines	
607	1001144527	1	Deutz DT2.9L4 Engine Machines	
607	1001116457	1	Ford & GM Engine Machines	
608		Ref	Shield, Heat Options:	
608	1001150561	1	Shield - Deutz D2011 & GM Engine Machines	
608	1001163101	1	Shield - Deutz DT2.9L4 Engine Machines	

SECTION 2 - TURNTABLE

FIGURE 2-24. ENGINE TRAY JACK INSTALLATION (OPTIONAL)



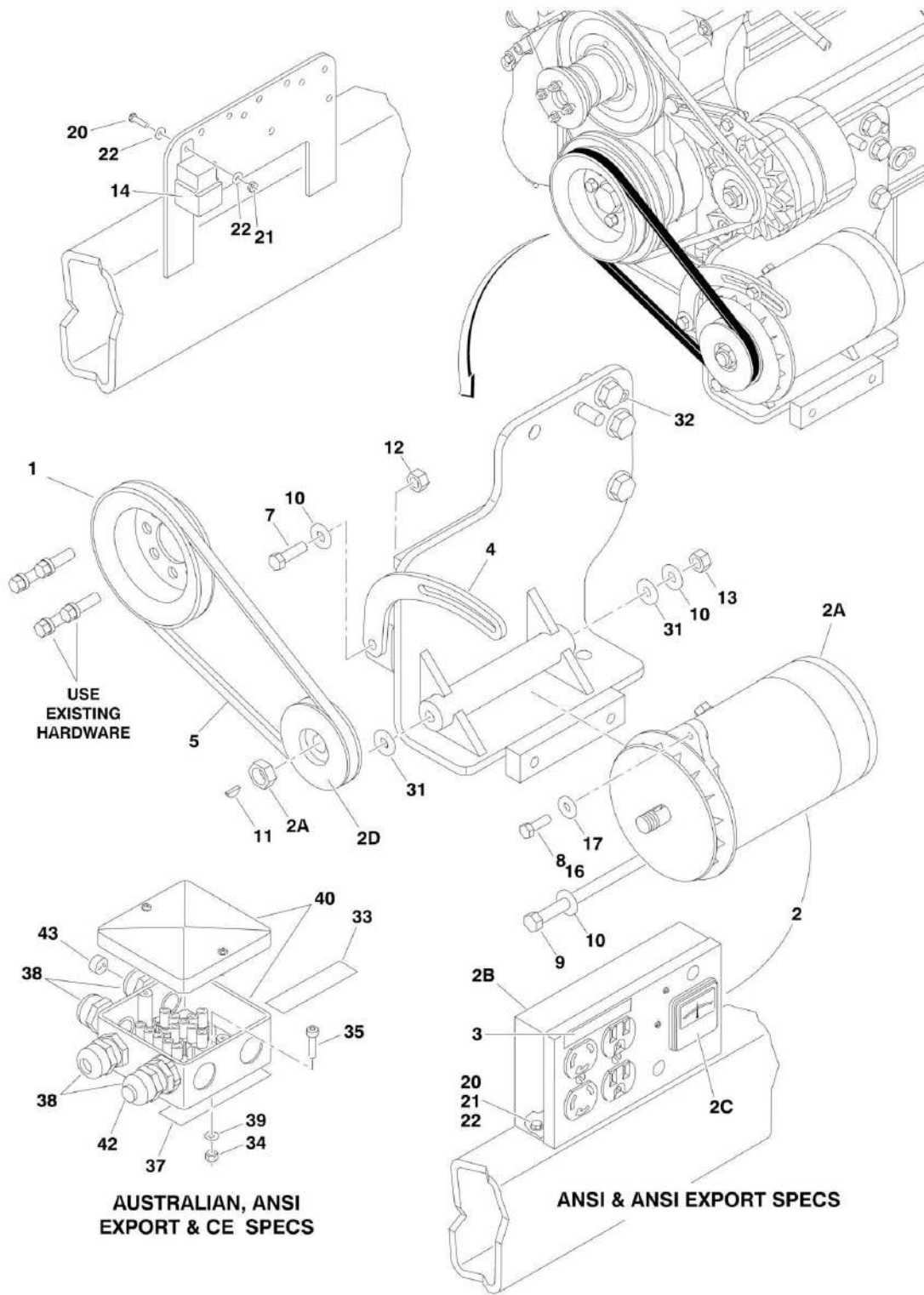
SECTION 2 - TURNTABLE

FIGURE 2-24. ENGINE TRAY JACK INSTALLATION (OPTIONAL)

ITEM	PART NUMBER	QTY	DESCRIPTION	REV
	0258728	Ref	ENGINE TRAY JACK INSTALLATION (DEUTZ & GM ENGINES)	2-C
	1001219881	Ref	ENGINE TRAY JACK INSTALLATION (FORD ENGINES)	B
1	3537445	1	Bracket (Deutz & GM Engines)	
1	1001218547	1	Bracket (Ford Engines)	
2	3537446	2	Bracket	
3	2840016	1	Jack and Handle Assembly	F
3A	7024598	1	Handle	
4	0962051	2	Bearing, Flange	
5	3430816	1	Pin, Clevis	
6	4891800	1	Flatwasher 1/2in Hardened	
7	4711800	6	Flatwasher 1/2in Thin	
8	3450404	1	Pin, Cotter 1/8in x 1in	
9	0641609	4	Bolt 3/8in-16NC x 1-1/8in	
10	3311605	4	Locknut 3/8in-16NC	
11	4891600	4	Flatwasher 3/8in Hardened	
12	0641818	4	Bolt 1/2in-13NC x 2-1/4in	
13	3311805	4	Locknut 1/2in-13NC	
15	1380147	1	Clip, Spring	
16	3910608	2	Screw, Round Head #6-32NC x 1in	
17	3310601	2	Nut #6-32NC	
18	4770600	2	Starwasher #6	
19	4740119	2	Washer, Aluminum	

SECTION 2 - TURNTABLE

FIGURE 2-25. 2500W GENERATOR INSTALLATION - DEUTZ D2011 MACHINES (OPTIONAL)



SECTION 2 - TURNTABLE

FIGURE 2-25. 2500W GENERATOR INSTALLATION - DEUTZ D2011 MACHINES (OPTIONAL)

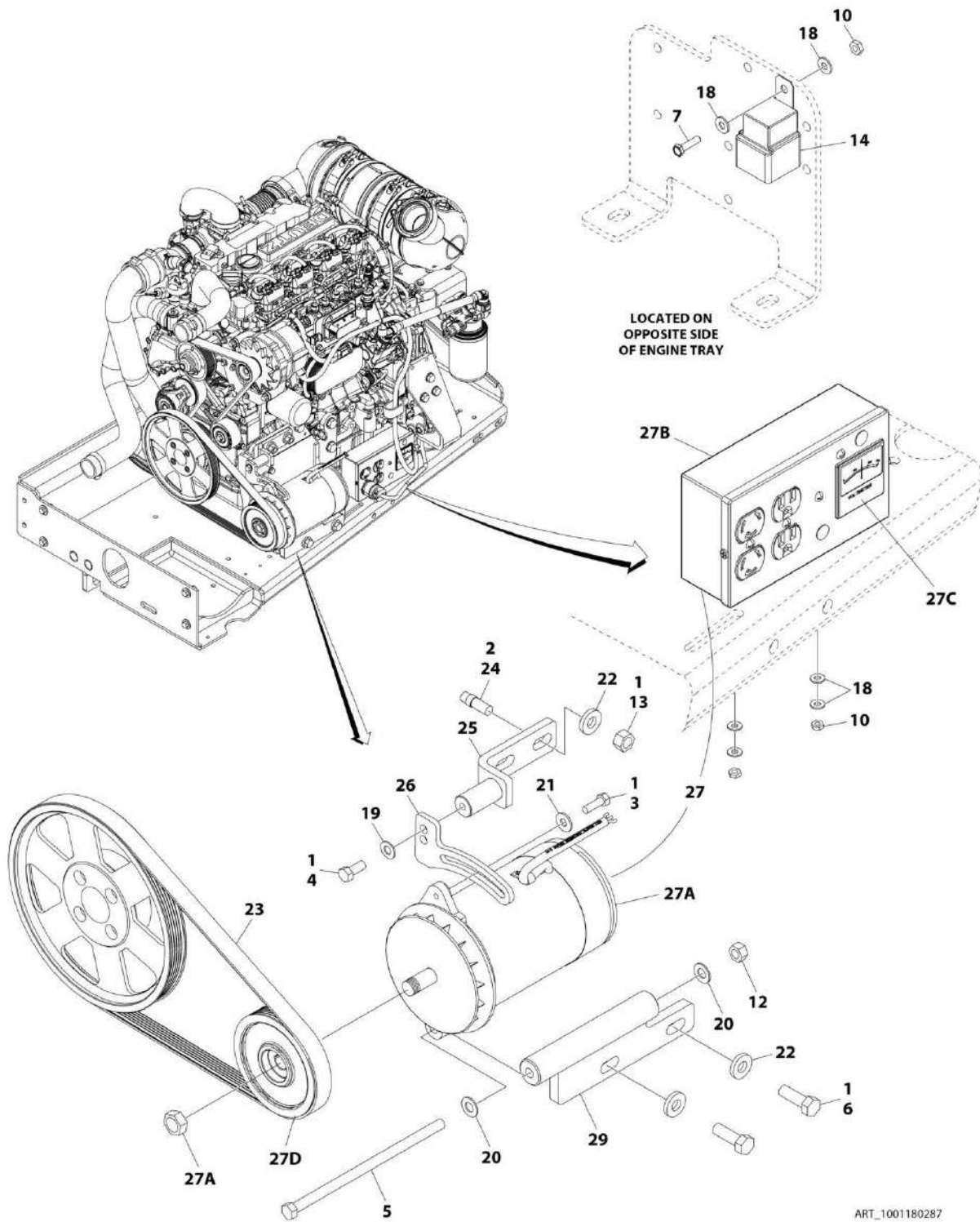
ITEM	PART NUMBER	QTY	DESCRIPTION	REV
		Ref	2500 W GENERATOR INSTALLATION - Deutz D2011 Machines (Optional)	
	1001115405	Ref	110V/60Hz (ANSI and ANSI Export Specs)	A
	1001115406	Ref	220V/50Hz (ANSI Export Specs)	A
	1001115409	Ref	220V/50Hz (Australian and CE Specs)	A
1	3580158	1	Pulley	
2		Ref	Generator and Control Box Assembly Options:	
2	2460055	1	110V/60Hz (ANSI and ANSI Export Specs)	
2	2460056	1	220V/50Hz (ANSI Export Specs)	
2	1001100321	1	220V/50Hz (Australian and CE Specs)	
2A	7012558	1	Generator Only - 110V/60Hz	
2A	1001100321	1	Generator Only - 220V/50Hz	
2A		Ref	Note: Replacement Generators come standard with p/n 3580134 pulley. This pulley may not be correct for all applications. Refer to pulley options below.	
2A		Ref	Armature with Slip Rings Options:	
2A	7026199	1	Armature with Slip Rings - 110V/60Hz	
2A	70000123	1	Armature with Slip Rings - 220V/50Hz	
2A	7012513	4	Cap, Brush Holder	
2A	7020108	4	Brush	
2A	7020109	4	Holder, Brush	
2A	7012514	1	Fan	
2A	7020110	1	Bell, Front	
2A	7020111	1	Bell, Rear	
2A	7020190	2	Bearing	
2B	7019680	1	Box, Control - 110V/60Hz	
2B	70000127	1	Box, Control - 220V/50Hz (ANSI Export Specs)	
2B	Not Required	0	Box, Control - 220V/50Hz (Australian and CE Specs)	
2B		Ref	Receptacle Options:	
2B	4460190	1	Receptacle, Standard (110V Only)	
2B	4460027	1	Receptacle, Twistlock (110V Only)	
2B	70000124	1	Receptacle, Double (220V/50Hz Only)	
2B	70000125	1	Receptacle, Single (220V/50Hz Only)	
2B		Ref	Breaker, Circuit Options:	
2B	4360542	1	Breaker 110V/60Hz	
2B	70000126	1	Breaker 220V/50Hz	
2B	3520028	1	Plug, Hole	
2C		Ref	Voltmeter Options:	
2C	2420203	1	Voltmeter - 110V	
2C	7020192	1	Voltmeter - 220V	
2D		Ref	Pulley Options:	
2D	3580276	1	Pulley - 60Hz	
2D	3580134	1	Pulley - 50Hz	
2D	7027887	1	Key, Woodruff	
3		Ref	Decal Options:	
3	3251243	1	110V/60Hz (ANSI and ANSI Export Specs)	
3	Not Required	0	220V/50Hz (ANSI Export, Australian and CE Specs)	
4	0200742	1	Arm, Adjusting	
5	0480121	1	V-Belt	
7	0641610	1	Bolt 3/8in-16NC x 1-1/4in	

SECTION 2 - TURNTABLE

ITEM	PART NUMBER	QTY	DESCRIPTION	REV
8	0100011	AR	Compound, Locking	
9	0641772	1	Bolt 7/16in-14NC x 9in	
10	4751600	6	Flatwasher 3/8in Regular	
11	2860012	1	Key, Woodruff	
12	3311605	1	Locknut 3/8in-16NC	
13	3311705	1	Locknut 7/16in-14NC	
14	3740080	1	Relay	
16	0641508	1	Bolt 5/16in-18NC x 1in	
17	4751500	AR	Flatwasher 5/16in Regular	
20	0721006	AR	Bolt #10-24NC x 3/4in	
21	3311005	AR	Locknut #10-24NC	
22	4751000	AR	Flatwasher #10 Regular	
25	4360336	1	Switch, Toggle (Not Shown - Located at Platform)	
26	4740397	1	Bushing (Not Shown - Located at Platform)	
27	4060802	1	Guard, Switch (Not Shown - Located at Platform)	
28	3252507	1	Decal - 220V-50/60Hz (Not Shown - Located on Turntable)	
29	2820031	4 in/10cm	Heat Shrink (Not Shown - Located at Platform)	
30	3251102	1	Decal (Not Shown - Located at Platform)	
		Ref	Note: Items 32-43 Used on ANSI Export, Australian and CE Specs Only.	
32	0641404	1	Bolt 1/4in-20NC x 1/2in	
33	3252507	2	Decal - 220V-50Hz	
		Ref	Note: One Decal Not Shown - Located on the Inside of Platform Rail.	
34	3290505	1	Locknut M5 x 0.8mm	
35	4031608	1	Bolt M5 x 20mm	
36	4240018	1	Tie-Strap (Not Shown)	
37	4420060	1	Tape, Double Coated Acrylic Foam	
38	4460968	3	Connector, Strain Relief	
39	4811600	1	Flatwasher M5	
40	1001099869	1	Box, Junction	
42		Ref	Light Red Options:	
42	1001100233	1	125 Vac	
42	1001100234	1	250 Vac	
43	0962449	1	Bushing	
44	2902085	1	Kit, Powermite Generator Mounting (Not Shown)	

SECTION 2 - TURNTABLE

FIGURE 2-26. 2500W GENERATOR INSTALLATION - DEUTZ TD2.9L4 MACHINES (OPTIONAL)



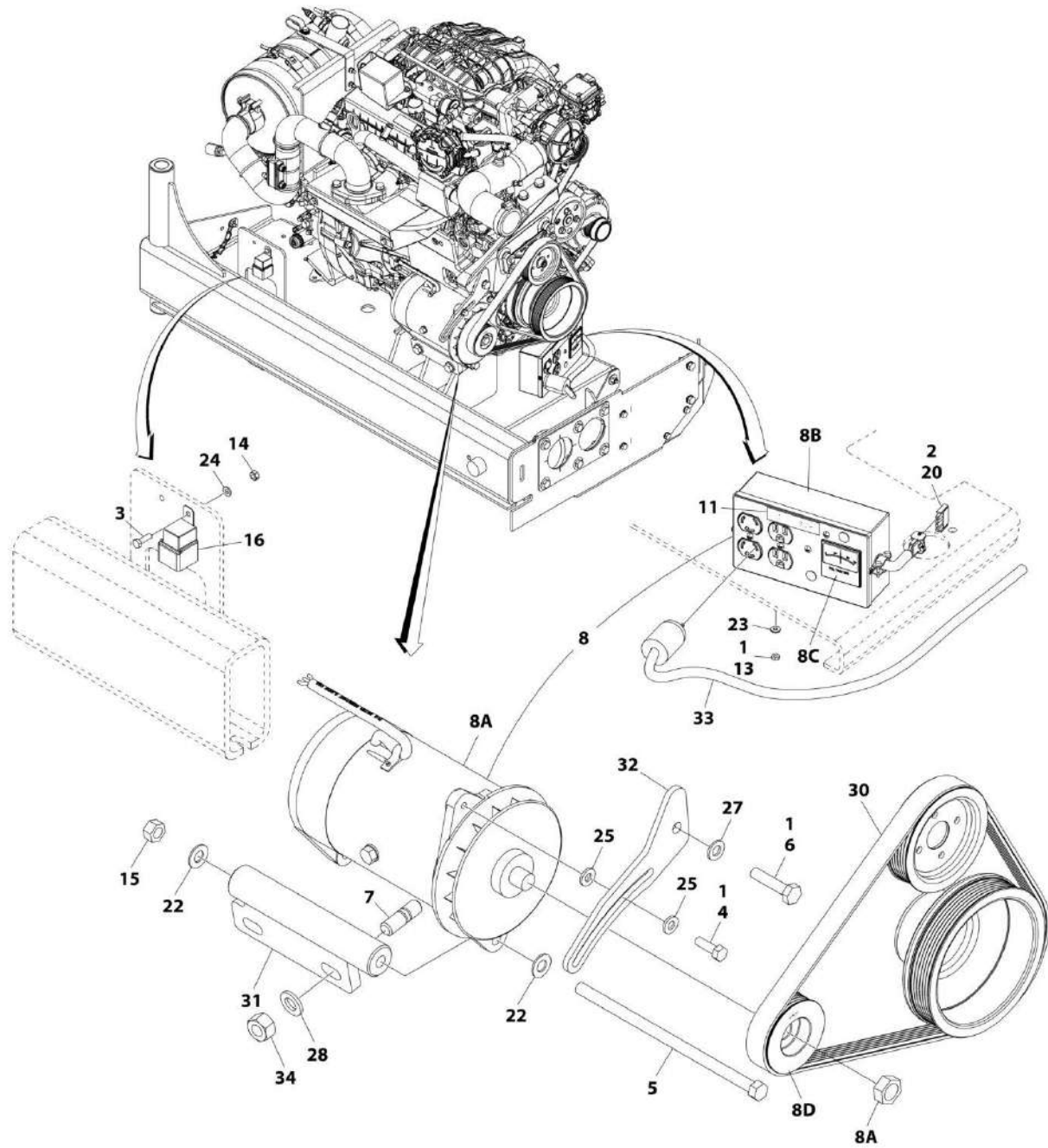
SECTION 2 - TURNTABLE

FIGURE 2-26. 2500W GENERATOR INSTALLATION - DEUTZ TD2.9L4 MACHINES (OPTIONAL)

ITEM	PART NUMBER	QTY	DESCRIPTION	REV
	1001180287	Ref	2500W GENERATOR INSTALLATION - DEUTZ TD2.9L4 MACHINES (OPTIONAL)	B
1	0100011	AR	Compound, Locking	
2	0100019	AR	Compound, Locking	
3	0641508	1	Bolt 5/16 x 1	
4	0641607	1	Bolt 3/8 x 7/8	
5	0641772	1	Bolt 7/16 x 9	
6	0641812	2	Bolt 1/2 x 1-1/2	
7	0721006	1	Screw #10 x 3/4	
8	2820031	AR	Heat Shrink (Not Shown - Located at Platform)	
9	3251102	1	Name Plate - Generator On (Not Shown - Located at Platform)	
10	3311005	3	Nut #10	
12	3311705	1	Nut 7/16	
13	3311801	2	Nut 1/2	
14	3740080	1	Relay	
15	4060802	1	Guard, Switch (Not Shown - Located at Platform)	
16	4240018	AR	Strap, Cable Tie (Not Shown)	
17	4360336	1	Switch, Toggle (Not Shown - Located at Platform)	
18	4711000	6	Washer #10	
19	4711600	1	Washer 3/8	
20	4711700	2	Washer 7/16	
21	4751500	1	Washer 5/16	
22	4891800	4	Washer 1/2	
23	1001148138	1	V-Belt	
24	1001163599	2	Stud	
25	1001216015	1	Bracket	
26	1001179837	1	Arm, Adjustment	
27	1001180001	1	Generator and Control Box Assembly	
27A	7012558	1	Generator Only - 110V/60Hz	
27A		Ref	Note: Replacement Generators come standard with p/n 3580134 pulley. This pulley may not be correct for all applications. Refer to pulley options below.	
27A	7026199	1	Armature with Slip Rings	
27A	7012513	4	Cap, Brush Holder	
27A	7020108	4	Brush	
27A	7020109	4	Holder, Brush	
27A	7012514	1	Fan	
27A	7020110	1	Bell, Front	
27A	7020111	1	Bell, Rear	
27A	7020190	2	Bearing	
27B	7019680	1	Box, Control - 110V/60Hz	
27B		Ref	Receptacle Options:	
27B	4460190	1	Receptacle, Standard (110V Only)	
27B	4460027	1	Receptacle, Twistlock (110V Only)	
27B	4360542	1	Breaker, Circuit	
27B	3520028	1	Plug, Hole	
27C	2420203	1	Voltmeter	
27D	3580276	1	Pulley	
27D	7027887	1	Key, Woodruff	
29	1001181243	1	Mount, Generator	

SECTION 2 - TURNTABLE

FIGURE 2-27. 2500W GENERATOR INSTALLATION - FORD MACHINES (OPTIONAL)



ART_1001219619

SECTION 2 - TURNTABLE

FIGURE 2-27. 2500W GENERATOR INSTALLATION - FORD MACHINES (OPTIONAL)

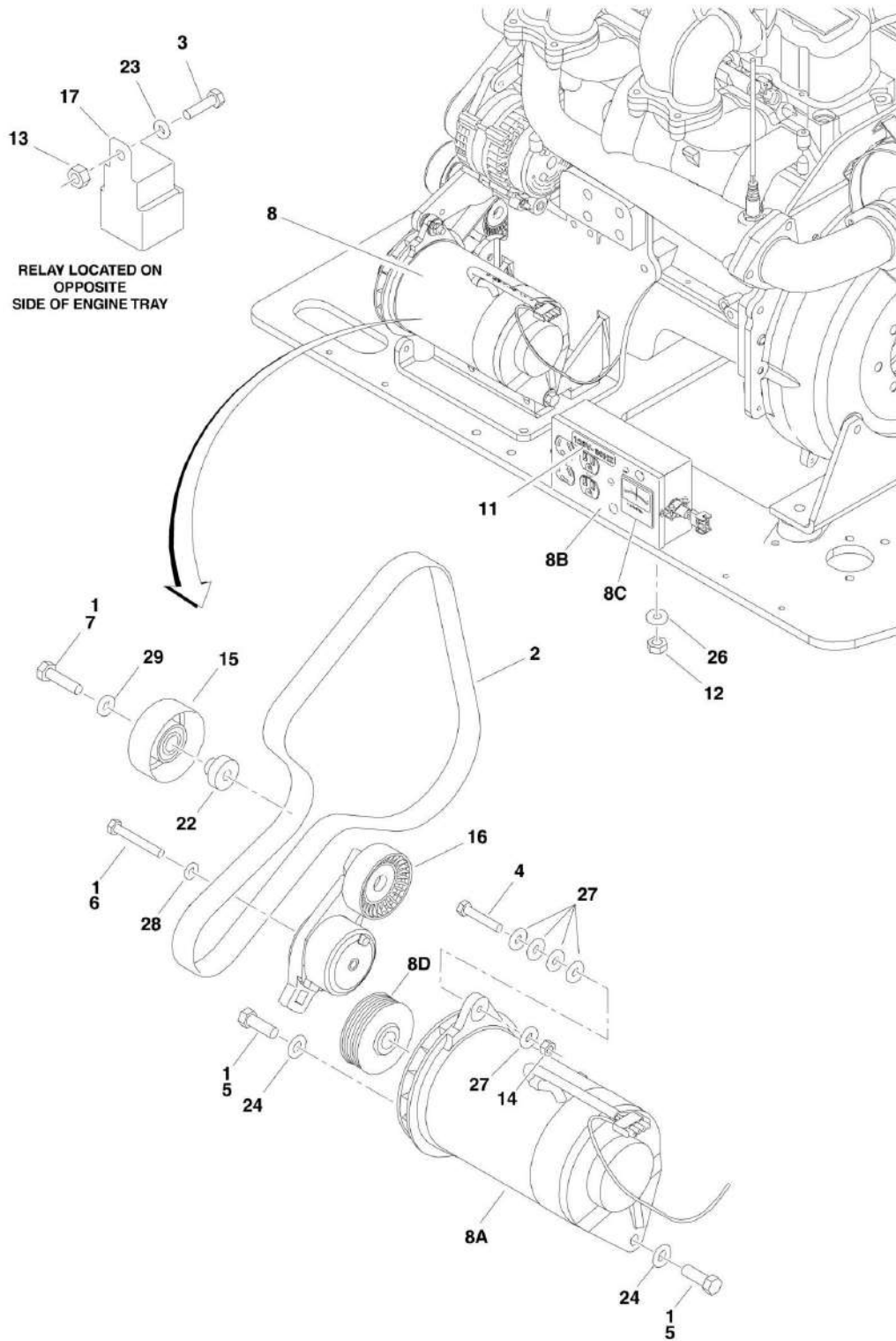
ITEM	PART NUMBER	QTY	DESCRIPTION	REV
	1001219619	Ref	2500W GENERATOR INSTALLATION - FORD MACHINES (OPTIONAL)	E
1	0100011	AR	Compound, Locking	
2	0100048	AR	Grease, Dielectric	
3	0760610	1	Bolt M6 x 20	
4	0641508	1	Bolt 5/16 x 1	
5	0641772	1	Bolt 7/16 x 9	
6	0761016	1	Bolt M10 x 40	
7	1001155041	1	Stud	
8	2460051	1	Generator and Control Box Assembly	
8A	7012558	1	Generator Only - 110V/60Hz	
		Ref	Note: Replacement Generators come standard with pin 3580134 pulley. This pulley may not be correct for all applications. Refer to pulley options below.	
8A	7026199	1	Armature with Slip Rings	
8A	7012513	4	Cap, Brush Holder	
8A	7020108	4	Brush	
8A	7020109	4	Holder, Brush	
8A	7012514	1	Fan	
8A	7020110	1	Bell, Front	
8A	7020111	1	Bell, Rear	
8A	7020190	2	Bearing	
8B	7019680	1	Box, Control - 110V/60Hz	
8B		Ref	Receptacle Options:	
8B	4460190	1	Receptacle, Standard (110V Only)	
8B	4460027	1	Receptacle, Twistlock (110V Only)	
8B	4360542	1	Breaker, Circuit	
8B	3520028	1	Plug, Hole	
8C	2420203	1	Voltmeter	
8D	3580324	1	Pulley	
8D	7027887	1	Key, Woodruff	
9	2820031	1	Heat Shrink (Not Shown - Located at Platform)	
10	3251102	1	Nameplate Generator (Not Shown - Located at Platform)	
11	3251243	1	Decal - 120V-60Hz	
13	3311005	2	Nut #10	
14	3290601	1	Nut M6	
15	3311705	1	Nut 7/16	
16	3740080	1	Relay	
17	4060802	1	Guard Switch (Not Shown - Located at Platform)	
18	4240099	AR	Tie-Strap (Not Shown)	
19	4360336	1	Switch, Toggle (Not Shown - Located at Platform)	
20	4460321	1	Plug, Male - 4 Position	
21	4460906	1	Socket, Female (Not Shown) (SN 0300182743 through 0300245227)	
22	4711700	2	Washer 7/16	
23	4751000	2	Washer #10	
24	4811700	1	Washer M6	
25	4891500	2	Washer 5/16	
27	4812000	1	Washer M10	
28	4812200	2	Washer M14	

SECTION 2 - TURNTABLE

ITEM	PART NUMBER	QTY	DESCRIPTION	REV
30	1001216391	1	V-Belt	
31	1001219630	1	Mount, Generator	
32	1001219632	1	Arm, Adjustment	
33	4921829	1	Harness, Inverter	
34	3291201	2	Nut M12	

SECTION 2 - TURNTABLE

FIGURE 2-28. 2500W GENERATOR INSTALLATION - GM MACHINES (OPTIONAL)



SECTION 2 - TURNTABLE

FIGURE 2-28. 2500W GENERATOR INSTALLATION - GM MACHINES (OPTIONAL)

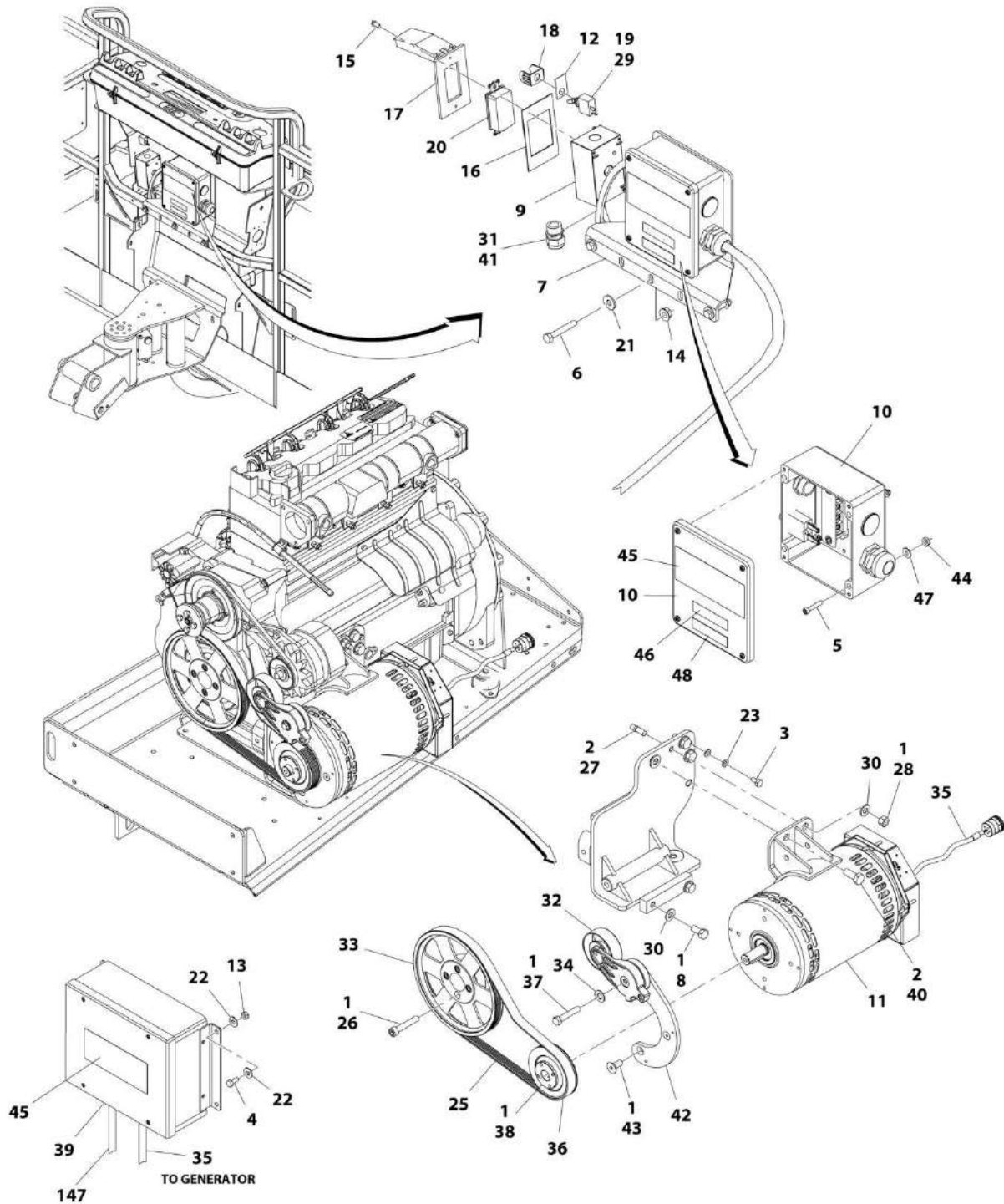
ITEM	PART NUMBER	QTY	DESCRIPTION	REV
		Ref	2500W GENERATOR INSTALLATION (GM ENGINES) (OPTIONAL):	
	0275039	Ref	110V Generator	E
1	0100011	AR	Compound, Locking	
2	0480142	1	V-Belt	
3	0641405	1	Bolt 1/4in-20NC x 5/8in	
4		Ref	Bolt Options:	
4	0641514	1	Bolt 5/16in-18NC x 1-3/4in	
4	0641510	1	Bolt 5/16in-18NC x 1-1/4in	
5	0641710	2	Bolt 7/16in-14NC x 1-1/4in	
6	0700820	1	Bolt M8 x 60mm	
7	0701016	1	Bolt M10 x 40mm	
8	2460051	1	Generator and Control Box Assembly	
8A	7012558	1	Generator Only - 110V/60Hz	
		Ref	Note: Replacement Generators come standard with p/n 3580134 pulley. This pulley may not be correct for all applications. Refer to pulley options below.	
8A		Ref	Armature with Slip Rings Options:	
8A	7026199	1	Armature with Slip Rings - 110V/60Hz	
8A	70000123	1	Armature with Slip Rings - 220V/50Hz	
8A	7012513	4	Cap, Brush Holder	
8A	7020108	4	Brush	
8A	7020109	4	Holder, Brush	
8A	7012514	1	Fan	
8A	7020110	1	Bell, Front	
8A	7020111	1	Bell, Rear	
8A	7020190	2	Bearing	
8B	7019680	1	Box, Control - 110V/60Hz	
8B		Ref	Receptacle Options:	
8B	4460190	1	Receptacle, Standard (110V Only)	
8B	4460027	1	Receptacle, Twistlock (110V Only)	
8B	4360542	1	Breaker, Circuit	
8B	3520028	1	Plug, Hole	
8C	2420203	1	Voltmeter	
8D	3580324	1	Pulley	
8D	7027887	1	Key, Woodruff	
9	2820031	AR	Heat Shrink (Not Shown - Located at Platform)	
10	3251102	1	Nameplate - Generator (Not Shown - Located at Platform)	
11	3251243	1	Decal - 110 Volt	
12	3311005	2	Locknut #10-24NC	
13	3311405	1	Locknut 1/4in-20NC	
14	3311505	1	Locknut 5/16in-18NC	
15	3580312	1	Pulley, Idler	
16	3580348	1	Tensioner, Belt	
17	3740080	1	Relay, Bosch	
18	4060802	1	Guard, Switch (Not Shown - Located at Platform)	
19	4240018	AR	Tie-Strap (Not Shown)	
20	4360336	1	Switch, Toggle (Not Shown - Located at Platform)	
21	4460906	3	Terminal (Not Shown)	
22	4568735	1	Spacer, Tube (Idler Pulley Grooved)	

SECTION 2 - TURNTABLE

ITEM	PART NUMBER	QTY	DESCRIPTION	REV
23	4711400	1	Flatwasher 1/4in Thin	
24	4711700	2	Flatwasher 7/16in Thin	
25	4740397	1	Spacer (Not Shown - Located at Platform)	
26	4751000	2	Flatwasher #10 Regular	
27	4751500	AR	Flatwasher 5/16in Regular	
28	4811900	1	Flatwasher M8	
29	4891600	1	Flatwasher 3/8in Hardened	

SECTION 2 - TURNTABLE

FIGURE 2-29. 4000W GENERATOR INSTALLATION - DEUTZ D2011 ENGINES



ART_1001153309

SECTION 2 - TURNTABLE

FIGURE 2-29. 4000W GENERATOR INSTALLATION - DEUTZ D2011 ENGINES

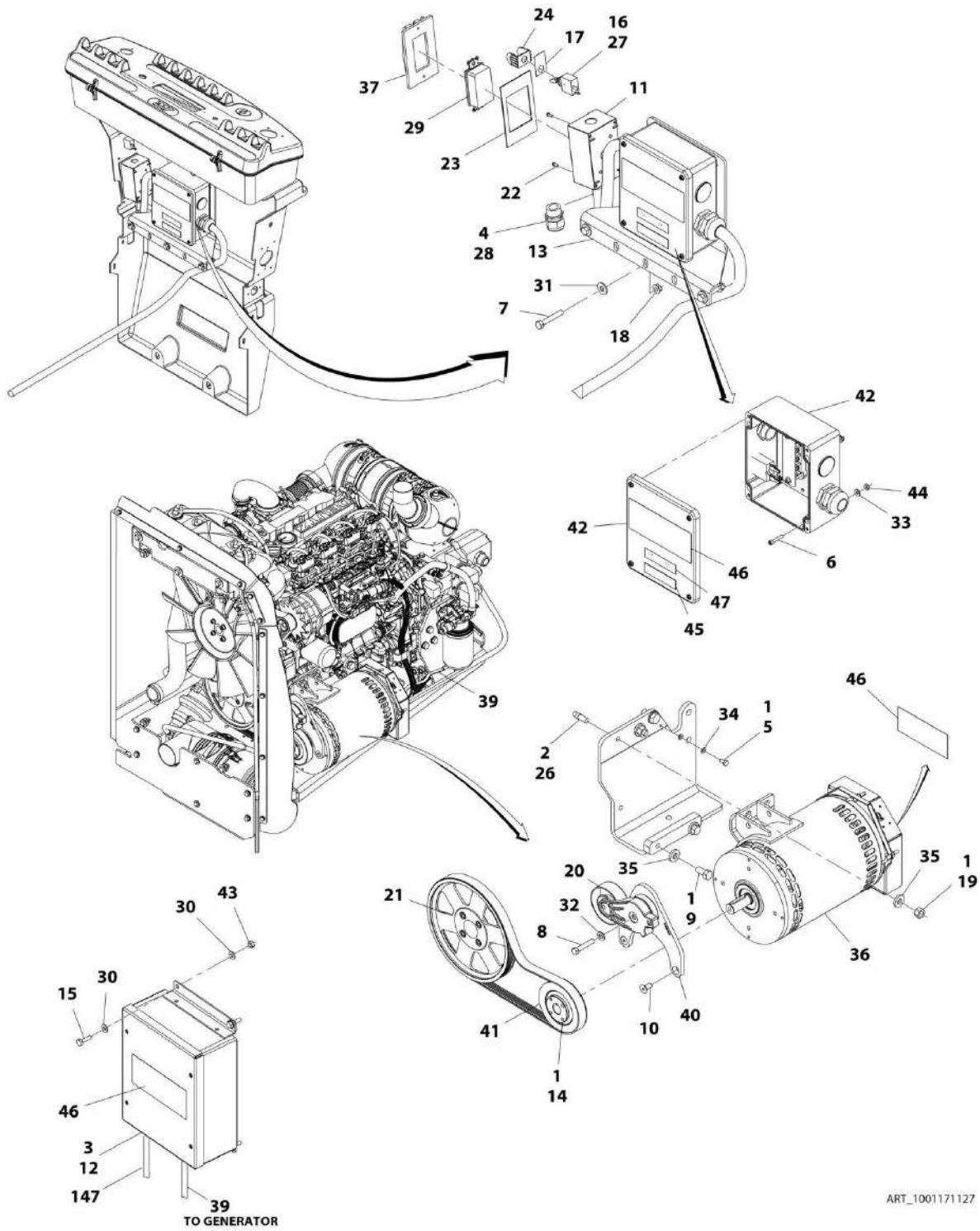
ITEM	PART NUMBER	QTY	DESCRIPTION	REV
		Ref	4000W GENERATOR INSTALLATION - DEUTZ D2011 ENGINES	
	1001153309	Ref	4000W/60Hz Generator Installation - Deutz D2011 Engines	B
	1001153310	Ref	4000W/50Hz Generator Installation - Deutz D2011 Engines	F
1	0100011	AR	Compound, Locking	
2	0100019	AR	Compound, Locking	
3	0641404	1	Bolt 1/4 x 1/2	
4	0641405	4	Bolt 1/4 x 5/8	
5	3931016	4	Capscrew #10 x 1	
6	0641516	3	Bolt 5/16 x 2	
7	0902888	1	Bracket	
8	0641808	2	Bolt 1/2 x 1	
9	0860038	1	Box, Receptacle (60Hz)	
10	1001152457	1	Junction Box Assembly (60Hz)	
10	3300396	1	Cover, Breaker	
10	4360070	1	Breaker, Circuit - 15Amp	
10	4460425	1	Connector, Strain Relief (LH Side)	
10	4460426	1	Connector, Strain Relief (RH Side)	
10	1001152530	1	Block, Terminal	
10	1001158363	1	Cover, Terminal Block	
10	1001153260	1	Decal - Wiring Diagram	
11	1001129858	1	Generator Assembly (60Hz)	
11	1001138565	1	Generator Assembly (50Hz)	
11	70003709	1	Ring, Retaining (External)	
11	70003708	1	Ring, Retaining (Internal)	
11	70001966	1	Bearing	
11	70004092	1	Endbell (Shaft End)	
11	70004171	1	Key	
11	70004676	1	Rotor	
11	70004684	1	Stator (60Hz)	
11	70004677	1	Stator (50Hz)	
11	70004678	1	Endbell (Rear)	
11	70004679	1	Cover, Endbell (Rear)	
11	70004680	1	Enclosure, Wiring	
11	70004685	1	Cover, Enclosure (60Hz)	
11	70004681	1	Cover, Enclosure (50Hz)	
11	70004682	1	Switch, Reset (Located on Enclosure Cover)	
11	70004098	1	Connector, Strain Relief (60Hz) (Located on Enclosure Cover)	
11	70004683	1	Connector, Strain Relief (50Hz) (Located on Enclosure Cover)	
12	3251102	1	Nameplate - Generator	
13	3311405	AR	Nut 1/4	
14	3311508	3	Nut 5/16	
15	3910606	4	Screw #6 x 3/8	
16	3960422	1	Gasket, Receptacle (60Hz)	
17	1001110873	1	Cover, Receptacle (60Hz)	
18	4060802	1	Guard, Switch	
19	4360336	1	Switch, Toggle	
20	4460346	1	Receptacle	
21	4751500	3	Washer 5/16	
22	4751400	8	Washer 1/4	
23	4791400	2	Washer 1/4	

SECTION 2 - TURNTABLE

ITEM	PART NUMBER	QTY	DESCRIPTION	REV
25	0480129	1	Belt, Generator (60Hz)	
25	0480126	1	Belt, Generator (50Hz)	
26	4032015	4	Capscrew M10 x 55	
27	4300157	1	Stud	
28	3311801	1	Nut 1/2	
29	2820031	AR	Heat Shrink	
30	4711800	3	Washer 1/2	
31	4460071	1	Connector, Strain Relief (60Hz)	
32	3580317	1	Pulley, Tensioner	
33	3580320	1	Pulley, Engine	
34	4711600	1	Washer 3/8	
35	1001152532	1	Harness, Generator	
36	3580318	1	Pulley, Generator (60Hz)	
36	3580319	1	Pulley, Generator (50Hz)	
37	0641616	1	Bolt 3/8 x 2	
38	0962520	1	Bushing	
39	1001138566	1	Box, Control	
39	70006552	1	Capacitor	
39	70006553	1	Relay	
40	0771415	1	Bolt M14 x 35	
41	0100020	AR	Sealant	
42	1001139357	1	Mount, Tensioner	
43	0741607	3	Screw 3/8 x 7/8	
44	3311005	4	Nut #10	
45	1705387	3	Decal - Hazardous Voltage (60Hz)	
45	1705489	2	Decal - Hazardous Voltage (50Hz)	
46	3251243	1	Decal - 120V-60Hz (60Hz)	
47	4751000	4	Washer #10	
48	1705374	1	Decal - 240V-60Hz (60Hz)	
140	1001096070	1	Breaker Box Kit (Not Shown) (50Hz) (See ELECTRICAL SECTION for Breakdown) (SN 0300182743 through 0300214274)	
140	1001165368	1	Breaker Box Kit (Not Shown) (50Hz) (See ELECTRICAL SECTION for Breakdown) (SN 0300214275 to Present)	
140	1001096070	1	Breaker Box Kit (Not Shown) (50Hz) (See ELECTRICAL SECTION for Breakdown) (SN B300001092 through B300001596)	
140	1001165368	1	Breaker Box Kit (Not Shown) (50Hz) (See ELECTRICAL SECTION for Breakdown) (SN B300001597 to Present)	
141	0641406	2	Bolt 1/4 x 3/4 (Attaches Item 140 to Item 142) (Not Shown)	
142	1001177910	1	Bracket (Attaches Item 140) (Not Shown) (50Hz)	
147	1001153197	1	Generator Harness (See ELECTRICAL SECTION for Breakdown)	

SECTION 2 - TURNTABLE

FIGURE 2-30. 4000W GENERATOR INSTALLATION - DEUTZ TD2.9L4 ENGINES



SECTION 2 - TURNTABLE

FIGURE 2-30. 4000W GENERATOR INSTALLATION - DEUTZ TD2.9L4 ENGINES

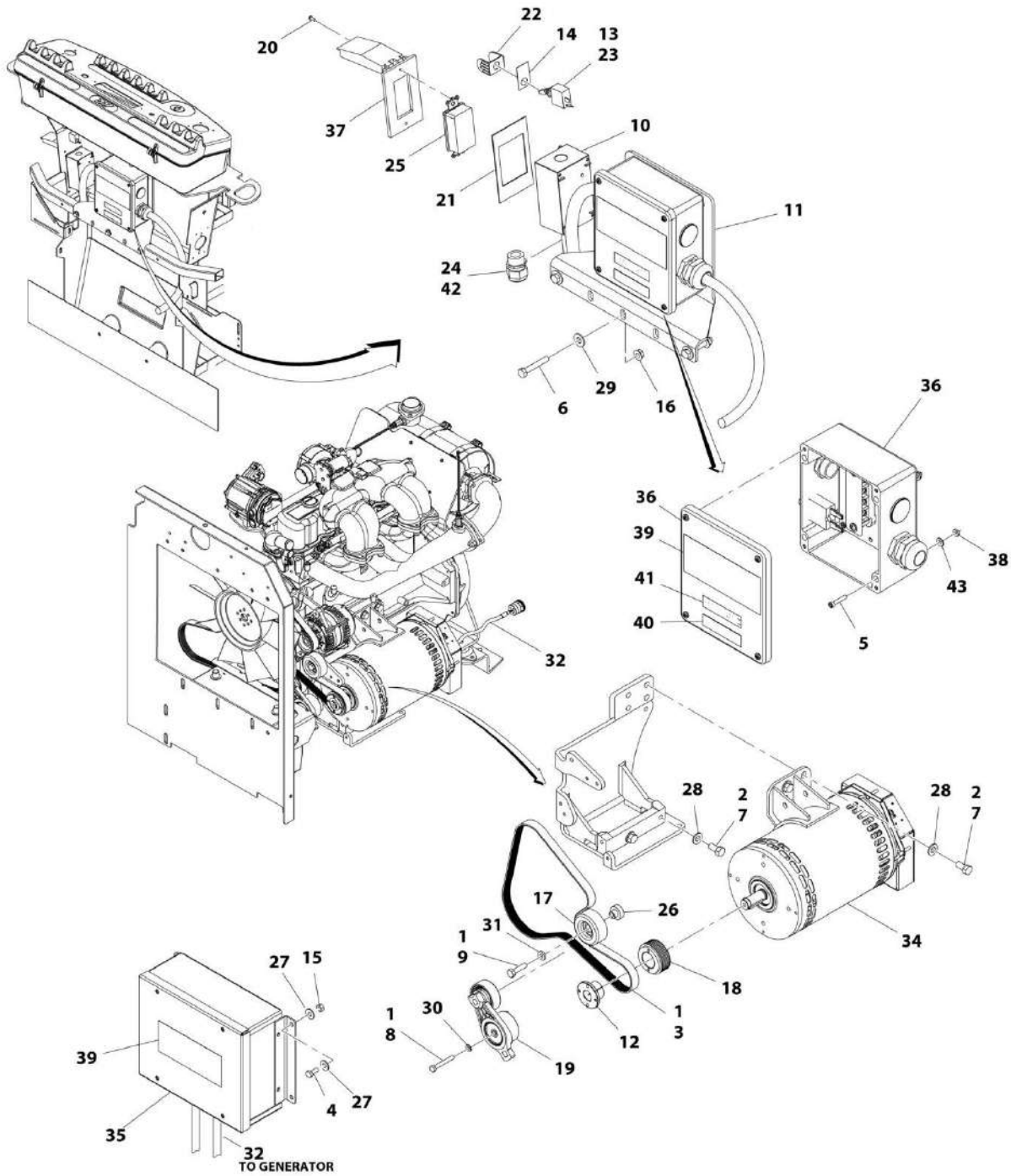
ITEM	PART NUMBER	QTY	DESCRIPTION	REV
		Ref	4000W GENERATOR INSTALLATION - DEUTZ TD2.9L4 ENGINES	
	1001171127	Ref	4000W/60Hz Generator Installation - Deutz TD2.9L4 engines	C
	1001171269	Ref	4000W/50Hz Generator Installation - Deutz TD2.9L4 engines	E
1	0100011	AR	Compound, Locking	
2	0100019	AR	Compound, Locking	
3	0100048	AR	Grease, Dielectric	
4	0100079	AR	Sealant	
5	0641404	1	Bolt 1/4 x 1/2	
6	3931016	4	Capscrew #10 x 1	
7	0641516	3	Bolt 5/16 x 2	
8	0641618	1	Bolt 3/8 x 2-1/4	
9	0641808	2	Bolt 1/2 x 1	
10	0741607	3	Screw 3/8 x 7/8	
11	0860038	1	Box, Switch (60Hz)	
12	1001138566	1	Box, Control	
12	70006552	1	Capacitor	
12	70006553	1	Relay	
13	0902888	1	Bracket, Junction Box (60Hz)	
14	0962520	1	Bushing, Split	
15	0641405	4	Bolt 1/4 x 5/8	
16	2820031	AR	Heat Shrink	
17	3251102	1	Nameplate - Generator	
18	3311508	3	Nut 5/16	
19	3311801	2	Nut 1/2	
20	3580317	1	Tensioner, Belt with Pulley	
21	3580318	1	Pulley, Generator (60Hz)	
21	3580319	1	Pulley, Generator (50Hz)	
22	3910606	4	Screw #6 x 3/8	
23	3960422	1	Gasket, AC Receptacle (60Hz)	
24	4060802	1	Guard, Switch	
25	4240018	AR	Tie-Strap (Not Shown)	
26	1001163599	2	Stud	
27	4360336	1	Switch, Toggle	
28	4460071	1	Connector, Strain Relief (60Hz)	
29	4460346	1	Receptacle (60Hz)	
30	4711400	AR	Washer 1/4	
31	4751500	3	Washer 5/16	
32	4711600	1	Washer 3/8	
33	4751000	4	Washer #10	
34	4791400	2	Washer 1/4	
35	4891800	4	Washer 1/2	
36	1001140346	1	Generator Assembly (60Hz)	
36	1001140347	1	Generator Assembly (50Hz)	
36	70003709	1	Ring, Retaining (External)	
36	70003708	1	Ring, Retaining (Internal)	
36	70001966	1	Bearing	
36	70004092	1	Endbell (Shaft End)	
36	70004099	1	Key	
36	70004676	1	Rotor	

SECTION 2 - TURNTABLE

ITEM	PART NUMBER	QTY	DESCRIPTION	REV
36	70004687	1	Stator (60Hz)	
36	70004686	1	Stator (50Hz)	
36	70004678	1	Endbell (Rear)	
36	70004679	1	Cover, Endbell (Rear)	
36	70004680	1	Enclosure, Wiring	
36	70004685	1	Cover, Enclosure (60Hz)	
36	70004681	1	Cover, Enclosure (50Hz)	
36	70004682	1	Switch, Reset (Located on Enclosure Cover)	
36	70004098	1	Connector, Strain Relief (60Hz) (Located on Enclosure Cover)	
36	70004683	1	Connector, Strain Relief (50Hz) (Located on Enclosure Cover)	
36	4460224	1	Connector - 6 Position (50Hz) (Located on Enclosure Cover)	
36	4460294	2	Pin, Male (50Hz) (Located on Enclosure Cover)	
37	1001110873	1	Cover, Receptacle (60Hz)	
39	1001152532	1	Harness, Generator	
40	1001142643	1	Support, Gen Tensioner	
41	1001142646	1	Belt, Generator (60Hz)	
41	1001142645	1	Belt, Generator (50Hz)	
42	1001152457	1	Junction Box Assembly (60Hz)	
42	3300396	1	Cover, Breaker	
42	4360070	1	Breaker, Circuit - 15Amp	
42	4460425	1	Connector, Strain Relief (LH Side)	
42	4460426	1	Connector, Strain Relief (RH Side)	
42	1001152530	1	Block, Terminal	
42	1001158363	1	Cover, Terminal Block	
42	1001153260	1	Decal - Wiring Diagram	
43	3311405	4	Nut 1/4	
44	3311005	4	Nut #10	
45	1705374	1	Decal - 240V (60Hz)	
46	1705387	3	Decal - Hazardous Voltage (60Hz)	
46	1705489	2	Decal - Hazardous Voltage (50Hz)	
47	3251243	1	Decal - 120V-60Hz (60Hz)	
106	0641406	2	Bolt 1/4 x 3/4 (Used to Attach Item 133 to Item 140) (Not Shown) (50Hz)	
133		Ref	Breaker Box Kit (Not Shown) (50Hz) (See ELECTRICAL SECTION for Breakdown)	
133	1001096070	1	Breaker Box Kit (SN 0300182743 through 0300214274)	
133	1001165368	1	Breaker Box Kit (SN 0300214275 to Present)	
133	1001096070	1	Breaker Box Kit (SN B300001092 through B300001596)	
133	1001165368	1	Breaker Box Kit (SN B300001597 to Present)	
140	1001177910	1	Bracket (Used to Attach Item 133) (Not Shown) (50Hz)	
147		Ref	Generator Harness (See ELECTRICAL SECTION for Breakdown)	
147	1001153197	1	Generator Harness (SN 0300182743 through 0300213719)	
147	1001153259	1	Generator Harness (SN 0300213720 to Present)	
147	1001153197	1	Generator Harness (SN B300001092 through B300001596)	
147	1001153259	1	Generator Harness (SN B300001597 to Present)	

SECTION 2 - TURNTABLE

FIGURE 2-31. 4000W GENERATOR INSTALLATION - GM ENGINES



ART_1001139960

SECTION 2 - TURNTABLE

FIGURE 2-31. 4000W GENERATOR INSTALLATION - GM ENGINES

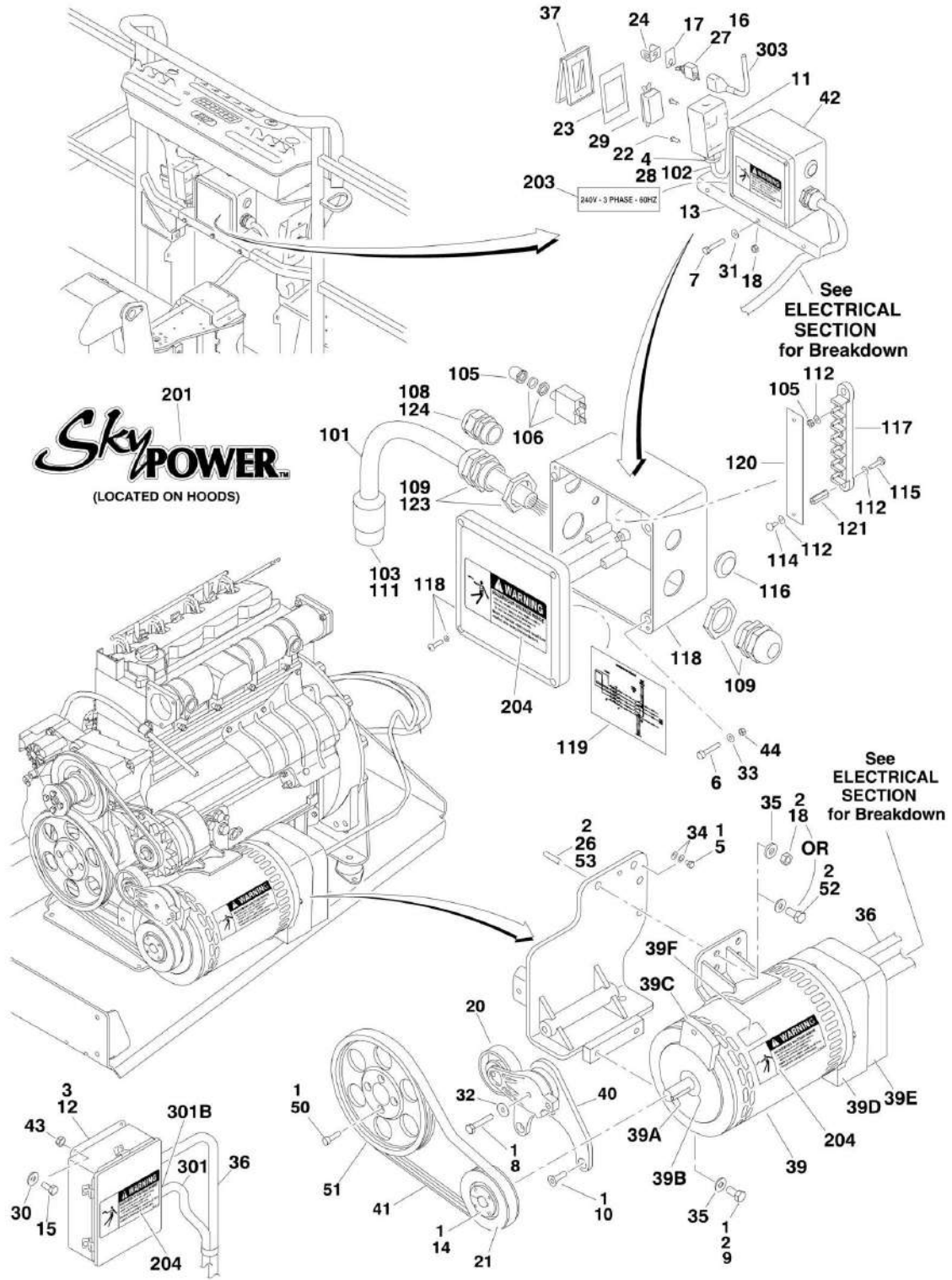
ITEM	PART NUMBER	QTY	DESCRIPTION	REV
	1001139960	Ref	4000W GENERATOR INSTALLATION - GM ENGINES	B
1	0100011	AR	Compound, Locking	
2	0100019	AR	Compound, Locking	
3	0480142	1	Belt, Generator	
4	0641405	4	Bolt 1/4 x 5/8	
5	3931016	4	Capscrew #10 x 1	
6	0641516	3	Bolt 5/16 x 2	
7	0641808	4	Bolt 1/2 x 1	
8	0700820	1	Bolt M8 x 60	
9	0701016	1	Bolt M10 x 40	
10	0860038	1	Box, Switch	
11	0902888	1	Bracket, Junction Box	
12	0962520	1	Bushing, Split	
13	2820031	AR	Heat Shrink	
14	3251102	1	Nameplate - Generator	
15	3311405	4	Nut 1/4	
16	3311508	3	Nut 5/16	
17	3580312	1	Pulley, Idler	
18	3580314	1	Pulley, Drive	
19	3580348	1	Tensioner, Belt with Pulley	
20	3910606	4	Screw #6 x 3/8	
21	3960422	1	Gasket	
22	4060802	1	Guard, Switch	
23	4360336	1	Switch, Toggle	
24	4460071	1	Connector, Strain Relief	
25	4460346	1	Receptacle	
26	4568735	1	Tube, Spacer	
27	4711400	8	Washer 1/4	
28	4711800	4	Washer 1/2	
29	4751500	3	Washer 5/16	
30	4811900	1	Washer M8	
31	4891600	1	Washer 3/8	
32	1001152532	1	Harness, Generator	
34	1001129858	1	Generator, Assembly	
34	70003709	1	Ring, Retaining (External)	
34	70003708	1	Ring, Retaining (Internal)	
34	70001966	1	Bearing	
34	70004092	1	Endbell (Shaft End)	
34	70004171	1	Key	
34	70004676	1	Rotor	
34	70004684	1	Stator	
34	70004678	1	Endbell (Rear)	
34	70004679	1	Cover, Endbell (Rear)	
34	70004680	1	Enclosure, Wiring	
34	70004685	1	Cover, Enclosure	
34	70004682	1	Switch, Reset (Located on Enclosure Cover)	
34	70004098	1	Connector, Strain Relief (Located on Enclosure Cover)	
35	1001138566	1	Box, Control	
35	70006552	1	Capacitor	
35	70006553	1	Relay	

SECTION 2 - TURNTABLE

ITEM	PART NUMBER	QTY	DESCRIPTION	REV
36	1001152457	1	Junction Box Assembly	
36	3300396	1	Cover, Breaker	
36	4360070	1	Breaker, Circuit - 15Amp	
36	4460425	1	Connector, Strain Relief (LH Side)	
36	4460426	1	Connector, Strain Relief (RH Side)	
36	1001152530	1	Block, Terminal	
36	1001158363	1	Cover, Terminal Block	
36	1001153260	1	Decal - Wiring Diagram	
37	1001110873	1	Cover	
38	3311005	4	Nut #10	
39	1705387	3	Decal - Hazardous Voltage	
40	1705374	1	Decal - 240V-60Hz	
41	3251243	1	Decal - 120V-60Hz	
42	0100020	AR	Sealant	
43	4751000	4	Washer #10	

SECTION 2 - TURNTABLE

FIGURE 2-32. 7500W SKYPOWER GENERATOR INSTALLATION - DEUTZ ENGINES



SECTION 2 - TURNTABLE

FIGURE 2-32. 7500W SKYPOWER GENERATOR INSTALLATION - DEUTZ ENGINES

ITEM	PART NUMBER	QTY	DESCRIPTION	REV
		Ref	7500W SKYPOWER GENERATOR INSTALLATION	
	1001115388	Ref	60Hz (Deutz D2011 Engine)	F
	1001148563	Ref	60Hz (Deutz TD2.9L4 Engine)	F
	1001115394	Ref	50Hz (Deutz D2011 Engine)	F
	1001148564	Ref	50Hz (Deutz TD2.9L4 Engine)	F
1	0100011	AR	Compound, Locking	
2	0100019	AR	Compound, Locking	
3	0100048	AR	Compound, Silicone	
4	0100079	AR	Sealant	
4	0100020	AR	Sealant	
5		Ref	Bolt Options:	
5	0641403	1	Bolt 1/4in-20NC x 3/8in	
5	0641404	1	Bolt 1/4in-20NC x 1/2in	
6	3931016	4	Capscrew 3/8in-16NC x 1in	
7	0641516	3	Bolt 5/16in-18NC x 2in	
8	0641618	1	Bolt 3/8in-16NC x 2-1/4in	
9	0641808	2	Bolt 1/2in-13NC x 1in	
10	0741607	3	Screw 3/8in-16NC x 7/8in (Deutz TD2.9L4 Engines Only)	
11		Ref	Box, Switch Options:	
11	0860038	AR	60Hz Spec	
11	See Note	NLA	50Hz Spec (Note: Not Available - Purchase Locally)	
12		Ref	Control Box Assembly Options:	
12	0861538	1	60Hz Control Box	
12	0861572	1	50Hz Control Box	
12	7024488	1	Card, Circuit - Generator Power	
12	See Note	NLA	Fuse (Note: Not Available - Purchase Locally)	
12	7024489	1	Card, Circuit - Control	
12	70000619	1	Harness, Control Box (Internal)	
		Ref	Note: Same Circuit Card (P/N 7024489) is used for both 60Hz and 50Hz. When replacing card, rocker switch on card must be set for required application.	
13	0902888	1	Bracket, Box Mounting	
14	0962520	1	Bushing, Split Taper	
15	0641405	4	Bolt 1/4in-20NC x 5/8in	
16	2820031	1	Heat Shrink	
17	3252764	1	Nameplate	
18	3311505	3	Locknut 5/16in-18NC	
18	3311508	3	Nut, Flange 5/16in-18NC	
19	3311801	AR	Nut 1/2in-13NC	
20	3580317	1	Tensioner, Belt with Pulley	
21		Ref	Pulley Options:	
21	3580318	1	60Hz	
21	3580319	1	50Hz	
22	3910606	4	Screw #6-32NC x 3/8in	
23		Ref	Gasket Options:	
23	3960422	2	60Hz	
23	See Note	NLA	50Hz (Note: Not Available - Purchase Locally)	
24	4060802	1	Guard, Switch	
25	4240018	AR	Tie-Strap (Not Shown)	
26	4300157	AR	Stud (Deutz D2011 Engines)	

SECTION 2 - TURNTABLE

ITEM	PART NUMBER	QTY	DESCRIPTION	REV
26	1001163599	AR	Stud (Deutz DT2.9L4 Engines)	
27	4360336	1	Switch, Toggle	
28		Ref	Connector, Strain Relief	
28	4460071	1	60Hz	
28	See Note	NLA	50Hz (Note: Not Available - Purchase Locally)	
29		Ref	Receptacle, Female Options (110-120V):	
29	4460346	1	60Hz	
29	See Note	NLA	50Hz (Note: Not Available - Purchase Locally)	
30		Ref	Flatwasher Options:	
30	4711400	8	Flatwasher 1/4in Thin	
30	4751400	8	Flatwasher 1/4in Regular	
31	4711500	6	Flatwasher 5/16in Thin	
32	4711600	1	Flatwasher 3/8in Thin	
33	4751000	2	Flatwasher #10 Regular	
34	4791400	AR	Starwasher 1/4in	
35	4711800	AR	Flatwasher 1/2in Thin (Deutz D2011 Engines)	
35	4891800	AR	Flatwasher 1/2in Hardened (Deutz DT2.9L4 Engines)	
36	4922925	1	Harness, Generator	
37		Ref	Cover, Receptacle Options:	
37	1001110873	1	60Hz Cover, Top Hinged	
37	See Note	NLA	50Hz Cover (Note: Not Available - Purchase Locally)	
39		Ref	Generator Assembly Options:	
39	2460048	1	Deutz D2011 Engines	
39	1001136988	1	Deutz TD2.9L4 Engines (SN 0300182743 through 0300226024, SN B300001092 through B300001738)	
39	1001212223	1	Deutz TD2.9L4 Engines (SN 0300226025 to Present, SN B30001739 to Present)	
39	70001100	1	Rotor (Includes p/n 70001384 & 70000863) (Not Shown)	
39	70001384	1	Bearing, Ball Radial (Not Shown):	
39	70000863	1	Fan (Not Shown)	
39		Ref	Stator Options (Not Shown):	
39	70002088	1	2460048 Generator	
39	70004093	1	1001136988 Generator	
39	70006093	1	1001212223 Generator	
39	70002297	1	Stud	
39	70003631	1	Brushholder Assembly (Not Shown) (was p/n 7024484)	
39A		Ref	Key Options:	
39A	70004171	1	2460048 Generator (was p/n 7024561)	
39A	70004099	1	1001136988 & 1001212223 Generators	
39B	70001966	1	Bearing, Ball Radial (Located in Belt Tensioner Endbell)	
39B	70003708	1	Ring, Internal Retaining (Located in Belt Tensioner Endbell)	
39B	70003709	1	Ring, External Retaining (Located in Belt Tensioner Endbell)	
39C		Ref	Endbell, Belt Tensioner Options:	
39C	70001953	1	2460048 Generator	
39C	70004092	1	1001136988 & 1001212223 Generators	
39D		Ref	Endbell, Brush Block Options:	
39D	70004169	1	2460048 Generator (was p/n 70001385)	
39D	70004094	1	1001136988 & 1001212223 Generators	
39E		Ref	Shroud (was p/n 70002290)	
39E	70004169	1	2460048 Generator (was p/n 70002290)	
39E	70004096	1	1001136988 Generator	
39E	70006094	1	1001212223 Generator	

SECTION 2 - TURNTABLE

ITEM	PART NUMBER	QTY	DESCRIPTION	REV
39E		Ref	Insulator, Endbell Options:	
39E	See Note	NSS	2460048 Generator (Note: Not Available for Purchase)	
39E	70004097	1	1001136988 Generator	
39E	70002291	1	1001212223 Generator	
39E	7027799	1	Block, Connector 6 Position (Not Shown)	
39E	70002460	1	Nut, Brass (Attaches p/n 7027799 to Cover) (Not Shown)	
39E		Ref	Breaker, Circuit 30Amp Options (Not Shown):	
39E	7024485	1	2460048 & 1001136988 Generators	
39E	70006095	1	1001212223 Generator	
39E		Ref	Boot, Breaker Options (Not Shown):	
39E	70001696	1	2460048 & 1001136988 Generators (was p/n 7024486)	
39E	70006096	1	1001212223 Generator	
39E	7026626	1	Connector, 6 Position (Includes Seal) (Not Shown - Plugs into Item 36)	
39E	7026597	1	Connector, with Leads (Not Shown)	
39E		Ref	Clamp, Cable Options (Not Shown):	
39E	7026188	1	2460048 Generator	
39E	70004098	1	1001136988 & 1001212223 Generators	
39E		Ref	Plate, End Panel Options:	
39E	70004169	1	2460048 Generator	
39E	70004095	1	1001136988 Generator	
39E	70006097	1	1001212223 Generator	
39E	70001974	1	Decal - Terminal Connections	
39F	70001973	1	Decal - Warning Moving Parts	
40	1001142643	1	Support (Deutz TD2.9L4 Engines Only)	
41		Ref	Belt, Drive Options:	
41	0480129	1	60Hz (Deutz D2011 Engines)	
41	1001142646	1	60Hz (Deutz TD2.9L4 Engines)	
41	0480126	1	50Hz (Deutz D2011 Engines)	
41	1001142645	1	50Hz (Deutz TD2.9L4 Engines)	
42		Ref	Junction Box Assembly Options (See Items 101-124 for Breakdown):	
42	1001157592	1	60Hz Spec	
42	1001157525	1	50Hz Spec	
43	3311405	4	Locknut 1/4in-20NC	
44	3311005	4	Locknut #10-24NC	
50		Ref	Capscrew Options:	
50	3931628		Deutz TD2.9L4 Engines	
50	4032015		Deutz D2011 Engines	
51	3580320	1	Pulley	
52	0771415	1	Bolt M14 x 35mm Grade 10.9 (Deutz D2011 Engine Only)	
53	0100062	AR	Adhesive	
		Ref	JUNCTION BOX ASSEMBLY	
	1001157592	Ref	60Hz Control Box	C
	1001157525	Ref	50Hz Control Box	B
101	1060343	1.5 ft /.46m	Cable, Electrical 10/4 (60Hz Spec Only)	
102		Ref	Cable, Electrical 12/3	
102	1060494	2 ft/61cm	60Hz Spec (SN 0300182743 through 0300205490)	
102	1001179154	2.5 ft /76cm	60Hz Spec (SN 0300205491 to Present)	
102	1060494	2 ft/61cm	60Hz Spec (SN B300001092 through B300001245)	

SECTION 2 - TURNTABLE

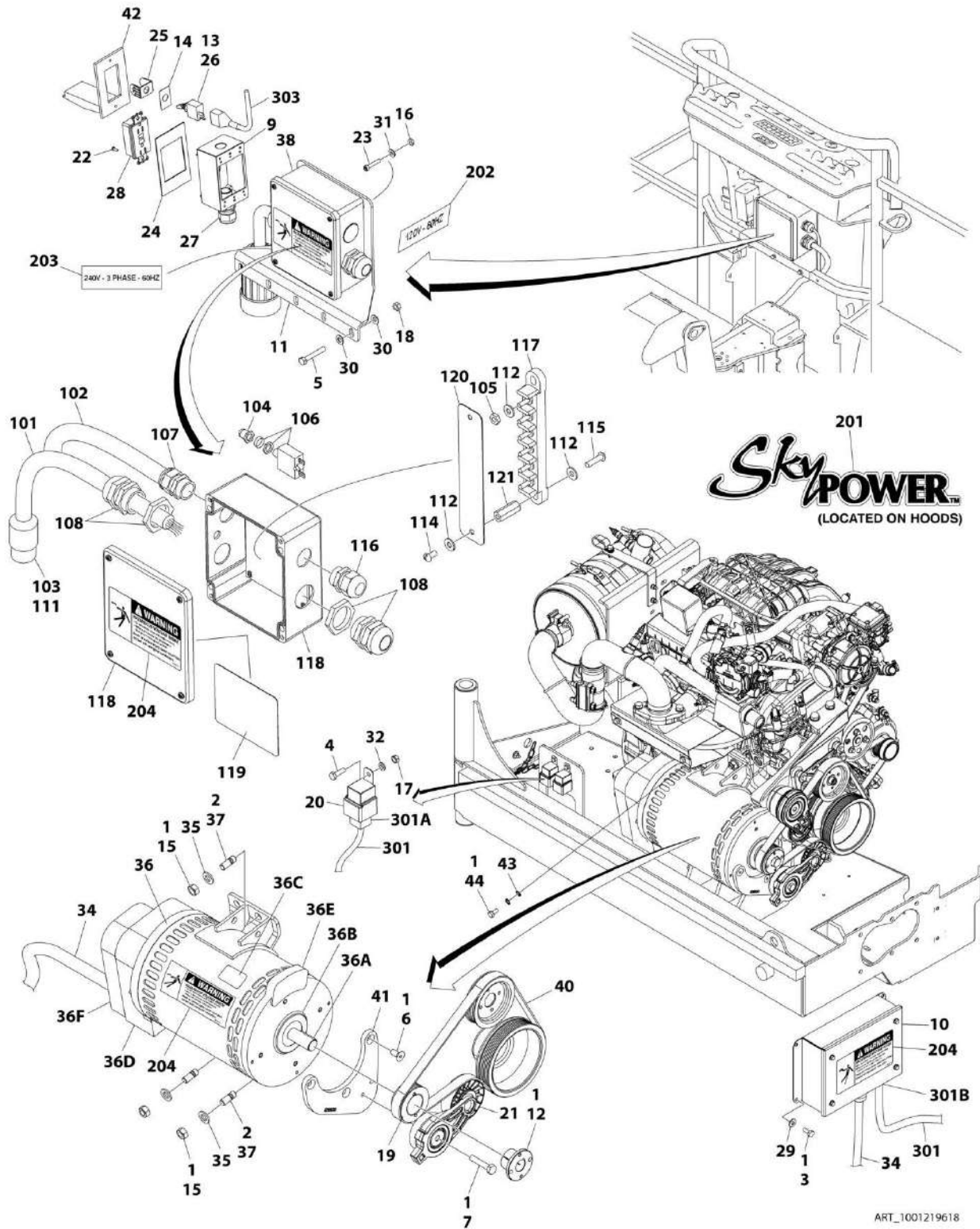
ITEM	PART NUMBER	QTY	DESCRIPTION	REV
102	1001179154	2.5 ft /76cm	60Hz Spec (SN B300001246 to Present)	
102	See Note	2.5 ft /76cm	50Hz Spec (Note: Not Available - Purchase Locally)	
103	1671092	1	Cover (60Hz Spec Only)	
104	3300396	1	Cover, Fuse	
105	3311001	6	Nut #10-24NC	
106	4360070	1	Circuit Breaker - 15Amp	
108	4460425	1	Connector, Strain Relief	
109	4460426	2	Connector, Strain Relief	
111	4460963	1	Connector (60Hz Spec Only)	
112	4711000	4	Flatwasher, #10 Thin	
114	10702077	2	Screw #10-32NF x 3/8in	
115	10702082	2	Screw #10-32NF x 3/4in	
116	1001152525	1	Plug	
117	1001157520	1	Block, Terminal	
118	1001157521	1	Box, Junction	
119	1001157528	1	Decal - Wiring Schematic	
120	1001158007	1	Cover, PVC	
121	1001158008	1	Stand-Off	
123	3520189	1	Plug (50Hz Spec Only)	
124	3520192	1	Plug (50Hz Spec Only)	
		Ref	DECAL INSTALLATION	
	0272435	Ref	60Hz Specs	D
	0272589	Ref	50Hz Spec	A
201	1705460	2	Decal - SkyPower	
202	3251243	1	Decal - 120V - 60Hz (60Hz Spec Only) (Not Shown - Located at Platform Receptacle) (SN 0300222414 to Present, SN B300001594 to Present)	
203		Ref	Decal - 240V - 3 Phase Options:	
203	1705375	1	60Hz Spec	
203	1705461	1	50Hz Spec	
204		Ref	Decal, Hazardous Voltage Options:	
204	1705387	3	60Hz Spec	
204	1705489	3	50Hz Spec	
		Ref	ELECTRICAL DIAGRAM COMPONENTS	
	1001157770	Ref	Deutz D2011 Engines	A
	1001157769	Ref	Deutz TD2.9L4 Engines	B
301		Ref	Generator Harness Options (See ELECTRICAL SECTION for Breakdown):	
301	1001119968	1	Deutz D2011 Engines	C
301	1001152429	1	Deutz TD2.9L4 Engines	A
301A		Ref	Component Options:	
301A	2400060	1	Fuseholder (Includes Fuse and Cap) (Deutz D2011 Engines) (Not Shown)	
301A	2400064	1	Fuse - 5Amp (Deutz D2011 Engines) (Not Shown)	
301A	1001117078	1	Fuseholder (Includes Fuse and Cap) (Deutz TD2.9L4 Engines) (Not Shown)	
301A	See Note	NSS	Fuse - 5Amp (Deutz TD2.9L4 Engines) (Not Shown) (Note: Use 1001117078 Assembly or Purchase Fuse Locally)	
301A	1001096134	1	Cover, Fuseholder (Deutz TD2.9L4 Engines) (Not Shown)	
301B	4460967	1	Plug, Male - 3 Position	
301B	4460465	3	Socket, Female	

SECTION 2 - TURNTABLE

ITEM	PART NUMBER	QTY	DESCRIPTION	REV
303	4922641	1	Switch Harness	

SECTION 2 - TURNTABLE

FIGURE 2-33. 7500W SKYPOWER GENERATOR INSTALLATION - FORD ENGINES



SECTION 2 - TURNTABLE

FIGURE 2-33. 7500W SKYPOWER GENERATOR INSTALLATION - FORD ENGINES

ITEM	PART NUMBER	QTY	DESCRIPTION	REV
	1001219618	Ref	7500W SKYPOWER GENERATOR INSTALLATION - FORD ENGINES	D
		Ref	Note: See ELECTRICAL SECTION for Boom Cable Components.	
1	0100011	AR	Compound, Locking	
2	0100019	AR	Compound, Locking	
3	0641405	4	Bolt 1/4 x 5/8	
4	0760610	2	Bolt M6 x 20	
5	0641516	3	Bolt 5/16 x 2	
6	0741607	3	Screw 3/8 x 7/8	
7	0761018	1	Bolt M10 x 50	
9	0860038	1	Box, Switch	
10	0861538	1	Control Box Assembly	
10	7024488	1	Card, Circuit - Generator Power	
10	See Note	1	Fuse (Note: Not Available - Purchase Locally)	
10	7024489	1	Card, Circuit - Control	
10	70000619	1	Harness, Circuit Card	
11	0902888	1	Bracket, Box Mounting	
12	0962520	1	Bushing, Split Taper	
13	2820031	1	Heat Shrink	
14	3252764	1	Nameplate - AC & Weld	
15	3291201	4	Nut M12	
16	3311005	4	Nut #10	
17	3290601	2	Nut M6	
18	3311505	3	Nut 5/16	
19	3580314	1	Pulley	
20	3740080	2	Relay	
21	3580317	1	Tensioner, Belt	
22	3910606	2	Screw #6 x 3/8	
23	3931016	4	Capscrew #10 x 1	
24	3960422	1	Gasket	
25	4060802	1	Guard, Switch	
26	4360336	1	Switch, Toggle	
27	4460071	1	Connector, Strain Relief	
28	4460346	1	Receptacle	
29	4711400	4	Washer 1/4	
30	4711500	6	Washer 5/16	
31	4751000	4	Washer #10	
32	4811700	2	Washer M6	
34	4922925	1	Harness, Generator	
35	5241200	4	Washer M12	
36	1001136104	1	Generator Assembly	
36	70003631	1	Brushholder Assembly (Not Shown) (was p/n 7024484)	
36	7024485	1	Breaker, Circuit 30Amp (Not Shown)	
36	70001696	1	Boot, Breaker (was p/n 7024486 - Not Shown)	
36	70001966	1	Bearing, Ball Radial (Located In Belt Tensioner Endbell - Not Shown)	
36	7027799	1	Block, Connector 6 Position (Not Shown)	
36	70002460	6	Nut, Brass (Attaches p/n 7027799 to Cover) (Not Shown)	
36	7026188	1	Clamp, Cable (Not Shown)	
36	7026597	1	Connector, W/Leads (Not Shown)	

SECTION 2 - TURNTABLE

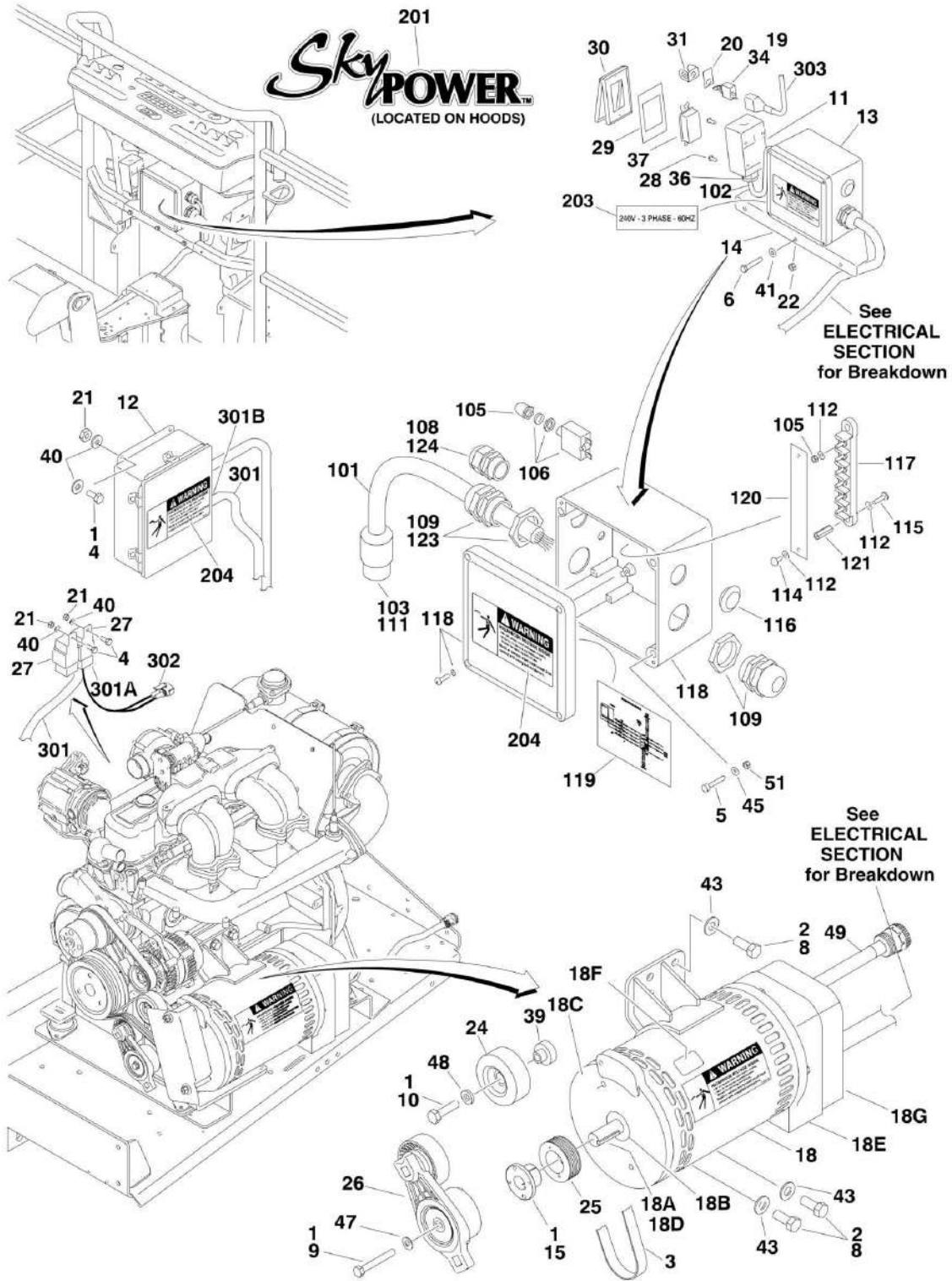
ITEM	PART NUMBER	QTY	DESCRIPTION	REV
36	7026626	1	Connector - 6 Position with Seal (Not Shown)	
36	70002088	1	Stator (Not Shown)	
36	70004169	1	Panel, End (Not Shown) (was p/n 70002255)	
36	70001974	1	Decal - Terminal Connections (Not Shown)	
36	70000863	1	Fan (Not Shown)	
36	70002297	4	Stud (Not Shown)	
36A	70004171	1	Key (was p/n 7024561)	
36A	70001100	1	Armature, Generator (Includes Radial Ball Bearing on End with Brushes and Fan)	
36A	70001384	1	Bearing, Ball Radial	
36B	70001966	1	Bearing, Radial Ball	
36B	70003708	1	Ring, Internal Retaining (Located in Belt Tensioner Endbell)	
36B	70003709	1	Ring, External Retaining (Located in Belt Tensioner Endbell)	
36C	70001973	1	Decal - Warning Moving Parts	
36D	70004169	1	Endbell, Brush Block (was p/n 70001385)	
36E	70001953	1	Endbell, Belt Tensioner	
36F	70004169	1	Endbell, Shroud Assembly (was p/n 70002290)	
37	1001196382	4	Stud	
38	1001157592	1	Junction Box Assembly (See Items 101-121 for Breakdown)	
40	1001216390	1	V-Belt	
41	1001218930	1	Mount, Tensioner	
42	1001110873	1	Cover, Receptacle	
43	4871700	2	Washer M6	
44	0760606	1	Bolt M6 x 12	
	1001157592	Ref	JUNCTION BOX ASSEMBLY	C
101	1060343	1.5 ft /0.46m	Cable, Electrical - 10/4 (60Hz Only)	
102	1001179154	2.5 ft /0.76m	Cable Electrical - 12/3	
103	1671092	1	Cover, Connector	
104	3300396	1	Cover, Fuse	
105	3311001	6	Nut #10	
106	4360070	1	Breaker, Circuit 15Amp	
107	4460425	1	Connector, Strain Relief	
108	4460426	2	Connector, Strain Relief	
111	4460963	1	Receptacle	
112	4711000	10	Washer #10	
114	10702077	2	Screw #10 x 3/8	
115	10702082	2	Screw #10 x 3/4	
116	1001152525	1	Plug, Hole	
117	1001157520	1	Block, Terminal Pole	
118	1001157521	1	Box, Junction	
119	1001157528	1	Decal - Box Junction	
120	1001158007	1	Cover	
121	1001158008	2	Standoff	
	0272435	Ref	DECAL INSTALLATION	D
201	1705460	2	Decal - SkyPower	
202	3251243	1	Decal - 120V - 60Hz (60Hz Spec Only) (Located on Opposite Side)	
203	1705375	1	Decal - 240V - 3 Phase	
204	1705387	3	Decal, Hazardous Voltage	
	1001221498	Ref	ELECTRICAL DIAGRAM COMPONENTS	A
301	1001221208	1	Generator Harness	A

SECTION 2 - TURNTABLE

ITEM	PART NUMBER	QTY	DESCRIPTION	REV
301A	4460374	2	Plug, Sealed Relay	
301A	4460375	8	Terminal	
301B	4460967	1	Plug, Male - 3 Position	
301B	4460465	3	Socket, Female	
301C	2400060	2	Fuseholder (Not Shown)	
301C	2400064	2	Fuse - 5 Amp (Not Shown)	
301D	4460742	1	Plug, Male - 2 Position (Not Shown)	
301D	4460743	2	Socket, Female (Not Shown)	
303	4922641	1	Switch Harness	

SECTION 2 - TURNTABLE

FIGURE 2-34. 7500W SKYPOWER GENERATOR INSTALLATION - GM ENGINES



SECTION 2 - TURNTABLE

FIGURE 2-34. 7500W SKYPOWER GENERATOR INSTALLATION - GM ENGINES

ITEM	PART NUMBER	QTY	DESCRIPTION	REV
	0275257	Ref	7500W SKYPOWER GENERATOR INSTALLATION	H
		Ref		Note: SkyPower Generator is Standard On ANSI and CSA Specs. Optional on All Other Specs.
		Ref		Note: See ELECTRICAL SECTION for Boom Cable Installation.
1	0100011	AR	Compound, Locking	
2	0100019	AR	Compound, Locking	
3	0480142	1	Belt, Generator	
4	0641405	6	Bolt 1/4in-20NC x 5/8in	
5	3931016	4	Capscrew #10-24NC x 1in	
6	0641516	3	Bolt 5/16in-18NC x 2in	
8	0641808	4	Bolt 1/2in-13NC x 1in	
9	0700820	1	Bolt M8 x 60mm	
10	0701016	1	Bolt M10 x 40mm	
11	0860038	AR	Box, Switch	
12	0861538	1	Control Box Assembly	
12	7024488	1	Card, Circuit - Generator Power	
12	See Note	NSS	Fuse (Note: Not Available - Purchase Locally)	
12	7024489	1	Card, Circuit - Control	
12	70000619	1	Harness, Control Box (Internal)	
13	1001157592	1	Junction Box Assembly Options (See Items 101-121 for Breakdown):	
14	0902888	1	Bracket, Box Mounting	
15	0962520	1	Bushing, Split Taper	
18	2460048	1	Generator Assembly	
18	7024484	1	Brushholder Assembly (Not Shown)	
18	7024485	1	Breaker, Circuit 30Amp (Not Shown)	
18	70001696	1	Boot, Breaker (Not Shown)	
18	7027799	1	Block, Connection - 6 Position (Not Shown)	
18	70002460	6	Nut, Brass (Attaches p/n 7027799 to Cover) (Not Shown)	
18	7026626	1	Connector, 6 Position (Includes Seal) (Not Shown - Plugs into Item 49)	
18	7026597	1	Connector, with Lead (Not Shown)	
18	7026188	1	Connector, Clamp (Not Shown)	
18	70004169	1	Plate, End Panel (was p/n 70002255)	
18	70002088	1	Stator (Not Shown)	
18	70001974	1	Decal - Terminal Connections (Not Shown)	
18	70000863	1	Fan (Not Shown)	
18	70002297	4	Stud (Not Shown)	
18A	70004171	1	Key (was p/n 7024561)	
18B	70001966	1	Bearing, Shaft (Front)	
18C	70001953	1	Endbell (Front)	
18D	70001100	1	Shaft/Rotor/Windings/Fan/Rear Bearing Assembly	
18D	70001384	1	Bearing, Shaft (Rear)	
18E	70004169	1	Endbell, Brush Block (was p/n 70001385)	
18F	70001973	1	Decal - Warning Moving Parts	
18G	70004169	1	Shroud (was p/n 70002290)	
19	2820031	1	Insulator	
20	3252764	1	Nameplate	
21	3311405	6	Locknut 1/4in-20NC	
22	3311505	3	Locknut 5/16in-18NC	

SECTION 2 - TURNTABLE

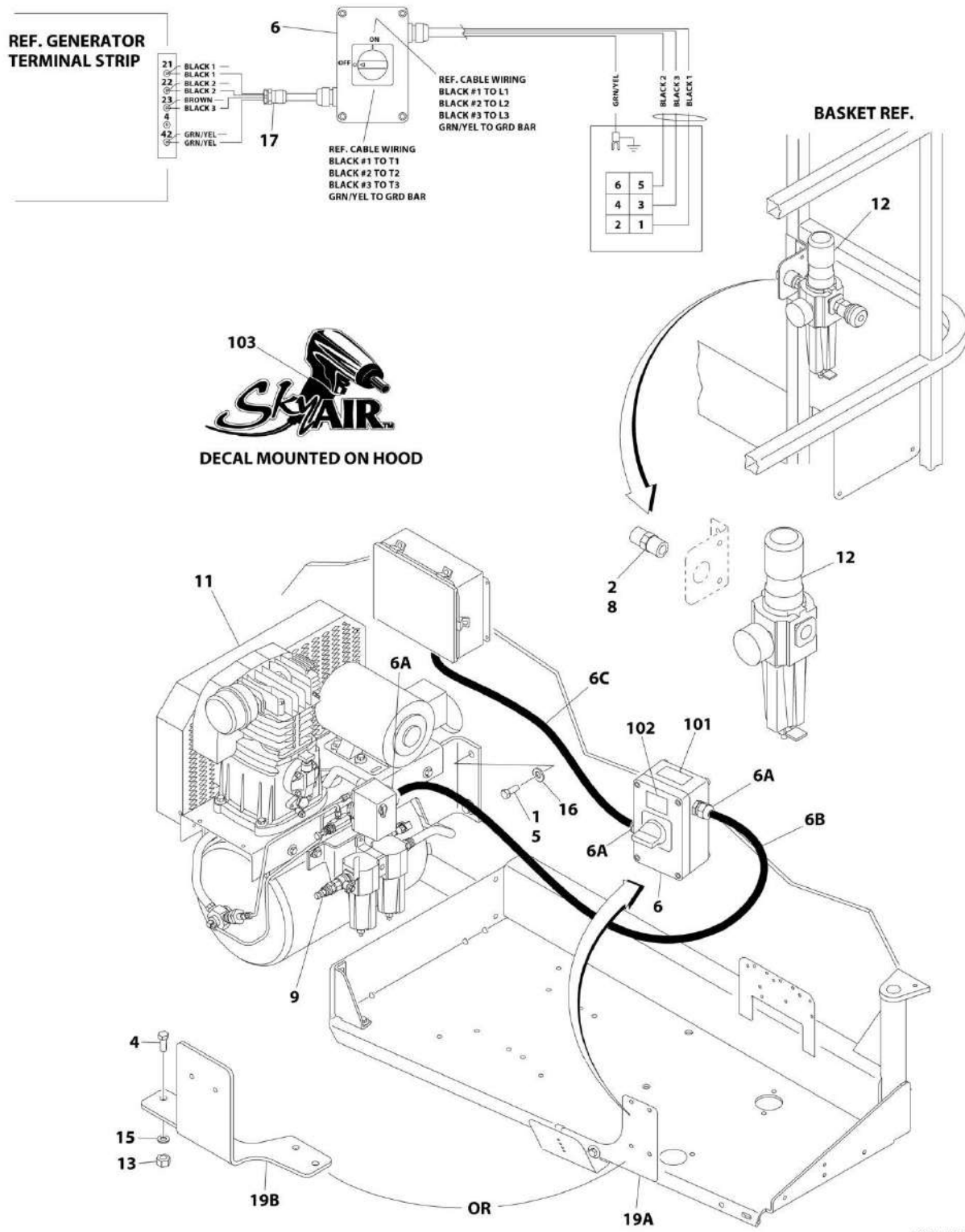
ITEM	PART NUMBER	QTY	DESCRIPTION	REV
24	3580312	1	Pulley, Idler	
25	3580314	1	Pulley, Drive Grooved	
26	3580348	1	Pulley, Belt Tensioner	
27	3740080	2	Relay	
28	3910606	4	Screw #6-32NC x 3/8in	
29	3960422	1	Gasket	
30	1001110873	1	Cover, Receptacle	
31	4060802	1	Guard, Switch	
34	4360336	1	Switch, Toggle	
36	4460071	1	Connector, Strain Relief	
37	4460346	1	Receptacle	
39	4568735	1	Tube, Spacer Pulley Grooved	
40	4711400	10	Flatwasher 1/4in Thin	
41	4711500	6	Flatwasher 5/16in Thin	
43	4711800	4	Flatwasher 1/2in Thin	
45	4751000	4	Flatwasher #10 Regular	
47	4811900	1	Flatwasher M8	
48	4891600	1	Flatwasher 3/8in Hardened	
49	4922925	1	Harness, Generator	
51	3311005	4	Locknut #10-24NC	
	1001157592	Ref	JUNCTION BOX ASSEMBLY	C
101	1060343	1.5 ft /.46m	Cable, Electrical 10/4	
102	1060494	2 ft/61cm	Cable, Electrical 12/3 (SN 0300182743 through 0300205490)	
102	1001179154	2.5 ft /76cm	Cable, Electrical 12/3 (SN 0300205491 to Present)	
103	1671092	1	Cover	
104	3300396	1	Cover, Fuse	
105	3311001	6	Nut #10-24NC	
106	4360070	1	Circuit Breaker - 15Amp	
108	4460425	1	Connector, Strain Relief	
109	4460426	2	Connector, Strain Relief	
111	4460963	1	Connector	
112	4711000	4	Flatwasher, #10 Thin	
114	10702077	2	Screw #10-32NF x 3/8in	
115	10702082	2	Screw #10-32NF x 3/4in	
116	1001152525	1	Plug	
117	1001157520	1	Block, Terminal	
118	1001157521	1	Box, Junction	
119	1001157528	1	Decal - Wiring Schematic	
120	1001158007	1	Cover, PVC	
121	1001158008	1	Stand-Off	
	0272435	Ref	DECAL INSTALLATION	D
201	1705460	2	Decal - SkyPower	
202	3251243	1	Decal - 120V - 60Hz (60Hz Spec Only) (Not Shown - Located at Platform Receptacle) (SN 0300222414 to Present)	
203	1705375	1	Decal - 240V - 3 Phase	
204	1705387	3	Decal, Hazardous Voltage	
	1001157768	Ref	ELECTRICAL DIAGRAM COMPONENTS	A
301	4923420	1	Generator Harness	A
301A	4460374	2	Plug, Sealed Relay	
301A	4460375	8	Terminal	

SECTION 2 - TURNTABLE

ITEM	PART NUMBER	QTY	DESCRIPTION	REV
301B	4460967	1	Plug, Male - 3 Position	
301B	4460465	3	Socket, Female	
301C	2400060	2	Fuseholder (Not Shown)	
301C	2400064	2	Fuse - 5Amp (Not Shown)	
302	4460742	1	Connector - 2 Position	
302	4460743	2	Socket, Female	
302	4460458	2	Seal	
303	4922641	1	Switch Harness	

SECTION 2 - TURNTABLE

FIGURE 2-35. SKYAIR AIR COMPRESSOR INSTALLATION



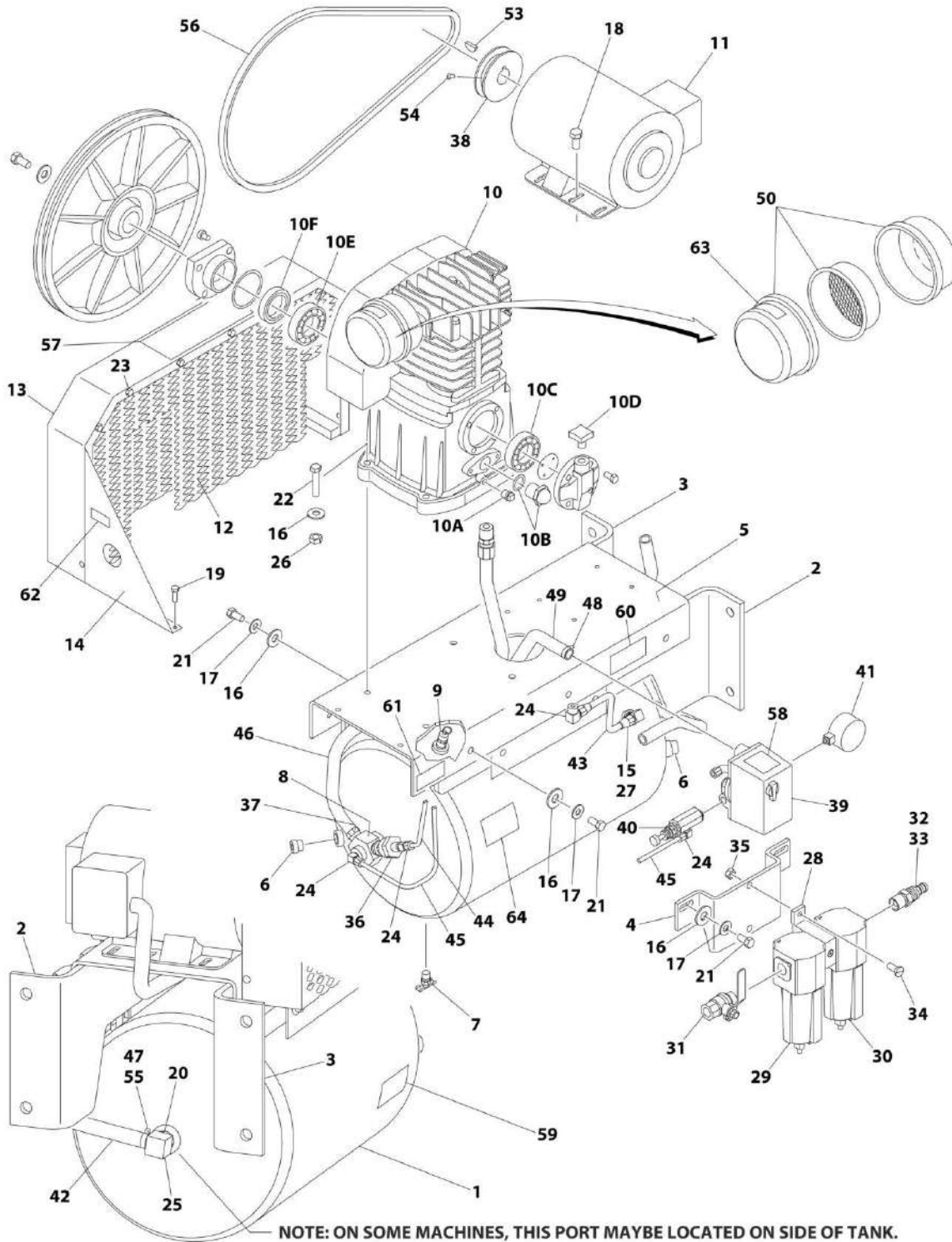
SECTION 2 - TURNTABLE

FIGURE 2-35. SKYAIR AIR COMPRESSOR INSTALLATION

ITEM	PART NUMBER	QTY	DESCRIPTION	REV
		Ref	SKYAIR AIR COMPRESSOR INSTALLATION	
	0273596	Ref	SkyAir Air Compressor Installation (Deutz D2011 & GM Engines)	B
	1001148565	Ref	SkyAir Air Compressor Installation (Deutz TD2.9L4 Engines)	B
		Ref	Note: ANSI, ANSI Export and CSA Specs Only.	
		Ref	Note: 60Hz Machines Only.	
1	0100019	AR	Compound, Locking	
2	0100020	AR	Sealant #567	
3	0641406	2	Bolt 1/4 x 3/4 (Not Shown)	
4	0641608	3	Bolt 3/8 x 1	
5	0641810	4	Bolt 1/2 x 1-1/4	
6	0861642	1	Control Box Assembly	
6A	4460633	3	Connector, Strain Relief	
6B	70002948	AR	Cable, Electrical - 12/4 (13ft/4m)	
6C	70002948	AR	Cable, Electrical - 12/4 (30in/76cm)	
7	1320224	1	Clamp (Not Shown)	
8	2220252	1	Fitting	
9	2220750	1	Fitting	
10	3311405	2	Nut 1/4 (Not Shown)	
11	3600386	3	Compressor Assembly (See AIR COMPRESSOR ASSEMBLY for Breakdown)	
12	3720021	1	Filter/Regulator Assembly	
12	7027781	1	Service Kit (Includes Gaskets and Seals)	
12	7027782	1	Filter	
12	7027784	1	Gauge	
12	7027783	1	Valve, Drain	
13	3311605	3	Nut 3/8	
14	4711400	4	Washer 1/4 (Not Shown)	
15	4711600	3	Washer 3/8	
16	4751800	4	Washer 1/2	
17	4460428	1	Connector, Strain Relief	
19		Ref	Bracket, Control Box Options:	
19A	4340747		Bracket (Deutz D2011 and GM Engines)	
19B	1001144447		Bracket (Deutz TD2.9L4 Engines)	
	0273687	Ref	DECAL INSTALLATION	A
101	1705836	1	Decal - Hazard Voltage	
102	1705837	1	Decal - Air Compressor	
103	1705886	2	Decal - SkyAir	

SECTION 2 - TURNTABLE

FIGURE 2-36. AIR COMPRESSOR ASSEMBLY



ART_3600386

SECTION 2 - TURNTABLE

FIGURE 2-36. AIR COMPRESSOR ASSEMBLY

ITEM	PART NUMBER	QTY	DESCRIPTION	REV
	3600386	Ref	AIR COMPRESSOR ASSEMBLY	B
1	7026632	1	Tank	
2	See Note	1	Bracket, Mounting (Note: Not Available for Purchase)	
3	See Note	1	Bracket, Mounting (Note: Not Available for Purchase)	
4	See Note	1	Bracket, Regulator Mounting (Note: Not Available for Purchase)	
5	See Note	1	Deck (Note: Not Available for Purchase)	
6	See Note	2	Plug (Note: Not Available for Purchase)	
7	7026633	1	Valve, Drain	
8	7026634	1	Valve, Check	
9	7026635	1	Valve, Safety	
10	7026636	1	Pump Assembly	
10	7026659	1	Gasket and Seal Kit	
10A	7026651	1	Plug, Oil Drain	
10B	7026652	1	Gauge, Oil Sight	
10C	7026653	1	Bearing	
10D	7026654	1	Cap, Oil Fill	
10E	7026655	1	Bearing	
10F	7026656	1	Seal	
11	7026637	1	Motor Assembly	
11	See Note	1	Brush Kit (Note: Not Available for Purchase)	
12	See Note	1	Screen, Inner (Note: Not Available for Purchase)	
13	See Note	1	Guard, Belt (Note: Not Available for Purchase)	
14	See Note	2	Support (Note: Not Available for Purchase)	
15	See Note	1	Bushing (Note: Not Available for Purchase)	
16	4751600	18	Washer 3/8	
17	4761600	10	Washer 3/8	
18	0641506	4	Bolt 5/16 x 3/4	
19	0641406	8	Bolt 1/4 x 3/4	
20	See Note	1	Bushing (Note: Not Available for Purchase)	
21	0641610	10	Bolt 3/8 x 1-1/4	
22	0641616	4	Bolt 3/8 x 2	
23	See Note	10	Bolt 1/4 x 1/2 (Note: Not Available for Purchase)	
24	See Note	4	Fitting (Note: Not Available for Purchase)	
25	See Note	1	Fitting, Barbed (Note: Not Available for Purchase)	
26	3311605	4	Nut 3/8	
27	See Note	1	Fitting, Compression (Note: Not Available for Purchase)	
28	See Note	1	Bracket, Mounting (Note: Not Available for Purchase)	
29	7026660	1	Filter, Oil Removal	
30	7026661	1	Filter, Water Removal	
31	70001663	1	Valve, Ball Shut-Off	
32	See Note	1	Bushing (Note: Not Available for Purchase)	
33	See Note	1	Fitting, Barbed (Note: Not Available for Purchase)	
34	See Note	2	Screw 1/4 x 1 (Note: Not Available for Purchase)	
35	3311405	2	Nut 1/4	
36	See Note	1	Unloader (Note: Not Available for Purchase)	
37	See Note	1	Fitting (Note: Not Available for Purchase)	
38	See Note	1	Pulley (Note: Not Available for Purchase)	
39	7026638	1	Switch, Pressure	
40	7026639	1	Vale, Pilot	
41	7026640	1	Gauge	

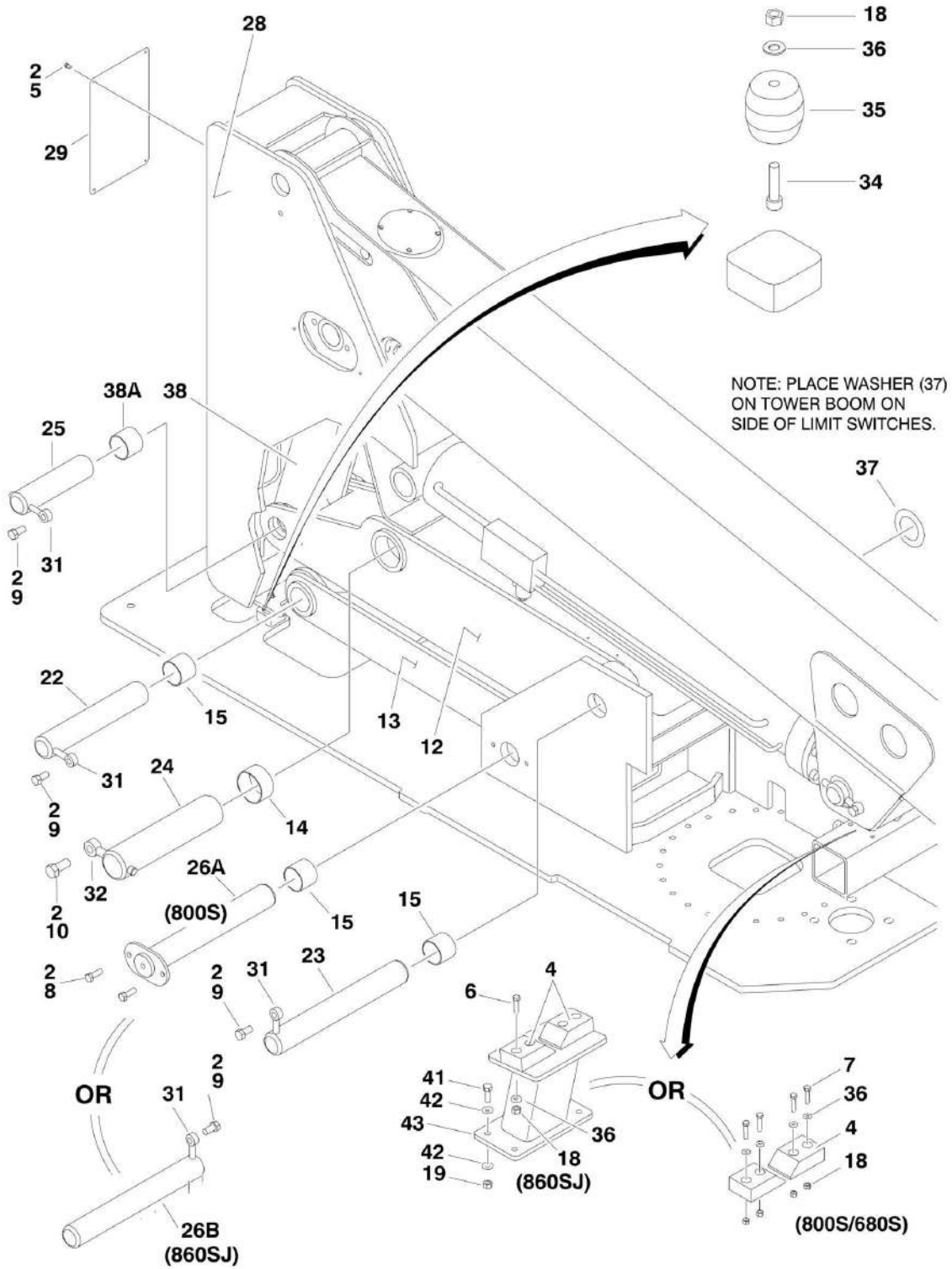
SECTION 2 - TURNTABLE

ITEM	PART NUMBER	QTY	DESCRIPTION	REV
42	See Note	1	Hose (Note: Not Available for Purchase)	
43	See Note	1	Tube, Feed (Note: Not Available for Purchase)	
44	See Note	1	Tube (Note: Not Available for Purchase)	
45	See Note	1	Tube (Note: Not Available for Purchase)	
46	See Note	1	Aftercooler (Note: Not Available for Purchase)	
47	See Note	2	Clamp (Note: Not Available for Purchase)	
48	See Note	2	Clamp (Note: Not Available for Purchase)	
49	See Note	1	Harness, Wiring (Note: Not Available for Purchase)	
50	7026658	1	Filter Assembly	
50	7026641	1	Element, Filter	
51	See Note	23 oz	Oil, Compressor (Note: Not Available for Purchase)	
52	0100020	AR	Sealant	
53	See Note	1	Key (Note: Not Available for Purchase)	
54	See Note	2	Setscrew (Note: Not Available for Purchase)	
55	See Note	2	Cover, Clamp End (Note: Not Available for Purchase)	
56	7026642	1	Belt	
57	7026643	1	Decal - Unit Warning	
58	7026644	1	Decal - Pressure Switch Warning	
59	7026645	1	Decal - Drain Tank Warning	
60	7026646	1	Decal - Compressor Maintenance	
61	7026647	1	Decal - Initial Oil Fill	
62	7026648	1	Decal - Hot Surfaces Warning	
63	7026649	1	Decal - Paper Element Cleaning	
64	7026650	1	Decal - Dual Control	

SECTION 3 - BOOM

SECTION 3 - BOOM

FIGURE 3-1. TOWER BOOM, UPRIGHT AND CYLINDERS INSTALLATION



SECTION 3 - BOOM

FIGURE 3-1. TOWER BOOM, UPRIGHT AND CYLINDERS INSTALLATION

ITEM	PART NUMBER	QTY	DESCRIPTION	REV
		Ref	TOWER BOOM, UPRIGHT AND CYLINDERS INSTALLATIONS	
	1001155751	Ref	Tower Boom, Upright and Cylinders Installations 800S	I
	1001155752	Ref	Tower Boom, Upright and Cylinders Installations 860SJ (SN 0300182743 to Present)	J
	1001155752	Ref	Tower Boom, Upright and Cylinders Installations 860SJ (SN B300001092 through B300002483)	H
	1001231103	Ref	Tower Boom, Upright and Cylinders Installations 860SJ (SN B300002484 to Present)	A
	1001155753	Ref	Tower Boom, Upright and Cylinders Installations 680S	I
2	0100011	AR	Compound, Locking	
4	0561380	1	Block, Boom Rest	
5	0641504	4	Bolt 5/16in-18NC x 5/8in	
6	0641615	4	Bolt 3/8in-16NC x 1-7/8in (860SJ Only)	
7	0641613	4	Bolt 3/8in-16NC x 1-5/8in (800S/680S Only)	
8	0642014	AR	Bolt 5/8in-11NC x 1-3/4in	
9	0642212	3	Bolt 3/4in-10NC x 1-1/2in	
10	0642618	1	Bolt 1in-8NC x 2-1/4in	
12		Ref	Tower Weldment Options:	
12	0801279	1	Tower (800S//680S)	
12	0801306	1	Tower (860SJ)	
13		Ref	Link (Tower) Weldment Options:	
13	0801280	1	Link (Tower) (800S/680S) (SN 0300182743 through 0300216719)	
13	1001201602	1	Link (Tower) (800S/680S) (SN 0300216720 to Present)	
13	0801280	1	Link (Tower) (800S) (SN B300001092 through B300001498)	
13	1001201602	1	Link (Tower) (800S) (SN B300001499 to Present)	
13	0801307	1	Link (Tower) (860SJ) (Except SN 0300182743 through 0300211623)	
13	1001194573	1	Link (Tower) (860SJ) (SN 0300211624 to Present)	
13	0801307	1	Link (Tower) (860SJ) (SN B300001092 through B300001431)	
13	1001194573	1	Link (Tower) (860SJ) (SN B300001432 to Present)	
14	0962122	2	Bushing	
15	0962297	AR	Bushing	
18	3311605	6	Locknut 3/8in-16NC	
19	3311805	4	Locknut 1/2in-13NC	
22	3422908	1	Pin	
23	3422909	1	Pin	
24	3422910	1	Pin	
25	3422920	1	Pin	
26		Ref	Pin Options:	
26A	3422930	1	Pin 800S/680S	
26B	3422909	1	Pin 860SJ	
28	1001157180	1	Upright	
29	3573050	1	Cover, Upright Rear	
31	3841287	AR	Keeper, Pin	
32	3841356	1	Keeper, Pin	
34	3931624	2	Capscrew, Socket Head 3/8in-16NC x 1-1/2in	
35	4160187	2	Spring, Rubber	
36	4711600	6	Flatwasher 3/8in Thin	
37	4740492	1	Thrustwasher	
38		Ref	Power Link Weldment Options:	

SECTION 3 - BOOM

ITEM	PART NUMBER	QTY	DESCRIPTION	REV
38	1001117804	1	Power Link (800S/680S)	
38	1001117805	1	Power Link (860SJ)	
38A	0962297	4	Bushing	
41	0641812	4	Bolt 1/2in-13NC x 1-1/2in (860SJ Only)	
42	4711800	8	Flatwasher 1/2in Thin (860SJ Only)	
43	1001157837	1	Rest, Boom (860SJ Only)	

SECTION 3 - BOOM

FIGURE 3-2. MAIN BOOM INSTALLATION - 800S/680S

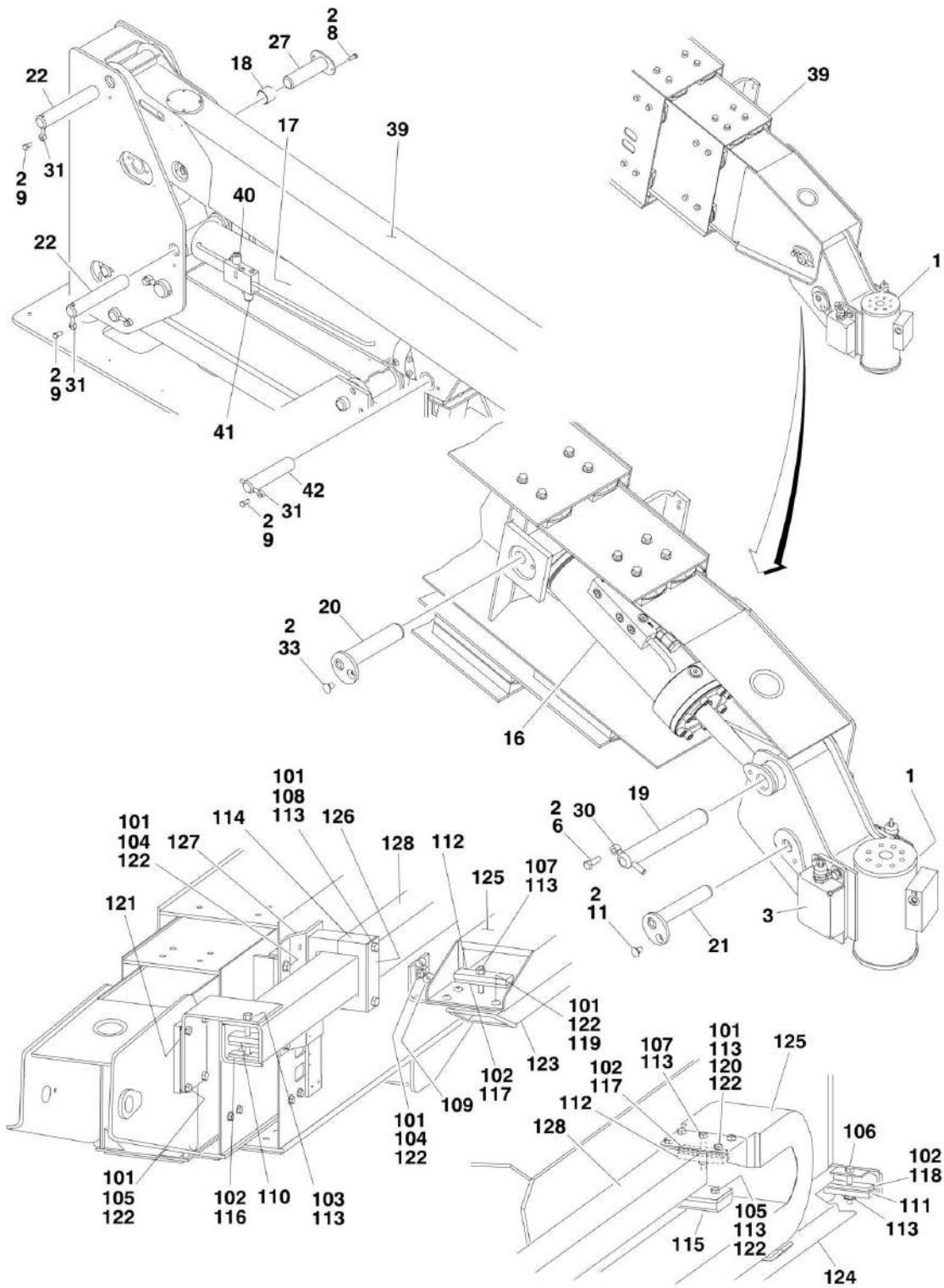


FIGURE 3-2. MAIN BOOM INSTALLATION - 800S/680S

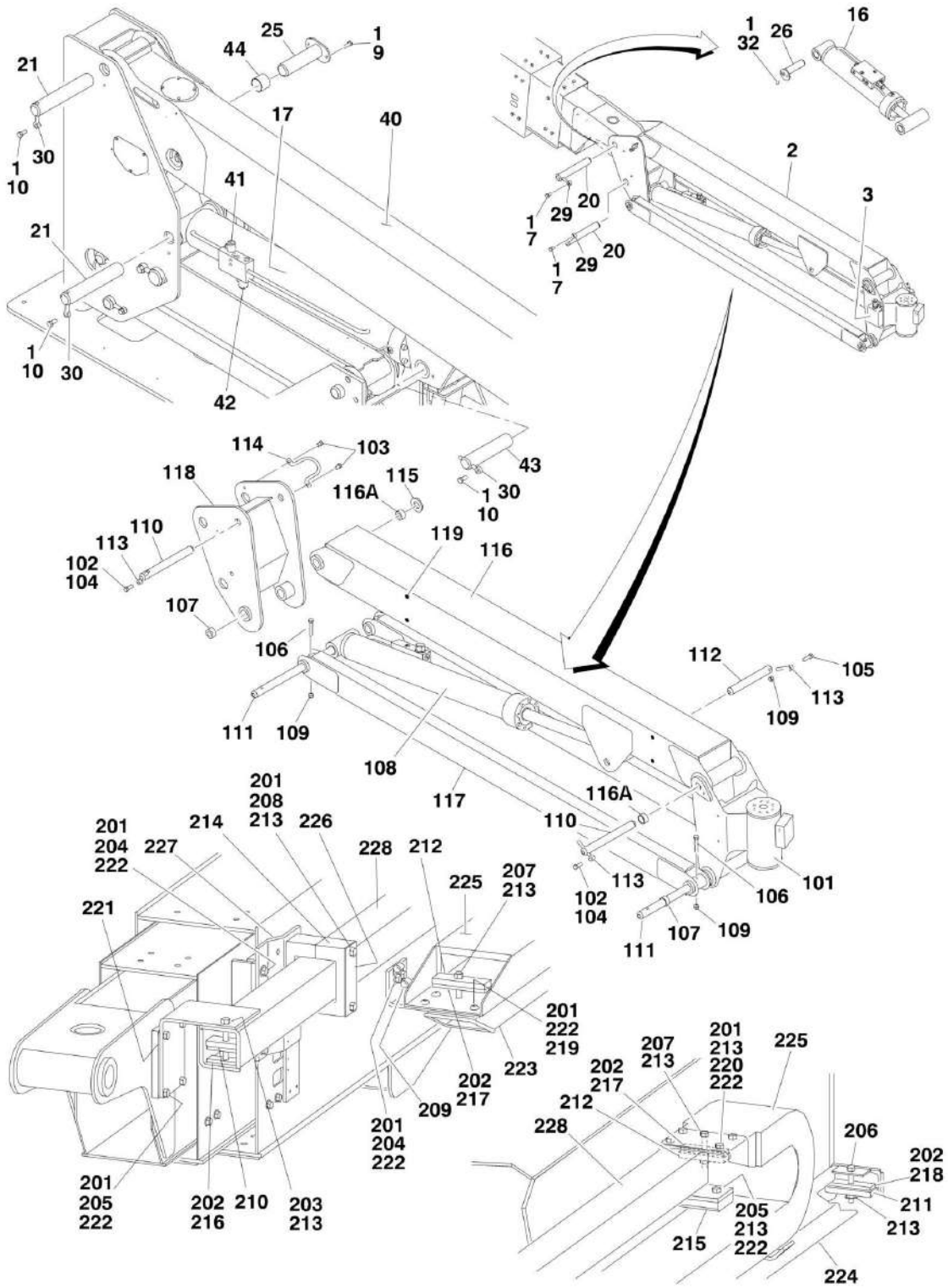
ITEM	PART NUMBER	QTY	DESCRIPTION	REV
	1001155751	Ref	BOOM AND CYLINDERS INSTALLATION - 800S	I
	1001155753	Ref	BOOM AND CYLINDERS INSTALLATION - 680S	I
1		Ref	Rotator Options (See ROTATOR ASSEMBLY for Breakdown):	
1	0060061	NLA	Rotator (Use p/n 1001181060) (800S) (SN 0300182743 through 0300202002)	
1	1001181060	1	Rotator (800S) (SN 0300202003 to Present)	
1	0060061	NLA	Rotator (Use p/n 1001181060) (800S) (SN B300001092 through B300001179)	
1	1001181060	1	Rotator (800S) (SN B300001180 to Present)	
1	1001091625	NLA	Rotator (Use p/n 1001181061) (680S) (SN 0300182743 through 0300202002)	
1	1001181061	1	Rotator (680S) (SN 0300202003 to Present)	
2	0100011	AR	Compound, Locking	
3	0273695	1	Platform Level Sensor Switch Assembly (See PLATFORM SUPPORT AND CONTROL VALVES INSTALLATION for Breakdown)	
6	0641608	1	Bolt 3/8in-16NC x 1in	
8	0642014	2	Bolt 5/8in-11NC x 1-3/4in	
9	0642212	3	Bolt 3/4in-10NC x 1-1/2in	
11	0741605	1	Bolt 3/8in-16NC x 5/8in	
16		Ref	Level Cylinder Assembly - Platform Slave Options (See CYLINDER SECTION for Breakdown):	
16	1684189	NLA	Level Cylinder (Use p/n 1001228027) (SN 0300182743 through 0300183962)	
16	1001140460	1	Level Cylinder (SN 0300183963 through 0300193126)	
16	1684189	NLA	Level Cylinder (Use p/n 1001228027) (SN 0300193127 through 0300198300)	
16	1001140460	1	Level Cylinder (SN 0300198301 through 0300198660)	
16	1684189	NLA	Level Cylinder (Use p/n 1001228027) (SN 0300198661 through 0300243278)	
16	1001228027	1	Level Cylinder (SN 0300243279 to Present)	
16	1684189	NLA	Level Cylinder (Use p/n 1001228027) (SN B300001092 through B300002584)	
16	1001228027	1	Level Cylinder (SN B300002585 to Present)	
17		Ref	Main Lift Cylinder Assembly Options (See CYLINDER SECTION for Breakdown)	
17	1684199	NLA	Main Lift Cylinder (Use p/n 1001228028) (SN 0300182743 through 0300239593)	
17	1001228028	1	Main Lift Cylinder (SN 0300239594 to Present)	
17	1684199	NLA	Main Lift Cylinder (Use p/n 1001228028) (SN B300001092 through B300002483)	
17	1001228028	1	Main Lift Cylinder (SN B300002484 to Present)	
18	0962297	2	Bushing (Part of Timing Link)	
19	3422562	1	Pin	
20	3422569	1	Pin	
21	3422580	1	Pin	
22	3422908	2	Pin	
25	3422920	1	Pin	
27	3422931	1	Pin	
30	3841143	1	Keeper, Pin	
31	3841287	3	Keeper, Pin	
33	3900192	1	Screw 3/8in-16NC x 1/2in	

SECTION 3 - BOOM

ITEM	PART NUMBER	QTY	DESCRIPTION	REV
39	1001155760	1	Main Boom Assembly (800S) (See MAIN BOOM ASSEMBLY for Breakdown)	
39	1001155763	1	Main Boom Assembly (680S) (See MAIN BOOM ASSEMBLY for Breakdown)	
40	4641188	1	Cartridge, Lift Holding Solenoid	
40	7023923	1	Cartridge - 4641188 Valve	
40	7023919	1	Seal Kit - 4641188 Valve	
40	7012943	1	Coil - 4641188 Valve	
41	4641234	1	Cartridge, Lift Relief Proportional Solenoid	
41	7023982	1	Cartridge - 4641234 Valve	
41	7012925	1	Seal Kit - 4641234 Valve	
41	7017451	1	Coil - 4641234 Valve	
42		Ref	Pin Options	
42	3422920	1	Pin (SN 0300182743 through 0300206896)	
42	1001196221	1	Pin (SN 0300206897 to Present)	
42	3422920	1	Pin (SN B300001091 through B300001327)	
42	1001196221	1	Pin (SN B300001328 to Present)	
	1001156965	Ref	POWER TRACK INSTALLATION	B
101	0100011	AR	Compound, Locking	
102	0100081	AR	Adhesive	
103	0630539	1	Bolt 3/8in-16NC x 3-1/2in	
104	0641606	12	Bolt 3/8in-16NC x 3/4in	
105	0641608	6	Bolt 3/8in-16NC x 1in	
106	0641620	1	Bolt 3/8in-16NC x 2-1/2in	
107	0641622	2	Bolt 3/8in-16NC x 2-3/4in	
108	0641644	2	Bolt 3/8in-16NC x 5-1/2in	
109	1320263	2	Clamp, Cable	
110	1320288	1	Clamp, Hose	
111	1320289	1	Clamp, Hose	
112	1320294	2	Bar, Clamping	
113	3311605	12	Locknut 3/8in-16NC	
114	3340764	2	Pad, Wear	
115	3340787	1	Pad, Wear	
116	3340941	2	Pad, Push Tube	
117	3340942	2	Pad, Rubber	
118	3340943	2	Pad, Rubber	
119	3900283	4	Screw, Button Head 3/8in-16NC x 3/4in	
120	3900316	4	Screw, Button Head 3/8in-16NC x 1in	
121	4070969	2	Shim	
122	4711600	28	Flatwasher 3/8in Thin	
123	4846553	2	Support, Push Tube	
124	4846554	1	Tube, Push	
125	1001131731	1	Power Track	
125	70003921	AR	Repair Section (Includes 1 Pin Assembly for each end)	
125	70003922	1	Mounting Feet (Includes Both Pair of Feet)	
126	1001136400	1	Plate	
127	1001156439	1	Plate	
128	1001156443	1	Tube, Push	

SECTION 3 - BOOM

FIGURE 3-3. MAIN BOOM INSTALLATION - 860SJ



SECTION 3 - BOOM

FIGURE 3-3. MAIN BOOM INSTALLATION - 860SJ

ITEM	PART NUMBER	QTY	DESCRIPTION	REV
	1001155752	Ref	BOOM AND CYLINDERS INSTALLATION (SN 0300182743 to Present)	J
	1001155752	Ref	TOWER BOOM, UPRIGHT AND CYLINDERS INSTALLATION (SN B300001092 through B300002483)	H
	1001231103	Ref	TOWER BOOM, UPRIGHT AND CYLINDERS INSTALLATION (SN B300002484 to Present)	A
1	0100011	AR	Compound, Locking	
2		Ref	Jib Assembly (See Items 101-120 for Breakdown)	
2	0271444	1	Jib Assembly (SN 0300182743 to Present)	
2	0271444	1	Jib Assembly (SN B300001092 through B300002483)	
2	1001231056	1	Jib Assembly (SN B300002484 to Present)	
3	0273695	1	Platform Level Sensor Switch Assembly (See PLATFORM SUPPORT AND CONTROL VALVES INTSTALLATION for Breakdown)	
7	0641808	2	Bolt 1/2in-13NC x 1in	
9	0642014	2	Bolt 5/8in-11NC x 1-3/4in	
10	0642212	3	Bolt 3/4in-10NC x 1-1/2in	
16		Ref	Platform Level Cylinder Assembly (See CYLINDER SECTION for Breakdown)	
16	1684136	NLA	Platform Level Cylinder (Use p/n 1001228022) (SN 0300182743 through 0300244707)	
16	1001228022	1	Platform Level Cylinder (SN 0300244708 to Present)	
16	1684136	NLA	Platform Level Cylinder (Use p/n 1001228022) (SN B300001092 through B300002483)	
16	1001230372	1	Platform Level Cylinder (SN B300002484 to Present)	
17		Ref	Main Lift Cylinder Assembly (See CYLINDER SECTION for Breakdown)	
17	1684202	NLA	Main Lift Cylinder (Use p/n 1001228029) (SN 0300182743 through 0300239858)	
17	1001228029	1	Main Lift Cylinder (SN 0300239859 to Present)	
17	1684202	NLA	Main Lift Cylinder (Use p/n 1001228029) (SN B300001092 through B300002483)	
17	1001230373	1	Main Lift Cylinder (SN B300002484 to Present)	
20	3422793	2	Pin	
21	3422908	2	Pin	
24	3422920	1	Pin	
25	3422931	1	Pin	
26	3422932	1	Pin	
29	3841203	2	Keeper, Pin	
30	3841287	3	Keeper, Pin	
32	3900192	1	Screw 3/8in-16NC x 1/2in	
40	1001155762	1	Main Boom Assembly (See MAIN BOOM ASSEMBLY for Breakdown)	
41	4641188	1	Cartridge, Lift Holding Solenoid (SN 0300182743 through 0300244708, SN B300001092 to Present)	
41	7023923	1	Cartridge - 4641188 Valve	
41	7023919	1	Seal Kit - 4641188 Valve	
41	7012943	1	Coil - 4641188 Valve	
42	4641234	1	Cartridge, Lift Relief Proportional Solenoid (SN 0300182743 through 0300244708, SN B300001092 to Present)	
42	7023982	1	Cartridge - 4641234 Valve	
42	7012925	1	Seal Kit - 4641234 Valve	
42	7017451	1	Coil - 4641234 Valve	

SECTION 3 - BOOM

ITEM	PART NUMBER	QTY	DESCRIPTION	REV
43		Ref	Pin Options	
43	3422920	1	Pin (SN 0300182743 through 0300206896)	
43	1001196221	1	Pin (SN 0300206897 to Present)	
43	3422920	1	Pin (SN B300001091 through B300001327)	
43	1001196221	1	Pin (SN B300001328 to Present)	
43	0962297	2	Bushing (Part of Timing Link)	
		Ref	JIB ASSEMBLY	
	0271444	Ref	Jib Assembly (SN 0300182743 to Present)	K
	0271444	Ref	Jib Assembly (SN B300001092 through B300002483)	J
	1001231056	Ref	Jib Assembly (SN B300002484 to Present)	A
101		Ref	Rotator Options (See ROTATOR ASSEMBLY for Breakdown):	
101	0060048	NLA	Rotator (Use p/n 1001181051) (SN 0300182743 through 0300202002)	
101	1001181051	1	Rotator (SN 0300202003 to Present)	
101	0060048	NLA	Rotator (Use p/n 1001181051) (SN B300001092 through B300001179)	
101	1001181051	1	Rotator (SN B300001180 to Present)	
102	0100011	AR	Compound, Locking	
103	0641604	2	Bolt 3/8in-16NC x 1/2in	
104	0641608	2	Bolt 3/8in-16NC x 1in	
105	0641610	1	Bolt 3/8in-16NC x 1-1/4in	
106	0641618	4	Bolt 3/8in-16NC x 2-1/4in	
107	0961947	AR	Bushing	
108		Ref	Jib Lift Cylinder Assembly (See CYLINDER SECTION for Breakdown)	
108	1683609	NLA	Jib Lift Cylinder (Use p/n 1001248012) (SN 0300182743 through 0300244707)	
108	1001248012	1	Jib Lift Cylinder (SN 0300244708 to Present)	
108	1683609	NLA	Jib Lift Cylinder (Use p/n 1001248012) (SN B300001092 through B300002483)	
108	1001230371	1	Jib Lift Cylinder (SN B300002484 to Present)	
109	3311605	5	Locknut 3/8in-16NC	
110	3422860	2	Pin	
111	3422861	2	Pin	
112	3422867	1	Pin	
113	3841143	3	Keeper, Pin	
114	3841340	1	Loop, Hose	
115	4740439	2	Thrustwasher	
116	4844816	1	Link, Jib (Upper)	
116A	0962335	4	Bushing	
117	4844817	2	Link, Jib (Lower)	
118	4846435	1	Pivot, Jib	
119	3520034	AR	Plug, Hole	
	1001156966	Ref	POWER TRACK INSTALLATION	B
201	0100011	AR	Compound, Locking	
202	0100081	AR	Adhesive	
203	0630539	1	Bolt 3/8in-16NC x 3-1/2in	
204	0641606	12	Bolt 3/8in-16NC x 3/4in	
205	0641608	6	Bolt 3/8in-16NC x 1in	
206	0641620	1	Bolt 3/8in-16NC x 2-1/2in	
207	0641622	2	Bolt 3/8in-16NC x 2-3/4in	
208	0641644	2	Bolt 3/8in-16NC x 5-1/2in	

SECTION 3 - BOOM

ITEM	PART NUMBER	QTY	DESCRIPTION	REV
209	1320263	2	Clamp, Cable	
210	1320288	1	Clamp, Hose	
211	1320289	1	Clamp, Hose	
212	1320294	2	Bar, Clamping	
213	3311605	12	Locknut 3/8in-16NC	
214	3340764	2	Pad, Wear	
215	3340787	1	Pad, Wear	
216	3340941	2	Pad, Push Tube	
217	3340942	2	Pad, Rubber	
218	3340943	2	Pad, Rubber	
219	3900283	4	Screw, Button Head 3/8in-16NC x 3/4in	
220	3900316	4	Screw, Button Head 3/8in-16NC x 1in	
221	4070969	2	Shim	
222	4711600	28	Flatwasher 3/8in Thin	
223	4846553	1	Support, Push Tube	
224	4846558	1	Tube, Push	
225	1001131731	1	Power Track	
225	70003921	AR	Repair Section (Includes 1 Pin Assembly for each end)	
225	70003922	1	Mounting Feet (Includes Both Pair of Feet)	
226	1001136400	1	Plate	
227	1001156439	1	Plate	
228	1001156443	1	Tube, Push	

SECTION 3 - BOOM

FIGURE 3-4. MAIN BOOM ASSEMBLIES

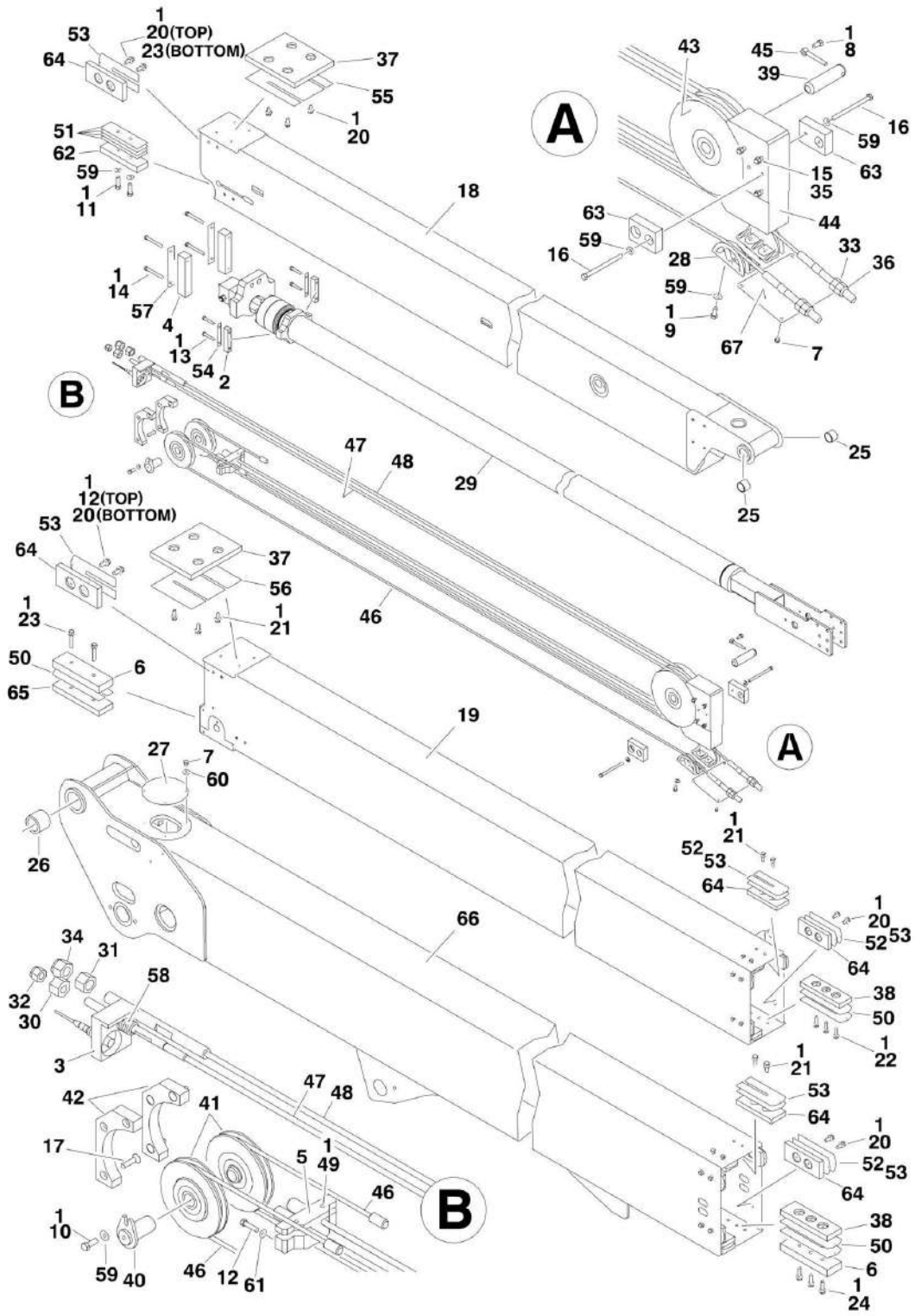


FIGURE 3-4. MAIN BOOM ASSEMBLIES

ITEM	PART NUMBER	QTY	DESCRIPTION	REV
		Ref	MAIN BOOM ASSEMBLY OPTIONS:	
	1001155760	Ref	Main Boom Assembly 800S	D
	1001155762	Ref	Main Boom Assembly 860SJ	E
	1001155763	Ref	Main Boom Assembly 680S	E
1	0100011	AR	Compound, Locking	
2	0561185	2	Block, Telescope Attach	
3	0561445	1	Block, Spring Mounting	
4	0561446	2	Block, Tele Mount	
5	0561447	1	Block, Cable Mount	
6	0561449	3	Block, Spacer	
7	0641403	8	Bolt 1/4in-20NC x 3/8in	
8	0641606	1	Bolt 3/8in-16NC x 3/4in	
9	0641607	2	Bolt 3/8in-16NC x 7/8in	
10	0641608	2	Bolt 3/8in-16NC x 1in	
11	0641610	4	Bolt 3/8in-16NC x 1-1/4in	
12	0641613	6	Bolt 3/8in-16NC x 1-5/8in	
13	0641616	4	Bolt 3/8in-16NC x 2in	
14	0641626	4	Bolt 3/8in-16NC x 3-1/4in	
15	0641634	4	Bolt 3/8in-16NC x 4 1/4in	
16	0641640	2	Bolt 3/8in-16NC x 5in	
17	0741612	6	Screw, Flathead 3/8in-16NC x 1-1/2in	
18		Ref	Fly Weldment Options:	
18	0801275	1	Fly Weldment 800S	
18	0801282	1	Fly Weldment 860SJ	
18	0801275	1	Fly Weldment 680S (SN 0300182743 through 0300229061)	
18	1001212012	1	Fly Weldment 680S (SN 0300229062 to Present)	
19		Ref	Mid Weldment Options:	
19	0801649	1	Mid Weldment 800S/680S	
19	0801647	1	Mid Weldment 860SJ	
20	0811606	28	Screw 3/8in-16NC x 3/4in	
21	0811607	12	Screw 3/8in-16NC x 7/8in	
22	0811608	6	Screw 3/8in-16NC x 1in	
23	0811614	6	Screw 3/8in-16NC x 1-3/4in	
24	0811616	6	Screw 3/8in-16NC x 2in	
25	0961948	2	Bearing (860SJ Only)	
26	0962297	2	Bearing	
27	1120510	1	Cover, Pin	
28	1220078	2	Sheave, Block	
29		Ref	Telescope Cylinder Assembly Options (See CYLINDER SECTION for Breakdown):	
29	1684041	NLA	Telescope Cylinder (800S) (Use p/n 1001228081) (SN 0300182743 through 0300196954)	
29	1001177317	NLA	Telescope Cylinder (800S) (Use p/n 1001228081) (SN 0300196955 through 0300243278)	
29	1001228081	1	Telescope Cylinder (800S) (SN 0300243279 to Present)	
29	1684041	NLA	Telescope Cylinder (800S) (Use p/n 1001228081) (SN B300001092 through B300001096)	
29	1001177317	NLA	Telescope Cylinder (800S) (Use p/n 1001228081) (SN B300001097 through B300002584)	
29	1001228081	1	Telescope Cylinder (800S) (SN B300002585 to Present)	
29	1684043	1	Telescope Cylinder (860SJ) (SN 0300182743 through	

SECTION 3 - BOOM

ITEM	PART NUMBER	QTY	DESCRIPTION	REV
29	1001181588	1	0300196954) Telescope Cylinder (860SJ) (Use p/n 1001228083) (SN 0300196955 through 0300244707)	
29	1001228083	1	Telescope Cylinder (860SJ) (SN 0300244708 to Present)	
29	1684043	1	Telescope Cylinder (860SJ) (SN B300001092 through B300001096)	
29	1001181588	1	Telescope Cylinder (860SJ) (Use p/n 1001228083) (SN B300001097 through B300002587)	
29	1001228083	1	Telescope Cylinder (860SJ) (SN B300002588 to Present)	
29	1684519	1	Telescope Cylinder (680S) (SN 0300182743 through 0300196954)	
29	1001181589	NLA	Telescope Cylinder (680S) (Use p/n 1001228085) (SN 0300196955 through 0300244879)	
29	1001228085	1	Telescope Cylinder (680S) (SN 0300244880 to Present)	
30	3272001	1	Nut 5/8in-11NC	
31	3272401	1	Nut 7/8in-9NC	
32	3300240	1	Nut	
33	3300241	2	Locknut 3/4in-10NC	
34	3300242	1	Locknut 7/8in-9NC	
35	3311605	4	Locknut 3/8in-16NC	
36	3312201	2	Nut 3/4in-10NC	
37	3340757	2	Pad, Wear	
38	3340871	4	Pad, Wear	
39	3422417	1	Pin, Extend Sheave	
40	3422424	2	Pin	
41	3580243	2	Sheave, Retract	
41	0961951	1	Bushing	
42	3580249	2	Guard, Sheave	
43	3580288	1	Sheave, Extend	
43	0961951	2	Bushing	
44	3580289	1	Guard, Sheave	
45	3841143	1	Keeper, Pin	
46		Ref	Cable, Wire Rope	
46	3890013	2	Cable, Wire Rope 800S/680S	
46	3890016	2	Cable, Wire Rope 860SJ	
47		Ref	Cable, Wire Rope	
47	3890014	1	Cable, Wire Rope 800S/680S	
47	3890017	1	Cable, Wire Rope 860SJ	
48		Ref	Cable, Wire Rope	
48	3890015	1	Cable, Wire Rope 800S/680S	
48	3890018	1	Cable, Wire Rope 860SJ	
49	3951608	2	Setscrew 3/8in-16NC x 1in	
50	4070863	5	Shim (#11 Gauge)	
51	4070895	8	Shim (#16 Gauge)	
52	4070897	10	Shim (#18 Gauge)	
53	4070898	22	Shim (#11 Gauge)	
54	4070929	2	Shim (#16 Gauge)	
55	4070939	1	Shim (#16 Gauge)	
56	4070940	1	Shim (#16 Gauge)	
57	4071020	2	Shim (#16 Gauge)	
58	4160149	1	Spring, Torsion	
59	4711600	12	Flatwasher 3/8in Thin	

SECTION 3 - BOOM

ITEM	PART NUMBER	QTY	DESCRIPTION	REV
60	4751400	4	Flatwasher 1/4in Regular	
61	4891600	2	Flatwasher 3/8in Hardened	
62	1001148650	2	Pad, Wear	
63	1001148651	2	Pad, Wear	
64	1001148652	20	Pad, Wear	
65	1001148653	1	Pad, Wear	
66		Ref	Base Weldment Options:	
66	1001155770	1	Base Weldment 800S/680S	
66	1001155771	1	Base Weldment 860SJ	
67	3539622	1	Plate, Cover	

SECTION 3 - BOOM

FIGURE 3-5. ROTATOR ASSEMBLY

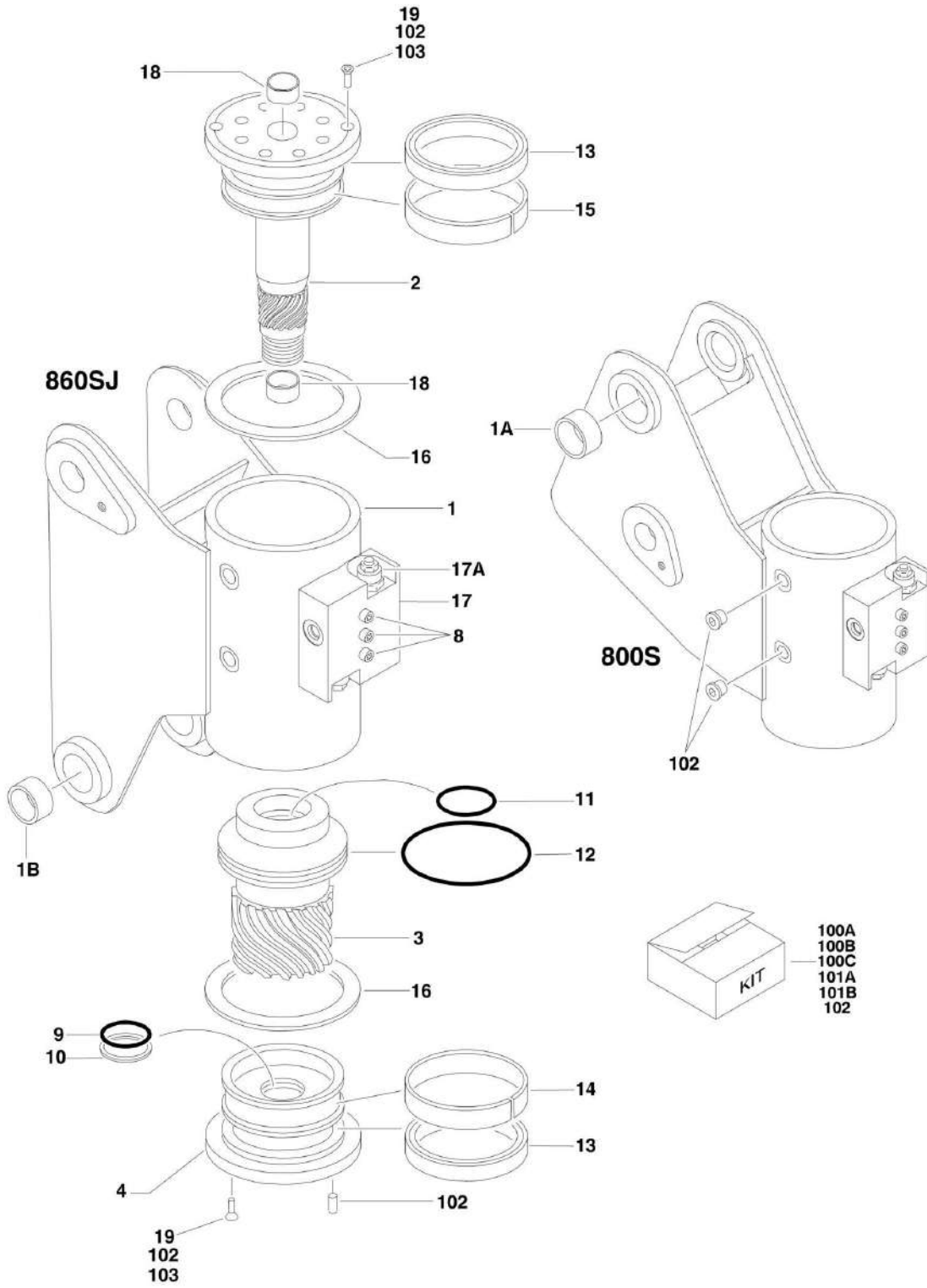


FIGURE 3-5. ROTATOR ASSEMBLY

ITEM	PART NUMBER	QTY	DESCRIPTION	REV
		Ref	ROTATOR ASSEMBLY	
	0060061	Ref	Rotator Assembly (800S) (SN 0300182743 through 0300202002)	J
	1001181060	Ref	Rotator Assembly (800S) (SN 0300202003 to Present)	A
	0060061	Ref	Rotator Assembly (800S) (SN B300001092 through B300001199)	J
	1001181060	Ref	Rotator Assembly (800S) (SN B300001200 to Present)	A
	0060048	Ref	Rotator Assembly (860SJ) (SN 0300182743 through 0300202002)	J
	1001181051	Ref	Rotator Assembly (860SJ) (SN 0300202003 to Present)	A
	0060048	Ref	Rotator Assembly (860SJ) (SN B300001092 through B300001179)	J
	1001181051	Ref	Rotator Assembly (860SJ) (SN B300001180 to Present)	A
	1001091625	Ref	Rotator Assembly (680S) (SN 0300182743 through 0300202002)	C
	1001181061	Ref	Rotator Assembly (680S) (SN 0300202003 to Present)	A
1		Ref	Case/Bracket Weldment	
1	7017175	1	0060061 Rotator	
1	7017141	1	0060048 Rotator	
1	See Note	NSS	1001091625, 1001181059, 1001181060 & 1001181061, Rotator (Note: Purchase Complete Assembly)	
1A		Ref	Bushing Options: (Top)	
1A	0961951	2	0060061 & 1001091625 Rotator	
1A	Not Required	0	0060048 Rotator	
1B		Ref	Bushing Options: (Bottom)	
1B	7017150	2	0060061 & 1001181051 Rotator	
1B	0961947	2	0060048 & 1001181060 Rotator	
2		Ref	Shaft Options:	
2	7017162	1	0060061, 1001181051, 1001091625 & 1001181060 Rotator	
2	7017140	1	0060048 Rotator	
3		Ref	Sleeve, Piston Options:	
3	7017163	1	0060061, 1001091625, 1001181051, 1001181060 & 1001181061 Rotator	
3	7017139	1	0060048 Rotator	
4	7017164	1	Cap, End	
8	See Note	NSS	Bolt 1/4 x 1-1/2 (Grade 8) (Note: Not Available - Purchase Locally)	
9	See Note	NSS	Seal, Cap (Note: Use Items 100A, 100B & 100C)	
10	See Note	NSS	Ring, Back-up Cap (Note: Use Items 100A, 100B & 100C)	
11	See Note	NSS	Seal, Rod (Note: Use Items 100A, 100B & 100C)	
12	See Note	NSS	Seal, Piston (Note: Use Items 100A, 100B & 100C)	
13	See Note	NSS	Packing, Bearing (Note: Use Items 100A, 100B & 100C)	
14	See Note	NSS	Bearing, Cap (Note: Use Items 101A & 101B)	
15	See Note	NSS	Bearing, Shaft (Note: Use Items 101A & 101B)	
16	See Note	NSS	Thrustwasher (Note: Use Items 101A & 101B)	
17		Ref	Counterbalance Valve Assembly Options:	
17	7017172	1	0060061, 1001091625, 1001181051, 1001181060 & 1001181061 Rotator	
17	7017125	1	0060048 Rotator	
17A		Ref	Valve, Cartridge Options:	
17A	7017192	2	0060061, 100109625, 1001181051, 1001181060 & 1001181061 Rotator	

SECTION 3 - BOOM

ITEM	PART NUMBER	QTY	DESCRIPTION	REV
17A	7011323	2	0060048 Rotator	
17A		Ref	Seal Kit (1 Per Assembly)	
17A	See Note	NSS	7017192 Cartridge (Note: Use p/n 7017192)	
17A	2900770	2	7011323 Cartridge	
18	7017195	2	Bushing	
19	70001697	6	Screw, Countersunk (0060048 Rotator)	
		Ref	KIT OPTIONS:	
100		Ref	Seal Kit Options: (Includes Items 9-13 & 102)	
100A	7017158	1	0060061 & 1001091625 Rotator (Standard)	
100B	70000342	1	0060061, 1001091625, 1001181051, 1001181060 & 1001181061 Rotator (Low Temperature)	
100C	7017137	1	0060048 Rotator	
101		Ref	Bearing Kit Options: (Includes Items 14-16)	
101A	7017159	1	0060061, 1001091625, 1001181051 & 1001181060 Rotator	
101B	7017138	1	0060048 Rotator	
102	7017142	1	Hardware Kit (0060061, 1001091625, 1001181051, 1001181060 & 1001181061 Rotator) (Includes End Cap Dowel Pins, Plugs and 103)	
103	70001697	4	Screw, Countersunk 1/4in-20NC x 3/8in (Grade 8)	

SECTION 3 - BOOM

FIGURE 3-6. PLATFORM SUPPORT AND CONTROL VALVES INSTALLATIONS

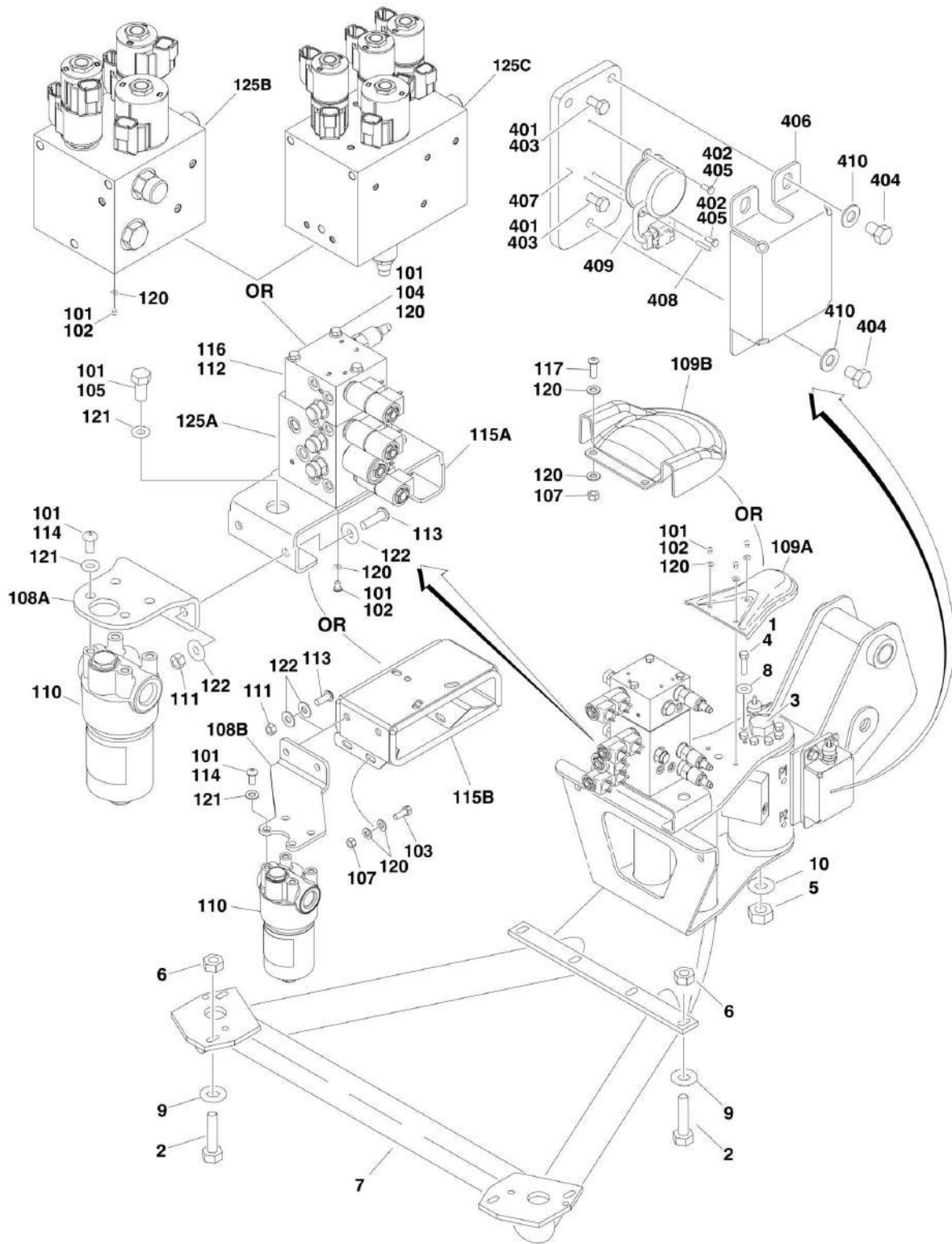


FIGURE 3-6. PLATFORM SUPPORT AND CONTROL VALVES INSTALLATIONS

ITEM	PART NUMBER	QTY	DESCRIPTION	REV
		Ref	PLATFORM SUPPORT INSTALLATION	
	0272070	Ref	Machines without LSS	F
	See Note	Ref	Machines with LSS (Note: See Separate Breakdown in this Section)	
1	0100011	AR	Compound, Locking	
2	0641812	8	Bolt 1/2in-13NC x 1-1/2in	
3	0642684	1	Bolt 1in-8NC x 10-1/2in	
4	0681608	8	Bolt 3/8in-16NC x 1in (Grade 8)	
5	3300243	1	Locknut 1in-8NC	
6	3311805	8	Locknut 1/2in-13NC	
7	4846573	1	Support	
8	4891600	8	Flatwasher 3/8in Hardened	
9	4891800	8	Flatwasher 1/2in Hardened	
10	4892600	1	Flatwasher 1in Hardened	
		Ref	VALVE INSTALLATIONS	
		Ref	Valve Installations 800S/680S without Hostile Environment/without LSS or with 4 Cell LSS	
	1001161980	Ref	Machines with Deutz D2011 and GM Engines (SN 0300182743 through 0300190436)	C
	1001149531	Ref	Machines with Deutz TD2.9L4 Engines (SN 0300182743 through 0300190436)	D
	1001167198	Ref	Machines with All Deutz, Ford and GM Engines (SN 0300190437 to Present)	A
	1001167198	Ref	Machines with All Deutz and GM Engines (SN B300001092 to Present)	A
		Ref	Valves Installation 800S without Hostile Environment/with 1 Cell LSS	
	1001219979	Ref	Machines with All Deutz & Ford Engines	A
		Ref	Valves Installations 800S with Hostile Environment/without LSS or with 4 Cell LSS	
	1001161982	Ref	Machines with Deutz D2011 and GM Engines (SN 0300182743 through 0300190436)	C
	1001149531	Ref	Machines with Deutz TD2.9L4 Engines (SN 0300182743 through 0300190436)	D
	1001167200	Ref	Machines with All Deutz, Ford and GM Engines (SN 0300190437 to Present)	A
	1001167200	Ref	Machines with All Deutz and GM Engines (SN B300001092 to Present)	A
		Ref	Valves Installations 860SJ without LSS with 4 Cell LSS	
	1001161981	Ref	Machines with Deutz D2011 and GM Engines (SN 0300182743 through 0300190436)	C
	1001149532	Ref	Machines with Deutz TD2.9L4 Engines (SN 0300182743 through 0300190436)	D
	1001167199	Ref	Machines with All Deutz, Ford and GM Engines (SN 0300190437 to Present)	A
	1001167199	Ref	Machines with All Deutz and GM Engines (SN B300001092 to Present)	A
		Ref	Valves Installation 860SJ with 1 Cell LSS	
	1001219980	Ref	Machines with All Deutz & Ford Engines	A
101	0100011	AR	Compound, Locking	
102	0630467	6	Screw, Button Head	
103	0641507	4	Bolt 5/16 x 7/8	
104	0641526	3	Bolt 5/16in-18NC x 3-1/4in (860SJ Only) (SN 0300182743	

SECTION 3 - BOOM

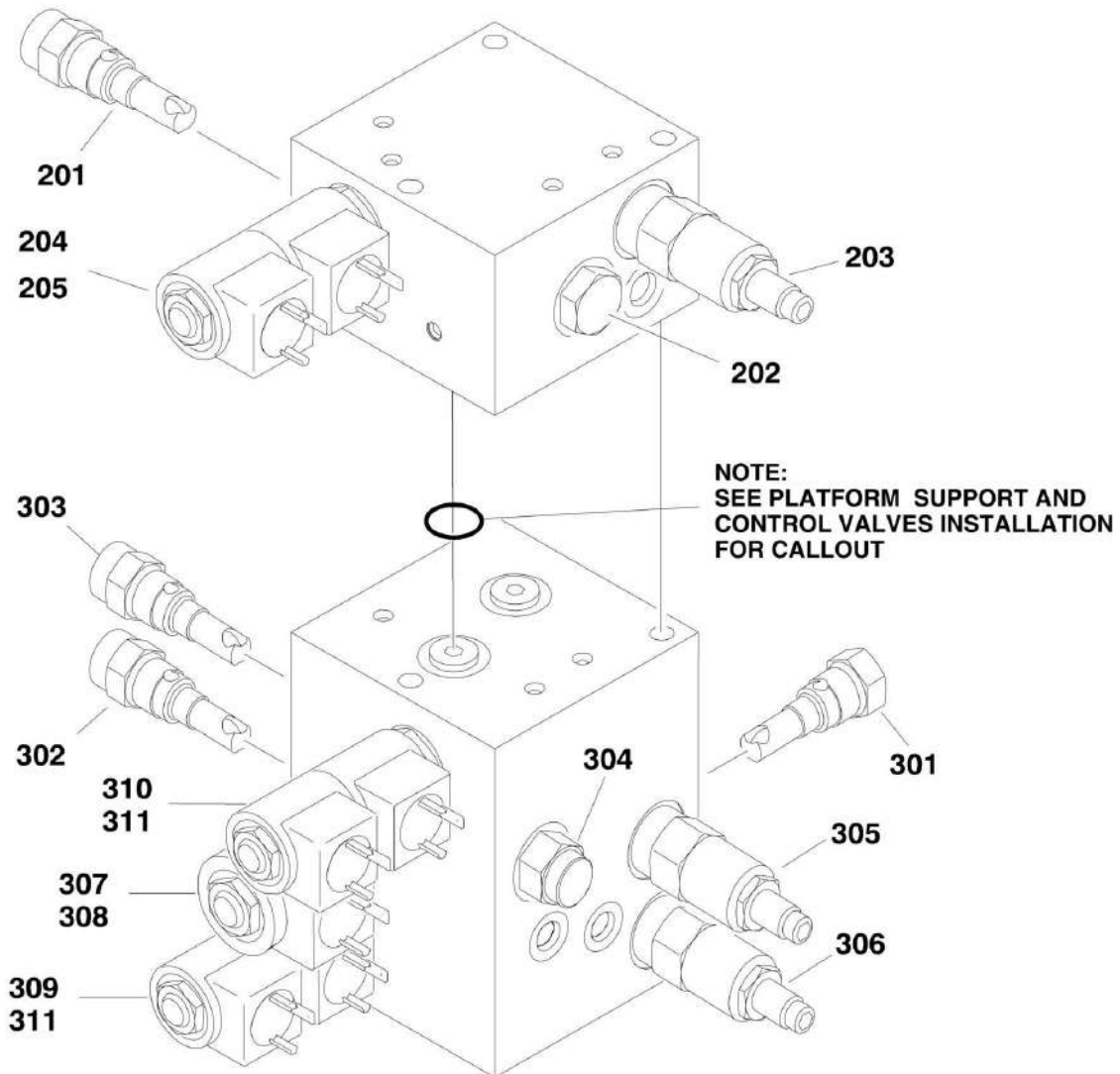
ITEM	PART NUMBER	QTY	DESCRIPTION	REV
			through 0300190436)	
105	0641606	2	Bolt 3/8in-16NC x 3/4in	
107	3311505	6	Nut 5/16	
108A	0903530	1	Bracket, Filter Mounting (Machines without LSS or with 4 Cell LSS)	
108B	1001222314	1	Bracket, Filter Mounting (Machines with 1 Cell LSS)	
109A	1670964	1	Cover (Required on all Machines without LSS or with 4 Cell LSS except 800S with Hostile Environment Machines with Deutz D2011, Ford and GM Engines)	
109B	1001207969	1	Cover (Machines with 1 Cell LSS)	
110	2120217	1	Filter, High Pressure	
110	70002097	1	Element, Filter	
110	70001499	1	Kit, Seal	
110	70004328	1	Plug, Indicator	
111	3311605	2	Locknut 3/8in-16NC	
112	3780117	2	O-Ring (860SJ Only) (SN 0300182743 through 0300190436)	
113	3900232	AR	Screw 3/8in-16NC x 1-1/4in	
113	3900316	AR	Screw 3/8 x 1	
114	3900283	4	Screw 3/8in-16NC x 3/4in	
115A	4341264	1	Plate, Valve Mounting (Machines without LSS or with 4 Cell LSS)	
115B	1001208944	1	Plate, Valve Mounting (Machines with 1 Cell LSS)	
116	4641186	1	Valve, Jib (860SJ Only) (See PLATFORM VALVE ASSEMBLY for Breakdown) (SN 0300182743 through 0300190436)	
117	88261024	2	Screw 5/16 x 1	
120	4711500	AR	Flatwasher 5/16in Thin	
121	4711600	6	Flatwasher 3/8in Thin	
122	4751600	4	Flatwasher 3/8in Regular	
125A	1001118473	1	Valve, Level/Rotate (See PLATFORM VALVE ASSEMBLIES for Breakdown) (SN 0300182743 through 0300190436)	
125B	1001154600	1	Valve, Platform (800S/680S) (See PLATFORM VALVE ASSEMBLIES for Breakdown) (SN 0300190437 to Present)	
125B	1001154600	1	Valve, Platform (800S/680S) (See PLATFORM VALVE ASSEMBLIES for Breakdown) (SN B300001092 to Present)	
125C	1001154599	1	Valve, Platform (860SJ) (See PLATFORM VALVE ASSEMBLIES for Breakdown) (SN 0300190437 to Present)	
125C	1001154599	1	Valve, Platform (860SJ) (See PLATFORM VALVE ASSEMBLIES for Breakdown) (SN B300001092 to Present)	
126	1001141137	1	Harness, Upper Valve (Not Shown - See ELECTRICAL SECTION for Breakdown) (SN 0300182743 through 0300190436)	
126	1001168025	1	Harness, Upper Valve (Not Shown - See ELECTRICAL SECTION for Breakdown) (SN 0300190437 to Present)	
126	1001168025	1	Harness, Upper Valve (Not Shown - See ELECTRICAL SECTION for Breakdown) (SN B300001092 to Present)	
	0273695	Ref	LEVEL SENSOR SWITCH INSTALLATION	D
401	0100011	AR	Compound, Locking	
402	0100035	AR	Compound, Locking	
403	0641406	4	Bolt 1/4in-20NC x 3/4in	
404	0641604	6	Bolt 3/8in-16NC x 1/2in	
405	3930606	4	Capscrew #6-32NC x 3/8in	
406	1671044	2	Cover, Sensor	
407	3200449	2	Mount, Sensor	
408	3440410	2	Rollpin	

SECTION 3 - BOOM

ITEM	PART NUMBER	QTY	DESCRIPTION	REV
409	1001133329	2	Sensor (SN 0300182743 through 0300184647)	
409	1001147479	2	Sensor (SN 0300184648 to Present)	
409	1001147479	2	Sensor (SN B300001092 to Present)	
410	4711600	6	Flatwasher 3/8in Thin	

SECTION 3 - BOOM

FIGURE 3-7. PLATFORM VALVE ASSEMBLIES (860SJ ONLY) (SN 0300182743 through 0300190436)



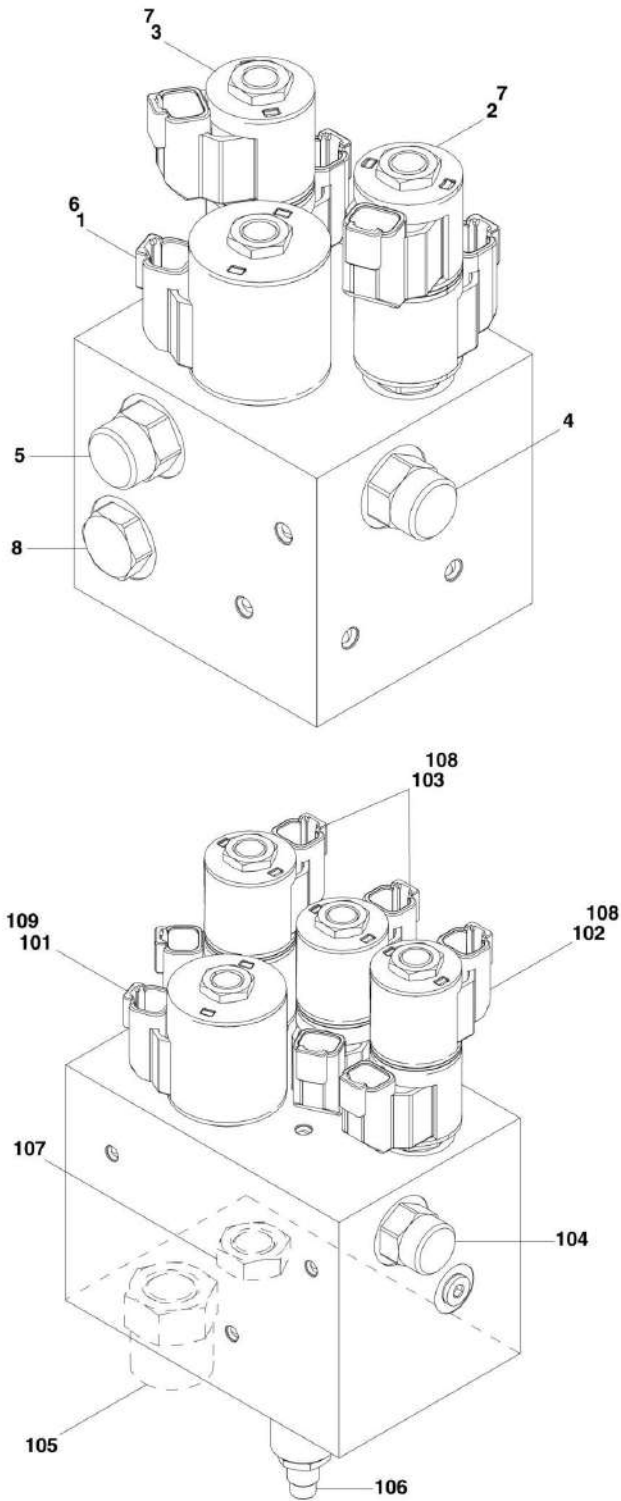
SECTION 3 - BOOM

FIGURE 3-7. PLATFORM VALVE ASSEMBLIES (860SJ ONLY) (SN 0300182743 through 0300190436)

ITEM	PART NUMBER	QTY	DESCRIPTION	REV
	4641186	Ref	JIB VALVE ASSEMBLY (860SJ ONLY)	C
201	7012965	1	Valve, Cartridge	
201	7012953	1	Seal Kit - 7012965 Valve	
202	7010542	1	Valve, Load Shuttle	
202	7010543	1	Seal Kit - 7010542 Valve	
203	7023915	1	Valve, Relief	
203	7012967	1	Seal Kit - 7023915 Valve	
204	7023922	1	Valve, Solenoid	
204	7017402	1	Seal Kit - 7017452 Valve	
205	7012944	2	Coil	
	1001118473	Ref	LEVEL/ROTATE VALVE ASSEMBLY	C
301	7012955	1	Valve, Check	
301	7012967	1	Seal Kit - 7012955 Valve	
302	7023984	1	Valve, Flow Regulator	
302	7012953	1	Seal Kit - 023984 Valves	
303	7012989	1	Valve, Flow Regulator	
303	7012953	1	Seal Kit - 7012989 Valve	
304	7012965	1	Valve, Flow Regulator	
304	7012953	1	Seal Kit - 7012965 Valves	
305	7023983	1	Valve, Relief (Level Up)	
305	7012967	1	Seal Kit - 7023983 Valve	
306	7023911	1	Valve, Relief (Level Down)	
306	7012967	1	Seal Kit - 7023911 Valve	
307	7017479	1	Valve, Solenoid (Pressure)	
307	7012518	1	Seal Kit - 7017479 Valve	
308	7012943	1	Coil	
309	7023922	1	Valve, Solenoid (Platform Level)	
309	7017402	1	Seal Kit - 7023922 Valve	
310	7017452	1	Valve, Solenoid (Rotator)	
310	7017402	2	Seal Kit - 7017452 Valve	
311	7012944	4	Coil	

SECTION 3 - BOOM

FIGURE 3-8. PLATFORM VALVE ASSEMBLIES (800S/680S) (SN 0300190437 to Present, SN B300001092 to Present)



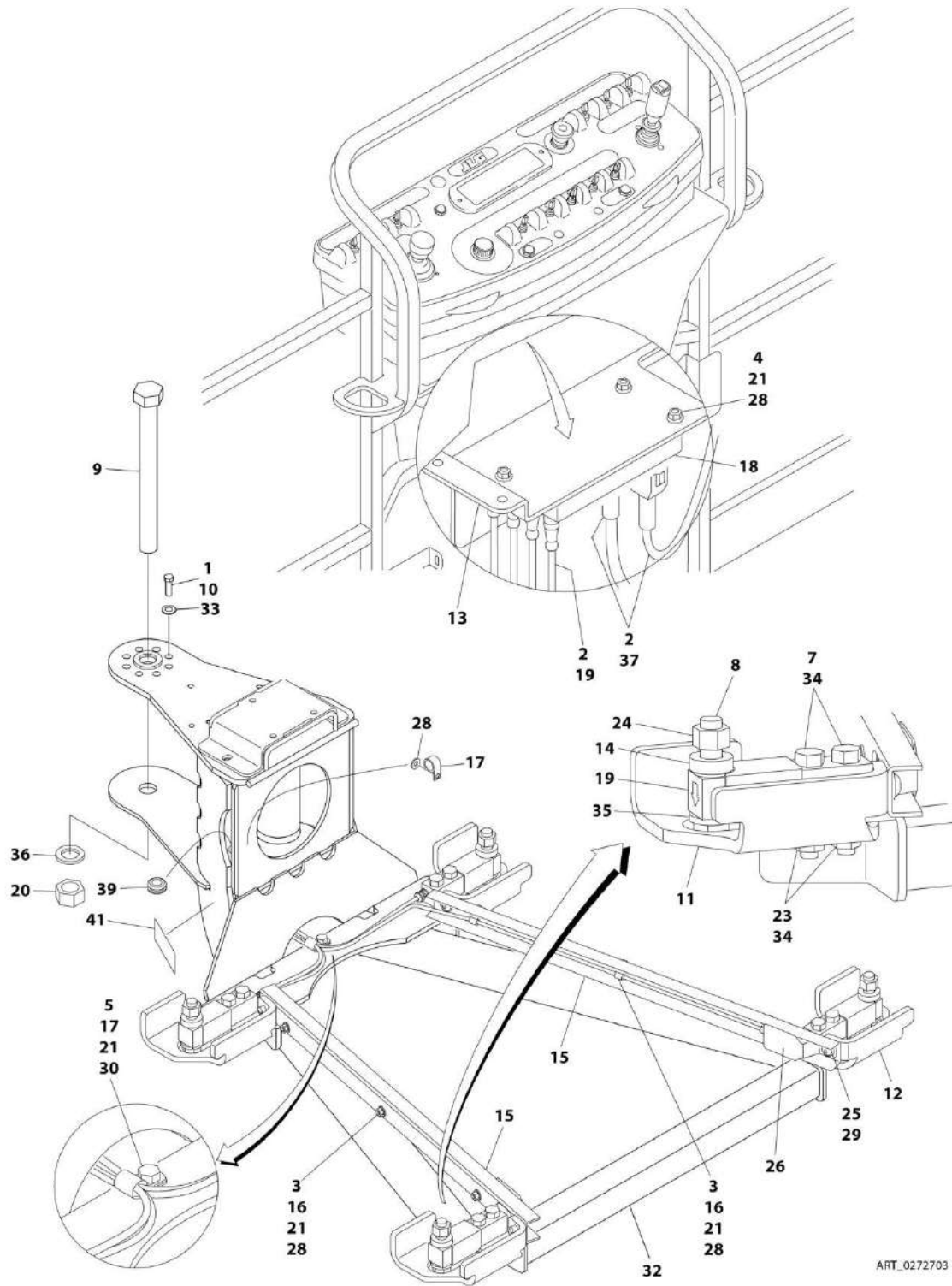
SECTION 3 - BOOM

FIGURE 3-8. PLATFORM VALVE ASSEMBLIES (800S/680S) (SN 0300190437 to Present, SN B300001092 to Present)

ITEM	PART NUMBER	QTY	DESCRIPTION	REV
		Ref	PLATFORM VALVE ASSEMBLIES	
	1001154600	Ref	PLATFORM VALVE ASSEMBLY (800S/680S) (SN 0300190437 to Present, SN B300001092 to Present)	C
1	7012995	1	Cartridge, Solenoid Valve	
1	7012518	1	Seal Kit - 7012995 Valve	
2	7017452	1	Cartridge, Solenoid Valve	
2	7017402	1	Seal Kit - 7017452 Valve	
3	7023922	1	Cartridge, Solenoid Valve	
3	7017402	1	Seal Kit - 7023922 Valve	
4	7012989	1	Cartridge, Valve	
4	7012953	1	Seal Kit - 7012989 Valve	
5	7023984	NLA	Cartridge, Valve (use p/n 7017446)	
5	7017446	1	Cartridge, Valve	
5	7012953	1	Seal Kit - 7023984 & 7017446 Valves	
6	70003788	1	Coil	
7	70002386	4	Coil	
8	7012955	1	Cartridge, Valve	
8	7012967	1	Seal Kit - 7012955 Valve	
9	70004582	1	Orifice (Not Shown - Located on Back at Port T)	
	1001154599	Ref	PLATFORM VALVE ASSEMBLY (860SJ) (SN 0300190437 to Present, SN B300001092 to Present)	D
101	7012995	1	Cartridge, Solenoid Valve	
101	7012518	1	Seal Kit - 7012955 Valve	
102	7017452	1	Cartridge, Solenoid Valve	
102	7017402	1	Seal Kit - 7017452 Valve	
103	7023922	2	Cartridge, Solenoid Valve	
103	7017402	2	Seal Kit - 7023922 Valve	
104	7012989	1	Cartridge, Valve	
104	7012953	1	Seal Kit - 7012989 Valve	
105	7023984	NLA	Cartridge, Valve (use p/n 7017446)	
105	7017446	1	Cartridge, Valve	
105	7012953	1	Seal Kit - 7023984 Valve	
106	70004578	1	Cartridge, Valve	
106	7011653	1	Seal Kit - 70004578 Valve	
107	7012955	1	Cartridge, Valve	
107	7012967	1	Seal Kit - 7012955 Valve	
108	70002386	6	Coil	
109	70003788	1	Coil	
110	70004582	1	Orifice (Not Shown - Located on Back at Port T)	

SECTION 3 - BOOM

FIGURE 3-9. PLATFORM SUPPORT INSTALLATION - WITH 4 CELL LSS



SECTION 3 - BOOM

FIGURE 3-9. PLATFORM SUPPORT INSTALLATION - WITH 4 CELL LSS

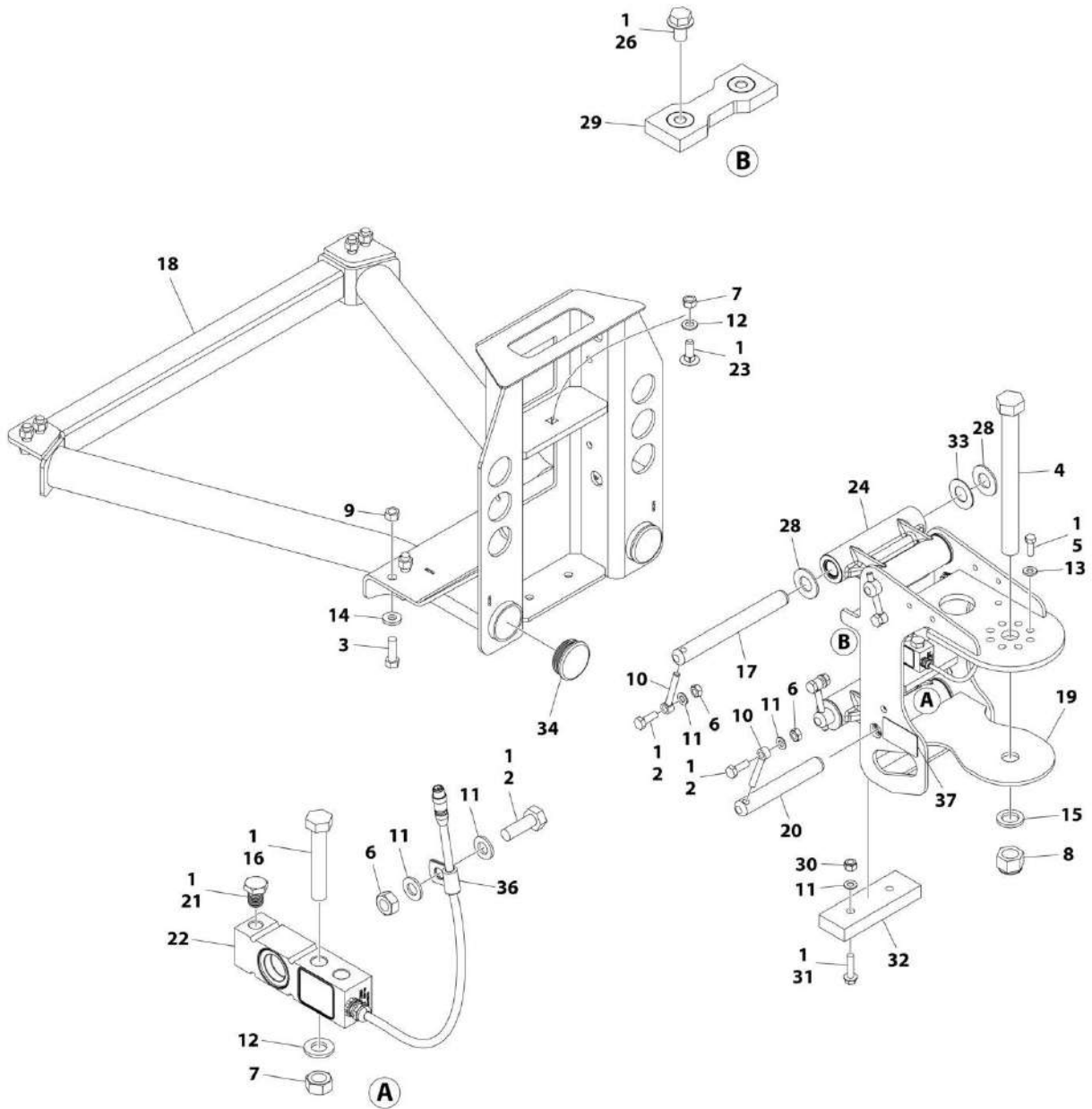
ITEM	PART NUMBER	QTY	DESCRIPTION	REV
	0272703	Ref	PLATFORM SUPPORT INSTALLATION - WITH 4 CELL LSS (800S/860SJ)	Q
	0275574	Ref	PLATFORM SUPPORT INSTALLATION - WITH 4 CELL LSS (680S)	F
1	0100011	AR	Compound, Locking	
2	0100048	AR	Grease, Dielectric	
3	0641405	AR	Bolt 1/4 x 5/8	
4	0641416	3	Bolt 1/4 x 2	
5	0641407	AR	Bolt 1/4 x 7/8	
5	3941406	AR	Screw 1/4 x 3/4	
7	0641822	AR	Bolt 1/2 x 2-3/4	
7	0641820	AR	Bolt 1/2 x 2-1/2	
8	0642024	4	Bolt 5/8 x 3	
9	0642684	1	Bolt 1 x 10-1/2	
10	0681608	8	Bolt 3/8 x 1 Grade 8	
11	0902919	2	Bracket, Cell Guard (800S/860SJ) (LH)	
11	3576903	1	Bracket, Cell Guard (680S) (LH Front)	
11	3576931	1	Bracket, Cell Guard (680S) (LH Rear)	
12	0902920	2	Bracket, Cell Guard (800S/860SJ) (RH)	
12	3576904	1	Bracket, Cell Guard (680S) (RH Front)	
12	3577017	1	Bracket, Cell Guard (680S) (RH Rear)	
13	1001113483	1	Bracket, Module Mount	
14	0962450	4	Bushing, Spacer	
15	1271538	2	Channel (800S/800SJ)	
15	1271651	2	Channel (680S)	
16	1320136	AR	Clamp	
17	1320224	AR	Clamp	
18	1600387	1	Module, Control - LSS (Note: Recalibration Required When Replaced)	
19	2420202	4	Cell, Load (Includes Cable)	
20	3272605	1	Nut 1 Grade 8	
20	3300243	1	Nut 1 Grade 8	
21	3311405	AR	Nut 1/4	
23	3311805	8	Nut 1/2	
24	3312005	4	Nut 5/8	
25	3900283	4	Screw 3/8 x 3/4	
26	4061054	2	Shield	
27	4240033	AR	Tie-Strap (Not Shown)	
28	4711400	10	Washer 1/4	
29	4711600	4	Washer 3/8	
30	4751400	1	Washer 1/4	
32	4846573	1	Support, Platform (800S/860SJ)	
32	4341327	1	Support, Platform (680S)	
33	4891600	8	Washer 3/8	
34	4891800	8	Washer 1/2	
35	4892000	4	Washer 5/8	
36	4892600	1	Washer 1	
37	4922869	1	LSS Harness	
37	4922705	1	Analyzer Harness (Not Shown)	
37	4460761	1	Receptacle, Female - 4 Position (Not Shown)	

SECTION 3 - BOOM

ITEM	PART NUMBER	QTY	DESCRIPTION	REV
37	4460226	1	Socket, Female	
37	4460836	1	Connector - 12 Position (Black) (J2)	
37	4460465	1	Socket, Female	
37	4460466	1	Plug, Terminal	
37	0840055	1	Boot	
37	4460933	1	Connector - 12 Position (Grey) (J1)	
37	4460465	1	Socket, Female	
37	4460466	1	Plug, Terminal	
37	0840055	1	Boot	
38	1061020	2	Cable, Extension (Not Shown) (680S)	
39	2540038	1	Grommet	
40	2920129	1	Bulb, Light (Not Shown - Located on Ground Control Box)	
41	1001216630	2	Decal - Tie Down/No Lift	

SECTION 3 - BOOM

FIGURE 3-10. PLATFORM SUPPORT INSTALLATION - WITH 1 CELL LSS



ART_1001167596

SECTION 3 - BOOM

FIGURE 3-10. PLATFORM SUPPORT INSTALLATION - WITH 1 CELL LSS

ITEM	PART NUMBER	QTY	DESCRIPTION	REV
	1001167596	Ref	PLATFORM SUPPORT INSTALLATION - WITH 1 CELL LSS	J
1	0100011	AR	Compound, Locking	
2	0761014	5	Bolt M10 x 30	
3	0641812	8	Bolt 1/2 x 1-1/2	
3	0761216	8	Bolt M12 x 40	
4	0642684	1	Bolt 1 x 10-1/2	
5	0681608	8	Bolt 3/8 x 1	
6	3291001	5	Nut M10	
7	3291201	3	Nut M12	
8	3300243	1	Nut 1	
9	3311805	8	Nut 1/2	
9	3291205	8	Nut M12	
10	3841143	4	Keeper, Pin	
11	4812000	8	Washer M10	
12	4812100	3	Washer M12	
13	4891600	8	Washer 3/8	
14	4891800	8	Washer 1/2	
14	5241200	8	Washer M12	
15	4892600	1	Washer 1	
16	1001098828	2	Bolt M12 x 70 Grade 10.9	
17	1001167565	2	Pin	
18	1001200494	1	Support, Platform	
19	1001167567	1	Support, Rotator	
20	1001168402	2	Pin	
21	1001188622	1	Screw	
22	1001172663	1	Gauge, Load Sensing	
23	1001188844	1	Bolt M12 x 35	
24	1001201351	2	Link, LSS Assembly	
26	5251008	2	Bolt M10 x 16	
28	1001189002	8	Bearing	
29	1001190985	1	Pad, Wear	
30	3291005	2	Nut M10	
31	5251016	2	Bolt M10 x 40	
32	1001200491	1	Pad, Wear	
33	1001189001	4	Bearing	
34	1001204725	2	Plug	
36	91203039	1	Clamp	
37	1001216630	2	Decal - Tie Down/No Lift	

SECTION 3 - BOOM

FIGURE 3-11. BOOM CABLE CLAMPS INSTALLATIONS

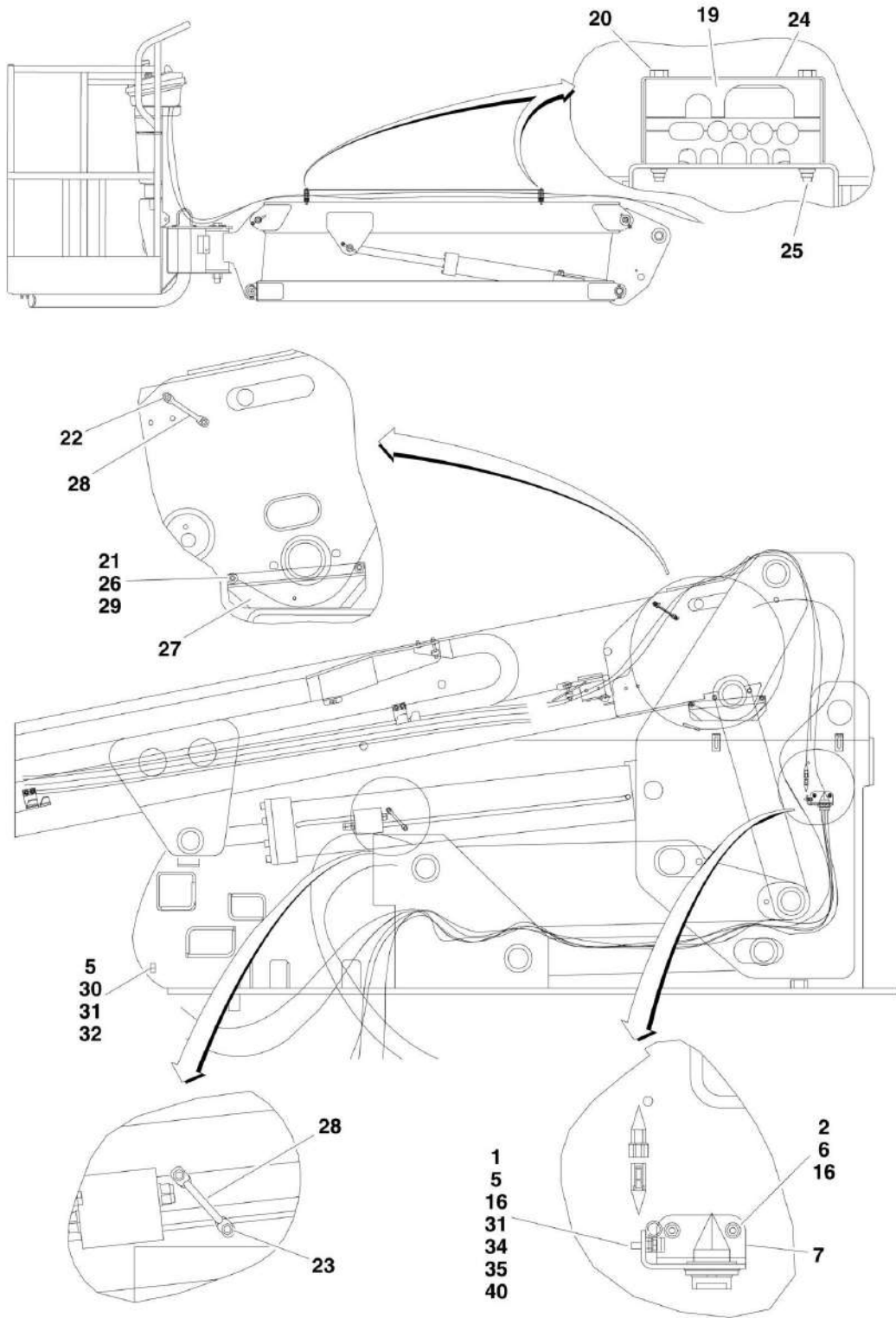


FIGURE 3-11. BOOM CABLE CLAMPS INSTALLATIONS

ITEM	PART NUMBER	QTY	DESCRIPTION	REV
		Ref	BOOM CABLE CLAMPS INSTALLATION	
		Ref	Boom Cable Clamps Installation 800S	
	0271322	Ref	All Specs except Australian and CE Specs	I
	0271323	Ref	Australian and CE Specs Only	I
	0271323	Ref	All Machines with 4000W/50Hz Generators	I
	1001153324	Ref	All Machines with 4000W/60Hz Generators	A
	0272388	Ref	All Specs except Australian and CE Specs with 7500W Generator and without Arctic Package	I
	1001117399	Ref	Australian and CE Specs Only with 7500W Generator and without Arctic Package	D
	1001091609	Ref	All Specs except Australian, CE and Japanese Specs without 7500W Generator and with Arctic Package	C
	1001091664	Ref	All Specs except Australian, CE and Japanese Specs with 7500W Generator and Arctic Package	G
		Ref	Boom Cable Clamps Installation 860SJ	
	0271324	Ref	All Specs except Australian and CE Specs	I
	0271325	Ref	Australian and CE Specs Only	K
	0271325	Ref	All Machines with 4000W/50Hz Generators	K
	1001153325	Ref	All Machines with 4000W/60Hz Generators	A
	0272389	Ref	All Specs except Australian and CE Specs with 7500W Generator and without Arctic Package	H
	1001117400	Ref	Australian and CE Specs Only with 7500W Generator and without Arctic Package	D
	0275586	Ref	All Specs except Australian, CE and Japanese Specs without 7500W Generator and with Arctic Package	B
	1001091665	Ref	All Specs except Australian, CE and Japanese Specs with 7500W Generator and with Arctic Package	G
1	0641408	1	Bolt 1/4in-20NC x 1in	
2	0641412	2	Bolt 1/4in-20NC x 1-1/2in	
5		Ref	Clamp Options:	
5	1320223	2	Machines without 4000W or 7500W Generator	
5	Not Required	0	Machines with 4000W or 7500W Generator	
7	3573047	1	Plate, Terminal Mounting	
16	4711400	5	Flatwasher 1/4in Thin	
19		Ref	Block, Clamp (860SJ Only) Options:	
19	0561484	2	0271324, 0271325, 0272389, 1001117400 & 1001153325 Installations	
19	1001091472	2	0275586 & 1001091665 Installations	
20	0641424	4	Bolt 1/4in-20NC x 3in (860SJ Only)	
21	0641511	2	Bolt 5/16in-18NC x 1-3/8in	
22	0641604	2	Bolt 3/8in-16NC x 1/2in	
23	0641607	2	Bolt 3/8in-16NC x 7/8in	
24	1671034	1	Cover, Jib (860SJ Only)	
25	2080044	4	Rivnut (860SJ Only)	
26	3311505	2	Locknut 5/16in-18NC	
27	3573296	1	Plate, Hose Cover	
28	3841340	2	Loop, Hose	
29	4751500	4	Flatwasher 5/16in Regular	
30		Ref	Bolt 1/4in-20NC x 1-1/4in Options:	
30	0641410	1	Machines without 4000W or 7500W Generator	
30	Not Required	0	Machines with 4000W or 7500W Generator	
31	3311405	AR	Locknut 1/4in-20NC	

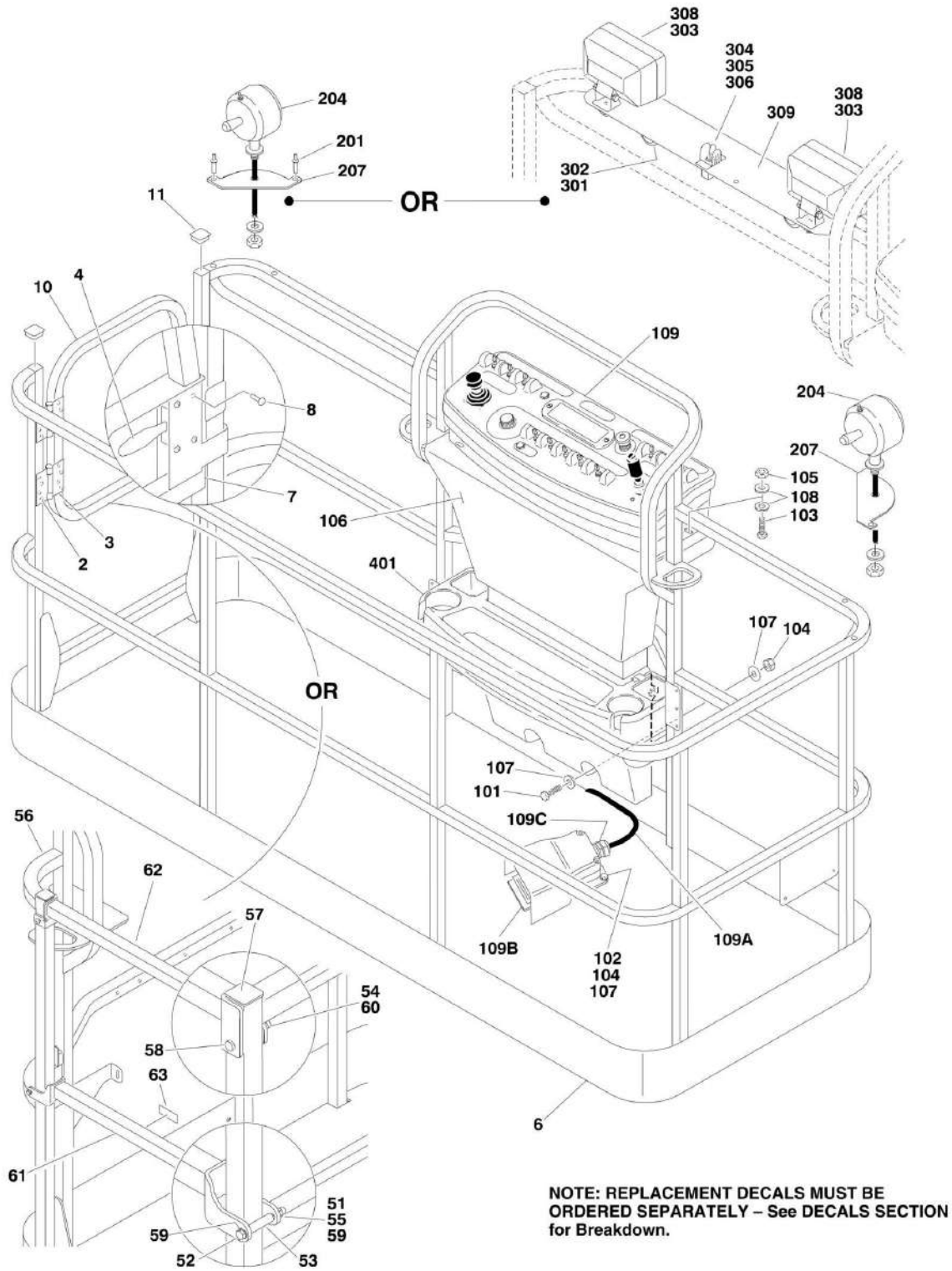
SECTION 3 - BOOM

ITEM	PART NUMBER	QTY	DESCRIPTION	REV
32		Ref	Flatwasher 1/4in Regular Options:	
32	4751400	1	Machines without 4000W or 7500W Generator	
32	Not Required	0	Machines with 4000W or 7500W Generator	
34	1320061	1	Clamp	
35	1320041	1	Clamp (Machines with 4000W or 7500W Generator Only)	
35	1320202	1	Clamp (Machines with 4000W or 7500W Generator Only)	
40	4751400	1	Washer 1/4	

SECTION 4 - PLATFORM

SECTION 4 - PLATFORM

FIGURE 4-1. PLATFORM COMPONENTS INSTALLATION



SECTION 4 - PLATFORM

FIGURE 4-1. PLATFORM COMPONENTS INSTALLATION

ITEM	PART NUMBER	QTY	DESCRIPTION	REV
		Ref	PLATFORM ASSEMBLY WITH GATE	
		Ref	USA Built Machines:	
	1001144027	Ref	Platform 30in x 4ft (76cm x 1.22m) (SN 0300182743 through 0300201002)	D
	1001186387	Ref	Platform 30in x 4ft (76cm x 1.22m) (SN 0300201003 to Present)	C
	1001144026	Ref	Platform 30in x 5ft (76cm x 1.52m) (SN 0300182743 through 0300201002)	D
	1001186386	Ref	Platform 30in x 5ft (76cm x 1.52m) (SN 0300201003 to Present)	C
	1001144024	Ref	Platform 36in x 6ft (91.5cm x 1.83m) (SN 0300182743 through 0300201002)	D
	1001186384	Ref	Platform 36in x 6ft (91.5cm x 1.83m) (SN 0300201003 to Present)	C
	1001228376	Ref	Platform 36in x 6ft (91.5cm x 1.83m) with Tri-Entry (1 Gate/2 Drop Bars)	C
	1001144023	Ref	Platform 36in x 8ft (91.5cm x 2.44m) (SN 0300182743 through 0300201002)	D
	1001186383	Ref	Platform 36in x 8ft (91.5cm x 2.44m) (SN 0300201003 to Present)	D
		Ref	China Built Machines:	
	1001144027	Ref	Platform 30in x 4ft (76cm x 1.22m) (SN B300001092 through B300001179)	D
	1001186387	Ref	Platform 30in x 4ft (76cm x 1.22m) (SN B300001180 to Present)	C
	1001144026	Ref	Platform 30in x 5ft (76cm x 1.52m) (SN B300001092 through B300001179)	D
	1001186386	Ref	Platform 30in x 5ft (76cm x 1.52m) (SN B300001180 to Present)	C
	1001144024	Ref	Platform 36in x 6ft (91.5cm x 1.83m) (SN B300001092 through B300001179)	D
	1001186384	Ref	Platform 36in x 6ft (91.5cm x 1.83m) (SN B300001180 to Present)	C
	1001228376	Ref	Platform 36in x 6ft (91.5cm x 1.83m) with Tri-Entry (1 Gate/2 Drop Bars)	C
	1001144023	Ref	Platform 36in x 8ft (91.5cm x 2.44m) (SN B300001092 through B300001179)	D
	1001186383	Ref	Platform 36in x 8ft (91.5cm x 2.44m) (SN B300001180 to Present)	D
	1001186335	Ref	Platform 48in x 160in (1.22cm x 4cm) (680S Only)	C
		Ref	Note: Original Equipment platform may have been replaced with Service Replacement platform. Identify platform before ordering parts.	
		Ref	Note: For Platforms with Mesh to the Top Rail, customer must order Platforms and Mesh separately. See SPECIAL OPTIONS SECTION for Mesh Installations.	
		Ref	Note: Replacement Decals Must Be Ordered Separately - See DECALS SECTION.	
		Ref	Note: When Replacing 8ft/2.44m platform with Soft Touch option, new Soft Touch Rail p/n 4846673 must be purchased to accommodate limit switch locations.	
		Ref	Note: When replacing platform on machines with SkyCutter option, new bracket p/n 1001145405 must be purchased to accomodate SkyCutter components.	
2	2080040	16	Fastener, Huck	

SECTION 4 - PLATFORM

ITEM	PART NUMBER	QTY	DESCRIPTION	REV
3	2600281	2	Hinge, Self-Closing	
4	2940074	1	Latch	
6	See Note	NSS	Platform (Note: Purchase Complete Platform Assembly.)	
7	1001152037	1	Cap-Plug	
8	3820020	4	Rivet	
10	1001144629	1	Gate	
11	1001145781	AR	Cap-Plug	
		Ref	PLATFORM ASSEMBLY WITH DROP-BAR	
		Ref	USA Built Machines:	
	1001144018	Ref	Platform 30in x 4ft (76cm x 1.22m) (SN 0300182743 through 0300201002)	D
	1001186375	Ref	Platform 30in x 4ft (76cm x 1.22m) (SN 0300201003 to Present)	B
	1001144019	Ref	Platform 30in x 5ft (76cm x 1.52m) (SN 0300182743 through 0300201002)	D
	1001186377	Ref	Platform 30in x 5ft (76cm x 1.52m) (SN 0300201003 to Present)	C
	1001144021	Ref	Platform 36in x 6ft (91.5cm x 1.83m) (SN 0300182743 through 0300201002)	D
	1001186379	Ref	Platform 36in x 6ft (91.5cm x 1.83m) (SN 0300201003 to Present)	B
	1001228377	Ref	Platform 36in x 6ft (91.5cm x 1.83m) with Tri-Entry (3 Drop Bars)	B
	1001128598	Ref	Platform 36in x 6ft (91.5cm x 1.83m) (Machines with Shipyard Package) (Not Shown) (SN 0300182743 through 0300201002)	D
	1001186374	Ref	Platform 36in x 6ft (91.5cm x 1.83m) (Machines with Shipyard Package) (Not Shown) (SN 0300201003 to Present)	A
	1001128479	Ref	Platform 36in x 6ft (91.5cm x 1.83m) (Machines with Shipyard Package with Platform Bumpers) (Not Shown) (SN 0300182743 through 0300201002)	D
	1001186371	Ref	Platform 36in x 6ft (91.5cm x 1.83m) (Machines with Shipyard Package with Platform Bumpers) (Not Shown) (SN 0300201003 to Present)	A
	1001144022	Ref	Platform 36in x 8ft (91.5cm x 2.44m) (SN 0300182743 through 0300201002)	D
	1001186382	Ref	Platform 36in x 8ft (91.5cm x 2.44m) (SN 0300201003 to Present)	B
		Ref	China Built Machines:	
	1001144018	Ref	Platform 30in x 4ft (76cm x 1.22m) (SN B300001092 through B300001179)	D
	1001186375	Ref	Platform 30in x 4ft (76cm x 1.22m) (SN B300001180 to Present)	B
	1001144019	Ref	Platform 30in x 5ft (76cm x 1.52m) (SN B300001092 through B300001179)	D
	1001186377	Ref	Platform 30in x 5ft (76cm x 1.52m) (SN B300001180 to Present)	C
	1001144021	Ref	Platform 36in x 6ft (91.5cm x 1.83m) (SN B300001092 through B300001179)	D
	1001186379	Ref	Platform 36in x 6ft (91.5cm x 1.83m) (SN B300001180 to Present)	B
	1001228377	Ref	Platform 36in x 6ft (91.5cm x 1.83m) with Tri-Entry (3 Drop Bars)	B
	1001128598	Ref	Platform 36in x 6ft (91.5cm x 1.83m) (Machines with Shipyard Package) (Not Shown) (SN B300001092 through B300001179)	D
	1001186374	Ref	Platform 36in x 6ft (91.5cm x 1.83m) (Machines with Shipyard Package) (Not Shown) (SN B300001180 to Present)	A
	1001128479	Ref	Platform 36in x 6ft (91.5cm x 1.83m) (Machines with Shipyard	D

SECTION 4 - PLATFORM

ITEM	PART NUMBER	QTY	DESCRIPTION	REV
			Package with Platform Bumpers) (Not Shown) (SN B300001092 through B300001179)	
	1001186371	Ref	Platform 36in x 8ft (91.5cm x 1.83m) (Machines with Shipyard Package with Platform Bumpers) (Not Shown) (SN B300001180 to Present)	A
	1001144022	Ref	Platform 36in x 8ft (91.5cm x 2.44m) (SN B300001092 through B300001179)	D
	1001186382	Ref	Platform 36in x 8ft (91.5cm x 2.44m) (SN B300001180 to Present)	B
		Ref	Note: Original Equipment platform may have been replaced with Service Replacement platform. Identify platform before ordering parts.	
		Ref	Note: Replacement Decals Must Be Ordered Separately - See DECALS SECTION.	
		Ref	Note: When replacing 8ft/2.44m platform with Soft Touch option, new Soft Touch Rail p/n 4846673 must be purchased to accomodate limit switch locations.	
		Ref	Note: When Replacing platform on machines with SkyCutter option, new bracket p/n 1001145405 must be purchased to accomodate SkyCutter components.	
51	0100011	AR	Compound, Locking	
52	0641418	AR	Bolt 1/4 x 2-1/4	
52	0641420	AR	Bolt 1/4 x 2-1/2	
53	0961845	AR	Bushing	
54	3290606	2	Nut M6	
55	3300151	AR	Nut, Acorn	
56	See Note	NSS	Platform (Note: Purchase Platform Assembly.)	
57	1001145781	AR	Cap-Plug	
58	4010618	2	Screw M6 x 50mm	
59	4711400	AR	Flatwasher 1/4in Thin	
60	4811700	2	Flatwasher M6	
61		Ref	Bar, Drop Options:	
61	1001138494	AR	Drop Bar (Machines without Shipyard Package)	
61	1001111346	1	Drop Bar (Machines with Shipyard Package) (Not Shown)	
62	1001138514	1	Rail (Top)	
63	1001140429	AR	Decal - Drop-Bar	
		Ref	CONSOLE BOX INSTALLATION	
		Ref	USA Built Machines:	
	1001114897	Ref	Console Box Installation (Without SkyGuard)	E
	1001190019	Ref	Console Box Installation (With SkyGuard/without LSS or with 4 Cell LSS)	C
	1001221704	NLA	Console Box Installation (Use p/n 1001241720) (With SkyGuard/with 1 Cell LSS)	B
	1001241720	Ref	Console Box Installation (With SkyGuard Bar/with 1 Cell LSS)	A
		Ref	China Built Machines:	
	1001114897	Ref	Console Box Installation (Without SkyGuard)	D
	1001190019	Ref	Console Box Installation (With SkyGuard/without LSS or with 4 Cell LSS)	C
	1001221704	NLA	Console Box Installation (With SkyGuard/with 1 Cell LSS)	B
101	0641406	4	Bolt 1/4in-20NC x 3/4in	
102	0641408	3	Bolt 1/4in-20NC x 1in	
103	0641610	4	Bolt 3/8in-16NC x 1-1/4in	
104	3311405	7	Locknut 1/4in-20NC	
105	3311605	4	Locknut 3/8in-16NC	

SECTION 4 - PLATFORM

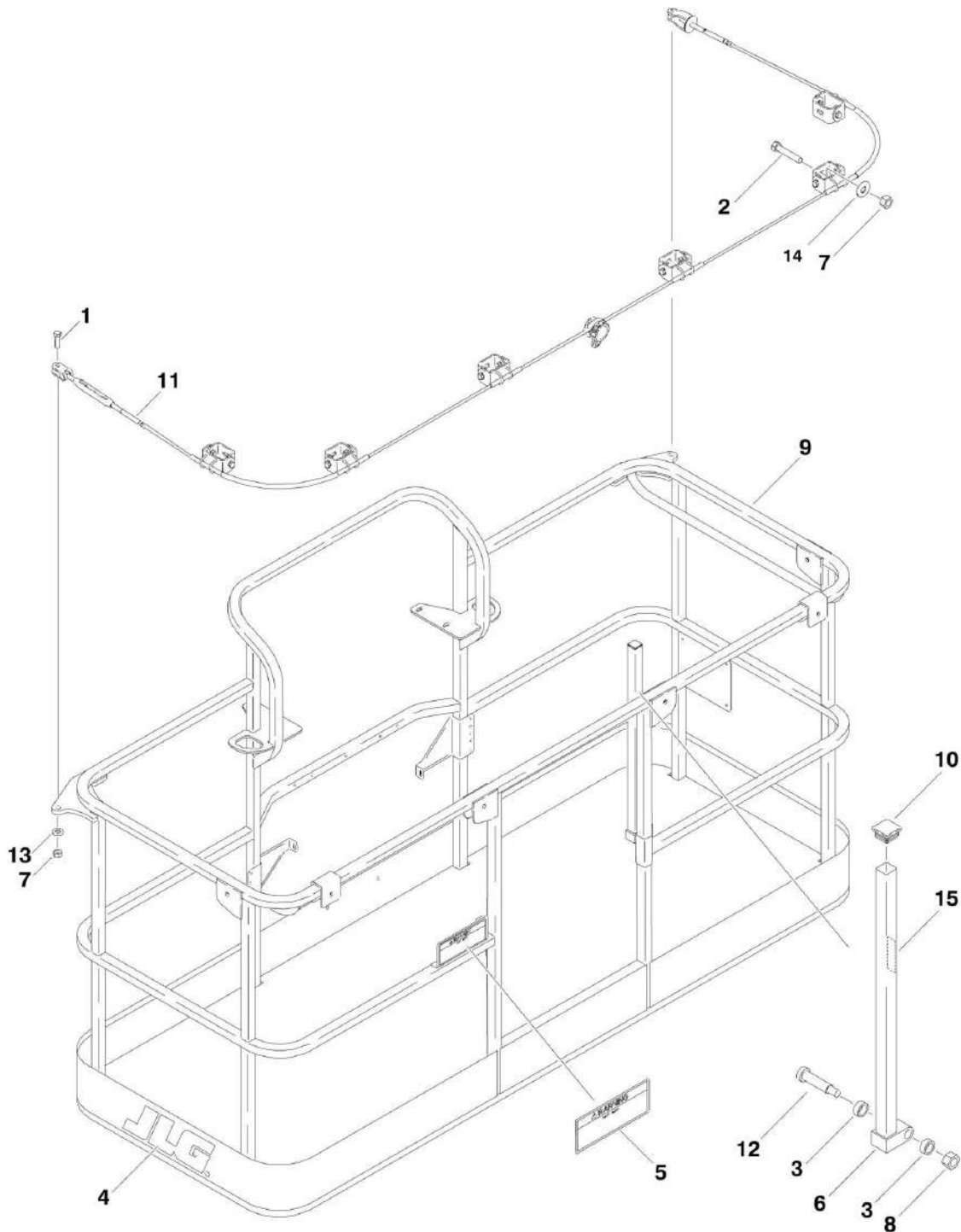
ITEM	PART NUMBER	QTY	DESCRIPTION	REV
106	3380434	1	Panel, Decal Mount	
107	4740362	7	Flatwasher 1/4in Fender	
108	4751600	8	Flatwasher 3/8in Regular	
109		Ref	Platform Console Assembly Options (See PLATFORM CONSOLE ASSEMBLY for Breakdown):	
109		Ref	USA Built Machines without LSS or with 4 Cell LSS	
109	1001141140	1	Platform Console Assembly (Without SkyGuard) (SN 0300182743 through 0300188906)	
109	1001166675	1	Platform Console Assembly (Without SkyGuard) (SN 0300188907 through 0300219490)	
109	1001202571	1	Platform Console Assembly (Without SkyGuard) (SN 0300219941 to Present)	
109	1001190018	1	Platform Console Box Assembly (With SkyGuard) (SN 0300201003 through 0300219490)	
109	1001204511	1	Platform Console Assembly (With SkyGuard) (SN 0300219491 to Present)	
109		Ref	China Built Machines without LSS or with 4 Cell LSS	
109	1001166675	1	Platform Console Box (Without SkyGuard) (SN B300001092 through B300001598)	
109	1001202571	1	Platform Console Box (Without SkyGuard) (SN B300001599 to Present)	
109	1001190018	1	Platform Console Box (With SkyGuard) (SN B300001181 through B300001598)	
109	1001204511	1	Platform Console Box (With SkyGuard) (SN B300001599 to Present)	
		Ref	All Machines with 1 Cell LSS	
	1001221719	NLA	Platform Console Box (With SkyGuard) (Use p/n 1001241716) (SN 0300227324 through 0300255782)	
	1001241716	Ref	Platform Console Box (With SkyGuard Bar) (SN 0300255783 to Present)	
	1001221719	Ref	Platform Console Box (With SkyGuard) (SN B300002206 to Present)	
109	1001117174	1	Footswitch Assembly	
109A	1060918	7 ft/2.14m	Cable, Electrical - 18/3	
109B	1001117172	1	Footswitch	
109B	70002902	1	Block, Contact	
109B	70002903	1	Gasket	
109B	70002905	1	Cover	
109B	70002904	1	Bolt Replacement Kit	
109C	4460071	1	Connector, Strain Relief	
		Ref	WORKLIGHTS INSTALLATIONS (OPTIONAL)	
	0273472	Ref	Worklights Installations 800S	D
	0273483	Ref	Worklights Installations 860SJ	D
	1001128153	Ref	Worklights Installations 860SJ (Worklights/Double Qty Listed for 4 Corner Worklight)	A
201	2080040	AR	Huck Fastener	
204	2920140	2	Worklight	
204	7016399	2	Bulb, Replacement (1 Per Worklight)	
207	3536089	2	Plate, Mounting	
213	4460426	1	Connector, Strain Relief (Not Shown - Located at Console Box)	
217		Ref	Hardware Options (Not Shown):	
217	2820035	9 ft/2.74m	Loom, Vinly (2 Worklights)	
217	2820020	1 ft/0.30m	Shrink, Heat (4 Worklights)	
218	4240099	10	Tie-Strap (Not Shown)	

SECTION 4 - PLATFORM

ITEM	PART NUMBER	QTY	DESCRIPTION	REV
	0272058	Ref	FLOODLIGHTS INSTALLATION	B
301	0641518	2	Bolt 5/16in-18NC x 2-1/4in	
302	2560173	2	Handle, Star Knob	
303	2920157	2	Floodlight	
303	7024452	2	Bulb, Replacement (1 Per Light)	
304	3250585	1	Nameplate - Lights On	
305	4060802	1	Guard, Switch	
306	4360336	1	Switch, Toggle	
307	4420037	AR	Tape, Insulation (Not Shown)	
308	4751800	2	Flatwasher 1/2in Regular	
309	4846561	1	Mount, Light	
		Ref	TRAY INSTALLATIONS (OPTIONAL)	
401	1580012	1	Tray, Storage (Center)	
402	1580013	1	Tray, Storage (Rail Mounted - Not Shown)	

SECTION 4 - PLATFORM

FIGURE 4-2. PLATFORM COMPONENTS INSTALLATION (FALL ARREST PLATFORM)



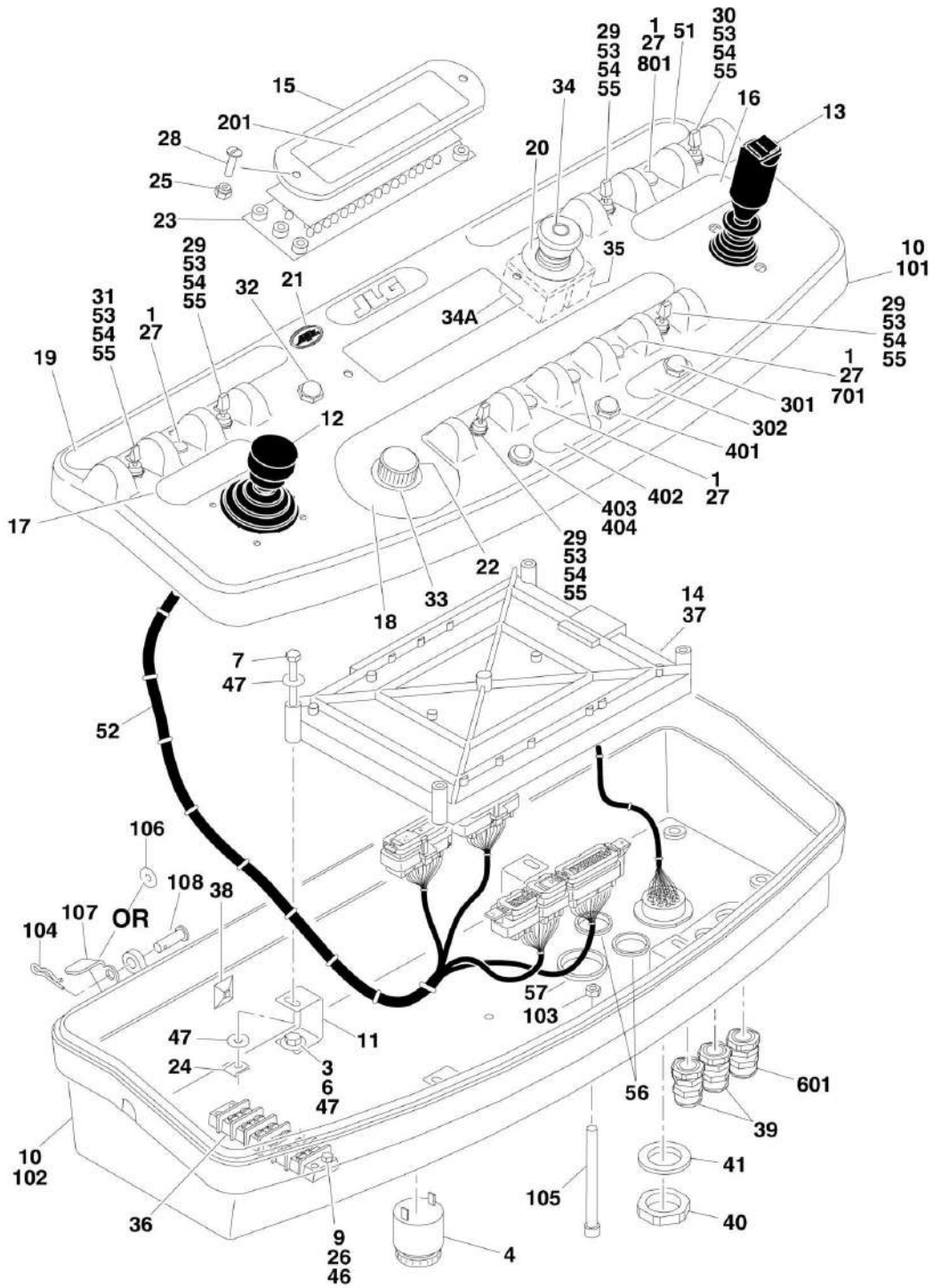
SECTION 4 - PLATFORM

FIGURE 4-2. PLATFORM COMPONENTS INSTALLATION (FALL ARREST PLATFORM)

ITEM	PART NUMBER	QTY	DESCRIPTION	REV
		Ref	PLATFORM ASSEMBLY (FALL ARREST)	
	3510884	Ref	Platform (3ft x 6ft) (SN 0300182743 through 0300186658)	F
	1001144597	Ref	Platform (3ft x 6ft) (SN 0300186659 through 0300201002)	D
	1001186333	Ref	Platform (3ft x 6ft) (SN 0300201003 to Present)	C
	3510868	Ref	Platform (3ft x 8ft) (SN 0300182743 through 0300186658)	F
	1001144596	Ref	Platform (3ft x 8ft) (SN 0300186659 through 0300201002)	D
	1001186334	Ref	Platform (3ft x 8ft) (SN 0300201003 to Present)	B
	1001144597	Ref	Platform (3ft x 6ft) (SN B300001092 through B300001179)	D
	1001186333	Ref	Platform (3ft x 6ft) (SN B300001180 to Present)	C
	1001144596	Ref	Platform (3ft x 8ft) (SN B300001092 through B300001179)	E
	1001186334	Ref	Platform (3ft x 8ft) (SN B300001180 to Present)	B
		Ref	Note: Replacement Decals Must be Ordered Separately - See DECALS SECTION for Breakdown.	
		Ref	Note: Fall Arrest Not Available on Australian or CE Spec Machines.	
1	0681814	2	Bolt 1/2in-13NC x 1-3/4in (Grade 8)	
2	0681822	AR	Bolt 1/2in-13NC x 2-3/4in (Grade 8)	
3	0962270	2	Bearing, Oilite	
4	1702773	1	Decal - JLG	
5	1705014	1	Decal - Safety	
6	2410014	1	Gate	
7	3271805	AR	Locknut 1/2in-13NC (Grade 8)	
8	3311605	1	Locknut 3/8in-16NC	
9	See Note	NSS	Platform (Note: Purchase Platform Assembly)	
10	3520072	1	Cap-Plug	
11		Ref	Cable, Fall Arrest Options:	
11	1060919	NLA	Cable (3ft x 6ft Platform) (Use p/n 1001203655) (SN 0300182743 through 0300214274)	
11	1001203655	1	Cable (3ft x 6ft Platform) (SN 0300214275 to Present)	
11	1060919	NLA	Cable (3ft x 6ft Platform) (Use p/n 1001203655) (SN B300001092 through B300001464)	
11	1001203655	1	Cable (3ft x 6ft Platform) (SN B300001465 to Present)	
11	3890040	NLA	Cable (3ft x 8ft Platform) (Use p/n 1001203656) (SN 0300182743 through 0300215844)	
11	1001203656	1	Cable (3ft x 8ft Platform) (SN 0300215845 to Present)	
11	3890040	NLA	Cable (3ft x 8ft Platform) (Use p/n 1001203656) (SN B300001092 through B300001484)	
11	1001203656	1	Cable (3ft x 8ft Platform) (SN B300001485 to Present)	
12	3900054	1	Bolt 1/2in-13NC x 1-3/4in	
13	4711800	2	Flatwasher 1/2in Thin	
14	4751800	AR	Flatwasher 1/2in Regular	
15	1706385	1	Decal - Drop Bar	

SECTION 4 - PLATFORM

FIGURE 4-3. PLATFORM CONSOLE ASSEMBLY (WITHOUT SKYGUARD)



SECTION 4 - PLATFORM

FIGURE 4-3. PLATFORM CONSOLE ASSEMBLY (WITHOUT SKYGUARD)

ITEM	PART NUMBER	QTY	DESCRIPTION	REV
		Ref	PLATFORM CONSOLE ASSEMBLY (WITHOUT SKYGUARD)	
	1001141140	Ref	Platform Console Assembly (SN 0300182743 through 0300188906)	C
	1001166675	Ref	Platform Console Assembly (SN 0300188907 through 0300219490)	C
	1001202571	Ref	Platform Console Assembly (SN 0300219491 to Present)	C
	1001166675	Ref	Platform Console Assembly (SN B300001092 through B300001598)	C
	1001202571	Ref	Platform Console Assembly (SN B300001599 to Present)	C
1	0100009	AR	Sealant	
3	0100081	AR	Compound, Loctite	
4	0140011	1	Alarm	
6	0641406	4	Bolt 1/4in-20NC x 3/4in	
7	0641414	4	Bolt 1/4in-20NC x 1-3/4in	
8	0721003	2	Bolt #10-24NC x 3/8in	
9	0721006	2	Screw #10-24NC x 3/4in	
10	0861441	1	Box, Console (See Items 101-108 for Breakdown) (SN 0300182743 through 0300219490)	
10	1001201886	1	Box, Console (See Items 101-108 for Breakdown) (SN 0300219491 to Present)	
10	0861441	1	Box, Console (See Items 101-108 for Breakdown) (SN B300001092 through B300001598)	
10	1001201886	1	Box, Console (See Items 101-108 for Breakdown) (SN B300001599 to Present)	
11	0902751	4	Bracket, Support (SN 0300182743 through 0300188906)	
11	1001172760	4	Bracket, Support (SN 0300188907 to Present)	
11	1001172760	4	Bracket, Support (SN B300001092 to Present)	
12	1001118417	NLA	Controller Assembly (Lift and Swing) (See CONTROLLER ASSEMBLY (LIFT AND SWING) for Breakdown) (Use p/n 1001129555) (SN 0300182743 through 0300188906)	
12	1001166539	NLA	Controller Assembly (Lift and Swing) (See CONTROLLER ASSEMBLY (LIFT AND SWING) for Breakdown) (Use p/n 1001129555) (SN 0300188907 to Present)	
12	1001166539	NLA	Controller Assembly (Lift and Swing) (See CONTROLLER ASSEMBLY (LIFT AND SWING) for Breakdown) (Use p/n 1001129555) (SN B300001092 to Present)	
13	1001118416	NLA	Controller Assembly (Drive and Steer) (See CONTROLLER ASSEMBLY (DRIVE AND STEER) for Breakdown) (Use p/n 1001212415) (SN 0300182743 through 0300188906)	
13	1001166538	NLA	Controller Assembly (Drive and Steer) (See CONTROLLER ASSEMBLY (DRIVE AND STEER) for Breakdown) (Use p/n 1001212415) (SN 0300188907 to Present)	
13	1001166538	NLA	Controller Assembly (Drive and Steer) (See CONTROLLER ASSEMBLY (DRIVE AND STEER) for Breakdown) (Use p/n 1001212415) (SN B300001092 to Present)	
14	1001141138	1	Controller, Module (Note: Re-calibration Required when Replaced)	
15	1671176	1	Bezel	
16	1702565	1	Decal (Drive and Steer)	
17	1702566	1	Decal (Lift and Swing)	
18	1702567	1	Decal (Function Speed)	
19	1702676	1	Decal (Horn)	
20	1704260	1	Decal - EMS	
21	1705132	1	Decal - Control ADE (SN 0300182743 through 0300188906)	

SECTION 4 - PLATFORM

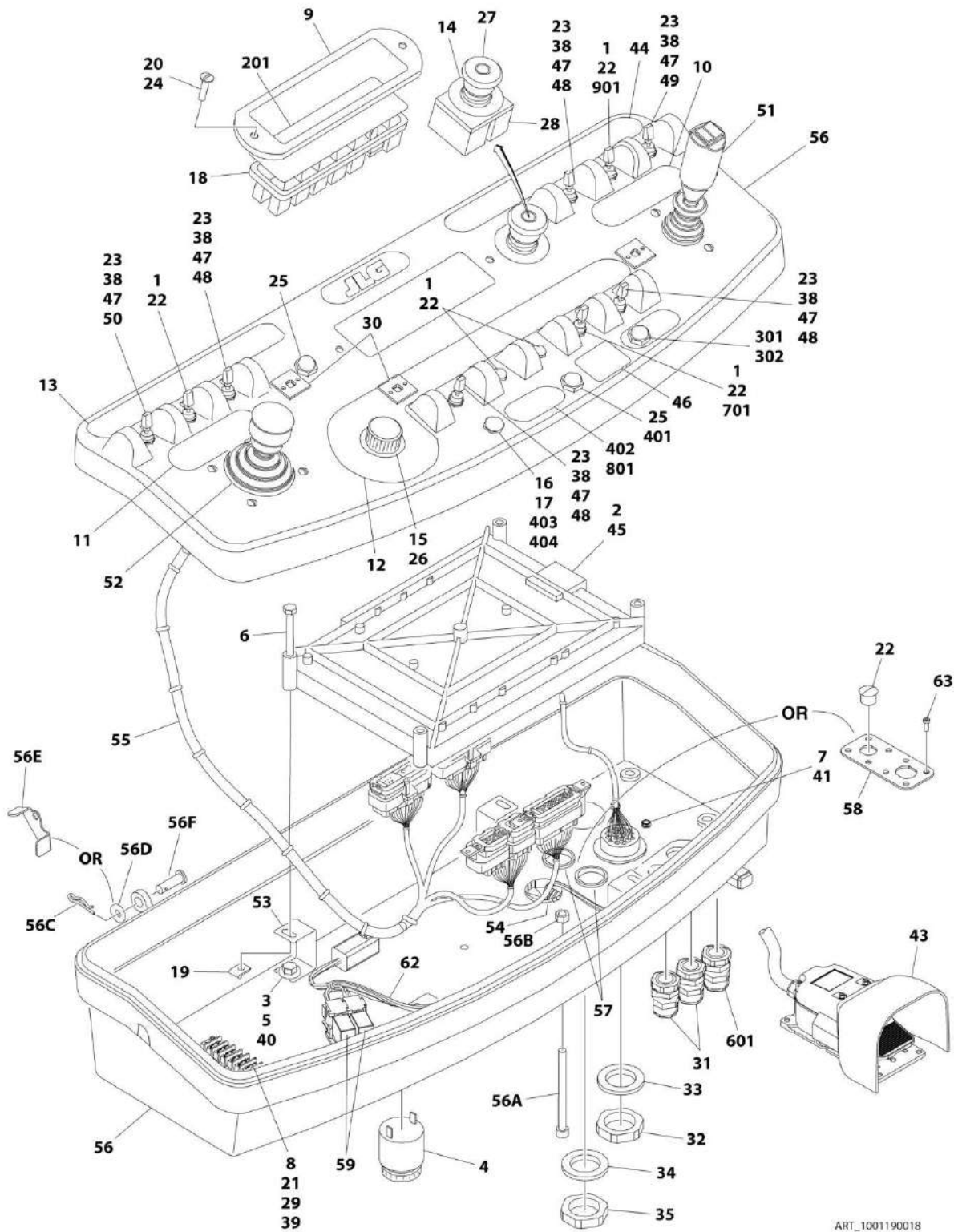
ITEM	PART NUMBER	QTY	DESCRIPTION	REV
22	2560136	1	Handle, Knob	
23	2920154	1	Panel, LED Light	
24	3300353	4	Nut, Tinnermen	
25	3300408	2	Insert, Nylon	
26	3311005	2	Locknut #10-24NC	
27	3520054	5	Plug, Hole	
28	3911018	2	Screw, Round Head #10	
29	4360328	4	Switch, Toggle (SN 0300182743 through 0300188906)	
29	1001155045	4	Switch, Toggle (SN 0300188907 to Present)	
29	1001155045	4	Switch, Toggle (SN B300001092 to Present)	
30	4360330	1	Switch, Toggle (SN 0300182743 through 0300188906)	
30	1001159256	1	Switch, Toggle (SN 0300188907 to Present)	
30	1001159256	1	Switch, Toggle (SN B300001092 to Present)	
31	4360331	1	Switch, Toggle (SN 0300182743 through 0300188906)	
31	1001161709	1	Switch, Toggle (SN 0300188907 to Present)	
31	1001161709	1	Switch, Toggle (SN B300001092 to Present)	
32	4360387	1	Switch, Pushbutton	
33	4360407	1	Controller, Speed	
33	See Note	NSS	Gasket "Top Hat" (Included with Switch) (Note: Not Available - Purchase Complete Controller)	
33	70003784	1	Seal	
34	4360475	1	Switch, Emergency Stop	
34	7020175	1	Cap, Red	
34A	7020176	1	Contact Block	
35	4360476	1	Block, Contact	
36	4460007	1	Bar, Buss - Ground	
37	0100048	AR	Grease, Dielectric	
38	4460234	3	Base, Mounting	
39	4460428	2	Connector, Strain Relief	
40	4460470	1	Nut, Terminal	
41	4460471	1	Lockwasher, Terminal	
42	4460496	1	Nut, Terminal (Not Shown - See ELECTRICAL SECTION for Location)	
43	4460497	1	Lockwasher, Terminal (Not Shown - See ELECTRICAL SECTION for Location)	
44	4460708	2	Connector, Female - 15 Position (Not Shown - See ELECTRICAL SECTION for Location)	
45	4460905	5	Seal, Plug (Not Shown - See ELECTRICAL SECTION for Location)	
46	4751000	2	Flatwasher #10 Regular	
47	4751400	8	Flatwasher 1/4in Regular	
48	4761000	2	Lockwasher #10	
49	4922666	1	Harness, Analyzer Cable (Not Shown - See ELECTRICAL SECTION for Breakdown)	
51	1001131168	1	Decal (Stop)	
52	1001141136	1	Harness, Platform Box (See ELECTRICAL SECTION for Breakdown)	
53	3790012	AR	O-Ring	
54	1001155044	AR	Nut 15/32 (SN 0300188907 to Present)	
54	1001155044	AR	Nut 15/32 (SN B300001092 to Present)	
55	4740397	AR	Spacer (SN 0300188907 to Present)	
55	4740397	AR	Spacer (SN B300001092 to Present)	
56	3520033	AR	Plug (SN 0300219491 through 0300224209)	

SECTION 4 - PLATFORM

ITEM	PART NUMBER	QTY	DESCRIPTION	REV
56	1001220486	2	Plug (SN 0300224210 to Present)	
56	3520033	2	Plug (SN B300001599 through B300001629)	
56	1001200486	2	Plug (SN B300001630 to Present)	
57	3520035	AR	Plug (SN 0300219491 to Present)	
	0861441	Ref	CONSOLE BOX ASSEMBLY (SN 0300182743 through 0300219490)	H
	1001201886	Ref	CONSOLE BOX ASSEMBLY (SN 0300219491 to Present)	B
	0861441	Ref	CONSOLE BOX ASSEMBLY (SN B300001092 through B300001598)	H
	1001201886	Ref	CONSOLE BOX ASSEMBLY (SN B300001599 to Present)	B
101	See Note	NSS	Console Top (Note: Not Available for Purchase)	
102	See Note	NSS	Console Bottom (Note: Not Available for Purchase)	
103	3311601	1	Nut 3/8in-16NC	
104	3470003	2	Pin, Hairpin	
105	0630568	1	Screw 3/8in-16NC x 4-1/2in	
106	4711500	AR	Washer 5/16	
106	4711600	AR	Washer 3/8	
107	1001200575	AR	Bracket	
108	3430616	1	Pin (SN 0300219491 to Present, SN B300001599 to Present)	
		Ref	LIGHT PANEL DECAL INSTALLATION	
		Ref	Light Panel Decal Installation 800S/680S	
	1001125008	Ref	All Specs except Australian and CE Specs	A
	1001108992	Ref	Australian and CE Specs Only	A
		Ref	Light Panel Decal Installation 860SJ	
	1001125009	Ref	All Specs except Australian and CE Specs	A
	1001108992	Ref	Australian and CE Specs Only	A
201		Ref	Decal - Display	
201	1001125010	1	Decal - Display 800S/680S - All Specs except Australian and CE Specs	
201	1001107952	1	Decal - Display 800S/680S - Australian Spec Only Options	
201	1001107952	1	Decal - Display 800S/680S - CE Spec Only	
201	1001125011	1	Decal - Display 860SJ - All Specs except Australian and CE Specs	
201	1001107952	1	Decal - Display 860SJ - Australian Spec Only Options	
201	1001107952	1	Decal - Display 860SJ - CE Spec Only	
	0271552	Ref	HEAD AND TAIL LIGHTS INSTALLATION (OPTIONAL)	C
301	4360522	1	Switch, Push Button	
302	1705170	1	Decal - Lights	
		Ref	SOFT TOUCH SYSTEM INSTALLATION (OPTIONAL)	
401	4360387	1	Switch, Pushbutton	
402	1702938	1	Decal - Soft Touch Override	
403	2920028	1	Light, Indicator	
404	2920029	1	Bulb, Light	
		Ref	PLATFORM WORKLIGHT INSTALLATION (OPTIONAL)	
601	4460426	1	Connector, Strain Relief	
	0258608	Ref	JIB SWITCH INSTALLATION (860SJ ONLY)	B
701	4360328	1	Switch, Toggle	
		Ref	DUAL FUEL SWITCH INSTALLATION	
801	4360336	1	Switch, Toggle	
801	3790012	1	O-Ring	

SECTION 4 - PLATFORM

FIGURE 4-4. PLATFORM CONSOLE ASSEMBLY (WITH SKYGUARD)



ART_1001190018

SECTION 4 - PLATFORM

FIGURE 4-4. PLATFORM CONSOLE ASSEMBLY (WITH SKYGUARD)

ITEM	PART NUMBER	QTY	DESCRIPTION	REV
	1001190018	Ref	PLATFORM CONSOLE ASSEMBLY (WITH SKYGUARD) (MACHINES WITHOUT LSS OR WITH 4 CELL LSS) (SN 0300201003 through 0300219490)	C
	1001204511	Ref	PLATFORM CONSOLE ASSEMBLY (WITH SKYGUARD) (MACHINES WITHOUT LSS OR WITH 4 CELL LSS) (SN 0300219491 to Present)	D
	1001190018	Ref	PLATFORM CONSOLE ASSEMBLY (WITH SKYGUARD) (MACHINES WITHOUT LSS OR WITH 4 CELL LSS) (SN B300001181 through B300001598)	B
	1001204511	Ref	PLATFORM CONSOLE ASSEMBLY (WITH SKYGUARD) (MACHINES WITHOUT LSS OR WITH 4 CELL LSS) (SN B300001599 to Present)	D
	1001221719	Ref	PLATFORM CONSOLE ASSEMBLY (WITH SKYGUARD) (MACHINES WITH 1 CELL LSS) (SN 0300227324 through 0300255782)	C
	1001241716	Ref	PLATFORM CONSOLE ASSEMBLY (WITH SKYGUARD BAR) (MACHINES WITH 1 CELL LSS) (SN 0300255783 to Present)	A
	1001221719	Ref	PLATFORM CONSOLE ASSEMBLY (WITH SKYGUARD) (MACHINES WITH 1 CELL LSS) (SN B300002206 to Present)	C
		Ref	Note: For Machines Built SN 0300182743 through 0300201002 & SN B300001092 through B300001180, Refer to SPECIAL OPTIONS SECTION.	
1	0100009	AR	Sealant	
2	0100048	AR	Grease, Dielectric	
3	0100035	AR	Compound, Locking	
4	0140011	1	Alarm	
5	0641406	4	Bolt 1/4 x 3/4	
6	0641414	4	Bolt 1/4 x 1-3/4	
7	0721003	2	Screw #10 x 3/8	
8	0721006	2	Screw #10 x 3/4	
9	1671176	1	Bezel	
10	1702565	1	Decal - Drive and Steer	
11	1702566	1	Decal - Lift and Swing	
12	1702567	1	Decal - Function Speed	
13	1702676	1	Decal - Horn	
14	1704260	1	Decal - Emergency Stop	
15	2560136	1	Knob	
16	2920028	1	Light, Indicator	
17	2920029	1	Lamp, Bulb	
18	2920154	1	Fixture, LED Light	
19	3300353	4	Nut, Tinnerman	
20	3300408	2	Nut, Insert #10	
21	3311005	2	Nut #10	
22	3520054	AR	Plug, Hole	
23	3790012	6	O-Ring	
24	3911018	2	Screw #10 x 1-1/8	
25	4360387	2	Switch, Push Button	
26	4360407	1	Switch, Flow Control	
26	See Note	1	Gasket "Top Hat" (Included with Switch) (Note: Not Available for Purchase)	
26	70003784	1	Seal	
27	4360475	1	Switch, Emergency Stop	
27	7020175	1	Cap, Red	

SECTION 4 - PLATFORM

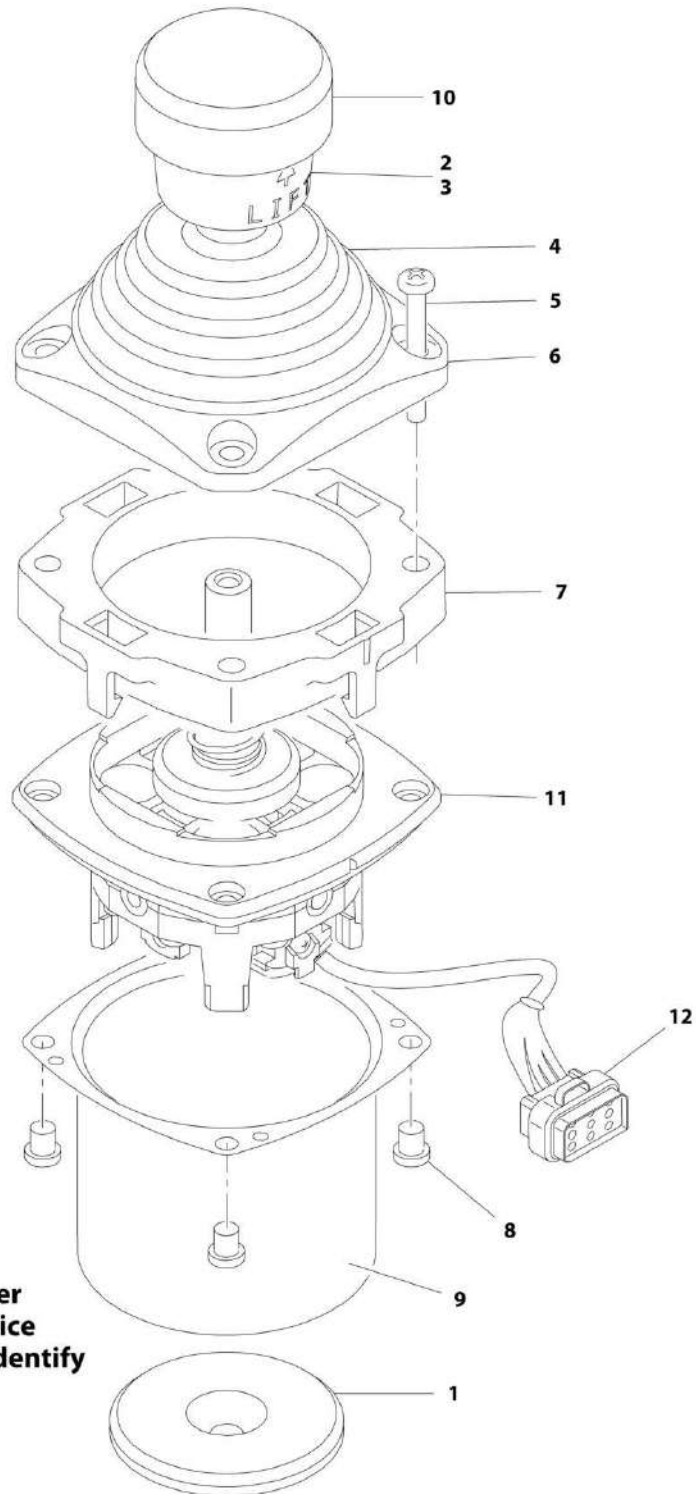
ITEM	PART NUMBER	QTY	DESCRIPTION	REV
27	7020176	1	Block, Contact	
28	4360476	1	Switch, Contact	
29	4460007	1	Bussbar	
30	4460234	3	Mount, Tie-Strap	
31	4460428	2	Connector, Strain Relief	
32	4460470	1	Nut	
33	4460471	1	Washer	
34	4460496	1	Washer	
35	4460497	1	Nut	
36	4460708	2	Connector - 15 Position (Not Shown)	
37	4460905	AR	Plug, Terminal (Not Shown)	
38	4740397	6	Spacer, Washer	
39	4751000	2	Washer #10	
40	4751400	8	Washer 1/4	
41	4761000	2	Washer #10	
42	4922666	1	Harness, Analyzer Cable (Not Shown - See ELECTRICAL SECTION for Breakdown)	
43	1001117174	1	Footswitch Assembly (See PLATFORM COMPONENTS INSTALLATION for Breakdown)	
44	1001131168	1	Decal - Stop	
45	1001141138	1	Module, Platform (Note: Re-calibration Required when Replaced)	
46	1001144433	1	Decal - No Weight SkyGuard (SN 0300201003 through 0300255782)	
46	1001144433	1	Decal - No Weight SkyGuard (SN B300001181 to Present)	
47	1001155044	AR	Nut 15/32	
48	1001155045	AR	Switch, Toggle	
49	1001159256	1	Switch, Toggle	
50	1001161709	1	Switch, Toggle	
51	1001166538	NLA	Controller Drive/Steer (Use p/n 1001212415) (See CONTROLLER ASSEMBLY (DRIVE AND STEER) for Breakdown)	
52	1001166539	NLA	Controller Lift/Swing (Use p/n 1001129555) (See CONTROLLER ASSEMBLY (LIFT AND SWING) for Breakdown)	
53	1001172760	4	Bracket	
54	1001185281	1	Plug	
55	1001186237	1	Harness, Console Box (Machines without LSS or with 4 Cell LSS) (See ELECTRICAL SECTION for Breakdown)	
55	1001220282	1	Harness, Console Box (Machines with 1 Cell LSS) (See ELECTRICAL SECTION for Breakdown)	
56	1001190017	1	Console Box Assembly (Machines without LSS or with 4 Cell LSS) (SN 0300201003 through 0300219490)	D
56	1001201887	1	Console Box Assembly (Machines without LSS or with 4 Cell LSS) (SN 0300219491 to Present)	B
56	1001190017	1	Console Box Assembly (Machines without LSS or with 4 Cell LSS) (SN B300001183 through B300001598)	D
56	1001201887	1	Console Box Assembly (Machines without LSS or with 4 Cell LSS) (SN B300001599 to Present)	B
56	1001218068	1	Console Box Assembly (Machines with 1 Cell LSS)	C
56A	0630568	1	Capscrew 3/8 x 4-1/2	
56B	3311601	1	Nut 3/8	
56C	3470003	2	Hairpin	
56D	4711500	AR	Washer 5/16	
56D	4711600	AR	Washer 3/8	
56E	1001200575	AR	Bracket, Stop	

SECTION 4 - PLATFORM

ITEM	PART NUMBER	QTY	DESCRIPTION	REV
56F	3430616	2	Pin (SN 0300219491 to Present, SN B300001599 to Present)	
57	3520033	AR	Plug (SN 0300219491 through 0300224209)	
57	1001220486	AR	Plug (SN 0300224210 to Present)	
57	3520033	AR	Plug (SN B300001599 through B300001629)	
57	1001220486	AR	Plug (SN B300001630 to Present)	
58	1001213882	1	Mount (Machines with 1 Cell LSS)	
59	1001186431	2	Relay (Machines with 1 Cell LSS)	
59	4240032	AR	Tie-Strap	
59	4460488	AR	Mount, Tie-Strap	
62	1001225580	1	Interface Harness (Machines with 1 Cell LSS) (SN 0300201003 through 0300255782)	
62	1001225580	1	Interface Harness (Machines with 1 Cell LSS) (SN B300001181 to Present)	
63	3900349	AR	Capscrew M2.5	
		Ref	LIGHT PANEL DECAL INSTALLATION	
		Ref	Light Panel Decal Installation 800S/680S	
	1001125008	Ref	All Spec Except Australian and CE Specs	A
	1001108992	Ref	Australian and CE Specs Only	A
		Ref	Light Panel Decal Installation 860SJ	
	1001125009	Ref	All Specs Except Australian and CE Specs	A
	1001108992	Ref	Australian and CE Specs Only	A
201		Ref	Decal - Display	
201	1001125010	1	Decal - Display 800S/680S - All Specs Except Australian and CE Specs	
201	1001107952	1	Decal - Display 800S/680S - Australian Spec Only	
201	1001107952	1	Decal - Display 800S/680S - CE Spec Only	
201	1001125011	1	Decal - Display 860SJ - All Specs Except Australian and CE Specs	
201	1001107952	1	Decal - Display 860SJ - Australian Spec Only	
201	1001107952	1	Decal - Display 860SJ - CE Spec Only	
	0271552	Ref	HEAD AND TAIL LIGHTS INSTALLATION (OPTIONAL)	E
301	4360522	1	Switch, Push Button	
302	1705170	1	Decal - Lights	
		Ref	SOFT TOUCH SYSTEM INSTALLATION (OPTIONAL)	
401	4360387	1	Switch, Push Button	
402	1702938	1	Decal - Soft Touch Override	
403	2920028	1	Light, Indicator	
404	2920029	1	Bulb, Light	
		Ref	PLATFORM WORKLIGHT INSTALLATION (OPTIONAL)	
601	4460426	1	Connector, Strain Relief	
	0258608	Ref	JIB SWITCH INSTALLATION (860SJ ONLY)	B
701	4360328	1	Switch, Toggle	
		Ref	SKYGUARD OVERRIDE DECALS INSTALLATION	
801	1001141300	1	Decal - SkyGuard Override	
801	1001141302	1	Decal - SkyGuard Override with Soft Touch	
		Ref	DUAL FUEL SWITCH INSTALLATION	
901	4360336	1	Switch, Toggle	
901	3790012	1	O-Ring	

SECTION 4 - PLATFORM

FIGURE 4-5. CONTROLLER ASSEMBLY (LIFT AND SWING)



Note: Original Equipment controller may have been replaced with Service Replacement controller. Visually identify controller before ordering parts.

ART_100118417

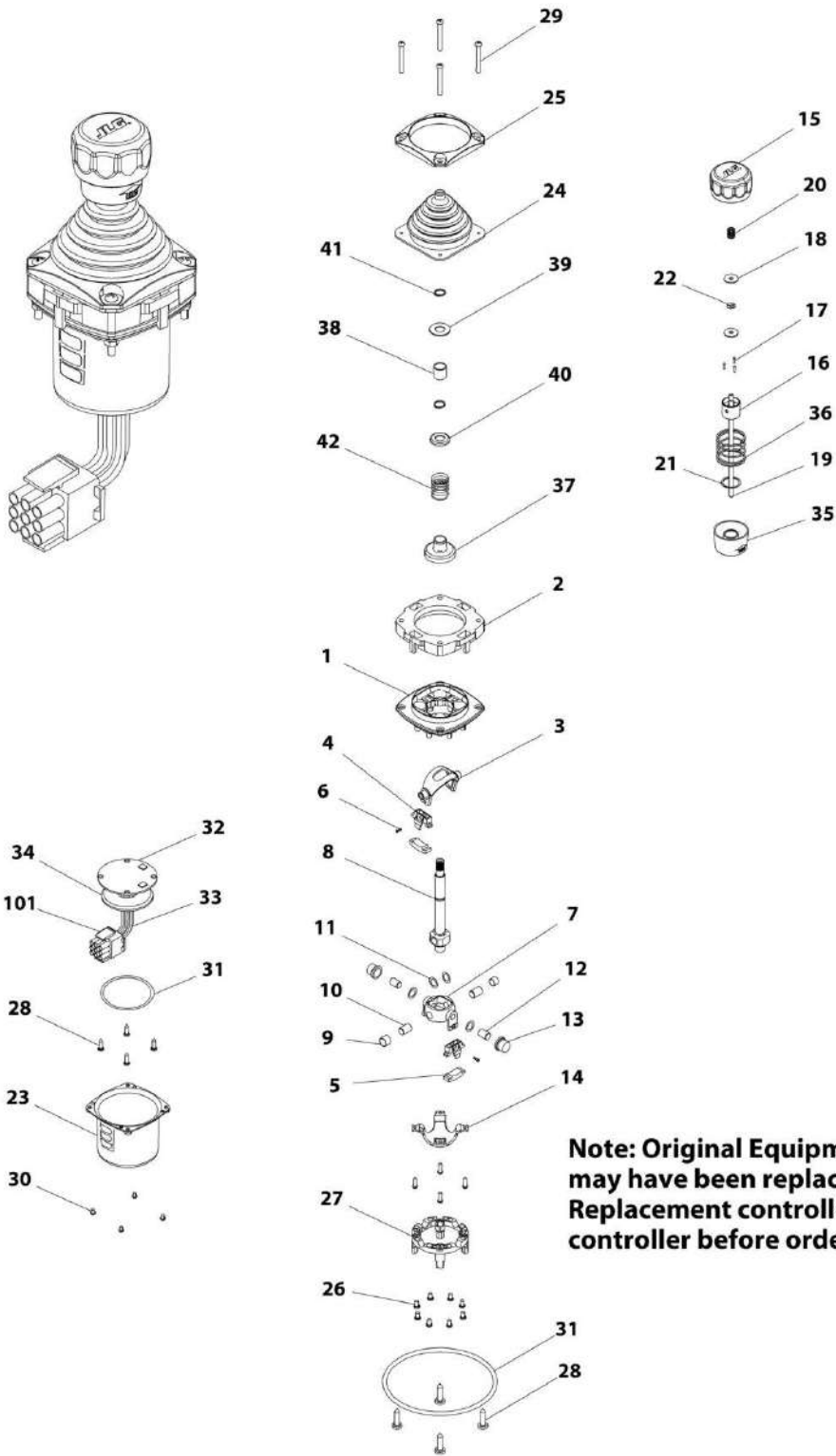
SECTION 4 - PLATFORM

FIGURE 4-5. CONTROLLER ASSEMBLY (LIFT AND SWING)

ITEM	PART NUMBER	QTY	DESCRIPTION	REV
		Ref	Note: Original Equipment controller may have been replaced with Service Replacement controller. Visually Identify controller before ordering parts.	
	1001118417	Ref	CONTROLLER ASSEMBLY (LIFT AND SWING) (SN 0300182743 through 0300188906)	E
	1001118417	Ref	CONTROLLER ASSEMBLY (LIFT AND SWING) (SN B300001092 to Present)	E
		Ref	Note: Use p/n 1001129555 Kit as replacement.	
1	70002730	1	Gasket	
2	7003928	1	Spring	
3	7022808	1	Cap, Lift	
4	70002731	1	Boot	
5	70002732	4	Screw	
6	7022815	1	Bezel	
7	70002733	1	Adapter	
8	70002734	4	Screw	
9	70002735	1	Can, Enclosure	
10	70002906	1	Cap	
11	See Note	NSS	Mechanical Assembly (Note: Purchase p/n 1001129555)	
12	7022819	1	Connector - 8 Position	
12	4460871	6	Socket, Female	

SECTION 4 - PLATFORM

FIGURE 4-6. CONTROLLER ASSEMBLY (LIFT AND SWING)



ART_1001166539

SECTION 4 - PLATFORM

FIGURE 4-6. CONTROLLER ASSEMBLY (LIFT AND SWING)

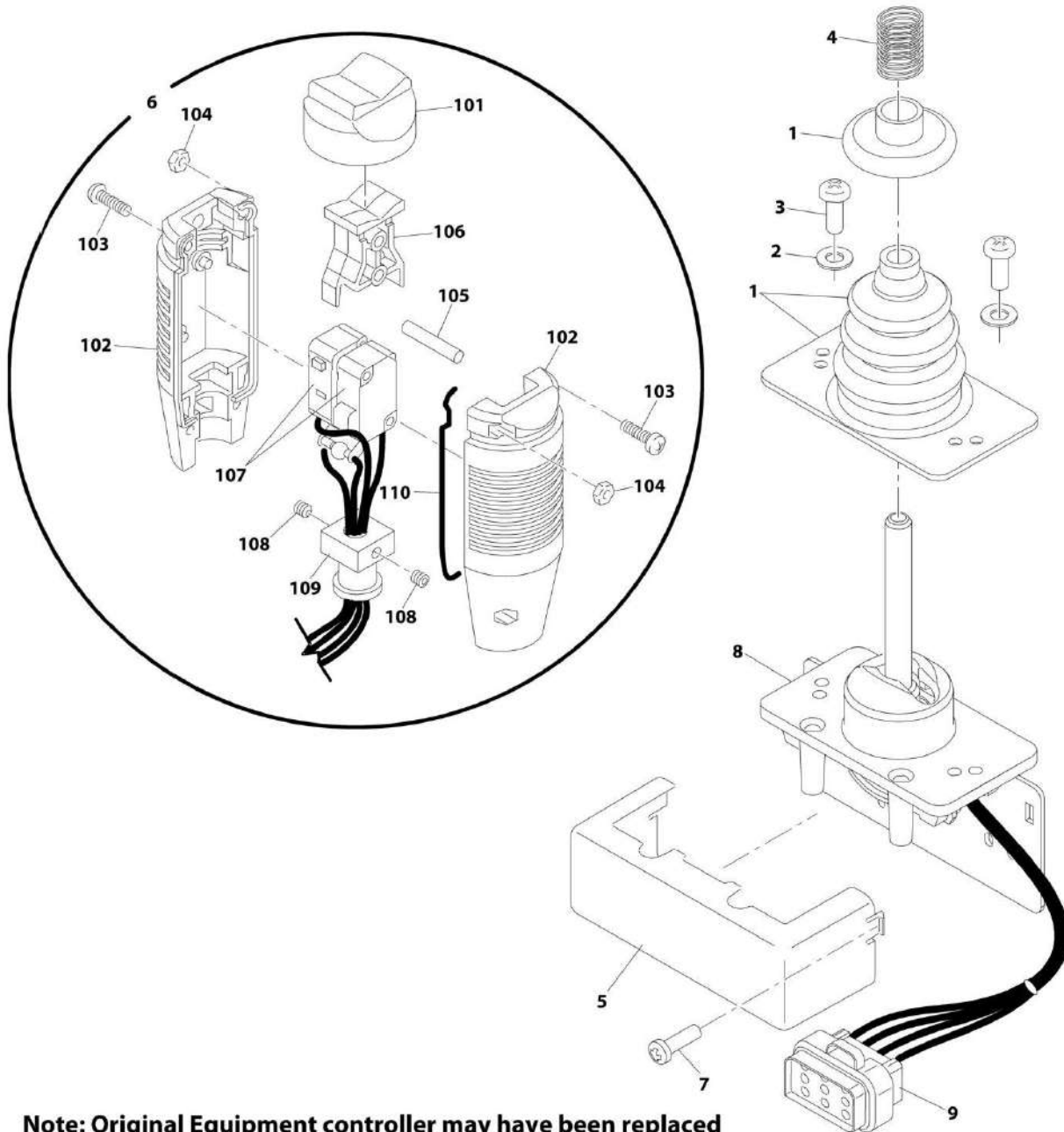
ITEM	PART NUMBER	QTY	DESCRIPTION	REV
		Ref	Note: Original Equipment controller may have been replaced with Service Replacement controller. Visually identify controller before ordering parts.	
	1001166539	Ref	CONTROLLER ASSEMBLY (LIFT AND SWING) (SN 0300188907 to Present)	D
		Ref	Note: Use p/n 1001129555 as Replacement.	
1	See Note	1	Main Cast Body (Note: Not Available - Purchase Complete Assembly)	
2	70004752	1	Adapter	
3	See Note	NSS	Pivot Arm, Plastic (Note: Not Available - Purchase Complete Assembly)	
4	See Note	NSS	Holder, Magnet (Note: Not Available - Purchase Complete Assembly)	
5	See Note	NSS	Arc, Magnet (Note: Not Available - Purchase Complete Assembly)	
6	See Note	NSS	Screw (Note: Not Available for Purchase)	
7	See Note	NSS	Pivot Arm, Cast (Note: Not Available - Purchase Complete Assembly)	
8	See Note	NSS	Shaft, Main (Note: Not Available - Purchase Complete Assembly)	
9	See Note	NSS	Bearing (Note: Not Available - Purchase Complete Assembly)	
10	See Note	NSS	Pin (Note: Not Available - Purchase Complete Assembly)	
11	See Note	NSS	Shim (Note: Not Available - Purchase Complete Assembly)	
12	See Note	NSS	Pin (Note: Not Available - Purchase Complete Assembly)	
13	See Note	NSS	Bearing (Note: Not Available - Purchase Complete Assembly)	
14	See Note	NSS	Dome, Centering (Note: Not Available - Purchase Complete Assembly)	
15	70004753	1	Cap	
16	70004754	1	Insert, Cap	
17	70004755	3	Pin	
18	70004756	2	Washer	
19	70004757	1	Pin, Centering	
20	70004758	1	Spring	
21	70004759	1	Ring, Retaining	
22	70004760	1	E-Ring	
23	70004761	1	Can, Enclosure	
24	70004762	1	Boot	
25	70004763	1	Bezel	
26	See Note	NSS	Screw (Note: Not Available for Purchase)	
27	See Note	NSS	Base Mounting (Note: Not Available - Purchase Complete Assembly)	
28	See Note	NSS	Screw (Note: Not Available for Purchase)	
29	70004764	4	Screw	
30	70004765	4	Screw	
31	70004766	1	O-Ring	
32	See Note	NSS	Plate (Note: Not Available - Purchase Complete Assembly)	
33	See Note	NSS	Harness (Note: Not Available - Purchase Complete Assembly)	
34	70004767	1	Grommet, Rubber	
35	70004768	1	Housing	
36	70004769	1	Spring	
37	70004770	1	Stopper	
38	70004771	1	Spacer	
39	70004772	1	Washer	
40	70004773	1	Disc	

SECTION 4 - PLATFORM

ITEM	PART NUMBER	QTY	DESCRIPTION	REV
41	70004774	2	Ring, Retaining	
42	70004775	1	Spring	
101	4460265	1	Connector - 9 Position	
101	4460226	6	Socket, Female	

SECTION 4 - PLATFORM

FIGURE 4-7. CONTROLLER ASSEMBLY (DRIVE AND STEER)



Note: Original Equipment controller may have been replaced with Service Replacement controller. Visually identify controller before ordering parts.

ART_1001118416

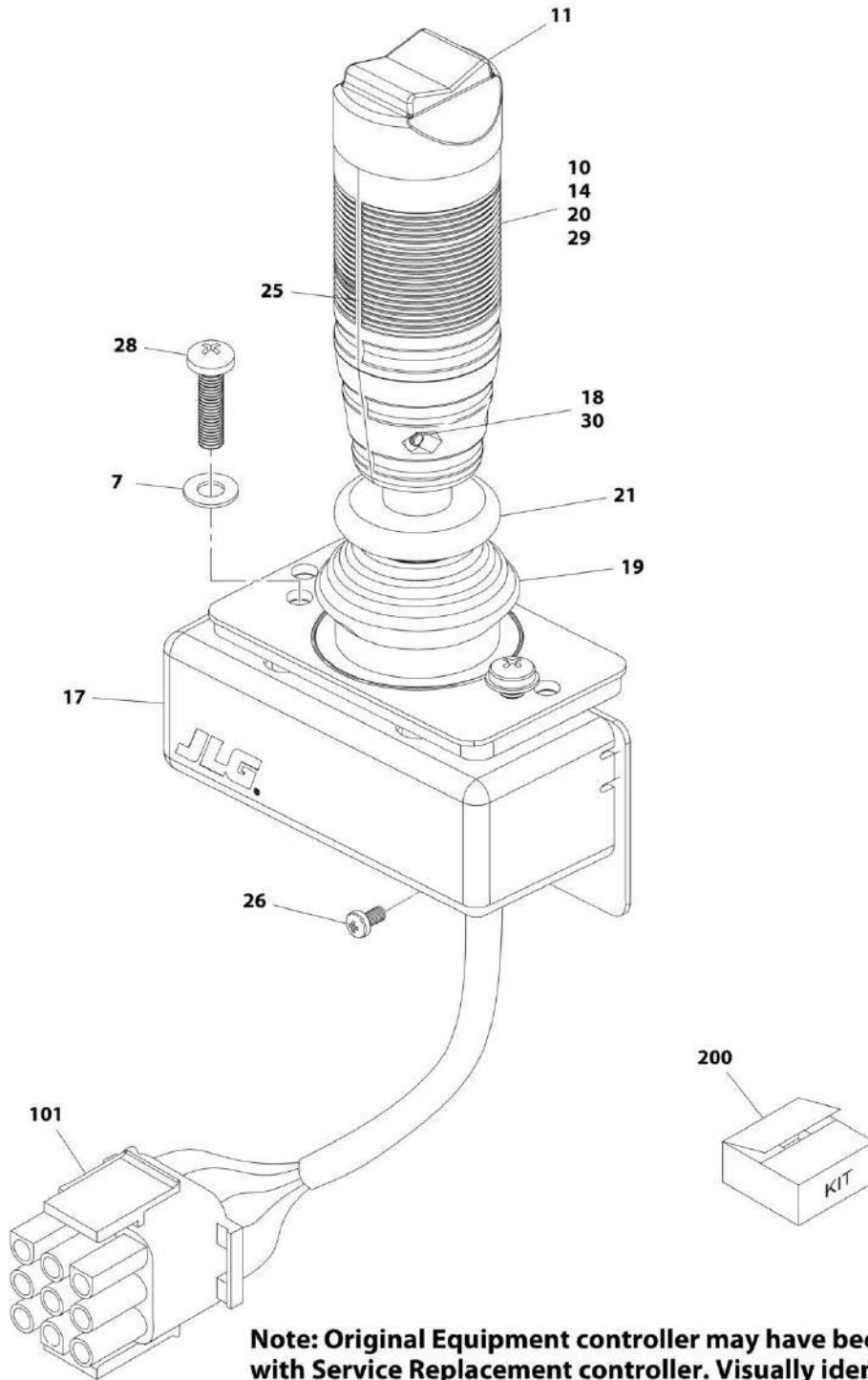
SECTION 4 - PLATFORM

FIGURE 4-7. CONTROLLER ASSEMBLY (DRIVE AND STEER)

ITEM	PART NUMBER	QTY	DESCRIPTION	REV
		Ref	Note: Original Equipment controller may have been replaced with Service Replacement controller. Visually identify controller before ordering parts.	
	1001118416	Ref	CONTROLLER ASSEMBLY (DRIVE AND STEER) (SN 0300182743 through 0300188906)	D
	1001118416	Ref	CONTROLLER ASSEMBLY (DRIVE AND STEER) (SN B300001092 to Present)	D
		Ref	Note: Use p/n 1001212415 as replacement.	
1	70002724	1	Boot and Control Lock Assembly	
2	7003941	2	Washer	
3	70002725	2	Screw	
4	7019162	1	Spring	
5	70002726	1	Enclosure	
6	70002727	1	Handle Assembly (See Items 101-110 for Breakdown)	
7	70002728	1	Screw	
8	See Note	NSS	Mechanical Assembly (Note: Use p/n 1001166538)	
9	1001113961	1	Plug, Male - 8 Position (Black) (was p/n 7022825)	
9	4460871	7	Socket, Female	
	70002727	Ref	HANDLE ASSEMBLY	
101	7003972	1	Boot, Switch	
102	7003973	2	Half, Handle	
103	7003980	4	Screw	
104	7019167	4	Nut	
105	7019164	1	Axle	
106	7019165	1	Rocker	
107	7002729	1	Wiring Assembly	
107	7003982	2	Switch, Micro	
108	7003983	2	Setscrew	
109	7019194	1	Coupling	
110	7003989	2	Gasket	

SECTION 4 - PLATFORM

FIGURE 4-8. CONTROLLER ASSEMBLY (DRIVE AND STEER)



Note: Original Equipment controller may have been replaced with Service Replacement controller. Visually identify controller before ordering parts.

ART_1001166538

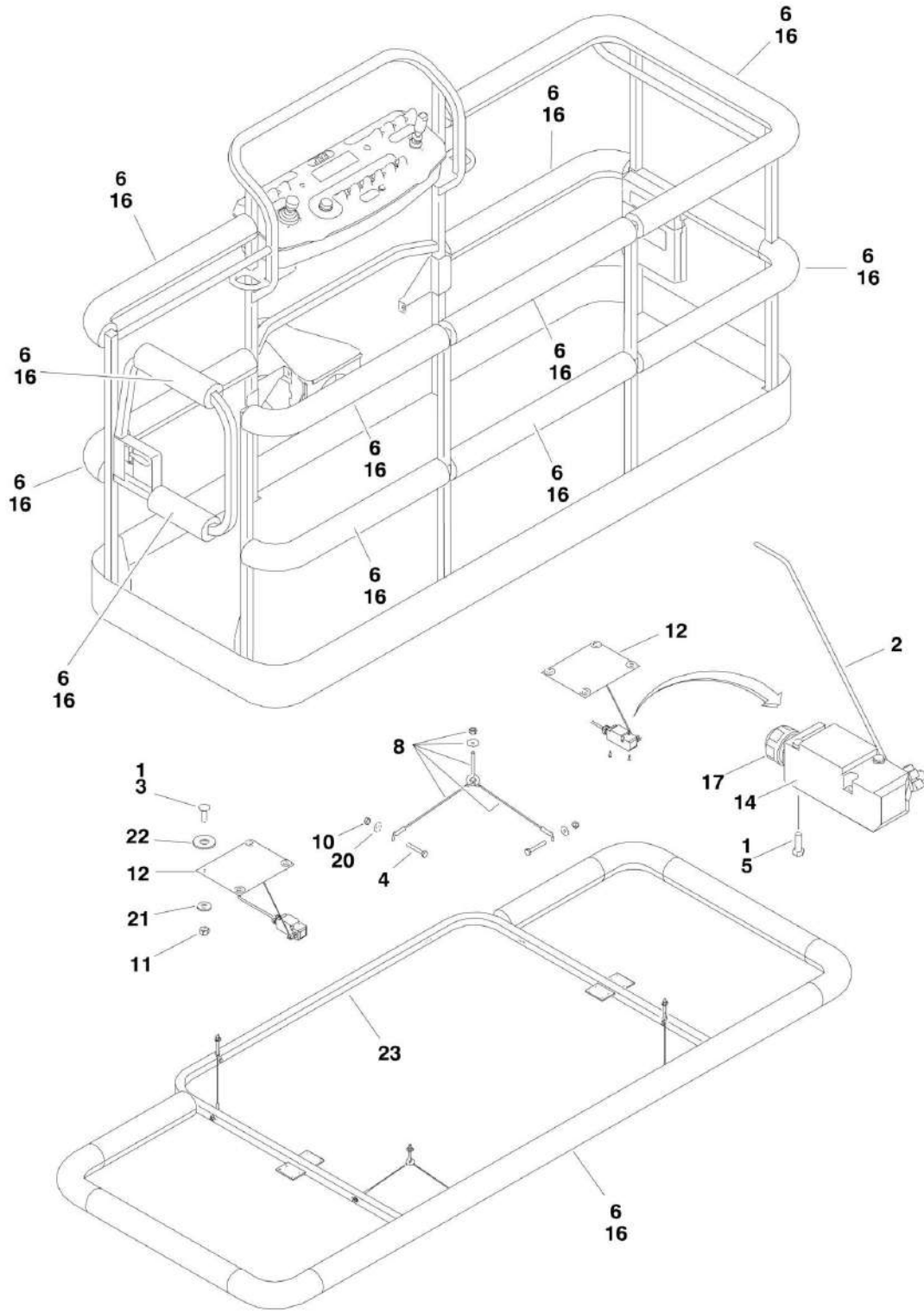
SECTION 4 - PLATFORM

FIGURE 4-8. CONTROLLER ASSEMBLY (DRIVE AND STEER)

ITEM	PART NUMBER	QTY	DESCRIPTION	REV
		Ref	Note: Original Equipment controller may have been replaced with Service Replacement controller. Visually identify controller before ordering parts.	
	1001166538	Ref	CONTROLLER ASSEMBLY (DRIVE AND STEER) (SN 0300188907 to Present)	G
		Ref	Note: Use p/n 1001212415 as replacement.	
7	70004738	2	Washer	
10	70004739	1	Roller	
11	70004740	1	Boot, Switch	
14	70004741	2	Half, Handle	
17	70004742	1	Enclosure	
18	70004743	4	Nut	
19	70004744	NLA	Boot, Controller (Note: Use Item 200)	
20	70004745	NLA	Tube, Locking (Note: Use Item 200)	
21	70004746	NLA	Disc, Locking (Note: Use Item 200)	
25	70004747	2	Seal, Rope	
26	70004748	1	Screw, M3 x 6	
28	70004749	2	Screw, M5 x 20	
29	70004750	1	Pin, Dowel	
30	70004751	4	Screw, M3 x 16	
101	4460265	1	Connector - 9 Position	
101	4460226	7	Socket, Female	
200	70005230	1	Boot Kit (Includes Items 19-21)	

SECTION 4 - PLATFORM

FIGURE 4-9. SOFT TOUCH SYSTEM INSTALLATION (OPTIONAL)



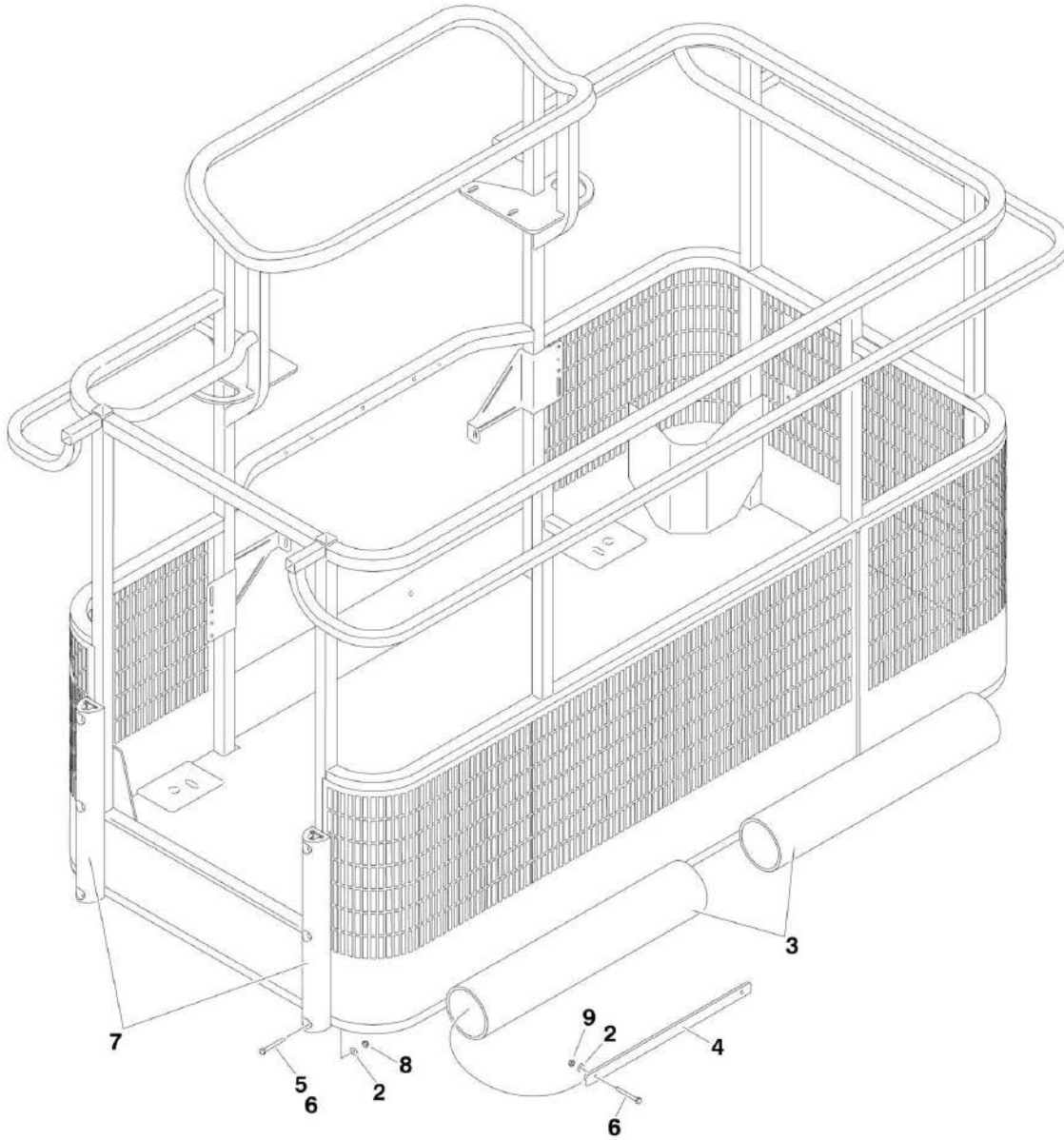
SECTION 4 - PLATFORM

FIGURE 4-9. SOFT TOUCH SYSTEM INSTALLATION (OPTIONAL)

ITEM	PART NUMBER	QTY	DESCRIPTION	REV
		Ref	SOFT TOUCH SYSTEM INSTALLATIONS	
	0273824	Ref	6ft Platforms	D
	0272427	Ref	8ft Platforms	G
	1001108256	Ref	6ft/1.8m Platforms with Fall Arrest	C
	0273706	Ref	8ft/2.4m Platforms with Fall Arrest	D
1	0100011	AR	Compound, Locking	
2	0200048	2	Arm, Switch	
3	0630462	8	Bolt, Carriage	
4	0641414	8	Bolt 1/4in-20NC x 1-3/4in	
5	0721005	4	Bolt #10-24NC x 5/8in	
6		Ref	Bumper Kits (Includes Corners and Enough Straight Material for One Platform)	
6	0940134	1	6ft Platform	
6	0940103	1	8ft Platform	
6	0940177	1	6ft/1.8m Platforms with Fall Arrest	
6	0940133	1	8ft/2.4m Platforms with Fall Arrest	
6	0940092	Ref	Bumper (Corner) Options:	
6	0940092	12	Standard Platform	
6	0940092	8	Fall Arrest Platforms	
6	0940094	AR	Bumper (12ft Length)	
7	1060341	Ref	Cable, Electrical - 16/2 Options:	
7	1060341	22 ft/6.7m	6ft Platform	
7	1060341	23 ft/7m	8ft Platform	
8	1060903	4	Wire Rope and Eyebolt Assembly	
9	1702938	1	Decal - Soft Touch Override	
10	3311401	8	Nut 1/4in-20NC	
11	3311501	8	Nut 5/16in-18NC	
12		Ref	Plate, Switch Strike Options:	
12	3575359	2	6ft Platform	
12	3574091	2	8ft Platform	
13	4240099	7	Tie-Strap	
14	4360057	2	Switch, Limit	
15	4360387	1	Switch, Push Button	
16	4420068	AR	Tape, Adhesive	
16	1001197017	AR	Tie-Strap	
17	4460049	2	Connector, Strain Relief	
18	4460234	7	Tie-Strap	
19	4460425	1	Connector, Strain Relief	
20	4751400	8	Flatwasher 1/4in Regular	
21	4751500	AR	Flatwasher 5/16in Regular	
22	4751800	8	Flatwasher 1/2in Regular	
23		Ref	Rail, Soft Touch Options:	
23	3641569	1	6ft Platform	
23	4846673	1	8ft Platform	
25	2920028	1	Light, Indicator	
26	2920028	1	Bulb, Light	

SECTION 4 - PLATFORM

FIGURE 4-10. PLATFORM BUMPER PADDING INSTALLATION (OPTIONAL)



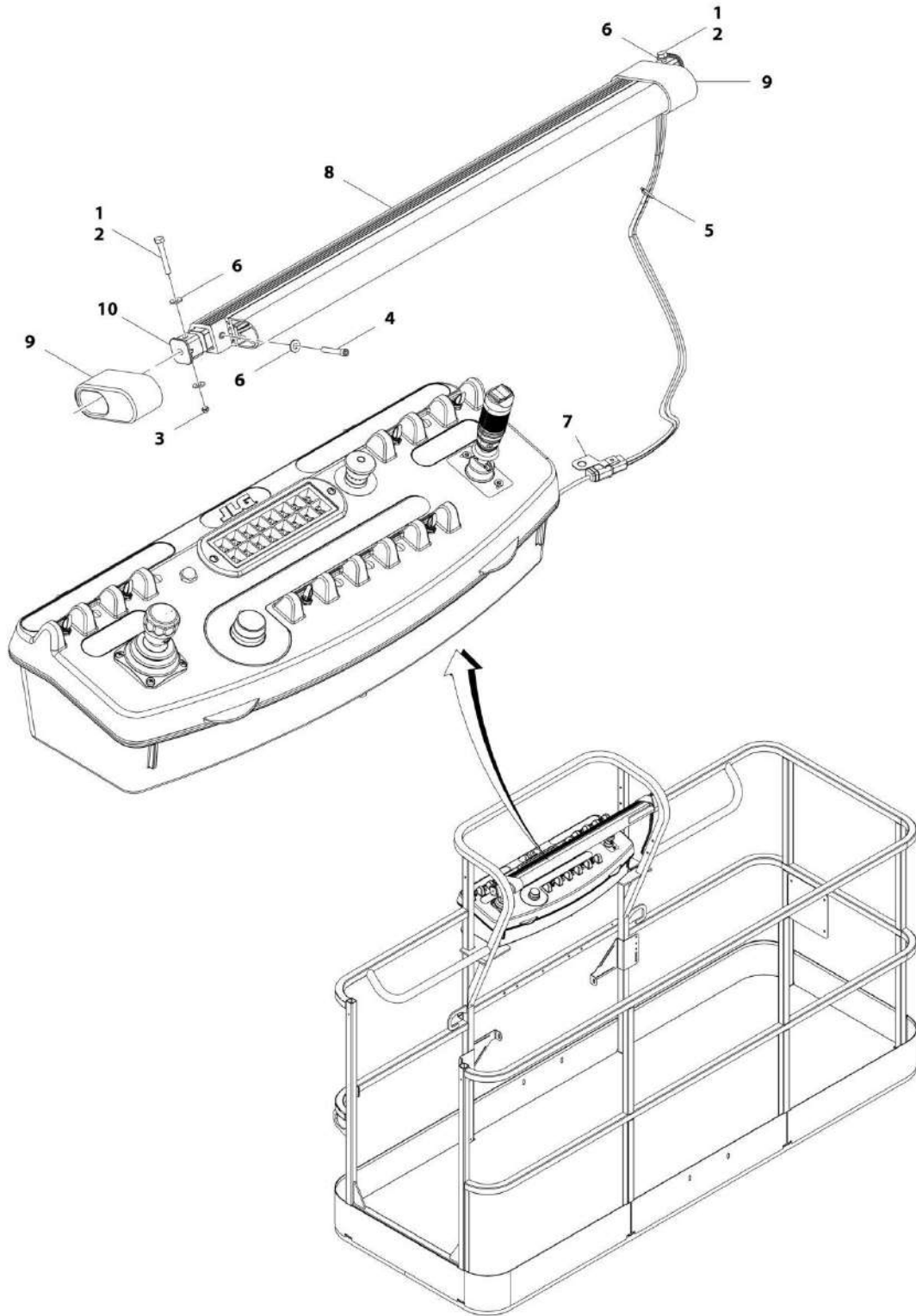
SECTION 4 - PLATFORM

FIGURE 4-10. PLATFORM BUMPER PADDING INSTALLATION (OPTIONAL)

ITEM	PART NUMBER	QTY	DESCRIPTION	REV
	1001110982	Ref	BUMPER INSTALLATION	D
2	4711400	10	Flatwasher 1/4in Thin	
3	1001110979	3	Bumper	
4	1001110980	3	Clamp, Bumper	
5	0100011	AR	Compound, Locking	
6	0641418	10	Bolt 1/4in-20NC x 2-1/4in	
7	0940159	2	Bumper	
8	3300430	4	Nut, Acorn 1/4in-20NC	
9	3311405	6	Locknut 1/4in-20NC	

SECTION 4 - PLATFORM

FIGURE 4-11. SKYGUARD SYSTEM INSTALLATION (SN 0300182743 through 0300255782, SN B300001092 to Present)



ART_1001187508

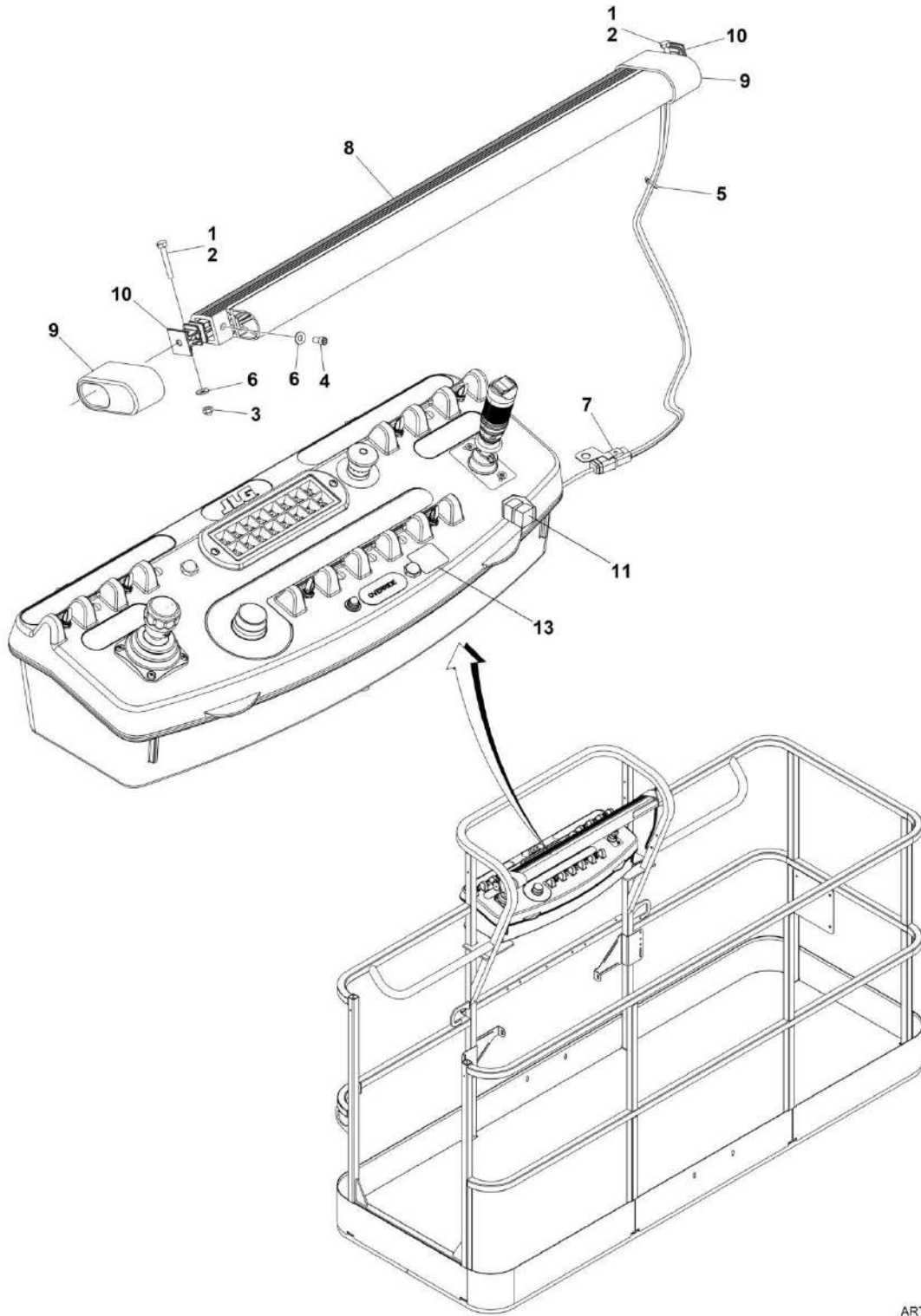
SECTION 4 - PLATFORM

FIGURE 4-11. SKYGUARD SYSTEM INSTALLATION (SN 0300182743 through 0300255782, SN B300001092 to Present)

ITEM	PART NUMBER	QTY	DESCRIPTION	REV
	1001187508	Ref	SKYGUARD SYSTEM INSTALLATION	C
		Ref		
1	0100011	AR	Compound, Locking	
2	0641414	2	Bolt, 1/4-20 x 1-3/4	
3	3300430	2	Nut, Acorn 1/4-20	
4	3931424	2	Capscrew, 1/4-20 x 1-1/2	
4	3931408	2	Capscrew 1/4 x 1/2	
5	4240033	AR	Tie-Strap	
6	4711400	AR	Washer, 1/4	
7	1001120328	1	Mount	
8	1001137673	1	Switch, SkyGuard Assembly	
9	1001186517	2	Cover, Platform Sensor	
10	1001188889	NLA	Support, Block (Use p/n 1001209664) (SN 0300182743 through 0300244559, SN B300001180 through B300002766)	
10	1001209664	2	Support, Block (SN 0300244560 through 0300255782, SN B300002767 to Present)	

SECTION 4 - PLATFORM

FIGURE 4-12. SKYGUARD BAR INSTALLATION (SN 0300255783 to Present)



ART_1001238495

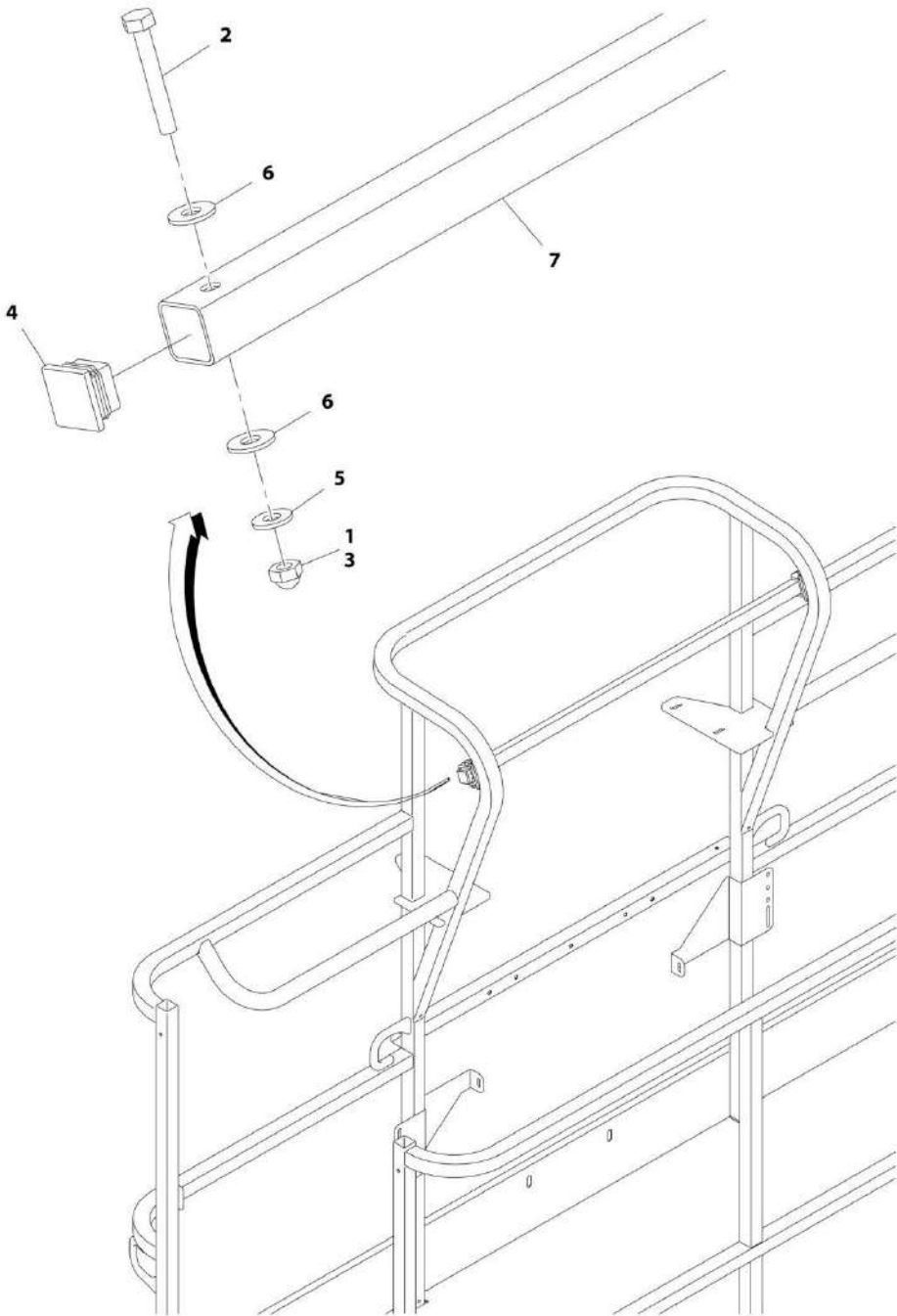
SECTION 4 - PLATFORM

FIGURE 4-12. SKYGUARD BAR INSTALLATION (SN 0300255783 to Present)

ITEM	PART NUMBER	QTY	DESCRIPTION	REV
	1001238495	Ref	SKYGUARD BAR INSTALLATION	A
1	0100011	AR	Compound, Locking	
2	0641414	2	Bolt 1/4 x 1-3/4	
3	3300430	2	Nut 1/4	
4	3931408	2	Capscrew 1/4 x 1/2	
5	4240033	8	Tie-Strap	
6	4711400	6	Washer 1/4	
7	1001120328	1	Mount	
8	1001137673	1	SkyGuard Switch Assembly	
9	1001186517	2	Cover, Platform Sensor	
10	1001209664	2	Support, Block	
11	1001186431	2	Relay	
12	1001225580	1	Interface Harness Assembly (Not Shown - Located Inside Console Box) (See ELECTRICAL SECTION for Breakdown)	
13	1001144433	1	Decal - No Weight SkyGuard	

SECTION 4 - PLATFORM

FIGURE 4-13. CROSS RAIL INSTALLATION



ART_1001182138

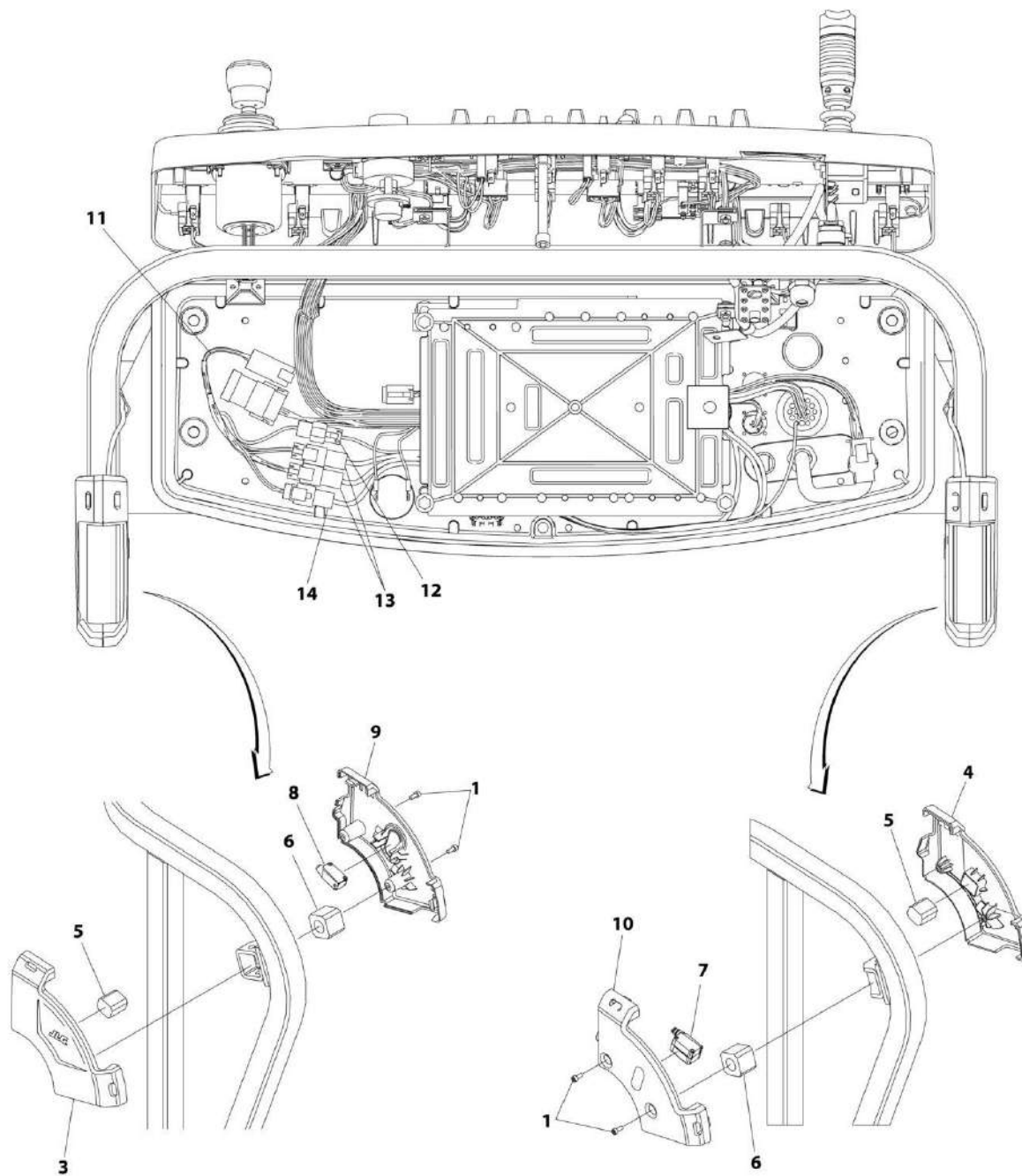
SECTION 4 - PLATFORM

FIGURE 4-13. CROSS RAIL INSTALLATION

ITEM	PART NUMBER	QTY	DESCRIPTION	REV
	1001182138	Ref	CROSS RAIL INSTALLATION	A
1	0100071	AR	Compound, Locking	
2	0641414	2	Bolt 1/4 x 1-3/4	
3	3300430	2	Nut 1/4	
4	3520182	2	Plug	
5	4711400	2	Washer 1/4	
6	4751400	4	Washer 1/4	
7	1001191708	1	Bar	

SECTION 4 - PLATFORM

FIGURE 4-14. SKYEYE INSTALLATION



ART_1001229341

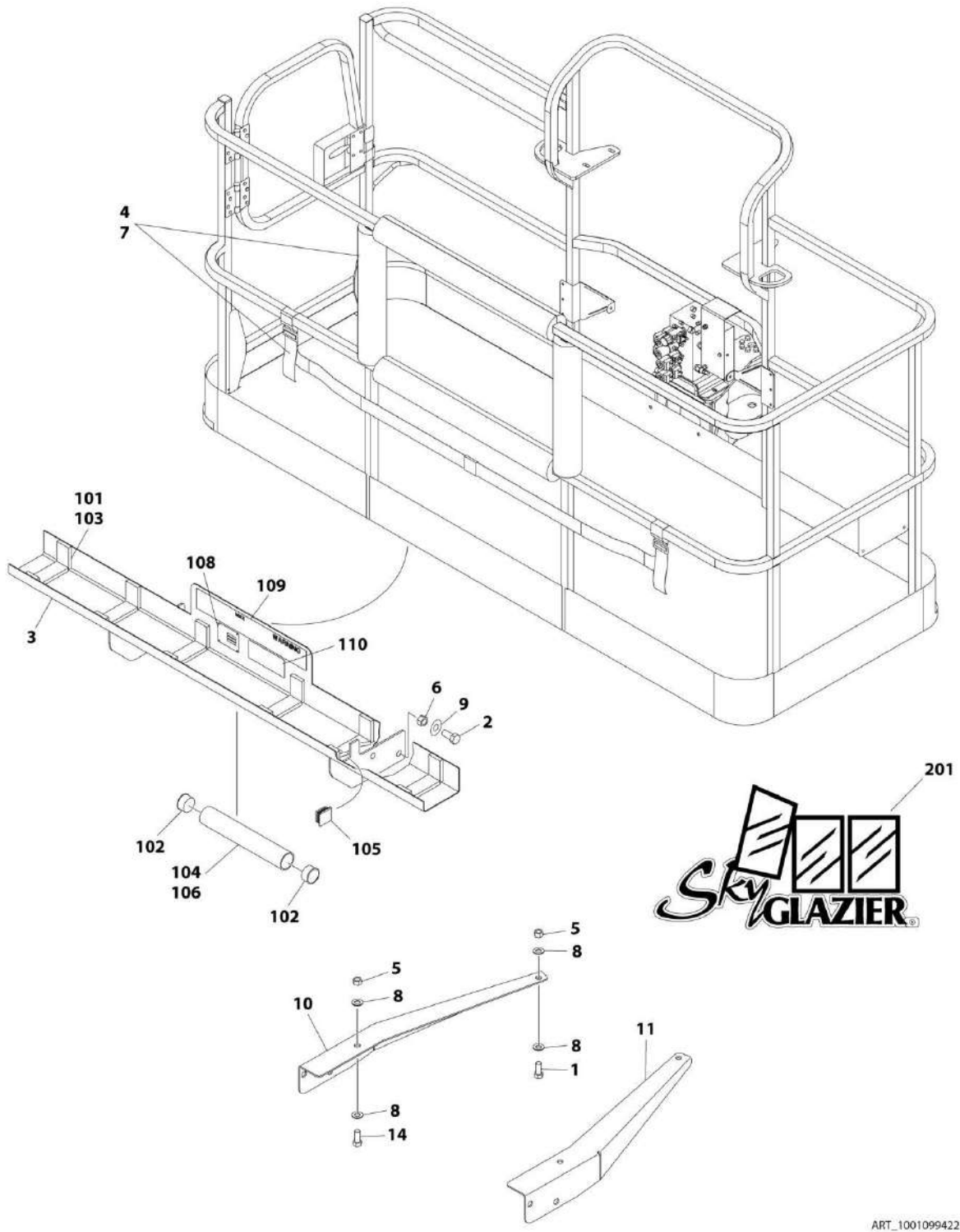
SECTION 4 - PLATFORM

FIGURE 4-14. SKYEYE INSTALLATION

ITEM	PART NUMBER	QTY	DESCRIPTION	REV
	1001229341	Ref	SKYEYE INSTALLATION	A
1	4031505	4	Bolt M4 x 10	
2	4240033	AR	Tie-Strap (Not Shown)	
3	1001227633	1	Housing, LH Outer	
4	1001227634	1	Housing, RH Outer	
5	1001227985	2	Shim	
6	1001227987	2	Shim	
7	1001228224	2	Sensor, Receiver	
8	1001228225	1	Sensor, Emitter	
9	1001232164	1	Housing, LH Inner	
10	1001232165	1	Housing, RH Inner	
11	1001237865	1	Harness, Skyeeye Intermediate (See Separate Breakdown in ELECTRICAL SECTION)	
12	1001238319	1	Harness, Skyeeye Drain Jumper	
12	1001187674	1	Plug, Male - 2 Position	
12	4460942	1	Terminal	
12	4460466	1	Plug, Terminal	
12	4460508	1	Pin, Male	
13	1001237863	2	Harness, Skyeeye Receiver (See Separate Breakdown in ELECTRICAL SECTION)	
14	1001237864	1	Harness, Skyeeye Emitter (See Separate Breakdown in ELECTRICAL SECTION)	

SECTION 4 - PLATFORM

FIGURE 4-15. SKYGLAZIER INSTALLATION



ART_1001099422

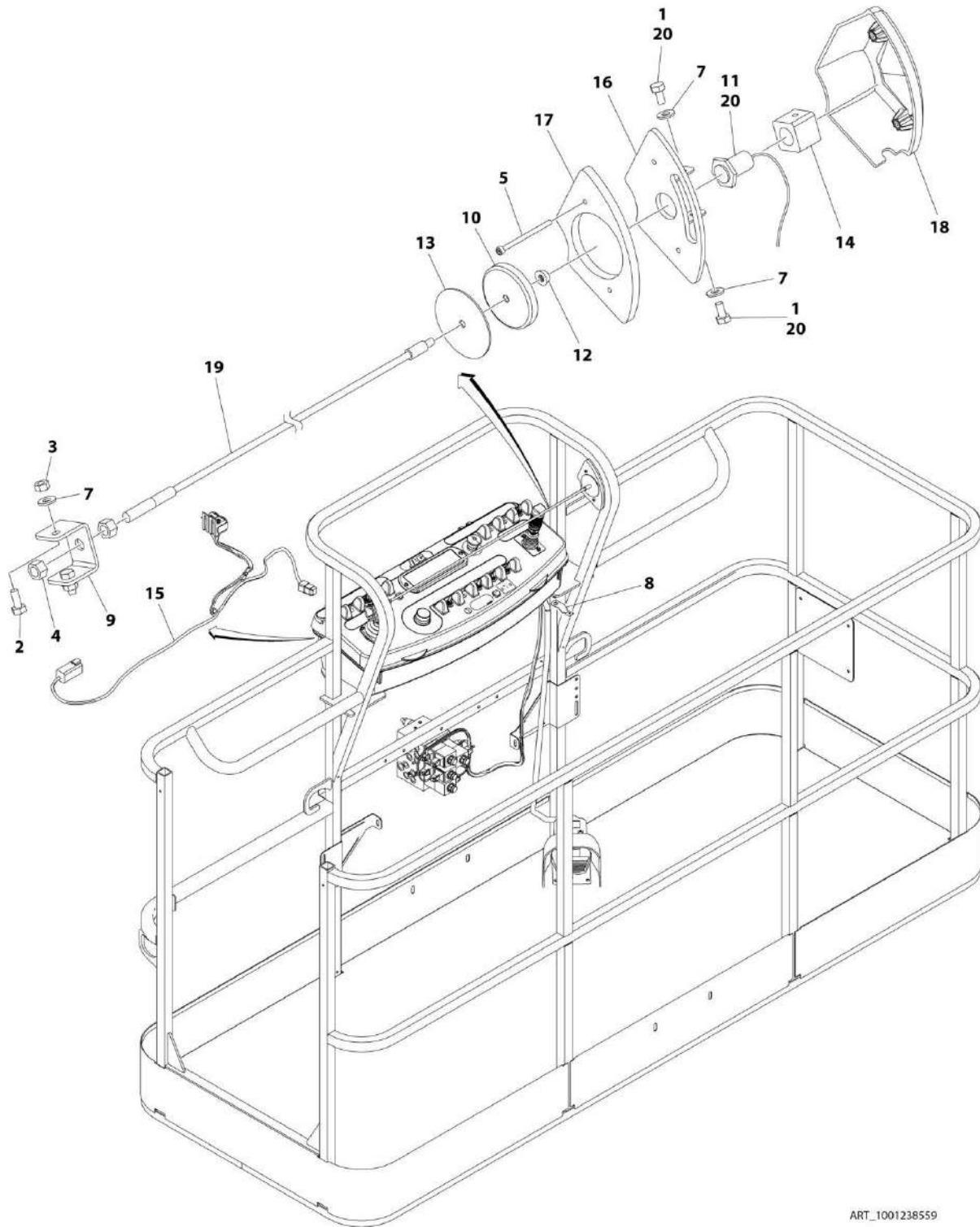
SECTION 4 - PLATFORM

FIGURE 4-15. SKYGLAZIER INSTALLATION

ITEM	PART NUMBER	QTY	DESCRIPTION	REV
	1001101422	Ref	SKYGLAZIER INSTALLATION (ANSI, ANSI EXPORT AND CSA SPECS)	C
	1001102647	Ref	SKYGLAZIER INSTALLATION (AUSTRALIAN SPECS)	C
	1001099422	Ref	SKYGLAZIER INSTALLATION (BRAZIL SPECS)	C
	1001099421	Ref	SKYGLAZIER INSTALLATION (LATIN AMERICAN SPECS)	C
		Ref	Note: Only Available on 860SJ for Brazil and Latin American Specs. Available on 800S & 860SJ for ANSI, Australian and CSA Specs.	
1	0642012	2	Bolt 5/8 x 1-1/2	
1	0642026	2	Bolt 5/8 x 3-1/4	
2	0642212	4	Bolt 3/4 x 1-1/2	
3	1001101421	1	Tray Assembly (All Spec except Brazil and Latin American Specs) (See Items 101-110 for Breakdown)	
3	0272951	1	Tray Assembly (Brazil Spec) (See Items 101-110 for Breakdown)	
3	0272948	1	Tray Assembly (Latin American Spec) (See Items 101-110 for Breakdown)	
4	2902212	1	Bumpers and Strap Kit	
4	0940102	1	Bumper Only	
4	4240149	1	Strap Only	
5	3312005	4	Nut 5/8	
5	1001149924	AR	Nut, Plastic 5/8	
6	3312205	4	Nut 3/4	
7	4420014	AR	Tape	
8	4712000	6	Washer 5/8	
9	4712200	8	Washer 3/4	
10	1001099366	1	Support	
11	1001099367	1	Support	
14	8310129	2	Bolt 5/8 x 2-1/2	
14	0642026	2	Bolt 5/8 x 3-1/4	
14	8310230	2	Bolt 5/8 x 4	
	1001101421	Ref	TRAY ASSEMBLY (ALL SPECS EXCEPT BRAZIL AND LATIN AMERICAN SPECS)	E
	0272951	Ref	TRAY ASSEMBLY (BRAZIL SPECS)	E
	0272948	Ref	TRAY ASSEMBLY (LATIN AMERICAN SPECS)	E
101	0100081	AR	Adhesive	
102	1120555	2	Cap, Tube	
103	3340956	1	Pad Kit	
104	3460334	1	Tube	
105	3520071	2	Plug	
106	4420066	AR	Tape, Double Sided	
108	See Note	NSS	Nameplate - Serial Number (Note: Not Available for Purchase)	
109	1001163131	1	Decal - Glazier Capacity (All Specs except Brazil and Latin American Specs)	
109	1001163297	2	Decal - Glazier Capacity (Brazil Specs)	
109	1001163296	2	Decal - Glazier Capacity (Latin American Specs)	
110	1701509	2	Decal - Manual	
	0272418	Ref	SKYGLAZIER DECAL INSTALLATION	4
201	1705358	2	Decal - SkyGlazier	

SECTION 4 - PLATFORM

FIGURE 4-16. SKYLINE INSTALLATION



ART_1001238559

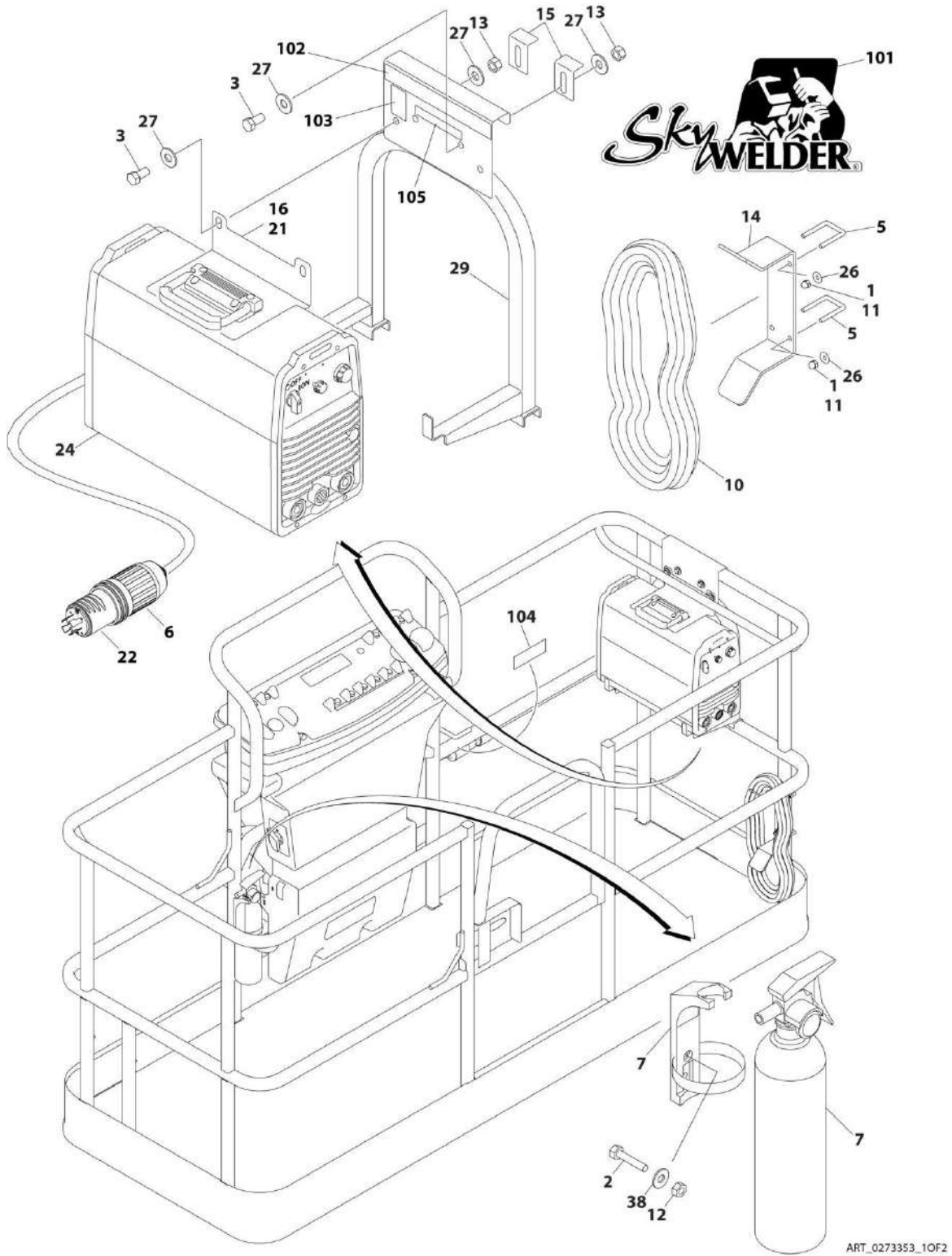
SECTION 4 - PLATFORM

FIGURE 4-16. SKYLINE INSTALLATION

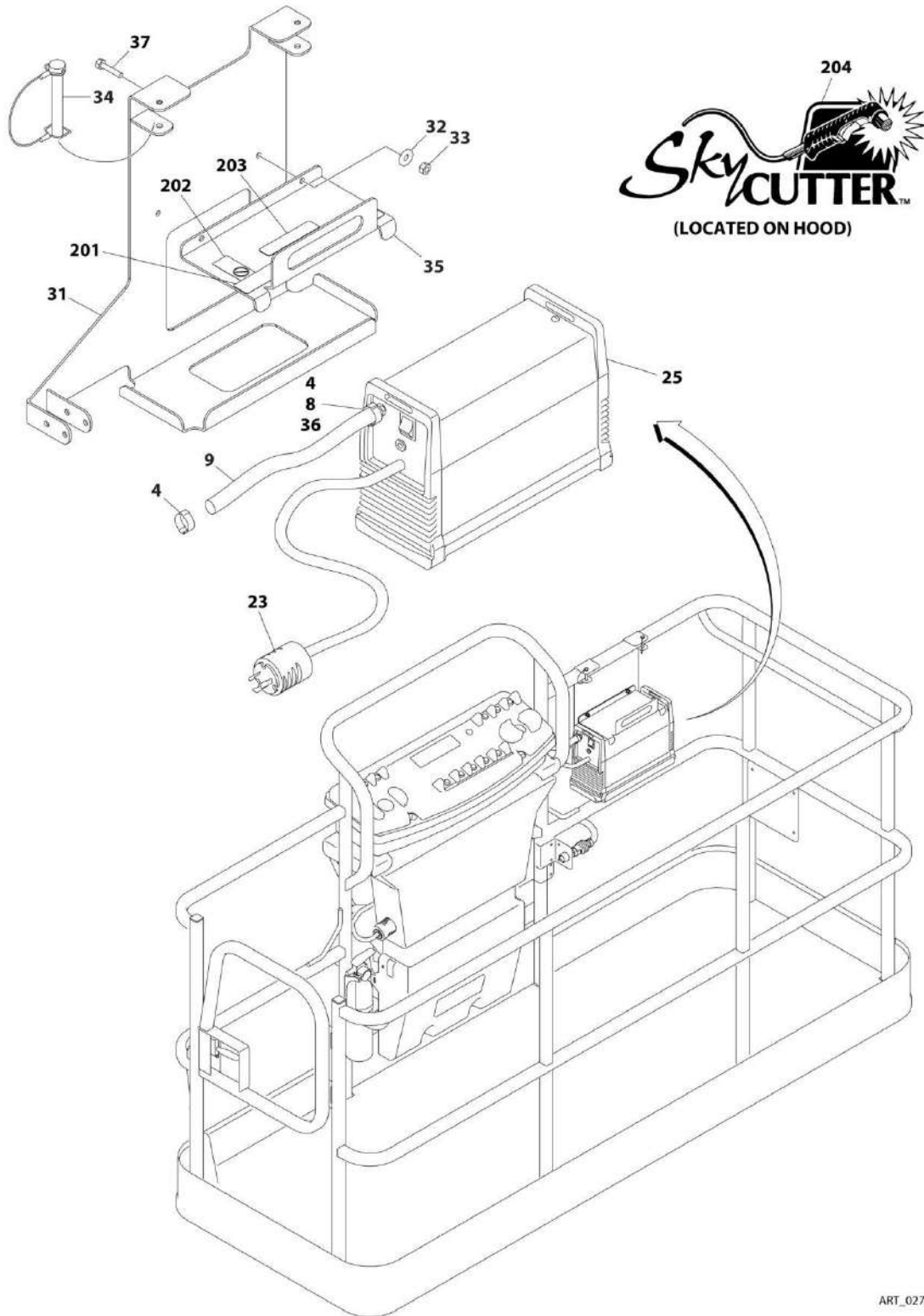
ITEM	PART NUMBER	QTY	DESCRIPTION	REV
	1001238559	Ref	SKYLINE INSTALLATION	B
1	0641404	2	Bolt 1/4 x 1/2	
2	0641405	2	Bolt 1/4 x 5/8	
3	3311405	2	Nut 1/4	
4	3311601	2	Nut 3/8	
5	4031516	2	Capscrew M4 x 60	
6	4240033	AR	Tie-Strap (Not Shown)	
7	4711400	4	Washer 1/4	
8	1001120328	1	Mount	
9	1001232642	1	Bracket	
10	1001232650	1	Magnet	
11	1001232667	1	Sensor, Proximity	
12	1001235011	1	Nut	
13	1001235013	1	Washer	
14	1001236552	1	Block	
15	1001238418	1	Harness, Skyline (See Separate Breakdown in ELECTRICAL SECTION)	
16	1001238472	1	Mount	
17	1001238477	1	Housing, LH	
18	1001241965	1	Housing, RH	
19	1001238824	1	Rope	
20	0100011	AR	Compound, Locking	

SECTION 4 - PLATFORM

FIGURE 4-17. SKYWELDER/SKYCUTTER COMBO INSTALLATION (60HZ)



SECTION 4 - PLATFORM



ART_0273353_20F2

SECTION 4 - PLATFORM

FIGURE 4-17. SKYWELDER/SKYCUTTER COMBO INSTALLATION (60HZ)

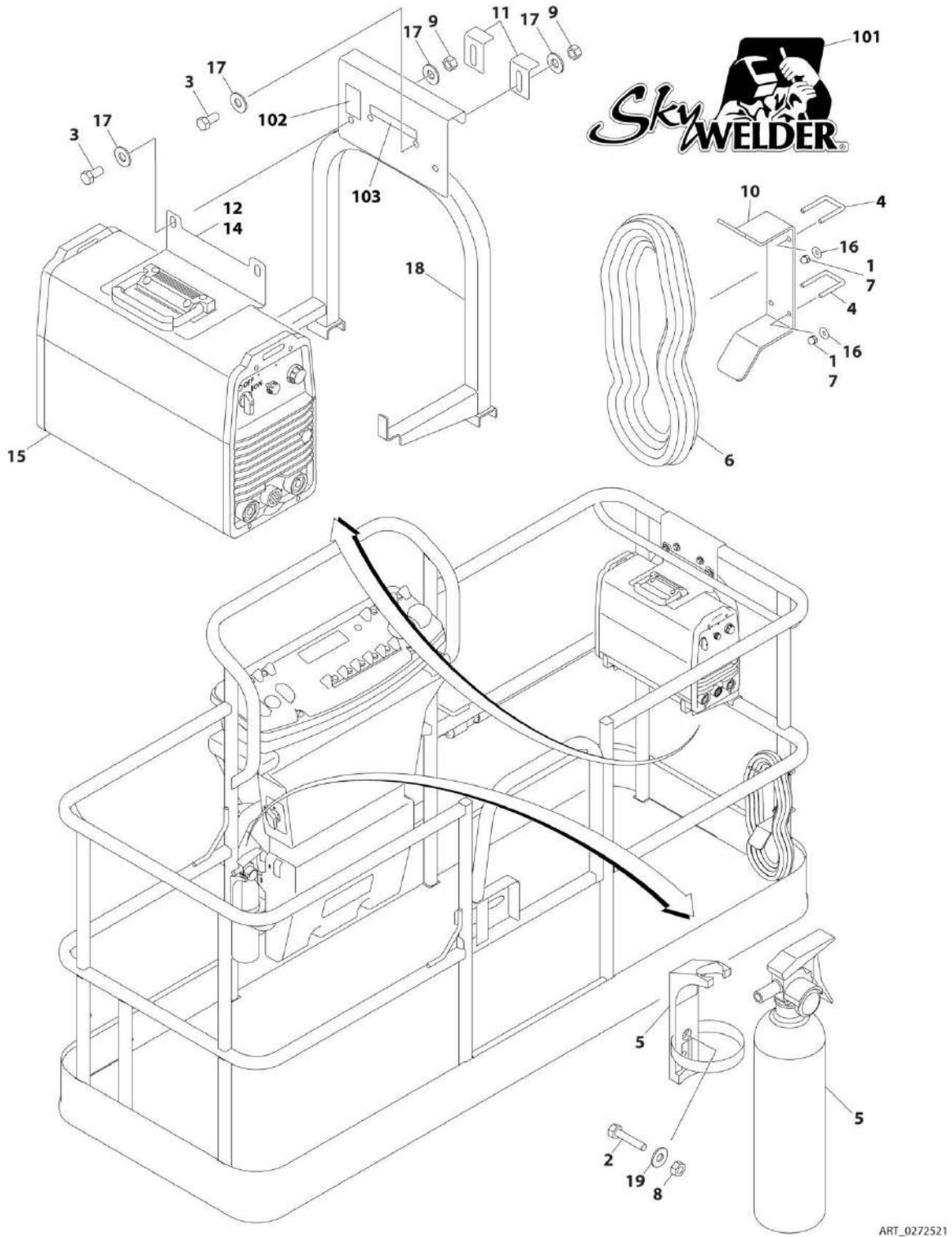
ITEM	PART NUMBER	QTY	DESCRIPTION	REV
	0273353	Ref	SKYWELDER/SKYCUTTER COMBO INSTALLATION (60HZ)	G
		Ref	Note: ANSI, ANSI Export and CSA Spec Only.	
		Ref	Note: Not Available on 800S Shipyard Machines/680S.	
1	0100011	AR	Compound, Locking	
2	0630518	2	Screw #10 x 3/4	
3	0641606	4	Bolt 3/8 x 3/4	
4	1320177	2	Clamp	
5	1320302	2	Clamp	
6	1671093	1	Cover, Plug	
7	2030010	1	Extinguisher, Fire	
8	2180832	1	Fitting, Barbed/NPT	
9	2720160	4.5 ft /1.37m	Hose	
10	2902217	1	Weld Leads Kit	
11	3300151	4	Nut 1/4	
12	3311005	2	Nut #10	
13	3311605	4	Nut 3/8	
14	3573400	1	Bracket	
15	3577121	2	Angle	
16	3573642	1	Plate	
20	4240099	AR	Tie-Strap (Not Shown)	
21	4420037	2.36 ft /.71m	Tape	
22	4460962	1	Plug, Twist Lock	
23	4460971	1	Plug, Twist Lock	
24	4530028	1	Welder Assembly (See WELDER ASSEMBLY for Breakdown)	
25	1001098012	1	Plasma Cutter Assembly (See PLASMA CUTTER ASSEMBLY for Breakdown)	
26	4751400	4	Washer 1/4	
27	4751600	8	Washer 3/8	
29	4846627	1	Support	
31	1001145405	1	Bracket	
32	4811700	2	Washer M6	
33	3290605	2	Nut M6	
34	3421453	3	Pin	
35	3576799	1	Plate, Hold-Down	
36	0100020	1	Sealant	
37	4010608	2	Screw M6 x 16	
38	4751000	2	Washer #10	
	0272448	Ref	SKYWELDER DECAL INSTALLATION	B
101	1705355	2	Decal - SkyWelder	
102	1702868	1	Decal - No Hands	
103	1705305	1	Decal - Weld Leads	
104	1705375	1	Decal - 240V - 3 Phase - 60 Hz	
105	1705466	NLA	Decal - Weight (Use p/n 1001228988) (SN 0300182743 through 0300233654, SN B300001092 through B300001996)	
105	1001228988	1	Decal - Weight (SN 0300233655 to Present, SN B300001997 to Present)	
	0272599	Ref	SKYCUTTER DECAL INSTALLATION	B
201	1702868	1	Decal - No Hands	
202	1705305	1	Decal - Weld Leads	

SECTION 4 - PLATFORM

ITEM	PART NUMBER	QTY	DESCRIPTION	REV
203	1705466	NLA	Decal - Weight (Use p/n 1001228988) (SN 0300182743 through 0300233654, SN B300001092 through B300001996)	
203	1001228988	1	Decal - Weight (SN 0300233655 to Present, SN B300001997 to Present)	
204	1705490	2	Decal - SkyCutter	

SECTION 4 - PLATFORM

FIGURE 4-18. SKYWELDER INSTALLATION (50HZ)



ART_0272521

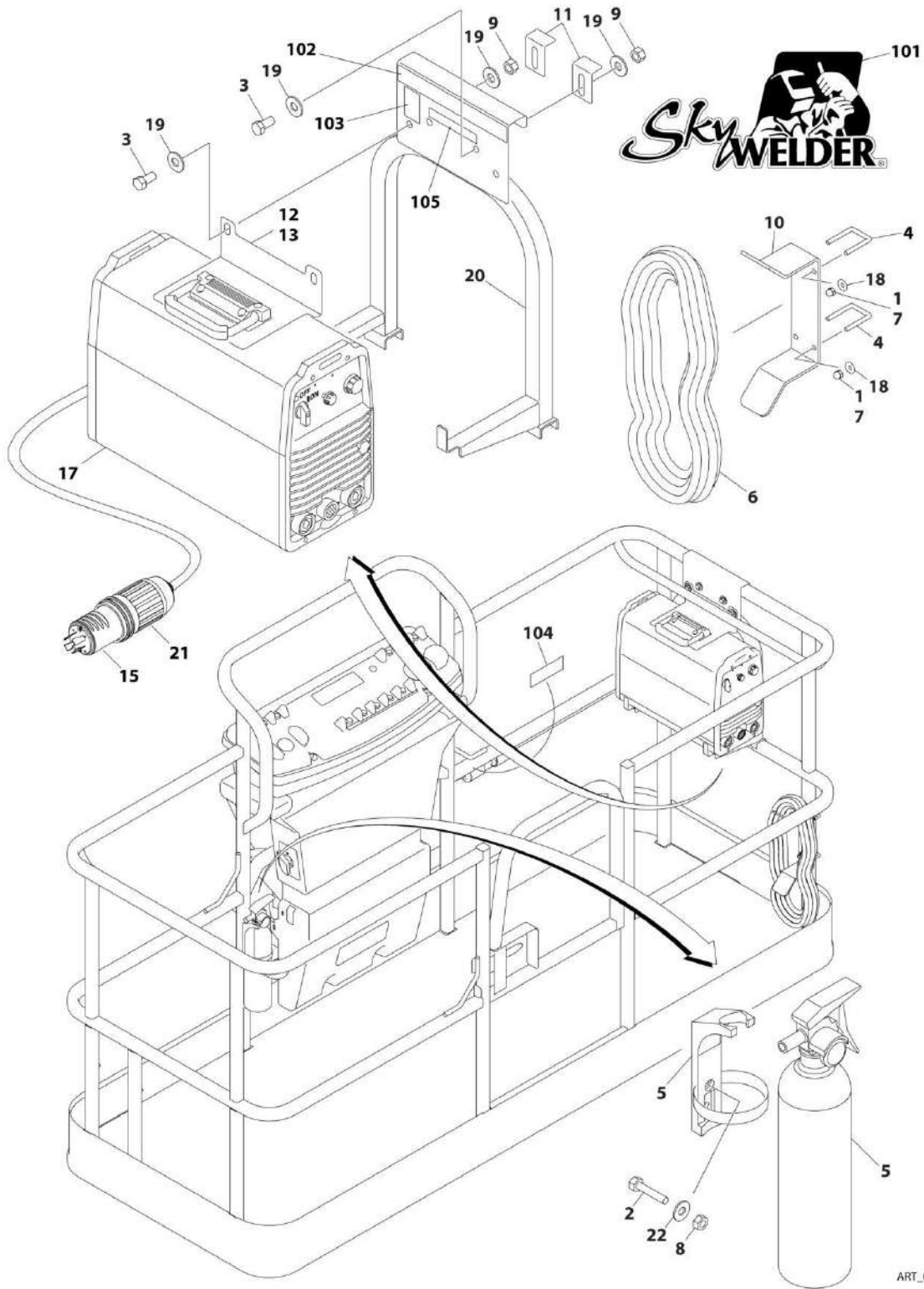
SECTION 4 - PLATFORM

FIGURE 4-18. SKYWELDER INSTALLATION (50HZ)

ITEM	PART NUMBER	QTY	DESCRIPTION	REV
	0272521	Ref	SKYWELDER INSTALLATION (50HZ)	F
		Ref	Note: CE Specs Only.	
		Ref	Note: Not Available on 800S Shipyard Machines/680S.	
1	0100011	AR	Compound, Locking	
2	0630518	2	Screw #10 x 3/4	
3	0641606	4	Bolt 3/8 x 3/4	
4	1320302	2	U-Clamp	
5	2030010	1	Extinguisher, Fire	
6	2902217	1	Weld Leads Kit	
7	3300151	4	Nut 1/4	
8	3311005	2	Nut #10	
9	3311605	4	Nut 3/8	
10	3573400	1	Bracket	
11	3577121	2	Angle	
12	3573642	1	Plate	
13	4240099	AR	Tie-Strap (Not Shown)	
14	4420037	AR	Tape	
15	4530028	1	Welder Assembly (See WELDER ASSEMBLY for Breakdown)	
16	4751400	4	Washer 1/4	
17	4751600	8	Washer 3/8	
18	4846627	1	Support	
19	4751000	2	Washer #10	
	0272588	Ref	SKYWELDER DECAL INSTALLATION	B
101	1705355	2	Decal - SkyWelder	
102	1705305	1	Decal - Weld Lead	
103	1705466	NLA	Decal - Weight (Use p/n 1001228988) (SN 0300182743 through 0300233654, SN B300001092 through B300001996)	
103	1001228988	1	Decal - Weight (SN 0300233655 to Present, SN B300001997 to Present)	

SECTION 4 - PLATFORM

FIGURE 4-19. SKYWELDER INSTALLATION (60HZ)



ART_0272254

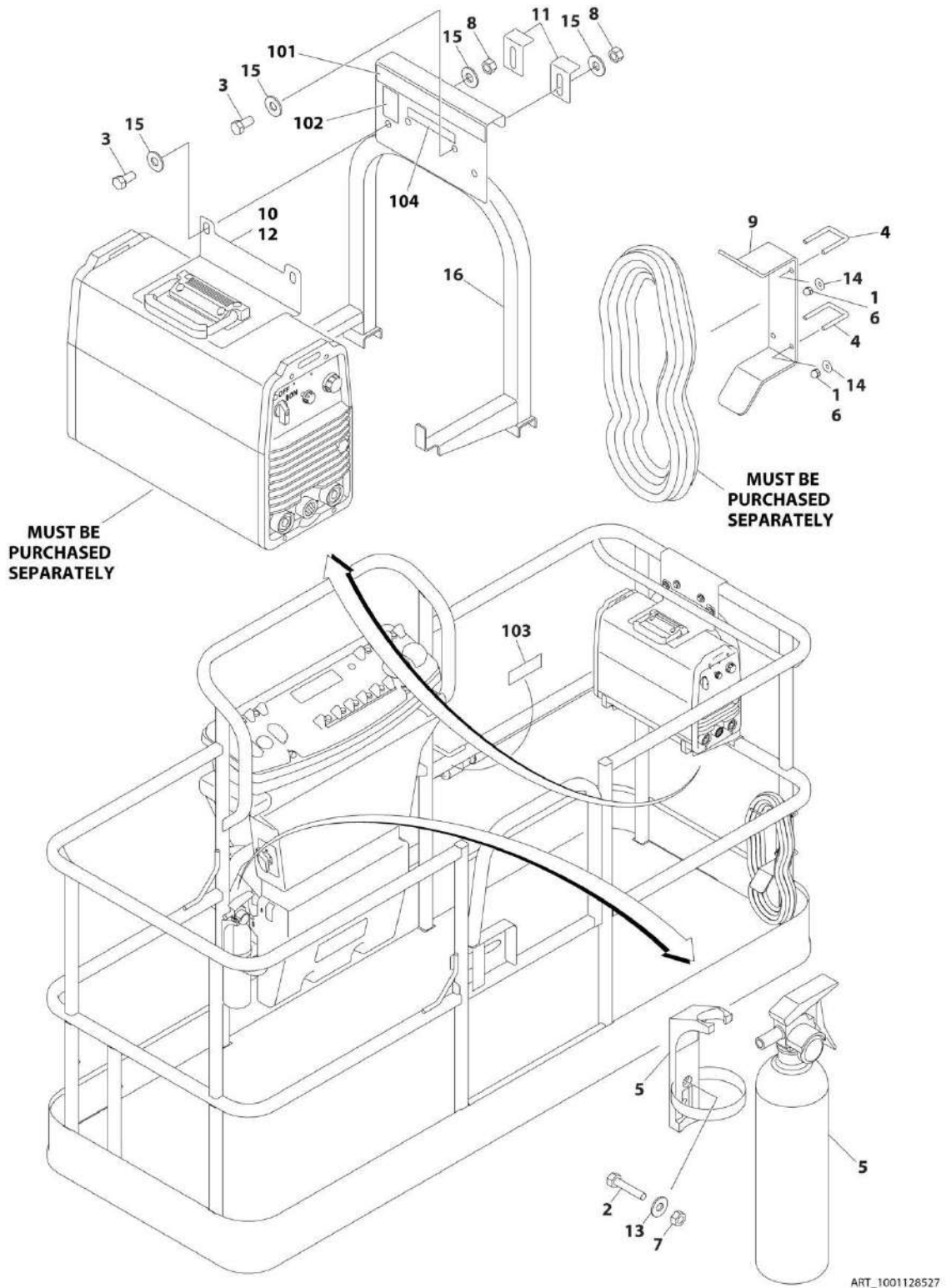
SECTION 4 - PLATFORM

FIGURE 4-19. SKYWELDER INSTALLATION (60HZ)

ITEM	PART NUMBER	QTY	DESCRIPTION	REV
	0272254	Ref	SKYWELDER INSTALLATION (60HZ)	I
		Ref	Note: ANSI, ANSI Export, Australian, CSA and Japanese Specs Only. Not Available on 680S.	
1	0100011	AR	Compound, Locking	
2	0630518	2	Screw #10 x 3/4	
3	0641606	4	Bolt 3/8 x 3/4	
4	1320302	2	U-Clamp	
5	2030010	1	Extinguisher, Fire	
6	2902217	1	Weld Leads Kit	
7	3300151	4	Nut 1/4	
8	3311005	2	Nut #10	
9	3311605	4	Nut 3/8	
10	3573400	1	Bracket	
11	3577121	2	Angle	
12	3573642	1	Plate	
13	4420037	AR	Tape	
14	4240099	AR	Tie-Strap (Not Shown)	
15	4460962	1	Plug, Male Twistlock	
17	4530028	1	Welder Assembly (See WELDER ASSEMBLY for Breakdown)	
18	4751400	4	Washer 1/4	
19	4751600	8	Washer 3/8	
20	4846627	1	Support	
21	1671093	1	Cover, Plug	
22	4751000	2	Washer #10	
	0272448	Ref	SKYWELDER DECAL INSTALLATION	B
101	1705355	2	Decal - SkyWelder	
102	1702868	1	Decal - No Hands	
103	1705305	1	Decal - Weld Lead	
104	1705375	1	Decal - 240V - 3 Phase - 60Hz	
105	1705466	NLA	Decal - Weight (Use p/n 1001228988) (SN 0300182743 through 0300233654, SN B300001092 through B300001996)	
105	1001228988	1	Decal - Weight (SN 0300233655 to Present, SN B300001997 to Present)	

SECTION 4 - PLATFORM

FIGURE 4-20. SKYWELDER PREP PACKAGE (60HZ)



SECTION 4 - PLATFORM

FIGURE 4-20. SKYWELDER PREP PACKAGE (60HZ)

ITEM	PART NUMBER	QTY	DESCRIPTION	REV
	1001128527	Ref	SKYWELDER PREP PACKAGE (60HZ)	B
		Ref	Note: ANSI, ANSI Export, Australian, CSA and Japanese Specs Only. Not Available on 680S.	
1	0100011	AR	Compound, Locking	
2	0630518	2	Screw #10 x 3/4	
3	0641606	4	Bolt 3/8 x 3/4	
4	1320302	2	U-Clamp	
5	2030010	1	Extinguisher, Fire	
6	3300151	4	Nut 1/4	
7	3311005	2	Nut #10	
8	3311605	4	Nut 3/8	
9	3573400	1	Bracket	
10	3573642	1	Plate	
11	3577121	2	Angle	
12	4420037	AR	Tape	
13	4751000	2	Washer #10	
14	4751400	4	Washer 1/4	
15	4751600	8	Washer 3/8	
16	4846627	1	Support	
	1001128556	Ref	SKYWELDER DECAL INSTALLATION	B
101	1702868	1	Decal - No Hands	
102	1705305	1	Decal - Weld Lead	
103	1705375	1	Decal - 240V - 3 Phase - 60Hz	
104	1705466	NLA	Decal - Weight (Use p/n 1001228988) (SN 0300182743 through 0300233654, SN B300001092 through B300001996)	
104	1001228988	1	Decal - Weight (SN 0300233655 to Present, SN B300001997 to Present)	

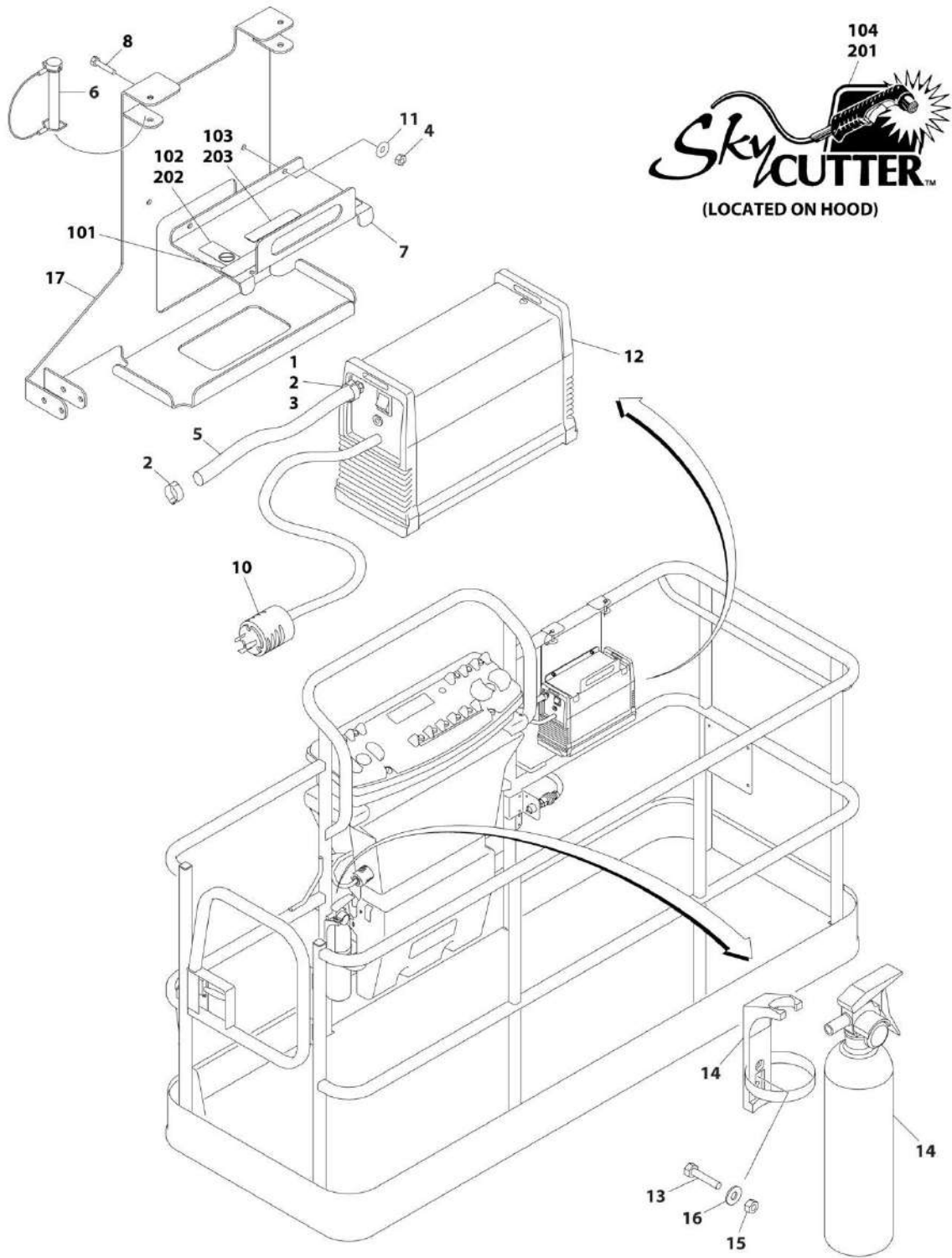
SECTION 4 - PLATFORM

FIGURE 4-21. WELDER ASSEMBLY

ITEM	PART NUMBER	QTY	DESCRIPTION	REV
	4530028	Ref	WELDER ASSEMBLY	B
		Ref	Note: For Other Components, contact your Miller Welder Dealer.	
1	7027773	1	Cover, Top	
1	7027774	1	Decal - Static Precautionary Warning	
2	See Note	NSS	Panel, LH Side (Note: Part of Item 1. Purchase Item 1)	
3	See Note	NSS	Panel, RH Side (Note: Part of Item 1. Purchase Item 1)	
4	7024467	1	Cable, Power	
4	7027775	1	Decal - Electrical Shock Warning (Not Shown)	
5	7027776	1	Handle, Carrying	
101	7024462	1	Panel, Front	
102	7024463	1	Panel, Console	
103	7024469	1	Switch with Lead	
104	7024470	1	Knob	
105	7024471	1	Knob	
106	7024472	1	Receptacle with Leads and Plugs	
107	7024473	2	Receptacle, Twistlock Female	
108	7024474	2	Insulator	
109	7024475	2	O-Ring	
110	7027777	1	Nameplate	
111	7027779	1	Circuit Card Assembly (Process Control)	
112	7024478	2	Nut	
113	7027778	1	Circuit Card Assembly (Operator Interface)	
201	7024462	1	Panel, Rear	
202	7027780	1	Panel, Cover	

SECTION 4 - PLATFORM

FIGURE 4-22. SKYCUTTER INSTALLATION



ART_1001098149

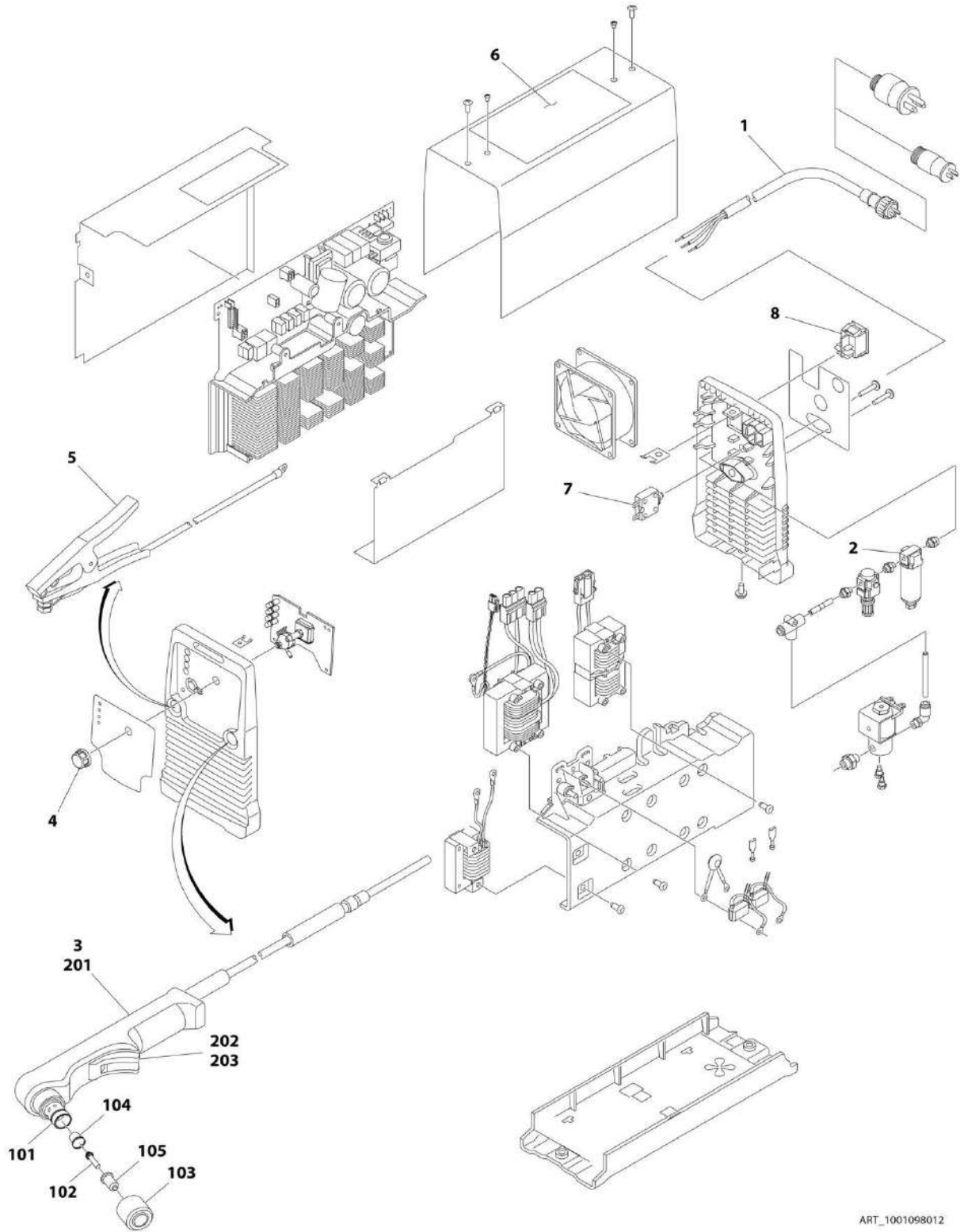
SECTION 4 - PLATFORM

FIGURE 4-22. SKYCUTTER INSTALLATION

ITEM	PART NUMBER	QTY	DESCRIPTION	REV
	1001098149	Ref	SKYCUTTER INSTALLATION	D
		Ref	Note: SkyCutter Installation ANSI, ANSI Export & CSA and Japanese Specs Only.	
		Ref	Note: Not Available on 800S Shipyard Machines/680S.	
		Ref	Note: When replacing platform on machines with SkyCutter option, new bracket p/n 1001145405 must be purchased to accommodate SkyCutter components.	
1	0100020	AR	Sealant	
2	1320177	2	Clamp, Hose	
3	2180832	1	Fitting, NPT/Barbed	
4	3290605	2	Nut M6	
5	2720160	3 ft/.9m	Hose	
6	3421453	3	Pin	
7	3576799	1	Plate, Hold-Down	
8	4010608	2	Screw M6 x 16	
10	4460971	1	Plug, Twistlock	
11	4811700	2	Washer M6	
12	1001098012	1	Plasma Cutter Assembly (See PLASMA CUTTER ASSEMBLY for Breakdown)	
13	0630518	2	Screw #10 x 3/4	
14	2030010	1	Extinguisher, Fire	
15	3311005	2	Nut #10	
16	4751000	2	Washer #10	
17	1001145405	1	Support	
	0272599	Ref	SKYCUTTER DECAL INSTALLATION (ANSI, ANSI EXPORT AND CSA SPECS)	B
101	1702868	1	Decal - No Hands	
102	1705305	1	Decal - Weld Lead	
103	1705466	NLA	Decal - Weight (Use p/n 1001228988) (SN 0300182743 through 0300233654, SN B300001092 through B300001996)	
103	1001228988	1	Decal - Weight (SN 0300233655 to Present, SN B300001997 to Present)	
104	1705490	2	Decal - SkyCutter	
	0272607	Ref	SKYCUTTER DECAL INSTALLATION (JAPANESE SPECS)	B
201	1705490	2	Decal - SkyCutter	
202	1705305	1	Decal - Weld Lead	
203	1705466	NLA	Decal - Weight (Use p/n 1001228988) (SN 0300182743 through 0300233654, SN B300001092 through B300001996)	
203	1001228988	1	Decal - Weight (SN 0300233655 to Present, SN B300001997 to Present)	

SECTION 4 - PLATFORM

FIGURE 4-23. PLASMA CUTTER ASSEMBLY



ART_1001098012

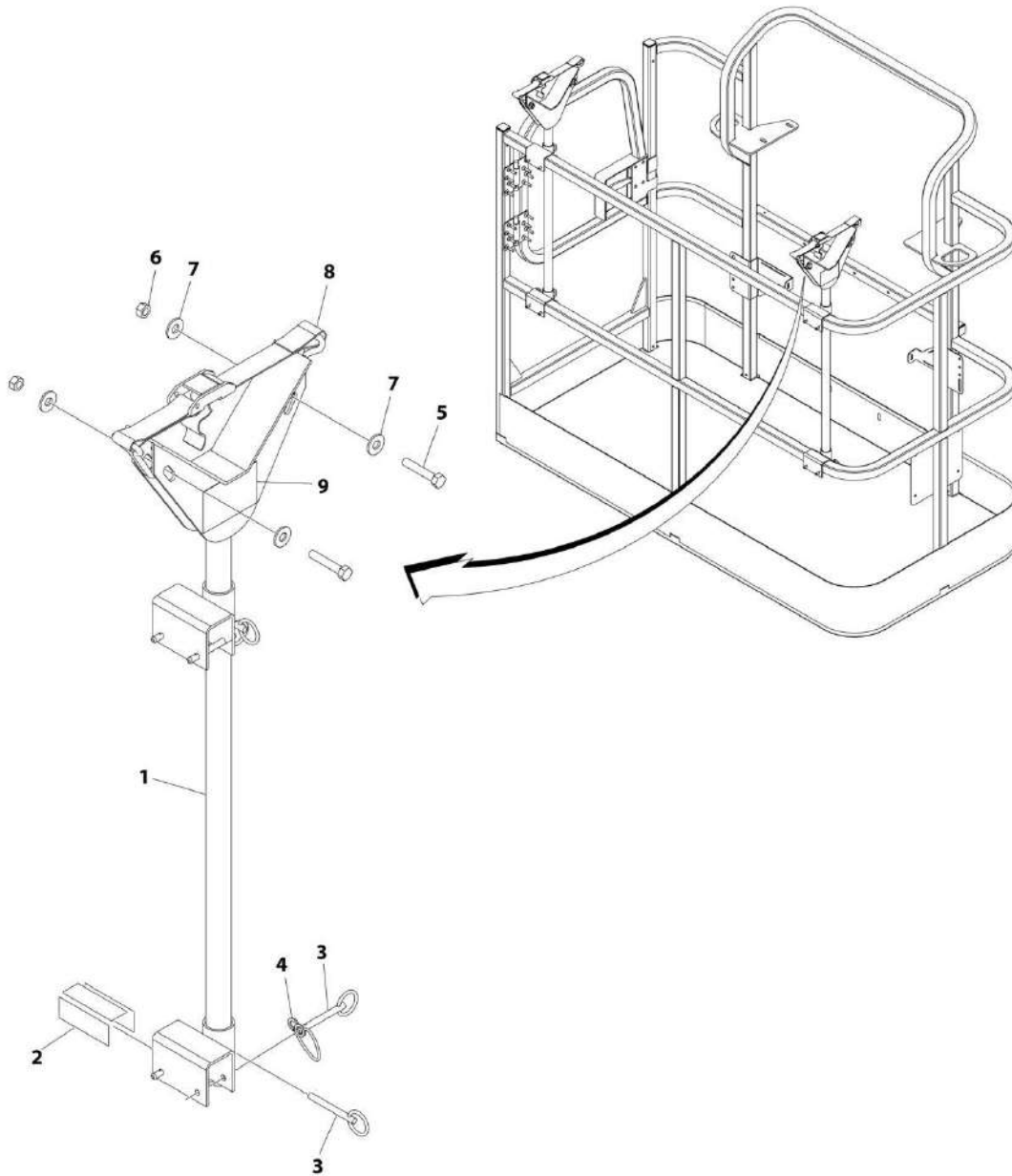
SECTION 4 - PLATFORM

FIGURE 4-23. PLASMA CUTTER ASSEMBLY

ITEM	PART NUMBER	QTY	DESCRIPTION	REV
	1001098012	Ref	PLASMA CUTTER ASSEMBLY	A
		Ref	Note: For Other Components, contact your Miller Welder Dealer.	
1	70001424	1	Cable, Power	
1	70001425	1	Decal - Voltage Warning	
2	70001427	1	Filter, Regulator	
3	70001428	1	Torch Assembly (See Items 101-203 for Breakdown)	
4	7024471	1	Knob	
5	70001429	1	Clamp with Cable	
6	70001430	1	Decal - Caution	
7	70001431	1	Breaker, Circuit	
8	70001432	1	Switch, Rocker	
	70001428	Ref	TORCH ASSEMBLY	
101	7024530	1	O-Ring	
102	7024531	1	Electrode	
103	7024532	1	Cup, Retaining	
104	7024533	1	Swirl Ring	
105	7024534	1	Tip	
201	7024535	1	Handle, Torch	
202	7024536	1	Switch	
203	7024537	1	Trigger	

SECTION 4 - PLATFORM

FIGURE 4-24. PIPE RACKS INSTALLATION



ART_0257728

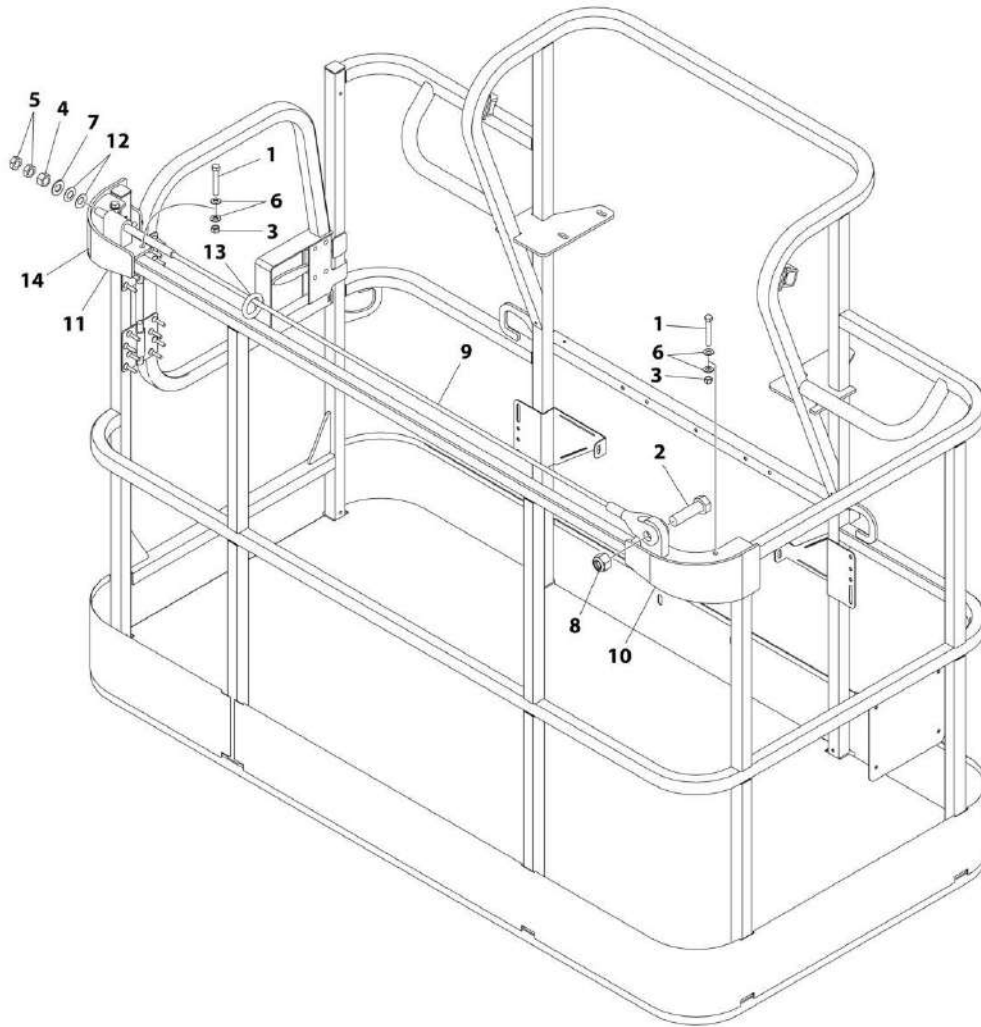
SECTION 4 - PLATFORM

FIGURE 4-24. PIPE RACKS INSTALLATION

ITEM	PART NUMBER	QTY	DESCRIPTION	REV
	0257728	Ref	PIPE RACK INSTALLATION (ANSI AND CSA SPECS)	2/C
	0274661	Ref	PIPE RACK INSTALLATION (AUSTRALIAN SPECS)	1/A
		Ref	Note: ANSI and Australian Specs Only.	
		Ref	Note: Not Available on 800S Shipyard Machines/680S.	
1	4845582	2	Rack, Pipe	
2	4420062	AR	Tape	
3	3422661	10	Pin	
4	1060379	4	Lanyard	
5	0641514	4	Bolt 5/16 x 1-3/4	
6	3311505	4	Nut 5/16	
7	4751500	8	Washer 5/16	
8	0480100	2	Tie-Down	
9	1703683	2	Decal - Capacity (ANSI and CSA Specs)	
9	1706510	1	Decal - Capacity (Australian Specs)	

SECTION 4 - PLATFORM

FIGURE 4-25. FALL ARREST INSTALLATION (BOLT-ON EXTERNAL) (6FT/1.82M PLATFORM)



ART_1001236747

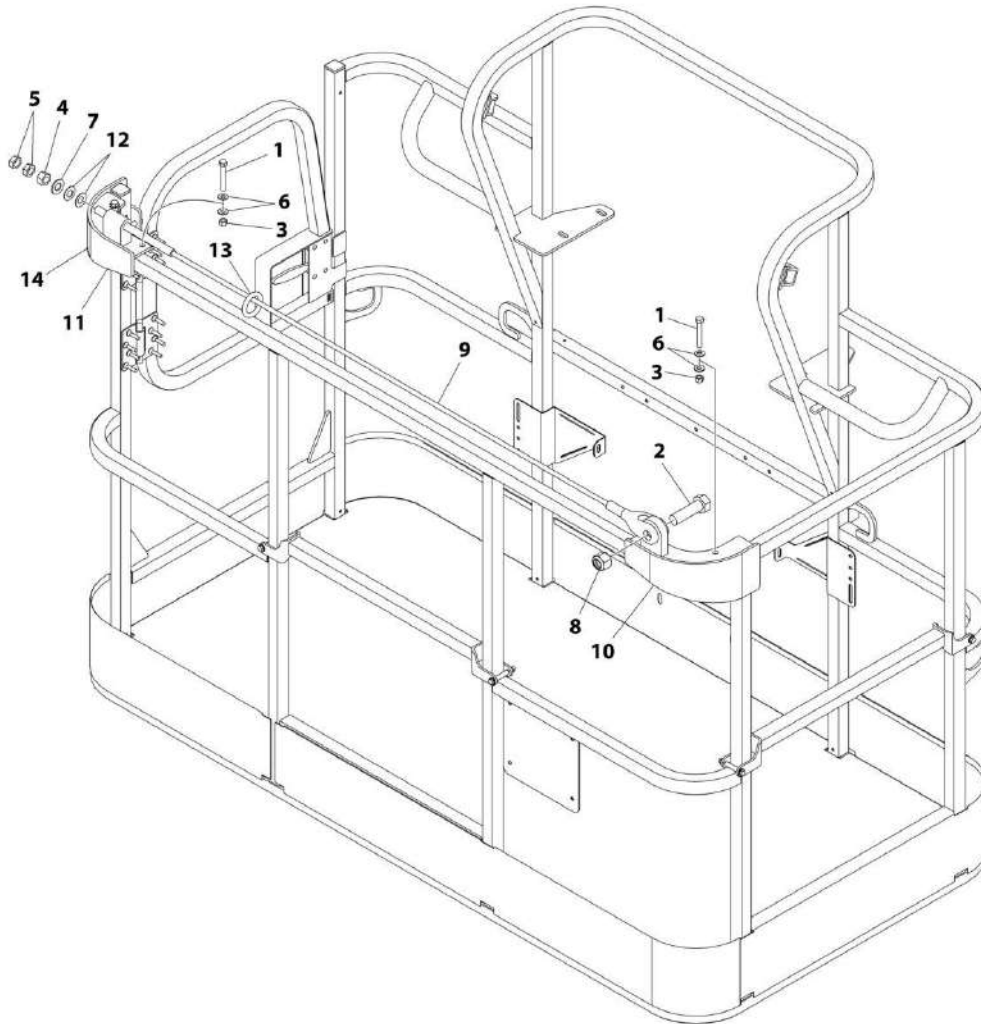
SECTION 4 - PLATFORM

FIGURE 4-25. FALL ARREST INSTALLATION (BOLT-ON EXTERNAL) (6FT/1.82M PLATFORM)

ITEM	PART NUMBER	QTY	DESCRIPTION	REV
	1001236747	Ref	FALL ARREST INSTALLATION (BOLT - ON) 6FT/1.82M PLATFORM	A
1	0681620	6	Bolt 3/8 x 2-1/2	
2	0682424	1	Bolt 7/8 x 3	
3	3271605	6	Nut 3/8	
4	3272001	1	Nut 5/8	
5	3312002	2	Nut 5/8	
6	4711600	12	Washer 3/8	
7	4712000	1	Washer 5/8	
8	88521214	1	Nut 7/8	
9	1001231950	1	Rope	
10	1001232010	1	Bracket (RH)	
11	1001232011	1	Bracket (LH)	
12	1001236891	2	Washer	
13	1001236895	1	Ring	
14	1001238263	1	Decal - Warning Falling Hazard	

SECTION 4 - PLATFORM

FIGURE 4-26. FALL ARREST INSTALLATION (BOLT-ON EXTERNAL) (6FT/1.82M TRI-ENTRY PLATFORM)



ART_1001238463

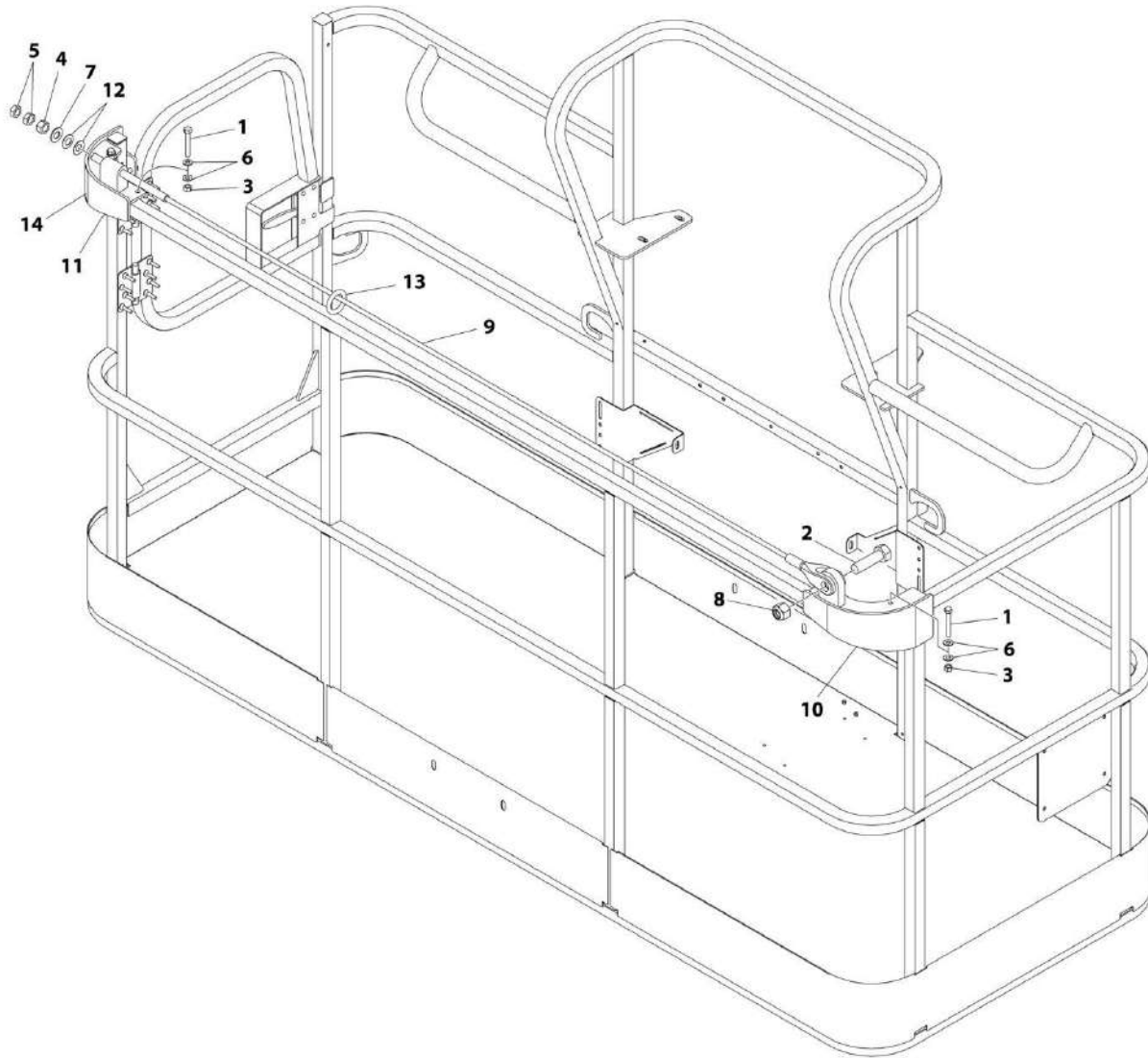
SECTION 4 - PLATFORM

FIGURE 4-26. FALL ARREST INSTALLATION (BOLT-ON EXTERNAL) (6FT/1.82M TRI-ENTRY PLATFORM)

ITEM	PART NUMBER	QTY	DESCRIPTION	REV
	1001238463	Ref	FALL ARREST INSTALLATION (BOLT - ON) 6FT/1.82M PLATFORM	B
1	0681620	6	Bolt 3/8 x 2-1/2	
2	0682424	1	Bolt 7/8 x 3	
3	3271605	6	Nut 3/8	
4	3272001	1	Nut 5/8	
5	3312002	2	Nut 5/8	
6	4711600	12	Washer 3/8	
7	4712000	1	Washer 5/8	
8	88521214	1	Nut 7/8	
9	1001231950	1	Rope	
10	1001232010	1	Bracket (RH)	
11	1001232011	1	Bracket (LH)	
12	1001236891	2	Washer	
13	1001236895	1	Ring	
14	1001238263	1	Decal - Warning Falling Hazard	

SECTION 4 - PLATFORM

FIGURE 4-27. FALL ARREST INSTALLATION (BOLT-ON EXTERNAL) (8FT/2.4M PLATFORM)



ART_1001236746

SECTION 4 - PLATFORM

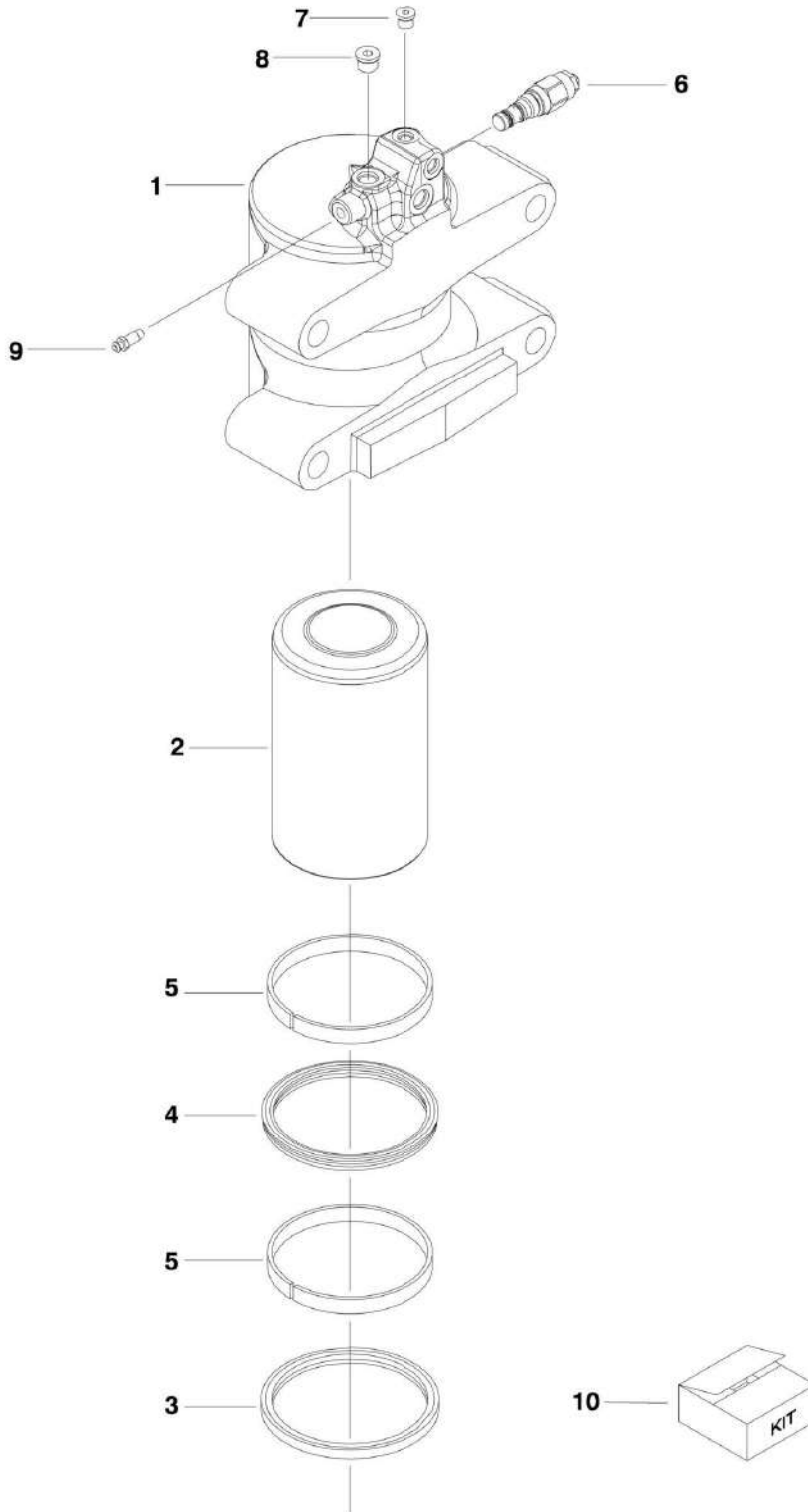
FIGURE 4-27. FALL ARREST INSTALLATION (BOLT-ON EXTERNAL) (8FT/2.4M PLATFORM)

ITEM	PART NUMBER	QTY	DESCRIPTION	REV
	1001236746	Ref	FALL ARREST INSTALLATION (BOLT - ON) 8FT/2.4M PLATFORM	A
1	0681620	6	Bolt 3/8 x 2-1/2	
2	0682424	1	Bolt 7/8 x 3	
3	3271605	6	Nut 3/8	
4	3272001	1	Nut 5/8	
5	3312002	2	Nut 5/8	
6	4711600	12	Washer 3/8	
7	4712000	1	Washer 5/8	
8	88521214	1	Nut 7/8	
9	1001231949	1	Rope	
10	1001232010	1	Bracket (RH)	
11	1001232011	1	Bracket (LH)	
12	1001236891	2	Washer	
13	1001236895	1	Ring	
14	1001238263	1	Decal - Warning Falling Hazard	

SECTION 5 - CYLINDER

SECTION 5 - CYLINDER

FIGURE 5-1. AXLE LOCKOUT CYLINDER ASSEMBLY (SN 0300182743 to Present, SN B300001092 through B300002483)



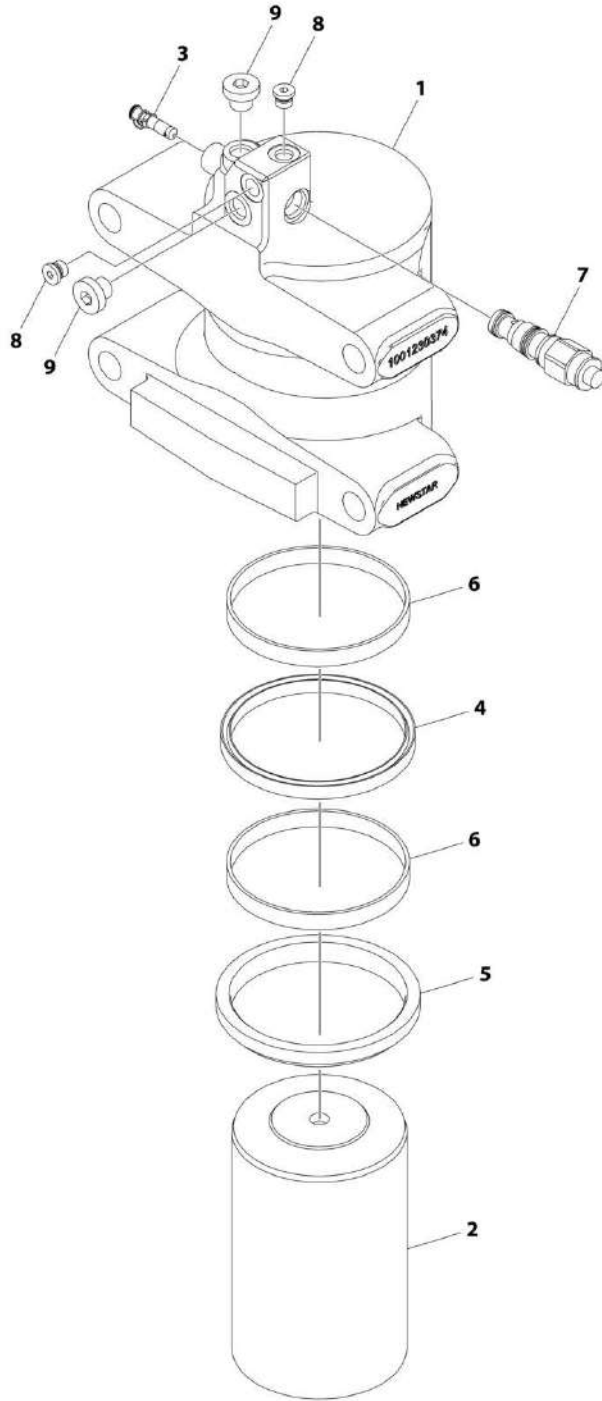
SECTION 5 - CYLINDER

FIGURE 5-1. AXLE LOCKOUT CYLINDER ASSEMBLY (SN 0300182743 to Present, SN B300001092 through B300002483)

ITEM	PART NUMBER	QTY	DESCRIPTION	REV
	1001154258	Ref	AXLE LOCKOUT CYLINDER ASSEMBLY (SN 0300182743 through 0300214570)	E
	1001204560	Ref	AXLE LOCKOUT CYLINDER ASSEMBLY (SN 0300214571 to Present)	A
	1001154258	Ref	AXLE LOCKOUT CYLINDER ASSEMBLY (SN B300001092 through B300001499)	E
	1001204560	Ref	AXLE LOCKOUT CYLINDER ASSEMBLY (SN B300001500 through B300002483)	A
		Ref	Note: Original Cylinder may have been replaced with Service Replacement. Identify PN Stamped on Cylinder Before Ordering Parts.	
1	1001154126	1	Barrel	
2	1001154687	1	Rod	
3	See Note	NSS	Wiper (Note : Use Item 10)	
4	See Note	NSS	Seal, Rod (Note : Use Item 10)	
5	See Note	NSS	Ring, Wear (Note : Use Item 10)	
6	1001117372	1	Cartridge, Valve (Counterbalance)	
6	70002842	1	Seal Kit - 1001117372 Valve (1 Per Assembly)	
7	2220883	1	Plug, O-Ring	
8	2220885	1	Plug, O-Ring	
9	4640858	1	Valve, Bleeder	
10	1001098167	1	Seal Kit (Includes Items 3-5)	

SECTION 5 - CYLINDER

FIGURE 5-2. AXLE LOCKOUT CYLINDER ASSEMBLY (SN B30002484 to Present)



ART_1001230374

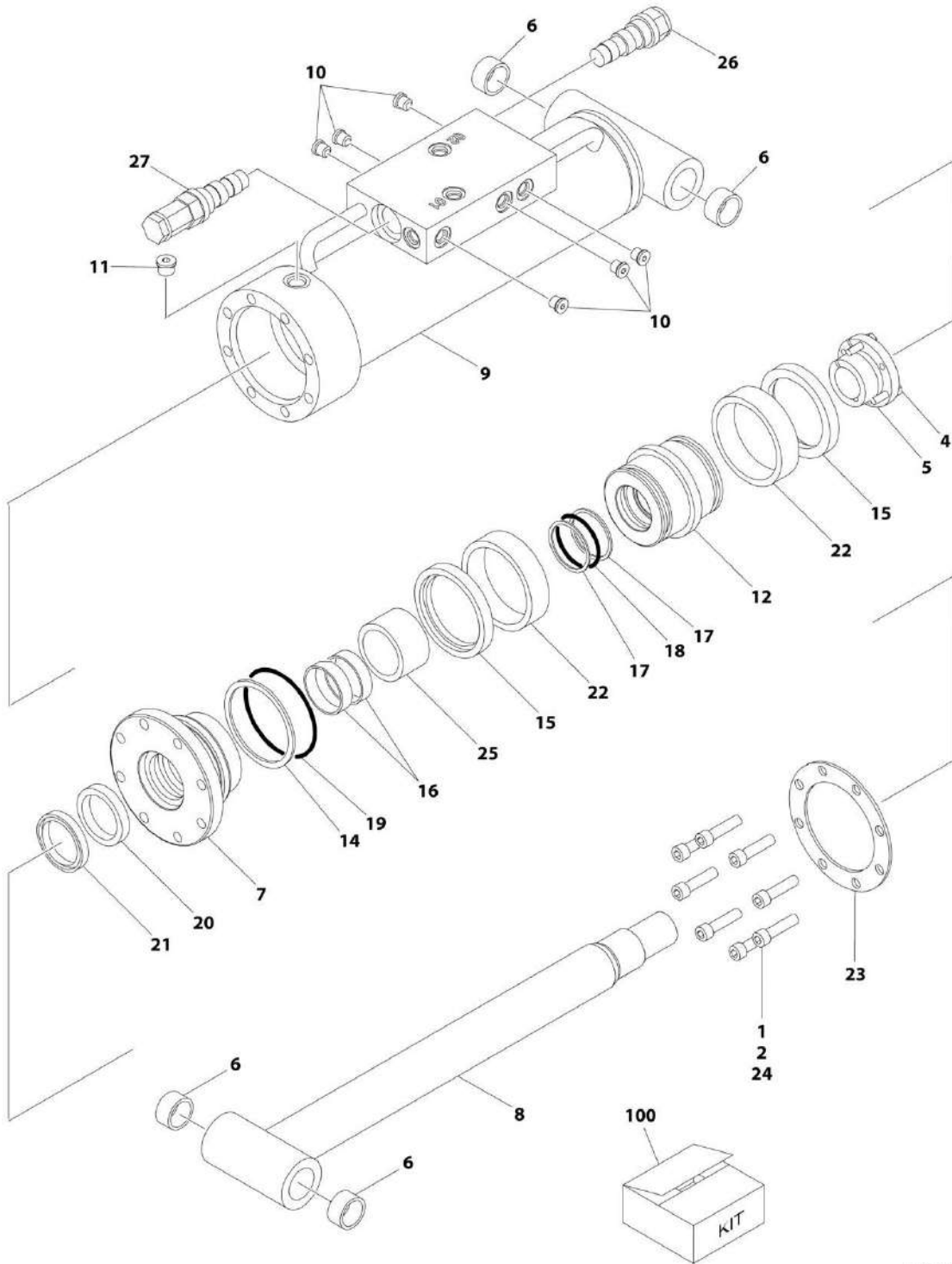
SECTION 5 - CYLINDER

FIGURE 5-2. AXLE LOCKOUT CYLINDER ASSEMBLY (SN B300002484 to Present)

ITEM	PART NUMBER	QTY	DESCRIPTION	REV
	1001230374	Ref	AXLE LOCKOUT CYLINDER ASSEMBLY	A
		Ref	Note: Original Cylinder may have been replaced with Service Replacement. Identify PN Stamped on Cylinder Before Ordering Parts.	
1	See Note	NSS	Barrel (Note: Not Available for Purchase)	
2	70006948	1	Rod	
3	4640858	1	Bleeder Valve	
4	See Note	NSS	Seal, Rod (Note: Use Item 100)	
5	See Note	NSS	Wiper (Note: Use Item 100)	
6	See Note	NSS	Ring, Wear (Note: Use Item 100)	
7	1001117372	1	Counterbalance Valve	
7	70002842	1	Seal Kit - 1001117372 Valve	
8	2220883	2	Plug	
9	2220885	2	Plug	

SECTION 5 - CYLINDER

FIGURE 5-3. LEVEL CYLINDER ASSEMBLY - PLATFORM SLAVE (800S/680S) (SN 0300182743 through 0300183962)



ART_1684189

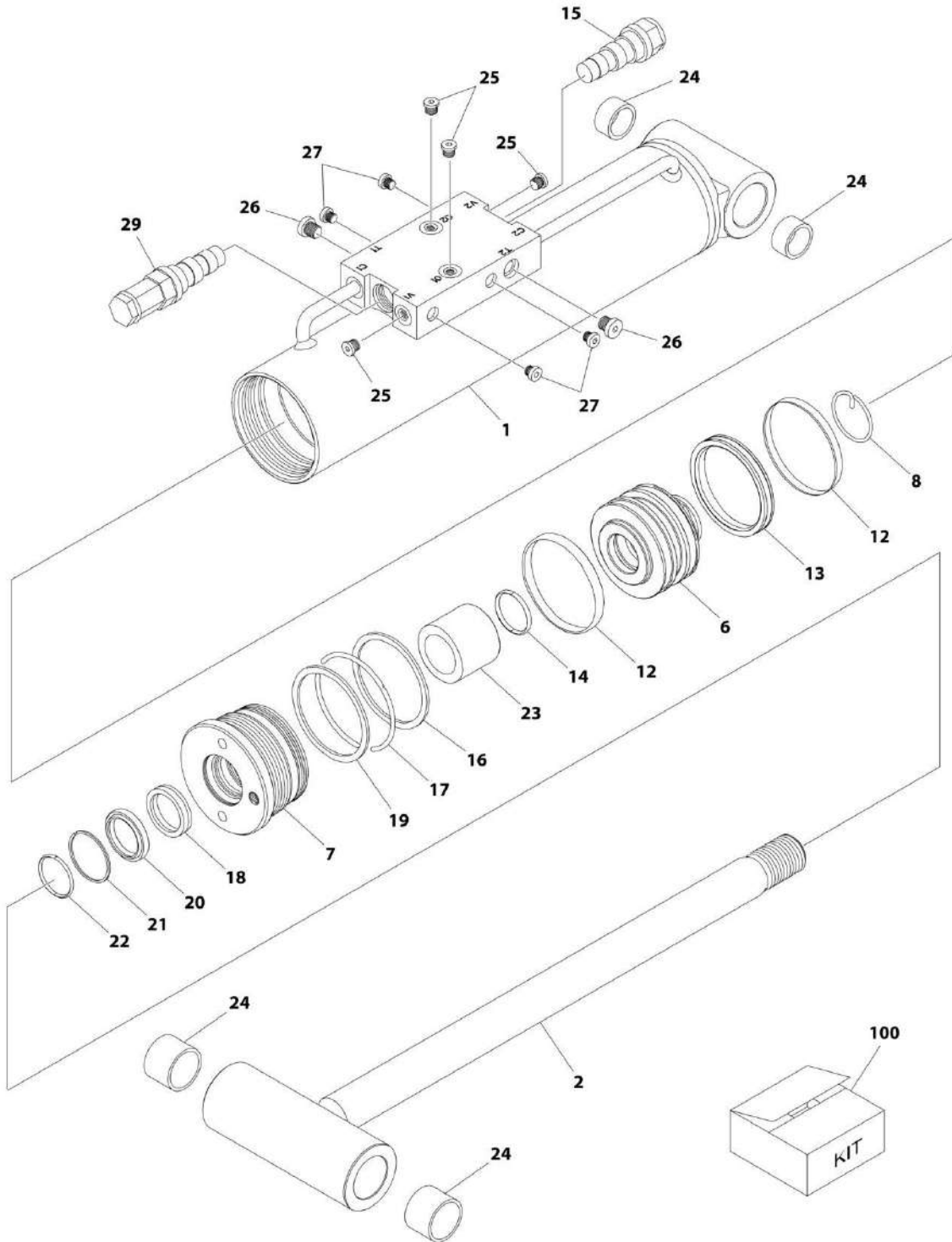
SECTION 5 - CYLINDER

FIGURE 5-3. LEVEL CYLINDER ASSEMBLY - PLATFORM SLAVE (800S/680S) (SN 0300182743 through 0300183962)

ITEM	PART NUMBER	QTY	DESCRIPTION	REV
	1684189	Ref	LEVEL CYLINDER ASSEMBLY - PLATFORM SLAVE	F
		Ref	Note: Original Cylinder may have been replaced with Service Replacement. Identify PN Stamped on Cylinder Before Ordering Parts.	
1	0100011	AR	Compound, Locking	
2	0100038	AR	Primer, Locking	
4	0630535	3	Capscrew 1/4 x 1	
5	0961894	1	Bushing, Tapered	
6	0961947	4	Bushing	
7	1683059	1	Head	
8	1683976	1	Rod (Note: Includes Item 6)	
9	1684188	1	Barrel (Note: Includes Item 6)	
10	2220883	10	Plug	
11	2220885	1	Plug	
12	3480267	1	Piston	
14	See Note	NSS	Ring, Back-up (Note: Use Item 100)	
15	See Note	NSS	Ring, Lock (Note: Use Item 100)	
16	See Note	NSS	Ring, Wear (Note: Use Item 100)	
17	See Note	NSS	Ring, Back-up (Note: Use Item 100)	
18	See Note	NSS	O-Ring (Note: Use Item 100)	
19	See Note	NSS	O-Ring (Note: Use Item 100)	
20	See Note	NSS	Seal (Note: Use Item 100)	
21	See Note	NSS	Wiper (Note: Use Item 100)	
22	See Note	NSS	Seal (Note: Use Item 100)	
23	3760370	1	Ring, Washer	
24	3931620	8	Capscrew 3/8 x 1-1/4	
25	4568402	1	Spacer, Tube	
26	4641232	1	Valve, Cartridge	
26	7011112	1	Seal Kit - 4641232 Valve	
27	4640932	1	Valve, Cartridge	
27	7011112	1	Seal Kit - 4640932 Valve	
100	2902061	1	Seal Kit (Includes Items 14-22)	

SECTION 5 - CYLINDER

FIGURE 5-4. LEVEL CYLINDER ASSEMBLY - PLATFORM SLAVE (800S/680S) (SN 0300183963 through 0300193126)



ART_1001140460

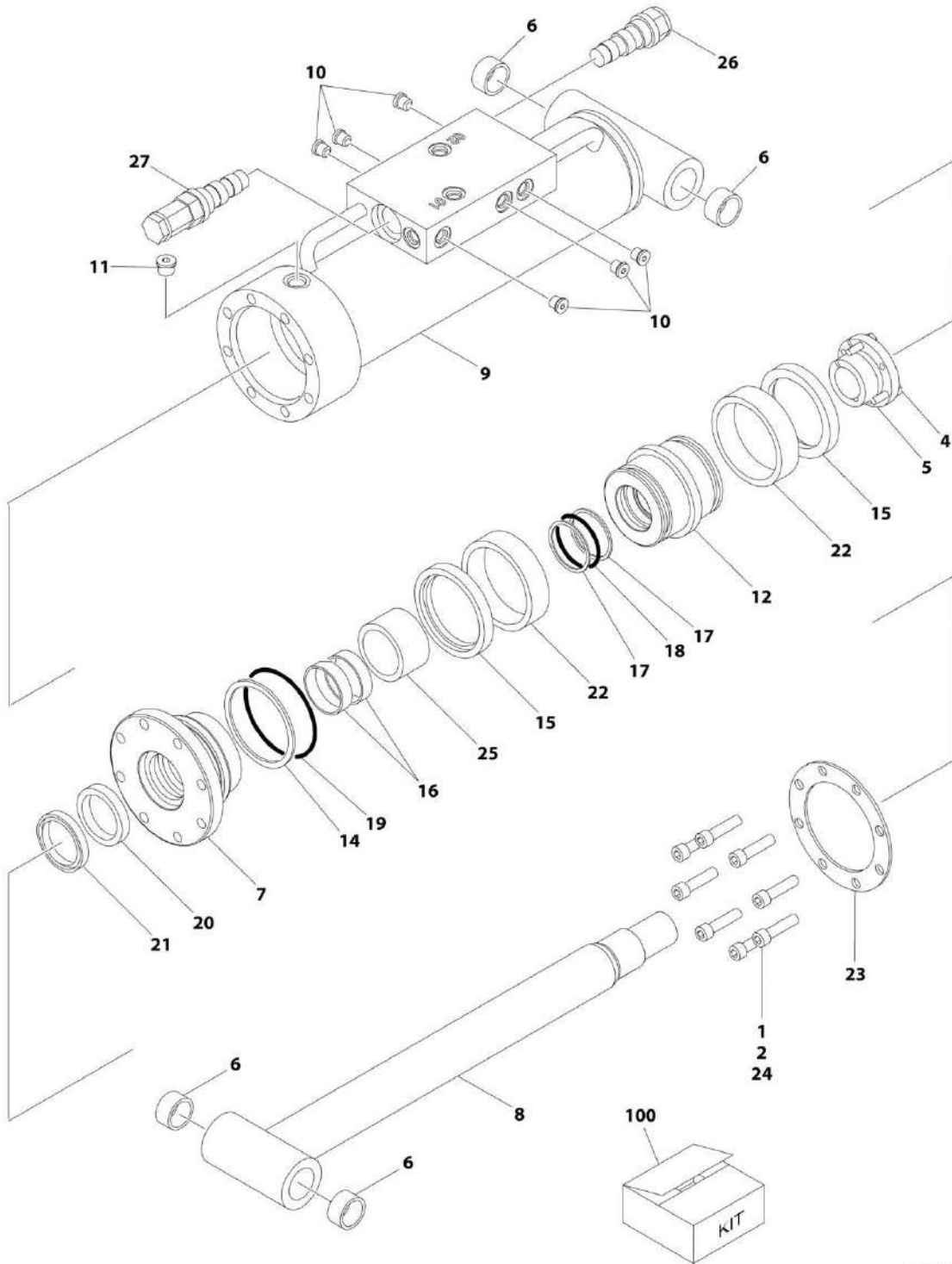
SECTION 5 - CYLINDER

FIGURE 5-4. LEVEL CYLINDER ASSEMBLY - PLATFORM SLAVE (800S/680S) (SN 0300183963 through 0300193126)

ITEM	PART NUMBER	QTY	DESCRIPTION	REV
	1001140460	Ref	LEVEL CYLINDER ASSEMBLY - PLATFORM SLAVE	A
		Ref	Note: Original Cylinder may have been replaced with Service Replacement. Identify PN Stamped on Cylinder Before Ordering Parts.	
1	70003857	1	Barrel	
2	70003858	1	Rod	
6	70003854	1	Piston	
7	70003855	1	Head	
8	70002224	1	Rollpin	
12	See Note	NSS	Ring, Wear (Note: Use Item 100)	
13	See Note	NSS	Seal (Note: Use Item 100)	
14	See Note	NSS	O-Ring (Note: Use Item 100)	
15	4641232	1	Valve, Cartridge	
15	7011112	1	Seal Kit - 4641232 Valve	
16	See Note	NSS	O-Ring (Note: Use Item 100)	
17	See Note	NSS	Ring, Back-up (Note: Use Item 100)	
18	See Note	NSS	Seal (Note: Use Item 100)	
19	See Note	NSS	O-Ring (Note: Use Item 100)	
20	See Note	NSS	Wiper (Note: Use Item 100)	
21	70003838	1	Ring, Retaining	
22	70003856	1	O-Ring	
23	70003839	1	Spacer, Tube	
24	0961948	4	Bushing	
25	7017406	4	Plug	
26	See Note	4	Plug (Note: Not Available for Purchase)	
27	See Note	2	Plug (Note: Not Available for Purchase)	
29	4640932	1	Valve, Cartridge	
29	7011112	1	Seal Kit - 4640932 Valve	
100	70003859	1	Seal Kit (Includes Items 12-14 & 16-20)	

SECTION 5 - CYLINDER

FIGURE 5-5. LEVEL CYLINDER ASSEMBLY - PLATFORM SLAVE (800S/680S) (SN 0300193127 through 0300198300)



ART_1684189

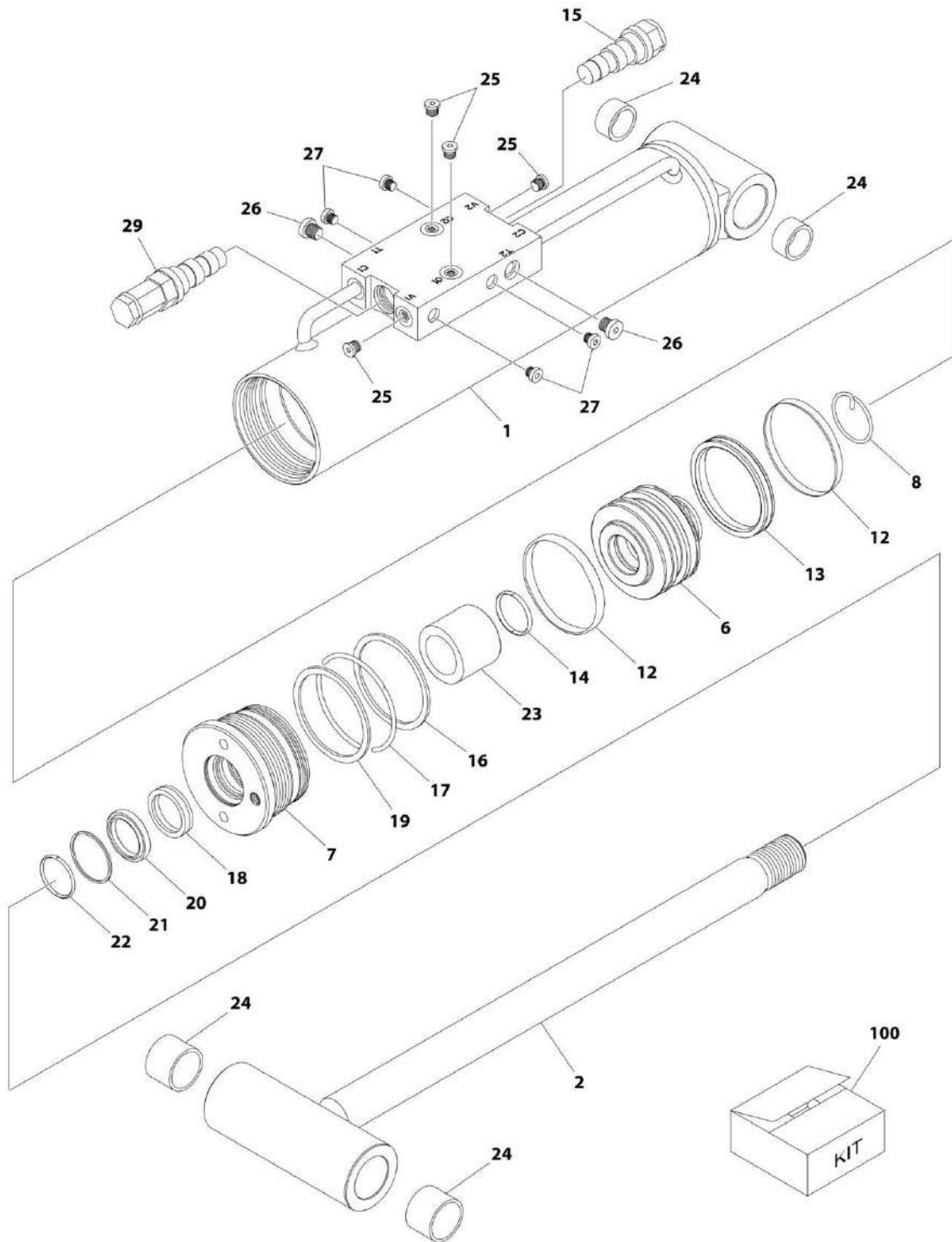
SECTION 5 - CYLINDER

FIGURE 5-5. LEVEL CYLINDER ASSEMBLY - PLATFORM SLAVE (800S/680S) (SN 0300193127 through 0300198300)

ITEM	PART NUMBER	QTY	DESCRIPTION	REV
	1684189	Ref	LEVEL CYLINDER ASSEMBLY - PLATFORM SLAVE	F
		Ref	Note: Original Cylinder may have been replaced with Service Replacement. Identify PN Stamped on Cylinder Before Ordering Parts.	
1	0100011	AR	Compound, Locking	
2	0100038	AR	Primer, Locking	
4	0630535	3	Capscrew 1/4 x 1	
5	0961894	1	Bushing, Tapered	
6	0961947	4	Bushing	
7	1683059	1	Head	
8	1683976	1	Rod (Note: Includes Item 6)	
9	1684188	1	Barrel (Note: Includes Item 6)	
10	2220883	10	Plug	
11	2220885	1	Plug	
12	3480267	1	Piston	
14	See Note	NSS	Ring, Back-up (Note: Use Item 100)	
15	See Note	NSS	Ring, Lock (Note: Use Item 100)	
16	See Note	NSS	Ring, Wear (Note: Use Item 100)	
17	See Note	NSS	Ring, Back-up (Note: Use Item 100)	
18	See Note	NSS	O-Ring (Note: Use Item 100)	
19	See Note	NSS	O-Ring (Note: Use Item 100)	
20	See Note	NSS	Seal (Note: Use Item 100)	
21	See Note	NSS	Wiper (Note: Use Item 100)	
22	See Note	NSS	Seal (Note: Use Item 100)	
23	3760370	1	Ring, Washer	
24	3931620	8	Capscrew 3/8 x 1-1/4	
25	4568402	1	Spacer, Tube	
26	4641232	1	Valve, Cartridge	
26	7011112	1	Seal Kit - 4641232 Valve	
27	4640932	1	Valve, Cartridge	
27	7011112	1	Seal Kit - 4640932 Valve	
100	2902061	1	Seal Kit (Includes Items 14-22)	

SECTION 5 - CYLINDER

FIGURE 5-6. LEVEL CYLINDER ASSEMBLY - PLATFORM SLAVE (800S/680S) (SN 0300198301 through 0300198660)



ART_1001140460

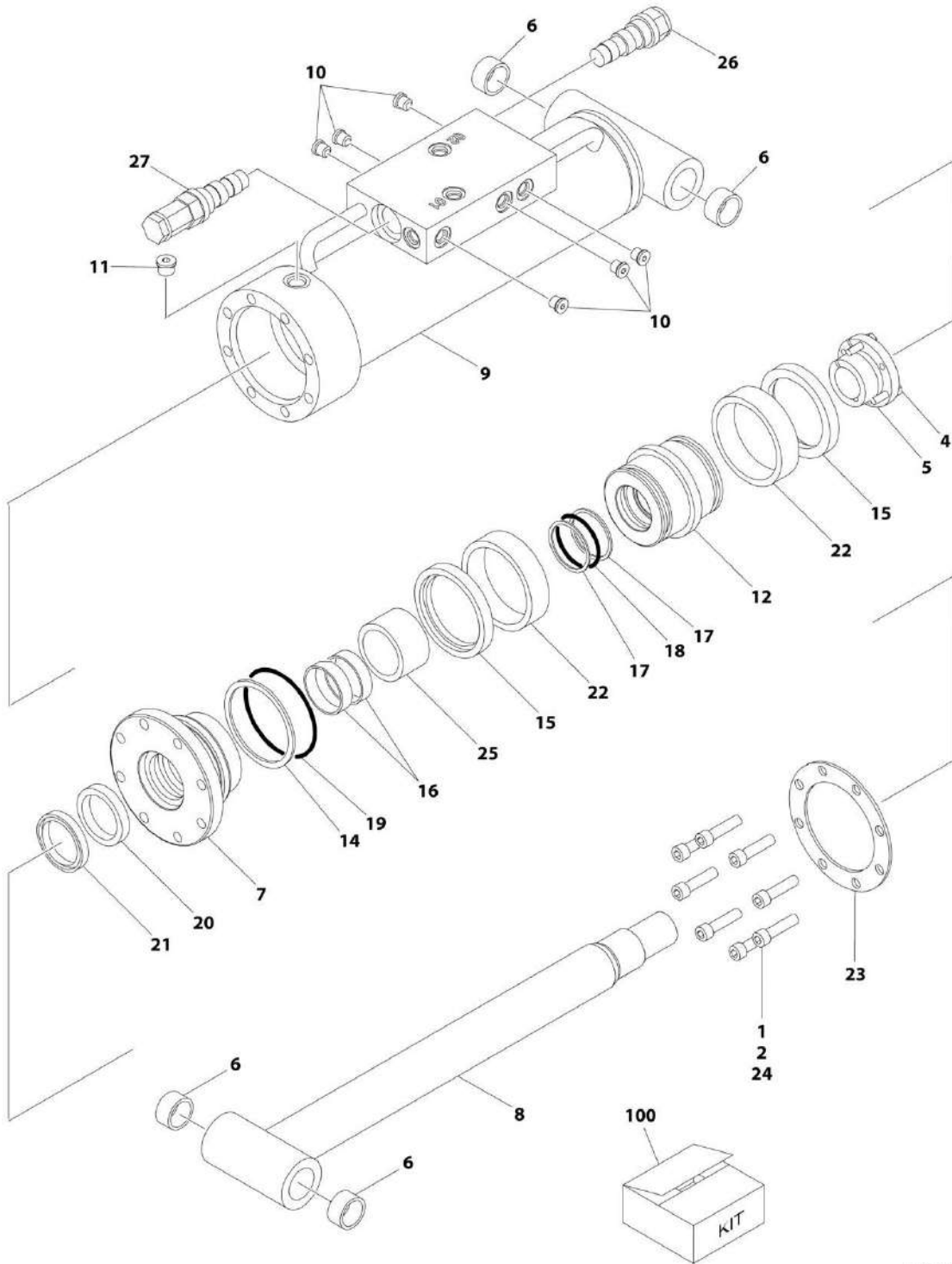
SECTION 5 - CYLINDER

FIGURE 5-6. LEVEL CYLINDER ASSEMBLY - PLATFORM SLAVE (800S/680S) (SN 0300198301 through 0300198660)

ITEM	PART NUMBER	QTY	DESCRIPTION	REV
	1001140460	Ref	LEVEL CYLINDER ASSEMBLY - PLATFORM SLAVE	A
		Ref	Note: Original Cylinder may have been replaced with Service Replacement. Identify PN Stamped on Cylinder Before Ordering Parts.	
1	70003857	1	Barrel	
2	70003858	1	Rod	
6	70003854	1	Piston	
7	70003855	1	Head	
8	70002224	1	Rollpin	
12	See Note	NSS	Ring, Wear (Note: Use Item 100)	
13	See Note	NSS	Seal (Note: Use Item 100)	
14	See Note	NSS	O-Ring (Note: Use Item 100)	
15	4641232	1	Valve, Cartridge	
15	7011112	1	Seal Kit - 4641232 Valve	
16	See Note	NSS	O-Ring (Note: Use Item 100)	
17	See Note	NSS	Ring, Back-up (Note: Use Item 100)	
18	See Note	NSS	Seal (Note: Use Item 100)	
19	See Note	NSS	O-Ring (Note: Use Item 100)	
20	See Note	NSS	Wiper (Note: Use Item 100)	
21	70003838	1	Ring, Retaining	
22	70003856	1	O-Ring	
23	70003839	1	Spacer, Tube	
24	0961948	4	Bushing	
25	7017406	4	Plug	
26	See Note	4	Plug (Note: Not Available for Purchase)	
27	See Note	2	Plug (Note: Not Available for Purchase)	
29	4640932	1	Valve, Cartridge	
29	7011112	1	Seal Kit - 4640932 Valve	
100	70003859	1	Seal Kit (Includes Items 12-14 & 16-20)	

SECTION 5 - CYLINDER

FIGURE 5-7. LEVEL CYLINDER ASSEMBLY - PLATFORM SLAVE (800S/680S) (SN 0300198661 through 0300243278, SN B300001092 through B300002584)



ART_1684189

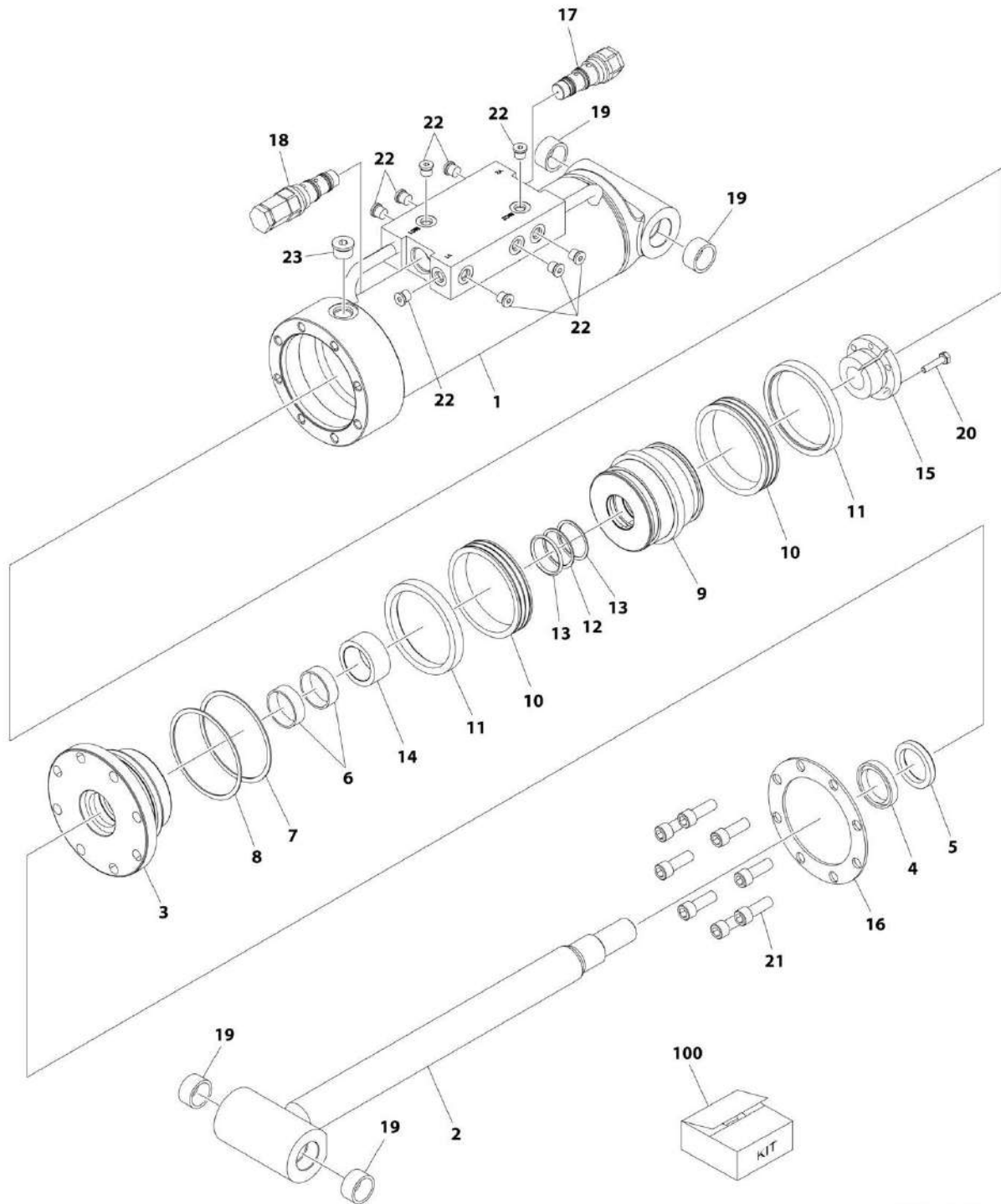
SECTION 5 - CYLINDER

FIGURE 5-7. LEVEL CYLINDER ASSEMBLY - PLATFORM SLAVE (800S/680S) (SN 0300198661 through 0300243278, SN B300001092 through B300002584)

ITEM	PART NUMBER	QTY	DESCRIPTION	REV
	1684189	Ref	LEVEL CYLINDER ASSEMBLY - PLATFORM SLAVE	F
		Ref	Note: Original Cylinder may have been replaced with Service Replacement. Identify PN Stamped on Cylinder Before Ordering Parts.	
1	0100011	AR	Compound, Locking	
2	0100038	AR	Primer, Locking	
4	0630535	3	Capscrew 1/4 x 1	
5	0961894	1	Bushing, Tapered	
6	0961947	4	Bushing	
7	1683059	1	Head	
8	1683976	1	Rod (Note: Includes Item 6)	
9	1684188	1	Barrel (Note: Includes Item 6)	
10	2220883	10	Plug	
11	2220885	1	Plug	
12	3480267	1	Piston	
14	See Note	NSS	Ring, Back-up (Note: Use Item 100)	
15	See Note	NSS	Ring, Lock (Note: Use Item 100)	
16	See Note	NSS	Ring, Wear (Note: Use Item 100)	
17	See Note	NSS	Ring, Back-up (Note: Use Item 100)	
18	See Note	NSS	O-Ring (Note: Use Item 100)	
19	See Note	NSS	O-Ring (Note: Use Item 100)	
20	See Note	NSS	Seal (Note: Use Item 100)	
21	See Note	NSS	Wiper (Note: Use Item 100)	
22	See Note	NSS	Seal (Note: Use Item 100)	
23	3760370	1	Ring, Washer	
24	3931620	8	Capscrew 3/8 x 1-1/4	
25	4568402	1	Spacer, Tube	
26	4641232	1	Valve, Cartridge	
26	7011112	1	Seal Kit - 4641232 Valve	
27	4640932	1	Valve, Cartridge	
27	7011112	1	Seal Kit - 4640932 Valve	
100	2902061	1	Seal Kit (Includes Items 14-22)	

SECTION 5 - CYLINDER

FIGURE 5-8. LEVEL CYLINDER ASSEMBLY - PLATFORM SLAVE (800S/680S) (SN 0300243279 to Present, SN B300002585 to Present)



ART_1001228027

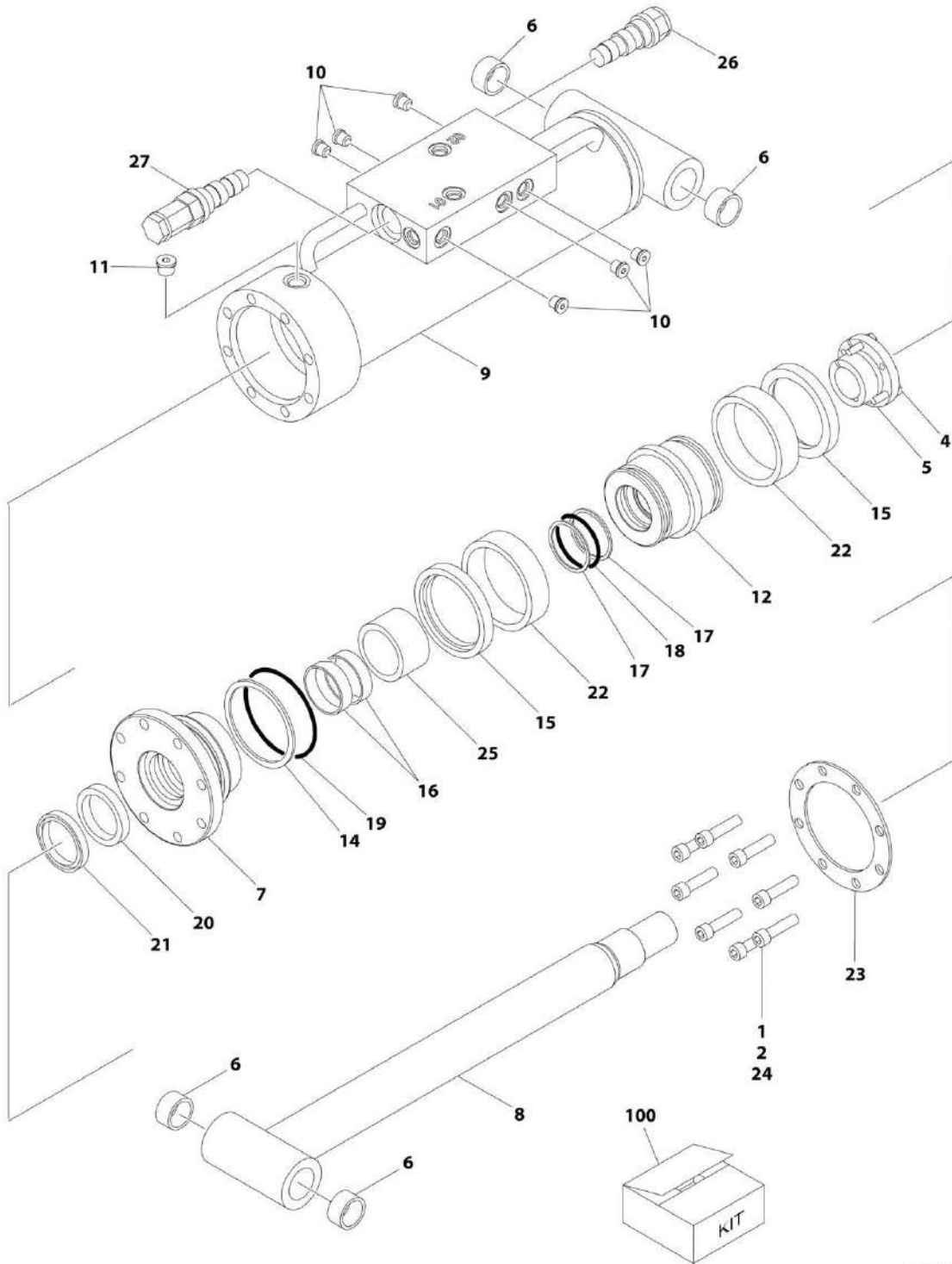
SECTION 5 - CYLINDER

FIGURE 5-8. LEVEL CYLINDER ASSEMBLY - PLATFORM SLAVE (800S/680S) (SN 0300243279 to Present, SN B300002585 to Present)

ITEM	PART NUMBER	QTY	DESCRIPTION	REV
	1001228027	Ref	LEVEL CYLINDER ASSEMBLY - PLATFORM SLAVE	B
		Ref	Note: Original Cylinder may have been replaced with Service Replacement. Identify PN Stamped on Cylinder Before Ordering Parts.	
1	See Note	NSS	Barrel (Note: Not Available for Purchase)	
2	70006648	1	Rod	
3	70006699	1	Head	
4	See Note	NSS	Wiper (Note: Use Item 100)	
5	See Note	NSS	Seal, Rod (Note: Use Item 100)	
6	See Note	NSS	Ring, Wear (Note: Use Item 100)	
7	See Note	NSS	O-Ring (Note: Use Item 100)	
8	See Note	NSS	Ring, Back-up (Note: Use Item 100)	
9	70006700	1	Piston	
10	See Note	NSS	T-Seal (Note: Use Item 100)	
11	See Note	NSS	Ring, Wear (Note: Use Item 100)	
12	See Note	NSS	O-Ring (Note: Use Item 100)	
13	See Note	NSS	Ring, Back-up (Note: Use Item 100)	
14	70006701	1	Spacer, Tube	
15	0961894	1	Bushing, Tapered	
16	3760370	1	Washer	
17	4641232	1	Valve, Cartridge	
17	7011112	1	Seal Kit - 4641232 Valve	
18	4640932	1	Valve, Cartridge	
18	7011112	1	Seal Kit - 4640932 Valve	
19	0961947	4	Bushing	
20	0630535	3	Capscrew 1/4 x 1	
21	3931720	8	Capscrew 7/16 x 1-1/4	
22	2220883	10	Plug	
23	2220886	AR	Plug	
100	2902061	1	Seal Kit (Includes Items 4-8 & 10-13)	

SECTION 5 - CYLINDER

FIGURE 5-9. LEVEL CYLINDER ASSEMBLY - PLATFORM SLAVE (860SJ) (SN 0300182743 through 0300244707, SN B300001092 through B300002483)



ART_1684136

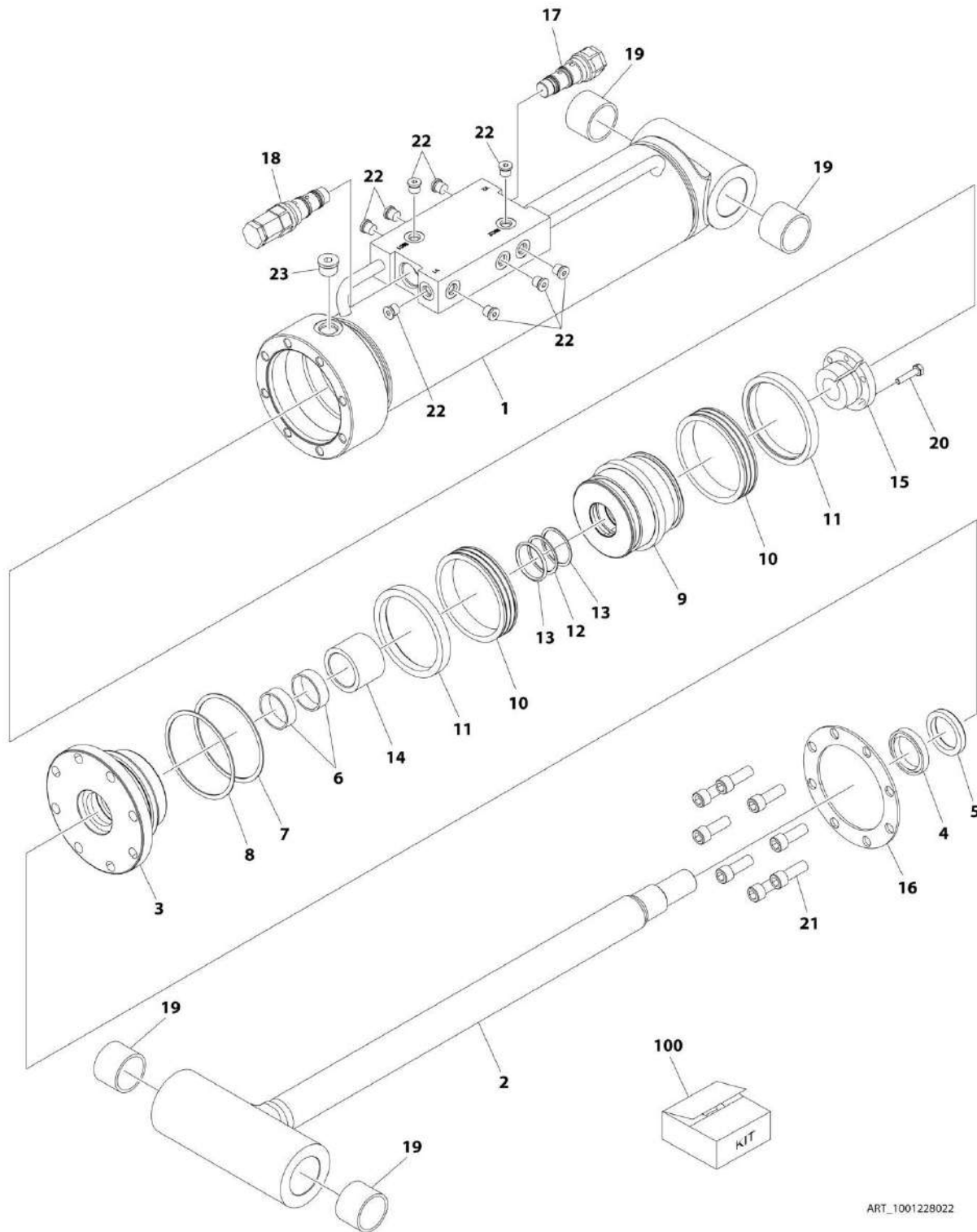
SECTION 5 - CYLINDER

FIGURE 5-9. LEVEL CYLINDER ASSEMBLY - PLATFORM SLAVE (860SJ) (SN 0300182743 through 0300244707, SN B300001092 through B300002483)

ITEM	PART NUMBER	QTY	DESCRIPTION	REV
	1684136	Ref	LEVEL CYLINDER ASSEMBLY - PLATFORM SLAVE	G
		Ref	Note: Original Cylinder may have been replaced with Service Replacement. Identify PN Stamped on Cylinder Before Ordering Parts.	
1	0100011	AR	Compound, Locking	
2	0100038	AR	Primer, Locking	
4	0630535	3	Capscrew 1/4 x 1	
5	0961894	1	Bushing, Tapered	
6	0961948	4	Bushing	
7	1683059	1	Head	
8	1684133	1	Rod	
9	1684135	1	Barrel	
10	2220883	10	Plug	
11	2220885	1	Plug	
12	3480267	1	Piston	
14	See Note	NSS	Ring, Back-up (Note: Use Item 100)	
15	See Note	NSS	Ring, Lock (Note: Use Item 100)	
16	See Note	NSS	Ring, Wear (Note: Use Item 100)	
17	See Note	NSS	Ring, Back-up (Note: Use Item 100)	
18	See Note	NSS	O-Ring (Note: Use Item 100)	
19	See Note	NSS	O-Ring (Note: Use Item 100)	
20	See Note	NSS	Seal (Note: Use Item 100)	
21	See Note	NSS	Wiper (Note: Use Item 100)	
22	See Note	NSS	Seal (Note: Use Item 100)	
23	3760370	1	Ring, Washer	
24	3931620	8	Capscrew 3/8 x 1-1/4	
25	4566468	1	Spacer, Tube	
26	4641232	1	Valve, Cartridge	
26	7011112	1	Seal Kit - 4641232 Valve	
27	4640932	1	Valve, Cartridge	
27	7011112	1	Seal Kit - 4640932 Valve	
100	2902061	1	Seal Kit (Includes Items 14-22)	

SECTION 5 - CYLINDER

FIGURE 5-10. LEVEL CYLINDER ASSEMBLY - PLATFORM SLAVE (860SJ) (SN 0300244708 to Present)



ART_1001228022

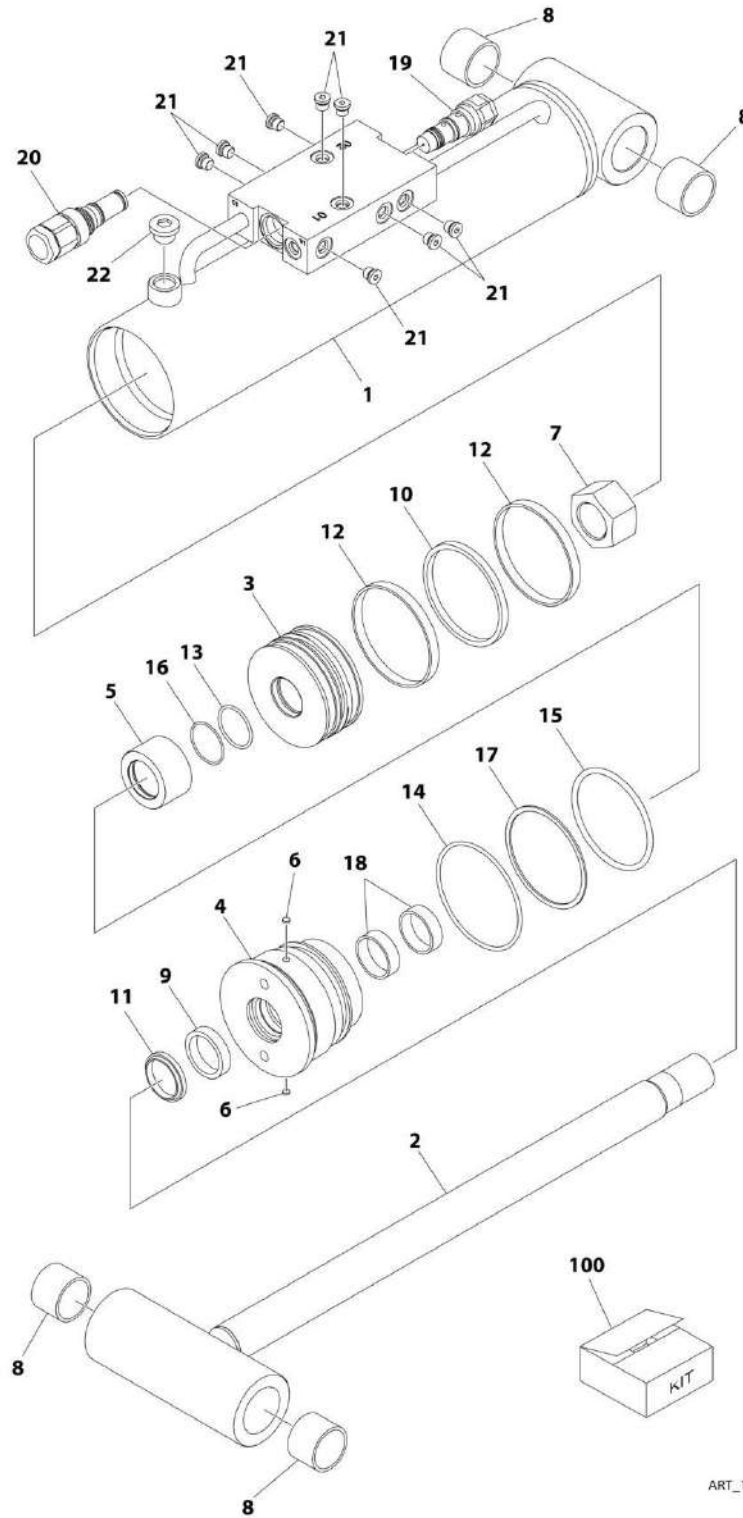
SECTION 5 - CYLINDER

FIGURE 5-10. LEVEL CYLINDER ASSEMBLY - PLATFORM SLAVE (860SJ) (SN 0300244708 to Present)

ITEM	PART NUMBER	QTY	DESCRIPTION	REV
	1001228022	Ref	LEVEL CYLINDER ASSEMBLY - PLATFORM SLAVE	B
		Ref	Note: Original Cylinder may have been replaced with Service Replacement. Identify PN Stamped on Cylinder Before Ordering Parts.	
1	See Note	NSS	Barrel (Note: Not Available for Purchase)	
2	70006726	1	Rod	
3	70006699	1	Head	
4	See Note	NSS	Wiper (Note: Use Item 100)	
5	See Note	NSS	Seal, Rod (Note: Use Item 100)	
6	See Note	NSS	Ring, Wear (Note: Use Item 100)	
7	See Note	NSS	O-Ring (Note: Use Item 100)	
8	See Note	NSS	Ring, Back-up (Note: Use Item 100)	
9	70006700	1	Piston	
10	See Note	NSS	T-Seal (Note: Use Item 100)	
11	See Note	NSS	Ring, Wear (Note: Use Item 100)	
12	See Note	NSS	O-Ring (Note: Use Item 100)	
13	See Note	NSS	Ring, Back-up (Note: Use Item 100)	
14	70006645	1	Spacer, Tube	
15	0961894	1	Bushing, Tapered	
16	70006727	2	Washer	
17	4641232	1	Valve, Cartridge	
17	7011112	1	Seal Kit - 4641232 Valve	
18	4640932	1	Valve, Cartridge	
18	7011112	1	Seal Kit - 4640932 Valve	
19	0961948	4	Bushing	
20	0630535	3	Capscrew 1/4 x 1	
21	70006728	8	Bolt	
22	2220883	10	Plug	
23	2220886	AR	Plug	
100	2902061	1	Seal Kit (Includes Items 4-8 & 10-13)	

SECTION 5 - CYLINDER

FIGURE 5-11. LEVEL CYLINDER ASSEMBLY - PLATFORM SLAVE (860SJ) (SN B30002484 to Present)



ART_1001230372

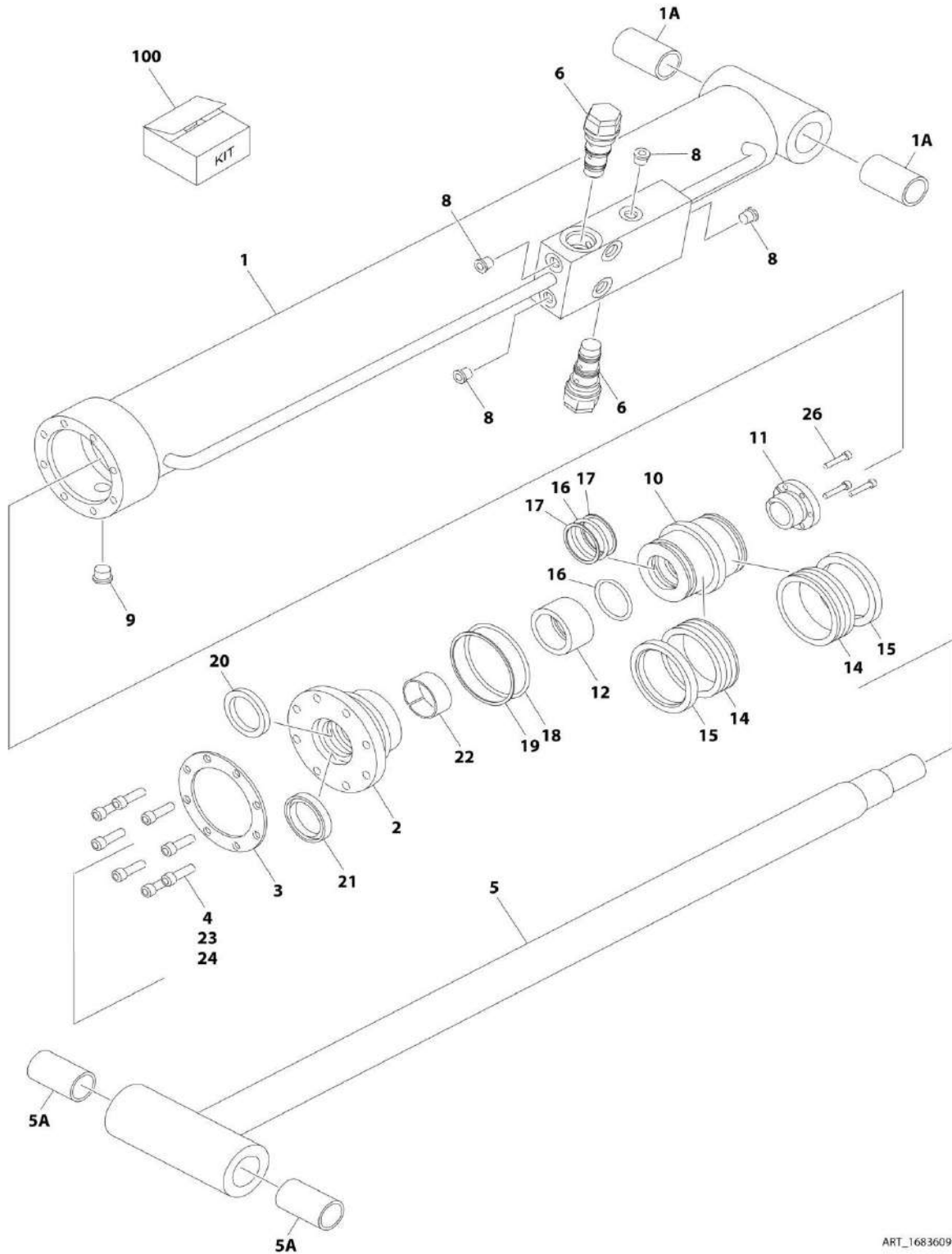
SECTION 5 - CYLINDER

FIGURE 5-11. LEVEL CYLINDER ASSEMBLY - PLATFORM SLAVE (860SJ) (SN B300002484 to Present)

ITEM	PART NUMBER	QTY	DESCRIPTION	REV
	1001230372	Ref	LEVEL CYLINDER ASSEMBLY - PLATFORM SLAVE	A
		Ref	Note: Original Cylinder may have been replaced with Service Replacement. Identify PN Stamped on Cylinder Before Ordering Parts.	
1	See Note	NSS	Barrel (Note: Not Available for Purchase)	
2	70006935	1	Rod	
3	70006936	1	Piston	
4	70006937	1	Head	
5	70006938	1	Spacer	
6	70003636	2	Insert	
7	70006893	1	Nut	
8	0961948	4	Bushing	
9	See Note	NSS	Seal, Rod (Note: Use Item 100)	
10	See Note	NSS	Seal, Piston (Note: Use Item 100)	
11	See Note	NSS	Wiper (Note: Use Item 100)	
12	See Note	NSS	Ring, Wear (Note: Use Item 100)	
13	See Note	NSS	O-Ring (Note: Use Item 100)	
14	See Note	NSS	O-Ring (Note: Use Item 100)	
15	See Note	NSS	O-Ring (Note: Use Item 100)	
16	See Note	NSS	O-Ring (Note: Use Item 100)	
17	See Note	NSS	Ring, Back-up (Note: Use Item 100)	
18	See Note	NSS	Ring, Wear (Note: Use Item 100)	
19	4641232	1	Valve, Cartridge	
19	7011112	1	Seal Kit - 4640932 Valve	
20	4640932	1	Valve, Cartridge	
20	7011112	1	Seal Kit - 4641232 Valve	
21	2220883	10	Plug	
22	2220886	1	Plug	
100	70006939	1	Seal Kit (Includes Items 9-18)	

SECTION 5 - CYLINDER

FIGURE 5-12. LEVEL CYLINDER ASSEMBLY - JIB (860SJ ONLY) (SN 0300182743 through 0300244707, SN B300001092 through B300002483)



ART_1683609

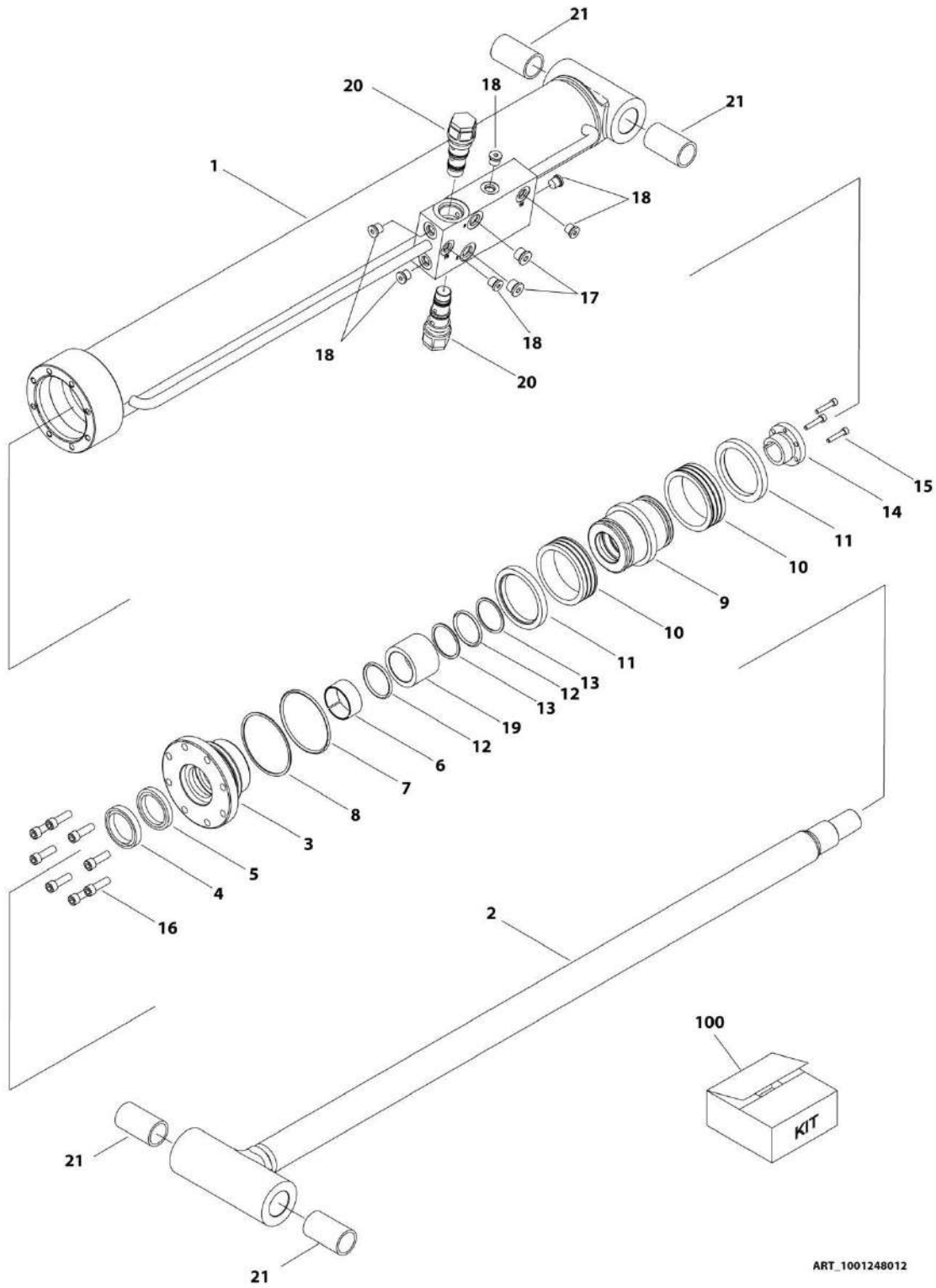
SECTION 5 - CYLINDER

FIGURE 5-12. LEVEL CYLINDER ASSEMBLY - JIB (860SJ ONLY) (SN 0300182743 through 0300244707, SN B300001092 through B300002483)

ITEM	PART NUMBER	QTY	DESCRIPTION	REV
	1683609	Ref	LIFT CYLINDER ASSEMBLY	L
		Ref	Note: Original Cylinder may have been replaced with Service Replacement. Identify PN Stamped on Cylinder Before Ordering Parts.	
1	1684089	1	Barrel	
1A	0962336	2	Bushing	
2	1683053	1	Head	
3	3760368	1	Ring, Washer	
4	3931516	8	Capscrew 5/16in-18NC x 1in	
5	1684090	1	Rod	
5A	0962336	2	Bushing	
6	4640509	2	Cartridge, Valve	
6	2900792	2	Seal Kit - 4640509 Valve	
8	2220883	2	Plug #4	
9	2220885	1	Plug #6	
10	3480210	1	Piston	
11	0961893	1	Bushing, Tapered	
12	4100100	1	Spacer, Tube	
14	See Note	NSS	Seal (Note: Use Item 100)	
15	See Note	NSS	Ring, Lock (Note: Use Item 100)	
16	See Note	NSS	O-Ring (Note: Use Item 100)	
17	See Note	NSS	Ring, Back-up (Note: Use Item 100)	
18	See Note	NSS	O-Ring (Note: Use Item 100)	
19	See Note	NSS	Ring, Back-up (Note: Use Item 100)	
20	See Note	NSS	Seal, Rod (Note: Use Item 100)	
21	See Note	NSS	Wiper (Note: Use Item 100)	
22	See Note	NSS	Ring, Wear (Note: Use Item 100)	
23	0100011	AR	Compound, Locking	
24	0100038	AR	Primer, Locking	
26	0630534	3	Bolt #10-24NC x 1in	
100	2901303	1	Seal Kit (Includes Items 14-22)	

SECTION 5 - CYLINDER

FIGURE 5-13. LEVEL CYLINDER ASSEMBLY - JIB (860SJ ONLY) (SN 0300244708 to Present)



ART_1001248012

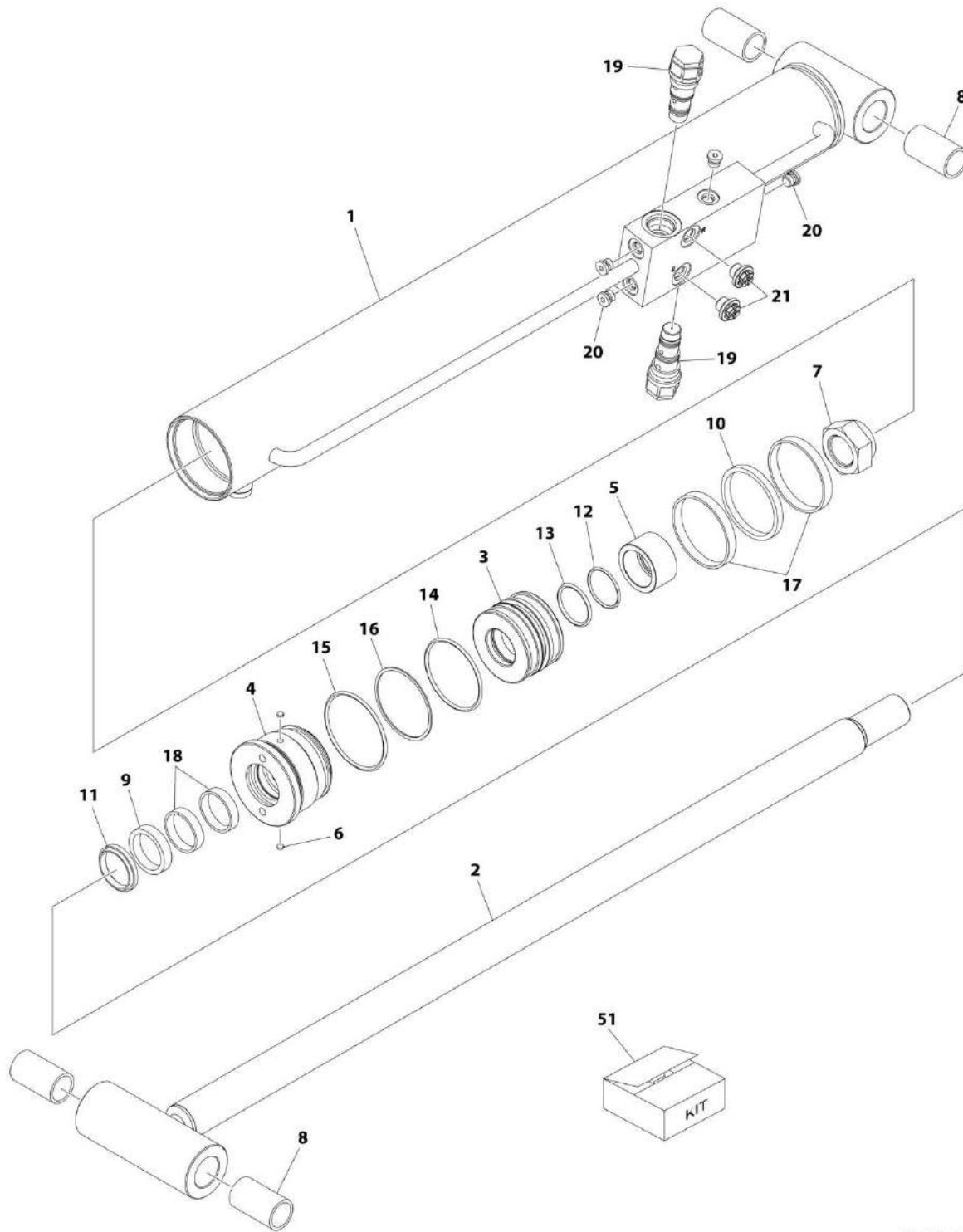
SECTION 5 - CYLINDER

FIGURE 5-13. LEVEL CYLINDER ASSEMBLY - JIB (860SJ ONLY) (SN 0300244708 to Present)

ITEM	PART NUMBER	QTY	DESCRIPTION	REV
	1001248012	Ref	LIFT CYLINDER ASSEMBLY - JIB	B
		Ref	Note: Original Cylinder May Have Been Replaced with Service Replacement. Identify PN Stamped on Cylinder Before Ordering Parts.	
1	See Note	NSS	Barrel (Note: Not Available for Purchase)	
2	70006734	1	Rod	
3	70006649	1	Head	
4	See Note	NSS	Wiper (Note: Use Item 100)	
5	See Note	NSS	Seal, Rod (Note: Use Item 100)	
6	See Note	NSS	Ring, Wear (Note: Use Item 100)	
7	See Note	NSS	O-Ring (Note: Use Item 100)	
8	See Note	NSS	Ring, Back-up (Note: Use Item 100)	
9	70006650	1	Piston	
10	See Note	NSS	Seal (Note: Use Item 100)	
11	See Note	NSS	Ring, Lock (Note: Use Item 100)	
12	See Note	NSS	O-Ring (Note: Use Item 100)	
13	See Note	NSS	Ring, Back-up (Note: Use Item 100)	
14	0961893	1	Bushing, Tapered	
15	0630534	3	Capscrew, Socket Head #10 x 1	
16	70006735	8	Capscrew 5/16	
17	2220885	2	Plug, O-Ring	
18	2220883	6	Plug, O-Ring	
19	70006736	1	Spacer	
20	4640509	2	Cartridge, Valve	
20	2900792	2	Seal Kit - 4640509 Valve	
21	0962336	4	Bushing	
100	1001138795	1	Seal Kit (Includes Items 4-8 & 10-13)	

SECTION 5 - CYLINDER

FIGURE 5-14. LEVEL CYLINDER ASSEMBLY - JIB (860SJ) (SN B300002484 to Present)



ART_1001230371

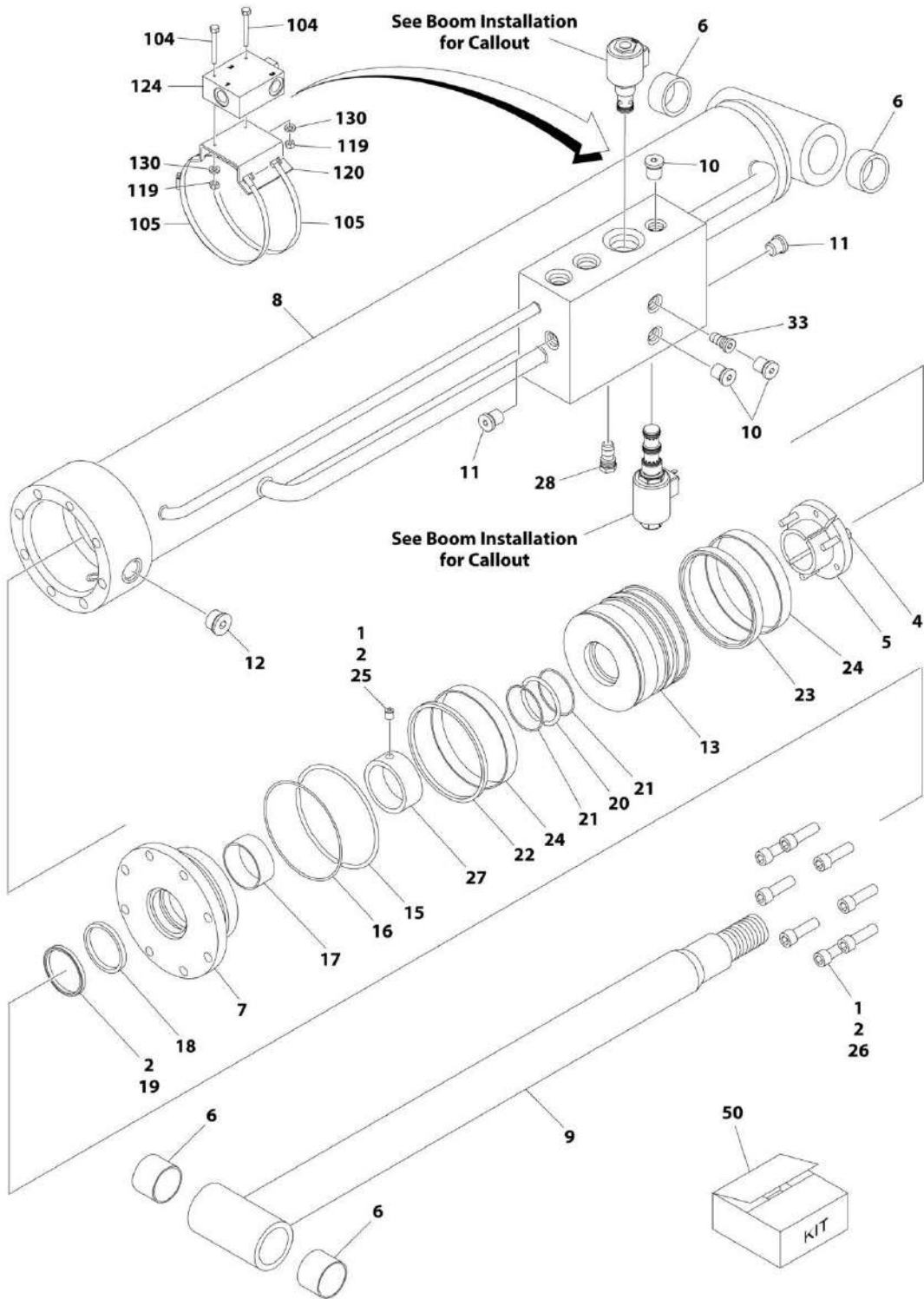
SECTION 5 - CYLINDER

FIGURE 5-14. LEVEL CYLINDER ASSEMBLY - JIB (860SJ) (SN B300002484 to Present)

ITEM	PART NUMBER	QTY	DESCRIPTION	REV
	1001230371	Ref	LIFT CYLINDER ASSEMBLY - JIB	A
		Ref	Note: Original Cylinder may have been replaced with Service Replacement. Identify PN Stamped on Cylinder Before Ordering Parts.	
1	See Note	NSS	Barrel (Note : Purchase Complete Assembly)	
2	70006930	1	Rod	
3	70006931	1	Piston	
4	70006932	1	Head	
5	70006933	1	Spacer, Tube	
6	70003636	1	Lock, Insert	
7	70006900	1	Nut	
8	0962336	4	Bushing	
9	See Note	NSS	Seal, Rod (Note: Use Item 51)	
10	See Note	NSS	Seal, Piston (Note: Use Item 51)	
11	See Note	NSS	Wiper (Note: Use Item 51)	
12	See Note	NSS	O-Ring (Note: Use Item 51)	
13	See Note	NSS	O-Ring (Note: Use Item 51)	
14	See Note	NSS	O-Ring (Note: Use Item 51)	
15	See Note	NSS	O-Ring (Note: Use Item 51)	
16	See Note	NSS	Ring, Back-up (Note: Use Item 51)	
17	See Note	NSS	Ring, Wear (Note: Use Item 51)	
18	See Note	NSS	Ring, Wear (Note: Use Item 51)	
19	4640509	2	Catridge, Valve	
19	2900792	2	Seal Kit - 4640509 Valve	
20	2220883	4	Plug	
21	2220885	2	Plug	
51	70006934	1	Seal Kit (Includes Item 9-18)	

SECTION 5 - CYLINDER

FIGURE 5-15. LIFT CYLINDER ASSEMBLY - MAIN BOOM (800S/680S) (SN 0300182743 through 0300239593, SN B300001092 through B300002483)



ART_1684199

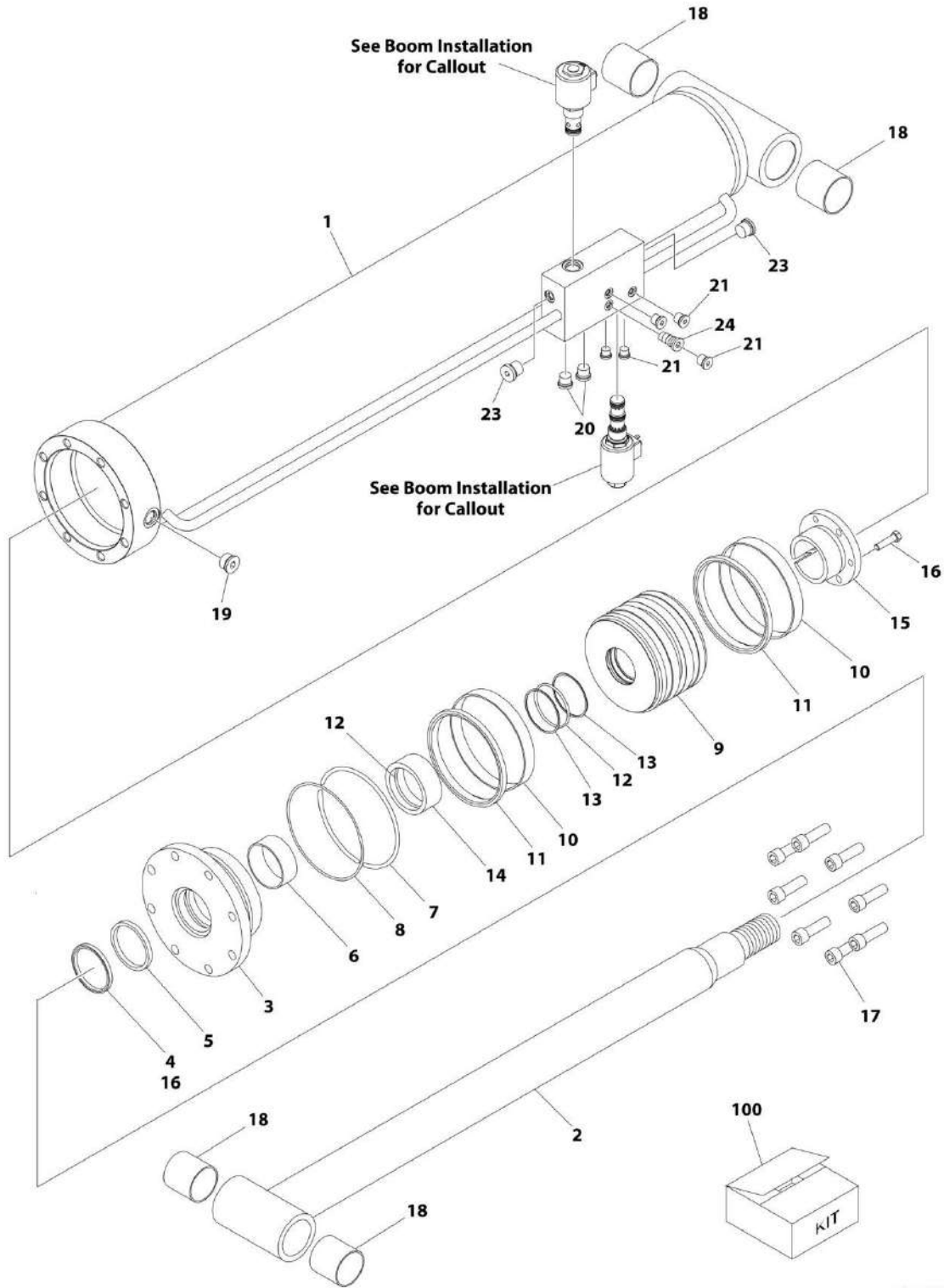
SECTION 5 - CYLINDER

FIGURE 5-15. LIFT CYLINDER ASSEMBLY - MAIN BOOM (800S/680S) (SN 0300182743 through 0300239593, SN B300001092 through B300002483)

ITEM	PART NUMBER	QTY	DESCRIPTION	REV
	1684199	Ref	MAIN LIFT CYLINDER ASSEMBLY Note: Original Cylinder may have been replaced with Service Replacement. Identify PN Stamped on Cylinder Before Ordering Parts.	H
		Ref		
1	0100011	AR	Compound, Locking	
2	0100038	AR	Primer, Locking	
4	0630536	3	Bolt	
5	0961898	1	Bushing, Tapered	
6	0962033	4	Bushing	
7	1683818	1	Head	
8	1684198	1	Barrel	
9	1684080	1	Rod	
10	2220883	5	Plug	
11	2220885	2	Plug	
12	2220888	1	Plug	
13	3480275	1	Piston	
15	See Note	NSS	O-Ring (Note: Use Item 50)	
16	See Note	NSS	Ring, Back-up (Note: Use Item 50)	
17	See Note	NSS	Ring, Wear (Note: Use Item 50)	
18	See Note	NSS	Seal, Rod (Note: Use Item 50)	
19	See Note	NSS	Wiper (Note: Use Item 50)	
20	See Note	NSS	O-Ring (Note: Use Item 50)	
21	See Note	NSS	Ring, Back-up (Note: Use Item 50)	
22	See Note	NSS	Ring, Guidelock (Note: Use Item 50)	
23	See Note	NSS	Seal (Note: Use Item 50)	
24	See Note	NSS	Ring, Guidelock (Note: Use Item 50)	
25	3900310	1	Setscrew	
26	3932240	8	Capscrew 3/4 x 2-1/2	
27	4568240	1	Spacer, Tube	
28	4641144	1	Cartridge, Restrictor/Check Valve	
28	7012967	1	Seal Kit - 4641144 Valve	
33	4641194	1	Cartridge, Relief Valve	
33	7023927	1	Seal Kit - 4641194 Valve	
50	2901537	1	Seal Kit (Includes Items 15-24)	
	1001157261	Ref	MANUAL DESCENT INSTALLATION (OPTIONAL) (SN 0300182743 through 0300187355)	A
104	0641514	2	Bolt 5/16in-18NC x 1-3/4in	
105	1320315	2	Clamp	
119	3311505	2	Locknut 5/16in-18NC	
120	3574172	1	Plate, Valve Mounting	
124	4640673	1	Valve, Check	
124	7011325	1	Cartridge, Valve Check	
130	4751500	2	Flatwasher 5/16in Regular	

SECTION 5 - CYLINDER

FIGURE 5-16. LIFT CYLINDER ASSEMBLY - MAIN BOOM (800S/680S) (SN 0300239594 to Present, SN B300002484 to Present)



ART_1001228028

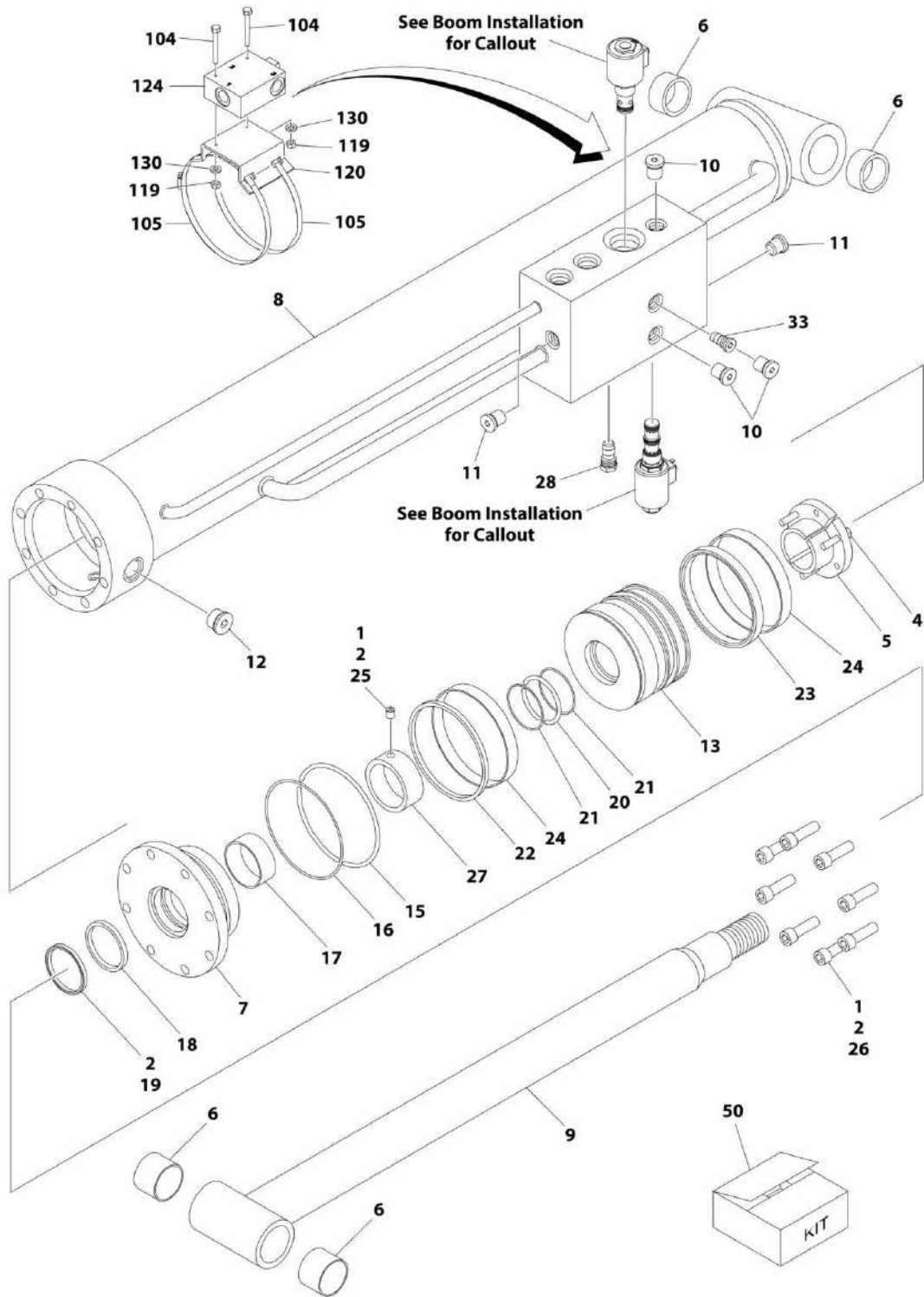
SECTION 5 - CYLINDER

FIGURE 5-16. LIFT CYLINDER ASSEMBLY - MAIN BOOM (800S/680S) (SN 0300239594 to Present, SN B300002484 to Present)

ITEM	PART NUMBER	QTY	DESCRIPTION	REV
	1001228028	Ref	LIFT CYLINDER ASSEMBLY - MAIN BOOM	A
		Ref	Note: Original Cylinder may have been replaced with Service Replacement. Identify PN Stamped on Cylinder Before Ordering Parts.	
1	See Note	NSS	Barrel (Note: Not Available for Purchase)	
2	70006506	1	Rod	
3	70006505	1	Head	
4	See Note	NSS	Wiper (Note: Use Item 100)	
5	See Note	NSS	Seal, Rod (Note: Use Item 100)	
6	See Note	NSS	Ring, Wear (Note: Use Item 100)	
7	See Note	NSS	O-Ring (Note: Use Item 100)	
8	See Note	NSS	Ring, Back-up (Note: Use Item 100)	
9	70006504	1	Piston	
10	See Note	NSS	Ring, Guidelock (Note: Use Item 100)	
11	See Note	NSS	Ring, Guidelock (Note: Use Item 100)	
12	See Note	NSS	O-Ring (Note: Use Item 100)	
13	See Note	NSS	Ring, Back-up (Note: Use Item 100)	
14	70006503	1	Spacer, Tube	
15	0961898	1	Bushing, Tapered	
16	0630536	3	Bolt	
16	0100011	AR	Compound, Locking	
16	0100038	AR	Primer, Locking	
17	3932240	8	Capscrew 3/4 x 2-1/2	
17	0100011	AR	Compound, Locking	
17	0100038	AR	Primer, Locking	
18	0962033	4	Bushing	
19	2220888	3	Plug	
20	2220887	2	Plug	
21	2220883	4	Plug	
23	2220885	2	Plug	
24	4641194	1	Cartridge, Relief Valve	
24	7023927	1	Seal Kit - 4641194 Valve	
100	2901537	1	Seal Kit (Includes Items 5-8 & 10-13)	

SECTION 5 - CYLINDER

FIGURE 5-17. LIFT CYLINDER ASSEMBLY - MAIN BOOM (860SJ) (SN 0300182743 through 0300239858, SN B300001092 through B300002483)



ART_1684202

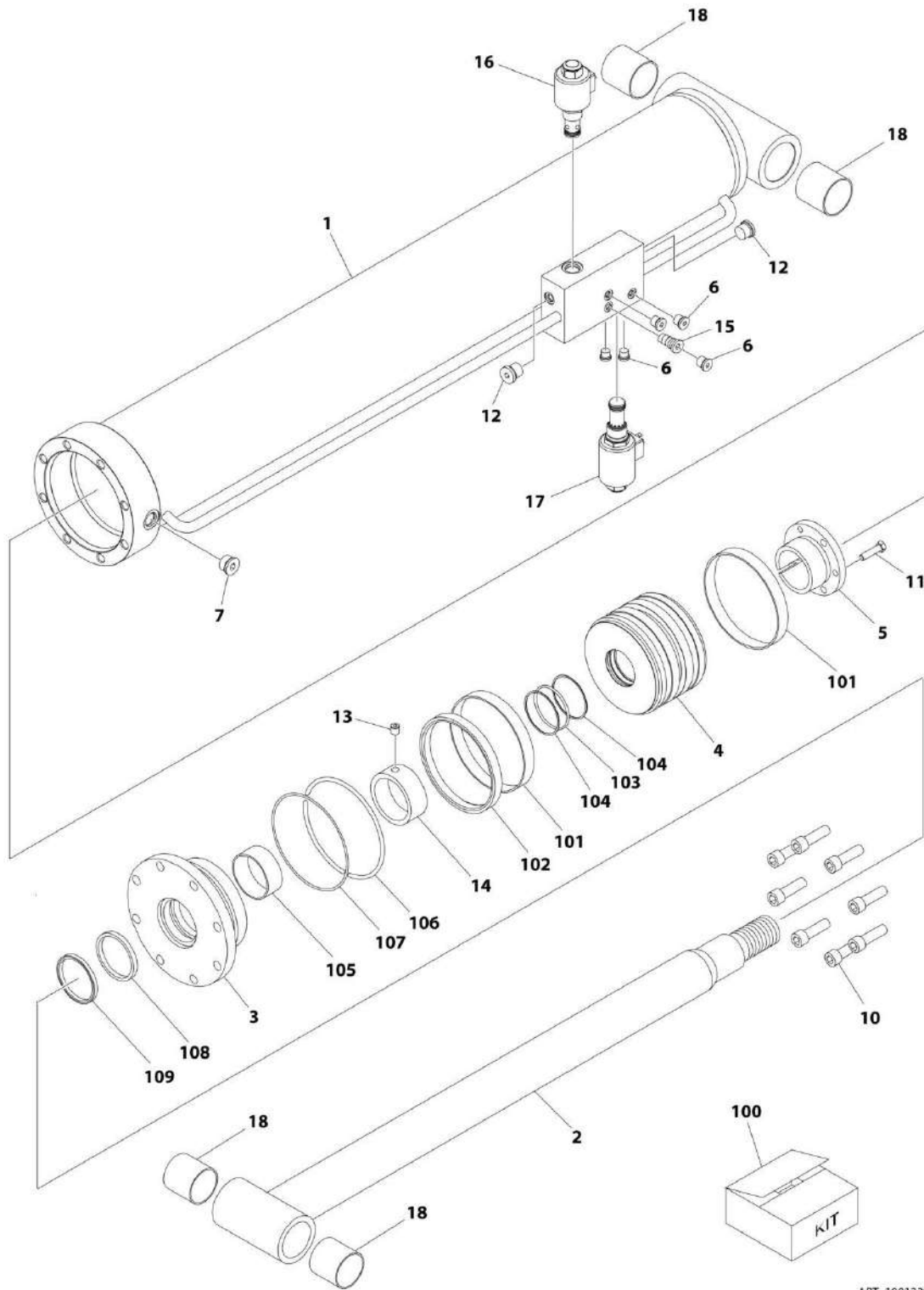
SECTION 5 - CYLINDER

FIGURE 5-17. LIFT CYLINDER ASSEMBLY - MAIN BOOM (860SJ) (SN 0300182743 through 0300239858, SN B300001092 through B300002483)

ITEM	PART NUMBER	QTY	DESCRIPTION	REV
	1684202	Ref	LIFT CYLINDER ASSEMBLY - MAIN BOOM	I
		Ref	Note: Original Cylinder may have been replaced with Service Replacement. Identify PN Stamped on Cylinder Before Ordering Parts.	
1	0100011	AR	Compound, Locking	
2	0100038	AR	Primer, Locking	
4	0630536	3	Bolt	
5	0961898	1	Bushing, Tapered	
6	0962033	4	Bushing	
7	1683818	1	Head	
8	1684198	1	Barrel	
9	1684123	1	Rod	
10	2220883	5	Plug	
11	2220885	2	Plug	
12	2220888	1	Plug	
13	3480275	1	Piston	
15	See Note	NSS	O-Ring (Note: Use Item 50)	
16	See Note	NSS	Ring, Back-up (Note: Use Item 50)	
17	See Note	NSS	Ring, Wear (Note: Use Item 50)	
18	See Note	NSS	Seal, Rod (Note: Use Item 50)	
19	See Note	NSS	Wiper (Note: Use Item 50)	
20	See Note	NSS	O-Ring (Note: Use Item 50)	
21	See Note	NSS	Ring, Back-up (Note: Use Item 50)	
22	See Note	NSS	Ring, Guidelock (Note: Use Item 50)	
23	See Note	NSS	Seal (Note: Use Item 50)	
24	See Note	NSS	Ring, Guidelock (Note: Use Item 50)	
25	3900310	1	Setscrew	
26	3932240	8	Capscrew 3/4 x 2-1/2	
27	4568273	1	Spacer, Tube	
28	4641144	1	Cartridge, Restrictor/Check Valve	
28	7012967	1	Seal Kit - 4641144 Valve	
33	4641194	1	Cartridge, Relief Valve	
33	7023927	1	Seal Kit - 4641194 Valve	
50	2901537	1	Seal Kit (Includes Items 15-24)	
	1001157261	Ref	MANUAL DESCENT INSTALLATION (OPTIONAL) (SN 0300182743 through 0300187355)	
104	0641514	2	Bolt 5/16in-18NC x 1-3/4in	
105	1320315	2	Clamp	
119	3311505	2	Locknut 5/16in-18NC	
120	3574172	1	Plate, Valve Mounting	
124	4640673	1	Valve, Check	
124	7011325	1	Cartridge, Valve Check	
130	4751500	2	Flatwasher 5/16in Regular	

SECTION 5 - CYLINDER

FIGURE 5-18. LIFT CYLINDER ASSEMBLY - MAIN BOOM (860SJ) (SN 0300239859 to Present)



ART_1001228029

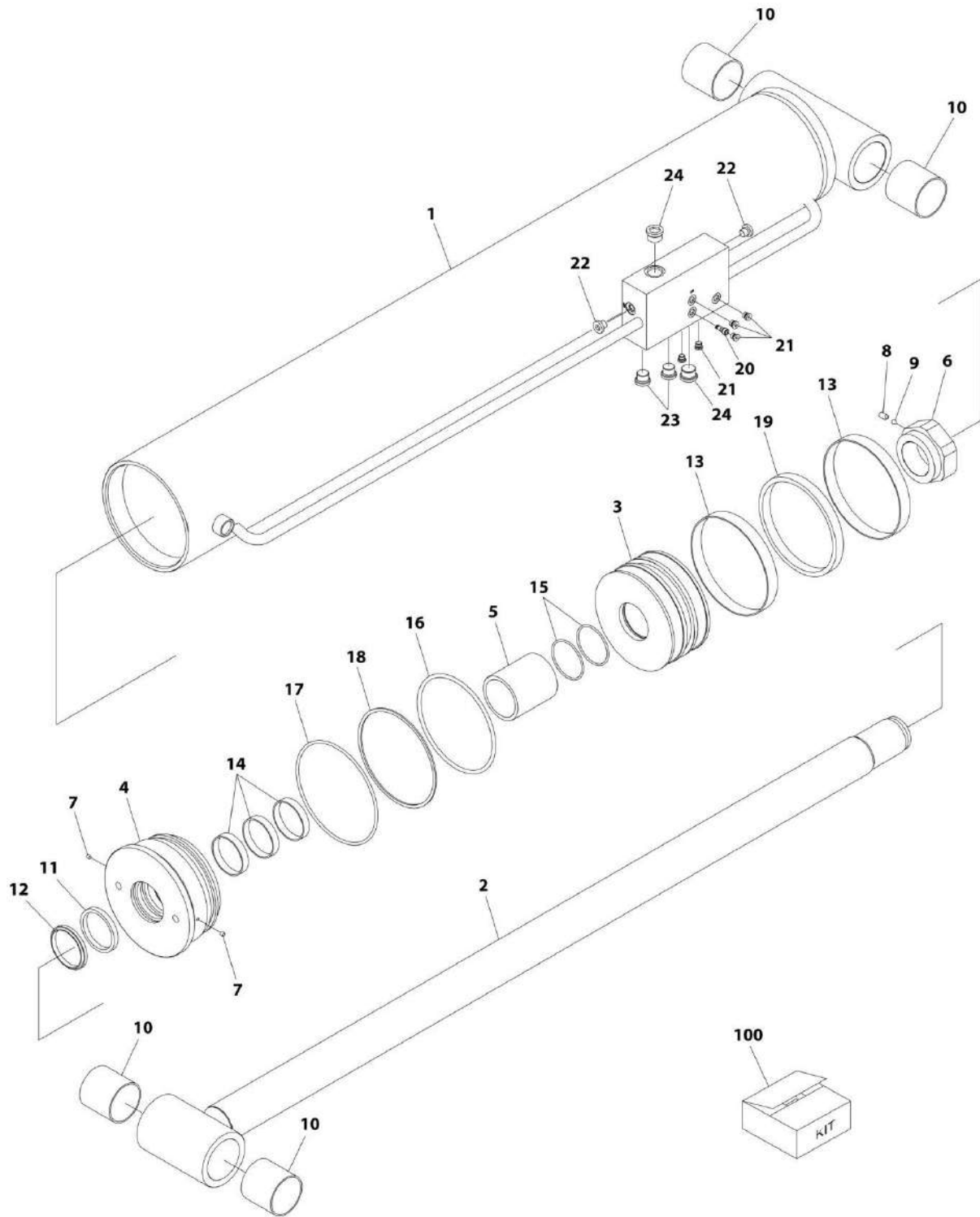
SECTION 5 - CYLINDER

FIGURE 5-18. LIFT CYLINDER ASSEMBLY - MAIN BOOM (860SJ) (SN 0300239859 to Present)

ITEM	PART NUMBER	QTY	DESCRIPTION	REV
	1001228029	Ref	LIFT CYLINDER ASSEMBLY - MAIN BOOM	B
		Ref	Note: Original Cylinder may have been replaced with Service Replacement. Identify PN Stamped on Cylinder Before Ordering Parts.	
1	See Note	NSS	Barrel (Note: Not Available for Purchase)	
2	70006395	1	Rod	
3	70006377	1	Head	
4	70006394	1	Piston	
5	70006365	1	Bushing, Tapered	
6	2220883	5	Plug	
7	See Note	NSS	Plug (Note: Not Available for Purchase)	
10	3932240	8	Capscrew 3/4 x 2-1/2	
11	0630536	3	Bolt	
12	2220885	2	Plug	
13	3900310	1	Setscrew	
14	70006393	1	Spacer, Tube	
15	4641194	1	Cartridge, Relief Valve	
15	7023927	1	Seal Kit - 4641194 Valve	
16	4641234	1	Cartridge, Relief Valve	
16	7023982	1	Cartridge Less Coil	
16	7012925	1	Seal Kit - 7023982/4641234 Valve	
16	7017451	1	Coil	
17	4641188	1	Cartridge, Holding Valve	
17	7023923	1	Cartridge Less Coil	
17	7023919	1	Seal Kit - 7023923/4641188 Valve	
17	7012943	1	Coil	
18	0962033	4	Bushing	
100	70006392	1	Seal Kit (Includes Items 101-109)	
101	See Note	NSS	Ring, Guidelock (Note: Use Item 100)	
102	See Note	NSS	Seal (Note: Use Item 100)	
103	See Note	NSS	O-Ring (Note: Use Item 100)	
104	See Note	NSS	Ring, Back-up (Note: Use Item 100)	
105	See Note	NSS	Ring, Wear (Note: Use Item 100)	
106	See Note	NSS	O-Ring (Note: Use Item 100)	
107	See Note	NSS	Ring, Back-up (Note: Use Item 100)	
108	See Note	NSS	Seal, Rod (Note: Use Item 100)	
109	See Note	NSS	Wiper (Note: Use Item 100)	

SECTION 5 - CYLINDER

FIGURE 5-19. LIFT CYLINDER ASSEMBLY - MAIN BOOM (860SJ) (SN B300002484 to Present)



ART_1001230373

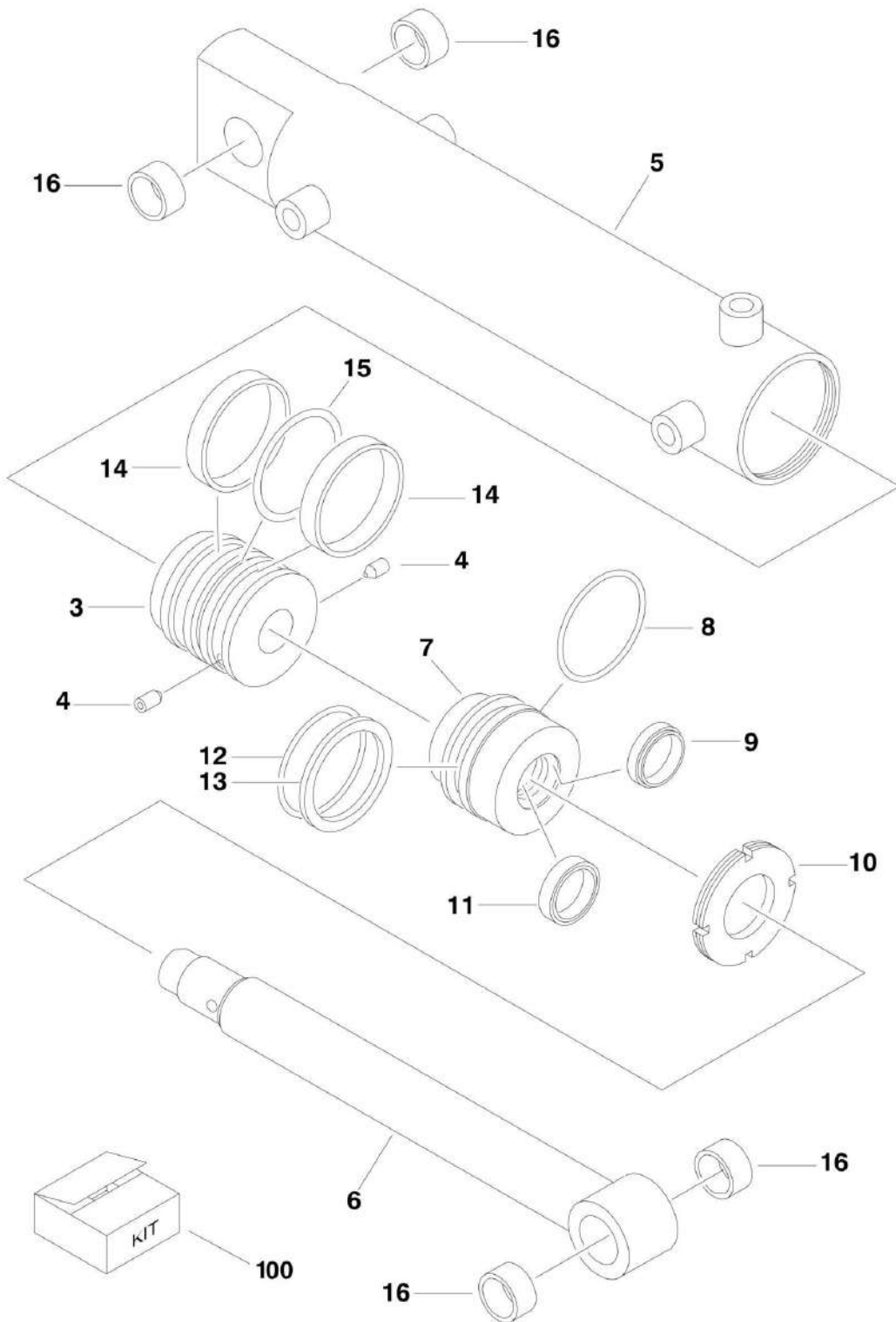
SECTION 5 - CYLINDER

FIGURE 5-19. LIFT CYLINDER ASSEMBLY - MAIN BOOM (860SJ) (SN B300002484 to Present)

ITEM	PART NUMBER	QTY	DESCRIPTION	REV
	1001230373	Ref	LIFT CYLINDER ASSEMBLY	A
		Ref	Note: Original Cylinder may have been replaced with Service Replacement. Identify PN Stamped on Cylinder Before Ordering Parts.	
1	See Note	NSS	Barrel (Note: Not Available for Purchase)	
2	70006940	1	Rod	
3	70006941	1	Piston	
4	70006942	1	Head	
5	70006943	1	Spacer	
6	70006944	1	Nut	
7	70006899	2	Insert	
8	70006945	1	Setscrew	
9	70004120	1	Ball	
10	0962033	4	Bushing	
11	See Note	NSS	Seal, Rod (Note: Use Item 100)	
12	See Note	NSS	Wiper (Note: Use Item 100)	
13	See Note	NSS	Ring, Wear (Note: Use Item 100)	
14	See Note	NSS	Ring, Wear (Note: Use Item 100)	
15	See Note	NSS	O-Ring (Note: Use Item 100)	
16	See Note	NSS	O-Ring (Note: Use Item 100)	
17	See Note	NSS	O-Ring (Note: Use Item 100)	
18	See Note	NSS	Ring, Back-up (Note: Use Item 100)	
19	See Note	NSS	Seal, Piston (Note: Use Item 100)	
20	4641194	1	Valve, Cartridge	
20	7023927	1	Seal Kit - 4640509 Valve	
21	2220883	5	Plug	
22	2220885	2	Plug	
23	2220888	2	Plug	
24	2220887	3	Plug	
100	70006947	1	Seal Kit (Includes Items 9-18)	

SECTION 5 - CYLINDER

FIGURE 5-20. STEER CYLINDER ASSEMBLY (SN 0300182743 to Present, SN B300001092 through B300002483)



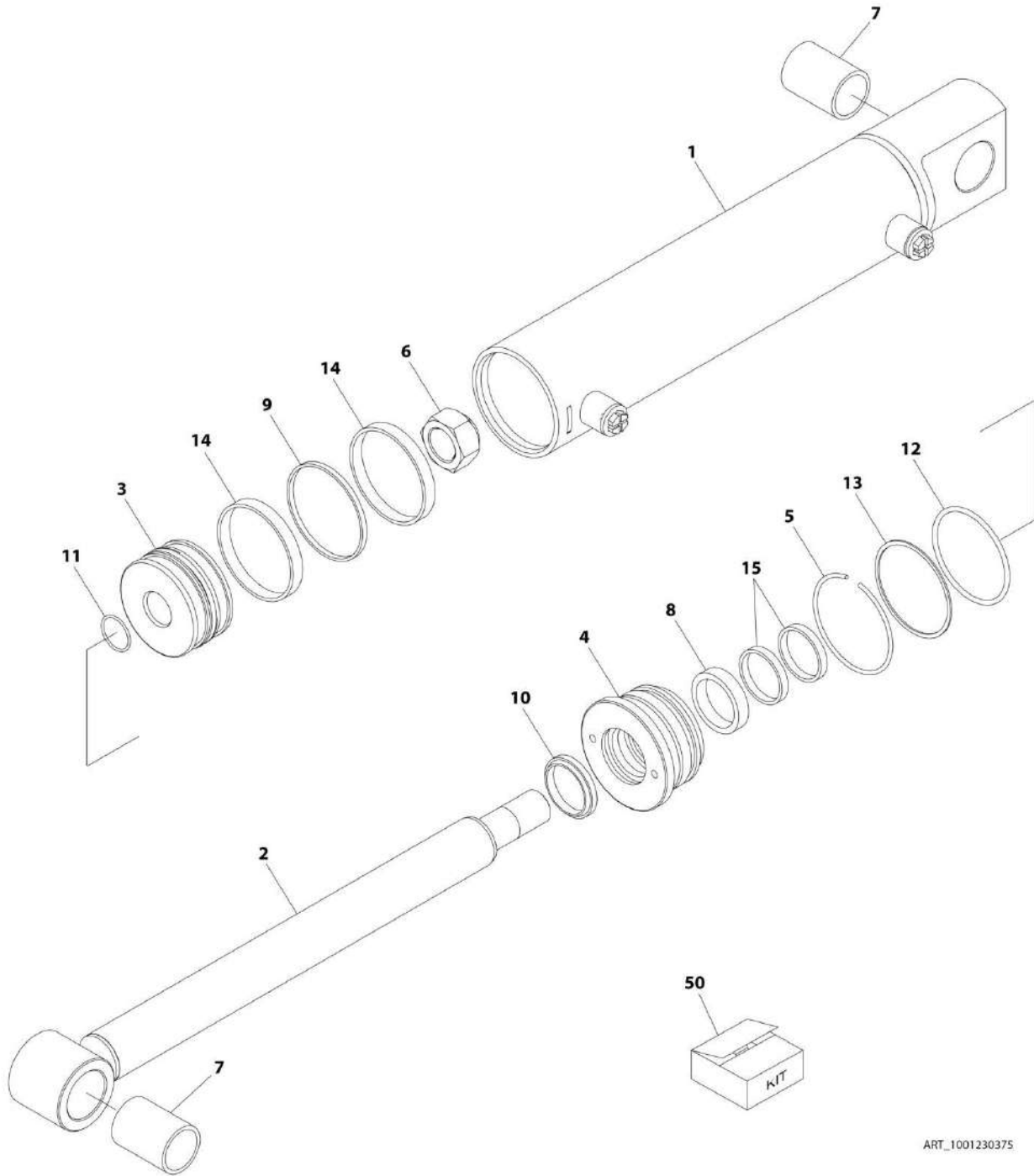
SECTION 5 - CYLINDER

FIGURE 5-20. STEER CYLINDER ASSEMBLY (SN 0300182743 to Present, SN B300001092 through B300002483)

ITEM	PART NUMBER	QTY	DESCRIPTION	REV
	1001150539	Ref	STEER CYLINDER ASSEMBLY Note: Original Cylinder may have been replaced with Service Replacement. Identify PN Stamped on Cylinder Before Ordering Parts.	F
		Ref		
3	70002744	1	Piston	
4	70002745	2	Setscrew M6 x 10mm	
5	70004381	1	Barrel	
6	70004382	1	Rod	
7	70002748	1	Head	
8	See Note	NSS	Ring (Note: Use Item 100)	
9	See Note	NSS	Wiper (Note: Use Item 100)	
10	70002749	1	Nut, Spanner	
11	See Note	NSS	Seal (Note: Use Item 100)	
12	See Note	NSS	O-Ring (Note: Use Item 100)	
13	See Note	NSS	Ring, Back-up (Note: Use Item 100)	
14	See Note	NSS	Ring, Wear (Note: Use Item 100)	
15	See Note	NSS	Seal (Note: Use Item 100)	
16	0962152	4	Bushings	
100	70002751	1	Seal Kit (Includes Items 8, 9 & 11-15)	

SECTION 5 - CYLINDER

FIGURE 5-21. STEER CYLINDER ASSEMBLY (SN B30002484 to Present)



ART_1001230375

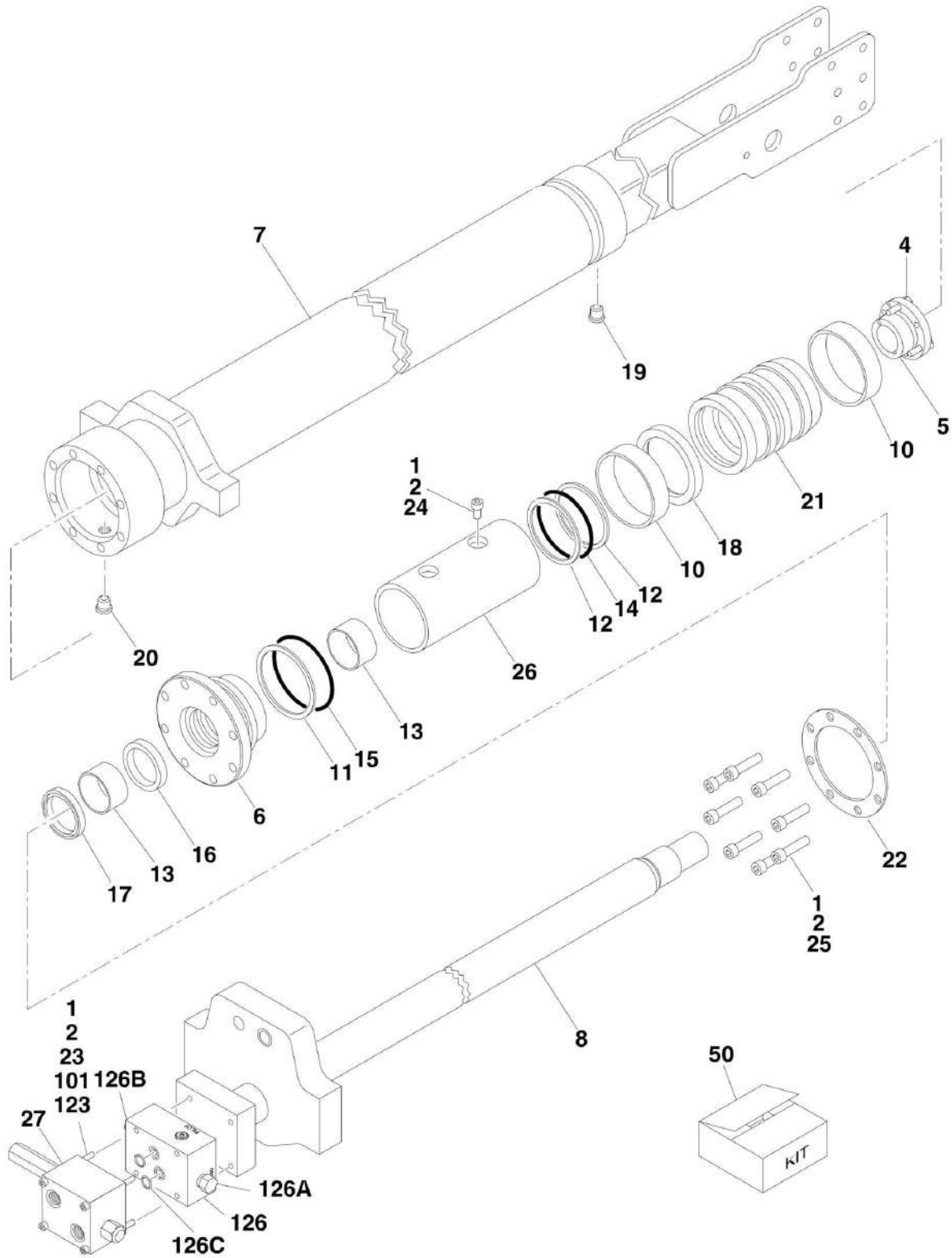
SECTION 5 - CYLINDER

FIGURE 5-21. STEER CYLINDER ASSEMBLY (SN B300002484 to Present)

ITEM	PART NUMBER	QTY	DESCRIPTION	REV
	1001230375	Ref	STEER CYLINDER ASSEMBLY	A
		Ref	Note: Original Cylinder may have been replaced with Service Replacement. Identify PN Stamped on Cylinder Before Ordering Parts.	
1	See Note	NSS	Barrel (Note: Not Available for Purchase)	
2	70006964	1	Rod	
3	70006965	1	Piston	
4	70006966	1	Head	
5	70006967	1	Nut	
6	70006968	1	Ring, Baffle	
7	0962152	2	Bushing	
8	See Note	NSS	Seal, Rod (Note: Use Item 50)	
9	See Note	NSS	Seal (Note: Use Item 50)	
10	See Note	NSS	Wiper (Note: Use Item 50)	
11	See Note	NSS	O-Ring (Note: Use Item 50)	
12	See Note	NSS	O-Ring (Note: Use Item 50)	
13	See Note	NSS	Ring, Back-up (Note: Use Item 50)	
14	See Note	NSS	Ring, Wear (Note: Use Item 50)	
15	See Note	NSS	Ring, Wear (Note: Use Item 50)	

SECTION 5 - CYLINDER

FIGURE 5-22. TELESCOPE CYLINDER ASSEMBLY



SECTION 5 - CYLINDER

FIGURE 5-22. TELESCOPE CYLINDER ASSEMBLY

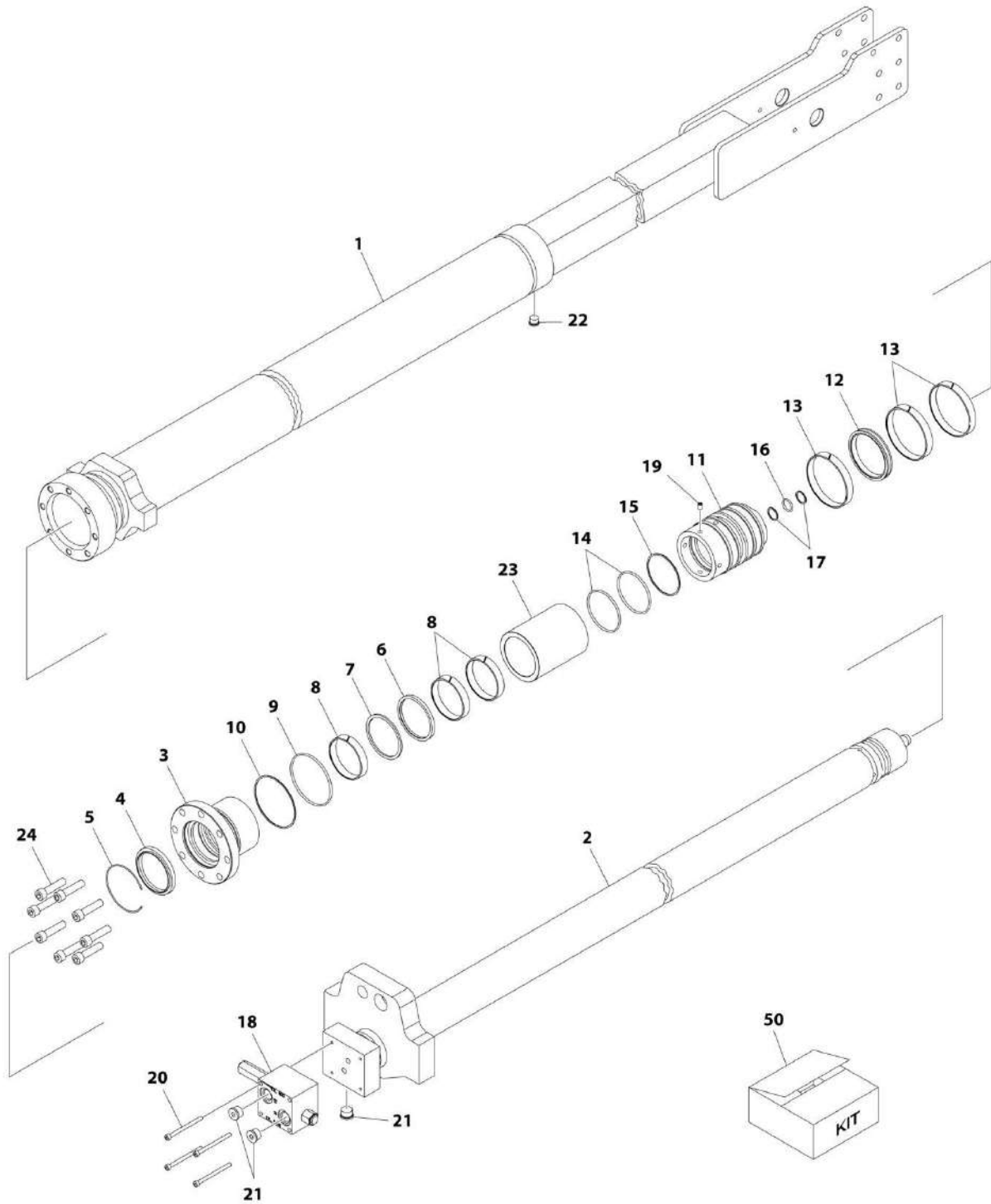
ITEM	PART NUMBER	QTY	DESCRIPTION	REV
		Ref	TELESCOPE CYLINDER ASSEMBLY	
		Ref	Note: Original Cylinder may have been replaced with Service Replacement. Identify PN Stamped on Cylinder Before Ordering Parts.	
	1684041	Ref	Telescope Cylinder (800S) (SN 0300182743 through 0300196954)	G
	1001177317	Ref	Telescope Cylinder (800S) (SN 0300196955 through 0300243278)	B
	1684041	Ref	Telescope Cylinder (800S) (SN B300001092 through B300001096)	G
	1001177317	Ref	Telescope Cylinder (800S) (SN B300001097 through B300002584)	B
	1684043	Ref	Telescope Cylinder (860SJ) (SN 0300182743 through 0300196954)	H
	1001181588	Ref	Telescope Cylinder (860SJ) (SN 0300196955 through 0300244707)	C
	1684043	Ref	Telescope Cylinder (860SJ) (SN B300001092 through B300001096)	H
	1001181588	Ref	Telescope Cylinder (860SJ) (SN B300001097 through 0300244707)	C
	1684519	Ref	Telescope Cylinder (680S) (SN 0300182743 through 0300196954)	D
	1001181589	Ref	Telescope Cylinder (680S) (SN 0300196955 through 0300244879)	B
1	0100011	AR	Compound, Locking	
2	0100038	AR	Primer, Locking	
4	0630535	3	Bolt 1/4in-20NC x 1-1/8in	
5	0961897	1	Bushing, Tapered	
6		Ref	Head Options:	
6	1683077	1	Head (1684041, 1684043 & 1684519 Cylinders)	
6	1001175884	1	Head (1001177317, 1001181588 & 1001181589 Cylinders)	
7		Ref	Barrel Options:	
7	1684049	1	Barrel 800S	
7	1684045	1	Barrel 860SJ	
7	0370038	1	Barrel 680S	
8		Ref	Rod Options:	
8	1001115631	1	Rod 800S	
8	1001115465	1	Rod 860SJ	
8	1001115693	1	Rod 680S	
10	See Note	NSS	Ring, Wear (Note: Use Item 50)	
11	See Note	NSS	Ring, Back-up (Note: Use Item 50)	
12	See Note	NSS	Ring, Back-up (Note: Use Item 50)	
13	See Note	NSS	Ring, Wear (Note: Use Item 50)	
14	See Note	NSS	O-Ring (Note: Use Item 50)	
15	See Note	NSS	O-Ring (Note: Use Item 50)	
16	See Note	NSS	Seal, Rod (Note: Use Item 50)	
17	See Note	NSS	Wiper (Note: Use Item 50)	
18	See Note	NSS	T-Seal (Note: Use Item 50)	
19	2220885	1	Plug, O-Ring	
20	2220886	2	Plug, O-Ring	
21	1001115504	1	Piston	
22	1001108958	1	Ring, Washer	

SECTION 5 - CYLINDER

ITEM	PART NUMBER	QTY	DESCRIPTION	REV
23	3931448	4	Capscrew 1/4in-20NC x 3in	
24	3931508	1	Capscrew 5/16in-18NC x 1/2in	
25		Ref	Capscrew Options:	
25	3931724	8	Capscrew 7/16in-14NC x 1-1/2in (1684041, 1684043 & 1689519 Cylinders)	
25	3931740	8	Capscrew 7/16in-14NC x 2-1/2in (1001177317, 1001181588 & 1001181589 Cylinders)	
26		Ref	Spacer, Tube Options:	
26	1001115633	1	Spacer, Tube 800S/680S	
26	1001115469	1	Spacer, Tube 860SJ	
27	4641033	1	Valve Assembly (No serviceable parts - sold as assembly only)	
27	7024508	2	O-Ring (Not Shown - Located between valve and cylinder)	
50		Ref	Seal Kit Options (Includes Items 10-18):	
50	1001115617	1	Seal Kit (1684041, 1684043 & 1684519 Cylinders)	
50	1001181694	1	Seal Kit (1001177317, 1001181588 & 1001181589 Cylinders)	
	1001157261	Ref	MANUAL DESCENT INSTALLATION (OPTIONAL) (SN 0300182743 through 0300187355)	A
101	0100011	AR	Compound, Locking	
123	3931480	4	Capscrew 1/4in-20NC x 5in	
126	4641262	1	Valve, Assembly (Manual Descent)	
126A	7026015	1	Cartridge	
126A	7026004	1	Seal Kit - 7026015 Cartridge	
126B	7026016	1	Cartridge	
126B	7011346	1	Seal Kit - 7026016 Cartridge	
126C	3790112	2	O-Ring	

SECTION 5 - CYLINDER

FIGURE 5-23. TELESCOPE CYLINDER ASSEMBLY (680S) (SN 0300244880 to Present)



ART_1001228085

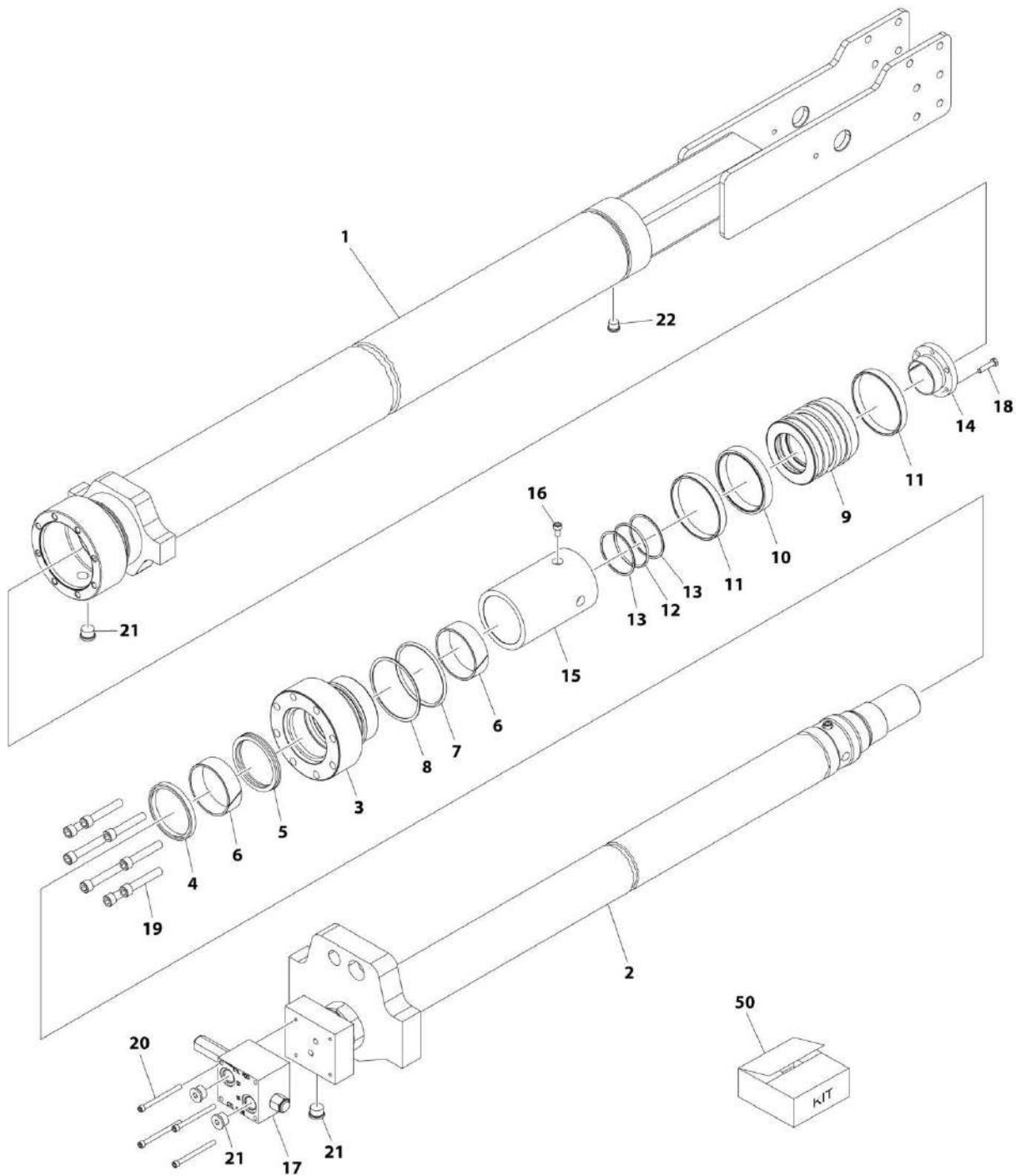
SECTION 5 - CYLINDER

FIGURE 5-23. TELESCOPE CYLINDER ASSEMBLY (680S) (SN 0300244880 to Present)

ITEM	PART NUMBER	QTY	DESCRIPTION	REV
	1001228085	Ref	TELESCOPE CYLINDER ASSEMBLY (680S) (SN 0300244880 to Present)	C
		Ref	Note: Original Cylinder may have been replaced with Service Replacement. Identify PN Stamped on Cylinder Before Ordering Parts.	
1	See Note	NSS	Barrel (Note: Not Available for Purchase)	
2	70006805	1	Rod	
3	70006806	1	Head	
4	See Note	NSS	Wiper (Note: Use Item 50)	
5	70023379	1	Ring, Retainer	
6	See Note	NSS	Seal, Rod (Note: Use Item 50)	
7	See Note	NSS	Ring, Back-up (Note: Use Item 50)	
8	See Note	NSS	Ring, Wear (Note: Use Item 50)	
9	See Note	NSS	O-Ring (Note: Use Item 50)	
10	See Note	NSS	Ring, Back-up (Note: Use Item 50)	
11	70006807	1	Piston	
12	See Note	NSS	Seal, Piston (Note: Use Item 50)	
13	See Note	NSS	Ring, Wear (Note: Use Item 50)	
14	See Note	NSS	O-Ring (Note: Use Item 50)	
15	See Note	NSS	Ring, Back-up (Note: Use Item 50)	
16	See Note	NSS	O-Ring (Note: Use Item 50)	
17	See Note	NSS	Ring, Back-up (Note: Use Item 50)	
18	4641033	1	Valve Assembly (No serviceable parts - sold as assembly only)	
18	7024508	2	O-Ring (Not Shown - Located between valve and cylinder)	
19	70005839	1	Setscrew	
20	70006802	4	Bolt	
21	2220886	3	Plug, O-Ring	
22	2220885	1	Plug, O-Ring	
23	70006808	1	Spacer	
24	70006803	8	Bolt	
50	70006809	1	Seal Kit Options (Includes Items 4, 6-10 & 12-17)	

SECTION 5 - CYLINDER

FIGURE 5-24. TELESCOPE CYLINDER ASSEMBLY (800S) (SN 0300243279 to Present, SN B300002585 to Present)



ART_1001228081

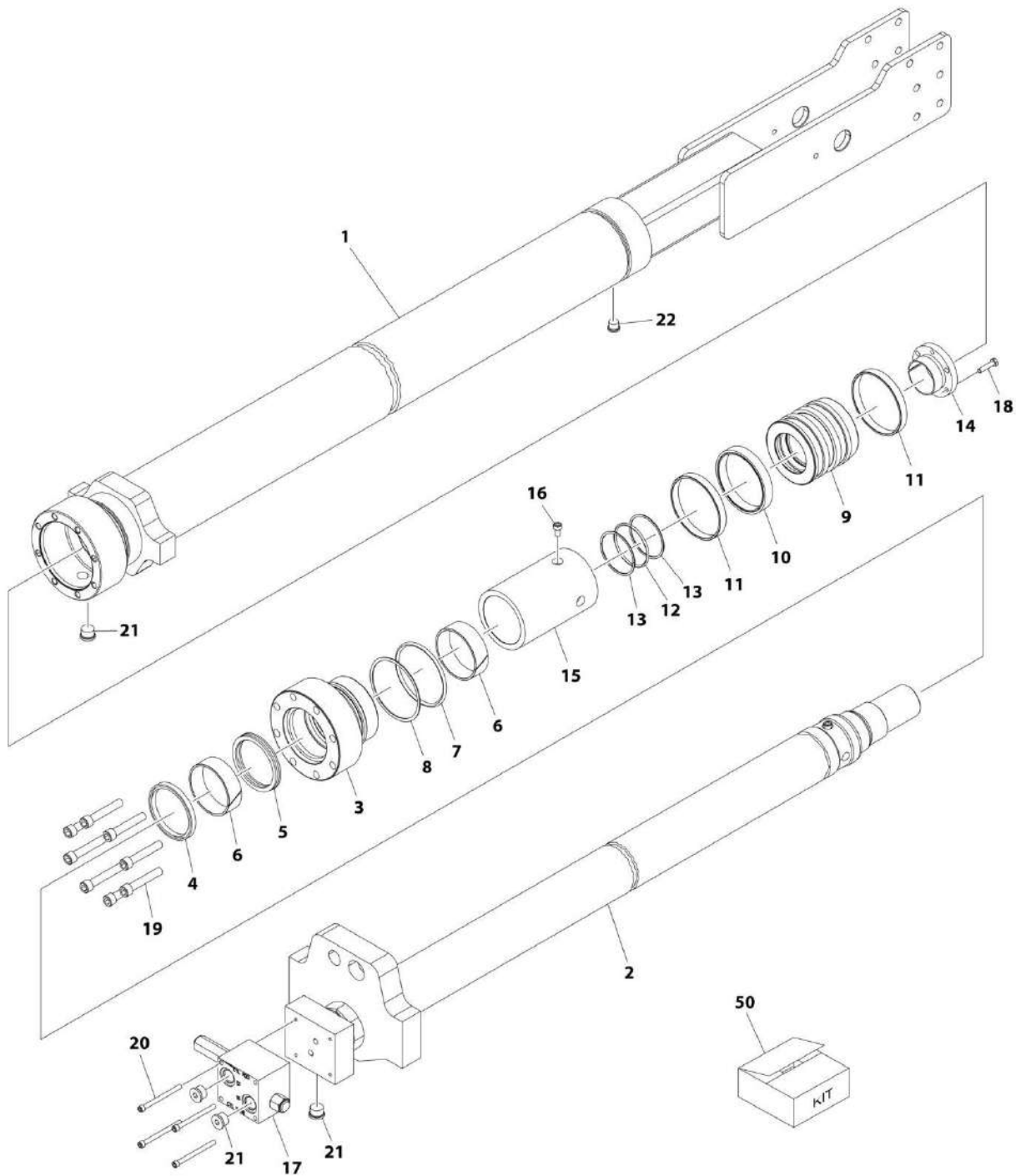
SECTION 5 - CYLINDER

FIGURE 5-24. TELESCOPE CYLINDER ASSEMBLY (800S) (SN 0300243279 to Present, SN B300002585 to Present)

ITEM	PART NUMBER	QTY	DESCRIPTION	REV
	1001228081	Ref	TELESCOPE CYLINDER ASSEMBLY	B
		Ref	Note: Original Cylinder may have been replaced with Service Replacement. Identify PN Stamped on Cylinder Before Ordering Parts.	
1	See Note	NSS	Barrel (Note: Not Available for Purchase)	
2	70006719	1	Rod	
3	70006694	1	Head	
4	See Note	NSS	Wiper (Note: Use Item 50)	
5	See Note	NSS	Seal, Rod (Note: Use Item 50)	
6	See Note	NSS	Ring, Wear (Note: Use Item 50)	
7	See Note	NSS	O-Ring (Note: Use Item 50)	
8	See Note	NSS	Ring, Back-up (Note: Use Item 50)	
9	70006720	1	Piston	
10	See Note	NSS	T-Seal (Note: Use Item 50)	
11	See Note	NSS	Ring, Wear (Note: Use Item 50)	
12	See Note	NSS	O-Ring (Note: Use Item 50)	
13	See Note	NSS	Ring, Back-up (Note: Use Item 50)	
14	0961897	1	Bushing, Tapered	
15	70006721	1	Spacer, Tube	
16	3931508	1	Capscrew 5/16 x 1/2	
17	4641033	1	Valve Assembly (No serviceable parts - sold as assembly only)	
17	7024508	2	O-Ring (Not Shown - Located between valve and cylinder)	
18	0630535	3	Bolt 1/4 x 1-1/8	
19	3931740	8	Capscrew 7/16 x 2-1/2	
20	3931448	4	Capscrew 1/4 x 3	
21	2220886	2	Plug, O-Ring	
22	2220885	1	Plug, O-Ring	
50	1001181694	1	Seal Kit Options (Includes Items 4-8 & 10-13)	

SECTION 5 - CYLINDER

FIGURE 5-25. TELESCOPE CYLINDER ASSEMBLY (860SJ) (SN 030024708 to Present, SN B300002588 to Present)



ART_1001228083

SECTION 5 - CYLINDER

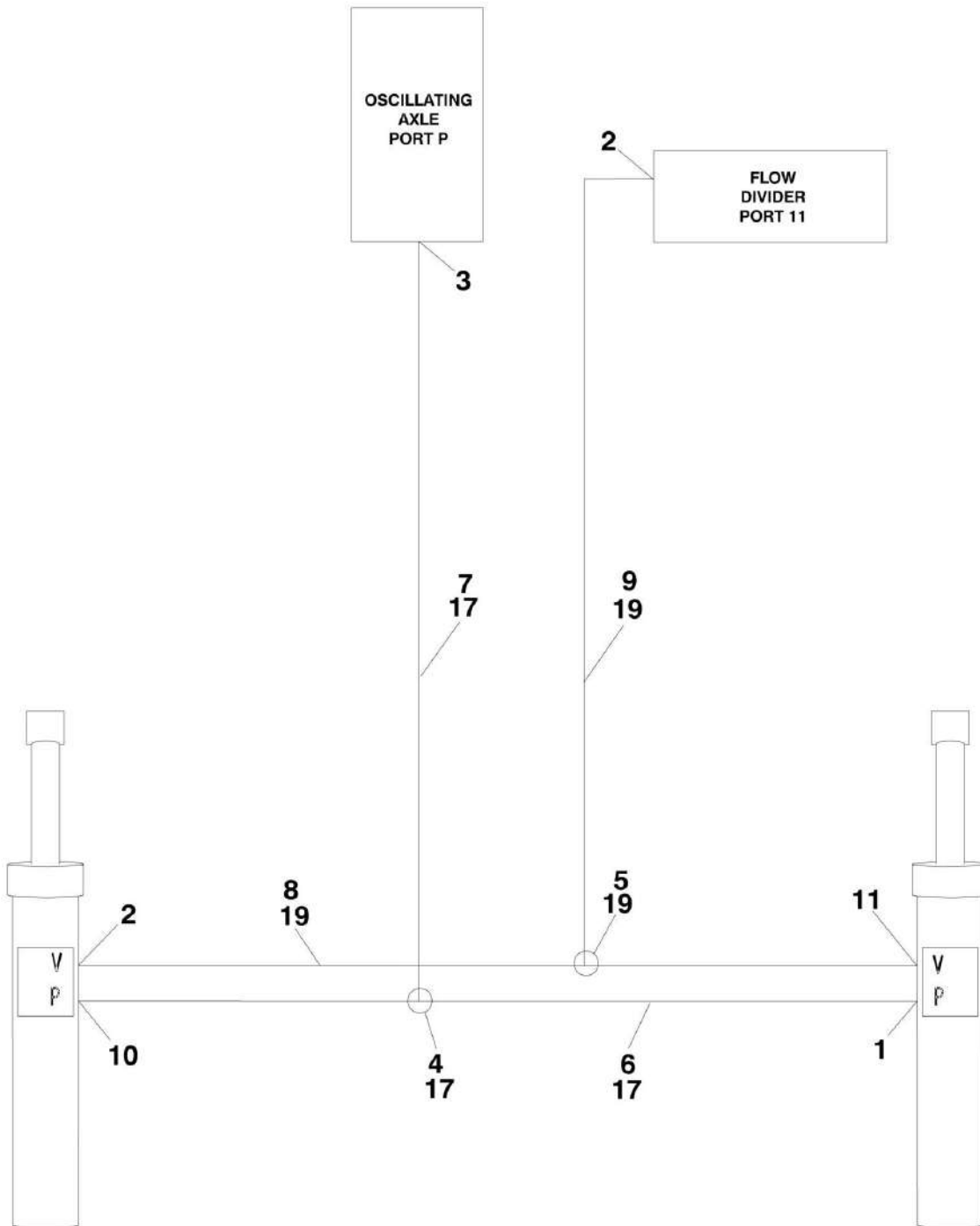
FIGURE 5-25. TELESCOPE CYLINDER ASSEMBLY (860SJ) (SN 030024708 to Present, SN B300002588 to Present)

ITEM	PART NUMBER	QTY	DESCRIPTION	REV
	1001228083	Ref	TELESCOPE CYLINDER ASSEMBLY	B
		Ref	Note: Original Cylinder may have been replaced with Service Replacement. Identify PN Stamped on Cylinder Before Ordering Parts.	
1	See Note	NSS	Barrel (Note: Not Available for Purchase)	
2	70006729	1	Rod	
3	70006694	1	Head	
4	See Note	NSS	Wiper (Note: Use Item 50)	
5	See Note	NSS	Seal, Rod (Note: Use Item 50)	
6	See Note	NSS	Ring, Wear (Note: Use Item 50)	
7	See Note	NSS	O-Ring (Note: Use Item 50)	
8	See Note	NSS	Ring, Back-up (Note: Use Item 50)	
9	70006720	1	Piston	
10	See Note	NSS	T-Seal (Note: Use Item 50)	
11	See Note	NSS	Ring, Wear (Note: Use Item 50)	
12	See Note	NSS	O-Ring (Note: Use Item 50)	
13	See Note	NSS	Ring, Back-up (Note: Use Item 50)	
14	0961897	1	Bushing, Tapered	
15	70006730	1	Spacer, Tube	
16	70006731	1	Bolt	
17	4641033	1	Valve Assembly (No serviceable parts - sold as assembly only)	
17	7024508	2	O-Ring (Not Shown - Located between valve and cylinder)	
18	0630535	3	Bolt 1/4 x 1-1/8	
19	70006732	8	Bolt	
20	70006733	4	Bolt	
21	2220886	4	Plug, O-Ring	
22	2220885	1	Plug, O-Ring	
50	1001181694	1	Seal Kit Options (Includes Items 4-8 & 10-13)	

SECTION 6 - HYDRAULIC

SECTION 6 - HYDRAULIC

FIGURE 6-1. AXLE LOCKOUT HYDRAULIC DIAGRAM



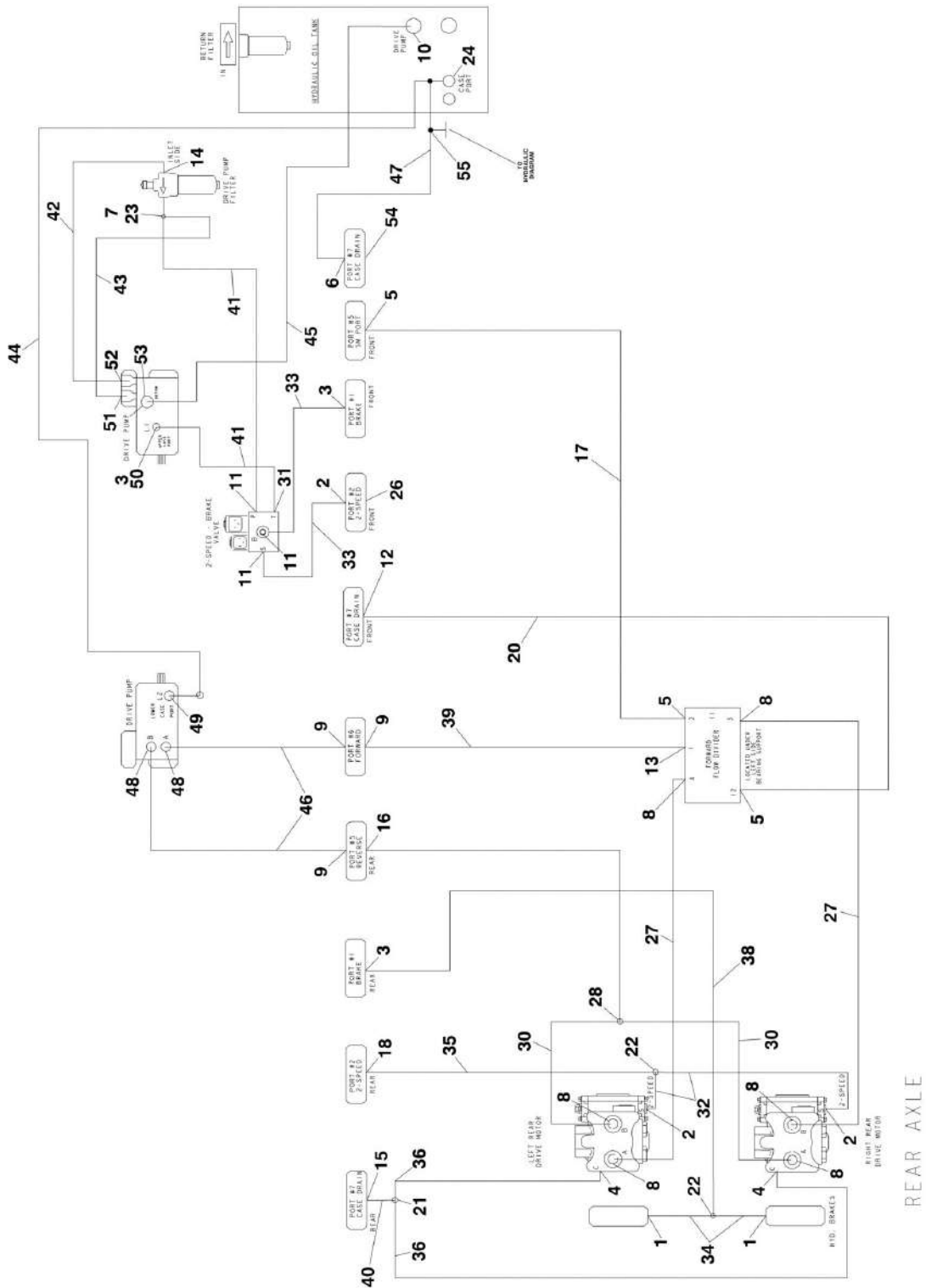
SECTION 6 - HYDRAULIC

FIGURE 6-1. AXLE LOCKOUT HYDRAULIC DIAGRAM

ITEM	PART NUMBER	QTY	DESCRIPTION	REV
	1001157400	Ref	AXLE LOCKOUT HYDRAULIC DIAGRAM	F
1	2110406	1	Fitting, Straight	
2	2110606	2	Fitting, Straight	
3	2110408	1	Fitting, Straight	
4	2170704	1	Fitting, Tee (SN 0300182743 through 0300213729)	
4	2170704	1	Fitting, Tee (SN B300001092 through B300001452)	
5	2170706	1	Fitting, Tee (SN 0300182743 through 0300213729)	
5	2170706	1	Fitting, Tee (SN B300001092 through B300001452)	
6	2754337	1	Hose (SN 0300182743 through 0300213729)	
6	2754337	1	Hose (SN B300001092 through B300001452)	
7	1001170644	1	Hose (SN 0300182743 through 0300213729)	
7	1001170644	1	Hose (SN B300001092 through B300001452)	
8	2753979	1	Hose (SN 0300182743 through 0300213729)	
8	2753979	1	Hose (SN B300001092 through B300001452)	
9	2753735	1	Hose (SN 0300182743 through 0300213729)	
9	2753935	1	Hose (SN B300001092 through B300001452)	
10	2170104	1	Fitting, Straight (SN 0300182743 through 0300227014)	
10	2110404	1	Fitting, Straight (SN 0300227015 to Present)	
10	2170104	1	Fitting, Straight (SN B300001092 through B300001749)	
10	2110404	1	Fitting, Straight (SN B300001750 to Present)	
11	2170106	1	Fitting, Straight (SN 0300182743 through 030022714)	
	2110606	1	Fitting, Straight (SN 0300227015 to Present)	
	2170106	1	Fitting, Straight (SN B300001092 through B300001749)	
	2110606	1	Fitting, Straight (SN B300001750 to Present)	
17	1001198339	1	Hose with Crimped Tee (SN 0300213730 to Present)	
17	1001198339	1	Hose with Crimped Tee (SN B300001453 to Present)	
19	1001198336	1	Hose with Crimped Tee (SN 0300213730 to Present)	
19	1001198336	1	Hose with Crimped Tee (SN B300001453 to Present)	

SECTION 6 - HYDRAULIC

FIGURE 6-2. DRIVE HYDRAULIC DIAGRAM - 2WD (SN 0300182743 through 0300196954, SN B300001092 through B300001096)



SECTION 6 - HYDRAULIC

FIGURE 6-2. DRIVE HYDRAULIC DIAGRAM - 2WD (SN 0300182743 through 0300196954, SN B300001092 through B300001096)

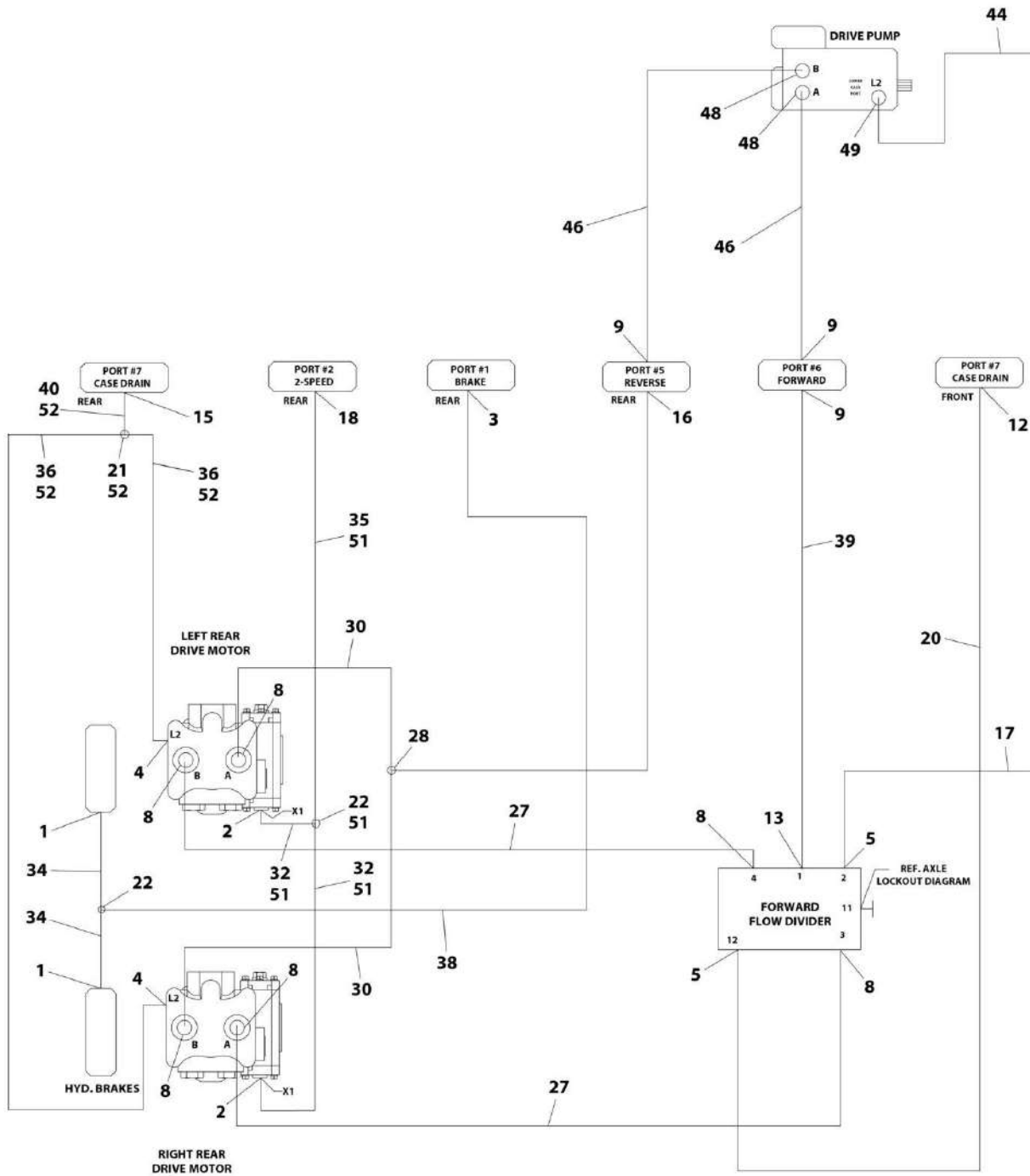
ITEM	PART NUMBER	QTY	DESCRIPTION	REV
	1001157398	Ref	DRIVE HYDRAULIC DIAGRAM - 2WD (SN 0300182743 through 0300196954, SN B300001092 through B300001096)	D
1	2110404	2	Fitting, Straight	
2	2110406	3	Fitting, Straight	
3	2110408	3	Fitting, Straight	
4	2110808	2	Fitting, Straight	
5	2110606	3	Fitting, Straight	
6	2110812	1	Fitting, Straight	
7	2221084	1	Fitting, Tee	
8	2111212	6	Fitting, Straight	
9	2111616	3	Fitting, Straight	
10	2112020	1	Fitting, Straight	
11	2130404	3	Fitting, Elbow	
12	2130606	1	Fitting, Tee	
13	2151616	1	Fitting, Elbow	
14	2131012	1	Fitting, Elbow	
15	2130808	1	Fitting, Elbow	
16	2220550	1	Fitting, Reducer	
17	2754243	1	Hose	
18	2150406	1	Fitting, Elbow	
20	2754242	1	Hose	
21	2170508	1	Fitting, Tee	
22	2170504	2	Fitting, Tee	
23	2221183	1	Fitting, Reducer	
24	2221088	1	Fitting, Tee	
26	2220237	1	Fitting, Plug	
27	2753688	2	Hose	
28	2170412	1	Fitting, Tee	
30	1001159854	2	Hose	
31	2170204	1	Fitting, Elbow	
32	2754401	2	Hose	
33	2753540	2	Hose	
34	2753725	2	Hose	
35	3753550	1	Hose	
36	2754240	2	Hose	
38	2753622	1	Hose	
39	2753635	1	Hose	
40	2753685	1	Hose	
41	1001095307	2	Hose	
42	2753768	1	Hose	
43	1001095308	1	Hose	
44	2753664	1	Hose	
45	1001157866	1	Hose	
46	2753667	2	Hose	
47	2753685	1	Hose	
48	2131616	2	Fitting, Elbow	
49	2131212	1	Fitting, Elbow	
50	2220811	1	Fitting, Straight	
51	2110810	1	Fitting, Straight	

SECTION 6 - HYDRAULIC

ITEM	PART NUMBER	QTY	DESCRIPTION	REV
52	2111016	1	Fitting, Straight	
53	2132016	1	Fitting, Elbow	
54	2220238	1	Plug	
55	2170708	1	Fitting, Tee	

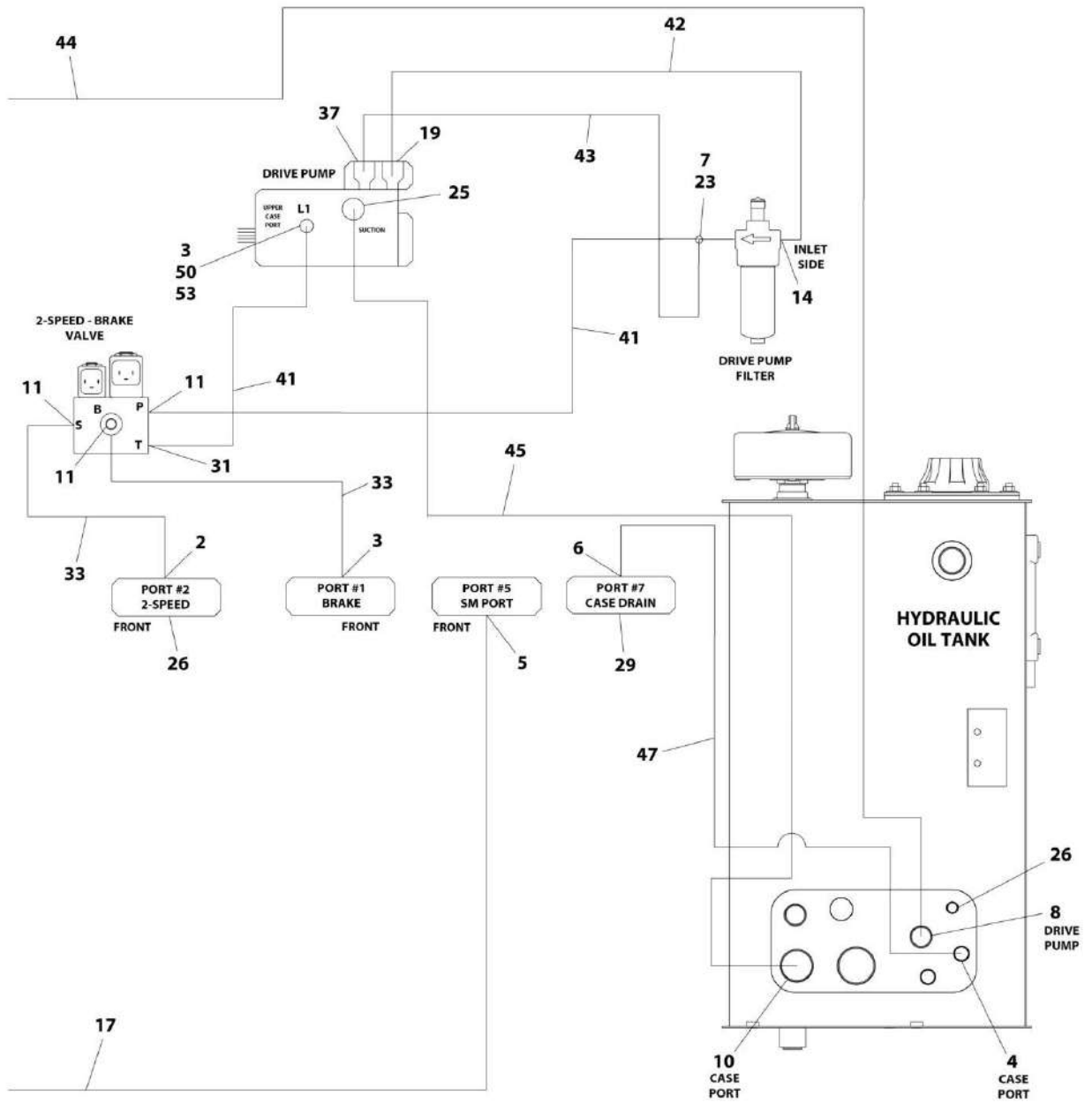
SECTION 6 - HYDRAULIC

FIGURE 6-3. DRIVE HYDRAULIC DIAGRAM - 2WD (SN 0300196955 to Present, SN B300001097 to Present)



ART_1001178218_10F2

SECTION 6 - HYDRAULIC



ART_1001178218_20F2

SECTION 6 - HYDRAULIC

FIGURE 6-3. DRIVE HYDRAULIC DIAGRAM - 2WD (SN 0300196955 to Present, SN B300001097 to Present)

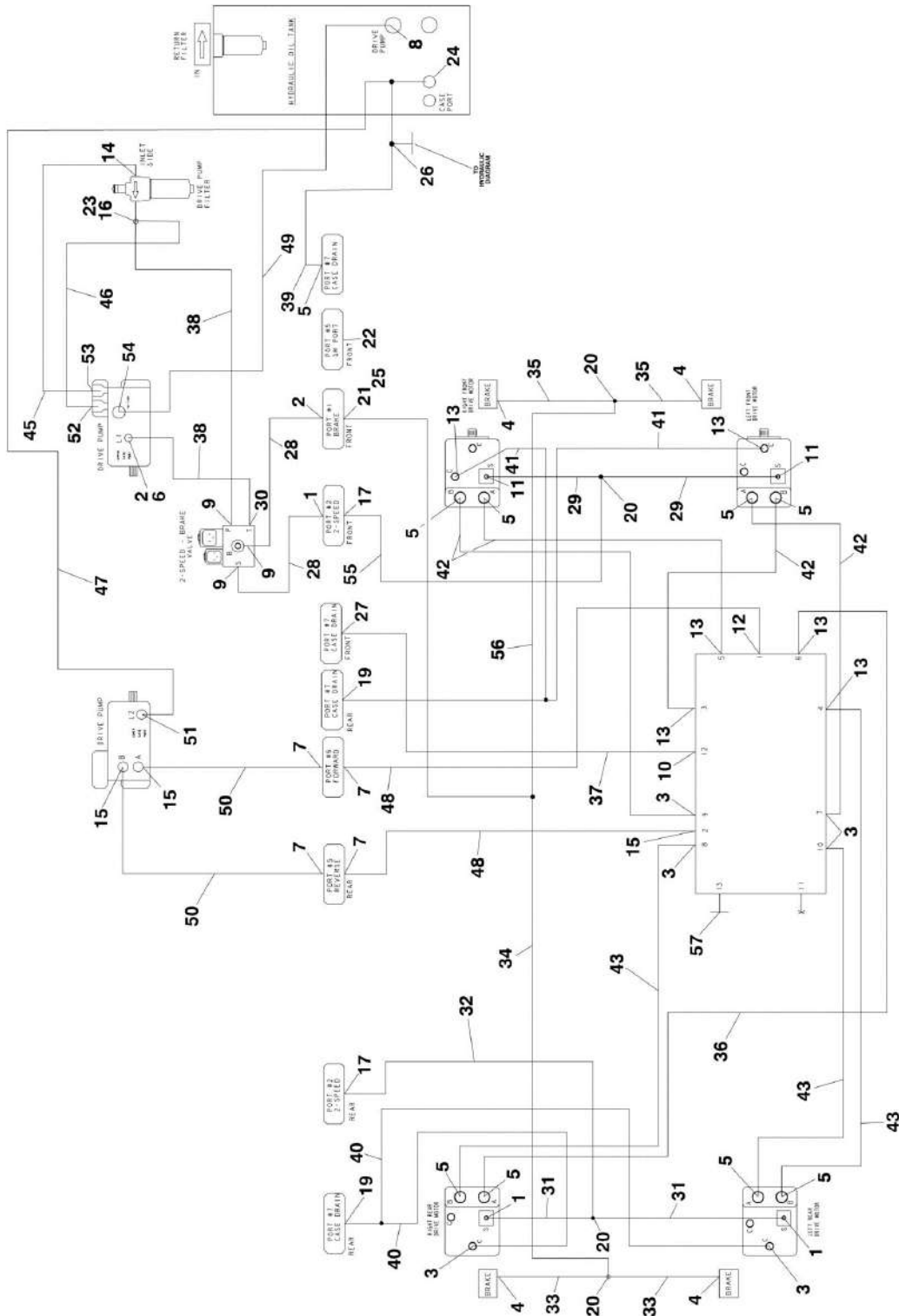
ITEM	PART NUMBER	QTY	DESCRIPTION	REV
	1001178218	Ref	DRIVE HYDRAULIC DIAGRAM - 2WD (SN 0300196955 to Present, SN B300001097 to Present)	E
1	2110404	2	Fitting, Straight	
2	2110406	3	Fitting, Straight	
3	2110408	2	Fitting, Straight	
4	2110808	2	Fitting, Straight	
5	2110606	3	Fitting, Straight	
6	2110812	1	Fitting, Straight	
7	2221084	1	Fitting, Tee (SN 0300182743 through 0300213729)	
7	1001198337	1	Fitting, Tee (SN 0300213730 to Present)	
7	2221084	1	Fitting, Tee (SN B300001092 through B300001452)	
7	1001198337	1	Fitting, Tee (SN B300001453 to Present)	
8	2111212	6	Fitting, Straight	
9	2111616	3	Fitting, Straight	
10	2112020	1	Fitting, Straight	
11	2130404	3	Fitting, Elbow	
12	2130606	1	Fitting, Tee	
13	2151616	1	Fitting, Elbow	
14	2131012	1	Fitting, Elbow	
15	2130808	1	Fitting, Elbow	
16	2220550	1	Fitting, Reducer (SN 0300182743 through 0300213729)	
16	1001199395	1	Fitting, Reducer (SN 0300213730 to Present)	
16	2220550	1	Fitting, Reducer (SN B300001092 through B300001452)	
16	1001199395	1	Fitting, Reducer (SN B300001453 to Present)	
17	2754243	1	Hose	
18	2150406	1	Fitting, Elbow	
19	2111016	1	Fitting, Straight	
20	2754242	1	Hose	
21	2170508	1	Fitting, Tee (SN 0300182743 through 0300213729)	
21	2170508	1	Fitting, Tee (SN B300001092 through B300001452)	
22	2170504	AR	Fitting, Tee	
23	2221183	1	Fitting, Reducer (SN 0300182743 through 0300213729)	
23	2221183	1	Fitting, Reducer (SN B300001092 through B300001452)	
25	2132016	1	Fitting, Elbow	
26	2220237	2	Fitting, Plug	
27	2753688	2	Hose	
28	2170412	1	Fitting, Tee (SN 0300182743 through 0300213729)	
28	2170412	1	Fitting, Tee (SN B300001092 through B300001452)	
29	2220238	1	Plug	
30	1001159854	2	Hose	
31	2170204	1	Fitting, Elbow	
32	2754401	2	Hose (SN 0300182743 through 0300213729)	
32	2754401	1	Hose (SN B300001092 through B300001452)	
33	2753540	2	Hose	
34	2753725	2	Hose (SN 0300182743 through 0300245235)	
34	2754337	2	Hose (SN 0300245236 to Present)	
34	2753725	2	Hose (SN 0300182743 through 0300245235)	
34	2754337	2	Hose (SN 0300245236 to Present)	
35	2753550	1	Hose (SN 0300182743 through 0300213729)	

SECTION 6 - HYDRAULIC

ITEM	PART NUMBER	QTY	DESCRIPTION	REV
35	2753550	1	Hose (SN B300001092 through B300001452)	
36	2754240	2	Hose (SN 0300182743 through 0300213729)	
36	2754240	1	Hose (SN B300001092 through B300001452)	
37	2110810	1	Fitting, Straight	
38	2753622	1	Hose	
39	2753635	1	Hose	
40	2753685	1	Hose (SN 0300182743 through 0300213729)	
40	2753685	1	Hose (SN B300001092 through B300001452)	
41	1001095307	2	Hose (SN 0300182743 through 0300213729)	
41	2753555	2	Hose (SN 0300213730 to Present)	
41	1001095307	2	Hose (SN B300001092 through B300001452)	
41	2753555	2	Hose (SN B300001453 to Present)	
42	2753768	1	Hose	
43	1001095308	1	Hose	
44	2753699	1	Hose	
45	1001157866	1	Hose	
46	2753667	2	Hose	
47	2753685	1	Hose	
48	2131616	2	Fitting, Elbow	
49	2131212	1	Fitting, Elbow	
50	2220811	1	Fitting, Straight (SN 0300182743 through 0300213729)	
50	2110408	1	Fitting, Straight (SN 0300182743 through 0300213729)	
50	2220811	1	Fitting, Straight (SN B300001092 through B300001452)	
50	2110408	1	Fitting, Straight (SN B300001092 through B300001452)	
51	1001198340	1	Hose with Crimped Tee (SN 0300213730 to Present)	
51	1001198340	1	Hose with Crimped Tee (SN B300001453 to Present)	
52	1001198334	1	Hose with Crimped Tee (SN 0300213730 to Present)	
52	1001198334	1	Hose with Crimped Tee (SN B300001453 to Present)	
53	1001199396	1	Fitting, 90 (SN 0300213730 to Present)	
53	1001199396	1	Fitting, 90 (SN B300001453 to Present)	

SECTION 6 - HYDRAULIC

FIGURE 6-4. DRIVE HYDRAULIC DIAGRAM - 4WD (SN 0300182743 through 0300196954, SN B300001092 through B300001096)



SECTION 6 - HYDRAULIC

FIGURE 6-4. DRIVE HYDRAULIC DIAGRAM - 4WD (SN 0300182743 through 0300196954, SN B300001092 through B300001096)

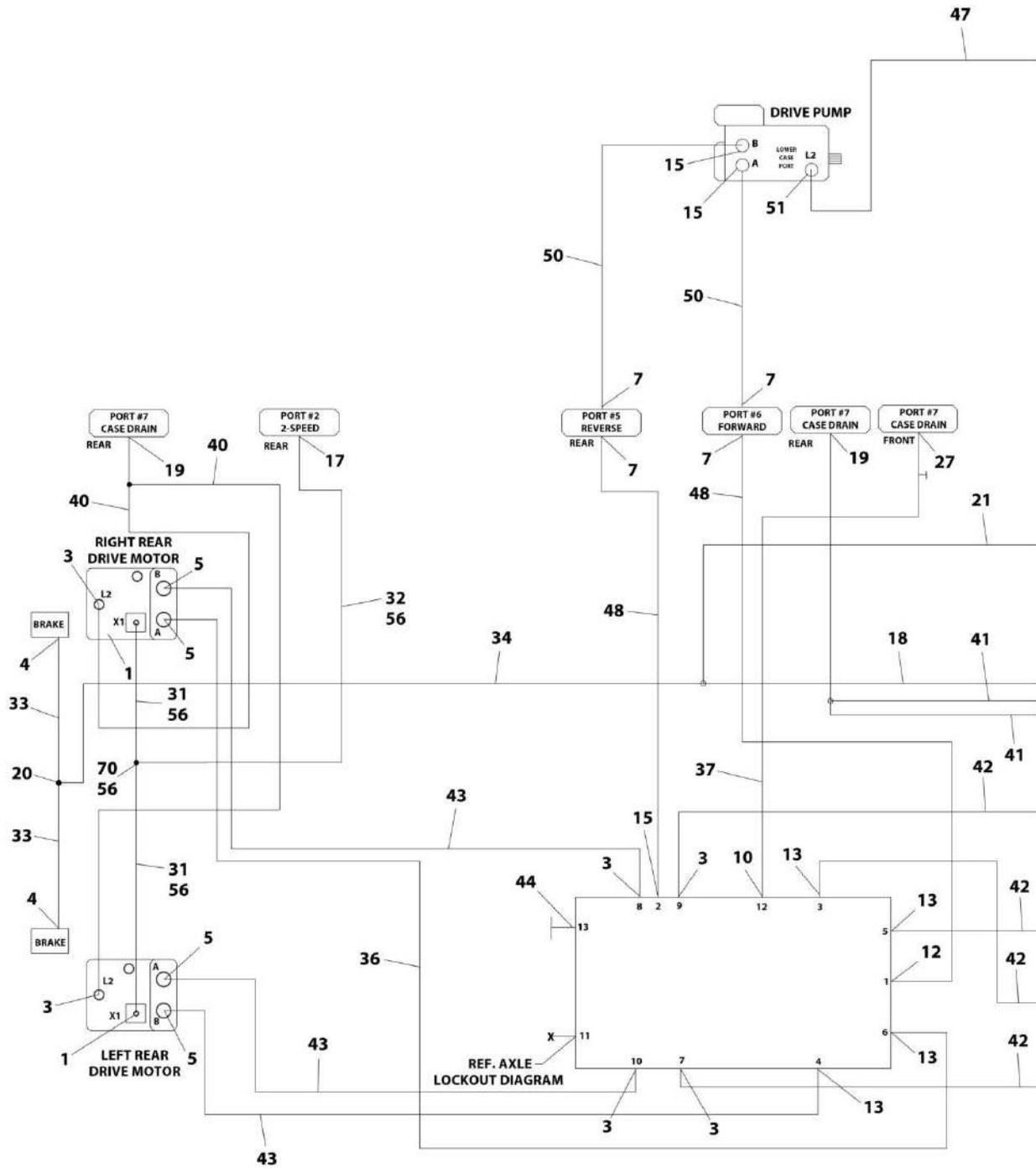
ITEM	PART NUMBER	QTY	DESCRIPTION	REV
		Ref	DRIVE HYDRAULIC DIAGRAM - 4WD (SN 0300182743 through 0300196954, SN B300001092 through B300001096)	
	1001157399	Ref	Without Arctic Package	D
	1001157402	Ref	With Arctic Package	D
1	2110406	3	Fitting, Straight	
2	2110408	2	Fitting, Straight	
3	2110808	6	Fitting, Straight	
4	2110404	4	Fitting, Straight	
5	2110812	9	Fitting, Straight	
6	2220811	1	Fitting, Reducer	
7	2111616	4	Fitting, Straight	
8	2112020	1	Fitting, Straight	
9	2130404	3	Fitting, Elbow	
10	2130604	1	Fitting, Elbow	
11	2130406	2	Fitting, Elbow	
12	2151616	1	Fitting, Elbow	
13	2130808	6	Fitting, Elbow	
14		Ref	Fitting, Elbow Options:	
14	2131012	1	Without Arctic Package	
14	2131008	1	With Arctic Package	
15	2131616	3	Fitting, Elbow	
16		Ref	Fitting, Tee Options:	
16	2221084	1	Without Arctic Package	
16	2170308	1	With Arctic Package	
17	2150406	2	Fitting, Elbow	
19	2170408	2	Fitting, Tee	
20	2170504	4	Fitting, Tee	
21	2170350	1	Fitting, Tee	
22	2220237	1	Fitting, Plug	
23	2221183	1	Fitting, Reducer	
24	2221088	1	Fitting, Tee	
25	2220591	1	Fitting, Reducer	
26	2170708	1	Fitting, Tee	
27	2130606	1	Fitting, Elbow	
28	2753540	2	Hose	
29		Ref	Hose Options:	
29	2754678	2	Without Arctic Package	
29	1001159294	2	With Arctic Package	
30	2130204	1	Fitting, Elbow	
31	2754401	2	Hose	
32	2753550	1	Hose	
33	2754337	2	Hose	
34	2753622	1	Hose	
35		Ref	Hose Options:	
35	2754512	2	Without Arctic Package	
35	1001106957	2	With Arctic Package	
36	2754338	1	Hose	
37	2753626	1	Hose	
38	1001095307	2	Hose	

SECTION 6 - HYDRAULIC

ITEM	PART NUMBER	QTY	DESCRIPTION	REV
39	2753685	1	Hose	
40	2753686	2	Hose	
41		Ref	Hose Options:	
41	2753628	2	Without Arctic Package	
41	2754720	2	With Arctic Package	
42		Ref	Hose Options:	
42	2753970	4	Without Arctic Package	
42	2754743	4	With Arctic Package	
43	2753971	3	Hose	
45	2753768	1	Hose	
46	1001095308	1	Hose	
47	2753664	1	Hose	
48	2753634	2	Hose	
49	1001157866	1	Hose	
50	2753667	2	Hose	
51	2131212	1	Fitting, Elbow	
52	2110810	1	Fitting, Straight	
53	2111016	1	Fitting, Straight	
54	2132016	1	Fitting, Elbow	
55	2753940	1	Hose	
56	2753942	1	Hose	
57	2220238	1	Plug	

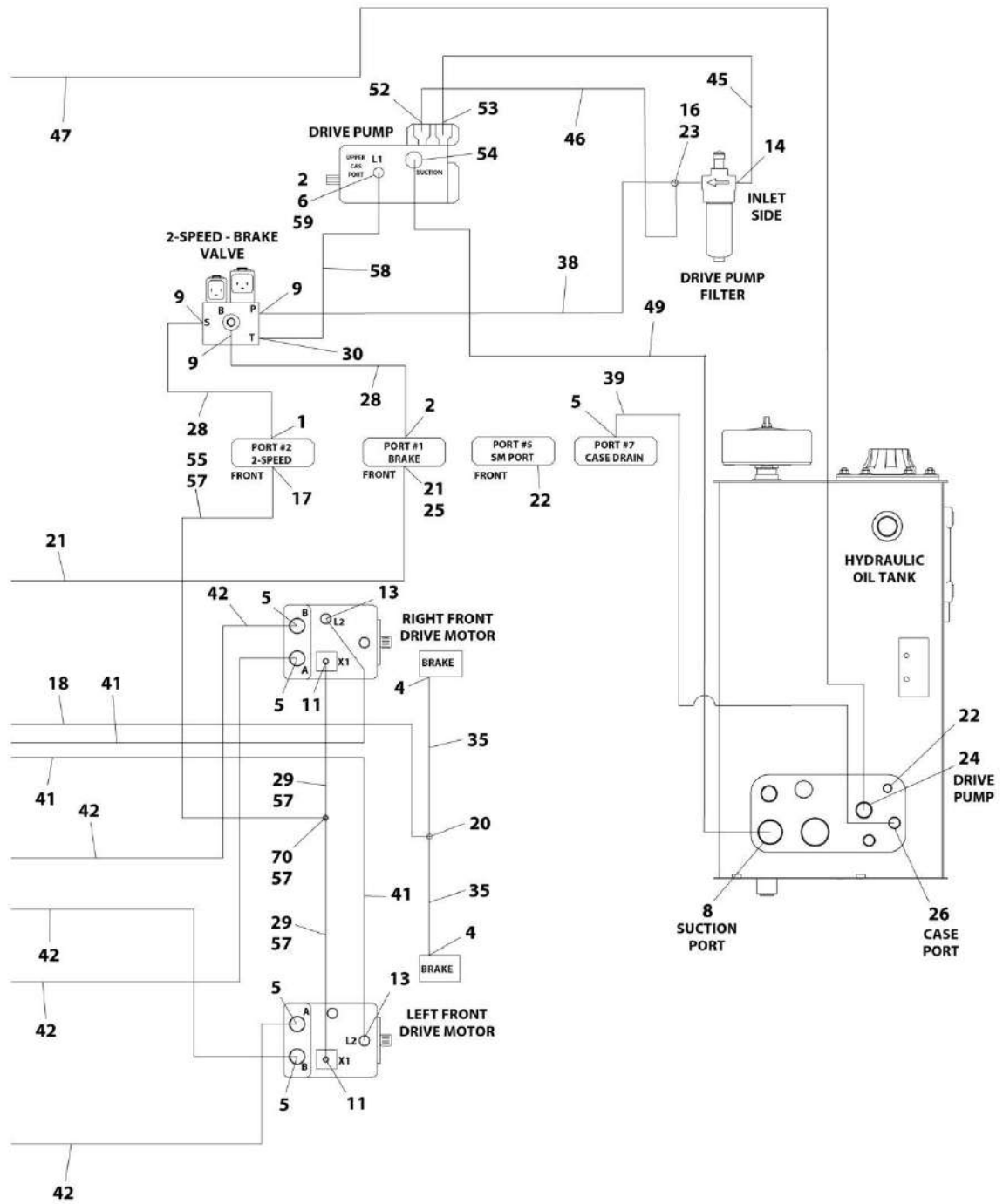
SECTION 6 - HYDRAULIC

FIGURE 6-5. DRIVE HYDRAULIC DIAGRAM - 4WD (SN 0300196955 to Present, SN B300001097 to Present)



ART_1001178219_10F2

SECTION 6 - HYDRAULIC



ART_1001178219_2OF2

SECTION 6 - HYDRAULIC

FIGURE 6-5. DRIVE HYDRAULIC DIAGRAM - 4WD (SN 0300196955 to Present, SN B300001097 to Present)

ITEM	PART NUMBER	QTY	DESCRIPTION	REV
		Ref	DRIVE HYDRAULIC DIAGRAM - 4WD (SN 0300196955 to Present, SN B300001097 to Present)	
	1001178219	Ref	Drive Hydraulic Diagram Without Arctic Package	D
	1001178220	Ref	Drive Hydraulic Diagram With Arctic Package	E
1	2110406	3	Fitting, Straight	
2	2110408	AR	Fitting, Straight	
3	2110808	6	Fitting, Straight	
4	2110404	4	Fitting, Straight	
5	2110812	9	Fitting, Straight	
6	2220811	1	Fitting, Reducer (SN 0300182743 through 0300213729)	
6	2220811	1	Fitting, Reducer (SN B300001092 through B300001452)	
7	2111616	4	Fitting, Straight	
8	2112020	1	Fitting, Straight	
9	2130404	3	Fitting, Elbow	
10	2130604	1	Fitting, Elbow	
11	2130406	2	Fitting, Elbow	
12	2151616	1	Fitting, Elbow	
13	2130808	6	Fitting, Elbow	
14	2131012	1	Fitting, 90	
15	2131616	3	Fitting, Elbow	
16	2221084	1	Fitting, Tee (Without Arctic Package) (SN 0300182743 through 0300213729)	
16	2170308	1	Fitting, Tee (With Arctic Package) (SN 0300182743 through 0300213729)	
16	1001198337	1	Fitting, Tee (SN 0300213730 to Present)	
16	2221084	1	Fitting, Tee (Without Arctic Package) (SN B30000192 through B300001452)	
16	2170308	1	Fitting, Tee (With Arctic Package) (SN B300001092 through B300001452)	
16	1001198337	1	Fitting, Tee (SN B300001453 to Present)	
17	2150406	2	Fitting, Elbow	
18	2753542	1	Hose	
19	2170408	2	Fitting, Tee	
20	2170504	2	Fitting, Tee	
21	2170350	1	Fitting, Tee (SN 0300182743 through 0300213729)	
21	1001198338	1	Fitting, Tee (SN 0300213730 to Present)	
21	2170350	1	Fitting, Tee (SN B300001092 through B300001452)	
21	1001198338	1	Fitting, Tee (SN B300001453 to Present)	
22	2220237	1	Fitting, Plug	
23	2221183	1	Fitting, Reducer (SN 0300182743 through 0300213729)	
23	2221183	1	Fitting, Reducer (SN B300001092 through B300001452)	
24	2111212	1	Fitting, Straight	
25	2220591	1	Fitting, Reducer (SN 0300182743 through 0300213729)	
25	2220591	1	Fitting, Reducer (SN B300001092 through B300001452)	
26	2110808	1	Fitting, Straight	
27	2130606	1	Fitting, Elbow	
28	2753540	2	Hose	
29	2754678	2	Hose (Without Arctic Package) (SN 0300182743 through 0300213729)	
29	2754678	1	Hose (Without Arctic Package) (SN B300001092 through	

SECTION 6 - HYDRAULIC

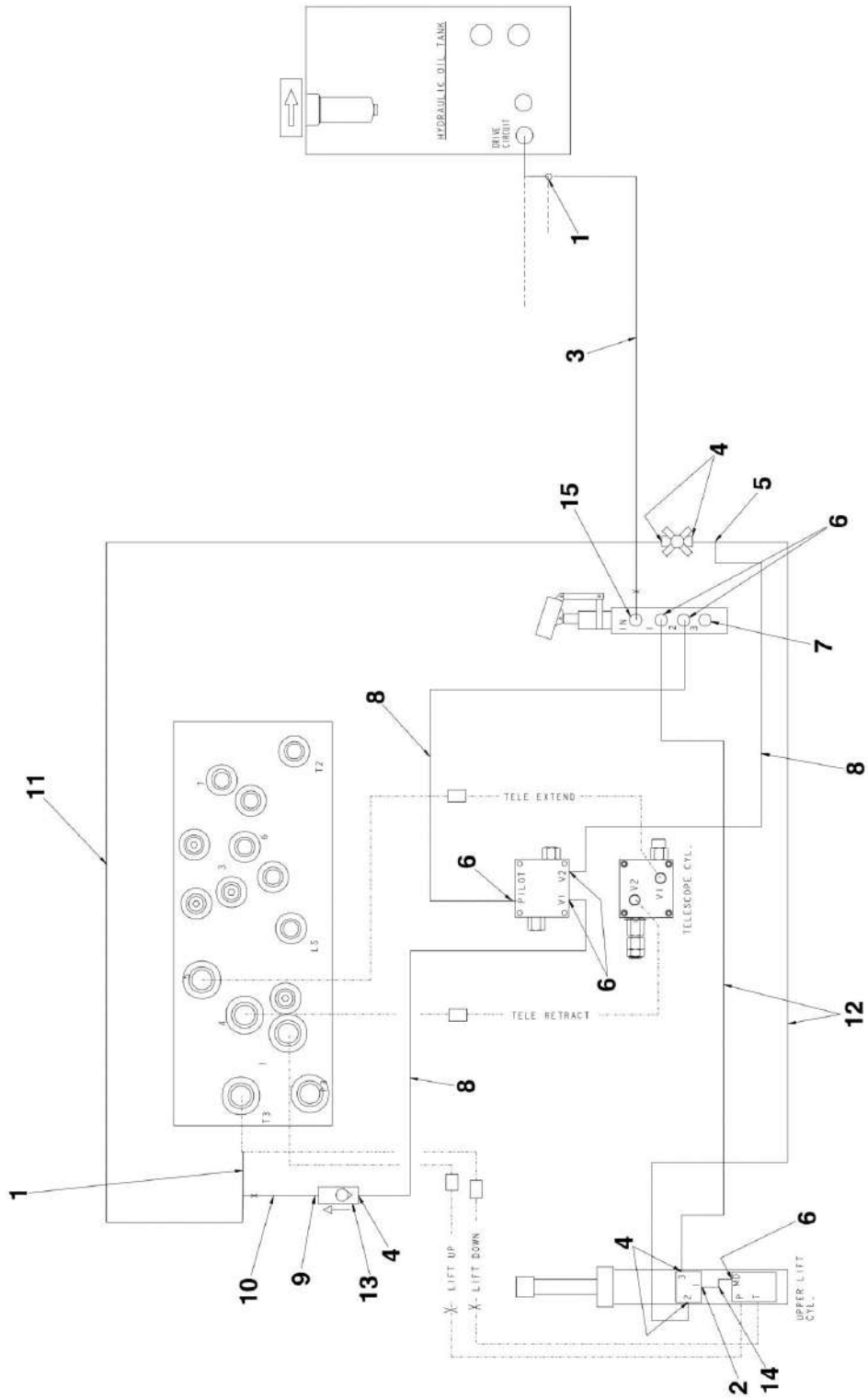
ITEM	PART NUMBER	QTY	DESCRIPTION	REV
			B300001452)	
29	1001159294	2	Hose (With Arctic Package) (SN 0300182743 through 0300213729)	
29	1001159294	1	Hose (With Arctic Package) (SN B300001092 through B300001452)	
30	2130204	1	Fitting, Elbow	
31	2754401	2	Hose (SN 0300182743 through 0300213729)	
31	2754401	1	Hose (SN B300001092 through B300001452)	
32	2753550	1	Hose (SN 0300182743 through 0300213729)	
32	2753550	1	Hose (SN B300001092 through B300001452)	
33	2754337	2	Hose	
34	2753622	1	Hose	
35	2754512	2	Hose (Without Arctic Package)	
35	1001106957	2	Hose (With Arctic Package)	
36	2754338	1	Hose	
37	2753626	1	Hose	
38	1001095307	1	Hose	
39	2753685	1	Hose	
40	2753686	2	Hose	
41	2753628	2	Hose (Without Arctic Package)	
41	2754720	2	Hose (With Arctic Package)	
42	2753970	4	Hose (Without Arctic Package)	
42	2754743	4	Hose (With Arctic Package)	
43	2753971	3	Hose	
44	2220238	1	Plug	
45	2753768	1	Hose	
46	1001095308	1	Hose	
47	2753699	1	Hose	
48	2753634	2	Hose	
49	1001157866	1	Hose	
50	2753667	2	Hose	
51	2131212	1	Fitting, Elbow	
52	2110810	1	Fitting, Straight	
53	2111016	1	Fitting, Straight	
54	2132016	1	Fitting, Elbow	
55	2753940	1	Hose (SN 0300182743 through 0300213729)	
55	2753940	1	Hose (SN B300001092 through B300001452)	
56	1001198340	1	Hose with Crimped Tee (SN 0300213730 to Present)	
56	1001198340	1	Hose with Crimped Tee (SN B300001453 to Present)	
57	1001198341	1	Hose with Crimped Tee (Without Arctic Package) (SN 0300213730 to Present)	
57	1001204269	1	Hose with Crimped Tee (Without Arctic Package) (SN B300001453 to Present)	
57	1001198341	1	Hose with Crimped Tee (With Arctic Package) (SN 0300213730 to Present)	
57	1001204269	1	Hose with Crimped Tee (Without Arctic Package) (SN B300001453 to Present)	
58	1001095307	1	Hose (SN 0300182743 through 0300213729)	
58	2753555	1	Hose (SN 0300213730 to Present)	
58	1001095307	1	Hose (SN B300001092 through B300001452)	
58	2753555	1	Hose (SN B300001453 to Present)	
59	1001199396	1	Fitting, 90 (SN 0300213730 to Present)	
59	1001199396	1	Fitting, 90 (SN B300001453 to Present)	

SECTION 6 - HYDRAULIC

ITEM	PART NUMBER	QTY	DESCRIPTION	REV
70	2170504	2	Fitting, Tee (SN 0300182743 through 0300213729)	
70	2170504	2	Fitting, Tee (SN B300001092 through B300001452)	

SECTION 6 - HYDRAULIC

FIGURE 6-6. MANUAL DESCENT HYDRAULIC DIAGRAM (OPTIONAL)



SECTION 6 - HYDRAULIC

FIGURE 6-6. MANUAL DESCENT HYDRAULIC DIAGRAM (OPTIONAL)

ITEM	PART NUMBER	QTY	DESCRIPTION	REV
	2792597	Ref	MANUAL DESCENT HYDRAULIC DIAGRAM	A
1	2170708	2	Fitting, Tee	
2	2110406	1	Fitting	
3	2753578	1	Hose	
4	2130406	5	Fitting, Elbow	
5	2170804	1	Fitting, Tee	
6	2130404	6	Fitting, Elbow	
7	2220235	1	Fitting, Plug	
8	2753678	3	Hose	
9	2170306	1	Fitting, Tee	
10	2753895	1	Hose	
11	2753896	1	Hose	
12	2753897	2	Hose	
13	4640774	1	Valve, Check	
14	4568708	1	Tube	
15	2110604	1	Fitting	

SECTION 6 - HYDRAULIC

FIGURE 6-7. STANDARD HYDRAULIC DIAGRAM (SN 0300182743 through 0300190436)

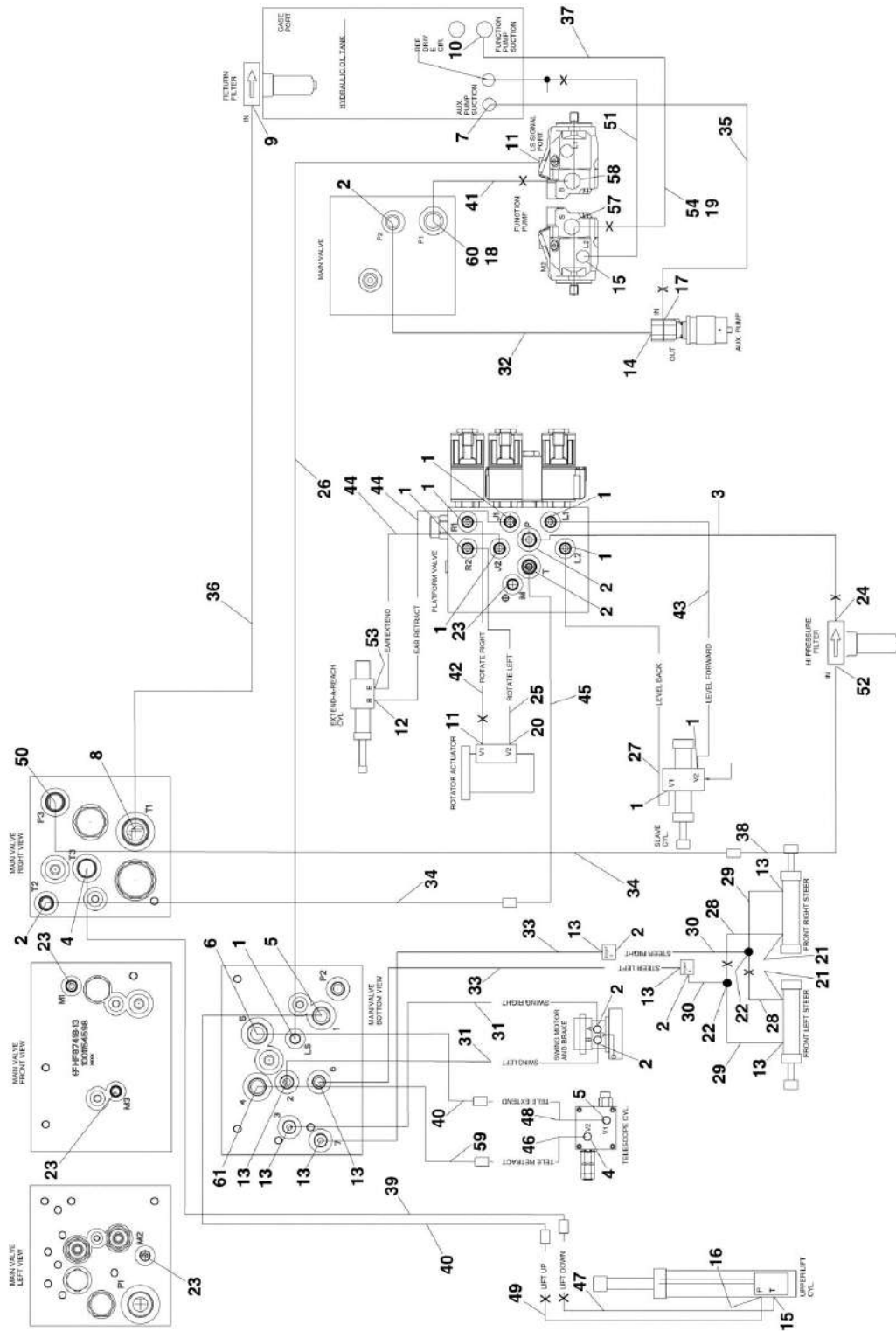
ITEM	PART NUMBER	QTY	DESCRIPTION	REV
		Ref	STANDARD HYDRAULIC DIAGRAM	
	1001157396	Ref	Standard Hydraulic Diagram 800S/680S	D
	1001157397	Ref	Standard Hydraulic Diagram 860SJ	D
1	2110404	AR	Fitting, Straight	
2	2110606	12	Fitting, Straight	
3	2717059	1	Hose	
4	2110808	3	Fitting, Straight	
5	2111008	2	Fitting, Straight	
6	2111010	1	Fitting, Straight	
7	2151212	1	Fitting, Elbow	
7	2111212	1	Fitting, Straight	
8	2111612	1	Fitting, Elbow	
9	2111616	1	Fitting, Straight	
10	2112424	1	Fitting, Straight	
11	2130404	1	Fitting, Elbow	
12		Ref	Fitting, Elbow Options:	
12	Not Required	0	Fitting, Elbow 800S	
12	2130406	1	Fitting, Elbow 860SJ	
13	2130606	4	Fitting, Elbow	
14	2130608	1	Fitting, Elbow	
15	2130810	1	Fitting, Elbow	
16	2131010	1	Fitting, Elbow	
17	2111208	1	Fitting, Straight	
18	2131212	1	Fitting, Elbow	
19	4240018	3	Tie-Strap	
20	2150404	1	Fitting, Elbow	
21	2110606	2	Fitting, Straight	
22	2170506	2	Fitting, Tee	
23	2221086	AR	Fitting, Pressure Check	
24	2110612	1	Fitting, Straight	
25	2753545	1	Hose	
26	2753622	1	Hose	
27		Ref	Hose Options:	
27	2753622	1	Hose 800S	
27	2753677	1	Hose 860SJ	
28	1001159340	2	Hose	
29	2753656	2	Hose	
30	2753632	2	Hose	
31	2753653	2	Hose	
32	2753654	1	Hose	
33	2753656	2	Hose	
34	2753657	2	Hose	
35	1001111968	1	Hose	
36	2753665	1	Hose	
37	1001157851	1	Hose	
38		Ref	Hose Options:	
38	2753693	1	Hose 800S	
38	2753692	1	Hose 860SJ	
39	2753670	2	Hose	
40	2753671	2	Hose	

SECTION 6 - HYDRAULIC

ITEM	PART NUMBER	QTY	DESCRIPTION	REV
41	1001157852	1	Hose	
42	2753674	1	Hose	
43		Ref	Hose Options:	
43	2753675	1	Hose 800S	
43	2753678	1	Hose 860SJ	
44		Ref	Hose Options:	
44	Not Required	0	Hose 800S	
44	2753676	2	Hose 860SJ	
45		Ref	Hose Options:	
45	2753679	1	Hose 800S	
45	2753680	1	Hose 860SJ	
46	2753681	1	Hose	
47	2753682	1	Hose	
48	2753683	1	Hose	
49	2753684	1	Hose	
50	2110608	1	Fitting, Straight	
51	2753590	1	Hose	
52	2130612	1	Fitting, Elbow	
53		Ref	Fitting, Elbow Options:	
53	Not Required	0	Fitting, Elbow 800S	
53	2180829	1	Fitting, Elbow 860SJ	
54	4061032	1	Hose Guard	
57	2220737	1	Split Flange Kit	
58	2220478	1	Split Flange Kit	

SECTION 6 - HYDRAULIC

FIGURE 6-8. STANDARD HYDRAULIC DIAGRAM (SN 0300190437 through 0300196954, SN B300001092 through B300001096)



SECTION 6 - HYDRAULIC

FIGURE 6-8. STANDARD HYDRAULIC DIAGRAM (SN 0300190437 through 0300196954, SN B300001092 through B300001096)

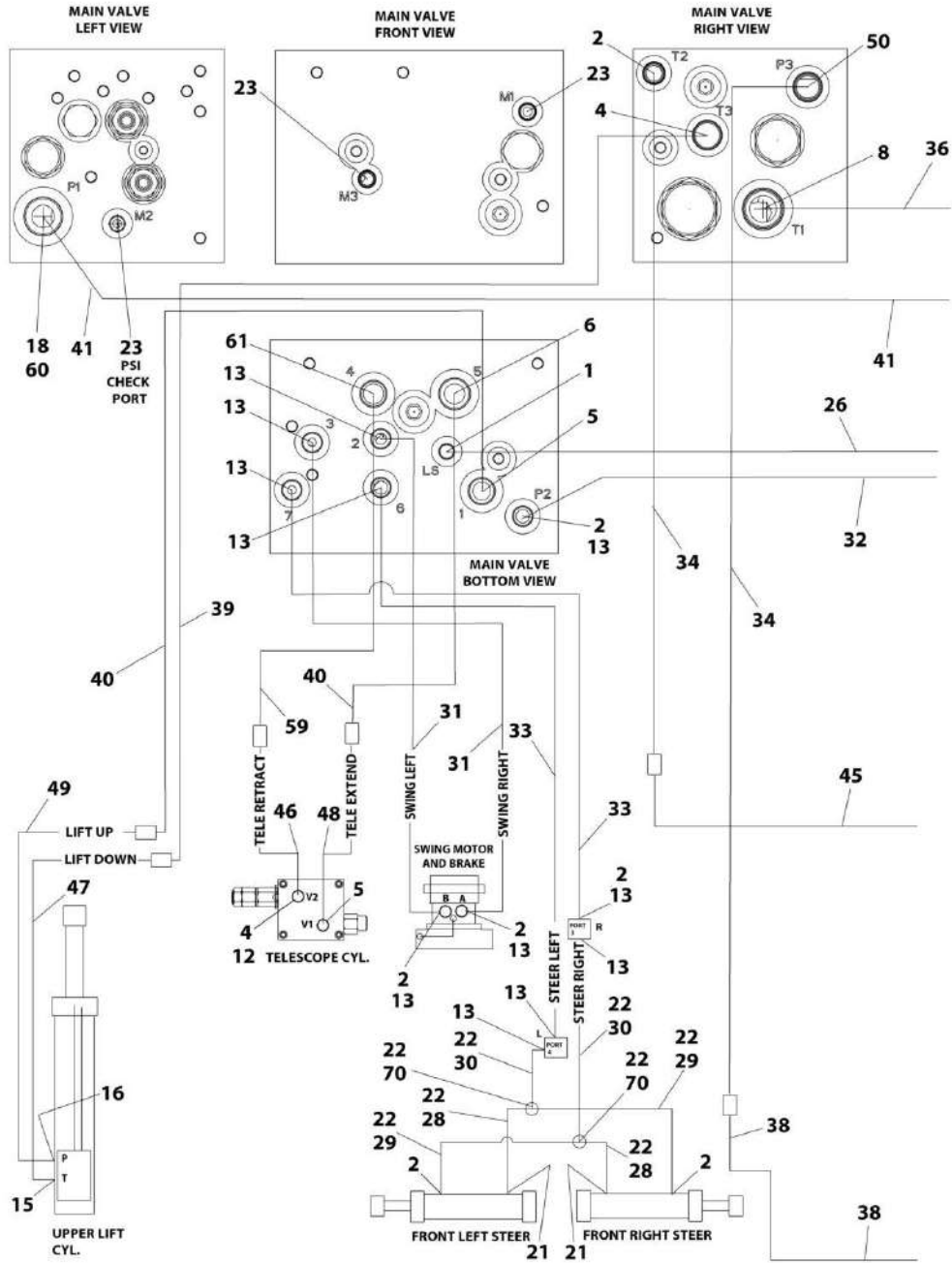
ITEM	PART NUMBER	QTY	DESCRIPTION	REV
		Ref	STANDARD HYDRAULIC DIAGRAM	
	1001167276	Ref	Standard Hydraulic Diagram 800S/680S	F
	1001167277	Ref	Standard Hydraulic Diagram 860SJ	E
1	2110404	AR	Fitting, Straight	
2	2110606	8	Fitting, Straight	
3	2717059	1	Hose	
4	2170208	2	Fitting, Straight	
5	2111008	2	Fitting, Straight	
6	2111010	1	Fitting, Straight	
7	2111212	1	Fitting, Straight	
8	88662327	1	Fitting, Straight	
9	2111616	1	Fitting, Straight	
10	2112424	1	Fitting, Straight	
11	2130404	2	Fitting, Elbow	
12		Ref	Fitting, Elbow Options :	
12	Not Required	0	Fitting, Elbow 800S	
12	2130406	1	Fitting, Elbow 860SJ	
13	2130606	8	Fitting, Elbow	
14	2130608	1	Fitting, Elbow	
15	2130810	2	Fitting, Elbow	
16	2131010	1	Fitting, Elbow	
17	2111208	1	Fitting, Straight	
18	2111212	1	Fitting, Straight	
19	4240018	3	Tie-Strap	
20	2150404	1	Fitting, Elbow	
21	2110606	2	Fitting, Straight	
22	2170506	2	Fitting, Tee	
23	2221086	AR	Fitting, Pressure Check	
24	2110612	1	Fitting, Straight	
25	2753545	1	Hose	
26	2753622	1	Hose	
27		Ref	Hose Options:	
27	2753622	1	Hose 800S	
27	2753677	1	Hose 860SJ	
28	1001159340	2	Hose	
29	2753656	2	Hose	
30	2753732	2	Hose	
31	2753653	2	Hose	
32	2753654	1	Hose	
33	2753656	2	Hose	
34	1001167194	2	Hose	
35	1001111968	1	Hose	
36	1001177226	1	Hose	
37	1001157851	1	Hose	
38		Ref	Hose Options:	
38	2753693	1	Hose 800S	
38	2753692	1	Hose 860SJ	
39	2753670	1	Hose	
40	2753671	2	Hose	

SECTION 6 - HYDRAULIC

ITEM	PART NUMBER	QTY	DESCRIPTION	REV
41	1001157852	1	Hose (SN 0300190437 through 0300195666)	
41	1001181894	1	Hose (SN 0300195667 through 0300196954)	
41	1001181894	1	Hose (SN B300001092 through B300001096)	
42	2753674	1	Hose	
43		Ref	Hose Options:	
43	2753675	1	Hose 800S	
43	2753678	1	Hose 860SJ	
44		Ref	Hose Options:	
44	Not Required	0	Hose 800S	
44	2753676	2	Hose 860SJ	
45		Ref	Hose Options:	
45	2753679	1	Hose 800S	
45	2753680	1	Hose 860SJ	
46	2753681	1	Hose	
47	2753682	1	Hose	
48	2753686	1	Hose	
49	2753684	1	Hose	
50	2110608	1	Fitting, Straight	
51	2753590	1	Hose	
52	2130612	1	Fitting, Elbow	
53		Ref	Fitting, Elbow Options:	
53	Not Required	0	Fitting, Elbow 800S	
53	2180829	1	Fitting, Elbow 860SJ	
54	4061032	1	Hose, Guard	
57	2220737	1	Split Flange Kit	
58	2220478	1	Split Flange Kit	
59	1001167196	1	Hose	
60	2172112	1	Fitting, 90	
61	2110808	1	Fitting, Straight	

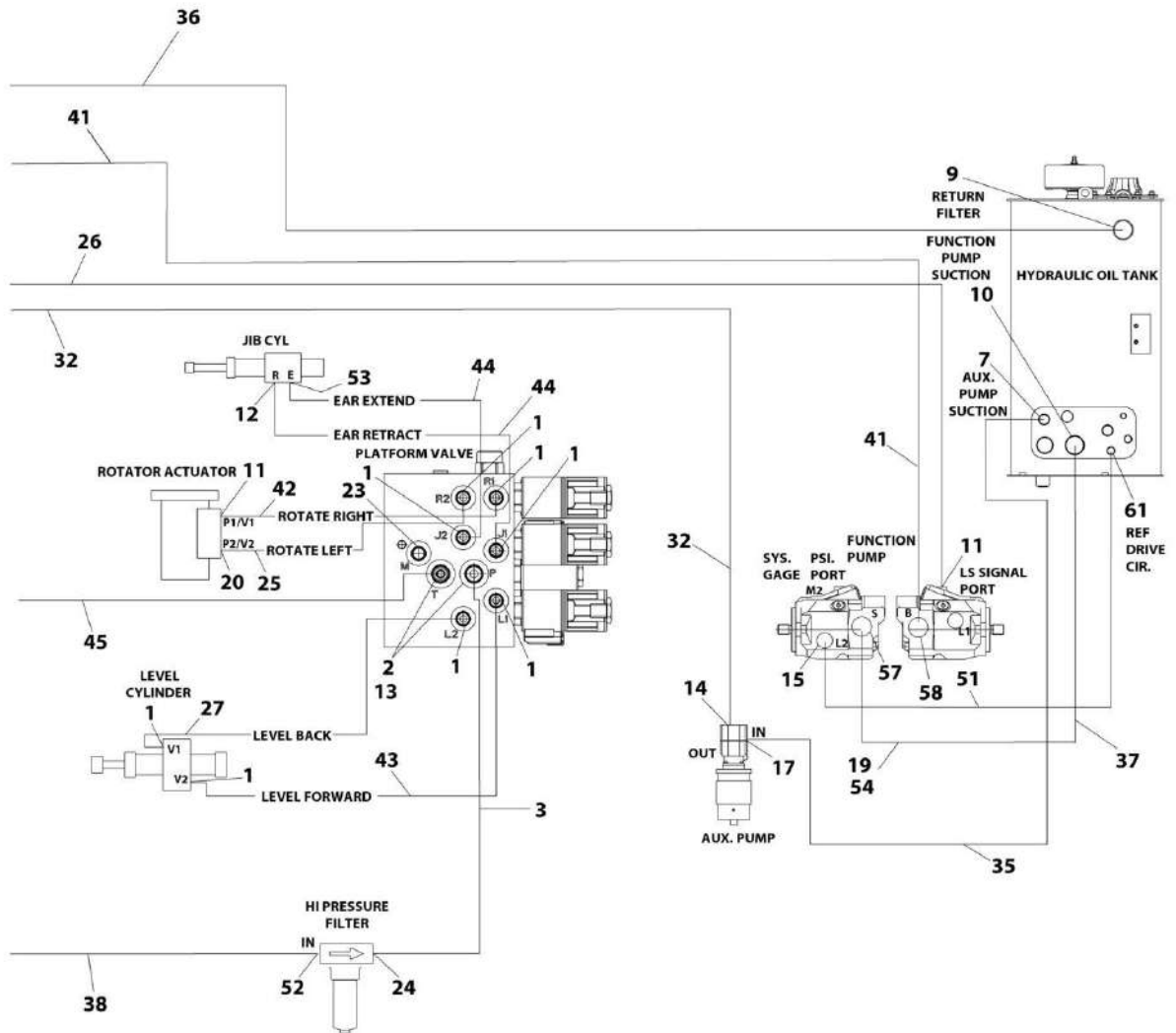
SECTION 6 - HYDRAULIC

FIGURE 6-9. STANDARD HYDRAULIC DIAGRAM (SN 0300196955 to Present, SN B300001097 to Present)



ART_1001178217_10F2

SECTION 6 - HYDRAULIC



ART_1001178217_20F2

SECTION 6 - HYDRAULIC

FIGURE 6-9. STANDARD HYDRAULIC DIAGRAM (SN 0300196955 to Present, SN B300001097 to Present)

ITEM	PART NUMBER	QTY	DESCRIPTION	REV
		Ref	STANDARD HYDRAULIC DIAGRAM	
	1001178215	Ref	Standard Hydraulic Diagram (800S/680S)	I
	1001178217	Ref	Standard Hydraulic Diagram (860SJ)	I
1	2110404	AR	Fitting, Straight	
2	2110606	AR	Fitting, Straight	
3	2717059	1	Hose	
4	2110808	AR	Fitting, Straight (SN 0300182743 through 0300213729)	
4	2170208	1	Fitting, 90 (SN 0300213730 to Present)	
4	2110808	AR	Fitting, Straight (SN B300001092 through B300001452)	
4	2170208	1	Fitting, 90 (SN B300001453 to Present)	
5	2111008	2	Fitting, Straight	
6	2111010	1	Fitting, Straight	
7	2111212	1	Fitting, Straight	
8	88662327	1	Fitting, Straight	
9	2111616	1	Fitting, Straight	
10	2112424	1	Fitting, Straight	
11	2130404	2	Fitting, Elbow	
12	2130406	AR	Fitting, Elbow (860SJ Only)	
13	2130606	AR	Fitting, Elbow	
14	2130608	1	Fitting, Elbow	
15	2130810	2	Fitting, Elbow	
16	2131010	1	Fitting, Elbow	
17	2111208	1	Fitting, Straight	
18	2111212	1	Fitting, Straight	
19	4240018	3	Tie-Strap	
20	2150404	1	Fitting, Elbow	
21	2110606	2	Fitting, Straight	
22	1001198333	2	Hose with Crimped Tee (SN 0300213730 to Present)	
22	1001198333	2	Hose with Crimped Tee (SN B300001453 to Present)	
23	2221086	AR	Fitting, Pressure Check	
24	2110612	1	Fitting, Straight	
25	2753545	1	Hose	
26	2753622	1	Hose	
27	2753622	1	Hose (800S)	
27	2753677	1	Hose (860SJ)	
28	1001159340	2	Hose (SN 0300182743 through 0300213729)	
28	1001159340	2	Hose (SN B300001092 through B300001452)	
29	2753656	2	Hose (SN 0300182743 through 0300213729)	
29	2753656	2	Hose (SN B300001092 through B300001452)	
30	2753732	2	Hose (SN 0300182743 through 0300213729)	
30	2753732	2	Hose (SN B300001092 through B300001452)	
31	2753653	2	Hose	
32	2753654	1	Hose	
33	2753656	2	Hose	
34	1001167194	2	Hose	
35	1001111968	1	Hose	
36	1001177226	1	Hose	
37	1001157851	1	Hose	
38	2753693	1	Hose (800S)	

SECTION 6 - HYDRAULIC

ITEM	PART NUMBER	QTY	DESCRIPTION	REV
38	2753692	1	Hose (860SJ)	
39	2753670	1	Hose	
40	2753671	2	Hose	
41	1001181894	1	Hose	
42	2753674	1	Hose	
43	2753675	1	Hose (800S)	
43	2753678	1	Hose (860SJ)	
44	2753676	2	Hose (860SJ Only)	
45	2753679	1	Hose (800S)	
45	2753680	1	Hose (860SJ)	
46	2753681	1	Hose	
47	2753682	1	Hose	
48	2753683	1	Hose	
49	2753684	1	Hose	
50	2110608	1	Fitting, Straight	
51	2755022	1	Hose	
52	2130612	1	Fitting, Elbow	
53	2180829	1	Fitting, Elbow (860SJ Only)	
54	4061032	1	Hose, Guard	
57	2220737	1	Split Flange Kit	
58	2220478	1	Split Flange Kit	
59	1001167196	1	Hose	
60	2172112	AR	Fitting, 90	
61	2110808	2	Fitting, Straight	
70	2170506	2	Fitting, Tee (SN 0300182743 through 0300213729)	
70	2170506	2	Fitting, Tee (SN B300001092 through B300001452)	

SECTION 6 - HYDRAULIC

FIGURE 6-10. HYDRAULIC DIAGRAM LIST

ITEM	PART NUMBER	QTY	DESCRIPTION	REV
		Ref	Note: Information on diagrams not shown are available from JLG Service/Parts Departments. See Service and Maintenance Manual for Schematics.	
	1001157400	Ref	Axle Lockout Hydraulic Diagram	
		Ref	Drive Hydraulic Diagram:	
	1001157398	Ref	2WD Machines (SN 0300182743 through 0300196954)	
	1001178218	Ref	2WD Machines (SN 0300196955 to Present)	
	1001157398	Ref	2WD Machines (SN B300001092 through B300001096)	
	1001178218	Ref	2WD Machines (SN B300001097 to Present)	
	1001157399	Ref	4WD/2WS Machines (SN 0300182743 through 0300196954)	
	1001178219	Ref	4WD/2WS Machines (SN 0300196955 to Present)	
	1001157399	Ref	4WD/2WS Machines (SN B300001092 through B300001096)	
	1001178219	Ref	4WD/2WS Machines (SN B300001097 to Present)	
	1001157402	Ref	4WD/2WS Machines with Arctic Package (SN 0300182743 through 0300196954)	
	1001178220	Ref	4WD/2WS Machines with Arctic Package (SN 0300196955 to Present)	
	1001157402	Ref	4WD/2WS Machines with Arctic Package (SN B300001092 through B300001096)	
	1001178220	Ref	4WD/2WS Machines with Arctic Package (SN B300001097 to Present)	
	2792597	Ref	Manual Descent Hydraulic Diagram (Optional)	
		Ref	Oil Cooler Hydraulic Diagrams:	
	1001158251	Ref	Deutz D2011 Engine Machines	
	1001156039	Ref	Deutz TD2.9L4 Engine Machines	
	0271939	Ref	GM Engine Machines	
	1283309	Ref	GM Engine Machines	
		Ref	Standard Hydraulic Diagram:	
	1001157396	Ref	Standard Hydraulic Diagram (800S/680S) (SN 0300182743 through 0300190436)	
	1001167276	Ref	Standard Hydraulic Diagram (800S/680S) (SN 0300190437 through 0300196954)	
	1001178215	Ref	Standard Hydraulic Diagram (800S/680S) (Separate Tow Diagram) (SN 0300196955 to Present)	
	1001217940	Ref	Standard Hydraulic Diagram (800S/680S) (Includes Tow Diagram) (SN 0300227015 to Present)	
	1001167276	Ref	Standard Hydraulic Diagram (800S) (SN B300001092 through B300001096)	
	1001178215	Ref	Standard Hydraulic Diagram (800S) (Separate Tow Diagram) (SN B300001097 to Present)	
	1001217940	Ref	Standard Hydraulic Diagram (800S) (Includes Tow Diagram) (SN B300001750 to Present)	
	1001157397	Ref	Standard Hydraulic Diagram (860SJ) (SN 0300182743 through 0300190436)	
	1001167277	Ref	Standard Hydraulic Diagram (860SJ) (SN 0300190437 through 0300196954)	
	1001178217	Ref	Standard Hydraulic Diagram (860SJ) (Separate Tow Diagram) (SN 0300196955 to Present)	
	1001217941	Ref	Standard Hydraulic Diagram (860SJ) (Includes Tow Diagram) (SN 0300227015 to Present)	
	1001167277	Ref	Standard Hydraulic Diagram (860SJ) (SN B300001092 through B300001096)	

SECTION 6 - HYDRAULIC

ITEM	PART NUMBER	QTY	DESCRIPTION	REV
	1001178217	Ref	Standard Hydraulic Diagram (860SJ) (Separate Tow Diagram) (SN B300001097 to Present)	
	1001217941	Ref	Standard Hydraulic Diagram (860SJ) (Includes Tow Diagram) (SN B300001750 to Present)	
		Ref	Standard Hydraulic Schematic:	
	2792678	Ref	Deutz D2011 Engine Machines (SN 0300182743 through 0300185779)	
	1001149880	Ref	Deutz TD2.9L4 Engine Machines (SN 0300182743 through 0300185779)	
	2792678	Ref	GM Engine Machines (SN 0300182743 through 0300185779)	
	1001161563	Ref	All Machines (SN 0300185780 through 0300190436)	
	1001167259	Ref	All Machines (SN 0300190437 to Present)	
	1001167259	Ref	All Machines (SN B300001092 to Present)	
	1001157401	Ref	Tow Hydraulic Diagram (SN 0300182743 through 0300227014)	
		Ref	Tow Hydraulic Diagram (SN 0300227015 to Present)	
	1001157401	Ref	Tow Hydraulic Diagram (SN B300001092 through B300001749)	
		Ref	Tow Hydraulic Diagram (SN B300001750 to Present)	

SECTION 7 - ELECTRICAL

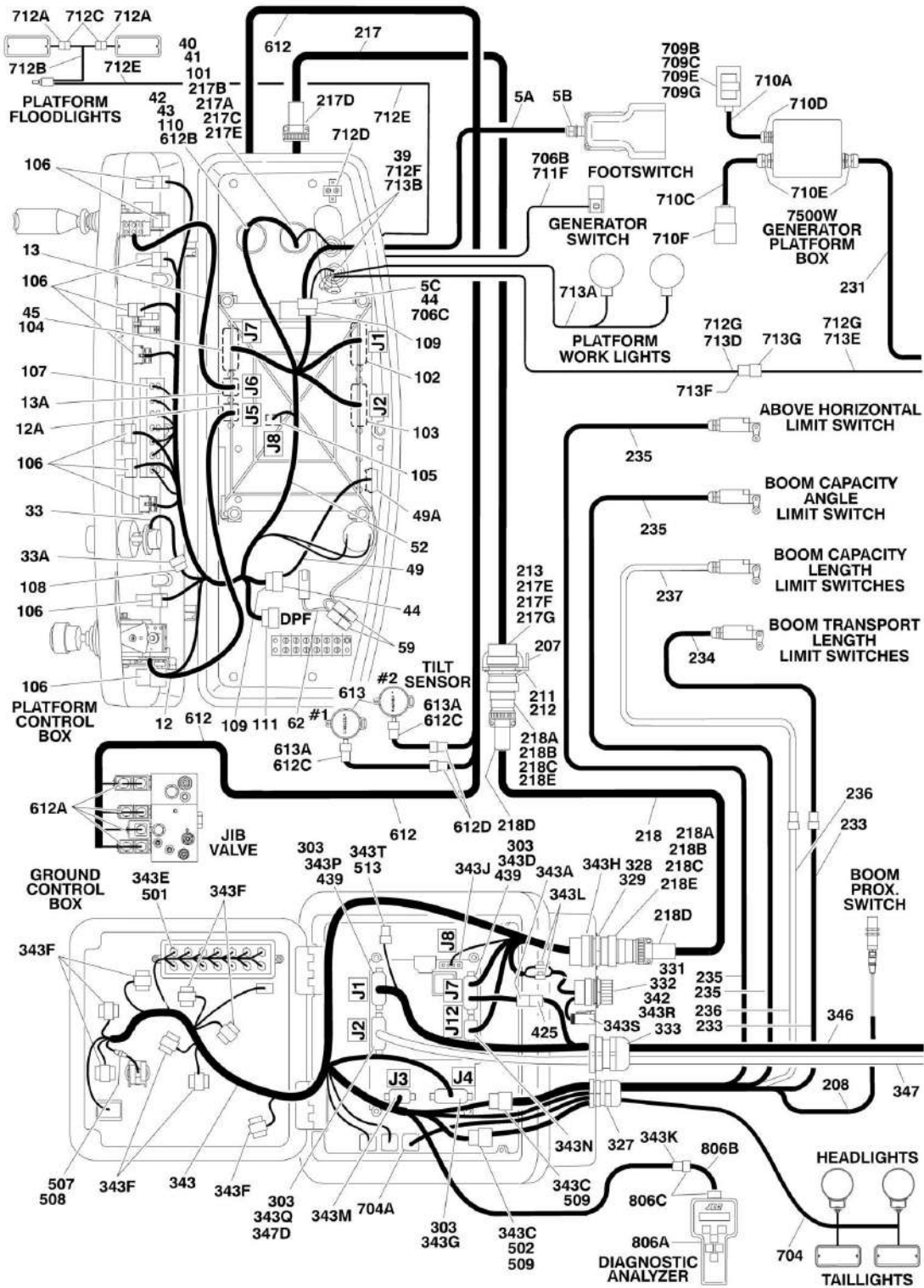
SECTION 7 - ELECTRICAL

FIGURE 7-1. ELECTRICAL DIAGRAM LIST

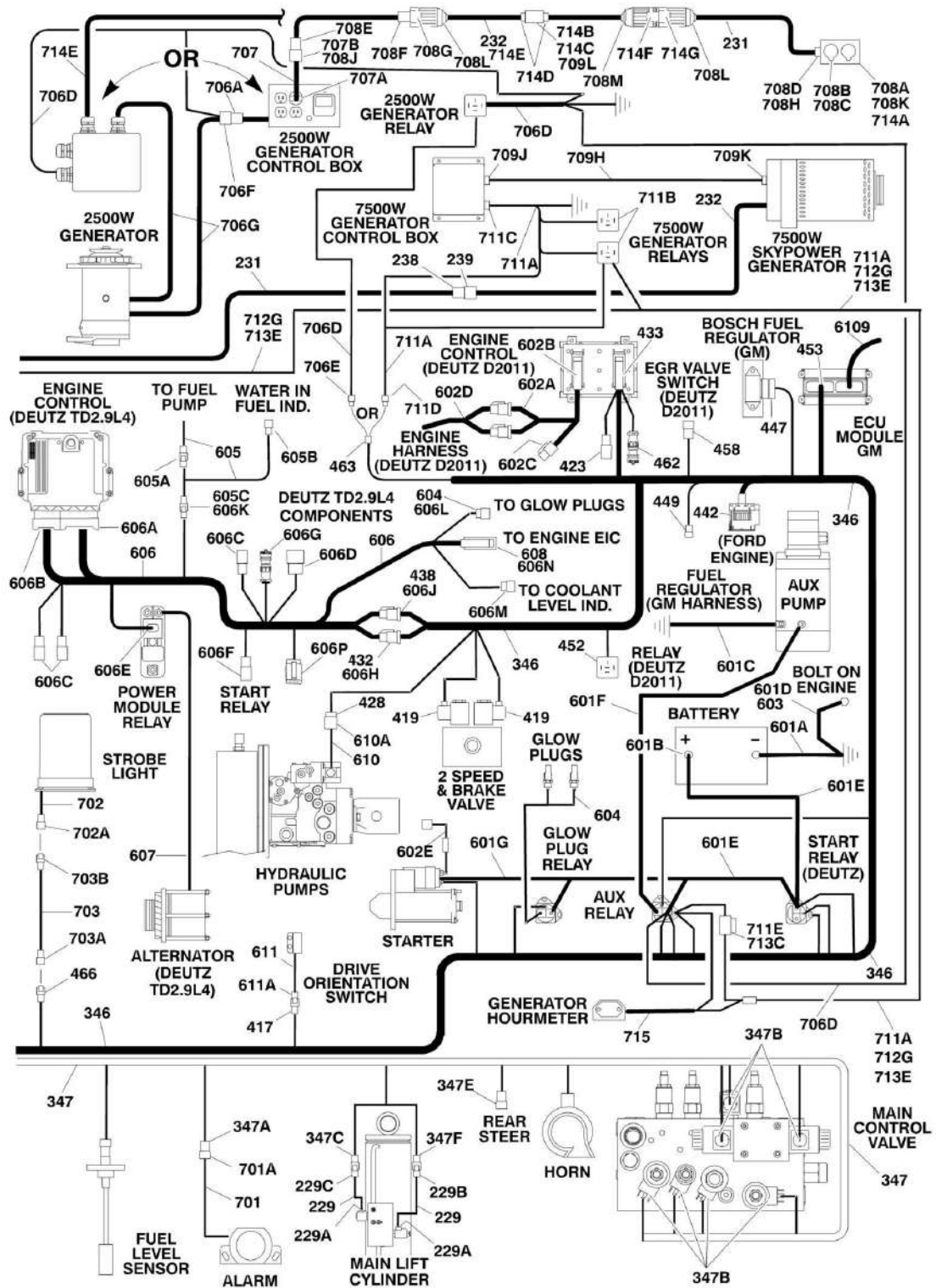
ITEM	PART NUMBER	QTY	DESCRIPTION	REV
		Ref	Note: Diagrams are available from the JLG Service Department. See Service & Maintenance Manual for Schematics.	
		Ref	GENERATOR ELECTRICAL DIAGRAM	
		Ref	2500W Generators (50Hz)	
	1001112743	Ref	ANSI Export Specs - Deutz	
		Ref	2500W Generators (60Hz)	
	1001112588	Ref	ANSI Specs - Deutz Engines Only	
	4933350	Ref	ANSI Specs - Ford & GM Engines Only	
		Ref	4000W Generators (50Hz)	
	1001153025	Ref	Deutz Engines (ANSI Export & Japanese Specs) (SN 0300182743 through 0300204764, SN B300001092 through B300001327)	
	1001194437	Ref	Deutz Engines (ANSI Export & Japanese Specs) (SN 0300204765 to Present, SN B300001328 to Present)	
	1001159648	Ref	Deutz Engines (Australian Specs)	
	1001153025	Ref	Deutz Engines (CE Specs)	
	1001160271	Ref	Deutz Engines (CE UK Specs)	
		Ref	4000W Generators (60Hz)	
	1001132055	Ref	Deutz D2011 & GM Engines	
	1001132055	Ref	Deutz DT2.9L4 Engines (SN 0300182743 through 0300213719, SN B300001092 through B300001596)	
	1001153257	Ref	Deutz DT2.9L4 Engines (SN 0300213720 to Present, SN B300001597 to Present)	
		Ref	7500W Generators (SkyPower) (60Hz/50Hz)	
	1001157769	Ref	Deutz D2011 Engine Machines	
	1001157770	Ref	Deutz TD2.9L4 Engine Machines	
	1001221498	Ref	Ford Engine Machines	
	1001157768	Ref	GM Engine Machines	
		Ref	LIGHTS ELECTRICAL DIAGRAM	
	4933231	Ref	Chassis Flood Lights	
	4933219	Ref	Head and Tail Lights	
	4933249	Ref	Platform Flood Lights	
	4933278	Ref	LSS PLATFORM MODULE ELECTRICAL DIAGRAM	
		Ref	PLATFORM WORKLIGHTS ELECTRICAL DIAGRAM	
	0273472	Ref	Platform Worklights Electrical Diagram 800S	
	0273483	Ref	Platform Worklights Electrical Diagram 860SJ	
	1001128153	Ref	Platform Worklights Electrical Diagram 860SJ (4 Corner Worklights)	
	4933304	Ref	SKYAIR ELECTRICAL DIAGRAM	
	4933218	Ref	SOFT TOUCH ELECTRICAL DIAGRAM	
		Ref	STANDARD ELECTRICAL DIAGRAMS	
	1001154329	Ref	Deutz D2011 Engine Machines	
	1001165778	Ref	Deutz TD2.9L4 Engine Machines	
	1001224138	Ref	Ford Engine Machines	
	1001154328	Ref	GM Engine Machines	
		Ref	STANDARD ELECTRICAL SCHEMATICS	
	1001159732	Ref	Deutz, Ford & GM Engine Machines	
	1001131992	Ref	GM Engine Schematic (Engine Schematic Only. P/N 1001159732 is Schematic for complete machine)	

SECTION 7 - ELECTRICAL

FIGURE 7-2. HARNESS COMPONENTS INSTALLATION



SECTION 7 - ELECTRICAL



SECTION 7 - ELECTRICAL

FIGURE 7-2. HARNESS COMPONENTS INSTALLATION

ITEM	PART NUMBER	QTY	DESCRIPTION	REV
		Ref	PLATFORM CONSOLE BOX COMPONENTS	
5		Ref	Footswitch Components	
5A	1060918	7.5 ft/ 2.3m	Cable, Electrical - 18/3	
5A	0100020	AR	Sealant	
5B	4460071	1	Connector, Strain Relief	
5C	4460464	1	Pin, Male	
5C	4460226	2	Socket, Female	
12	See Note	NSS	Controller Harness Assembly (Lift and Swing) (Note: Purchase Complete Controller)	
12A	7022819	1	Plug, Male - 8 Position (Natural)	
12A	4460871	8	Socket, Female	
13	See Note	NSS	Controller Harness/Circuit Board Assembly (Drive and Steer) (Note: Purchase Complete Controller)	
13A	7022825	1	Plug, Male - 8 Position (Black)	
13A	4460871	7	Socket, Female	
33	See Note	NSS	Controller Harness (Speed Control) (Note: Purchase Complete Controller)	
33A	4460224	1	Receptacle, Female - 6 Position	
33A	4460226	6	Socket, Female	
39	4460428	2	Connector, Strain Relief	
40	4460470	1	Nut, Terminal	
41	4460471	1	Lockwasher, Terminal	
42	4460496	1	Lockwasher, Terminal	
43	4460497	1	Nut, Terminal	
44	4460708	2	Receptacle - 15 Position	
45	4460905	5	Seal, Plug	
49	4922666	1	Harness, Analyzer Cable	C
49	4460226	4	Socket, Female (Not Shown - Located at J2)	
49A	4460761	1	Connector, Female - 4 Position	
49A	4460227	4	Pin, Male	
52		Ref	Harness, Platform Box Options (See Items 101-111 for Breakdown):	
52	1001141136	1	Harness, Platform Box (Machines without LSS or with 4 Cell LSS) (Without SkyGuard)	
52	1001186237	1	Harness, Platform Box (Machines without LSS or with 4 Cell LSS) (With SkyGuard)	
52	1001220282	1	Harness, Platform Box (Machines with 1 Cell LSS)	
59	1001186431	2	Relay (Machines with 1 Cell LSS)	
62	1001225580	1	Harness, Interface (Machines with 1 Cell LSS)	
	1001141136	Ref	PLATFORM BOX HARNESS ASSEMBLY (MACHINES WITHOUT LSS OR WITH 4 CELL LSS) (WITHOUT SKYGUARD)	B
	1001186237	Ref	PLATFORM BOX HARNESS ASSEMBLY (MACHINES WITHOUT LSS OR WITH 4 CELL LSS) (WITH SKYGUARD)	C
	1001220282	Ref	PLATFORM BOX HARNESS ASSEMBLY (MACHINES WITH 1 CELL LSS)	E
101	4460866	1	Connector - 19 Pin	
101	4460929	10	Pin, Male Deutsch 16Ga	
101	4460508	3	Pin, Male Deutsch 12Ga	
102	4460874	1	Connector - 35 Position (Natural)	
102	4460871	23	Socket, Female	
103	4460876	1	Connector - 35 Position (Blue)	

SECTION 7 - ELECTRICAL

ITEM	PART NUMBER	QTY	DESCRIPTION	REV
103	4460871	23	Socket, Female	
104	4460873	1	Connector - 35 Position (Black)	
104	4460871	28	Socket, Female	
105	4460879	1	Connector, Male 2 Position	
105	4460887	2	Terminal (12 Gauge)	
106	4460418	7	Connector, Female - 6 Position	
106	4460419	21	Socket, Female	
107	4460225	4	Connector - 6 Position	
107	4460226	18	Terminal (16 Gauge)	
108	4460225	1	Connector - 6 Position	
108	4460227	5	Pin, Male	
109	4460434	2	Connector - 15 Position	
109	4460227	AR	Pin, Male	
110	4460925	1	Connector - 21 Pin	
110	4460929	8	Pin, Male Deutsch 16Ga	
110	4460917	8	Pin, Male Deutsch 12Ga	
111	4460266	1	Connector - 9 Position	
111	4460227	7	Pin, Male	
112	4460884	1	Connector - 4 Position (Not Shown) (With SkyGuard - To Platform Sensor)	
112	4460944	4	Socket, Female (Not Shown)	
112	4460932	1	Connector, Female - 4 Position (Not Shown) (With SkyGuard)	
113	1001116720	4	Terminal, Female (Not Shown) (With SkyGuard - To Relays 1 & 2)	
114	1001118388	4	Terminal, Female (Not Shown) (With SkyGuard - To Relays 1 & 2)	
115	4460539	1	Receptacle, Female - 3 Position (Not Shown) (With SkyGuard - Connection X001)	
115	4460943	2	Pin, Male (Not Shown)	
116	4460536	1	Plug, Male - 3 Position (Not Shown) (With SkyGuard - Connection X002)	
116	4460944	2	Socket, Female (Not Shown)	
117	4460708	1	Connector, Female - 15 Position (Not Shown) (With SkyGuard)	
117	4460226	3	Socket, Female (Not Shown)	
118	4460894	1	Plug, Male - 6 Position (Not shown) (Machines with 1 Cell LSS)	
118	4460465	5	Socket, Female (Not Shown) (Machines with 1 Cell LSS)	
119	4460933	1	Plug, Male - 12 Position (Not Shown) (Machines with 1 Cell LSS)	
119	1001119020	1	Bussbar (Not Shown) (Machines with 1 Cell LSS)	
120	1001213447	1	Receptacle, Female - 5 Position (Not Shown) (Machines with 1 Cell LSS)	
		Ref	BOOM CABLES INSTALLATION	
		Ref	Boom Cables Installation 800S/680S	
	0271322	Ref	All Specs except Australian and CE Specs	I
	0271323	Ref	Australian and CE Specs Only	I
	0271323	Ref	All Machines with 4000W/50Hz Generator	I
	1001153324	Ref	All Machines with 4000W/60Hz Generator	A
	0272388	Ref	All Specs except Australian and CE Specs with 7500W Generator and without Arctic Package	I
	1001117399	Ref	Australian and CE Specs Only with 7500W Generator and without Arctic Package	D
	1001091609	Ref	All Specs except Australian, CE and Japanese Specs without 7500W Generator and with Arctic Package	C
	1001091664	Ref	All Specs except Australian, CE and Japanese Specs with 7500W Generator and Arctic Package	G

SECTION 7 - ELECTRICAL

ITEM	PART NUMBER	QTY	DESCRIPTION	REV
		Ref	Boom Cables Installation 860SJ	
	0271324	Ref	All Specs except Australian and CE Specs	I
	0271325	Ref	Australian and CE Specs Only	K
	0271325	Ref	All Machines with 4000W/50Hz Generator	K
	1001153325	Ref	All Machines with 4000W/60Hz Generator	A
	0272389	Ref	All Specs except Australian and CE Specs with 7500W Generator and without Arctic Package	H
	1001117400	Ref	Australian and CE Specs Only with 7500W Generator and without Arctic Package	D
	0275586	Ref	All Specs except Australian, CE and Japanese Specs without 7500W Generator and with Arctic Package	B
	1001091665	Ref	All Specs except Australian, CE and Japanese Specs with 7500W Generator and Arctic Package	G
207	3573047	1	Plate, Receptacle Mounting	
208	4360506	1	Proximity Switch and Harness Assembly	
211	4460470	1	Nut, Terminal	
212	4460471	1	Lockwasher, Terminal	
213	4460866	1	Connector - 19 Position	
217		Ref	Harness Assembly - Main Boom (12/4 - 18/8) Options:	
217	4922566	1	Harness Assembly - Main Boom (12/4 -18/8) 800S	C
217	1001091618	1	Harness Assembly - Main Boom (12/4 -18/8) 800S (With Arctic Package)	C
217	4922567	1	Harness Assembly - Main Boom (12/4 -18/8) 860SJ	D
217	4923595	1	Harness Assembly - Main Boom (12/4 -18/8) 860SJ (With Arctic Package)	B
217		Ref	Cable, Electrical - 12/4 & 18/8 Options:	
217	1060896	85 ft/26m	Cable, Electrical - 12/4 & 18/8 800S	
217	4923462	85 ft/26m	Cable, Electrical - 12/4 & 18/8 800S (With Arctic Package)	
217	1060896	95 ft/29m	Cable, Electrical - 12/4 & 18/8 860SJ	
217	4923462	95 ft/29m	Cable, Electrical - 12/4 & 18/8 860SJ (With Arctic Package)	
217	2820031	AR	Heat Shrink 1/2 to 1-1/2	
217	1001226400	AR	Heat Shrink 1 (SN 0300236016 to Present)	
217A	4460465	11	Socket, Female 18 Gauge	
217B	4460865	1	Connector - 19 Position	
217C	4460509	4	Socket, Female 12 Gauge	
217D	4460473	1	Clamp, Cable	
217E	4460466	8	Seal, Plug	
217F	4460464	11	Pin, Male 18 Gauge	
217G	4460508	4	Pin, Male 12 Gauge	
218		Ref	Harness Assembly - Tower Boom (12/4 - 18/8) Options:	
218	4922569	1	Without Arctic Package	B
218	4923596	1	With Arctic Package	C
218		Ref	Cable, Electrical - 12/4 & 18/8 Options:	
218	1060896	20 ft/6.1m	Without Arctic Package	
218	4923462	20 ft/6.1m	With Arctic Package	
218	1001226400	AR	Heat Shrink	
218A	4460465	22	Socket, Female 18 Gauge	
218B	4460865	2	Connector - 19 Position	
218C	4460509	8	Socket, Female 12 Gauge	
218D	4460473	2	Clamp, Cable	
218E	4460466	8	Seal, Plug	
229		Ref	Holding Valve/Lift Dump Harness Assembly Options: (Note: This is actually two separate harnesses under the same p/n)	

SECTION 7 - ELECTRICAL

ITEM	PART NUMBER	QTY	DESCRIPTION	REV
229	4922660	1	Without Arctic Package	E
229	4923597	1	With Arctic Package	1-A
229A	4460880	2	Connector, DIN	
229B	4460320	1	Plug, Male - 2 Position	
229B	4460226	2	Socket, Female	
229C	4460424	1	Connector, Female - 2 Position	
229C	4460267	2	Pin, Male	
231		Ref	Harness, 110V A/C (To Bulkhead) Options:	
231		Ref	Harness, 110V A/C (To Bulkhead) 800S:	
231	4922873	1	All Specs except Australian and CE Specs	
231	4922875	1	Australian and CE Specs Only	
231	4922875	1	All Machines with 4000W/50Hz Generators	
231	1001156426	1	All Machines with 4000W/60Hz Generators	
231	4922790	NLA	All Specs except Australian and CE Specs (Harness, 8/5 Cable - With 7500W Generator) (Use p/n 1001121670)	
231	1001091620	1	All Specs except Australian, CE and Japanese Specs (Harness, 8/5 Cable - With Arctic Package)	
231	4922790	NLA	All Specs except Australian, CE and Japanese Specs (Harness, 8/5 Cable - With 7500W Generator and Arctic Package) (Use p/n 1001121670)	
231		Ref	Harness, 110V A/C (To Bulkhead) 860SJ:	
231	4922877	1	All Specs except Australian and CE Specs	
231	4922878	1	Australian and CE Specs Only	
231	4922878	1	All Machines with 4000W/50Hz Generators	
231	1001156427	1	All Machines with 4000W/60Hz Generators	
231	4922808	NLA	All Specs (Harness, 8/5 Cable - With 7500W Generator) (Use p/n 1001121671)	
231	4923600	1	All Specs except Australian, CE and Japanese Specs (Harness, 8/5 Cable - With Arctic Package)	
231	4922808	NLA	All Specs except Australian, CE and Japanese Specs (Harness, 8/5 Cable - With 7500W Generator and Arctic Package) (Use p/n 1001121671)	
232		Ref	Harness, 110V A/C (To Generator Box) Options:	
232	4922874	1	All Specs except Australian and CE Specs	
232	4922876	1	Australian and CE Specs Only	
232	1001156425	1	All Machines with 4000W/60Hz Generators	
232	4922809	NLA	All Specs (Harness, 8/5 Cable - With 7500W Generator) (Use p/n 1001121669)	
232	4923601	1	All Specs except Australian, CE and Japanese Specs (Harness, 8/5 Cable - With Arctic Package)	
232	4922809	NLA	All Specs except Australian, CE and Japanese Specs (Harness, 8/5 Cable - With 7500W Generator and Arctic Package) (Use p/n 1001121669)	
233		Ref	Harness, Limit Switch Lower Options (To Boom Transport Length Limit Switch):	
233	4922872	1	Without Arctic Package	
233	4923599	1	With Arctic Package	
233		Ref	Cable, Electrical - 18/2 Options:	
233	1060902	20 ft/6m	Without Arctic Package	
233	4923466	20 ft/6m	With Arctic Package	
233	4460465	2	Socket, Female	
233	4460891	1	Plug, Male - 2 Position	
234		Ref	Harness, Limit Switch Upper Options (To Boom Transport Length Limit Switch):	

SECTION 7 - ELECTRICAL

ITEM	PART NUMBER	QTY	DESCRIPTION	REV
234	4922871	1	Without Arctic Package	
234	4923598	1	With Arctic Package	
234		Ref	Cable, Electrical - 18/2 Options:	
234	1060902	34 ft /10.4m	Without Arctic Package	
234	4923466	34 ft /10.4m	With Arctic Package	
234	4460464	2	Pin, Male	
234	4460897	1	Receptacle, Female - 2 Position	
235		Ref	Cable, Electrical - 18/2	
235		Ref	Cable, Electrical - 18/2 800S	
235	1061018	2	All Specs except Australian and CE Specs	
235	1061018	1	Australian and CE Specs Only	
235	1061018	2	All Specs with 7500W Generator	
235		Ref	Cable, Electrical - 18/2 860SJ	
235	1061019	2	All Specs except Australian and CE Specs	
235	1061019	1	Australian and CE Specs Only	
235	1061019	2	All Specs with 7500W Generator	
236		Ref	Harness, Limit Switch Lower Options (To Boom Capacity Length Switch) (All Specs except Australian and CE Specs):	
236	1001098908	1	Without Arctic Package	
236	1001098910	1	With Arctic Package	
236		Ref	Cable, Electrical - 18/2 Options:	
236	1060902	20 ft/6m	Standard and SkyWelder	
236	4923466	20 ft/6m	With Arctic Package	
236	4460464	2	Pin, Male	
236	4460897	1	Plug, Male - 2 Position	
237		Ref	Harness, Limit Switch Upper Options (To Boom Capacity Length Switch) (All Specs except Australian and CE Specs):	
237	1001098909	1	Without Arctic Package	
237	1001098911	1	With Arctic Package	
237		Ref	Cable, Electrical - 18/2 Options:	
237	1060902	34 ft /10.4m	Standard and SkyWelder	
237	4923466	34 ft /10.4m	With Arctic Package	
237	4460465	2	Socket, Female	
237	4460891	1	Plug, Male - 2 Position	
238	4460959	1	Terminal, Turnlock Plug (With 4000W & 7500W Generator) (SN 0300182743 through 0300228759, SN B300001092 through B300001790)	
238	1001218622	1	Terminal, Turnlock Plug (With 4000W & 7500W Generator) (SN 0300228760 to Present, SN B300001791 to Present)	
238	1671092	1	Cover, Female Connector (SN 0300182743 through 0300228759, SN B300001092 through B300001790)	
239	4460960	1	Terminal, Turnlock Connector (With 4000W & 7500W Generator) (SN 0300182743 through 0300228759, SN B300001092 through B300001790)	
239	1001218623	1	Terminal, Turnlock Connector (With 4000W & 7500W Generator) (SN 0300228760 to Present, SN B300001791 to Present)	
239	1671093	1	Cover, Male Connector (SN 0300182743 through 0300228759, SN B300001092 through B300001790)	
		Ref	GROUND CONTROL BOX COMPONENTS	
303	0100048	AR	Grease, Dielectric	

SECTION 7 - ELECTRICAL

ITEM	PART NUMBER	QTY	DESCRIPTION	REV
327	4460426	1	Connector, Strain Relief	
328	4460470	1	Nut, Terminal	
329	4460471	1	Locknut, Terminal	
331	4460496	1	Lockwasher, Terminal	
332	4460497	1	Nut, Terminal	
333	4460526	1	Connector, Strain Relief	
342	1001106736	1	Cap, Dust	
343		Ref	Ground Control Box Harness Assembly Options:	
343	1001110339	1	Deutz D2011 Engine Machines (SN 0300182743 through 0300201002)	F
343	1001186236	1	Deutz D2011 Engine Machines (SN 0300201003 to Present)	F
343	1001110339	1	Deutz D2011 Engine Machines (SN B300001092 through B300001179)	F
343	1001186236	1	Deutz D2011 Engine Machines (SN B300001180 to Present)	F
343	1001146010	1	Deutz DT2.9L4 Engine Machines (All Specs except CE Spec)	D
343	1001146010	1	Deutz DT2.9L4 Engine Machines (CE Spec) (SN 0300182743 through 0300201002)	D
343	1001186236	1	Deutz DT2.9L4 Engine Machines (CE Spec) (SN 0300201003 to Present)	F
343	1001146010	1	Deutz DT2.9L4 Engine Machines (CE Spec) (SN B300001092 through B300001179)	D
343	1001186236	1	Deutz DT2.9L4 Engine Machines (CE Spec) (SN B300001180 to Present)	F
343	1001110339	1	Ford & GM Engine Machines	F
343A	4460536	1	Connector, Female 3 - Position	
343A	4460943	3	Pin, Male	
343B	3990010	2	Diode - 6Amp (Not Shown - Located at Power Down Relay)	
343C	4460434	2	Plug, Male - 15 Position	
343C	4460227	21	Pin, Male	
343D	4460873	1	Connector - 35 Position (Black)	
343D	4460871	19	Socket, Female	
343D	4460905	1	Seal, Plug	
343E	4120035	AR	Base, Light	
343E	4460634	AR	Terminal (16 Gauge)	
343E	4460635	AR	Terminal (12 Gauge)	
343F	4460418	7	Connector, Female - 6 Position	
343F	4460419	21	Socket, Female	
343G	4460876	1	Connector - 35 Position (Blue)	
343G	4460871	24	Socket, Female	
343G	4460905	1	Seal, Plug	
343H	4460866	1	Connector - 19 Pin	
343H	4460464	10	Pin, Male Deutsch 16Ga	
343H	4460508	3	Pin, Male Deutsch 12Ga	
343J	4460878	1	Housing, Terminal - 4 Position	
343J	4460887	3	Terminal (12 Gauge)	
343K	4460761	1	Connector, Female 4 - Position	
343K	4460227	4	Pin, Male	
343L	8229242	2	Fuse 5A	
343L	2400060	2	Holder, Fuse	
343M	1001106339	1	Connector, Male - 14 Position	
343M	4460871	2	Socket, Female	
343N	1001106340	1	Connector, Male - 14 Position	
343N	4460871	5	Socket, Female	

SECTION 7 - ELECTRICAL

ITEM	PART NUMBER	QTY	DESCRIPTION	REV
343P	4460874	1	Connector, Natural	
343P	4460871	10	Socket, Female	
343Q	4460875	1	Connector, Gray	
343Q	4460871	5	Socket, Female	
343R	1001112612	1	Connector - 9 Position	
343R	4460943	4	Pin, Male	
343S	4460884	1	Plug, Male - 4 Position (SN 0300210399 to Present, SN B300001375 to Present)	
343S	1001192401	1	Cap, Dust (SN 0300210399 to Present, SN B300001375 to Present)	
343S	4460365	4	Socket, Female (SN 0300210399 to Present, SN B300001375 to Present)	
343T	4460894	1	Plug, Male - 6 Position (SN 0300211624 to Present)	
343T	4460892	1	Connector, Bussbar - 6 Position (SN 0300211624 to Present)	
343T	4460894	1	Plug, Male - 6 Position (SN B300001390 to Present)	
343T	4460892	1	Connector, Bussbar - 6 Position (SN B300001390 to Present)	
346		Ref	Engine Harness Assembly (See Items 401-466 for Breakdown)	
346	1001154324	1	Deutz D2011 Engine Machines	
346	1001165776	1	Deutz TD2.9L4 Engine Machines	
346	1001216327	1	Ford Engine Harness	
346	1001154323	1	GM Engine Machines	
347	1001154327	1	Valve Harness Assembly (SN 0300182743 through 0300190436)	C
347	1001168024	1	Valve Harness Assembly (SN 0300190437 to Present)	E
347	1001168024	1	Valve Harness Assembly (SN B300001092 to Present)	E
347A	4460539	1	Plug, Male - 3 Position	
347A	1001116693	2	Pin, Male	
347A	4460466	1	Seal, Plug	
347B	4460880	9	DIN Connector (SN 0300182743 through 0300190436)	
347B	4460891	9	Plug, Male - 2 Position (SN 0300190437 to Present)	
347B	1001116693	18	Socket, Female (SN 0300190437 to Present)	
347B	4460891	9	Plug, Male - 2 Position (SN B300001092 to Present)	
347B	1001116693	18	Socket, Female (SN B300001092 to Present)	
347C	4460320	1	Plug, Male - 2 Position	
347C	4460267	2	Pin, Male (SN 0300182743 through 0300190436)	
347C	4460226	2	Pin, Male (SN 0300190437 to Present)	
347C	4460226	2	Pin, Male (SN B300001092 to Present)	
347D	4460871	AR	Socket, Female	
347D	4460508	1	Socket, Female	
347E	4460225	1	Plug, Male - 6 Position (SN 0300182743 through 0300190436)	
347E	4460267	6	Pin, Male (SN 0300182743 through 0300190436)	
347F	4460424	1	Connector, Female - 2 Position	
347F	4460267	2	Pin, Male	
348		Ref	Ground Control Box Wiring Diagram (Not Shown - See Items 501-513 for Breakdown)	
348	1001154329	1	Deutz D2011 Engine Machines	
348	1001165778	1	Deutz TD2.9L4 Engine Machines	
348	1001224138	1	Ford Engine Machines	
348	1001154328	1	GM Engine Machines	
		Ref	ENGINE HARNESS ASSEMBLY	
	1001154324	Ref	Deutz D2011 Engine Machines	A
	1001165776	Ref	Deutz TD2.9L4 Engine Machines	D

SECTION 7 - ELECTRICAL

ITEM	PART NUMBER	QTY	DESCRIPTION	REV
	1001216327	Ref	Ford Engine Machines	B
	1001154323	Ref	GM Engine Machines	A
417	4460424	1	Receptacle, Female - 2 Position	
417	4460268	2	Socket, Female	
419	4460880	2	DIN Connector without Diode	
423	4461070	1	Receptacle, Female with Resistor (3 Position) (Deutz D2011 Engine Only)	
423	4461095	1	Plug, Male - 3 Position (Deutz D2011 Engine Only)	
423	4460944	3	Socket, Female (Deutz D2011 Engine Only)	
425	4460539	1	Plug, Male - 3 Position	
425	4460944	3	Socket, Female	
428	4460460	1	Connector, Male - 4 Position	
428	4460457	4	Terminal, Female	
428	4460458	4	Seal, Terminal	
432	4460899	1	Connector, Male - 6 Position (Deutz TD2.9L4 Engine Only)	
432	4460464	5	Pin, Male	
432	4460943	5	Pin, Male (Gold)	
432	4460466	1	Seal, Plug	
433	4461052	1	Connector, Receptacle - 25 Position (Deutz D2011 Engine Only)	
433	4461005	5	Terminal (Gold) (Deutz D2011 Engine Only)	
433	4461006	5	Seal, Terminal (Deutz D2011 Engine Only)	
433	4461060	2	Terminal (Tin) (Deutz D2011 Engine Only)	
433	4461054	2	Seal, Terminal (Deutz D2011 Engine Only)	
433	4461053	1	Cover, Plug (Deutz D2011 Engine Only)	
433	4461008	18	Plug, Hole (Deutz D2011 Engine Only)	
438	4460931	1	Connector, Male - 8 Position (Deutz TD2.9L4 Engine Only)	
438	4460464	4	Pin, Male	
438	4460466	4	Seal, Plug	
439	4460871	AR	Socket, Female	
442	1001215016	1	Connector -42 Position (Ford Engine Machines)	
442	1001215091	5	Terminal, Male (Ford Engine Machines)	
442	1001216212	1	Terminal, Male (Ford Engine Machines)	
442	1001215534	33	Plug, Terminal	
442	1001216213	3	Plug, Terminal	
447	4461121	1	Plug, Male - 4 Position (GM Engine Only)	
447	4461122	4	Socket, Female (GM Engine Only)	
447	4461123	4	Seal, Terminal (GM Engine Only)	
449	4461124	1	Receptacle, Female - 4 Position (GM Engine Only)	
449	4460693	4	Pin, Male (GM Engine Only)	
449	4460608	4	Seal, Terminal (GM Engine Only)	
449	4461161	1	Lock, Terminal (GM Engine Only)	
452	4460374	1	Plug, Sealed Relay (Deutz D2011 Engine)	
452	4460375	4	Terminal (Deutz D2011 Engine)	
453	4461109	1	Plug, Male - 16 Position (GM Engine Only)	
453	4461111	7	Pin, Male (GM Engine Only)	
453	4461113	7	Seal, Terminal (GM Engine Only)	
453	4461222	9	Plug, Terminal (GM Engine Only)	
458	1001102290	1	Connector, 2 Position (Deutz D2011 Engine)	
458	1001102304	2	Seal (Deutz D2011 Engine)	
458	1001102291	2	Terminal, Receptacle (Deutz D2011 Engine)	
462	2902443	1	Kit, Receptacle (Deutz D2011 Engine Only)	
462	4461071	8	Terminal, Female (Gold) (Deutz D2011 Engine Only)	

SECTION 7 - ELECTRICAL

ITEM	PART NUMBER	QTY	DESCRIPTION	REV
462	4461072	1	Connector, Flange Mount (Deutz D2011 Engine Only)	
462	4461073	1	Connector, Dust Cap (Deutz D2011 Engine Only)	
462	4461074	1	Connector, Shell (Deutz D2011 Engine Only)	
463	4461157	1	Receptacle, Female - 2 Position	
463	4460979	2	Pin, Male	
463	4460458	2	Seal, Terminal	
466	4460897	1	Connector, Female - 2 Position	
466	1001116693	2	Pin, Male	
		Ref	GROUND CONTROL BOX WIRING DIAGRAM	
	1001154329	Ref	Deutz D2011 Engine Machines	D
	1001165778	Ref	Deutz TD2.9L4 Engine Machines	F
	1001224138	Ref	Ford Engine Machines	A
	1001154328	Ref	GM Engine Machines	E
501	2920129	AR	Bulb, Light	
502	4922636	1	Harness, Jumper	
	4460226	2	Socket, Female	
507	1001173590	1	Fuse Assembly 30 Amp	
507	2400066	1	Fuse, Holder	
508	2400065	1	Fuse, 30Amp	
509	4460708	2	Receptacle, Female - 15 Position	
509	4460226	13	Socket, Female	
511	4922771	1	Harness, Angle Sensor (Boom Proximity Sensor)	
511	1060902	9.5 ft /2.9m	Cable - 18/2	
511A	4460226	2	Socket, Female	
511B	4460424	1	Receptacle, Female - 2 Position	
513	4460894	1	Plug, Male - 6 Position	
513	4460892	1	Connector, Bussbar - 6 Position	
		Ref	STANDARD HARNESS COMPONENTS	
601		Ref	Battery Cable Kit Options:	
601	1001155143	1	Deutz D2011 Engines Machines	C
601	1001143736	1	Deutz TD2.9L4 Engines Machines	E
601	2902533	1	GM Engine Machines	B
601A		Ref	Cable, Battery (Black) Options (Battery - to Tray Pivot and Relay Grounds):	
601A	7027092	1	Deutz D2011 Engines Machines	
601A	7027084	1	Deutz TD2.9L4 Engines Machines	
601A	7027018	1	GM Engine Machines	
601B	8270147	1	Terminal, Battery (With Boot) Cable, Battery (Black) (Deutz Engines Only)	
601C		Ref	Cable, Battery (Black) Options (Battery - to Aux Pump Ground):	
601C	7027093	1	Deutz D2011 Engines Machines	
601C	7027085	1	Deutz TD2.9L4 Engines Machines	
601C	7016825	1	GM Engine Machines	
601D		Ref	Cable, Battery (Black) Options (Engine to Tray Pivot Grd):	
601D	7027053	1	Deutz D2011 Engines Machines	
601D	7027086	1	Deutz TD2.9L4 Engines Machines	
601D	Not Required	0	GM Engine Machines	
601E		Ref	Cable (Red) Options (Battery + to Relays/Starter):	
601E	7027094	1	Deutz D2011 Engines Machines	
601E	7027087	1	Deutz TD2.9L4 Engines Machines	
601E	7027015	1	GM Engine Machines (Note: Requires Item 601G to complete)	

SECTION 7 - ELECTRICAL

ITEM	PART NUMBER	QTY	DESCRIPTION	REV
601F		Ref	run to Starter)	
601F	7027095	1	Cable (Red) Options (Aux Relay to Aux Pump): Deutz D2011 Engines Machines	
601F	7027088	1	Deutz TD2.9L4 Engines Machines	
601F	7016824	1	GM Engine Machines	
601G		Ref	Cable (Auxiliary Relay to Starter)	
601G	7027094	1	Deutz D2011 Engines Machines	
601G	7027087	1	Deutz TD2.9L4 Engines Machines	
601G	7027017	1	GM Engine Machines	
602		Ref	Deutz Engine Harness Components (Deutz Engine Machines Only)	
602A	7027796	1	Engine Harness (D2011 Engine Only)	
602B	See Note	NSS	Receptacle, Female - 25 Position (Note: Not Available - Purchase Complete Harness)	
602C	70004060	1	Plug-In, Connector (Deutz D2011 Engine Only)	
602D	70001872	1	Engine Harness (For other replacement parts refer to Deutz engine dealer) (D2011 Engine Only)	
602E	70004271	1	Cable, Starter Interconnect (Connects item 602D to Starter) (D2011 Engine Only)	
603	4922737	1	Harness, Engine Grounding Harness (Deutz D2011 Engine Only) (SN 0300182743 through 0300208405)	
603	4922737	1	Harness, Engine Grounding Harness (Deutz D2011 Engine Only) (SN B300001092 through B300001327)	
604		Ref	Harness, Glow Plug (Deutz Engine Only)	
604	4923379	1	Deutz D2011 Engine	B
604	70025231	1	Deutz TD2.9L4 Engine	
604	70025233	1	Connector for 70025231 Harness Deutz TD2.9L4 Engine	
604	1001141304	1	Wire, Fuse Link (Not Shown) (Deutz TD2.9L4 Engine Only)	
605	1001222665	1	Fuel Harness (Deutz TD2.9L4 Engines Only) (Note: Machines requiring Ring Terminals at Pump) (SN 0300182743 through 0300234668, SN B300001092 through B300002065)	A
605	1001138491	NLA	Fuel Harness (Deutz TD2.9L4 Engines Only) (Use p/n 1001222665) (Note: Machines requiring Push-on Terminals at Pump) (SN 0300234669 to Present, SN B300002066 to Present)	D
605A	4460897	1	Receptacle, Female - 2 Position	
605A	4460941	2	Pin, Male	
605A	4460891	1	Plug, Male - 2 Position	
605A	4460942	2	Socket, Female	
605B	1001116983	1	Receptacle, Female - 2 Position	
605B	1001116710	2	Terminal	
605B	4461054	2	Seal	
605C	4460932	1	Receptacle, Female - 4 Position	
605C	4460941	2	Pin, Male	
605C	4460464	2	Pin, Male	
606	1001143726	1	Deutz TD2.9L4 Engine Harness	K
606A	1001133956	1	Connector (Includes Cover, Locks and Retention Plate)	
606A	1001126352	6	Terminal	
606A	1001126353	6	Seal, Terminal	
606A	1001126384	19	Terminal	
606A	1001126351	3	Terminal	
606A	1001126356	63	Plug, Seal	
606A	1001126357	2	Plug, Seal	
606B	1001133957	1	Connector (Includes Cover, Locks and Retention Plate)	
606B	1001126384	17	Terminal	

SECTION 7 - ELECTRICAL

ITEM	PART NUMBER	QTY	DESCRIPTION	REV
606B	1001126351	13	Terminal	
606B	1001126356	19	Plug, Seal	
606B	1001126357	11	Plug, Seal	
606C	4461070	3	Receptacle, Female with Resistor (3 Position)	
606C	4461095	6	Plug, Male - 3 Position	
606C	4460944	6	Socket, Female	
606C	4460466	2	Seal, Plug	
606D	80484084	1	Receptacle, Female - 8 Position	
606D	8229242	1	Fuse - 5A	
606D	80983191	1	Fuse - 10A	
606D	1001147264	1	Cap	
606D	1001116727	8	Plug	
606D	4460458	4	Seal	
606E	1001116952	1	Plug, Male - 2 Position	
606E	4460465	2	Socket, Female	
606F	1001138110	1	Plug, Male - 2 Position	
606F	1001138111	2	Socket, Female	3-B
606F	1001138113	2	Seal	A
606G	2902443	1	Kit, Receptacle	
606G	4461071	8	Terminal, Female (Gold)	
606G	4461072	1	Connector, Flange Mount	
606G	4461073	1	Connector, Dust Cap	
606G	4461074	1	Connector, Shell	
606H	4460894	1	Plug, Male - 6 Position	
606H	4460465	3	Socket, Female	
606H	4460944	2	Socket, Female	
606H	4460466	1	Seal, Plug	
606J	4460930	1	Plug, Male - 8 Position	
606J	4460465	1	Socket, Female	
606J	4460466	7	Seal, Plug	
606K	4460884	1	Plug, Male - 4 Position (SN 0300182743 through 0300224697)	
606K	1001220379	1	Plug, Male - 4 Position (SN 0300224698 to Present)	
606K	4460884	1	Plug, Male - 4 Position (SN B300001092 through B300001655)	
606K	1001220379	1	Plug, Male - 4 Position (SN B300001656 to Present)	
606K	4460465	2	Socket, Female	
606K	4460942	2	Socket, Female	
606K	4460932	1	Receptacle, Female - 4 Position	
606K	4460466	4	Seal, Plug	
606L	1001142938	1	Plug, Male - 2 Position	
606L	1001142940	2	Terminal, Female	
606L	1001142941	2	Seal	
606M	1001133714	1	Plug, Male - 4 Position	
606M	1001133715	3	Terminal, Female	
606M	1001135650	3	Seal	
606M	1001135651	NLA	Plug, Cavity (Use p/n 4461008)	
606N	1001126362	1	Receptacle, Female - 62 Position	
606N	1001126363	33	Terminal	
606N	1001126364	33	Seal	
606N	1001126391	23	Plug	
606N	4461008	4	Plug, Cavity	
606N	1001126365	2	Terminal	

SECTION 7 - ELECTRICAL

ITEM	PART NUMBER	QTY	DESCRIPTION	REV
606N	4461054	2	Seal	
606N	4460465	2	Socket, Female	
606N	1001151856	1	Elbow, Conduit	
606P	4460891	1	Plug, Male - 2 Position	
606P	4460465	2	Socket, Female	
606P	1001171403	1	Resistor Assembly	
607	1001143907	1	Alternator Power Cable (Deutz TD2.9L4 Engines)	
607	1001098764	1	Boot, Red (Deutz TD2.9L4 Engines)	
607	70004103	1	Cable, Alternator Interconnect (Not Shown - Connects item 602D to Alternator) (D2011 Engine Only)	
608	70025077	1	Harness, Engine (Deutz TD2.9L4 Engines)	
609	70002898	1	Harness, GM Engine (GM Engine Machines Only)	
609	7027989	1	Connector - 10 Pin	
610	See Note	NSS	Pump Harness (Note: Not Available for Purchase)	
610A	7007498	1	Plug	
611	4360517	1	Harness, Swivel Coupling Sensor (Includes Sensor)	
611A	4460320	1	Plug, Male - 2 Position	
611A	4460227	2	Pin, Male	
612	1001141137	1	Harness, Upper Valve (SN 0300182743 through 0300190436)	C
612	1001168025	1	Harness, Upper Valve (SN 0300190437 to Present)	B
612	1001168025	1	Harness, Upper Valve (SN B300001092 to Present)	B
612A	4460880	7	Connector, DIN (SN 0300182743 through 0300190436)	
612A	4460891	7	Plug, Male - 2 Position (SN 0300190437 to Present)	
612A	4460465	14	Socket, Female (SN 0300190437 to Present)	
612A	4460891	7	Plug, Male - 2 Position (SN B300001092 to Present)	
612A	4460465	14	Socket, Female (SN B300001092 to Present)	
612B	4460926	1	Connector - 21 Position	
612B	4460928	8	Socket, Female	
612B	4460918	8	Socket, Female	
612B	2820031	AR	Heat Shrink	
612C	4460911	2	Receptacle, Female - 3 Position	
612C	4460912	2	Lock Wedge - 3 Position	
612C	4460918	6	Pin, Male	
612D	1560011	2	Connector, Strain Relief	
612D	1560012	2	Nut, Conduit	
613	1001133329	2	Switch, Tilt Sensor (Includes Tilt Sensor)	
613A	4460910	2	Plug, Male - 3 Position	
613A	4460917	6	Socket, Female	
613A	4460913	2	Lock, Wedge	
		Ref	OPTIONAL HARNESS COMPONENTS	
701	0257887	1	Alarm Harness (Includes Alarm)	
701	0140032	1	Alarm	
701	2820035	6 in/15cm	Loom	
701A	4460424	1	Plug, Male - 2 Position	
701A	4460268	2	Socket, Female	
702	2920161	1	Strobe (Amber) Light Harness (Includes Strobe Light)	
702B	4460891	1	Connector, Male - 2 Position (Strobe Light - 2920161)	
702B	4460465	2	Socket, Female (Strobe Light - 2920161)	
702C	1001142736	1	Strobe (Blue/Red) Light Harness (Module to Light) (Not Shown)	
702D	1001150944	1	Strobe (Blue/Red) Light Harness (Module to Ground Control Box) (Not Shown) (SN 0300182743 through 0300217034)	
703	1001149818	1	Strobe Light Extension Harness (Amber Light) (SN 0300171628 to	D

SECTION 7 - ELECTRICAL

ITEM	PART NUMBER	QTY	DESCRIPTION	REV
			Present)	
703A	4460320	1	Connector, Female - 2 Position	
703A	4460267	2	Pin, Male	
703B	4460897	1	Connector, Female - 2 Position	
703B	4460464	2	Pin, Male	
704	See Note	NSS	Headlight and Taillight/Chassis Illumination Harness (Note: Not Available for Purchase)	
704	1060341	Ref	Cable, Electrical 16/2 Options:	
704	1060341	37 ft /11.3m	Headlights and Taillights	
704	1060341	40 ft /12.2m	Chassis Illumination Lights	
704A	3740049	1	Relay	
704A	4460259	3	Terminal	
704A	4460260	4	Housing, Terminal	
704A	4460297	1	Terminal	
704A	4922643	1	Lights Harness for Ground Control Box	C
704A	4460226	2	Socket, Female	
706		Ref	2500W Generator Electrical Diagram Options	
706	1001112743	AR	50Hz - Deutz D2011 Engines	B
706	1001112588	AR	60Hz - Deutz D2011 Engines	B
706	4933350	AR	60Hz - Ford & GM Engines	C
706A	4460321	1	Connector, Male - 4 Position (ANSI Spec Only)	
706A	4460906	1	Socket, Female	
706A	4460268	3	Socket, Female	
706B	4922641	1	Harness - On/Off Switch	D
706C	4460226	2	Socket, Female (SN 0300182743 through 0300236015)	
706C	4460268	2	Socket, Female (SN 0300236016 to Present)	
706D		Ref	Powermite Control Box to Relay Options:	
706D	1001112589	1	Deutz Engines	A
706D	4923445	1	Ford & GM Engines	A
706D	4460374	1	Plug, Sealed Relay	
706D	4460375	3	Terminal	
706E	4460742	1	Plug, Male - 2 Position	
706E	4460743	1	Socket, Female	
706E	4460458	1	Seal, Terminal	
706F	4460961	1	Connector, Female - 4 Position (ANSI Spec Only)	
706F	4460705	4	Pin, Male	
706G	7020193	1	Harness, Generator Power	
707	4922741	1	Generator to Rear of Boom Harness (110V)	
707	4921955	1	Generator to Rear of Boom Harness (220V)	
		Ref	Note: Harness used to connect AC at platform harness to Powermite Generator Control Box receptacle.	
707A	4460205	1	Plug, Male	
707B	4460134	1	Receptacle, Female	
708		Ref	AC to Platform Receptacle Components Options:	
708	0272259	Ref	AC Cable to 110V GFI Receptacle at Platform Installation (ANSI, ANSI Export, CSA and Japanese Specs without Generator or with 2500W Generator)	C
708	0272260	Ref	AC Cable to 220V GFI Receptacle Platform Installation (ANSI, CSA and Japanese Spec without Generator or with 2500W Generator)	C
708	1001171131	Ref	240V Receptacle with GFCI used with 4000W Generator (Not	B

SECTION 7 - ELECTRICAL

ITEM	PART NUMBER	QTY	DESCRIPTION	REV
708	1001159121	Ref	Shown) 240V Receptacle with GFCI used with 7500W Generator (Not Shown)	B
708	0256202	Ref	AC Cable Only/No Receptacle at Platform Installation (ANSI Export, Australian, CE and Japanese Specs without Generator or with 2500W Generator)	D
708	1001091969	Ref	AC Cable to 110V IEC Yellow Receptacle and Plug and Circuit Breaker (CE Spec without Generator) (Note: Requires 0256202 Cable Only Installation and Item 714 Breaker Box Installation)	C
708	1001100326	Ref	AC Cable to 110V IEC Yellow Receptacle and Plug and Circuit Breaker with 2500W Generator (Note: Requires 0256202 Cable Only Installation and Item 714 Breaker Box Installation)	D
708	1001194203	Ref	AC Cable to 110V IEC Yellow Receptacle and Plug and Circuit Breaker (CE Spec with 4000W Generator) (SN 0300182743 through 0300213787)	B
708	1001206253	Ref	AC Cable to 110V IEC Yellow Receptacle and Plug and Circuit Breaker (CE Spec with 4000W Generator) (SN 0300213788 to Present)	A
708	1001194203	Ref	AC Cable to 110V IEC Yellow Receptacle and Plug and Circuit Breaker (CE Spec with 4000W Generator) (SN B300001092 through B300001458)	B
708	1001206253	Ref	AC Cable to 110V IEC Yellow Receptacle and Plug and Circuit Breaker (CE Spec with 4000W Generator) (SN B300001459 to Present)	A
708	1001091970	Ref	AC Cable to 220V IEC Blue Receptacle and Plug and Circuit Breaker (CE Spec without Generator) (Note: Requires 0256202 Cable Only Installation and Item 714 Breaker Box installation)	C
708	1001100327	Ref	AC Cable to 220V IEC Blue Receptacle and Plug and Circuit Breaker (CE Spec with 2500W Generator) (Note: Requires 0256202 Cable Only Installation and Item 714 Breaker Box Installation)	D
708	1001194204	Ref	AC Cable to 220V IEC Blue Receptacle and Plug and Circuit Breaker (CE Spec with 4000W Generator) (SN 0300182743 through 0300213787)	B
708	1001206254	Ref	AC Cable to 220V IEC Blue Receptacle and Plug and Circuit Breaker (CE Spec with 4000W Generator) (SN 0300213788 to Present)	A
708	1001194204	Ref	AC Cable to 220V IEC Blue Receptacle and Plug and Circuit Breaker (CE Spec with 4000W Generator) (SN B300001092 through B300001458)	B
708	1001206254	Ref	AC Cable to 220V IEC Blue Receptacle and Plug and Circuit Breaker (CE Spec with 4000W Generator) (SN B300001459 to Present)	A
708	1001091971	NLA	AC Cable to 220V CEE7 Post Ground Receptacle and Plug and Circuit Breaker (70mm x 70mm Box) (Use p/n 1001091973) (CE Spec without Generator) (Note: Requires 0256202 Cable Only Installation and Item 714 Breaker Box Installation)	C
708	1001100328	NLA	AC Cable to 220V CEE7 Post Ground Receptacle and Plug and Circuit Breaker (70mm x 70mm Box) (CE Spec with 2500W Generator) (Use p/n 1001100331) (Note: Requires 0256202 Cable Only Installation and Item 714 Breaker Box Installation)	D
708	1001091972	NLA	AC Cable to 220V CEE7 Side Ground Receptacle and Plug and Circuit Breaker (70mm x 70mm Box) (CE Spec without Generator) (Use p/n 1001091974) (Note: Requires 0256202 Cable Only Installation and Item 714 Breaker Box Installation)	C
708	1001100329	NLA	AC Cable to 220V CEE7 Side Ground Receptacle and Plug and Circuit Breaker (70mm x 70mm Box) (CE Spec with 2500W Generator) (Use p/n 1001100333) (Note: Requires 0256202 Cable Only Installation and Item 714 Breaker Box Installation)	D
708	1001091973	Ref	AC Cable to 220V CEE7 Post Ground Receptacle and Plug and	F

SECTION 7 - ELECTRICAL

ITEM	PART NUMBER	QTY	DESCRIPTION	REV
708	1001100331	Ref	Circuit Breaker (2 x 4 Box) (CE Spec without Generator) (Note: Requires 0256202 Cable Only Installation and Item 714 Breaker Box Installation)	E
708	1001194197	Ref	AC Cable to 220V CEE7 Post Ground Receptacle and Plug and Circuit Breaker (2 x 4 Box) (CE Spec with 2500W Generator) (Note: Requires 0256202 Cable Only Installation and Item 714 Breaker Box Installation)	B
708	1001206250	Ref	AC Cable to 220V CEE7 Post Ground Receptacle and Plug and Circuit Breaker (2 x 4 Box) (CE Spec with 4000W Generator) (SN 0300182743 through 0300213787)	A
708	1001194197	Ref	AC Cable to 220V CEE7 Post Ground Receptacle and Plug and Circuit Breaker (2 x 4 Box) (CE Spec with 4000W Generator) (SN B300001092 through B300001458)	B
708	1001206250	Ref	AC Cable to 220V CEE7 Post Ground Receptacle and Plug and Circuit Breaker (2 x 4 Box) (CE Spec with 4000W Generator) (SN B300001459 to Present)	A
708	1001091974	Ref	AC Cable to 220V CEE7 Side Ground Receptacle and Plug and Circuit Breaker (2 x 4 Box) (CE Spec without Generator) (Note: Requires 0256202 Cable Only Installation and Item 714 Breaker Box Installation)	F
708	1001100333	Ref	AC Cable to 220V CEE7 Side Ground Receptacle and Plug and Circuit Breaker (2 x 4 Box) (CE Spec with 2500W Generator) (Note: Requires 0256202 Cable Only Installation and Item 714 Breaker Box Installation)	E
708	1001194198	Ref	AC Cable to 220V CEE7 Side Ground Receptacle and Plug and Circuit Breaker (2 x 4 Box) (CE Spec with 4000W Generator) (SN 0300182743 through 0300213787)	B
708	1001206251	Ref	AC Cable to 220V CEE7 Side Ground Receptacle and Plug and Circuit Breaker (2 x 4 Box) (CE Spec with 4000W Generator) (SN 0300213788 to Present)	A
708	1001194198	Ref	AC Cable to 220V CEE7 Side Ground Receptacle and Plug and Circuit Breaker (2 x 4 Box) (CE Spec with 4000W Generator) (SN B300001092 through B300001458)	B
708	1001206251	Ref	AC Cable to 220V CEE7 Side Ground Receptacle and Plug and Circuit Breaker (2 x 4 Box) (CE Spec with 4000W Generator) (SN B300001459 to Present)	A
708	1001091975	Ref	AC Cable to 220V with AFSINT 107 Keyed Ground Receptacle and Plug and Circuit Breaker (2 x 4 Box) (CE Spec without Generator) (Note: Requires 0256202 Cable Only Installation and Item 714 Breaker Box Installation)	F
708	1001100337	Ref	AC Cable to 220V with AFSINT 107 Keyed Ground Receptacle and Plug and Circuit Breaker (2 x 4 Box) (CE Spec with 2500W Generator) (Note: Requires 0256202 Cable Only Installation and Item 714 Breaker Box Installation)	E
708	1001194200	Ref	AC Cable to 220V AFSINT 107 Keyed Ground Receptacle and Plug and Circuit Breaker (2 x 4 Box) (CE Spec with 4000W Generator) (SN 0300182743 through 0300213787)	B
708	1001206252	Ref	AC Cable to 220V AFSINT 107 Keyed Ground Receptacle and Plug and Circuit Breaker (2 x 4 Box) (CE Spec with 4000W Generator) (SN 0300213788 to Present)	A
708	1001194200	Ref	AC Cable to 220V AFSINT 107 Keyed Ground Receptacle and Plug and Circuit Breaker (2 x 4 Box) (CE Spec with 4000W Generator) (SN B300001092 through B300001458)	B
708	1001206252	Ref	AC Cable to 220V AFSINT 107 Keyed Ground Receptacle and Plug and Circuit Breaker (2 x 4 Box) (CE Spec with 4000W Generator) (SN B300001459 to Present)	A
708	1001194365	Ref	AC Receptacle - 220V (2 x 4 Box) (ANSI Export Spec) (SN	B

SECTION 7 - ELECTRICAL

ITEM	PART NUMBER	QTY	DESCRIPTION	REV
			0300182743 through 0300213787)	
708	1001206255	Ref	AC Receptacle - 220V (2 x 4 Box) (ANSI Export Spec) (SN 0300213788 to Present)	A
708	1001194365	Ref	AC Receptacle - 220V (2 x 4 Box) (ANSI Export Spec) (SN B300001092 through B300001458)	B
708	1001206255	Ref	AC Receptacle - 220V (2 x 4 Box) (ANSI Export Spec) (SN B300001459 to Present)	A
708A	0860038	1	Box, Switch - 0272259 & 0272260 Installations	
708A	Not Required	0	Box, Switch - 0256202 Installation (Note: Use Receptacle Kit or Purchase Locally)	
708A	0861781	1	Box, Switch - 1001091969, 1001091970, 1001100326, 1001100327, 1001194203, 1001194204, 1001206253, 1001206254 Installations	
708A	0861782	NLA	Box, Switch - 1001091971, 1001100328, 1001091972, 1001100329 Installations (Note: Use p/n 1001141970 CEE7 Side Ground Service Kit or p/n 1001141971 CEE7 Post Ground Service Kit. Kits Includes Box p/n 1001141967 and Items 708B, 708C, 708E & 708J)	
708A	0861731	1	Box, Switch - 1001091969, 1001091970, 1001100326, 1001100327, 1001194197, 1001194198, 1001194200, 1001194365, 1001206250, 1001206251, 1001206252, 1001206255 Installations	
708A	1001141967	1	Box, Switch - 1001100343, 1001100344, 1001141970 & 1001141971 Kits	
708B	4460346	1	Receptacle - 0272259 Installation	
708B	4460125	1	Receptacle - 0272260 Installation	
708B	Not Required	0	Receptacle - 0256202 Installation (Note: Use Receptacle Kit or Purchase Locally)	
708B	4461198	1	Receptacle - 1001091969, 1001100326, 1001194203, 1001206253 Installations	
708B	4461201	1	Receptacle - 1001091970, 1001100327, 1001194204, 1001206254 Installations	
708B	4461204	NLA	Receptacle - 1001091971, 1001100328 Installations (Use p/n 100110343)	
708B	4461207	NLA	Receptacle - 1001091972, 1001100329 Installations (Use p/n 100110344)	
708B	4461244	1	Receptacle - 1001091973, 1001100331, 1001194197, 1001206250 Installations	
708B	4461245	1	Receptacle - 1001091974, 1001100333, 1001194198, 1001206251 Installations	
708B	4461246	1	Receptacle - 1001091975, 1001100337, 1001194200, 1001206252 Installations	
708B	1001141968	1	Receptacle - 1001100343 & 1001141971 Kits	
708B	1001141969	1	Receptacle - 1001100344 & 1001141970 Kits	
708C	1001110873	1	Shield, Cover - 0272259 Installation	
708C	4060092	1	Shield, Cover - 0272260 Installation	
708C	Not Required	0	Shield, Cover - 0256202 Installation (Purchase Locally)	
708C	See Note	NSS	Shield, Cover - 1001091973, 1001091974, 1001091975, 1001091969, 1001091970, 1001091971, 1001091972, 1001100331, 1001100333, 1001100337, 1001100326, 1001100327, 1001100328, 1001100329, 1001194197, 1001194198, 1001194200, 1001194203, 1001194204, 1001206250, 1001206251, 1001206252, 1001206253, 1001206254 Installations (Note: Shield Included with Receptacle - Purchase Item 708B)	
708C	1670603	1	Shield, Cover - 1001194365, 1001206255 Installations	
708C	3960422	1	Gasket, Cover (0272259 & 0272260 Installations Only)	
708D	4460051	1	Connector, Strain Relief - 0272259 & 0272260 Installations	

SECTION 7 - ELECTRICAL

ITEM	PART NUMBER	QTY	DESCRIPTION	REV
708D	Not Required	0	Connector, Strain Relief - 0256202 Installation (Note: Use Receptacle Kit or Purchase Locally)	
708D	1001101191	1	Connector, Strain Relief - 1001091969, 1001100326, 1001091970, 1001100327, 1001091971, 1001100328, 1001091972, 1001100329, 1001091973, 1001100331, 1001091974, 1001100333, 1001091975, 1001100337, 1001206250, 1001206251, 1001206252, 1001206253, 1001206254, 1001206255 Installations	
708D	4460968	1	Connector, Strain Relief - 1001194203 & 1001194204 Installations	
708D	4460662	1	Connector, Strain Relief - 1001194197, 1001194198 & 1001194200 Installations	
708E	4460205	1	Plug, Male - 0272259 Installation	
708E	4460233	1	Plug, Male - 0272260 Installation	
708E	Not Required	0	Plug, Male - 0256202 Installation (Note: Use Receptacle Kit or Purchase Locally)	
708E	4461196	1	Plug, Male - 1001091969 Installation	
708E	4461199	1	Plug, Male - 1001091970 Installation	
708E	4461202	NLA	Plug, Male (Use p/n 4461205) - 1001091971, 1001091973 Installations & 1001100343 & 1001141971 Kits	
708E	4461205	1	Plug, Male - 1001091972, 1001091974 Installations & 1001100344 & 1001141970 Kits	
708E	4461249	1	Plug, Male - 1001091975 Installation	
708E	Not Required	0	Plug, Male - 1001100326, 1001100327, 1001100328, 1001100329, 1001100331, 1001100333 & 1001100337 Installations	
708F	4460205	AR	Plug, Male - 0272259 Installation	
708F	1001213584	AR	Plug, Male - 0272259 Installation	
708F	4460233	AR	Plug, Male - 0272260 Installation	
708F	1001213584	AR	Plug, Male - 0272260 Installation	
708F	4460709	AR	Plug, Male - 0256202, 1001091969, 1001100326, 1001091970, 1001100327, 1001091971, 1001100328, 1001091972, 1001100329, 1001091973, 1001100331, 1001091974, 1001100333, 1001091975 & 1001100337 Installations	
708F	1001213584	AR	Plug, Male - 0256202 Installation (SN 0300236825 to Present, SN B30002256 to Present)	
708F	4460692	1	Plug, Male - 1001160272 Installation	
708F	4460959	1	Plug, Male - 0272433 Installation	
708G	4460134	1	Connector, Female - 0272259 Installation	
708G	1001213585	1	Connector, Female - 0272259 Installation	
708G	4460701	1	Connector, Female - 0272260 Installation	
708G	1001213585	1	Connector, Female - 0272260 Installation	
708G	4460710	AR	Connector, Female - 0256202, 1001091969, 1001100326, 1001091970, 1001100327, 1001091971, 1001100328, 1001091972, 1001100329, 1001091973, 1001100331, 1001091974, 1001100333, 1001091975 & 1001100337 Installations	
708G	1001213585	AR	Connector, Female - 0256202 Installation (SN 0300236825 to Present, SN B30002256 to Present)	
708H	1001101196	1	Connector, Adapter - 1001091969, 1001100326, 1001091970, 1001100327, 1001091971, 1001100328, 1001091972, 1001100329, 1001206253, 1001206254 Installations	
708H	1001101197	1	Connector, Adapter - 1001091973, 1001100331, 1001091974, 1001091975, 1001100337, 1001206250, 1001206251, 1001206251, 1001206253, 1001206255 Installations	
708J	4461197	1	Receptacle, Female - 1001100326 Installation (CE Specs with 2500W Generator Control Box Only)	

SECTION 7 - ELECTRICAL

ITEM	PART NUMBER	QTY	DESCRIPTION	REV
708J	4461200	1	Receptacle, Female - 1001100327 Installation (CE Specs with 2500W Generator Control Box Only)	
708J	4461203	1	Receptacle, Female - 1001100328 & 1001100331 Installations & 1001100343 & 1001141971 Kits (CE Specs with 2500W Generator Control Box Only)	
708J	4461206	1	Receptacle, Female - 1001100329 & 1001100333 Installations & 1001100344 & 1001141970 Kits (CE Specs with 2500W Generator Control Box Only)	
708J	4461250	1	Receptacle, Female - 1001100337 Installation (CE Specs with 2500W Generator Control Box Only)	
708K	0275216	1	Receptacle Box Kit - 110V IEC Yellow (1001091969 Installation) (For CE Machines without 2500W Generator Only) (Includes Items 708A, 708B, 708C & 708E)	1
708K	0275217	1	Receptacle Box Kit - 220V IEC Blue (1001091970 Installation) (For CE Machines without 2500W Generator Only) (Includes Items 708A, 708B, 708C & 708E)	1
708K	0275218	NLA	Receptacle Box Kit - 220V CEE7 Post Ground (1001091971 Installation) (Use p/n 1001100343) (For CE Machines without 2500W Generator Only) (Includes Items 708A, 708B, 708C & 708E)	C
708K	0275219	NLA	Receptacle Box Kit - 220V CEE7 Side Ground (1001091972 Installation) (Use p/n 1001100344) (Use p/n 1001100343) (For CE Machines without 2500W Generator Only) (Includes Items 708A, 708B, 708C & 708E)	B
708K	0275452	1	Receptacle Box Kit - 220V CEE7 Post Ground (1001091973 Installation) (For CE Machines without 2500W Generator Only) (Includes Items 708A, 708B, 708C & 708E)	1
708K	0275453	1	Receptacle Box Kit - 220V CEE7 Side Ground (1001091974 Installation) (For CE Machines without 2500W Generator Only) (Includes Items 708A, 708B, 708C & 708E)	1
708K	0275454	1	Receptacle Box Kit - 220V AFSINT 107 Keyed Ground (1001091975 Installation) (For CE Machines without 2500W Generator Only) (Includes Items 708A, 708B, 708C & 708E)	1
708K	1001100341	1	Receptacle Box Kit - 110V IEC Yellow (1001100326 Installation) (For CE Machines with 2500W Generator Only) (Includes Items 708A, 708B, 708C, 708E & 708J)	2
708K	1001100342	1	Receptacle Box Kit - 220V IEC Blue (1001100327 Installation) (For CE Machines with 2500W Generator Only) (Includes Items 708A, 708B, 708C, 708E & 708J)	2
708K	1001091971	NLA	Receptacle Box Kit - 220V CEE7 Post Ground (1001100328 Installation) (Use p/n 1001100343 Kit) (For CE Machines with 2500W Generator Only) (Includes Items 708A, 708B, 708C, 708E & 708J)	B
708K	1001091970	NLA	Receptacle Box Kit - 220V CEE7 Side Ground (1001100329 Installation) (Use p/n 1001100344 Kit) (For CE Machines with 2500W Generator Only) (Includes Items 708A, 708B, 708C, 708E & 708J)	B
708K	1001100345	1	Receptacle Box Kit - 220V CEE7 Post Ground (1001100331 Installation) (For CE Machines with 2500W Generator Only) (Includes Items 708A, 708B, 708C, 708E & 708J)	C
708K	1001100347	1	Receptacle Box Kit - 220V CEE7 Side Ground (1001100333 Installation) (For CE Machines with 2500W Generator Only) (Includes Items 708A, 708B, 708C, 708E & 708J)	2
708K	1001100346	1	Receptacle Box Kit - 220V AFSINT 107 Keyed Ground (1001100337 Installation) (For CE Machines with 2500W Generator Only) (Includes Items 708A, 708B, 708C, 708E & 708J)	2
708L	1001156351	2	Cover, Connector - 0256202 Installation (SN 0300182743 through 0300236824, SN B300001092 through B300002255)	
708M	1001156352	1	Cover, Plug - 0256202 Installation (SN 0300182743 through	

SECTION 7 - ELECTRICAL

ITEM	PART NUMBER	QTY	DESCRIPTION	REV
708N	1001193018	1	0300236824, SN B300001092 through B300002255) Bracket, Receptacle Box - 1001091969, 1001091970, 1001091971, 1001091972, 1001091973, 1001091974, 1001091975, 1001100326, 1001100327, 1001100328, 1001100329, 1001100331, 1001100333, 1001100337, 1001194203, 1001194204, 1001194197, 1001194198, 1001194200, 1001194365, 1001206250, 1001206251, 1001206252, 1001206253, 1001206254, 1001206255 Installations (SN 0300201003 to Present)	
708N	1001193018	1	Bracket, Receptacle Box - 1001091969, 1001091970, 1001091971, 1001091972, 1001091973, 1001091974, 1001091975, 1001100326, 1001100327, 1001100328, 1001100329, 1001100331, 1001100333, 1001100337, 1001194203, 1001194204, 1001194197, 1001194198, 1001194200, 1001194365, 1001206250, 1001206251, 1001206252, 1001206253, 1001206254, 1001206255 Installations (SN B300001180 to Present)	
709	1001153309	Ref	4000W Generator Installation - Deutz D2011 Engine (60Hz)	B
709	1001153310	Ref	4000W Generator Installation - Deutz D2011 Engine (50Hz)	F
709	1001171127	Ref	4000W Generator Installation - Deutz DT2.9L4 Engine (60Hz)	C
709	1001171269	Ref	4000W Generator Installation - Deutz DT2.9L4 Engine (50Hz)	E
709	1001139960	Ref	4000W Generator Installation - GM Engine	B
709	1001115388	Ref	7500W SkyPower Generator Installation - Deutz D2011 Engine (60Hz)	F
709	1001115394	Ref	7500W SkyPower Generator Installation - Deutz D2011 Engine (50Hz)	F
709	1001148563	Ref	7500W SkyPower Generator Installation - Deutz DT2.9L4 Engine (60Hz)	E
709	1001148564	Ref	7500W SkyPower Generator Installation - Deutz DT2.9L4 Engine (50Hz)	E
709	1001219618	Ref	7500W SkyPower Generator Installation - Ford Engine	D
709	0275257	Ref	7500W SkyPower Generator Installation - GM Engine	H
709B	3960422	1	Gasket - 60Hz Spec	
709B	See Note	Ref	Gasket - 50Hz Spec (Note: Not Available - Purchase Locally)	
709C	1001110873	Ref	Cover, Receptacle - 60Hz Spec (Top Hinged Cover)	
709C	See Note	Ref	Cover, Receptacle - 50Hz Spec (Note: Not Available - Purchase Locally)	
709E	4460346	Ref	Receptacle - 60Hz Spec	
709E	See Note	Ref	Receptacle - 50Hz Spec (Note: Not Available - Purchase Locally)	
709G	4460071	1	Connector, Strain Relief	
709H	1001152532	Ref	Harness, Generator - 4000W Generator	A
709H	4922925	1	Harness, Generator - 7500W SkyPower Generator	C
709J	See Note	NSS	Plug, Male - 6 Position - 7500W SkyPower Generator (Note: Not Available for Purchase)	
709J	77363233	1	Plug, Male - 6 Position - 4000W SkyPower Generator	
709J	77363229	6	Socket, Female - 7500W SkyPower Generator	
709J	4460465	2	Socket, Female - 4000W Generator	
709K	4460225	1	Plug, Male - 6 Position	
709K	4460226	6	Socket, Female - 7500W SkyPower Generator	
709K	4460268	2	Socket, Female - 4000W Generator	
709K	4460807	1	Seal - 4000W Generator	
709K	4460808	1	Seal - 4000W Generator	
709L	See Note	AR	Breaker Box Kit (4000K 50 Hz Generators) (Note: See Item 714C for Replacement Parts)	
710	1001152457	Ref	4000W Generator Junction Box Components (60Hz) (Call-out # Not Shown)	B

SECTION 7 - ELECTRICAL

ITEM	PART NUMBER	QTY	DESCRIPTION	REV
710	1001152458	Ref	4000W Generator Junction Box Components (50Hz) (Call-out # Not Shown)	B
710	1001157592	Ref	7500W SkyPower Generator Junction Box Components (60Hz) (Call-out # Not Shown)	D
710	1001157525	Ref	7500W SkyPower Generator Junction Box Components (50Hz) (Call-out # Not Shown)	D
710A	1060494	2 ft/.6m	Cable, Electrical 12/3 - 60Hz Spec (SN 0300182743 through 0300205490)	
710A	1001179154	2.5 ft /.76m	Cable, Electrical 12/3 - 60Hz Spec (SN 0300205491 to Present)	
710A	1060494	2 ft/.6m	Cable, Electrical 12/3 - 60Hz Spec (SN B300001092 through B300001245)	
710A	1001179154	2.5 ft /.76m	Cable, Electrical 12/3 - 60Hz Spec (SN B300001246 to Present)	
710C	1060343	1.5 ft /.46m	Cable, Electrical 10/4 (7500W/60Hz Spec Only)	
710D	4460425	1	Connector, Strain Relief	
710E	4460426	2	Connector, Strain Relief (60Hz Spec Only)	
710E	4460426	1	Connector, Strain Relief (50Hz Spec Only)	
710E	3520189	1	Plug (50Hz Spec Only)	
710F	1671092	1	Cover (7500W/60Hz Spec Only)	
710F	4460963	1	Connector (7500W/60Hz Spec Only)	
711	1001153025	Ref	4000W Generator Electrical Diagram (50Hz) (Deutz Engines) (ANSI Export & Japanese Specs) (SN 0300182743 through 0300204764, SN B300001092 through B300001327)	C
711	1001194437	Ref	4000W Generator Electrical Diagram (50Hz) (Deutz Engines) (ANSI Export & Japanese Specs) (SN 0300204765 to Present, SN B300001328 to Present)	B
711	1001159648	Ref	4000W Generator Electrical Diagram (50Hz) (Deutz Engines) (Australian Specs)	C
711	1001153025	Ref	4000W Generator Electrical Diagram (50Hz) (Deutz Engines) (CE Specs)	C
711	1001160271	Ref	4000W Generator Electrical Diagram (50Hz) (Deutz Engines) (CE UK Specs)	C
711	1001132055	Ref	4000W Generator Electrical Diagram (60Hz) (Deutz D2011 & GM Engines)	A
711	1001132055	Ref	4000W Generator Electrical Diagram (60Hz) (Deutz DT2.9L4 Engines) (SN 0300182743 through 0300213719, SN B300001092 through B300001596)	A
711	1001153257	Ref	4000W Generator Electrical Diagram (60Hz) (Deutz DT2.9L4 Engines) (SN 0300213720 to Present, SN B300001597 to Present)	A
711	1001157769	Ref	7500W SkyPower Generator Electrical Diagram - 50Hz - Deutz Engine Machines (Call-out # Not Shown)	B
711	1001157770	Ref	7500W SkyPower Generator Electrical Diagram - 60Hz - Deutz Engine Machines (Call-out # Not Shown)	A
711	1001221498	Ref	7500W SkyPower Generator Electrical Diagram - 60Hz - Ford Engine Machines (Call-out # Not Shown)	A
711	1001157768	Ref	7500W SkyPower Generator Electrical Diagram - 60Hz - GM Engine Machines (Call-out # Not Shown)	A
711A	1001153197	1	Generator Harness - 4000W Generator (Deutz D2011 & GM Engines)	B
711A	1001153197	1	Generator Harness - 4000W Generator (Deutz DT2.9L4 Engines) (SN 0300182743 through 0300213719, SN B300001092 through B300001596)	B
711A	1001153259	1	Generator Harness - 4000W Generator (Deutz DT2.9L4 Engines) (SN 0300213720 to Present, SN B300001597 to Present)	B

SECTION 7 - ELECTRICAL

ITEM	PART NUMBER	QTY	DESCRIPTION	REV
711A	1001152429	1	Generator Harness - 7500W/50Hz SkyPower Generator (Deutz Engine Machines)	C
711A	1001119968	1	Generator Harness - 7500W/60Hz SkyPower Generator (Deutz Engine Machines)	C
711A	1001221208	1	Generator Harness - 7500W SkyPower Generator (Ford Engine Machines)	A
711A	4923420	1	Generator Harness - 7500W SkyPower Generator (GM Engine Machines)	A
711B	4460374	2	Plug, Sealed Relay (7500W SkyPower Generator with GM Engines Only)	
711B	4460375	7	Terminal (7500W SkyPower Generator with GM Engines Only)	
711C	4460967	1	Plug, Male - 3 Position	
711C	4460465	3	Socket, Female	
711D	4460742	1	Plug, Male - 2 Position (4000W/60Hz Generator)	
711D	4460743	2	Socket, Female (4000W/60Hz Generator)	
711D	4460458	1	Seal (4000W/60Hz Generator)	
711D	1001116727	1	Seal (4000W/60Hz Generator)	
711D	4460742	1	Plug, Male - 2 Position (7500W SkyPower Generator 50Hz Deutz & 60Hz - Ford & GM Engines Only)	
711D	4460743	2	Socket, Female (7500W SkyPower Generator 50Hz Deutz & 60Hz - Ford & GM Engines Only)	
711D	4460458	2	Seal (7500W SkyPower Generator 50Hz Deutz & 60Hz - Ford & GM Engines Only)	
711E	2400060	1	Fuseholder (50Hz Deutz & 60Hz - Ford & GM Engines)	
711E	2400064	1	Fuse - 5Amp (50Hz Deutz & 60Hz - Ford & GM Engines)	
711E	1001117078	1	Fuseholder (Includes Fuse and Cap) (60Hz - Deutz Engine)	
711E	See Note	NSS	Fuse - 5Amp (60Hz - Deutz Engines) (Note: Use 1001117078 Assembly or Purchase Fuse Locally)	
711E	1001096134	1	Cover, Fuseholder (60Hz - Deutz Engines)	
711F	4922641	1	Switch Harness	
711G	1001164091	1	Ground Harness (50Hz Generators) (Not Shown)	
712	4933249	1	Floodlights Harness Components	2-A
712A	4460320	2	Plug, Male - 2 Position	
712A	4460227	4	Pin, Male	
712B	4922764	1	Floodlight Harness (Lights to Switch)	B
712C	4460424	2	Connector, Female - 2 Position	
712C	4460226	4	Socket, Female	
712D	4360232	1	Circuit Breaker - 15Amp	
712E	1060977	1	Cord, 2 Wire Coiled (Console Box Circuit Breaker to Switch)	
712F	4460425	1	Connector, Strain Relief	
712G	4922883	1	Harness, Console Box to Aux Relay	
712G	1060708	120 ft /36.6m	10/3 Cable	
713		Ref	Platform Worklights Components	
713A	2920140	AR	Platform Worklights External Harness (Includes Light and Wire Only)	
713B	4460426	1	Connector, Strain Relief	
713C		Ref	Fuse Options:	
713C	2400070	1	20Amp Fuse (2 Worklights)	
713C	2400065	1	30Amp Fuse (4 Worklights)	
713C	2400066	1	Holder, Fuse	
713D	4922874	Ref	Harness, Console Box to Connector Options:	
713D	4922874	1	2 Worklights	
713D	4922874	3	4 Worklights	

SECTION 7 - ELECTRICAL

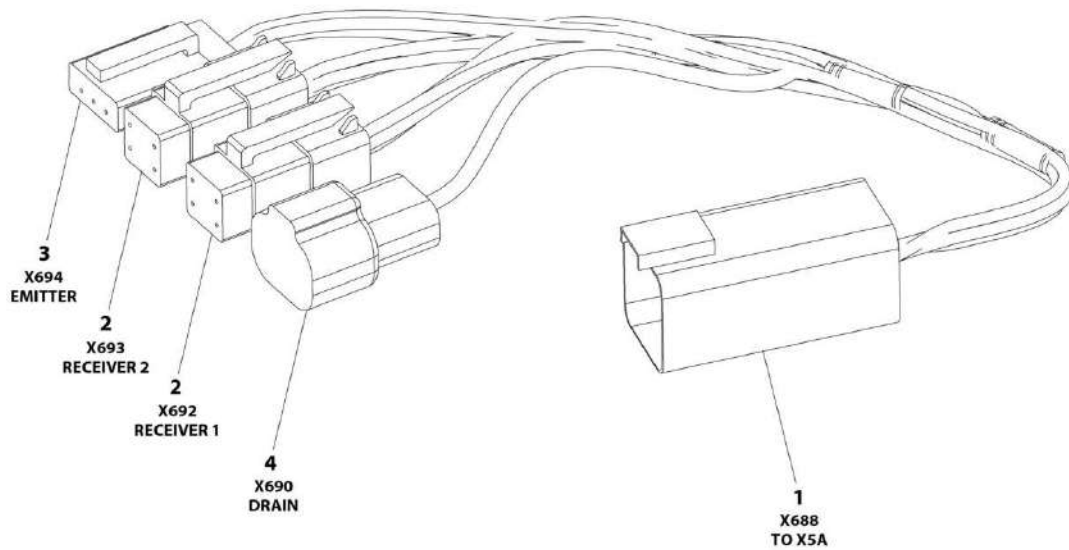
ITEM	PART NUMBER	QTY	DESCRIPTION	REV
713D	1060708	11 ft/3.4m	10/3 Cable (1 per Harness)	
713E		Ref	Harness, Connector to Aux Relay Options:	
713E	4922873	1	Harness, Connector to Aux Relay 800S Harness (85ft/25.9m of 10/3 Cable p/n 1060708)	
713E	4922877	1	Harness, Connector to Aux Relay 860SJ Harness (92ft/28m of 10/3 Cable p/n 1060708)	
713F	1001098234	1	Connector, Female - 3 Position (Platform Worklights Only)	
713G	1001098349	1	Connector, Male - 3 Position (Platform Worklights Only)	
714		Ref	AC Cable with Breaker (Required Only on CE Spec Installations)	
714	1001091790	Ref	Without Powermite Generator (SN 0300182743 through 0300191622)	D
714	1001177711	Ref	Without Powermite Generator (SN 0300191623 to Present)	C
714	1001177711	Ref	Without Powermite Generator (SN B300001092 to Present)	C
714	1001109559	Ref	With Powermite Generator (SN 0300182743 through 0300191622)	A
714	1001177712	Ref	With Powermite Generator (SN 0300191623 to Present)	C
714	1001177712	Ref	With Powermite Generator (SN B300001092 to Present)	C
714	1001188332	Ref	Circuit Breaker Installation	A
714A	0903484	1	Bracket, Receptacle Box Mounting	
714A	0641416	2	Bolt 1/4in-20NC x 2in	
714A	3311405	2	Locknut 1/4in-20NC	
714A	4711400	4	Flatwasher 1/4in (Narrow)	
714B	0903697	1	Bracket, Circuit Breaker Mounting (SN 0300182743 through 0300191622)	
714B	1001177910	1	Bracket, Circuit Breaker Mounting (SN 0300191623 to Present)	
714B	1001177910	1	Bracket, Circuit Breaker Mounting (SN B300001092 to Present)	
714B	0641412	2	Bolt 1/4in-20NC x 1-1/2in	
714B	3311405	2	Locknut 1/4in-20NC	
714B	4711400	4	Flatwasher 1/4in (Narrow)	
714C		Ref	Kit, Box and Breaker (Required on CE Spec Installations):	
714C	1001109654	AR	Machines without Powermite Generator Control Box	B
714C	1001109648	AR	Machines with Powermite Generator Control Box	B
714C	1001096070	1	Machines with 4000W Generators (SN 0300182743 through 0300214274, SN B300001092 through B300001596)	E
714C	1001165368	1	Machines with 4000W Generators (SN 0300214275 to Present, SN B300001597 to Present)	B
714C		Ref	Circuit Breaker Options:	
714C	1001109477	NLA	Circuit Breaker 10A (Use p/n 1001181046) (SN 0300182743 through 0300204764)	
714C	1001109475	NLA	Circuit Breaker 16A (Use p/n 1001181045) (SN 0300182743 through 0300204764)	
714C	1001109482	NLA	Circuit Breaker 30mA (Use p/n 1001181046 When Paired with 10A Breaker / Use p/n 1001181045 When Paired with 16A Breaker) (SN 0300182743 through 0300204764)	
714C	1001181046	1	Circuit, Breaker 10A/30mA Combination (SN 0300204765 to Present)	
714C	1001181045	1	Circuit, Breaker 16A/30mA Combination (SN 0300204765 to Present)	
714C	1001109477	NLA	Circuit Breaker 10A (Use p/n 1001181046) (SN B300001092 through B300001232)	
714C	1001109475	NLA	Circuit Breaker 16A (Use p/n 1001181045) (SN B300001092 through B300001232)	
714C	1001109482	NLA	Circuit Breaker 30mA (Use p/n 1001181046 When Paired with 10A Breaker / Use p/n 1001181045 When Paired with	

SECTION 7 - ELECTRICAL

ITEM	PART NUMBER	QTY	DESCRIPTION	REV
714C	1001181046	1	16A Breaker) (SN B300001092 through B300001232) Circuit, Breaker 10A/30mA Combination (SN B300001233 to Present)	
714C	1001181045	1	Circuit, Breaker 16A/30mA Combination (SN B300001233 to Present)	
714C	0861880	1	Breaker Box	
714C	4460956	1	Terminal, Block End Barrier	
714C	1060908	6 ft/1.8m	Cable, Extension	
714C	4460957	1	Terminal Block	
714D		Ref	Connector, Strain Relief Options:	
714D	1001101191	1	Top (With or Without Powermite Generator)	
714D	1001097150	1	Bottom (With or Without Powermite Generator)	
714D	1001097150	2	Top & Bottom (4000W Generators) (SN 0300182743 through 0300214275, SN B300001092 through B300001596)	
714D	1001101191	2	Top & Bottom (4000W Generators) (SN 0300214275 to Present, SN B300001597 to Present)	
714D	0641406	2	Bolt 1/4in-20NC x 3/4in	
714D	3311405	2	Locknut 1/4in-20NC	
714D	4711400	4	Flatwasher 1/4in (Narrow)	
714E	1060908	12 ft/3.6m	Cable, Electrical 12/3	
714E	1060545	12 ft/3.6m	Cable, Electrical 10/3	
714F	4460709	1	Plug, Male (CE Specs Only)	
714F	1001213584	1	Plug, Male (CE Specs Only) (1001177711 & 1001177712 Installations) (SN 0300236825 to Present, SN B300002256 to Present)	
714G	4460710	1	Connector, Female (CE Specs Only)	
714G	1001213585	1	Connector, Female (CE Specs Only) (1001177711 & 1001177712 Installations) (SN 0300236825 to Present, SN B300002256 to Present)	
715	1001094509	1	Generator Hourmeter Harness	
		Ref	TOOLS	
801	7002821	1	Crimper (For Wire to Pin/Socket Connections) (Not Shown)	
802	7002823	1	Extractor (For Removal of Pin/Socket from Connectors) (Not Shown)	
803	4460467	1	Extractor, Pin (Blue 16-18 Gauge) (For Removal of Pin/Socket from Connectors) (Not Shown)	
804	4460510	1	Extractor, Pin (Yellow 12-14 Gauge) (For Removal of Pin/Socket from Connectors) (Not Shown)	
805	7002828	1	Stripper, Wire (Not Shown)	
806	2901443	1	Analyzer Kit (Not Shown)	
806A	1600244	1	Analyzer	
806B	1060633	1	Cable, Analyzer	1-A
806C	4460321	2	Plug, Male	
806C	4460226	8	Socket, Female	

SECTION 7 - ELECTRICAL

FIGURE 7-3. SKYEYE INTERMEDIATE HARNESS



ART_1001237865

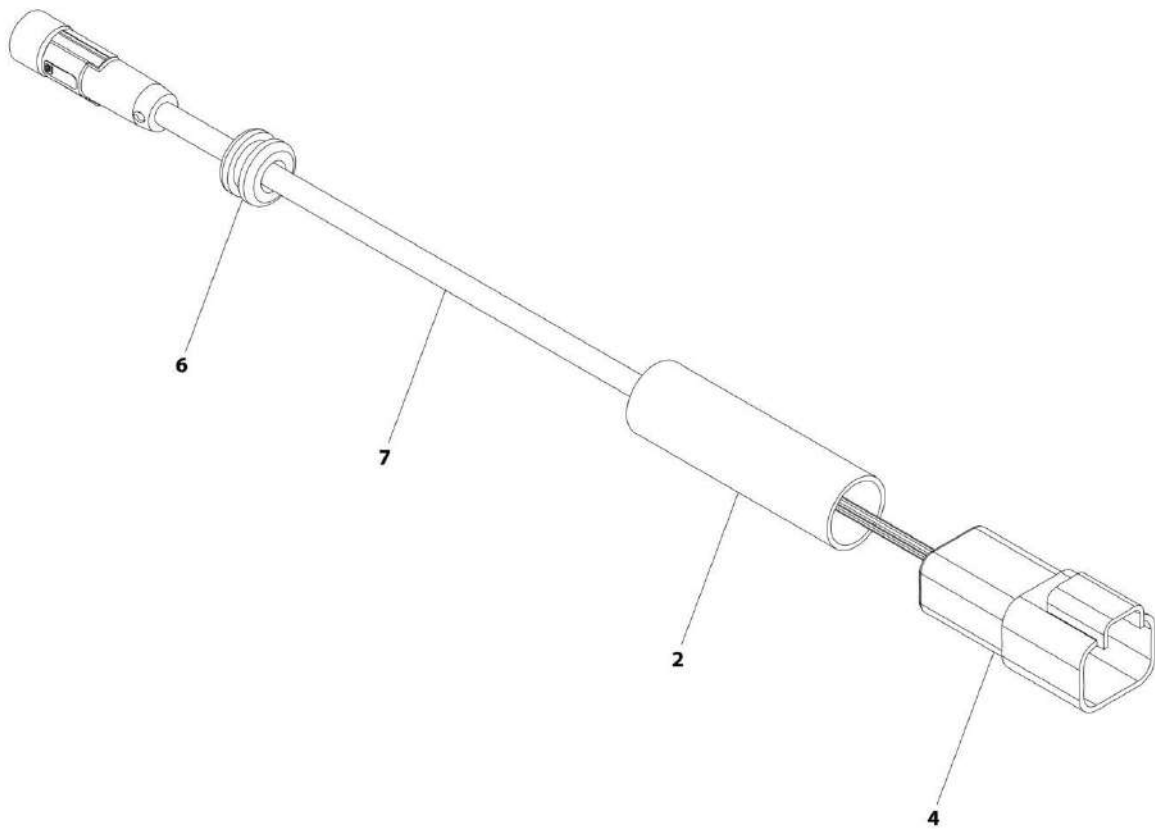
SECTION 7 - ELECTRICAL

FIGURE 7-3. SKYEYE INTERMEDIATE HARNESS

ITEM	PART NUMBER	QTY	DESCRIPTION	REV
	1001237865	Ref	SKYEYE INTERMEDIATE HARNESS	A
1	4460899	1	Connector - 6 Position	
1	4460943	4	Pin, Male	
1	4460466	2	Plug, Terminal	
2	4461077	2	Connector - 4 Position	
2	1001119619	8	Socket, Female	
3	4460911	1	Connector - 3 Position	
3	1001119619	3	Socket, Female	
4	1001187681	1	Connector - 2 Position	
4	4460941	1	Pin, Male	
4	4460466	1	Plug, Terminal	

SECTION 7 - ELECTRICAL

FIGURE 7-4. SKYEYE RECEIVER HARNESS



ART_1001237863

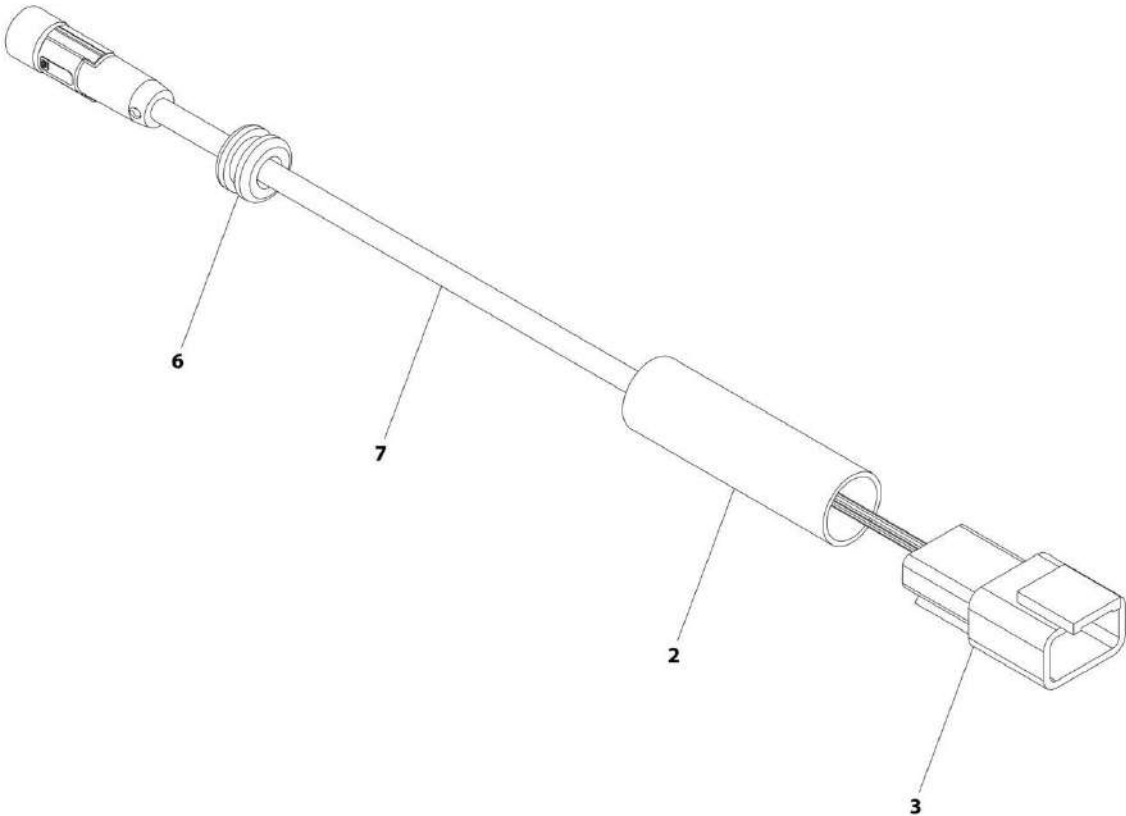
SECTION 7 - ELECTRICAL

FIGURE 7-4. SKYEYE RECEIVER HARNESS

ITEM	PART NUMBER	QTY	DESCRIPTION	REV
	1001237863	Ref	SKYEYE RECEIVER HARNESS	A
2	2820247	AR	Tubing, Heat Shrink	
4	1001097051	1	Connector - 4 Position	
4	1001119620	4	Pin, Male	
6	1001227996	1	Grommet	
7	1001237862	1	Cable, M8 Female Cordset	

SECTION 7 - ELECTRICAL

FIGURE 7-5. SKYEYE EMITTER HARNESS



ART_1001237864

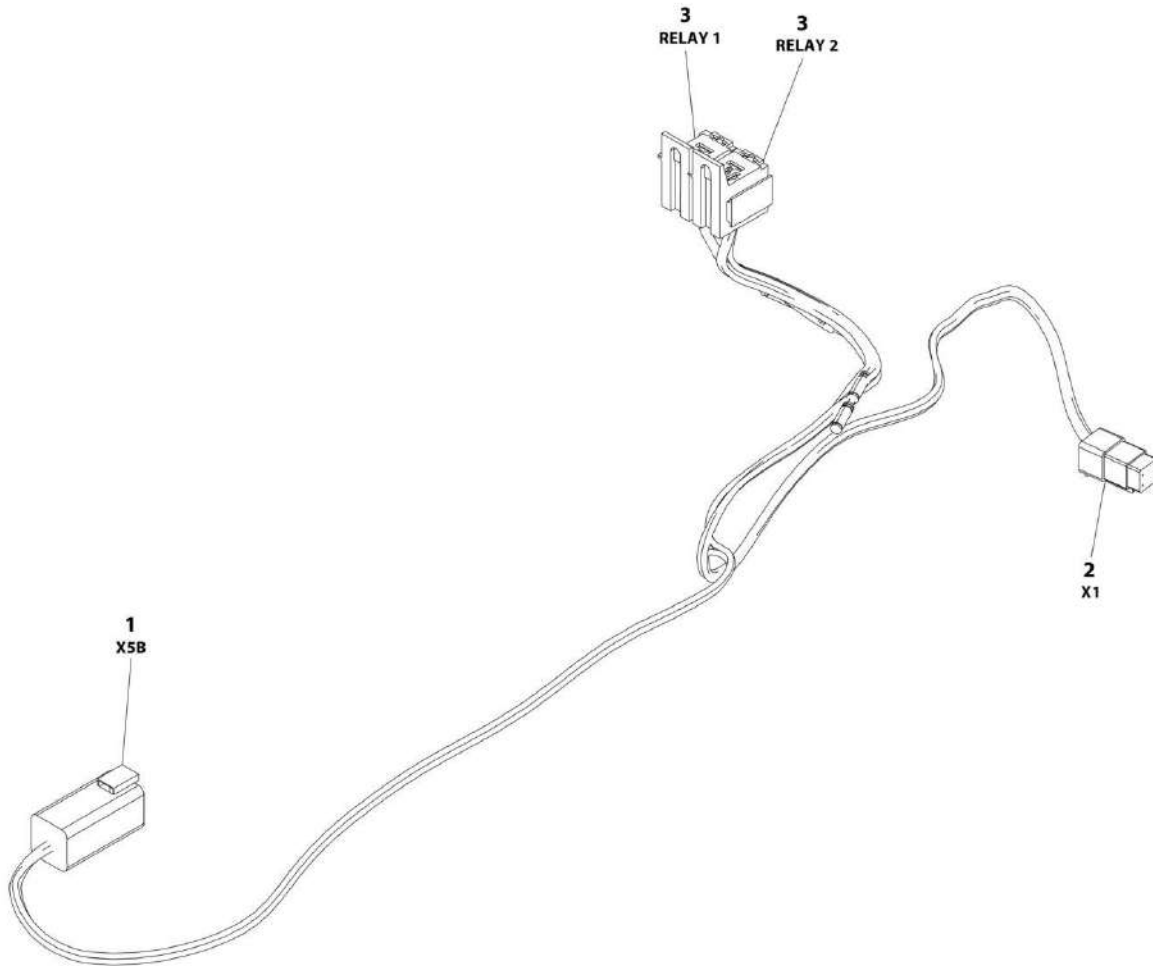
SECTION 7 - ELECTRICAL

FIGURE 7-5. SKYEYE EMITTER HARNESS

ITEM	PART NUMBER	QTY	DESCRIPTION	REV
	1001237864	Ref	SKYEYE EMITTER HARNESS	A
2	2820247	AR	Tubing, Heat Shrink	
3	4460910	1	Connector - 3 Position	
3	1001119620	3	Pin, Male	
6	1001227996	1	Grommet	
7	1001237862	1	Cable, M8 Female Cordset	

SECTION 7 - ELECTRICAL

FIGURE 7-6. SKYLINE HARNESS



ART_1001238418

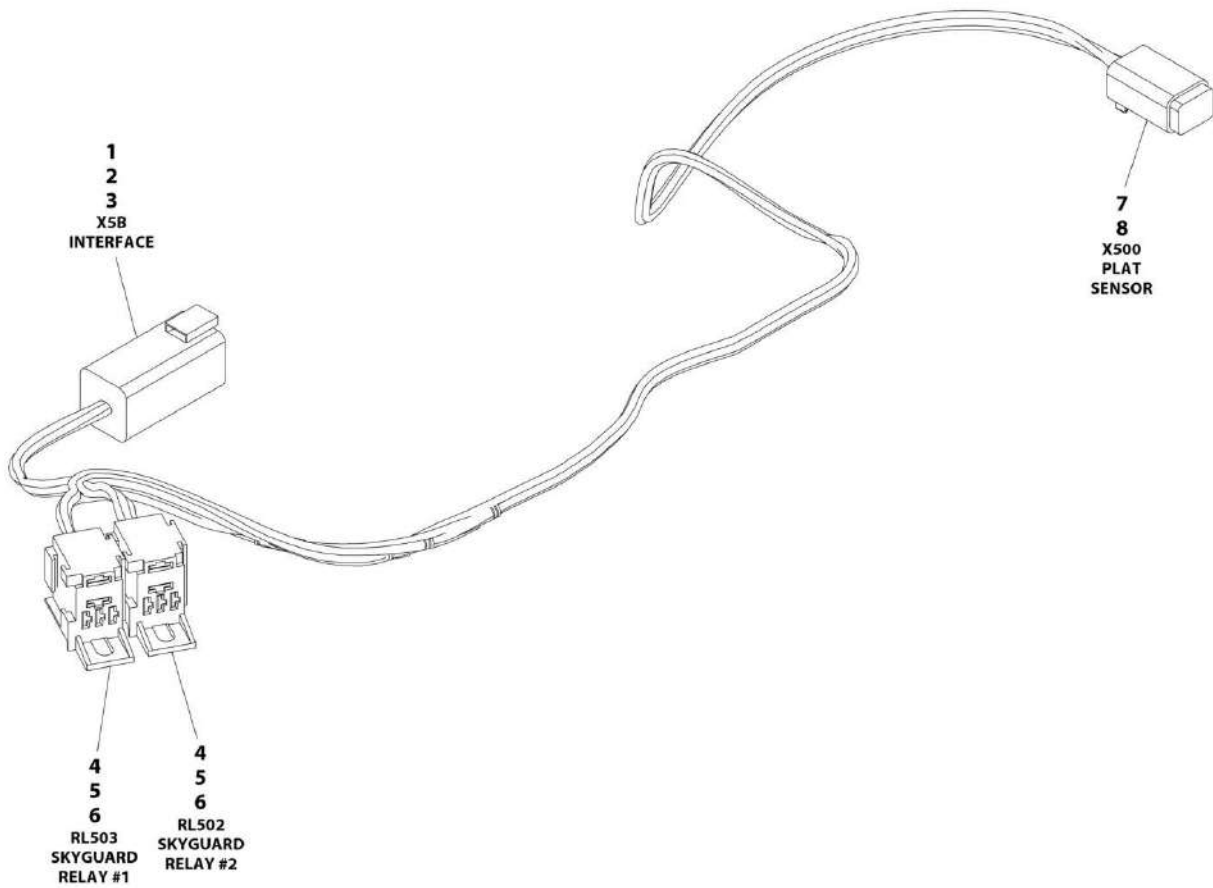
SECTION 7 - ELECTRICAL

FIGURE 7-6. SKYLINE HARNESS

ITEM	PART NUMBER	QTY	DESCRIPTION	REV
	1001238418	Ref	SKYLINE HARNESS	A
1	4460899	1	Connector - 6 Position	
1	4460464	4	Pin, Male	
1	4460466	2	Plug, Terminal	
2	4461077	1	Connector - 4 Position	
2	1001126009	4	Socket, Female	
3	1001186432	2	Plug, Relay	
3	1001118388	5	Terminal	
3	1001118384	3	Terminal	
3	3740086	2	Relay	
3	3990013	2	Diode	

SECTION 7 - ELECTRICAL

FIGURE 7-7. INTERFACE HARNESS - WITH 1 CELL LSS



ART_1001225580

SECTION 7 - ELECTRICAL

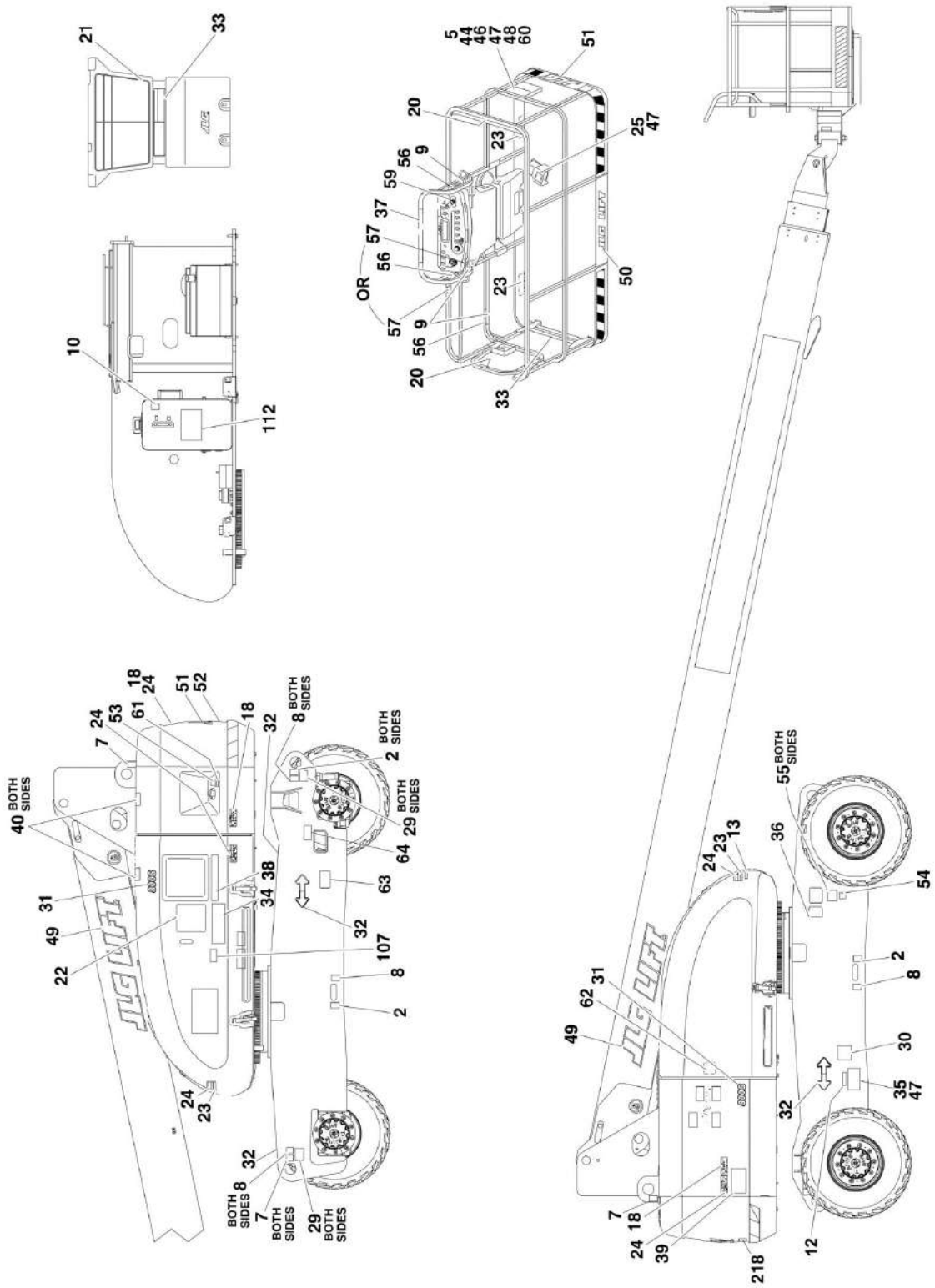
FIGURE 7-7. INTERFACE HARNESS - WITH 1 CELL LSS

ITEM	PART NUMBER	QTY	DESCRIPTION	REV
	1001225580	Ref	INTERFACE HARNESS - WITH 1 CELL LSS	C
1	4460899	1	Connector	
2	4460464	4	Terminal	
3	4460466	2	Plug	
4	1001186432	2	Connector	
5	1001116720	4	Terminal	
6	1001118388	4	Terminal	
7	4460844	1	Connector	
8	4460465	4	Terminal	

SECTION 8 - DECALS

SECTION 8 - DECALS

FIGURE 8-1. DECAL INSTALLATION (ANSI SPEC)



SECTION 8 - DECALS

FIGURE 8-1. DECAL INSTALLATION (ANSI SPEC)

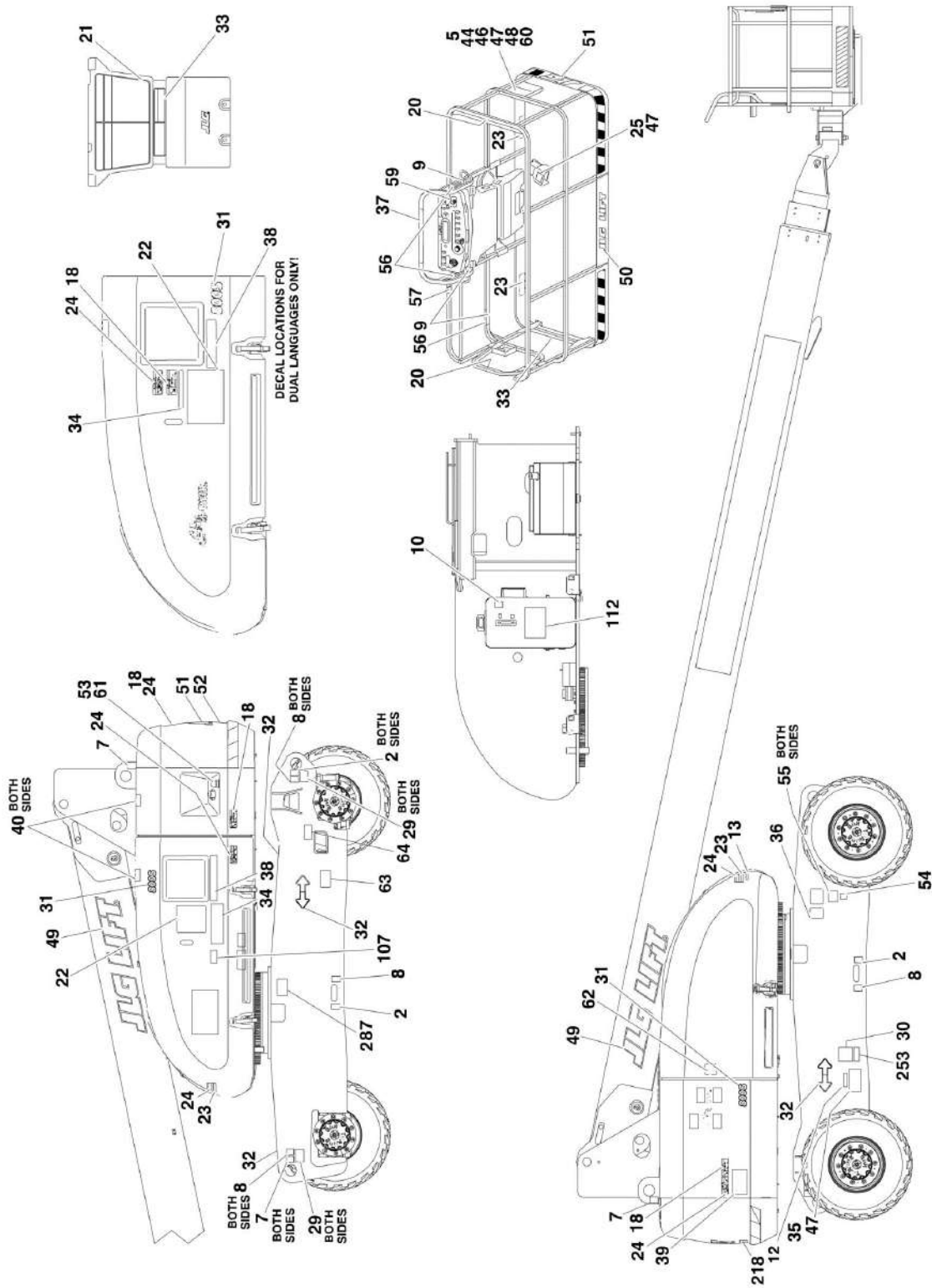
ITEM	PART NUMBER	QTY	DESCRIPTION	REV
	1283408	Ref	STANDARD DECAL INSTALLATIONS	W
	0274499	Ref	Standard Decal Installations 800S	H
	0274500	Ref	Standard Decal Installations 860SJ	H
	0274518	Ref	JLG Logo Decals	D
2	1701499	4	Decal - No Lift	
5	1701509	1	Decal - Manual	
7	1703811	AR	Decal - Tie Down/Lift	
8	1703814	6	Decal - Tie Down	
9	1704277	4	Decal - Attach Lanyard Here	
10	1704412	1	Decal - Hydraulic Oil Chart	
12	1705514	1	Decal - CSA	
13	3251243	1	Nameplate - 120V-60HZ	
18	1703953	4	Decal - Warning Crushing	
20	1702868	2	Decal - No Hands	
21	1703797	1	Decal - Warning/Danger	
22	1705336	1	Decal - Warning Inspection (MTB)	
23	1703804	4	Decal - Warning Crushing	
24	1703805	4	Decal - Danger Electrocution	
25	3252347	1	Decal - Footswitch	
28	1703475	4	Decal - Max Tire Load (800S)	
28	1703482	4	Decal - Max Tire Load (860SJ)	
30	See Note	NSS	Decal - Bar Code (Note: Not Available for Purchase)	
31		Ref	Decal Options:	
31	1704906	2	Decal - 800S	
31	1704907	2	Decal - 860SJ	
32	1701501	4	Decal- Arrow	
33		Ref	Decal Capacity Options:	
33	1001122507	2	Decal Capacity 800S - Decal - 500LBS Unrestricted Capacity	
33	1001122508	2	Decal Capacity 860SJ - Decal - 500LBS Maximum Capacity	
34		Ref	Decal Capacity Options:	
34	1001122515	1	Decal Capacity 800S - Decal - 500LBS Unrestricted Capacity	
34	1001122516	1	Decal Capacity 860SJ - Decal - 500LBS Maximum Capacity	
35	See Note	NSS	Nameplate, Manufacturer (Note: Not Available for Purchase)	
36	1001131269	1	Decal - Patent	
37	1001108496	1	Decal - Legend Options	
38	1706941	1	Decal - Legend (MTB)	
39		Ref	Decal - Lift Diagram Options:	
39	3252781	1	Decal - Lift Diagram (SN 0300182743 through 0300189311)	
39	1001175354	1	Decal - Lift Diagram (SN 0300189312 to Present)	
39	1001175354	1	Decal - Lift Diagram (SN B300001092 to Present)	
40	1701691	4	Decal - No Step	
44	0860520	1	Box, Manual Storage	
46	3311405	1	Locknut 1/4in	
47	3820001	2	Rivet	
48	4751400	1	Flatwasher 1/4in Regular	
49	1702861	2	Decal - JLG Lift (8in Height)	
50	1702774	1	Decal - JLG Lift (3-1/2in Height)	
51	1702773	1	Decal - JLG (5in Height)	
52	1704885	1	Decal - Website	
53		Ref	Decal - Fuel	

SECTION 8 - DECALS

ITEM	PART NUMBER	QTY	DESCRIPTION	REV
53	1701505	1	Diesel	
53	1701542	1	Gas	
54	1701543	1	Decal - LP Gas (GM Engine Machines Only)	
55	1700818	2	Decal - LP Gas (Liquid) (GM Engine Machines Only)	
56	1703175	1	Decal - Lanyard Attach (GM Spec)	
57	1702962	1	Decal - Warning Prop (DSL) (SN 0300182743 through 0300243278, SN B300001092 through B300002584)	
57	1001231801	1	Decal - Warning Prop (DSL) (SN 0300243279 to Present, SN B300002585 to Present)	
58	1702961	1	Decal - Warning Prop (Gas) (SN 0300182743 through 0300243278, SN B300001092 through B300002584)	
58	1001236338	1	Decal - Warning Prop (Gas) (SN 0300243279 to Present, SN B300002585 to Present)	
59	1705351	1	Decal - Drive/Steer Instructions	
60	0641406	1	Bolt 1/4in-20NC x 3/4in	
61	1001125387	1	Decal - Low Sulfur Fuel (Deutz TD2.9L4 Machines)	
62	1704972	1	Decal - Warning Explosion/Fire	
63	1001223055	1	Decal - Yearly Inspection (SN 0300234039 to Present, SN B300002026 to Present)	
64	1001223453	1	Decal - ICES (SN 0300240876 to Present, SN B300002667 to Present)	
	1001157261	Ref	MANUAL DESCENT DECALS (OPTIONAL) (SN 0300182743 through 0300187355)	A
107	1702901	1	Decal - Manual Descent	
112	1705589	1	Decal - Manual Descent	
		Ref	DECALS - OPTIONAL	
218	3251813	1	Decal - USA	

SECTION 8 - DECALS

FIGURE 8-2. DECAL INSTALLATION (COUNTRY SPEC)



SECTION 8 - DECALS

FIGURE 8-2. DECAL INSTALLATION (COUNTRY SPEC)

ITEM	PART NUMBER	QTY	DESCRIPTION	REV
	1283408	Ref	DECAL INSTALLATIONS	W
	0274505	Ref	Decal Installations 800S Brazil Spec (Spanish/Portuguese)	F
	0274503	Ref	Decal Installations 800S Chinese Spec (English/Chinese)	F
	0274507	Ref	Decal Installations 800S CSA Spec (English/French)	G
	0274511	Ref	Decal Installations 800S Japanese Spec (English/Japanese)	F
	0274501	Ref	Decal Installations 800S Korean Spec (English/Korean)	F
	0274513	Ref	Decal Installations 800S Latin America Spec (English/Spanish)	F
	0274506	Ref	Decal Installations 860SJ Brazil Spec (Spanish/Portuguese)	F
	0274504	Ref	Decal Installations 860SJ Chinese Spec (English/Chinese)	F
	0274508	Ref	Decal Installations 860SJ CSA Spec (English/French)	G
	0274512	Ref	Decal Installations 860SJ Japanese Spec (English/Japanese)	F
	0274502	Ref	Decal Installations 860SJ Korean Spec (English/Korean)	F
	0274514	Ref	Decal Installations 860SJ Latin America Spec (English/Spanish)	F
	0274518	Ref	JLG Logo Decals	D
2	1701499	4	Decal - No Tie Down /Lift	
5	1701509	1	Decal - Manual	
6	Not Required	0	Not Required	
7	1703811	AR	Decal - Tie Down /Lift	
8	1703814	6	Decal - Tie Down	
9	1704277	3	Decal - Attach Lanyard	
10	1704412	1	Decal - Hydraulic Oil Chart	
12		Ref	Decal - CSA (Booms)	
12	Not Required	0	Brazil/ Chinese/ Japanese/ Korean/ Latin American Spec	
12	1705514	1	CSA Spec	
13		Ref	Decal Options:	
13	Not Required	0	Brazil/Chinese/Korean Spec	
13	3251243	1	120V-60Hz - CSA/Japanese/Latin American Spec	
18		Ref	Decal - Warning Crushing (Rotate) Options:	
18	1705903	1	Brazil Spec	
18	1703943	7	Chinese Spec	
18	1703942	7	CSA Spec	
18	1703944	6	Japanese Spec	
18	1703945	6	Korean Spec	
18	1703941	7	Latin American Spec	
20		Ref	Decal - No Hands Options:	
20	1705967	2	Brazil Spec	
20	1001116846	2	Chinese Spec (Traditional)	
20	1705968	2	Chinese Spec (Simplified)	
20	1704000	2	CSA Spec	
20	Not Required	0	Japanese Spec	
20	1705969	2	Korean Spec	
20	1704001	2	Latin American Spec	
21		Ref	Decal - Warning/Danger (PLF) Options:	
21	1705895	1	Brazil Spec	
21	1703925	1	Chinese Spec	
21	1703924	1	CSA Spec	
21	1703926	1	Japanese Spec	
21	1703927	1	Korean Spec	

SECTION 8 - DECALS

ITEM	PART NUMBER	QTY	DESCRIPTION	REV
21	1703923	1	Latin American Spec	
22		Ref	Decal - Warning Inspection (MTB) Options:	
22	1705896	1	Brazil Spec	
22	1001116849	1	Chinese Spec (Traditional)	
22	1705348	1	Chinese Spec (Simplified)	
22	1705347	1	CSA Spec	
22	1705344	1	Japanese Spec	
22	1705345	1	Korean Spec	
22	1705917	1	Latin American Spec	
23		Ref	Decal - Warning Crushing (Down) Options:	
23	1705898	6	Brazil Spec	
23	1703949	6	Chinese Spec	
23	1703948	6	CSA Spec	
23	1703950	6	Japanese Spec	
23	1703951	6	Korean Spec	
23	1703947	6	Latin American Spec	
24		Ref	Decal - Danger Electrocution Options:	
24	1705897	5	Brazil Spec	
24	1001116851	5	Chinese Spec (Traditional)	
24	1703937	5	Chinese Spec (Simplified)	
24	1703936	5	CSA Spec	
24	1703938	5	Japanese Spec	
24	1703939	5	Korean Spec	
24	1703935	5	Latin American Spec	
25		Ref	Decal - Foot Switch Options:	
25	1705902	1	Brazil Spec	
25	1703982	1	Chinese Spec	
25	1703984	1	CSA Spec	
25	1703980	1	Japanese Spec	
25	1703981	1	Korean Spec	
25	1703983	1	Latin American Spec	
28	1703475	4	Decal - Max Tire Load (800S)	
28	1703482	4	Decal - Max Tire Load (860SJ)	
30	See Note	NSS	Decal - Bar Code (Note: Not Available for Purchase)	
31		Ref	Decal Options:	
31	1704906	2	Decal - 800S	
31	1704907	2	Decal - 860SJ	
32	1701501	4	Decal - Arrow	
33		Ref	Decal Capacity Options:	
33		Ref	Decal Capacity 800S - Decal - 500LBS Unrestricted Capacity	
33	1001121806	2	Brazil Spec	
33	1001121809	2	Chinese Spec	
33	1001121802	2	CSA Spec	
33	1001121807	2	Japanese Spec	
33	1001122200	2	Korean Spec	
33	1001121804	2	Latin American Spec	
33		Ref	Decal Capacity 860SJ - Decal - 500LBS Maximum Capacity	
33	1001122512	2	Brazil Spec	
33	1001122510	2	Chinese Spec	
33	1001122513	2	CSA Spec	
33	1001122514	2	Japanese Spec	

SECTION 8 - DECALS

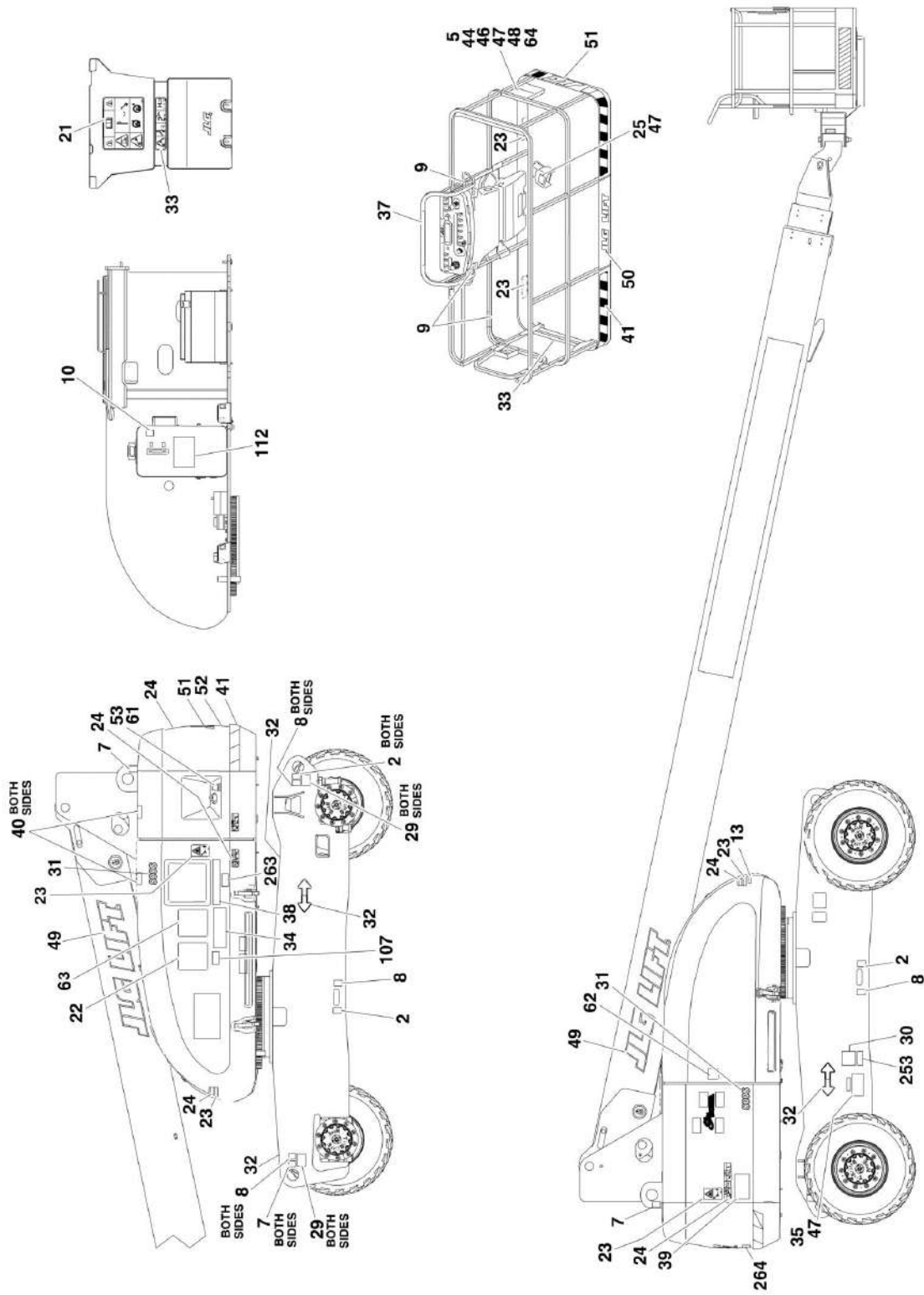
ITEM	PART NUMBER	QTY	DESCRIPTION	REV
33	1001122509	2	Korean Spec	
33	1001122511	2	Latin American Spec	
34		Ref	Decal Capacity Options:	
34		Ref	Decal Capacity 800S - Decal - 500LBS Unrestricted Capacity	
34	1001121819	1	Brazil Spec	
34	1001121822	1	Chinese Spec	
34	1001121815	1	CSA Spec	
34	1001121820	1	Japanese Spec	
34	1001122201	1	Korean Spec	
34	1001121817	1	Latin American Spec	
34		Ref	Decal Capacity 860SJ - Decal - 500LBS Maximum Capacity	
34	1001122520	1	Brazil Spec	
34	1001122518	1	Chinese Spec	
34	1001122521	1	CSA Spec	
34	1001122522	1	Japanese Spec	
34	1001122517	1	Korean Spec	
34	1001122519	1	Latin American Spec	
35	See Note	NSS	Nameplate, Manufacturer (Note: Not Available for Purchase)	
36	1001131269	1	Decal - Patent	
37	1001108496	1	Decal - Legend	
38	1706941	1	Decal - Legend (MTB)	
39		Ref	Decal - Lift Diagram Options:	
39	3252781	1	Decal - Lift Diagram (SN 0300182743 through 0300189311)	
39	1001175354	1	Decal - Lift Diagram (SN 0300189312 to Present)	
39	1001175354	1	Decal - Lift Diagram (SN B300001092 to Present)	
40	1701691	4	Decal - No Step	
44	0860520	1	Box, Manual Storage	
46	3311405	1	Locknut 1/4in	
47	3820001	2	Rivet	
48	4751400	2	Flatwasher 1/4in Regular	
49	1702861	2	Decal - JLG Lift (8in Height)	
50	1702774	1	Decal - JLG Lift (3-1/2in Height)	
51	1702773	1	Decal - JLG (5in Height)	
52	1704885	1	Decal - Website	
53		Ref	Decal - Fuel	
53	1701505	1	Diesel	
53	1701542	1	Gas	
56		Ref	Decal - Lanyard Attach (GM Spec)	
56	Not Required	0	Brazil/ Chinese/ Japanese/ Korean/ Latin American Spec	
56	1703175	1	CSA Spec	
59		Ref	Decal - Drive/Steer Instructions Options:	
59	1705905	1	Brazil Spec	
59	1705430	1	Chinese Spec	
59	1705429	1	CSA Spec	
59	1705426	1	Japanese Spec	
59	1705427	1	Korean Spec	
59	1705910	1	Latin American Spec	
60	0641406	1	Bolt 1/4in-20NC x 3/4in	
61	1001125387	1	Decal - Low Sulfur Fuel (CSA Spec with Deutz TD2.9L4 Machines Only)	
61	1001139654	1	Decal - Ultra Low Sulfur Fuel (ANSI Export Spec with Deutz TD2.9L4 Machines Only)	

SECTION 8 - DECALS

ITEM	PART NUMBER	QTY	DESCRIPTION	REV
62		Ref	Decal - Warning Explosion/Fire Options:	
62	1706059	1	Brazil Spec	1
62	1706060	1	Chinese Spec	
62	1706064	1	CSA Spec	
62	1706062	1	Japanese Spec	
62	1706061	1	Korean Spec	
62	1706063	1	Latin American Spec	
63		Ref	Decal - Yearly Inspection (SN 0300234039 to Present, SN B300002026 to Present)	
63	1001224052	1	Brazil Specs	
63	1001224050	1	Chinese Specs	
63	1001223971	1	CSA Specs	
63	1001224053	1	Japanese Specs	
63	1001224048	1	Korean Specs	
63	1001224049	1	Latin American Specs	
64	1001223453	1	Decal - ICES (SN 0300240876 to Present, SN B300002667 to Present)	
	1001157261	Ref	MANUAL DESCENT DECALS (OPTIONAL) (SN 0300182743 through 0300187355)	A
107	1702901	1	Decal - Manual Descent	
112	1705589	1	Decal - Manual Descent	
		Ref	DECALS - OPTIONAL	
218	3251813	1	Decal - USA	
253	1001143852	1	Decal - Emissions Compliance	
287	See Note	NSS	Nameplate - ECO (China GB Specs Only) (Note: Not Available for Purchase)	
287	3820001	4	Rivet	

SECTION 8 - DECALS

FIGURE 8-3. DECAL INSTALLATION (AUSTRALIAN AND CE SPEC)



SECTION 8 - DECALS

FIGURE 8-3. DECAL INSTALLATION (AUSTRALIAN AND CE SPEC)

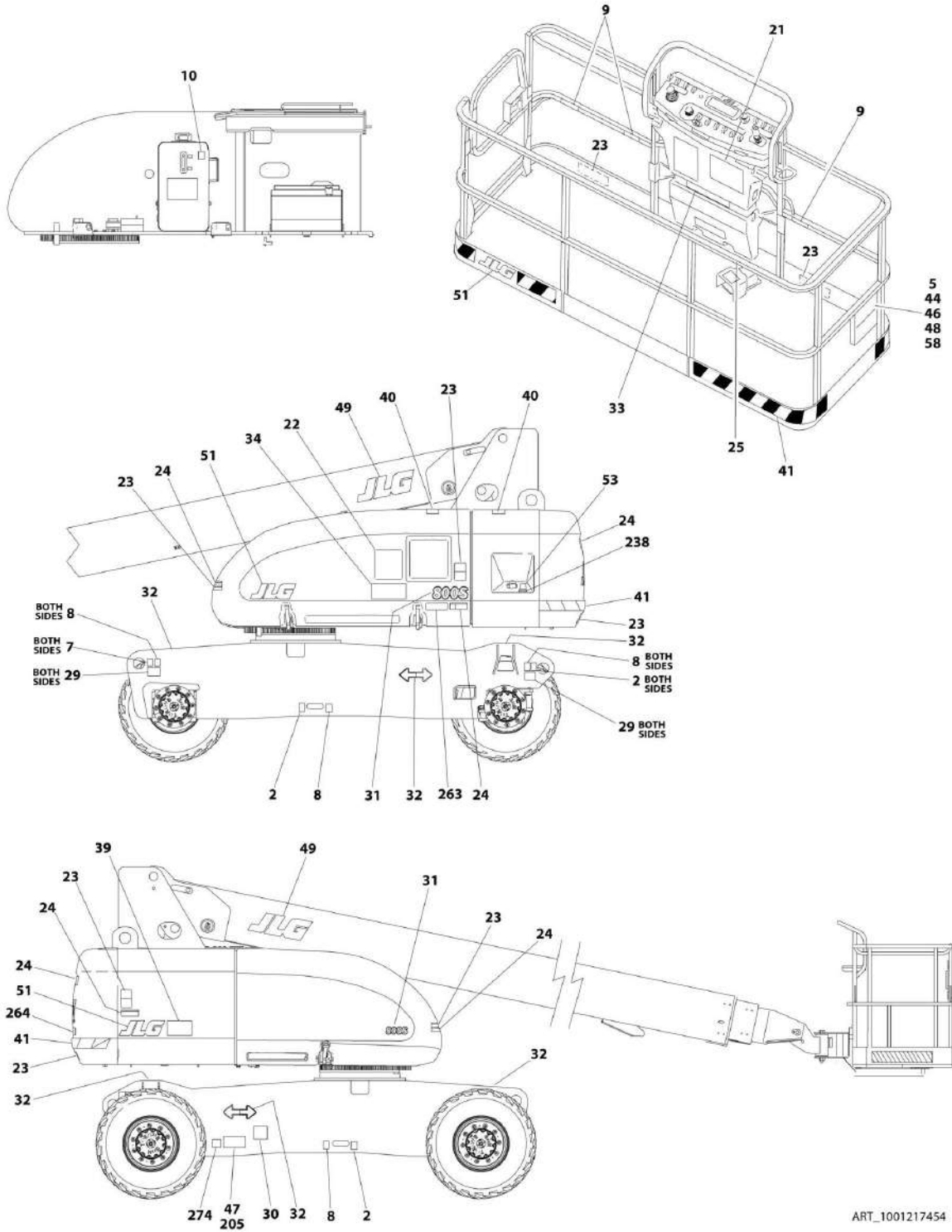
ITEM	PART NUMBER	QTY	DESCRIPTION	REV
		Ref	USAGE CHART:	
		Ref	800S/860SJ Australian Specs (SN 0300182743 to Present)	
		Ref	800S/860SJ Australian Specs (SN B300001092 to Present)	
		Ref	800S/860SJ CE Specs (SN 0300182743 through 0300219588)	
		Ref	800S/860SJ CE Specs (SN B300001092 through B300001541)	
		Ref	680S CE Specs (SN 0300182743 to Present)	
	1283408	Ref	DECAL INSTALLATIONS	W
	1001114371	Ref	Decal Installations 800S Australian Spec	F
	0274509	Ref	Decal Installations 800S CE and China Specs	I
	1001114372	Ref	Decal Installations 860SJ Australian Spec	F
	0274510	Ref	Decal Installations 860SJ CE and China Specs	I
	0275865	Ref	Decal Installations 680S CE Spec	E
	0274518	Ref	JLG Logo Decals	D
2	1701499	AR	Decal - No Lift	
5	1701509	1	Decal - Manual	
7	1703811	AR	Decal - Lift	
8	1703814	6	Decal - Tie Down	
9	1704277	4	Decal - Attach Lanyard Here	
10	1704412	1	Decal - Hydraulic Oil Chart	
21	1705921	1	Decal - Tipping/Electric (PLF)	
22	1705822	1	Decal - Electric/Safety Manual	
23	1701518	AR	Decal - Warning Crushing	
24	1705961	5	Decal - Danger Electrocution	
25	1705828	1	Decal - Footswitch	
28	1703475	4	Decal - Max Tire Load (800S)	
28	1703482	4	Decal - Max Tire Load (860SJ)	
28	1703478	4	Decal - Max Tire Load (680S)	
30	See Note	NSS	Decal - Bar Code (Note: Not Available for Purchase)	
31		Ref	Decal Options:	
31	1704906	2	Decal - 800S	
31	1704907	2	Decal - 860SJ	
31	1707124	2	Decal - 680S	
32	1701501	4	Decal- Arrow	
33	1705978	1	Decal - 230kg Capacity	
34	1705978	1	Decal - 230kg Capacity	
35	See Note	NSS	Nameplate, Manufacturer (Note: Not Available for Purchase)	
39		Ref	Decal - Lift Diagram Options:	
39	3252781	1	Decal - Lift Diagram (SN 0300182743 through 0300189311)	
39	1001175354	1	Decal - Lift Diagram (SN 0300189312 to Present)	
39	1001175354	1	Decal - Lift Diagram (SN B300001092 to Present)	
40	1701691	4	Decal - No Step	
41	4420051	23.1 ft/7m	Stripes, Warning	
42	3251242	1	Decal - 240V-50Hz	
44	0860520	1	Box, Manual Storage	
46	3311405	1	Locknut 1/4in	
47	3820001	2	Rivet	
48	4751400	2	Flatwasher 1/4in Regular	
49	1702861	2	Decal - JLG Lift (8in Height)	
50	1702774	1	Decal - JLG Lift (3-1/2in Height)	
51	1702773	1	Decal - JLG (5in Height)	

SECTION 8 - DECALS

ITEM	PART NUMBER	QTY	DESCRIPTION	REV
52	1704885	1	Decal - Website	
53	1701505	1	Decal - Fuel	
61	1001139654	1	Decal - Ultra Low Sulfur Fuel (CE Spec with Deutz TD2.9L4 Engine Only)	
62	1706098	1	Decal - Warning Explosion/Fire	
63	1001112551	1	Decal - Emergency Control (Australian Spec Only)	
64	0641406	1	Bolt 1/4in-20NC x 3/4in	
	1001157261	Ref	MANUAL DESCENT DECALS (OPTIONAL) (SN 0300182743 through 0300187355)	A
107	1702901	1	Decal - Manual Descent	
112	1705589	1	Decal - Manual Descent	
		Ref	DECAL OPTIONS	
253	1001143852	1	Decal - Emissions Compliance	
263	1001197408	1	Decal - MSSO (CE Spec) (SN 0300201003 to Present)	
263	1001197408	1	Decal - MSSO (CE Spec) (SN B300001180 to Present)	
264	1705980	1	Decal - Sound Power Level (Australian Spec)	
264		Ref	Decal - Sound Power Level (CE Spec) Options:	
264	1705980	1	Decal - Sound Power Level (SN 0300182743 through 0300211594)	
264	1705980	1	Decal - Sound Power Level - Deutz D2011 Engines (SN 0300211595 to Present)	
264	1705368	1	Decal - Sound Power Level - Deutz DT2.9L4 Engines/ABS Hoods (SN 0300211595 to Present)	
264	1001200072	1	Decal - Sound Power Level - Deutz DT2.9L4 Engines/Steel Hoods (SN 0300211595 to Present)	
264	1705980	1	Decal - Sound Power Level (SN B300001092 through B300001389)	
264	1705980	1	Decal - Sound Power Level - Deutz D2011 Engines (SN B300001390 to Present)	
264	1705368	1	Decal - Sound Power Level - Deutz DT2.9L4 Engines/ABS Hoods (SN B300001390 to Present)	
264	1001200072	1	Decal - Sound Power Level - Deutz DT2.9L4 Engines/Steel Hoods (SN B300001390 to Present)	

SECTION 8 - DECALS

FIGURE 8-4. DECAL INSTALLATION (CE SPEC)



ART_1001217454

SECTION 8 - DECALS

FIGURE 8-4. DECAL INSTALLATION (CE SPEC)

ITEM	PART NUMBER	QTY	DESCRIPTION	REV
		Ref	USAGE CHART:	
		Ref	CE Specs SN 0300219589 to Present	
		Ref	CE Specs SN B300001542 to Present	
	1001217454	Ref	DECALS INSTALLATION	A
	0274509	Ref	Decal Installations 800S CE Spec	I
	0274510	Ref	Decal Installations 860SJ CE Spec	I
2	1701499	4	Decal - No Lift	
5	1701509	1	Decal - Manual	
7	1703811	2	Decal - Lift	
8	1703814	6	Decal - Tie Down	
9	1704277	3	Decal - Attach Lanyard Here	
10	1704412	1	Decal - Hydraulic Oil Chart	
21	1705921	1	Decal - Tipping/Electric (PLF)	
22	1705822	1	Decal - Electric/Safety Manual	
23	1701518	7	Decal - Warning Crushing	
24	1705961	5	Decal - Danger Electrocution	
25	1705828	1	Decal - Footswitch	
29	1703475	4	Decal - Max Tire Load (800S)	
29	1703482	4	Decal - Max Tire Load (860SJ)	
30	See Note	NSS	Decal - Bar Code (Note: Not Available for Purchase)	
31		Ref	Decal Options:	
31	1704906	2	Decal - 800S	
31	1704907	2	Decal - 860SJ	
32	1701501	4	Decal- Arrow	
33	1705978	1	Decal - 230kg Capacity	
34	1705978	1	Decal - 230kg Capacity	
39	1001175354	1	Decal - Lift Diagram	
40	1701691	4	Decal - No Step	
41	4420051	277 in /7m	Stripes, Warning	
44	0860520	1	Box, Manual Storage	
46	3311405	4	Nut 1/4	
47	3820001	2	Rivet	
48	4751400	8	Washer 1/4	
49	1001159323	2	Decal - JLG (8in Height)	
51	1702773	3	Decal - JLG (5in Height)	
53	1701505	1	Decal - Fuel	
58	0641406	4	Bolt 1/4 x 3/4	
		Ref	DECAL OPTIONS	
205	See Note	NSS	Nameplate, Manufacturer (Note: Not Available for Purchase)	
238	1001139654	1	Decal - Ultra Low Sulfur Fuel (CE Spec with Deutz TD2.9L4 Engine Only)	
263	1001197408	1	Decal - MSSO (CE Spec)	
264		Ref	Decal - Sound Power Level (CE Spec) Options:	
264	1705980	1	Decal - Sound Power Level (Deutz D2011 Engines)	
264	1705368	1	Decal - Sound Power Level (Deutz DT2.9L4 Engines/ABS Hoods)	
264	1001200072	1	Decal - Sound Power Level (Deutz DT2.9L4 Engines/Steel Hoods) (SN 0300211595 to Present)	
274	1001214030	Ref	Decal Installation - EAC Russian/CIS Specs)	
274	1001173703	1	Decal - EAC	

SECTION 9 - RECOMMENDED SERVICE PARTS STOCK

SECTION 9 - RECOMMENDED SERVICE PARTS STOCK

SECTION 9 - RECOMMENDED SERVICE PARTS STOCK

FIGURE 9-1. MODEL 800S/860SJ STANDARD PARTS

ITEM	PART NUMBER	QTY	DESCRIPTION	REV
		Ref	Note: The following list will service one machine (built to current production per date on the front cover) with emergency repair parts which can be installed in the field. Parts from the list should be replaced when inventory is depleted to keep service parts stock supplied. For further information, contact your JLG dealer or the JLG Industries Parts Department.	
		Ref	STANDARD PARTS	
	70002231	12	Element, Filter	
	7012944	1	Coil	
	7012943	1	Coil	
	7017451	1	Coil	
	70000582	1	Coil	
	3740067	1	Relay	
	See Note	NLA	Filter, Hydraulic Tank (Note: Use p/n 70002814)	
	See Note	NLA	Breather, Hydraulic Tank (Note: Use p/n 70002814)	
	4360517	1	Switch, Proximity	
	3740049	1	Relay	
	2860030	1	Key, Replacement	
	4360475	1	Switch, Mushroom	
	4360476	1	Contact, Switch Block	
	100115045	1	Switch, Toggle	
	70003921	1	Powertrack Repair Section	
	70003922	1	Powertrack Mounting Bracket Kit	
	70002097	3	Element, High Pressure Filter	
	1001147479	1	Switch, Level Sensor	
	2940074	1	Latch	
	4360328	1	Switch, Toggle	
	4360330	1	Switch, Toggle	
	4360331	1	Switch, Toggle	
	4360387	1	Switch, Push Button	
	4360407	1	Controller, Speed	
	1001129555	1	Controller (Lift and Swing)	
	1001212415	1	Controller (Drive and Steer)	
	4360506	1	Switch, Proximity	
	8229242	2	Fuse - 5A	
	2400065	2	Fuse - 30A	

SECTION 9 - RECOMMENDED SERVICE PARTS STOCK

FIGURE 9-2. MODEL 800S/860SJ VARIABLE PARTS

ITEM	PART NUMBER	QTY	DESCRIPTION	REV
		Ref	Note: The following list will service one machine (built to current production per date on the front cover) with emergency repair parts which can be installed in the field. Parts from the list should be replaced when inventory is depleted to keep service parts stock supplied. For further information, contact your JLG dealer or the JLG Industries Parts Department.	
		Ref	VARIABLE PARTS	
	3740080	1	Relay (Deutz D2011 Engines)	
	70004020	1 doz	Element, Air Cleaner (Deutz D2011 Engines)	
	7016331	1 doz	Filter, Oil (Deutz D2011 Engines)	
	7016328	1 doz	Filter, Fuel (Deutz D2011 Engines - All Specs except CE Specs)	
	7027795	1	Module, Engine Control (Deutz D2011 Engines)	
	1001117308	1	Relay (Deutz TD2.9L4 Engines)	
	1001138228	1	Module, Power Relay (Deutz TD2.9L4 Engines)	
	91403102	1 doz	Element, Air Cleaner (Deutz TD2.9L4 Engines)	
	7016331	1 doz	Filter, Oil (Deutz TD2.9L4 Engines)	
	70025153	1 doz	Filter, Fuel (Deutz TD2.9L4 Engines) (Use p/n 1001225430)	
	70025161	1 doz	Filter, Fuel (Deutz TD2.9L4 Engines) (Use p/n 1001225431)	
	70025210	1	Module, Engine Control (Deutz TD2.9L4 Engines)	
	7012664	1 doz	Element, Air Cleaner (GM Engines)	
	7027965	1 doz	Filter, Oil (GM Engine Machines)	
	7027972	1 doz	Filter, Fuel (GM Engine Machines)	
	70002895	1	Module, Engine Control (GM Engine Machines)	
	4360469	1	Switch, Key (All Specs except CE Specs)	
	4360470	1	Switch, Key (CE Specs Only)	
	1001103667	1	Module, Ground Control	
	4360578	1	Switch, Limit	
	4360336	1	Switch, Toggle (Machines with SkyPower)	
	4360070	1	Breaker, Circuit (Machines with SkyPower)	
	2400064	2	Fuse - 5Amp (Deutz D2011 and GM Engine Machines with SkyPower)	
	3740080	1	Relay (Machines with SkyPower and GM Engine)	
	1001117172	1	Footswitch	
	1001141138	1	Module, Controller	
	4360336	1	Switch, Toggle (Machines with Floodlights)	
	4360336	1	Switch, Toggle (Machines with Dual Fuel)	
	4360522	1	Switch, Push Button (Machines with Headlights Option)	
	4360057	1	Switch, Limit	
	80983191	2	Fuse 10Amp (Deutz 2.9L4 Engine Machines)	
	4360232	1	Breaker, Circuit (Machines with Platform Worklights)	
	2400070	2	Fuse 20A (Machines with 2 Platform Worklights)	
	2400065	2	Fuse 30A (Machines with 4 Platform Worklights)	
	1001109477	1	Breaker, Circuit 10A (CE Spec Machines with Power to Platform)	
	1001109475	1	Breaker, Circuit 16A (CE Spec Machines with Power to Platform)	
	1001109482	1	Breaker, Circuit 30mA (CE Spec Machines with Power to Platform)	

SECTION 10 - SPECIAL OPTIONS

SECTION 10 - SPECIAL OPTIONS

FIGURE 10-1. SPECIAL OPTIONS

ITEM	PART NUMBER	QTY	DESCRIPTION	REV
		Ref	Note: This list is to accommodate machines ordered with special equipment. Options may not be applicable to all models. For more specific parts information contact JLG Parts Department.	
		Ref	MISCELLANEOUS SPECIAL OPTIONS	
	1001229762	Ref	Air Intake Shut-off Valve (Deutz TD2.9L4 Engines)	
	1340061	Ref	Air Cleaner Precleaner	
		Ref	Air Line at Platform Installations	
	0271472	Ref	Air Line at Platform Installations 800S	
	1001091712	Ref	Air Line at Platform Installations 800S (With Arctic Package)	
	0271473	Ref	Air Line at Platform Installations 860SJ	
	1001091713	Ref	Air Line at Platform Installations 860SJ (With Arctic Package)	
		Ref	Arctic Package Kit Options:	
	1001205031	Ref	Arctic Package Add-on Kit (800S with Deutz DT2.9L4 Engine without SkyPower)	
	1001205030	Ref	Arctic Package Add-on Kit (800S with Deutz DT2.9L4 Engine with SkyPower)	
	1001205033	Ref	Arctic Package Add-on Kit (860SJ with Deutz DT2.9L4 Engine without SkyPower)	
	1001205032	Ref	Arctic Package Add-on Kit (860SJ with Deutz DT2.9L4 Engine with SkyPower)	
	1001217005	Ref	Beacon Light Kit (Blue)	
		Ref	Bellows Installations	
	0271476	Ref	Bellows Installations 800S/680S Boom Bellows	
	0271477	Ref	Bellows Installations 860SJ Boom Bellows	
	1001158259	Ref	Frame Bellows	
	1001155754	Ref	Boom Installation (810SJ)	
	1001155764	1	Boom Assembly - Main (810SJ)	
	1001181590	1	Cylinder Assembly - Telescope (810SJ) (Use p/n 1001228084) (SN 0300182743 through 0300244707)	
	1001228084	1	Cylinder Assembly - Telescope (810SJ) (SN 0300244708 to Present)	
	1001118209	NLA	Cylinder Assembly - Main Boom Lift (810SJ) (Use p/n 1001228044) (SN 0300182743 through 0300239858)	
	1001228044	1	Cylinder Assembly - Main Boom Lift (810SJ) (SN 0300239859 to Present)	
	1684136	NLA	Level Cylinder Assembly - Platform Slave (810SJ) (Use p/n 1001228022) (SN 0300182743 through 0300244707)	
	1001228022	1	Level Cylinder Assembly - Platform Slave (810SJ) (SN 0300244708 to Present)	
		Ref	Boom Rope Service Kits	
	1001111231	Ref	Boom Rope Service Kit (800S/680S)	
	1001197240	Ref	Boom Rope Service Kit (860SJ)	
	2910888	Ref	Boom Wear Pad Kit	
		Ref	Boom Wiper Installation	
	0271448	Ref	Standard Machines	
	1001122305	Ref	Hostile Environment Machines	
	1001172045	Ref	Cable/Ladder Rack Installation	
		Ref	ClearSky (Telematics) Installation (Factory Installed)	
		Ref	ClearSky with Steel Hoods (USA Built Machines) (Note: Refer to Manual Supplement p/n 3128499 for available)	

SECTION 10 - SPECIAL OPTIONS

ITEM	PART NUMBER	QTY	DESCRIPTION	REV
		Ref	replacement parts). (SN 0300144483 through 0300234668)	
		Ref	ClearSky with Steel Hoods (China Built Machines) (Note: Refer to Manual Supplement p/n 3128499 for available replacement parts). (SN B300001092 through B300002065)	
	1001118963	Ref	ANSI SPEC	
	1001134103	Ref	Australian Specs Only	
	1001118964	Ref	CSA Specs	
	1001127087	Ref	Brazil and New Zealand Specs Only	
		Ref	ClearSky with Steel Hoods (USA Built Machines) (SN 0300234669 to Present)	
		Ref	ClearSky with Steel Hoods (China Built Machines) (SN B300002066 to Present)	
	1001227494	Ref	ClearSky Telematics Installation - Canbus Connection (Factory Installed) (ANSI & CSA Specs)	
	1001228950	Ref	ClearSky Telematics Installation - Canbus Connection (Factory Installed) (ANSI EXPORT & CE Specs)	
	1001229107	Ref	ClearSky Telematics Installation - 3 Wire Connection (Factory Installed) (ANSI & CSA Specs)	
	1001233237	Ref	ClearSky Telematics Installation - 3 Wire Connection (Factory Installed) (ANSI EXPORT & CE Specs)	
		Ref	ClearSky (Telematics) Kit (Dealer Installed)	
	1001119939	Ref	ANSI Spec	
	1001139151	Ref	Australian Spec	
	1001234099	Ref	CE Specs	
	1001119947	Ref	CSA Spec	
		Ref	Cold Weather Start Kits	
	0271912	Ref	Deutz D2011 Engine Machines (SN 0300182743 through 0300185779)	
	1001155185	Ref	Deutz D2011 Engine Machines (SN 0300185780 through 0300196954)	
	1001178208	Ref	Deutz D2011 Engine Machines (SN 0300196955 to Present)	
	1001151900	Ref	Deutz DT2.9L4 Engine Machines (SN 0300182743 through 0300196954)	
	1001178208	Ref	Deutz D2011 Engine Machines (SN 0300196955 to Present)	
	1001178207	Ref	Deutz TD2.9L4 Engine Machines (Stage V Pre-Buy)	
	1001219840	Ref	Ford Engine Machines	
	0275262	Ref	GM Engine Machines	
	1001115918	Ref	Cribbing Switch Installation	
		Ref	Decal Installations	
	1001118210	Ref	Decals - 810SJ	
	1001196615	Ref	Decal - Ahern	
	1001196711	Ref	Decal - Blueline	
	1001120993	Ref	Decal - ClearSky	
	1001214030	Ref	Decal - EAC (CIS & Russian Specs)	
	0274455	Ref	Decal - Fed-Ex	
	0257195	Ref	Decal - Government Warranty Installation (ANSI Spec)	
	0274528	Ref	Decal - Head and Engquist Equipment L.L.C. (H and E)	
	1001221921	Ref	Decal - Herc Rentals	
	1001128989	Ref	Decal - Hertz	
	1001222204	Ref	Decal - Hertz (Canada)	
	1001143078	Ref	Decal - Hewitt the Rental Store (English)	
	1001143513	Ref	Decal - Hewitt the Rental Store (French)	
	1703175	Ref	Decal - Lanyard Attach (GM K-1 Spec)	
	1001218850	Ref	Decal - No Hands (CE))	

SECTION 10 - SPECIAL OPTIONS

ITEM	PART NUMBER	QTY	DESCRIPTION	REV
	1702668	Ref	Decal - No Hands (English Language)	
	1704000	Ref	Decal - No Hands (Dual Language - English/French)	
	1705967	Ref	Decal - No Hands (Dual Language - English/Portuguese)	
	1705969	Ref	Decal - No Hands (Dual Language - English/Korean)	
	1704001	Ref	Decal - No Hands (Dual Language - English/Spanish)	
	1001140645	Ref	Decal - Leavitt	
	0274244	Ref	Decal - National Equipment Services	
	1702962	1	Decal - Prop 65 Warning (Diesel Machines) (ANSI Spec) (SN 0300182743 through 0300243278, SN B300001092 through B300002584)	
	1001231801	1	Decal - Prop 65 Warning (Diesel Machines) (ANSI Spec) (SN 0300243279 to Present, SN B300002585 to Present)	
	1702961	1	Decal - Prop 65 Warning (Gasoline Machines) (ANSI Spec) (SN 0300182743 through 0300243278, SN B300001092 through B300002584)	
	1001236338	1	Decal - Prop 65 Warning (Gasoline Machines) (ANSI Spec) (SN 0300243279 to Present, SN B300002585 to Present)	
	1001200131	Ref	Decal - Quick Reference (Danish) (Lomax Rentals)	
	1001200129	Ref	Decal - Quick Reference (Dutch) (Lomax Rentals)	
	1001181145	Ref	Decal - Quick Reference (English) (Lomax Rentals)	
	1001200128	Ref	Decal - Quick Reference (French) (Lomax Rentals)	
	1001200130	Ref	Decal - Quick Reference (German) (Lomax Rentals)	
	1001200134	Ref	Decal - Quick Reference (Norwegian) (Lomax Rentals)	
	1001200133	Ref	Decal - Quick Reference (Spanish) (Lomax Rentals)	
	1001200132	Ref	Decal - Quick Reference (Swedish) (Lomax Rentals)	
	1001218707	Ref	Decal - Riwal	
	1001095392	Ref	Decal - RSC Equipment Rental	
	1001120206	Ref	Decal - Sunbelt (SN 0300182743 through 0300205960)	
	1001197854	Ref	Decal - Sunbelt (800S) (SN 0300205961 to Present)	
	1001197855	Ref	Decal - Sunbelt (860SJ) (SN 0300205961 to Present)	
	1001236991	Ref	Decal - Synergy Equipment (ABS Hoods)	
	1001237172	Ref	Decal - Synergy Equipment (Steel Hoods)	
	1001235116	Ref	Decal - Thompson CAT Rental (ABS Hoods)	
	1001235493	Ref	Decal - Thompson CAT Rental (Steel Hoods)	
	1001151082	Ref	Decal - Titan Rentals	
	0271815	Ref	Decal - United Rentals	
	1001140221	Ref	Decal - Volvo Rents	
		Ref	Decal Kits Options:	
	2902307	Ref	Decal Kit - Country Spec (ANSI and ANSI Export)	
	2902329	Ref	Decal Kit - Country Spec (Australian and CE)	
	2902312	Ref	Decal Kit - Country Spec (Brazil)	
	2902322	Ref	Decal Kit - Country Spec (CSA)	
	1001116844	Ref	Decal Kit - Country Spec (Chinese - Simplified)	
	2902309	Ref	Decal Kit - Country Spec (Chinese - Traditional)	
	2902308	Ref	Decal Kit - Country Spec (Japanese)	
	2902310	Ref	Decal Kit - Country Spec (Korean)	
	2902311	Ref	Decal Kit - Country Spec (Latin America)	
	1001109029	Ref	Decal Kit - Master (All Specs except Australian and CE Specs)	
	2902303	Ref	Decal Kit - Master (Australian and CE Specs) (SN 0300182743 through 0300211594)	
	1001199949	Ref	Decal Kit - Master (Australian and CE Specs) (SN 0300211595 to Present)	
	2902303	Ref	Decal Kit - Master (Australian and CE Specs) (SN B300001092	

SECTION 10 - SPECIAL OPTIONS

ITEM	PART NUMBER	QTY	DESCRIPTION	REV
			through B300001389)	
	1001199949	Ref	Decal Kit - Master (Australian and CE Specs) (SN B300001390 to Present)	
	1001193640	Ref	Decal Kit - Machine (ANSI Spec Only)	
	1001108722	Ref	Decal Kit - Platform (800S)	
	1001108723	Ref	Decal Kit - Platform (860SJ)	
	1001241345	Ref	Decal Kit - Platform Console Box (ANSI Spec)	
	2902354	Ref	Decal Kit - Tire Load (800S)	
	2902429	Ref	Decal Kit - Tire Load (860SJ)	
	2902394	Ref	Drive/Steer Cutout Kit	
		Ref	Electrical Connector Kits	
	1001148902	Ref	Amp/Tyco Electrical Connector Kit	
	1001148903	Ref	Deutsch DT Electrical Connector Kit	
	1001148904	Ref	Deutsch HD Electrical Connector Kit	
	1001148905	Ref	Packard Electrical Connector Kit	
	1001148906	Ref	Various Electrical Connectors Kit	
	1001218022	Ref	Engine Block Heater Installation (Ford Engines)	
	0275261	Ref	Engine Block Heater Installation (GM Engines)	
	1001237883	Ref	Fall Arrest (Bolt-on) Add-on Kit (6ft/1.82m Platform (ANSI, ANSI Export, China, CSA & Japanese Specs Only) (Fits Platform p/ns 1001186384, 1001144024 & 1001228376)	
	1001237882	Ref	Fall Arrest (Bolt-on) Add-on Kit (8ft/2.4m Platform (ANSI, ANSI Export, China, CSA & Japanese Specs Only) (Fits Platform p/ns 1001186383 & 1001144023)	
		Ref	Fan Cover/Grille Options:	
	1001185078	Ref	Fan Cover Add-on Kit (Deutz D2011 Engines)	
	1001182599	Ref	Fan Cover Installation (Deutz D2011 Engines)	
	1001093389	Ref	Fan Grille Installation (Deutz D2011 Engines)	
	1001213223	Ref	Fan & Belt Grille Add-on Kit (Deutz D2011 Engines without Generator)	
	1001202122	Ref	Fan & Belt Grille Installation (Deutz D2011 Engines without Generator)	
	1001213222	Ref	Fan & Belt Grille Add-on Kit (Deutz D2011 Engines with Generator)	
	1001202398	Ref	Fan & Belt Grille Installation (Deutz D2011 Engines with Generator)	
	1001149126	Ref	Fan Grille Installation (Deutz TD2.9L4 Engines) (RCP Radiator Only)	
	1001177694	Ref	Fan Grille Installation (Deutz TD2.9L4 Engines) (Modine Radiator Only)	
	1001213219	Ref	Fan & Belt Grille Add-on Kit (Deutz TD2.9L4 Engines without Generator) (Modine Radiator)	
	1001202397	Ref	Fan & Belt Grille Add-on Kit (Deutz TD2.9L4 Engines without Generator) (Modine Radiator)Fan & Belt Grille Installation (Deutz TD2.9L4 Engines without Generator) (Modine Radiator)	
	1001213220	Ref	Fan & Belt Grille Add-on Kit (Deutz TD2.9L4 Engines without Generator) (RCP Radiator)	
	1001202082	Ref	Fan & Belt Grille Installation (Deutz TD2.9L4 Engines without Generator) (RCP Radiator)	
	1001213227	Ref	Fan & Belt Grille Add-on Kit (Deutz TD2.9L4 Engines with Generator) (Modine Radiator)	
	1001213181	Ref	Fan & Belt Grille Installation (Deutz TD2.9L4 Engines with Generator) (Modine Radiator)	
	1001213221	Ref	Fan & Belt Grille Add-on Kit (Deutz TD2.9L4 Engines with Generator) (RCP Radiator)	

SECTION 10 - SPECIAL OPTIONS

ITEM	PART NUMBER	QTY	DESCRIPTION	REV
	1001202331	Ref	Fan & Belt Grille Installation (Deutz TD2.9L4 Engines with Generator) (RCP Radiator)	
	1001093389	Ref	Fan Cover Installation (Ford & GM Engines)	
	1001125824	Ref	Fire Extinguisher Brackets installation (Frame Mounted)	
	1001139099	Ref	Fire Extinguisher Installation (20lb) (Platform Mounted)	
	1001121862	Ref	Fire Protection For Hoses and Cables (800S)	
	1001227951	Ref	Fire Protection For Platform Valves and Filter (800S)	
	1001238967	Ref	Fire Protection For Hoses and Cables (860SJ)	
	1001239235	Ref	Fire Protection For Platform Valves and Filter (860SJ)	
		Ref	Filter Kits:	
		Ref	Combined Filter Kit (Hydraulic/Air and Fuel/Engine Oil)	
	1001241772	1	Deutz D2011 Engine Machines (SN 0300182743 through 0300196954)	
	1001225623	1	Deutz D2011 Engine Machines (SN 0300196955 to Present)	
	1001181149	1	Deutz DT2.9L4 Engine Machines (ULS Only) (SN 0300182741 through 0300196954, SN B300001092 through B300001096)	
	1001195537	1	Deutz DT2.9L4 Engine Machines (ULS Only) (SN 0300196955 to Present, SN B300001097 to Present)	
	1001151650	1	GM Engine Machines (SN 0300182743 through 0300196954)	
	1001225625	1	GM Engine Machines (SN 0300196955 to Present)	
		Ref	Hydraulic/Air Filter Kit Options:	
		Ref	Deutz D2011 Engines (Not Available)	
	1001204457	1	Deutz DT2.9L4 Engines (SN 0300182743 through 0300196955)	
	1001204454	1	Deutz DT2.9L4 Engines (SN 0300196955 to Present)	
		Ref	Engine - Fuel/Engine Oil Filter Options	
	1001110133	1	Deutz D2011 Engines	
	1001204460	1	Deutz DT2.9L4 Engines	
		Ref	Fluids:	
	2300004	Ref	Coolant, Standard	
	3020016	Ref	Engine Oil, (15W-40)	
	3020044	Ref	Engine Oil, (0W-40)	
	1001115930	Ref	Engine Oil, (10W-30)	
		Ref	Hydraulic Fluids Options:	
	2300014	Ref	Mobil 424	
	2300027	Ref	Mobil 224H Bio	
	2300016	Ref	Mobil DTE 10 Excel 32	
	2300021	Ref	Union Carbide Ucon HP5046 Fire Resistant	
	2300039	Ref	Exxon Unis HVI (Arctic Package Only)	
	3020039	Ref	Lubricant (Axle Pivot)	
	3020029	Ref	Lubricant (Kingpin)	
	3020008	Ref	Lubricant 80W-90 (Drive Hub)	
	1001117294	Ref	Footswitch Shield (With Arctic Package)	
	1001202749	Ref	Fuel Cap Cover Installation (Black) (Note: Lock p/n 1001102157 Must be Purchased Separately)	
	1001191395	Ref	Fuel Cap Cover Installation (Green) (Diesel Machines) (Note: Lock p/n 1001102157 Must be Purchased Separately)	
	1001191394	Ref	Fuel Cap Cover Installation (Red) (Gas Machines) (Note: Lock p/n 1001102157 Must be Purchased Separately)	
	1001204467	Ref	Fuel/Water Separator Filter Add-on Kit	
		Ref	Generator Add-on Kits	
		Ref	4000W Generator Options:	
	1001212067	Ref	4000W/50Hz Generator Add-on Kit (Deutz D2011 Engines)	

SECTION 10 - SPECIAL OPTIONS

ITEM	PART NUMBER	QTY	DESCRIPTION	REV
	1001213604	Ref	4000W/60Hz Generator Add-on Kit (Deutz D2011 Engines)	
	1001211798	Ref	4000W/50Hz Generator Add-on Kit (Deutz TD2.9L4 Engines)	
	1001213602	Ref	4000W/60Hz Generator Add-on Kit (Deutz TD2.9L4 Engines)	
		Ref	7500W SkyPower Generator Options:	
	1001116163	Ref	7500W/60Hz Generator Add-on Kit	
	1001217323	Ref	7500W/60Hz Generator Add-on Kit	
		Ref	Hood (ABS to Steel) Replacement Kits	
	1001121708	Ref	Hood Kit (800S with Deutz Engine)	
	1001121709	Ref	Hood Kit (800S with GM Engine)	
	1001121710	Ref	Hood Kit (860SJ with Deutz Engine)	
	1001121711	Ref	Hood Kit (860SJ with GM Engine)	
		Ref	Hose Kit Options	
	1001187509	Ref	Hose Kit - Boom (800S/680S)	
	1001187500	Ref	Hose Kit - Boom (860SJ)	
	1001210688	Ref	Hose Kit (Upper) (800S/860SJ)	
	1001209634	Ref	Hose Kit - Platform Valve (800S/680S)	
	1001209635	Ref	Hose Kit - Platform Valve (860SJ)	
	1001121412	Ref	Hostile (Extreme) Environment Installation (800S with Deutz Engine) (ANSI, ANSI Export, CE-LRC, China, CSA and Japanese Specs)	
	1001210977	Ref	Hostile (Extreme) Environment Installation (860SJ with Deutz Engine) (ANSI, ANSI Export, CE-LRC, China, CSA and Japanese Specs)	
	1001204929	Ref	Hostile (Extreme) Environment Add-on Kit (800S with Deutz Engine) (ANSI, ANSI Export and CSA Specs)	
	1001241416	Ref	Hostile (Extreme) Environment Add-on Kit (860SJ with Deutz Engine)	
	1001094475	Ref	Hourmeter for Generator	
	1001148971	Ref	Lanyard (Bolt-on) Kit Installation	
	1001183407	Ref	Low Temperature Cutout Installation (Russian Specs) (SN 0300182743 through 0300244707, SN B300001092 through B300002605)	
	1001236951	Ref	Low Temperature Cutout Installation (Russian Specs) (SN 0300244708 to Present, SN B300002606 to Present)	
		Ref	Oil Cooler Options:	
	1001158251	Ref	Oil Cooler Installations (Deutz D2011 Engines)	
	1001156039	Ref	Oil Cooler Installations (Deutz TD2.9L4 Engines) (RCP Cooler) (SN 0300182743 through 0300227014)	
	1001186631	Ref	Oil Cooler Installations (Deutz TD2.9L4 Engines) (YMER Cooler) (SN 0300227015 to Present)	
	1001156039	Ref	Oil Cooler Installations (Deutz TD2.9L4 Engines) (RCP Cooler) (SN B300001092 through B300001749)	
	1001186631	Ref	Oil Cooler Installations (Deutz TD2.9L4 Engines) (YMER Cooler) (SN B300001750 to Present)	
	1001219633	Ref	Oil Cooler Installations (Ford Engines)	
	0271939	Ref	Oil Cooler Installations (GM Engines)	
	1001200725	Ref	Oil Cooler Replacement Kit (RCP to YMER)	
		Ref	Pipe Jack Installations	
	0257728	Ref	ANSI Spec	
	0274661	Ref	Australian Spec	
	1001214984	Ref	Platform Box Decal Protection Installation (GB China Specs)	
		Ref	Platform Box Cover Installations	
	0258703	Ref	Plastic Cover (USA Built Machines) (SN 0300182743 through 0300201002)	

SECTION 10 - SPECIAL OPTIONS

ITEM	PART NUMBER	QTY	DESCRIPTION	REV
	1001195304	Ref	Steel Cover (USA Built Machines) (SN 0300201003 to Present)	
	1001112821	Ref	Steel Cover (China Built Machines) (SN B300001092 through B300001996)	
	1001110974	Ref	Steel Cover (Chinese Built Machines) (SN B300001997 to Present)	
	1001110974	Ref	Steel Cover (All Specs except Chinese and Korean Specs)	
	1001125229	Ref	Steel Cover (Korean Spec)	
	1001125230	Ref	Steel Cover (Chinese Specs - Simplified Language)	
	1001205175	Ref	Platform Cover Add-on Kit	
		Ref	Platform Entry Kits	
	1001142504	Ref	Drop Bar (Replacing Swing Gate with Drop Bar)	
	1001142505	Ref	Swing Gate (Replacing Drop Bar with Swing Gate)	
		Ref	Platform Fall Arrest Add-on Kit Options (Note: Requires Foam Filled Tires and p/n 1001165646 Counterweight)	
	1001145975	Ref	Fall Arrest Add-on Kit (36in x 72in Platform)	
	1001145965	Ref	Fall Arrest Add-on Kit (36in x 96in Platform)	
		Ref	Platform Mesh To Mid Rail Installation (Side Entry Platform)	
	1001140318	Ref	Platform Mesh To Mid Rail Installation (Side Entry Platform) 800S/860SJ - 2.5ft x 4ft Platforms (ANSI, ANSI Export and Australian Specs)	
	1001140315	Ref	Platform Mesh To Mid Rail Installation (Side Entry Platform) 800S/860SJ - 2.5ft x 5ft Platforms (ANSI, ANSI Export and CSA Specs)	
	1001138772	Ref	Platform Mesh To Mid Rail Installation (Side Entry Platform) 800S/860SJ - 3ft x 6ft Platforms (ANSI, ANSI Export and CSA Specs)	
	1001138773	Ref	Platform Mesh To Mid Rail Installation (Side Entry Platform) 800S/860SJ - 3ft x 8ft Platforms (ANSI, ANSI Export and CSA Specs)	
		Ref	Platform Mesh to Mid Rail Add-on Kits:	
	1001214478	Ref	30in x 4ft (76cm x 1.22m) with Gate	
	1001214515	Ref	30in x 5ft (76cm x 1.52m) with Gate	
	1001214540	Ref	36in x 6ft (91.5cm x 1.83m) with Gate	
	1001214548	Ref	36in x 8ft (91.5cm x 2.44m) with Gate	
		Ref	Platform Mesh To Top Rail Installation (Side Entry Platform)	
	0273147	Ref	Platform Mesh To Top Rail Installation (Side Entry Platform) 800S/860SJ - 2.5ft x 4ft Platforms (ANSI, ANSI Export and CSA Specs)	
	0273146	Ref	Platform Mesh To Top Rail Installation (Side Entry Platform) 800S/860SJ - 2.5ft x 5ft Platforms (ANSI, ANSI Export and CSA Specs)	
	0273149	Ref	Platform Mesh To Top Rail Installation (Side Entry Platform) 800S/860SJ - 3ft x 6ft Platforms (ANSI, ANSI Export and CSA Specs)	
	0273145	Ref	Platform Mesh To Top Rail Installation (Side Entry Platform) 800S/860SJ - 3ft x 8ft Platforms (ANSI, ANSI Export and CSA Specs)	
	1001120532	Ref	Platform Mesh To Top Rail Installation (Side Entry Platform) 800S - 3ft x 8ft Platforms (With Fall Arrest) (ANSI Export Specs)	
		Ref	Platform Mesh to Top Rail Add-on Kits:	
	1001214552	Ref	30in x 4ft (76cm x 1.22m) with Gate	
	1001214559	Ref	30in x 5ft (76cm x 1.52m) with Gate	
	1001214561	Ref	36in x 6ft (91.5cm x 1.83m) with Gate	
	1001214562	Ref	36in x 8ft (91.5cm x 2.44m) with Gate	
	1001149730	Ref	Platform Mid Rail Repair Kit	

SECTION 10 - SPECIAL OPTIONS

ITEM	PART NUMBER	QTY	DESCRIPTION	REV
		Ref	Platform Top Rail Extension Installations	
	0272733	1	Platform 6ft (1.83m)	
	0272725	1	Platform 8ft (2.44m)	
	1001209059	Ref	Platform Work Surface Installation	
	1001177328	Ref	Power Track Mounting Block Repair Kit	
	1001100121	Ref	Programmable Security Lock Installation (CE Spec Only)	
	1001162546	Ref	Pump Coupling Service Kit (Sauer Danfoss)	
	1001199487	Ref	Radiator Replacement Kit (RCP to Modine)	
	1001171131	Ref	Receptacle (240V GFCI) Installation (4000W Generator)	
	1001159121	Ref	Receptacle (240V GFCI) Installation (7500W Generator)	
		Ref	SkyGuard Component Options:	
	1001206477	Ref	SkyGuard Complete Add-On Kit (Blue Beacon)	
	1001143669	NLA	SkyGuard Complete Add-On Kit (Blue Beacon) (Use p/n 1001206477)	
	1001210026	Ref	SkyGuard Complete Add-On Kit (Red Beacon)	
	1001197016	Ref	SkyGuard Platform Sensor Kit	
	1001137672	Ref	SkyGuard Platform Sensor Kit	
	1001137440	1	SkyGuard Sensor Harness	
	1001186431	2	Relay	
	1001206311	Ref	SkyGuard Strobe Light Kit (Blue Beacon)	
	1001143256	NLA	SkyGuard Strobe Light Kit (Blue Beacon) (Use p/n 1001206311)	
	1001210025	Ref	SkyGuard Strobe Light Kit (Red Beacon)	
	1001176372	Ref	SkyGuard Plug Removal Kit	
	1001110926	Ref	Soft Touch (Overhead) Installation (Chinese/Korean Specs Only)	
	1001231235	Ref	SkyWelder Locking Bracket Installation	
	1001125393	Ref	Soft Touch (Overhead) Kit (Chinese/Korean Specs Only)	
		Ref	Strobe Light Installations (Amber) (Note: See SkyGuard for Blue Strobe Light)	
	1001152965	Ref	Platform Mounted	
	1001154231	Ref	Platform/Ground Mounted	
	1001184931	Ref	Telescope Cylinder Service Kit	
	1001200283	Ref	Telematics Installation (Customer Supplied)	
	1001228363	Ref	Telematics - Herc	
	1001210089	Ref	Telematics - CAT	
	1001209282	Ref	Telematics - Loxam	
	1001210090	Ref	Telematics - Riwal	
	1001195610	Ref	Telematics - United Rentals (M6)	
	1001214463	Ref	Telematics - United Rentals (M8)	
	1001228583	Ref	Telematics Canbus Installation (Customer Supplied)	
	1001228357	Ref	Telematics Retrofit Harness Kit (Machines with UGM)	
	1001116524	Ref	Tire & Wheel Assembly - Sand Tire (18/22.5) (Model 810SJ Only)	
	0272325	Ref	Tire Sealant Installation (ANSI Spec Only)	
	0272312	Ref	Tire Sealant Decal Installation	
	2902203	1	Kit, Tire Sealant Decal	
	1001228355	Ref	Turntable Bearing Cover Installation	
		Ref	Tools for Service	
	2901443	1	Analyzer Kit	
	8896941	1	Wire Stripper	
	7002821	1	Wire Crimper (To install wire ends to wires)	

SECTION 10 - SPECIAL OPTIONS

ITEM	PART NUMBER	QTY	DESCRIPTION	REV
	7002823	1	Pin/Socket Extractor - Universal (To Remove Pins/Sockets from Connectors)	
	4460467	1	Extractor - 16-18 Gauge (For Removal of Pin/Sockets from Deutsch Connectors)	
	4460510	1	Extractor - 12-14 Gauge (For Removal of Pin/Sockets from Deutsch Connectors)	
	7002822	1	Screwdriver, Potentiometer (To Adjust Drive Controllers)	
	7016654	1	Screwdriver, Magnetic	
	7004275	1	Seal Installation Tool - 1in	
	7004276	1	Seal Installation Tool - 1-1/2in	
	7002826	1	Seal Installation Tool - 2in	
	7016655	1	Wire Rope Sheave Gauge	
	1001137005	1	Software Cable Kit	
	70005663	1	Tool, Port Plate for Pump p/n 1001142522	
	2915094	Ref	Turntable Bearing Replacement Kit	
		Ref	Weld Leads at Platform Installations	
	0271487	Ref	Weld Leads at Platform Installations 800S	
	0271488	Ref	Weld Leads at Platform Installations 860SJ	

PART NUMBER INDEX

PART NUMBER INDEX

0060048.....208, 215	0271085..... 22	0274500..... 437	0641403.....134, 179, 211
0060061.....203, 215	0271086..... 22	0274501..... 441	0641404....129, 154, 167,
0080201.....98	0271090..... 22	0274502..... 441	171, 179, 277
0100009.....128, 245, 249	0271091..... 22	0274503..... 441	0641405....135, 163, 167,
0100011....13, 14, 17, 21,	0271322..... 233, 401	0274504..... 441	171, 175, 179, 185,
37, 39, 43, 44, 51, 58,	0271323..... 233, 401	0274505..... 441	189, 227, 277
59, 60, 64, 69, 72, 73,	0271324..... 233, 402	0274506..... 441	0641406....69, 72, 73, 80,
81, 85, 86, 87, 90, 91,	0271325..... 233, 402	0274507..... 441	85, 98, 134, 140, 146,
96, 97, 98, 119, 125,	0271360..... 134	0274508..... 441	149, 168, 172, 193,
128, 134, 135, 140,	0271362..... 134	0274509..... 447, 451	195, 220, 239, 245,
146, 148, 154, 157,	0271444..... 207, 208	0274510..... 447, 451	249, 422, 438, 443,
159, 163, 167, 171,	0271448..... 458	0274511..... 441	448, 451
175, 179, 185, 189,	0271472..... 458	0274512..... 441	0641407....59, 60, 80, 86,
199, 203, 204, 207,	0271473..... 458	0274513..... 441	97, 129, 227
208, 211, 219, 220,	0271476..... 458	0274514..... 441	0641408..43, 85, 86, 147,
227, 231, 239, 263,	0271477..... 458	0274518 437, 441, 447	233, 239
265, 267, 269, 277,	0271487..... 466	0274528..... 459	0641409.....59
280, 283, 285, 287,	0271488..... 466	0274661..... 295, 463	0641410..37, 58, 60, 135,
309, 313, 317, 321,	0271552 135, 247, 251	0275039..... 163	233
327, 333, 335, 337,	0271815..... 460	0275216..... 417	0641412..69, 85, 96, 233,
347, 348	0271912..... 459	0275217..... 417	421
0100019.....51, 142, 148,	0271939..... 392, 463	0275218..... 417	0641414....245, 249, 263,
157, 167, 171, 175,	0271999..... 135	0275219..... 417	267, 269, 271
179, 185, 189, 193	0272057..... 135	0275257..... 189, 418	0641416.....227, 421
0100020....58, 69, 76, 85,	0272058..... 241	0275261..... 461	0641418..... 43, 239, 265
87, 96, 98, 113, 121,	0272070..... 219	0275262..... 459	0641420.....44, 239
123, 168, 176, 179,	0272081..... 142, 148	0275452..... 417	0641422.....96
193, 196, 280, 291, 400	0272254..... 285	0275453..... 417	0641424.....233
0100035....134, 136, 220,	0272259..... 412	0275454..... 417	0641504.....199
249	0272260..... 412	0275574..... 227	0641506.....129, 195
0100038....309, 313, 317,	0272312..... 465	0275586..... 233, 402	0641507.....44, 219
321, 327, 333, 335,	0272322..... 21	0275865..... 447	0641508.....39, 140, 154,
337, 347	0272325..... 465	0340041..... 98	157, 159
0100048 85, 96, 128, 135,	0272333..... 22	0362770..... 140	0641510.....60, 163
159, 171, 179, 227,	0272334..... 22	0362910..... 39	0641511.....96, 233
246, 249, 404	0272388..... 233, 401	0370038..... 347	0641512.....60
0100062....60, 76, 90, 99,	0272389..... 233, 402	0400075 58, 69, 85, 96	0641514....163, 295, 333,
181	0272418..... 275	0440244..... 51	337
0100071.....271	0272427..... 263	0480100..... 295	0641516....167, 171, 175,
0100079.....171, 179	0272435 182, 186, 190	0480121..... 153	179, 185, 189
0100081....146, 204, 208,	0272448..... 280, 285	0480126..... 168, 181	0641518.....76, 241
245, 275	0272521..... 283	0480129..... 168, 181	0641526.....219
0140001.....43	0272588..... 283	0480142 163, 175, 189	0641542.....37
0140011.....245, 249	0272589..... 182	0561185..... 211	0641560.....37
0140032.....135, 411	0272599..... 280, 291	0561380..... 199	0641604....208, 220, 233
0140044.....135	0272607..... 291	0561445..... 211	0641605.....76
0181949.....123	0272703..... 227	0561446..... 211	0641606....37, 43, 44, 60,
0182077.....140	0272725..... 465	0561447..... 211	69, 98, 142, 204, 208,
0200048.....263	0272733..... 465	0561449..... 211	211, 220, 280, 283,
0200742.....153	0272948..... 275	0561484..... 233	285, 287
0250528.....39	0272951..... 275	0630407..... 74	0641607....14, 17, 76, 85,
0256202.....413	0273145..... 464	0630462..... 263	119, 157, 211, 233
0257195.....459	0273146..... 464	0630467..... 219	0641608....58, 69, 73, 96,
0257728.....295, 463	0273147..... 464	0630485..... 147	98, 115, 140, 142, 146,
0257887.....135, 411	0273149..... 464	0630507..... 140	149, 193, 203, 204,
0258608.....247, 251	0273353..... 280	0630518 ... 128, 280, 283,	208, 211
0258703.....463	0273472..... 240, 396	285, 287, 291	0641609....60, 64, 73, 98,
0258728.....151	0273483..... 240, 396	0630534..... 327, 329	140, 147, 151
0259147.....51	0273596..... 193	0630535 ... 309, 313, 317,	0641610....58, 60, 69, 81,
0270528.....39	0273687..... 193	319, 321, 323, 347,	85, 98, 113, 136, 137,
0270885.....21	0273695 203, 207, 220	353, 355	140, 153, 195, 208,
0270886.....22	0273706..... 263	0630536 ... 333, 335, 337,	211, 239
0270888.....22	0273824..... 263	339	0641611.....125, 147
0271002.....51	0274244..... 460	0630539..... 204, 208	0641612.....43, 76, 98
0271083.....22	0274455..... 459	0630548..... 128	0641613.....43, 146, 199,
0271084.....22	0274499..... 437	0630568..... 247, 250	211

PART NUMBER INDEX

0641614	119, 141	0711014	90	0861538.....	179, 185, 189	1001091187	134
0641615	199	0711020	87	0861572.....	179	1001091188	134
0641616 ...	140, 146, 168, 195, 211	0711216	90	0861642.....	193	1001091460	29
0641617	123	0711223	89	0861731.....	415	1001091461	29
0641618 ...	171, 179, 208	0720804	123	0861781.....	415	1001091472	233
0641620	204, 208	0721003	245, 249	0861782.....	415	1001091563	120, 121
0641622	204, 208	0721004	39	0861880.....	422	1001091587	97
0641626	211	0721005	263	0902206.....	135	1001091609	233, 401
0641634	211	0721006	81, 140, 154, 157, 245, 249	0902219.....	140	1001091618	402
0641640	211	0721008	142	0902223.....	140	1001091620	403
0641644	204, 208	0731005	119	0902351.....	140	1001091625	203, 215
0641708	73	0731007	119	0902412.....	140	1001091664	233, 401
0641710	163	0741605	73, 203	0902491.....	140	1001091665	233, 402
0641772 ...	154, 157, 159	0741607	39, 168, 171, 179, 185	0902673.....	140, 146	1001091712	458
0641808 ...	58, 72, 85, 86, 96, 97, 119, 167, 171, 175, 179, 189, 207	0741609	18	0902674.....	140	1001091713	458
0641810	14, 17, 193	0741612	211	0902751.....	245	1001091790	421
0641812 ...	59, 72, 86, 97, 125, 157, 200, 219, 231	0760605	76, 90	0902769.....	140	1001091794	99
0641814	70	0760606	73, 186	0902888....	167, 171, 175, 179, 185, 189	1001091969	413
0641816	119	0760608	87	0902919.....	227	1001091970	413, 417
0641818	13, 64, 151	0760610	87, 90, 159, 185	0902920.....	227	1001091971	413, 417
0641820	60, 125, 227	0760612	87	0903242.....	125	1001091972	413
0641822	227	0760615	90	0903484.....	421	1001091973	413
0641826	99	0760619	85	0903530.....	220	1001091974	414
0641828	98	0760807	90	0903697.....	421	1001091975	414
0642010 ...	39, 58, 69, 85, 96	0760807 ...	69, 73, 81, 85, 87	0940049.....	146	1001093382 ...	58, 70, 86, 97
0642012	275	0760812	85, 87, 90	0940070....	60, 73, 89, 98	1001093389	461, 462
0642014	199, 203, 207	0760814	77, 87	0940071.....	140, 141	1001094475	463
0642024	227	0760815	77, 87	0940088....	140, 141, 147	1001094509	422
0642026	275	0760816	85	0940092.....	263	1001094595 ...	60, 72, 86, 98, 109
0642212 13, 17, 199, 203, 207, 275		0760817	90	0940094.....	263	1001094899	51
0642612	135, 136	0760820	85	0940102.....	275	1001095307	361, 367, 369, 375
0642618	199	0761008	70, 81, 85	0940103.....	263	1001095308	361, 367, 370, 375
0642684 ...	219, 227, 231	0761014	87, 231	0940133.....	263	1001095392	460
0681608 ...	13, 17, 58, 69, 219, 227, 231	0761015	77, 81, 87, 89	0940134.....	263	1001096070	168, 172, 421
0681620 ...	297, 299, 301	0761018	185	0940159.....	265	1001096134	182, 420
0681814	243	0761210	76	0940177.....	263	1001097051	427
0681820	76	0761216	231	0961845.....	239	1001097150	422
0681822	21, 76, 243	0771012	86	0961893.....	327, 329	1001097939	135
0682016	21, 142, 148	0771014	87	0961897....	347, 353, 355	1001097942	135
0682023	51	0771212	69, 73	0961898....	333, 335, 337	1001097945	135
0682032	51	0771414	60, 64, 73	0961947....	208, 215, 309, 313, 317, 319	1001098012	280, 291, 293
0682216	51	0771415	73, 168, 181	0961948....	211, 311, 315, 321, 323, 325	1001098149	291
0682236	13, 17	0801275	211	0961951.....	212, 215	1001098167	305
0682424 ...	297, 299, 301	0801279	199	0961986....	60, 73, 87, 98	1001098234	421
0700615	136, 137	0801280	199	0962033....	333, 335, 337, 339, 341	1001098349	421
0700617	148	0801282	211	0962051.....	151	1001098764	411
0700618	148	0801306	199	0962102.....	13, 17	1001098828	89, 231
0700808	60	0801307	199	0962122.....	199	1001098908	404
0700810	87, 98	0801647	211	0962152.....	18, 343, 345	1001098909	404
0700812	87	0801649	211	0962181.....	18	1001098910	404
0700814	77, 87	0811606	211	0962270.....	243	1001098911	404
0700816	90	0811607	211	0962297....	199, 200, 203, 208, 211	1001099051	63, 64
0700818	90	0811608	211	0962335.....	208	1001099121	141
0700820 ...	163, 175, 189	0811610	147	0962336....	327, 329, 331	1001099138	141
0701014	90	0811614	211	0962348.....	18	1001099139	142
0701016	163, 175, 189	0811616	211	0962449.....	154	1001099366	275
0701025	77	0811812	140, 146	0962450.....	227	1001099367	275
0701026	91	0840055	228	0962520....	168, 171, 175, 179, 185, 189	1001099421	275
0701224	89	0860038 ...	167, 171, 175, 179, 185, 189, 415	1001001939.....	61	1001099422	275
0710827	90	0860520 ...	437, 443, 447, 451			1001099869	154
		0861441	245, 247			1001099870	37

PART NUMBER INDEX

1001100121.....465	1001110873..... 167, 172, 176, 180, 186, 190, 415, 418	1001117172 240, 456	1001122521.....443
1001100233.....154	1001110926..... 465	1001117174 240, 250	1001122522.....443
1001100234.....154	1001110974..... 464	1001117249 146	1001125008.....247, 251
1001100321.....153	1001110979..... 265	1001117294 462	1001125009.....247, 251
1001100326.....413	1001110980..... 265	1001117307 147	1001125010.....247, 251
1001100327.....413	1001110982..... 265	1001117308 74, 456	1001125011.....247, 251
1001100328.....413	1001111231..... 458	1001117372 305, 307	1001125229.....464
1001100329.....413	1001111346..... 239	1001117399 233, 401	1001125230.....464
1001100331.....414	1001111968..... 381, 385, 390	1001117400 233, 402	1001125387.....438, 443
1001100333.....414	1001112551..... 448	1001117523 147	1001125393.....465
1001100337.....414	1001112588..... 396, 412	1001117525 147	1001125492.....51
1001100341.....417	1001112589..... 412	1001117804 200	1001125501.....146
1001100342.....417	1001112612..... 406	1001117805 200	1001125502.....148
1001100345.....417	1001112743..... 396, 412	1001118209 458	1001125502.....148
1001100346.....417	1001112821..... 464	1001118210 459	1001125824.....462
1001100347.....417	1001113047..... 146	1001118384 431	1001126009.....431
1001100825.....86, 91	1001113103..... 120	1001118388 401, 431, 433	1001126351.....409, 410
1001101060.....51, 54	1001113483..... 227	1001118416 245, 259	1001126352.....409
1001101191.....416, 422	1001113961..... 259	1001118417 245, 253	1001126353.....409
1001101196.....416	1001114371..... 447	1001118473 220, 223	1001126356.....409, 410
1001101197.....416	1001114372..... 447	1001118963 459	1001126357.....409, 410
1001101241.....64	1001114595..... 98	1001118964 459	1001126362.....410
1001101421.....275	1001114632..... 98	1001119020 401	1001126363.....410
1001101422.....275	1001114897..... 239	1001119619 425	1001126364.....410
1001101600.....58	1001115388..... 179, 418	1001119620 427, 429	1001126365.....410
1001101623.....141	1001115394..... 179, 418	1001119939 459	1001126384.....409
1001101673.....141	1001115405..... 153	1001119947 459	1001126391.....410
1001102290.....407	1001115406..... 153	1001119968 182, 420	1001126828.....141, 147
1001102291.....407	1001115409..... 153	1001120206 460	1001127087.....459
1001102304.....407	1001115465..... 347	1001120328 267, 269, 277	1001128153.....240, 396
1001102601.....129	1001115469..... 348	1001120532 464	1001128479.....238
1001102602.....130	1001115504..... 347	1001120993 459	1001128527.....287
1001102647.....275	1001115617..... 348	1001121412 463	1001128556.....287
1001103308.....131	1001115631..... 347	1001121708 463	1001128598.....238
1001103667.....130, 456	1001115633..... 348	1001121709 463	1001128901.....77, 88
1001103810.....14, 17	1001115693..... 347	1001121710 463	1001128989.....459
1001106339.....405	1001115918..... 459	1001121711 463	1001129555.....454
1001106340.....405	1001115930..... 86, 98, 462	1001121802 442	1001129858.....167, 175
1001106449.....134	1001116163..... 463	1001121804 442	1001131168.....246, 250
1001106480.....134	1001116280..... 146	1001121806 442	1001131269.....437, 443
1001106736.....130, 405	1001116290..... 148	1001121807 442	1001131731.....204, 209
1001106957.....369, 375	1001116322..... 146	1001121809 442	1001131992.....396
1001106974.....125	1001116344..... 146	1001121815 443	1001132055.....396, 419
1001107531.....125	1001116358..... 147	1001121817 443	1001133329.....221, 411
1001107952.....247, 251	1001116456..... 149	1001121819 443	1001133714.....410
1001108256.....263	1001116457..... 149	1001121820 443	1001133715.....410
1001108496.....437, 443	1001116524..... 465	1001121822 443	1001133956.....409
1001108579.....119, 121	1001116544..... 99	1001121862 462	1001133957.....409
1001108617.....43	1001116545..... 99	1001122000 442	1001134103.....459
1001108722.....461	1001116558..... 148	1001122201 443	1001134488.....74, 89
1001108723.....461	1001116620..... 148	1001122305 458	1001135138.....74
1001108958.....347	1001116693..... 406, 408	1001122507 437	1001135650.....410
1001108992.....247, 251	1001116710..... 409	1001122508 437	1001135651.....410
1001109029.....460	1001116720..... 401, 433	1001122509 443	1001135679.....74
1001109048.....119	1001116727..... 410, 420	1001122510 442	1001136079.....73
1001109475.....421, 456	1001116844..... 460	1001122511 443	1001136104.....185
1001109477.....421, 456	1001116846..... 441	1001122512 442	1001136172.....73
1001109482.....421, 456	1001116849..... 442	1001122513 442	1001136400.....204, 209
1001109503.....129	1001116851..... 442	1001122514 442	1001136834.....74
1001109559.....421	1001116952..... 410	1001122515 437	1001136988.....180
1001109648.....421	1001116983..... 409	1001122516 437	1001137005.....466
1001109654.....421	1001117027..... 147	1001122517 443	1001137276.....74
1001110059.....119	1001117078..... 182, 420	1001122518 443	1001137440.....465
1001110133.....462	1001117140..... 142	1001122519 443	1001137459.....44
1001110166.....146		1001122520 443	1001137672.....465
1001110339.....130, 405			1001137673.....267, 269
1001110425.....44, 59, 70			1001138110.....410
			1001138111.....410

PART NUMBER INDEX

1001138113..... 410	1001141969..... 415	1001147264..... 410	1001152037..... 238
1001138173..... 74, 88	1001141995..... 76, 88	1001147479..... 221, 454	1001152174..... 130
1001138175..... 74, 88	1001142031..... 80	1001147812..... 61	1001152429..... 182, 420
1001138228..... 74, 456	1001142032..... 81	1001147813..... 61	1001152457..... 167, 172, 176, 418
1001138248..... 74, 89	1001142501..... 70, 76, 81	1001147820..... 61	1001152458..... 419
1001138489..... 76	1001142504..... 464	1001147823..... 61, 62	1001152459..... 61
1001138491..... 70, 409	1001142505..... 464	1001148138..... 157	1001152489..... 76
1001138494..... 239	1001142522..... 101, 102	1001148149..... 70	1001152522... 60, 72, 97, 101
1001138514..... 239	1001142623..... 74	1001148550..... 72	1001152525..... 182, 186, 190
1001138557..... 74	1001142643..... 172, 181	1001148560..... 69	1001152530..... 167, 172, 176
1001138565..... 167	1001142645..... 172, 181	1001148561..... 140	1001152532..... 168, 172, 175, 418
1001138566..... 168, 171, 175	1001142646..... 172, 181	1001148563..... 179, 418	1001152566..... 142
1001138717..... 76	1001142683..... 136, 137	1001148564..... 179, 418	1001152719..... 13
1001138772..... 464	1001142694..... 136	1001148565..... 193	1001152965..... 465
1001138773..... 464	1001142722..... 136, 137	1001148566..... 72	1001153025..... 396, 419
1001138795..... 329	1001142733..... 76	1001148567..... 69	1001153197..... 168, 172, 419
1001138827..... 74	1001142736..... 136, 137, 411	1001148607..... 119	1001153257..... 396, 419
1001139099..... 462	1001142853..... 73	1001148641..... 76	1001153259..... 172, 419
1001139151..... 459	1001142938..... 410	1001148650..... 213	1001153260..... 167, 172, 176
1001139240..... 74	1001142940..... 410	1001148651..... 213	1001153282..... 61, 73, 77
1001139303..... 74	1001142941..... 410	1001148652..... 213	1001153309..... 167, 418
1001139357..... 168	1001143078..... 459	1001148653..... 213	1001153310..... 167, 418
1001139409..... 75	1001143256..... 465	1001148902..... 461	1001153324..... 233, 401
1001139654..... 443, 448, 451	1001143390..... 61, 76	1001148903..... 461	1001153325..... 233, 402
1001139813..... 75, 77	1001143431..... 136	1001148904..... 461	1001153396..... 60
1001139960..... 175, 418	1001143431..... 136	1001148905..... 461	1001153414..... 61
1001140221..... 460	1001143449..... 81	1001148906..... 461	1001153435..... 142
1001140312..... 77	1001143472..... 81	1001148971..... 463	1001153779..... 60
1001140315..... 464	1001143483..... 80	1001149126..... 461	1001154126..... 305
1001140318..... 464	1001143484..... 80	1001149160..... 90	1001154231..... 465
1001140346..... 171	1001143513..... 459	1001149531..... 43, 219	1001154236..... 59
1001140347..... 171	1001143525..... 81	1001149532..... 43, 219	1001154237..... 59
1001140362..... 75	1001143575..... 81	1001149639..... 88	1001154258.. 13, 17, 305
1001140412..... 73	1001143601..... 142	1001149703..... 65	1001154323..... 131, 406, 407
1001140429..... 239	1001143607..... 141	1001149704..... 61	1001154324..... 130, 406
1001140448..... 75	1001143611..... 142	1001149705..... 61	1001154327..... 131, 406
1001140450..... 75	1001143669..... 465	1001149706..... 61	1001154328..... 396, 406, 408
1001140454..... 75	1001143726..... 76, 409	1001149730..... 464	1001154329..... 396, 406, 408
1001140460..... 203, 311, 315	1001143736..... 70, 408	1001149793..... 61	1001154405... 70, 76, 81, 115
1001140466..... 75	1001143797..... 76	1001149818..... 136, 411	1001154584..... 13
1001140487..... 75	1001143852..... 444, 448	1001149880..... 393	1001154598..... 43, 49
1001140535..... 75	1001143858..... 141	1001149924..... 275	1001154599..... 220, 225
1001140564..... 75	1001143907..... 76, 411	1001149955..... 136	1001154600..... 220, 225
1001140645..... 460	1001144018..... 238	1001149994..... 136, 137	1001154687..... 305
1001141136..... 246, 400	1001144019..... 238	1001150253..... 147	1001154875..... 17
1001141137..... 220, 411	1001144021..... 238	1001150260..... 140, 147	1001154931..... 18
1001141138..... 245, 250, 456	1001144022..... 238, 239	1001150372..... 14, 17	1001155035..... 18
1001141140..... 240, 245	1001144023..... 237	1001150406..... 136	1001155041..... 159
1001141300..... 251	1001144024..... 237	1001150539... 14, 17, 343	1001155043..... 131
1001141302..... 251	1001144026..... 237	1001150561..... 149	1001155044..... 131, 246, 250
1001141304..... 75, 409	1001144027..... 237	1001150890..... 65	1001155045..... 131, 246, 250, 454
1001141370..... 75	1001144319..... 61, 62	1001150915..... 61	1001155143..... 58, 408
1001141419..... 75	1001144433..... 250, 269	1001150918..... 59, 71	1001155185..... 459
1001141546..... 75	1001144447..... 193	1001150937..... 14, 18	1001155192..... 17
1001141583..... 75	1001144527..... 149	1001150944..... 136, 411	
1001141584..... 76	1001144575..... 243	1001150998..... 61	
1001141585..... 76, 88	1001144596..... 243	1001151010..... 123	
1001141586..... 76	1001144597..... 243	1001151034..... 13	
1001141711..... 80	1001144629..... 238	1001151037..... 13	
1001141718..... 81	1001145154..... 76	1001151070..... 58	
1001141870..... 81	1001145405..... 280, 291	1001151082..... 460	
1001141967..... 415	1001145750..... 81	1001151252..... 64	
1001141968..... 415	1001145751..... 81	1001151253..... 64	
	1001145781..... 238, 239	1001151650..... 462	
	1001145965..... 464	1001151856..... 411	
	1001145975..... 464	1001151900..... 459	
	1001146010..... 130, 405	1001151980..... 14	
	1001146273..... 61		

PART NUMBER INDEX

1001155194.....17	1001157525 181, 419	1001161709 246, 250	1001170644.....359
1001155384.....75	1001157528 182, 186, 190	1001161711 140, 146	1001171127..... 171, 418
1001155751 199, 203	1001157592 181, 186, 189, 190, 419	1001161980 43, 219	1001171131..... 412, 465
1001155752 199, 207	1001157612 147	1001161981 43, 219	1001171269..... 171, 418
1001155753 199, 203	1001157736 141	1001161982 43, 219	1001171403..... 411
1001155754 458	1001157751 149	1001162335 70, 81	1001172045..... 458
1001155760 204, 211	1001157752 149	1001162497 58, 70, 86	1001172663..... 231
1001155762 207, 211	1001157753 146	1001162546 465	1001172760..... 245, 250
1001155763 204, 211	1001157755 149	1001162915 148	1001173535..... 89, 90
1001155764 458	1001157768 190, 396, 419	1001163101 149	1001173580..... 147
1001155770 213	1001157769 182, 396, 419	1001163131 275	1001173590..... 408
1001155771 213	1001157770 182, 396, 419	1001163296 275	1001173703..... 451
1001155823 70	1001157837 200	1001163297 275	1001173869..... 149
1001155899 147	1001157851 381, 385, 390	1001163599 157, 171, 180	1001173870..... 146
1001156039 392, 463	1001157852 382, 386	1001164091 420	1001173871..... 149
1001156170 58	1001157866 361, 367, 370, 375	1001164786 135	1001173872..... 146
1001156171 58	1001157870 142, 149	1001165035 70, 89	1001173971..... 69
1001156351 417	1001158007 182, 186, 190	1001165118 136	1001173972..... 71
1001156352 417	1001158008 182, 186, 190	1001165368 168, 172, 421	1001173974..... 73
1001156425 403	1001158084 142, 148	1001165657 14, 17	1001173976..... 75
1001156426 403	1001158145 72, 81	1001165772 127	1001173978..... 75
1001156427 403	1001158187 37	1001165773 128	1001173979..... 69
1001156439 204, 209	1001158188 37	1001165776 130, 406	1001173980..... 71
1001156443 204, 209	1001158203 37	1001165778 396, 406, 408	1001173981..... 73
1001156470 96	1001158251 392, 463	1001165842 76	1001174093..... 97
1001156471 97	1001158259 458	1001166538 245, 250, 261	1001174101..... 148
1001156710 13, 17	1001158290 120	1001166539 245, 250, 255	1001174143..... 148
1001156805 120	1001158363 167, 172, 176	1001166675 240, 245	1001174282..... 148
1001156819 97	1001158364 135	1001167042 75	1001174283..... 147
1001156823 86, 96	1001158436 39	1001167194 385, 390	1001174486..... 86, 96
1001156824 96	1001158436 39	1001167196 386, 391	1001174745..... 80
1001156825 96	1001158926 127	1001167198 43, 219	1001174746..... 81
1001156965 204	1001158927 128	1001167199 43, 219	1001175354..... 437, 443, 447, 451
1001156966 208	1001158928 127	1001167200 43, 219	1001175884..... 347
1001157015 21, 37	1001158929 128	1001167259 393	1001176027..... 73
1001157016 21, 37	1001158930 127	1001167276 385, 392	1001176035..... 73
1001157021 141	1001158931 128	1001167277 385, 392	1001176329..... 88
1001157024 147	1001159121 413, 465	1001167565 231	1001176372..... 465
1001157025 147	1001159256 246, 250	1001167567 231	1001176419..... 74
1001157056 120	1001159294 369, 375	1001167596 231	1001176469..... 131
1001157058 51	1001159323 451	1001168018 88	1001177155..... 97
1001157180 199	1001159340 381, 385, 390	1001168024 131, 406	1001177226..... 385, 390
1001157208 148	1001159648 396, 419	1001168025 220, 411	1001177228..... 97
1001157209 148	1001159732 396	1001168292 127	1001177317..... 211, 347
1001157258 119	1001159854 361, 366	1001168334 128	1001177328..... 465
1001157259 119	1001160077 136	1001168335 127	1001177359..... 77
1001157260 119	1001160271 396, 419	1001168336 128	1001177694..... 461
1001157261 44, 333, 337, 348, 438, 444, 448	1001160559 120, 121	1001168337 127	1001177711..... 421
1001157262 44	1001160567 119, 121	1001168338 128	1001177712..... 421
1001157284 147	1001160780 39	1001168339 127	1001177844..... 75
1001157344 147	1001160965 60	1001168340 128	1001177845..... 76
1001157396 381, 392	1001160966 59	1001168402 231	1001177910..... 168, 172, 421
1001157397 381, 392	1001160977 58	1001169054 76, 88	1001178057..... 120
1001157398 361, 392	1001161076 51	1001169138 77, 88	1001178207..... 459
1001157399 369, 392	1001161355 14, 17	1001169234 130	1001178208..... 459
1001157400 359, 392	1001161399 14, 18	1001169754 22	1001178209..... 119
1001157401 393	1001161563 393	1001169755 22	1001178210..... 119
1001157402 369, 392		1001169756 22	1001178211..... 119
1001157403 369, 392		1001169757 22	1001178212..... 58
1001157415 140		1001169935 147	1001178214..... 69
1001157416 146		1001169967 88	1001178215..... 390, 392
1001157474 141, 147		1001170035 88	1001178217..... 390, 392, 393
1001157475 141, 147			1001178218..... 366, 392
1001157520 182, 186, 190			1001178219..... 374, 392
1001157521 182, 186, 190			

PART NUMBER INDEX

1001178220 374, 392	1001186517.....267, 269	1001197855.....460	1001206254 413
1001178223 77	1001186631.....463	1001198333.....390	1001206255 415
1001178227 69	1001186985.....75	1001198334.....367	1001206311 465
1001178797 115	1001187500.....463	1001198336.....359	1001206477 465
1001178876 77, 81	1001187508.....267	1001198337.....366, 374	1001207004 137
1001179154 181, 182, 186, 190, 419	1001187509.....463	1001198338.....374	1001207308 136
1001179837 157	1001187510.....60, 72, 86, 97, 105	1001198339.....359	1001207558 140
1001180001 157	1001187674.....273	1001198340.....367, 375	1001207969 220
1001180091 129, 130	1001187681.....425	1001198341.....375	1001208024 141
1001180092 130	1001187781.....87	1001199395.....366	1001208944 220
1001180287 157	1001187781.....87	1001199396.....367, 375	1001209059 465
1001180620 77, 88	1001188004.....127	1001199487.....465	1001209282 465
1001181045 421, 422	1001188005.....128	1001199949.....460, 461	1001209634 463
1001181046 421, 422	1001188041.....130	1001200072.....448, 451	1001209635 463
1001181051 208, 215	1001188332.....421	1001200128.....460	1001209664 267, 269
1001181060 203, 215	1001188354.....136	1001200129.....460	1001209872 137
1001181061 203, 215	1001188622.....231	1001200130.....460	1001209982 22
1001181145 460	1001188844.....231	1001200131.....460	1001209983 22
1001181149 462	1001188874.....131	1001200132.....460	1001210025 465
1001181243 157	1001188884.....113	1001200133.....460	1001210026 465
1001181588 212, 347	1001188887.....113	1001200134.....460	1001210089 465
1001181589 212, 347	1001188889.....267	1001200283.....465	1001210090 465
1001181590 458	1001188972.....59, 71	1001200486.....247	1001210448 90, 91
1001181694 348, 353, 355	1001189001.....231	1001200491.....231	1001210688 463
1001181894 386, 391	1001189002.....231	1001200494.....231	1001210977 463
1001181895 77	1001189174.....136	1001200575.....247, 250	1001211336 121
1001181899 77	1001189979.....89	1001200725.....463	1001211794 90
1001182138 271	1001190017.....250	1001200910.....137	1001211798 463
1001182599 461	1001190018.....240, 249	1001201351.....231	1001212012 211
1001183407 463	1001190019.....239	1001201602.....199	1001212067 462
1001184181 127	1001190610.....75	1001201886.....245, 247	1001212223 180
1001184182 128	1001190775.....86	1001201887.....250	1001212415 454
1001184259 135	1001190985.....231	1001202082.....461	1001213045 90
1001184931 465	1001191394.....462	1001202122.....461	1001213181 461
1001185078 461	1001191395.....462	1001202280.....113	1001213219 461
1001185281 250	1001191610.....88	1001202281.....113	1001213220 461
1001185667 71, 72	1001191708.....271	1001202311.....81	1001213221 461
1001185671 71, 72	1001192401.....406	1001202331.....462	1001213222 461
1001185673 71, 72	1001193018.....418	1001202368.....75	1001213223 461
1001185674 69	1001193640.....461	1001202397.....461	1001213227 461
1001185675 71, 72	1001193690.....128	1001202398.....461	1001213357 88
1001185676 69	1001193809.....127	1001202571.....240, 245	1001213447 401
1001186236 130, 405	1001194197.....414	1001202749.....462	1001213482 88
1001186237 250, 400	1001194198.....414	1001203655.....243	1001213584 416, 422
1001186251 147	1001194200.....414	1001203656.....243	1001213585 416, 422
1001186254 147	1001194203.....413	1001204269.....375	1001213602 463
1001186333 243	1001194204.....413	1001204325.....76	1001213604 463
1001186334 243	1001194365.....414, 415	1001204454.....462	1001213810 90
1001186335 237	1001194437.....396, 419	1001204457.....462	1001213882 251
1001186371 238, 239	1001194573.....199	1001204460.....462	1001214030 451, 459
1001186374 238	1001195304.....464	1001204467.....462	1001214039 75, 77
1001186375 238	1001195537.....462	1001204511.....240, 249	1001214050 73
1001186377 238	1001195610.....465	1001204560.....13, 17, 305	1001214463 465
1001186379 238	1001195967.....81	1001204648.....141	1001214478 464
1001186382 238, 239	1001196221.....204, 208	1001204667.....113	1001214515 464
1001186383 237	1001196382.....186	1001204725.....231	1001214540 464
1001186384 237	1001196428.....113	1001204929.....463	1001214548 464
1001186386 237	1001196615.....459	1001205030.....458	1001214552 464
1001186387 237	1001196634.....71, 117	1001205031.....458	1001214559 464
1001186426 88	1001196711.....459	1001205032.....458	1001214561 464
1001186431 251, 269, 400, 465	1001196768.....147	1001205033.....458	1001214562 464
1001186432 431, 433	1001197016.....465	1001205175.....464	1001214778 69
1001186501 147	1001197017.....263	1001205494.....136, 137	1001214827 91
1001186502 147	1001197067.....136	1001206250.....414	1001214862 98
	1001197240.....458	1001206251.....414	1001214984 463
	1001197408.....448, 451	1001206252.....414	1001215016 407
	1001197854.....460	1001206253.....413	1001215091 407

PART NUMBER INDEX

1001215384.....91	1001218547..... 151	1001223584..... 87	1001228225.....273
1001215534.....407	1001218572.... 59, 71, 86	1001223591..... 75, 77	1001228355.....465
1001215674..... 88	1001218622..... 404	1001223592..... 73	1001228357.....465
1001215681..... 88	1001218623..... 404	1001223593..... 77	1001228363.....465
1001215974..... 88	1001218707..... 460	1001223704..... 71	1001228376.....237
1001216015.....157	1001218774..... 128	1001223758..... 69	1001228377.....238
1001216065.....90	1001218775..... 127	1001223782..... 71, 72	1001228583.....465
1001216071.....91	1001218850..... 459	1001223784..... 69	1001228950.....459
1001216075.....88	1001218930..... 186	1001223804..... 134, 135	1001228988.....280, 281, 283, 285, 287, 291
1001216092.....88	1001219219..... 21, 29	1001223923..... 88	1001229107.....459
1001216144.....91	1001219259..... 89	1001223971..... 444	1001229341.....273
1001216166.....81	1001219345..... 89	1001224048..... 444	1001229762.....458
1001216167.....81	1001219361..... 89	1001224049..... 444	1001230371.....208, 331
1001216201.....88	1001219363..... 89	1001224050..... 444	1001230372.....207, 325
1001216212.....407	1001219370..... 86	1001224052..... 444	1001230373.....207, 341
1001216213.....407	1001219480..... 89	1001224053..... 444	1001230374...13, 17, 307
1001216221.....81	1001219611..... 89	1001224138..... 396, 406, 408	1001230375...14, 17, 345
1001216300.....91	1001219612..... 89	1001224486..... 89	1001230635.....75
1001216327.....130, 406, 407	1001219613..... 89	1001224489..... 89	1001230783..... 14
1001216390.....186	1001219618..... 185, 418	1001224490..... 134	1001231056.....207, 208
1001216391.....160	1001219619..... 159	1001224900..... 134	1001231103.....199, 207
1001216531..... 89, 90	1001219630..... 160	1001224901..... 134	1001231147..... 13
1001216532..... 87	1001219632..... 160	1001224902..... 134	1001231235.....465
1001216533..... 87	1001219633..... 463	1001224903..... 134	1001231801.....438, 460
1001216534..... 87	1001219634..... 86	1001224936..... 77	1001231949.....301
1001216535..... 87	1001219635..... 86	1001224937..... 77	1001231950.....297, 299
1001216568..... 86	1001219636..... 86	1001224940..... 77	1001232010.....297, 299, 301
1001216616.....91	1001219637..... 86	1001225432..... 79	1001232011.....297, 299, 301
1001216619.....91	1001219638..... 86	1001225442..... 88	1001232164.....273
1001216630.....228, 231	1001219639..... 86	1001225510..... 89	1001232165.....273
1001216713.....98	1001219639..... 86	1001225580..... 251, 269, 400, 433	1001232539..... 17
1001216714.....98	1001219840..... 459	1001225623..... 462	1001232540..... 17
1001216715.....97	1001219881..... 151	1001225625..... 462	1001232642.....277
1001216721.....96	1001219907..... 91	1001225745... 60, 72, 87, 107	1001232650.....277
1001216768.....90	1001219979..... 43, 219	1001226098..... 79	1001232667.....277
1001216769.....90	1001219980..... 43, 219	1001226257..... 71, 72	1001232842..... 71, 117
1001216810.....90	1001220002..... 147	1001226285..... 81	1001233089.....77
1001216810.....90	1001220007..... 146	1001226286..... 115	1001233237.....459
1001216910.....90	1001220142..... 91	1001226400..... 402	1001233763..... 71, 117
1001216919.....88	1001220282..... 250, 400	1001226923..... 115	1001234099.....459
1001216995.....88	1001220283..... 39	1001227224..... 70, 81	1001235011.....277
1001217005.....137, 458	1001220379..... 410	1001227494..... 459	1001235013.....277
1001217032.....88	1001220392..... 149	1001227614..... 73	1001235116.....460
1001217046.....89	1001220393..... 146	1001227615..... 71, 72	1001235488..... 75, 77
1001217090.....89	1001220404..... 91	1001227633..... 273	1001235489.....73
1001217170.....87	1001220486..... 247, 251	1001227634..... 273	1001235490..... 71, 72
1001217174.....89	1001221203..... 77	1001227666..... 89	1001235492..... 69
1001217175.....89	1001221208..... 186, 420	1001227769..... 90	1001235493.....460
1001217183.....89	1001221212..... 71, 77	1001227772..... 91	1001236338.....438, 460
1001217185.....89	1001221219..... 77	1001227951..... 462	1001236552.....277
1001217186.....89	1001221397..... 91	1001227985..... 273	1001236746.....301
1001217191.....87	1001221464..... 86	1001227987..... 273	1001236747.....297
1001217192.....86	1001221498..... 186, 396, 419	1001227996..... 427, 429	1001236891.....297, 299, 301
1001217193.....85	1001221545..... 91	1001228022..... 207, 323, 458	1001236895.....297, 299, 301
1001217317.....89	1001221615..... 89	1001228027..... 203, 319	1001236951.....463
1001217323.....463	1001221704..... 239	1001228028..... 203, 335	1001236991.....460
1001217350.....91	1001221719..... 240, 249	1001228029..... 207, 339	1001237172.....460
1001217454.....451	1001221921..... 459	1001228044..... 458	1001237862.....427, 429
1001217476.....91	1001222033..... 89	1001228081..... 211, 353	1001237863.....273, 427
1001217543.....89	1001222204..... 459	1001228083..... 212, 355	1001237864.....273, 429
1001217940.....392	1001222314..... 220	1001228084..... 458	1001237865.....273, 425
1001217941.....392, 393	1001222641..... 91	1001228085..... 212, 351	1001237882.....461
1001218022.....461	1001222665..... 70, 409	1001228224..... 273	
1001218068.....250	1001222817..... 115		
1001218085..... 87	1001223042..... 88		
1001218087.....91	1001223055..... 438		
1001218362.....89	1001223453..... 438, 444		
1001218449.....89			

PART NUMBER INDEX

1001237883	461	1320136	227	1684198.....	333, 337	1703938	442
1001238263	297, 299,	1320176	58, 91	1684199.....	203, 333	1703939	442
301		1320177	280, 291	1684202.....	207, 337	1703941	441
1001238319	273	1320202	234	1684519.....	212, 347	1703942	441
1001238418	277, 431	1320218	123	1700818.....	85, 96, 438	1703943	441
1001238463	299	1320220	123	1701499....	437, 441, 447,	1703944	441
1001238472	277	1320223	59, 60, 98, 233	451		1703945	441
1001238477	277	1320224	59, 193, 227	1701501....	437, 442, 447,	1703947	442
1001238495	269	1320263	204, 209	451		1703948	442
1001238559	277	1320288	204, 209	170150558, 69, 438, 443,		1703949	442
1001238824	277	1320289	204, 209	448, 451		1703950	442
1001238967	462	1320294	204, 209	1701509....	275, 437, 441,	1703951	442
1001239235	462	1320302 ...	280, 283, 285,	447, 451		1703953	437
1001241345	461	287		1701518.....	447, 451	1703980	442
1001241416	463	1320315	333, 337	1701542.85, 96, 438, 443		1703981	442
1001241716	240, 249	1320323	96	1701543.....	85, 96, 438	1703982	442
1001241720	239	1321283	85, 87	1701643.....	22	1703983	442
1001241772	462	1321384	142	1701691....	437, 443, 447,	1703984	442
1001241965	277	1321716	76	451		1704000	441, 460
1001242253	137	1340060	98	1702565.....	245, 249	1704001	441, 460
1001242254	137	1340061	458	1702566.....	245, 249	1704260	245, 249
1001243895	117	1380136	44	1702567.....	245, 249	1704272	39
1001248012	208, 329	1380147	151	1702668.....	460	1704277 ...	437, 441, 447,
1060341	263, 412	1560011	411	1702676.....	245, 249	451	
1060343 ...	181, 186, 190,	1560012	411	1702701.....	22	1704412 ...	437, 441, 447,
419		1580011	87, 98	1702773....	243, 437, 443,	451	
1060379	295	1580012	241	447, 451		1704578	39
1060494	181, 190, 419	1580013	241	1702774....	437, 443, 447	1704885	437, 443, 448
1060545	422	1600244	422	1702861....	437, 443, 447	1704906 ...	437, 442, 447,
1060584	39	1600387	227	1702868....	280, 285, 287,	451	
1060625	59	1670603	415	291, 437		1704907 ...	437, 442, 447,
1060626	59, 71	1670829	129	1702901.....	44, 438, 444,	451	
1060633	422	1670964	220	448		1704972	59, 71, 438
1060637	58, 72, 86, 97	1671022	134	1702903.....	44	1705014	243
1060708	420, 421	1671034	233	1702924.....	44	1705090	39
1060896	402	1671044	220	1702925.....	44	1705132	245
1060902	403, 404, 408	1671059	134	1702927.....	44	1705170	136, 247, 251
1060903	263	1671092 ...	182, 186, 190,	1702938....	247, 251, 263	1705305 ...	280, 283, 285,
1060908	422	404, 419		1702941.....	59, 71	287, 291	
1060918	240, 400	1671093	280, 285, 404	1702942.....	59, 71	1705336	437
1060919	243	1671176	245, 249	1702943.....	59, 71	1705344	442
1060977	420	1671201	140	1702944.....	59, 71	1705345	442
1061018	404	1671228	140, 142	1702961.....	438, 460	1705347	442
1061019	404	1671230	142	1702962.....	438, 460	1705348	442
1061020	228	1671231	142	1703162....	60, 77, 87, 98	1705351	438
10702077 ..	182, 186, 190	1671232	142	1703175....	438, 443, 459	1705355	280, 283, 285
10702082 ..	182, 186, 190	1683053	327	1703475....	437, 442, 447,	1705358	275
10837580	47, 49	1683059 ...	309, 313, 317,	451		1705364	22
1120487	121	321		1703478.....	447	1705368	448, 451
1120510	211	1683077	347	1703482....	437, 442, 447,	1705374	168, 172, 176
1120552	22	1683609	208, 327	451		1705375 ...	182, 186, 190,
1120555	275	1683818	333, 337	1703683.....	295	280, 285, 287	
1120601	140, 146	1683976	309, 313, 317	1703797.....	437	1705387 ...	168, 172, 176,
1220078	211	1684041	211, 347	1703804.....	437	182, 186, 190	
1260017	51	1684043	211, 212, 347	1703805.....	437	1705426	443
1271538	227	1684045	347	1703811....	142, 149, 437,	1705427	443
1271651	227	1684049	347	441, 447, 451		1705429	443
1283309	392	1684080	333	1703814....	437, 441, 447,	1705430	443
1283408	437, 441, 447	1684089	327	451		1705460	182, 186, 190
1300019	22	1684090	327	1703923.....	442	1705461	182
1320012	98	1684123	337	1703924.....	441	1705466 ...	280, 281, 283,
1320016	60, 98	1684133	321	1703925.....	441	285, 287, 291	
1320022	58, 98, 113	1684135	321	1703926.....	441	1705489	168, 172, 182
1320041	234	1684136	207, 321, 458	1703927.....	441	1705490	281, 291
1320061	70, 81, 234	1684188	309, 313, 317	1703935.....	442	1705514	437, 441
1320110	87	1684189 ...	203, 309, 313,	1703936.....	442	1705589	44, 438, 444,
1320127	123	317		1703937.....	442	448	

PART NUMBER INDEX

1705820.....39	2111616 ... 361, 366, 369, 374, 381, 385, 390	2220235 379	2540035.....140
1705822.....447, 451	2112020 ... 361, 366, 369, 374	2220237 ... 361, 366, 369, 374	2540038.....228
1705828.....447, 451	2112424 ... 381, 385, 390	2220238 ... 362, 366, 370, 375	2560122.....44
1705836.....193	2120217 220	2220252 193	2560123.....44
1705837.....193	2130204 369, 375	2220261 89, 123	2560136.....246, 249
1705886.....193	2130404 ... 361, 366, 369, 374, 379, 381, 385, 390	2220313 58, 69	2560173.....241
1705895.....441	2130406 ... 369, 374, 379, 381, 385, 390	2220315 73	2560187.....148
1705896.....442	2130604 369, 374	2220418 123	2580024.....59, 71
1705897.....442	2130606 ... 361, 366, 369, 374, 381, 385, 390	2220451 60	2580050.....59, 71
1705898.....442	2130608 ... 381, 385, 390	2220478 ... 382, 386, 391	2580062.....61
1705902.....442	2130612 ... 382, 386, 391	2220550 361, 366	2600209.....142
1705903.....441	2130808 ... 361, 366, 369, 374	2220591 369, 374	2600233.....142
1705905.....443	2130810 ... 381, 385, 390	2220737 ... 382, 386, 391	2600244.....140
1705910.....443	2131008 369	2220750 193	2600280.....147
1705917.....442	2131010 ... 381, 385, 390	2220811 ... 102, 361, 367, 369, 374	2600281.....238
1705921.....447, 451	2131012 ... 361, 366, 369, 374	2220816 113, 115	2600490.....140
1705961.....447, 451	2131212 ... 102, 361, 367, 370, 375, 381	2220883 33, 34, 305, 307, 309, 313, 317, 319, 321, 323, 325, 327, 329, 331, 333, 335, 337, 339, 341	2717059.....381, 385, 390
1705967.....441, 460	2131616 ... 102, 361, 367, 369, 374	2220885 ... 305, 307, 309, 313, 317, 321, 327, 329, 331, 333, 335, 337, 339, 341, 347, 351, 353, 355	2720015.....73
1705968.....441	2132016 ... 102, 362, 366, 370, 375	2220886 33, 34, 319, 323, 325, 347, 351, 353, 355	2720058...58, 89, 98, 113
1705969.....441, 460	2150404 ... 381, 385, 390	2220887 335, 341	2720144.....123
1705978.....447, 451	2150406 ... 361, 366, 369, 374	2220888 33, 333, 335, 337, 341	2720160.....280, 291
1705980.....448, 451	2151212 381	2221024 123	2720271.....89, 99
1706059.....59, 444	2151616 ... 361, 366, 369, 374	2221084 ... 361, 366, 369, 374	2720340.....73
1706060.....59, 71, 444	2170104 359	2221086 ... 381, 385, 390	2720392.....96
1706061.....59, 444	2170106 359	2221088 361, 369	2720398.....60
1706062.....59, 444	2170204 361, 366	2221176 58, 85, 96	2720563.....99
1706063.....59, 444	2170208 385, 390	2221183 ... 361, 366, 369, 374	2720564.....99
1706064.....59, 71, 444	2170306 379	2221197 123	2720566.....96
1706098.....59, 71, 448	2170308 369, 374	2300004 .. 73, 87, 96, 462	2720567.....96
1706385.....243	2170350 369, 374	2300014 462	2720580.....96
1706510.....295	2170408 369, 374	2300016 21, 462	2750532.....58, 70, 99
1706593.....39	2170412 361, 366	2300021 462	2753540....361, 366, 369, 374
1706712.....129	2170504 ... 361, 366, 369, 374, 376	2300027 462	2753542.....374
1706941.....437, 443	2170506 ... 381, 385, 391	2300039 462	2753545....381, 385, 390
1707124.....447	2170508 361, 366	2300041 73	2753550....366, 367, 369, 375
2030010....280, 283, 285, 287, 291	2170704 359	2400060 71, 117, 182, 187, 191, 405, 420	2753555.....367, 375
2060025.....60, 98	2170706 359	2400064 ... 182, 187, 191, 420, 456	2753578.....379
2080040....146, 237, 240	2170708 ... 362, 369, 379	2400065 ... 408, 420, 454, 456	2753590.....382, 386
2080044.....233	2170804 379	2400066 408, 420	2753622....361, 367, 369, 375, 381, 385, 390
2080072.....146	2172112 386, 391	2400070 420, 456	2753626.....369, 375
2110404....359, 361, 366, 369, 374, 381, 385, 390	2180125 123	2410014 243	2753628.....370, 375
2110406....359, 361, 366, 369, 374, 379	2180348 ... 58, 85, 89, 96, 113	2420172 129	2753632.....381
2110408....101, 359, 361, 366, 367, 369, 374	2180387 123	2420202 227	2753634.....370, 375
2110604.....379	2180388 123	2420203 ... 153, 157, 159, 163	2753635.....361, 367
2110606....359, 361, 366, 381, 385, 390	2180389 123	2460048 180, 189	2753653....381, 385, 390
2110608....382, 386, 391	2180418 ... 85, 89, 96, 123	2460051 159, 163	2753654....381, 385, 390
2110612....381, 385, 390	2180467 87, 120	2460055 153	2753656....381, 385, 390
2110808....361, 366, 369, 374, 381, 386, 390, 391	2180829 ... 382, 386, 391	2460056 153	2753657.....381
2110810....101, 361, 367, 370, 375	2180832 69, 280, 291		2753664.....361, 370
2110812....361, 366, 369, 374	2180877 99		2753665.....381
2111008....381, 385, 390	2200222 ... 69, 85, 96, 121		2753667....361, 367, 370, 375
2111010....381, 385, 390	2220005 85, 96		2753670....381, 385, 391
2111016....102, 362, 366, 370, 375	2220064 89		2753671....381, 385, 391
2111208....381, 385, 390			2753674....382, 386, 391
2111212....361, 366, 374, 381, 385, 390			2753675....382, 386, 391
2111612.....381			2753676....382, 386, 391
			2753677....381, 385, 390
			2753678....379, 382, 386, 391
			2753679....382, 386, 391
			2753680....382, 386, 391
			2753681....382, 386, 391
			2753682....382, 386, 391

PART NUMBER INDEX

2753683 382, 391	2902212 275	3290505 85, 96, 154	3311801 . 21, 58, 72, 157,
2753684 382, 386, 391	2902217 280, 283, 285	3290601 87, 90, 148, 159,	168, 171, 179
2753685 ... 361, 367, 370,	2902303 460	185	3311805 ... 61, 64, 70, 86,
375	2902307 460	3290605 87, 280, 291	97, 99, 119, 140, 151,
2753686 370, 375, 386	2902308 460	3290606 239	199, 219, 227, 231
2753688 361, 366	2902309 460	3290607 85, 87, 136, 137	3312002 51, 297, 299,
2753692 ... 381, 385, 391	2902310 460	3290801 77, 85, 87	301
2753693 381, 385, 390	2902311 460	3290805 87, 90	3312005 227, 275
2753699 367, 375	2902312 460	3291001 86, 87, 231	3312201 212
2753725 361, 366	2902322 460	3291005 ... 77, 81, 87, 231	3312205 275
2753732 385, 390	2902329 460	3291201 87, 160, 185,	3312602 136, 137
2753735 359	2902354 461	231	3321501 140, 147
2753768 ... 361, 367, 370,	2902394 461	3291205 231	3322201 125
375	2902429 461	3300007 21	3340757 212
2753895 379	2902443 407, 410	3300151 239, 280, 283,	3340764 204, 209
2753896 379	2902533 97, 408	285, 287	3340787 204, 209
2753897 379	2910888 458	3300205 129	3340871 212
2753935 359	2915094 466	3300240 212	3340941 204, 209
2753940 370, 375	2920028 ... 247, 249, 251,	3300241 212	3340942 204, 209
2753942 370	263	3300242 212	3340943 204, 209
2753970 370, 375	2920029 ... 247, 249, 251	3300243 219, 227, 231	3340956 275
2753971 370, 375	2920110 135	3300353 129, 246, 249	3340966 18
2753979 359	2920113 135	3300364 146	3380434 240
2754240 361, 367	2920129 228, 408	3300396 ... 167, 172, 176,	3380444 140
2754242 361, 366	2920140 240, 420	182, 186, 190	3380575 140
2754243 361, 366	2920154 246, 249	3300408 129, 246, 249	3420372 39
2754337 ... 359, 366, 369,	2920157 135, 241	3300430 ... 265, 267, 269,	3420447 39
375	2920161 136, 411	271	3421453 280, 291
2754338 369, 375	2940045 146	3310401 76	3421565 39, 51
2754401 ... 361, 366, 369,	2940074 238, 454	3310601 151	3422417 14, 17, 212
375	2940088 142	3310805 123, 134	3422424 212
2754512 369, 375	2940173 147	3311001 81, 182, 186,	3422446 ... 58, 69, 85, 96
2754678 369, 374	2940188 140	190	3422532 ... 60, 72, 86, 97
2754720 370, 375	3020008 21, 462	3311005 44, 135, 136,	3422562 203
2754743 370, 375	3020016 60, 462	140, 142, 154, 157,	3422569 203
2755022 391	3020029 14, 17, 462	159, 163, 168, 172,	3422580 203
2760105 129	3020037 72	176, 181, 185, 190,	3422661 295
2780227 25	3020039 13, 17, 462	246, 249, 280, 283,	3422790 14, 17
2780229 21	3020044 60, 462	285, 287, 291	3422793 207
2780272 21, 25	3160347 21, 33	3311401 263	3422841 39
2792597 379, 392	3160348 21, 33	3311405 ... 43, 44, 59, 60,	3422847 39
2792678 393	3200106 61	69, 72, 74, 80, 85, 86,	3422848 18
2820020 240	3200362 99	96, 97, 99, 129, 135,	3422860 208
2820031 ... 154, 157, 159,	3200401 61, 64, 73	140, 146, 149, 163,	3422861 208
163, 168, 171, 175,	3200406 60	167, 172, 175, 181,	3422867 208
179, 185, 189, 402, 411	3200449 220	189, 193, 195, 227,	3422908 ... 199, 203, 207
2820035 ... 117, 135, 240,	3250585 241	233, 239, 265, 277,	3422909 199
411	3250872 39	421, 422, 437, 443,	3422910 199
2820078 142, 148	3251102 ... 154, 157, 159,	447, 451	3422920 ... 199, 203, 204,
2820233 141	163, 167, 171, 175	3311501 121, 146, 263	207, 208
2820234 141	3251242 447	3311505 ... 37, 44, 61, 76,	3422930 199
2820235 141	3251243 ... 153, 159, 163,	96, 136, 140, 148, 163,	3422931 203, 207
2820247 427, 429	168, 172, 176, 182,	179, 185, 189, 220,	3422932 207
2840016 151	186, 190, 437, 441	233, 295, 333, 337	3430616 247, 251
2860012 154	3251813 438, 444	3311508 ... 167, 171, 175,	3430816 151
2860030 129, 454	3252347 437	179	3440410 220
2900062 44	3252507 154	3311601 ... 119, 140, 146,	3450404 151
2900756 37	3252764 ... 179, 185, 189	247, 250, 277	3460334 275
2900770 216	3252781 ... 437, 443, 447	3311605 ... 58, 61, 64, 74,	3470003 247, 250
2900792 ... 327, 329, 331	3271605 ... 297, 299, 301	81, 99, 115, 120, 123,	3480210 327
2901303 327	3271801 74	135, 140, 141, 146,	3480267 ... 309, 313, 317,
2901443 422, 465	3271805 125, 243	149, 151, 154, 193,	321
2901537 ... 333, 335, 337	3272001 ... 212, 297, 299,	195, 199, 204, 208,	3480275 333, 337
2902061 ... 309, 313, 317,	301	209, 212, 220, 239,	3510868 243
319, 321, 323	3272401 212	243, 280, 283, 285, 287	3510884 243
2902085 154	3272605 227	3311705 ... 154, 157, 159	3520028 ... 153, 157, 159,
2902203 465	3290405 85, 96		163

PART NUMBER INDEX

3520030.....146	3740080..... 61, 154, 157, 159, 163, 185, 190, 456	3931620 ... 309, 313, 317, 321	4071059.....18
3520031.....131	3740086..... 431	3931624 199	4100100.....327
3520033.....246, 247, 251	3753550 361	3931628 74, 181	4120035.....405
3520034.....208	3760170 39, 51	3931640 87	4160139.....141
3520035.....129, 247	3760368 327	3931720 319	4160143.....141
3520054..... 61, 246, 249	3760370 ... 309, 313, 317, 319, 321	3931724 348	4160149.....212
3520071.....275	3780117 220	3931740 348, 353	4160187.....199
3520072.....243	3790012 85, 96, 246, 247, 249, 251	3932240 ... 333, 335, 337, 339	4160194.....146
3520182.....271	3790044 ... 60, 72, 86, 97	3941406 227	4220162.....135
3520189.....182, 419	3790112 348	3951608 212	4240018.... 146, 154, 157, 163, 171, 179, 381, 385, 390
3520192.....182	3820001 39, 136, 437, 443, 444, 447, 451	3952020 51	4240032..... 135, 137, 251
3536089.....240	3820020 238	3960389 86, 141, 146	4240033.... 227, 267, 269, 273, 277
3537445.....151	3841143 ... 58, 70, 85, 96, 203, 208, 212, 231	3960407 61	4240099.. 76, 86, 87, 117, 159, 240, 263, 280, 283, 285
3537446.....151	3841203 207	3960422 ... 167, 171, 175, 179, 185, 190, 415, 418	4240139.....119
3538047.....13, 17	3841287 13, 17, 199, 203, 207	3960438 142	4240149.....275
3539219.....129	3841340 70, 208, 233	3960461 135	4280295.....119
3539622.....213	3841356 199	3960462 142	4280296.....37
3539872.....99	3841520 14, 17	3960464 142	4300157..... 168, 179
3539877.....13	3890013 212	3960468 61, 72, 99	4340747 193
3571712.....140, 141	3890014 212	3960469 ... 61, 72, 86, 99	4341239.....99
3572009.....39	3890015 212	3960470 141	4341241.....99
3572010.....39	3890016 212	3960526 21	4341264.....220
3572011.....39	3890017 212	3960548 58	4341327.....227
3572012.....39	3890018 212	3960549 58	4360057.....263, 456
3572280.....99	3890040 243	3980007 59, 71	4360070.... 167, 172, 176, 182, 186, 190, 456
3573047.....233, 402	3900054 243	3990010 405	4360232.....420, 456
3573050.....199	3900085 136, 137	3990013 431	4360328.... 246, 247, 251, 454
3573296.....233	3900192 203, 207	4010608 280, 291	4360330.....246, 454
3573400.... 280, 283, 285, 287	3900210 ... 136, 146, 148	4010618 239	4360331.....246, 454
3573642.... 280, 283, 285, 287	3900232 141, 220	4031505 273	4360336 85, 96, 154, 157, 159, 163, 167, 171, 175, 180, 185, 190, 241, 247, 251, 456
3574091.....263	3900268 129	4031516 277	4360387.... 131, 246, 247, 249, 251, 263, 454
3574172.....333, 337	3900283 ... 204, 209, 220, 227	4031608 154	4360407.... 246, 249, 454
3574179.....44	3900293 51	4031711 87	4360469..... 129, 456
3575359.....263	3900310 ... 333, 337, 339	4031914 74	4360470..... 129, 456
3576799.....280, 291	3900316 ... 141, 146, 149, 204, 209, 220	4032011 89	4360475.... 129, 246, 249, 454
3576903.....227	3900349 251	4032014 74	4360476.... 129, 246, 250, 454
3576931.....227	3900363 148	4032015 168, 181	4360506.....402, 454
3577017.....227	3910408 76	4060092 415	4360517.... 125, 135, 411, 454
3577121.... 280, 283, 285, 287	3910606 ... 167, 171, 175, 179, 185, 190	4060802 ... 154, 157, 159, 163, 167, 171, 175, 179, 185, 190, 241	4360522.... 136, 247, 251, 456
3580134.....153	3910608 151	4060804 120	4360542.... 153, 157, 159, 163
3580158.....153	3910804 129	4060805 ... 61, 74, 90, 99	4360578..... 134, 456
3580243.....212	3911008 44	4060906 129	4400275.....123
3580249.....212	3911012 136	4061032 ... 146, 382, 386, 391	4400420.....123
3580276.....153, 157	3911018 246, 249	4061054 227	4400439..... 119, 121
3580288.....212	3911040 135	4070863 212	4420014.....275
3580289.....212	3930606 220	4070878 13, 17	4420037.... 241, 280, 283, 285, 287
3580312.... 163, 175, 190	3930816 134	4070879 13, 17	4420038..... 120, 147
3580314.... 175, 185, 190	3930828 134	4070895 212	4420051..... 39, 447, 451
3580317.... 168, 171, 179, 185	3931016 ... 167, 171, 175, 179, 185, 189	4070897 212	4420060..... 134, 154
3580318.... 168, 171, 179	3931408 267, 269	4070898 212	4420062.....295
3580319.... 168, 171, 179	3931424 267	4070929 212	
3580320.... 74, 168, 181	3931432 74	4070939 212	
3580324.....159, 163	3931448 348, 353	4070940 212	
3580348.... 163, 175, 190	3931480 348	4070944 13	
3600386.....193, 195	3931508 348, 353	4070945 13	
3620040.....99	3931512 74	4070969 204, 209	
3641569.....263	3931516 327	4070991 129	
3720021.....193		4071009 51	
3740049.... 129, 412, 454		4071020 212	
3740067.... 61, 70, 85, 99, 454		4071043 134	
		4071048 147	

PART NUMBER INDEX

4420066 275	4460465 ... 182, 187, 191, 228, 401, 402, 403, 404, 410, 411, 418, 420, 433	4460894....401, 406, 408, 410	4461199 416
4420068 263	4460466 ... 228, 273, 402, 406, 407, 410, 425, 431, 433	4460897....404, 408, 409, 412	4461200 417
4460007 246, 250	4460467 422, 466	4460899....407, 425, 431, 433	4461201 415
4460027 ... 153, 157, 159, 163	4460470 ... 129, 246, 250, 400, 402, 405	4460905....246, 250, 400, 405	4461202 416
4460043 117	4460471 ... 129, 246, 250, 400, 402, 405	4460906..... 159, 163, 412	4461203 417
4460049 263	4460473 402	4460910..... 411, 429	4461204 415
4460051 415	4460488 129, 137, 251	4460911..... 411, 425	4461205 416
4460071 ... 168, 171, 175, 180, 185, 190, 240, 400, 418	4460496 ... 129, 246, 250, 400, 405	4460912..... 411	4461206 417
4460125 415	4460497 ... 129, 246, 250, 400, 405	4460913..... 411	4461207 415
4460134 412, 416	4460508 ... 273, 400, 402, 405, 406	4460917..... 401, 411	4461222 407
4460190 ... 153, 157, 159, 163	4460509 402	4460918..... 411	4461244 415
4460205 412, 416	4460510 422, 466	4460925..... 401	4461245 415
4460224 172, 400	4460526 129, 405	4460926..... 411	4461246 415
4460225 ... 401, 406, 418	4460536 401, 405	4460928..... 411	4461249 416
4460226 ... 228, 256, 261, 400, 401, 403, 406, 408, 412, 418, 420, 422	4460539 401, 406, 407	4460929..... 400, 401	4461250 417
4460227 ... 400, 401, 405, 411, 420	4460608 407	4460930..... 410	4520252 22
4460233 416	4460633 193	4460931 407	4520253 22
4460234 ... 135, 246, 250, 263	4460634 405	4460932.... 401, 409, 410	4520256 22
4460259 412	4460635 405	4460933..... 228, 401	4530028 ... 280, 283, 285, 288
4460260 412	4460662 416	4460941..... 409, 425	4566468 321
4460265 256, 261	4460692 416	4460942.... 273, 409, 410	4568133 39
4460266 401	4460693 407	4460943.... 401, 405, 406, 407, 425	4568240 333
4460267 ... 403, 406, 412	4460701 416	4460944.... 401, 407, 410	4568273 337
4460268 ... 135, 407, 411, 412, 418	4460705 412	4460956..... 422	4568402 ... 309, 313, 317
4460294 172	4460708 ... 246, 250, 400, 401, 408	4460957..... 422	4568708 379
4460297 412	4460709 416, 422	4460959..... 404, 416	4568735 ... 163, 175, 190
4460320 ... 403, 406, 411, 412, 420	4460710 416, 422	4460960..... 404	4569394 99
4460321 ... 159, 412, 422	4460722 117	4460961..... 412	4640113 22
4460346 ... 167, 171, 175, 180, 185, 190, 415, 418	4460742 ... 187, 191, 412, 420	4460962..... 280, 285	4640261 39
4460365 406	4460743 ... 187, 191, 412, 420	4460963.... 182, 186, 190, 419	4640509 ... 327, 329, 331
4460374 ... 187, 190, 407, 412, 420	4460761 ... 227, 400, 405	4460967.... 182, 187, 191, 420	4640673 333, 337
4460375 ... 187, 190, 407, 412, 420	4460807 418	4460971..... 280, 291	4640751 74
4460418 401, 405	4460808 418	4460979..... 408	4640774 379
4460419 401, 405	4460834 119	4461005..... 407	4640858 305, 307
4460424 ... 135, 403, 406, 407, 408, 411, 420	4460836 228	4461006..... 407	4640902 44
4460425 ... 167, 172, 176, 182, 186, 190, 263, 419, 420	4460842 119	4461008..... 407, 410	4640932 ... 309, 311, 313, 315, 317, 319, 321, 323, 325
4460426 ... 129, 167, 172, 176, 182, 186, 190, 240, 247, 251, 405, 419, 420	4460844 433	4461052..... 407	4640952 99
4460428 ... 193, 246, 250, 400	4460865 402	4461053..... 407	4641033 ... 348, 351, 353, 355
4460434 401, 405	4460866 ... 400, 402, 405	4461054.... 407, 409, 411	4641122 22
4460457 407	4460871 ... 253, 259, 400, 401, 405, 406, 407	4461060..... 407	4641144 333, 337
4460458 ... 191, 407, 408, 410, 412, 420	4460873 401, 405	4461070..... 407, 410	4641186 220, 223
4460460 407	4460874 400, 406	4461071..... 407, 410	4641188 ... 204, 207, 339
4460464 ... 400, 402, 404, 405, 407, 409, 412, 431, 433	4460875 406	4461072..... 408, 410	4641194 ... 333, 335, 337, 339, 341
	4460876 400, 405	4461073..... 408, 410	4641232 ... 309, 311, 313, 315, 317, 319, 321, 323, 325
	4460878 405	4461074..... 408, 410	4641234 ... 204, 207, 339
	4460879 401	4461077 425, 431	4641262 348
	4460880 ... 403, 406, 407, 411	4461095..... 407, 410	4641263 44
	4460884 ... 401, 406, 410	4461109..... 407	4641303 37
	4460887 401, 405	4461111..... 407	4641317 43
	4460891 ... 403, 404, 406, 409, 411	4461113..... 407	4641432 43, 47
	4460892 406, 408	4461121..... 407	4711000 81, 125, 136, 157, 182, 186, 190
		4461122..... 407	4711400 ... 44, 58, 61, 70, 74, 80, 85, 99, 131, 135, 164, 171, 175, 180, 185, 190, 193, 227, 233, 239, 265, 267, 269, 271, 277, 421, 422
		4461123..... 407	
		4461124..... 407	
		4461157..... 408	
		4461161..... 407	
		4461196..... 416	
		4461197..... 416	
		4461198..... 415	

PART NUMBER INDEX

4711500.....37, 70, 74, 97, 136, 148, 180, 185, 190, 220, 247, 250	4752000 58, 70, 85, 97	4922771 408	70000913.....62
4711600.....13, 17, 44, 61, 70, 81, 85, 99, 115, 120, 141, 142, 147, 157, 168, 171, 180, 193, 199, 204, 209, 212, 220, 221, 227, 247, 250, 297, 299, 301	4761000 246, 250	4922790 403	70000914.....62
4711700.....74, 157, 159, 164	4761400 129	4922808 403	70000915.....62
4711800....120, 151, 168, 175, 180, 190, 200, 243	4761600 195	4922809 403	70000916.....62
4712000....275, 297, 299, 301	4770600 151	4922869 227	70000917.....62
4712200.....275	4791400 . 61, 74, 99, 167, 171, 180	4922871 404	70000918.....62
4712600.....136	4811600 154	4922872 403	70000919.....62
4740036.....39	4811700 . 85, 88, 90, 136, 137, 159, 185, 239, 280, 291	4922873 403, 421	70001002.....62
4740057.....51	4811702 74, 89, 90	4922874 403, 420	70001020.....44
4740076.....141	4811900 ... 74, 81, 85, 88, 89, 90, 164, 175, 190	4922875 403	70001100... 180, 186, 189
4740119.....151	4811902 77, 88, 90	4922876 403	70001103.....121
4740155.....18	4812000 ... 70, 74, 81, 85, 88, 90, 91, 159, 231	4922877 403, 421	70001126.....64
4740171.....141	4812002 88, 91	4922878 403	70001132.....62
4740256.....14, 17	4812100 ... 70, 74, 90, 231	4922883 420	70001181.....64
4740274.....61, 65, 99	4812200 ... 61, 65, 74, 159	4922925 ... 180, 185, 190, 418	70001248.....125
4740362.....135, 240	4831900 99	4923379 61, 409	70001384... 180, 186, 189
4740397....129, 154, 164, 246, 250	4844816 208	4923420 190, 420	70001424.....293
4740439.....208	4844817 208	4923445 412	70001425.....293
4740444.....129	4844958 51	4923462 402	70001427.....293
4740463.....14, 18	4845582 295	4923466 403, 404	70001428.....293
4740472.....13, 17	4846295 39	4923595 402	70001429.....293
4740473.....14, 17	4846296 39	4923596 402	70001430.....293
4740492.....199	4846435 208	4923597 403	70001431.....293
4740500.....141	4846553 204, 209	4923598 404	70001432.....293
4740518.....129	4846554 204	4923599 403	70001435.....62
4750400.....76	4846558 209	4923600 403	70001499.....220
4750800.....123	4846561 241	4923601 403	70001663.....195
4751000 39, 44, 120, 135, 136, 137, 141, 142, 154, 159, 164, 168, 171, 176, 180, 185, 190, 246, 250, 280, 283, 285, 287, 291	4846573 219, 227	4923601 403	70001696... 181, 185, 189
4751400....37, 44, 60, 72, 74, 85, 86, 97, 99, 129, 134, 141, 146, 148, 149, 167, 180, 213, 227, 234, 246, 250, 263, 271, 280, 283, 285, 287, 437, 443, 447, 451	4846627 ... 280, 283, 285, 287	4933218 396	70001697.....216
4751500....39, 45, 58, 76, 85, 97, 121, 141, 146, 154, 157, 164, 167, 171, 175, 233, 263, 295, 333, 337	4846673 263	4933219 396	70001835.....63
4751600....37, 44, 58, 61, 65, 70, 74, 99, 113, 120, 123, 136, 137, 141, 146, 149, 154, 195, 220, 240, 280, 283, 285, 287	4860224 22	4933231 396	70001836.....63
4751800....58, 70, 72, 86, 97, 99, 125, 193, 241, 243, 263	4860225 22	4933249 396, 420	70001837.....63
	4871700 186	4933278 396	70001838.....63
	4891500 74, 131, 159	4933304 396	70001839.....63
	4891600 ... 125, 151, 164, 175, 190, 213, 219, 227, 231	4933350 396, 412	70001841.....63
	4891800 ... 21, 60, 72, 74, 86, 97, 151, 157, 171, 180, 219, 227, 231	5240800 77	70001844.....64
	4892000 21, 51, 142, 149, 227	5241000 88	70001847.....64
	4892200 13, 17	5241200 88, 185, 231	70001848.....62
	4892600 ... 135, 219, 227, 231	5250605 90	70001850.....62
	4920385 99	5250810 77	70001866.....63
	4921829 160	5251008 231	70001868.....63
	4921955 412	5251016 231	70001870.....63, 78
	4922566 402	5260600 90	70001871.....63
	4922567 402	5272010 89	70001872.....64, 409
	4922569 402	70000044 62	70001874.....63
	4922636 408	70000123 153, 163	70001953... 180, 186, 189
	4922641 ... 183, 187, 191, 412, 420	70000124 153	70001954.....109
	4922643 412	70000125 153	70001955.....109
	4922660 403	70000126 153	70001956.....109
	4922666 ... 246, 250, 400	70000127 153	70001957.....109
	4922705 227	70000164 98	70001966.. 167, 171, 175, 180, 185, 186, 189
	4922737 59, 409	70000213 55	70001973... 181, 186, 189
	4922741 412	70000342 216	70001974... 181, 186, 189
	4922764 420	70000345 64, 79	70002065.....54
		70000579 47	70002066.....54
		70000580 47	70002067.....54
		70000582 47, 454	70002068.....54
		70000583 47	70002069.....54
		70000619 .. 179, 185, 189	70002070.....54
		70000781 37	70002071.....54
		70000782 54	70002072.....54
		70000794 33	70002073.....54
		70000795 33	70002074.....54
		70000797 33	70002075.....54, 55
		70000800 64	70002085.....55
		70000863 .. 180, 186, 189	70002086.....55
		70000912 62	

PART NUMBER INDEX

70002088 .. 180, 186, 189	70002895 98, 456	70004270.....63	70004693..... 47
70002097 220, 454	70002898 411	70004271.....409	70004694..... 47
70002112 121	7000290 25	70004272.....63	70004738..... 261
7000213 25	70002902 240	70004274.....77	70004739..... 261
7000217 54	70002903 240	70004275.....78	70004740..... 261
7000220 25	70002904 240	70004276.....79	70004741..... 261
70002200 63	70002905 240	70004277.....79	70004742..... 261
70002224 311, 315	70002906 253	70004278.....80	70004743..... 261
70002231 43, 454	70002948 193	70004279.....78	70004744..... 261
70002234 63	70003022 49	70004280.....64, 78	70004745..... 261
7000224 25, 29	70003024 47	70004287.....62	70004746..... 261
7000228 54	70003136 62	70004289.....64	70004747..... 261
7000229 54	70003454 125	70004328.....220	70004748..... 261
70002291 181	70003464 62	70004329.....107	70004749..... 261
70002297 .. 180, 186, 189	70003465 62	70004330.....101	70004750..... 261
7000230 54	70003466 62	70004331... 101, 105, 107	70004751..... 261
7000231 25	70003472 62	70004332... 101, 105, 107	70004752..... 255
7000235 25	70003475 63	70004333... 101, 105, 107	70004753..... 255
7000236 25	70003476 63	70004334.....101	70004754..... 255
7000238 25	70003478 62	70004335.....101	70004755..... 255
70002386 49, 225	70003612 44	70004336... 101, 105, 107	70004756..... 255
7000239 25, 29	70003631 180, 185	70004337... 101, 105, 107	70004757..... 255
70002390 37	70003636 325, 331	70004338... 101, 105, 107	70004758..... 255
7000240 25, 29	70003708 . 167, 171, 175, 180, 186	70004339.....101	70004759..... 255
70002415 64	70003709 . 167, 171, 175, 180, 186	70004340... 101, 105, 107	70004760..... 255
70002416 64	70003784 246, 249	70004341.....101	70004761..... 255
70002417 64	70003788 49, 225	70004342... 101, 105, 107	70004762..... 255
7000246 54	70003789 49	70004343... 101, 105, 107	70004763..... 255
70002460 .. 181, 185, 189	70003838 311, 315	70004344... 101, 105, 107	70004764..... 255
7000248 54	70003839 311, 315	70004345... 101, 105, 107	70004765..... 255
7000253 54	70003854 311, 315	70004346... 101, 105, 107	70004766..... 255
7000255 54	70003855 311, 315	70004347... 101, 105, 107	70004767..... 255
7000257 54	70003856 311, 315	70004348... 101, 105, 107	70004768..... 255
7000263 54	70003857 311, 315	70004349... 101, 105, 107	70004769..... 255
7000265 21, 25	70003858 311, 315	70004350... 101, 105, 107	70004770..... 255
70002718 64, 78	70003859 311, 315	70004351... 101, 105, 107	70004771..... 255
7000272 25	70003921 .. 204, 209, 454	70004352... 101, 105, 107	70004772..... 255
70002724 259	70003922 .. 204, 209, 454	70004381.....343	70004773..... 255
70002725 259	70003935 37	70004382.....343	70004774..... 256
70002726 259	70003936 37	70004413.....121	70004775..... 256
70002727 259	70003998 44	70004414.....121	70005008..... 89
70002728 259	70004019 44	70004511.....79	70005116..... 101
7000273 25	70004020 61, 456	70004570.....47, 49	70005171..... 78
70002730 253	70004056 63	70004571.....47, 49	70005172..... 78
70002731 253	70004058 63	70004572.....49	70005173..... 78
70002732 253	70004060 63, 409	70004573.....49	70005177..... 78
70002733 253	70004092 . 167, 171, 175, 180	70004574.....49	70005184..... 79
70002734 253	70004093 180	70004575.....49	70005191..... 80
70002735 253	70004094 180	70004576.....47, 49	70005230..... 261
7000274 25	70004095 181	70004577.....47, 49	70005458..... 105, 107
70002744 343	70004096 180	70004578.....49, 225	70005459..... 105, 107
70002745 343	70004097 181	70004579.....47, 49	70005460..... 105, 107
70002748 343	70004098 . 167, 172, 175, 181	70004580.....47, 49	70005461..... 105, 107
70002749 343	70004099 171, 180	70004581.....47, 49	70005462..... 105, 107
7000275 25	70004103 411	70004582.....225	70005463..... 105, 107
70002751 343	70004120 341	70004676... 167, 171, 175	70005464..... 105, 107
7000281 54	70004169 . 180, 181, 186, 189	70004677.....167	70005465..... 105, 107
70002814 121	70004171 . 167, 175, 180, 186, 189	70004678... 167, 172, 175	70005483..... 26
7000282 25	70004183 61, 77	70004679... 167, 172, 175	70005647..... 80
7000283 25, 29	70004266 44	70004680... 167, 172, 175	70005648..... 80
70002838 121	70004267 44	70004681.....167, 172	70005663..... 102, 466
70002839 121		70004682... 167, 172, 175	70005708..... 121
7000284 25, 29		70004683..... 167, 172	70005725..... 49
70002842 305, 307		70004684.....167, 175	70005839..... 351
7000287 25		70004685... 167, 172, 175	70005916..... 64
7000288 25		70004686.....172	70005917..... 64
7000289 25, 29		70004687.....172	70005920..... 78

PART NUMBER INDEX

70005929.....	79	70006206.....	92	70006803.....	351	70024914.....	80
70005931.....	79	70006207.....	92	70006805.....	351	70024915.....	80
70005937.....	80	70006208.....	92	70006806.....	351	70024917.....	80
70005938.....	78	70006213.....	92	70006807.....	351	70024918.....	80
70005941.....	78	70006215.....	92	70006808.....	351	70024920.....	79, 80
70005942.....	78	70006217.....	92	70006809.....	351	70024922.....	80
70006093.....	180	70006219.....	92	70006832.....	29	70024924.....	78
70006094.....	180	70006221.....	92	70006833.....	30	70024925.....	78
70006095.....	181	70006225.....	92	70006893.....	325	70024961.....	79
70006096.....	181	70006232.....	92	70006899.....	341	70025076.....	78
70006097.....	181	70006233.....	91	70006900.....	331	70025077.....	80, 411
70006134.....	90	70006235.....	92	70006930.....	331	7002508.....	78
70006135.....	90	70006236.....	92	70006931.....	331	70025082.....	62, 64, 78
70006136.....	90	70006365.....	339	70006932.....	331	70025084.....	79
70006144.....	79	70006377.....	339	70006933.....	331	70025088.....	78
70006145.....	91	70006392.....	339	70006934.....	331	70025091.....	78
70006147.....	91	70006393.....	339	70006935.....	325	70025111.....	78
70006150.....	91	70006394.....	339	70006936.....	325	70025120.....	80
70006151.....	91	70006395.....	339	70006937.....	325	70025135.....	78
70006152.....	91	70006430.....	26	70006938.....	325	70025136.....	78
70006153.....	91	70006431.....	26	70006939.....	325	70025140.....	79
70006154.....	91	70006436.....	55	70006940.....	341	70025142.....	79
70006155.....	91	70006437.....	55	70006941.....	341	70025143.....	79
70006157.....	91	70006503.....	335	70006942.....	341	70025144.....	79
70006158.....	91	70006504.....	335	70006943.....	341	70025145.....	79
70006159.....	91	70006505.....	335	70006944.....	341	70025146.....	79
70006160.....	91	70006506.....	335	70006945.....	341	70025149.....	80
70006161.....	91	70006552..	168, 171, 175	70006947.....	341	70025151.....	79
70006162.....	91	70006553..	168, 171, 175	70006948.....	307	70025152.....	78
70006163.....	91	7000663.....	63	7000695.....	63	70025153.....	79, 456
70006164.....	91	70006645.....	323	70006964.....	345	70025154.....	79
70006165.....	91, 92	70006648.....	319	70006965.....	345	70025156.....	79
70006166.....	91	70006649.....	329	70006966.....	345	70025160.....	79
70006167.....	91	70006650.....	329	70006967.....	345	70025161.....	79, 456
70006168.....	91	70006652.....	80	70006968.....	345	70025164.....	78
70006169.....	91	70006653.....	80	7000731.....	26	70025176.....	78
70006170.....	92	70006673.....	29	70009020.....	86	70025178.....	79
70006171.....	92	70006674.....	29	7001901.....	25	70025179.....	79
70006172.....	92	70006675.....	29	7001902.....	25	70025180.....	79
70006173.....	92	70006676.....	29	7001903.....	25	70025181.....	79
70006174.....	92	70006677.....	29	7001906.....	25	70025200.....	79
70006175.....	92	70006678.....	29	7001909.....	54	70025202.....	78
70006176.....	92	70006680.....	29	7001911.....	54	70025203.....	79
70006177.....	92	70006684.....	29	7001912.....	54	70025206.....	78
70006178.....	92	70006685.....	29	7001928.....	25, 29	70025207.....	78
70006179.....	92	70006690.....	29	7001931.....	54	70025210.....	79, 456
70006180.....	92	70006691.....	29	7001985.....	54	70025212.....	80
70006181.....	92	70006692.....	29	70021895.....	78	70025231.....	79, 409
70006182.....	92	70006694.....	353, 355	70023379.....	351	70025233.....	409
70006183.....	92	70006699.....	319, 323	70023592.....	74	70025235.....	79
70006184.....	92	70006700.....	319, 323	70023593.....	74	70025239.....	79
70006185.....	92	70006701.....	319	70024473.....	79	70025242.....	80
70006186.....	92	70006719.....	353	70024486.....	79	70025245.....	80
70006187.....	92	70006720.....	353, 355	70024488.....	78	70025246.....	80
70006188.....	92	70006721.....	353	70024494.....	78	70025477.....	79
70006189.....	91	70006726.....	323	70024503.....	80	70025660.....	80
70006191.....	92	70006727.....	323	70024504.....	79, 80	70025752.....	64
70006194.....	92	70006728.....	323	70024507.....	80	70025753.....	64
70006195.....	92	70006729.....	355	70024513.....	79	70025768.....	79
70006196.....	92	70006730.....	355	70024515.....	80	70025799.....	80
70006197.....	92	70006731.....	355	70024517.....	79	70025801.....	80
70006198.....	92	70006732.....	355	70024904.....	77	70026210.....	80
70006199.....	92	70006733.....	355	70024905.....	78	7002729.....	259
70006200.....	92	70006734.....	329	70024906.....	78	70028185.....	78
70006202.....	92	70006735.....	329	70024907.....	78	7002821.....	422, 465
70006203.....	92	70006736.....	329	70024910.....	79	7002822.....	466
70006205.....	92	70006802.....	351	70024912.....	78	7002823.....	422, 466

PART NUMBER INDEX

7002826	466	7012953	44, 223, 225	7017492.....	37	7023907	33
7002828	422	7012955	223, 225	7017496.....	44, 47, 49	7023908	33
70028538	79	7012961	44	7019162.....	259	7023910	33
70028802	79	7012965	223	7019164.....	259	7023911	223
7003928	253	7012967	47, 223, 225, 333, 337	7019165.....	259	7023915	223
7003941	259	7012975	47	7019167.....	259	7023917	37
7003972	259	7012989	223, 225	7019194.....	259	7023919	204, 207, 339
7003973	259	7012995	225	7019680.....	153, 157, 159, 163	7023922	47, 223, 225
7003980	259	7012998	47, 49	7020043.....	121	7023923	204, 207, 339
7003982	259	7016314	121	7020048.....	121	7023925	47, 49
7003983	259	7016319	136	7020108.....	153, 157, 159, 163	7023927	333, 335, 337, 339, 341
7003989	259	7016328	62, 456	7020109.....	153, 157, 159, 163	7023933	37
7004035	55	7016331	62, 78, 456	7020110.....	153, 157, 159, 163	7023947	109
7004036	55	7016372	136	7020111	153, 157, 159, 163	7023948	109
7004043	55	7016399	240	7020175.....	129, 246, 249	7023949	109
7004044	55	7016654	466	7020176.....	129, 246, 250	7023950	109
7004045	55	7016655	466	7020190.....	153, 157, 159, 163	7023951	109
7004047	55	7016824	97, 409	7020192.....	153	7023952	109
7004049	55	7016825	97, 408	7020193.....	412	7023956	109
7004275	466	7017023	54	7020403.....	62	7023957	109
7004276	466	7017027	25	7020404.....	78	7023958	109
7004906	101, 105, 107	7017028	29, 55	7020408.....	63	7023960	109
7004907	101, 105, 107	7017033	25	7020449.....	63	7023961	109
7004908	101, 105, 107	7017047	25, 29	7020465.....	62, 78	7023962	109
7007415	109, 110	7017048	25	7020468.....	62	7023964	109, 110
7007437	34	7017050	26	7020471.....	63, 64	7023965	109
7007438	33	7017051	21	7020479.....	63	7023966	110
7007439	33	7017052	21	7020487.....	62	7023967	110
7007446	33	7017053	21	7020492.....	79	7023982	204, 207, 339
7007498	411	7017054	21	7021249.....	33	7023983	223
7007633	54	7017055	21	7021275.....	33, 110	7023984	223, 225
7010404	21	7017056	21	7021276.....	33	7023985	47, 49
7010405	21	7017057	21	7021277.....	33	7024100	55
7010406	21	7017058	21	7021612.....	47, 49	7024145	25
70104570	80	7017068	26	7021625.....	37	7024146	25
7010464	25	7017072	54	7021639.....	37	7024147	25
7010474	54	7017080	54	7021653.....	49	7024148	25
7010492	54	7017082	29	7022162.....	91	7024149	25, 29
7010542	223	7017085	54	7022302.....	33	7024151	25, 29
7010543	44, 47, 49, 223	7017125	215	7022305.....	33	7024154	25, 29
7011112	309, 311, 313, 315, 317, 319, 321, 323, 325	7017137	216	7022310.....	33	7024155	25
7011323	216	7017138	216	7022311.....	33, 110	7024182	26
7011325	333, 337	7017139	215	7022312.....	33	7024189	26
7011346	348	7017140	215	7022313.....	33	7024190	26, 29
7011653	225	7017141	215	7022314.....	33, 110	7024191	26, 29
70124410	64	7017142	216	7022318.....	109	7024192	26
70124440	64	7017150	215	7022326.....	34	7024193	26
70124530	80	7017158	216	7022328.....	34	7024194	26
70124538	80	7017159	216	7022368.....	33	7024195	26
7012513	153, 157, 159, 163	7017162	215	7022371.....	34	7024196	26
7012514	153, 157, 159, 163	7017163	215	7022372.....	34	7024197	26
7012518	223, 225	7017164	215	7022397.....	37	7024374	120
7012558	153, 157, 159, 163	7017172	215	7022399.....	37	7024375	120
7012664	98, 456	7017175	215	7022808.....	253	7024379	55
7012699	44	7017192	215	7022815.....	253	7024380	55
7012903	47, 49	7017195	216	7022819.....	253, 400	7024381	55
7012907	49	7017402	47, 49, 223, 225	7022825.....	400	7024390	55
7012925	204, 207, 339	7017406	37, 311, 315	7023306.....	120	7024396	55
7012941	44	7017422	47, 49	7023318.....	55	7024404	125
7012943	47, 204, 207, 223, 339, 454	7017446	225	7023347.....	120	7024439	120
7012944	44, 47, 223, 454	7017451	47, 204, 207, 339, 454			7024440	120
		7017452	49, 223, 225			7024441	120, 121
		7017479	223			7024443	120
		7017489	47			7024444	120
						7024445	120
						7024446	120

PART NUMBER INDEX

7024452.....241	7024866 110	7026659 195	80424002.....54
7024453.....55	7024867 33, 109	7026660 195	80424043.....55
7024454.....55	7024868 33, 109	7026661 195	80484084.....410
7024455.....55	7024871 34	7027015 97, 408	80934561.....125
7024456.....55	7024881 37	7027017 97, 409	80983191.....410, 456
7024457.....55	7026004 348	7027018 97, 408	8180311.....99
7024458.....55	7026015 348	7027053 58, 408	82033995.....90
7024462.....288	7026016 348	7027084 70, 86, 408	8229242.....405, 410, 454
7024463.....288	7026188 ... 181, 185, 189	7027085 70, 86, 408	8270147...58, 70, 86, 408
7024467.....288	7026197 125	7027086 70, 86, 408	8305401.....88
7024469.....288	7026199 ... 153, 157, 159, 163	7027087 70, 408, 409	8307109.....88
7024470.....288		7027088 70, 86, 409	8310070.....147
7024471288, 293	7026503 125	7027092 58, 408	8310129.....275
7024472.....288	7026504 125	7027093 58, 408	8310230.....275
7024473.....288	7026505 125	7027094 58, 408, 409	8310548.....88
7024474.....288	7026506 125	7027095 58, 409	83304170.....120
7024475.....288	7026507 125	7027236 62	83304172.....120
7024478.....288	7026509 125	7027276 63	83304173.....120
7024484.....189	7026597 ... 181, 185, 189	7027404 92	83304174.....120
7024485.....181, 185, 189	7026608 63	7027740 33	8405006....70, 76, 81, 88, 115
7024488.....179, 185, 189	7026626 ... 181, 186, 189	7027741 34	8405007.....76
7024489.....179, 185, 189	7026631 62	7027773 288	8405009.....74, 88, 120
7024508....348, 351, 353, 355	7026632 195	7027774 288	8405102.....88
7024530.....293	7026633 195	7027775 288	8405104.....74, 88
7024531.....293	7026634 195	7027776 288	8405203.....88
7024532.....293	7026635 195	7027777 288	8405204.....74
7024533.....293	7026636 195	7027778 288	8406102.....58, 70, 76
7024534.....293	7026637 195	7027779 288	8406109.....74, 88
7024535.....293	7026638 195	7027780 288	8406110.....74, 88
7024536.....293	7026639 195	7027781 193	8406112.....70
7024537.....293	7026640 195	7027782 193	8406201....70, 86, 89, 90
7024565.....63	7026641 196	7027783 193	8410001.....88
7024579.....63, 78	7026642 196	7027784 193	8410009.....89, 90
7024598.....151	7026643 196	7027790 63	8410011.....74, 88
7024704.....54	7026644 196	7027791 63	8410013.....70, 74
7024717.....26	7026645 196	7027792 63	8580420.....37
7024718.....26	7026646 196	7027795 64, 456	85941018.....86
7024762.....54	7026647 196	7027796 64, 409	88261024.....220
7024763.....26, 54	7026648 196	7027799 ... 181, 185, 189	88521205...58, 70, 86, 97
7024781.....25	7026649 196	7027887 ... 153, 157, 159, 163	88521214...297, 299, 301
7024782.....25, 29	7026650 196	7027965 98, 456	88662327.....385, 390
7024783.....25	7026651 195	7027972 98, 456	8896941.....465
7024784.....54	7026652 195	7027989 411	91203039.....231
7024844.....37	7026653 195	77143013 129	91401281...58, 70, 86, 97
7024854.....34	7026654 195	77363229 418	91403102.....76, 456
7024862.....33	7026655 195	77363233 418	
7024864.....110	7026656 195	80344004 29	
	7026658 196		



3121632



An Oshkosh Corporation Company

Corporate Office
JLG Industries, Inc.
1 JLG Drive
McConnellsburg, PA 17233-9533 USA
☎ (717) 485-5161 (Corporate)
☎ (877) 554-5438 (Customer Support)
☎ (717) 485-6417

Visit our website for JLG Worldwide Locations.
www.jlg.com