



Illustrated Parts Manual

Model

H340AJ

P/N
3121635

September 5, 2018 - Rev K

ANSI

CE



AS/NZS

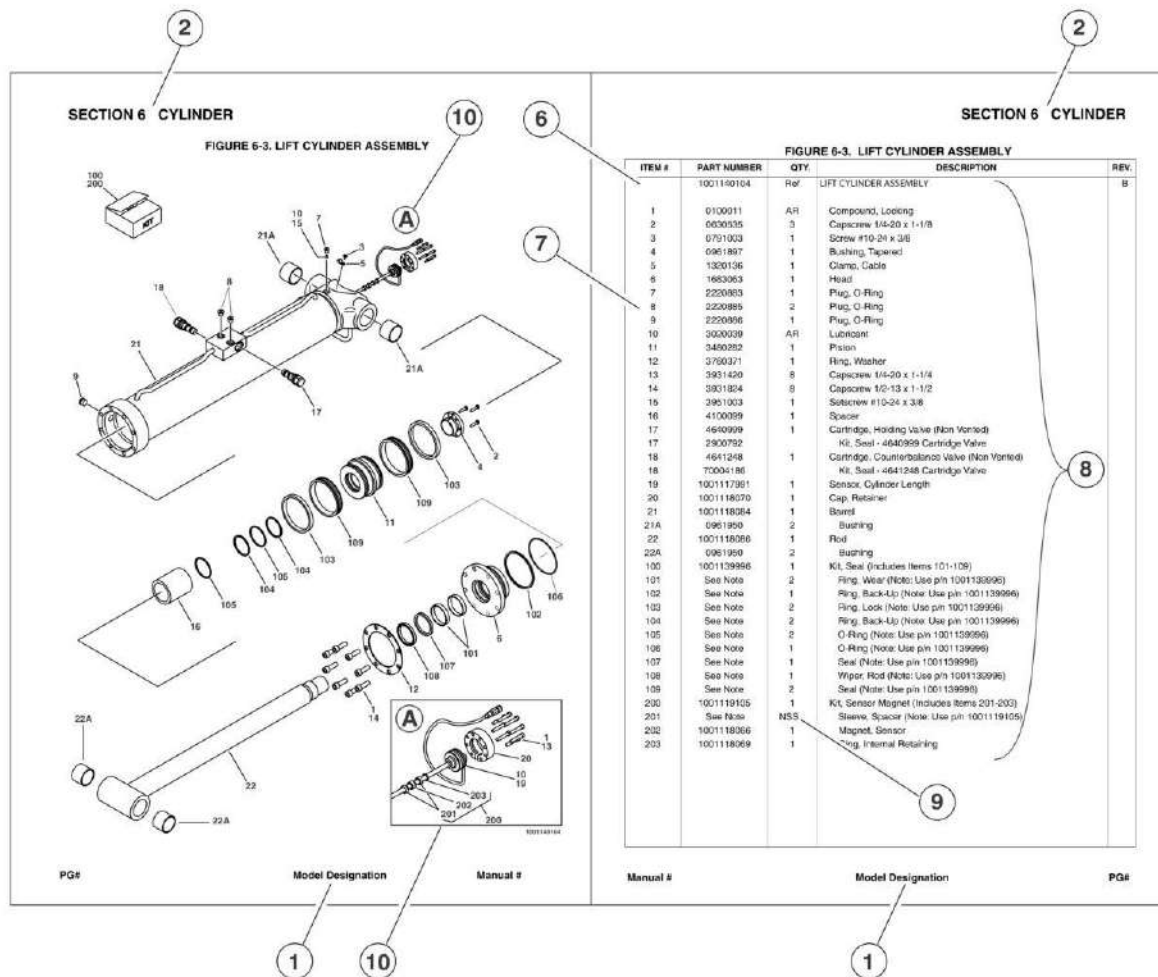


An Oshkosh Corporation Company

REVISION LOG

June 1, 2015 - A - Original Issue Of Manual (Edited to B/M 1001160593 Revision J)
July 25, 2016 - B - Revised Manual (Edited to B/M 1001160593 Revision S)
September 12, 2016 - C - Revised Manual (Edited to B/M 1001160593 Revision S)
December 31, 2016 - D - Revised Manual (Edited to B/M 1001160593 Revision T)
March 16, 2017 - E - Revised Manual (Edited to B/M 1001160593 Revision X)
June 26, 2017 - F - Revised Manual (Edited to B/M 1001160593 Revision X)
September 22, 2017 - G - Revised Manual (Edited to B/M 1001160593 Revision AA)
December 15, 2017 - H - Revised Manual (Edited to B/M 1001160593 Revision AB)
March 15, 2018 - I - Revised Manual (Edited to B/M 1001160593 Revision AC)
June 15, 2018 - J - Revised Manual (Edited to B/M 1001160593 Revision AD)
September 5, 2018 - K - Revised Manual (Edited to B/M 1001160593 Revision AF)

GENERAL INFORMATION



1) MACHINE IDENTIFICATION

Machines are identified by model and in some cases a combination of models, serial number (SN) or regional standard (i.e. ANSI, CE, CSA). Components may also be identified by SN or manufacturer. Common components that may be identified by these characteristics are engines and hydraulic components.

2) PARTS MANUAL ORGANIZATION

Product information in this manual is organized under section titles. Frame, Cylinder, Hydraulic and Electrical are a few examples. Each section is organized by figure and page number. The information within the figure is then organized by item number, part number, description and corresponding illustration(s).

3) TABLE OF CONTENTS

A table of contents is found toward the beginning of the manual. Figure number, description and page number are provided for quick reference to the page containing the related information.

4) RECOMMENDED SPARE PARTS

The Recommended Spare Parts, located near the end of the manual, reference most frequently used maintenance parts.

5) PART NUMBER INDEX

A numerical index listing all part numbers and the corresponding page number(s) appears at the back of the manual.

GENERAL INFORMATION

6) NON-SERVICE PARTS

In some instances, it is necessary to display non-service parts, assemblies or installations. In the case of assemblies & installations there will be a Ref in the Qty column. In the case of parts that are not available for service within assemblies or components, there will be a NSS (Not Sold Separately) or NLA (No Longer Available) listed in the Qty column of the manual.

7) PARTS LIST ITEM NUMBERS

Numbers shown in the Item# column correspond to numbers used in the associated illustration(s). Item numbers which are missing from the sequence in the parts list are not used on that page.

8) INDENTED PART DESCRIPTION

An indented part description is included in the item under which it is indented.

9) ABBREVIATIONS & SYMBOLS

AC.....	Alternating Current	LCD.....	Liquid Crystal Display
ADE.....	Advanced Design Electronics	LED.....	Light Emitting Diodes
ANSI.....	American National Standards Institute	LH.....	Left Hand
AR.....	As Required	LSS.....	Load Sensing System
ASSY.....	Assembly	M(m).....	Metric/Meter
AUX.....	Auxiliary	MM (mm).....	Milimeter
AWG.....	American Wire Gauge	mA.....	Miliamps
B/M.....	Bill of Material	NLA.....	No Longer Available
CE.....	European Conformity	NPT.....	National Pipe Threads
CCW.....	Counter Clockwise	NSS.....	Not Sold Separately
cm.....	Centimeter	OD.....	Outside Diameter
CW.....	Clockwise	ORB.....	O-Ring Boss
CSA.....	Canadian Standards Association	ORFS.....	O-Ring Face Seal
CYL.....	Cylinder	OZ (oz).....	Ounces
DIA.....	Diameter	PG.....	Page
DC.....	Direct Current	P/N.....	Part Number
EMS.....	Emergency Stop	qt.....	Quarts
ENG.....	Engine	QTY.....	Quantity
FT (ft).....	Feet	REF.....	Reference
GA (Ga).....	Gauge	REV.....	Revision Level
HYD.....	Hydraulic	RH.....	Right Hand
HZ.....	Hertz	SAE.....	Society of Automotive Engineers
ID.....	Inside Diameter	SN.....	Serial Number
in.....	inches	SPEC(S).....	Specifications
ISO.....	International Organization for Standards	T/T.....	Turntable
JIC.....	Joint Industry Council	UGM.....	Universal Ground Module
KG.....	Kilogram	V.....	Volts
L.....	Liter	W.....	Watts
LB.....	Pounds	#.....	Number

10) ILLUSTRATION REFERENCE LETTERS

When necessary, illustrations may contain reference letters that are intended to track information (i.e. hoses, harnesses) from one point to another or to track visual enlargement of components to show details that may be located in another area on the illustration.

Note: Due to continuous product improvements, JLG Industries, Inc. reserves the right to make specification changes without prior notification. Contact JLG Industries, Inc. for updated information.

TABLE OF CONTENTS

SECTION 1 - FRAME.....	11
FIGURE 1-1. STEERING INSTALLATION	12
FIGURE 1-2. OSCILLATING AXLE INSTALLATION.....	14
FIGURE 1-3. CONTROL VALVES INSTALLATION - FRAME	16
FIGURE 1-4. OSCILLATING AXLE VALVE ASSEMBLY	18
FIGURE 1-5. DRIVE INSTALLATION.....	20
FIGURE 1-6. DRIVE MOTOR ASSEMBLY	22
FIGURE 1-7. DRIVE HUB ASSEMBLY	24
FIGURE 1-8. TIRE AND WHEEL INSTALLATION - 7X18 SOLID	26
FIGURE 1-9. TIRE AND WHEEL INSTALLATION - 7X18 SOLID NON-MARKING	28
FIGURE 1-10. TIRE AND WHEEL INSTALLATION - 9X20 FOAM-FILLED	30
FIGURE 1-11. TIRE AND WHEEL INSTALLATION - 9X20 FOAM-FILLED NON-MARKING	32
FIGURE 1-12. TIRE AND WHEEL INSTALLATION - 9X20 PNEUMATIC.....	34
FIGURE 1-13. TIRE AND WHEEL INSTALLATION - 9X20 PNEUMATIC WITH TIRE SEALANT	36
FIGURE 1-14. TIRE AND WHEEL INSTALLATION - 9X20 PNEUMATIC NON-MARKING	38
FIGURE 1-15. TIRE AND WHEELS INSTALLATION - 9X20 PNEUMATIC NON-MARKING WITH TIRE SEALANT	40
FIGURE 1-16. BATTERIES INSTALLATION.....	42
FIGURE 1-17. ELECTRICAL PLATE ASSEMBLY	44
FIGURE 1-18. FRAME SHIELDS INSTALLATION.....	46
SECTION 2 - TURNTABLE	49
FIGURE 2-1. CONTROL VALVE INSTALLATION - TURNTABLE	50
FIGURE 2-2. MAIN CONTROL VALVE ASSEMBLY.....	52
FIGURE 2-3. SWING DRIVE INSTALLATION	54
FIGURE 2-4. SWING MOTOR ASSEMBLY	56
FIGURE 2-5. SWING BEARING ASSEMBLY	58
FIGURE 2-6. TANKS AND PUMP ASSEMBLY	60
FIGURE 2-7. HYDRAULIC PUMP MOTOR ASSEMBLY	62
FIGURE 2-8. GROUND CONTROLS INSTALLATION - ALL SPECS EXCEPT CE SPECS.....	64
FIGURE 2-9. GROUND CONTROLS ASSEMBLY - ALL SPECS EXCEPT CE SPECS	66
FIGURE 2-10. GROUND CONTROL INSTALLATION - CE SPEC	68
FIGURE 2-11. GROUND CONTROL ASSEMBLY - CE SPEC	70
FIGURE 2-12. BATTERY CHARGER INSTALLATION - 110V PLUG	72
FIGURE 2-13. BATTERY CHARGER INSTALLATION - LOCALLY SUPPLIED PLUG.....	74
FIGURE 2-14. BATTERY CHARGER ASSEMBLY (Prior to SN 0300209405).....	76
FIGURE 2-15. BATTERY CHARGER ASSEMBLY (SN 0300209405 to Present)	78
FIGURE 2-16. ELECTRICAL COMPONENTS INSTALLATION	80
FIGURE 2-17. BEACON LIGHT INSTALLATION - AMBER (OPTIONAL).....	84
FIGURE 2-18. BEACON LIGHT INSTALLATION - BLUE	86
FIGURE 2-19. BEACON LIGHT INSTALLATION - RED	88
FIGURE 2-20. HOODS INSTALLATION	90
FIGURE 2-21. HOOD ASSEMBLY - TANK SIDE	94
FIGURE 2-22. HOOD ASSEMBLY - ENGINE SIDE.....	96
SECTION 3 - ENGINE	99
FIGURE 3-1. KUBOTA ENGINE INSTALLATION	100
FIGURE 3-2. KUBOTA ENGINE AND GENERATOR SUB-ASSEMBLY.....	104
FIGURE 3-3. KUBOTA ENGINE ASSEMBLY	106
FIGURE 3-4. KUBOTA ENGINE COMPONENTS	110
FIGURE 3-5. ENGINE COUPLING ASSEMBLY	114
FIGURE 3-6. GENERATOR ASSEMBLY	116
FIGURE 3-7. CATALYTIC MUFFLER INSTALLATION - OPTIONAL.....	118
SECTION 4 - BOOM	121
FIGURE 4-1. BOOM AND CYLINDERS INSTALLATION - WITHOUT ARCTIC PACKAGE (Prior to SN 0300209405).....	122
FIGURE 4-2. BOOM AND CYLINDERS INSTALLATION - WITHOUT ARCTIC PACKAGE (SN 0300209405 to Present).....	124
FIGURE 4-3. BOOM AND CYLINDERS INSTALLATION - WITH ARCTIC PACKAGE	126
FIGURE 4-4. TOWER BOOM ASSEMBLY	128
FIGURE 4-5. MAIN BOOM ASSEMBLY.....	130
FIGURE 4-6. MAIN BOOM ASSEMBLY	132
FIGURE 4-7. JIB ASSEMBLY - WITHOUT ARCTIC PACKAGE (Prior to SN 0300209405)	134
FIGURE 4-8. JIB ASSEMBLY - WITHOUT ARCTIC PACKAGE (SN 0300209405 to Present).....	136

TABLE OF CONTENTS

FIGURE 4-9. JIB ASSEMBLY - WITH ARCTIC PACKAGE	138
FIGURE 4-10. PLATFORM ROTATOR ASSEMBLY - WITHOUT ARCTIC PACKAGE	140
FIGURE 4-11. PLATFORM ROTATOR ASSEMBLY - WITH ARCTIC PACKAGE	142
FIGURE 4-12. PLATFORM SUPPORT INSTALLATION - WITHOUT LSS	144
FIGURE 4-13. PLATFORM SUPPORT INSTALLATION - WITH 4 CELL LSS	146
FIGURE 4-14. PLATFORM SUPPORT INSTALLATION - WITH 1 CELL LSS	148
FIGURE 4-15. POWER TRACK INSTALLATION.....	150
FIGURE 4-16. CONTROL VALVES INSTALLATION - BOOM.....	152
FIGURE 4-17. FLY BOOM VALVE ASSEMBLY	154
FIGURE 4-18. BOOM UPRIGHT VALVE ASSEMBLY.....	156
SECTION 5 - PLATFORM	159
FIGURE 5-1. PLATFORM ASSEMBLY - 30IN X 4FT (76CM X 1.22M) - GATE ENTRY	160
FIGURE 5-2. PLATFORM ASSEMBLY - 30IN X 5FT (76CM X 1.52M) - GATE ENTRY	162
FIGURE 5-3. PLATFORM ASSEMBLY - 30IN X 4FT (76CM X 1.22M) - DROP BAR ENTRY	164
FIGURE 5-4. PLATFORM ASSEMBLY - 30IN X 5FT (76CM X 1.52M) - DROP BAR ENTRY	166
FIGURE 5-5. PLATFORM ASSEMBLY - 30IN X 3FT (76CM X 91.5CM) - WITH DROP BAR.....	168
FIGURE 5-6. TRAY INSTALLATION.....	170
FIGURE 5-7. CONSOLE AND FOOTSWITCH INSTALLATION WITHOUT LSS OR WITH 4 CELL LSS - WITHOUT SKYGUARD	172
FIGURE 5-8. CONSOLE AND FOOTSWITCH INSTALLATION WITHOUT LSS OR WITH 4 CELL LSS - WITH SKYGUARD ...	174
FIGURE 5-9. CONSOLE AND FOOTSWITCH INSTALLATION WITH 1 CELL LSS - WITH SKYGUARD	176
FIGURE 5-10. CONSOLE ASSEMBLY WITHOUT LSS OR WITH 4 CELL LSS - WITHOUT SKYGUARD (Prior to SN 0300222893).....	178
FIGURE 5-11. CONSOLE ASSEMBLY WITHOUT LSS OR WITH 4 CELL LSS - WITHOUT SKYGUARD (SN 0300222893 to Present).....	182
FIGURE 5-12. CONSOLE ASSEMBLY WITHOUT LSS OR WITH 4 CELL LSS - WITH SKYGUARD (Prior to SN 0300222893).....	186
FIGURE 5-13. CONSOLE ASSEMBLY WITHOUT LSS OR WITH 4 CELL LSS - WITH SKYGUARD (SN 0300222893 to Present)	190
FIGURE 5-14. CONSOLE AND FOOTSWITCH ASSEMBLY WITH 1 CELL LSS - WITH SKYGUARD	194
FIGURE 5-15. DRIVE/STEER CONTROLLER ASSEMBLY	198
FIGURE 5-16. LIFT/SWING CONTROLLER ASSEMBLY	200
FIGURE 5-17. SKYGUARD SYSTEM INSTALLATION	204
FIGURE 5-18. CROSS RAIL INSTALLATION	206
SECTION 6 - CYLINDER.....	209
FIGURE 6-1. AXLE LOCKOUT CYLINDER ASSEMBLY.....	210
FIGURE 6-2. LEVEL (PLATFORM SLAVE) CYLINDER ASSEMBLY (Prior to SN 0300240098).....	212
FIGURE 6-3. LEVEL (PLATFORM SLAVE) CYLINDER ASSEMBLY (SN 0300238046 to Present)	214
FIGURE 6-4. LIFT (JIB) CYLINDER ASSEMBLY	216
FIGURE 6-5. LIFT (MAIN BOOM) CYLINDER ASSEMBLY.....	218
FIGURE 6-6. LIFT (TOWER BOOM) CYLINDER ASSEMBLY	220
FIGURE 6-7. MASTER CYLINDER ASSEMBLY	222
FIGURE 6-8. STEER CYLINDER ASSEMBLY	224
FIGURE 6-9. TELESCOPE CYLINDER ASSEMBLY.....	226
SECTION 7 - HYDRAULIC	229
FIGURE 7-1. HYDRAULIC SYSTEM INSTALLATION - WITHOUT ARCTIC PACKAGE	230
FIGURE 7-2. HYDRAULIC DIAGRAM LIST.....	236
SECTION 8 - ELECTRICAL.....	237
FIGURE 8-1. ELECTRICAL DIAGRAM LIST	238
FIGURE 8-2. AC BOX AT PLATFORM INSTALLATION - LOCALLY SUPPLIED COMPONENTS (ANSI EXPORT AND AUSTRALIAN SPECS)	240
FIGURE 8-3. AC BOX AT PLATFORM INSTALLATION - LOCALLY SUPPLIED (CE SPEC).....	242
FIGURE 8-4. AC BOX AT PLATFORM INSTALLATION - 110V (ANSI, ANSI EXPORT, CSA AND JAPANESE SPECS).....	244
FIGURE 8-5. AC BOX AT PLATFORM INSTALLATION - 110V IEC YELLOW (CE SPEC)	246
FIGURE 8-6. AC BOX AT PLATFORM INSTALLATION - 220V (CSA SPEC).....	248
FIGURE 8-7. AC BOX AT PLATFORM INSTALLATION - 220V IEC BLUE (CE SPEC).....	250
FIGURE 8-8. AC BOX AT PLATFORM INSTALLATION - 220V CEE7 POST GROUND WITH 70MM X 70MM BOX (CE SPEC)	252
FIGURE 8-9. AC BOX AT PLATFORM INSTALLATION - 220V CEE7 SIDE GROUND WITH 70MM X 70MM BOX (CE SPEC).....	254
FIGURE 8-10. AC BOX AT PLATFORM INSTALLATION - 220V CEE7 POST GROUND WITH 2IN X 4IN BOX (CE SPEC).....	256

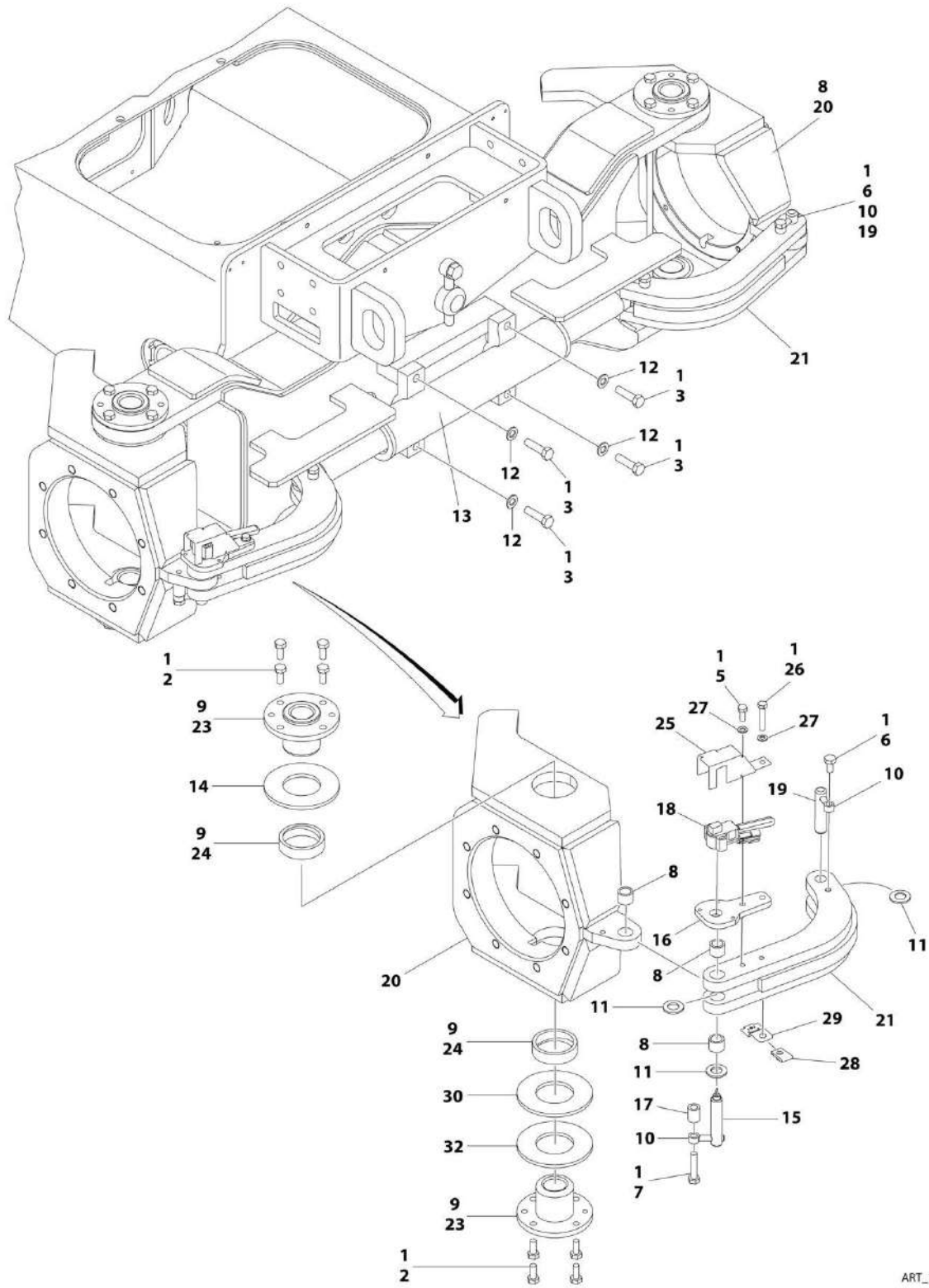
TABLE OF CONTENTS

FIGURE 8-11. AC BOX AT PLATFORM INSTALLATION - 220V CEE7 SIDE GROUND WITH 2IN X 4IN BOX (CE SPEC).....	258
FIGURE 8-12. AC BOX AT PLATFORM INSTALLATION - 220V AFSINT 107 KEYED GROUND WITH 2IN X 4IN BOX (CE SPEC).....	260
FIGURE 8-13. AC POWER TO PLATFORM CABLE - MAIN BOOM (WITHOUT ARTIC PACKAGE)	262
FIGURE 8-14. AC POWER TO PLATFORM CABLE - MAIN BOOM (WITH ARCTIC PACKAGE)	264
FIGURE 8-15. AC POWER TO PLATFORM CABLE - TOWER BOOM (WITHOUT ARTIC PACKAGE)	266
FIGURE 8-16. AC POWER TO PLATFORM CABLE - TOWER BOOM (WITH ARCTIC PACKAGE).....	268
FIGURE 8-17. BOOM CABLES, HARNESSES AND CLAMPS INSTALLATION - WITHOUT ARCTIC PACKAGE	270
FIGURE 8-18. BOOM CABLES, HARNESSES AND CLAMPS INSTALLATION - WITH ARCTIC PACKAGE	274
FIGURE 8-19. BOOM HARNESS - MAIN.....	278
FIGURE 8-20. BOOM HARNESS - TOWER	280
FIGURE 8-21. BREAKER BOX KIT (CE SPEC).....	282
FIGURE 8-22. CHARGER HARNESS.....	284
FIGURE 8-23. DRIVE CABLES INSTALLATION.....	286
FIGURE 8-24. DRIVE HARNESS - REAR RIGHT.....	288
FIGURE 8-25. DRIVE HARNESS - REAR LEFT	290
FIGURE 8-26. DRIVE HARNESS - FRONT WITH STEER	292
FIGURE 8-27. DRIVE HARNESS - FRONT WITHOUT STEER.....	294
FIGURE 8-28. ENGINE CABLES INSTALLATION.....	296
FIGURE 8-29. ENGINE HARNESS	298
FIGURE 8-30. GENERATOR HARNESS	300
FIGURE 8-31. GROUND CONTROL HARNESS	302
FIGURE 8-32. GROUND TO PLATFORM CABLE - MAIN BOOM (WITHOUT ARCTIC PACKAGE)	304
FIGURE 8-33. GROUND TO PLATFORM CABLE - MAIN BOOM (WITH ARCTIC PACKAGE).....	306
FIGURE 8-34. GROUND TO PLATFORM CABLE - TOWER BOOM (WITHOUT ARCTIC PACKAGE)	308
FIGURE 8-35. GROUND TO PLATFORM CABLE - TOWER BOOM (WITH ARCTIC PACKAGE).....	310
FIGURE 8-36. LSS HARNESS.....	312
FIGURE 8-37. PLATFORM CONSOLE HARNESS - WITHOUT SKYGUARD	314
FIGURE 8-38. PLATFORM CONSOLE HARNESS - WITH SKYGUARD	316
FIGURE 8-39. GENERATOR TO PLATFORM HARNESS - WITH SKYGUARD	318
FIGURE 8-40. PLATFORM TO BOOM VALVE HARNESS	320
FIGURE 8-41. RECEPTACLE BOX KIT - 110V IEC YELLOW (CE SPEC).....	322
FIGURE 8-42. RECEPTACLE BOX KIT - 220V IEC BLUE (CE SPEC)	324
FIGURE 8-43. RECEPTACLE BOX KIT - 220V CEE7 POST GROUND 70MMX70MM BOX (CE SPEC).....	326
FIGURE 8-44. RECEPTACLE BOX KIT - 220V CEE7 SIDE GROUND 70MMX70MM BOX (CE SPEC)	328
FIGURE 8-45. RECEPTACLE BOX KIT - 220V CEE7 POST GROUND 2IN X 4IN BOX (CE SPEC).....	330
FIGURE 8-46. RECEPTACLE BOX KIT - 220V CEE7 SIDE GROUND 2IN X 4IN BOX (CE SPEC).....	332
FIGURE 8-47. RECEPTACLE BOX KIT - 220V AFSINT 107 (CE SPEC).....	334
FIGURE 8-48. STROBE LIGHT HARNESS (BLUE AND RED LIGHTS).....	336
FIGURE 8-49. STROBE EXTENSION HARNESS (BLUE AND RED LIGHTS).....	338
FIGURE 8-50. TRACTION HARNESS	340
FIGURE 8-51. TURNABLE HARNESS	342
FIGURE 8-52. VALVE HARNESS	346
SECTION 9 - DECALS.....	349
FIGURE 9-1. DECALS INSTALLATION - ANSI AND ANSI EXPORT SPECS (ENGLISH)	350
FIGURE 9-2. DECALS INSTALLATION - AUSTRALIAN SPEC (ENGLISH).....	352
FIGURE 9-3. DECALS INSTALLATION - BRAZIL SPEC (PORTUGUESE/SPANISH).....	354
FIGURE 9-4. DECALS INSTALLATION - CE SPECS (ENGLISH).....	356
FIGURE 9-5. DECALS INSTALLATION - CSA SPEC (FRENCH/ENGLISH)	358
FIGURE 9-6. DECALS INSTALLATION - CHINESE SPEC (CHINESE/ENGLISH)	360
FIGURE 9-7. DECALS INSTALLATION - JAPANESE SPEC (JAPANESE/ENGLISH)	362
FIGURE 9-8. DECALS INSTALLATION - KOREAN SPEC (KOREAN/ENGLISH)	364
FIGURE 9-9. DECALS INSTALLATION - LATIN AMERICA SPEC (SPANISH/ENGLISH)	366
FIGURE 9-10. OPTIONAL DECALS INSTALLATION	368
SECTION 10 - RECOMMENDED SERVICE PARTS STOCK	371
FIGURE 10-1. RECOMMENDED SERVICE PARTS STOCK	372
SECTION 11 - SPECIAL OPTIONS.....	375
FIGURE 11-1. SPECIAL OPTIONS.....	376
PART NUMBER INDEX	379

SECTION 1 - FRAME

SECTION 1 - FRAME

FIGURE 1-1. STEERING INSTALLATION



ART_1001161115

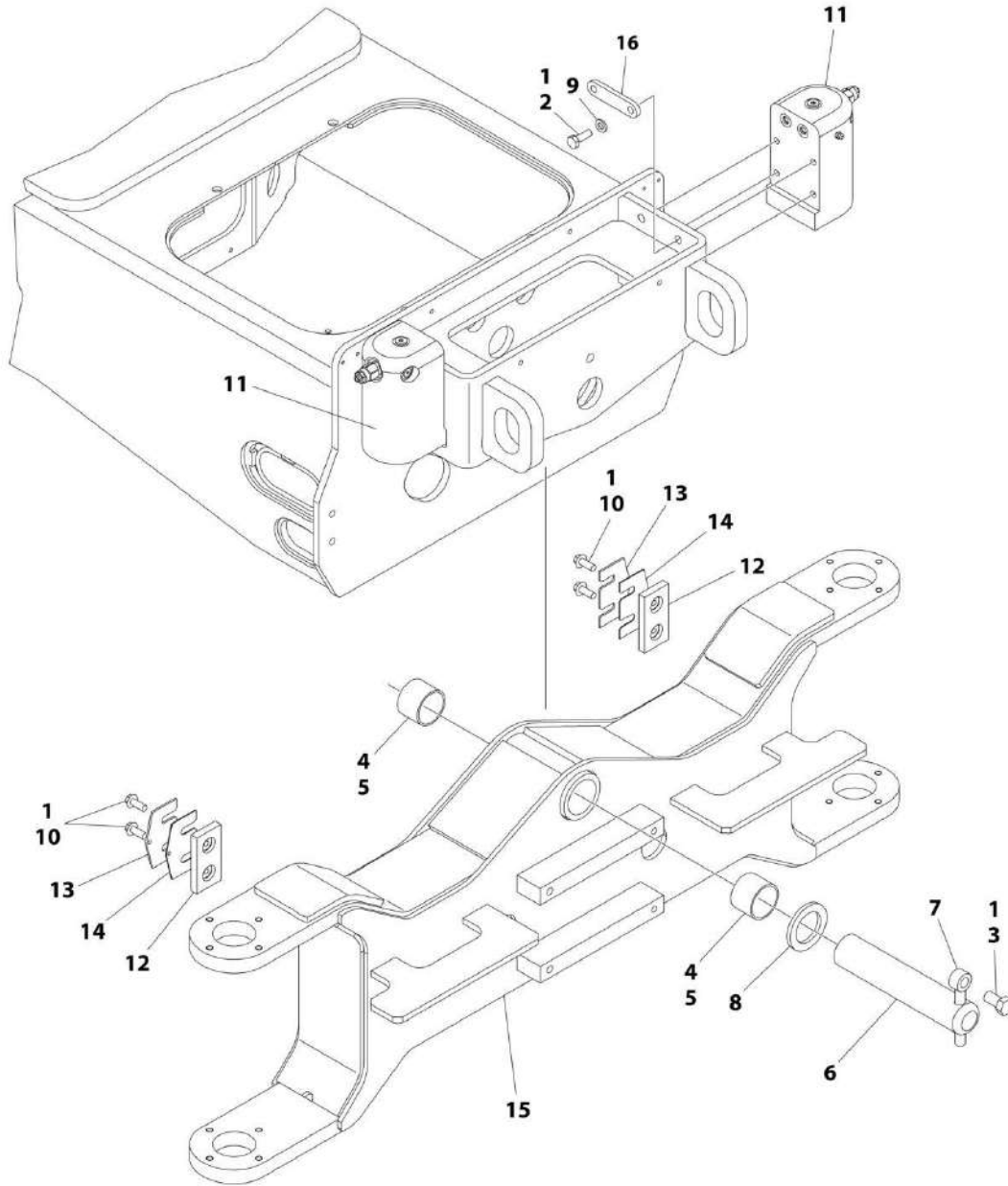
SECTION 1 - FRAME

FIGURE 1-1. STEERING INSTALLATION

ITEM	PART NUMBER	QTY	DESCRIPTION	REV
	1001161115	Ref	STEERING INSTALLATION	I
1	0100011	AR	Compound, Locking	
2	0701012	16	Bolt M10 X 25	
3	0701217	4	Bolt M12 X 45	
5	0760810	1	Bolt M8 X 20	
6	0761010	3	Bolt M10 X 20	
7	0761018	1	Bolt M10 X 50	
8	0962140	6	Bearing	
9	3020029	2	Lubricant	
10	3841520	4	Keeper, Pin	
11	4740086	5	Washer, Thrust	
12	4812100	4	Washer M12	
13	1001116788	1	Steer Cylinder Assembly (See CYLINDER SECTION for Breakdown)	
14	4740505	2	Washer, Thrust	
15	1001161110	1	Pin, Sensor	
16	1001161113	1	Bracket, Sensor Pin	
17	1001161114	1	Spacer	
18	1001161117	1	Switch, Rotary Angle Sensor	
18	4460536	1	Receptacle, Female - 3 Position	
18	4460464	1	Pin, Male	
19	1001168669	3	Pin	
20	1001169015	2	Spindle	
21	1001169028	2	Link, Tie Rod	
23	1001169030	4	Kingpin	
24	1001169129	4	Bearing	
25	1001188866	1	Bracket, Sensor	
26	0760818	1	Bolt M8 x 50	
27	4811900	2	Washer M8	
28	1001149160	1	Nut, Tinnerman M8	
29	1001155967	1	Holder, Connector	
30	1001208285	2	Washer	
31	4240018	2	Tie-Strap (Not Shown) (SN 0300236472 to Present)	
32	1001164885	AR	Washer, Shim	

SECTION 1 - FRAME

FIGURE 1-2. OSCILLATING AXLE INSTALLATION



ART_1001169213

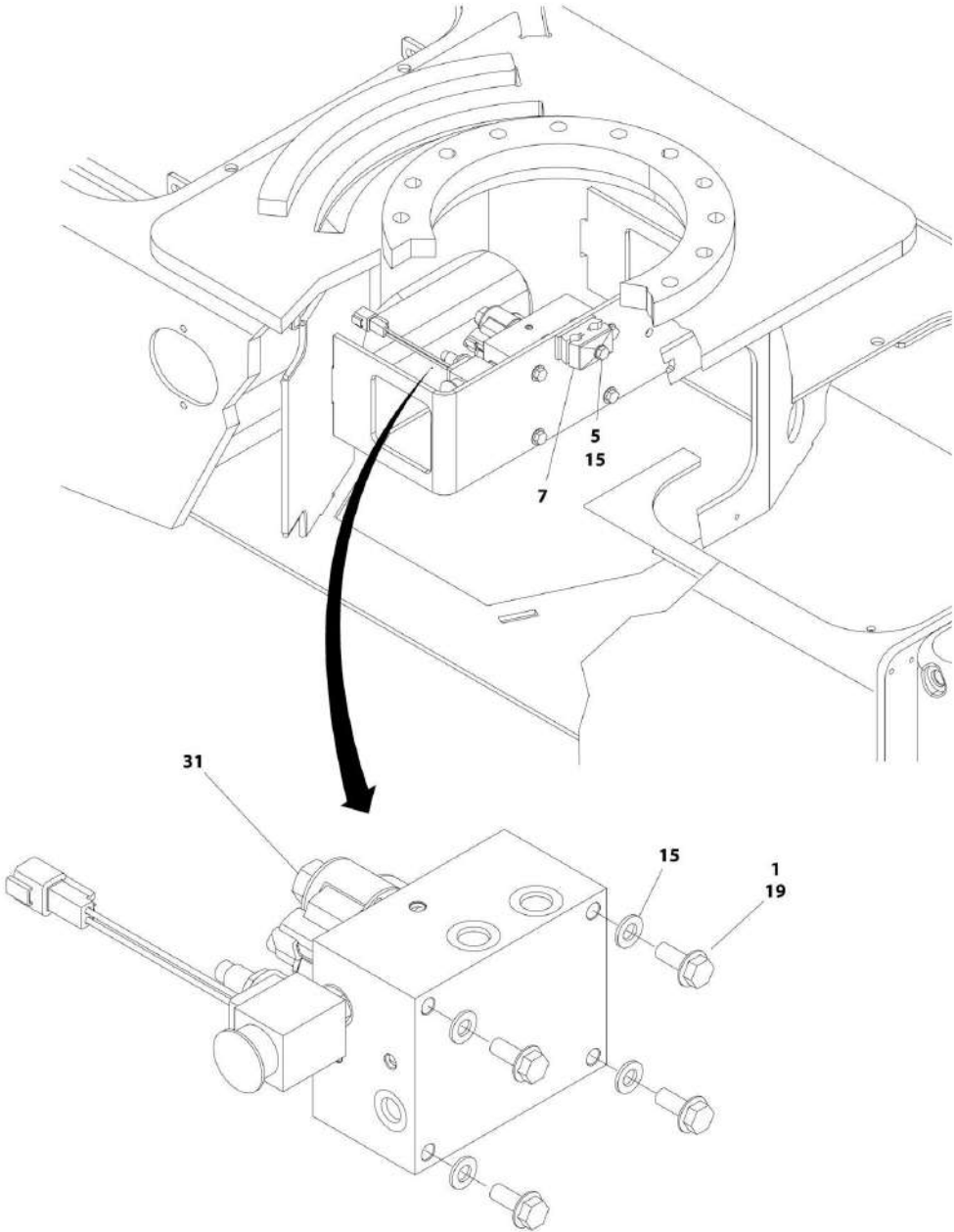
SECTION 1 - FRAME

FIGURE 1-2. OSCILLATING AXLE INSTALLATION

ITEM	PART NUMBER	QTY	DESCRIPTION	REV
	1001169213	Ref	OSCILLATING AXLE INSTALLATION	C
1	0100011	AR	Compound, Locking	
2	0761015	1	Bolt M10 x 35	
3	0761614	1	Bolt M16 x 30	
4	0961950	2	Bushing	
5	3020029	AR	Lubricant	
6	3422592	1	Pin, Axle Pivot	
7	3841258	1	Keeper, Pin	
8	4740158	1	Thrustwasher	
9	5241000	8	Washer M10	
10	5251012	4	Bolt M10 x 25	
11	1001116361	2	Lockout Cylinder Assembly (See CYLINDER SECTION for Breakdown)	
12	1001118511	2	Pad, Wear	
13	1001118518	2	Shim 11Ga	
14	1001118519	4	Shim 16Ga	
15	1001169027	1	Axle	
16	1001210981	4	Shim	

SECTION 1 - FRAME

FIGURE 1-3. CONTROL VALVES INSTALLATION - FRAME



ART_1001167238_10F3

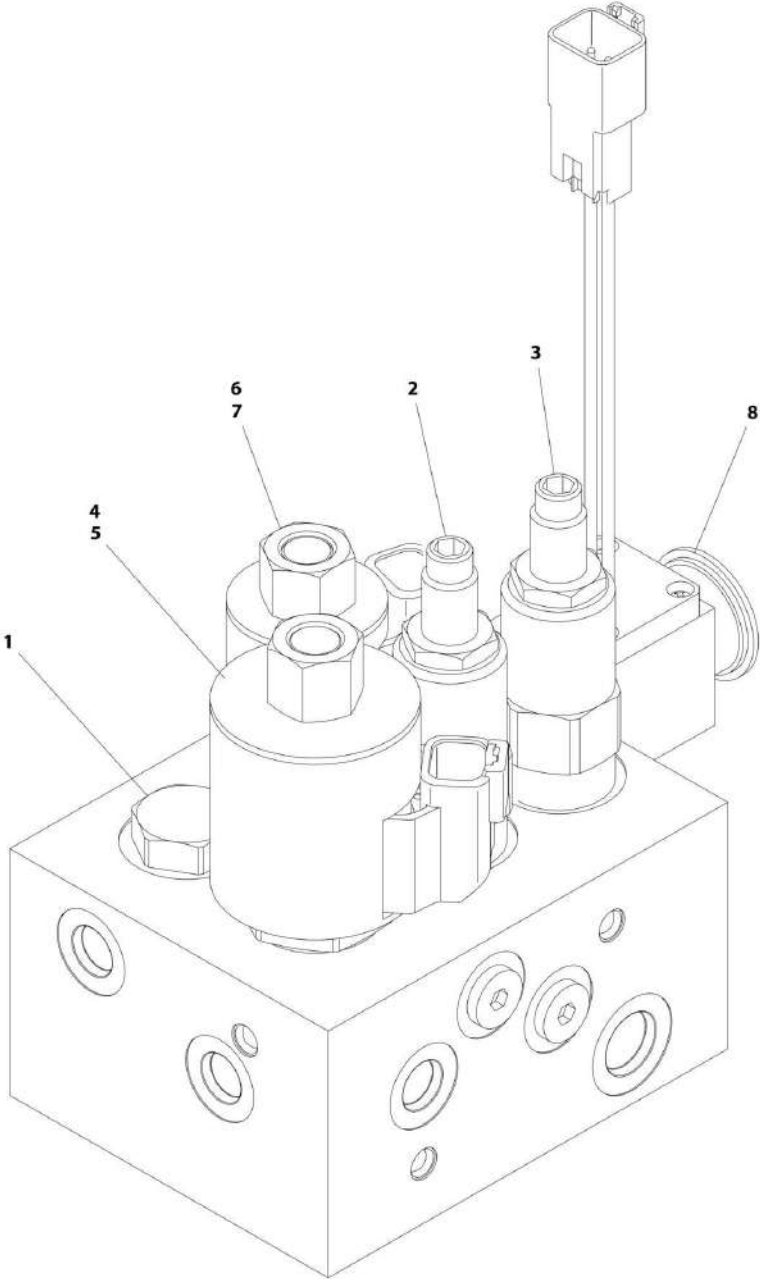
SECTION 1 - FRAME

FIGURE 1-3. CONTROL VALVES INSTALLATION - FRAME

ITEM	PART NUMBER	QTY	DESCRIPTION	REV
	1001167238	Ref	CONTROL VALVES INSTALLATION - FRAME	I
1	0100011	AR	Compound, Locking	
5	0700815	1	Bolt M8 x 35	
7	1320159	1	Clamp	
15	4811900	5	Washer M8	
19	5250810	14	Bolt M8 X 20	
31	1001165144	1	Oscillating Axle Valve Assembly (See OSCILLATING AXLE VALVE ASSEMBLY for Breakdown)	

SECTION 1 - FRAME

FIGURE 1-4. OSCILLATING AXLE VALVE ASSEMBLY



ART_1001165144

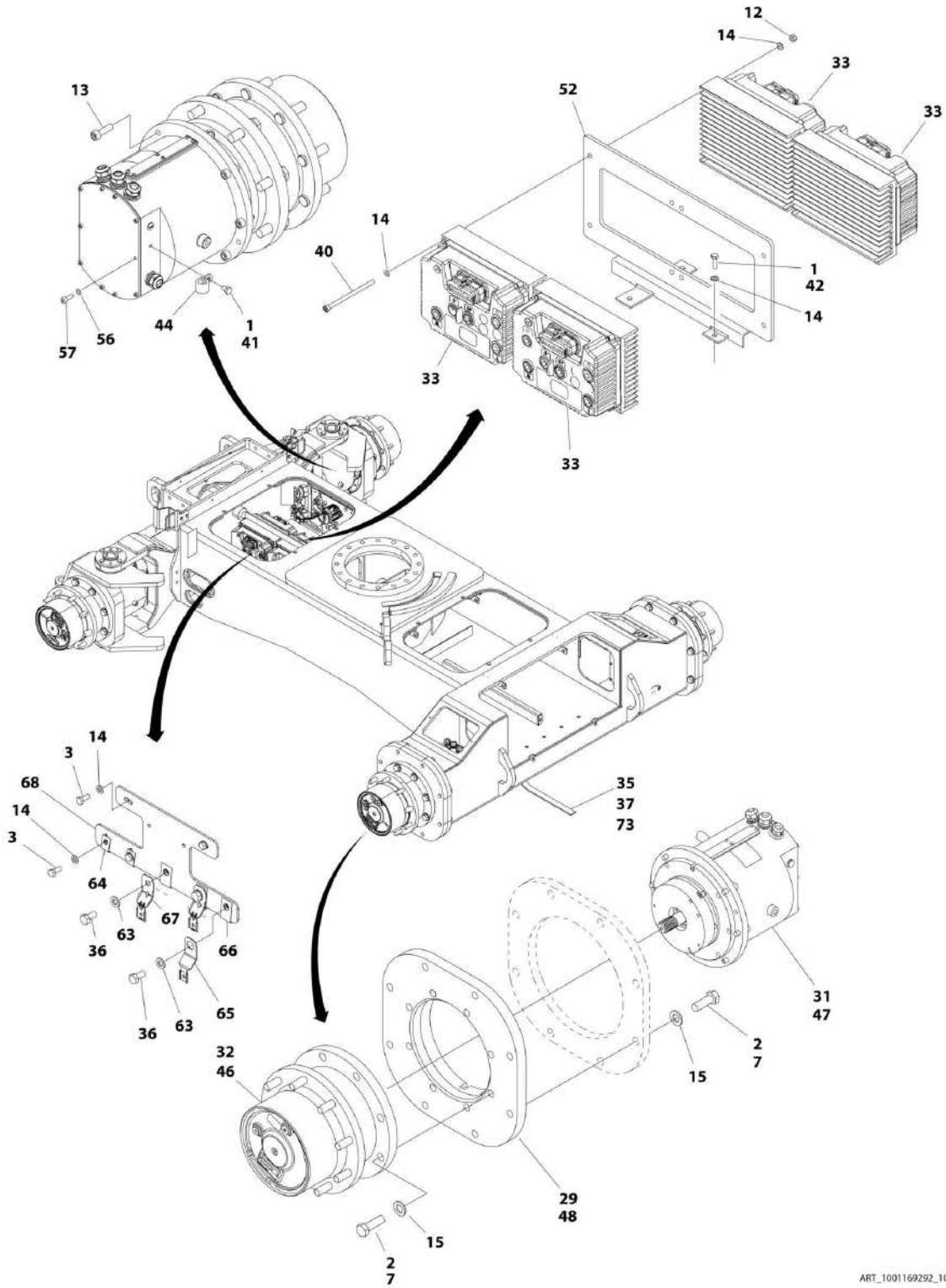
SECTION 1 - FRAME

FIGURE 1-4. OSCILLATING AXLE VALVE ASSEMBLY

ITEM	PART NUMBER	QTY	DESCRIPTION	REV
	1001165144	Ref	OSCILLATING AXLE VALVE ASSEMBLY	D
1	4641129	1	Cartridge, Check Valve	
1	7012540	1	Seal Kit - 4641129 Valve	
2	70004787	1	Cartridge, Valve	
2	7021653	1	Seal Kit - 70004787 Valve	
3	70004788	1	Cartridge, Relief Valve	
3	7012998	1	Seal Kit - 70004788 Valve	
4	7017455	1	Cartridge, Valve Less Coil (Primary Axle Release)	
4	7017463	1	Seal Kit - 7017455 Valve	
5	70050516	1	Coil	
6	7017408	1	Cartridge, Valve Less Coil (Secondary Axle Release)	
6	7012907	1	Seal Kit - 7017408 Valve	
7	70002963	1	Coil	
8	70004789	1	Switch, Pressure	

SECTION 1 - FRAME

FIGURE 1-5. DRIVE INSTALLATION



ART_1001169292_10F2

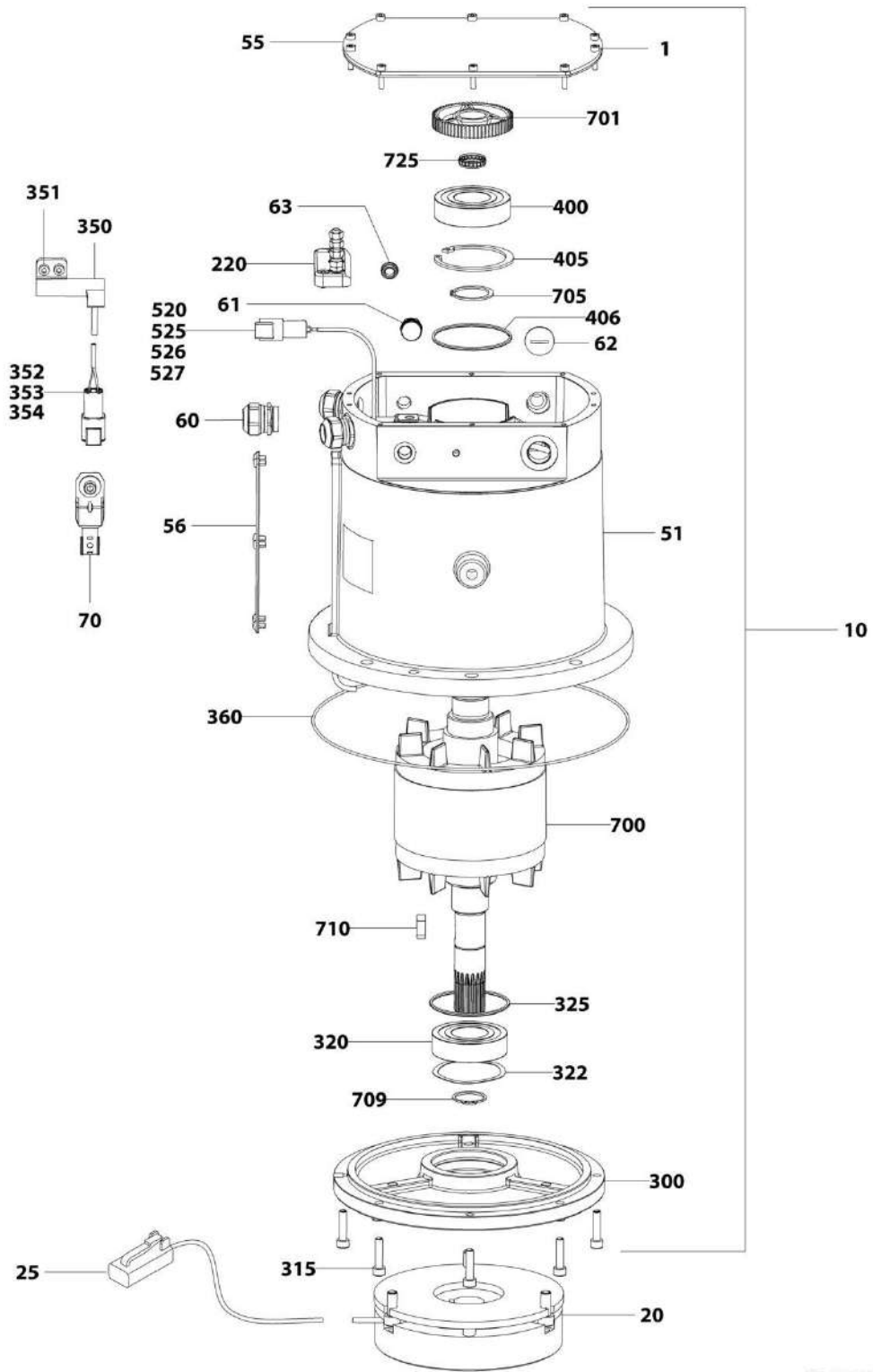
SECTION 1 - FRAME

FIGURE 1-5. DRIVE INSTALLATION

ITEM	PART NUMBER	QTY	DESCRIPTION	REV
	1001169292	Ref	DRIVE INSTALLATION	P
1	0100011	AR	Compound, Locking	
2	0100019	AR	Compound, Locking	
3	0760607	2	Bolt M6 x 14	
3	0760610	2	Bolt M6 x 20	
7	0771618	48	Bolt M16 x 50	
12	3290601	8	Nut M6	
13	4032009	24	Capscrew M10 x 25	
14	4811700	30	Washer M6	
15	5241600	48	Washer M16	
29	1001168400	2	Flange	
31	1001169683	4	Drive Motor Assembly (See DRIVE MOTOR ASSEMBLY for Breakdown)	
32	1001200348	4	Drive Hub Assembly (See DRIVE HUB ASSEMBLY for Breakdown)	
33	1001170140	4	Module, Drive	
35	4240084	1	Strap, Anti-Static	
36	0760808	AR	Bolt M8 x 16	
37	4811902	1	Washer M8	
40	5271723	8	Capscrew M6 x 100	
41	0760605	4	Bolt M6 X 10	
42	0760610	4	Bolt M6 x 20	
44	1320041	2	Clamp	
46	3020008	AR	Lubricant 80W-90	
47	3020037	AR	Lubricant	
48	3020039	AR	Lubricant	
52	1001179948	1	Plate, Mounting	
56	4811400	1	Washer M4	
57	4031507	1	Capscrew M4 x 16	
63	4811900	5	Washer M8	
64	1001130220	6	Nut, Tinnerman M6	
65	1001141581	1	Mount, Connector	
66	1001149160	3	Nut, Tinnerman M8	
67	1001155743	2	Holder	
68	1001197294	1	Plate	
73	4191707	1	Screw M6 x 16	

SECTION 1 - FRAME

FIGURE 1-6. DRIVE MOTOR ASSEMBLY



ART_1001169683

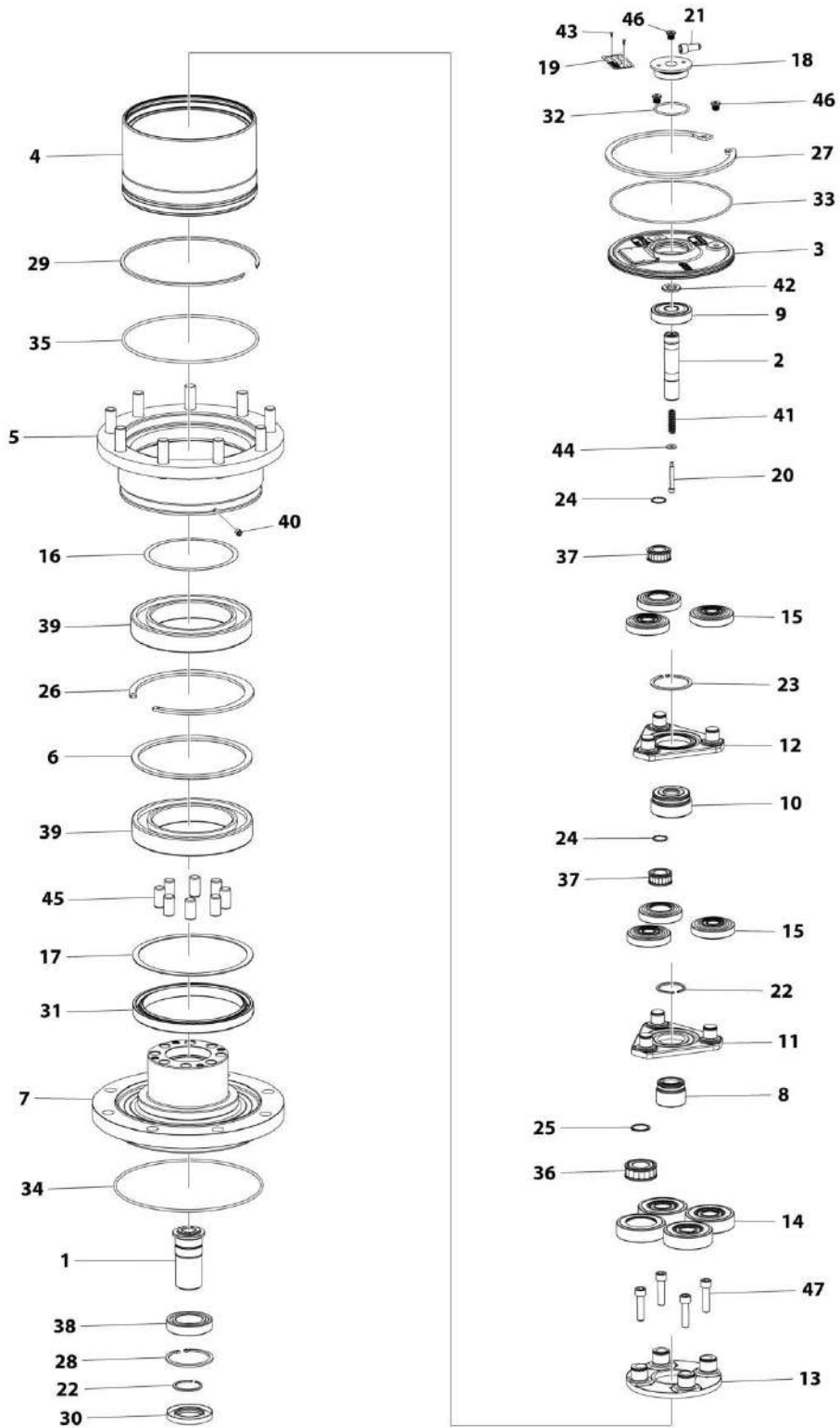
SECTION 1 - FRAME

FIGURE 1-6. DRIVE MOTOR ASSEMBLY

ITEM	PART NUMBER	QTY	DESCRIPTION	REV
	1001169683	Ref	DRIVE MOTOR ASSEMBLY	H
1	4031507	10	Capscrew M4 x 16	
10	70004797	1	Motor, Replacement without Brake (Includes Items 51-63, 220-325 & 360-725)	
20	70004798	1	Brake Assembly	
25	4461290	1	Plug, Male - 2 Position	
25	4460516	1	Pin, Male	
51	See Note	1	Stator (Note: Not Available - Use p/n 70004797)	
55	70004799	1	Cover, End	
56	70004800	1	Cover, Access	
60	70004801	4	Connector, Strain Relief	
61	70004802	1	Plug, Pressure	
62	70004803	1	Plug	
63	70004804	1	Plug	
70	70004805	3	Clip, Mounting	
220	70004806	1	Board, Terminal	
300	70004807	1	Cap, End	
315	70004808	6	Capscrew M6 x 25	
320	70004809	1	Bearing, Ball	
322	70004810	1	Washer, Wavy	
325	70004811	1	O-Ring	
350	70004812	1	Sensor, Speed	
351	70004813	2	Capscrew M5 x 16	
352	4460516	4	Pin, Male	
353	See Note	1	Lock, Wedge (Note: Include in Item 354 - Use p/n 4461076)	
354	4461076	1	Receptacle, Female - 4 Position	
360	70004814	1	O-Ring	
400	70004809	1	Bearing, Ball	
405	70004815	1	Circle-Clip	
406	70004811	1	O-Ring	
520	70004816	1	Sensor, Temperature	
525	4460516	1	Pin, Male	
526	See Note	1	Lock, Wedge (Note: Included with Item 527 - Use p/n 70004827)	
527	70004827	1	Receptacle, Female - 2 Position	
700	70004817	1	Armature	
701	70004818	1	Wheel, Sensor	
705	70004819	1	Circle-Clip	
709	70004820	1	Circle-Clip	
710	70004821	1	Key	
725	70004822	1	Ring, Tolerance	

SECTION 1 - FRAME

FIGURE 1-7. DRIVE HUB ASSEMBLY



ART_1001200348

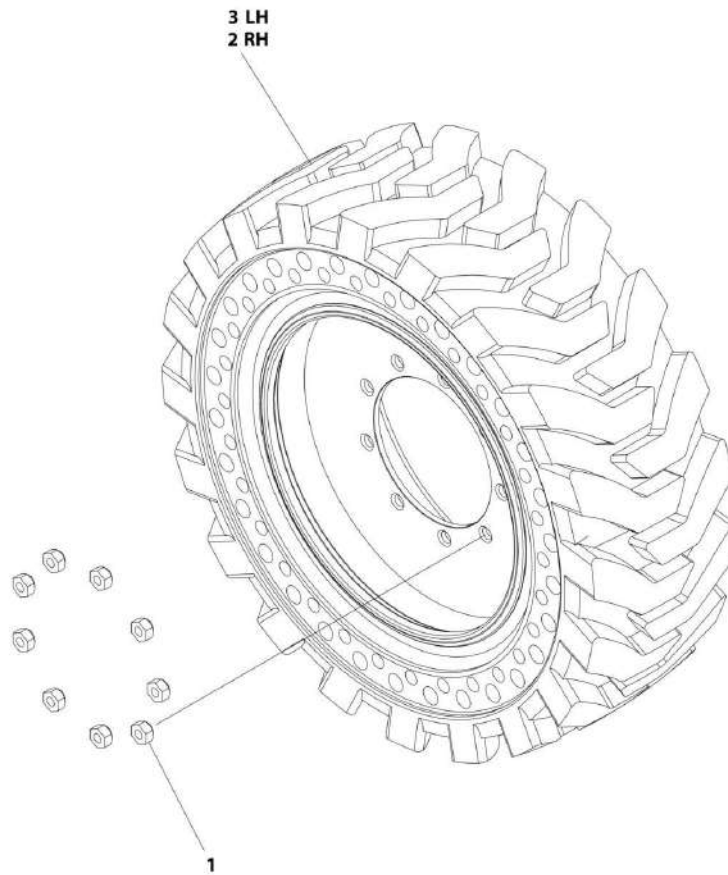
SECTION 1 - FRAME

FIGURE 1-7. DRIVE HUB ASSEMBLY

ITEM	PART NUMBER	QTY	DESCRIPTION	REV
	1001200348	Ref	DRIVE HUB ASSEMBLY	D
1	70005063	1	Shaft, Input	
2	70005062	1	Shaft, Internal	
3	70005060	1	Cover	
4	70005059	1	Gear, Ring	
5	70006133	1	Housing W/Studs	
6	70005058	1	Spacer	
7	70006132	1	Spindle	
8	70005055	1	Gear, Sun (Power)	
9	70005054	1	Gear, Sun (Fast)	
10	70005053	1	Gear, Sun (Intermediate)	
11	70005051	1	Carrier, Planet (Intermediate)	
12	70005050	1	Carrier, Planet (Fast)	
13	70005561	1	Carrier, Power Stage Planetary	
14	70005049	4	Gear, Planet (Power)	
15	70005048	6	Gear, Planet (Fast)	
16	70005047	1	Shim	
17	70006131	1	Spacer	
18	70005046	1	Cap, Disengage	
19	See Note	NSS	Nameplate (Note: Not Available for Purchase)	
20	70005045	1	Screw	
21	70005044	1	Screw M10 x 1 (Disengage)	
22	70005043	2	Ring, Snap	
23	70005042	1	Ring, Snap	
24	70005041	6	Ring, Snap	
25	70005040	4	Ring, Snap	
26	70005039	1	Ring, Snap	
27	70005038	1	Ring, Snap	
28	70005037	1	Ring, Snap	
29	70005036	1	Ring, Snap	
30	70005035	1	Ring, Sealing	
31	70006130	1	Ring, Sealing	
32	70005033	1	O-Ring	
33	70005032	1	O-Ring	
34	70005031	1	O-Ring	
35	70005030	1	O-Ring	
36	70005029	4	Bearing, Roller	
37	70005028	1	Bearing, Roller	
38	70005027	1	Bearing, Ball	
39	70005026	2	Bearing, Ball	
40	70006129	2	Screw	
41	70005025	1	Spring	
42	70005024	1	Washer	
43	70005023	2	Rivet, Brass	
44	70005022	1	Washer	
45	70005560	8	Pin, Dowel	
46	70005020	3	Plug W/Washer	
47	70005019	4	Screw	

SECTION 1 - FRAME

FIGURE 1-8. TIRE AND WHEEL INSTALLATION - 7X18 SOLID



ART_100118641

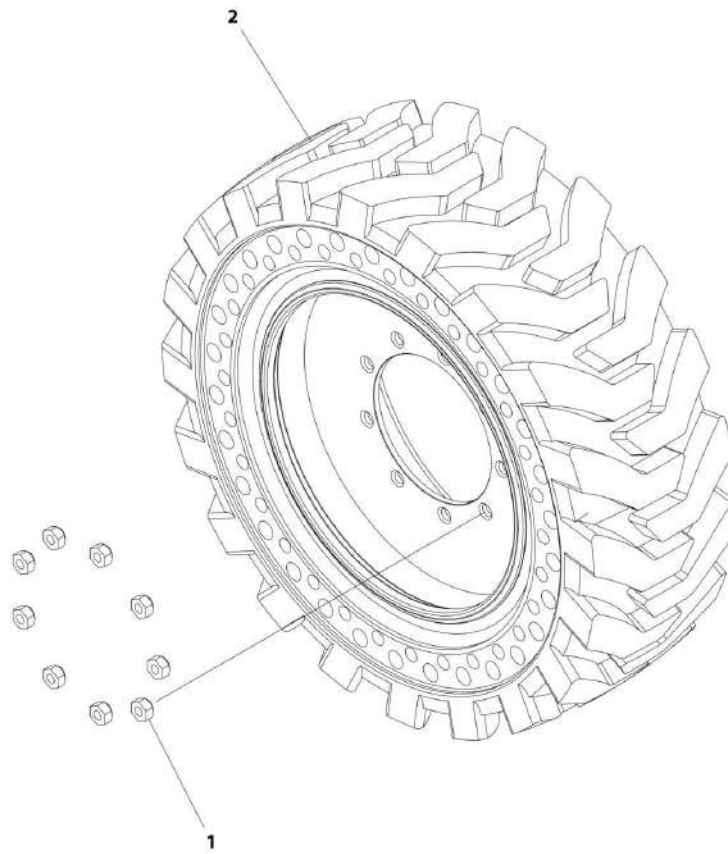
SECTION 1 - FRAME

FIGURE 1-8. TIRE AND WHEEL INSTALLATION - 7X18 SOLID

ITEM	PART NUMBER	QTY	DESCRIPTION	REV
	1001118641	Ref	TIRE AND WHEEL INSTALLATION - 7x18 SOLID (AVAILABLE ON ALL SPECS)	C
		Ref	Note: Due to critical stability weights, only replace tire & wheel assemblies with like components.	
1	3300106	36	Lugnut (9 per Wheel)	
2	1001118649	2	Tire & Wheel Assembly - 7 x 18 Solid Right Side (Note: No Serviceable Parts - Replace Complete Sets per Axle)	
3	1001121678	2	Tire & Wheel Assembly - 7 x 18 Solid Left Side (Note: No Serviceable Parts - Replace Complete Sets per Axle)	

SECTION 1 - FRAME

FIGURE 1-9. TIRE AND WHEEL INSTALLATION - 7X18 SOLID NON-MARKING



ART_100118644

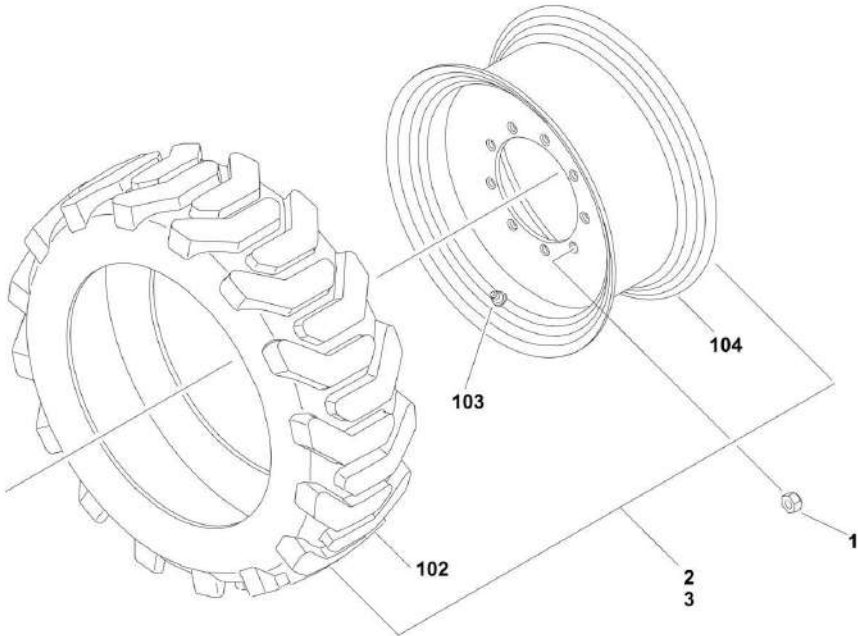
SECTION 1 - FRAME

FIGURE 1-9. TIRE AND WHEEL INSTALLATION - 7X18 SOLID NON-MARKING

ITEM	PART NUMBER	QTY	DESCRIPTION	REV
	1001118644	Ref	TIRE AND WHEEL INSTALLATION - 7x18 SOLID NON-MARKING (AVAILABLE ON ALL SPECS)	B
		Ref	Note: Due to critical stability weights, only replace tire & wheel assemblies with like components.	
1	3300106	36	Lugnut (9 per Wheel)	
2	1001118654	4	Tire & Wheel Assembly - 7 x 18 Solid (Note: No Serviceable Parts - Replace Complete Sets per Axle)	

SECTION 1 - FRAME

FIGURE 1-10. TIRE AND WHEEL INSTALLATION - 9X20 FOAM-FILLED



ART_1001115773

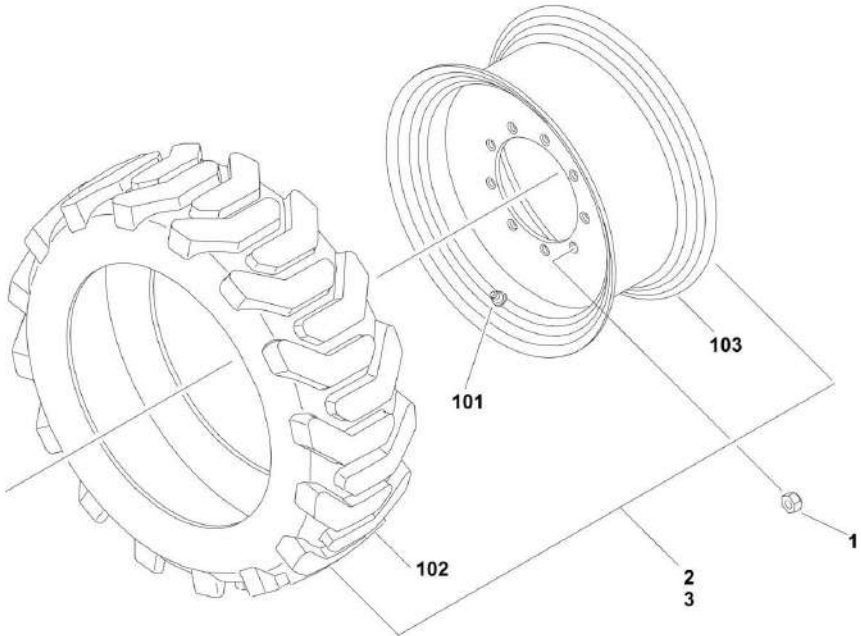
SECTION 1 - FRAME

FIGURE 1-10. TIRE AND WHEEL INSTALLATION - 9X20 FOAM-FILLED

ITEM	PART NUMBER	QTY	DESCRIPTION	REV
	1001115773	Ref	TIRE AND WHEEL INSTALLATION - 9 x 20 FOAMED-FILLED (AVAILABLE ON ALL SPECS)	B
		Ref	Note: Due to critical stability weights, only replace tire & wheel assemblies with like components.	
1	3300106	36	Lugnut (9 per Wheel)	
2	1001117131	2	Tire & Wheel Assembly - 9 x 20 Foam-Filled Left Side	D
3	1001117132	2	Tire & Wheel Assembly - 9 x 20 Foam-Filled Right Side	D
		Ref	Note: Assemblies may require ballast/foam filling to manufacture's specifications prior to installing on a machine. Refer to Operation and Safety or Service and Maintenance Manuals. Purchase individual tire and/or rim only if able to foam fill tire and wheel assembly, otherwise, purchase complete assembly.	
102	4520605	4	Tire - IN265/50D20	
103	4640113	4	Valve, Air	
104	1001117129	4	Rim for 9X20 (Use with IN265/50D20 Tires)	

SECTION 1 - FRAME

FIGURE 1-11. TIRE AND WHEEL INSTALLATION - 9X20 FOAM-FILLED NON-MARKING



ART_100118642

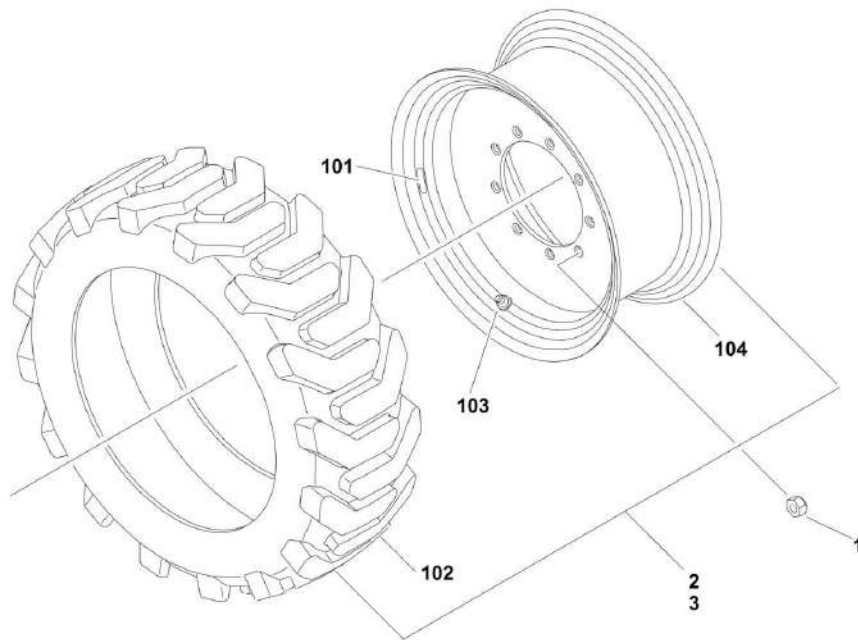
SECTION 1 - FRAME

FIGURE 1-11. TIRE AND WHEEL INSTALLATION - 9X20 FOAM-FILLED NON-MARKING

ITEM	PART NUMBER	QTY	DESCRIPTION	REV
	1001118642	Ref	TIRE AND WHEEL INSTALLATION - 9 x 20 FOAM-FILLED NON-MARKING (AVAILABLE ON ALL SPECS)	B
		Ref	Note: Due to critical stability weights, only replace tire & wheel assemblies with like components.	
1	3300106	36	Lugnut (9 per Wheel)	
2	1001118650	2	Tire and Wheel Assembly - 9 x 20 Foam-Filled Non-Marking Right Side	C
3	1001118651	2	Tire and Wheel Assembly - 9 x 20 Foam-Filled Non-Marking Left Side	C
		Ref	Note: Assemblies may require ballast/foam filling to manufacturer's specifications prior to installing on a machine. Refer to Operation and Safety or Service and Maintenance Manuals. Purchase individual tire and/or rim only if able to foam fill tire and wheel assembly, otherwise, purchase complete assembly.	
101	4640113	4	Valve, Air	
102	1001118660	4	Tire - IN265/50D20 Non-Marking	
103	1001117129	4	Rim for 20 x 9 (Use with IN265/50D20 Tires)	

SECTION 1 - FRAME

FIGURE 1-12. TIRE AND WHEEL INSTALLATION - 9X20 PNEUMATIC



ART_1001118640

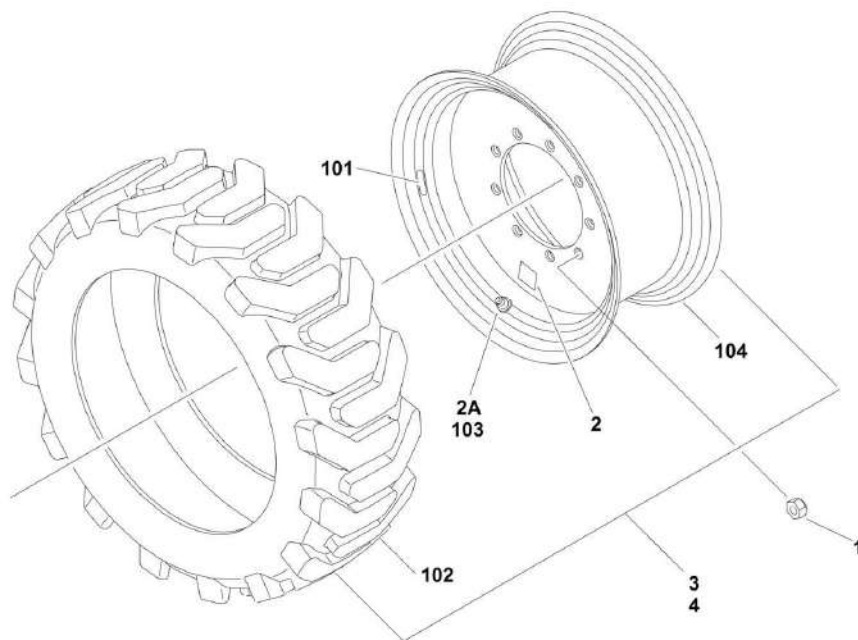
SECTION 1 - FRAME

FIGURE 1-12. TIRE AND WHEEL INSTALLATION - 9X20 PNEUMATIC

ITEM	PART NUMBER	QTY	DESCRIPTION	REV
	1001118640	Ref	TIRE AND WHEEL INSTALLATION -9 x 20 PNEUMATIC (ALL SPECS EXCEPT AUSTRALIAN & CE SPECS)	B
		Ref	Note: Due to critical stability weights, only replace tire & wheel assemblies with like components.	
1	3300106	36	Lugnut (9 per Wheel)	
2	1001118647	2	Tire and Wheel Assembly - 9 x 20 Pneumatic Right Side	B
3	1001118648	2	Tire and Wheel Assembly - 9 x 20 Pneumatic Left Side	B
101	1706846	4	Decal - 75PSI	
102	4520605	4	Tire - IN265/50D20	
103	4640113	4	Valve, Air	
104	1001117129	4	Rim for 20 x 9 (Use with IN265/50D20 Tires)	

SECTION 1 - FRAME

FIGURE 1-13. TIRE AND WHEEL INSTALLATION - 9X20 PNEUMATIC WITH TIRE SEALANT



ART_1001120027

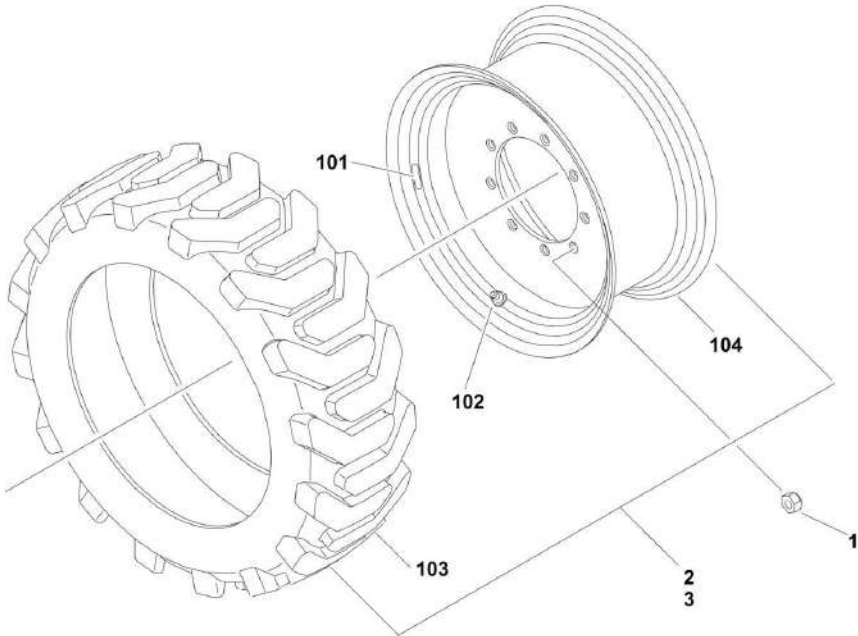
SECTION 1 - FRAME

FIGURE 1-13. TIRE AND WHEEL INSTALLATION - 9X20 PNEUMATIC WITH TIRE SEALANT

ITEM	PART NUMBER	QTY	DESCRIPTION	REV
	1001120027	Ref	TIRE AND WHEEL INSTALLATION - 9X20 PNEUMATIC WITH TIRE SEALANT (AVAILABLE ON ANSI SPEC ONLY)	B
		Ref	Note: Due to critical stability weights, only replace tire & wheel assemblies with like components.	
1	3300106	36	Lugnut (9 per Wheel)	
2	2902203	1	Decal Kit - Required on Tires with Sealant (Includes qty 5 Decals and qty 4 Green Valve Stem Caps)	
2A	1120552	1	Cap, Valve Stem (Green) (Tires with Sealant Only)	
3	1001118647	2	Tire & Wheel Assembly - 9 x 20 Pneumatic Right Side	B
4	1001118648	2	Tire & Wheel Assembly - 9 x 20 Pneumatic Left Side	B
101	1706846	4	Decal - 75PSI	
102	4520605	4	Tire - IN265/50D20	
103	4640113	4	Valve, Air	
104	1001117129	4	Rim for 20 x 9 (Use with IN265/50D20 Tires)	

SECTION 1 - FRAME

FIGURE 1-14. TIRE AND WHEEL INSTALLATION - 9X20 PNEUMATIC NON-MARKING



ART_1001118643

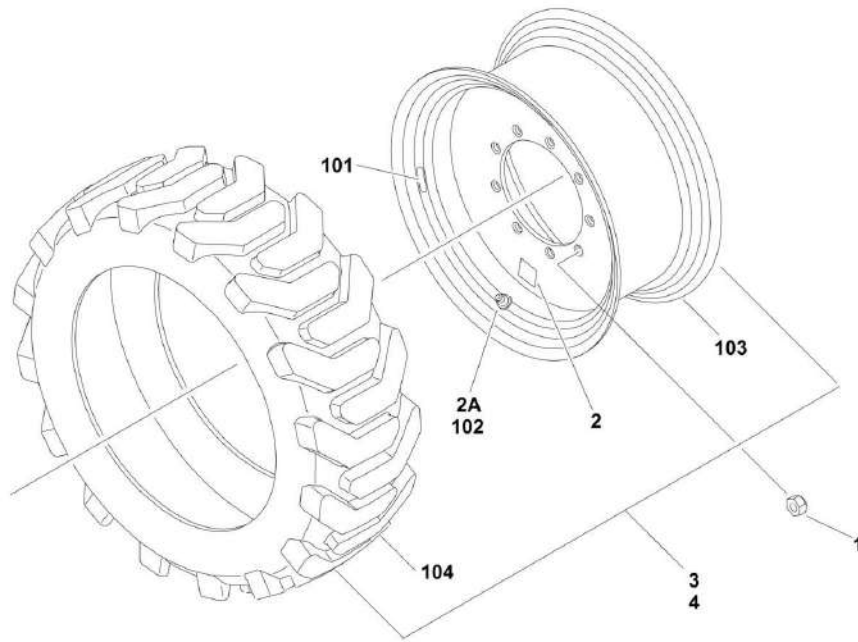
SECTION 1 - FRAME

FIGURE 1-14. TIRE AND WHEEL INSTALLATION - 9X20 PNEUMATIC NON-MARKING

ITEM	PART NUMBER	QTY	DESCRIPTION	REV
	1001118643	Ref	TIRE AND WHEEL INSTALLATION - 9 x 20 PNEUMATIC NON-MARKING (AVAILABLE ON ALL SPECS EXCEPT AUSTRALIN & CE SPECS)	B
		Ref	Note: Due to critical stability weights, only replace tire & wheel assemblies with like components.	
1	3300106	36	Lugnut (9 per Wheel)	
2	1001118652	2	Tire & Wheel Assembly - 9 x 20 Pneumatic Non-Marking Right Side	B
3	1001118653	2	Tire & Wheel Assembly - 9 x 20 Pneumatic Non-Marking Left Side	B
101	1706846	4	Decal - 75PSI	
102	4640113	4	Valve, Air	
103	1001117129	4	Rim for 20 x 9 (Use with IN265/50D20 Tires)	
104	1001118660	4	Tire - IN265/50D20 Non-Marking	

SECTION 1 - FRAME

FIGURE 1-15. TIRE AND WHEELS INSTALLATION - 9X20 PNEUMATIC NON-MARKING WITH TIRE SEALANT



ART_1001120036

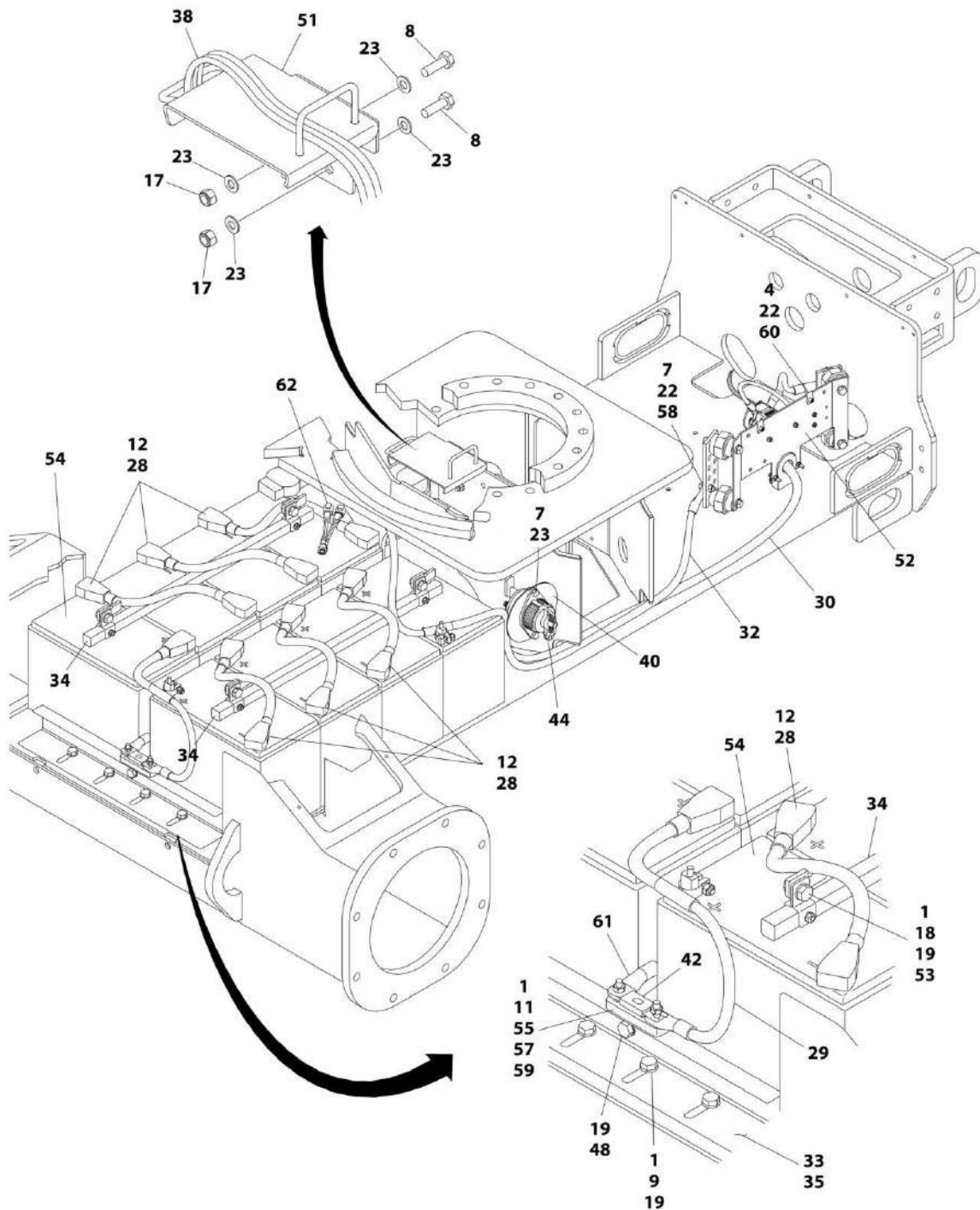
SECTION 1 - FRAME

FIGURE 1-15. TIRE AND WHEELS INSTALLATION - 9X20 PNEUMATIC NON-MARKING WITH TIRE SEALANT

ITEM	PART NUMBER	QTY	DESCRIPTION	REV
	1001120036	Ref	TIRE AND WHEEL INSTALLATION - 9 x 20 PNEUMATIC NON-MARKING WITH TIRE SEALANT (AVAILABLE ON ANSI SPEC ONLY)	B
		Ref	Note: Due to critical stability weights, only replace tire & wheel assemblies with like components.	
1	3300106	36	Lugnut (9 per Wheel)	
2	2902203	1	Decal Kit - Required on Tires with Sealant (Includes qty 5 Decals and qty 4 Green Valve Stem Caps)	
2A	1120552	1	Cap, Valve Stem (Green) (Tires with Sealant Only)	
3	1001118652	2	Tire & Wheel Assembly - 9 x 20 Pneumatic Non-Marking Right Side	A
4	1001118653	2	Tire & Wheel Assembly - 9 x 20 Pneumatic Non-Marking Left Side	A
101	1706846	4	Decal - 75PSI	
102	4640113	4	Valve, Air	
103	1001117129	4	Rim for 20 x 9 (Use with IN265/50D20 Tires)	
104	1001118660	4	Tire - IN265/50D20 Non-Marking	

SECTION 1 - FRAME

FIGURE 1-16. BATTERIES INSTALLATION



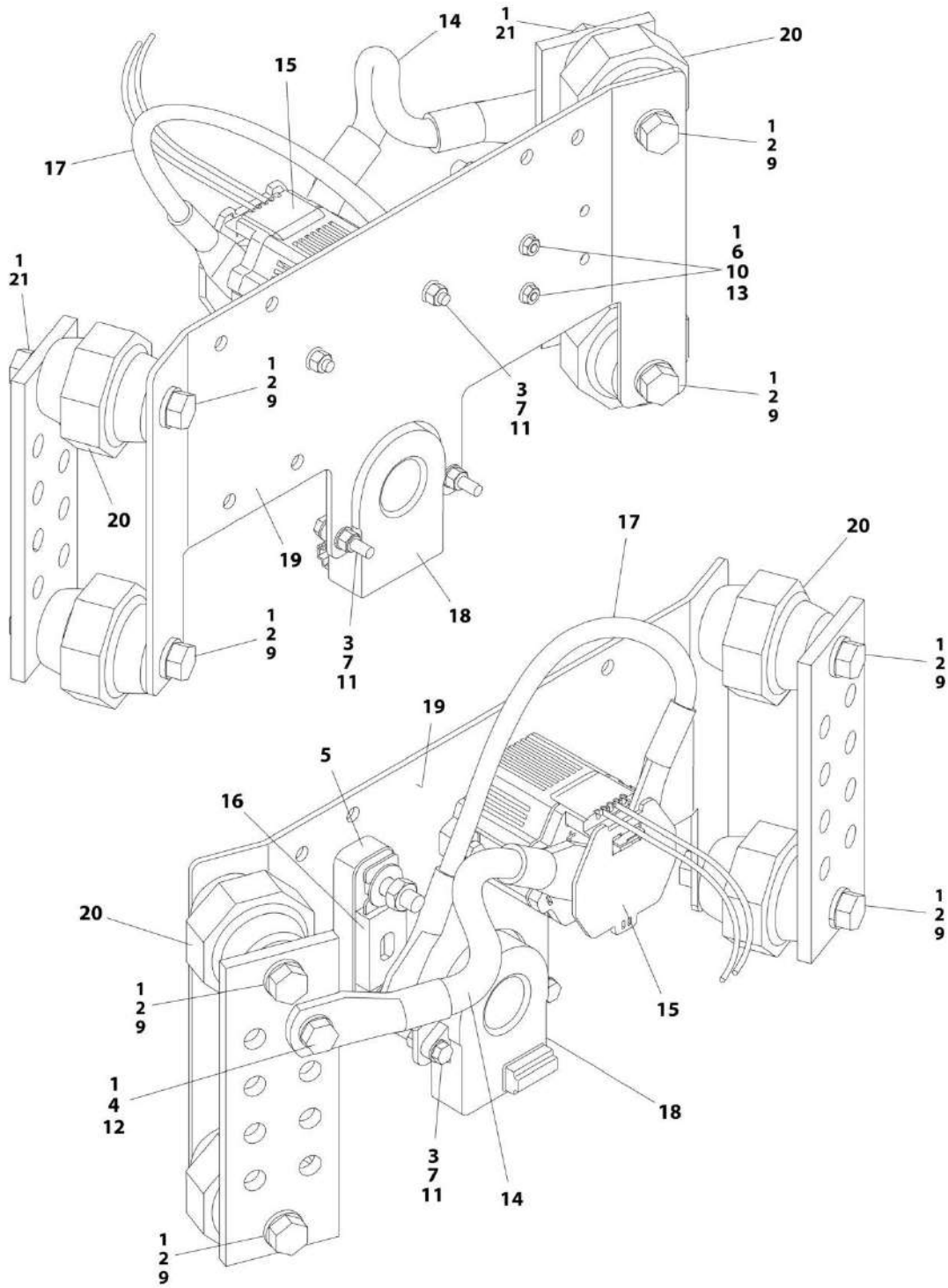
ART_1001162045

FIGURE 1-16. BATTERIES INSTALLATION

ITEM	PART NUMBER	QTY	DESCRIPTION	REV
	1001162045	Ref	BATTERIES INSTALLATION	I
1	0100011	AR	Compound, Locking	
4	0700610	2	Bolt M6 X 20	
7	0760808	4	Bolt M8 X 16	
8	0760812	2	Bolt M8 X 25	
9	0761010	4	Bolt M10 X 20	
11	2400044	1	Block, Fuse Mounting	
12	0100051	AR	Grease, Terminal	
17	3290805	2	Nut M8	
18	3291001	4	Nut M10	
19	4812000	13	Washer M10	
22	4811700	2	Washer M6	
23	4811900	6	Washer M8	
28	1001161935	6	Cable, Battery (Battery – to Battery +)	
29	1001161936	1	Cable, Battery (Battery + to Fuse)	
30	1001161937	1	Cable, Battery (Fuse to Contactor)	
32	1001161947	1	Cable, Battery (Battery – to Bussbar)	
33	1001162046	1	Support, Stop	
34	1001162047	2	Holddown Assembly - Battery	
34	1001162048	2	Rod, Holddown (1 per Assembly)	
34	1001162049	4	Bracket, Holddown (2 per Assembly)	
35	1001162050	2	Liner, Tray	
38	1001167538	1	Harness, Battery Charger (See ELECTRICAL SECTION for Breakdown)	
40	1001170102	1	Plate, Disconnect Cover	
42	1001170365	1	Fuse, 400 Amp	
44	1001170483	1	Switch, Battery Disconnect	
48	0761020	1	Bolt M10 X 60	
51	1001171777	1	Mount, Cable Routing	
52	1001184133	1	Electrical Plate Assembly (See ELECTRICAL PLATE ASSEMBLY for Breakdown)	
53	0761012	4	Bolt M10 X 25	
54	0400209	8	Battery	
55	3290401	2	Nut M4	
57	4811400	2	Washer M4	
58	4831900	1	Washer M8	
59	8310612	2	Screw M4 X 20	
60	1001130220	2	Nut, Tinnerman M6	
61	1001184022	1	Cable, Battery (Fuse to Disconnect)	
62	1001225131	2	Harness, Temp Sensor (SN 0300236472 to Present)	
62	1001102771	1	Sensor, Temperature	
62	4460897	1	Connector - 2 Position	
62	4460464	2	Pin, Male	

SECTION 1 - FRAME

FIGURE 1-17. ELECTRICAL PLATE ASSEMBLY



ART_1001184133

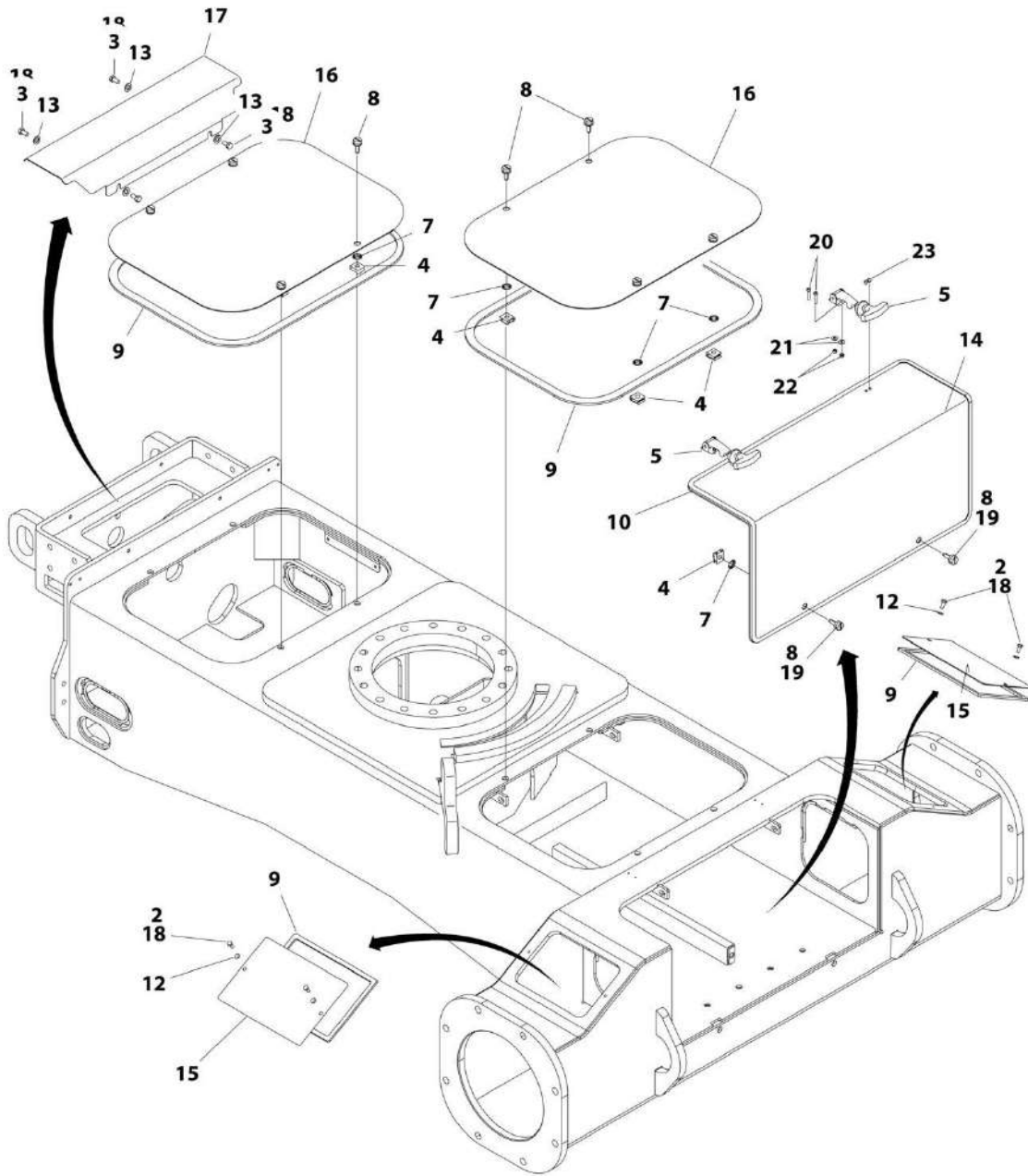
SECTION 1 - FRAME

FIGURE 1-17. ELECTRICAL PLATE ASSEMBLY

ITEM	PART NUMBER	QTY	DESCRIPTION	REV
	1001184133	Ref	ELECTRICAL PLATE ASSEMBLY	F
1	0100011	AR	Compound, Locking	
2	0641606	8	Bolt 3/8-16 x 3/4	
3	0760512	4	Bolt M5 x 25	
4	0760808	1	Bolt M8 x 16	
5	2400044	1	Block, Fuse Mounting	
6	3290401	2	Nut M4	
7	3290505	4	Nut M5	
9	4761600	8	Washer 3/8	
10	4811400	2	Washer M4	
11	4811600	6	Washer M5	
12	4831900	1	Washer M8	
13	8310612	2	Screw M4 x 20	
14	1001161938	1	Cable, Battery (Fuse to Bussbar)	
15	1001170367	1	Contactor	
16	1001170484	1	Fuse 125 Amp	
17	1001170861	1	Cable, Battery (Contactor to Fuse)	
18	1001183548	1	Sensor, Current	
19	1001184135	1	Plate	
20	1001184137	2	Bussbar Assembly	
21	0641608	4	Bolt 3/8-16 x 1	

SECTION 1 - FRAME

FIGURE 1-18. FRAME SHIELDS INSTALLATION



ART_1001161872

SECTION 1 - FRAME

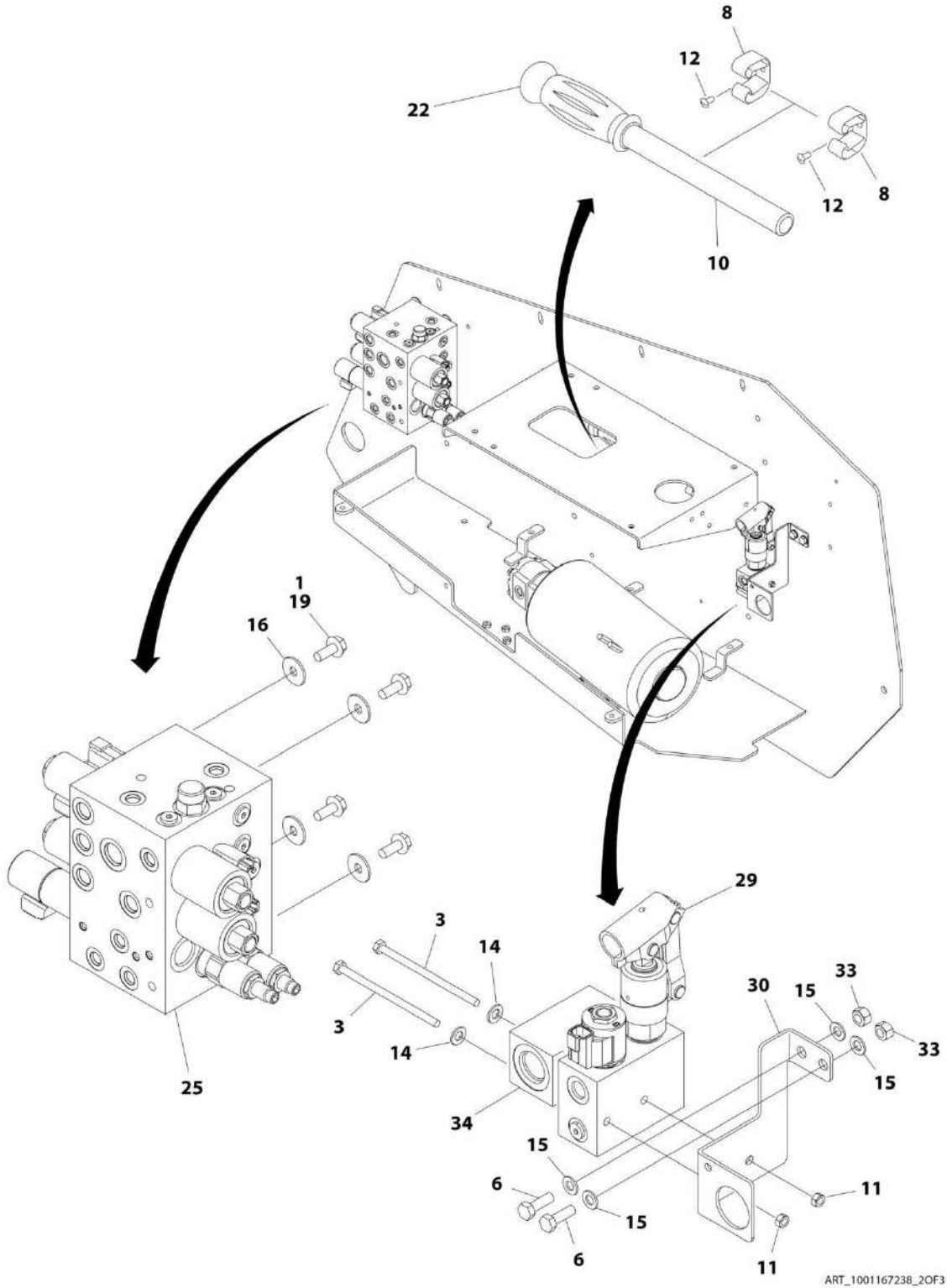
FIGURE 1-18. FRAME SHIELDS INSTALLATION

ITEM	PART NUMBER	QTY	DESCRIPTION	REV
	1001161872	Ref	FRAME SHIELDS INSTALLATION	E
2	0760607	4	Bolt M6 X 14	
3	0760808	4	Bolt M8 X 16	
4	1380138	10	Clip	
5	2940095	2	Latch, Rubber Tee	
7	3760308	10	Retainer	
8	3900174	10	Screw, Thumb	
9	3960417	18.7 ft /5.7m	Seal (Prior to SN 0300222893)	
9	1001113047	18.7 ft /5.7m	Seal (SN 0300222893 to Present)	
10	3960447	7.8 ft /2.4m	Seal	
12	4811700	4	Washer M6	
13	4812000	4	Washer M10	
14	1001161873	1	Cover, Rear Axle	
15	1001161874	2	Cover, Rear Motor	
16	1001161876	2	Cover, Battery	
17	1001161878	1	Cover, Front Frame	
18	0100011	AR	Compound, Locking	
19	1001112496	2	Screw, Thumb (Prior to SN 0300222893)	
20	5271609	4	Capscrew M5 x 25	
21	4811602	4	Washer M5	
22	3290505	4	Nut M5	
23	3820019	4	Rivet	

SECTION 2 - TURNTABLE

SECTION 2 - TURNTABLE

FIGURE 2-1. CONTROL VALVE INSTALLATION - TURNTABLE



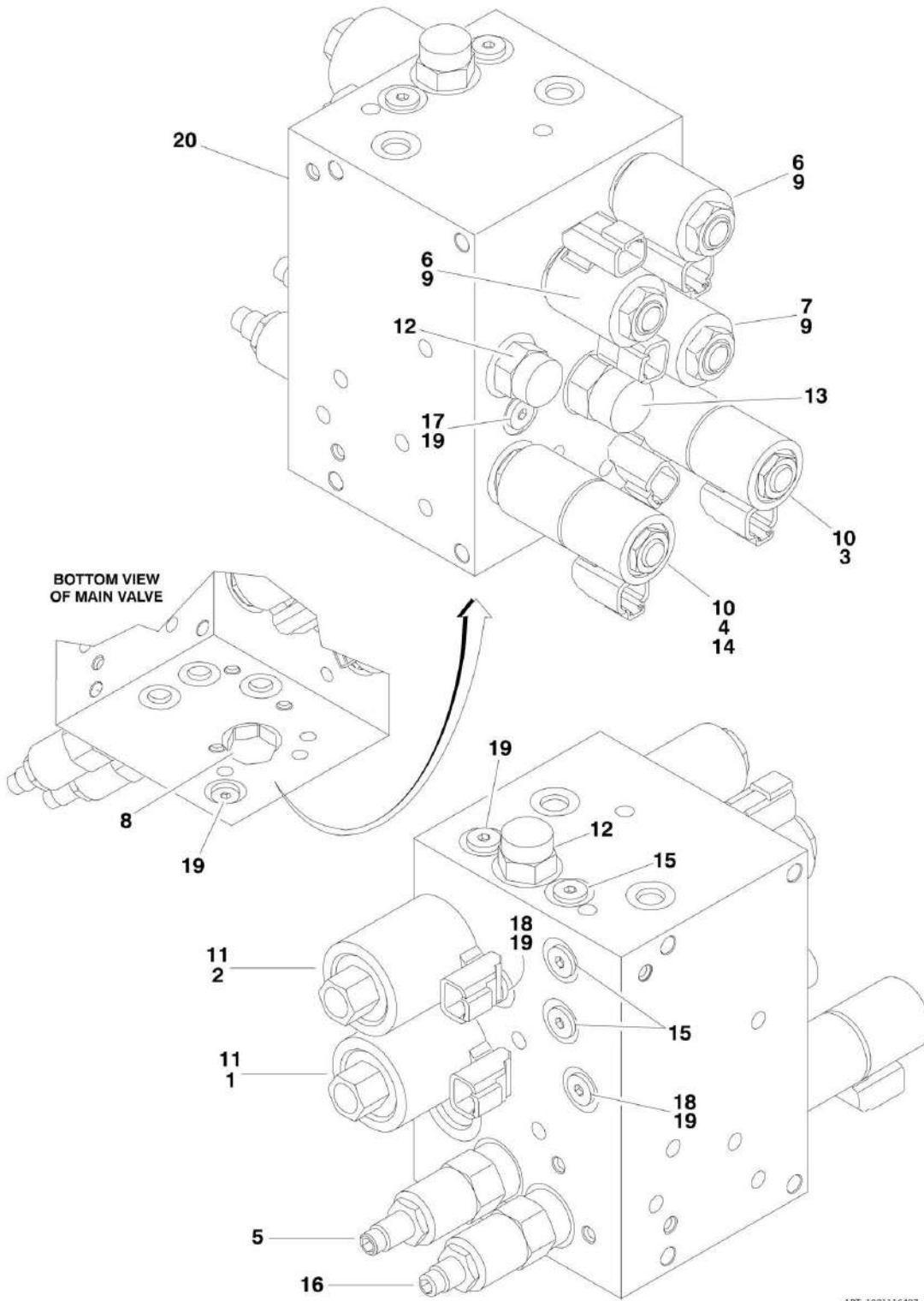
SECTION 2 - TURNTABLE

FIGURE 2-1. CONTROL VALVE INSTALLATION - TURNTABLE

ITEM	PART NUMBER	QTY	DESCRIPTION	REV
	1001167238	Ref	CONTROL VALVES INSTALLATION - TURNTABLE	I
1	0100011	AR	Compound, Locking	
3	0700628	2	Bolt M6 X 110	
6	0760812	2	Bolt M8 X 25	
8	1380136	2	Clip, Gripper	
10	2560122	1	Handle, Pump	
11	3290601	2	Nut M6	
12	3820020	2	Rivet	
14	4811700	2	Washer M6	
15	4811900	5	Washer M8	
16	4811902	4	Washer M8	
19	5250810	14	Bolt M8 X 20	
22	1001114761	1	Grip, Handle	
25	1001116487	1	Main Control Valve Assembly (See MAIN CONTROL VALVE ASSEMBLY for Breakdown)	
29	1001210829	1	Manual Pump Assembly	
29	70005722	1	Cartridge, Hand Pump	
29	7017496	1	Seal Kit - Hand Pump	
29	7017467	1	Cartridge, Solenoid Valve Less Coil	
29	7012967	1	Seal Kit - Cartridge	
29	70002386	1	Coil	
30	1001162614	1	Bracket	
33	3290805	2	Nut M8	
34	1001183406	1	Valve, Junction	

SECTION 2 - TURNTABLE

FIGURE 2-2. MAIN CONTROL VALVE ASSEMBLY



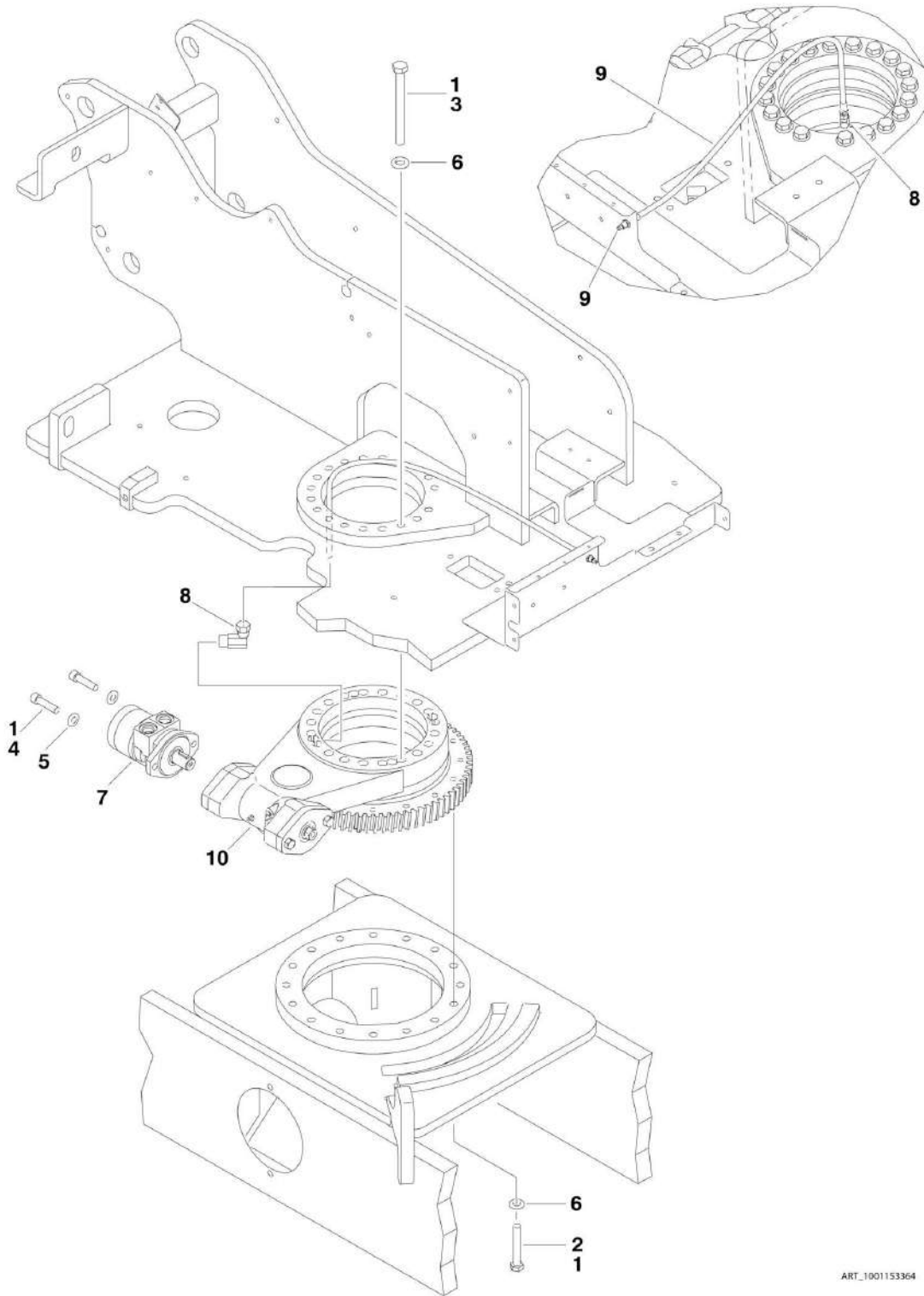
SECTION 2 - TURNTABLE

FIGURE 2-2. MAIN CONTROL VALVE ASSEMBLY

ITEM	PART NUMBER	QTY	DESCRIPTION	REV
	1001116487	Ref	MAIN VALVE ASSEMBLY	I
1	70002964	1	Cartridge, Solenoid Valve with Relief (without Coil)	
1	7017496	1	Seal Kit - 7002964 Cartridge	
2	70002965	1	Cartridge, Solenoid Valve with Relief (without Coil)	
2	7017496	1	Seal Kit - 70002965 Cartridge	
3	70002966	1	Cartridge, Solenoid Valve (without Coil) (Swing)	
3	70002967	1	Seal Kit - 70002966 Cartridge	
4	70002966	1	Cartridge, Solenoid Valve (without Coil) (Steer)	
4	70002967	1	Seal Kit - 70002966 Cartridge	
5	70002968	1	Cartridge, Relief Valve	
5	7012998	1	Seal Kit - 70002968 Cartridge	
6	70002969	2	Cartridge, Solenoid Valve (without Coil) (Upper and Lower Lift)	
6	7010543	2	Seal Kit - Cartridge	
7	70002970	1	Cartridge, Solenoid Valve (without Coil) (Flow Control)	
7	7010543	1	Seal Kit - 70002970 Cartridge	
8	10837580	1	Cartridge, Shuttle Valve	
8	7010543	1	Seal Kit - 108377580 Cartridge	
9	70002971	3	Coil	
10	70002386	4	Coil	
11	70003788	2	Coil	
12	70002972	2	Cartridge, Pressure Compensator Valve	
12	7010543	2	Seal Kit - 70002972 Cartridge	
13	70002973	1	Cartridge, Pressure Compensator Valve	
13	7010543	1	Seal Kit - 70002973 Cartridge	
14	70002974	1	Disc, Check Valve	
15	70003757	3	Cartridge, Check Valve	
15	70002976	3	Seal Kit - 70003757 Cartridges	
16	70002977	1	Cartridge, Crossover Relief	
16	7021653	1	Seal Kit - 70002977 Cartridge	
17	See Note	1	Orifice .060 (Note: Not Available for Purchase)	
18	See Note	2	Orifice .100 (Note: Not Available for Purchase)	
19	7017406	5	Plug	
20	See Note	1	Block (Note: Not Available for Purchase)	

SECTION 2 - TURNTABLE

FIGURE 2-3. SWING DRIVE INSTALLATION



ART_1001153364

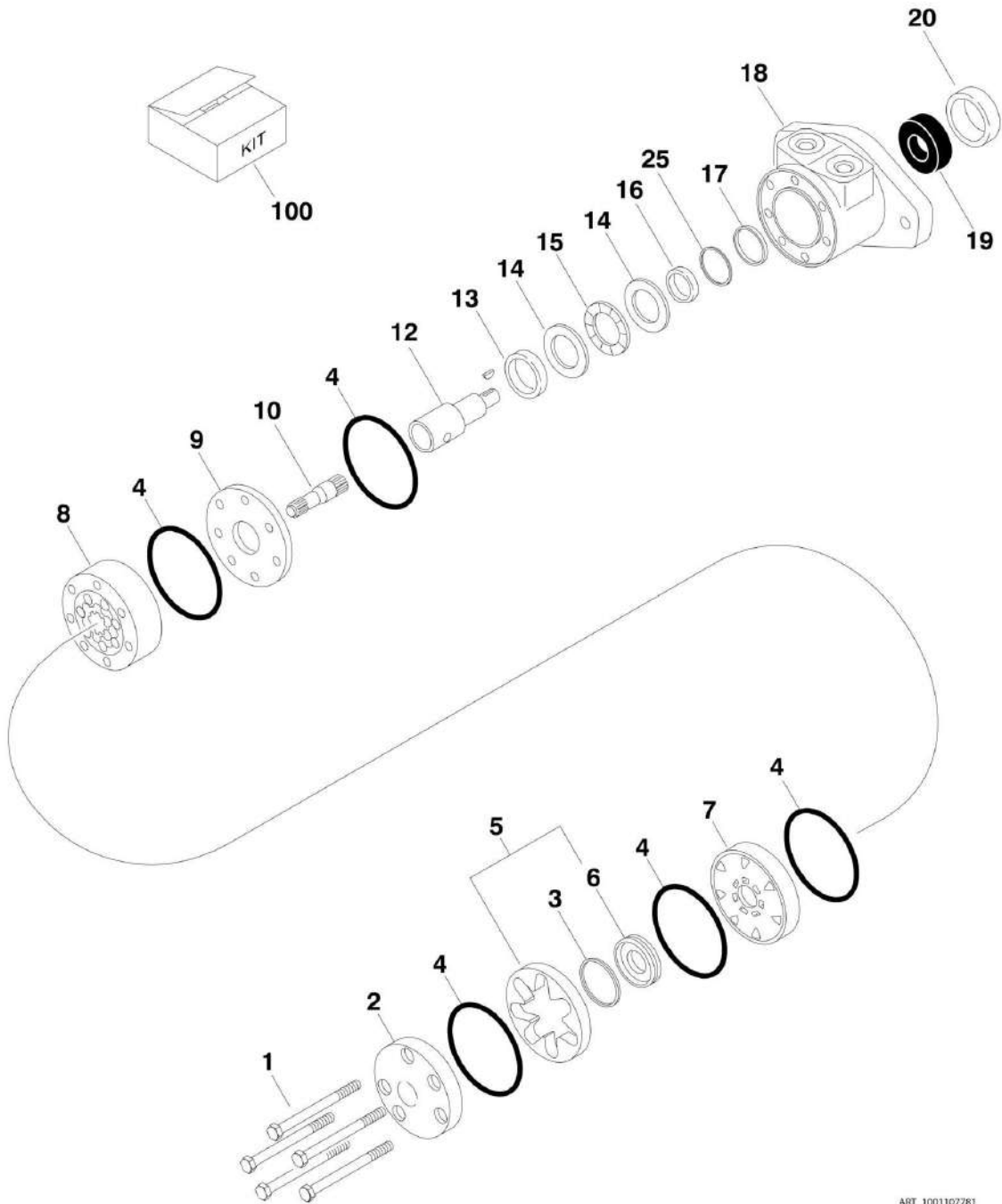
SECTION 2 - TURNTABLE

FIGURE 2-3. SWING DRIVE INSTALLATION

ITEM	PART NUMBER	QTY	DESCRIPTION	REV
	1001153364	Ref	SWING DRIVE INSTALLATION	C
1	0100019	AR	Compound, Locking	
2	0711426	16	Bolt M14 x 90 Grade 10.9	
3	0711432	19	Bolt M14 x 150 Grade 10.9	
4	3931832	2	Capscrew 1/2-13 x 2	
5	4740171	2	Washer 1/2	
6	5241400	2	Washer M14	
7	1001107781	1	Swing Motor Assembly (See SWING MOTOR ASSEMBLY for Breakdown)	
8	2220124	1	Fitting, Adapter NPT	
9	1001118961	1	Hose, Remote Grease Line (Includes Grease Fitting)	
10	1001153015	1	Swing Bearing and Rotation Box Assembly (See SWING BEARING ASSEMBLY for Breakdown)	

SECTION 2 - TURNTABLE

FIGURE 2-4. SWING MOTOR ASSEMBLY



ART_1001107781

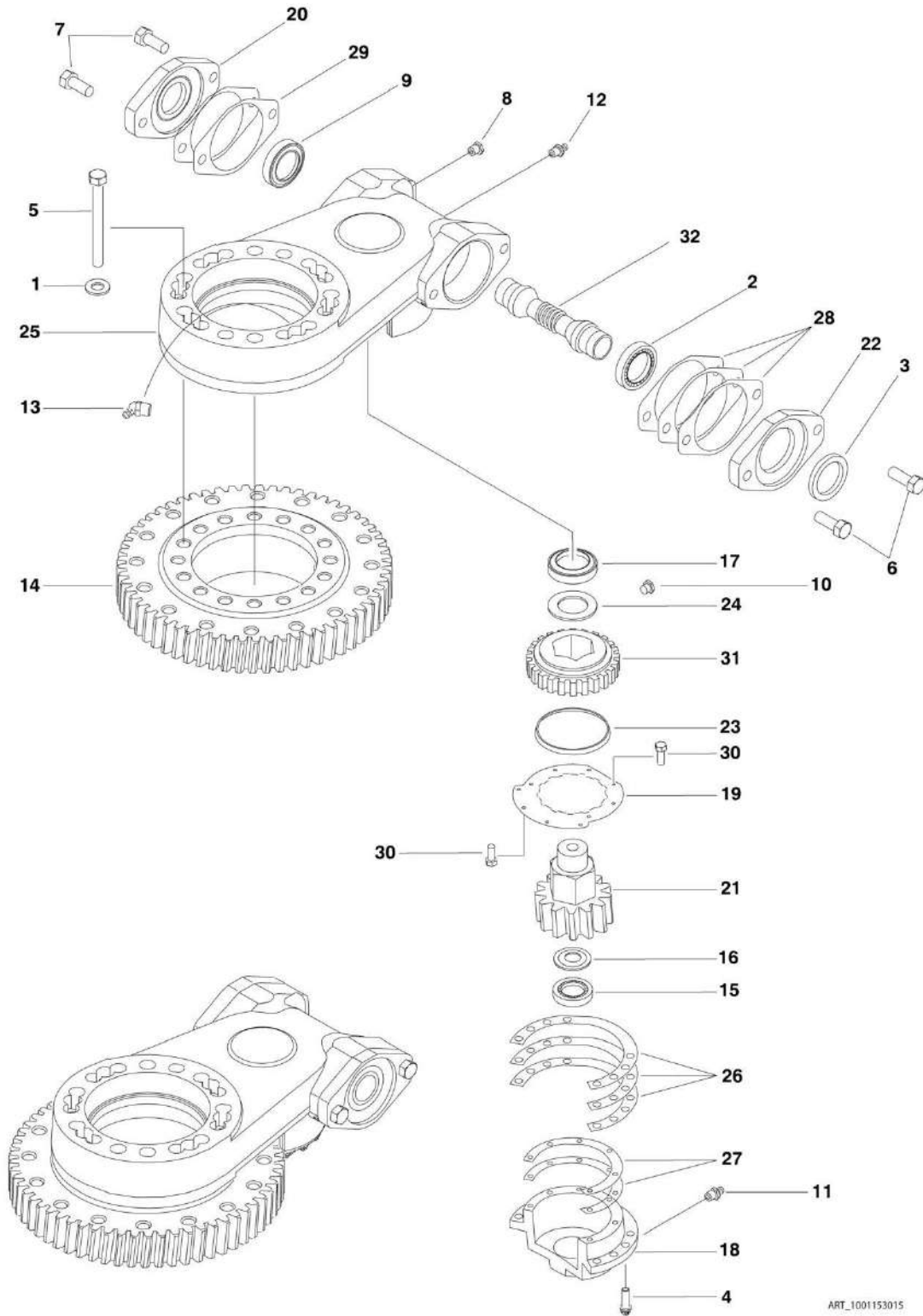
SECTION 2 - TURNTABLE

FIGURE 2-4. SWING MOTOR ASSEMBLY

ITEM	PART NUMBER	QTY	DESCRIPTION	REV
	1001107781	Ref	SWING MOTOR ASSEMBLY	A
1	70002311	5	Bolt	
2	7004035	1	Cover, End	
3	See Note	1	Seal, Commutator (Note: Use p/n 7024389)	
4	See Note	5	Seal, Ring (Note: Use p/n 7024389)	
5	7024453	1	Commutator and Ring Assembly	
6	See Note	1	Ring (Note: Use p/n 7024453)	
7	7024379	1	Manifold	
8	70002312	1	Rotor Set	
9	7024380	1	Plate, Wear	
10	70002313	1	Link, Drive	
12	70000088	1	Shaft, Coupling	
12	70000089	1	Key, Woodruff	
13	7024381	1	Bushing, Bronze	
14	7004043	2	Washer, Thrust	
15	7004044	1	Bearing, Thrust	
16	See Note	1	Seal, Inner (Note: Use p/n 7024389)	
17	See Note	1	Washer, Back-up (Note: Use p/n 7024389)	
18	See Note	1	Housing (Note: Not Available - Purchase Complete Assembly)	
19	7024390	1	Bearing	
20	See Note	1	Seal (Note: Use p/n 7024389)	
25	See Note	1	Washer, Back-up (Note: Use p/n 7024389)	
100	7024389	1	Seal Kit (Includes Items 3, 4, 16, 17, 20 & 25)	

SECTION 2 - TURNTABLE

FIGURE 2-5. SWING BEARING ASSEMBLY



ART_1001153015

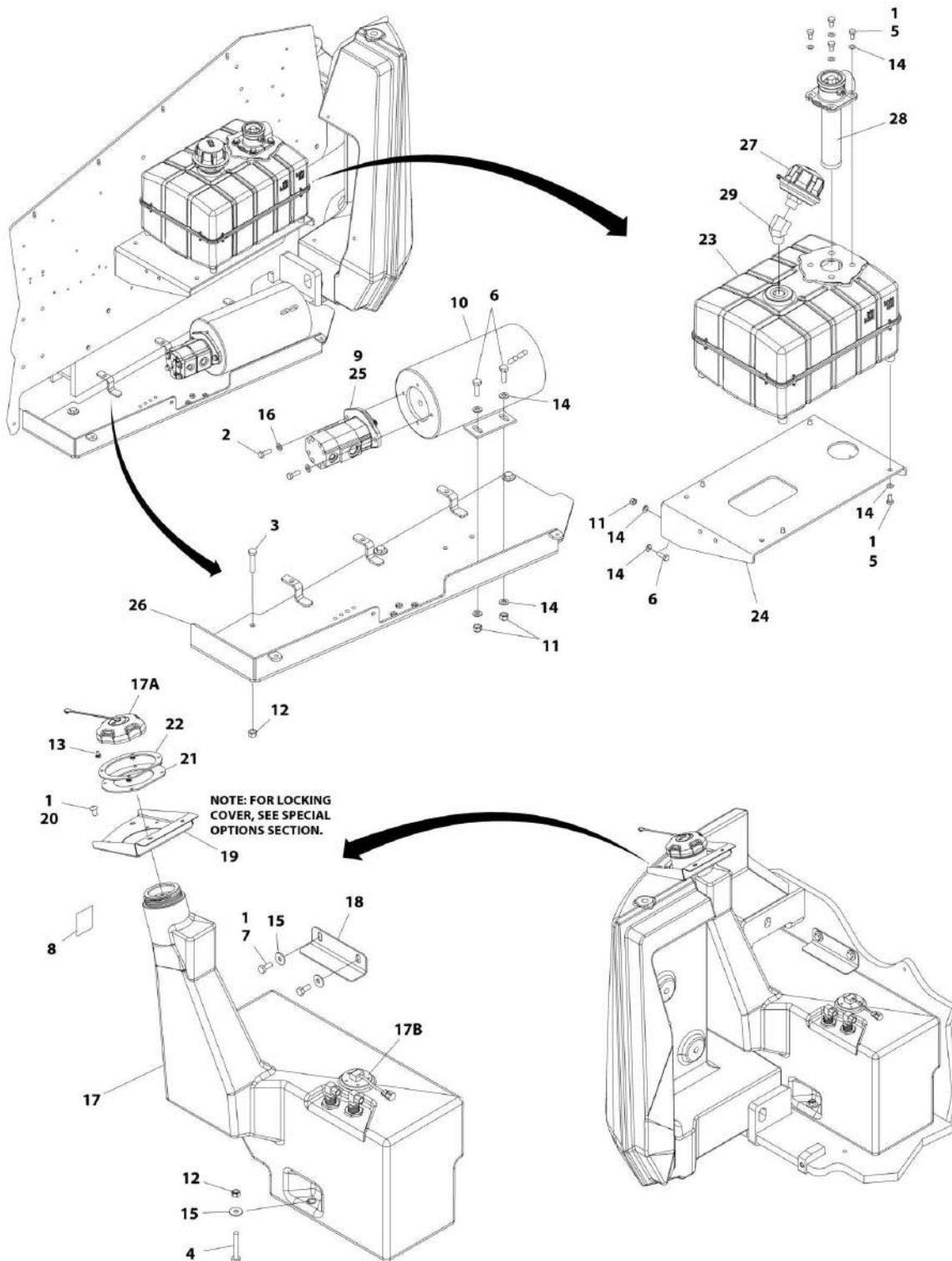
SECTION 2 - TURNTABLE

FIGURE 2-5. SWING BEARING ASSEMBLY

ITEM	PART NUMBER	QTY	DESCRIPTION	REV
	1001153015	Ref	SWING BEARING ASSEMBLY	B
1	7026041	2	Washer 5/16	
2	70002643	2	Cup, Bearing	
2	70002644	2	Cone, Bearing	
3	70002645	1	Seal	
4	70002646	8	Bolt 5/16-18 x 7/8	
5	70003138	2	Bolt 5/16-18 x 2-1/2	
6	70002647	2	Bolt 1/2-13 x 1	
7	70002648	2	Bolt 1/2-13 x 1-1/4	
8	70002649	1	Vent, Pressure	
9	70002650	1	Seal	
10	70003139	1	Plug 1/4	
11	70002651	1	Fitting, Grease 1/4	
12	70002652	1	Fitting, Grease 1/8 Straight	
13	7027359	1	Fitting, Grease 1/8 90	
14	1001160531	1	Turntable Bearing Kit (Includes Bearing and Hardware (was p/n 1001143932 & 70003140)	
15	70002656	1	Cup, Bearing	
15	70002657	1	Cone, Bearing	
16	70002658	1	Ring, Grease	
17	7026048	1	Cup, Bearing	
17	7026049	1	Cone, Bearing	
18	70002659	1	Cap, Gear	
19	70003141	1	Plate, Cover	
20	70002661	1	Cap, Worm	
21	70003142	1	Pinion, Output	
22	70002663	1	Adapter, Motor	
23	70002664	1	Seal, Face	
24	7026052	1	Spacer, Washer	
25	See Note	1	Housing (Note: Not Available - Purchase Complete Assembly)	
26	70002665	1	Shim .0075 Natural	
26	70002666	1	Shim .005 Blue	
26	70002667	1	Shim .003 Green	
27	70002668	1	Shim .005 Blue	
27	70002669	1	Shim .020 Yellow	
28	7027352	1	Gasket .010 Brown	
28	7027351	1	Gasket .0075 Clear	
28	7027350	1	Gasket .005 Blue	
29	7027353	1	Gasket .020 Yellow	
30	70000681	10	Bolt, Flange #6-32 x 3/8	
31	70002670	1	Gear, Worm	
32	70002671	1	Shaft, Worm	

SECTION 2 - TURNTABLE

FIGURE 2-6. TANKS AND PUMP ASSEMBLY



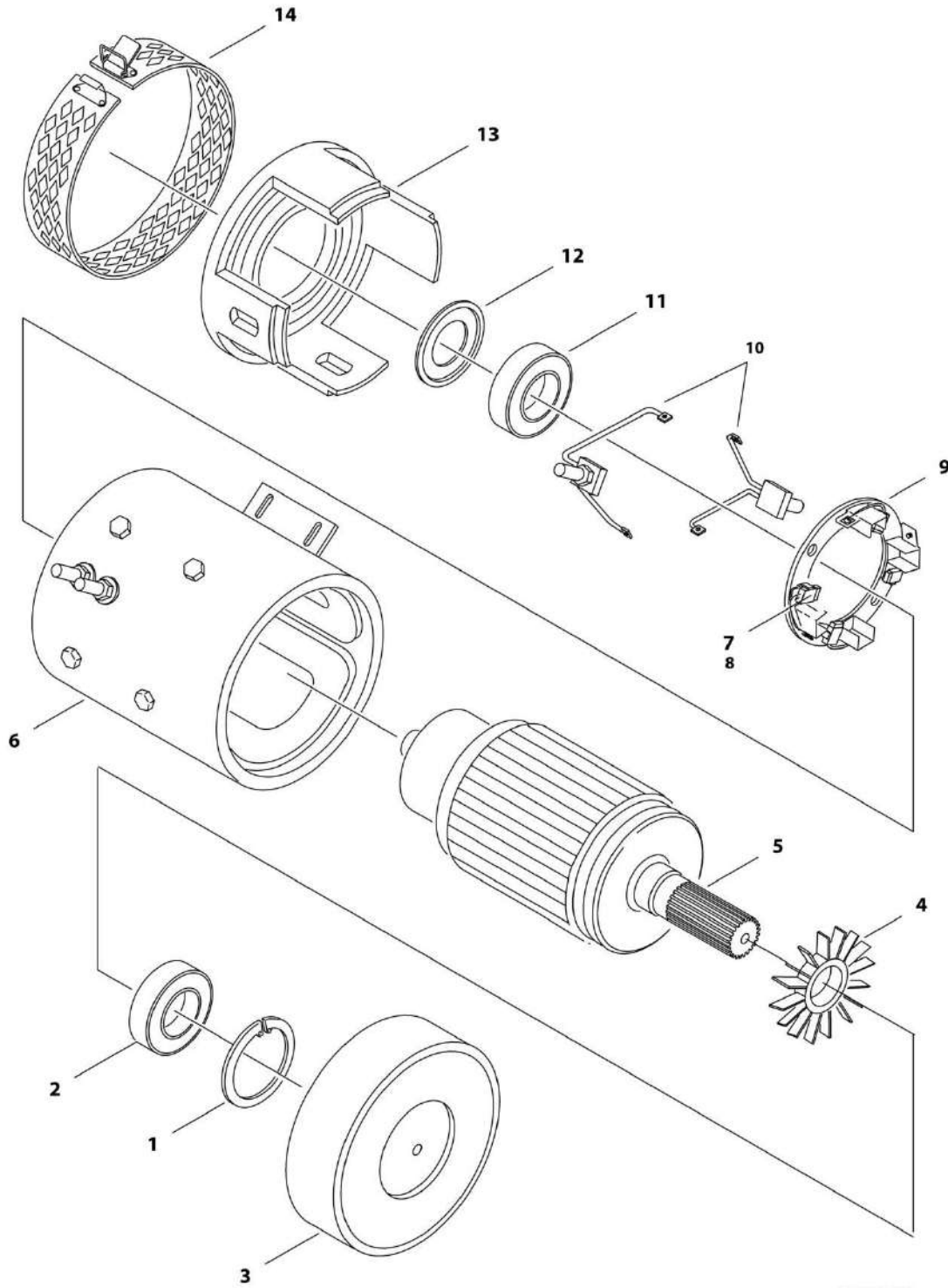
SECTION 2 - TURNTABLE

FIGURE 2-6. TANKS AND PUMP ASSEMBLY

ITEM	PART NUMBER	QTY	DESCRIPTION	REV
	1001169196	Ref	TANKS AND PUMP INSTALLATION	H
1	0100011	AR	Compound, Locking	
2	0700812	2	Bolt M8 X 25	
3	0701018	3	Bolt M10 X 50	
4	0701022	1	Bolt M10 X 70	
5	0760808	8	Bolt M8 X 16	
6	0760812	8	Bolt M8 X 25	
7	0761012	2	Bolt M10 X 25	
8	1701505	1	Decal - Diesel Fuel	
9	3020037	AR	Lubricant, Coupling	
10	3160252	1	Hydraulic Pump Motor Assembly (See HYDRAULIC PUMP MOTOR ASSEMBLY for Breakdown)	
11	3290805	8	Nut M8	
12	3291005	4	Nut M10	
13	3820032	4	Rivet	
14	4811900	24	Washer M8	
15	4812002	9	Washer M10	
16	4891500	2	Washer 5/16	
17	1001117897	1	Fuel Tank Assembly (Note: Parts listed below are the only service parts available. For any other parts, source locally or purchase complete tank p/n 1001117897)	
17A	1001128798	1	Cap, Fill	
17B	1001118262	1	Sender (Includes Seal - Seal Not Sold Separately)	
17B	0721004	5	Screw #10-24 x 1/2	
18	1001118509	1	Support, Tank	
19	1001118510	1	Shield, Tank Neck	
20	1001119527	2	Screw M10 X 12	
21	1001128781	1	Seal, Tank Neck	
22	1001128782	1	Ring, Tank Neck	
23	1001162117	1	Tank, Hydraulic	
24	1001162748	1	Bracket, Tank	
25	1001205844	1	Hydraulic Pump Assembly (Note: Seal Kit is only replacement part. For all other components, replace complete assembly)	
25	70005818	1	Seal Kit - 1001205844 Pump	
26	1001169195	1	Shield	
27	1001178594	1	Filler/Air Breather Filter	
28	1001178731	1	Filter, Oil Return	
28	1001178595	1	Element, Filter	
29	1001205158	1	Fitting, 45 NPT	

SECTION 2 - TURNTABLE

FIGURE 2-7. HYDRAULIC PUMP MOTOR ASSEMBLY



ART_3160252

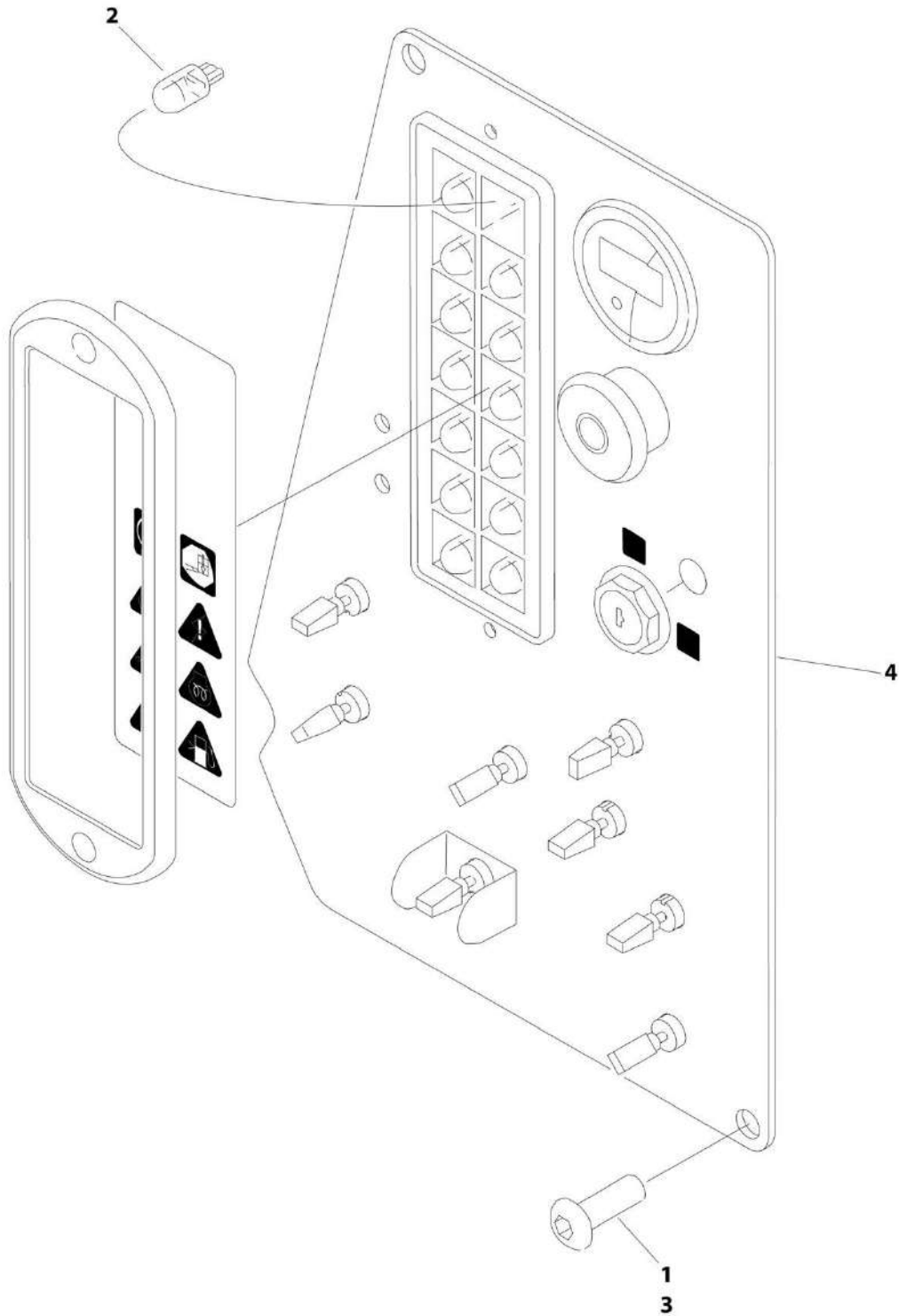
SECTION 2 - TURNTABLE

FIGURE 2-7. HYDRAULIC PUMP MOTOR ASSEMBLY

ITEM	PART NUMBER	QTY	DESCRIPTION	REV
	3160252	Ref	HYDRAULIC PUMP MOTOR ASSEMBLY	C
1	7020291	1	Ring, Retaining	
2	7020292	1	Bearing (Shaft End)	
3	7020293	1	Endhead, Shaft	
4	7020294	1	Fan	
5	7020295	1	Armature Assembly	
6	7020296	1	Field Coil/Case Kit	
7	7012548	8	Spring, Brush	
8	7020297	8	Brush	
9	7020298	1	Box Assembly - Brush	
10	7020299	1	Lead Kit, Brush Wire	
11	7012545	1	Bearing (Commutator End)	
12	7012549	1	Washer	
13	7023200	1	Endhead, Commutator	
14	7023272	1	Headband Assembly	

SECTION 2 - TURNTABLE

FIGURE 2-8. GROUND CONTROLS INSTALLATION - ALL SPECS EXCEPT CE SPECS



ART_1001182731

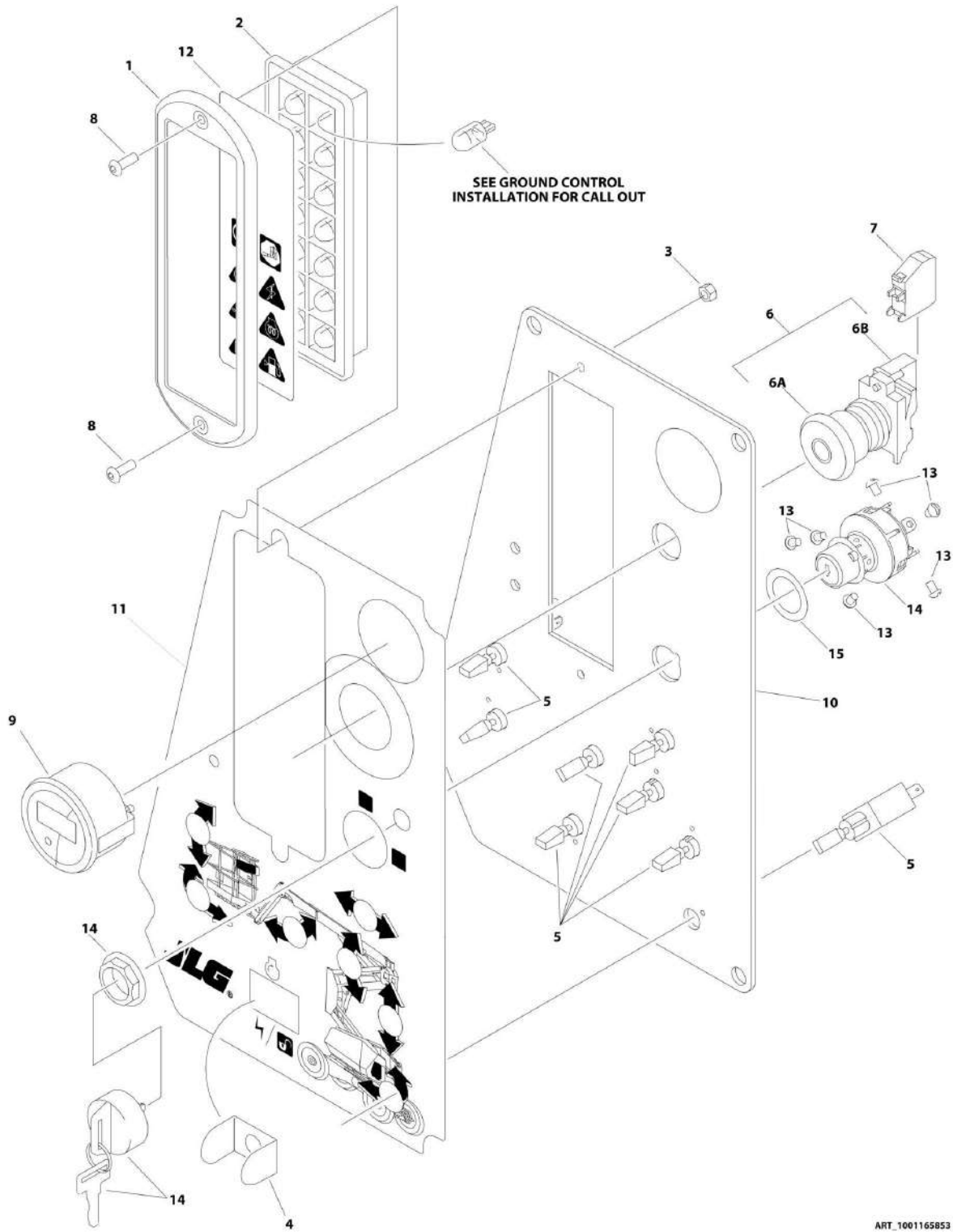
SECTION 2 - TURNTABLE

FIGURE 2-8. GROUND CONTROLS INSTALLATION - ALL SPECS EXCEPT CE SPECS

ITEM	PART NUMBER	QTY	DESCRIPTION	REV
	1001182731	Ref	GROUND CONTROLS INSTALLATION - ALL SPECS EXCEPT CE SPECS	A
1	0100011	AR	Compound, Locking	
2	2920129	8	Bulb, Light	
3	1001119527	4	Screw M10 x 16	
4	1001165853	1	Ground Control Assembly - All Specs except CE Spec (See GROUND CONTROL ASSEMBLY - ALL SPECS EXCEPT CE SPEC for Breakdown)	

SECTION 2 - TURNTABLE

FIGURE 2-9. GROUND CONTROLS ASSEMBLY - ALL SPECS EXCEPT CE SPECS



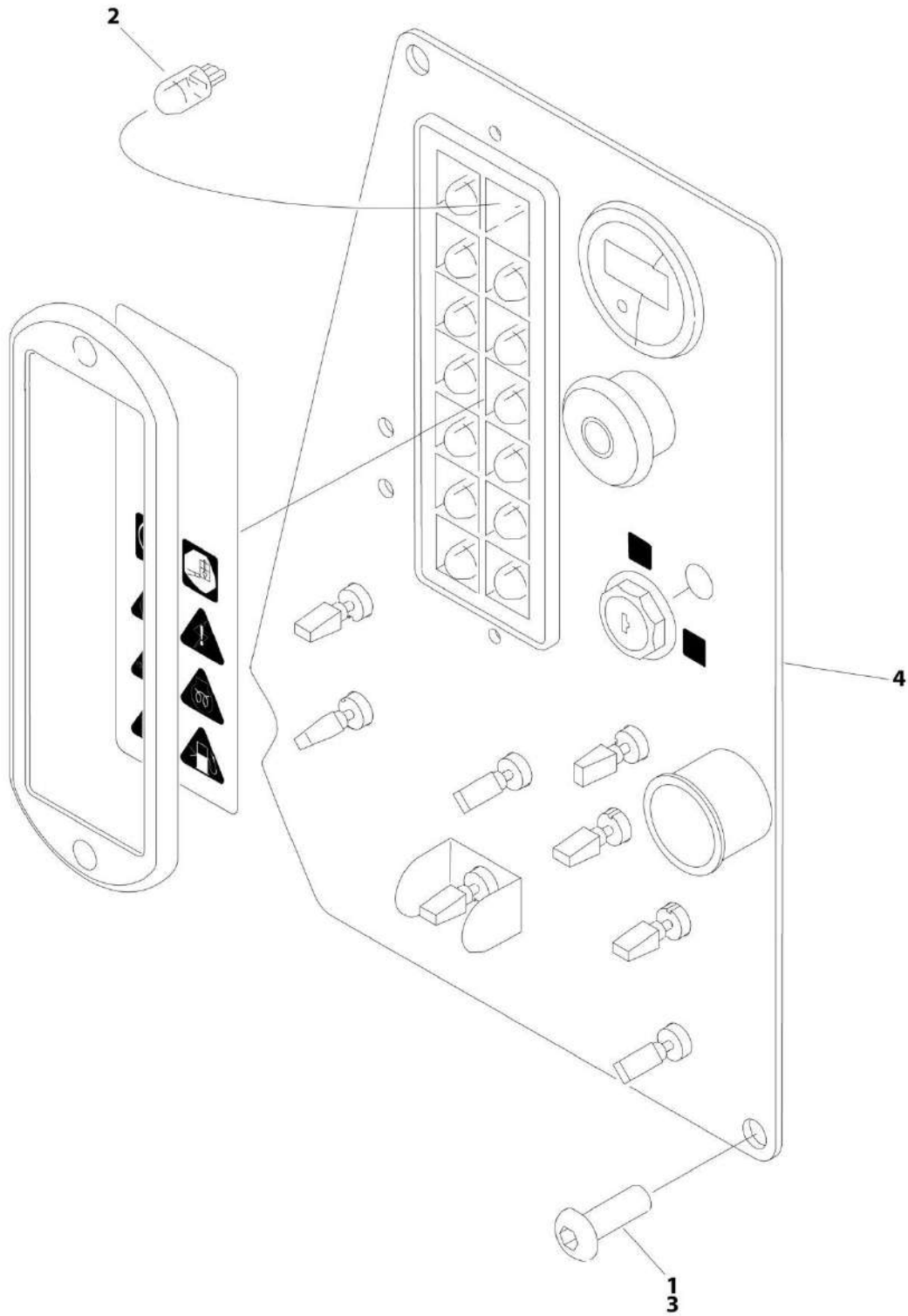
SECTION 2 - TURNTABLE

FIGURE 2-9. GROUND CONTROLS ASSEMBLY - ALL SPECS EXCEPT CE SPECS

ITEM	PART NUMBER	QTY	DESCRIPTION	REV
	1001165853	Ref	GROUND CONTROL ASSEMBLY - ALL SPECS EXCEPT CE SPEC	D
1	1670829	1	Bezel	
2	2760105	1	Housing, Display Light	
3	3290505	2	Nut M5	
4	4060906	1	Guard, Switch	
5	4360328	8	Switch, Toggle	
6	4360475	1	Switch, Emergency Stop	
6A	7020175	1	Cap	
6B	7020176	1	Block, Switch Contact	
7	4360476	1	Block, Switch Contact	
8	1001099125	2	Screw M5 X 16 Grade 10.9	
9	1001109503	1	Gauge	
10	1001165851	1	Panel	
11	1001165852	1	Decal - Ground Control	
12	1001169089	1	Decal - Ground Control	
13	3910804	6	Screw #8-32 X 1/4	
14	4360469	1	Switch, Key	
14	2860030	1	Key, Replacement	
15	1001151393	1	Shim	

SECTION 2 - TURNTABLE

FIGURE 2-10. GROUND CONTROL INSTALLATION - CE SPEC



ART_1001182732

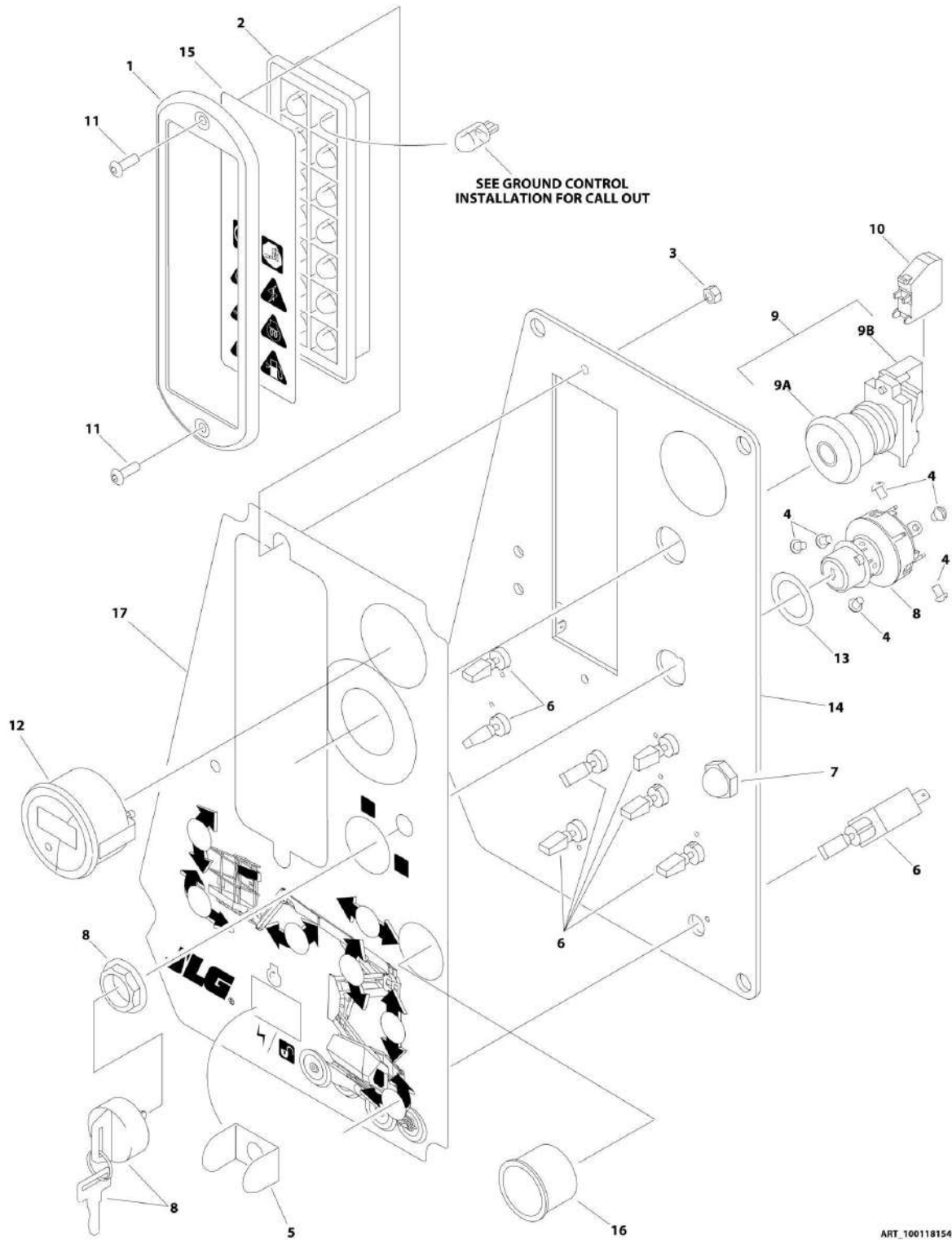
SECTION 2 - TURNTABLE

FIGURE 2-10. GROUND CONTROL INSTALLATION - CE SPEC

ITEM	PART NUMBER	QTY	DESCRIPTION	REV
	1001182732	Ref	GROUND CONTROLS INSTALLATION - CE SPEC	A
1	0100011	AR	Compound, Locking	
2	2920129	8	Bulb, Light	
3	1001119527	4	Screw M10 x 16	
4	1001181549	1	Ground Control Assembly - CE Spec (See GROUND CONTROL ASSEMBLY - CE SPEC for Breakdown)	

SECTION 2 - TURNTABLE

FIGURE 2-11. GROUND CONTROL ASSEMBLY - CE SPEC



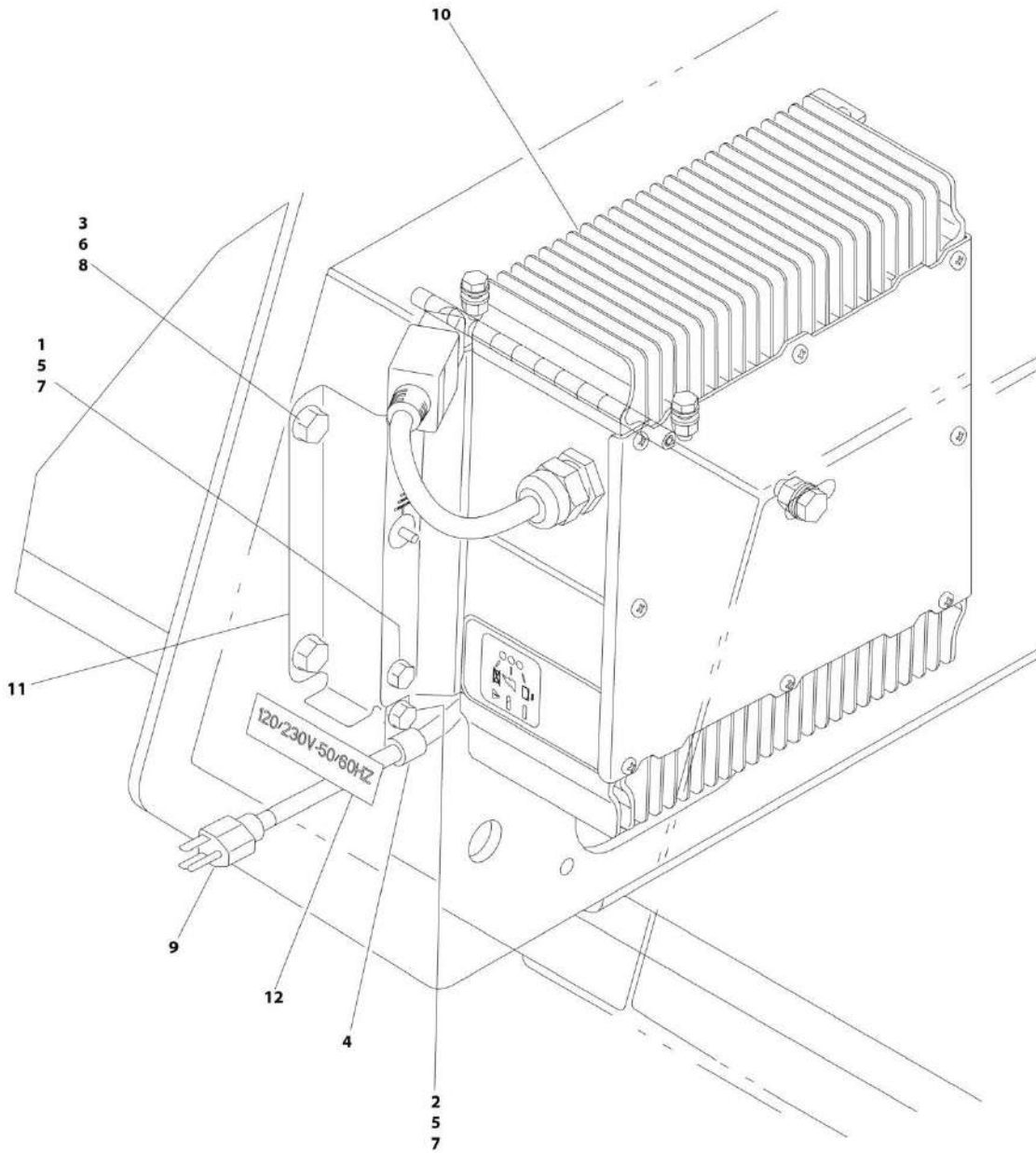
SECTION 2 - TURNTABLE

FIGURE 2-11. GROUND CONTROL ASSEMBLY - CE SPEC

ITEM	PART NUMBER	QTY	DESCRIPTION	REV
	1001181549	Ref	GROUND CONTROL ASSEMBLY - CE SPEC,	B
1	1670829	1	Bezel	
2	2760105	1	Housing, Display Light	
3	3290505	2	Nut M5	
4	3910804	6	Screw #8-32 X 1/4	
5	4060906	1	Guard, Switch	
6	4360328	8	Switch, Toggle	
7	4360387	1	Switch, Push Button	
8	4360469	1	Switch, Key	
8	2860030	1	Key, Replacement	
9	4360475	1	Switch, Emergency Stop	
9A	7020175	1	Cap	
9B	7020176	1	Block, Switch Contact	
10	4360476	1	Block, Switch Contact	
11	1001099125	2	Screw M5 X 16 Grade 10.9	
12	1001109503	1	Gauge	
13	1001151393	1	Shim	
14	1001165851	1	Panel	
15	1001169089	1	Decal - Ground Control	
16	1001176469	1	Shroud, Switch	
17	1001181548	1	Decal - MSSO	

SECTION 2 - TURNTABLE

FIGURE 2-12. BATTERY CHARGER INSTALLATION - 110V PLUG



ART_1001174019

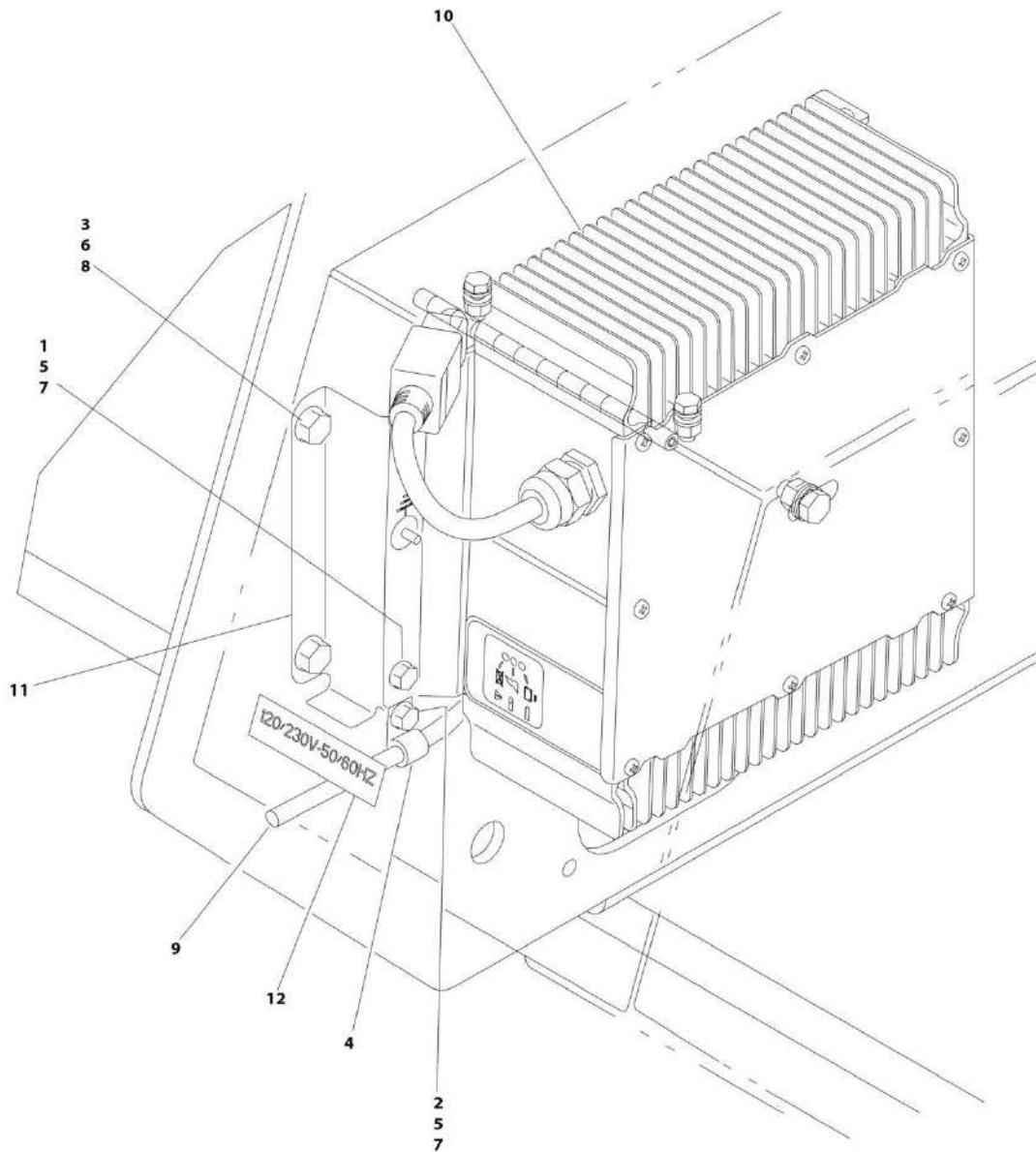
SECTION 2 - TURNTABLE

FIGURE 2-12. BATTERY CHARGER INSTALLATION - 110V PLUG

ITEM	PART NUMBER	QTY	DESCRIPTION	REV
	1001174019	Ref	BATTERY CHARGER INSTALLATION - 110V PLUG	C
1	0760608	4	Bolt M6 x 16	
2	0760610	1	Bolt M6 x 20	
3	0760812	4	Bolt M8 x 25	
4	1321293	1	Clamp	
5	3290605	5	Nut M6	
6	3290805	4	Nut M8	
7	4811700	10	Washer M6	
8	4811900	8	Washer M8	
9	1001103257	1	Cable, AC Battery Charger Input	
10	1001152650	1	Battery Charger Assembly (See BATTERY CHARGER ASSEMBLY for Breakdown) (Prior to SN 0300209405)	
10	1001197707	1	Battery Charger Assembly (See BATTERY CHARGER ASSEMBLY for Breakdown) (SN 0300209405 to Present)	
11	1001169420	2	Plate	
12	1001186845	1	Decal - 120/230V - 50/60Hz	

SECTION 2 - TURNTABLE

FIGURE 2-13. BATTERY CHARGER INSTALLATION - LOCALLY SUPPLIED PLUG



ART_1001174020

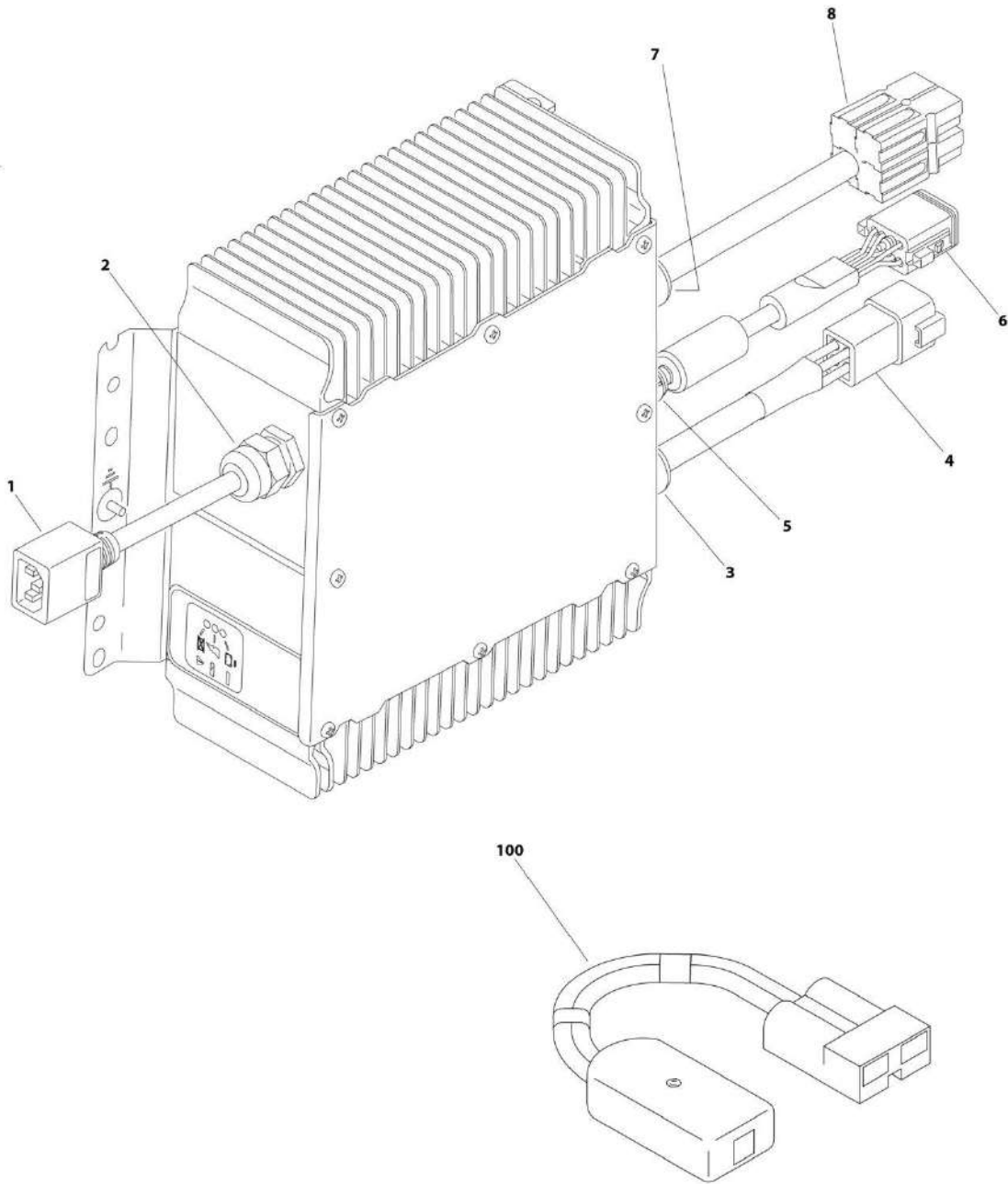
SECTION 2 - TURNTABLE

FIGURE 2-13. BATTERY CHARGER INSTALLATION - LOCALLY SUPPLIED PLUG

ITEM	PART NUMBER	QTY	DESCRIPTION	REV
	1001174020	Ref	BATTERY CHARGER INSTALLATION - LOCALLY SUPPLIED PLUG	C
1	0760608	4	Bolt M6 x 16	
2	0760610	1	Bolt M6 x 20	
3	0760812	4	Bolt M8 x 25	
4	1321293	1	Clamp	
5	3290605	5	Nut M6	
6	3290805	4	Nut M8	
7	4811700	10	Washer M6	
8	4811900	8	Washer M8	
9	1001103258	1	Cable, AC Input Charger	
10	1001152650	1	Battery Charger Assembly (See BATTERY CHARGER ASSEMBLY for Breakdown) (Prior to SN 0300209405)	
10	1001197707	1	Battery Charger Assembly (See BATTERY CHARGER ASSEMBLY for Breakdown) (SN 0300209405 to Present)	
11	1001169420	2	Plate	
12	1001186845	1	Decal - 120/230V - 50/60Hz	

SECTION 2 - TURNTABLE

FIGURE 2-14. BATTERY CHARGER ASSEMBLY (Prior to SN 0300209405)



ART_1001152650

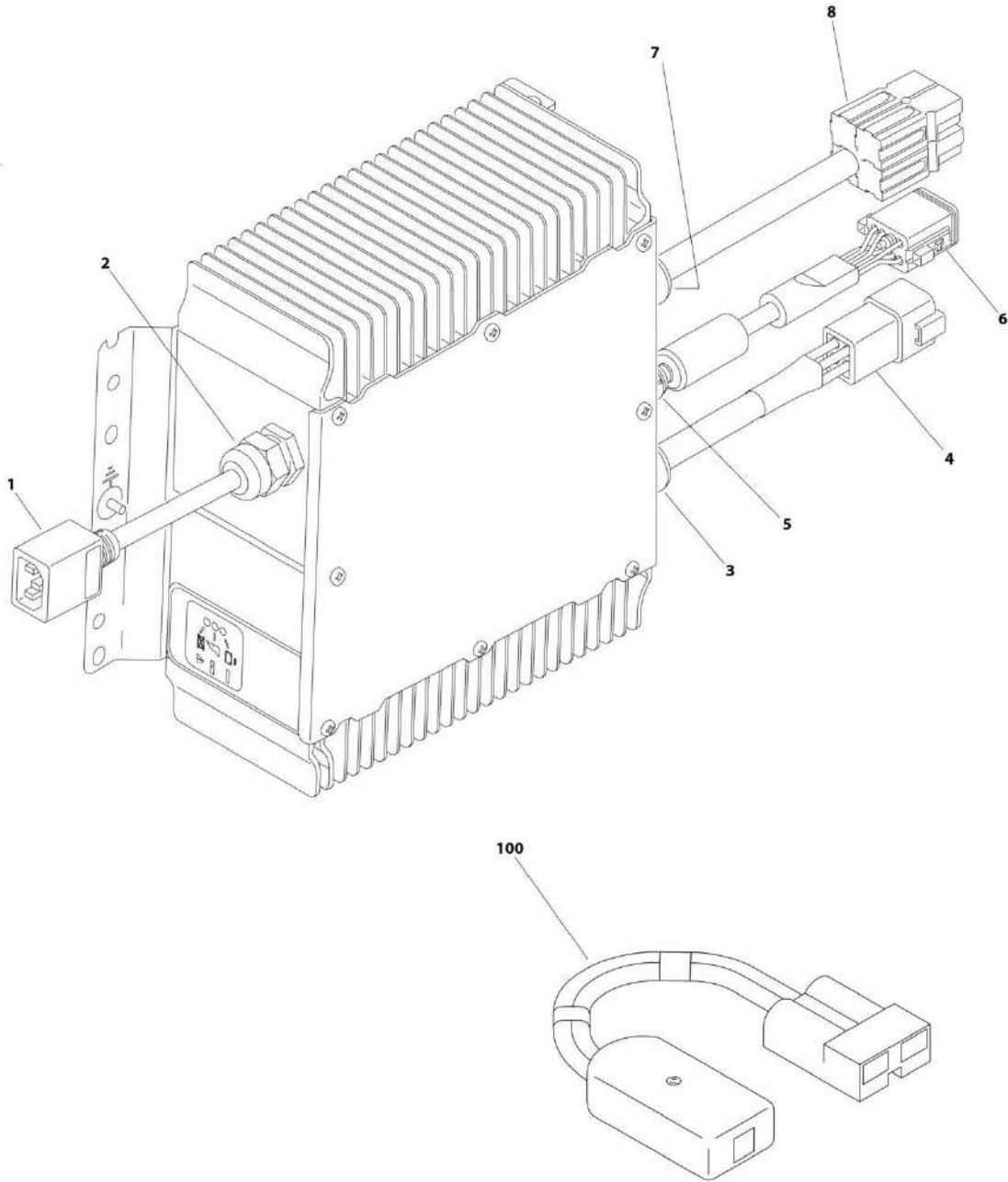
SECTION 2 - TURNTABLE

FIGURE 2-14. BATTERY CHARGER ASSEMBLY (Prior to SN 0300209405)

ITEM	PART NUMBER	QTY	DESCRIPTION	REV
	1001152650	Ref	BATTERY CHARGER ASSEMBLY (Prior to SN 0300209405)	F
1	See Note	1	Harness with Connector (Note: Not Available for Purchase)	
2	See Note	1	Connector, Strain Relief (Note: Not Available for Purchase)	
3	See Note	1	Connector, Strain Relief (Note: Not Available for Purchase)	
4	1001116811	1	Receptacle, Female - 4 Position	
5	See Note	1	Connector, Strain Relief (Note: Not Available for Purchase)	
6	4460930	1	Plug, Male - 8 Position	
7	See Note	1	Connector, Strain Relief (Note: Not Available for Purchase)	
8	See Note	1	Connector - 4 Position	
100	2915230	1	BATTERY CHARGER REPROGRAM CONTROLLER KIT (Includes Controller, Software and Instructions)	

SECTION 2 - TURNTABLE

FIGURE 2-15. BATTERY CHARGER ASSEMBLY (SN 0300209405 to Present)



ART_1001197707

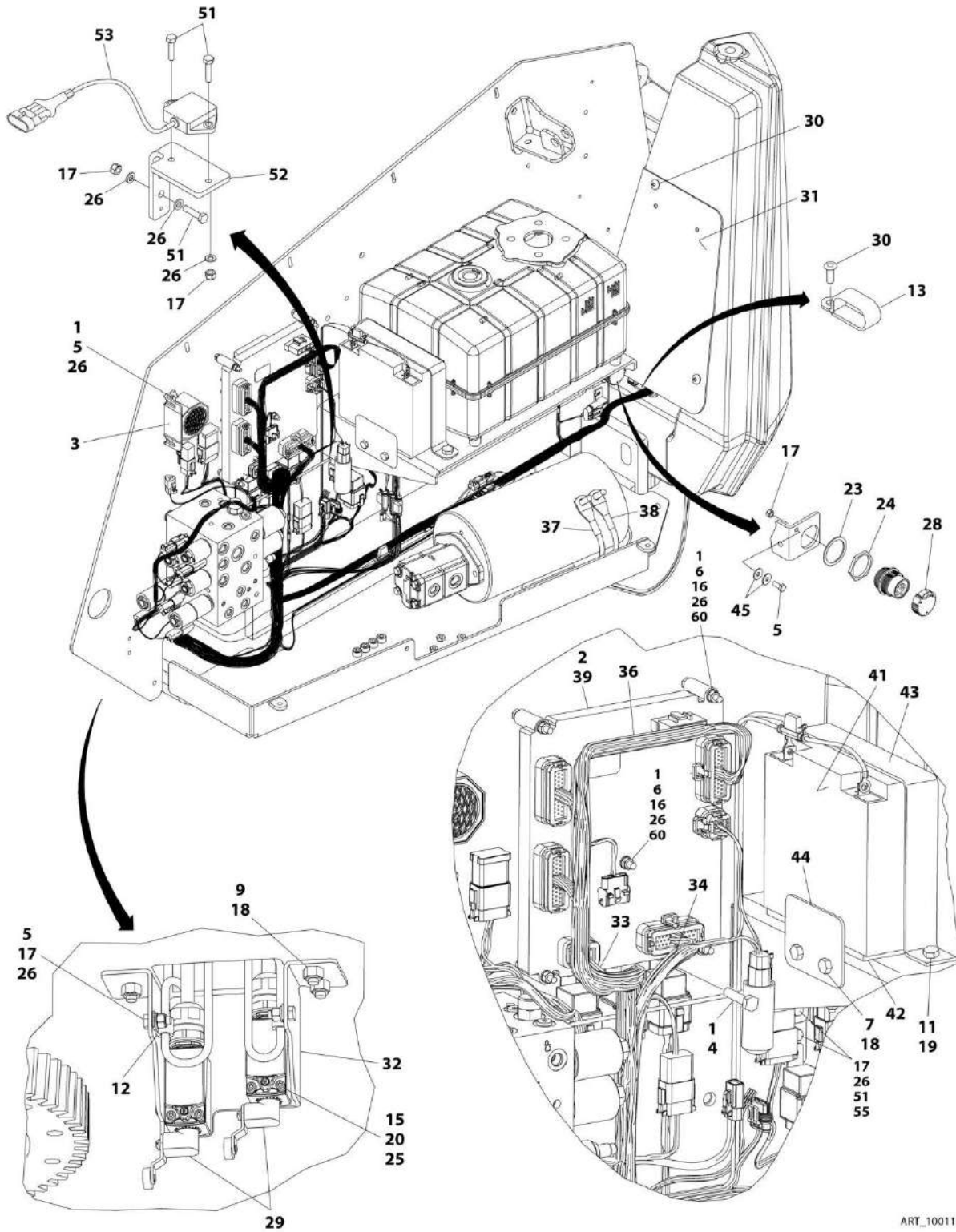
SECTION 2 - TURNTABLE

FIGURE 2-15. BATTERY CHARGER ASSEMBLY (SN 0300209405 to Present)

ITEM	PART NUMBER	QTY	DESCRIPTION	REV
	1001197707	Ref	BATTERY CHARGER ASSEMBLY (SN 0300209405 to Present)	C
1	See Note	1	Harness with Connector (Note: Not Available for Purchase)	
2	See Note	1	Connector, Strain Relief (Note: Not Available for Purchase)	
3	See Note	1	Connector, Strain Relief (Note: Not Available for Purchase)	
4	1001116811	1	Receptacle, Female - 4 Position	
5	See Note	1	Connector, Strain Relief (Note: Not Available for Purchase)	
6	4460930	1	Plug, Male - 8 Position	
7	See Note	1	Connector, Strain Relief (Note: Not Available for Purchase)	
8	See Note	1	Connector - 4 Position	
100	2915230	1	BATTERY CHARGER REPROGRAM CONTROLLER KIT (Includes Controller, Software and Instructions)	

SECTION 2 - TURNTABLE

FIGURE 2-16. ELECTRICAL COMPONENTS INSTALLATION



ART_1001168033

SECTION 2 - TURNTABLE

FIGURE 2-16. ELECTRICAL COMPONENTS INSTALLATION

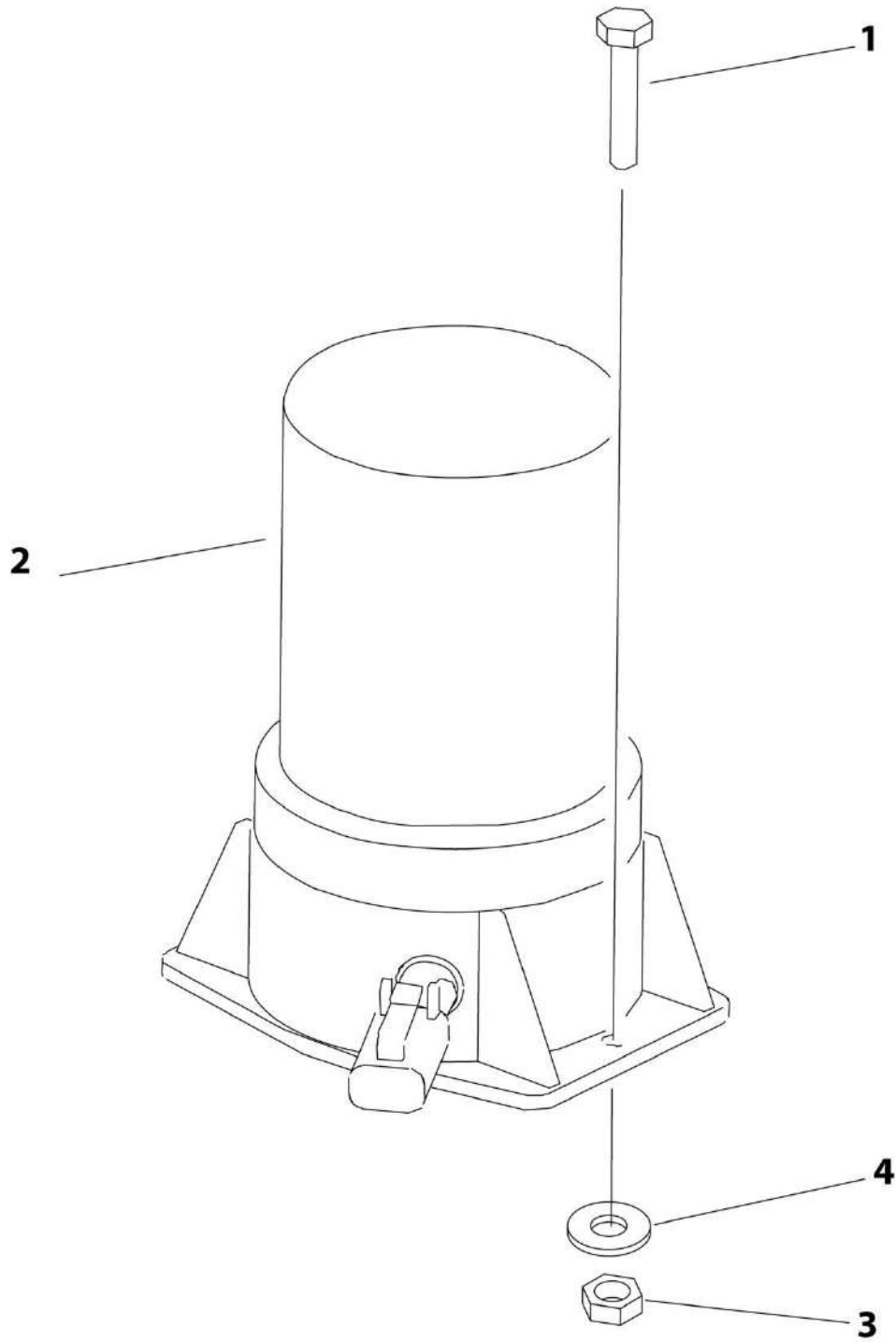
ITEM	PART NUMBER	QTY	DESCRIPTION	REV
	1001168033	Ref	ELECTRICAL COMPONENTS INSTALLATION	J
1	0100011	AR	Compound, Locking	
2	0100048	AR	Grease, Terminal	
3	0140043	1	Alarm	
4	0760505	3	Bolt M5 X 10	
5	0760608	6	Bolt M6 X 16	
6	0760621	5	Bolt M6 X 65	
7	0760810	2	Bolt M8 X 20	
9	0760816	3	Bolt M8 X 40	
11	0761014	2	Bolt M10 X 30	
12	1321293	2	Clamp	
13	1321716	1	Clamp	
15	3290405	4	Nut M4	
16	3290601	10	Nut M6 (Prior to SN 0300236472)	
17	3290605	8	Nut M6	
18	3290805	5	Nut M8	
19	3291005	2	Nut M10	
20	4031512	4	Capscrew M4 X 40	
21	4240032	4	Tie-Strap (Not Shown)	
22	4460234	2	Mount, Tie-Strap (Not Shown)	
23	4460496	1	Washer	
24	4460497	1	Nut	
25	4811400	4	Washer M4	
26	4811700	AR	Washer M6	
28	1001106736	1	Cap, Dust	
29	1001119176	2	Switch, Limit	
29	1001129407	1	Receptacle, Female - 4 Position	
29	4460464	4	Pin, Male	
30	1001119527	3	Screw M10 X 12	
31	1001125291	1	Shield	
32	1001141710	1	Plate	
33	1001165795	1	Valve Harness Assembly (See ELECTRICAL SECTION for Breakdown)	
34	1001165848	1	Ground Control Harness (See ELECTRICAL SECTION for Breakdown)	
36	1001165923	1	Turntable Harness Assembly (See ELECTRICAL SECTION for Breakdown)	
37	1001168662	1	Cable, Pump Motor (+)	
38	1001168663	1	Cable, Pump Motor (-)	
39	1001183213	1	Module, UGM	
41	1001172394	1	Battery	
42	1001172395	1	Insulation	
43	1001172396	1	Strap, Battery	
44	1001172541	1	Bracket	
45	4811702	AR	Washer M6	
51	0760612	4	Bolt M6 X 25	
52	1001180464	1	Plate, Mounting	
53	1001181325	1	Sensor (Prior to SN 0300236472)	
53	1001219601	1	Sensor (SN 0300236472 to Present)	
54	1001197941	2	Ferrite (Not Shown - Located on Items 37 & 38) (Prior to SN	

SECTION 2 - TURNTABLE

ITEM	PART NUMBER	QTY	DESCRIPTION	REV
55	1001201939	1	0300222893) Bracket	
56	1001197941	1	Ferrite (Not Shown - Located on Pump Cables B+ and B-) (SN 0300236472 to Present)	
57	4240018	AR	Tie-Strap (Not Shown) (SN 0300236472 to Present)	
58	1001197942	1	Ferrite (Not Shown - Located on Item 34) (SN 0300236472 to Present)	
59	1001197943	1	Ferrite (Not Shown - Located on Item 36) (SN 0300236472 to Present)	
60	1001203719	5	Nut M6 (SN 0300236472 to Present)	

SECTION 2 - TURNTABLE

FIGURE 2-17. BEACON LIGHT INSTALLATION - AMBER (OPTIONAL)



ART_1001172773

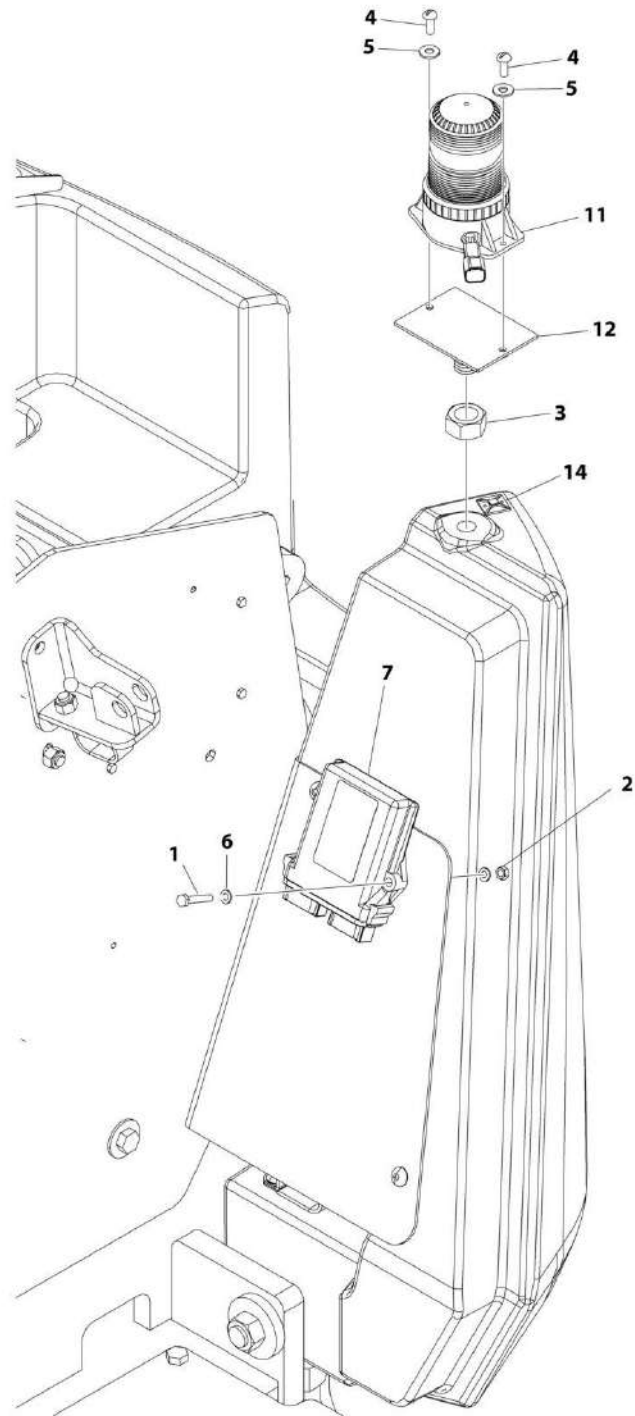
SECTION 2 - TURNTABLE

FIGURE 2-17. BEACON LIGHT INSTALLATION - AMBER (OPTIONAL)

ITEM	PART NUMBER	QTY	DESCRIPTION	REV
	1001172773	Ref	STROBE LIGHT INSTALLATION - AMBER (OPTIONAL)	A
1	0760410	2	Bolt M4 X 20	
2	2920161	1	Strobe Light Assembly	
2	7016319	1	Bulb	
2	7016372	1	Lens	
2	4460891	1	Plug, Male - 2 Position	
2	4460465	1	Socket, Female	
3	3290405	2	Nut M4	
4	1001091102	4	Washer M4	

SECTION 2 - TURNTABLE

FIGURE 2-18. BEACON LIGHT INSTALLATION - BLUE



ART_1001207139

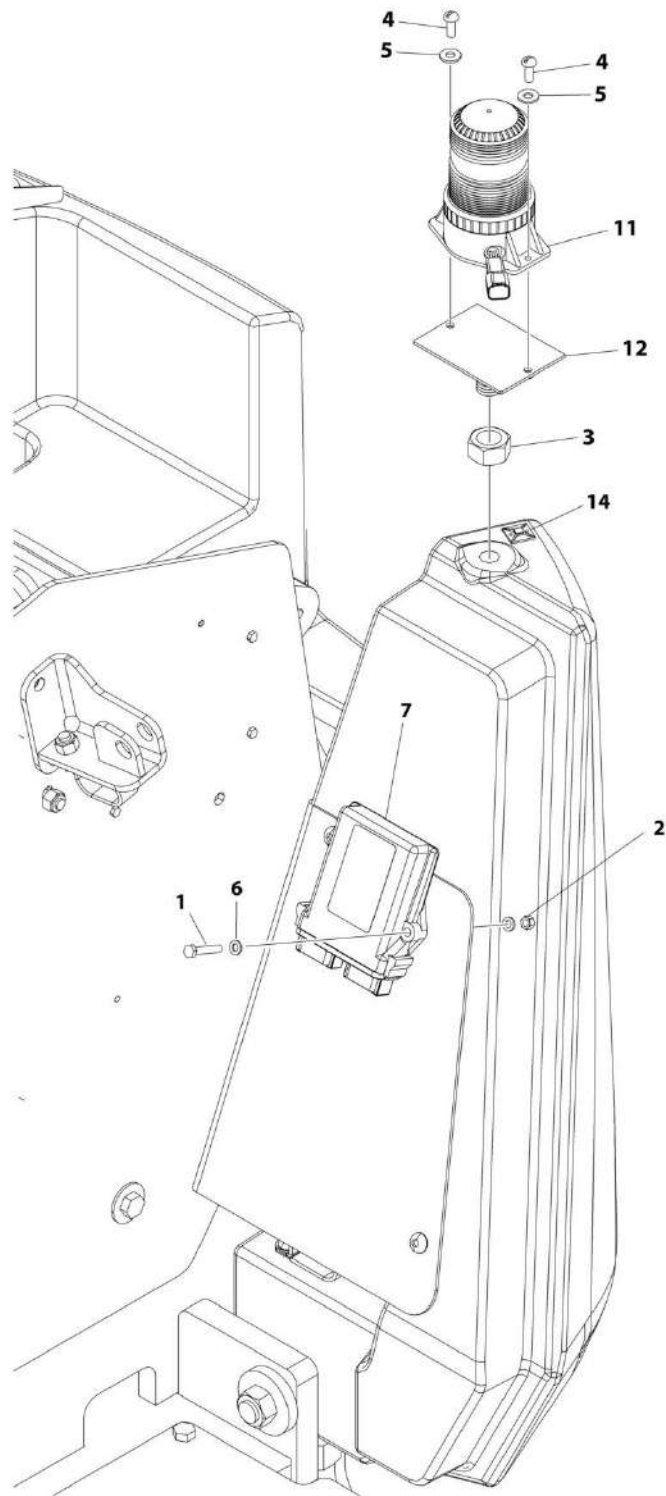
SECTION 2 - TURNTABLE

FIGURE 2-18. BEACON LIGHT INSTALLATION - BLUE

ITEM	PART NUMBER	QTY	DESCRIPTION	REV
	1001207139	Ref	BEACON LIGHT INSTALLATION - BLUE	E
1	0700615	2	Bolt M6 X 35	
2	3290607	2	Nut M6	
3	3292001	1	Nut M20	
4	3900085	2	Screw #10 x 1/2	
5	4751000	2	Washer #10	
6	4811700	4	Washer M6	
7	1001142683	1	Module, Beacon Light	
8	1001142736	1	Beacon Control Light Harness (Not Shown - See ELECTRICAL SECTION for Breakdown)	
9	1001159027	1	Beacon Light Extension Harness (Not Shown - See ELECTRICAL SECTION for Breakdown) (Prior to SN 0300234421)	
11	1001200910	1	Light, Beacon	
11	4460897	1	Receptacle, Female - 2 Position	
11	4460943	2	Pin, Male	
12	1001207227	1	Mount	
13	4240032	3	Tie-Strap (Not Shown) (SN 0300234421 to Present)	
14	4460488	3	Base, Mounting (SN 0300234421 to Present)	

SECTION 2 - TURNTABLE

FIGURE 2-19. BEACON LIGHT INSTALLATION - RED



ART_1001209878

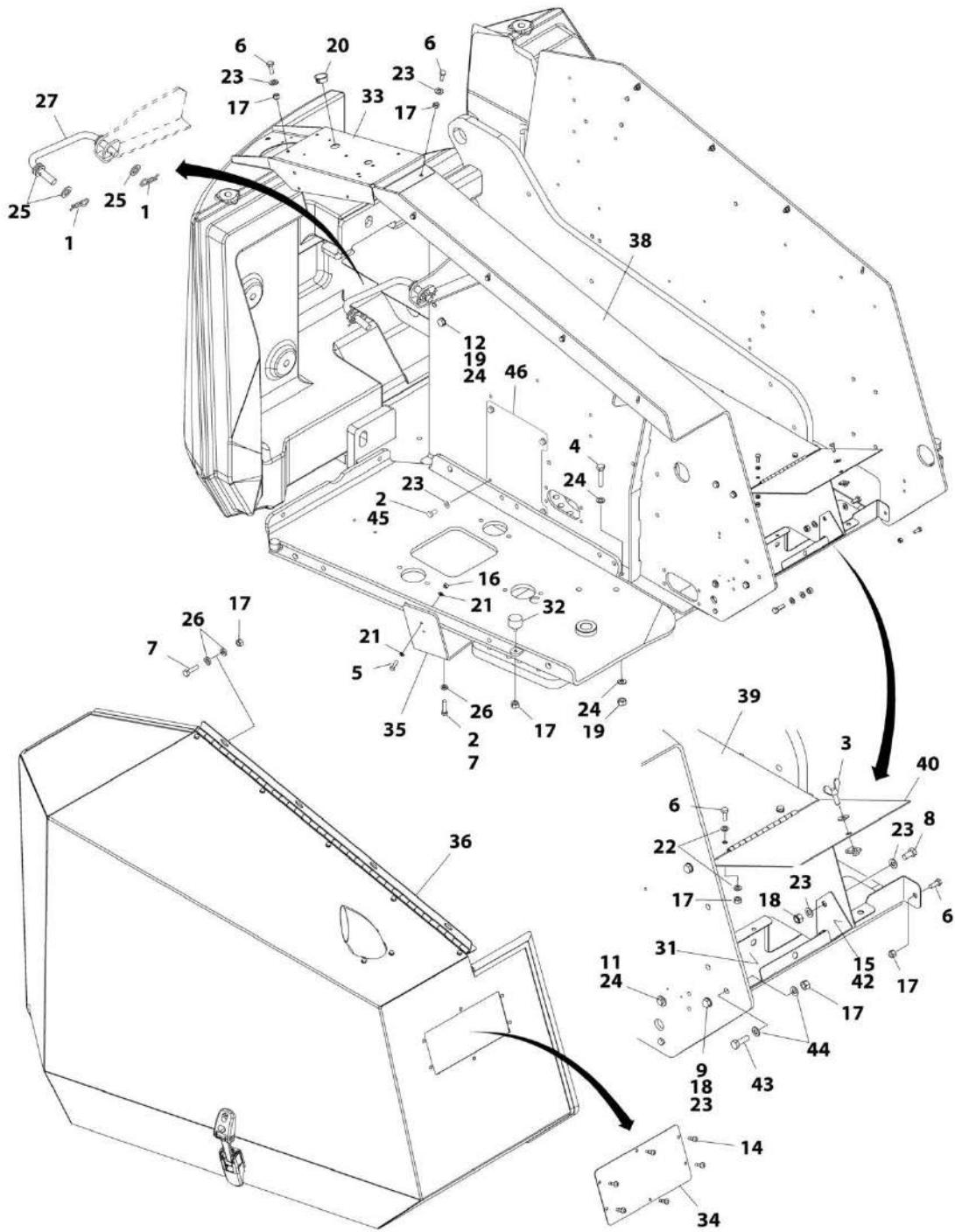
SECTION 2 - TURNTABLE

FIGURE 2-19. BEACON LIGHT INSTALLATION - RED

ITEM	PART NUMBER	QTY	DESCRIPTION	REV
	1001209878	Ref	BEACON LIGHT INSTALLATION - RED	E
1	0700615	2	Bolt M6 X 35	
2	3290607	2	Nut M6	
3	3292001	1	Nut M20	
4	3900085	2	Screw #10 x 1/2	
5	4751000	2	Washer #10	
6	4811700	4	Washer M6	
7	1001142683	1	Module, Beacon Light	
8	1001142736	1	Beacon Control Light Harness (Not Shown - See ELECTRICAL SECTION for Breakdown)	
9	1001159027	1	Beacon Light Extension Harness (Not Shown - See ELECTRICAL SECTION for Breakdown) (Prior to SN 0300234421)	
11	1001207004	1	Light, Beacon	
11	4460897	1	Receptacle, Female - 2 Position	
11	4460943	2	Pin, Male	
12	1001207227	1	Mount	
13	4240032	3	Tie-Strap (Not Shown) (SN 0300234421 to Present)	
14	4460488	3	Base, Mounting (SN 0300234421 to Present)	

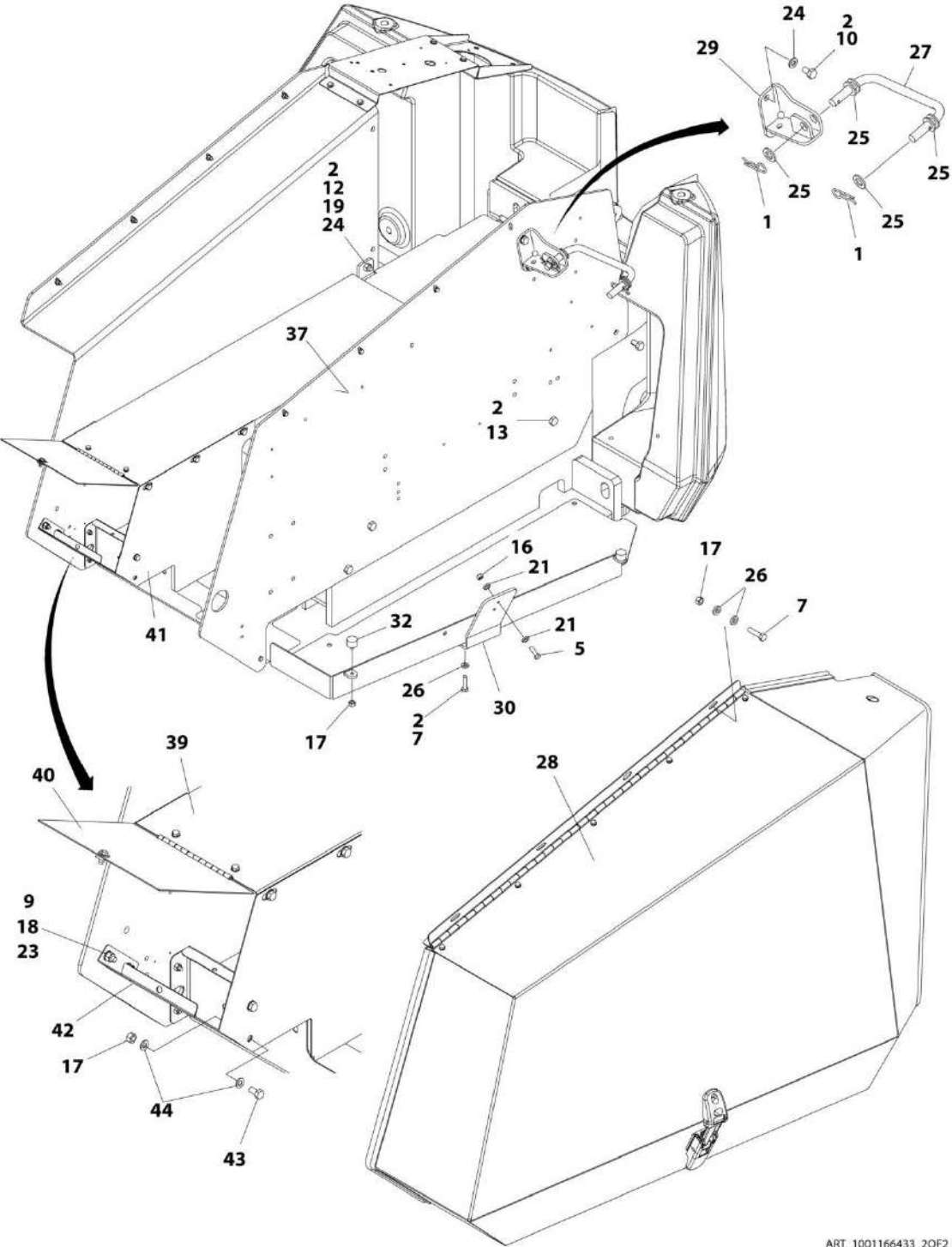
SECTION 2 - TURNTABLE

FIGURE 2-20. HOODS INSTALLATION



ART_1001166433_1OF2

SECTION 2 - TURNTABLE



ART_1001166433_20F2

SECTION 2 - TURNTABLE

FIGURE 2-20. HOODS INSTALLATION

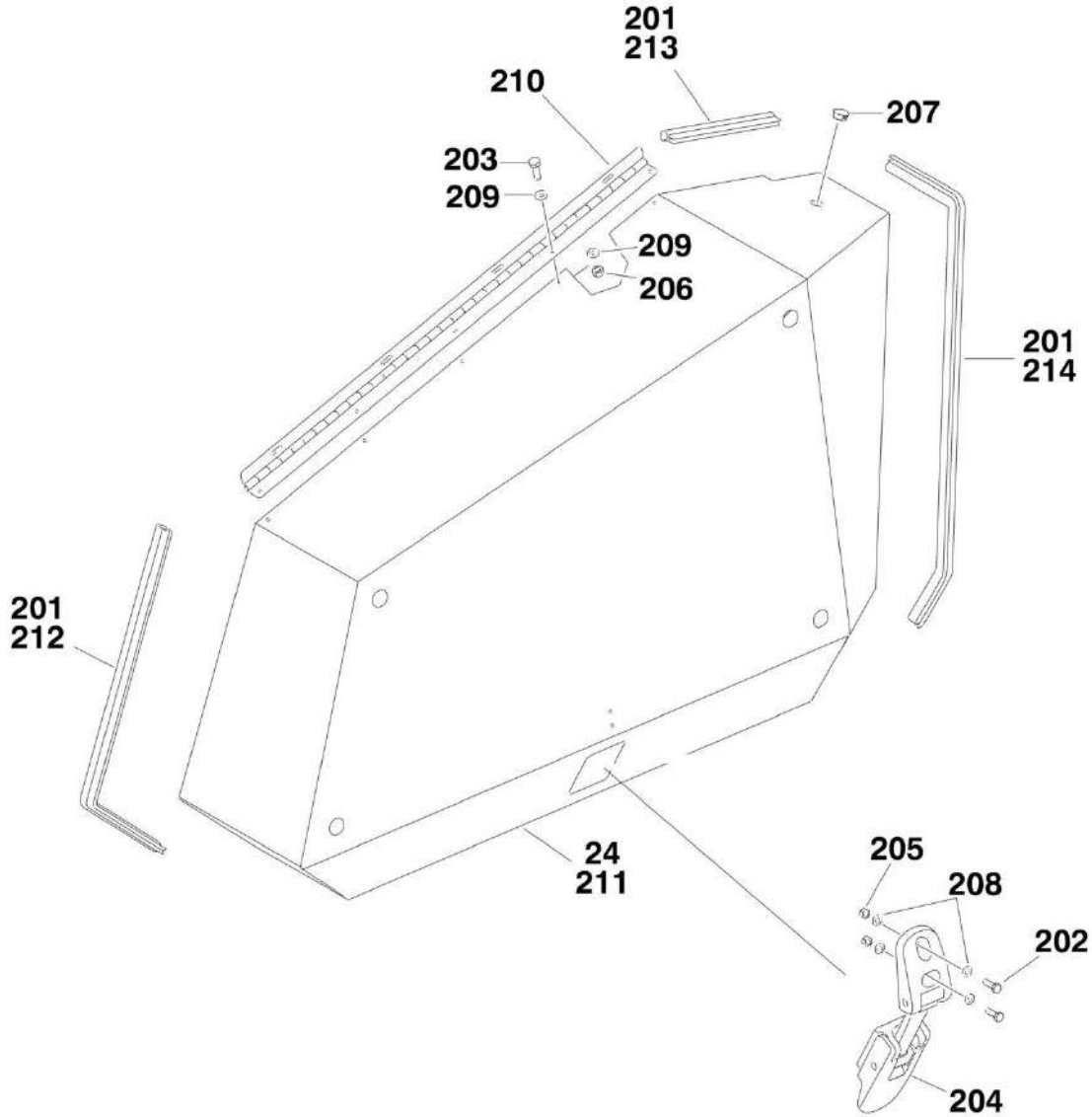
ITEM	PART NUMBER	QTY	DESCRIPTION	REV
	1001166433	Ref	HOODS INSTALLATION	H
1	80325	4	Hairpin	
2	0100011	AR	Compound, Locking	
3	0641506	1	Bolt 5/16-18 X 3/4	
3	0700608	1	Bolt M6 x 16	
3	1001204948	1	Wing-Bolt M6	
4	0701019	2	Bolt M10 x 55	
5	0760508	4	Bolt M5 X 16	
6	0760608	8	Bolt M6 X 16	
7	0760612	14	Bolt M6 X 25	
8	0760808	5	Bolt M8 X 16	
9	0760812	4	Bolt M8 X 25	
10	0761009	2	Bolt M10 x 18	
11	0761011	3	Bolt M10 X 22	
12	0761014	1	Bolt M10 X 30	
13	0761210	4	Bolt M12 X 20	
14	2080040	6	Huck, Fastener	
15	2080050	1	Rivnut	
15	1001130220	1	Nut, Tinnerman	
16	3290505	4	Nut M5	
17	3290605	21	Nut M6	
18	3290805	9	Nut M8	
19	3291005	3	Nut M10	
20	3520030	1	Plug	
21	4811600	8	Washer M5	
22	4811700	4	Washer M6	
23	4811900	26	Washer M8	
24	4812000	10	Washer M10	
25	4812300	8	Washer M16	
26	5240600	22	Washer M6	
27	1001117282	2	Rod, Prop	
28	1001118361	1	Hood Assembly - Tank Side (See HOOD ASSEMBLY - TANK SIDE for Breakdown)	
29	1001119080	1	Bracket	
30	1001119083	1	Mount, Latch	
31	1001119085	1	Tray	
32	1001119092	4	Bumper	
33	1001119103	1	Panel, Filler	
34	1001137451	1	Panel	
35	1001146824	1	Mount, Latch	
36	1001147441	1	Hood Assembly - Engine Side (See HOOD ASSEMBLY - ENGINE SIDE for Breakdown)	
37	1001161537	1	Plate, Hood	
38	1001168234	1	Mount	
39	1001169415	1	Plate, Cover	
40	1001169417	1	Plate, Cover	
41	1001169418	1	Plate, Cover	
42	1001169419	1	Plate, Cover	
43	0760610	1	Bolt M6 X 20	
44	4811702	2	Washer M6	

SECTION 2 - TURNTABLE

ITEM	PART NUMBER	QTY	DESCRIPTION	REV
45	0700808	4	Bolt M8 x 16	
46	1001207961	1	Plate	

SECTION 2 - TURNTABLE

FIGURE 2-21. HOOD ASSEMBLY - TANK SIDE



NOTE: REPLACEMENT DECALS MUST BE ORDERED SEPERATELY - SEE DECALS SECTION FOR BREAKDOWN

ART_1001118361

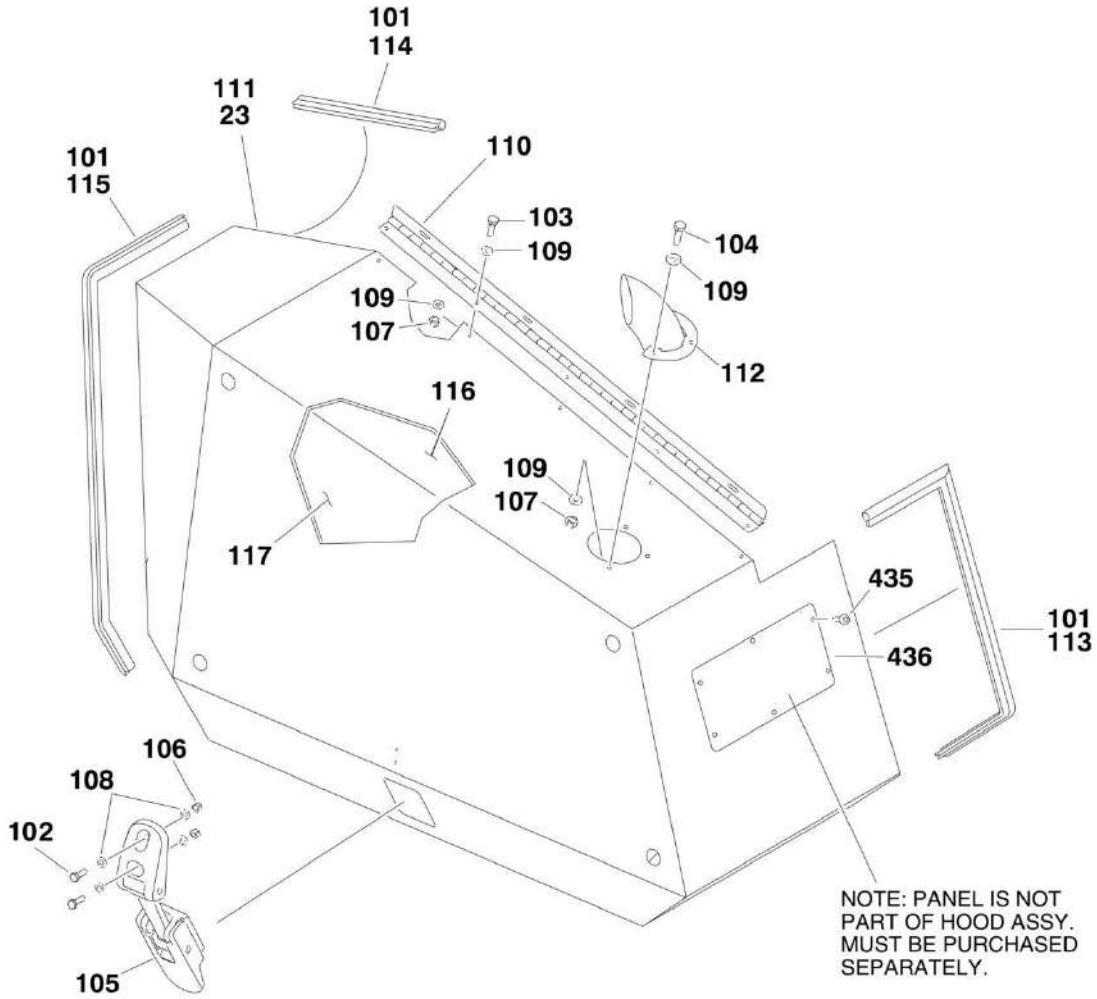
SECTION 2 - TURNTABLE

FIGURE 2-21. HOOD ASSEMBLY - TANK SIDE

ITEM	PART NUMBER	QTY	DESCRIPTION	REV
	1001118361	Ref	HOOD ASSEMBLY - TANK SIDE	B
201	0100081	AR	Adhesive	
202	0760508	2	Bolt M5 x 16	
203	0760608	5	Bolt M6 x 16	
204	2940109	1	Latch	
205	8290505	2	Nut M5	
206	8290605	5	Nut M6	
207	3520030	1	Plug, Hole	
208	4811600	4	Washer M5	
209	4811700	10	Washer M6	
210	1001117281	1	Hinge	
211	See Note	NSS	Hood, Replacement (Note: Use p/n 1001118361)	
212	1001119089	1	Seal	
213	1001119090	1	Seal	
214	1001119091	1	Seal	

SECTION 2 - TURNTABLE

FIGURE 2-22. HOOD ASSEMBLY - ENGINE SIDE



NOTE: REPLACEMENT DECALS MUST BE ORDERED SEPERATELY-SEE DECALS SECTION FOR BREAKDOWN

ART_1001147441

SECTION 2 - TURNTABLE

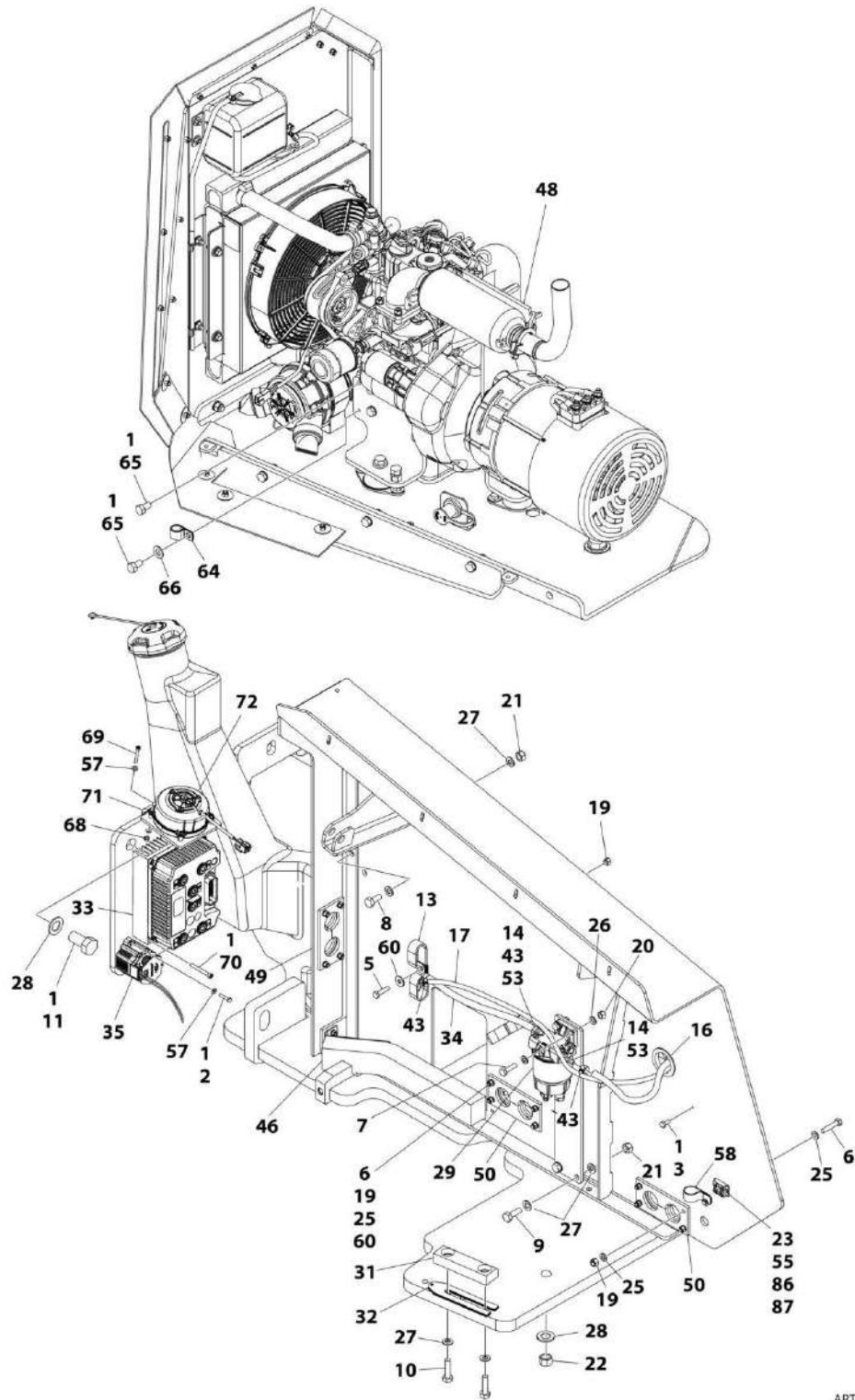
FIGURE 2-22. HOOD ASSEMBLY - ENGINE SIDE

ITEM	PART NUMBER	QTY	DESCRIPTION	REV
	1001147441	Ref	HOOD ASSEMBLY - ENGINE SIDE	A
101	0100081	AR	Adhesive	
102	0760508	2	Bolt M5 x 16	
103	0760608	5	Bolt M6 x 16	
104	0760610	3	Bolt M6 x 20	
105	2940109	1	Latch	
106	8290505	2	Nut M5	
107	8290605	8	Nut M6	
108	4811600	4	Washer M5	
109	4811700	16	Washer M6	
110	1001117281	1	Hinge	
111	See Note	NSS	Hood, Replacement (Note: Use p/n 1001147441)	
112	1001119077	1	Pipe, Exhaust	
113	1001119086	1	Seal	
114	1001119087	1	Seal	
115	1001119088	1	Seal	
116	1001147440	1	Insulate, Heat Shield	
117	1001120749	1	Insulate, Heat Shield	
435	2080040	10	Fastener, Huck	
436	1001137451	1	Panel (Note: Not Part of Hood Assembly. Must be Purchased separately.)	

SECTION 3 - ENGINE

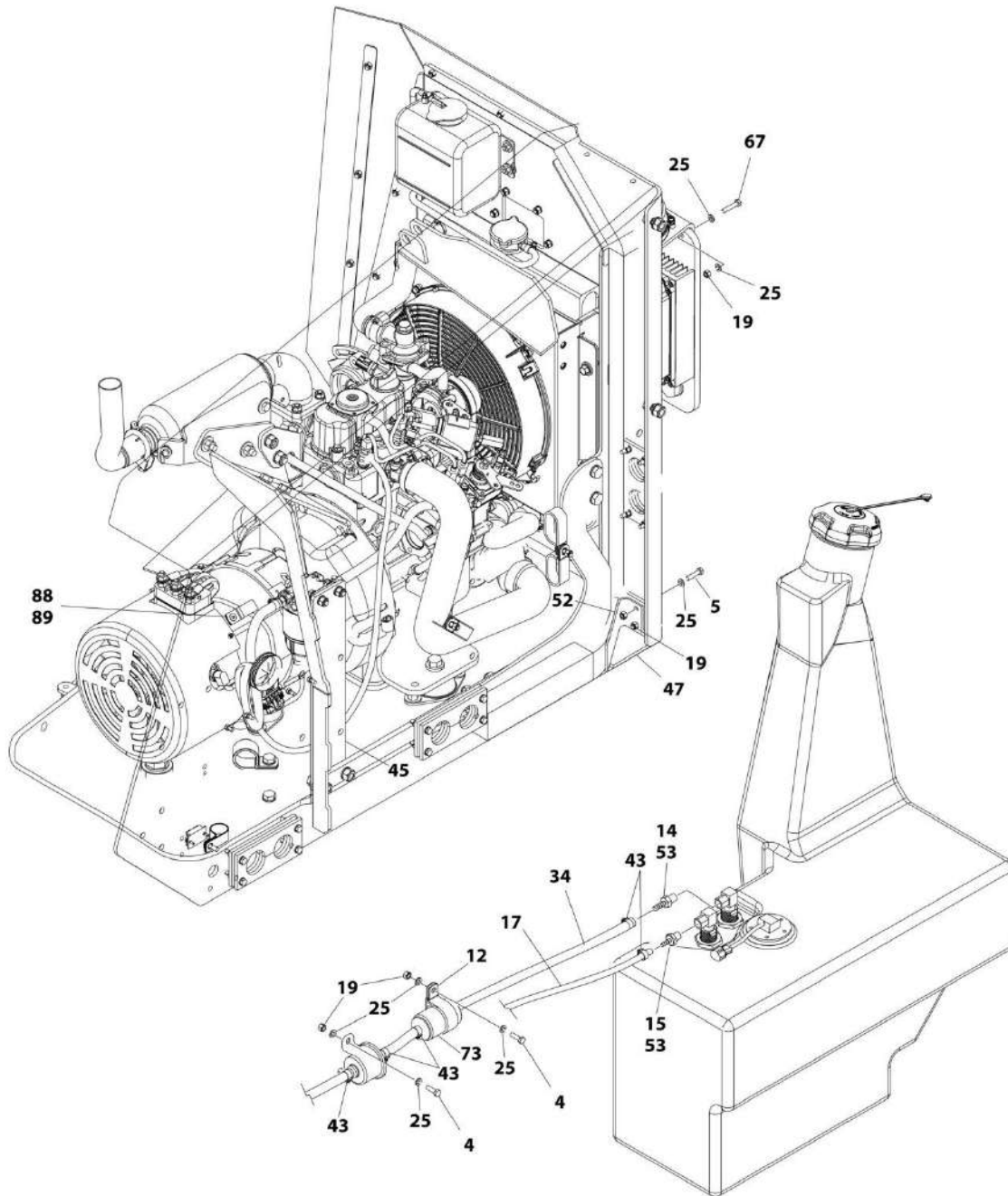
SECTION 3 - ENGINE

FIGURE 3-1. KUBOTA ENGINE INSTALLATION



ART_1001168098_10F3

SECTION 3 - ENGINE



ART_1001168098_2OF3

SECTION 3 - ENGINE

FIGURE 3-1. KUBOTA ENGINE INSTALLATION

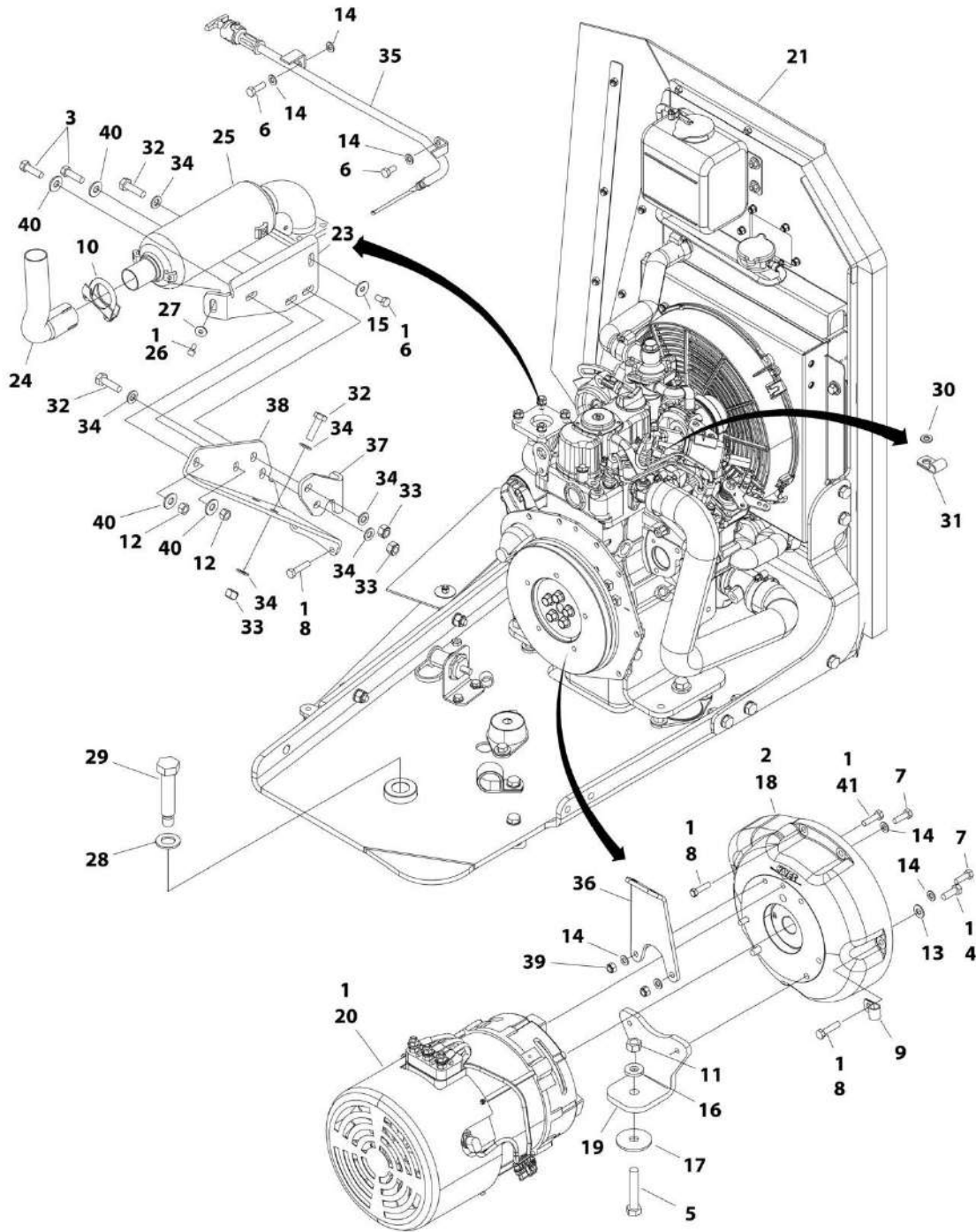
ITEM	PART NUMBER	QTY	DESCRIPTION	REV
	1001168098	Ref	KUBOTA ENGINE INSTALLATION	J
1	0100011	AR	Compound, Locking	
2	0760410	2	Bolt M4 X 20	
3	0760505	5	Bolt M5 X 10	
4	0760610	3	Bolt M6 X 20	
5	0760612	4	Bolt M6 X 25	
6	0760614	12	Bolt M6 X 30	
7	0760814	2	Bolt M8 X 30	
8	0761012	2	Bolt M10 X 25	
9	0761014	2	Bolt M10 X 30	
10	0761016	2	Bolt M10 X 40	
11	0762016	2	Bolt M20 x 40mm	
12	1320265	1	Clamp	
13	1321716	4	Clamp, Double	
14	2180348	3	Fitting NPT X BARB	
15	2180666	1	Fitting NPT X BARB	
16	2540045	1	Grommet	
17	2720271	70 in/1.6m	Hose	
19	3290605	21	Nut M6	
20	3290805	2	Nut M8	
21	3291005	4	Nut M10	
22	3291605	1	Nut M16	
23	0760306	2	Capscrew M3 X 12	
25	4811700	38	Washer M6	
26	4811900	4	Washer M8	
27	4812000	AR	Washer M10	
28	4812500	3	Washer M20	
29	1001190609	1	Fuel Filter/Water Separator Assembly	
29	70005293	1	Head, Mounting	
29	70005294	1	Plug, Vent	
29	70005296	1	Element & Gasket Kit (Includes Element, Head Gasket & Bowl O-Ring)	
29	70005295	1	Gasket, Head	
29	70005297	1	O-Ring, Bowl	
29	70002901	1	Bowl Kit - Water Separator (Includes Bowl, Drain & Plug)	
29	70004070	1	Drain, Self-Vented	
29	70004069	1	Plug, Drain	
31	1001120087	1	Pad, Wear	
32	1001120090	AR	Shim M1.5	
33	1001155934	1	Controller, Generator	
34	2720058	45 in/ 1.2m	Hose	
35	1001159665	1	Relay, Contactor	
42	1001168237	1	Plate, Mounting	
43	1320022	10	Clamp	
45	1001168236	1	Plate, Mounting	
46	1001168242	1	Seal, Foam	
47	1001168240	1	Shield, Rubber	
48	1001168216	1	Engine and Generator Assembly (See ENGINE AND GENERATOR ASSEMBLY for Breakdown)	

SECTION 3 - ENGINE

ITEM	PART NUMBER	QTY	DESCRIPTION	REV
49	1001168239	1	Bracket, Mounting	
50	1001168244	6	Shield, Cable	
52	1001168241	1	Bracket, Mounting	
53	0100020	AR	Sealant	
54	4240018	AR	Tie-Strap (Not Shown)	
55	1001159754	1	Module, Diode	
57	4811400	10	Washer M4	
58	1320130	1	Clamp	
60	4811702	2	Washer M6	
61	0100083	1	Grease, Terminal	
64	91043147	1	Support	
65	0641605	2	Bolt 3/8-16 X 5/8	
66	4711600	1	Washer 3/8	
67	0700614	2	Bolt M6 X 30	
68	3290405	4	Nut M4	
69	4031510	4	Capscrew M4 X 30	
70	4031714	4	Capscrew M6 X 50	
71	1001189105	1	Bracket	
72	1001189108	1	Fan, Controller Cooling	
73	1001190545	1	Strainer, Fuel	
86	3290301	2	Nut M3	
87	1001110544	2	Washer M3	
88	8406201	1	Clip	
89	1001091102	1	Washer M4	

SECTION 3 - ENGINE

FIGURE 3-2. KUBOTA ENGINE AND GENERATOR SUB-ASSEMBLY



ART_1001168216

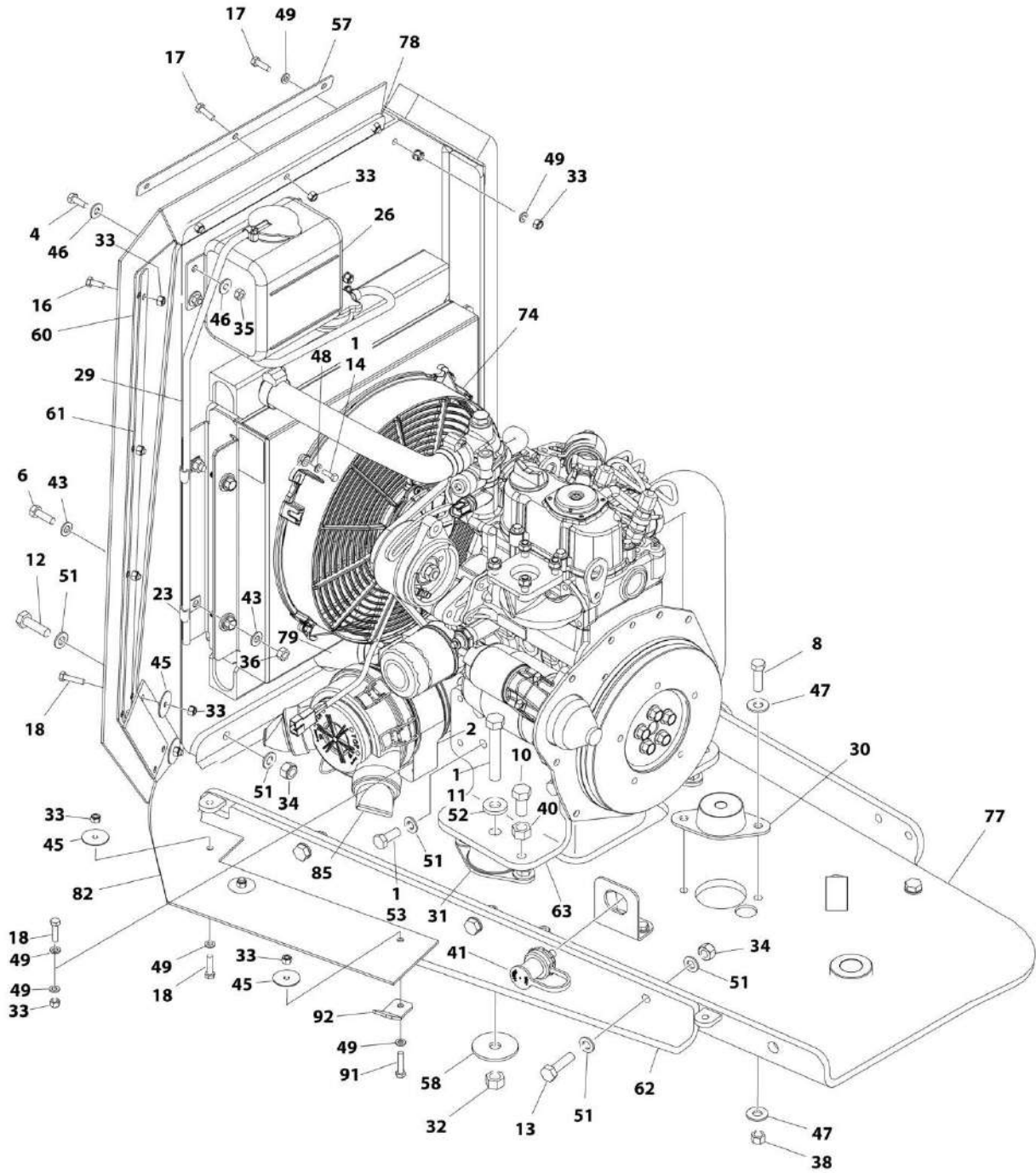
SECTION 3 - ENGINE

FIGURE 3-2. KUBOTA ENGINE AND GENERATOR SUB-ASSEMBLY

ITEM	PART NUMBER	QTY	DESCRIPTION	REV
	1001168216	Ref	ENGINE AND GENERATOR SUB-ASSEMBLY	K
1	0100011	AR	Compound, Locking	
2	0100019	AR	Compound, Locking (Not Shown)	
3	0641610	2	Bolt 3/8-16 X 1-1/4	
4	0681608	2	Bolt 3/8-16 X 1 (Grade 8)	
5	0641822	1	Bolt 1/2-13 X 2-3/4	
6	0760808	2	Bolt M8 X 16	
7	0760812	4	Bolt M8 X 25	
8	0770815	3	Bolt M8 X 35 Grade 10.5	
9	85941016	1	Clamp	
10	1320274	1	Clamp	
11	3271801	1	Nut 1/2-13	
12	3311605	2	Nut 3/8-16	
13	4711600	2	Washer 3/8	
14	4811900	10	Washer M8	
15	4811902	1	Washer M8	
16	4891800	1	Washer 1/2	
17	1001168018	1	Washer	
18	1001157406	1	Engine Coupling Assembly (See ENGINE COUPLING ASSEMBLY for Breakdown)	
19	1001157903	1	Mount, Rear Engine	
20	1001165751	1	Generator Assembly (See GENERATOR ASSEMBLY for breakdown)	
21	1001168221	1	Engine Assembly without Generator (See ENGINE ASSEMBLY WITHOUT GENERATOR for Breakdown)	
23	1001168232	1	Bracket	
24	1001168233	1	Pipe, Exhaust	
25	1001162823	1	Muffler, Standard (Note: See separate figure for Optional Catalytic Muffler)	
26	0760608	1	Bolt M6 X 16	
27	4811702	1	Washer M6	
28	4812500	1	Washer M20	
29	1001176304	1	Bolt 2 x 80	
30	4811600	1	Washer M5	
31	1320136	1	Clamp	
32	0761015	4	Bolt M10 x 35	
33	3291005	4	Nut M10	
34	4812000	8	Washer M10	
35	1001167516	1	Dipstick	
36	1001189794	1	Bracket	
37	1001189795	1	Bracket	
38	1001189868	1	Bracket	
39	3290805	2	Nut M8	
40	4751600	4	Washer 3/8	
41	0760814	2	Bolt M8 x 30	

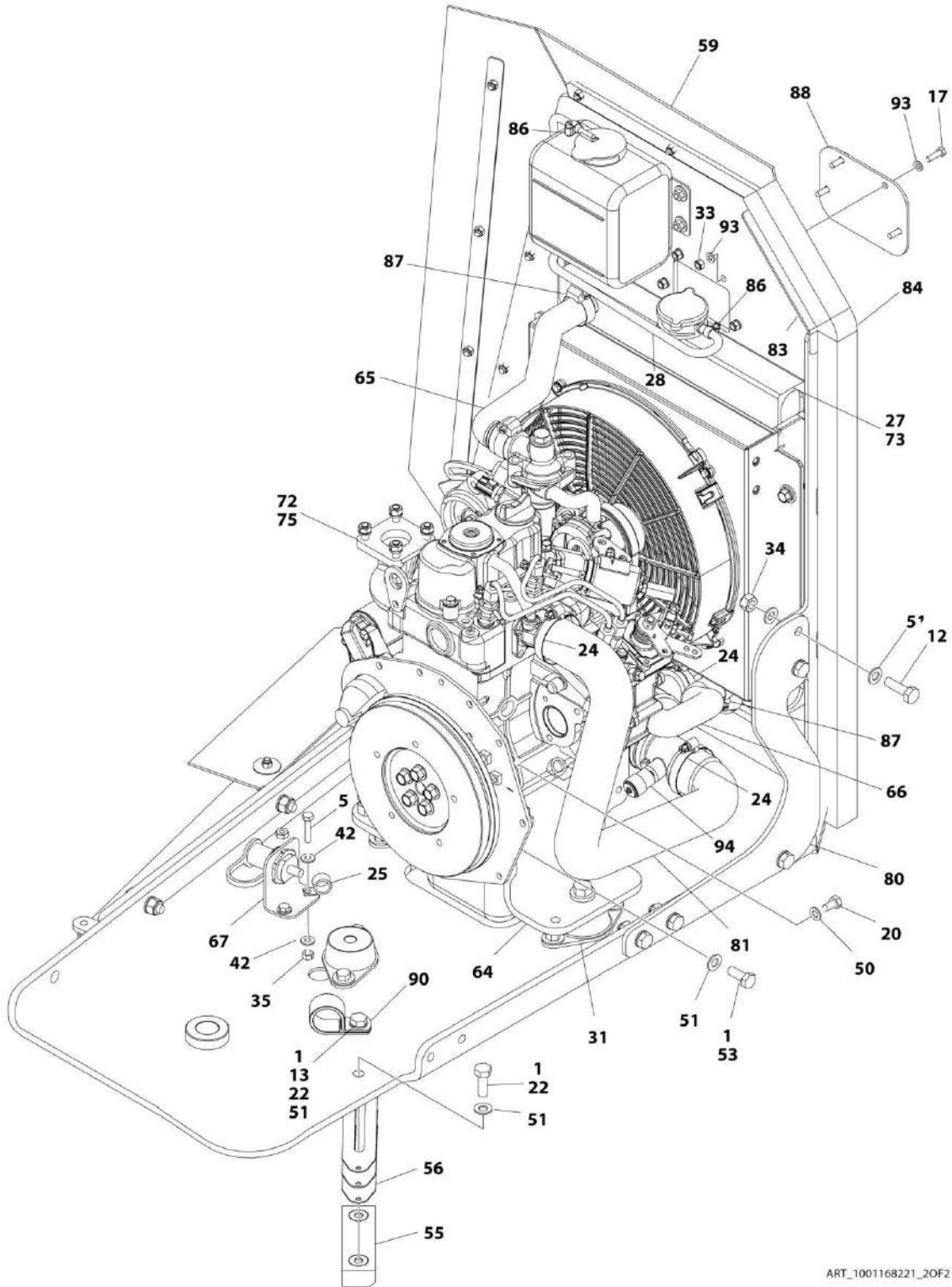
SECTION 3 - ENGINE

FIGURE 3-3. KUBOTA ENGINE ASSEMBLY



ART_1001168221_10F2

SECTION 3 - ENGINE



ART_1001168221_20F2

SECTION 3 - ENGINE

FIGURE 3-3. KUBOTA ENGINE ASSEMBLY

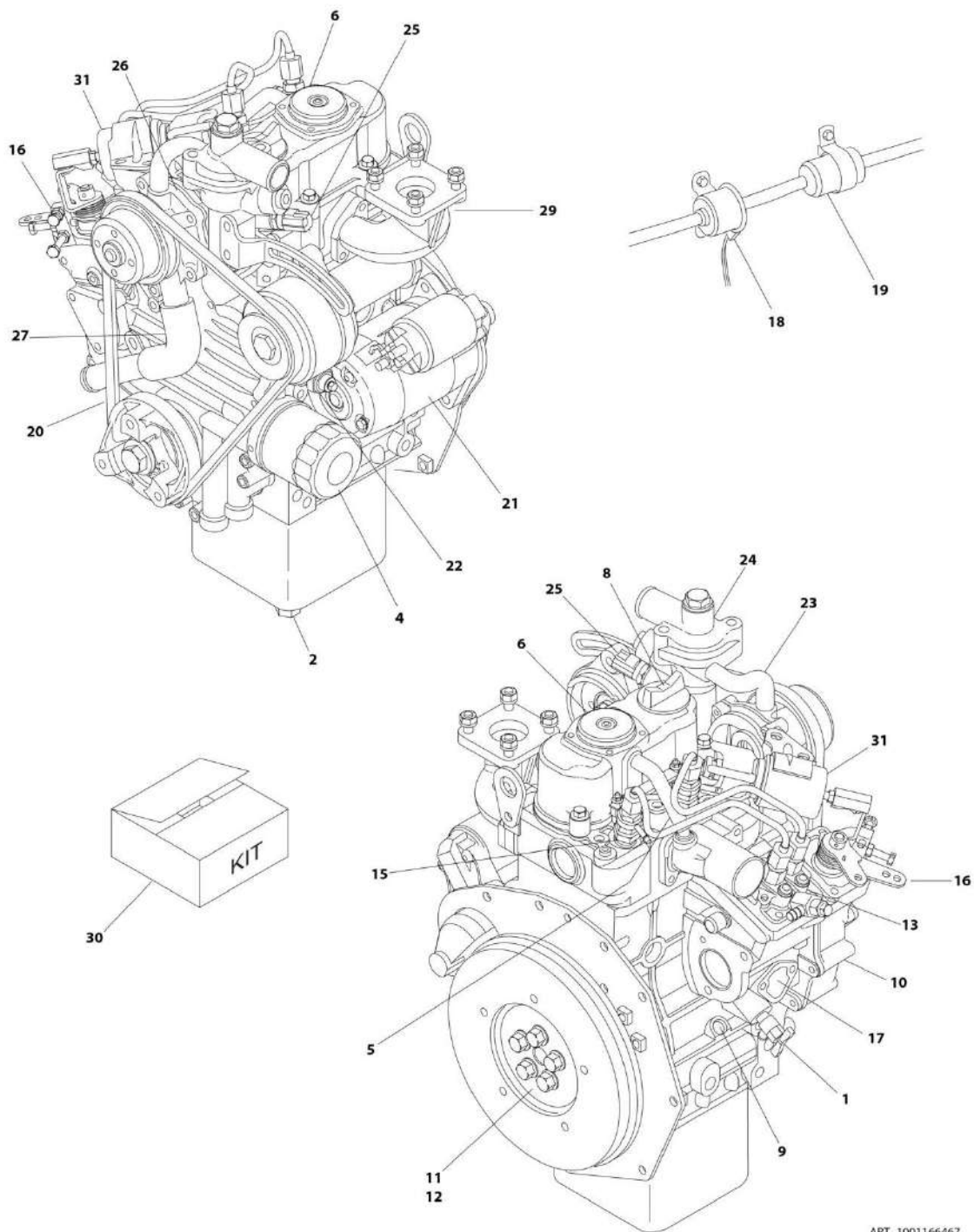
ITEM	PART NUMBER	QTY	DESCRIPTION	REV
	1001168221	Ref	KUBOTA ENGINE ASSEMBLY	K
1	0100011	AR	Compound, Locking	
2	0340045	1	Band, Mounting	
4	0641406	4	Bolt 1/4-20 X 3/4	
5	0641410	2	Bolt 1/4-20 X 1-1/4	
6	0641508	4	Bolt 5/16-18 X 1	
7	0641520	1	Bolt 5/16-18 X 2-1/2	
8	0641610	6	Bolt 3/8-16 X 1-1/4	
10	0641808	1	Bolt 1/2-13 X 1	
11	0641824	2	Bolt 1/2-13 X 3	
12	0701015	5	Bolt M10 X 35	
13	0701016	4	Bolt M10 X 40	
14	0760508	4	Bolt M5 X 16	
16	0760608	5	Bolt M6 X 16	
17	0760610	12	Bolt M6 X 20	
18	0760612	5	Bolt M6 X 25	
20	0760807	2	Bolt M8 X 14	
22	0761014	1	Bolt M10 X 30	
23	1320222	2	Clamp	
24	1321682	3	Clamp	
25	1320224	1	Clamp	
26	1580011	1	Tank, Overflow	
27	2300004	AR	Coolant	
28	2720058	20 in/ 51cm	Hose	
29	2720271	29 in/ 74cm	Hose	
30	1001170571	1	Mount, Motor	
31	1001187235	2	Mount, Motor	
32	3271801	2	Nut 1/2-13	
33	3290605	24	Nut M6	
34	3291005	10	Nut M10	
35	3311405	6	Nut 1/4-20	
36	3311501	4	Nut 5/16-18	
37	3311505	2	Nut 5/16-18	
38	3311605	6	Nut 3/8-16	
40	3311801	1	Nut 1/2-13	
41	4460611	1	Terminal, Battery	
42	4711400	4	Washer 1/4	
43	4711500	8	Washer 5/16	
45	4740362	5	Washer 1/4	
46	4751400	8	Washer 1/4	
47	4751600	12	Washer 3/8	
48	4811600	4	Washer M5	
49	4811700	11	Washer M6	
50	4811900	2	Washer M8	
51	4812000	30	Washer M10	
52	4891800	2	Washer 1/2	
53	1001118746	8	Bolt M10 X 25	
55	1001120087	1	Pad, Wear	

SECTION 3 - ENGINE

ITEM	PART NUMBER	QTY	DESCRIPTION	REV
56	1001120090	3	Shim M1.5	
57	1001123018	1	Plate, Support	
58	1001168018	2	Washer	
59	1001147365	1	Seal	
60	1001147642	1	Plate, Support	
61	1001147643	1	Plate, Support	
62	1001148975	1	Plate	
63	1001156603	1	Bracket, Engine Mounting (LH)	
64	1001156604	1	Bracket, Engine Mounting (RH)	
65	1001158075	1	Hose, Radiator (Top)	
66	1001158076	1	Hose, Radiator (Bottom)	
67	1001158314	1	Mount, Battery Post	
72	1001159301	AR	Oil, Engine	
73	1001159664	1	Radiator	
73	70004796	1	Cap, Radiator	
74	1001163363	1	Fan	
75	1001166467	1	Engine, Kubota (See KUBOTA ENGINE COMPONENTS for Breakdown)	
77	1001168222	1	Tray	
78	1001168224	1	Mount, Radiator	
79	1001168225	1	Hose	
80	1001168226	1	Gusset	
81	1001168227	1	Hose	
82	1001168228	1	Shield, Rubber	
83	1001168229	1	Bracket	
84	1001168230	1	Seal	
85	1001118280	1	Air Filter Assembly	
85	7015004	1	Element, Air Filter	
85	1340069	1	Valve, Vacuum	
85	7015005	1	Cover	
86	1320022	3	Clamp	
87	8405102	4	Clamp	
88	1001168238	1	Plate	
90	85031405	1	Clamp (Prior to SN 0300222893)	
91	0760613	2	Bolt M6 X 28	
92	1001202223	2	Bracket	
93	4811702	8	Washer M8	
94	1001170981	1	Indicator, Air Intake Restriction (SN 0300236472 to Present)	

SECTION 3 - ENGINE

FIGURE 3-4. KUBOTA ENGINE COMPONENTS



ART_1001166467

SECTION 3 - ENGINE

FIGURE 3-4. KUBOTA ENGINE COMPONENTS

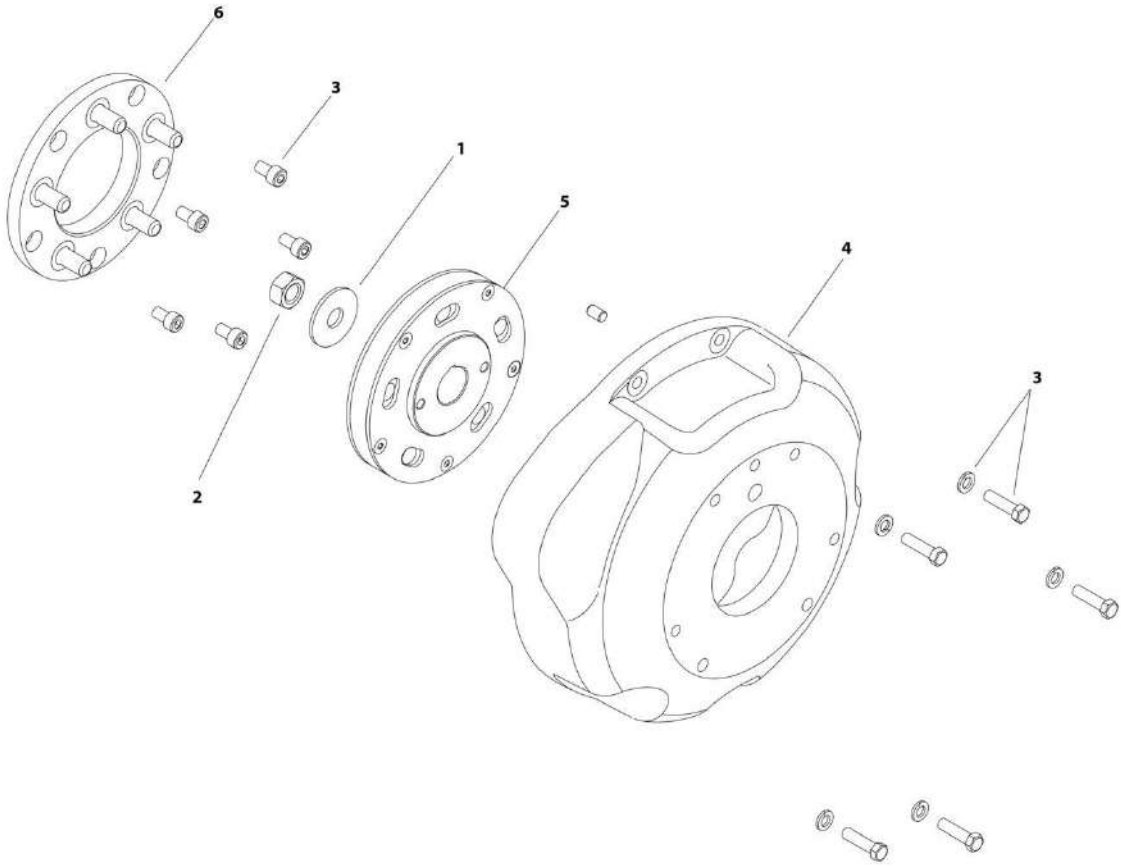
ITEM	PART NUMBER	QTY	DESCRIPTION	REV
	1001166467	Ref	KUBOTA ENGINE COMPONENTS	D
1	70004524	1	Valve, Drain	
2	7023154	1	Plug, Drain	
2	70002315	1	Gasket, Oil Pan Drain	
3	70004828	1	Gasket, Cylinder Head (Not Shown)	
4	7017980	1	Filter, Oil	
4	7017914	1	Fitting, Oil Filter	
5	70004829	1	Pipe (Inserts into Valve Cover)	
5	70004832	1	Tube, Breather	
5	70004855	1	Pipe (Inserts into Inlet Manifold)	
6	70003060	1	Valve, Breather Compensation	
6	70003061	1	Cover, Breather	
6	7017934	4	Screw	
7	70004830	1	Gasket, Cylinder Head (Not Shown)	
8	70002318	1	Cap, Oil Fill	
8	70004311	1	O-Ring, Oil Filler Cap	
9	1001167516	1	Dipstick	
10	70004294	1	Pump, Oil	
10	70004295	1	Gasket, Oil Pump	
10	70004296	1	Key, Oil Pump Shaft	
11	7017982	1	Gasket, Rear Bearing Case	
11	7017983	1	Seal, Rear Main	
11	7017984	1	Gasket, Rear Case	
12	70004833	1	Flywheel Assembly (Includes Ring Gear)	
12	70004297	1	Ring Gear	
12	70004834	5	Bolt, Flywheel	
13	70004836	1	Injection Pump Assembly	
13	70004837	AR	Shim .175mm	
13	70004838	AR	Shim .200mm	
13	70004839	AR	Shim .250mm	
13	70004840	AR	Shim .300mm	
13	70004841	AR	Shim .350mm	
14	7017988	1	Gasket, Speed Control Plate (Not Shown)	
15	70004540	2	Nut	
15	7023167	2	Gasket, Nozzle	
15	7023168	2	Seal, Nozzle Heat	
15	70004539	1	Pipe, Overflow (Includes Clips)	
15	70004537	1	Screw, Air Bleeder	
15	70004538	1	Gasket, Bleeder Screw	
15	70004398	2	Glow Plug	
16	70004843	1	Spring, Start	
16	70004844	1	Spring	
16	70004846	1	Spring, Governer	
16	70004847	1	Fork Assembly	
17	70004849	1	Pump, Fuel	
17	7017995	1	Gasket, Fuel Pump	
17	70004848	2	Bolt, Fuel Pump	
18	70005228	1	Pump, Electric Fuel	
19	7017992	1	Filter, Inline Fuel	
20	7023107	1	V-Belt	

SECTION 3 - ENGINE

ITEM	PART NUMBER	QTY	DESCRIPTION	REV
21	70006008	1	Starter	
21	70004305	1	Switch, Starter	
22	7017901	1	Switch, Oil	
23	70004829	1	Pipe, Water Return (Short)	
23	70004851	1	Pipe, Water Return (Long)	
24	70004852	1	Cover, Thermostat/Water Outlet	
24	7023170	1	Thermostat	
24	7023114	1	Gasket, Thermostat	
24	70004306	1	Gasket, Water Flange to Cylinder Head	
25	70003064	1	Sensor, Water Temperature	
25	70003063	1	Seal, Water Temperature Sensor	
26	70004853	1	Pump, Water	
26	70004854	1	Gasket, Water Pump to Block	
27	70004912	1	Hose	
27	70004913	2	Clamp, Band	
28	70004856	1	Gasket, Inlet Manifold (Not Shown)	
29	7023124	1	Gasket, Exhaust Manifold to Muffler	
29	70004859	4	Stud (Manifold to Muffler)	
29	70004857	1	Gasket, Exhaust (Manifold to Cylinder Head)	
29	70004858	4	Stud (Manifold to Cylinder Head)	
30	70004860	1	Gasket Kit - Upper	
30	70004861	1	Gasket Kit - Lower	
31	70006007	1	Solenoid, Stop	

SECTION 3 - ENGINE

FIGURE 3-5. ENGINE COUPLING ASSEMBLY



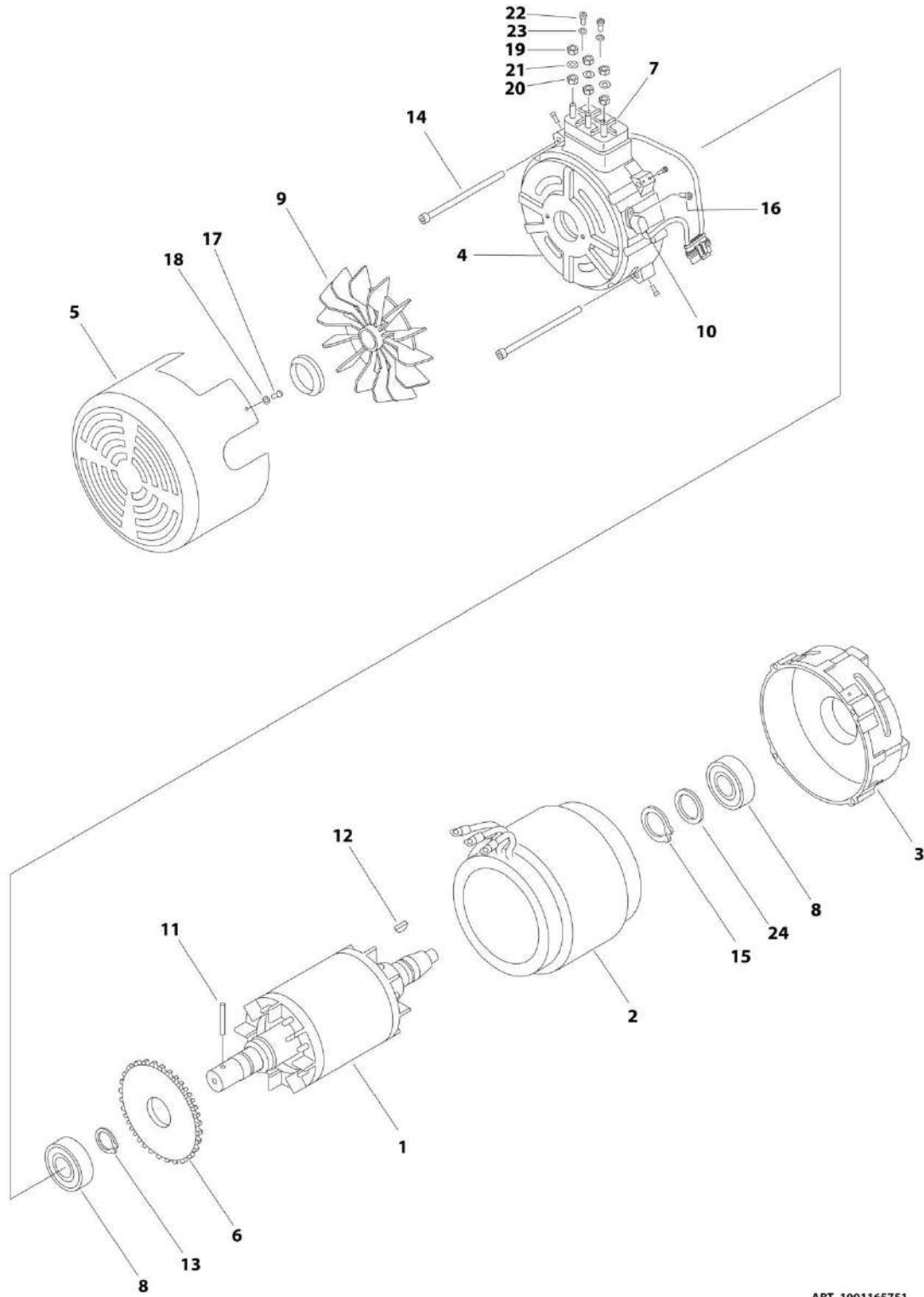
ART_1001157406

FIGURE 3-5. ENGINE COUPLING ASSEMBLY

ITEM	PART NUMBER	QTY	DESCRIPTION	REV
	1001157406	Ref	ENGINE COUPLING ASSEMBLY	B
1	See Note	1	Washer M14 (Note: Not Available - Purchase Locally)	
2	See Note	1	Nut M14 (Note: Not Available - Purchase Locally)	
3	70004790	1	Bolt Kit (Includes qty 5 each of M8 Lockwashers, 16mm Length Capscrews & 30mm Length Capscrews)	
4	70004791	1	Cover, Coupling	
5	70004792	1	Hub Coupling Assembly	
6	70004793	1	Plate, Mounting	

SECTION 3 - ENGINE

FIGURE 3-6. GENERATOR ASSEMBLY



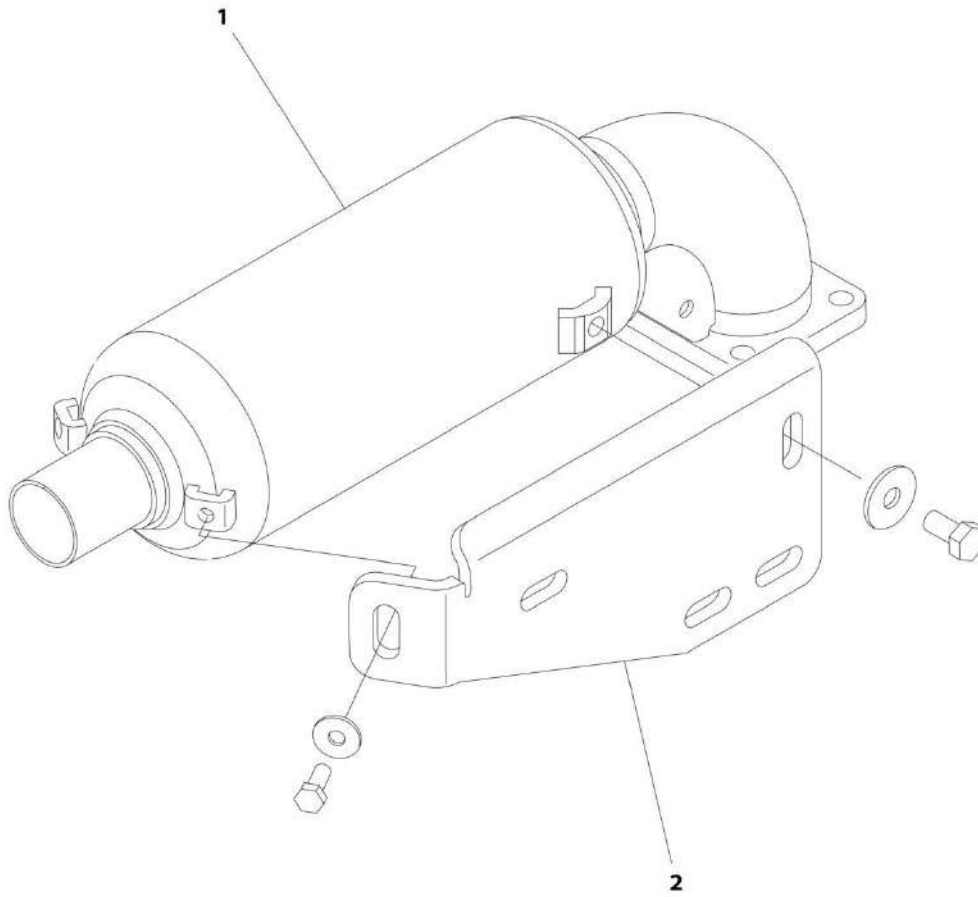
ART_1001165751

FIGURE 3-6. GENERATOR ASSEMBLY

ITEM	PART NUMBER	QTY	DESCRIPTION	REV
	1001165751	Ref	GENERATOR ASSEMBLY	C
1	70004984	1	Rotor	
2	70004985	1	Stator	
3	70004986	1	Flange	
4	70004987	1	Flange	
5	70004988	1	Cover, Fan	
6	70004989	1	Wheel, Impulse	
7	70004990	1	Block, Terminal	
8	70004991	1	Bearing	
9	70004992	1	Fan with Lock Ring	
10	70004993	1	Sensor	
11	70004994	1	Rollpin	
12	70004995	1	Key	
13	70004996	1	Ring, Retaining	
14	70004997	4	Screw M8 x 150	
15	70004998	1	Ring, Retaining	
16	70004999	1	Screw M6 x 16	
17	70005000	4	Screw M5 x 8	
18	70005001	4	Washer M5	
19	70005002	3	Nut M8	
20	70005003	3	Nut M8	
21	70005004	3	Spacer	
22	70005005	2	Screw M8 x 16	
23	70005006	2	Washer	
24	70005007	1	Ring	

SECTION 3 - ENGINE

FIGURE 3-7. CATALYTIC MUFFLER INSTALLATION - OPTIONAL



ART_1001169719

SECTION 3 - ENGINE

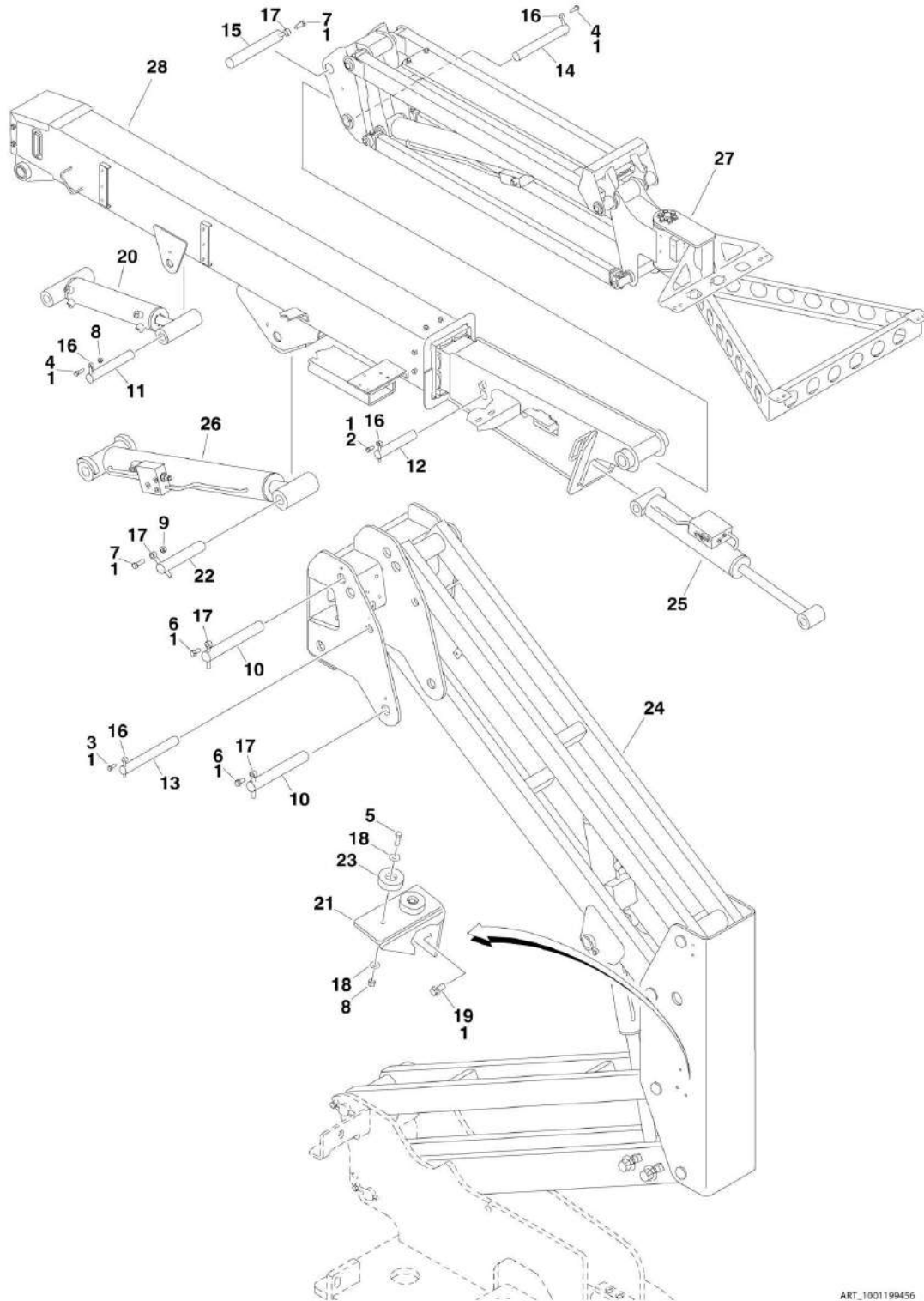
FIGURE 3-7. CATALYTIC MUFFLER INSTALLATION - OPTIONAL

ITEM	PART NUMBER	QTY	DESCRIPTION	REV
	1001169719	Ref	CATALYTIC MUFFLER INSTALLATION - OPTIONAL	B
1	1001171823	1	Muffler, Spark Arresting/Catalytic	
2	1001171914	1	Bracket	

SECTION 4 - BOOM

SECTION 4 - BOOM

FIGURE 4-1. BOOM AND CYLINDERS INSTALLATION - WITHOUT ARCTIC PACKAGE (Prior to SN 0300209405)



ART_1001199456

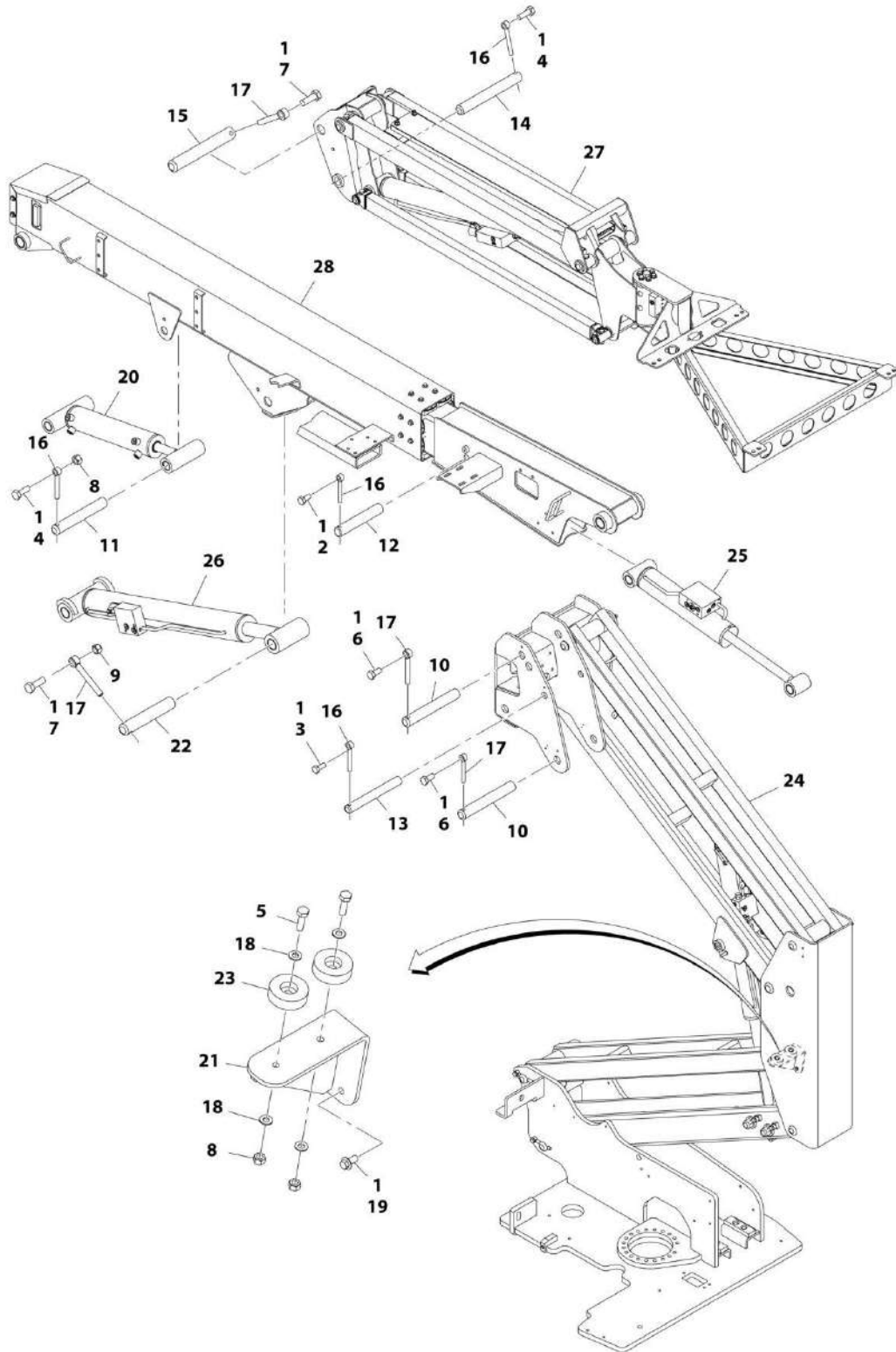
SECTION 4 - BOOM

FIGURE 4-1. BOOM AND CYLINDERS INSTALLATION - WITHOUT ARCTIC PACKAGE (Prior to SN 0300209405)

ITEM	PART NUMBER	QTY	DESCRIPTION	REV
	1001199456	Ref	BOOM AND CYLINDERS INSTALLATION - WITHOUT ARCTIC PACKAGE (Prior to SN 0300209405)	A
1	0100011	AR	Compound, Locking	
2	0761011	1	Bolt M10 x 22	
3	0761012	1	Bolt M10 x 25	
4	0761014	2	Bolt M10 x 30	
5	0761015	2	Bolt M10 x 35	
6	0761212	2	Bolt M12 x 25	
7	0761215	2	Bolt M12 x 35	
8	3291005	3	Nut M10	
9	3291205	1	Nut M12	
10	3422576	2	Pin	
11	3422582	1	Pin	
12	3422709	1	Pin	
13	3422790	1	Pin	
14	3422792	1	Pin	
15	3422814	1	Pin	
16	3841143	4	Keeper, Pin	
17	3841203	4	Keeper, Pin	
18	4812000	4	Washer M10	
19	5251010	3	Bolt M10 x 20	
20	1001120976	1	Master Cylinder Assembly (See CYLINDER SECTION for Breakdown)	
21	1001125235	1	Rest, Boom	
22	1001109528	1	Pin	
23	1001112607	2	Pad, Boom Rest	
24	1001115672	1	Tower Boom Assembly (See TOWER BOOM ASSEMBLY for Breakdown)	
25	1001117375	1	Level Cylinder Assembly - Platform (Slave) (See CYLINDER SECTION for Breakdown) (Prior to SN 0300240098)	
25	1001225990	1	Level Cylinder Assembly - Platform (Slave) (See CYLINDER SECTION for Breakdown) (SN 0300240098 to Present)	
26	1001117640	1	Lift Cylinder Assembly - Main Boom (See CYLINDER SECTION for Breakdown)	
27	1001199412	1	Jib Assembly (See JIB ASSEMBLY - WITHOUT ARCTIC PACKAGE for Breakdown)	
28	1001199413	1	Main Boom Assembly (See MAIN BOOM ASSEMBLY for Breakdown)	

SECTION 4 - BOOM

FIGURE 4-2. BOOM AND CYLINDERS INSTALLATION - WITHOUT ARCTIC PACKAGE (SN 0300209405 to Present)



ART_1001115766

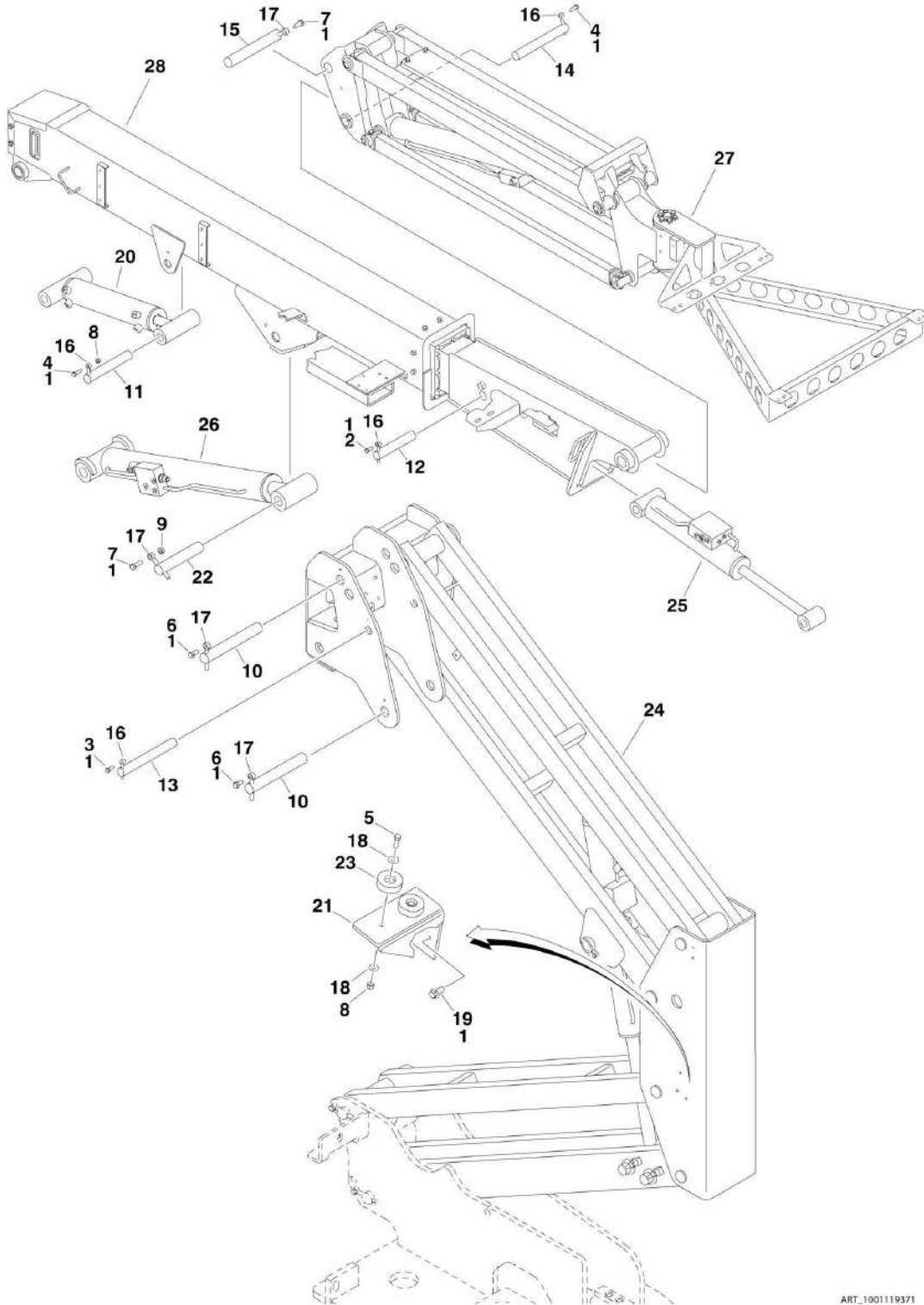
SECTION 4 - BOOM

FIGURE 4-2. BOOM AND CYLINDERS INSTALLATION - WITHOUT ARCTIC PACKAGE (SN 0300209405 to Present)

ITEM	PART NUMBER	QTY	DESCRIPTION	REV
	1001115766	Ref	BOOM AND CYLINDERS INSTALLATION - WITHOUT ARCTIC PACKAGE (SN 0300209405 to Present)	D
1	0100011	AR	Compound, Locking	
2	0761011	1	Bolt M10 x 22	
3	0761012	1	Bolt M10 x 25	
4	0761014	2	Bolt M10 x 30	
5	0761015	2	Bolt M10 x 35	
6	0761212	2	Bolt M12 x 25	
7	0761215	2	Bolt M12 x 35	
8	3291005	3	Nut M10	
9	3291205	1	Nut M12	
10	3422576	2	Pin	
11	3422582	1	Pin	
12	3422709	1	Pin	
13	3422790	1	Pin	
14	3422792	1	Pin	
15	3422814	1	Pin	
16	3841143	4	Keeper, Pin	
17	3841203	4	Keeper, Pin	
18	4812000	4	Washer M10	
19	5251010	3	Bolt M10 x 20	
20	1001120976	1	Master Cylinder Assembly (See CYLINDER SECTION for Breakdown)	
21	1001125235	1	Rest, Boom	
22	1001109528	1	Pin	
23	1001112607	2	Pad, Boom Rest	
24	1001115672	1	Tower Boom Assembly (See TOWER BOOM ASSEMBLY for Breakdown)	
25	1001117375	1	Level Cylinder Assembly - Platform (Slave) (See CYLINDER SECTION for Breakdown) (Prior to SN 0300240098)	
25	1001225990	1	Level Cylinder Assembly - Platform (Slave) (See CYLINDER SECTION for Breakdown) (SN 0300240098 to Present)	
26	1001117640	1	Lift Cylinder Assembly - Main Boom (See CYLINDER SECTION for Breakdown)	
27	1001117884	1	Jib Assembly (See JIB ASSEMBLY - WITHOUT ARCTIC PACKAGE for Breakdown)	
28	1001117885	1	Main Boom Assembly (See MAIN BOOM ASSEMBLY for Breakdown)	

SECTION 4 - BOOM

FIGURE 4-3. BOOM AND CYLINDERS INSTALLATION - WITH ARCTIC PACKAGE



ART_1001119371

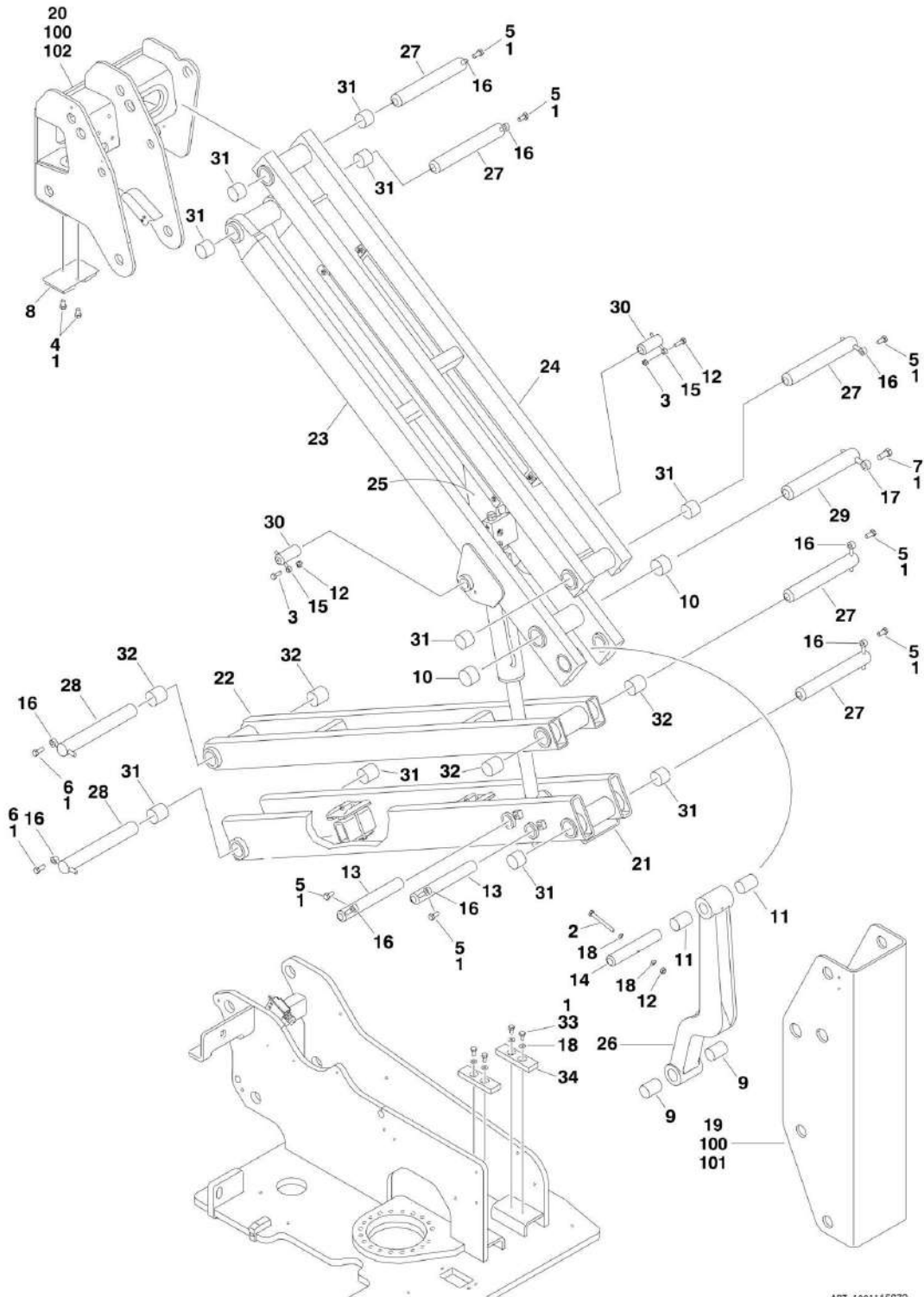
SECTION 4 - BOOM

FIGURE 4-3. BOOM AND CYLINDERS INSTALLATION - WITH ARCTIC PACKAGE

ITEM	PART NUMBER	QTY	DESCRIPTION	REV
	1001119371	Ref	BOOM AND CYLINDERS INSTALLATION - WITH ARCTIC PACKAGE	D
1	0100011	AR	Compound, Locking	
2	0761011	1	Bolt M10 x 22	
3	0761012	1	Bolt M10 x 25	
4	0761014	2	Bolt M10 x 30	
5	0761015	2	Bolt M10 x 35	
6	0761212	2	Bolt M12 x 25	
7	0761215	2	Bolt M12 x 35	
8	3291005	3	Nut M10	
9	3291205	1	Nut M12	
10	3422576	2	Pin	
11	3422582	1	Pin	
12	3422709	1	Pin	
13	3422790	1	Pin	
14	3422792	1	Pin	
15	3422814	1	Pin	
16	3841143	4	Keeper, Pin	
17	3841203	4	Keeper, Pin	
18	4812000	4	Washer M10	
19	5251010	3	Bolt M10 x 20	
20	1001120976	1	Master Cylinder Assembly (See CYLINDER SECTION for Breakdown)	
21	1001125235	1	Rest, Boom	
22	1001109528	1	Pin	
23	1001112607	2	Pad, Boom Rest	
24	1001115672	1	Tower Boom Assembly (See TOWER BOOM ASSEMBLY for Breakdown)	
25	1001117375	1	Level Cylinder Assembly - Platform (Slave) (See CYLINDER SECTION for Breakdown) (Prior to SN 0300240098)	
25	1001225990	1	Level Cylinder Assembly - Platform (Slave) (See CYLINDER SECTION for Breakdown) (SN 0300240098 to Present)	
26	1001117640	1	Lift Cylinder Assembly - Main Boom (See CYLINDER SECTION for Breakdown)	
27	1001119370	1	Jib Assembly (See JIB ASSEMBLY - WITH ARCTIC PACKAGE for Breakdown)	
28	1001199413	1	Main Boom Assembly (See MAIN BOOM ASSEMBLY for Breakdown)	

SECTION 4 - BOOM

FIGURE 4-4. TOWER BOOM ASSEMBLY



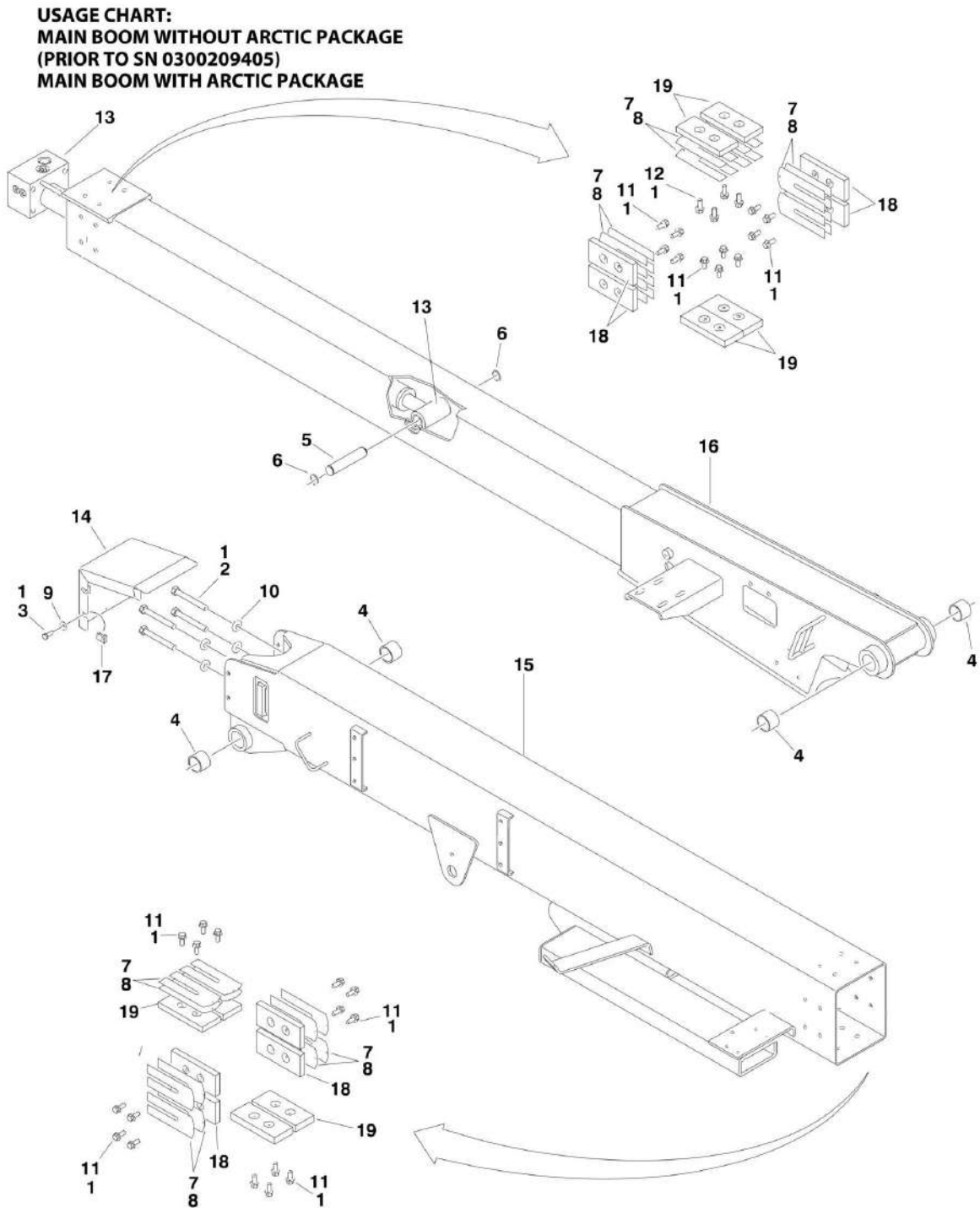
ART_100115872

FIGURE 4-4. TOWER BOOM ASSEMBLY

ITEM	PART NUMBER	QTY	DESCRIPTION	REV
	1001115672	Ref	TOWER BOOM ASSEMBLY	D
1	0100011	AR	Compound, Locking	
2	0701027	1	Bolt M10 x 100	
3	0761015	2	Bolt M10 x 35	
4	0761210	2	Bolt M12 x 20	
5	0761212	7	Bolt M12 x 25	
6	0761214	2	Bolt M12 x 30	
7	0761615	2	Bolt M16 x 35	
8	0940048	1	Bumper	
9	0961948	2	Bearing	
10	0962224	2	Bearing	
11	0962259	2	Bearing	
12	3291005	3	Nut M10	
13	3422787	2	Pin	
14	3422788	1	Pin	
15	3841143	2	Keeper, Pin	
16	3841203	9	Keeper, Pin	
17	3841258	1	Keeper, Pin	
18	4812000	6	Washer M10	
19	1001115649	1	Upright (Bottom) (Prior to SN 0300234421)	
20	1001115650	1	Upright (Top) (Prior to SN 0300234421)	
21	1001115657	1	Link, Lower Boom (Bottom)	
22	1001115661	1	Link, Lower Boom (Top)	
23	1001115663	1	Link, Mid Boom (Bottom)	
24	1001115669	1	Link, Mid Boom (Top)	
25	1001122527	1	Lift Cylinder Assembly - Tower Boom (See CYLINDER SECTION for Breakdown)	
26	1001115870	1	Link, Timing	
27	1001116546	5	Pin	
28	1001116547	2	Pin	
29	1001116548	1	Pin	
30	1001116549	2	Pin	
31	1001118665	10	Bearing	
32	1001118666	4	Bearing	
33	0761010	4	Bolt M10 x 20	
34	3340758	2	Pad, Wear	
100	1001231153	1	Lower Upright Boom Kit (SN 0300234421 to Present)	
101	1001115649	1	Upright, Lower	
102	1001115650	1	Upright, Upper	

SECTION 4 - BOOM

FIGURE 4-5. MAIN BOOM ASSEMBLY



ART_1001199413

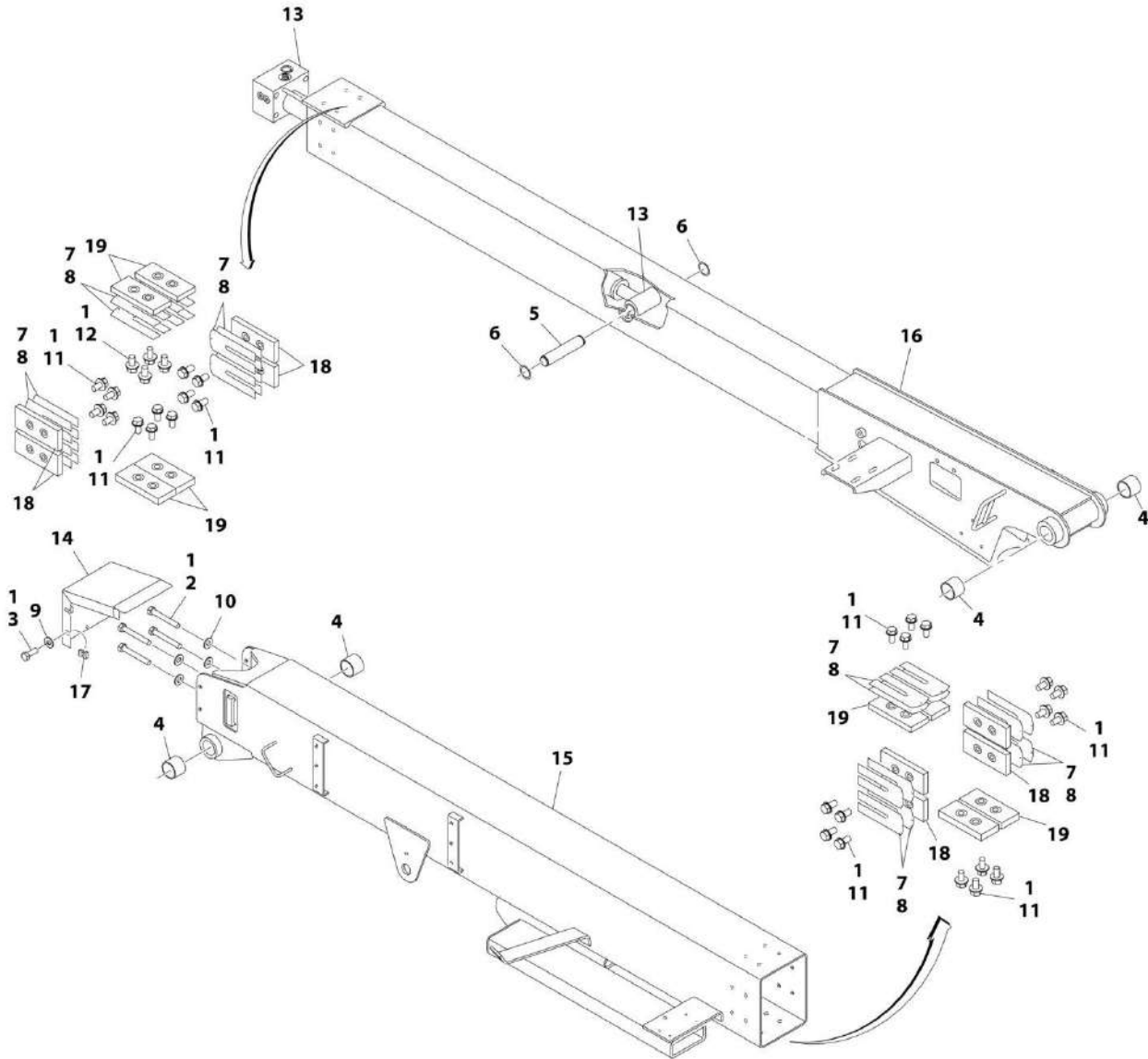
FIGURE 4-5. MAIN BOOM ASSEMBLY

ITEM	PART NUMBER	QTY	DESCRIPTION	REV
		Ref	Usage Chart:	
		Ref	Main Boom without Arctic Package (Prior to SN 0300209405)	
		Ref	Main Boom with Arctic Package	
	1001199413	Ref	MAIN BOOM ASSEMBLY	A
1	0100011	AR	Compound, Locking	
2	0711227	4	Bolt M12 x 100 Grade 10.9	
3	0760812	4	Bolt M8 x 25	
4	0961948	4	Bushing	
5	3422745	1	Pin	
6	3760115	2	Ring, Retaining	
7	4070897	16	Shim 18Ga	
8	4070898	12	Shim 11Ga	
9	4811902	4	Washer M8	
10	5241200	4	Washer M12	
11	5251010	28	Bolt M10 x 20	
12	5251012	4	Bolt M10 x 25	
13	1001199461	1	Telescope Cylinder Assembly (See CYLINDER SECTION for Breakdown)	
14	1001108290	1	Cover, Boom End	
15	1001116876	1	Boom, Base	
16	1001116877	1	Boom, Fly	
17	1001118274	4	Retainer M8	
18	1001118287	8	Pad, Wear	
19	1001118288	8	Pad, Wear	

SECTION 4 - BOOM

FIGURE 4-6. MAIN BOOM ASSEMBLY

USAGE CHART:
MAIN BOOM WITHOUT ARCTIC PACKAGE
(SN 0300209405 TO PRESENT)



ART_100117885

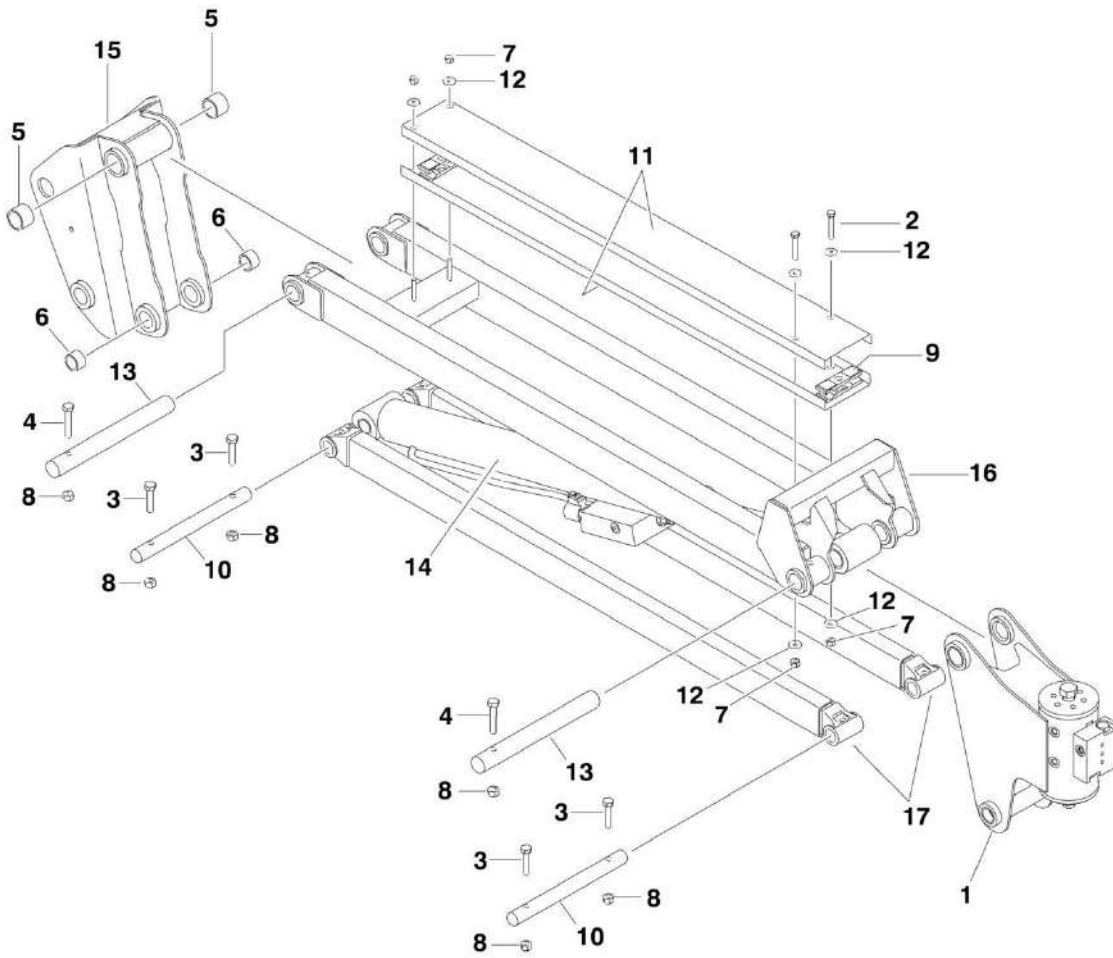
SECTION 4 - BOOM

FIGURE 4-6. MAIN BOOM ASSEMBLY

ITEM	PART NUMBER	QTY	DESCRIPTION	REV
		Ref	Usage Chart:	
		Ref	Main Boom without Arctic Package (SN 0300209405 to Present)	
	1001117885	Ref	MAIN BOOM ASSEMBLY	C
1	0100011	AR	Compound, Locking	
2	0711227	4	Bolt M12 x 100 Grade 10.9	
3	0760812	4	Bolt M8 x 25	
4	0961948	4	Bushing	
5	3422745	1	Pin	
6	3760115	2	Ring, Retaining	
7	4070897	16	Shim 18Ga	
8	4070898	12	Shim 11Ga	
9	4811902	4	Washer M8	
10	5241200	4	Washer M12	
11	5251010	28	Bolt M10 x 20	
12	5251012	4	Bolt M10 x 25	
13	1001120974	1	Telescope Cylinder Assembly (See CYLINDER SECTION for Breakdown)	
14	1001108290	1	Cover, Boom End	
15	1001116876	1	Boom, Base	
16	1001116877	1	Boom, Fly	
17	1001118274	4	Nut, Retainer M8	
18	1001118287	8	Pad, Wear	
19	1001118288	8	Pad, Wear	

SECTION 4 - BOOM

FIGURE 4-7. JIB ASSEMBLY - WITHOUT ARCTIC PACKAGE (Prior to SN 0300209405)



ART_1001199412

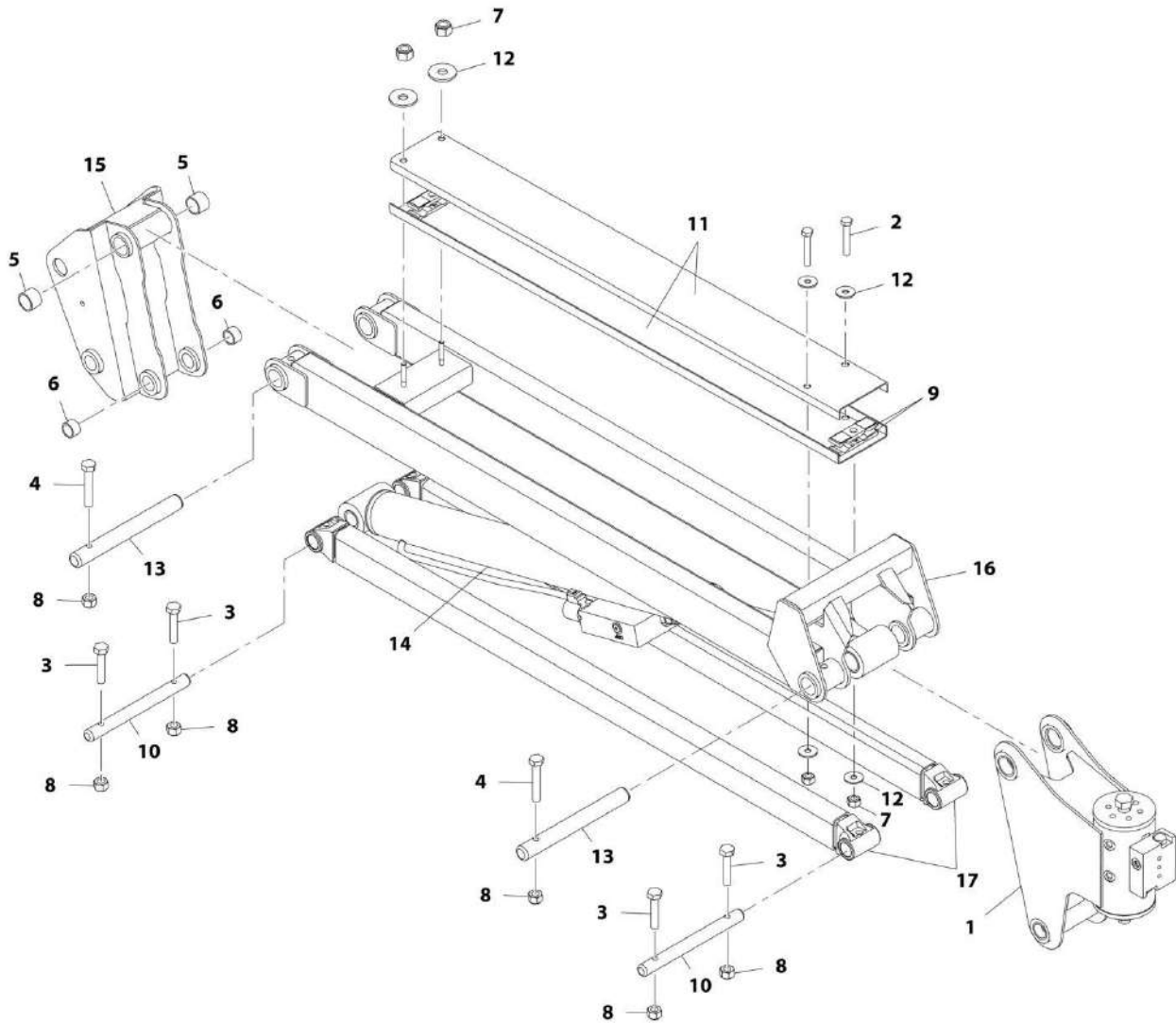
SECTION 4 - BOOM

FIGURE 4-7. JIB ASSEMBLY - WITHOUT ARCTIC PACKAGE (Prior to SN 0300209405)

ITEM	PART NUMBER	QTY	DESCRIPTION	REV
	1001199412	Ref	JIB ASSEMBLY - WITHOUT ARCTIC PACKAGE (Prior to SN 0300209405)	B
1	0060044	1	Platform Rotator Assembly (See PLATFORM ROTATOR ASSEMBLY WITHOUT ARCTIC PACKAGE for Breakdown)	
2	0700818	2	Bolt M8 x 50	
3	0701018	4	Bolt M10 x 50	
4	0701020	2	Bolt M10 x 60	
5	0961951	2	Bushing	
6	0962292	2	Bushing	
7	3290805	4	Nut M8	
8	3291005	6	Nut M10	
9	3340860	4	Pad, Rubber	
10	3422791	2	Pin	
11	3572551	2	Channel, Hose Carrier	
12	4811902	6	Washer M8	
13	1001116550	2	Pin	
14	1001199460	1	Lift Cylinder Assembly - Jib (See CYLINDER SECTION for Breakdown)	
15	1001118394	1	Pivot, Jib	
16	1001118482	1	Link, Jib (Top)	
17	1001118516	NLA	Link, Jib (Bottom) (Use p/n 1001094670)	

SECTION 4 - BOOM

FIGURE 4-8. JIB ASSEMBLY - WITHOUT ARCTIC PACKAGE (SN 0300209405 to Present)



ART_1001117884

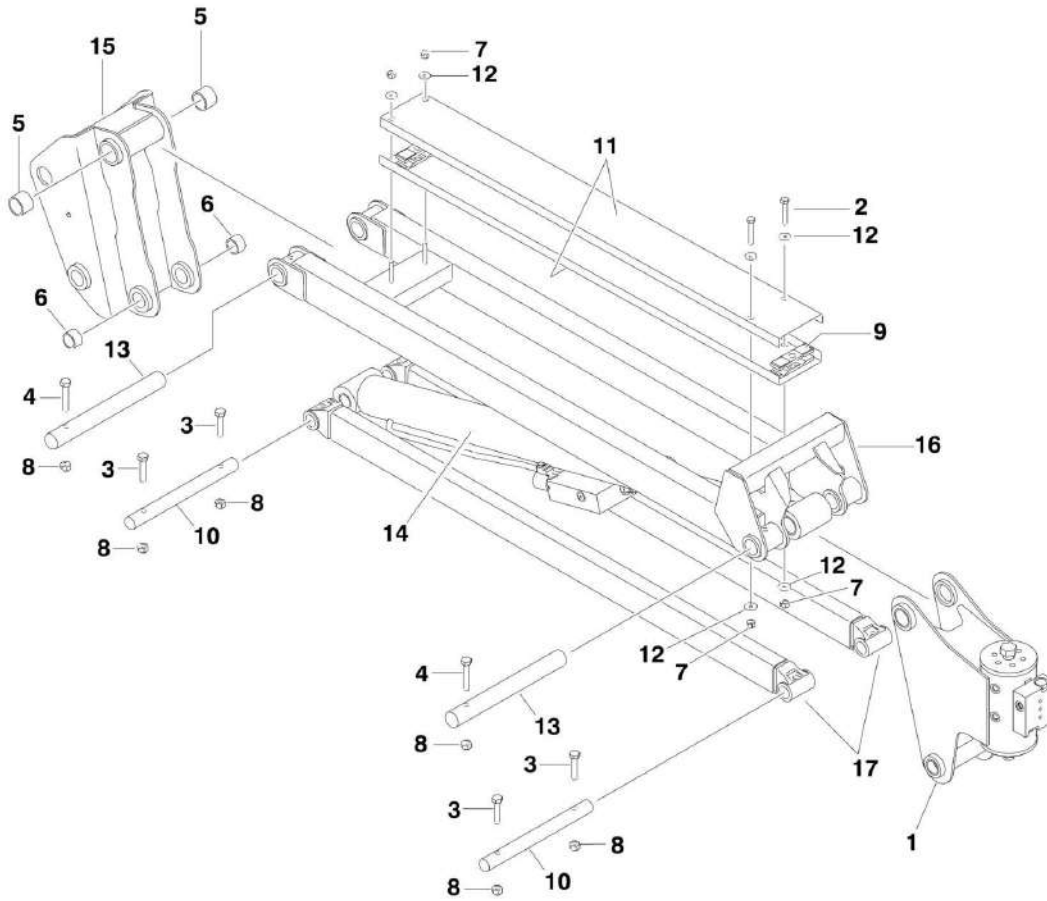
SECTION 4 - BOOM

FIGURE 4-8. JIB ASSEMBLY - WITHOUT ARCTIC PACKAGE (SN 0300209405 to Present)

ITEM	PART NUMBER	QTY	DESCRIPTION	REV
	1001117884	Ref	JIB ASSEMBLY - WITHOUT ARCTIC PACKAGE (SN 0300209405 to Present)	C
1	0060044	1	Platform Rotator Assembly (See PLATFORM ROTATOR ASSEMBLY WITHOUT ARCTIC PACKAGE for Breakdown)	
2	0700818	2	Bolt M8 x 50	
3	0701018	4	Bolt M10 x 50	
4	0701020	2	Bolt M10 x 60	
5	0961951	2	Bushing	
6	0962292	2	Bushing	
7	3290805	4	Nut M8	
8	3291005	6	Nut M10	
9	3340860	4	Pad, Rubber	
10	3422791	2	Pin	
11	3572551	2	Channel, Hose Carrier	
12	4811902	6	Washer M8	
13	1001116550	2	Pin	
14	1001123004	1	Lift Cylinder Assembly - Jib (See CYLINDER SECTION for Breakdown)	
15	1001118394	1	Pivot, Jib	
16	1001118482	1	Link, Jib (Top)	
17	1001118516	NLA	Link, Jib (Bottom) (Use p/n 1001094670) (SN 0300209405 through 0300222892)	
17	1001094670	2	Link, Jib (Bottom) (SN 0300222893 to Present)	

SECTION 4 - BOOM

FIGURE 4-9. JIB ASSEMBLY - WITH ARCTIC PACKAGE



ART_1001119370

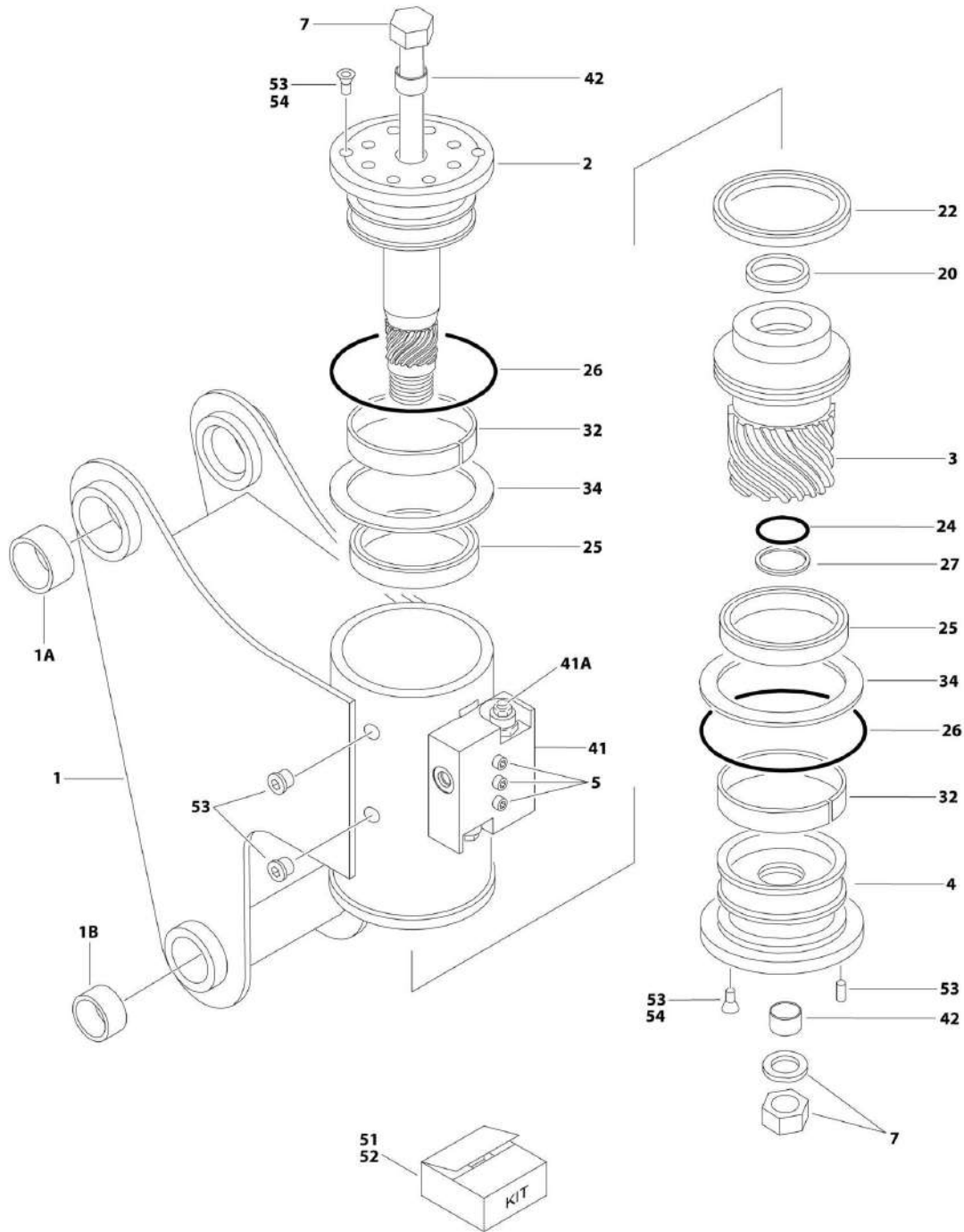
SECTION 4 - BOOM

FIGURE 4-9. JIB ASSEMBLY - WITH ARCTIC PACKAGE

ITEM	PART NUMBER	QTY	DESCRIPTION	REV
	1001119370	Ref	JIB ASSEMBLY - WITH ARCTIC PACKAGE	C
1	1001119369	1	Platform Rotator Assembly (See PLATFORM ROTATOR ASSEMBLY WITH ARCTIC PACKAGE for Breakdown)	
2	0700818	2	Bolt M8 x 50	
3	0701018	4	Bolt M10 x 50	
4	0701020	2	Bolt M10 x 60	
5	0961951	2	Bushing	
6	0962292	2	Bushing	
7	3290805	4	Nut M8	
8	3291005	6	Nut M10	
9	3340860	4	Pad, Rubber	
10	3422791	2	Pin	
11	3572551	2	Channel, Hose Carrier	
12	4811902	6	Washer M8	
13	1001116550	2	Pin	
14	1001123004	1	Lift Cylinder Assembly - Jib (See CYLINDER SECTION for Breakdown)	
15	1001118394	1	Pivot, Jib	
16	1001118482	1	Link, Jib (Top)	
17	1001118516	NLA	Link, Jib (Bottom) (Use p/n 1001094670) (Prior to SN 0300222893)	
17	1001094670	2	Link, Jib (Bottom) (SN 0300222893 to Present)	

SECTION 4 - BOOM

FIGURE 4-10. PLATFORM ROTATOR ASSEMBLY - WITHOUT ARCTIC PACKAGE



ART_0060044

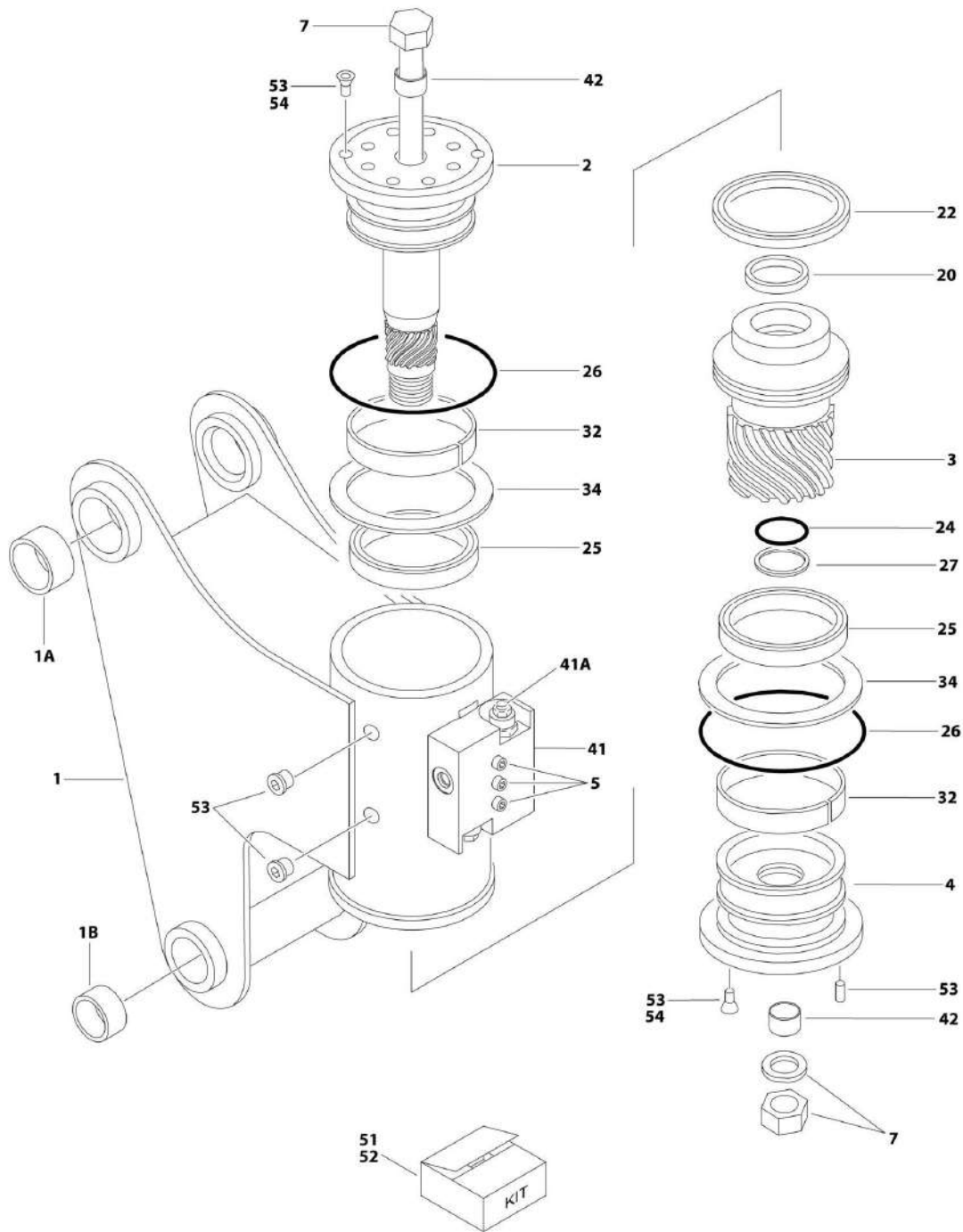
SECTION 4 - BOOM

FIGURE 4-10. PLATFORM ROTATOR ASSEMBLY - WITHOUT ARCTIC PACKAGE

ITEM	PART NUMBER	QTY	DESCRIPTION	REV
	0060044	Ref	PLATFORM ROTATOR ASSEMBLY - WITHOUT ARCTIC PACKAGE	D
1	See Note	1	Case/Bracket Weldment (Note: Not Available - Purchase Complete Assembly)	
1A	0962257	2	Bushing	
1B	0961947	2	Bushing	
2	7017120	1	Shaft (Rotator with Helac Control #25928)	
2	7017196	1	Shaft (Rotator with Helac Control #26962)	
3	7017121	1	Piston Sleeve (Rotator with Helac Control #25928)	
3	7027900	1	Piston Sleeve (Rotator with Helac Control #26962)	
4	See Note	1	Cap, End (Rotator with Helac Control #25928) (Note: Use p/n 0060044)	
4	7027901	1	Cap, End (Rotator with Helac Control #26962)	
5	See Note	3	Capscrew, 1/4 x 1-1/2, Grade 8 (Note: Not Available - Purchase Locally)	
7	7017126	1	Tie Rod Assembly	
20	See Note	1	Seal, Rod (Note: Use Item 52)	
22	See Note	1	Seal, Piston (Note: Use Item 52)	
24	See Note	1	Seal, Cap (Note: Use Item 52)	
25	See Note	1	Packing, Bearing (Note: Use Item 52)	
26	See Note	2	Seal (Note: Use Item 52)	
27	See Note	1	Ring, Back-Up Cap (Note: Use Item 52)	
32	See Note	2	Bearing, Shaft (Note: Use Item 51)	
34	See Note	2	Washer, Thrust (Note: Use Item 51)	
41	7017172	1	Counterbalance Valve Assembly (Helac p/n 24327, 26553 or 26554 Stamped Beside Mounting Screws)	
41A	7011323	2	Valve, Cartridge (Helac p/n 24327 Valve)	
41A	2900770	2	Seal Kit - 7011323 Cartridge (1 Per Assembly)	
41A	7017192	2	Valve Cartridge (Helac p/n 26553 or 26554) (No Seal Kit Available)	
42	70004323	2	Bushing, Shaft	
51	7017122	1	Bearing Kit (Includes Items 32-34)	
52	7017127	1	Seal Kit - Standard (Includes Items 20, 22, 24, 25, 26 & 27)	
52	70000341	1	Seal Kit - Low Temperature (Includes Items 20, 22, 24, 25, 26 & 27)	
53	7017123	1	Hardware Kit	
54	70001697	4	Screw 1/4-20 x 3/8 Grade 8	

SECTION 4 - BOOM

FIGURE 4-11. PLATFORM ROTATOR ASSEMBLY - WITH ARCTIC PACKAGE



ART_100119369

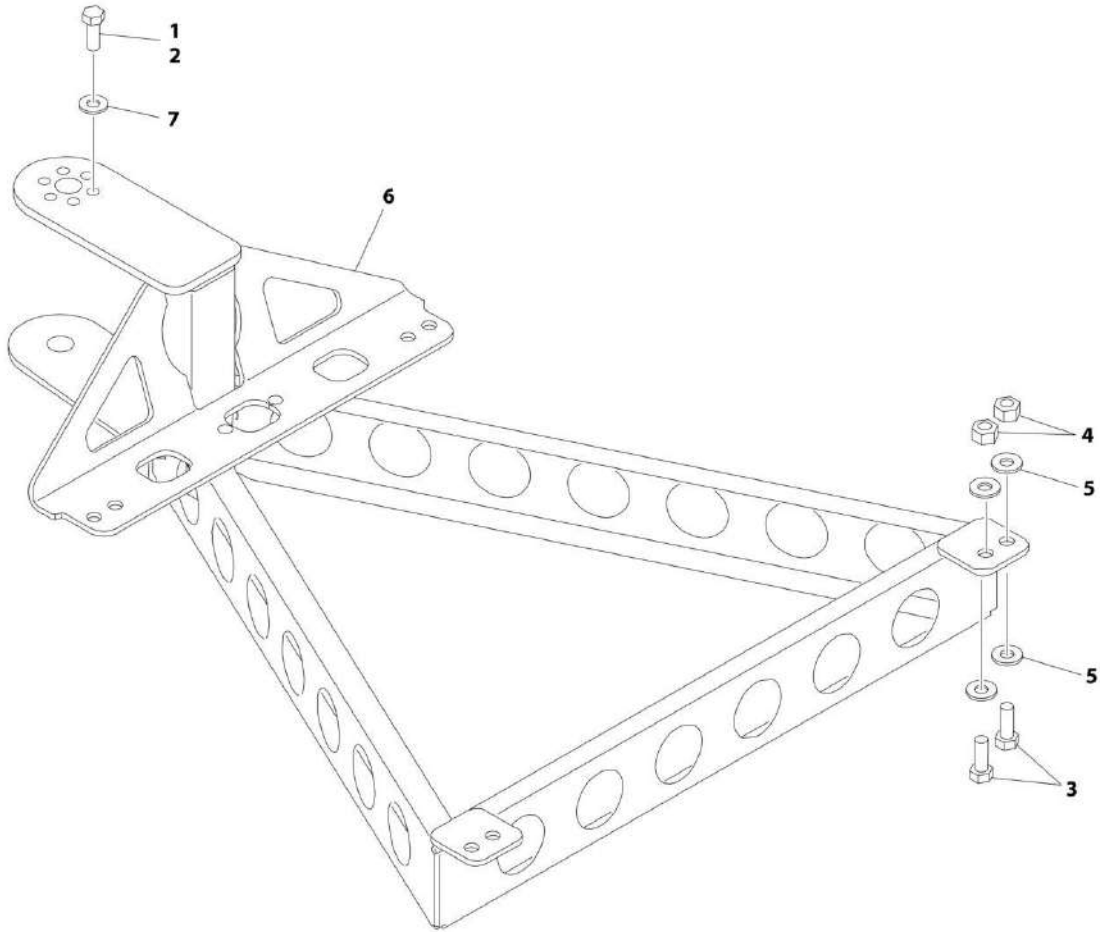
SECTION 4 - BOOM

FIGURE 4-11. PLATFORM ROTATOR ASSEMBLY - WITH ARCTIC PACKAGE

ITEM	PART NUMBER	QTY	DESCRIPTION	REV
	1001119369	Ref	PLATFORM ROTATOR ASSEMBLY - WITH ARCTIC PACKAGE	B
1	See Note	1	Case/Bracket Weldment (Note: Not Available - Purchase Complete Assembly)	
1A	0962257	2	Bushing	
1B	0961947	2	Bushing	
2	7017196	1	Shaft	
3	7027900	1	Piston Sleeve	
4	7027901	1	Cap, End	
5	See Note	3	Capscrew, 1/4 x 1-1/2, Grade 8 (Note: Not Available - Purchase Locally)	
7	7017126	1	Tie Rod Assembly	
20	See Note	1	Seal, Rod (Note: Use Item 52)	
22	See Note	1	Seal, Piston (Note: Use Item 52)	
24	See Note	1	Seal, Cap (Note: Use Item 52)	
25	See Note	1	Packing, Bearing (Note: Use Item 52)	
26	See Note	2	Seal (Note: Use Item 52)	
27	See Note	1	Ring, Back-Up Cap (Note: Use Item 52)	
32	See Note	2	Bearing, Shaft (Note: Use Item 51)	
34	See Note	2	Washer, Thrust (Note: Use Item 51)	
41	7017172	1	Counterbalance Valve Assembly	
41A	7017192	2	Valve Cartridge (No Seal Kit Available)	
42	70004323	2	Bushing, Shaft	
51	7017122	1	Bearing Kit (Includes Items 32-34)	
52	70004322	1	Seal Kit (Includes Items 20, 22, 24, 25, 26 & 27)	
53	7017123	1	Hardware Kit	
54	70001697	4	Screw 1/4-20 x 3/8 Grade 8	

SECTION 4 - BOOM

FIGURE 4-12. PLATFORM SUPPORT INSTALLATION - WITHOUT LSS



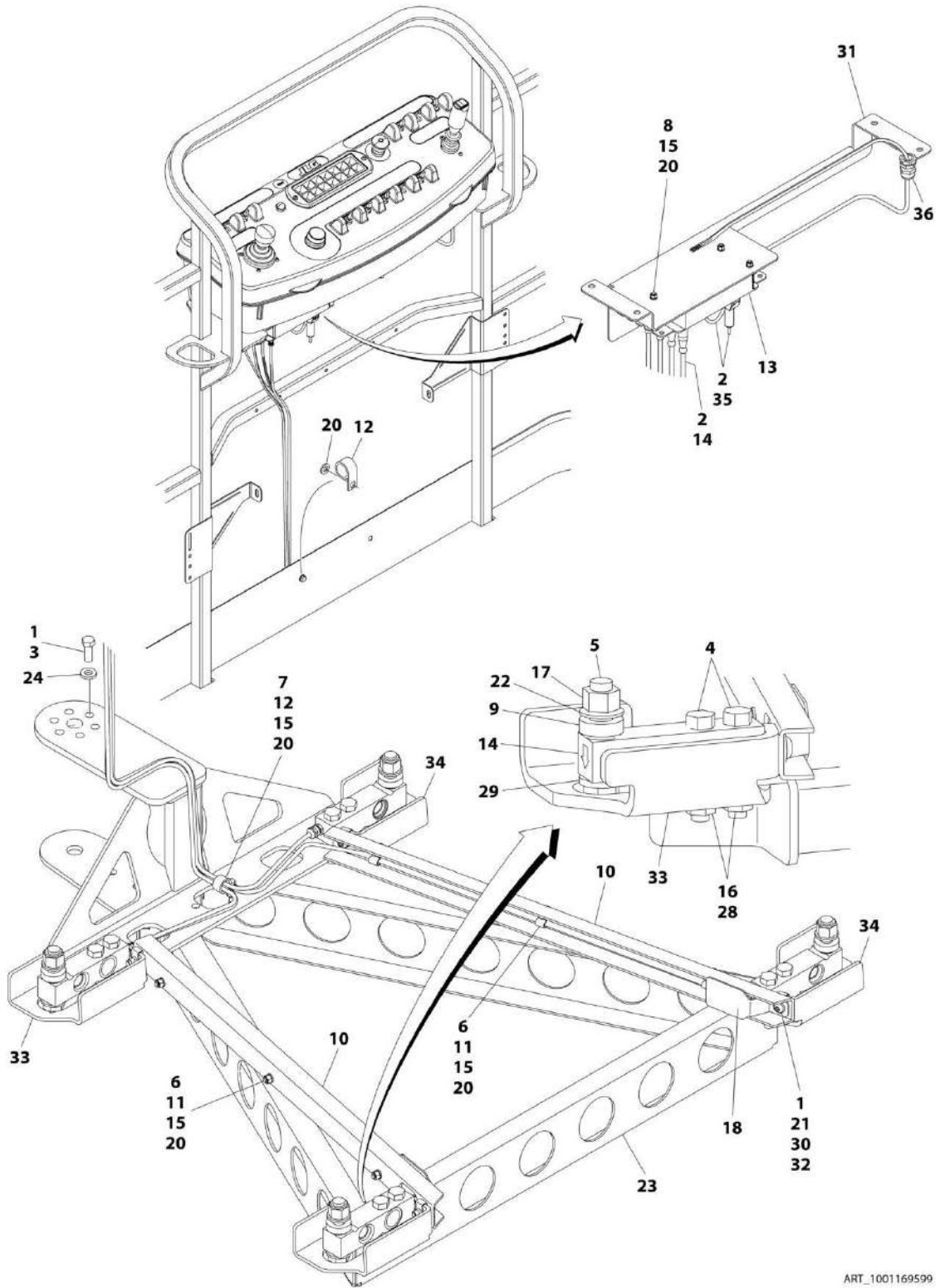
ART_1001115834

FIGURE 4-12. PLATFORM SUPPORT INSTALLATION - WITHOUT LSS

ITEM	PART NUMBER	QTY	DESCRIPTION	REV
	1001115834	Ref	PLATFORM SUPPORT INSTALLATION - WITHOUT LSS	B
1	0100011	AR	Compound, Locking	
2	0681608	6	Bolt 3/8-16 x 1 Grade 8	
3	0761015	8	Bolt M10 x 35 (Prior to SN 0300240098)	
3	0761215	8	Bolt M12 x 35 (SN 0300240098 to Present)	
4	3291005	8	Nut M10 (Prior to SN 0300240098)	
4	3291205	8	Nut M12 (SN 0300240098 to Present)	
5	4812000	16	Washer M10 (Prior to SN 0300240098)	
5	5241200	16	Washer M12 (SN 0300240098 to Present)	
6	4846608	1	Support, Platform	
7	4891600	6	Washer 3/8	

SECTION 4 - BOOM

FIGURE 4-13. PLATFORM SUPPORT INSTALLATION - WITH 4 CELL LSS



ART_1001169599

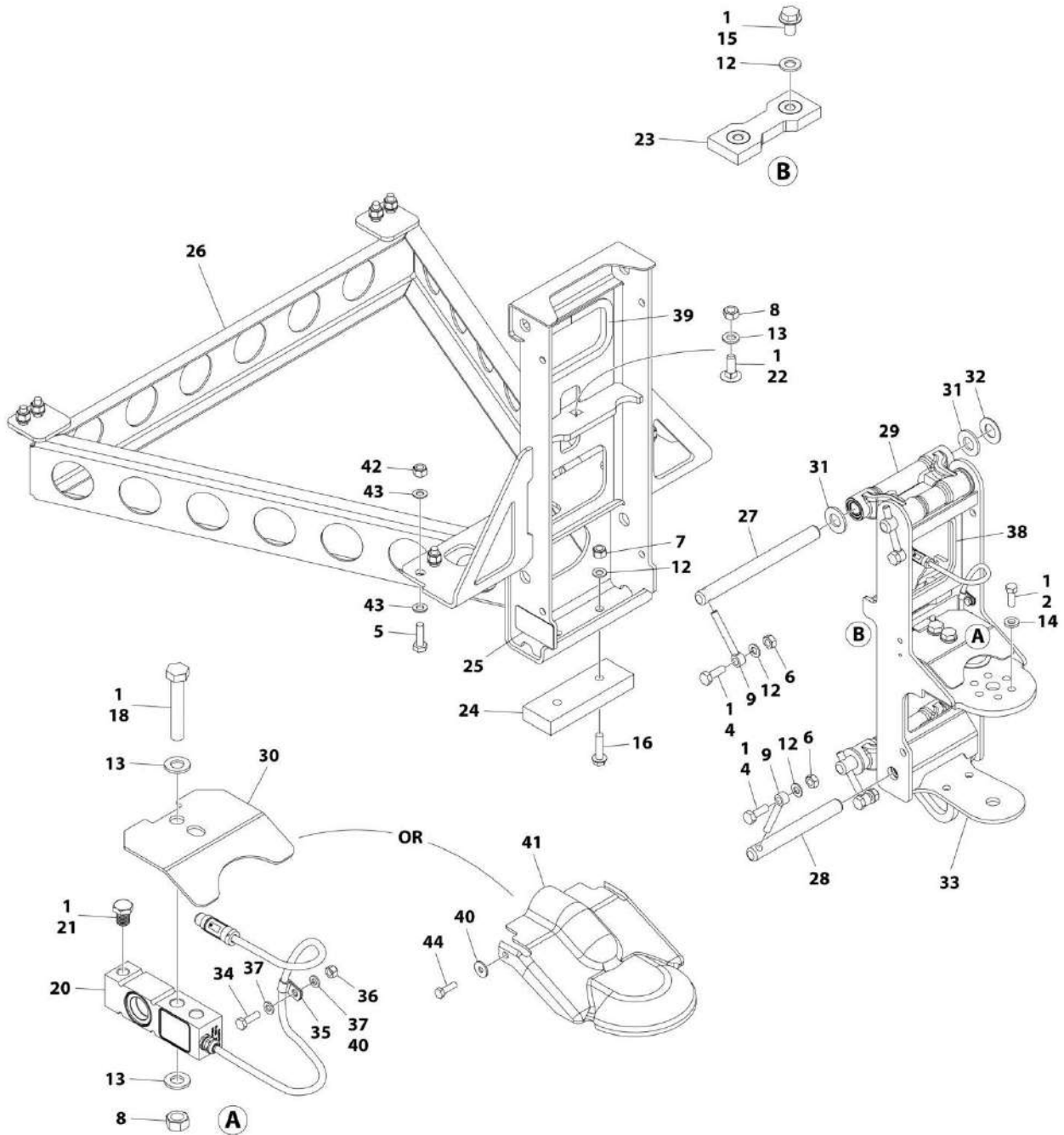
SECTION 4 - BOOM

FIGURE 4-13. PLATFORM SUPPORT INSTALLATION - WITH 4 CELL LSS

ITEM	PART NUMBER	QTY	DESCRIPTION	REV
	1001169599	Ref	PLATFORM SUPPORT INSTALLATION - WITH 4 CELL LSS	B
1	0100011	AR	Compound, Locking	
2	0100048	AR	Grease, Terminal	
3	0681608	6	Bolt 3/8 x 1	
4	0701222	8	Bolt M12 x 70	
5	0701624	4	Bolt M16 x 80	
6	0760608	6	Bolt M6 x 16	
7	0760610	1	Bolt M6 x 20	
8	0760618	3	Bolt M6 x 50	
9	0962450	4	Spacer	
10	1271538	2	Channel	
11	1320136	6	Clamp	
12	1320224	2	Clamp	
13	1600387	1	Module, Controller - LSS (Note: Re-calibration Required when Replaced)	
14	2420202	4	Cell, Load	
15	3290605	10	Nut M6	
16	3291205	8	Nut M12	
17	3291605	4	Nut M16	
18	4061054	2	Shield	
19	4240033	AR	Tie-Strap (Not Shown)	
20	4811700	15	Washer M6	
21	4811900	4	Washer M8	
22	4812300	4	Washer M16	
23	4846608	1	Support, Platform	
24	4891600	6	Washer 3/8	
28	5241200	8	Washer M12	
29	5241600	4	Washer M16	
30	8310643	4	Screw M8 x 25 Grade 10.9	
31	1001113483	1	Bracket	
32	1001118274	4	Nut, Tinnerman M8	
33	1001118909	2	Guard	
34	1001118910	2	Guard	
35	1001169598	1	LSS Harness (See ELECTRICAL SECTION for Breakdown)	
36	4460428	1	Connector, Strain Relief	

SECTION 4 - BOOM

FIGURE 4-14. PLATFORM SUPPORT INSTALLATION - WITH 1 CELL LSS



ART_1001217227

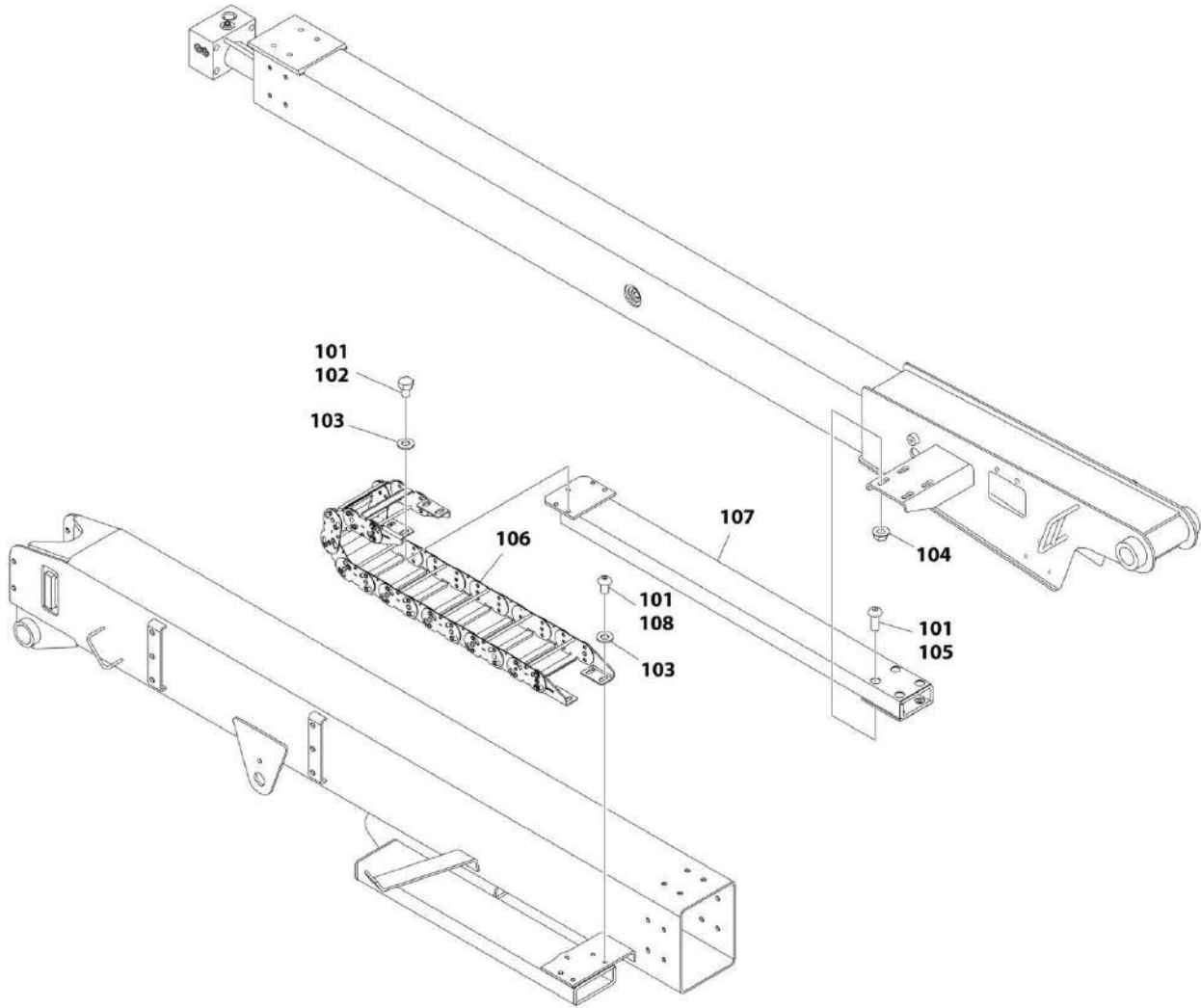
SECTION 4 - BOOM

FIGURE 4-14. PLATFORM SUPPORT INSTALLATION - WITH 1 CELL LSS

ITEM	PART NUMBER	QTY	DESCRIPTION	REV
	1001217227	Ref	PLATFORM SUPPORT INSTALLATION - WITH 1 CELL LSS	E
1	0100011	AR	Compound, Locking	
2	0681608	6	Bolt 3/8 x 1	
4	0761014	4	Bolt M10 x 30	
5	0761015	8	Bolt M10 x 35 (Prior to SN 0300240098)	
5	0761215	8	Bolt M12 x 35 (SN 0300240098 to Present)	
6	3291001	4	Nut M10	
7	3291005	AR	Nut M10	
8	3291201	3	Nut M12	
9	3841143	4	Keeper, Pin	
12	4812000	AR	Washer M10	
13	4812100	5	Washer M12	
14	4891600	6	Washer 3/8	
15	5251008	2	Bolt M10 x 16	
16	5251016	2	Bolt M10 x 40	
18	1001098828	2	Bolt M12 x 70 Grade 10.9	
20	1001172663	1	Gauge, Load Sensing	
21	1001188622	1	Screw	
22	1001188844	1	Bolt M12 x 35	
23	1001190985	1	Pad, Wear	
24	1001200491	1	Pad, Wear	
25	1001216630	2	Decal - Tie Down/No Lift	
26	1001217228	1	Platform Support	
27	1001217242	2	Pin	
28	1001217243	2	Pin	
29	1001217244	2	Link	
30	1001217250	1	Plate (Prior to SN 0300236472)	
31	1001217253	8	Bearing, Thrust	
32	1001217254	4	Bearing, Thrust	
33	1001217267	1	Support	
34	0760610	AR	Bolt M6 x 20	
35	1320136	1	Clamp	
36	3290605	1	Nut M6	
37	4811700	2	Washer M6 (Prior to SN 0300236472)	
38	4060804	14.4 in/ 36.5cm	Shield	
39	4060805	15.9 in/ 40.5cm	Shield	
40	4811702	3	Washer M6 (SN 0300236472 to Present)	
41	1001228627	1	Cover (SN 0300236472 to Present)	
42	3291205	AR	Nut M12 (SN 0300240098 to Present)	
43	5241200	AR	Washer M12 (SN 0300240098 to Present)	
44	0760606	AR	Bolt M6 x 12 (SN 0300240098 to Present)	

SECTION 4 - BOOM

FIGURE 4-15. POWER TRACK INSTALLATION



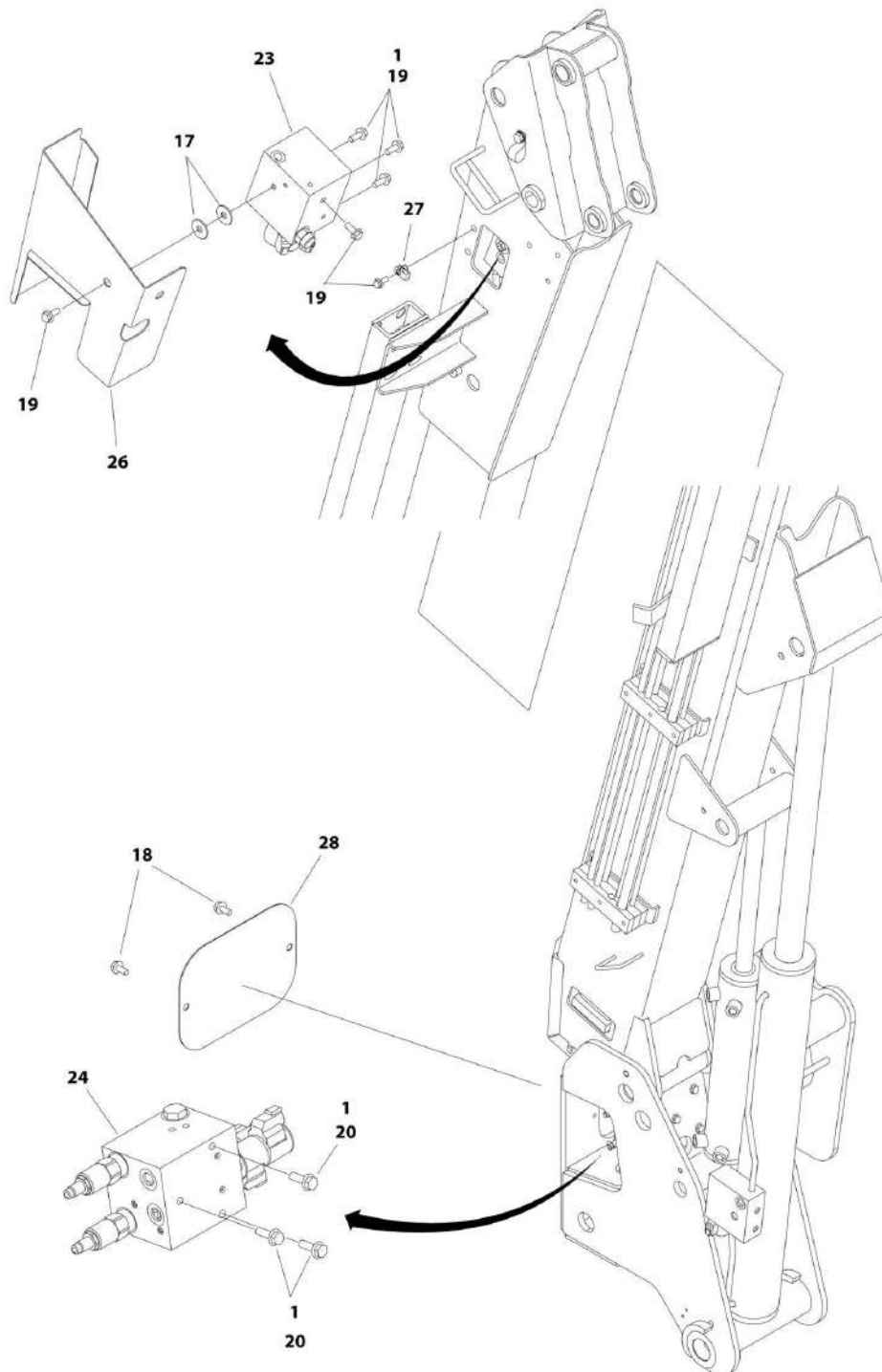
ART_1001119504

FIGURE 4-15. POWER TRACK INSTALLATION

ITEM	PART NUMBER	QTY	DESCRIPTION	REV
	1001119504	Ref	POWER TRACK INSTALLATION	C
101	0100011	AR	Compound, Locking	
102	0761007	4	Bolt M10 x 14	
103	4812000	8	Washer M10	
104	5221000	4	Nut M10 Grade 10.9	
105	8310668	4	Screw M10 x 25 Grade 10.9	
106	1001099834	1	Carrier, Power Track (Prior to SN 0300230169)	
106	70001996	1	Repair Kit (Includes 4 Link Section of Track)	
106	70001998	1	Bracket Kit (Includes 4 Mounting Feet and Hardware to Attach to Track)	
106	1001224891	1	Carrier, Power Track (SN 0300230169 to Present)	
106	70006269	1	Repair Kit (Includes 10 Link Section of Track)	
106	70006280	1	Bracket Kit (Includes 4 Mounting Feet and Hardware to Attach to Track)	
107	1001119513	1	Tube, Support	
108	1001119527	4	Screw M10 x 16	

SECTION 4 - BOOM

FIGURE 4-16. CONTROL VALVES INSTALLATION - BOOM



ART_1001167238_30F3

SECTION 4 - BOOM**FIGURE 4-16. CONTROL VALVES INSTALLATION - BOOM**

ITEM	PART NUMBER	QTY	DESCRIPTION	REV
	1001167238	Ref	CONTROL VALVES INSTALLATION - BOOM	I
1	0100011	AR	Compound, Locking	
17	4812002	2	Washer M10	
18	5250808	2	Bolt M8 X 16	
19	5250810	14	Bolt M8 X 20	
20	5250812	3	Bolt M8 X 25	
23	1001116228	1	Fly Boom Valve Assembly (See FLY BOOM VALVE ASSEMBLY for Breakdown)	
24	1001136244	1	Boom Upright Valve Assembly (See BOOM UPRIGHT VALVE ASSEMBLY for Breakdown)	
26	1001116835	1	Shield	
27	1001118274	1	Nut M8	
28	1001118595	1	Cover	

SECTION 4 - BOOM

FIGURE 4-17. FLY BOOM VALVE ASSEMBLY

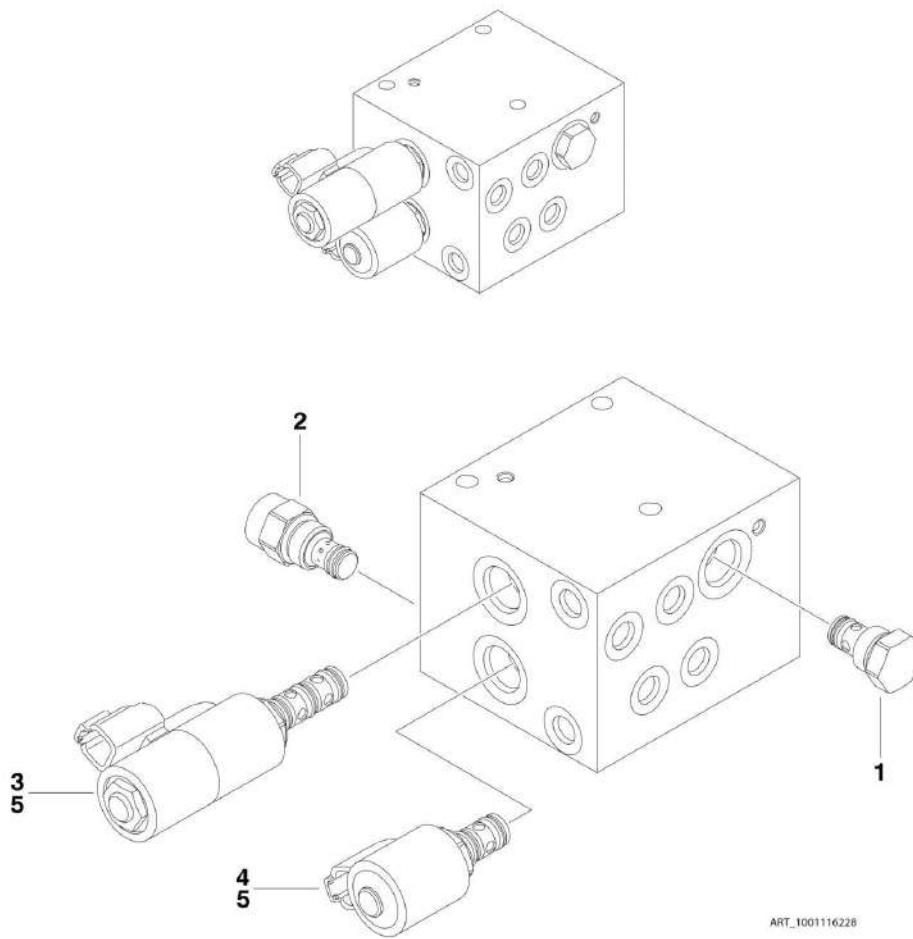


FIGURE 4-17. FLY BOOM VALVE ASSEMBLY

ITEM	PART NUMBER	QTY	DESCRIPTION	REV
	1001116228	Ref	FLY BOOM VALVE ASSEMBLY	D
1	7012955	1	Cartridge, Check Valve	
1	7012967	1	Seal Kit - 7012955 Cartridge	
2	7023970	1	Cartridge, Flow Regulator	
2	7012953	1	Seal Kit - 7023970 Cartridge	
3	7017452	1	Cartridge, Solenoid Valve (without Coil) (Rotate)	
3	7017402	1	Seal Kit - 7017452 Cartridge	
4	7012941	1	Cartridge, Solenoid Valve (without Coil) (Jib)	
4	7010543	1	Seal Kit - 7012941 Cartridge	
5	70002386	3	Coil	

SECTION 4 - BOOM

FIGURE 4-18. BOOM UPRIGHT VALVE ASSEMBLY

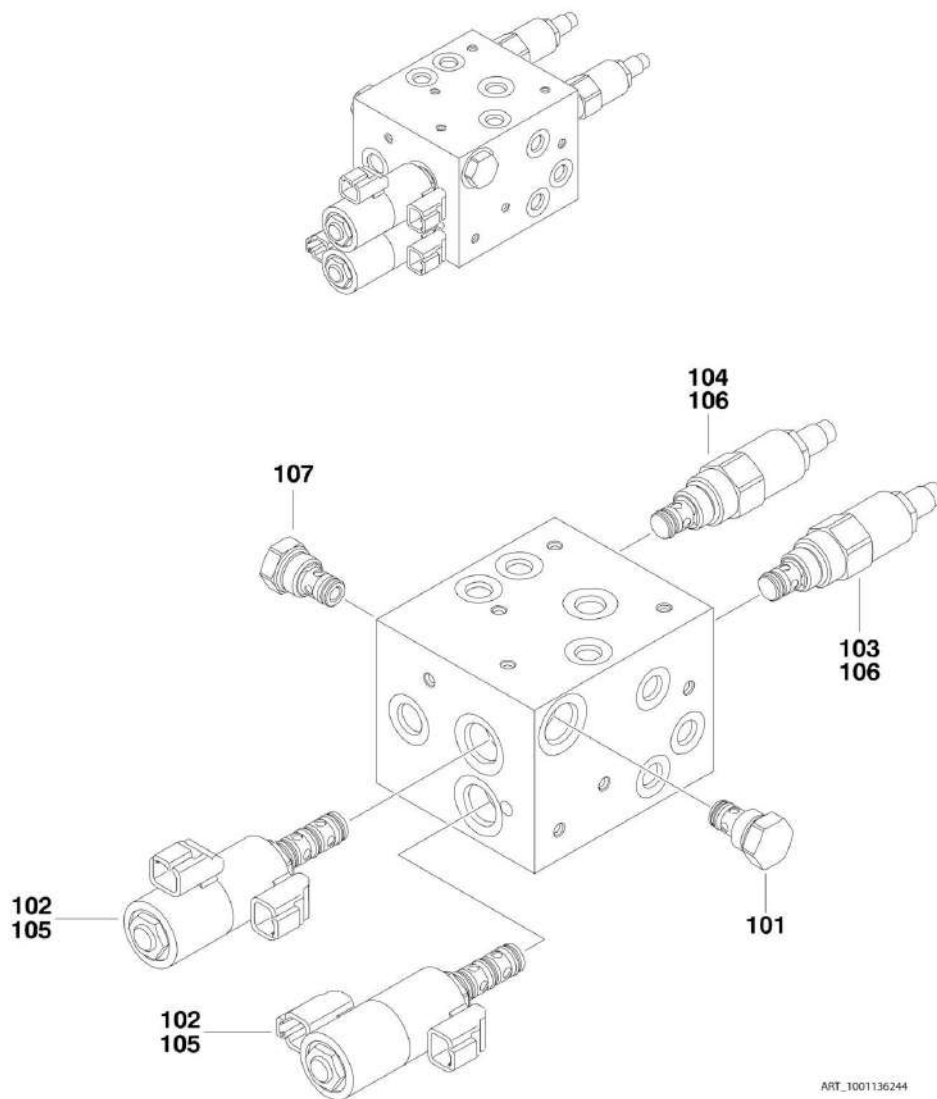


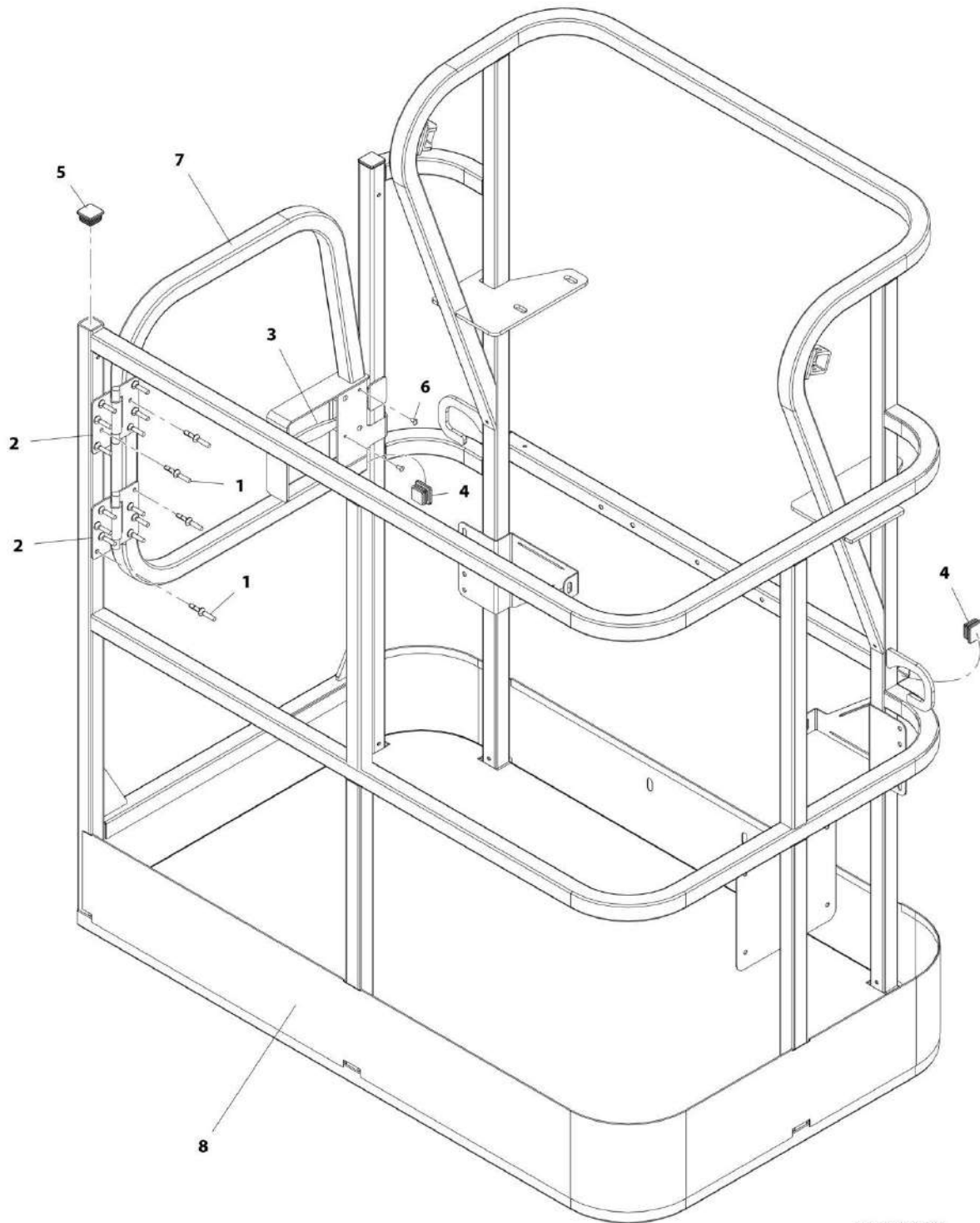
FIGURE 4-18. BOOM UPRIGHT VALVE ASSEMBLY

ITEM	PART NUMBER	QTY	DESCRIPTION	REV
	1001136244	Ref	BOOM UPRIGHT VALVE ASSEMBLY	C
101	7012955	2	Cartridge, Check Valve	
101	7012967	2	Seal Kit - 7012955 Cartridge	
102	7017452	2	Cartridge, Solenoid Valve (without Coil) (Telescope / Platform Level)	
102	7017402	2	Seal Kit - 7017452 Cartridge	
103	7017427	1	Cartridge, Relief	
103	7012998	1	Seal Kit - 7017427 Cartridge	
104	70002954	1	Cartridge, Relief	
104	7012998	1	Seal Kit - 70002954 Cartridge	
105	70002386	4	Coil	
106	70004982	2	Orifice	
107	7017498	1	Piston, Pilot	

SECTION 5 - PLATFORM

SECTION 5 - PLATFORM

FIGURE 5-1. PLATFORM ASSEMBLY - 30IN X 4FT (76CM X 1.22M) - GATE ENTRY



ART_1001186387

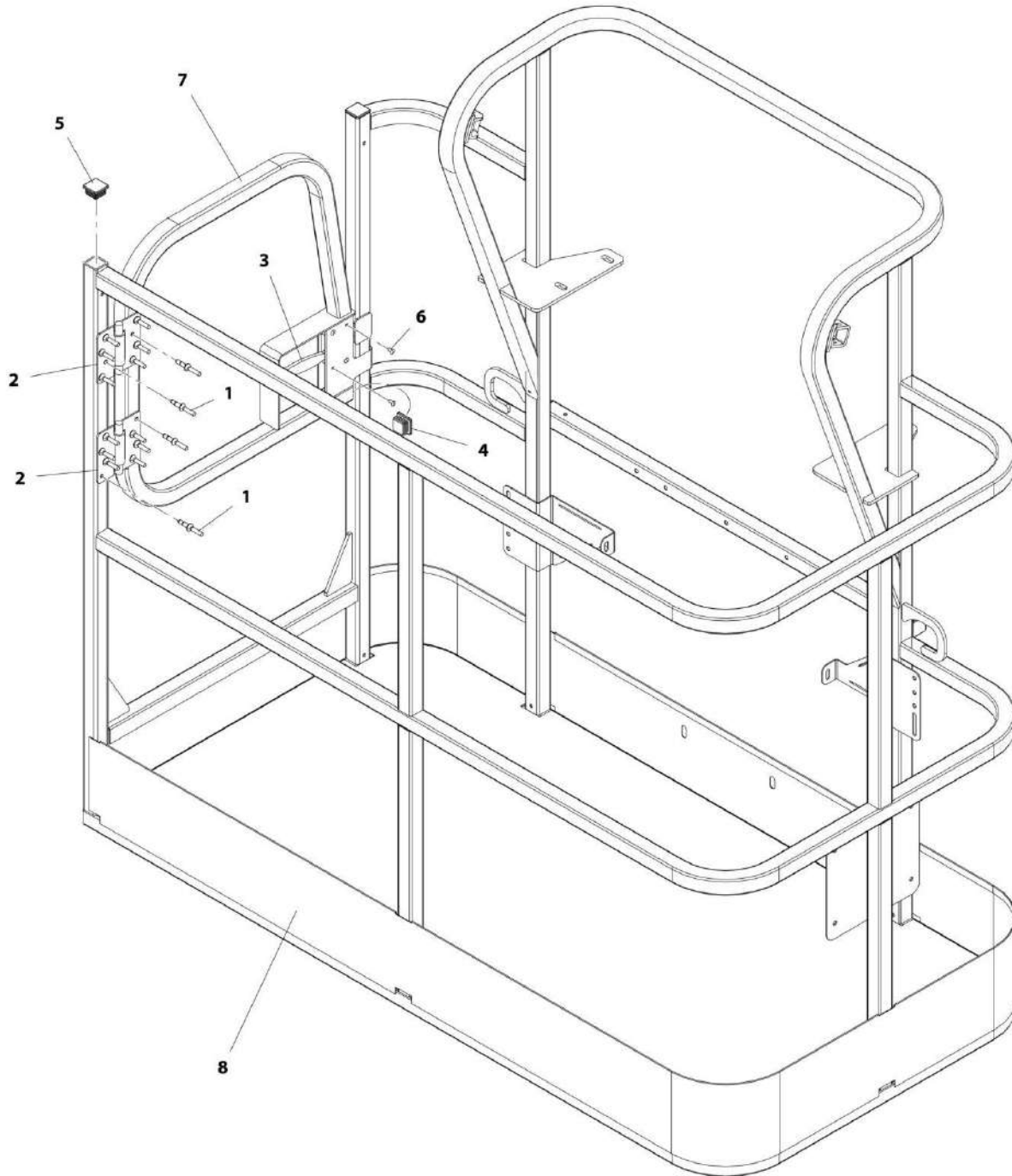
SECTION 5 - PLATFORM

FIGURE 5-1. PLATFORM ASSEMBLY - 30IN X 4FT (76CM X 1.22M) - GATE ENTRY

ITEM	PART NUMBER	QTY	DESCRIPTION	REV
	1001186387	Ref	PLATFORM ASSEMBLY - 30IN x 4FT (76CM X 1.22M) - SIDE GATE ENTRY	B
		Ref	Note: Platform and Mesh must be ordered separately for Platforms with Mesh. See SPECIAL OPTIONS SECTION for Mesh Installations.	
		Ref	Note: Replacement Decals Must be Ordered Separately - See DECALS SECTION.	
1	2080040	16	Fastener, Huck	
2	2600281	2	Hinge, Self-Closing	
3	2940074	1	Latch	
4	3520072	3	Cap, Plug	
5	3520198	2	Cap, Plug	
6	3820020	4	Rivet	
7	1001144629	1	Gate	
8	See Note	1	Platform (Note: Not Available - Purchase Platform Assembly)	

SECTION 5 - PLATFORM

FIGURE 5-2. PLATFORM ASSEMBLY - 30IN X 5FT (76CM X 1.52M) - GATE ENTRY



ART_1001186386

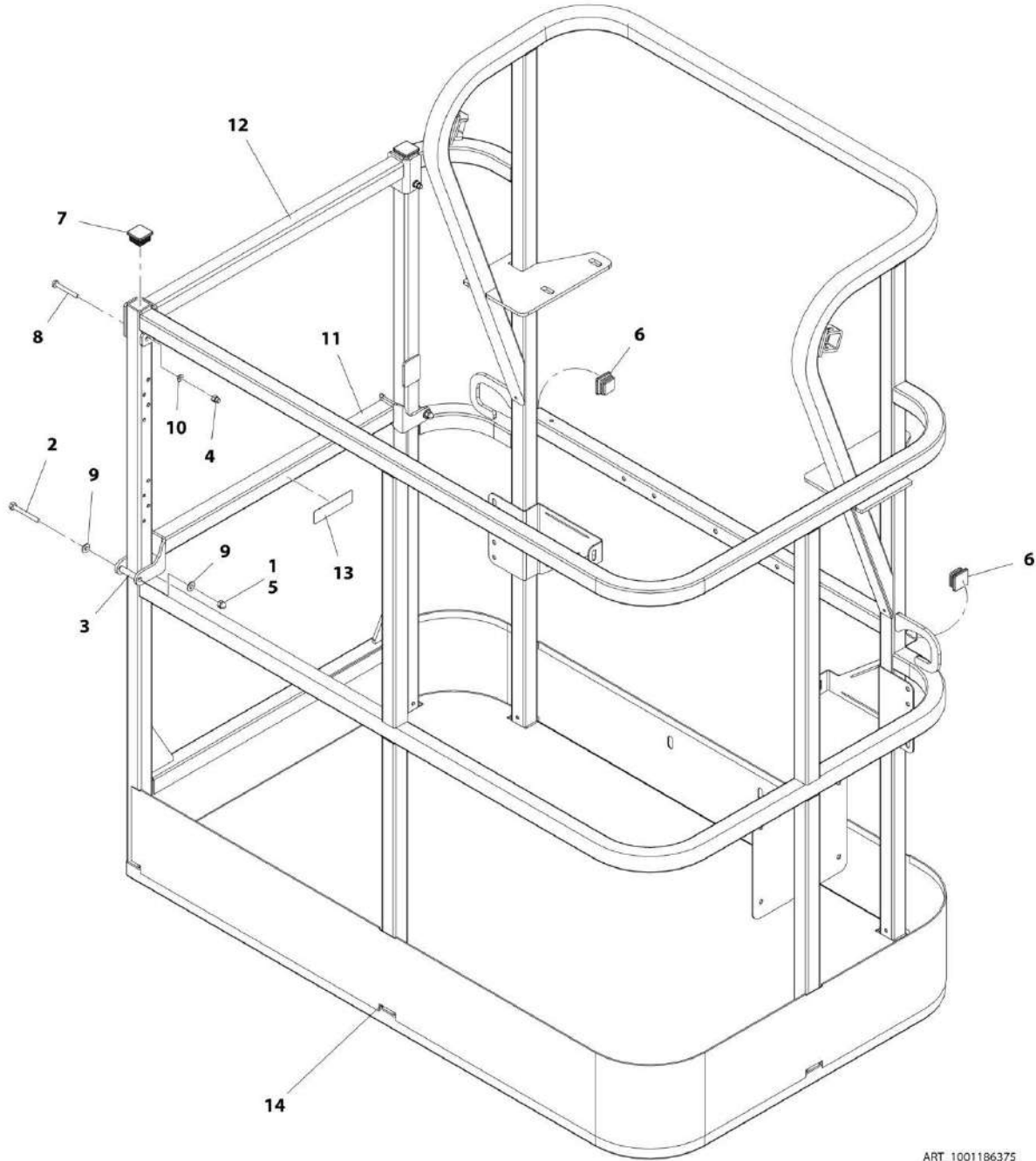
SECTION 5 - PLATFORM

FIGURE 5-2. PLATFORM ASSEMBLY - 30IN X 5FT (76CM X 1.52M) - GATE ENTRY

ITEM	PART NUMBER	QTY	DESCRIPTION	REV
	1001186386	Ref	PLATFORM ASSEMBLY - 30IN x 5FT (76CM X 1.52M) - SIDE GATE ENTRY	B
		Ref	Note: Platform and Mesh must be ordered separately for Platforms with Mesh. See SPECIAL OPTIONS SECTION for Mesh Installations.	
		Ref	Note: Replacement Decals Must be Ordered Separately - See DECALS SECTION.	
1	2080040	16	Fastener, Huck	
2	2600281	2	Hinge, Self-Closing	
3	2940074	1	Latch	
4	3520072	3	Cap, Plug	
5	3520198	2	Cap, Plug	
6	3820020	4	Rivet	
7	1001144629	1	Gate	
8	See Note	1	Platform (Note: Not Available - Purchase Platform Assembly)	

SECTION 5 - PLATFORM

FIGURE 5-3. PLATFORM ASSEMBLY - 30IN X 4FT (76CM X 1.22M) - DROP BAR ENTRY



ART_1001186375

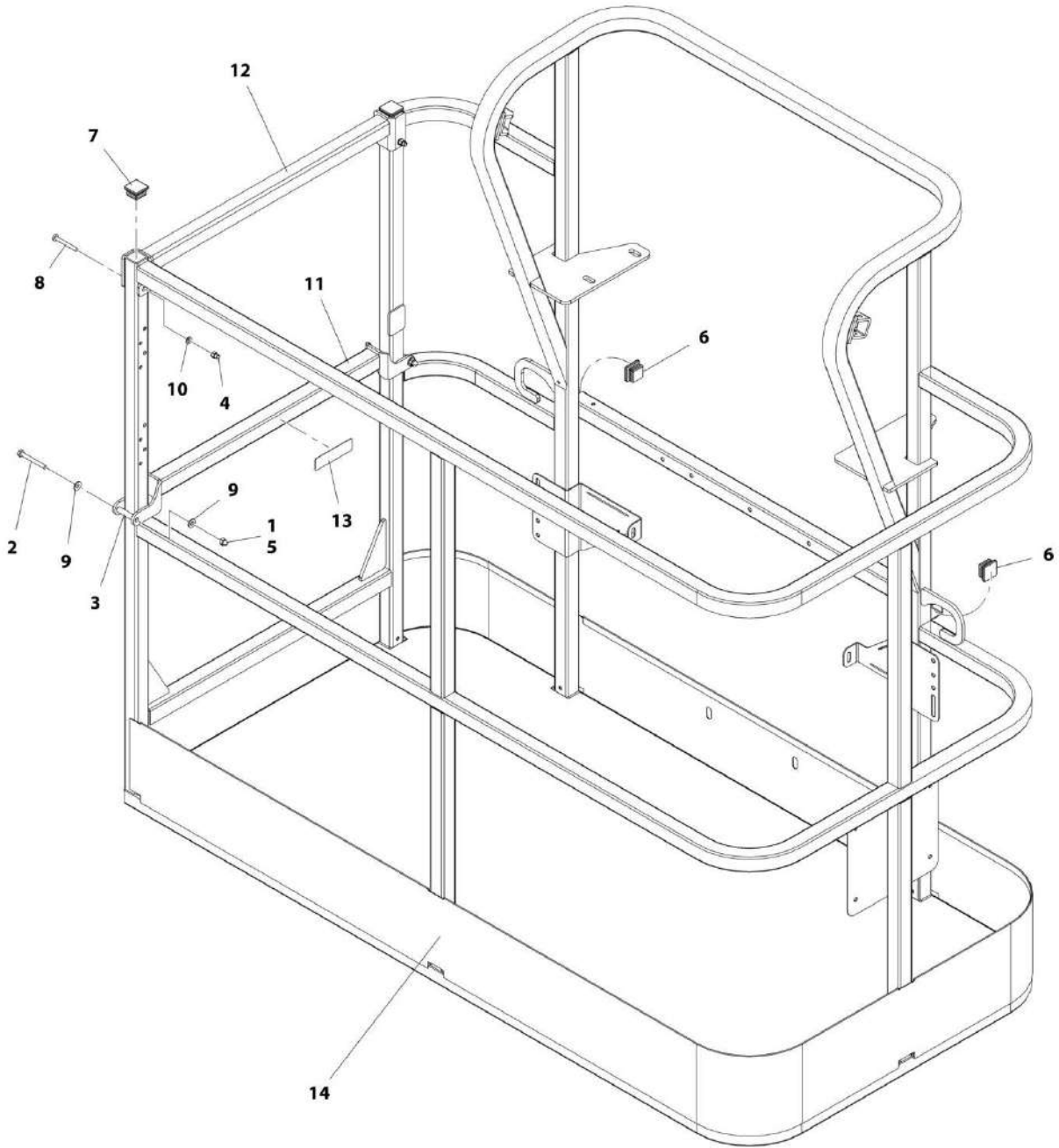
SECTION 5 - PLATFORM

FIGURE 5-3. PLATFORM ASSEMBLY - 30IN X 4FT (76CM X 1.22M) - DROP BAR ENTRY

ITEM	PART NUMBER	QTY	DESCRIPTION	REV
	1001186375	Ref	PLATFORM ASSEMBLY - 30IN x 4FT (76CM X 1.22M) - WITH DROP BAR	B
		Ref	Note: Platform and Mesh must be ordered separately for Platforms with Mesh. See SPECIAL OPTIONS SECTION for Mesh Installations.	
		Ref	Note: Replacement Decals Must be Ordered Separately - See DECALS SECTION.	
1	0100011	AR	Compound, Locking	
2	0641418	2	Bolt, 1/4-20 X 2-1/4	
3	0961845	2	Bushing	
4	3290606	2	Nut, M6 X 1	
5	3300151	2	Nut, Acorn 1/4-20	
6	3520072	2	Cap, Plug	
7	3520198	2	Cap, Plug	
8	4010618	2	Screw, M6 X 50mm	
9	4711400	4	Washer, 1/4	
10	4811700	2	Washer, M6	
11	1001138494	1	Bar, Drop	
12	1001138514	1	Rail (Top)	
13	1001140429	1	Decal - Drop Bar	
14	See Note	1	Platform (Note: Not Available - Purchase Platform Assembly)	

SECTION 5 - PLATFORM

FIGURE 5-4. PLATFORM ASSEMBLY - 30IN X 5FT (76CM X 1.52M) - DROP BAR ENTRY



ART_1001186377

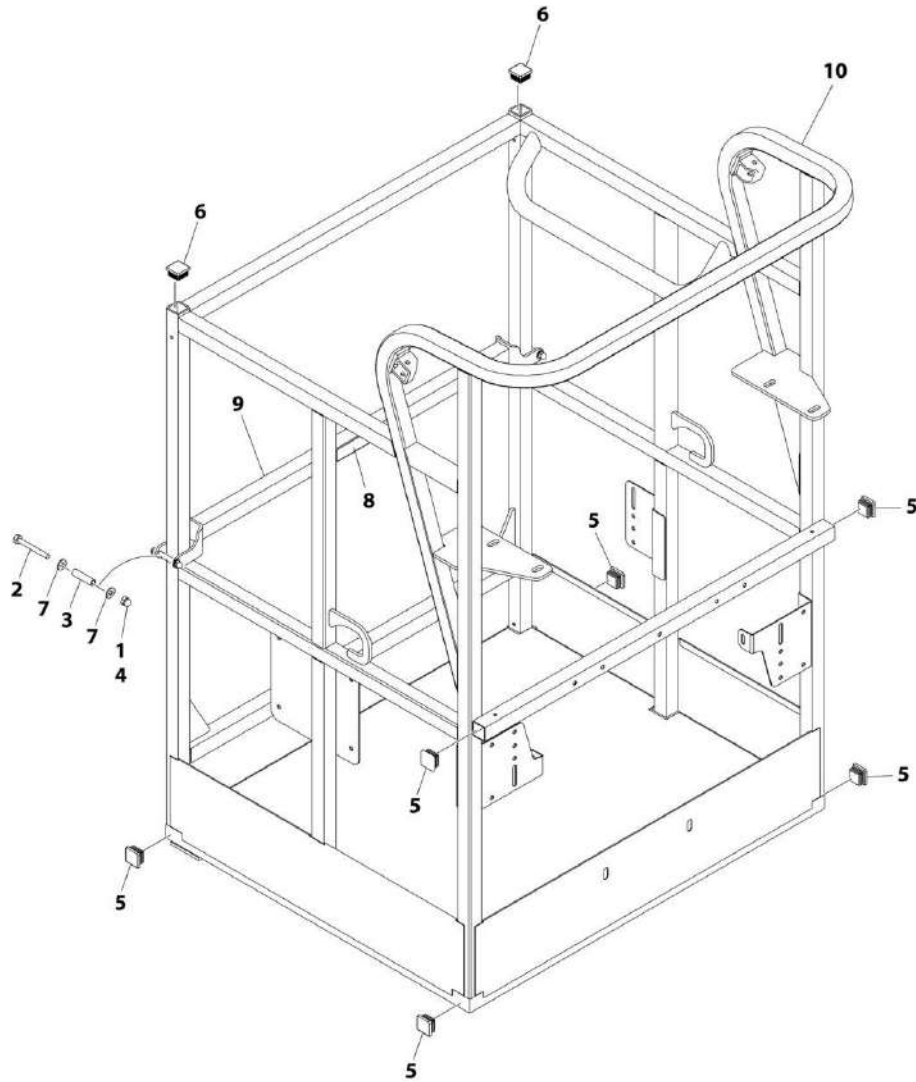
SECTION 5 - PLATFORM

FIGURE 5-4. PLATFORM ASSEMBLY - 30IN X 5FT (76CM X 1.52M) - DROP BAR ENTRY

ITEM	PART NUMBER	QTY	DESCRIPTION	REV
	1001186377	Ref	PLATFORM ASSEMBLY - 30IN x 5FT (76CM X 1.52M) - WITH DROP BAR	C
		Ref	Note: Platform and Mesh must be ordered separately for Platforms with Mesh. See SPECIAL OPTIONS SECTION for Mesh Installations.	
		Ref	Note: Replacement Decals Must be Ordered Separately - See DECALS SECTION.	
1	0100011	AR	Compound, Locking	
2	0641418	2	Bolt, 1/4-20 X 2-1/4	
2	0641420	2	Bolt, 1/4-20 X 2-1/2	
3	0961845	2	Bushing	
4	3290606	2	Nut, M6 X 1	
5	3300151	2	Nut, Acorn 1/4-20	
6	3520072	2	Cap, Plug	
7	3520198	2	Cap, Plug	
8	4010618	2	Screw, M6 X 50mm	
9	4711400	4	Washer, 1/4	
10	4811700	2	Washer, M6	
11	1001138494	1	Bar, Drop	
12	1001138514	1	Rail (Top)	
13	1001140429	1	Decal - Drop Bar	
14	See Note	1	Platform (Note: Not Available - Purchase Platform Assembly)	

SECTION 5 - PLATFORM

FIGURE 5-5. PLATFORM ASSEMBLY - 30IN X 3FT (76CM X 91.5CM) - WITH DROP BAR



ART_1001228215

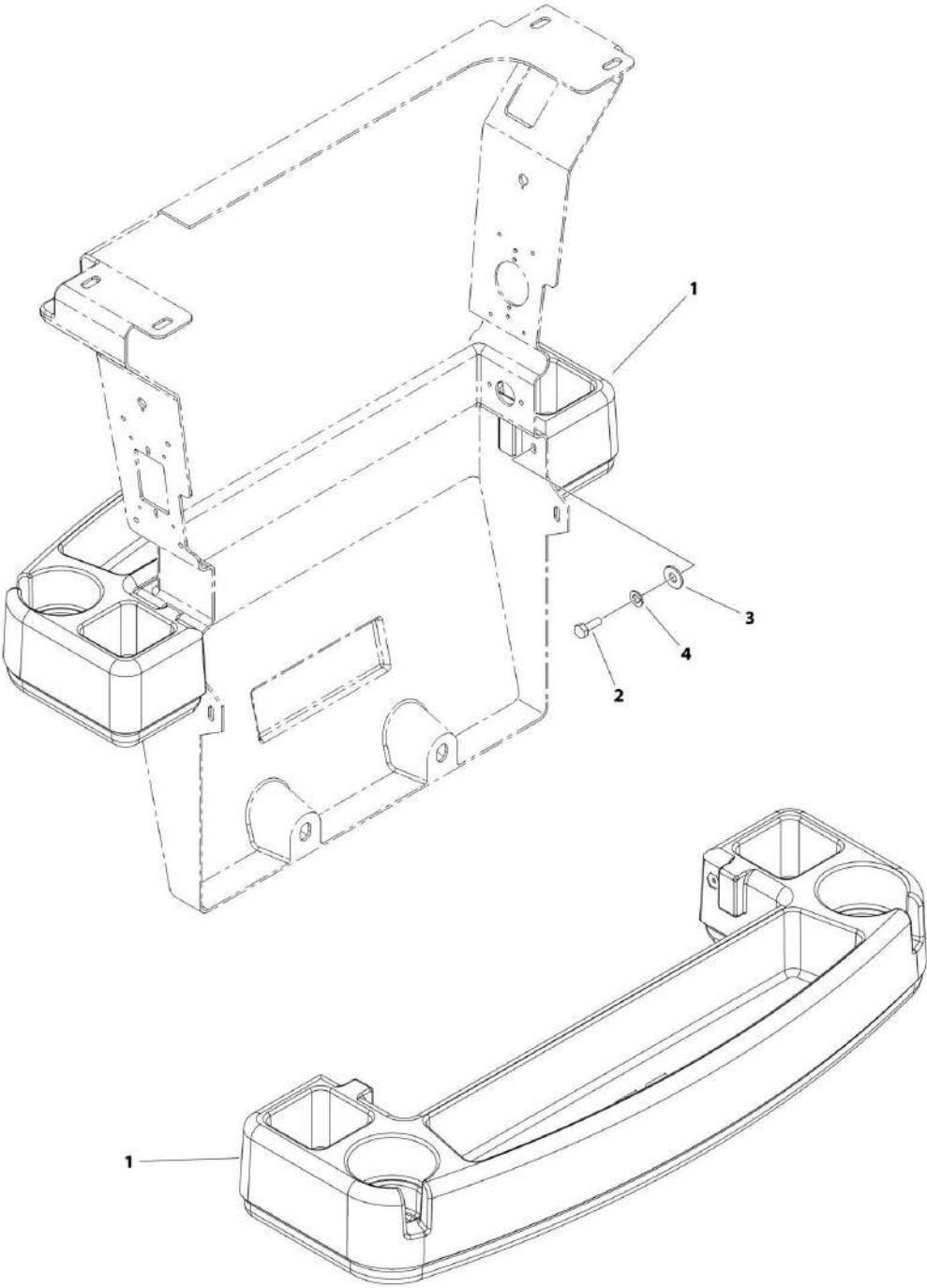
SECTION 5 - PLATFORM

FIGURE 5-5. PLATFORM ASSEMBLY - 30IN X 3FT (76CM X 91.5CM) - WITH DROP BAR

ITEM	PART NUMBER	QTY	DESCRIPTION	REV
	1001228215	Ref	PLATFORM ASSEMBLY - 30IN X 3FT (76CM X .91M) - DROP BAR ENTRY	A
	See Note	Ref	Note: Platform and Mesh must be ordered separately for Platforms with Mesh. See SPECIAL OPTIONS SECTION for Mesh Installations.	
	See Note	Ref	Note: Replacement Decals Must be Ordered Separately - See DECAL SECTION.	
1	0100011	AR	Compound, Locking	
2	0641418	2	Bolt 1/4 x 2-1/4	
3	0961845	2	Bushing	
4	3300151	2	Nut 1/4	
5	3520072	6	Cap, Plug	
6	3520198	2	Cap, Plug	
7	4711400	4	Washer 1/4	
8	1001140429	1	Decal - Drop Bar	
9	1001226872	1	Bar, Drop	
10	See Note	NSS	Platform, Weldment (Note: Not Available - Purchase Platform Assembly)	

SECTION 5 - PLATFORM

FIGURE 5-6. TRAY INSTALLATION



ART_1580012

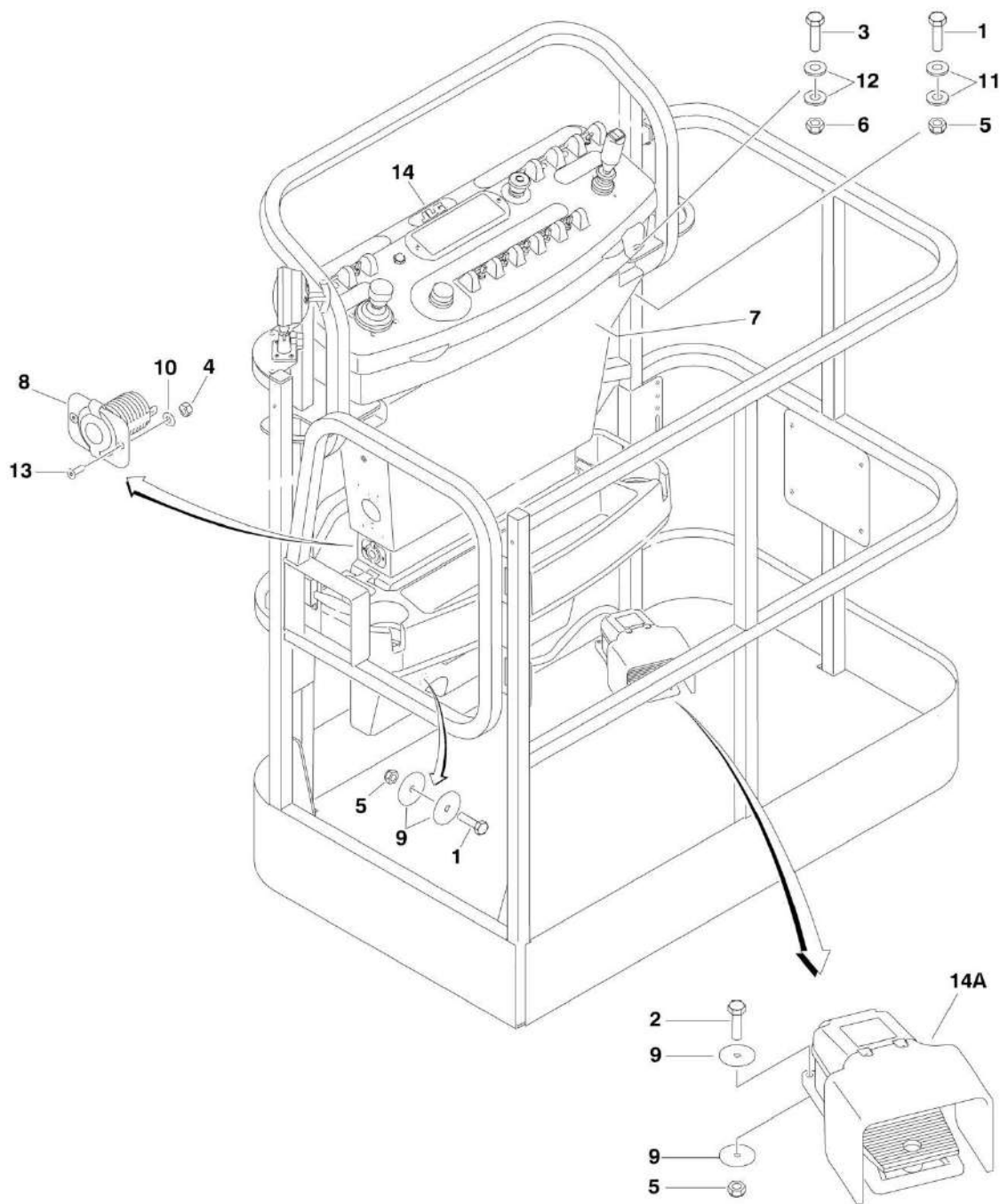
SECTION 5 - PLATFORM

FIGURE 5-6. TRAY INSTALLATION

ITEM	PART NUMBER	QTY	DESCRIPTION	REV
	1580012	Ref	TRAY INSTALLATION	C
1	See Note	NSS	Tray, Storage - Center (Note: Purchase p/n 1580012)	
2	0641406	2	Bolt 1/4-20 x 3/4	
3	4751400	2	Washer 1/4	
4	4761400	2	Washer 1/4	

SECTION 5 - PLATFORM

FIGURE 5-7. CONSOLE AND FOOTSWITCH INSTALLATION WITHOUT LSS OR WITH 4 CELL LSS - WITHOUT SKYGUARD



ART_1001169090

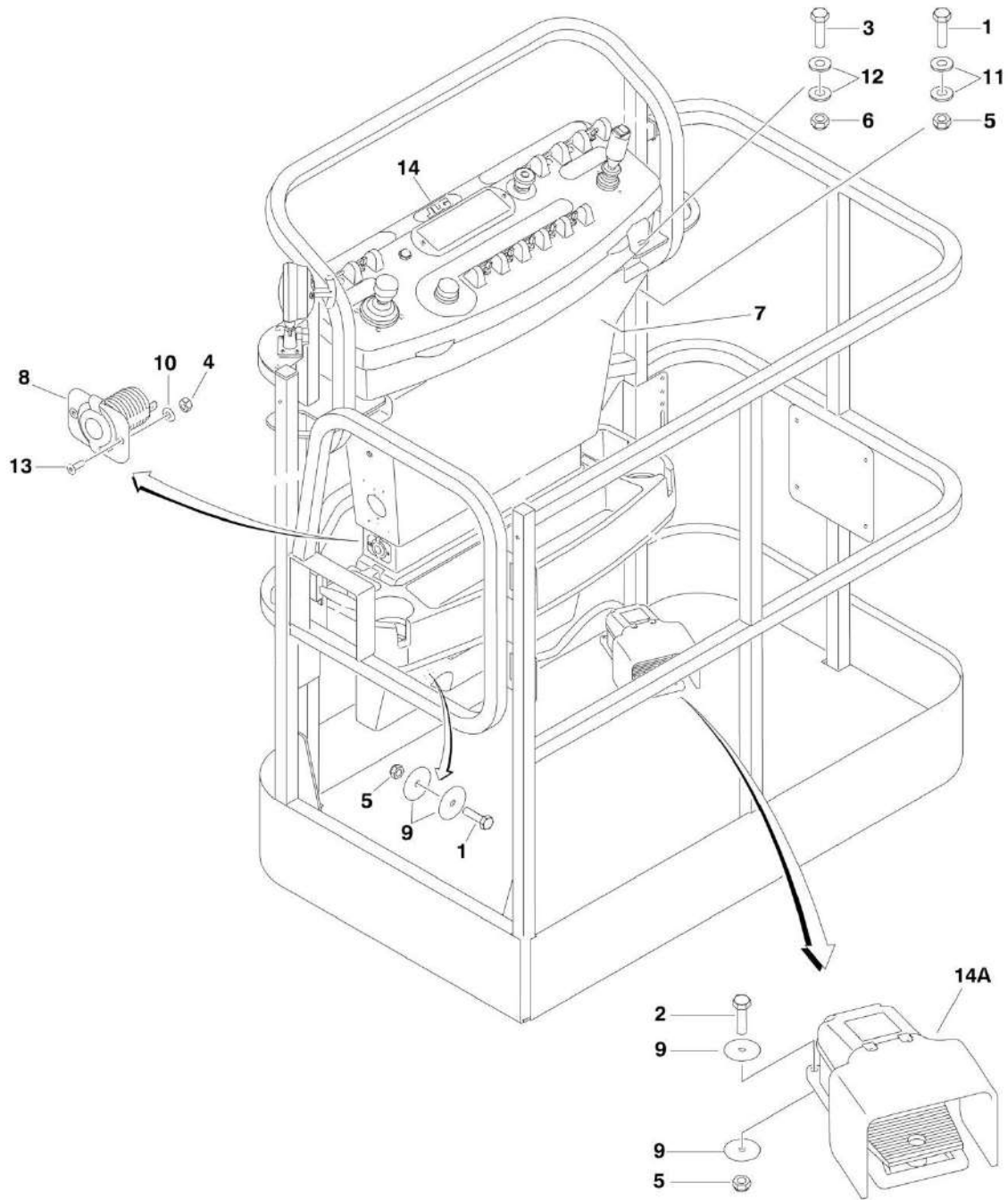
SECTION 5 - PLATFORM

FIGURE 5-7. CONSOLE AND FOOTSWITCH INSTALLATION WITHOUT LSS OR WITH 4 CELL LSS - WITHOUT SKYGUARD

ITEM	PART NUMBER	QTY	DESCRIPTION	REV
	1001169090	Ref	CONSOLE AND FOOTSWITCH INSTALLATION WITHOUT LSS OR WITH 4 CELL LSS - WITHOUT SKYGUARD	B
1	0760608	4	Bolt M6 x 16	
2	0760614	4	Bolt M6 x 30	
3	0761015	4	Bolt M10 x 35	
4	3290405	2	Nut M4	
5	3290605	8	Nut M6	
6	3291005	4	Nut M10	
7	3380434	1	Panel, Pedestal	
8	4461012	1	Receptacle, 12V	
9	4740362	8	Washer 1/4	
10	4811400	2	Washer M4	
11	4811702	4	Washer M6	
12	4812002	8	Washer M10	
13	1001097244	2	Capscrew M4 x 12	
14	1001169091	1	Console Assembly without LSS or with 4 CELL LSS (See CONSOLE ASSEMBLY WITHOUT LSS OR WITH 4 CELL LSS - WITH SKYGUARD for Breakdown) (Prior to SN 0300222893)	
14	1001208965	1	Console Assembly without LSS or with 4 CELL LSS (See CONSOLE ASSEMBLY WITHOUT LSS OR WITH 4 CELL LSS - WITH SKYGUARD for Breakdown) (SN 0300222893 to Present)	
14A	1001117174	1	Footswitch Assembly	B
14A	1001117172	1	Footswitch Less Cable	
14A	70002902	1	Block, Contact	
14A	70002903	1	Gasket	
14A	70002905	1	Cover	
14A	70002904	1	Bolt Replacement Kit	
14A	1060918	7.5 ft/ 2.3m	Cable, Electrical - 18/3	
14A	4460071	1	Connector, Strain Relief	
14A	4460226	2	Socket, Female	
14A	4460464	1	Pin, Male	

SECTION 5 - PLATFORM

FIGURE 5-8. CONSOLE AND FOOTSWITCH INSTALLATION WITHOUT LSS OR WITH 4 CELL LSS - WITH SKYGUARD



ART_100118689

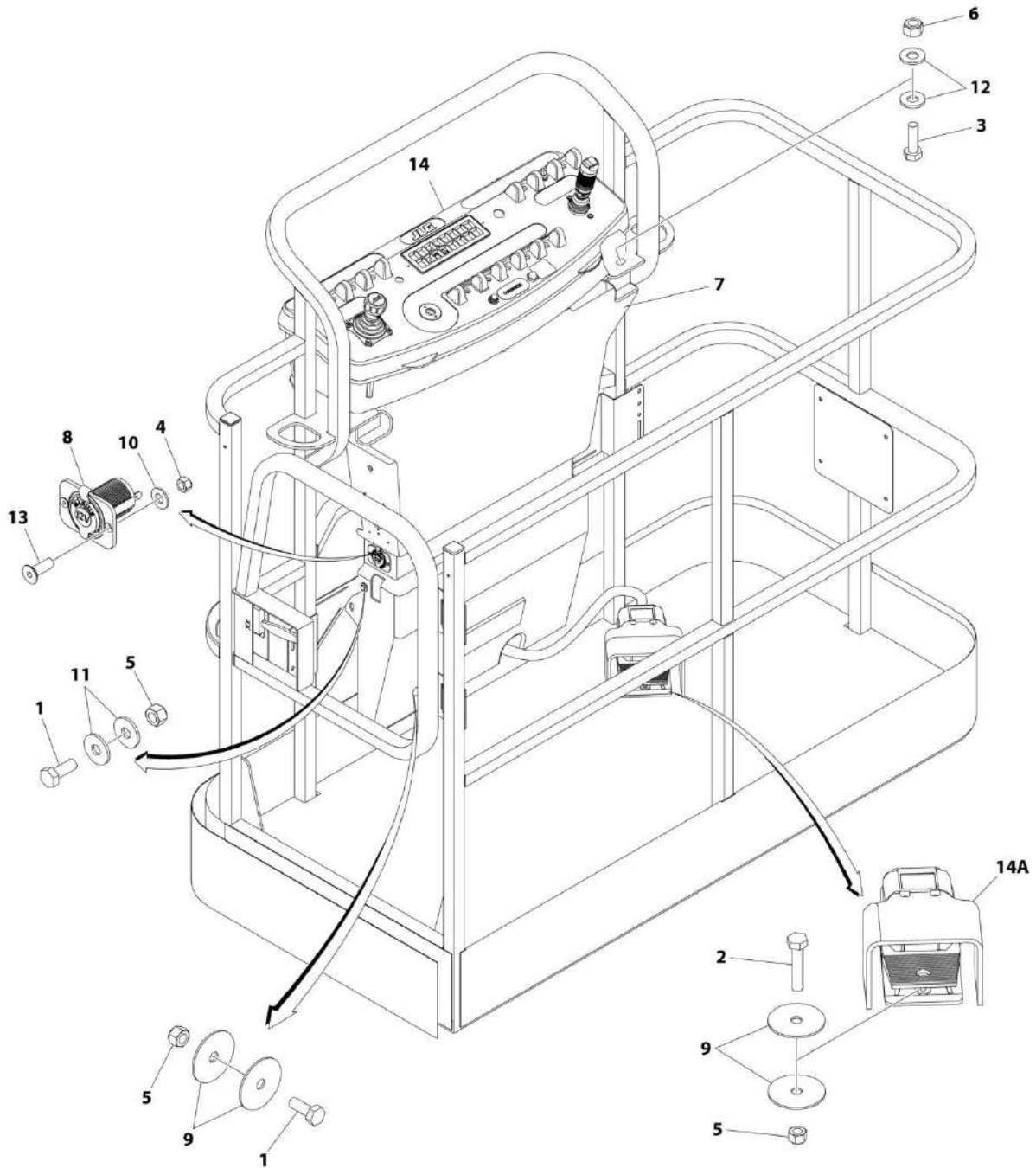
SECTION 5 - PLATFORM

FIGURE 5-8. CONSOLE AND FOOTSWITCH INSTALLATION WITHOUT LSS OR WITH 4 CELL LSS - WITH SKYGUARD

ITEM	PART NUMBER	QTY	DESCRIPTION	REV
	1001186889	Ref	CONSOLE AND FOOTSWITCH INSTALLATION WITHOUT LSS OR WITH 4 CELL LSS - WITH SKYGUARD	C
1	0760608	4	Bolt M6 x 16	
2	0760614	4	Bolt M6 x 30	
3	0761015	4	Bolt M10 x 35	
4	3290405	2	Nut M4	
5	3290605	8	Nut M6	
6	3291005	4	Nut M10	
7	3380434	1	Panel, Pedestal	
8	4461012	1	Receptacle, 12V	
9	4740362	8	Washer 1/4	
10	4811400	2	Washer M4	
11	4811702	4	Washer M6	
12	4812002	8	Washer M10	
13	1001097244	2	Capscrew M4 x 12	
14	1001186894	1	Console Assembly without LSS or with 4 CELL LSS (See CONSOLE ASSEMBLY WITHOUT LSS OR WITH 4 CELL LSS - WITH SKYGUARD for Breakdown) (Prior to SN 0300222893)	
14	1001208966	1	Console Assembly without LSS or with 4 CELL LSS (See CONSOLE ASSEMBLY WITHOUT LSS OR WITH 4 CELL LSS - WITH SKYGUARD for Breakdown) (SN 0300222893 to Present)	
14A	1001117174	1	Footswitch Assembly	B
14A	1001117172	1	Footswitch Less Cable	
14A	70002902	1	Block, Contact	
14A	70002903	1	Gasket	
14A	70002905	1	Cover	
14A	70002904	1	Bolt Replacement Kit	
14A	1060918	7.5 ft/ 2.3m	Cable, Electrical - 18/3	
14A	4460071	1	Connector, Strain Relief	
14A	4460226	2	Socket, Female	
14A	4460464	1	Pin, Male	

SECTION 5 - PLATFORM

FIGURE 5-9. CONSOLE AND FOOTSWITCH INSTALLATION WITH 1 CELL LSS - WITH SKYGUARD



ART_1001220656

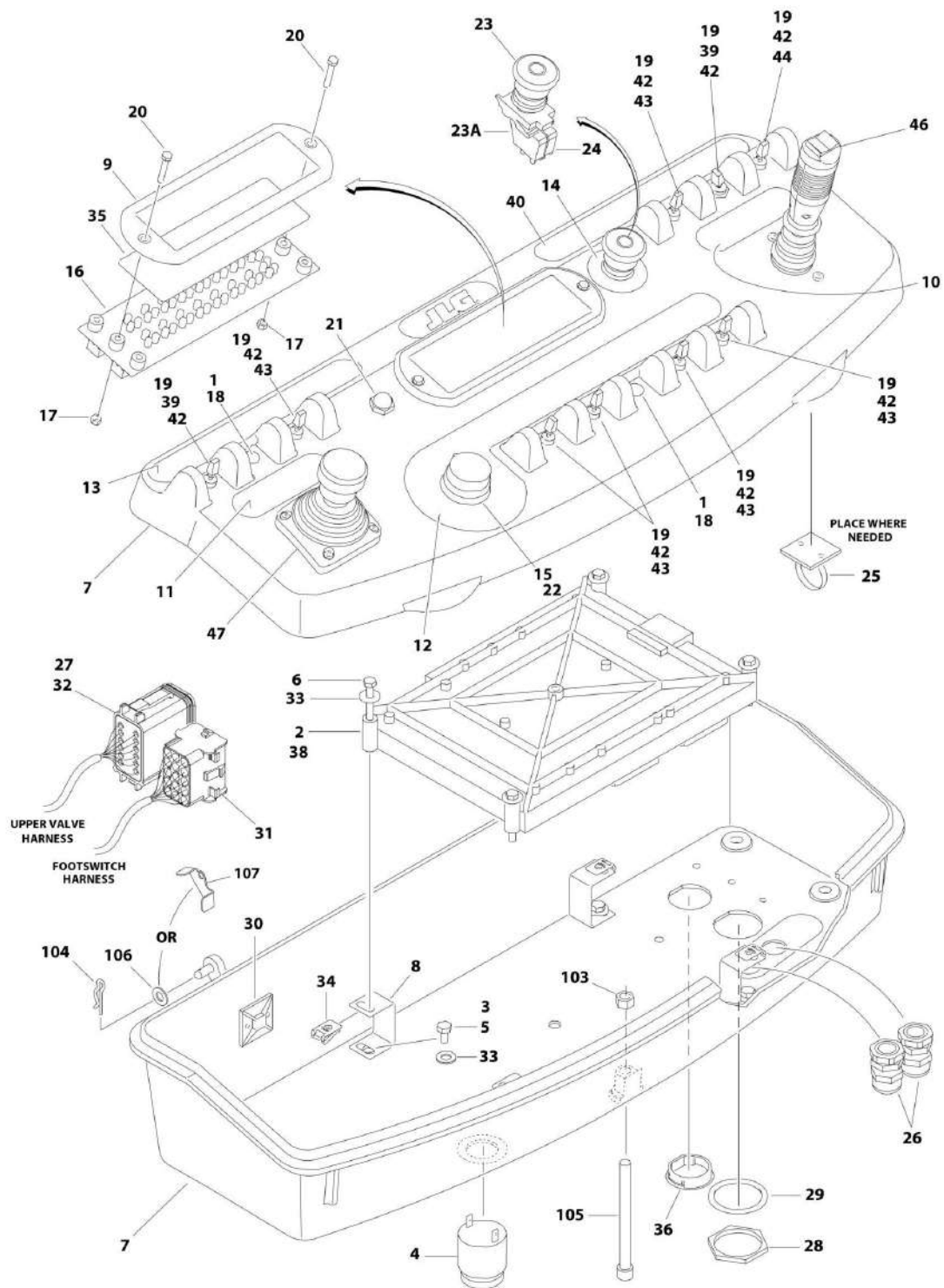
SECTION 5 - PLATFORM

FIGURE 5-9. CONSOLE AND FOOTSWITCH INSTALLATION WITH 1 CELL LSS - WITH SKYGUARD

ITEM	PART NUMBER	QTY	DESCRIPTION	REV
	1001220656	Ref	CONSOLE AND FOOTSWITCH INSTALLATION WITH 1 CELL LSS - WITH SKYGUARD	A
1	0760608	4	Bolt M6 x 16	
2	0760614	4	Bolt M6 x 30	
3	0761015	4	Bolt M10 x 35	
4	3290405	2	Nut M4	
5	3290605	8	Nut M6	
6	3291005	4	Nut M10	
7	3380434	1	Panel, Pedestal	
8	4461012	1	Receptacle, 12V	
9	4740362	8	Washer 1/4	
10	4811400	2	Washer M4	
11	4811702	4	Washer M6	
12	4812002	8	Washer M10	
13	1001097244	2	Capscrew M4 x 12	
14	1001219788	1	Console and Footswitch Assembly with 1 CELL LSS (See CONSOLE ASSEMBLY with 1 CELL LSS - WITH SKYGUARD for Breakdown)	
14A	1001117174	1	Footswitch Assembly	B
14A	1001117172	1	Footswitch Less Cable	
14A	70002902	1	Block, Contact	
14A	70002903	1	Gasket	
14A	70002905	1	Cover	
14A	70002904	1	Bolt Replacement Kit	
14A	1060918	7.5 ft/ 2.3m	Cable, Electrical - 18/3	
14A	4460071	1	Connector, Strain Relief	
14A	4460226	2	Socket, Female	
14A	4460464	1	Pin, Male	

SECTION 5 - PLATFORM

FIGURE 5-10. CONSOLE ASSEMBLY WITHOUT LSS OR WITH 4 CELL LSS - WITHOUT SKYGUARD
(Prior to SN 0300222893)



ART_1001169091

SECTION 5 - PLATFORM

**FIGURE 5-10. CONSOLE ASSEMBLY WITHOUT LSS OR WITH 4 CELL LSS - WITHOUT SKYGUARD
(Prior to SN 0300222893)**

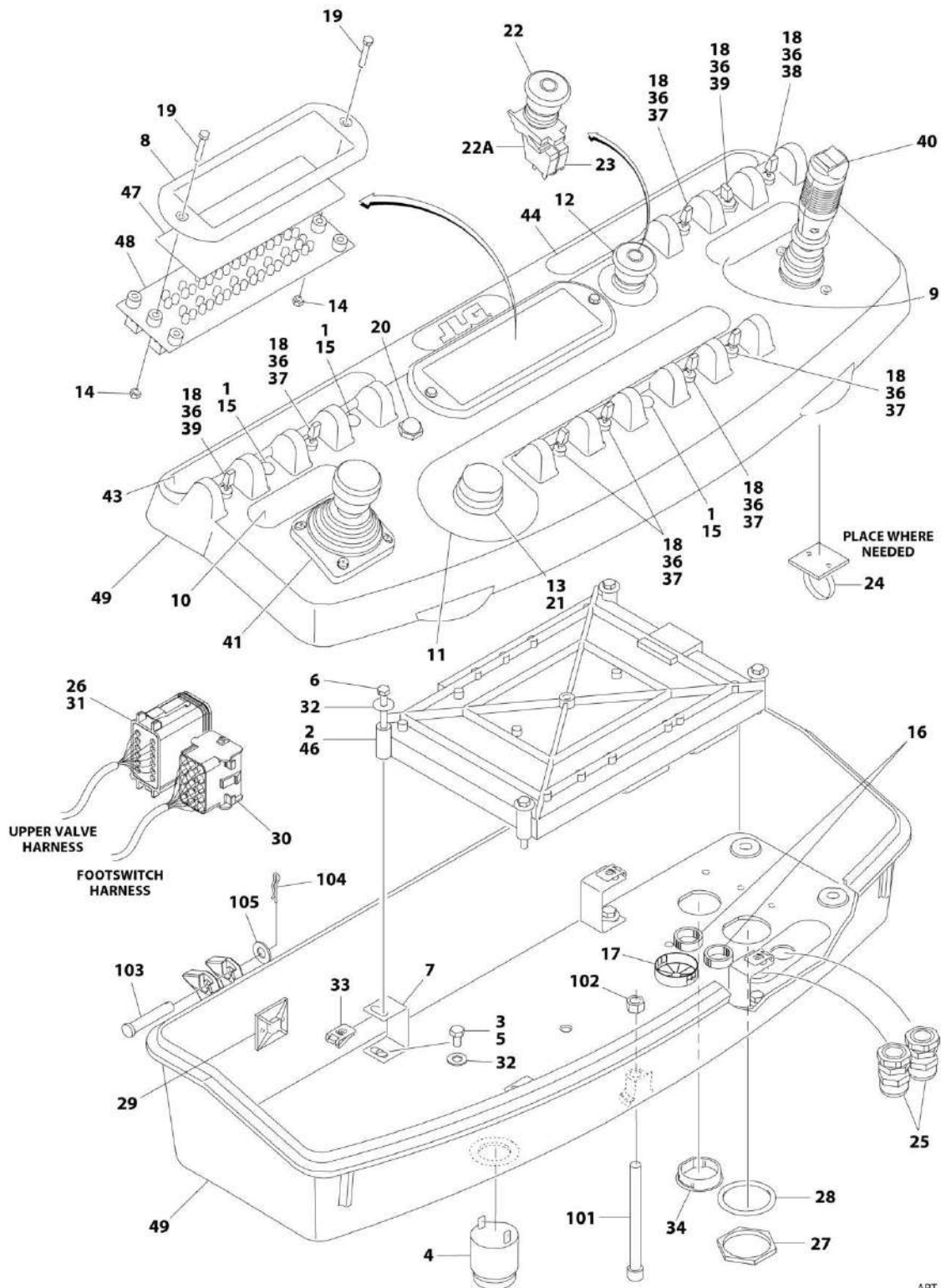
ITEM	PART NUMBER	QTY	DESCRIPTION	REV
	1001169091	Ref	CONSOLE ASSEMBLY WITHOUT LSS OR WITH 4 CELL LSS - WITHOUT SKYGUARD (Prior to SN 0300222893)	E
1	0100009	AR	Sealant	
2	0100048	AR	Grease, Dielectric	
3	0100081	AR	Adhesive	
4	0140011	1	Alarm	
5	0641404	4	Bolt 1/4 x 1/2	
6	0700617	4	Bolt M6 x 45	
7	0861441	1	Box, Console (See Items 103-106 for Breakdown)	
8	0902751	4	Bracket, Support	
9	1671176	1	Bezel	
10	1702565	1	Decal (Drive and Steer)	
11	1702566	1	Decal (Lift and Swing)	
12	1702567	1	Decal (Function Speed)	
13	1001169092	1	Decal (Horn)	
14	1704260	1	Decal (EMS)	
15	2560136	1	Handle, Knob	
16	1001170838	1	Panel, LED	
17	3311005	2	Nut #10-24	
18	3520028	3	Plug, Hole	
19	3790012	9	O-Ring	
20	3911018	2	Bolt #10 x 1-1/8	
21	4360387	1	Switch, Pushbutton	
22	4360407	1	Controller, Speed	
22	4460224	1	Receptacle, Female - 6 Position	
22	4460226	6	Socket, Female	
22	See Note	NSS	Gasket "Top Hat" (Included with Switch) (Note: Not Available - Purchase Complete Controller.)	
22	70003784	1	Seal	
23	4360475	1	Switch, Emergency Stop	
23	7020175	1	Cap, Red	
23A	7020176	1	Contact Block	
24	4360476	1	Block, Contact	
25	4460234	3	Base, Mounting	
26	4460428	2	Connector, Strain Relief	
27	4460466	7	Seal, Plug	
28	4460470	1	Nut	
29	4460471	1	Washer	
30	4460488	1	Base, Mounting	
31	4460708	1	Receptacle, Female 15 Position	
32	4460933	1	Plug, Male 12 Position	
33	4751400	8	Washer 1/4	
34	8305919	4	Retainer M6	
35	1001170083	1	Decal (Display)	
36	1001110434	1	Plug, Hole	
37	1001117174	1	Footswitch Assembly (Not Shown - See CONSOLE INSTALLATION for Breakdown)	
38	1001169594	1	Module, Platform (Note: Re-calibration Required when Replaced)	
39	1001161710	2	Switch, Toggle	

SECTION 5 - PLATFORM

ITEM	PART NUMBER	QTY	DESCRIPTION	REV
40	1001169093	1	Decal (Stop)	
41	1001168701	1	Platform Console Harness Assembly (Not Shown - See ELECTRICAL SECTION for Breakdown)	
42	1001155044	9	Nut 15/32	
43	1001155045	6	Switch, Toggle	
44	1001159256	1	Switch, Toggle	
45	1001169422	1	Platform to Boom Valves Harness Assembly (Not Shown - See ELECTRICAL SECTION for Breakdown)	
46	1001166538	NLA	Drive/Steer Controller Assembly (Use p/n 1001129555) (See DRIVE/STEER ASSEMBLY for Breakdown)	
47	1001166539	NLA	Lift/Swing Controller Assembly (Use p/n 1001212415) (See LIFT/SWING ASSEMBLY for Breakdown)	
	0861441	Ref	CONSOLE BOX ASSEMBLY	H
103	3311601	1	Nut 3/8	
104	3470003	2	Pin, Cotter	
105	0630568	1	Capscrew 3/8 x 4-1/2	
106	4711500	2	Washer 5/16	
107	1001200575	2	Bracket, Stop	

SECTION 5 - PLATFORM

FIGURE 5-11. CONSOLE ASSEMBLY WITHOUT LSS OR WITH 4 CELL LSS - WITHOUT SKYGUARD
(SN 0300222893 to Present)



ART_1001208965

SECTION 5 - PLATFORM

**FIGURE 5-11. CONSOLE ASSEMBLY WITHOUT LSS OR WITH 4 CELL LSS - WITHOUT SKYGUARD
(SN 030022893 to Present)**

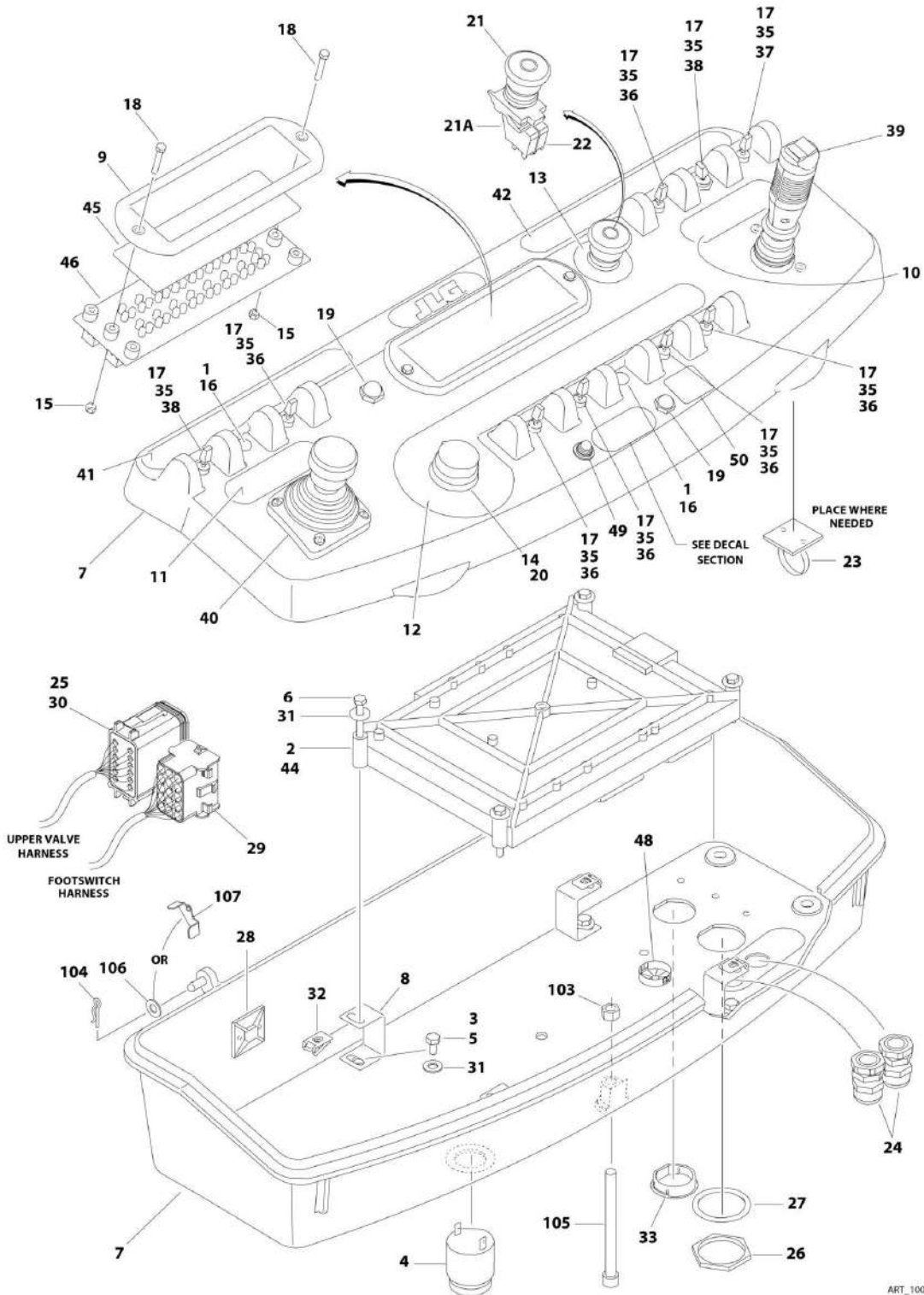
ITEM	PART NUMBER	QTY	DESCRIPTION	REV
	1001208965	Ref	CONSOLE ASSEMBLY WITHOUT LSS OR WITH 4 CELL LSS - WITHOUT SKYGUARD (SN 030022893 to Present)	A
1	0100009	AR	Sealant	
2	0100048	AR	Grease, Dielectric	
3	0100081	AR	Adhesive	
4	0140011	1	Alarm	
5	0641404	4	Bolt 1/4 x 1/2	
6	0700617	4	Bolt M6 x 45	
7	0902751	4	Bracket, Support	
8	1671176	1	Bezel	
9	1702565	1	Decal (Drive and Steer)	
10	1702566	1	Decal (Lift and Swing)	
11	1702567	1	Decal (Function Speed)	
12	1704260	1	Decal (EMS)	
13	2560136	1	Handle, Knob	
14	3311005	2	Nut #10-24	
15	3520028	3	Plug, Hole	
16	3520033	2	Plug, Hole	
17	3520035	1	Plug, Hole	
18	3790012	9	O-Ring	
19	3911018	2	Bolt #10 x 1-1/8	
20	4360387	1	Switch, Pushbutton	
21	4360407	1	Controller, Speed	
21	4460224	1	Receptacle, Female - 6 Position	
21	4460226	6	Socket, Female	
21	See Note	NSS	Gasket "Top Hat"(Included with Switch) (Note: Not Available - Purchase Complete Controller.)	
21	70003784	1	Seal	
22	4360475	1	Switch, Emergency Stop	
22	7020175	1	Cap, Red	
22A	7020176	1	Contact Block	
23	4360476	1	Block, Contact	
24	4460234	3	Base, Mounting	
25	4460428	2	Connector, Strain Relief	
26	4460466	7	Seal, Plug	
27	4460470	1	Nut	
28	4460471	1	Washer	
29	4460488	1	Base, Mounting	
30	4460708	1	Receptacle, Female 15 Position	
31	4460933	1	Plug, Male 12 Position	
32	4751400	8	Washer 1/4	
33	8305919	4	Retainer M6	
34	1001110434	1	Plug, Hole	
35	1001117174	1	Footswitch Assembly (Not Shown - See CONSOLE INSTALLATION for Breakdown)	
36	1001155044	9	Nut 15/32	
37	1001155045	6	Switch, Toggle	
38	1001159256	1	Switch, Toggle	
39	1001161710	2	Switch, Toggle	

SECTION 5 - PLATFORM

ITEM	PART NUMBER	QTY	DESCRIPTION	REV
40	1001166538	NLA	Drive/Steer Controller Assembly (Use p/n 1001129555) (See DRIVE/STEER ASSEMBLY for Breakdown)	
41	1001166539	NLA	Lift/Swing Controller Assembly (Use p/n 1001212415) (See LIFT/SWING ASSEMBLY for Breakdown)	
42	1001168701	1	Platform Console Harness Assembly (Not Shown - See ELECTRICAL SECTION for Breakdown)	
43	1001169092	1	Decal (Horn)	
44	1001169093	1	Decal (Stop)	
45	1001169422	1	Platform to Boom Valves Harness Assembly (Not Shown - See ELECTRICAL SECTION for Breakdown)	
46	1001169594	1	Module, Platform (Note: Re-calibration Required when Replaced)	
47	1001170083	1	Decal (Display)	
48	1001170838	1	Panel, LED	
49	1001201886	1	Box, Console (See Items 101-105 for Breakdown)	
	1001201886	Ref	CONSOLE BOX ASSEMBLY	B
101	0630568	1	Capscrew 3/8 x 4-1/2	
102	3311601	1	Nut 3/8	
103	3430616	2	Pin	
104	3470003	2	Pin, Cotter	
105	4711600	2	Washer 3/8	

SECTION 5 - PLATFORM

FIGURE 5-12. CONSOLE ASSEMBLY WITHOUT LSS OR WITH 4 CELL LSS - WITH SKYGUARD (Prior to SN 030022893)



ART_1001186894

SECTION 5 - PLATFORM

FIGURE 5-12. CONSOLE ASSEMBLY WITHOUT LSS OR WITH 4 CELL LSS - WITH SKYGUARD (Prior to SN 0300222893)

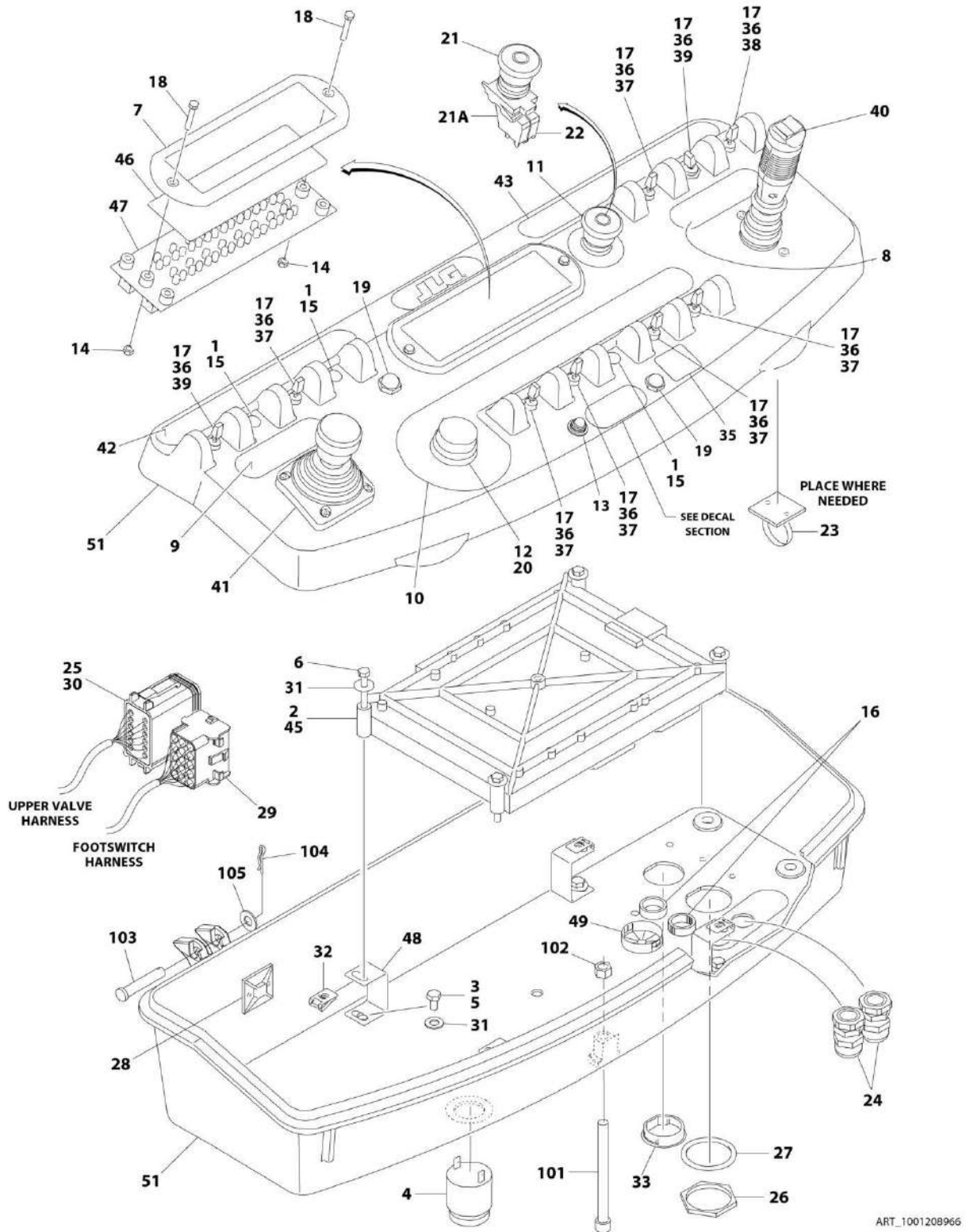
ITEM	PART NUMBER	QTY	DESCRIPTION	REV
	1001186894	Ref	CONSOLE ASSEMBLY WITHOUT LSS OR WITH 4 CELL LSS - WITH SKYGUARD (Prior to SN 0300222893)	D
1	0100009	AR	Sealant	
2	0100048	AR	Grease, Dielectric	
3	0100081	AR	Adhesive	
4	0140011	1	Alarm	
5	0641404	4	Bolt 1/4-2C x 1/2	
6	0700617	4	Bolt M6 x 45	
7	1001190017	1	Box, Console (See Items 103-106 for Breakdown)	
8	1001172760	4	Bracket	
9	1671176	1	Bezel	
10	1702565	1	Decal (Drive and Steer)	
11	1702566	1	Decal (Lift and Swing)	
12	1702567	1	Decal (Function Speed)	
13	1704260	1	Decal (EMS)	
14	2560136	1	Handle, Knob	
15	3311005	2	Nut #10-24	
16	3520028	3	Plug, Hole	
17	3790012	9	O-Ring	
18	3911018	2	Bolt #10-24 x 1-1/8	
19	4360387	2	Switch, Pushbutton	
20	4360407	1	Controller, Speed	
20	4460224	1	Receptacle, Female - 6 Position	
20	4460226	1	Socket, Female	
20	See Note	NSS	Gasket "Top Hat" (Included with Switch) (Note: Not Available - Purchase Complete Controller.)	
20	70003784	1	Seal	
21	4360475	1	Switch, Emergency Stop	
21	7020175	1	Cap, Red	
21A	7020176	1	Contact Block	
22	4360476	1	Block, Contact	
23	4460234	3	Base, Mounting	
24	4460428	2	Connector, Strain Relief	
25	4460466	7	Seal, Plug	
26	4460470	1	Nut	
27	4460471	1	Washer	
28	4460488	1	Base, Mounting	
29	4460708	1	Receptacle, Female 15 Position	
30	4460933	1	Plug, Male 12 Position	
31	4751400	8	Washer 1/4	
32	8305919	4	Retainer M6	
33	1001110434	1	Plug, Hole	
34	1001117174	1	Footswitch Assembly (Not Shown - See CONSOLE INSTALLATION for Breakdown)	
35	1001155044	9	Nut 15/32-32	
36	1001155045	6	Switch, Toggle	
37	1001159256	1	Switch, Toggle	
38	1001161710	2	Switch, Toggle	
39	1001166538	NLA	Drive/Steer Controller Assembly (Use p/n 1001212415) (See DRIVE/STEER ASSEMBLY for Breakdown)	

SECTION 5 - PLATFORM

ITEM	PART NUMBER	QTY	DESCRIPTION	REV
40	1001166539	NLA	Lift/Swing Controller Assembly (Use p/n 1001129555) (See LIFT/SWING ASSEMBLY for Breakdown)	
41	1001169092	1	Decal (Horn)	
42	1001169093	1	Decal (Stop)	
43	1001169422	1	Platform to Boom Valves Harness Assembly (Not Shown - See ELECTRICAL SECTION for Breakdown)	
44	1001169594	1	Module, Platform (Note: Re-calibration Required when Replaced)	
45	1001170083	1	Decal (Display)	
46	1001170838	1	Panel, LED	
47	1001186228	1	Platform Console Harness Assembly (Not Shown - See ELECTRICAL SECTION for Breakdown)	
48	1001185281	1	Plug	
49	2920028	1	Lamp, Indicator	
50	1001144433	1	Decal (No Weight)	
	1001190017	Ref	CONSOLE BOX ASSEMBLY	D
103	3311601	1	Nut 3/8-16	
104	3470003	2	Pin, Cotter	
105	0630568	1	Capscrew 3/8-16 x 4-1/2	
106	4711500	2	Washer 5/16	
107	1001200575	2	Bracket, Stop	

SECTION 5 - PLATFORM

FIGURE 5-13. CONSOLE ASSEMBLY WITHOUT LSS OR WITH 4 CELL LSS - WITH SKYGUARD (SN 0300222893 to Present)



ART_1001208966

SECTION 5 - PLATFORM

FIGURE 5-13. CONSOLE ASSEMBLY WITHOUT LSS OR WITH 4 CELL LSS - WITH SKYGUARD (SN 0300222893 to Present)

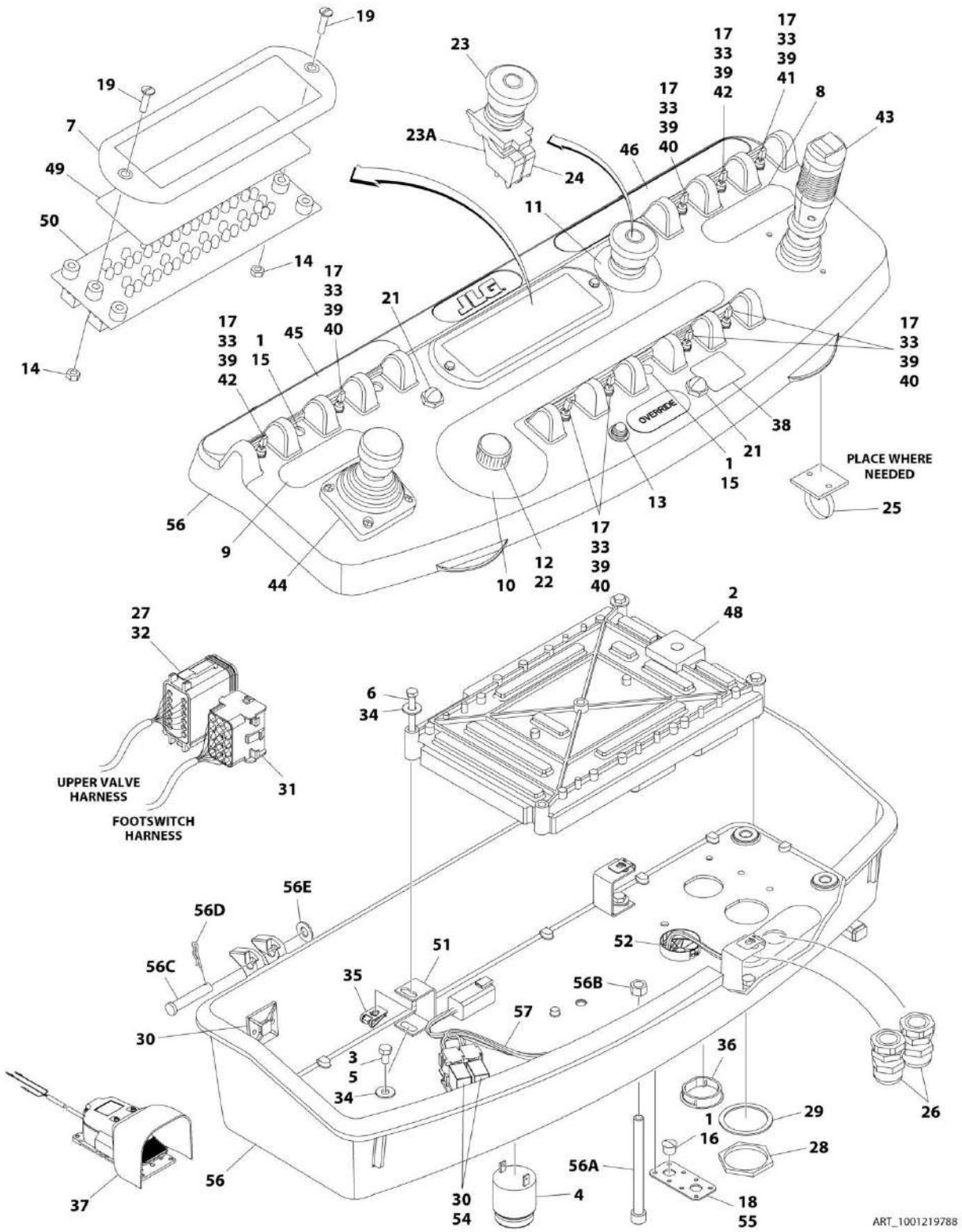
ITEM	PART NUMBER	QTY	DESCRIPTION	REV
	1001208966	Ref	CONSOLE ASSEMBLY WITHOUT LSS OR WITH 4 CELL LSS - WITH SKYGUARD (SN 0300222893 to Present)	A
1	0100009	AR	Sealant	
2	0100048	AR	Grease, Dielectric	
3	0100081	AR	Adhesive	
4	0140011	1	Alarm	
5	0641404	4	Bolt 1/4 x 1/2	
6	0700617	4	Bolt M6 x 45	
7	1671176	1	Bezel	
8	1702565	1	Decal (Drive and Steer)	
9	1702566	1	Decal (Lift and Swing)	
10	1702567	1	Decal (Function Speed)	
11	1704260	1	Decal (EMS)	
12	2560136	1	Handle, Knob	
13	2920028	1	Lamp, Indicator	
14	3311005	2	Nut #10-24	
15	3520028	3	Plug, Hole	
16	3520033	2	Plug, Hole	
17	3790012	9	O-Ring	
18	3911018	2	Bolt #10 x 1-1/8	
19	4360387	2	Switch, Pushbutton	
20	4360407	1	Controller, Speed	
20	4460224	1	Receptacle, Female - 6 Position	
20	4460226	6	Socket, Female	
20	See Note	NSS	Gasket "Top Hat" (Included with Switch) (Note: Not Available - Purchase Complete Controller.)	
20	70003784	1	Seal	
21	4360475	1	Switch, Emergency Stop	
21	7020175	1	Cap, Red	
21A	7020176	1	Contact Block	
22	4360476	1	Block, Contact	
23	4460234	3	Base, Mounting	
24	4460428	2	Connector, Strain Relief	
25	4460466	7	Seal, Plug	
26	4460470	1	Nut	
27	4460471	1	Washer	
28	4460488	1	Base, Mounting	
29	4460708	1	Receptacle, Female 15 Position	
30	4460933	1	Plug, Male 12 Position	
31	4751400	8	Washer 1/4	
32	8305919	4	Retainer M6	
33	1001110434	1	Plug, Hole	
34	1001117174	1	Footswitch Assembly (Not Shown - See CONSOLE INSTALLATION for Breakdown)	
35	1001144433	1	Decal (No Weight)	
36	1001155044	9	Nut 15/32	
37	1001155045	6	Switch, Toggle	
38	1001159256	1	Switch, Toggle	
39	1001161710	2	Switch, Toggle	

SECTION 5 - PLATFORM

ITEM	PART NUMBER	QTY	DESCRIPTION	REV
40	1001166538	NLA	Drive/Steer Controller Assembly (Use p/n 1001129555) (See DRIVE/STEER ASSEMBLY for Breakdown)	
41	1001166539	NLA	Lift/Swing Controller Assembly (Use p/n 1001212415) (See LIFT/SWING ASSEMBLY for Breakdown)	
42	1001169092	1	Decal (Horn)	
43	1001169093	1	Decal (Stop)	
44	1001169422	1	Platform to Boom Valves Harness Assembly (Not Shown - See ELECTRICAL SECTION for Breakdown)	
45	1001169594	1	Module, Platform (Note: Re-calibration Required when Replaced)	
46	1001170083	1	Decal (Display)	
47	1001170838	1	Panel, LED	
48	1001172760	4	Bracket, Support	
49	1001185281	1	Plug, Hole	
50	1001186228	1	Platform Console Harness Assembly (Not Shown - See ELECTRICAL SECTION for Breakdown)	
51	1001201887	1	Box, Console (See Items 101-105 for Breakdown)	
	1001201887	Ref	CONSOLE BOX ASSEMBLY	B
101	0630568	1	Capscrew 3/8 x 4-1/2	
102	3311601	1	Nut 3/8	
103	3430616	2	Pin	
104	3470003	2	Pin, Cotter	
105	4711600	2	Washer 3/8	

SECTION 5 - PLATFORM

FIGURE 5-14. CONSOLE AND FOOTSWITCH ASSEMBLY WITH 1 CELL LSS - WITH SKYGUARD



SECTION 5 - PLATFORM

FIGURE 5-14. CONSOLE AND FOOTSWITCH ASSEMBLY WITH 1 CELL LSS - WITH SKYGUARD

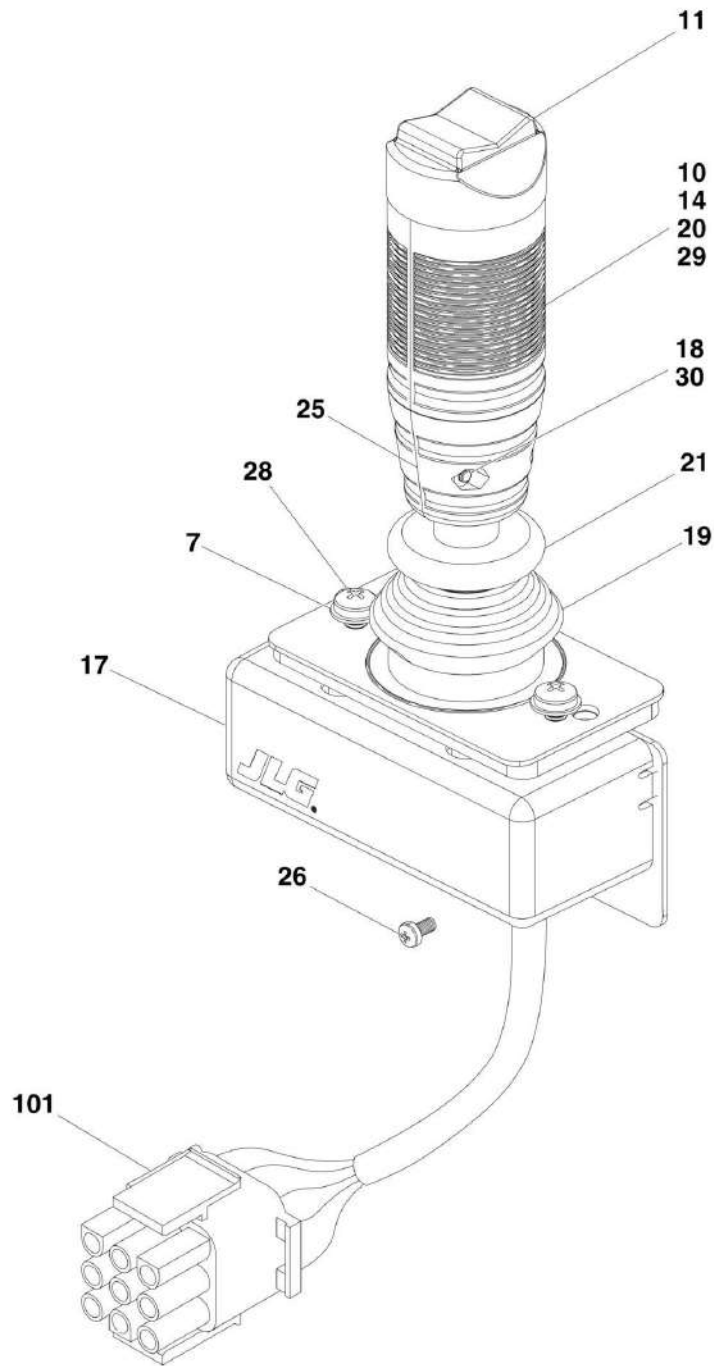
ITEM	PART NUMBER	QTY	DESCRIPTION	REV
	1001219788	Ref	CONSOLE AND FOOTSWITCH ASSEMBLY WITH 1 CELL LSS - WITH SKYGUARD	C
1	0100009	AR	Sealant	
2	0100048	AR	Grease, Dielectric	
3	0100035	1	Compound, Locking	
4	0140011	1	Alarm	
5	0641404	4	Bolt 1/4 x 1/2	
6	0700617	4	Bolt M6 x 45	
7	1671176	1	Bezel	
8	1702565	1	Decal (Drive and Steer)	
9	1702566	1	Decal (Lift and Swing)	
10	1702567	1	Decal (Function Speed)	
11	1704260	1	Decal (EMS)	
12	2560136	1	Handle, Knob	
13	2920028	1	Lamp, Indicator	
14	3311005	2	Nut #10-24	
15	3520028	3	Plug, Hole	
16	3520054	1	Plug, Hole	
17	3790012	9	O-Ring	
18	3900349	8	Capscrew M2.5	
19	3911018	2	Bolt #10 x 1-1/8	
20	4240032	AR	Tie-Strap (Not Shown)	
21	4360387	2	Switch, Pushbutton	
22	4360407	1	Controller, Speed	
22	4460224	1	Receptacle, Female - 6 Position	
22	4460226	6	Socket, Female	
22	See Note	NSS	Gasket "Top Hat" (Included with Switch) (Note: Not Available - Purchase Complete Controller.)	
22	70003784	1	Seal	
23	4360475	1	Switch, Emergency Stop	
23	7020175	1	Cap, Red	
23A	7020176	1	Contact Block	
24	4360476	1	Block, Contact	
25	4460234	3	Base, Mounting	
26	4460428	2	Connector, Strain Relief	
27	4460466	7	Seal, Plug	
28	4460470	1	Nut	
29	4460471	1	Washer	
30	4460488	2	Base, Mounting	
31	4460708	1	Receptacle, Female 15 Position	
32	4460933	1	Plug, Male - 12 Position	
33	4740397	9	Spacer	
34	4751400	8	Washer 1/4	
35	8305919	4	Retainer M6	
36	1001110434	1	Plug, Hole	
37	1001117174	1	Footswitch Assembly (Not Shown - See CONSOLE INSTALLATION for Breakdown)	
38	1001144433	1	Decal (No Weight)	
39	1001155044	9	Nut 15/32	
40	1001155045	6	Switch, Toggle	

SECTION 5 - PLATFORM

ITEM	PART NUMBER	QTY	DESCRIPTION	REV
41	1001159256	1	Switch, Toggle	
42	1001161710	2	Switch, Toggle	
43	1001166538	NLA	Drive/Steer Controller Assembly (Use p/n 1001212415) (See DRIVE/STEER ASSEMBLY for Breakdown)	
44	1001166539	NLA	Lift/Swing Controller Assembly (Use p/n 1001129555) (See LIFT/SWING ASSEMBLY for Breakdown)	
45	1001169092	1	Decal (Horn)	
46	1001169093	1	Decal (Stop)	
47	1001169422	1	Platform to Boom Valves Harness Assembly (Not Shown - See Separate Breakdown in ELECTRICAL SECTION)	
48	1001169594	1	Module, Platform (Note: Re-calibration Required when Replaced)	
49	1001170083	1	Decal (Display)	
50	1001170838	1	Panel, LED	
51	1001172760	4	Bracket, Support	
52	1001185281	1	Plug, Hole	
53	1001186228	1	Platform Console Harness Assembly (Not Shown - See Separate Breakdown in ELECTRICAL SECTION)	
54	1001186431	2	Relay	
55	1001213882	1	Mount	
56	1001218068	1	Box, Console	
56A	0630568	1	Capscrew 3/8 x 4-1/2	
56B	3311601	1	Nut 3/8	
56C	3430616	2	Pin	
56D	3470003	2	Pin, Cotter	
56E	4711600	2	Washer 3/8	
57	1001225580	1	Generator to Platform Harness (Not Shown - See Separate Breakdown in ELECTRICAL SECTION)	

SECTION 5 - PLATFORM

FIGURE 5-15. DRIVE/STEER CONTROLLER ASSEMBLY



ART_1001166538

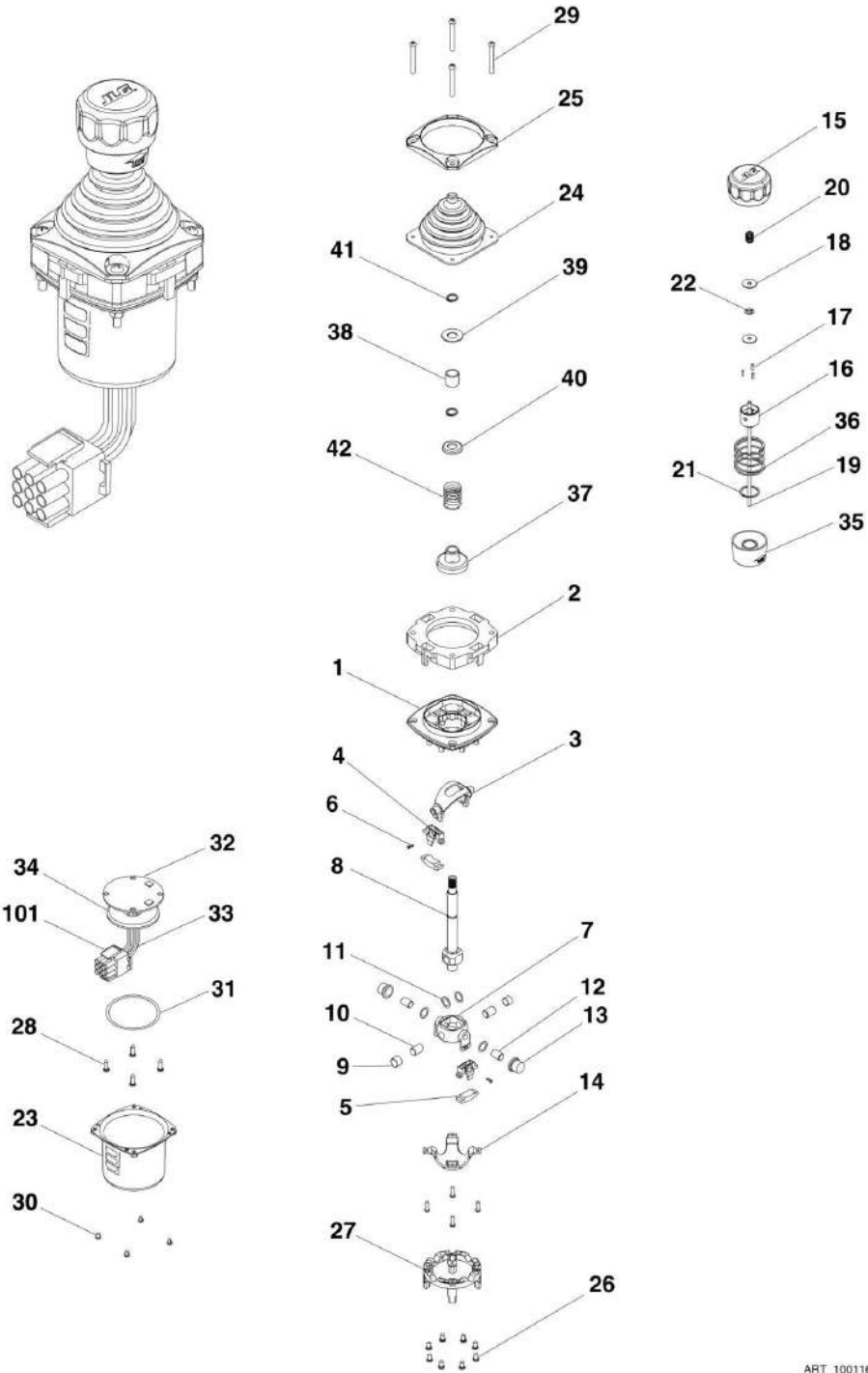
SECTION 5 - PLATFORM

FIGURE 5-15. DRIVE/STEER CONTROLLER ASSEMBLY

ITEM	PART NUMBER	QTY	DESCRIPTION	REV
	1001166538	Ref	CONTROLLER ASSEMBLY - DRIVE AND STEER	G
		Ref	Note: For Replacement, Use p/n 1001212415.	
7	70004738	2	Washer	
10	70004739	1	Roller	
11	70004740	1	Boot, Switch	
14	70004741	2	Half, Handle	
17	70004742	1	Enclosure	
18	70004743	4	Nut	
19	70004744	NLA	Boot, Controller (Use p/n 70005230 Boot/Base Assembly)	
20	70004745	NLA	Tube, Locking (Use p/n 70005230 Boot/Base Assembly)	
21	70004746	NLA	Disc, Locking (Use p/n 70005230 Boot/Base Assembly)	
25	70004747	2	Seal, Rope	
26	70004748	1	Screw, M3 x 6mm	
28	70004749	2	Screw, M5 x 20mm	
29	70004750	1	Pin, Dowel	
30	70004751	4	Screw, M3 x 16mm	
100	4460265	1	Connector - 9 Position	
101	4460226	7	Socket, Female	

SECTION 5 - PLATFORM

FIGURE 5-16. LIFT/SWING CONTROLLER ASSEMBLY



ART_1001166539

SECTION 5 - PLATFORM

FIGURE 5-16. LIFT/SWING CONTROLLER ASSEMBLY

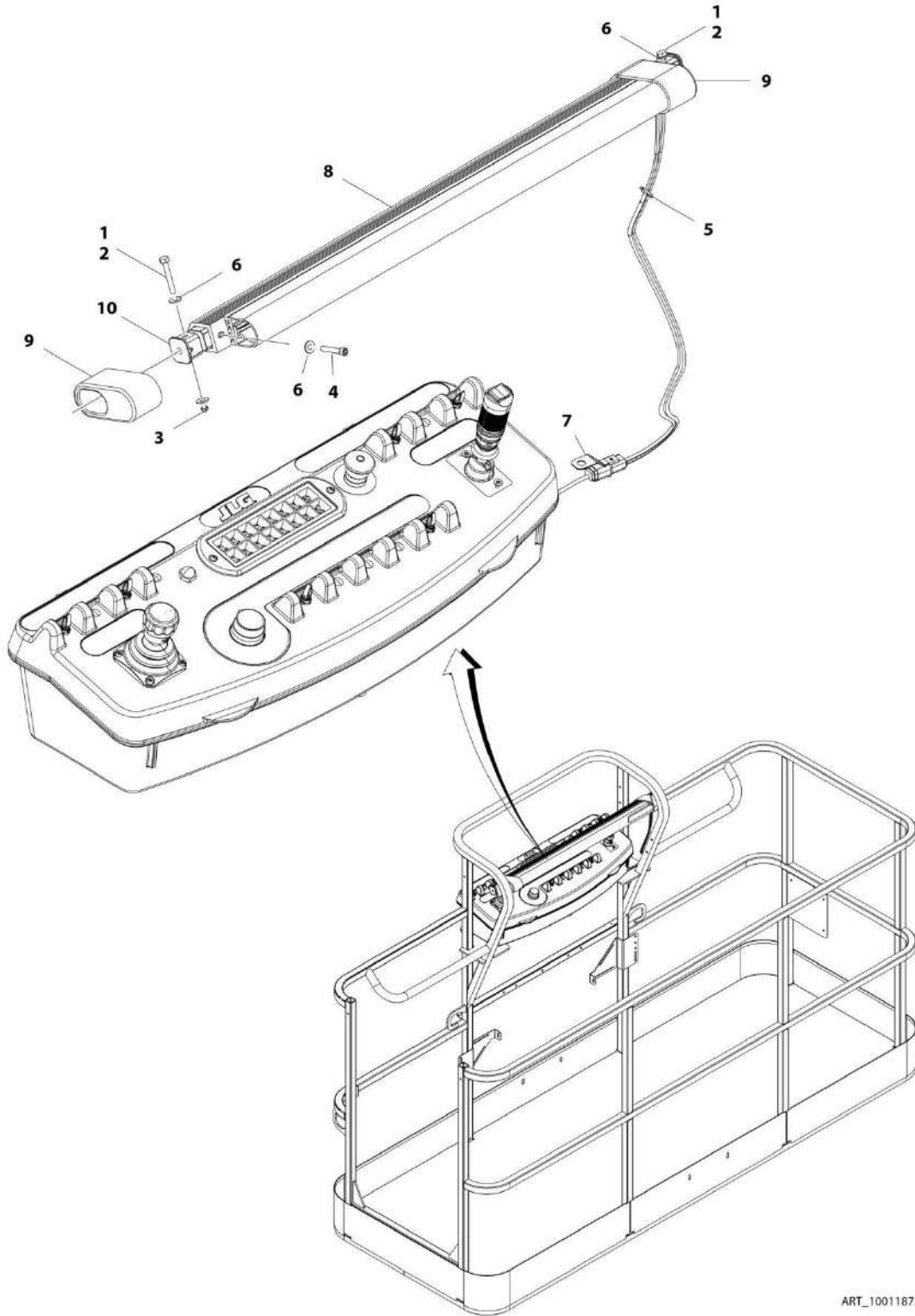
ITEM	PART NUMBER	QTY	DESCRIPTION	REV
	1001166539	Ref	CONTROLLER ASSEMBLY - LIFT AND SWING	D
		Ref	Note: For Replacement, Use p/n 1001129555.	
1	See Note	1	Main Cast Body (Note: Not Available - Purchase Complete Assembly)	
2	70004752	1	Adapter	
3	See Note	1	Pivot Arm, Plastic (Note: Not Available - Purchase Complete Assembly)	
4	See Note	2	Holder, Magnet (Note: Not Available - Purchase Complete Assembly)	
5	See Note	2	Arc, Magnet (Note: Not Available - Purchase Complete Assembly)	
6	See Note	2	Screw (Note: Not Available for Purchase)	
7	See Note	1	Pivot Arm, Cast (Note: Not Available - Purchase Complete Assembly)	
8	See Note	1	Shaft, Main (Note: Not Available - Purchase Complete Assembly)	
9	See Note	2	Bearing (Note: Not Available - Purchase Complete Assembly)	
10	See Note	2	Pin (Note: Not Available - Purchase Complete Assembly)	
11	See Note	4	Shim (Note: Not Available - Purchase Complete Assembly)	
12	See Note	2	Pin (Note: Not Available - Purchase Complete Assembly)	
13	See Note	2	Bearing (Note: Not Available - Purchase Complete Assembly)	
14	See Note	1	Dome, Centering (Note: Not Available - Purchase Complete Assembly)	
15	70004753	1	Cap	
16	70004754	1	Insert, Cap	
17	70004755	3	Pin	
18	70004756	2	Washer	
19	70004757	1	Pin, Centering	
20	70004758	1	Spring	
21	70004759	1	Ring, Retaining	
22	70004760	1	E-Ring	
23	70004761	1	Can, Enclosure	
24	70004762	1	Boot	
25	70004763	1	Bezel	
26	See Note	8	Screw (Note: Not Available for Purchase)	
27	See Note	1	Base Mounting (Note: Not Available - Purchase Complete Assembly)	
28	See Note	4	Screw (Note: Not Available for Purchase)	
29	70004764	4	Screw	
30	70004765	4	Screw	
31	70004766	1	O-Ring	
32	See Note	1	Plate (Note: Not Available - Purchase Complete Assembly)	
33	See Note	1	Harness (Note: Not Available - Purchase Complete Assembly)	
34	70004767	1	Grommet, Rubber	
35	70004768	1	Housing	
36	70004769	1	Spring	
37	70004770	1	Stopper	
38	70004771	1	Spacer	
9	70004772	1	Washer	
40	70004773	1	Disc	
41	70004774	2	Ring, Retaining	
42	70004775	1	Spring	

SECTION 5 - PLATFORM

ITEM	PART NUMBER	QTY	DESCRIPTION	REV
100	4460265	1	Connector - 9 Position	
101	4460226	6	Socket, Female	

SECTION 5 - PLATFORM

FIGURE 5-17. SKYGUARD SYSTEM INSTALLATION



ART_1001187508

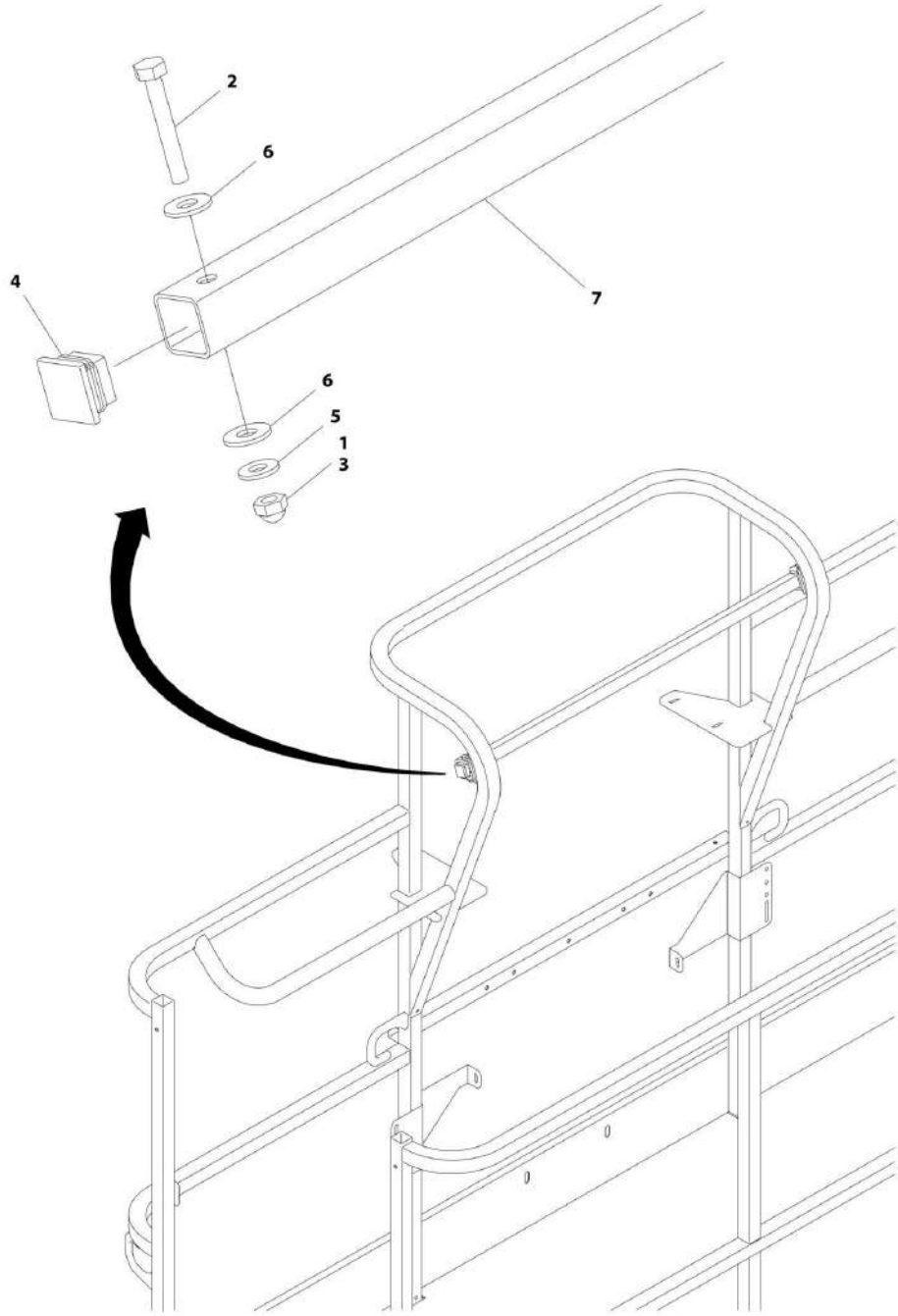
SECTION 5 - PLATFORM

FIGURE 5-17. SKYGUARD SYSTEM INSTALLATION

ITEM	PART NUMBER	QTY	DESCRIPTION	REV
	1001187508	Ref	SKYGUARD SYSTEM INSTALLATION	B
1	0100011	AR	Compound, Locking	
2	0641414	2	Bolt 1/4 X 1-3/4	
3	3300430	2	Nut 1/4	
4	3931424	2	Capscrew 1/4 X 1-1/2 (Prior to SN 0300246422)	
4	3931408	2	Capscrew 1/4 x 1/2 (SN 0300246422 to Present)	
5	4240033	AR	Tie-Strap	
6	4711400	AR	Washer 1/4	
7	1001120328	1	Mount	
8	1001137673	1	Switch, SkyGuard Assembly	
9	1001186517	2	Cover, Platform Sensor	
10	1001188889	2	Support, Block (Prior to SN 0300246422)	
10	1001209664	2	Support, Block (SN 0300246422 to Present)	

SECTION 5 - PLATFORM

FIGURE 5-18. CROSS RAIL INSTALLATION



ART_1001182138

SECTION 5 - PLATFORM

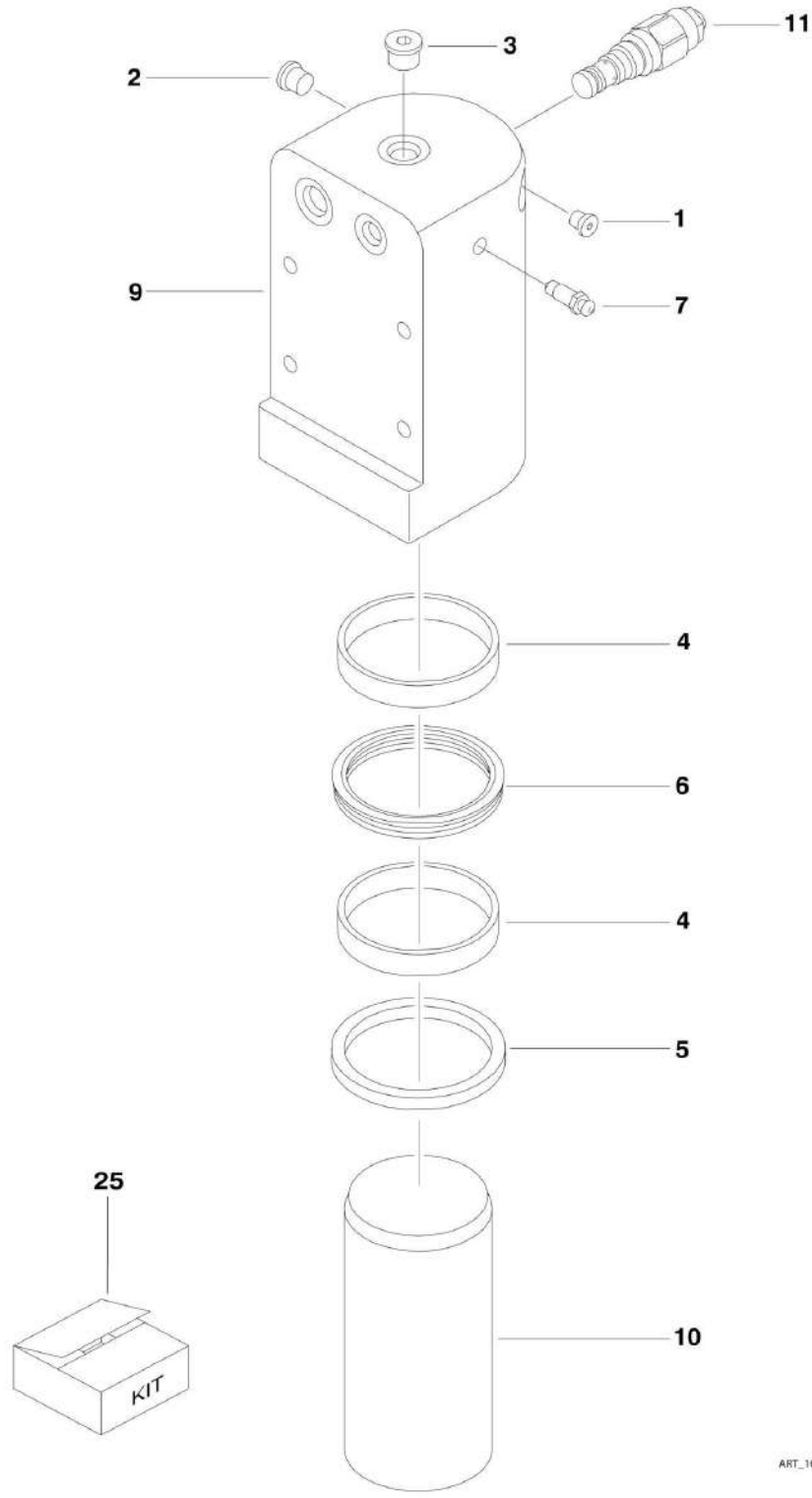
FIGURE 5-18. CROSS RAIL INSTALLATION

ITEM	PART NUMBER	QTY	DESCRIPTION	REV
	1001182138	Ref	CROSS RAIL INSTALLATION	A
1	0100071	AR	Compound, Locking	
2	0641414	2	Bolt 1/4 X 1-3/4	
3	3300430	2	Nut 1/4	
4	3520182	2	Plug	
5	4711400	2	Washer 1/4	
6	4751400	4	Washer 1/4	
7	1001191708	1	Bar	

SECTION 6 - CYLINDER

SECTION 6 - CYLINDER

FIGURE 6-1. AXLE LOCKOUT CYLINDER ASSEMBLY



ART_1001116361

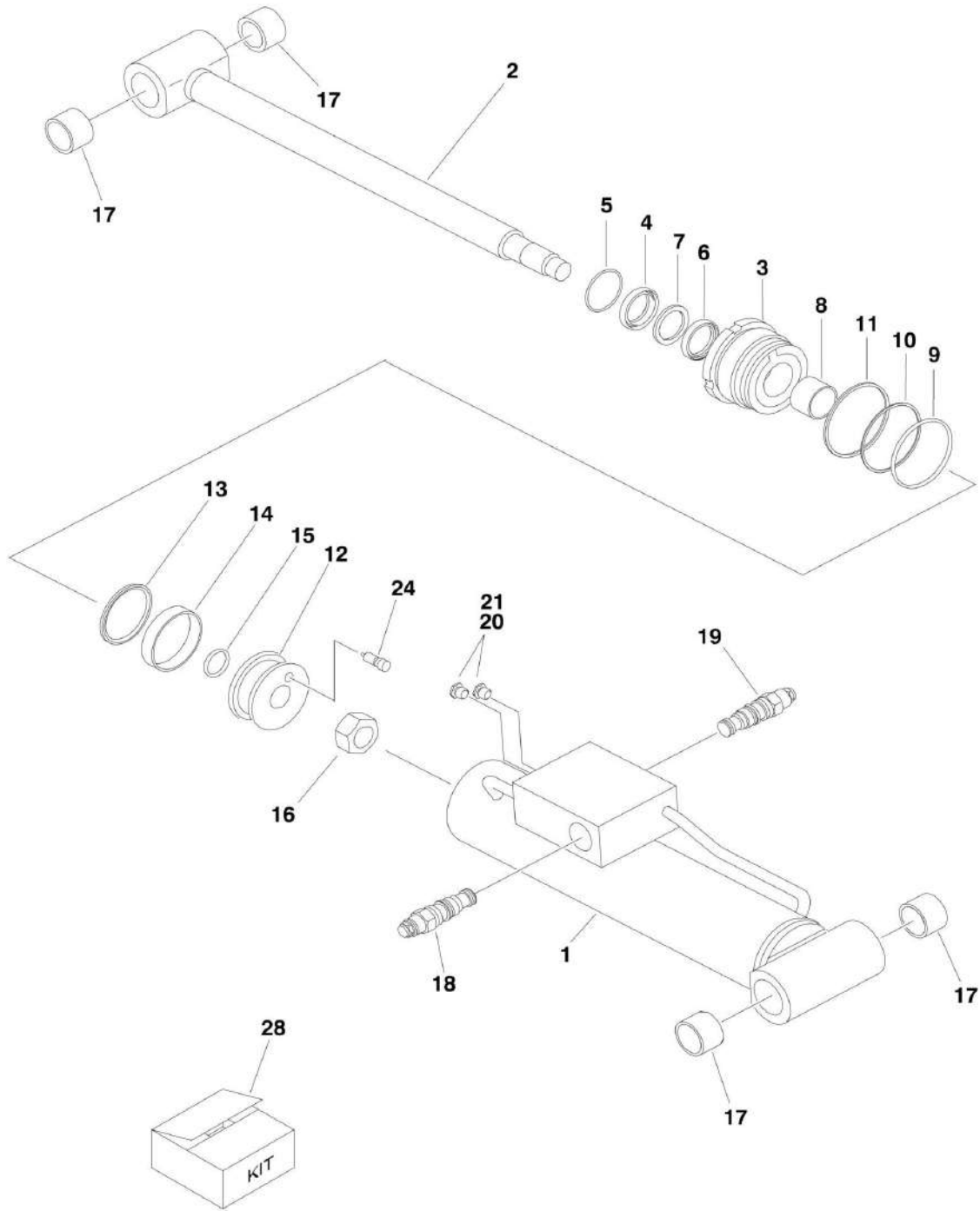
SECTION 6 - CYLINDER

FIGURE 6-1. AXLE LOCKOUT CYLINDER ASSEMBLY

ITEM	PART NUMBER	QTY	DESCRIPTION	REV
	1001116361	Ref	AXLE LOCKOUT CYLINDER ASSEMBLY	D
1	2220881	1	Plug, O-Ring	
2	2220883	1	Plug, O-Ring	
3	2220885	1	Plug, O-Ring	
4	See Note	NSS	Ring, Wear (Note: Use Item 25)	
5	See Note	NSS	Wiper (Note: Use Item 25)	
6	See Note	NSS	Seal, Rod (Note: Use Item 25)	
7	4640858	1	Bleeder	
9	1001117365	1	Barrel	
10	1001117366	1	Rod	
11	1001117372	1	Cartridge, Valve	
11	70002842	1	Seal Kit - 1001117372 Valve	
25	1001116378	1	Seal Kit (Includes Items 4-6)	

SECTION 6 - CYLINDER

FIGURE 6-2. LEVEL (PLATFORM SLAVE) CYLINDER ASSEMBLY (Prior to SN 0300240098)



ART_1001117375

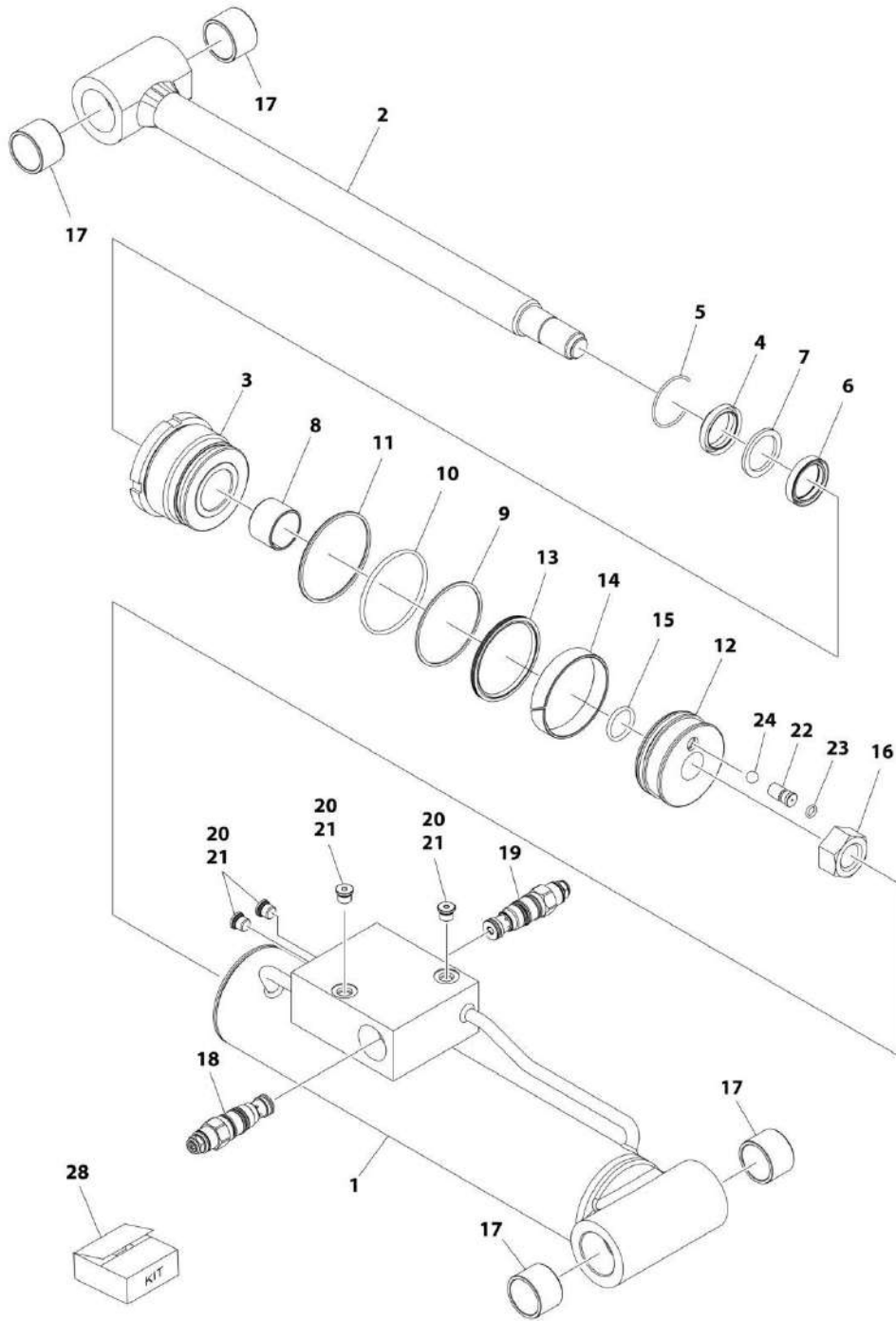
SECTION 6 - CYLINDER

FIGURE 6-2. LEVEL (PLATFORM SLAVE) CYLINDER ASSEMBLY (Prior to SN 0300240098)

ITEM	PART NUMBER	QTY	DESCRIPTION	REV
	1001117375	Ref	LEVEL (PLATFORM SLAVE) CYLINDER ASSEMBLY (Prior to SN 0300240098)	E
1	70003131	1	Barrel	
2	70003132	1	Rod	
3	70003085	1	Head	
4	See Note	NSS	Wiper (Note: Use Item 28)	
5	70002366	1	Ring, Retaining	
6	See Note	NSS	Seal, Rod (Note: Use Item 28)	
7	See Note	NSS	Ring, Back-up (Note: Use Item 28)	
8	70002352	1	Bearing	
9	See Note	NSS	O-Ring (Note: Use Item 28)	
10	See Note	NSS	Ring, Back-up (Note: Use Item 28)	
11	See Note	NSS	O-Ring (Note: Use Item 28)	
12	70003133	1	Piston	
13	See Note	NSS	Seal, Piston (Note: Use Item 28)	
14	See Note	NSS	Ring, Wear (Note: Use Item 28)	
15	See Note	NSS	O-Ring (Note: Use Item 28)	
16	70002335	1	Nut	
17	0961951	4	Bushing, Garmax (was p/n 70003087)	
18	70002413	1	Cartridge, Valve	
18	2900770	1	Seal Kit - 70002413 Valve	
19	70002388	1	Cartridge, Valve	
19	2900770	1	Seal Kit - 70002388 Valve	
20	70023370	2	Plug	
21	See Note	2	O-Ring (Note: Not Available - Purchase Locally)	
24	70002357	1	Valve, Phase	
28	70003134	1	Seal Kit (Includes Items 4, 6, 7, 9, 10, 11, 13, 14 & 15)	
100		Ref	REPAIR TOOLS (NOT SHOWN)	
100	70003089	1	Press, Wiper	
100	70003090	1	Press, Bushing (Use with Rod Bearing)	
100	70003091	1	Tool, Bushing Removal (Use with Rod Bearing)	
100	70003092	1	Tool, Head Seal Protection	
100	70003081	1	Tool, Piston Seal Protection	
100	70003093	1	Press, Bushing (Use with Pin Mounting Bushings)	
100	70003094	1	Tool, Bushing Removal (Use with Pin Mounting Bushings)	

SECTION 6 - CYLINDER

FIGURE 6-3. LEVEL (PLATFORM SLAVE) CYLINDER ASSEMBLY (SN 0300238046 to Present)



ART_1001225990

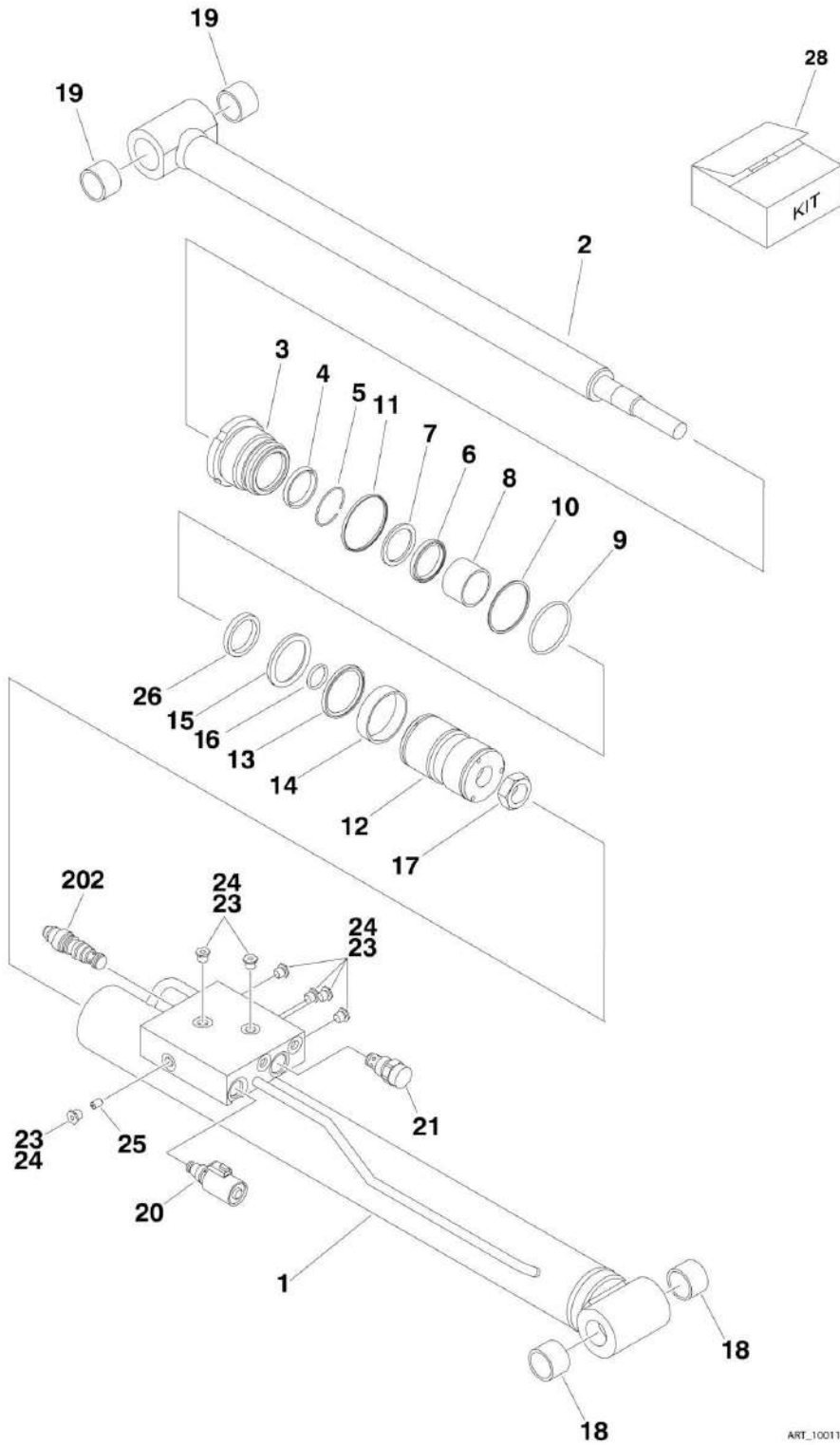
SECTION 6 - CYLINDER

FIGURE 6-3. LEVEL (PLATFORM SLAVE) CYLINDER ASSEMBLY (SN 0300238046 to Present)

ITEM	PART NUMBER	QTY	DESCRIPTION	REV
	1001225990	Ref	LEVEL (PLATFORM SLAVE) CYLINDER ASSEMBLY (SN 0300238046 to Present)	A
1	70003131	1	Barrel	
2	70003132	1	Rod	
3	70003085	1	Head	
4	See Note	NSS	Wiper (Note: Use Item 28)	
5	70002366	1	Ring, Retaining	
6	See Note	NSS	Seal, Rod (Note: Use Item 28)	
7	See Note	NSS	Ring, Back-up (Note: Use Item 28)	
8	70005695	1	Bearing	
9	See Note	NSS	O-Ring (Note: Use Item 28)	
10	See Note	NSS	Ring, Back-up (Note: Use Item 28)	
11	See Note	NSS	O-Ring (Note: Use Item 28)	
12	70003133	1	Piston	
13	See Note	NSS	Seal, Piston (Note: Use Item 28)	
14	See Note	NSS	Ring, Wear (Note: Use Item 28)	
15	See Note	NSS	O-Ring (Note: Use Item 28)	
16	70002335	1	Nut	
17	0961951	4	Bushing, Garmax	
18	70002413	1	Cartridge, Valve	
18	2900770	1	Seal Kit - 70002413 Valve	
19	1001168210	1	Cartridge, Valve	
19	2900770	1	Seal Kit - 1001168210 Valve	
20	2220883	4	Plug	
21	See Note	NSS	O-Ring (Note: Not Available - Purchase Locally)	
22	70005973	1	Valve Seat	
23	70005974	1	O-Ring	
24	70006353	1	Steel Ball	
28	70003134	1	Seal Kit (Includes Items 4, 6, 7, 9, 10, 11, 13, 14 & 15)	
100		Ref	REPAIR TOOLS (NOT SHOWN)	
100	70003089	1	Press, Wiper	
100	70003090	1	Press, Bushing (Use with Rod Bearing)	
100	70003091	1	Tool, Bushing Removal (Use with Rod Bearing)	
100	70003092	1	Tool, Head Seal Protection	
100	70003081	1	Tool, Piston Seal Protection	
100	70003093	1	Press, Bushing (Use with Pin Mounting Bushings)	
100	70003094	1	Tool, Bushing Removal (Use with Pin Mounting Bushings)	

SECTION 6 - CYLINDER

FIGURE 6-4. LIFT (JIB) CYLINDER ASSEMBLY



ART_1001123004

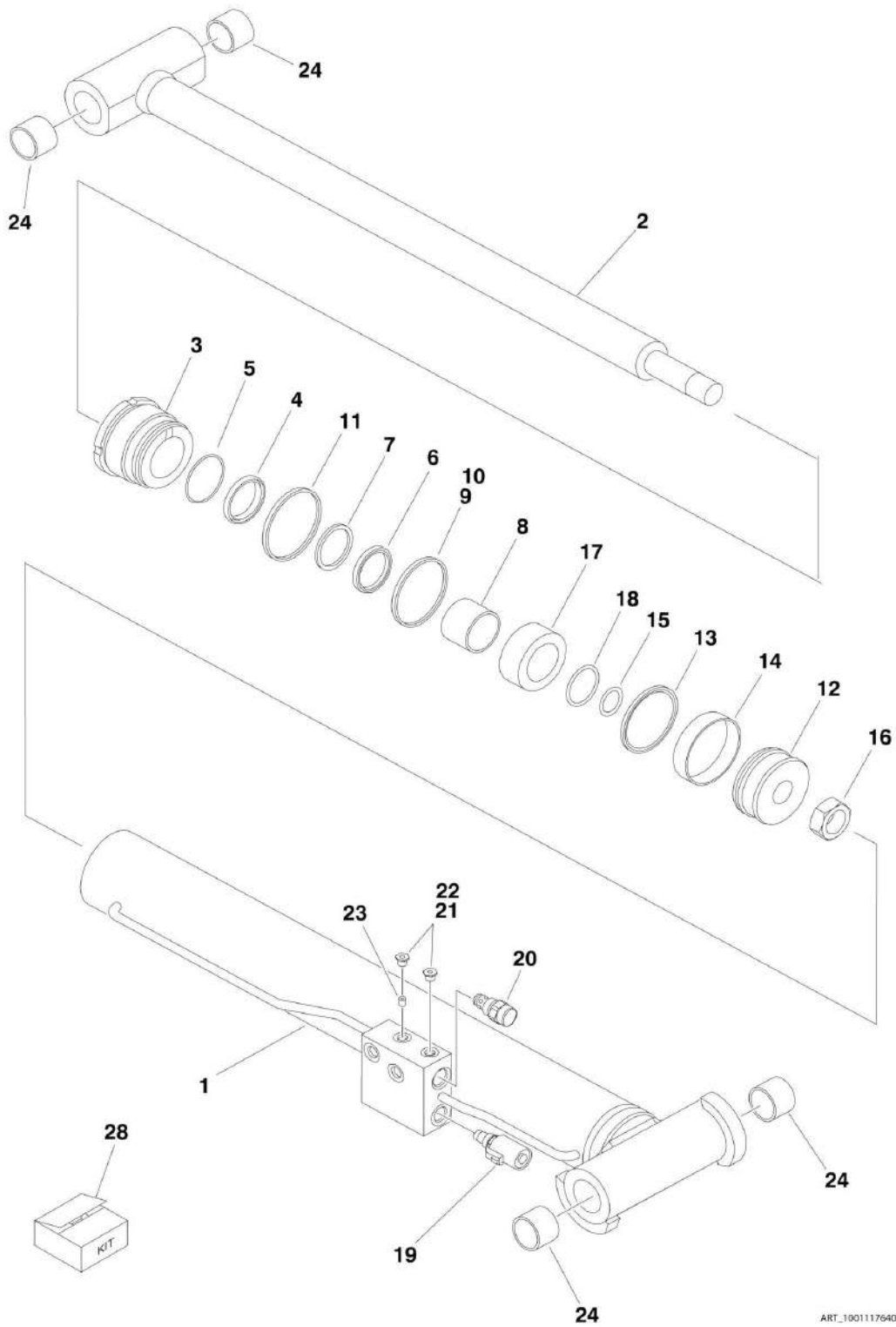
SECTION 6 - CYLINDER

FIGURE 6-4. LIFT (JIB) CYLINDER ASSEMBLY

ITEM	PART NUMBER	QTY	DESCRIPTION	REV
	1001123004	Ref	JIB LIFT CYLINDER ASSEMBLY	D
1	70003122	1	Barrel	
2	70002375	1	Rod	
3	70003123	1	Head	
4	See Note	NSS	Wiper (Note: Use Item 28)	
5	70002373	1	Ring, Retaining	
6	See Note	NSS	Seal, Rod (Note: Use Item 28)	
7	See Note	NSS	Ring, Back-up (Note: Use Item 28)	
8	70002372	1	Bearing	
9	See Note	NSS	O-Ring (Note: Use Item 28)	
10	See Note	NSS	Ring, Back-up (Note: Use Item 28)	
11	See Note	NSS	O-Ring (Note: Use Item 28)	
12	70003124	1	Piston	
13	70003125	1	Seal, Piston	
14	See Note	NSS	Ring, Wear (Note: Use Item 28)	
15	See Note	NSS	O-Ring (Note: Use Item 28)	
16	See Note	NSS	Ring, Piston (Note: Use Item 28)	
17	70002335	1	Nut	
18	70003118	2	Bushing	
19	0961951	2	Bushing, Garmax (was p/n 70003087)	
20	7024884	1	Cartridge, Solenoid Valve	
20	7012967	1	Seal Kit - 7024884 Valve	
20	70002386	1	Coil	
21	70003076	1	Cartridge, Check Valve	
21	7017496	1	Seal Kit - 70003076 Valve	
23	70023370	7	Plug	
24	See Note	7	O-Ring (Note: Not Available - Purchase Locally)	
25	70002334	1	Orifice	
26	70003453	1	Spacer	
28	70003125	1	Seal Kit (Includes Items 4, 6, 7, 9, 10, 11, 13, 14, 15 & 16)	
100		Ref	REPAIR TOOLS (NOT SHOWN)	
100	70003126	1	Press, Wiper	
100	70003127	1	Press, Bushing (Use with Rod Bearing)	
100	70003128	1	Tool, Bushing Removal (Use with Rod Bearing)	
100	70003129	1	Tool, Head Seal Protection	
100	70003130	1	Tool, Piston Seal Protection	
100	70003093	1	Press, Bushing (Use with Pin Mounting Bushings)	
100	70003094	1	Tool, Bushing Removal (Use with Pin Mounting Bushings)	
	1001199460	Ref	JIB LIFT CYLINDER ASSEMBLY	A
202	1001199306	1	Cartridge, Counter Balance Valve	
202	2900770	1	Seal Kit - 1001199306 Valve	

SECTION 6 - CYLINDER

FIGURE 6-5. LIFT (MAIN BOOM) CYLINDER ASSEMBLY



ART_1001117640

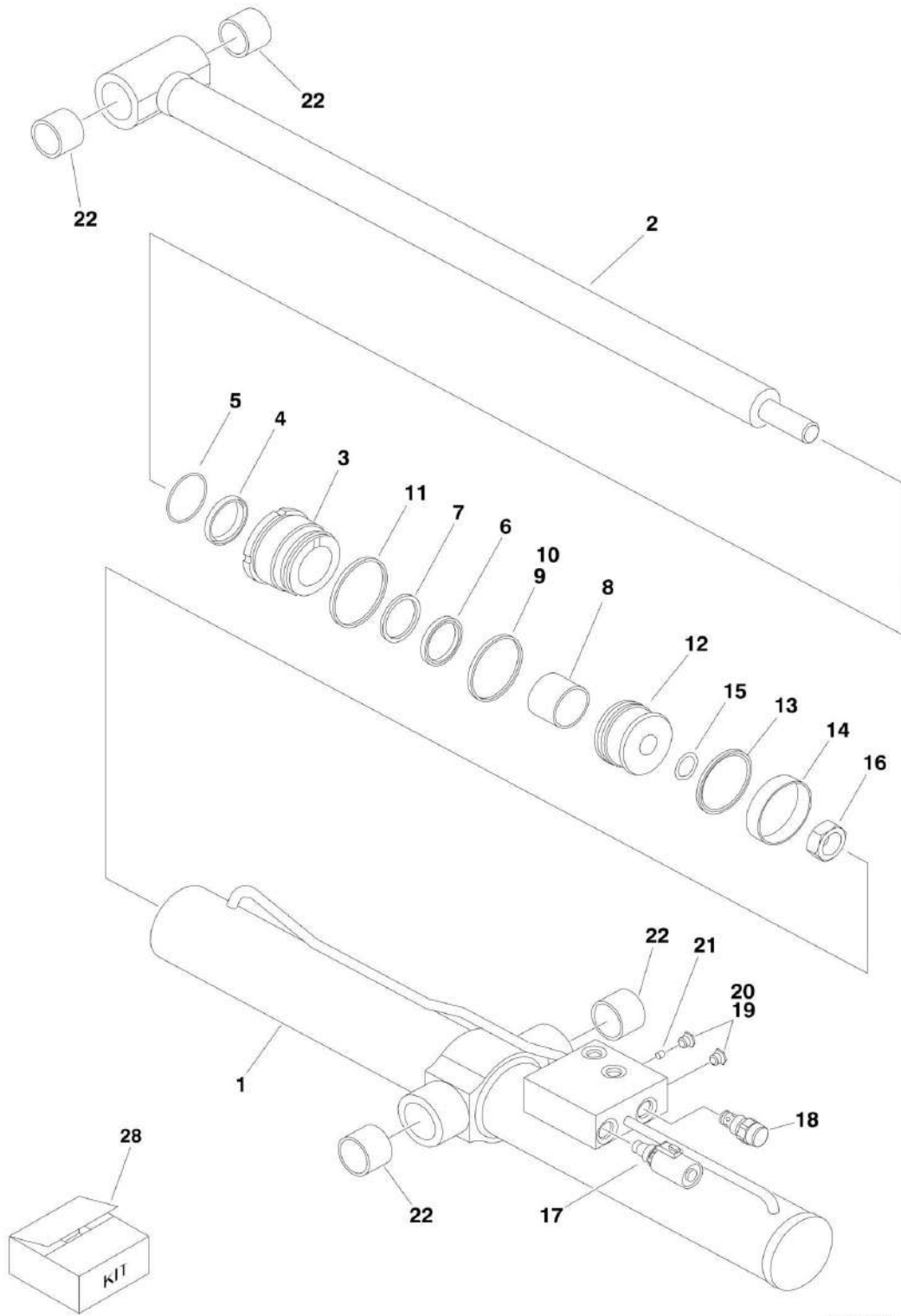
SECTION 6 - CYLINDER

FIGURE 6-5. LIFT (MAIN BOOM) CYLINDER ASSEMBLY

ITEM	PART NUMBER	QTY	DESCRIPTION	REV
	1001117640	Ref	MAIN BOOM LIFT CYLINDER ASSEMBLY	H
1	70003103	1	Barrel	
2	70003104	1	Rod	
3	70003105	1	Head	
4	See Note	NSS	Wiper (Note: Use Item 28)	
5	70002412	1	Ring, Retaining	
6	See Note	NSS	Seal, Rod (Note: Use Item 28)	
7	See Note	NSS	Ring, Back-up (Note: Use Item 28)	
8	70022565	1	Bearing	
9	See Note	NSS	O-Ring (Note: Use Item 28)	
10	See Note	NSS	Ring, Back-up (Note: Use Item 28)	
11	See Note	NSS	O-Ring (Note: Use Item 28)	
12	70003106	1	Piston	
13	See Note	NSS	Seal, Piston (Note: Use Item 28)	
14	See Note	NSS	Ring, Wear (Note: Use Item 28)	
15	See Note	NSS	O-Ring (Note: Use Item 28)	
16	70002335	1	Nut	
17	70002344	1	Spacer	
18	See Note	NSS	O-Ring (Note: Use Item 28)	
19	7024884	1	Cartridge, Solenoid Valve	
19	7012967	1	Seal Kit - 7024884 Valve	
19	70002386	1	Coil	
20	70003076	1	Cartridge, Check Valve	
20	7017496	1	Seal Kit - 70003076 Valve	
21	70023370	7	Plug	
22	See Note	7	O-Ring (Note: Not Available - Purchase Locally)	
23	70002334	1	Orifice	
24	0961948	2	Bushing, Garmax (was p/n 70003107)	
28	70003108	1	Seal Kit (Includes Items 4, 6, 7, 9, 10, 11, 13, 14, 15 & 18)	
100		Ref	REPAIR TOOLS (NOT SHOWN)	
100	70003109	1	Press, Wiper	
100	70003110	1	Press, Bushing (Use with Rod Bearing)	
100	70003111	1	Tool, Bushing Removal (Use with Rod Bearing)	
100	70003112	1	Tool, Head Seal Protection	
100	70003113	1	Tool, Piston Seal Protection	
100	70003082	1	Press, Bushing (Use with Pin Mounting Bushings)	
100	70003083	1	Tool, Bushing Removal (Use with Pin Mounting Bushings)	

SECTION 6 - CYLINDER

FIGURE 6-6. LIFT (TOWER BOOM) CYLINDER ASSEMBLY



ART_1001122527

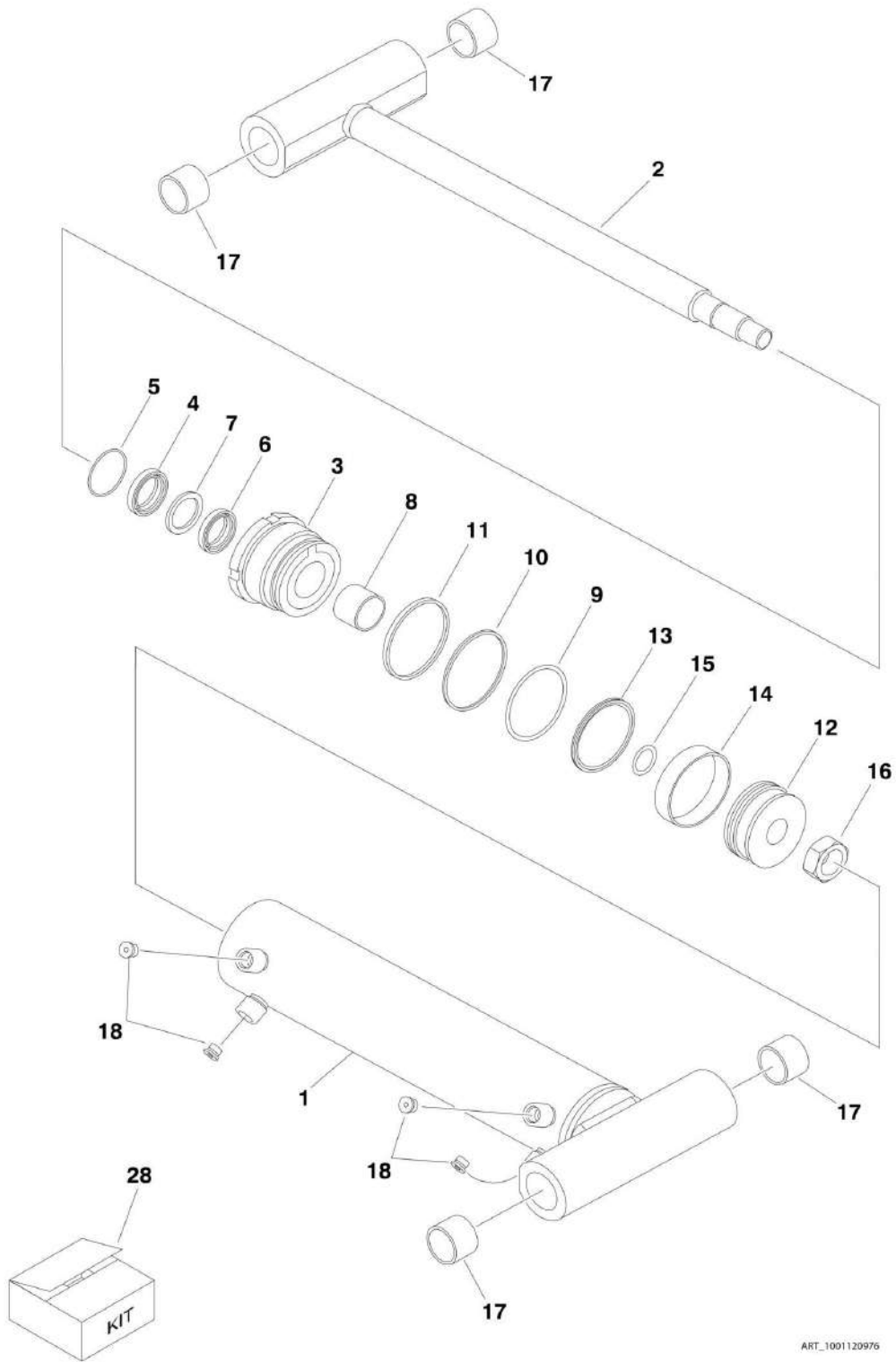
SECTION 6 - CYLINDER

FIGURE 6-6. LIFT (TOWER BOOM) CYLINDER ASSEMBLY

ITEM	PART NUMBER	QTY	DESCRIPTION	REV
	1001122527	Ref	TOWER BOOM LIFT CYLINDER ASSEMBLY	D
1	70003071	1	Barrel	
2	70003072	1	Rod	
3	70003073	1	Head	
4	See Note	NSS	Wiper (Note: Use Item 28)	
5	70002410	1	Ring, Retaining	
6	See Note	NSS	Seal, Rod (Note: Use Item 28)	
7	See Note	NSS	Ring, Back-up (Note: Use Item 28)	
8	70002337	1	Bearing	
9	See Note	NSS	O-Ring (Note: Use Item 28)	
10	See Note	NSS	Ring, Back-up (Note: Use Item 28)	
11	See Note	NSS	O-Ring (Note: Use Item 28)	
12	70003074	1	Piston	
13	See Note	NSS	Seal, Piston (Note: Use Item 28)	
14	See Note	NSS	Ring, Wear (Note: Use Item 28)	
15	See Note	NSS	O-Ring (Note: Use Item 28)	
16	70002335	1	Nut	
17	7024884	1	Cartridge, Solenoid Valve	
17	7012967	1	Seal Kit - 7024884 Valve	
17	70002386	1	Coil	
18	70003076	1	Cartridge, Check Valve	
18	7017496	1	Seal Kit - 70003076 Valve	
19	70023370	2	Plug	
20	See Note	2	O-Ring (Note: Not Available - Purchase Locally)	
21	70002334	1	Orifice	
22	0961948	4	Bushing, Garmax (was p/n 70003107)	
28	70003075	1	Seal Kit (Includes Items 4, 6, 7, 9, 10, 11, 13, 14 & 15)	
100		Ref	REPAIR TOOLS (NOT SHOWN)	
100	70003077	1	Press, Wiper	
100	70003078	1	Press, Bushing (Use with Rod Bearing)	
100	70003079	1	Tool, Bushing Removal (Use with Rod Bearing)	
100	70003080	1	Tool, Head Seal Protection	
100	70003081	1	Tool, Piston Seal Protection	
100	70003082	1	Press, Bushing (Use with Pin Mounting Bushings)	
100	70003083	1	Tool, Bushing Removal (Use with Pin Mounting Bushings)	

SECTION 6 - CYLINDER

FIGURE 6-7. MASTER CYLINDER ASSEMBLY



ART_1001120976

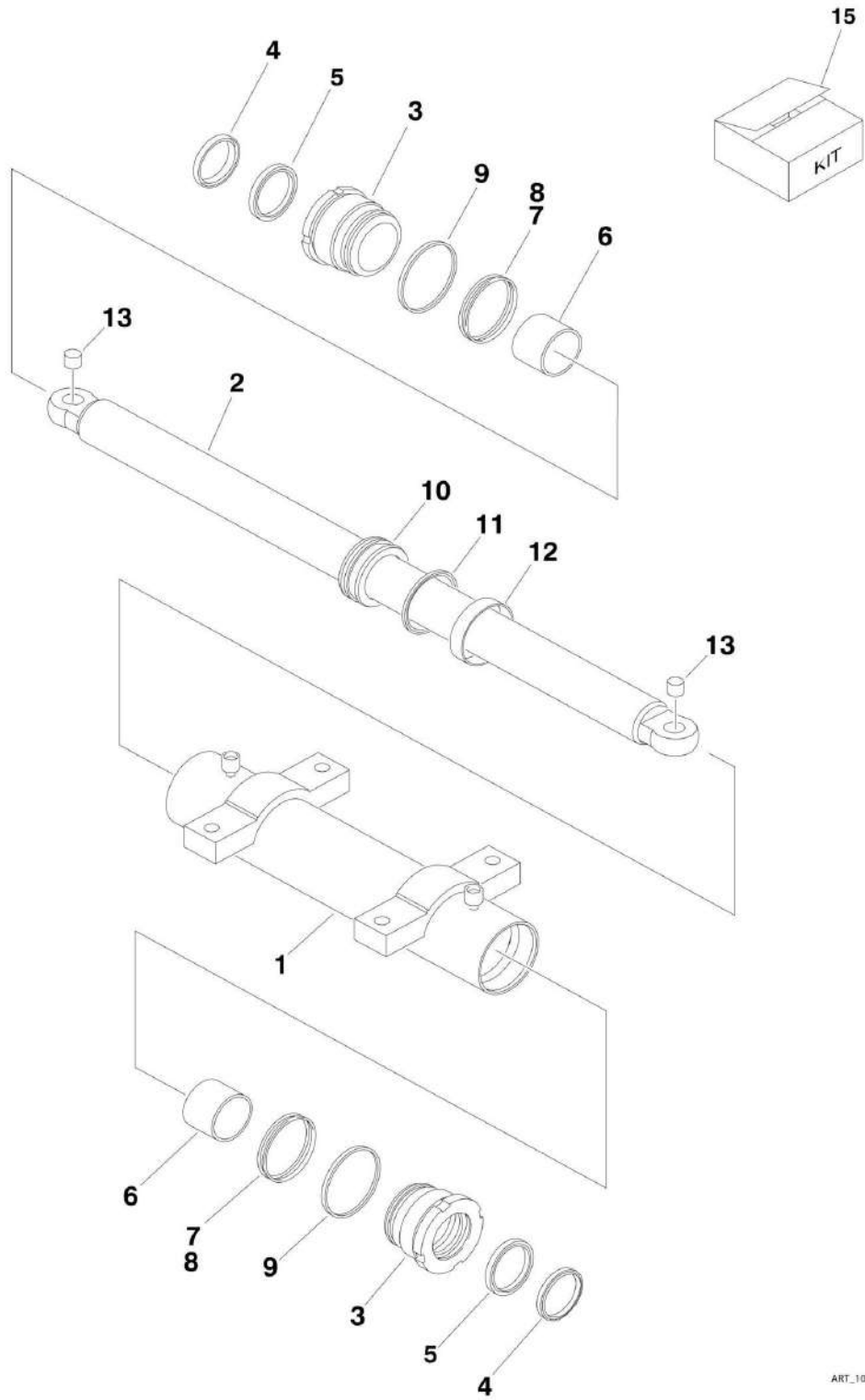
SECTION 6 - CYLINDER

FIGURE 6-7. MASTER CYLINDER ASSEMBLY

ITEM	PART NUMBER	QTY	DESCRIPTION	REV
	1001120976	Ref	MASTER CYLINDER ASSEMBLY	B
1	70003084	1	Barrel	
2	70002354	1	Rod	
3	70003085	1	Head	
4	See Note	NSS	Wiper (Note: Use Item 28)	
5	70002366	1	Ring, Retaining	
6	See Note	NSS	Seal, Rod (Note: Use Item 28)	
7	See Note	NSS	Ring, Back-up (Note: Use Item 28)	
8	70002352	1	Bearing	
9	See Note	NSS	O-Ring (Note: Use Item 28)	
10	See Note	NSS	Ring, Back-up (Note: Use Item 28)	
11	See Note	NSS	O-Ring (Note: Use Item 28)	
12	70003086	1	Piston	
13	See Note	NSS	Seal, Piston (Note: Use Item 28)	
14	See Note	NSS	Ring, Wear (Note: Use Item 28)	
15	See Note	NSS	O-Ring (Note: Use Item 28)	
16	70002335	1	Nut	
17	0961951	4	Bushing, Garmax (was p/n 70003087)	
18	70023371	4	Plug	
28	70003088	1	Seal Kit (Includes Items 4, 6, 7, 9, 10, 11, 13, 14 & 15)	
100		Ref	REPAIR TOOLS (NOT SHOWN)	
100	70003089	1	Press, Wiper	
100	70003090	1	Press, Bushing (Use with Rod Bearing)	
100	70003091	1	Tool, Bushing Removal (Use with Rod Bearing)	
100	70003092	1	Tool, Head Seal Protection	
100	70003081	1	Tool, Piston Seal Protection	
100	70003093	1	Press, Bushing (Use with Pin Mounting Bushings)	
100	70003094	1	Tool, Bushing Removal (Use with Pin Mounting Bushings)	

SECTION 6 - CYLINDER

FIGURE 6-8. STEER CYLINDER ASSEMBLY



ART_1001116788

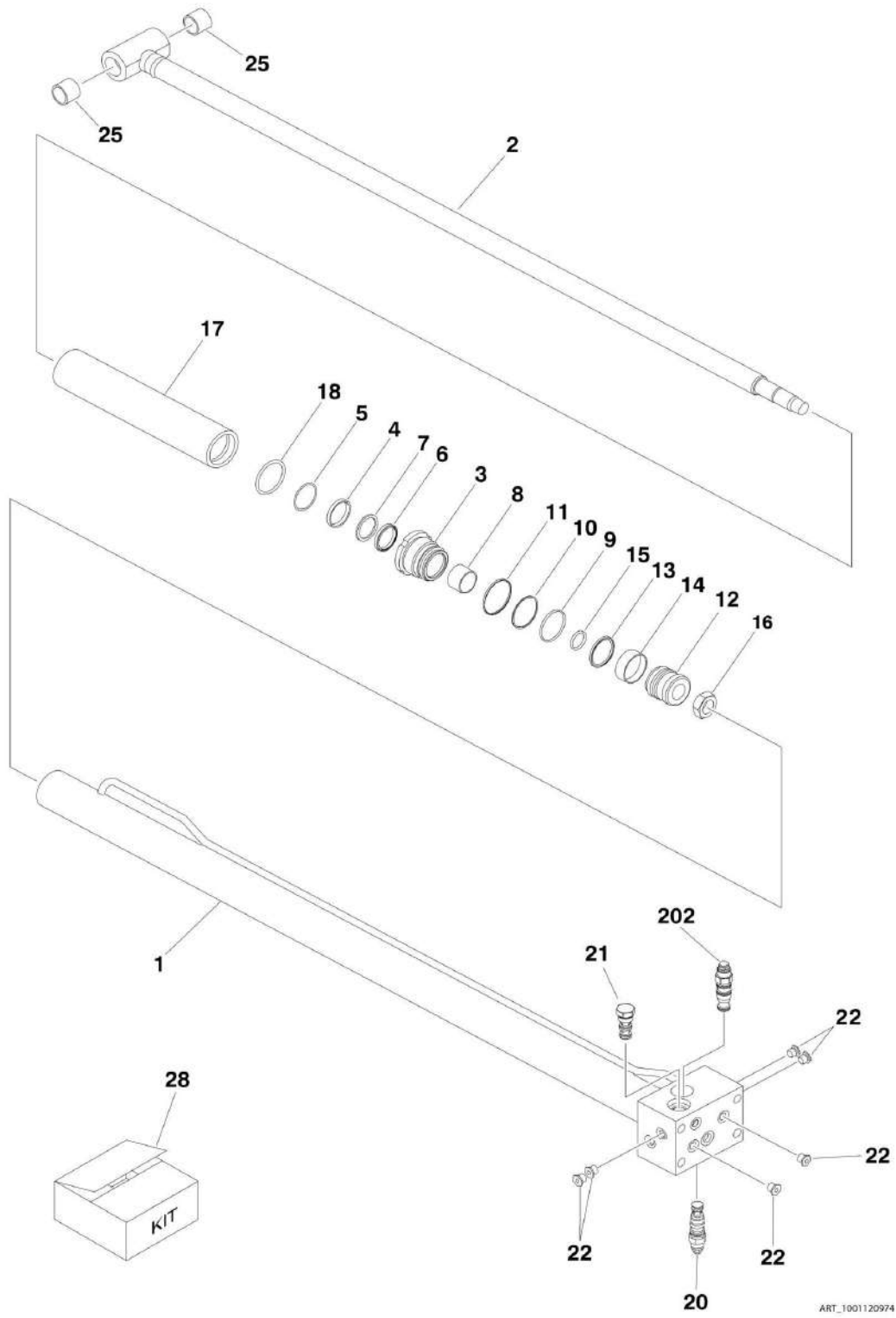
SECTION 6 - CYLINDER

FIGURE 6-8. STEER CYLINDER ASSEMBLY

ITEM	PART NUMBER	QTY	DESCRIPTION	REV
	1001116788	Ref	STEER CYLINDER ASSEMBLY	C
1	70003095	1	Barrel	
2	70003096	1	Rod	
3	70003098	2	Head	
4	See Note	NSS	Wiper (Note: Use Item 15)	
5	See Note	NSS	Seal, Rod (Note: Use Item 15)	
6	70002337	2	Bearing	
7	See Note	NSS	O-Ring (Note: Use Item 15)	
8	See Note	NSS	Ring, Back-up (Note: Use Item 15)	
9	See Note	NSS	O-Ring (Note: Use Item 15)	
10	70003097	1	Piston	
11	See Note	NSS	Seal, Piston (Note: Use Item 15)	
12	See Note	NSS	Ring, Wear (Note: Use Item 15)	
13	70002380	4	Bushing, Garmax	
15	70003099	1	Seal Kit (Includes Items 4, 5, 7, 8, 9, 11 & 12)	
100		Ref	REPAIR TOOLS (NOT SHOWN)	
100	70003077	1	Press, Wiper	
100	70003078	1	Press, Bushing (Use with Rod Bearing)	
100	70003079	1	Tool, Bushing Removal (Use with Rod Bearing)	
100	70003080	1	Tool, Head Seal Protection	
100	70003100	1	Tool, Piston Seal Protection	
100	70003101	1	Press, Bushing (Use with Pin Mounting Bushings)	
100	70003102	1	Tool, Bushing Removal (Use with Pin Mounting Bushings)	

SECTION 6 - CYLINDER

FIGURE 6-9. TELESCOPE CYLINDER ASSEMBLY



ART_1001120974

SECTION 6 - CYLINDER

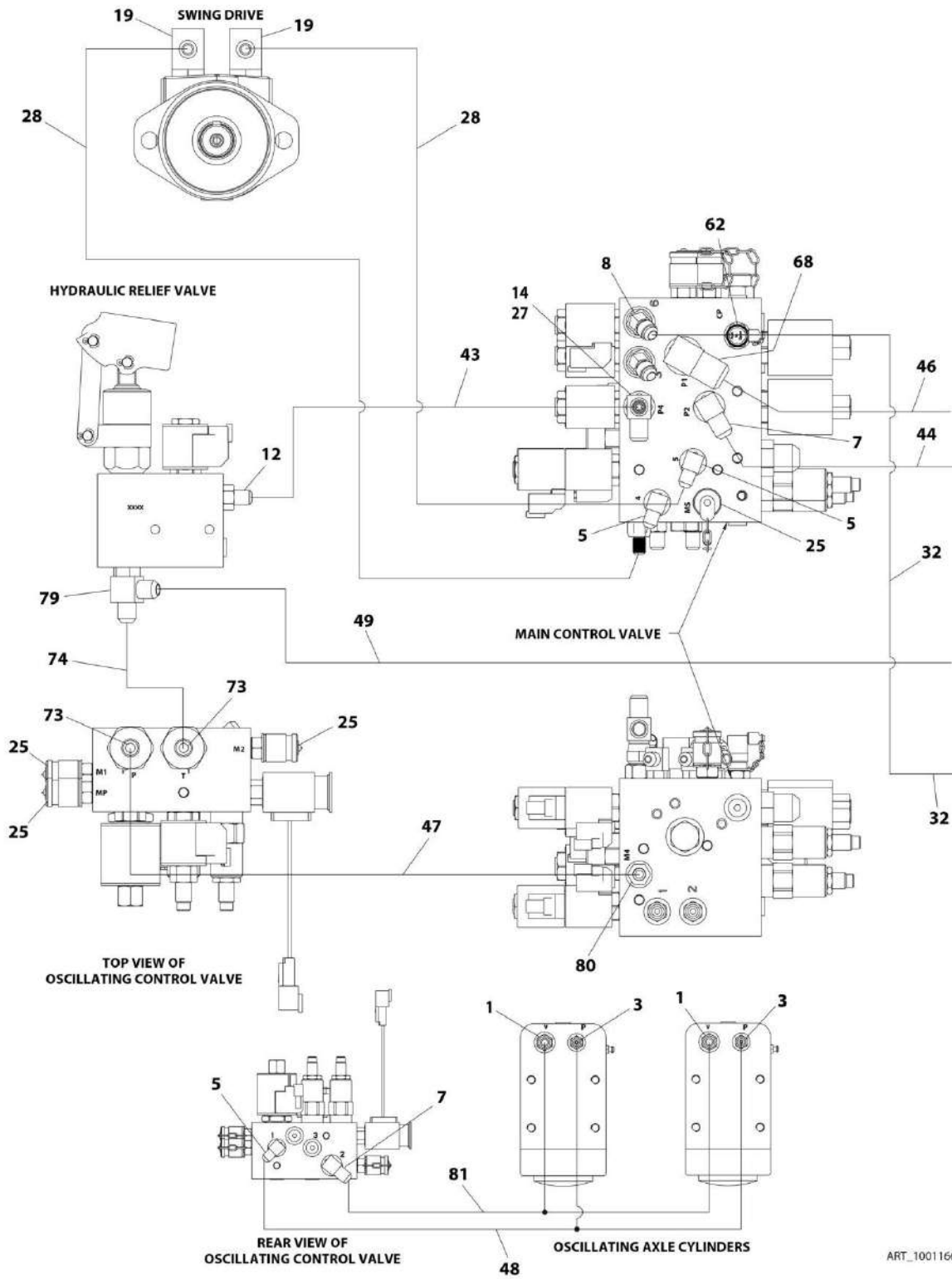
FIGURE 6-9. TELESCOPE CYLINDER ASSEMBLY

ITEM	PART NUMBER	QTY	DESCRIPTION	REV
	1001120974	Ref	TELESCOPE CYLINDER ASSEMBLY	C
1	70003114	1	Barrel	
2	70003115	1	Rod	
3	70003116	1	Head	
4	See Note	NSS	Wiper (Note: Use Item 28)	
5	70002366	1	Ring, Retaining	
6	See Note	NSS	Seal, Rod (Note: Use Item 28)	
7	See Note	NSS	Ring, Back-up (Note: Use Item 28)	
8	70002352	1	Bearing	
9	See Note	NSS	O-Ring (Note: Use Item 28)	
10	See Note	NSS	Ring, Back-up (Note: Use Item 28)	
11	See Note	NSS	O-Ring (Note: Use Item 28)	
12	70003117	1	Piston	
13	See Note	NSS	Seal, Piston (Note: Use Item 28)	
14	See Note	NSS	Ring, Wear (Note: Use Item 28)	
15	See Note	NSS	O-Ring (Note: Use Item 28)	
16	70002335	1	Nut	
17	70002364	1	Spacer	
18	See Note	NSS	O-Ring (Note: Use Item 28)	
20	70002389	1	Cartridge, Counterbalance Valve	
20	2900770	1	Seal Kit - 70002389 Valve	
21	10837580	1	Cartridge, Load Shuttle Valve	
21	7010543	1	Seal Kit - 10837580 Valve	
22	70023370	6	Plug	
25	70003118	2	Bushing	
28	70003119	1	Seal Kit (Includes Items 4, 6, 7, 9, 10, 11, 13, 14, 15 & 18)	
100		Ref	REPAIR TOOLS (NOT SHOWN)	
100	70003089	1	Press, Wiper	
100	70003090	1	Press, Bushing (Use with Rod Bearing)	
100	70003091	1	Tool, Bushing Removal (Use with Rod Bearing)	
100	70003092	1	Tool, Head Seal Protection	
100	70003120	1	Press, Bushing (Use with Pin Mounting Bushings)	
100	70003121	1	Tool, Bushing Removal (Use with Pin Mounting Bushings)	
	1001199461	Ref	TELESCOPE CYLINDER ASSEMBLY	A
202	1001199306	1	Cartridge, Counter Balance Valve	
202	2900770	1	Seal Kit - 1001199306 Valve	

SECTION 7 - HYDRAULIC

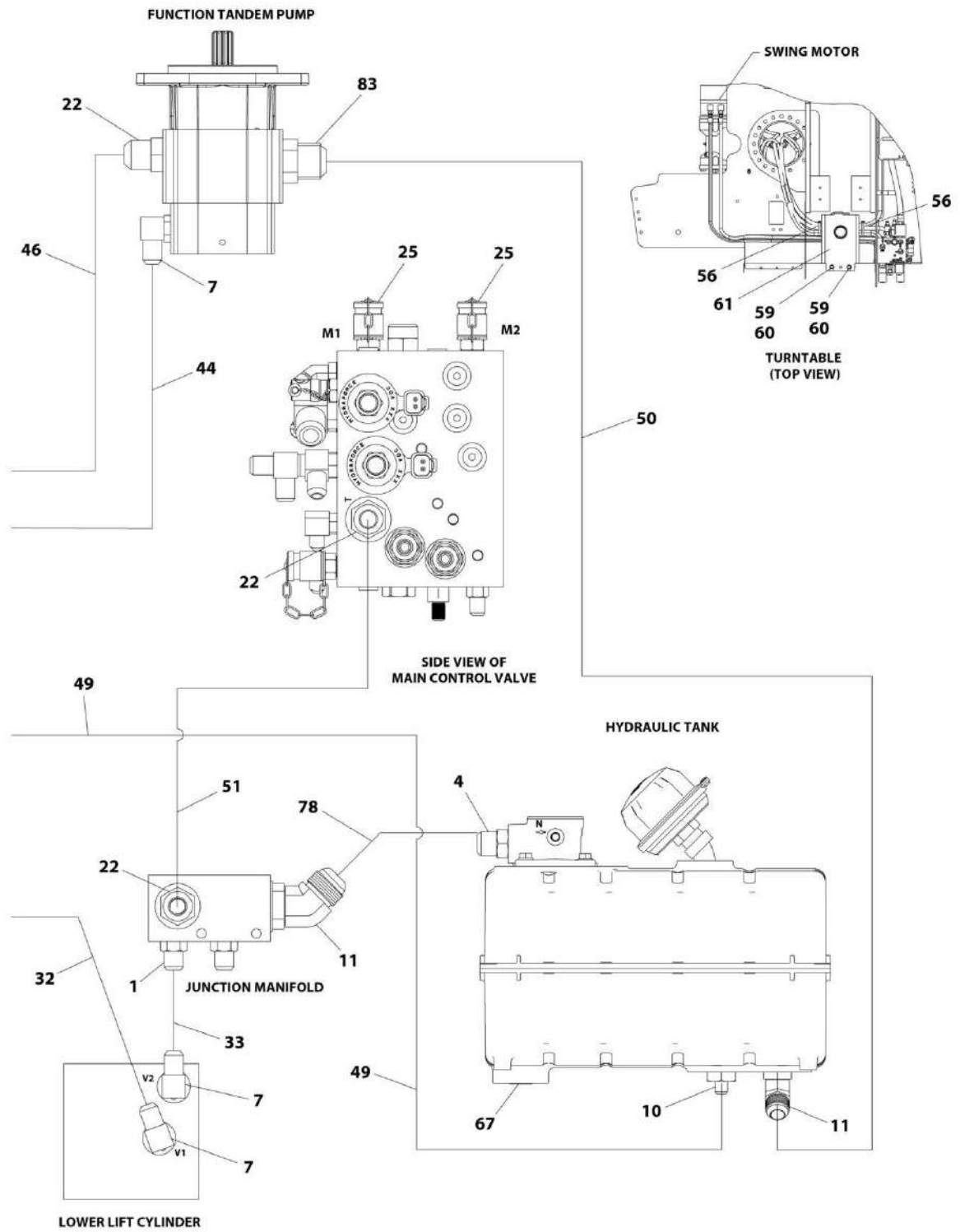
SECTION 7 - HYDRAULIC

FIGURE 7-1. HYDRAULIC SYSTEM INSTALLATION - WITHOUT ARCTIC PACKAGE



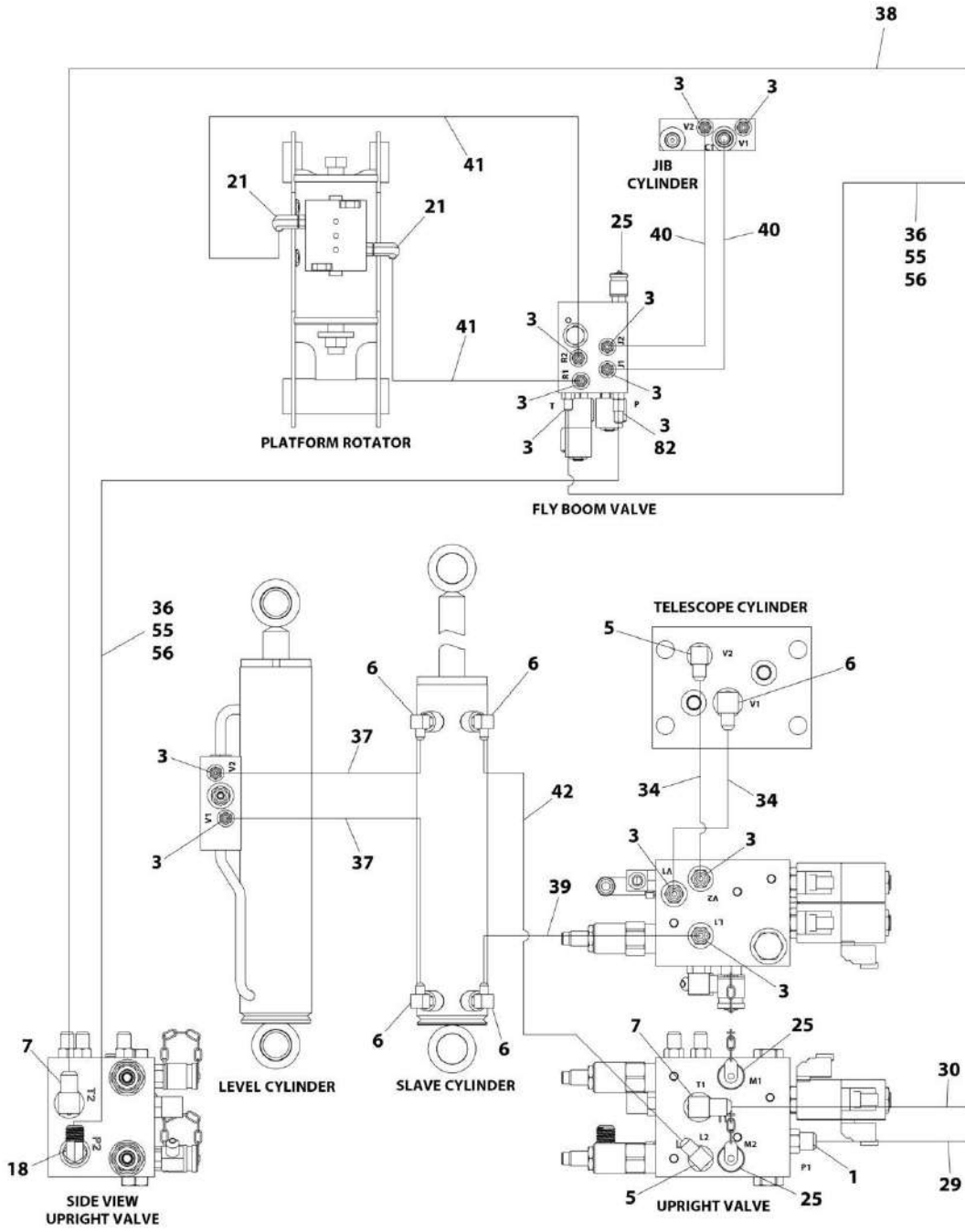
ART_1001166848_1OF4

SECTION 7 - HYDRAULIC



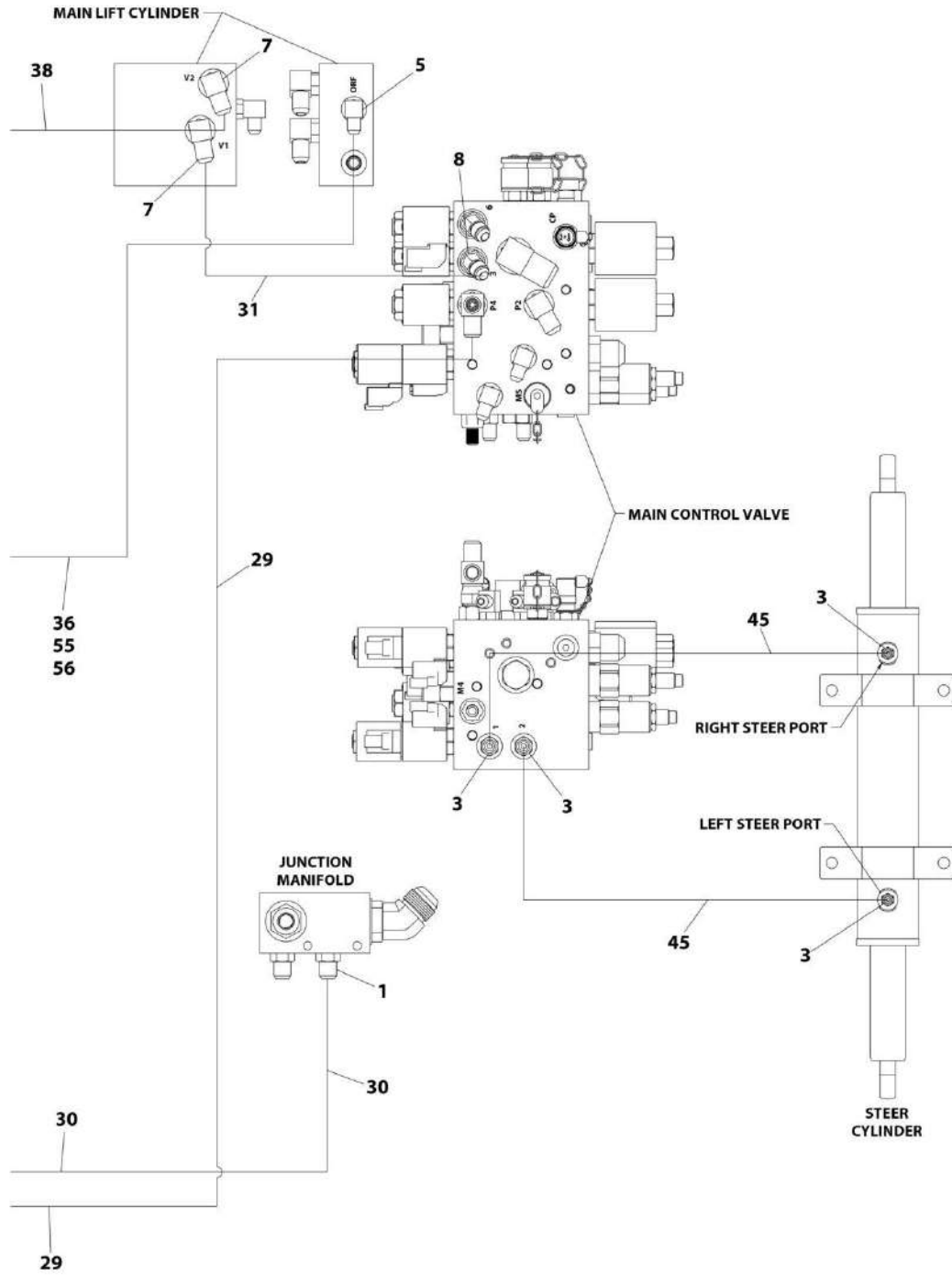
ART_1001166848_2OF4

SECTION 7 - HYDRAULIC



ART_1001166848_30F4

SECTION 7 - HYDRAULIC



ART_1001166848_40F4

SECTION 7 - HYDRAULIC

FIGURE 7-1. HYDRAULIC SYSTEM INSTALLATION - WITHOUT ARCTIC PACKAGE

ITEM	PART NUMBER	QTY	DESCRIPTION	REV
	1001166848	Ref	HYDRAULIC SYSTEM INSTALLATION - WITHOUT ARCTIC PACKAGE	M
1	2220371	5	Fitting, Straight JIC/ORB	
3	2220415	19	Fitting, Straight JIC/ORB	
4	2220451	1	Fitting, Straight JIC/ORB	
5	2220466	6	Fitting, 90 JIC/ORB	
6	2220472	5	Fitting, 90 JIC/ORB	
7	2220473	9	Fitting, 90 JIC/ORB	
8	2220501	2	Fitting, 45 JIC/ORB	
10	2220577	1	Fitting, Straight JIC/ORB	
11	2220498	2	Fitting, 45 JIC/ORB	
12	2220582	1	Fitting, Straight JIC/ORB	
14	2220635	1	Fitting, Tee JIC/FSJIC/JIC	
18	2220819	1	Fitting, 90 JIC/ORB	
19	2220828	2	Fitting, 90 JIC/ORB	
21	2220940	2	Fitting, 90 JIC/ORB	
22	2220947	3	Fitting, Straight JIC/ORB	
25	2221086	9	Fitting, Test Port	
27	80233041	1	Fitting, Check	
28	1001119525	2	Hose	
29	1001119572	1	Hose	
30	1001119577	1	Hose	
31	1001119593	1	Hose	
32	1001119594	1	Hose	
33	1001119595	1	Hose	
34	1001119596	2	Hose	
35	1001119597	1	Hose	
36	1001119598	1	Hose	
37	1001119600	2	Hose	
38	1001119602	1	Hose	
39	1001119603	1	Hose	
40	1001119604	2	Hose	
41	1001119605	2	Hose	
42	1001121966	1	Hose	
43	1001127705	1	Hose	
44	1001167206	1	Hose	
45	1001167207	2	Hose	
46	1001167208	1	Hose	
47	1001167210	1	Hose	
48	1001168702	1	Hose	
49	1001172556	1	Hose	
50	1001172557	1	Hose	
51	1001172558	1	Hose	
55	4100066	1	Sleeve, Hose Wrap	
56	4240018	AR	Tie-Strap	
59	5250810	2	Bolt M8 X 20	
60	8310686	2	Retainer M8	
61	1001121221	1	Cover, Tray	
62	1001119455	1	Valve, Oil Sampling	
67	2220887	1	Plug ORB	

SECTION 7 - HYDRAULIC

ITEM	PART NUMBER	QTY	DESCRIPTION	REV
68	2221042	1	Fitting, 90 JIC/ORB	
73	1001152155	2	Fitting, Straight JIC/ORB	
74	1001178795	1	Hose	
78	1001183675	1	Hose	
79	2220606	1	Fitting, Tee JIC/ORB/JIC	
80	1001189611	1	Valve, Check	
81	1001197509	1	Hose	
82	2220914	1	Orifice	
83	2220408	1	Fitting, Straight JIC/ORB	

SECTION 7 - HYDRAULIC

FIGURE 7-2. HYDRAULIC DIAGRAM LIST

ITEM	PART NUMBER	QTY	DESCRIPTION	REV
		Ref	Note: Diagrams not shown are available from JLG Service/Parts Departments. Schematics are shown in the Service and Maintenance Manual.	
		Ref	HYDRAULIC DIAGRAM LIST	
		Ref	Hydraulic Diagram Installation	
	1001166848	Ref	Hydraulic System Installation - Without Arctic Package	
	1001169718	Ref	Hydraulic System Installation - With Arctic Package	
	1001169204	Ref	Hydraulic Schematic	

SECTION 8 - ELECTRICAL

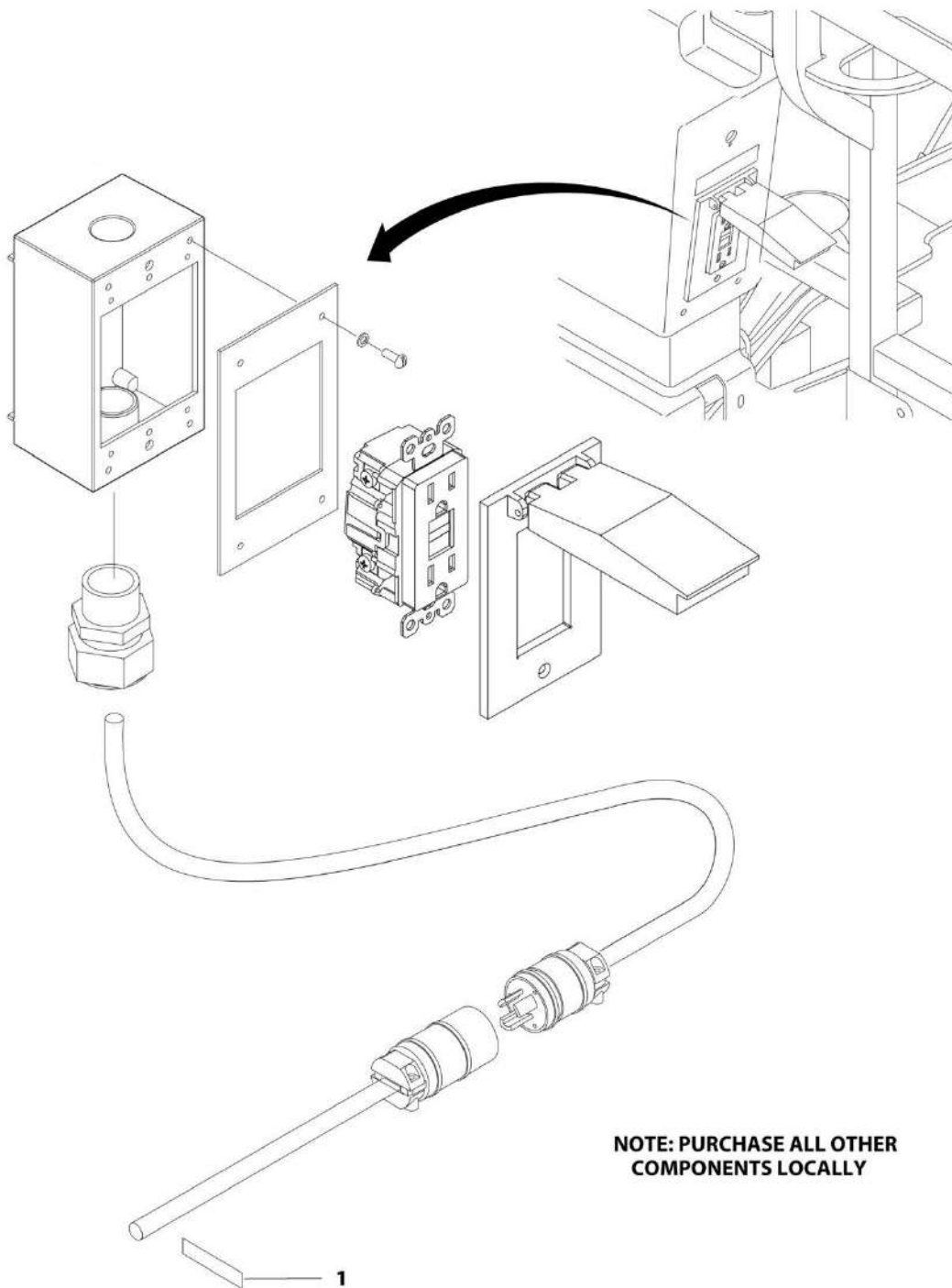
SECTION 8 - ELECTRICAL

FIGURE 8-1. ELECTRICAL DIAGRAM LIST

ITEM	PART NUMBER	QTY	DESCRIPTION	REV
		Ref	Note: Diagrams not shown are available from the JLG Service Department. Schematics shown in the Service and Maintenance Manual.	
	1001156395	Ref	ELECTRICAL DIAGRAM LIST	
		Ref	Electrical Schematic	

SECTION 8 - ELECTRICAL

FIGURE 8-2. AC BOX AT PLATFORM INSTALLATION - LOCALLY SUPPLIED COMPONENTS (ANSI EXPORT AND AUSTRALIAN SPECS)



ART_1001119870

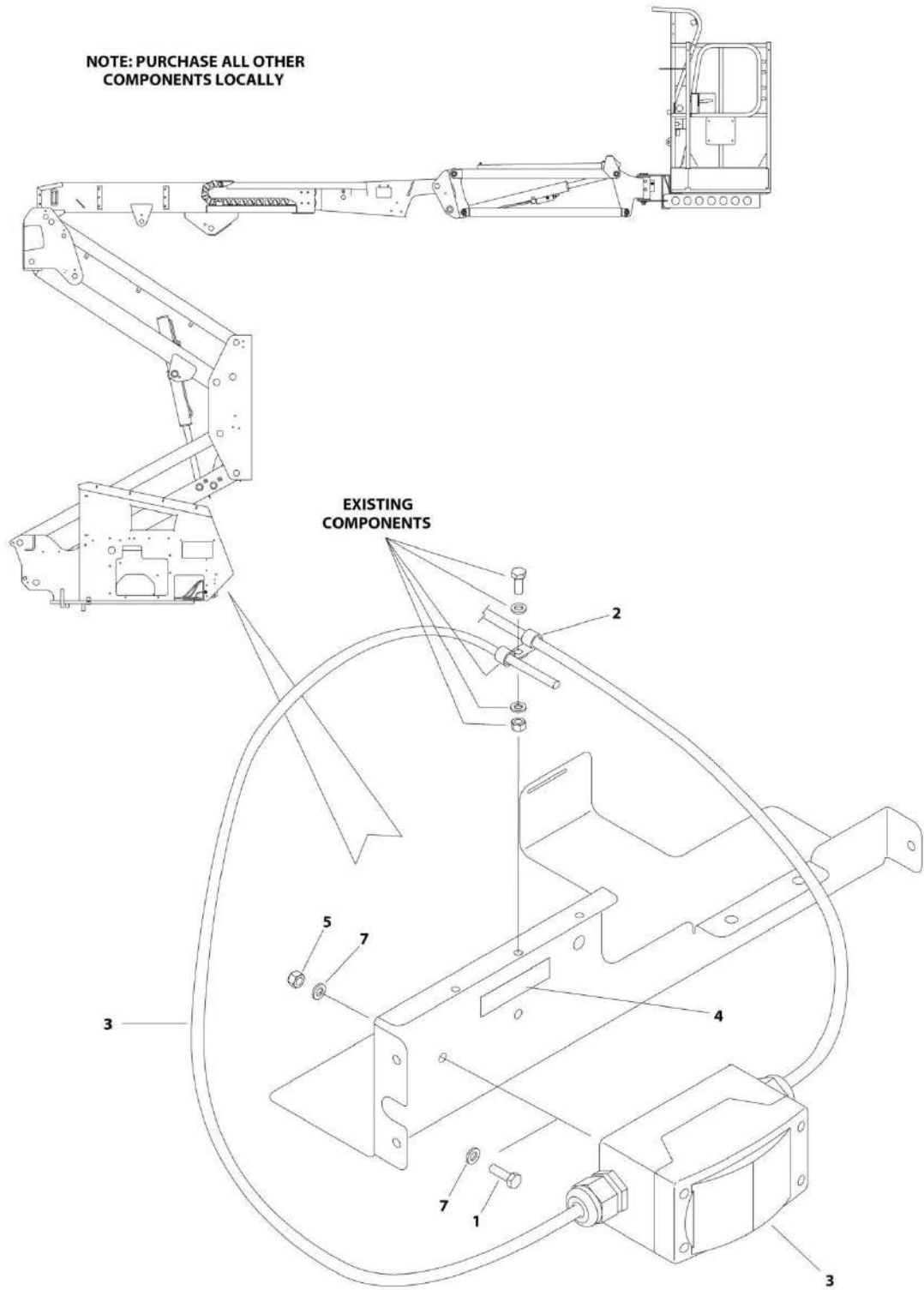
SECTION 8 - ELECTRICAL

FIGURE 8-2. AC BOX AT PLATFORM INSTALLATION - LOCALLY SUPPLIED COMPONENTS (ANSI EXPORT AND AUSTRALIAN SPECS)

ITEM	PART NUMBER	QTY	DESCRIPTION	REV
	1001119870	Ref	AC BOX AT PLATFORM INSTALLATION - LOCALLY SUPPLIED COMPONENTS (ANSI EXPORT AND AUSTRALIAN SPECS)	A
1	3251243	1	Decal - 120V-60Hz	

SECTION 8 - ELECTRICAL

FIGURE 8-3. AC BOX AT PLATFORM INSTALLATION - LOCALLY SUPPLIED (CE SPEC)



ART_1001130588

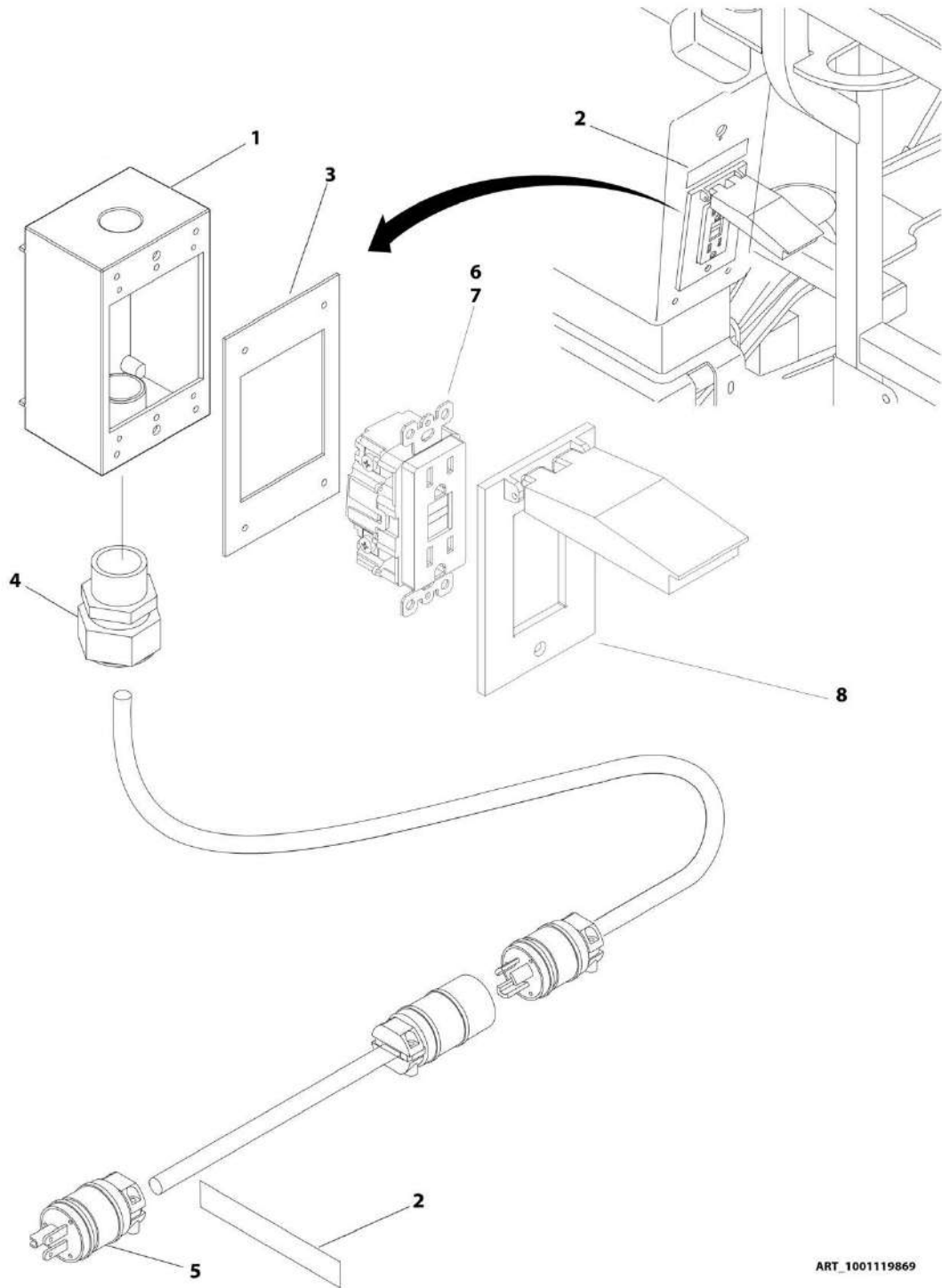
SECTION 8 - ELECTRICAL

FIGURE 8-3. AC BOX AT PLATFORM INSTALLATION - LOCALLY SUPPLIED (CE SPEC)

ITEM	PART NUMBER	QTY	DESCRIPTION	REV
	1001130588	Ref	AC BOX AT PLATFORM INSTALLATION - LOCALLY SUPPLIED COMPONENTS (CE SPEC)	A
1	0760610	2	Bolt M6 x 20	
2	1320043	1	Clamp	
3	2902549	1	Breaker Box Kit (See BREAKER BOX KIT for Breakdown)	
4	3252507	1	Decal - 220V - 50/60Hz	
5	3290605	2	Nut M6	
6	4460121	3	Cap, Wire (Not Shown - Located inside Receptacle Box)	
7	4811700	4	Washer M6	

SECTION 8 - ELECTRICAL

FIGURE 8-4. AC BOX AT PLATFORM INSTALLATION - 110V (ANSI, ANSI EXPORT, CSA AND JAPANESE SPECS)



ART_1001119869

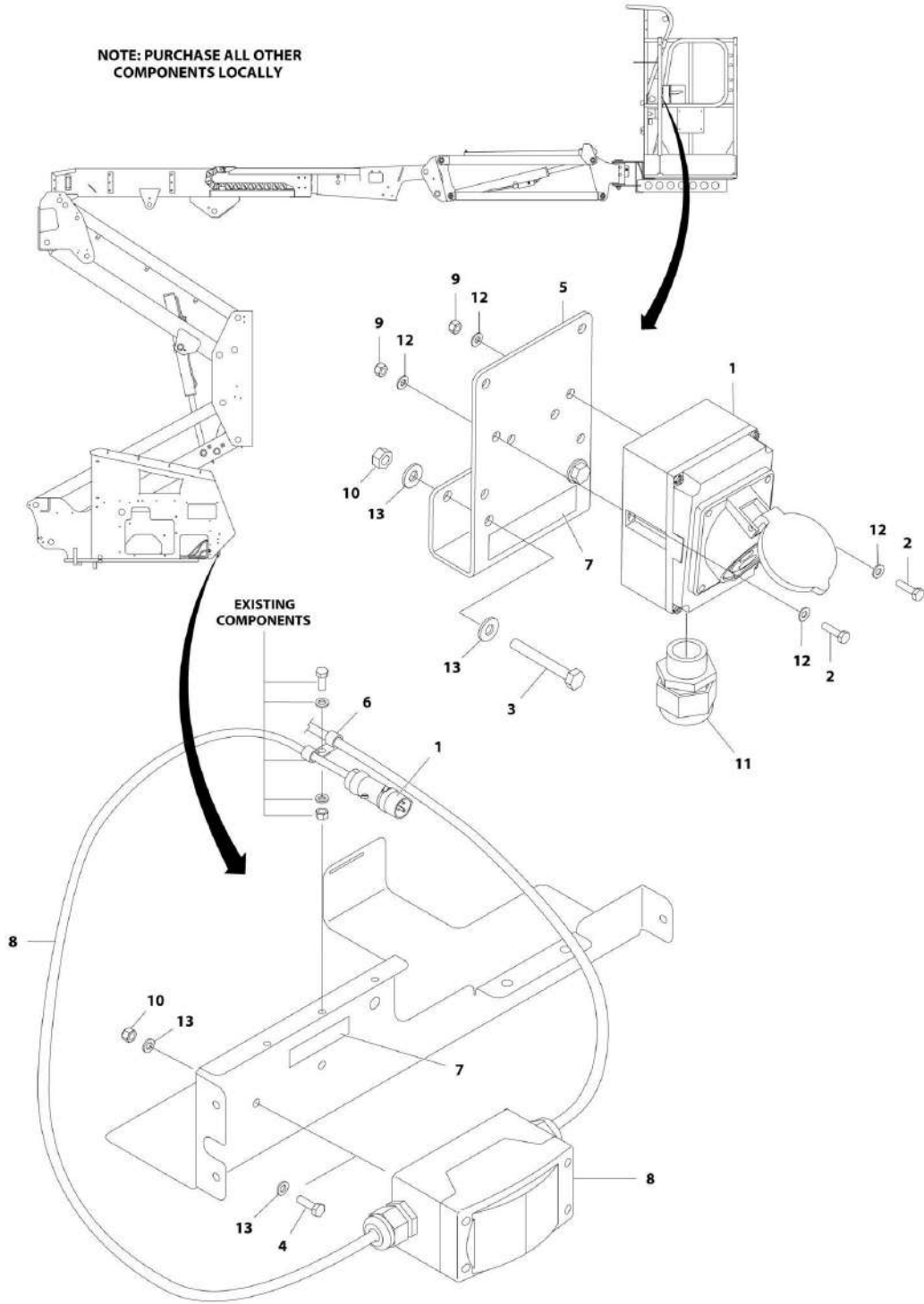
SECTION 8 - ELECTRICAL

FIGURE 8-4. AC BOX AT PLATFORM INSTALLATION - 110V (ANSI, ANSI EXPORT, CSA AND JAPANESE SPECS)

ITEM	PART NUMBER	QTY	DESCRIPTION	REV
	1001119869	Ref	AC BOX AT PLATFORM INSTALLATION - 110V (ANSI, ANSI EXPORT, CSA AND JAPANESE SPECS)	A
1	0860038	1	Box, Switch	
2	3251243	2	Decal - 120V - 60Hz	
3	3960422	1	Gasket	
4	4460071	1	Connector, Strain Relief	
5	4460205	1	Plug, Male	
6	4460315	3	Terminal, Spade	
7	4460346	1	Receptacle	
8	1001110873	1	Shield, Cover	

SECTION 8 - ELECTRICAL

FIGURE 8-5. AC BOX AT PLATFORM INSTALLATION - 110V IEC YELLOW (CE SPEC)



ART_1001119875

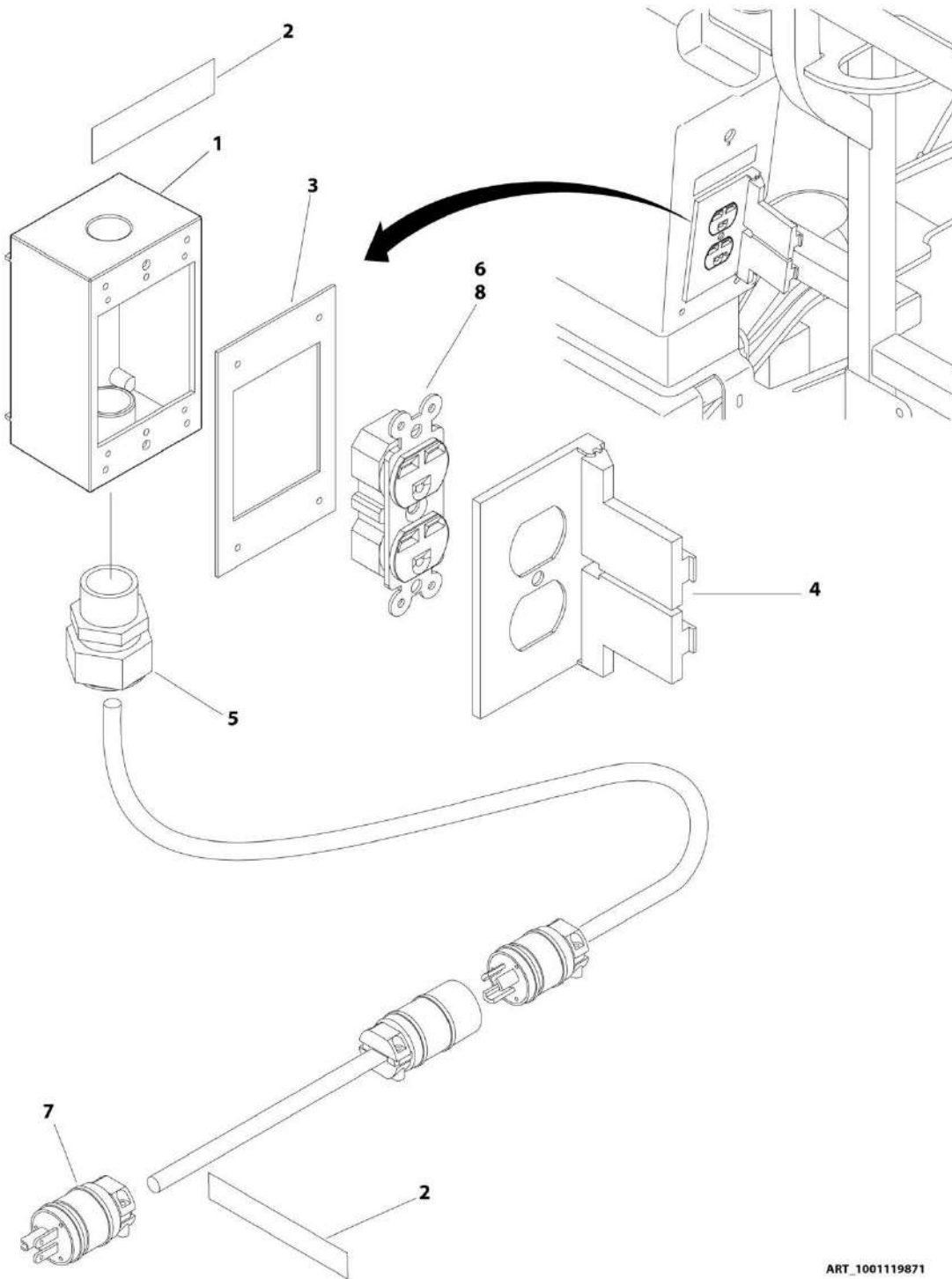
SECTION 8 - ELECTRICAL

FIGURE 8-5. AC BOX AT PLATFORM INSTALLATION - 110V IEC YELLOW (CE SPEC)

ITEM	PART NUMBER	QTY	DESCRIPTION	REV
	100119875	Ref	AC BOX AT PLATFORM INSTALLATION - 110V IEC YELLOW (CE SPEC)	B
1	0275216	1	Receptacle Box Kit (See RECEPTACLE BOX KIT - 110V IEC YELLOW (CE PSEC) for Breakdown)	
2	0700408	2	Bolt, M4 x 16	
3	0700618	2	Bolt M6 x 50	
4	0760610	2	Bolt M6 x 20	
5	1001193018	1	Bracket	
6	1320043	1	Clamp	
7	1705325	2	Decal - 120V - 50Hz	
8	2902549	1	Breaker Box Kit (See BREAKER BOX KIT - CE SPEC for Breakdown)	
9	3290405	2	Nut M4	
10	3290605	4	Nut M6	
11	4460968	1	Connector, Strain Relief	
12	4811400	4	Washer, 4mm	
13	4811700	8	Washer M6	

SECTION 8 - ELECTRICAL

FIGURE 8-6. AC BOX AT PLATFORM INSTALLATION - 220V (CSA SPEC)



ART_100119871

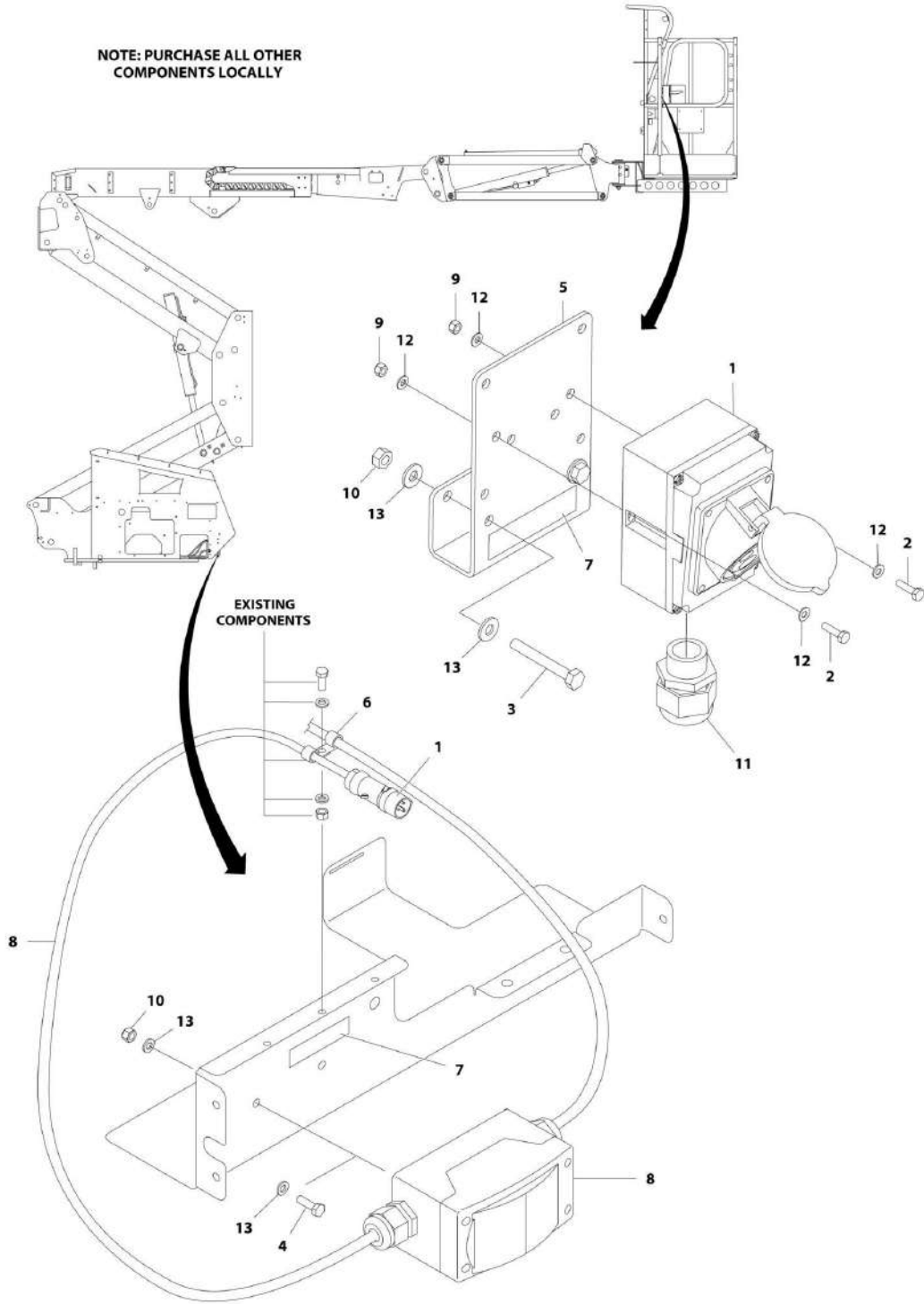
SECTION 8 - ELECTRICAL

FIGURE 8-6. AC BOX AT PLATFORM INSTALLATION - 220V (CSA SPEC)

ITEM	PART NUMBER	QTY	DESCRIPTION	REV
	1001119871	Ref	AC BOX AT PLATFORM INSTALLATION - 220V (CSA SPECS)	A
1	0860038	1	Box, Switch	
2	3252507	2	Decal - 220V - 50/60Hz	
3	3960422	1	Gasket	
4	4060092	1	Shield, Weather	
5	4460071	1	Connector, Strain Relief	
6	4460125	1	Receptacle	
7	4460233	1	Plug, Male	
8	4460315	3	Terminal, Spade	

SECTION 8 - ELECTRICAL

FIGURE 8-7. AC BOX AT PLATFORM INSTALLATION - 220V IEC BLUE (CE SPEC)



ART_1001119876

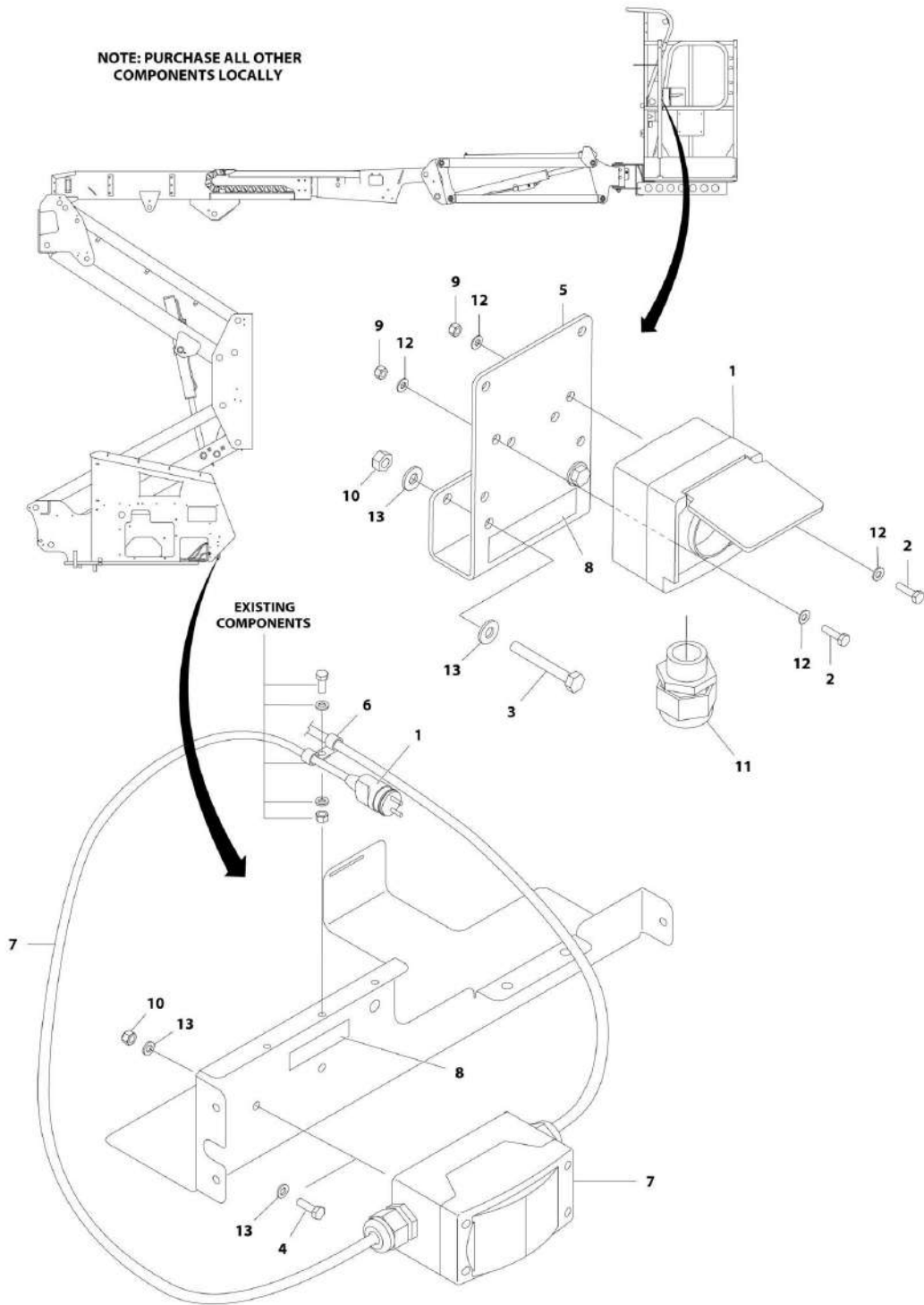
SECTION 8 - ELECTRICAL

FIGURE 8-7. AC BOX AT PLATFORM INSTALLATION - 220V IEC BLUE (CE SPEC)

ITEM	PART NUMBER	QTY	DESCRIPTION	REV
	1001119876	Ref	AC BOX AT PLATFORM INSTALLATION - 220V IEC BLUE (CE SPEC)	B
1	0275217	1	Receptacle Box Kit (See RECEPTACLE BOX KIT - 220V IEC BLUE (CE PSEC) for Breakdown)	
2	0700408	2	Bolt, M4 x 16	
3	0700618	2	Bolt M6 x 50	
4	0760610	2	Bolt M6 x 20	
5	1001193018	1	Bracket	
6	1320043	1	Clamp	
7	3252507	2	Decal - 220V - 50/60Hz	
8	2902549	1	Breaker Box Kit (See BREAKER BOX KIT - CE SPEC for Breakdown)	
9	3290405	2	Nut M4	
10	3290605	4	Nut M6	
11	4460968	1	Connector, Strain Relief	
12	4811400	4	Washer, 4mm	
13	4811700	8	Washer M6	

SECTION 8 - ELECTRICAL

FIGURE 8-8. AC BOX AT PLATFORM INSTALLATION - 220V CEE7 POST GROUND WITH 70MM X 70MM BOX (CE SPEC)



ART_1001115788

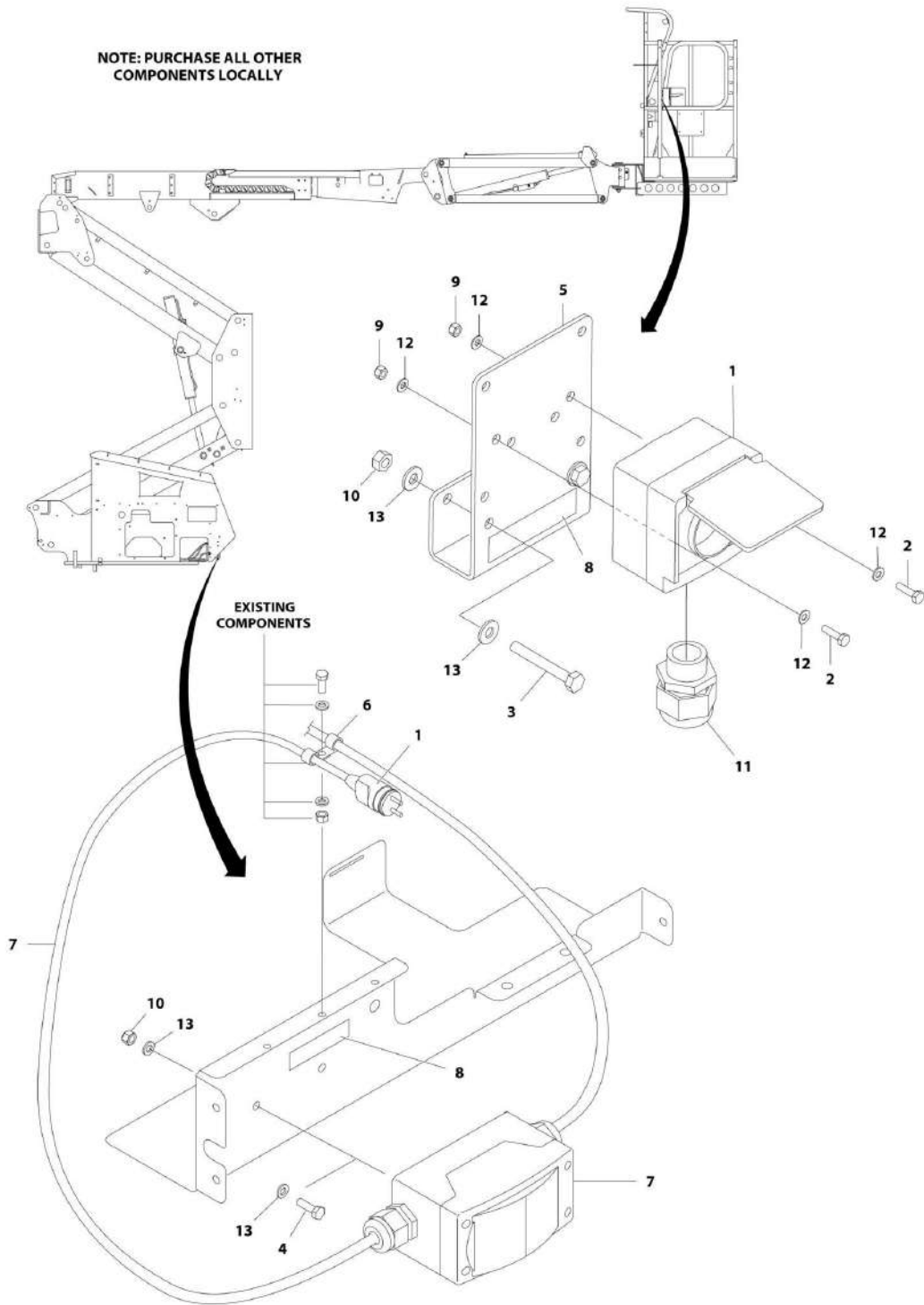
SECTION 8 - ELECTRICAL

FIGURE 8-8. AC BOX AT PLATFORM INSTALLATION - 220V CEE7 POST GROUND WITH 70MM X 70MM BOX (CE SPEC)

ITEM	PART NUMBER	QTY	DESCRIPTION	REV
	1001115788	Ref	AC BOX AT PLATFORM INSTALLATION - 220V CEE7 POST GROUND WITH 70MM X 70MM BOX (CE SPEC)	B
1	0275218	1	Receptacle Box Kit (See RECEPTACLE BOX KIT- 220V CEE7 POST GROUND WITH 70MM X 70MM BOX (CE SPEC) for Breakdown)	
2	0700408	2	Bolt, M4 x 16	
3	0700618	2	Bolt M6 x 50	
4	0760610	2	Bolt M6 x 20	
5	1001193018	1	Bracket	
6	1320043	1	Clamp	
7	2902549	1	Breaker Box Kit (See BREAKER BOX KIT - CE SPEC for Breakdown)	
8	3252507	2	Decal - 220V - 50/60Hz	
9	3290405	2	Nut M4	
10	3290605	4	Nut M6	
11	4460968	1	Connector, Strain Relief	
12	4811400	4	Washer, 4mm	
13	4811700	8	Washer M6	

SECTION 8 - ELECTRICAL

FIGURE 8-9. AC BOX AT PLATFORM INSTALLATION - 220V CEE7 SIDE GROUND WITH 70MM X 70MM BOX (CE SPEC)



ART_1001119877

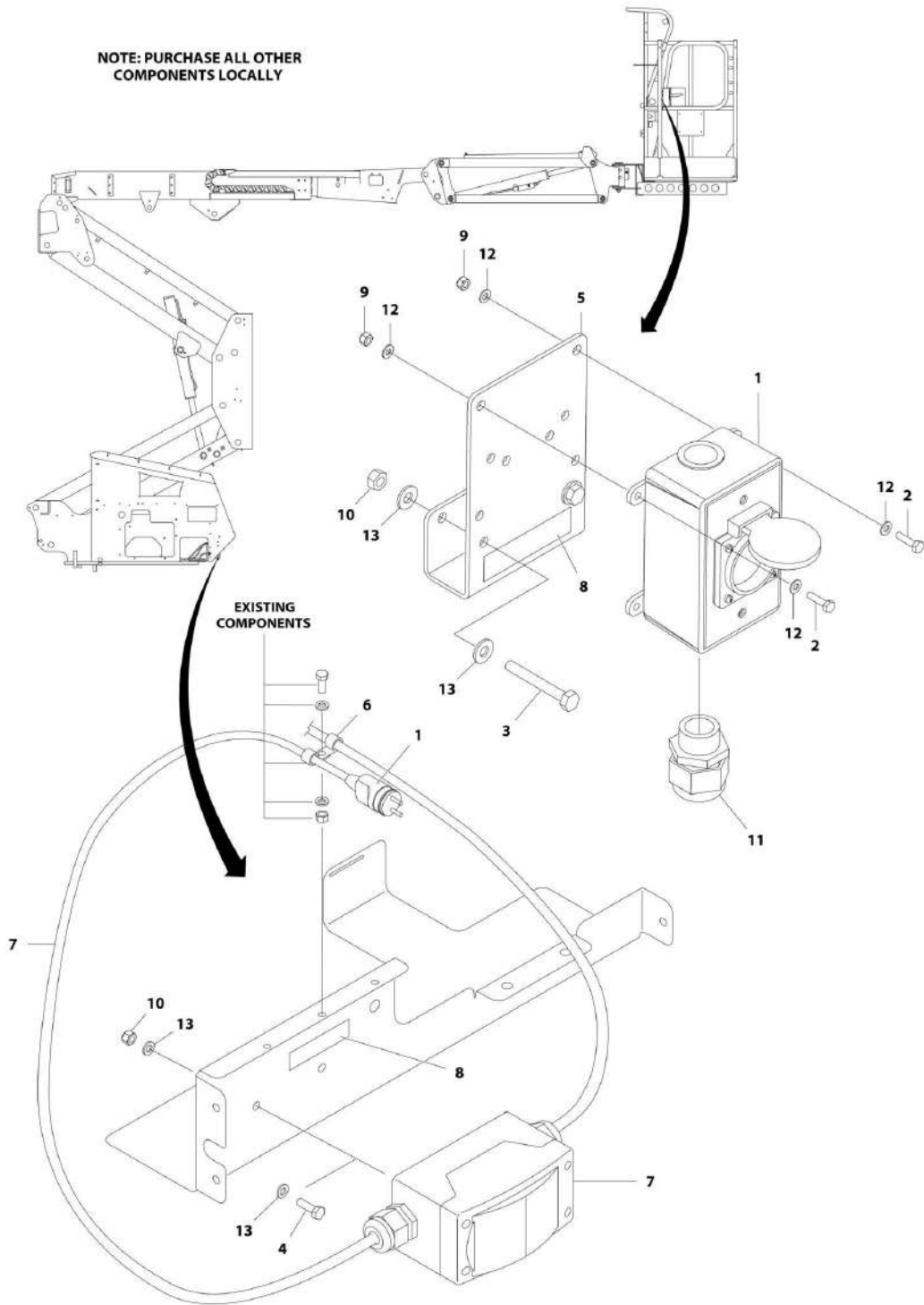
SECTION 8 - ELECTRICAL

FIGURE 8-9. AC BOX AT PLATFORM INSTALLATION - 220V CEE7 SIDE GROUND WITH 70MM X 70MM BOX (CE SPEC)

ITEM	PART NUMBER	QTY	DESCRIPTION	REV
	1001119877	Ref	AC BOX AT PLATFORM INSTALLATION - 220V CEE7 SIDE GROUND WITH 70MM X 70MM BOX (CE SPEC)	B
1	0275219	1	Receptacle Box Kit (See RECEPTACLE BOX KIT- 220V CEE7 SIDE GROUND WITH 70MM X 70MM BOX (CE SPEC) for Breakdown)	
2	0700408	2	Bolt, M4 x 16	
3	0700618	2	Bolt M6 x 50	
4	0760610	2	Bolt M6 x 20	
5	1001193018	1	Bracket	
6	1320043	1	Clamp	
7	2902549	1	Breaker Box Kit (See BREAKER BOX KIT - CE SPEC for Breakdown)	
8	3252507	2	Decal - 220V - 50/60Hz	
9	3290405	2	Nut M4	
10	3290605	4	Nut M6	
11	4460968	1	Connector, Strain Relief	
12	4811400	4	Washer, 4mm	
13	4811700	8	Washer M6	

SECTION 8 - ELECTRICAL

FIGURE 8-10. AC BOX AT PLATFORM INSTALLATION - 220V CEE7 POST GROUND WITH 2IN X 4IN BOX (CE SPEC)



ART_1001119872

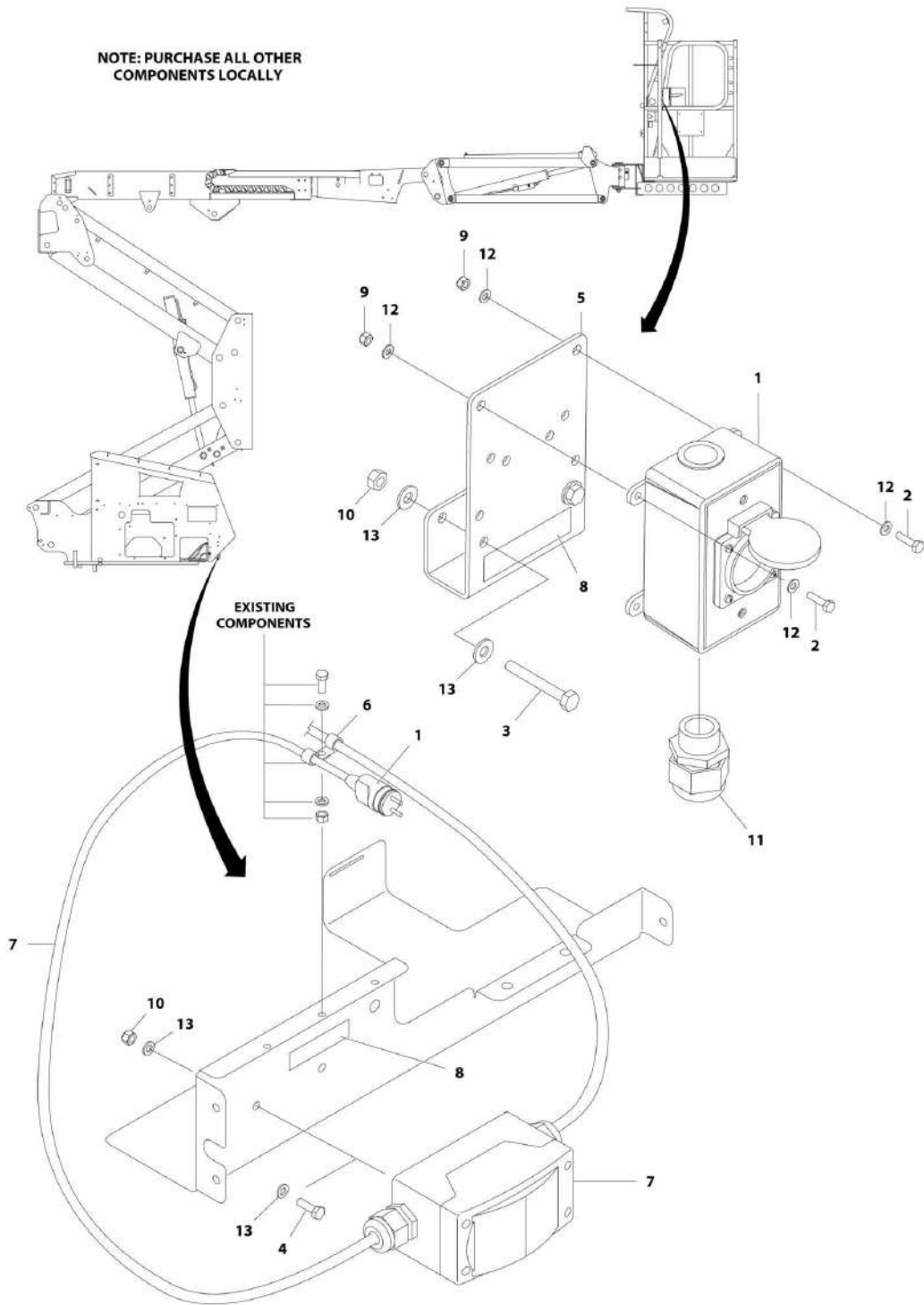
SECTION 8 - ELECTRICAL

FIGURE 8-10. AC BOX AT PLATFORM INSTALLATION - 220V CEE7 POST GROUND WITH 2IN X 4IN BOX (CE SPEC)

ITEM	PART NUMBER	QTY	DESCRIPTION	REV
	1001119872	Ref	AC BOX AT PLATFORM INSTALLATION - 220V CEE7 POST GROUND WITH 2IN X 4IN BOX (CE SPEC)	C
1	0275452	1	Receptacle Box Kit (See RECEPTACLE BOX KIT- 220V CEE7 POST GROUND WITH 2INX 4IN BOX (CE SPEC) for Breakdown)	
2	0700408	4	Bolt, M4 x 16	
3	0700618	2	Bolt M6 x 50	
4	0760610	2	Bolt M6 x 20	
5	1001193018	1	Bracket	
6	1320043	1	Clamp	
7	2902549	1	Breaker Box Kit (See BREAKER BOX KIT - CE SPEC for Breakdown)	
8	3252507	2	Decal - 220V - 50/60Hz	
9	3290405	4	Nut M4	
10	3290605	4	Nut M6	
11	4460968	1	Connector, Strain Relief (Prior to SN 0300222893)	
11	4460662	1	Connector, Strain Relief (SN 0300222893 to Present)	
12	4811400	8	Washer, 4mm	
13	4811700	8	Washer M6	

SECTION 8 - ELECTRICAL

FIGURE 8-11. AC BOX AT PLATFORM INSTALLATION - 220V CEE7 SIDE GROUND WITH 2IN X 4IN BOX (CE SPEC)



ART_1001119873

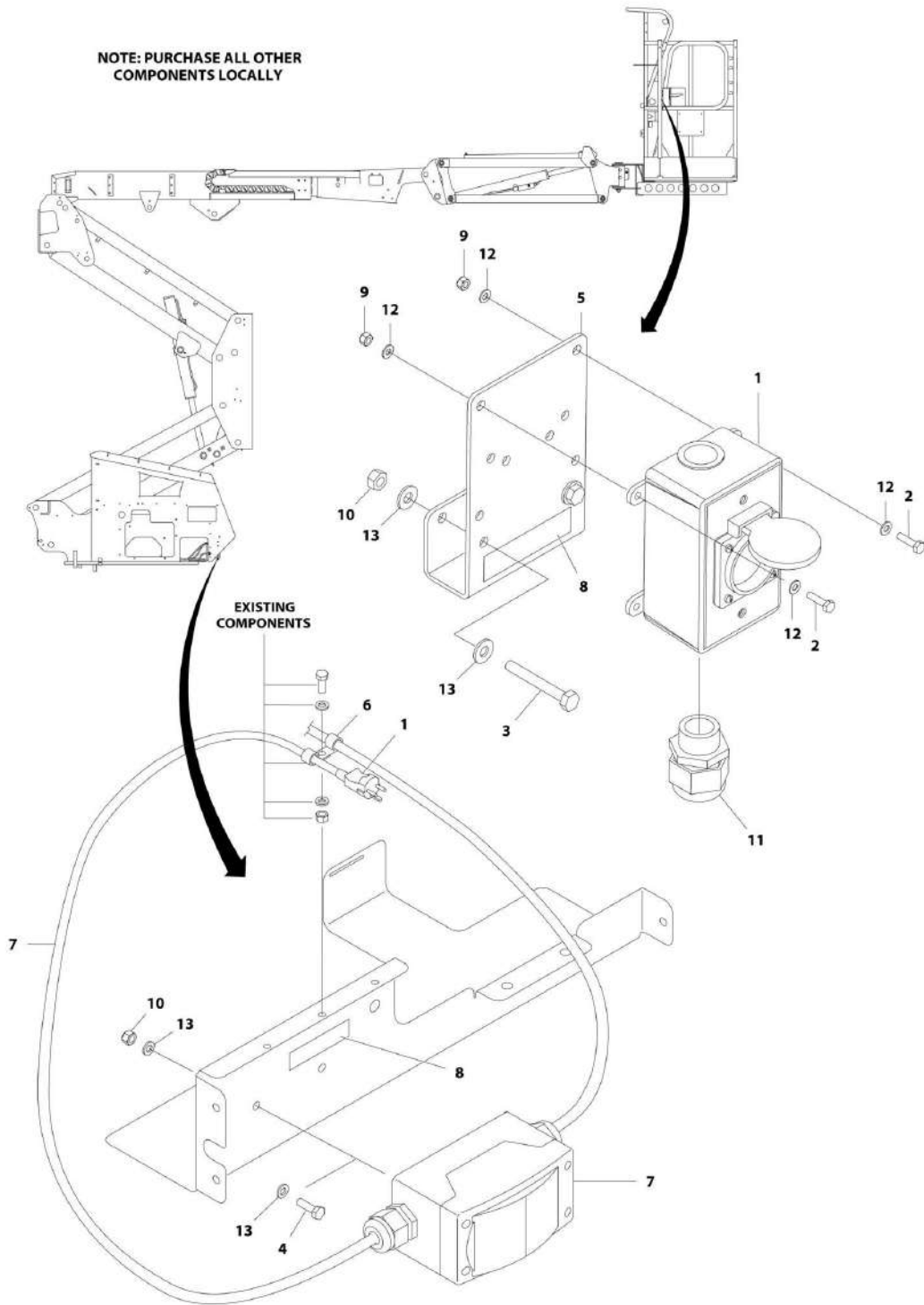
SECTION 8 - ELECTRICAL

FIGURE 8-11. AC BOX AT PLATFORM INSTALLATION - 220V CEE7 SIDE GROUND WITH 2IN X 4IN BOX (CE SPEC)

ITEM	PART NUMBER	QTY	DESCRIPTION	REV
	1001119873	Ref	AC BOX AT PLATFORM INSTALLATION - 220V CEE7 SIDE GROUND WITH 2IN X 4IN BOX (CE SPEC)	B
1	0275453	1	Receptacle Box Kit (See RECEPTACLE BOX KIT- 220V CEE7 SIDE GROUND WITH 2IN X 4IN BOX (CE SPEC) for Breakdown)	
2	0700408	4	Bolt, M4 x 16	
3	0700618	2	Bolt M6 x 50	
4	0760610	2	Bolt M6 x 20	
5	1001193018	1	Bracket	
6	1320043	1	Clamp	
7	2902549	1	Breaker Box Kit (See BREAKER BOX KIT - CE SPEC for Breakdown)	
8	3252507	2	Decal - 220V - 50/60Hz	
9	3290405	4	Nut M4	
10	3290605	4	Nut M6	
11	4460968	1	Connector, Strain Relief	
12	4811400	8	Washer, 4mm	
13	4811700	8	Washer M6	

SECTION 8 - ELECTRICAL

FIGURE 8-12. AC BOX AT PLATFORM INSTALLATION - 220V AFSINT 107 KEYED GROUND WITH 2IN X 4IN BOX (CE SPEC)



ART_1001119874

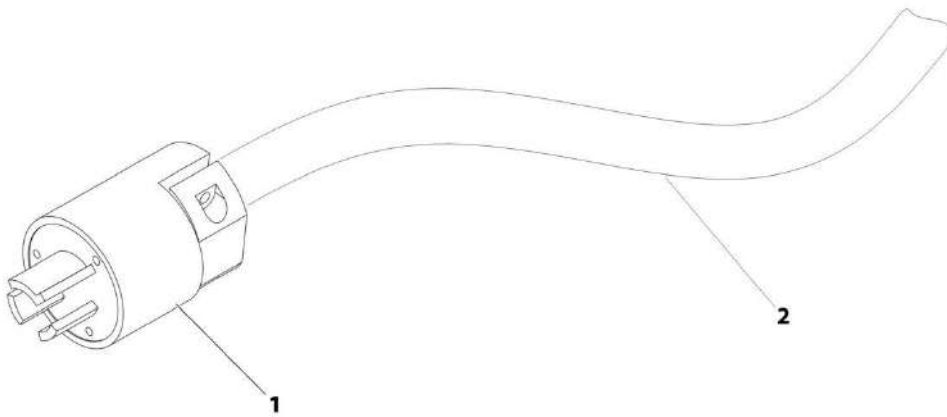
SECTION 8 - ELECTRICAL

FIGURE 8-12. AC BOX AT PLATFORM INSTALLATION - 220V AFSINT 107 KEYED GROUND WITH 2IN X 4IN BOX (CE SPEC)

ITEM	PART NUMBER	QTY	DESCRIPTION	REV
	1001119874	Ref	AC BOX AT PLATFORM INSTALLATION - 220V AFSINT 107 KEYED GROUND WITH 2IN X 4IN BOX (CE SPEC)	C
1	0275454	1	Receptacle Box Kit (See RECEPTACLE BOX KIT- 220V AFSINT 107 KEYED GROUND WITH 2IN X 4IN BOX (CE SPEC) for Breakdown)	
2	0700408	4	Bolt, M4 x 16	
3	0700618	2	Bolt M6 x 50	
4	0760610	2	Bolt M6 x 20	
5	1001193018	1	Bracket	
6	1320043	1	Clamp	
7	2902549	1	Breaker Box Kit (See BREAKER BOX KIT - CE SPEC for Breakdown)	
8	3252507	2	Decal - 220V - 50/60Hz	
9	3290405	4	Nut M4	
10	3290605	4	Nut M6	
11	4460968	1	Connector, Strain Relief (Prior to SN 0300222893)	
11	4460662	1	Connector, Strain Relief (SN 0300222893 to Present)	
12	4811400	8	Washer, 4mm	
13	4811700	8	Washer M6	

SECTION 8 - ELECTRICAL

FIGURE 8-13. AC POWER TO PLATFORM CABLE - MAIN BOOM (WITHOUT ARTIC PACKAGE)



ART_1001119140

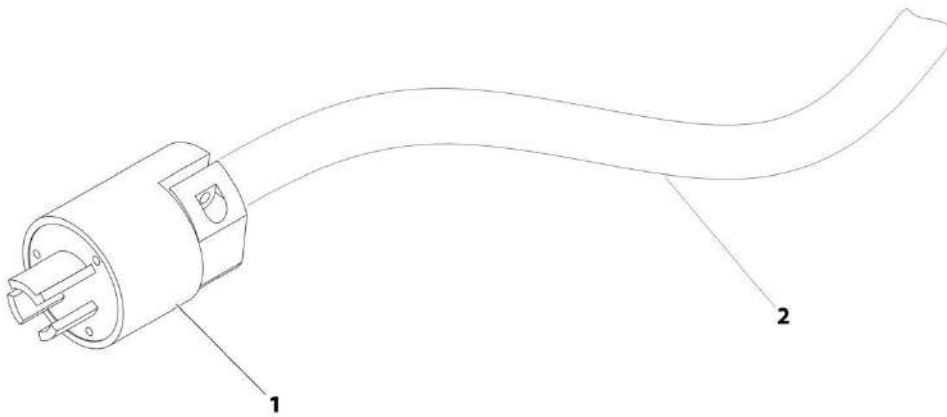
SECTION 8 - ELECTRICAL

FIGURE 8-13. AC POWER TO PLATFORM CABLE - MAIN BOOM (WITHOUT ARTIC PACKAGE)

ITEM	PART NUMBER	QTY	DESCRIPTION	REV
	1001119140	Ref	AC POWER TO PLATFORM CABLE - MAIN BOOM (WITHOUT ARCTIC PACKAGE)	C
1	1001120204	1	Plug, Male	
2	4923505	1	Cable 14/3	

SECTION 8 - ELECTRICAL

FIGURE 8-14. AC POWER TO PLATFORM CABLE - MAIN BOOM (WITH ARCTIC PACKAGE)



ART_1001119955

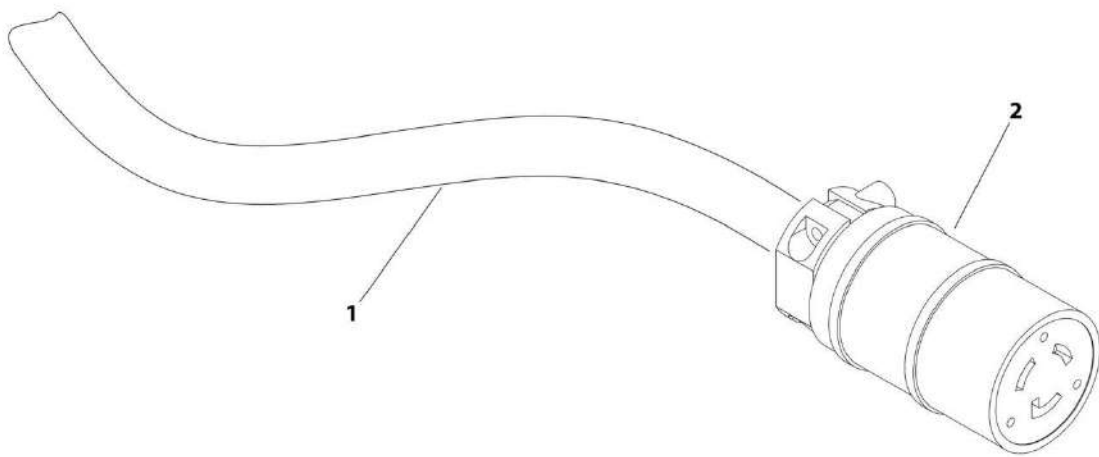
SECTION 8 - ELECTRICAL

FIGURE 8-14. AC POWER TO PLATFORM CABLE - MAIN BOOM (WITH ARCTIC PACKAGE)

ITEM	PART NUMBER	QTY	DESCRIPTION	REV
	1001119955	Ref	AC POWER TO PLATFORM CABLE - MAIN BOOM (WITH ARCTIC PACKAGE)	B
1	1001120204	1	Plug, Male	
2	4923463	1	Cable 12/3	

SECTION 8 - ELECTRICAL

FIGURE 8-15. AC POWER TO PLATFORM CABLE - TOWER BOOM (WITHOUT ARTIC PACKAGE)



ART_1001119139

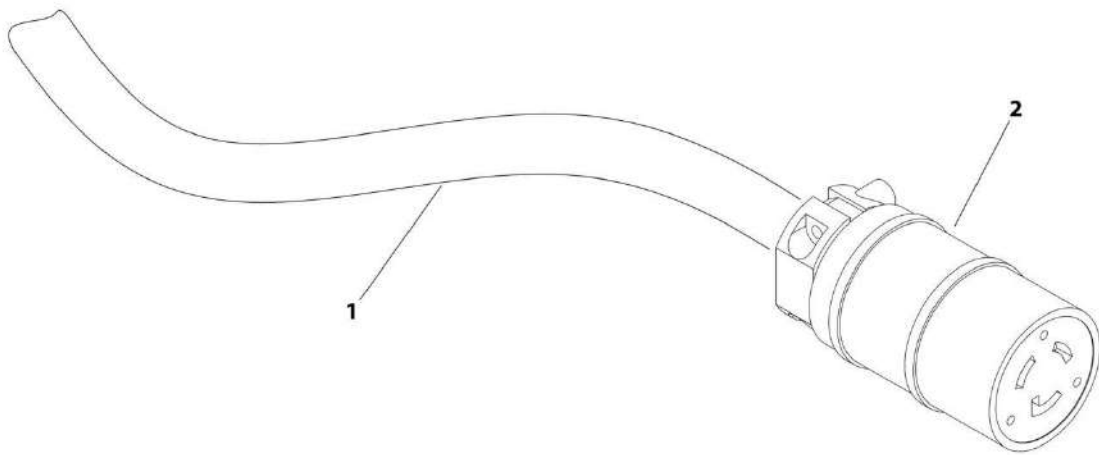
SECTION 8 - ELECTRICAL

FIGURE 8-15. AC POWER TO PLATFORM CABLE - TOWER BOOM (WITHOUT ARTIC PACKAGE)

ITEM	PART NUMBER	QTY	DESCRIPTION	REV
	1001119139	Ref	AC POWER TO PLATFORM CABLE - TOWER BOOM (WITHOUT ARTIC PACKAGE)	B
1	1001120205	1	Connector, Female	
2	4923505	1	Cable 14/3	

SECTION 8 - ELECTRICAL

FIGURE 8-16. AC POWER TO PLATFORM CABLE - TOWER BOOM (WITH ARTIC PACKAGE)



ART_1001119956

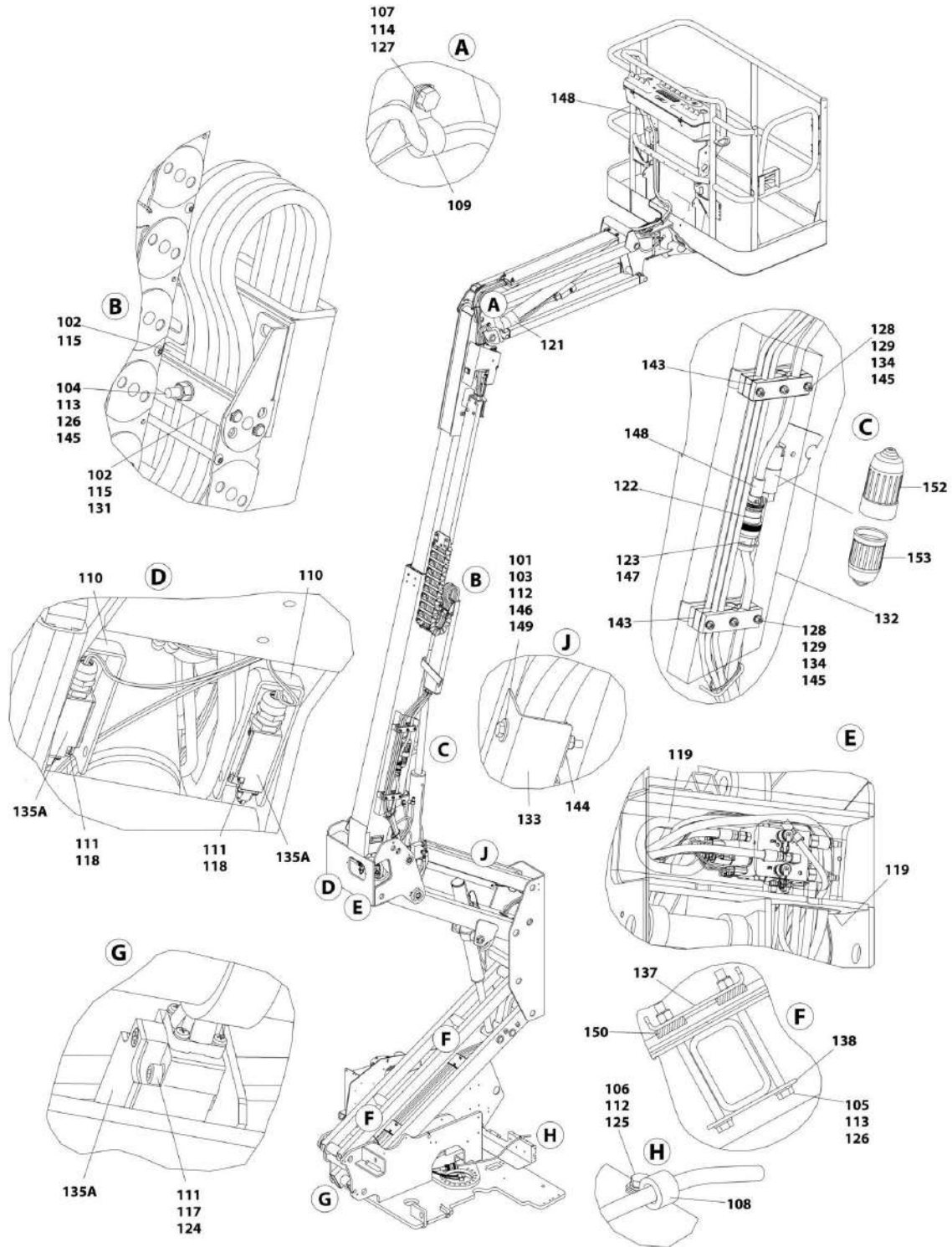
SECTION 8 - ELECTRICAL

FIGURE 8-16. AC POWER TO PLATFORM CABLE - TOWER BOOM (WITH ARTIC PACKAGE)

ITEM	PART NUMBER	QTY	DESCRIPTION	REV
	1001119956	Ref	AC POWER TO PLATFORM CABLE - TOWER BOOM (WITH ARTIC PACKAGE)	A
1	1001120205	1	Connector, Female	
2	4923463	1	Cable 12/3	

SECTION 8 - ELECTRICAL

FIGURE 8-17. BOOM CABLES, HARNESSES AND CLAMPS INSTALLATION - WITHOUT ARCTIC PACKAGE



ART_1001115784

SECTION 8 - ELECTRICAL

FIGURE 8-17. BOOM CABLES, HARNESSES AND CLAMPS INSTALLATION - WITHOUT ARCTIC PACKAGE

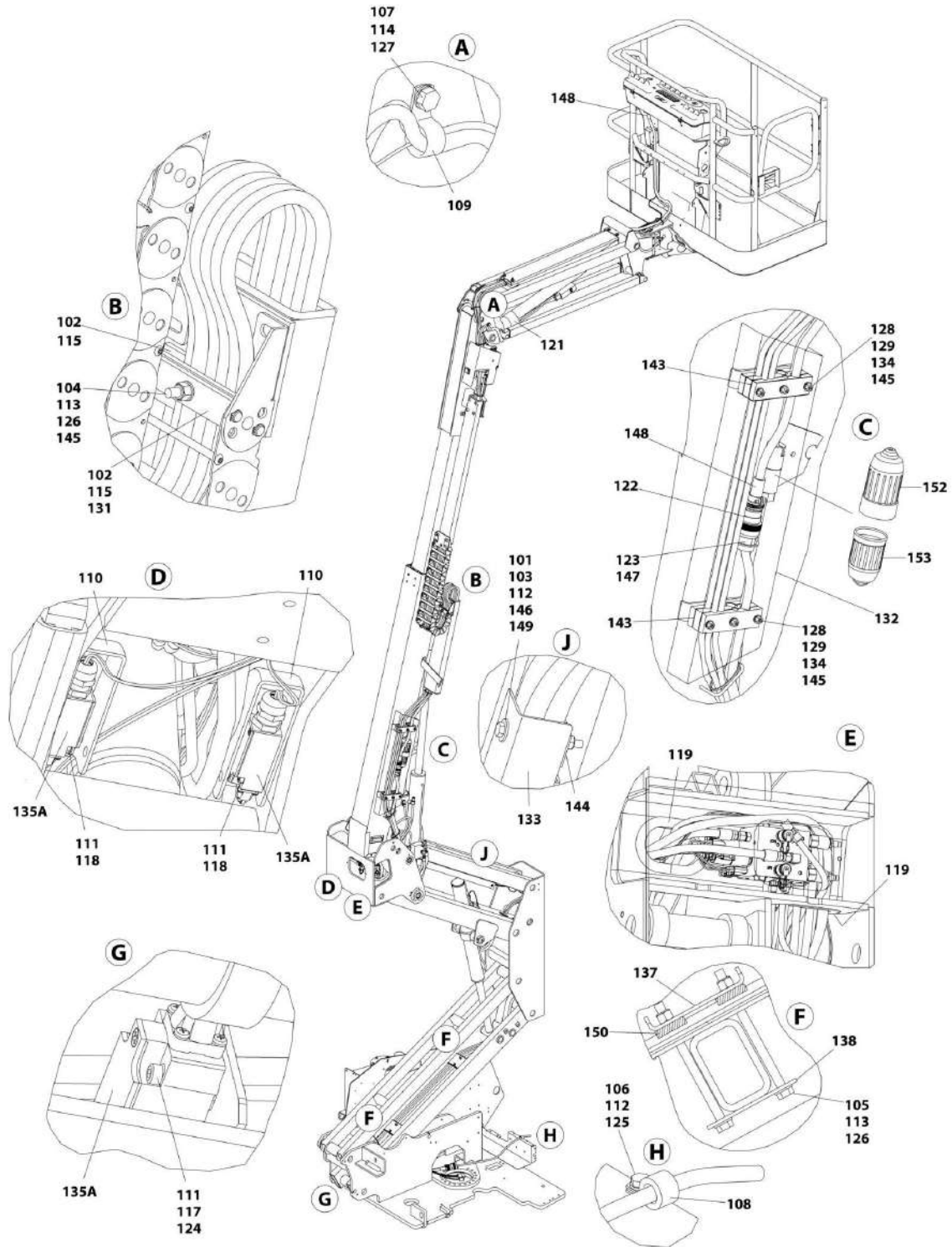
ITEM	PART NUMBER	QTY	DESCRIPTION	REV
	1001115784	Ref	LIMIT SWITCHES, CABLES AND CLAMPS INSTALLATION - WITHOUT ARCTIC PACKAGE	G
101	0100011	AR	Compound, Locking	
102	0100081	1	Adhesive	
103	0760621	4	Bolt M6 x 65	
104	0700820	2	Bolt M8 x 60	
105	0700829	4	Bolt M8 x 120	
106	0760608	1	Bolt M6 x 16 (Not Shown - Use with Item 8)	
107	0761012	1	Bolt M10 x 25	
108	1320043	1	Clamp (Not Shown - Located at Rear of T/T)	
109	1320130	1	Clamp	
110	1670899	2	Cover, Switch	
111	3290405	6	Nut M4	
112	3290605	5	Nut M6	
113	3290805	6	Nut M8	
114	3291005	1	Nut M10	
115	3340939	4	Pad, Rubber	
117	4031510	2	Capscrew M4 x 30	
118	4031512	4	Capscrew M4 x 40	
119	4060808	1.8 ft /55cm	Flex-Trim	
120	4240018	AR	Tie-Strap (Not Shown)	
121	4240156	1	Strap, Cinch	
122	4460865	1	Connector - 19 Position	
123	4460866	1	Connector - 19 Position	
124	4811400	2	Washer M4	
125	4811700	2	Washer M6 (Not Shown - Use with Item 8)	
126	4811900	8	Washer M8	
127	4812000	2	Washer M10	
128	5260800	6	Nut M8	
129	5281920	6	Screw M8 x 80	
131	1001106757	2	Plate	
132	1001107152	1	Plate	
133	1001116433	2	Guard, Hose	
134	1001118274	6	Nut M8	
135	1001118292	1	Tower Boom Harness Assembly (Not Shown - See BOOM HARNESS ASSEMBLY - TOWER for Breakdown)	
135A	4360548	3	Switch, Limit	
137	1001118592	2	Plate, Hose Clamp	
138	1001118593	2	Plate, Hose Clamp	
139	1001119018	1	Ground to Platform Cable - Main (Not Shown - See GROUND TO PLATFORM CABLE - MAIN for Breakdown)	
140	1001119019	1	Ground to Platform Cable - Tower (Not Shown - See GROUND TO PLATFORM CABLE - TOWER for Breakdown)	
141	1001119139	1	AC Power to Platform Cable - Tower Boom (Not Shown - See AC POWER TO PLATFORM CABLE - TOWER BOOM for Breakdown)	
142	1001119140	1	AC Power to Platform Cable - Main Boom (Not Shown - See AC POWER TO PLATFORM CABLE - MAIN BOOM for Breakdown)	
143	1001119194	2	Clamp	

SECTION 8 - ELECTRICAL

ITEM	PART NUMBER	QTY	DESCRIPTION	REV
144	1001119197	4	Clamp	
145	1001119228	8	Nut M8	
146	0760605	2	Bolt M6 x 10	
147	2820031	AR	Heat Shrink	
148	4460473	1	Clamp, Cable	
149	4811702	10	Washer M6	
150	3340901	4	Pad, Rubber	
151	1001140524	1	Main Boom Harness Assembly (Not Shown - See BOOM HARNESS ASSEMBLY - MAIN for Breakdown)	
152	1671092	1	Cover, Connection	
153	1671093	1	Cover, Plug	

SECTION 8 - ELECTRICAL

FIGURE 8-18. BOOM CABLES, HARNESSES AND CLAMPS INSTALLATION - WITH ARCTIC PACKAGE



ART_1001119937

SECTION 8 - ELECTRICAL

FIGURE 8-18. BOOM CABLES, HARNESSES AND CLAMPS INSTALLATION - WITH ARCTIC PACKAGE

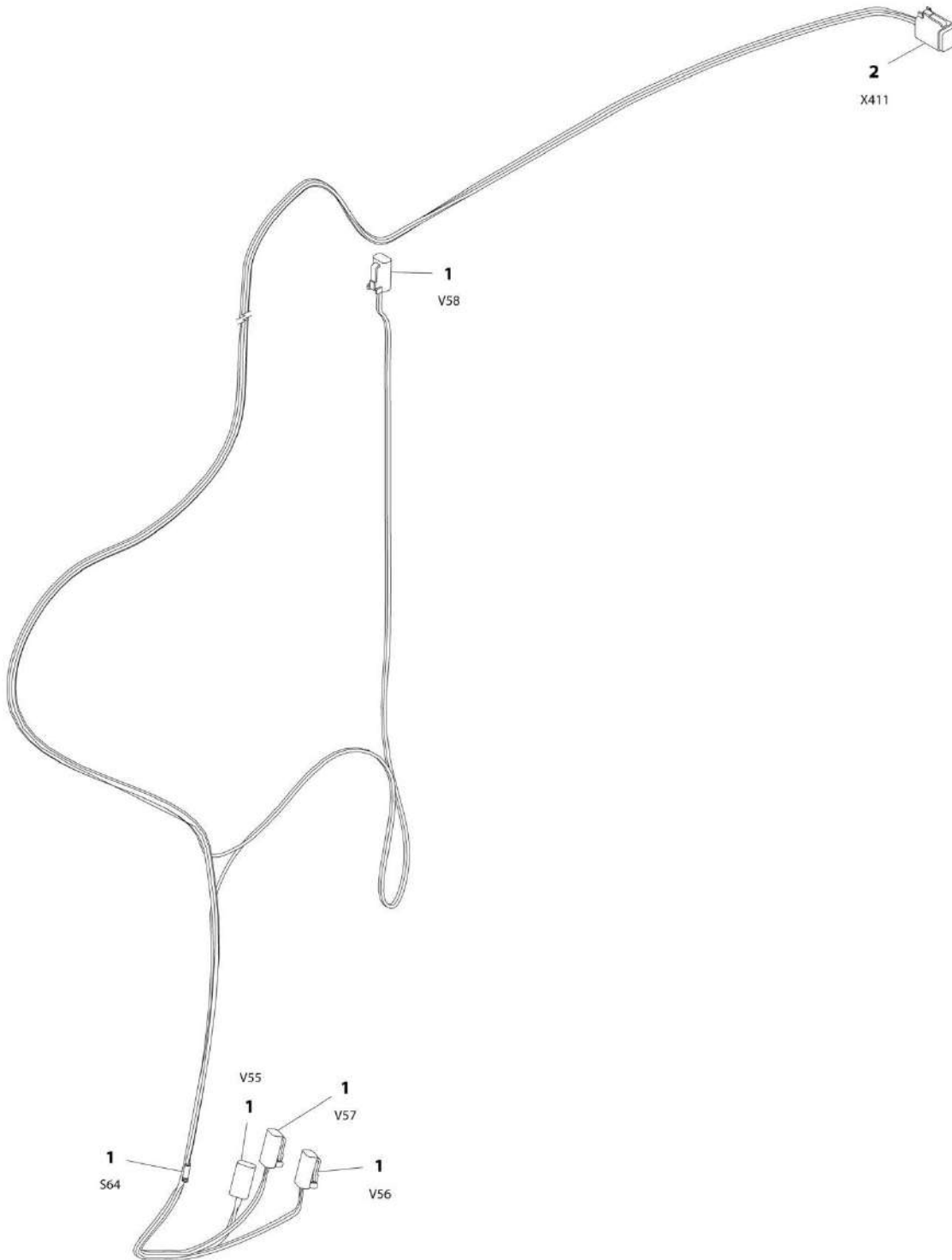
ITEM	PART NUMBER	QTY	DESCRIPTION	REV
	1001119937	Ref	LIMIT SWITCHES, CABLES AND CLAMPS INSTALLATION - WITH ARCTIC PACKAGE	F
101	0100011	AR	Compound, Locking	
102	0100081	1	Adhesive	
103	0760621	4	Bolt M6 x 65	
104	0700820	2	Bolt M8 x 60	
105	0700829	4	Bolt M8 x 120	
106	0760608	1	Bolt M6 x 16 (Not Shown - Use with Item 8)	
107	0761012	1	Bolt M10 x 25	
108	1320041	1	Clamp	
109	1320130	1	Clamp	
110	1670899	2	Cover, Switch	
111	3290405	6	Nut M4	
112	3290605	5	Nut M6	
113	3290805	6	Nut M8	
114	3291005	1	Nut M10	
115	3340939	4	Pad, Rubber	
117	4031510	2	Capscrew M4 x 30	
118	4031512	4	Capscrew M4 x 40	
119	4060808	1.8 ft /55cm	Flex-Trim	
120	4240018	AR	Tie-Strap (Not Shown)	
121	4240156	1	Strap, Cinch	
122	4460865	1	Connector - 19 Position	
123	4460866	1	Connector - 19 Position	
124	4811400	2	Washer M4	
125	4811700	2	Washer M6 (Not Shown - Use with Item 8)	
126	4811900	8	Washer M8	
127	4812000	2	Washer M10	
128	5260800	6	Nut M8	
129	5281920	6	Screw M8 x 80	
131	1001106757	2	Plate	
132	1001107152	1	Plate	
133	1001116433	2	Guard, Hose	
134	1001118274	6	Nut M8	
135	1001118292	1	Tower Boom Harness Assembly (Not Shown - See BOOM HARNESS ASSEMBLY - TOWER for Breakdown)	
135A	4360548	3	Switch, Limit	
137	1001118592	2	Plate, Hose Clamp	
138	1001118593	2	Plate, Hose Clamp	
139	1001119953	1	Ground to Platform Cable - Main (Not Shown - See GROUND TO PLATFORM CABLE - MAIN for Breakdown)	
140	1001119954	1	Ground to Platform Cable - Tower (Not Shown - See GROUND TO PLATFORM CABLE - TOWER for Breakdown)	
141	1001119955	1	AC Power to Platform Cable - Main Boom (Not Shown - See AC POWER TO PLATFORM CABLE - MAIN BOOM for Breakdown)	
142	1001119956	1	AC Power to Platform Cable - Tower Boom (Not Shown - See AC POWER TO PLATFORM CABLE - TOWER BOOM for Breakdown)	
143	1001119195	2	Clamp	

SECTION 8 - ELECTRICAL

ITEM	PART NUMBER	QTY	DESCRIPTION	REV
144	1001119197	4	Clamp	
145	1001119228	8	Nut M8	
146	0760605	2	Bolt M6 x 10	
147	2820031	AR	Heat Shrink	
148	4460473	1	Clamp, Cable	
149	4811702	10	Washer M6	
150	3340901	4	Pad, Rubber	
151	1001140524	1	Main Boom Harness Assembly (Not Shown - See BOOM HARNESS ASSEMBLY - MAIN for Breakdown)	
152	1671092	1	Cover, Connection	
153	1671093	1	Cover, Plug	

SECTION 8 - ELECTRICAL

FIGURE 8-19. BOOM HARNESS - MAIN



ART_1001140524

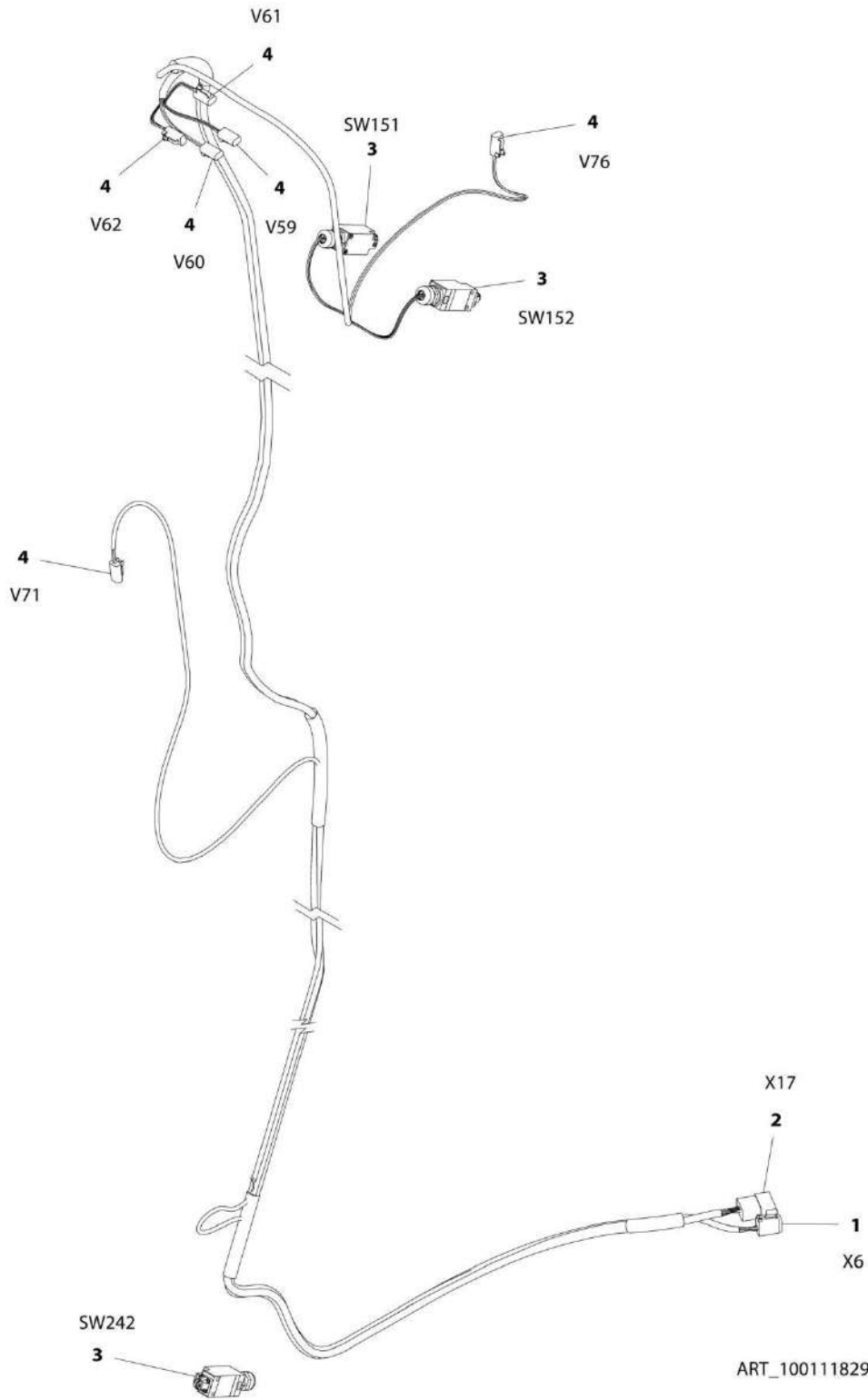
SECTION 8 - ELECTRICAL

FIGURE 8-19. BOOM HARNESS - MAIN

ITEM	PART NUMBER	QTY	DESCRIPTION	REV
	1001140524	Ref	BOOM HARNESS - MAIN	A
1	4460891	4	Plug, Male - 2 Position	
1	4460465	8	Socket, Female	
2	4460894	1	Plug, Male - 6 Position	
2	4460465	5	Socket, Female	
2	4460466	1	Plug, Terminal	

SECTION 8 - ELECTRICAL

FIGURE 8-20. BOOM HARNESS - TOWER



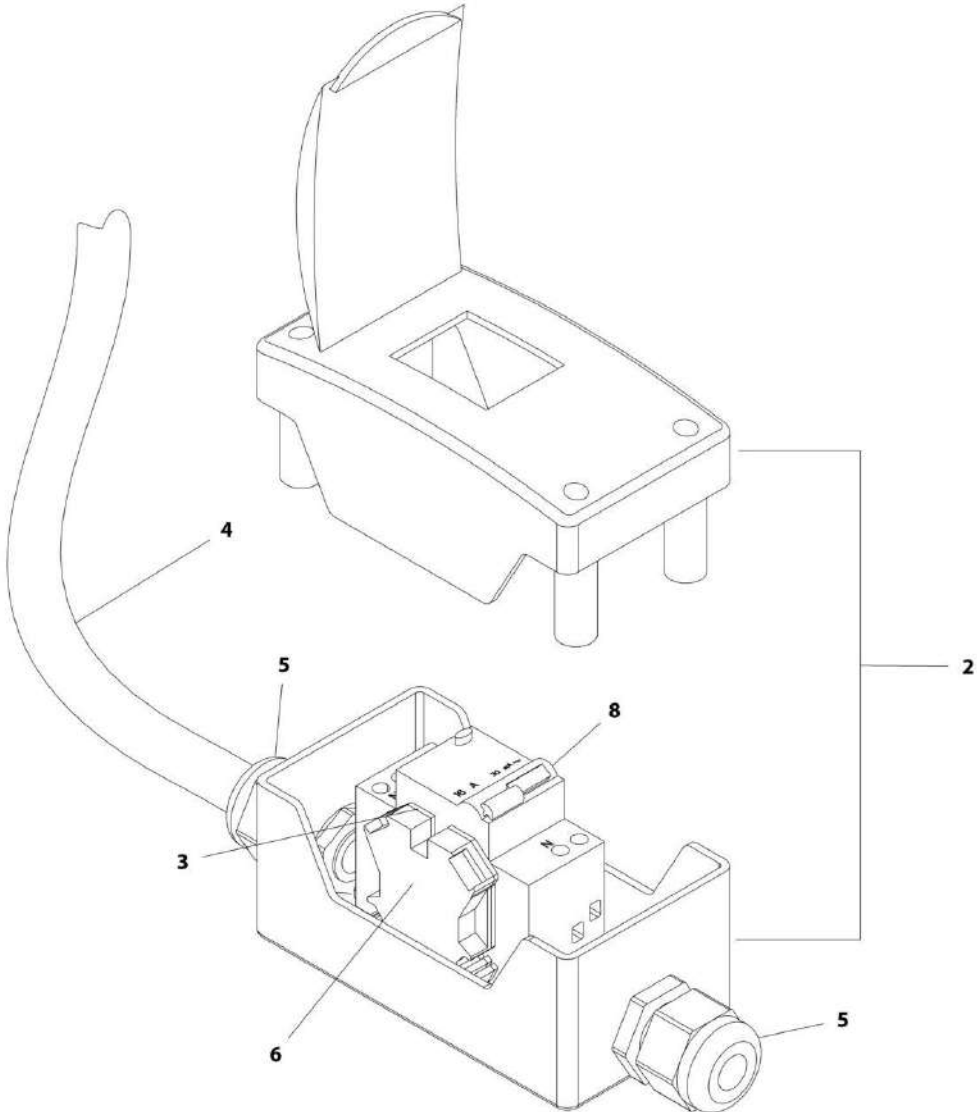
SECTION 8 - ELECTRICAL

FIGURE 8-20. BOOM HARNESS - TOWER

ITEM	PART NUMBER	QTY	DESCRIPTION	REV
	1001118292	Ref	BOOM HARNESS - TOWER	D
1	4460894	1	Plug, Male - 6 Position	
1	4460465	6	Socket, Female	
2	4460970	1	Receptacle, Female - 12 Position	
2	4460464	9	Pin, Male	
2	4460466	3	Plug, Terminal	
3	4360548	3	Switch, Limit	
3	4460968	3	Connector, Strain Relief	
3	0962449	3	Bushing	
4	4460891	6	Plug, Male - 2 Position	
4	4460465	12	Socket, Female	

SECTION 8 - ELECTRICAL

FIGURE 8-21. BREAKER BOX KIT (CE SPEC)



ART_2902549

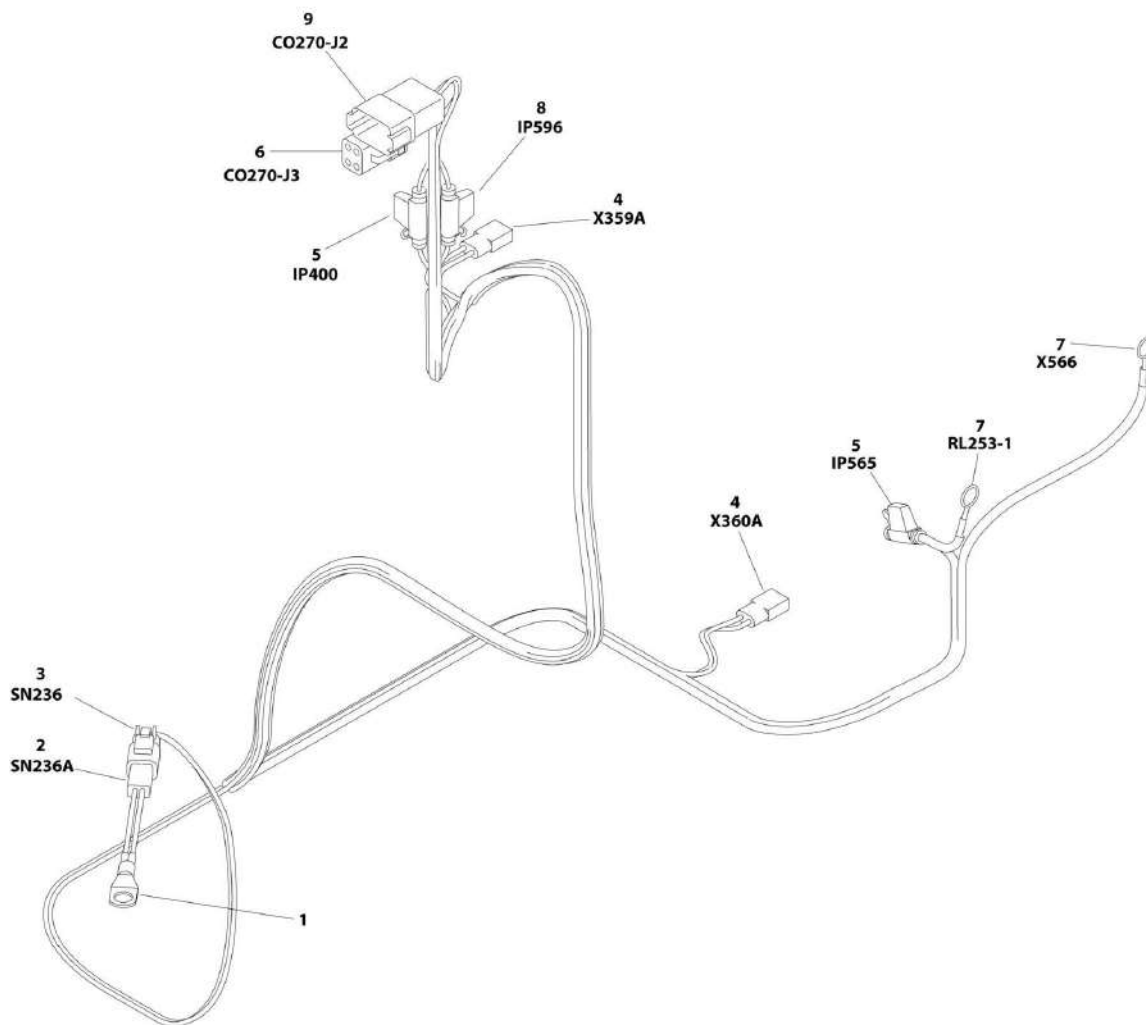
SECTION 8 - ELECTRICAL

FIGURE 8-21. BREAKER BOX KIT (CE SPEC)

ITEM	PART NUMBER	QTY	DESCRIPTION	REV
	2902549	Ref	BOX AND BREAKER KIT	F
2	0861880	1	Box	
3	4460956	1	Barrier, Terminal	
4	1060908	6 ft/1.8m	Cable, 12/3	
5	1001097150	2	Connector, Strain Relief	
6	4460957	1	Block, Terminal	
8	1001109475	NLA	Breaker 16Amp (Use p/n 1001181045) (Prior to SN 0300209405)	
8	1001109482	NLA	Breaker 30mAmp (Use p/n 1001181045) (Prior to SN 0300209405)	
8	1001181045	1	Breaker, Combination 16Amp/30mAmp (SN 0300209405 to Present)	

SECTION 8 - ELECTRICAL

FIGURE 8-22. CHARGER HARNESS



ART_1001167538

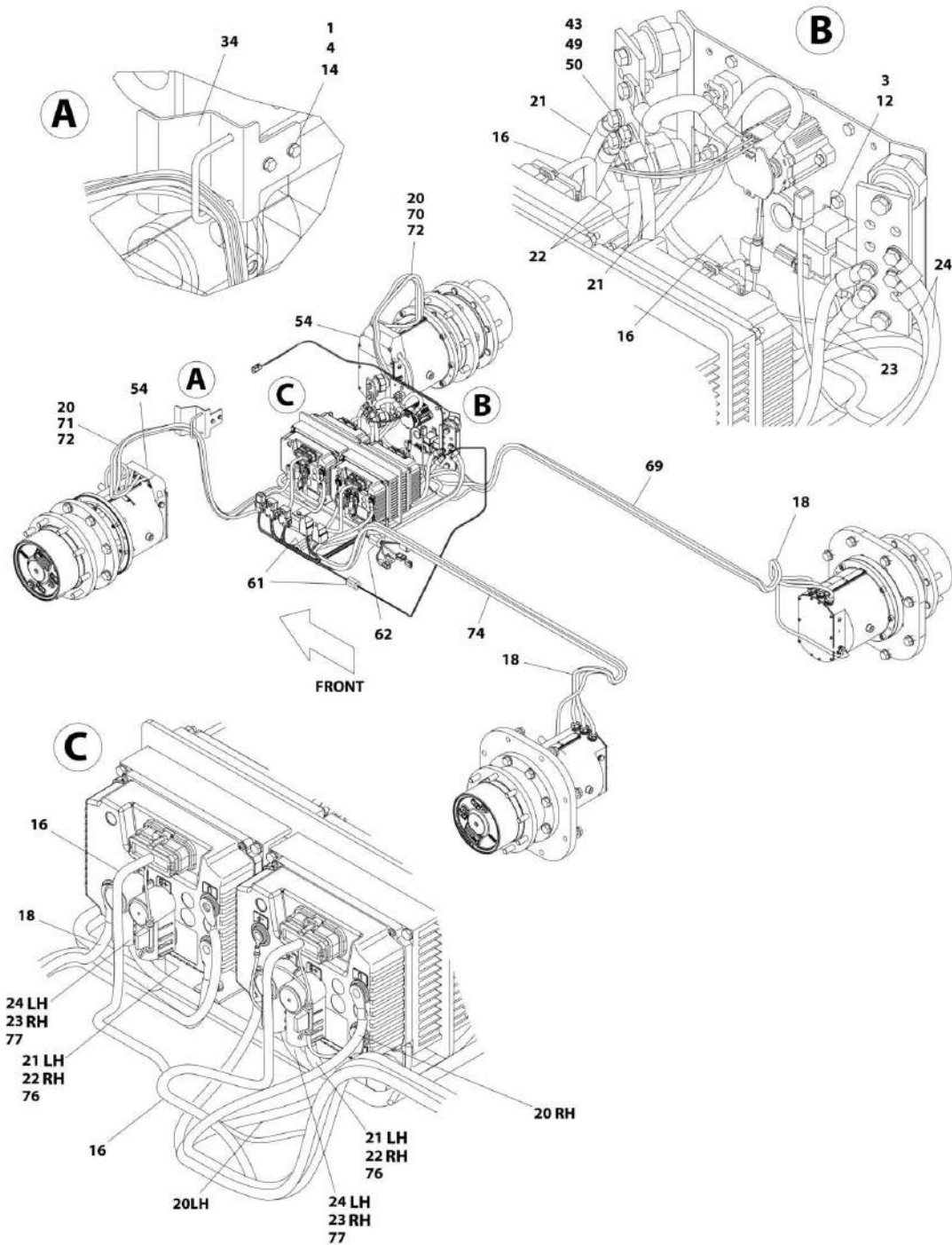
SECTION 8 - ELECTRICAL

FIGURE 8-22. CHARGER HARNESS

ITEM	PART NUMBER	QTY	DESCRIPTION	REV
	1001167538	Ref	CHARGER HARNESS	F
1	1001102771	1	Sensor, Temperature (Prior to SN 0300236742)	
2	4460897	1	Connector - 2 Position (Prior to SN 0300236742)	
2	4460464	2	Pin, Male (Prior to SN 0300236742)	
3	4460891	1	Connector - 2 Position	
3	4460465	2	Socket, Female	
4	4460424	2	Connector - 2 Position	
4	4460268	4	Socket, Female	
5	1001170763	2	Fuseholder Less Fuse	
5	1001170762	2	Fuse 30Amp	
6	1001116810	1	Connector - 4 Position	
6	4460509	4	Terminal	
7	4460019	2	Ring, Terminal	
8	2400060	1	Fuseholder Less Fuse	
8	1001186489	1	Fuse 2Amp	
9	4460931	1	Connector - 8 Position	
9	4460464	2	Pin, Male	
9	4460466	6	Plug, Terminal	

SECTION 8 - ELECTRICAL

FIGURE 8-23. DRIVE CABLES INSTALLATION



ART_1001169292_20F2

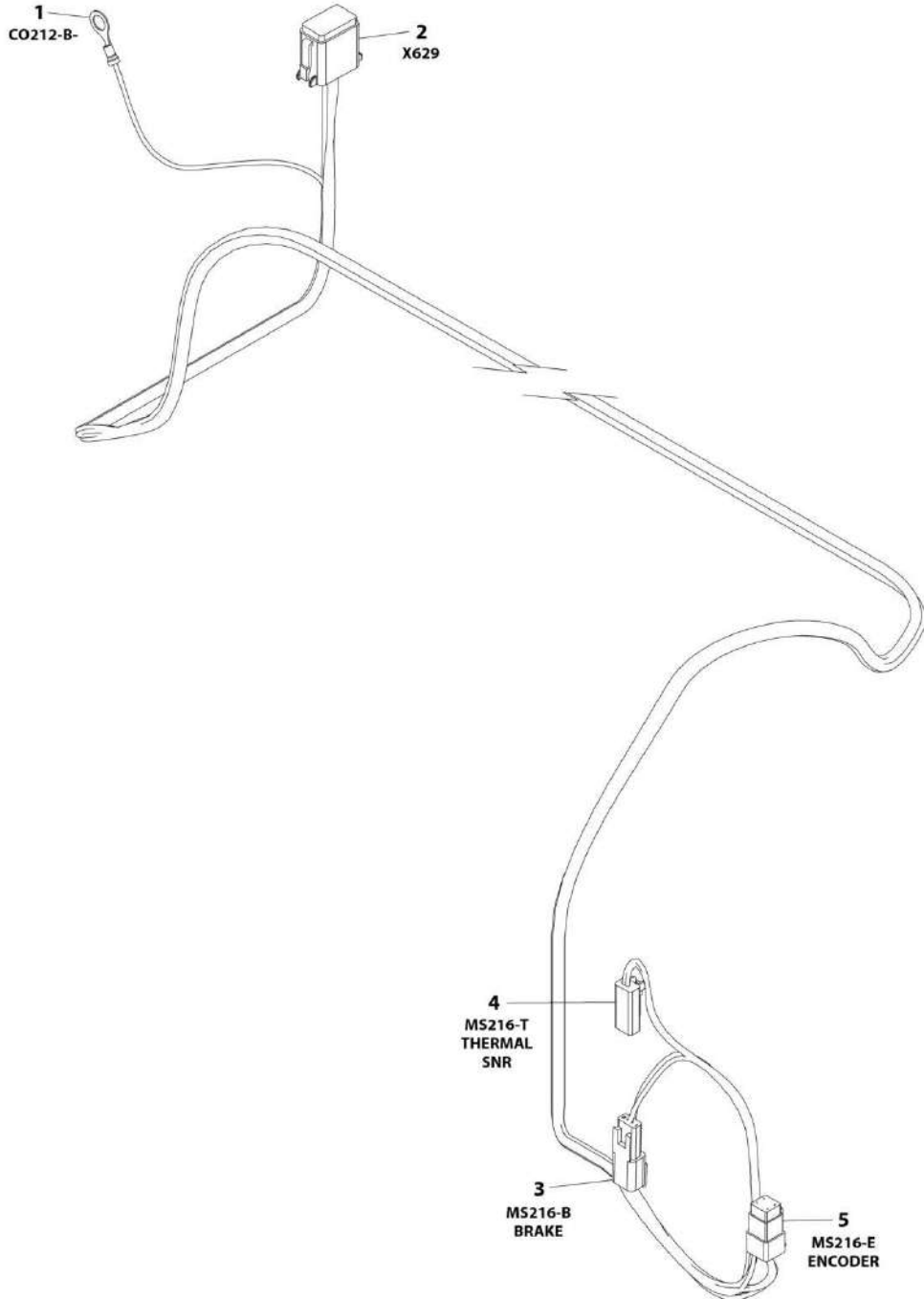
SECTION 8 - ELECTRICAL

FIGURE 8-23. DRIVE CABLES INSTALLATION

ITEM	PART NUMBER	QTY	DESCRIPTION	REV
	1001169292	Ref	DRIVE CABLES INSTALLATION	P
1	0100011	AR	Compound, Locking	
3	0760607	2	Bolt M6 x 14	
4	0760608	4	Bolt M6 x 16	
12	3290601	10	Nut M6	
14	4811700	4	Washer M6	
16	1001161871	1	Harness, Traction (See TRACTION HARNESS for Breakdown)	
18	1001161891	2	Cable, Rear Drive	
20	1001161924	2	Cable, Front Drive	
21	1001161943	1	Cable, Bussbar to Controller B+ (Operators LH Side)	
22	1001161944	2	Cable, Bussbar to Controller B+ (Operators RH Side)	
23	1001161948	2	Cable, Bussbar B- to Controller B- (Operators RH Side)	
24	1001161949	1	Cable, Bussbar B- to Controller B- (Operators LH Side)	
34	1001171301	2	Bracket	
36	0760808	AR	Bolt M8 x 16	
50	4831900	8	Washer M8	
54	1001184793	2	Bracket	
58	1001193549	1	Cable, Bussbar to Controller B+ (Operators LH Side)	
59	1001193550	1	Cable, Bussbar to Controller B+ (Operators LH Side)	
61	1001197942	AR	Ferrite	
62	1001197943	1	Ferrite (Prior to SN 0300236472)	
69	1001190529	1	Harness, Rear Right Drive (See DRIVE HARNESS - REAR RIGHT for Breakdown) (SN 0300209405 to Present)	
70	1001190530	1	Harness, Front Drive with Steer (See DRIVE HARNESS - FRONT WITH STEER for Breakdown) (SN 0300209405 to Present)	
71	1001190531	1	Harness, Front Drive without Steer (See DRIVE HARNESS - FRONT WITHOUT STEER for Breakdown) (SN 0300209405 to Present)	
72	4240018	AR	Tie-Strap	
74	1001211947	1	Harness, Rear Left Drive (See DRIVE HARNESS - REAR LEFT for Breakdown) (SN 0300209405 to Present)	
76	1001225558	4	Boot, Red (SN 0300236472 to Present)	
77	1001225557	4	Boot, Black (SN 0300236472 to Present)	

SECTION 8 - ELECTRICAL

FIGURE 8-24. DRIVE HARNESS - REAR RIGHT



ART_1001190529

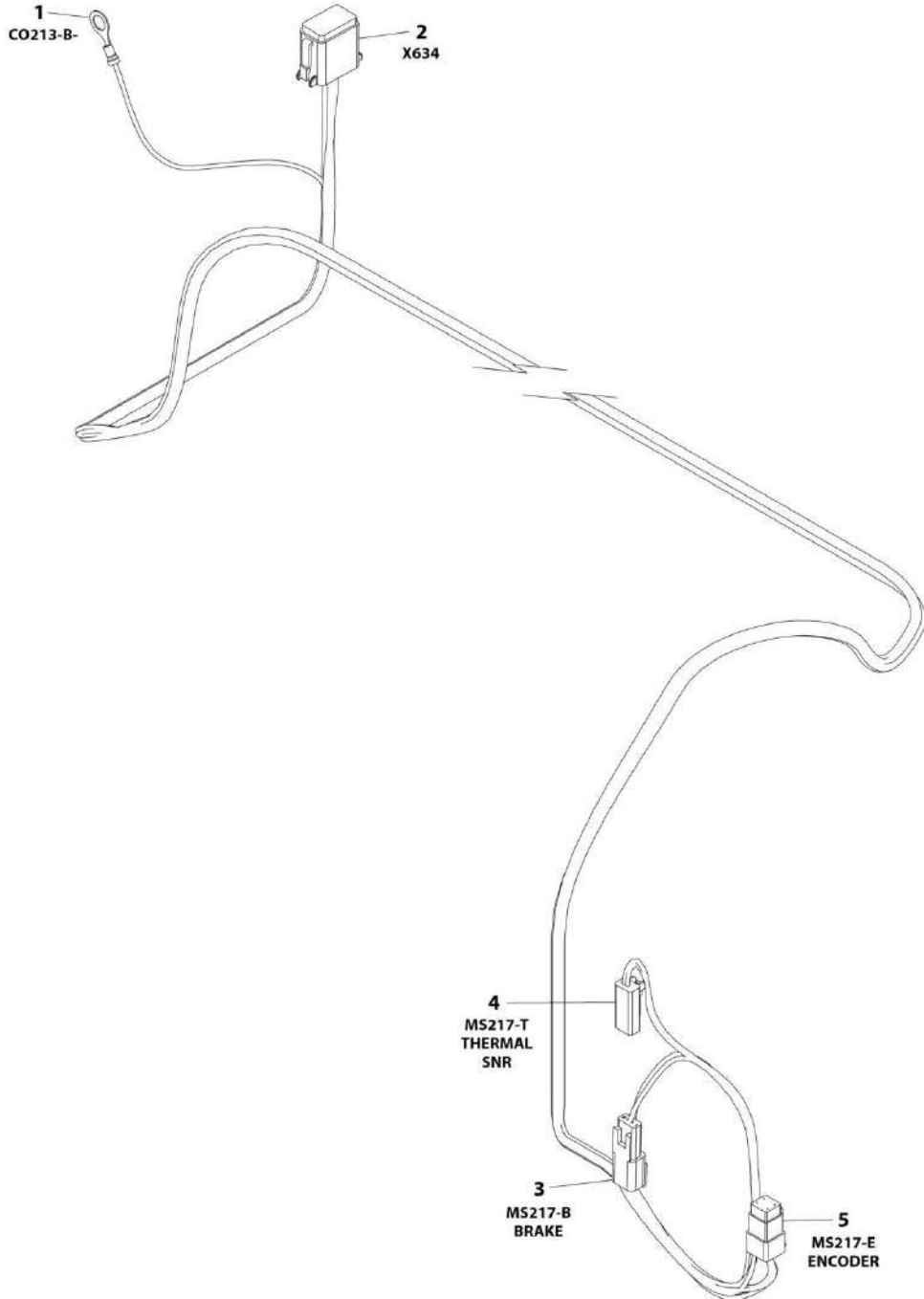
SECTION 8 - ELECTRICAL

FIGURE 8-24. DRIVE HARNESS - REAR RIGHT

ITEM	PART NUMBER	QTY	DESCRIPTION	REV
	1001190529	Ref	DRIVE HARNESS - REAR RIGHT	F
1	4460702	1	Terminal, Ring	
2	4460930	1	Plug, Male - 8 Position	
2	4460465	8	Socket, Female	
3	1001153612	1	Receptacle, Female - 2 Position	
3	4460929	2	Pin, Male	
4	4461290	1	Plug, Male - 2 Position	
4	4460928	2	Socket, Female	
5	4461077	1	Plug, Male - 4 Position	
5	4460928	4	Socket, Female	

SECTION 8 - ELECTRICAL

FIGURE 8-25. DRIVE HARNESS - REAR LEFT



ART_1001211947

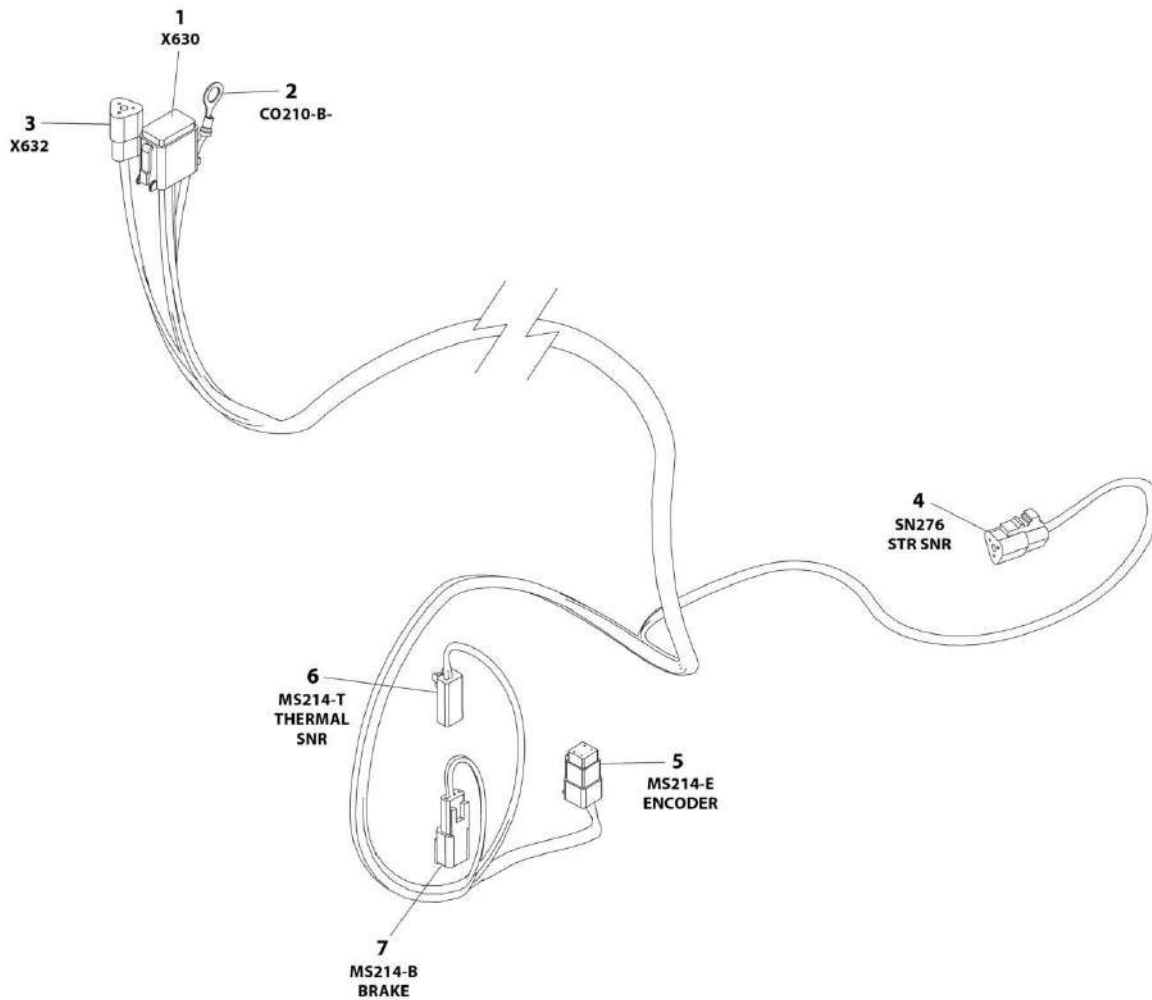
SECTION 8 - ELECTRICAL

FIGURE 8-25. DRIVE HARNESS - REAR LEFT

ITEM	PART NUMBER	QTY	DESCRIPTION	REV
	1001211947	Ref	DRIVE HARNESS - REAR LEFT	B
1	4460702	1	Terminal, Ring	
2	4460930	1	Plug, Male - 8 Position	
2	4460465	8	Socket, Female	
3	1001153612	1	Receptacle, Female - 2 Position	
3	4460929	2	Pin, Male	
4	4461290	1	Plug, Male - 2 Position	
4	4460928	2	Socket, Female	
5	4461077	1	Plug, Male - 4 Position	
5	4460928	4	Socket, Female	

SECTION 8 - ELECTRICAL

FIGURE 8-26. DRIVE HARNESS - FRONT WITH STEER



ART_1001190530

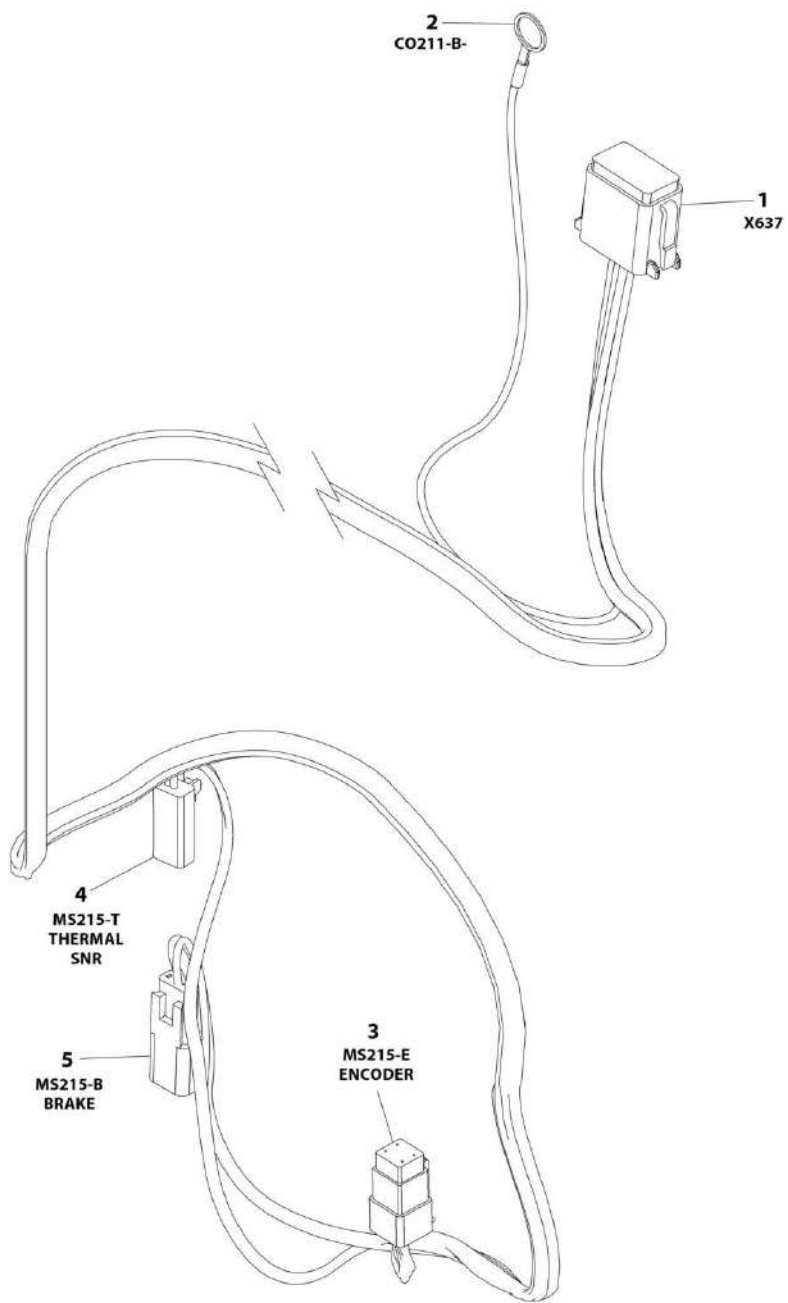
SECTION 8 - ELECTRICAL

FIGURE 8-26. DRIVE HARNESS - FRONT WITH STEER

ITEM	PART NUMBER	QTY	DESCRIPTION	REV
	1001190530	Ref	DRIVE HARNESS - FRONT WITH STEER	E
1	4460930	1	Plug, Male - 8 Position	
1	4460465	8	Socket, Female	
2	4460702	1	Terminal, Ring	
3	4460539	2	Plug, Male - 3 Position	
3	4460465	4	Socket, Female	
4	4460539	2	Plug, Male - 3 Position	
4	4460944	4	Socket, Female	
5	4461077	1	Plug, Male - 4 Position	
5	4460928	4	Socket, Female	
6	4461290	1	Plug, Male - 2 Position	
6	4460928	2	Socket, Female	
7	1001153612	1	Receptacle, Female - 2 Position	
7	4460929	2	Pin, Male	

SECTION 8 - ELECTRICAL

FIGURE 8-27. DRIVE HARNESS - FRONT WITHOUT STEER



ART_1001190531

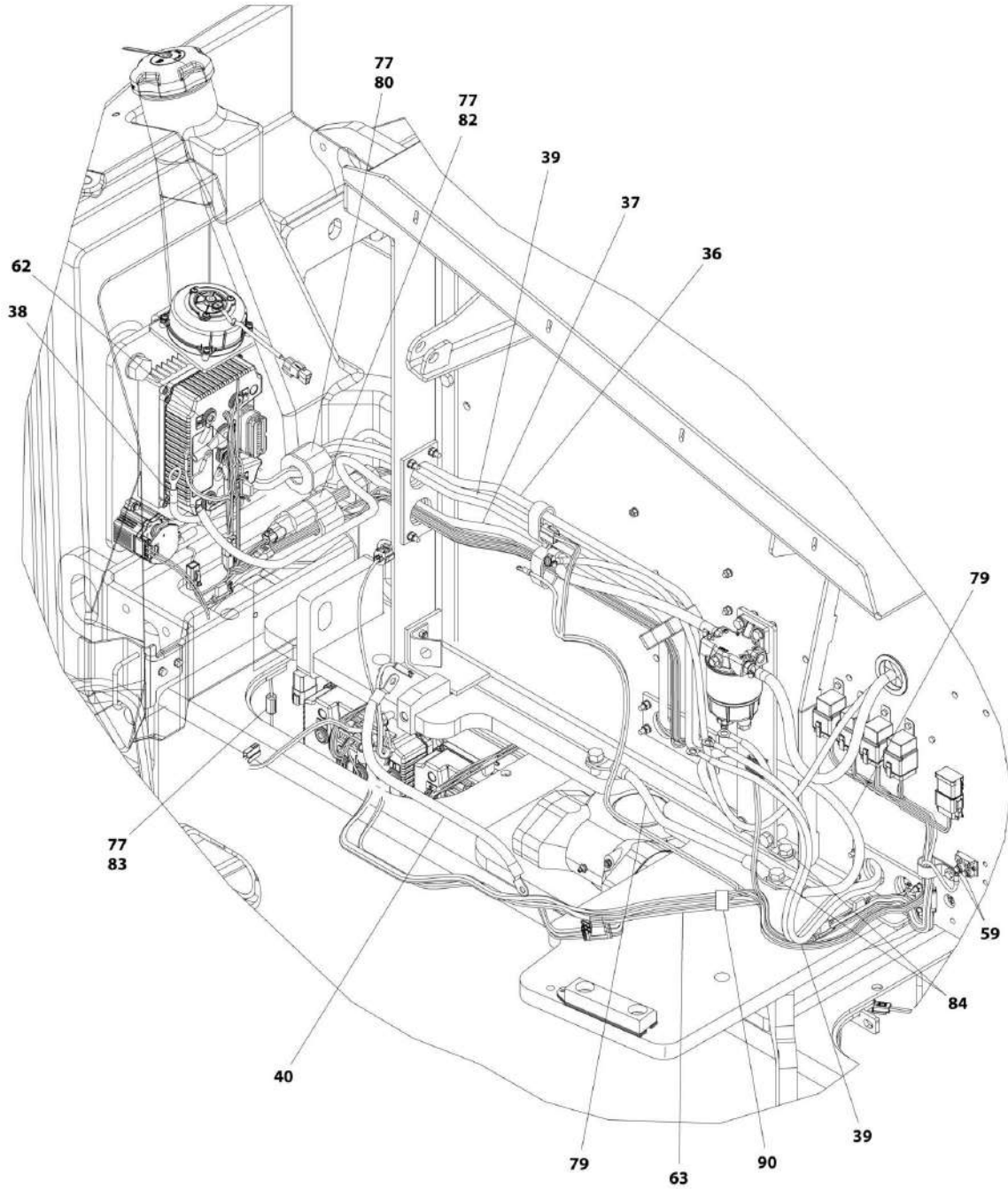
SECTION 8 - ELECTRICAL

FIGURE 8-27. DRIVE HARNESS - FRONT WITHOUT STEER

ITEM	PART NUMBER	QTY	DESCRIPTION	REV
	1001190531	Ref	DRIVE HARNESS - FRONT WITHOUT STEER	F
1	4460930	1	Plug, Male - 8 Position	
1	4460465	8	Socket, Female	
2	4460702	1	Terminal, Ring	
3	4461077	1	Plug, Male - 4 Position	
3	4460928	4	Socket, Female	
4	4461290	1	Plug, Male - 2 Position	
4	4460928	2	Socket, Female	
5	1001153612	1	Receptacle, Female - 2 Position	
5	4460929	2	Pin, Male	

SECTION 8 - ELECTRICAL

FIGURE 8-28. ENGINE CABLES INSTALLATION



ART_1001168098_3OF3

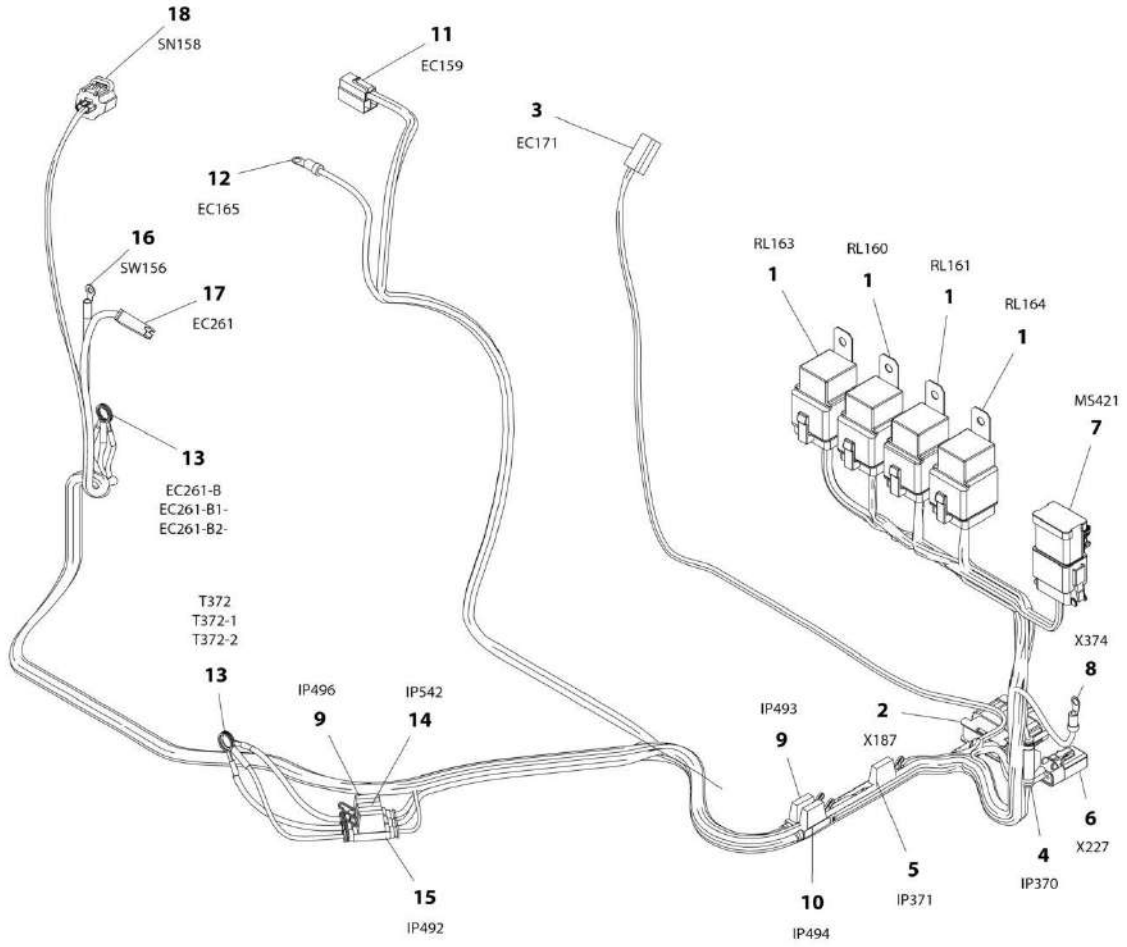
SECTION 8 - ELECTRICAL

FIGURE 8-28. ENGINE CABLES INSTALLATION

ITEM	PART NUMBER	QTY	DESCRIPTION	REV
	1001168098	Ref	ENGINE CABLES INSTALLATION	1
1	0100011	AR	Compound, Locking	
36	1001164412	1	Cable, Drive Controller Positive to Zapi Controller	
37	1001164418	1	Cable, Drive Controller Negative to Zapi Controller	
38	1001164494	1	Cable, Controller to Zapi Controller	
39	1001164495	1	Cable, Generator	
40	1001164654	1	Cable, Positive Jumper	
59	4010403	2	Screw M4 X 6	
61	0100083	1	Grease, Terminal (Not Shown)	
62	1001177378	1	Generator Harness Assembly (See GENERATOR HARNESS ASSEMBLY for Breakdown)	
63	1001177433	1	Engine Harness Assembly (See ENGINE HARNESS ASSEMBLY for Breakdown)	
74	0760808	2	Bolt M8 x 16 (Not Shown - Attaches Item 37 at Frame Module and Item 79 to Engine)	
75	4831900	2	Washer M8 (Not Shown - Attaches Item 37 at Frame Module and Item 79 to Engine)	
76	0641808	1	Bolt 1/2 x 1	
77	4240033	AR	Tie-Strap (Not Shown)	
78	4761600	1	Washer 3/8	
79	1001197652	1	Strap, Ground	
80	1001197941	1	Ferrite	
83	1001197944	1	Ferrite	
84	4872000	2	Washer M10	
85	4792000	1	Washer 5/8 (Not Shown - Use with Item 74)	
90	85031405	1	Support	

SECTION 8 - ELECTRICAL

FIGURE 8-29. ENGINE HARNESS



ART_1001177433

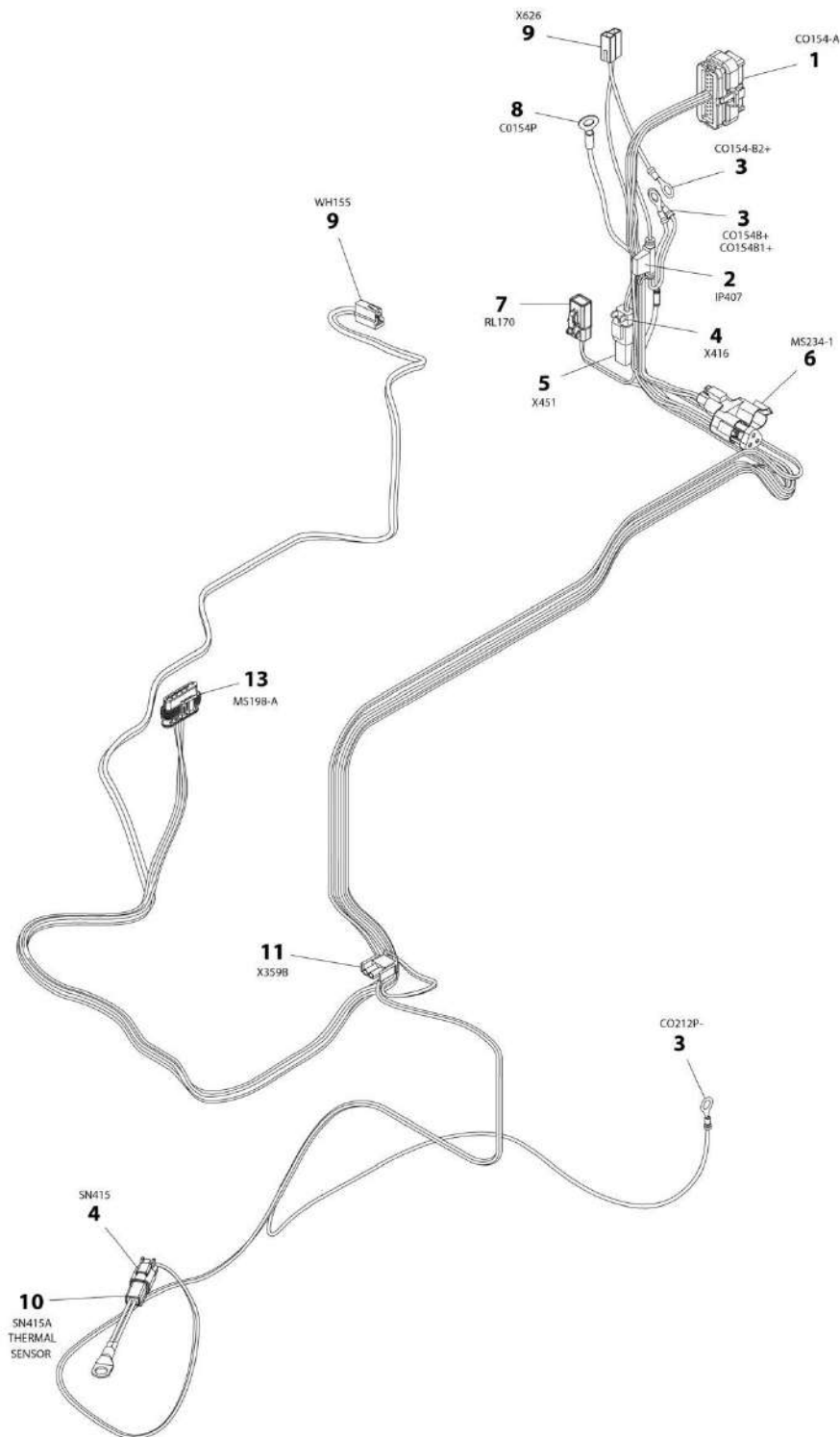
SECTION 8 - ELECTRICAL

FIGURE 8-29. ENGINE HARNESS

ITEM	PART NUMBER	QTY	DESCRIPTION	REV
	1001177433	Ref	ENGINE HARNESS	F
1	1001118282	5	Plug, Male - 5 Position	
1	1001116734	6	Terminal, Female	
1	1001116733	2	Terminal, Female	
1	1001116732	8	Terminal, Female	
2	4461109	1	Plug, Male - 16 Position	
2	4461111	9	Pin, Male	
2	4461222	7	Plug, Terminal	
3	1001118744	1	Receptacle, Female - 2 Position	
3	1001116720	2	Terminal	
4	2400060	1	Fuseholder with Cover	
4	See Note	1	Fuse - 10Amp (Note: Not Available Purchase Locally)	
5	2400060	1	Fuseholder with Cover	
5	See Note	1	Fuse - 3Amp (Note: Not Available Purchase Locally)	
6	4461018	2	Connector - 2 Position	
6	4460509	1	Socket, Female	
7	4460836	5	Connector - 12 Position	
7	4460465	7	Socket, Female	
7	4460466	1	Plug, Terminal	
7	4460837	1	Connector, Bussbar	
7	1001121172	1	Bracket, Mounting	
8	4460142	1	Terminal, Ring	
9	2400066	2	Fuseholder with Cover	
9	8229245	2	Fuse 30Amp	
10	2400066	1	Fuseholder with Cover	
10	8229247	1	Fuse 25Amp	
11	1001172074	1	Connector - 3 Position	
11	1001125033	2	Terminal	
11	1001118745	1	Terminal	
12	4460142	1	Terminal, Ring	
13	4460019	6	Terminal, Ring	
14	2400066	1	Fuseholder with Cover	
14	8229246	1	Fuse - 20Amp	
15	2400066	1	Fuseholder with Cover	
15	See Note	1	Fuse - 2Amp	
16	8220007	1	Terminal, Ring	
17	4460260	1	Housing, Terminal	
17	4460259	1	Terminal	
18	1001118657	1	Connector - 2 Position	
18	1001118658	2	Terminal	

SECTION 8 - ELECTRICAL

FIGURE 8-30. GENERATOR HARNESS



ART_1001177378

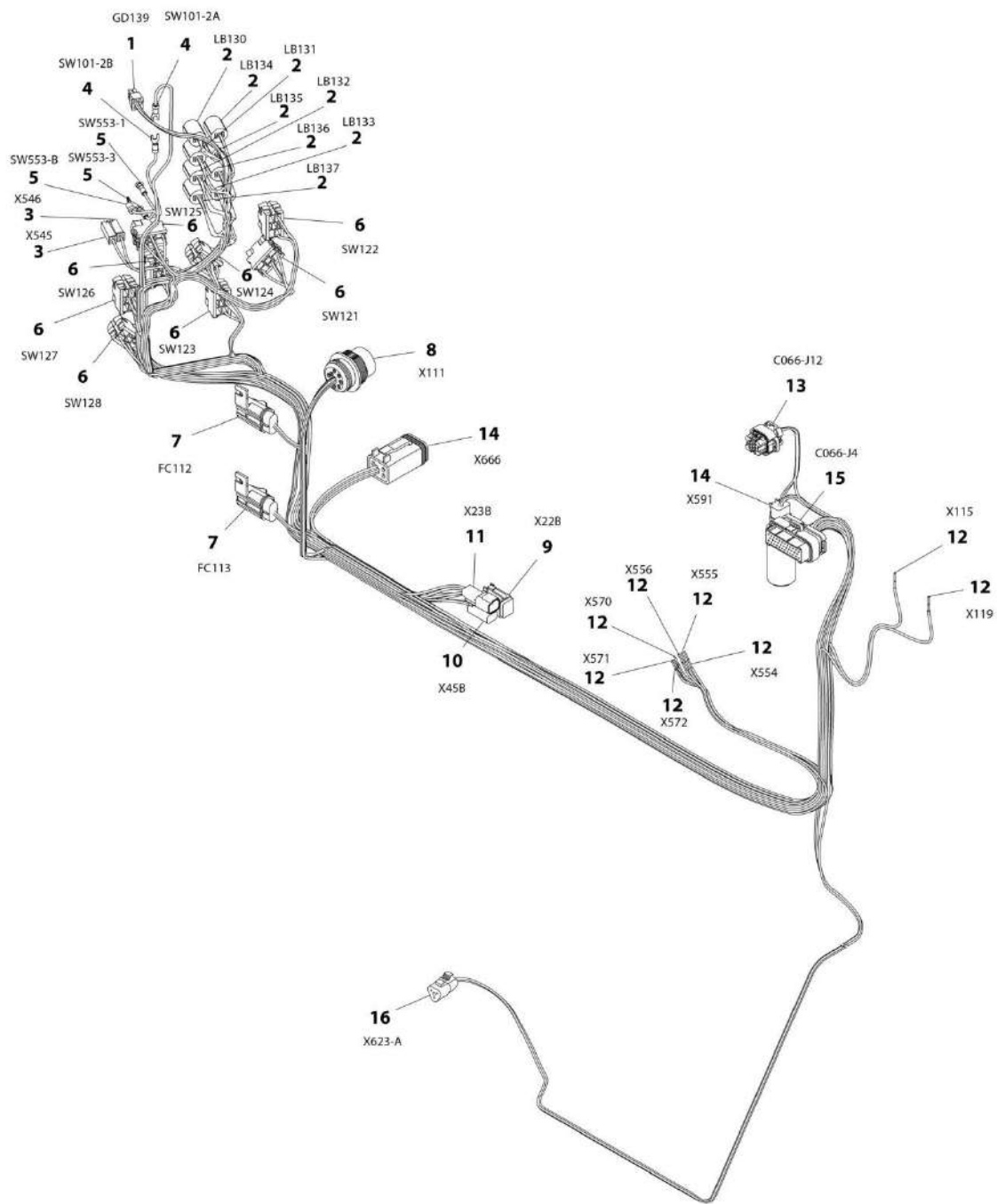
SECTION 8 - ELECTRICAL

FIGURE 8-30. GENERATOR HARNESS

ITEM	PART NUMBER	QTY	DESCRIPTION	REV
	1001177378	Ref	GENERATOR HARNESS	H
1	4460873	1	Connector - 35 Position	
1	4460871	12	Socket, Female	
1	4460905	23	Plug, Terminal	
2	2400060	1	Fuseholder	
2	1001170760	1	Fuse 10Amp	
3	4460670	5	Terminal, Ring	
4	4460891	2	Plug, Male - 2 Position	
4	4460465	4	Socket, Female	
5	4460897	1	Receptacle, Female	
5	See Note	1	Resistor 10K Ohm 1/4Watt (Note: Not Available - Purchase Locally)	
5	1001135350	1	Cap, Heat Shrink	
6	1001116812	1	Plug, Male - 3 Position	
6	4460944	3	Socket, Female	
6	4460945	1	Receptacle, 3 Way (Prior to SN 0300226326)	
6	1001220644	1	Harness, Jumper (SN 0300226326 to Present)	
6	1001116815	1	Plug, Bussbar - 3 Position (Prior to SN 0300226326)	
6	1001186231	1	Connector, Fuse/Resistor (SN 0300226326 to Present)	
7	4461290	1	Plug, Male - 2 Position	
7	1001126008	2	Terminal	
8	8220045	1	Terminal, Ring	
9	4460994	2	Receptacle, Female - 2 Position	
9	1001116723	4	Terminal, Female	
10	4460897	1	Receptacle, Female - 2 Position (Prior to SN 0300236472)	
10	4460464	2	Pin, Male (Prior to SN 0300236472)	
10	1001102771	1	Sensor, Thermal Less Receptacle & Pins (Prior to SN 0300236472)	
11	4460320	1	Plug, Male - 2 Position	
11	4460267	2	Pin, Male	
13	4461117	1	Connector - 6 Position	
13	1001107854	6	Socket, Female	

SECTION 8 - ELECTRICAL

FIGURE 8-31. GROUND CONTROL HARNESS



ART_1001165848

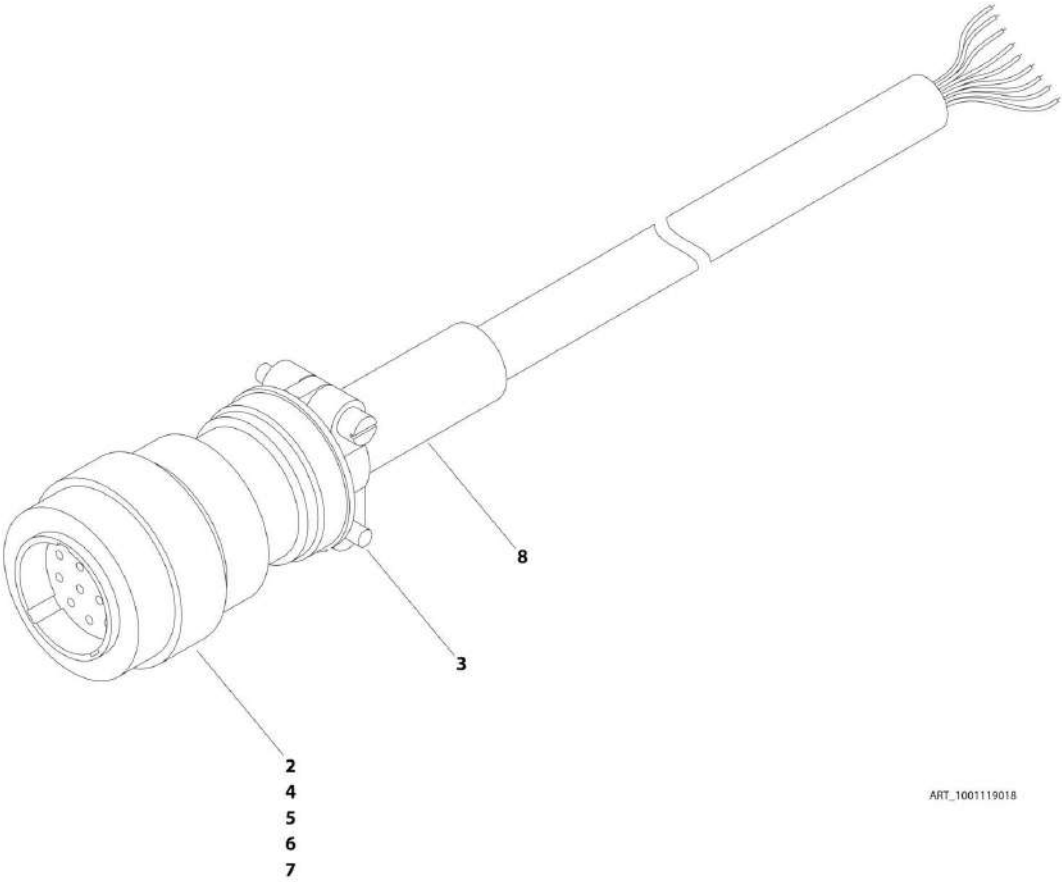
SECTION 8 - ELECTRICAL

FIGURE 8-31. GROUND CONTROL HARNESS

ITEM	PART NUMBER	QTY	DESCRIPTION	REV
	1001165848	Ref	GROUND CONTROL HARNESS	H
1	4460868	1	Connector - 6 Position	
1	4460877	4	Terminal	
2	4120035	8	Socket, Light	
2	4460634	9	Terminal - 16Ga	
2	4460635	14	Terminal - 12Ga	
3	4460260	2	Housing, Terminal	
3	4460259	2	Terminal	
4	4460115	2	Terminal, Fork	
5	4460313	2	Terminal, Ring	
5	4460042	1	Terminal, Ring	
6	4460418	8	Connector - 3 Position	
6	4460419	31	Terminal	
7	1001117078	2	Fuse Assembly (Includes Fuse, Holder, Cover)	
7	See Note	2	Fuse - 5Amp ATO (Note: Not Available - Purchase p/n 1001117078)	
7	4460419	4	Terminal	
8	1001112612	1	Connector - 9 Position	
8	4460464	3	Pin, Male	
8	4460943	3	Pin, Male	
8	4460466	1	Plug, Terminal	
8	4460497	1	Nut	
8	4460496	1	Washer	
9	4460894	1	Connector - 6 Position	
9	4460465	3	Socket, Female	
9	4460466	3	Plug, Terminal	
10	4460891	1	Connector - 2 Position	
10	4460465	2	Socket, Female	
11	4460897	1	Connector - 2 Position	
11	4460464	2	Pin, Male	
12	4460465	8	Socket, Female	
13	1001113961	1	Connector - 8 Position	
13	4460905	5	Plug, Terminal	
13	4460871	3	Socket, Female	
14	4460884	2	Connector - 4 Position	
14	4460465	4	Socket, Female	
14	4460944	4	Socket, Female	
15	4460876	1	Connector - 35 Position	
15	4460871	26	Socket, Female	
15	4460905	9	Plug, Terminal	
16	4460539	1	Connector - 3 Position	
16	4460944	3	Socket, Female	

SECTION 8 - ELECTRICAL

FIGURE 8-32. GROUND TO PLATFORM CABLE - MAIN BOOM (WITHOUT ARCTIC PACKAGE)



ART_100119018

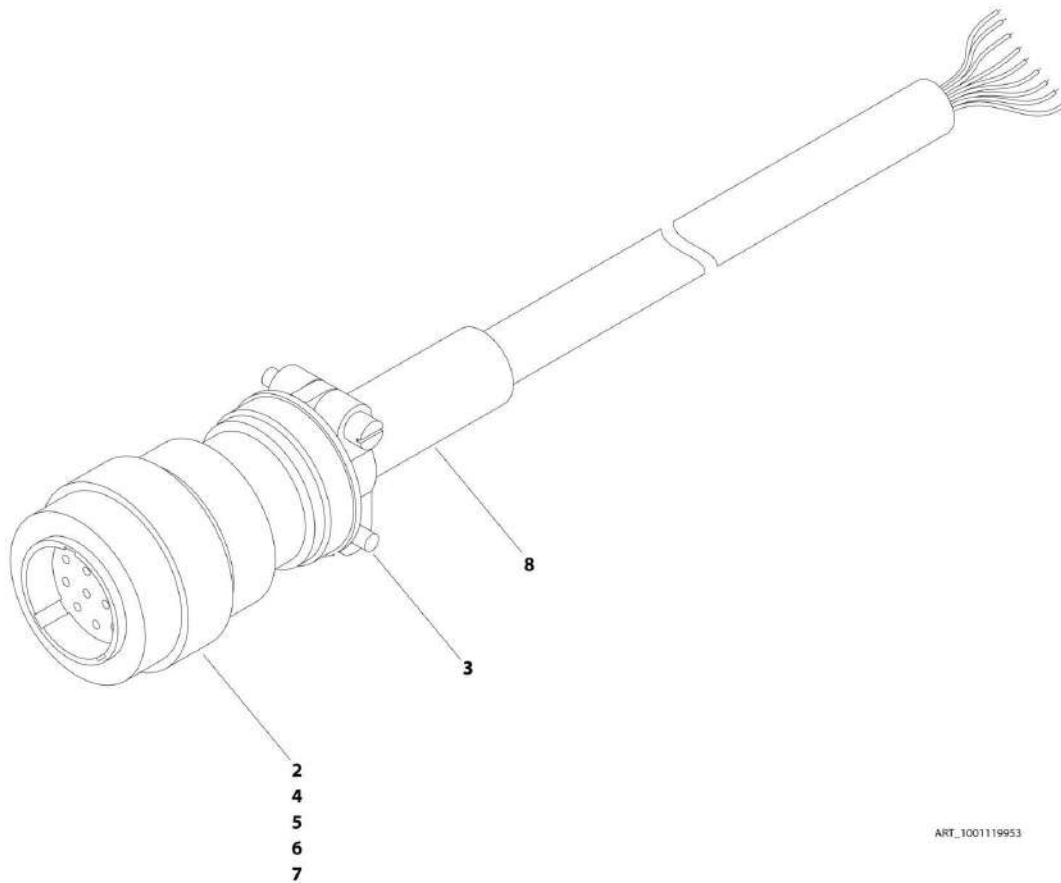
SECTION 8 - ELECTRICAL

FIGURE 8-32. GROUND TO PLATFORM CABLE - MAIN BOOM (WITHOUT ARCTIC PACKAGE)

ITEM	PART NUMBER	QTY	DESCRIPTION	REV
	1001119018	Ref	GROUND TO PLATFORM CABLE - MAIN BOOM (WITHOUT ARCTIC PACKAGE)	C
2	4460865	1	Connector - 19 Position	
3	4460473	1	Clamp, Cable	
4	4460465	22	Socket, Female	
5	4460509	8	Socket, Female	
6	4460466	4	Plug, Terminal	
7	2820118	AR	Heat Shrink	
8	1001226400	1	Heat Shrink	

SECTION 8 - ELECTRICAL

FIGURE 8-33. GROUND TO PLATFORM CABLE - MAIN BOOM (WITH ARCTIC PACKAGE)



ART_1001119953

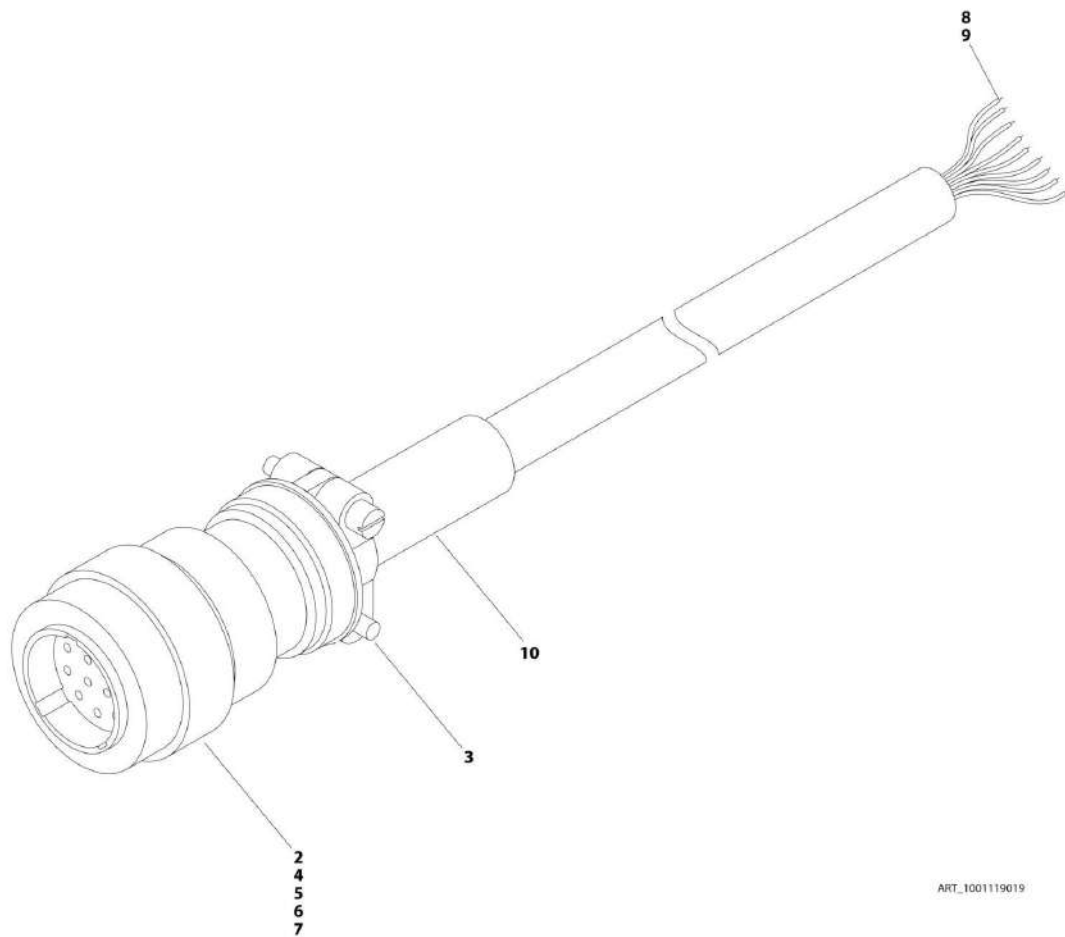
SECTION 8 - ELECTRICAL

FIGURE 8-33. GROUND TO PLATFORM CABLE - MAIN BOOM (WITH ARCTIC PACKAGE)

ITEM	PART NUMBER	QTY	DESCRIPTION	REV
	1001119953	Ref	GROUND TO PLATFORM CABLE - MAIN BOOM (WITH ARCTIC PACKAGE)	D
2	4460865	1	Connector - 19 Position	
3	4460473	1	Clamp, Cable	
4	4460465	22	Socket, Female	
5	4460509	8	Socket, Female	
6	4460466	4	Plug, Terminal	
7	2820118	AR	Heat Shrink	
8	1001226400	1	Heat Shrink	

SECTION 8 - ELECTRICAL

FIGURE 8-34. GROUND TO PLATFORM CABLE - TOWER BOOM (WITHOUT ARCTIC PACKAGE)



ART_1001119019

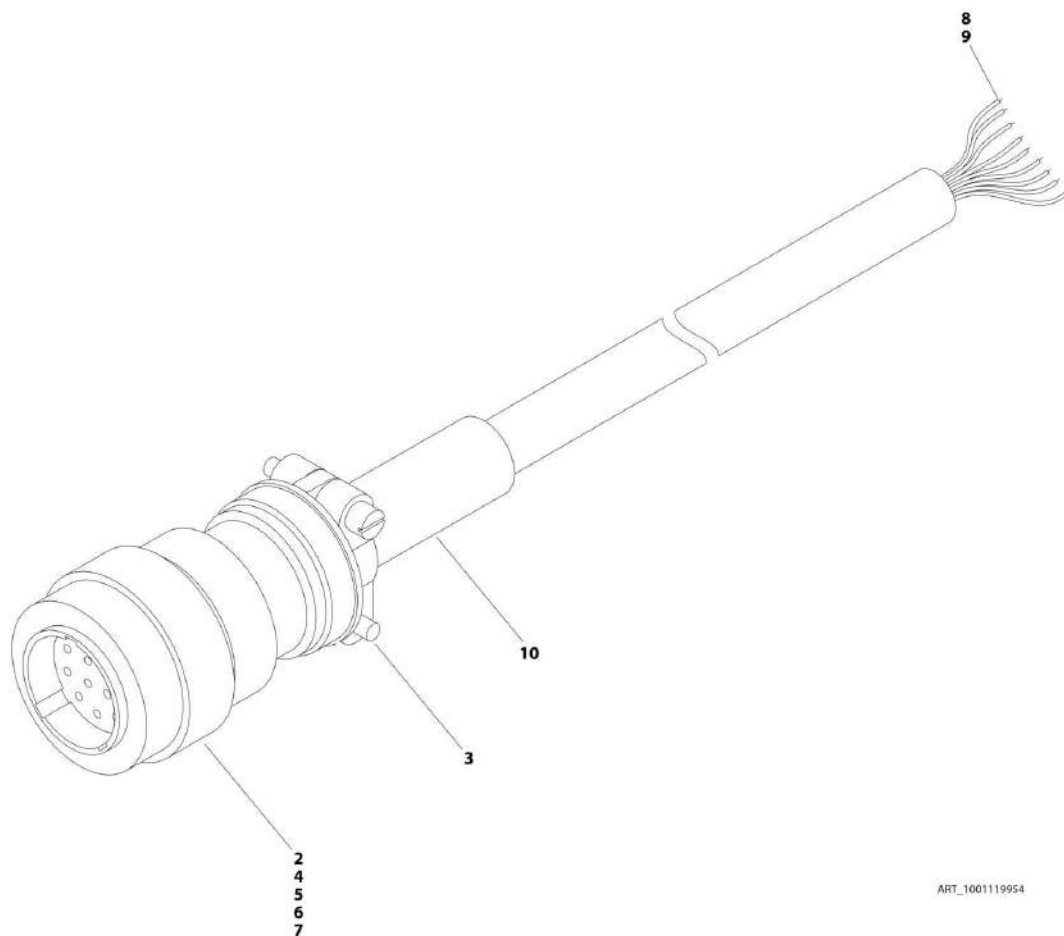
SECTION 8 - ELECTRICAL

FIGURE 8-34. GROUND TO PLATFORM CABLE - TOWER BOOM (WITHOUT ARCTIC PACKAGE)

ITEM	PART NUMBER	QTY	DESCRIPTION	REV
	1001119019	Ref	GROUND TO PLATFORM CABLE - TOWER BOOM (WITHOUT ARCTIC PACKAGE)	B
2	4460865	1	Connector - 19 Position	
3	4460473	1	Clamp, Cable	
4	4460465	11	Socket, Female	
5	4460509	4	Socket, Female	
6	4460466	4	Plug, Terminal	
7	2820118	AR	Heat Shrink	
8	4460464	11	Pin, Male	
9	4460508	4	Pin, Male	
10	1001226400	1	Heat Shrink	

SECTION 8 - ELECTRICAL

FIGURE 8-35. GROUND TO PLATFORM CABLE - TOWER BOOM (WITH ARCTIC PACKAGE)



ART_100119954

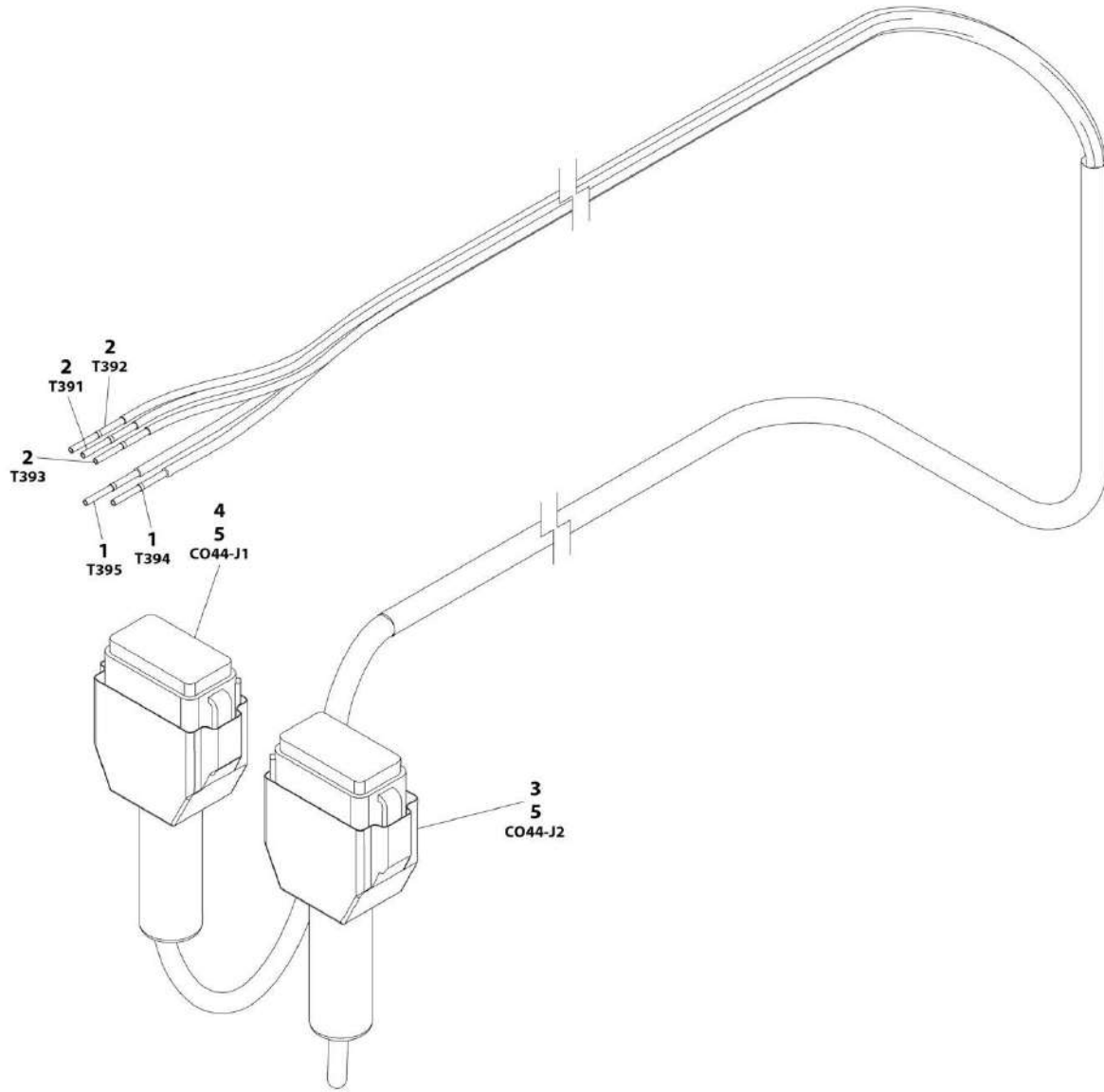
SECTION 8 - ELECTRICAL

FIGURE 8-35. GROUND TO PLATFORM CABLE - TOWER BOOM (WITH ARCTIC PACKAGE)

ITEM	PART NUMBER	QTY	DESCRIPTION	REV
	1001119954	Ref	GROUND TO PLATFORM CABLE - TOWER BOOM (WITH ARCTIC PACKAGE)	C
2	4460865	1	Connector - 19 Position	
3	4460473	1	Clamp, Cable	
4	4460465	11	Socket, Female	
5	4460509	4	Socket, Female	
6	4460466	4	Plug, Terminal	
7	2820118	AR	Heat Shrink	
8	4460464	11	Pin, Male	
9	4460508	4	Pin, Male	
10	1001226400	1	Heat Shrink	

SECTION 8 - ELECTRICAL

FIGURE 8-36. LSS HARNESS



ART_1001169598

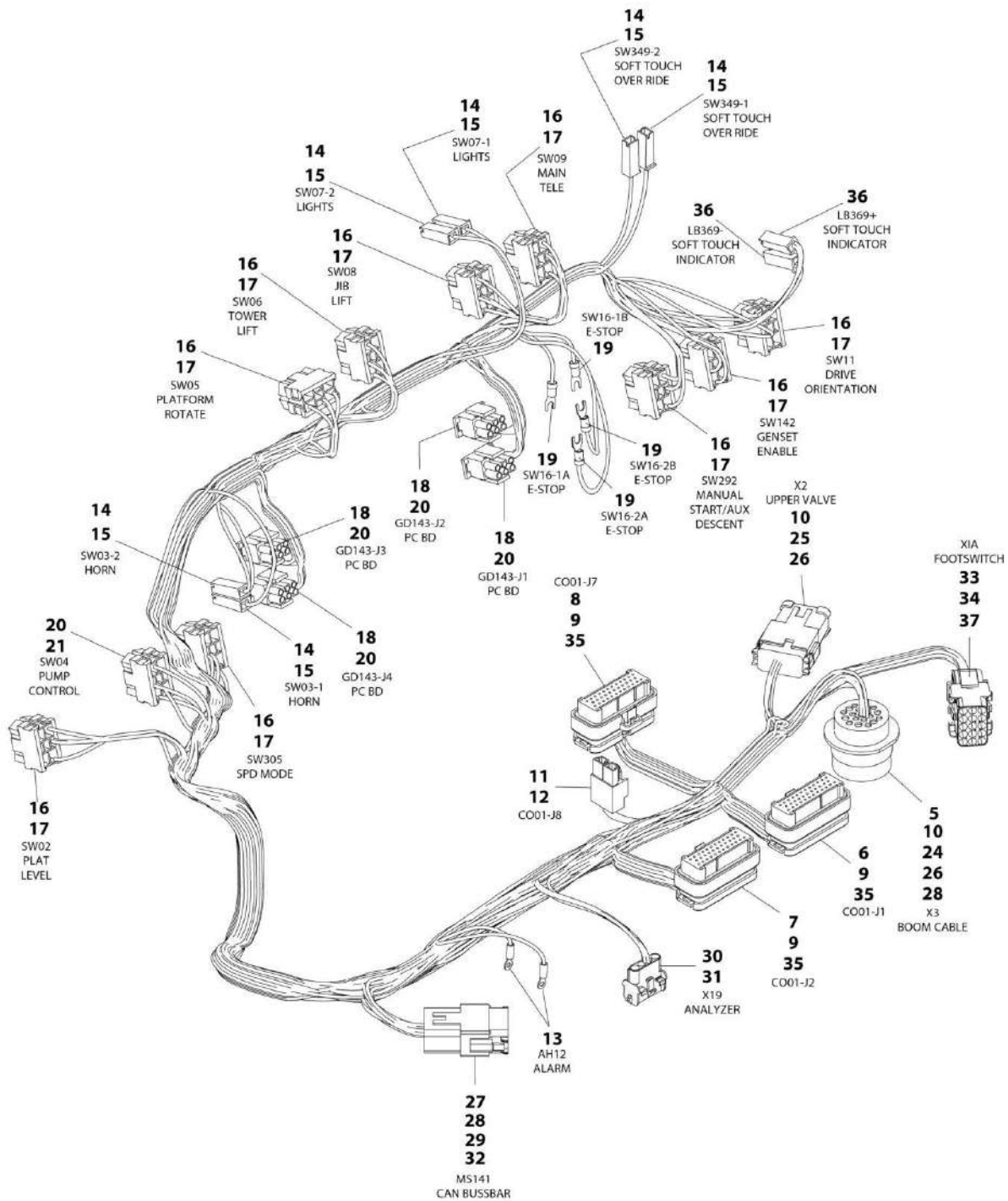
SECTION 8 - ELECTRICAL

FIGURE 8-36. LSS HARNESS

ITEM	PART NUMBER	QTY	DESCRIPTION	REV
	1001169598	Ref	LSS HARNESS	C
1	4460465	2	Socket, Female	
2	4460944	3	Socket, Female	
3	4460836	1	Connector - 12 Position	
3	4460944	3	Socket, Female	
3	4460466	9	Plug, Terminal	
3	1001174455	1	Boot	
4	4460933	1	Connector - 12 Position	
4	4460465	2	Socket, Female	
4	4460466	10	Plug, Terminal	
4	1001174455	1	Boot	
5	2820030	AR	Heat Shrink	

SECTION 8 - ELECTRICAL

FIGURE 8-37. PLATFORM CONSOLE HARNESS - WITHOUT SKYGUARD



ART_1001168701

SECTION 8 - ELECTRICAL

FIGURE 8-37. PLATFORM CONSOLE HARNESS - WITHOUT SKYGUARD

ITEM	PART NUMBER	QTY	DESCRIPTION	REV
	1001168701	Ref	PLATFORM CONSOLE HARNESS - WITHOUT SKYGUARD	D
5	4460866	1	Connector - 19 Position	
6	4460874	1	Connector - 35 Position (Natural)	
7	4460875	1	Connector - 35 Position (Gray)	
8	4460876	1	Connector - 35 Position (Blue)	
9	4460871	71	Socket, Female	
10	4460464	14	Pin, Male	
11	4460879	1	Connector - 2 Position	
12	4460887	2	Terminal	
13	1001098122	2	Terminal, Ring	
14	4460260	6	Connector - 1 Position	
15	4460259	6	Terminal	
16	4460418	9	Connector - 6 Position	
17	4460419	24	Terminal	
18	4460226	16	Socket, Female	
19	4460888	4	Terminal, Fork	
20	4460225	5	Connector - 6 Position	
21	4460227	5	Pin, Male	
22	2820118	AR	Heat Shrink	
23	2820019	AR	Heat Shrink	
24	4460508	2	Pin, Male	
25	4460970	1	Connector - 12 Position	
26	4460943	6	Pin, Male	
27	4460933	1	Connector - 12 Position	
28	4460466	12	Plug, Terminal	
29	4460944	9	Socket, Female	
30	4460761	1	Connector - 4 Position	
31	4460227	4	Pin, Male	
32	1001119020	1	Connector - 12 Position Bussbar	
33	4460434	1	Connector - 15 Position	
34	4460227	10	Pin, Male	
35	4460905	35	Plug, Terminal	
36	4460016	2	Terminal	

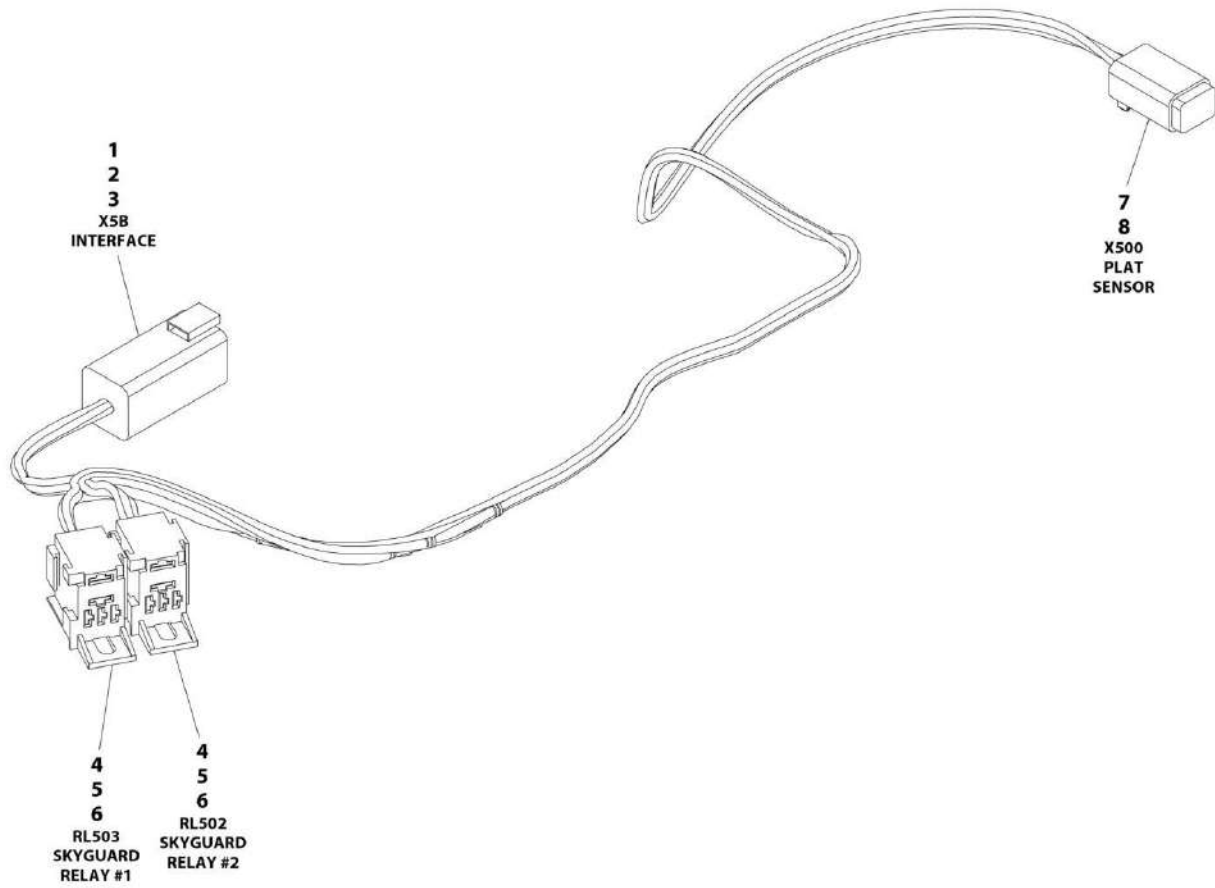
SECTION 8 - ELECTRICAL

FIGURE 8-38. PLATFORM CONSOLE HARNESS - WITH SKYGUARD

ITEM	PART NUMBER	QTY	DESCRIPTION	REV
	1001186228	Ref	PLATFORM CONSOLE HARNESS - WITH SKYGUARD	B
5	4460866	1	Connector - 19 Position	
6	4460874	1	Connector - 35 Position (Natural)	
7	4460875	1	Connector - 35 Position (Gray)	
8	4460876	1	Connector - 35 Position (Blue)	
9	4460871	71	Socket, Female	
10	4460464	14	Pin, Male	
11	4460879	1	Connector - 2 Position	
12	4460887	2	Terminal	
13	1001098122	2	Terminal, Ring	
14	4460260	6	Connector - 1 Position	
15	4460259	6	Terminal	
16	4460418	9	Connector - 6 Position	
17	4460419	24	Terminal	
18	4460226	16	Socket, Female	
19	4460888	4	Terminal, Fork	
20	4460225	5	Connector - 6 Position	
21	4460227	5	Pin, Male	
22	2820118	AR	Heat Shrink	
23	2820019	AR	Heat Shrink	
24	4460508	2	Pin, Male	
25	4460970	1	Connector - 12 Position	
26	4460943	6	Pin, Male	
27	4460933	1	Connector - 12 Position	
28	4460466	12	Plug, Terminal	
29	4460944	9	Socket, Female	
30	4460761	1	Connector - 4 Position	
31	4460227	4	Pin, Male	
32	1001119020	1	Connector - 12 Position Bussbar	
33	4460434	1	Connector - 15 Position	
34	4460227	10	Pin, Male	
35	4460905	35	Plug, Terminal	
36	4460016	2	Terminal	
37	4460267	1	Pin, Male	
38	4460226	3	Socket, Female	
39	4460884	1	Connector - 4 Position	
41	1001116720	4	Terminal	
42	1001118388	4	Terminal	
43	4460536	1	Connector - 3 Position	
44	4460539	1	Connector - 3 Position	
45	4460943	3	Pin, Male	
46	1001186431	2	Relay	
47	1001186432	2	Holder, Relay	

SECTION 8 - ELECTRICAL

FIGURE 8-39. GENERATOR TO PLATFORM HARNESS - WITH SKYGUARD



ART_1001225580

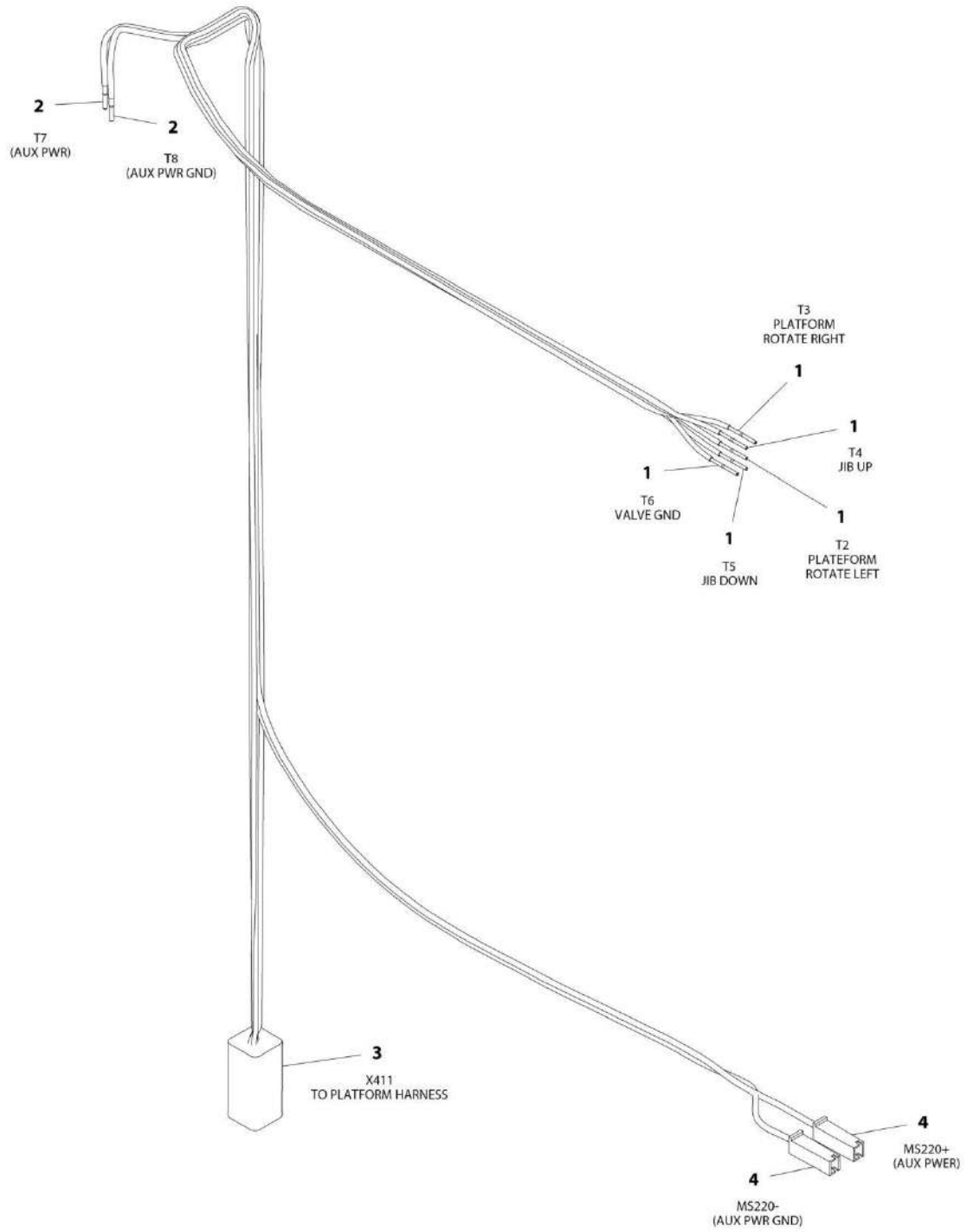
SECTION 8 - ELECTRICAL

FIGURE 8-39. GENERATOR TO PLATFORM HARNESS - WITH SKYGUARD

ITEM	PART NUMBER	QTY	DESCRIPTION	REV
	1001225580	Ref	GENERATOR TO PLATFORM HARNESS - WITH SKYGUARD	C
1	4460899	1	Connector	
2	4460464	4	Terminal	
3	4460466	2	Plug	
4	1001186432	2	Connector	
5	1001116720	4	Terminal	
6	1001118388	4	Terminal	
7	4460844	1	Connector	
8	4460465	4	Terminal	

SECTION 8 - ELECTRICAL

FIGURE 8-40. PLATFORM TO BOOM VALVE HARNESS



ART_1001169422

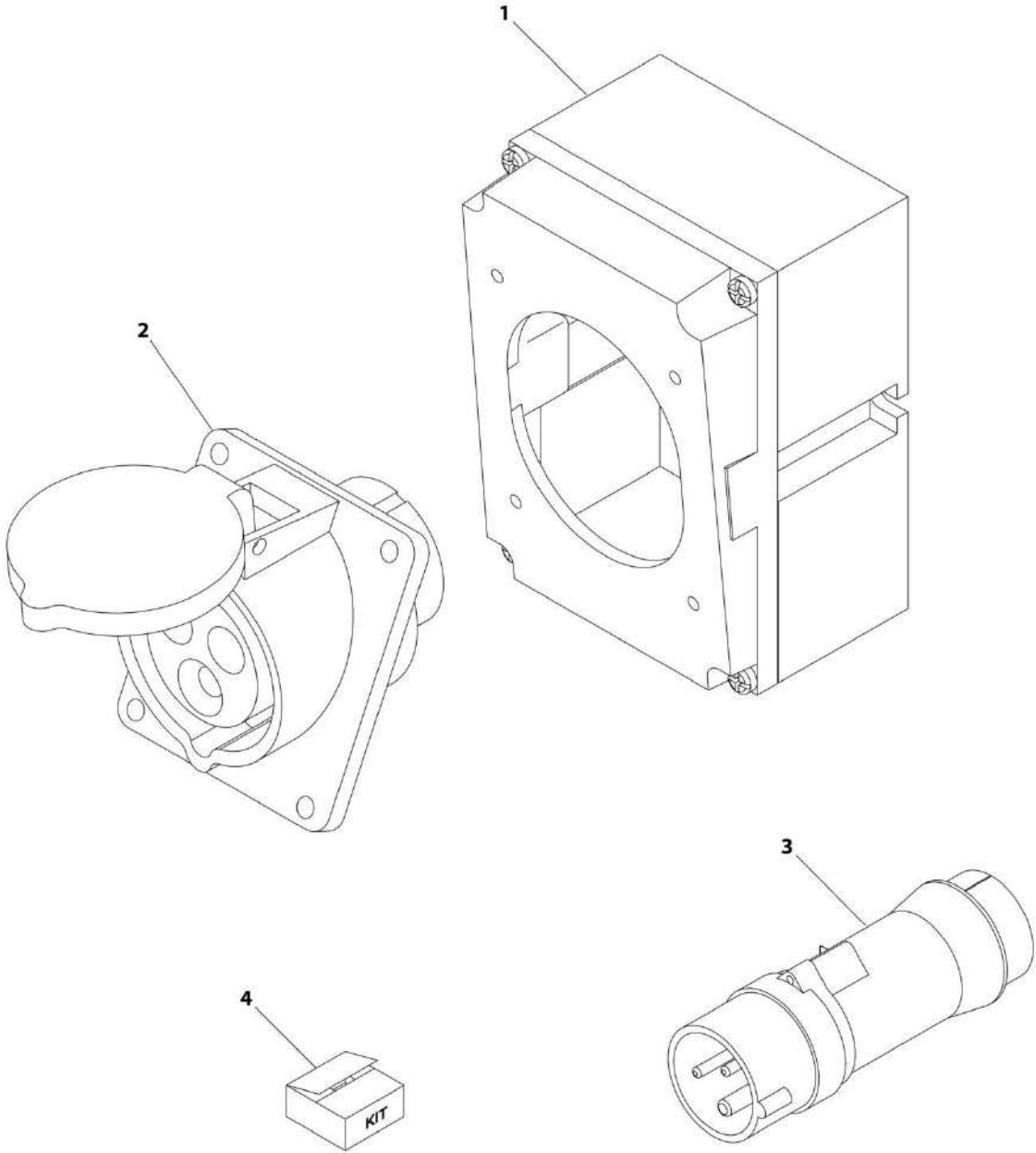
SECTION 8 - ELECTRICAL

FIGURE 8-40. PLATFORM TO BOOM VALVE HARNESS

ITEM	PART NUMBER	QTY	DESCRIPTION	REV
	1001169422	Ref	PLATFORM TO BOOM VALVE HARNESS	A
1	4460465	5	Socket, Female	
2	4460508	2	Pin, Male	
3	4460899	1	Connector - 6 Position	
3	4460464	5	Pin, Male	
3	4460466	1	Plug, Terminal	
4	4460260	2	Connector - 1 Position	
4	4460259	2	Terminal	

SECTION 8 - ELECTRICAL

FIGURE 8-41. RECEPTACLE BOX KIT - 110V IEC YELLOW (CE SPEC)



ART_0275216

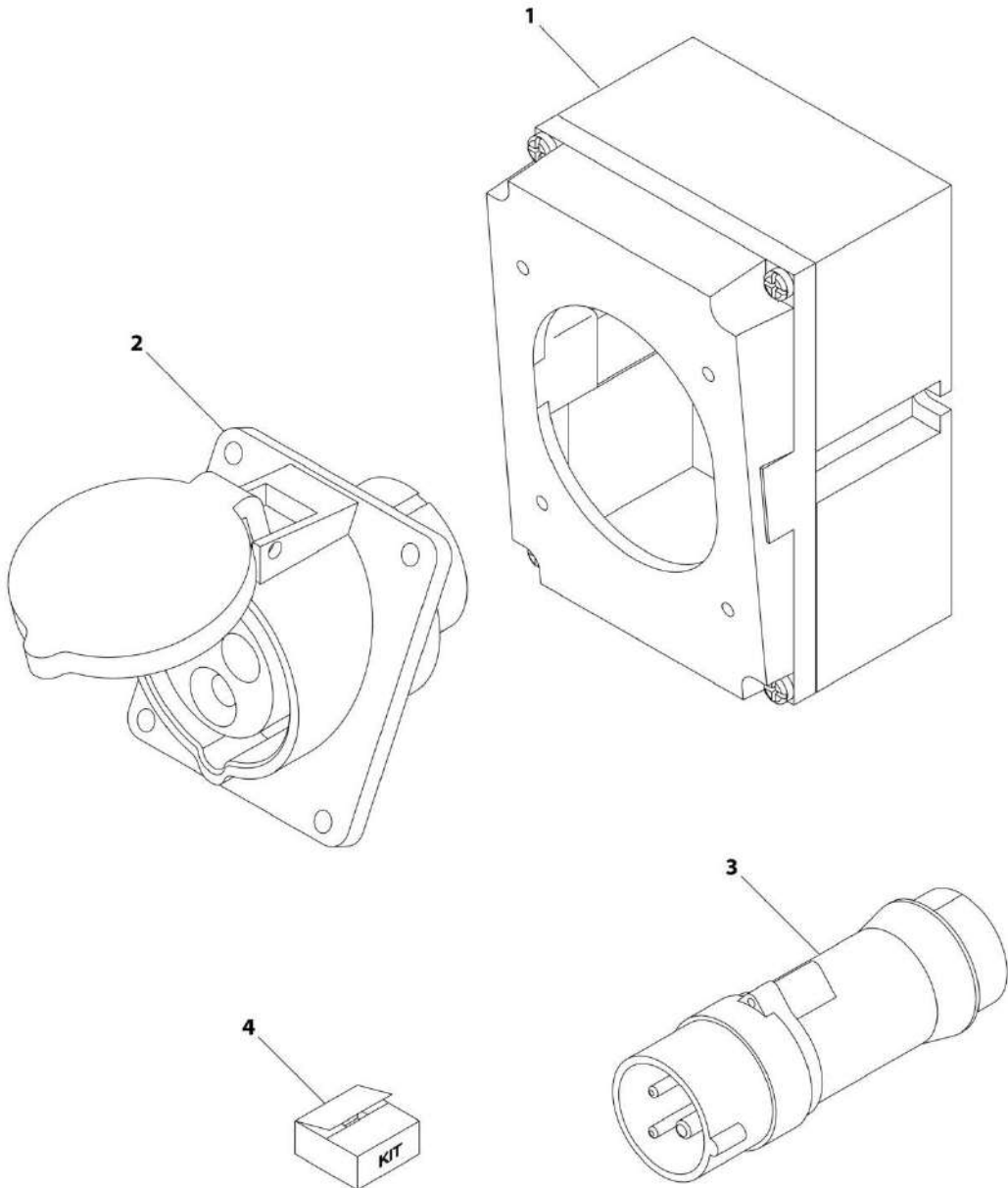
SECTION 8 - ELECTRICAL

FIGURE 8-41. RECEPTACLE BOX KIT - 110V IEC YELLOW (CE SPEC)

ITEM	PART NUMBER	QTY	DESCRIPTION	REV
	0275216	Ref	RECEPTACLE BOX KIT - 110V IEC YELLOW (CE SPEC)	B
1	0861781	1	Box, Switch	
2	4461198	1	Receptacle	
3	4461196	1	Plug, Male	
4	1001100341	1	Plug and Socket Kit (Includes Items 1-3 and Female Plug p/n 4461197)	

SECTION 8 - ELECTRICAL

FIGURE 8-42. RECEPTACLE BOX KIT - 220V IEC BLUE (CE SPEC)



ART_0275217

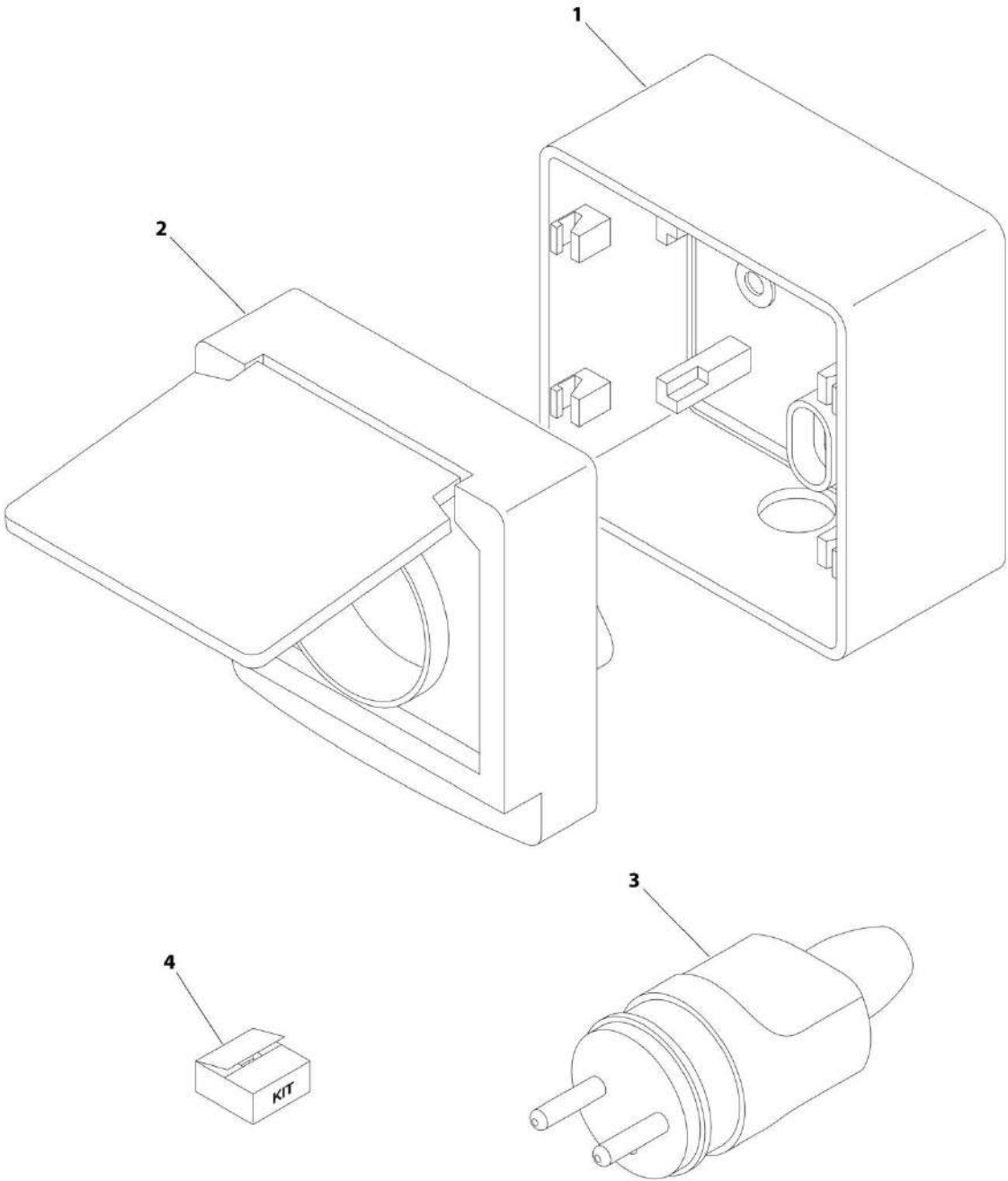
SECTION 8 - ELECTRICAL

FIGURE 8-42. RECEPTACLE BOX KIT - 220V IEC BLUE (CE SPEC)

ITEM	PART NUMBER	QTY	DESCRIPTION	REV
	0275217	Ref	RECEPTACLE BOX KIT - 220V IEC BLUE (CE SPEC)	B
1	0861781	1	Box, Switch	
2	4461201	1	Receptacle	
3	4461199	1	Plug, Male	
4	1001100342	1	Plug and Socket Kit (Includes Items 1-3 and Female Plug p/n 4461200)	

SECTION 8 - ELECTRICAL

FIGURE 8-43. RECEPTACLE BOX KIT - 220V CEE7 POST GROUND 70MMX70MM BOX (CE SPEC)



ART_0275218

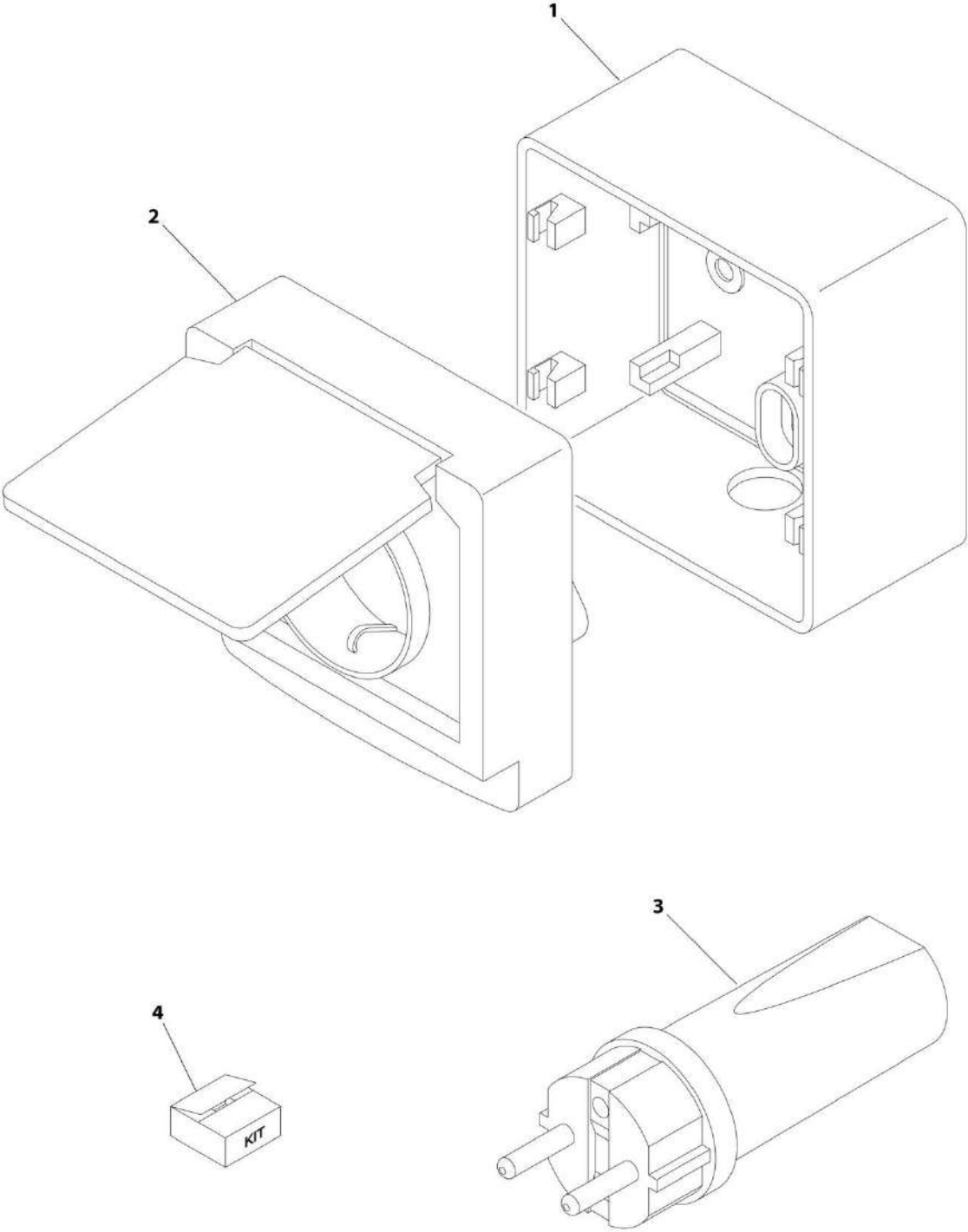
SECTION 8 - ELECTRICAL

FIGURE 8-43. RECEPTACLE BOX KIT - 220V CEE7 POST GROUND 70MMX70MM BOX (CE SPEC)

ITEM	PART NUMBER	QTY	DESCRIPTION	REV
	0275218	Ref	RECEPTACLE BOX KIT - 220V CEE7 POST GROUND 70MM X 70MM BOX (CE SPEC)	C
1	1001141967	1	Box, Switch	
2	1001141968	1	Receptacle	
3	4461205	1	Plug, Male	
4	1001141971	1	Plug and Socket Kit (Includes Items 1-3 and Female Plug p/n 4461206)	

SECTION 8 - ELECTRICAL

FIGURE 8-44. RECEPTACLE BOX KIT - 220V CEE7 SIDE GROUND 70MMX70MM BOX (CE SPEC)



ART_0275219

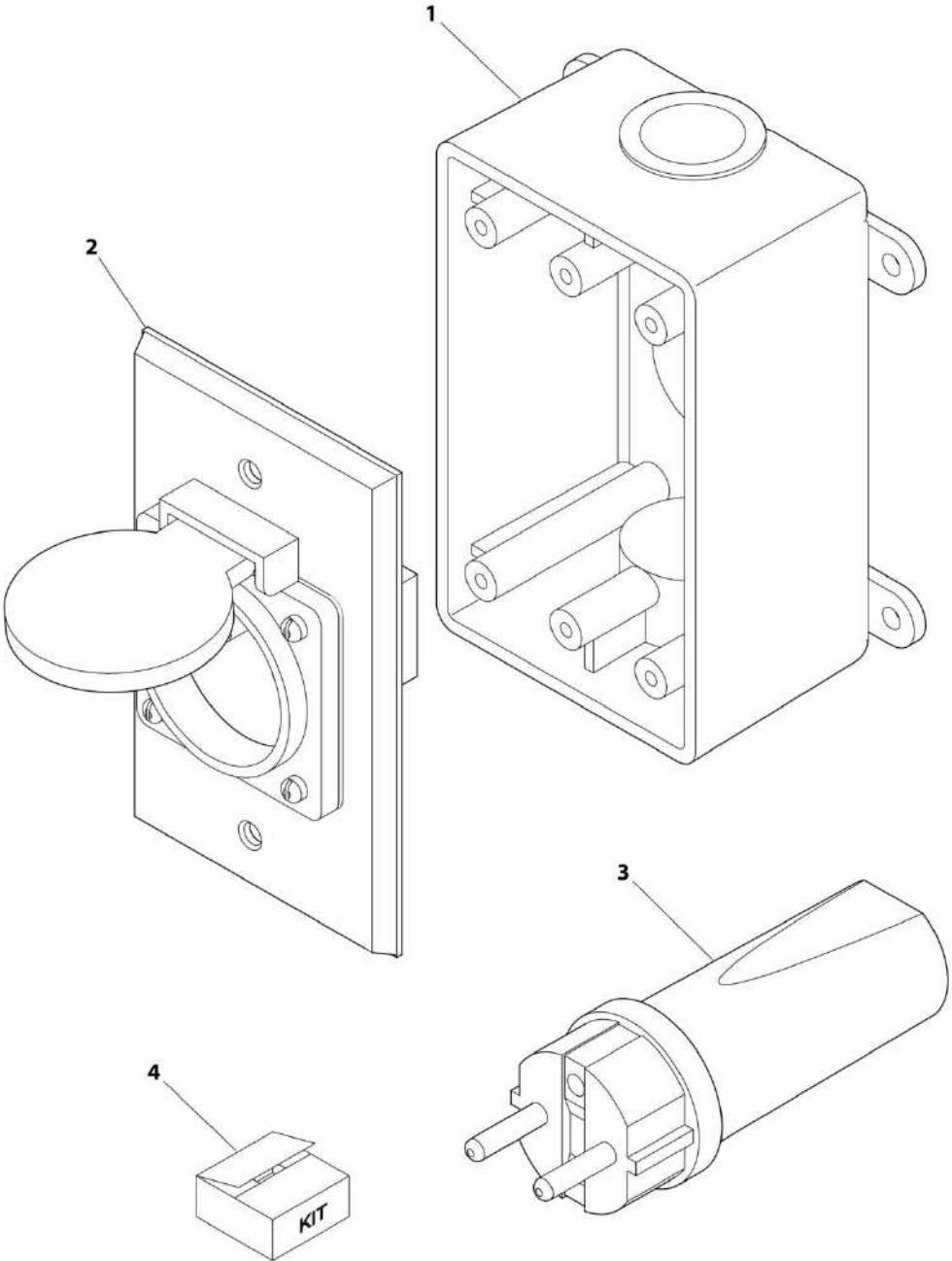
SECTION 8 - ELECTRICAL

FIGURE 8-44. RECEPTACLE BOX KIT - 220V CEE7 SIDE GROUND 70MMX70MM BOX (CE SPEC)

ITEM	PART NUMBER	QTY	DESCRIPTION	REV
	0275219	Ref	RECEPTACLE BOX KIT - 220V CEE7 SIDE GROUND 70MM X 70MM BOX (CE SPEC)	B
1	1001141967	1	Box, Switch	
2	1001141969	1	Receptacle	
3	4461205	1	Plug, Male	
4	1001141970	1	Plug and Socket Kit (Includes Items 1-3 and Female Plug p/n 4461206)	

SECTION 8 - ELECTRICAL

FIGURE 8-45. RECEPTACLE BOX KIT - 220V CEE7 POST GROUND 2IN X 4IN BOX (CE SPEC)



ART_0275452

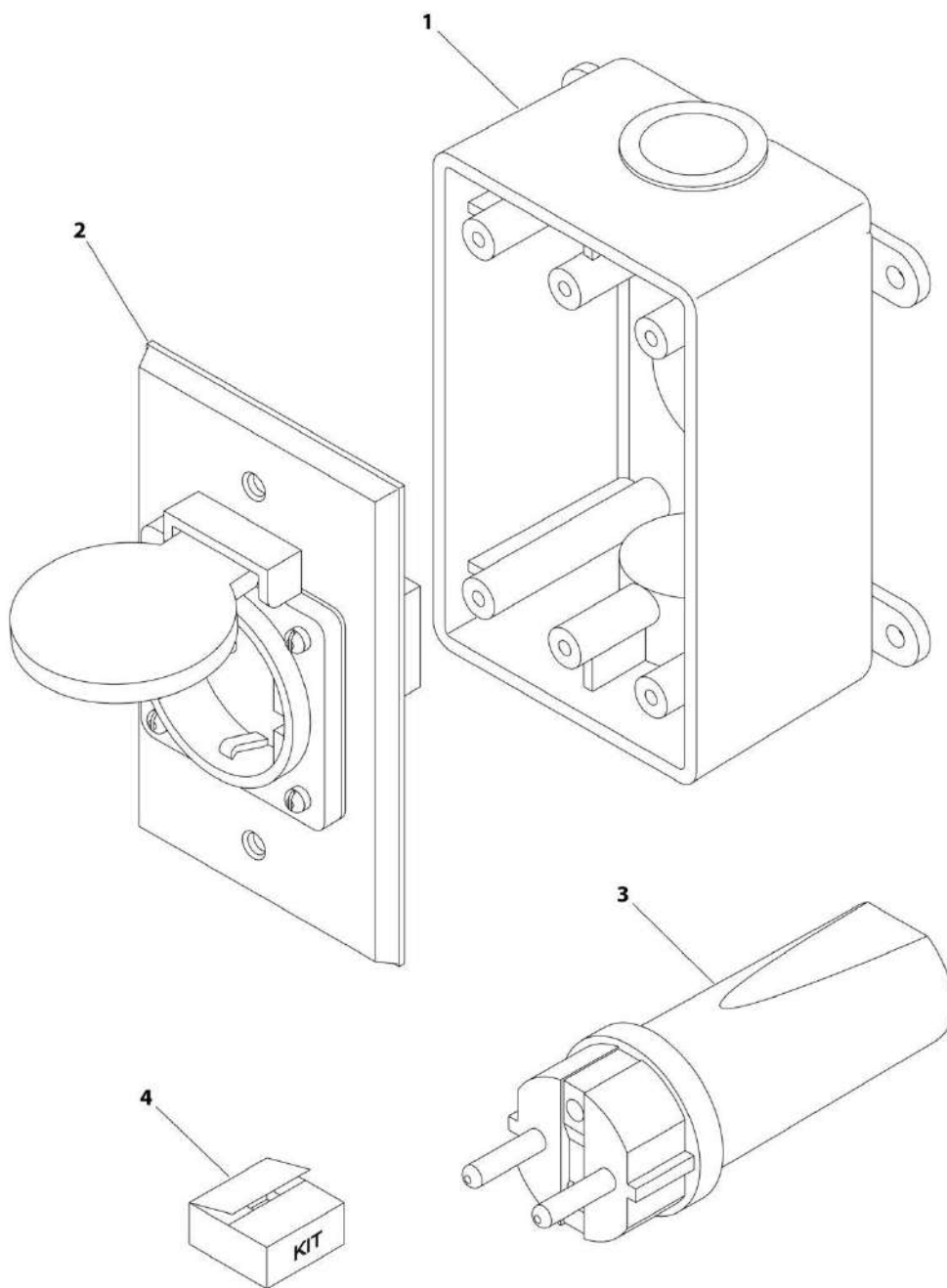
SECTION 8 - ELECTRICAL

FIGURE 8-45. RECEPTACLE BOX KIT - 220V CEE7 POST GROUND 2IN X 4IN BOX (CE SPEC)

ITEM	PART NUMBER	QTY	DESCRIPTION	REV
	0275452	Ref	RECEPTACLE BOX KIT - 220V CEE7 POST GROUND 2IN X 4IN BOX (CE SPEC)	C
1	0861731	1	Box, Switch	
2	4461244	1	Receptacle	
3	4461205	1	Plug, Male	
4	1001100345	1	Plug and Socket Kit (Includes Items 1-3 and Female Plug p/n 4461206)	

SECTION 8 - ELECTRICAL

FIGURE 8-46. RECEPTACLE BOX KIT - 220V CEE7 SIDE GROUND 2IN X 4IN BOX (CE SPEC)



ART_0275453

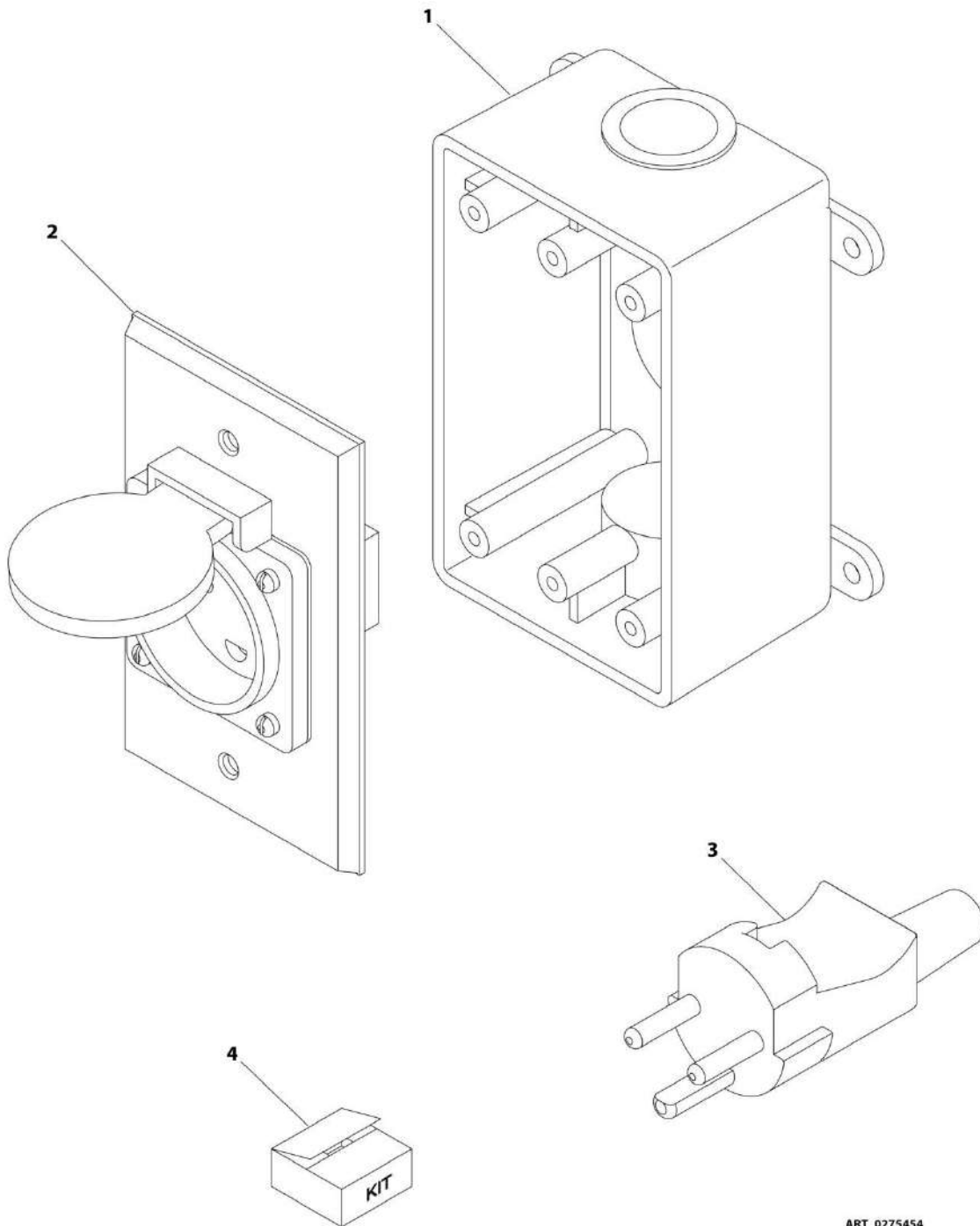
SECTION 8 - ELECTRICAL

FIGURE 8-46. RECEPTACLE BOX KIT - 220V CEE7 SIDE GROUND 2IN X 4IN BOX (CE SPEC)

ITEM	PART NUMBER	QTY	DESCRIPTION	REV
	0275453	Ref	RECEPTACLE BOX KIT - 220V CEE7 SIDE GROUND 2IN X 4IN BOX (CE SPEC)	B
1	0861731	1	Box, Switch	
2	4461245	1	Receptacle	
3	4461205	1	Plug, Male	
4	1001100347	1	Plug and Socket Kit (Includes Items 1-3 and Female Plug p/n 4461206)	

SECTION 8 - ELECTRICAL

FIGURE 8-47. RECEPTACLE BOX KIT - 220V AFSINT 107 (CE SPEC)



ART_0275454

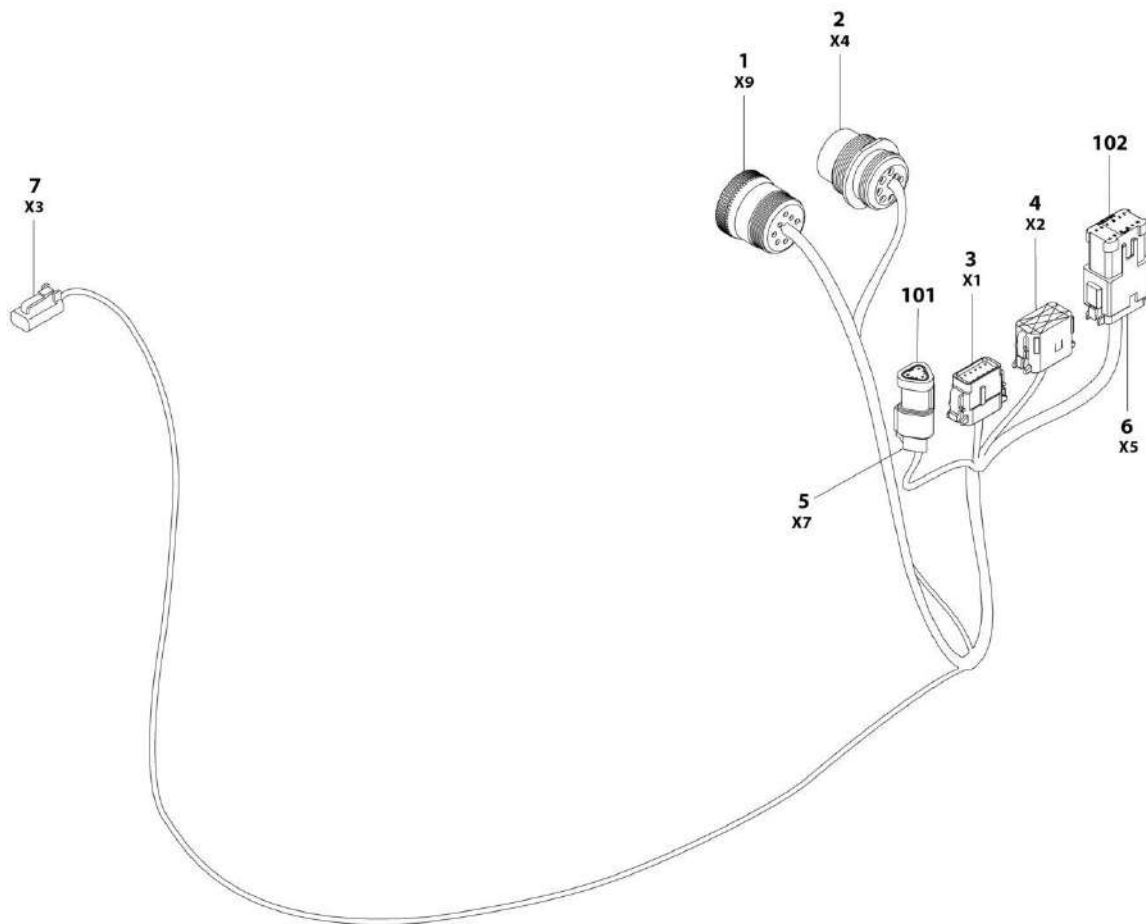
SECTION 8 - ELECTRICAL

FIGURE 8-47. RECEPTACLE BOX KIT - 220V AFSINT 107 (CE SPEC)

ITEM	PART NUMBER	QTY	DESCRIPTION	REV
	0275454	Ref	RECEPTACLE BOX KIT - 220V AFSINT 107 (CE SPEC)	B
1	0861731	1	Box, Switch	
2	4461246	1	Receptacle	
3	4461249	1	Plug, Male	
4	1001100346	1	Plug and Socket Kit (Includes Items 1-3 and Female Plug p/n 4461250)	

SECTION 8 - ELECTRICAL

FIGURE 8-48. STROBE LIGHT HARNESS (BLUE AND RED LIGHTS)



ART_1001142736

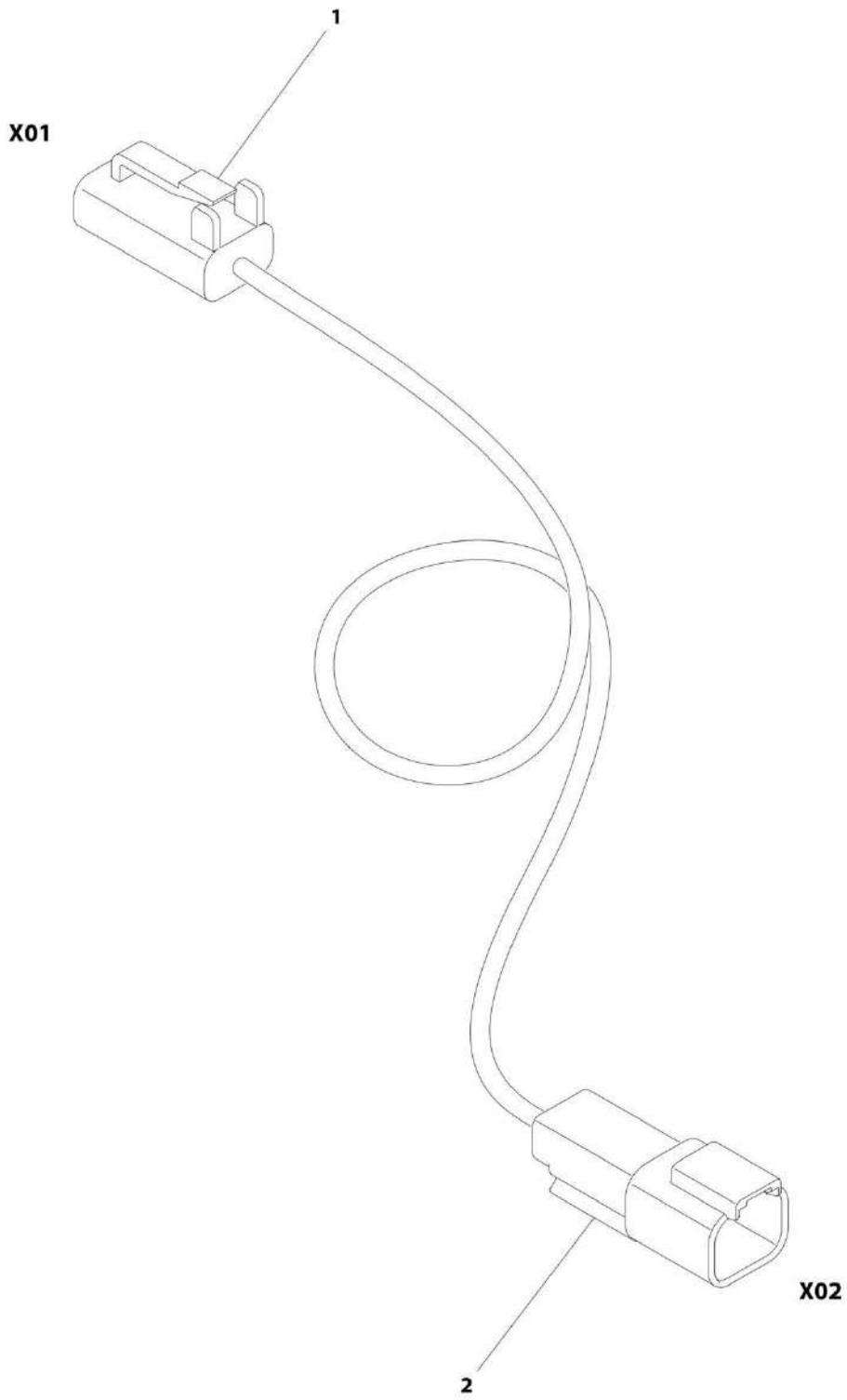
SECTION 8 - ELECTRICAL

FIGURE 8-48. STROBE LIGHT HARNESS (BLUE AND RED LIGHTS)

ITEM	PART NUMBER	QTY	DESCRIPTION	REV
	1001142736	Ref	STROBE LIGHT HARNESS (BLUE AND RED LIGHTS)	F
1	1001112796	1	Connector - 9 Position	
1	4460465	6	Socket, Female	
1	4460466	3	Plug, Socket	
2	1001112612	1	Connector - 9 Position	
2	4460464	6	Pin, Male	
2	4460466	3	Plug, Socket	
3	1001116808	1	Connector - 12 Position	
3	4460928	3	Socket, Female	
3	4460518	9	Plug, Socket	
4	1001116774	1	Connector - 12 Position	
4	4460928	3	Socket, Female	
4	4460518	9	Plug, Socket	
5	4461095	1	Connector - 3 Position	
5	4460465	3	Socket, Female	
6	4460933	1	Connector - 12 Position	
6	4460465	12	Socket, Female	
7	4460891	1	Connector - 2 Position	
7	4460465	2	Socket, Female	
101	4461070	1	Connector - 3 Position	
102	1001119020	1	Connector, Female Bussbar - 12 Position	

SECTION 8 - ELECTRICAL

FIGURE 8-49. STROBE EXTENSION HARNESS (BLUE AND RED LIGHTS)



ART_1001159027

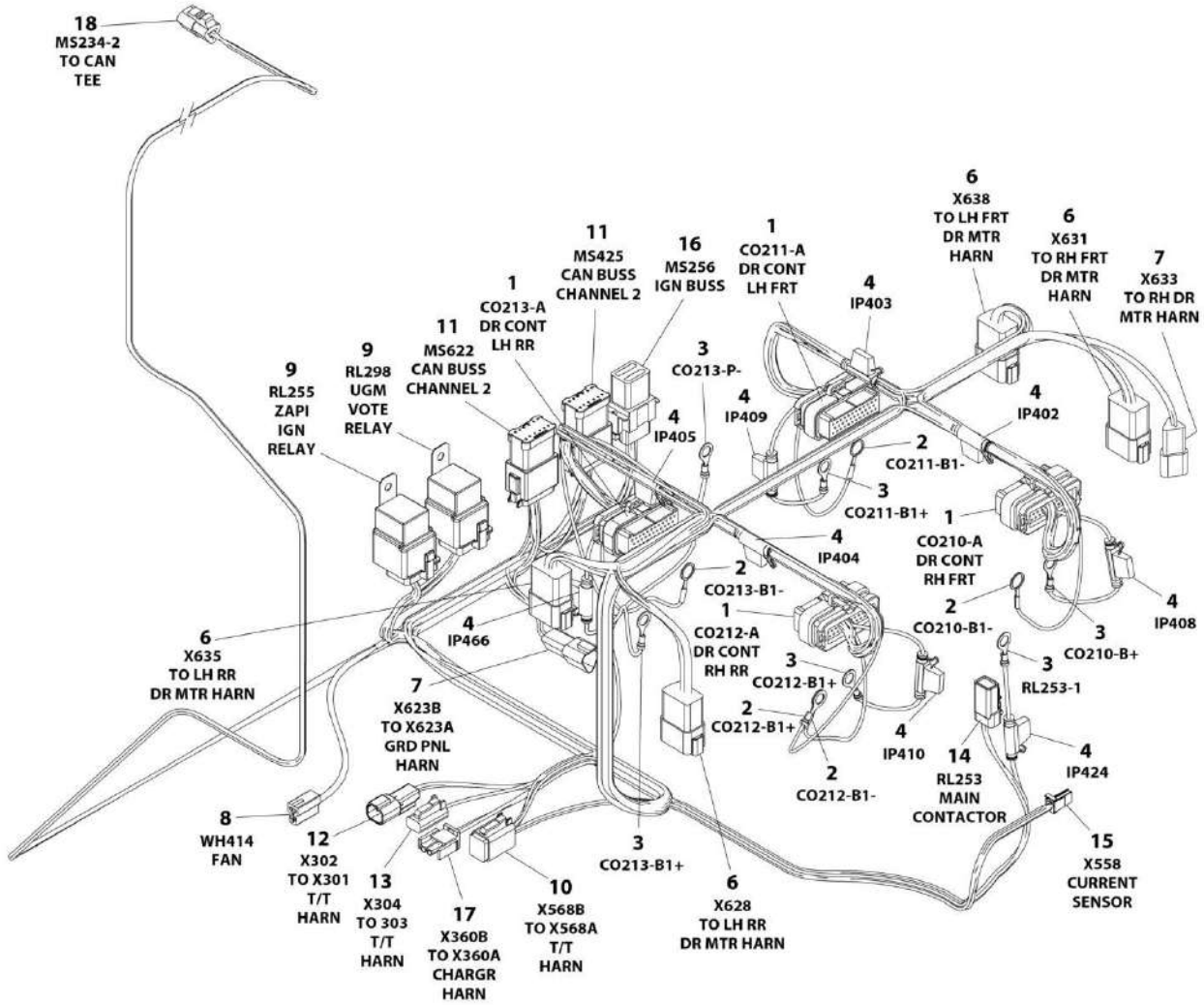
SECTION 8 - ELECTRICAL

FIGURE 8-49. STROBE EXTENSION HARNESS (BLUE AND RED LIGHTS)

ITEM	PART NUMBER	QTY	DESCRIPTION	REV
	1001159027	Ref	STROBE EXTENSION HARNESS (BLUE AND RED LIGHTS)	B
1	4460891	1	Plug, Male -2 Position	
1	4460465	2	Socket, Female	
2	4460897	1	Receptacle, Female	
2	4460464	2	Pin, Male	

SECTION 8 - ELECTRICAL

FIGURE 8-50. TRACTION HARNESS



ART_1001161871

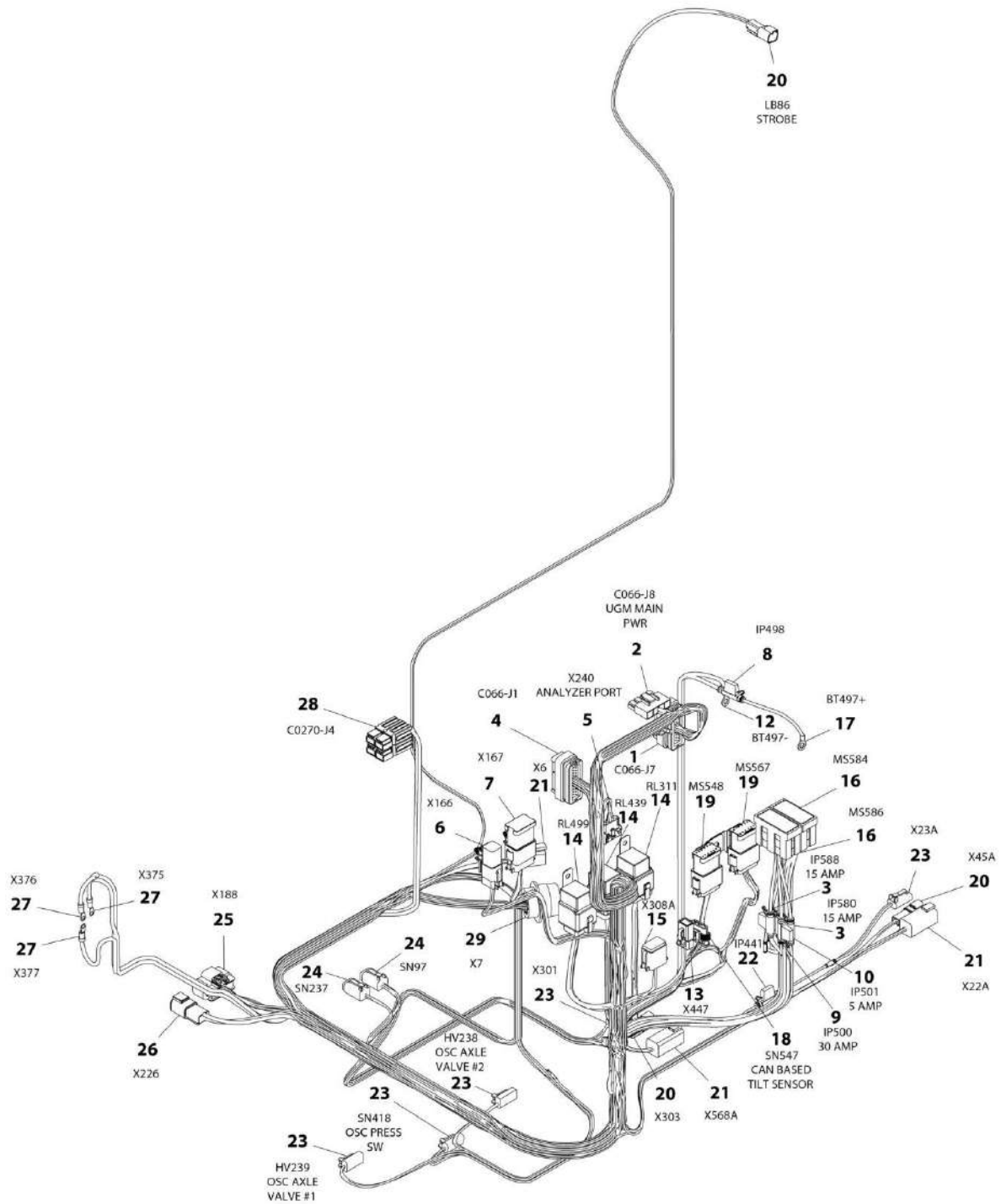
SECTION 8 - ELECTRICAL

FIGURE 8-50. TRACTION HARNESS

ITEM	PART NUMBER	QTY	DESCRIPTION	REV
	1001161871	Ref	TRACTION HARNESS	J
1	4460873	4	Connector - 35 Position	
1	4460871	60	Socket, Female	
1	4460905	80	Plug, Terminal	
2	4460703	5	Terminal, Ring	
3	4460670	5	Terminal, Ring	
4	2400060	9	Fuseholder with Cover	
4	1001170760	9	Fuse 10Amp	
6	4460931	4	Receptacle, Female - 8 Position	
6	4460464	32	Pin, Male	
7	4460536	2	Receptacle, Female - 3 Position	
7	4460464	6	Pin, Male	
8	4460994	1	Receptacle, Female - 2 Position	
8	1001116723	2	Terminal	
9	1001171295	2	Relay	
9	4460374	2	Plug, Relay	
9	4460375	8	Terminal	
10	4460894	1	Plug, Male - 6 Position	
10	4460465	5	Socket, Female	
10	4460466	1	Plug, Terminal	
11	4460933	2	Plug, Male - 12 Position	
11	4460944	24	Socket, Female	
11	1001119020	2	Bussbar - 12 Position	
12	4460897	1	Receptacle, Female - 2 Position	
12	4460464	2	Pin, Male	
13	4460891	1	Plug, Male - 2 Position	
13	4460465	1	Socket, Female	
13	4460466	1	Plug, Terminal	
14	1001126245	1	Receptacle, Female - 2 Position	
14	1001126008	2	Terminal	
15	1001183402	1	Connector - 4 Position	
15	1001183405	4	Terminal	
16	4460851	1	Plug, Male - 12 Position	
16	4460465	6	Socket, Female	
16	4460942	1	Socket, Female	
16	4460466	1	Plug, Terminal	
16	4460852	1	Bussbar - 12 Position	
17	4460320	1	Plug, Male - 2 Position	
17	4460267	2	Terminal	
18	4460539	1	Plug, Male - 3 Position	
18	4460944	3	Socket, Female	

SECTION 8 - ELECTRICAL

FIGURE 8-51. TURNTABLE HARNESS



ART_1001165923

SECTION 8 - ELECTRICAL

FIGURE 8-51. TURNTABLE HARNESS

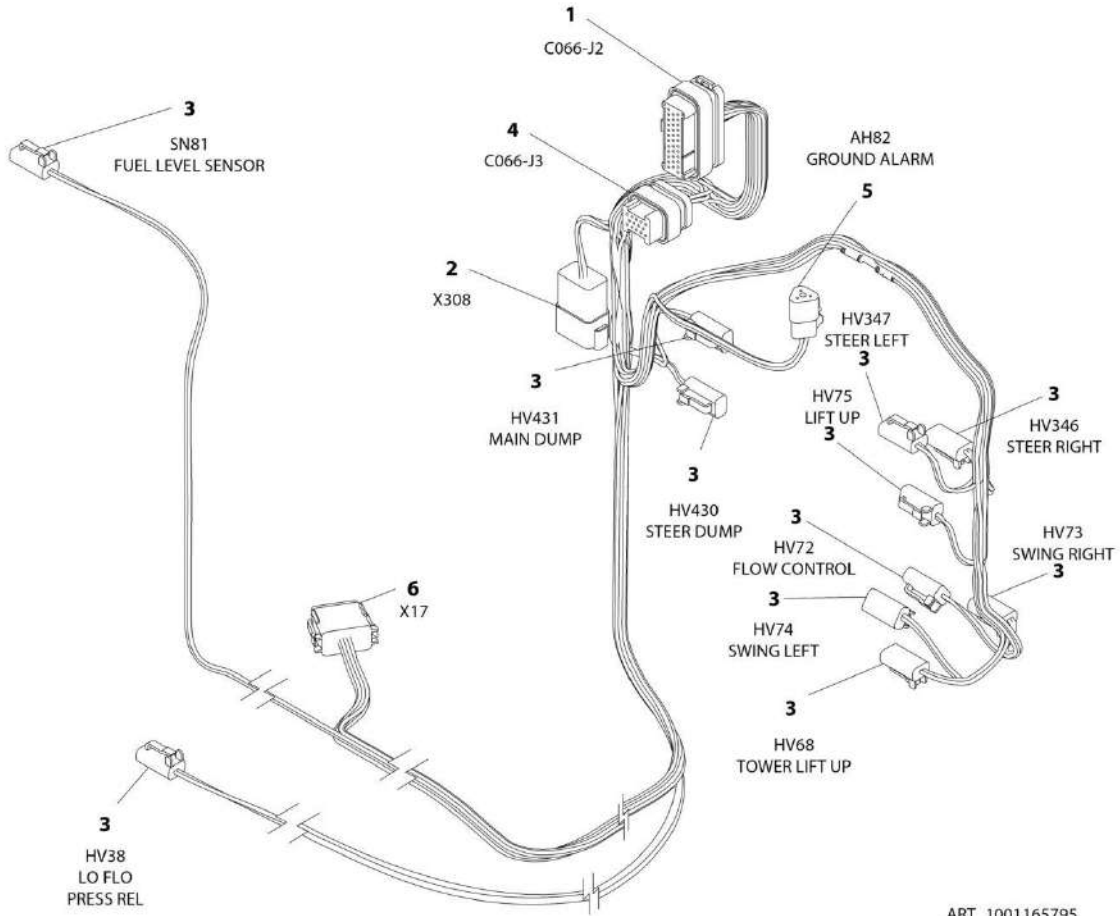
ITEM	PART NUMBER	QTY	DESCRIPTION	REV
	1001165923	Ref	TURNTABLE HARNESS	H
1	4460873	1	Connector - 35 Position (Black)	
1	4460871	24	Socket, Female	
1	4460905	11	Plug, Terminal	
2	4460878	1	Connector - 4 Position	
2	4460887	4	Terminal	
3	2400066	2	Fuseholder Less Fuse	
3	8229244	2	Fuse 15Amp	
4	4460874	1	Connector - 35 Position (Natural)	
4	4460871	20	Socket, Female	
4	4460905	15	Plug, Terminal	
5	4460761	1	Connector - 4 Position	
5	4460227	4	Pin, Male	
6	4460894	1	Connector - 6 Position	
6	4460465	4	Socket, Female	
6	4460466	2	Plug, Terminal	
6	4460892	1	Connector - 6 Position Bussbar	
6	1001121172	1	Mount, Terminal	
7	4460836	1	Connector - 12 Position	
7	4460465	5	Socket, Female	
7	4460466	7	Plug, Terminal	
7	4460837	1	Connector - 12 Position Bussbar	
7	1001121172	1	Mount, Terminal	
8	1001172064	1	Fuseholder Less Fuse	
8	1001172227	1	Fuse 40Amp ATO	
9	2400066	1	Fuseholder Less Fuse	
9	2400065	1	Fuse 30 Amp	
10	2400066	1	Fuseholder Less Fuse	
10	2400064	1	Fuse 5Amp	
11	3990010	2	Diode 6Amp	
12	4460312	1	Ring, Terminal	
12	1001176230	1	Boot, Battery	
13	4461018	1	Connector - 2 Position	
13	4460509	2	Socket, Female	
14	1001117025	3	Connector - 5 Position Relay	
14	1001116734	4	Terminal, Female	
14	1001116732	6	Terminal, Female	
14	1001116733	2	Terminal, Female	
15	4460930	1	Connector - 8 Position	
15	4460465	3	Socket, Female	
15	4460466	3	Plug, Terminal	
16	1001184846	2	Connector - 10 Position Bussbar	
16	4460509	15	Socket, Female	
16	4460466	5	Plug, Terminal	
17	4460312	1	Ring, Terminal	
17	1001176229	1	Boot, Battery	
18	1001103012	1	Connector - 4 Position	
18	1001107854	1	Socket, Female	
19	4460933	2	Connector - 12 Position	
19	4460465	14	Socket, Female	

SECTION 8 - ELECTRICAL

ITEM	PART NUMBER	QTY	DESCRIPTION	REV
19	4460466	10	Plug, Terminal	
19	1001119020	2	Connector, Bussbar	
19	1001155967	2	Bracket, Mounting	
20	4460897	3	Connector - 2 Position	
20	4460464	6	Pin, Male	
21	4460899	3	Connector - 6 Position	
21	4460464	14	Pin, Male	
21	4460466	4	Plug, Terminal	
22	2400060	1	Fuseholder Less Fuse	
22	See Note	1	Fuse 10Amp (Note: Not Available - Purchase Locally)	
23	4460891	5	Connector - 2 Position	
23	4460465	10	Socket, Female	
24	4460884	2	Connector - 4 Position	
24	4460465	7	Socket, Female	
24	4460466	1	Plug, Terminal	
25	4461110	1	Connector - 16 Position	
25	4461112	9	Terminal, Female	
25	4461222	7	Plug, Terminal	
26	4461017	1	Connector - 2 Position	
26	4460508	2	Pin, Male	
27	4460142	3	Ring, Terminal	
28	1001151788	1	Connector - 4 Position	
28	1001151824	2	Terminal	
29	4460866	1	Connector - 19 Position	
29	4460943	3	Pin, Male	
29	4460508	4	Pin, Male	
29	4460464	4	Pin, Male	
29	4460466	8	Plug, Terminal	

SECTION 8 - ELECTRICAL

FIGURE 8-52. VALVE HARNESS



ART_1001165795

SECTION 8 - ELECTRICAL

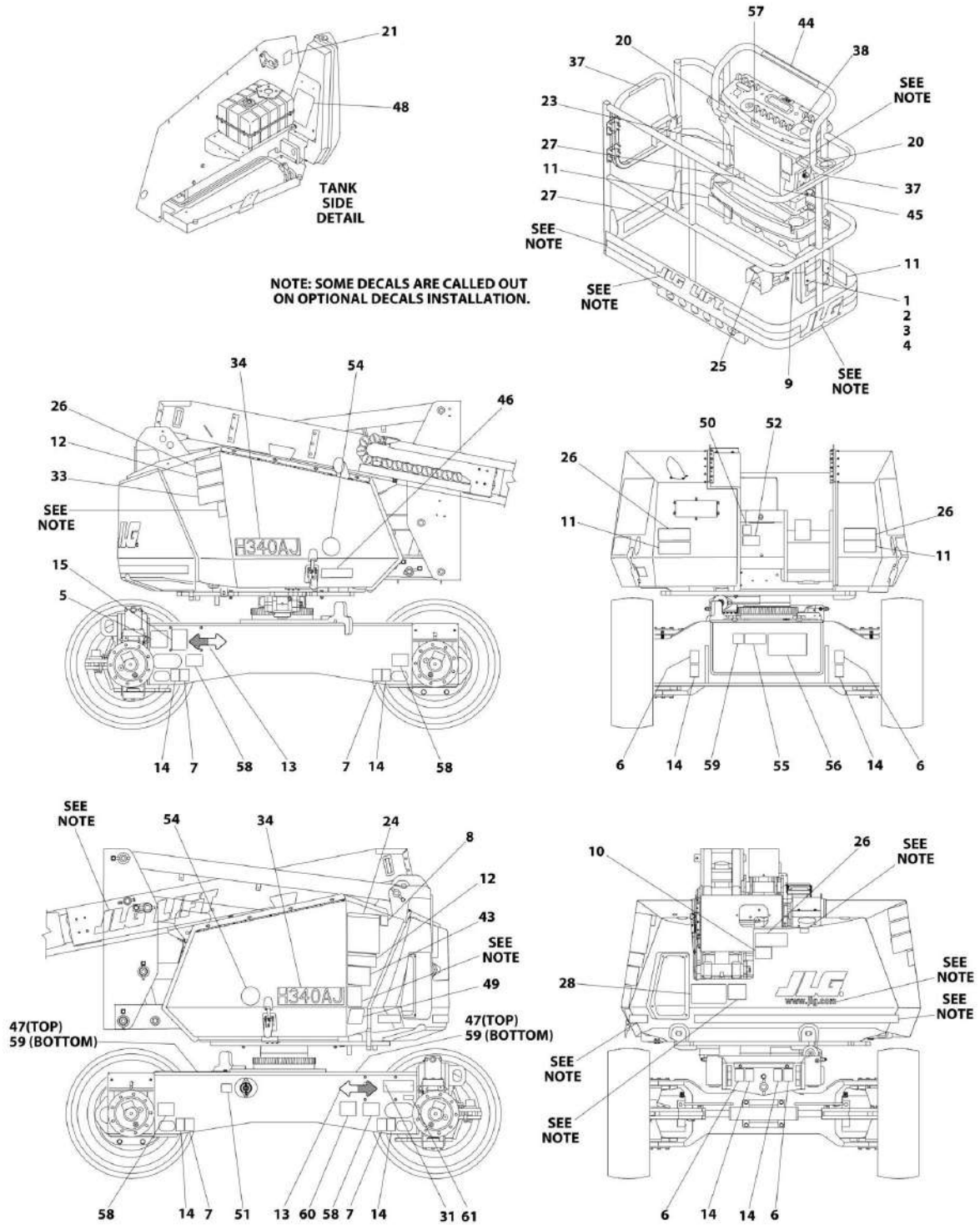
FIGURE 8-52. VALVE HARNESS

ITEM	PART NUMBER	QTY	DESCRIPTION	REV
	1001165795	Ref	VALVE HARNESS	E
1	4460875	1	Connector - 35 Position	
1	4460871	24	Socket, Female	
1	4460905	11	Plug, Terminal	
2	4460931	1	Connector - 8 Position	
2	4460464	3	Pin, Male	
2	4460466	5	Plug, Terminal	
3	4460891	11	Connector - 2 Position	
3	4460465	22	Socket, Female	
4	4460872	1	Connector - 14 Position	
4	4460871	7	Socket, Female	
4	4460905	7	Plug, Terminal	
5	4460539	1	Connector - 3 Position	
5	4460465	3	Socket, Female	
6	4460933	1	Connector - 12 Position	
6	4460465	9	Socket, Female	
6	4460466	3	Plug, Terminal	

SECTION 9 - DECALS

SECTION 9 - DECALS

FIGURE 9-1. DECALS INSTALLATION - ANSI AND ANSI EXPORT SPECS (ENGLISH)



ART_1001169310

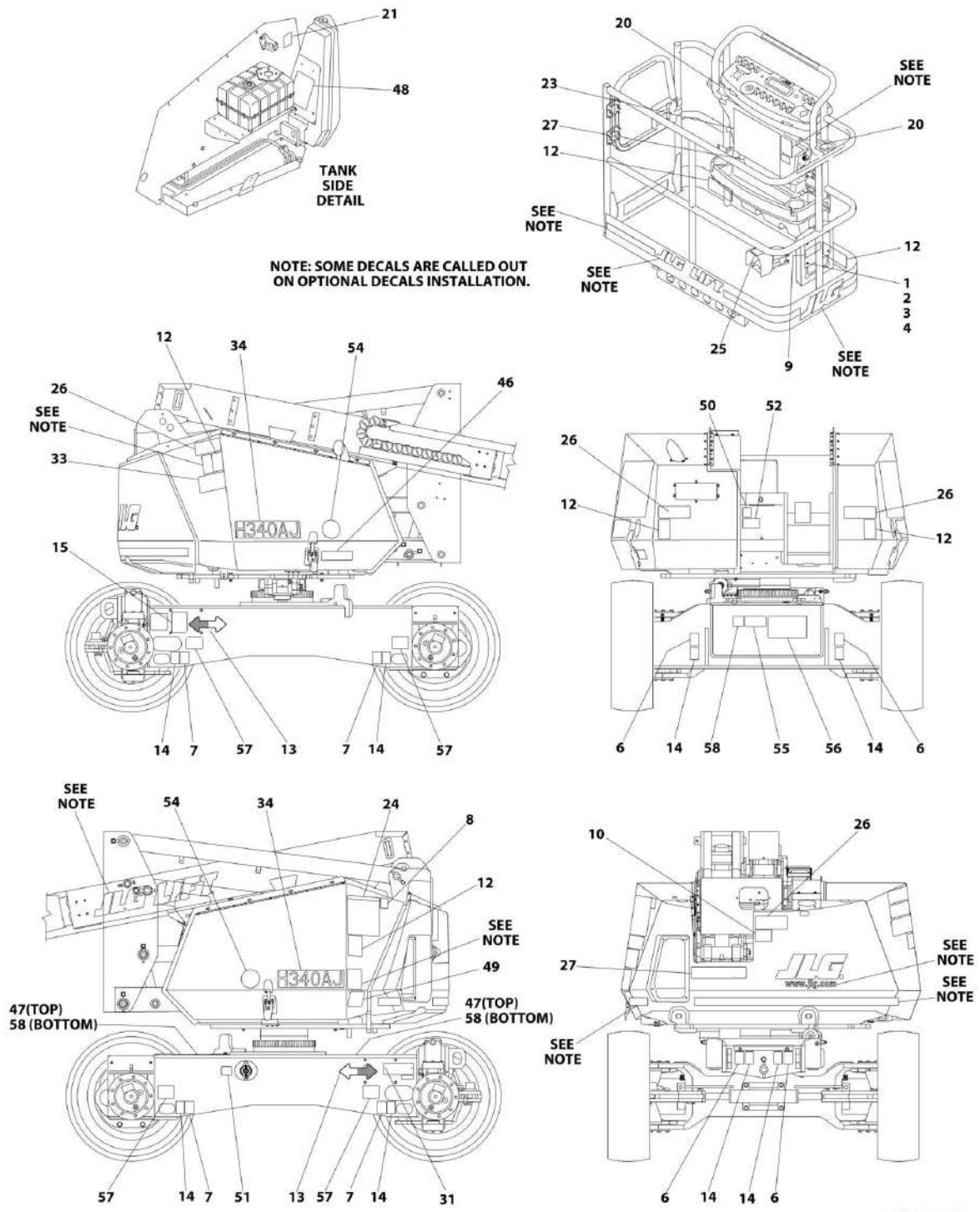
SECTION 9 - DECALS

FIGURE 9-1. DECALS INSTALLATION - ANSI AND ANSI EXPORT SPECS (ENGLISH)

ITEM	PART NUMBER	QTY	DESCRIPTION	REV
	1001169310	Ref	DECALS INSTALLATION - ANSI AND ANSI EXPORT SPECS (ENGLISH)	H
1	0760610	4	Bolt M6 x 20	
2	4811700	8	Washer M6	
3	3290605	4	Nut M6	
4	0860520	1	Box, Manual Storage	
5	1001131269	1	Decal - Patent	
6	1701500	4	Decal - Lift	
7	1701499	4	Decal - No Tie-Down/No Lift	
8	1701504	1	Decal - Hydraulic Oil	
9	1701509	1	Decal - Manual	
10	1702391	1	Decal - Crushing	
11	1703804	4	Decal - Warning Crushing	
12	1703953	2	Decal - Warning Crushing	
13	1701642	2	Decal - Arrow	
14	1702300	8	Decal - Tie-Down	
15	See Note	1	Decal - Bar Code (Note: Not Available for Purchase)	
20	1704277	2	Decal - Lanyard Attach	
21	1704412	1	Decal - Hydraulic Oil	
23	1703797	1	Decal - Danger/Warning	
24	1703798	1	Decal - Danger/Warning	
25	3252347	1	Nameplate - Footswitch	
26	1703805	4	Decal - Electrocution	
27	1001121801	2	Decal - Maximum Capacity 500LBS/227KG	
28	1001121814	1	Decal - Warning Maximum Capacity 500LBS/227KG	
31	2080057	2	Fastener	
33	1001119576	1	Decal - Lift Diagram	
34	1001170058	2	Decal - H340AJ	
37	1702868	2	Decal - No Hands	
38	1705351	1	Decal - Drive/Steer Instructions	
43	1001170056	1	Decal - Legend	
44	1001170057	1	Decal - Legend	
45	1001120002	1	Decal - No Pipe Racks	
46	1001119981	1	Decal - Manual Turntable Rotate	
47	1701529	2	Decal - Arrow	
48	1001127549	1	Decal - Manual Descent	
49	1001127588	1	Decal - Manual Descent	
50	1701644	1	Decal - Battery Charger	
51	1702155	1	Decal - Battery Disconnect	
52	1705929	1	Decal - Charger	
54	1001174449	2	Decal - Hybrid	
55	1001170676	1	Decal - Tip Over	
56	1001170061	1	Decal - Cable Routing	
57	1705514	1	Decal - CSA	
58	1001182809	4	Decal - Tire Load	
59	1001125483	3	Decal - Pressure Wash	
60	1001223055	1	Decal - Yearly Inspection (SN 0300234421 to Present)	
61	1001228370	1	Decal - CSA Ices (SN 0300234421 to Present)	

SECTION 9 - DECALS

FIGURE 9-2. DECALS INSTALLATION - AUSTRALIAN SPEC (ENGLISH)



ART_1001169311

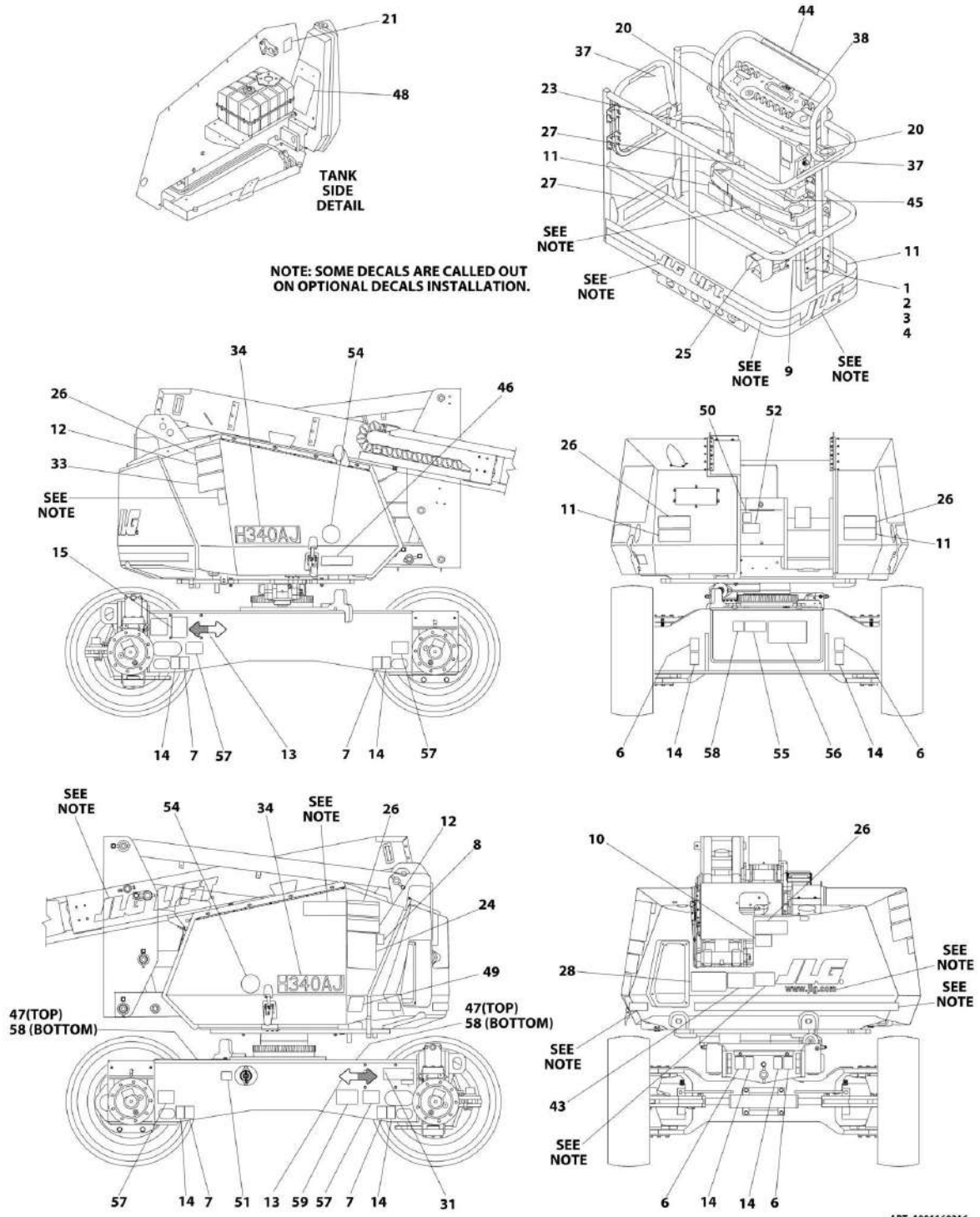
SECTION 9 - DECALS

FIGURE 9-2. DECALS INSTALLATION - AUSTRALIAN SPEC (ENGLISH)

ITEM	PART NUMBER	QTY	DESCRIPTION	REV
	1001169311	Ref	DECALS INSTALLATION - AUSTRALIAN SPEC (ENGLISH)	F
1	0760610	4	Bolt M6 x 20	
2	4811700	8	Washer M6	
3	3290605	4	Nut M6	
4	0860520	1	Box, Manual Storage	
6	1701500	4	Decal - Lift	
7	1701499	4	Decal - No Tie-Down/No Lift	
8	1701504	1	Decal - Hydraulic Oil	
9	1701509	1	Decal - Manual	
10	1701517	1	Decal - Crushing	
12	1701518	6	Decal - Crushing	
13	1701642	2	Decal - Arrow	
14	1702300	8	Decal - Tie-Down	
15	See Note	1	Decal - Bar Code (Note: Not Available for Purchase)	
20	1704277	2	Decal - Lanyard Attach	
21	1704412	1	Decal - Hydraulic Oil	
23	1705921	1	Decal - Tipping/Electrocution	
24	1705822	1	Decal - Electrocution/Safety Manual	
25	1705828	1	Decal - Footswitch	
26	1705961	4	Decal - Electrocution	
27	1705978	2	Decal - Capacity 230KG	
31	2080057	2	Fastener	
33	1001119576	1	Decal - Lift Diagram	
34	1001170058	2	Decal - H340AJ	
46	1001119981	1	Decal - Manual Turntable Rotate	
47	1701529	2	Decal - Arrow	
48	1001127549	1	Decal - Manual Descent	
49	1001127588	1	Decal - Manual Descent	
50	1701644	1	Decal - Battery Charger	
51	1702155	1	Decal - Battery Disconnect	
52	1706077	1	Decal - Battery Charger	
54	1001174449	2	Decal - Hybrid	
55	1001170060	1	Decal - Tip Over	
56	1001170061	1	Decal - Cable Routing	
57	1001182809	4	Decal - Tire Load	
58	1001125483	3	Decal - Pressure Wash	

SECTION 9 - DECALS

FIGURE 9-3. DECALS INSTALLATION - BRAZIL SPEC (PORTUGUESE/SPANISH)



ART_1001169316

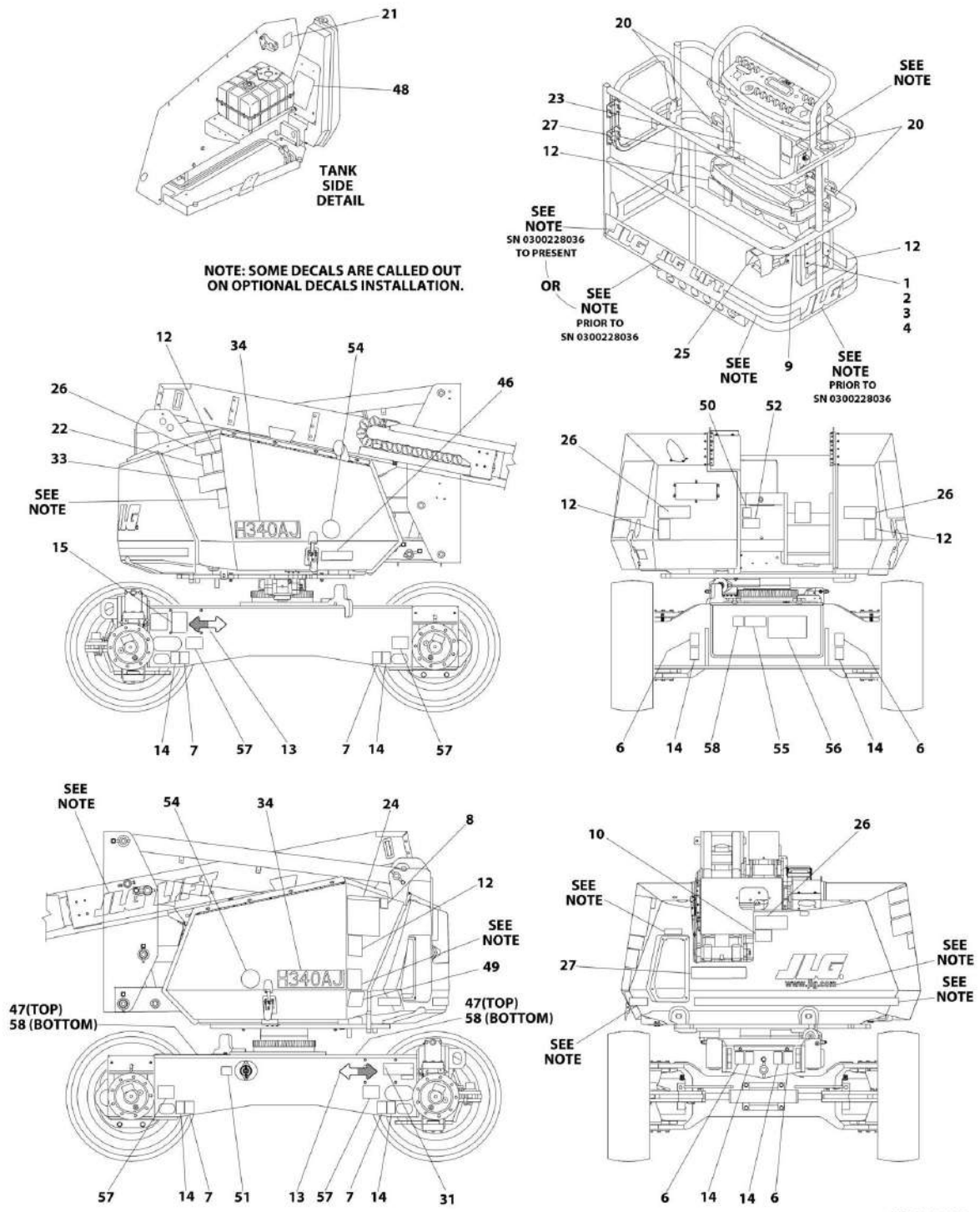
SECTION 9 - DECALS

FIGURE 9-3. DECALS INSTALLATION - BRAZIL SPEC (PORTUGUESE/SPANISH)

ITEM	PART NUMBER	QTY	DESCRIPTION	REV
	1001169316	Ref	DECALS INSTALLATION - BRAZIL SPEC (PORTUGUESE/SPANISH)	G
1	0760610	4	Bolt M6 x 20	
2	4811700	8	Washer M6	
3	3290605	4	Nut M6	
4	0860520	1	Box, Manual Storage	
6	1701500	4	Decal - Lift	
7	1701499	4	Decal - No Tie-Down/No Lift	
8	1701504	1	Decal - Hydraulic Oil	
9	1701509	1	Decal - Manual	
10	1001113170	1	Decal - Crushing	
11	1703952	1	Decal - Crushing	
12	1703946	2	Decal - Crushing	
13	1701642	2	Decal - Arrow	
14	1702300	8	Decal - Tie-Down	
15	See Note	1	Decal - Bar Code (Note: Not Available for Purchase)	
20	1704277	2	Decal - Lanyard Attach	
21	1704412	1	Decal - Hydraulic Oil	
23	1703928	1	Decal - Warning	
24	1705349	1	Decal - Warning Inspection	
25	1703985	1	Decal - Footswitch	
26	1703940	5	Decal - Electrocution	
27	1001121920	2	Decal - Warning Maximum Capacity	
28	1001121923	1	Decal - Warning Maximum Capacity	
31	2080057	2	Fastener	
33	1001119576	1	Decal - Lift Diagram	
34	1001170058	2	Decal - H340AJ	
37	1704002	2	Decal - No Hands	
38	1001113680	1	Decal - Drive/Steer Instructions	
43	1001170056	1	Decal - Legend	
44	1001170057	1	Decal - Legend	
45	1001120282	1	Decal - No Pipe Racks	
46	1001119981	1	Decal - Manual Turntable Rotate	
47	1701529	2	Decal - Arrow	
48	1001127549	1	Decal - Manual Descent	
49	1001127588	1	Decal - Manual Descent	
50	1701644	1	Decal - Battery Charger	
51	1702155	1	Decal - Battery Disconnect	
52	1706089	1	Decal - Battery Charging Instructions	
54	1001174449	2	Decal - Hybrid	
55	1001170670	1	Decal - Warning Tip Over	
56	1001170061	1	Decal - Cable Routing	
57	1001182809	4	Decal - Tire Load	
58	1001125483	3	Decal - Pressure Wash	
59	1001224052	1	Decal - Yearly Inspection (SN 0300234421 to Present)	

SECTION 9 - DECALS

FIGURE 9-4. DECALS INSTALLATION - CE SPECS (ENGLISH)



ART_1001169317

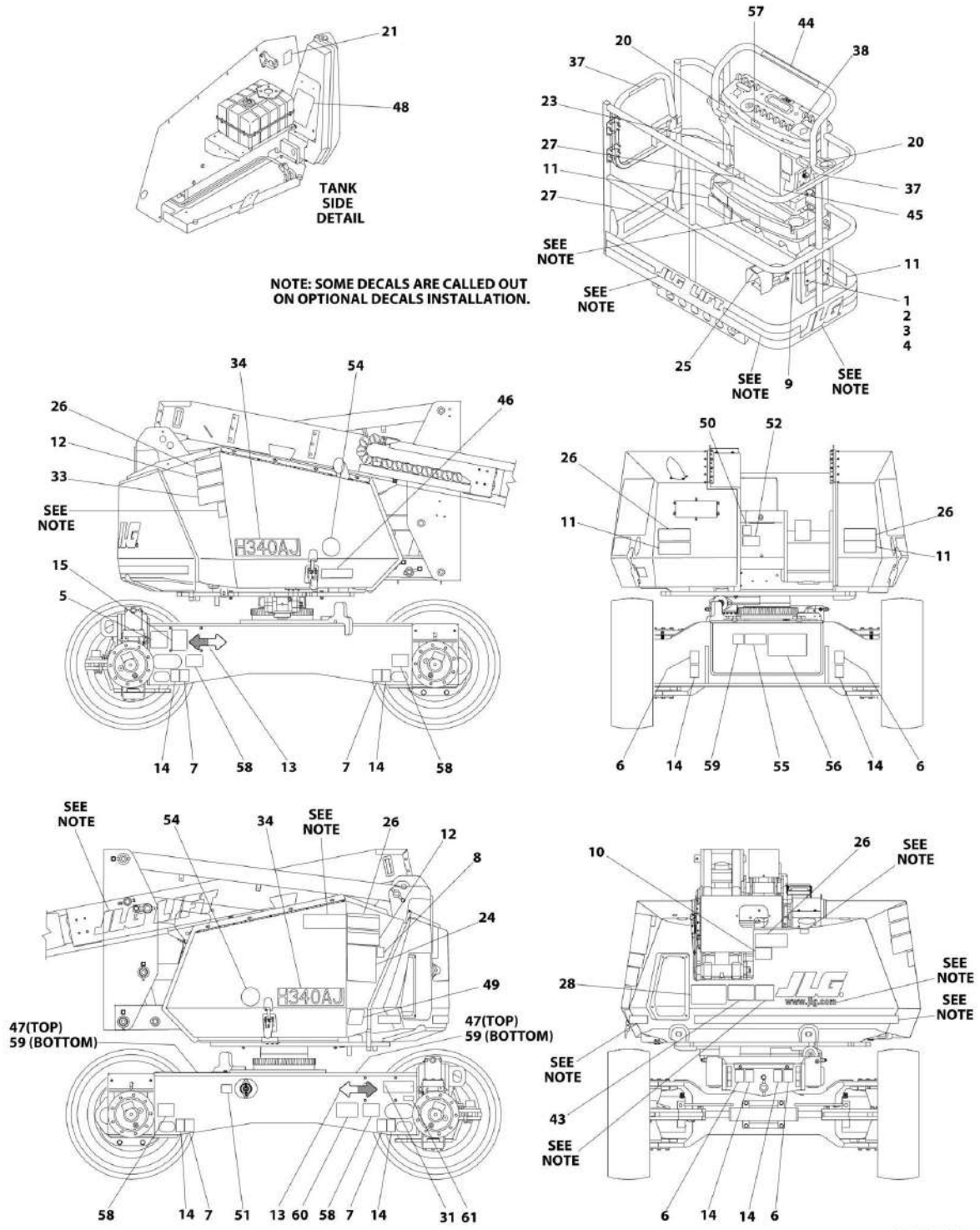
SECTION 9 - DECALS

FIGURE 9-4. DECALS INSTALLATION - CE SPECS (ENGLISH)

ITEM	PART NUMBER	QTY	DESCRIPTION	REV
	1001169317	Ref	DECALS INSTALLATION - CE SPEC (ENGLISH)	G
1	0760610	4	Bolt M6 x 20	
2	4811700	8	Washer M6	
3	3290605	4	Nut M6	
4	0860520	1	Box, Manual Storage	
6	1701500	4	Decal - Lift	
7	1701499	4	Decal - No Tie-Down/No Lift	
8	1701504	1	Decal - Hydraulic Oil	
9	1701509	1	Decal - Manual	
10	1701517	1	Decal - Crushing	
12	1701518	6	Decal - Crushing	
13	1701642	2	Decal - Arrow	
14	1702300	8	Decal - Tie-Down	
15	See Note	1	Decal - Bar Code (Note: Not Available for Purchase)	
20	1704277	2	Decal - Lanyard Attach	
21	1704412	1	Decal - Hydraulic Oil	
22	1001170059	1	Decal - Sound Power	
23	1705921	1	Decal - Tipping/Electrocution	
24	1705822	1	Decal - Electrocution/Safety Manual	
25	1705828	1	Decal - Footswitch	
26	1705961	4	Decal - Electrocution	
27	1705978	2	Decal - Capacity 230KG	
31	2080057	2	Fastener	
33	1001119576	1	Decal - Lift Diagram	
34	1001170058	2	Decal - H340AJ	
46	1001119981	1	Decal - Manual Turntable Rotate	
47	1701529	2	Decal - Arrow	
48	1001127549	1	Decal - Manual Descent	
49	1001127588	1	Decal - Manual Descent	
50	1701644	1	Decal - Battery Charger	
51	1702155	1	Decal - Battery Disconnect	
52	1706077	1	Decal - Battery Charger	
54	1001174449	2	Decal - Hybrid	
55	1001170060	1	Decal - Tip Over	
56	1001170061	1	Decal - Cable Routing	
57	1001182809	4	Decal - Tire Load	
58	1001125483	3	Decal - Pressure Wash	

SECTION 9 - DECALS

FIGURE 9-5. DECALS INSTALLATION - CSA SPEC (FRENCH/ENGLISH)



ART_1001169314

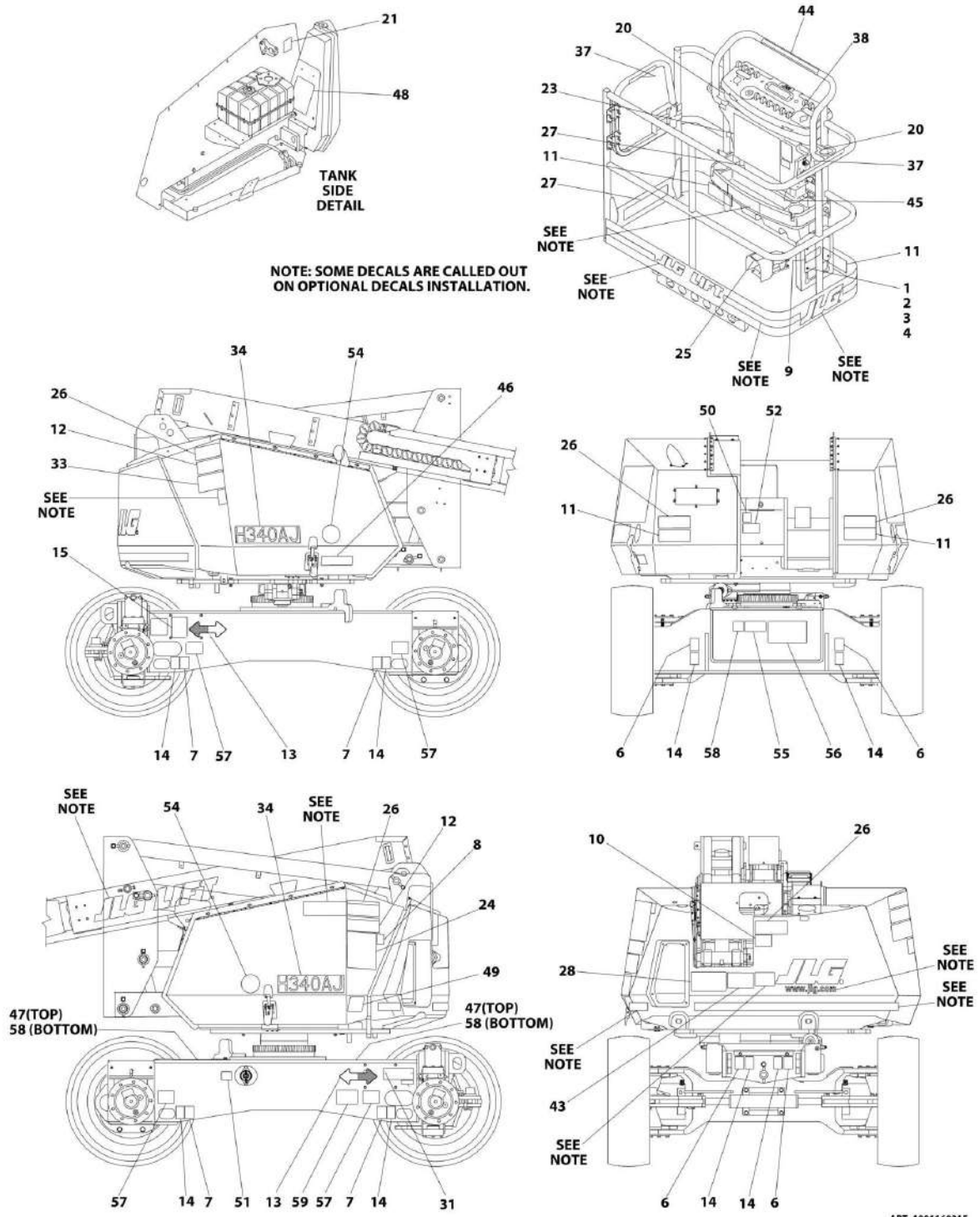
SECTION 9 - DECALS

FIGURE 9-5. DECALS INSTALLATION - CSA SPEC (FRENCH/ENGLISH)

ITEM	PART NUMBER	QTY	DESCRIPTION	REV
	1001169314	Ref	DECALS INSTALLATION - CSA SPEC (FRENCH/ENGLISH)	H
1	0760610	4	Bolt M6 x 20	
2	4811700	8	Washer M6	
3	3290605	4	Nut M6	
4	0860520	1	Box, Manual Storage	
5	1001131269	1	Decal - Patent	
6	1701500	4	Decal - Lift	
7	1701499	4	Decal - No Tie-Down/No Lift	
8	1701504	1	Decal - Hydraulic Oil	
9	1701509	1	Decal - Manual	
10	1001113169	1	Decal - Crushing	
11	1703948	4	Decal - Warning Crushing	
12	1703942	2	Decal - Crushing	
13	1701642	2	Decal - Arrow	
14	1702300	8	Decal - Tie-Down	
15	See Note	1	Decal - Bar Code (Note: Not Available for Purchase)	
20	1704277	2	Decal - Lanyard Attach	
21	1704412	1	Decal - Hydraulic Oil	
23	1703924	1	Decal - Warning/Danger	
24	1705347	1	Decal - Warning Inspection	
25	1703984	1	Decal - Footswitch	
26	1703936	5	Decal - Electrocution	
27	1001121803	2	Decal - Warning Maximum Capacity	
28	1001121816	1	Decal - Warning Maximum Capacity	
31	2080057	2	Fastener	
33	1001119576	1	Decal - Lift Diagram	
34	1001170058	2	Decal - H340AJ	
37	1704000	2	Decal - No Hands	
38	1705429	1	Decal - Drive/Steer Instructions	
43	1001170056	1	Decal - Legend	
44	1001170057	1	Decal - Legend	
45	1001120004	1	Decal - No Pipe Racks	
46	1001119981	1	Decal - Manual Turntable Rotate	
47	1701529	2	Decal - Arrow	
48	1001127549	1	Decal - Manual Descent	
49	1001127588	1	Decal - Manual Descent	
50	1701644	1	Decal - Battery Charger	
51	1702155	1	Decal - Battery Disconnect	
52	1706097	1	Decal - Battery Charging Instructions	
54	1001174449	2	Decal - Hybrid	
55	1001170672	1	Decal - Warning Tip Over	
56	1001170061	1	Decal - Cable Routing	
57	1705514	1	CSA Spec Decals (English/French)	
58	1001182809	4	Decal - Tire Load	
59	1001125483	3	Decal - Pressure Wash	
60	1001223971	1	Decal - Yearly Inspection (SN 0300234421 to Present)	
61	1001228370	1	Decal - CSA Ices (SN 0300234421 to Present)	

SECTION 9 - DECALS

FIGURE 9-6. DECALS INSTALLATION - CHINESE SPEC (CHINESE/ENGLISH)



ART_1001169315

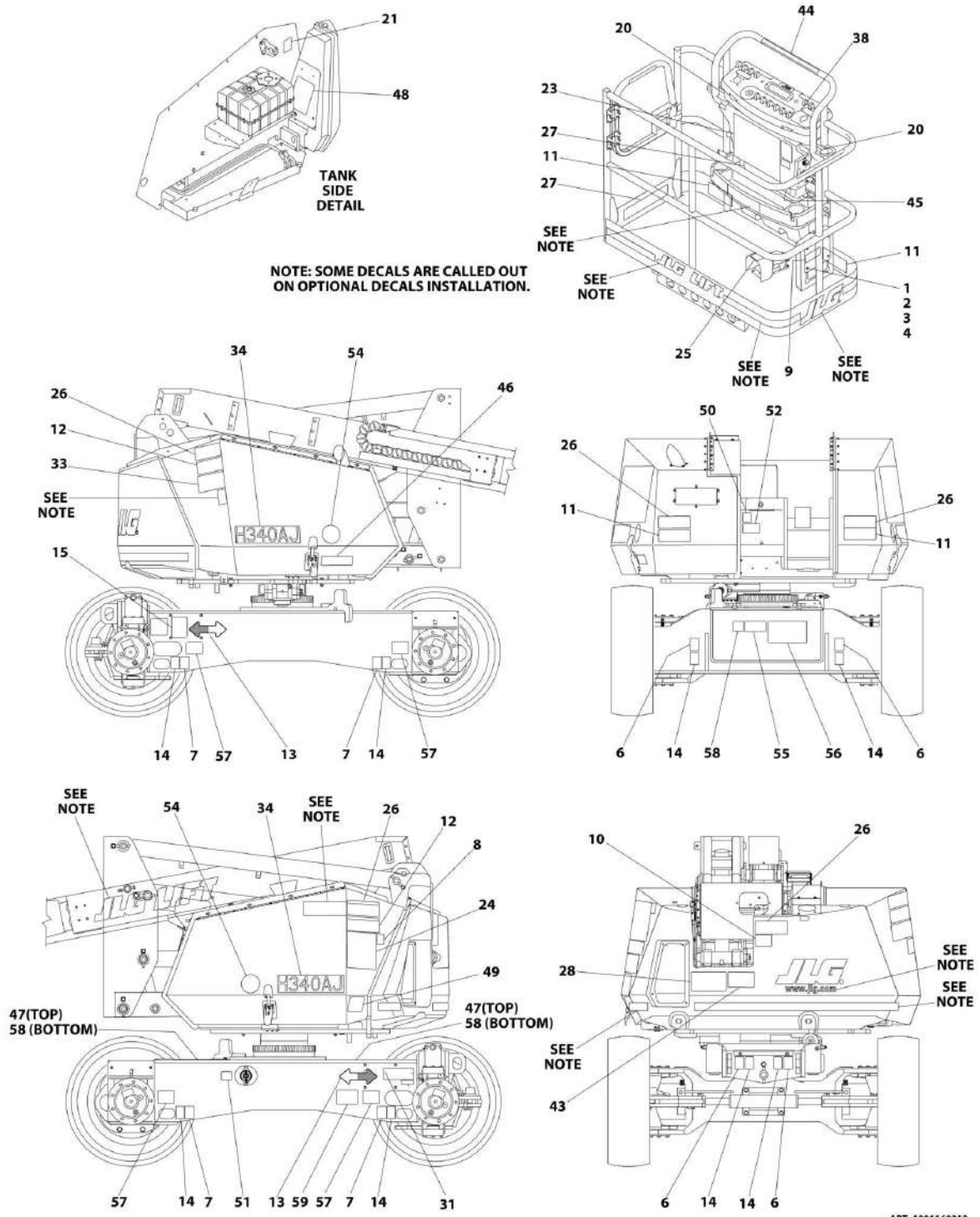
SECTION 9 - DECALS

FIGURE 9-6. DECALS INSTALLATION - CHINESE SPEC (CHINESE/ENGLISH)

ITEM	PART NUMBER	QTY	DESCRIPTION	REV
	1001169315	Ref	DECALS INSTALLATION - CHINESE SPEC (CHINESE/ENGLISH)	F
1	0760610	4	Bolt M6 x 20	
2	4811700	8	Washer M6	
3	3290605	4	Nut M6	
4	0860520	1	Box, Manual Storage	
6	1701500	4	Decal - Lift	
7	1701499	4	Decal - No Tie-Down/No Lift	
8	1701504	1	Decal - Hydraulic Oil	
9	1701509	1	Decal - Manual	
10	1001113168	1	Decal - Crushing	
11	1703949	4	Decal - Crushing	
12	1703943	2	Decal - Crushing	
13	1701642	2	Decal - Arrow	
14	1702300	8	Decal - Tie-Down	
15	See Note	1	Decal - Bar Code (Note: Not Available for Purchase)	
20	1704277	2	Decal - Lanyard Attach	
21	1704412	1	Decal - Hydraulic Oil	
23	1703925	1	Decal - Warning	
24	1705348	1	Decal - Warning Inspection	
25	1703982	1	Decal - Footswitch	
26	1703937	5	Decal - Electrocution	
27	1001121810	2	Decal - Warning Maximum Capacity	
28	1001121823	1	Decal - Warning Maximum Capacity	
31	2080057	2	Fastener	
33	1001119576	1	Decal - Lift Diagram	
34	1001170058	2	Decal - H340AJ	
37	1705968	1	Decal - No Hands	
38	1705430	1	Decal - Drive/Steer Instructions	
43	1001170056	1	Decal - Legend	
44	1001170057	1	Decal - Legend	
45	1001120281	1	Decal - No Pipe Racks	
46	1001119981	1	Decal - Manual Turntable Rotate	
47	1701529	2	Decal - Arrow	
48	1001127549	1	Decal - Manual Descent	
49	1001127588	1	Decal - Manual Descent	
50	1701644	1	Decal - Battery Charger	
51	1702155	1	Decal - Battery Disconnect	
52	1706093	1	Decal - Battery Charging Instructions	
54	1001174449	2	Decal - Hybrid	
55	1001170671	1	Decal - Warning Tip Over	
56	1001170061	1	Decal - Cable Routing	
57	1001182809	4	Decal - Tire Load	
58	1001125483	3	Decal - Pressure Wash	
59	1001224050	1	Decal - Yearly Inspection (SN 0300234421 to Present)	

SECTION 9 - DECALS

FIGURE 9-7. DECALS INSTALLATION - JAPANESE SPEC (JAPANESE/ENGLISH)



ART_1001169312

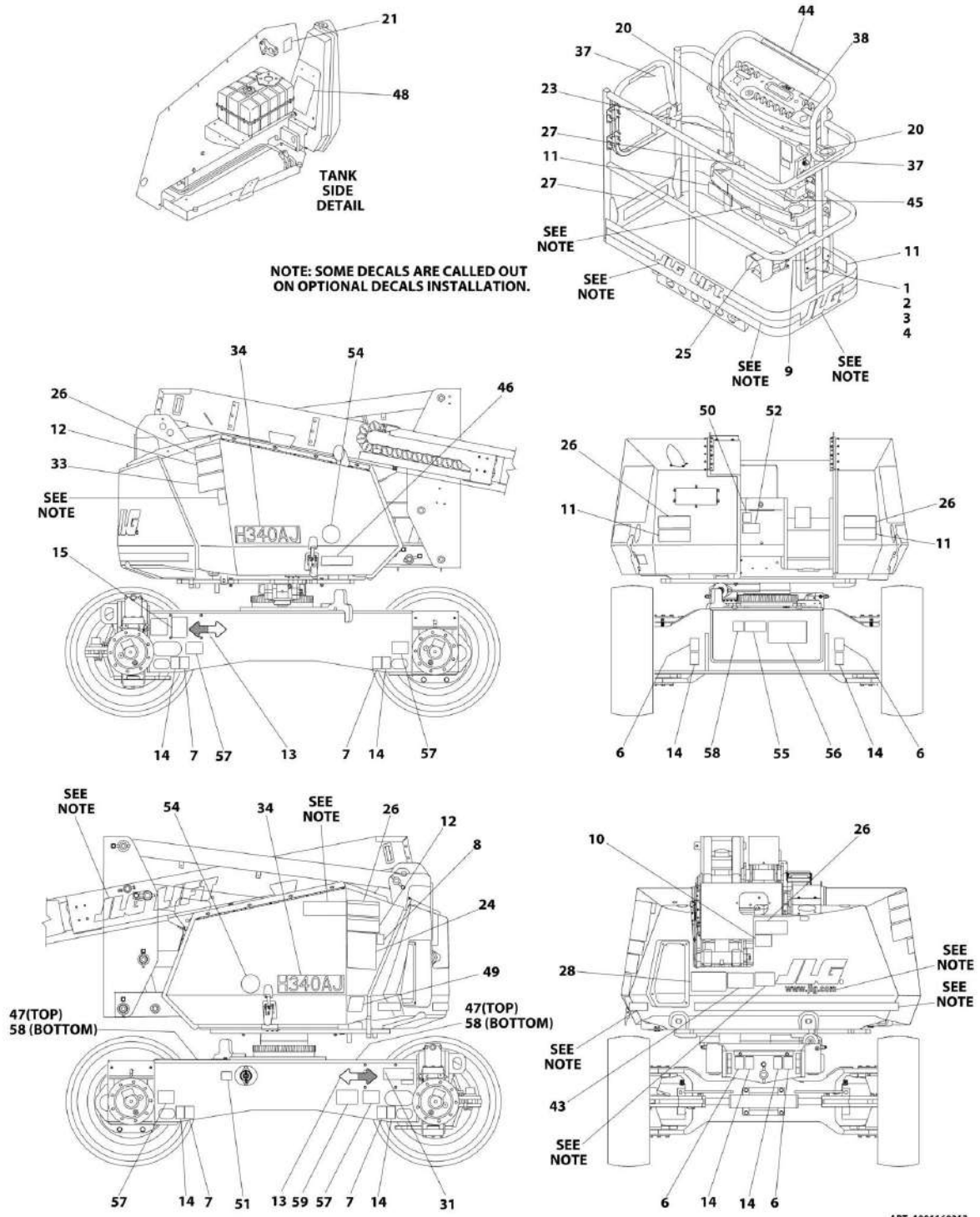
SECTION 9 - DECALS

FIGURE 9-7. DECALS INSTALLATION - JAPANESE SPEC (JAPANESE/ENGLISH)

ITEM	PART NUMBER	QTY	DESCRIPTION	REV
	1001169312	Ref	DECALS INSTALLATION - JAPANESE SPEC (JAPANESE/ENGLISH)	F
1	0760610	4	Bolt M6 x 20	
2	4811700	8	Washer M6	
3	3290605	4	Nut M6	
4	0860520	1	Box, Manual Storage	
6	1701500	4	Decal - Lift	
7	1701499	4	Decal - No Tie-Down/No Lift	
8	1701504	1	Decal - Hydraulic Oil	
9	1701509	1	Decal - Manual	
10	1001113166	1	Decal - Crushing	
11	1703950	4	Decal - Crushing	
12	1703944	2	Decal - Warning Crushing	
13	1701642	2	Decal - Arrow	
14	1702300	8	Decal - Tie-Down	
15	See Note	1	Decal - Bar Code (Note: Not Available for Purchase)	
20	1704277	2	Decal - Lanyard Attach	
21	1704412	1	Decal - Hydraulic Oil	
23	1703926	1	Decal - Danger/Warning	
24	1705344	1	Decal - Warning Inspection	
25	1703980	1	Decal - Footswitch	
26	1703938	5	Decal - Electrocution	
27	1001121808	2	Decal - Warning Maximum Capacity	
28	1001121821	1	Decal - Warning Maximum Capacity	
31	2080057	2	Fastener	
33	1001119576	1	Decal - Lift Diagram	
34	1001170058	2	Decal - H340AJ	
38	1705426	1	Decal - Drive/Steer Instruction	
43	1001170056	1	Decal - Legend	
44	1001170057	1	Decal - Legend	
45	1001120279	1	Decal - No Pipe Racks	
46	1001119981	1	Decal - Manual Turntable Rotate	
47	1701529	2	Decal - Arrow	
48	1001127549	1	Decal - Manual Descent	
49	1001127588	1	Decal - Manual Descent	
50	1701644	1	Decal - Battery Charger	
51	1702155	1	Decal - Battery Disconnect	
52	1706077	1	Decal - Battery Charger	
54	1001174449	2	Decal - Hybrid	
55	1001170674	1	Decal - Tip Over	
56	1001170061	1	Decal - Cable Routing	
57	1001182809	4	Decal - Tire Load	
58	1001125483	3	Decal - Pressure Wash	
59	1001224053	1	Decal - Yearly Inspection (SN 0300234421 to Present)	

SECTION 9 - DECALS

FIGURE 9-8. DECALS INSTALLATION - KOREAN SPEC (KOREAN/ENGLISH)



ART_1001169313

SECTION 9 - DECALS

FIGURE 9-8. DECALS INSTALLATION - KOREAN SPEC (KOREAN/ENGLISH)

ITEM	PART NUMBER	QTY	DESCRIPTION	REV
	1001169313	Ref	DECALS INSTALLATION - KOREAN SPEC (KOREAN/ENGLISH)	F
1	0760610	4	Bolt M6 x 20	
2	4811700	8	Washer M6	
3	3290605	4	Nut M6	
4	0860520	1	Box, Manual Storage	
6	1701500	4	Decal - Lift	
7	1701499	4	Decal - No Tie-Down/No Lift	
8	1701504	1	Decal - Hydraulic Oil	
9	1701509	1	Decal - Manual	
10	1001113509	1	Decal - Crushing	
11	1703951	4	Decal - Crushing	
12	1703945	2	Decal - Crushing	
13	1701642	2	Decal - Arrow	
14	1702300	8	Decal - Tie-Down	
15	See Note	1	Decal - Bar Code (Note: Not Available for Purchase)	
20	1704277	2	Decal - Lanyard Attach	
21	1704412	1	Decal - Hydraulic Oil	
23	1703927	1	Decal - Warning/Danger	
24	1705345	1	Decal - Warning Inspection	
25	1703981	1	Decal - Footswitch	
26	1703939	5	Decal - Danger Electrocution	
27	1001121918	2	Decal - Warning Maximum Capacity	
28	1001121921	1	Decal - Warning Maximum Capacity	
31	2080057	2	Fastener	
33	1001119576	1	Decal - Lift Diagram	
34	1001170058	2	Decal - H340AJ	
37	1705969	2	Decal - No Hands	
38	1705427	1	Decal - Drive/Steer Instructions	
43	1001170056	1	Decal - Legend	
44	1001170057	1	Decal - Legend	
45	1001120280	1	Decal - No Pipe Racks	
46	1001119981	1	Decal - Manual Turntable Rotate	
47	1701529	2	Decal - Arrow	
48	1001127549	1	Decal - Manual Descent	
49	1001127588	1	Decal - Manual Descent	
50	1701644	1	Decal - Battery Charger	
51	1702155	1	Decal - Battery Disconnect	
52	1001171296	1	Decal - Charger	
54	1001174449	2	Decal - Hybrid	
55	1001170673	1	Decal - Warning Tip Over	
56	1001170061	1	Decal - Cable Routing	
57	1001182809	4	Decal - Tire Load	
58	1001125483	3	Decal - Pressure Wash	
59	1001224048	1	Decal - Yearly Inspection (SN 0300234421 to Present)	

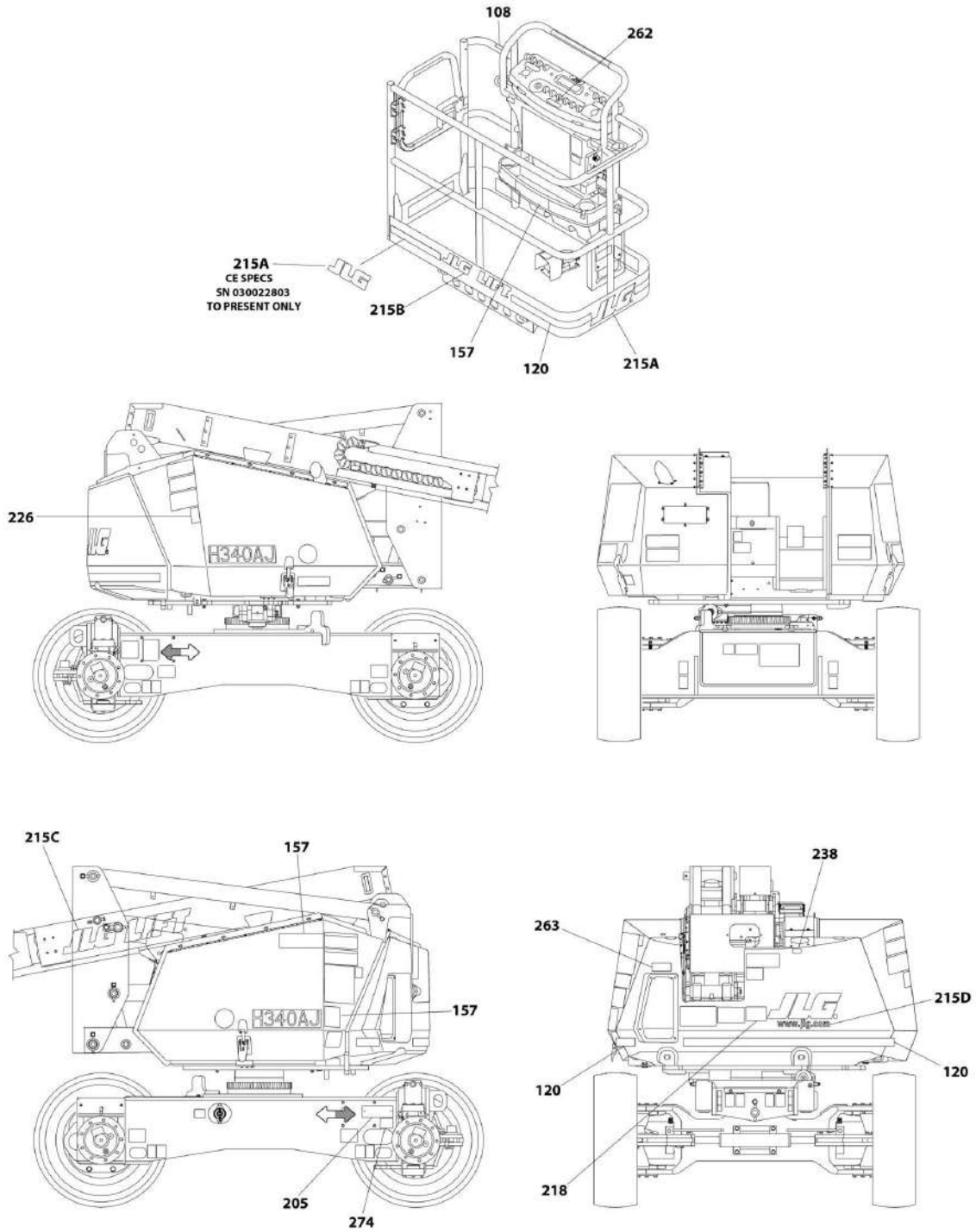
SECTION 9 - DECALS

FIGURE 9-9. DECALS INSTALLATION - LATIN AMERICA SPEC (SPANISH/ENGLISH)

ITEM	PART NUMBER	QTY	DESCRIPTION	REV
	1001169318	Ref	DECALS INSTALLATION - LATIN AMERICA SPEC (SPANISH/ENGLISH)	F
1	0760610	4	Bolt M6 x 20	
2	4811700	8	Washer M6	
3	3290605	4	Nut M6	
4	0860520	1	Box, Manual Storage	
6	1701500	4	Decal - Lift	
7	1701499	4	Decal - No Tie-Down/No Lift	
8	1701504	1	Decal - Hydraulic Oil	
9	1701509	1	Decal - Manual	
10	1001113171	1	Decal - Crushing	
11	1703947	4	Decal - Crushing	
12	1703941	2	Decal - Crushing	
13	1701642	2	Decal - Arrow	
14	1702300	8	Decal - Tie-Down	
15	See Note	1	Decal - Bar Code (Note: Not Available for Purchase)	
20	1704277	2	Decal - Lanyard Attach	
21	1704412	1	Decal - Hydraulic Oil	
23	1703923	1	Decal - Warning/Danger	
24	1705917	1	Decal - Warning Inspection	
25	1703983	1	Decal - Footswitch	
26	1703935	5	Decal - Electrocution	
27	1001121805	2	Decal - Warning Maximum Capacity	
28	1001121818	1	Decal - Warning Maximum Capacity	
31	2080057	2	Fastener	
33	1001119576	1	Decal - Lift Diagram	
34	1001170058	2	Decal - H340AJ	
37	1704001	2	Decal - No Hands	
38	1705910	1	Decal - Drive/Steer Instructions	
43	1001170056	1	Decal - Legend	
44	1001170057	1	Decal - Legend	
45	1001120283	1	Decal - No Pipe Racks	
46	1001119981	1	Decal - Manual Turntable Rotate	
47	1701529	2	Decal - Arrow	
48	1001127549	1	Decal - Manual Descent	
49	1001127588	1	Decal - Manual Descent	
50	1701644	1	Decal - Battery Charger	
51	1702155	1	Decal - Battery Disconnect	
52	1706085	1	Decal - Battery Charging Instructions	
54	1001174449	2	Decal - Hybrid	
55	1001170669	1	Decal - Warning Tip Over	
56	1001170061	1	Decal - Cable Routing	
57	1001182809	4	Decal - Tire Load	
58	1001125483	3	Decal - Pressure Wash	
59	1001224049	1	Decal - Yearly Inspection (SN 0300234421 to Present)	

SECTION 9 - DECALS

FIGURE 9-10. OPTIONAL DECALS INSTALLATION



ART_OPTIONAL DECALS.

SECTION 9 - DECALS

FIGURE 9-10. OPTIONAL DECALS INSTALLATION

ITEM	PART NUMBER	QTY	DESCRIPTION	REV
		Ref	OPTIONAL DECALS INSTALLATION	
108	1702962	1	Decal - Warning Proposition 65 (ANSI Spec Diesel Machines Only)	
120	4420051	AR	Tape, Safety	
157	1704286	2	Decal - Generator Warning (ANSI & ANSI Export Specs)	
157	1001093687	2	Decal - Generator Warning (Australian & CE Specs)	
157	1704373	2	Decal - Generator Warning (Brazil Specs)	
157	1704368	2	Decal - Generator Warning (CSA Specs)	
157	1704372	2	Decal - Generator Warning (Chinese Specs)	
157	1704369	2	Decal - Generator Warning (Japanese Specs)	
157	1704370	2	Decal - Generator Warning (Korean Specs)	
157	1704371	2	Decal - Generator Warning (Latin America Specs)	
205	See Note	1	Nameplate - Manufacturers Serial Number (Note: Not Available for Purchase)	
215	1001110613	Ref	JLG Logo Installation	B
215A	1702773	1	Decal - JLG	
215B	1702774	1	Decal - JLG Lift (3in) (All Specs except CE Specs)	
215B	1702774	1	Decal - JLG Lift (3in) (CE Specs) (SN 0300228036 to Present)	
215C	1702860	1	Decal - JLG Lift (5in)	
215D	1704885	1	Decal - Website	
218	3251813	1	Decal - USA (ANSI, ANSI Export & CSA Specs)	
226	1704972	1	Decal - Warning Explosion/Fire (ANSI Spec)	
226	1706098	1	Decal - Warning Explosion/Fire (Australian & CE Spec)	
226	1706059	1	Decal - Warning Explosion/Fire (Brazil Spec)	
226	1706064	1	Decal - Warning Explosion/Fire (CSA Spec)	
226	1706060	1	Decal - Warning Explosion/Fire (Chinese Spec)	
226	1706062	1	Decal - Warning Explosion/Fire (Japanese Spec)	
226	1706061	1	Decal - Warning Explosion/Fire (Korean Spec)	
226	1706063	1	Decal - Warning Explosion/Fire (Latin America Spec)	
238	1001108923	1	Decal - Low Sulfur Fuel Spec (ANSI & CSA Specs Only)	
262	1001141300	1	Decal - SkyGuard Override	
263	1001189882	1	Decal - MSSO	
274	1001214029	Ref	EAC Decal Installation (Russia/CIS Specs)	
274	1001173703	1	Decal - EAC	

SECTION 10 - RECOMMENDED SERVICE PARTS STOCK

SECTION 10 - RECOMMENDED SERVICE PARTS STOCK

SECTION 10 - RECOMMENDED SERVICE PARTS STOCK

FIGURE 10-1. RECOMMENDED SERVICE PARTS STOCK

ITEM	PART NUMBER	QTY	DESCRIPTION	REV
		Ref	Note: The following list will service one machine (built to current production per date on the front cover) with emergency repair parts which can be installed in the field. Parts from the list should be replaced when inventory is depleted to keep service parts stock supplied. For further information, contact your JLG dealer or the JLG Industries Parts Department.	
		Ref	STANDARD PARTS	
	70050516	1	Coil	
	70002963	1	Coil	
	1001170365	2	Fuse 400Amp	
	1001170484	2	Fuse 125Amp	
	1001170367	1	Contactactor	
	70002971	1	Coil	
	70002386	1	Coil	
	70003788	1	Coil	
	1001178594	1	Filler/Air Breather Filter	
	1001178595	4	Element, Filter	
	4360328	1	Switch, Toggle	
	4360475	1	Switch, Emergency Stop	
	4360469	1	Switch, Key	
	2860030	1	Key, Replacement	
	1001219601	1	Sensor	
	1001159665	1	Relay, Contactactor	
	1001190545	4	Strainer, Fuel	
	7015004	12	Element, Air Filter	
	7017980	12	Filter, Oil	
	7017992	12	Filter, Inline	
	4360407	1	Switch, Potentiometer	
	1001161710	1	Switch, Toggle	
	1001155045	1	Switch, Toggle	
	1001159256	1	Switch, Toggle	
	1001212415	1	Controller Assembly (Drive and Steer)	
	1001129555	1	Controller Assembly (Lift and Swing)	
	4360387	1	Switch, Toggle (Soft Touch Option)	
	1001170762	2	Fuse 30Amp	
	1001186489	2	Fuse 2Amp	
	1001170760	2	Fuse 10Amp	
	1001186431	1	Relay	
	1001171295	1	Relay	
	1001170760	2	Fuse 10Amp	
	1001170761	2	Fuse 20Amp	
	8229244	2	Fuse 15Amp	
	1001172227	2	Fuse 40Amp	
	2400065	2	Fuse 30Amp	
	2400064	2	Fuse 5Amp	
	3990010	2	Diode 6Amp	
		Ref	VARIABLE PARTS	
	1001170140	1	Module, Drive	
	1001119176	1	Switch, Limit	

SECTION 10 - RECOMMENDED SERVICE PARTS STOCK

ITEM	PART NUMBER	QTY	DESCRIPTION	REV
	1001183213	1	Module, UGM	
	1001142683	1	Module, Beacon Light (With SkyGuard)	
	1001155934	1	Module, Engine Controller	
	1001159754	1	Module, Diode	
	2940074	1	Latch (Machines with Gate)	
	1001169594	1	Module, Platform	
	1001137673	1	Switch, SkyGuard	
	1001109475	1	Breaker, 16Amp (CE Spec Only)	
	1001109482	1	Breaker, 30mA (CE Spec Only)	
	4360548	1	Switch, Limit	

SECTION 11 - SPECIAL OPTIONS

SECTION 11 - SPECIAL OPTIONS

FIGURE 11-1. SPECIAL OPTIONS

ITEM	PART NUMBER	QTY	DESCRIPTION	REV
		Ref	Note: This list is to accommodate machines ordered with special equipment. Options may not be applicable to all models. For more specific parts information contact JLG Parts Department.	
		Ref	MISCELLANEOUS SPECIAL OPTIONS	
	1001119028	Ref	Airline Installation (Machines without Arctic Package)	
	1001119378	Ref	Airline Installation (Machines with Arctic Package)	
	1001212041	Ref	Alarm (White Noise) Installation	
	1001119803	Ref	Bellows Installation (Boom & Chassis)	
	1001119962	Ref	Boom Wipers Installation	
	1001116419	Ref	Cable Carrier Tray Installation (Prior to SN 0300226326)	
	1001172045	Ref	Cable Carrier Tray Installation (SN 0300226326 to Present)	
		Ref	ClearSky Telematics (Factory Installed)	
	1001169727	Ref	ClearSky (Telematics) Installation (Factory Installed) (ANSI Specs) Note: Refer to Manual Supplement p/n 3128499 for available replacement parts. (Prior to SN 0300234421)	
	1001169731	Ref	ClearSky (Telematics) Installation (Factory Installed) (Australian Specs) Note: Refer to Manual Supplement p/n 3128499 for available replacement parts. (Prior to SN 0300234421)	
	1001169729	Ref	ClearSky (Telematics) Installation (Factory Installed) (Brazil & New Zealand Specs) Note: Refer to Manual Supplement p/n 3128499 for available replacement parts. (Prior to SN 0300234421)	
	1001169728	Ref	ClearSky (Telematics) Installation (Factory Installed) (CSA Specs) Note: Refer to Manual Supplement p/n 3128499 for available replacement parts. (Prior to SN 0300234421)	
	1001227454	Ref	Canbus Connection (ANSI and CSA Specs) (SN 0300243877 to Present)	
	1001228956	Ref	Canbus Connection (ANSI Export and CE Specs) (SN 0300243877 to Present)	
	1001229107	Ref	3 Wire Connection (ANSI and CSA Specs) (SN 0300234421 to Present)	
	1001233237	Ref	3 Wire Connection (ANSI Export and CE Specs) (SN 0300240098 to Present)	
	1001169720	Ref	Cold Weather Package without Arctic Package	
	1001169721	Ref	Cold Weather Package with Arctic Package	
	1001169732	Ref	Cribbing Switch Installation (ANSI and CSA Specs)	
	1001196702	Ref	Decals - Blueline Rentals	
	1001154500	Ref	Decals - Boels Rentals	
	1001119459	Ref	Decals - ClearSky	
	1001214029	Ref	Decals - EAC (Russia/CIS Specs)	
	1001120224	Ref	Decals - Head & Engquist (H&E) Equipment	
	1001231541	1	Decal - Herc Rentals	
	1001120221	Ref	Decals - Hertz Rentals	
	1001231540	1	Decals - Hertz Rentals (Canada)	
	1001140650	Ref	Decals - Leavitt	
	1001120222	Ref	Decals - National Equipment Services (NES)	
	1001120223	Ref	Decals - RSC Equipment Rental	
	1001197845	Ref	Decals - Sunbelt Rentals	
	1001120219	Ref	Decals - United Rentals	
	1001148902	Ref	Electrical Connector Kit - Amp/Tyco Electrical Connectors	
	1001148903	Ref	Electrical Connector Kit - Deutsch DT Electrical Connectors	
	1001148904	Ref	Electrical Connector Kit - Deutsch HD Electrical Connectors	

SECTION 11 - SPECIAL OPTIONS

ITEM	PART NUMBER	QTY	DESCRIPTION	REV
	1001148905	Ref	Electrical Connector Kit - Packard Electrical Connectors	
	1001148906	Ref	Electrical Connector Kit - Various Electrical Connectors	
	1001117294	Ref	Footswitch Shield Installation	
		Ref	Fluids:	
	2300004	Ref	Coolant, Engine	
	2300028	Ref	Hydraulic Fluid - Mobil DTE 10 (Excel 15)	
	2300016	Ref	Hydraulic Fluid - Mobil DTE 10 (Excel 32)	
	2300029	Ref	Hydraulic Fluid - Mobil EAL EnviroSyn H46 Bio	
	2300019	Ref	Hydraulic Fluid - Qunintolubric 888-46 (Fire Resistant)	
	2300039	Ref	Hydraulic Fluid - Exxon Univis HVI 26 (Use with Arctic Package)	
	3020029	Ref	Lubricant (Axle Pivot Pin and Kingpins)	
	3020037	Ref	Lubricant (Drive Motor Shaft and Engine Pump Coupling)	
	3020008	Ref	Lubricant, Gear 80W-90 (Drive Hub)	
	3020039	Ref	Lubricant (Spindle Surface)	
	1001159301	Ref	Oil, Engine 10-30	
	1001173467	Ref	Fuel Cap Cover (Lockable) Installation (Prior to SN 0300224589)	
	1001209659	Ref	Fuel Cap Cover (Lockable) (Black)	
	1001209658	Ref	Fuel Cap Cover (Lockable) (Green)	
	1001120103	Ref	Ground Control Cover Installation	
	1001173326	Ref	Hot Weather Package	
	1001173325	Ref	Fan and Filter Installation	
	1001173331	Ref	Filter, Air	
	1001173140	Ref	Inverter Installation - 110V-50Hz (ANSI Export and Australian Spec)	
	1001169725	Ref	Inverter Installation - 120V-50/60Hz (ANSI, ANSI Export, CSA and Japanese Spec)	
	1001173139	Ref	Inverter Installation - 230V-50Hz (CE Spec)	
	1001169724	Ref	Inverter Installation - 240V-50Hz (ANSI Export and CSA Spec)	
	1001169723	Ref	Lights Installation - Chassis Worklights	
	1001170104	Ref	Lights Installation - Headlights and Taillights	
	1001120466	Ref	Lights Installation - Platform Worklights	
	1001183407	Ref	Low Temperature Cutout Installation (Russian Specs)	
	0274661	Ref	Pipe Rack Installation (Australian Specs)	
	1001195304	Ref	Platform Console Cover Installation	
	1580013	Ref	Platform Corner Storage Tray	
	1001142504	Ref	Platform Entry Kit - Drop Bar (Replaces Swing Gate with Drop Bar)	
	1001142505	Ref	Platform Entry Kit - Swing Gate (Replaces Drop Bar with Swing Gate)	
	1001140318	Ref	Platform Mesh to Midrail Installation - 30in x 48in Platforms	
	1001214478	Ref	Platform Mesh to Midrail Add-on Kit - 30in x 48in Platforms	
	1001140315	Ref	Platform Mesh to Midrail Installation - 30in x 60in Platforms	
	1001214515	Ref	Platform Mesh to Midrail Add-on Kit - 30in x 60in Platforms	
	0273147	Ref	Platform Mesh to Toprail Installation - 30in x 48in Platforms	
	0273146	Ref	Platform Mesh to Toprail Installation - 30in x 60in Platforms	
	1001103558	Ref	Platform Rail Extension Installation (30in x 60in Platforms)	
	1001209059	Ref	Platform Work Surface	
	1001169726	Ref	Security Lock (Programmable) Installation	
	1001209565	Ref	Service Kit - Upper Power Track Hose	
		Ref	SkyGuard Component Options:	
	1001203510	Ref	SkyGuard Complete Add-on Kit (Without Strobe Light)	
	1001207138	Ref	SkyGuard Complete Add-on Kit (Blue Strobe Light)	
	1001210035	Ref	SkyGuard Complete Add-on Kit (Red Strobe Light)	

SECTION 11 - SPECIAL OPTIONS

ITEM	PART NUMBER	QTY	DESCRIPTION	REV
	1001149565	Ref	SkyGuard Platform Sensor Kit	
	1001137440	1	SkyGuard Sensor Harness	
	1001186431	2	Relay	
	1001207140	Ref	SkyGuard Strobe Light Kit (Blue)	
	1001210034	Ref	SkyGuard Strobe Light Kit (Red)	
	1001200291	Ref	Telematics (Customer Supplies)	
	1001210089	Ref	Telematics (Caterpillar)	
	1001228363	Ref	Telematics (Herc)	
	1001209282	Ref	Telematics (Loxam)	
	1001210090	Ref	Telematics (Riwal)	
	1001195610	Ref	Telematics (United Rentals)	
	1001228589	Ref	Telematics Canbus Installation (Customer Supplies)	
	2901443	Ref	Tools - Analyzer Kit	
	1001137005	Ref	Tools - Cable Kit, Software	
	7002821	Ref	Tools - Crimper, Wire	
	4460510	Ref	Tools - Pin Extractor - 12-14 Gauge (For Removal of Pin/Sockets from Deutsch Connectors)	
	4460467	Ref	Tools - Pin Extractor - 16-18 Gauge (For Removal of Pin/Sockets from Deutsch Connectors)	
	7002823	Ref	Tools - Pin Extractor - Universal (For Electrical Connectors with Pins and Sockets)	
	7002822	Ref	Tools - Screwdriver, Potentiometer	
	7016654	Ref	Tools - Screwdriver, Magnetic	
	7004275	Ref	Tools - Seal Tool 1in (For Cylinders)	
	7004276	Ref	Tools - Seal Tool 1-1/2in (For Cylinders)	
	7002828	Ref	Tools - Stripper, Wire	

PART NUMBER INDEX

PART NUMBER INDEX

0060044.....135, 137, 141	0700618... 247, 251, 253, 255, 257, 259, 261	076101481, 92, 102, 108, 123, 125, 127, 149	1001107781.....55, 57
0100009....179, 183, 187, 191, 195	0700628 51	0761015 15, 105, 123, 125, 127, 129, 145, 149, 173, 175, 177	1001107854.....301, 343
0100011....13, 15, 17, 21, 43, 45, 47, 51, 61, 65, 69, 81, 92, 102, 105, 108, 123, 125, 127, 129, 131, 133, 145, 147, 149, 151, 153, 165, 167, 169, 205, 271, 275, 287, 297	0700808 93	0761016 102	1001108290.....131, 133
0100019.....21, 55, 105	0700812 61	0761018 13	1001108923.....369
0100020.....103	0700815 17	0761020 43	1001109475.....283, 373
0100035.....195	0700818 ... 135, 137, 139	0761210 92, 129	1001109482.....283, 373
0100048.....81, 147, 179, 183, 187, 191, 195	0700820 271, 275	0761212 ... 123, 125, 127, 129	1001109503.....67, 71
010005143	0700829 271, 275	0761214 129	1001109528.....123, 125, 127
0100071207	0701012 13	0761215 ... 123, 125, 127, 145, 149	1001110434.....179, 183, 187, 191, 195
0100081 95, 97, 179, 183, 187, 191, 271, 275	0701015 108	0761614 15	1001110544.....103
0100083 103, 297	0701016 108	0761615 129	1001110613.....369
0140011....179, 183, 187, 191, 195	0701018 61, 135, 137, 139	0762016 102	1001110873.....245
0140043.....81	0701019 92	0770815 105	10011112496.....47
0273146.....377	0701020 ... 135, 137, 139	0771618 21	1001112607.....123, 125, 127
0273147377	0701022 61	0860038 245, 249	1001112612.....303, 337
0274661377	0701027 129	0860520 ... 351, 353, 355, 357, 359, 361, 363, 365, 367	1001112796.....337
0275216.....247, 323	0701217 13	0861441 179, 180	1001113047.....47
0275217251, 325	0701222 147	0861731 ... 331, 333, 335	1001113166.....363
0275218253, 327	0701624 147	0861781 323, 325	1001113168.....361
0275219255, 329	0711227 131, 133	0861880 283	1001113169.....359
0275452257, 331	0711426 55	0902751 179, 183	1001113170.....355
0275453259, 333	0711432 55	0940048 129	1001113171.....367
0275454261, 335	0721004 61	0961845 ... 165, 167, 169	1001113483.....147
0340045.....108	0760306 102	0961947 141, 143	1001113509.....365
0400209.....43	0760410 85, 102	0961948 ... 129, 131, 133, 219, 221	1001113680.....355
0630568....180, 184, 188, 192, 196	0760505 81, 102	0961950 15	1001113681.....303
0641404....179, 183, 187, 191, 195	0760508 ...92, 95, 97, 108	0961951 ... 135, 137, 139, 213, 215, 217, 223	1001113961.....129
0641406.....108, 171	0760512 45	0962140 13	1001114761.....51
0641410.....108	0760605 21, 272, 276	0962224 129	1001115649.....129
0641414.....205, 207	0760606 149	0962257 141, 143	1001115650.....129
0641418....165, 167, 169	0760607 21, 47, 287	0962259 129	1001115657.....129
0641420.....167	0760608 ... 73, 75, 81, 92, 95, 97, 105, 108, 147, 173, 175, 177, 271, 275, 287	0962292 ... 135, 137, 139	1001115661.....129
0641506.....92	0760610 ... 21, 73, 75, 92, 97, 102, 108, 147, 149, 243, 247, 251, 253, 255, 257, 259, 261, 351, 353, 355, 357, 359, 361, 363, 365, 367	0962449 281	1001115663.....129
0641508.....108	0760612 .81, 92, 102, 108	0962450 147	1001115669.....129
0641520.....108	0760613 109	1001091102 85, 103	1001115672.....123, 125, 127, 129
0641605.....103	0760614 ... 102, 173, 175, 177	1001093687 369	1001115766.....125
0641606.....45	0760618 147	1001094670 137, 139	1001115773.....31
0641608.....45	0760621 81, 271, 275	1001097150 283	1001115784.....271
0641610.....105, 108	0760807 108	1001097244 ... 173, 175, 177	1001115788.....253
0641808.....108, 297	0760808 ... 21, 43, 45, 47, 61, 92, 105, 287, 297	1001098122 315, 317	1001115834.....145
0641822.....105	0760810 13, 81	100109828 149	1001115870.....129
0641824.....108	0760812 ... 43, 51, 61, 73, 75, 92, 105, 131, 133	1001099125 67, 71	1001115873.....153, 155
0681608....105, 145, 147, 149	0760814 102, 105	1001099834 151	1001116361.....15, 211
0700408....247, 251, 253, 255, 257, 259, 261	0760816 81	1001100341 323	1001116378.....211
0700608.....92	0760818 13	1001100342 325	1001116419.....376
0700610.....43	0761007 151	1001100345 331	1001116433.....271, 275
0700614.....103	0761009 92	1001100346 335	1001116487.....51, 53
0700615.....87, 89	0761010 13, 43, 129	1001100347 333	1001116546.....129
0700617....179, 183, 187, 191, 195	0761011 92, 123, 125, 127	1001102771 43, 285, 301	1001116547.....129
	076101243, 61, 102, 123, 125, 127, 271, 275	1001103012 343	1001116548.....129
		1001103257 73	1001116549.....129
		1001103258 75	1001116550.....135, 137, 139
		1001103558 377	1001116720.....299, 317, 319
		1001106736 81	1001116723.....301, 341
		1001106757 271, 275	1001116732.....299, 343
		1001107152 271, 275	1001116733.....299, 343
			1001116734.....299, 343
			1001116774.....337
			1001116788.....13, 225
			1001116808.....337
			1001116810.....285

PART NUMBER INDEX

1001116811 77, 79	1001118654.....29	1001119872.....257	1001125483..... 351, 353,
1001116812 301	1001118657.....299	1001119873.....259	355, 357, 359, 361,
1001116815 301	1001118658.....299	1001119874.....261	363, 365, 367
1001116835 153	1001118660..... 33, 39, 41	1001119875.....247	1001126008 301, 341
1001116876 131, 133	1001118665..... 129	1001119876.....251	1001126245 341
1001116877 131, 133	1001118666..... 129	1001119877.....255	1001127549 351, 353,
1001117025 343	1001118744.....299	1001119937.....275	355, 357, 359, 361,
1001117078 303	1001118745.....299	1001119953.....275, 307	363, 365, 367
1001117129 ... 31, 33, 35,	1001118746..... 108	1001119954.....275, 311	1001127588 351, 353,
37, 39, 41	1001118909..... 147	1001119955.....265, 275	355, 357, 359, 361,
1001117131 31	1001118910..... 147	1001119956.....269, 275	363, 365, 367
1001117132 31	1001118961..... 55	1001119962.....376	1001127705 234
1001117172 173, 175,	1001119018..... 271, 305	1001119981.....351, 353,	1001128781 61
177	1001119019..... 271, 309	355, 357, 359, 361,	1001128782 61
1001117174 173, 175,	1001119020.....315, 317,	363, 365, 367	1001128798 61
177, 179, 183, 187,	337, 341, 344	1001120002.....351	1001129407 81
191, 195	1001119028.....376	1001120004.....359	1001129555 372
1001117281 95, 97	1001119077..... 97	1001120027.....37	1001130220 ... 21, 43, 92
1001117282 92	1001119080..... 92	1001120036.....41	1001130588 243
1001117294 377	1001119083..... 92	1001120087..... 102, 108	1001131269 351, 359
1001117365 211	1001119085..... 92	1001120090..... 102, 109	1001135350 301
1001117366 211	1001119086..... 97	1001120103.....377	1001136244 153, 157
1001117372 211	1001119087..... 97	1001120204.....263, 265	1001137005 378
1001117375 123, 125,	1001119088..... 97	1001120205.....267, 269	1001137440 378
127, 213	1001119089..... 95	1001120219.....376	1001137451 92, 97
1001117640 123, 125,	1001119090..... 95	1001120221.....376	1001137673 205, 373
127, 219	1001119091..... 95	1001120222.....376	1001138494 165, 167
1001117884 125, 137	1001119092..... 92	1001120223.....376	1001138514 165, 167
1001117885 125, 133	1001119103..... 92	1001120224.....376	1001140315 377
1001117897 61	1001119139..... 267, 271	1001120279.....363	1001140318 377
1001118262 61	1001119140..... 263, 271	1001120280.....365	1001140429 165, 167,
1001118274 131, 133,	1001119176..... 81, 372	1001120281.....361	169
147, 153, 271, 275	1001119194..... 271	1001120282.....355	1001140524 272, 276,
1001118280 109	1001119195..... 275	1001120283.....367	279
1001118282 299	1001119197..... 272, 276	1001120328.....205	1001140650 376
1001118287 131, 133	1001119228..... 272, 276	1001120466.....377	1001141300 369
1001118288 131, 133	1001119369..... 139, 143	1001120749..... 97	1001141581 21
1001118292 271, 275,	1001119370..... 127, 139	1001120974..... 133, 227	1001141710 81
281	1001119371..... 127	1001120976..... 123, 125,	1001141967 327, 329
1001118361 92, 95	1001119378.....376	127, 223	1001141968 327
1001118388 317, 319	1001119455.....234	1001121172.....299, 343	1001141969 329
1001118394 135, 137,	1001119459.....376	1001121221.....234	1001141970 329
139	1001119504..... 151	1001121678.....27	1001141971 327
1001118482 135, 137,	1001119513..... 151	1001121801.....351	1001142504 377
139	1001119525.....234	1001121803.....359	1001142505 377
1001118509 61	1001119527.....61, 65, 69,	1001121805.....367	1001142683 .. 87, 89, 373
1001118510 61	81, 151	1001121808.....363	1001142736 .. 87, 89, 337
1001118511 15	1001119572..... 234	1001121810.....361	1001144433 188, 191,
1001118516 135, 137,	1001119576..... 351, 353,	1001121814.....351	195
139	355, 357, 359, 361,	1001121816.....359	1001144629 161, 163
1001118518 15	363, 365, 367	1001121818.....367	1001146824 92
1001118519 15	1001119577.....234	1001121821.....363	1001147365 109
1001118592 271, 275	1001119593.....234	1001121823.....361	1001147440 97
1001118593 271, 275	1001119594.....234	1001121918.....365	1001147441 92, 97
1001118595 153	1001119595.....234	1001121920.....355	1001147642 109
1001118640 35	1001119596.....234	1001121921.....365	1001147643 109
1001118641 27	1001119597.....234	1001121923.....355	1001148902 376
1001118642 33	1001119598.....234	1001121966.....234	1001148903 376
1001118643 39	1001119600.....234	1001122527..... 129, 221	1001148904 376
1001118644 29	1001119602.....234	1001123004..... 137, 139,	1001148905 377
1001118647 35, 37	1001119603.....234	217	1001148906 377
1001118648 35, 37	1001119604.....234	1001123018..... 109	1001148975 109
1001118649 27	1001119605.....234	1001125033.....299	1001149160 13, 21
1001118650 33	1001119803.....376	1001125235..... 123, 125,	1001149565 378
1001118651 33	1001119869.....245	127	1001151393 67, 71
1001118652 39, 41	1001119870.....241	100112529181	1001151788 344
1001118653 39, 41	1001119871.....249		1001151824 344

PART NUMBER INDEX

1001152155.....235	1001164418.....297	1001169092.....179, 184, 188, 192, 196	1001170670.....355
1001152650.....73, 75, 77	1001164494.....297	1001169093.....180, 184, 188, 192, 196	1001170671.....361
1001153015.....55, 59	1001164495.....297	1001169129.....13	1001170672.....359
1001153364.....55	1001164654.....297	1001169195.....61	1001170673.....365
1001153612.....289, 291, 293, 295	1001164885.....13	1001169196.....61	1001170674.....363
1001154500.....376	1001165144.....17, 19	1001169204.....236	1001170676.....351
1001155044.....180, 183, 187, 191, 195	1001165751.....105, 117	1001169213.....15	1001170760.....301, 341, 372
1001155045.....180, 183, 187, 191, 195, 372	1001165795.....81, 347	1001169292.....21, 287	1001170761.....372
1001155743.....21	1001165848.....81, 303	1001169310.....351	1001170762.....285, 372
1001155934.....102, 373	1001165851.....67, 71	1001169311.....353	1001170763.....285
1001155967.....13, 344	1001165852.....67	1001169312.....363	1001170838.....179, 184, 188, 192, 196
1001156395.....238	1001165853.....65, 67	1001169313.....365	1001170861.....45
1001156603.....109	1001165923.....81, 343	1001169314.....359	1001170981.....109
1001156604.....109	1001166433.....92	1001169315.....361	1001171295.....341, 372
1001157406.....105, 115	1001166467.....109, 111	1001169316.....355	1001171296.....365
1001157903.....105	1001166538.....180, 184, 187, 192, 196, 199	1001169317.....357	1001171301.....287
1001158075.....109	1001166539.....180, 184, 188, 192, 196, 201	1001169318.....367	1001171777.....43
1001158076.....109	1001166848.....234, 236	1001169415.....92	1001171823.....119
1001158314.....109	1001167206.....234	1001169417.....92	1001171914.....119
1001159027.....87, 89, 339	1001167207.....234	1001169418.....92	1001172045.....376
1001159256.....180, 183, 187, 191, 196, 372	1001167208.....234	1001169419.....92	1001172064.....343
1001159301.....109, 377	1001167210.....234	1001169420.....73, 75	1001172074.....299
1001159664.....109	1001167238.....17, 51, 153	1001169422.....180, 184, 188, 192, 196, 321	1001172227.....343, 372
1001159665.....102, 372	1001167516.....105, 111	1001169594.....179, 184, 188, 192, 196, 373	1001172394.....81
1001159754.....103, 373	1001167538.....43, 285	1001169598.....147, 313	1001172395.....81
1001160531.....59	1001168018.....105, 109	1001169599.....147	1001172396.....81
1001161110.....13	1001168033.....81	1001169683.....21, 23	1001172541.....81
1001161113.....13	1001168098.....102, 297	1001169718.....236	1001172556.....234
1001161114.....13	1001168210.....215	1001169719.....119	1001172557.....234
1001161115.....13	1001168216.....102, 105	1001169720.....376	1001172558.....234
1001161117.....13	1001168221.....105, 108	1001169721.....376	1001172663.....149
1001161537.....92	1001168222.....109	1001169722.....376	1001172760.....187, 192, 196
1001161710.....179, 183, 187, 191, 196, 372	1001168224.....109	1001169723.....377	1001172773.....85
1001161871.....287, 341	1001168225.....109	1001169724.....377	1001173139.....377
1001161872.....47	1001168226.....109	1001169725.....377	1001173140.....377
1001161873.....47	1001168227.....109	1001169726.....377	1001173325.....377
1001161874.....47	1001168228.....109	1001169727.....376	1001173326.....377
1001161876.....47	1001168229.....109	1001169728.....376	1001173331.....377
1001161878.....47	1001168230.....109	1001169729.....376	1001173467.....377
1001161891.....287	1001168232.....105	1001169731.....376	1001173703.....369
1001161924.....287	1001168233.....105	1001169732.....376	1001174019.....73
1001161935.....43	1001168234.....92	1001170056.....351, 355, 359, 361, 363, 365, 367	1001174020.....75
1001161936.....43	1001168236.....102	1001170057.....351, 355, 359, 361, 363, 365, 367	1001174449.....351, 353, 355, 357, 359, 361, 363, 365, 367
1001161937.....43	1001168237.....102	1001170058.....351, 353, 355, 357, 359, 361, 363, 365, 367	1001174455.....313
1001161938.....45	1001168238.....109	1001170059.....357	1001176229.....343
1001161943.....287	1001168239.....103	1001170060.....353, 357	1001176230.....343
1001161944.....287	1001168240.....102	1001170061.....351, 353, 355, 357, 359, 361, 363, 365, 367	1001176304.....105
1001161947.....43	1001168241.....103	1001170083.....179, 184, 188, 192, 196	1001176469.....71
1001161948.....287	1001168242.....102	1001170102.....43	1001177378.....297, 301
1001161949.....287	1001168244.....103	1001170104.....377	1001177433.....297, 299
1001162045.....43	1001168400.....21	1001170140.....21, 372	1001178594.....61, 372
1001162046.....43	1001168662.....81	1001170365.....43, 372	1001178595.....61, 372
1001162047.....43	1001168663.....81	1001170367.....45, 372	1001178731.....61
1001162048.....43	1001168669.....13	1001170483.....43	1001178795.....235
1001162049.....43	1001168701.....180, 184, 315	1001170484.....45, 372	1001179948.....21
1001162050.....43	1001168702.....234	1001170571.....108	1001180464.....81
1001162117.....61	1001169015.....13	1001170669.....367	1001181045.....283
1001162614.....51	1001169027.....15		1001181325.....81
1001162748.....61	1001169028.....13		1001181548.....71
1001162823.....105	1001169030.....13		1001181549.....69, 71
1001163363.....109	1001169089.....67, 71		1001182138.....207
1001164412.....297	1001169090.....173		1001182731.....65
	1001169091.....173, 179		

PART NUMBER INDEX

1001182732 69	1001197941... 81, 82, 297	1001220644 301	1701500 ... 351, 353, 355,
1001182809 351, 353,	1001197942 82, 287	1001220656 177	357, 359, 361, 363,
355, 357, 359, 361,	1001197943 82, 287	1001223055 351	365, 367
363, 365, 367	1001197944 297	1001223971 359	1701504 ... 351, 353, 355,
1001183213 81, 373	1001199306 217, 227	1001224048 365	357, 359, 361, 363,
1001183402 341	1001199412 123, 135	1001224049 367	365, 367
1001183405 341	1001199413 123, 127,	1001224050 361	1701505 61
1001183406 51	131	1001224052 355	1701509 ... 351, 353, 355,
1001183407 377	1001199456 123	1001224053 363	357, 359, 361, 363,
1001183548 45	1001199460 135, 217	1001224891 151	365, 367
1001183675 235	1001199461 131, 227	1001225131 43	1701517 353, 357
1001184022 43	1001200291 378	1001225557 287	1701518 353, 357
1001184133 43, 45	1001200348 21, 25	1001225558 287	1701529 ... 351, 353, 355,
1001184135 45	1001200491 149	1001225580 196, 319	357, 359, 361, 363,
1001184137 45	1001200575 180, 188	1001225990 123, 125,	365, 367
1001184793 287	1001200910 87	127, 215	1701642 ... 351, 353, 355,
1001184846 343	1001201886 184	1001226400 305, 307,	357, 359, 361, 363,
1001185281 188, 192,	1001201887 192	309, 311	365, 367
196	1001201939 82	1001226872 169	1701644 ... 351, 353, 355,
1001186228 188, 192,	1001202223 109	1001227454 376	357, 359, 361, 363,
196, 317	1001203510 377	1001228215 169	365, 367
1001186231 301	1001203719 82	1001228363 378	1702155 ... 351, 353, 355,
1001186375 165	1001204948 92	1001228370 351, 359	357, 359, 361, 363,
1001186377 167	1001205158 61	1001228589 378	365, 367
1001186386 163	1001205844 61	1001228627 149	1702300 ... 351, 353, 355,
1001186387 161	1001207004 89	1001228956 376	357, 359, 361, 363,
1001186431 196, 317,	1001207138 377	1001229107 376	365, 367
372, 378	1001207139 87	1001231153 129	1702391 351
1001186432 317, 319	1001207140 378	1001231540 376	1702565 ... 179, 183, 187,
1001186489 285, 372	1001207227 87, 89	1001231541 376	191, 195
1001186517 205	1001207961 93	1001233237 376	1702566 ... 179, 183, 187,
1001186845 73, 75	1001208285 13	1060908 283	191, 195
1001186889 175	1001208965 173, 183	1060918 173, 175, 177	1702567 ... 179, 183, 187,
1001186894 175, 187	1001208966 175, 191	10837580 53, 227	191, 195
1001187235 108	1001209059 377	1120552 37, 41	1702773 369
1001187508 205	1001209282 378	1271538 147	1702774 369
1001188622 149	1001209565 377	1320022 102, 109	1702860 369
1001188844 149	1001209658 377	1320041 21, 275	1702868 351
1001188866 13	1001209659 377	1320043 ... 243, 247, 251,	1702962 369
1001188889 205	1001209664 205	253, 255, 257, 259,	1703797 351
1001189105 103	1001209878 89	261, 271	1703798 351
1001189108 103	1001210034 378	1320130 103, 271, 275	1703804 351
1001189611 235	1001210035 377	1320136 105, 147, 149	1703805 351
1001189794 105	1001210089 378	1320159 17	1703923 367
1001189795 105	1001210090 378	1320222 108	1703924 359
1001189868 105	1001210829 51	1320224 108, 147	1703925 361
1001189882 369	1001210981 15	1320265 102	1703926 363
1001190017 187, 188	1001211947 287, 291	1320274 105	1703927 365
1001190529 287, 289	1001212041 376	1321293 73, 75, 81	1703928 355
1001190530 287, 293	1001212415 372	1321682 108	1703935 367
1001190531 287, 295	1001213882 196	1321716 81, 102	1703936 359
1001190545 103, 372	1001214029 369, 376	1340069 109	1703937 361
1001190609 102	1001214478 377	1380136 51	1703938 363
1001190985 149	1001214515 377	1380138 47	1703939 365
1001191708 207	1001216630 149	1580011 108	1703940 355
1001193018 247, 251,	1001217227 149	1580012 171	1703941 367
253, 255, 257, 259, 261	1001217228 149	1580013 377	1703942 359
1001193549 287	1001217242 149	1600387 147	1703943 361
1001193550 287	1001217243 149	1670829 67, 71	1703944 363
1001195304 377	1001217244 149	1670899 271, 275	1703945 365
1001195610 378	1001217250 149	1671092 272, 276	1703946 355
1001196702 376	1001217253 149	1671093 272, 276	1703947 367
1001197294 21	1001217254 149	1671176 ... 179, 183, 187,	1703948 359
1001197509 235	1001217267 149	191, 195	1703949 361
1001197652 297	1001218068 196	1701499 ... 351, 353, 355,	1703950 363
1001197707 73, 75, 79	1001219601 81, 372	357, 359, 361, 363,	1703951 365
1001197845 376	1001219788 177, 195	365, 367	1703952 355

PART NUMBER INDEX

1703953.....351	2180348 102	2940109 95, 97	3422745..... 131, 133
1703980.....363	2180666 102	3020008 21, 377	3422787.....129
1703981.....365	2220124 55	3020029 13, 15, 377	3422788..... 129
1703982.....361	2220371 234	3020037 21, 61, 377	3422790..... 123, 125, 127
1703983.....367	2220408 235	3020039 21, 377	3422791..... 135, 137, 139
1703984.....359	2220415 234	3160252 61, 63	3422792..... 123, 125, 127
1703985.....355	2220451 234	3251243 241, 245	3422814..... 123, 125, 127
1704000.....359	2220466 234	3251813 369	3430616..... 184, 192, 196
1704001.....367	2220472 234	3252347 351	3470003..... 180, 184, 188, 192, 196
1704002.....355	2220473 234	3252507 ... 243, 249, 251, 253, 255, 257, 259, 261	3520028..... 179, 183, 187, 191, 195
1704260.... 179, 183, 187, 191, 195	2220498 234	3271801 105, 108	3520030..... 92, 95
1704277.... 351, 353, 355, 357, 359, 361, 363, 365, 367	2220501 234	3290301 103	3520033..... 183, 191
1704286.....369	2220577 234	3290401 43, 45	3520035..... 183
1704368.....369	2220582 234	3290405 81, 85, 103, 173, 175, 177, 247, 251, 253, 255, 257, 259, 261, 271, 275	3520054..... 195
1704369.....369	2220606 235	3290505 ... 45, 47, 67, 71, 92	3520072.... 161, 163, 165, 167, 169
1704370.....369	2220635 234	3290601 .. 21, 51, 81, 287	3520182..... 207
1704371.....369	2220819 234	3290605 ... 73, 75, 81, 92, 102, 108, 147, 149, 173, 175, 177, 243, 247, 251, 253, 255, 257, 259, 261, 271, 275, 351, 353, 355, 357, 359, 361, 363, 365, 367	3520198.... 161, 163, 165, 167, 169
1704372.....369	2220828 234	3290606 165, 167	3572551..... 135, 137, 139
1704373.....369	2220881 211	3290607 87, 89	3760115..... 131, 133
1704412.... 351, 353, 355, 357, 359, 361, 363, 365, 367	2220883 211, 215	3290805 ... 43, 51, 61, 73, 75, 81, 92, 102, 105, 135, 137, 139, 271, 275	3760308..... 47
1704885..... 369	2220885 211	3291001 43, 149	3790012.... 179, 183, 187, 191, 195
1704972..... 369	2220887 234	3291005 . 61, 81, 92, 102, 105, 108, 123, 125, 127, 129, 135, 137, 139, 145, 149, 173, 175, 177, 271, 275	3820019..... 47
1705325..... 247	2220914 235	3291201 149	3820020..... 51, 161, 163
1705344..... 363	2220940 234	3291205 ... 123, 125, 127, 145, 147, 149	3820032..... 61
1705345..... 365	2220947 234	3291605 102, 147	3841143.... 123, 125, 127, 129, 149
1705347 359	2221042 235	3292001 87, 89	3841203.... 123, 125, 127, 129
1705348..... 361	2221086 234	3300106 ... 27, 29, 31, 33, 35, 37, 39, 41	3841258..... 15, 129
1705349..... 355	2300004 108, 377	3300151 165, 167, 169	3841520..... 13
1705351..... 351	2300016 377	3300430 205, 207	3900085..... 87, 89
1705426..... 363	2300019 377	3311005 ... 179, 183, 187, 191, 195	3900174..... 47
1705427..... 365	2300028 377	3311405 108	3900349..... 195
1705429..... 359	2300029 377	3311501 108	3910804..... 67, 71
1705430..... 361	2300039 377	3311505 108	3911018.... 179, 183, 187, 191, 195
1705514..... 351, 359	2400044 43, 45	3311601 ... 180, 184, 188, 192, 196	3931408..... 205
1705822..... 353, 357	2400060 ... 285, 299, 301, 341, 344	3311605 105, 108	3931424..... 205
1705828..... 353, 357	2400064 343, 372	3311801 108	3960417..... 47
1705910..... 367	2400065 343, 372	33340758 129	3960422..... 245, 249
1705917..... 367	2400066 299, 343	3340860 135, 137, 139	3960447..... 47
1705921..... 353, 357	2420202 147	3340901 272, 276	3990010..... 343, 372
1705929..... 351	2540045 102	3340939 271, 275	4010403..... 297
1705961..... 353, 357	2560122 51	3380434 173, 175, 177	4010618..... 165, 167
1705968..... 361	2560136 ... 179, 183, 187, 191, 195	3422576 123, 125, 127	4010618..... 165, 167
1705969..... 365	2600281 161, 163	3422582 123, 125, 127	4031507..... 21, 23
1705978..... 353, 357	2720058 102, 108	3422592 15	4031510.... 103, 271, 275
1706059..... 369	2720271 102, 108	3422709 123, 125, 127	4031512..... 81, 271, 275
1706060..... 369	2760105 67, 71		4031714..... 103
1706061..... 369	2820019 315, 317		4032009..... 21
1706062..... 369	2820030 313		4060092..... 249
1706063..... 369	2820031 272, 276		4060804..... 149
1706064..... 369	2820118 ... 305, 307, 309, 311, 315, 317		4060805..... 149
1706077.... 353, 357, 363	2860030 67, 71, 372		4060808..... 271, 275
1706085..... 367	2900770 ... 141, 213, 215, 217, 227		4060906..... 67, 71
1706089..... 355	2901443 378		4061054..... 147
1706093..... 361	2902203 37, 41		4070897..... 131, 133
1706097..... 359	2902549 ... 243, 247, 251, 253, 255, 257, 259, 261, 283		4070898..... 131, 133
1706098..... 369	2915230 77, 79		4100066..... 234
1706846.... 35, 37, 39, 41	2920028 188, 191, 195		4120035..... 303
2080040. 92, 97, 161, 163	2920129 65, 69		4191707..... 21
2080050..... 92	2920161 85		
2080057.... 351, 353, 355, 357, 359, 361, 363, 365, 367	2940074 161, 163, 373		
	2940095 47		

PART NUMBER INDEX

4240018 13, 82, 103, 234, 271, 275, 287	305, 307, 309, 311, 313, 319, 321, 337, 339, 341, 343, 344, 347	4460892.....343	4740158 15
4240032 .. 81, 87, 89, 195	4460466 ... 179, 183, 187, 191, 195, 279, 281, 285, 299, 303, 305, 307, 309, 311, 313, 315, 317, 319, 321, 337, 341, 343, 344, 347	4460894....279, 281, 303, 341, 343	4740171 55
4240033 147, 205, 297	4460467378	4460897..43, 87, 89, 285, 301, 303, 339, 341, 344	4740362 ... 108, 173, 175, 177
4240084 21	4460470 ... 179, 183, 187, 191, 195	4460899.....319, 321, 344	4740397 195
4240156 271, 275	4460471 ... 179, 183, 187, 191, 195	4460905....301, 303, 315, 317, 341, 343, 347	4740505 13
4360328 67, 71, 372	4460473 ... 272, 276, 305, 307, 309, 311	4460928....289, 291, 293, 295, 337	4751000 87, 89
4360387 71, 179, 183, 187, 191, 195, 372	4460488 87, 89, 179, 183, 187, 191, 195	4460929....289, 291, 293, 295	4751400 ... 108, 171, 179, 183, 187, 191, 195, 207
4360407 ... 179, 183, 187, 191, 195, 372	4460496 81, 303	4460930 77, 79, 289, 291, 293, 295, 343	4751600 105, 108
4360469 67, 71, 372	4460497 81, 303	4460931.....285, 341, 347	4761400 171
4360475 67, 71, 179, 183, 187, 191, 195, 372	4460508 ... 309, 311, 315, 317, 321, 344	4460933....179, 183, 187, 191, 195, 313, 315, 317, 337, 341, 343, 347	4761600 45, 297
4360476 67, 71, 179, 183, 187, 191, 195	4460509 ... 285, 299, 305, 307, 309, 311, 343	4460942.....341	4792000 297
4360548 ... 271, 275, 281, 373	4460510 378	4460943 87, 89, 303, 315, 317, 344	4811400 ... 21, 43, 45, 81, 103, 173, 175, 177, 247, 251, 253, 255, 257, 259, 261, 271, 275
4420051 369	4460516 23	4460944....293, 301, 303, 313, 315, 317, 341	4811600 ... 45, 92, 95, 97, 105, 108
4460016 315, 317	4460518 337	4460945.....301	4811602 47
4460019 285, 299	4460536 13, 317, 341	4460956.....283	4811700 ... 21, 43, 47, 51, 73, 75, 81, 87, 89, 92, 95, 97, 102, 108, 147, 149, 165, 167, 243, 247, 251, 253, 255, 257, 259, 261, 271, 275, 287, 351, 353, 355, 357, 359, 361, 363, 365, 367
4460042 303	4460539 ... 293, 303, 317, 341, 347	4460968....247, 251, 253, 255, 257, 259, 261, 281	4811702 81, 92, 103, 105, 109, 149, 173, 175, 177, 272, 276
4460071 ... 173, 175, 177, 245, 249	4460611 108	4460970.....281, 315, 317	4811900 ... 13, 17, 21, 43, 51, 61, 73, 75, 92, 102, 105, 108, 147, 271, 275
4460115 303	4460634 303	4460994.....301, 341	4811902 21, 51, 105, 131, 133, 135, 137, 139
4460121 243	4460635 303	4461012....173, 175, 177	4812000 . 43, 47, 92, 102, 105, 108, 123, 125, 127, 129, 145, 149, 151, 271, 275
4460125 249	4460662 257, 261	4461017 344	4812002 61, 153, 173, 175, 177
4460142 299, 344	4460670 301, 341	4461018.....299, 343	4812100 13, 149
4460205 245	4460702 ... 289, 291, 293, 295	4461070.....337	4812300 92, 147
4460224 ... 179, 183, 187, 191, 195	4460703 341	4461076.....23	4812500 102, 105
4460225 315, 317	4460708 ... 179, 183, 187, 191, 195	4461077....289, 291, 293, 295	4831900 .43, 45, 287, 297
4460226 ... 173, 175, 177, 179, 183, 187, 191, 195, 199, 202, 315, 317	4460761 315, 317, 343	4461095.....337	4846608 145, 147
4460227 ... 315, 317, 343	4460836 299, 313, 343	4461109.....299	4872000 297
4460233 249	4460837 299, 343	4461110.....344	4891500 61
4460234 81, 179, 183, 187, 191, 195	4460844 319	4461111.....299	4891600 145, 147, 149
4460259 ... 299, 303, 315, 317, 321	4460851 341	4461112.....344	4891800 105, 108
4460260 ... 299, 303, 315, 317, 321	4460852 341	4461117 301	4923463 265, 269
4460265 199, 202	4460865 ... 271, 275, 305, 307, 309, 311	4461196.....323	4923505 263, 267
4460267 301, 317, 341	4460866 ... 271, 275, 315, 317, 344	4461198.....323	5221000 151
4460268 285	4460868 303	4461199.....325	5240600 92
4460312 343	4460871 ... 301, 303, 315, 317, 341, 343, 347	4461201.....325	5241000 15
4460313 303	4460872 347	4461205....327, 329, 331, 333	5241200 ... 131, 133, 145, 147, 149
4460315 245, 249	4460873 301, 341, 343	4461222.....299, 344	5241400 55
4460320 301, 341	4460874 315, 317, 343	4461244.....331	5241600 21, 147
4460346 245	4460875 315, 317, 347	4461245.....333	5250808 153
4460374 341	4460876 303, 315, 317	4461246.....335	5250810 .17, 51, 153, 234
4460375 341	4460877 303	4461249.....335	5250812 153
4460418 303, 315, 317	4460878 343	4461290.....23, 289, 291, 293, 295, 301	5251008 149
4460419 303, 315, 317	4460879 315, 317	4520605.....31, 35, 37	5251010 ... 123, 125, 127, 131, 133
4460424 285	4460884 303, 317, 344	4640113....31, 33, 35, 37, 39, 41	
4460428 ... 147, 179, 183, 187, 191, 195	4460887 315, 317, 343	4640858.....211	
4460434 315, 317	4460888 315, 317	4641129 19	
4460464 . 13, 43, 81, 173, 175, 177, 281, 285, 301, 303, 309, 311, 315, 317, 319, 321, 337, 339, 341, 344, 347	4460891 85, 279, 281, 285, 301, 303, 337, 339, 341, 344, 347	4711400....108, 165, 167, 169, 205, 207	
4460465 85, 279, 281, 285, 289, 291, 293, 295, 299, 301, 303,		4711500....108, 180, 188	
		4711600....103, 105, 184, 192, 196	
		4740086.....13	

PART NUMBER INDEX

5251012.....15, 131, 133	70002903.. 173, 175, 177	70003111 219	70004755.....201
5251016.....149	70002904.. 173, 175, 177	70003112 219	70004756.....201
5260800.....271, 275	70002905.. 173, 175, 177	70003113 219	70004757.....201
5271609.....47	70002954 157	70003114 227	70004758.....201
5271723.....21	70002963 19, 372	70003115 227	70004759.....201
5281920.....271, 275	70002964 53	70003116 227	70004760.....201
70000088.....57	70002965 53	70003117 227	70004761.....201
70000089.....57	70002966 53	70003118 217, 227	70004762.....201
70000341.....141	70002967 53	70003119 227	70004763.....201
70000681.....59	70002968 53	70003120 227	70004764.....201
70001697.....141, 143	70002969 53	70003121 227	70004765.....201
70001996.....151	70002970 53	70003122 217	70004766.....201
70001998.....151	70002971 53, 372	70003123 217	70004767.....201
70002311.....57	70002972 53	70003124 217	70004768.....201
70002312.....57	70002973 53	70003125 217	70004769.....201
70002313.....57	70002974 53	70003126 217	70004770.....201
70002315.....111	70002976 53	70003127 217	70004771.....201
70002318.....111	70002977 53	70003128 217	70004772.....201
70002334...217, 219, 221	70003060 111	70003129 217	70004773.....201
70002335..213, 215, 217, 219, 221, 223, 227	70003061 111	70003130 217	70004774.....201
70002337.....221, 225	70003063 112	70003131 213, 215	70004775.....201
70002344.....219	70003064 112	70003132 213, 215	70004787.....19
70002352...213, 223, 227	70003071 221	70003133 213, 215	70004788.....19
70002354.....223	70003072 221	70003134 213, 215	70004789.....19
70002357.....213	70003073 221	70003138 59	70004790.....115
70002364.....227	70003074 221	70003139 59	70004791.....115
70002366..213, 215, 223, 227	70003075 221	70003141 59	70004792.....115
70002372.....217	70003076.. 217, 219, 221	70003142 59	70004793.....115
70002373.....217	70003077 221, 225	70003453 217	70004796.....109
70002375.....217	70003078 221, 225	70003757 53	70004797.....23
70002380.....225	70003079 221, 225	70003784 . 179, 183, 187, 191, 195	70004798.....23
70002386.....51, 53, 155, 157, 217, 219, 221, 372	70003080 221, 225	70003788 53, 372	70004799.....23
70002388.....213	70003081 . 213, 215, 221, 223	70004069 102	70004800.....23
70002389.....227	70003082 219, 221	70004070 102	70004801.....23
70002410.....221	70003083 219, 221	70004294 111	70004802.....23
70002412.....219	70003084 223	70004295 111	70004803.....23
70002413.....213, 215	70003085.. 213, 215, 223	70004296 111	70004804.....23
70002643.....59	70003086 223	70004297 111	70004805.....23
70002644.....59	70003088 223	70004305 112	70004806.....23
70002645.....59	70003089 . 213, 215, 223, 227	70004306 112	70004807.....23
70002646.....59	70003090 . 213, 215, 223, 227	70004306 112	70004808.....23
70002647.....59	70003091 . 213, 215, 223, 227	70004311 111	70004809.....23
70002648.....59	70003092 . 213, 215, 223, 227	70004322 143	70004810.....23
70002649.....59	70003093 . 213, 215, 217, 223	70004323 141, 143	70004811.....23
70002650.....59	70003094 . 213, 215, 217, 223	70004398 111	70004812.....23
70002651.....59	70003095 225	70004524 111	70004813.....23
70002652.....59	70003096 225	70004537 111	70004814.....23
70002656.....59	70003097 225	70004538 111	70004815.....23
70002657.....59	70003098 225	70004539 111	70004816.....23
70002658.....59	70003099 225	70004540 111	70004817.....23
70002659.....59	70003100 225	70004738 199	70004818.....23
70002661.....59	70003101 225	70004739 199	70004819.....23
70002663.....59	70003102 225	70004740 199	70004820.....23
70002664.....59	70003103 219	70004741 199	70004821.....23
70002665.....59	70003104 219	70004742 199	70004822.....23
70002666.....59	70003105 219	70004743 199	70004827.....23
70002667.....59	70003106 219	70004744 199	70004828.....111
70002668.....59	70003108 219	70004745 199	70004829.....111, 112
70002669.....59	70003109 219	70004746 199	70004830.....111
70002670.....59	70003110 219	70004747 199	70004832.....111
70002671.....59		70004748 199	70004833.....111
70002842.....211		70004749 199	70004834.....111
70002901.....102		70004750 199	70004836.....111
70002902...173, 175, 177		70004751 199	70004837.....111
		70004752 201	70004838.....111
		70004753 201	70004839.....111
		70004754 201	70004840.....111

PART NUMBER INDEX

70004841	111	70005033	25	7004043	57	7020292	63
70004843	111	70005035	25	7004044	57	7020293	63
70004844	111	70005036	25	7004275	378	7020294	63
70004846	111	70005037	25	7004276	378	7020295	63
70004847	111	70005038	25	70050516	19, 372	7020296	63
70004848	111	70005039	25	7010543	53, 155, 227	7020297	63
70004849	111	70005040	25	7011323	141	7020298	63
70004851	112	70005041	25	7012540	19	7020299	63
70004852	112	70005042	25	7012545	63	7021653	19, 53
70004853	112	70005043	25	7012548	63	7023107	111
70004854	112	70005044	25	7012549	63	7023114	112
70004855	111	70005045	25	7012907	19	7023124	112
70004856	112	70005046	25	7012941	155	7023154	111
70004857	112	70005047	25	7012953	155	7023167	111
70004858	112	70005048	25	7012955	155, 157	7023168	111
70004859	112	70005049	25	7012967	51, 155, 157, 217, 219, 221	7023170	112
70004860	112	70005050	25	7012998	19, 53, 157	7023200	63
70004861	112	70005051	25	7015004	109, 372	7023272	63
70004912	112	70005053	25	7015005	109	7023970	155
70004913	112	70005054	25	7016319	85	7024379	57
70004982	157	70005055	25	7016372	85	7024380	57
70004984	117	70005058	25	7016654	378	7024381	57
70004985	117	70005059	25	7017120	141	7024389	57
70004986	117	70005060	25	7017121	141	7024390	57
70004987	117	70005062	25	7017122	141, 143	7024453	57
70004988	117	70005063	25	7017123	141, 143	7024884	217, 219, 221
70004989	117	70005228	111	7017126	141, 143	7026041	59
70004990	117	70005293	102	7017127	141	7026048	59
70004991	117	70005294	102	7017172	141, 143	7026049	59
70004992	117	70005295	102	7017192	141, 143	7026052	59
70004993	117	70005296	102	7017196	141, 143	7027350	59
70004994	117	70005297	102	7017402	155, 157	7027351	59
70004995	117	70005560	25	7017406	53	7027352	59
70004996	117	70005561	25	7017408	19	7027353	59
70004997	117	70005695	215	7017427	157	7027359	59
70004998	117	70005722	51	7017452	155, 157	7027900	141, 143
70004999	117	70005818	61	7017455	19	7027901	141, 143
70005000	117	70005973	215	7017463	19	80233041	234
70005001	117	70005974	215	7017467	51	80325	92
70005002	117	70006007	112	7017496	51, 53, 217, 219, 221	8220007	299
70005003	117	70006008	112	7017498	157	8220045	301
70005004	117	70006129	25	7017901	112	8229244	343, 372
70005005	117	70006130	25	7017914	111	8229245	299
70005006	117	70006131	25	7017934	111	8229246	299
70005007	117	70006132	25	7017980	111, 372	8229247	299
70005019	25	70006133	25	7017982	111	8290505	95, 97
70005020	25	70006269	151	7017983	111	8290605	95, 97
70005022	25	70006280	151	7017984	111	8305919	179, 183, 187, 191, 195
70005023	25	70006353	215	7017988	111	8310612	43, 45
70005024	25	70022565	219	7017992	111, 372	8310643	147
70005025	25	70023370	213, 217, 219, 221, 227	7017995	111	8310668	151
70005026	25	70023371	223	7020175	67, 71, 179, 183, 187, 191, 195	8310686	234
70005027	25	7002821	378	7020176	67, 71, 179, 183, 187, 191, 195	8405102	109
70005028	25	7002822	378	7020291	63	8406201	103
70005029	25	7002823	378			85031405	109, 297
70005030	25	7002828	378			85941016	105
70005031	25	7004035	57			91043147	103
70005032	25						



3121635



An Oshkosh Corporation Company

Corporate Office
JLG Industries, Inc.
1 JLG Drive
McConnellsburg, PA 17233-9533 USA
☎ (717) 485-5161 (Corporate)
☎ (877) 554-5438 (Customer Support)
📠 (717) 485-6417

Visit our website for JLG Worldwide Locations.
www.jlg.com