



Illustrated Parts Manual

Models
3369LE
4069LE
M3369
M4069

SN 0200230092
to Present
SN M200000100
to Present

P/N
3121640

August 25, 2018 - Rev N

ANSI

CE



AS/NZS

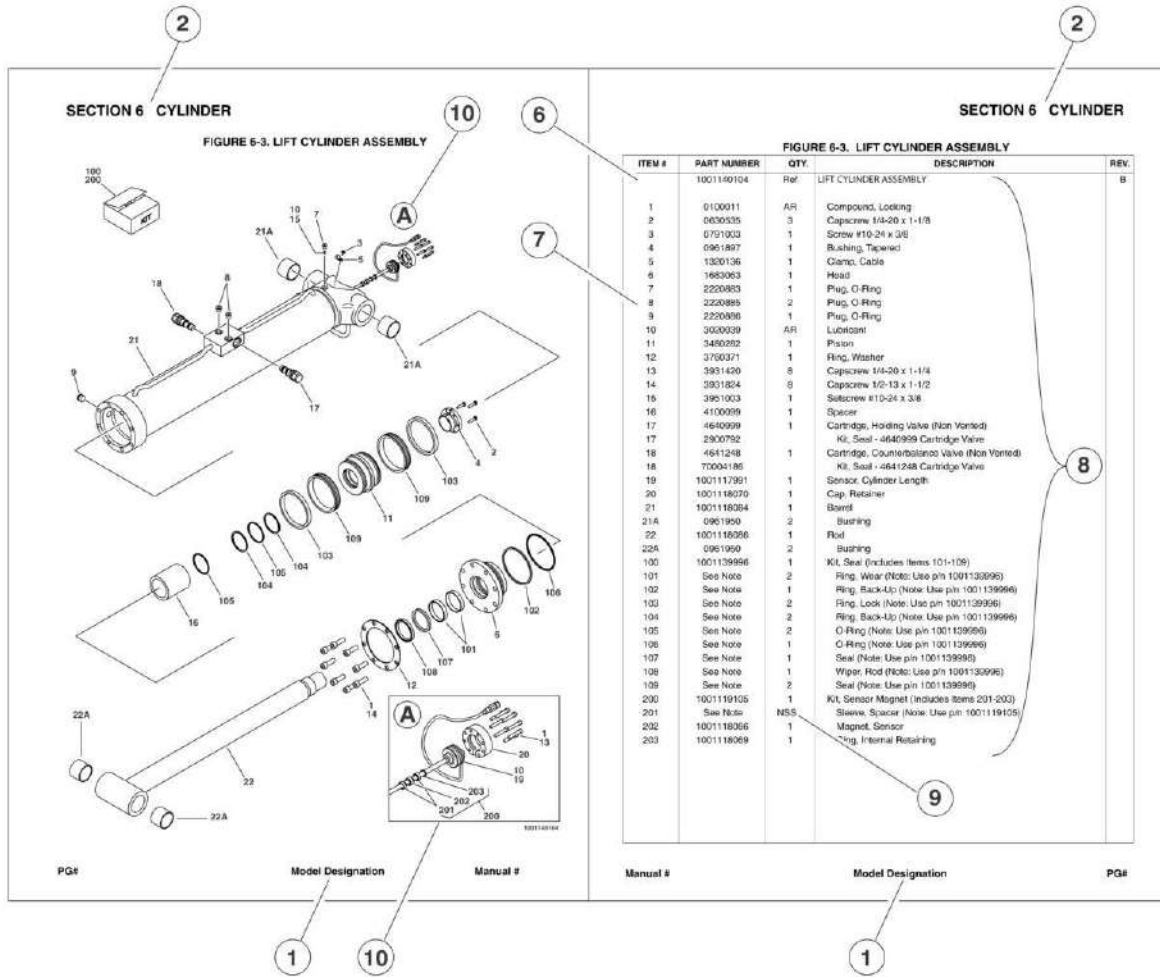


An Oshkosh Corporation Company

REVISION LOG

November 1, 2014 - A - Original Issue Of Manual (Edited to B/M 1001165000 Revision C)
September 30, 2015 - B - Revised Manual (Edited to B/M 1001165000 Revision I)
November 30, 2015 - C - Revised Manual (Edited to B/M 1001165000 Revision M)
February 12, 2016 - D - Revised Manual (Edited to B/M 1001165000 Revision O)
May 5, 2016 - E - Revised Manual (Edited to B/M 1001165000 Revision Q)
August 31, 2016 - F - Revised Manual (Edited to B/M 1001165000 Revision R)
November 23, 2016 - G - Revised Manual (Edited to B/M 1001165000 Revision S)
February 16, 2017 - H - Revised Manual (Edited to B/M 1001165000 Revision T)
May 19, 2017 - I - Revised Manual (Edited to B/M 1001165000 Revision T)
August 04, 2017 - J - Revised Manual (Edited to B/M 1001165000 Revision T)
November 30, 2017 - K - Revised Manual (Edited to B/M 1001165000 Revision T)
February 2, 2018 - L - Revised Manual (Edited to B/M 1001165000 Revision V)
May 30, 2018 - M - Revised Manual (Edited to B/M 1001165000 Revision V)
August 25, 2018 - N - Revised Manual (Edited to B/M 1001165000 Revision X) (Revision1)

GENERAL INFORMATION



1) MACHINE IDENTIFICATION

Machines are identified by model and in some cases a combination of models, serial number (SN) or regional standard (i.e. ANSI, CE, CSA). Components may also be identified by SN or manufacturer. Common components that may be identified by these characteristics are engines and hydraulic components.

2) PARTS MANUAL ORGANIZATION

Product information in this manual is organized under section titles. Frame, Cylinder, Hydraulic and Electrical are a few examples. Each section is organized by figure and page number. The information within the Figure is then organized by item number, part number, description and corresponding illustration(s).

3) TABLE OF CONTENTS

A table of contents is found toward the beginning of the manual. Figure number, description and page number are provided for quick reference to the page containing the related information.

4) RECOMMENDED SPARE PARTS

The Recommended Spare Parts, located near the end of the manual, reference most frequently used maintenance parts.

5) PART NUMBER INDEX

A numerical index listing all part numbers and the corresponding page number(s) appears at the back of the manual.

GENERAL INFORMATION

6) NON-SERVICED PARTS

In some instances, it is necessary to display non-serviced parts, assemblies or installations. In the case of assemblies and installations there will be a Ref in the Qty column. In case of parts that are not available for service within assemblies or components, there will be a NSS (Not Sold Separately) or NLA (No Longer Available) listed in the Qty. column of the manual.

7) PARTS LIST ITEM NUMBERS

Numbers shown in the item# column correspond to numbers used in the associated illustration (s). Item numbers which are missing from the sequence in the parts list are not used on that page

8) INDENTED PARTS DESCRIPTION

An indented part description is included in the item under which it is indented.

9) ABB REVIATION AND SYMBOLS

AC.....	.. Alternating Current	LCD Liquid Crystal Display
ADE.....	..Advanced Design Electronics	LED Light Emitting Diodes
ANSIAmerican National Standards Institute	LH.....	.. Left Hand
AR.....	..As Required	LSSLoad Sensing System
ASSY Assembly	M(m).....	.. Metric/Meter
AUX.....	..Auxiliary	MM (mm)Milimeter
AWG.....	..American WireGauge	mA.....	.. Miliamps
B/M.....	..Bill of Material	NLA.....	..No Longer Available
CE.....	..European Conformity	NPT National Pipe Threads
CCWCounter Clockwise	NSSNot Sold Separately
cm.....	.. Centimeter	OD.....	..Outside Diameter
CW.....	..Clockwise	ORB.....	.. O-Ring Boss
CSA.....	..Canadian Standards Association	ORFS.....	.. O-Ring Face Seal
CYL.....	..Cylinder	OZ (oz)Ounces
DIA.....	.. Diameter	PG.....	..Page
DC.....	..Direct Current	P/N.....	..Part Number
EMS Emergency Stop	qt.....	..Quarts
ENGEngine	QTY.....	..Quantity
FT (ft).....	.. Feet	REFReference
GA(Ga).....	..Gauge	REVRevision Level
HYDHydraulic	RH.....	.. Right Hand
HZ.....	.. Hertz	SAE.....	.. Society of Automotive Engineers
ID.....	..Inside Diameter	SN.....	..Serial Number
in.....	..inches	SPEC(S).....	..Specifications
ISOInternational Organization for Standards	T/T.....	..Turntable
JIC.....	..Joint Industry Council	UGMUniversal Ground Module
KGKilogram	V.....	..Volts
L.....	..Liter	W.....	..Watts
LB.....	..Pounds	#.....	.. Number

10) ILLUSTRATION REFERENCE LETTERS

When necessary, illustrations may contain reference letters that are intended to track information (i. e. hoses, harnesses) from one point to another or to track visual enlargement of components to show details that may be located in another area on the illustration.

Note: Due to continuous product improvements, JLG Industries, Inc. reserves the right to make specification changes without prior notification. Contact JLG Industries, Inc. for updated information.

TABLE OF CONTENTS

SECTION 1 - FRAME.....	11
FIGURE 1-1. REAR AXLE INSTALLATION - FIXED.....	12
FIGURE 1-2. REAR AXLE INSTALLATION - OSCILLATING (ALL SPECS EXCEPT CE SPEC).....	14
FIGURE 1-3. OSCILLATING AXLE VALVE ASSEMBLY (ALL SPECS EXCEPT CE SPEC).....	16
FIGURE 1-4. REAR AXLE INSTALLATION - OSCILLATING (CE SPEC) (SN 0200246353 to Present, SN M200000100 to Present).....	18
FIGURE 1-5. OSCILLATING AXLE VALVE ASSEMBLY (CE SPEC) (SN 0200246353 to Present, SN M200000100 to Present).....	20
FIGURE 1-6. STEERING INSTALLATION - 2WD.....	22
FIGURE 1-7. STEERING INSTALLATION - 4WD.....	24
FIGURE 1-8. STEERING AND FRONT DRIVE INSTALLATION - 4WD FRONT.....	26
FIGURE 1-9. WHEEL DRIVE AND CONTROLLER INSTALLATION - 2WD/4WD REAR.....	28
FIGURE 1-10. HUB ASSEMBLY - 2WD FRONT.....	30
FIGURE 1-11. DRIVE HUB ASSEMBLY - 2WD/4WD REAR.....	32
FIGURE 1-12. DRIVE BRAKE ASSEMBLY - 2WD/4WD REAR.....	36
FIGURE 1-13. DRIVE MOTOR ASSEMBLY - OPERATORS POSITION RH SIDE - 4WD FRONT (SN 0200230092 to Present, SN M200000100 through M200023101).....	38
FIGURE 1-14. DRIVE MOTOR ASSEMBLY - OPERATORS POSITION RH SIDE - 4WD FRONT (SN M200023102 to Present).....	40
FIGURE 1-15. DRIVE MOTOR ASSEMBLY - OPERATORS POSITION LH SIDE - 4WD FRONT (SN 0200230092 to Present, SN M200000100 through M200023101).....	42
FIGURE 1-16. DRIVE MOTOR ASSEMBLY - OPERATORS POSITION LH SIDE - 4WD FRONT (SN M200023102 to Present).....	44
FIGURE 1-17. DRIVE MOTOR ASSEMBLY - 2WD/4WD REAR.....	46
FIGURE 1-18. DRIVE VALVE ASSEMBLY - 4WD ONLY.....	48
FIGURE 1-19. FLOW DIVIDER VALVE ASSEMBLY - 4WD ONLY.....	50
FIGURE 1-20. TIRE AND WHEEL INSTALLATION - IN240/55 X 17.5 FOAM-FILLED.....	52
FIGURE 1-21. TIRE AND WHEEL INSTALLATION - IN240/55 X 17.5 NON-MARKING FOAM FILLED.....	54
FIGURE 1-22. TIRE AND WHEEL INSTALLATION - 27.2/10.5LL X 15 TURF FOAM-FILLED.....	56
FIGURE 1-23. LEVELING JACKS INSTALLATION - OPTIONAL.....	58
FIGURE 1-24. LEVELING JACK CONTROL VALVE ASSEMBLY.....	60
FIGURE 1-25. BATTERY CHARGER INSTALLATION - 110V/60HZ (3369LE & 4069LE ANSI, ANSI EXPORT, CSA AND JAPANESE SPECS).....	62
FIGURE 1-26. BATTERY CHARGER INSTALLATION - 110V/60HZ (M3369 & M4069 ANSI, ANSI EXPORT, CSA AND JAPANESE SPECS).....	64
FIGURE 1-27. BATTERY CHARGER INSTALLATION - 120-240V/50-60HZ (3369LE & 4069LE ANSI, ANSI EXPORT, CSA AND CE SPECS).....	66
FIGURE 1-28. BATTERY CHARGER INSTALLATION - 120-240V/50-60HZ (M3369 & M4069 ANSI, ANSI EXPORT, CSA AND CE SPECS).....	68
FIGURE 1-29. BATTERY CHARGER INSTALLATION - 250V/50HZ (3369LE & 4069LE ANSI EXPORT AND AUSTRALIAN SPECS).....	70
FIGURE 1-30. BATTERY CHARGER INSTALLATION - 250V/50HZ (M3369 & M4069 ANSI EXPORT AND AUSTRALIAN SPECS).....	72
FIGURE 1-31. BATTERY CHARGER ASSEMBLY.....	74
FIGURE 1-32. BATTERY CHARGER DOOR ASSEMBLY - 3369LE & 4069LE.....	76
FIGURE 1-33. INVERTER INSTALLATION - OPTIONAL.....	78
FIGURE 1-34. BEACON INSTALLATION.....	80
FIGURE 1-35. LADDER INSTALLATION WITHOUT LEVELING JACKS - 3369LE/M3369 (ALL SPEC EXCEPT CE SPEC).....	82
FIGURE 1-36. LADDER INSTALLATION WITHOUT LEVELING JACKS - 3369LE/M3369 (CE SPEC).....	84
FIGURE 1-37. LADDER INSTALLATION WITHOUT LEVELING JACKS - 4069LE/M4069 (ALL SPECS EXCEPT CE SPEC).....	86
FIGURE 1-38. LADDER INSTALLATION WITHOUT LEVELING JACKS - 4069LE/M4069 (CE SPECS).....	88
FIGURE 1-39. LADDER INSTALLATION WITH LEVELING JACKS.....	90
FIGURE 1-40. FRAME COVER INSTALLATION (STANDARD).....	92
FIGURE 1-41. FRAME COVER INSTALLATION (4069LE/M4069) (HOSTILE ENVIRONMENT).....	94
FIGURE 1-42. FRAME COVER INSTALLATION (3369LE/M3369) (HOSTILE ENVIRONMENT).....	96
SECTION 2 - GROUND COMPONENTS.....	99
FIGURE 2-1. MAIN CONTROL VALVE INSTALLATION.....	100
FIGURE 2-2. MAIN CONTROL VALVE ASSEMBLY.....	102
FIGURE 2-3. HYDRAULIC COMPARTMENT INSTALLATION.....	104
FIGURE 2-4. MOTOR ASSEMBLY.....	106
FIGURE 2-5. GROUND CONTROL BOX AND HORN INSTALLATIONS - 3369LE/4069LE WITHOUT LEVELING JACKS (ALL SPECS EXCEPT CE SPEC).....	108
FIGURE 2-6. GROUND CONTROL BOX AND HORN INSTALLATIONS - 3369LE/4069LE WITHOUT LEVELING JACKS (CE SPEC).....	110

TABLE OF CONTENTS

FIGURE 2-7. GROUND CONTROL BOX AND HORN INSTALLATIONS - 3369LE/4069LE WITH LEVELING JACKS (ALL SPECS EXCEPT CE SPEC).....	112
FIGURE 2-8. GROUND CONTROL BOX AND HORN INSTALLATIONS - 3369LE/4069LE WITH LEVELING JACKS (CE SPEC).....	114
FIGURE 2-9. GROUND CONTROL BOX AND HORN INSTALLATIONS - M3369/M4069 (2WD - ALL SPECS EXCEPT CE SPEC).....	116
FIGURE 2-10. GROUND CONTROL BOX AND HORN INSTALLATIONS - M3369/M4069 (2WD - CE SPEC).....	118
FIGURE 2-11. GROUND CONTROL BOX AND HORN INSTALLATIONS - M3369/M4069 (4WD - ALL SPECS EXCEPT CE SPEC).....	120
FIGURE 2-12. GROUND CONTROL BOX AND HORN INSTALLATIONS - M3369/M4069 (4WD - CE SPEC).....	122
FIGURE 2-13. GROUND CONTROL BOX AND HORN INSTALLATIONS - M4069 (DRIVE AT FULL HEIGHT).....	124
FIGURE 2-14. GROUND CONTROL BOX ASSEMBLY - 3369LE/4069LE (ALL SPECS EXCEPT CE SPEC).....	126
FIGURE 2-15. GROUND CONTROL BOX ASSEMBLY - 3369LE/4069LE (CE SPEC).....	128
FIGURE 2-16. GROUND CONTROL BOX ASSEMBLY - M3369/M4069 (ALL SPECS EXCEPT CE SPEC).....	130
FIGURE 2-17. GROUND CONTROL BOX ASSEMBLY - M3369/M4069 (CE SPECS).....	132
FIGURE 2-18. GROUND CONTROL BOX ASSEMBLY - M4069 DRIVE AT FULL HEIGHT.....	134
FIGURE 2-19. GROUND CONTROL BOX COMPONENTS (SN 0200243015 to Present, SN M200000100 to Present)	136
FIGURE 2-20. BATTERY BOX INSTALLATION - 370A-H BATTERIES (SN 0200230092 through 0200258591).....	138
FIGURE 2-21. BATTERY BOX INSTALLATION - 370A-H BATTERIES (SN 0200258591 to Present).....	140
FIGURE 2-22. BATTERY BOX INSTALLATION - 390A-H AGM BATTERIES (SN 0200230092 through 0200258591).....	142
FIGURE 2-23. BATTERY BOX INSTALLATION - 390A-H AGM BATTERIES (SN 0200258591 to Present)	144
FIGURE 2-24. ALARM INSTALLATION.....	146
FIGURE 2-25. ALARM INSTALLATION - MOTION	148
FIGURE 2-26. COVERS INSTALLATION.....	150
FIGURE 2-27. TANK INSTALLATION - M3369/M4069 (MACHINES WITH STANDARD BATTERY)	154
FIGURE 2-28. TANK INSTALLATION - M3369/M4069 (MACHINES WITH AGM BATTERY).....	156
SECTION 3 - ENGINE.....	159
FIGURE 3-1. KUBOTA ENGINE/GENERATOR INSTALLATION - M3369/M4069 (WITH STANDARD BATTERY)	160
FIGURE 3-2. KUBOTA ENGINE/GENERATOR INSTALLATION - M3369/M4069 (WITH AGM BATTERY)	162
FIGURE 3-3. KUBOTA MOTOR/GENERATOR ASSEMBLY.....	164
FIGURE 3-4. KUBOTA MOTOR/GENERATOR COMPONENTS	166
SECTION 4 - SCISSORS ARMS.....	169
FIGURE 4-1. SCISSORS ARMS INSTALLATION WITHOUT LSS - 3369LE/M3369	170
FIGURE 4-2. SCISSORS ARMS ASSEMBLY WITHOUT LSS - 3369LE/M3369.....	172
FIGURE 4-3. SCISSORS ARMS INSTALLATION WITH LSS - 3369LE/M3369	176
FIGURE 4-4. SCISSORS ARMS ASSEMBLY WITH LSS - 3369LE/M3369	178
FIGURE 4-5. SCISSORS ARMS INSTALLATION WITHOUT LSS - 4069LE/M4069	182
FIGURE 4-6. SCISSORS ARMS ASSEMBLY WITHOUT LSS - 4069LE/M4069.....	184
FIGURE 4-7. SCISSORS ARMS INSTALLATION WITH LSS - 4069LE/M4069	188
FIGURE 4-8. SCISSORS ARMS ASSEMBLY WITH LSS - 4069LE/M4069	190
FIGURE 4-9. SCISSORS ARM GUARDS INSTALLATION (CE SPECS ONLY)	194
SECTION 5 - PLATFORM.....	197
FIGURE 5-1. PLATFORM INSTALLATION WITHOUT D-RINGS.....	198
FIGURE 5-2. PLATFORM INSTALLATION WITH D-RINGS	200
FIGURE 5-3. PLATFORM INSTALLATION WITHOUT D-RINGS AND WITH LSS	202
FIGURE 5-4. PLATFORM INSTALLATION WITH D-RINGS AND WITH LSS	206
FIGURE 5-5. HANDRAILS INSTALLATION WITH SELF-CLOSING GATE.....	210
FIGURE 5-6. HANDRAILS INSTALLATION WITH CHAIN GATE.....	212
FIGURE 5-7. 3FT PLATFORM EXTENSION W/RAILS	214
FIGURE 5-8. CONSOLE BOX ASSEMBLY - 3369LE/4069LE NO LEVELING.....	216
FIGURE 5-9. CONSOLE BOX ASSEMBLY - 3369LE/4069LE WITH LEVELING JACKS	218
FIGURE 5-10. CONSOLE BOX ASSEMBLY - M3369/M4069 2WD NO LEVELING JACKS	220
FIGURE 5-11. CONSOLE BOX ASSEMBLY - M3369/M4069 2WD WITH LEVELING JACKS	222
FIGURE 5-12. CONSOLE BOX ASSEMBLY - M3369/M4069 4WD NO LEVELING JACKS	224
FIGURE 5-13. CONSOLE BOX ASSEMBLY - M3369/M4069 4WD WITH LEVELING JACKS	226
FIGURE 5-14. DRIVE/STEER CONTROLLER ASSEMBLY	228
SECTION 6 - CYLINDER.....	231
FIGURE 6-1. AXLE LOCKOUT CYLINDER ASSEMBLY.....	232
FIGURE 6-2. LEVELING JACK CYLINDER ASSEMBLY.....	234

TABLE OF CONTENTS

FIGURE 6-3. LIFT CYLINDER ASSEMBLY - 3369LE/M3369	236
FIGURE 6-4. LIFT (LOWER) CYLINDER ASSEMBLY - 4069LE/M4069	238
FIGURE 6-5. LIFT (UPPER) CYLINDER ASSEMBLY - 4069LE/M4069	240
FIGURE 6-6. STEER CYLINDER ASSEMBLY	242
SECTION 7 - HYDRAULIC	245
FIGURE 7-1. HYDRAULIC DIAGRAM LIST	246
FIGURE 7-2. HYDRAULIC DIAGRAM - 4WD	248
FIGURE 7-3. HYDRAULIC DIAGRAM - LEVELING JACKS (OPTIONAL)	250
FIGURE 7-4. HYDRAULIC DIAGRAM - LIFT CYLINDER - 3369LE/M3369 WITHOUT LSS	252
FIGURE 7-5. HYDRAULIC DIAGRAM - LIFT CYLINDER - 3369LE/M3369 WITH LSS	254
FIGURE 7-6. HYDRAULIC DIAGRAM - LIFT CYLINDER - 4069LE/M4069 WITHOUT LSS	256
FIGURE 7-7. HYDRAULIC DIAGRAM - LIFT CYLINDER - 4069LE/M4069 WITH LSS	258
FIGURE 7-8. HYDRAULIC DIAGRAM - STANDARD - 3369LE/M3369 WITH FIXED AXLE	260
FIGURE 7-9. HYDRAULIC DIAGRAM - STANDARD - 3369LE/M3369 WITH OSCILLATING AXLE (ALL SPECS EXCEPT CE SPEC)	262
FIGURE 7-10. HYDRAULIC DIAGRAM - STANDARD - 4069LE/M4069 WITH FIXED AXLE	266
FIGURE 7-11. HYDRAULIC DIAGRAM - STANDARD - 4069LE/M4069 WITH OSCILLATING AXLE (ALL SPECS EXCEPT CE SPEC)	268
FIGURE 7-12. HYDRAULIC DIAGRAM - STANDARD - 3369LE/M3369 WITH OSCILLATING AXLE (CE SPEC) (SN 0200246353 to Present, SN M200000100 to Present)	272
FIGURE 7-13. HYDRAULIC DIAGRAM - STANDARD - 4069LE/M4069 WITH OSCILLATING AXLE (CE SPEC) (SN 0200246353 to Present, SN M200000100 to Present)	276
SECTION 8 - ELECTRICAL	281
FIGURE 8-1. ELECTRICAL DIAGRAM LIST	282
FIGURE 8-2. AC TO PLATFORM INSTALLATION - 110V GFI (3369LE/M3369)	284
FIGURE 8-3. AC TO PLATFORM INSTALLATION - 110V GFI (4069LE/M4069)	286
FIGURE 8-4. AC TO PLATFORM INSTALLATION - 110V IEC YELLOW (CE SPEC ONLY)	288
FIGURE 8-5. AC TO PLATFORM INSTALLATION - 220V IEC BLUE (CE SPEC ONLY)	290
FIGURE 8-6. AC TO PLATFORM INSTALLATION - 220V AFSINT107 (CE SPEC ONLY)	292
FIGURE 8-7. AC TO PLATFORM INSTALLATION - 220V CEE7 SIDE GROUND (CE SPEC ONLY)	294
FIGURE 8-8. AC TO PLATFORM INSTALLATION - 220V CEE7 POST GROUND (CE SPEC ONLY)	296
FIGURE 8-9. ALARM HARNESS	298
FIGURE 8-10. BEACON LIGHT HARNESS	300
FIGURE 8-11. BREAKER BOX KIT WITH TWO BREAKERS - CE SPEC ONLY	302
FIGURE 8-12. BREAKER BOX KIT WITH THREE BREAKERS - CE SPEC ONLY	304
FIGURE 8-13. CHARGER CORD PLUG INSTALLATION - 110V IEC YELLOW PLUG (CE SPEC)	306
FIGURE 8-14. CHARGER CORD PLUG INSTALLATION - 220V IEC BLUE PLUG (CE SPEC)	308
FIGURE 8-15. CHARGER CORD PLUG INSTALLATION - 220V AFSINT 107 KEYED GROUND (CE SPEC)	310
FIGURE 8-16. CHARGER CORD PLUG INSTALLATION - 220V CEE7 POST GROUND (CE SPEC)	312
FIGURE 8-17. CHARGER CORD PLUG INSTALLATION - 220V CEE7 SIDE GROUND (CE SPEC)	314
FIGURE 8-18. FRONT WHEEL ASSIST (4WD) HARNESS	316
FIGURE 8-19. GENERATOR HARNESS - M3369/M4069 ONLY	318
FIGURE 8-20. GROUND CONTROL BOX HARNESS - 3369LE/4069LE	320
FIGURE 8-21. GROUND CONTROL BOX HARNESS - M3369/M4069	322
FIGURE 8-22. GROUND CONTROL BOX HARNESS (M4069 DRIVE AT FULL HEIGHT)	324
FIGURE 8-23. GROUND CONTROL BOX TO BULKHEAD HARNESS INSTALLATION - 3369LE/M3369	326
FIGURE 8-24. GROUND CONTROL BOX TO BULKHEAD HARNESS INSTALLATION - 4069LE/M4069	328
FIGURE 8-25. GROUND CONTROL BOX TO BULKHEAD HARNESS	330
FIGURE 8-26. LEVELING JACK HARNESS	332
FIGURE 8-27. LEVELING JACK N.C. HARNESS	334
FIGURE 8-28. LEVELING JACK N.O. HARNESS	336
FIGURE 8-29. LEVELING JACK VALVE HARNESS	338
FIGURE 8-30. LIFT DOWN HARNESS - LOWER	340
FIGURE 8-31. LIFT DOWN HARNESS - 3369LE/M3369 UPPER	342
FIGURE 8-32. LIFT DOWN HARNESS - 4069LE/M4069 UPPER	344
FIGURE 8-33. PLATFORM CABLE HARNESS - 3369LE/M3369	346
FIGURE 8-34. PLATFORM CABLE HARNESS - 4069LE/M4069	348
FIGURE 8-35. PLATFORM CONSOLE BOX HARNESS WITHOUT LEVELING JACKS	350
FIGURE 8-36. PLATFORM CONSOLE BOX HARNESS WITH LEVELING JACKS	352
FIGURE 8-37. RECEPTACLE BOX KIT - 110V GFI	354
FIGURE 8-38. RECEPTACLE BOX KIT - 110V IEC YELLOW (CE SPEC)	356
FIGURE 8-39. RECEPTACLE BOX KIT - 220V IEC BLUE (CE SPEC)	358
FIGURE 8-40. RECEPTACLE BOX KIT - 220V AFSINT 107 (CE SPEC)	360

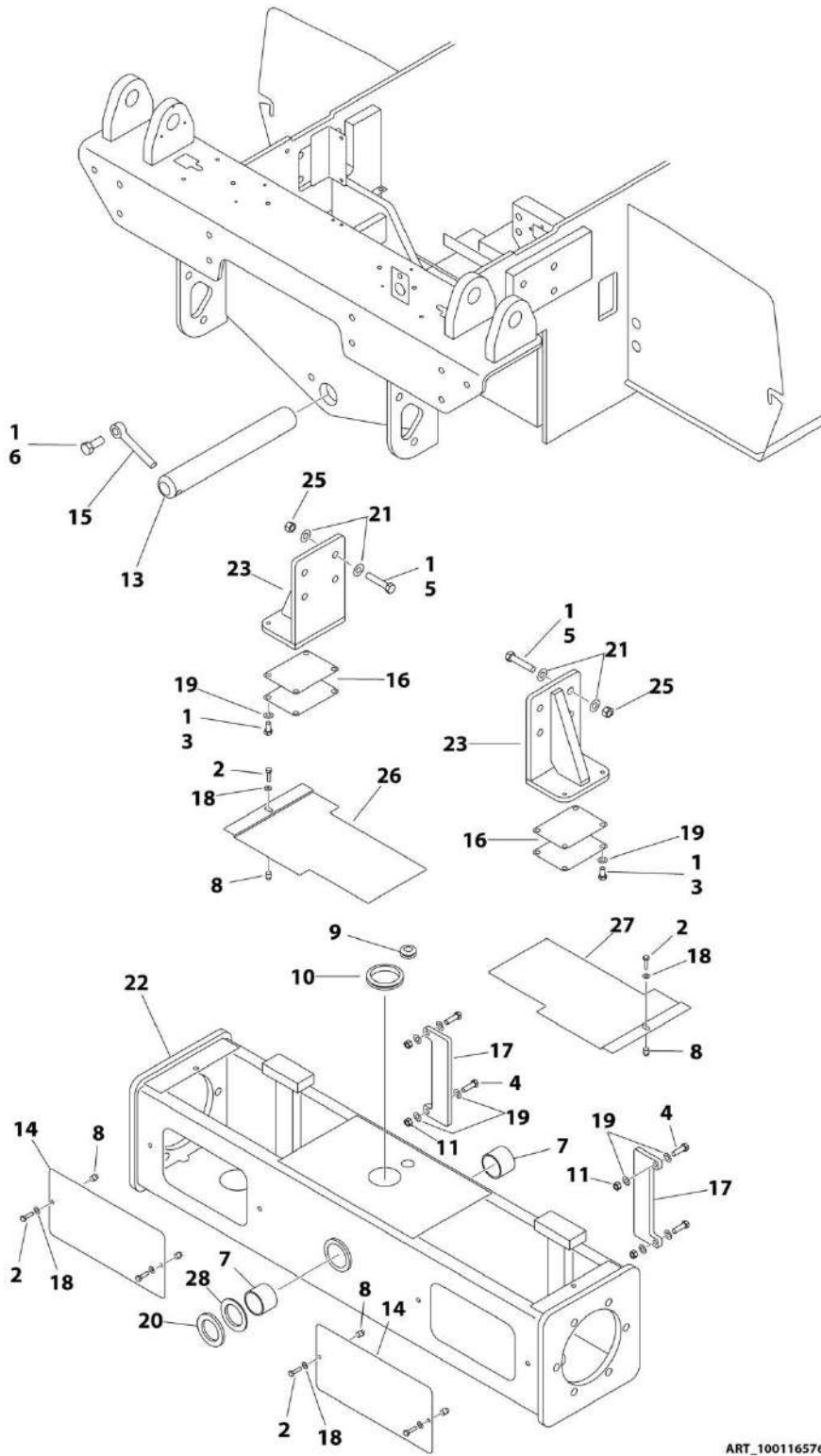
TABLE OF CONTENTS

FIGURE 8-41. RECEPTACLE BOX KIT - 220V CEE7 SIDE GROUND (CE SPEC).....	362
FIGURE 8-42. RECEPTACLE BOX KIT - 220V CEE7 POST GROUND (CE SPEC)	364
FIGURE 8-43. VALVE HARNESS.....	366
SECTION 9 - DECALS	369
FIGURE 9-1. DECAL INSTALLATION - ANSI SPEC (ENGLISH).....	370
FIGURE 9-2. DECAL INSTALLATION - AUSTRALIAN AND CE SPECS - 3369LE & 4069LE.....	372
FIGURE 9-3. DECAL INSTALLATION - AUSTRALIAN AND CE SPECS - M3369 & M4069.....	374
FIGURE 9-4. DECAL INSTALLATION - BRAZIL SPEC (DUAL LANGUAGE - PORTUGUESE/SPANISH)	376
FIGURE 9-5. DECAL INSTALLATION - CHINESE SPEC (DUAL LANGUAGE - ENGLISH/CHINESE).....	378
FIGURE 9-6. DECAL INSTALLATION - CSA SPEC (DUAL LANGUAGE - ENGLISH/FRENCH)	380
FIGURE 9-7. DECAL INSTALLATION - JAPANESE SPEC (DUAL LANGUAGE - ENGLISH/JAPANESE)	382
FIGURE 9-8. DECAL INSTALLATION - KOREAN SPEC (DUAL LANGUAGE - ENGLISH/KOREAN).....	384
FIGURE 9-9. DECAL INSTALLATION - LATIN AMERICAN SPEC (DUAL LANGUAGE - ENGLISH/SPANISH)	386
FIGURE 9-10. DECAL INSTALLATION - OPTIONS.....	388
SECTION 10 - RECOMMENDED SERVICE PARTS STOCK.....	391
FIGURE 10-1. RECOMMENDED SERVICE PARTS STOCK.....	392
SECTION 11 - SPECIAL OPTIONS	393
FIGURE 11-1. SPECIAL OPTIONS	394
PART NUMBER INDEX.....	397

SECTION 1 - FRAME

SECTION 1 - FRAME

FIGURE 1-1. REAR AXLE INSTALLATION - FIXED



ART_1001165760

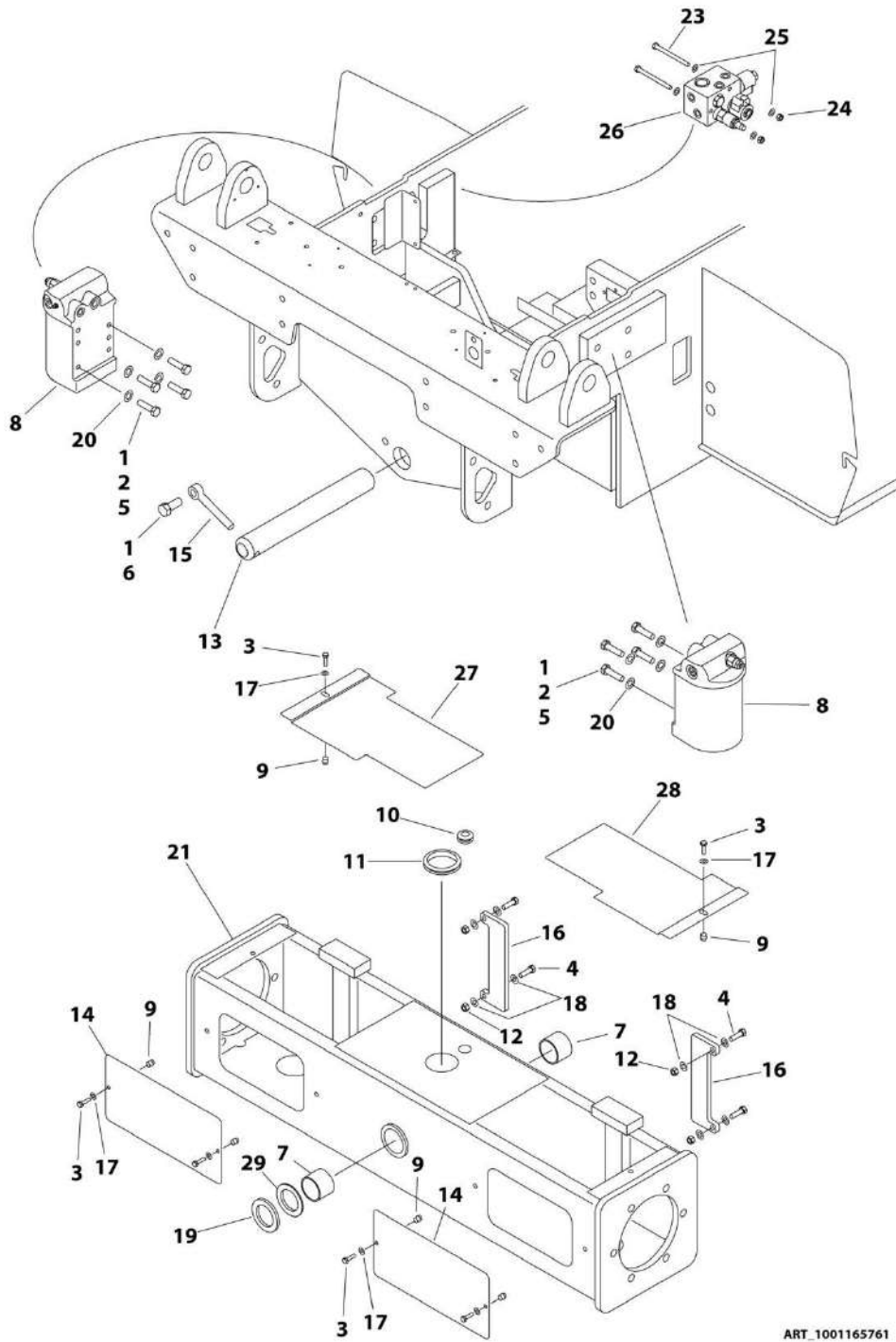
SECTION 1 - FRAME

FIGURE 1-1. REAR AXLE INSTALLATION - FIXED

ITEM	PART NUMBER	QTY	DESCRIPTION	REV
	1001165760	Ref	REAR AXLE INSTALLATION - FIXED	D
1	0100011	AR	Compound, Locking	
2	0641408	6	Bolt 1/4 x 1	
3	0641606	4	Bolt 3/8 x 3/4	
4	0641610	4	Bolt 3/8 x 1-1/4	
5	0641820	8	Bolt 1/2 x 2-1/2	
6	0642012	1	Bolt 5/8 x 1-1/2	
7	0961950	2	Bearing	
8	2080061	6	Fastener	
9	2540038	1	Grommet	
10	2540039	1	Grommet	
11	3311605	4	Nut 3/8	
13	3422900	1	Pin	
14	3572554	2	Plate, Cover	
15	3841258	1	Keeper, Pin	
16	4070932	4	Shim 16Ga	
17	4071008	2	Shim	
18	4711400	6	Washer 1/4	
19	4711600	12	Washer 3/8	
20	4740158	1	Washer	
21	4891800	16	Washer 1/2	
22	1001164150	1	Axle	
23	1001165629	2	Support	
25	3311805	8	Nut 1/2	
26	1001165821	NLA	Plate, Cover (LH) (Use p/n 1001180299) (SN 0200230092 through 0200235754)	
26	1001180299	1	Plate, Cover (LH) (SN 0200235755 to Present)	
26	1001180299	1	Plate, Cover (LH) (SN M200000100 to Present)	
27	1001165821	NLA	Plate, Cover (RH) (Use p/n 1001180300) (SN 0200230092 through 0200235754)	
27	1001180300	1	Plate, Cover (RH) (SN 0200235755 to Present)	
27	1001180300	1	Plate, Cover (RH) (SN M200000100 to Present)	
28	4740541	AR	Washer, Thrust	

SECTION 1 - FRAME

FIGURE 1-2. REAR AXLE INSTALLATION - OSCILLATING (ALL SPECS EXCEPT CE SPEC)



ART_1001165761

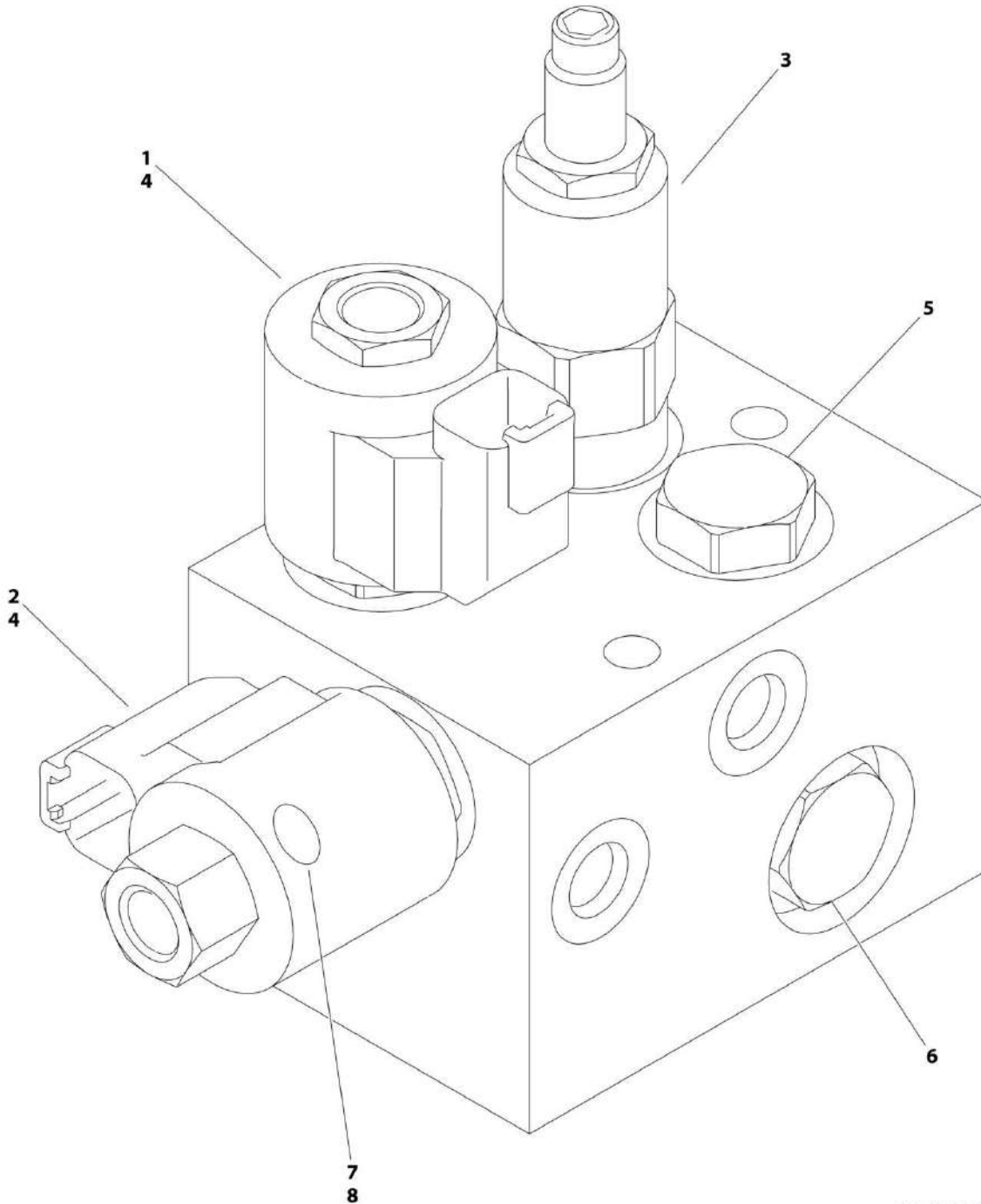
SECTION 1 - FRAME

FIGURE 1-2. REAR AXLE INSTALLATION - OSCILLATING (ALL SPECS EXCEPT CE SPEC)

ITEM	PART NUMBER	QTY	DESCRIPTION	REV
	1001165761	Ref	REAR AXLE INSTALLATION - OSCILLATING (ALL SPECS EXCEPT CE SPEC)	F
1	0100011	AR	Compound, Locking	
2	0100038	AR	Primer, Locking	
3	0641408	6	Bolt 1/4 x 1	
4	0641610	4	Bolt 3/8 x 1-1/4	
5	0701217	8	Bolt M12 x 45	
6	0642012	1	Bolt 5/8 x 1-1/2	
7	0961950	2	Bearing	
8	1001163580	2	Axle Lockout Cylinder Assembly (See CYLINDER SECTION for Breakdown)	
9	2080061	6	Fastener	
10	2540038	1	Grommet	
11	2540039	1	Grommet	
12	3311605	4	Nut 3/8	
13	3422900	1	Pin	
14	3572554	2	Plate, Cover	
15	3841258	1	Keeper, Pin	
16	4071008	2	Shim	
17	4711400	6	Washer 1/4	
18	4711600	8	Washer 3/8	
19	4740158	1	Washer 1/4	
20	5241200	8	Washer M12	
21	1001164150	1	Axle	
23	0641530	2	Bolt 5/16 x 3-3/4	
24	3311505	2	Nut 5/16	
25	4711500	4	Washer 5/16	
26	1001166487	1	Oscillating Axle Valve Assembly (See OSCILLATING AXLE VALVE ASSEMBLY (ALL SPECS EXCEPT CE SPEC) for Breakdown)	
27	1001165821	NLA	Plate, Cover (LH) (Use p/n 1001180299) (SN 0200230092 through 0200235754)	
27	1001180299	1	Plate, Cover (LH) (SN 0200235755 to Present)	
27	1001180299	1	Plate, Cover (LH) (SN M200000100 to Present)	
28	1001165821	NLA	Plate, Cover (RH) (Use p/n 1001180300) (SN 0200230092 through 0200235754)	
28	1001180300	1	Plate, Cover (RH) (SN 0200235755 to Present)	
28	1001180300	1	Plate, Cover (RH) (SN M200000100 to Present)	
29	4740541	AR	Washer, Thrust	

SECTION 1 - FRAME

FIGURE 1-3. OSCILLATING AXLE VALVE ASSEMBLY (ALL SPECS EXCEPT CE SPEC)



ART_1001166487

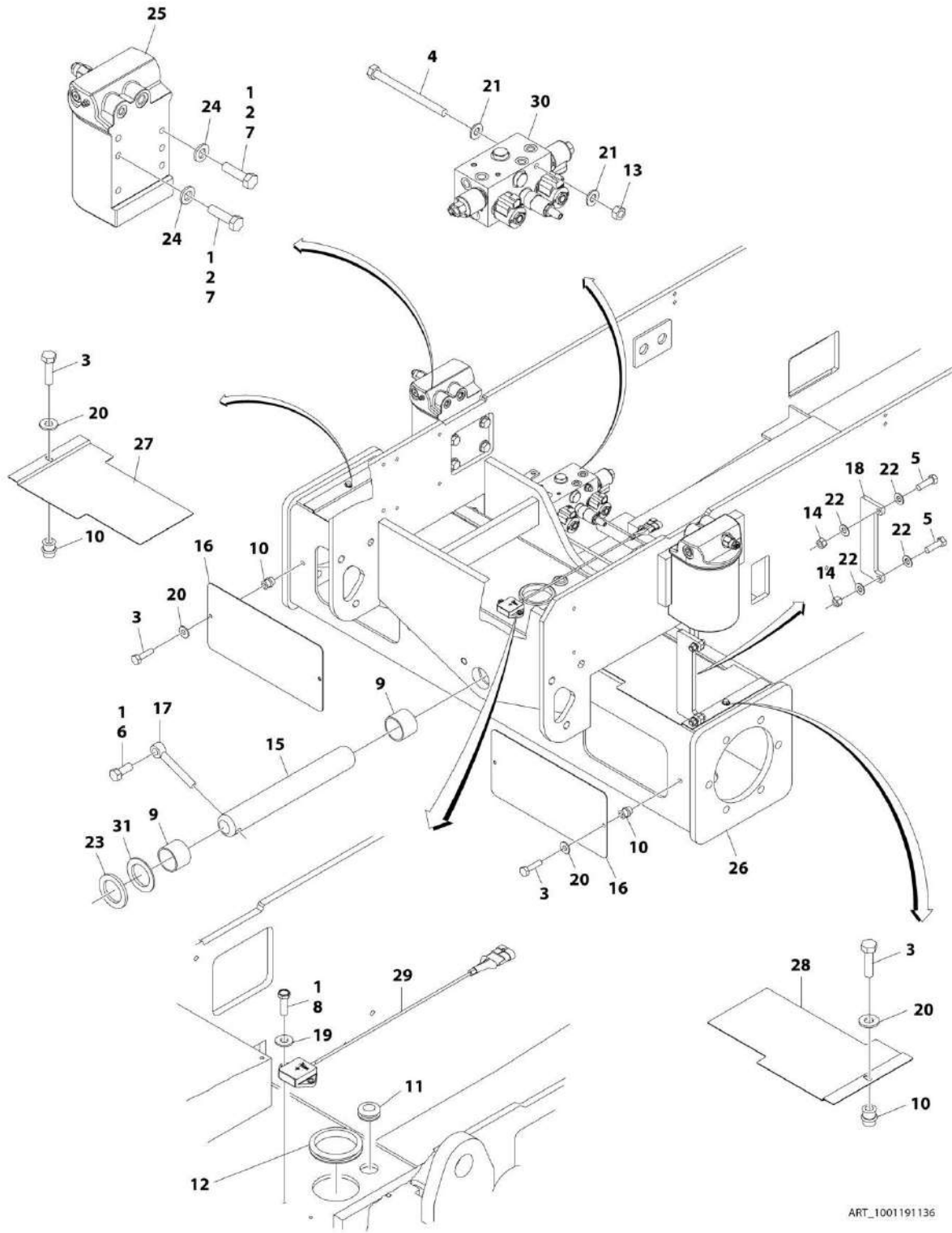
SECTION 1 - FRAME

FIGURE 1-3. OSCILLATING AXLE VALVE ASSEMBLY (ALL SPECS EXCEPT CE SPEC)

ITEM	PART NUMBER	QTY	DESCRIPTION	REV
	1001166487	Ref	OSCILLATING AXLE VALVE ASSEMBLY (ALL SPECS EXCEPT CE SPEC)	D
1	70004387	1	Cartridge Less Coil	
1	7010543	1	Seal Kit - 70004387 Valve	
2	7017410	1	Cartridge Less Coil	
2	7012967	1	Seal Kit - 7017410 Valve	
2	70003978	1	Nut, Coil	
3	70004388	1	Cartridge, Valve	
3	7021653	1	Seal Kit - 70004388 Valve	
4	70002963	2	Coil	
5	7023976	1	Cartridge, Valve	
5	7012967	1	Seal Kit - 7023976 Valve	
6	7012955	1	Cartridge, Valve	
6	7012967	1	Seal Kit - 7012955 Cartridge	
7	70004389	1	Orifice	
8	7017406	1	Plug	

SECTION 1 - FRAME

FIGURE 1-4. REAR AXLE INSTALLATION - OSCILLATING (CE SPEC) (SN 0200246353 to Present, SN M200000100 to Present)



ART_1001191136

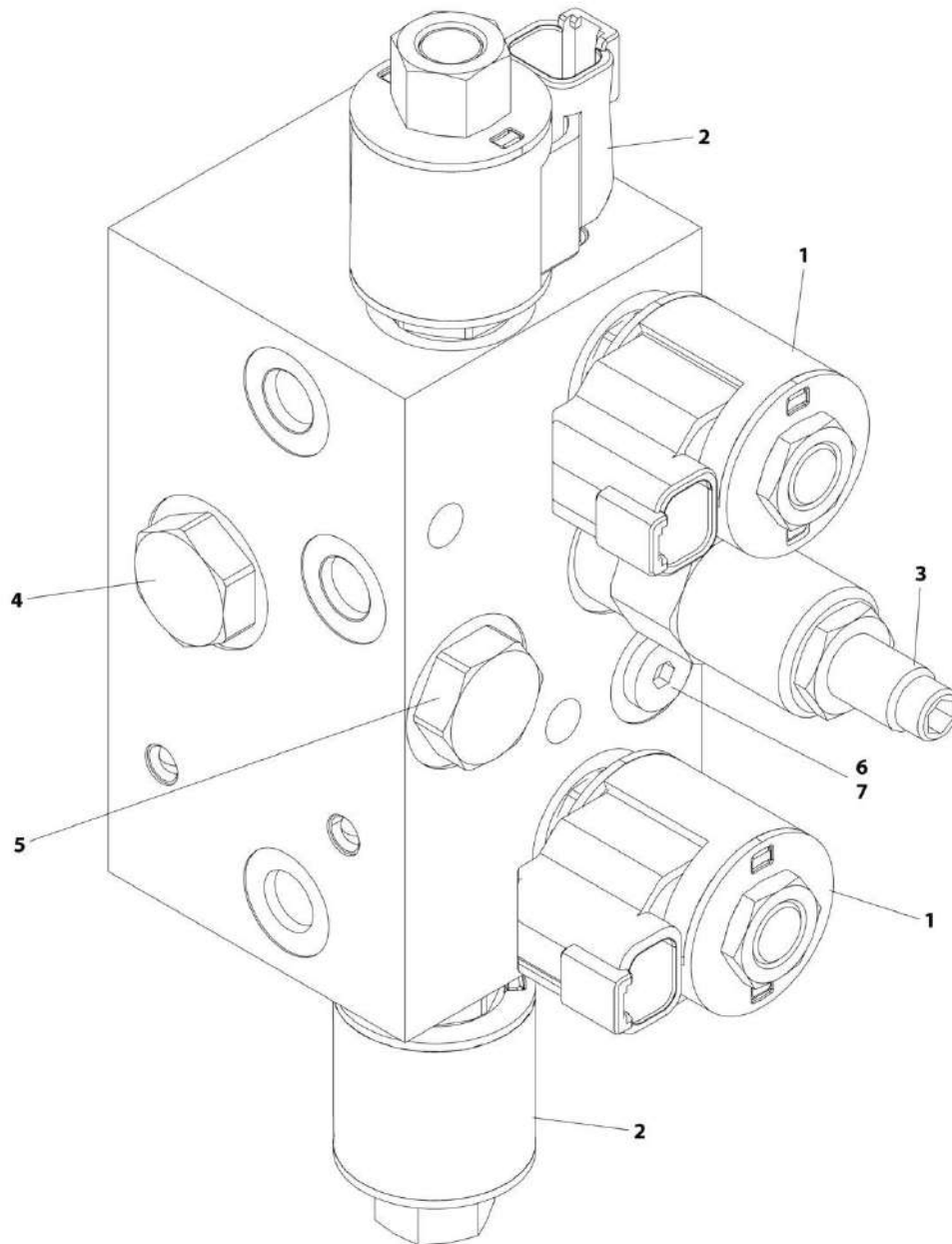
SECTION 1 - FRAME

FIGURE 1-4. REAR AXLE INSTALLATION - OSCILLATING (CE SPEC) (SN 0200246353 to Present, SN M200000100 to Present)

ITEM	PART NUMBER	QTY	DESCRIPTION	REV
	1001191136	Ref	REAR AXLE INSTALLATION - OSCILLATING (CE SPEC) (SN 0200246353 to Present)	C
	1001191136	Ref	REAR AXLE INSTALLATION - OSCILLATING (CE SPEC) (SN M200000100 to Present)	C
1	0100011	AR	Compound, Locking	
2	0100038	AR	Primer, Locking	
3	0641408	6	Bolt 1/4 x 1	
4	0641532	2	Bolt 1/4 x 1	
5	0641610	4	Bolt 5/16 x 4	
6	0642012	1	Bolt 5/8 x 1-1/2	
7	0701217	8	Bolt M12 x 45	
8	0721005	2	Bolt 10 x 0.625	
9	0961950	2	Bearing	
10	2080061	6	Fastener	
11	2540038	1	Grommet	
12	2540039	1	Grommet	
13	3311505	2	Nut 5/16	
14	3311605	4	Nut 3/8	
15	3422900	1	Pin	
16	3572554	2	Plate, Cover	
17	3841258	1	Keeper, Pin	
18	4071008	2	Shim	
19	4711000	2	Washer #10	
20	4711400	6	Washer 1/4	
21	4711500	4	Washer 5/16	
22	4711600	8	Washer 3/8	
23	4740158	1	Washer 1/4	
24	5241200	8	Washer M12	
25	1001163580	2	Axle Lockout Cylinder Assembly (See CYLINDER SECTION for Breakdown)	
26	1001164150	1	Axle	
27	1001180299	1	Plate, Cover (LH)	
28	1001180300	1	Plate, Cover (RH)	
29	1001186467	1	Sensor	
30	1001186548	1	Oscillating Axle Valve Assembly (See OSCILLATING AXLE VALVE ASSEMBLY (CE SPEC) for Breakdown)	
31	4740541	AR	Washer, Thrust	

SECTION 1 - FRAME

FIGURE 1-5. OSCILLATING AXLE VALVE ASSEMBLY (CE SPEC) (SN 0200246353 to Present, SN M200000100 to Present)



ART_1001186548

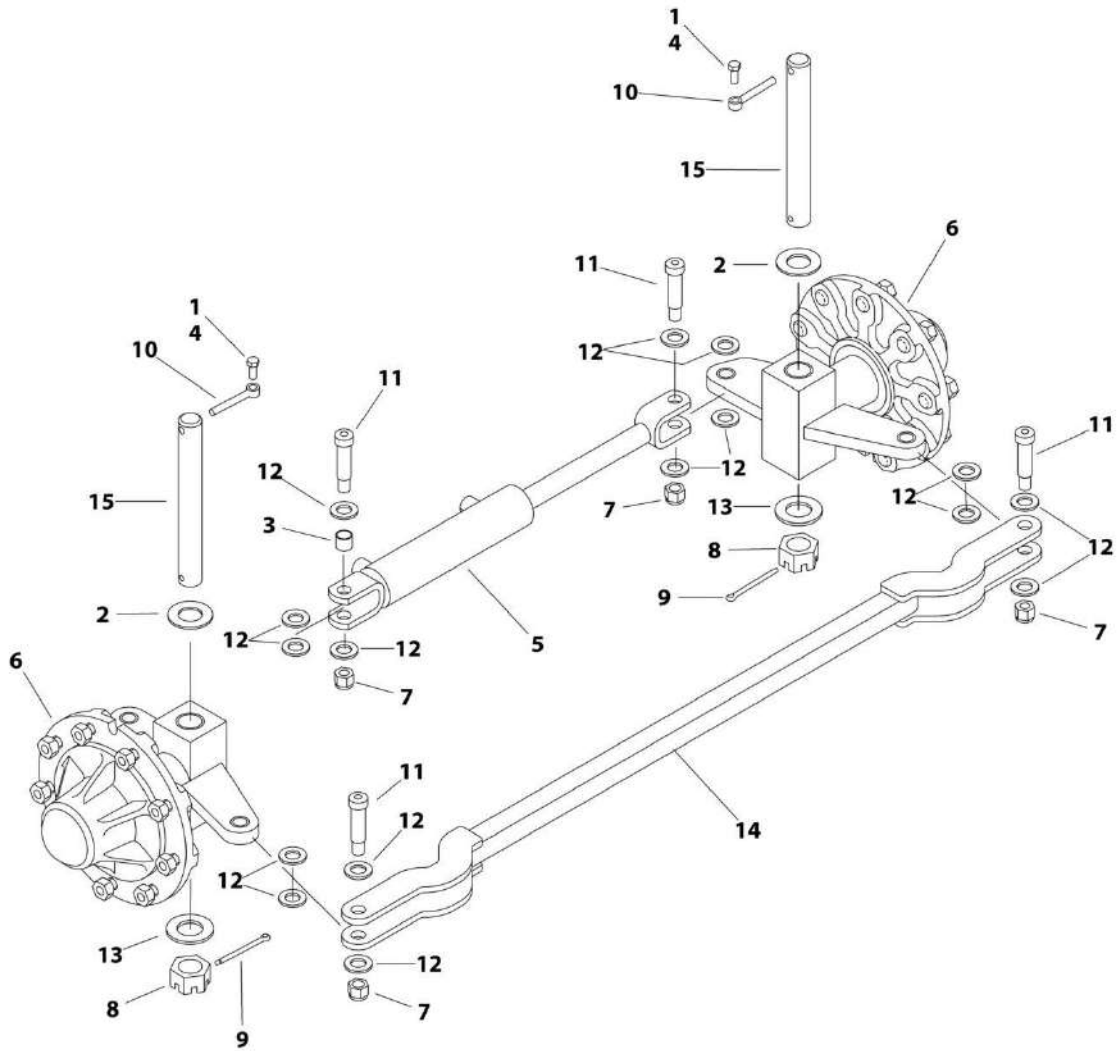
SECTION 1 - FRAME

FIGURE 1-5. OSCILLATING AXLE VALVE ASSEMBLY (CE SPEC) (SN 0200246353 to Present, SN M200000100 to Present)

ITEM	PART NUMBER	QTY	DESCRIPTION	REV
	1001186548	Ref	OSCILLATING AXLE VALVE ASSEMBLY (CE SPEC) (SN 0200246353 to Present)	A
	1001186548	Ref	OSCILLATING AXLE VALVE ASSEMBLY (CE SPEC) (SN M200000100 to Present)	A
1	70004387	2	Cartridge, Check	
1A	7010543	1	Seal Kit - 70004387 Valve	
1B	70002963	2	Coil	
2	7017410	2	Cartridge, Check	
2A	7012967	1	Seal Kit - 7017410 Valve	
2B	70003978	1	Nut, Coil	
2C	70002963	2	Coil	
3	70004388	1	Cartridge, Check	
3A	7021653	1	Seal Kit - 7014388 Valve	
4	7023976	1	Cartridge, Check	
4A	7012967	1	Seal Kit - 7013976 Valve	
5	7012955	1	Cartridge, Check	
5A	7012967	1	Seal Kit - 7012955 Valve	
6	70004389	1	Orifice	
7	2220883	1	Plug	

SECTION 1 - FRAME

FIGURE 1-6. STEERING INSTALLATION - 2WD



ART_1001165838

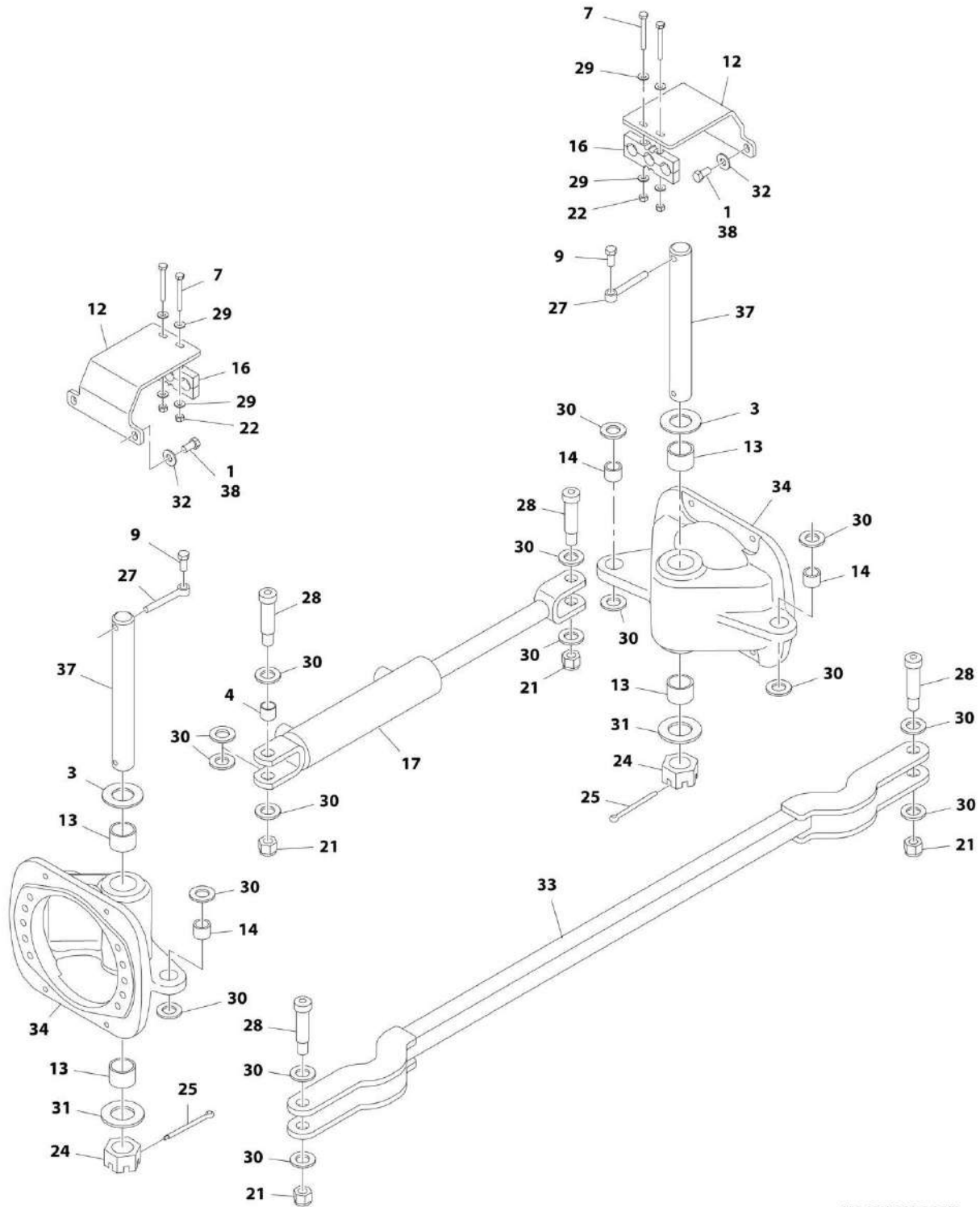
SECTION 1 - FRAME

FIGURE 1-6. STEERING INSTALLATION - 2WD

ITEM	PART NUMBER	QTY	DESCRIPTION	REV
	1001165838	Ref	STEERING INSTALLATION - 2WD	B
1	0100011	AR	Compound, Locking	
2	0440162	2	Bearing	
3	0440247	1	Bearing	
4	0641607	2	Bolt 3/8 x 7/8	
5	1683994	1	Steer Cylinder Assembly (See CYLINDER SECTION for Breakdown)	
6	2780234	2	Hub Assembly (See HUB ASSEMBLY - 2WD FRONT for Breakdown)	
7	3300240	4	Nut 5/8	
8	3313003	2	Nut 1-1/4	
9	3450812	2	Pin, Cotter	
10	3841143	2	Keeper, Pin	
11	3900266	4	Screw	
12	4712200	16	Washer 3/4	
13	4713000	2	Washer 1-1/4	
14	4846301	1	Tie-Rod	
15	1001165819	2	Kingpin	

SECTION 1 - FRAME

FIGURE 1-7. STEERING INSTALLATION - 4WD



ART_1001165839_10F2

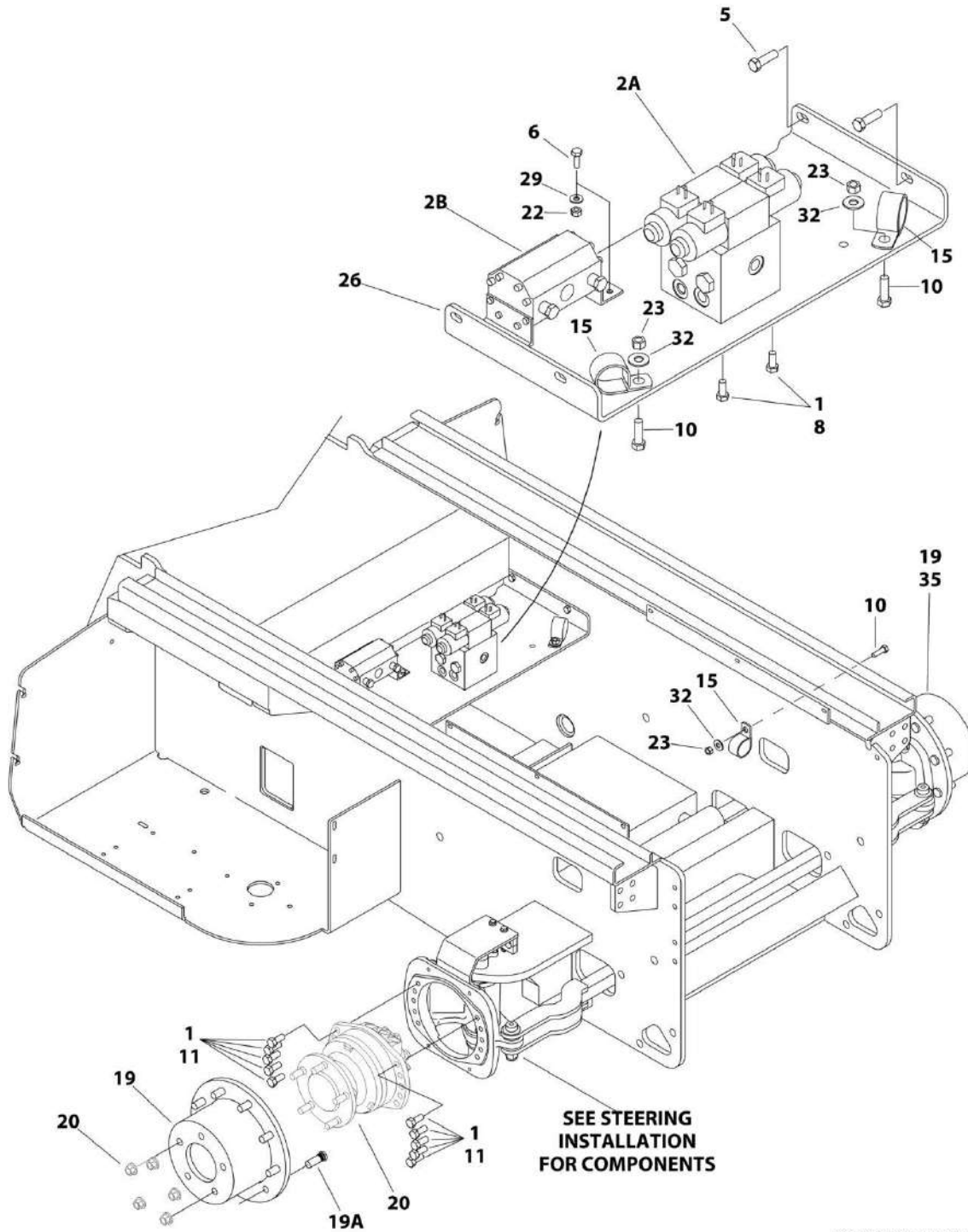
SECTION 1 - FRAME

FIGURE 1-7. STEERING INSTALLATION - 4WD

ITEM	PART NUMBER	QTY	DESCRIPTION	REV
	1001165839	Ref	STEERING INSTALLATION - 4WD	D
		Ref	For UK MOD Machines, refer to JLG Manual p/n 3121698.	
1	0100011	1	Compound, Locking	
3	0440162	2	Bearing, Thrust	
4	0440247	1	Bearing	
7	0641418	4	Bolt 1/4 x 2-1/4	
9	0641607	2	Bolt 3/8 x 7/8	
12	0902704	2	Bracket	
13	0961951	4	Bushing	
14	0962140	3	Bearing	
16	1320292	1	Clamp	
17	1683994	1	Steer Cylinder Assembly (See CYLINDER SECTION for Breakdown)	
21	3300240	4	Nut 5/8	
22	3311405	8	Nut 1/4	
24	3313003	2	Nut 1-1/4	
25	3450812	2	Pin, Cotter	
27	3841143	2	Keeper, Pin	
28	3900266	4	Capscrew 5/8 x 2-1/4	
29	4711400	12	Washer 1/4	
30	4712200	16	Washer 3/4	
31	4713000	2	Washer 1-1/4	
32	4751600	10	Washer 3/8	
33	4846301	1	Tie-Rod	
34	1001097815	2	Spindle	
37	1001165819	2	Pin	
38	0641606	4	Bolt 3/8 x 3/4	

SECTION 1 - FRAME

FIGURE 1-8. STEERING AND FRONT DRIVE INSTALLATION - 4WD FRONT



ART_1001165839_20F2

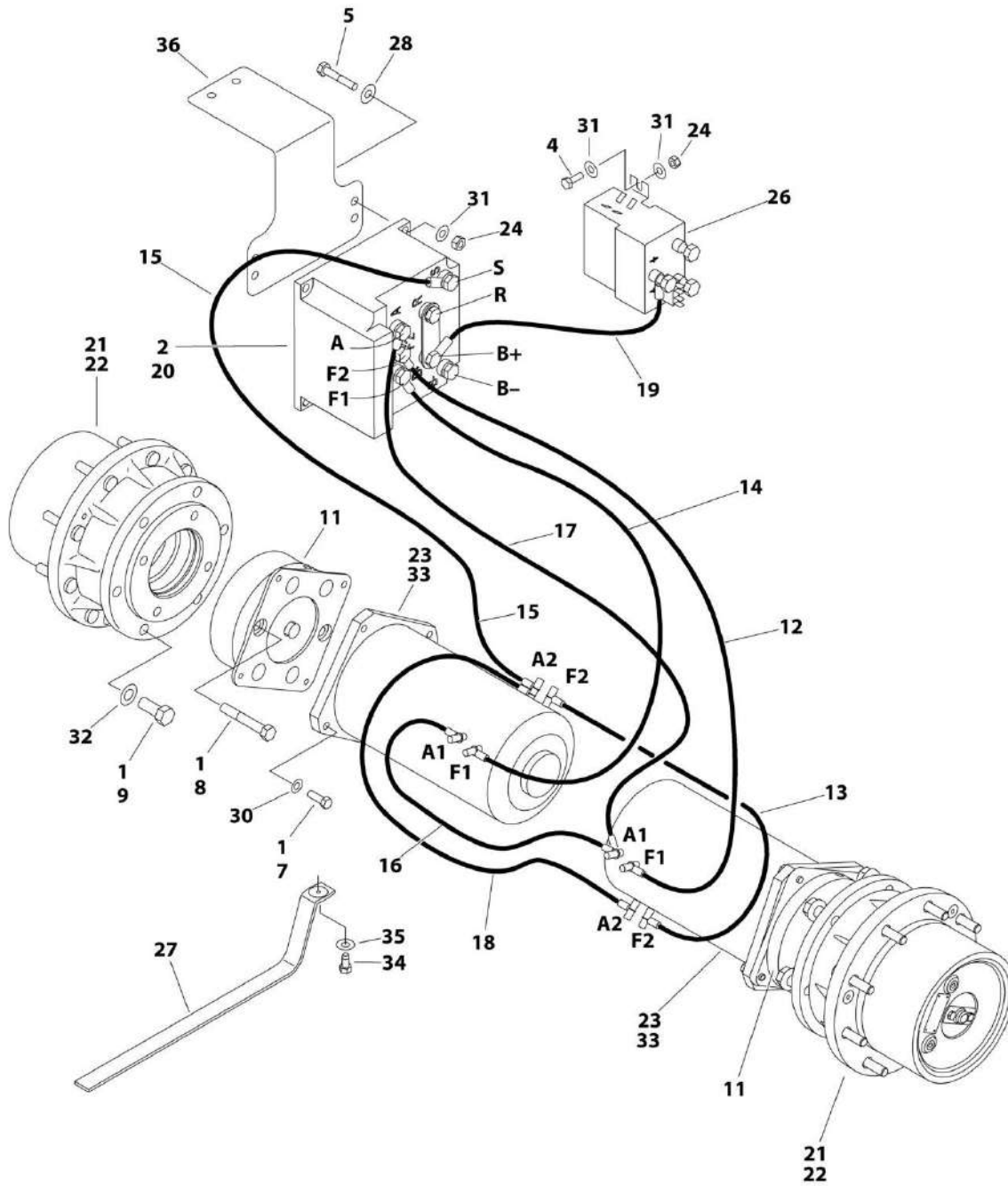
SECTION 1 - FRAME

FIGURE 1-8. STEERING AND FRONT DRIVE INSTALLATION - 4WD FRONT

ITEM	PART NUMBER	QTY	DESCRIPTION	REV
	1001165839	Ref	STEERING AND FRONT DRIVE INSTALLATION - 4WD FRONT	E
1	0100011	AR	Compound, Locking	
2	0270991	NSS	Valves Installation (Not Shown) (See HYDRAULIC SECTION for Breakdown)	D
2A	1001092586	1	Drive Valve Assembly (See DRIVE VALVE ASSEMBLY - 4WD ONLY for Breakdown)	
2B	4641148	1	Flow Divider Valve Assembly (See FLOW DIVIDER VALVE ASSEMBLY - 4WD ONLY)	
5	0630549	4	Capscrew 3/8 x 1-1/4	
6	0641406	4	Bolt 1/4 x 3/4	
8	0641506	4	Bolt 5/16 x 3/4	
10	0641610	4	Bolt 3/8 x 1-1/4	
11	0681809	20	Bolt 1/2 x 1-1/8 Grade 8	
15	1320095	4	Clamp	
18	1704998	2	Decal - All Wheel Drive (Not Shown - Located on side of Platform)	
19	2780260	2	Drive Hub Assembly	
19A	4300145	18	Stud, Wheel (9 per Hub)	
20	3160245	NLA	Drive Motor Assembly (Use p/n 1001228233) (See DRIVE MOTOR ASSEMBLY - OPERATORS POSITION RH SIDE - 4WD FRONT for Breakdown) (SN 0200230092 to Present, SN M200000100 through M200023101)	
20	1001228233	1	Drive Motor Assembly (See DRIVE MOTOR ASSEMBLY - OPERATORS POSITION RH SIDE - 4WD FRONT for Breakdown) (SN M200023102 to Present)	
22	3311405	4	Nut 1/4	
23	3311605	4	Nut 3/8	
26	3572850	1	Plate, Mounting	
29	4711400	12	Washer 1/4	
32	4751600	10	Washer 3/8	
35	1001101934	NLA	Drive Motor Assembly (Use p/n 1001228231) (See DRIVE MOTOR ASSEMBLY - OPERATORS POSITION LH SIDE - 4WD FRONT for Breakdown) (SN 0200230092 to Present, SN M200000100 through M200023101)	
35	1001228231	1	Drive Motor Assembly (See DRIVE MOTOR ASSEMBLY - OPERATORS POSITION LH SIDE - 4WD FRONT for Breakdown) (SN M200023102 to Present)	
36	1001101989	1	Harness, 4WD (Not Shown - See ELECTRICAL SECTION for Breakdown)	

SECTION 1 - FRAME

FIGURE 1-9. WHEEL DRIVE AND CONTROLLER INSTALLATION - 2WD/4WD REAR



ART_1001099375

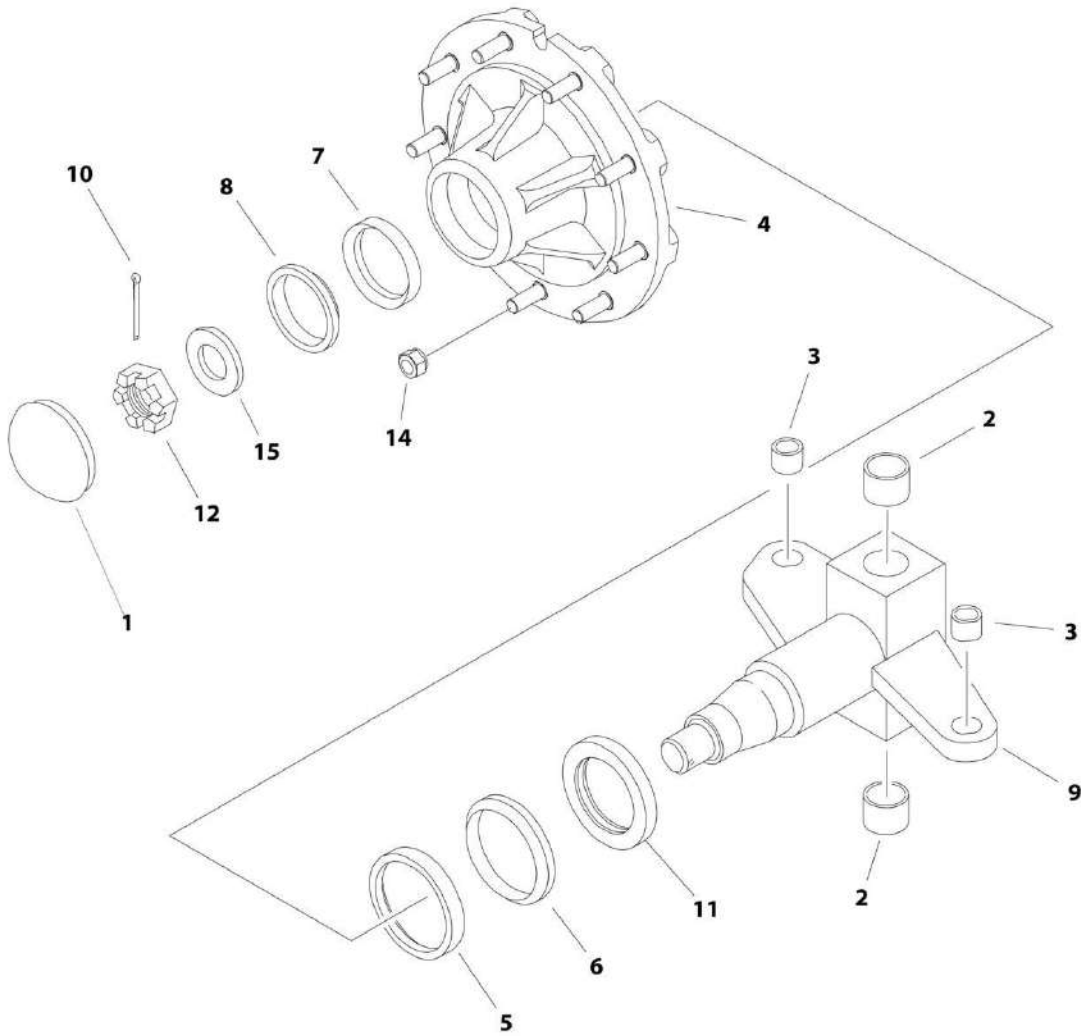
SECTION 1 - FRAME

FIGURE 1-9. WHEEL DRIVE AND CONTROLLER INSTALLATION - 2WD/4WD REAR

ITEM	PART NUMBER	QTY	DESCRIPTION	REV
	1001099375	Ref	WHEEL DRIVE AND CONTROLLER INSTALLATION - 2WD/4WD REAR	C
1	0100019	AR	Compound, Locking	
2	0100083	AR	Grease, Heat Transfer	
4	0641406	2	Bolt 1/4 x 3/4	
5	0641412	4	Bolt 1/4 x 1-1/2	
7	0641609	8	Bolt 3/8 x 1-1/8	
8	0641826	4	Bolt 1/2 x 3-1/4	
9	0682012	12	Bolt 5/8 x 1-1/2 Grade 8	
11	0920118	1	Drive Brake Assembly (See DRIVE BRAKE ASSEMBLY for Breakdown)	
12	1060888	1	Cable, Electrical (Controller F2 to Right Motor F1)	
13	1060889	1	Cable, Electrical (RH Motor F2 to LH Motor F2)	
14	1060890	1	Cable, Electrical (Controller F1 to LH Motor F1)	
15	1060891	1	Cable, Electrical (Controller S to LH Motor A2)	
16	1060892	1	Cable, Electrical (RH Motor A1 to LH Motor A1)	
17	1060893	1	Cable, Electrical (Controller A to RH Motor A1)	
18	1060894	1	Cable, Electrical (LH Motor A2 to RH Motor A2)	
19	1060895	1	Cable, Electrical (Controller B+ to Contactor ++)	
20	1600421	1	Controller	
21	2780282	2	Drive Hub Assembly (See DRIVE HUB ASSEMBLY - REAR for Breakdown)	
22	3020008	1.6 qt /1.5L	Lubricant 80W-90	
23	3160256	2	Drive Motor Assembly - Rear (See DRIVE HUB ASSEMBLY - REAR for Breakdown)	
24	3311405	6	Nut 1/4	
26	3740135	1	Contactor	
27	4240084	1	Strap, Anti-Static	
28	4711400	4	Washer 1/4	
30	4711600	8	Washer 3/8	
31	4751400	8	Washer 1/4	
32	4892000	1	Washer 5/8	
33	3020037	AR	Lubricant	
34	3941606	1	Screw 3/8 x 3/4	
35	4751600	1	Washer 3/8	
36	0903273	1	Bracket	

SECTION 1 - FRAME

FIGURE 1-10. HUB ASSEMBLY - 2WD FRONT



ART_2780234

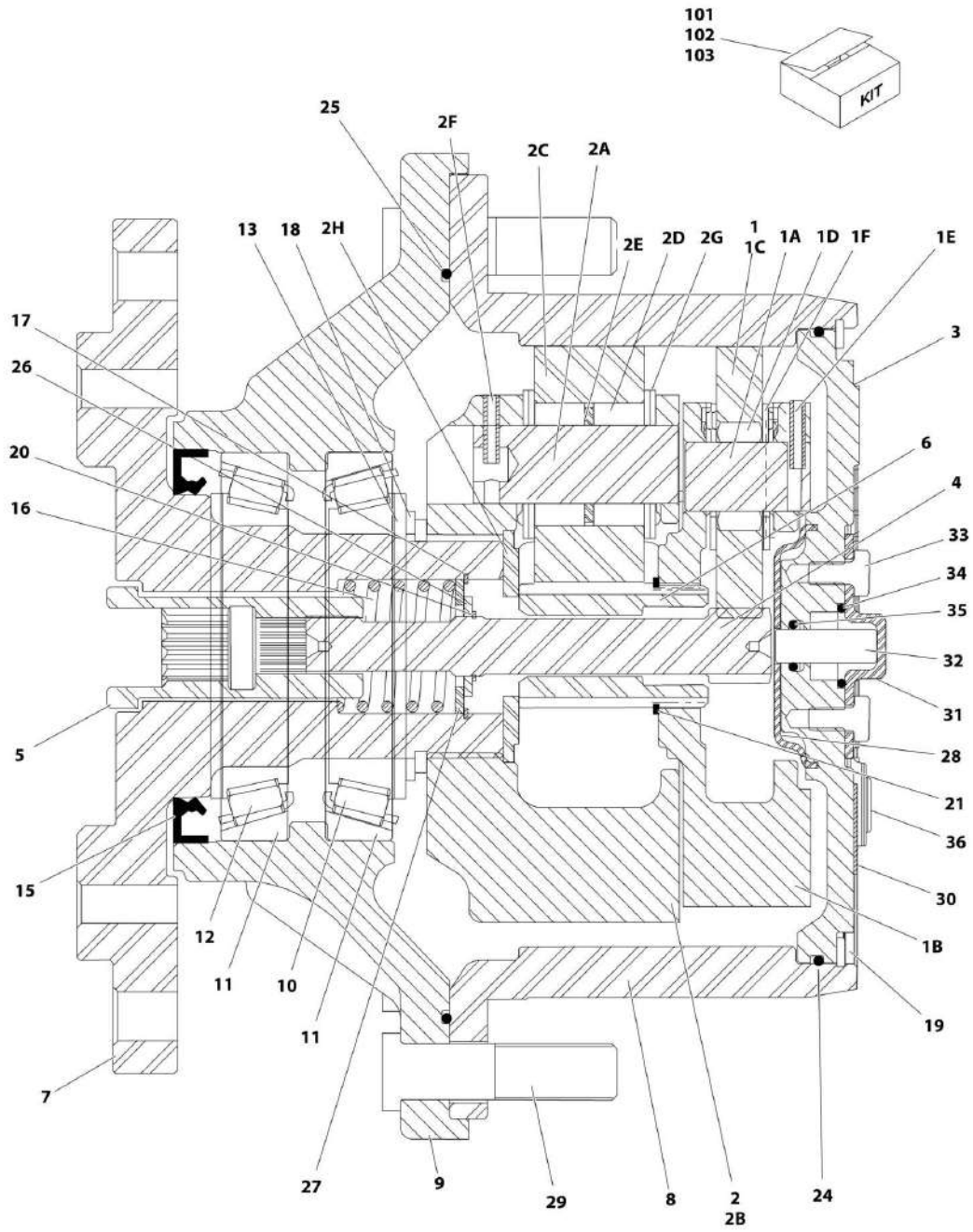
SECTION 1 - FRAME

FIGURE 1-10. HUB ASSEMBLY - 2WD FRONT

ITEM	PART NUMBER	QTY	DESCRIPTION	REV
	2780234	Ref	HUB ASSEMBLY - 2WD FRONT	F
1	7020033	1	Cap, Dust	
2	0961951	1	Bushing	
3	0962140	2	Bushing	
4	7020035	2	Hub	
5	7020036	1	Cup, Bearing - Inner	
6	7020037	1	Cone, Bearing - Inner	
7	7020038	1	Cup, Bearing - Outer	
8	7020039	1	Cone, Bearing - Outer	
9	7020148	1	Spindle	
10	7020140	1	Pin, Cotter	
11	7020040	1	Seal	
12	7020054	1	Nut 1-1/4	
13	7020041	9	Stud, Wheel 5/8-18	
14	7020042	1	Nut 5/8	
15	7020055	1	Washer, Tanged 1-1/4	

SECTION 1 - FRAME

FIGURE 1-11. DRIVE HUB ASSEMBLY - 2WD/4WD REAR



ART 2780282

SECTION 1 - FRAME

FIGURE 1-11. DRIVE HUB ASSEMBLY - 2WD/4WD REAR

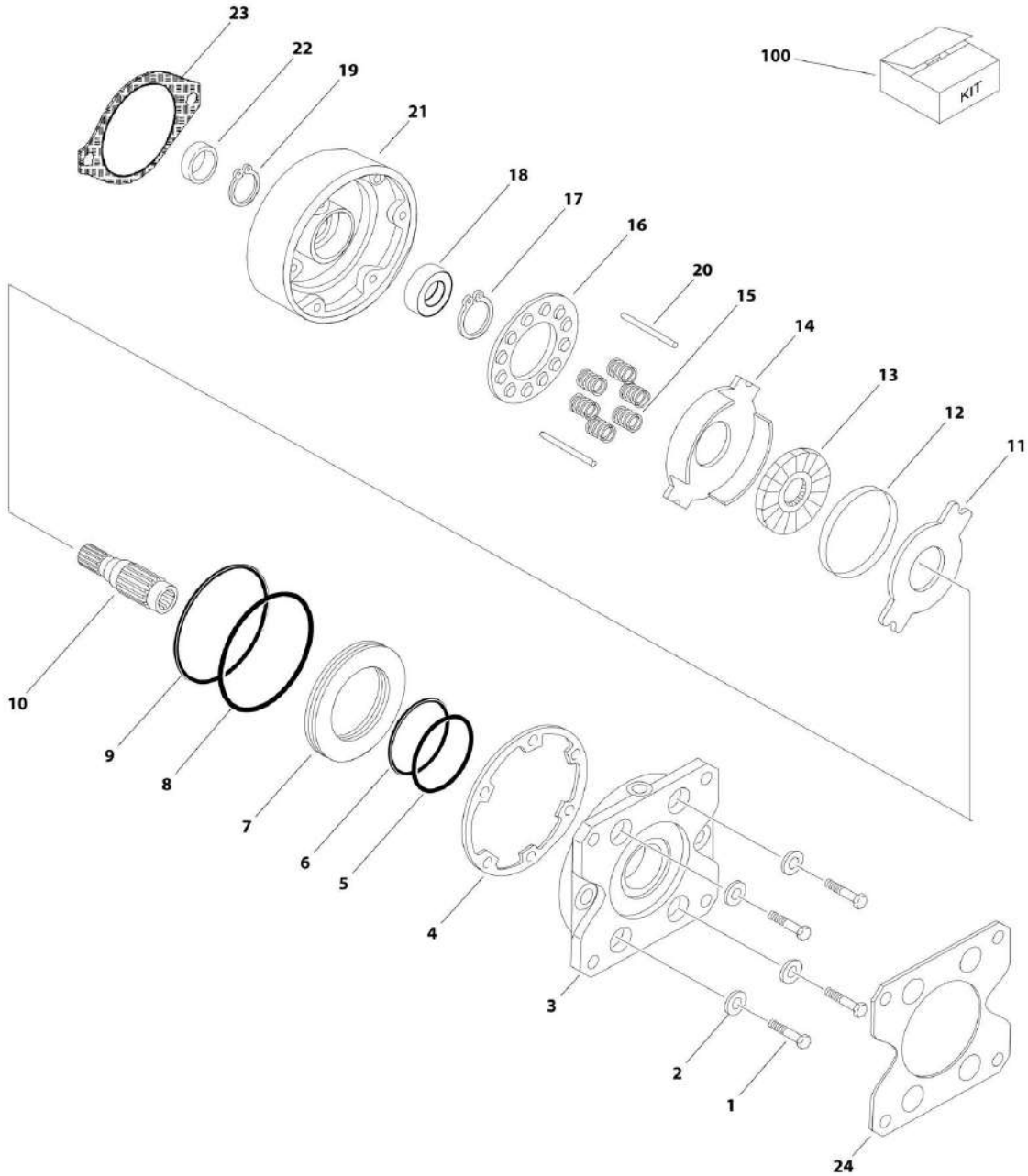
ITEM	PART NUMBER	QTY	DESCRIPTION	REV
	2780282	Ref	DRIVE HUB ASSEMBLY - 2WD/4WD REAR	C
1	70001366	1	Carrier Sub Assembly	
1A	See Note	NSS	Shaft, Planet (Note: Use Item 1)	
1B	See Note	NSS	Carrier (Note: Use Item 1)	
1C	See Note	NSS	Gear, Planet (Note: Use Item 1)	
1D	See Note	NSS	Bearing, Needle (Note: Use Item 1)	
1E	See Note	NSS	Rollpin (Note: Use Item 1)	
1F	See Note	NSS	Washer, Thrust (Note: Use Item 1)	
2	70001367	1	Carrier, Input	
2A	See Note	NSS	Shaft, Planet (Note: Use Item 2)	
2B	See Note	NSS	Carrier (Note: Use Item 2)	
2C	See Note	NSS	Gear, Planet (Note: Use Item 2)	
2D	See Note	NSS	Bearing, Needle (Note: Use Item 2)	
2E	See Note	NSS	Spacer, Thrust (Note: Use Item 2)	
2F	See Note	NSS	Rollpin (Note: Use Item 2)	
2G	See Note	NSS	Washer, Thrust (Note: Use Item 2)	
2H	See Note	NSS	Washer, Thrust (Note: Use Item 2)	
3	See Note	NSS	Cover (Note: Use Item 103)	
4	70001369	1	Shaft, Input	
5	70001370	1	Coupling	
6	70001371	1	Shaft, Sun Gear	
7	70001372	1	Spindle	
8	70001373	1	Gear, Ring	
9	See Note	NSS	Housing (Note: Not Available - Purchase Complete Assembly)	
10	See Note	NSS	Cone, Bearing (Note: Use Item 101)	
11	See Note	NSS	Cup, Bearing (Note: Use Item 101)	
12	See Note	NSS	Cone, Bearing (Note: Use Item 101)	
13	7017009	1	Washer, Thrust	
15	See Note	NSS	Seal, Lip (Note: Use Item 102)	
16	70001374	1	Spring	
17	70001375	1	Ring, Retaining (Internal)	
18	See Note	NSS	Ring, Retaining (Note: Use Item 102)	
19	7024738	1	Ring, Retaining (Note: Use Item 102)	
20	70001376	1	Ring, Retaining (External)	
21	70001377	1	Ring, Retaining (External)	
22	7000281	4	Screw (Not Shown - ID Plate Screws)	
23	7017022	3	Screw (Not Shown - Located on Front of Hub)	
24	See Note	NSS	O-Ring (Note: Use Item 102)	
25	See Note	NSS	O-Ring (Note: Use Item 102)	
26	70001378	1	Spacer, Thrust	
27	70001379	1	Washer, Thrust	
28	7024741	1	Spacer, Thrust	
29	7007640	9	Stud, Wheel	
30	See Note	NSS	Flange, Plate (Note: Use Item 103)	
31	See Note	NSS	Cap, Disengage (Note: Use Item 103)	
32	See Note	NSS	Pin, Dowel (Note: Use Item 103)	
33	See Note	NSS	Bolt (Note: Use Item 103)	
34	See Note	NSS	O-Ring (Note: Use Item 103)	
35	See Note	NSS	O-Ring (Note: Use Item 103)	
36	See Note	NSS	O-Ring (Note: Use Item 103)	

SECTION 1 - FRAME

ITEM	PART NUMBER	QTY	DESCRIPTION	REV
101	7017007	1	Planet Gear Bearing Kit (Includes Items 10-12)	
102	70001380	1	Planet Gear Seal Kit (Includes Items 15, 18, 24 & 25)	
103	70001368	1	Cover/Cap/Disengage Kit (Includes Items 3 & 30-36)	

SECTION 1 - FRAME

FIGURE 1-12. DRIVE BRAKE ASSEMBLY - 2WD/4WD REAR



ART_0920118

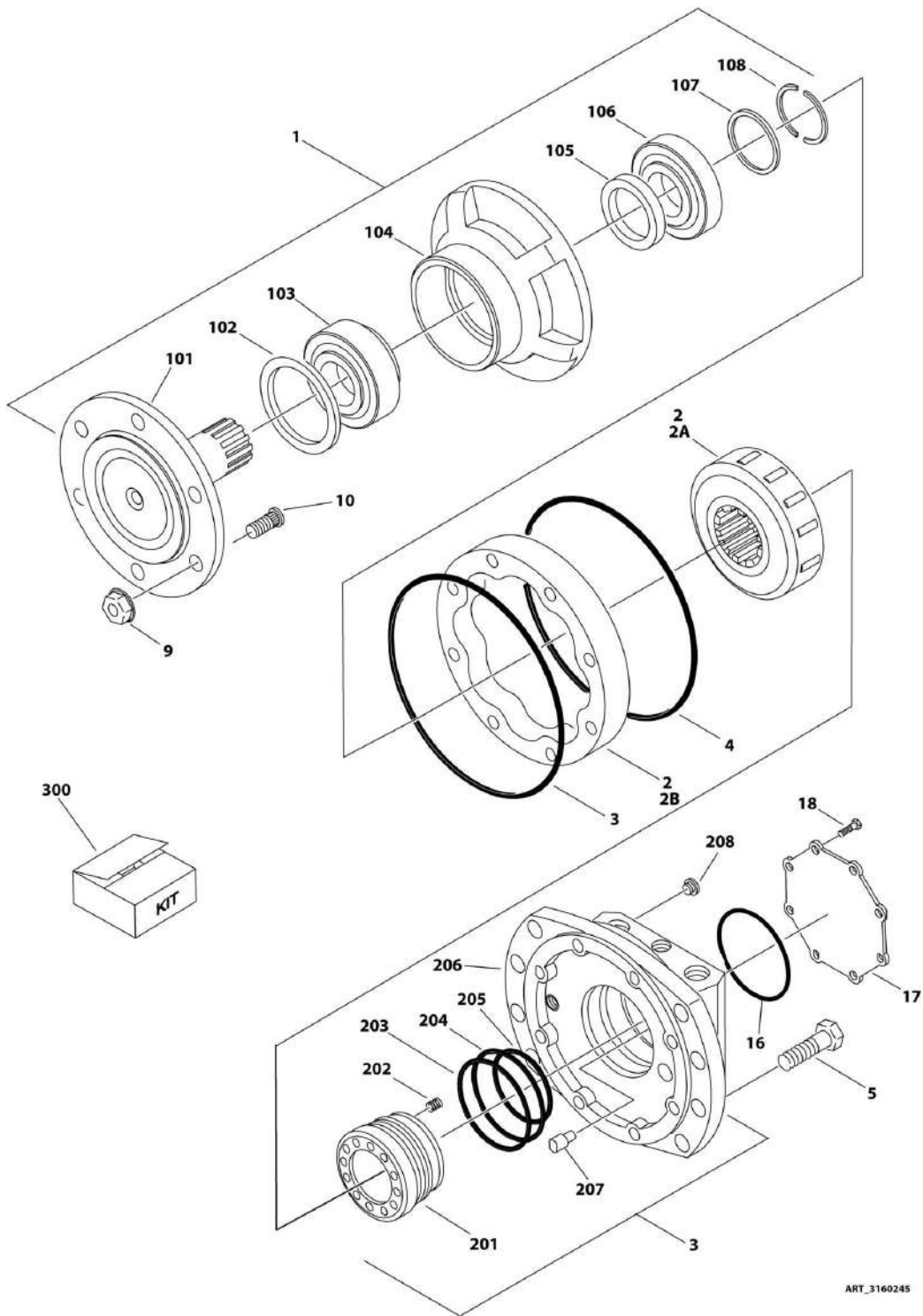
SECTION 1 - FRAME

FIGURE 1-12. DRIVE BRAKE ASSEMBLY - 2WD/4WD REAR

ITEM	PART NUMBER	QTY	DESCRIPTION	REV
	0920118	Ref	DRIVE BRAKE ASSEMBLY - 2WD/4WD REAR	C
1	7007913	4	Bolt	
2	See Note	NSS	Washer (Note: Not Available at Time of Printing)	
3	See Note	NSS	Plate, Pressure (Note: Use p/n 0920118)	
4	See Note	NSS	Seal, Case (Note: Use Item 100)	
5	See Note	NSS	O-Ring (Note: Use Item 100)	
6	See Note	NSS	Ring, Back-up (Note: Use Item 100)	
7	See Note	NSS	Piston (Note: Use p/n 0920118)	
8	See Note	NSS	O-Ring (Note: Use Item 100)	
9	See Note	NSS	Ring, Back-up (Note: Use Item 100)	
10	See Note	NSS	Shaft (Note: Use p/n 0920118)	
11	See Note	NSS	Stator (Note: Use Item 100)	
12	See Note	NSS	Ring, Sensor (Note: Use p/n 0920118)	
13	See Note	NSS	Rotor (Note: Use Item 100)	
14	See Note	NSS	Plate, Return (Note: Use Item 100)	
15	See Note	AR	Spring (Note: Use Item 100)	
16	See Note	NSS	Guide, Spring (Note: Use Item 100)	
17	7007977	1	Ring, Retaining	
18	2900768	1	Bearing Kit (Part of Repair Kit)	
19	7011716	1	Ring, Retaining	
20	7007987	2	Pin, Dowel	
21	See Note	NSS	Cover (Note: Use p/n 0920118)	
22	7007900	1	Seal, Oil - Front (Part of Repair Kit)	
23	7007933	1	Gasket, Brake to Hub (Part of Repair Kit)	
24	70002408	1	Gasket, Brake to Motor (Note: Not part of Repair Kit - Must be Purchased Separately)	
100	7011757	1	Repair Kit (Includes Items 4, 5, 6, 8, 9, 11, 13, 14, 15, 16, 18, 22 & 23)	

SECTION 1 - FRAME

FIGURE 1-13. DRIVE MOTOR ASSEMBLY - OPERATORS POSITION RH SIDE - 4WD FRONT (SN 0200230092 to Present, SN M200000100 through M200023101)



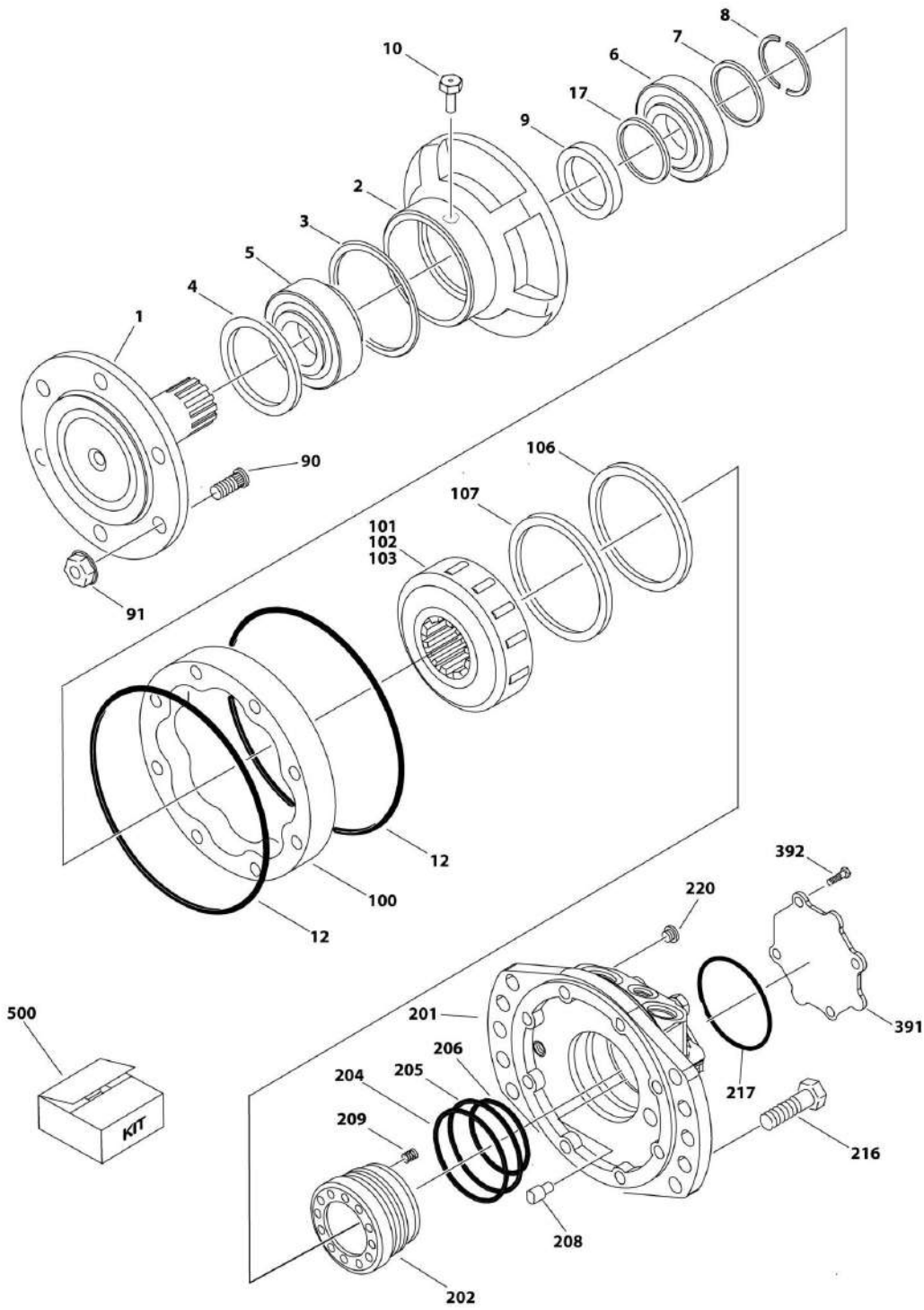
SECTION 1 - FRAME

FIGURE 1-13. DRIVE MOTOR ASSEMBLY - OPERATORS POSITION RH SIDE - 4WD FRONT (SN 0200230092 to Present, SN M200000100 through M200023101)

ITEM	PART NUMBER	QTY	DESCRIPTION	REV
	3160245	Ref	DRIVE MOTOR ASSEMBLY - OPERATORS POSITION RH SIDE - 4WD FRONT	F
1	See Note	1	Front Housing Assembly (Note: Assembly Not Available for Purchase -See Items 101-108 for Serviceable Components)	
2	See Note	1	Rotary Assembly (Note: Not Available - Purchase Complete Motor)	
2A	See Note	1	Rotary without Cam (Note: Not Available - Purchase Complete Motor)	
2B	See Note	1	Cam (Note: Not Available - Purchase Complete Motor)	
3	See Note	1	Rear Housing Assembly (Note: Assembly Not Available for Purchase - See Items 201-208 for Serviced Components)	
4	See Note	NSS	Seal, Square (Note: Use Item 300)	
5	See Note	6	Capscrew (Note: Note Available - Purchase Locally)	
9	7023806	5	Lugnut	
10	7023807	5	Stud, Wheel	
16	7024008	1	Seal, Square	
17	7024007	1	Plate, Rear Cover	
18	7024009	8	Capscrew	
	NPN	Ref	FRONT HOUSING ASSEMBLY	
101	7022586	1	Shaft	
102	See Note	NSS	Seal, Face (Note: Use Item 300)	
103	7022587	1	Bearing, Front	
104	See Note	1	Casting, Front (Note: Not Available - Purchase Complete Motor)	
105	See Note	NSS	Seal, Shaft (Note: Use Item 300)	
106	7022588	1	Bearing, Rear	
107	See Note	AR	Washer (Note: Factory Set - Not Available for Purchase)	
108	7022589	1	Ring, Split	
	NPN	Ref	REAR HOUSING ASSEMBLY	
201	See Note	1	Ring, Distribution (Note: Not Available - Purchase Complete Motor)	
202	See Note	9	Spring (Note: Not Available - Purchase Complete Motor)	
203	See Note	NSS	Seal, Nylon (Note: Use Item 300)	
204	See Note	NSS	Seal, Nylon (Note: Use Item 300)	
205	See Note	NSS	Seal, Nylon (Note: Use Item 300)	
206	See Note	1	Housing, Rear (Note: Not Available - Purchase Complete Motor)	
207	7022590	1	Pin, Stop	
208	7022591	1	Plug with O-Ring	
300	7023801	1	Seal Kit (Includes Items 4, 102, 105 & 203-205)	

SECTION 1 - FRAME

FIGURE 1-14. DRIVE MOTOR ASSEMBLY - OPERATORS POSITION RH SIDE - 4WD FRONT (SN M200023102 to Present)



ART_1001228233

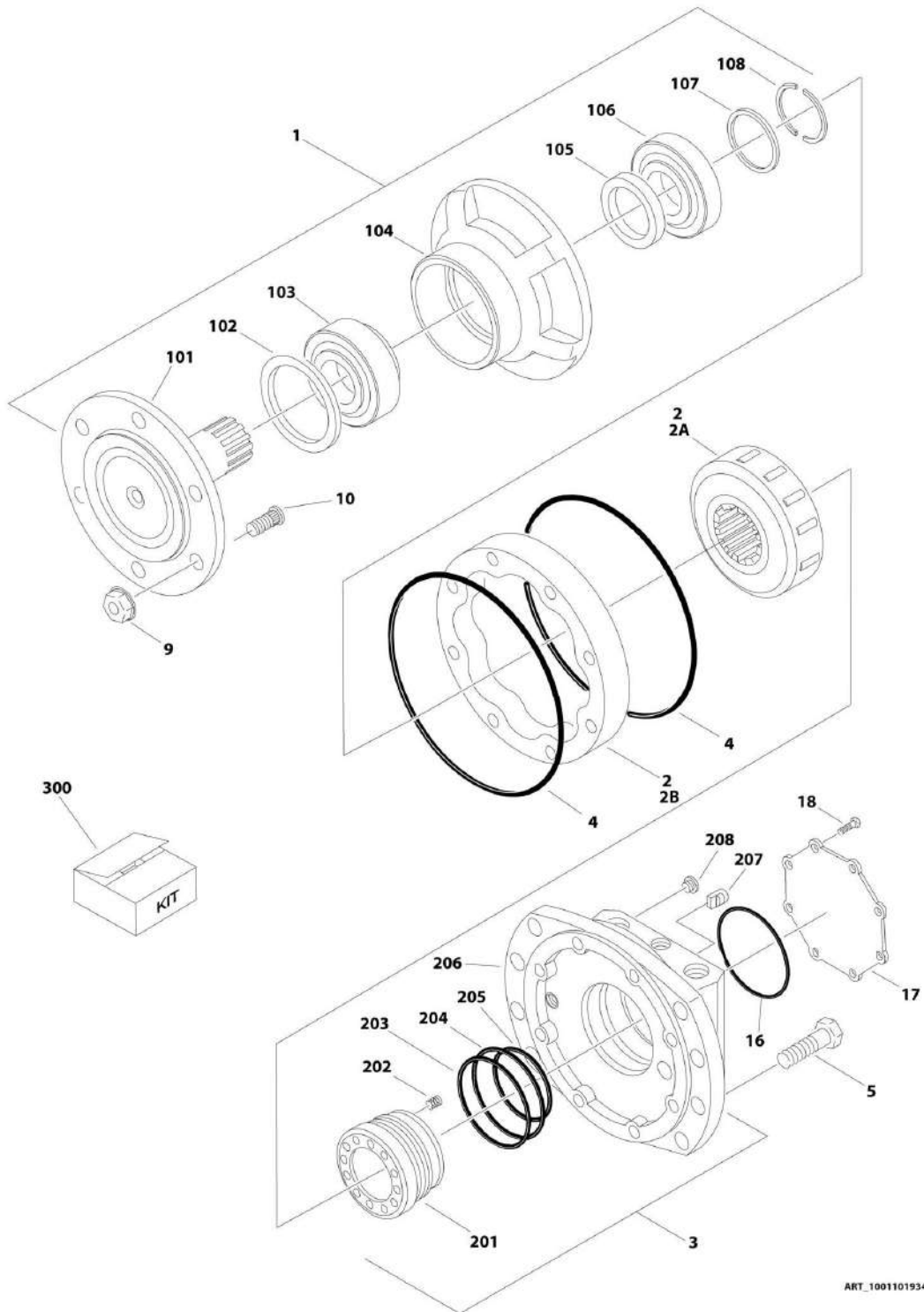
SECTION 1 - FRAME

FIGURE 1-14. DRIVE MOTOR ASSEMBLY - OPERATORS POSITION RH SIDE - 4WD FRONT (SN M200023102 to Present)

ITEM	PART NUMBER	QTY	DESCRIPTION	REV
	1001228233	Ref	DRIVE MOTOR ASSEMBLY	A
1	70006744	1	Shaft	
2	See Note	1	Casting, Front (Note: Purchase Complete Motor)	
3	See Note	NSS	Seal, Face (Note: Use Item 500)	
4	70006745	1	Spacer	
5	70006746	1	Bearing, Front	
6	7022588	1	Bearing, Rear	
7	70006747	1	Washer	
8	7022589	1	Ring, Split	
9	See Note	NSS	Seal, Shaft (Note: Use Item 500)	
10	70006748	1	Plug, Zero-Leak	
12	See Note	NSS	Seal, Square (Note: Use Item 500)	
17	70006749	1	Retainer, Seal	
90	7023807	5	Stud, Wheel	
91	7023806	5	Lugnut	
100	70006750	1	CAM	
101	70006763	1	Block, Cylinder	
102	70006752	8	Piston	
103	70006753	8	Roller	
106	70006756	2	Circlip	
107	70006757	2	Ring, Retaining	
201	See Note	1	Housing, Rear (Note: Purchase Complete Motor)	
202	70006764	1	Ring, Distribution	
204	See Note	NSS	Seal, Nylon (Note: Use Item 500)	
205	See Note	NSS	Seal, Nylon (Note: Use Item 500)	
206	See Note	NSS	Seal, Nylon (Note: Use Item 500)	
208	70006759	1	Pin, Stop	
209	7023872	9	Spring	
216	70001091	6	Capscrew	
217	See Note	NSS	Seal, Square (Note: Use Item 500)	
220	70002759	1	Plug	
391	See Note	NSS	Plate, Rear Cover	
392	70002264	4	Capscrew	
500	70006765	1	Seal Kit (Includes Items 3, 9, 12, 204-206 & 217)	

SECTION 1 - FRAME

FIGURE 1-15. DRIVE MOTOR ASSEMBLY - OPERATORS POSITION LH SIDE - 4WD FRONT (SN 0200230092 to Present, SN M200000100 through M200023101)



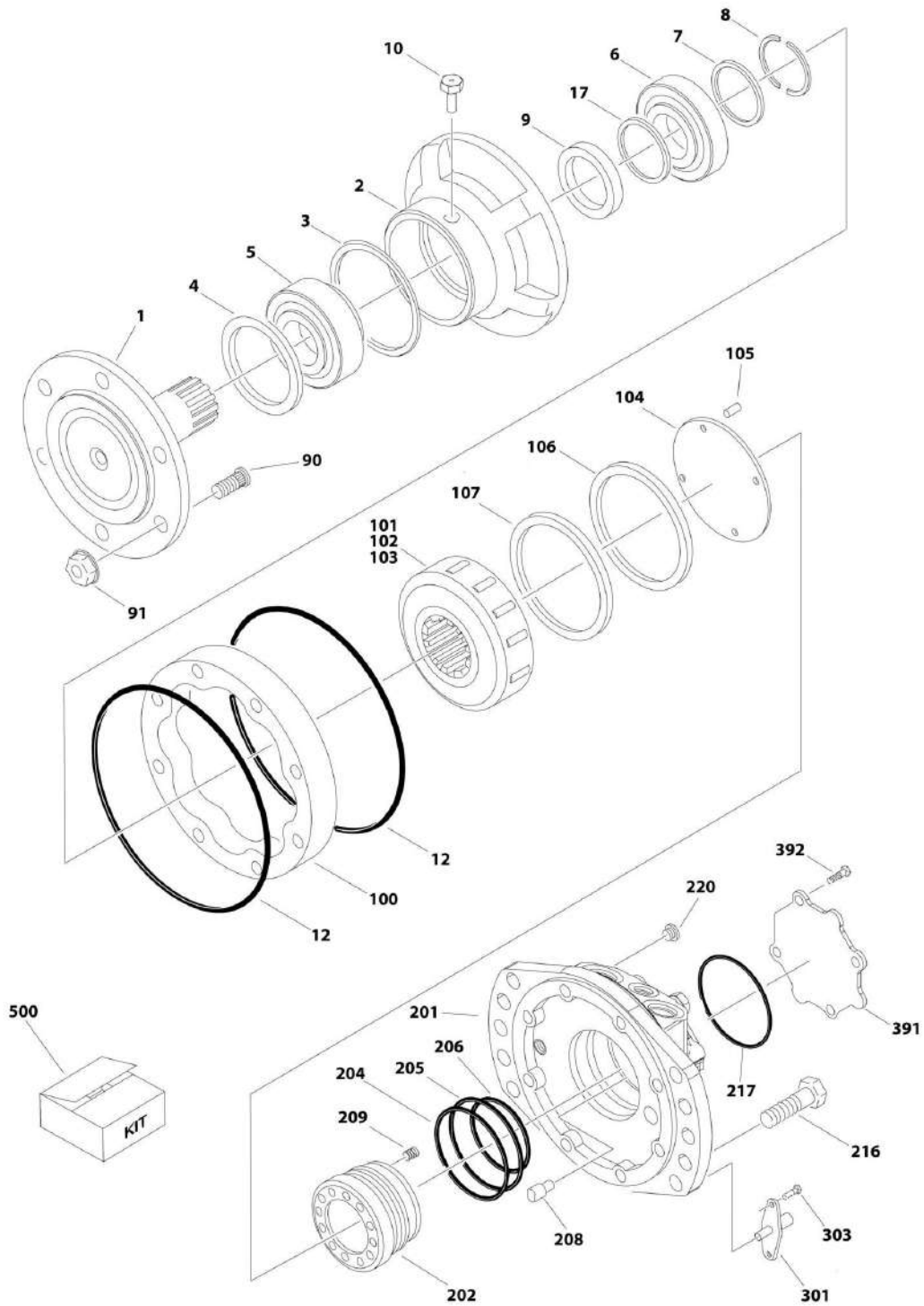
SECTION 1 - FRAME

FIGURE 1-15. DRIVE MOTOR ASSEMBLY - OPERATORS POSITION LH SIDE - 4WD FRONT (SN 0200230092 to Present, SN M200000100 through M200023101)

ITEM	PART NUMBER	QTY	DESCRIPTION	REV
	1001101934	Ref	DRIVE MOTOR ASSEMBLY - OPERATORS POSITION LH SIDE - 4WD FRONT	E
1	7024963	1	Front Housing Assembly (See Items 101-108 for Serviceable Components)	
2	70002261	1	Rotary Assembly	
2A	See Note	1	Rotary without Cam (Note: Not Available - Purchase Complete Assembly)	
2B	70002262	1	Cam	
3	70002263	1	Rear Housing Assembly (See Items 201-208 for Serviced Components)	
4	See Note	NSS	Seal, Square (Note: Use Item 300)	
5	70001091	6	Capscrew	
9	7023806	5	Lugnut	
10	7023807	5	Stud, Wheel	
16	7024008	1	Seal, Square	
17	7024007	1	Plate, Rear Cover	
18	70002264	8	Capscrew	
19	70002265	1	Sensor, Speed (Not Shown)	
	7024963	Ref	FRONT HOUSING ASSEMBLY	
101	7022586	1	Shaft	
102	See Note	NSS	Seal, Face (Note: Use Item 300)	
103	7022587	1	Bearing, Front	
104	See Note	NSS	Casting, Front (Note: Use p/n 7024963)	
105	See Note	NSS	Seal, Shaft (Note: Use Item 300)	
106	7022588	1	Bearing, Rear	
107	See Note	1	Washer (Note: Factory Set - Not Available for Purchase)	
108	7022589	1	Ring, Split	
	70002263	Ref	REAR HOUSING ASSEMBLY	
201	70002267	1	Ring, Distribution	
202	7023872	9	Spring	
203	See Note	NSS	Seal, Nylon (Note: Use Item 300)	
204	See Note	NSS	Seal, Nylon (Note: Use Item 300)	
205	See Note	NSS	Seal, Nylon (Note: Use Item 300)	
206	See Note	NSS	Housing, Rear (Note: Use p/n 70002263)	
207	70002268	1	Pin, Stop	
208	2220890	1	Plug with O-Ring	
300	70002269	1	Seal Kit (Includes Items 4, 102, 105 & 203-205)	

SECTION 1 - FRAME

FIGURE 1-16. DRIVE MOTOR ASSEMBLY - OPERATORS POSITION LH SIDE - 4WD FRONT (SN M200023102 to Present)



ART_1001228231

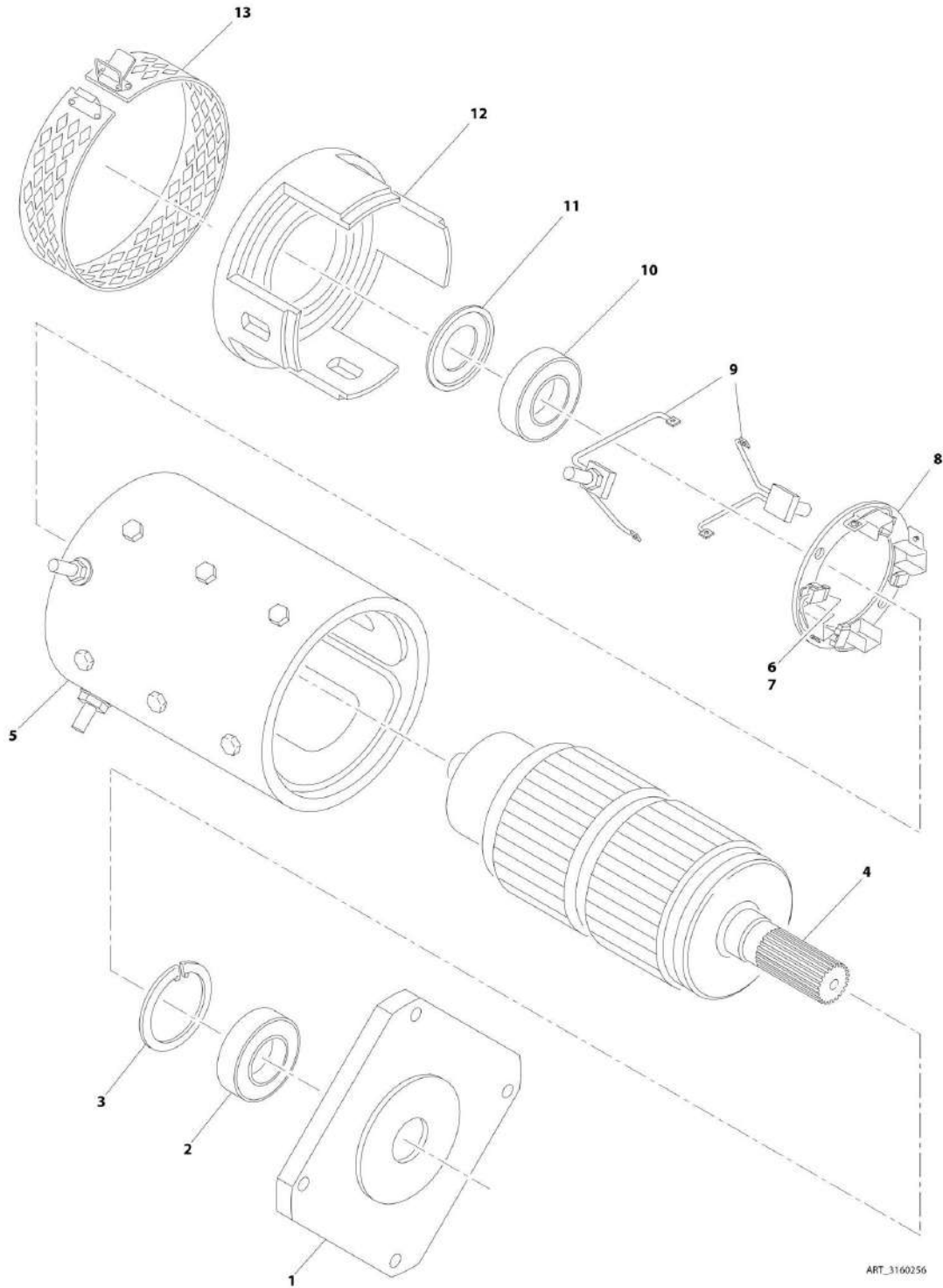
SECTION 1 - FRAME

FIGURE 1-16. DRIVE MOTOR ASSEMBLY - OPERATORS POSITION LH SIDE - 4WD FRONT (SN M200023102 to Present)

ITEM	PART NUMBER	QTY	DESCRIPTION	REV
	1001228231	Ref	DRIVE MOTOR ASSEMBLY	A
1	70006744	1	Shaft	
2	See Note	1	Casting, Front (Note: Purchase Complete Motor)	
3	See Note	NSS	Seal, Face (Note: Use Item 500)	
4	70006745	1	Spacer	
5	70006746	1	Bearing, Front	
6	7022588	1	Bearing, Rear	
7	70006747	1	Washer	
8	7022589	1	Ring, Split	
9	See Note	NSS	Seal, Shaft (Note: Use Item 500)	
10	70006748	1	Plug, Zero-Leak	
12	See Note	NSS	Seal, Square (Note: Use Item 500)	
17	70006749	1	Retainer, Seal	
90	7023807	5	Stud, Wheel	
91	7023806	5	Lugnut	
100	70006750	1	CAM	
101	70006763	1	Block, Cylinder	
102	70006752	8	Piston	
103	70006753	8	Roller	
104	70006754	1	Disc	
105	70006755	4	Rollpin	
106	70006756	2	Circlip	
107	70006757	2	Ring, Retaining	
201	See Note	1	Housing, Rear (Note: Purchase Complete Motor)	
202	70006764	1	Ring, Distribution	
204	See Note	NSS	Seal, Nylon (Note: Use Item 500)	
205	See Note	NSS	Seal, Nylon (Note: Use Item 500)	
206	See Note	NSS	Seal, Nylon (Note: Use Item 500)	
208	70006759	1	Pin, Stop	
209	7023872	9	Spring	
216	70001091	6	Capscrew	
217	See Note	NSS	Seal, Square (Note: Use Item 500)	
220	70002759	1	Plug	
301	70006760	1	Sensor, Speed	
303	70006761	2	Capscrew	
391	See Note	NSS	Plate, Rear Cover	
392	70002264	4	Capscrew	
500	70006765	1	Seal Kit (Includes Items 3, 9, 12, 204-206 & 217)	

SECTION 1 - FRAME

FIGURE 1-17. DRIVE MOTOR ASSEMBLY - 2WD/4WD REAR



ART_3160256

SECTION 1 - FRAME

FIGURE 1-17. DRIVE MOTOR ASSEMBLY - 2WD/4WD REAR

ITEM	PART NUMBER	QTY	DESCRIPTION	REV
	3160256	Ref	DRIVE MOTOR ASSEMBLY - 2WD/4WD REAR	D
1	7020184	1	Plate, End	
2	7012545	1	Bearing	
3	7020185	1	Ring, Retaining	
4	7023343	1	Armature	
5	See Note	NSS	Frame/Field Assembly (Note: Not Available - Purchase Complete Motor)	
6	7012548	4	Spring, Brush	
7	7012547	4	Brush	
8	7023344	1	Holder, Brush	
9	7023229	2	Brush Lead Assembly Kit	
10	7012545	1	Bearing	
11	7012549	1	Washer, Wavy	
12	7020189	1	End, Commutator	
13	7019609	1	Headband Assembly	

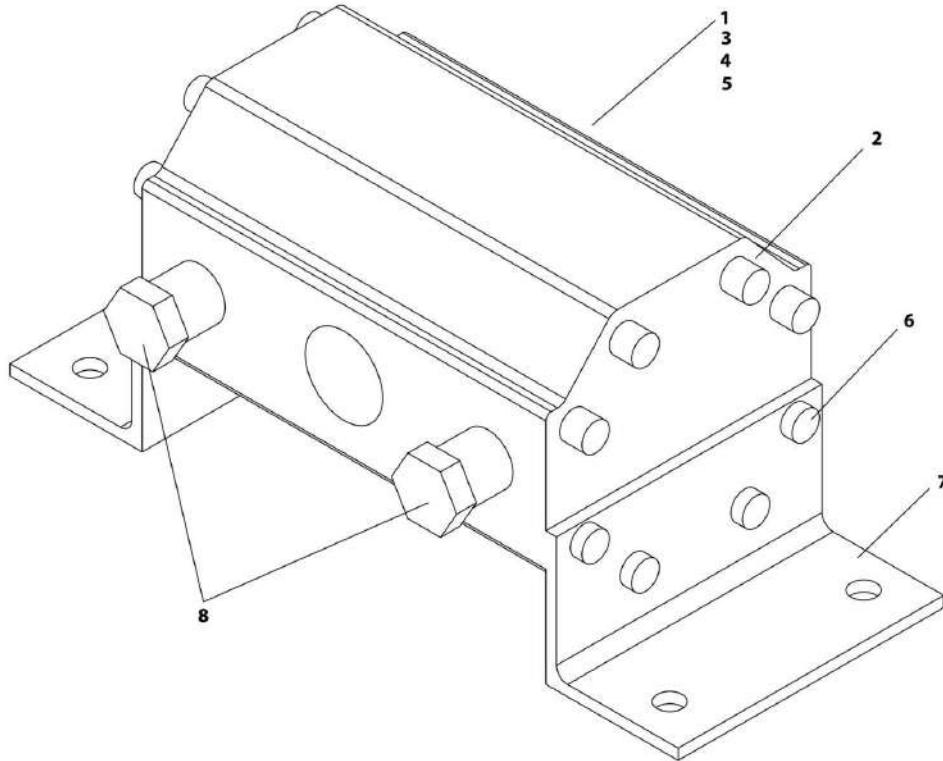
SECTION 1 - FRAME

FIGURE 1-18. DRIVE VALVE ASSEMBLY - 4WD ONLY

ITEM	PART NUMBER	QTY	DESCRIPTION	REV
	1001092586	Ref	DRIVE VALVE ASSEMBLY - 4WD ONLY	B
3	70001422	1	Control Valve Assembly	
3	7012773	1	Seal Kit - 70001422 Valve	
3A	7021375	1	Nut, Coil	
3B	70002947	1	Coil	
4	70001422	1	Control Valve Assembly	
4	7012773	1	Seal Kit - 70001422 Valve	
4A	7021375	1	Nut, Coil	
4B	70002947	1	Coil	
5	7012969	1	Cartridge, Check	
5	7012540	1	Seal Kit - 7012969 Valve	
6	7012969	1	Cartridge, Check	
6	7012540	1	Seal Kit - 7012969 Valve	
7	7012969	1	Cartridge, Check	
7	7012540	1	Seal Kit - 7012969 Valve	
8	7012969	1	Cartridge, Check	
8	7012540	1	Seal Kit - 7012969 Valve	
9	7018942	8	Capscrew #10 x 2	

SECTION 1 - FRAME

FIGURE 1-19. FLOW DIVIDER VALVE ASSEMBLY - 4WD ONLY



ART. 4641148

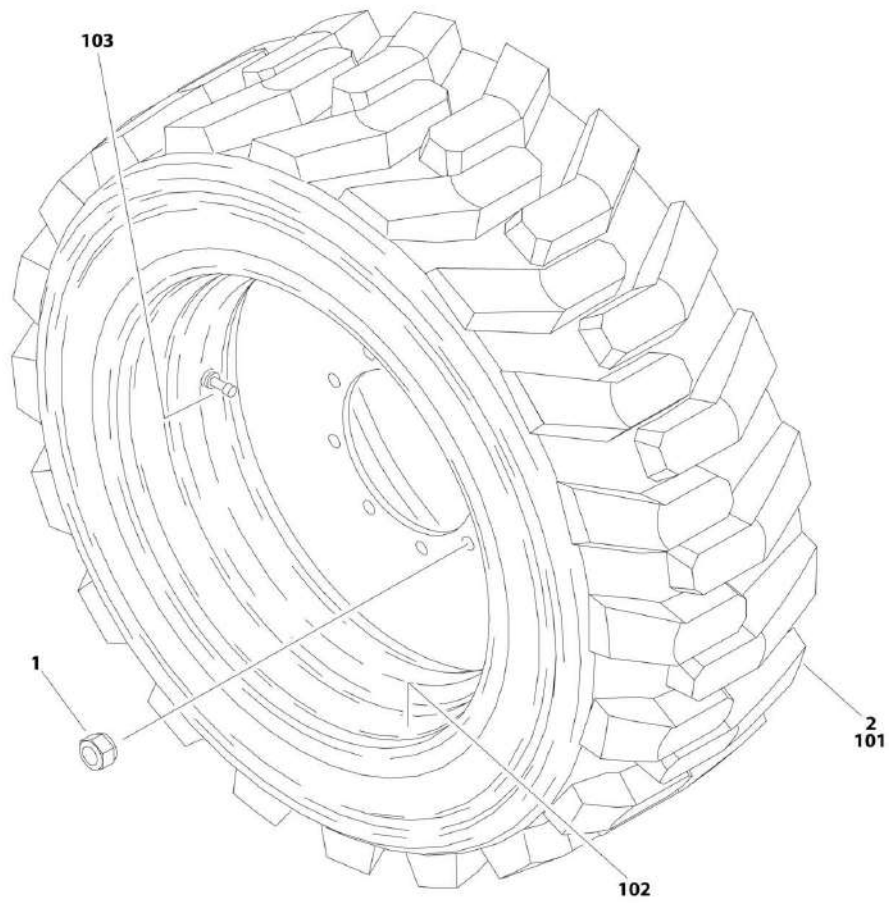
SECTION 1 - FRAME

FIGURE 1-19. FLOW DIVIDER VALVE ASSEMBLY - 4WD ONLY

ITEM	PART NUMBER	QTY	DESCRIPTION	REV
	4641148	Ref	FLOW DIVIDER VALVE ASSEMBLY - 4WD ONLY	C
1	7010921	AR	Seal	
2	7010928	8	Screw 1/4 x 2	
3	7010911	AR	Pin, Shear	
4	7010920	AR	Plate, Seal	
5	7010919	AR	Plate, Wear	
6	See Note	NSS	Screw 1/4 x 2-1/8 (Note: Not Available - Purchase Locally)	
7	See Note	NSS	Bracket (Note: Not Available for Purchase)	
8	See Note	NSS	Valve, Relief (Note: Not Available for Purchase)	

SECTION 1 - FRAME

FIGURE 1-20. TIRE AND WHEEL INSTALLATION - IN240/55 X 17.5 FOAM-FILLED



ART. 0270570

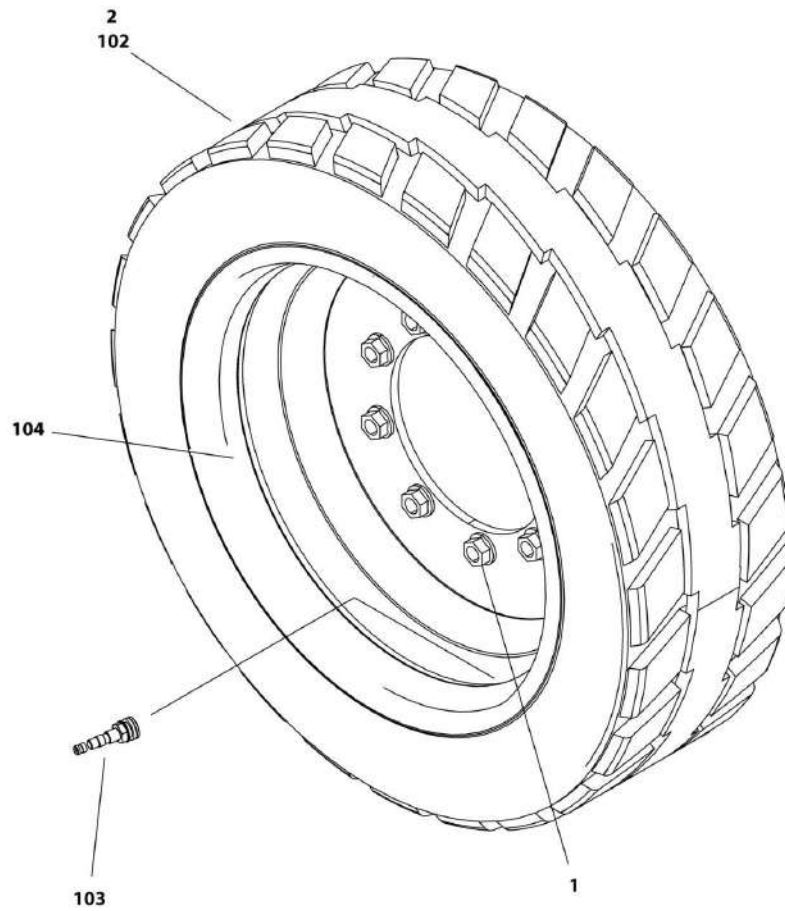
SECTION 1 - FRAME

FIGURE 1-20. TIRE AND WHEEL INSTALLATION - IN240/55 X 17.5 FOAM-FILLED

ITEM	PART NUMBER	QTY	DESCRIPTION	REV
	0270570	Ref	TIRE AND WHEEL INSTALLATION - IN240/55 X 17.5 FOAM-FILLED	C
1	3300426	36	Lugnut	
2	0258997	4	Tire and Wheel Assembly - IN240/55 x 17.5 Foam-Filled	F
101	4520209	1	Tire IN240/55 x 17.5	
102	4860191	1	Rim, Wheel	
103	4641122	1	Valve	
		Ref	Note: Assemblies require ballast/foam filling to manufacturer's specification prior to installing on a machine. Refer to Operation and Safety or Service and Maintenance Manuals. Purchase individual tire and/or rim only if able to foam fill tire and wheel assembly, otherwise, purchase complete assembly.	

SECTION 1 - FRAME

FIGURE 1-21. TIRE AND WHEEL INSTALLATION - IN240/55 X 17.5 NON-MARKING FOAM FILLED



ART_0273477

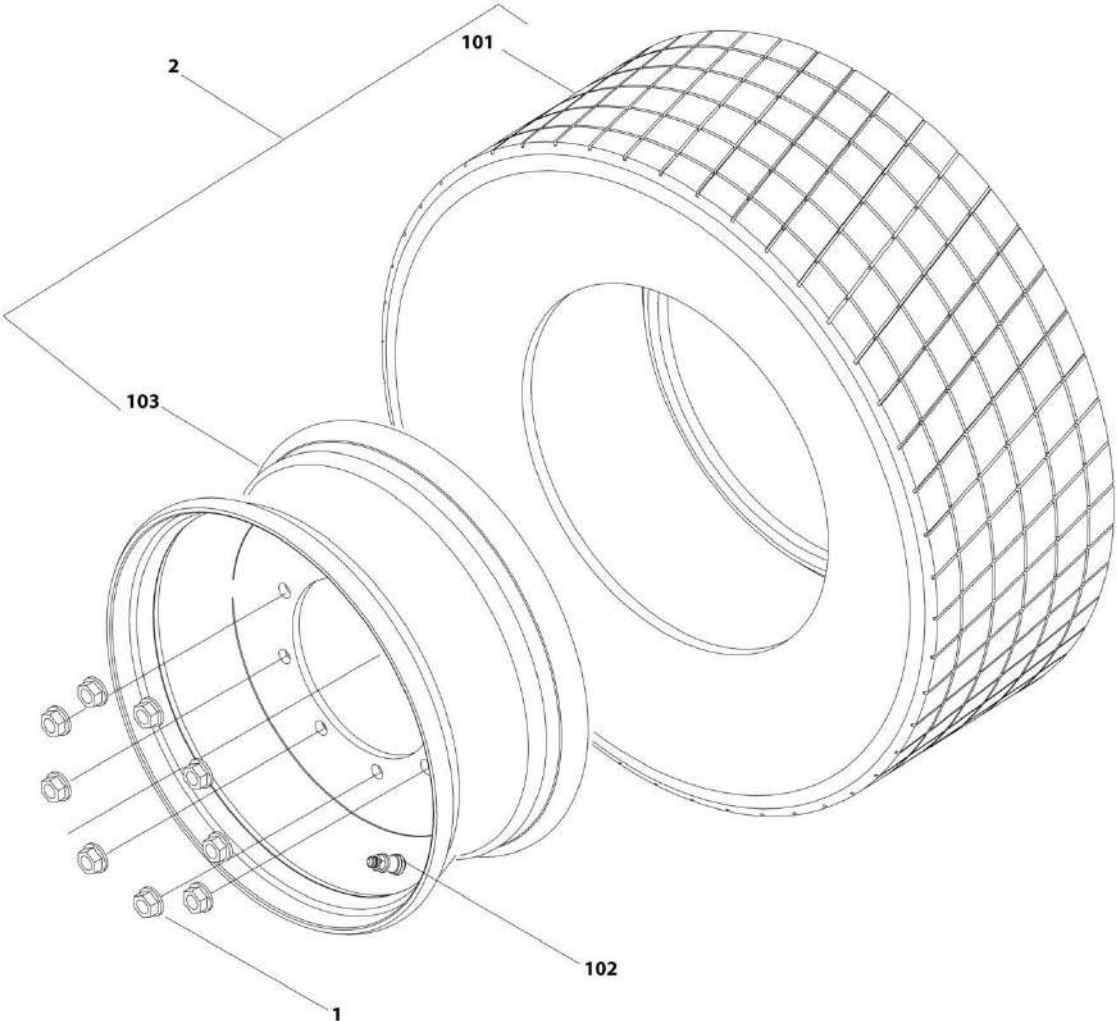
SECTION 1 - FRAME

FIGURE 1-21. TIRE AND WHEEL INSTALLATION - IN240/55 X 17.5 NON-MARKING FOAM FILLED

ITEM	PART NUMBER	QTY	DESCRIPTION	REV
	0273477	Ref	TIRE AND WHEEL INSTALLATION - IN240/55 X 17.5 NON-MARKING FOAM FILLED	B
1	3300426	36	Lugnut	
2	0273468	4	Tire and Wheel Assembly - IN240/55 x 17.5 Non-Marking Foam-Filled	H
102	4520269	1	Tire IN240/55 x 17.5 Non-Marking	
103	4641122	1	Valve	
104	4860191	1	Rim, Wheel	
		Ref	Note: Assemblies require ballast/foam filling to manufacturer's specification prior to installing on a machine. Refer to Operation and Safety or Service and Maintenance Manuals. Purchase individual tire and/or rim only if able to foam fill tire and wheel assembly, otherwise, purchase complete assembly.	

SECTION 1 - FRAME

FIGURE 1-22. TIRE AND WHEEL INSTALLATION - 27.2/10.5LL X 15 TURF FOAM-FILLED



ART. 0270627

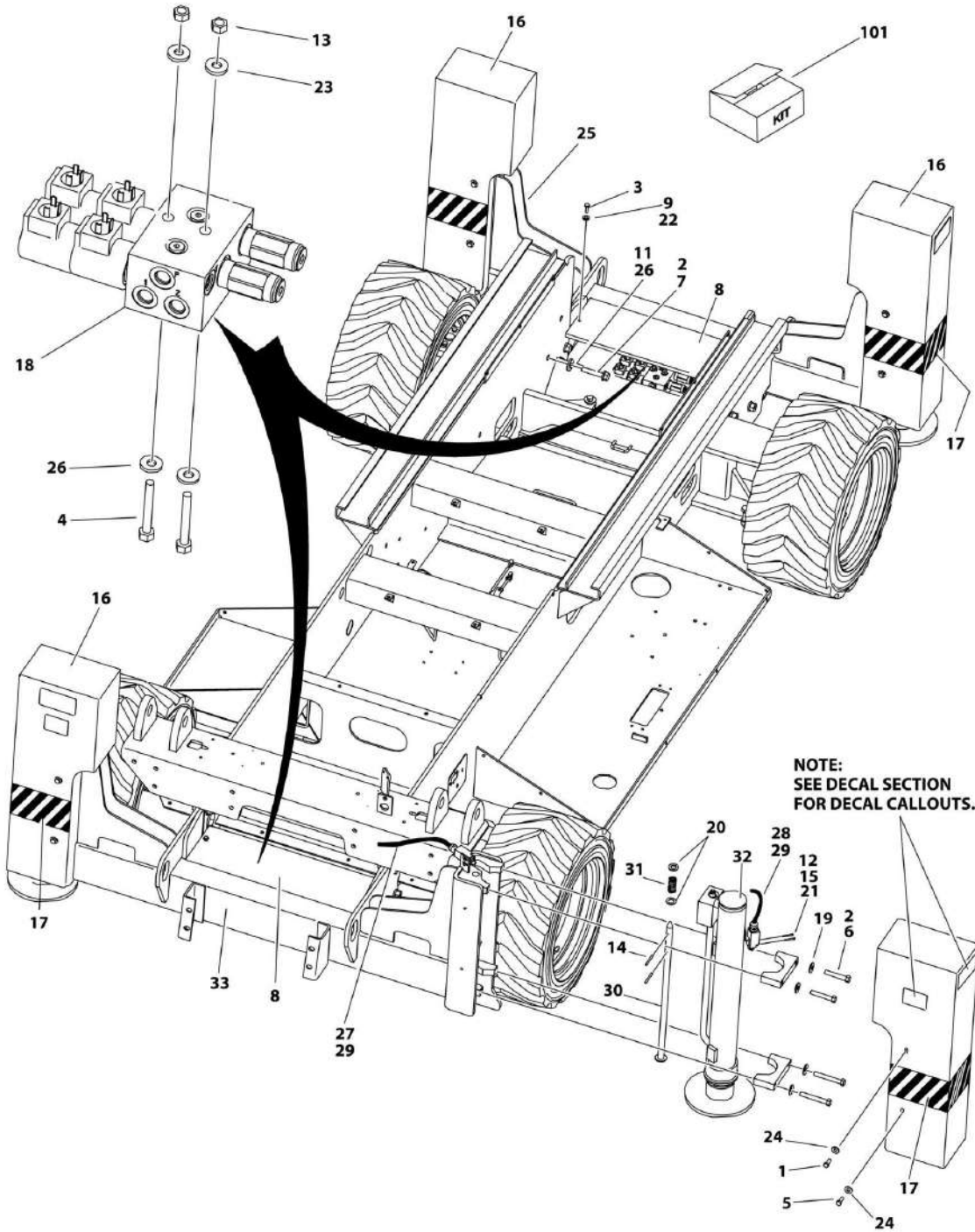
SECTION 1 - FRAME

FIGURE 1-22. TIRE AND WHEEL INSTALLATION - 27.2/10.5LL X 15 TURF FOAM-FILLED

ITEM	PART NUMBER	QTY	DESCRIPTION	REV
	0270627	Ref	TIRE AND WHEEL INSTALLATION - 27.2/10.5LL X 15 TURF FOAM-FILLED	C
1	3300426	36	Lugnut	
2	0270530	4	Tire and Wheel Assembly - 27.2/10.5LL x 15 Turf Foam-Filled	F
101	4520249	1	Tire 27.2/10.5LL x 15.0 Turf	
102	4640113	1	Valve	
103	4860221	1	Rim, Wheel	
		Ref	Note: Assemblies require ballast/foam filling to manufacturer's specification prior to installing on a machine. Refer to Operation and Safety or Service and Maintenance Manuals. Purchase individual tire and/or rim only if able to foam fill tire and wheel assembly, otherwise, purchase complete assembly.	

SECTION 1 - FRAME

FIGURE 1-23. LEVELING JACKS INSTALLATION - OPTIONAL



ART_1001172714

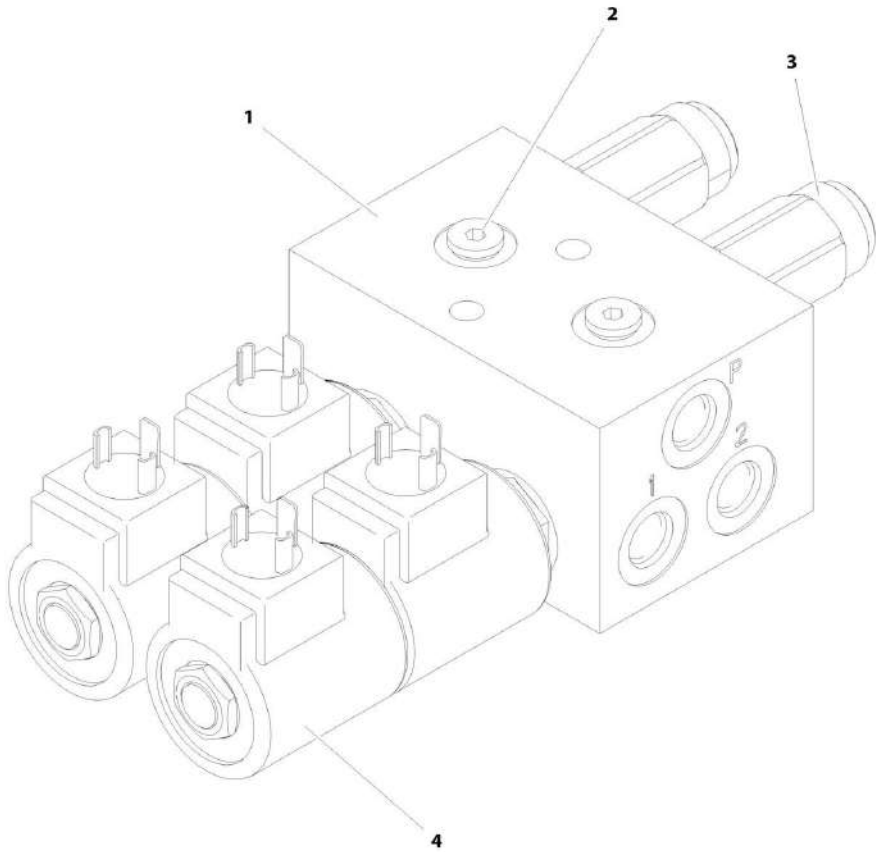
SECTION 1 - FRAME

FIGURE 1-23. LEVELING JACKS INSTALLATION - OPTIONAL

ITEM	PART NUMBER	QTY	DESCRIPTION	REV
	1001172714	Ref	LEVELING JACKS INSTALLATION - OPTIONAL	B
1	0100011	AR	Compound, Locking	
2	0100019	AR	Compound, Locking	
3	0641406	4	Bolt 1/4 x 3/4	
4	0641528	4	Bolt 5/16 x 3-1/2	
5	0641608	16	Bolt 3/8 x 1	
6	0641828	16	Bolt 1/2 x 3-1/2	
7	0682016	12	Bolt 5/8 x 2 Grade 8	
8	1670971	2	Cover, Valve	
9	2080052	4	Fastener	
10	2792494	1	Hydraulic Diagram - Leveling Jacks (Not Shown - See HYDRAULIC SECTION for Breakdown)	
11	3272001	12	Nut 5/8 Grade 8	
12	3310805	16	Nut #8	
13	3311505	4	Nut 5/16	
14	3440420	8	Rollpin	
15	3930820	16	Capscrew #8 x 1-1/4	
16	4061003	4	Cover	
17	4420051	8.3 ft /2.5m	Tape, Safety	
18	4641150	2	Leveling Jack Control Valve Assembly (See LEVELING JACK CONTROL VALVE ASSEMBLY for Breakdown)	
19	4711800	16	Washer 1/2	
20	4740415	4	Washer	
21	4750800	16	Washer #8	
22	4751400	4	Washer 1/4	
23	4751500	4	Washer 5/16	
24	4751600	16	Washer 3/8	
25	4846224	1	Frame, Leveling Jack (Front)	
26	4892000	16	Washer 5/8	
27	4922454	2	Harness, Leveling Jack (N.O.) (See ELECTRICAL SECTION for Breakdown)	
28	4922455	2	Harness, Leveling Jack (N.C.) (See ELECTRICAL SECTION for Breakdown)	
29	4922456	1	Harness, Leveling Jack (See ELECTRICAL SECTION for Breakdown)	
30	1001128736	4	Rod	
31	1001128890	4	Spring	
32	1001140600	4	Leveling Jack Cylinder Assembly (See CYLINDER SECTION for Breakdown)	
33	1001172562	1	Frame, Leveling Jack (Rear)	
101	1001131751	1	Rod Replacement Kit (Includes Items 1, 2, 6, 14, 20, 30 & 31)	A

SECTION 1 - FRAME

FIGURE 1-24. LEVELING JACK CONTROL VALVE ASSEMBLY



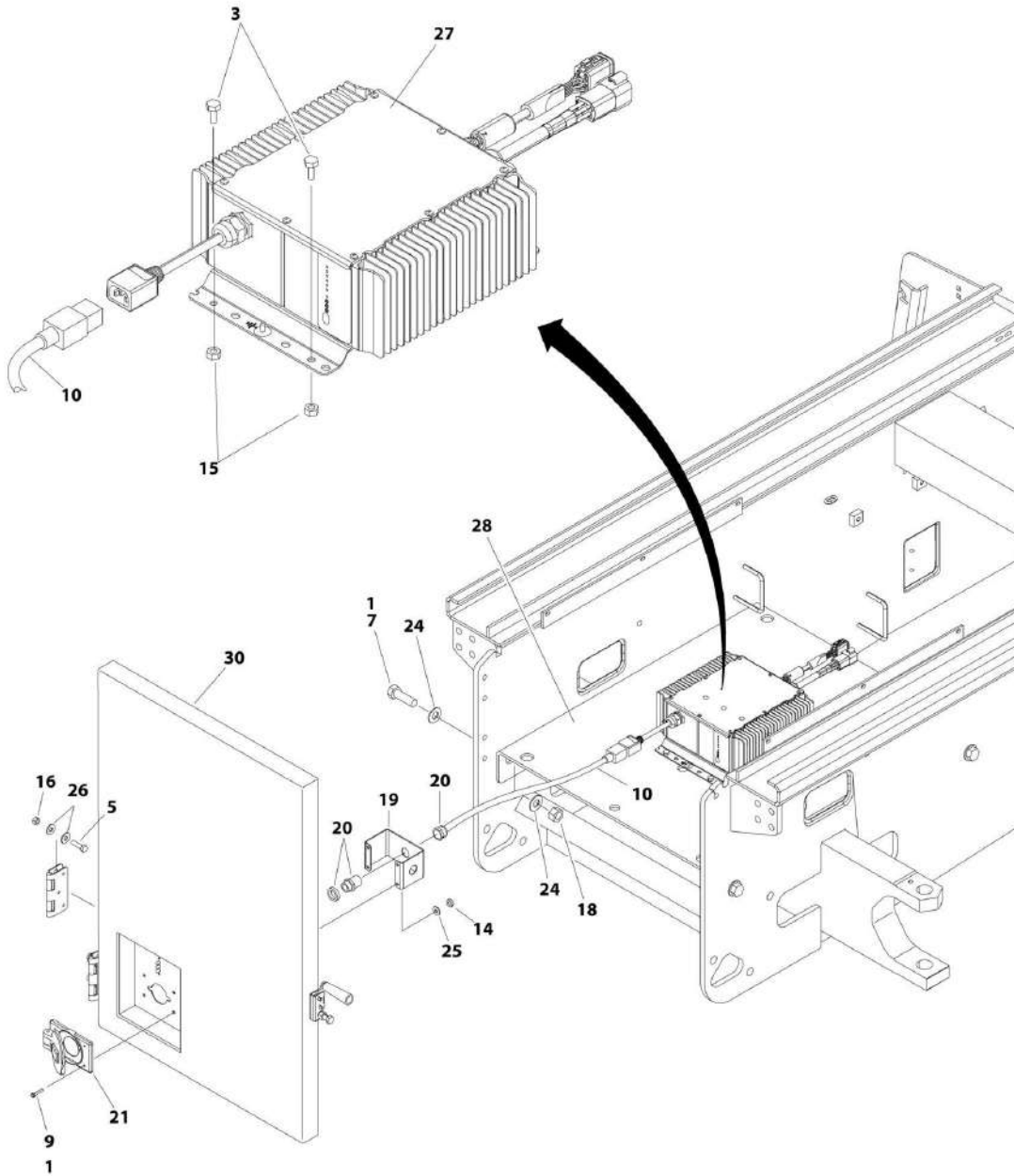
ART_4641150

FIGURE 1-24. LEVELING JACK CONTROL VALVE ASSEMBLY

ITEM	PART NUMBER	QTY	DESCRIPTION	REV
	4641150	Ref	LEVELING JACK CONTROL VALVE ASSEMBLY	B
1	0561407	1	Block, Valve	
2	2220883	2	Plug with O-Ring	
3	4641151	2	Cartridge, Relief Valve	
3	7021653	2	Seal Kit - 4641151 Valve (1 Per Cartridge)	
4	4641152	2	Cartridge, 4 Way Valve	
4	7012903	2	Seal Kit - 4641152 Valve (1 Per Cartridge)	
4	7012943	4	Coil (2 Per Cartridge)	

SECTION 1 - FRAME

FIGURE 1-25. BATTERY CHARGER INSTALLATION - 110V/60HZ (3369LE & 4069LE ANSI, ANSI EXPORT, CSA AND JAPANESE SPECS)



ART_100116 5767

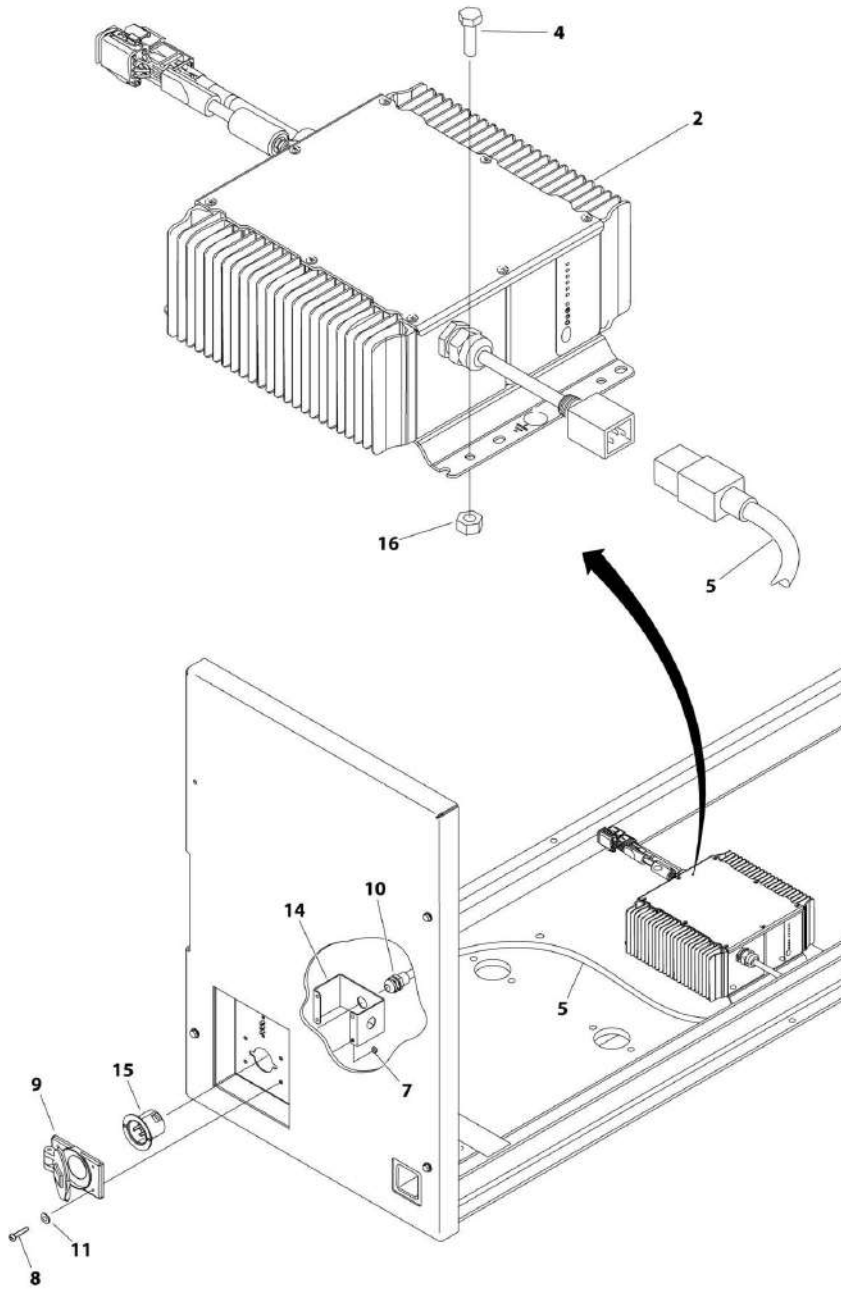
SECTION 1 - FRAME

FIGURE 1-25. BATTERY CHARGER INSTALLATION - 110V/60HZ (3369LE & 4069LE ANSI, ANSI EXPORT, CSA AND JAPANESE SPECS)

ITEM	PART NUMBER	QTY	DESCRIPTION	REV
		Ref	NOTE: AVAILABLE ON 3369LE & 4069LE ANSI, ANSI EXPORT, CSA AND JAPANESE SPECS.	
	1001165767	Ref	BATTERY CHARGER INSTALLATION - 110V/60HZ (3369LE & 4069LE ANSI, ANSI EXPORT, CSA AND JAPANESE SPECS)	C
1	0100011	AR	Compound, Locking	
3	0641405	4	Bolt 1/4 x 5/8	
5	0641509	4	Bolt 5/16 x 1-1/8	
7	0642016	4	Bolt 5/8 x 2	
9	0721008	4	Bolt #10	
10	1060689	1	Cord, Electrical	
14	3311001	4	Nut #10	
15	3311405	4	Nut 1/4	
16	3311505	1	Nut 5/16	
18	3312005	4	Nut 5/8	
19	3571584	1	Plate, Plug Inlet	
20	4460428	1	Connector, Strain Relief	
21	4460802	1	Cover, Weatherproof	
22	4460803	1	Plug	
24	4712000	8	Washer 5/8	
25	4751000	4	Washer #10	
26	4751500	8	Washer 5/16	
27	1001103105	1	Battery Charger Assembly (See BATTERY CHARGER ASSEMBLY for Breakdown)	
28	1001165370	1	Plate, Support	
30	1001166234	1	Battery Charger Door Assembly (See BATTERY CHARGER DOOR ASSEMBLY for Breakdown)	

SECTION 1 - FRAME

FIGURE 1-26. BATTERY CHARGER INSTALLATION - 110V/60HZ (M3369 & M4069 ANSI, ANSI EXPORT, CSA AND JAPANESE SPECS)



ART_0270840

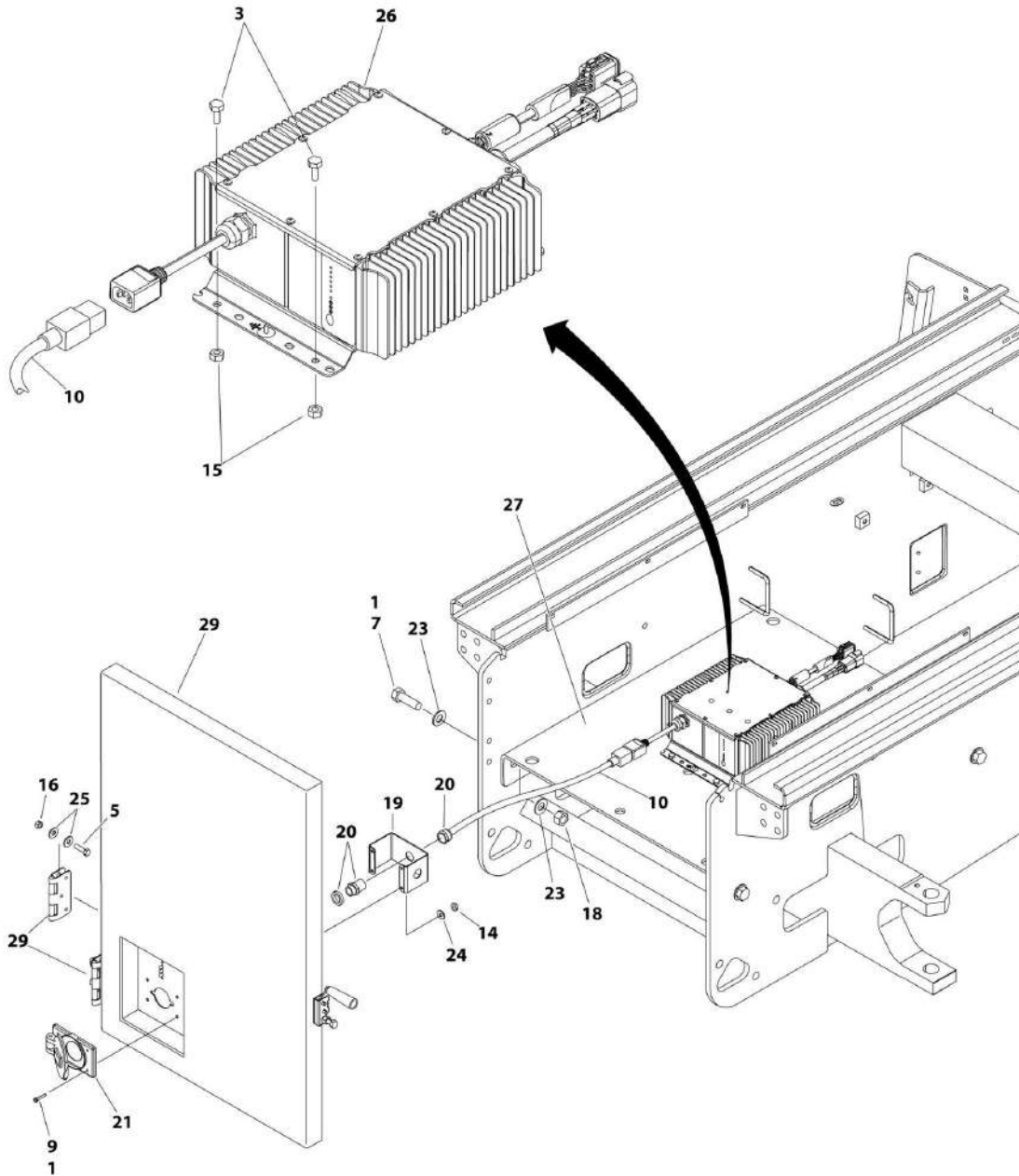
SECTION 1 - FRAME

FIGURE 1-26. BATTERY CHARGER INSTALLATION - 110V/60HZ (M3369 & M4069 ANSI, ANSI EXPORT, CSA AND JAPANESE SPECS)

ITEM	PART NUMBER	QTY	DESCRIPTION	REV
		Ref	NOTE: AVAILABLE ON M3369 & M4069 ANSI, ANSI EXPORT, CSA AND JAPANESE SPECS.	
	0270840	Ref	BATTERY CHARGER INSTALLATION - 110V/60HZ (M3369 & M4069 ANSI, ANSI EXPORT, CSA AND JAPANESE SPECS)	F
2	1001103105	1	Battery Charger Assembly (See BATTERY CHARGER ASSEMBLY for Breakdown)	
4	0641407	4	Bolt 1/4 x 7/8	
5	1060689	1	Cord, Electrical	
7	3311005	4	Nut #10	
8	3911014	4	Screw #10 x 7/8	
9	4460802	1	Cover, Weatherproof	
10	4460428	1	Connector, Strain Relief	
11	4751000	4	Washer #10	
14	3571584	1	Plate, Plug Inlet	
15	4460803	1	Plug	
16	3311405	4	Nut 1/4	

SECTION 1 - FRAME

FIGURE 1-27. BATTERY CHARGER INSTALLATION - 120-240V/50-60HZ (3369LE & 4069LE ANSI, ANSI EXPORT, CSA AND CE SPECS)



ART_1001166240

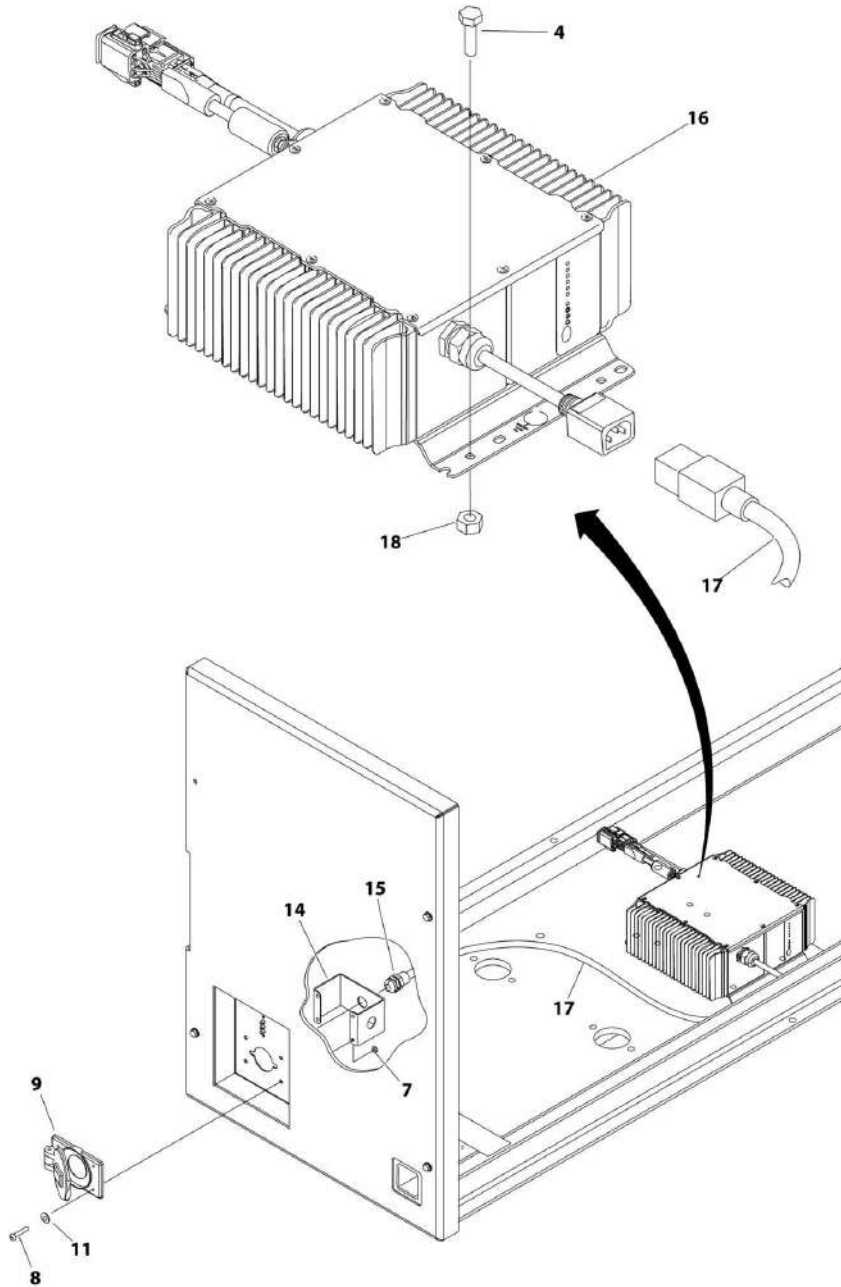
SECTION 1 - FRAME

FIGURE 1-27. BATTERY CHARGER INSTALLATION - 120-240V/50-60HZ (3369LE & 4069LE ANSI, ANSI EXPORT, CSA AND CE SPECS)

ITEM	PART NUMBER	QTY	DESCRIPTION	REV
		Ref	NOTE: AVAILABLE ON 3369LE & 4069LE ANSI, ANSI EXPORT, CSA AND CE SPECS.	
	1001166240	Ref	BATTERY CHARGER INSTALLATION - 120-240V/50-60HZ (3369LE & 4069LE ANSI, ANSI EXPORT, CSA AND CE SPECS)	C
1	0100011	AR	Compound, Locking	
3	0641405	4	Bolt 1/4 x 5/8	
5	0641509	4	Bolt 5/16 x 1-1/8	
7	0642016	4	Bolt 5/8 x 2	
9	0721008	4	Bolt #10 x 1	
10	1060689	1	Cord, Electrical	
14	3311001	4	Nut #10	
15	3311405	4	Nut 1/4	
16	3311505	4	Nut 5/16	
18	3312005	4	Nut 5/8	
19	3571584	1	Plate, Plug Inlet	
20	4460428	1	Connector, Strain Relief	
21	4460802	1	Cover, Weatherproof	
23	4712000	8	Washer 5/8	
24	4751000	4	Washer #10	
25	4751500	8	Washer 5/16	
26	1001103105	1	Battery Charger Assembly (See BATTERY CHARGER ASSEMBLY for Breakdown)	
27	1001165370	1	Plate, Support	
29	1001166234	1	Battery Charger Door Assembly (See BATTERY CHARGER DOOR ASSEMBLY for Breakdown)	

SECTION 1 - FRAME

FIGURE 1-28. BATTERY CHARGER INSTALLATION - 120-240V/50-60HZ (M3369 & M4069 ANSI, ANSI EXPORT, CSA AND CE SPECS)



ART_0270841

SECTION 1 - FRAME

FIGURE 1-28. BATTERY CHARGER INSTALLATION - 120-240V/50-60HZ (M3369 & M4069 ANSI, ANSI EXPORT, CSA AND CE SPECS)

ITEM	PART NUMBER	QTY	DESCRIPTION	REV
		Ref	NOTE: AVAILABLE ON M3369 & M4069 ANSI, ANSI EXPORT, CSA AND CE SPECS.	
	0270841	Ref	BATTERY CHARGER INSTALLATION - 120-240V/50-60HZ (M3369 & M4069 ANSI, ANSI EXPORT, CSA AND CE SPECS)	F
4	0641407	4	Bolt 1/4 x 7/8	
7	3311005	4	Nut #10	
8	3911014	4	Screw #10 x 7/8	
9	4460802	1	Cover, Weatherproof	
11	4751000	4	Washer #10	
14	3571584	1	Plate, Plug Inlet	
15	4460428	1	Connector, Strain Relief	
16	1001103105	1	Battery Charger Assembly (See BATTERY CHARGER ASSEMBLY for Breakdown)	
17	1060689	1	Cord, Electrical	
18	3311405	4	Nut 1/4	

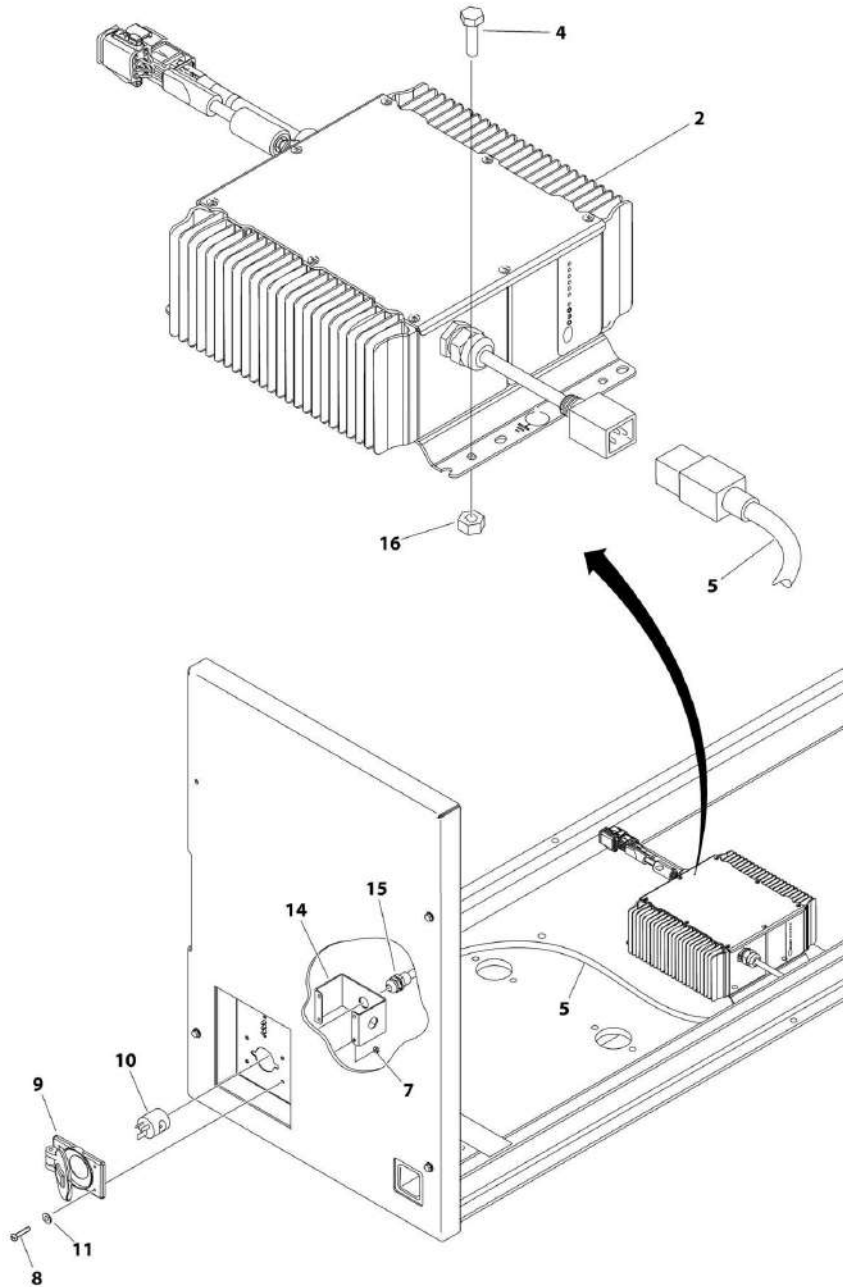
SECTION 1 - FRAME

FIGURE 1-29. BATTERY CHARGER INSTALLATION - 250V/50HZ (3369LE & 4069LE ANSI EXPORT AND AUSTRALIAN SPECS)

ITEM	PART NUMBER	QTY	DESCRIPTION	REV
		Ref	NOTE: AVAILABLE ON 3369LE & 4069LE ANSI EXPORT AND AUSTRALIAN SPECS.	
	1001166241	Ref	BATTERY CHARGER INSTALLATION - 250V/50HZ (3369LE & 4069LE ANSI EXPORT AND AUSTRALIAN SPECS)	C
1	0100011	AR	Compound, Locking	
3	0641405	4	Bolt 1/4 x 5/8	
5	0641509	4	Bolt 5/16 x 1-1/8	
7	0642016	4	Bolt 5/8 x 2	
9	0721008	4	Bolt #10 x 1	
10	1060689	1	Cord, Electrical	
14	3311001	4	Nut #10	
15	3311405	4	Nut 1/4	
16	3311505	4	Nut 5/16	
18	3312005	4	Nut 5/8	
19	3571584	1	Plate, Plug Inlet	
20	4460428	1	Connector, Strain Relief	
21	4460802	1	Cover, Weatherproof	
22	4460805	1	Plug	
24	4712000	8	Washer 5/8	
25	4751000	4	Washer #10	
26	4751500	8	Washer 5/16	
27	1001103105	1	Battery Charger Assembly (See BATTERY CHARGER ASSEMBLY for Breakdown)	
28	1001165370	1	Plate, Support	
30	1001166234	1	Battery Charger Door Assembly (See BATTERY CHARGER DOOR ASSEMBLY for Breakdown)	

SECTION 1 - FRAME

FIGURE 1-30. BATTERY CHARGER INSTALLATION - 250V/50HZ (M3369 & M4069 ANSI EXPORT AND AUSTRALIAN SPECS)



ART_0270842

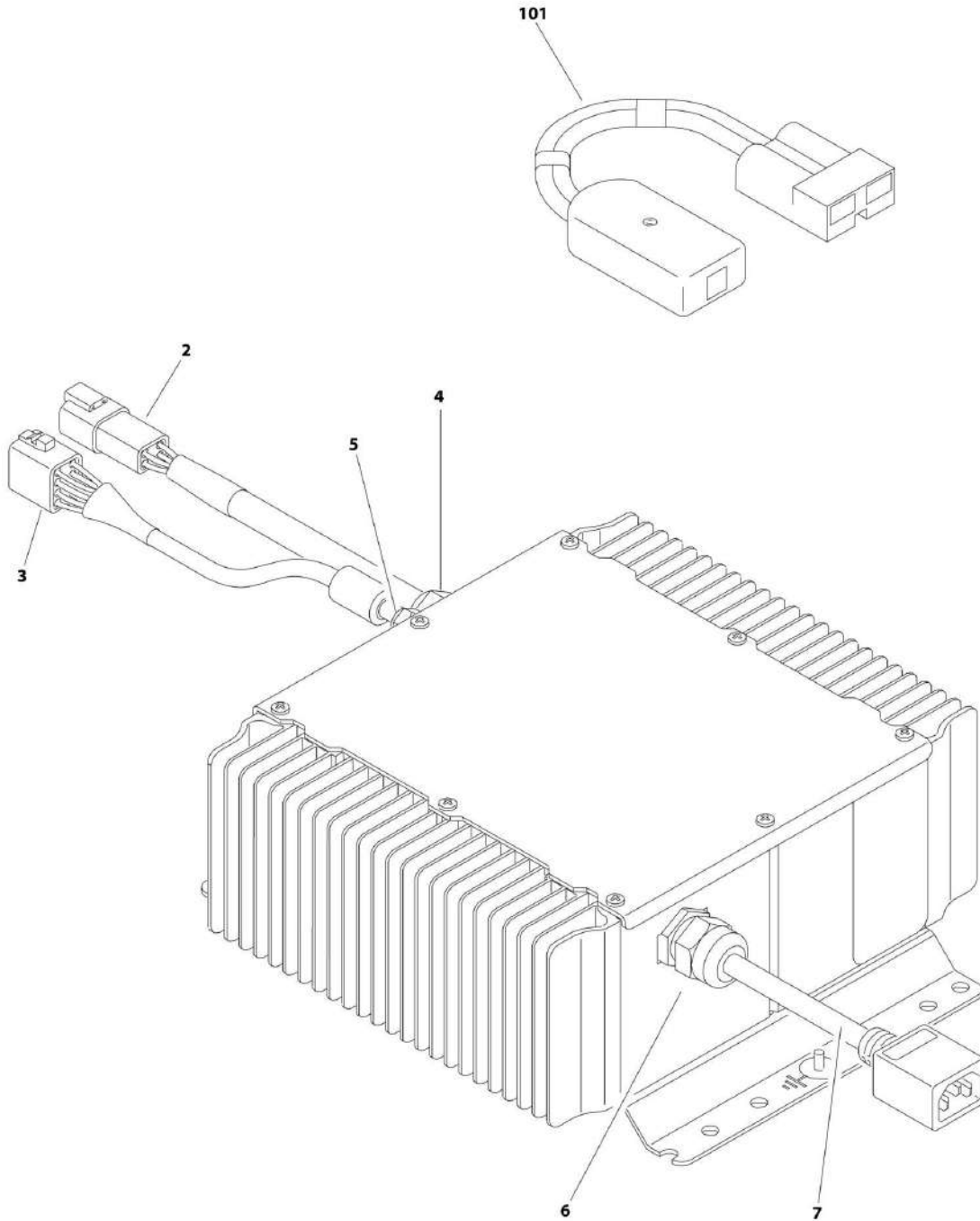
SECTION 1 - FRAME

FIGURE 1-30. BATTERY CHARGER INSTALLATION - 250V/50HZ (M3369 & M4069 ANSI EXPORT AND AUSTRALIAN SPECS)

ITEM	PART NUMBER	QTY	DESCRIPTION	REV
		Ref	NOTE: AVAILABLE ON M3369 & M4069 ANSI EXPORT AND AUSTRALIAN SPECS.	
	0270842	Ref	BATTERY CHARGER INSTALLATION - 250V/50HZ (M3369 & M4069 ANSI EXPORT AND AUSTRALIAN SPECS)	F
2	1001103105	1	Battery Charger Assembly (See BATTERY CHARGER ASSEMBLY for Breakdown)	
4	0641407	1	Bolt 1/4 x 7/8	
5	1060689	1	Cord, Electrical	
7	3311005	1	Nut #10	
8	3911014	1	Screw #10 x 7/8	
9	4460802	1	Cover, Weatherproof	
10	4460805	1	Plug	
11	4751000	1	Washer #10	
14	3571584	1	Plate, Plug Inlet	
15	4460428	1	Connector, Strain Relief	
16	3311405	1	Nut 1/4	

SECTION 1 - FRAME

FIGURE 1-31. BATTERY CHARGER ASSEMBLY



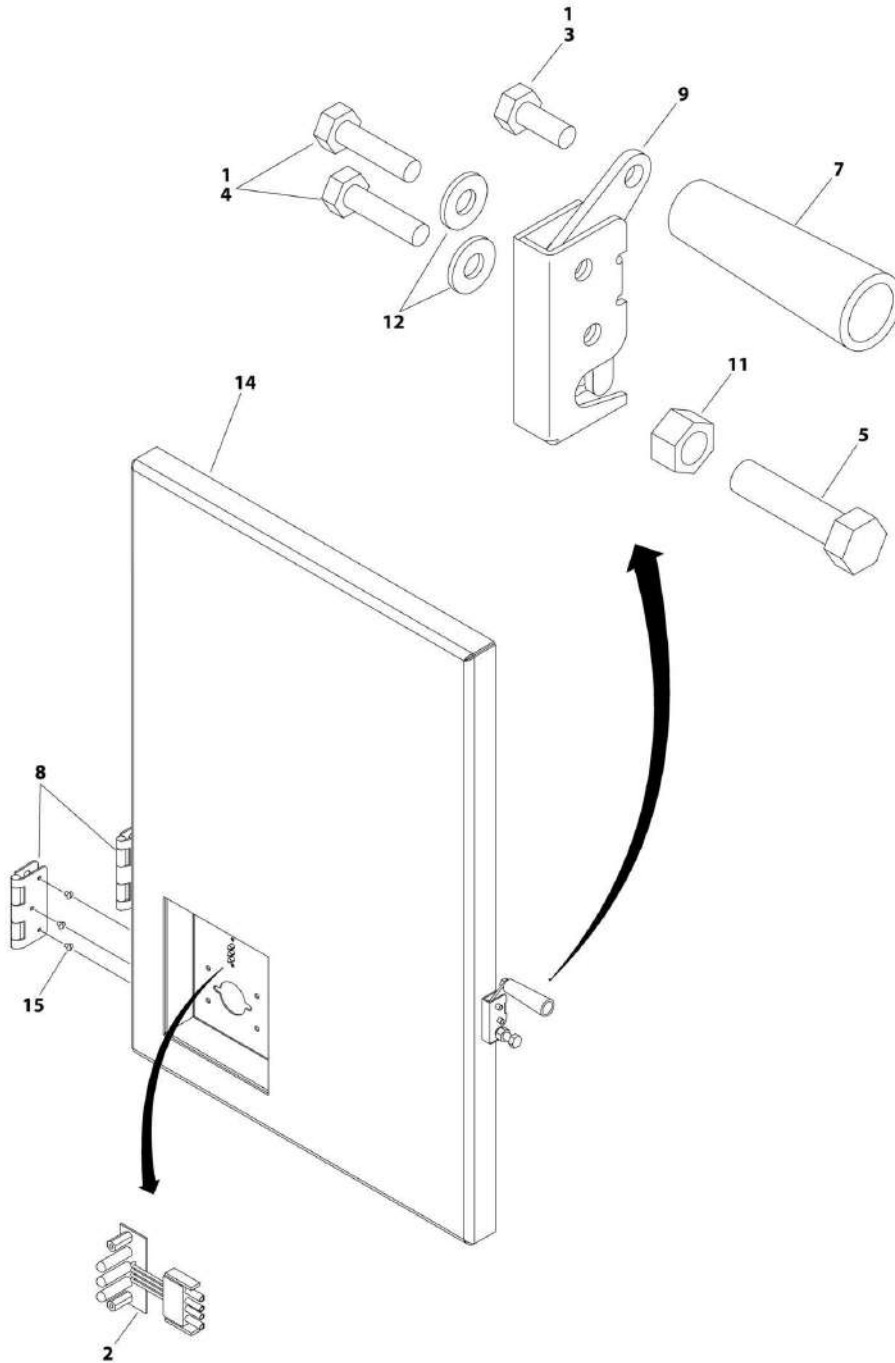
ART_1001103105

FIGURE 1-31. BATTERY CHARGER ASSEMBLY

ITEM	PART NUMBER	QTY	DESCRIPTION	REV
	1001103105	Ref	BATTERY CHARGER ASSEMBLY	D
2	See Note	1	Harness with Connector (Note: Not Available for Purchase)	
2	1001116811	1	Receptacle, Female - 4 Position	
2	4460508	4	Pin, Male	
3	See Note	1	Harness with Connector (Note: Not Available for Purchase)	
3	4460930	1	Plug, Male - 8 Position	
3	4460464	7	Socket, Female	
4	See Note	1	Connector, Strain Relief (Note: Not Available for Purchase)	
5	See Note	1	Connector, Strain Relief (Note: Not Available for Purchase)	
6	See Note	1	Connector, Strain Relief (Note: Not Available for Purchase)	
7	See Note	1	Harness with Connector (Note: Not Available for Purchase)	
101	1600466	NLA	Battery Charger Reprogram Controller (Use p/n 2915230)	

SECTION 1 - FRAME

FIGURE 1-32. BATTERY CHARGER DOOR ASSEMBLY - 3369LE & 4069LE



ART_1001166234

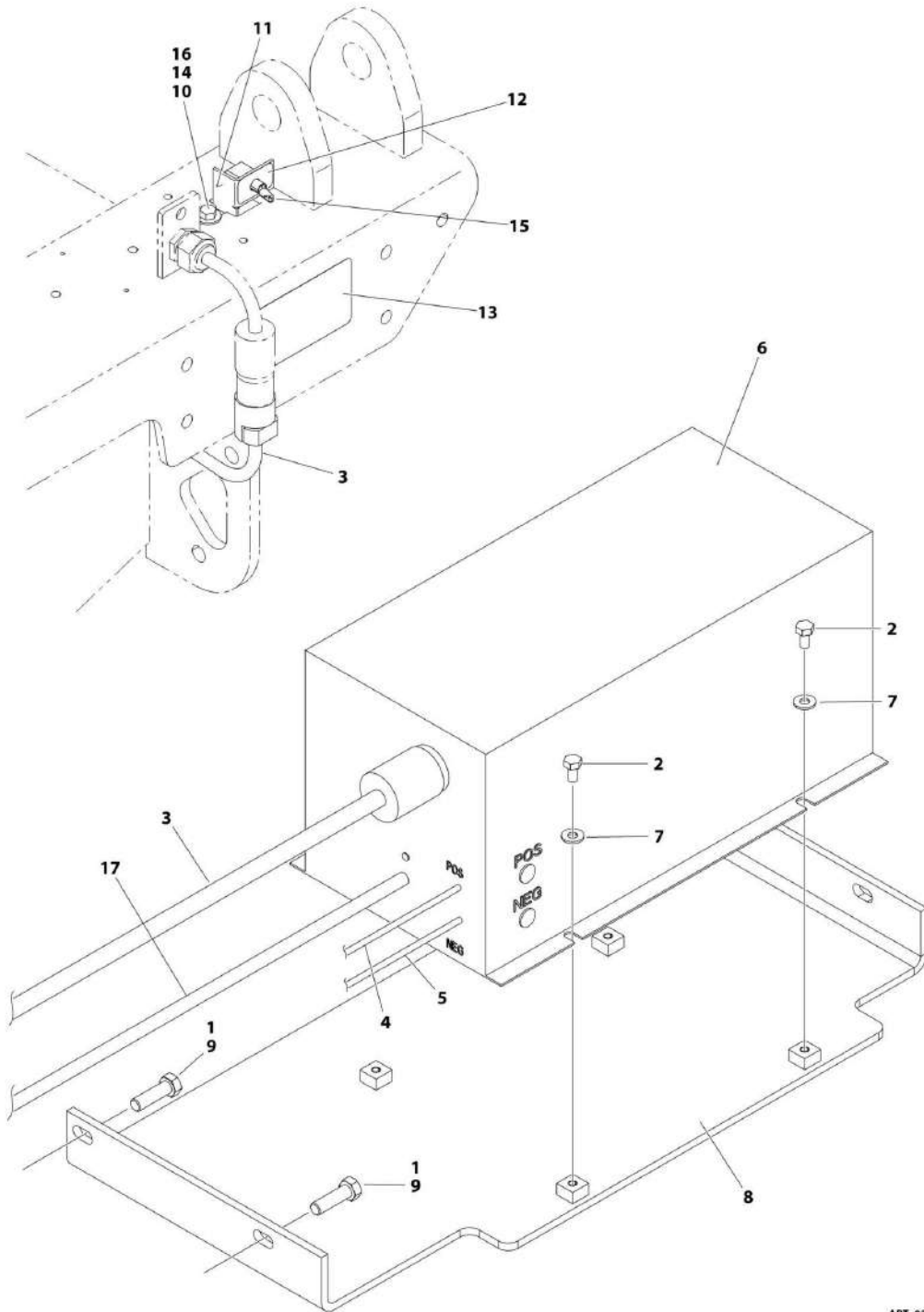
SECTION 1 - FRAME

FIGURE 1-32. BATTERY CHARGER DOOR ASSEMBLY - 3369LE & 4069LE

ITEM	PART NUMBER	QTY	DESCRIPTION	REV
	1001166234	Ref	BATTERY CHARGER DOOR ASSEMBLY - 3369LE & 4069LE	B
1	0100011	AR	Compound, Locking	
2	0610131	1	Board, PC	
3	0641405	1	Bolt 1/4 x 5/8	
4	0641408	2	Bolt 1/4 x 1	
5	0641612	1	Bolt 3/8 x 1-1/2	
7	2560137	1	Handle	
8	2600258	2	Hinge	
9	2940098	1	Latch	
11	3311605	1	Nut 3/8	
12	4711400	4	Washer 1/4	
14	1001165636	1	Door	
15	3820019	6	Rivet	

SECTION 1 - FRAME

FIGURE 1-33. INVERTER INSTALLATION - OPTIONAL



ART_0271344

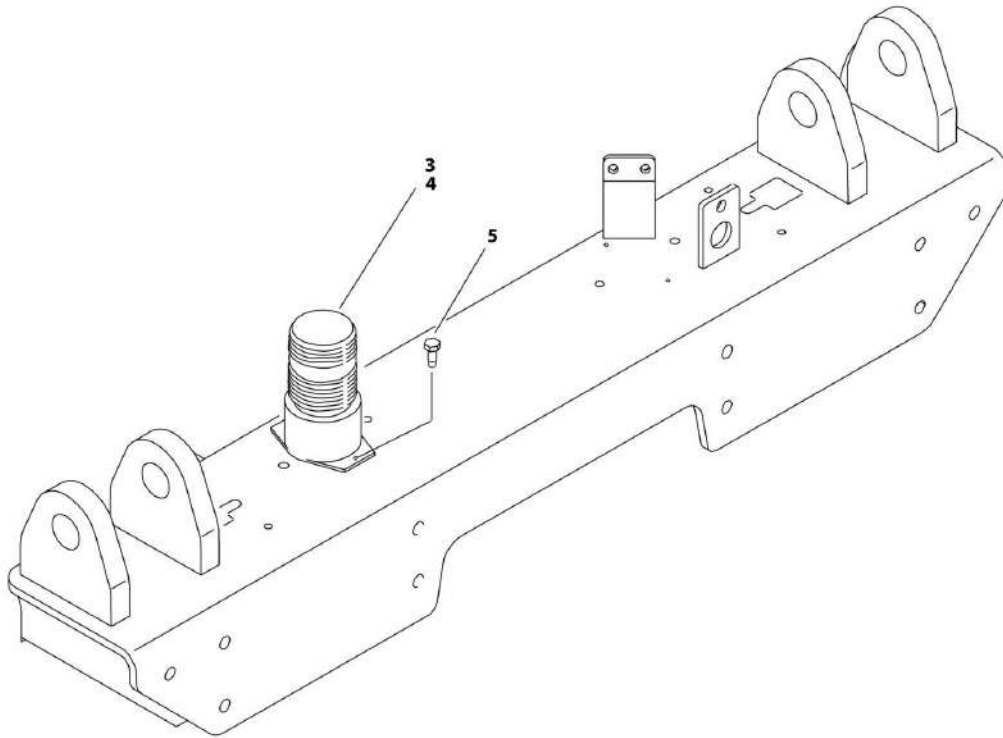
SECTION 1 - FRAME

FIGURE 1-33. INVERTER INSTALLATION - OPTIONAL

ITEM	PART NUMBER	QTY	DESCRIPTION	REV
	0271344	Ref	INVERTER INSTALLATION - OPTIONAL	D
1	0100011	AR	Compound, Locking	
2	0641404	4	Bolt 1/4 x 1/2	
3	1060933	1	Cord, Electrical	
3	4460138	1	Plug, Male	
3	4460779	1	Receptacle, Female	
4	1060934	1	Harness, Positive Inverter	
5	1060935	1	Harness, Negative Inverter	
6	2460037	1	Inverter	
7	4711400	4	Washer 1/4	
8	4846520	1	Bracket, Mounting	
9	0630549	4	Bolt 3/8 x 1-1/4	
10	0641608	1	Bolt 3/8 x 1	
11	0902780	1	Bracket, Mounting	
12	1705052	1	Decal - Inverter On-Off	
13	1705051	1	Decal - Inverter	
14	3311605	1	Nut 3/8	
15	4360482	1	Switch, Toggle	
16	4751600	1	Washer 3/8	
17	4922668	1	Harness, Inverter Switch	

SECTION 1 - FRAME

FIGURE 1-34. BEACON INSTALLATION



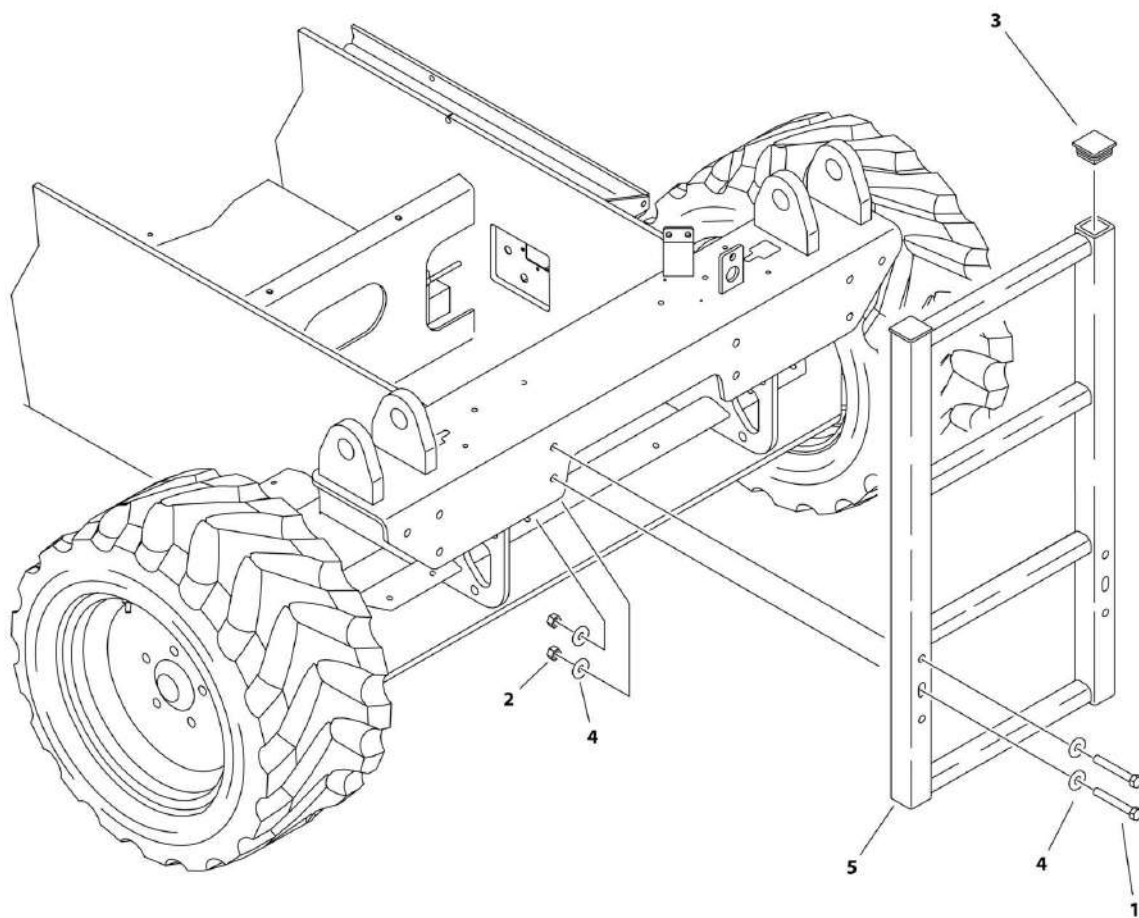
ART_0259593

FIGURE 1-34. BEACON INSTALLATION

ITEM	PART NUMBER	QTY	DESCRIPTION	REV
	0259593	Ref	BEACON INSTALLATION	D
3	2820018	AR	Heat Shrink	
4	2920146	1	Beacon Light Assembly	
4	7016319	1	Bulb	
4	7016372	1	Lens	
5	3941004	2	Screw #10 x 1/2	
11	4922426	1	Harness, Beacon (Not Shown - See ELECTRICAL SECTION for Breakdown)	

SECTION 1 - FRAME

FIGURE 1-35. LADDER INSTALLATION WITHOUT LEVELING JACKS - 3369LE/M3369 (ALL SPEC EXCEPT CE SPEC)



ART_0259576

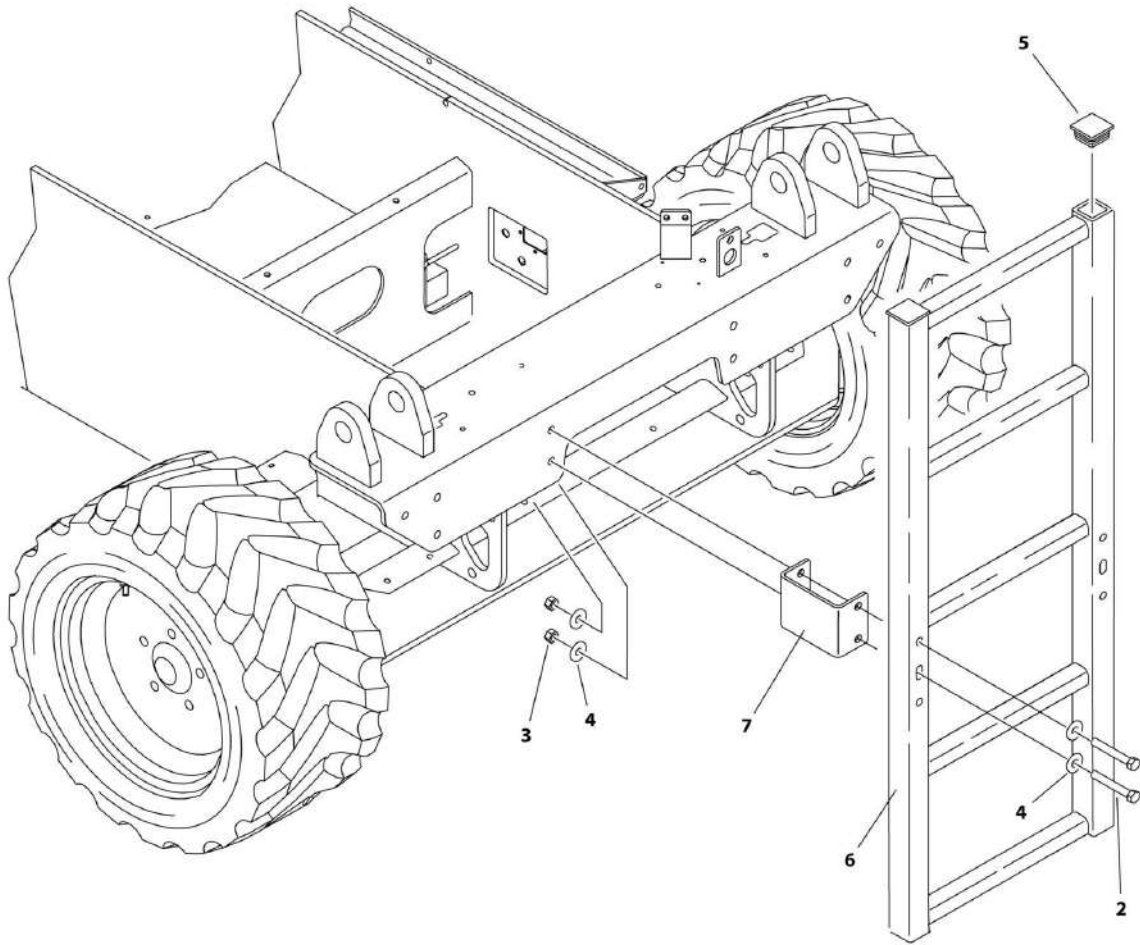
SECTION 1 - FRAME

FIGURE 1-35. LADDER INSTALLATION WITHOUT LEVELING JACKS - 3369LE/M3369 (ALL SPEC EXCEPT CE SPEC)

ITEM	PART NUMBER	QTY	DESCRIPTION	REV
	0259576	Ref	LADDER INSTALLATION WITHOUT LEVELING JACKS - 3369LE/M3369 (ALL SPEC EXCEPT CE SPEC)	F
1	0641828	4	Bolt 1/2 x 3-1/2	
2	3311805	4	Nut 1/2	
3	1001109533	8	Cap-Plug	
4	4751800	2	Washer 1/2	
5	4846159	1	Ladder	

SECTION 1 - FRAME

FIGURE 1-36. LADDER INSTALLATION WITHOUT LEVELING JACKS - 3369LE/M3369 (CE SPEC)



ART_1001172397

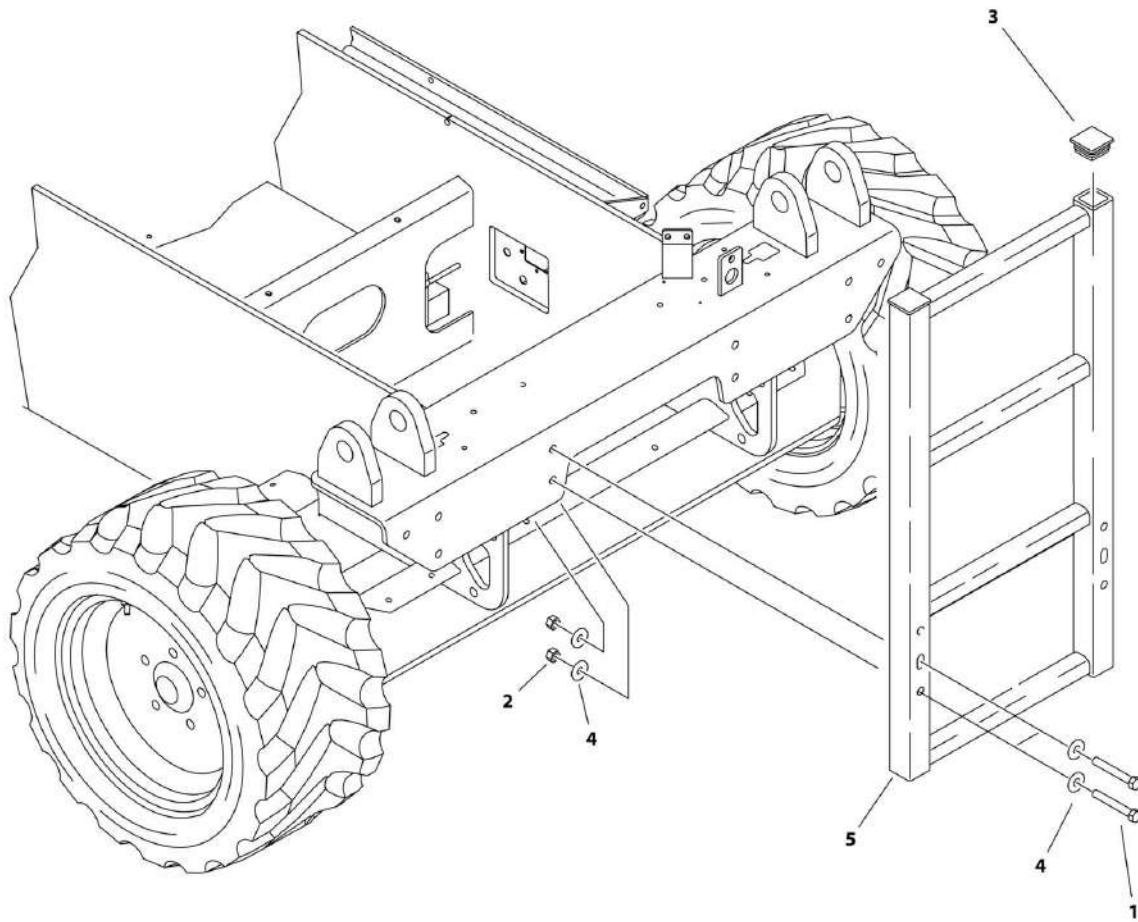
SECTION 1 - FRAME

FIGURE 1-36. LADDER INSTALLATION WITHOUT LEVELING JACKS - 3369LE/M3369 (CE SPEC)

ITEM	PART NUMBER	QTY	DESCRIPTION	REV
	1001172397	Ref	LADDER INSTALLATION WITHOUT LEVELING JACKS - 3369LE/M3369 (CE SPEC)	B
1	0641814	4	Bolt 1/2 x 1-3/4	
2	0641824	4	Bolt 1/2 x 3	
3	3311805	8	Nut 1/2	
4	4751800	16	Washer 1/2	
5	1001109533	2	Cap-Plug	
6	1001172415	1	Ladder	
7	1001172416	2	Bracket	

SECTION 1 - FRAME

FIGURE 1-37. LADDER INSTALLATION WITHOUT LEVELING JACKS - 4069LE/M4069 (ALL SPECS EXCEPT CE SPEC)



ART_0259577

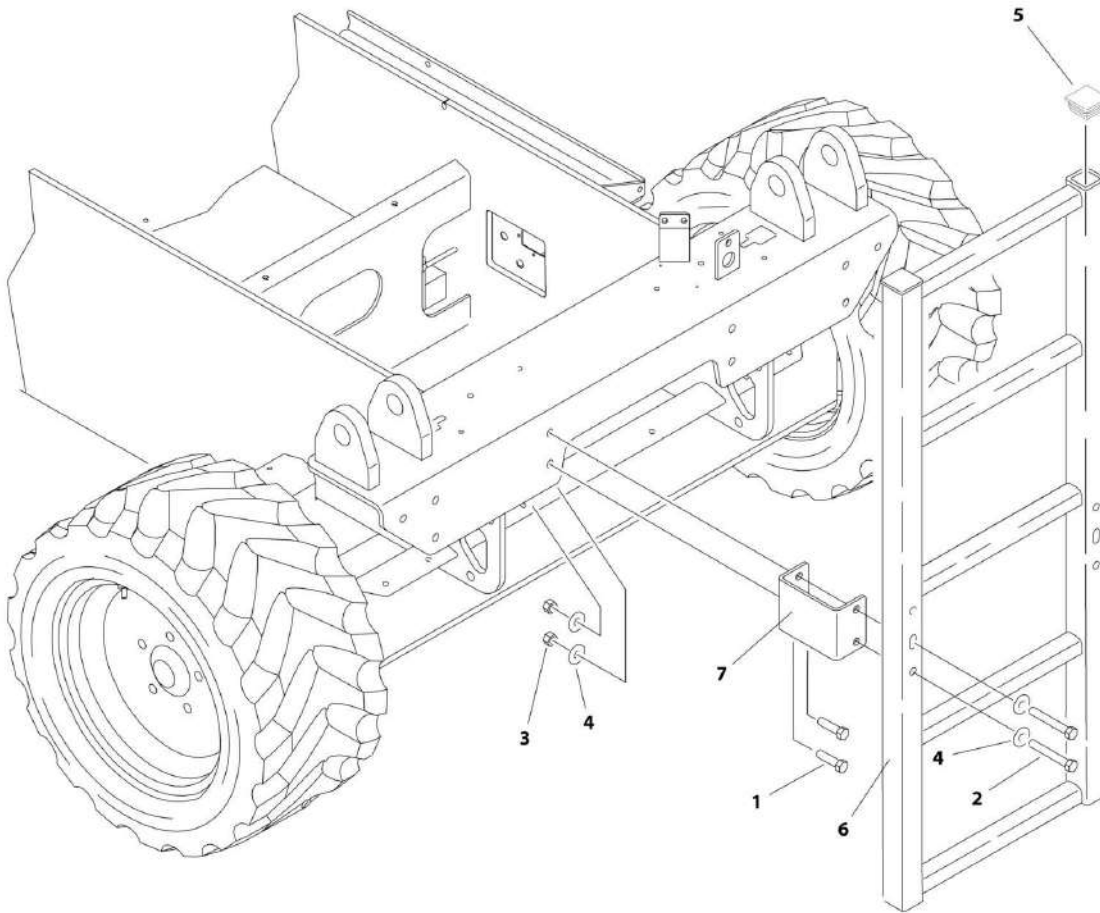
SECTION 1 - FRAME

FIGURE 1-37. LADDER INSTALLATION WITHOUT LEVELING JACKS - 4069LE/M4069 (ALL SPECS EXCEPT CE SPEC)

ITEM	PART NUMBER	QTY	DESCRIPTION	REV
	0259577	Ref	LADDER INSTALLATION WITHOUT LEVELING JACKS - 4069LE/M4069 (ALL SPECS EXCEPT CE SPEC)	F
1	0641828	4	Bolt 1/2 x 3-1/2	
2	3311805	4	Nut 1/2	
3	1001109533	2	Cap-Plug	
4	4751800	8	Washer 1/2	
5	4846159	1	Ladder	

SECTION 1 - FRAME

FIGURE 1-38. LADDER INSTALLATION WITHOUT LEVELING JACKS - 4069LE/M4069 (CE SPECS)



ART_1001172768

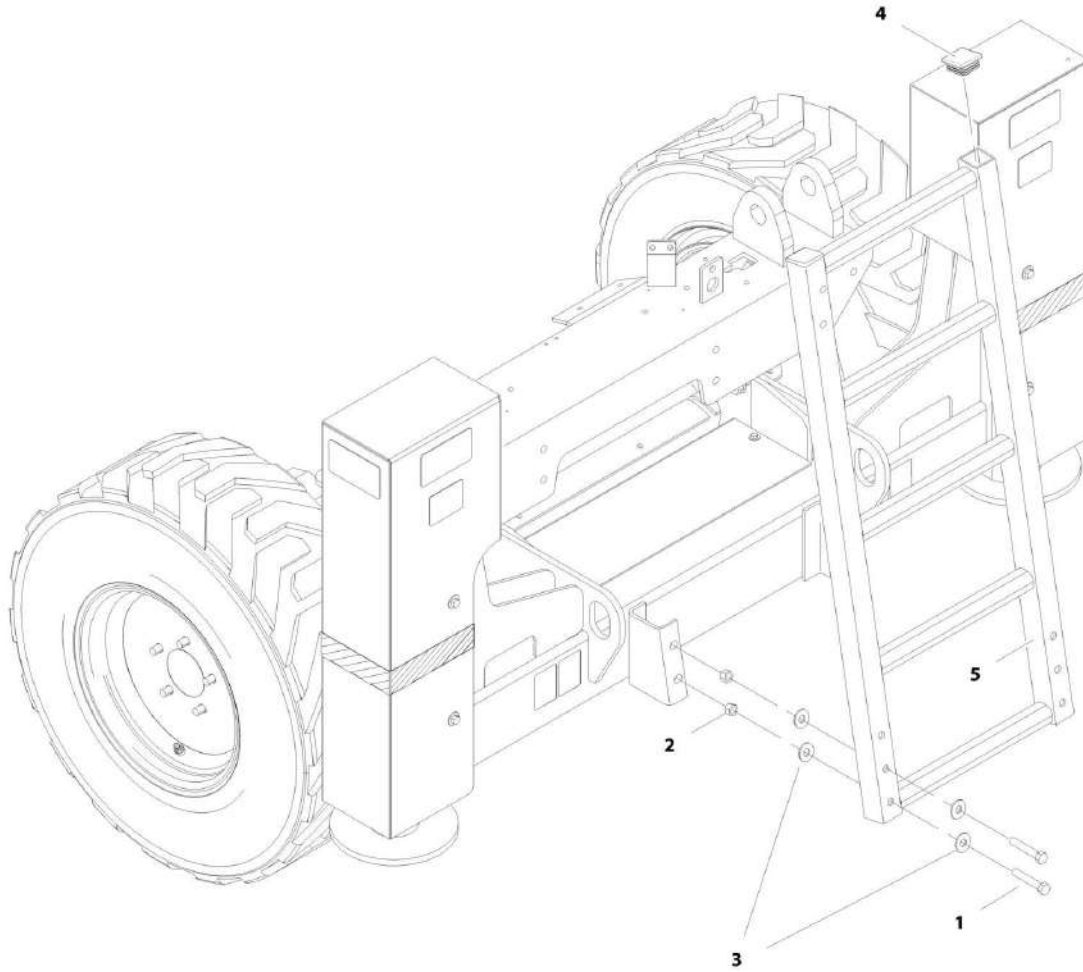
SECTION 1 - FRAME

FIGURE 1-38. LADDER INSTALLATION WITHOUT LEVELING JACKS - 4069LE/M4069 (CE SPECS)

ITEM	PART NUMBER	QTY	DESCRIPTION	REV
	1001172768	Ref	LADDER INSTALLATION WITHOUT LEVELING JACKS - 4069LE/M4069 (CE SPECS)	B
1	0641814	4	Bolt 1/2 x 1-3/4	
2	0641824	4	Bolt 1/2 x 3	
3	3311805	8	Nut 1/2	
4	4751800	16	Washer 1/2	
5	1001109533	2	Cap-Plug	
6	1001172415	1	Ladder	
7	1001172416	2	Bracket	

SECTION 1 - FRAME

FIGURE 1-39. LADDER INSTALLATION WITH LEVELING JACKS



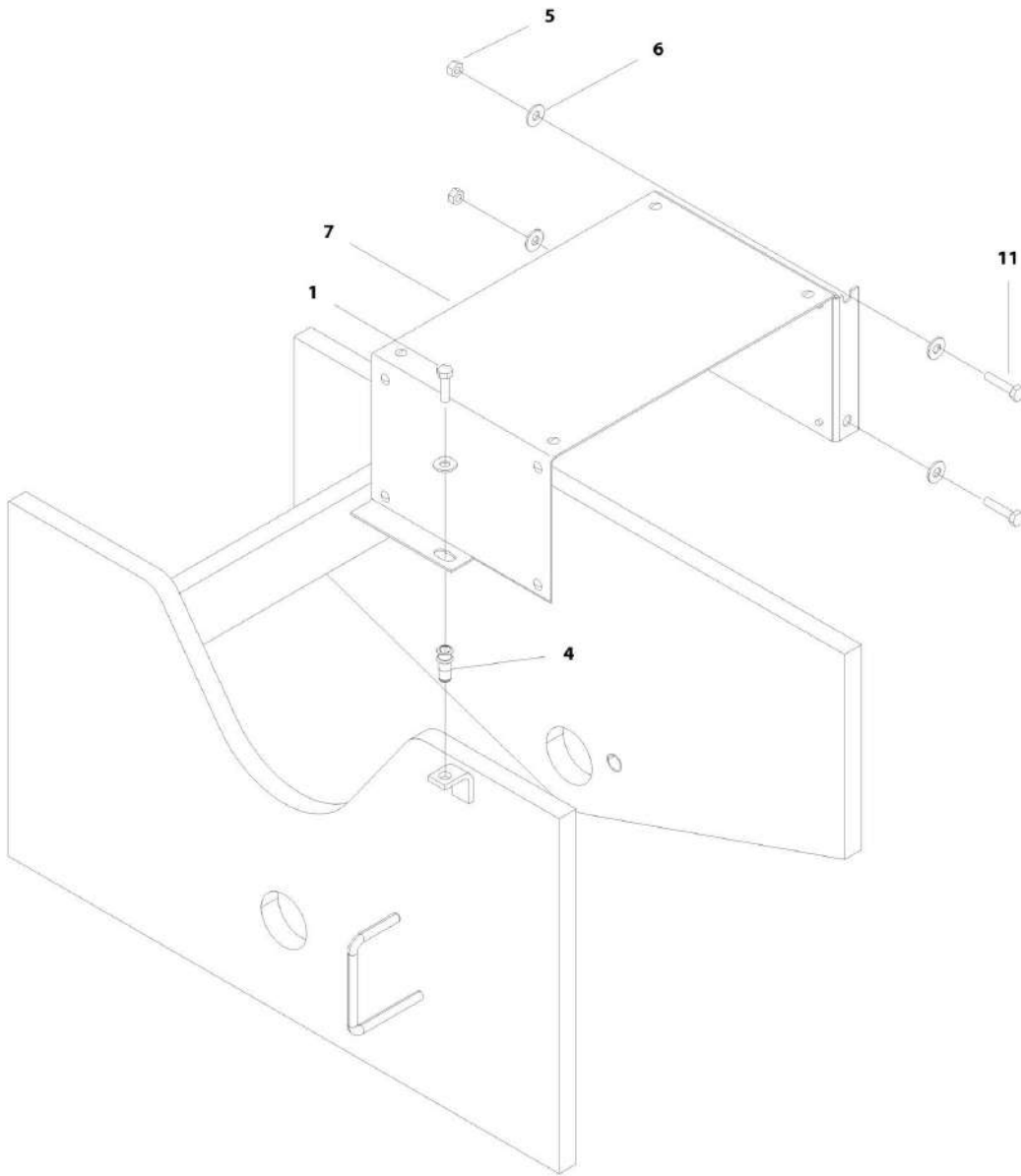
ART. 100172393

FIGURE 1-39. LADDER INSTALLATION WITH LEVELING JACKS

ITEM	PART NUMBER	QTY	DESCRIPTION	REV
	1001172393	Ref	LADDER INSTALLATION WITH LEVELING JACKS	B
1	0641824	4	Bolt 1/2 x 3	
2	3311805	4	Nut 1/2	
3	4751800	8	Washer 1/2	
4	1001109533	2	Cap-Plug	
5	1001172413	1	Ladder	

SECTION 1 - FRAME

FIGURE 1-40. FRAME COVER INSTALLATION (STANDARD)



ART_1001165824

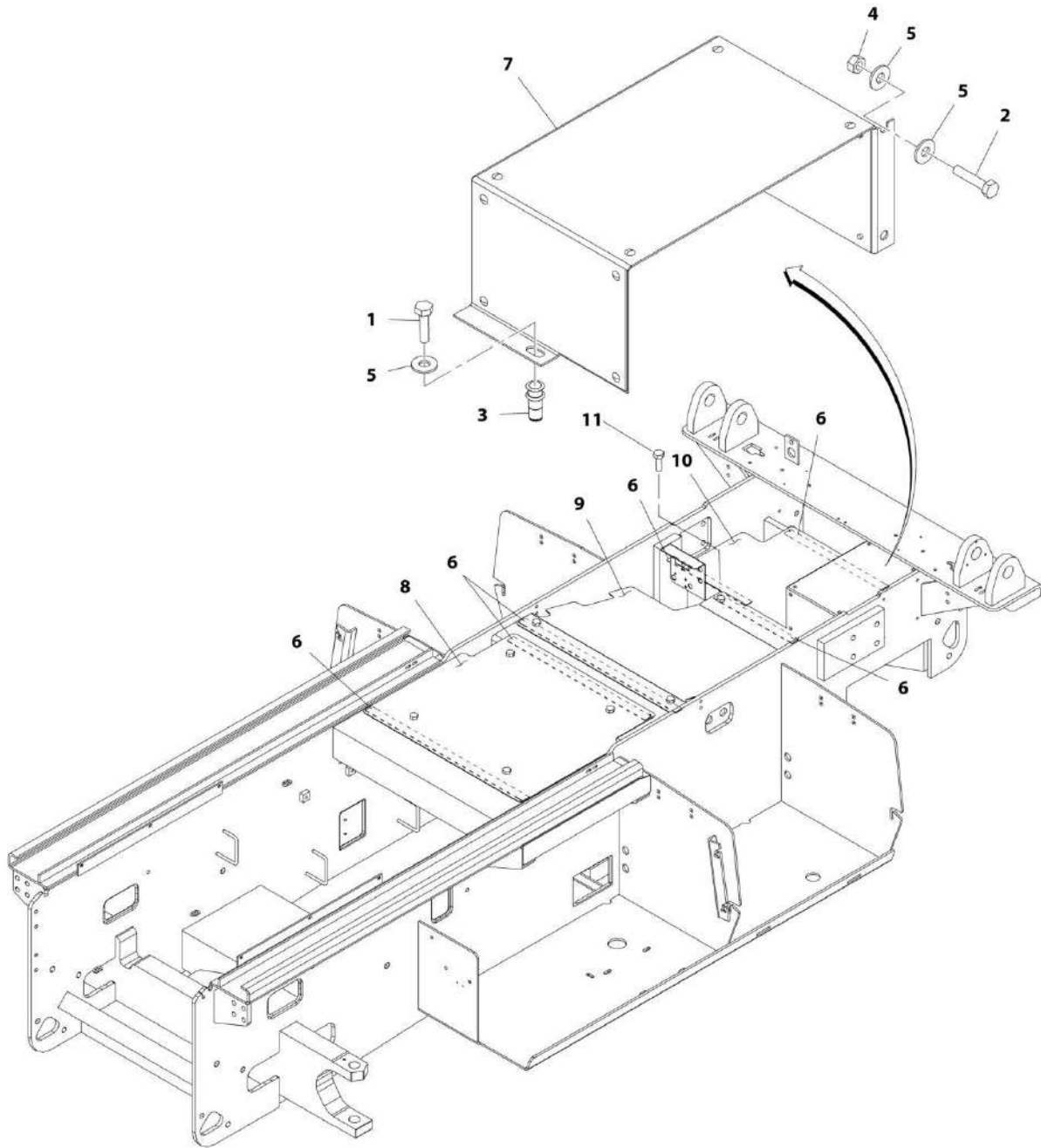
SECTION 1 - FRAME

FIGURE 1-40. FRAME COVER INSTALLATION (STANDARD)

ITEM	PART NUMBER	QTY	DESCRIPTION	REV
	1001165824	Ref	FRAME COVER INSTALLATION (STANDARD)	C
1	0641408	1	Bolt 1/4 x 1	
4	2080052	1	Fastener 1/4	
5	3311405	2	Nut 1/4	
6	4751400	5	Washer 1/4	
7	1001165628	1	Cover	
11	0641410	2	Bolt 1/4 x 1-1/4	

SECTION 1 - FRAME

FIGURE 1-41. FRAME COVER INSTALLATION (4069LE/M4069) (HOSTILE ENVIRONMENT)



ART_1001207524

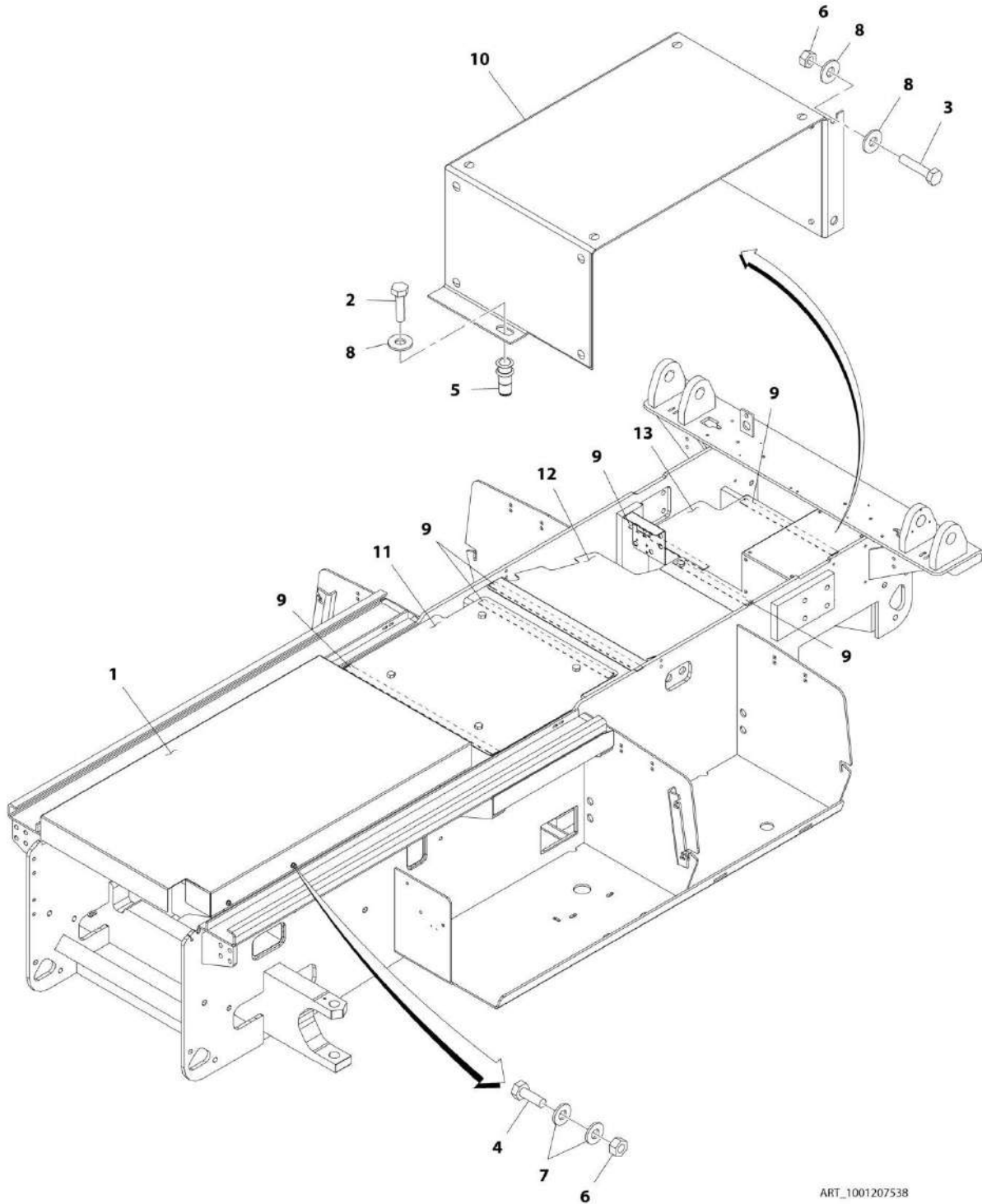
SECTION 1 - FRAME

FIGURE 1-41. FRAME COVER INSTALLATION (4069LE/M4069) (HOSTILE ENVIRONMENT)

ITEM	PART NUMBER	QTY	DESCRIPTION	REV
	1001207524	Ref	FRAME COVER INSTALLATION (4069LE/M4069) (HOSTILE ENVIRONMENT)	B
1	0641408	8	Bolt 1/4 x 1	
2	0641410	2	Bolt 1/4 x 1-1/4	
3	2080052	8	Fastener 1/4	
4	3311405	3	Nut 1/4	
5	4751400	14	Washer 1/4	
6	1001104090	8.5 ft /2.6m	Tape	
7	1001165628	1	Cover	
8	1001207527	1	Cover	
9	1001207528	1	Cover	
10	1001207529	1	Cover	
11	0641406	1	Bolt 1/4 x 3/4	

SECTION 1 - FRAME

FIGURE 1-42. FRAME COVER INSTALLATION (3369LE/M3369) (HOSTILE ENVIRONMENT)



ART_1001207538

SECTION 1 - FRAME

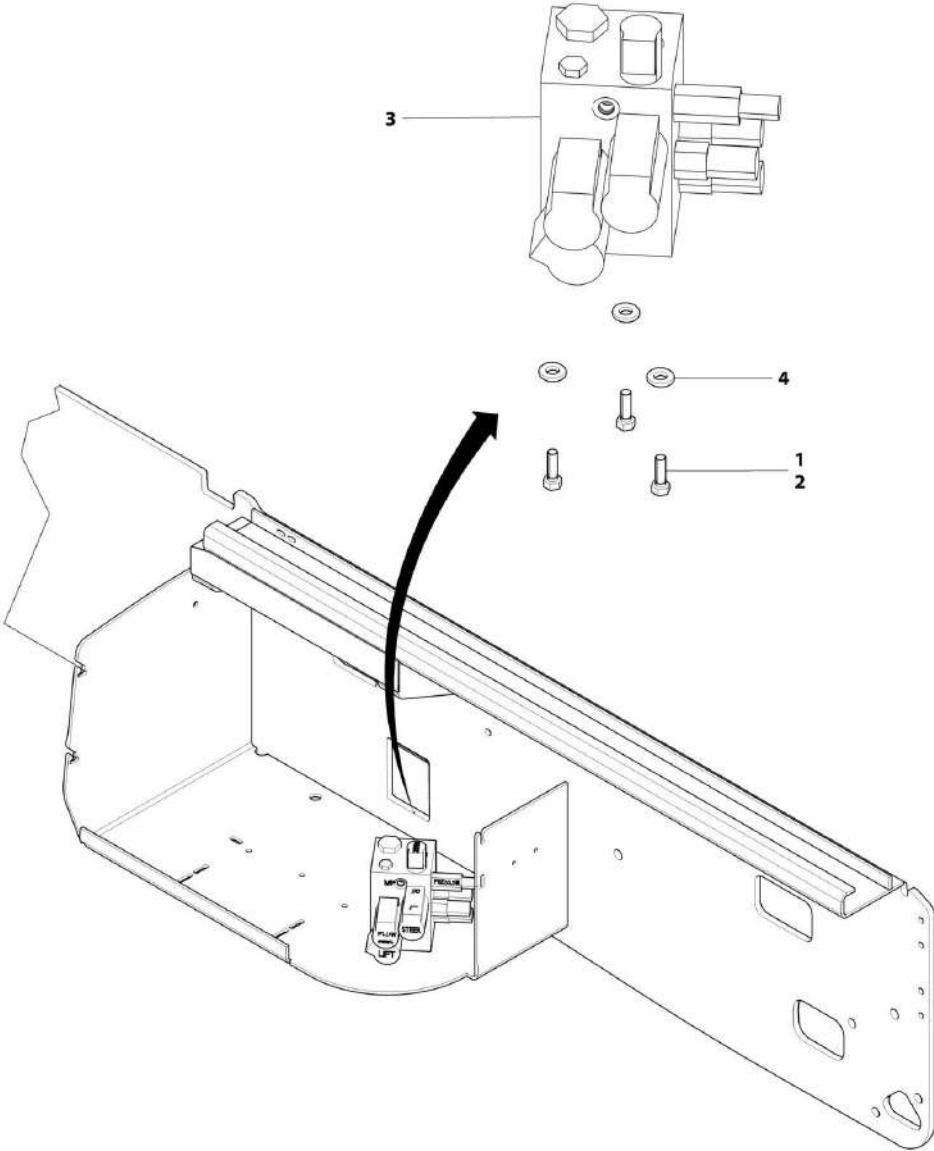
FIGURE 1-42. FRAME COVER INSTALLATION (3369LE/M3369) (HOSTILE ENVIRONMENT)

ITEM	PART NUMBER	QTY	DESCRIPTION	REV
	1001207538	Ref	FRAME COVER INSTALLATION (3369LE/M3369) (HOSTILE ENVIRONMENT)	B
1	1670990	1	Cover	
2	0641408	8	Bolt 1/4 x 1	
3	0641410	2	Bolt 1/4 x 1-1/4	
4	0641406	5	Bolt 1/4 x 3/4	
5	2080052	8	Fastener 1/4	
6	3311405	7	Nut 1/4	
7	4711400	8	Washer 1/4	
8	4751400	14	Washer 1/4	
9	1001104090	8.5 ft /2.6m	Tape (Prior to SN 0200261628)	
10	1001165628	1	Cover	
11	1001207527	1	Cover	
12	1001207528	1	Cover	
13	1001207529	1	Cover	

SECTION 2 - GROUND COMPONENTS

SECTION 2 - GROUND COMPONENTS

FIGURE 2-1. MAIN CONTROL VALVE INSTALLATION



ART. 0270692

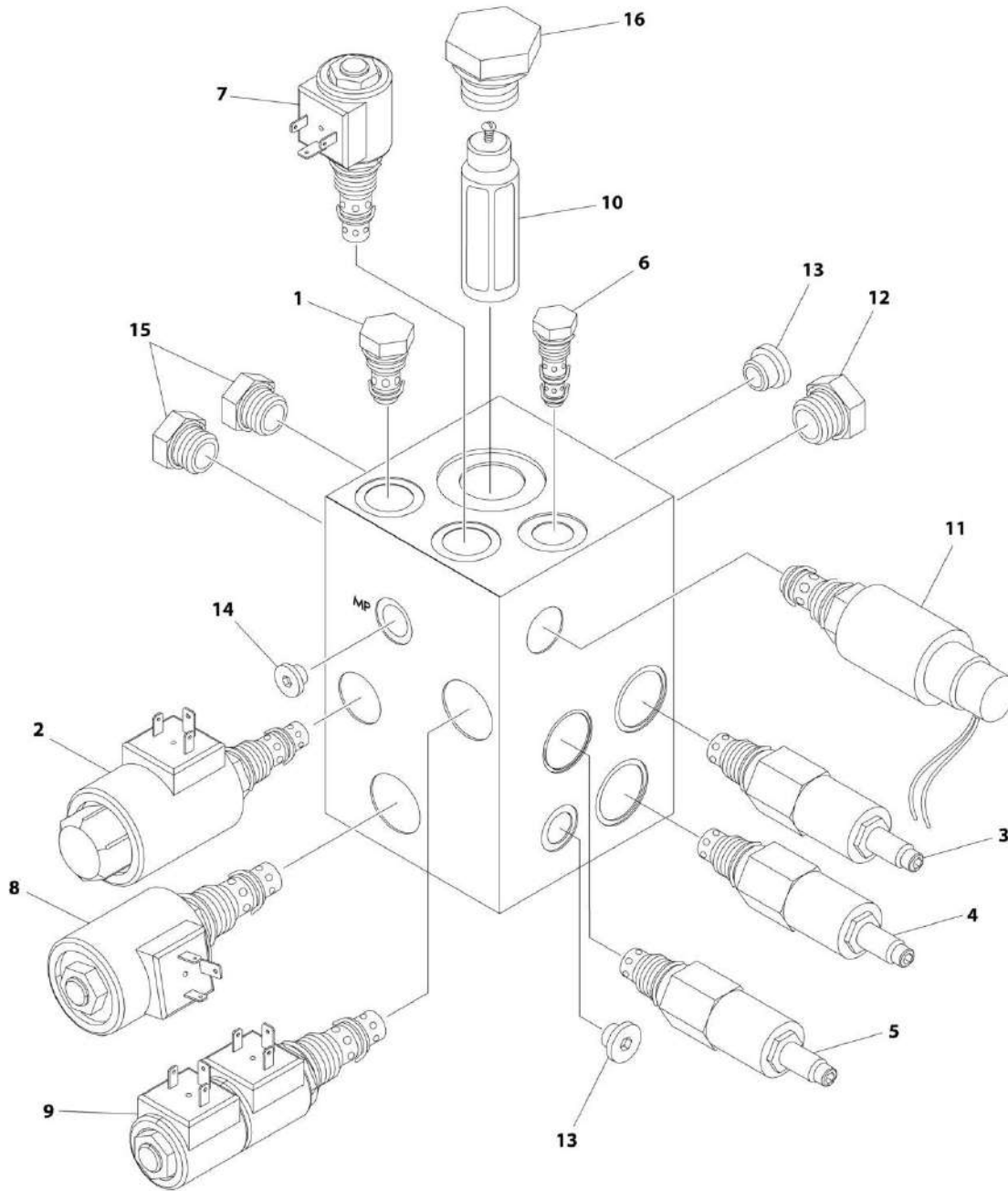
SECTION 2 - GROUND COMPONENTS

FIGURE 2-1. MAIN CONTROL VALVE INSTALLATION

ITEM	PART NUMBER	QTY	DESCRIPTION	REV
	0270692	Ref	MAIN CONTROL VALVE INSTALLATION	C
1	0100011	Ref	Compound, Locking	
2	0641508	3	Bolt 5/16 x 1	
3	4641178	1	Main Control Valve Assembly (See MAIN CONTROL VALVE ASSEMBLY for Breakdown)	
4	4891600	3	Washer 3/8	

SECTION 2 - GROUND COMPONENTS

FIGURE 2-2. MAIN CONTROL VALVE ASSEMBLY



ART_4641178

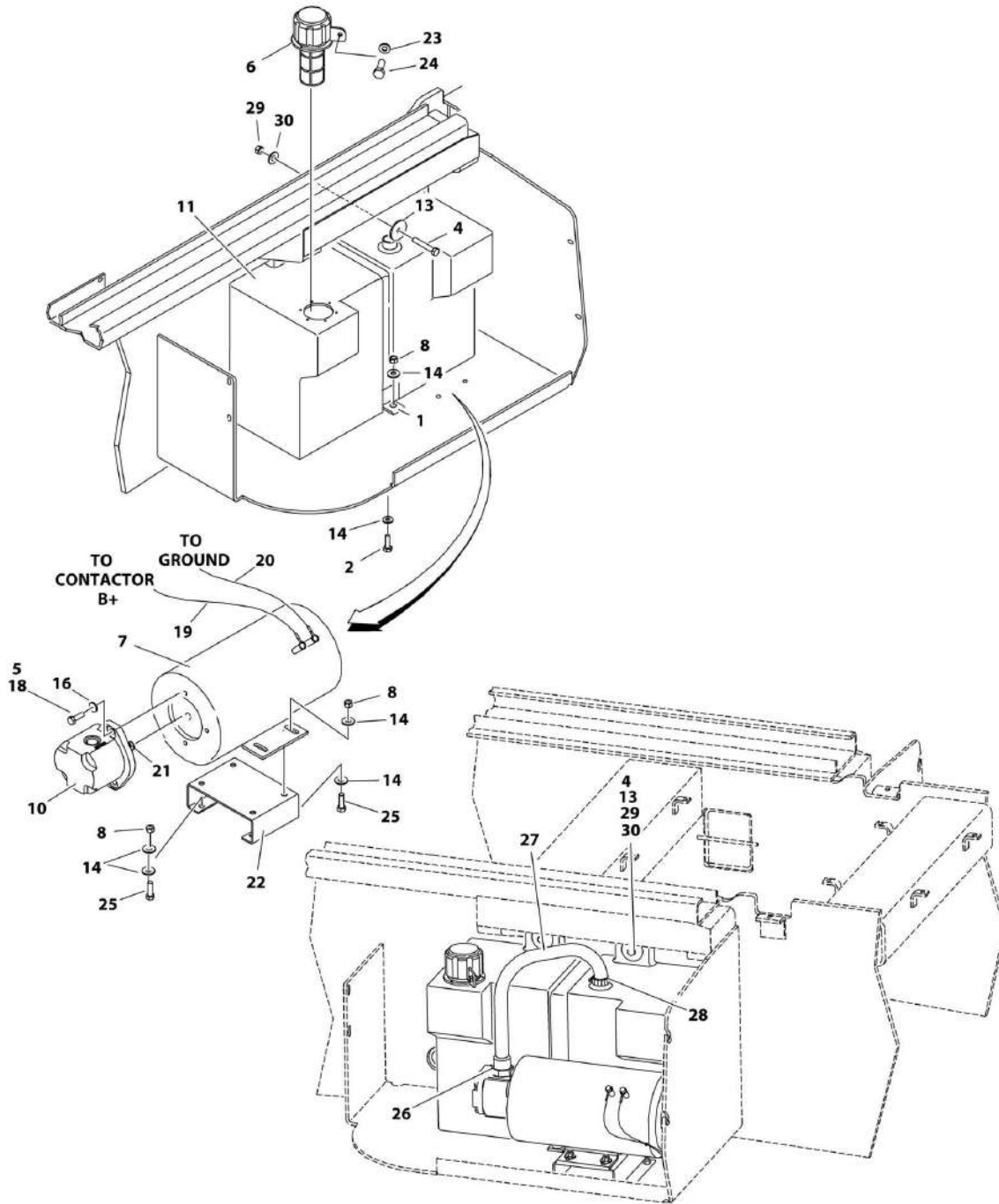
SECTION 2 - GROUND COMPONENTS

FIGURE 2-2. MAIN CONTROL VALVE ASSEMBLY

ITEM	PART NUMBER	QTY	DESCRIPTION	REV
	4641178	Ref	MAIN CONTROL VALVE ASSEMBLY	H
1	7022391	1	Cartridge, Check (Brake)	
1	7012967	1	Seal Kit - 7022391 Cartridge	
2	7023904	1	Cartridge, Solenoid (Flow Control) (Cartridge Only)	
2	7012518	1	Seal Kit - 7023904 Cartridge	
2	7017451	1	Coil	
3	70006422	1	Cartridge, Relief (Main)	
3	7017496	1	Seal Kit - 70006422 Cartridge	
4	70006423	1	Cartridge, Relief (Lift)	
4	7017496	1	Seal Kit - 70006423 Cartridge	
5	7017428	1	Cartridge, Relief (Steer)	
5	7012998	1	Seal Kit - 7017428 Cartridge	
6	10837580	1	Cartridge, Shuttle (Steer)	
6	7010543	1	Seal Kit - 10837580 Cartridge	
7	7012941	1	Cartridge, Solenoid (Brake) (Cartridge Only)	
7	7010543	1	Seal Kit - 7012941 Cartridge	
7	7012944	1	Coil	
8	7022394	1	Cartridge, Solenoid (Lift) (Cartridge Only)	
8	7012518	1	Seal Kit - 7022394 Cartridge	
8	7012943	1	Coil	
9	7017433	1	Cartridge, Check (Steer) (Cartridge Only)	
9	7017402	1	Seal Kit - 7017433 Cartridge	
9	7012944	2	Coil	
10	7021616	1	Cartridge, Filter	
11	7021619	1	Cartridge, Pressure Switch	
12	7024832	1	Plug	
13	70006424	2	Plug	
14	70005833	1	Plug	
15	2220883	2	Plug	
16	2220885	1	Plug	

SECTION 2 - GROUND COMPONENTS

FIGURE 2-3. HYDRAULIC COMPARTMENT INSTALLATION



ART_0270518

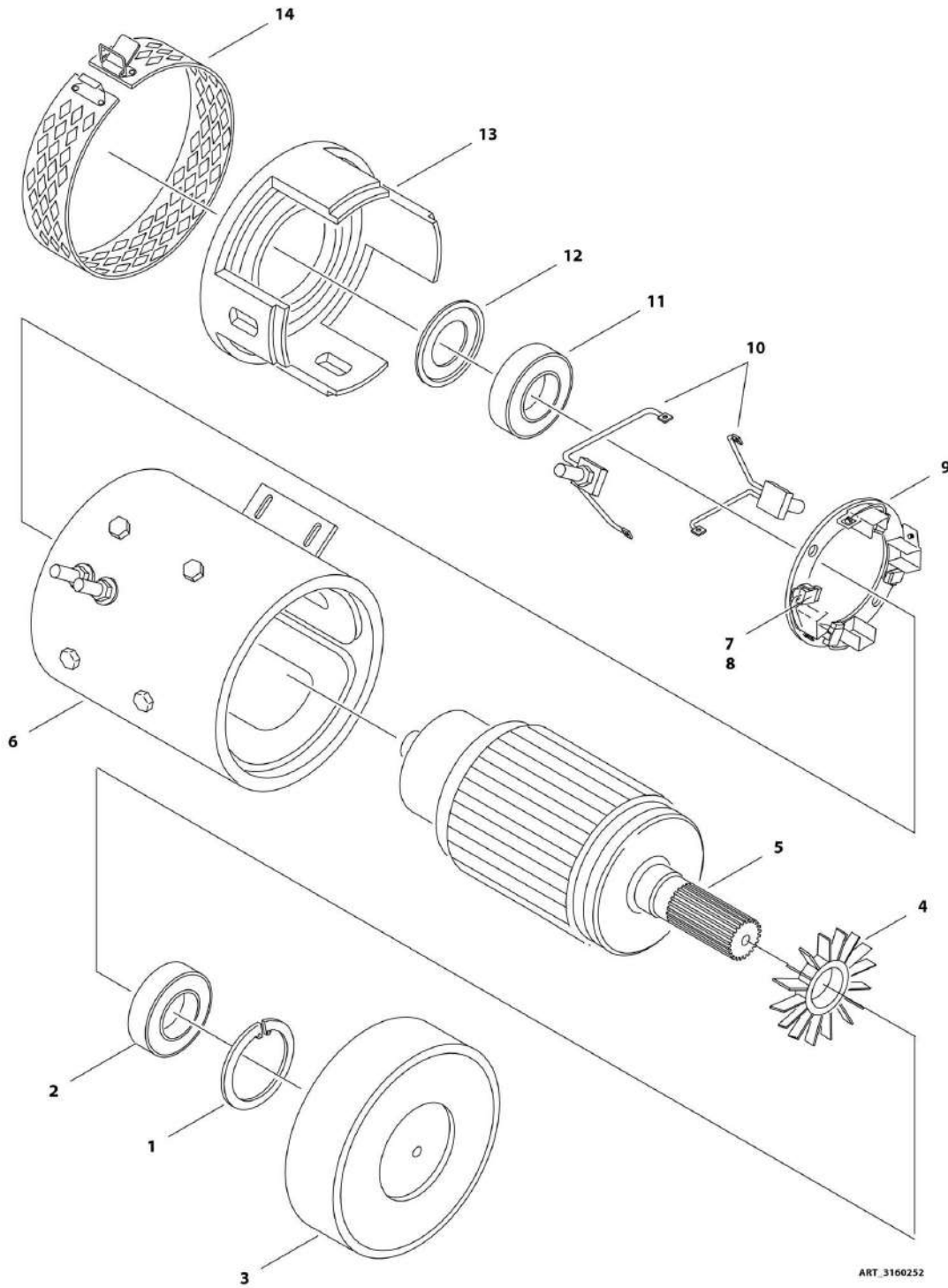
SECTION 2 - GROUND COMPONENTS

FIGURE 2-3. HYDRAULIC COMPARTMENT INSTALLATION

ITEM	PART NUMBER	QTY	DESCRIPTION	REV
	0270518	Ref	HYDRAULIC COMPARTMENT INSTALLATION	I
1	0182014	1	Angle	
2	0641507	1	Bolt 5/16 x 7/8	
4	0641618	2	Bolt 3/8 x 2-1/4	
5	0700812	2	Bolt M8 x 25	
6	1120534	1	Cap/Breather	
7	3160252	1	Motor Assembly (See MOTOR ASSEMBLY for Breakdown)	
8	3311505	9	Nut 5/16	
10	3600367	1	Pump Assembly	
10	7024960	1	Seal Kit (Note: If repairs beyond seal kit are required, replace complete pump)	
11	4400433	1	Tank, Hydraulic	
13	4740076	2	Washer	
14	4751500	10	Washer 5/16	
16	4891500	2	Washer 5/16	
18	0100011	AR	Compound, Locking	
19	1060900	1	Cable, Contactor (B+ to Pump)	
20	1060901	1	Cable, Contactor (Pump to Ground)	
21	3020037	AR	Lubricant, Pump Coupling	
22	0902701	1	Bracket, Pump/Motor	
23	3311401	1	Nut 1/4	
24	0641404	1	Bolt 1/4 x 1/2	
25	0641506	8	Bolt 5/16 x 3/4	
26	2220377	1	Fitting, Straight JIC/ORB	
27	4568203	1	Tube	
28	1320033	1	Clamp	
29	3311605	2	Nut 3/8	
30	4711600	2	Washer 3/8	

SECTION 2 - GROUND COMPONENTS

FIGURE 2-4. MOTOR ASSEMBLY



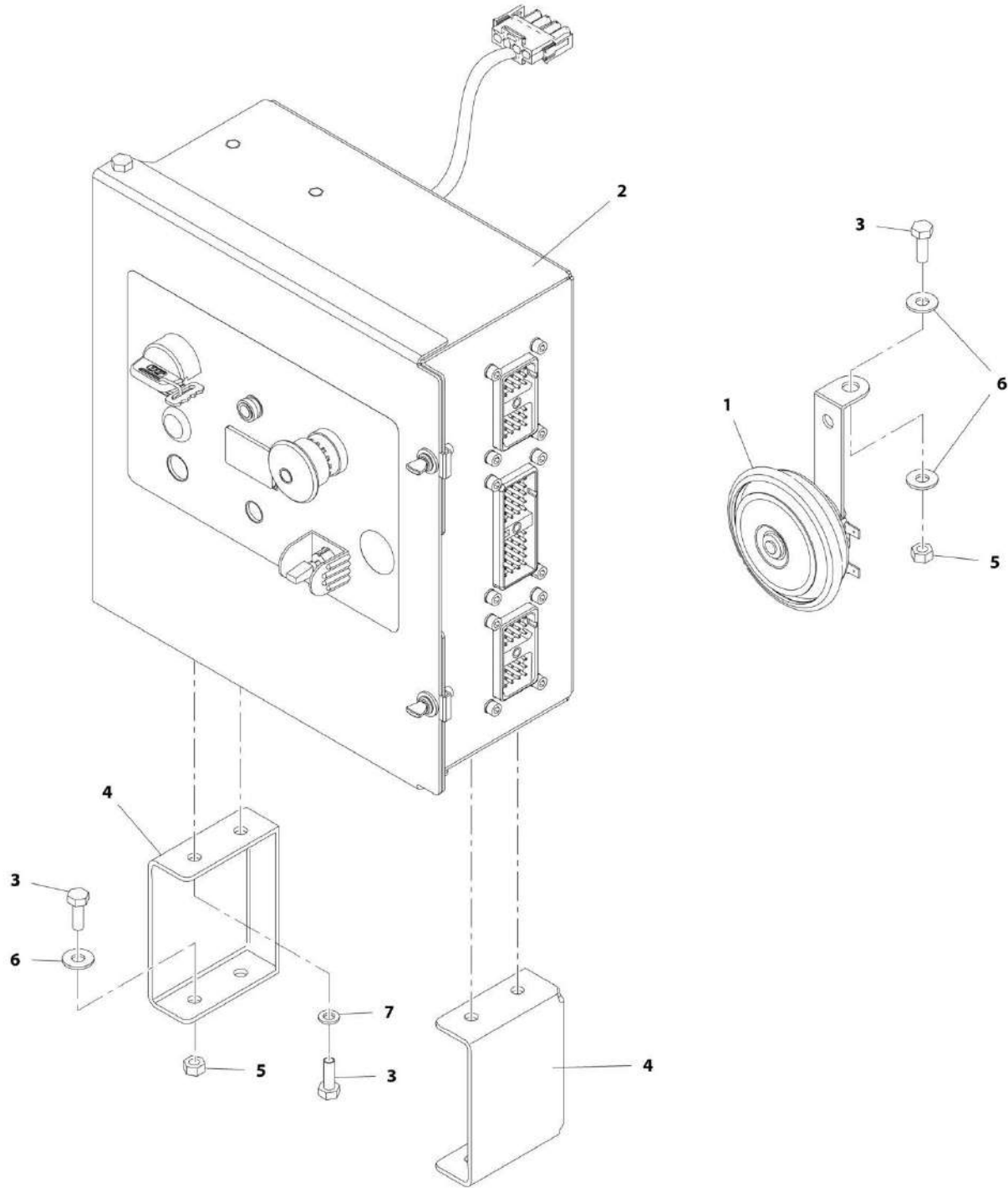
SECTION 2 - GROUND COMPONENTS

FIGURE 2-4. MOTOR ASSEMBLY

ITEM	PART NUMBER	QTY	DESCRIPTION	REV
	3160252	Ref	MOTOR ASSEMBLY	B
1	7020291	1	Ring, Retaining	
2	7020292	1	Bearing (Shaft End)	
3	7020293	1	Endhead, Shaft	
4	7020294	1	Fan	
5	7020295	1	Armature Assembly	
6	7020296	1	Field Coil/Case Kit	
7	7012548	8	Spring, Brush	
8	7020297	8	Brush	
9	7020298	1	Box Assembly - Brush	
10	7020299	1	Lead Kit, Brush Wire	
11	7012545	1	Bearing (Commutator End)	
12	7012549	1	Washer	
13	7023200	1	Endhead, Commutator	
14	7023272	1	Headband Assembly	

SECTION 2 - GROUND COMPONENTS

FIGURE 2-5. GROUND CONTROL BOX AND HORN INSTALLATIONS - 3369LE/4069LE WITHOUT LEVELING JACKS (ALL SPECS EXCEPT CE SPEC)



ART_1001167499

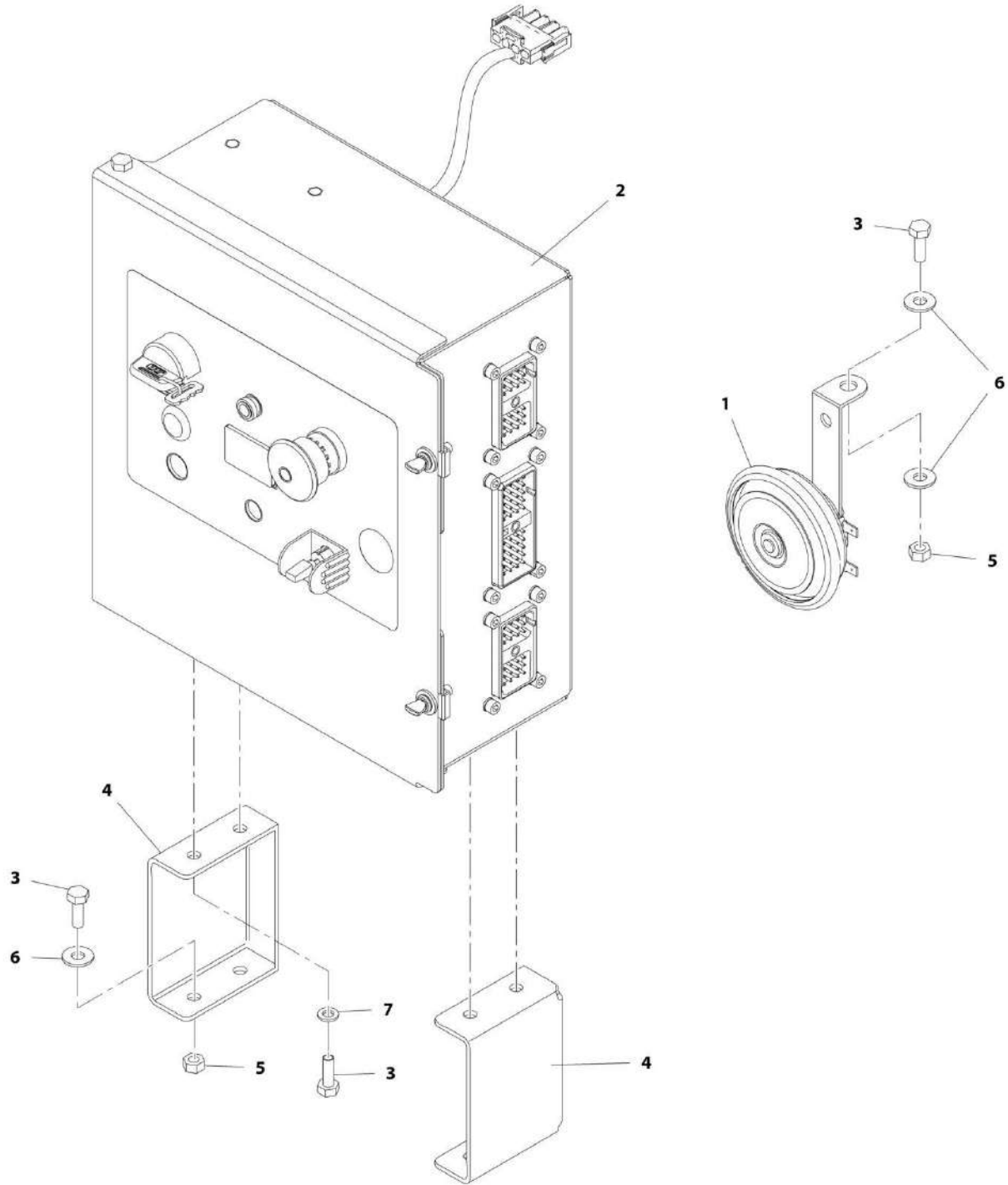
SECTION 2 - GROUND COMPONENTS

FIGURE 2-5. GROUND CONTROL BOX AND HORN INSTALLATIONS - 3369LE/4069LE WITHOUT LEVELING JACKS (ALL SPECS EXCEPT CE SPEC)

ITEM	PART NUMBER	QTY	DESCRIPTION	REV
	1001167499	Ref	GROUND CONTROL BOX AND HORN INSTALLATIONS - 3369LE/4069LE WITHOUT LEVELING JACKS (ALL SPECS EXCEPT CE SPEC)	E
1	0140028	1	Alarm	
2	0270544	1	Ground Control Box Assembly (See GROUND CONTROL BOX ASSEMBLY - 3369LE & 4069LE (ALL SPECS EXCEPT CE SPEC) for Breakdown)	
3	0641406	10	Bolt 1/4 x 3/4	
4	0902696	2	Bracket	
5	3311405	5	Nut 1/4	
6	4751400	6	Washer 1/4	
7	4761400	6	Washer 1/4	
8	1001171103	1	Valve Harness (Not Shown - See ELECTRICAL SECTION for Breakdown)	
9	3311401	1	Nut 1/4 (Not Shown) (SN 0200242101 to Present)	
9	3311401	1	Nut 1/4 (Not Shown) (SN M200000100 to Present)	
10	4460234	1	Terminal, Mount (Not Shown) (Including M200016776)	

SECTION 2 - GROUND COMPONENTS

FIGURE 2-6. GROUND CONTROL BOX AND HORN INSTALLATIONS - 3369LE/4069LE WITHOUT LEVELING JACKS (CE SPEC)



ART_1001167501

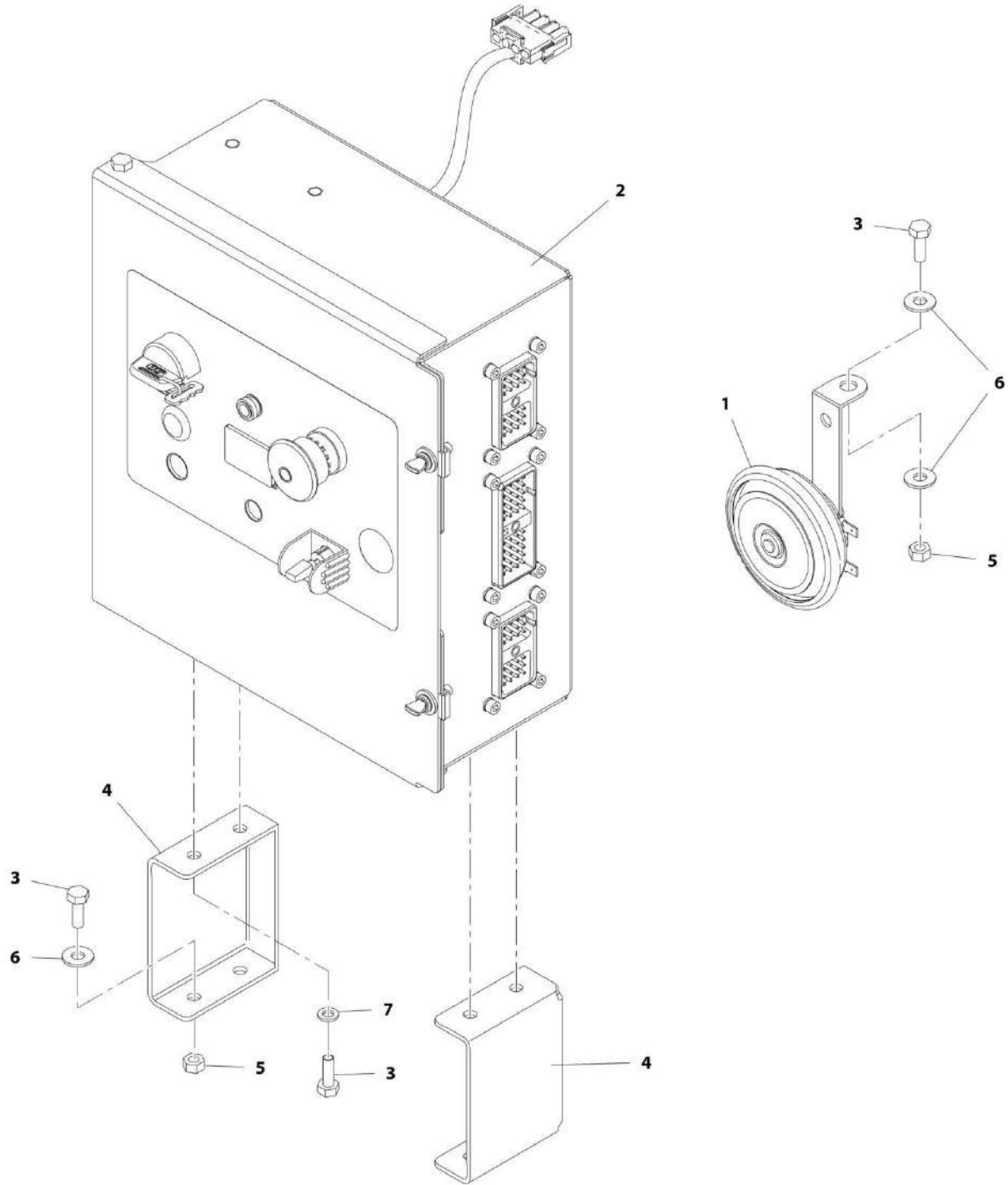
SECTION 2 - GROUND COMPONENTS

FIGURE 2-6. GROUND CONTROL BOX AND HORN INSTALLATIONS - 3369LE/4069LE WITHOUT LEVELING JACKS (CE SPEC)

ITEM	PART NUMBER	QTY	DESCRIPTION	REV
	1001167501	Ref	GROUND CONTROL BOX AND HORN INSTALLATIONS - 3369LE/4069LE WITHOUT LEVELING JACKS (CE SPEC)	D
1	0140028	1	Alarm	
2	0270768	1	Ground Control Box Assembly (See GROUND CONTROL BOX ASSEMBLY - 3369LE & 4069LE (CE SPEC) for Breakdown)	
3	0641406	9	Bolt 1/4 x 3/4	
4	0902696	2	Bracket	
5	3311405	5	Nut 1/4	
6	4751400	6	Washer 1/4	
7	4761400	4	Washer 1/4	
8	1001171103	1	Valve Harness (Not Shown - See ELECTRICAL SECTION for Breakdown)	

SECTION 2 - GROUND COMPONENTS

FIGURE 2-7. GROUND CONTROL BOX AND HORN INSTALLATIONS - 3369LE/4069LE WITH LEVELING JACKS (ALL SPECS EXCEPT CE SPEC)



ART_1001167500

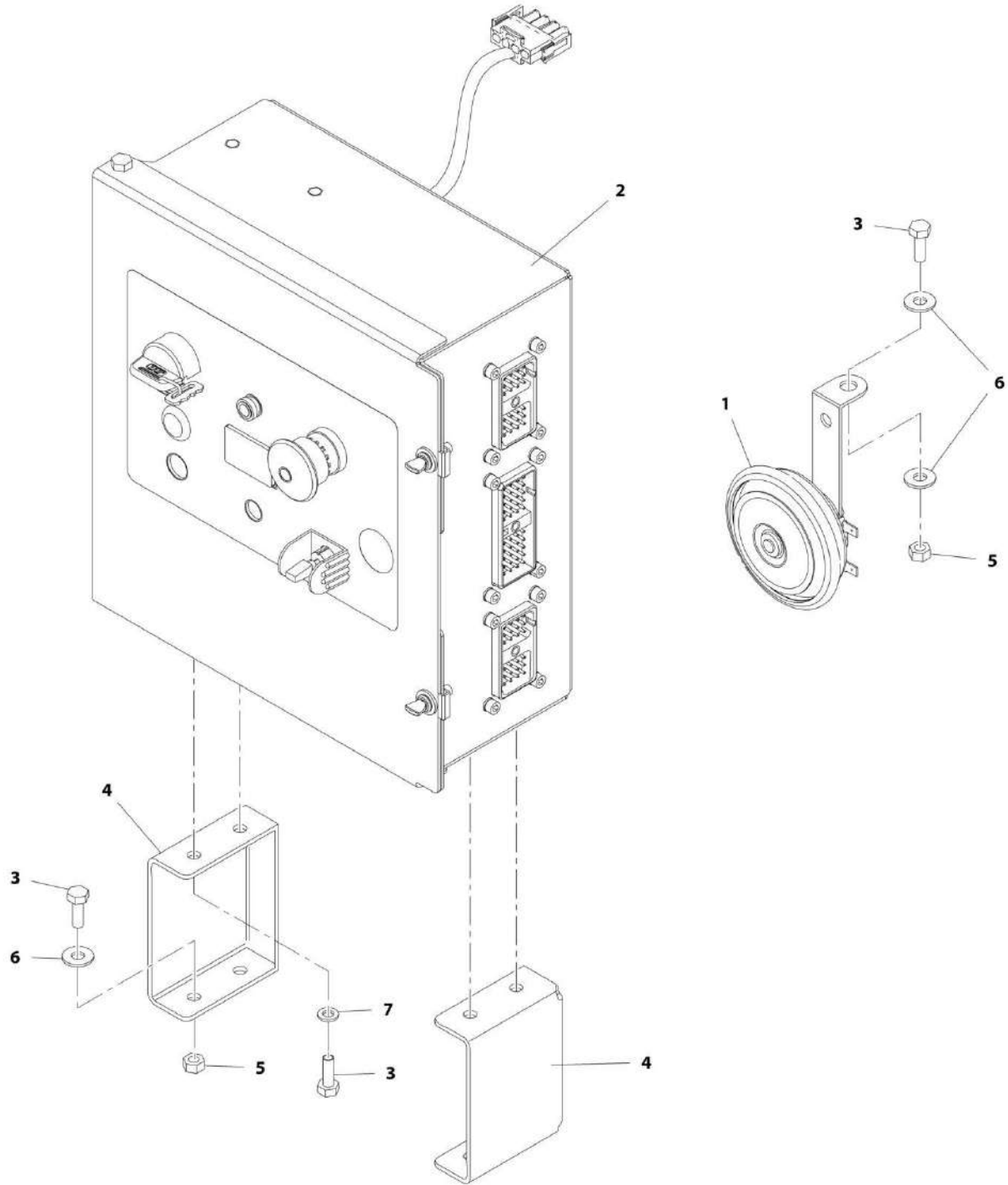
SECTION 2 - GROUND COMPONENTS

FIGURE 2-7. GROUND CONTROL BOX AND HORN INSTALLATIONS - 3369LE/4069LE WITH LEVELING JACKS (ALL SPECS EXCEPT CE SPEC)

ITEM	PART NUMBER	QTY	DESCRIPTION	REV
	1001167500	Ref	GROUND CONTROL BOX AND HORN INSTALLATIONS - 3369LE/4069LE WITH LEVELING JACKS (ALL SPECS EXCEPT CE SPEC)	C
1	0140028	1	Alarm	
2	0270544	1	Ground Control Box Assembly (See GROUND CONTROL BOX ASSEMBLY - 3369LE & 4069LE (ALL SPECS EXCEPT CE SPEC) for Breakdown)	
3	0641406	9	Bolt 1/4 x 3/4	
4	0902696	2	Bracket	
5	3311405	5	Nut 1/4	
6	4751400	6	Washer 1/4	
7	4761400	4	Washer 1/4	
8	4922529	1	Leveling Jacks Harness (Not Shown - See ELECTRICAL SECTION for Breakdown)	
9	1001171103	1	Valve Harness (Not Shown - See ELECTRICAL SECTION for Breakdown)	

SECTION 2 - GROUND COMPONENTS

FIGURE 2-8. GROUND CONTROL BOX AND HORN INSTALLATIONS - 3369LE/4069LE WITH LEVELING JACKS (CE SPEC)



ART_1001167502

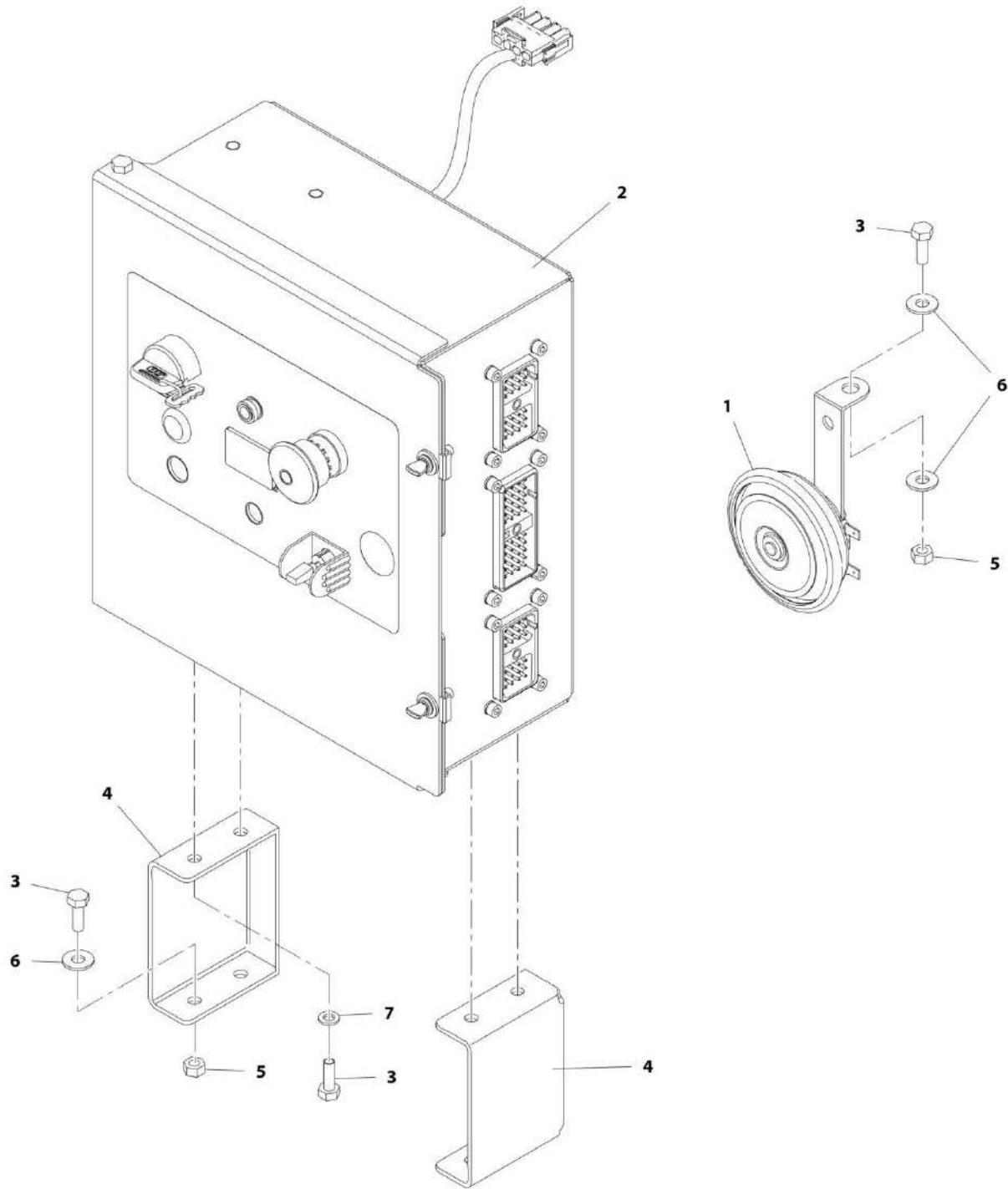
SECTION 2 - GROUND COMPONENTS

FIGURE 2-8. GROUND CONTROL BOX AND HORN INSTALLATIONS - 3369LE/4069LE WITH LEVELING JACKS (CE SPEC)

ITEM	PART NUMBER	QTY	DESCRIPTION	REV
	1001167502	Ref	GROUND CONTROL BOX AND HORN INSTALLATIONS - 3369LE/4069LE WITH LEVELING JACKS (CE SPEC)	D
1	0140028	1	Alarm	
2	0270768	1	Ground Control Box Assembly (See GROUND CONTROL BOX ASSEMBLY - 3369LE & 4069LE (CE SPEC) for Breakdown)	
3	0641406	9	Bolt 1/4 x 3/4	
4	0902696	2	Bracket	
5	3311405	5	Nut 1/4	
6	4751400	6	Washer 1/4	
7	4761400	4	Washer 1/4	
8	4922529	1	Leveling Jacks Harness (Not Shown - See ELECTRICAL SECTION for Breakdown)	
9	1001171103	1	Valve Harness (Not Shown - See ELECTRICAL SECTION for Breakdown)	

SECTION 2 - GROUND COMPONENTS

FIGURE 2-9. GROUND CONTROL BOX AND HORN INSTALLATIONS - M3369/M4069 (2WD - ALL SPECS EXCEPT CE SPEC)



ART_1001171072

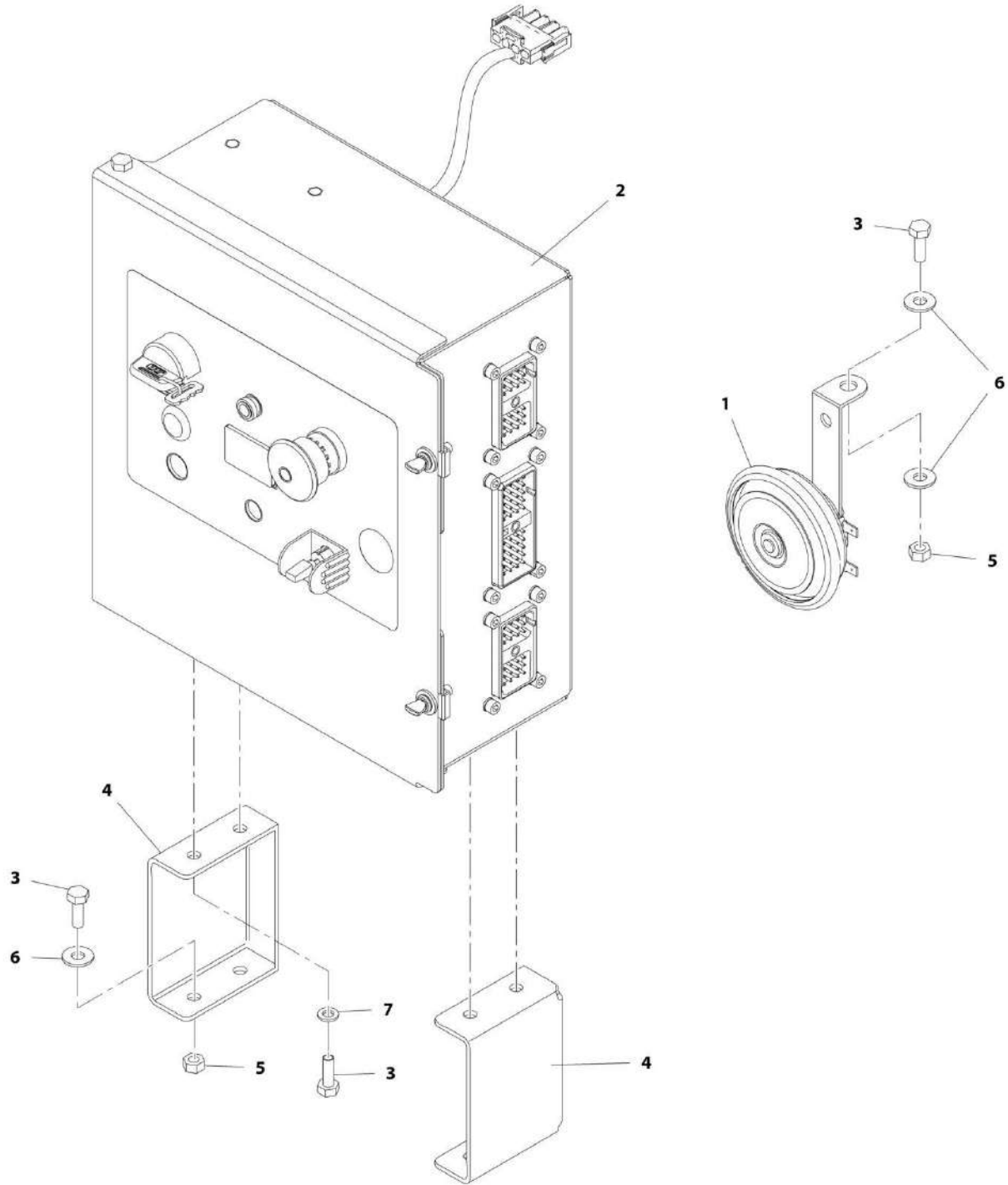
SECTION 2 - GROUND COMPONENTS

FIGURE 2-9. GROUND CONTROL BOX AND HORN INSTALLATIONS - M3369/M4069 (2WD - ALL SPECS EXCEPT CE SPEC)

ITEM	PART NUMBER	QTY	DESCRIPTION	REV
	1001171072	Ref	GROUND CONTROL BOX AND HORN INSTALLATIONS - M3369/M4069 (2WD - ALL SPECS EXCEPT CE SPEC)	C
1	0140028	1	Alarm	
2	0271442	1	Ground Control Box Assembly (See GROUND CONTROL BOX ASSEMBLY - M3369 & M4069 (ALL SPECS EXCEPT CE SPEC) for Breakdown)	
3	0641406	9	Bolt 1/4 x 3/4	
4	0902696	2	Bracket	
5	3311405	5	Nut 1/4	
6	4751400	6	Washer 1/4	
7	4761400	4	Washer 1/4	
8	4922602	1	Generator Harness (Not Shown - See ELECTRICAL SECTION for Breakdown)	
9	1001171103	1	Valve Harness (Not Shown - See ELECTRICAL SECTION for Breakdown)	

SECTION 2 - GROUND COMPONENTS

FIGURE 2-10. GROUND CONTROL BOX AND HORN INSTALLATIONS - M3369/M4069 (2WD - CE SPEC)



ART_1001171073

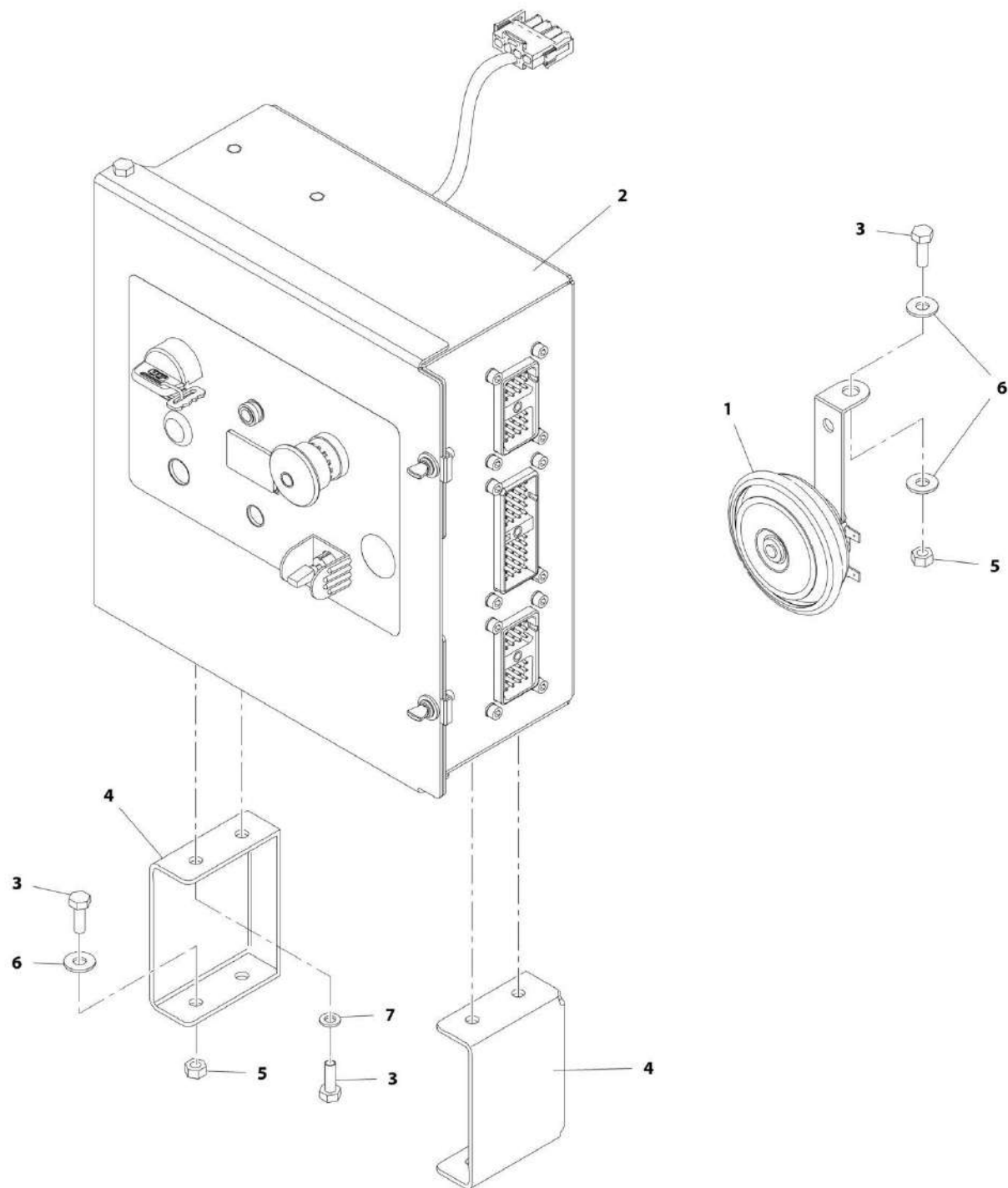
SECTION 2 - GROUND COMPONENTS

FIGURE 2-10. GROUND CONTROL BOX AND HORN INSTALLATIONS - M3369/M4069 (2WD - CE SPEC)

ITEM	PART NUMBER	QTY	DESCRIPTION	REV
	1001171073	Ref	GROUND CONTROL BOX AND HORN INSTALLATIONS - M3369/M4069 (2WD - CE SPEC)	D
1	0140028	1	Alarm	
2	0271447	1	Ground Control Box Assembly (See GROUND CONTROL BOX ASSEMBLY - M3369 & M4069 (CE SPEC) for Breakdown)	
3	0641406	9	Bolt 1/4 x 3/4	
4	0902696	2	Bracket	
5	3311405	5	Nut 1/4	
6	4751400	6	Washer 1/4	
7	4761400	4	Washer 1/4	
8	4922602	1	Generator Harness (Not Shown - See ELECTRICAL SECTION for Breakdown)	
9	1001171103	1	Valve Harness (Not Shown - See ELECTRICAL SECTION for Breakdown)	

SECTION 2 - GROUND COMPONENTS

FIGURE 2-11. GROUND CONTROL BOX AND HORN INSTALLATIONS - M3369/M4069 (4WD - ALL SPECS EXCEPT CE SPEC)



ART_1001171070

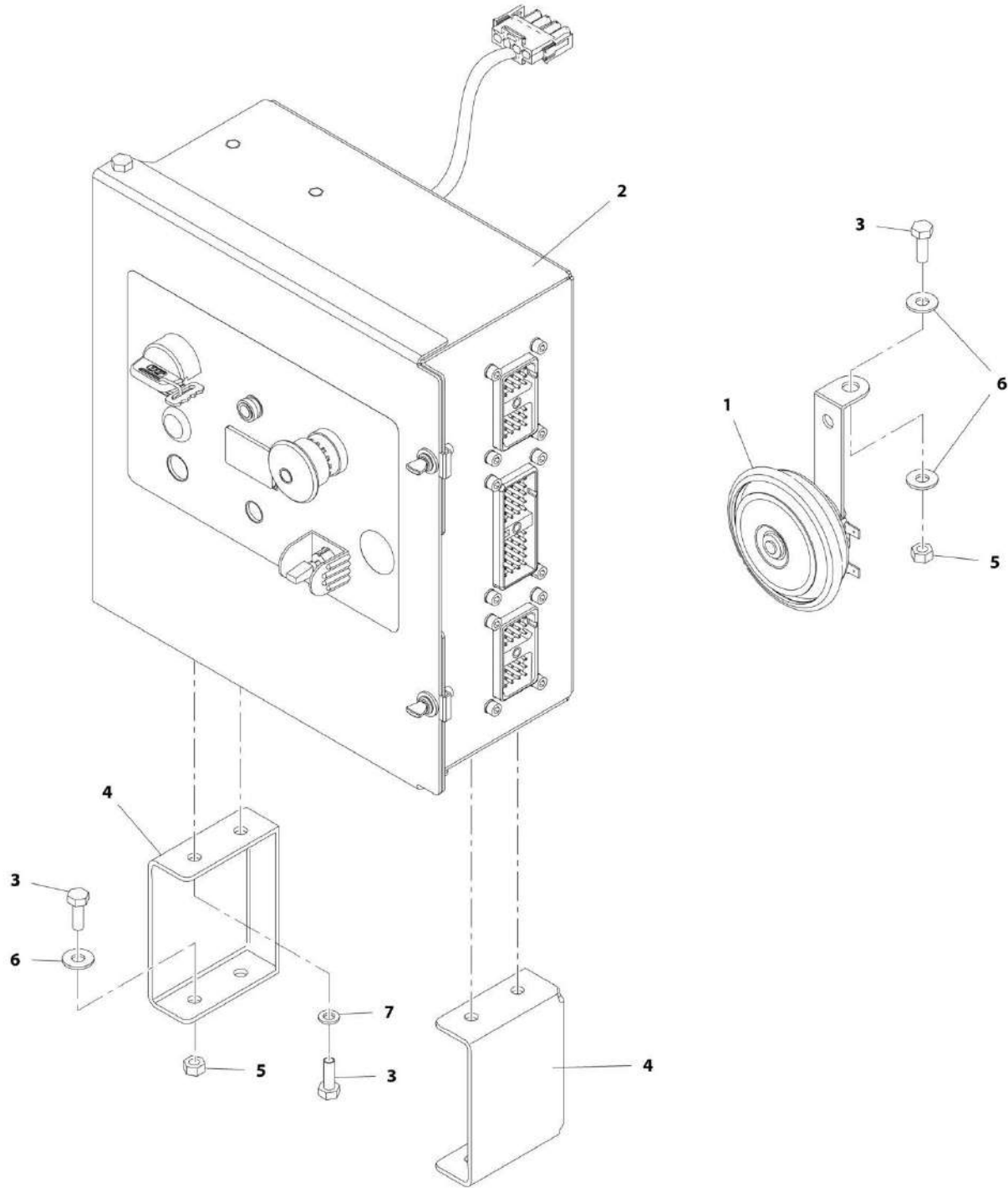
SECTION 2 - GROUND COMPONENTS

FIGURE 2-11. GROUND CONTROL BOX AND HORN INSTALLATIONS - M3369/M4069 (4WD - ALL SPECS EXCEPT CE SPEC)

ITEM	PART NUMBER	QTY	DESCRIPTION	REV
	1001171070	Ref	GROUND CONTROL BOX AND HORN INSTALLATIONS - M3369/M4069 (4WD - ALL SPECS EXCEPT CE SPEC)	D
1	0140028	1	Alarm	
2	0271442	1	Ground Control Box Assembly (See GROUND CONTROL BOX ASSEMBLY - M3369 & M4069 (ALL SPECS EXCEPT CE SPEC) for Breakdown)	
3	0641406	10	Bolt 1/4 x 3/4	
4	0902696	2	Bracket	
5	3311405	5	Nut 1/4	
6	4751400	6	Washer 1/4	
7	4761400	6	Washer 1/4	
8	4922529	1	Leveling Jacks Harness (Not Shown - See ELECTRICAL SECTION for Breakdown)	
9	1001171103	1	Valve Harness (Not Shown - See ELECTRICAL SECTION for Breakdown)	
10	3311401	1	Nut 1/4 (Not Shown) (SN 0200242101 to Present)	
10	3311401	1	Nut 1/4 (Not Shown) (SN M200000100 to Present)	

SECTION 2 - GROUND COMPONENTS

FIGURE 2-12. GROUND CONTROL BOX AND HORN INSTALLATIONS - M3369/M4069 (4WD - CE SPEC)



ART_1001171071

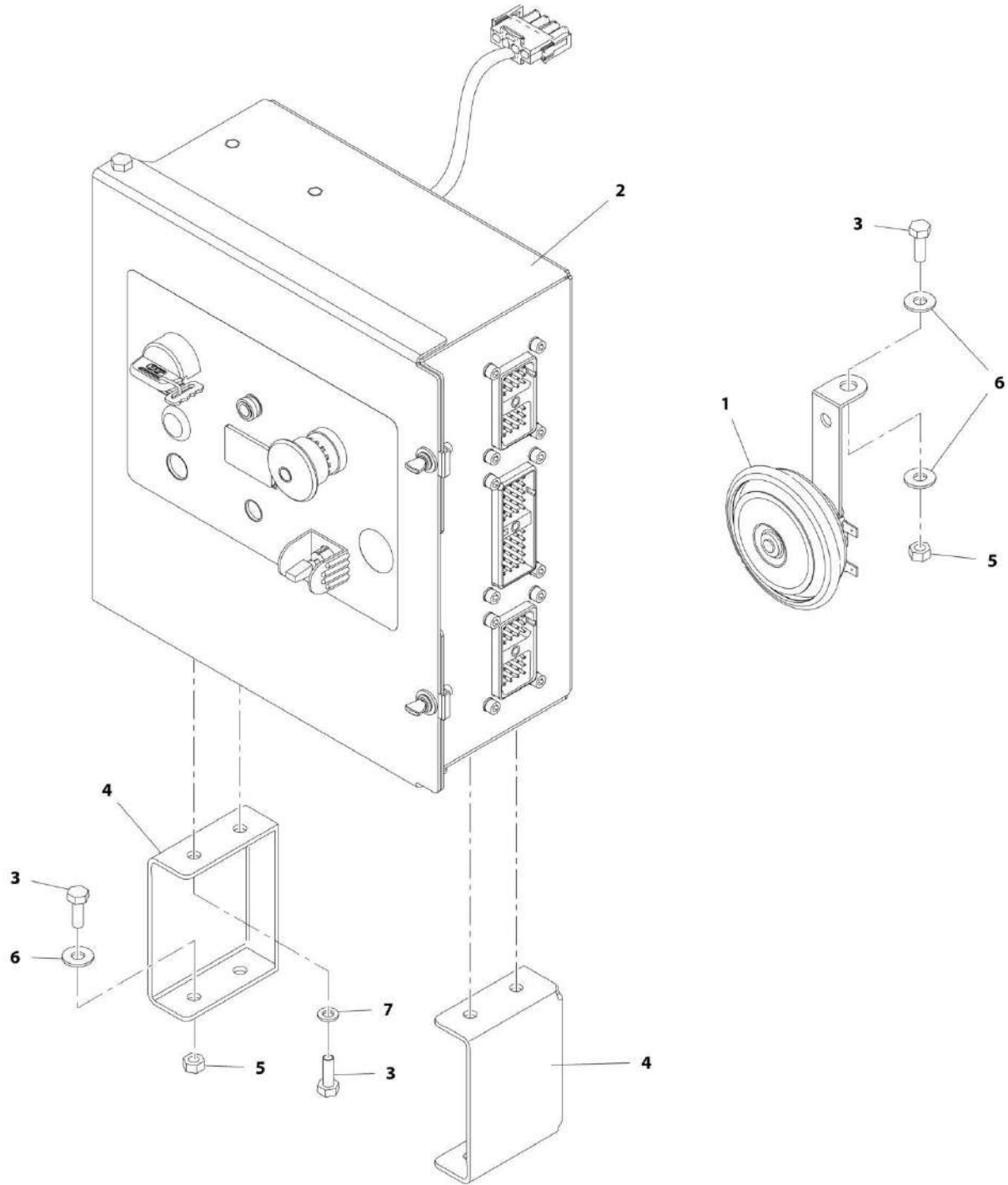
SECTION 2 - GROUND COMPONENTS

FIGURE 2-12. GROUND CONTROL BOX AND HORN INSTALLATIONS - M3369/M4069 (4WD - CE SPEC)

ITEM	PART NUMBER	QTY	DESCRIPTION	REV
	1001171071	Ref	GROUND CONTROL BOX AND HORN INSTALLATIONS - M3369/M4069 (4WD - CE SPEC)	D
1	0140028	1	Alarm	
2	0271447	1	Ground Control Box Assembly (See GROUND CONTROL BOX ASSEMBLY - M3369 & M4069 (CE SPEC) for Breakdown)	
3	0641406	9	Bolt 1/4 x 3/4	
4	0902696	2	Bracket	
5	3311405	5	Nut 1/4	
6	4751400	6	Washer 1/4	
7	4761400	4	Washer 1/4	
8	4922529	1	Leveling Jacks Harness (Not Shown - See ELECTRICAL SECTION for Breakdown)	
9	1001171103	1	Valve Harness (Not Shown - See ELECTRICAL SECTION for Breakdown)	

SECTION 2 - GROUND COMPONENTS

FIGURE 2-13. GROUND CONTROL BOX AND HORN INSTALLATIONS - M4069 (DRIVE AT FULL HEIGHT)



ART_1001171074

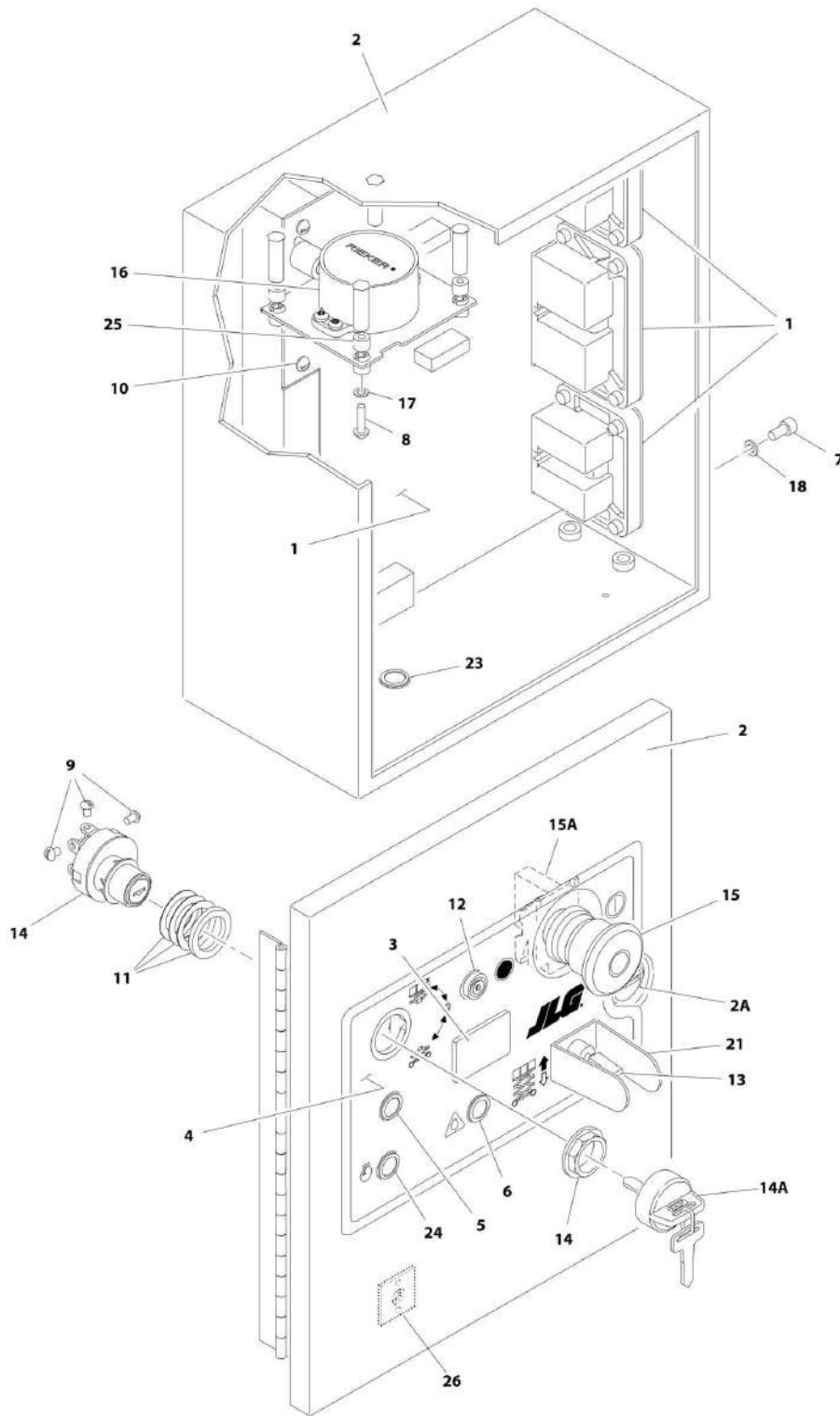
SECTION 2 - GROUND COMPONENTS

FIGURE 2-13. GROUND CONTROL BOX AND HORN INSTALLATIONS - M4069 (DRIVE AT FULL HEIGHT)

ITEM	PART NUMBER	QTY	DESCRIPTION	REV
	1001171074	Ref	GROUND CONTROL BOX AND HORN INSTALLATIONS - M4069 (DRIVE AT FULL HEIGHT) (NOTE: ONLY AVAILABLE ON AUSTRALIAN SPEC MACHINES)	C
1	0140028	1	Alarm	
2	0275787	1	Ground Control Box Assembly (See GROUND CONTROL BOX ASSEMBLY - M4069 DRIVE AT FULL HEIGHT for Breakdown)	
3	0641406	9	Bolt 1/4 x 3/4	
4	0902696	2	Bracket	
5	3311405	5	Nut 1/4	
6	4751400	6	Washer 1/4	
7	4761400	4	Washer 1/4	
8	4922529	1	Leveling Jacks Harness (Not Shown - See ELECTRICAL SECTION for Breakdown)	
9	1001171103	1	Valve Harness (Not Shown - See ELECTRICAL SECTION for Breakdown)	

SECTION 2 - GROUND COMPONENTS

FIGURE 2-14. GROUND CONTROL BOX ASSEMBLY - 3369LE/4069LE (ALL SPECS EXCEPT CE SPEC)



ART_0270544

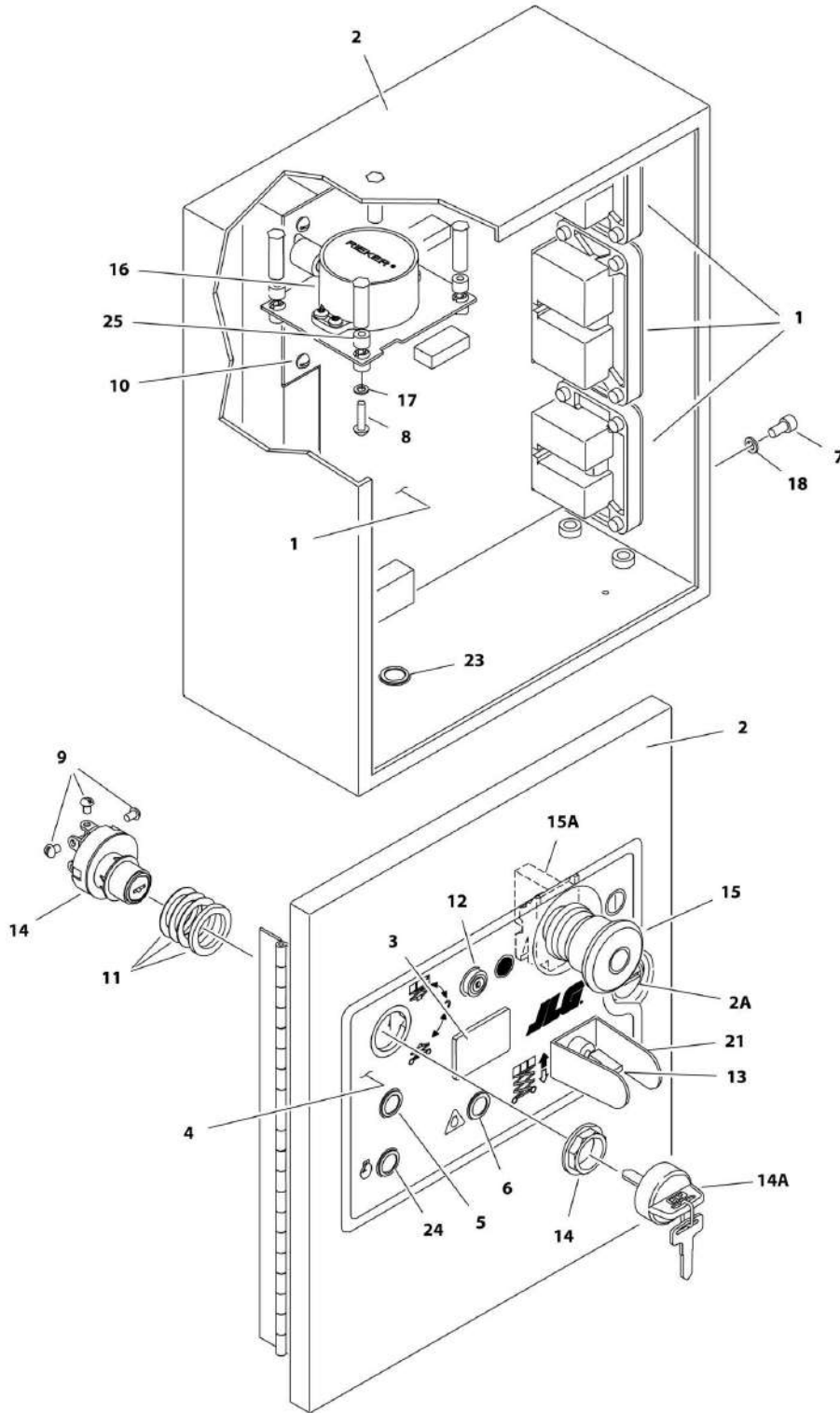
SECTION 2 - GROUND COMPONENTS

FIGURE 2-14. GROUND CONTROL BOX ASSEMBLY - 3369LE/4069LE (ALL SPECS EXCEPT CE SPEC)

ITEM	PART NUMBER	QTY	DESCRIPTION	REV
	0270544	Ref	GROUND CONTROL BOX ASSEMBLY - 3369LE/4069LE (ALL SPECS EXCEPT CE SPEC)	Z
1	1001099428	NLA	Module, Control (Use p/n 1001155878) (Note: Re-calibration Required when Replaced)	
2	0861385	1	Box (SN 0200230092 through 0200243014)	
2A	7023212	1	Latch (SN 0200230092 through 0200243014)	
2	1001181087	1	Box (See GROUND CONTROL BOX COMPONENTS for Breakdown) (SN 0200243015 to Present)	
2	1001181087	1	Box (See GROUND CONTROL BOX COMPONENTS for Breakdown) (SN M200000100 to Present)	
3	2420172	1	Hourmeter	
4	1705710	1	Nameplate	
5	3520193	1	Plug	
6	3520079	1	Plug	
7	3900300	12	Capscrew	
8	3910616	4	Screw #6 x 1	
9	3910804	3	Screw #8 x 1/4	
10	3911014	2	Screw #10 x 7/8 (SN 0200230092 through 0200243014)	
10	3900128	2	Screw #10 x 7/8 (SN 0200243015 to Present)	
10	3900128	2	Screw #10 x 7/8 (SN M200000100 to Present)	
11	4070987	3	Shim .015	
12	4360069	1	Breaker, Circuit - 10Amp	
13	4360328	1	Switch, Toggle	
14	4360469	1	Switch, Key	
14A	2860030	1 Set	Key, Replacement	
15	4360475	1	Switch, Emergency Stop	
15	7020175	1	Cap	
15A	7020176	1	Block, Contact	
16	1810140	1	Switch, Dual Axis	
		Ref	Note: Control System Must be Re-calibrated when replaced.	
16	4460321	1	Plug, Male - 4 Position	
16	4460267	1	Pin, Male	
17	4760600	4	Washer #6	
18	4761000	14	Washer #10	
20	4922480	1	Harness, Ground Control Box (Not Shown - See ELECTRICAL SECTION for Breakdown)	
21	4060802	1	Guard, Switch	
23	3520030	1	Plug, Hole	
24	3520080	1	Plug, Hole	
25	1001102512	4	Washer	
26	4460234	4	Terminal, Mount	

SECTION 2 - GROUND COMPONENTS

FIGURE 2-15. GROUND CONTROL BOX ASSEMBLY - 3369LE/4069LE (CE SPEC)



ART. 0270768

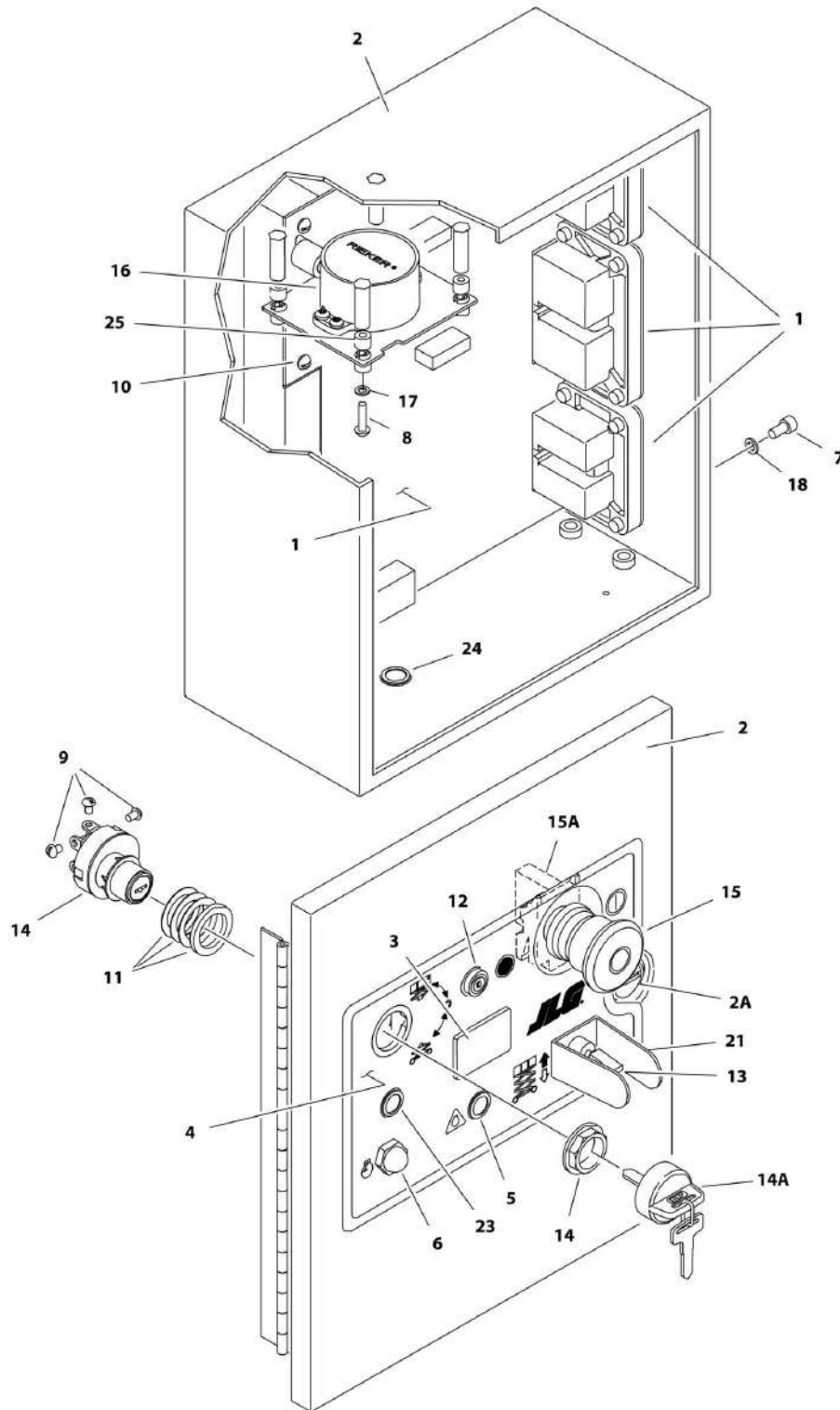
SECTION 2 - GROUND COMPONENTS

FIGURE 2-15. GROUND CONTROL BOX ASSEMBLY - 3369LE/4069LE (CE SPEC)

ITEM	PART NUMBER	QTY	DESCRIPTION	REV
	0270768	Ref	GROUND CONTROL BOX ASSEMBLY - 3369LE/4069LE (CE SPEC)	Y
1	1001099428	NLA	Module, Control (Use p/n 1001155878) (Note: Re-calibration Required when Replaced)	
2	0861385	1	Box (SN 0200230092 through 0200243014)	
2A	7023212	1	Latch (SN 0200230092 through 0200243014)	
2	1001181087	1	Box (See GROUND CONTROL BOX COMPONENTS for Breakdown) (SN 0200243015 to Present)	
2	1001181087	1	Box (See GROUND CONTROL BOX COMPONENTS for Breakdown) (SN M200000100 to Present)	
3	2420172	1	Hourmeter	
4	1705710	1	Nameplate	
5	3520193	1	Plug	
6	3520079	1	Plug	
7	3900300	12	Capscrew	
8	3910616	4	Screw #6 x 1	
9	3910804	3	Screw #8 x 1/4	
10	3911014	2	Screw #10 x 7/8 (SN 0200230092 through 0200243014)	
10	3900128	2	Screw #10 x 7/8 (SN 0200243015 to Present)	
10	3900128	2	Screw #10 x 7/8 (SN M200000100 to Present)	
11	4070987	3	Shim .015	
12	4360069	1	Breaker, Circuit - 10Amp	
13	4360328	1	Switch, Toggle	
14	4360469	1	Switch, Key	
14A	2860030	1 Set	Key, Replacement	
15	4360475	1	Switch, Emergency Stop	
15	7020175	1	Cap	
15A	7020176	1	Block, Contact	
16	1810140	1	Switch, Dual Axis	
		Ref	Note: Control System Must be Re-calibrated when replaced.	
16	4460321	1	Plug, Male - 4 Position	
16	4460267	1	Pin, Male	
17	4760600	4	Washer #6	
18	4761000	14	Washer #10	
20	4922480	1	Harness, Ground Control Box (Not Shown - See ELECTRICAL SECTION for Breakdown)	
21	4060802	1	Guard, Switch	
23	3520030	1	Plug, Hole	
24	3520080	1	Plug, Hole	
25	1001102512	4	Washer	

SECTION 2 - GROUND COMPONENTS

FIGURE 2-16. GROUND CONTROL BOX ASSEMBLY - M3369/M4069 (ALL SPECS EXCEPT CE SPEC)



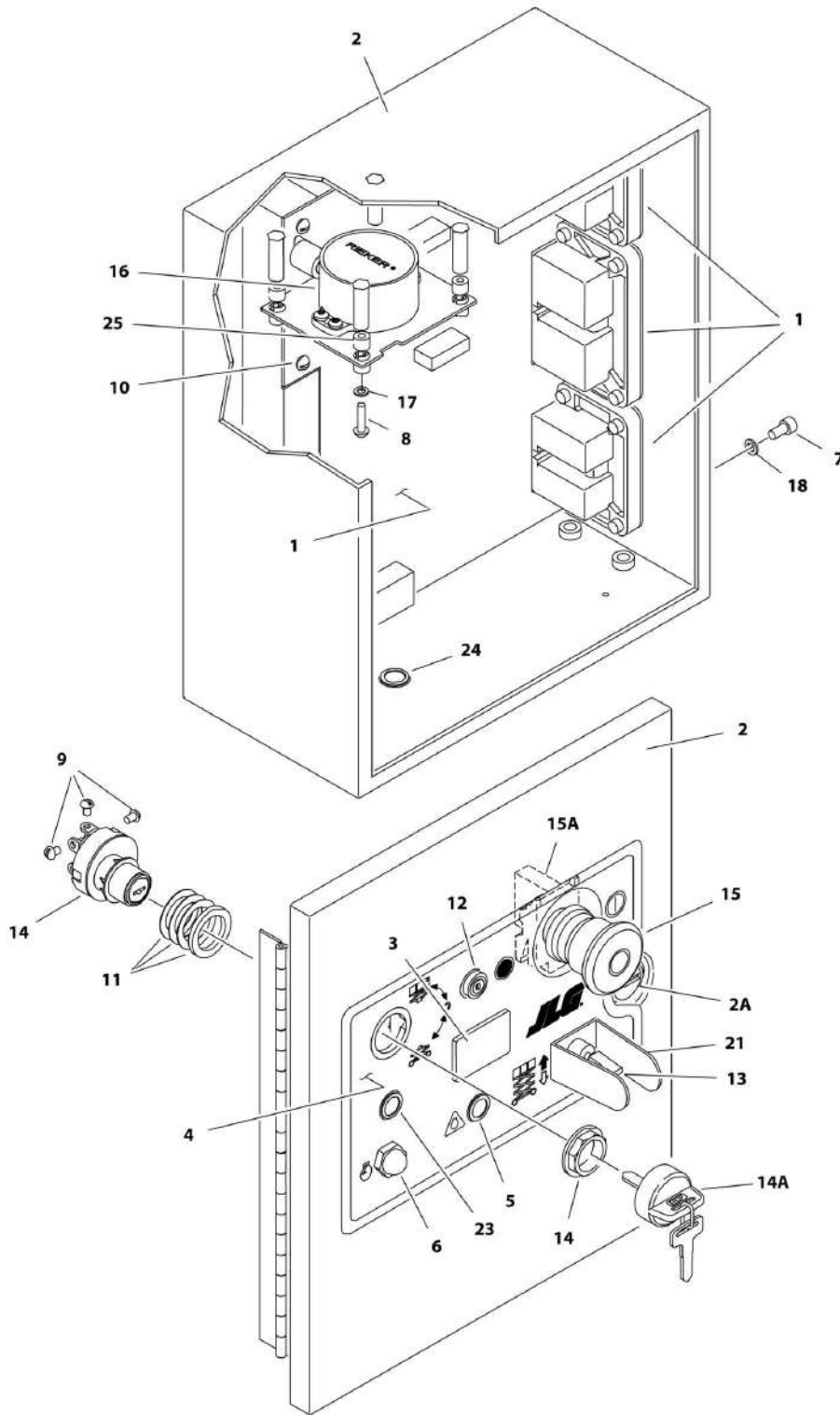
SECTION 2 - GROUND COMPONENTS

FIGURE 2-16. GROUND CONTROL BOX ASSEMBLY - M3369/M4069 (ALL SPECS EXCEPT CE SPEC)

ITEM	PART NUMBER	QTY	DESCRIPTION	REV
	0271442	Ref	GROUND CONTROL BOX ASSEMBLY - M3369/M4069 (ALL SPECS EXCEPT CE SPEC)	V
1	1001099428	NLA	Module, Control (Use p/n 1001155878) (Note: Re-calibration Required when Replaced)	
2	0861385	1	Box (SN 0200230092 through 0200243014)	
2A	7023212	1	Latch (SN 0200230092 through 0200243014)	
2	1001181087	1	Box (See GROUND CONTROL BOX COMPONENTS for Breakdown) (SN 0200243015 to Present)	
2	1001181087	1	Box (See GROUND CONTROL BOX COMPONENTS for Breakdown) (SN M200000100 to Present)	
3	2420172	1	Hourmeter	
4	1705710	1	Nameplate	
5	2920151	1	Light, LED	
6	4360387	1	Switch, Push Button	
7	3900300	12	Capscrew	
8	3910616	4	Screw #6 x 1	
9	3910804	3	Screw #8 x 1/4	
10	3911014	2	Screw #10 x 7/8 (SN 0200230092 through 0200243014)	
10	3900128	2	Screw #10 x 7/8 (SN 0200243015 to Present)	
10	3900128	2	Screw #10 x 7/8 (SN M200000100 to Present)	
11	4070987	3	Shim .015	
12	4360069	1	Breaker, Circuit - 10Amp	
13	4360328	1	Switch, Toggle	
14	4360469	1	Switch, Key	
14A	2860030	1 Set	Key, Replacement	
15	4360475	1	Switch, Emergency Stop	
15	7020175	1	Cap	
15A	7020176	1	Block, Contact	
16	1810140	1	Switch, Dual Axis	
		Ref	Note: Control System Must be Re-calibrated when replaced.	
16	4460321	1	Plug, Male - 4 Position	
16	4460267	4	Pin, Male	
17	4760600	4	Washer #6	
18	4761000	14	Washer #10	
20	4922604	1	Harness, Ground Control Box (Not Shown - See ELECTRICAL SECTION for Breakdown)	
21	4060802	1	Guard, Switch	
23	3520193	1	Plug, Hole	
24	3520030	1	Plug, Hole	
25	1001102512	4	Washer	

SECTION 2 - GROUND COMPONENTS

FIGURE 2-17. GROUND CONTROL BOX ASSEMBLY - M3369/M4069 (CE SPECS)



ART. 0271447

SECTION 2 - GROUND COMPONENTS

FIGURE 2-17. GROUND CONTROL BOX ASSEMBLY - M3369/M4069 (CE SPECS)

ITEM	PART NUMBER	QTY	DESCRIPTION	REV
	0271447	Ref	GROUND CONTROL BOX ASSEMBLY - M3369/M4069 (CE SPECS)	U
1	1001099428	NLA	Module, Control (Use p/n 1001155878) (Note: Re-calibration Required when Replaced)	
2	0861385	1	Box (SN 0200230092 through 0200243014)	
2A	7023212	1	Latch (SN 0200230092 through 0200243014)	
2	1001181087	1	Box (See GROUND CONTROL BOX COMPONENTS for Breakdown) (SN 0200243015 to Present)	
2	1001181087	1	Box (See GROUND CONTROL BOX COMPONENTS for Breakdown) (SN M200000100 to Present)	
3	2420172	1	Hourmeter	
4	1705710	1	Nameplate	
5	2920151	1	Light, LED	
6	4360387	1	Switch, Push Button	
7	3900300	12	Capscrew	
8	3910616	4	Screw #6 x 1	
9	3910804	3	Screw #8 x 1/4	
10	3911014	2	Screw #10 x 7/8 (SN 0200230092 through 0200243014)	
10	3900128	2	Screw #10 x 7/8 (SN 0200243015 to Present)	
10	3900128	2	Screw #10 x 7/8 (SN M200000100 to Present)	
11	4070987	3	Shim .015	
12	4360069	1	Breaker, Circuit - 10Amp	
13	4360328	1	Switch, Toggle	
14	4360470	1	Switch, Key (SN 0200230092 through 0200241794)	
14A	2860030	1 Set	Key, Replacement	
14	4360469	1	Switch, Key (SN 0200241795 to Present)	
14	4360469	1	Switch, Key (SN M200000100 to Present)	
14A	2860030	1 Set	Key, Replacement	
15	4360475	1	Switch, Emergency Stop	
15	7020175	1	Cap	
15A	7020176	1	Block, Contact	
16	1810140	1	Switch, Dual Axis	
16	4460321	1	Note: Control System Must be Re-calibrated when replaced. Plug, Male - 4 Position	
16	4460267	4	Pin, Male	
17	4760600	4	Washer #6	
18	4761000	14	Washer #10	
20	4922604	1	Harness, Ground Control Box (Not Shown - See ELECTRICAL SECTION for Breakdown)	
21	4060802	1	Guard, Switch	
23	3520193	1	Plug, Hole	
24	3520030	1	Plug, Hole	
25	1001102512	4	Washer	

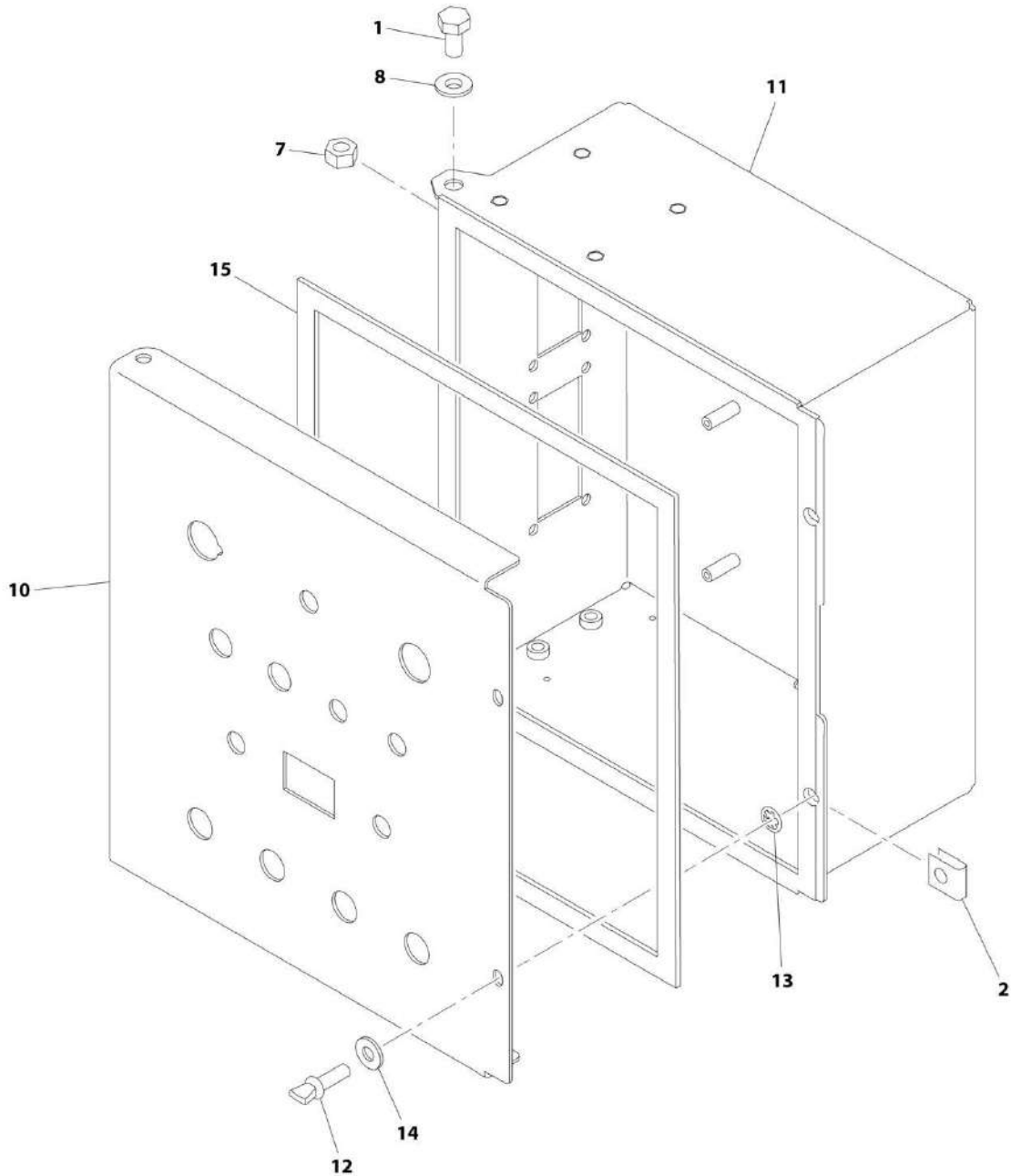
SECTION 2 - GROUND COMPONENTS

FIGURE 2-18. GROUND CONTROL BOX ASSEMBLY - M4069 DRIVE AT FULL HEIGHT

ITEM	PART NUMBER	QTY	DESCRIPTION	REV
	0275787	Ref	GROUND CONTROL BOX ASSEMBLY - M4069 DRIVE AT FULL HEIGHT	J
1	1001099428	NLA	Module, Control (Use p/n 1001155878) (Note: Re-calibration Required when Replaced)	
2	0861385	1	Box (SN 0200230092 through 0200243014)	
2A	7023212	1	Latch (SN 0200230092 through 0200243014)	
2	1001181087	1	Box (See GROUND CONTROL BOX COMPONENTS for Breakdown) (SN 0200243015 to Present)	
2	1001181087	1	Box (See GROUND CONTROL BOX COMPONENTS for Breakdown) (SN M200000100 to Present)	
3	2420172	1	Hourmeter	
4	1705710	1	Nameplate	
5	2920151	1	Light, LED	
6	4360387	1	Switch, Push Button	
7	3900300	12	Capscrew	
8	3910616	4	Screw #6 x 1	
9	3910804	3	Screw #8 x 1/4	
10	3911014	2	Screw #10 x 7/8 (SN 0200230092 through 0200243014)	
10	3900128	2	Screw #10 x 7/8 (SN 0200243015 to Present)	
10	3900128	2	Screw #10 x 7/8 (SN M200000100 to Present)	
11	4070987	3	Shim .015	
12	4360069	1	Breaker, Circuit - 10Amp	
13	4360328	1	Switch, Toggle	
14	4360470	1	Switch, Key	
14A	2860030	1 Set	Key, Replacement	
15	4360475	1	Switch, Emergency Stop	
15	7020175	1	Cap	
15A	7020176	1	Block, Contact	
16	1810140	1	Switch, Dual Axis	
		Ref	Note: Control System Must be Re-calibrated when replaced.	
16A	4460321	1	Plug, Male - 4 Position	
16B	4460267	4	Pin, Male	
17	4760600	4	Washer #6	
18	4761000	14	Washer #10	
21	4060802	1	Guard, Switch	
23	3520193	1	Plug, Hole	
24	3520030	1	Plug, Hole	
25	1001102512	4	Washer	
26	4923619	1	Harness, Ground Control Box (Not Shown - See ELECTRICAL SECTION for Breakdown)	

SECTION 2 - GROUND COMPONENTS

FIGURE 2-19. GROUND CONTROL BOX COMPONENTS (SN 0200243015 to Present, SN M200000100 to Present)



ART_1001181087

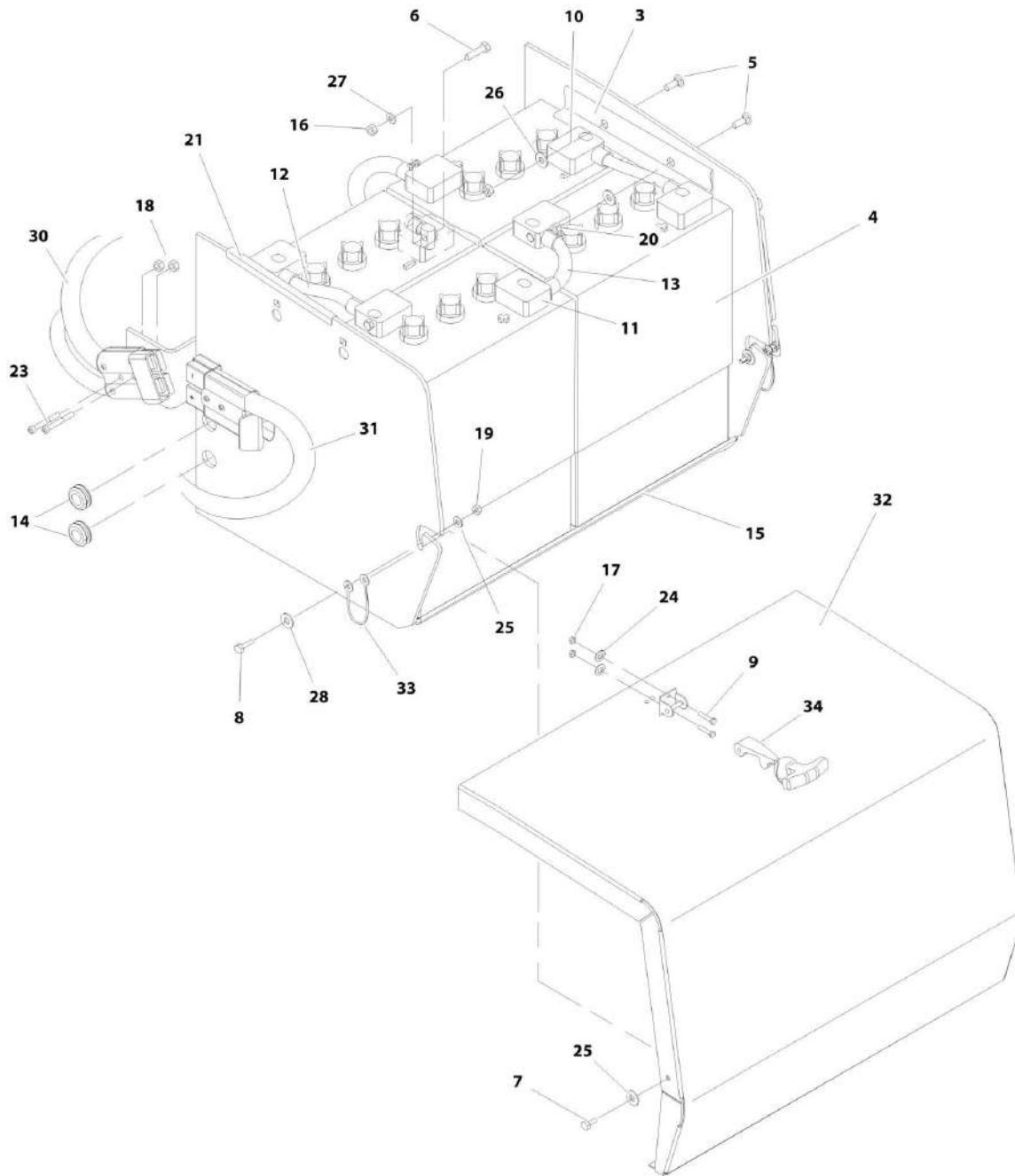
SECTION 2 - GROUND COMPONENTS

FIGURE 2-19. GROUND CONTROL BOX COMPONENTS (SN 0200243015 to Present, SN M200000100 to Present)

ITEM	PART NUMBER	QTY	DESCRIPTION	REV
	1001181087	Ref	GROUND CONTROL BOX COMPONENTS (SN 0200243015 to Present)	G
	1001181087	Ref	GROUND CONTROL BOX COMPONENTS (SN M200000100 to Present)	G
1	0641404	2	Bolt 1/4 x 1/2	
2	3300353	2	Nut, Tinnerman	
7	3311405	2	Nut 1/4	
8	4740518	2	Washer	
10	1001181089	1	Lid	
11	See Note	NSS	Box (Note: Use p/n 1001181087)	
12	1001103308	2	Screw 1/4 x 3/4	
13	1001188874	2	Nut, Push	
14	4711400	2	Washer 1/4	
15	1001165734	44 in/1.1m	Seal (SN 0200253232 to Present)	
15	1001165734	44 in/1.1m	Seal (SN M200000100 to Present)	

SECTION 2 - GROUND COMPONENTS

FIGURE 2-20. BATTERY BOX INSTALLATION - 370A-H BATTERIES (SN 0200230092 through 0200258591)



ART_1001170851

SECTION 2 - GROUND COMPONENTS

FIGURE 2-20. BATTERY BOX INSTALLATION - 370A-H BATTERIES (SN 0200230092 through 0200258591)

ITEM	PART NUMBER	QTY	DESCRIPTION	REV
	1001170851	Ref	BATTERY BOX INSTALLATION - 370A-H BATTERIES (SN 0200230092 through 0200258591)	C
1	0100011	AR	Compound, Locking	
2	0100051	AR	Grease, Terminal	
3	0182017	4	Angle, Battery Hold-Down	
4	0400055	8	Battery, 370A-HR Wet	
4	7016177	8	Battery, 370A-HR Dry	
5	0630462	8	Bolt	
6	0630526	16	Bolt 5/16 x 1-1/4	
7	0641405	4	Bolt 1/4 x 5/8	
8	0641408	4	Bolt 1/4 x 1	
9	0721008	4	Bolt #10 x 1	
10	0840048	6	Boot, Terminal - "d" Shaped	
11	0840049	4	Boot, Terminal - "b" Shaped	
12	1060884	4	Cable, Battery	
13	1060885	2	Cable, Battery	
14	2540038	4	Grommet	
15	3000018	2	Liner, Battery Box	
16	3300429	16	Nut 5/16	
17	3310801	4	Nut #8	
18	3311401	2	Nut 1/4	
19	3311405	8	Nut 1/4	
20	3311501	8	Nut 5/16	
21	1001177536	4	Pad, Slide	
22	3820019	4	Rivet	
23	3931430	2	Capscrew 1/4 x 1-7/8	
24	4711000	4	Washer #10	
25	4711400	8	Washer 1/4	
26	4711500	8	Washer 5/16	
27	4740474	16	Washer 5/16	
28	4751500	8	Washer 5/16	
29	1001114496	1	Sensor, Battery Temperature	
30	1001165355	1	Cable, Battery	
30	4460335	1	Connector, Anderson	
31	1001170081	1	Cable, Battery	
31	4460335	1	Connector, Anderson	
32	1001171003	2	Cover, Battery	
33	1060379	4	Lanyard	
34	2940095	2	T-Handle and Latch Plate	

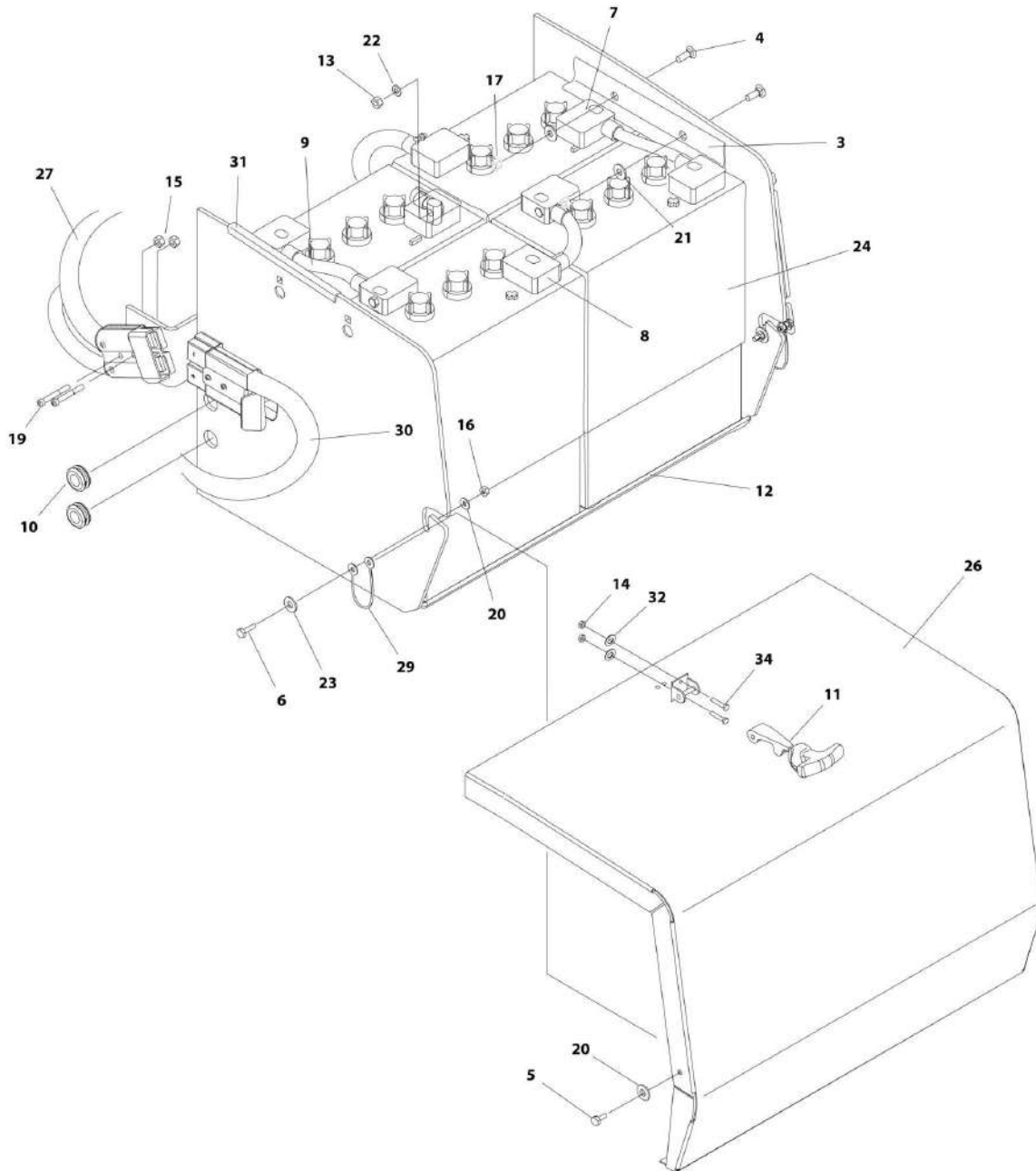
SECTION 2 - GROUND COMPONENTS

FIGURE 2-21. BATTERY BOX INSTALLATION - 370A-H BATTERIES (SN 0200258591 to Present)

ITEM	PART NUMBER	QTY	DESCRIPTION	REV
	1001208069	Ref	BATTERY BOX INSTALLATION - 370A-H BATTERIES (SN 0200258591 to Present)	A
1	0100011	AR	Compound, Locking	
2	0100051	AR	Grease, Terminal	
3	0182017	4	Angle, Battery Hold-Down	
4	0400055	8	Battery, 370A-HR Wet	
5	0630462	8	Bolt	
6	0630526	16	Bolt 5/16 x 1-1/4	
7	0721008	4	Bolt #10 x 1	
8	0840048	6	Boot, Terminal - "d" Shaped	
9	0840049	10	Boot, Terminal - "b" Shaped	
10	1060884	4	Cable, Battery	
11	1060885	2	Cable, Battery	
12	2540038	4	Grommet	
13	2940095	2	T-Handle and Latch Plate	
14	3000018	2	Liner, Battery Box	
15	3300429	16	Nut 5/16	
16	3311001	4	Nut #10	
17	3311401	2	Nut 1/4	
18	3311501	12	Nut 5/16	
19	3311505	4	Locknut 5/16	
20	3340861	2	Pad, Rubber	
21	3900190	4	Screw, Shoulder	
22	3900210	4	Screw, Button-Head	
23	3820019	4	Rivet	
24	3931430	2	Capscrew 1/4 x 1-7/8	
25	4420037	1.2 m	Tape, Insulation (Not Shown)	
26	4711000	4	Washer #10	
27	4711500	12	Washer 5/16	
28	4740474	16	Washer 5/16	
29	4740480	4	Washer, Plastic Insert	
30	1001114496	1	Sensor, Battery Temperature	
31	1001165355	1	Cable, Battery	
31	4460335	1	Connector, Anderson	
32	1001170081	1	Cable, Battery	
32	4460335	1	Connector, Anderson	
33	1001177536	4	Pad, Slide	
34	1001207981	2	Cover, Battery	
35	1001207982	2	Plate, Battery Cover	

SECTION 2 - GROUND COMPONENTS

FIGURE 2-22. BATTERY BOX INSTALLATION - 390A-H AGM BATTERIES (SN 0200230092 through 0200258591)



ART_1001166246

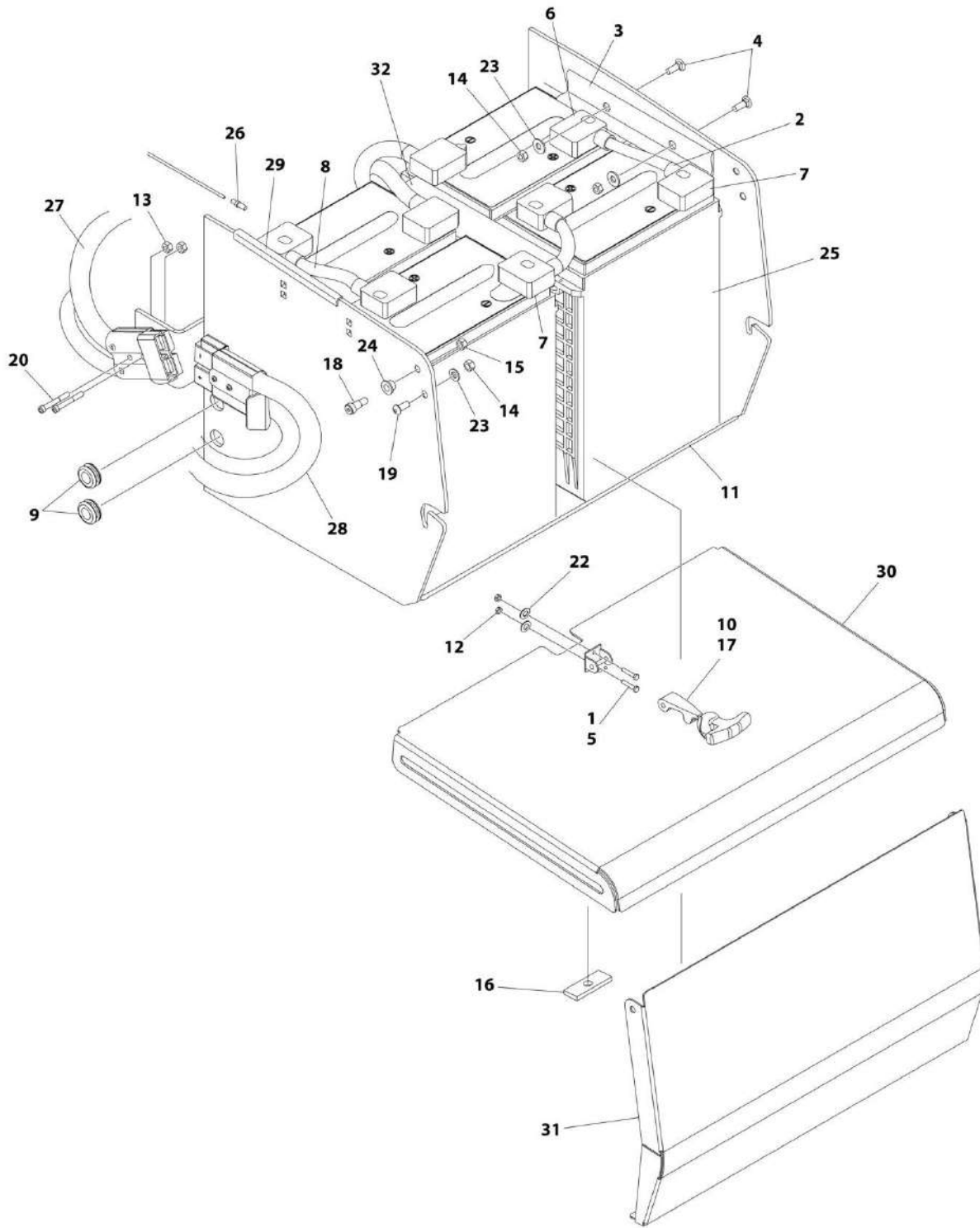
SECTION 2 - GROUND COMPONENTS

FIGURE 2-22. BATTERY BOX INSTALLATION - 390A-H AGM BATTERIES (SN 0200230092 through 0200258591)

ITEM	PART NUMBER	QTY	DESCRIPTION	REV
	1001166246	Ref	BATTERY BOX INSTALLATION - 390A-H AGM BATTERIES (SN 0200230092 through 0200258591)	E
1	0100011	AR	Compound, Locking	
2	0100051	AR	Grease, Terminal	
3	0182017	4	Angle, Battery Hold-Down	
4	0630462	8	Bolt	
5	0641405	4	Bolt 1/4 x 5/8	
6	0641408	4	Bolt 1/4 x 1	
7	0840048	6	Boot, Terminal - "d" Shaped	
8	0840049	10	Boot, Terminal - "b" Shaped	
9	1060884	6	Cable, Battery	
10	2540038	4	Grommet	
11	2940095	2	T-Handle and Latch Plate	
12	3000018	2	Liner, Battery Box	
13	3300429	16	Nut 5/16	
14	3310801	4	Nut #8	
15	3311401	2	Nut 1/4	
16	3311405	8	Nut 1/4	
17	3311501	8	Nut 5/16	
19	3931430	2	Capscrew 1/4 x 1-7/8	
20	4711400	8	Washer 1/4	
21	4711500	8	Washer 5/16	
22	4740474	16	Washer 5/16	
23	4751500	8	Washer 5/16	
24	1001102534	8	Battery	
25	1001114496	1	Sensor, Battery Temperature	
26	1001171003	2	Cover, Battery	
27	1001165355	1	Cable, Battery	
27	4460335	1	Connector, Anderson	
29	1060379	4	Lanyard	
30	1001170081	1	Cable, Battery	
30	4460335	1	Connector, Anderson	
31	1001177536	4	Pad, Slide	
32	4711000	4	Washer #10	
33	3820019	4	Rivet	
34	0721008	4	Bolt #10 x 1	

SECTION 2 - GROUND COMPONENTS

FIGURE 2-23. BATTERY BOX INSTALLATION - 390A-H AGM BATTERIES (SN 0200258591 to Present)



ART_1001206070

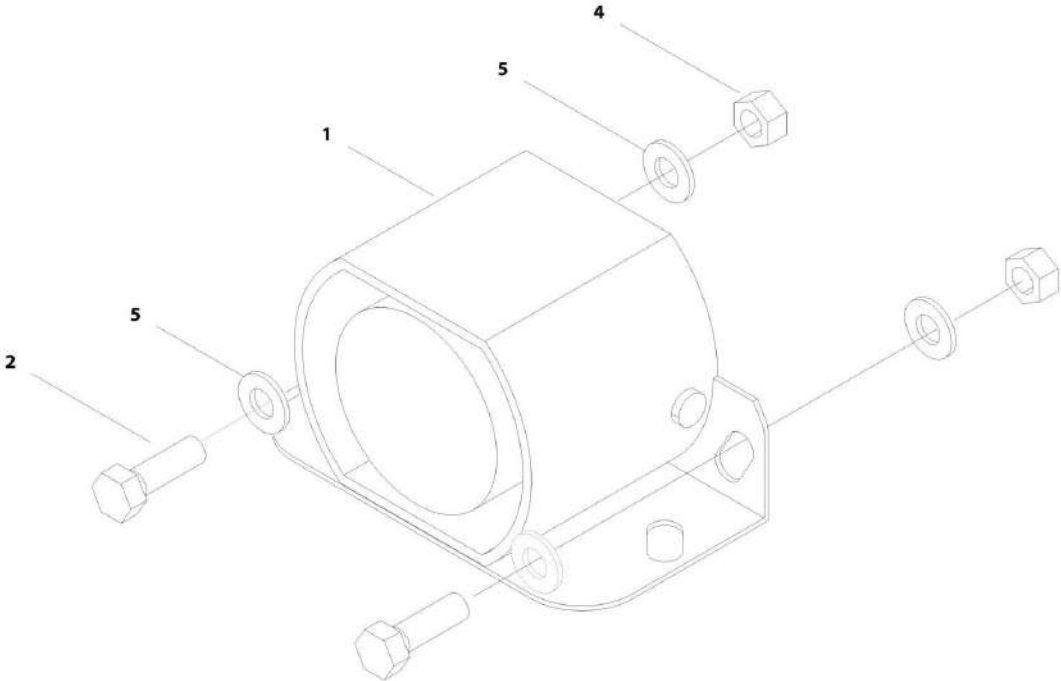
SECTION 2 - GROUND COMPONENTS

FIGURE 2-23. BATTERY BOX INSTALLATION - 390A-H AGM BATTERIES (SN 0200258591 to Present)

ITEM	PART NUMBER	QTY	DESCRIPTION	REV
	1001208070	Ref	BATTERY BOX INSTALLATION - 390A-H AGM BATTERIES (SN 0200258591 to Present)	C
1	0100011	AR	Compound, Locking	
2	0100051	AR	Grease, Terminal	
3	0182017	4	Angle, Battery Hold-Down	
4	0630462	8	Bolt	
5	0721008	4	Bolt #10 x 1	
6	0840048	6	Boot, Terminal - "d" Shaped	
7	0840049	10	Boot, Terminal - "b" Shaped	
8	1060884	6	Cable, Battery (Prior to SN M200015022)	
8	1001228395	6	Cable, Battery (SN M200015022 to Present)	
9	2540038	4	Grommet	
10	2940095	2	T-Handle and Latch Plate	
11	3000018	2	Liner, Battery Box	
12	3311001	4	Nut #10	
13	3311401	2	Nut 1/4	
14	3311501	12	Nut 5/16	
15	3311505	4	Locknut 5/16	
16	3340861	2	Pad, Rubber	
17	3820019	4	Rivet	
18	3900190	4	Screw, Shoulder	
19	3900210	4	Buttonhead Screw 5/16 x 3/4	
20	3931430	2	Capscrew 1/4 x 1-7/8	
21	4420037	1.2 m	Tape, Insulation (Not Shown)	
22	4711000	4	Washer #10	
23	4711500	12	Washer 5/16	
24	4740480	4	Washer, Plastic Insert	
25	1001102534	8	Battery (Prior to SN M200015022)	
25	1001228392	8	Battery (SN M200015022 to Present)	
26	1001114496	1	Sensor, Battery Temperature	
27	1001165355	1	Cable, Battery (Prior to SN M200015022)	
27	4460335	1	Connector, Anderson	
27	1001228394	1	Cable, Battery (SN M200015022 to Present)	
28	1001170081	1	Cable, Battery (Prior to SN M200015022)	
28	1001228393	1	Cable, Battery (SN M200015022 to Present)	
28	4460335	1	Connector, Anderson	
29	1001177536	4	Pad, Slide	
30	1001207981	2	Cover, Battery Box Lid	
31	1001207982	2	Plate, Battery Cover	
32	1001218766	2	Stop, Battery Spacer (SN M200011529 to Present)	

SECTION 2 - GROUND COMPONENTS

FIGURE 2-24. ALARM INSTALLATION



ART_0273968

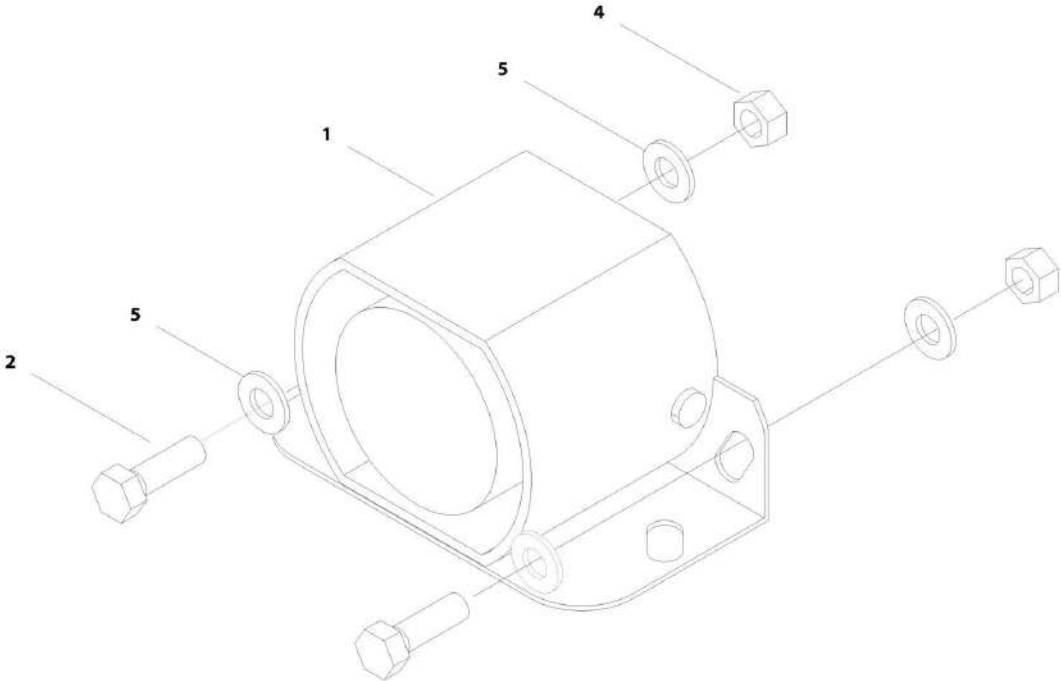
SECTION 2 - GROUND COMPONENTS

FIGURE 2-24. ALARM INSTALLATION

ITEM	PART NUMBER	QTY	DESCRIPTION	REV
	0273968	Ref	ALARM INSTALLATION	C
1	0140032	1	Alarm	
2	0641508	2	Bolt 5/16 x 1	
3	2820018	AR	Heat Shrink	
4	3311505	2	Nut 5/16	
5	4711500	4	Washer 5/16	
6	4922517	1	Alarm Harness (Not Shown - See ALARM HARNESS for Breakdown)	

SECTION 2 - GROUND COMPONENTS

FIGURE 2-25. ALARM INSTALLATION - MOTION



ART_0270942

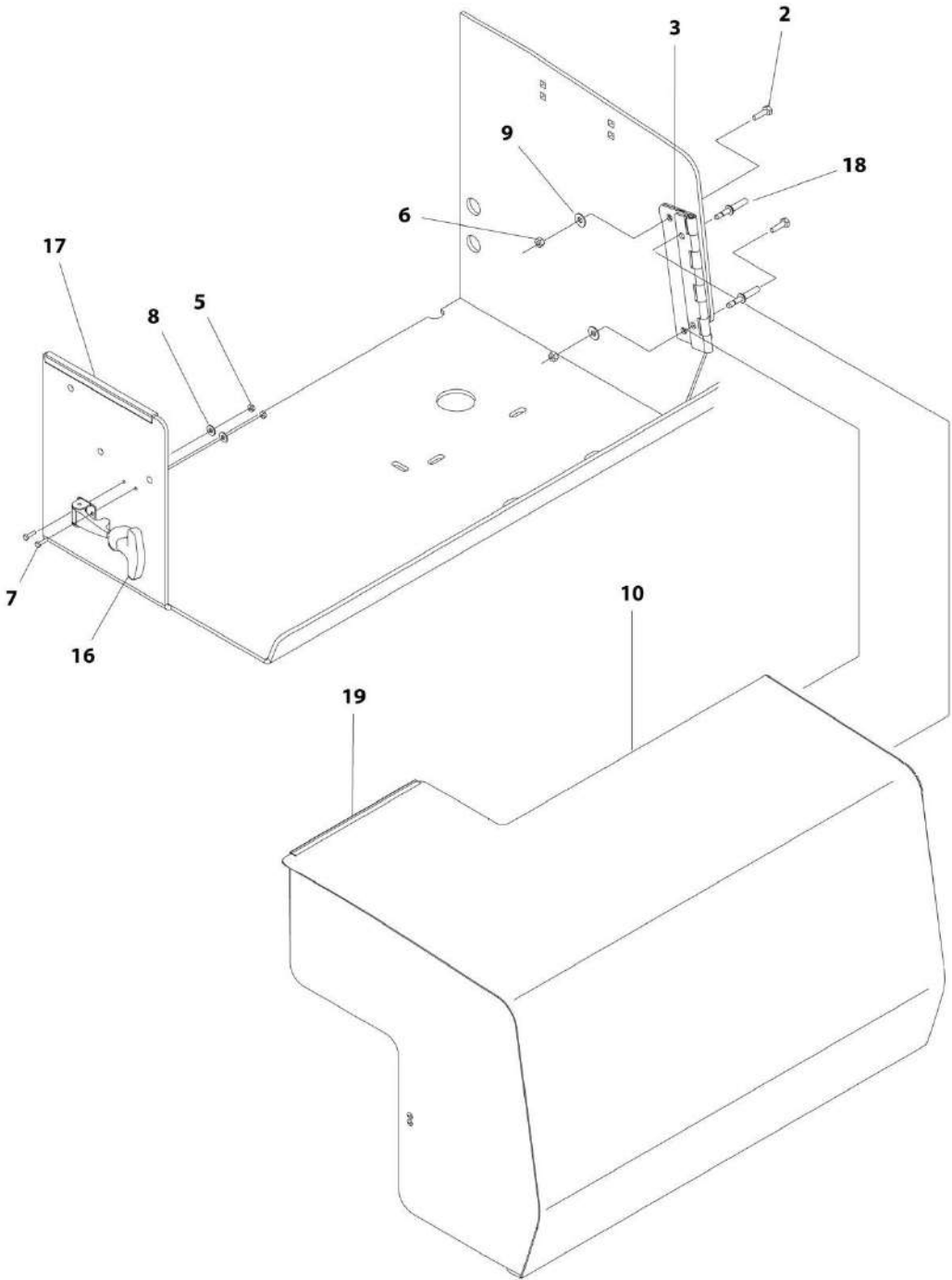
SECTION 2 - GROUND COMPONENTS

FIGURE 2-25. ALARM INSTALLATION - MOTION

ITEM	PART NUMBER	QTY	DESCRIPTION	REV
	0270942	Ref	ALARM INSTALLATION - MOTION	D
1	0140032	1	Alarm	
2	0641508	2	Bolt 5/16 x 1	
3	2820018	AR	Heat Shrink	
4	3311505	2	Nut 5/16	
5	4711500	4	Washer 5/16	
6	4922517	1	Alarm Harness (Not Shown - See ALARM HARNESS for Breakdown)	

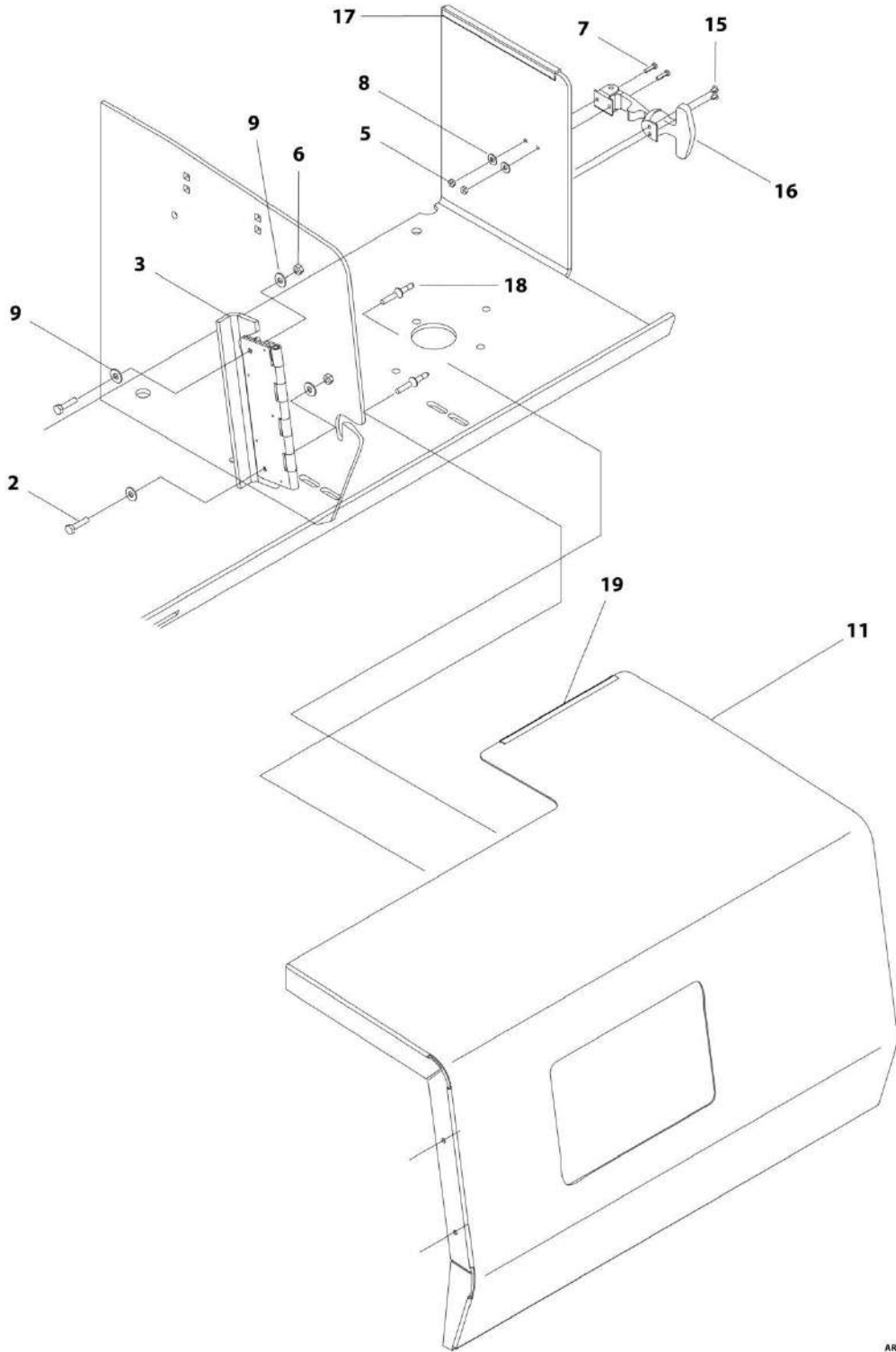
SECTION 2 - GROUND COMPONENTS

FIGURE 2-26. COVERS INSTALLATION



ART. 1001165822_10F2

SECTION 2 - GROUND COMPONENTS



ART. 1001165822_20F2

SECTION 2 - GROUND COMPONENTS

FIGURE 2-26. COVERS INSTALLATION

ITEM	PART NUMBER	QTY	DESCRIPTION	REV
	1001165822	1	COVERS INSTALLATION	C
2	0641407	4	Bolt 1/4 x 7/8	
3	2600275	2	Hinge	
5	3310801	4	Nut #8	
6	3311405	4	Nut 1/4	
7	3900305	4	Screw #8	
8	4711000	4	Washer #10	
9	4751400	8	Washer 1/4	
10	1001164975	1	Plate, Left Side Cover	
11	1001164977	1	Plate, Right Side Cover	
15	3820019	4	Rivet	
16	2940095	2	T-Handle and Latch Plate	
17	1001177536	2	Pad, Slide	
18	2080040	4	Fastener, Huck	
19	4060803	32 in /81cm	Flex-Trim	

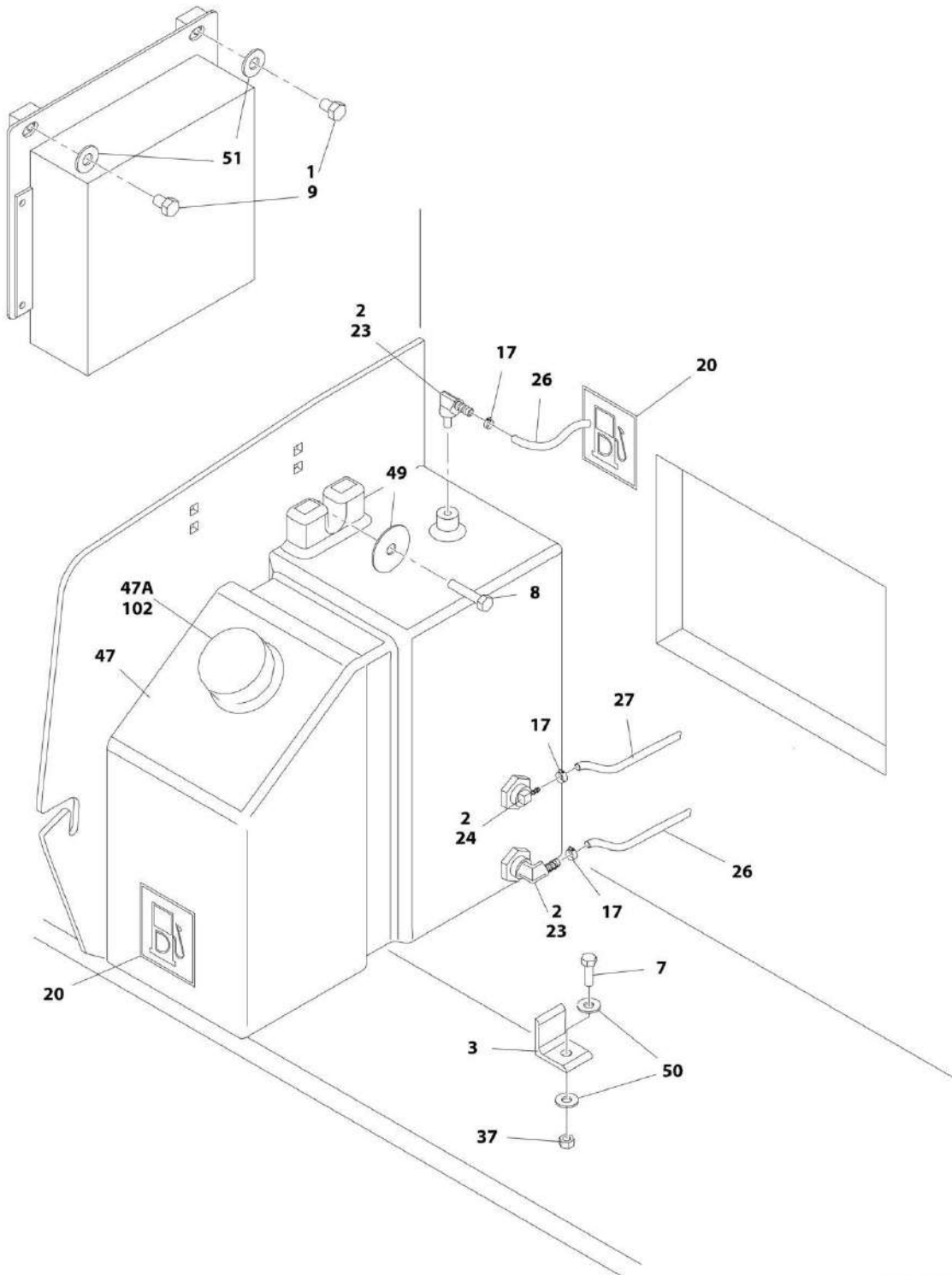
SECTION 2 - GROUND COMPONENTS

FIGURE 2-27. TANK INSTALLATION - M3369/M4069 (MACHINES WITH STANDARD BATTERY)

ITEM	PART NUMBER	QTY	DESCRIPTION	REV
	1001165843	Ref	TANK INSTALLATION - M3369/M4069 (MACHINES WITH STANDARD BATTERY)	C
1	0100011	AR	Compound, Locking	
2	0100020	AR	Sealant, Pipe	
3	0182014	1	Angle	
7	0641508	1	Bolt 5/16 x 1	
8	0641512	1	Bolt 5/16 x 1-1/2	
9	0641604	2	Bolt 3/8 x 1/2	
17	1320022	5	Clamp	
20	1701505	2	Decal - Diesel Fuel	
23	2221046	2	Fitting, 90 NPT/Barbed	
24	2221047	1	Fitting, 90 NPT/Barbed	
26	2720058	10 ft /3m	Hose	
27	2720271	10 ft /3m	Hose	
37	3311505	1	Nut 5/16	
47	4400434	1	Tank, Fuel	
47A	7016314	1	Cap, Fuel (Standard Non-Locking)	
49	4740076	1	Washer	
50	4751500	2	Washer 5/16	
51	4751600	6	Washer 3/8	
	0259613	Ref	LOCKABLE FUEL CAP INSTALLATION - OPTIONAL	C
102	1120485	1	Cap, Fuel (Optional - Lockable)	

SECTION 2 - GROUND COMPONENTS

FIGURE 2-28. TANK INSTALLATION - M3369/M4069 (MACHINES WITH AGM BATTERY)



ART_1001202685_10F2

SECTION 2 - GROUND COMPONENTS

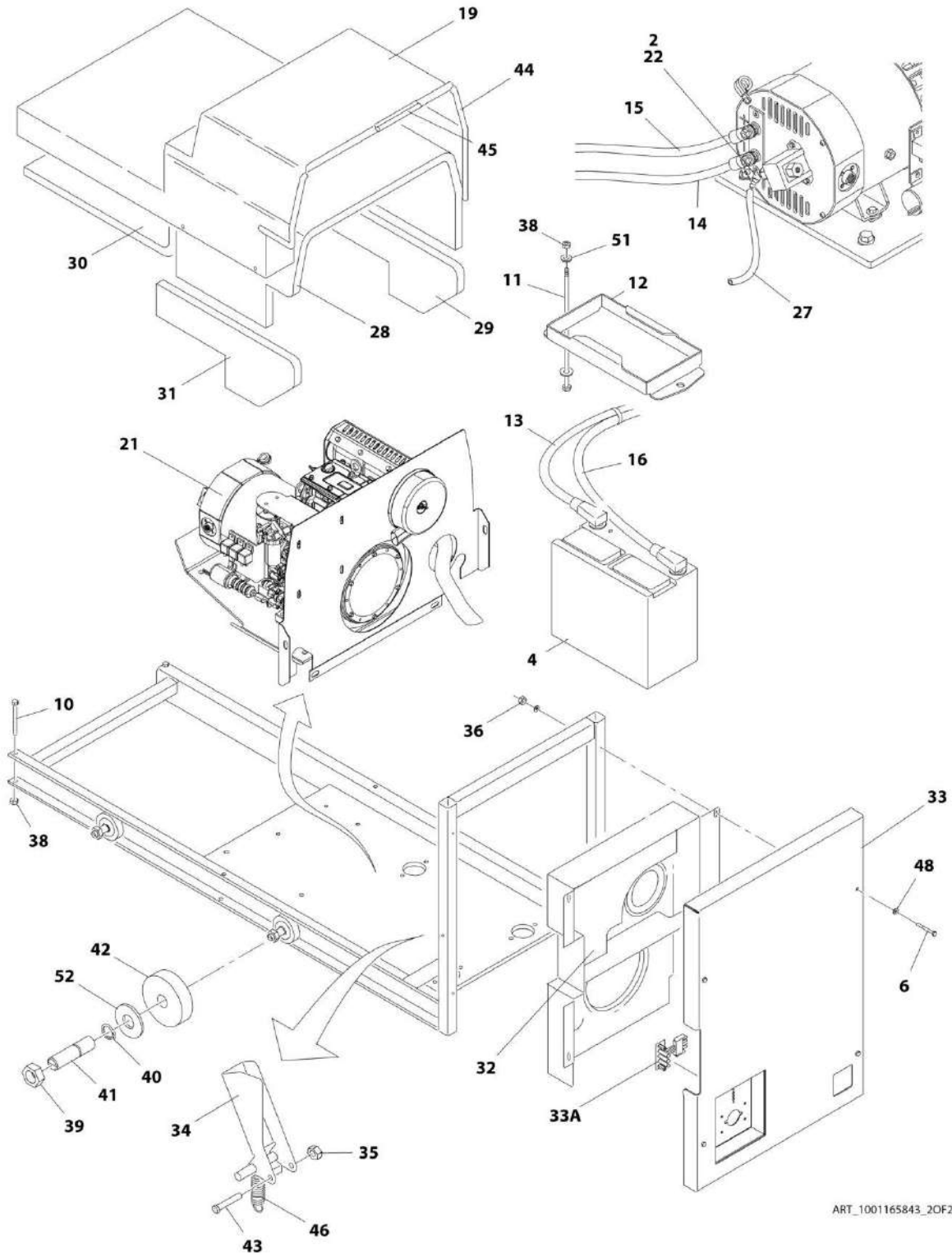
FIGURE 2-28. TANK INSTALLATION - M3369/M4069 (MACHINES WITH AGM BATTERY)

ITEM	PART NUMBER	QTY	DESCRIPTION	REV
	1001202685	Ref	TANK INSTALLATION - M3369/M4069 (MACHINES WITH AGM BATTERY)	A
1	0100011	AR	Compound, Locking	
2	0100020	AR	Sealant, Pipe	
3	0182014	1	Angle	
7	0641508	1	Bolt 5/16 x 1	
8	0641512	1	Bolt 5/16 x 1-1/2	
9	0641604	2	Bolt 3/8 x 1/2	
17	1320022	5	Clamp	
20	1701505	2	Decal - Diesel Fuel	
23	2221046	2	Fitting, 90 NPT/Barbed	
24	2221047	1	Fitting, 90 NPT/Barbed	
26	2720058	10 ft /3m	Hose	
27	2720271	10 ft /3m	Hose	
37	3311505	1	Nut 5/16	
47	4400434	1	Tank, Fuel	
47A	7016314	1	Cap, Fuel (Standard Non-Locking)	
49	4740076	1	Washer	
50	4751500	2	Washer 5/16	
51	4751600	6	Washer 3/8	
	0259613	Ref	LOCKABLE FUEL CAP INSTALLATION - OPTIONAL	C
102	1120485	1	Cap, Fuel (Optional - Lockable)	

SECTION 3 - ENGINE

SECTION 3 - ENGINE

FIGURE 3-1. KUBOTA ENGINE/GENERATOR INSTALLATION - M3369/M4069 (WITH STANDARD BATTERY)



ART_1001165843_2DF2

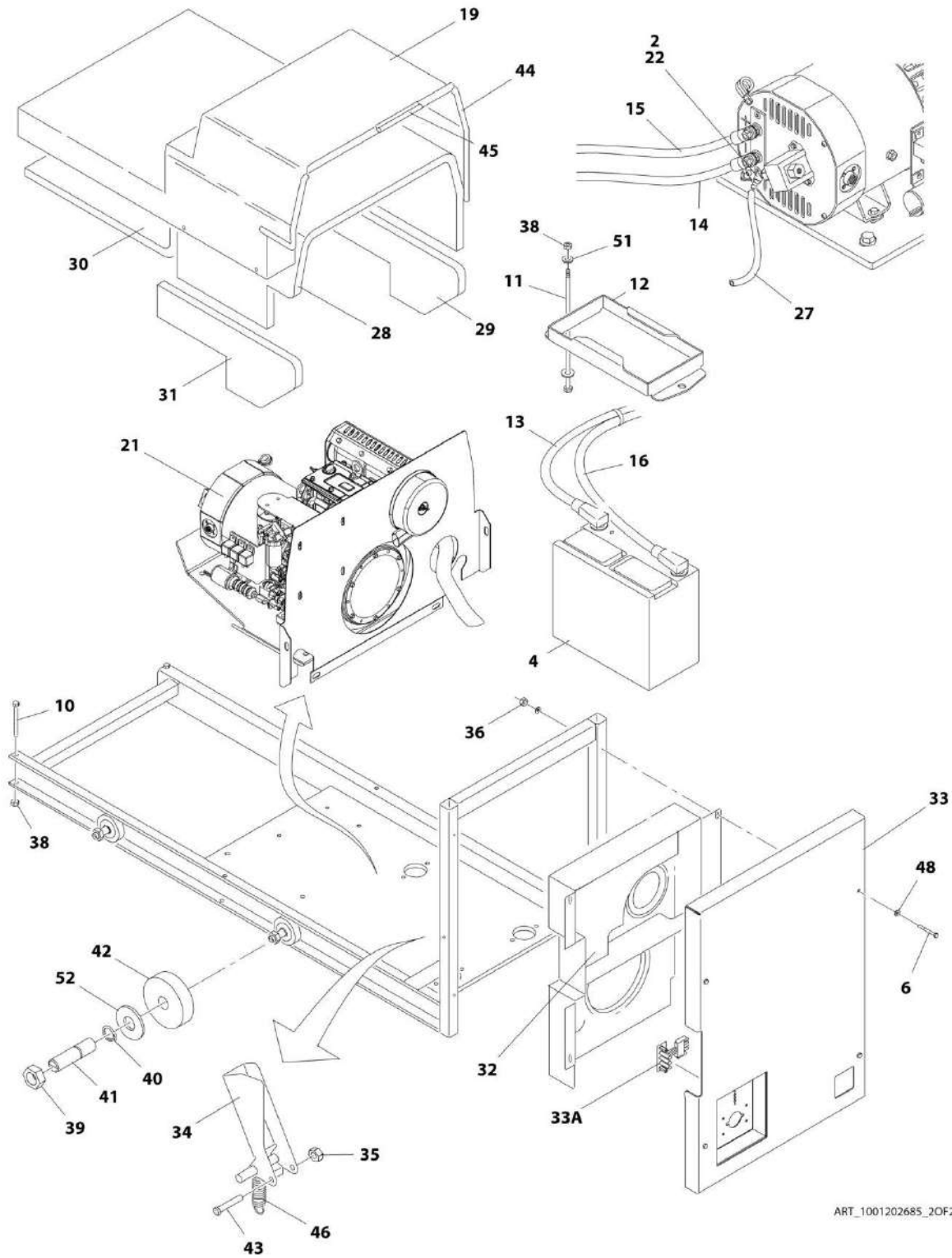
SECTION 3 - ENGINE

FIGURE 3-1. KUBOTA ENGINE/GENERATOR INSTALLATION - M3369/M4069 (WITH STANDARD BATTERY)

ITEM	PART NUMBER	QTY	DESCRIPTION	REV
	1001165843	Ref	KUBOTA ENGINE/GENERATOR INSTALLATION - M3369/M4069 (WITH STANDARD BATTERY)	D
1	0100011	AR	Compound, Locking	
2	0100020	AR	Sealant, Pipe	
4	0400201	1	Battery	
6	0641418	4	Bolt 1/4 x 2-1/4	
10	0641632	2	Bolt 3/8 x 4	
11	0641660	2	Bolt 3/8 x 7-1/2	
12	0902659	1	Bracket, Hold-Down	
13	1060820	1	Cable, Battery (Battery + to Starter)	
14	1060916	1	Cable, Battery (Generator – to Controller –)	
15	1060917	1	Cable, Battery (Lower Generator + to Contactor +)	
16	1060950	1	Cable, Battery (Battery – to Ground)	
17	1320022	5	Clamp	
19	1671010	1	Cover, Engine	
21	1001159358	1	Kubota Motor/Generator Assembly (See KUBOTA MOTOR/GENERATOR ASSEMBLY for Breakdown)	
22	2220805	1	Fitting, 90 NPT/Barbed	
27	2720271	10 ft /3m	Hose	
28	2820135	1	Insulation	
29	2820136	1	Insulation	
30	2820137	1	Insulation	
31	2820138	1	Insulation	
32	2820228	1	Insulation	
33	1001166302	1	Cover, Front (Includes PC Board)	
33	1001165794	1	Cover, Front (Less PC Board)	
33A	0610131	1	PC Board, LED Light	
34	2940137	1	Latch	
35	3300374	1	Nut	
36	3311405	4	Nut 1/4	
38	3311605	4	Nut 3/8	
39	3322202	5	Nut	
40	3760348	4	Ring, Retaining	
41	3841233	4	Rod, Roller	
42	3860059	4	Roller, Extension	
43	3900184	1	Screw #10 x 5/8	
44	3960389	2 ft /60cm	Seal	
45	3960418	2 ft /60cm	Seal	
46	4160189	1	Spring	
48	4711400	8	Washer 1/4	
51	4751600	6	Washer 3/8	
52	4752200	4	Washer 3/4	

SECTION 3 - ENGINE

FIGURE 3-2. KUBOTA ENGINE/GENERATOR INSTALLATION - M3369/M4069 (WITH AGM BATTERY)



ART_1001202685_20F2

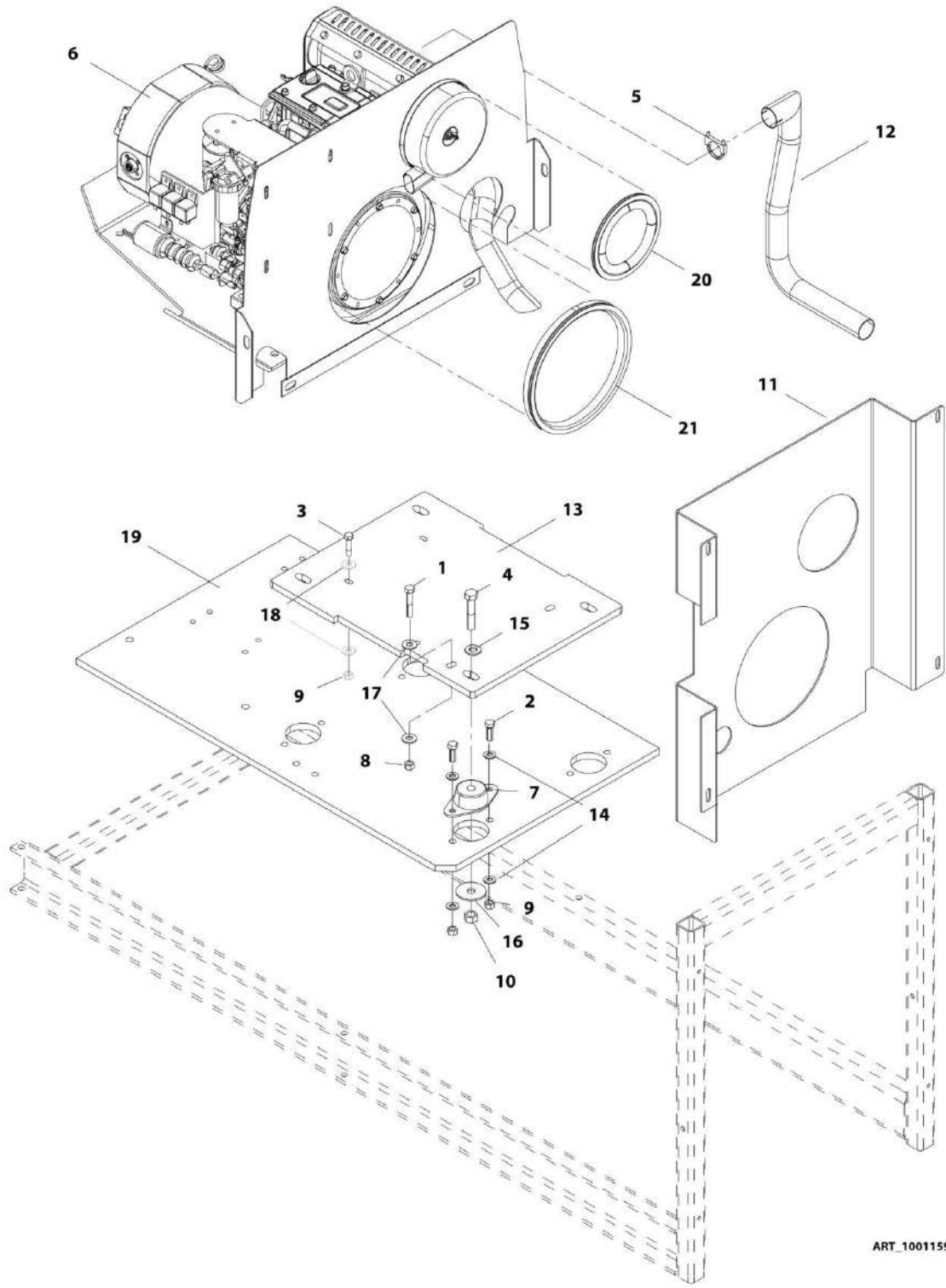
SECTION 3 - ENGINE

FIGURE 3-2. KUBOTA ENGINE/GENERATOR INSTALLATION - M3369/M4069 (WITH AGM BATTERY)

ITEM	PART NUMBER	QTY	DESCRIPTION	REV
	1001202685	Ref	KUBOTA ENGINE/GENERATOR INSTALLATION - M3369/M4069 (WITH AGM BATTERY)	A
1	0100011	AR	Compound, Locking	
2	0100020	AR	Sealant, Pipe	
4	1001196117	1	Battery	
6	0641418	4	Bolt 1/4 x 2-14	
10	0641432	2	Bolt 3/8 x 4	
11	0641660	2	Bolt 3/8 x 7-1/2	
12	0902659	1	Bracket, Hold-Down	
13	1060820	1	Cable, Battery (Battery + to Starter)	
14	1060916	1	Cable, Battery (Generator – to Controller –)	
15	1060917	1	Cable, Battery (Lower Generator + to Contactor +)	
16	1060950	1	Cable, Battery (Battery – to Ground)	
17	1320022	5	Clamp	
19	1671010	1	Cover, Engine	
21	1001159358	1	Kubota Motor/Generator Assembly (See KUBOTA MOTOR/GENERATOR ASSEMBLY for Breakdown)	
22	2220805	1	Fitting, 90 NPT/Barbed	
27	2720271	10 ft /3m	Hose	
28	2820135	1	Insulation	
29	2820136	1	Insulation	
30	2820137	1	Insulation	
31	2820138	1	Insulation	
32	2820228	1	Insulation	
33	1001166302	1	Cover, Front (Includes PC Board)	
33	1001165794	1	Cover, Front (Less PC Board)	
33A	0610131	1	PC Board, LED Light	
34	2940137	1	Latch	
35	3300374	1	Nut	
36	3311405	4	Nut 1/4	
38	3311605	4	Nut 3/8	
39	3322202	5	Nut	
40	3760348	4	Ring, Retaining	
41	3841233	4	Rod, Roller	
42	3860059	4	Roller, Extension	
43	3900184	1	Screw #10 x 5/8	
44	3960389	2 ft /60cm	Seal	
45	3960418	2 ft /60cm	Seal	
46	4160189	1	Spring	
48	4711400	8	Washer 1/4	
51	4751600	6	Washer 3/8	
52	4752200	4	Washer 3/4	

SECTION 3 - ENGINE

FIGURE 3-3. KUBOTA MOTOR/GENERATOR ASSEMBLY



ART_1001159358

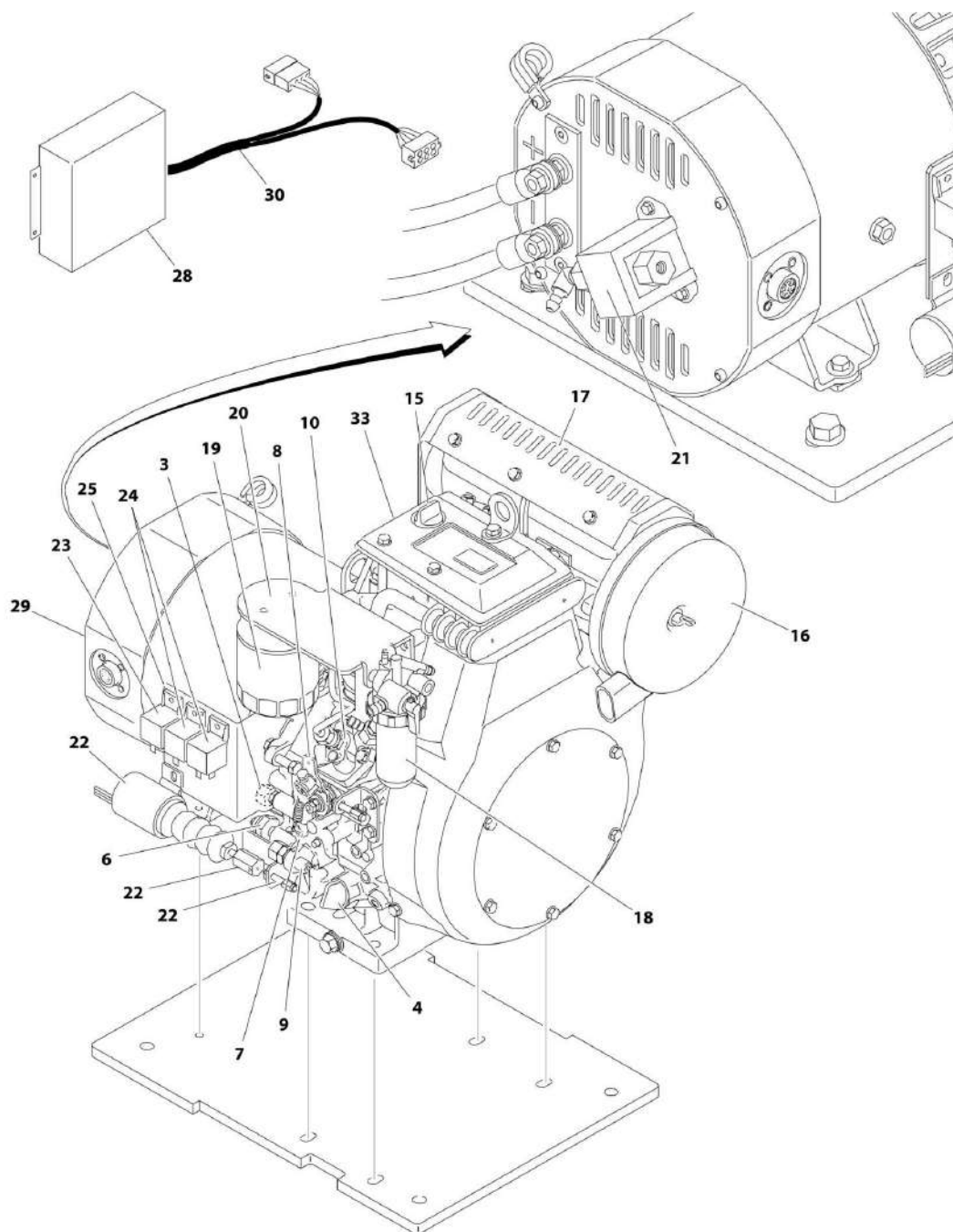
SECTION 3 - ENGINE

FIGURE 3-3. KUBOTA MOTOR/GENERATOR ASSEMBLY

ITEM	PART NUMBER	QTY	DESCRIPTION	REV
	1001159358	Ref	KUBOTA MOTOR/GENERATOR ASSEMBLY	D
1	0641410	2	Bolt 1/4 x 1-1/4	
2	0641609	8	Bolt 3/8 x 1-1/8	
3	0641616	4	Bolt 3/8 x 2	
4	0641820	4	Bolt 1/2 x 2-1/2	
5	1320135	1	Clamp	
6	1001159355	1	Engine, Kubota (See KUBOTA ENGINE COMPONENTS for Breakdown)	
7	3200425	4	Mount, Engine	
8	3311405	2	Nut 1/4	
9	3311605	12	Nut 3/8	
10	3311805	4	Nut 1/2	
11	3380609	1	Plate, Baffle	
12	3460475	1	Pipe, Exhaust	
13	4341095	1	Plate, Mounting	
14	4711600	16	Washer 3/8	
15	4711800	4	Washer 1/2	
16	4740274	4	Washer	
17	4751400	4	Washer 1/4	
18	4751600	8	Washer 3/8	
19	4846317	1	Tray	
20	3960389	18 in /46cm	Seal	
21	3960418	28 in /71cm	Seal	

SECTION 3 - ENGINE

FIGURE 3-4. KUBOTA MOTOR/GENERATOR COMPONENTS



ART_1001159355

SECTION 3 - ENGINE

FIGURE 3-4. KUBOTA MOTOR/GENERATOR COMPONENTS

ITEM	PART NUMBER	QTY	DESCRIPTION	REV
	1001159355	Ref	KUBOTA MOTOR/GENERATOR COMPONENTS	A
1	70000290	1	Glow Plug (Not Shown)	
1	70000291	1	Harness, Glow Plug (Not Shown)	
2	70000292	1	Screen, Oil Sump (Includes O-Ring)	
3	70000293	1	Cap, Oil Filler (Includes O-Ring)	
4	70000294	1	Dipstick	
5	70000295	1	Pump, Oil Rotor (Not Shown - Located beside Item 6)	
5	70000296	1	O-Ring Oil Rotor Pump (Not Shown)	
6	70000297	1	Switch, Oil	
7	70000298	1	Lever, Governor	
7	70000299	1	Pin, Governor Lever	
7	70000300	1	Spring, Governor Lever	
8	70000301	1	Spring, Idling	
8	70000304	1	Lever, Spring Control	
8	70000305	1	Spring, Stop (Speed Control Lever)	
9	70000302	1	Valve, Fuel Limit (Not Shown)	
9	70000303	1	Gasket, Fuel Limit (Not Shown)	
10	70000306	1	Pump, Injection	
10	70000307	1	Kit, Pump Adjustment Shim	
11	70000308	1	Flywheel/Ring Gear Assembly (Not Shown - Located Behind Front Cover)	
11	70000309	1	Ring Gear (Not Shown)	
11	70001121	1	Stator, Engine (Not Shown - Located Behind Flywheel) (Includes Coil and Grommet)	
12	70003557	1	Regulator, Voltage (Not Shown - Located on Opposite Side of Engine)	
13	70000310	1	Starter (Not Shown - Located on Opposite of Engine)	
14	70000311	1	Solenoid, Starter (Not Shown - Located on Opposite Side of Engine)	
15	70002244	1	Cap, Oil Filler (Includes O-Ring)	
16	70000312	1	Air Filter Assembly	
16	70000313	1	Element, Air Cleaner	
16	70000314	1	Gasket, Air Cleaner	
17	70000315	1	Muffler Assembly	
17	70000316	1	Gasket, Muffler	
18	70000317	1	Inline Fuel Check Valve Assembly	
18	70000967	1	Fuel Filter Assembly	
18	70000318	1	Element, Fuel Filter	
19	70000319	1	Element, Oil Filter	
19	70001144	1	Head, Oil Filter Head (Note: Does Not Include Element)	
20	70002544	1	Bracket, Oil Filter Mount	
21	70000320	1	Pump, Fuel	
22	70000321	1	Solenoid, Fuel	
22	70003618	1	Adapter, Solenoid	
22	70003619	1	Screw	
23	70000322	1	Relay	
24	70000323	2	Relay	
25	70002083	1	Bracket, Solenoid/Relay	
26	70000324	1	Sensor, Speed (Not Shown - Located Inside Front Cover)	
26	70004265	1	Bracket, Speed Sensor (Not Show - Located Inside Front Cover)	

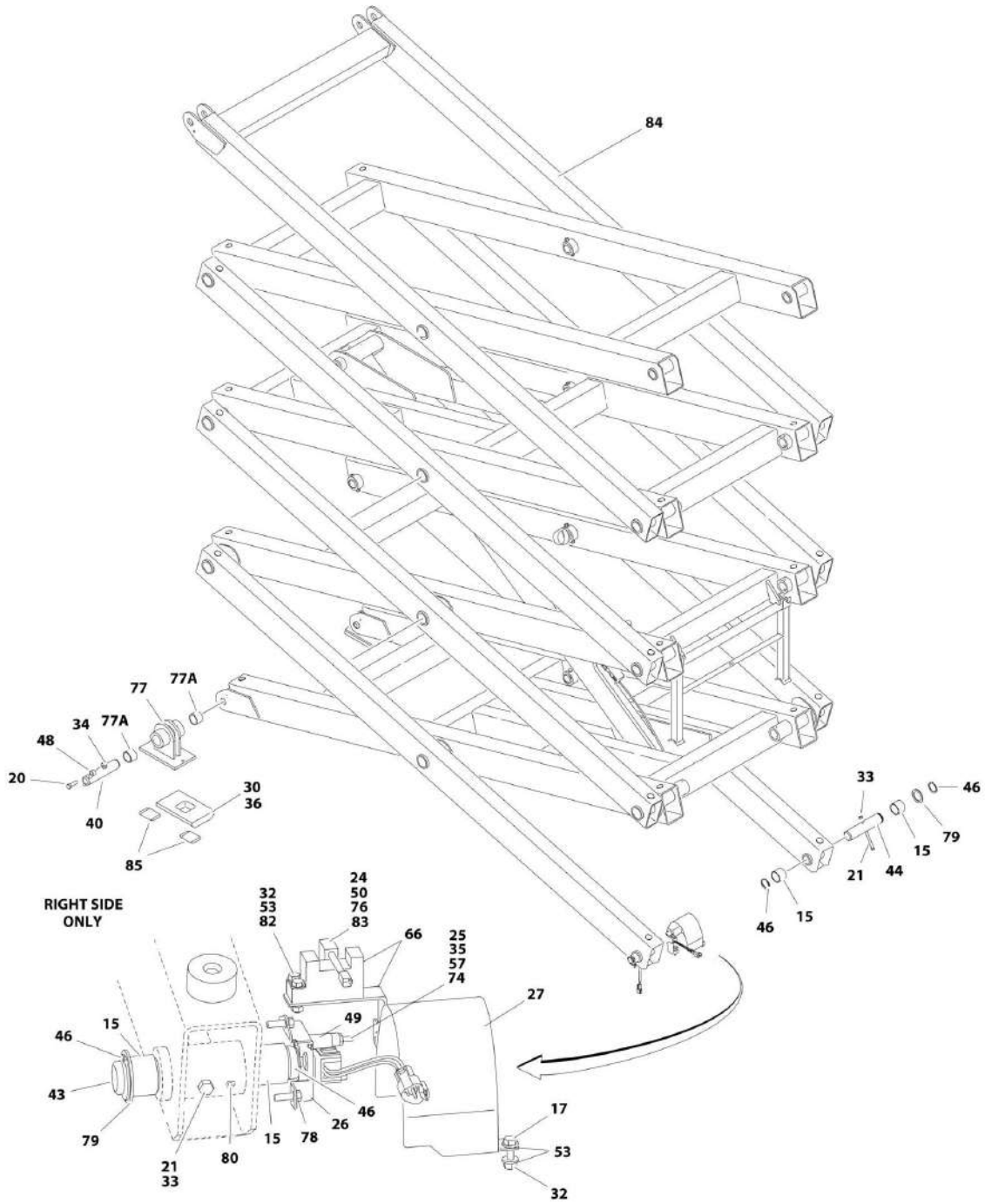
SECTION 3 - ENGINE

ITEM	PART NUMBER	QTY	DESCRIPTION	REV
27	70000325	1	Sensor, Oil Temperature (Not Shown - Located on Opposite Side of Engine Base)	
28	70000326	1	Module, Engine Control	
29	70000327	1	Alternator	
29	70000382	1	Stator, Alternator	
29	70004394	1	Lead, Field Terminal Block Diode	
30	70000328	1	Harness, Generator	
31	70000329	1	Fuse 15Amp (Not Shown)	
32	70000330	1	Fuse 20Amp (Not Shown)	
33	70002543	1	Engine, Kubota (Without Generator)	
34	70000289	1	Regulator, Voltage (Not Shown - Located on Opposite Side of Engine)	

SECTION 4 - SCISSORS ARMS

SECTION 4 - SCISSORS ARMS

FIGURE 4-1. SCISSORS ARMS INSTALLATION WITHOUT LSS - 3369LE/M3369



ART_0272932

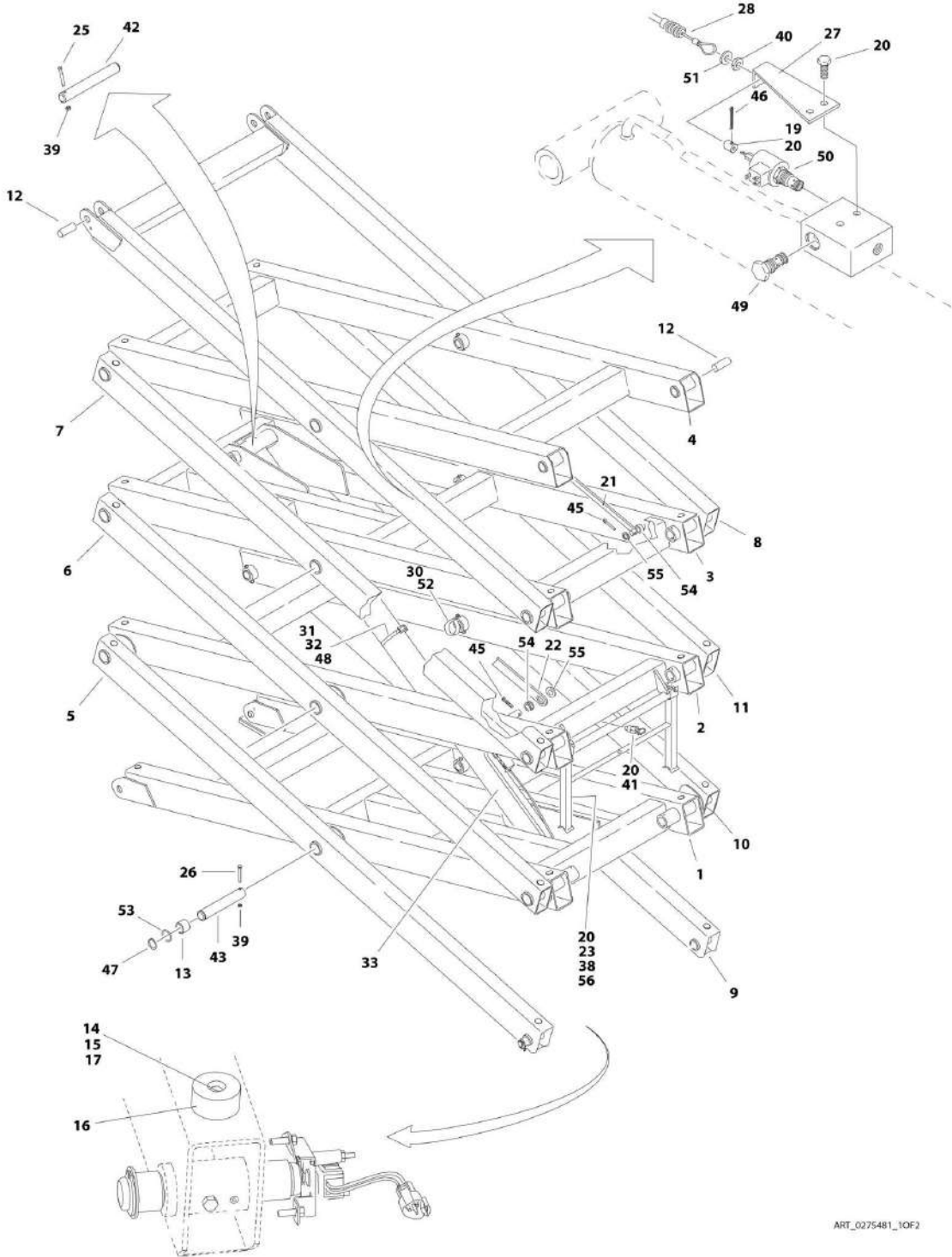
SECTION 4 - SCISSORS ARMS

FIGURE 4-1. SCISSORS ARMS INSTALLATION WITHOUT LSS - 3369LE/M3369

ITEM	PART NUMBER	QTY	DESCRIPTION	REV
	0272932	Ref	SCISSORS ARMS INSTALLATION WITHOUT LSS - 3369LE/M3369	L
15	0440234	4	Bushing	
17	0641408	2	Bolt 1/4 x 1	
20	0641610	2	Bolt 3/8 x 1-1/4	
21	0681520	2	Bolt 5/16 x 2-1/2 Grade 8	
24	3900325	2	Screw #10 x 1/2	
25	0721014	2	Screw #10 x 1-3/4	
25	0731012	2	Screw #10 x 1-1/2	
26	0902713	1	Bracket, Limit Switch	
27	1670965	1	Cover, Limit Switch	
30	3020022	AR	Lubricant	
32	3311405	4	Nut 1/4	
33	3311505	2	Nut 5/16	
34	3311605	2	Nut 3/8	
35	3311001	2	Nut #10	
35	3321001	2	Nut #10	
36	3340856	2	Pad, Slide	
40	3422822	2	Pin	
43	3422905	1	Pin	
44	3422907	1	Pin	
46	3760387	4	Ring, Retaining	
48	3841143	2	Keeper, Pin	
49	4360500	1	Switch, Rotary Angle Sensor	
49	77363243	1	Receptacle, Female - 3 Position	
49	4460464	3	Pin, Male	
50	4360502	1	Switch, Proximity Sensor	
50	4460897	1	Connector, Female - 2 Position	
50	4460464	2	Pin, Male	
53	4711400	8	Washer 1/4	
57	4751000	4	Washer #10	
60	1271441	1	Channel, Arm Retainer (Not Shown)	
66	3200453	1	Block, Mounting	
66	0903273	1	Bracket, Switch	
74	0100035	AR	Compound, Locking	
75	4922543	1	Harness, Lift Down (Lower) (Not Shown - See ELECTRICAL SECTION for Breakdown)	
76	3300455	2	Nut #10	
77	1001099550	2	Slider (Bottom)	
77A	0440234	4	Bushing (2 Per Assembly)	
78	0791406	3	Screw 1/4 x 3/4	
79	4740438	2	Washer	
80	3422927	1	Rollpin	
82	0641410	2	Bolt 1/4 x 1-1/4	
83	4740506	2	Washer	
84	0275481	1	Scissors Arms Assembly (See SCISSORS ARMS ASSEMBLY WITHOUT LSS - 3369LE/M3369 for Breakdown)	
85	1001125245	1	Decal Kit - Calibration (Includes 2 Decals)	

SECTION 4 - SCISSORS ARMS

FIGURE 4-2. SCISSORS ARMS ASSEMBLY WITHOUT LSS - 3369LE/M3369



ART_0275481_10F2

SECTION 4 - SCISSORS ARMS

FIGURE 4-2. SCISSORS ARMS ASSEMBLY WITHOUT LSS - 3369LE/M3369

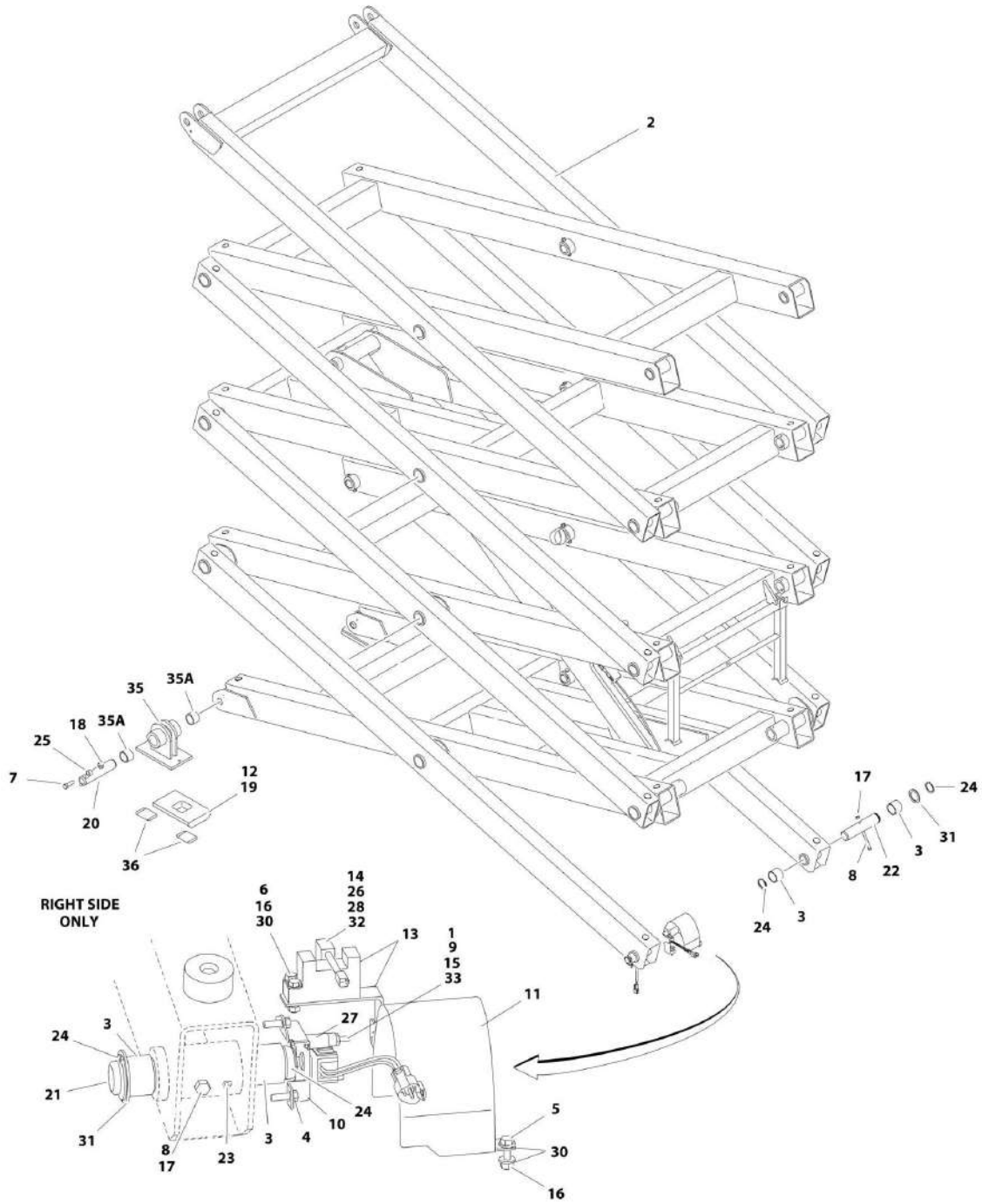
ITEM	PART NUMBER	QTY	DESCRIPTION	REV
	0275481	Ref	SCISSORS ARMS ASSEMBLY WITHOUT LSS - 3369LE/M3369	E
1	0200654	1	Arm Weldment (Bottom Inboard)	
2	0200655	1	Arm Weldment (Lower Mid Inboard)	
3	0200656	1	Arm Weldment (Upper Mid Inboard)	
4	0200724	1	Arm Weldment (Top Inboard)	
5	0200658	1	Arm Weldment (Bottom Left Side Outboard)	
6	0200659	1	Arm Weldment (Lower Mid Left Side Outboard)	
7	0200660	1	Arm Weldment (Upper Mid Left Side Outboard)	
8	0200725	1	Arm Weldment (Top Outboard)	
9	0200667	1	Arm Weldment (Bottom Right Side Outboard)	
10	0200668	1	Arm Weldment (Lower Mid Right Side Outboard)	
11	0200669	1	Arm Weldment (Upper Mid Right Side Outboard)	
12	0440250	4	Bushing	
13	0440236	40	Bushing	
14	0641510	24	Bolt 5/16 x 1-1/4	
15	3311505	24	Nut 5/16	
16	3340866	24	Pad, Arm	
17	4711500	24	Washer 5/16	
19	0080228	1	Adapter, Cable	
20	0100011	AR	Compound, Locking	
21	0362840	1	Bar, Cable Carrier	
22	0362841	1	Bar, Cable Carrier	
23	0641418	2	Bolt 1/4 x 2-1/4	
24	0641506	2	Bolt 5/16 x 3/4	
25	0681622	2	Bolt 3/8 x 2-3/4 Grade 8	
26	0681624	20	Bolt 3/8 x 3 Grade 8	
27	0902421	1	Bracket, Cable	
28	1060846	1	Cable, Manual Descent	
29	1060866	1	Cable, Electrical - 12/3 (Not Shown)	
30	1320110	1	Clamp, Support	
31	1320122	1	Clamp	
32	1670995	1	Cover, Hose/Cable	
33	1684119	1	Lift Cylinder Assembly (See CYLINDER SECTION for Breakdown)	
38	3300151	2	Nut 1/4	
39	3311605	22	Nut 3/8	
40	3321402	2	Nut 1/4	
41	3422369	1	Pin, Plunger	
42	3422778	2	Pin, Pivot	
43	3422825	16	Pin, Pivot	
44	3422826	4	Pin, Pivot	
45	3450304	4	Pin, Cotter 3/32 x 1	
46	3450405	1	Pin, Cotter	
47	3760420	20	Ring, Retaining	
48	4280295	6 in/15cm	Strip, Protective	
49	4641002	1	Cartridge, Check/Restrictor Valve	
49	7012953	1	Seal Kit - 4641002 Valve	
50	4641172	1	Cartridge, Solenoid Valve	
50	7017445	1	Cartridge, Valve Less Coil	
50	7012967	1	Seal Kit - 7017445 Valve	
50	7012943	1	Coil	

SECTION 4 - SCISSORS ARMS

ITEM	PART NUMBER	QTY	DESCRIPTION	REV
51	4711400	1	Washer 1/4	
52	4711600	1	Washer 3/8	
53	4740332	20	Washer, Special	
54	4740480	4	Washer, Plastic Insert	
55	4751500	4	Washer 5/16	
56	4846020	1	Prop, Safety	
57	4922477	1	Platform Harness (Not Shown - See ELECTRICAL SECTION for Breakdown)	
58	4922544	1	Lift Down Harness (Upper) (Not Shown - See ELECTRICAL SECTION for Breakdown)	
60	2902253	1	Arm Kit (Includes Items 1-17) (Not Shown)	D

SECTION 4 - SCISSORS ARMS

FIGURE 4-3. SCISSORS ARMS INSTALLATION WITH LSS - 3369LE/M3369



ART_0275552

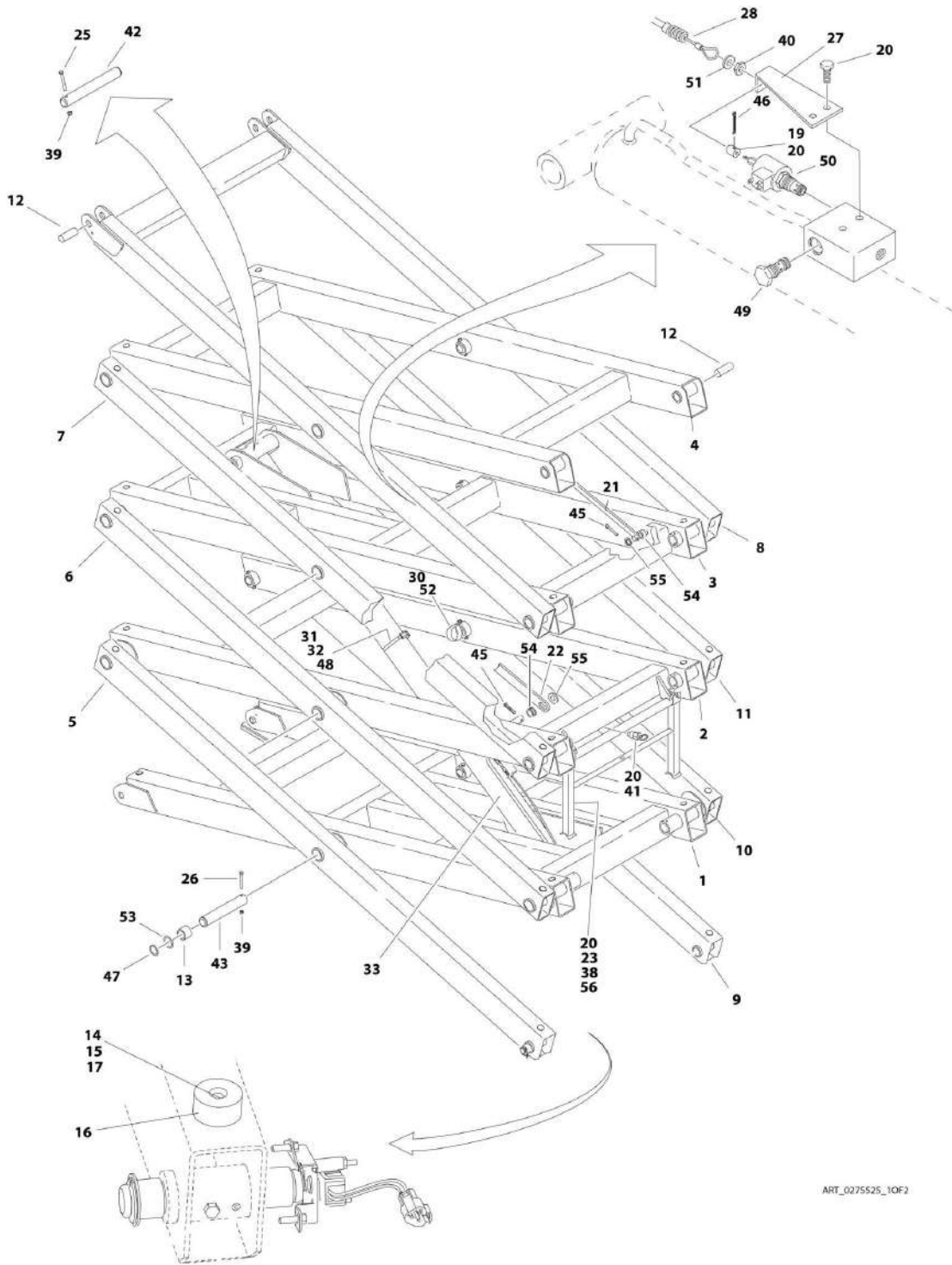
SECTION 4 - SCISSORS ARMS

FIGURE 4-3. SCISSORS ARMS INSTALLATION WITH LSS - 3369LE/M3369

ITEM	PART NUMBER	QTY	DESCRIPTION	REV
	0275552	Ref	SCISSORS ARMS INSTALLATION WITH LSS - 3369LE/M3369	H
		Ref	Note: For Machines with LSS and Soft Touch refer to SPECIAL OPTIONS Section. For UK MOD Machines, refer to JLG Manual p/n 3121698.	
1	0100035	AR	Compound, Locking	
2	0275525	1	Scissors Arms Assembly (See SCISSORS ARMS ASSEMBLY WITH LSS - 3369LE/M3369 for Breakdown)	
3	0440234	4	Bushing	
4	0791406	3	Screw 1/4 x 3/4	
5	0641408	2	Bolt 1/4 x 1	
6	0641410	2	Bolt 1/4 x 1-1/4	
7	0641610	2	Bolt 3/8 x 1-1/4	
8	0681520	2	Bolt 5/16 x 2-1/2 Grade 8	
9	0721014	2	Screw #10 x 1-3/4	
9	0731012	2	Screw #10 x 1-1/2	
10	0902713	1	Bracket, Limit Switch	
11	1670965	1	Cover, Limit Switch	
12	3020022	AR	Lubricant	
13	3200453	1	Block, Mounting	
13	0903273	1	Bracket, Switch	
14	3300455	2	Nut #10	
15	3311001	2	Nut #10	
15	3321001	2	Nut #10	
16	3311405	4	Nut 1/4	
17	3311505	2	Nut 5/16	
18	3311605	2	Nut 3/8	
19	3340856	2	Pad, Slide	
20	3422822	2	Pin	
21	3422905	1	Pin	
22	3422907	1	Pin	
23	3422927	1	Rollpin	
24	3760387	4	Ring, Retaining	
25	3841143	2	Keeper, Pin	
26	3900325	2	Screw #10 x 1/2	
27	4360500	1	Switch, Rotary Angle Sensor	
27	77363243	1	Receptacle, Female - 3 Position	
27	4460464	3	Pin, Male	
28	4360502	1	Switch, Proximity Sensor	
28	4460897	1	Connector, Female - 2 Position	
28	4460464	2	Pin, Male	
29	1271441	1	Channel, Arm Retainer (Not Shown)	
30	4711400	8	Washer 1/4	
31	4740438	2	Washer	
32	4740506	2	Washer	
33	4751000	4	Washer #10	
34	4922543	1	Harness, Lift Down (Lower) (Not Shown - See ELECTRICAL SECTION for Breakdown)	
35	1001099550	2	Slider (Bottom)	
35A	0440234	4	Bushing (2 Per Assembly)	
36	1001125245	1	Decal Kit - Calibration (Includes 2 Decals)	

SECTION 4 - SCISSORS ARMS

FIGURE 4-4. SCISSORS ARMS ASSEMBLY WITH LSS - 3369LE/M3369



ART_0275525_10F2

SECTION 4 - SCISSORS ARMS

FIGURE 4-4. SCISSORS ARMS ASSEMBLY WITH LSS - 3369LE/M3369

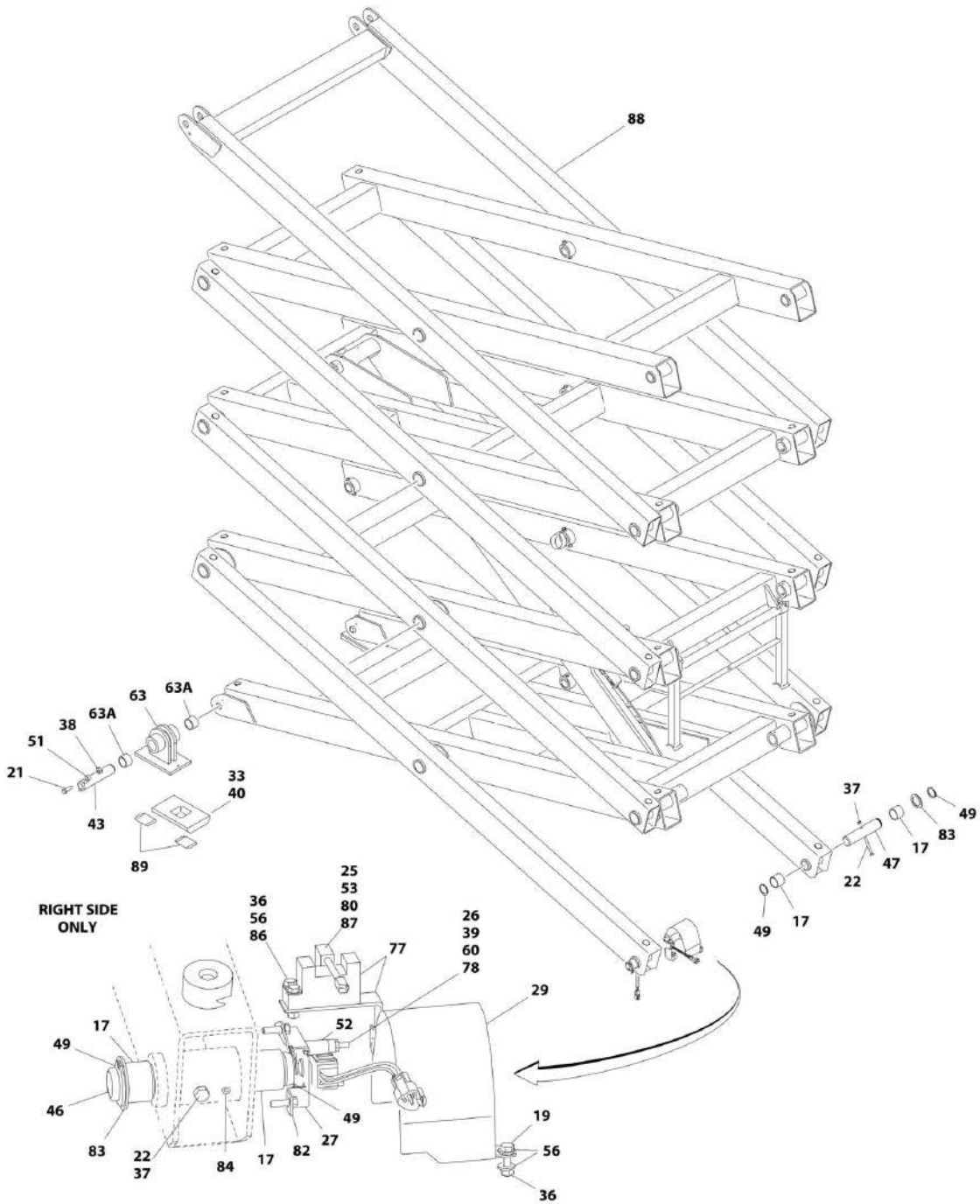
ITEM	PART NUMBER	QTY	DESCRIPTION	REV
	0275525	Ref	SCISSORS ARMS ASSEMBLY WITH LSS - 3369LE/M3369	F
1	0200654	1	Arm Weldment (Bottom Inboard)	
2	0200655	1	Arm Weldment (Lower Mid Inboard)	
3	0200656	1	Arm Weldment (Upper Mid Inboard)	
4	0200724	1	Arm Weldment (Top Inboard)	
5	0200658	1	Arm Weldment (Bottom Left Side Outboard)	
6	0200659	1	Arm Weldment (Lower Mid Left Side Outboard)	
7	0200660	1	Arm Weldment (Upper Mid Left Side Outboard)	
8	0200725	1	Arm Weldment (Top Outboard)	
9	0200667	1	Arm Weldment (Bottom Right Side Outboard)	
10	0200668	1	Arm Weldment (Lower Mid Right Side Outboard)	
11	0200669	1	Arm Weldment (Upper Mid Right Side Outboard)	
12	0440250	4	Bushing	
13	0440236	40	Bushing	
14	0641510	24	Bolt 5/16 x 1-1/4	
15	3311505	24	Nut 5/16	
16	3340866	24	Pad, Arm	
17	4711500	24	Washer 5/16	
19	0080228	1	Adapter, Cable	
20	0100011	AR	Compound, Locking	
21	0362840	1	Bar, Cable Carrier	
22	0362841	1	Bar, Cable Carrier	
23	0641418	2	Bolt 1/4 x 2-1/4	
24	0641506	2	Bolt 5/16 x 3/4	
25	0681622	2	Bolt 3/8 x 2-3/4 Grade 8	
26	0681624	20	Bolt 3/8 x 3 Grade 8	
27	0902421	1	Bracket, Cable	
28	1060846	1	Cable, Manual Descent	
29	1060866	1	Cable, Electrical - 12/3 (Not Shown)	
30	1320110	1	Clamp, Support	
31	1320122	1	Clamp	
32	1670995	1	Cover, Hose/Cable	
33	1684119	1	Lift Cylinder Assembly (See CYLINDER SECTION for Breakdown)	
38	3300151	2	Nut 1/4	
39	3311605	22	Nut 3/8	
40	3321402	2	Nut 1/4	
41	3422369	1	Pin, Plunger	
42	3422778	2	Pin, Pivot	
43	3422825	16	Pin, Pivot	
44	3422826	4	Pin, Pivot	
45	3450304	4	Pin, Cotter 3/32 x 1	
46	3450405	1	Pin, Cotter	
47	3760420	20	Ring, Retaining	
48	4280295	6 in/15cm	Strip, Protective	
49	4641002	1	Cartridge, Check/Restrictor Valve	
49	7012953	1	Seal Kit - 4641002 Valve	
50	4641172	1	Cartridge, Solenoid Valve	
50	7017445	1	Cartridge, Valve Less Coil	
50	7012967	1	Seal Kit - 7017445 Valve	
50	7012943	1	Coil	

SECTION 4 - SCISSORS ARMS

ITEM	PART NUMBER	QTY	DESCRIPTION	REV
51	4711400	1	Washer 1/4	
52	4711600	1	Washer 3/8	
53	4740332	20	Washer, Special	
54	4740480	4	Washer, Plastic Insert	
55	4751500	4	Washer 5/16	
56	4846020	1	Prop, Safety	
57	4922477	1	Platform Harness (Not Shown - See ELECTRICAL SECTION for Breakdown)	
58	4922544	1	Lift Down Harness (Upper) (Not Shown - See ELECTRICAL SECTION for Breakdown)	
59	4922903	1	Load Sense Harness (Not Shown - See Platform Section)	
60	2902253	1	Arm Kit (Includes Items 1-17) (Not Shown)	D

SECTION 4 - SCISSORS ARMS

FIGURE 4-5. SCISSORS ARMS INSTALLATION WITHOUT LSS - 4069LE/M4069



ART_0272933

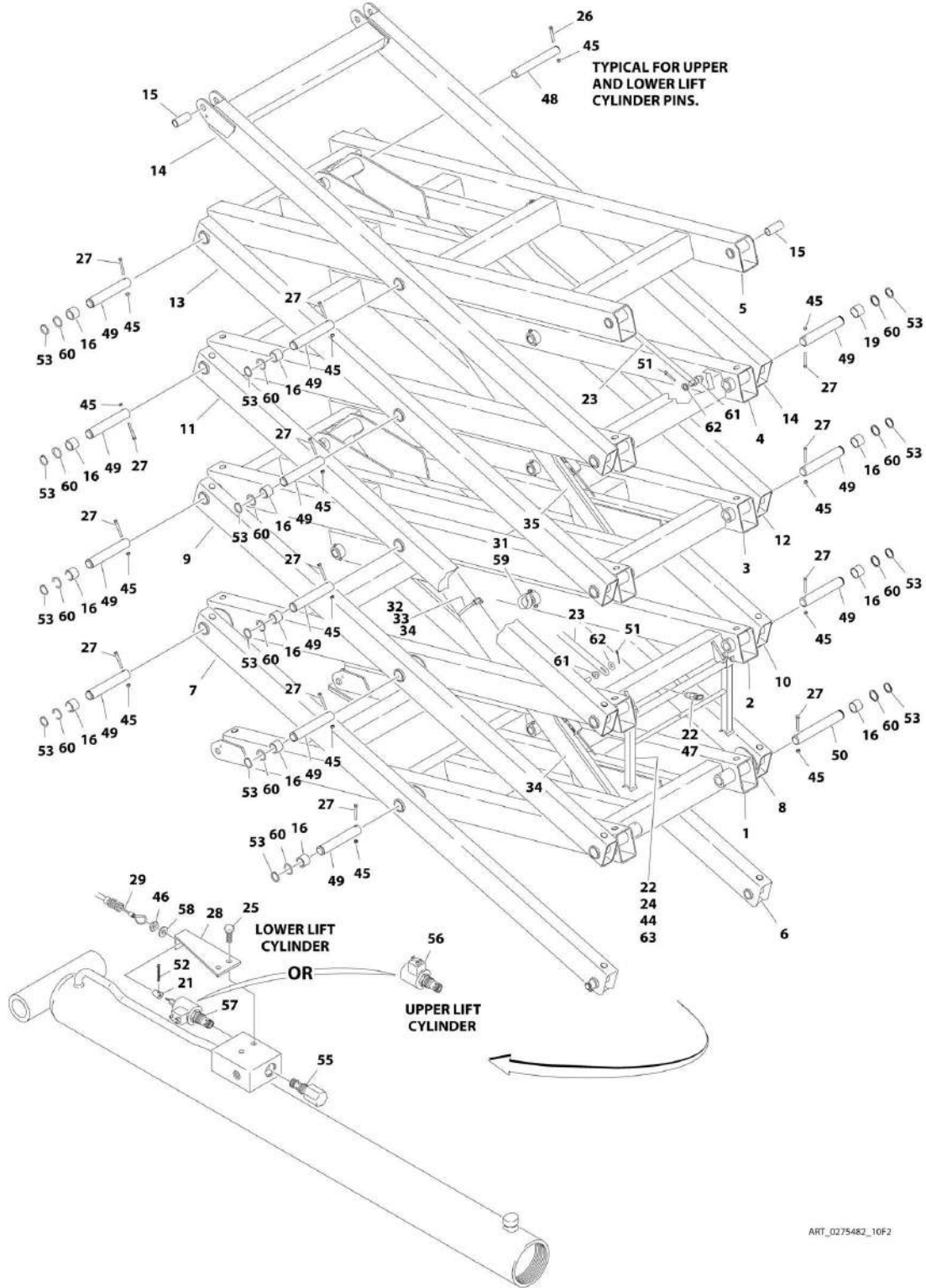
SECTION 4 - SCISSORS ARMS

FIGURE 4-5. SCISSORS ARMS INSTALLATION WITHOUT LSS - 4069LE/M4069

ITEM	PART NUMBER	QTY	DESCRIPTION	REV
	0272933	Ref	SCISSORS ARMS INSTALLATION WITHOUT LSS - 4069LE/M4069	L
17	0440234	4	Bushing	
19	0641408	2	Bolt 1/4 x 1	
21	0641610	2	Bolt 3/8 x 1-1/4	
22	0681520	2	Bolt 5/16 x 2-1/2 Grade 8	
25	3900325	2	Screw #10	
26	0721014	2	Screw #10 x 1-3/4	
26	0731012	2	Screw #10 x 1-1/2	
27	0902713	1	Bracket, Limit Switch	
29	1670965	1	Cover, Limit Switch	
33	3020022	AR	Lubricant	
36	3311405	4	Nut 1/4	
37	3311505	2	Nut 5/16	
38	3311605	2	Nut 3/8	
39	3311001	2	Nut #10	
39	3321001	2	Nut #10	
40	3340856	2	Pad, Slide	
43	3422822	2	Pin, Pivot	
46	3422905	1	Pin, Pivot	
47	3422907	1	Pin, Pivot	
49	3760387	4	Ring, Retaining	
51	3841143	2	Keeper, Pin	
52	4360500	1	Switch, Rotary Angle Sensor	
52	77363243	1	Receptacle, Female - 3 Position	
52	4460464	3	Pin, Male	
53	4360502	1	Switch, Proximity Sensor	
53	4460897	1	Receptacle, Female - 2 Position	
53	4460464	2	Pin, Male	
56	4711400	8	Washer 1/4	
60	4751000	8	Washer #10	
63	1001099550	2	Slider	
63A	0440234	4	Bushing	
77	3200453	1	Block	
77	0903273	1	Bracket	
78	0100035	AR	Compound, Locking	
79	4922543	1	Harness, Lift Down (Lower) (Not Shown - See ELECTRICAL SECTION for Breakdown)	
80	3300455	2	Nut #10	
82	0791406	3	Screw 1/4 x 3/4	
83	4740438	2	Washer	
84	3422927	1	Rollpin	
86	0641410	2	Bolt 1/4 x 1-1/4	
87	4740506	2	Washer #10	
88	0275482	1	Scissors Arms Assembly (See SCISSORS ARMS ASSEMBLY WITHOUT LSS - 4069LE/M4069 for Breakdown)	
89	1001125244	1	Decal Kit - Calibration (Includes 2 Decals)	

SECTION 4 - SCISSORS ARMS

FIGURE 4-6. SCISSORS ARMS ASSEMBLY WITHOUT LSS - 4069LE/M4069



ART_0275482_10F2

SECTION 4 - SCISSORS ARMS

FIGURE 4-6. SCISSORS ARMS ASSEMBLY WITHOUT LSS - 4069LE/M4069

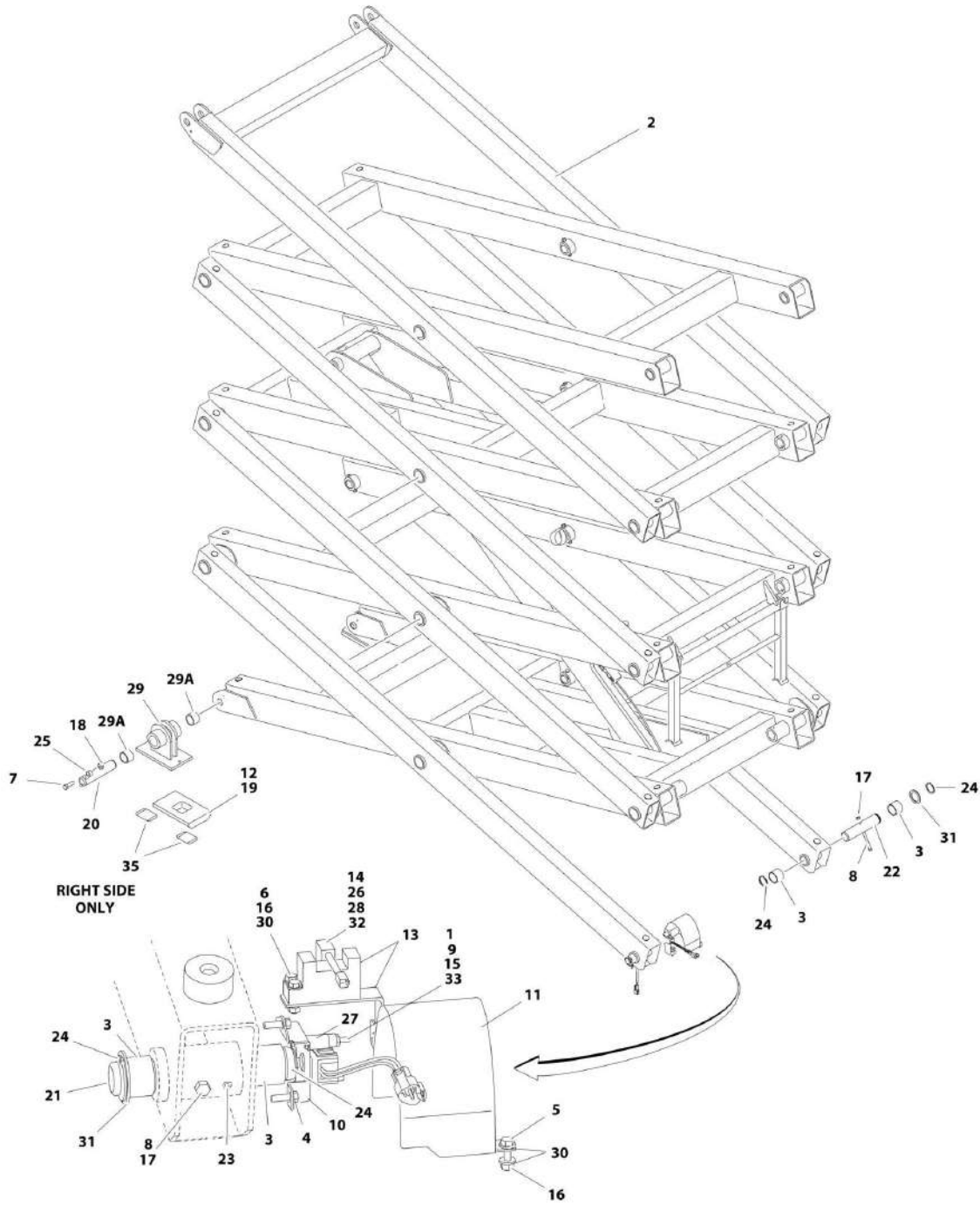
ITEM	PART NUMBER	QTY	DESCRIPTION	REV
	0275482	Ref	SCISSORS ARMS ASSEMBLY WITHOUT LSS - 4069LE/M4069	E
1	0200683	1	Arm Weldment (Bottom Inboard)	
2	0200684	1	Arm Weldment (Lower Mid Inboard)	
3	0200685	1	Arm Weldment (Center Mid Inboard)	
4	0200686	1	Arm Weldment (Upper Mid Inboard)	
5	0200726	1	Arm Weldment (Top Inboard)	
6	0200688	1	Arm Weldment (Bottom Right Side Outboard)	
7	0200689	1	Arm Weldment (Bottom Left Side Outboard)	
8	0200690	1	Arm Weldment (Lower Mid Right Side Outboard)	
9	0200691	1	Arm Weldment (Lower Mid Left Side Outboard)	
10	0200692	1	Arm Weldment (Center Mid Right Side Outboard)	
11	0200693	1	Arm Weldment (Center Mid Left Side Outboard)	
12	0200694	1	Arm Weldment (Upper Mid Right Side Outboard)	
13	0200695	1	Arm Weldment (Upper Mid Left Side Outboard)	
14	0200727	1	Arm Weldment (Top Outboard)	
15	0440250	4	Bushing	
16	0440236	52	Bushing	
17	0940090	32	Bumper, Arm Spacer	
18	3311401	32	Nut 1/4	
19	4711500	32	Washer 5/16	
21	0080228	1	Adapter, Cable	
22	0100011	AR	Compound, Locking	
23	0362841	2	Bar, Cable Carrier	
24	0641418	2	Bolt 1/4 x 2-1/4	
25	0641506	2	Bolt 5/16 x 3/4	
26	0681622	4	Bolt 3/8 x 2-3/4 Grade 8	
27	0681624	26	Bolt 3/8 x 3 Grade 8	
28	0902421	1	Bracket, Cable Mounting	
29	1060846	1	Cable, Manual Descent	
30	1060867	1	Cable, Electrical -12/3 (Not Shown)	
31	1320110	1	Clamp, Support	
32	1320122	1	Clamp	
33	1670995	1	Cover, Hose/Cable	
34	1684120	1	Lift Cylinder Assembly - Lower (See CYLINDER SECTION for Breakdown)	
35	1684121	1	Lift Cylinder Assembly - Upper (See CYLINDER SECTION for Breakdown)	
44	3300151	2	Nut 1/4	
45	3311605	30	Nut 3/8	
46	3321402	2	Nut 1/4	
47	3422369	1	Pin, Plunger	
48	3422778	4	Pin, Pivot	
49	3422825	24	Pin, Pivot	
50	3422826	2	Pin, Pivot	
51	3450304	4	Pin, Cotter 3/32 x 1	
52	3450405	1	Pin, Cotter	
53	3760420	26	Ring, Retaining	
54	4280295	6 in/15cm	Strip, Protective	
55	4641118	2	Cartridge, Relief Valve (Lower and Upper Cylinders (1 Per Cylinder)	

SECTION 4 - SCISSORS ARMS

ITEM	PART NUMBER	QTY	DESCRIPTION	REV
55	7012998	2	Seal Kit - 4641118 Valve (1 Per Cartridge)	
56	4641168	1	Cartridge, Solenoid Valve with Coil (Upper Cylinder)	
56	7017467	1	Seal Kit - 4641168 Valve	
56	7012944	1	Coil	
57	4641172	1	Cartridge, Solenoid Valve with Coil (Lower Cylinder)	
57	7017445	1	Cartridge, Solenoid Valve Less Coil	
57	7012967	1	Seal Kit - 4641172 Valve	
57	7012943	1	Coil	
58	4711400	2	Washer 1/4	
59	4711600	1	Washer 3/8	
60	4740332	26	Washer	
61	4740480	4	Washer, Plastic Insert	
62	4751500	4	Washer 5/16	
63	4846020	1	Prop, Safety	
64	4922478	1	Platform Harness (Not Shown - See ELECTRICAL SECTION for Breakdown)	
65	4922545	1	Lift Down Harness (Upper) (Not Shown - See ELECTRICAL SECTION for Breakdown)	
70	2902254	1	Arm Kit (Includes Items 1-19) (Not Shown)	C

SECTION 4 - SCISSORS ARMS

FIGURE 4-7. SCISSORS ARMS INSTALLATION WITH LSS - 4069LE/M4069



ART_0275553

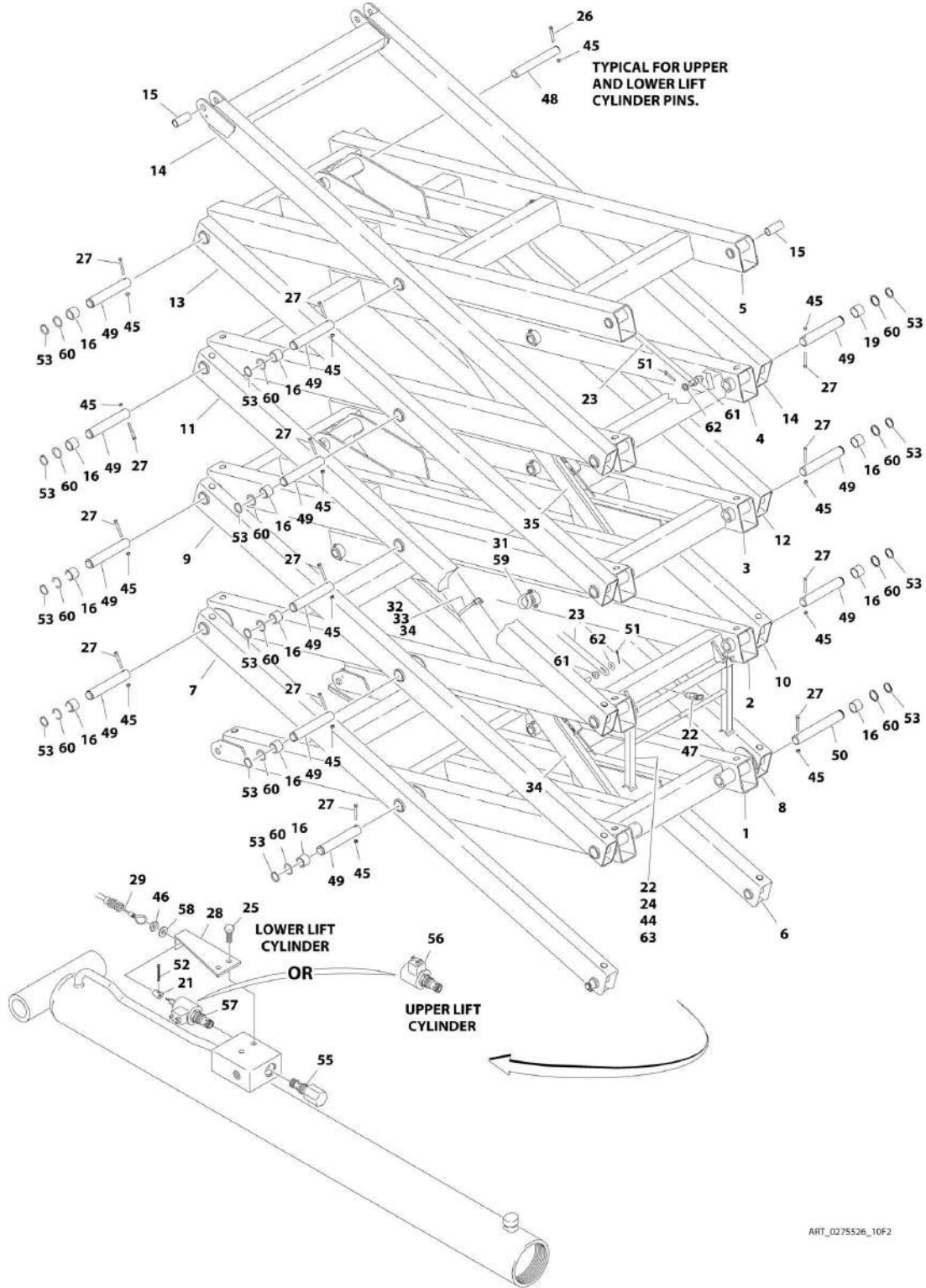
SECTION 4 - SCISSORS ARMS

FIGURE 4-7. SCISSORS ARMS INSTALLATION WITH LSS - 4069LE/M4069

ITEM	PART NUMBER	QTY	DESCRIPTION	REV
	0275553	Ref	SCISSORS ARMS INSTALLATION WITH LSS - 4069LE/M4069	H
1	0100035	AR	Compound, Locking	
2	0275526	1	Scissors Arms Assembly (See SCISSORS ARMS ASSEMBLY WITH LSS - 4069LE/M4069 For Breakdown)	
3	0440234	4	Bushing	
4	0791406	3	Screw 1/4 x 3/4	
5	0641408	2	Bolt 1/4 x 1	
6	0641410	2	Bolt 1/4 x 1-1/4	
7	0641610	2	Bolt 3/8 x 1-1/4	
8	0681520	2	Bolt 5/16 x 2-1/2 Grade 8	
9	0721014	2	Screw #10 x 1-3/4	
9	0731012	2	Screw #10 x 1-1/2	
10	0902713	1	Bracket, Limit Switch	
11	1670965	1	Cover, Limit Switch	
12	3020022	AR	Lubricant	
13	3200453	1	Block	
13	0903273	1	Bracket	
14	3300455	2	Nut #10	
15	3311001	2	Nut #10	
15	3321001	2	Nut #10	
16	3311405	4	Nut 1/4	
17	3311505	2	Nut 5/16	
18	3311605	2	Nut 3/8	
19	3340856	2	Pad, Slide	
20	3422822	2	Pin, Pivot	
21	3422905	1	Pin, Pivot	
22	3422907	1	Pin, Pivot	
23	3422927	1	Rollpin	
24	3760387	4	Ring, Retaining	
25	3841143	2	Keeper, Pin	
26	3900325	2	Screw #10	
27	4360500	1	Switch, Rotary Angle Sensor	
27	77363243	1	Receptacle, Female - 3 Position	
27	4460464	3	Pin, Male	
28	4360502	1	Switch, Proximity Sensor	
28	4460897	1	Receptacle, Female - 2 Position	
28	4460464	2	Pin, Male	
29	1001099550	2	Slider	
29A	0440234	4	Bushing	
30	4711400	8	Washer 1/4	
31	4740438	2	Washer	
32	4740506	2	Washer #10	
33	4751000	8	Washer #10	
34	4922543	1	Harness, Lift Down (Lower) (Not Shown - See ELECTRICAL SECTION for Breakdown)	
35	1001125244	1	Decal Kit - Calibration (Includes 2 Decals)	

SECTION 4 - SCISSORS ARMS

FIGURE 4-8. SCISSORS ARMS ASSEMBLY WITH LSS - 4069LE/M4069



ART_0275526_10F2

SECTION 4 - SCISSORS ARMS

FIGURE 4-8. SCISSORS ARMS ASSEMBLY WITH LSS - 4069LE/M4069

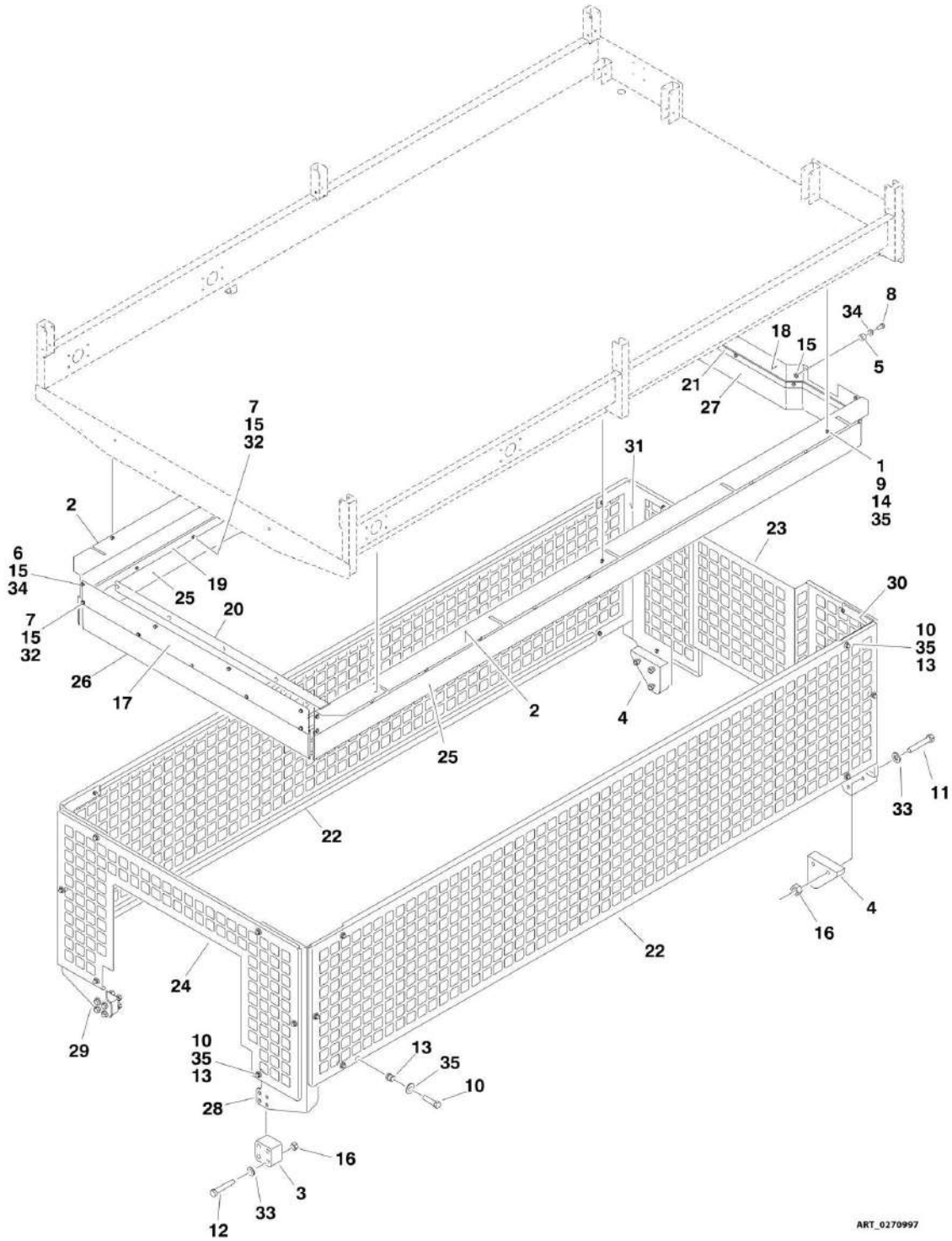
ITEM	PART NUMBER	QTY	DESCRIPTION	REV
	0275526	Ref	SCISSORS ARMS ASSEMBLY WITH LSS - 4069LE/M4069	F
1	0200683	1	Arm Weldment (Bottom Inboard)	
2	0200684	1	Arm Weldment (Lower Mid Inboard)	
3	0200685	1	Arm Weldment (Center Mid Inboard)	
4	0200686	1	Arm Weldment (Upper Mid Inboard)	
5	0200726	1	Arm Weldment (Top Inboard)	
6	0200688	1	Arm Weldment (Bottom Right Side Outboard)	
7	0200689	1	Arm Weldment (Bottom Left Side Outboard)	
8	0200690	1	Arm Weldment (Lower Mid Right Side Outboard)	
9	0200691	1	Arm Weldment (Lower Mid Left Side Outboard)	
10	0200692	1	Arm Weldment (Center Mid Right Side Outboard)	
11	0200693	1	Arm Weldment (Center Mid Left Side Outboard)	
12	0200694	1	Arm Weldment (Upper Mid Right Side Outboard)	
13	0200695	1	Arm Weldment (Upper Mid Left Side Outboard)	
14	0200727	1	Arm Weldment (Top Outboard)	
15	0440250	4	Bushing	
16	0440236	52	Bushing	
17	0940090	32	Bumper, Arm Spacer	
18	3311401	32	Nut 1/4	
19	4711500	32	Washer 5/16	
21	0080228	1	Adpater, Cable	
22	0100011	AR	Compound, Locking	
23	0362841	2	Bar, Cable Carrier	
24	0641418	2	Bolt 1/4 x 2-1/4	
25	0641506	2	Bolt 5/16 x 3/4	
26	0681622	4	Bolt 3/8 x 2-3/4 Grade 8	
27	0681624	26	Bolt 3/8 x 3 Grade 8	
28	0902421	1	Bracket, Cable Mounting	
29	1060846	1	Cable, Manual Descent	
30	1060867	1	Cable, Electrical -12/3 (Not Shown)	
31	1320110	1	Clamp, Support	
32	1320122	1	Clamp	
33	1670995	1	Cover, Hose/Cable	
34	1684120	1	Lift Cylinder Assembly - Lower (See CYLINDER SECTION for Breakdown)	
35	1684121	1	Lift Cylinder Assembly - Upper (See CYLINDER SECTION for Breakdown)	
44	3300151	2	Nut 1/4	
45	3311605	30	Nut 3/8	
46	3321402	2	Nut 1/4	
47	3422369	1	Pin, Plunger	
48	3422778	4	Pin, Pivot	
49	3422825	24	Pin, Pivot	
50	3422826	2	Pin, Pivot	
51	3450304	4	Pin, Cotter 3/32 x 1	
52	3450405	1	Pin, Cotter	
53	3760420	26	Ring, Retaining	
54	4280295	6 in/15cm	Strip, Protective	
55	4641118	2	Cartridge, Relief Valve (Lower and Upper Cylinders (1 Per Cylinder)	

SECTION 4 - SCISSORS ARMS

ITEM	PART NUMBER	QTY	DESCRIPTION	REV
55	7012998	2	Seal Kit - 4641118 Valve (1 Per Cartridge)	
56	4641168	1	Cartridge, Solenoid Valve with Coil (Upper Cylinder)	
56	7017467	1	Seal Kit - 4641168 Valve	
56	7012944	1	Coil	
57	4641172	1	Cartridge, Solenoid Valve with Coil (Lower Cylinder)	
57	7017445	1	Cartridge, Solenoid Valve Less Coil	
57	7012967	1	Seal Kit - 4641172 Valve	
57	7012943	1	Coil	
58	4711400	2	Washer 1/4	
59	4711600	1	Washer 3/8	
60	4740332	26	Washer	
61	4740480	4	Washer, Plastic Insert	
62	4751500	4	Washer 5/16	
63	4846020	1	Prop, Safety	
64	4922478	1	Platform Harness (Not Shown - See ELECTRICAL SECTION for Breakdown)	
65	4922545	1	Lift Down Harness (Upper) (Not Shown - See ELECTRICAL SECTION for Breakdown)	
66	4922903	1	Load Sense Harness (Not Shown - See Platform Section)	
70	2902254	1	Arm Kit (Includes Items 1-19) (Not Shown)	C

SECTION 4 - SCISSORS ARMS

FIGURE 4-9. SCISSORS ARM GUARDS INSTALLATION (CE SPECS ONLY)



SECTION 4 - SCISSORS ARMS

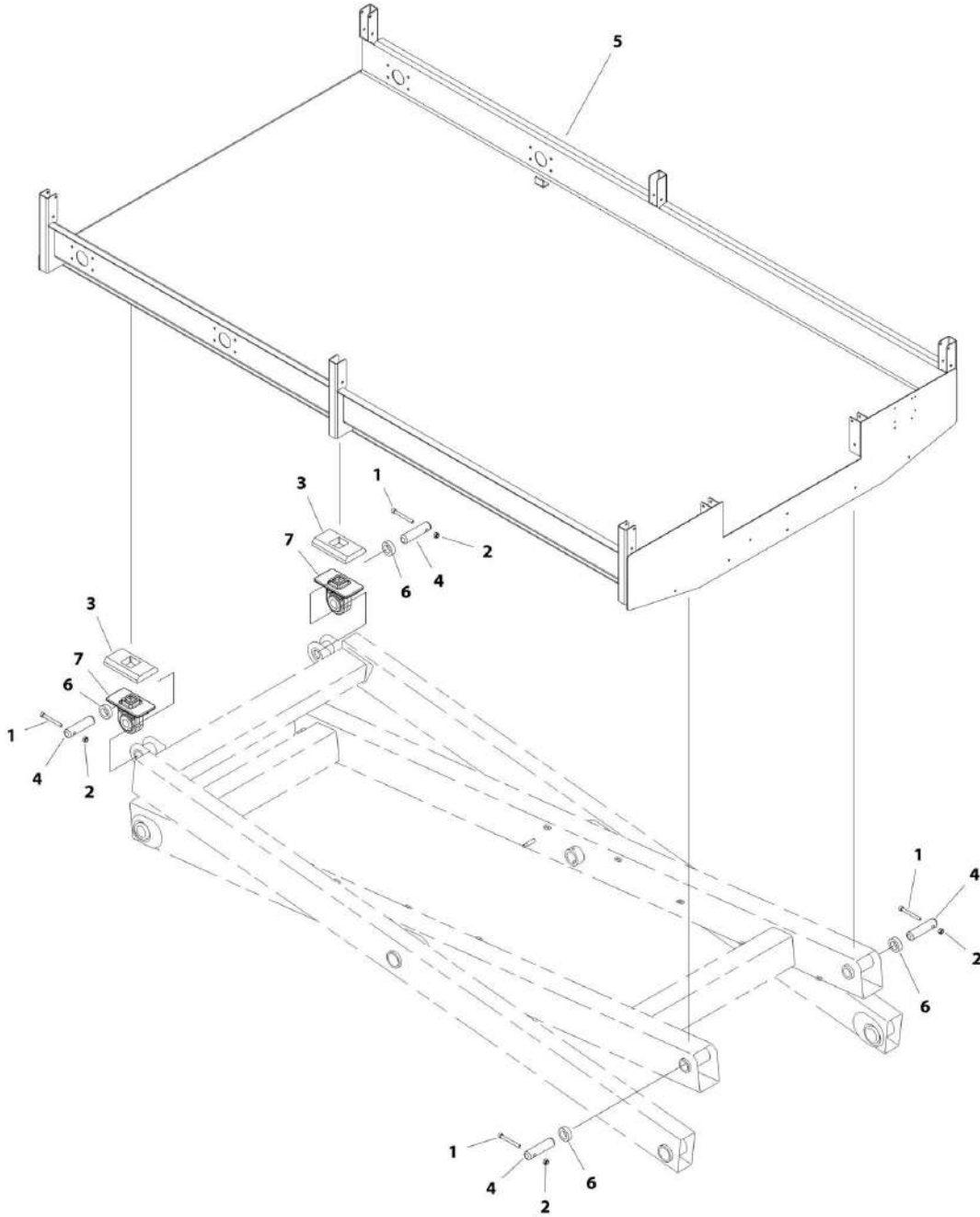
FIGURE 4-9. SCISSORS ARM GUARDS INSTALLATION (CE SPECS ONLY)

ITEM	PART NUMBER	QTY	DESCRIPTION	REV
	0270997	Ref	SCISSORS ARM GUARDS INSTALLATION (CE SPECS ONLY)	C
		Ref	Note: For UK MOD Machines, refer to JLG Manual p/n 3121698.	
1	0100011	AR	Compound, Locking	
2	0182008	2	Angle	
3	0561410	2	Block, Spacer	
4	0561411	2	Block, Spacer	
5	0561415	4	Block, Spacer	
6	0641405	4	Bolt 1/4 x 5/8	
7	0641407	32	Bolt 1/4 x 7/8	
8	0641409	4	Bolt 1/4 x 1-1/8	
9	0641607	6	Bolt 3/8 x 7/8	
10	0641612	24	Bolt 3/8 x 1-1/2	
11	0641824	6	Bolt 1/2 x 3	
12	0641826	4	Bolt 1/2 x 3-1/4	
13	2080056	24	Fastener 3/8 x 5/16	
14	2080058	6	Fastener 3/8 x 5/32	
15	3311405	40	Nut 1/4	
16	3311805	10	Nut 1/2	
17	3572410	1	Plate	
18	3572411	1	Plate	
19	3572449	2	Plate, Backing	
20	3572450	1	Plate, Backing	
21	3572452	1	Plate, Backing	
22	4061013	2	Shield	
23	4061015	1	Shield	
24	4061022	1	Shield	
25	4280311	2	Strip, Rubber	
26	4280312	1	Strip, Rubber	
27	4280313	1	Strip, Rubber	
28	4340715	1	Support	
29	4340716	1	Support	
30	4340717	1	Support	
31	4340718	1	Support	
32	4711400	32	Washer 1/4	
33	4711800	10	Washer 1/2	
34	4751400	8	Washer 1/4	
35	4751600	30	Washer 3/8	
100	2902126	1	Kit, Support Arm Guard (Includes Items 28-31) (Not Shown)	
100	2902128	1	Kit, Arm Guard (Includes Items 2 & 17-24) (Not Shown)	

SECTION 5 - PLATFORM

SECTION 5 - PLATFORM

FIGURE 5-1. PLATFORM INSTALLATION WITHOUT D-RINGS



ART_0272959

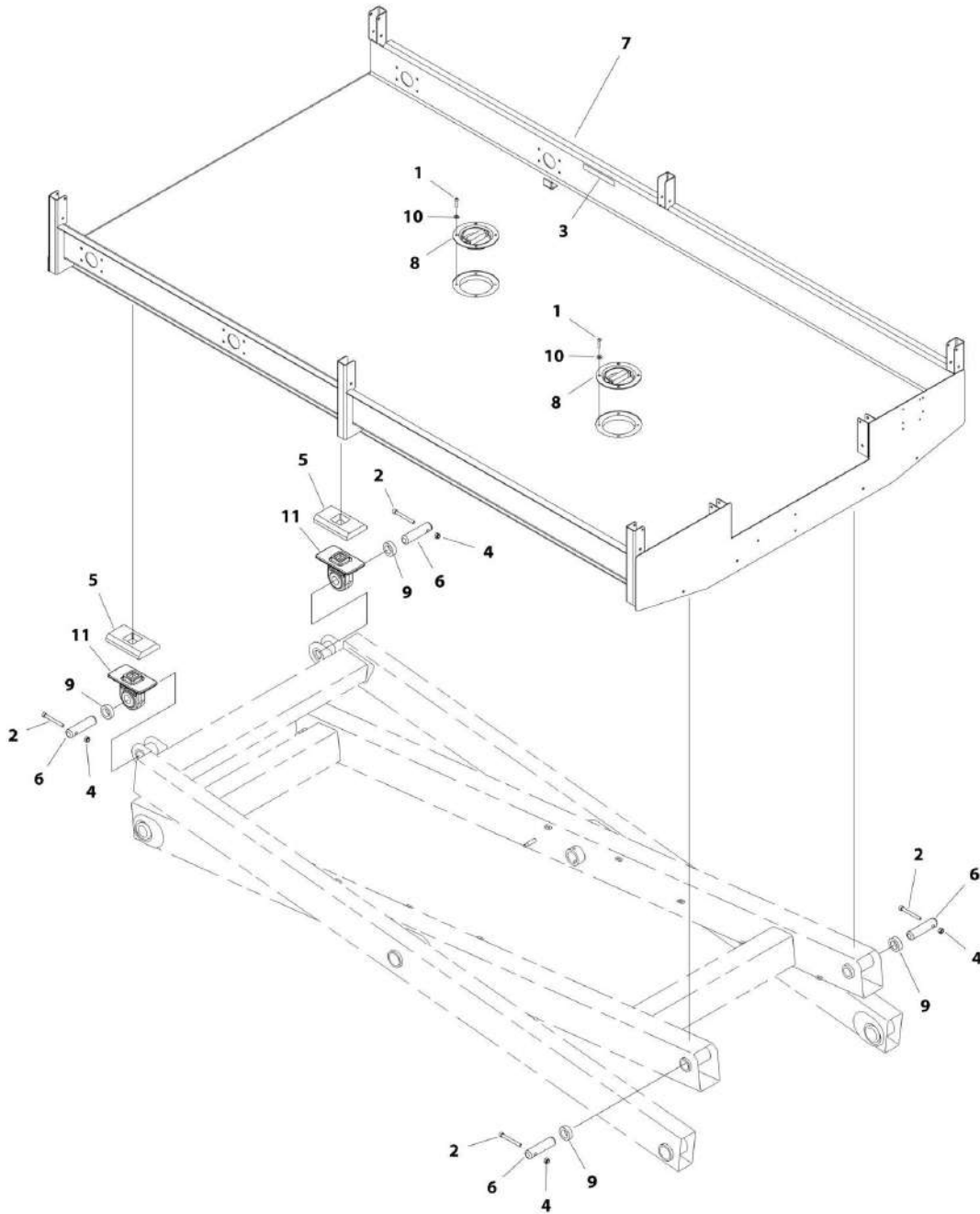
SECTION 5 - PLATFORM

FIGURE 5-1. PLATFORM INSTALLATION WITHOUT D-RINGS

ITEM	PART NUMBER	QTY	DESCRIPTION	REV
	0272959	Ref	PLATFORM INSTALLATION WITHOUT D-RINGS	E
1	4032022	4	Capscrew M10 x 90	
2	3291005	4	Nut M10	
3	3340856	2	Pad, Slide	
4	3423049	4	Pin	
5	3510795	1	Platform	
6	4568295	4	Tube, Spacer	
7	1001099533	2	Slider	

SECTION 5 - PLATFORM

FIGURE 5-2. PLATFORM INSTALLATION WITH D-RINGS



ART_0272960

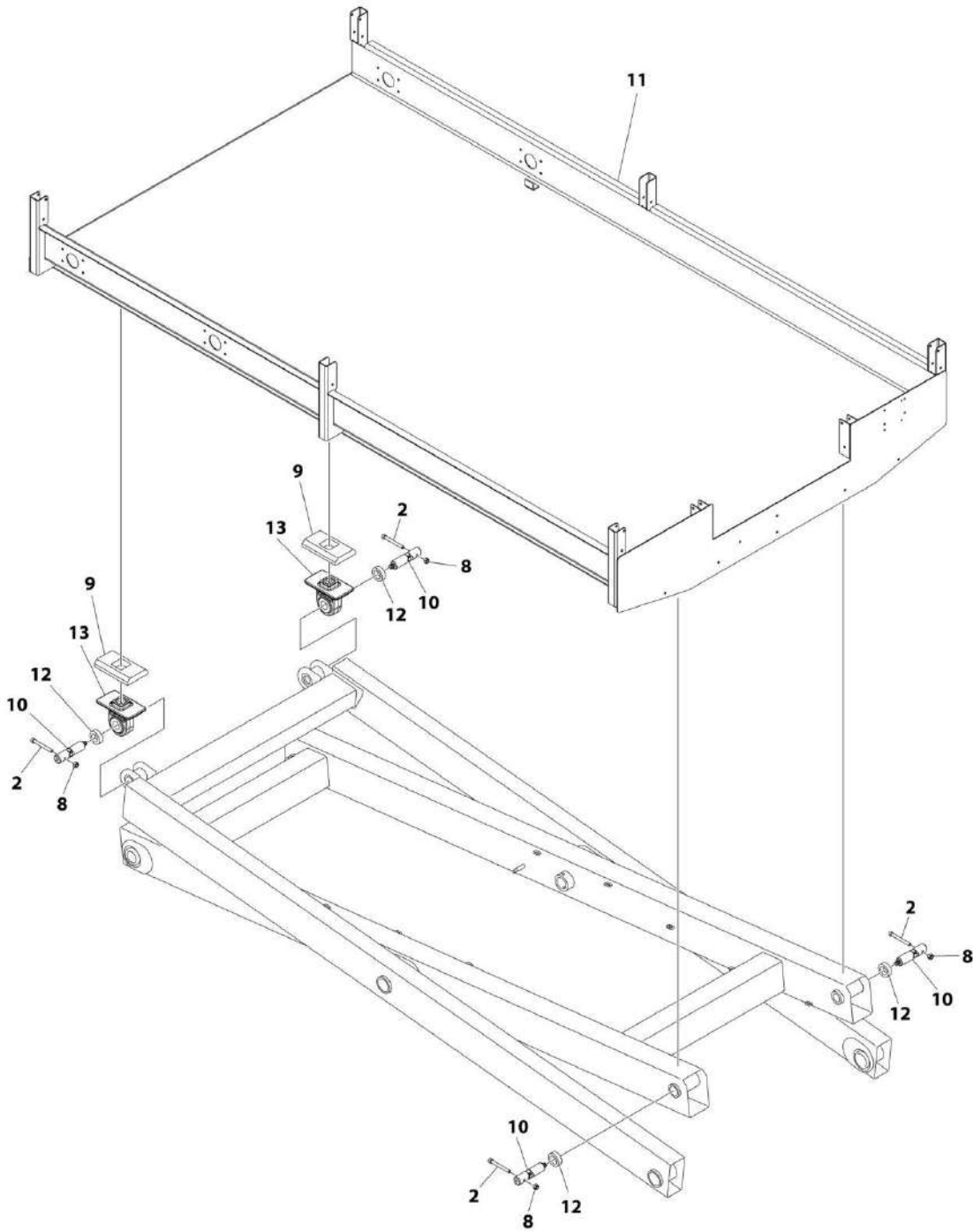
SECTION 5 - PLATFORM

FIGURE 5-2. PLATFORM INSTALLATION WITH D-RINGS

ITEM	PART NUMBER	QTY	DESCRIPTION	REV
	0272960	Ref	PLATFORM INSTALLATION WITH D-RINGS	E
1	0630476	8	Screw 5/16 x 1-1/4	
2	4032022	4	Capscrew M10 x 90	
3	1703175	2	Decal - Lanyard	
4	3291005	4	Nut M10	
5	3340856	2	Pad, Slide	
6	3423049	4	Pin	
7	3510796	1	Platform with D-Rings	
8	3760321	2	D-Ring, Swivel	
9	4568295	4	Tube, Spacer	
10	4711500	8	Washer 5/16	
11	1001099533	2	Slider	

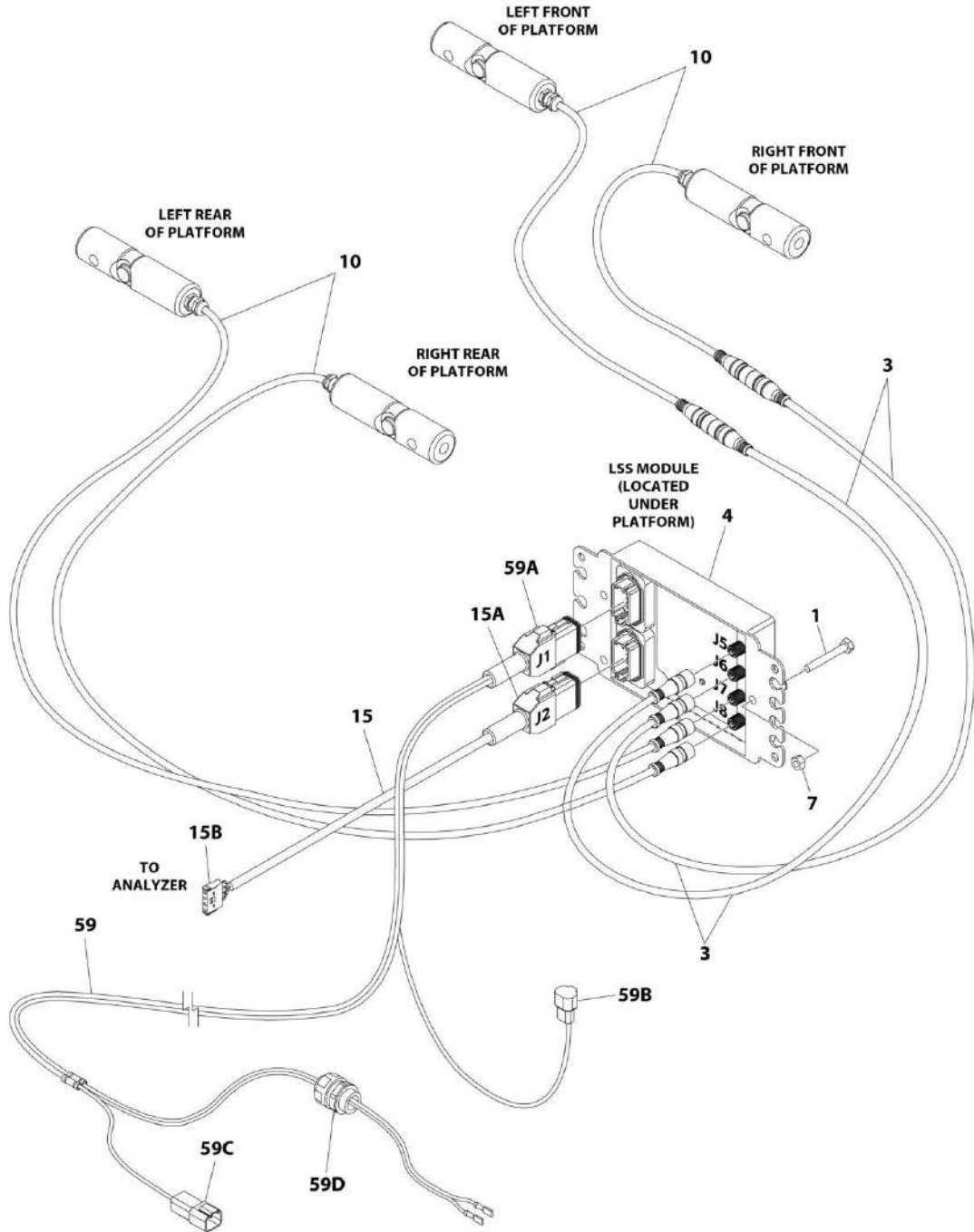
SECTION 5 - PLATFORM

FIGURE 5-3. PLATFORM INSTALLATION WITHOUT D-RINGS AND WITH LSS



ART_0272930_10F2

SECTION 5 - PLATFORM



ART_0272930_2OF2

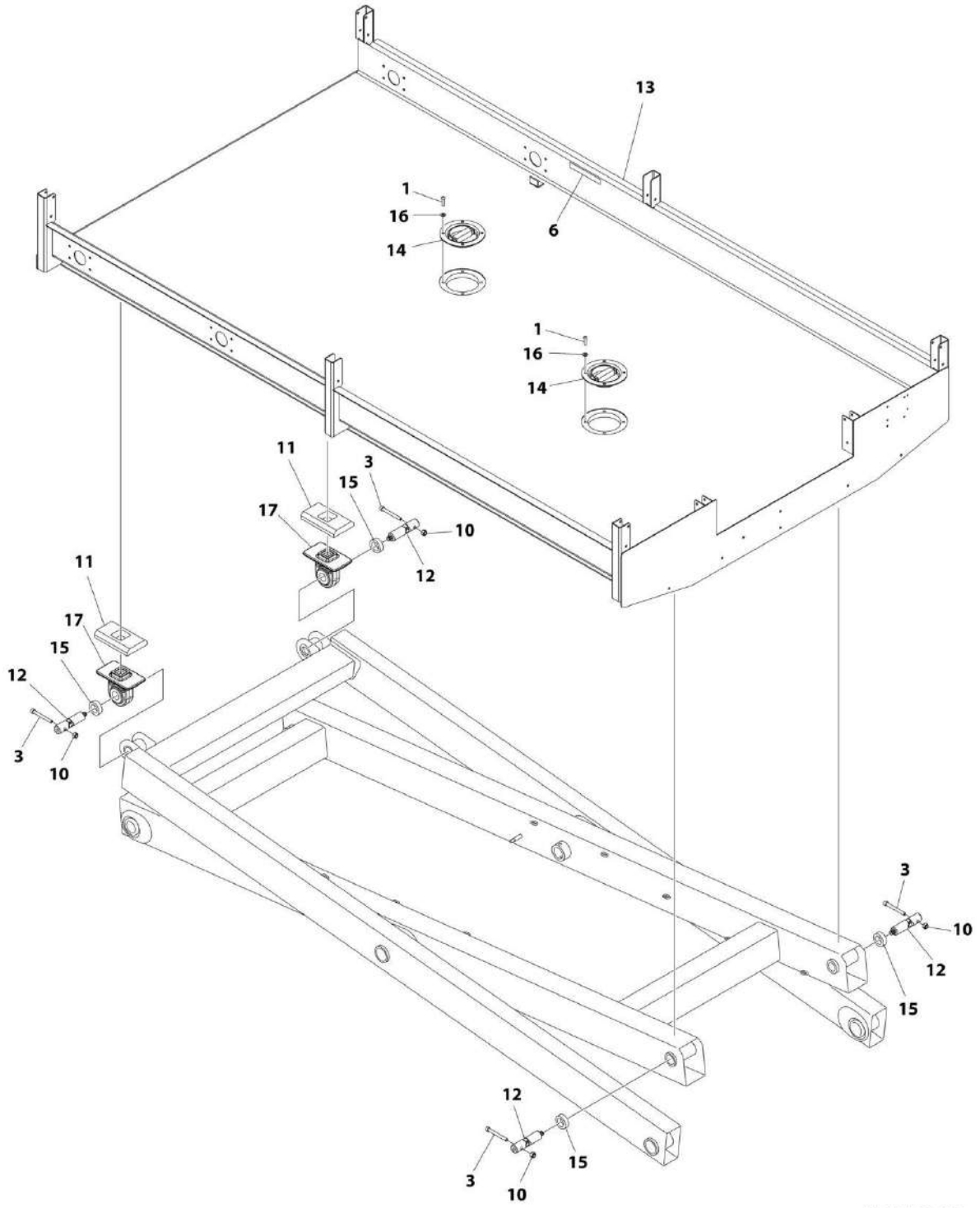
SECTION 5 - PLATFORM

FIGURE 5-3. PLATFORM INSTALLATION WITHOUT D-RINGS AND WITH LSS

ITEM	PART NUMBER	QTY	DESCRIPTION	REV
	0272930	Ref	PLATFORM INSTALLATION WITHOUT D-RINGS AND WITH LSS	J
1	0641414	3	Bolt 1/4 x 1-3/4	
2	4032022	4	Capscrew M10 x 90	
3	1061020	2	Cable, Extension	
4	1600387	1	Module, Load Sense (Note: Re-Calibration Required when Replaced)	
5	2920026	2	Lamp, Indicator (Not Shown - Located on Platform and Ground Control Boxes)	
6	2920029	2	Lamp, Bulb (Not Shown - Located on Platform and Ground Control Boxes)	
7	3311405	3	Nut 1/4	
8	3291005	4	Nut M10	
9	3340856	2	Pad	
10	3422938	4	Pin, Load Management (Includes Harness)	
11	3510795	1	Platform	
12	4568295	4	Tube, Spacer	
13	1001099533	2	Slider	
15	4922904	1	Harness, LSS to Analyzer	B
15A	4460836	1	Plug, Male 12 Position	
15A	4460465	4	Socket, Female	
15A	4460466	8	Seal, Plug	
15A	0840055	1	Boot	
15B	4460761	1	Connector, Female 4 Position	
15B	4460294	4	Pin, Male	
59	4922903	1	Main Load Sensing Harness	E
59A	4460836	1	Plug, Male 12 Position	
59A	4460465	4	Socket, Female	
59A	4460466	8	Seal, Plug	
59A	0840055	1	Boot	
59B	4460897	2	Connector, Female 2 Position	
59A	4460464	2	Pin, Male	
59C	4460932	1	Connector, Female 4 Position	
59C	4460464	4	Pin, Male	
59D	4460049	1	Connector, Strain Relief	
59D	3300047	1	Nut	

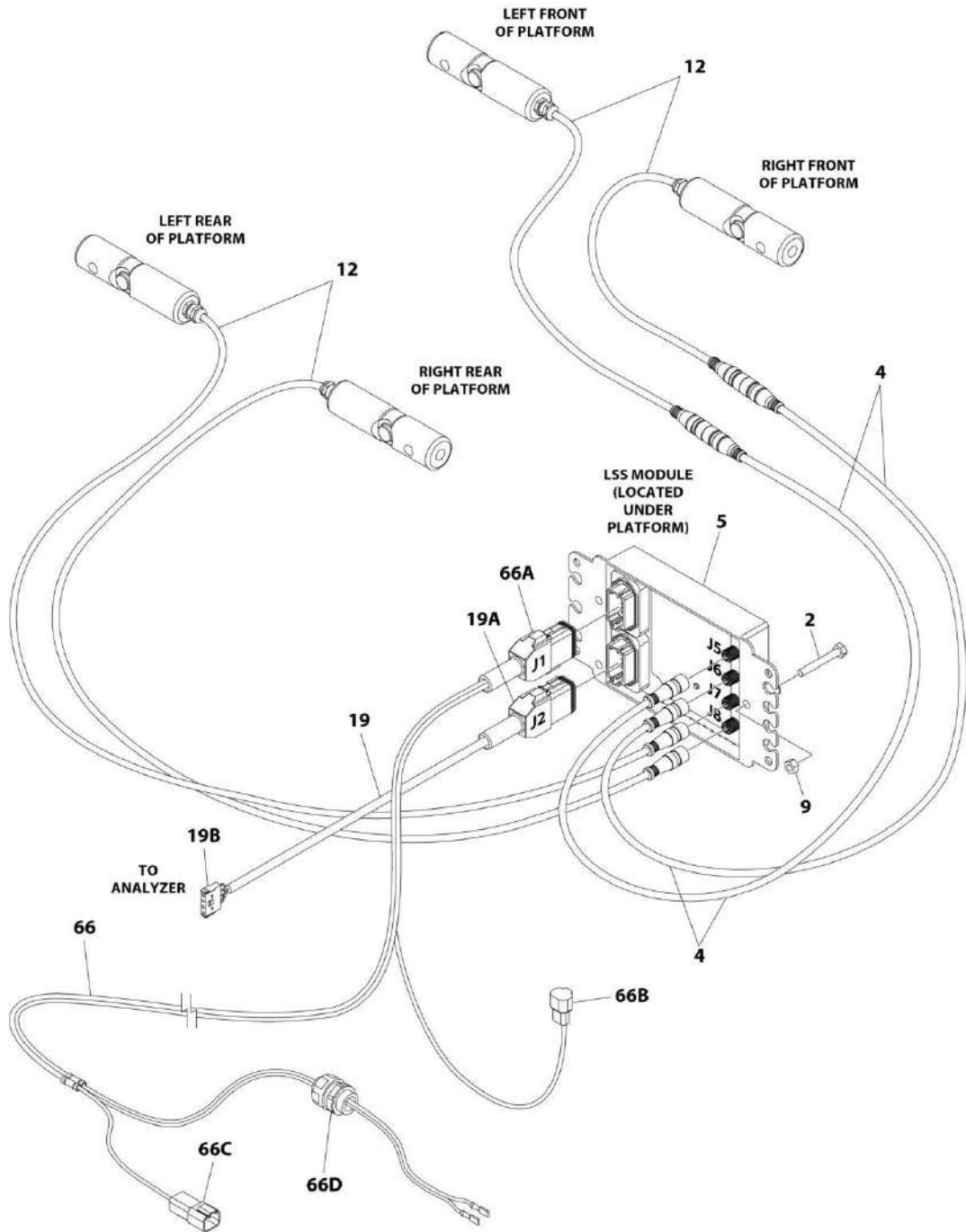
SECTION 5 - PLATFORM

FIGURE 5-4. PLATFORM INSTALLATION WITH D-RINGS AND WITH LSS



ART_0272931_10F2

SECTION 5 - PLATFORM



ART_0272931_2OF2

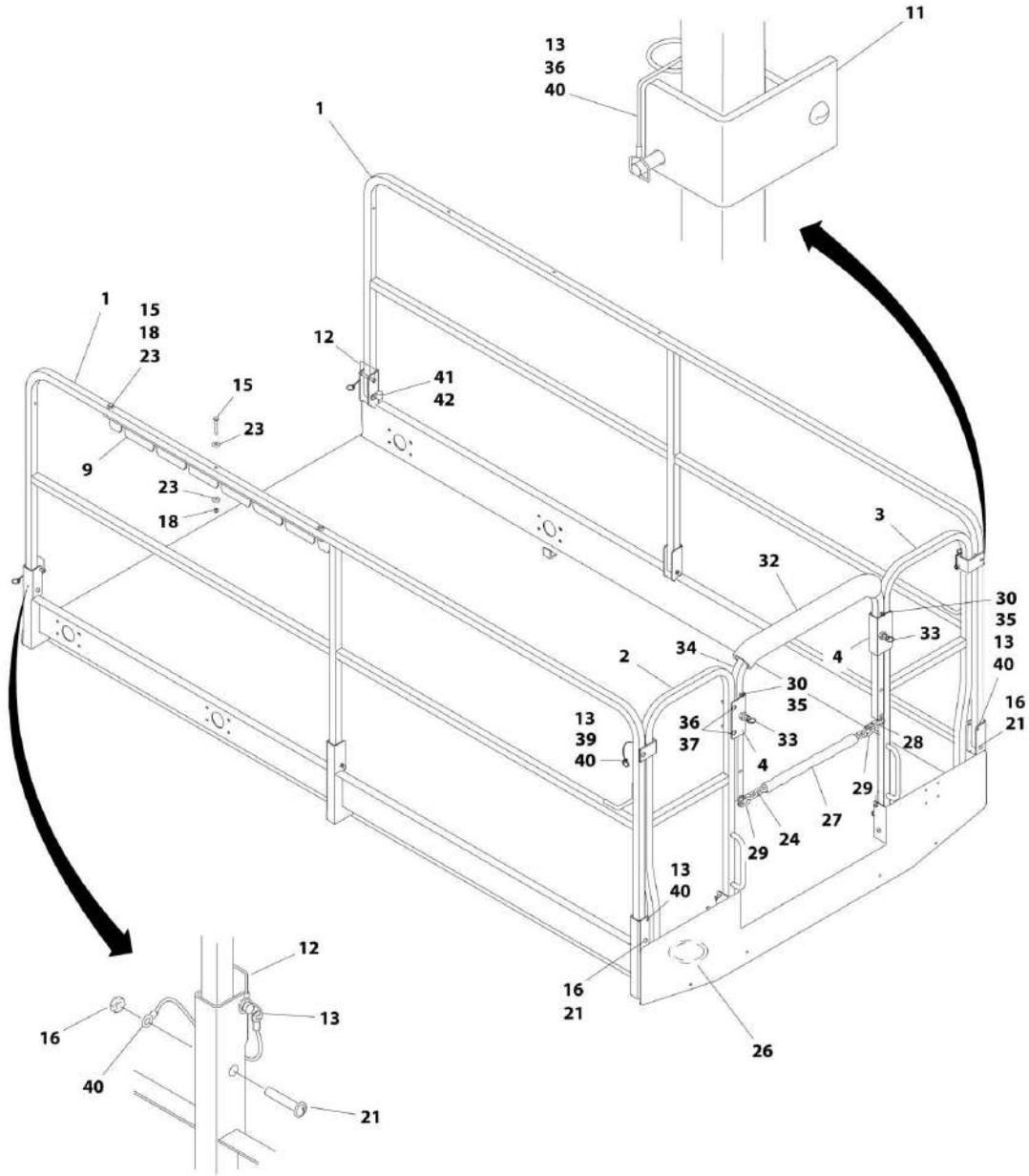
SECTION 5 - PLATFORM

FIGURE 5-4. PLATFORM INSTALLATION WITH D-RINGS AND WITH LSS

ITEM	PART NUMBER	QTY	DESCRIPTION	REV
	0272931	Ref	PLATFORM INSTALLATION WITH D-RINGS AND WITH LSS	J
1	0630476	8	Screw 5/16 x 1-1/4	
2	0641414	3	Bolt 1/4 x 1-3/4	
3	4032022	4	Capscrew M10 x 90	
4	1061020	2	Cable, Extension	
5	1600387	1	Module, Load Sense (Note: Re-Calibration Required when Replaced)	
6	1703175	2	Decal - Lanyard	
7	2920026	2	Lamp, Indicator (Not Shown - Located on Platform and Ground Control Boxes)	
8	2920029	2	Lamp, Bulb (Not Shown - Located on Platform and Ground Control Boxes)	
9	3311405	3	Nut 1/4	
10	3291005	4	Nut M10	
11	3340856	2	Pad, Slide	
12	3422938	4	Pin, Load Management (Includes Harness)	
13	3510796	1	Platform with D-Rings	
14	3760321	2	D-Ring, Swivel	
15	4568295	4	Tube, Spacer	
16	4711500	8	Washer 5/16	
17	1001099533	2	Slider	
19	4922904	1	Harness, LSS to Analyzer	B
19A	4460836	1	Plug, Male 12 Position	
19A	4460465	4	Socket, Female	
19A	4460466	8	Seal, Plug	
19A	0840055	1	Boot	
19B	4460761	1	Connector, Female 4 Position	
19B	4460294	4	Pin, Male	
66	4922903	1	Main Load Sensing Harness	E
66A	4460836	1	Plug, Male 12 Position	
66A	4460465	4	Socket, Female	
66A	4460466	8	Seal, Plug	
66A	0840055	1	Boot	
66B	4460897	1	Connector, Female 2 Position	
66B	4460464	2	Pin, Male	
66C	4460932	1	Connector, Female 4 Position	
66C	4460464	4	Pin, Male	
66D	4460049	1	Connector, Strain Relief	
66D	3300047	1	Nut	

SECTION 5 - PLATFORM

FIGURE 5-5. HANDRAILS INSTALLATION WITH SELF-CLOSING GATE



ART_0259566

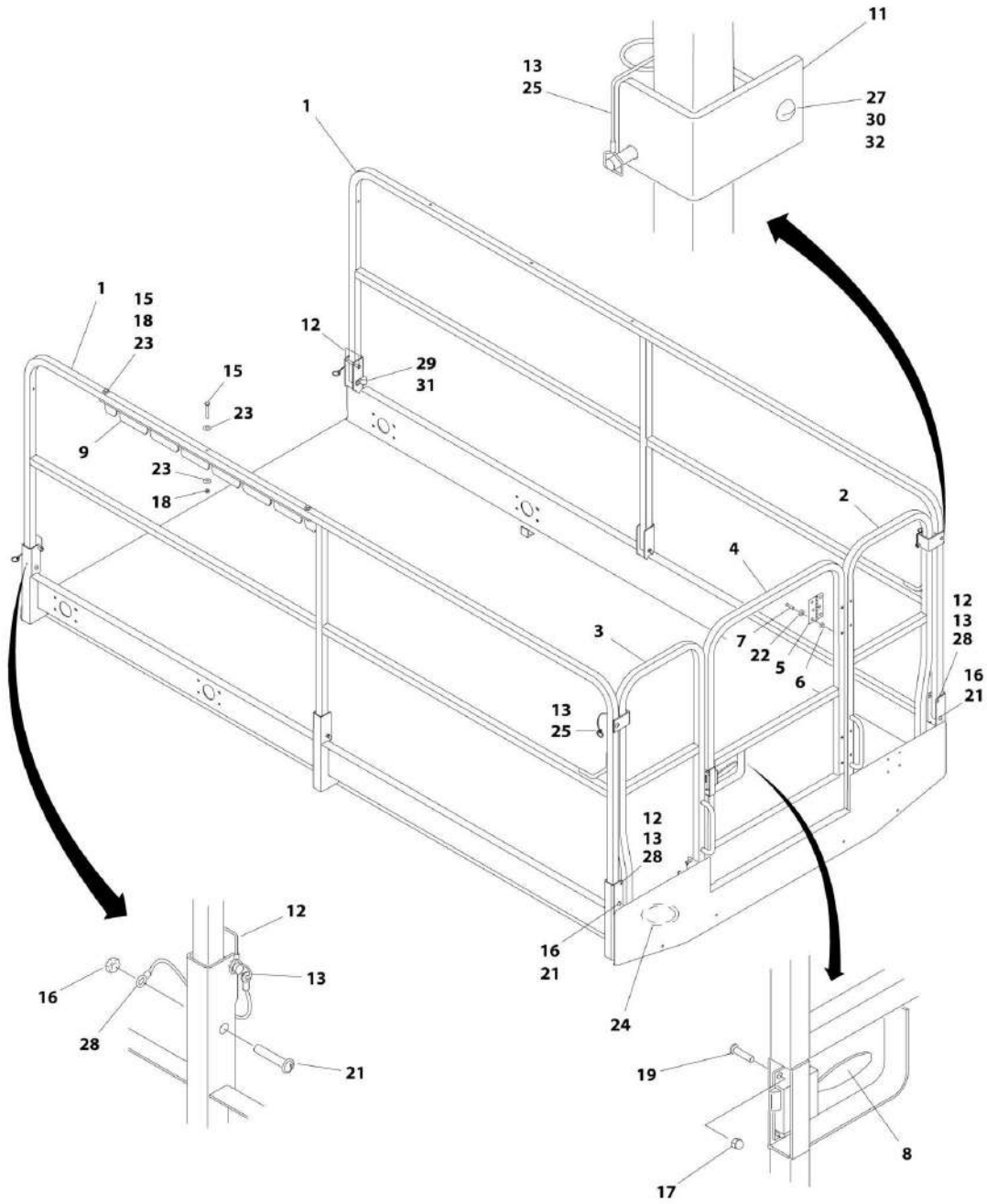
SECTION 5 - PLATFORM

FIGURE 5-5. HANDRAILS INSTALLATION WITH SELF-CLOSING GATE

ITEM	PART NUMBER	QTY	DESCRIPTION	REV
	0259566	Ref	HANDRAILS INSTALLATION WITH SELF-CLOSING GATE	H
1	4846123	2	Rail, Side	
2	4846125	1	Rail, Rear (Right Side)	
3	4846124	1	Rail, Rear (Left Side)	
4	4845829	2	Retainer, Rail	
9	3571829	1	Plate, Latch	
11	0901870	2	Bracket	
12	3421565	AR	Pin, Snap	
13	3760170	AR	Ring, Split	
15	0641516	3	Bolt 5/16 x 2	
16	2080064	10	Nut 5/16	
18	3311505	3	Nut 5/16	
21	3900323	9	Screw 5/16 x 2	
23	4751500	6	Washer 5/16	
24	1260136	2 ft /61cm	Chain	
26	2540020	1	Grommet	
27	2820097	2 ft /.6m	Tubing, Mesh	
28	2940064	1	Latch, Snap	
29	3010088	2	Link	
30	2080063	8	Nut 1/4	
32	3340612	18 in /46cm	Pad	
33	3422369	2	Pin, Plunger	
34	3641310	1	Rail, Entry	
35	3911424	2	Screw 1/4 x 1-1/2	
36	3900318	6	Screw 1/4 x 2	
37	4711400	14	Washer 1/4	
38	0100011	AR	Compound, Locking (Not Shown)	
39	3422219	2	Pin, Snap	
40	1060808	6	Lanyard	
41	3911536	1	Screw 5/16 x 2-1/4	
42	1320061	1	Clamp	

SECTION 5 - PLATFORM

FIGURE 5-6. HANDRAILS INSTALLATION WITH CHAIN GATE



ART_0259568

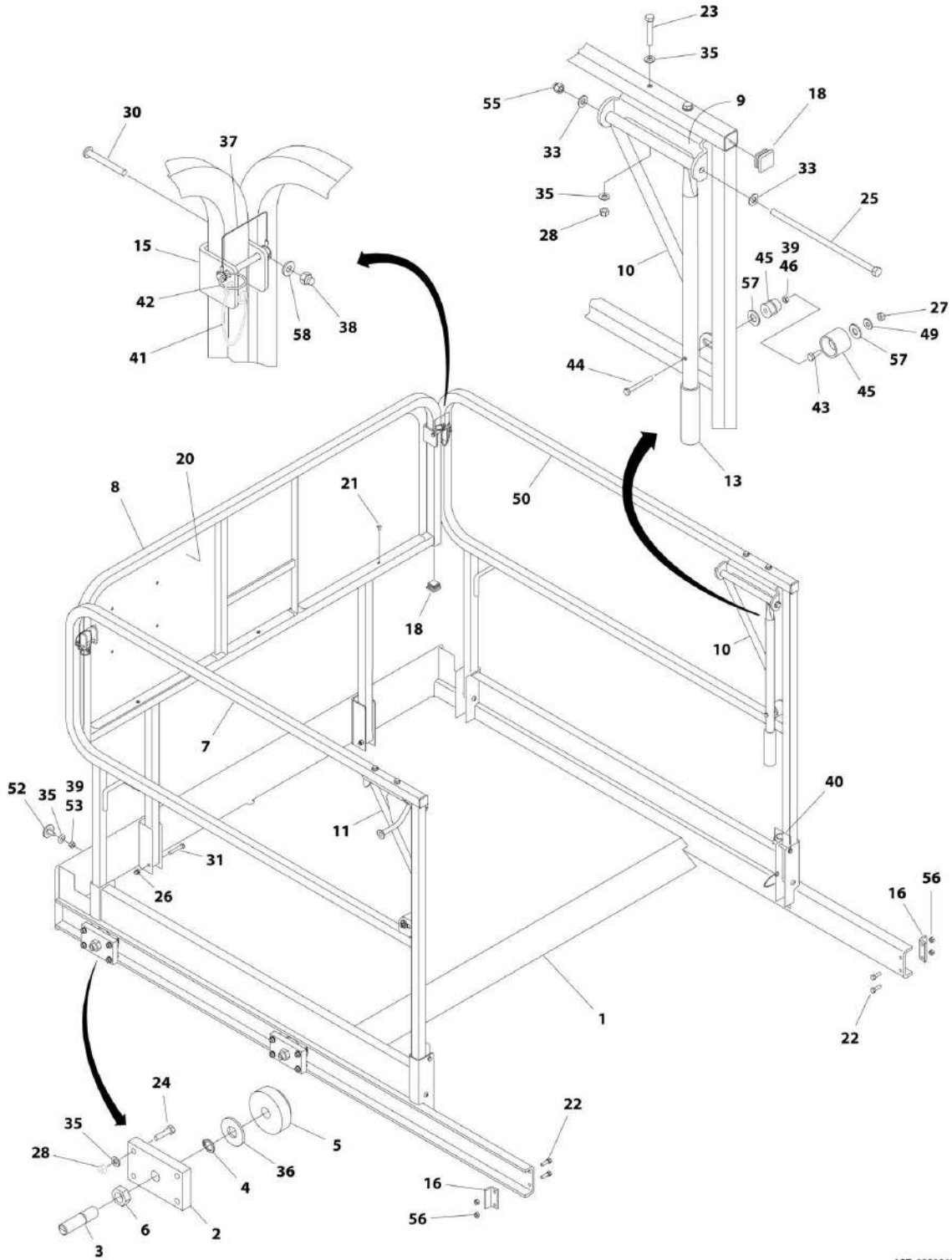
SECTION 5 - PLATFORM

FIGURE 5-6. HANDRAILS INSTALLATION WITH CHAIN GATE

ITEM	PART NUMBER	QTY	DESCRIPTION	REV
	0259568	Ref	HANDRAILS INSTALLATION WITH CHAIN GATE	J
1	4846123	2	Rail, Side	
2	4846125	1	Rail, Rear (Right Side)	
3	4846124	1	Rail, Rear (Left Side)	
4	4846122	1	Gate	
5	2600253	2	Hinge	
6	2080069	1	Fastener #10	
7	3900267	1	Capscrew	
8	2940074	1	Latch	
9	3571829	1	Plate, Latch	
11	0901870	2	Bracket	
12	3421565	4	Pin, Snap	
13	3760170	5	Ring, Split	
15	0641516	3	Bolt 5/16 x 2	
16	2080064	10	Nut 5/16	
17	3300432	4	Nut #10	
18	3311505	3	Nut 5/16	
19	3911010	4	Screw #10 x 5/8	
21	3900323	9	Screw 5/16 x 2	
22	4751000	1	Washer #10	
23	4751500	6	Washer 5/16	
24	2540020	1	Grommet	
25	3422219	2	Pin, Snap	
26	0100011	AR	Compound, Locking (Not Shown)	
27	2080063	8	Nut 1/4	
28	1060808	5	Lanyard	
29	3911536	1	Screw 5/16 x 2-1/4	
30	3900318	2	Screw 1/4 x 2	
31	1320061	1	Clamp	
32	4711400	14	Washer 1/4	

SECTION 5 - PLATFORM

FIGURE 5-7. 3FT PLATFORM EXTENSION W/RAILS



ART_0259565

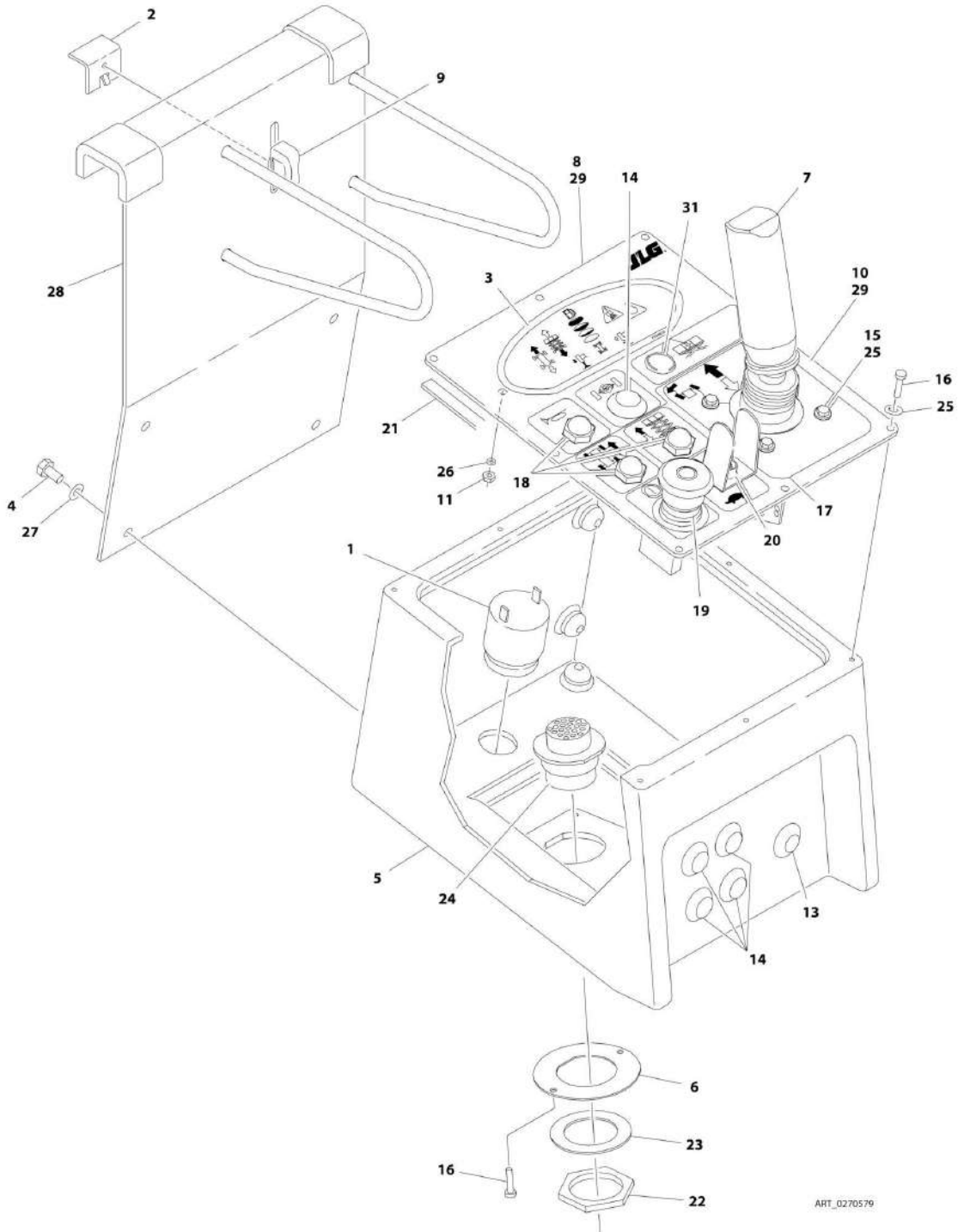
SECTION 5 - PLATFORM

FIGURE 5-7. 3FT PLATFORM EXTENSION W/RAILS

ITEM	PART NUMBER	QTY	DESCRIPTION	REV
	0259565	Ref	3FT PLATFORM EXTENSION W/RAILS	L
1	4846117	1	Extension, Platform	
2	3537619	4	Mount, Roller	
3	3841233	4	Rod, Roller	
4	3760348	4	Ring, Retaining	
5	3860059	4	Roller, Extension	
6	3322202	4	Nut 3/4	
7	4846121	1	Rail, Side (Left Side)	
8	4846120	1	Rail, Front	
9	3537609	2	Plate, Pivot	
10	4846191	1	Handle (Right Side)	
11	4846181	1	Handle (Left Side)	
13	2560088	2	Grip, Handle	
15	0901870	2	Bracket	
16	0182035	2	Angle, Stop	
17	3020022	AR	Grease, Lithium (Not Shown)	
18	3520072	4	Cap-Plug	
20	3571862	1	Plate, Placard	
21	3820020	7	Rivet	
22	0681508	4	Bolt 5/16 x 1	
23	0641516	4	Bolt 5/16 x 2	
24	0641510	16	Bolt 5/16 x 1-1/4	
25	0641676	2	Bolt 3/8 x 9-1/2	
26	2080064	6	Nut 5/16	
27	3311405	2	Nut 1/4	
28	3311505	20	Nut 5/16	
30	3900318	2	Screw 1/4 x 2	
31	3900323	6	Screw 5/16 x 2	
33	4711600	4	Washer 3/8	
35	4711500	26	Washer 5/16	
36	4752200	4	Washer 3/4	
37	3422219	2	Pin, Snap	
38	2080063	2	Nut 1/4	
39	0100011	AR	Compound, Locking	
40	3421565	2	Pin, Snap	
41	1060808	4	Lanyard	
42	3760170	4	Ring, Split	
43	0641406	2	Bolt 1/4 x 3/4	
44	0700619	2	Screw M6 x 55	
45	2940127	2	Latch, Rubber	
46	3290601	2	Nut M6	
49	4751400	2	Washer 1/4	
50	4846256	1	Rail, Side (Right Side)	
52	0940090	2	Bumper	
53	3311401	2	Nut 1/4	
55	3300467	2	Nut 3/8	
56	3271505	1	Nut 5/16	
57	4751600	2	Washer 3/8	
58	4711400	2	Washer 1/4	

SECTION 5 - PLATFORM

FIGURE 5-8. CONSOLE BOX ASSEMBLY - 3369LE/4069LE NO LEVELING



ART_0270579

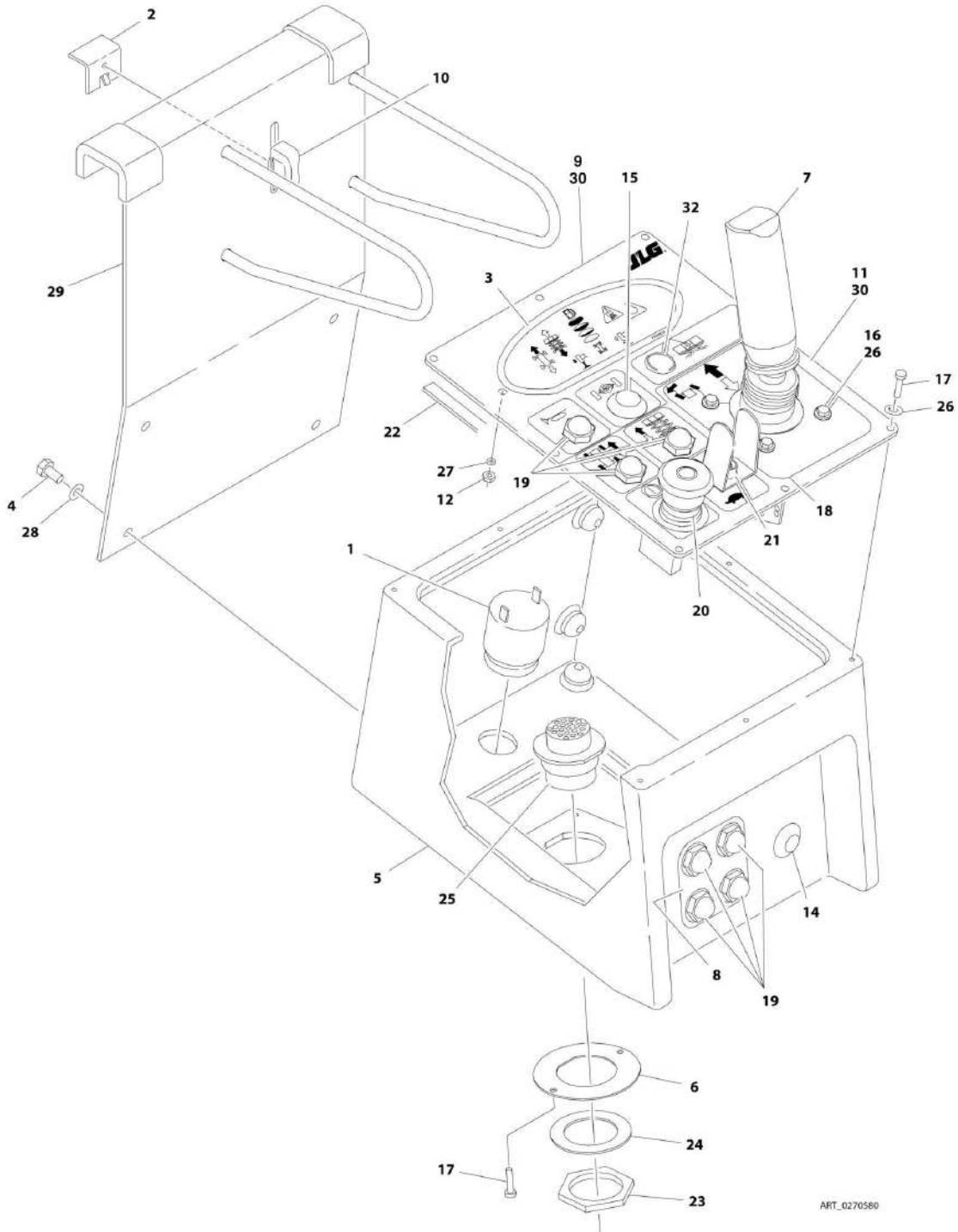
SECTION 5 - PLATFORM

FIGURE 5-8. CONSOLE BOX ASSEMBLY - 3369LE/4069LE NO LEVELING

ITEM	PART NUMBER	QTY	DESCRIPTION	REV
	0270579	Ref	CONSOLE BOX ASSEMBLY - 3369LE/4069LE NO LEVELING JACKS	G
1	0140011	1	Alarm	
2	0181847	1	Angle, Latch	
3	0610169	1	PC Board	
4	0641404	4	Bolt 1/4 x 1/2	
5	0861357	1	Box	
6	0902499	1	Bracket, "D" Slot	
7	1600403	1	Drive/Steer Controller Assembly (See DRIVE/STEER CONTROLLER ASSEMBLY for Breakdown)	
8	1705911	1	Decal - Platform Box (Upper)	
9	2560141	1	Thumbscrew	
10	1705912	1	Decal - Platform Box (Lower)	
11	3310601	4	Nut #6	
13	3520079	1	Plug	
14	3520080	5	Plug	
15	3900178	4	Screw #10 x 1/2	
16	3900265	10	Screw #8 x 3/4	
17	4060802	1	Guard, Switch	
18	4360387	3	Switch, Push Button	
19	4360475	1	Switch, Emergency Stop	
19	7020175	1	Ring, Sealing	
19	7020176	1	Block, Contact	
20	4360482	1	Switch, Toggle	
21	4420008	38 in /96cm	Tape, Insulation	
22	4460470	1	Nut, Terminal	
23	4460471	1	Lockwasher, Terminal	
24	4460480	1	Connector, Terminal	
25	4740120	12	Washer	
26	4760600	4	Washer #6	
27	4791400	4	Washer 1/4	
28	4845938	1	Bracket, Box Hanger	
29	4846249	1	Lid	
30	4922526	1	Platform Console Box Harness (Not Shown - See ELECTRICAL SECTION for Breakdown)	
31	3520193	1	Plug	
31		Ref	Note: Components common with standard machines are called-out in this figure. For LSS specific components, See JLG Load Sensing System Supplement Manual p/n 3124288.	

SECTION 5 - PLATFORM

FIGURE 5-9. CONSOLE BOX ASSEMBLY - 3369LE/4069LE WITH LEVELING JACKS



ART_0270580

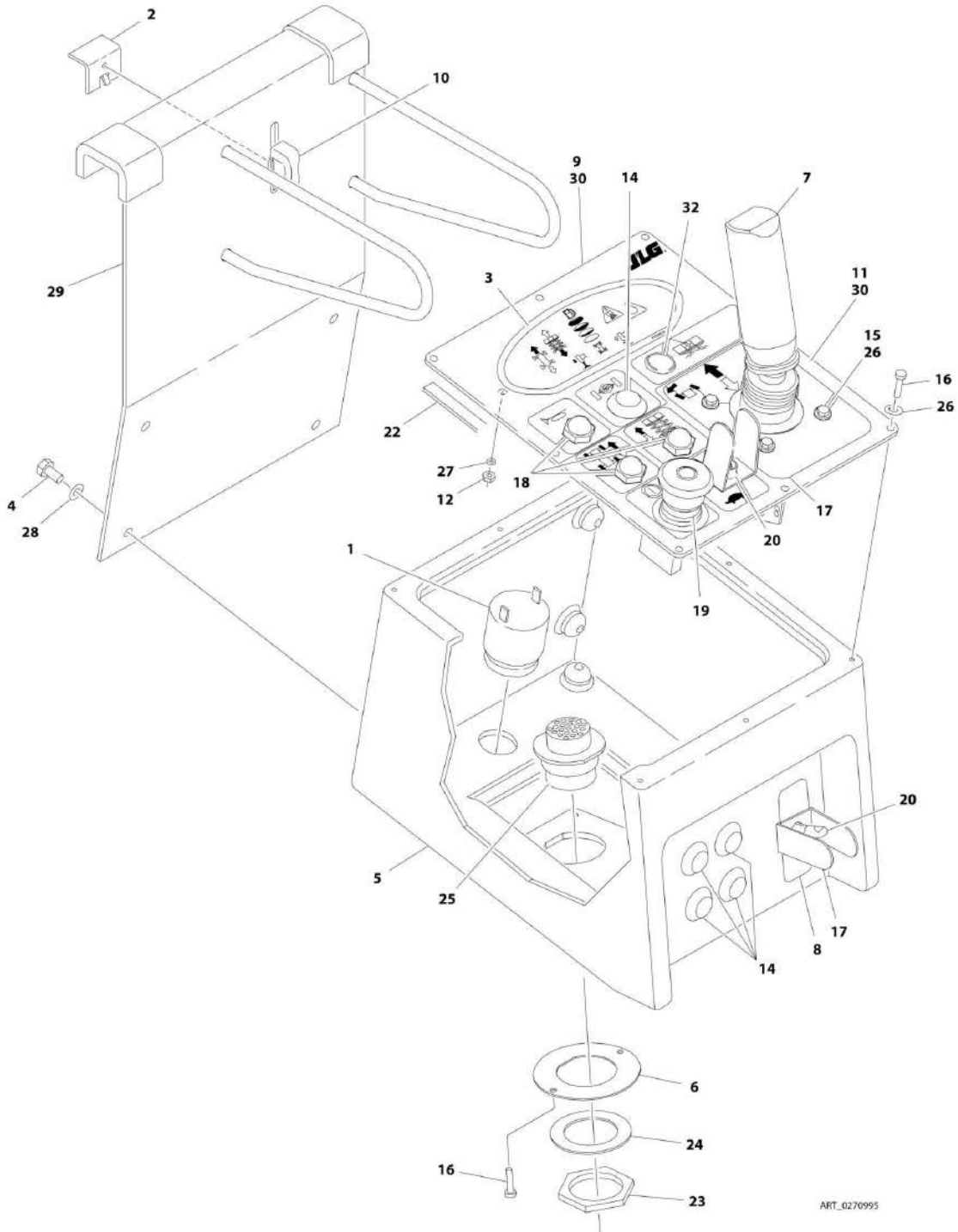
SECTION 5 - PLATFORM

FIGURE 5-9. CONSOLE BOX ASSEMBLY - 3369LE/4069LE WITH LEVELING JACKS

ITEM	PART NUMBER	QTY	DESCRIPTION	REV
	0270580	Ref	CONSOLE BOX ASSEMBLY - 3369LE/4069LE WITH LEVELING JACKS	G
1	0140011	1	Alarm	
2	0181847	1	Angle, Latch	
3	0610169	1	PC Board	
4	0641404	4	Bolt 1/4 x 1/2	
5	0861357	1	Box	
6	0902499	1	Bracket, "D" Slot	
7	1600403	1	Drive/Steer Controller Assembly (See DRIVE/STEER CONTROLLER ASSEMBLY for Breakdown)	
8	1704574	1	Decal - Outrigger	
9	1705911	1	Decal - Platform Box (Upper)	
10	2560141	1	Thumbscrew	
11	1705912	1	Decal - Platform Box (Lower)	
12	3310601	4	Nut #6	
14	3520079	1	Plug	
15	3520080	1	Plug	
16	3900178	4	Screw #10 x 1/2	
17	3900265	10	Screw #8 x 3/4	
18	4060802	2	Guard, Switch	
19	4360387	7	Switch, Push Button	
20	4360475	1	Switch, Emergency Stop	
20	7020175	1	Ring, Sealing	
20	7020176	1	Block, Contact	
21	4360482	1	Switch, Toggle	
22	4420008	38 in /96cm	Tape, Insulation	
23	4460470	1	Nut, Terminal	
24	4460471	1	Lockwasher, Terminal	
25	4460480	1	Connector, Terminal	
26	4740120	12	Washer	
27	4760600	4	Washer #6	
28	4791400	4	Washer 1/4	
29	4845938	1	Bracket, Box Hanger	
30	4846249	1	Lid	
31	4922527	1	Platform Console Box Harness (Not Shown - See ELECTRICAL SECTION for Breakdown)	
32	3520193	1	Plug	
32		Ref	Note: Components common with standard machines are called-out in this figure. For LSS specific components, See JLG Load Sensing System Supplement Manual p/n 3124288.	

SECTION 5 - PLATFORM

FIGURE 5-10. CONSOLE BOX ASSEMBLY - M3369/M4069 2WD NO LEVELING JACKS



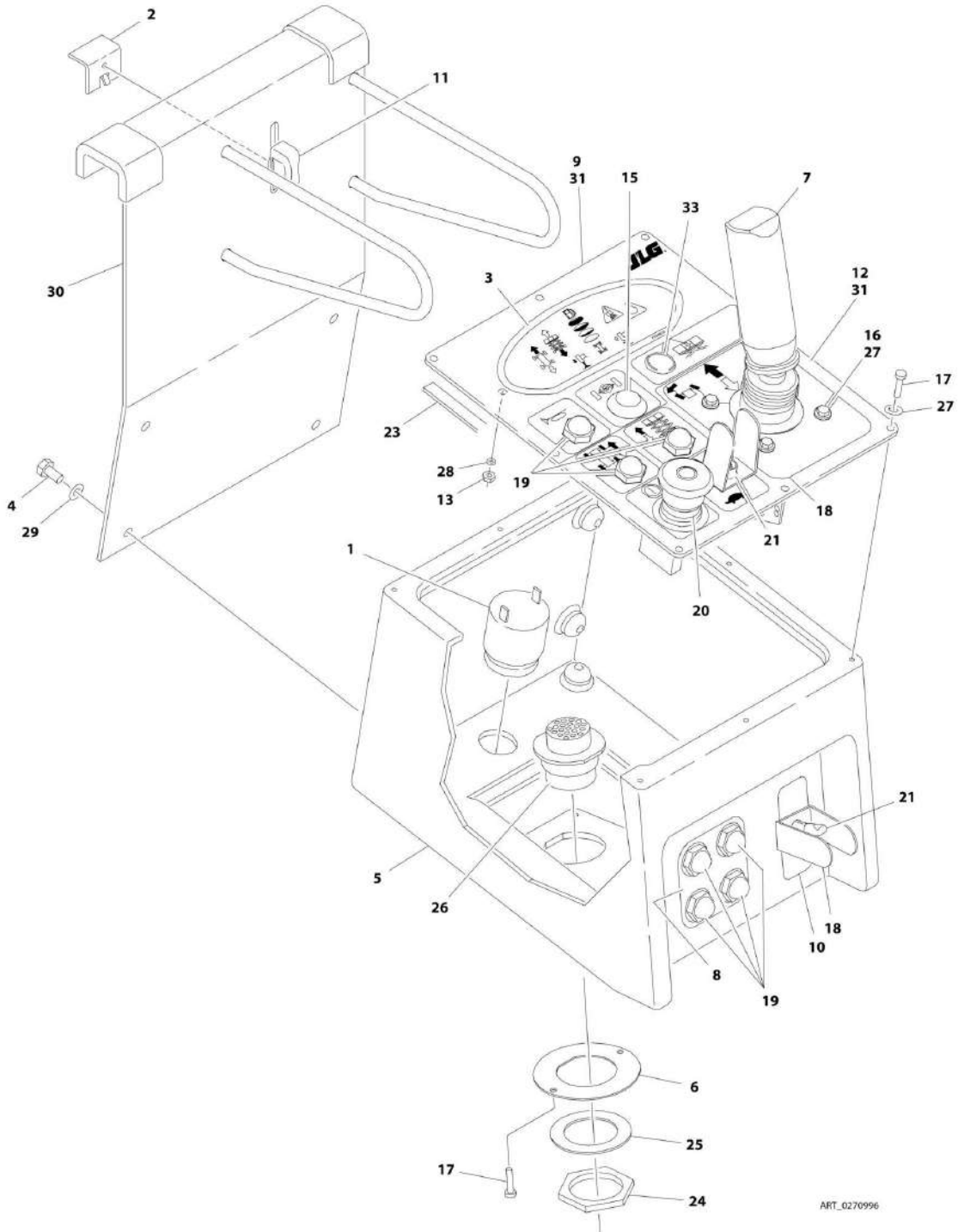
SECTION 5 - PLATFORM

FIGURE 5-10. CONSOLE BOX ASSEMBLY - M3369/M4069 2WD NO LEVELING JACKS

ITEM	PART NUMBER	QTY	DESCRIPTION	REV
	0270995	Ref	CONSOLE BOX ASSEMBLY - M3369/M4069 2WD NO LEVELING JACKS	H
		Ref	Note: For Machines with Spotlight, see SPECIAL OPTIONS Section.	
1	0140011	1	Alarm	
2	0181847	1	Angle, Latch	
3	0610169	1	PC Board	
4	0641404	4	Bolt 1/4 x 1/2	
5	0861357	1	Box	
6	0902499	1	Bracket, "D" Slot	
7	1600403	1	Drive/Steer Controller Assembly (See DRIVE/STEER CONTROLLER ASSEMBLY for Breakdown)	
8	1704921	1	Decal - Generator Enable M3369 & M4069	
9	1705911	1	Decal - Platform Box (Upper)	
10	2560141	1	Thumbscrew	
11	1705912	1	Decal - Platform Box (Lower)	
12	3310601	4	Nut #6	
14	3520080	5	Plug	
15	3900178	4	Screw #10 x 1/2	
16	3900265	10	Screw #8 x 3/4	
17	4060802	2	Guard, Switch	
18	4360387	3	Switch, Push Button	
19	4360475	1	Switch, Emergency Stop	
19	7020175	1	Ring, Sealing	
19	7020176	1	Block, Contact	
20	4360482	1	Switch, Toggle	
22	4420008	38 in /96cm	Tape, Insulation	
23	4460470	1	Nut, Terminal	
24	4460471	1	Lockwasher, Terminal	
25	4460480	1	Connector, Terminal	
26	4740120	12	Washer	
27	4760600	4	Washer #6	
28	4791400	4	Washer 1/4	
29	4845938	1	Bracket, Box Hanger	
30	4846249	1	Lid	
31	4922526	1	Platform Console Box Harness (Not Shown - See ELECTRICAL SECTION for Breakdown)	
32	3520193	1	Plug	
32		Ref	Note: Components common with standard machines are called-out in this figure. For LSS specific components, See JLG Load Sensing System Supplement Manual p/n 3124288.	

SECTION 5 - PLATFORM

FIGURE 5-11. CONSOLE BOX ASSEMBLY - M3369/M4069 2WD WITH LEVELING JACKS



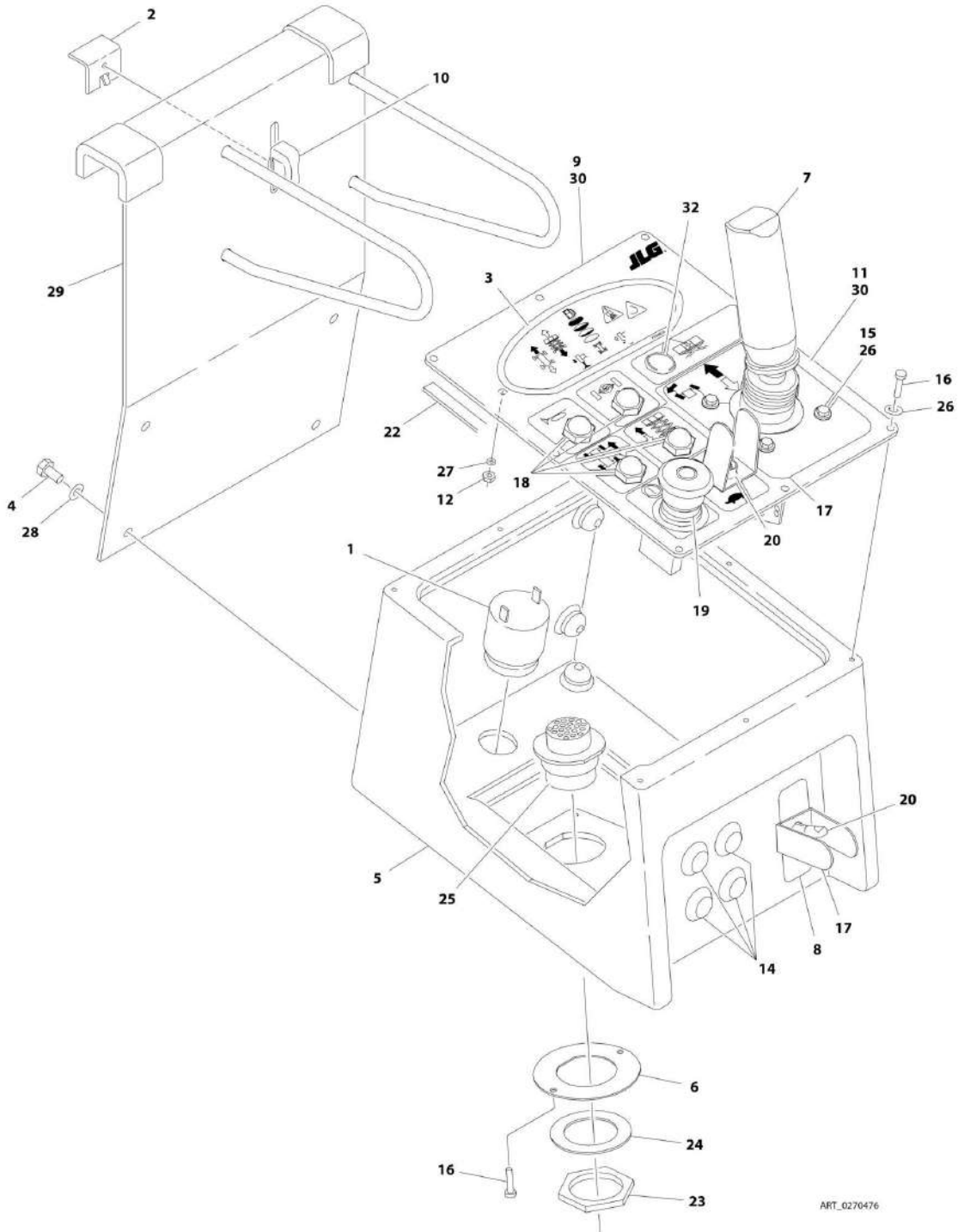
SECTION 5 - PLATFORM

FIGURE 5-11. CONSOLE BOX ASSEMBLY - M3369/M4069 2WD WITH LEVELING JACKS

ITEM	PART NUMBER	QTY	DESCRIPTION	REV
	0270996	Ref	CONSOLE BOX ASSEMBLY - M3369/M4069 2WD WITH LEVELING JACKS	H
1	0140011	1	Alarm	
2	0181847	1	Angle, Latch	
3	0610169	1	PC Board	
4	0641404	4	Bolt 1/4 x 1/2	
5	0861357	1	Box	
6	0902499	1	Bracket, "D" Slot	
7	1600403	1	Drive/Steer Controller Assembly (See DRIVE/STEER CONTROLLER ASSEMBLY for Breakdown)	
8	1704574	1	Decal - Outrigger	
9	1705911	1	Decal - Platform Box (Upper)	
10	1704921	1	Decal - Generator Enable M3369 & M4069	
11	2560141	1	Thumbscrew	
12	1705912	1	Decal - Platform Box (Lower)	
13	3310601	4	Nut #6	
15	3520080	1	Plug	
16	3900178	4	Screw #10 x 1/2	
17	3900265	10	Screw #8 x 3/4	
18	4060802	2	Guard, Switch	
19	4360387	7	Switch, Push Button	
20	4360475	1	Switch, Emergency Stop	
20	7020175	1	Ring, Sealing	
20	7020176	1	Block, Contact	
21	4360482	1	Switch, Toggle	
23	4420008	38 in /96cm	Tape, Insulation	
24	4460470	1	Nut, Terminal	
25	4460471	1	Lockwasher, Terminal	
26	4460480	1	Connector, Terminal	
27	4740120	12	Washer	
28	4760600	4	Washer #6	
29	4791400	4	Washer 1/4	
30	4845938	1	Bracket, Box Hanger	
31	4846249	1	Lid	
32	4922527	1	Platform Console Box Harness (Not Shown - See ELECTRICAL SECTION for Breakdown)	
33	3520193	1	Plug	
33		Ref	Note: Components common with standard machines are called-out in this figure. For LSS specific components, See JLG Load Sensing System Supplement Manual p/n 3124288.	

SECTION 5 - PLATFORM

FIGURE 5-12. CONSOLE BOX ASSEMBLY - M3369/M4069 4WD NO LEVELING JACKS



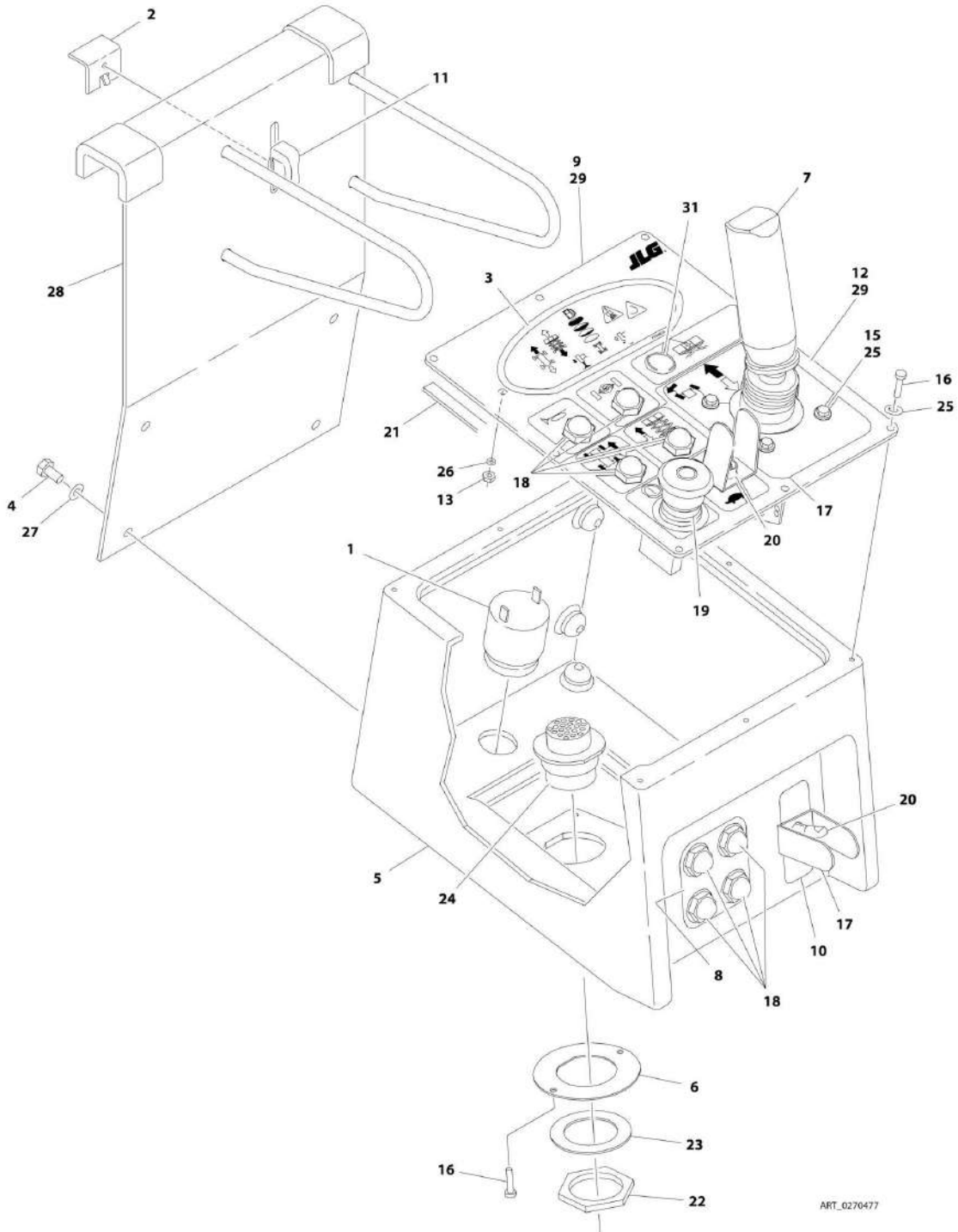
SECTION 5 - PLATFORM

FIGURE 5-12. CONSOLE BOX ASSEMBLY - M3369/M4069 4WD NO LEVELING JACKS

ITEM	PART NUMBER	QTY	DESCRIPTION	REV
	0270476	Ref	CONSOLE BOX ASSEMBLY - M3369/M4069 4WD NO LEVELING JACKS	G
1	0140011	1	Alarm	
2	0181847	1	Angle, Latch	
3	0610169	1	PC Board	
4	0641404	4	Bolt 1/4 x 1/2	
5	0861357	1	Box	
6	0902499	1	Bracket, "D" Slot	
7	1600403	1	Drive/Steer Controller Assembly (See DRIVE/STEER CONTROLLER ASSEMBLY for Breakdown)	
8	1704921	1	Decal - Generator Enable M3369 & M4069	
9	1705911	1	Decal - Platform Box (Upper)	
10	2560141	1	Thumbscrew	
11	1705912	1	Decal - Platform Box (Lower)	
12	3310601	4	Nut #6	
14	3520080	4	Plug	
15	3900178	4	Screw #10 x 1/2	
16	3900265	10	Screw #8 x 3/4	
17	4060802	2	Guard, Switch	
18	4360387	4	Switch, Push Button	
19	4360475	1	Switch, Emergency Stop	
19	7020175	1	Ring, Sealing	
19	7020176	1	Block, Contact	
20	4360482	1	Switch, Toggle	
22	4420008	38 in /96cm	Tape, Insulation	
23	4460470	1	Nut, Terminal	
24	4460471	1	Lockwasher, Terminal	
25	4460480	1	Connector, Terminal	
26	4740120	12	Washer	
27	4760600	4	Washer #6	
28	4791400	4	Washer 1/4	
29	4845938	1	Bracket, Box Hanger	
30	4846249	1	Lid	
31	4922526	1	Platform Console Box Harness (Not Shown - See ELECTRICAL SECTION for Breakdown)	
32	3520193	1	Plug	
32		Ref	Note: Components common with standard machines are called-out in this figure. For LSS specific components, See JLG Load Sensing System Supplement Manual p/n 3124288.	

SECTION 5 - PLATFORM

FIGURE 5-13. CONSOLE BOX ASSEMBLY - M3369/M4069 4WD WITH LEVELING JACKS



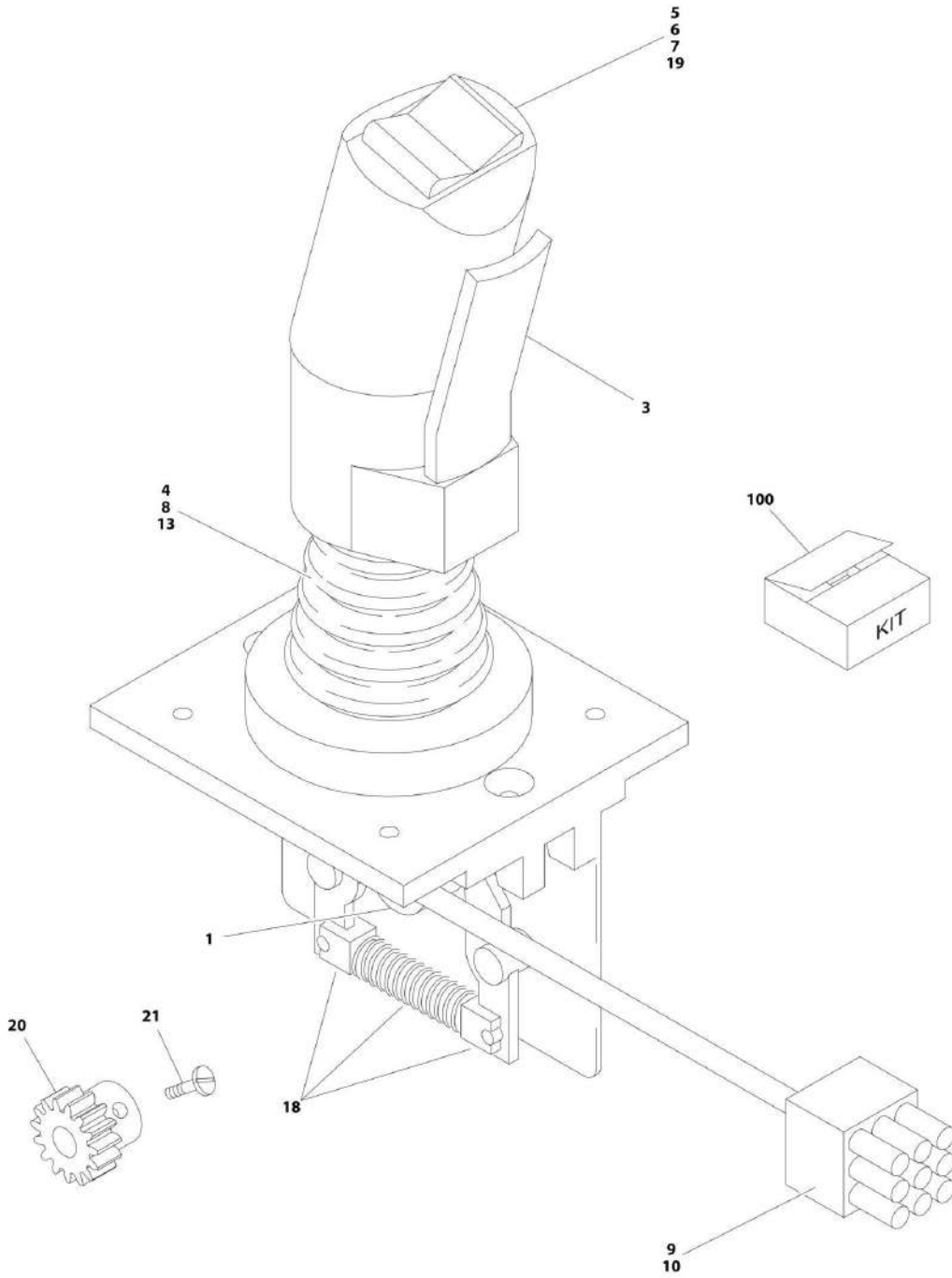
SECTION 5 - PLATFORM

FIGURE 5-13. CONSOLE BOX ASSEMBLY - M3369/M4069 4WD WITH LEVELING JACKS

ITEM	PART NUMBER	QTY	DESCRIPTION	REV
	0270477	Ref	CONSOLE BOX ASSEMBLY - M3369/M4069 4WD WITH LEVELING JACKS	G
1	0140011	1	Alarm	
2	0181847	1	Angle, Latch	
3	0610169	1	PC Board	
4	0641404	4	Bolt 1/4 x 1/2	
5	0861357	1	Box	
6	0902499	1	Bracket, "D" Slot	
7	1600403	1	Drive/Steer Controller Assembly (See DRIVE/STEER CONTROLLER ASSEMBLY for Breakdown)	
8	1704574	1	Decal - Outrigger	
9	1705911	1	Decal - Platform Box (Upper)	
10	1704921	1	Decal - Generator Enable M3369 & M4069	
11	2560141	1	Thumbscrew	
12	1705912	1	Decal - Platform Box (Lower)	
13	3310601	4	Nut #6	
15	3900178	4	Screw #10 x 1/2	
16	3900265	10	Screw #8 x 3/4	
17	4060802	2	Guard, Switch	
18	4360387	8	Switch, Push Button	
19	4360475	1	Switch, Emergency Stop	
20	7020175	1	Ring, Sealing	
20	7020176	1	Block, Contact	
20	4360482	1	Switch, Toggle	
21	4420008	38 in /96cm	Tape, Insulation	
22	4460470	1	Nut, Terminal	
23	4460471	1	Lockwasher, Terminal	
24	4460480	1	Connector, Terminal	
25	4740120	12	Washer	
26	4760600	4	Washer #6	
27	4791400	4	Washer 1/4	
28	4845938	1	Bracket, Box Hanger	
29	4846249	1	Lid	
30	4922527	1	Platform Console Box Harness (Not Shown - See ELECTRICAL SECTION for Breakdown)	
31	3520193	1	Plug	
31		Ref	Note: Components common with standard machines are called-out in this figure. For LSS specific components, See JLG Load Sensing System Supplement Manual p/n 3124288.	

SECTION 5 - PLATFORM

FIGURE 5-14. DRIVE/STEER CONTROLLER ASSEMBLY



ART_1600403

SECTION 5 - PLATFORM

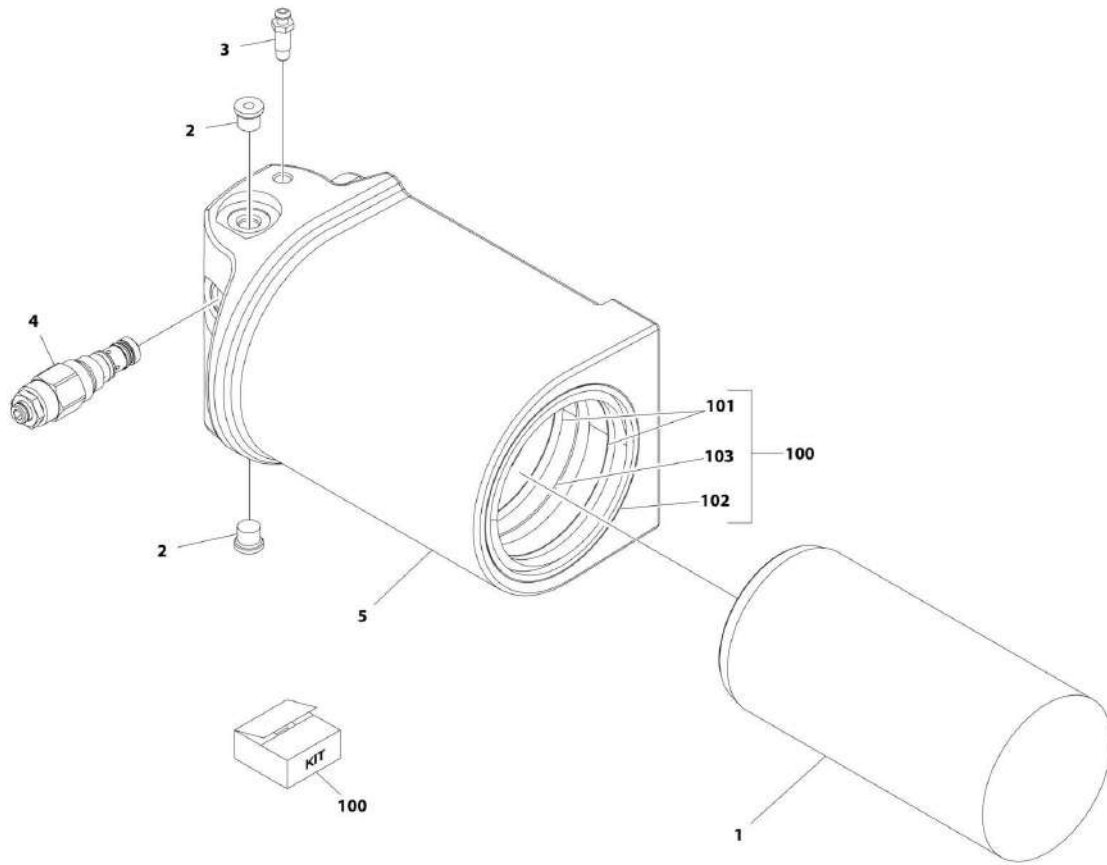
FIGURE 5-14. DRIVE/STEER CONTROLLER ASSEMBLY

ITEM	PART NUMBER	QTY	DESCRIPTION	REV
	1600403	Ref	DRIVE/STEER CONTROLLER ASSEMBLY	G
1	70000081	1	Potentiometer	
2	7027367	1	Switch, Push Button (Not Shown - Located Behind #3)	
3	7027765	1	Lever, Enabler	
4	7027766	1	Ring, Retaining	
5	70000082	1	Microswitch	
6	70000083	1	Coupler, Microswitch	
7	70000084	1	Cap, Rubber	
8	70000085	1	Boot, Rubber	
9	4460265	1	Plug, Male - 9 Pin	
10	4460226	8	Socket, Female	
11	4460266	1	Connector, Receptacle - 9 Pin (Not Shown - Part of Console Harness)	
12	4460267	8	Pin, Male (Not Shown - Part of Console Harness)	
13	70000685	1	Washer, Plastic Bushing	
14	70000684	AR	Screw, Handle (Not Shown)	
15	Not Available	AR	Nut, Handle (Not Shown)	
16	70000683	AR	Washer, Neoprene (Not Shown)	
17	70000686	AR	Screw, Handle (Not Shown)	
18	70004194	1	Return Spring Kit	
19	7027365	1	Actuator, Switch	
20	70005484	1	Gear, Potentiometer	
21	70005485	1	Setscrew	
100	70003650	1	Handle Repair Kit (Includes handle gasket, push button, lever, front handle half, back handle half, top actuator, boot and hardware.	

SECTION 6 - CYLINDER

SECTION 6 - CYLINDER

FIGURE 6-1. AXLE LOCKOUT CYLINDER ASSEMBLY



ART_1001163580

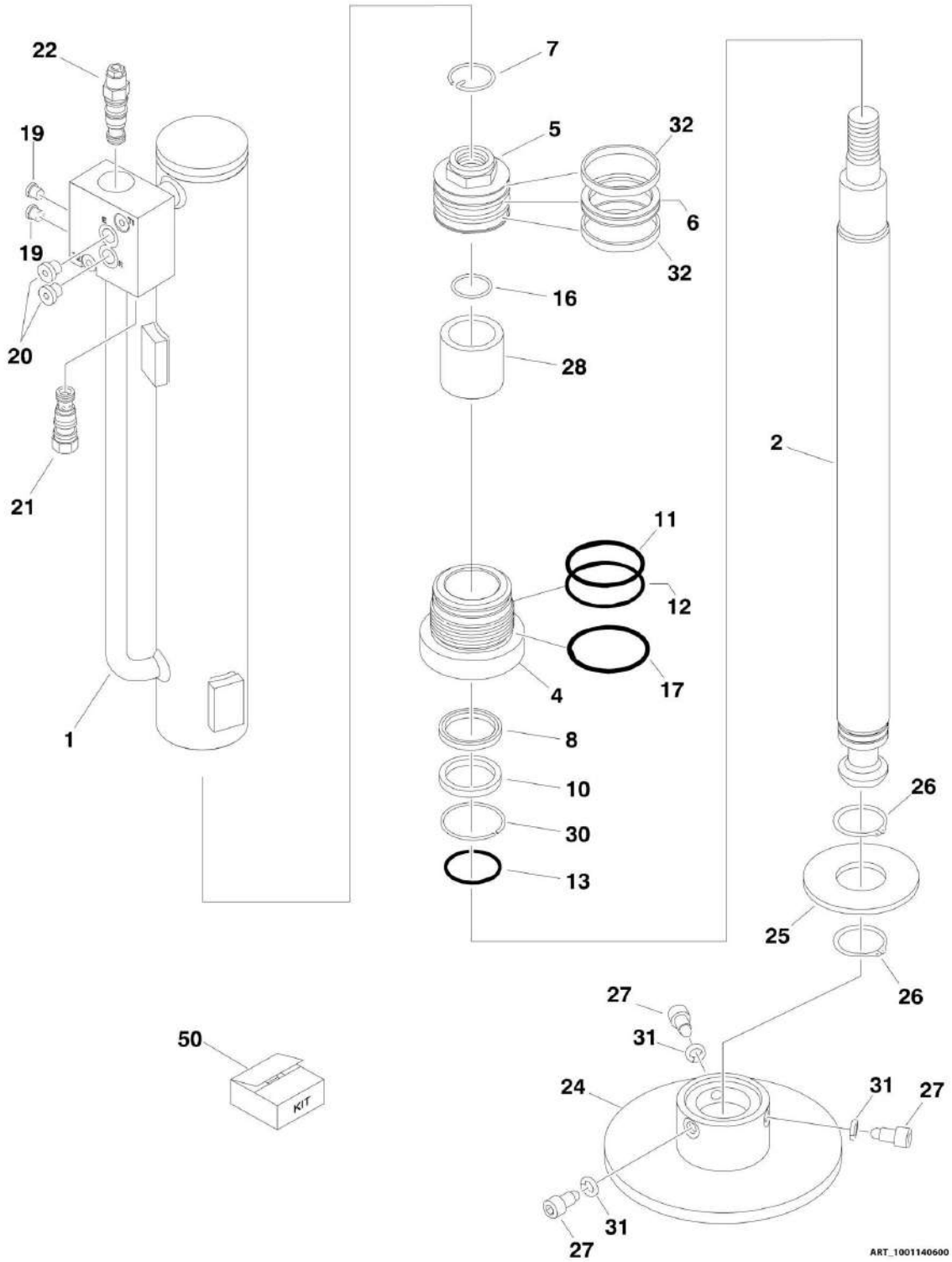
SECTION 6 - CYLINDER

FIGURE 6-1. AXLE LOCKOUT CYLINDER ASSEMBLY

ITEM	PART NUMBER	QTY	DESCRIPTION	REV
	1001163580	Ref	AXLE LOCKOUT CYLINDER ASSEMBLY	G
1	1684290	1	Rod	
2	2220890	2	Plug	
3	4640858	1	Bleeder	
4	1001117372	1	Cartridge, Counterbalance Valve	
4	70002842	1	Seal Kit - 1001117372 Valve	
5	1001164817	1	Barrel	
100	2902266	1	Seal Kit, Cylinder (Includes Items 101-103)	
101	See Note	NSS	Ring, Wear (Note: Use Item 100)	
102	See Note	NSS	Seal, Wiper (Note: Use Item 100)	
103	See Note	NSS	Seal, Rod (Note: Use Item 100)	

SECTION 6 - CYLINDER

FIGURE 6-2. LEVELING JACK CYLINDER ASSEMBLY



ART_1001140600

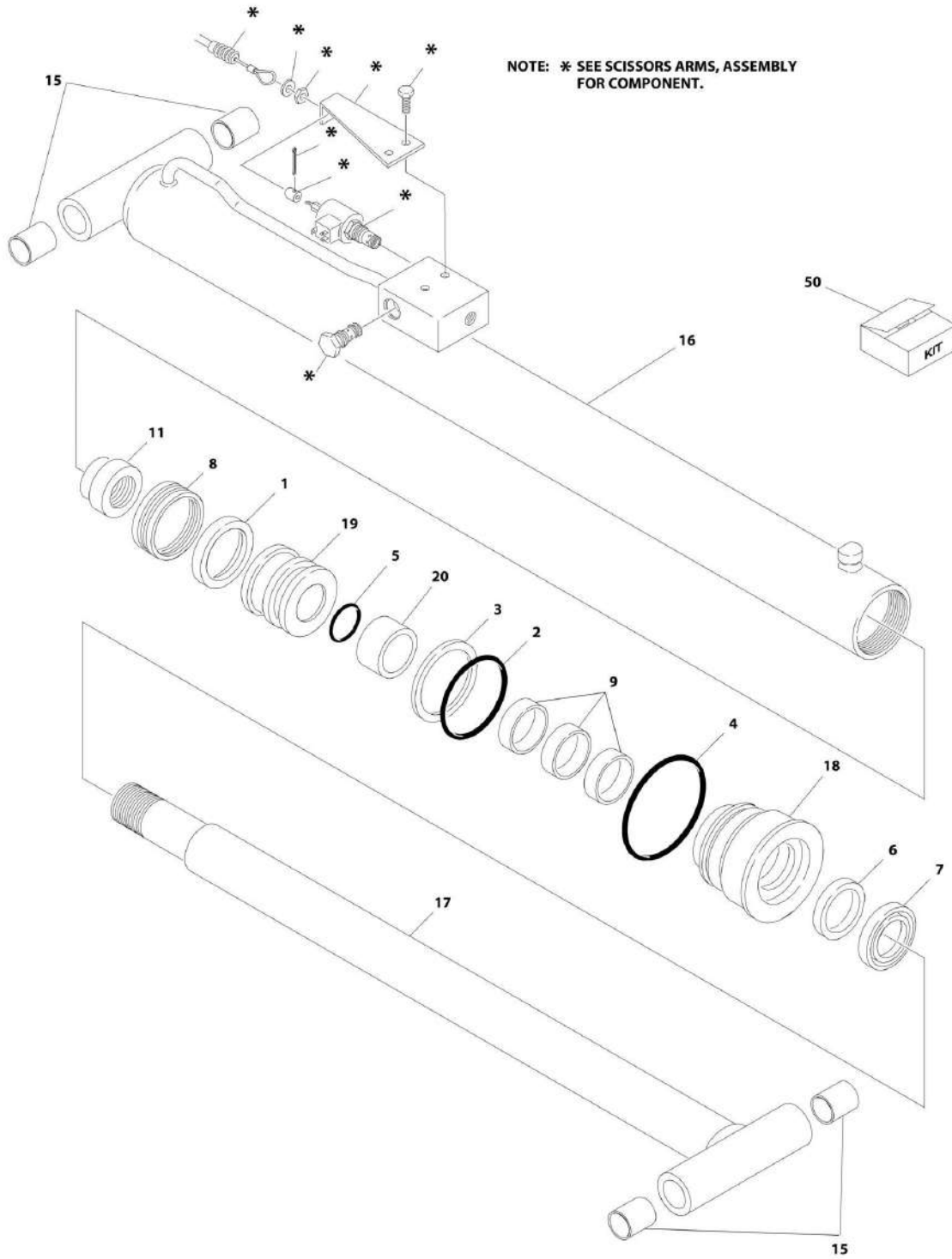
SECTION 6 - CYLINDER

FIGURE 6-2. LEVELING JACK CYLINDER ASSEMBLY

ITEM	PART NUMBER	QTY	DESCRIPTION	REV
	1001140600	Ref	LEVELING JACK CYLINDER ASSEMBLY	B
1	70003826	1	Barrel	
2	70003827	1	Rod	
4	70003818	1	Head	
5	70003819	1	Piston	
6	See Note	NSS	Seal, Piston (Note: Use Item 50)	
7	70002216	1	Retainer	
8	See Note	NSS	Seal, Rod (Note: Use Item 50)	
10	See Note	NSS	Seal, Wiper (Note: Use Item 50)	
11	See Note	NSS	O-Ring (Note: Use Item 50)	
12	See Note	NSS	Ring, Back-up (Note: Use Item 50)	
13	70003820	1	O-Ring	
16	See Note	NSS	O-Ring (Note: Use Item 50)	
17	See Note	NSS	O-Ring (Note: Use Item 50)	
19	7017406	2	Plug	
20	7024844	2	Plug	
21	4641156	1	Valve, Check	
21	2900770	1	Seal Kit - 4641156 Valve	
22	4640495	1	Valve, Counter Balance	
22	2900770	1	Seal Kit - 4640495 Valve	
24	70003828	1	Pad, Jack	
25	70003821	1	Plate	
26	70003822	2	Ring, Retaining	
27	70003823	3	Screw 1/2 x 1-1/4	
28	70003824	1	Spacer	
30	70002219	1	Ring, Retaining	
31	70003825	3	Washer	
32	See Note	NSS	Ring, Wear (Note: Use Item 50)	
50	70003829	1	Seal Kit (Includes Items 6, 8-12, 16, 17 & 32)	

SECTION 6 - CYLINDER

FIGURE 6-3. LIFT CYLINDER ASSEMBLY - 3369LE/M3369



ART_1684119

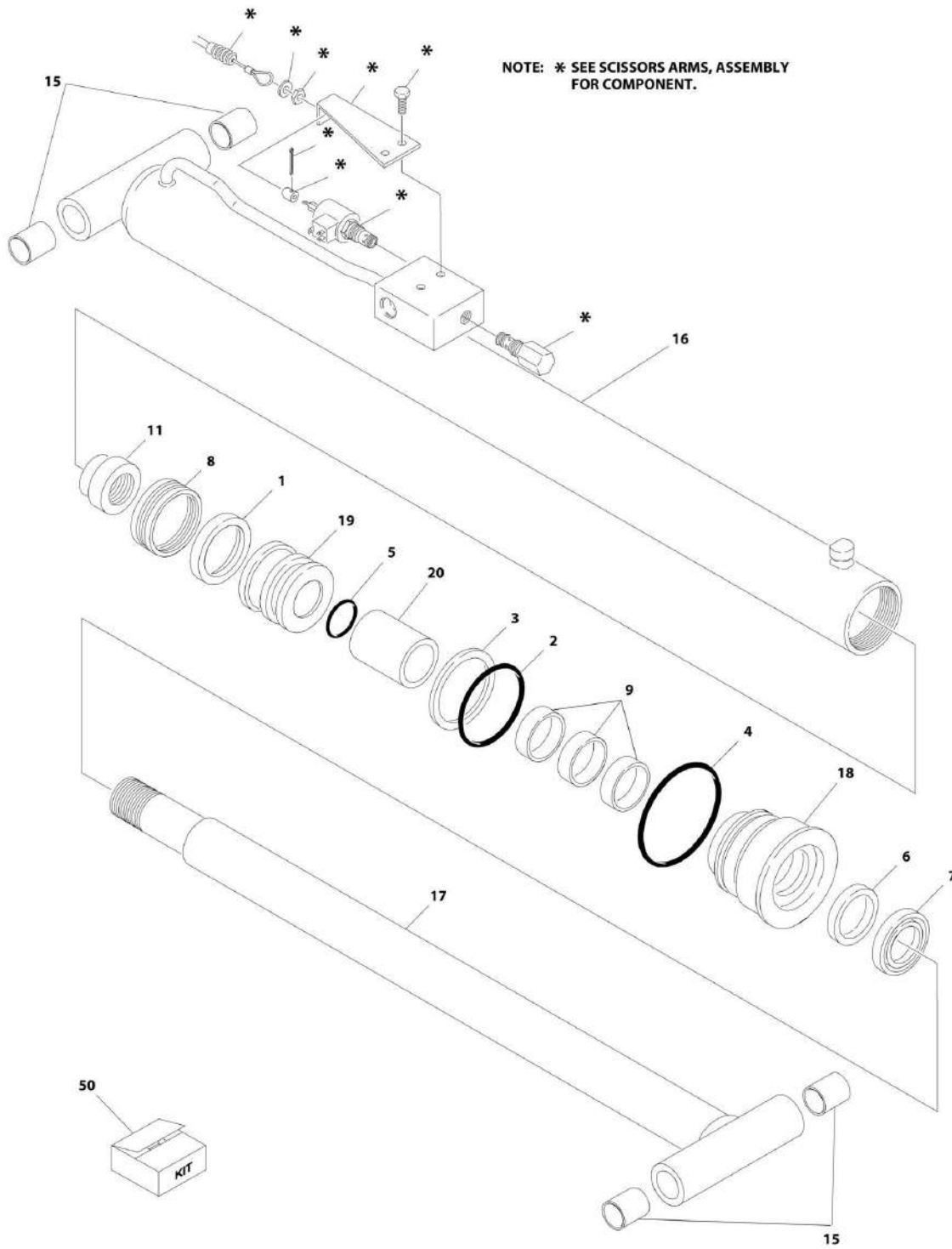
SECTION 6 - CYLINDER

FIGURE 6-3. LIFT CYLINDER ASSEMBLY - 3369LE/M3369

ITEM	PART NUMBER	QTY	DESCRIPTION	REV
	1684119	Ref	LIFT CYLINDER ASSEMBLY - 3369LE/M3369	D
1	See Note	NSS	Seal (Note: Use Item 50)	
2	See Note	NSS	O-Ring (Note: Use Item 50)	
3	See Note	NSS	Ring, Back-up (Note: Use Item 50)	
4	See Note	NSS	O-Ring (Note: Use Item 50)	
5	See Note	NSS	O-Ring (Note: Use Item 50)	
6	See Note	NSS	Seal (Note: Use Item 50)	
7	See Note	NSS	Wiper (Note: Use Item 50)	
8	See Note	NSS	Ring, Wear (Note: Use Item 50)	
9	See Note	NSS	Ring, Wear (Note: Use Item 50)	
11	7003226	1	Locknut	
15	0962012	4	Bushing	
16	7019898	1	Barrel	
17	70001358	1	Rod	
18	7019886	1	Head	
19	7024101	1	Piston	
20	70001357	1	Spacer	
50	7024103	1	Seal Kit (Includes Items 1-9)	

SECTION 6 - CYLINDER

FIGURE 6-4. LIFT (LOWER) CYLINDER ASSEMBLY - 4069LE/M4069



ART_1684120

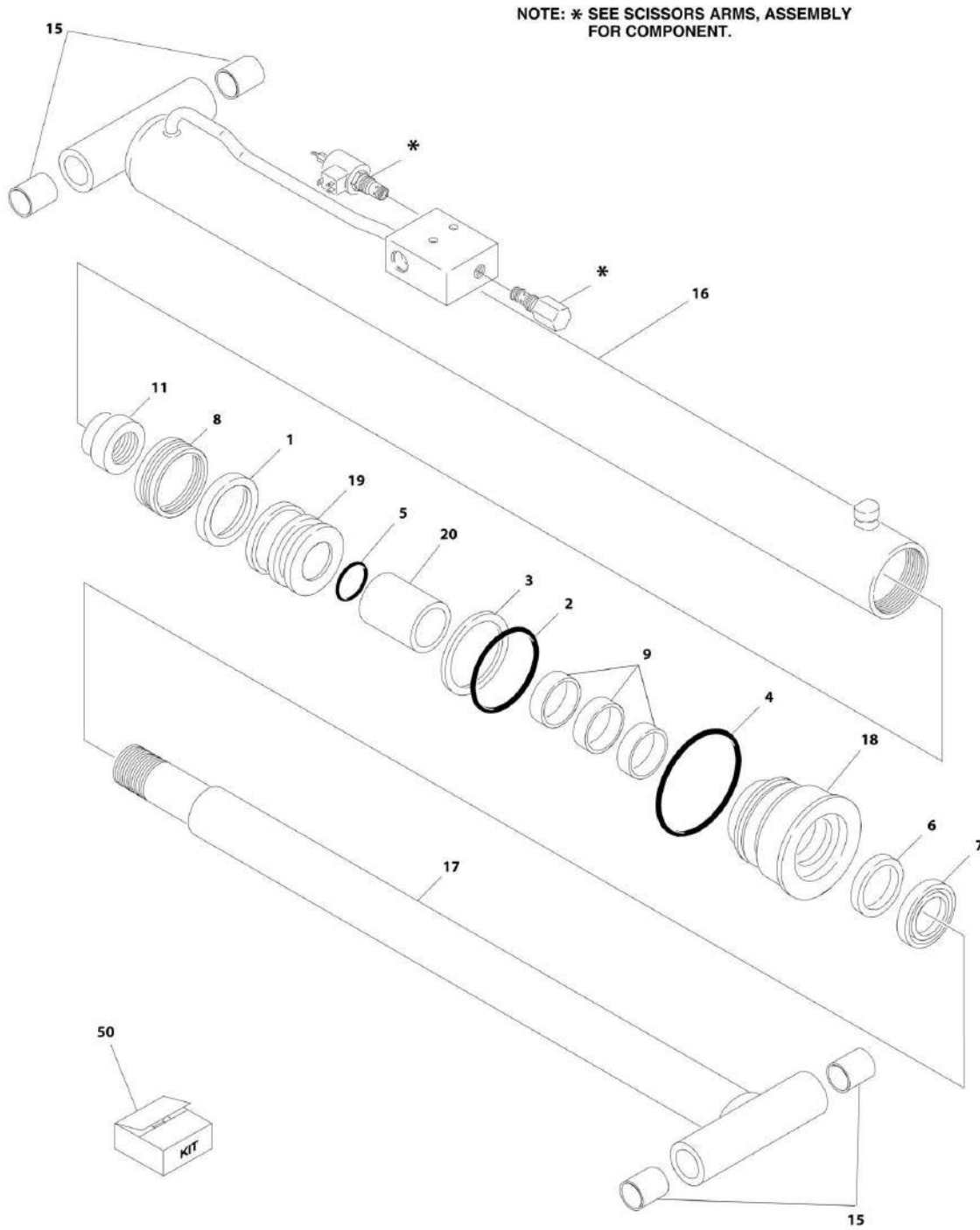
SECTION 6 - CYLINDER

FIGURE 6-4. LIFT (LOWER) CYLINDER ASSEMBLY - 4069LE/M4069

ITEM	PART NUMBER	QTY	DESCRIPTION	REV
	1684120	Ref	LIFT (LOWER) CYLINDER ASSEMBLY - 4069LE/M4069	C
1	See Note	NSS	Seal (Note: Use Item 50)	
2	See Note	NSS	O-Ring (Note: Use Item 50)	
3	See Note	NSS	Ring, Back-up (Note: Use Item 50)	
4	See Note	NSS	O-Ring (Note: Use Item 50)	
5	See Note	NSS	O-Ring (Note: Use Item 50)	
6	See Note	NSS	Seal (Note: Use Item 50)	
7	See Note	NSS	Wiper (Note: Use Item 50)	
8	See Note	NSS	Ring, Wear (Note: Use Item 50)	
9	See Note	NSS	Ring, Wear (Note: Use Item 50)	
11	7003226	1	Locknut	
15	7019889	4	Bushing	
16	7019888	1	Barrel	
17	7023505	1	Rod	
18	7019886	1	Head	
19	7024101	1	Piston	
20	7023509	1	Spacer	
50	7024103	1	Seal Kit (Includes Items 1-9)	

SECTION 6 - CYLINDER

FIGURE 6-5. LIFT (UPPER) CYLINDER ASSEMBLY - 4069LE/M4069



ART_1684121

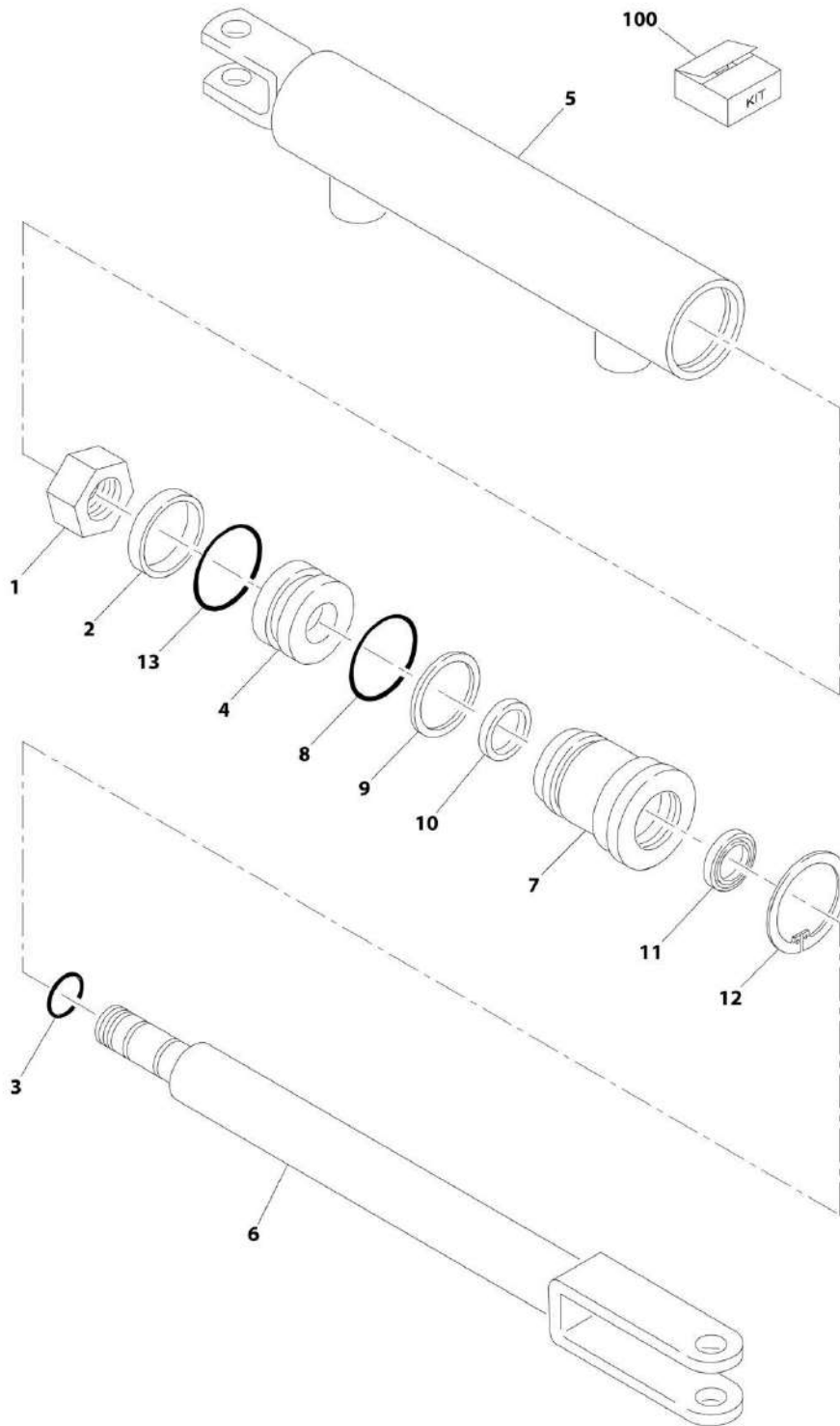
SECTION 6 - CYLINDER

FIGURE 6-5. LIFT (UPPER) CYLINDER ASSEMBLY - 4069LE/M4069

ITEM	PART NUMBER	QTY	DESCRIPTION	REV
	1684121	Ref	LIFT (UPPER) CYLINDER ASSEMBLY - 4069LE/M4069	C
1	See Note	NSS	Seal (Note: Use Item 50)	
2	See Note	NSS	O-Ring (Note: Use Item 50)	
3	See Note	NSS	Ring, Back-up (Note: Use Item 50)	
4	See Note	NSS	O-Ring (Note: Use Item 50)	
5	See Note	NSS	O-Ring (Note: Use Item 50)	
6	See Note	NSS	Seal (Note: Use Item 50)	
7	See Note	NSS	Wiper (Note: Use Item 50)	
8	See Note	NSS	Ring, Wear (Note: Use Item 50)	
9	See Note	NSS	Ring, Wear (Note: Use Item 50)	
11	7003212	1	Nut	
15	7019889	4	Bushing	
16	7019895	1	Barrel	
17	7023508	1	Rod	
18	7019893	1	Head	
19	7019862	1	Piston	
20	7023510	1	Spacer	
50	7024102	1	Seal Kit (Includes Items 1-9)	

SECTION 6 - CYLINDER

FIGURE 6-6. STEER CYLINDER ASSEMBLY



ART_1683994

SECTION 6 - CYLINDER

FIGURE 6-6. STEER CYLINDER ASSEMBLY

ITEM	PART NUMBER	QTY	DESCRIPTION	REV
	1683994	Ref	STEER CYLINDER ASSEMBLY	D
1	7001626	1	Locknut	
2	See Note	NSS	Seal, Piston (Note: Use Item 50)	
3	See Note	NSS	O-Ring (Note: Use Item 50)	
4	70002518	1	Piston	
5	7023022	1	Barrel	
6	7023021	1	Rod	
7	7017294	1	Guide	
8	See Note	NSS	O-Ring (Note: Use Item 50)	
9	See Note	NSS	Ring, Back-up (Note: Use Item 50)	
10	See Note	NSS	Seal (Note: Use Item 50)	
11	See Note	NSS	Wiper (Note: Use Item 50)	
12	See Note	NSS	Ring, Retaining (Note: Use Item 50)	
13	See Note	NSS	O-Ring (Note: Use Item 50)	
100	70002517	1	Seal Kit (Includes Items 2, 3 & 8-13)	

SECTION 7 - HYDRAULIC

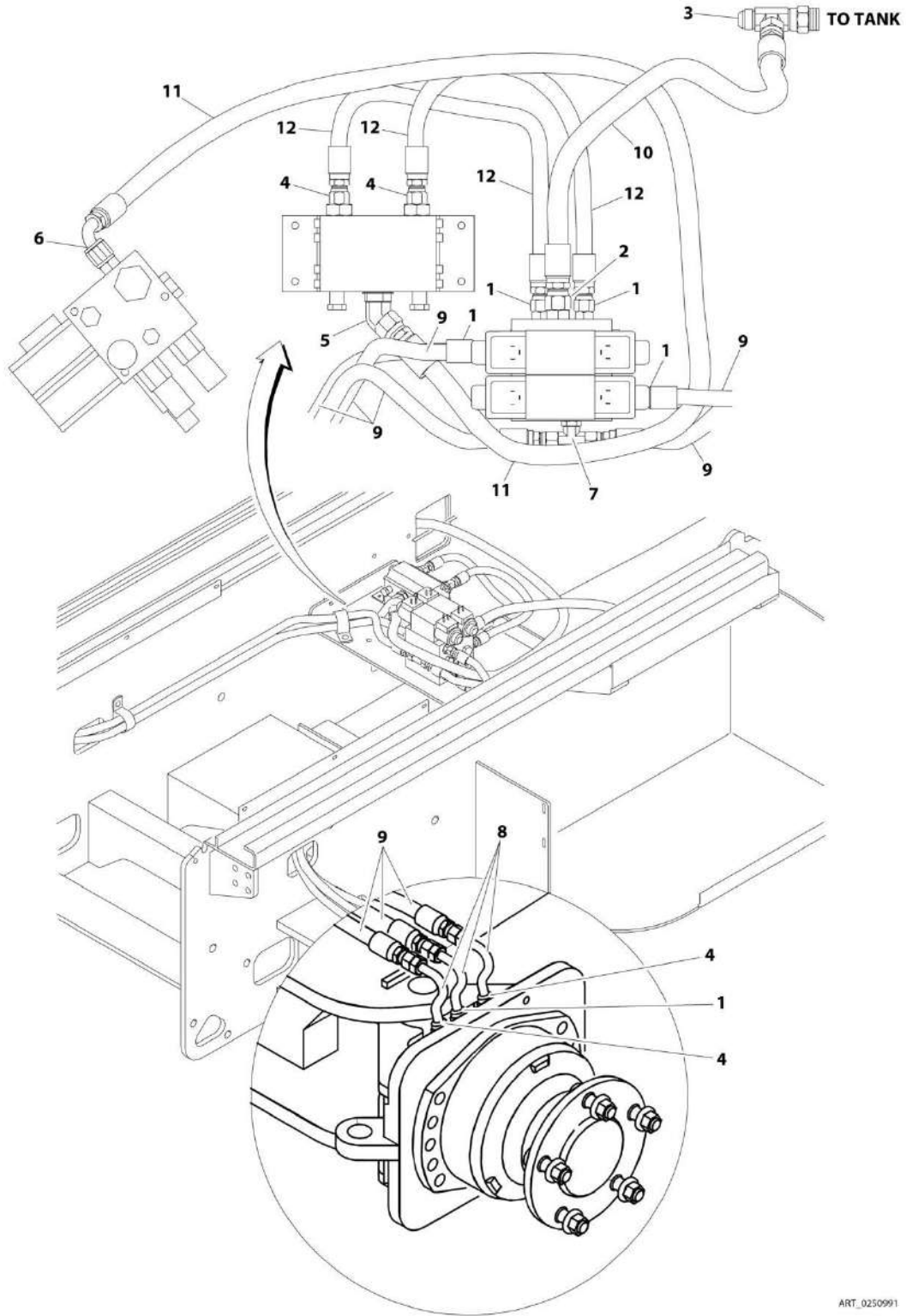
SECTION 7 - HYDRAULIC

FIGURE 7-1. HYDRAULIC DIAGRAM LIST

ITEM	PART NUMBER	QTY	DESCRIPTION	REV
		Ref	HYDRAULIC DIAGRAM LIST	
	0270991	Ref	Hydraulic Diagram - 4WD	
	2792494	Ref	Hydraulic Diagram - Leveling Jacks (Optional)	
	0275481	Ref	Hydraulic Diagram - Lift Cylinder - 3369LE/M3369 without LSS	
	0275525	Ref	Hydraulic Diagram - Lift Cylinder - 3369LE/M3369 with LSS	
	0275482	Ref	Hydraulic Diagram - Lift Cylinder - 4069LE/M4069 without LSS	
	0275526	Ref	Hydraulic Diagram - Lift Cylinder - 4069LE/M4069 with LSS	
	2792443	Ref	Hydraulic Diagram - Standard - 3369LE/M4069 with Fixed Axle	
	1001167496	Ref	Hydraulic Diagram - Standard - 3369LE/M3369 with Oscillating Axle (All Specs except CE Spec)	
	2792445	Ref	Hydraulic Diagram - Standard - 4069LE/M4069 with Fixed Axle	
	1001167498	Ref	Hydraulic Diagram - Standard - 4069LE/M4069 with Oscillating Axle (All Specs except CE Spec)	
	1001167495	Ref	Hydraulic Schematic (Except CE Spec) (Not Shown - See Service Manual)	
	1001191135	Ref	Hydraulic Schematic (CE Spec) (Not Shown - See Service Manual) (SN 0200246353 to Present)	
	1001191135	Ref	Hydraulic Schematic (CE Spec) (Not Shown - See Service Manual) (SN M200000100 to Present)	
	1001191137	Ref	Hydraulic Diagram - Standard - 3369LE/M3369 with Oscillating Axle (CE SPEC)	
	1001191141	Ref	Hydraulic Diagram - Standard - 4069LE/M4069 with Oscillating Axle (CE SPEC)	

SECTION 7 - HYDRAULIC

FIGURE 7-2. HYDRAULIC DIAGRAM - 4WD



ART. 0250991

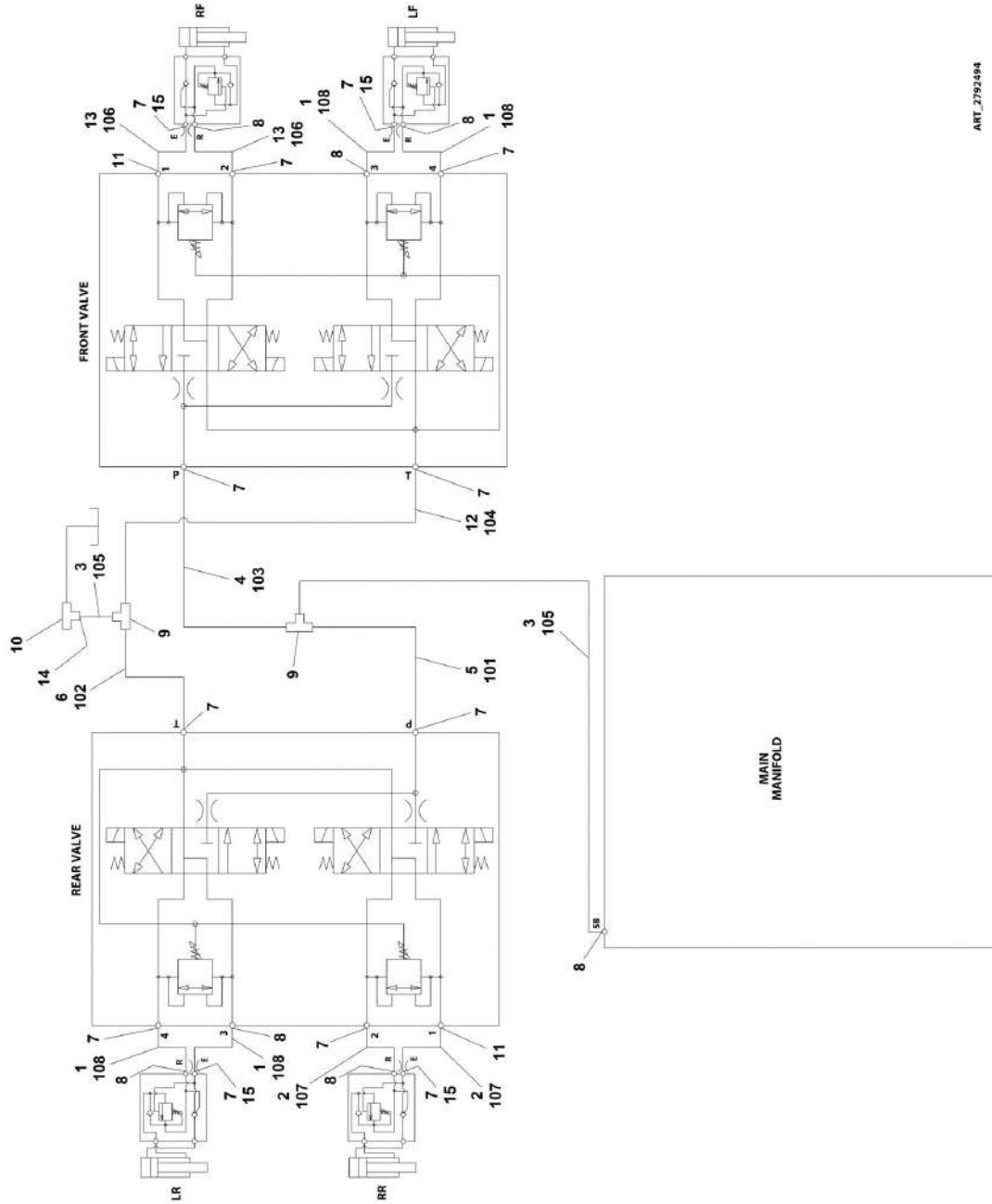
SECTION 7 - HYDRAULIC

FIGURE 7-2. HYDRAULIC DIAGRAM - 4WD

ITEM	PART NUMBER	QTY	DESCRIPTION	REV
	0270991	Ref	HYDRAULIC DIAGRAM - 4WD	E
1	2220371	8	Fitting, Straight JIC/ORB	
2	2220373	1	Fitting, Straight JIC/ORB	
3	2220385	1	Fitting, Tee JIC/JIC/JIC	
4	2220497	6	Fitting, Straight JIC/ORB	
5	2220499	1	Fitting, 45 JIC/ORB	
6	2220600	1	Fitting, Straight FL/ORB	
7	2220899	1	Fitting, Tee JIC/ORB/JIC	
8	2230087	6	Fitting	
9	2752966	6	Hose	
10	2752516	1	Hose	
11	2752497	1	Hose	
12	2753118	2	Hose	

SECTION 7 - HYDRAULIC

FIGURE 7-3. HYDRAULIC DIAGRAM - LEVELING JACKS (OPTIONAL)



ART_2752494

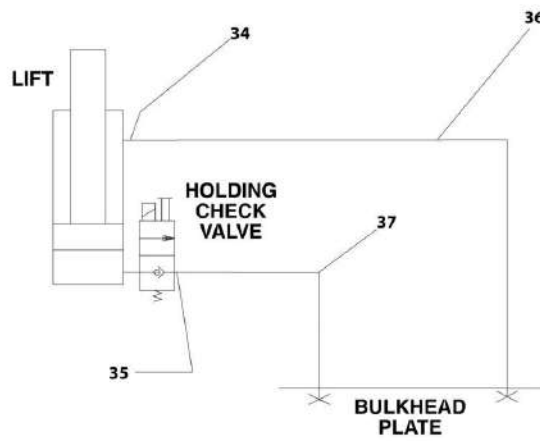
SECTION 7 - HYDRAULIC

FIGURE 7-3. HYDRAULIC DIAGRAM - LEVELING JACKS (OPTIONAL)

ITEM	PART NUMBER	QTY	DESCRIPTION	REV
	2792494	Ref	HYDRAULIC DIAGRAM - LEVELING JACKS (OPTIONAL)	F
1	2753532	4	Hose (Prior to SN M200011808)	
2	2753529	2	Hose (Prior to SN M200011808)	
3	2753397	2	Hose (Prior to SN M200011808)	
4	2753059	1	Hose (Prior to SN M200011808)	
5	2750908	1	Hose (Prior to SN M200011808)	
6	2750915	1	Hose (Prior to SN M200011808)	
7	2220371	12	Fitting, Straight JIC/ORB	
8	2220473	7	Fitting, 90 JIC/ORB	
9	2220490	2	Fitting, Tee JIC/JIC/JIC	
10	2220385	1	Fitting, Tee JIC/JIC/JIC	
11	2220819	2	Fitting, 90 JIC/ORB	
12	2753120	1	Hose (Prior to SN M200011808)	
13	2753524	2	Hose (Prior to SN M200011808)	
14	2220619	1	Fitting, Reducer JIC/JIC	
15	2221089	4	Orifice (.0625)	
100	1001230581	Ref	Kit, Fixed Axle Hose (SN M200011808 to Present)	
101	See Note	1	Hose (Note: Use p/n 1001230581)	
102	See Note	1	Hose (Note: Use p/n 1001230581)	
103	See Note	1	Hose (Note: Use p/n 1001230581)	
104	See Note	1	Hose (Note: Use p/n 1001230581)	
105	See Note	2	Hose (Note: Use p/n 1001230581)	
106	See Note	1	Hose (Note: Use p/n 1001230581)	
107	See Note	1	Hose (Note: Use p/n 1001230581)	
108	See Note	1	Hose (Note: Use p/n 1001230581)	

SECTION 7 - HYDRAULIC

FIGURE 7-4. HYDRAULIC DIAGRAM - LIFT CYLINDER - 3369LE/M3369 WITHOUT LSS



ART_0255481_20F2

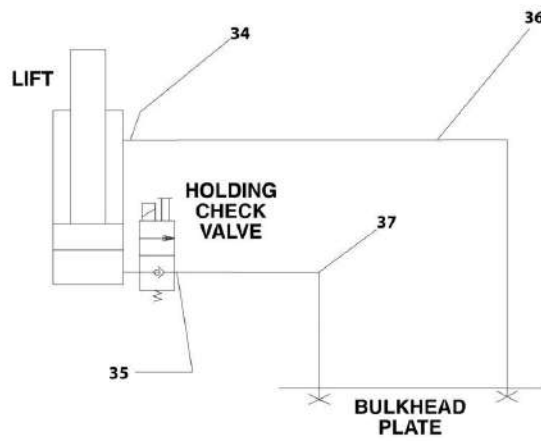
SECTION 7 - HYDRAULIC

FIGURE 7-4. HYDRAULIC DIAGRAM - LIFT CYLINDER - 3369LE/M3369 WITHOUT LSS

ITEM	PART NUMBER	QTY	DESCRIPTION	REV
	0275481	Ref	HYDRAULIC DIAGRAM - LIFT CYLINDER - 3369LE/M3369 WITHOUT LSS	D
34	2220371	1	Fitting, Straight JIC/ORB	
35	2220473	1	Fitting, 90 JIC/ORB	
36	2753137	1	Hose	
37	2753526	1	Hose	

SECTION 7 - HYDRAULIC

FIGURE 7-5. HYDRAULIC DIAGRAM - LIFT CYLINDER - 3369LE/M3369 WITH LSS



ART_0255525_20F2

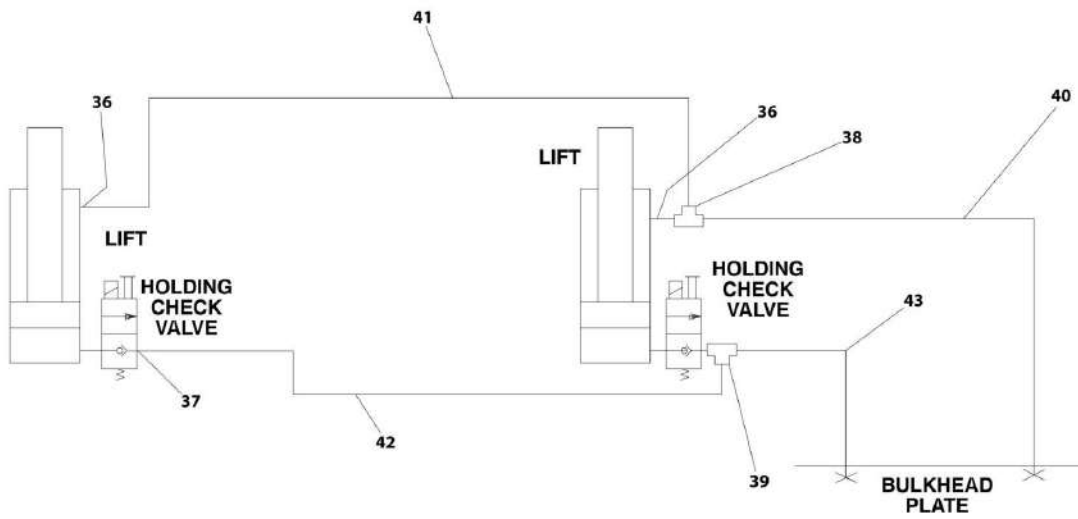
SECTION 7 - HYDRAULIC

FIGURE 7-5. HYDRAULIC DIAGRAM - LIFT CYLINDER - 3369LE/M3369 WITH LSS

ITEM	PART NUMBER	QTY	DESCRIPTION	REV
	0275525	Ref	HYDRAULIC DIAGRAM - LIFT CYLINDER - 3369LE/M3369 WITH LSS	F
34	2220371	1	Fitting, Straight JIC/ORB	
35	2220473	1	Fitting, 90 JIC/ORB	
36	2753137	1	Hose	
37	2753526	1	Hose	

SECTION 7 - HYDRAULIC

FIGURE 7-6. HYDRAULIC DIAGRAM - LIFT CYLINDER - 4069LE/M4069 WITHOUT LSS



ART_0255482_20F2

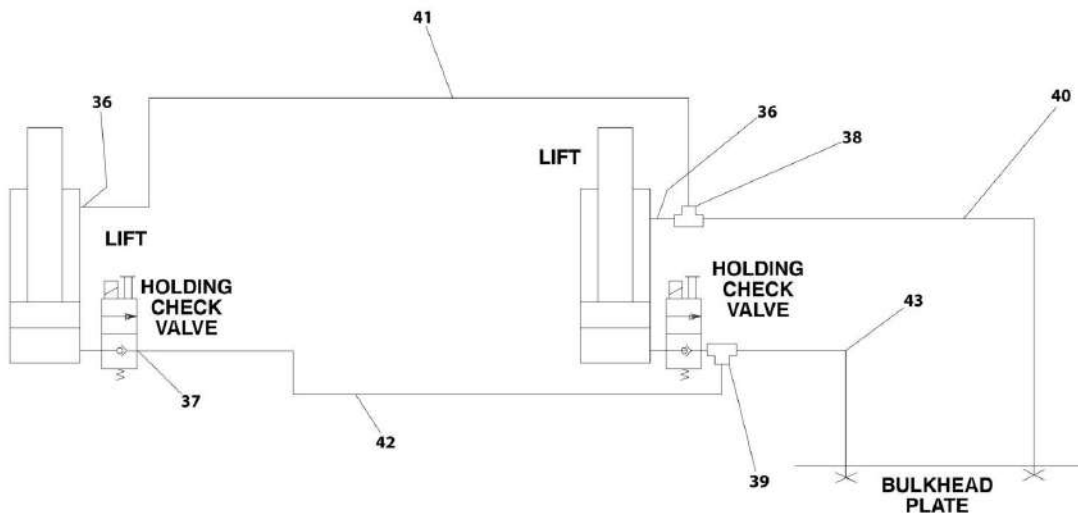
SECTION 7 - HYDRAULIC

FIGURE 7-6. HYDRAULIC DIAGRAM - LIFT CYLINDER - 4069LE/M4069 WITHOUT LSS

ITEM	PART NUMBER	QTY	DESCRIPTION	REV
	0275482	Ref	HYDRAULIC DIAGRAM - LIFT CYLINDER - 4069LE/M4069 WITHOUT LSS	E
36	2220371	2	Fitting, Straight JIC/ORB	
37	2220473	1	Fitting, 90 JIC/ORB	
38	2220635	1	Fitting, Tee JIC/JIC/JIC	
39	2220899	1	Fitting, Tee JIC/ORB/JIC	
40	2753137	1	Hose	
41	2753414	1	Hose	
42	2753415	1	Hose	
43	2753526	1	Hose	

SECTION 7 - HYDRAULIC

FIGURE 7-7. HYDRAULIC DIAGRAM - LIFT CYLINDER - 4069LE/M4069 WITH LSS



ART_0255526_20F2

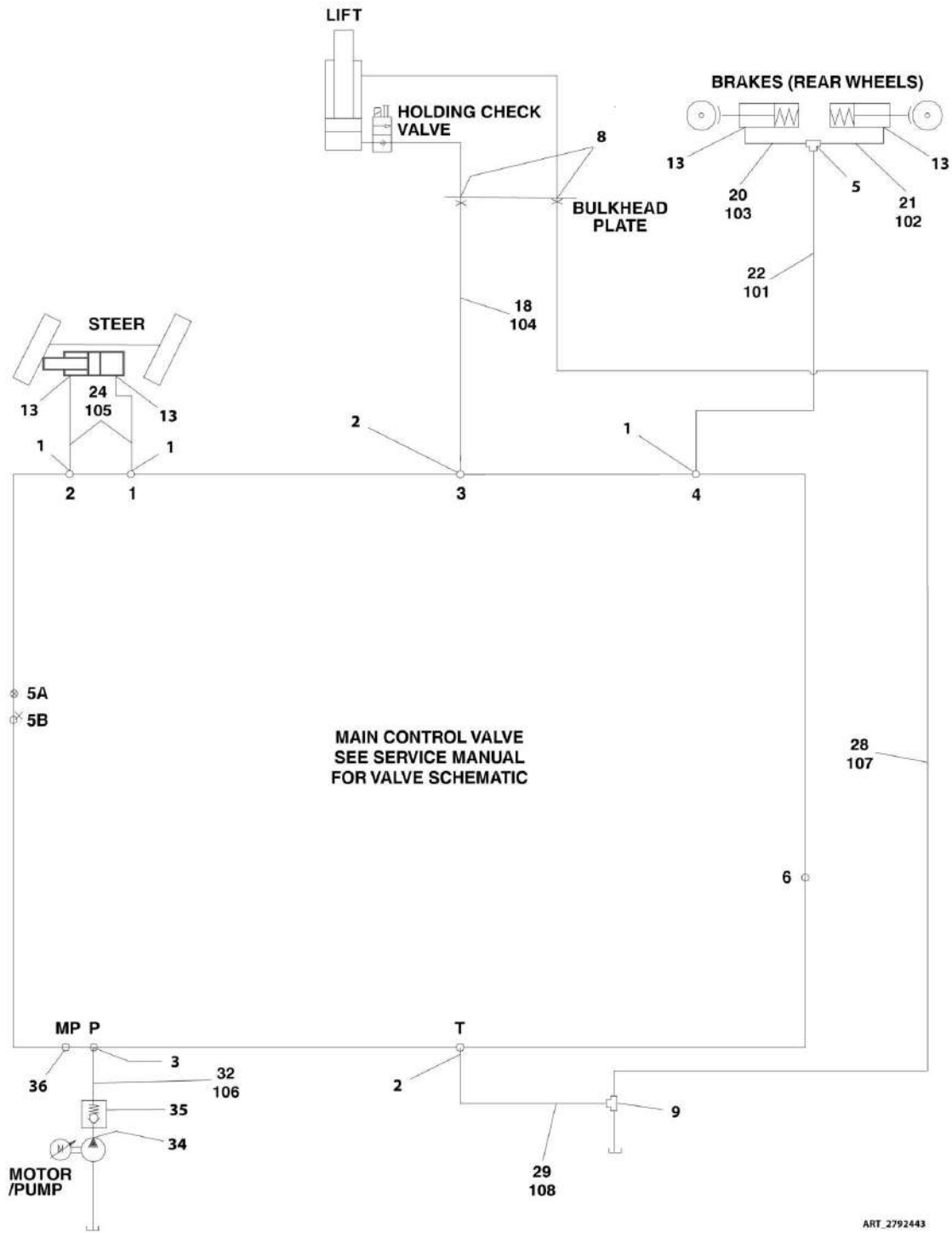
SECTION 7 - HYDRAULIC

FIGURE 7-7. HYDRAULIC DIAGRAM - LIFT CYLINDER - 4069LE/M4069 WITH LSS

ITEM	PART NUMBER	QTY	DESCRIPTION	REV
	0275526	1	HYDRAULIC DIAGRAM - LIFT CYLINDER - 4069LE/M4069 WITH LSS	F
36	2220371	2	Fitting, Straight JIC/ORB	
37	2220473	1	Fitting, 90 JIC/ORB	
38	2220635	1	Fitting, Tee JIC/JIC/JIC	
39	2220899	1	Fitting, Tee JIC/ORB/JIC	
40	2753137	1	Hose	
41	2753414	1	Hose	
42	2753415	1	Hose	
43	2753526	1	Hose	

SECTION 7 - HYDRAULIC

FIGURE 7-8. HYDRAULIC DIAGRAM - STANDARD - 3369LE/M3369 WITH FIXED AXLE



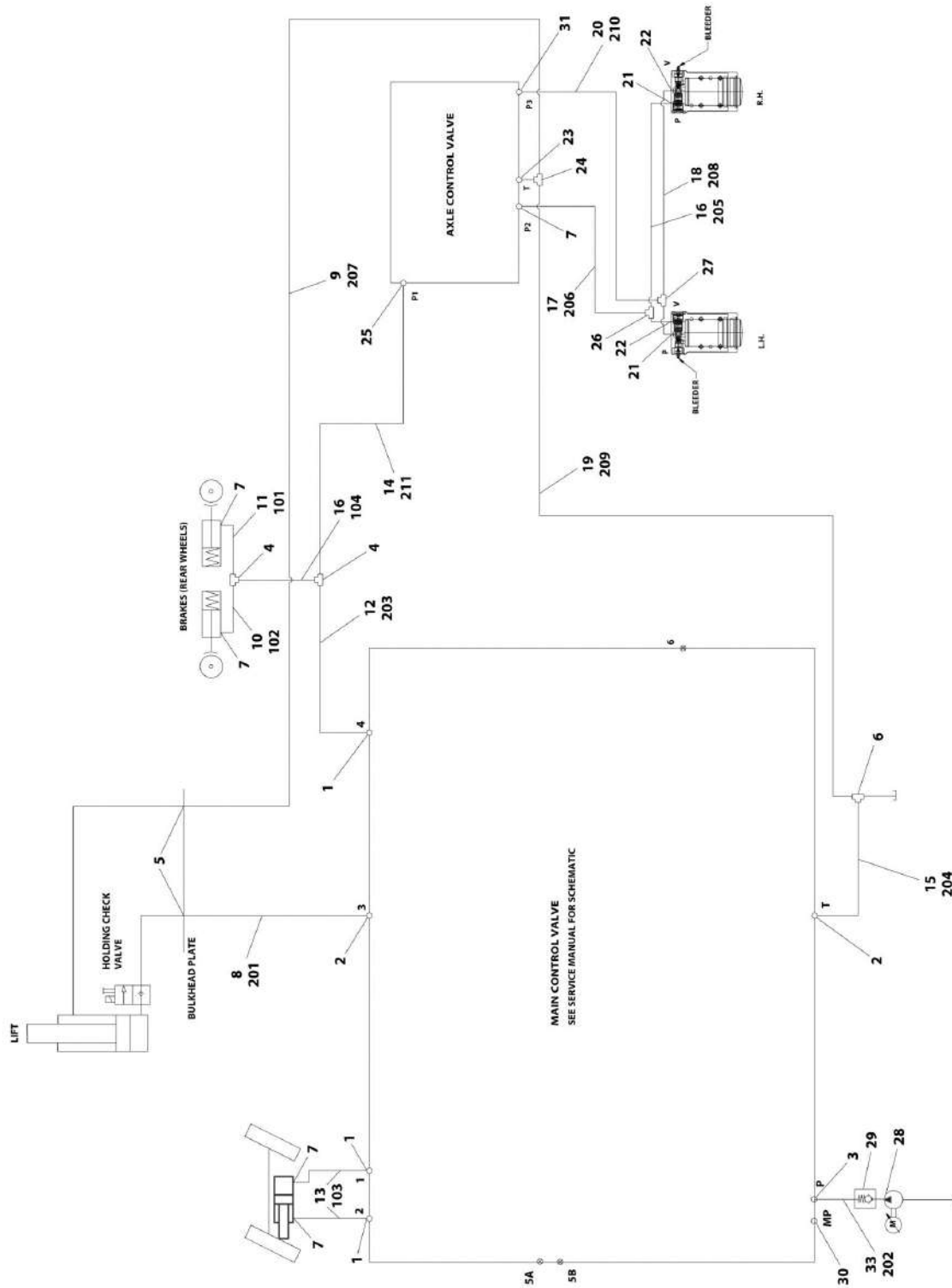
SECTION 7 - HYDRAULIC

FIGURE 7-8. HYDRAULIC DIAGRAM - STANDARD - 3369LE/M3369 WITH FIXED AXLE

ITEM	PART NUMBER	QTY	DESCRIPTION	REV
	2792443	Ref	HYDRAULIC DIAGRAM - STANDARD - 3369LE/M3369 WITH FIXED AXLE	F
1	2220415	3	Fitting, Straight JIC/ORB	
2	2220371	2	Fitting, Straight JIC/ORB	
3	2220373	1	Fitting, Straight JIC/ORB	
5	2220504	1	Fitting, Tee JIC/JIC/JIC	
8	2230024	2	Fitting, Bulkhead JIC/JIC	
9	2221041	1	Fitting, Tee	
13	2220466	4	Fitting, 90 JIC/ORB	
18	2752958	1	Hose (Prior to SN M200011808)	
20	2752593	1	Hose (Prior to SN M200011808)	
21	2752444	1	Hose (Prior to SN M200011808)	
22	2750905	1	Hose (Prior to SN M200011808)	
24	2752983	2	Hose (Prior to SN M200011808)	
28	2753527	1	Hose (Prior to SN M200011808)	
29	2753528	1	Hose (Prior to SN M200011808)	
32	2753187	1	Hose (Prior to SN M200011808)	
34	2220810	1	Fitting, Straight ORB/ORB	
35	4640744	1	Valve, Inline Check	
36	2221086	1	Fitting, Test Port	
100	1001230578	Ref	Kit, Fixed Axle Hose (SN M200011808 to Present)	
101	See Note	1	Hose (Note: Use p/n 1001230578)	
102	See Note	1	Hose (Note: Use p/n 1001230578)	
103	See Note	1	Hose (Note: Use p/n 1001230578)	
104	See Note	1	Hose (Note: Use p/n 1001230578)	
105	See Note	2	Hose (Note: Use p/n 1001230578)	
106	See Note	1	Hose (Note: Use p/n 1001230578)	
107	See Note	1	Hose (Note: Use p/n 1001230578)	
108	See Note	1	Hose (Note: Use p/n 1001230578)	

SECTION 7 - HYDRAULIC

FIGURE 7-9. HYDRAULIC DIAGRAM - STANDARD - 3369LE/M3369 WITH OSCILLATING AXLE (ALL SPECS EXCEPT CE SPEC)



ART_100167496

SECTION 7 - HYDRAULIC

FIGURE 7-9. HYDRAULIC DIAGRAM - STANDARD - 3369LE/M3369 WITH OSCILLATING AXLE (ALL SPECS EXCEPT CE SPEC)

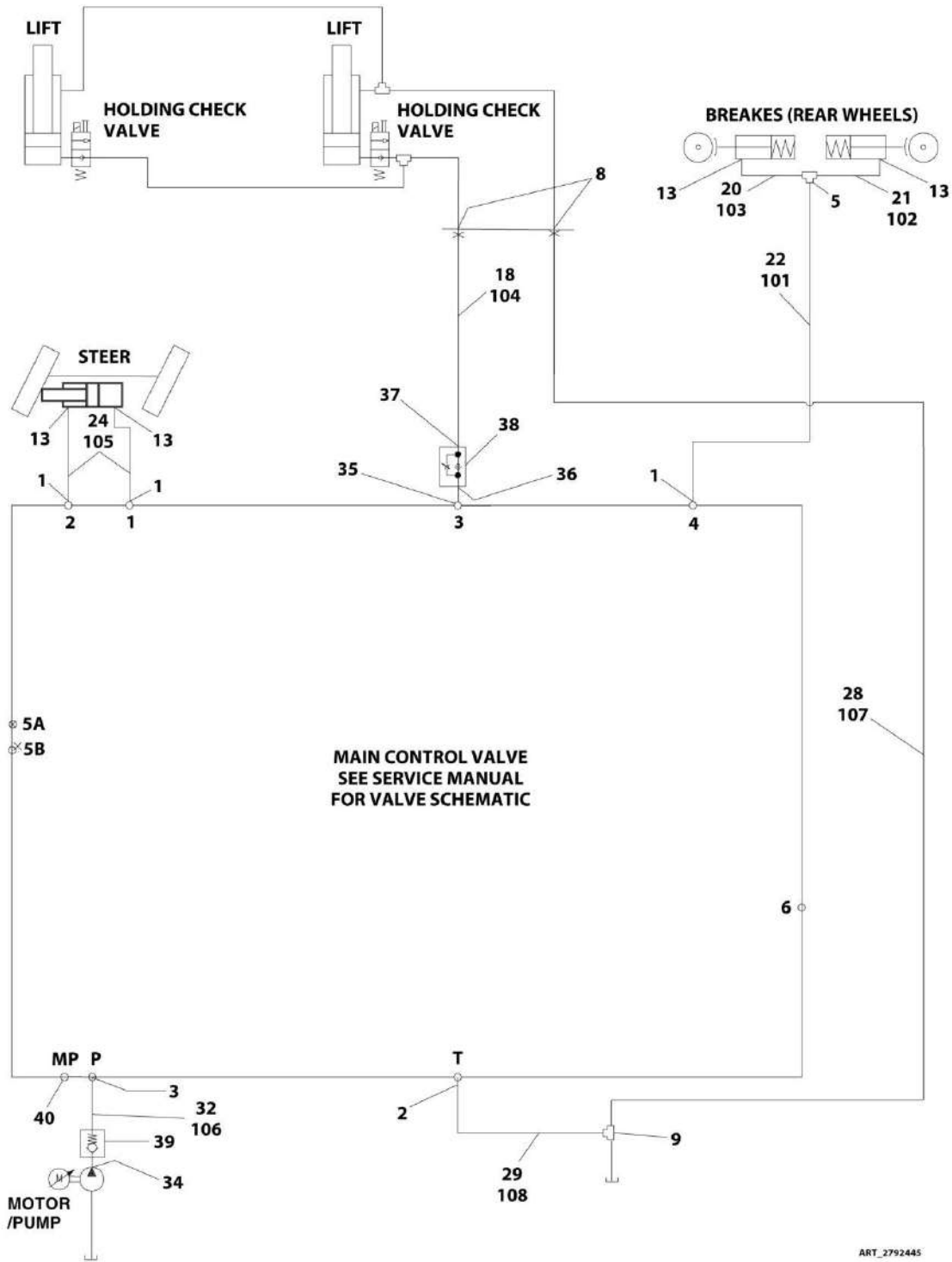
ITEM	PART NUMBER	QTY	DESCRIPTION	REV
	1001167496	Ref	HYDRAULIC DIAGRAM - STANDARD - 3369LE/M3369 WITH OSCILLATING AXLE (ALL SPECS EXCEPT CE SPEC)	F
1	2220415	3	Fitting, Straight	
2	2220371	2	Fitting, Straight	
3	2220373	1	Fitting, Straight	
4	2220504	2	Fitting, Tee	
5	2230024	2	Fitting, Bulkhead	
6	2221041	1	Fitting, Tee	
7	2220466	5	Fitting, 90	
8	2752958	1	Hose (Prior to SN M200011808)	
9	1001170684	1	Hose (Prior to SN M200011808)	
10	2752593	1	Hose (Prior to SN M200011808)	
11	2752444	1	Hose (Prior to SN M200011808)	
12	2753462	1	Hose (Prior to SN M200011808)	
13	2752983	2	Hose (Prior to SN M200011808)	
14	1001177692	1	Hose (Prior to SN M200011808)	
15	2753528	1	Hose (Prior to SN M200011808)	
16	1001170682	2	Hose (Prior to SN M200011808)	
17	1001170683	1	Hose (Prior to SN M200011808)	
18	1001170685	1	Hose (Prior to SN M200011808)	
19	1001170686	1	Hose (Prior to SN M200011808)	
20	1001170687	1	Hose (Prior to SN M200011808)	
21	2220923	2	Fitting, Straight JIC/ORB	
22	2220998	1	Fitting, Straight JIC/ORB	
23	2220603	1	Fitting, Straight JIC/ORB	
24	2220579	1	Fitting, Tee JIC/JIC/JIC	
25	2220502	1	Fitting, 45 JIC/ORB	
26	2220605	1	Fitting, Tee JIC/JIC/JIC	
27	2220635	1	Fitting, Tee JIC/JIC/JIC	
28	2220810	1	Fitting, Straight ORB/ORB	
29	4640744	1	Valve, Inline Check	
30	2221086	1	Fitting, Test Port	
31	2220775	1	Fitting, 90 JIC/ORB	
33	2753187	1	Hose (Prior to SN M200011808)	
100	1001230577	Ref	Kit, Frame Hose (SN M200011808 to Present)	
101	See Note	1	Hose (Note: Use p/n 1001230577)	
102	See Note	1	Hose (Note: Use p/n 1001230577)	
103	See Note	1	Hose (Note: Use p/n 1001230577)	
104	See Note	1	Hose (Note: Use p/n 1001230577)	
200	1001230579	Ref	Kit, Hosing Station (SN M200011808 to Present)	
201	See Note	2	Hose (Note: Use p/n 1001230579)	
202	See Note	1	Hose (Note: Use p/n 1001230579)	
203	See Note	1	Hose (Note: Use p/n 1001230579)	
204	See Note	2	Hose (Note: Use p/n 1001230579)	
205	See Note	1	Hose (Note: Use p/n 1001230579)	
206	See Note	2	Hose (Note: Use p/n 1001230579)	
207	See Note	1	Hose (Note: Use p/n 1001230579)	
208	See Note	1	Hose (Note: Use p/n 1001230579)	
209	See Note	1	Hose (Note: Use p/n 1001230579)	

SECTION 7 - HYDRAULIC

ITEM	PART NUMBER	QTY	DESCRIPTION	REV
210	See Note	1	Hose (Note: Use p/n 1001230579)	
211	See Note	1	Hose (Note: Use p/n 1001230579)	

SECTION 7 - HYDRAULIC

FIGURE 7-10. HYDRAULIC DIAGRAM - STANDARD - 4069LE/M4069 WITH FIXED AXLE



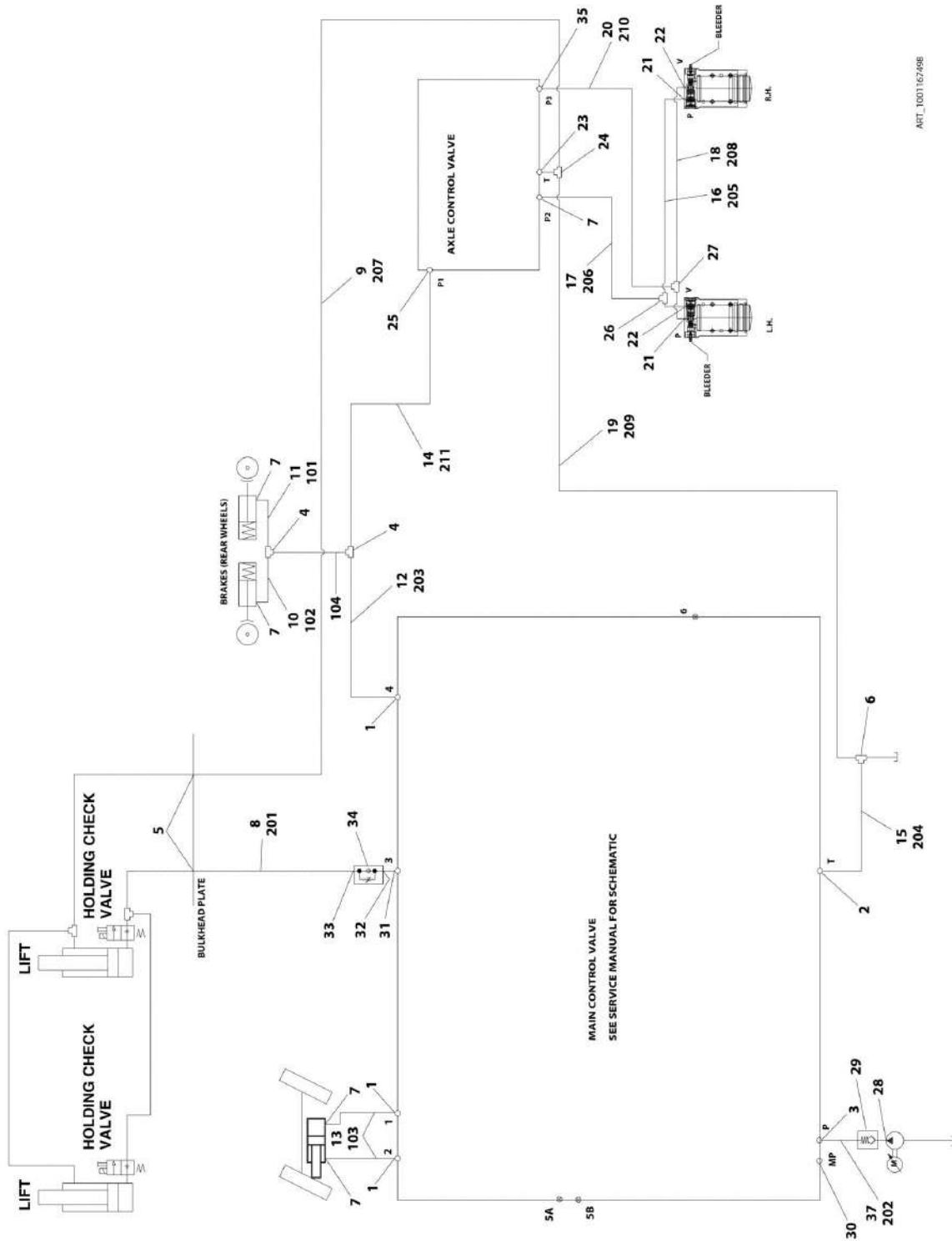
SECTION 7 - HYDRAULIC

FIGURE 7-10. HYDRAULIC DIAGRAM - STANDARD - 4069LE/M4069 WITH FIXED AXLE

ITEM	PART NUMBER	QTY	DESCRIPTION	REV
	2792445	Ref	HYDRAULIC DIAGRAM - STANDARD - 4069LE/M4069 WITH FIXED AXLE	G
1	2220415	3	Fitting, Straight JIC/ORB	
2	2220371	1	Fitting, Straight JIC/ORB	
3	2220373	1	Fitting, Straight JIC/ORB	
5	2220504	1	Fitting, Tee JIC/JIC/JIC	
8	2230024	2	Fitting, Bulkhead JIC/JIC	
9	2221041	1	Fitting, Tee	
13	2220466	4	Fitting, 90 JIC/ORB	
18	2752958	1	Hose (Prior to SN M200011808)	
20	2752593	1	Hose (Prior to SN M200011808)	
21	2752444	1	Hose (Prior to SN M200011808)	
22	2750905	1	Hose (Prior to SN M200011808)	
24	2752983	2	Hose (Prior to SN M200011808)	
28	2753527	1	Hose (Prior to SN M200011808)	
29	2753528	1	Hose (Prior to SN M200011808)	
32	2753187	1	Hose (Prior to SN M200011808)	
34	2220810	1	Fitting, Straight ORB/ORB	
35	2220600	1	Fitting, Straight ORB	
36	2220651	1	Fitting, Straight	
37	2221044	1	Fitting, 45	
38	4640757	1	Valve, Color Flow	
39	4640744	1	Valve, Inline Check	
40	2221086	1	Fitting, Test Port	
100	1001230578	Ref	Kit, Fixed Axle Hose (SN M200011808 to Present)	
101	See Note	1	Hose (Note: Use p/n 1001230578)	
102	See Note	1	Hose (Note: Use p/n 1001230578)	
103	See Note	1	Hose (Note: Use p/n 1001230578)	
104	See Note	1	Hose (Note: Use p/n 1001230578)	
105	See Note	2	Hose (Note: Use p/n 1001230578)	
106	See Note	1	Hose (Note: Use p/n 1001230578)	
107	See Note	1	Hose (Note: Use p/n 1001230578)	
108	See Note	1	Hose (Note: Use p/n 1001230578)	

SECTION 7 - HYDRAULIC

FIGURE 7-11. HYDRAULIC DIAGRAM - STANDARD - 4069LE/M4069 WITH OSCILLATING AXLE (ALL SPECS EXCEPT CE SPEC)



ART_1001167/988

SECTION 7 - HYDRAULIC

FIGURE 7-11. HYDRAULIC DIAGRAM - STANDARD - 4069LE/M4069 WITH OSCILLATING AXLE (ALL SPECS EXCEPT CE SPEC)

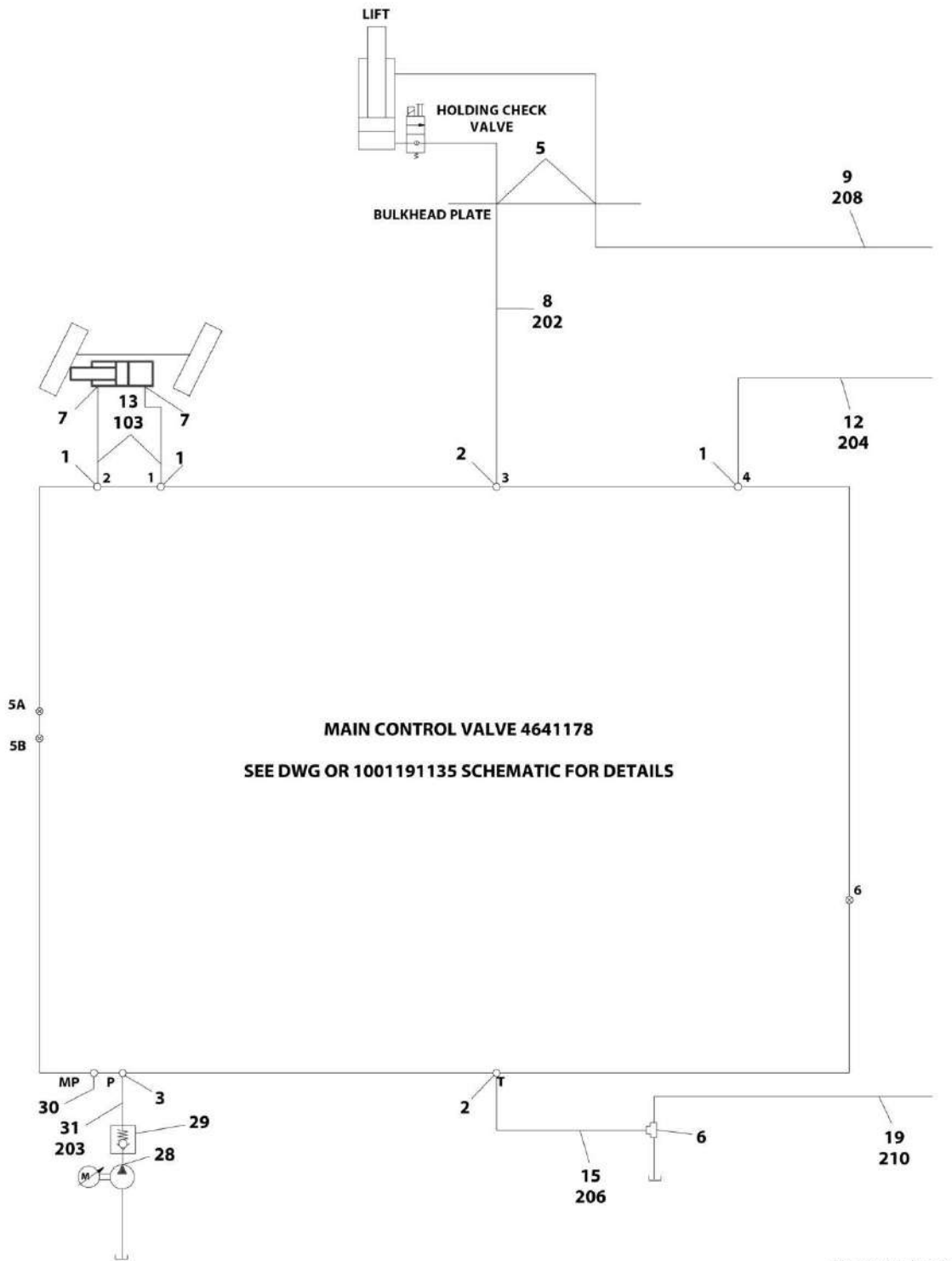
ITEM	PART NUMBER	QTY	DESCRIPTION	REV
	1001167498	Ref	HYDRAULIC DIAGRAM - STANDARD - 4069LE/M4069 WITH OSCILLATING AXLE (ALL SPECS EXCEPT CE SPEC)	E
1	2220415	3	Fitting, Straight	
2	2220371	1	Fitting, Straight	
3	2220373	1	Fitting, Straight	
4	2220504	2	Fitting, Tee	
5	2230024	2	Fitting, Bulkhead	
6	2221041	1	Fitting, Tee	
7	2220466	5	Fitting, 90	
8	2752958	1	Hose (Prior to SN M200011808)	
9	1001170684	1	Hose (Prior to SN M200011808)	
10	2752593	1	Hose (Prior to SN M200011808)	
11	2752444	1	Hose (Prior to SN M200011808)	
12	2753462	1	Hose (Prior to SN M200011808)	
13	2752983	2	Hose (Prior to SN M200011808)	
14	1001177692	1	Hose (Prior to SN M200011808)	
15	2753528	1	Hose (Prior to SN M200011808)	
16	1001170682	2	Hose (Prior to SN M200011808)	
17	1001170683	1	Hose (Prior to SN M200011808)	
18	1001170685	1	Hose (Prior to SN M200011808)	
19	1001170686	1	Hose (Prior to SN M200011808)	
20	1001170687	1	Hose (Prior to SN M200011808)	
21	2220923	2	Fitting, Straight JIC/ORB	
22	2220998	1	Fitting, Straight JIC/ORB	
23	2220603	1	Fitting, Straight JIC/ORB	
24	2220579	1	Fitting, Tee JIC/JIC/JIC	
25	2220502	1	Fitting, 45 JIC/ORB	
26	2220605	1	Fitting, Tee JIC/JIC/JIC	
27	2220635	1	Fitting, Tee JIC/JIC/JIC	
28	2220810	1	Fitting, Straight ORB/ORB	
29	4640744	1	Valve, Inline Check	
30	2221086	1	Fitting, Test Port	
31	2220600	1	Fitting, Straight ORB	
32	2220651	1	Fitting, Straight	
33	2221044	1	Fitting, 45	
34	4640757	1	Valve, Color Flow	
35	2220775	1	Fitting, 90 JIC/ORB	
37	2753187	1	Hose (Prior to SN M200011808)	
100	1001230577	Ref	Kit, Frame Hose (SN M200011808 to Present)	
101	See Note	1	Hose (Note: Use p/n 1001230577)	
102	See Note	1	Hose (Note: Use p/n 1001230577)	
103	See Note	1	Hose (Note: Use p/n 1001230577)	
104	See Note	1	Hose (Note: Use p/n 1001230577)	
200	1001230579	Ref	Kit, Hosing Station (SN M200011808 to Present)	
201	See Note	2	Hose (Note: Use p/n 1001230579)	
202	See Note	1	Hose (Note: Use p/n 1001230579)	
203	See Note	1	Hose (Note: Use p/n 1001230579)	
204	See Note	2	Hose (Note: Use p/n 1001230579)	
205	See Note	1	Hose (Note: Use p/n 1001230579)	

SECTION 7 - HYDRAULIC

ITEM	PART NUMBER	QTY	DESCRIPTION	REV
206	See Note	2	Hose (Note: Use p/n 1001230579)	
207	See Note	1	Hose (Note: Use p/n 1001230579)	
208	See Note	1	Hose (Note: Use p/n 1001230579)	
209	See Note	1	Hose (Note: Use p/n 1001230579)	
210	See Note	1	Hose (Note: Use p/n 1001230579)	
211	See Note	1	Hose (Note: Use p/n 1001230579)	

SECTION 7 - HYDRAULIC

FIGURE 7-12. HYDRAULIC DIAGRAM - STANDARD - 3369LE/M3369 WITH OSCILLATING AXLE (CE SPEC) (SN 0200246353 to Present, SN M200000100 to Present)



ART_1001191137_10F2

SECTION 7 - HYDRAULIC

FIGURE 7-12. HYDRAULIC DIAGRAM - STANDARD - 3369LE/M3369 WITH OSCILLATING AXLE (CE SPEC) (SN 0200246353 to Present, SN M200000100 to Present)

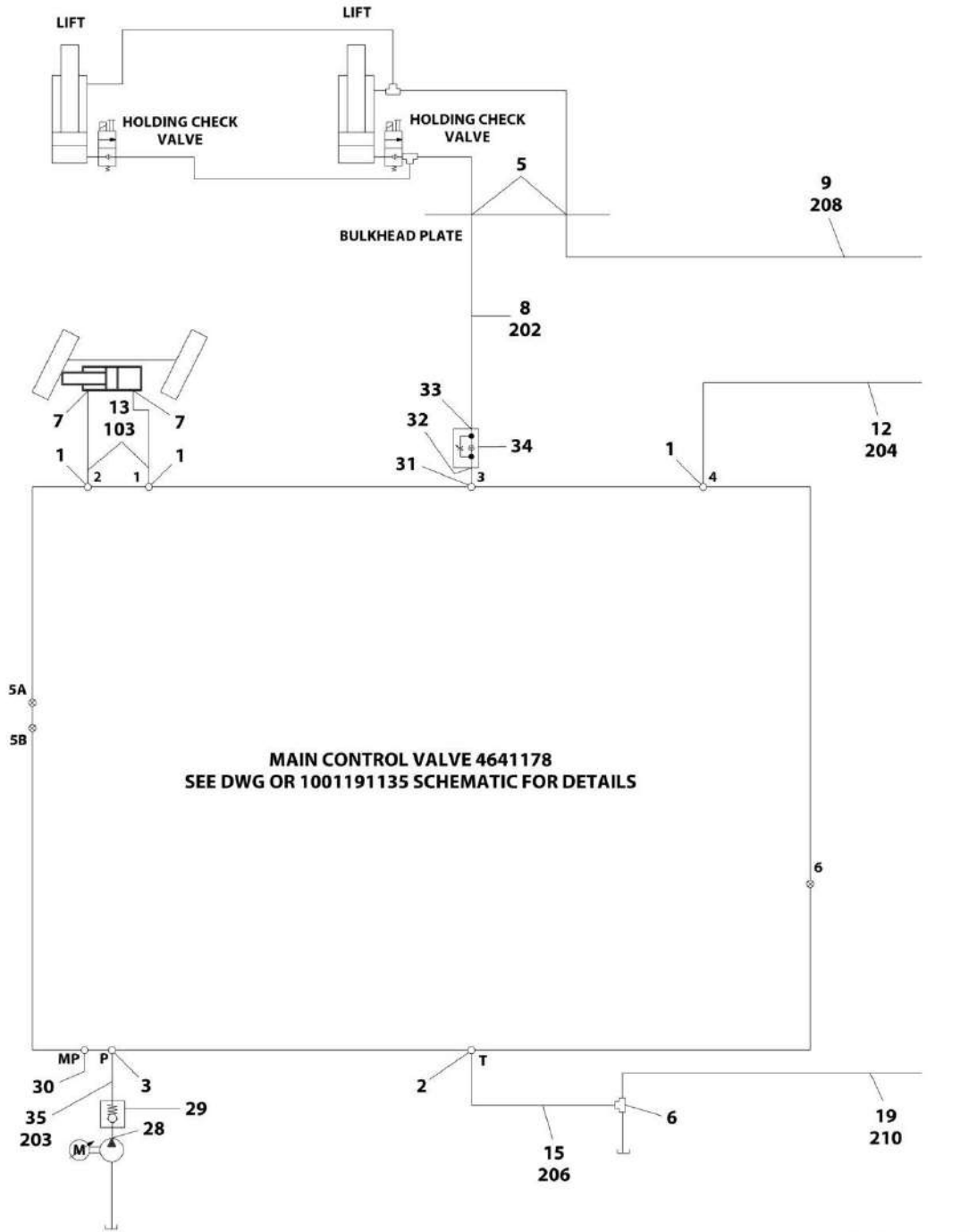
ITEM	PART NUMBER	QTY	DESCRIPTION	REV
	1001191137	Ref	HYDRAULIC DIAGRAM - STANDARD - 3369LE/M3369 WITH OSCILLATING AXLE (CE SPEC) (SN 0200246353 to Present)	C
	1001191137	Ref	HYDRAULIC DIAGRAM - STANDARD - 3369LE/M3369 WITH OSCILLATING AXLE (CE SPEC) (SN M200000100 to Present)	C
1	2220415	4	Fitting, Straight	
2	2220371	2	Fitting, Straight	
3	2220373	1	Fitting, Straight	
4	2220504	2	Fitting, Tee	
5	2230024	2	Fitting, Bulkhead	
6	2221041	1	Fitting, Tee	
7	2220466	5	Fitting, 90	
8	2752958	1	Hose (Prior to SN M200011808)	
9	1001170684	1	Hose (Prior to SN M200011808)	
10	2752593	1	Hose (Prior to SN M200011808)	
11	2752444	1	Hose (Prior to SN M200011808)	
12	2753462	1	Hose (Prior to SN M200011808)	
13	2752983	2	Hose (Prior to SN M200011808)	
14	1001177692	1	Hose (Prior to SN M200011808)	
15	2753528	1	Hose (Prior to SN M200011808)	
16	1001170682	1	Hose (Prior to SN M200011808)	
17	2752453	1	Hose (Prior to SN M200011808)	
18	1001170685	1	Hose (Prior to SN M200011808)	
19	1001170686	1	Hose (Prior to SN M200011808)	
20	2753487	1	Hose (Prior to SN M200011808)	
21	2220923	2	Fitting, Straight JIC/ORB	
22	2220998	2	Fitting, Straight JIC/ORB	
23	2220603	2	Fitting, Straight JIC/ORB	
24	2220579	1	Fitting, Tee JIC/JIC/JIC	
25	2220502	1	Fitting, 45 JIC/ORB	
26	2754230	1	Hose (Prior to SN M200011808)	
27	2220635	1	Fitting, Tee JIC/JIC/JIC	
28	2220810	1	Fitting, Straight ORB/ORB	
29	4640744	1	Valve, Inline Check	
30	2221086	1	Fitting, Test Port	
31	2753187	1	Hose (Prior to SN M200011808)	
100	1001230577	Ref	Kit, Frame Hose (SN M200011808 to Present)	
101	See Note	1	Hose (Note: Use p/n 1001230577)	
102	See Note	1	Hose (Note: Use p/n 1001230577)	
103	See Note	1	Hose (Note: Use p/n 1001230577)	
104	See Note	1	Hose (Note: Use p/n 1001230577)	
200	1001230580	Ref	Kit, Hosing Station (SN M200011808 to Present)	
201	See Note	2	Hose (Note: Use p/n 1001230580)	
202	See Note	1	Hose (Note: Use p/n 1001230580)	
203	See Note	1	Hose (Note: Use p/n 1001230580)	
204	See Note	2	Hose (Note: Use p/n 1001230580)	
205	See Note	1	Hose (Note: Use p/n 1001230580)	
206	See Note	2	Hose (Note: Use p/n 1001230580)	
207	See Note	1	Hose (Note: Use p/n 1001230580)	
208	See Note	1	Hose (Note: Use p/n 1001230580)	

SECTION 7 - HYDRAULIC

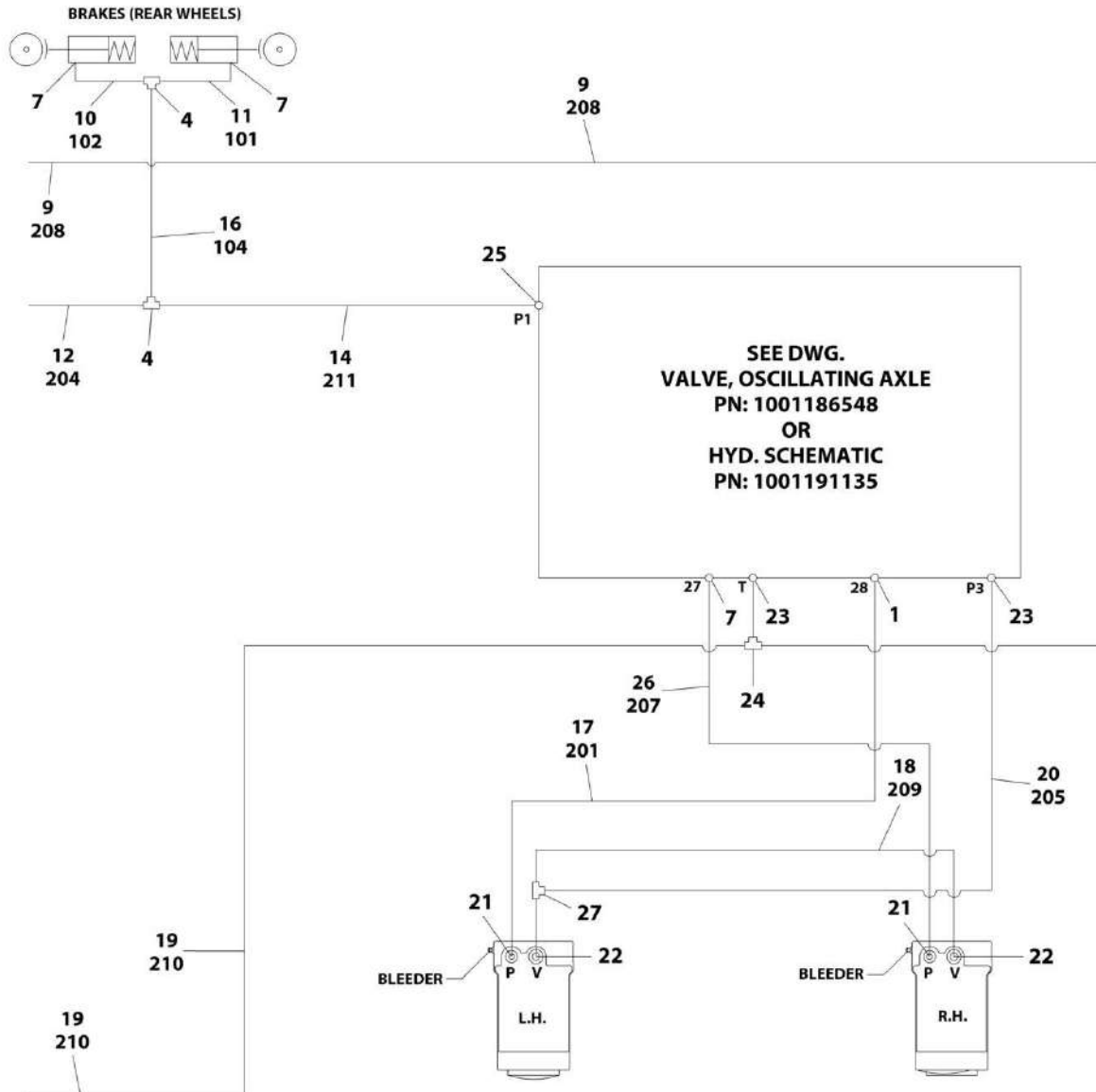
ITEM	PART NUMBER	QTY	DESCRIPTION	REV
209	See Note	1	Hose (Note: Use p/n 1001230580)	
210	See Note	1	Hose (Note: Use p/n 1001230580)	
211	See Note	1	Hose (Note: Use p/n 1001230580)	

SECTION 7 - HYDRAULIC

FIGURE 7-13. HYDRAULIC DIAGRAM - STANDARD - 4069LE/M4069 WITH OSCILLATING AXLE (CE SPEC) (SN 0200246353 to Present, SN M200000100 to Present)



SECTION 7 - HYDRAULIC



ART_1001191141_2OF2

SECTION 7 - HYDRAULIC

FIGURE 7-13. HYDRAULIC DIAGRAM - STANDARD - 4069LE/M4069 WITH OSCILLATING AXLE (CE SPEC) (SN 0200246353 to Present, SN M200000100 to Present)

ITEM	PART NUMBER	QTY	DESCRIPTION	REV
	1001191141	Ref	HYDRAULIC DIAGRAM - STANDARD - 4069LE/M4069 WITH OSCILLATING AXLE (CE SPEC) (SN 0200246353 to Present)	C
	1001191141	Ref	HYDRAULIC DIAGRAM - STANDARD - 4069LE/M4069 WITH OSCILLATING AXLE (CE SPEC) (SN M200000100 to Present)	C
1	2220415	4	Fitting, Straight	
2	2220371	1	Fitting, Straight	
3	2220373	1	Fitting, Straight	
4	2220504	2	Fitting, Tee	
5	2230024	2	Fitting, Bulkhead	
6	2221041	1	Fitting, Tee	
7	2220466	5	Fitting, 90	
8	2752958	1	Hose (Prior to SN M200011808)	
9	1001170684	1	Hose (Prior to SN M200011808)	
10	2752593	1	Hose (Prior to SN M200011808)	
11	2752444	1	Hose (Prior to SN M200011808)	
12	2753462	1	Hose (Prior to SN M200011808)	
13	2752983	2	Hose (Prior to SN M200011808)	
14	1001177692	1	Hose (Prior to SN M200011808)	
15	2753528	1	Hose (Prior to SN M200011808)	
16	1001170682	1	Hose (Prior to SN M200011808)	
17	2752453	1	Hose (Prior to SN M200011808)	
18	1001170685	1	Hose (Prior to SN M200011808)	
19	1001170686	1	Hose (Prior to SN M200011808)	
20	2753487	1	Hose (Prior to SN M200011808)	
21	2220923	2	Fitting, Straight JIC/ORB	
22	2220998	2	Fitting, Straight JIC/ORB	
23	2220603	2	Fitting, Straight JIC/ORB	
24	2220579	1	Fitting, Tee JIC/JIC/JIC	
25	2220502	1	Fitting, 45 JIC/ORB	
26	2754230	1	Hose (Prior to SN M200011808)	
27	2220635	1	Fitting, Tee JIC/JIC/JIC	
28	2220810	1	Fitting, Straight ORB/ORB	
29	4640744	1	Valve, Inline Check	
30	2221086	1	Fitting, Test Port	
31	2220600	1	Fitting, Straight ORB	
32	2220651	1	Fitting, Straight	
33	2221044	1	Fitting, 45	
34	4640757	1	Valve, Color Flow	
35	2753187	1	Hose (Prior to SN M200011808)	
100	1001230577	Ref	Kit, Frame Hose (SN M200011808 to Present)	
101	See Note	1	Hose (Note: Use p/n 1001230577)	
102	See Note	1	Hose (Note: Use p/n 1001230577)	
103	See Note	1	Hose (Note: Use p/n 1001230577)	
104	See Note	1	Hose (Note: Use p/n 1001230577)	
200	1001230580	Ref	Kit, Hosing Station (SN M200011808 to Present)	
201	See Note	2	Hose (Note: Use p/n 1001230580)	
202	See Note	1	Hose (Note: Use p/n 1001230580)	
203	See Note	1	Hose (Note: Use p/n 1001230580)	
204	See Note	2	Hose (Note: Use p/n 1001230580)	

SECTION 7 - HYDRAULIC

ITEM	PART NUMBER	QTY	DESCRIPTION	REV
205	See Note	1	Hose (Note: Use p/n 1001230580)	
206	See Note	2	Hose (Note: Use p/n 1001230580)	
207	See Note	1	Hose (Note: Use p/n 1001230580)	
208	See Note	1	Hose (Note: Use p/n 1001230580)	
209	See Note	1	Hose (Note: Use p/n 1001230580)	
210	See Note	1	Hose (Note: Use p/n 1001230580)	
211	See Note	1	Hose (Note: Use p/n 1001230580)	

SECTION 8 - ELECTRICAL

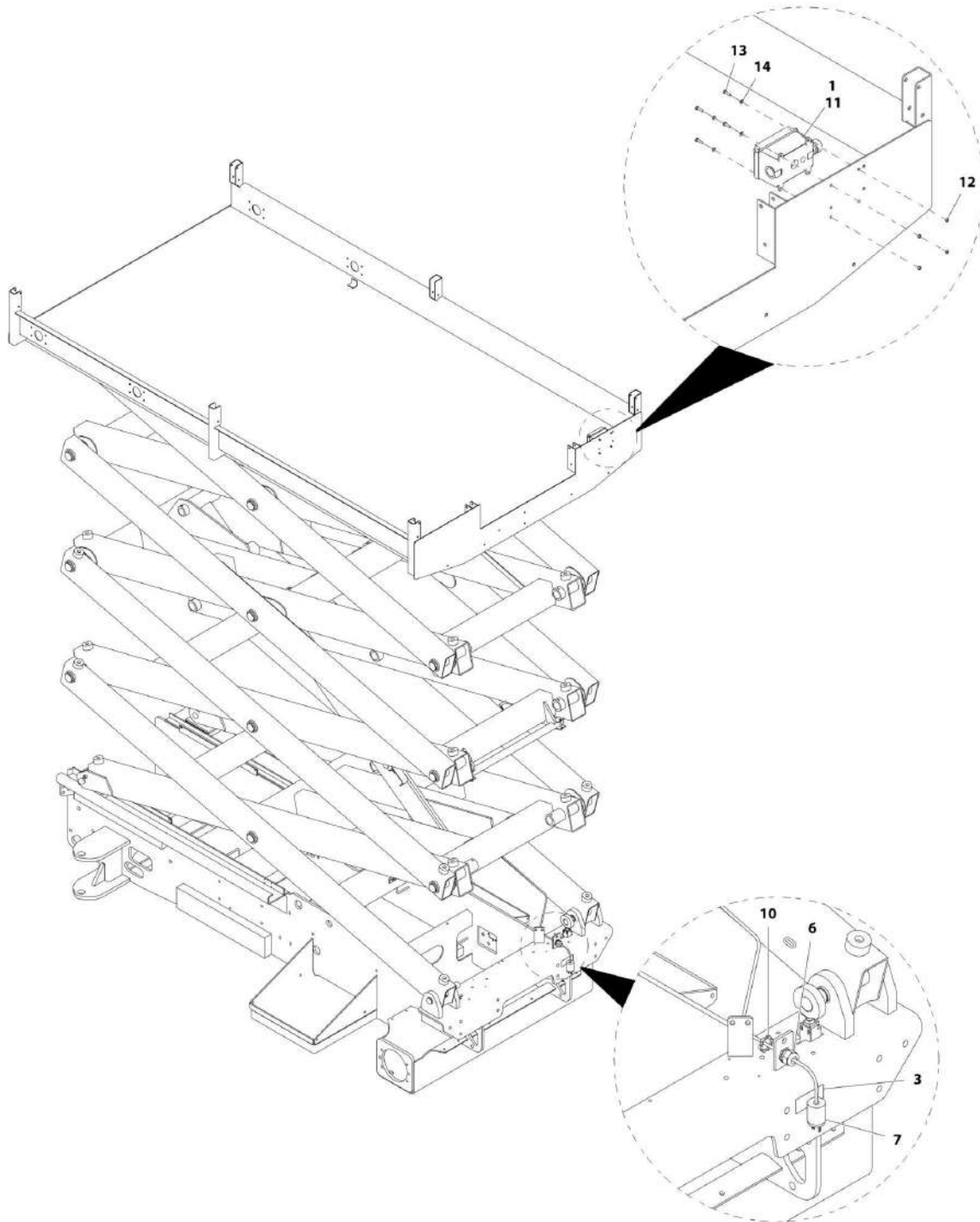
SECTION 8 - ELECTRICAL

FIGURE 8-1. ELECTRICAL DIAGRAM LIST

ITEM	PART NUMBER	QTY	DESCRIPTION	REV
		Ref	ELECTRICAL DIAGRAM LIST	
	1001171104	Ref	Electrical Schematic - All Specs except Australian Spec (Note: See Service and Maintenance Manual)	
	1001171105	Ref	Electrical Schematic - Australian Spec (Note: See Service and Maintenance Manual)	

SECTION 8 - ELECTRICAL

FIGURE 8-2. AC TO PLATFORM INSTALLATION - 110V GFI (3369LE/M3369)



ART_0259587

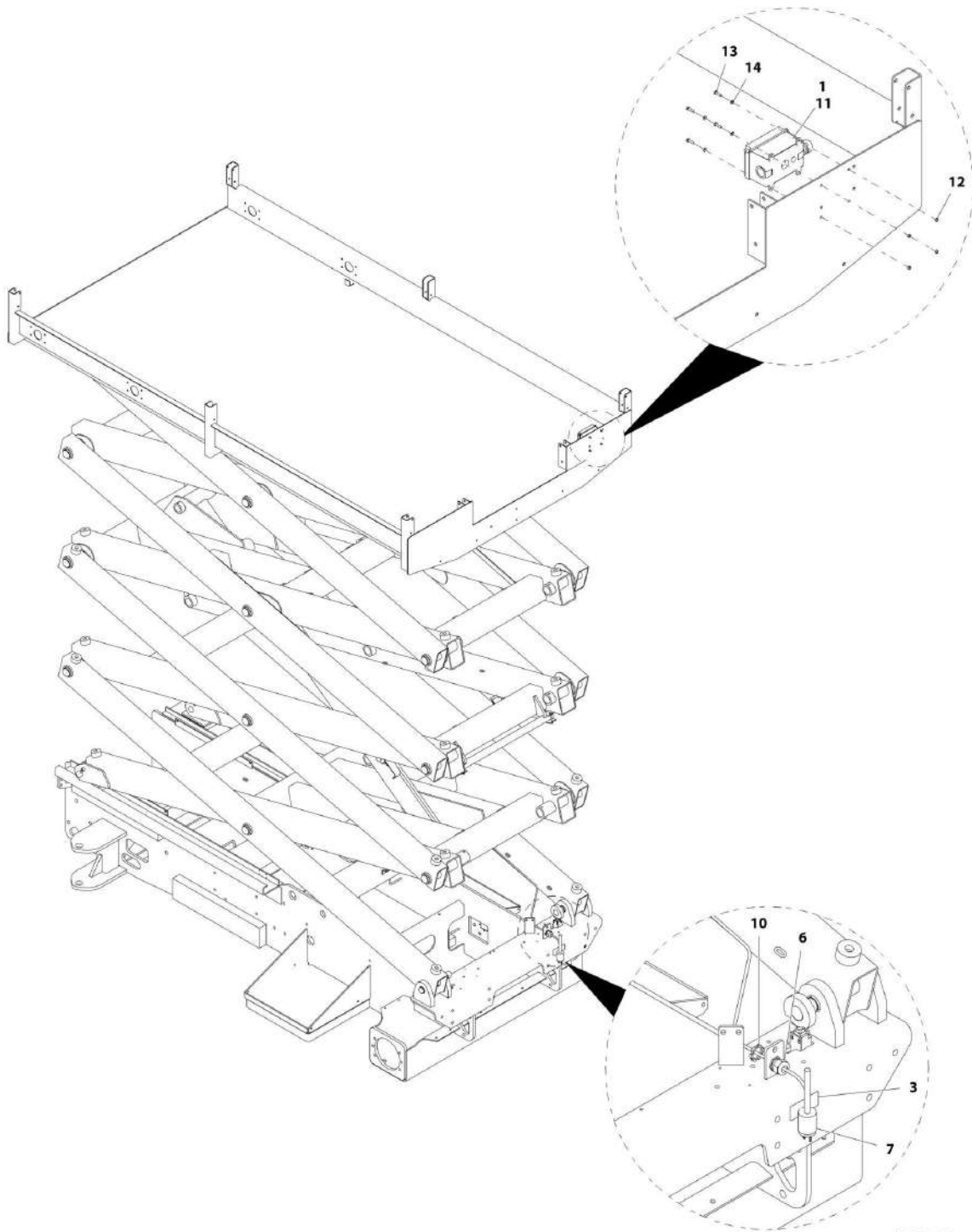
SECTION 8 - ELECTRICAL

FIGURE 8-2. AC TO PLATFORM INSTALLATION - 110V GFI (3369LE/M3369)

ITEM	PART NUMBER	QTY	DESCRIPTION	REV
	0259587	Ref	AC TO PLATFORM INSTALLATION - 110V GFI (3369LE/M3369)	J
1	2902431	1	Receptacle Box Kit - 110V GFI (See RECEPTACLE BOX KIT - 110V GFI for Breakdown)	
3	1703464	1	Decal - 120V-60Hz AC Power to Platform	
6	4460071	1	Connector, Strain Relief	
7	4460138	1	Plug, Male	
10	3300048	1	Nut 3/4	
11	4460315	3	Terminal	
12	3290405	4	Nut M4	
13	4010408	4	Screw M4 x 16	
14	4811400	4	Washer M4	

SECTION 8 - ELECTRICAL

FIGURE 8-3. AC TO PLATFORM INSTALLATION - 110V GFI (4069LE/M4069)



ART_0270109

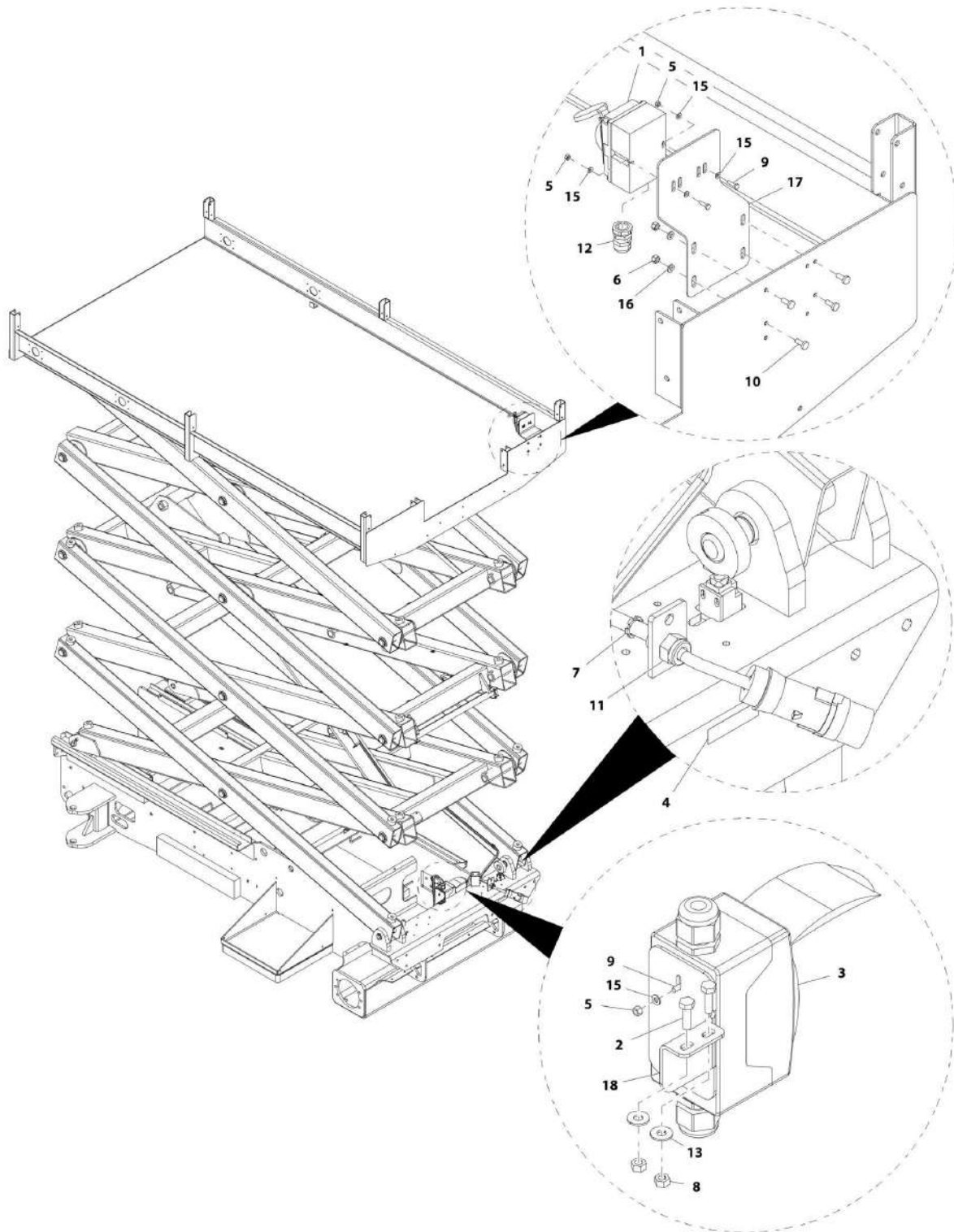
SECTION 8 - ELECTRICAL

FIGURE 8-3. AC TO PLATFORM INSTALLATION - 110V GFI (4069LE/M4069)

ITEM	PART NUMBER	QTY	DESCRIPTION	REV
	0270109	Ref	AC TO PLATFORM INSTALLATION - 110V GFI (4069LE/M4069)	I
1	2902431	1	Receptacle Box Kit - 110V GFI (See RECEPTACLE BOX KIT - 110V GFI for Breakdown)	
3	1703464	1	Decal - 120V-60Hz AC Power to Platform	
6	4460071	1	Connector, Strain Relief	
7	4460138	1	Plug, Male	
10	3300048	1	Nut 3/4	
11	4460315	3	Terminal	
12	3290405	4	Nut M4	
13	4010408	4	Screw M4 x 16	
14	4811400	4	Washer M4	

SECTION 8 - ELECTRICAL

FIGURE 8-4. AC TO PLATFORM INSTALLATION - 110V IEC YELLOW (CE SPEC ONLY)



ART_1001094911

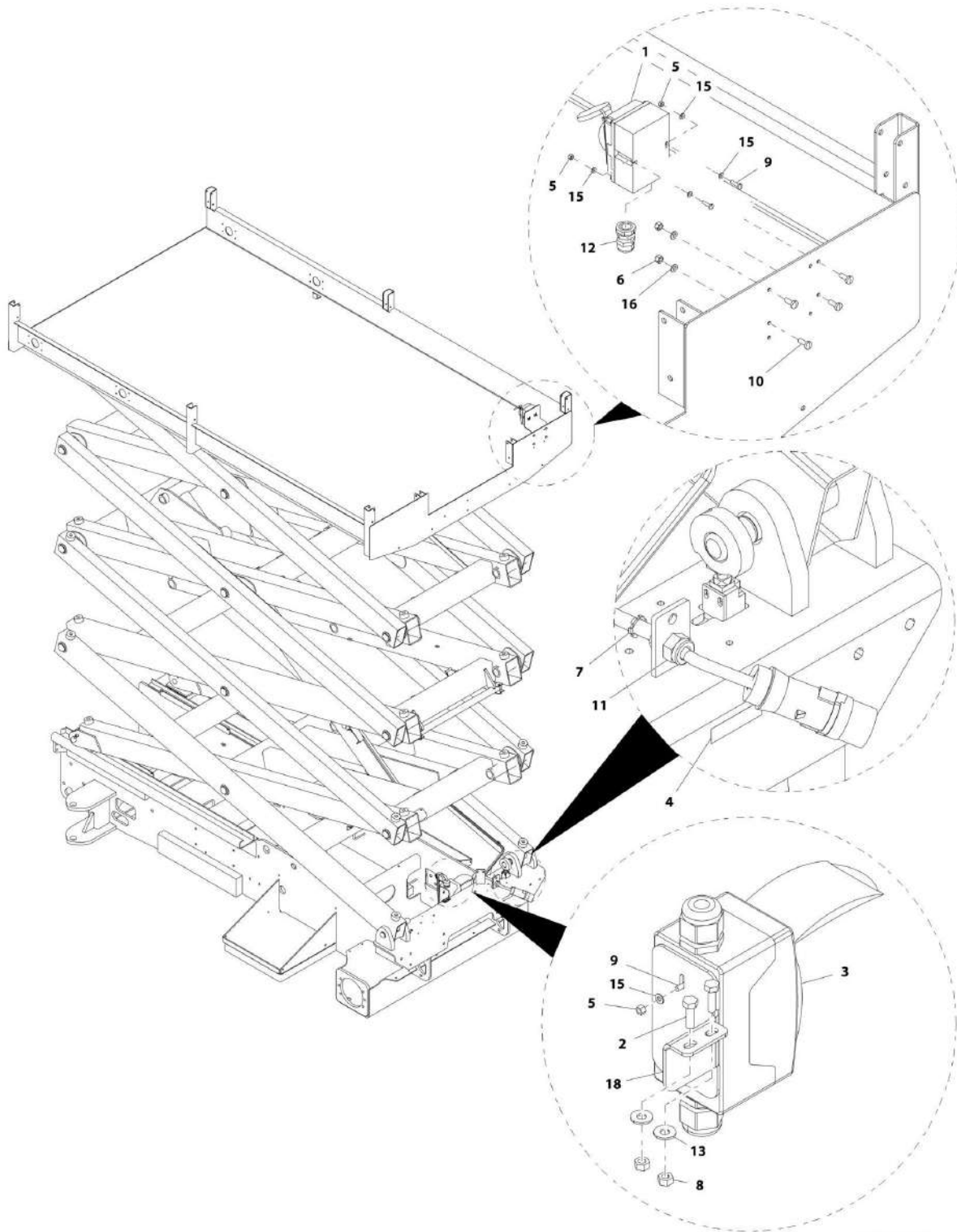
SECTION 8 - ELECTRICAL

FIGURE 8-4. AC TO PLATFORM INSTALLATION - 110V IEC YELLOW (CE SPEC ONLY)

ITEM	PART NUMBER	QTY	DESCRIPTION	REV
	1001094911	Ref	AC TO PLATFORM INSTALLATION - 110V IEC YELLOW (CE SPEC ONLY)	B
1	0275216	1	Receptacle Box Kit - 110V IEC Yellow (See RECEPTACLE BOX KIT - 110V IEC YELLOW for Breakdown)	
2	0641407	2	Bolt 1/4 x 7/8	
3	2902549	1	Breaker Box Kit (See BREAKER BOX KIT WITH TWO BREAKERS - CE SPEC for Breakdown)	
4	3252507	1	Decal - 220V - 50/60Hz	
5	3290405	4	Nut M4	
6	3290605	4	Nut M6	
7	3300048	1	Nut 3/4	
8	3311405	2	Nut 1/4	
9	4010408	4	Screw M4 x 16	
10	4010608	4	Screw M6 x 16	
11	4460071	1	Connector, Strain Relief	
12	4460968	1	Connector, Strain Relief	
13	4751400	2	Washer 1/4	
15	4811400	8	Washer M4	
16	4811700	4	Washer M6	
17	1001151377	1	Bracket	
18	1001094915	1	Bracket	

SECTION 8 - ELECTRICAL

FIGURE 8-5. AC TO PLATFORM INSTALLATION - 220V IEC BLUE (CE SPEC ONLY)



ART_1001094912

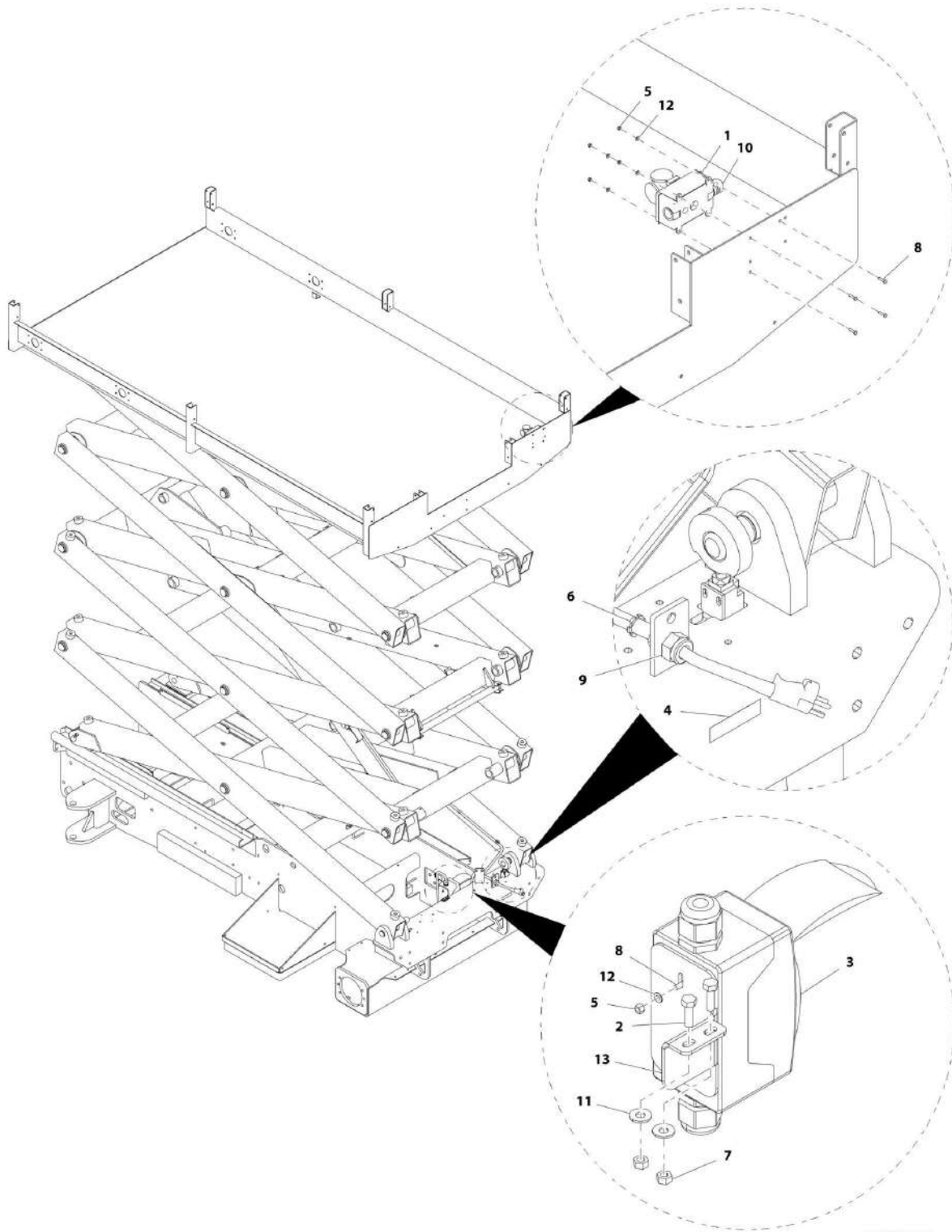
SECTION 8 - ELECTRICAL

FIGURE 8-5. AC TO PLATFORM INSTALLATION - 220V IEC BLUE (CE SPEC ONLY)

ITEM	PART NUMBER	QTY	DESCRIPTION	REV
	1001094912	Ref	AC TO PLATFORM INSTALLATION - 220V IEC BLUE (CE SPEC ONLY)	B
1	0275217	1	Receptacle Box Kit - 220V IEC Blue (See RECEPTACLE BOX KIT - 220V IEC BLUE for Breakdown)	
2	0641407	2	Bolt 1/4 x 7/8	
3	2902549	1	Breaker Box Kit (See BREAKER BOX KIT WITH TWO BREAKERS - CE SPEC for Breakdown)	
4	3252507	1	Decal - 220V - 50/60Hz	
5	3290405	4	Nut M4	
6	3290605	4	Nut M6	
7	3300048	1	Nut 3/4	
8	3311405	2	Nut 1/4	
9	4010408	4	Screw M4 x 16	
10	4010608	4	Screw M6 x 16	
11	4460071	1	Connector, Strain Relief	
12	4460968	1	Connector, Strain Relief	
13	4751400	2	Washer 1/4	
15	4811400	8	Washer M4	
16	4811700	4	Washer M6	
17	1001151377	1	Bracket	
18	1001094915	1	Bracket	

SECTION 8 - ELECTRICAL

FIGURE 8-6. AC TO PLATFORM INSTALLATION - 220V AFSINT107 (CE SPEC ONLY)



ART_1001094910

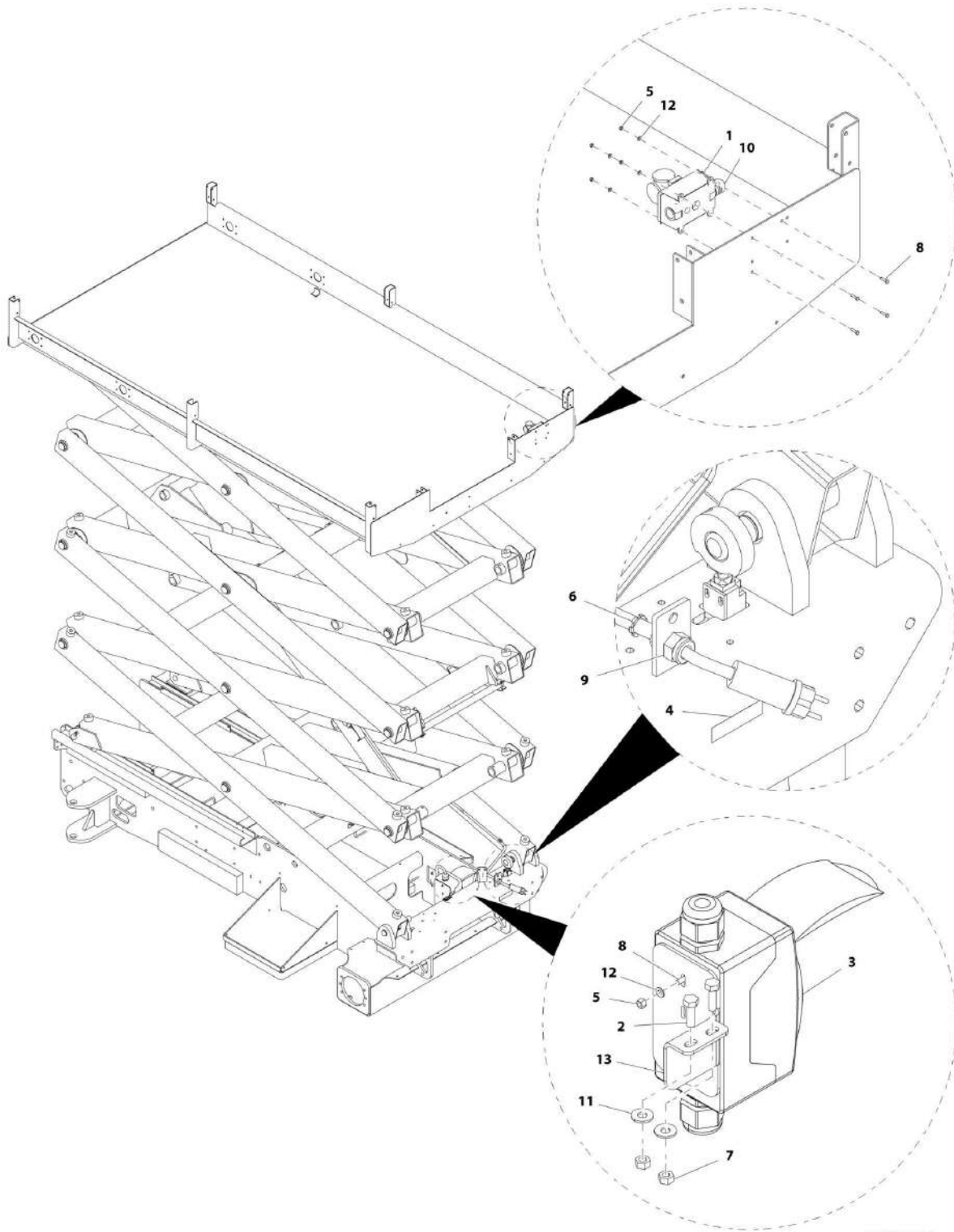
SECTION 8 - ELECTRICAL

FIGURE 8-6. AC TO PLATFORM INSTALLATION - 220V AFSINT107 (CE SPEC ONLY)

ITEM	PART NUMBER	QTY	DESCRIPTION	REV
	1001094910	Ref	AC TO PLATFORM INSTALLATION - 220V AFSINT107 (CE SPEC ONLY)	A
1	0275454	1	Receptacle Box Kit - 220V AFSINT107 (See RECEPTACLE BOX KIT - 220V AFSINT107 for Breakdown)	
2	0641407	2	Bolt 1/4 x 7/8	
3	2902549	1	Breaker Box Kit (See BREAKER BOX KIT WITH TWO BREAKERS - CE SPEC for Breakdown)	
4	3252507	1	Decal - 220V - 50/60Hz	
5	3290405	6	Nut M4	
6	3300048	1	Nut 3/4	
7	3311405	2	Nut 1/4	
8	4010408	6	Screw M4 x 16	
9	4460071	1	Connector, Strain Relief	
10	4460662	1	Connector, Strain Relief	
11	4751400	2	Washer 1/4	
12	4811400	8	Washer M4	
13	1001094915	1	Bracket	

SECTION 8 - ELECTRICAL

FIGURE 8-7. AC TO PLATFORM INSTALLATION - 220V CEE7 SIDE GROUND (CE SPEC ONLY)



ART_1001162452

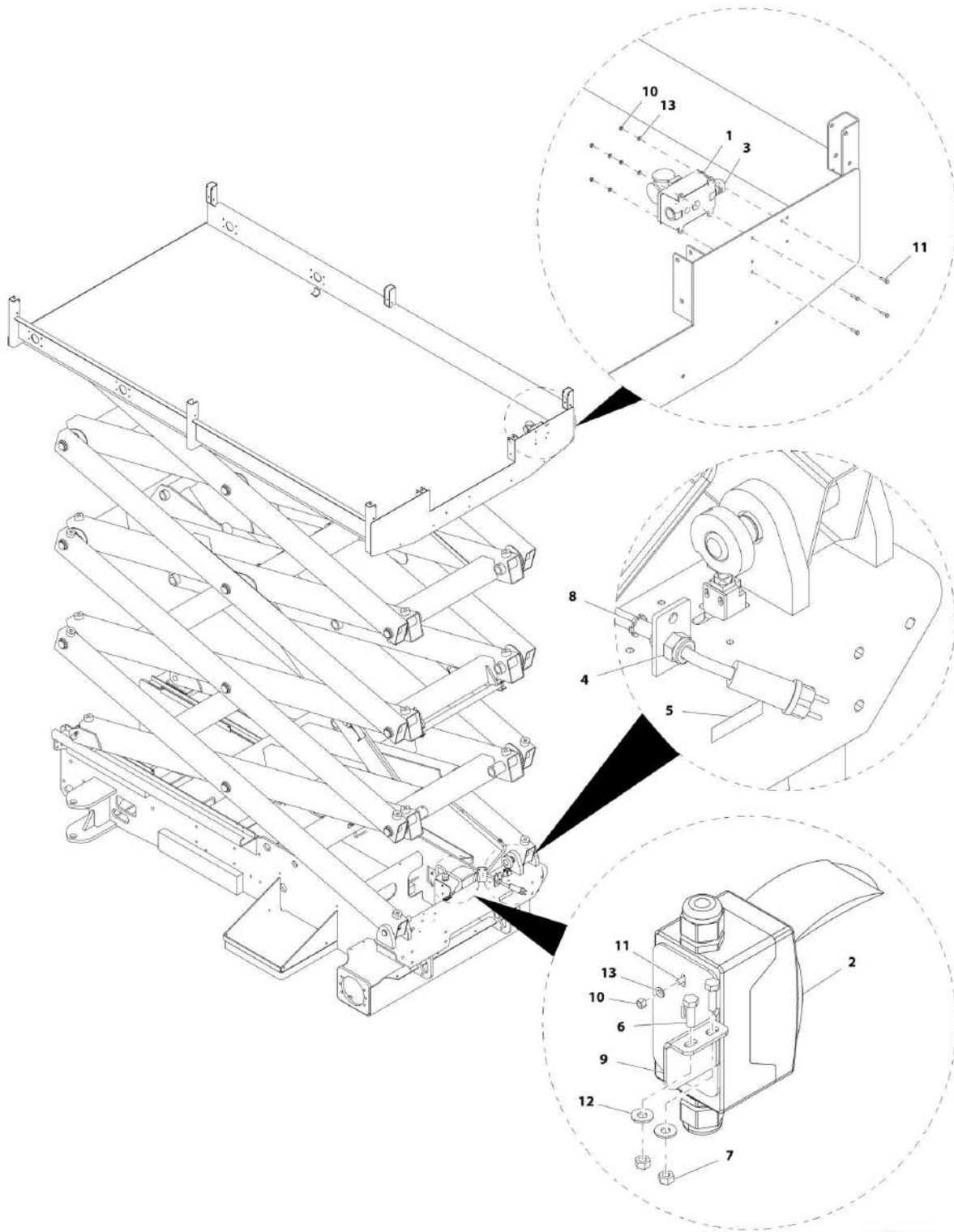
SECTION 8 - ELECTRICAL

FIGURE 8-7. AC TO PLATFORM INSTALLATION - 220V CEE7 SIDE GROUND (CE SPEC ONLY)

ITEM	PART NUMBER	QTY	DESCRIPTION	REV
	1001162452	Ref	AC TO PLATFORM INSTALLATION - 220V CEE7 SIDE GROUND (CE SPEC ONLY)	B
1	0275453	1	Receptacle Box Kit - 220V CEE7 Side Ground (See RECEPTACLE BOX KIT - 220V CEE7 SIDE GROUND for Breakdown)	
2	0641407	2	Bolt 1/4 x 7/8	
3	1001152485	1	Breaker Box Kit (See BREAKER BOX KIT WITH THREE BREAKERS - CE SPEC for Breakdown)	
4	3252507	1	Decal - 220V - 50/60Hz	
5	3290405	6	Nut M4	
6	3300048	1	Nut 3/4	
7	3311405	2	Nut 1/4	
8	4010408	6	Screw M4 x 16	
9	4460071	1	Connector, Strain Relief	
10	4460662	1	Connector, Strain Relief	
11	4751400	2	Washer 1/4	
12	4811400	8	Washer M4	
13	1001162456	1	Bracket	

SECTION 8 - ELECTRICAL

FIGURE 8-8. AC TO PLATFORM INSTALLATION - 220V CEE7 POST GROUND (CE SPEC ONLY)



ART_1001176007

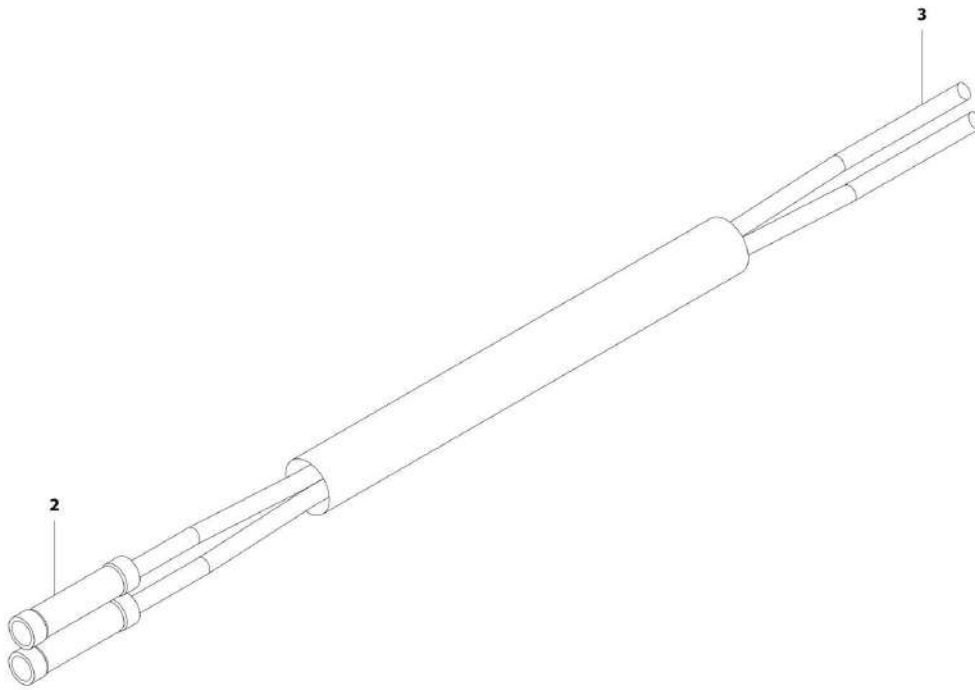
SECTION 8 - ELECTRICAL

FIGURE 8-8. AC TO PLATFORM INSTALLATION - 220V CEE7 POST GROUND (CE SPEC ONLY)

ITEM	PART NUMBER	QTY	DESCRIPTION	REV
	1001176007	Ref	AC TO PLATFORM INSTALLATION - 220V CEE7 POST GROUND (CE SPEC ONLY)	B
1	0275452	1	Receptacle Box Kit - CEE7 Post Ground (See RECEPTACLE BOX KIT - CEE7 POST GROUND for Breakdown)	
2	1001152485	1	Breaker Box Kit (See BREAKER BOX KIT WITH THREE BREAKERS - CE SPEC for Breakdown)	
3	4460662	1	Connector, Strain Relief	
4	4460071	1	Connector, Strain Relief	
5	3252507	1	Decal - 220V - 50/60Hz	
6	0641407	2	Bolt 1/4 x 7/8	
7	3311405	2	Nut 1/4	
8	3300048	1	Nut 3/4	
9	1001162456	1	Bracket	
10	3290405	6	Nut M4	
11	4010408	6	Screw M4 x 16	
12	4751400	2	Washer 1/4	
13	4811400	8	Washer M4	

SECTION 8 - ELECTRICAL

FIGURE 8-9. ALARM HARNESS



ART_4922517

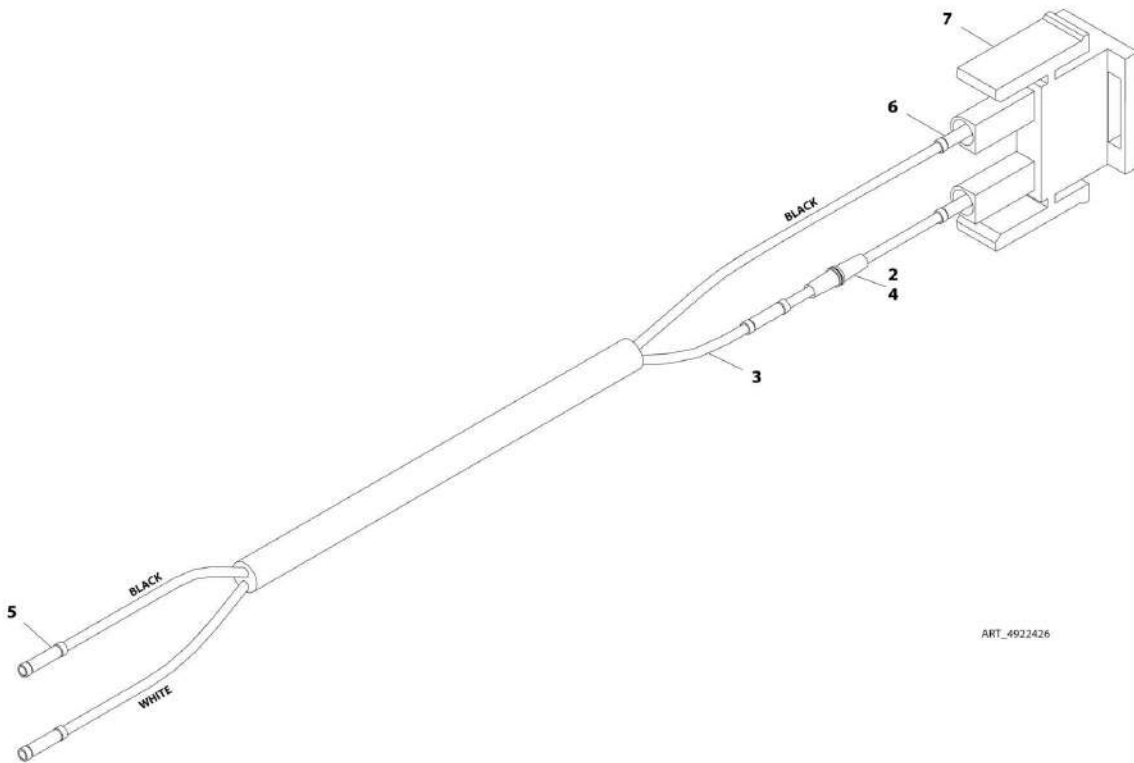
SECTION 8 - ELECTRICAL

FIGURE 8-9. ALARM HARNESS

ITEM	PART NUMBER	QTY	DESCRIPTION	REV
	4922517	Ref	ALARM HARNESS	C
2	4460248	2	Connector	
3	4460465	2	Socket, Female	

SECTION 8 - ELECTRICAL

FIGURE 8-10. BEACON LIGHT HARNESS



ART_4922426

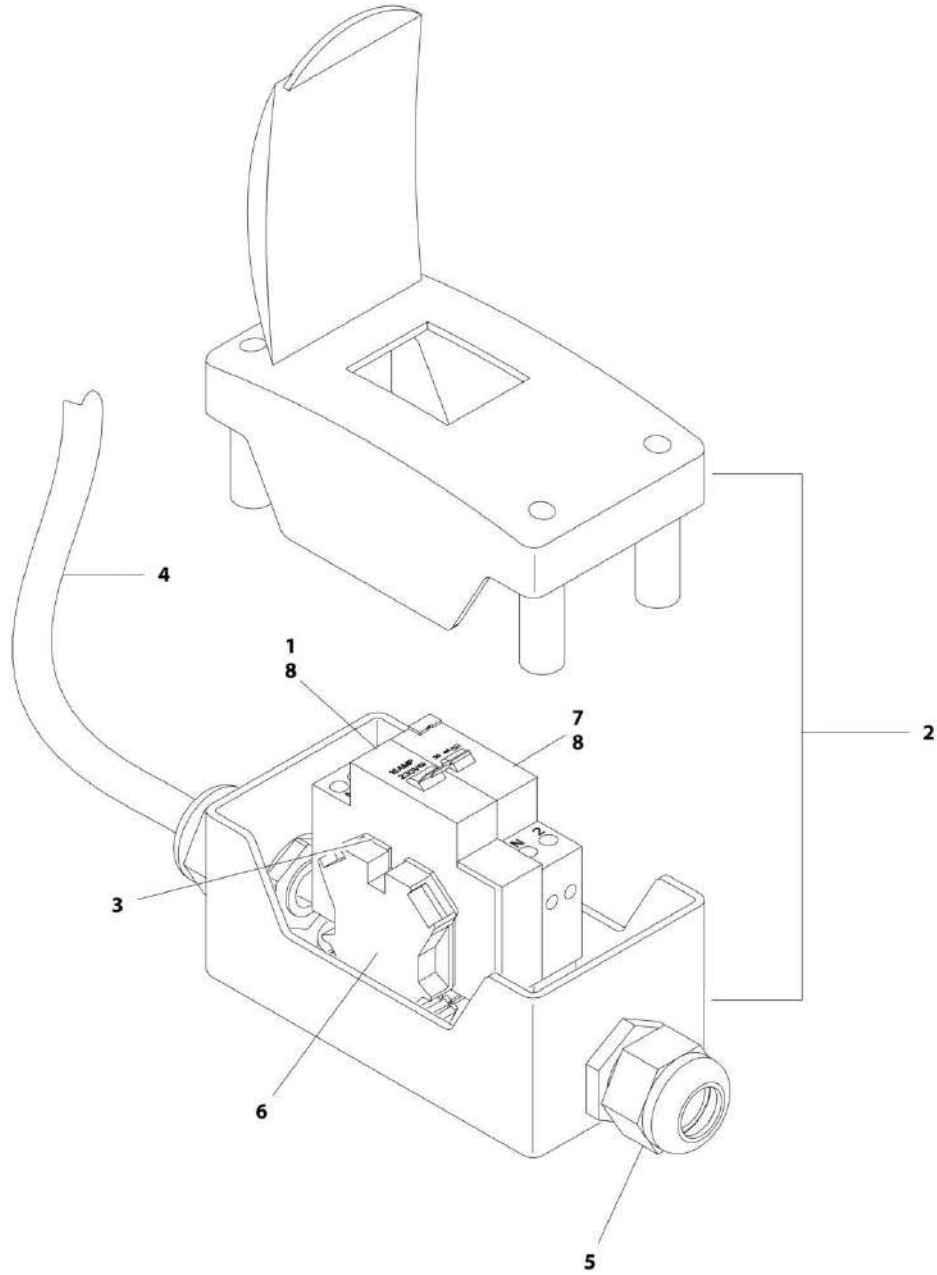
SECTION 8 - ELECTRICAL

FIGURE 8-10. BEACON LIGHT HARNESS

ITEM	PART NUMBER	QTY	DESCRIPTION	REV
	4922426	Ref	BEACON LIGHT HARNESS	B
2	2400056	1	Fuse .5Amp	
3	2820018	AR	Heat Shrink	
4	4460044	1	Fuseholder	
5	4460248	3	Terminal, Splice	
6	4460268	2	Socket, Female	
7	4460320	1	Plug, Male - 2 Position	

SECTION 8 - ELECTRICAL

FIGURE 8-11. BREAKER BOX KIT WITH TWO BREAKERS - CE SPEC ONLY



ART_2902549

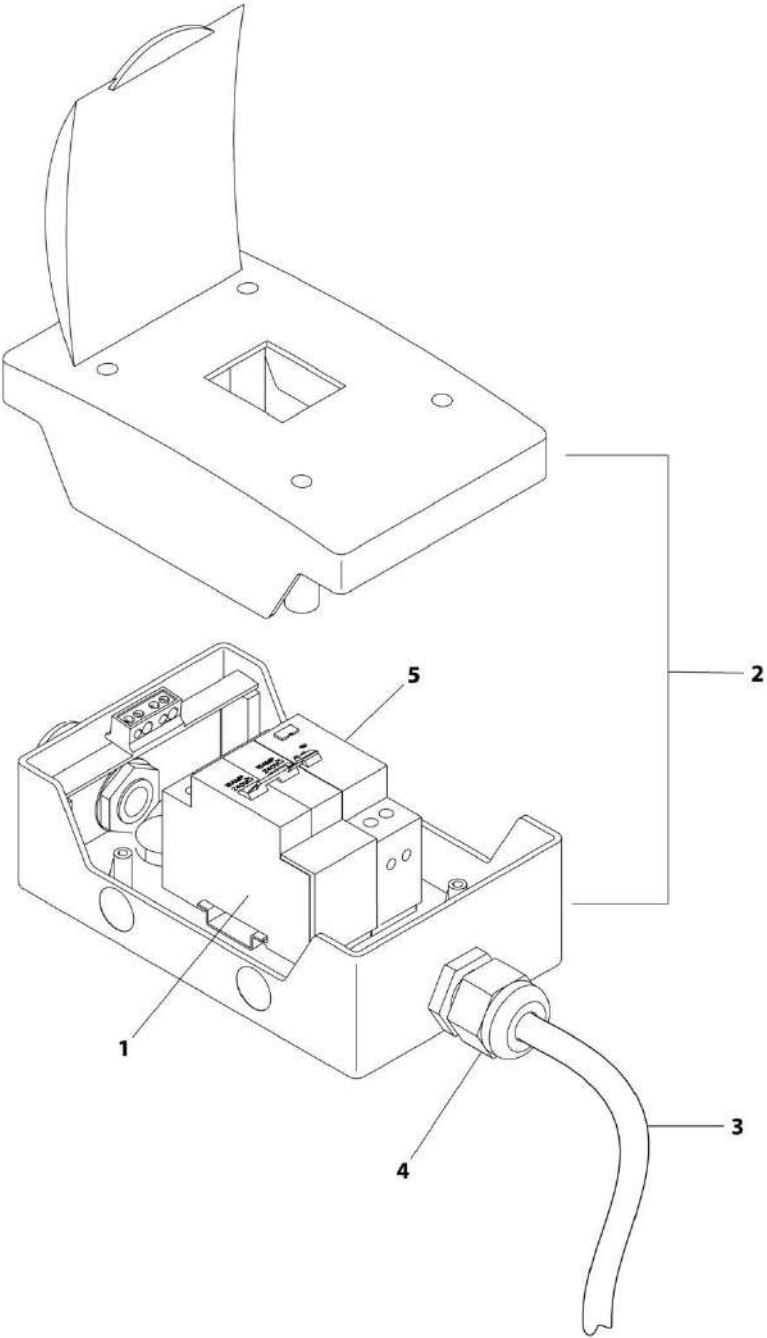
SECTION 8 - ELECTRICAL

FIGURE 8-11. BREAKER BOX KIT WITH TWO BREAKERS - CE SPEC ONLY

ITEM	PART NUMBER	QTY	DESCRIPTION	REV
	2902549	Ref	BREAKER BOX KIT WITH TWO BREAKERS - CE SPEC ONLY	F
1	1001109475	NLA	Breaker, 16Amp (Use p/n 1001181045) (SN 0200230092 through 0200245684)	
2	0861880	1	Box	
3	4460956	1	Barrier, Terminal	
4	1060908	6 ft/1.8m	Cable, 12/3	
5	1001097150	2	Connector, Strain Relief	
6	4460957	1	Block, Terminal	
7	1001109482	NLA	Breaker, 30mAmp (Use p/n 1001181045) (SN 0200230092 through 0200245684)	
8	1001181045	1	Breaker, 16Amp/30mAmp Combination (SN 0200245685 to Present)	
8	1001181045	1	Breaker, 16Amp/30mAmp Combination (SN M200000100 to Present)	

SECTION 8 - ELECTRICAL

FIGURE 8-12. BREAKER BOX KIT WITH THREE BREAKERS - CE SPEC ONLY



ART_1001152485

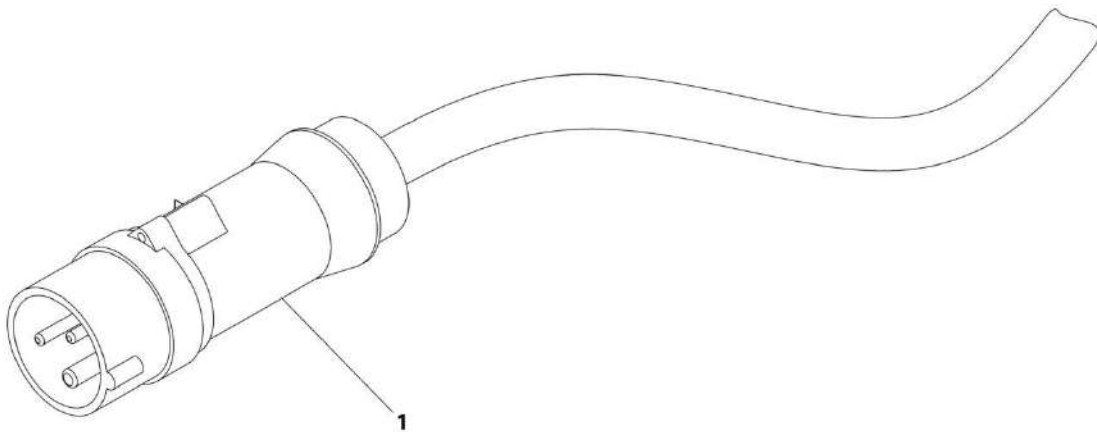
SECTION 8 - ELECTRICAL

FIGURE 8-12. BREAKER BOX KIT WITH THREE BREAKERS - CE SPEC ONLY

ITEM	PART NUMBER	QTY	DESCRIPTION	REV
	1001152485	Ref	BREAKER BOX KIT WITH THREE BREAKERS - CE SPEC ONLY	C
1	1001152479	NLA	Breaker, 16Amp (Use p/n 1001189172) (SN 0200230092 through 0200248167)	
1	1001189172	1	Breaker, 16Amp (SN 0200248168 to Present)	
1	1001189172	1	Breaker, 16Amp (SN M200000100 to Present)	
2	1001152483	1	Box	
3	1060908	6 ft/1.8m	Cable, 12/3	
4	1001097150	2	Connector, Strain Relief	
5	1001152482	NLA	Breaker, 30mAmp (Use p/n 1001189171) (SN 0200230092 through 0200248167)	
5	1001189171	1	Breaker, 30mAmp (SN 0200248168 to Present)	
5	1001189171	1	Breaker, 30mAmp (SN M200000100 to Present)	

SECTION 8 - ELECTRICAL

FIGURE 8-13. CHARGER CORD PLUG INSTALLATION - 110V IEC YELLOW PLUG (CE SPEC)



ART_0275666

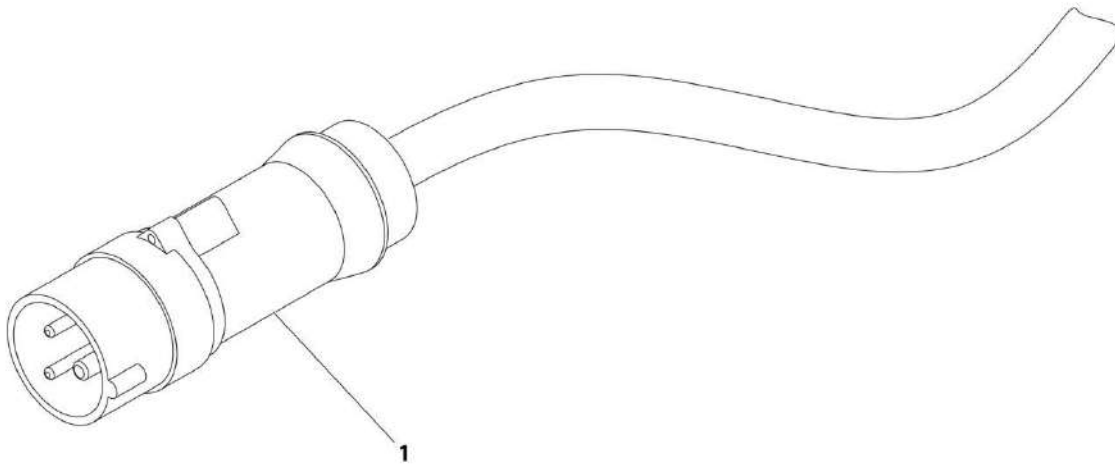
SECTION 8 - ELECTRICAL

FIGURE 8-13. CHARGER CORD PLUG INSTALLATION - 110V IEC YELLOW PLUG (CE SPEC)

ITEM	PART NUMBER	QTY	DESCRIPTION	REV
	0275666	Ref	CHARGER CORD PLUG INSTALLATION - 110V IEC YELLOW PLUG (CE SPEC)	A
1	4461196	1	Plug	

SECTION 8 - ELECTRICAL

FIGURE 8-14. CHARGER CORD PLUG INSTALLATION - 220V IEC BLUE PLUG (CE SPEC)



ART_0275667

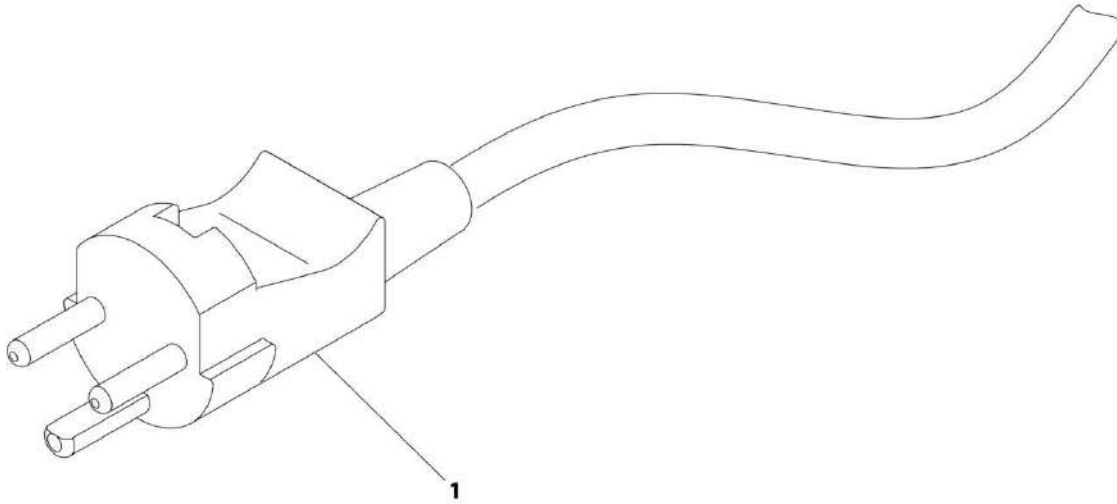
SECTION 8 - ELECTRICAL

FIGURE 8-14. CHARGER CORD PLUG INSTALLATION - 220V IEC BLUE PLUG (CE SPEC)

ITEM	PART NUMBER	QTY	DESCRIPTION	REV
	0275667	Ref	CHARGER CORD PLUG INSTALLATION - 220V IEC BLUE PLUG (CE SPEC)	A
1	4461199	1	Plug	

SECTION 8 - ELECTRICAL

FIGURE 8-15. CHARGER CORD PLUG INSTALLATION - 220V AFSINT 107 KEYED GROUND (CE SPEC)



ART. 0275665

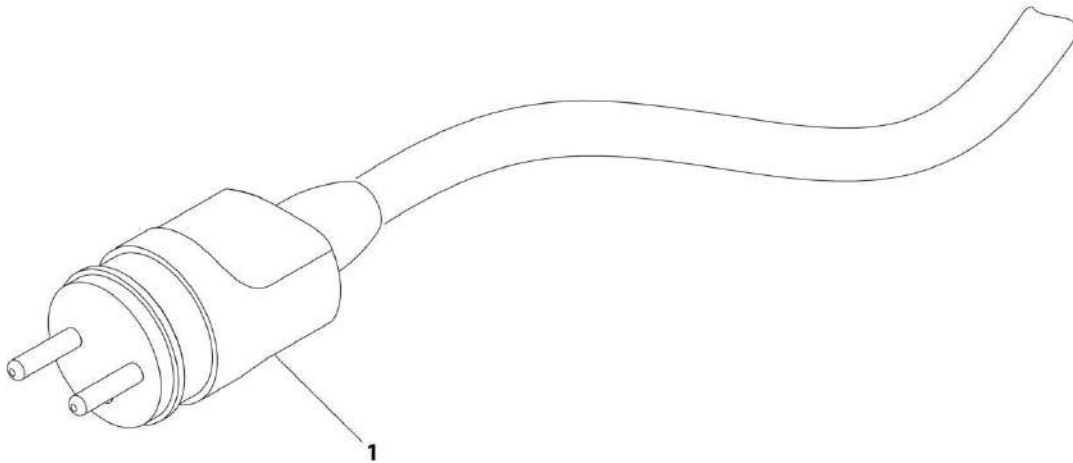
SECTION 8 - ELECTRICAL

FIGURE 8-15. CHARGER CORD PLUG INSTALLATION - 220V AFSINT 107 KEYED GROUND (CE SPEC)

ITEM	PART NUMBER	QTY	DESCRIPTION	REV
	0275665	Ref	CHARGER CORD PLUG INSTALLATION - 220V AFSINT 107 KEYED GROUND (CE SPEC)	A
1	4461249	1	Plug	

SECTION 8 - ELECTRICAL

FIGURE 8-16. CHARGER CORD PLUG INSTALLATION - 220V CEE7 POST GROUND (CE SPEC)



ART_0275663

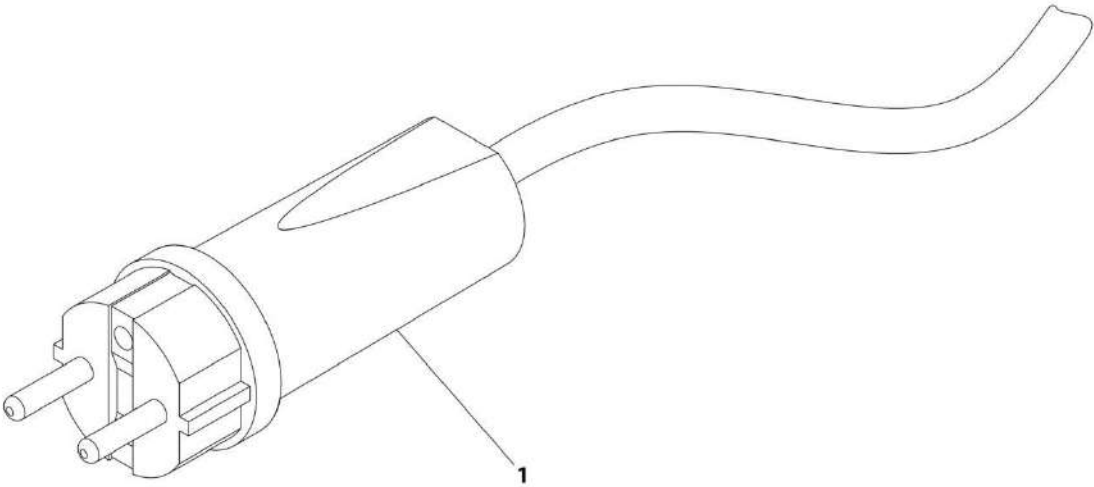
SECTION 8 - ELECTRICAL

FIGURE 8-16. CHARGER CORD PLUG INSTALLATION - 220V CEE7 POST GROUND (CE SPEC)

ITEM	PART NUMBER	QTY	DESCRIPTION	REV
	0275663	Ref	CHARGER CORD PLUG INSTALLATION - 220V CEE7 POST GROUND (CE SPEC)	A
1	4461202	1	Plug	

SECTION 8 - ELECTRICAL

FIGURE 8-17. CHARGER CORD PLUG INSTALLATION - 220V CEE7 SIDE GROUND (CE SPEC)



ART_0275664

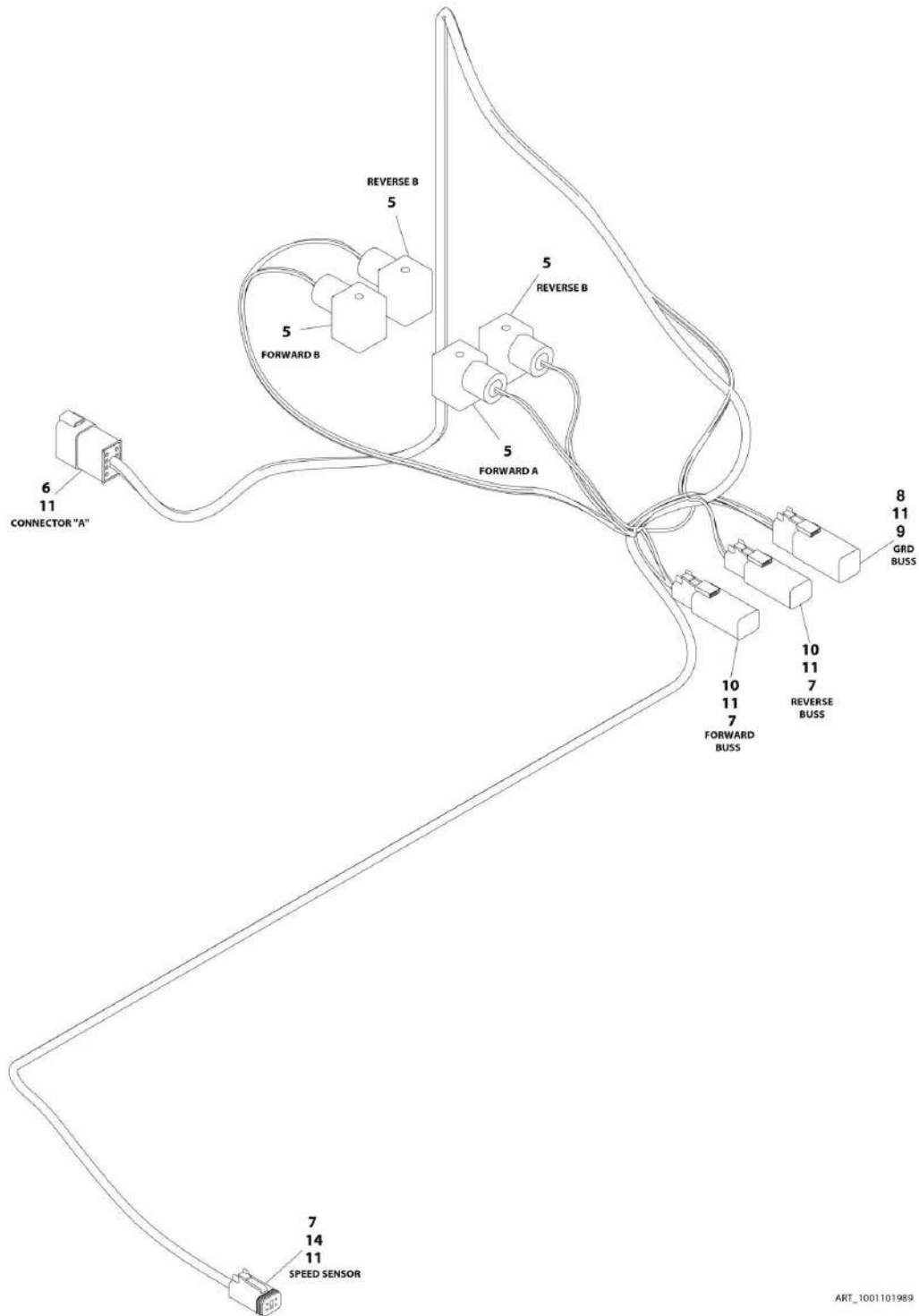
SECTION 8 - ELECTRICAL

FIGURE 8-17. CHARGER CORD PLUG INSTALLATION - 220V CEE7 SIDE GROUND (CE SPEC)

ITEM	PART NUMBER	QTY	DESCRIPTION	REV
	0275664	Ref	CHARGER CORD PLUG INSTALLATION - 220V CEE7 SIDE GROUND (CE SPEC)	A
1	4461205	1	Plug	

SECTION 8 - ELECTRICAL

FIGURE 8-18. FRONT WHEEL ASSIST (4WD) HARNESS



ART_1001101989

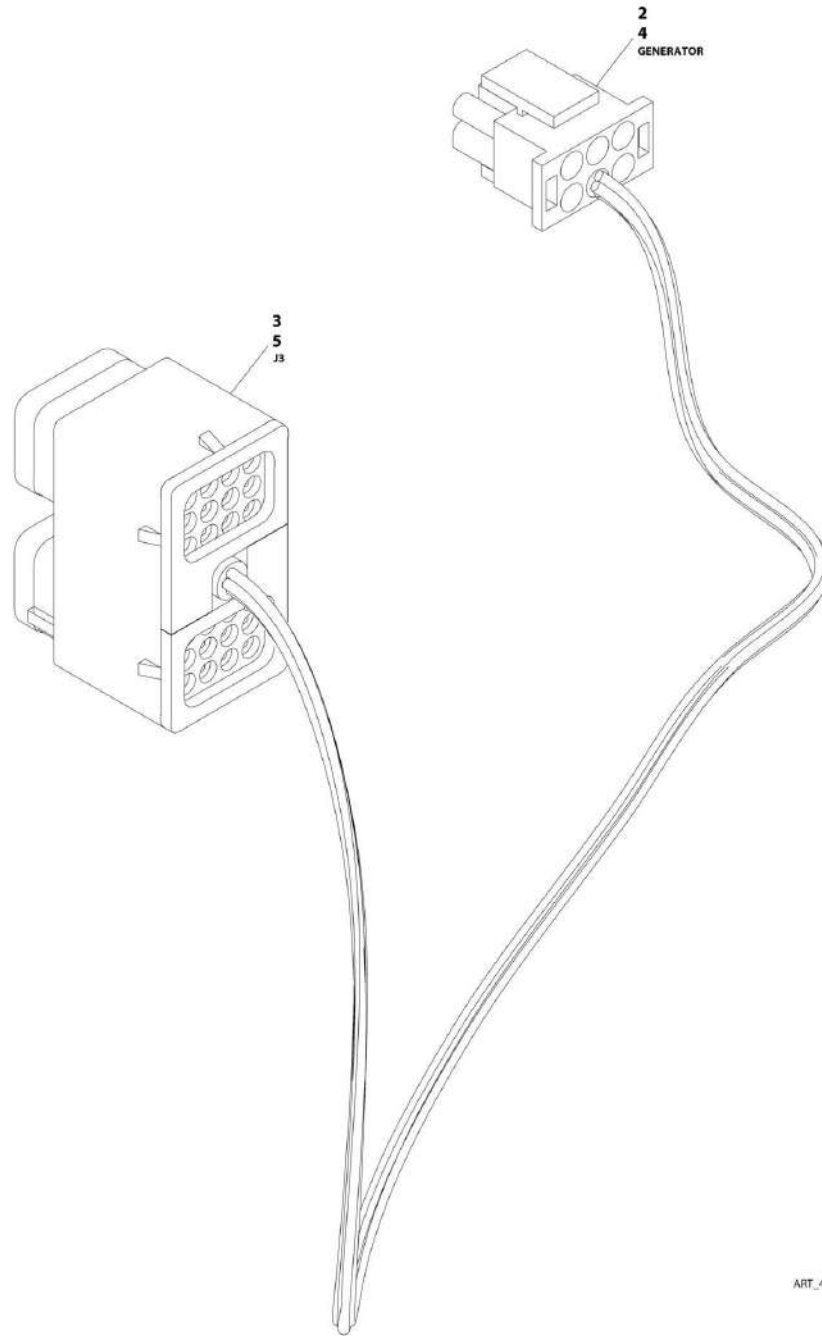
SECTION 8 - ELECTRICAL

FIGURE 8-18. FRONT WHEEL ASSIST (4WD) HARNESS

ITEM	PART NUMBER	QTY	DESCRIPTION	REV
	1001101989	Ref	FRONT WHEEL ASSIST (4WD) HARNESS	B
5	4460499	4	Connector, DIN	
6	4460931	1	Receptacle, Female - 8 Position	
7	4460884	3	Plug, Male - 4 Position	
8	4460894	1	Plug, Male - 6 Position	
9	4460892	1	Buss Bar - 6 Position	
10	4460893	2	Buss Bar - 4 Position	
11	4460465	22	Socket, Female	
14	4460466	1	Plug, Seal	

SECTION 8 - ELECTRICAL

FIGURE 8-19. GENERATOR HARNESS - M3369/M4069 ONLY



ART_4922602

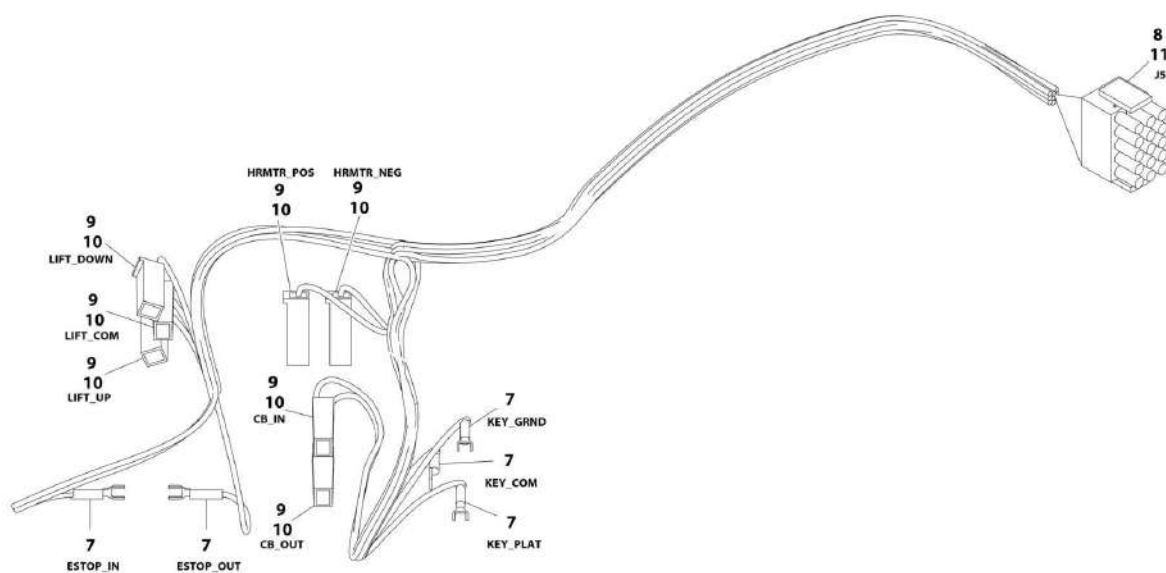
SECTION 8 - ELECTRICAL

FIGURE 8-19. GENERATOR HARNESS - M3369/M4069 ONLY

ITEM	PART NUMBER	QTY	DESCRIPTION	REV
	4922602	Ref	GENERATOR HARNESS - M3369/M4069 ONLY	B
2	4460225	1	Plug, Male - 6 Position	
3	4460896	1	Plug, Male - 24 Position	
4	4460267	4	Pin, Male	
5	4460465	4	Socket, Female	

SECTION 8 - ELECTRICAL

FIGURE 8-20. GROUND CONTROL BOX HARNESS - 3369LE/4069LE



ART_4922480

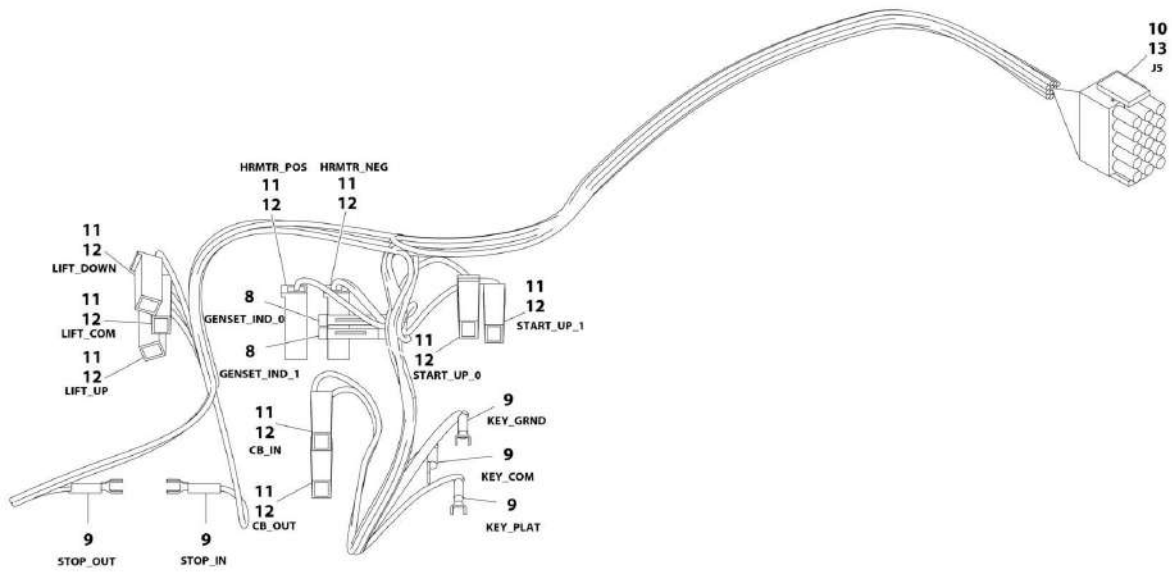
SECTION 8 - ELECTRICAL

FIGURE 8-20. GROUND CONTROL BOX HARNESS - 3369LE/4069LE

ITEM	PART NUMBER	QTY	DESCRIPTION	REV
	4922480	Ref	GROUND CONTROL BOX HARNESS - 3369LE/4069LE	B
7	4460183	5	Terminal, Fork	
8	4460434	1	Plug, Male - 15 Position	
9	4460260	7	Housing, Terminal	
10	4460259	7	Terminal	
11	4460268	8	Socket, Female	

SECTION 8 - ELECTRICAL

FIGURE 8-21. GROUND CONTROL BOX HARNESS - M3369/M4069



ART_4922604

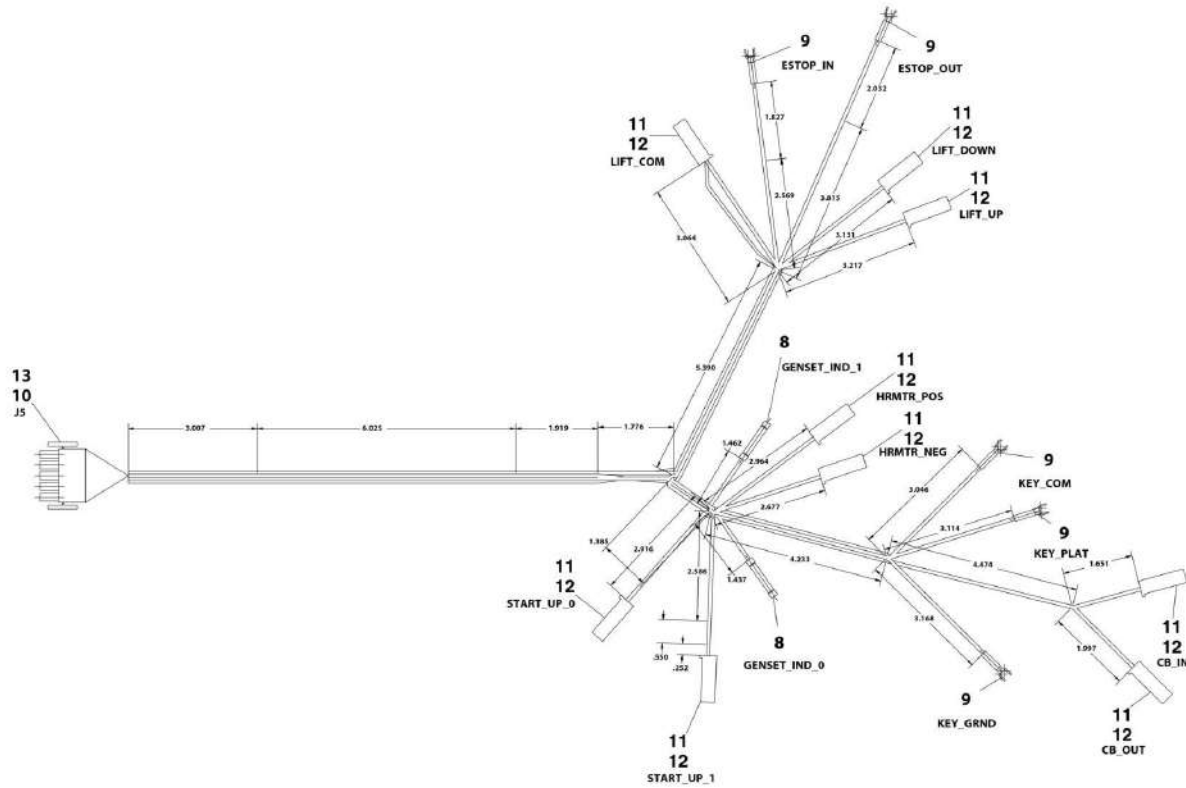
SECTION 8 - ELECTRICAL

FIGURE 8-21. GROUND CONTROL BOX HARNESS - M3369/M4069

ITEM	PART NUMBER	QTY	DESCRIPTION	REV
	4922604	Ref	GROUND CONTROL BOX HARNESS - M3369/M4069	A
8	4460248	2	Terminal, Splice	
9	4460183	5	Terminal, Fork	
10	4460434	1	Plug, Male - 15 Position	
11	4460260	9	Housing, Terminal	
12	4460259	9	Terminal	
13	4460268	8	Socket, Female	

SECTION 8 - ELECTRICAL

FIGURE 8-22. GROUND CONTROL BOX HARNESS (M4069 DRIVE AT FULL HEIGHT)



ART_4923619

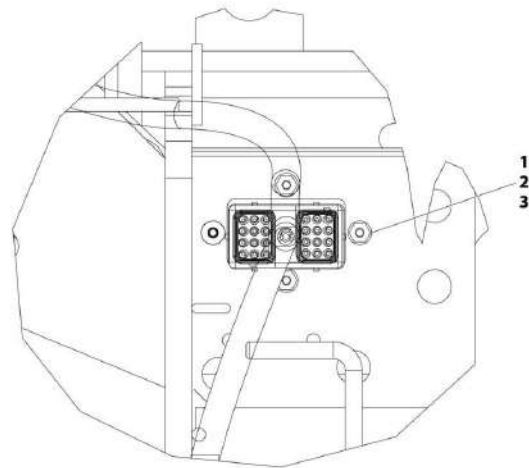
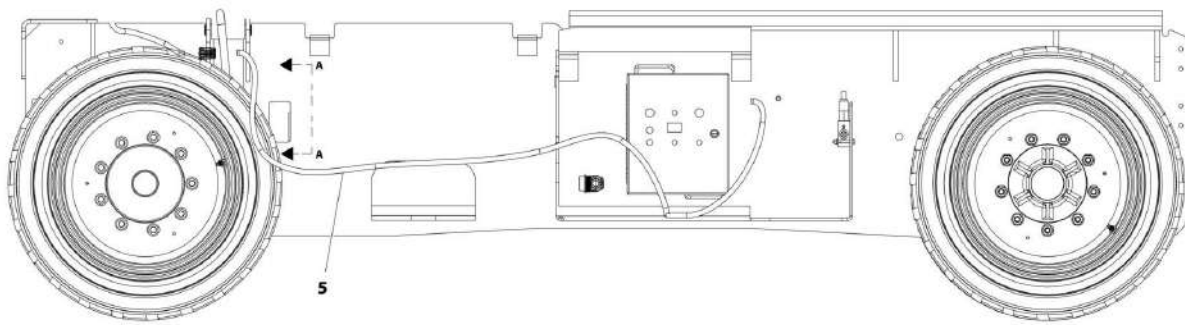
SECTION 8 - ELECTRICAL

FIGURE 8-22. GROUND CONTROL BOX HARNESS (M4069 DRIVE AT FULL HEIGHT)

ITEM	PART NUMBER	QTY	DESCRIPTION	REV
	4923619	Ref	GROUND CONTROL BOX HARNESS (M4069 DRIVE AT FULL HEIGHT)	B
8	4460248	2	Terminal, Splice	
9	4460183	5	Terminal, Fork	
10	4460434	1	Plug, Male - 15 Position	
11	4460260	9	Housing, Terminal	
12	4460259	9	Terminal	
13	4460268	9	Socket, Female	

SECTION 8 - ELECTRICAL

FIGURE 8-23. GROUND CONTROL BOX TO BULKHEAD HARNESS INSTALLATION - 3369LE/M3369



DETAIL A-A

ART_0270572

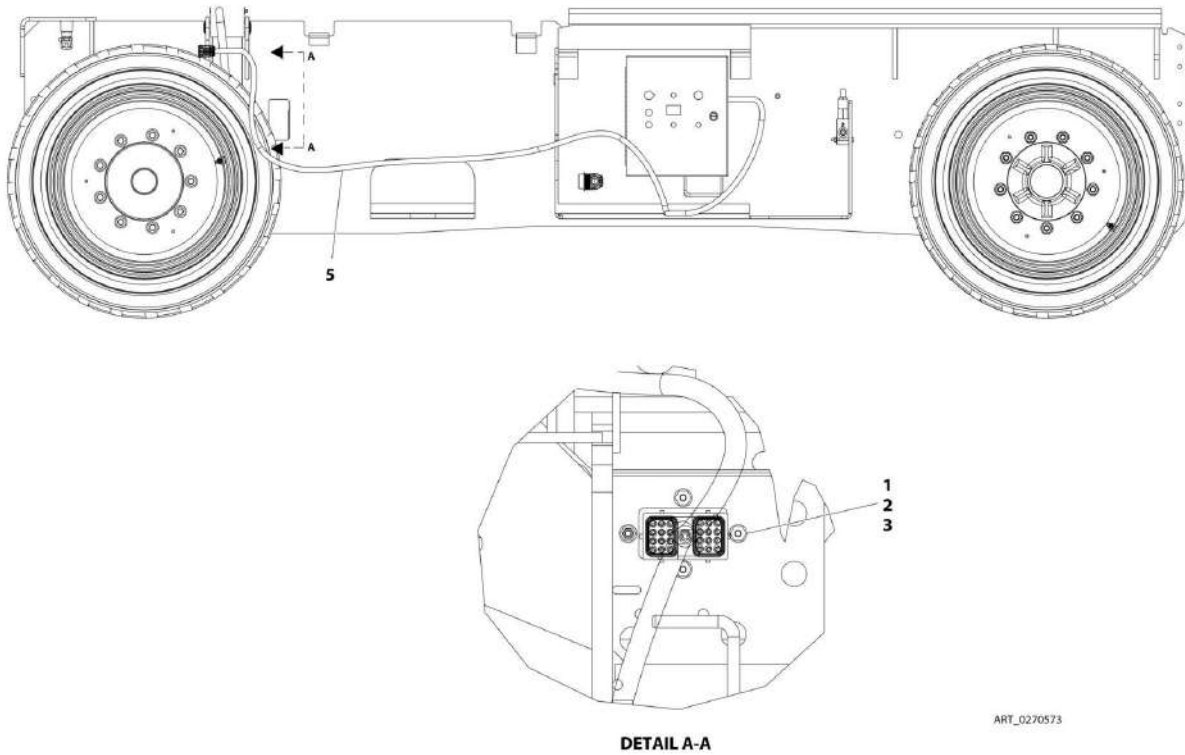
SECTION 8 - ELECTRICAL

FIGURE 8-23. GROUND CONTROL BOX TO BULKHEAD HARNESS INSTALLATION - 3369LE/M3369

ITEM	PART NUMBER	QTY	DESCRIPTION	REV
	0270572	Ref	GROUND CONTROL BOX TO BULKHEAD HARNESS INSTALLATION - 3369LE/M3369	C
1	0720805	4	Screw #8 x 5/8	
2	3310805	4	Nut #8	
3	4750800	4	Washer #8	
5	4922479	1	Ground Control Box to Bulkhead Harness (See GROUND CONTROL BOX TO BULKHEAD HARNESS for Breakdown)	

SECTION 8 - ELECTRICAL

FIGURE 8-24. GROUND CONTROL BOX TO BULKHEAD HARNESS INSTALLATION - 4069LE/M4069



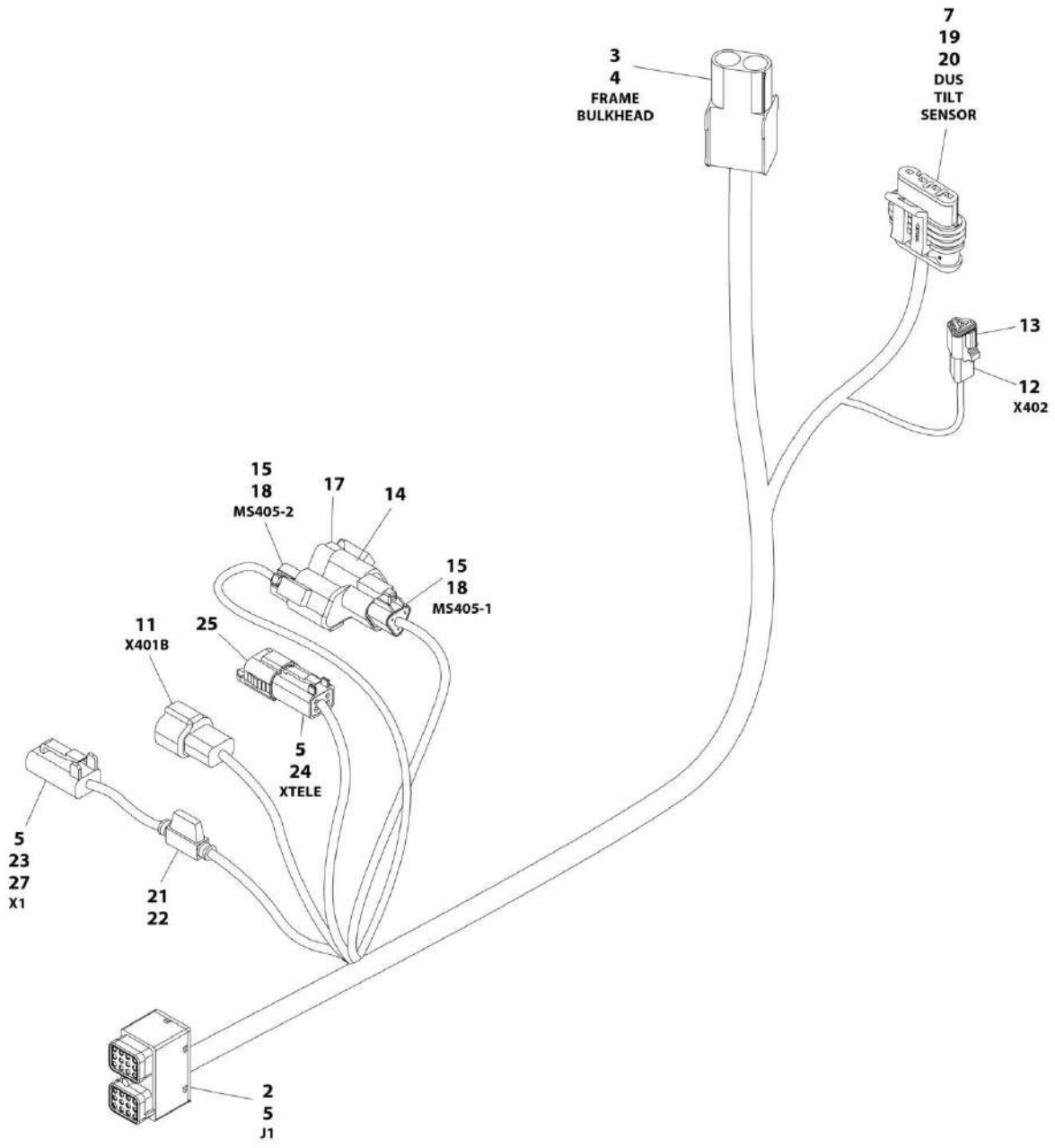
SECTION 8 - ELECTRICAL

FIGURE 8-24. GROUND CONTROL BOX TO BULKHEAD HARNESS INSTALLATION - 4069LE/M4069

ITEM	PART NUMBER	QTY	DESCRIPTION	REV
	0270573	Ref	GROUND CONTROL BOX TO BULKHEAD HARNESS INSTALLATION - 4069LE/M4069	C
1	0720805	4	Screw #8 x 5/8	
2	3310805	4	Nut #8	
3	4750800	4	Washer #8	
5	4922479	1	Ground Control Box to Bulkhead Harness (See GROUND CONTROL BOX TO BULKHEAD HARNESS for Breakdown)	

SECTION 8 - ELECTRICAL

FIGURE 8-25. GROUND CONTROL BOX TO BULKHEAD HARNESS



ART_4922479

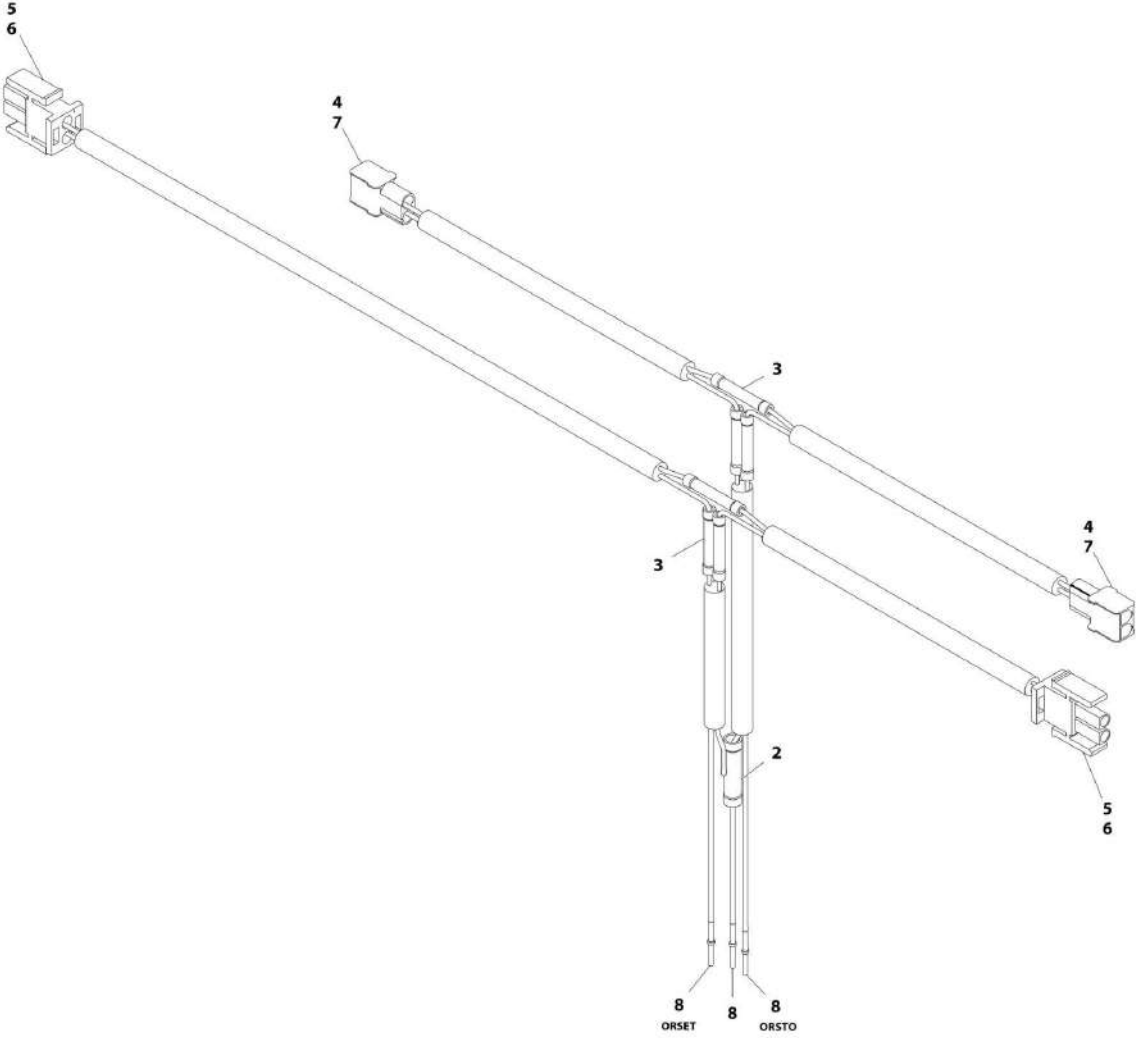
SECTION 8 - ELECTRICAL

FIGURE 8-25. GROUND CONTROL BOX TO BULKHEAD HARNESS

ITEM	PART NUMBER	QTY	DESCRIPTION	REV
	4922479	Ref	GROUND CONTROL BOX TO BULKHEAD HARNESS	E
2	4460812	1	Plug, Male - 24 Position	
3	4460846	1	Receptacle, Female - 24 Position	
4	4460464	21	Pin, Male	
5	4460465	26	Socket, Female	
7	1001103012	1	Plug, Male - 4 Position (SN 0200241795 to Present)	
7	1001103012	1	Plug, Male - 4 Position (SN M200000100 to Present)	
11	4460897	1	Receptacle, Female - 2 Position (SN 0200241795 to Present)	
11	4460897	1	Receptacle, Female - 2 Position (SN M200000100 to Present)	
12	4461095	1	Plug, Male - 3 Position (SN 0200241795 to Present)	
12	4461095	1	Plug, Male - 3 Position (SN M200000100 to Present)	
13	4461070	1	Connector - 3 Position (SN 0200241795 to Present)	
13	4461070	1	Connector - 3 Position (SN M200000100 to Present)	
14	4460945	1	Receptacle, Tee (SN 0200241795 to Present)	
14	4460945	1	Receptacle, Tee (SN M200000100 to Present)	
15	1001116812	2	Plug, Male - 3 Position (SN 0200241795 to Present)	
15	1001116812	2	Plug, Male - 3 Position (SN M200000100 to Present)	
17	1001130615	1	Plug, Male - 3 Position (SN 0200241795 to Present)	
17	1001130615	1	Plug, Male - 3 Position (SN M200000100 to Present)	
18	4460944	8	Socket, Female (SN 0200241795 to Present)	
18	4460944	8	Socket, Female (SN M200000100 to Present)	
19	1001107854	4	Socket, Female (SN 0200241795 to Present)	
19	1001107854	4	Socket, Female (SN M200000100 to Present)	
20	1001197457	4	Seal, Terminal (SN 0200249094 to Present)	
20	1001197457	4	Seal, Terminal (SN M200000100 to Present)	
21	2400060	1	Fuseholder with Cover (SN 0200251812 to Present)	
21	2400060	1	Fuseholder with Cover (SN M200000100 to Present)	
22	8229242	1	Fuse 5Amp (SN 0200251812 to Present)	
22	8229242	1	Fuse 5Amp (SN M200000100 to Present)	
23	4460891	1	Plug, Male - 2 Position (SN 0200251812 to Present)	
23	4460891	1	Plug, Male - 2 Position (SN M200000100 to Present)	
24	4460884	1	Plug, Male - 4 Position (SN 0200251812 to Present)	
24	4460884	1	Plug, Male - 4 Position (SN M200000100 to Present)	
25	1001192401	1	Cap, Dust (SN 0200251812 to Present)	
25	1001192401	1	Cap, Dust (SN M200000100 to Present)	
27	4460466	1	Plug, Terminal (SN 0200251812 to Present)	
27	4460466	1	Plug, Terminal (SN M200000100 to Present)	

SECTION 8 - ELECTRICAL

FIGURE 8-26. LEVELING JACK HARNESS



ART. 4922456

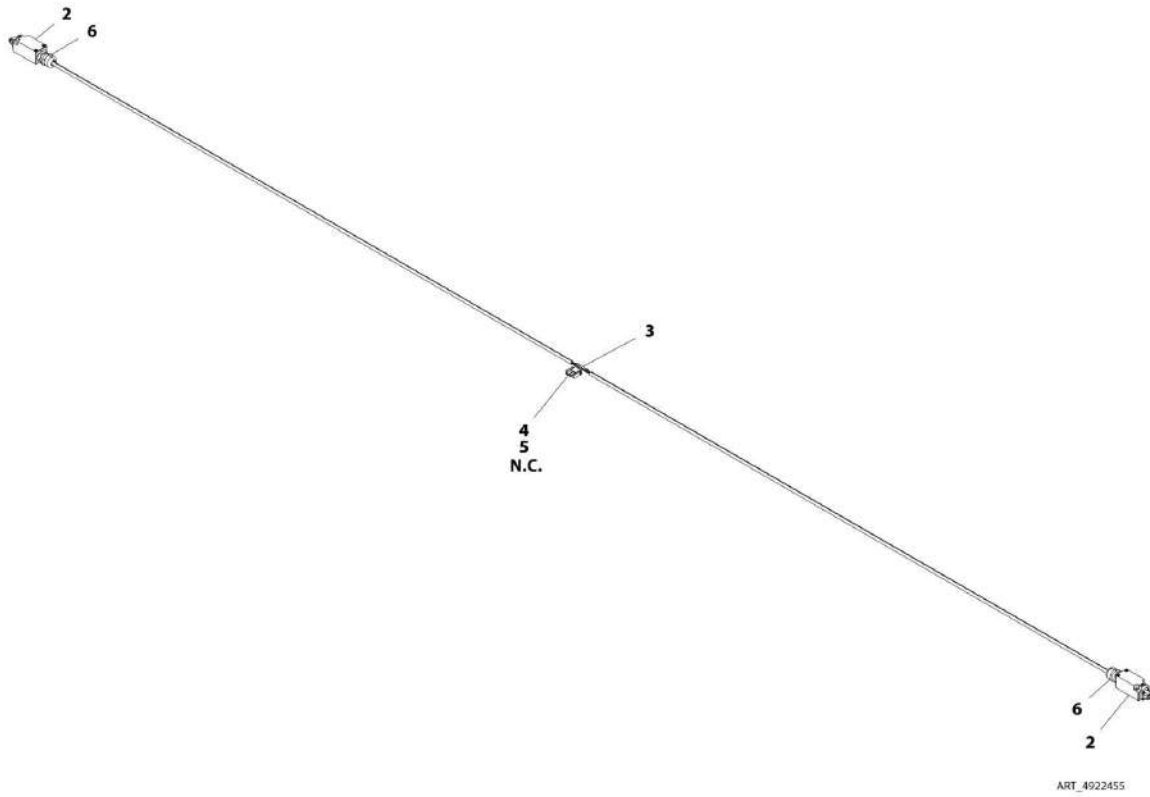
SECTION 8 - ELECTRICAL

FIGURE 8-26. LEVELING JACK HARNESS

ITEM	PART NUMBER	QTY	DESCRIPTION	REV
	4922456	Ref	LEVELING JACK HARNESS	B
2	4460335	1	Terminal, Splice	
3	4460248	6	Terminal, Splice	
4	4460267	4	Pin, Male	
5	4460268	4	Socket, Female	
6	4460320	2	Plug, Male - 2 Position	
7	4460424	2	Receptacle, Female - 2 Position	
8	4460465	3	Socket, Female	

SECTION 8 - ELECTRICAL

FIGURE 8-27. LEVELING JACK N.C. HARNESS



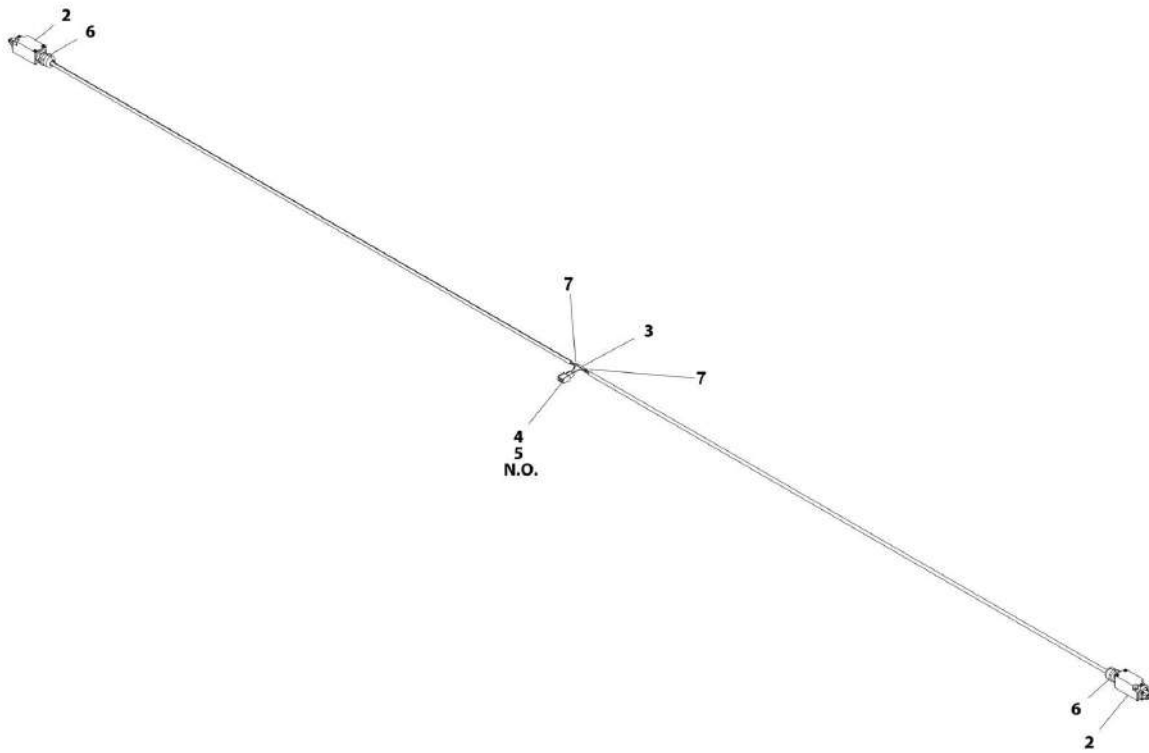
SECTION 8 - ELECTRICAL

FIGURE 8-27. LEVELING JACK N.C. HARNESS

ITEM	PART NUMBER	QTY	DESCRIPTION	REV
	4922455	Ref	LEVELING JACK N.C. HARNESS	D
2	4360548	2	Switch, Limit	
3	4460248	1	Terminal, Splice	
4	4460268	2	Socket, Female	
5	4460320	1	Plug, Male - 2 Position	
6	4460968	2	Connector, Strain Relief	

SECTION 8 - ELECTRICAL

FIGURE 8-28. LEVELING JACK N.O. HARNESS



ART_4922454

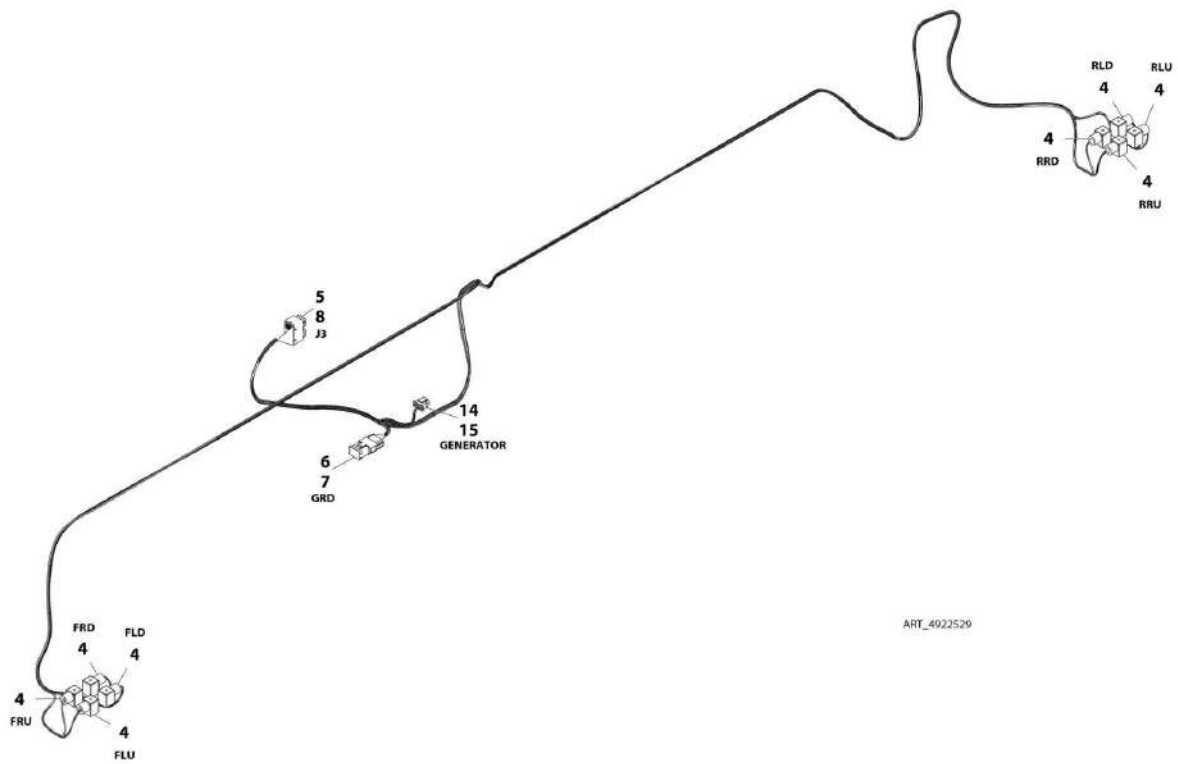
SECTION 8 - ELECTRICAL

FIGURE 8-28. LEVELING JACK N.O. HARNESS

ITEM	PART NUMBER	QTY	DESCRIPTION	REV
	4922454	Ref	LEVELING JACK N.O. HARNESS	F
2	4360548	2	Switch, Limit	
3	4460248	1	Terminal, Splice	
4	4460267	2	Pin, Male	
5	4460424	1	Receptacle, Female - 2 Position	
6	4460968	2	Connector, Strain Relief	
7	2820171	AR	Heat Shrink	

SECTION 8 - ELECTRICAL

FIGURE 8-29. LEVELING JACK VALVE HARNESS



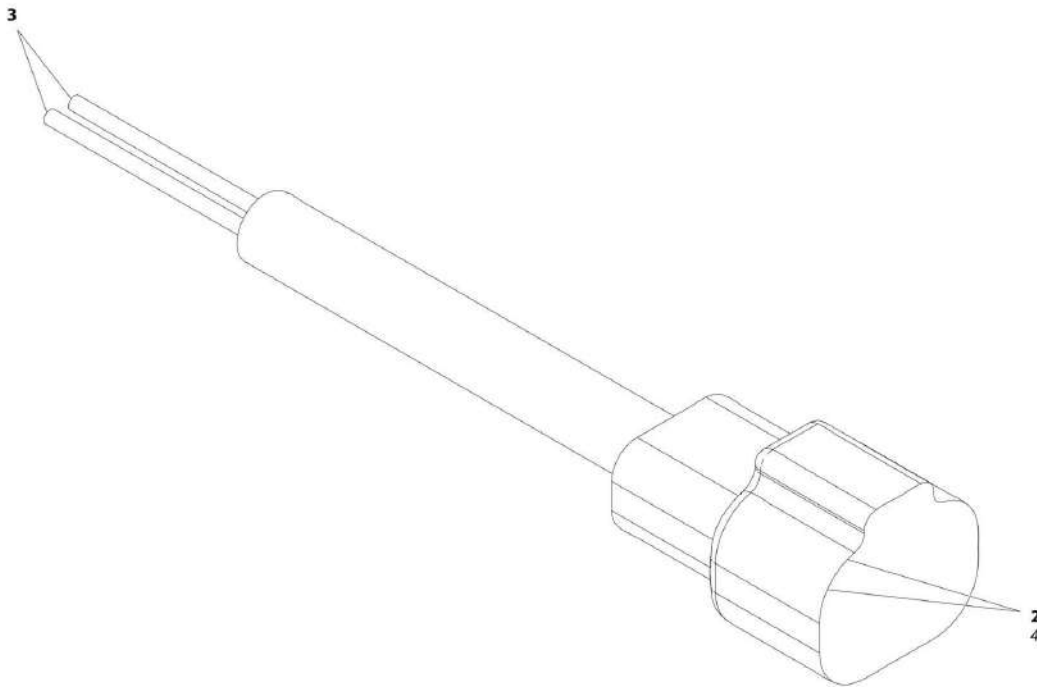
SECTION 8 - ELECTRICAL

FIGURE 8-29. LEVELING JACK VALVE HARNESS

ITEM	PART NUMBER	QTY	DESCRIPTION	REV
	4922529	Ref	LEVELING JACK VALVE HARNESS	B
4	4460499	8	Connector, DIN	
5	4460896	1	Plug, Male - 24 Position	
6	4460836	1	Receptacle, Female - 12 Position	
7	4460837	1	Plug, Male - 12 Position	
8	4460465	18	Socket, Female	
9	4460466	3	Plug, Seal	
14	4460225	1	Plug, Male - 6 Position	
15	4460267	4	Pin, Male	

SECTION 8 - ELECTRICAL

FIGURE 8-30. LIFT DOWN HARNESS - LOWER



ART_4922543

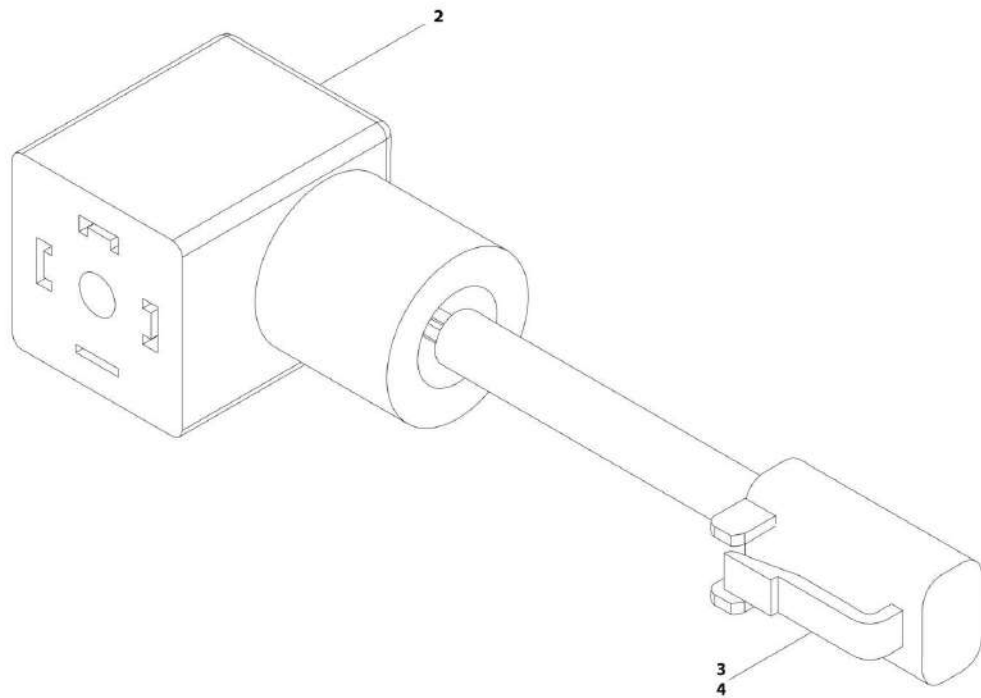
SECTION 8 - ELECTRICAL

FIGURE 8-30. LIFT DOWN HARNESS - LOWER

ITEM	PART NUMBER	QTY	DESCRIPTION	REV
	4922543	Ref	LIFT DOWN HARNESS - LOWER	C
2	4460464	2	Pin, Male	
3	4460465	2	Socket, Female	
4	4460897	1	Receptacle, Female - 2 Position	

SECTION 8 - ELECTRICAL

FIGURE 8-31. LIFT DOWN HARNESS - 3369LE/M3369 UPPER



ART_4922544

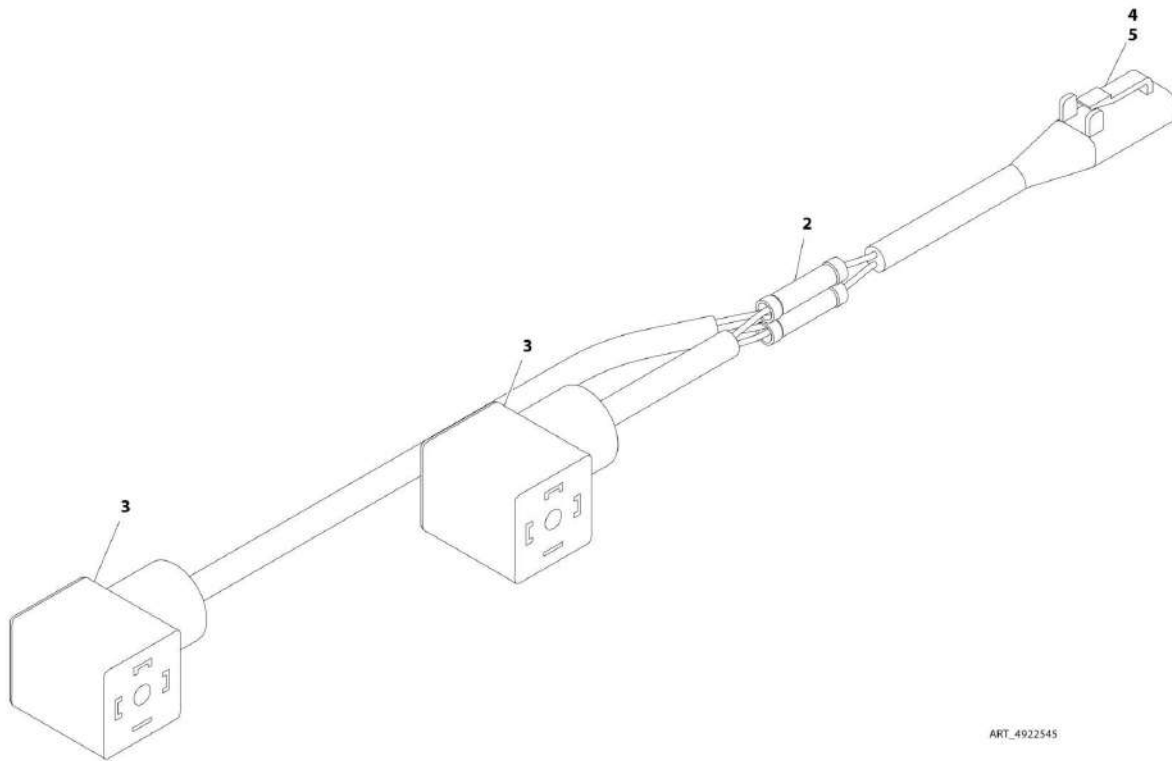
SECTION 8 - ELECTRICAL

FIGURE 8-31. LIFT DOWN HARNESS - 3369LE/M3369 UPPER

ITEM	PART NUMBER	QTY	DESCRIPTION	REV
	4922544	Ref	LIFT DOWN HARNESS - 3369LE/M3369 UPPER	B
2	4460499	1	Connector, DIN	
3	4460465	2	Socket, Female	
4	4460891	1	Plug, Male - 2 Position	

SECTION 8 - ELECTRICAL

FIGURE 8-32. LIFT DOWN HARNESS - 4069LE/M4069 UPPER



ART_4922545

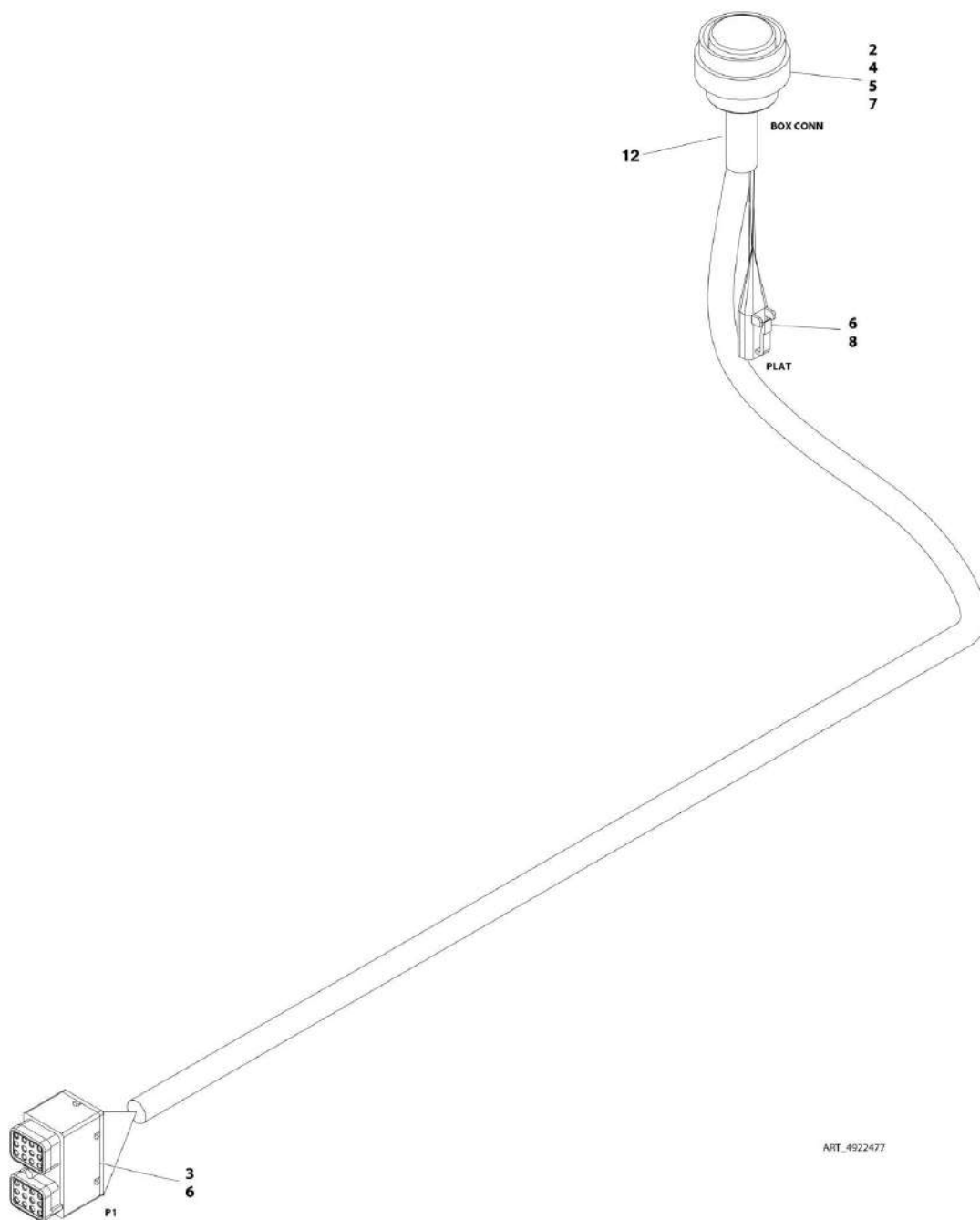
SECTION 8 - ELECTRICAL

FIGURE 8-32. LIFT DOWN HARNESS - 4069LE/M4069 UPPER

ITEM	PART NUMBER	QTY	DESCRIPTION	REV
	4922545	Ref	LIFT DOWN HARNESS - 4069LE/M4069 UPPER	B
2	4460035	1	Terminal, Splice	
3	4460499	2	Connector, DIN	
4	4460465	2	Socket, Female	
5	4460891	1	Plug, Male - 2 Position	

SECTION 8 - ELECTRICAL

FIGURE 8-33. PLATFORM CABLE HARNESS - 3369LE/M3369



AHT_4922477

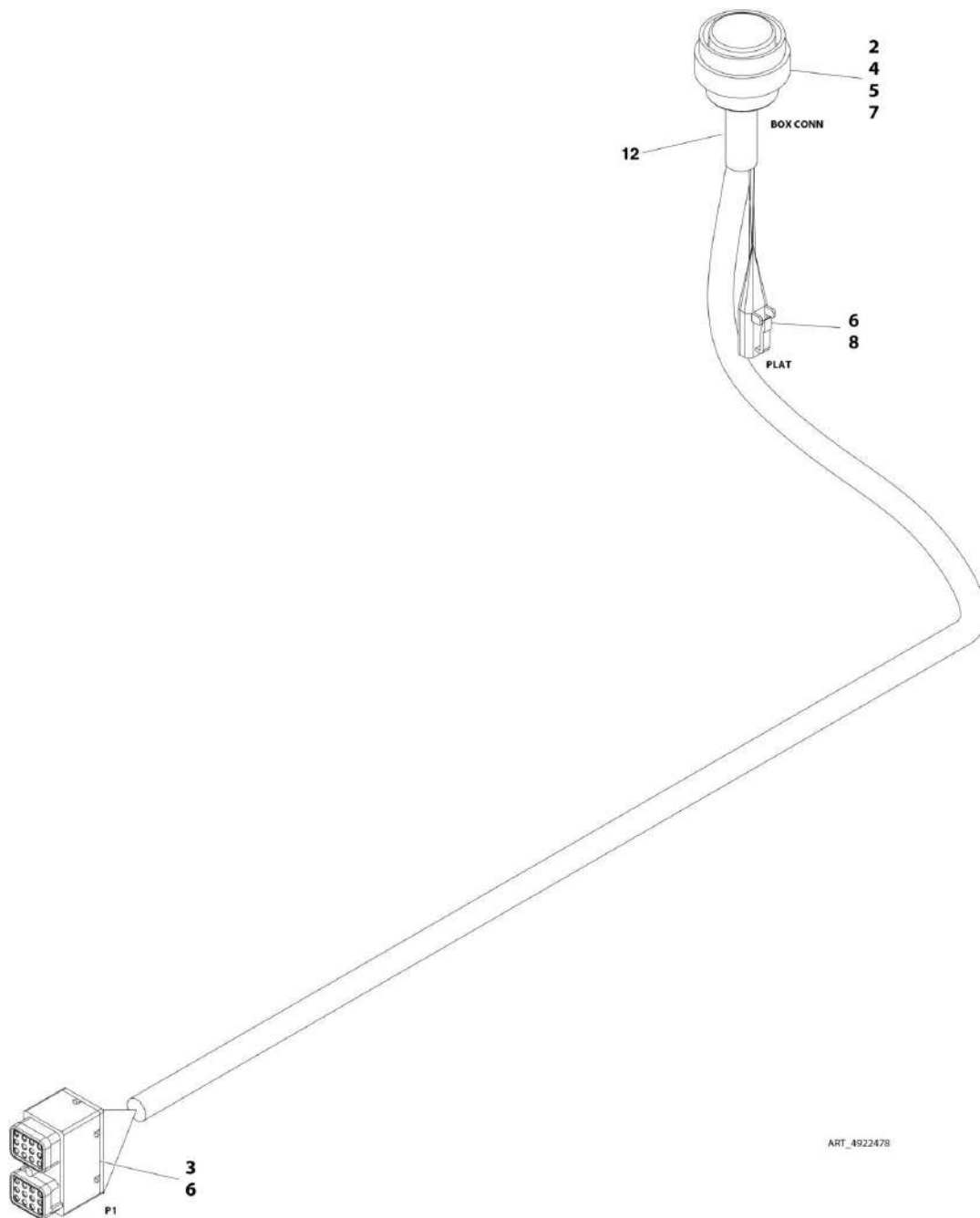
SECTION 8 - ELECTRICAL

FIGURE 8-33. PLATFORM CABLE HARNESS - 3369LE/M3369

ITEM	PART NUMBER	QTY	DESCRIPTION	REV
	4922477	Ref	PLATFORM CABLE HARNESS - 3369LE/M3369	C
2	4460481	1	Connector - 23 Position	
3	4460812	1	Plug, Male - 24 Position	
4	4460468	1	Cap, Dust	
5	4460473	1	Cable/Clamp Assembly	
6	4460465	21	Socket, Female	
7	4460464	20	Pin, Male	
8	4460891	1	Plug, Male - 2 Position	
12	1001226400	1	Heat Shrink (SN M200015636 to Present)	

SECTION 8 - ELECTRICAL

FIGURE 8-34. PLATFORM CABLE HARNESS - 4069LE/M4069



ART_4922478

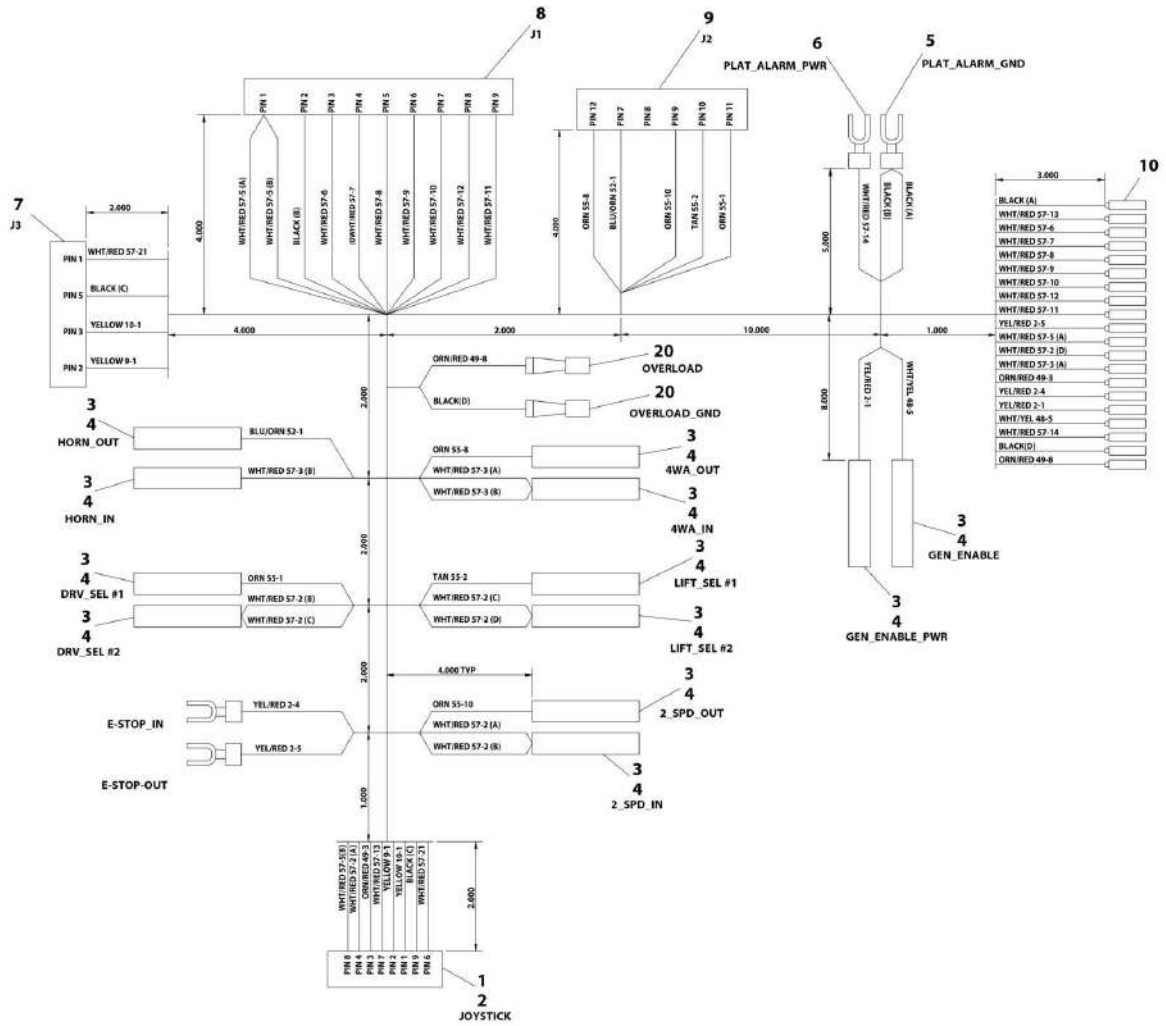
SECTION 8 - ELECTRICAL

FIGURE 8-34. PLATFORM CABLE HARNESS - 4069LE/M4069

ITEM	PART NUMBER	QTY	DESCRIPTION	REV
	4922478	Ref	PLATFORM CABLE HARNESS - 4069LE/M4069	B
2	4460481	1	Connector - 23 Position	
3	4460812	1	Plug, Male - 24 Position	
4	4460468	1	Cap, Dust	
5	4460473	1	Cable/Clamp Assembly	
6	4460465	21	Socket, Female	
7	4460464	20	Pin, Male	
8	4460891	1	Plug, Male - 2 Position	
12	1001226400	1	Heat Shrink (SN M200015636 to Present)	

SECTION 8 - ELECTRICAL

FIGURE 8-35. PLATFORM CONSOLE BOX HARNESS WITHOUT LEVELING JACKS



ART_4922526

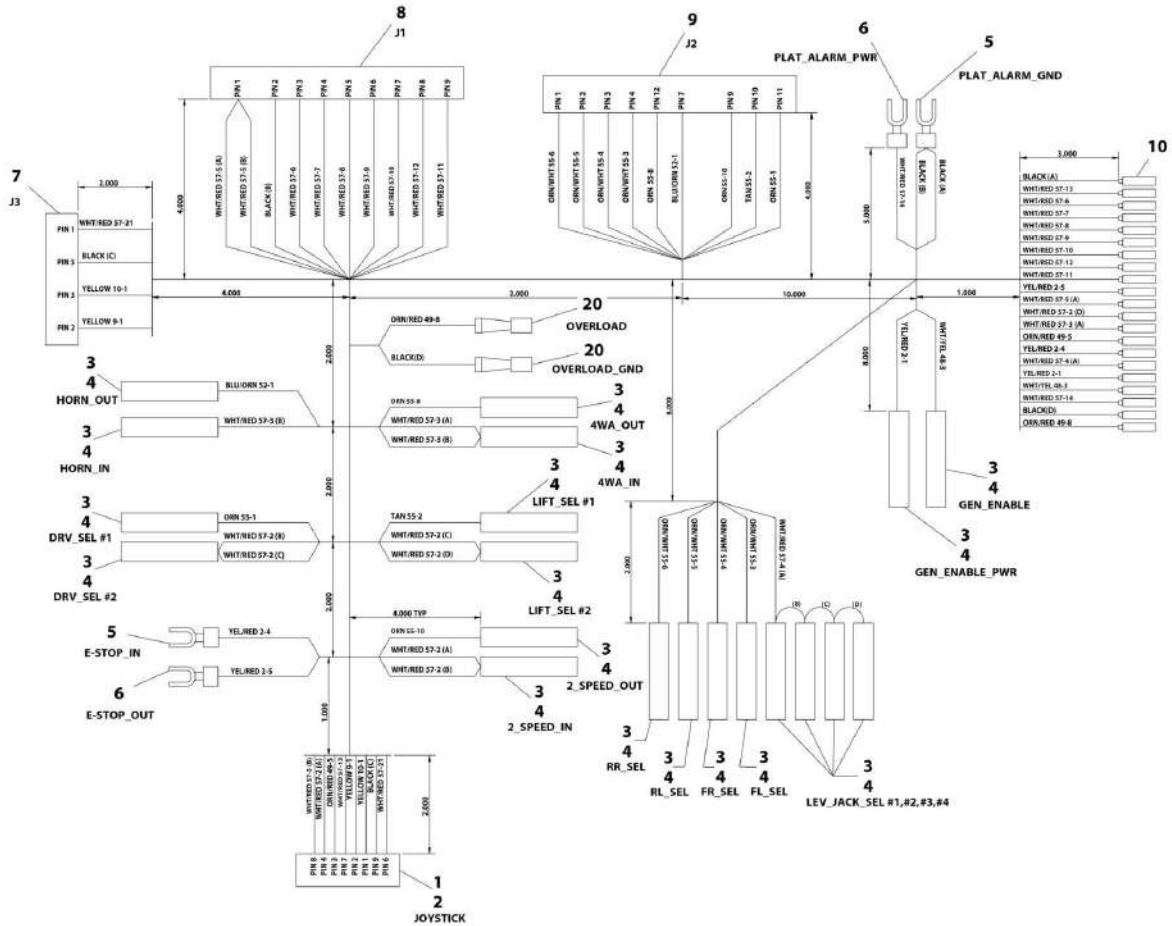
SECTION 8 - ELECTRICAL

FIGURE 8-35. PLATFORM CONSOLE BOX HARNESS WITHOUT LEVELING JACKS

ITEM	PART NUMBER	QTY	DESCRIPTION	REV
	4922526	Ref	PLATFORM CONSOLE BOX HARNESS WITHOUT LEVELING JACKS	D
1	4460266	1	Receptacle, Female - 9 Position	
2	4460267	8	Pin, Male	
3	4460259	12	Terminal	
4	4460260	12	Housing, Terminal	
5	4460115	2	Terminal, Fork	
6	4460183	2	Terminal, Fork	
7	4460817	1	Plug, Male - 5 Position	
8	4460818	1	Plug, Male - 10 Position	
9	4460895	1	Plug, Male - 12 Position	
10	4460465	18	Socket, Female	
20	4460016	2	Terminal, Receptacle	

SECTION 8 - ELECTRICAL

FIGURE 8-36. PLATFORM CONSOLE BOX HARNESS WITH LEVELING JACKS



ART_4922527

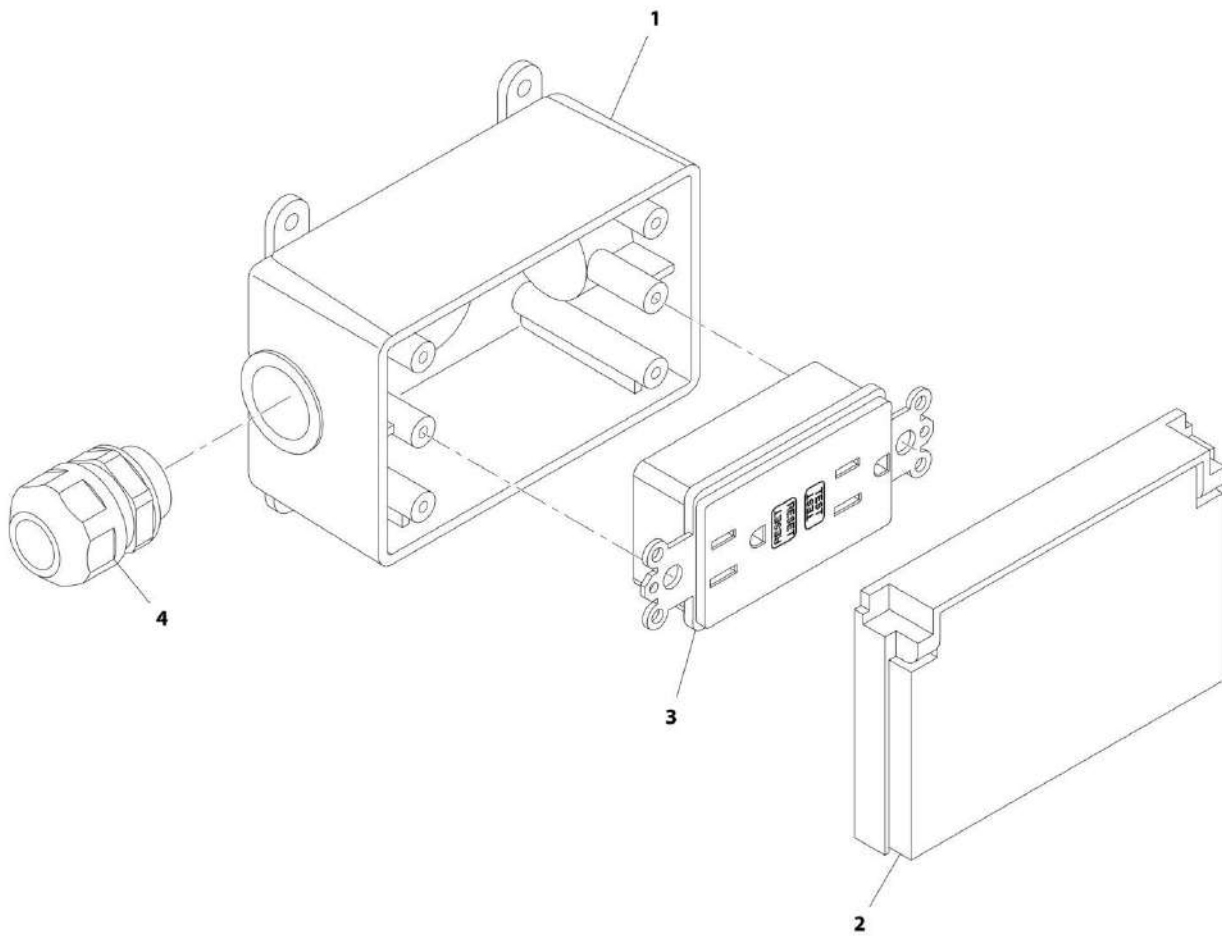
SECTION 8 - ELECTRICAL

FIGURE 8-36. PLATFORM CONSOLE BOX HARNESS WITH LEVELING JACKS

ITEM	PART NUMBER	QTY	DESCRIPTION	REV
	4922527	Ref	PLATFORM CONSOLE BOX HARNESS WITH LEVELING JACKS	C
1	4460266	1	Receptacle, Female - 9 Position	
2	4460267	8	Pin, Male	
3	4460259	16	Terminal	
4	4460260	20	Housing, Terminal	
5	4460115	2	Terminal, Fork	
6	4460183	2	Terminal, Fork	
7	4460817	1	Plug, Male - 5 Position	
8	4460818	1	Plug, Male - 10 Position	
9	4460895	1	Plug, Male - 12 Position	
10	4460465	19	Socket, Female	
20	4460016	2	Terminal, Receptacle	

SECTION 8 - ELECTRICAL

FIGURE 8-37. RECEPTACLE BOX KIT - 110V GFI



ART_2902431

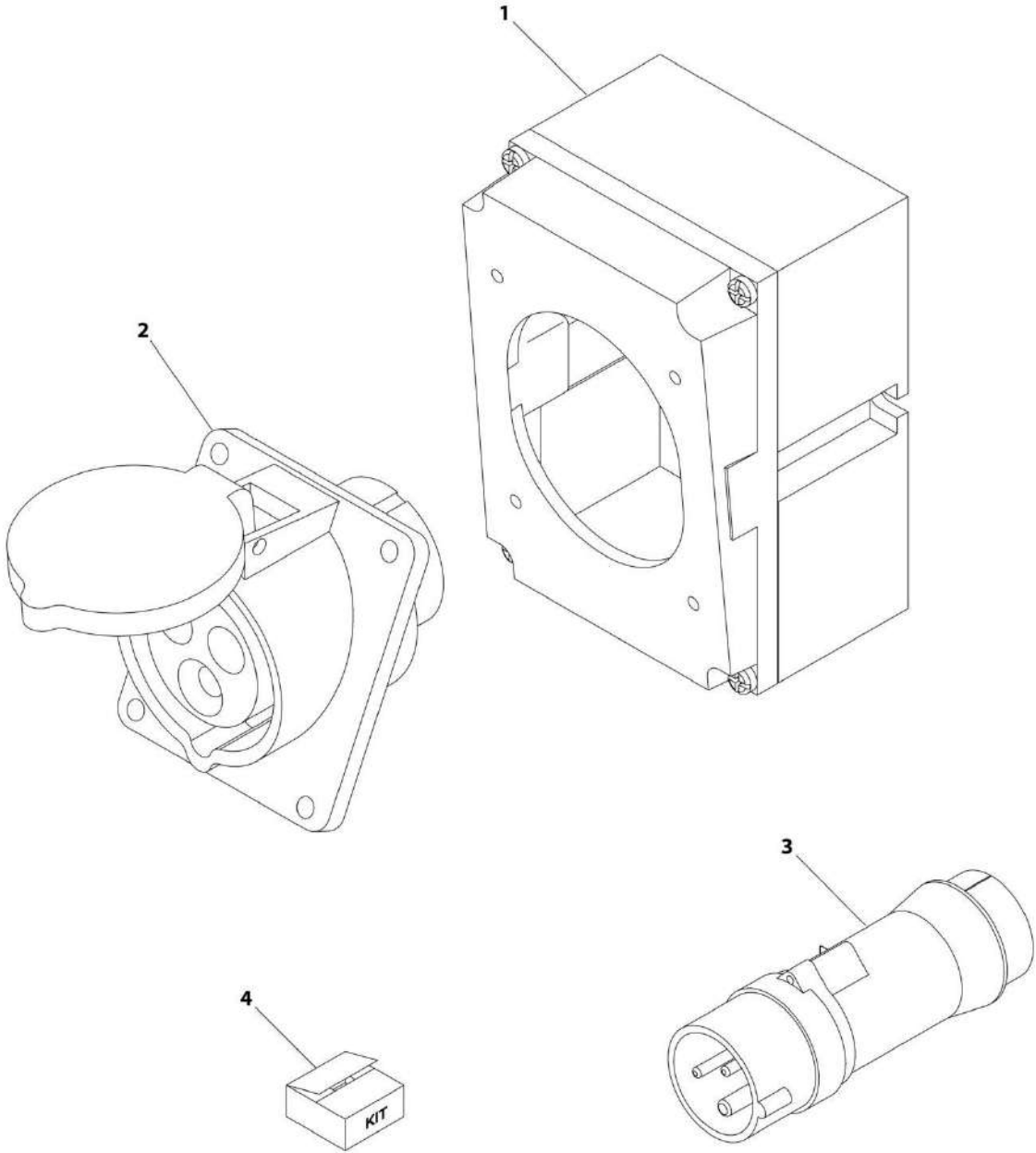
SECTION 8 - ELECTRICAL

FIGURE 8-37. RECEPTACLE BOX KIT - 110V GFI

ITEM	PART NUMBER	QTY	DESCRIPTION	REV
	2902431	Ref	RECEPTACLE BOX KIT - 110V GFI	C
1	0861731	1	Box, Receptacle	
2	1671207	1	Cover, Receptacle	
3	4460346	1	Receptacle	
4	4460662	1	Connector, Strain Relief	

SECTION 8 - ELECTRICAL

FIGURE 8-38. RECEPTACLE BOX KIT - 110V IEC YELLOW (CE SPEC)



ART_0275216

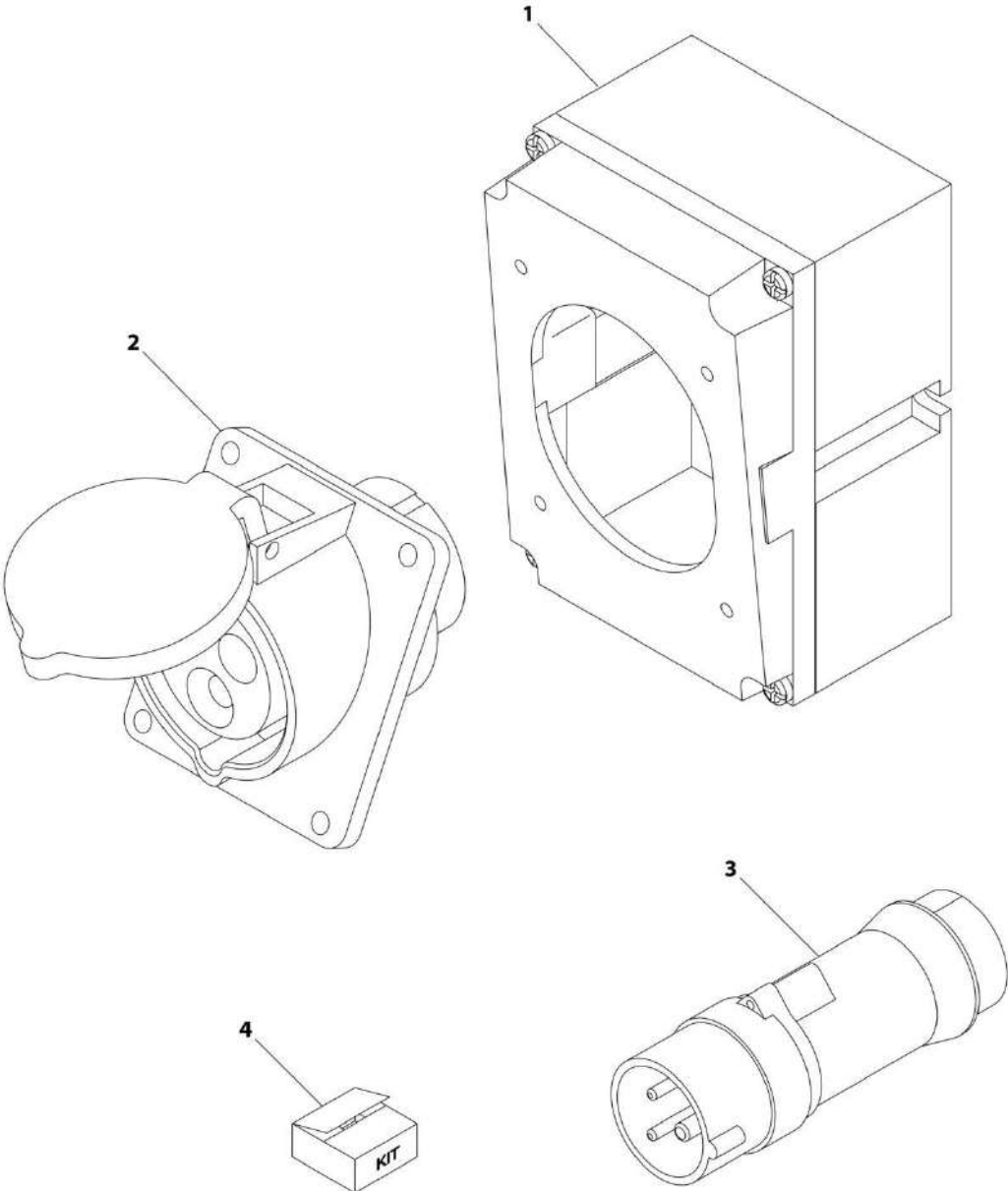
SECTION 8 - ELECTRICAL

FIGURE 8-38. RECEPTACLE BOX KIT - 110V IEC YELLOW (CE SPEC)

ITEM	PART NUMBER	QTY	DESCRIPTION	REV
	0275216	Ref	RECEPTACLE BOX KIT - 110V IEC YELLOW (CE SPEC)	2
1	0861781	1	Box, Switch	
2	4461198	1	Receptacle	
3	4461196	1	Plug, Male	
4	1001100341	1	Plug and Socket Kit (Includes Items 1-3 and Female Plug p/n 4461197)	

SECTION 8 - ELECTRICAL

FIGURE 8-39. RECEPTACLE BOX KIT - 220V IEC BLUE (CE SPEC)



ART_0275217

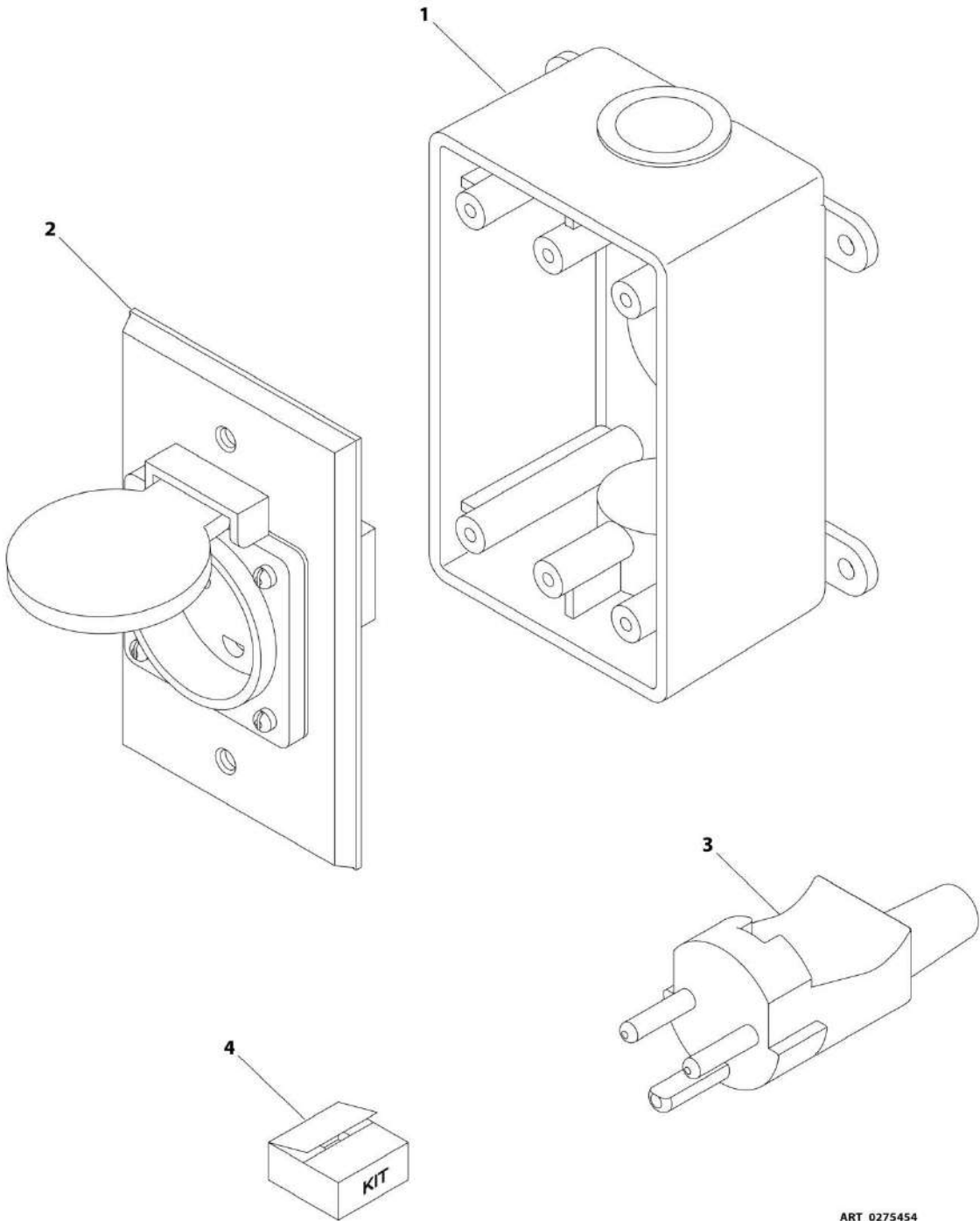
SECTION 8 - ELECTRICAL

FIGURE 8-39. RECEPTACLE BOX KIT - 220V IEC BLUE (CE SPEC)

ITEM	PART NUMBER	QTY	DESCRIPTION	REV
	0275217	Ref	RECEPTACLE BOX KIT - 220V IEC BLUE (CE SPEC)	2
1	0861781	1	Box, Switch	
2	4461201	1	Receptacle	
3	4461199	1	Plug, Male	
4	1001100342	1	Plug and Socket Kit (Includes Items 1-3 and Female Plug p/n 4461200)	

SECTION 8 - ELECTRICAL

FIGURE 8-40. RECEPTACLE BOX KIT - 220V AFSINT 107 (CE SPEC)



ART_0275454

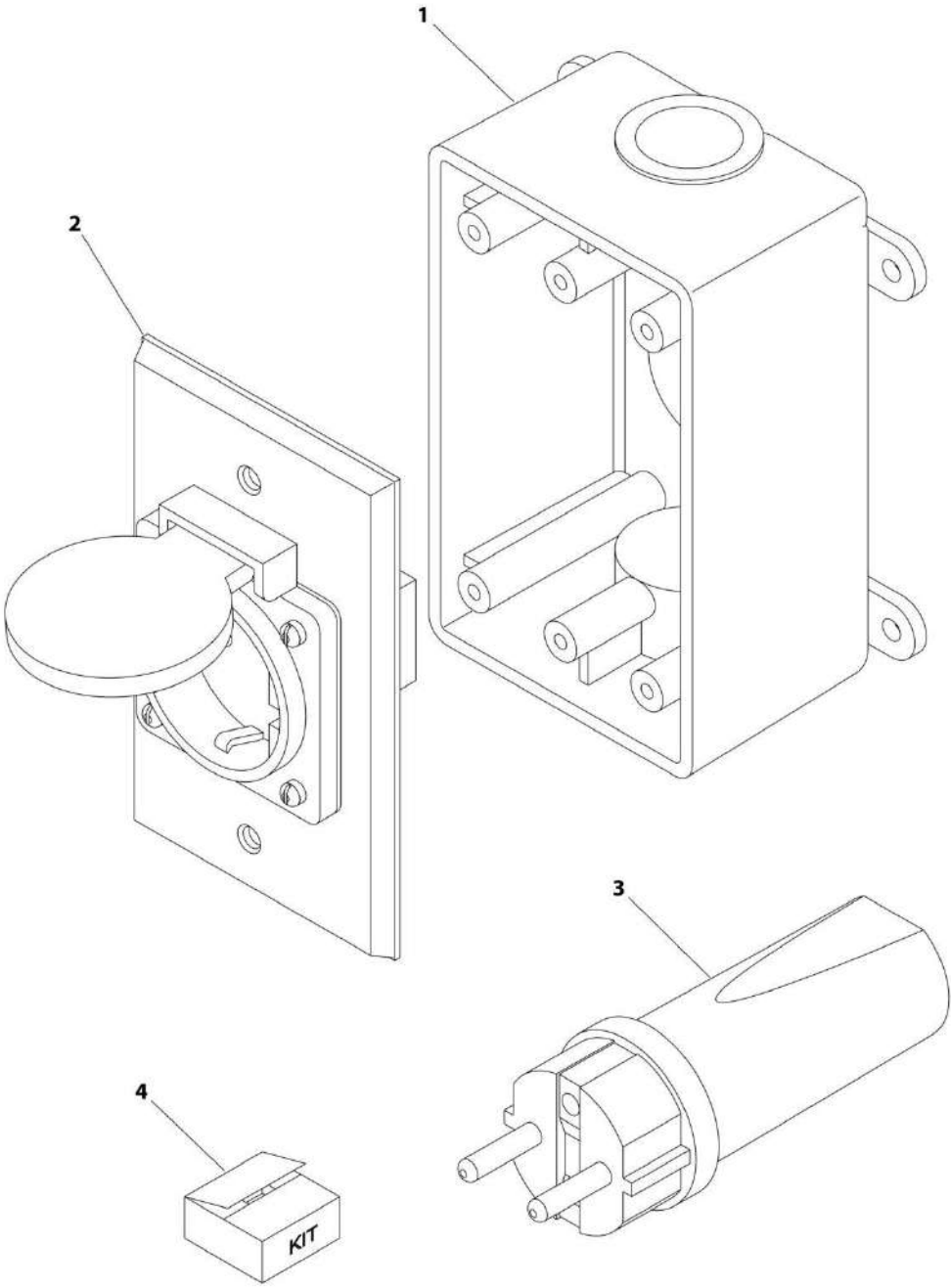
SECTION 8 - ELECTRICAL

FIGURE 8-40. RECEPTACLE BOX KIT - 220V AFSINT 107 (CE SPEC)

ITEM	PART NUMBER	QTY	DESCRIPTION	REV
	0275454	Ref	RECEPTACLE BOX KIT - 220V AFSINT 107 (CE SPEC)	2
1	0861731	1	Box, Switch	
2	4461246	1	Receptacle	
3	4461249	1	Plug, Male	
4	1001100346	1	Plug and Socket Kit (Includes Items 1-3 and Female Plug p/n 4461250)	

SECTION 8 - ELECTRICAL

FIGURE 8-41. RECEPTACLE BOX KIT - 220V CEE7 SIDE GROUND (CE SPEC)



ART_0275453

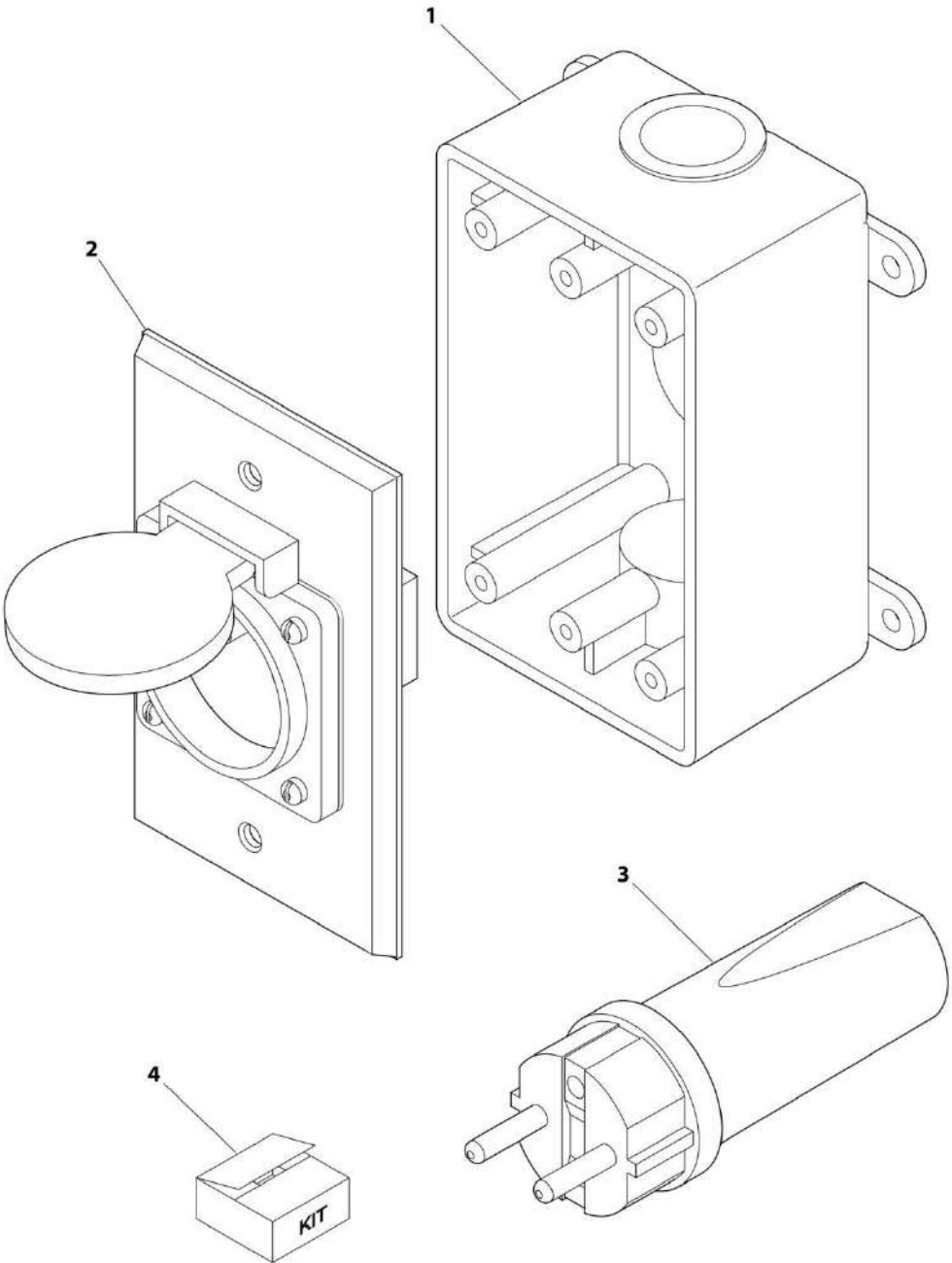
SECTION 8 - ELECTRICAL

FIGURE 8-41. RECEPTACLE BOX KIT - 220V CEE7 SIDE GROUND (CE SPEC)

ITEM	PART NUMBER	QTY	DESCRIPTION	REV
	0275453	Ref	RECEPTACLE BOX KIT - 220V CEE7 SIDE GROUND (CE SPEC)	1
1	0861731	1	Box, Switch	
2	4461245	1	Receptacle	
3	4461205	1	Plug, Male	
4	1001100347	1	Plug and Socket Kit (Includes Items 1-3 and Female Plug p/n 4461206)	

SECTION 8 - ELECTRICAL

FIGURE 8-42. RECEPTACLE BOX KIT - 220V CEE7 POST GROUND (CE SPEC)



ART_0275452

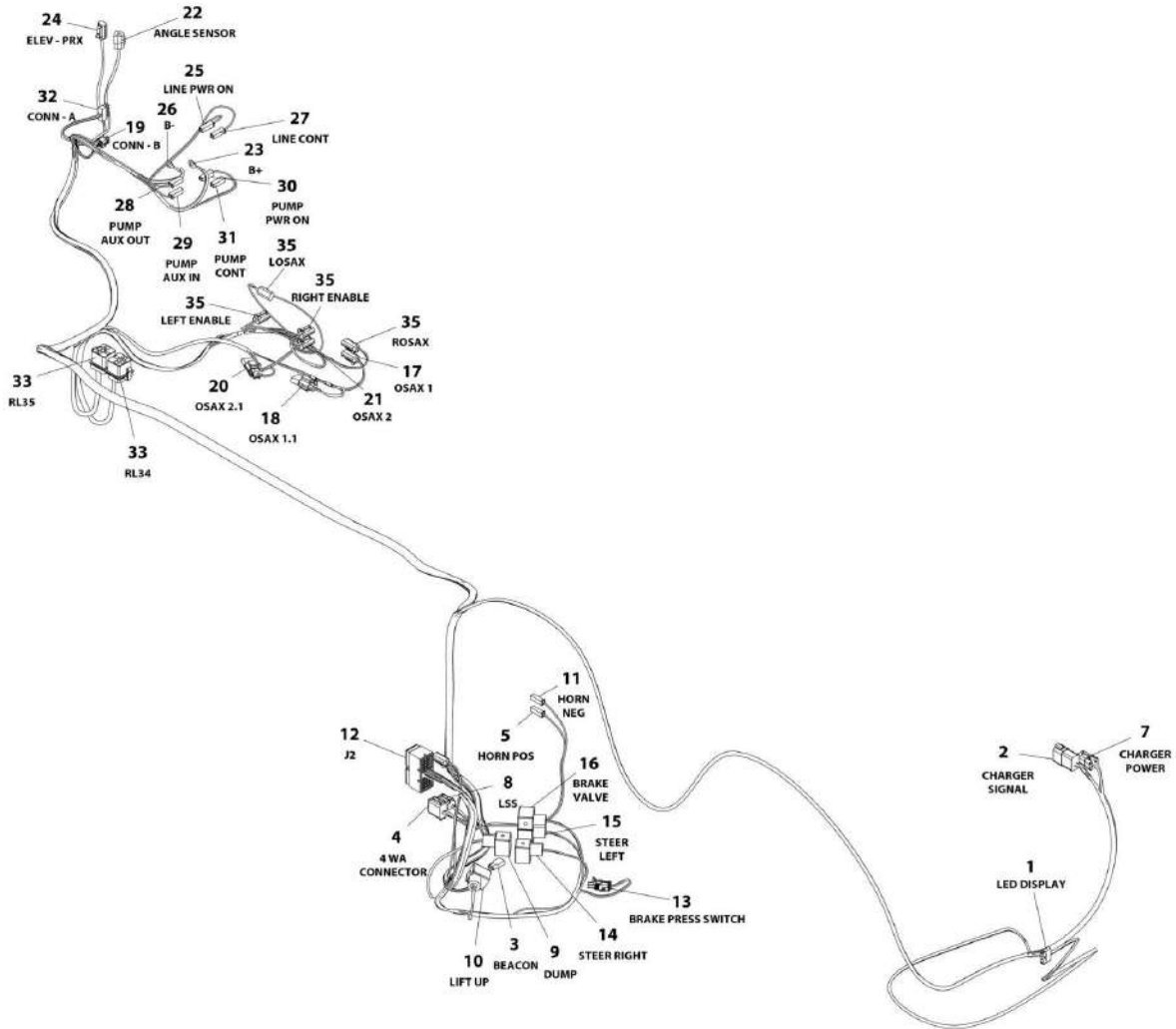
SECTION 8 - ELECTRICAL

FIGURE 8-42. RECEPTACLE BOX KIT - 220V CEE7 POST GROUND (CE SPEC)

ITEM	PART NUMBER	QTY	DESCRIPTION	REV
	0275452	Ref	RECEPTACLE BOX KIT - 220V CEE7 POST GROUND (CE SPEC)	2
1	0861731	1	Box, Switch	
2	4461244	1	Receptacle	
3	4461202	1	Plug, Male	
4	1001100345	1	Plug and Socket Kit (Includes Items 1-3 and Female Plug p/n 4461206)	

SECTION 8 - ELECTRICAL

FIGURE 8-43. VALVE HARNESS



ART_1001171103

SECTION 8 - ELECTRICAL

FIGURE 8-43. VALVE HARNESS

ITEM	PART NUMBER	QTY	DESCRIPTION	REV
	1001171103	Ref	VALVE HARNESS	G
1	4460761	1	Receptacle, Female - 4 Position	
1	4460226	4	Socket, Female	
2	4460931	1	Receptacle, Female - 8 Position	
2	4460464	6	Pin, Male	
2	4460466	2	Plug, Seal	
3	4460424	1	Plug, Male - 2 Position	
3	4460267	3	Pin, Male	
4	4460930	1	Plug, Male - 8 Position	
4	4460465	7	Socket, Female	
4	4460466	1	Plug, Seal	
5	4460260	1	Housing, Terminal	
5	4460259	1	Terminal	
7	1001096188	1	Plug, Male - 4 Position	
7	4460509	2	Socket, Female	
7	4460466	2	Plug, Seal	
8	4460884	1	Plug, Male - 4 Position	
8	4460465	4	Socket, Female	
9	4460499	1	Connector, DIN	
10	4460499	1	Connector, DIN	
11	4460260	1	Housing, Terminal	
11	4460259	1	Terminal	
12	4460814	1	Connector - 40 Position	
12	4460465	32	Socket, Female	
12	4460466	8	Plug, Seal	
13	4460742	1	Plug, Male - 2 Position	
13	4460743	2	Socket, Female	
14	4460499	1	Connector, DIN	
15	4460499	1	Connector, DIN	
16	4460499	1	Connector, DIN	
17	4460891	1	Plug, Male - 2 Position	
17	4460465	2	Socket, Female	
18	4460891	1	Plug, Male - 2 Position	
18	4460465	2	Socket, Female	
18	1001116816	1	Receptacle, Female - 2 Position with Diode	
19	4460870	1	Plug, Male - 12 Position	
19	4460877	4	Terminal	
20	4460891	1	Plug, Male - 2 Position	
20	4460465	2	Socket, Female	
21	4460891	1	Plug, Male - 2 Position	
21	4460465	2	Socket, Female	
21	1001116816	1	Receptacle, Female - 2 Position with Diode	
22	4460539	1	Plug, Male - 3 Position	
22	4460465	3	Socket, Female	
23	4460019	1	Terminal, Ring	
24	4460891	1	Plug, Male - 2 Position	
24	4460465	2	Socket, Female	
25	4460260	1	Housing, Terminal	
25	4460259	1	Terminal	
26	4460019	1	Terminal, Ring	

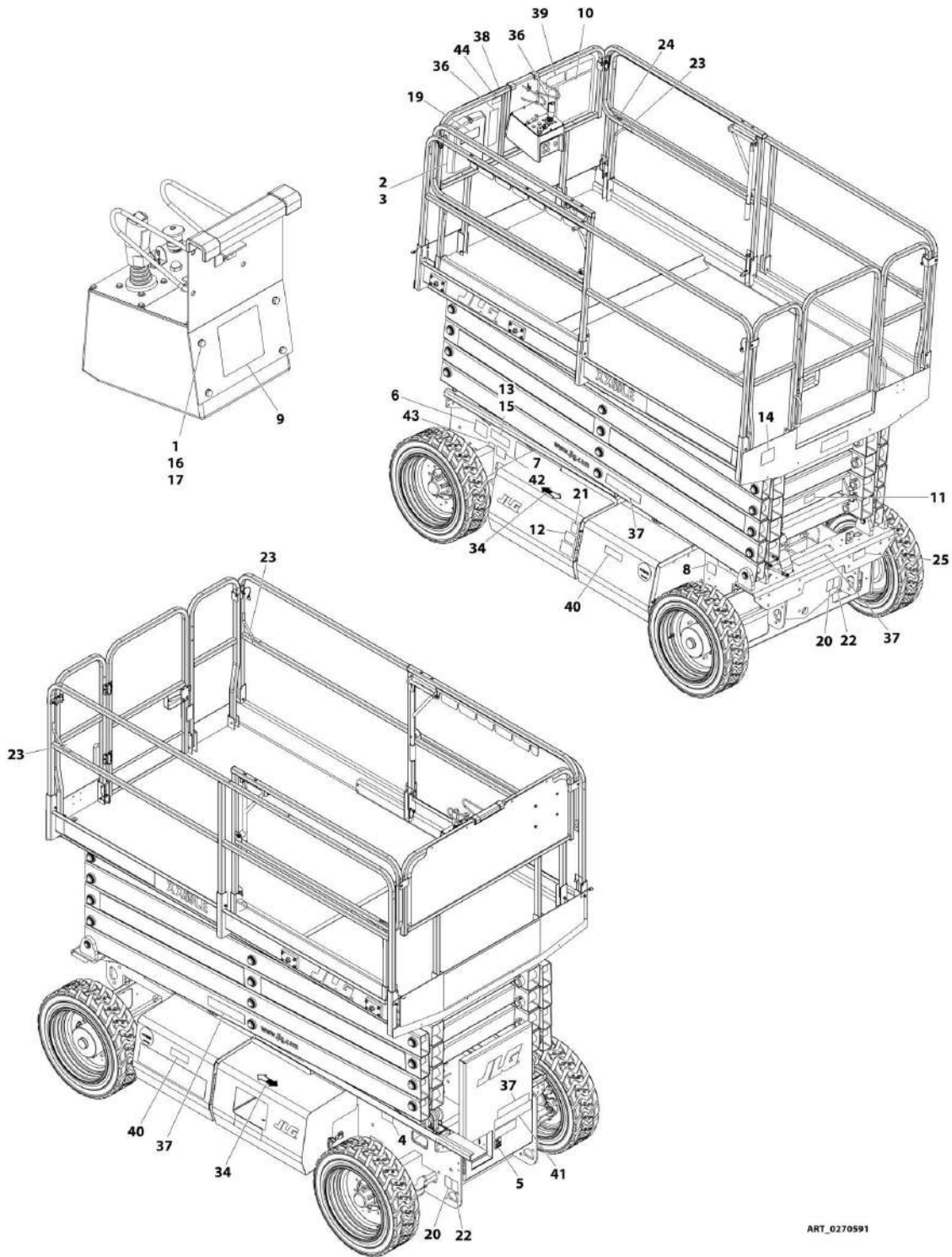
SECTION 8 - ELECTRICAL

ITEM	PART NUMBER	QTY	DESCRIPTION	REV
27	4460260	1	Housing, Terminal	
27	4460259	1	Terminal	
28	4460260	1	Housing, Terminal	
28	4460259	1	Terminal	
29	4460260	1	Housing, Terminal	
29	4460259	1	Terminal	
30	4460260	1	Housing, Terminal	
30	4460259	1	Terminal	
31	4460260	1	Housing, Terminal	
31	4460259	1	Terminal	
32	4460868	1	Plug, Male - 6 Position	
32	4460877	1	Terminal	
33	4460374	2	Plug, Relay (SN 0200241795 to Present)	
33	4460374	2	Plug, Relay (SN M200000100 to Present)	
33	4460375	8	Terminal (SN 0200241795 to Present)	
33	4460375	8	Terminal (SN M200000100 to Present)	
33	3740080	2	Relay (SN 0200241795 to Present)	
33	3740080	2	Relay (SN M200000100 to Present)	
35	4460891	4	Plug, Male - 2 Position (SN 0200241795 to Present)	
35	4460891	4	Plug, Male - 2 Position (SN M200000100 to Present)	
35	4460465	8	Socket, Female (SN 0200241795 to Present)	
35	4460465	8	Socket, Female (SN M200000100 to Present)	

SECTION 9 - DECALS

SECTION 9 - DECALS

FIGURE 9-1. DECAL INSTALLATION - ANSI SPEC (ENGLISH)



ART_0270591

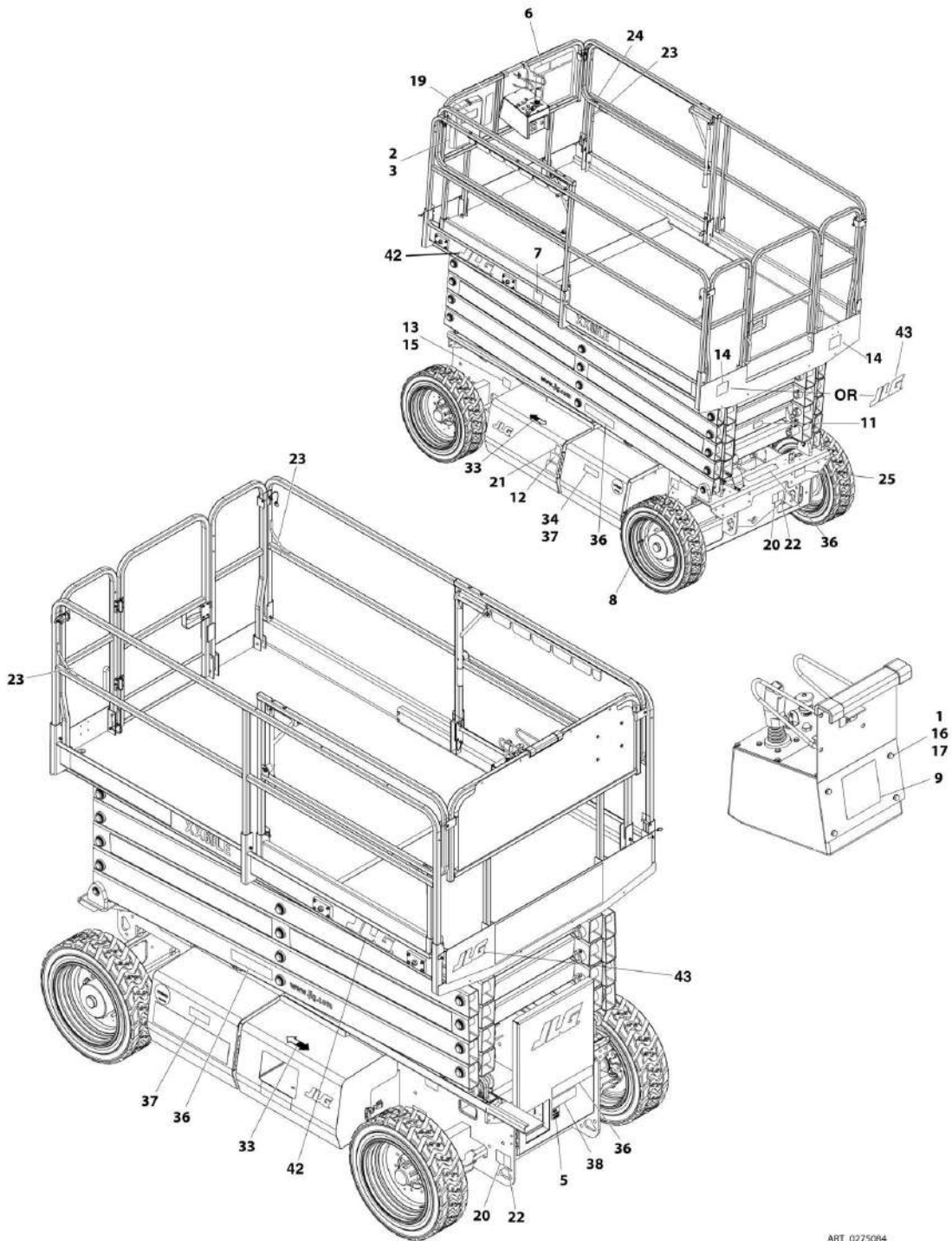
SECTION 9 - DECALS

FIGURE 9-1. DECAL INSTALLATION - ANSI SPEC (ENGLISH)

ITEM	PART NUMBER	QTY	DESCRIPTION	REV
	1283217	Ref	DECAL INSTALLATION - REFERENCE CHART	S
	0270591	Ref	DECAL INSTALLATION - ANSI SPEC (ENGLISH)	I
1	0641405	4	Bolt 1/4 x 5/8	
2	0860520	1	Box, Manual Storage	
3	1060279	1	Cable, Lanyard (SN 0200230092 to Present, SN M200000100 through M200021529)	
4	1001131270	1	Decal - Patent	
5	1701644	1	Decal - Battery Charger	
6	1705303	1	Decal - CSA (SN 0200260119 to Present)	
7	1702153	1	Decal - Inspection (SN M200000100 through M200011727)	
8	1702155	1	Decal - Battery Disconnect	
9	See Note	NSS	Decal - Barcode (Note: Not Available for Purchase)	
10	1703816	1	Decal - Danger/Warning	
11	1704211	1	Decal - Safety Prop	
12	1704412	1	Decal - Hydraulic Oil	
13	2080057	4	Fastener	
14	3251813	1	Decal - USA (SN 0200230092 through 0200264013)	
15	See Note	NSS	Nameplate - Serial Number (Note: Not Available for Purchase)	
16	3311405	4	Nut 1/4	
17	4711400	8	Washer 1/4	
19	1701509	1	Decal - Manual	
20	1703811	4	Decal - Lifting Lugs	
21	1703812	1	Decal - Hydraulic Oil	
22	1703814	4	Decal - Tie Down	
23	1704277	8	Decal - Attach Lanyard Here	
24	1703819	2	Decal - Directional Arrow	
25	1703822	1	Decal - Manual Descent	
34	1703687	2	Decal - Directional Arrow	
36	1704911	1	Decal - Legend	
37	1703818	4	Decal - Warning Crushing Hazard/Danger Electrocution	
38	1703821	1	Decal - Control Box Location	
39	1704903	1	Decal - Gradeability	
40	1703813	2	Decal - Battery Warning	
41	1704248	1	Decal - Battery Charger Instructions	
42	1001223055	1	Decal -Yearly Inspection (DOM) (SN 0200266462 to Present, SN M200010510 to Present)	
43	1001228370	1	Decal - ICES (CAN) (SN 0200266462 to Present, SN M200010510 to Present)	
44	1001231801	1	Decal - Prop 65 (SN M200027567 to Present)	

SECTION 9 - DECALS

FIGURE 9-2. DECAL INSTALLATION - AUSTRALIAN AND CE SPECS - 3369LE & 4069LE



ART_0275064

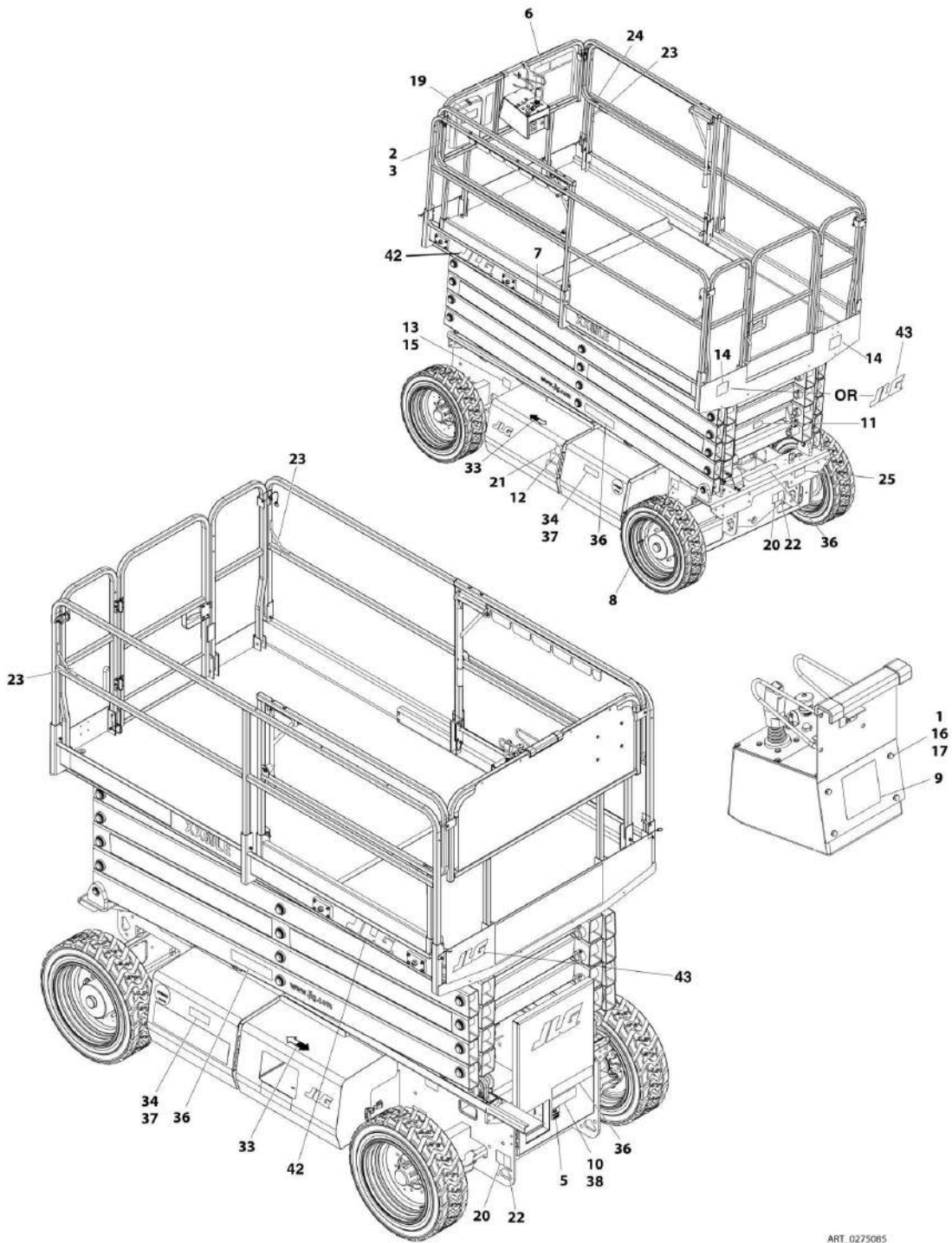
SECTION 9 - DECALS

FIGURE 9-2. DECAL INSTALLATION - AUSTRALIAN AND CE SPECS - 3369LE & 4069LE

ITEM	PART NUMBER	QTY	DESCRIPTION	REV
	1283249	Ref	DECAL INSTALLATION - REFERENCE CHART	O
	0275084	Ref	DECAL INSTALLATION - AUSTRALIAN AND CE SPECS - 3369LE & 4069LE	E
1	0641405	4	Bolt 1/4 x 5/8	
2	0860520	1	Box, Manual Storage	
3	1060279	1	Cable, Lanyard (SN 0200230092 to Present, SN M200000100 through M200021529)	
5	1701644	1	Decal - Battery Charger	
6	1706338	1	Decal - Warning Crushing Hazard/Danger Electrocutio	
8	1702155	1	Decal - Battery Disconnect	
9	See Note	NSS	Decal - Barcode (Note: Not Available for Purchase)	
11	1704211	1	Decal - Safety Prop	
12	1704412	1	Decal - Hydraulic Oil	
13	2080057	2	Fastener	
14	3251813	1	Decal - USA (SN 0200230092 through 0200264013)	
15	See Note	NSS	Nameplate - Serial Number (Note: Not Available for Purchase)	
16	3311405	4	Nut 1/4	
17	4711400	8	Washer 1/4	
19	1701509	1	Decal - Manual Reference	
20	1703811	4	Decal - Lifting Lugs	
21	1703812	1	Decal - Hydraulic Oil	
22	1703814	4	Decal - Tie Down	
23	1704277	4	Decal - Attach Lanyard Here	
24	1703819	2	Decal - Directional Arrow	
25	1703822	1	Decal - Manual Descent	
33	1703687	2	Decal - Directional Arrow	
36	1706338	AR	Decal - Warning Crushing Hazard/Danger Electrocutio	
37	1705670	2	Decal - Battery Warning	
38	1706492	1	Decal - Battery Charger Instructions	
42	1702773	2	Decal - JLG (5in Height)	
43	1701435	2	Decal - JLG (3.5in Height)	

SECTION 9 - DECALS

FIGURE 9-3. DECAL INSTALLATION - AUSTRALIAN AND CE SPECS - M3369 & M4069



ART_0275085

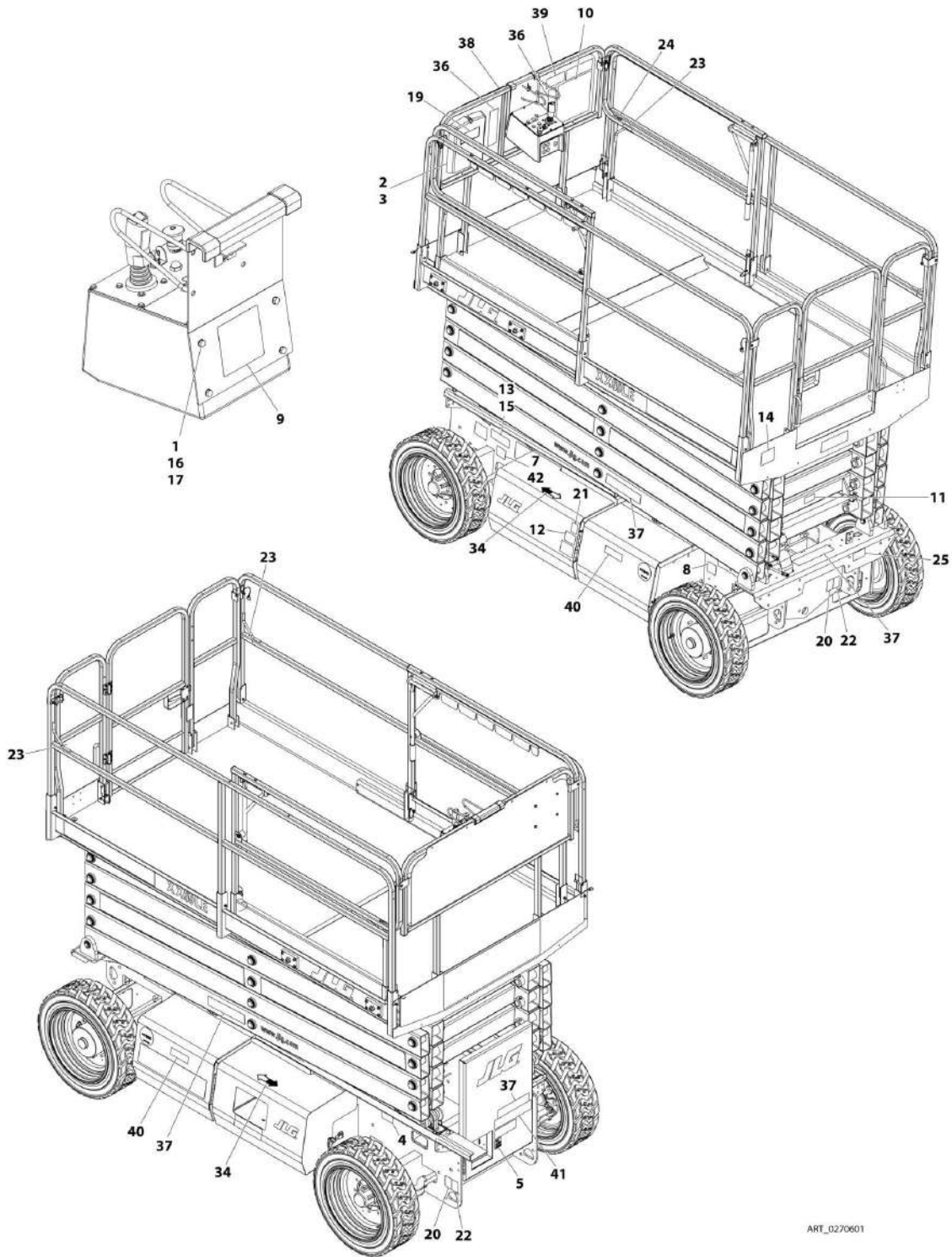
SECTION 9 - DECALS

FIGURE 9-3. DECAL INSTALLATION - AUSTRALIAN AND CE SPECS - M3369 & M4069

ITEM	PART NUMBER	QTY	DESCRIPTION	REV
	1283249	Ref	DECAL INSTALLATION - REFERENCE CHART	O
	0275085	Ref	DECAL INSTALLATION - AUSTRALIAN AND CE SPECS - M3369 & M4069	E
		Ref	Note: For UK MOD Machines, refer to JLG Manual p/n 3121698.	
1	0641405	4	Bolt 1/4 x 5/8	
2	0860520	1	Box, Manual Storage	
3	1060279	1	Cable, Lanyard (SN 0200230092 to Present, SN M200000100 through M200021529)	
5	1701644	1	Decal - Battery Charger	
6	1706338	1	Decal - Warning Crushing Hazard/Danger Electrocution	
7	1705084	2	Decal - Sound Power Level	
8	1702155	1	Decal - Battery Disconnect	
9	See Note	NSS	Decal - Barcode (Note: Not Available for Purchase)	
11	1704211	1	Decal - Safety Prop	
12	1704412	1	Decal - Hydraulic Oil	
13	2080057	2	Fastener	
14	3251813	1	Decal - USA (SN 0200230092 through 0200264013)	
15	See Note	NSS	Nameplate - Serial Number (Note: Not Available for Purchase)	
16	3311405	4	Nut 1/4	
17	4711400	8	Washer 1/4	
19	1701509	1	Decal - Manual Reference	
20	1703811	4	Decal - Lifting Lugs	
21	1703812	1	Decal - Hydraulic Oil	
22	1703814	4	Decal - Tie Down	
23	1704277	4	Decal - Attach Lanyard Here	
24	1703819	2	Decal - Directional Arrow	
25	1703822	1	Decal - Manual Descent	
33	1703687	2	Decal - Directional Arrow	
36	1706338	AR	Decal - Warning Crushing Hazard/Danger Electrocution	
37	1705670	2	Decal - Battery Warning	
38	1706492	1	Decal - Battery Charger Instructions	
42	1702773	2	Decal - JLG (5in Height)	
43	1701435	2	Decal - JLG (3.5in Height)	

SECTION 9 - DECALS

FIGURE 9-4. DECAL INSTALLATION - BRAZIL SPEC (DUAL LANGUAGE - PORTUGUESE/SPANISH)



ART_0270601

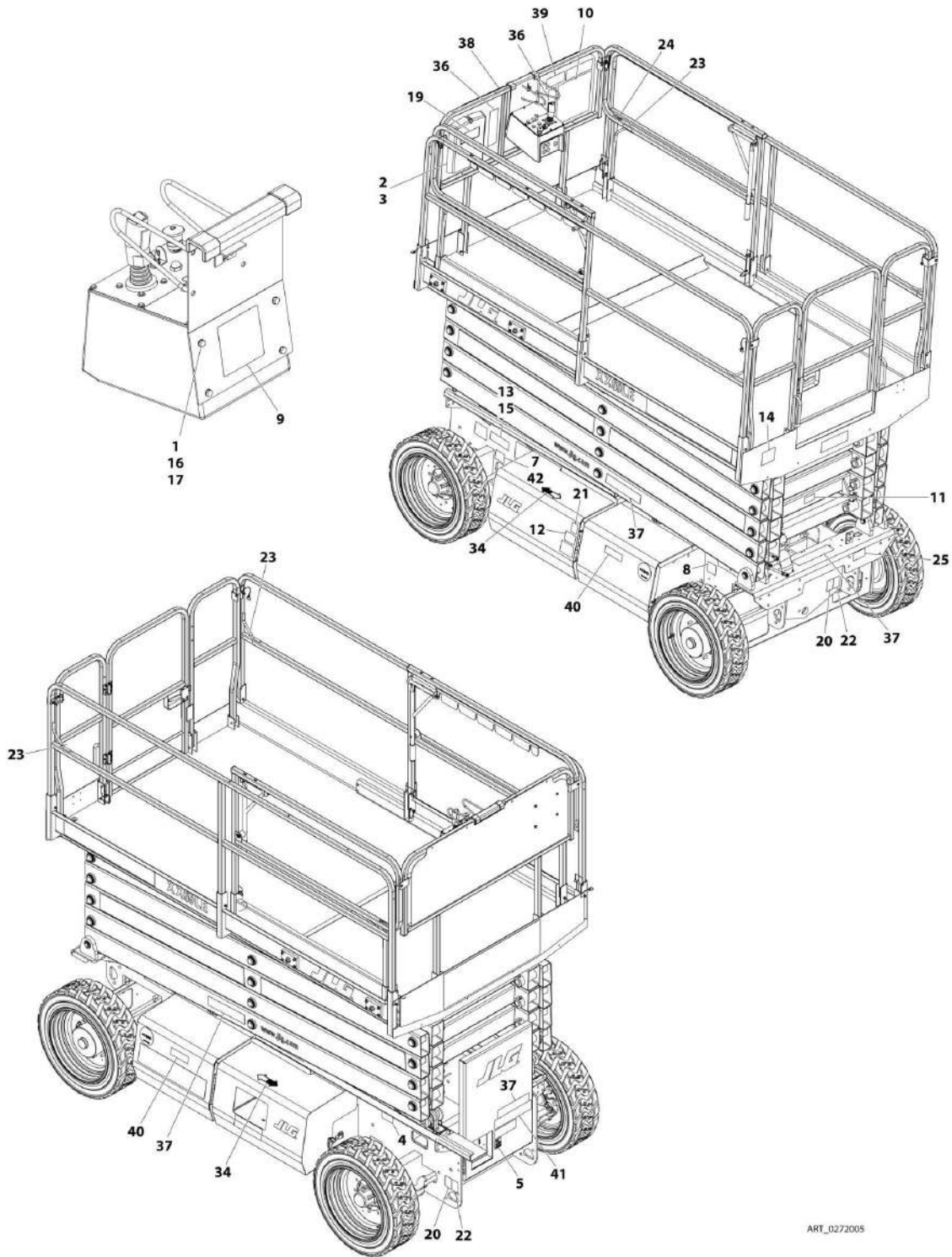
SECTION 9 - DECALS

FIGURE 9-4. DECAL INSTALLATION - BRAZIL SPEC (DUAL LANGUAGE - PORTUGUESE/SPANISH)

ITEM	PART NUMBER	QTY	DESCRIPTION	REV
	1283217	Ref	DECAL INSTALLATION - REFERENCE CHART	S
	0270601	Ref	DECAL INSTALLATION - BRAZIL SPEC (DUAL LANGUAGE - PORTUGUESE/SPANISH)	H
1	0641405	4	Bolt 1/4 x 5/8	
2	0860520	1	Box, Manual Storage	
3	1060279	1	Cable, Lanyard (SN 0200230092 to Present, SN M200000100 through M200021529)	
5	1701644	1	Decal - Battery Charger	
7	1704008	1	Decal - Inspection (SN M200000100 through M200011727)	
8	1702155	1	Decal - Battery Disconnect	
9	See Note	NSS	Decal - Barcode (Note: Not Available for Purchase)	
10	1704699	1	Decal - Danger/Warning	
11	1704211	1	Decal - Safety Prop	
12	1704412	1	Decal - Hydraulic Oil	
13	2080057	4	Fastener	
14	3251813	1	Decal - USA (SN 0200230092 through 0200264013)	
15	See Note	NSS	Nameplate - Serial Number (Note: Not Available for Purchase)	
16	3311405	4	Nut 1/4	
17	4711400	8	Washer 1/4	
19	1701509	1	Decal - Manual	
20	1703811	4	Decal - Lifting Lugs	
21	1703812	1	Decal - Hydraulic Oil	
22	1703814	4	Decal - Tie Down	
23	1704277	8	Decal - Attach Lanyard Here	
24	1703819	2	Decal - Directional Arrow	
25	1703822	1	Decal - Manual Descent	
34	1703687	2	Decal - Directional Arrow	
36	1704915	1	Decal - Legend	
37	1704701	4	Decal - Crushing Hazard/Electrocution	
38	1704702	1	Decal - Console Box Location	
39	1704916	1	Decal - Gradeability	
40	1704341	1	Decal - Warning Battery Ventilation	
41	1704330	1	Decal - Battery Charger Instructions	
42	1001224052	1	Decal - Yearly Inspection (SN 0200266462 to Present, SN M200010510 to Present)	

SECTION 9 - DECALS

FIGURE 9-5. DECAL INSTALLATION - CHINESE SPEC (DUAL LANGUAGE - ENGLISH/CHINESE)



ART_0272005

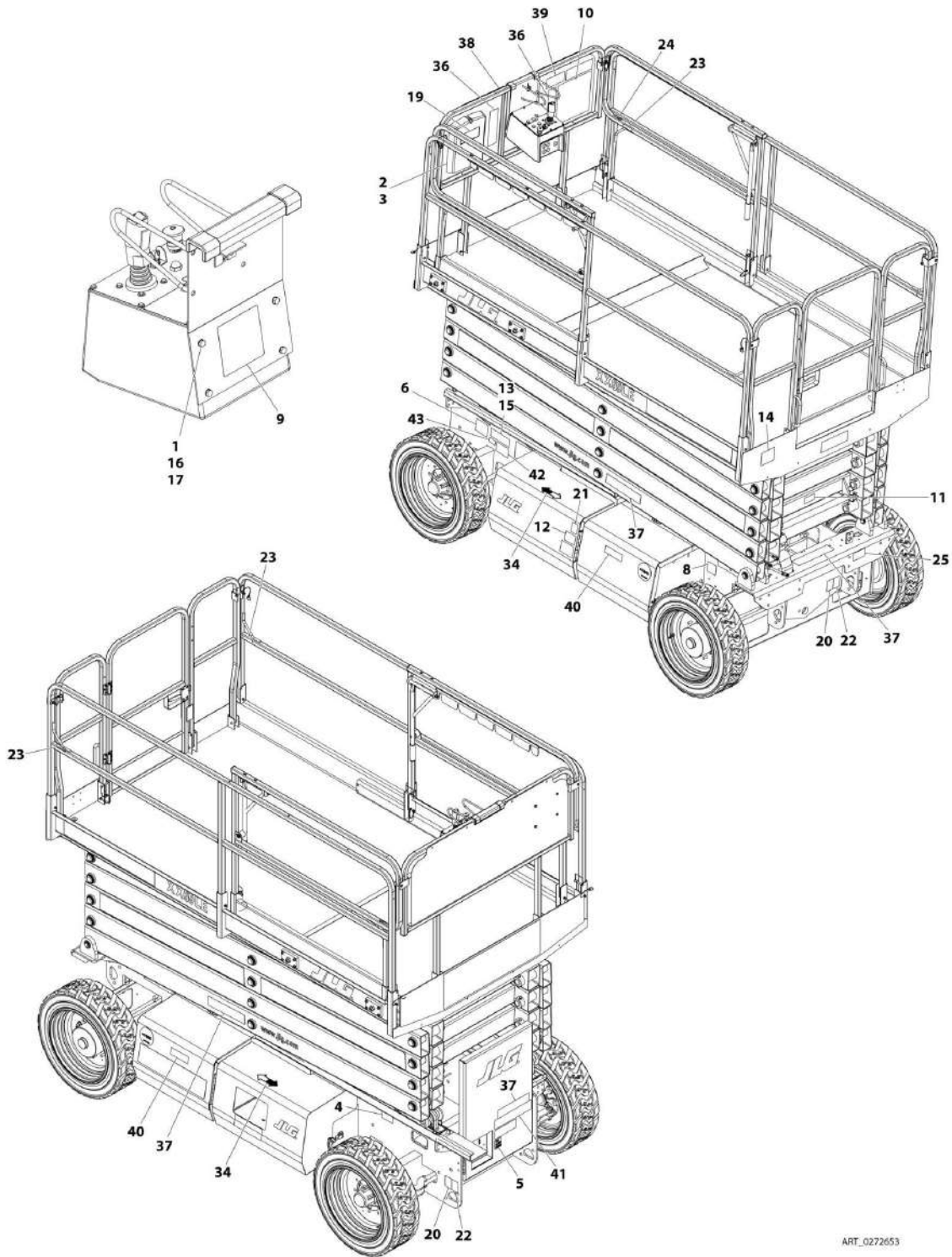
SECTION 9 - DECALS

FIGURE 9-5. DECAL INSTALLATION - CHINESE SPEC (DUAL LANGUAGE - ENGLISH/CHINESE)

ITEM	PART NUMBER	QTY	DESCRIPTION	REV
	1283217	Ref	DECAL INSTALLATION - REFERENCE CHART	S
	0272005	Ref	DECAL INSTALLATION - ANSI EXPORT AND CE SPECS (DUAL LANGUAGE - ENGLISH/CHINESE)	H
1	0641405	4	Bolt 1/4 x 5/8	
2	0860520	1	Box, Manual Storage	
3	1060279	1	Cable, Lanyard (SN 0200230092 to Present, SN M200000100 through M200021529)	
5	1701644	1	Decal - Battery Charger	
7	1704607	1	Decal - Inspection (SN M200000100 through M200011727)	
8	1702155	1	Decal - Battery Disconnect	
9	See Note	1	Decal - Barcode (Note: Not Available for Purchase)	
10	1705195	1	Decal - Danger/Warning	
11	1704211	1	Decal - Safety Prop	
12	1704412	1	Decal - Hydraulic Oil	
13	2080057	4	Fastener	
14	3251813	1	Decal - USA (SN 0200230092 through 0200264013)	
15	See Note	1	Nameplate - Serial Number (Note: Not Available for Purchase)	
16	3311405	4	Nut 1/4	
17	4711400	8	Washer 1/4	
19	1701509	1	Decal - Manual	
20	1703811	4	Decal - Lifting Lugs	
21	1703812	1	Decal - Hydraulic Oil	
22	1703814	4	Decal - Tie Down	
23	1704277	8	Decal - Attach Lanyard Here	
24	1703819	2	Decal - Directional Arrow	
25	1703822	1	Decal - Manual Descent	
34	1703687	2	Decal - Directional Arrow	
36	1705097	1	Decal - Legend	
37	1705193	4	Decal - Warning	
38	1705194	1	Decal - Control Box Location	
39	1705098	1	Decal - Gradeability	
40	1704344	2	Decal - Warning Battery Ventilation	
41	1704333	1	Decal - Battery Charging Instructions	
42	1001224050	1	Decal - Yearly Inspection (SN 0200266462 to Present, SN M200010510 to Present)	

SECTION 9 - DECALS

FIGURE 9-6. DECAL INSTALLATION - CSA SPEC (DUAL LANGUAGE - ENGLISH/FRENCH)



ART_0272653

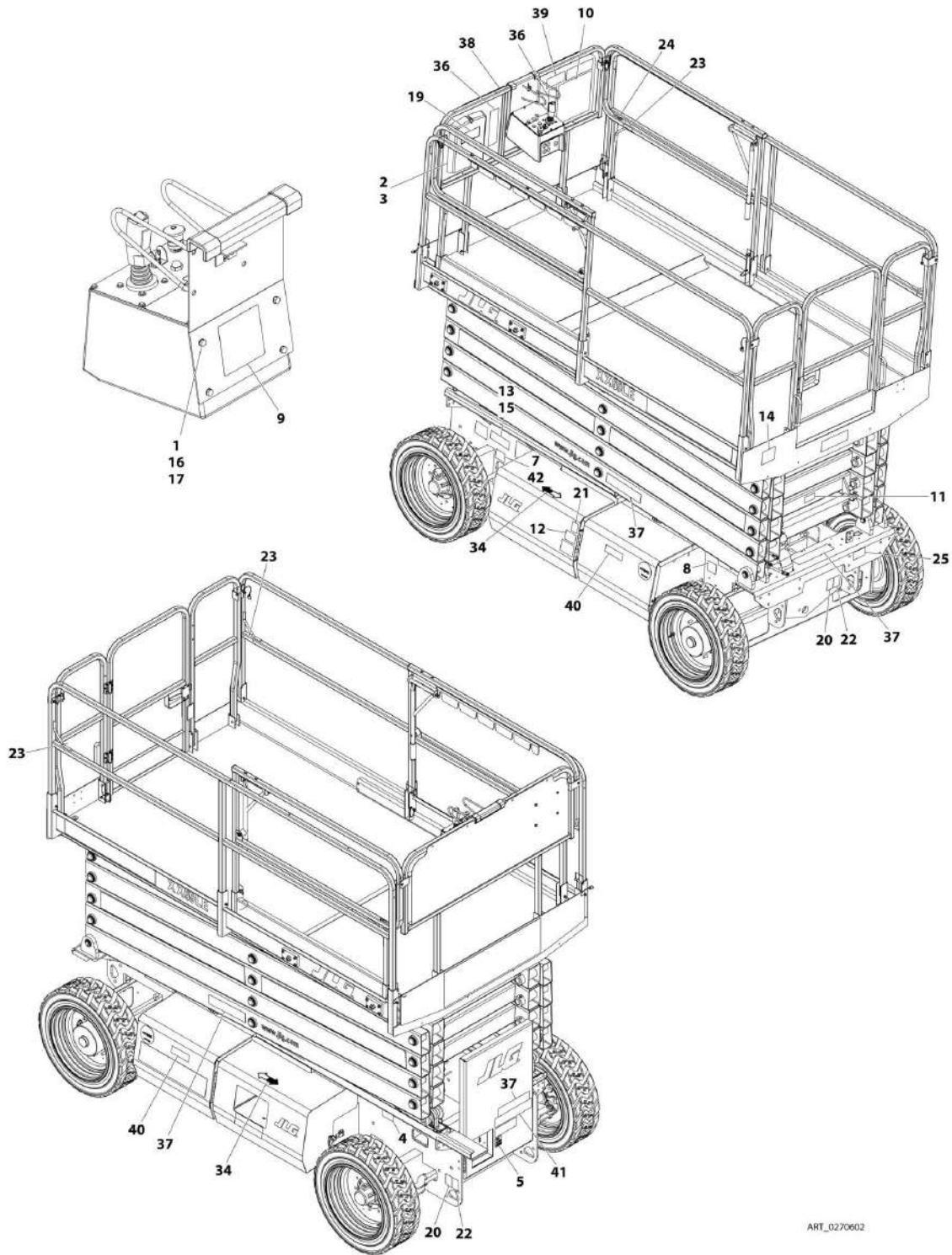
SECTION 9 - DECALS

FIGURE 9-6. DECAL INSTALLATION - CSA SPEC (DUAL LANGUAGE - ENGLISH/FRENCH)

ITEM	PART NUMBER	QTY	DESCRIPTION	REV
	1283217	Ref	DECAL INSTALLATION - REFERENCE CHART	S
	0272653	Ref	DECAL INSTALLATION - CSA SPEC (DUAL LANGUAGE - ENGLISH/FRENCH)	G
1	0641405	4	Bolt 1/4 x 5/8	
2	0860520	1	Box, Manual Storage	
3	1060279	1	Cable, Lanyard (SN 0200230092 to Present, SN M200000100 through M200021529)	
4	1001131270	1	Decal - Patent	
5	1701644	1	Decal - Battery Charger	
6	1705303	1	Decal - CSA	
8	1702155	1	Decal - Battery Disconnect	
9	See Note	NSS	Decal - Barcode (Note: Not Available for Purchase)	
10	1704684	1	Decal - Danger/Warning	
11	1704211	1	Decal - Safety Prop	
12	1704412	1	Decal - Hydraulic Oil	
13	2080057	4	Fastener	
14	3251813	1	Decal - USA (SN 0200230092 through 0200264013)	
15	See Note	NSS	Nameplate - Serial Number (Note: Not Available for Purchase)	
16	3311405	4	Nut 1/4	
17	4711400	8	Washer 1/4	
19	1701509	1	Decal- Manual	
20	1703811	4	Decal - Lifting Lugs	
21	1703812	1	Decal - Hydraulic Oil	
22	1703814	4	Decal - Tie Down	
23	1704277	8	Decal - Attach Lanyard Here	
24	1703819	2	Decal - Directional Arrow	
25	1703822	1	Decal - Manual Descent	
34	1703687	2	Decal - Directional Arrow	
36	1704904	1	Decal - Legend	
37	1704686	4	Decal - Warning	
38	1704687	1	Decal - Control Box Location	
39	1704912	1	Decal - Gradeability	
40	1704340	2	Decal - Warning Battery Ventilation	
41	1704329	1	Decal - Battery Charging Instructions	
42	1001223971	1	Decal - Yearly Inspection (SN 0200266462 to Present, SN M200010510 to Present)	
43	1001228370	1	Decal - ICES (SN 0200266462 to Present, SN M200010510 to Present)	

SECTION 9 - DECALS

FIGURE 9-7. DECAL INSTALLATION - JAPANESE SPEC (DUAL LANGUAGE - ENGLISH/JAPANESE)



ART_0270602

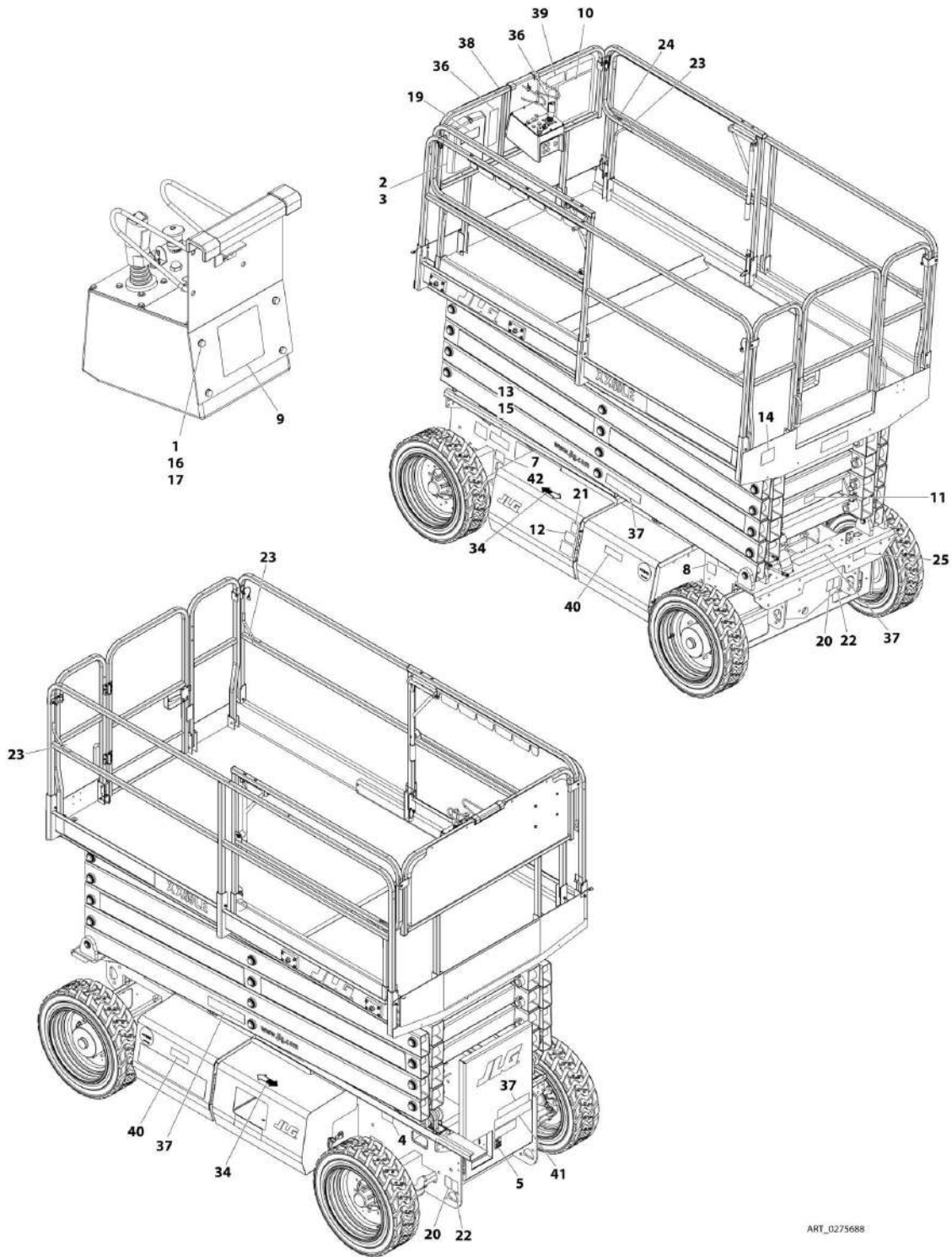
SECTION 9 - DECALS

FIGURE 9-7. DECAL INSTALLATION - JAPANESE SPEC (DUAL LANGUAGE - ENGLISH/JAPANESE)

ITEM	PART NUMBER	QTY	DESCRIPTION	REV
	1283217	Ref	DECAL INSTALLATION - REFERENCE CHART	S
	0270602	Ref	DECAL INSTALLATION - JAPANESE SPEC (DUAL LANGUAGE - ENGLISH/JAPANESE)	H
1	0641405	4	Bolt 1/4 x 5/8	
2	0860520	1	Box, Manual Storage	
3	1060279	1	Cable, Lanyard (SN 0200230092 to Present, SN M200000100 through M200021529)	
5	1701644	1	Decal - Battery Charger	
7	1701621	1	Decal - Inspection (SN M200000100 through M200011727)	
8	1702155	1	Decal - Battery Disconnect	
9	See Note	NSS	Decal - Barcode (Note: Not Available for Purchase)	
10	1704278	1	Decal - Danger/Warning	
11	1704211	1	Decal - Safety Prop	
12	1704412	1	Decal - Hydraulic Oil	
13	2080057	2	Fastener	
14	3251813	1	Decal - USA (SN 0200230092 through 0200264013)	
15	See Note	NSS	Nameplate - Serial Number (Note: Not Available for Purchase)	
16	3311405	4	Nut 1/4	
17	4711400	8	Washer 1/4	
19	1701509	1	Decal - Manual	
20	1703811	4	Decal - Lifting Lugs	
21	1703812	1	Decal - Hydraulic Oil	
22	1703814	4	Decal - Tie Down	
23	1704277	8	Decal - Attach Lanyard Here	
24	1703819	2	Decal - Directional Arrow	
25	1703822	1	Decal - Manual Descent	
34	1703687	2	Decal - Directional Arrow	
36	1704917	1	Decal - Legend	
37	1705394	4	Decal - Warning	
38	1705398	1	Decal - Control Box Location	
39	1704918	1	Decal - Gradeability	
40	1704342	2	Decal - Warning Battery Ventilation	
41	1704331	1	Decal - Battery Charging Instruction	
42	1001224053	1	Decal - Yearly Inspection (SN 0200266462 to Present, SN M200010510 to Present)	

SECTION 9 - DECALS

FIGURE 9-8. DECAL INSTALLATION - KOREAN SPEC (DUAL LANGUAGE - ENGLISH/KOREAN)



ART_0275688

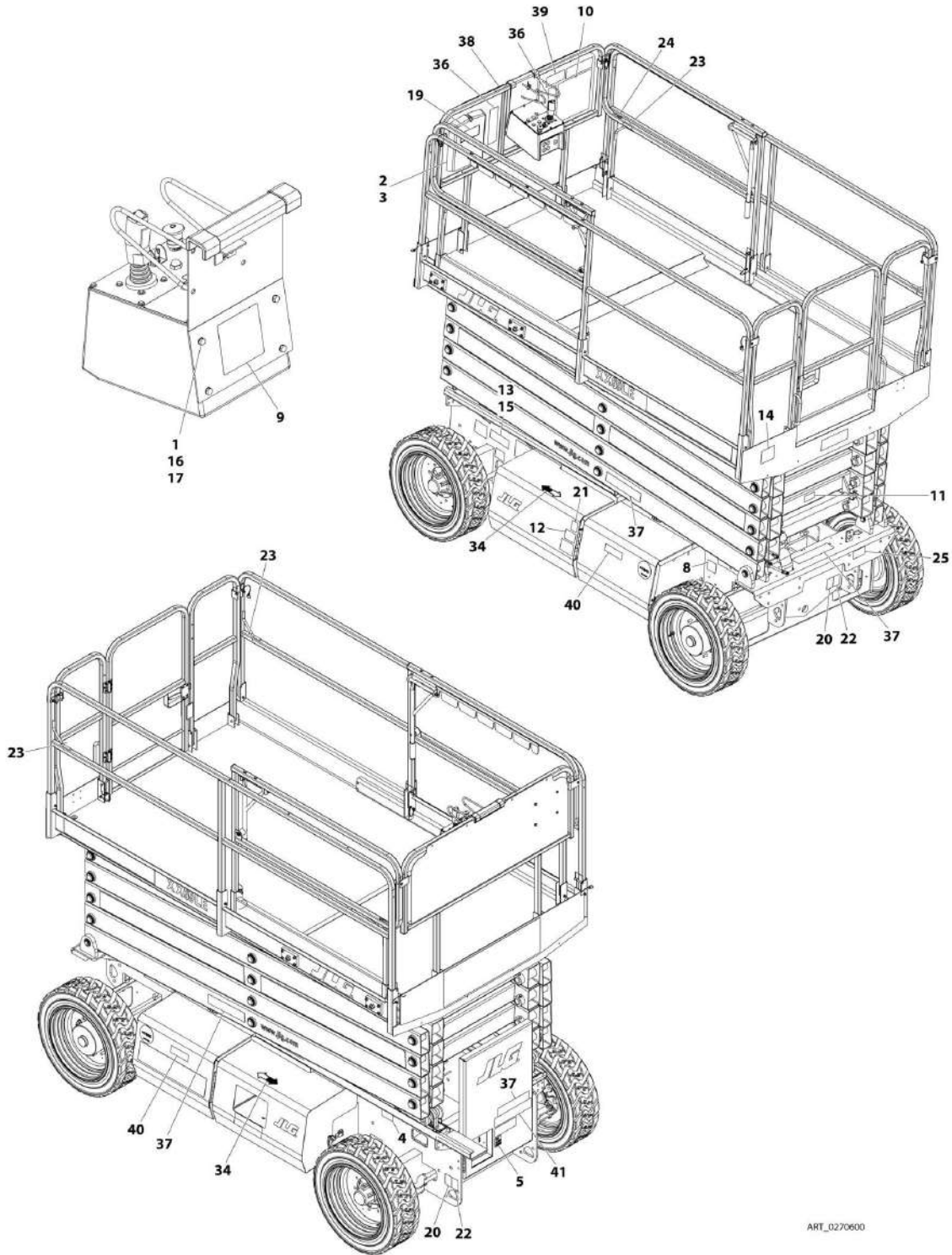
SECTION 9 - DECALS

FIGURE 9-8. DECAL INSTALLATION - KOREAN SPEC (DUAL LANGUAGE - ENGLISH/KOREAN)

ITEM	PART NUMBER	QTY	DESCRIPTION	REV
	1283217	Ref	DECAL INSTALLATION - REFERENCE CHART	S
	0275688	Ref	DECAL INSTALLATION - KOREAN SPEC (DUAL LANGUAGE - ENGLISH/KOREAN)	H
1	0641405	4	Bolt 1/4 x 5/8	
2	0860520	1	Box, Manual Storage	
3	1060279	1	Cable, Lanyard (SN 0200230092 to Present, SN M200000100 through M200021529)	
5	1701644	1	Decal - Battery Charger	
7	1703962	1	Decal - Inspection (SN M200000100 through M200011727)	
8	1702155	1	Decal - Battery Disconnect	
9	See Note	1	Decal - Barcode (Note: Not Available for Purchase)	
10	1707021	1	Decal - Danger/Warning	
11	1704211	1	Decal - Safety Prop	
12	1704412	1	Decal - Hydraulic Oil	
13	2080057	4	Fastener	
14	3251813	1	Decal - USA (SN 0200230092 through 0200264013)	
15	See Note	1	Nameplate - Serial Number (Note: Not Available for Purchase)	
16	3311405	4	Nut 1/4	
17	4711400	8	Washer 1/4	
19	1701509	1	Decal - Manual	
20	1703811	4	Decal - Lifting Lugs	
21	1703812	1	Decal - Hydraulic Oil	
22	1703814	4	Decal - Tie Down	
23	1704277	8	Decal - Attach Lanyard Here	
24	1703819	2	Decal - Directional Arrow	
25	1703822	1	Decal - Manual Descent	
34	1703687	2	Decal - Directional Arrow	
36	1707026	1	Decal - Legend	
37	1707018	4	Decal - Warning	
38	1707020	1	Decal - Control Box Location	
39	1707024	1	Decal - Gradeability	
40	1707022	2	Decal - Warning Battery Ventilation	
41	1707025	1	Decal - Battery Charging Instructions	
42	1001223055	1	Decal - Yearly Inspection (SN 0200266462 to Present, SN M200010510 to Present)	

SECTION 9 - DECALS

FIGURE 9-9. DECAL INSTALLATION - LATIN AMERICAN SPEC (DUAL LANGUAGE - ENGLISH/SPANISH)



ART_0270600

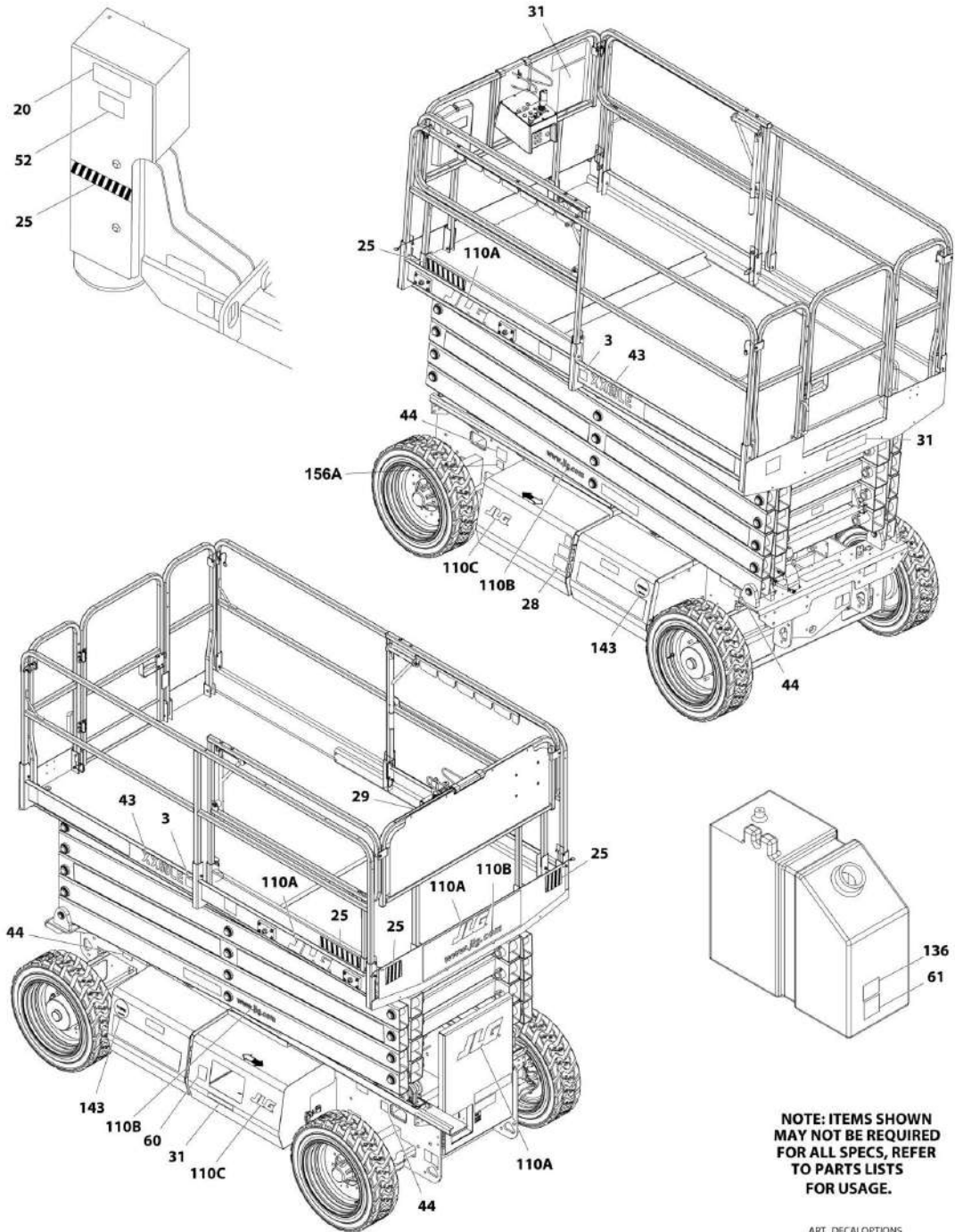
SECTION 9 - DECALS

FIGURE 9-9. DECAL INSTALLATION - LATIN AMERICAN SPEC (DUAL LANGUAGE - ENGLISH/SPANISH)

ITEM	PART NUMBER	QTY	DESCRIPTION	REV
	1283217	Ref	DECAL INSTALLATION - REFERENCE CHART	S
	0270600	Ref	DECAL INSTALLATION - LATIN AMERICA SPEC (DUAL LANGUAGE - ENGLISH/SPANISH)	G
1	0641405	4	Bolt 1/4 x 5/8	
2	0860520	1	Box, Manual Storage	
3	1060279	1	Cable, Lanyard (SN 0200230092 to Present, SN M200000100 through M200021529)	
5	1701644	1	Decal - Battery Charger	
8	1702155	1	Decal - Battery Disconnect	
9	See Note	NSS	Decal - Barcode (Note: Not Available for Purchase)	
10	1704691	1	Decal - Danger/Warning	
11	1704211	1	Decal - Safety Prop	
12	1704412	1	Decal - Hydraulic Oil	
13	2080057	4	Fastener	
14	3251813	1	Decal - USA (SN 0200230092 through 0200264013)	
15	See Note	NSS	Nameplate - Serial Number (Note: Not Available for Purchase)	
16	3311405	4	Nut 1/4	
17	4711400	8	Washer 1/4	
19	1701509	1	Decal - Manual	
20	1703811	4	Decal - Lifting Lugs	
21	1703812	1	Decal - Hydraulic Oil	
22	1703814	4	Decal - Tie Down	
23	1704277	8	Decal - Attach Lanyard Here	
24	1703819	2	Decal - Directional Arrow	
25	1703822	1	Decal - Manual Descent	
34	1703687	2	Decal - Directional Arrow	
36	1704913	1	Decal - Legend	
37	1704693	4	Decal - Warning	
38	1704694	1	Decal - Control Box Location	
39	1704914	1	Decal - Gradeability	
40	1704339	2	Decal - Warning Battery Ventilation	
41	1704328	1	Decal - Battery Charging Instruction	
42	1001224049	1	Decal - Yearly Inspection (SN 0200266462 to Present, SN M200010510 to Present)	

SECTION 9 - DECALS

FIGURE 9-10. DECAL INSTALLATION - OPTIONS



SECTION 9 - DECALS

FIGURE 9-10. DECAL INSTALLATION - OPTIONS

ITEM	PART NUMBER	QTY	DESCRIPTION	REV
	1283217	Ref	DECAL INSTALLATION - REFERENCE CHART (ALL SPECS EXCEPT AUSTRALIAN AND CE SPECS)	S
	1283249	Ref	DECAL INSTALLATION - REFERENCE CHART (AUSTRALIAN AND CE SPECS ONLY)	O
	1001165000	Ref	DECAL INSTALLATION - OPTIONS	
3	1704998	2	Decal - All Wheel Drive (4WD Only)	
20	1701214	8	Decal - Outrigger Warning (ANSI and ANSI Export Specs) (English)	
20	1701785	AR	Decal - Outrigger Warning (Australian and CE Specs)	
20	1704698	8	Decal - Outrigger Warning (Brazil Specs) (Portuguese/Spanish)	
20	1704690	8	Decal - Outrigger Warning (CSA Specs) (English/French)	
20	1704536	8	Decal - Outrigger Warning (Japanese Specs) (English/Japanese)	
20	1704697	8	Decal - Outrigger Warning (Latin America Specs) (English/Spanish)	
25	0251642	Ref	Corner Stripes Installation	D
25	4420051	4 ft/1.2m	Tape, Safety	
28	1704174	1	Decal - Biodegradable Oil (Optional - All Specs except German Spec)	
28	1704175	1	Decal - Biodegradable Hydraulic Fluid (German Spec Only)	
29	1702962	1	Decal - Warning Prop 65 (M3369 & M4069 ANSI Spec Only)	
31	1001125438	3	Decal - Capacity 1000LBS/454KG (3369LE/M3369 All Specs except Australian and CE Specs)	
31	1704530	1	Decal - Capacity 450KG (3369LE/M3369 Australian and CE Specs)	
31	1706491	1	Decal - Capacity 450KG (CE Machines with 60KPH Wind Specs)	
31	1001125437	3	Decal - Capacity 800LBS/363KG (4069LE/M4069 All Specs except Australian and CE Specs)	
31	1704580	1	Decal - Capacity 360KG (Australian and CE Specs)	
31	1001195037	1	Decal - Capacity (UK MOD Machines)	
43	1704783	2	Decal - 3369LE	
43	1704784	2	Decal - 4069LE	
43	1704908	2	Decal - M3369	
43	1704909	2	Decal - M4069	
44	1703490	4	Decal - Max Tire Load (3369LE & M3369)	
44	1704953	4	Decal - Max Tire Load (4069LE & M4069)	
52	1704955	4	Decal - Max Jack Load (3369LE/M3369)	
52	1704954	4	Decal - Max Jack Load (4069LE/M4069)	
60	1704286	1	Decal - Generator (M3369 & M4069 ANSI and ANSI Export Specs Only)	
60	1001093687	1	Decal - Generator (M3369 & M4069 ANSI Export, Australian, CE and Japanese Specs Only) (Pictogram)	
60	1704371	1	Decal - Generator (M3369 & M4069 ANSI Export Specs Only) (Dual Language English/ Spanish)	
60	1704373	1	Decal - Generator (M3369 & M4069 Brazil Spec Only) (Portuguese/Spanish)	
60	1704368	1	Decal - Generator (M3369 & M4069 CSA Specs Only) (Dual Language English/French)	
61	1701505	2	Decal - Diesel Fuel	
110	1001166308	Ref	JLG Decals Installation (All Specs except CE Specs) (Not Shown)	A
110	1001166308	Ref	JLG Decals Installation (CE Specs) (Not Shown) (SN 0200230092 through 0200259790)	A
110A	1702773	4	Decal - JLG	

SECTION 9 - DECALS

ITEM	PART NUMBER	QTY	DESCRIPTION	REV
110B	1704885	3	Decal - Website	
110C	1705781	2	Decal - JLG	
136	1001108923	1	Decal - Fuel Spec (M3369/M4069 ANSI and CSA Specs Only)	
143	1001121510	2	Decal - Hybrid (M3369/M4069 Only)	
156	1001214029	1	Decal - EAC Installation (CIS and Russia Specs)	
156A	1001173703	1	Decal - EAC	

SECTION 10 - RECOMMENDED SERVICE PARTS STOCK

SECTION 10 - RECOMMENDED SERVICE PARTS STOCK

SECTION 10 - RECOMMENDED SERVICE PARTS STOCK

FIGURE 10-1. RECOMMENDED SERVICE PARTS STOCK

ITEM	PART NUMBER	QTY	DESCRIPTION	REV
		Ref	Note: The following list will service one machine (built to current production per date on the front cover) with emergency repair parts which can be installed in the field. Parts from the list should be replaced when inventory is depleted to keep service parts stock supplied. For further information, contact your JLG dealer or the JLG Industries Parts Department.	
		Ref	STANDARD PARTS	
	70002963	1	Coil	
	7012943	1	Coil	
	7017451	1	Coil	
	7012944	1	Coil	
	7021619	1	Switch, Pressure	
	1120534	1	Cap, Filler/Breather	
	4360069	1	Breaker, Circuit - 10Amp	
	4360328	1	Switch, Toggle	
	2860030	1	Key, Replacement	
	4360475	1	Switch, Emergency Stop	
	4360387	1	Switch, Push Button	
	4360482	1	Switch, Toggle	
	1600403	1	Controller Assembly	
		Ref	VARIABLE PARTS	
	1600421	1	Controller, Power Pack	
	3740135	1	Contacto	
	0610131	1	PC Board - Battery Charger	
	1001099428	1	Module, Ground Control	
	4360469	1	Switch, Key (All Specs except CE Spec)	
	4360470	1	Switch, Key (CE Spec)	
	1810140	1	Module, Tilt	
	7016314	1	Cap, Fuel (M3369/M4069)	
	70000313	12	Element, Air Cleaner (M3369/M4069)	
	70000318	12	Element, Fuel Filter (M3369/M4069)	
	70000319	12	Element, Oil Filter (M3369/M4069)	
	4360500	1	Switch, Rotary Angle Sensor	
	4360502	1	Switch, Proximity Sensor	
	2940064	1	Latch, Snap (Chain Gate)	
	2940074	1	Latch (Self Closing Gate)	
	0610169	1	PC Board Platform Console Box	
	2400056	2	Fuse .5Amp (Beacon Light Option)	
	1001181045	1	Breaker 16Amp/30mAmp Combination (CE Spec with 2 Breaker Box)	
	1001189172	1	Breaker 16Amp (Box with 3 Breakers)	
	1001189171	1	Breaker 30mAmp (Box with 3 Breakers)	
	4360548	1	Switch, Limit (Leveling Jacks)	

SECTION 11 - SPECIAL OPTIONS

SECTION 11 - SPECIAL OPTIONS

FIGURE 11-1. SPECIAL OPTIONS

ITEM	PART NUMBER	QTY	DESCRIPTION	REV
		Ref	Note: This list is to accommodate machines ordered with special equipment. Options may not be applicable to all models. For more specific parts information contact the JLG Parts Department.	
		Ref	SPECIAL OPTIONS	
	0274808	Ref	Airline to Platform Installation (3369LE/M3369)	
	1001096087	Ref	Airline to Platform Installation (4069LE/M4069)	
	1001197147	Ref	Arms Installation with LSS and Soft Touch (M3369) (Prior to SN 0200261628)	
	1001193272	Ref	Arm Guards Installation with Tow (UK MOD Machines - See JLG Manual p/n 3121698)	
	1001197891	Ref	Battery (Trickle) Charger Installation	
	0270543	Ref	Bubble Level Installation	
	1001239667	Ref	ClearSky (Telematics) Installation (Factory Installed) 3-Wire Connection (ANSI and CSA Specs)	
	1001239668	Ref	ClearSky (Telematics) Installation (Factory Installed) 3-Wire Connection (ANSI Export and CE Specs)	
		Ref	Decals:	
	1001196699	Ref	Decal - Blueline	
	1001184940	Ref	Decal - Boels	
	1001241282	Ref	Decal - ClearSky	
	0274829	Ref	Decal - FedEx	
	0274531	Ref	Decal - Head and Enquist Equipment (H & E)	
	1001221959	Ref	Decal - Herc Rentals	
	1001142273	Ref	Decal - Hertz Rentals (LE Only) (SN 0200230092 through 0200259879)	
	1001222117	Ref	Decal - Hertz Rentals (LE Only) (SN 0200259880 to Present)	
	0274249	Ref	Decal - NES	
	0275899	Ref	Decal - RSC	
	0270625	Ref	Decal - Sunbelt Rentals (SN 0200230092 through 0200246942)	
	1001197867	Ref	Decal - Sunbelt Rentals (3369LE/M3369) (SN 0200246943 to Present)	
	1001197867	Ref	Decal - Sunbelt Rentals (3369LE/M3369) (SN M200000100 to Present)	
	1001197869	Ref	Decal - Sunbelt Rentals (4069LE/M4069) (SN 0200246943 to Present)	
	1001197869	Ref	Decal - Sunbelt Rentals (4069LE/M4069) (SN M200000100 to Present)	
	1001151165	Ref	Decal - Titan	
	0271666	Ref	Decal - United Rentals	
	1001141643	Ref	Decal - Volvo	
		Ref	Decal Kits:	
	1001125245	Ref	Decal Kit - Calibration (3369LE/M3369)	
	1001125244	Ref	Decal Kit - Calibration (4069LE/M4069)	
	2902040	Ref	Decal Kit - Country Spec (ANSI Spec) (English Language)	
	2902043	Ref	Decal Kit - Country Spec (Brazil) (Portuguese/Spanish)	
	2902124	Ref	Decal Kit - Country Spec (Chinese) (English/Chinese)	
	2902041	Ref	Decal Kit - Country Spec (CSA) (English/French)	
	2902045	Ref	Decal Kit - Country Spec (Japanese) (English/Japanese)	
	2902553	Ref	Decal Kit - Country Spec (Korean) (English/Korean)	
	2902042	Ref	Decal Kit - Country Spec (Latin American) (English/Spanish)	

SECTION 11 - SPECIAL OPTIONS

ITEM	PART NUMBER	QTY	DESCRIPTION	REV
	2901912	Ref	Decal Kit - Master	
	1001218714	Ref	Decal Kit - Riwal (3369LE/4069LE)	
		Ref	Electrical Connector Kits:	
	1001148902	Ref	Electrical Connector Kit (Amp/Tyco Connectors)	
	1001148903	Ref	Electrical Connector Kit (Deutsch DT Connectors)	
	1001148904	Ref	Electrical Connector Kit (Deutsch HD Connectors)	
	1001148905	Ref	Electrical Connector Kit (Packard Connectors)	
	1001148906	Ref	Electrical Connector Kit (Various Connectors)	
	1001111710	Ref	Filter Kit (Without Hydraulic Breather) - Kubota Engine	
	1001111699	Ref	Filter Kit (Without Hydraulic Breather) - Yanmar Engine	
	0274849	Ref	Fire Extinguisher Installation (ANSI Spec)	
		Ref	Fluids:	
	2300028	AR	Fluid, Hydraulic Mobil DTE 10 Excel 15	
	2300016	AR	Fluid, Hydraulic Mobil DTE 10 Excel 32	
	2300029	AR	Fluid, Hydraulic Mobil EAL ISO 46 Biodegradeable	
	0100083	AR	Grease, Heat Transfer (Contactor Plate)	
	0100051	AR	Grease, Terminal (Battery Terminals)	
	3020008	AR	Lubricant 80W-90 (Drive Hub)	
	3020037	AR	Lubricant (Pump Coupling)	
	3020022	AR	Lubricant (Scissors Arms and Platform Extension)	
	1001195035	Ref	Ground Control Box Illumination Light Installation	
	1001182243	Ref	Hydraulic/Air Filter Service Kit	
	1001195031	Ref	Platform with Drop Rails (UK MOD Machines - See JLG Manual p/n 3121698) (Prior to SN 0200261628)	
	1001201464	Ref	Platform Console Box with Spotlight (2WD) (UK MOD Machines - See JLG Manual p/n 3121698)	
	1001195035	Ref	Platform Console Illumination Light Installation	
	1001192600	Ref	Platform Extension with Drop Rails (UK MOD Machines - See JLG Manual p/n 3121698) (Prior to SN 0200261628)	
	0274793	Ref	Platform Padding Installation (ANSI, ANSI Export and CSA Specs)	
	0274794	Ref	Platform Padding and Deck Bumpers Installation (ANSI, ANSI Export and CSA Specs)	
	1001177623	Ref	Platform Padding, Deck Bumpers Installation and Soft Touch Switches	
	1001193441	Ref	Platform Padding, Deck Bumpers Installation and Soft Touch Switches (UK MOD Machines - See JLG Manual p/n 3121698) (Prior to SN 0200261628)	
	0271125	Ref	Platform Worklights Installation (3369LE/M3369)	
	0271126	Ref	Platform Worklights Installation (4069LE/M4069)	
	1001166511	Ref	Security Lock (Programmable) Installation (CE Spec)	
	1001185245	Ref	Soft Touch Ground Harness Installation	
	1001201091	Ref	Spotlight Installation	
	1001197711	Ref	Telematics Harness	
	1001200318	Ref	Telematics Kits Customer Supplied)	
	1001195610	Ref	Telematics Kit - United Rentals	
	0272946	Ref	Tie-Strap Installation (3369LE/M3369)	
	0272947	Ref	Tie-Strap Installation (4069LE/M4069)	
		Ref	Tools for Service:	
	2901443	Ref	Analyzer and Cable Kit	
	2915230	Ref	Battery Charger Reprogram Controller	
	7002821	Ref	Crimper (For Wire to Pin/Socket Connections)	
	4460510	Ref	Extractor, Pin (Yellow 12-14 Gauge) (For Removal of	

SECTION 11 - SPECIAL OPTIONS

ITEM	PART NUMBER	QTY	DESCRIPTION	REV
			Pin/Socket)	
	4460467	Ref	Extractor, Pin (Blue 16-18 Gauge) (For Removal of Pin/Socket)	
	7002823	Ref	Extractor, Pin - Universal (For Removal of Pin/Socket)	
	7016654	Ref	Screwdriver, Magnetic	
	7002822	Ref	Screwdriver, Pontimeter (To Adjust Drive Controller)	
	7004275	Ref	Seal Tool 1 (For Cylinders)	
	7004276	Ref	Seal Tool 1-1/2 (For Cylinders)	
	7002826	Ref	Seal Tool 2 (For Cylinders)	
	1001137005	Ref	Software USB Cable Kit	
	7002828	Ref	Stripper, Wire	
	1001195036	Ref	Tow Bar Installation (UK MOD Machines - See JLG Manual p/n 3121698)	

PART NUMBER INDEX

PART NUMBER INDEX

0080228.... 173, 179, 185, 191	0270109 287	0275525 ... 177, 179, 246, 255	0641506.....27, 105, 173, 179, 185, 191
0100011.... 13, 15, 19, 23, 25, 27, 59, 63, 67, 71, 77, 79, 101, 105, 139, 141, 143, 145, 155, 157, 161, 163, 173, 179, 185, 191, 195, 211, 213, 215	0270476 225	0275526 ... 189, 191, 246, 259	0641507.....105
0100019.....29, 59	0270477 227	0275552 177	0641508.... 101, 147, 149, 155, 157
0100020.... 155, 157, 161, 163	0270518 105	0275553 189	0641509..... 63, 67, 71
0100035.... 171, 177, 183, 189	0270530 57	0275663 313	0641510.... 173, 179, 215
0100038.....15, 19	0270543 394	0275664 315	0641512..... 155, 157
0100051.... 139, 141, 143, 145, 395	0270544 109, 113, 127	0275665 311	0641516.... 211, 213, 215
0100083.....29, 395	0270570 53	0275666 307	0641528.....59
0140011.... 217, 219, 221, 223, 225, 227	0270572 327	0275667 309	0641530..... 15
0140028.... 109, 111, 113, 115, 117, 119, 121, 123, 125	0270573 329	0275688 385	0641532..... 19
0140032..... 147, 149	0270579 217	0275787 125, 135	0641604..... 155, 157
0181847.... 217, 219, 221, 223, 225, 227	0270580 219	0275899 394	0641606..... 13, 25
0182008.....195	0270591 371	0362840 ... 173, 179	0641607..... 23, 25, 195
0182014.... 105, 155, 157	0270600 387	0362841 ... 173, 179, 185, 191	0641608.....59, 79
0182017.... 139, 141, 143, 145	0270601 377	0400055 139, 141	0641609.....29, 165
0182035.....215	0270602 383	0400201 161	0641610.... 13, 15, 19, 27, 171, 177, 183, 189
0200654..... 173, 179	0270625 394	0440162 23, 25	0641612..... 77, 195
0200655..... 173, 179	0270627 57	0440234 ... 171, 177, 183, 189	0641616.....165
0200656..... 173, 179	0270692 101	0440236 ... 173, 179, 185, 191	0641618.....105
0200658..... 173, 179	0270768 111, 115, 129	0440247 23, 25	0641632.....161
0200659..... 173, 179	0270840 65	0440250 ... 173, 179, 185, 191	0641660..... 161, 163
0200660..... 173, 179	0270841 69	0561407 61	0641676.....215
0200667..... 173, 179	0270842 73	0561410 195	0641814..... 85, 89
0200668..... 173, 179	0270942 149	0561411 195	0641820..... 13, 165
0200669..... 173, 179	0270991 27, 246, 249	0561415 195	0641824... 85, 89, 91, 195
0200683..... 185, 191	0270995 221	0610131 77, 161, 163, 392	0641828..... 59, 83, 87
0200684..... 185, 191	0270996 223	0610169 ... 217, 219, 221, 223, 225, 227, 392	0642012..... 13, 15, 19
0200685..... 185, 191	0270997 195	0630462 ... 139, 141, 143, 145	0642016..... 63, 67, 71
0200686..... 185, 191	0271125 395	0630476 201, 208	0681508.....215
0200688..... 185, 191	0271126 395	0630526 139, 141	0681520.... 171, 177, 183, 189
0200689..... 185, 191	0271344 79	0630549 27, 79	0681622.... 173, 179, 185, 191
0200690..... 185, 191	0271442 ... 117, 121, 131	0641404 79, 105, 137, 217, 219, 221, 223, 225, 227	0681624.... 173, 179, 185, 191
0200691..... 185, 191	0271447 ... 119, 123, 133	0641405 ... 63, 67, 71, 77, 139, 143, 195, 371, 373, 375, 377, 379, 381, 383, 385, 387	0681809.....27
0200692..... 185, 191	0271666 394	0641406 ... 27, 29, 59, 95, 97, 109, 111, 113, 115, 117, 119, 121, 123, 125, 215	0682012.....29
0200693..... 185, 191	0272005 379	0641407 . 65, 69, 73, 152, 195, 289, 291, 293, 295, 297	0682016..... 59
0200694..... 185, 191	0272653 381	0641408 ... 13, 15, 19, 77, 93, 95, 97, 139, 143, 171, 177, 183, 189	0700619.....215
0200695..... 185, 191	0272930 204	0641409 195	0700812.....105
0200724..... 173, 179	0272931 208	0641410 . 93, 95, 97, 165, 171, 177, 183, 189	0701217..... 15, 19
0200725..... 173, 179	0272932 171	0641412 29	0720805..... 327, 329
0200726..... 185, 191	0272933 183	0641414 204, 208	0721005..... 19
0200727..... 185, 191	0272946 395	0641418 25, 161, 163, 173, 179, 185, 191	0721008.. 63, 67, 71, 139, 141, 143, 145
0251642.....389	0272947 395	0641432 163	0721014.... 171, 177, 183, 189
025899753	0272959 199		0731012.... 171, 177, 183, 189
0259565.....215	0272960 201		0791406.... 171, 177, 183, 189
0259566.....211	0273468 55		0840048.... 139, 141, 143, 145
0259568.....213	0273477 55		0840049.... 139, 141, 143, 145
0259576.....83	0273968 147		0840055.....204, 208
0259577.....87	0274249 394		0860520.... 371, 373, 375, 377, 379, 381, 383, 385, 387
0259587.....285	0274531 394		0861357.... 217, 219, 221, 223, 225, 227
0259593.....81	0274793 395		
0259613..... 155, 157	0274794 395		
	0274808 394		
	0274829 394		
	0274849 395		
	0275084 373		
	0275085 375		
	0275216 289, 357		
	0275217 291, 359		
	0275452 297, 365		
	0275453 295, 363		
	0275454 293, 361		
	0275481 ... 171, 173, 246, 253		
	0275482 ... 183, 185, 246, 257		

PART NUMBER INDEX

0861385 ... 127, 129, 131, 133, 135	1001111699.....395	1001166240.....67	1001191135 246
0861731 ... 355, 361, 363, 365	1001111710.....395	1001166241.....71	1001191136 19
0861781 357, 359	1001114496..... 139, 141, 143, 145	1001166246.....143	1001191137 246, 274
0861880 303	1001116811..... 75	1001166302.....161, 163	1001191141 246, 278
0901870 ... 211, 213, 215	1001116812.....331	1001166308.....389	1001192401 331
0902421 ... 173, 179, 185, 191	1001116816.....367	1001166487..... 15, 17	1001192600 395
0902499 ... 217, 219, 221, 223, 225, 227	1001117372.....233	1001166511.....395	1001193272 394
0902659 161, 163	1001121510.....390	1001167495.....246	1001193441 395
0902696 ... 109, 111, 113, 115, 117, 119, 121, 123, 125	1001125244..... 183, 189, 394	1001167496.....246, 263	1001195031 395
0902701 105	1001125245..... 171, 177, 394	1001167498.....246, 269	1001195035 395
0902704 25	1001125437..... 389	1001167499..... 109	1001195036 396
0902713 ... 171, 177, 183, 189	1001125438..... 389	1001167500.....113	1001195037 389
0902780 79	1001128736..... 59	1001167501.....111	1001195610 395
0903273 29, 171, 177, 183, 189	1001128890..... 59	1001167502.....115	1001196117 163
0920118 29, 37	1001130615.....331	1001170081..... 139, 141, 143, 145	1001196699 394
0940090 ... 185, 191, 215	1001131270..... 371, 381	1001170682.....263, 269, 274, 278	1001197147 394
0961950 13, 15, 19	1001131751..... 59	1001170683.....263, 269	1001197457 331
0961951 25, 31	1001137005.....396	1001170684.....263, 269, 274, 278	1001197711 395
0962012 237	1001140600..... 59, 235	1001170685.....263, 269, 274, 278	1001197867 394
0962140 25, 31	1001141643.....394	1001170686.....263, 269, 274, 278	1001197869 394
1001092586 27, 49	1001142273.....394	1001170687.....263, 269	1001197891 394
1001093687 389	1001148902.....395	1001170851.....139	1001200318 395
1001094910 293	1001148903.....395	1001171003..... 139, 143	1001201091 395
1001094911 289	1001148904.....395	1001171070.....121	1001201464 395
1001094912 291	1001148905.....395	1001171071.....123	1001202685 157, 163
1001094915 289, 291, 293	1001148906.....395	1001171072.....117	1001207524 95
1001096087 394	1001151165.....394	1001171073.....119	1001207527 95, 97
1001096188 367	1001151377..... 289, 291	1001171074.....125	1001207528 95, 97
1001097150 303, 305	1001152479.....305	1001171103..... 109, 111, 113, 115, 117, 119, 121, 123, 125, 367	1001207529 95, 97
1001097815 25	1001152482.....305	1001171104.....282	1001207538 97
1001099375 29	1001152483.....305	1001171105.....282	1001207981 141, 145
1001099428 127, 129, 131, 133, 135, 392	1001152485..... 295, 297, 305	1001172393.....91	1001207982 141, 145
1001099533 199, 201, 204, 208	1001159355..... 165, 167	1001172397.....85	1001208069 141
1001099550 171, 177, 183, 189	1001159358..... 161, 163, 165	1001172413.....91	1001208070 145
1001100341 357	1001162452.....295	1001172415.....85, 89	1001214029 390
1001100342 359	1001162456..... 295, 297	1001172416.....85, 89	1001218714 395
1001100345 365	1001163580... 15, 19, 233	1001172562.....59	1001218766 145
1001100346 361	1001164150..... 13, 15, 19	1001172714.....59	1001221959 394
1001100347 363	1001164817.....233	1001172768.....89	1001222117 394
1001101934 27, 43	1001164975..... 152	1001173703.....390	1001223055 371, 385
1001101989 27, 317	1001165000.....389	1001176007.....297	1001223971 381
1001102512 127, 129, 131, 133, 135	1001165355..... 139, 141, 143, 145	1001177536..... 139, 141, 143, 145, 152	1001224049 387
1001102534 143, 145	1001165370..... 63, 67, 71	1001177623.....395	1001224050 379
1001103012 331	1001165628..... 93, 95, 97	1001177692.....263, 269, 274, 278	1001224052 377
1001103105 ... 63, 65, 67, 69, 71, 73, 75	1001165629..... 13	1001180299..... 13, 15, 19	1001224053 383
1001103308 137	1001165636..... 77	1001180300..... 13, 15, 19	1001224400 347, 349
1001104090 95, 97	1001165734..... 137	1001181045..... 303, 392	1001228231 27, 45
1001107854 331	1001165760..... 13	1001181087..... 127, 129, 131, 133, 135, 137	1001228233 27, 41
1001108923 390	1001165761..... 15	1001181089..... 137	1001228370 371, 381
1001109475 303	1001165767..... 63	1001182243.....395	1001228392 145
1001109482 303	1001165794..... 161, 163	1001184940.....394	1001228393 145
1001109533 ... 83, 85, 87, 89, 91	1001165819..... 23, 25	1001185245.....395	1001228395 145
	1001165821..... 13, 15	1001186467.....19	1001230577 263, 269, 274, 278
	1001165822..... 152	1001186548.....19, 21	1001230578 261, 267
	1001165824..... 93	1001188874.....137	1001230579 263, 269
	1001165838..... 23	1001189171..... 305, 392	1001230580 274, 278
	1001165839..... 25, 27	1001189172..... 305, 392	1001230581 251
	1001165843..... 155, 161		1001231801 371
	1001166234..... 63, 67, 71, 77		1001239667 394
			1001239668 394
			1001241282 394
			1060279 ... 371, 373, 375, 377, 379, 381, 383, 385, 387
			1060379 139, 143

PART NUMBER INDEX

1060689.....63, 65, 67, 69, 71, 73	1701435 373, 375	1704412 ... 371, 373, 375, 377, 379, 381, 383, 385, 387	1707024.....385
1060808.....211, 213, 215	1701505 155, 157, 389	1704530 389	1707025.....385
1060820..... 161, 163	1701509 ... 371, 373, 375, 377, 379, 381, 383, 385, 387	1704536 389	1707026.....385
1060846.... 173, 179, 185, 191	1701621 383	1704574 219, 223, 227	1810140.... 127, 129, 131, 133, 135, 392
1060866..... 173, 179	1701644 ... 371, 373, 375, 377, 379, 381, 383, 385, 387	1704580 389	2080040.....152
1060867..... 185, 191	1701785 389	1704607 379	2080052.... 59, 93, 95, 97
1060884.... 139, 141, 143, 145	1702153 371	1704684 381	2080056.....195
1060885..... 139, 141	1702155 ... 371, 373, 375, 377, 379, 381, 383, 385, 387	1704686 381	2080057.... 371, 373, 375, 377, 379, 381, 383, 385, 387
1060888.....29	1702773 373, 375, 389	1704687 381	2080058.....195
1060889.....29	1702962 389	1704690 389	2080061..... 13, 15, 19
1060890.....29	1703175 201, 208	1704691 387	2080063.... 211, 213, 215
1060891.....29	1703464 285, 287	1704693 387	2080064.... 211, 213, 215
1060892.....29	1703490 389	1704694 387	2080069.....213
1060893.....29	1703687 ... 371, 373, 375, 377, 379, 381, 383, 385, 387	1704697 389	2220371.... 249, 251, 253, 255, 257, 259, 261, 263, 267, 269, 274, 278
1060894.....29	1703811 ... 371, 373, 375, 377, 379, 381, 383, 385, 387	1704698 389	2220373.... 249, 261, 263, 267, 269, 274, 278
1060895.....29	1703812 ... 371, 373, 375, 377, 379, 381, 383, 385, 387	1704701 377	2220377.....105
1060900.....105	1703813 371	1704702 377	2220385.....249, 251
1060901.....105	1703814 ... 371, 373, 375, 377, 379, 381, 383, 385, 387	1704783 389	2220415.... 261, 263, 267, 269, 274, 278
1060908.....303, 305	1703816 371	1704784 389	2220466.... 261, 263, 267, 269, 274, 278
1060916..... 161, 163	1703818 371	1704885 390	2220473.... 251, 253, 255, 257, 259
1060917..... 161, 163	1703819 ... 371, 373, 375, 377, 379, 381, 383, 385, 387	1704903 371	2220490.....251
1060933.....79	1703821 371	1704904 381	2220497.....249
1060934.....79	1703822 ... 371, 373, 375, 377, 379, 381, 383, 385, 387	1704908 389	2220499.....249
1060935.....79	1703822 ... 371, 373, 375, 377, 379, 381, 383, 385, 387	1704909 389	2220502.... 263, 269, 274, 278
1060950..... 161, 163	1703821 371	1704911 371	2220504.... 261, 263, 267, 269, 274, 278
1061020.....204, 208	1703822 ... 371, 373, 375, 377, 379, 381, 383, 385, 387	1704912 381	2220579.... 263, 269, 274, 278
10837580.....103	1703822 ... 371, 373, 375, 377, 379, 381, 383, 385, 387	1704913 387	2220600.... 249, 267, 269, 278
1120485..... 155, 157	1703816 371	1704914 387	2220603.... 263, 269, 274, 278
1120534..... 105, 392	1703818 371	1704915 377	2220605..... 263, 269
1260136.....211	1703819 ... 371, 373, 375, 377, 379, 381, 383, 385, 387	1704916 377	2220619.....251
1271441..... 171, 177	1703821 371	1704917 383	2220635.... 257, 259, 263, 269, 274, 278
1283217.... 371, 377, 379, 381, 383, 385, 387, 389	1703822 ... 371, 373, 375, 377, 379, 381, 383, 385, 387	1704918 383	2220651.... 267, 269, 278
1283249.... 373, 375, 389	1703822 ... 371, 373, 375, 377, 379, 381, 383, 385, 387	1704919 383	2220775..... 263, 269
1320022.... 155, 157, 161, 163	1703962 385	1704921 ... 221, 223, 225, 227	2220805..... 161, 163
1320033..... 105	1704008 377	1704953 389	2220810.... 261, 263, 267, 269, 274, 278
1320061.....211, 213	1704174 389	1704954 389	2220819.....251
1320095.....27	1704175 389	1704955 389	2220883..... 21, 61, 103
1320110.... 173, 179, 185, 191	1704211 ... 371, 373, 375, 377, 379, 381, 383, 385, 387	1704998 27, 389	2220885..... 103
1320122.... 173, 179, 185, 191	1704248 371	1705051 79	2220890..... 43, 233
1320135..... 165	1704277 ... 371, 373, 375, 377, 379, 381, 383, 385, 387	1705052 79	2220899.... 249, 257, 259
1320292.....25	1704278 383	1705084 375	2220923.... 263, 269, 274, 278
1600387.....204, 208	1704286 389	1705097 379	2220998.... 263, 269, 274, 278
1600403.... 217, 219, 221, 223, 225, 227, 229, 392	1704328 387	1705098 379	2221041.... 261, 263, 267, 269, 274, 278
1600421.....29, 392	1704329 381	1705193 379	2221044.... 267, 269, 278
1600466.....75	1704330 377	1705194 379	2221046..... 155, 157
1670965.... 171, 177, 183, 189	1704331 383	1705195 379	2221047..... 155, 157
1670971.....59	1704333 379	1705303 371, 381	2221086.... 261, 263, 267, 269, 274, 278
1670990.....97	1704339 387	1705394 383	
1670995.... 173, 179, 185, 191	1704340 381	1705398 383	
1671010..... 161, 163	1704341 377	1705670 373, 375	
1671207.....355	1704342 383	1705710 ... 127, 129, 131, 133, 135	
1683994..... 23, 25, 243	1704344 379	1705781 390	
1684119.... 173, 179, 237	1704368 389	1705911 ... 217, 219, 221, 223, 225, 227	
1684120.... 185, 191, 239	1704371 389	1705912 ... 217, 219, 221, 223, 225, 227	
1684121.... 185, 191, 241	1704373 389	1706338 373, 375	
1684290.....233		1706491 389	
1701214.....389		1706492 373, 375	
		1707018 385	
		1707020 385	
		1707021 385	
		1707022 385	

PART NUMBER INDEX

2221089.....	251	2792445.....	246, 267	3290605.....	289, 291	3422369... 173, 179, 185,
2230024 ...	261, 263, 267,	2792494	59, 246, 251	3291005.....	199, 201, 204,	191, 211
269, 274, 278		2820018	81, 147, 149,	208		3422778 ... 173, 179, 185,
2230087.....	249	301		3300047.....	204, 208	191
2300016.....	395	2820097	211	3300048.....	285, 287, 289,	3422822 ... 171, 177, 183,
2300028.....	395	2820135	161, 163	291, 293, 295, 297		189
2300029.....	395	2820136	161, 163	3300151....	173, 179, 185,	3422825... 173, 179, 185,
2400056.....	301, 392	2820137	161, 163	191		191
2400060.....	331	2820138	161, 163	3300240.....	23, 25	3422826 ... 173, 179, 185,
2420172 ...	127, 129, 131,	2820171	337	3300353.....	137	191
133, 135		2820228	161, 163	3300374.....	161, 163	3422900..... 13, 15, 19
2460037.....	79	2860030 ...	127, 129, 131,	3300426.....	53, 55, 57	3422905... 171, 177, 183,
2540020.....	211, 213	133, 135, 392		3300429.....	139, 141, 143	189
2540038 .	13, 15, 19, 139,	2900768.....	37	3300432.....	213	3422907... 171, 177, 183,
141, 143, 145		2900770.....	235	3300455....	171, 177, 183,	189
2540039.....	13, 15, 19	2901443.....	395	189		3422927 ... 171, 177, 183,
2560088.....	215	2901912	395	3300467.....	215	189
2560137.....	77	2902040	394	3310601....	217, 219, 221,	3422938..... 204, 208
2560141 ...	217, 219, 221,	2902041	394	223, 225, 227		3423049..... 199, 201
223, 225, 227		2902042	394	3310801....	139, 143, 152	3440420..... 59
2600253.....	213	2902043	394	3310805.....	59, 327, 329	3450304... 173, 179, 185,
2600258.....	77	2902045.....	394	3311001...63, 67, 71, 141,		191
2600275.....	152	2902124	394	145, 171, 177, 183, 189		3450405... 173, 179, 185,
2720058.....	155, 157	2902126	195	3311005.....	65, 69, 73	191
2720271 ...	155, 157, 161,	2902128	195	3311401....	105, 109, 121,	3450812..... 23, 25
163		2902253.....	174, 180	139, 141, 143, 145,		3460475..... 165
2750905.....	261, 267	2902254.....	186, 192	185, 191, 215		3510795..... 199, 204
2750908.....	251	2902266.....	233	3311405....	25, 27, 29, 63,	3510796..... 201, 208
2750915.....	251	2902431 ...	285, 287, 355	65, 67, 69, 71, 73, 93,		3520030... 127, 129, 131,
2752444 ...	261, 263, 267,	2902549 ...	289, 291, 293,	95, 97, 109, 111, 113,		133, 135
269, 274, 278		303		115, 117, 119, 121,		3520072..... 215
2752453.....	274, 278	2902553.....	394	123, 125, 137, 139,		3520079... 127, 129, 217,
2752497.....	249	2915230.....	395	143, 152, 161, 163,		219
2752516.....	249	2920026.....	204, 208	165, 171, 177, 183,		3520080... 127, 129, 217,
2752593 ...	261, 263, 267,	2920029.....	204, 208	189, 195, 204, 208,		219, 221, 223, 225
269, 274, 278		2920146.....	81	215, 289, 291, 293,		3520193... 127, 129, 131,
2752958 ...	261, 263, 267,	2920151	131, 133, 135	295, 297, 371, 373,		133, 135, 217, 219,
269, 274, 278		2940064.....	211, 392	375, 377, 379, 381,		221, 223, 225, 227
2752966.....	249	2940074.....	213, 392	383, 385, 387		3537609..... 215
2752983... 261, 263, 267,		2940095 ...	139, 141, 143,	3311501....	139, 141, 143,	3537619..... 215
269, 274, 278		145, 152		145		3571584... 63, 65, 67, 69,
2753059.....	251	2940098.....	77	3311505....	15, 19, 59, 63,	71, 73
2753118.....	249	2940127.....	215	67, 71, 105, 141, 145,		3571829..... 211, 213
2753120.....	251	2940137.....	161, 163	147, 149, 155, 157,		3571862..... 215
2753137 ...	253, 255, 257,	3000018 ...	139, 141, 143,	171, 173, 177, 179,		3572410..... 195
259		145		183, 189, 211, 213, 215		3572411..... 195
2753187 ...	261, 263, 267,	3010088.....	211	3311605....	13, 15, 19, 27,	3572449..... 195
269, 274, 278		3020008.....	29, 395	77, 79, 105, 161, 163,		3572450..... 195
2753397.....	251	3020022 ...	171, 177, 183,	165, 171, 173, 177,		3572452..... 195
2753414.....	257, 259	189, 215, 395		179, 183, 185, 189, 191		3572554..... 13, 15, 19
2753415.....	257, 259	3020037	29, 105, 395	3311805....	13, 83, 85, 87,	3572850..... 27
2753462 ...	263, 269, 274,	3160245.....	27, 39	89, 91, 165, 195		3600367..... 105
278		3160252.....	105, 107	3312005.....	63, 67, 71	3641310..... 211
2753487.....	274, 278	3160256.....	29, 47	3313003.....	23, 25	3740080..... 368
2753524.....	251	3200425.....	165	3321001....	171, 177, 183,	3740135..... 29, 392
2753526 ...	253, 255, 257,	3200453 ...	171, 177, 183,	189		3760170.... 211, 213, 215
259		189		3321402....	173, 179, 185,	3760321..... 201, 208
2753527.....	261, 267	3251813 ...	371, 373, 375,	191		3760348.... 161, 163, 215
2753528 ...	261, 263, 267,	377, 379, 381, 383,		3322202....	161, 163, 215	3760387... 171, 177, 183,
269, 274, 278		385, 387		3340612.....	211	189
2753529.....	251	3252507 ...	289, 291, 293,	3340856....	171, 177, 183,	3760420... 173, 179, 185,
2753532.....	251	295, 297		189, 199, 201, 204, 208		191
2754230.....	274, 278	3271505.....	215	3340861.....	141, 145	3820019..... 77, 139, 141,
2780234.....	23, 31	3272001.....	59	3340866.....	173, 179	143, 145, 152
2780260.....	27	3290405 ...	285, 287, 289,	3380609.....	165	3820020..... 215
2780282.....	29, 33	291, 293, 295, 297		3421565....	211, 213, 215	384114323, 25, 171, 177,
2792443.....	246, 261	3290601.....	215	3422219....	211, 213, 215	183, 189

PART NUMBER INDEX

3841233.....161, 163, 215	4360069 ... 127, 129, 131, 133, 135, 392	4460434 321, 323, 325	4461095.....331
3841258.....13, 15, 19	4360328 ... 127, 129, 131, 133, 135, 392	4460464 75, 171, 177, 183, 189, 204, 208, 331, 341, 347, 349, 367	4461196.....307, 357
3860059.....161, 163, 215	4360387 ... 131, 133, 135, 217, 219, 221, 223, 225, 227, 392	4460465 ... 204, 208, 299, 317, 319, 331, 333, 339, 341, 343, 345, 347, 349, 351, 353, 367, 368	4461198.....357
3900128....127, 129, 131, 133, 135	4360469 ... 127, 129, 131, 133, 392	4460466 ... 204, 208, 317, 331, 339, 367	4461199.....309, 359
3900178....217, 219, 221, 223, 225, 227	4360470 133, 135, 392	4460467 396	4461201.....359
3900184.....161, 163	4360475 ... 127, 129, 131, 133, 135, 217, 219, 221, 223, 225, 227, 392	4460468 347, 349	4461202.....313, 365
3900190.....141, 145	4360482 79, 217, 219, 221, 223, 225, 227, 392	4460470 ... 217, 219, 221, 223, 225, 227	4461205.....315, 363
3900210.....141, 145	4360500 ... 171, 177, 183, 189, 392	4460471 ... 217, 219, 221, 223, 225, 227	4461244.....365
3900265....217, 219, 221, 223, 225, 227	4360502 ... 171, 177, 183, 189, 392	4460473 347, 349	4461245.....363
3900266.....23, 25	4360548 335, 337, 392	4460480 ... 217, 219, 221, 223, 225, 227	4461246.....361
3900267.....213	4400433 105	4460481 347, 349	4461249.....311, 361
3900300....127, 129, 131, 133, 135	4400434 155, 157	4460489 ... 317, 339, 343, 345, 367	4520209.....53
3900305.....152	4420008 ... 217, 219, 221, 223, 225, 227	4460508 75	4520249.....57
3900318....211, 213, 215	4420037 141, 145	4460509 367	4520269.....55
3900323....211, 213, 215	4420051 59, 389	4460510 395	4568203.....105
3900325....171, 177, 183, 189	4460016 351, 353	4460539 367	4568295....199, 201, 204, 208
3910616....127, 129, 131, 133, 135	4460019 367	4460662 ... 293, 295, 297, 355	4640113.....57
3910804....127, 129, 131, 133, 135	4460035 345	4460742 367	4640495.....235
3911010.....213	4460044 301	4460743 367	4640744....261, 263, 267, 269, 274, 278
3911014..65, 69, 73, 127, 129, 131, 133, 135	4460049 204, 208	4460761 204, 208, 367	4640757....267, 269, 278
3911424.....211	4460071 ... 285, 287, 289, 291, 293, 295, 297	4460779 79	4640858.....233
3911536.....211, 213	4460115 351, 353	4460802 ... 63, 65, 67, 69, 71, 73	4641002.....173, 179
3930820.....59	4460138 79, 285, 287	4460803 63, 65	4641118.....185, 191
3931430....139, 141, 143, 145	4460183 ... 321, 323, 325, 351, 353	4460805 71, 73	4641122.....53, 55
3941004.....81	4460225 319, 339	4460812 331, 347, 349	4641148.....27, 51
3941606.....29	4460226 229, 367	4460814 367	4641150.....59, 61
3960389....161, 163, 165	4460234 109, 127	4460817 351, 353	4641151.....61
3960418....161, 163, 165	4460248 ... 299, 301, 323, 325, 333, 335, 337	4460818 351, 353	4641152.....61
4010408....285, 287, 289, 291, 293, 295, 297	4460259 ... 321, 323, 325, 351, 353, 367, 368	4460836 204, 208, 339	4641156.....235
4010608.....289, 291	4460260 ... 321, 323, 325, 351, 353, 367, 368	4460837 339	4641168.....186, 192
4032022....199, 201, 204, 208	4460265 229	4460846 331	4641172....173, 179, 186, 192
4060802....127, 129, 131, 133, 135, 217, 219, 221, 223, 225, 227	4460266 229, 351, 353	4460868 368	4641178.....101, 103
4060803.....152	4460267 ... 127, 129, 131, 133, 135, 229, 319, 333, 337, 339, 351, 353, 367	4460870 367	4711000.....19, 139, 141, 143, 145, 152
4061003.....59	4460268 ... 301, 321, 323, 325, 333, 335	4460877 367, 368	4711400....13, 15, 19, 25, 27, 29, 77, 79, 97, 137, 139, 143, 161, 163, 171, 174, 177, 180, 183, 186, 189, 192, 195, 211, 213, 215, 371, 373, 375, 377, 379, 381, 383, 385, 387
4061013.....195	4460294 204, 208	4460884 317, 331, 367	4711500 15, 19, 139, 141, 143, 145, 147, 149, 173, 179, 185, 191, 201, 208, 215
4061015.....195	4460315 285, 287	4460891 ... 331, 343, 345, 347, 349, 367, 368	4711600....13, 15, 19, 29, 105, 165, 174, 180, 186, 192, 215
4061022.....195	4460320 301, 333, 335	4460892 317	4711800.....59, 165, 195
4070932.....13	4460321 ... 127, 129, 131, 133, 135	4460893 317	4712000.....63, 67, 71
4070987....127, 129, 131, 133, 135	4460335 ... 139, 141, 143, 145, 333	4460894 317	4712200.....23, 25
4071008.....13, 15, 19	4460346 355	4460895 351, 353	4713000.....23, 25
4160189.....161, 163	4460374 368	4460896 319, 339	4740076....105, 155, 157
4240084.....29	4460375 368	4460897 ... 171, 177, 183, 189, 204, 208, 331, 341	4740120....217, 219, 221, 223, 225, 227
4280295....173, 179, 185, 191	4460424 333, 337, 367	4460930 75, 367	4740158.....13, 15, 19
4280311.....195	4460428 ... 63, 65, 67, 69, 71, 73	4460931 317, 367	4740274.....165
4280312.....195		4460932 204, 208	4740332....174, 180, 186, 192
4280313.....195		4460944 331	4740415.....59
4300145.....27		4460945 331	4740438....171, 177, 183, 189
4340715.....195		4460956 303	4740474....139, 141, 143
4340716.....195		4460957 303	
4340717.....195		4460968 ... 289, 291, 335, 337	
4340718.....195		4461070 331	
4341095.....165			

PART NUMBER INDEX

4740480 ... 141, 145, 174, 180, 186, 192	4922426 81, 301	70000324 167	70003825 235
4740506 ... 171, 177, 183, 189	4922454 59, 337	70000325 168	70003826 235
4740518 137	4922455 59, 335	70000326 168	70003827 235
4740541 13, 15, 19	4922456 59, 333	70000327 168	70003828 235
4750800 59, 327, 329	4922477 ... 174, 180, 347	70000328 168	70003829 235
4751000 ... 63, 65, 67, 69, 71, 73, 171, 177, 183, 189, 213	4922478 ... 186, 192, 349	70000329 168	70003978 17, 21
4751400 ... 29, 59, 93, 95, 97, 109, 111, 113, 115, 117, 119, 121, 123, 125, 152, 165, 195, 215, 289, 291, 293, 295, 297	4922479 ... 327, 329, 331	70000330 168	70004194 229
4751500 ... 59, 63, 67, 71, 105, 139, 143, 155, 157, 174, 180, 186, 192, 211, 213	4922480 ... 127, 129, 321	70000382 168	70004265 167
4751600 ... 25, 27, 29, 59, 79, 155, 157, 161, 163, 165, 195, 215	4922517 ... 147, 149, 299	70000683 229	70004387 17, 21
4751800 ... 83, 85, 87, 89, 91	4922526 ... 217, 221, 225, 351	70000684 229	70004388 17, 21
4752200 ... 161, 163, 215	4922527 ... 219, 223, 227, 353	70000685 229	70004389 17, 21
4760600 ... 127, 129, 131, 133, 135, 217, 219, 221, 223, 225, 227	4922529 ... 113, 115, 121, 123, 125, 339	70000686 229	70004394 168
4761000 ... 127, 129, 131, 133, 135	4922543 ... 171, 177, 183, 189, 341	70000967 167	70005484 229
4761400 ... 109, 111, 113, 115, 117, 119, 121, 123, 125	4922544 ... 174, 180, 343	70001091 41, 43, 45	70005485 229
4791400 ... 217, 219, 221, 223, 225, 227	4922545 ... 186, 192, 345	70001121 167	70005833 103
4811400 ... 285, 287, 289, 291, 293, 295, 297	4922602 ... 117, 119, 319	70001144 167	70006422 103
4811700 289, 291	4922604 ... 131, 133, 323	70001357 237	70006423 103
4845829 211	4922668 79	70001358 237	70006424 103
4845938 ... 217, 219, 221, 223, 225, 227	4922903 ... 180, 192, 204, 208	70001366 33	70006744 41, 45
4846020 ... 174, 180, 186, 192	4922904 204, 208	70001367 33	70006745 41, 45
4846117 215	4923619 135, 325	70001368 34	70006746 41, 45
4846120 215	5241200 15, 19	70001369 33	70006747 41, 45
4846121 215	70000081 229	70001370 33	70006748 41, 45
4846122 213	70000082 229	70001371 33	70006749 41, 45
4846123 211, 213	70000083 229	70001372 33	70006750 41, 45
4846124 211, 213	70000084 229	70001373 33	70006752 41, 45
4846125 211, 213	70000085 229	70001374 33	70006753 41, 45
4846159 83, 87	70000289 168	70001375 33	70006754 45
4846181 215	70000290 167	70001376 33	70006755 45
4846191 215	70000291 167	70001377 33	70006756 41, 45
4846224 59	70000292 167	70001378 33	70006757 41, 45
4846249 ... 217, 219, 221, 223, 225, 227	70000293 167	70001379 33	70006759 41, 45
4846256 215	70000294 167	70001380 34	70006760 45
4846301 23, 25	70000295 167	70001422 49	70006761 45
4846317 165	70000296 167	70002083 167	70006763 41, 45
4846520 79	70000297 167	70002216 235	70006764 41, 45
4860191 53, 55	70000298 167	70002219 235	70006765 41, 45
4860221 57	70000299 167	70002244 167	7001626 243
4891500 105	70000300 167	70002261 43	7002821 395
4891600 101	70000301 167	70002262 43	7002822 396
4891800 13	70000302 167	70002263 43	7002823 396
4892000 29, 59	70000303 167	70002264 41, 43, 45	7002826 396
	70000304 167	70002265 43	7002828 396
	70000305 167	70002267 43	7003212 241
	70000306 167	70002268 43	7003226 237, 239
	70000307 167	70002269 43	7004275 396
	70000308 167	70002408 37	7004276 396
	70000309 167	70002517 243	7007640 33
	70000310 167	70002518 243	7007900 37
	70000311 167	70002543 168	7007913 37
	70000312 167	70002544 167	7007933 37
	70000313 167, 392	70002759 41, 45	7007977 37
	70000314 167	7000281 33	7007987 37
	70000315 167	70002842 233	7010543 17, 21, 103
	70000316 167	70002947 49	7010911 51
	70000317 167	70002963 17, 21, 392	7010919 51
	70000318 167, 392	70003557 167	7010920 51
	70000319 167, 392	70003618 167	7010921 51
	70000320 167	70003619 167	7010928 51
	70000321 167	70003650 229	7011716 37
	70000322 167	70003818 235	7011757 37
	70000323 167	70003819 235	7012518 103
		70003820 235	7012540 49
		70003821 235	7012545 47, 107
		70003822 235	7012547 47
		70003823 235	7012548 47, 107
		70003824 235	7012549 47, 107

PART NUMBER INDEX

7012773.....	49	7017496	103	7020189	47	7023505.....	239
7012903.....	61	7018942	49	7020291	107	7023508.....	241
7012941	103	7019609	47	7020292	107	7023509.....	239
7012943.....	61, 103, 173, 179, 186, 192, 392	7019862	241	7020293	107	7023510.....	241
7012944.....	103, 186, 192, 392	7019886	237, 239	7020294	107	7023801.....	39
7012953.....	173, 179	7019888	239	7020295	107	7023806.....	39, 41, 43, 45
7012955.....	17, 21	7019889	239, 241	7020296	107	7023807.....	39, 41, 43, 45
7012967 17, 21, 103, 173, 179, 186, 192		7019893	241	7020297	107	7023872.....	41, 43, 45
7012969.....	49	7019895	241	7020298	107	7023904.....	103
7012998.....	103, 186, 192	7019898	237	7020299	107	7023976.....	17, 21
7016177	139	7020033	31	7021375	49	7024007.....	39, 43
7016314.....	155, 157, 392	7020035	31	7021616	103	7024008.....	39, 43
7016319.....	81	7020036	31	7021619	103, 392	7024009.....	39
7016372.....	81	7020037	31	7021653	17, 21, 61	7024101.....	237, 239
7016654.....	396	7020038	31	7022391	103	7024102.....	241
7017007	34	7020039	31	7022394	103	7024103.....	237, 239
7017009.....	33	7020040	31	7022586	39, 43	7024738.....	33
7017022.....	33	7020041	31	7022587	39, 43	7024741.....	33
7017294.....	243	7020042	31	7022588 ...	39, 41, 43, 45	7024832.....	103
7017402.....	103	7020054	31	7022589 ...	39, 41, 43, 45	7024844.....	235
7017406.....	17, 235	7020055	31	7022590	39	7024960.....	105
7017410.....	17, 21	7020140	31	7022591	39	7024963.....	43
7017428.....	103	7020148	31	7023021	243	7027365.....	229
7017433.....	103	7020175 ...	127, 129, 131, 133, 135, 217, 219, 221, 223, 225, 227	7023022	243	7027367.....	229
7017445.....	173, 179, 186, 192	7020176 ...	127, 129, 131, 133, 135, 217, 219, 221, 223, 225, 227	7023200	107	7027765.....	229
7017451.....	103, 392	7020184	47	7023212 ...	127, 129, 131, 133, 135	7027766.....	229
7017467.....	186, 192	7020185	47	7023229	47	77363243..	171, 177, 183, 189
				7023272	107	8229242.....	331
				7023343	47		
				7023344	47		



3121640



An Oshkosh Corporation Company

Corporate Office
JLG Industries, Inc.
1 JLG Drive
McConnellsburg, PA 17233-9533 USA
☎ (717) 485-5161 (Corporate)
☎ (877) 554-5438 (Customer Support)
☎ (717) 485-6417

Visit our website for JLG Worldwide Locations.
www.jlg.com