



Illustrated Parts Manual

Models

3394RT
4394RT

**SN 0200239053
to Present**

**P/N
3121643**

September 1, 2018 - Rev G

ANSI

CE



AS/NZS



An Oshkosh Corporation Company

REVISION LOG

January 15, 2015 - A - Original Issue Of Manual (Edited to B/M 1001165100 Revision F)

January 30, 2016 - B - Revised Manual (Edited to B/M 1001165100 Revision L)

August 1, 2016 - C - Revised Manual (Edited to B/M 1001165100 Revision L)

October 28, 2016 - D - Revised Manual (Edited to B/M 1001165100 Revision L)

January 27, 2017 - E - Revised Manual (Edited to B/M 1001165100 Revision L)

April 28, 2017 - F - Revised Manual (Edited to B/M 1001165100 Revision L)

September 1, 2018 - G - Revised Manual (Edited to B/M 1001165100 Revision T)

GENERAL INFORMATION

| ITEM # | PART NUMBER | QTY | DESCRIPTION | REV. |
|--------|-------------|------|--|------|
| | 1001140104 | Ref. | LIFT CYLINDER ASSEMBLY | B |
| 1 | 0100911 | AR | Compound, Locking | |
| 2 | 0005035 | 3 | Capacrew 1/4-20 x 1-1/8 | |
| 3 | 0791003 | 1 | Screw #10-24 x 3/8 | |
| 4 | 0961897 | 1 | Bushing, Tapered | |
| 5 | 1300136 | 1 | Clamp, Cable | |
| 6 | 1603053 | 1 | Head, | |
| 7 | 2200863 | 1 | Plug, O-Ring | |
| 8 | 2200885 | 2 | Plug, O-Ring | |
| 9 | 2200956 | 1 | Plug, O-Ring | |
| 10 | 3000039 | AR | Lubricant | |
| 11 | 3490282 | 1 | Pinion | |
| 12 | 3750021 | 1 | Ring, Washer | |
| 13 | 3931450 | 8 | Capacrew 1/4-20 x 1-1/4 | |
| 14 | 3931824 | 8 | Capacrew 1/2-13 x 1-1/2 | |
| 15 | 3951003 | 1 | Socketcrew #10-24 x 3/8 | |
| 16 | 4100099 | 1 | Spacer | |
| 17 | 4640999 | 1 | Cartridge, Holding Valve (Non Varied) | |
| 17 | 2900792 | 1 | Kit, Seal - 4640999 Cartridge Valve | |
| 18 | 4641248 | 1 | Cartridge, Counterbalance Valve (Non Varied) | |
| 18 | 70004186 | 1 | Kit, Seal - 4641248 Cartridge Valve | |
| 19 | 1001117361 | 1 | Sensor, Cylinder Length | |
| 20 | 1001118070 | 1 | Cap, Retainer | |
| 21 | 1001118364 | 1 | Board | |
| 21A | 0961900 | 2 | Bushing | |
| 22 | 1001119396 | 1 | Rod | |
| 22A | 0961909 | 2 | Bushing | |
| 100 | 1001139956 | 1 | Kit, Seal (Includes Items 101-105) | |
| 101 | See Note | 2 | Ring, Wear (Note: Use pin 1001139996) | |
| 102 | See Note | 1 | Ring, Back-Up (Note: Use pin 1001139996) | |
| 103 | See Note | 2 | Ring, Lock (Note: Use pin 1001139996) | |
| 104 | See Note | 2 | Ring, Back-Up (Note: Use pin 1001139996) | |
| 105 | See Note | 2 | O-Ring (Note: Use pin 1001139996) | |
| 106 | See Note | 1 | O-Ring (Note: Use pin 1001139996) | |
| 107 | See Note | 1 | Seal (Note: Use pin 1001139996) | |
| 108 | See Note | 1 | Wiper, Rod (Note: Use pin 1001139996) | |
| 109 | See Note | 2 | Seal (Note: Use pin 1001139996) | |
| 200 | 1001119105 | 1 | Kit, Sensor Magnet (Includes Items 201-203) | |
| 201 | See Note | NSS | Stem, Spacer (Note: Use pin 1001119105) | |
| 202 | 1001118366 | 1 | Magnet, Sensor | |
| 203 | 1001118369 | 1 | Ring, Internal Retaining | |

1) MACHINE IDENTIFICATION

Machines are identified by model and in some cases a combination of models, serial number (SN) or regional standard (i.e. ANSI, CE, CSA). Components may also be identified by SN or manufacturer. Common components that may be identified by these characteristics are engines and hydraulic components.

2) PARTS MANUAL ORGANIZATION

Product information in this manual is organized under section titles. Frame, Cylinder, Hydraulic and Electrical are a few examples. Each section is organized by figure and page number. The information within the figure is then organized by item number, part number, description and corresponding illustration(s).

3) TABLE OF CONTENTS

A table of contents is found toward the beginning of the manual. Figure number, description and page number are provided for quick reference to the page containing the related information.

4) RECOMMENDED SPARE PARTS

The Recommended Spare Parts, located near the end of the manual, reference most frequently used maintenance parts.

5) PART NUMBER INDEX

A numerical index listing all part numbers and the corresponding page number(s) appears at the back of the manual.

GENERAL INFORMATION

6) NON-SERVICED PARTS

In some instances, it is necessary to display non-serviced parts, assemblies or installations. In the case of assemblies and installations there will be a Ref in the Qty column. In case of parts that are not available for service within assemblies or components, there will be a NSS (Not Sold Separately) or NLA (No Longer Available) listed in the Qty. column of the manual.

7) PARTS LIST ITEM NUMBERS

Numbers shown in the item# column correspond to numbers used in the associated illustration (s). Item numbers which are missing from the sequence in the parts list are not used on that page

8) INDENTED PARTS DESCRIPTION

An indented part description is included in the item under which it is indented.

9) ABBREVIATION AND SYMBOLS

| | | | |
|--------------|--|--------------|-----------------------------------|
| AC..... | .. Alternating Current | LCD..... | .. Liquid Crystal Display |
| ADE..... | ..Advanced Design Electronics | LED..... | .. Light Emitting Diodes |
| ANSI..... | ..American National Standards Institute | LH..... | .. Left Hand |
| AR..... | ..As Required | LSS..... | ..Load Sensing System |
| ASSY..... | ..Assembly | M(m)..... | ..Metric/Meter |
| AUX..... | ..Auxiliary | MM (mm)..... | ..Milimeter |
| AWG..... | ..American Wire Gauge | mA..... | .. Milliamps |
| B/M..... | ..Bill of Material | NLA..... | ..No Longer Available |
| CE..... | ..European Conformity | NPT..... | ..National Pipe Threads |
| CCW..... | ..Counter Clockwise | NSS..... | ..Not Sold Separately |
| cm..... | ..Centimeter | OD..... | ..Outside Diameter |
| CW..... | ..Clockwise | ORB..... | ..O-Ring Boss |
| CSA..... | ..Canadian Standards Association | ORFS..... | ..O-Ring Face Seal |
| CYL..... | ..Cylinder | OZ (oz)..... | ..Ounces |
| DIA..... | ..Diameter | PG..... | ..Page |
| DC..... | ..Direct Current | P/N..... | ..Part Number |
| EMS..... | ..Emergency Stop | qt..... | ..Quarts |
| ENG..... | ..Engine | QTY..... | ..Quantity |
| FT (ft)..... | ..Feet | REF..... | ..Reference |
| GA (Ga)..... | ..Gauge | REV..... | ..Revision Level |
| HYD..... | ..Hydraulic | RH..... | ..Right Hand |
| HZ..... | ..Hertz | SAE..... | ..Society of Automotive Engineers |
| ID..... | ..Inside Diameter | SN..... | ..Serial Number |
| in..... | ..inches | SPEC(S)..... | ..Specifications |
| ISO..... | ..International Organization for Standards | T/T..... | ..Turntable |
| JIC..... | ..Joint Industry Council | UGM..... | ..Universal Ground Module |
| KG..... | ..Kilogram | V..... | ..Volts |
| L..... | ..Liter | W..... | ..Watts |
| LB..... | ..Pounds | #..... | ..Number |

10) ILLUSTRATION REFERENCE LETTERS

When necessary, illustrations may contain reference letters that are intended to track information (i. e. hoses, harnesses) from one point to another or to track visual enlargement of components to show details that may be located in another area on the illustration.

Note: Due to continuous product improvements, JLG Industries, Inc. reserves the right to make specification changes without prior notification. Contact JLG Industries, Inc. for updated information.

TABLE OF CONTENTS

| | |
|---|-----|
| SECTION 1 - FRAME..... | 13 |
| FIGURE 1-1. AXLE INSTALLATION | 14 |
| FIGURE 1-2. AXLE INSTALLATION | 16 |
| FIGURE 1-3. STEERING INSTALLATION | 18 |
| FIGURE 1-4. STEERING INSTALLATION | 20 |
| FIGURE 1-5. WHEEL DRIVE INSTALLATION | 22 |
| FIGURE 1-6. DRIVE HUB ASSEMBLY - FRONT..... | 24 |
| FIGURE 1-7. DRIVE HUB AND BRAKE ASSEMBLY - REAR | 26 |
| FIGURE 1-8. DRIVE MOTOR ASSEMBLY - SAUER-DANFOSS..... | 30 |
| FIGURE 1-9. TIRE AND WHEEL INSTALLATION - IN315/55D20 PNEUMATIC - 3394RT | 32 |
| FIGURE 1-10. TIRE AND WHEEL INSTALLATION - 33/1550-16.5 PNEUMATIC - 3394RT | 34 |
| FIGURE 1-11. TIRE AND WHEEL INSTALLATION - 31 X 15.50-15 PNEUMATIC - 3394RT | 36 |
| FIGURE 1-12. TIRE AND WHEEL INSTALLATION - 12 X 16.5 PNEUMATIC NON-MARKING - 3394RT | 38 |
| FIGURE 1-13. TIRE AND WHEEL INSTALLATION - IN315/55D20 FOAM-FILLED - 3394RT/4394RT | 40 |
| FIGURE 1-14. TIRE AND WHEEL INSTALLATION - 33/1550-16.5 FOAM-FILLED - 3394RT/4394RT | 42 |
| FIGURE 1-15. TIRE AND WHEEL INSTALLATION - 33/16LL X 16.1 FOAM-FILLED - 3394RT | 44 |
| FIGURE 1-16. TIRE AND WHEEL INSTALLATION - 12 X 16.5 FOAM-FILLED NON MARKING - 3394RT/4394RT | 46 |
| FIGURE 1-17. WHEEL AND COUNTERWEIGHT INSTALLATION - IN315/55D20 PNEUMATIC - 4394RT | 48 |
| FIGURE 1-18. WHEEL AND COUNTERWEIGHT INSTALLATION - 33/1550-16.5 PNEUMATIC - 4394RT | 50 |
| FIGURE 1-19. WHEEL AND COUNTERWEIGHT INSTALLATION - 12 X 16.5 PNEUMATIC NON-MARKING - 4394RT | 52 |
| FIGURE 1-20. BEACON LIGHT INSTALLATION - OPTIONAL..... | 54 |
| FIGURE 1-21. LEVELING JACK INSTALLATION - OPTIONAL ON 3394RT - STANDARD ON 4394RT..... | 56 |
| FIGURE 1-22. LEVELING JACK INSTALLATION - OPTIONAL ON 3394RT - STANDARD ON 4394RT..... | 58 |
| FIGURE 1-23. LEVELING JACK VALVE ASSEMBLY..... | 60 |
| FIGURE 1-24. LEVELING JACK ASSEMBLY | 62 |
| SECTION 2 - GROUND CONTROLS | 65 |
| FIGURE 2-1. CONTROL VALVE INSTALLATION..... | 66 |
| FIGURE 2-2. CONTROL VALVE INSTALLATION..... | 68 |
| FIGURE 2-3. FLOW DIVIDER VALVE ASSEMBLY | 70 |
| FIGURE 2-4. MAIN CONTROL VALVE ASSEMBLY | 72 |
| FIGURE 2-5. MAIN CONTROL VALVE ASSEMBLY | 74 |
| FIGURE 2-6. POWERDECK AUXILIARY VALVE INSTALLATION (3394RT ALL SPECS EXCEPT CE SPEC) (SN 0200241796 to Present) | 76 |
| FIGURE 2-7. POWERDECK AUXILIARY VALVE INSTALLATION (3394RT CE SPEC) (SN 0200241796 to Present)..... | 78 |
| FIGURE 2-8. POWERDECK AUXILIARY VALVE INSTALLATION (4394RT ALL SPECS EXCEPT CE SPEC) (SN 0200241796 to Present) | 80 |
| FIGURE 2-9. POWERDECK AUXILIARY VALVE INSTALLATION (4394RT CE SPEC) (SN 0200241796 to Present)..... | 82 |
| FIGURE 2-10. GROUND CONTROL BOX INSTALLATION - DEUTZ D2011 ENGINE (ANSI EXPORT & AUSTRALIAN SPECS WITHOUT POWER OPTIONS MODULE)..... | 84 |
| FIGURE 2-11. GROUND CONTROL BOX INSTALLATION - DEUTZ D2011 ENGINE (ANSI EXPORT SPECS WITHOUT POWER OPTIONS MODULE AND WITH LOW TEMPERTURE CUTOUT) | 86 |
| FIGURE 2-12. GROUND CONTROL BOX INSTALLATION - DEUTZ D2011 ENGINE (ANSI EXPORT & AUSTRALIAN SPECS WITH POWER OPTIONS MODULE) (SN 0200239053 through 0200241795) | 88 |
| FIGURE 2-13. GROUND CONTROL BOX INSTALLATION - DEUTZ D2011 ENGINE (ANSI EXPORT & AUSTRALIAN SPECS WITH POWER OPTIONS MODULE) (SN 0200241796 to Present)..... | 90 |
| FIGURE 2-14. GROUND CONTROL BOX INSTALLATION - DEUTZ D2011 ENGINE (ANSI EXPORT SPECS WITH POWER OPTIONS MODULE AND WITH LOW TEMPERATURE CUTOUT) | 92 |
| FIGURE 2-15. GROUND CONTROL BOX INSTALLATION - DEUTZ D2011 ENGINE (CE SPECS WITHOUT POWER OPTIONS MODULE) (SN 0200239053 through 0200241795)..... | 94 |
| FIGURE 2-16. GROUND CONTROL BOX INSTALLATION - DEUTZ D2011 ENGINE (CE SPECS WITHOUT POWER OPTIONS MODULE) (SN 0200241796 to Present)..... | 96 |
| FIGURE 2-17. GROUND CONTROL BOX INSTALLATION - DEUTZ D2011 ENGINE (CE SPECS WITHOUT POWER OPTIONS MODULE AND WITH LOW TEMPERATURE CUTOUT) | 98 |
| FIGURE 2-18. GROUND CONTROL BOX INSTALLATION - DEUTZ D2011 ENGINE (CE SPECS WITH POWER OPTIONS MODULE) (SN 0200239053 through 0200241795)..... | 100 |
| FIGURE 2-19. GROUND CONTROL BOX INSTALLATION - DEUTZ D2011 ENGINE (CE SPECS WITH POWER OPTIONS MODULE) (SN 0200241796 to Present)..... | 102 |
| FIGURE 2-20. GROUND CONTROL BOX INSTALLATION - DEUTZ D2011 ENGINE (CE SPECS WITH POWER OPTIONS MODULE AND WITH LOW TEMPERATURE CUTOUT) | 104 |
| FIGURE 2-21. GROUND CONTROL BOX INSTALLATION - DEUTZ D2.9L4 ENGINE (ANSI, ANSI EXPORT & CSA SPECS WITHOUT POWER OPTIONS MODULE)..... | 106 |
| FIGURE 2-22. GROUND CONTROL BOX INSTALLATION - DEUTZ D2.9L4 ENGINE (ANSI & CSA SPECS WITH POWER OPTIONS MODULE)..... | 108 |

TABLE OF CONTENTS

| | |
|---|-----|
| FIGURE 2-23. GROUND CONTROL BOX INSTALLATION - GM ENGINE (ANSI, ANSI EXPORT & CSA WITHOUT POWER OPTIONS MODULE)..... | 110 |
| FIGURE 2-24. GROUND CONTROL BOX INSTALLATION - GM ENGINE (ANSI & CSA SPECS WITHOUT POWER OPTIONS MODULE AND WITH LOW TEMPERATURE CUTOUT)..... | 112 |
| FIGURE 2-25. GROUND CONTROL BOX INSTALLATION - GM ENGINE (ANSI, ANSI EXPORT & CSA SPECS WITH POWER OPTIONS MODULE)..... | 114 |
| FIGURE 2-26. GROUND CONTROL BOX INSTALLATION - GM ENGINE (ANSI & CSA SPECS WITH POWER OPTIONS MODULE AND WITH LOW TEMPERATURE CUTOUT)..... | 116 |
| FIGURE 2-27. GROUND CONTROL BOX ASSEMBLY - DEUTZ ENGINE WITHOUT LOW TEMPERATURE CUTOUT (ALL SPECS WITHOUT CE SPECS)..... | 118 |
| FIGURE 2-28. GROUND CONTROL BOX ASSEMBLY - DEUTZ ENGINE WITHOUT LOW TEMPERATURE CUTOUT (CE SPEC)..... | 120 |
| FIGURE 2-29. GROUND CONTROL BOX ASSEMBLY - DEUTZ ENGINE WITH LOW TEMPERATURE CUTOUT (ALL SPECS EXCEPT CE SPEC)..... | 122 |
| FIGURE 2-30. GROUND CONTROL BOX ASSEMBLY - DEUTZ D2011 ENGINE WITH LOW TEMPERATURE CUTOUT (ANSI EXPORT SPEC)..... | 124 |
| FIGURE 2-31. GROUND CONTROL BOX ASSEMBLY - GM ENGINE WITHOUT LOW TEMPERATURE CUTOUT..... | 126 |
| FIGURE 2-32. GROUND CONTROL BOX ASSEMBLY - GM ENGINE WITH LOW TEMPERATURE CUTOUT..... | 128 |
| FIGURE 2-33. GROUND CONTROL BOX COMPONENTS - WITHOUT LOW TEMPERATURE CUTOUT (SN 0200246033 to Present)..... | 130 |
| FIGURE 2-34. GROUND CONTROL BOX COMPONENTS - WITH LOW TEMPERATURE CUTOUT (SN 0200246033 to Present)..... | 132 |
| FIGURE 2-35. HORN INSTALLATION..... | 134 |
| FIGURE 2-36. MOTION ALARM INSTALLATION..... | 136 |
| FIGURE 2-37. TANKS INSTALLATION - DIESEL ENGINE MACHINES..... | 138 |
| FIGURE 2-38. TANKS INSTALLATION - GAS ENGINE MACHINES..... | 140 |
| FIGURE 2-39. HYDRAULIC OIL TANK ASSEMBLY..... | 142 |
| FIGURE 2-40. FUEL CAP INSTALLATION - LOCKABLE - DIESEL MACHINES (OPTIONAL)..... | 144 |
| FIGURE 2-41. FUEL CAP INSTALLATION - LOCKABLE - GAS MACHINES (OPTIONAL)..... | 146 |
| FIGURE 2-42. HOODS AND COVERS INSTALLATION - DEUTZ D2011 AND GM ENGINE MACHINES..... | 148 |
| FIGURE 2-43. HOODS AND COVERS INSTALLATION - DEUTZ D2.9L4 ENGINE MACHINES..... | 152 |
| FIGURE 2-44. LADDER INSTALLATION - 3394RT..... | 156 |
| FIGURE 2-45. LADDER INSTALLATION - 4394RT..... | 158 |
| SECTION 3 - ENGINE..... | 161 |
| FIGURE 3-1. ENGINE INSTALLATION - DEUTZ D2011 ENGINE..... | 162 |
| FIGURE 3-2. ENGINE AND PUMP SUB-ASSEMBLY - DEUTZ D2011 ENGINE..... | 166 |
| FIGURE 3-3. ENGINE ASSEMBLY - DEUTZ D2011 ENGINE..... | 168 |
| FIGURE 3-4. ENGINE COMPONENTS - DEUTZ D2011 ENGINE..... | 170 |
| FIGURE 3-5. ENGINE INSTALLATION - DEUTZ D2.9L4 ENGINE (WITHOUT ARCTIC PACKAGE)..... | 174 |
| FIGURE 3-6. ENGINE AND PUMP SUB-ASSEMBLY - DEUTZ D2.9L4 ENGINE..... | 178 |
| FIGURE 3-7. ENGINE ASSEMBLY - DEUTZ D2.9L4 ENGINE (WITHOUT ARCTIC PACKAGE)..... | 180 |
| FIGURE 3-8. ENGINE INSTALLATION - DEUTZ D2.9L4 ENGINE (WITH ARCTIC PACKAGE)..... | 186 |
| FIGURE 3-9. ENGINE AND PUMP SUB-ASSEMBLY - DEUTZ D2.9L4 ENGINE (WITH ARCTIC PACKAGE)..... | 190 |
| FIGURE 3-10. ENGINE ASSEMBLY - DEUTZ D2.9L4 ENGINE (WITH ARCTIC PACKAGE)..... | 192 |
| FIGURE 3-11. ENGINE COMPONENTS - DEUTZ D2.9L4 ENGINE..... | 198 |
| FIGURE 3-12. BRACKET ASSEMBLY (LESS FUEL PUMP AND FILTER)..... | 202 |
| FIGURE 3-13. PUMP COUPLING KIT..... | 204 |
| FIGURE 3-14. MUFFLER KIT - SPARK ARRESTOR (DEUTZ D2011 ENGINE) (OPTIONAL)..... | 206 |
| FIGURE 3-15. MUFFLER KIT - CATALYTIC MUFFLER (DEUTZ D2011 ENGINE) (OPTIONAL)..... | 208 |
| FIGURE 3-16. SPARK ARRESTER INSTALLATION (DEUTZ D2.9L4) (OPTIONAL)..... | 210 |
| FIGURE 3-17. ENGINE INSTALLATION - GM ENGINE (SN 0200239053 through 0200259520)..... | 212 |
| FIGURE 3-18. ENGINE INSTALLATION - GM ENGINE (SN 0200259521 to Present)..... | 216 |
| FIGURE 3-19. GM ENGINE AND PUMP SUB-ASSEMBLY (SN 0200239053 through 0200259520)..... | 220 |
| FIGURE 3-20. GM ENGINE AND PUMP SUB-ASSEMBLY (SN 0200259521 to Present)..... | 222 |
| FIGURE 3-21. GM ENGINE ASSEMBLY (SN 0200239053 through 0200259520)..... | 224 |
| FIGURE 3-22. GM ENGINE ASSEMBLY (SN 0200259521 to Present)..... | 226 |
| FIGURE 3-23. PISTON PUMP ASSEMBLY..... | 228 |
| FIGURE 3-24. GENERATOR INSTALLATION - 110V - DEUTZ D2011 ENGINE (OPTIONAL)..... | 232 |
| FIGURE 3-25. GENERATOR INSTALLATION - 220V - DEUTZ D2011 ENGINE (OPTIONAL)..... | 236 |
| FIGURE 3-26. GENERATOR INSTALLATION - 110V - DEUTZ D2.9L4 (OPTIONAL)..... | 240 |
| FIGURE 3-27. GENERATOR INSTALLATION - 7500W - DEUTZ D2.9L4 ENGINE (OPTIONAL)..... | 244 |
| FIGURE 3-28. JUNCTION BOX ASSEMBLY - 7500W GENERATOR..... | 248 |
| FIGURE 3-29. GENERATOR INSTALLATION - 110V - GM ENGINE (OPTIONAL)..... | 250 |
| SECTION 4 - SCISSORS ARMS..... | 253 |

TABLE OF CONTENTS

| | |
|--|-----|
| FIGURE 4-1. SCISSOR ARMS INSTALLATION - 3394RT (DEUTZ D2011 ENGINE AND GM ENGINE MACHINES) | 254 |
| FIGURE 4-2. SCISSOR ARMS ASSEMBLY - 3394RT (DEUTZ D2011 ENGINE AND GM ENGINE MACHINES) | 256 |
| FIGURE 4-3. SCISSOR ARMS INSTALLATION - 3394RT (DEUTZ D2.9L4 ENGINE MACHINES) | 260 |
| FIGURE 4-4. SCISSOR ARMS ASSEMBLY - 3394RT (DEUTZ D2.9L4 ENGINE MACHINES) | 262 |
| FIGURE 4-5. SCISSOR ARMS INSTALLATION - 4394RT (DEUTZ D2011 ENGINE AND GM ENGINE MACHINES) | 266 |
| FIGURE 4-6. SCISSOR ARMS ASSEMBLY - 4394RT (DEUTZ D2011 ENGINE AND GM ENGINE MACHINES) | 268 |
| FIGURE 4-7. SCISSOR ARMS INSTALLATION - 4394RT (DEUTZ D2.9L4 ENGINE MACHINES) | 272 |
| FIGURE 4-8. SCISSORS ARMS ASSEMBLY - 4394RT | 274 |
| FIGURE 4-9. ARM GUARDS INSTALLATION - 3394RT (CE SPEC ONLY) | 278 |
| FIGURE 4-10. ARM GUARDS INSTALLATION - 4394RT (CE SPEC ONLY) | 280 |
| SECTION 5 - PLATFORM | 283 |
| FIGURE 5-1. PLATFORM ATTACH INSTALLATIONS - WITHOUT LSS | 284 |
| FIGURE 5-2. PLATFORM ATTACH INSTALLATION - WITH LSS | 286 |
| FIGURE 5-3. PLATFORM MODULE INSTALLATION - 3394RT | 288 |
| FIGURE 5-4. PLATFORM MODULE INSTALLATION - 4394RT | 290 |
| FIGURE 5-5. MANUAL SINGLE DECK EXTENSION AND PLATFORM INSTALLATION | 292 |
| FIGURE 5-6. MANUAL DUAL DECK EXTENSION AND PLATFORM INSTALLATION | 294 |
| FIGURE 5-7. POWER SINGLE DECK EXTENSION AND PLATFORM INSTALLATION - 3394RT | 296 |
| FIGURE 5-8. POWER SINGLE DECK EXTENSION AND PLATFORM INSTALLATION - 3394RT | 300 |
| FIGURE 5-9. POWER SINGLE DECK EXTENSION AND PLATFORM INSTALLATION - 4394RT | 304 |
| FIGURE 5-10. POWER SINGLE DECK EXTENSION AND PLATFORM INSTALLATION - 4394RT | 308 |
| FIGURE 5-11. POWER DUAL DECK EXTENSION AND PLATFORM INSTALLATION - 3394RT (WITH 12.6FT/3.8M LENGTH PLATFORM) | 312 |
| FIGURE 5-12. POWER DUAL DECK EXTENSION AND PLATFORM INSTALLATION - 3394RT (WITH 12.6FT/3.8M LENGTH PLATFORM) | 316 |
| FIGURE 5-13. POWER DUAL DECK EXTENSION AND PLATFORM INSTALLATION - 4394RT (WITH 12.6FT/3.8M LENGTH PLATFORM) | 320 |
| FIGURE 5-14. POWER DUAL DECK EXTENSION AND PLATFORM INSTALLATION - 4394RT (WITH 12.6FT/3.8M LENGTH PLATFORM) | 324 |
| FIGURE 5-15. POWER DUAL DECK EXTENSION AND PLATFORM INSTALLATION - 3394RT (WITH 15.8FT/4.8M LENGTH MEGADECK PLATFORM) (SN 0200239053 through 0200246956) | 328 |
| FIGURE 5-16. POWER DUAL DECK EXTENSION AND PLATFORM INSTALLATION - 3394RT (WITH 15.8FT/4.8M LENGTH MEGADECK PLATFORM) (SN 0200246957 to Present) | 332 |
| FIGURE 5-17. PLATFORM AND MANUAL SINGLE DECK EXTENSION ASSEMBLY | 336 |
| FIGURE 5-18. PLATFORM AND MANUAL DUAL DECK EXTENSION ASSEMBLY | 338 |
| FIGURE 5-19. PLATFORM AND POWER SINGLE DECK EXTENSION ASSEMBLY | 340 |
| FIGURE 5-20. PLATFORM AND POWER DUAL DECK EXTENSION ASSEMBLY (WITH 12.6FT/3.8M LENGTH PLATFORM) | 342 |
| FIGURE 5-21. PLATFORM AND POWER DUAL DECK EXTENSION ASSEMBLY (WITH 15.8FT/4.8M LENGTH MEGADECK PLATFORM) | 344 |
| FIGURE 5-22. POWER DECK AUXILIARY PUMP ASSEMBLY | 346 |
| FIGURE 5-23. POWER DECK VALVE ASSEMBLY - SINGLE EXTENSION | 348 |
| FIGURE 5-24. POWER DECK VALVE ASSEMBLY - DUAL EXTENSION | 350 |
| FIGURE 5-25. POWER DECK VALVE ASSEMBLY - DUAL EXTENSION | 352 |
| FIGURE 5-26. RAILS INSTALLATION - CHAIN ENTRY (SINGLE DECK EXTENSION) | 354 |
| FIGURE 5-27. RAILS INSTALLATION - CHAIN ENTRY (DUAL DECK EXTENSION) | 356 |
| FIGURE 5-28. RAILS INSTALLATION - SWING GATE ENTRY (SINGLE DECK EXTENSION) | 358 |
| FIGURE 5-29. RAILS INSTALLATION - SWING GATE ENTRY (DUAL DECK EXTENSION) | 360 |
| FIGURE 5-30. RAILS INSTALLATION - SWING GATE ENTRY (MEGADECK EXTENSION - 3394RT) (CE SPEC ONLY) | 362 |
| FIGURE 5-31. PLATFORM CONSOLE BOX INSTALLATION - DIESEL MACHINES | 364 |
| FIGURE 5-32. PLATFORM CONSOLE BOX INSTALLATION - GAS DUAL FUEL MACHINES | 366 |
| FIGURE 5-33. PLATFORM CONSOLE BOX ASSEMBLY - DIESEL MACHINES | 368 |
| FIGURE 5-34. PLATFORM CONSOLE BOX ASSEMBLY - GAS DUAL FUEL MACHINES | 370 |
| FIGURE 5-35. DRIVE/STEER CONTROLLER ASSEMBLY | 372 |
| FIGURE 5-36. LEVELING JACKS SWITCH INSTALLATION | 374 |
| FIGURE 5-37. LEVELING JACKS SWITCH INSTALLATION | 376 |
| FIGURE 5-38. PIPE RACKS INSTALLATION (RAIL MOUNT) | 378 |
| FIGURE 5-39. PIPE RACKS INSTALLATION (SKY POSITIONER) | 380 |
| FIGURE 5-40. WORKSTATION WITHOUT DC CONVERTER INSTALLATION | 384 |
| SECTION 6 - CYLINDER | 387 |
| FIGURE 6-1. AXLE LOCKOUT CYLINDER ASSEMBLY | 388 |
| FIGURE 6-2. AXLE LOCKOUT CYLINDER ASSEMBLY | 390 |
| FIGURE 6-3. LEVELING JACK CYLINDER ASSEMBLY | 392 |
| FIGURE 6-4. LIFT CYLINDER ASSEMBLY | 394 |

TABLE OF CONTENTS

| | |
|---|-----|
| FIGURE 6-5. PLATFORM EXTENSION CYLINDER ASSEMBLY | 396 |
| FIGURE 6-6. STEER CYLINDER ASSEMBLY | 398 |
| SECTION 7 - HYDRAULIC | 401 |
| FIGURE 7-1. HYDRAULIC DIAGRAM | 402 |
| FIGURE 7-2. HYDRAULIC DIAGRAM | 406 |
| FIGURE 7-3. LEVELING JACK HYDRAULIC DIAGRAM - OPTIONAL ON 3394RT - STANDARD ON 4394RT | 410 |
| FIGURE 7-4. LEVELING JACK HYDRAULIC DIAGRAM - OPTIONAL ON 3394RT - STANDARD ON 4394RT | 412 |
| FIGURE 7-5. POWER SINGLE DECK EXTENSION HYDRAULIC DIAGRAM | 414 |
| FIGURE 7-6. POWER SINGLE DECK EXTENSION HYDRAULIC DIAGRAM | 416 |
| FIGURE 7-7. POWER DUAL DECK EXTENSION (12.6FT/3.8M LENGTH PLATFORM) HYDRAULIC DIAGRAM | 418 |
| FIGURE 7-8. POWER DUAL DECK EXTENSION (12.6FT/3.8M LENGTH PLATFORM) HYDRAULIC DIAGRAM | 422 |
| FIGURE 7-9. POWER DUAL DECK EXTENSION (15.8FT/4.8M LENGTH MEGADECK PLATFORM) HYDRAULIC DIAGRAM (SN 0200239053 through 0200246956) | 426 |
| FIGURE 7-10. POWER DUAL DECK EXTENSION (15.8FT/4.8M LENGTH MEGADECK PLATFORM) (SN 0200246957 to Present) | 430 |
| FIGURE 7-11. HYDRAULIC DIAGRAM LIST | 434 |
| SECTION 8 - ELECTRICAL | 435 |
| FIGURE 8-1. ELECTRICAL DIAGRAM LIST | 436 |
| FIGURE 8-2. AC BOX AT PLATFORM INSTALLATION - 110V GFI (ANSI, ANSI EXPORT AND CE SPECS) | 438 |
| FIGURE 8-3. AC BOX AT PLATFORM INSTALLATION - 110V (IEC 60309 YELLOW) (CE SPEC ONLY) | 440 |
| FIGURE 8-4. AC BOX AT PLATFORM INSTALLATION - 220V - NO BOX (ALL SPECS) | 442 |
| FIGURE 8-5. AC BOX AT PLATFORM INSTALLATION - 220V (ANSI, ANSI EXPORT AND CSA SPECS) | 444 |
| FIGURE 8-6. AC BOX AT PLATFORM INSTALLATION - 220V (IEC 60309 BLUE) (CE SPEC ONLY) | 446 |
| FIGURE 8-7. AC BOX AT PLATFORM INSTALLATION - 220V (AFSINT 107 KEYED GROUND 2X4 BOX) (CE SPEC ONLY) | 448 |
| FIGURE 8-8. AC BOX AT PLATFORM INSTALLATION - 220V (CEE7 POST GROUND 2X4 BOX) (CE SPEC ONLY) | 450 |
| FIGURE 8-9. AC BOX AT PLATFORM INSTALLATION - 220V (CEE7 SIDE GROUND 2X4 BOX) (CE SPEC ONLY) | 452 |
| FIGURE 8-10. AC BOX AT PLATFORM INSTALLATION - 220V (CEE7 POST GROUND 70X70 BOX) (CE SPEC ONLY) | 454 |
| FIGURE 8-11. AC BOX AT PLATFORM INSTALLATION - 220V (CEE7 SIDE GROUND 70X70 BOX) (CE SPEC ONLY) | 456 |
| FIGURE 8-12. AC CORD ASSEMBLY - 2000W & 3500W | 458 |
| FIGURE 8-13. BEACON HARNESS ASSEMBLY (OPTIONAL) | 460 |
| FIGURE 8-14. BREAKER BOX KIT (CE SPEC) | 462 |
| FIGURE 8-15. CONSOLE BOX HARNESS | 464 |
| FIGURE 8-16. ENGINE AND VALVE HARNESS - DEUTZ ENGINE MACHINES | 466 |
| FIGURE 8-17. ENGINE AND VALVE HARNESS - DEUTZ ENGINE MACHINES | 468 |
| FIGURE 8-18. ENGINE AND VALVE HARNESS - GM ENGINE MACHINES | 472 |
| FIGURE 8-19. ENGINE HARNESS - DEUTZ D2011 ENGINE | 474 |
| FIGURE 8-20. ENGINE HARNESS - DEUTZ D2.9L4 ENGINE | 476 |
| FIGURE 8-21. FUEL HARNESS - DEUTZ D2.9L4 ENGINE | 480 |
| FIGURE 8-22. GENERATOR HARNESS - DEUTZ D2011 & GM ENGINES | 482 |
| FIGURE 8-23. GENERATOR AC CABLE - DEUTZ D2.9L4 ENGINES - 2500W | 484 |
| FIGURE 8-24. GENERATOR HARNESS - DEUTZ D2.9L4 ENGINES - 2500W | 486 |
| FIGURE 8-25. GENERATOR TO CONTROL BOX HARNESS - DEUTZ D2.9L4 ENGINES - 7500W | 488 |
| FIGURE 8-26. GENERATOR TO VEHICLE INTERFACE HARNESS - DEUTZ D2.9L4 ENGINES - 7500W | 490 |
| FIGURE 8-27. GROUND CONTROL BOX HARNESS | 492 |
| FIGURE 8-28. GROUND TO PLATFORM MODULE HARNESS - 3394RT | 494 |
| FIGURE 8-29. GROUND TO PLATFORM MODULE HARNESS - 4394RT | 496 |
| FIGURE 8-30. LEVELING JACK HARNESS ASSEMBLY (OPTIONAL ON 3394RT - STANDARD ON 4394RT) | 498 |
| FIGURE 8-31. PLATFORM MODULE TO CONSOLE BOX HARNESS | 500 |
| FIGURE 8-32. POWER DECK HARNESS | 502 |
| FIGURE 8-33. POWER DECK HARNESS | 504 |
| FIGURE 8-34. POWER DECK HARNESS | 506 |
| FIGURE 8-35. POWER DECK AUXILIARY POWER HARNESS | 508 |
| FIGURE 8-36. POWER DECK JUMPER HARNESS INSTALLATION | 510 |
| FIGURE 8-37. RECEPTACLE BOX KIT - 110V GFI | 512 |
| FIGURE 8-38. RECEPTACLE BOX KIT - 110V IEC YELLOW (CE SPEC) | 514 |
| FIGURE 8-39. RECEPTACLE BOX KIT - 220V IEC BLUE (CE SPEC) | 516 |
| FIGURE 8-40. RECEPTACLE BOX KIT - 220V AFSINT 107 (CE SPEC) | 518 |
| FIGURE 8-41. RECEPTACLE BOX KIT - 220V CEE7 POST GROUND 2X4 BOX (CE SPEC) | 520 |
| FIGURE 8-42. RECEPTACLE BOX KIT - 220V CEE7 SIDE GROUND 2X4 BOX (CE SPEC) | 522 |
| FIGURE 8-43. RECEPTACLE BOX KIT - CEE7 POST GROUND 70X70 BOX (CE SPEC) | 524 |
| FIGURE 8-44. RECEPTACLE BOX KIT - CEE7 SIDE GROUND 70X70 BOX (CE SPEC) | 526 |
| FIGURE 8-45. TEMPERATURE SENSOR HARNESS | 528 |

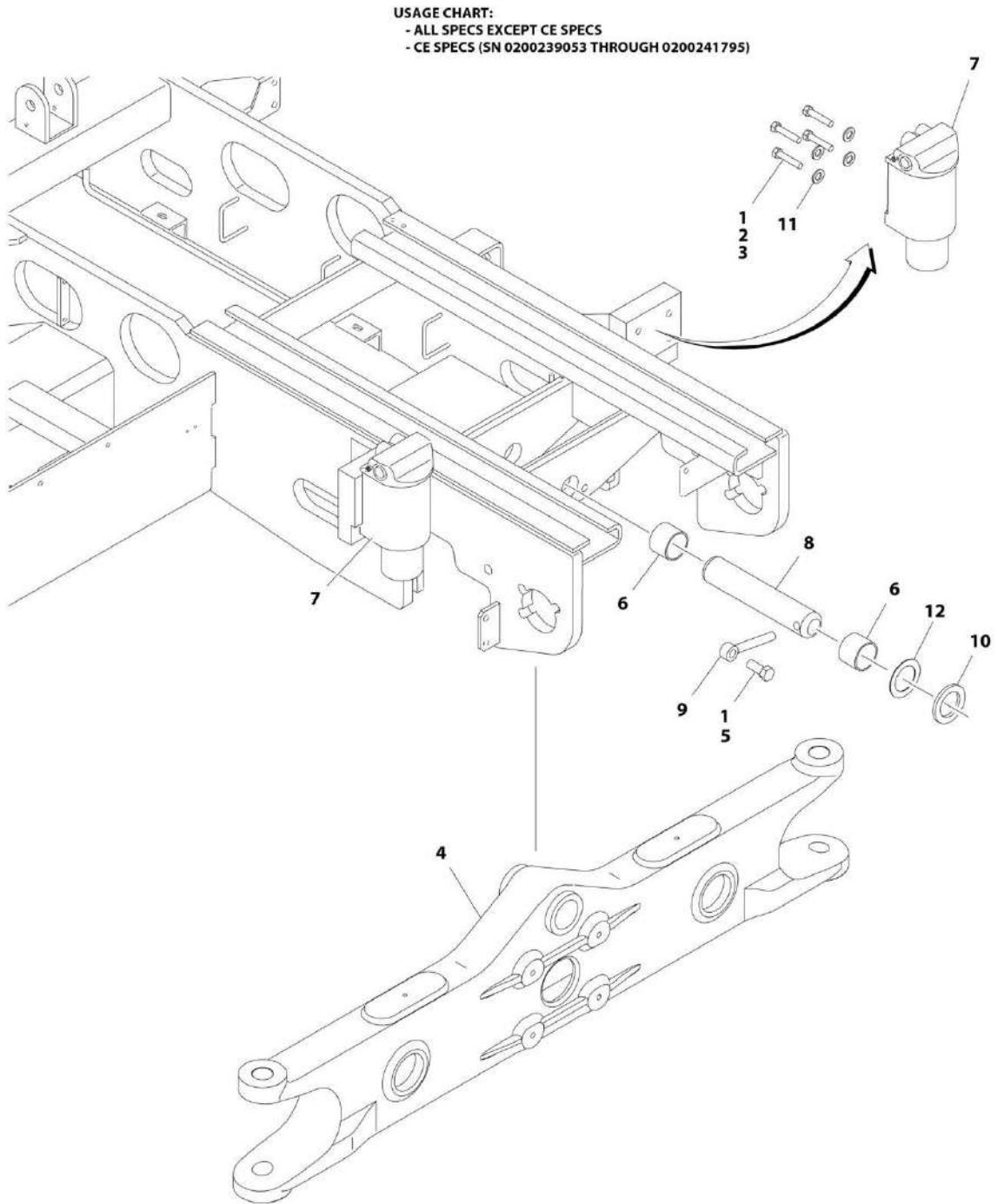
TABLE OF CONTENTS

| | |
|--|-----|
| SECTION 9 - DECALS..... | 531 |
| FIGURE 9-1. DECAL INSTALLATION (ANSI SPEC) | 532 |
| FIGURE 9-2. DECAL INSTALLATION (AUSTRALIAN AND CE SPECS) | 534 |
| FIGURE 9-3. DECAL INSTALLATION - BRAZIL SPEC (SPANISH/PORTUGUESE) | 536 |
| FIGURE 9-4. DECAL INSTALLATION - CHINESE SPEC (ENGLISH/CHINESE) | 538 |
| FIGURE 9-5. DECAL INSTALLATION - CSA SPEC (ENGLISH/FRENCH) | 540 |
| FIGURE 9-6. DECAL INSTALLATION - KOREAN SPEC (ENGLISH/KOREAN) | 542 |
| FIGURE 9-7. DECAL INSTALLATION - LATIN AMERICAN SPEC (ENGLISH/SPANISH) | 544 |
| FIGURE 9-8. DECAL INSTALLATION - OPTIONS | 546 |
| SECTION 10 - RECOMMENDED SERVICE PARTS STOCK | 549 |
| FIGURE 10-1. RECOMMENDED SERVICE PARTS STOCK | 550 |
| SECTION 11 - SPECIAL OPTIONS..... | 553 |
| FIGURE 11-1. SPECIAL OPTIONS LIST | 554 |
| PART NUMBER INDEX | 557 |

SECTION 1 - FRAME

SECTION 1 - FRAME

FIGURE 1-1. AXLE INSTALLATION



ART_1001139626

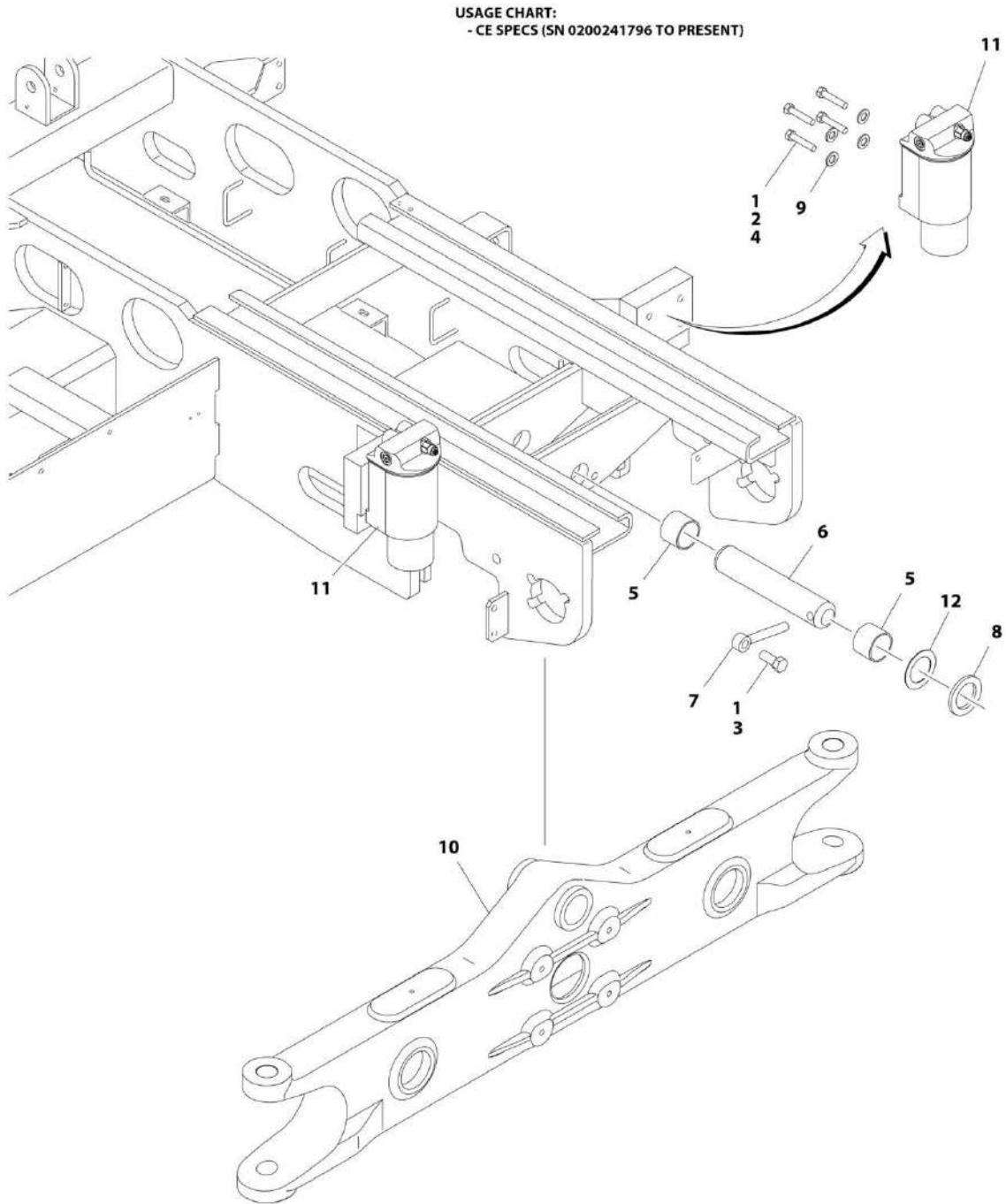
SECTION 1 - FRAME

FIGURE 1-1. AXLE INSTALLATION

| ITEM | PART NUMBER | QTY | DESCRIPTION | REV |
|------|-------------|-----|---|-----|
| | | Ref | USAGE CHART: | |
| | | Ref | - All Specs except CE Specs | |
| | | Ref | - CE Specs (SN 0200239053 through 0200241795) | |
| | 1001139626 | Ref | AXLE INSTALLATION | C |
| 1 | 0100011 | AR | Compound, Locking | |
| 2 | 0641822 | 8 | Bolt 1/2 x 2-3/4 | |
| 3 | 0100038 | AR | Primer, Locking | |
| 4 | 1001098130 | 1 | Axle | |
| 5 | 0642012 | 1 | Bolt 5/8 x 1-1/2 | |
| 6 | 0961950 | 2 | Bearing | |
| 7 | 1684465 | 2 | Oscillating Axle Cylinder Assembly (See CYLINDER SECTION for Breakdown) | |
| 8 | 3422592 | 1 | Pin, Axle Pivot | |
| 9 | 3841258 | 1 | Keeper, Pin | |
| 10 | 4740158 | 1 | Washer, Thrust | |
| 11 | 4891800 | 8 | Washer 1/2 | |
| 12 | 4740541 | AR | Washer | |

SECTION 1 - FRAME

FIGURE 1-2. AXLE INSTALLATION



ART_1001188845

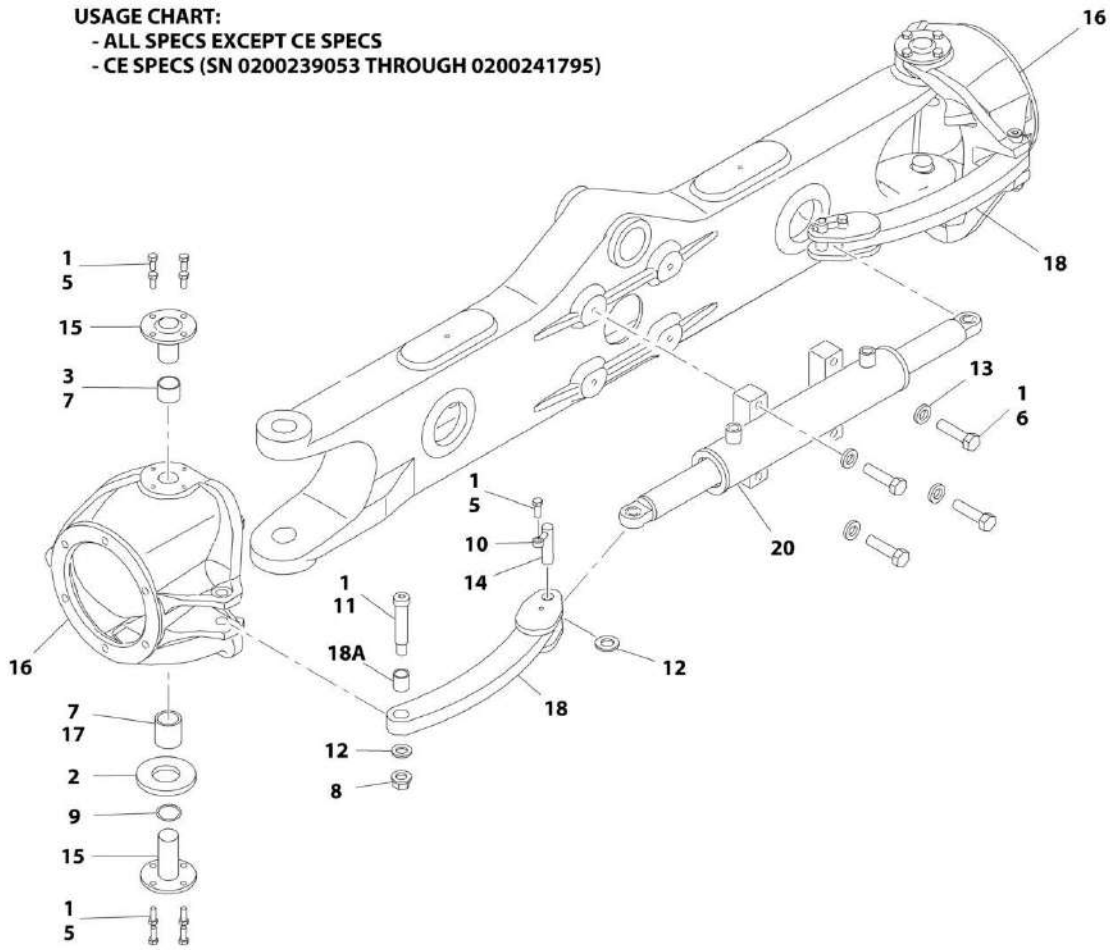
SECTION 1 - FRAME

FIGURE 1-2. AXLE INSTALLATION

| ITEM | PART NUMBER | QTY | DESCRIPTION | REV |
|------|-------------|-----|---|-----|
| | | Ref | USAGE CHART: | |
| | | Ref | - CE Specs (SN 0200241796 to Present) | |
| | 1001188845 | Ref | AXLE INSTALLATION | B |
| 1 | 0100011 | AR | Compound, Locking | |
| 2 | 0100038 | AR | Primer, Locking | |
| 3 | 0642012 | 1 | Bolt 5/8 x 1-1/2 | |
| 4 | 0701222 | 8 | Bolt M12 x 70 | |
| 5 | 0961950 | 2 | Bearing | |
| 6 | 3422592 | 1 | Pin, Axle Pivot | |
| 7 | 3841258 | 1 | Keeper, Pin | |
| 8 | 4740158 | 1 | Washer, Thrust | |
| 9 | 5241200 | 8 | Washer M12 | |
| 10 | 1001098130 | 1 | Axle | |
| 11 | 1001163580 | 2 | Oscillating Axle Cylinder Assembly (See CYLINDER SECTION for Breakdown) | |
| 12 | 4740541 | AR | Washer | |

SECTION 1 - FRAME

FIGURE 1-3. STEERING INSTALLATION



ART_1001139935

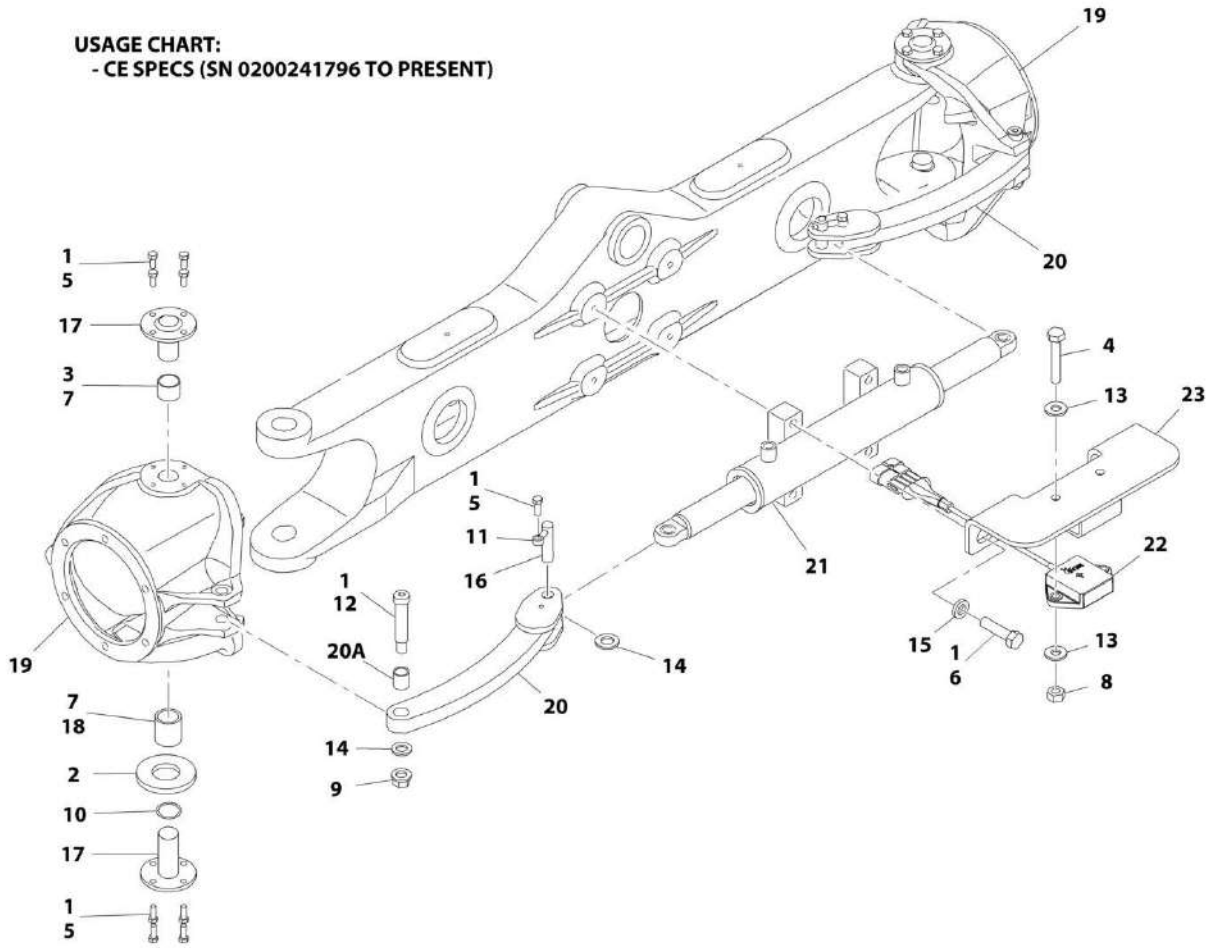
SECTION 1 - FRAME

FIGURE 1-3. STEERING INSTALLATION

| ITEM | PART NUMBER | QTY | DESCRIPTION | REV |
|------|-------------|-----|--|-----|
| | | Ref | USAGE CHART: | |
| | | Ref | - All Specs except CE Specs | |
| | | Ref | - CE Specs (SN 0200239053 through 0200241795) | |
| | 1001139935 | Ref | STEERING INSTALLATION | E |
| 1 | 0100011 | AR | Compound, Locking | |
| 2 | 0440271 | 2 | Washer, Thrust | |
| 3 | 0440291 | 2 | Bearing | |
| 5 | 0641607 | 18 | Bolt 3/8 x 7/8 | |
| 6 | 0681820 | 4 | Bolt 1/2 x 2-1/2 Grade 8 | |
| 7 | 3020029 | AR | Grease, Bearing | |
| 8 | 3312008 | 2 | Nut 5/8 | |
| 9 | 3780182 | 2 | O-Ring | |
| 10 | 3841520 | 2 | Keeper | |
| 11 | 3900255 | 2 | Screw, Shoulder | |
| 12 | 4740086 | 4 | Washer, Thrust | |
| 13 | 4891800 | 4 | Washer 1/2 | |
| 14 | 1001116867 | 2 | Pin, Axle Pivot | |
| 15 | 1001139141 | 4 | Kingpin | |
| 16 | 1001139645 | 2 | Spindle | |
| 17 | 1001139476 | 2 | Bearing | |
| 18 | 1001139892 | 2 | Tie-Rod | |
| 18A | 1001139943 | 2 | Bearing | |
| 20 | 1001143434 | 1 | Steer Cylinder Assembly (See CYLINDER SECTION for Breakdown) | |

SECTION 1 - FRAME

FIGURE 1-4. STEERING INSTALLATION



ART_1001187880

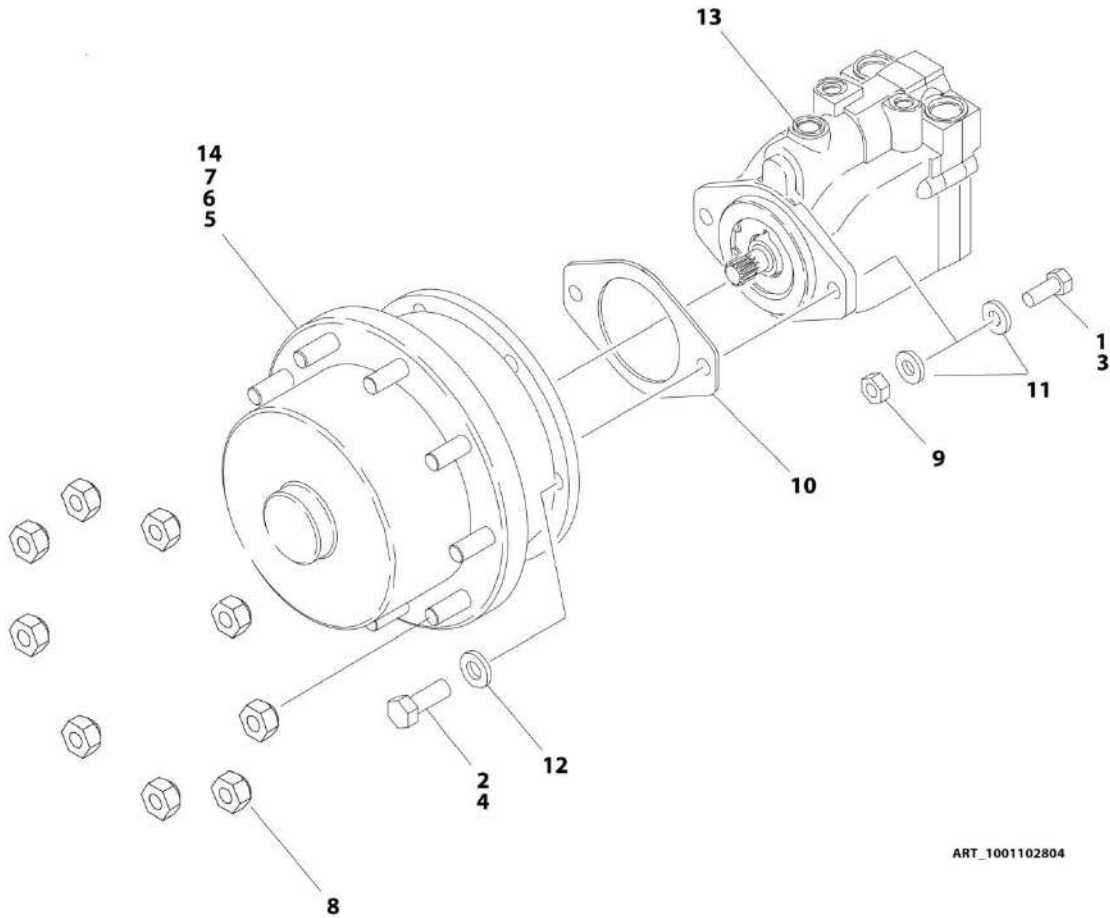
SECTION 1 - FRAME

FIGURE 1-4. STEERING INSTALLATION

| ITEM | PART NUMBER | QTY | DESCRIPTION | REV |
|------|-------------|-----|--|-----|
| | | Ref | USAGE CHART: | |
| | | Ref | - CE Specs (SN 0200241796 to Present) | |
| | 1001187880 | Ref | STEERING INSTALLATION | B |
| 1 | 0100011 | AR | Compound, Locking | |
| 2 | 0440271 | 2 | Washer, Thrust | |
| 3 | 0440291 | 2 | Bearing | |
| 4 | 0641412 | 2 | Bolt 1/4 x 1-1/2 | |
| 5 | 0641607 | 18 | Bolt 3/8 x 7/8 | |
| 6 | 0681822 | 4 | Bolt 1/2 x 2-3/4 Grade 8 | |
| 7 | 3020029 | AR | Grease, Bearing | |
| 8 | 3311405 | 2 | Nut 1/4 | |
| 9 | 3312008 | 2 | Nut 5/8 | |
| 10 | 3780182 | 2 | O-Ring | |
| 11 | 3841520 | 2 | Keeper | |
| 12 | 3900255 | 2 | Screw, Shoulder | |
| 13 | 4711400 | 4 | Washer 1/4 | |
| 14 | 4740086 | 4 | Washer, Thrust | |
| 15 | 4891800 | 4 | Washer 1/2 | |
| 16 | 1001116867 | 2 | Pin, Axle Pivot | |
| 17 | 1001139141 | 4 | Kingpin | |
| 18 | 1001139476 | 2 | Bearing | |
| 19 | 1001139645 | 2 | Spindle | |
| 20 | 1001139892 | 2 | Tie-Rod | |
| 20A | 1001139943 | 2 | Bearing | |
| 21 | 1001143434 | 1 | Steer Cylinder Assembly (See CYLINDER SECTION for Breakdown) | |
| 22 | 1001186467 | 1 | Sensor, Steer | |
| 22 | See Note | NSS | Receptacle, Female - 4 Position (Note: Use p/n 1001186467) | |
| 23 | 1001187695 | 1 | Bracket | |

SECTION 1 - FRAME

FIGURE 1-5. WHEEL DRIVE INSTALLATION



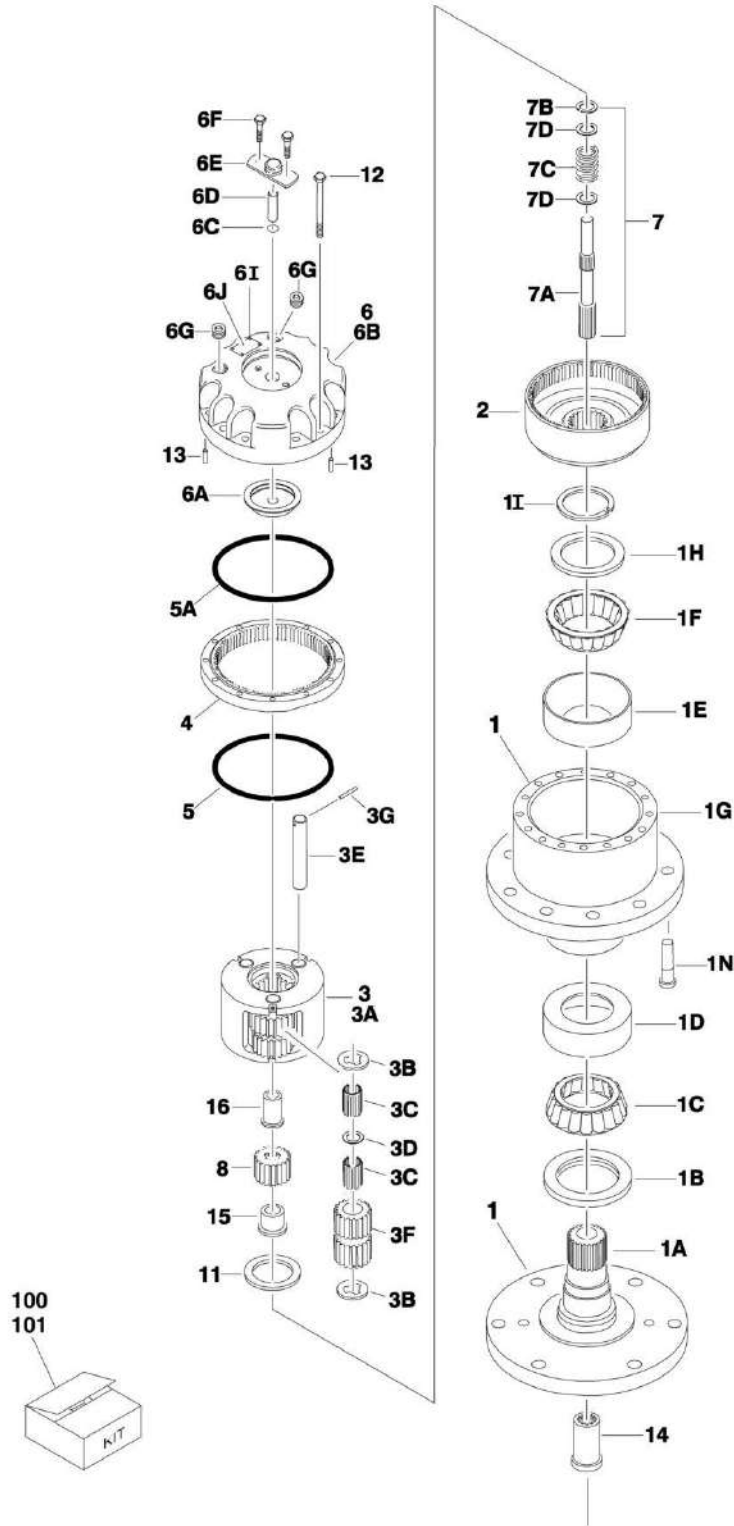
ART_1001102804

FIGURE 1-5. WHEEL DRIVE INSTALLATION

| ITEM | PART NUMBER | QTY | DESCRIPTION | REV |
|------|-------------|-----|---|-----|
| | 1001102804 | Ref | WHEEL DRIVE INSTALLATION | F |
| 1 | 0100011 | AR | Compound, Locking | |
| 2 | 0100019 | AR | Compound, Locking | |
| 3 | 0681810 | 4 | Bolt 1/2 x 1-1/4 | |
| 4 | 0682014 | 24 | Bolt 5/8 x 1-3/4 | |
| 5 | 2300016 | AR | Fluid, Hydraulic | |
| 6 | 2780267 | 2 | Drive Hub with Brake Assembly (Rear) (See DRIVE HUB ASSEMBLY - REAR for Breakdown) | |
| 7 | 2780268 | 2 | Drive Hub without Brake Assembly (Front) (See DRIVE HUB ASSEMBLIES - FRONT for Breakdown) | |
| 8 | 3300106 | 36 | Lugnut | |
| 9 | 3311801 | 4 | Nut 1/2 | |
| 10 | 3960526 | 4 | Gasket | |
| 11 | 4891800 | 8 | Washer 1/2 | |
| 12 | 4892000 | 24 | Washer 5/8 | |
| 13 | 1001102805 | 4 | Drive Motor Assembly (Sauer-Danfoss) (See DRIVE MOTOR ASSEMBLY (SAUER-DANFOSS) for Breakdown) | |
| 14 | 3020008 | AR | Lubricant, Mobilube HD 80W-90 | |

SECTION 1 - FRAME

FIGURE 1-6. DRIVE HUB ASSEMBLY - FRONT



ART_2780268

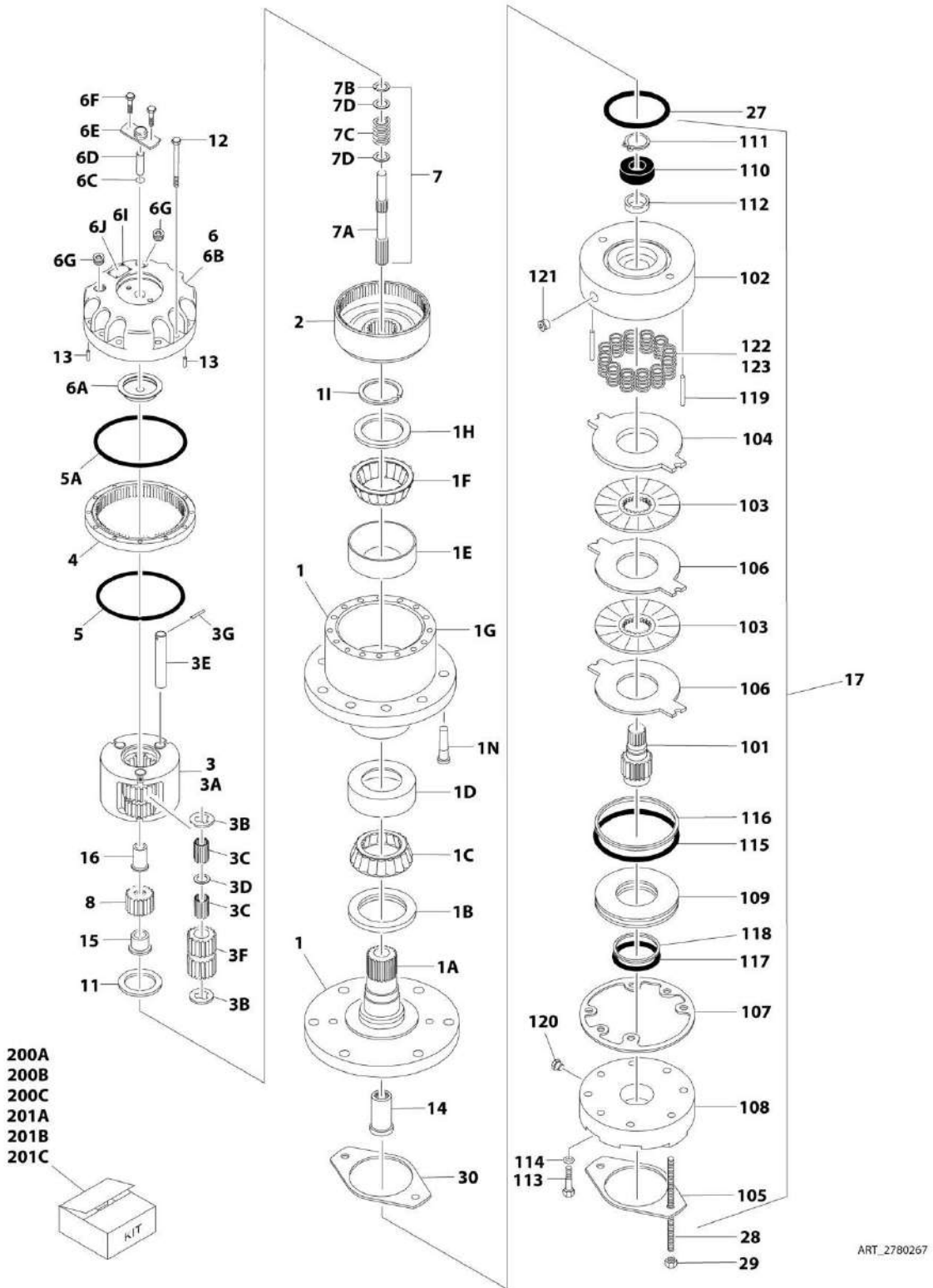
SECTION 1 - FRAME

FIGURE 1-6. DRIVE HUB ASSEMBLY - FRONT

| ITEM | PART NUMBER | QTY | DESCRIPTION | REV |
|------|-------------|-----|---|-----|
| | 2780268 | Ref | DRIVE HUB ASSEMBLY - FRONT | E |
| 1 | See Note | NSS | Spindle/Housing Assembly (Note: Purchase Individual Components) | |
| 1A | 7027059 | 1 | Spindle | |
| 1B | 7001998 | 1 | Seal | |
| 1C | 7010429 | 1 | Cone, Bearing (Includes Item 1D) | |
| 1D | 7010429 | 1 | Cup, Bearing (Includes Item 1C) | |
| 1E | 7000257 | 1 | Cup, Bearing | |
| 1F | 7000258 | 1 | Cone, Bearing | |
| 1G | 7007601 | 1 | Housing/Ring Gear | |
| 1H | 7000232 | 1 | Washer, Thrust | |
| 1I | 7000229 | 1 | Ring, Retaining | |
| 1N | 7007640 | 9 | Stud, Wheel | |
| 2 | 7000246 | 1 | Gear, Internal | |
| 3 | 7024712 | 1 | Carrier Assembly | |
| 3A | See Note | NSS | Carrier (Note: Use p/n 7024712) | |
| 3B | See Note | NSS | Ring, Retaining (Note: Use p/n 7024712) | |
| 3C | See Note | NSS | Bearing, Needle (Note: Use p/n 7024712) | |
| 3D | See Note | NSS | Washer, Thrust (Note: Use p/n 7024712) | |
| 3E | See Note | NSS | Shaft, Planet (Note: Use p/n 7024712) | |
| 3F | See Note | NSS | Gear, Planet (Note: Use p/n 7024712) | |
| 3G | See Note | NSS | Rollpin (Note: Not Available for Purchase) | |
| 4 | 7000248 | 1 | Ring Gear | |
| 5 | 7000230 | 1 | O-Ring | |
| 5A | 7017070 | 1 | O-Ring | |
| 6 | 70001349 | 1 | Cover Assembly Kit | |
| 6A | See Note | NSS | Spacer, Thrust (Note: Use p/n 70001349) | |
| 6B | See Note | NSS | Plate, Cover (Note: Use p/n 70001349) | |
| 6C | See Note | NSS | O-Ring (Note: Use p/n 70001349) | |
| 6D | See Note | NSS | Rod, Disconnect (Note: Use p/n 70001349) | |
| 6E | See Note | NSS | Cap, Disengage (Note: Use p/n 70001349) | |
| 6F | See Note | NSS | Bolt (Note: Use p/n 70001349) | |
| 6G | See Note | NSS | Plug, Pipe (Note: Use p/n 70001349) | |
| 6I | See Note | NSS | Rivet (Note: Not Available for Purchase) | |
| 6J | See Note | NSS | Plate, ID (Note: Not Available for Purchase) | |
| 7 | | Ref | Input Shaft Assembly | |
| 7A | 7024714 | 1 | Shaft | |
| 7B | 7000261 | 1 | Ring, Retaining | |
| 7C | 7000262 | 1 | Spring | |
| 7D | 7000263 | 2 | Spacer, Thrust | |
| 8 | 7024713 | 1 | Gear, Sun | |
| 11 | 7000253 | 1 | Washer, Thrust | |
| 12 | 7017067 | 12 | Bolt | |
| 13 | 7017080 | 4 | Pin, Dowell | |
| 14 | 7000206 | 1 | Coupling | |
| 15 | 7024715 | 1 | Spacer, Input | |
| 16 | 7024716 | 1 | Spacer, Input | |
| 100 | 70006428 | 1 | Bearing and Seal Kit (Includes Items 1B-1F, 1I, 5, 5A & 12) | |
| 101 | 70006429 | 1 | Seal Kit (Includes Items 1B, 1I, 5, 5A & 12) | |

SECTION 1 - FRAME

FIGURE 1-7. DRIVE HUB AND BRAKE ASSEMBLY - REAR



SECTION 1 - FRAME

FIGURE 1-7. DRIVE HUB AND BRAKE ASSEMBLY - REAR

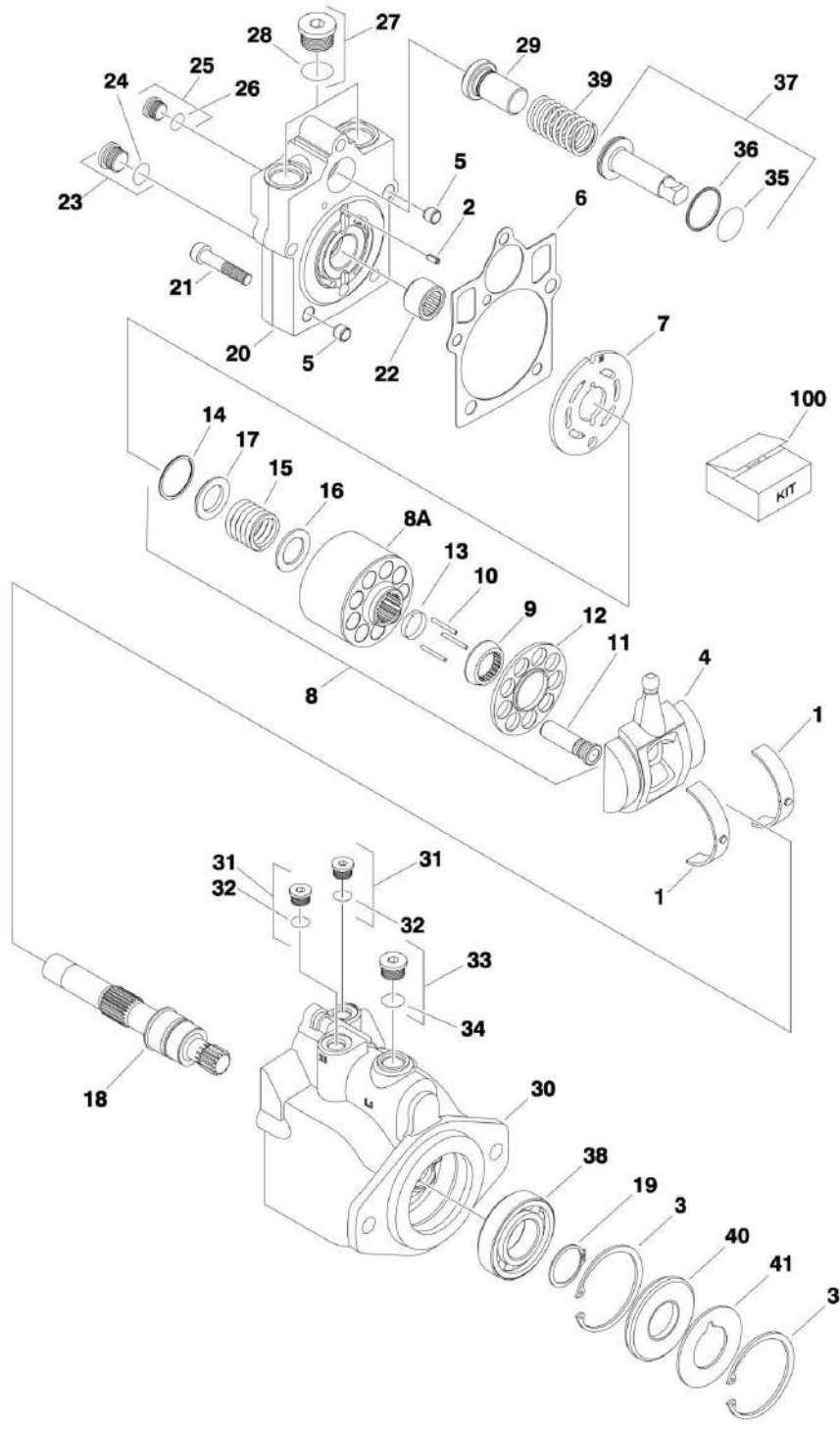
| ITEM | PART NUMBER | QTY | DESCRIPTION | REV |
|------|-------------|-----|---|-----|
| | 2780267 | Ref | DRIVE HUB AND BRAKE ASSEMBLY - REAR | H |
| 1 | See Note | NSS | Spindle/Housing Assembly (Note: Purchase Individual Components) | |
| 1A | 7027059 | 1 | Spindle | |
| 1B | 7001998 | 1 | Seal | |
| 1C | 7010429 | 1 | Cone, Bearing (Includes Item 1D) | |
| 1D | 7010429 | 1 | Cup, Bearing (Includes Item 1C) | |
| 1E | 7000257 | 1 | Cup, Bearing | |
| 1F | 7000258 | 1 | Cone, Bearing | |
| 1G | 7007601 | 1 | Housing/Ring Gear | |
| 1H | 7000232 | 1 | Washer, Thrust | |
| 1I | 7000229 | 1 | Ring, Retaining | |
| 1N | 7007640 | 9 | Stud, Wheel | |
| 2 | 7000246 | 1 | Gear, Internal | |
| 3 | 7024712 | 1 | Carrier Assembly | |
| 3A | See Note | NSS | Carrier (Note: Use p/n 7024712) | |
| 3B | See Note | NSS | Ring, Retaining (Note: Use p/n 7024712) | |
| 3C | See Note | NSS | Bearing, Needle (Note: Use p/n 7024712) | |
| 3D | See Note | NSS | Washer, Thrust (Note: Use p/n 7024712) | |
| 3E | See Note | NSS | Shaft, Planet (Note: Use p/n 7024712) | |
| 3F | See Note | NSS | Gear, Planet (Note: Use p/n 7024712) | |
| 3G | See Note | NSS | Rollpin (Note: Not Available for Purchase) | |
| 4 | 7000248 | 1 | Ring Gear | |
| 5 | 7000230 | 1 | O-Ring | |
| 5A | 7017070 | 1 | O-Ring | |
| 6 | 70001349 | 1 | Cover assembly Kit | |
| 6A | See Note | NSS | Spacer, Thrust (Note: Use p/n 70001349) | |
| 6B | See Note | NSS | Plate, Cover (Note: Use p/n 70001349) | |
| 6C | See Note | NSS | O-Ring (Note: Use p/n 70001349) | |
| 6D | See Note | NSS | Rod, Disconnect (Note: Use p/n 70001349) | |
| 6E | See Note | NSS | Cap, Disengage (Note: Use p/n 70001349) | |
| 6F | See Note | NSS | Bolt (Note: Use p/n 70001349) | |
| 6G | See Note | NSS | Plug, Pipe (Note: Use p/n 70001349) | |
| 6I | See Note | NSS | Rivet (Note: Not Available for Purchase) | |
| 6J | See Note | NSS | Plate, ID (Note: Not Available for Purchase) | |
| 7 | | Ref | Input Shaft Assembly | |
| 7A | 7024714 | 1 | Shaft | |
| 7B | 7000261 | 1 | Ring, Retaining | |
| 7C | 7000262 | 1 | Spring | |
| 7D | 7000263 | 2 | Spacer, Thrust | |
| 8 | 7024713 | 1 | Gear, Sun | |
| 11 | 7000253 | 1 | Washer, Thrust | |
| 12 | 7017067 | 12 | Bolt | |
| 13 | 7017080 | 4 | Pin, Dowell | |
| 14 | 7000206 | 1 | Coupling | |
| 15 | 7024715 | 1 | Spacer, Input | |
| 16 | 7024716 | 1 | Spacer, Input | |
| 17 | 7024182 | 1 | Brake Assembly (See Items 101-123 for Breakdown) | |
| 27 | 7024705 | 1 | O-Ring | |
| 28 | 7024717 | 2 | Rod, Threaded | |

SECTION 1 - FRAME

| ITEM | PART NUMBER | QTY | DESCRIPTION | REV |
|------|-------------|-----|---|-----|
| 29 | 7024718 | 2 | Nut 1/2-13 | |
| 30 | 70005483 | 1 | Gasket | |
| | 7024182 | Ref | BRAKE ASSEMBLY | |
| 101 | 7024189 | 1 | Shaft | |
| 102 | See Note | NSS | Housing (Note: Use p/n 7024182) | |
| 103 | See Note | NSS | Plate, Friction (Note: Use p/n 7024193) | |
| 104 | See Note | NSS | Plate, Pressure (Note: Use p/n 7024193) | |
| 105 | 7000731 | 1 | Gasket | |
| 106 | See Note | NSS | Plate, Outer (Note: Use p/n 7024193) | |
| 107 | See Note | NSS | Gasket (Note: Use Item 200A, 201B or 201C) | |
| 108 | 7024191 | 1 | Cylinder | |
| 109 | 7024192 | 1 | Piston | |
| 110 | See Note | NSS | Bearing, Ball (Note: Use p/n 7024197) | |
| 111 | See Note | NSS | Ring, Retaining (Note: Use p/n 7024197) | |
| 112 | See Note | NSS | Seal, Shaft (Note: Use p/n 7024197) | |
| 113 | See Note | NSS | Capscrew (Note: Not Available for Purchase) | |
| 114 | See Note | NSS | Washer (Note: Not Available for Purchase) | |
| 115 | See Note | NSS | O-Ring (Note: Not Available for Purchase) | |
| 116 | See Note | NSS | Ring, Back-up (Note: Not Available for Purchase) | |
| 117 | See Note | NSS | O-Ring (Note: Not Available for Purchase) | |
| 118 | See Note | NSS | Ring, Back-up (Note: Not Available for Purchase) | |
| 119 | 7024190 | 2 | Pin, Dowel | |
| 120 | See Note | NSS | Plug (Note: Not Available for Purchase) | |
| 121 | See Note | NSS | Plug (Note: Not Available for Purchase) | |
| 122 | See Note | NSS | Spring Kit (Natural) (Note: Use p/n 7024196) | |
| 123 | See Note | NSS | Spring Kit (Blue) (Note: Use p/n 7024196) | |
| | | Ref | Kit Options | |
| 200 | | Ref | Seal Kit Options: | |
| 200A | 70006429 | 1 | Seal Kit (Includes Items 1B, 1I, 5, 5A & 12) | |
| 200B | 7024194 | 1 | Brake Seal Kit (Includes Items 105, 107 & 115-118) | |
| 200C | 70006428 | 1 | Bearing and Seal Kit (Includes Items 1B-1F, 1I, 5, 5A & 12) | |
| 201 | | Ref | Repair Kit Options: | |
| 201A | 7024196 | 1 | Brake Spring Kit (Includes 12 Natural Colored and 2 Blue Colored Springs Items 122 and 123) | |
| 201B | 7024193 | 1 | Brake Friction Disc Kit (Includes Items 103, 104, 106 & 107) | |
| 201C | 7024197 | 1 | Brake Bearing Kit (Includes Items 107 & 110-112) | |

SECTION 1 - FRAME

FIGURE 1-8. DRIVE MOTOR ASSEMBLY - SAUER-DANFOSS



ART_1001102805

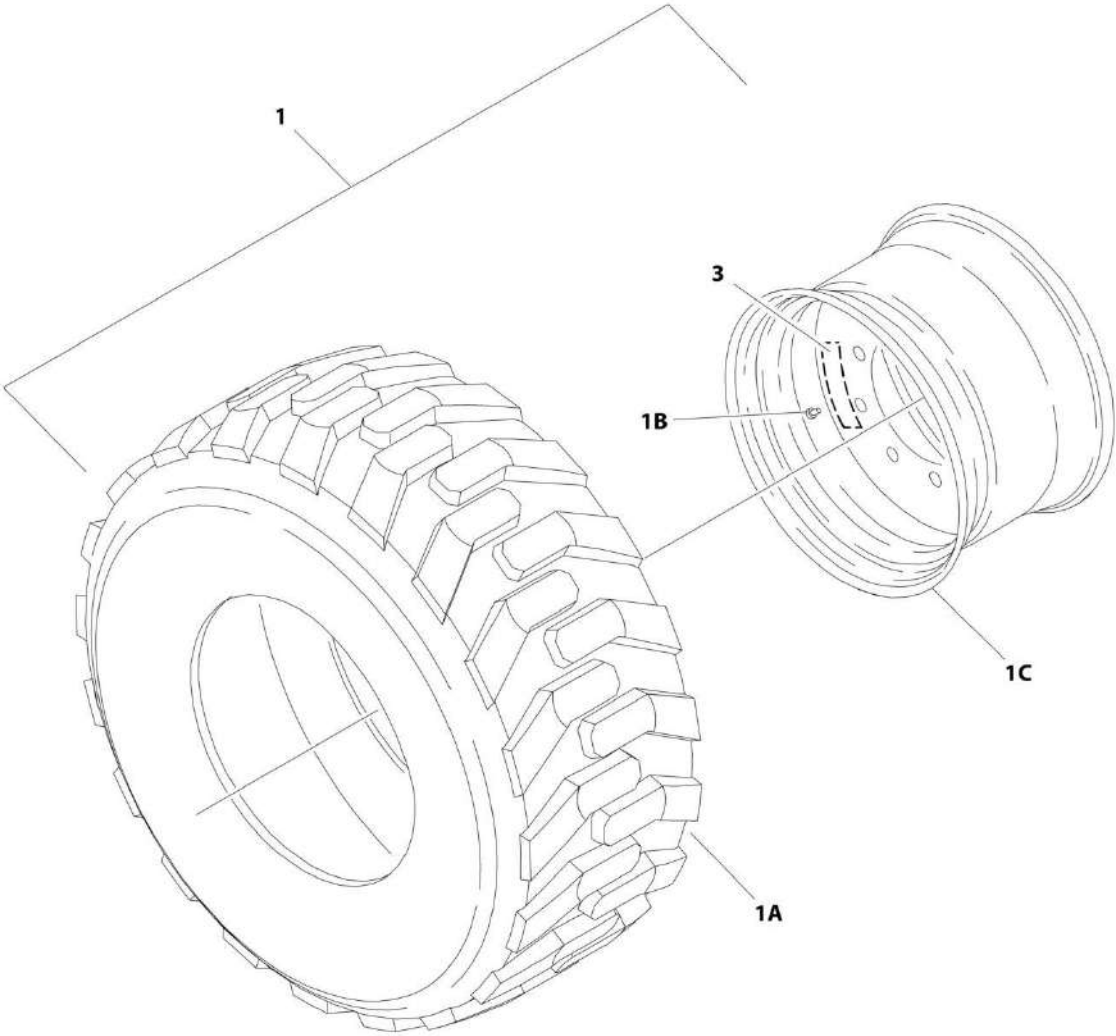
SECTION 1 - FRAME

FIGURE 1-8. DRIVE MOTOR ASSEMBLY - SAUER-DANFOSS

| ITEM | PART NUMBER | QTY | DESCRIPTION | REV |
|------|-------------|-----|--|-----|
| | 1001102805 | Ref | DRIVE MOTOR ASSEMBLY - SAUER-DANFOSS | D |
| 1 | 7022302 | 2 | Bearing, Journal | |
| 2 | 7007446 | 1 | Pin | |
| 3 | 7007438 | 2 | Ring, Retaining | |
| 4 | 7022305 | 1 | Swashplate | |
| 5 | See Note | 2 | Pin (Note: Not Available for Purchase) | |
| 6 | See Note | 1 | Gasket (Note: Use Item 100) | |
| 7 | 7024862 | 1 | Plate, Valve | |
| 8 | 7023907 | 1 | Cylinder Block Kit (Includes Items 8A & 9-17) | |
| 8A | See Note | NSS | Block, Cylinder (Note: Use Item 8) | |
| 9 | 7021277 | 1 | Guide, Slipper Retainer | |
| 10 | 7021275 | 3 | Pin, Slipper Hold Down | |
| 11 | See Note | NSS | Piston Assembly (Note: Use Item 8) | |
| 12 | 7021276 | 1 | Retainer, Hold Down Pin | |
| 13 | 7022310 | 1 | Retainer, Slipper | |
| 14 | 7022311 | 1 | Ring, Retaining | |
| 15 | 7022312 | 1 | Spring | |
| 16 | 7024868 | 1 | Washer | |
| 17 | 7022314 | 1 | Retainer, Spring | |
| 18 | 7023910 | 1 | Shaft | |
| 19 | 7007439 | 1 | Ring, Retaining | |
| 20 | 70000797 | 1 | Cap, End - Axial | |
| 21 | 7022368 | 5 | Screw | |
| 22 | 7021249 | 1 | Bearing, Needle | |
| 23 | 2220886 | 1 | Plug (Includes Item 24) | |
| 24 | See Note | NSS | O-Ring (Note: Use Item 23 or 100) | |
| 25 | 2220883 | 1 | Plug (Includes Item 26) | |
| 26 | See Note | NSS | O-Ring (Note: Use Item 25 or 100) | |
| 27 | 7027419 | 2 | Plug (Includes Item 28) | |
| 28 | See Note | NSS | O-Ring (Note: Use Item 27 or 100) | |
| 29 | 7022369 | 1 | Seat, Spring | |
| 30 | 70001932 | 1 | Housing | |
| 31 | 2220883 | 2 | Plug (Includes Item 32) | |
| 32 | See Note | NSS | O-Ring (Note: Use Item 31 or 100) | |
| 33 | 2220886 | 1 | Plug (Includes Item 34) | |
| 34 | See Note | NSS | O-Ring (Note: Use Item 33 or 100) | |
| 35 | See Note | NSS | O-Ring (Note: Use Item 100) | |
| 36 | See Note | NSS | Ring, Seal (Note: Use Item 100) | |
| 37 | 7024854 | 1 | Piston, Servo (Includes Items 35 & 36) | |
| 38 | 7007437 | 1 | Bearing | |
| 39 | 7022326 | 1 | Spring | |
| 40 | See Note | NSS | Seal, Lip (Note: Use Item 100) | |
| 41 | 7022371 | 1 | Washer, Support | |
| 100 | 7022328 | 1 | Seal Kit (Includes Items 6, 24, 26, 28, 32, 34, 35, 36 & 40) | |

SECTION 1 - FRAME

FIGURE 1-9. TIRE AND WHEEL INSTALLATION - IN315/55D20 PNEUMATIC - 3394RT



ART_1001102190

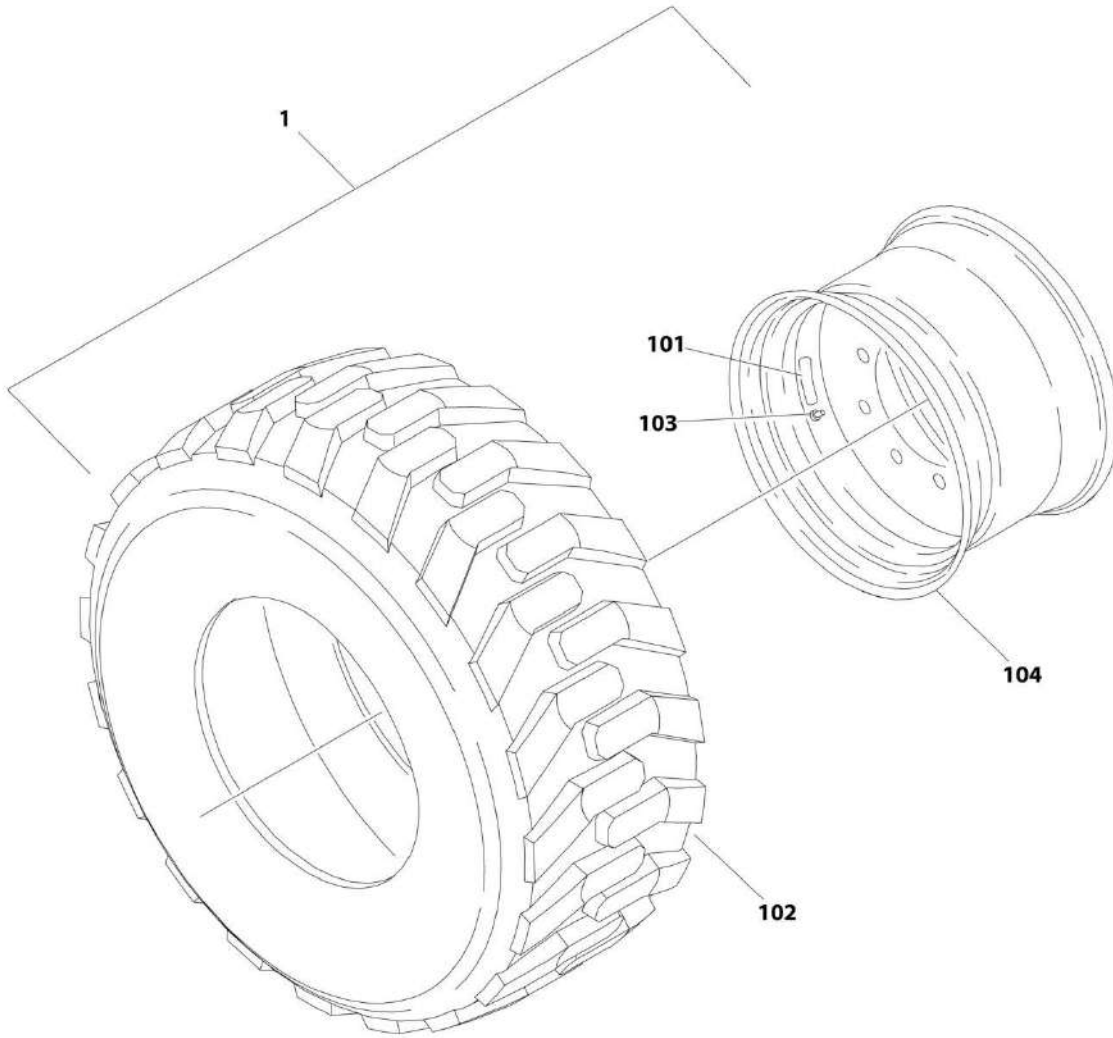
SECTION 1 - FRAME

FIGURE 1-9. TIRE AND WHEEL INSTALLATION - IN315/55D20 PNEUMATIC - 3394RT

| ITEM | PART NUMBER | QTY | DESCRIPTION | REV |
|------|-------------|-----|--|-----|
| | 1001102190 | Ref | TIRE AND WHEEL INSTALLATION - IN315/55D20 PNEUMATIC - 3394RT | C |
| 1 | 1001101512 | 2 | Tire and Wheel Assembly - Left Side | B |
| 1 | 1001101513 | 2 | Tire and Wheel Assembly - Right Side | B |
| 1A | 4520608 | 1 | Tire, IN315/55D20, Lug Tire | |
| 1B | 4640113 | 1 | Valve, Air | |
| 1C | 1001101511 | 1 | Rim, Wheel - 20 x 11 | |
| 3 | 1001105700 | 4 | Decal - Transport Wheel Warning | |

SECTION 1 - FRAME

FIGURE 1-10. TIRE AND WHEEL INSTALLATION - 33/1550-16.5 PNEUMATIC - 3394RT



ART_0271718

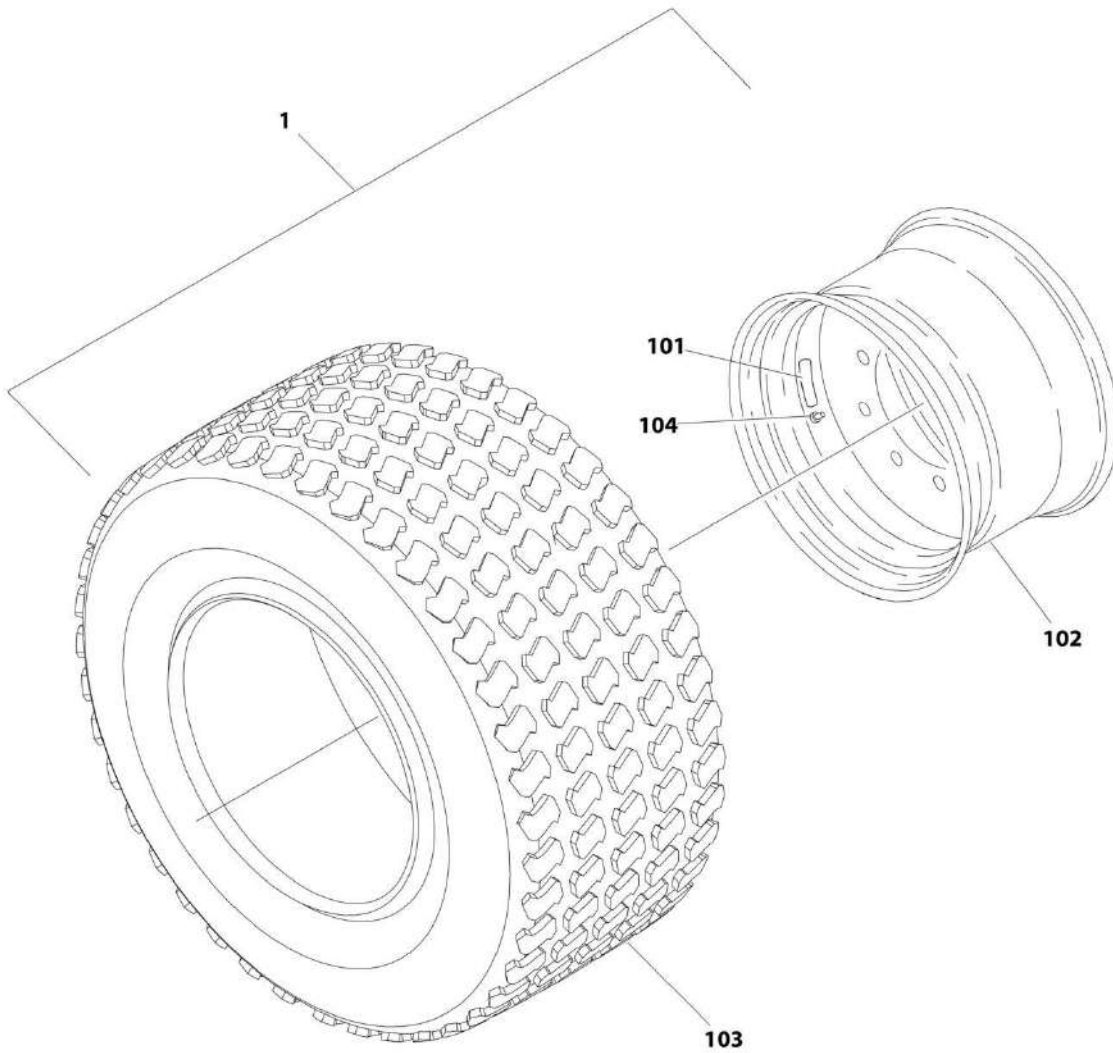
SECTION 1 - FRAME

FIGURE 1-10. TIRE AND WHEEL INSTALLATION - 33/1550-16.5 PNEUMATIC - 3394RT

| ITEM | PART NUMBER | QTY | DESCRIPTION | REV |
|------|-------------|-----|---|-----|
| | 0271718 | Ref | TIRE AND WHEEL INSTALLATION - 33/1550-16.5 PNEUMATIC - 3394RT | B |
| 1 | 0257755 | 2 | Tire and Wheel Assembly - Right Side | E |
| 1 | 0257756 | 2 | Tire and Wheel Assembly - Left Side | E |
| 101 | 1702740 | 1 | Decal - Tire Pressure | |
| 102 | 4520217 | 1 | Tire, 33/1550 x 16.5, Lug Tire | |
| 103 | 4640113 | 1 | Valve, Air | |
| 104 | 4860179 | 1 | Rim, Wheel - 16.5 x 12.0 | |

SECTION 1 - FRAME

FIGURE 1-11. TIRE AND WHEEL INSTALLATION - 31 X 15.50-15 PNEUMATIC - 3394RT



ART_0274789

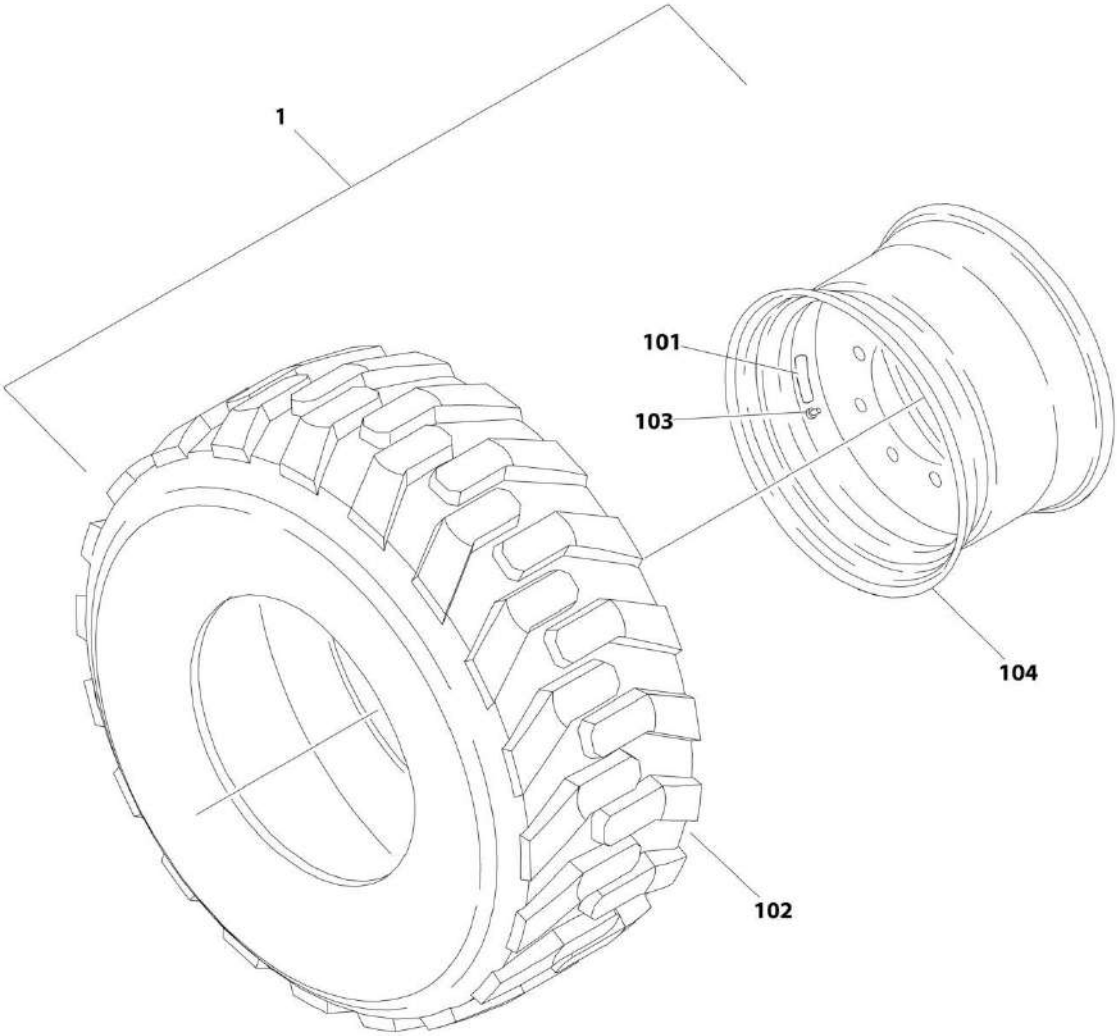
SECTION 1 - FRAME

FIGURE 1-11. TIRE AND WHEEL INSTALLATION - 31 X 15.50-15 PNEUMATIC - 3394RT

| ITEM | PART NUMBER | QTY | DESCRIPTION | REV |
|------|-------------|-----|--|-----|
| | 0274789 | Ref | TIRE AND WHEEL INSTALLATION - 31 X 15.50-15 PNEUMATIC - 3394RT | B |
| 1 | 4520571 | 4 | Tire and Wheel Assembly | C |
| 101 | 1702137 | 1 | Decal - Tire Pressure | |
| 102 | 4520570 | 1 | Rim, Wheel - 15 x 13 | |
| 103 | 4520576 | 1 | Tire, 31 x 15.50-15, Grass Tire | |
| 104 | 4640113 | 1 | Valve, Air | |

SECTION 1 - FRAME

FIGURE 1-12. TIRE AND WHEEL INSTALLATION - 12 X 16.5 PNEUMATIC NON-MARKING - 3394RT



ART_0270650

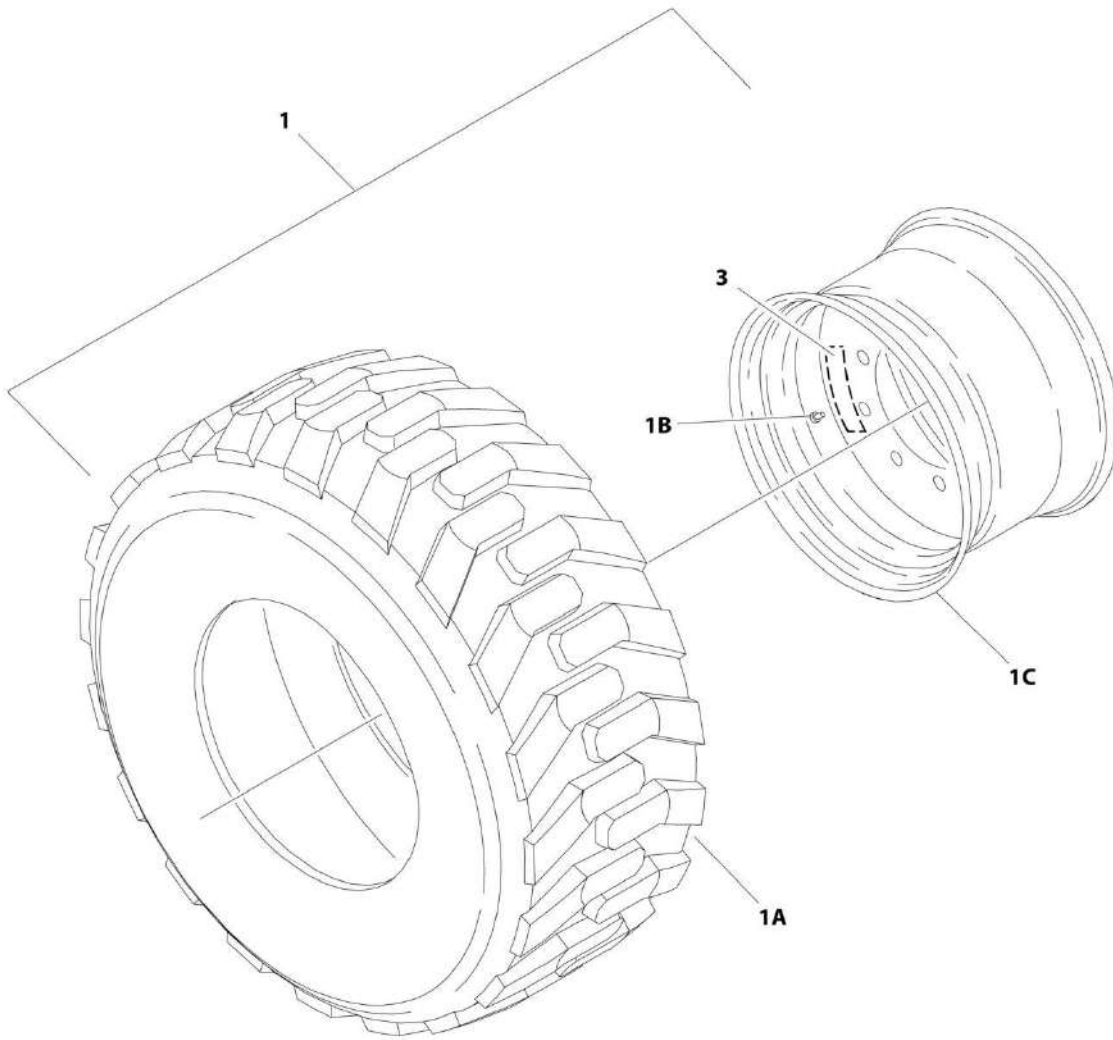
SECTION 1 - FRAME

FIGURE 1-12. TIRE AND WHEEL INSTALLATION - 12 X 16.5 PNEUMATIC NON-MARKING - 3394RT

| ITEM | PART NUMBER | QTY | DESCRIPTION | REV |
|------|-------------|-----|--|-----|
| | 0270650 | Ref | TIRE AND WHEEL INSTALLATION - 12 X 16.5 PNEUMATIC NON-MARKING - 3394RT | C |
| 1 | 1001148867 | 1 | Tire and Wheel Assembly - Right Side | D |
| 1 | 1001148868 | 1 | Tire and Wheel Assembly - Left Side | D |
| 101 | 1702740 | 1 | Decal - Tire Pressure | |
| 102 | 4520240 | 1 | Tire, 12 x 16.5, Non-Marking Tire | |
| 103 | 4640113 | 1 | Valve, Air | |
| 104 | 1001147274 | 1 | Rim, Wheel - 16.5 x 9.75 | |

SECTION 1 - FRAME

FIGURE 1-13. TIRE AND WHEEL INSTALLATION - IN315/55D20 FOAM-FILLED - 3394RT/4394RT



ART_1001102196

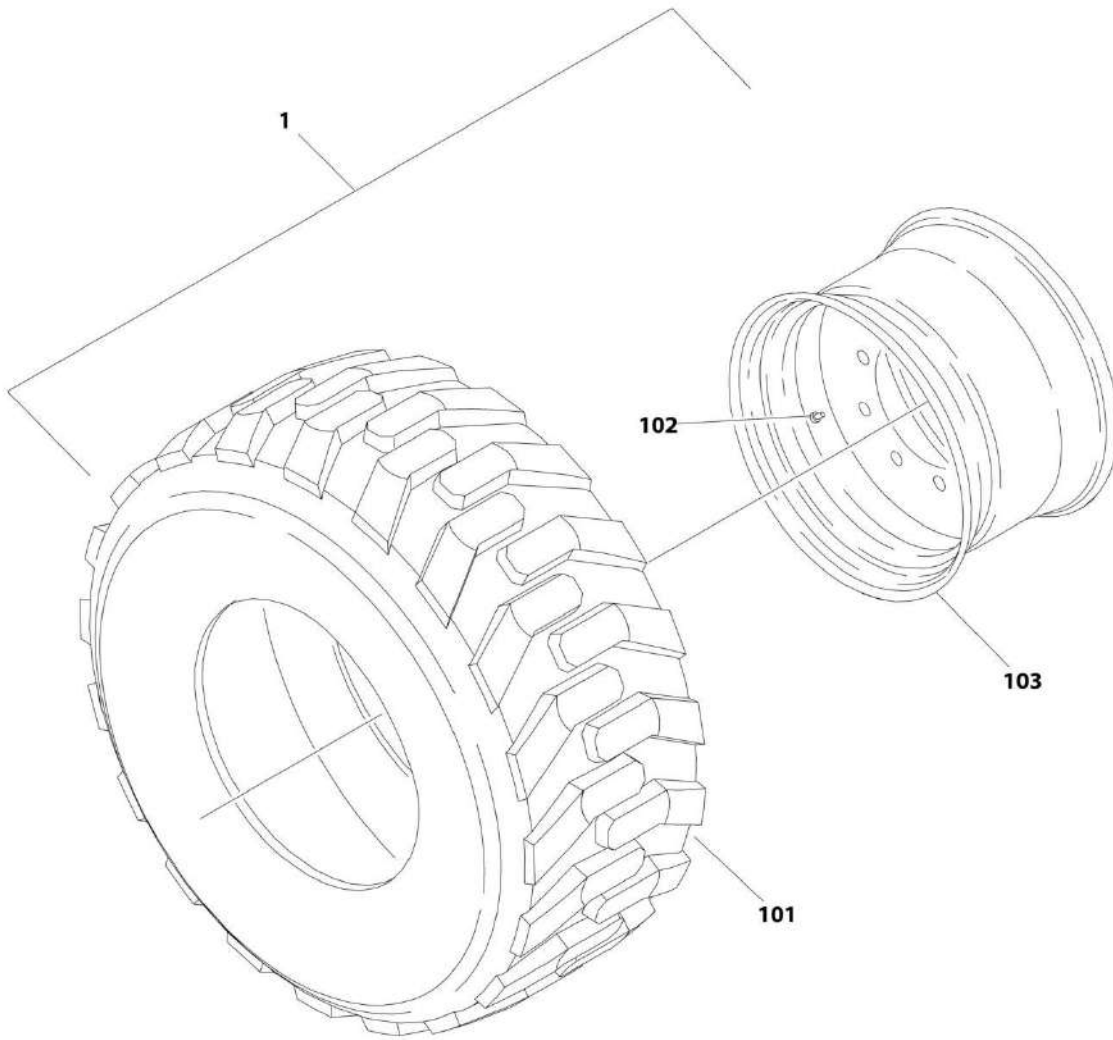
SECTION 1 - FRAME

FIGURE 1-13. TIRE AND WHEEL INSTALLATION - IN315/55D20 FOAM-FILLED - 3394RT/4394RT

| ITEM | PART NUMBER | QTY | DESCRIPTION | REV |
|------|-------------|-----|--|-----|
| | 1001102196 | Ref | TIRE AND WHEEL INSTALLATION - IN315/55D20 FOAM-FILLED - 3394RT/4394RT | C |
| | | Ref | Note: Assemblies may require ballast/foam filling to manufacturer's specifications prior to installing on a machine. Refer to Operation and Safety or Service and Maintenance Manuals. Purchase individual tire and/or rim only if able to foam fill tire and wheel assembly, otherwise, purchase complete assembly. | |
| 1 | 1001102194 | 2 | Tire and Wheel Assembly - Left Side | C |
| 1 | 1001102195 | 2 | Tire and Wheel Assembly - Right Side | C |
| 1A | 4520608 | 1 | Tire, IN315/55D20, Lug Tire | |
| 1B | 4640113 | 1 | Valve, Air (SN 0200239053 through 0200249349) | |
| 1B | 4641122 | 1 | Valve, Air (SN 0200249350 to Present) | |
| 1C | 1001101511 | 1 | Rim, Wheel - 20 x 11 | |
| 3 | 1001105700 | 4 | Decal - Transport Wheel Warning | |

SECTION 1 - FRAME

FIGURE 1-14. TIRE AND WHEEL INSTALLATION - 33/1550-16.5 FOAM-FILLED - 3394RT/4394RT



ART_0271719

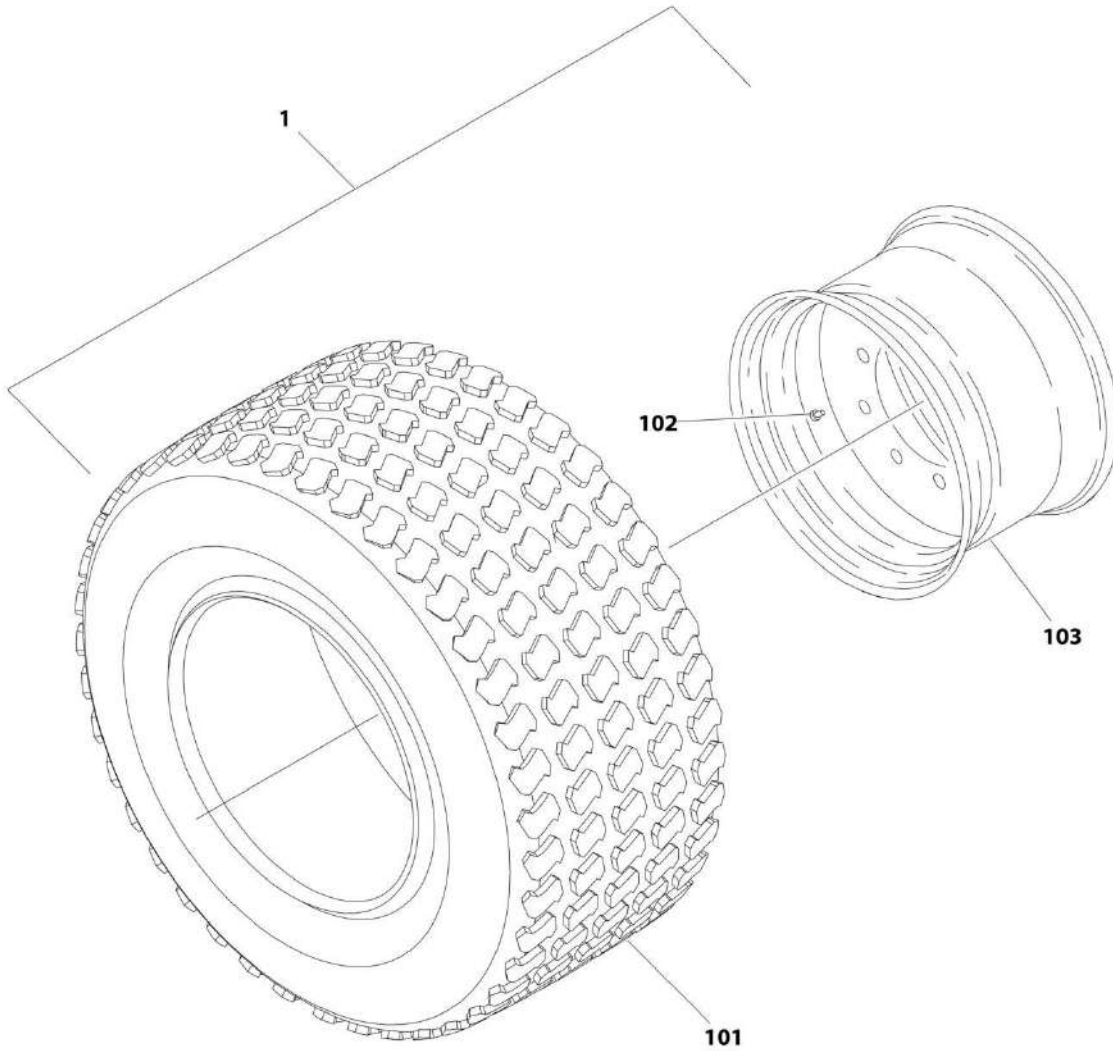
SECTION 1 - FRAME

FIGURE 1-14. TIRE AND WHEEL INSTALLATION - 33/1550-16.5 FOAM-FILLED - 3394RT/4394RT

| ITEM | PART NUMBER | QTY | DESCRIPTION | REV |
|------|-------------|-----|--|-----|
| | 0271719 | Ref | TIRE AND WHEEL INSTALLATION - 33/1550-16.5 FOAM-FILLED - 3394RT/4394RT | B |
| | | Ref | Note: Assemblies may require ballast/foam filling to manufacturer's specifications prior to installing on a machine. Refer to Operation and Safety or Service and Maintenance Manuals. Purchase individual tire and/or rim only if able to foam fill tire and wheel assembly, otherwise, purchase complete assembly. | |
| 1 | 0258011 | 2 | Tire and Wheel Assembly - Right Side | H |
| 1 | 0258012 | 2 | Tire and Wheel Assembly - Left Side | H |
| 101 | 4520217 | 1 | Tire, 33/1550 x 16.5, Lug Tire | |
| 102 | 8786514 | 1 | Valve, Air | |
| 103 | 4860179 | 1 | Rim, Wheel - 16.5 x 12.0 | |

SECTION 1 - FRAME

FIGURE 1-15. TIRE AND WHEEL INSTALLATION - 33/16LL X 16.1 FOAM-FILLED - 3394RT



ART_0271785

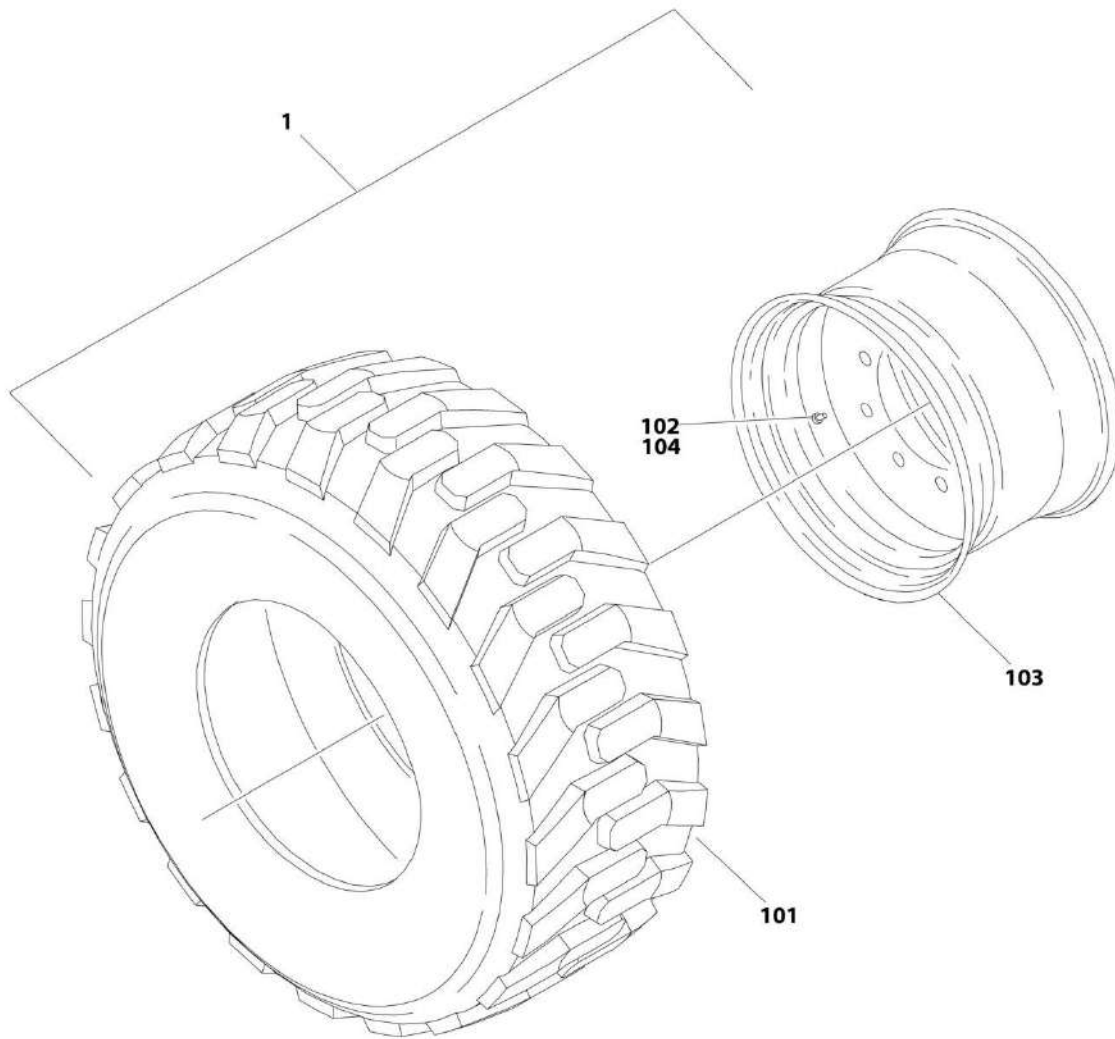
SECTION 1 - FRAME

FIGURE 1-15. TIRE AND WHEEL INSTALLATION - 33/16LL X 16.1 FOAM-FILLED - 3394RT

| ITEM | PART NUMBER | QTY | DESCRIPTION | REV |
|------|-------------|-----|---|-----|
| | 0271785 | Ref | TIRE AND WHEEL INSTALLATION - 33/16LL X 16.1 FOAM-FILLED - 3394RT | B |
| 1 | 0272268 | 4 | Tire and Wheel Assembly | D |
| 101 | 4520262 | 1 | Tire, 33 x 16LL500, Sand Tire | |
| 102 | 4640113 | 1 | Valve, Air (SN 0200239053 through 0200249349) | |
| 102 | 4641122 | 1 | Valve, Air (SN 0200249350 to Present) | |
| 103 | 4860237 | 1 | Rim, Wheel - 19.5 x 14 | |

SECTION 1 - FRAME

FIGURE 1-16. TIRE AND WHEEL INSTALLATION - 12 X 16.5 FOAM-FILLED NON MARKING - 3394RT/4394RT



ART_0270653

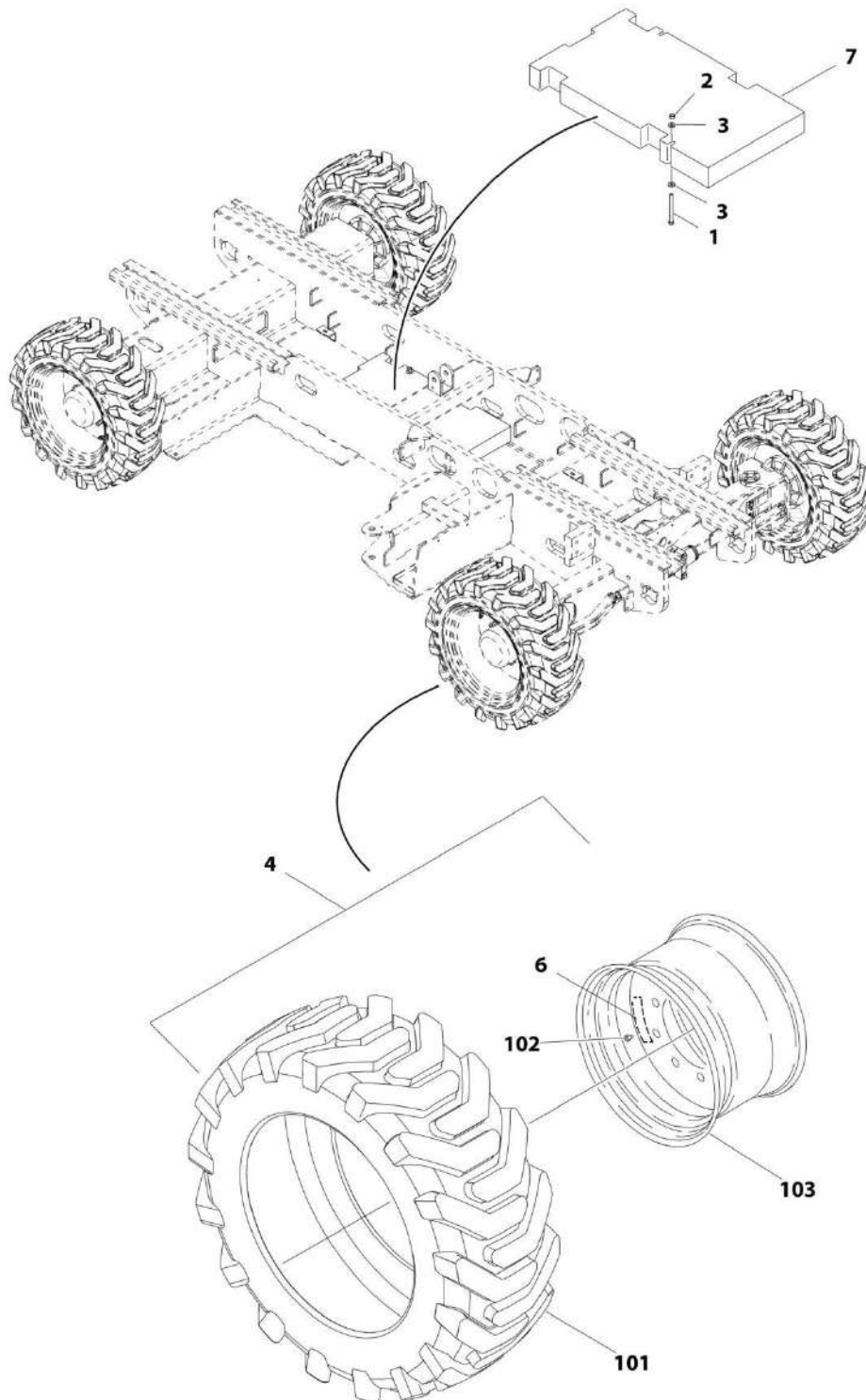
SECTION 1 - FRAME

FIGURE 1-16. TIRE AND WHEEL INSTALLATION - 12 X 16.5 FOAM-FILLED NON MARKING - 3394RT/4394RT

| ITEM | PART NUMBER | QTY | DESCRIPTION | REV |
|------|-------------|-----|--|-----|
| | 0270653 | Ref | TIRE AND WHEEL INSTALLATION - 12 X 16.5 FOAM-FILLED NON-MARKING - 3394RT/4394RT | C |
| | | Ref | Note: Assemblies may require ballast/foam filling to manufacturer's specifications prior to installing on a machine. Refer to Operation and Safety or Service and Maintenance Manuals. Purchase individual tire and/or rim only if able to foam fill tire and wheel assembly, otherwise, purchase complete assembly. | |
| 1 | 1001148869 | 1 | Tire and Wheel Assembly - Right Side | F |
| 1 | 1001148870 | 1 | Tire and Wheel Assembly - Left Side | F |
| 101 | 4520240 | 1 | Tire, 12 x 16.5 Non-Marking | |
| 102 | 4641122 | 1 | Valve, Air Liquid | |
| 103 | 1001147274 | 1 | Wheel, 16.5 x 9.75 | |
| 104 | 1001149953 | 1 | Cap, Large Bore Dome | |

SECTION 1 - FRAME

FIGURE 1-17. WHEEL AND COUNTERWEIGHT INSTALLATION - IN315/55D20 PNEUMATIC - 4394RT



ART_1001169979

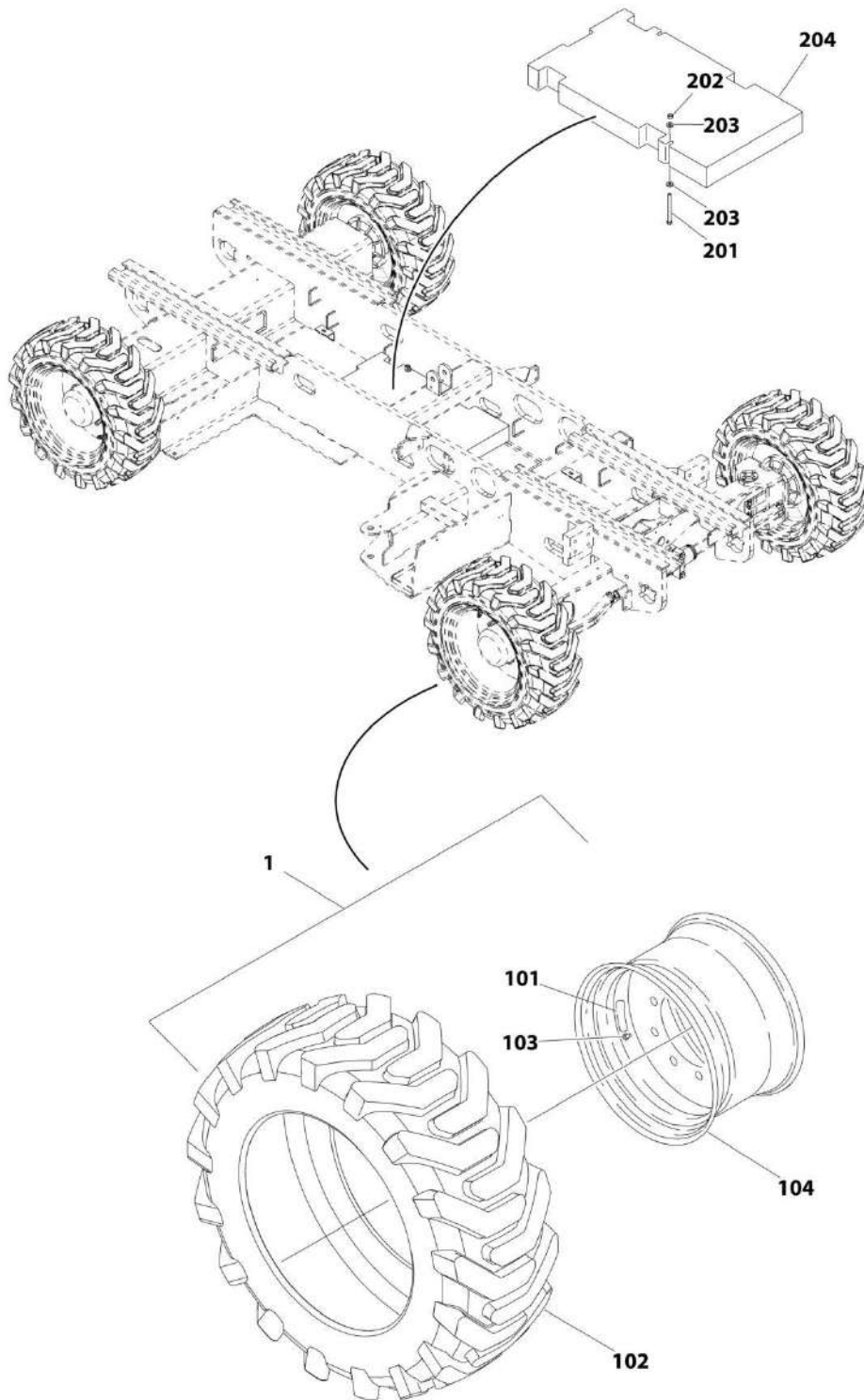
SECTION 1 - FRAME

FIGURE 1-17. WHEEL AND COUNTERWEIGHT INSTALLATION - IN315/55D20 PNEUMATIC - 4394RT

| ITEM | PART NUMBER | QTY | DESCRIPTION | REV |
|------|-------------|-----|--|-----|
| | 1001169979 | Ref | WHEEL AND COUNTERWEIGHT INSTALLATION - IN315/55D20 PNEUMATIC - 4394RT | B |
| 1 | 0681844 | 2 | Bolt 1/2 x 5-1/2 Grade 8 | |
| 2 | 3271805 | 2 | Nut 1/2 Grade 8 | |
| 3 | 4891800 | 4 | Washer 1/2 | |
| 4 | 1001101512 | 2 | Tire and Wheel Assembly - Left Side (See Items 101-103 for Breakdown) | |
| 4 | 1001101513 | 2 | Tire and Wheel Assembly - Right Side (See Items 101-103 for Breakdown) | |
| 6 | 1001105700 | 4 | Decal - Transport Wheels Warning | |
| 7 | 1001164401 | 1 | Weight, Frame | |
| | 1001101512 | Ref | Tire and Wheel Assembly - Left Side | B |
| | 1001101513 | Ref | Tire and Wheel Assembly - Right Side | B |
| 101 | 4520608 | 1 | Tire, IN315/55D20 | |
| 102 | 4640113 | 1 | Valve, Air | |
| 103 | 1001101511 | 1 | Rim, Wheel - 20 x 11 | |

SECTION 1 - FRAME

FIGURE 1-18. WHEEL AND COUNTERWEIGHT INSTALLATION - 33/1550-16.5 PNEUMATIC - 4394RT



ART_1001169980

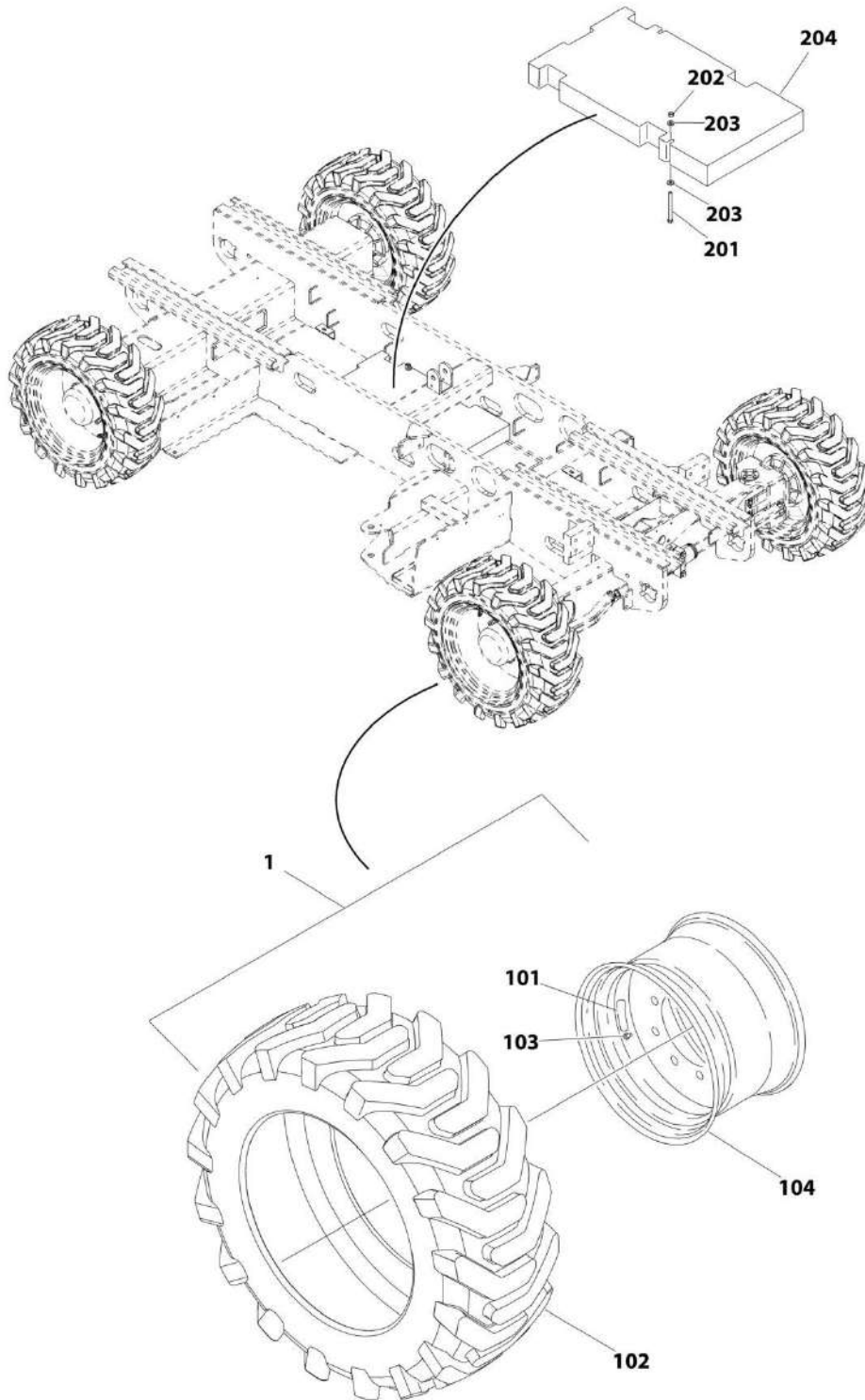
SECTION 1 - FRAME

FIGURE 1-18. WHEEL AND COUNTERWEIGHT INSTALLATION - 33/1550-16.5 PNEUMATIC - 4394RT

| ITEM | PART NUMBER | QTY | DESCRIPTION | REV |
|------|-------------|-----|--|-----|
| | 1001169980 | Ref | WHEEL AND COUNTERWEIGHT INSTALLATION - 33/1550-16.5 PNEUMATIC - 4394RT | B |
| | 0271718 | Ref | Tire and Wheel Installation | B |
| 1 | 0257755 | 2 | Tire and Wheel Assembly - Right Side | D |
| 1 | 0257756 | 2 | Tire and Wheel Assembly - Left Side | D |
| 101 | 1702740 | 1 | Decal - Tire Pressure | |
| 102 | 4520217 | 1 | Tire, 33/1550 x 16.5 | |
| 103 | 4640113 | 1 | Valve, Air | |
| 104 | 4860179 | 1 | Rim, Wheel 16.5 x 12.0 | |
| | 1001164185 | Ref | Counter Weight Installation | B |
| 201 | 0681844 | 2 | Bolt 1/2 x 5-1/2 Grade 8 | |
| 202 | 3271805 | 2 | Nut 1/2 Grade 8 | |
| 203 | 4891800 | 4 | Washer 1/2 | |
| 204 | 1001164401 | 1 | Weight, Frame | |

SECTION 1 - FRAME

FIGURE 1-19. WHEEL AND COUNTERWEIGHT INSTALLATION - 12 X 16.5 PNEUMATIC NON-MARKING - 4394RT



ART_1001169981

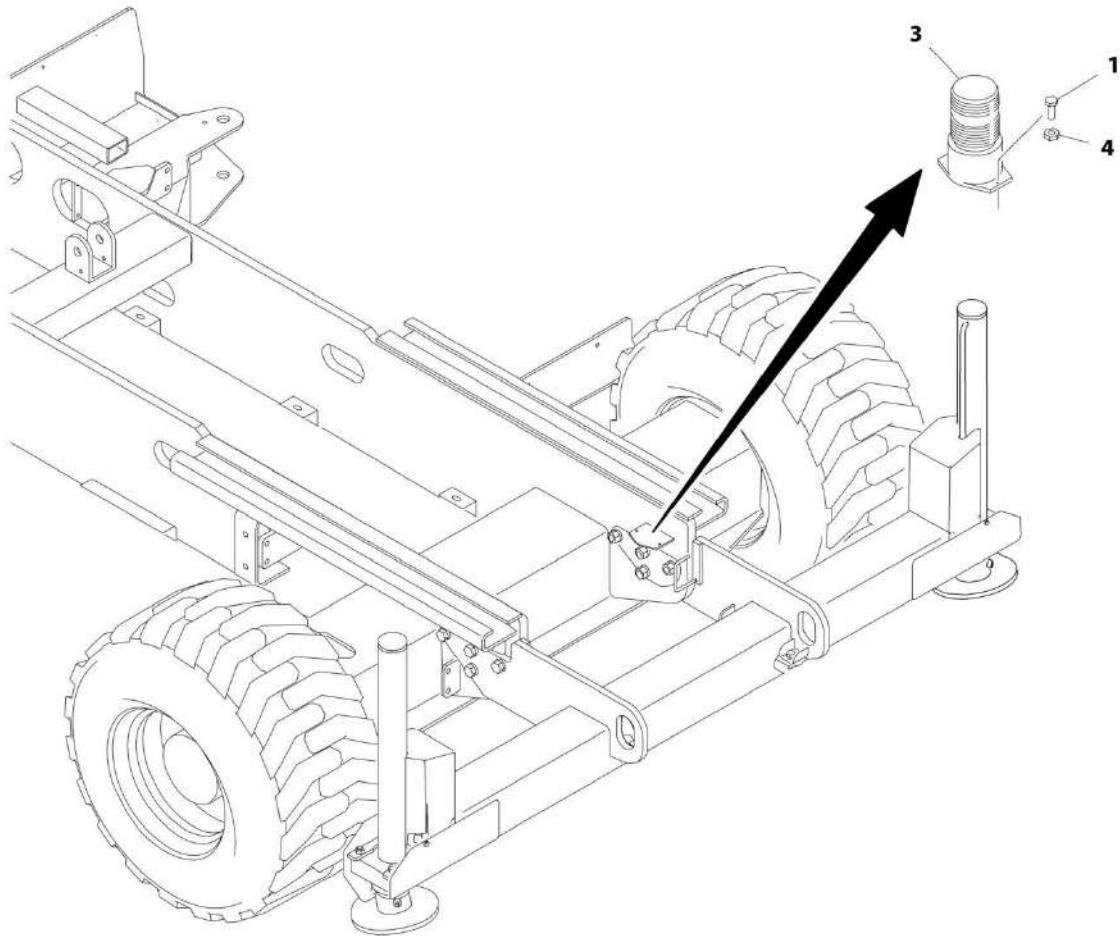
SECTION 1 - FRAME

FIGURE 1-19. WHEEL AND COUNTERWEIGHT INSTALLATION - 12 X 16.5 PNEUMATIC NON-MARKING - 4394RT

| ITEM | PART NUMBER | QTY | DESCRIPTION | REV |
|------|-------------|-----|---|-----|
| | 1001169981 | Ref | WHEEL AND COUNTERWEIGHT INSTALLATION - 12 X 16.5 PNEUMATIC NON-MARKING - 4394RT | B |
| | 0270650 | Ref | Tire and Wheel Installation | C |
| 1 | 1001148867 | 2 | Tire and Wheel Assembly - Right Side | D |
| 1 | 1001148868 | 2 | Tire and Wheel Assembly - Left Side | D |
| 101 | 1702740 | 1 | Decal - Tire Pressure | |
| 102 | 4520240 | 1 | Tire, 12 x 16.5, Non-Marking Tire | |
| 103 | 4640113 | 1 | Valve, Air | |
| 104 | 1001147274 | 1 | Rim, Wheel - 16.5 x 9.75 | |
| | 1001164185 | Ref | Counterweight Installation | B |
| 201 | 0681844 | 2 | Bolt 1/2 x 5-1/2 Grade 8 | |
| 202 | 3271805 | 2 | Nut 1/2 Grade 8 | |
| 203 | 4891800 | 4 | Washer 1/2 | |
| 204 | 1001164401 | 1 | Weight, Frame | |

SECTION 1 - FRAME

FIGURE 1-20. BEACON LIGHT INSTALLATION - OPTIONAL



ART_0271746

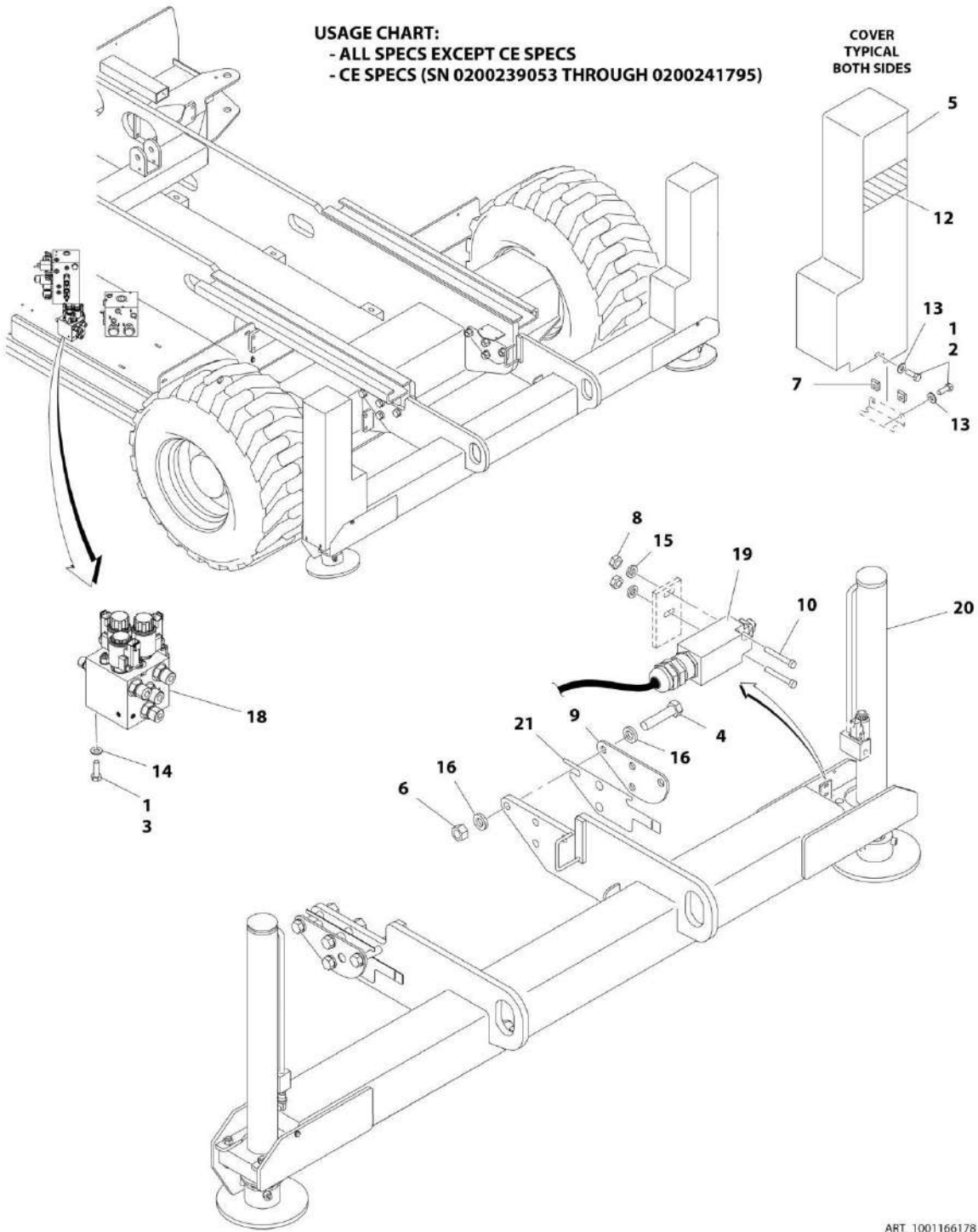
SECTION 1 - FRAME

FIGURE 1-20. BEACON LIGHT INSTALLATION - OPTIONAL

| ITEM | PART NUMBER | QTY | DESCRIPTION | REV |
|------|-------------|-----|--|-----|
| | 0271746 | Ref | BEACON LIGHT INSTALLATION - OPTIONAL | C |
| 1 | 0721004 | 2 | Screw #10 x 1/2 | |
| 2 | 2820018 | AR | Heat-Shrink (Not Shown) | |
| 3 | 2920146 | 1 | Beacon Light Assembly | |
| 3 | 7016319 | 1 | Bulb, Replacement | |
| 3 | 7016372 | 1 | Len, Replacement | |
| 4 | 3311005 | 2 | Nut #10 | |
| 5 | 4922739 | 1 | Harness, Beacon Light (Not Shown - See ELECTRICAL SECTION for Breakdown) | |

SECTION 1 - FRAME

FIGURE 1-21. LEVELING JACK INSTALLATION - OPTIONAL ON 3394RT - STANDARD ON 4394RT



ART_1001166178_10F2

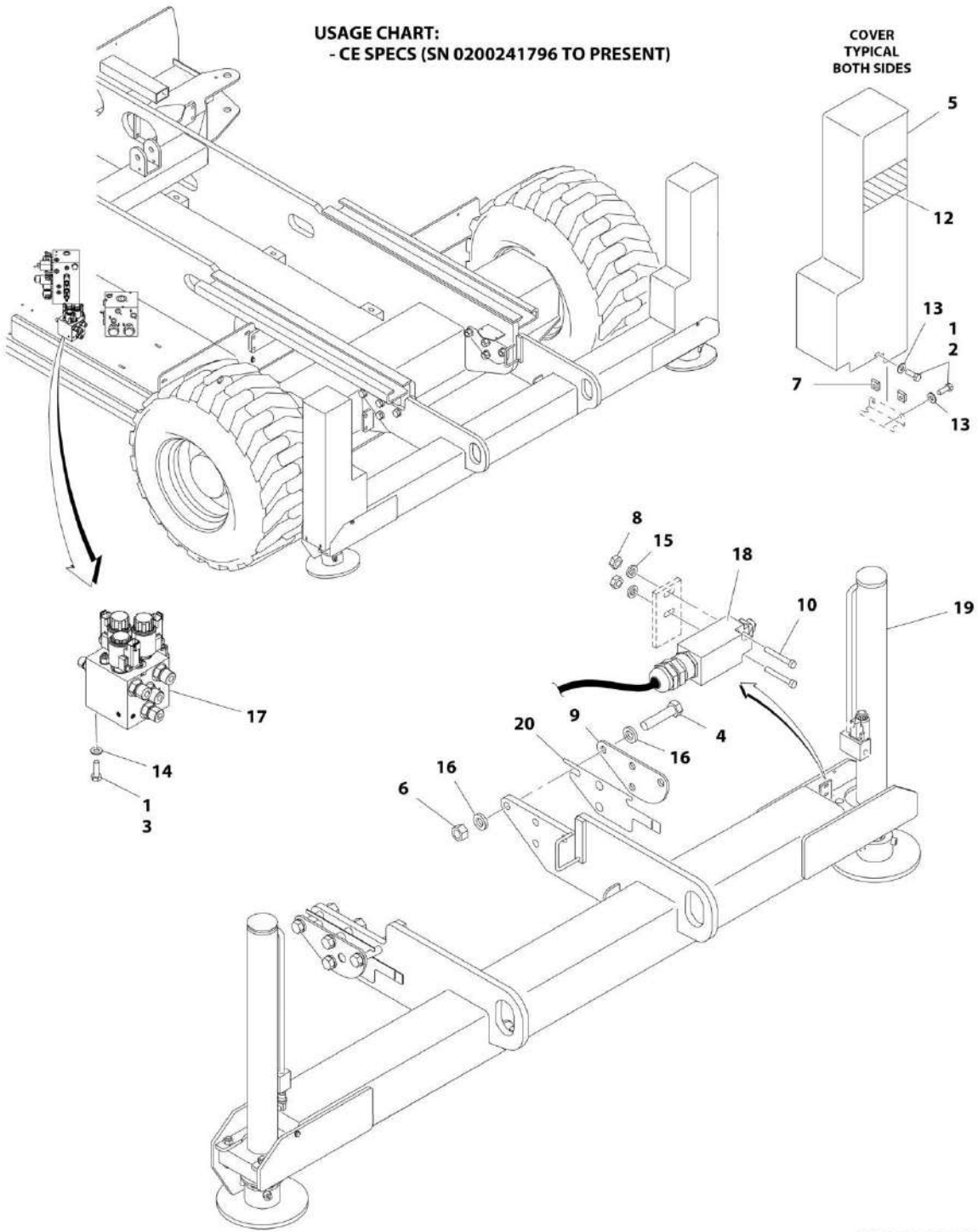
SECTION 1 - FRAME

FIGURE 1-21. LEVELING JACK INSTALLATION - OPTIONAL ON 3394RT - STANDARD ON 4394RT

| ITEM | PART NUMBER | QTY | DESCRIPTION | REV |
|------|-------------|------------|--|-----|
| | | Ref | USAGE CHART: | |
| | | Ref | - All Specs except CE Specs | |
| | | Ref | - CE Specs (SN 0200239053 through 0200241795) | |
| | 1001166178 | Ref | LEVELING JACK INSTALLATION - OPTIONAL ON 3394RT - STANDARD ON 4394RT | D |
| 1 | 0100011 | AR | Compound, Locking | |
| 2 | 0641407 | 16 | Bolt 1/4 x 7/8 | |
| 3 | 0641508 | 3 | Bolt 5/16 x 1 | |
| 4 | 0682230 | 16 | Bolt 3/4 x 3-3/4 Grade 8 | |
| 5 | 1671165 | 4 | Cover | |
| 6 | 3272205 | 16 | Nut 3/4 Grade 8 | |
| 7 | 3300353 | 16 | Nut, Tinnerman | |
| 8 | 3310805 | 8 | Nut #8 | |
| 9 | 3573658 | 4 | Plate | |
| 10 | 3930820 | 8 | Capscrew #8 x 1-1/4 | |
| 12 | 4420051 | 8 ft /2.4m | Tape, Safety | |
| 13 | 4711400 | 16 | Washer 1/4 | |
| 14 | 4711500 | 3 | Washer 5/16 | |
| 15 | 4750800 | 8 | Washer #8 | |
| 16 | 4892200 | 32 | Washer 3/4 | |
| 17 | 1001103552 | 1 | Hydraulic Diagram (Not Shown - See HYDRAULIC SECTION for Breakdown) | |
| 18 | 1001103762 | 1 | Leveling Jack Valve Assembly (See LEVELING JACK VALVE ASSEMBLY for Breakdown) | |
| 19 | 1001103801 | 1 | Harness, Leveling Jack (See ELECTRICAL SECTION for Breakdown) | |
| 20 | 1001166177 | 2 | Leveling Jack Assembly (See LEVELING JACK VALVE ASSEMBLY for Breakdown) | |
| 21 | 1001166837 | AR | Shim | |

SECTION 1 - FRAME

FIGURE 1-22. LEVELING JACK INSTALLATION - OPTIONAL ON 3394RT - STANDARD ON 4394RT



ART_1001188847_10F2

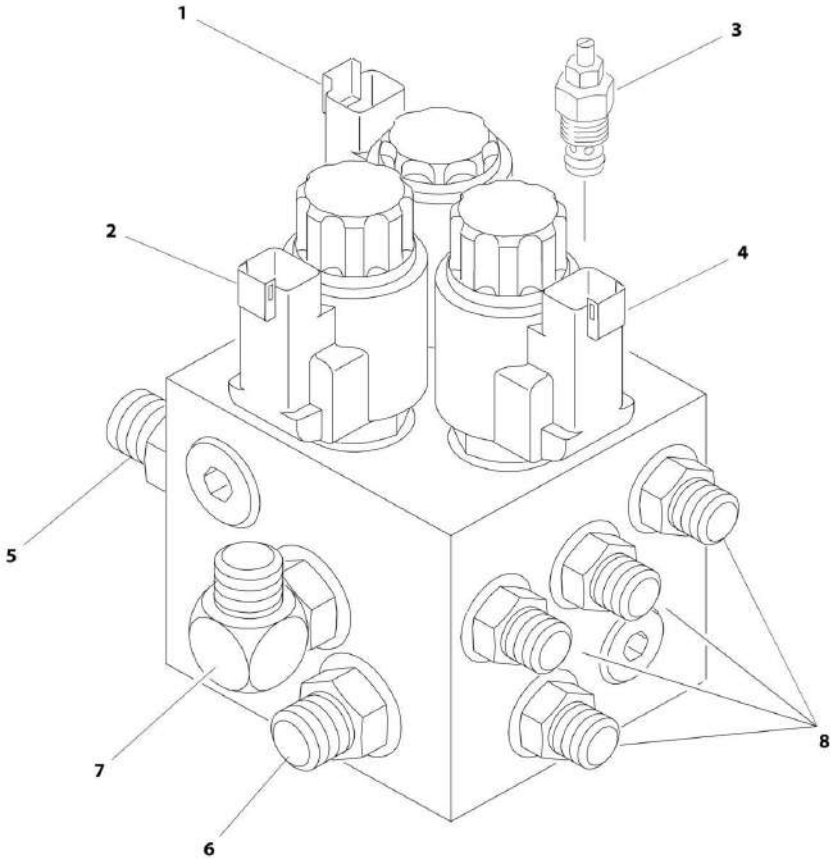
SECTION 1 - FRAME

FIGURE 1-22. LEVELING JACK INSTALLATION - OPTIONAL ON 3394RT - STANDARD ON 4394RT

| ITEM | PART NUMBER | QTY | DESCRIPTION | REV |
|------|-------------|-----------|--|-----|
| | | Ref | USAGE CHART: | |
| | | Ref | - CE Specs (SN 0200241796 to Present) | |
| | 1001188847 | Ref | LEVELING JACK INSTALLATION - OPTIONAL ON 3394RT - STANDARD ON 4394RT | A |
| 1 | 0100011 | AR | Compound, Locking | |
| 2 | 0641407 | 16 | Bolt 1/4 x 7/8 | |
| 3 | 0641508 | 3 | Bolt 5/16 x 1 | |
| 4 | 0682230 | 16 | Bolt 3/4 x 3-3/4 Grade 8 | |
| 5 | 1671165 | 4 | Cover | |
| 6 | 3272205 | 16 | Nut 3/4 Grade 8 | |
| 7 | 3300353 | 16 | Nut, Tinnerman | |
| 8 | 3310805 | 8 | Nut #8 | |
| 9 | 3573658 | 4 | Plate | |
| 10 | 3930820 | 8 | Capscrew #8 x 1-1/4 | |
| 12 | 4420051 | 8 ft/2.4m | Tape, Safety | |
| 13 | 4711400 | 16 | Washer 1/4 | |
| 14 | 4711500 | 3 | Washer 5/16 | |
| 15 | 4750800 | 8 | Washer #8 | |
| 16 | 4892200 | 32 | Washer 3/4 | |
| 17 | 1001103762 | 1 | Leveling Jack Valve Assembly (See LEVELING JACK VALVE ASSEMBLY for Breakdown) | |
| 18 | 1001103801 | 1 | Harness, Leveling Jack (See ELECTRICAL SECTION for Breakdown) | |
| 19 | 1001166177 | 2 | Leveling Jack Assembly (See LEVELING JACK VALVE ASSEMBLY for Breakdown) | |
| 20 | 1001166837 | AR | Shim | |
| 21 | 1001188848 | 1 | Hydraulic Diagram (Not Shown - See HYDRAULIC SECTION for Breakdown) | |

SECTION 1 - FRAME

FIGURE 1-23. LEVELING JACK VALVE ASSEMBLY



ART_1001103762

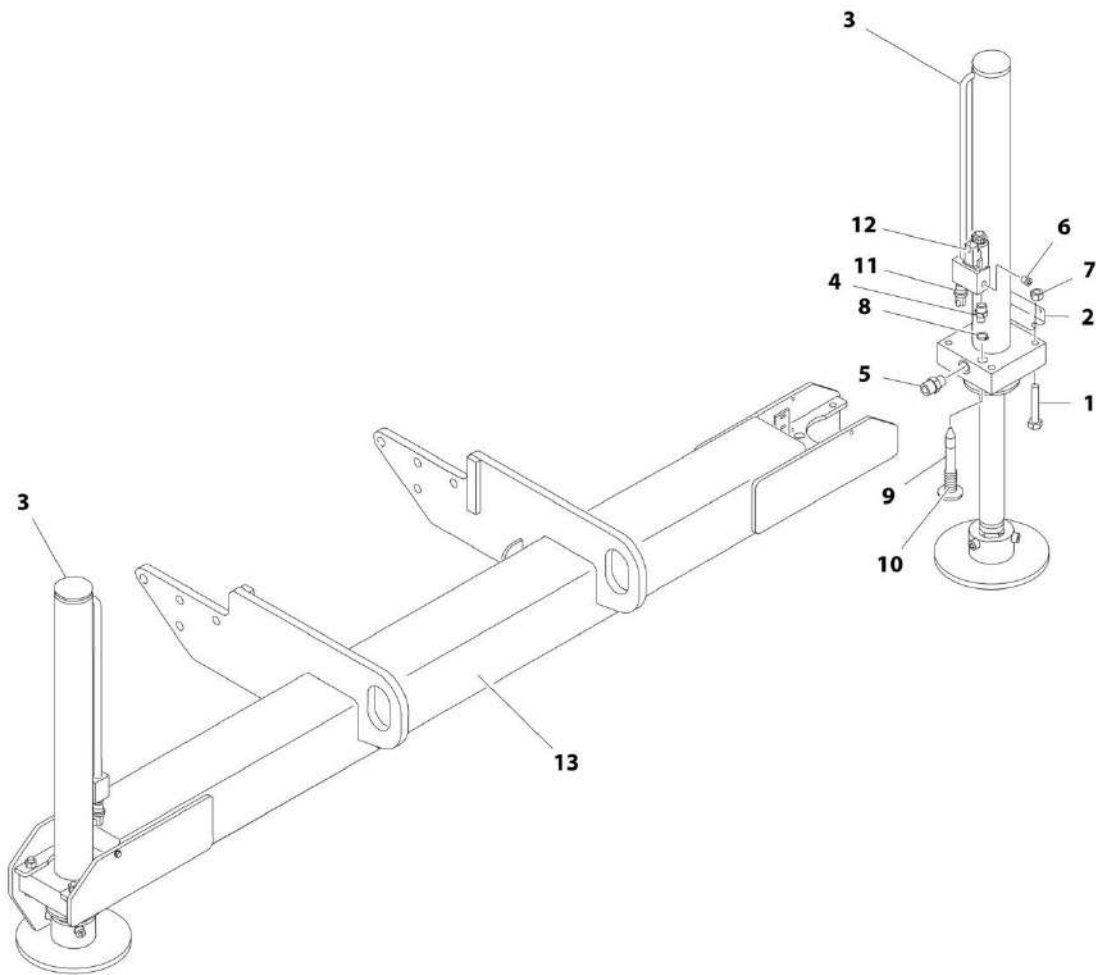
SECTION 1 - FRAME

FIGURE 1-23. LEVELING JACK VALVE ASSEMBLY

| ITEM | PART NUMBER | QTY | DESCRIPTION | REV |
|------|-------------|-----|----------------------------------|-----|
| | 1001103762 | Ref | LEVELING JACK VALVE ASSEMBLY | C |
| 1 | 7024497 | 1 | Cartridge without Coil (Retract) | |
| 1 | 7024502 | 1 | Seal Kit - 7024497 Cartridge | |
| 1 | 70001965 | 1 | Coil | |
| 1 | 7024506 | 1 | Coil Nut Kit | |
| 2 | 7024498 | 1 | Cartridge without Coil (Extend) | |
| 2 | 7024503 | 1 | Seal Kit - 7024498 Cartridge | |
| 2 | 70001965 | 1 | Coil | |
| 2 | 7024507 | 1 | Coil Nut Kit | |
| 3 | 7024499 | 1 | Cartridge | |
| 3 | 7024504 | 1 | Seal Kit - 7024499 Cartridge | |
| 4 | 7024500 | 1 | Cartridge without Coil | |
| 4 | 7024505 | 1 | Seal Kit - 7024500 Cartridge | |
| 4 | 70001965 | 1 | Coil | |
| 4 | 7024506 | 1 | Coil Nut Kit | |
| 5 | 2110808 | 4 | Fitting, Straight ORFS/ORB | |
| 6 | 2110608 | 1 | Fitting, Straight ORFS/ORB | |
| 7 | 2130608 | 1 | Fitting, 90 ORFS/ORB | |
| 8 | 2110606 | 4 | Fitting, Straight ORFS/ORB | |

SECTION 1 - FRAME

FIGURE 1-24. LEVELING JACK ASSEMBLY



ART_1001166177

SECTION 1 - FRAME

FIGURE 1-24. LEVELING JACK ASSEMBLY

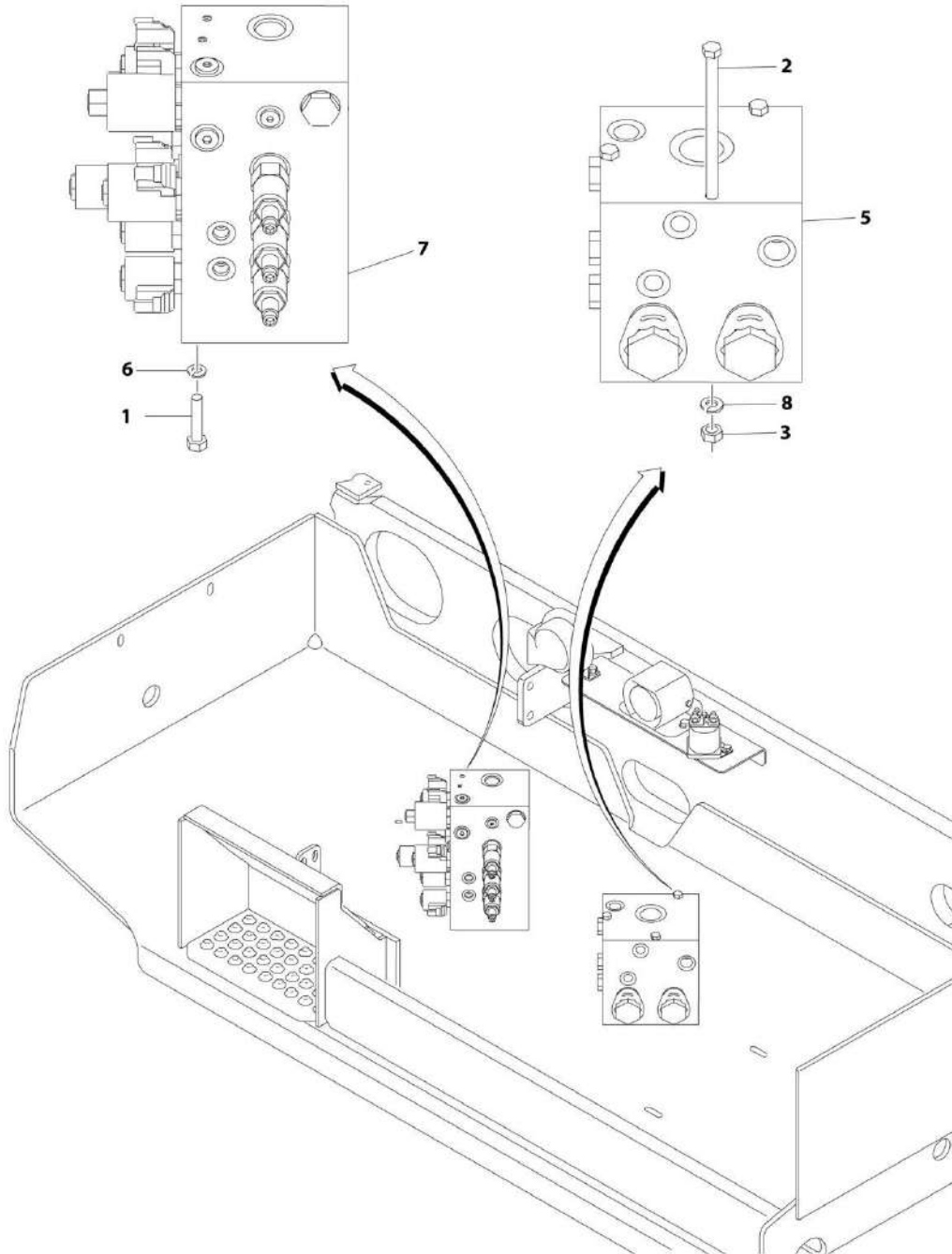
| ITEM | PART NUMBER | QTY | DESCRIPTION | REV |
|------|-------------|-----|--|-----|
| | 1001166177 | Ref | LEVELING JACK ASSEMBLY | D |
| | | Ref | Note: Qty shown is for one Level Jack Assembly. Two assemblies required per machine. | |
| 1 | 0641824 | 8 | Bolt 1/2 x 3 | |
| 2 | 0903054 | 2 | Bracket, Jack Cover | |
| 3 | 1684406 | NLA | Jack Cylinder Assembly (See CYLINDER SECTION for Breakdown) | |
| 4 | 2110606 | 2 | Fitting, Straight ORFS/ORB | |
| 5 | 2110808 | 2 | Fitting, Straight ORFS/ORB | |
| 6 | 2220883 | 2 | Plug | |
| 7 | 3311805 | 8 | Nut 1/2-13 | |
| 8 | 3760348 | 2 | Ring, Retaining | |
| 9 | 3841564 | 2 | Rod | |
| 10 | 4160116 | 2 | Spring | |
| 11 | 4360518 | 2 | Transducer, Pressure | |
| 12 | 1001103761 | 2 | Cartridge, Solenoid Valve | |
| 12 | 7024502 | 2 | Seal Kit - 1001103761 Valve (1 Per Cartridge) | |
| 12 | 70001965 | 2 | Coil (1 Per Cartridge) | |
| 12 | 7024506 | 2 | Coil Nut Kit (1 Per Cartridge) | |
| 13 | 1001166176 | 1 | Mount, Leveling Jack | |

SECTION 2 - GROUND CONTROLS

SECTION 2 - GROUND CONTROLS

FIGURE 2-1. CONTROL VALVE INSTALLATION

USAGE CHART:
- ALL SPECS EXCEPT CE SPECS
- CE SPECS (SN 0200239053 THROUGH 0200241795)



ART_1001102976

SECTION 2 - GROUND CONTROLS

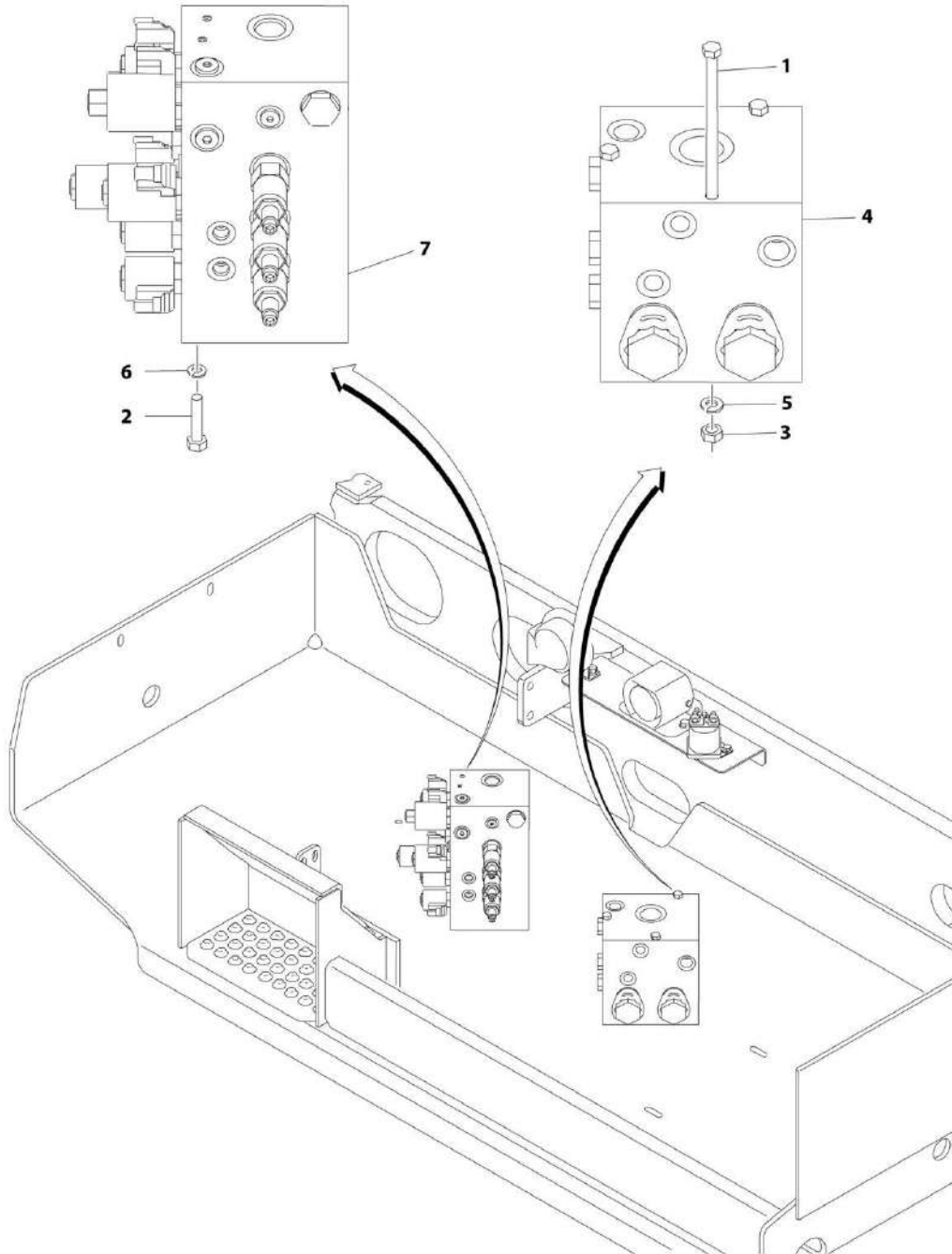
FIGURE 2-1. CONTROL VALVE INSTALLATION

| ITEM | PART NUMBER | QTY | DESCRIPTION | REV |
|------|-------------|-----|---|-----|
| | | Ref | USAGE CHART: | |
| | | Ref | - All Specs except CE Specs | |
| | | Ref | - CE Specs (SN 0200239053 through 0200241795) | |
| | 1001102976 | Ref | CONTROL VALVE INSTALLATION | D |
| 1 | 0641608 | 4 | Bolt 3/8 x 1 | |
| 2 | 0641560 | 3 | Bolt 5/16 x 7-1/2 | |
| 3 | 3311501 | 3 | Nut 5/16 | |
| 5 | 4641303 | 1 | Flow Divider Valve Assembly (See FLOW DIVIDER VALVE ASSEMBLY for Breakdown) | |
| 6 | 4761600 | 4 | Washer 3/8 | |
| 7 | 1001105709 | 1 | Main Valve Assembly (See MAIN CONTROL VALVE ASSEMBLY for Breakdown) | |
| 8 | 4761500 | 3 | Washer 5/16 | |

SECTION 2 - GROUND CONTROLS

FIGURE 2-2. CONTROL VALVE INSTALLATION

USAGE CHART:
- CE SPECS (SN 0200241796 TO PRESENT)



ART_1001188990

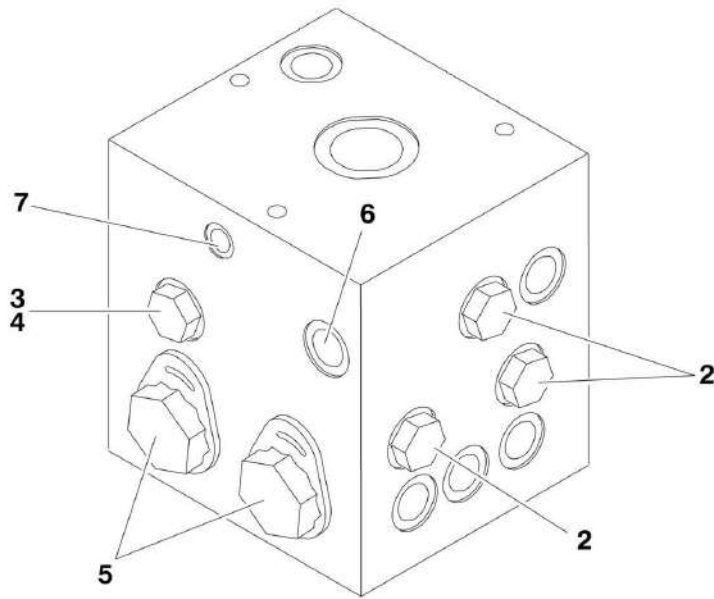
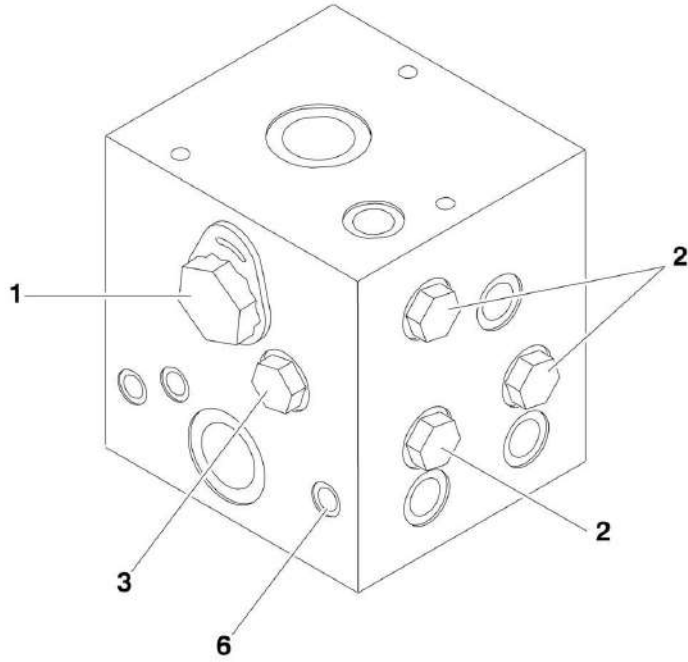
SECTION 2 - GROUND CONTROLS

FIGURE 2-2. CONTROL VALVE INSTALLATION

| ITEM | PART NUMBER | QTY | DESCRIPTION | REV |
|------|-------------|-----|---|-----|
| | | Ref | USAGE CHART: | |
| | | Ref | - CE Specs (SN 0200241796 to Present) | |
| | 1001188990 | Ref | CONTROL VALVE INSTALLATION | A |
| 1 | 0641560 | 3 | Bolt 5/16 x 7-1/2 | |
| 2 | 0641608 | 4 | Bolt 3/8 x 1 | |
| 3 | 3311501 | 3 | Nut 5/16 | |
| 4 | 4641303 | 1 | Flow Divider Valve Assembly (See FLOW DIVIDER VALVE ASSEMBLY for Breakdown) | |
| 5 | 4761500 | 3 | Washer 5/16 | |
| 6 | 4761600 | 4 | Washer 3/8 | |
| 7 | 1001186552 | 1 | Main Valve Assembly (See MAIN CONTROL VALVE ASSEMBLY for Breakdown) | |

SECTION 2 - GROUND CONTROLS

FIGURE 2-3. FLOW DIVIDER VALVE ASSEMBLY



ART. 4641303

SECTION 2 - GROUND CONTROLS

FIGURE 2-3. FLOW DIVIDER VALVE ASSEMBLY

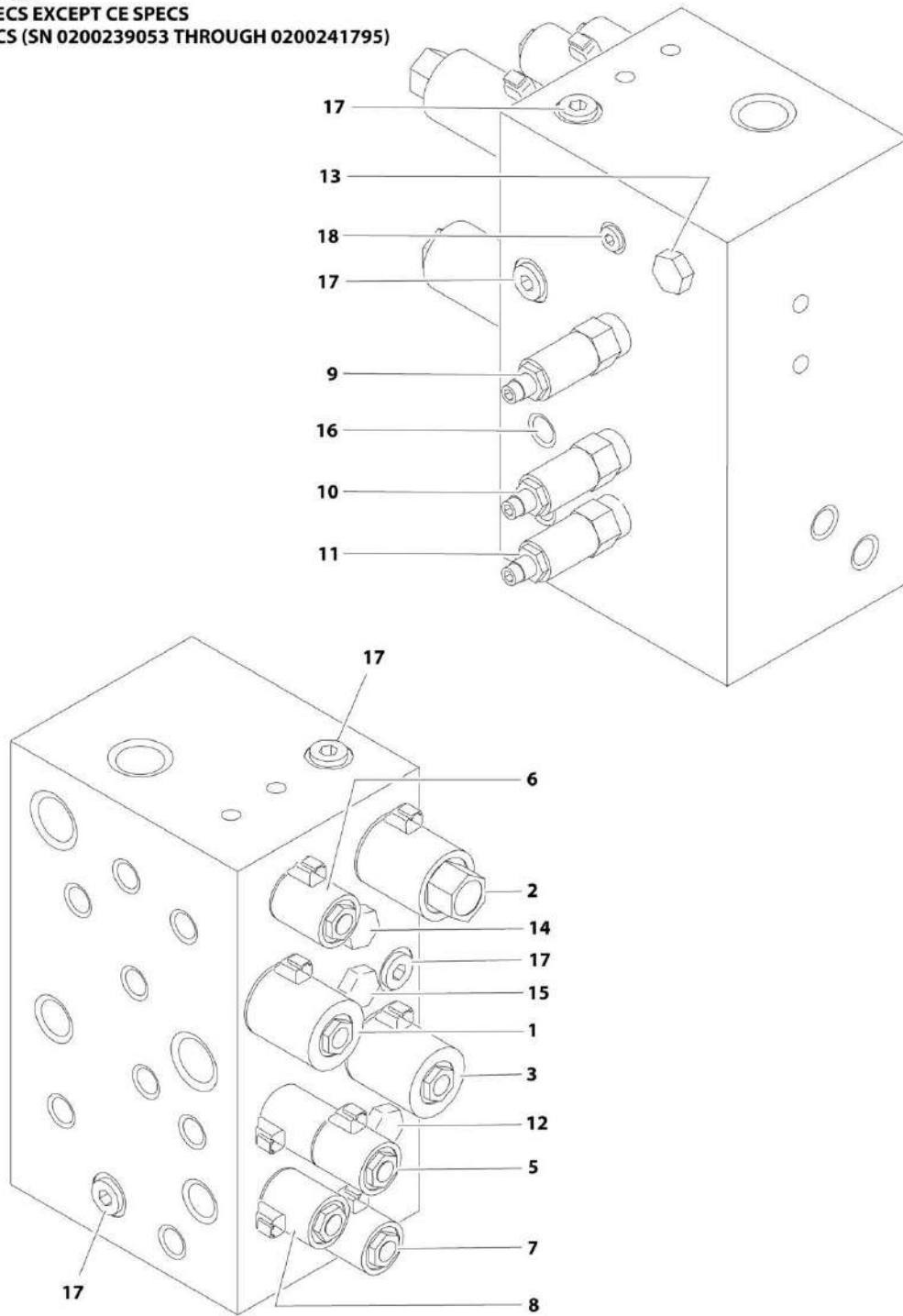
| ITEM | PART NUMBER | QTY | DESCRIPTION | REV |
|------|-------------|-----|------------------------------|-----|
| | 4641303 | Ref | FLOW DIVIDER VALVE ASSEMBLY | C |
| 1 | 7023933 | 1 | Cartridge, Flow Divider | |
| 1 | 7021625 | 1 | Seal Kit - 7023933 Cartridge | |
| 2 | 7022397 | 6 | Cartridge, Check | |
| 2 | 7022399 | 6 | Seal Kit - 7022397 Cartridge | |
| 3 | 7021639 | 2 | Cartridge, Check Valves | |
| 3 | 2900756 | 2 | Seal Kit - 7022398 Cartridge | |
| 4 | 7024881 | 1 | Piston, Pilot | |
| 5 | 7023917 | 2 | Cartridge, Flow Divider | |
| 5 | 7021625 | 2 | Seal Kit - 7023917 Cartridge | |
| 6 | 70003935 | 2 | Orifice | |
| 7 | 70003936 | 1 | Orifice | |

SECTION 2 - GROUND CONTROLS

FIGURE 2-4. MAIN CONTROL VALVE ASSEMBLY

USAGE CHART:

- ALL SPECS EXCEPT CE SPECS
- CE SPECS (SN 0200239053 THROUGH 0200241795)



ART_1001105709

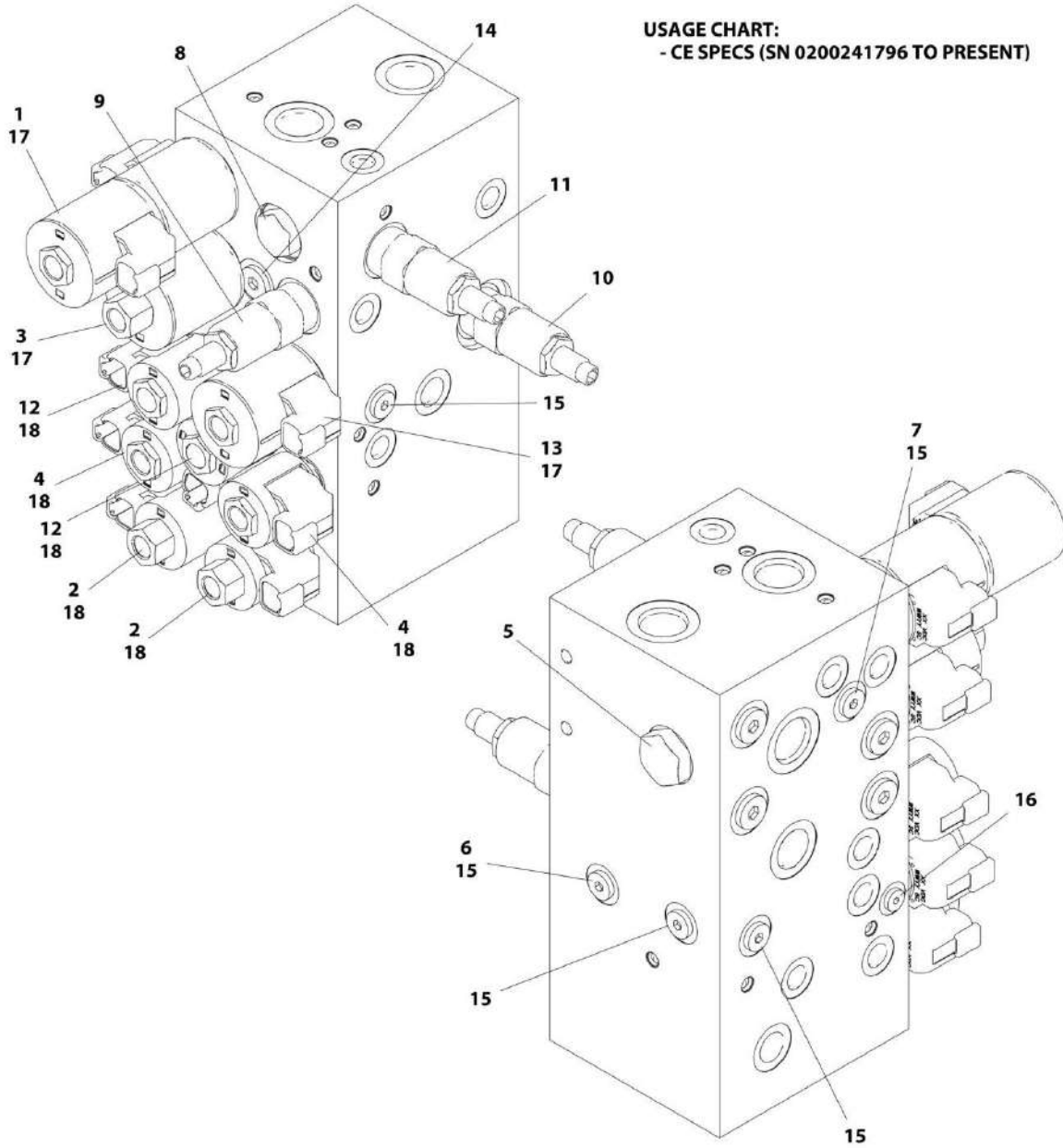
SECTION 2 - GROUND CONTROLS

FIGURE 2-4. MAIN CONTROL VALVE ASSEMBLY

| ITEM | PART NUMBER | QTY | DESCRIPTION | REV |
|------|-------------|-----|--|-----|
| | | Ref | USAGE CHART: | |
| | | Ref | - All Specs except CE Specs | |
| | | Ref | - CE Specs (SN 0200239053 through 0200241795) | |
| | 1001105709 | Ref | MAIN CONTROL VALVE ASSEMBLY | A |
| 1 | 7012920 | 1 | Cartridge, Solenoid without Coil (Oscillating Axle #2) | |
| 1 | 7010545 | 1 | Seal Kit - 7012920 Cartridge | |
| 1 | 70001967 | 1 | Coil | |
| 2 | 7012910 | 1 | Cartridge, Solenoid without Coil (Dump) | |
| 2 | 2900708 | 1 | Seal Kit - 7012910 Cartridge | |
| 2 | 70001967 | 1 | Coil | |
| 3 | 7010635 | 1 | Cartridge, Solenoid without Coil (Lift Up) | |
| 3 | 2900708 | 1 | Seal Kit - 7010635 Cartridge | |
| 3 | 70001967 | 1 | Coil | |
| 5 | 7017433 | 1 | Cartridge, Solenoid without Coil (Steer) | |
| 5 | 7017402 | 1 | Seal Kit - 7017433 Cartridge | |
| 5 | 70001977 | 2 | Coil | |
| 6 | 7023981 | 1 | Cartridge, Solenoid without Coil (Oscillating Axle #1) | |
| 6 | 7012905 | 1 | Seal Kit - 7023981 Cartridge | |
| 6 | 70001977 | 1 | Coil | |
| 7 | 7012941 | 1 | Cartridge, Solenoid without Coil (2 Speed) | |
| 7 | 7010543 | 1 | Seal Kit - 7012941 Cartridge | |
| 7 | 70001977 | 1 | Coil | |
| 8 | 7012941 | 1 | Cartridge, Solenoid without Coil (Brake) | |
| 8 | 7010543 | 1 | Seal Kit - 7012941 Cartridge | |
| 8 | 70001977 | 1 | Coil | |
| 9 | 70001978 | 1 | Cartridge, Relief | |
| 9 | 7017496 | 1 | Seal Kit - 70001978 Cartridge | |
| 10 | 70001979 | 1 | Cartridge, Relief | |
| 10 | 7017496 | 1 | Seal Kit - 70001979 Cartridge | |
| 11 | 7023912 | 1 | Cartridge, Relief | |
| 11 | 7012967 | 1 | Seal Kit - 7023912 Cartridge | |
| 12 | 7010542 | 1 | Cartridge, Shuttle | |
| 12 | 7010543 | 1 | Seal Kit - 7010542 Cartridge | |
| 13 | 4641192 | 1 | Cartridge, Check | |
| 13 | 7017496 | 1 | Seal Kit - 4641192 Cartridge | |
| 14 | 70001980 | 1 | Cartridge, Check | |
| 14 | 7012972 | 1 | Seal Kit - 70001980 Cartridge | |
| 15 | 70001980 | 1 | Cartridge, Check | |
| 15 | 7012972 | 1 | Seal Kit - 70001980 Cartridge | |
| 16 | See Note | 1 | Orifice (Note: Not Available for Purchase) | |
| 17 | 7024844 | 4 | Plug #6 | |
| 18 | 7017406 | 1 | Plug #4 | |

SECTION 2 - GROUND CONTROLS

FIGURE 2-5. MAIN CONTROL VALVE ASSEMBLY



ART_1001186552

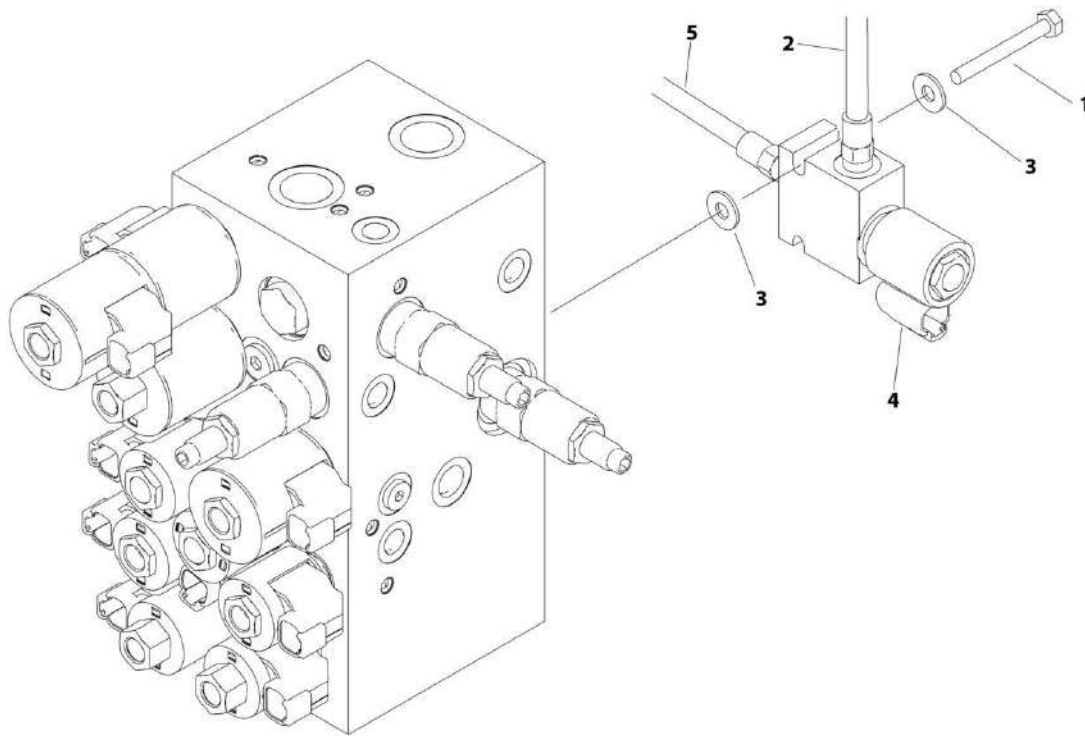
SECTION 2 - GROUND CONTROLS

FIGURE 2-5. MAIN CONTROL VALVE ASSEMBLY

| ITEM | PART NUMBER | QTY | DESCRIPTION | REV |
|------|-------------|-----|---|-----|
| | | Ref | USAGE CHART: | |
| | | Ref | - CE Specs (SN 0200241796 to Present) | |
| | 1001186552 | Ref | MAIN CONTROL VALVE ASSEMBLY | B |
| 1 | 70005161 | 1 | Cartridge, Solenoid without Coil (Steer) | |
| 1 | 70005073 | 1 | Seal Kit - 70005161 Cartridge | |
| 1 | 70003977 | 1 | Nut, Coil | |
| 1 | 70003024 | 1 | Spacer | |
| 2 | 70005162 | 2 | Cartridge, Solenoid without Coil (Secondary Axle Release) | |
| 2 | 7023936 | 2 | Seal Kit - 70005162 Cartridge | |
| 2 | 70003978 | 2 | Nut, Coil | |
| 3 | 70005069 | 1 | Cartridge, Solenoid without Coil (Main Dump) | |
| 3 | 7022399 | 1 | Seal Kit - 70005069 Cartridge | |
| 3 | 70003977 | 1 | Nut, Coil | |
| 4 | 70005163 | 2 | Cartridge, Solenoid without Coil (Primary Axle Release) | |
| 4 | 70005164 | 2 | Seal Kit - 70005163 Cartridge | |
| 4 | 7022390 | 2 | Nut, Coil | |
| 5 | 70005100 | 1 | Cartridge, Check Valve | |
| 5 | 7022399 | 1 | Seal Kit - 70005100 Cartridge | |
| 6 | 70004389 | 1 | Orifice | |
| 7 | 7017493 | 1 | Orifice | |
| 8 | 7022398 | 1 | Cartridge, Load Shuttle | |
| 8 | 7023900 | 1 | Seal Kit - 7022398 Cartridge | |
| 9 | 70005080 | 1 | Cartridge, Relief | |
| 9 | 7022399 | 1 | Seal Kit - 70005080 Cartridge | |
| 10 | 70005165 | 1 | Cartridge, Relief | |
| 10 | 7022399 | 1 | Seal Kit - 70005165 Cartridge | |
| 11 | 70005166 | 1 | Cartridge, Relief | |
| 11 | 7023936 | 1 | Seal Kit - 70005166 Cartridge | |
| 12 | 70005167 | 2 | Cartridge, Solenoid Valve without Coil (2 Speed/Brake) | |
| 12 | 7023900 | 2 | Seal Kit - 7005167 Cartridge | |
| 12 | 7022390 | 2 | Nut, Coil | |
| 13 | 70005168 | 1 | Cartridge, Solenoid Valve without Coil (Lift Up) | |
| 13 | 7022399 | 1 | Seal Kit - 70005168 Cartridge | |
| 13 | 7022390 | 1 | Nut, Coil | |
| 14 | 2220885 | 3 | Plug #6 | |
| 15 | 2220883 | 7 | Plug #4 | |
| 16 | 2220881 | 1 | Plug #2 | |
| 17 | 70050516 | 4 | Coil | |
| 18 | 70002963 | 6 | Coil | |

SECTION 2 - GROUND CONTROLS

FIGURE 2-6. POWERDECK AUXILIARY VALVE INSTALLATION (3394RT ALL SPECS EXCEPT CE SPEC) (SN 0200241796 to Present)



ART_1001103751

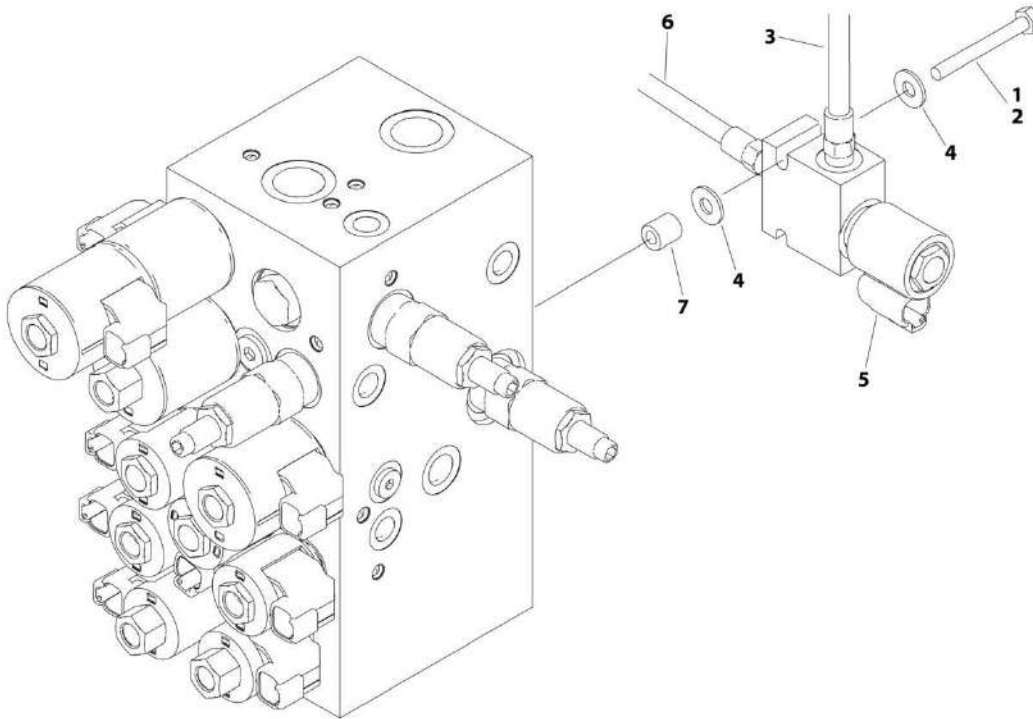
SECTION 2 - GROUND CONTROLS

FIGURE 2-6. POWERDECK AUXILIARY VALVE INSTALLATION (3394RT ALL SPECS EXCEPT CE SPEC) (SN 0200241796 to Present)

| ITEM | PART NUMBER | QTY | DESCRIPTION | REV |
|------|-------------|-----|--|-----|
| | | Ref | Note: All other Powerdeck Components, located in PLATFORM SECTION. | |
| | 1001103751 | Ref | POWERDECK AUXILIARY VALVE INSTALLATION (3394RT ALL SPECS EXCEPT CE SPECS) (SN 0200241796 to Present) | A |
| 1 | 0641412 | 2 | Bolt 1/4 x 1-1/2 | |
| 2 | 2753867 | 1 | Hose | |
| 3 | 4711400 | 2 | Washer 1/4 | |
| 4 | 1001103340 | 1 | Auxiliary Powerdeck Valve Assembly | |
| 4 | 7017467 | 1 | Cartridge, Solenoid without Coil | |
| 4 | 7012967 | 1 | Seal Kit - 7017467 Valve | |
| 4 | 70001977 | 1 | Coil | |
| 5 | 1001105320 | 1 | Hose | |

SECTION 2 - GROUND CONTROLS

FIGURE 2-7. POWERDECK AUXILIARY VALVE INSTALLATION (3394RT CE SPEC) (SN 0200241796 to Present)



ART_1001192245

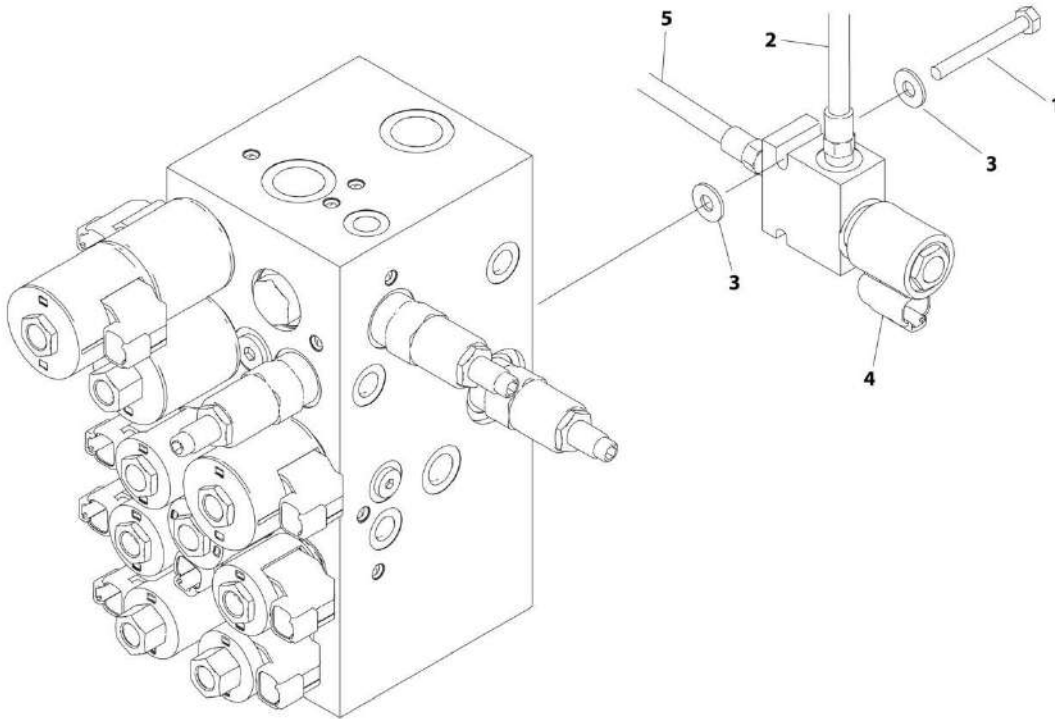
SECTION 2 - GROUND CONTROLS

FIGURE 2-7. POWERDECK AUXILIARY VALVE INSTALLATION (3394RT CE SPEC) (SN 0200241796 to Present)

| ITEM | PART NUMBER | QTY | DESCRIPTION | REV |
|------|-------------|-----|---|-----|
| | | Ref | Note: All other Powerdeck Components, located in PLATFORM SECTION. | |
| | 1001192245 | Ref | POWERDECK AUXILIARY VALVE INSTALLATION (3394RT CE SPEC) (SN 0200241796 to Present) | A |
| 1 | 0100011 | AR | Compound, Locking | |
| 2 | 0641418 | 2 | Bolt 1/4 x 1-1/2 | |
| 3 | 2753867 | 1 | Hose | |
| 4 | 4751400 | 2 | Washer 1/4 | |
| 5 | 1001103340 | 1 | Auxiliary Powerdeck Valve Assembly | |
| 5 | 7017467 | 1 | Cartridge, Solenoid without Coil | |
| 5 | 7012967 | 1 | Seal Kit - 7017467 Valve | |
| 5 | 70001977 | 1 | Coil | |
| 6 | 1001105320 | 1 | Hose | |
| 7 | 1001119141 | 2 | Spacer | |

SECTION 2 - GROUND CONTROLS

FIGURE 2-8. POWERDECK AUXILIARY VALVE INSTALLATION (4394RT ALL SPECS EXCEPT CE SPEC) (SN 0200241796 to Present)



ART_1001103752

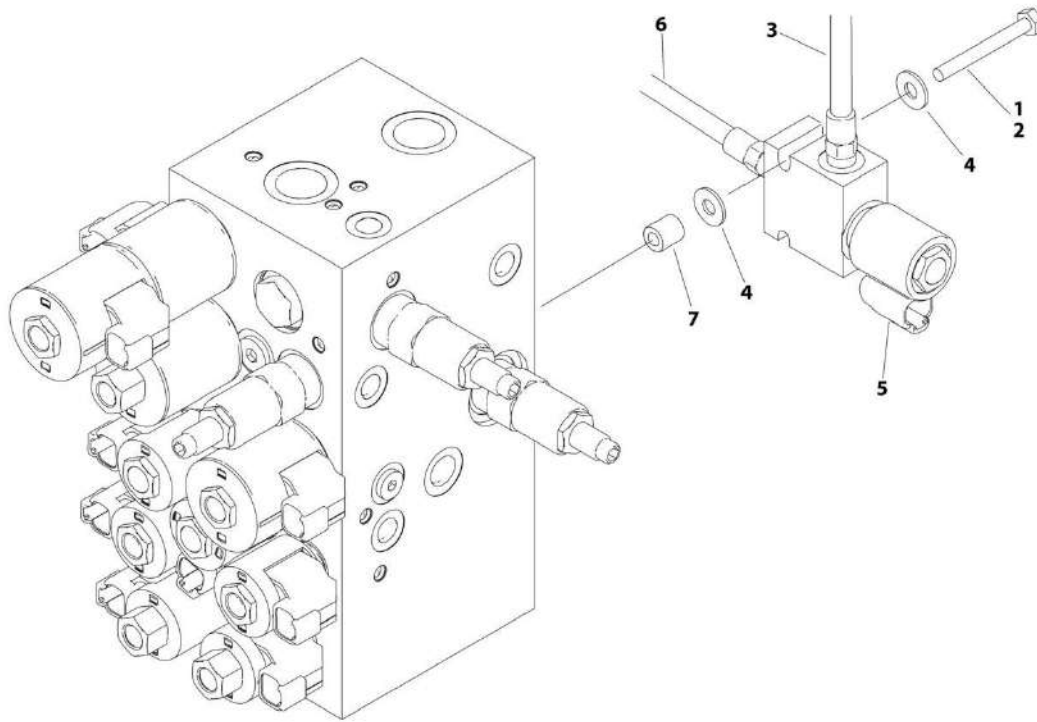
SECTION 2 - GROUND CONTROLS

FIGURE 2-8. POWERDECK AUXILIARY VALVE INSTALLATION (4394RT ALL SPECS EXCEPT CE SPEC) (SN 0200241796 to Present)

| ITEM | PART NUMBER | QTY | DESCRIPTION | REV |
|------|-------------|-----|---|-----|
| | | Ref | Note: All other Powerdeck Components, located in PLATFORM SECTION. | |
| | 1001103752 | Ref | POWERDECK AUXILIARY VALVE INSTALLATION (4394RT ALL SPECS EXCEPT CE SPEC) (SN 0200241796 to Present) | A |
| 1 | 0641412 | 2 | Bolt 1/4 x 1-1/2 | |
| 2 | 2753868 | 1 | Hose | |
| 3 | 4711400 | 2 | Washer 1/4 | |
| 4 | 1001103340 | 1 | Auxiliary Powerdeck Valve Assembly | |
| 4 | 7017467 | 1 | Cartridge, Solenoid without Coil | |
| 4 | 7012967 | 1 | Seal Kit - 7017467 Valve | |
| 4 | 70001977 | 1 | Coil | |
| 5 | 1001105328 | 1 | Hose | |

SECTION 2 - GROUND CONTROLS

FIGURE 2-9. POWERDECK AUXILIARY VALVE INSTALLATION (4394RT CE SPEC) (SN 0200241796 to Present)



ART_1001192246

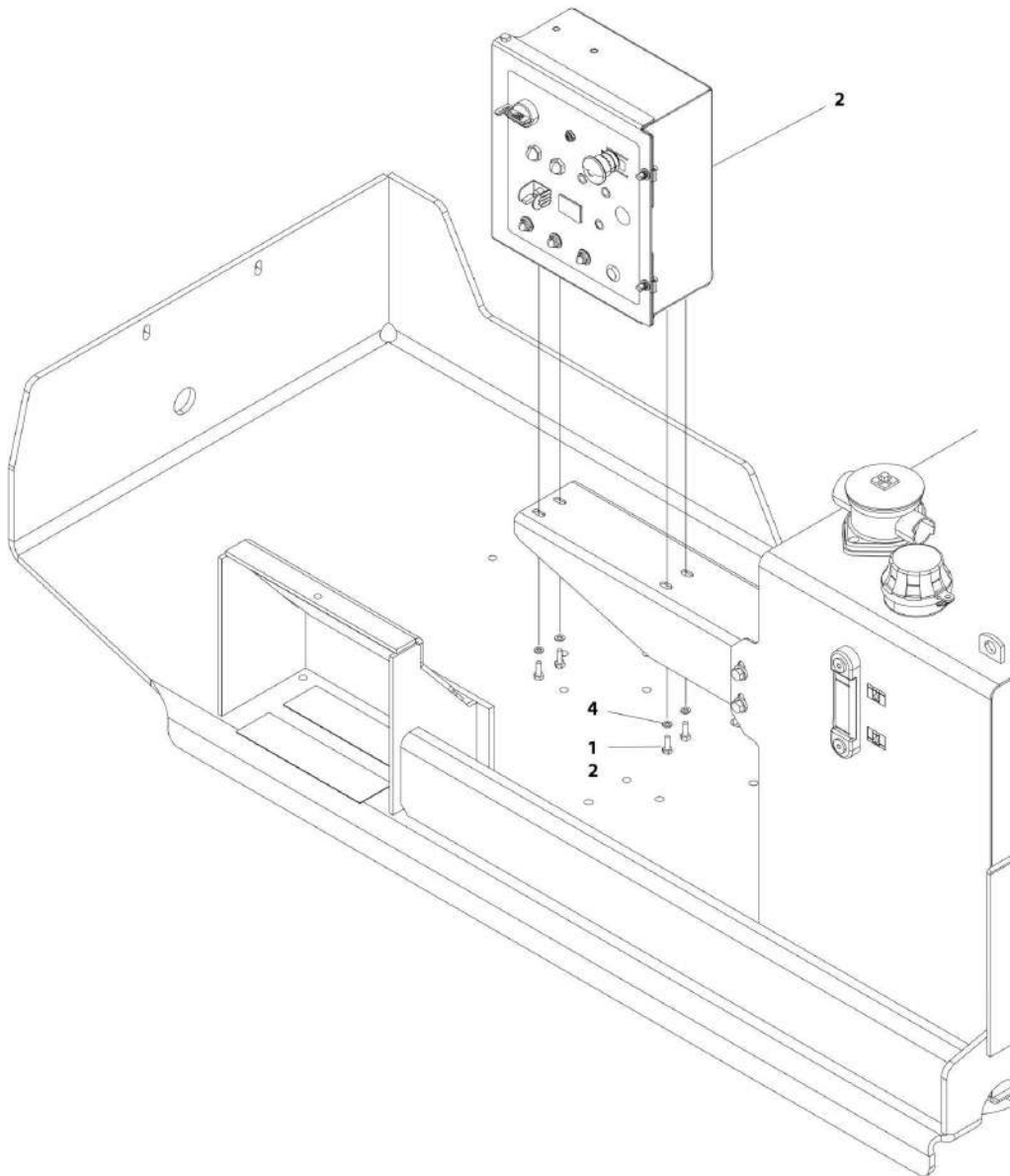
SECTION 2 - GROUND CONTROLS

FIGURE 2-9. POWERDECK AUXILIARY VALVE INSTALLATION (4394RT CE SPEC) (SN 0200241796 to Present)

| ITEM | PART NUMBER | QTY | DESCRIPTION | REV |
|------|-------------|-----|---|-----|
| | | Ref | Note: All other Powerdeck Components, located in PLATFORM SECTION. | |
| | 1001192246 | Ref | POWERDECK AUXILIARY VALVE INSTALLATION (4394RT CE SPEC) (SN 0200241796 to Present) | A |
| 1 | 0100011 | AR | Compound, Locking | |
| 2 | 0641418 | 2 | Bolt 1/4 x 1-1/2 | |
| 3 | 2753868 | 1 | Hose | |
| 4 | 4751400 | 2 | Washer 1/4 | |
| 5 | 1001103340 | 1 | Auxiliary Powerdeck Valve Assembly | |
| 5 | 7017467 | 1 | Cartridge, Solenoid without Coil | |
| 5 | 7012967 | 1 | Seal Kit - 7017467 Valve | |
| 5 | 70001977 | 1 | Coil | |
| 6 | 1001105328 | 1 | Hose | |
| 7 | 1001119141 | 2 | Spacer | |

SECTION 2 - GROUND CONTROLS

FIGURE 2-10. GROUND CONTROL BOX INSTALLATION - DEUTZ D2011 ENGINE (ANSI EXPORT & AUSTRALIAN SPECS WITHOUT POWER OPTIONS MODULE)



ART_1001105904

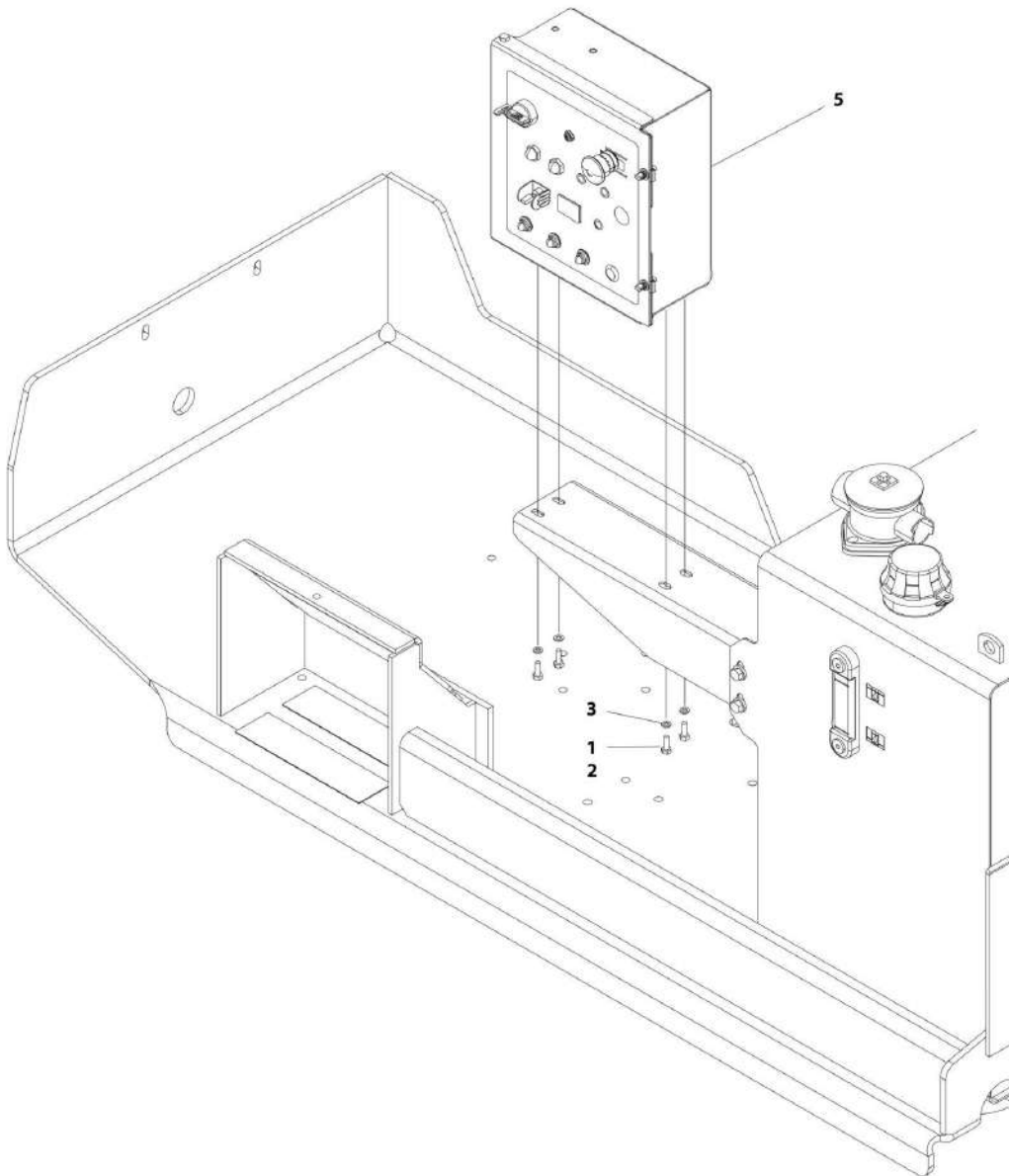
SECTION 2 - GROUND CONTROLS

FIGURE 2-10. GROUND CONTROL BOX INSTALLATION - DEUTZ D2011 ENGINE (ANSI EXPORT & AUSTRALIAN SPECS WITHOUT POWER OPTIONS MODULE)

| ITEM | PART NUMBER | QTY | DESCRIPTION | REV |
|------|-------------|-----|--|-----|
| | 1001105904 | Ref | GROUND CONTROL BOX INSTALLATION - DEUTZ D2011 ENGINE (ANSI EXPORT & AUSTRALIAN SPECS WITHOUT POWER OPTIONS MODULE) | D |
| 1 | 0100011 | AR | Compound, Locking | |
| 2 | 0271813 | 1 | Ground Control Box Assembly (See GROUND CONTROL BOX ASSEMBLY for Breakdown) | |
| 3 | 0641406 | 4 | Bolt 1/4 x 3/4 | |
| 4 | 4761400 | 4 | Washer 1/4 | |
| 5 | 1001103489 | 1 | Valve and Engine Harness (Not Shown - See ELECTRICAL SECTION for Breakdown) | |

SECTION 2 - GROUND CONTROLS

FIGURE 2-11. GROUND CONTROL BOX INSTALLATION - DEUTZ D2011 ENGINE (ANSI EXPORT SPECS WITHOUT POWER OPTIONS MODULE AND WITH LOW TEMPERATURE CUTOUT)



ART_1001156276

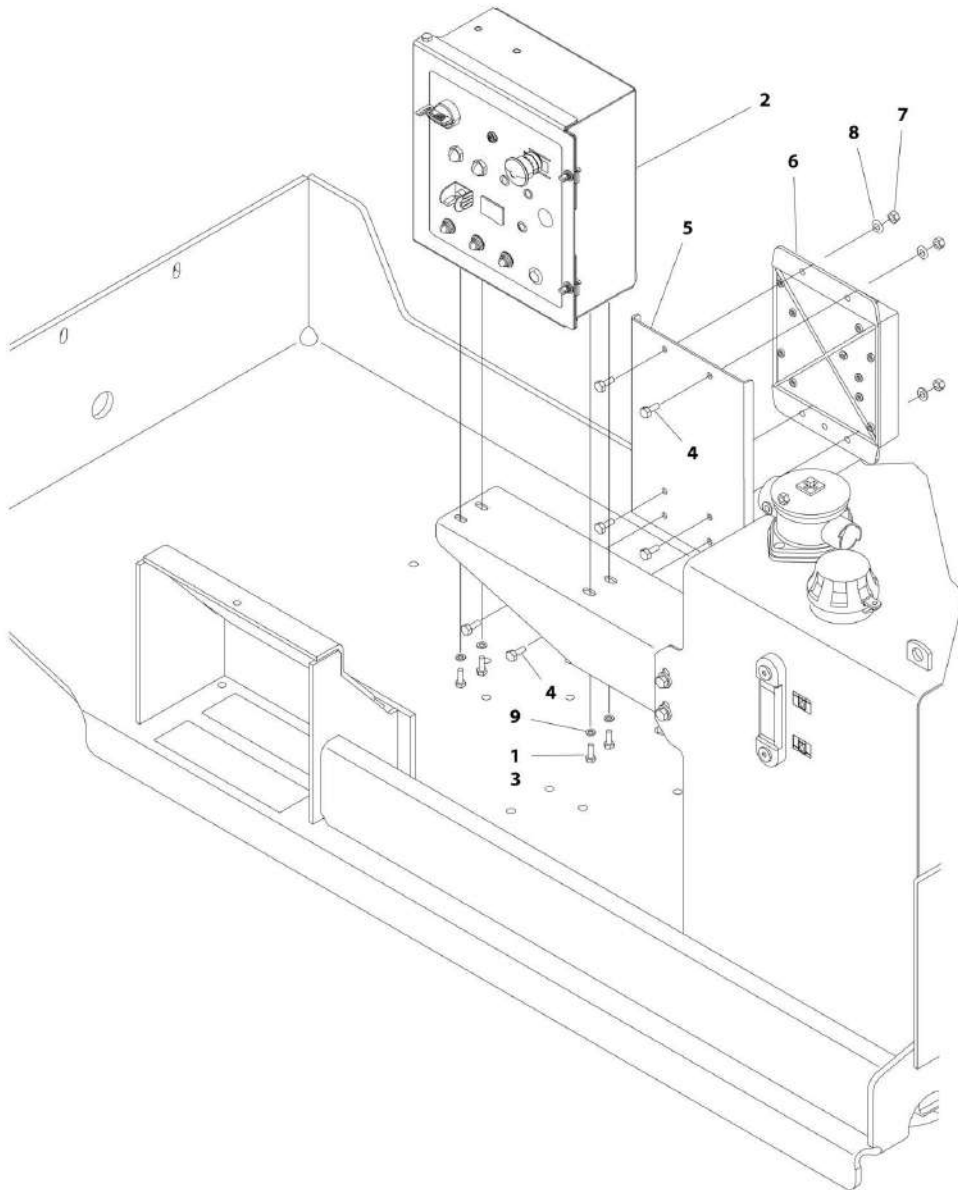
SECTION 2 - GROUND CONTROLS

FIGURE 2-11. GROUND CONTROL BOX INSTALLATION - DEUTZ D2011 ENGINE (ANSI EXPORT SPECS WITHOUT POWER OPTIONS MODULE AND WITH LOW TEMPERATURE CUTOUT)

| ITEM | PART NUMBER | QTY | DESCRIPTION | REV |
|------|-------------|-----|---|-----|
| | 1001166276 | Ref | GROUND CONTROL BOX INSTALLATION - DEUTZ D2011 ENGINE (ANSI EXPORT SPECS WITHOUT POWER OPTIONS MODULE AND WITH LOW TEMPERATURE CUTOUT) | C |
| 1 | 0100011 | AR | Compound, Locking | |
| 2 | 0641406 | 4 | Bolt 1/4 x 3/4 | |
| 3 | 4761400 | 4 | Washer 1/4 | |
| 4 | 1001103489 | 1 | Valve and Engine Harness (Not Shown - See ELECTRICAL SECTION for Breakdown) | |
| 5 | 1001164393 | 1 | Ground Control Box Assembly (See GROUND CONTROL BOX ASSEMBLY - WITH LOW TEMPERATURE CUTOUT for Breakdown) | |

SECTION 2 - GROUND CONTROLS

FIGURE 2-12. GROUND CONTROL BOX INSTALLATION - DEUTZ D2011 ENGINE (ANSI EXPORT & AUSTRALIAN SPECS WITH POWER OPTIONS MODULE) (SN 0200239053 through 0200241795)



ART_1001168946

SECTION 2 - GROUND CONTROLS

FIGURE 2-12. GROUND CONTROL BOX INSTALLATION - DEUTZ D2011 ENGINE (ANSI EXPORT & AUSTRALIAN SPECS WITH POWER OPTIONS MODULE) (SN 0200239053 through 0200241795)

| ITEM | PART NUMBER | QTY | DESCRIPTION | REV |
|------|-------------|-----|--|-----|
| | 1001168946 | Ref | GROUND CONTROL BOX INSTALLATION - DEUTZ D2011 ENGINE (ANSI EXPORT & AUSTRALIAN SPECS WITH POWER OPTIONS MODULE) (SN 0200239053 through 0200241795) | G |
| 1 | 0100011 | AR | Compound, Locking | |
| 2 | 0271813 | 1 | Ground Control Box Assembly (See GROUND CONTROL BOX ASSEMBLY for Breakdown) | |
| 3 | 0641406 | 4 | Bolt 1/4 x 3/4 | |
| 4 | 0641506 | 6 | Bolt 5/16 x 3/4 | |
| 5 | 0902847 | 1 | Bracket | |
| 6 | | Ref | Module, Power Options: | |
| 6 | | Ref | Note: Re-calibration Required when Replaced. | |
| 6 | 1600336 | NLA | Module (Use p/n 1001182481) (SN 0200239053 through 0200241191) | |
| 6 | 1001182481 | 1 | Module (SN 0200241192 through 0200241795) | |
| 7 | 3311505 | 6 | Nut 5/16 | |
| 8 | 4711500 | 6 | Washer 5/16 | |
| 9 | 4761400 | 4 | Washer 1/4 | |
| 10 | 1001147974 | 1 | Valve and Engine Harness (Not Shown - See ELECTRICAL SECTION for Breakdown) | |

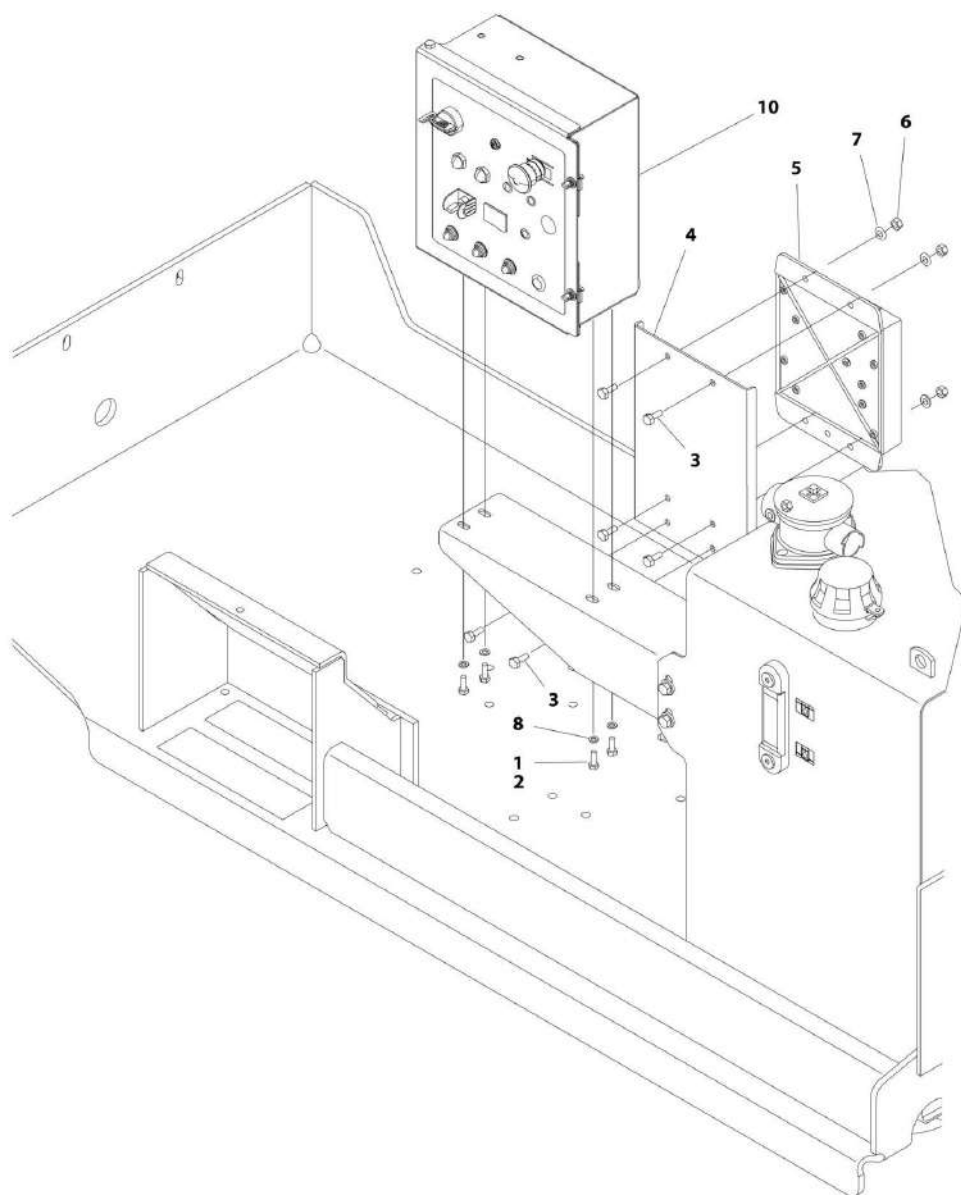
SECTION 2 - GROUND CONTROLS

FIGURE 2-13. GROUND CONTROL BOX INSTALLATION - DEUTZ D2011 ENGINE (ANSI EXPORT & AUSTRALIAN SPECS WITH POWER OPTIONS MODULE) (SN 0200241796 to Present)

| ITEM | PART NUMBER | QTY | DESCRIPTION | REV |
|------|-------------|-----|--|-----|
| | 1001105907 | Ref | GROUND CONTROL BOX INSTALLATION - DEUTZ D2011 ENGINE (ANSI EXPORT & AUSTRALIAN SPECS WITH POWER OPTIONS MODULE) (SN 0200241796 to Present) | B |
| 1 | 0100011 | AR | Compound, Locking | |
| 2 | 0271813 | 1 | Ground Control Box Assembly (See GROUND CONTROL BOX ASSEMBLY for Breakdown) | |
| 3 | 0641406 | 4 | Bolt 1/4 x 3/4 | |
| 4 | 0641506 | 6 | Bolt 5/16 x 3/4 | |
| 5 | 0902847 | 1 | Bracket | |
| 6 | | Ref | Module, Power Options: | |
| 6 | | Ref | Note: Re-calibration Required when Replaced. | |
| 6 | 1600336 | NLA | Module (Use p/n 1001182481) (SN 0200241796 through 0200251330) | |
| 6 | 1001182481 | 1 | Module (SN 0200251331 to Present) | |
| 7 | 3311505 | 6 | Nut 5/16 | |
| 8 | 4711500 | 6 | Washer 5/16 | |
| 9 | 4761400 | 4 | Washer 1/4 | |
| 10 | 1001103489 | 1 | Valve and Engine Harness (Not Shown - See ELECTRICAL SECTION for Breakdown) | |

SECTION 2 - GROUND CONTROLS

FIGURE 2-14. GROUND CONTROL BOX INSTALLATION - DEUTZ D2011 ENGINE (ANSI EXPORT SPECS WITH POWER OPTIONS MODULE AND WITH LOW TEMPERATURE CUTOUT)



ART_1001166277

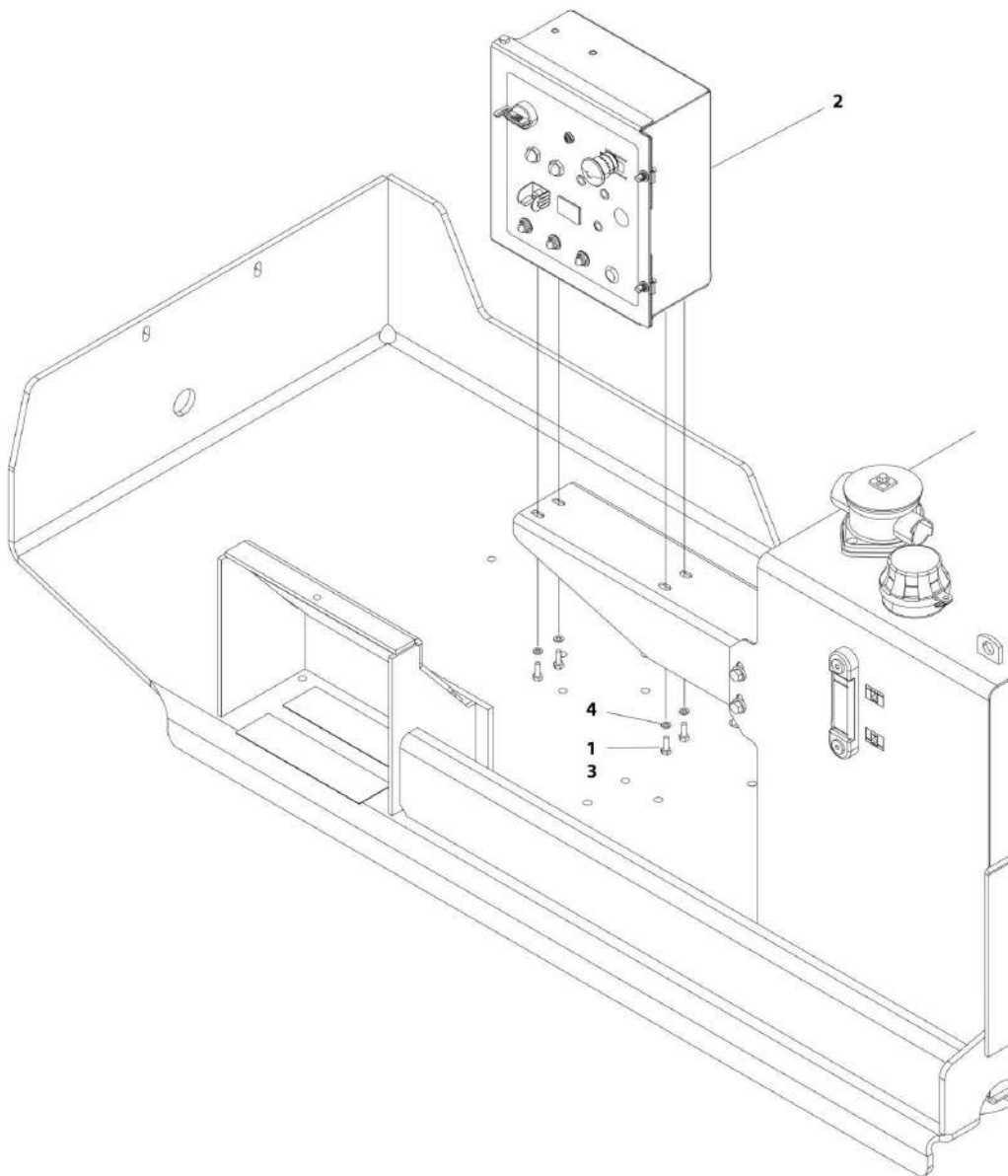
SECTION 2 - GROUND CONTROLS

FIGURE 2-14. GROUND CONTROL BOX INSTALLATION - DEUTZ D2011 ENGINE (ANSI EXPORT SPECS WITH POWER OPTIONS MODULE AND WITH LOW TEMPERATURE CUTOUT)

| ITEM | PART NUMBER | QTY | DESCRIPTION | REV |
|------|-------------|-----|--|-----|
| | 1001166277 | Ref | GROUND CONTROL BOX INSTALLATION - DEUTZ D2011 ENGINE (ANSI EXPORT SPECS WITH POWER OPTIONS MODULE AND WITH LOW TEMPERATURE CUTOUT) | E |
| 1 | 0100011 | AR | Compound, Locking | |
| 2 | 0641406 | 4 | Bolt 1/4 x 3/4 | |
| 3 | 0641506 | 6 | Bolt 5/16 x 3/4 | |
| 4 | 0902847 | 1 | Bracket | |
| 5 | | Ref | Module, Power Options: | |
| 5 | | Ref | Note: Re-calibration Required when Replaced. | |
| 5 | 1600336 | NLA | Module (Use p/n 1001182481) (SN 0200239053 through 0200241191) | |
| 5 | 1001182481 | 1 | Module (SN 0200241192 to Present) | |
| 6 | 3311505 | 6 | Nut 5/16 | |
| 7 | 4711500 | 6 | Washer 5/16 | |
| 8 | 4761400 | 4 | Washer 1/4 | |
| 9 | | Ref | Valve and Engine Harness Options (Not Shown - See ELECTRICAL SECTION for Breakdown): | |
| 9 | 1001147974 | 1 | Harness (SN 0200239053 through 0200246032) | |
| 9 | 1001103489 | 1 | Harness (SN 0200246033 to Present) | |
| 10 | 1001164393 | 1 | Ground Control Box Assembly (See GROUND CONTROL BOX ASSEMBLY - WITH LOW TEMPERATURE CUTOUT for Breakdown) | |

SECTION 2 - GROUND CONTROLS

FIGURE 2-15. GROUND CONTROL BOX INSTALLATION - DEUTZ D2011 ENGINE (CE SPECS WITHOUT POWER OPTIONS MODULE) (SN 0200239053 through 0200241795)



ART_1001168945

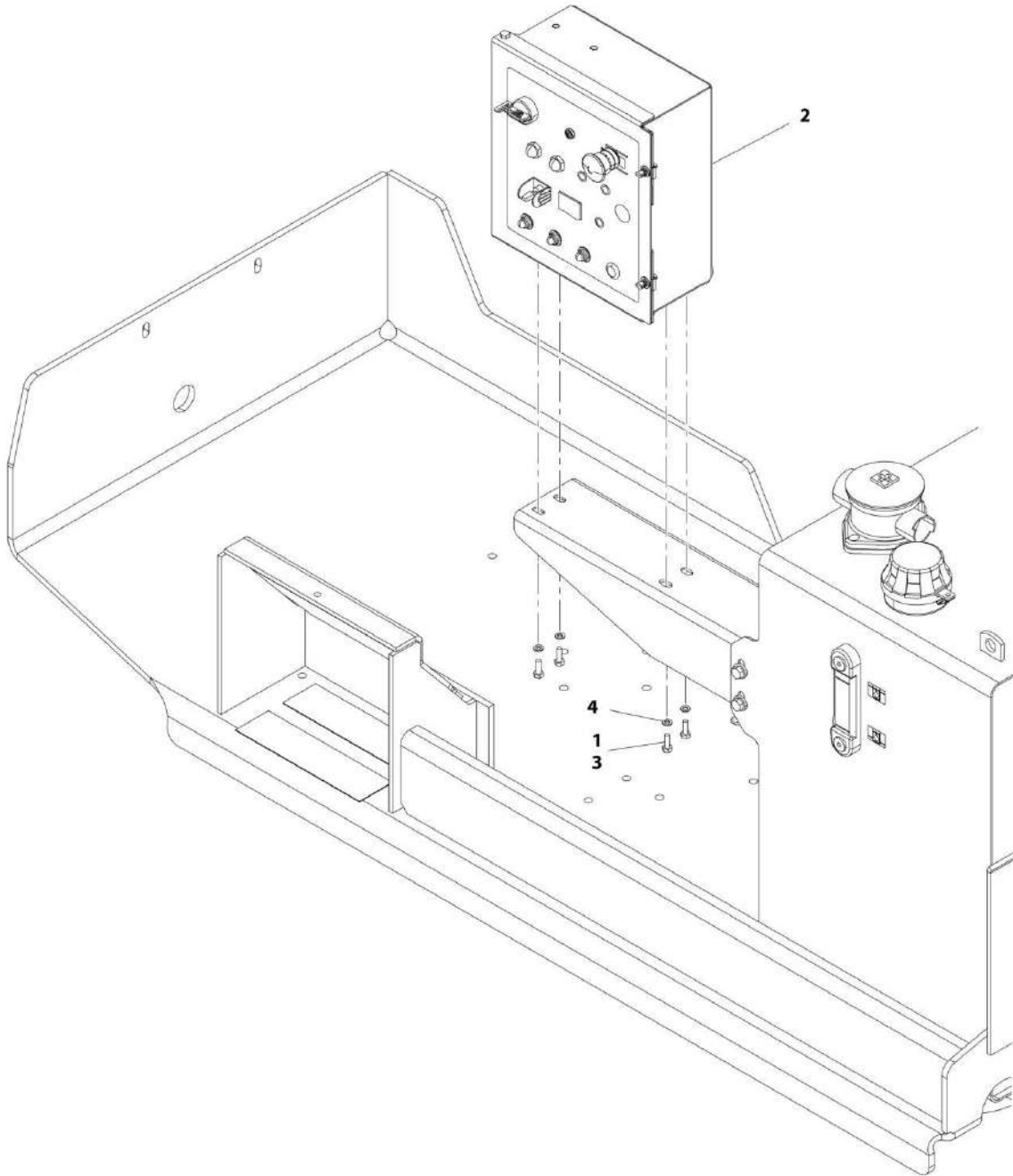
SECTION 2 - GROUND CONTROLS

FIGURE 2-15. GROUND CONTROL BOX INSTALLATION - DEUTZ D2011 ENGINE (CE SPECS WITHOUT POWER OPTIONS MODULE) (SN 0200239053 through 0200241795)

| ITEM | PART NUMBER | QTY | DESCRIPTION | REV |
|------|-------------|-----|---|-----|
| | 1001168945 | Ref | GROUND CONTROL BOX INSTALLATION - DEUTZ D2011 ENGINE (CE SPECS WITHOUT POWER OPTIONS MODULE) (SN 0200239053 through 0200241795) | F |
| 1 | 0100011 | AR | Compound, Locking | |
| 2 | 0271814 | 1 | Ground Control Box Assembly (See GROUND CONTROL BOX ASSEMBLY for Breakdown) | |
| 3 | 0641406 | 4 | Bolt 1/4 x 3/4 | |
| 4 | 4761400 | 4 | Washer 1/4 | |
| 5 | 1001147974 | 1 | Valve and Engine Harness (Not Shown - See ELECTRICAL SECTION for Breakdown) | |

SECTION 2 - GROUND CONTROLS

FIGURE 2-16. GROUND CONTROL BOX INSTALLATION - DEUTZ D2011 ENGINE (CE SPECS WITHOUT POWER OPTIONS MODULE) (SN 0200241796 to Present)



ART_1001105905

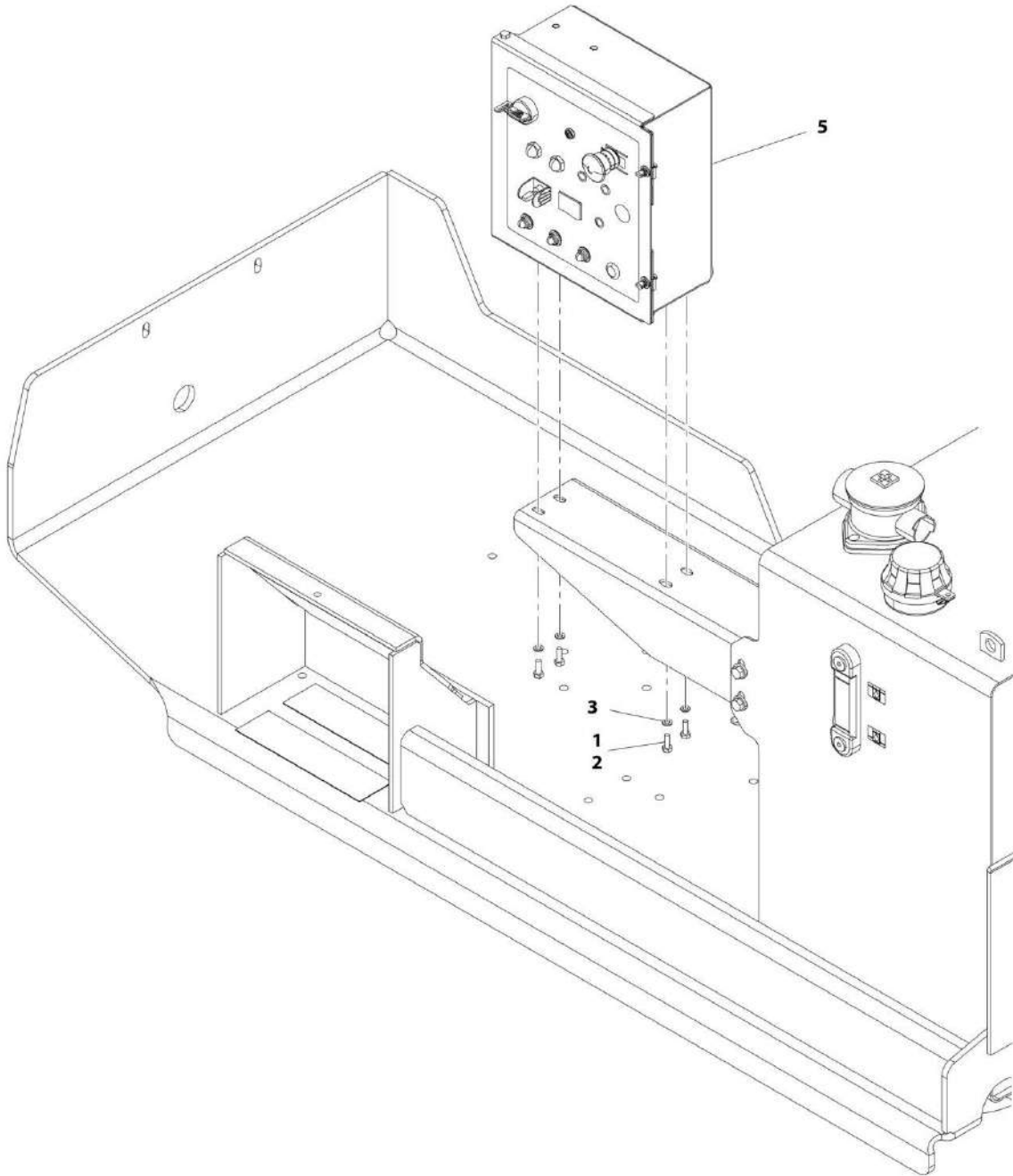
SECTION 2 - GROUND CONTROLS

FIGURE 2-16. GROUND CONTROL BOX INSTALLATION - DEUTZ D2011 ENGINE (CE SPECS WITHOUT POWER OPTIONS MODULE) (SN 0200241796 to Present)

| ITEM | PART NUMBER | QTY | DESCRIPTION | REV |
|------|-------------|-----|---|-----|
| | 1001105905 | Ref | GROUND CONTROL BOX INSTALLATION - DEUTZ D2011 ENGINE (CE SPECS WITHOUT POWER OPTIONS MODULE) (SN 0200241796 to Present) | C |
| 1 | 0100011 | AR | Compound, Locking | |
| 2 | 0271814 | 1 | Ground Control Box Assembly (See GROUND CONTROL BOX ASSEMBLY for Breakdown) | |
| 3 | 0641406 | 4 | Bolt 1/4 x 3/4 | |
| 4 | 4761400 | 4 | Washer 1/4 | |
| 5 | 1001103489 | 1 | Valve and Engine Harness (Not Shown - See ELECTRICAL SECTION for Breakdown) | |

SECTION 2 - GROUND CONTROLS

FIGURE 2-17. GROUND CONTROL BOX INSTALLATION - DEUTZ D2011 ENGINE (CE SPECS WITHOUT POWER OPTIONS MODULE AND WITH LOW TEMPERATURE CUTOUT)



ART_1001166278

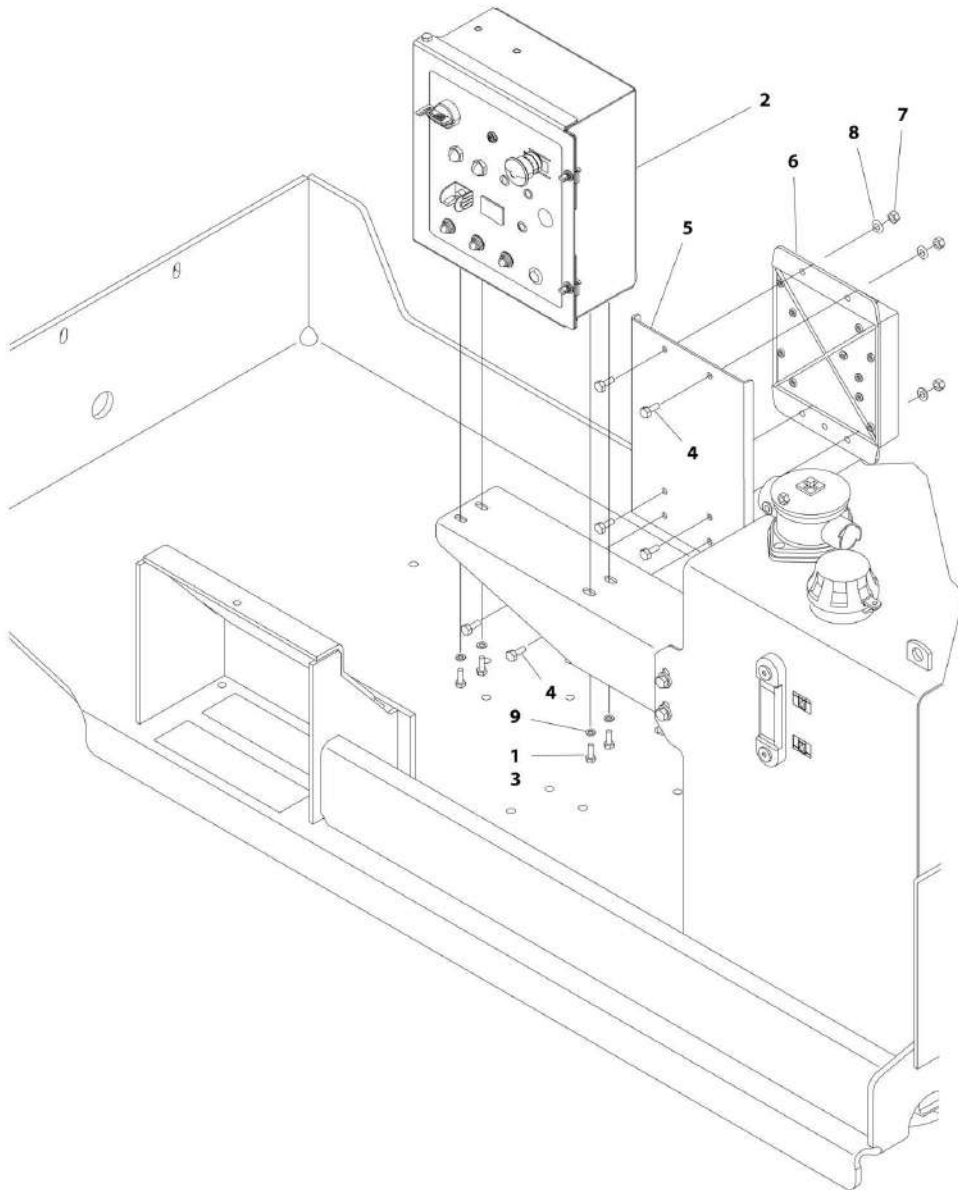
SECTION 2 - GROUND CONTROLS

FIGURE 2-17. GROUND CONTROL BOX INSTALLATION - DEUTZ D2011 ENGINE (CE SPECS WITHOUT POWER OPTIONS MODULE AND WITH LOW TEMPERATURE CUTOUT)

| ITEM | PART NUMBER | QTY | DESCRIPTION | REV |
|------|-------------|-----|--|-----|
| | 1001166278 | Ref | GROUND CONTROL BOX INSTALLATION - DEUTZ D2011 ENGINE (CE SPECS WITHOUT POWER OPTIONS MODULE AND WITH LOW TEMPERATURE CUTOUT) | B |
| 1 | 0100011 | AR | Compound, Locking | |
| 2 | 0641406 | 4 | Bolt 1/4 x 3/4 | |
| 3 | 4761400 | 4 | Washer 1/4 | |
| 4 | | Ref | Valve and Engine Harness Options (Not Shown - See ELECTRICAL SECTION for Breakdown): | |
| 4 | 1001147974 | 1 | Harness (SN 0200239053 through 0200246032) | |
| 4 | 1001103489 | 1 | Harness (SN 0200246033 to Present) | |
| 5 | 1001164207 | 1 | Ground Control Box Assembly (See GROUND CONTROL BOX ASSEMBLY for Breakdown) | |

SECTION 2 - GROUND CONTROLS

FIGURE 2-18. GROUND CONTROL BOX INSTALLATION - DEUTZ D2011 ENGINE (CE SPECS WITH POWER OPTIONS MODULE) (SN 0200239053 through 0200241795)



ART_1001168947

SECTION 2 - GROUND CONTROLS

FIGURE 2-18. GROUND CONTROL BOX INSTALLATION - DEUTZ D2011 ENGINE (CE SPECS WITH POWER OPTIONS MODULE) (SN 0200239053 through 0200241795)

| ITEM | PART NUMBER | QTY | DESCRIPTION | REV |
|------|-------------|-----|--|-----|
| | 1001168947 | Ref | GROUND CONTROL BOX INSTALLATION - DEUTZ D2011 ENGINE (CE SPECS WITH POWER OPTIONS MODULE) (SN 0200239053 through 0200241795) | G |
| 1 | 0100011 | AR | Compound, Locking | |
| 2 | 0271814 | 1 | Ground Control Box Assembly (See GROUND CONTROL BOX ASSEMBLY for Breakdown) | |
| 3 | 0641406 | 4 | Bolt 1/4 x 3/4 | |
| 4 | 0641506 | 6 | Bolt 5/16 x 3/4 | |
| 5 | 0902847 | 1 | Bracket | |
| 6 | | Ref | Module, Power Options: | |
| 6 | | Ref | Note: Re-calibration Required when Replaced. | |
| 6 | 1600336 | NLA | Module (Use p/n 1001182481) (SN 0200239053 through 0200241191) | |
| 6 | 1001182481 | 1 | Module (SN 0200241192 through 0200241795) | |
| 7 | 3311505 | 6 | Nut 5/16 | |
| 8 | 4711500 | 6 | Washer 5/16 | |
| 9 | 4761400 | 4 | Washer 1/4 | |
| 10 | 1001147974 | 1 | Valve and Engine Harness (Not Shown - See ELECTRICAL SECTION for Breakdown) | |

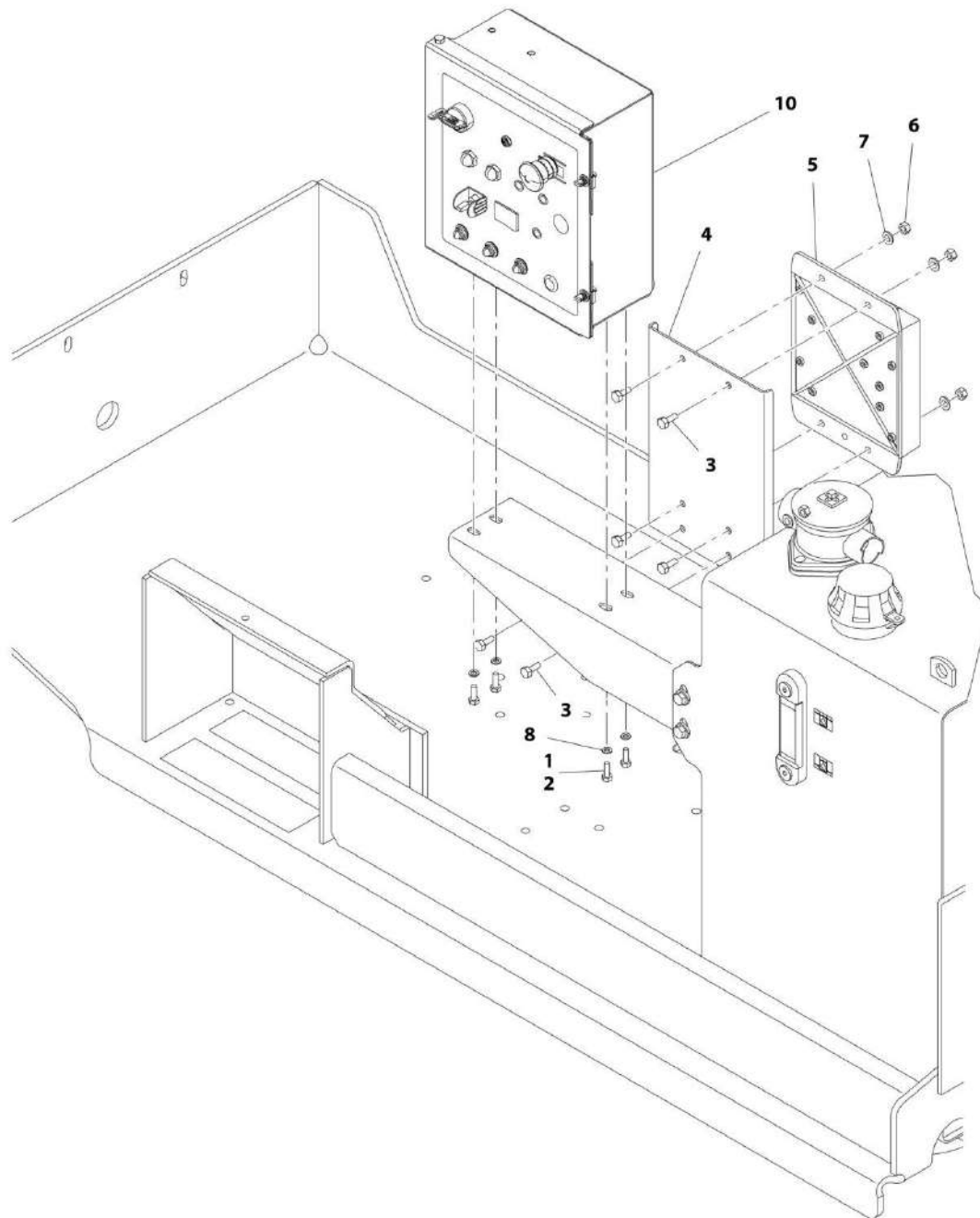
SECTION 2 - GROUND CONTROLS

FIGURE 2-19. GROUND CONTROL BOX INSTALLATION - DEUTZ D2011 ENGINE (CE SPECS WITH POWER OPTIONS MODULE) (SN 0200241796 to Present)

| ITEM | PART NUMBER | QTY | DESCRIPTION | REV |
|------|-------------|-----|---|-----|
| | 1001105908 | Ref | GROUND CONTROL BOX INSTALLATION - DEUTZ D2011 ENGINE (CE SPECS WITH POWER OPTIONS MODULE) (SN 0200241796 to Present) | C |
| 1 | 0100011 | AR | Compound, Locking | |
| 2 | 0271814 | 1 | Ground Control Box Assembly (See GROUND CONTROL BOX ASSEMBLY for Breakdown) | |
| 3 | 0641406 | 4 | Bolt 1/4 x 3/4 | |
| 4 | 0641506 | 6 | Bolt 5/16 x 3/4 | |
| 5 | 0902847 | 1 | Bracket | |
| 6 | | Ref | Module, Power Options: | |
| 6 | | Ref | Note: Re-calibration Required when Replaced. | |
| 6 | 1600336 | NLA | Module (Use p/n 1001182481) (SN 0200241796 through 0200251330) | |
| 6 | 1001182481 | 1 | Module (SN 0200251331 to Present) | |
| 7 | 3311505 | 6 | Nut 5/16 | |
| 8 | 4711500 | 6 | Washer 5/16 | |
| 9 | 4761400 | 4 | Washer 1/4 | |
| 10 | 1001103489 | 1 | Valve and Engine Harness (Not Shown - See ELECTRICAL SECTION for Breakdown) | |

SECTION 2 - GROUND CONTROLS

FIGURE 2-20. GROUND CONTROL BOX INSTALLATION - DEUTZ D2011 ENGINE (CE SPECS WITH POWER OPTIONS MODULE AND WITH LOW TEMPERATURE CUTOUT)



ART_1001166279

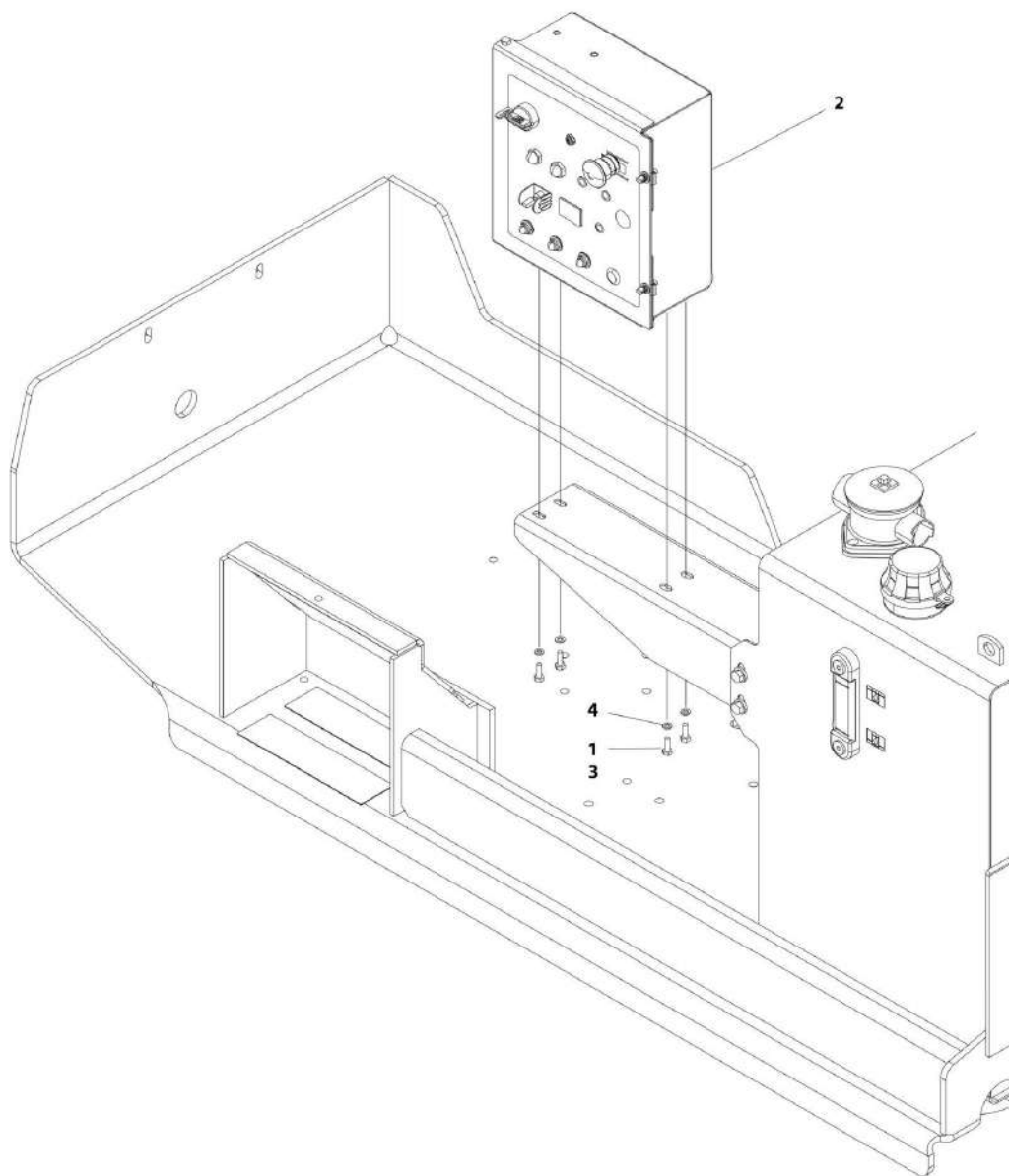
SECTION 2 - GROUND CONTROLS

FIGURE 2-20. GROUND CONTROL BOX INSTALLATION - DEUTZ D2011 ENGINE (CE SPECS WITH POWER OPTIONS MODULE AND WITH LOW TEMPERATURE CUTOUT)

| ITEM | PART NUMBER | QTY | DESCRIPTION | REV |
|------|-------------|-----|---|-----|
| | 1001166279 | Ref | GROUND CONTROL BOX INSTALLATION - DEUTZ D2011 ENGINE (CE SPECS WITH POWER OPTIONS MODULE AND WITH LOW TEMPERATURE CUTOUT) | C |
| 1 | 0100011 | AR | Compound, Locking | |
| 2 | 0641406 | 4 | Bolt 1/4 x 3/4 | |
| 3 | 0641506 | 6 | Bolt 5/16 x 3/4 | |
| 4 | 0902847 | 1 | Bracket | |
| 5 | | Ref | Module, Power Options: | |
| 5 | | Ref | Note: Re-calibration Required when Replaced. | |
| 5 | 1600336 | NLA | Module (Use p/n 1001182481) (SN 0200239053 through 0200241191) | |
| 5 | 1001182481 | 1 | Module (SN 0200241192 to Present) | |
| 6 | 3311505 | 6 | Nut 5/16 | |
| 7 | 4711500 | 6 | Washer 5/16 | |
| 8 | 4761400 | 4 | Washer 1/4 | |
| 9 | | Ref | Valve and Engine Harness Options (Not Shown - See ELECTRICAL SECTION for Breakdown): | |
| 9 | 1001147974 | 1 | Harness (SN 0200239053 through 0200246032) | |
| 9 | 1001103489 | 1 | Harness (SN 0200246033 to Present) | |
| 10 | 1001164207 | 1 | Ground Control Box Assembly (See GROUND CONTROL BOX ASSEMBLY for Breakdown) | |

SECTION 2 - GROUND CONTROLS

FIGURE 2-21. GROUND CONTROL BOX INSTALLATION - DEUTZ D2.9L4 ENGINE (ANSI, ANSI EXPORT & CSA SPECS WITHOUT POWER OPTIONS MODULE)



ART_1001146077

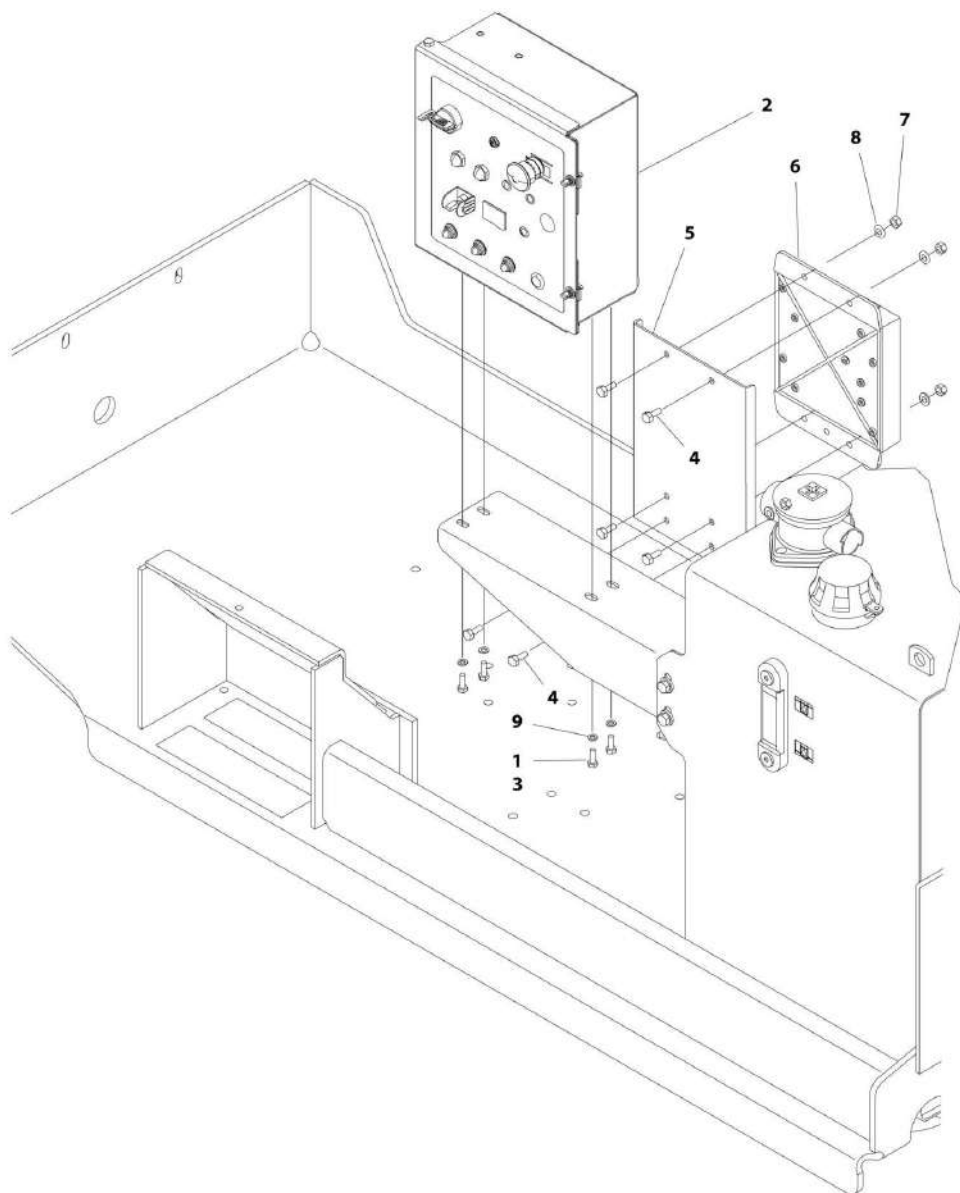
SECTION 2 - GROUND CONTROLS

FIGURE 2-21. GROUND CONTROL BOX INSTALLATION - DEUTZ D2.9L4 ENGINE (ANSI, ANSI EXPORT & CSA SPECS WITHOUT POWER OPTIONS MODULE)

| ITEM | PART NUMBER | QTY | DESCRIPTION | REV |
|------|-------------|-----|--|-----|
| | 1001148077 | Ref | GROUND CONTROL BOX INSTALLATION - DEUTZ D2.9L4 ENGINE (ANSI, ANSI EXPORT & CSA SPECS WITHOUT POWER OPTIONS MODULE) | E |
| 1 | 0100011 | AR | Compound, Locking | |
| 2 | 0271813 | 1 | Ground Control Box Assembly (See GROUND CONTROL BOX ASSEMBLY for Breakdown) | |
| 3 | 0641406 | 4 | Bolt 1/4 x 3/4 | |
| 4 | 4761400 | 4 | Washer 1/4 | |
| 5 | 1001147974 | 1 | Valve and Engine Harness (Not Shown - See ELECTRICAL SECTION for Breakdown) | |

SECTION 2 - GROUND CONTROLS

FIGURE 2-22. GROUND CONTROL BOX INSTALLATION - DEUTZ D2.9L4 ENGINE (ANSI & CSA SPECS WITH POWER OPTIONS MODULE)



ART_1001156037

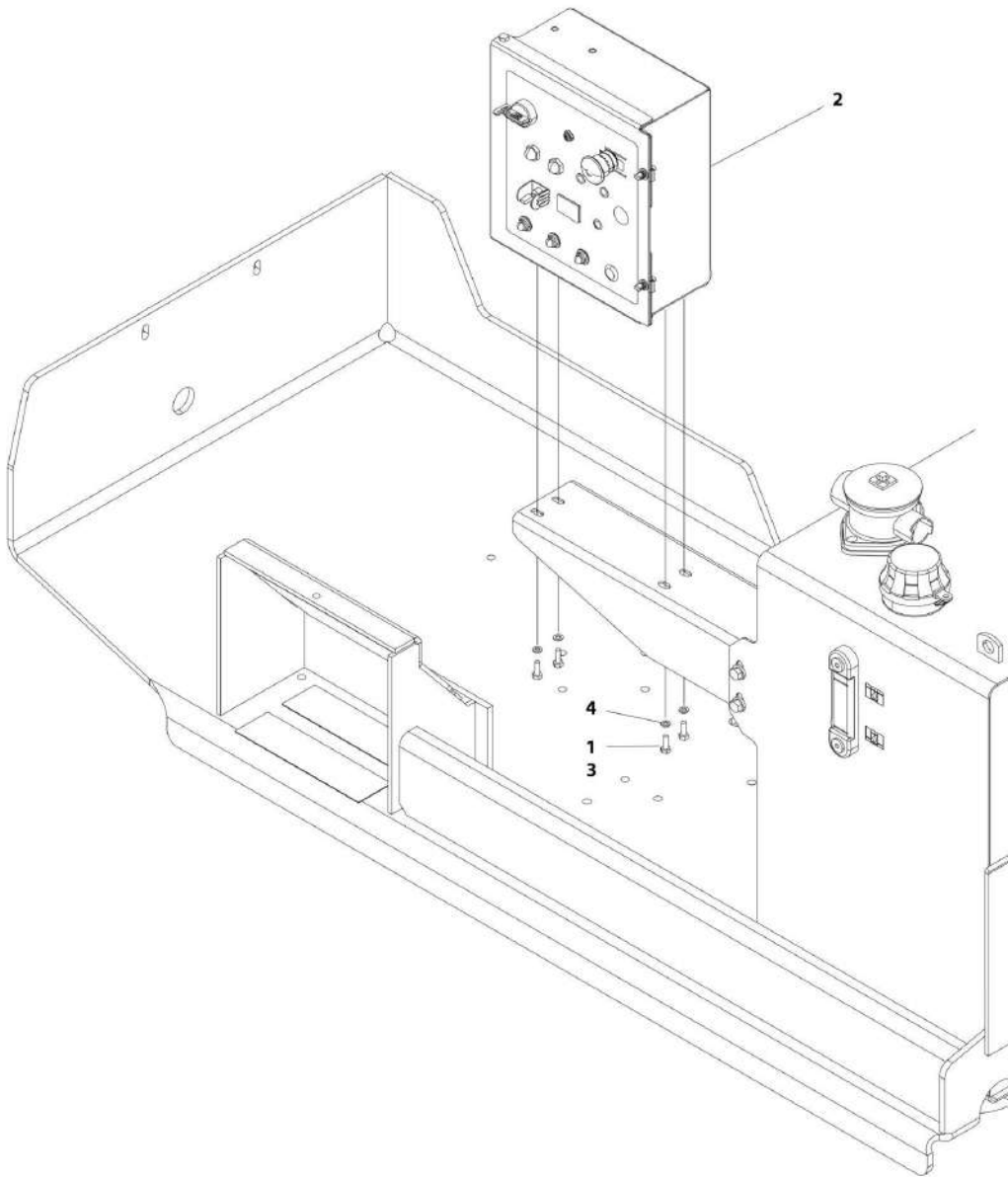
SECTION 2 - GROUND CONTROLS

FIGURE 2-22. GROUND CONTROL BOX INSTALLATION - DEUTZ D2.9L4 ENGINE (ANSI & CSA SPECS WITH POWER OPTIONS MODULE)

| ITEM | PART NUMBER | QTY | DESCRIPTION | REV |
|------|-------------|-----|--|-----|
| | 1001156037 | Ref | GROUND CONTROL BOX INSTALLATION - DEUTZ D2.9L4 ENGINE (ANSI & CSA SPECS WITH POWER OPTIONS MODULE) | E |
| 1 | 0100011 | AR | Compound, Locking | |
| 2 | 0271813 | 1 | Ground Control Box Assembly (See GROUND CONTROL BOX ASSEMBLY for Breakdown) | |
| 3 | 0641406 | 4 | Bolt 1/4 x 3/4 | |
| 4 | 0641506 | 6 | Bolt 5/16 x 3/4 | |
| 5 | 0902847 | 1 | Bracket | |
| 6 | | Ref | Module, Power Options: | |
| 6 | | Ref | Note: Re-calibration Required when Replaced. | |
| 6 | 1600336 | NLA | Module (Use p/n 1001182481) (SN 0200239053 through 0200241191) | |
| 6 | 1001182481 | 1 | Module (SN 0200241192 to Present) | |
| 7 | 3311505 | 6 | Nut 5/16 | |
| 8 | 4711500 | 6 | Washer 5/16 | |
| 9 | 4761400 | 4 | Washer 1/4 | |
| 10 | 1001147974 | 1 | Valve and Engine Harness (Not Shown - See ELECTRICAL SECTION for Breakdown) | |

SECTION 2 - GROUND CONTROLS

FIGURE 2-23. GROUND CONTROL BOX INSTALLATION - GM ENGINE (ANSI, ANSI EXPORT & CSA WITHOUT POWER OPTIONS MODULE)



ART_1001105903

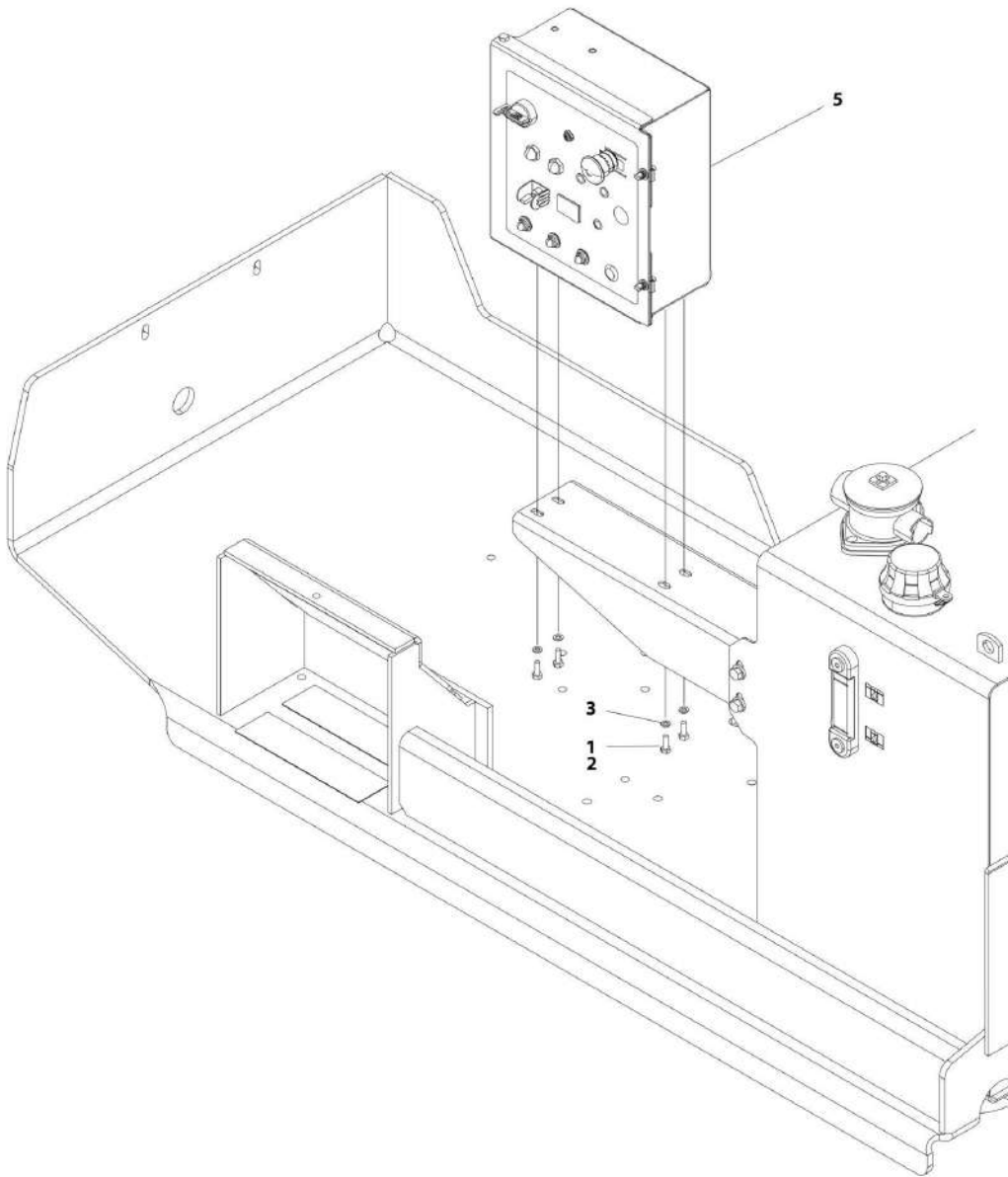
SECTION 2 - GROUND CONTROLS

FIGURE 2-23. GROUND CONTROL BOX INSTALLATION - GM ENGINE (ANSI, ANSI EXPORT & CSA WITHOUT POWER OPTIONS MODULE)

| ITEM | PART NUMBER | QTY | DESCRIPTION | REV |
|------|-------------|-----|--|-----|
| | 1001105903 | Ref | GROUND CONTROL BOX INSTALLATION - GM ENGINE (ANSI, ANSI EXPORT & CSA WITHOUT POWER OPTIONS MODULE) | C |
| 1 | 0100011 | AR | Compound, Locking | |
| 2 | 0271812 | 1 | Ground Control Box Assembly (See GROUND CONTROL BOX ASSEMBLY for Breakdown) | |
| 3 | 0641406 | 4 | Bolt 1/4 x 3/4 | |
| 4 | 4761400 | 4 | Washer 1/4 | |
| 5 | 1001104890 | 1 | Valve and Engine Harness (Not Shown - See ELECTRICAL SECTION for Breakdown) | |

SECTION 2 - GROUND CONTROLS

FIGURE 2-24. GROUND CONTROL BOX INSTALLATION - GM ENGINE (ANSI & CSA SPECS WITHOUT POWER OPTIONS MODULE AND WITH LOW TEMPERATURE CUTOUT)



ART_1001166274

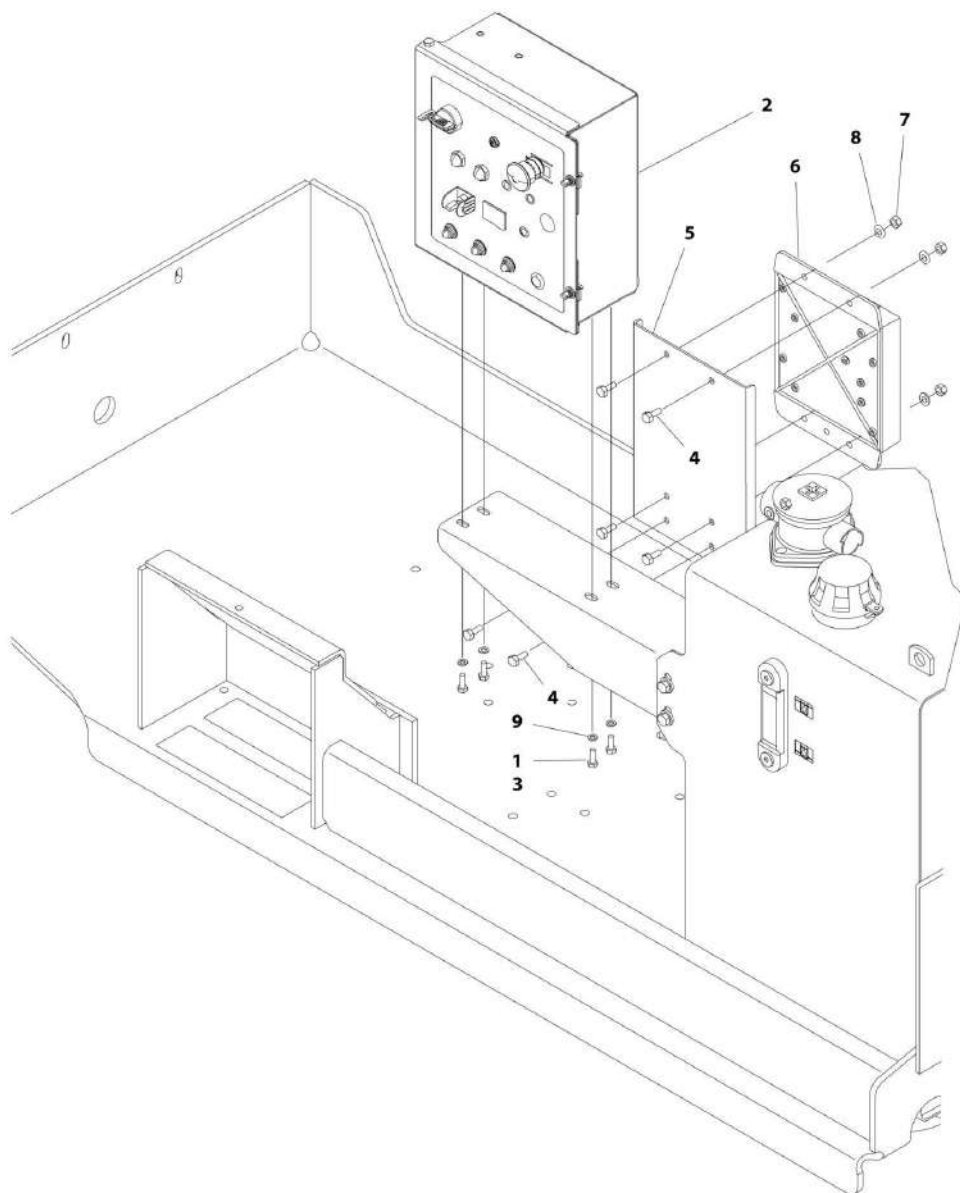
SECTION 2 - GROUND CONTROLS

FIGURE 2-24. GROUND CONTROL BOX INSTALLATION - GM ENGINE (ANSI & CSA SPECS WITHOUT POWER OPTIONS MODULE AND WITH LOW TEMPERATURE CUTOUT)

| ITEM | PART NUMBER | QTY | DESCRIPTION | REV |
|------|-------------|-----|---|-----|
| | 1001166274 | Ref | GROUND CONTROL BOX INSTALLATION - GM ENGINE (ANSI & CSA SPECS WITHOUT POWER OPTIONS MODULE AND WITH LOW TEMPERATURE CUTOUT) | B |
| 1 | 0100011 | AR | Compound, Locking | |
| 2 | 0641406 | 4 | Bolt 1/4 x 3/4 | |
| 3 | 4761400 | 4 | Washer 1/4 | |
| 4 | 1001104890 | 1 | Valve and Engine Harness (Not Shown - See ELECTRICAL SECTION for Breakdown) | |
| 5 | 1001164188 | 1 | Ground Control Box Assembly (See GROUND CONTROL BOX ASSEMBLY - WITH LOW TEMPERATURE CUTOUT for Breakdown) | |

SECTION 2 - GROUND CONTROLS

FIGURE 2-25. GROUND CONTROL BOX INSTALLATION - GM ENGINE (ANSI, ANSI EXPORT & CSA SPECS WITH POWER OPTIONS MODULE)



ART_1001105906

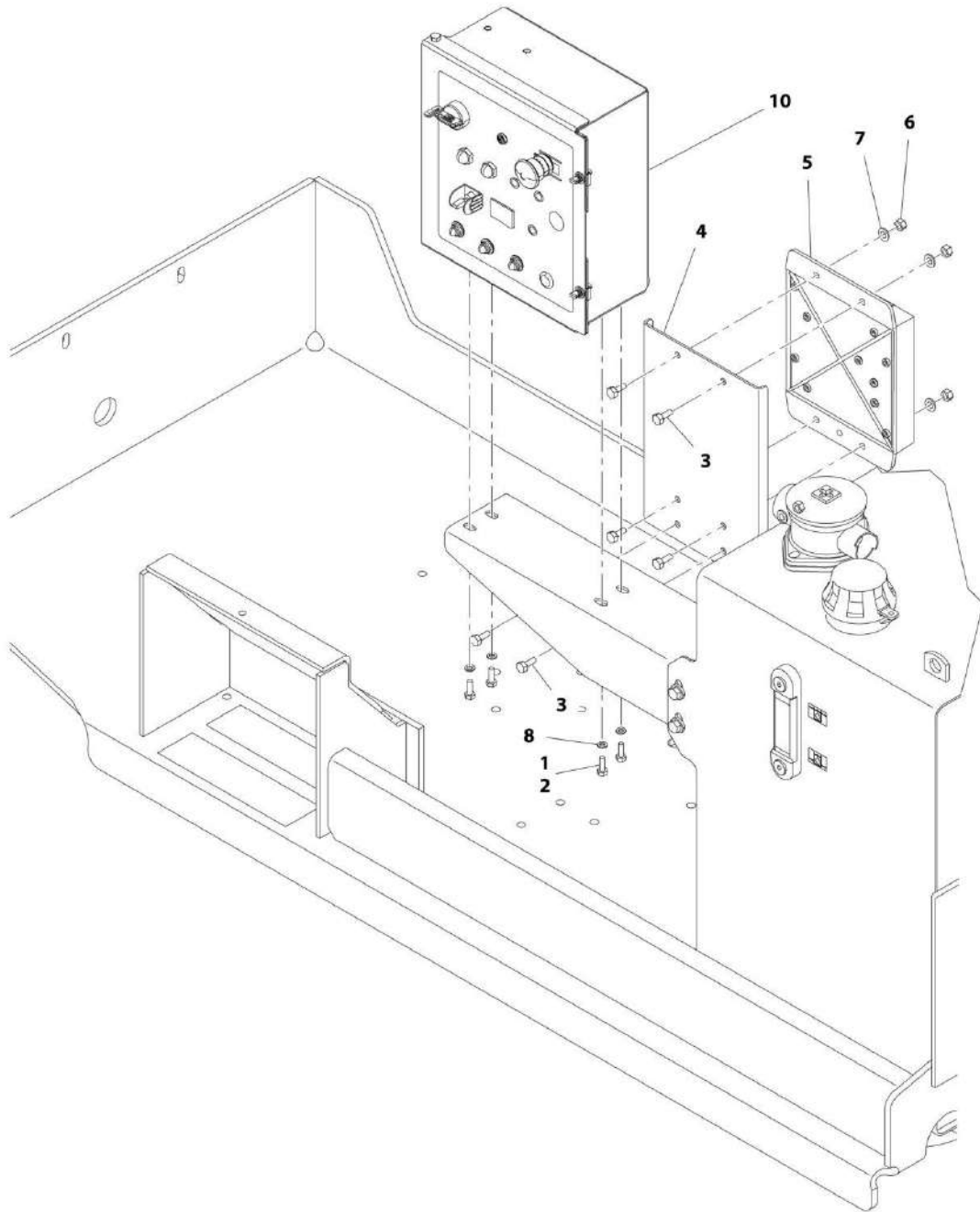
SECTION 2 - GROUND CONTROLS

FIGURE 2-25. GROUND CONTROL BOX INSTALLATION - GM ENGINE (ANSI, ANSI EXPORT & CSA SPECS WITH POWER OPTIONS MODULE)

| ITEM | PART NUMBER | QTY | DESCRIPTION | REV |
|------|-------------|-----|---|-----|
| | 1001105906 | Ref | GROUND CONTROL BOX INSTALLATION - GM ENGINE (ANSI, ANSI EXPORT & CSA SPECS WITH POWER OPTIONS MODULE) | D |
| 1 | 0100011 | AR | Compound, Locking | |
| 2 | 0271812 | 1 | Ground Control Box Assembly (See GROUND CONTROL BOX ASSEMBLY for Breakdown) | |
| 3 | 0641406 | 4 | Bolt 1/4 x 3/4 | |
| 4 | 0641506 | 6 | Bolt 5/16 x 3/4 | |
| 5 | 0902847 | 1 | Bracket | |
| 6 | | Ref | Module, Power Options: | |
| 6 | | Ref | Note: Re-calibration Required when Replaced. | |
| 6 | 1600336 | NLA | Module (Use p/n 1001182481) (SN 0200239053 through 0200241191) | |
| 6 | 1001182481 | 1 | Module (SN 0200241192 to Present) | |
| 7 | 3311505 | 6 | Nut 5/16 | |
| 8 | 4711500 | 6 | Washer 5/16 | |
| 9 | 4761400 | 4 | Washer 1/4 | |
| 10 | 1001104890 | 1 | Valve and Engine Harness (Not Shown - See ELECTRICAL SECTION for Breakdown) | |

SECTION 2 - GROUND CONTROLS

FIGURE 2-26. GROUND CONTROL BOX INSTALLATION - GM ENGINE (ANSI & CSA SPECS WITH POWER OPTIONS MODULE AND WITH LOW TEMPERATURE CUTOUT)



ART_1001166275

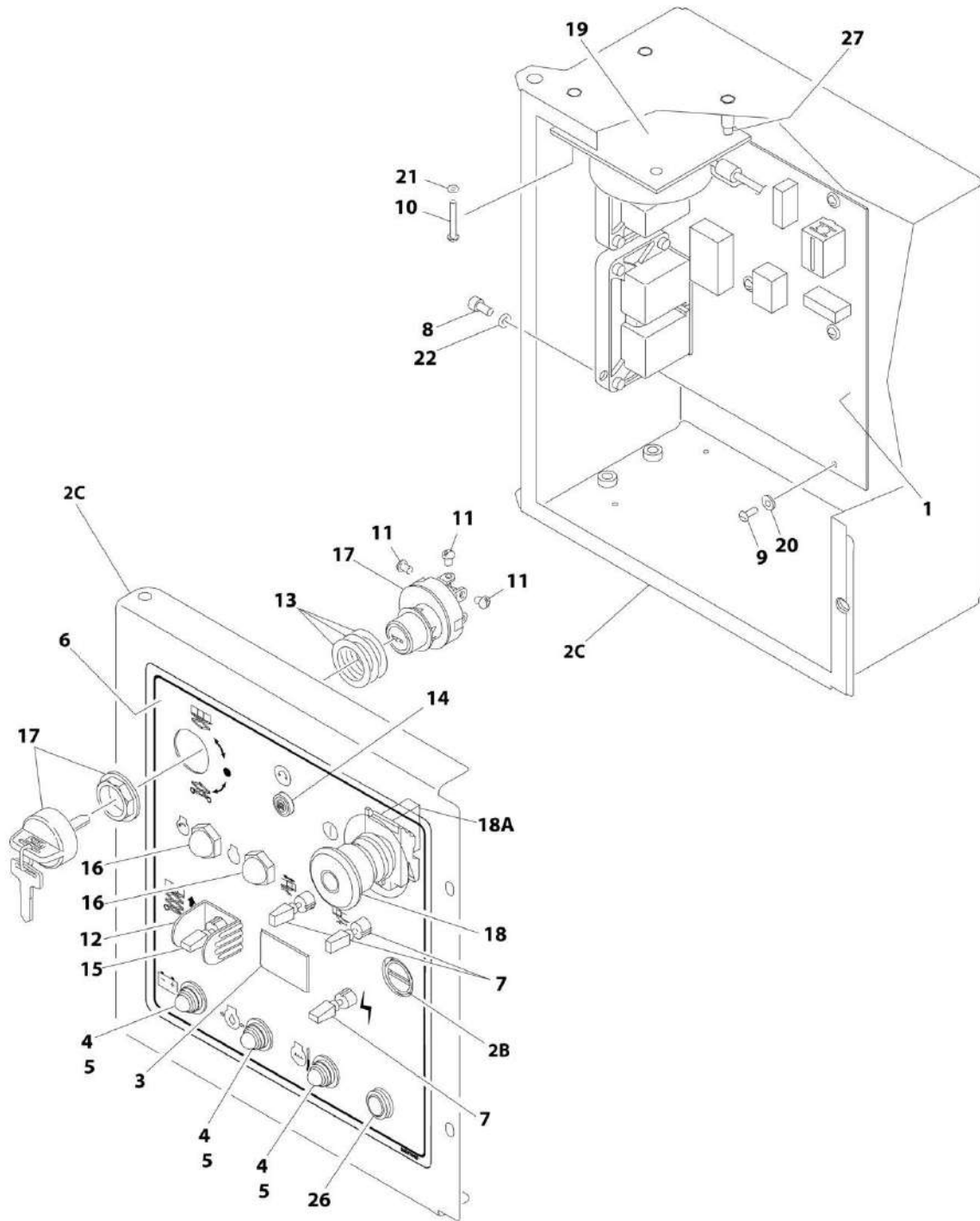
SECTION 2 - GROUND CONTROLS

FIGURE 2-26. GROUND CONTROL BOX INSTALLATION - GM ENGINE (ANSI & CSA SPECS WITH POWER OPTIONS MODULE AND WITH LOW TEMPERATURE CUTOUT)

| ITEM | PART NUMBER | QTY | DESCRIPTION | REV |
|------|-------------|-----|--|-----|
| | 1001166275 | Ref | GROUND CONTROL BOX INSTALLATION - GM ENGINE (ANSI & CSA SPECS WITH POWER OPTIONS MODULE AND WITH LOW TEMPERATURE CUTOUT) | D |
| 1 | 0100011 | AR | Compound, Locking | |
| 2 | 0641406 | 4 | Bolt 1/4 x 3/4 | |
| 3 | 0641506 | 6 | Bolt 5/16 x 3/4 | |
| 4 | 0902847 | 1 | Bracket | |
| 5 | | Ref | Module, Power Options: | |
| 5 | | Ref | Note: Re-calibration Required when Replaced. | |
| 5 | 1600336 | NLA | Module (Use p/n 1001182481) (SN 0200239053 through 0200241191) | |
| 5 | 1001182481 | 1 | Module (SN 0200241192 to Present) | |
| 6 | 3311505 | 6 | Nut 5/16 | |
| 7 | 4711500 | 6 | Washer 5/16 | |
| 8 | 4761400 | 4 | Washer 1/4 | |
| 9 | 1001104890 | 1 | Valve and Engine Harness (Not Shown - See ELECTRICAL SECTION for Breakdown) | |
| 10 | 1001164188 | 1 | Ground Control Box Assembly (See GROUND CONTROL BOX ASSEMBLY - WITH LOW TEMPERATURE CUTOUT for Breakdown) | |

SECTION 2 - GROUND CONTROLS

FIGURE 2-27. GROUND CONTROL BOX ASSEMBLY - DEUTZ ENGINE WITHOUT LOW TEMPERATURE CUTOUT (ALL SPECS WITHOUT CE SPECS)



ART_0271813

SECTION 2 - GROUND CONTROLS

FIGURE 2-27. GROUND CONTROL BOX ASSEMBLY - DEUTZ ENGINE WITHOUT LOW TEMPERATURE CUTOUT (ALL SPECS WITHOUT CE SPECS)

| ITEM | PART NUMBER | QTY | DESCRIPTION | REV |
|------|-------------|-----|--|-----|
| | | Ref | Note: For machines with ground control box with cover refer to SPECIAL OPTIONS SECTION. | |
| | 0271813 | Ref | GROUND CONTROL BOX ASSEMBLY - DEUTZ ENGINE WITHOUT LOW TEMPERATURE CUTOUT (ALL SPECS WITHOUT CE SPECS) | AE |
| 1 | | Ref | Module, Ground Control Options: | |
| 1 | | Ref | Note: Re-calibration Required when Replaced. | |
| 1 | 1001091731 | NLA | Module (Use p/n 1001135570) (SN 0200239053 through 0200246391) | |
| 1 | 1001135570 | 1 | Module (SN 0200246392 to Present) | |
| 2 | | Ref | Box Assembly Options: | |
| 2A | 0861508 | 1 | Box Assembly (Not Shown) (SN 0200239053 through 0200246032) | |
| 2B | 7023212 | 1 | Latch (0861508 Box) | |
| 2C | 1001177617 | 1 | Box Assembly (See BOX COMPONENTS for Breakdown) (SN 0200246033 to Present) | |
| 3 | 2420172 | 1 | Hourmeter | |
| 4 | 2920026 | 3 | Holder, Lamp | |
| 5 | 2920029 | 3 | Bulb, Light | |
| 6 | 1705688 | 1 | Nameplate/Decal | |
| 7 | 3520028 | 3 | Plug, Hole | |
| 8 | 3900300 | 8 | Screw | |
| 9 | 3910606 | 4 | Screw #6 x 3/8 | |
| 10 | 3910616 | 4 | Screw #6 x 1 | |
| 11 | 3910804 | 3 | Screw #8 x 1/4 | |
| 12 | 4060802 | 1 | Guard, Switch | |
| 13 | 4070987 | 1 | Shim .015 | |
| 14 | 4360070 | 1 | Breaker, Circuit 15Amp | |
| 15 | 4360328 | 1 | Switch, Toggle | |
| 16 | 4360387 | 2 | Switch, Push Button | |
| 17 | 4360469 | 1 | Keyswitch | |
| 17 | 2860030 | 1 | Key, Replacement | |
| 18 | 4360475 | 1 | Switch, Push-Pull Emergency Stop | |
| 18 | 7020175 | 1 | Cap | |
| 18A | 7020176 | 1 | Block, Contact | |
| 19 | 1810140 | 1 | Switch, Dual Axis | |
| 19 | 4460321 | 1 | Plug, Male - 4 Position | |
| 19 | 4460267 | 4 | Pin, Male | |
| 20 | 4750600 | 4 | Washer #6 | |
| 21 | 4760600 | 4 | Washer #6 | |
| 22 | 4761000 | 8 | Washer #10 | |
| 24 | 4922667 | 1 | Ground Control Box Harness (Not Shown - See ELECTRICAL SECTION for Breakdown) | |
| 26 | 3520193 | 1 | Plug 7/8 | |
| 27 | 1001102512 | 4 | Washer, Spacer | |

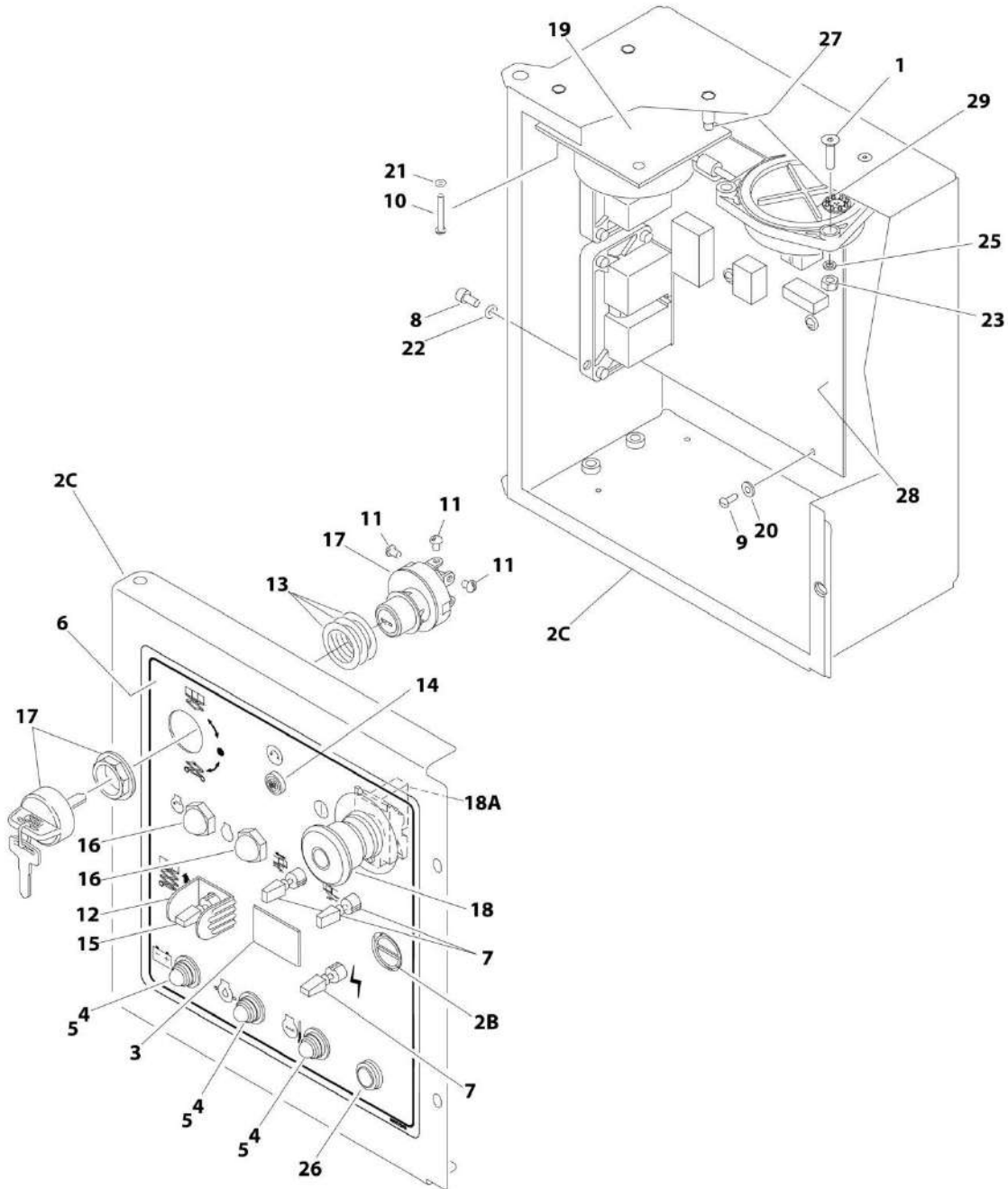
SECTION 2 - GROUND CONTROLS

FIGURE 2-28. GROUND CONTROL BOX ASSEMBLY - DEUTZ ENGINE WITHOUT LOW TEMPERATURE CUTOFF (CE SPEC)

| ITEM | PART NUMBER | QTY | DESCRIPTION | REV |
|------|-------------|-----|---|-----|
| | | Ref | Note: For machines with ground control box with cover refer to SPECIAL OPTIONS SECTION. | |
| | 0271814 | Ref | GROUND CONTROL BOX ASSEMBLY - DEUTZ ENGINE WITHOUT LOW TEMPERATURE CUTOFF (CE SPEC) | AD |
| 1 | | Ref | Module, Ground Control Options: | |
| 1 | | Ref | Note: Re-calibration Required when Replaced. | |
| 1 | 1001091731 | NLA | Module (Use p/n 1001135570) (SN 0200239053 through 0200246391) | |
| 1 | 1001135570 | 1 | Module (SN 0200246392 to Present) | |
| 2 | | Ref | Box Assembly Options: | |
| 2A | 0861508 | 1 | Box Assembly (Not Shown) (SN 0200239053 through 0200246032) | |
| 2B | 7023212 | 1 | Latch (0861508 Box) | |
| 2C | 1001177617 | 1 | Box Assembly (See BOX COMPONENTS for Breakdown) (SN 0200246033 to Present) | |
| 3 | 2420172 | 1 | Hourmeter | |
| 4 | 2920026 | 3 | Holder, Lamp | |
| 5 | 2920029 | 3 | Bulb, Light | |
| 6 | 1705688 | 1 | Nameplate/Decal | |
| 7 | 3520028 | 3 | Plug, Hole | |
| 8 | 3900300 | 8 | Screw | |
| 9 | 3910606 | 4 | Screw #6 x 3/8 | |
| 10 | 3910616 | 4 | Screw #6 x 1 | |
| 11 | 3910804 | 3 | Screw #8 x 1/4 | |
| 12 | 4060802 | 1 | Guard, Switch | |
| 13 | 4070987 | 1 | Shim .015 | |
| 14 | 4360070 | 1 | Breaker, Circuit 15Amp | |
| 15 | 4360328 | 1 | Switch, Toggle | |
| 16 | 4360387 | 2 | Switch, Push Button | |
| 17 | 4360470 | 1 | Keyswitch (SN 0200239053 through 0200246391) | |
| 17 | 4360469 | 1 | Keyswitch (SN 0200246392 to Present) | |
| 17 | 2860030 | 1 | Key, Replacement | |
| 18 | 4360475 | 1 | Switch, Push-Pull Emergency Stop | |
| 18 | 7020175 | 1 | Cap | |
| 18A | 7020176 | 1 | Block, Contact | |
| 19 | 1810140 | 1 | Switch, Dual Axis | |
| 19 | 4460321 | 1 | Plug, Male - 4 Position | |
| 19 | 4460267 | 4 | Pin, Male | |
| 20 | 4750600 | 4 | Washer #6 | |
| 21 | 4760600 | 4 | Washer #6 | |
| 22 | 4761000 | 8 | Washer #10 | |
| 24 | 4922667 | 1 | Ground Control Box Harness (Not Shown - See ELECTRICAL SECTION for Breakdown) | |
| 26 | 3520193 | 1 | Plug 7/8 | |
| 27 | 1001102512 | 4 | Washer, Spacer | |

SECTION 2 - GROUND CONTROLS

FIGURE 2-29. GROUND CONTROL BOX ASSEMBLY - DEUTZ ENGINE WITH LOW TEMPERATURE CUTOUT (ALL SPECS EXCEPT CE SPEC)



ART_1001164393

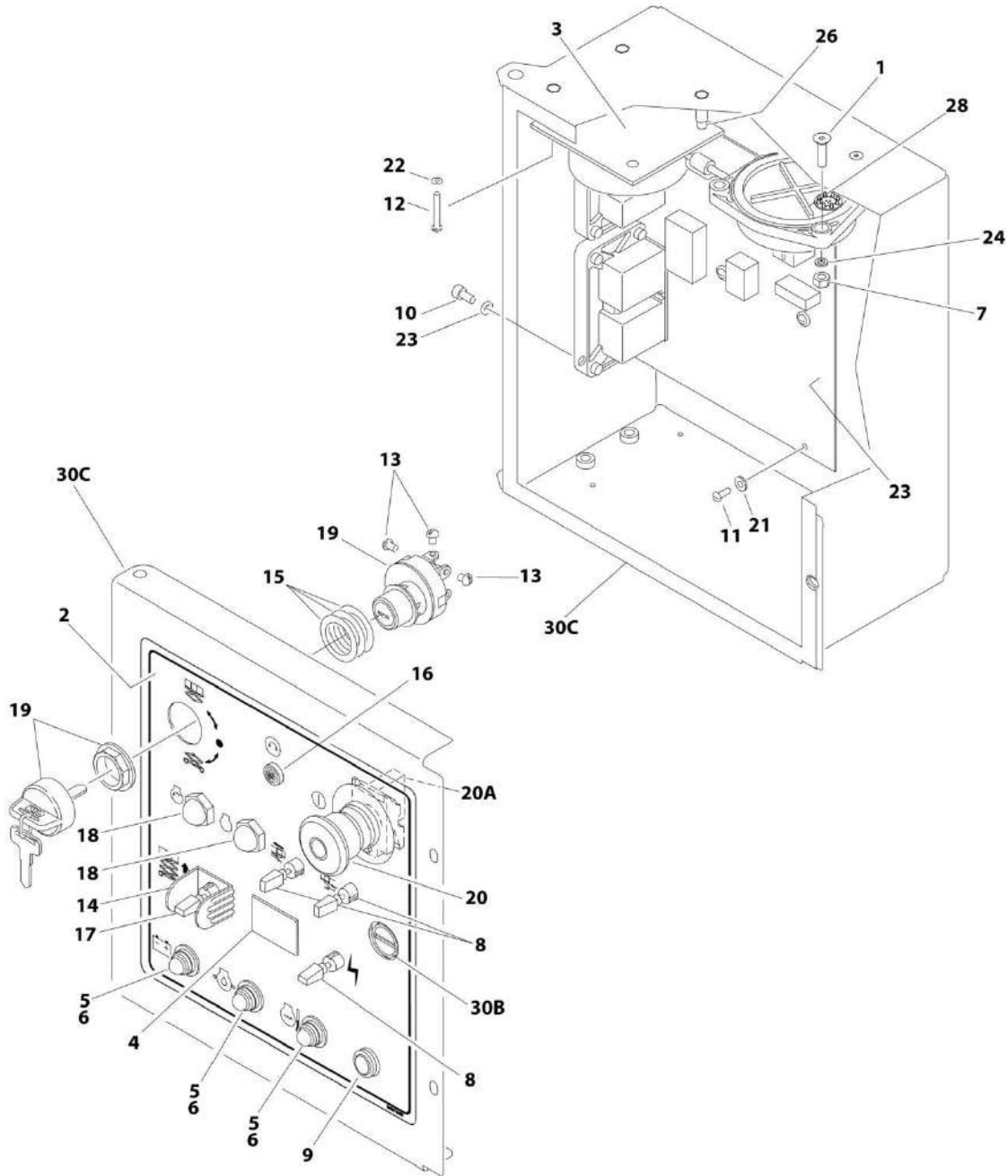
SECTION 2 - GROUND CONTROLS

FIGURE 2-29. GROUND CONTROL BOX ASSEMBLY - DEUTZ ENGINE WITH LOW TEMPERATURE CUTOUT (ALL SPECS EXCEPT CE SPEC)

| ITEM | PART NUMBER | QTY | DESCRIPTION | REV |
|------|-------------|-----|---|-----|
| | | Ref | Note: For machines with ground control box with cover refer to SPECIAL OPTIONS SECTION. | |
| | 1001164393 | Ref | GROUND CONTROL BOX ASSEMBLY - DEUTZ ENGINE WITH LOW TEMPERATURE CUTOUT (ALL SPECS EXCEPT CE SPEC) | D |
| 1 | 0741408 | 3 | Screw 1/4 x 1 | |
| 2 | | Ref | Box Assembly Options: | |
| 2A | 1001164187 | 1 | Box Assembly (Not Shown) (SN 0200239053 through 0200246032) | |
| 2B | 7023212 | 1 | Latch (1001164187 Box) | |
| 2C | 1001187559 | 1 | Box Assembly (See BOX COMPONENTS for Breakdown) (SN 0200246033 to Present) | |
| 3 | 2420172 | 1 | Hourmeter | |
| 4 | 2920026 | 3 | Holder, Lamp | |
| 5 | 2920029 | 3 | Bulb, Light | |
| 6 | 1705688 | 1 | Nameplate/Decal | |
| 7 | 3520028 | 3 | Plug, Hole | |
| 8 | 3900300 | 8 | Screw | |
| 9 | 3910606 | 4 | Screw #6 x 3/8 | |
| 10 | 3910616 | 4 | Screw #6 x 1 | |
| 11 | 3910804 | 3 | Screw #8 x 1/4 | |
| 12 | 4060802 | 1 | Guard, Switch | |
| 13 | 4070987 | 1 | Shim .015 | |
| 14 | 4360070 | 1 | Breaker, Circuit 15Amp | |
| 15 | 4360328 | 1 | Switch, Toggle | |
| 16 | 4360387 | 2 | Switch, Push Button | |
| 17 | 4360469 | 1 | Keyswitch | |
| 17 | 2860030 | 1 | Key, Replacement | |
| 18 | 4360475 | 1 | Switch, Push-Pull Emergency Stop | |
| 18 | 7020175 | 1 | Cap | |
| 18A | 7020176 | 1 | Block, Contact | |
| 19 | 1810140 | 1 | Switch, Dual Axis | |
| 19 | 4460321 | 1 | Plug, Male - 4 Position | |
| 19 | 4460267 | 4 | Pin, Male | |
| 20 | 4750600 | 4 | Washer #6 | |
| 21 | 4760600 | 4 | Washer #6 | |
| 22 | 4761000 | 8 | Washer #10 | |
| 23 | 3271405 | 3 | Nut 1/4 | |
| 24 | 4922667 | 1 | Ground Control Box Harness (Not Shown - See ELECTRICAL SECTION for Breakdown) | |
| 25 | 4761200 | 3 | Washer #12 | |
| 26 | 3520193 | 1 | Plug 7/8 | |
| 27 | 1001102512 | 4 | Washer, Spacer | |
| 28 | 1001135570 | 1 | Module, Control (Note: Re-calibration Required when Replaced) | |
| 29 | 1001163095 | 1 | Sensor, Tilt | |
| 30 | 1001164103 | 1 | Harness, Temperature Sensor (Not Shown - See ELECTRICAL SECTION for Breakdown) | |

SECTION 2 - GROUND CONTROLS

FIGURE 2-30. GROUND CONTROL BOX ASSEMBLY - DEUTZ D2011 ENGINE WITH LOW TEMPERATURE CUTOUT (ANSI EXPORT SPEC)



ART_1001164207

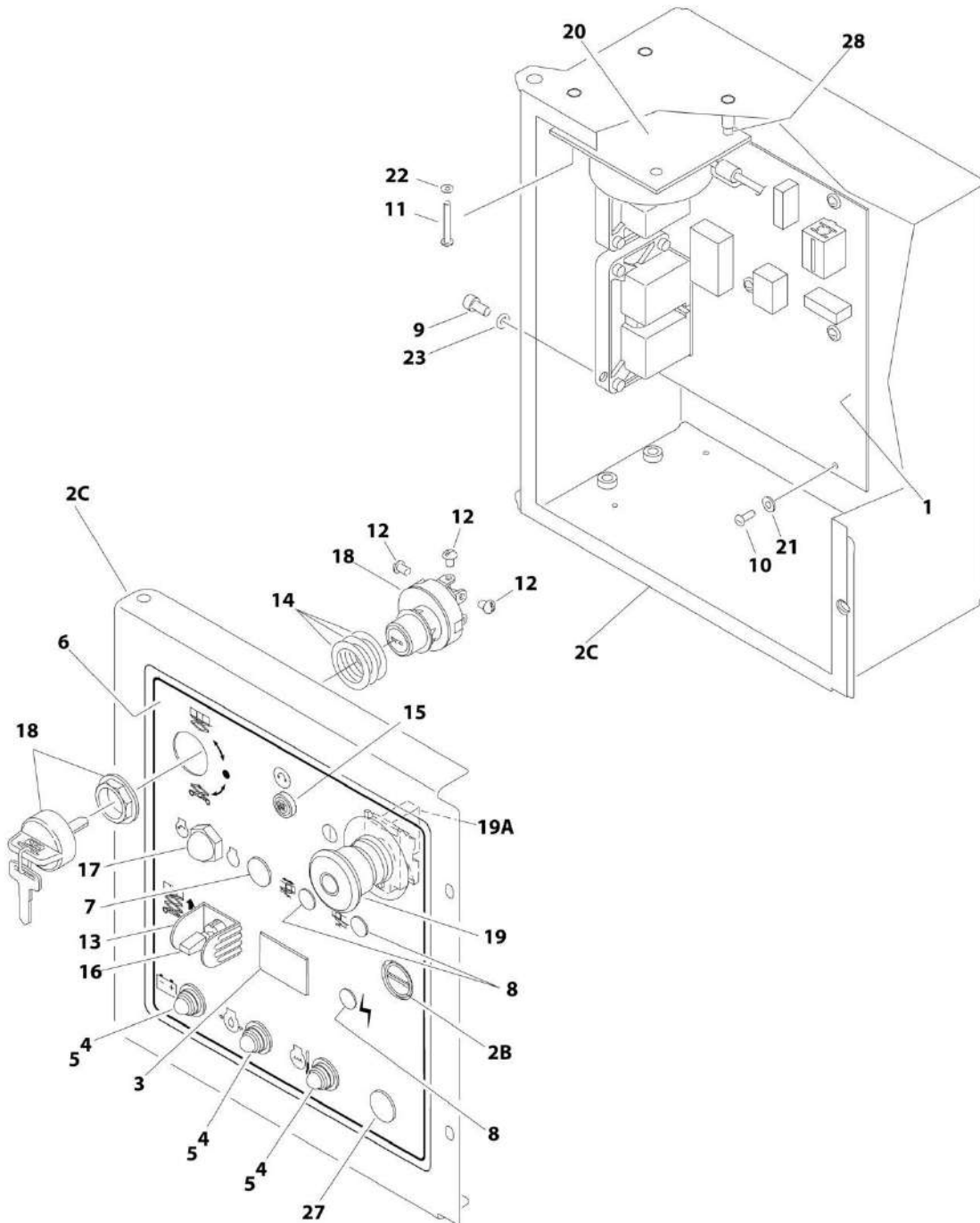
SECTION 2 - GROUND CONTROLS

FIGURE 2-30. GROUND CONTROL BOX ASSEMBLY - DEUTZ D2011 ENGINE WITH LOW TEMPERATURE CUTOUT (ANSI EXPORT SPEC)

| ITEM | PART NUMBER | QTY | DESCRIPTION | REV |
|------|-------------|-----|---|-----|
| | | Ref | Note: For machines with ground control box with cover refer to SPECIAL OPTIONS SECTION. | |
| | 1001164207 | Ref | GROUND CONTROL BOX ASSEMBLY - DEUTZ D2011 ENGINE WITH LOW TEMPERATURE CUTOUT (ANSI EXPORT SPEC) | B |
| 1 | 0741408 | 3 | Screw 1/4 x 1 | |
| 2 | 1705688 | 1 | Decal - Nameplate | |
| 3 | 1810140 | 1 | Switch, Dual Axis | |
| 3 | 4460321 | 1 | Plug, Male - 4 Position | |
| 3 | 4460267 | 1 | Pin, Male | |
| 4 | 2420172 | 1 | Hourmeter | |
| 5 | 2920026 | 3 | Holder, Lamp | |
| 6 | 2920029 | 3 | Bulb, Light | |
| 7 | 3271405 | 3 | Nut 1/4 | |
| 8 | 3520028 | 3 | Plug, Hole | |
| 9 | 3520193 | 1 | Plug 7/8 | |
| 10 | 3900300 | 8 | Screw | |
| 11 | 3910606 | 4 | Screw #6 x 3/8 | |
| 12 | 3910616 | 4 | Screw #6 x 1 | |
| 13 | 3910804 | 3 | Screw #8 x 1/4 | |
| 14 | 4060802 | 1 | Guard, Switch | |
| 15 | 4070987 | 1 | Shim .015 | |
| 16 | 4360070 | 1 | Breaker, Circuit 15Amp | |
| 17 | 4360328 | 1 | Switch, Toggle | |
| 18 | 4360387 | 2 | Switch, Push Button | |
| 19 | 4360469 | 1 | Keyswitch | |
| 19 | 2860030 | 1 | Key, Replacement | |
| 20 | 4360475 | 1 | Switch, Push-Pull Emergency Stop | |
| 20 | 7020175 | 1 | Cap | |
| 20A | 7020176 | 1 | Block, Contact | |
| 21 | 4750600 | 4 | Washer #6 | |
| 22 | 4760600 | 4 | Washer #6 | |
| 23 | 4761000 | 8 | Washer #10 | |
| 24 | 4761200 | 3 | Washer #12 | |
| 25 | 4922667 | 1 | Ground Control Box Harness (Not Shown - See ELECTRICAL SECTION for Breakdown) | |
| 26 | 1001102512 | 4 | Washer, Spacer | |
| 27 | 1001135570 | 1 | Module, Control (Note: Re-calibration Required when Replaced) | |
| 28 | 1001163095 | 1 | Sensor, Tilt | |
| 29 | 1001164103 | 1 | Harness, Temperature Sensor (Not Shown - See ELECTRICAL SECTION for Breakdown) | |
| 30 | | Ref | Box Assembly Options: | |
| 30A | 1001164187 | 1 | Box Assembly (Not Shown) (SN 0200239053 through 0200246032) | |
| 30B | 7023212 | 1 | Latch (1001164187 Box) | |
| 30C | 1001187559 | 1 | Box Assembly (See BOX COMPONENTS for Breakdown) (SN 0200246033 to Present) | |

SECTION 2 - GROUND CONTROLS

FIGURE 2-31. GROUND CONTROL BOX ASSEMBLY - GM ENGINE WITHOUT LOW TEMPERATURE CUTOUT



ART_0271812

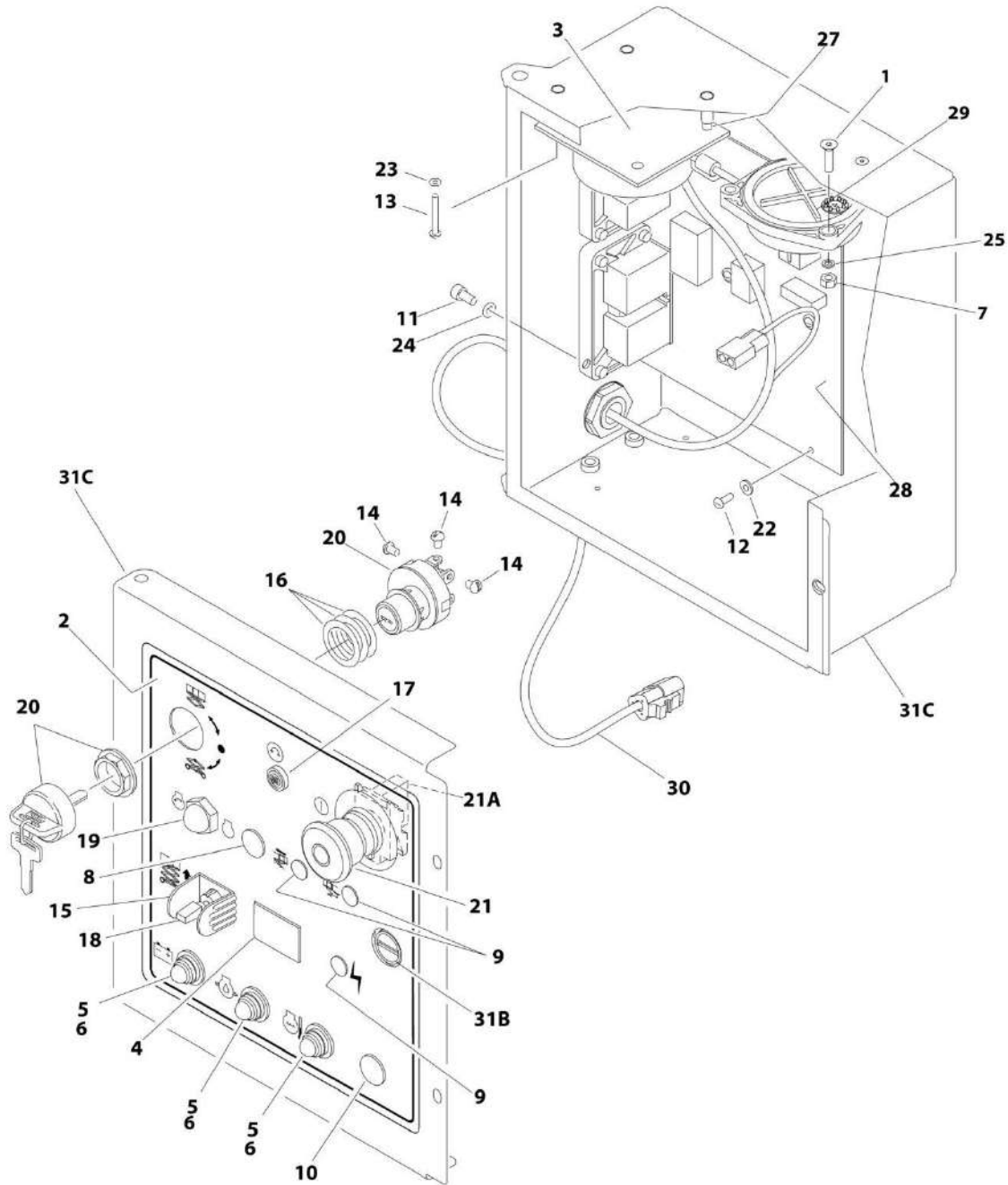
SECTION 2 - GROUND CONTROLS

FIGURE 2-31. GROUND CONTROL BOX ASSEMBLY - GM ENGINE WITHOUT LOW TEMPERATURE CUTOUT

| ITEM | PART NUMBER | QTY | DESCRIPTION | REV |
|------|-------------|-----|---|-----|
| | | Ref | Note: For machines with ground control box with cover refer to SPECIAL OPTIONS SECTION. | |
| | 0271812 | Ref | GROUND CONTROL BOX ASSEMBLY - GM ENGINE WITHOUT LOW TEMPERATURE CUTOUT | AD |
| 1 | 1001135570 | 1 | Module, Control (Note: Re-calibration Required when Replaced) | |
| 2 | | Ref | Box Assembly Options: | |
| 2A | 0861508 | 1 | Box Assembly (Not Shown) (SN 0200239053 through 0200246032) | |
| 2B | 7023212 | 1 | Latch (0861508 Box) | |
| 2C | 1001177617 | 1 | Box Assembly (See BOX COMPONENTS for Breakdown) (SN 0200246033 to Present) | |
| 3 | 2420172 | 1 | Hourmeter | |
| 4 | 2920026 | 3 | Holder, Lamp | |
| 5 | 2920029 | 3 | Bulb, Light | |
| 6 | 1705688 | 1 | Nameplate/Decal | |
| 7 | 3520026 | 1 | Plug, Hole | |
| 8 | 3520028 | 3 | Plug, Hole | |
| 9 | 3900300 | 8 | Screw | |
| 10 | 3910606 | 4 | Screw #6 x 3/8 | |
| 11 | 3910616 | 4 | Screw #6 x 1 | |
| 12 | 3910804 | 3 | Screw #8 x 1/4 | |
| 13 | 4060802 | 1 | Guard, Switch | |
| 14 | 4070987 | 1 | Shim .015 | |
| 15 | 4360070 | 1 | Breaker, Circuit 15Amp | |
| 16 | 4360328 | 1 | Switch, Toggle | |
| 17 | 4360387 | 1 | Switch, Push Button | |
| 18 | 4360469 | 1 | Keyswitch | |
| 18 | 2860030 | 1 | Key, Replacement | |
| 19 | 4360475 | 1 | Switch, Push-Pull Emergency Stop | |
| 19 | 7020175 | 1 | Cap | |
| 19A | 7020176 | 1 | Block, Contact | |
| 20 | 1810140 | 1 | Switch, Dual Axis | |
| 20 | 4460321 | 1 | Plug, Male - 4 Position | |
| 20 | 4460267 | 4 | Pin, Male | |
| 21 | 4750600 | 4 | Washer #6 | |
| 22 | 4760600 | 4 | Washer #6 | |
| 23 | 4761000 | 8 | Washer #10 | |
| 25 | 4922667 | 1 | Ground Control Box Harness (Not Shown - See ELECTRICAL SECTION for Breakdown) | |
| 27 | 3520193 | 1 | Plug 7/8 | |
| 28 | 1001102512 | 4 | Washer, Spacer | |

SECTION 2 - GROUND CONTROLS

FIGURE 2-32. GROUND CONTROL BOX ASSEMBLY - GM ENGINE WITH LOW TEMPERATURE CUTOUT



ART_1001164188

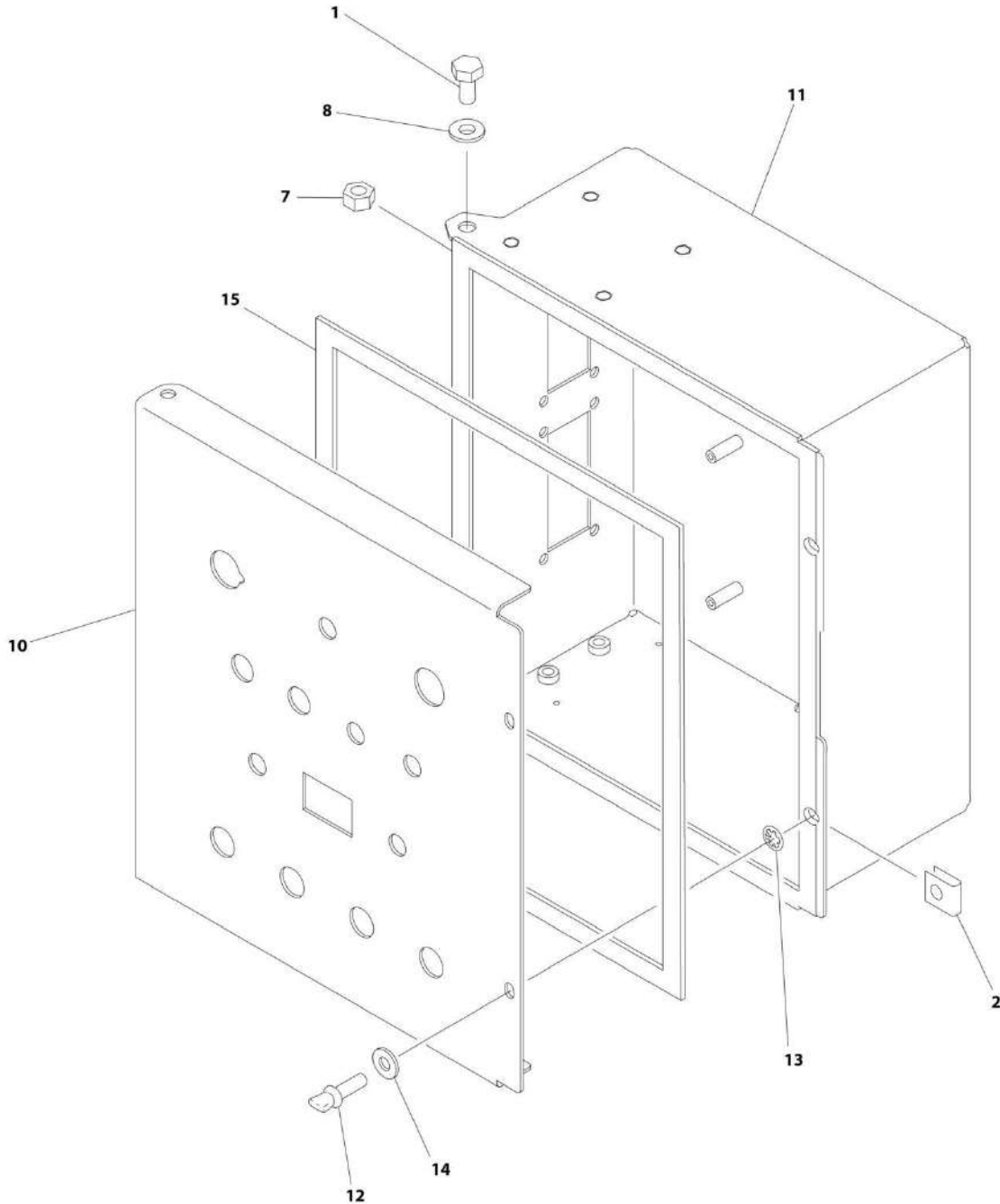
SECTION 2 - GROUND CONTROLS

FIGURE 2-32. GROUND CONTROL BOX ASSEMBLY - GM ENGINE WITH LOW TEMPERATURE CUTOUT

| ITEM | PART NUMBER | QTY | DESCRIPTION | REV |
|------|-------------|-----|---|-----|
| | | Ref | Note: For machines with ground control box with cover refer to SPECIAL OPTIONS SECTION. | |
| | 1001164188 | Ref | GROUND CONTROL BOX ASSEMBLY - GM ENGINE WITH LOW TEMPERATURE CUTOUT | D |
| 1 | 0741408 | 3 | Screw 1/4 x 1 | |
| 2 | 1705688 | 1 | Decal - Nameplate | |
| 3 | 1810140 | 1 | Switch, Dual Axis | |
| 3 | 4460321 | 1 | Plug, Male - 4 Position | |
| 3 | 4460267 | 4 | Pin, Male | |
| 4 | 2420172 | 1 | Hourmeter | |
| 5 | 2920026 | 3 | Holder, Lamp | |
| 6 | 2920029 | 3 | Bulb, Light | |
| 7 | 3271405 | 3 | Nut 1/4 | |
| 8 | 3520026 | 1 | Plug, Hole | |
| 9 | 3520028 | 3 | Plug, Hole | |
| 10 | 3520193 | 1 | Plug 7/8 | |
| 11 | 3900300 | 8 | Screw | |
| 12 | 3910606 | 4 | Screw #6 x 3/8 | |
| 13 | 3910616 | 4 | Screw #6 x 1 | |
| 14 | 3910804 | 3 | Screw #8 x 1/4 | |
| 15 | 4060802 | 1 | Guard, Switch | |
| 16 | 4070987 | 1 | Shim .015 | |
| 17 | 4360070 | 1 | Breaker, Circuit 15Amp | |
| 18 | 4360328 | 1 | Switch, Toggle | |
| 19 | 4360387 | 1 | Switch, Push Button | |
| 20 | 4360469 | 1 | Keyswitch | |
| 20 | 2860030 | 1 | Key, Replacement | |
| 21 | 4360475 | 1 | Switch, Push-Pull Emergency Stop | |
| 21 | 7020175 | 1 | Cap | |
| 21A | 7020176 | 1 | Block, Contact | |
| 22 | 4750600 | 4 | Washer #6 | |
| 23 | 4760600 | 4 | Washer #6 | |
| 24 | 4761000 | 8 | Washer #10 | |
| 25 | 4761200 | 3 | Washer #12 | |
| 26 | 4922667 | 1 | Ground Control Box Harness (Not Shown - See ELECTRICAL SECTION for Breakdown) | |
| 27 | 1001102512 | 4 | Washer, Spacer | |
| 28 | 1001135570 | 1 | Module, Control (Note: Re-calibration Required when Replaced) | |
| 29 | 1001163095 | 1 | Sensor, Tilt | |
| 30 | 1001164103 | 1 | Harness, Temperature Sensor (See ELECTRICAL SECTION for Breakdown) | |
| 31 | | Ref | Box Assembly Options: | |
| 31A | 1001164187 | 1 | Box Assembly (Not Shown) (SN 0200239053 through 0200246032) | |
| 31B | 7023212 | 1 | Latch (1001164187 Box) | |
| 31C | 1001187559 | 1 | Box Assembly (See BOX COMPONENTS for Breakdown) (SN 0200246033 to Present) | |

SECTION 2 - GROUND CONTROLS

FIGURE 2-33. GROUND CONTROL BOX COMPONENTS - WITHOUT LOW TEMPERATURE CUTOUT
(SN 0200246033 to Present)



ART_1001177617

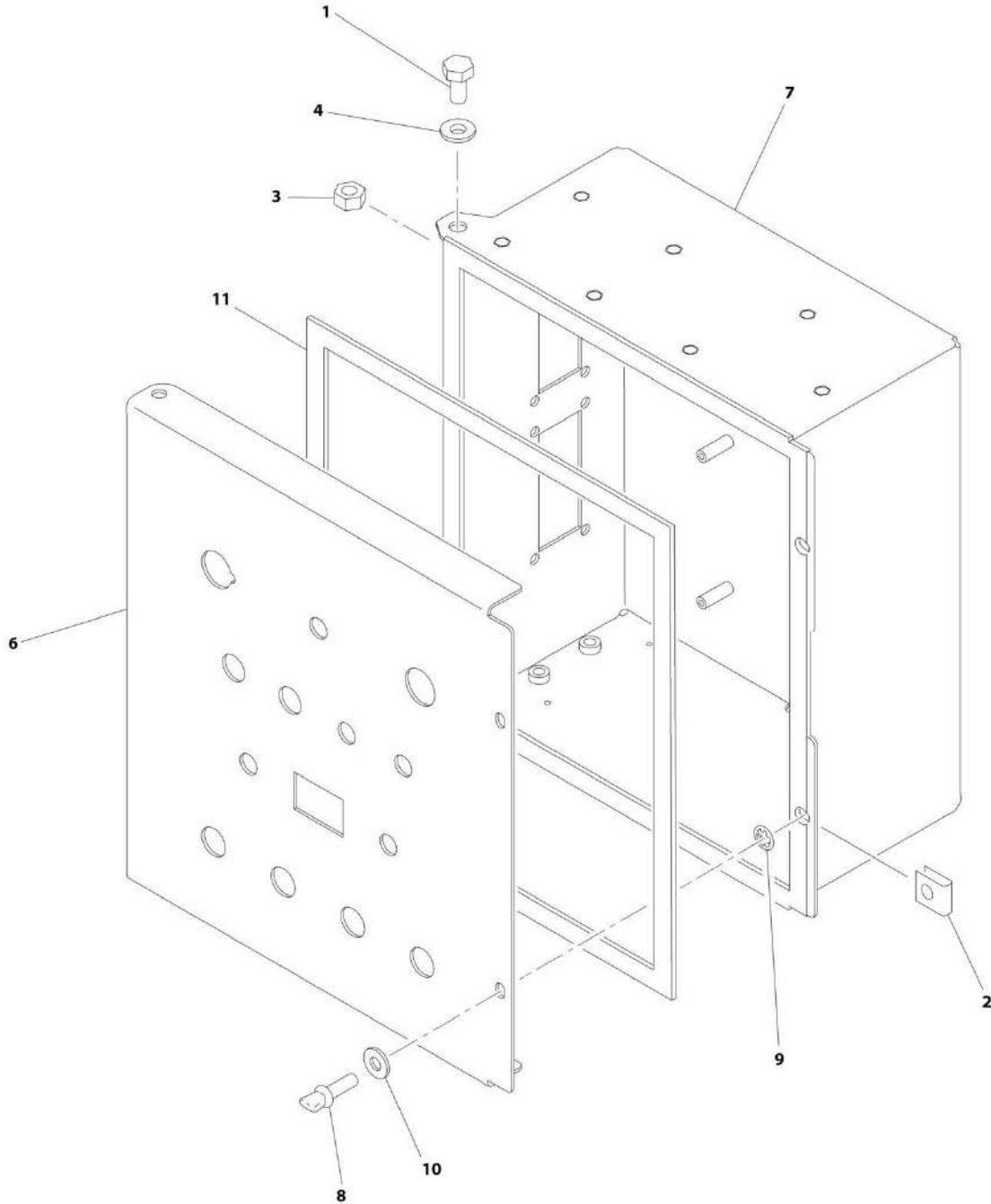
SECTION 2 - GROUND CONTROLS

**FIGURE 2-33. GROUND CONTROL BOX COMPONENTS - WITHOUT LOW TEMPERATURE CUTOUT
(SN 0200246033 to Present)**

| ITEM | PART NUMBER | QTY | DESCRIPTION | REV |
|------|-------------|------------|---|-----|
| | 1001177617 | Ref | GROUND CONTROL BOX COMPONENTS - WITHOUT LOW TEMPERATURE CUTOUT (SN 0200246033 to Present) | G |
| 1 | 0641404 | 2 | Bolt 1/4 x 1/2 | |
| 2 | 3300353 | 2 | Nut, Tinnerman | |
| 7 | 3311405 | 2 | Nut 1/4 | |
| 8 | 4740518 | 2 | Washer | |
| 10 | 1001177618 | 1 | Lid | |
| 11 | See Note | NSS | Box (Note: Use p/n 1001177617) | |
| 12 | 1001103308 | 2 | Screw 1/4 x 3/4 | |
| 13 | 1001188874 | 2 | Nut, Push | |
| 14 | 4711400 | 2 | Washer 1/4 | |
| 15 | 1001165734 | 44 in/1.1m | Seal (SN 0200250829 to Present) | |

SECTION 2 - GROUND CONTROLS

FIGURE 2-34. GROUND CONTROL BOX COMPONENTS - WITH LOW TEMPERATURE CUTOUT (SN 0200246033 to Present)



ART_1001187559

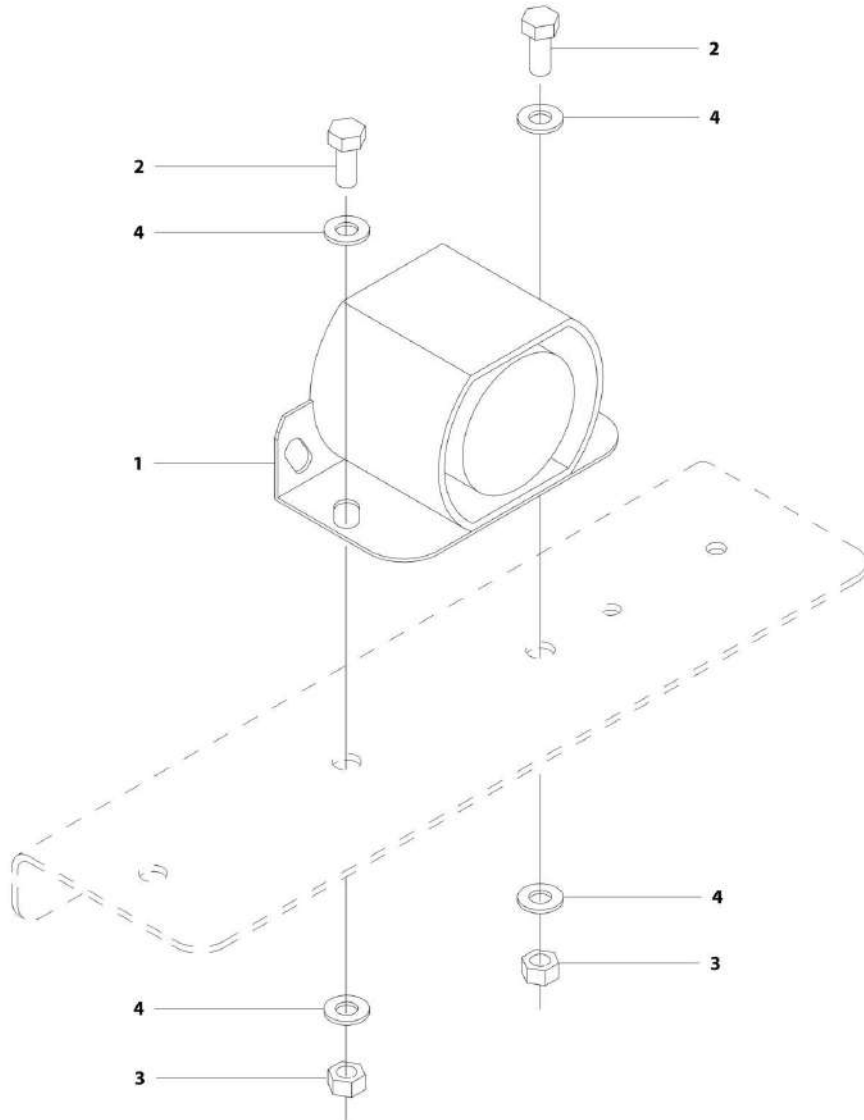
SECTION 2 - GROUND CONTROLS

FIGURE 2-34. GROUND CONTROL BOX COMPONENTS - WITH LOW TEMPERATURE CUTOUT (SN 0200246033 to Present)

| ITEM | PART NUMBER | QTY | DESCRIPTION | REV |
|------|-------------|------------|--|-----|
| | 1001187559 | Ref | GROUND CONTROL BOX COMPONENTS - WITH LOW TEMPERATURE CUTOUT (SN 0200246033 to Present) | B |
| 1 | 0641404 | 2 | Bolt 1/4 x 1/2 | |
| 2 | 3300353 | 2 | Nut, Tinnerman | |
| 3 | 3311405 | 2 | Nut 1/4 | |
| 4 | 4740518 | 2 | Washer | |
| 6 | 1001177618 | 1 | Lid | |
| 7 | See Note | NSS | Box (Note: Use p/n 1001187559) | |
| 8 | 1001103308 | 2 | Screw 1/4 x 3/4 | |
| 9 | 1001188874 | 2 | Nut, Push | |
| 10 | 4711400 | 2 | Washer 1/4 | |
| 11 | 1001165734 | 44 in/1.1m | Seal (SN 0200250829 to Present) | |

SECTION 2 - GROUND CONTROLS

FIGURE 2-35. HORN INSTALLATION



ART_0273969

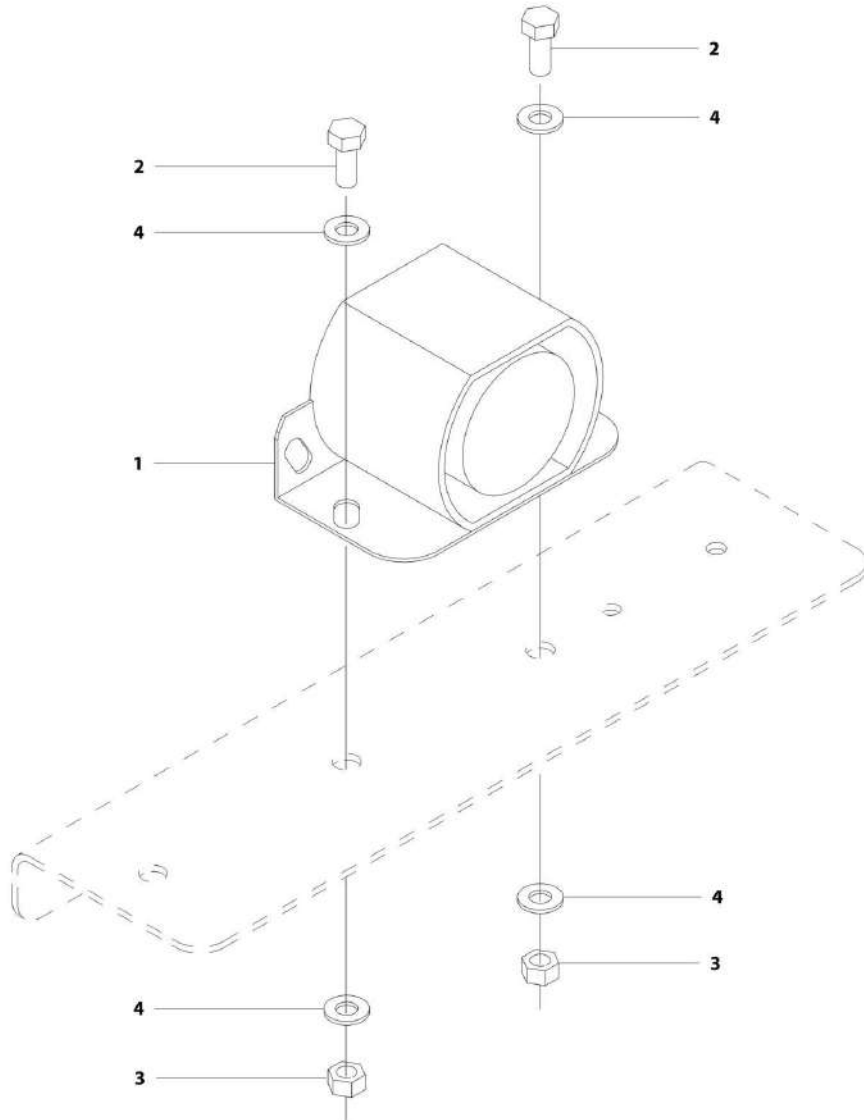
SECTION 2 - GROUND CONTROLS

FIGURE 2-35. HORN INSTALLATION

| ITEM | PART NUMBER | QTY | DESCRIPTION | REV |
|------|-------------|-----|-------------------|-----|
| | 0273969 | Ref | HORN INSTALLATION | B |
| 1 | 0140032 | 1 | Alarm | |
| 2 | 0641506 | 2 | Bolt 5/16 x 3/4 | |
| 3 | 3311505 | 2 | Nut 5/16 | |
| 4 | 4711500 | 4 | Washer 5/16 | |

SECTION 2 - GROUND CONTROLS

FIGURE 2-36. MOTION ALARM INSTALLATION



ART_0271781

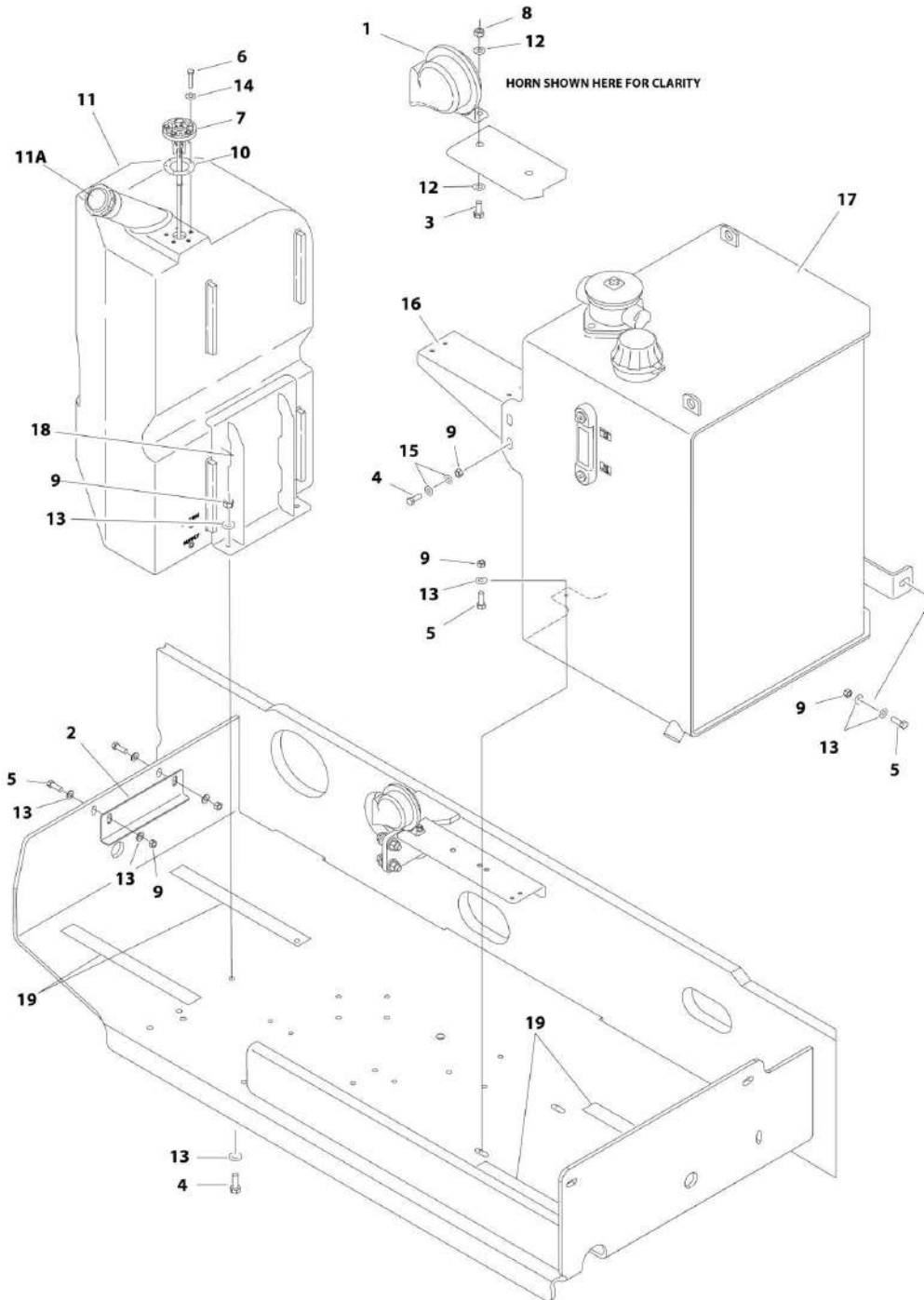
SECTION 2 - GROUND CONTROLS

FIGURE 2-36. MOTION ALARM INSTALLATION

| ITEM | PART NUMBER | QTY | DESCRIPTION | REV |
|------|-------------|-----|---------------------------|-----|
| | 0271781 | Ref | MOTION ALARM INSTALLATION | C |
| 1 | 0140032 | 1 | Alarm | |
| 2 | 0641506 | 2 | Bolt 5/16 x 3/4 | |
| 3 | 3311505 | 2 | Nut 5/16 | |
| 4 | 4711500 | 4 | Washer 5/16 | |

SECTION 2 - GROUND CONTROLS

FIGURE 2-37. TANKS INSTALLATION - DIESEL ENGINE MACHINES



ART_1001164722

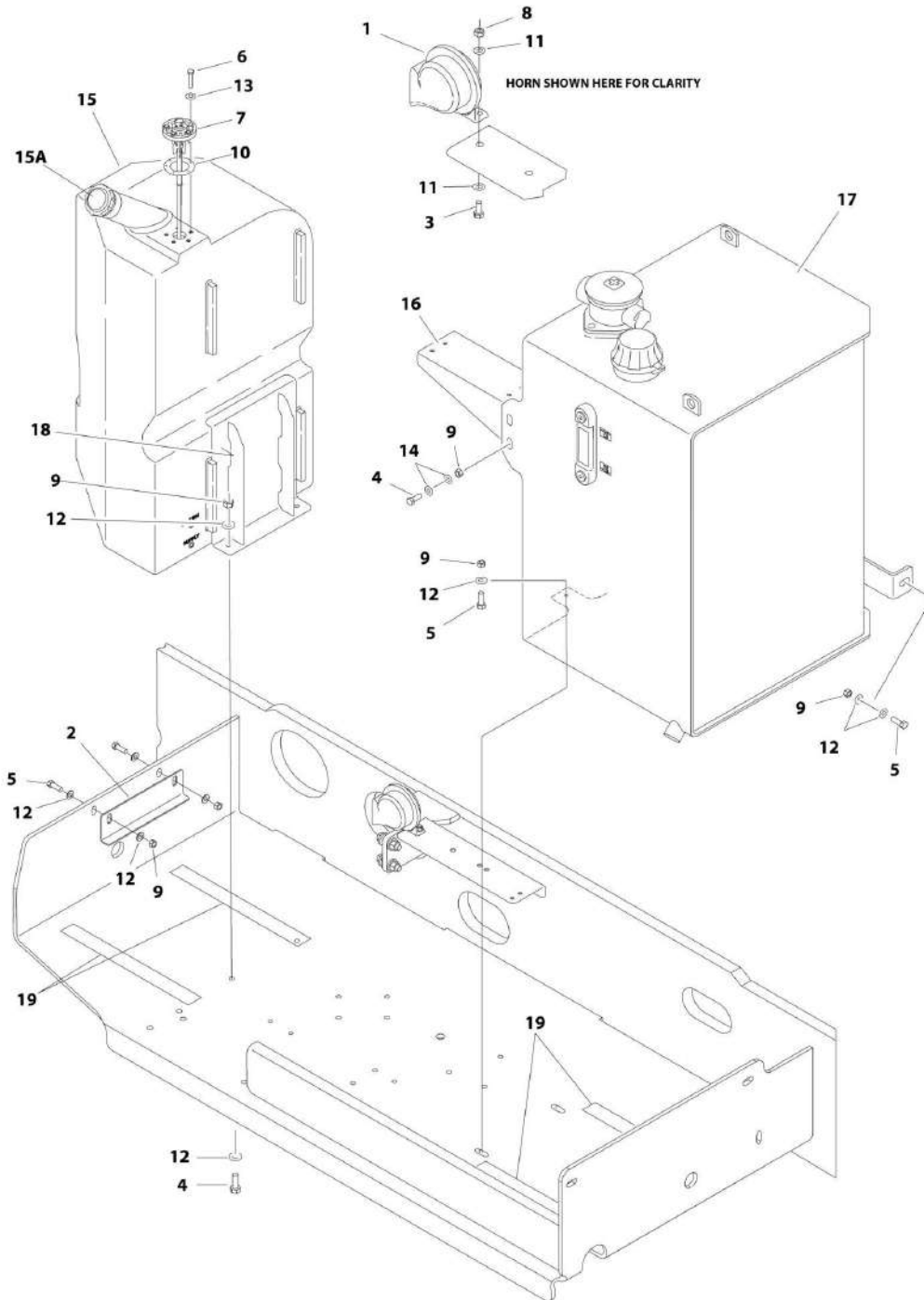
SECTION 2 - GROUND CONTROLS

FIGURE 2-37. TANKS INSTALLATION - DIESEL ENGINE MACHINES

| ITEM | PART NUMBER | QTY | DESCRIPTION | REV |
|------|-------------|-----------|---|-----|
| | 1001164722 | Ref | TANKS INSTALLATION - DIESEL ENGINE MACHINES | B |
| 1 | 0140001 | 1 | Horn | |
| 2 | 0182033 | 1 | Bracket, Hydraulic Tank Mounting | |
| 3 | 0641506 | 1 | Bolt 5/16 x 3/4 | |
| 4 | 0641608 | 6 | Bolt 3/8 x 1 | |
| 5 | 0641609 | 5 | Bolt 3/8 x 1-1/8 | |
| 6 | 0731008 | 5 | Screw #10 x 1 | |
| 7 | 2420199 | 1 | Gauge, Fuel Level | |
| 8 | 3311505 | 1 | Nut 5/16 | |
| 9 | 3311605 | 11 | Nut 3/8 | |
| 10 | 3960525 | 1 | Seal, Gauge | |
| 11 | 4400436 | 1 | Tank, Fuel | |
| 11A | 1120361 | 1 | Cap, Vented Non-Locking | |
| 12 | 4711500 | 2 | Washer 5/16 | |
| 13 | 4711600 | 14 | Washer 3/8 | |
| 14 | 4751000 | 5 | Washer #10 | |
| 15 | 4891600 | 8 | Washer 3/8 | |
| 16 | 1001102766 | 1 | Bracket, Ground Control Box Mount | |
| 17 | 1001102823 | 1 | Hydraulic Oil Tank Assembly (See HYDRAULIC OIL TANK ASSEMBLY for Breakdown) | |
| 18 | 1001164534 | 1 | Bracket, Fuel Tank | |
| 19 | 4420037 | 4 ft/1.2m | Tape, Insulation | |

SECTION 2 - GROUND CONTROLS

FIGURE 2-38. TANKS INSTALLATION - GAS ENGINE MACHINES



ART_1001166310

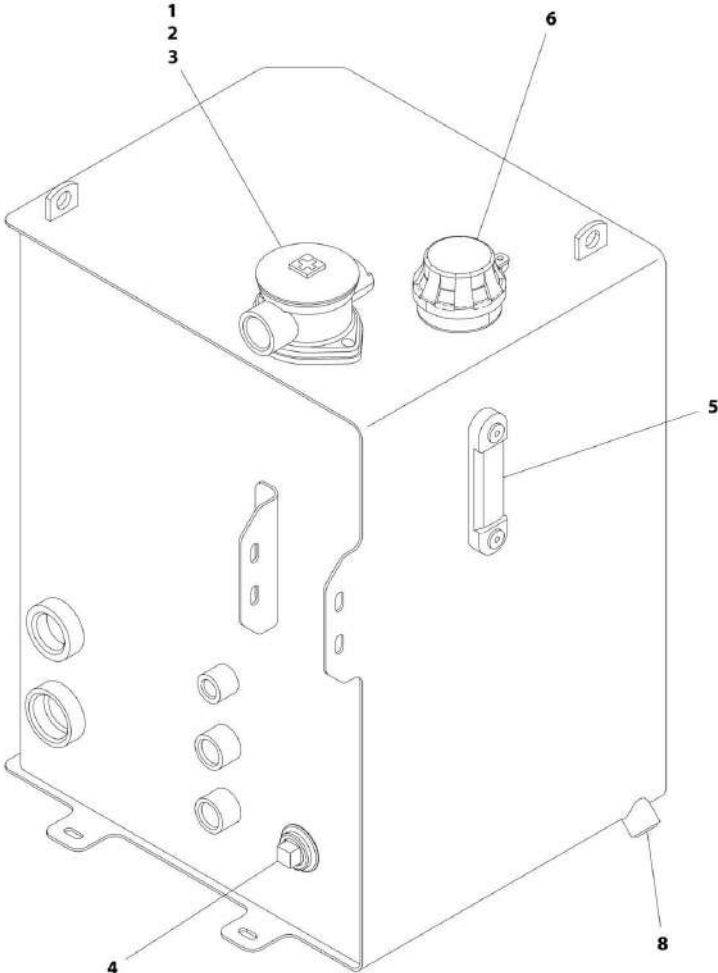
SECTION 2 - GROUND CONTROLS

FIGURE 2-38. TANKS INSTALLATION - GAS ENGINE MACHINES

| ITEM | PART NUMBER | QTY | DESCRIPTION | REV |
|------|-------------|-----------|---|-----|
| | 1001166310 | Ref | TANKS INSTALLATION - GAS ENGINE MACHINES | C |
| 1 | 0140001 | 1 | Horn | |
| 2 | 0182033 | 1 | Bracket, Hydraulic Tank Mounting | |
| 3 | 0641506 | 1 | Bolt 5/16 x 3/4 | |
| 4 | 0641608 | 6 | Bolt 3/8 x 1 | |
| 5 | 0641609 | 5 | Bolt 3/8 x 1-1/8 | |
| 6 | 0731008 | 5 | Screw #10 x 1 | |
| 7 | 2420199 | 1 | Gauge, Fuel Level | |
| 8 | 3311505 | 1 | Nut 5/16 | |
| 9 | 3311605 | 11 | Nut 3/8 | |
| 10 | 3960525 | 1 | Seal, Gauge | |
| 11 | 4711500 | 2 | Washer 5/16 | |
| 12 | 4711600 | 14 | Washer 3/8 | |
| 13 | 4751000 | 5 | Washer #10 | |
| 14 | 4891600 | 8 | Washer 3/8 | |
| 15 | 1001091564 | NLA | Tank, Fuel (Use p/n 1001160561) (SN 0200239053 through 0200241191) | |
| 15 | 1001160561 | 1 | Tank, Fuel (SN 0200241192 to Present) | |
| 15A | 70001103 | NLA | Cap, Vented Non-Locking (Use p/n 1001211336) | |
| 15A | 1001211336 | 1 | Cap, Vented Non-Locking | |
| 16 | 1001102766 | 1 | Bracket, Ground Control Box Mount | |
| 17 | 1001102823 | 1 | Hydraulic Oil Tank Assembly (See HYDRAULIC OIL TANK ASSEMBLY for Breakdown) | |
| 18 | 1001164534 | 1 | Bracket, Fuel Tank | |
| 19 | 4420037 | 4 ft/1.2m | Tape, Insulation | |

SECTION 2 - GROUND CONTROLS

FIGURE 2-39. HYDRAULIC OIL TANK ASSEMBLY



ART_1001102823

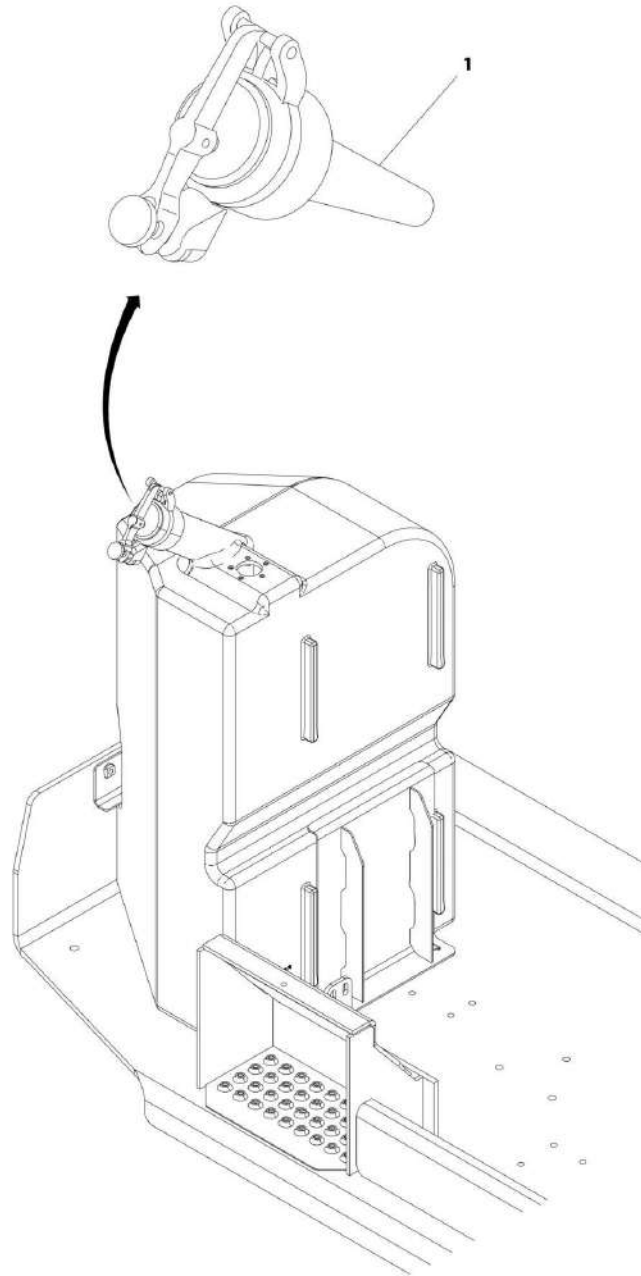
SECTION 2 - GROUND CONTROLS

FIGURE 2-39. HYDRAULIC OIL TANK ASSEMBLY

| ITEM | PART NUMBER | QTY | DESCRIPTION | REV |
|------|-------------|-----|--|-----|
| | 1001102823 | Ref | HYDRAULIC TANK ASSEMBLY | C |
| 1 | 70001959 | 1 | Filter, Return | |
| 1 | 70001960 | 1 | Element, Filter | |
| 1 | 70002768 | 1 | Spring, Return Filter Assembly | |
| 2 | 7023306 | 1 | Seal Between Filter Cover and Head | |
| 3 | 7023347 | 1 | Gasket Between Tank and Filter Flange | |
| 4 | 7024446 | 1 | Plug, Magnetic 1in NPT | |
| 5 | 7024441 | 1 | Gauge, Fluid Level | |
| 6 | 70002113 | 1 | Breather/Fill Cap | |
| 7 | See Note | NSS | Strainer (Note: Not a serviceable item per vendor) | |
| 8 | 70002112 | 1 | Plug, Magnetic | |

SECTION 2 - GROUND CONTROLS

FIGURE 2-40. FUEL CAP INSTALLATION - LOCKABLE - DIESEL MACHINES (OPTIONAL)



ART_0271775

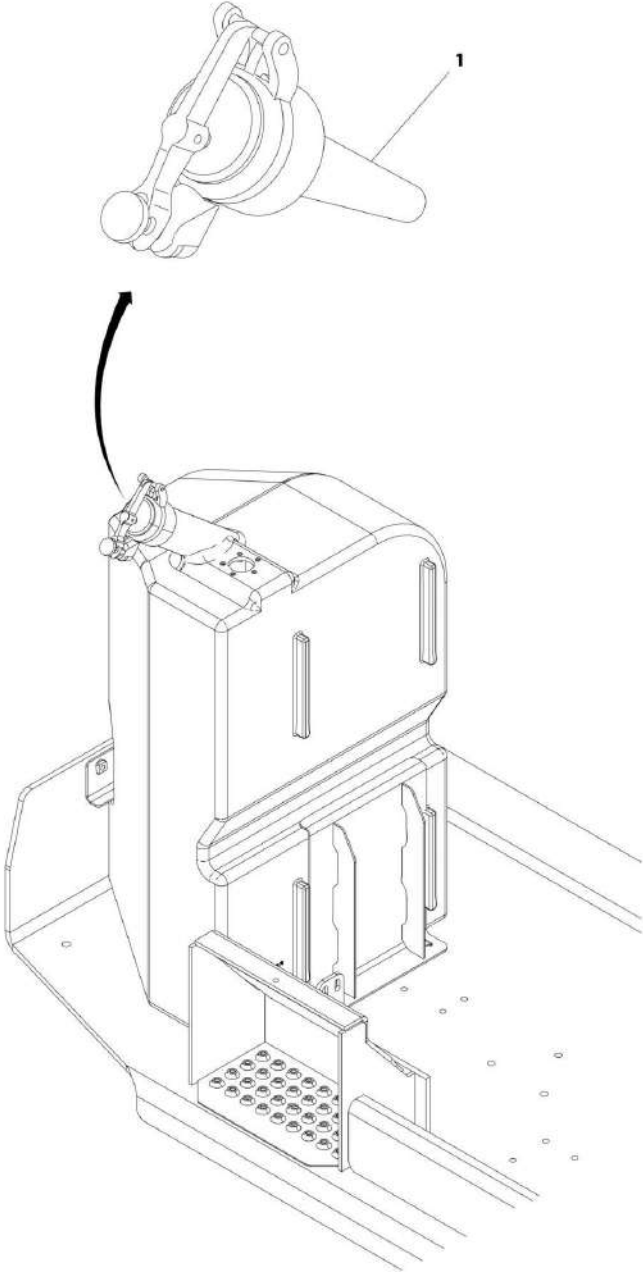
SECTION 2 - GROUND CONTROLS

FIGURE 2-40. FUEL CAP INSTALLATION - LOCKABLE - DIESEL MACHINES (OPTIONAL)

| ITEM | PART NUMBER | QTY | DESCRIPTION | REV |
|------|-------------|-----|---|-----|
| | 0271775 | Ref | FUEL CAP INSTALLATION - LOCKABLE - DIESEL MACHINES (OPTIONAL) | B |
| 1 | 1120558 | 1 | Cap, Lockable (Blue) (Lock not included) | |
| 1 | | Ref | Note: For Standard Cap, Refer to TANKS INSTALLATION. | |

SECTION 2 - GROUND CONTROLS

FIGURE 2-41. FUEL CAP INSTALLATION - LOCKABLE - GAS MACHINES (OPTIONAL)



ART_0271774

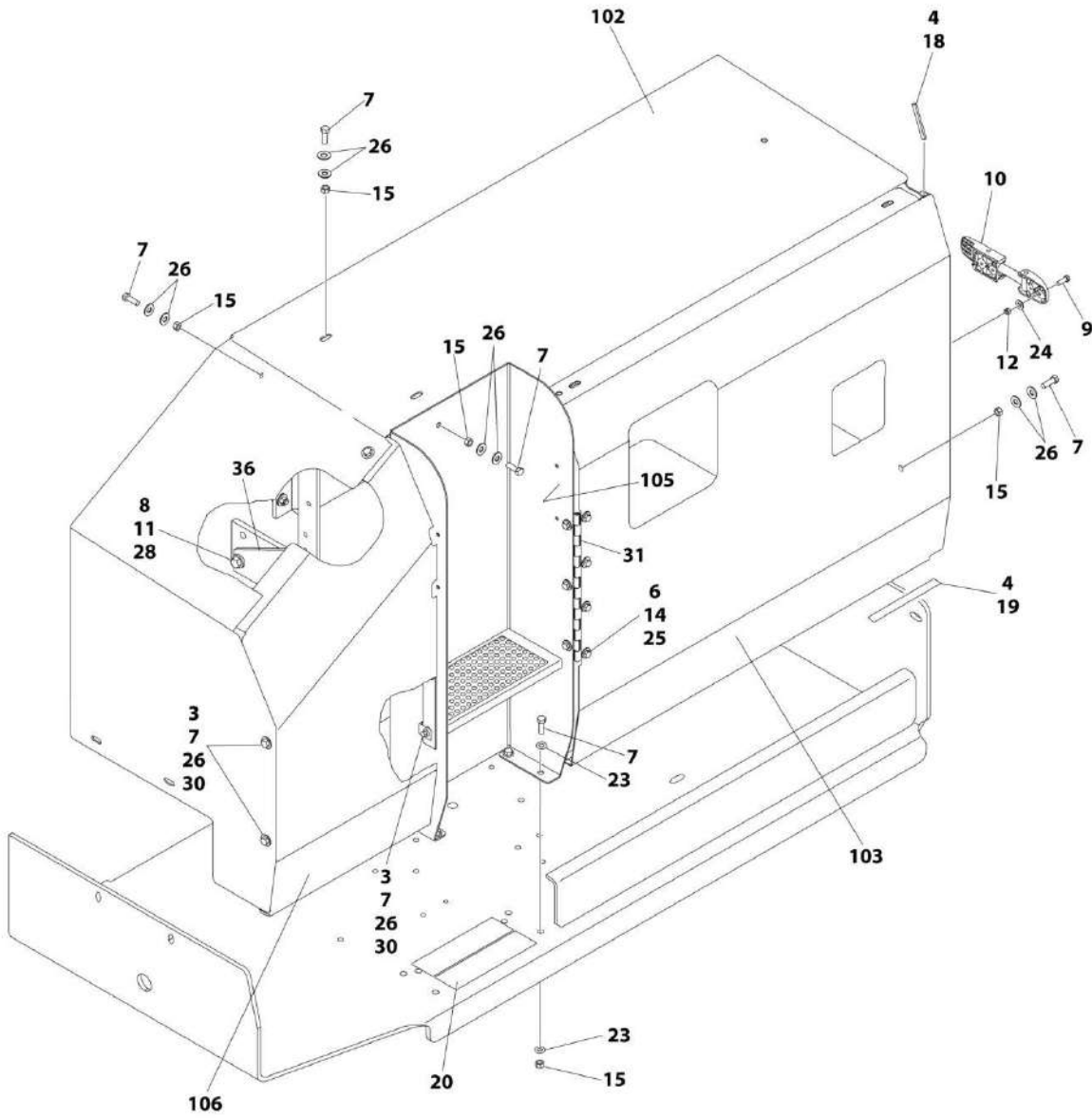
SECTION 2 - GROUND CONTROLS

FIGURE 2-41. FUEL CAP INSTALLATION - LOCKABLE - GAS MACHINES (OPTIONAL)

| ITEM | PART NUMBER | QTY | DESCRIPTION | REV |
|------|-------------|-----|--|-----|
| | 0271774 | Ref | FUEL CAP INSTALLATION - LOCKABLE - GAS MACHINES (OPTIONAL) | B |
| 1 | 1120485 | 1 | Cap, Lockable (Red) (Lock not included) | |
| 1 | | Ref | Note: For Standard Cap, Refer to TANKS INSTALLATION. | |

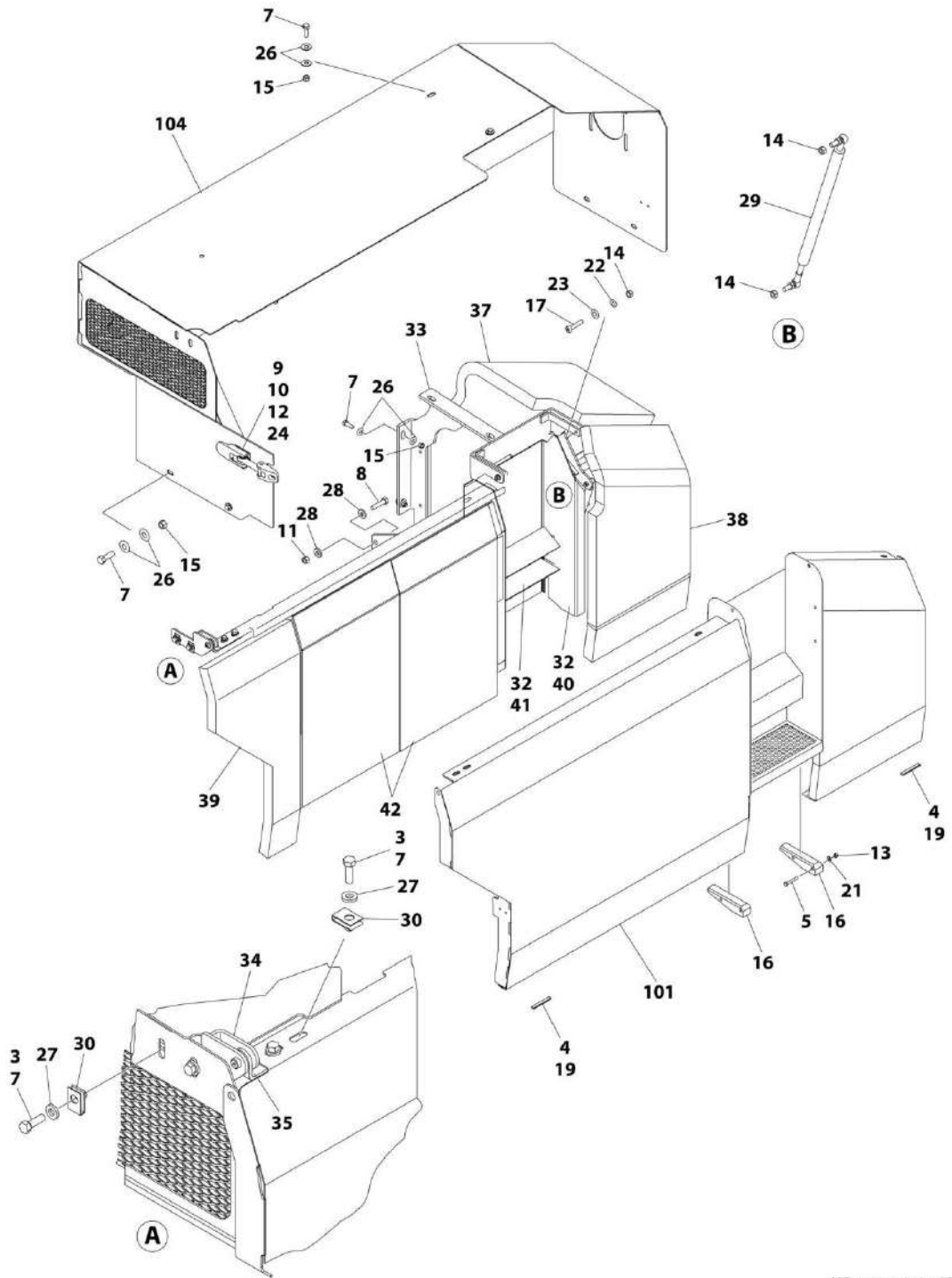
SECTION 2 - GROUND CONTROLS

FIGURE 2-42. HOODS AND COVERS INSTALLATION - DEUTZ D2011 AND GM ENGINE MACHINES



ART_1001166503_10F2

SECTION 2 - GROUND CONTROLS



ART_1001166503_20F2

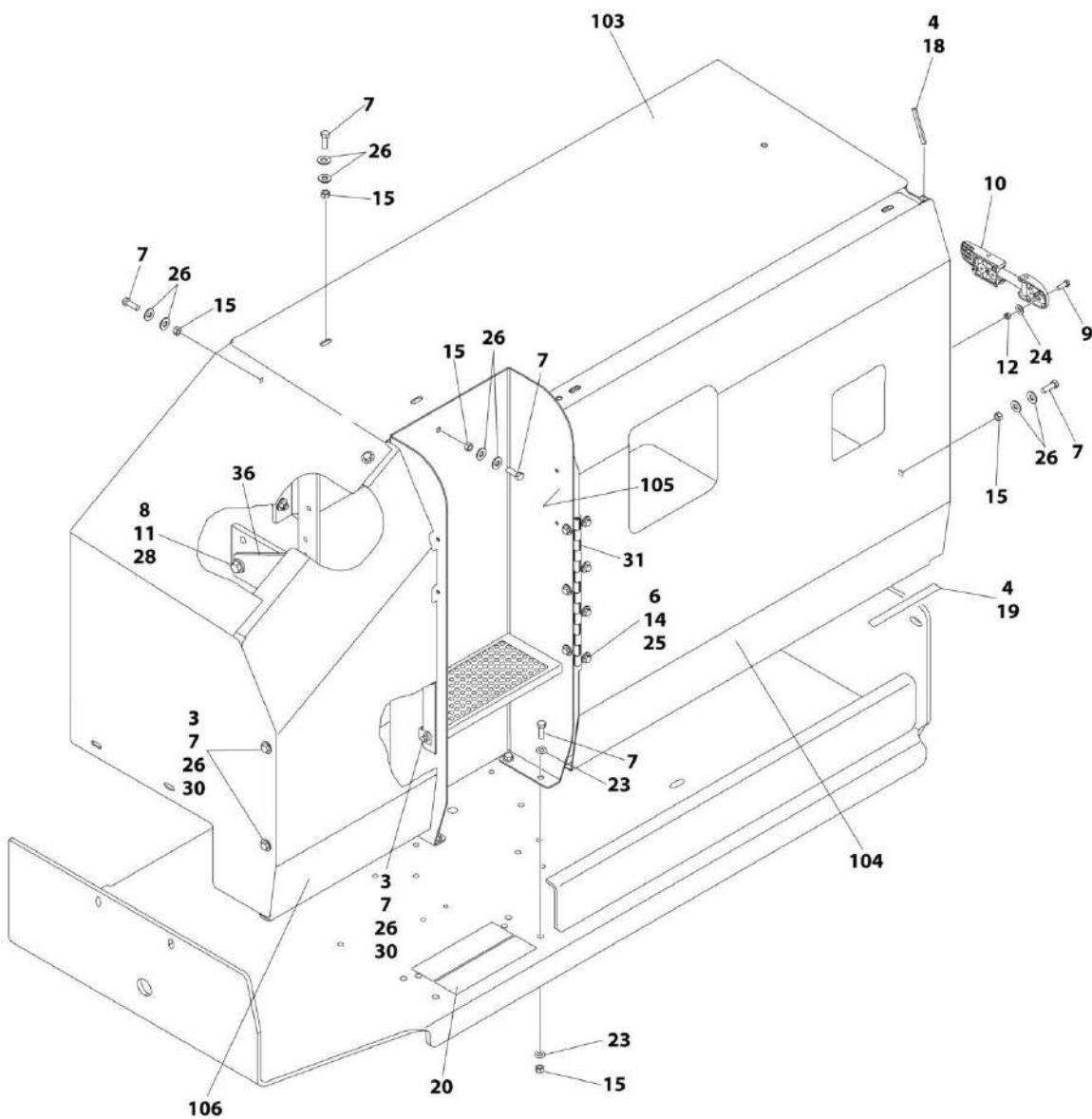
SECTION 2 - GROUND CONTROLS

FIGURE 2-42. HOODS AND COVERS INSTALLATION - DEUTZ D2011 AND GM ENGINE MACHINES

| ITEM | PART NUMBER | QTY | DESCRIPTION | REV |
|------|-------------|------------|--|-----|
| | 1001166503 | Ref | HOODS AND COVERS INSTALLATION - DEUTZ D2011 AND GM ENGINE MACHINES | C |
| 3 | 0100011 | AR | Compound Locking | |
| 4 | 0100081 | AR | Adhesive | |
| 5 | 0641414 | 4 | Bolt 1/4 x 1-3/4 | |
| 6 | 0641506 | 7 | Bolt 5/16 x 3/4 | |
| 7 | 0641609 | 28 | Bolt 3/8 x 1-1/8 | |
| 8 | 0681816 | 6 | Bolt 1/2 x 2 | |
| 9 | 0721004 | 12 | Bolt #10 x 1/2 | |
| 10 | 2940109 | 3 | Latch | |
| 11 | 3271805 | 6 | Nut 1/2 | |
| 12 | 3311005 | 12 | Nut #10 | |
| 13 | 3311405 | 4 | Nut 1/4 | |
| 14 | 3311505 | 12 | Nut 5/16 | |
| 15 | 3311605 | 19 | Nut 3/8 | |
| 16 | 3340945 | 2 | Pad, Slide | |
| 17 | 3900290 | 3 | Screw 3/8 x 1 | |
| 18 | 4060803 | 6 in/ 15cm | Flex - Trim | |
| 19 | 4060805 | 1 ft/ .3m | Flex - Trim | |
| 20 | 4420080 | 2 | Tape, Tread | |
| 21 | 4711400 | 4 | Washer 1/4 | |
| 22 | 4711500 | 3 | Washer 5/16 | |
| 23 | 4711600 | 11 | Washer 3/8 | |
| 24 | 4750800 | 12 | Washer #8 | |
| 25 | 4751500 | 14 | Washer 5/16 | |
| 26 | 4751600 | 35 | Washer 3/8 | |
| 27 | 4891600 | 4 | Washer 3/8 | |
| 28 | 4891800 | 12 | Washer 1/2 | |
| 29 | 8702156 | 1 | Spring, Gas | |
| 30 | 88662523 | 9 | Nut Tinnerman | |
| 31 | 1001096148 | 1 | Hinge | |
| 32 | 1001117140 | AR | Tape, Aluminized | |
| 33 | 1001165372 | 1 | Support | |
| 34 | 1001165377 | 1 | Bracket | |
| 35 | 1001165384 | 1 | Bracket | |
| 36 | 1001166248 | 1 | Bracket | |
| 37 | 1001166423 | 1 | Insulation | |
| 38 | 1001166424 | 1 | Insulation | |
| 39 | 1001166425 | 1 | Insulation | |
| 40 | 1001175556 | 1 | Heat Shield | |
| 41 | 1001175557 | 2 | Heat Shield | |
| 42 | 1001190697 | 2 | Heat Shield | |
| 100 | 1001191228 | Ref | Hood, Kit (Not Shown) | |
| 101 | 1001165374 | 1 | Door | |
| 102 | 1001165375 | 1 | Hood, Hydraulic Side | |
| 103 | 1001165376 | 1 | Door | |
| 104 | 1001166168 | 1 | Hood | |
| 105 | 1001166245 | 1 | Ladder | |
| 106 | 1001166247 | 1 | Door | |

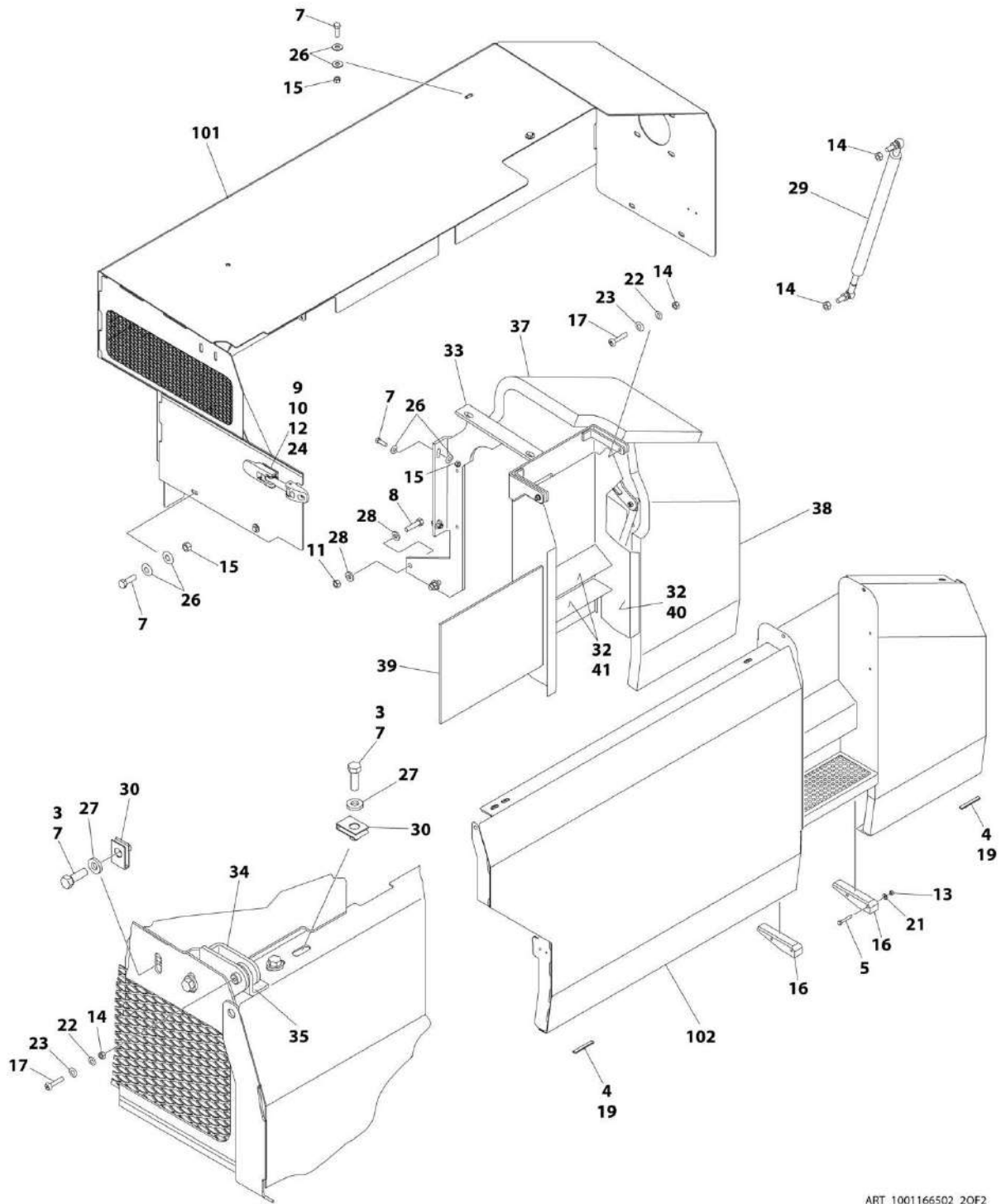
SECTION 2 - GROUND CONTROLS

FIGURE 2-43. HOODS AND COVERS INSTALLATION - DEUTZ D2.9L4 ENGINE MACHINES



ART_1001166502_10F2

SECTION 2 - GROUND CONTROLS



ART_1001166502_2OF2

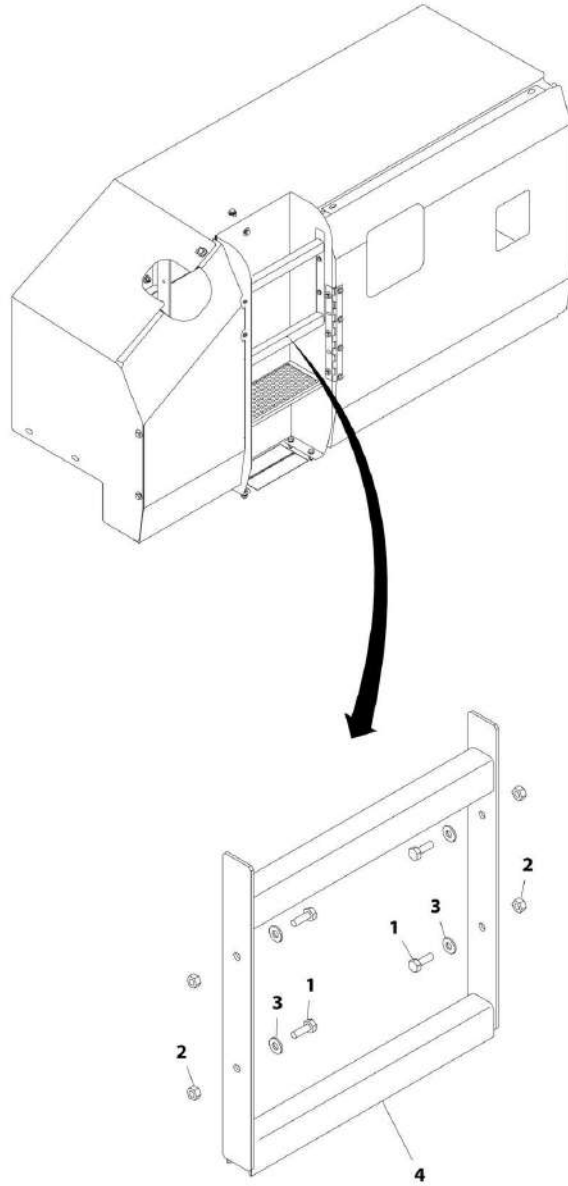
SECTION 2 - GROUND CONTROLS

FIGURE 2-43. HOODS AND COVERS INSTALLATION - DEUTZ D2.9L4 ENGINE MACHINES

| ITEM | PART NUMBER | QTY | DESCRIPTION | REV |
|------|-------------|------------|--|-----|
| | 1001166502 | Ref | HOODS AND COVERS INSTALLATION - DEUTZ D2.9L4 ENGINE MACHINES | C |
| 3 | 0100011 | AR | Compound Locking | |
| 4 | 0100081 | AR | Adhesive | |
| 5 | 0641414 | 4 | Bolt 1/4 x 1-3/4 | |
| 6 | 0641506 | 7 | Bolt 5/16 x 3/4 | |
| 7 | 0641609 | 28 | Bolt 3/8 x 1-1/8 | |
| 8 | 0681816 | 6 | Bolt 1/2 x 2 | |
| 9 | 0721004 | 12 | Bolt #10 x 1/2 | |
| 10 | 2940109 | 3 | Latch | |
| 11 | 3271805 | 6 | Nut 1/2 | |
| 12 | 3311005 | 12 | Nut #10 | |
| 13 | 3311405 | 4 | Nut 1/4 | |
| 14 | 3311505 | 12 | Nut 5/16 | |
| 15 | 3311605 | 19 | Nut 3/8 | |
| 16 | 3340945 | 2 | Pad, Slide | |
| 17 | 3900290 | 3 | Screw 3/8 x 1 | |
| 18 | 4060803 | 6 in/ 15cm | Flex - Trim | |
| 19 | 4060805 | 1 ft/ .3m | Flex - Trim | |
| 20 | 4420080 | 2 | Tape, Tread | |
| 21 | 4711400 | 4 | Washer 1/4 | |
| 22 | 4711500 | 3 | Washer 5/16 | |
| 23 | 4711600 | 11 | Washer 3/8 | |
| 24 | 4750800 | 12 | Washer #8 | |
| 25 | 4751500 | 14 | Washer 5/16 | |
| 26 | 4751600 | 35 | Washer 3/8 | |
| 27 | 4891600 | 4 | Washer 3/8 | |
| 28 | 4891800 | 12 | Washer 1/2 | |
| 29 | 8702156 | 1 | Spring, Gas | |
| 30 | 88662523 | 9 | Nut Tinnerman | |
| 31 | 1001096148 | 1 | Hinge | |
| 32 | 1001117140 | AR | Tape, Aluminized | |
| 33 | 1001165372 | 1 | Support | |
| 34 | 1001165377 | 1 | Bracket | |
| 35 | 1001165384 | 1 | Bracket | |
| 36 | 1001166248 | 1 | Bracket | |
| 37 | 1001166423 | 1 | Insulation | |
| 38 | 1001166424 | 1 | Insulation | |
| 39 | 1001166426 | 1 | Heat Shield | |
| 40 | 1001175556 | 1 | Heat Shield | |
| 41 | 1001175557 | 2 | Heat Shield | |
| 100 | 1001191227 | Ref | Hood, Kit (Not Shown) | |
| 101 | 1001165373 | 1 | Hood, Engine Side | |
| 102 | 1001165374 | 1 | Door | |
| 103 | 1001165375 | 1 | Hood, Hydraulic Side | |
| 104 | 1001165376 | 1 | Door | |
| 105 | 1001166245 | 1 | Ladder | |
| 106 | 1001166247 | 1 | Door | |

SECTION 2 - GROUND CONTROLS

FIGURE 2-44. LADDER INSTALLATION - 3394RT



ART_1001171284

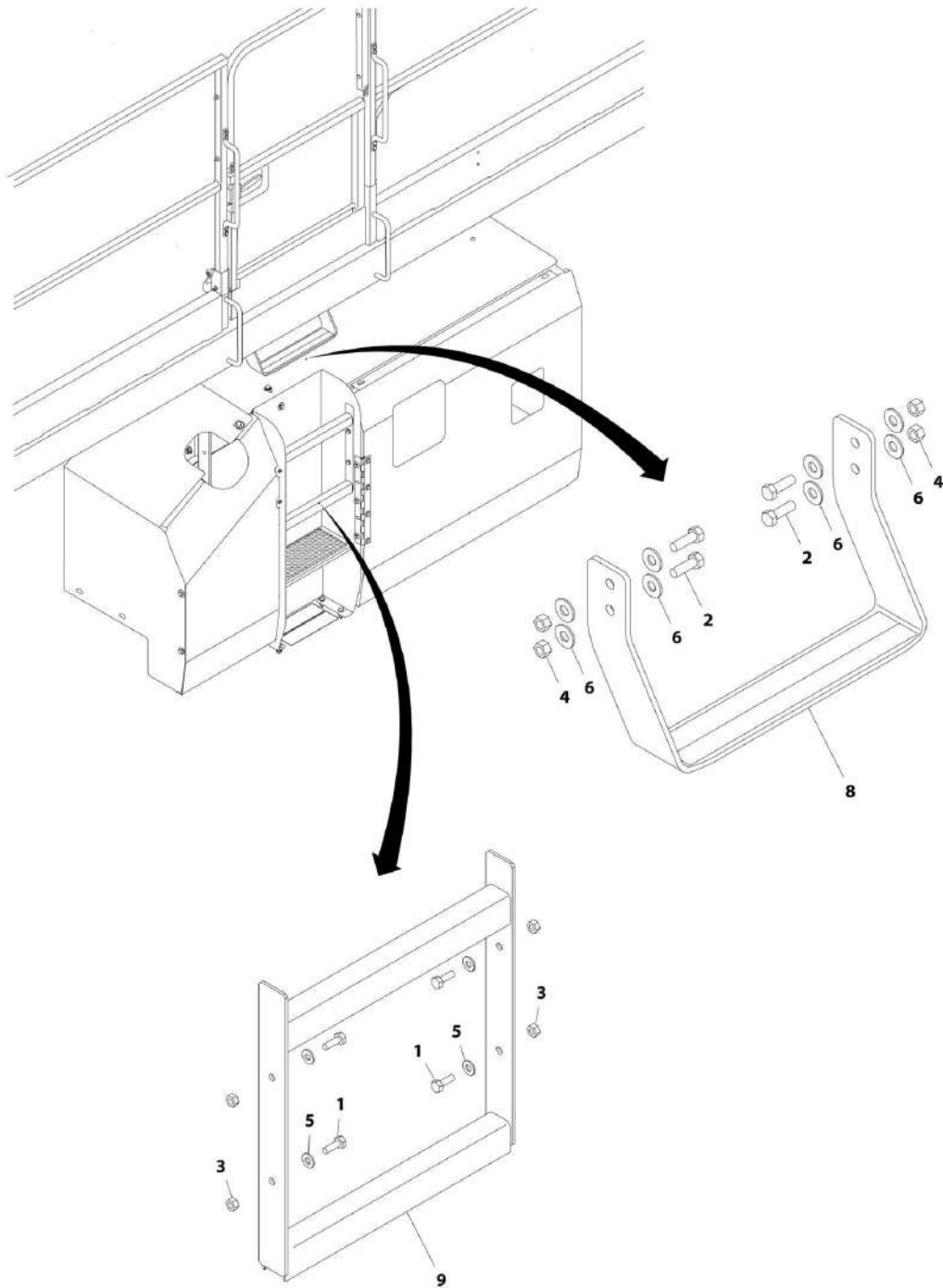
SECTION 2 - GROUND CONTROLS

FIGURE 2-44. LADDER INSTALLATION - 3394RT

| ITEM | PART NUMBER | QTY | DESCRIPTION | REV |
|------|-------------|-----|------------------------------|-----|
| | 1001171284 | Ref | LADDER INSTALLATION - 3394RT | B |
| 1 | 0641406 | 8 | Bolt 1/4 x 3/4 | |
| 2 | 3311405 | 8 | Nut 1/4 | |
| 3 | 4711400 | 16 | Washer 1/4 | |
| 4 | 1001171267 | 2 | Ladder | |

SECTION 2 - GROUND CONTROLS

FIGURE 2-45. LADDER INSTALLATION - 4394RT



ART_1001166983

SECTION 2 - GROUND CONTROLS

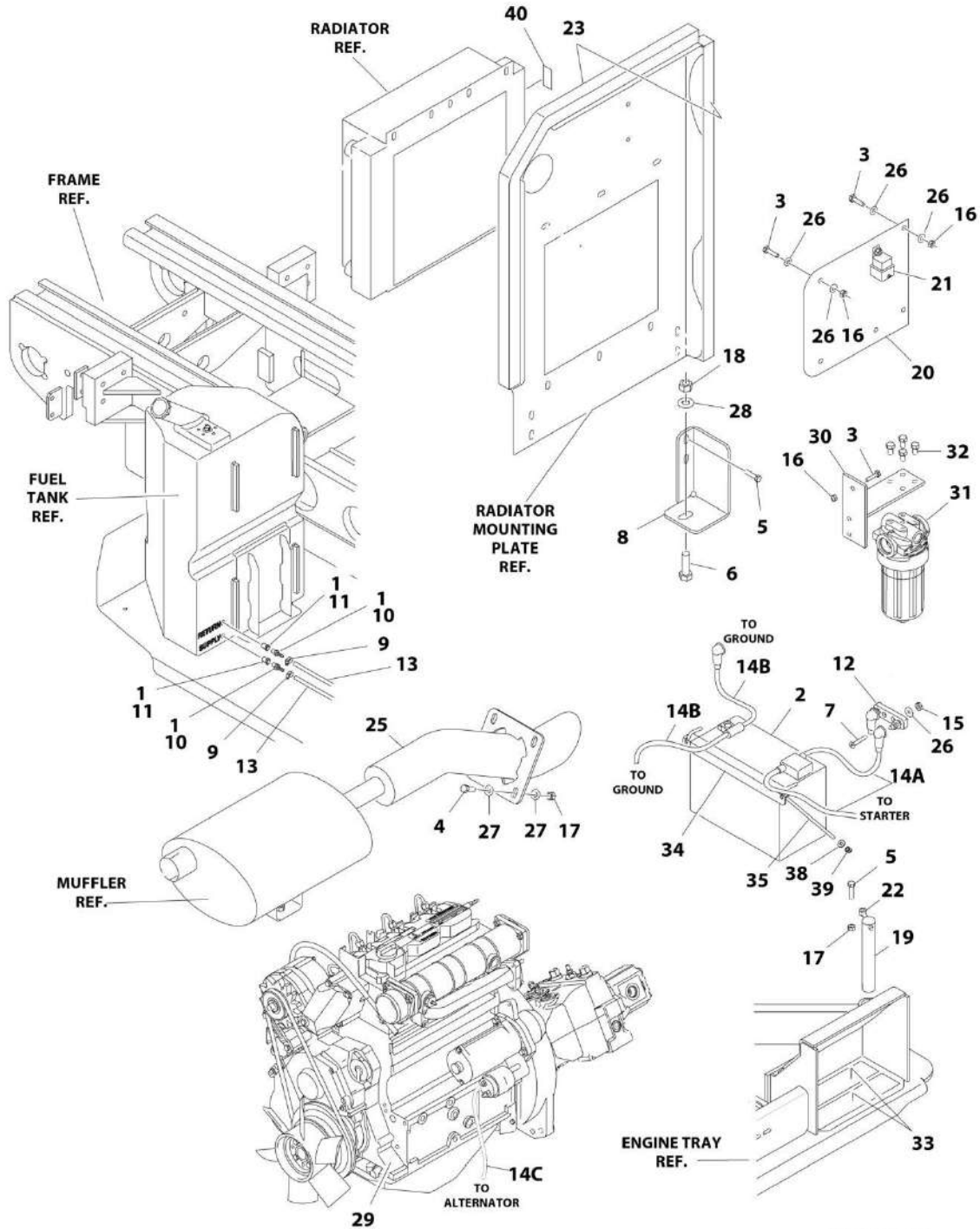
FIGURE 2-45. LADDER INSTALLATION - 4394RT

| ITEM | PART NUMBER | QTY | DESCRIPTION | REV |
|------|-------------|-----|------------------------------|-----|
| | 1001166983 | Ref | LADDER INSTALLATION - 4394RT | E |
| 1 | 0641406 | 8 | Bolt 1/4 x 3/4 | |
| 2 | 0641609 | 8 | Bolt 3/8 x 1-1/8 | |
| 3 | 3311405 | 8 | Nut 1/4 | |
| 4 | 3311605 | 8 | Nut 5/16 | |
| 5 | 4711400 | 8 | Washer 1/4 | |
| 6 | 4751600 | 16 | Washer 3/8 | |
| 8 | 1001092410 | 2 | Ladder | |
| 9 | 1001171266 | 2 | Ladder | |

SECTION 3 - ENGINE

SECTION 3 - ENGINE

FIGURE 3-1. ENGINE INSTALLATION - DEUTZ D2011 ENGINE



ART_1001166252

SECTION 3 - ENGINE

FIGURE 3-1. ENGINE INSTALLATION - DEUTZ D2011 ENGINE

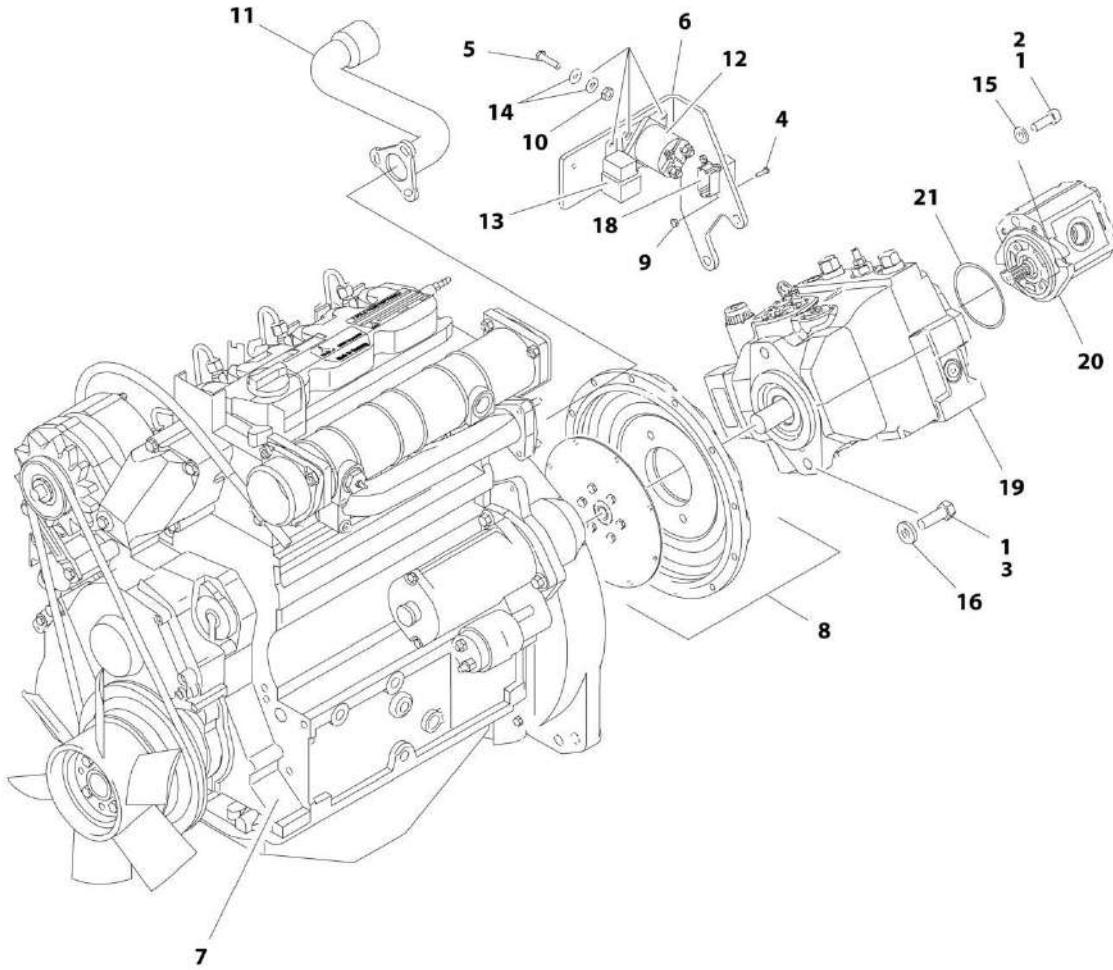
| ITEM | PART NUMBER | QTY | DESCRIPTION | REV |
|------|-------------|------------|--|-----|
| | 1001166252 | Ref | ENGINE INSTALLATION - DEUTZ D2011 ENGINE | E |
| 1 | 0100079 | AR | Sealant, Pipe | |
| 2 | 0400075 | 1 | Battery | |
| 3 | 0641408 | 9 | Bolt 1/4 x 1 | |
| 4 | 0641608 | 4 | Bolt 3/8 x 1 | |
| 5 | 0641612 | 3 | Bolt 3/8 x 1-1/2 | |
| 6 | 0642016 | 1 | Bolt 5/8 x 2 | |
| 7 | 0741010 | 2 | Screw #10 x 1-1/4 | |
| 8 | 0902777 | 1 | Bracket, Latch Mounting | |
| 9 | 1320022 | 5 | Clamp | |
| 10 | 2180348 | 2 | Fitting, Straight Barbed | |
| 11 | 2220250 | 2 | Fitting, Reducer | |
| 12 | 2400044 | 1 | Fuse, Mounting Block | |
| 13 | 2720058 | 24 ft/7.3m | Hose | |
| 14 | 2902132 | 1 | Battery Cable Kit | C |
| 14A | 7024585 | 1 | Cable, Battery (Red) (Battery + to Starter and Fuse Block) (Includes 3 Boots) | |
| 14B | 7024586 | 1 | Cable, Battery (Black) (Battery to Ground and Fuse Block) (Includes 1 Boots) | |
| 14C | 7024587 | 1 | Cable (Red) (Starter to Alternator) | |
| 15 | 3300408 | 2 | Nut | |
| 16 | 3311405 | 9 | Nut 1/4 | |
| 17 | 3311605 | 5 | Nut 3/8 | |
| 18 | 3312005 | 1 | Nut 5/8 | |
| 19 | 3422669 | 1 | Pin (SN 0200239053 through 0200249090) | |
| 19 | 3422582 | 1 | Pin (SN 0200249091 to Present) | |
| 20 | 3576003 | 1 | Plate, EMR2 Mounting | |
| 21 | 3740049 | 1 | Relay | |
| 22 | 3841143 | 1 | Keeper, Pin | |
| 23 | 3960468 | 2 | Seal | |
| 25 | 1001165702 | 1 | Pipe, Exhaust | |
| 26 | 4711400 | 14 | Washer 1/4 | |
| 27 | 4711600 | 8 | Washer 3/8 | |
| 28 | 4712000 | 1 | Washer 5/8 | |
| 29 | 1001100775 | 1 | Engine Assembly - Deutz D2011 (See ENGINE ASSEMBLY - DEUTZ D2011 for Breakdown) | |
| 30 | 1001104356 | 1 | Bracket, Filter | |
| 31 | 1001102987 | 1 | Charge Pump Filter Assembly | |
| 31 | 70010383 | 1 | Filter Element and O-Ring Kit | |
| 32 | 0641605 | 4 | Bolt 3/8 x 5/8 | |
| 33 | 4420080 | 2 | Tape, Safety Tread Non-Skid Only | |
| 34 | 91401281 | 1 | Bracket, Battery Hold-down | |
| 35 | 1001093382 | 2 | Bolt, J-Bolt | |
| 38 | 4751500 | 2 | Washer 5/16 | |
| 39 | 88521205 | 1 | Nut 5/16 | |
| 40 | 1704972 | 1 | Decal - Warning Explosion/Fire (ANSI Export Spec) | |
| 40 | 1706098 | 1 | Decal - Warning Explosion/Fire (Australian and CE Specs) | |
| 40 | 1706059 | 1 | Decal - Warning Explosion/Fire (Brazil Spec - English/Portuguese) | |
| 40 | 1706060 | 1 | Decal - Warning Explosion/Fire (Chinese Spec - English/Chinese) | |
| 40 | 1706061 | 1 | Decal - Warning Explosion/Fire (Korean Spec - English/Korean) | |

SECTION 3 - ENGINE

| ITEM | PART NUMBER | QTY | DESCRIPTION | REV |
|------|-------------|-----|---|-----|
| 40 | 1706063 | 1 | Decal - Warning Explosion/Fire (Latin American - English/Spanish) | |

SECTION 3 - ENGINE

FIGURE 3-2. ENGINE AND PUMP SUB-ASSEMBLY - DEUTZ D2011 ENGINE



ART_1001100775

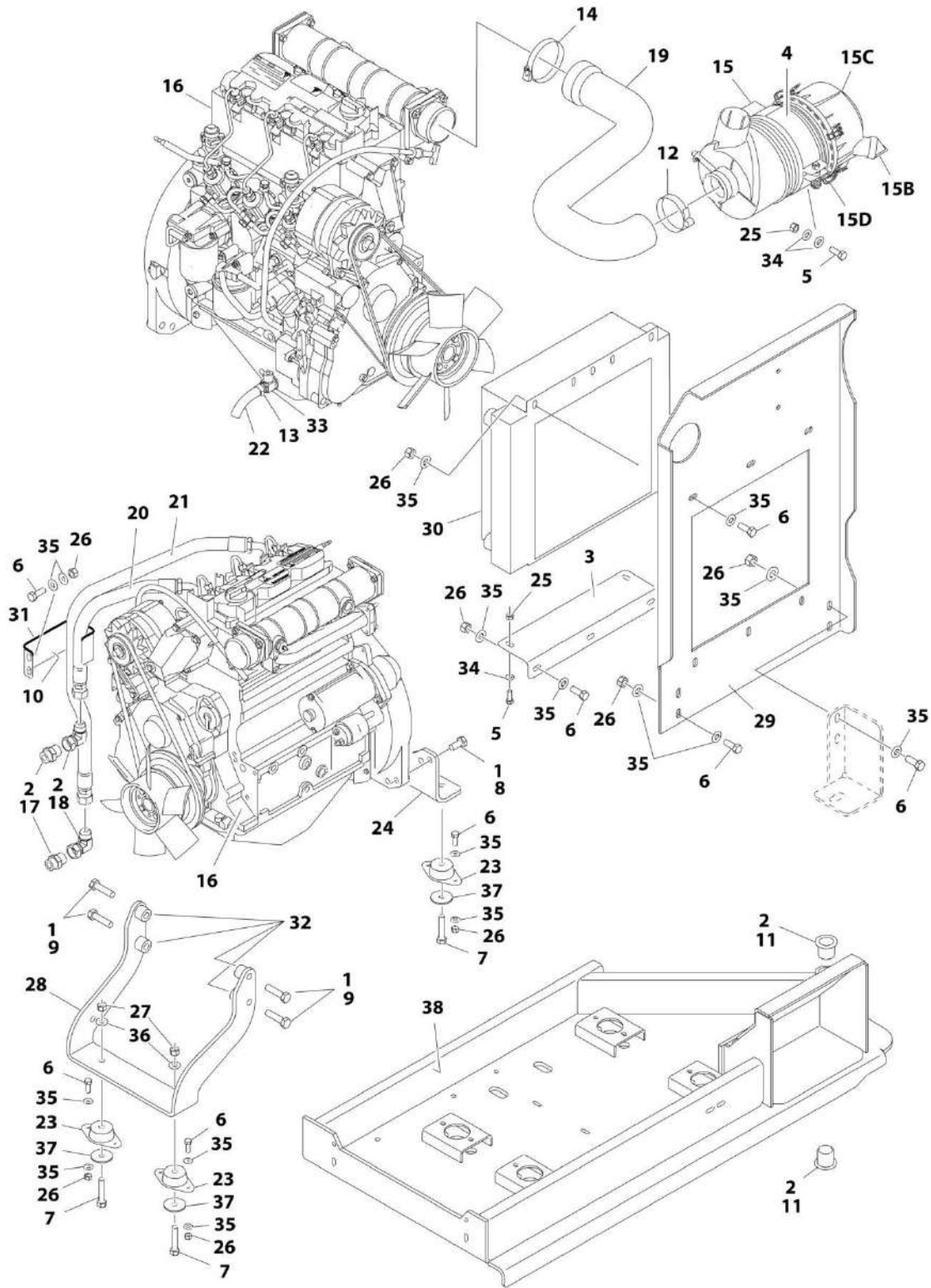
SECTION 3 - ENGINE

FIGURE 3-2. ENGINE AND PUMP SUB-ASSEMBLY - DEUTZ D2011 ENGINE

| ITEM | PART NUMBER | QTY | DESCRIPTION | REV |
|------|-------------|-----|---|-----|
| | 1001100775 | Ref | ENGINE AND PUMP SUB-ASSEMBLY - DEUTZ D2011 ENGINE | N |
| 1 | 0100011 | AR | Compound, Locking | |
| 2 | 83191040 | 2 | Capscrew M10 x 30 | |
| 3 | 0641814 | 2 | Bolt 1/2 x 1-3/4 | |
| 4 | 0720805 | 4 | Screw #8 x 5/8 | |
| 5 | 0721006 | 3 | Screw #10 x 3/4 | |
| 6 | 0902812 | 1 | Bracket, Relay Mounting | |
| 7 | 1001104763 | 1 | Engine Assembly - Deutz D2011 Engine (See ENGINE ASSEMBLY - DEUTZ D2011 ENGINE for Breakdown) | |
| 8 | 2902065 | 1 | Pump Coupling Kit (See PUMP COUPLING KIT for Breakdown) | |
| 9 | 3310805 | 4 | Nut #8 | |
| 10 | 3311005 | 3 | Nut #10 | |
| 11 | 3460335 | 1 | Pipe, Exhaust | |
| 12 | 3740067 | 1 | Relay | |
| 13 | 3740080 | 1 | Relay | |
| 14 | 4751000 | 6 | Washer #10 | |
| 15 | 4891600 | 2 | Washer 3/8 | |
| 16 | 4891800 | 2 | Washer 1/2 | |
| 17 | 4923386 | 1 | Harness, Deutz Engine (Not Shown - See ELECTRICAL SECTION for Breakdown) | |
| 18 | 4923478 | 1 | Harness, Deutz Glow Plug | |
| 19 | 1001101331 | 1 | Piston Pump Assembly (See PISTON PUMP ASSEMBLY for Breakdown) | |
| 20 | 1001101699 | 1 | Gear Pump Assembly | |
| 20 | 70002210 | 1 | Seal Kit - 1001101699 Pump (Note: Seal Kit is only service component available.) | |
| 21 | 3790152 | 1 | O-Ring | |

SECTION 3 - ENGINE

FIGURE 3-3. ENGINE ASSEMBLY - DEUTZ D2011 ENGINE



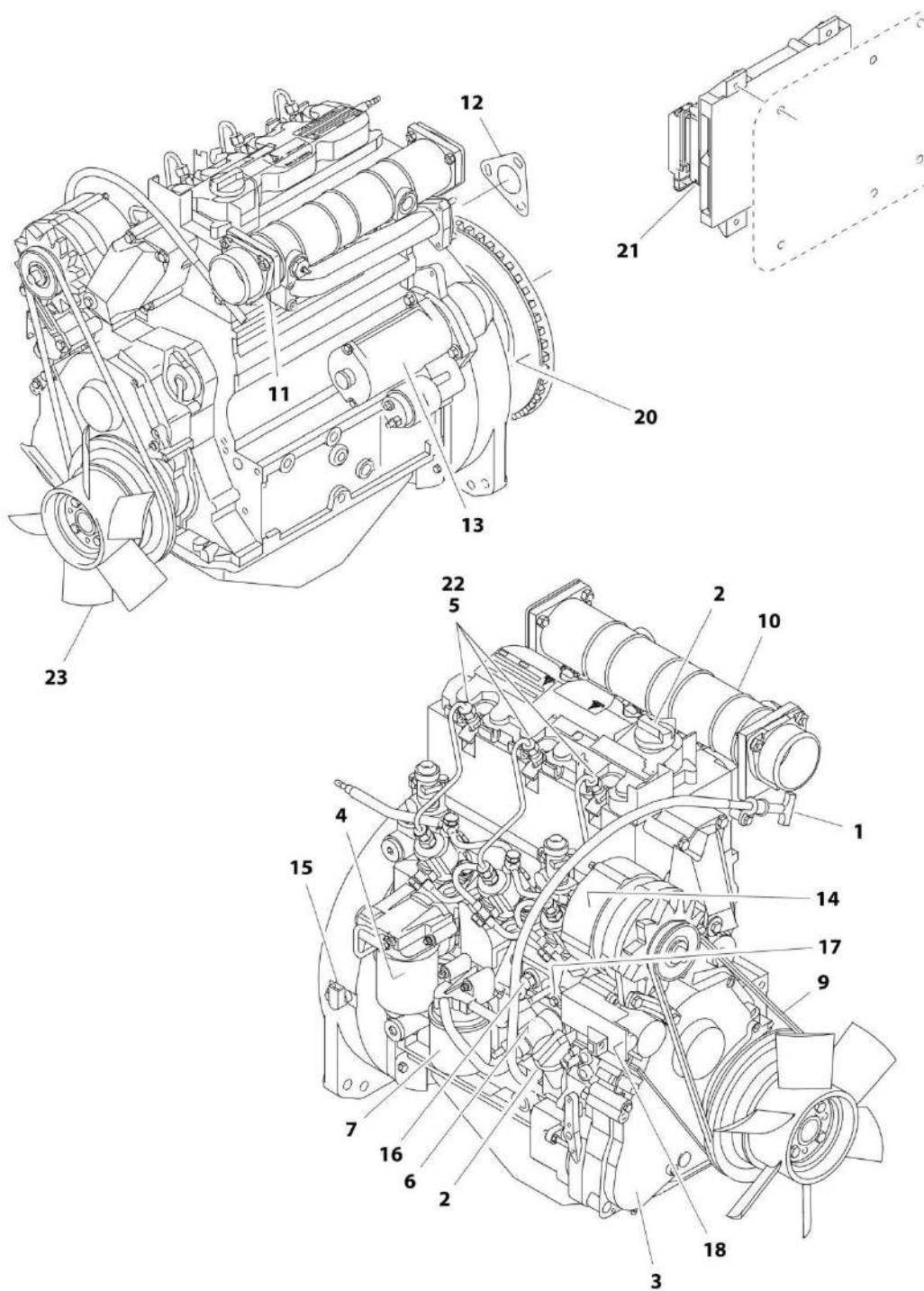
SECTION 3 - ENGINE

FIGURE 3-3. ENGINE ASSEMBLY - DEUTZ D2011 ENGINE

| ITEM | PART NUMBER | QTY | DESCRIPTION | REV |
|------|-------------|----------|---|-----|
| | 1001104763 | Ref | ENGINE ASSEMBLY - DEUTZ D2011 ENGINE | J |
| 1 | 0100011 | AR | Compound, Locking | |
| 2 | 0100062 | AR | Compound, Locking | |
| 3 | 0182029 | 1 | Angle, Support | |
| 4 | 0340052 | 1 | Band, Air Cleaner Mounting | |
| 5 | 0641507 | 4 | Bolt 5/16 x 7/8 | |
| 6 | 0641608 | 18 | Bolt 3/8 x 1 | |
| 7 | 0641820 | 4 | Bolt 1/2 x 2-1/2 | |
| 8 | 0701414 | 4 | Bolt M14 x 30 | |
| 9 | 0701419 | 4 | Bolt M14 x 55 | |
| 10 | 0902786 | 1 | Bracket, Hose Guide | |
| 11 | 0961986 | 2 | Bushing, Flanged | |
| 12 | 1320016 | 1 | Clamp | |
| 13 | 1320022 | 1 | Clamp, Hose | |
| 14 | 1320058 | 1 | Clamp | |
| 15 | 1340066 | 1 | Air Cleaner Assembly | |
| 15A | 7024438 | 1 | Element, Filter (Not Shown) | |
| 15B | 8273291 | 1 | Valve, Actuator | |
| 15C | 70001787 | 1 | Cover, Air Cleaner | |
| 15D | 70000263 | 1 | Clip | |
| 16 | 1001092724 | 1 | Engine, Deutz D2011 (See ENGINE COMPONENTS for Breakdown) | |
| 17 | 2220451 | 2 | Fitting, Straight JIC/ORB | |
| 18 | 2220655 | 2 | Fitting, 90 JIC/JIC | |
| 19 | 2720486 | 1 | Hose, Air Cleaner | |
| 20 | 2720494 | 1 | Hose | |
| 21 | 2720495 | 1 | Hose | |
| 22 | 2750532 | 1 ft/.3m | Hose | |
| 23 | 3200378 | 4 | Mount, Motor | |
| 24 | 3200431 | 1 | Plate, Motor Mounting (Rear) | |
| 25 | 3311505 | 4 | Nut 5/16 | |
| 26 | 3311605 | 20 | Nut 3/8 | |
| 27 | 3311805 | 4 | Nut 1/2 | |
| 28 | 3573288 | 1 | Plate, Motor Mounting (Front) | |
| 29 | 3573304 | 1 | Plate, Oil Cooler Mounting | |
| 30 | 3620043 | 1 | Radiator | |
| 31 | 4060803 | 4 in/9cm | Flex-Trim | |
| 32 | 4568398 | 4 | Tube, Spacer | |
| 33 | 4640751 | 1 | Valve | |
| 34 | 4711500 | 4 | Washer 5/16 | |
| 35 | 4711600 | 40 | Washer 3/8 | |
| 36 | 4711800 | 4 | Washer 1/2 | |
| 37 | 4740274 | 4 | Washer, Snubbing | |
| 38 | 1001104765 | 1 | Tray, Engine | |

SECTION 3 - ENGINE

FIGURE 3-4. ENGINE COMPONENTS - DEUTZ D2011 ENGINE



ART_1001092724

SECTION 3 - ENGINE

FIGURE 3-4. ENGINE COMPONENTS - DEUTZ D2011 ENGINE

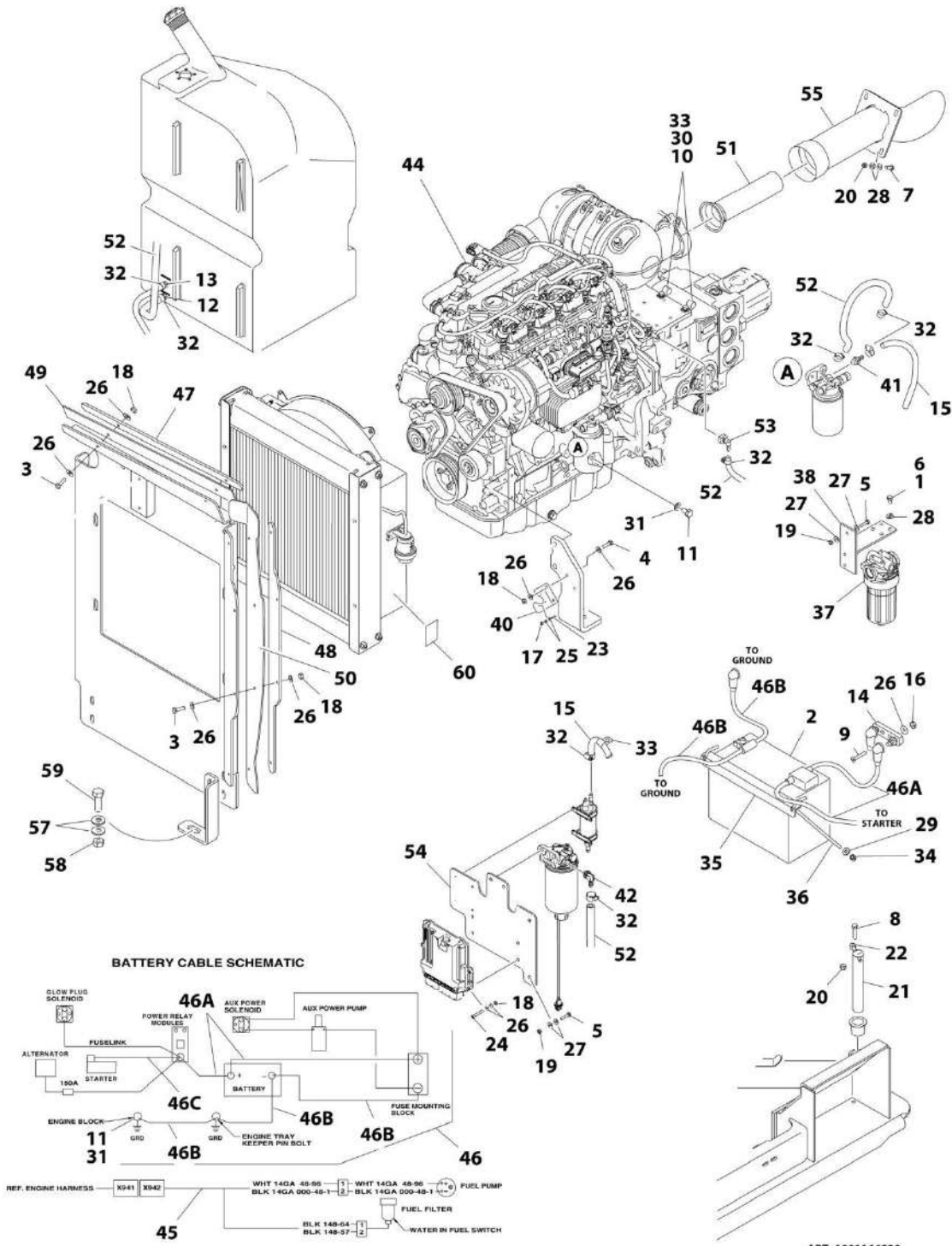
| ITEM | PART NUMBER | QTY | DESCRIPTION | REV |
|------|-------------|-----|---|-----|
| | 1001092724 | Ref | ENGINE COMPONENTS - DEUTZ D2011 ENGINE | E |
| 1 | 7020026 | 1 | Dipstick | |
| 1 | 70001002 | 1 | Housing, Dipstick | |
| 2 | 7020465 | 2 | Cap, Oil Fill | |
| 3 | 7020495 | 1 | Pump, Oil | |
| 3 | 7020468 | 1 | Ring, Seal (Oil Pump to Engine Block) (Not Shown) | |
| 4 | 7016331 | 1 | Filter, Oil | |
| 5 | | Ref | Pump, Fuel Injection | |
| 5 | 70000912 | 3 | Pump, Fuel Injection - A | |
| 5 | 70000913 | 3 | Pump, Fuel Injection - B | |
| 5 | 70000914 | 3 | Pump, Fuel Injection - C | |
| 5 | 70000915 | 3 | Pump, Fuel Injection - D | |
| 5 | 7020447 | 3 | Gasket, Fuel Pump | |
| 6 | 70000916 | 1 | Pump, Fuel Supply | |
| 6 | 70000917 | 1 | O-Ring (Not Shown - Fuel Supply Pump to Engine Block) | |
| 6 | 70000918 | 1 | Ring, Sealing | |
| 6 | 70000919 | 1 | Handle, Pump | |
| 6 | 70001435 | 1 | Repair Kit - Fuel Supply Pump | |
| 7 | 7020023 | 1 | Filter, Spin-On Fuel | |
| 7 | 7027245 | 1 | Filter, In-Line Fuel (Not Shown) | |
| 9 | 7020414 | 1 | V-Belt | |
| 10 | 7027903 | 1 | Air Intake | |
| 10 | 70001871 | 3 | Gasket (Air Intake to Head) | |
| 10 | 70003469 | 1 | Flange (Located on End of Air Intake) | |
| 10 | 70003468 | 1 | O-Ring (Located on End of Air Intake) | |
| 10 | 3960407 | 1 | Gasket (Located on Breather Side of Air Intake) | |
| 11 | 7020471 | 3 | Gasket (Exhaust Manifold to Head) | |
| 12 | 7020486 | 1 | Gasket (Exhaust Manifold to Exhaust Pipe) | |
| 13 | 7020479 | 1 | Starter | |
| 13 | 7026608 | 1 | Relay/Solenoid, Starter | |
| 14 | 7000663 | 1 | Generator | |
| 14 | 7020494 | 1 | Regulator, Voltage | |
| 15 | 7024565 | 1 | Sensor, Speed Pick-up | |
| 16 | 7027790 | 1 | Sensor, Oil Pressure | |
| 17 | 7027791 | 1 | Sender, Engine Temperature (Located on RH Side of Engine Near #1 Fuel Injector) | |
| 17 | 7027236 | 1 | Sender, Engine Temperature (Not Shown - Located on RH Side of Engine Near Oil Filter) | |
| 18 | 7027792 | 1 | Actuator, Throttle | |
| 18 | 7027276 | 1 | Spring | |
| 18 | 7027239 | 1 | Solenoid, Throttle Start | |
| 19 | 70003475 | 1 | Thermostat (Not Shown - Located on RH Side of Engine) | |
| 19 | 7020460 | 1 | Spring, Thermostat (Not Shown - Located on RH Side of Engine) | |
| 20 | 70001870 | 1 | Flywheel | |
| 20 | 7024579 | 1 | Rim, Gear | |
| 21 | 7027795 | 1 | Deutz EMR2 Controller, Module | |
| 22 | 70000345 | 3 | Glow Plug | |
| 23 | 70000783 | 1 | Fan | |
| 24 | | Ref | Gasket, Head Options (Not Shown): | |
| 24 | 70003479 | 1 | Gasket - 1 Notch | |

SECTION 3 - ENGINE

| ITEM | PART NUMBER | QTY | DESCRIPTION | REV |
|------|-------------|-----|---|-----|
| 24 | 70003480 | 1 | Gasket - 2 Notch | |
| 24 | 70003481 | 1 | Gasket - 3 Notch | |
| 25 | 7020430 | 1 | Gasket, Cylinder Head Cover (Not Shown) | |

SECTION 3 - ENGINE

FIGURE 3-5. ENGINE INSTALLATION - DEUTZ D2.9L4 ENGINE (WITHOUT ARCTIC PACKAGE)



SECTION 3 - ENGINE

FIGURE 3-5. ENGINE INSTALLATION - DEUTZ D2.9L4 ENGINE (WITHOUT ARCTIC PACKAGE)

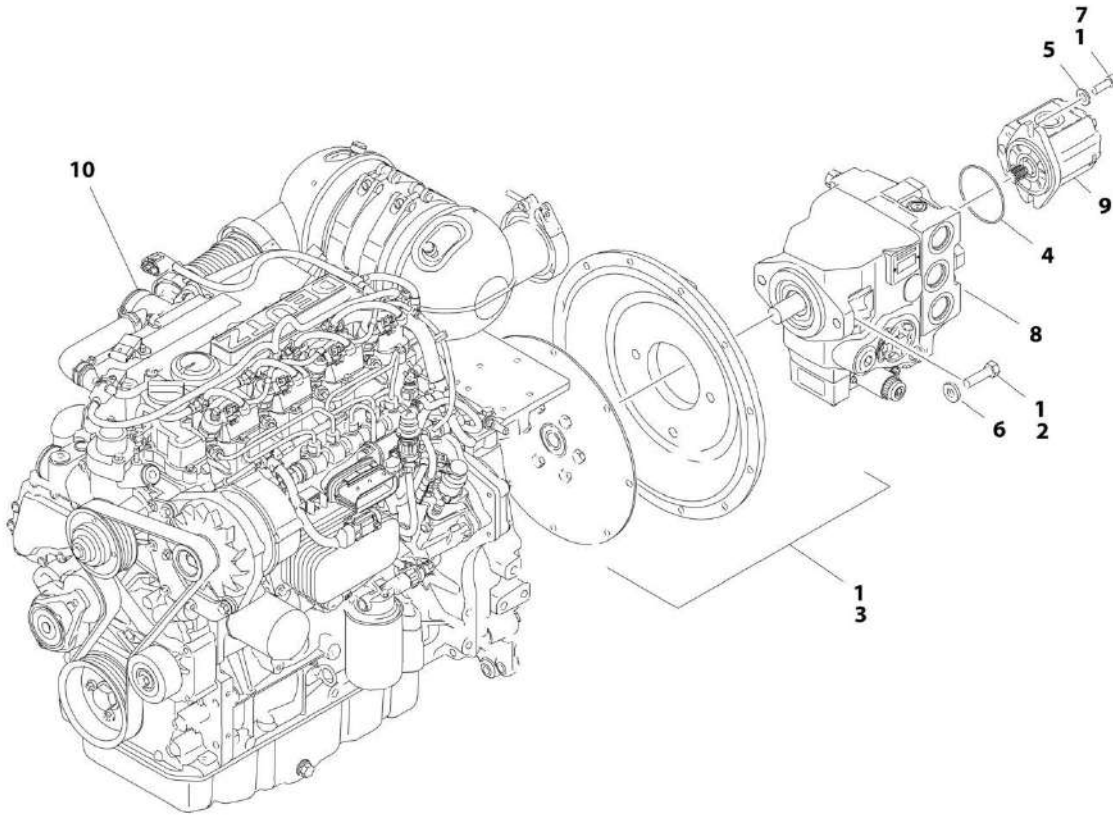
| ITEM | PART NUMBER | QTY | DESCRIPTION | REV |
|------|-------------|------------|--|-----|
| | 1001166230 | Ref | ENGINE INSTALLATION - DEUTZ D2.9L4 ENGINE (WITHOUT ARCTIC PACKAGE) | G |
| | | Ref | Note: Uses RCP Radiator Components. See Special Options Section for machines with Modine Radiator) | |
| 1 | 0100011 | AR | Compound, Locking | |
| 2 | 0400075 | 1 | Battery | |
| 3 | 0641407 | 6 | Bolt 1/4 x 7/8 | |
| 4 | 0641408 | 2 | Bolt 1/4 x 1 | |
| 5 | 0641509 | 5 | Bolt 5/16 x 1-1/8 | |
| 6 | 0641605 | 4 | Bolt 3/8 x 5/8 | |
| 7 | 0641608 | 4 | Bolt 3/8 x 1 | |
| 8 | 0641612 | 1 | Bolt 3/8 x 1-1/2 | |
| 9 | 0741010 | 2 | Screw #10 x 1-1/4 | |
| 10 | 0760810 | 2 | Bolt M8 x 20 | |
| 11 | 0771212 | 1 | Bolt M12 x 25 Grade 10.9 | |
| 12 | 2220633 | 1 | Fitting, Barbed | |
| 13 | 2221114 | 1 | Fitting, Barbed | |
| 14 | 2400044 | 1 | Fuse, Mounting Block | |
| 15 | 1001165035 | 21 ft/6.4m | Hose | |
| 16 | 3300408 | 2 | Locknut with Nylon Insert | |
| 17 | 3310401 | 3 | Nut #4 | |
| 18 | 3311405 | 12 | Nut 1/4 | |
| 19 | 3311505 | 5 | Nut 5/16 | |
| 20 | 3311605 | 5 | Nut 3/8 | |
| 21 | 3422669 | 1 | Pin (SN 0200239053 through 0200249090) | |
| 21 | 3422582 | 1 | Pin (SN 0200249091 to Present) | |
| 22 | 3841143 | 1 | Keeper, Pin | |
| 23 | 3910408 | 3 | Screw #4 x 1/2 | |
| 24 | 0641409 | 4 | Bolt 1/4 x 1-1/8 | |
| 25 | 4710400 | 6 | Washer #4 | |
| 26 | 4711400 | 26 | Washer 1/4 | |
| 27 | 4711500 | 10 | Washer 5/16 | |
| 28 | 4711600 | 12 | Washer 3/8 | |
| 29 | 4751500 | 2 | Washer 5/16 | |
| 30 | 4811900 | 2 | Washer M8 | |
| 31 | 4812100 | 1 | Washer M12 | |
| 32 | 8405006 | 8 | Clamp, Gear | |
| 33 | 8406112 | 3 | Clip | |
| 34 | 88521205 | 2 | Nut 5/16 | |
| 35 | 91401281 | 1 | Bracket, Battery Hold-down | |
| 36 | 1001093382 | 2 | Bolt, J-Bolt | |
| 37 | 1001102987 | 1 | Charge Pump Filter Assembly | |
| 37 | 70010383 | 1 | Filter Element and O-Ring Kit | |
| 38 | 1001104356 | 1 | Bracket, Filter | |
| 40 | 1001139240 | 1 | Bracket | |
| 41 | 1001141717 | 1 | Fitting, Barbed | |
| 42 | 1001142501 | 1 | Fitting, Barbed 90 | |
| 44 | 1001146329 | 1 | Engine and Pump Sub-Assembly (See ENGINE AND PUMP SUB-ASSEMBLY for Breakdown) | |
| 45 | 1001147434 | 1 | Harness, Fuel (See ELECTRICAL SECTION for Breakdown) | |

SECTION 3 - ENGINE

| ITEM | PART NUMBER | QTY | DESCRIPTION | REV |
|------|-------------|-----------------|--|-----|
| 46 | 1001147435 | 1 | Battery Cable Kit | B |
| 46A | 7027089 | 1 | Cable, Battery (Red) (Battery + to Power Relay and Fuse Block) (Includes 3 Boots) | |
| 46B | 7027091 | 1 | Cable, Battery (Black) (Battery to Pivot Pin Ground/Engine and Fuse Block) (Includes 1 Boots) | |
| 46C | 7027090 | 1 | Cable (Red) (Power Relay to Starter) | |
| 47 | 1001147571 | 1 | Plate, Baffle | |
| 48 | 1001147572 | 1 | Plate, Baffle | |
| 49 | 1001147629 | 1 | Plate, Baffle | |
| 50 | 1001147631 | 1 | Plate, Baffle | |
| 51 | 1001167174 | 1 | Pipe, Exhaust | |
| 52 | 1001154405 | 5.5 ft /1.7m | Hose | |
| 53 | 1001155823 | 1 | Coupling, 90 | |
| 54 | 1001165196 | 1 | Bracket Assembly (Less Filter/Pump (See BRACKET ASSEMBLY (LESS FUEL PUMP AND FILTER) for Breakdown) | |
| 55 | 1001165702 | 1 | Tube, Exhaust | |
| 57 | 4712000 | 2 | Washer 5/8 | |
| 58 | 3312005 | 1 | Nut 5/8 | |
| 59 | 0642014 | 1 | Bolt 5/8 x 1-3/4 | |
| 60 | 1704972 | 1 | Decal - Warning Explosion/Fire (ANSI and ANSI Export Specs) | |
| 60 | 1706064 | 1 | Decal - Warning Explosion/Fire (CSA Spec - French/English) | |

SECTION 3 - ENGINE

FIGURE 3-6. ENGINE AND PUMP SUB-ASSEMBLY - DEUTZ D2.9L4 ENGINE



ART_1001146329

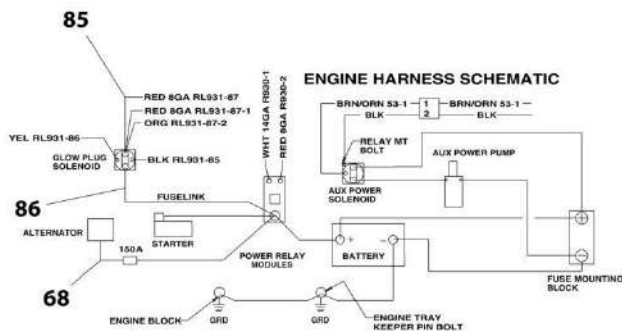
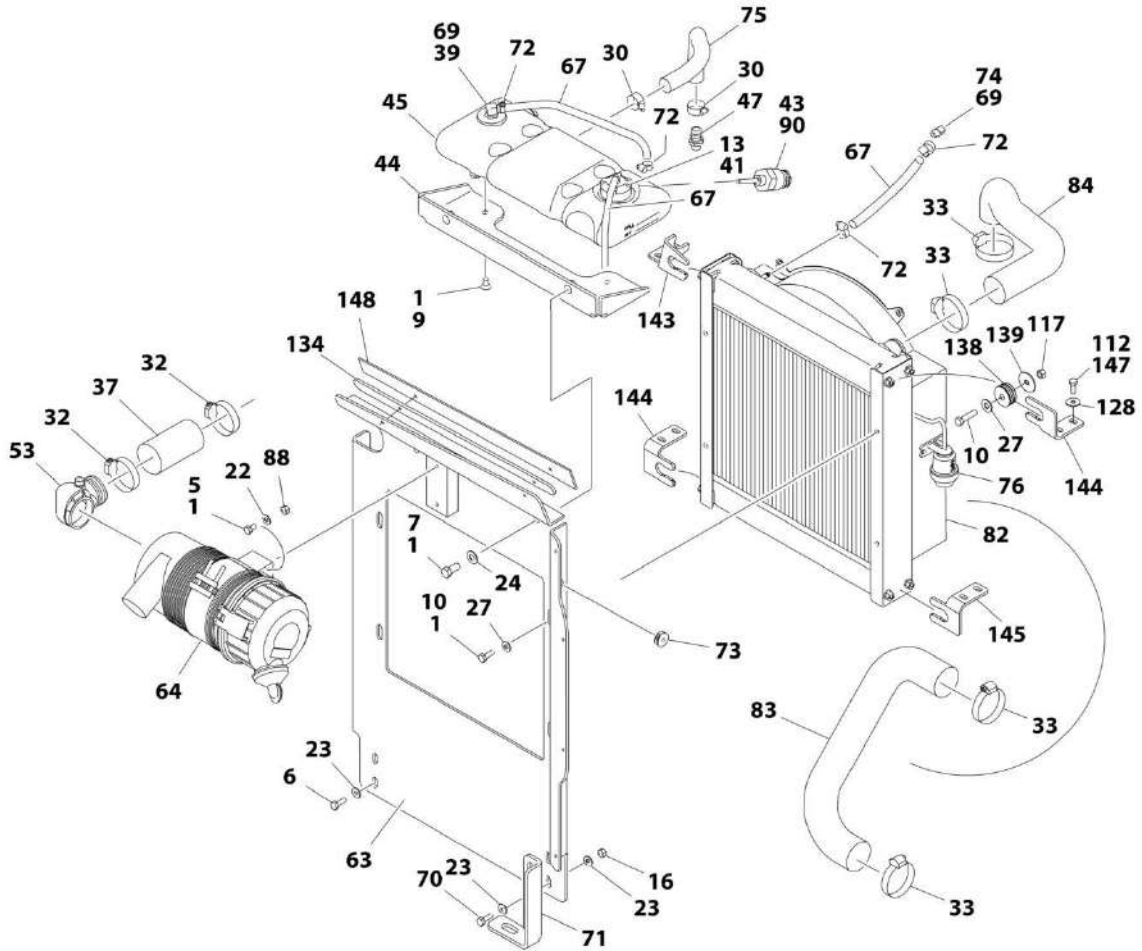
SECTION 3 - ENGINE

FIGURE 3-6. ENGINE AND PUMP SUB-ASSEMBLY - DEUTZ D2.9L4 ENGINE

| ITEM | PART NUMBER | QTY | DESCRIPTION | REV |
|------|-------------|-----|--|-----|
| | 1001146329 | Ref | ENGINE AND PUMP SUB-ASSEMBLY - DEUTZ D2.9L4 ENGINE (WITHOUT ARCTIC PACKAGE) | K |
| | | Ref | Note: Uses RCP Radiator Components. See Special Options Section for machines with Modine Radiator) | |
| 1 | 0100011 | AR | Compound, Locking | |
| 2 | 0641814 | 2 | Bolt 1/2 x 1-3/4 | |
| 3 | 2902065 | 1 | Pump Coupling Kit (See PUMP COUPLING KIT for Breakdown) | |
| 4 | 3790152 | 1 | O-Ring | |
| 5 | 4891600 | 2 | Washer 3/8 | |
| 6 | 4891800 | 2 | Washer 1/2 | |
| 7 | 83191040 | 2 | Capscrew M10 x 30 | |
| 8 | 1001101331 | 1 | Piston Pump Assembly (See PISTON PUMP ASSEMBLY for Breakdown) | |
| 9 | 1001101699 | 1 | Gear Pump Assembly | |
| 9 | 70002210 | 1 | Seal Kit - 1001101699 Pump (Note: Seal Kit is only service component available.) | |
| 10 | 1001146327 | 1 | Engine Assembly - Deutz D2.9L4 Engine (See ENGINE ASSEMBLY - DEUTZ D2.9L4 ENGINE for Breakdown) | |

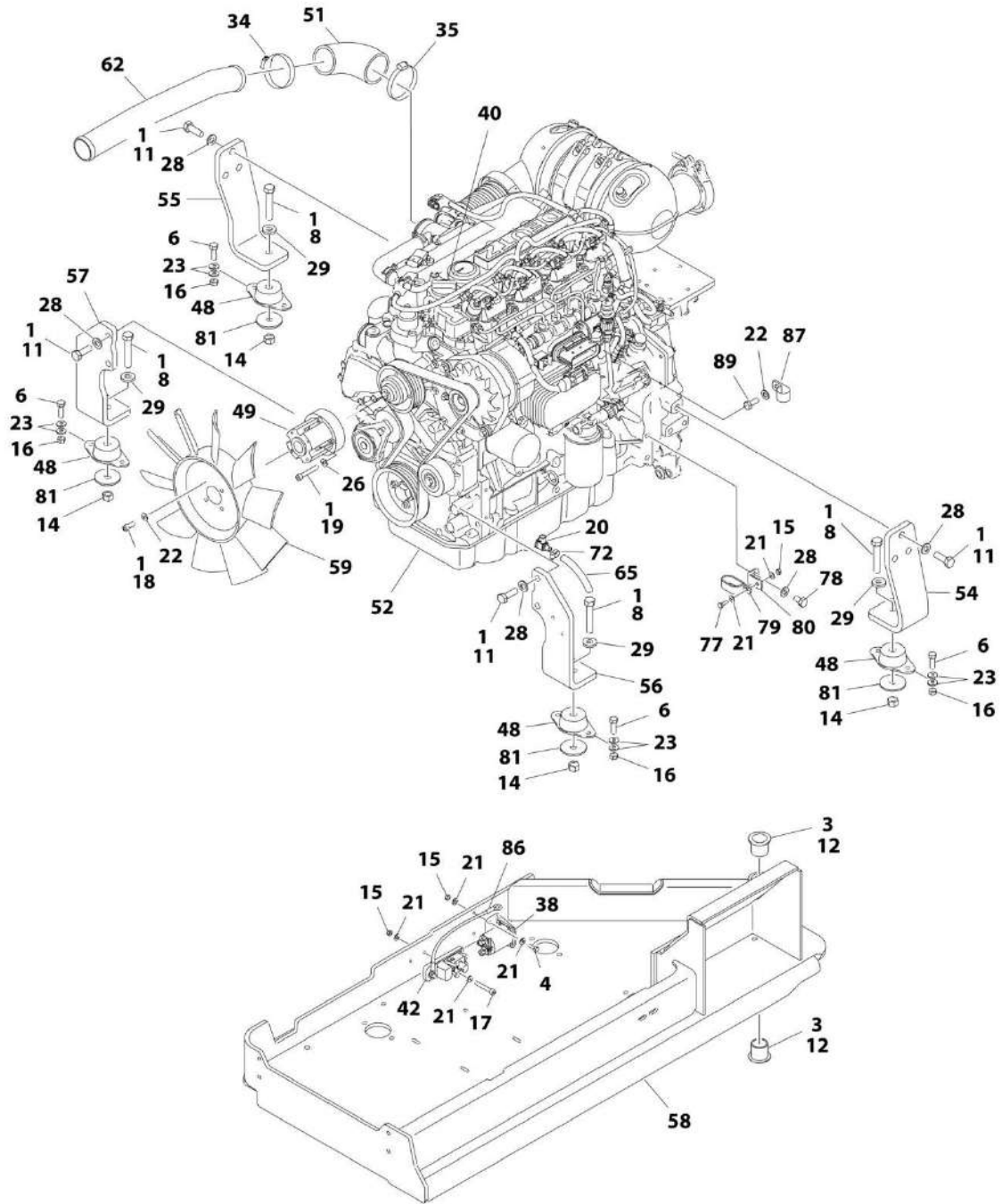
SECTION 3 - ENGINE

FIGURE 3-7. ENGINE ASSEMBLY - DEUTZ D2.9L4 ENGINE (WITHOUT ARCTIC PACKAGE)



ART_1001146327_10F2

SECTION 3 - ENGINE



ART_1001146327_20F2

SECTION 3 - ENGINE

FIGURE 3-7. ENGINE ASSEMBLY - DEUTZ D2.9L4 ENGINE (WITHOUT ARCTIC PACKAGE)

| ITEM | PART NUMBER | QTY | DESCRIPTION | REV |
|------|-------------|-----|--|-----|
| | 1001146327 | Ref | ENGINE ASSEMBLY - DEUTZ D2.9L4 ENGINE (WITHOUT ARCTIC PACKAGE) | N |
| | | Ref | Note: Uses RCP Radiator Components. See Special Options Section for machines with Modine Radiator) | |
| 1 | 0100011 | AR | Compound, Locking | |
| 3 | 0100062 | AR | Compound, Locking | |
| 4 | 0641407 | 2 | Bolt 1/4 x 7/8 | |
| 5 | 0641506 | 2 | Bolt 5/16 x 3/4 | |
| 6 | 0641609 | 10 | Bolt 3/8 x 1-1/8 | |
| 7 | 0641707 | 2 | Bolt 7/16 x 7/8 | |
| 8 | 0681822 | 4 | Bolt 1/2 x 2-3/4 Grade 8 | |
| 9 | 0741606 | 2 | Screw 3/8 x 3/4 | |
| 10 | 0761008 | AR | Bolt M10 x 16 | |
| 10 | 0641612 | AR | Bolt 3/8 x 1-1/2 | |
| 11 | 0761215 | 10 | Bolt M12 x 35 | |
| 12 | 0961986 | 2 | Bushing, Flanged | |
| 13 | 2300004 | AR | Coolant | |
| 14 | 3271801 | 4 | Nut 1/2 Grade 8 | |
| 15 | 3311405 | 4 | Nut 1/4 | |
| 16 | 3311605 | 12 | Nut 3/8 | |
| 17 | 3931436 | 1 | Capscrew 1/4 x 2-1/4 | |
| 18 | 3931512 | 4 | Capscrew 5/16 x 3/4 | |
| 19 | 4031914 | 4 | Bolt M8 x 50 | |
| 20 | 4640751 | 1 | Valve, Oil Drain | |
| 21 | 4711400 | 7 | Washer 1/4 | |
| 22 | 4711500 | 7 | Washer 5/16 | |
| 23 | 4711600 | 24 | Washer 3/8 | |
| 24 | 4711700 | 2 | Washer 7/16 | |
| 26 | 4811900 | 4 | Washer M8 | |
| 27 | 4812002 | AR | Washer M10 | |
| 27 | 4751600 | AR | Washer 3/8 | |
| 28 | 4812100 | 11 | Washer M12 | |
| 29 | 4891800 | 4 | Washer 1/2 | |
| 30 | 8405007 | 2 | Clamp, Gear | |
| 32 | 8405104 | 2 | Clamp, Gear | |
| 33 | 8405201 | 4 | Clamp, Gear | |
| 34 | 8405202 | 1 | Clamp, Gear | |
| 35 | 8410011 | 1 | Clamp, Gear | |
| 37 | 91563070 | 1 | Coupling, Hose | |
| 38 | 1001117308 | 1 | Relay | |
| 39 | 1001134488 | 1 | Fitting, 90 Barbed | |
| 40 | 1001136079 | AR | Oil, Motor | |
| 41 | 1001136834 | 1 | Cap, Tank | |
| 42 | 1001138228 | 1 | Relay, Power Module | |
| 42 | 70023593 | 1 | Fuse - 30Amp (Battery Output) | |
| 42 | 70023592 | 1 | Fuse - 20Amp (Switched Output) | |
| 43 | 1001138827 | 1 | Sensor, Coolant Level | |
| 44 | 1001139303 | 1 | Bracket (RCP Radiator) | |
| 44 | 1001180314 | 1 | Bracket (Modine Radiator) | |
| 45 | 1001140535 | 1 | Tank, Surge | |

SECTION 3 - ENGINE

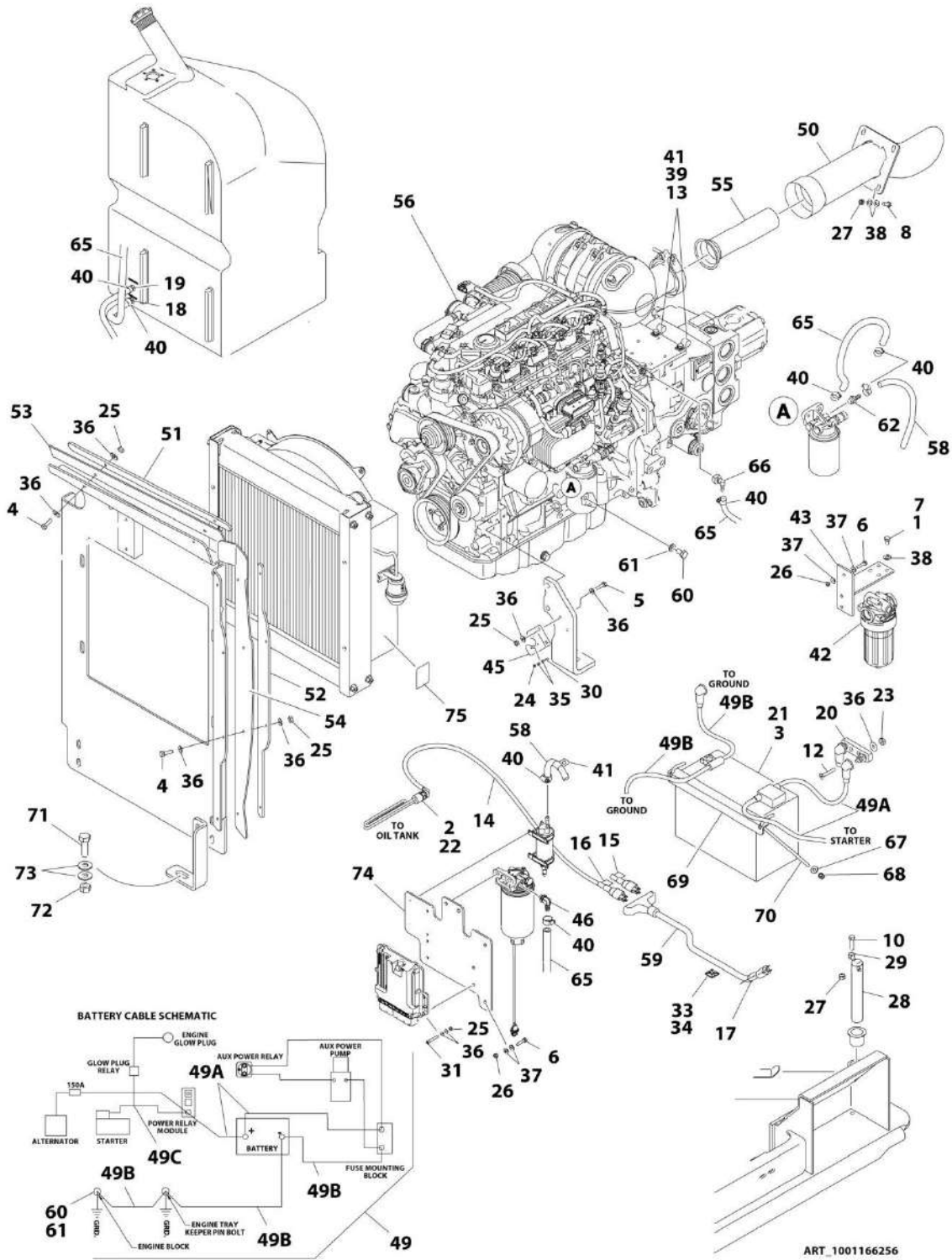
| ITEM | PART NUMBER | QTY | DESCRIPTION | REV |
|------|-------------|------------------|--|-----|
| 47 | 1001143797 | 1 | Fitting, Straight Barbed | |
| 48 | 1001144112 | 4 | Mount, Motor | |
| 49 | 1001144116 | 1 | Adapter | |
| 51 | 1001145006 | 1 | Hose | |
| 52 | 1001145758 | 1 | Engine, Deutz D2.9L4 (See ENGINE COMPONENTS for Breakdown) | |
| 53 | 1001146043 | 1 | Coupling, 90 | |
| 54 | 1001146356 | 1 | Support, Engine | |
| 55 | 1001146357 | 1 | Support, Engine | |
| 56 | 1001146358 | 1 | Support, Engine | |
| 57 | 1001146359 | 1 | Support, Engine | |
| 58 | 1001146360 | 1 | Tray, Engine | |
| 59 | 1001146396 | 1 | Fan (RCP Radiator) | |
| 59 | 1001165849 | 1 | Fan (Modine Radiator) | |
| 62 | 1001146517 | 1 | Tube, Intake | |
| 63 | 1001146616 | 1 | Support, Radiator (RCP Radiator) | |
| 63 | 1001179443 | 1 | Support, Radiator (Modine Radiator) | |
| 64 | 1001144113 | 1 | Air Cleaner Assembly | |
| 64 | 70003937 | 1 | Element, Filter | |
| 65 | 2720340 | 6 in/ 0.152m | Hose | |
| 67 | 2720015 | 5.5 ft/ 1.67m | Hose | |
| 68 | 1001143907 | 1 | Cable, Alternator Power | |
| 69 | 0100020 | AR | Sealant, Pipe | |
| 70 | 0641611 | 2 | Bolt 3/8 x 1-3/8 | |
| 71 | 1001154334 | 1 | Bracket | |
| 72 | 8405009 | 5 | Clamp, Gear | |
| 73 | 1001111341 | 1 | Grommet | |
| 74 | 1001140564 | 1 | Fitting, 90 Barbed | |
| 75 | 1001155477 | 1 | Hose | |
| 76 | 1001144115 | 1 | Indicator, Service | |
| 77 | 0641406 | 1 | Bolt 1/4 x 3/4 | |
| 78 | 0761210 | 1 | Bolt M12 x 20 | |
| 79 | 1321716 | 1 | Clamp | |
| 80 | 1001148641 | 1 | Bracket | |
| 81 | 1001139409 | 4 | Washer, Special | |
| 82 | 1001155493 | 1 | Radiator (RCP) | |
| 82 | 1001167043 | 1 | Radiator (Modine) | |
| 83 | 1001155874 | 1 | Hose (RCP Radiator) | |
| 83 | 1001179432 | 1 | Hose (Modine Radiator) | |
| 84 | 1001155875 | 1 | Hose (RCP Radiator) | |
| 84 | 1001179431 | 1 | Hose (Modine Radiator) | |
| 85 | 1001145562 | 1 | Harness, Engine (See ELECTRICAL SECTION for Breakdown) | |
| 86 | 1001141304 | 1 | Wire, Glow Fuse | |
| 87 | 8406102 | 1 | Clip | |
| 88 | 3311508 | 2 | Nut 5/16 | |
| 89 | 0760810 | 1 | Bolt M8 x 20 | |
| 90 | 0100020 | AR | Sealant, Pipe (SN 0200239052 through 0200257310) | |
| 90 | 1001182997 | AR | Adhesive (SN 0200257311 to Present) | |
| | 1001200380 | Ref | MODINE RADIATOR SERVICE KIT | B |
| 112 | 0760810 | 8 | Bolt M8 x 20 | |

SECTION 3 - ENGINE

| ITEM | PART NUMBER | QTY | DESCRIPTION | REV |
|------|-------------|-----|---------------|-----|
| 117 | 3311605 | 4 | Nut 3/8 | |
| 128 | 4811902 | 8 | Washer M8 | |
| 134 | 1001147571 | 1 | Plate | |
| 138 | 1001169054 | 4 | Isolator | |
| 139 | 1001169138 | 4 | Washer | |
| 143 | 1001179833 | 1 | Bracket | |
| 144 | 1001179834 | 2 | Bracket | |
| 145 | 1001179835 | 1 | Bracket | |
| 147 | 1001180620 | AR | Adhesive | |
| 148 | 1001197068 | 1 | Panel, Baffle | |

SECTION 3 - ENGINE

FIGURE 3-8. ENGINE INSTALLATION - DEUTZ D2.9L4 ENGINE (WITH ARCTIC PACKAGE)



SECTION 3 - ENGINE

FIGURE 3-8. ENGINE INSTALLATION - DEUTZ D2.9L4 ENGINE (WITH ARCTIC PACKAGE)

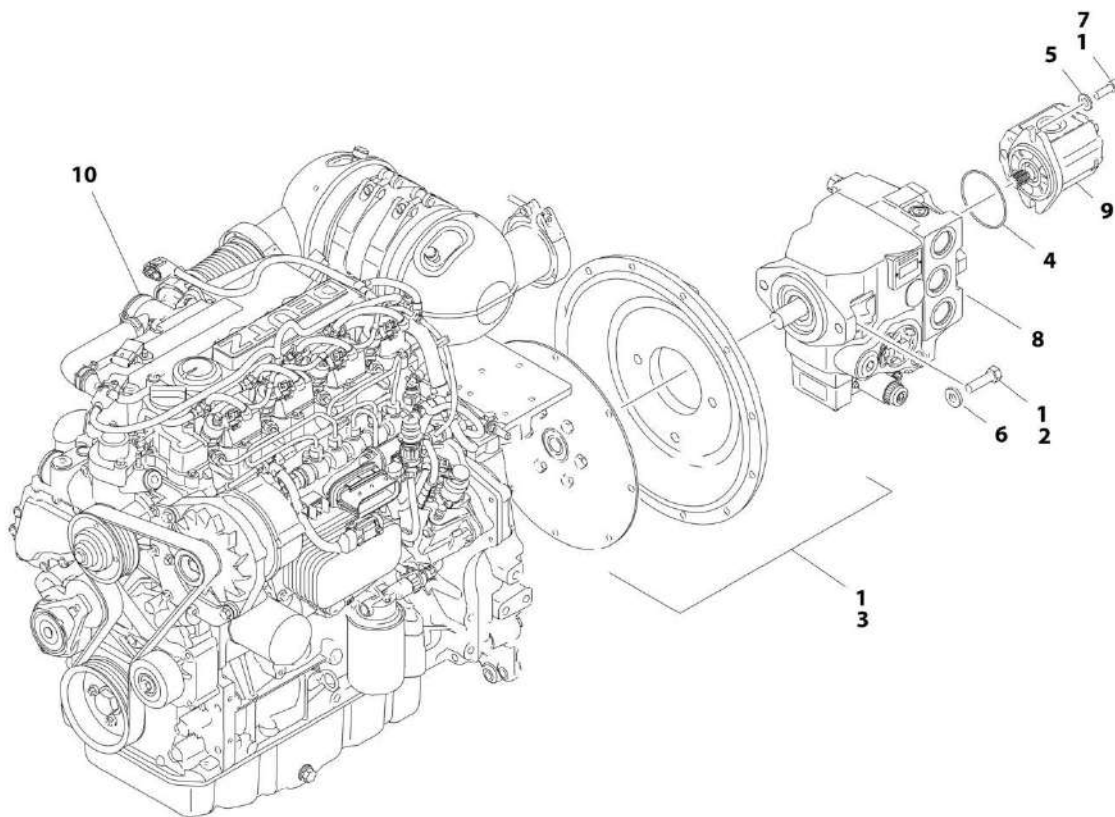
| ITEM | PART NUMBER | QTY | DESCRIPTION | REV |
|------|-------------|-----|--|-----|
| | 1001166256 | Ref | ENGINE INSTALLATION - DEUTZ D2.9L4 ENGINE (WITH ARCTIC PACKAGE) | H |
| | | Ref | Note: Uses RCP Radiator Components. See Special Options Section for machines with Modine Radiator) | |
| 1 | 0100011 | AR | Compound, Locking | |
| 2 | 0100020 | AR | Sealant, Pipe | |
| 3 | 0400075 | 1 | Battery | |
| 4 | 0641407 | 6 | Bolt 1/4 x 7/8 | |
| 5 | 0641408 | 2 | Bolt 1/4 x 1 | |
| 6 | 0641509 | 5 | Bolt 5/16 x 1-1/8 | |
| 7 | 0641605 | 4 | Bolt 3/8 x 5/8 | |
| 8 | 0641608 | 4 | Bolt 3/8 x 1 | |
| 10 | 0641612 | 1 | Bolt 3/8 x 1-1/2 | |
| 12 | 0741010 | 2 | Screw #10 x 1-1/4 | |
| 13 | 0760810 | 2 | Bolt M8 x 20 | |
| 14 | 1060625 | 1 | Cable, Immersion Heater (SN 0200239053 through 0200249097) | |
| 14 | 1001150918 | 1 | Cable, Immersion Heater (SN 0200249098 to Present) | |
| 15 | 1702941 | 1 | Decal - Battery Heater | |
| 16 | 1702943 | 1 | Decal - Hydraulic Tank Heater | |
| 17 | 1702944 | 1 | Decal - Heater Cord | |
| 18 | 2220633 | 1 | Fitting, Barbed | |
| 19 | 2221114 | 1 | Fitting, Barbed | |
| 20 | 2400044 | 1 | Fuse, Mounting Block | |
| 21 | 2580001 | 1 | Heater, Battery | |
| 22 | 2580050 | 1 | Heater, Hydraulic Tank (SN 0200239053 through 0200249097) | |
| 22 | 1001188972 | 1 | Heater, Hydraulic Tank (SN 0200249098 to Present) | |
| 23 | 3300408 | 2 | Locknut with Nylon Insert | |
| 24 | 3310401 | 3 | Nut #4 | |
| 25 | 3311405 | 12 | Nut 1/4 | |
| 26 | 3311505 | 5 | Nut 5/16 | |
| 27 | 3311605 | 5 | Nut 3/8 | |
| 28 | 3422669 | 1 | Pin (SN 0200239053 through 0200249090) | |
| 28 | 3422582 | 1 | Pin (SN 0200249091 to Present) | |
| 29 | 3841143 | 1 | Keeper, Pin | |
| 30 | 3910408 | 3 | Screw #4 x 1/2 | |
| 31 | 0641409 | 4 | Bolt 1/4 x 1-1/8 | |
| 33 | 4240099 | 1 | Tie-Strap | |
| 34 | 4460234 | 1 | Mount, Tie-Strap | |
| 35 | 4710400 | 6 | Washer #4 | |
| 36 | 4711400 | 26 | Washer 1/4 | |
| 37 | 4711500 | 10 | Washer 5/16 | |
| 38 | 4711600 | 12 | Washer 3/8 | |
| 39 | 4811900 | 2 | Washer M8 | |
| 40 | 8405006 | 8 | Clamp, Gear | |
| 41 | 8406112 | 3 | Clip | |
| 42 | 1001102987 | 1 | Charge Pump Filter Assembly | |
| 42 | 70010383 | 1 | Filter Element and O-Ring Kit | |
| 43 | 1001104356 | 1 | Bracket, Filter | |
| 45 | 1001139240 | 1 | Bracket | |
| 46 | 1001142501 | 1 | Fitting, Barbed 90 | |

SECTION 3 - ENGINE

| ITEM | PART NUMBER | QTY | DESCRIPTION | REV |
|------|-------------|--------------|---|-----|
| 49 | 1001147435 | 1 | Battery Cable Kit | B |
| 49A | 7027089 | 1 | Cable, Battery (Red) (Battery + to Power Relay and Fuse Block) (Includes 3 Boots) | |
| 49B | 7027091 | 1 | Cable, Battery (Black) (Battery to Pivot Pin Ground/Engine and Fuse Block) (Includes 1 Boots) | |
| 49C | 7027090 | 1 | Cable (Red) (Power Relay to Starter) | |
| 50 | 1001165702 | 1 | Tube, Exhaust | |
| 51 | 1001147571 | 1 | Plate, Baffle | |
| 52 | 1001147572 | 1 | Plate, Baffle | |
| 53 | 1001147629 | 1 | Plate, Baffle | |
| 54 | 1001147631 | 1 | Plate, Baffle | |
| 55 | 1001167174 | 1 | Pipe, Exhaust | |
| 56 | 1001148044 | 1 | Engine and Pump Sub-Assembly (See ENGINE AND PUMP SUB-ASSEMBLY for Breakdown) | |
| 58 | 1001165035 | 21 ft/6.4m | Hose | |
| 59 | 1060626 | 1 | Cord, 3-Way Extension | |
| 60 | 0771212 | 1 | Bolt M12 x 25 Grade 10.9 | |
| 61 | 4812100 | 1 | Washer M12 | |
| 62 | 1001141717 | 1 | Fitting, Barbed | |
| 63 | 1001147434 | 1 | Harness, Fuel (Not Shown - See ELECTRICAL SECTION for Breakdown) | |
| 65 | 1001154405 | 5.5 ft /1.7m | Hose | |
| 66 | 1001155823 | 1 | Coupling, 90 | |
| 67 | 4751500 | 2 | Washer 5/16 | |
| 68 | 88521205 | 2 | Nut 5/16 | |
| 69 | 91401281 | 1 | Bracket, Battery Hold-down | |
| 70 | 1001093382 | 2 | Bolt, J-Bolt | |
| 71 | 0642014 | 1 | Bolt 5/8 x 1-3/4 | |
| 72 | 3312005 | 1 | Nut 5/8 | |
| 73 | 4712000 | 2 | Washer 5/8 | |
| 74 | 1001165196 | 1 | Bracket Assembly (Less Filter/Pump (See BRACKET ASSEMBLY (LESS FUEL PUMP AND FILTER) for Breakdown) | |
| 75 | 1704972 | 1 | Decal - Warning Explosion/Fire (ANSI and ANSI Export Specs) | |
| 75 | 1706064 | 1 | Decal - Warning Explosion/Fire (CSA Spec - French/English Specs) | |

SECTION 3 - ENGINE

FIGURE 3-9. ENGINE AND PUMP SUB-ASSEMBLY - DEUTZ D2.9L4 ENGINE (WITH ARCTIC PACKAGE)



ART_1001148044

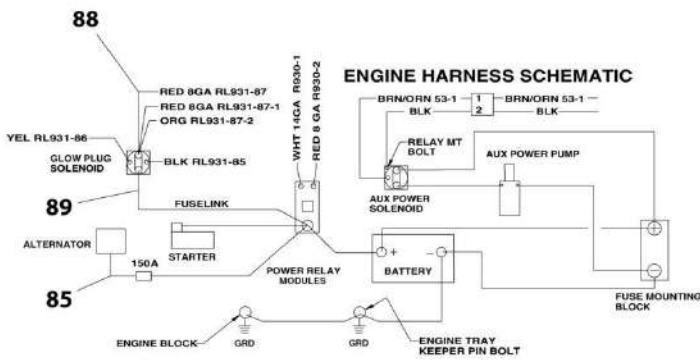
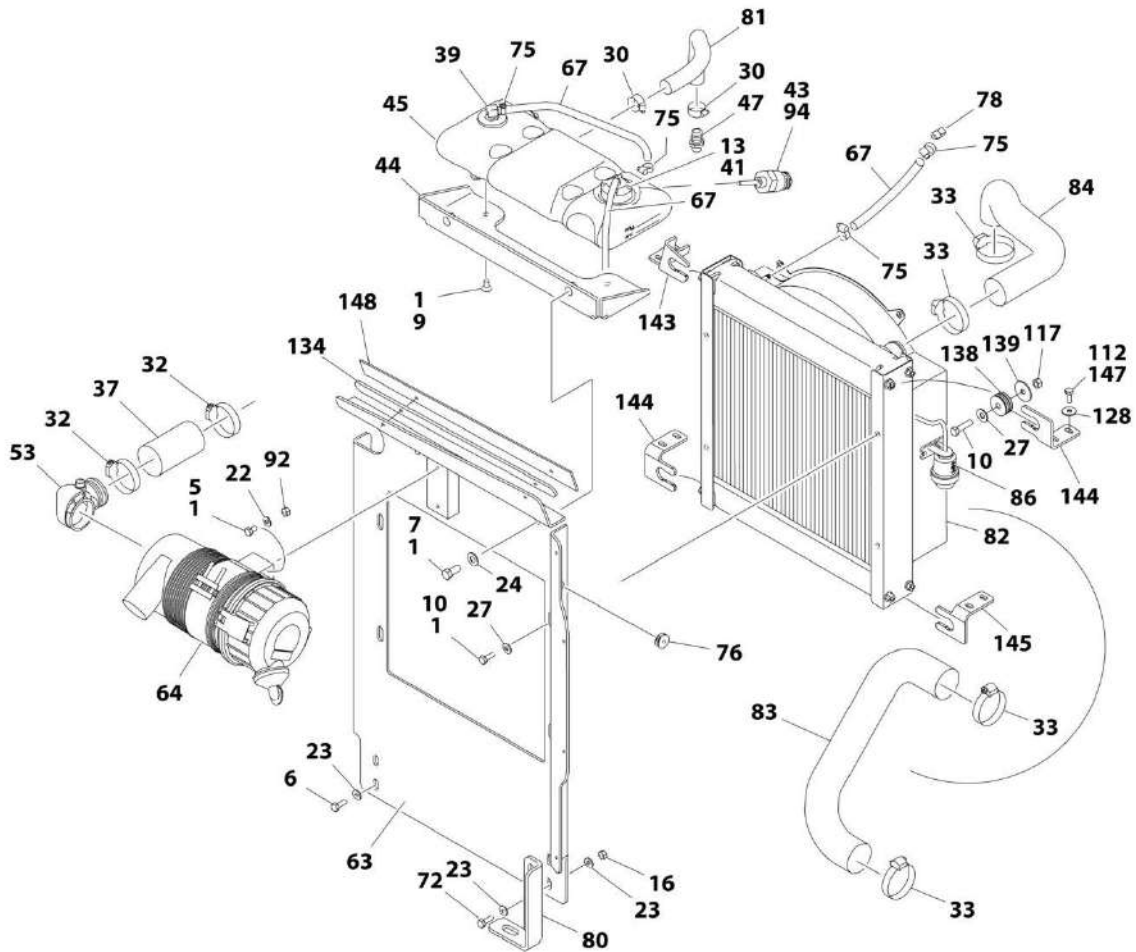
SECTION 3 - ENGINE

FIGURE 3-9. ENGINE AND PUMP SUB-ASSEMBLY - DEUTZ D2.9L4 ENGINE (WITH ARCTIC PACKAGE)

| ITEM | PART NUMBER | QTY | DESCRIPTION | REV |
|------|-------------|-----|--|-----|
| | 1001148044 | Ref | ENGINE AND PUMP SUB-ASSEMBLY - DEUTZ D2.9L4 ENGINE (WITH ARCTIC PACKAGE) | M |
| | | Ref | Note: Uses RCP Radiator Components. See Special Options Section for machines with Modine Radiator) | |
| 1 | 0100011 | AR | Compound, Locking | |
| 2 | 0641814 | 2 | Bolt 1/2 x 1-3/4 | |
| 3 | 2902065 | 1 | Pump Coupling Kit (See PUMP COUPLING KIT for Breakdown) | |
| 4 | 3790152 | 1 | O-Ring | |
| 5 | 4891600 | 2 | Washer 3/8 | |
| 6 | 4891800 | 2 | Washer 1/2 | |
| 7 | 83191040 | 2 | Capscrew M10 x 30 | |
| 8 | 1001101331 | 1 | Piston Pump Assembly (See PISTON PUMP ASSEMBLY for Breakdown) | |
| 9 | 1001101699 | 1 | Gear Pump Assembly | |
| 9 | 70002210 | 1 | Seal Kit - 1001101699 Pump (Note: Seal Kit is only service component available.) | |
| 10 | 1001148043 | 1 | Engine Assembly - Deutz D2.9L4 Engine (See ENGINE ASSEMBLY - DEUTZ D2.9L4 ENGINE for Breakdown) | |

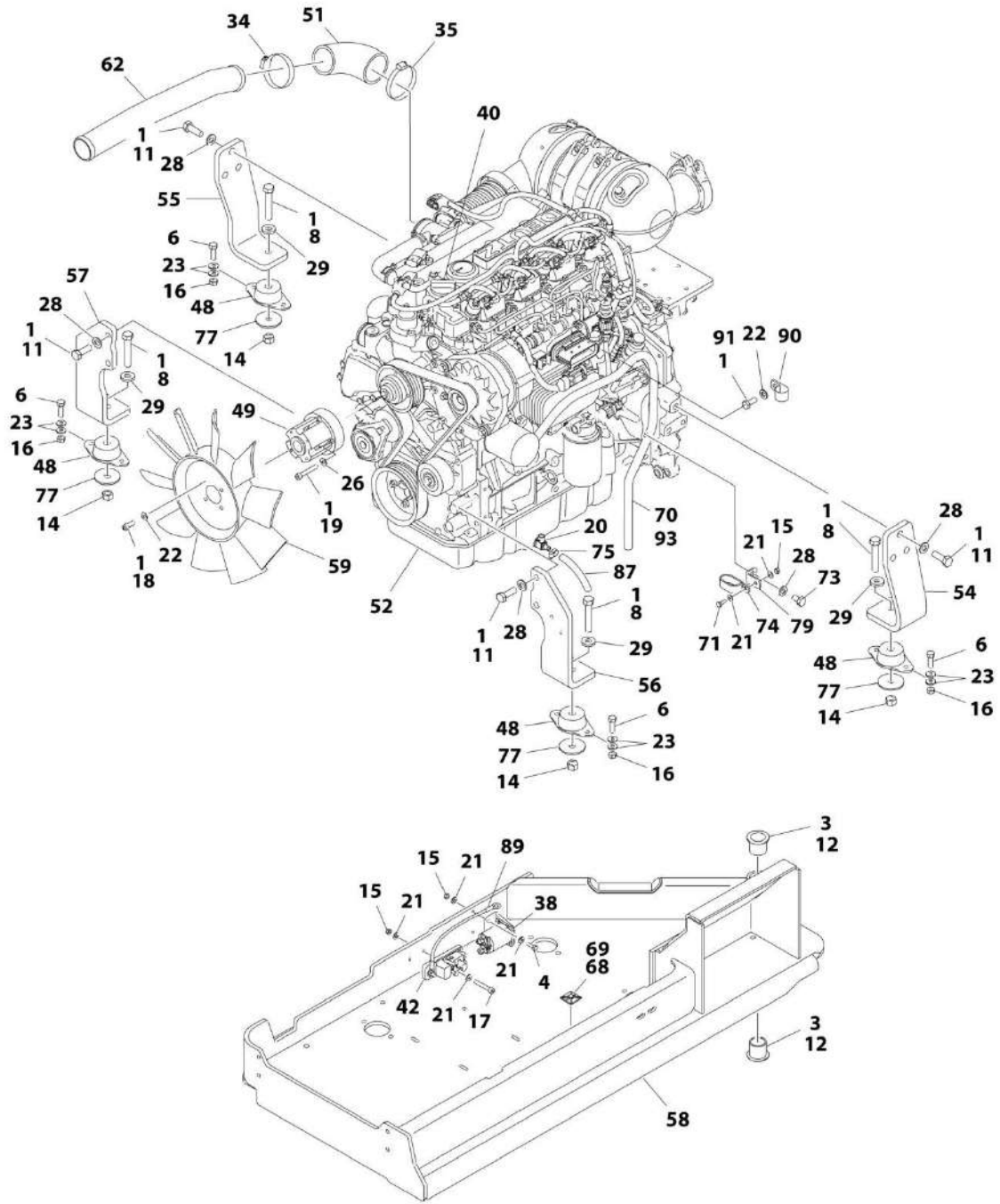
SECTION 3 - ENGINE

FIGURE 3-10. ENGINE ASSEMBLY - DEUTZ D2.9L4 ENGINE (WITH ARCTIC PACKAGE)



ART_1001148043_1OF2

SECTION 3 - ENGINE



ART_1001148043_2OF2

SECTION 3 - ENGINE

FIGURE 3-10. ENGINE ASSEMBLY - DEUTZ D2.9L4 ENGINE (WITH ARCTIC PACKAGE)

| ITEM | PART NUMBER | QTY | DESCRIPTION | REV |
|------|-------------|-------------|--|-----|
| | 1001148043 | Ref | ENGINE ASSEMBLY - DEUTZ D2.9L4 ENGINE (WITH ARCTIC PACKAGE) | P |
| | | Ref | Note: Uses RCP Radiator Components. See Special Options Section for machines with Modine Radiator) | |
| 1 | 0100011 | AR | Compound, Locking | |
| 3 | 0100062 | AR | Compound, Locking | |
| 4 | 0641407 | 2 | Bolt 1/4 x 7/8 | |
| 5 | 0641506 | 2 | Bolt 5/16 x 3/4 | |
| 6 | 0641609 | 10 | Bolt 3/8 x 1-1/8 | |
| 7 | 0641707 | 2 | Bolt 7/16 x 7/8 | |
| 8 | 0681822 | 4 | Bolt 1/2 x 2-3/4 Grade 8 | |
| 9 | 0741606 | 2 | Screw 3/8 x 3/4 | |
| 10 | 0761008 | AR | Bolt M10 x 16 | |
| 10 | 0641612 | AR | Bolt 3/8 x 1-1/2 | |
| 11 | 0761215 | 10 | Bolt M12 x 35 | |
| 12 | 0961986 | 2 | Bushing, Flanged | |
| 13 | 2300041 | 1 | Coolant | |
| 14 | 3271801 | 4 | Nut 1/2 Grade 8 | |
| 15 | 3311405 | 4 | Nut 1/4 | |
| 16 | 3311605 | 12 | Nut 3/8 | |
| 17 | 3931436 | 1 | Capscrew 1/4 x 2-1/4 | |
| 18 | 3931512 | 4 | Capscrew 5/16 x 3/4 | |
| 19 | 4031914 | 4 | Bolt M8 x 50 | |
| 20 | 4640751 | 1 | Valve, Oil Drain | |
| 21 | 4711400 | 7 | Washer 1/4 | |
| 22 | 4711500 | 7 | Washer 5/16 | |
| 23 | 4711600 | 24 | Washer 3/8 | |
| 24 | 4711700 | 2 | Washer 7/16 | |
| 26 | 4811900 | 4 | Washer M8 | |
| 27 | 4812002 | AR | Washer M10 | |
| 27 | 4751600 | AR | Washer 3/8 | |
| 28 | 4812100 | 11 | Washer M12 | |
| 29 | 4891800 | 4 | Washer 1/2 | |
| 30 | 8405007 | 2 | Clamp, Gear | |
| 32 | 8405104 | 2 | Clamp, Gear | |
| 33 | 8405201 | 4 | Clamp, Gear | |
| 34 | 8405202 | 1 | Clamp, Gear | |
| 35 | 8410011 | 1 | Clamp, Gear | |
| 37 | 91563070 | 1 | Coupling, Hose | |
| 38 | 1001117308 | 1 | Relay | |
| 39 | 1001134488 | 1 | Fitting, 90 Barbed | |
| 40 | 1001136172 | 2.4 gal /9L | Oil, Motor | |
| 41 | 1001136834 | 1 | Cap, Tank | |
| 42 | 1001138228 | 1 | Relay, Power Module | |
| 42 | 70023593 | 1 | Fuse - 30Amp (Battery Output) | |
| 42 | 70023592 | 1 | Fuse - 20Amp (Switched Output) | |
| 43 | 1001138827 | 1 | Sensor, Coolant Level | |
| 44 | 1001139303 | 1 | Bracket (RCP Radiator) | |
| 44 | 1001180314 | 1 | Bracket (Modine Radiator) | |
| 45 | 1001140535 | 1 | Tank, Surge | |

SECTION 3 - ENGINE

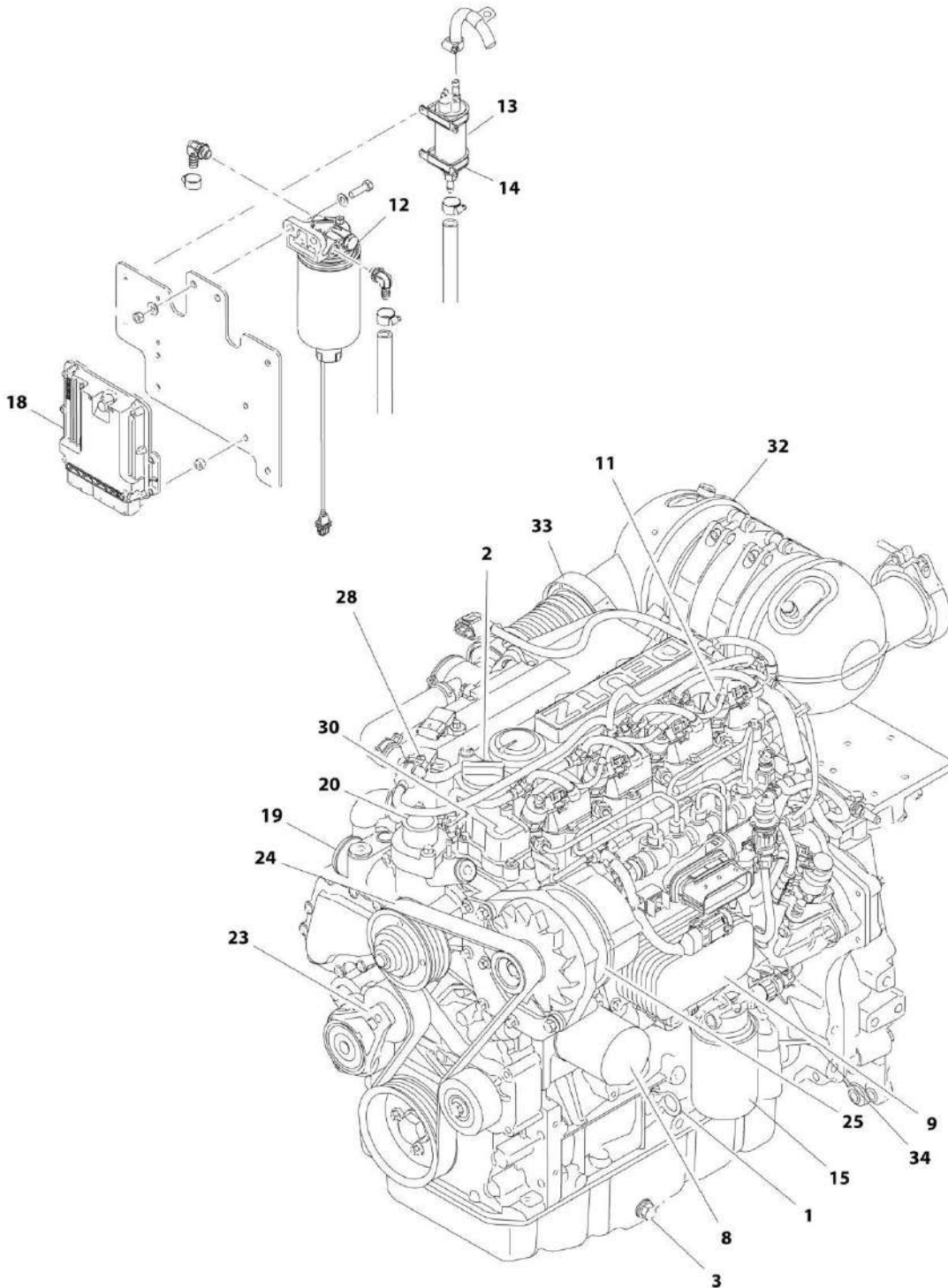
| ITEM | PART NUMBER | QTY | DESCRIPTION | REV |
|------|-------------|------------------|--|-----|
| 47 | 1001143797 | 1 | Fitting, Straight Barbed | |
| 48 | 1001144112 | 4 | Mount, Motor | |
| 49 | 1001144116 | 1 | Adapter | |
| 51 | 1001145006 | 1 | Hose | |
| 52 | 1001145758 | 1 | Engine, Deutz D2.9L4 (See ENGINE COMPONENTS for Breakdown) | |
| 53 | 1001146043 | 1 | Coupling, 90 | |
| 54 | 1001146356 | 1 | Support, Engine | |
| 55 | 1001146357 | 1 | Support, Engine | |
| 56 | 1001146358 | 1 | Support, Engine | |
| 57 | 1001146359 | 1 | Support, Engine | |
| 58 | 1001146360 | 1 | Tray, Engine | |
| 59 | 1001146396 | 1 | Fan (RCP Radiator) | |
| 59 | 1001165849 | 1 | Fan (Modine Radiator) | |
| 62 | 1001146517 | 1 | Tube, Intake | |
| 63 | 1001146616 | 1 | Support, Radiator (RCP Radiator) | |
| 63 | 1001179443 | 1 | Support, Radiator (Modine Radiator) | |
| 64 | 1001144113 | 1 | Air Cleaner Assembly Filter Element | |
| 67 | 2720015 | 5.5 ft/ 1.67m | Hose | |
| 68 | 4240099 | 1 | Tie-Strap | |
| 69 | 4460234 | 1 | Mount, Tie-Strap | |
| 70 | 1001140312 | 1 | Heater, Engine Block | |
| 71 | 0641406 | 1 | Bolt 1/4 x 3/4 | |
| 72 | 0641611 | 2 | Bolt 3/8 x 1-3/8 | |
| 73 | 0761210 | 1 | Bolt M12 x 20 | |
| 74 | 1321716 | 1 | Clamp | |
| 75 | 8405009 | 5 | Clamp, Gear | |
| 76 | 1001111341 | 1 | Grommet | |
| 77 | 1001139409 | 4 | Washer, Special | |
| 78 | 1001140564 | 1 | Fitting, 90 Barbed | |
| 79 | 1001148641 | 1 | Bracket | |
| 80 | 1001154334 | 1 | Bracket | |
| 81 | 1001155477 | 1 | Hose | |
| 82 | 1001155493 | 1 | Radiator (RCP) | |
| 82 | 1001167043 | 1 | Radiator (Modine) | |
| 83 | 1001155874 | 1 | Hose (RCP Radiator) | |
| 83 | 1001179432 | 1 | Hose (Modine Radiator) | |
| 84 | 1001155875 | 1 | Hose (RCP Radiator) | |
| 84 | 1001179431 | 1 | Hose (Modine Radiator) | |
| 85 | 1001143907 | 1 | Cable, Alternator Power | |
| 86 | 1001144115 | 1 | Indicator, Service | |
| 87 | 2720340 | 6 in/ 0.152m | Hose | |
| 88 | 1001145562 | 1 | Harness, Engine (See ELECTRICAL SECTION for Breakdown) | |
| 89 | 1001141304 | 1 | Wire, Glow Fuse | |
| 90 | 8406102 | 1 | Clip | |
| 91 | 0760810 | 1 | Bolt M8 x 20 | |
| 92 | 3311508 | 2 | Nut 5/16 | |
| 93 | 1001181895 | AR | Adhesive | |
| 94 | 1001182997 | AR | Adhesive (SN 0200257311 to Present) | |
| | 1001200380 | Ref | MODINE RADIATOR SERVICE KIT | B |

SECTION 3 - ENGINE

| ITEM | PART NUMBER | QTY | DESCRIPTION | REV |
|------|-------------|-----|---------------|-----|
| 112 | 0760810 | 8 | Bolt M8 x 20 | |
| 117 | 3311605 | 4 | Nut 3/8 | |
| 128 | 4811902 | 8 | Washer M8 | |
| 134 | 1001147571 | 1 | Plate | |
| 138 | 1001169054 | 4 | Isolator | |
| 139 | 1001169138 | 4 | Washer | |
| 143 | 1001179833 | 1 | Bracket | |
| 144 | 1001179834 | 2 | Bracket | |
| 145 | 1001179835 | 1 | Bracket | |
| 147 | 1001180620 | AR | Adhesive | |
| 148 | 1001197068 | 1 | Panel, Baffle | |

SECTION 3 - ENGINE

FIGURE 3-11. ENGINE COMPONENTS - DEUTZ D2.9L4 ENGINE



ART_1001145758

SECTION 3 - ENGINE

FIGURE 3-11. ENGINE COMPONENTS - DEUTZ D2.9L4 ENGINE

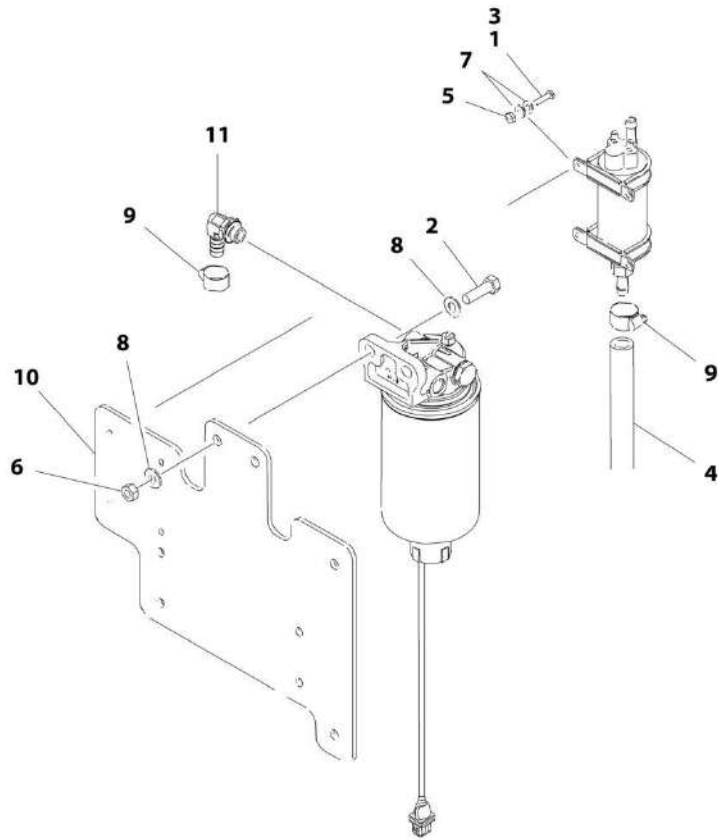
| ITEM | PART NUMBER | QTY | DESCRIPTION | REV |
|------|-------------|-----|---|-----|
| | 1001145758 | Ref | ENGINE COMPONENTS - DEUTZ D2.9L4 ENGINE | I |
| 1 | 70004274 | 1 | Dipstick (Not Shown - Located On Side Left Front) | |
| 1 | 70024905 | 1 | Seal | |
| 2 | 7020465 | 2 | Cap, Oil Fill | |
| 3 | 70025088 | 1 | Plug | |
| 3 | 7020404 | 1 | Seal | |
| 4 | 70001870 | 1 | Flywheel with Ring Gear (Not Shown) | |
| 4 | 7024579 | 1 | Gear, Ring | |
| 5 | | Ref | Gasket and Seal Options (Not Shown): | |
| 5 | 70024906 | 1 | Gasket, Head | |
| 5 | 70025206 | 1 | Gasket, Small Valve Cover | |
| 5 | 70025207 | 1 | Gasket, Large Valve Cover | |
| 5 | 70025208 | 1 | Gasket, Valve Cover to Air Charge Elbow | |
| 5 | 70002718 | 1 | Seal, Rear Main | |
| 5 | 70004281 | 1 | Seal, Front Main | |
| 5 | 70024907 | 1 | Gasket, Front Cover | |
| 5 | 70025164 | 1 | Gasket, Exhaust Manifold to Head | |
| 5 | 70025179 | 1 | Gasket, Pipe/Line/Lead to EGR Module | |
| 5 | 70025180 | 1 | Gasket, Pipe/Line/Lead to EGR Module | |
| 5 | 70004279 | 1 | Gasket Kit | |
| 6 | 70025091 | 1 | Plug (Not Shown - Located On Side Left Front) | |
| 6 | 70025082 | 1 | Seal | |
| 6 | 70025176 | 1 | Spring | |
| 6 | 70025076 | 1 | Valve | |
| 7 | 70025202 | 1 | Pump, Oil Lube (Not Shown - Located Front Left Side) | |
| 7 | 70025135 | 1 | O-Ring | |
| 7 | 70025136 | 1 | Seal | |
| 8 | 7016641 | 1 | Filter, Oil | |
| 9 | 70004275 | 1 | Cooler, Oil | |
| 9 | 70024925 | 1 | Gasket | |
| 10 | 70024924 | 1 | Pump, High Pressure (Not Shown - Located Front Left Side) | |
| 10 | 70025152 | 1 | O-Ring (Between Pump and Spacer) | |
| 10 | 70024488 | 1 | Spacer | |
| 10 | 70024517 | 1 | O-Ring (Between Spacer and Engine Block) | |
| 11 | 70004281 | 4 | Injector, Fuel | |
| 11 | 70025140 | 4 | Washer, Sealing | |
| 11 | 70025146 | 4 | Clamp (Top of Injector) | |
| 11 | 70025145 | 4 | O-Seal | |
| 11 | 70025154 | 4 | Shoe, Clamping | |
| 11 | 70000345 | 4 | Plug, Glow | |
| 11 | 70025231 | 1 | Harness, Glow Plug (Not Shown) | |
| 12 | 70025153 | NLA | Filter, Fuel (Use p/n 1001225430) | |
| 12 | 70024961 | 1 | Filter with Head | |
| 12 | 70025154 | 1 | Filter, Fuel | |
| 12 | 70024513 | 1 | Cable, Sensor | |
| 12 | 70025239 | 1 | Seal | |
| 13 | 70024486 | 1 | Pump, Fuel | |
| 14 | 70025144 | 2 | Clamp | |
| 15 | 70025160 | 1 | Filter with Head | |
| 15 | 70025161 | NLA | Filter, Fuel (Use p/n 1001225431) | |

SECTION 3 - ENGINE

| ITEM | PART NUMBER | QTY | DESCRIPTION | REV |
|------|-------------|-----|--|-----|
| 15 | 70024504 | 1 | Sensor, Pressure | |
| 15 | 70024920 | 1 | Seal | |
| 17 | 70025151 | 1 | Rail, Fuel (Not Shown) | |
| 17 | 70025235 | 1 | Repair Kit | |
| 18 | 70025210 | 1 | ECU (Engine Control Unit) | |
| 19 | 70024910 | 1 | Pump, Water | |
| 19 | 70025200 | 1 | Seal | |
| 19 | 70025084 | 2 | Plug | |
| 19 | 7020492 | 2 | Seal | |
| 20 | 70024473 | 1 | Thermostat | |
| 20 | 70025143 | 1 | O-Seal | |
| 20 | 70025142 | 1 | Cover, Thermostat | |
| 21 | 70025177 | 1 | Pipe (Not Shown) | |
| 21 | 70025179 | 2 | Gasket | |
| 22 | 70004283 | 1 | Module, EGR (Not Shown - Located on Left Side) | |
| 23 | 70025477 | 1 | Tensioner, Belt | |
| 24 | 70004277 | 1 | Belt, Drive | |
| 25 | 70024914 | 1 | Alternator | |
| 25 | 70025149 | 1 | Regulator, Voltage | |
| 26 | 70024915 | 1 | Starter (Not Shown - Located on Left Side) | |
| 27 | 70025231 | 1 | Harness, Glow Plug (Not Shown) | |
| 27 | 70004284 | 1 | Harness, Engine (Not Shown) | |
| 28 | 70024507 | 1 | Sensor, Pressure | |
| 28 | 70025120 | 1 | Seal | |
| 29 | 70024916 | 2 | Sensor, Speed (Not Shown - Located Left Side Front and Flywheel Housing) | |
| 29 | 70024917 | 2 | Seal | |
| 30 | 70024918 | 1 | Sender, Temperature | |
| 31 | 70024504 | 1 | Sensor, Pressure (Not Shown - Located Left Side Front) | |
| 31 | 70024920 | 1 | Seal | |
| 32 | 70005446 | 1 | Muffler | |
| 33 | 70025242 | 1 | Clamp, Exhaust | |
| 33 | 70025241 | 1 | Gasket, Exhaust (Muffler Inlet to Compensator) | |
| 34 | 70124530 | 1 | Valve, Pressure Relief | |
| 34 | 70124538 | 1 | Spring, Compression | |
| 34 | 70104570 | 1 | Ring, Sealing | |
| 34 | 70025660 | 1 | Screw | |

SECTION 3 - ENGINE

FIGURE 3-12. BRACKET ASSEMBLY (LESS FUEL PUMP AND FILTER)



ART_1001165196

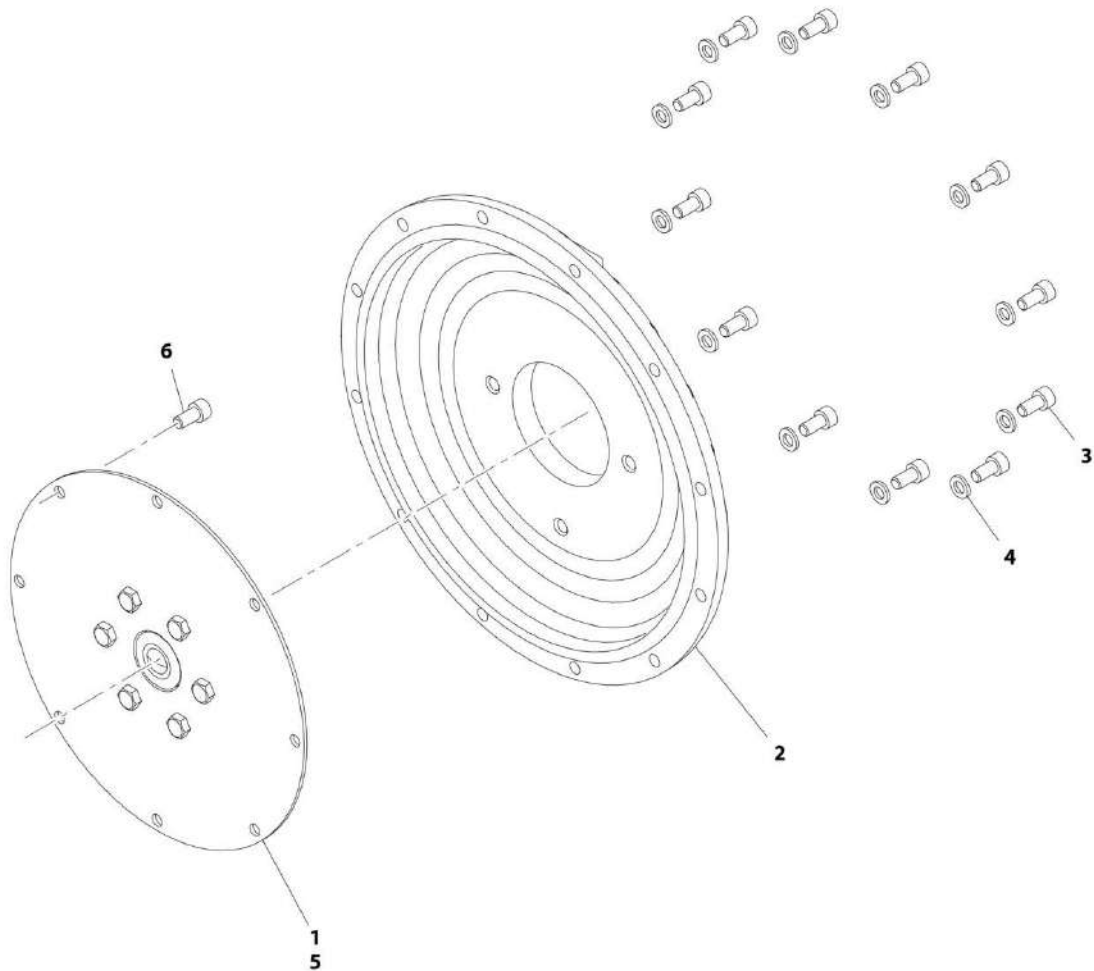
SECTION 3 - ENGINE

FIGURE 3-12. BRACKET ASSEMBLY (LESS FUEL PUMP AND FILTER)

| ITEM | PART NUMBER | QTY | DESCRIPTION | REV |
|------|-------------|-----------------|--|-----|
| | 1001165196 | Ref | BRACKET ASSEMBLY (LESS FUEL PUMP AND FILTER) | E |
| 1 | 0100011 | AR | Compound, Locking | |
| 2 | 0641611 | 2 | Bolt 3/8 x 1-3/8 | |
| 3 | 0721006 | 4 | Bolt #10 x 3/4 | |
| 4 | 1001154405 | 1.5 ft /0.4m | Hose | |
| 5 | 3311001 | 4 | Nut #10 | |
| 6 | 3311605 | 2 | Nut 3/8 | |
| 7 | 4711000 | 8 | Washer #10 | |
| 8 | 4711600 | 4 | Washer 3/8 | |
| 9 | 8405006 | 2 | Clamp | |
| 10 | 1001146974 | 1 | Plate, Fuel Pump Mount | |
| 11 | 1001142501 | 1 | Fitting, Elbow Barbed | |

SECTION 3 - ENGINE

FIGURE 3-13. PUMP COUPLING KIT



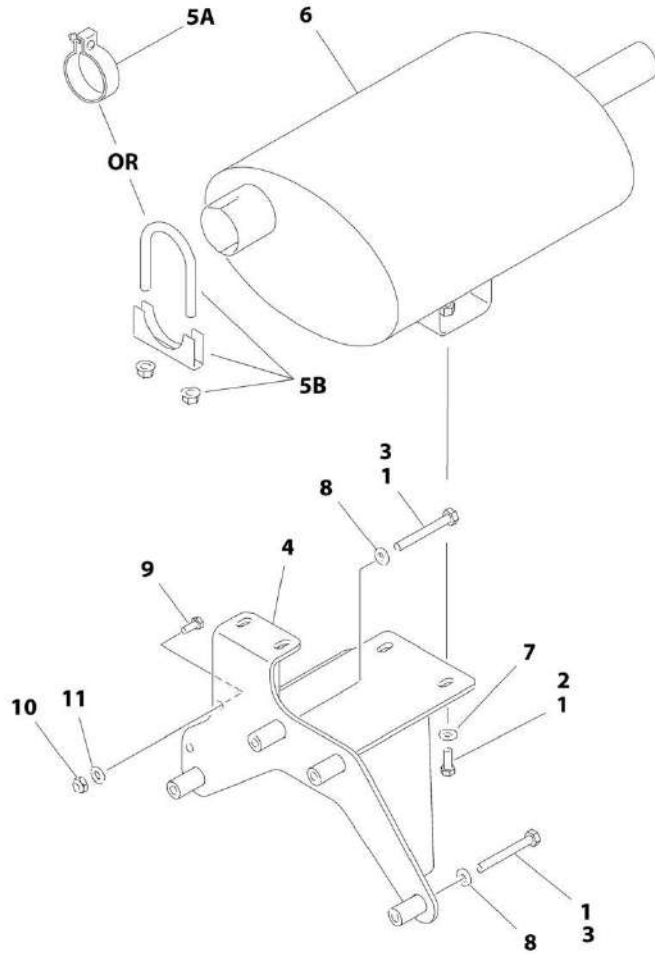
ART_2902065

FIGURE 3-13. PUMP COUPLING KIT

| ITEM | PART NUMBER | QTY | DESCRIPTION | REV |
|------|-------------|-----|--|-----|
| | 2902065 | Ref | PUMP COUPLING KIT | K |
| 1 | 70000793 | 1 | Coupling, Hayes | |
| 2 | See Note | NSS | Plate, Pump Adapter (Note: Use p/n 2902065) | |
| 3 | See Note | NSS | Capscrew M10 x 30 Grade 10.9 (Note: Use p/n 2902065) | |
| 4 | See Note | NSS | Washer M10 (Note: Use p/n 2902065) | |
| 5 | 3020021 | AR | Grease, Coupling | |
| 6 | See Note | NSS | Capscrew M10 x 20 Grade 10.9 (Note: Use p/n 2902065) | |

SECTION 3 - ENGINE

FIGURE 3-14. MUFFLER KIT - SPARK ARRESTOR (DEUTZ D2011 ENGINE) (OPTIONAL)



ART_2902243

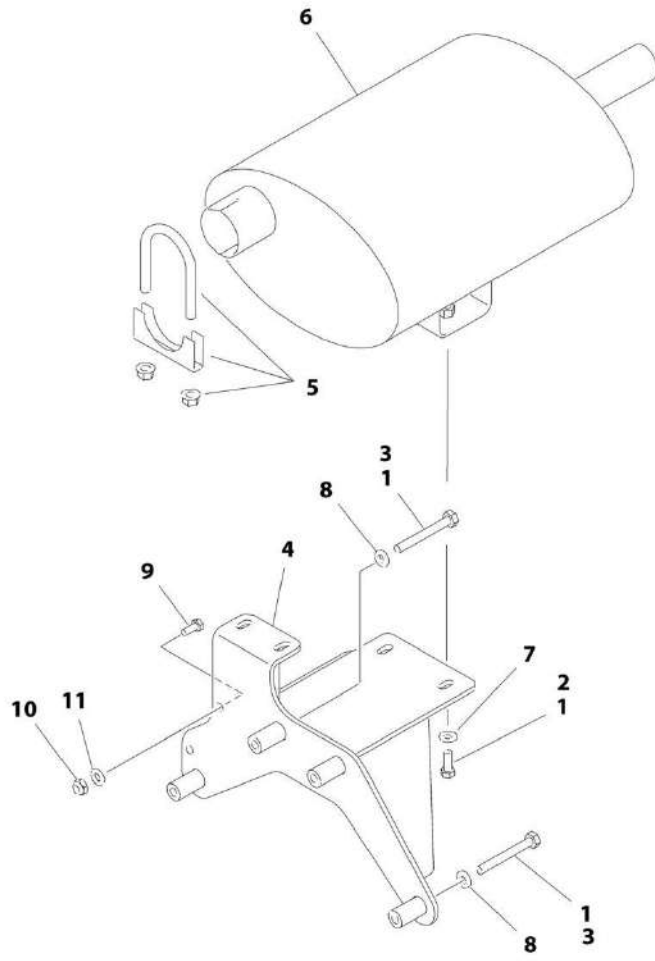
SECTION 3 - ENGINE

FIGURE 3-14. MUFFLER KIT - SPARK ARRESTOR (DEUTZ D2011 ENGINE) (OPTIONAL)

| ITEM | PART NUMBER | QTY | DESCRIPTION | REV |
|------|-------------|-----|---|-----|
| | 2902243 | Ref | MUFFLER KIT - SPARK ARRESTOR (DEUTZ D2011 ENGINE) (OPTIONAL) | G |
| 1 | 0100011 | AR | Compound, Locking | |
| 2 | 0641608 | 2 | Bolt 3/8 x 1 | |
| 3 | 0711025 | 4 | Bolt M10 x 85 | |
| 4 | 0902885 | 1 | Bracket, Muffler Mount | |
| 5A | 70001017 | 1 | Clamp, Circle (Supplied with Item 6) | |
| 5B | 1320019 | 1 | Clamp Saddle (Note: Must be Purchase Separately) | |
| 6 | 3220129 | 1 | Spark Arrestor (Includes Item 5) | |
| 7 | 4711600 | 2 | Washer 3/8 | |
| 8 | 4891600 | 4 | Washer 3/8 | |
| 9 | 0701013 | 2 | Bolt M10 x 28 | |
| 10 | 3291005 | 2 | Nut M10 | |
| 11 | 4812000 | 2 | Washer M10 | |

SECTION 3 - ENGINE

FIGURE 3-15. MUFFLER KIT - CATALYTIC MUFFLER (DEUTZ D2011 ENGINE) (OPTIONAL)



ART_2902244

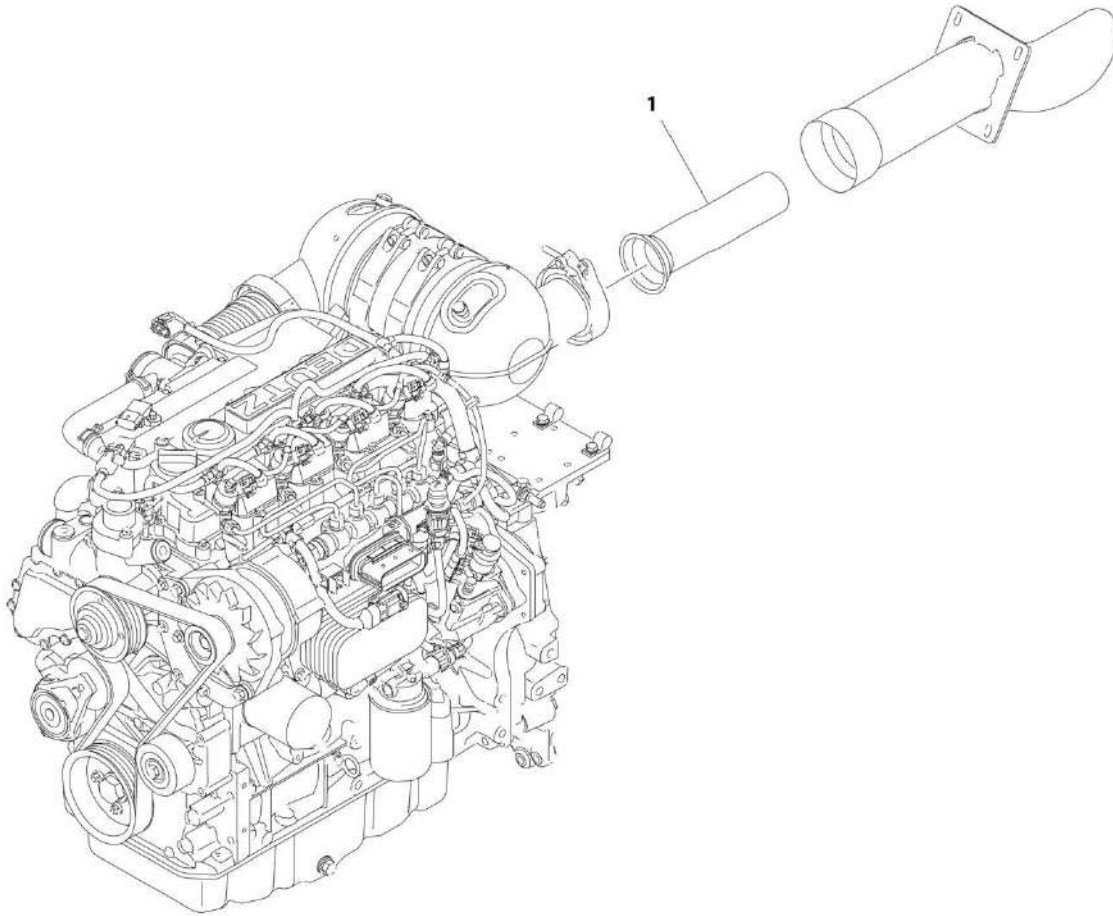
SECTION 3 - ENGINE

FIGURE 3-15. MUFFLER KIT - CATALYTIC MUFFLER (DEUTZ D2011 ENGINE) (OPTIONAL)

| ITEM | PART NUMBER | QTY | DESCRIPTION | REV |
|------|-------------|-----|--|-----|
| | 2902244 | Ref | MUFFLER KIT - CATALYTIC MUFFLER (DEUTZ D2011 ENGINE) (OPTIONAL) | F |
| 1 | 0100011 | AR | Compound, Locking | |
| 2 | 0641608 | 2 | Bolt 3/8 x 1 | |
| 3 | 0711025 | 4 | Bolt M10 x 85 | |
| 4 | 0902885 | 1 | Bracket, Muffler Mount | |
| 5 | 1320019 | 1 | Clamp Saddle (Note: Must be purchased separately) | |
| 6 | 3220131 | 1 | Catalytic | |
| 7 | 4711600 | 2 | Washer 3/8 | |
| 8 | 4891600 | 4 | Washer 3/8 | |
| 9 | 0701013 | 2 | Bolt M10 x 28 | |
| 10 | 3291005 | 2 | Nut M10 | |
| 11 | 4812000 | 2 | Washer M10 | |

SECTION 3 - ENGINE

FIGURE 3-16. SPARK ARRESTER INSTALLATION (DEUTZ D2.9L4) (OPTIONAL)



ART_1001147783

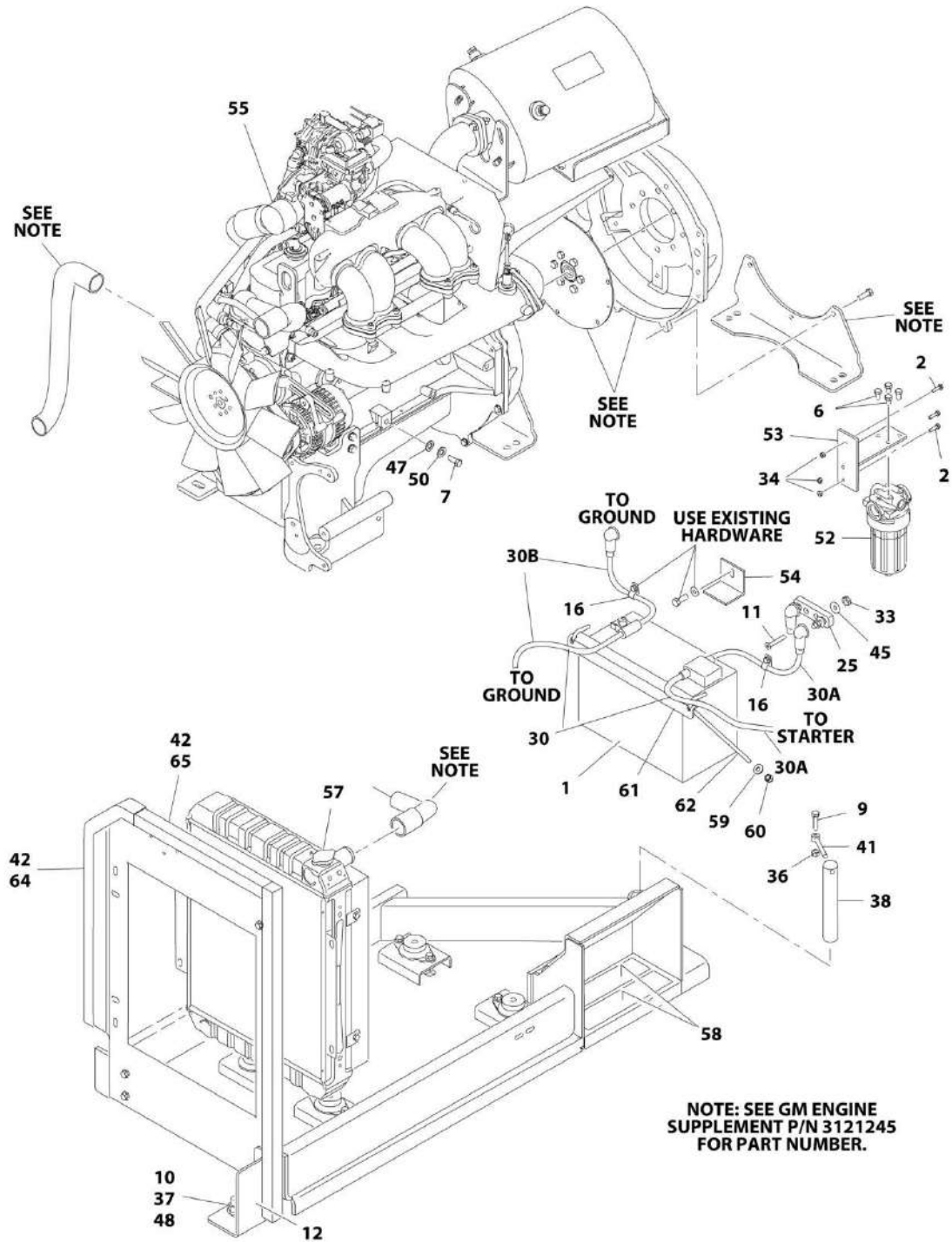
SECTION 3 - ENGINE

FIGURE 3-16. SPARK ARRESTER INSTALLATION (DEUTZ D2.9L4) (OPTIONAL)

| ITEM | PART NUMBER | QTY | DESCRIPTION | REV |
|------|--------------------------|----------|--|-----|
| 1 | 1001147783 1001147775 | Ref 1 | SPARK ARRESTER INSTALLATION (DEUTZ D2.9L4) (OPTIONAL) Arrester, Spark | A |

SECTION 3 - ENGINE

FIGURE 3-17. ENGINE INSTALLATION - GM ENGINE (SN 0200239053 through 0200259520)



ART_1001166280_10F2

SECTION 3 - ENGINE

FIGURE 3-17. ENGINE INSTALLATION - GM ENGINE (SN 0200239053 through 0200259520)

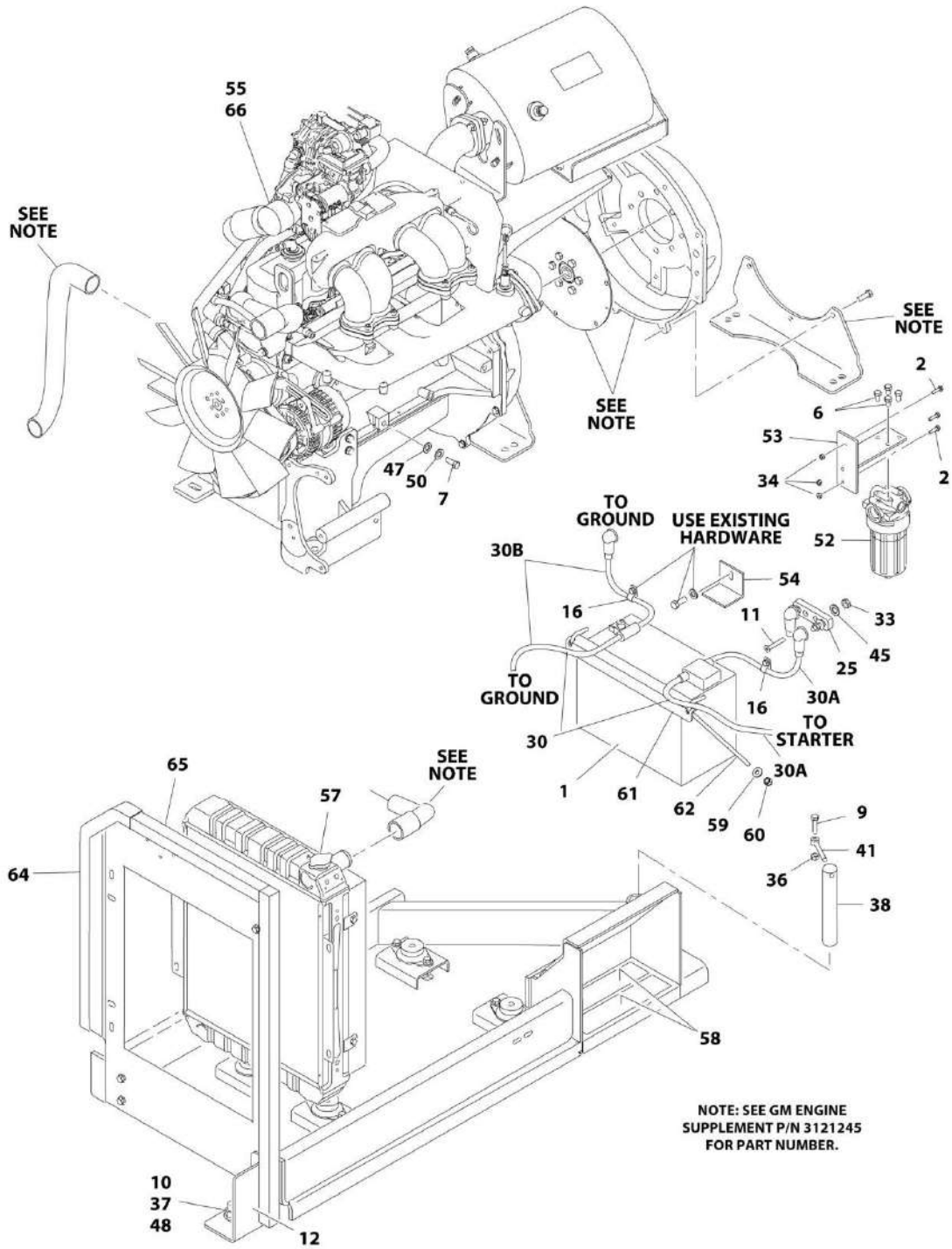
| ITEM | PART NUMBER | QTY | DESCRIPTION | REV |
|------|-------------|-----|--|-----|
| | 1001166280 | Ref | ENGINE INSTALLATION - GM ENGINE (SN 0200239053 through 0200259520) | G |
| 1 | 0400075 | 1 | Battery | |
| 2 | 0641408 | 5 | Bolt 1/4 x 1 | |
| 3 | 0641410 | 2 | Bolt 1/4 x 1-1/4 | |
| 4 | 0641418 | 2 | Bolt 1/4 x 2-1/4 | |
| 5 | 0641506 | 2 | Bolt 5/16 x 3/4 | |
| 6 | 0641605 | 4 | Bolt 3/8 x 5/8 | |
| 7 | 0641608 | 5 | Bolt 3/8 x 1 | |
| 8 | 0641610 | 9 | Bolt 3/8 x 1-1/4 | |
| 9 | 0641612 | 1 | Bolt 3/8 x 1-1/2 | |
| 10 | 0642016 | 1 | Bolt 5/8 x 2 | |
| 11 | 0741010 | 2 | Bolt #10 x 1-1/4 | |
| 12 | 0902777 | 1 | Bracket, Engine Tray Latch Mount | |
| 13 | 0903475 | 1 | Plate, Fuel Regulator | |
| 14 | 0903476 | 1 | Plate, Fuel Filter | |
| 15 | 1001174486 | 2 | Clamp | |
| 16 | 1320061 | 3 | Clamp | |
| 17 | 1320220 | 1 | Clamp | |
| 18 | 1320323 | 1 | Clamp | |
| 19 | 2180348 | 2 | Fitting, Barb | |
| 20 | 2180387 | 1 | Fitting, LP | |
| 21 | 2180389 | 1 | Fitting, Relief Valve - LP | |
| 22 | 2180418 | 1 | Fitting | |
| 23 | 2220250 | 2 | Fitting, Reducer | |
| 24 | 2220290 | 1 | Fitting, Tee | |
| 25 | 2400044 | 1 | Fuse, Mounting Block | |
| 26 | 1001156820 | 1 | Hose | |
| 27 | 1001156823 | 1 | Hose | |
| 28 | 1001156825 | 1 | Hose | |
| 29 | 2720611 | 1 | Hose, LP | |
| 30 | 2902534 | 1 | Battery Cable Kit | I |
| 30A | 7027019 | 1 | Cable, Battery - Red (Includes 3 Terminal Boots) | |
| 30B | 7027020 | 1 | Cable, Battery - Black (Includes 1 Terminal Boots) | |
| 31 | 3290405 | 1 | Nut M4 | |
| 32 | 3290505 | 1 | Nut M5 | |
| 33 | 3300408 | 2 | Nut | |
| 34 | 3311405 | 9 | Nut 1/4 | |
| 35 | 3311505 | 2 | Nut 5/16 | |
| 36 | 3311605 | 14 | Nut 3/8 | |
| 37 | 3312005 | 1 | Nut 5/8 | |
| 38 | 3422669 | 1 | Pin (SN 0200239053 through 0200249090) | |
| 38 | 3422582 | 1 | Pin (SN 0200249091 through 0200259520) | |
| 39 | 3573440 | 2 | Plate, LP Tank Mount | |
| 40 | 3740080 | 1 | Relay | |
| 41 | 3841143 | 1 | Keeper | |
| 42 | 3960468 | 1 | Seal (SN 0200239053 through 0200249090) | |
| 44 | 1001165702 | 1 | Tube, Exhaust | |
| 45 | 4711400 | 10 | Washer 1/4 | |
| 46 | 4711500 | 4 | Washer 5/16 | |

SECTION 3 - ENGINE

| ITEM | PART NUMBER | QTY | DESCRIPTION | REV |
|------|-------------|-----|---|-----|
| 47 | 4711600 | 27 | Washer 3/8 | |
| 48 | 4712000 | 1 | Washer 5/8 | |
| 49 | 4751400 | 4 | Washer 1/4 | |
| 50 | 4761600 | 1 | Washer 3/8 | |
| 51 | 1001177169 | 1 | Hose | |
| 52 | 1001102987 | 1 | Filter, Charge Pump | |
| 52 | 70010383 | 1 | Filter Element and O-Ring Kit | |
| 53 | 1001104356 | 1 | Bracket, Filter | |
| 54 | 1001104638 | 1 | Bracket, Battery Hold-down | |
| 55 | 1001114630 | 1 | Engine and Pump Sub-Assembly - GM Engine (See ENGINE AND PUMP SUB-ASSEMBLY for Breakdown) | |
| 56 | 0100048 | AR | Grease, Dielectric (Not Shown) | |
| 57 | 2300004 | AR | Coolant | |
| 58 | 4420080 | 2 | Tape, Safety Tread Step | |
| 59 | 4751500 | 2 | Washer 5/16 | |
| 60 | 88521205 | 2 | Nut 5/16 | |
| 61 | 91401281 | 1 | Bracket, Battery Hold-Down | |
| 62 | 1001093382 | 2 | Bolt, J-Bolt | |
| 63 | 1001177167 | 1 | Hose | |
| 64 | 1001191839 | 1 | Seal (SN 0200249091 through 0200259520) | |
| 65 | 1001191840 | 1 | Seal (SN 0200249091 through 0200259520) | |
| 100 | 4400420 | 1 | LP Tank Assembly (#43 Steel Tank) | |
| 100 | 4400275 | 1 | LP Tank Assembly (#43 Aluminum Tank) | |

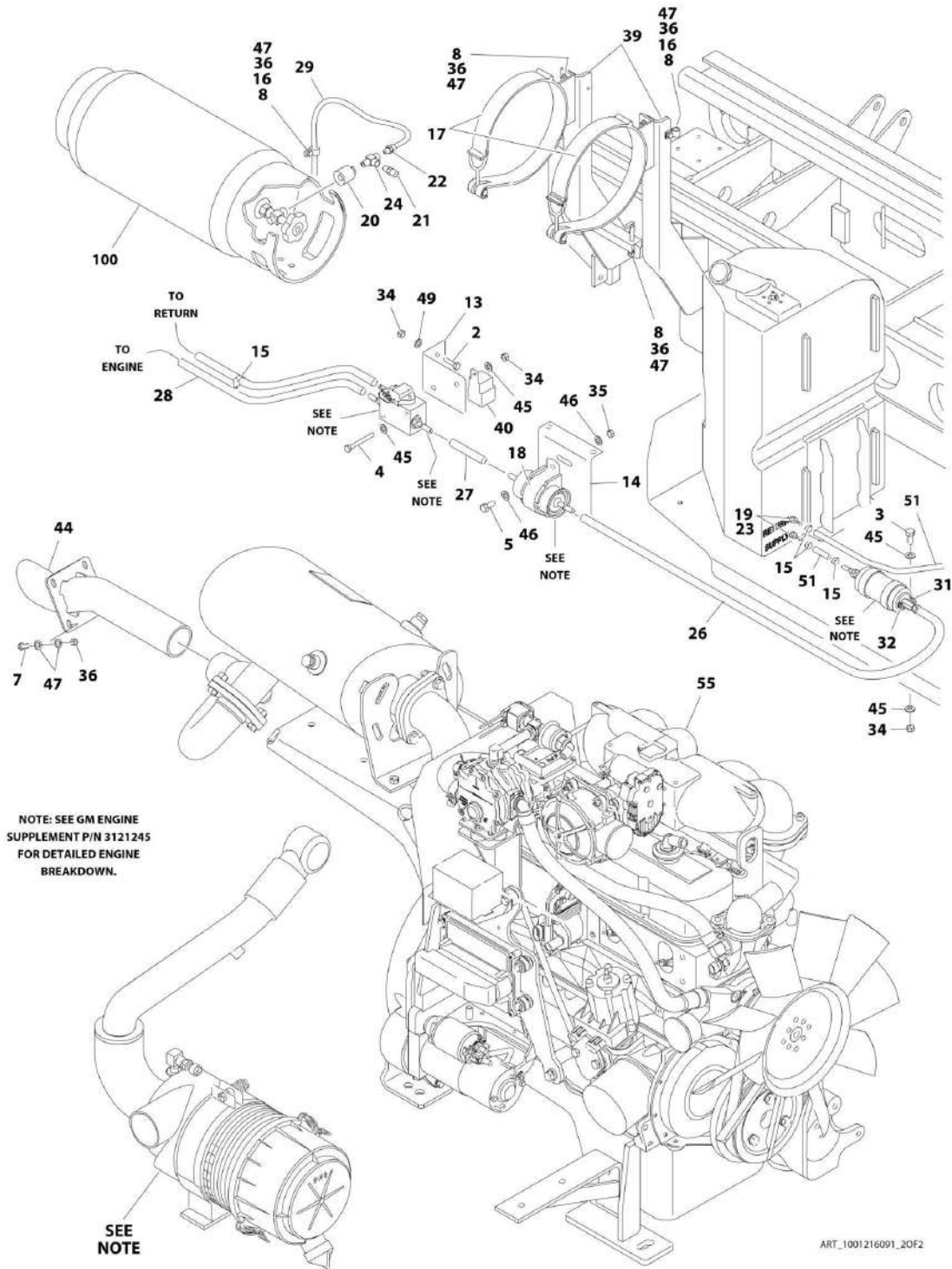
SECTION 3 - ENGINE

FIGURE 3-18. ENGINE INSTALLATION - GM ENGINE (SN 0200259521 to Present)



ART_1001216091_10F2

SECTION 3 - ENGINE



SECTION 3 - ENGINE

FIGURE 3-18. ENGINE INSTALLATION - GM ENGINE (SN 0200259521 to Present)

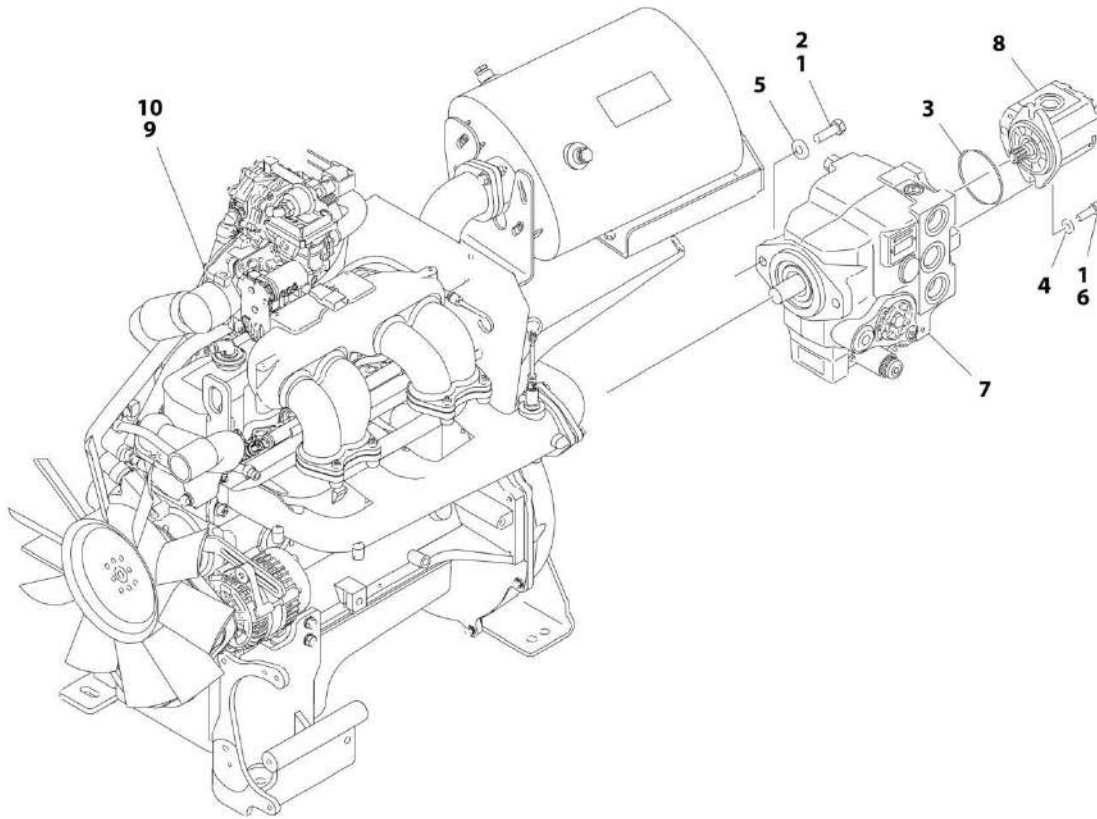
| ITEM | PART NUMBER | QTY | DESCRIPTION | REV |
|------|-------------|-----|--|-----|
| | 1001216091 | Ref | ENGINE INSTALLATION - GM ENGINE (SN 0200259521 to Present) | B |
| 1 | 0400075 | 1 | Battery | |
| 2 | 0641408 | 5 | Bolt 1/4 x 1 | |
| 3 | 0641410 | 2 | Bolt 1/4 x 1-1/4 | |
| 4 | 0641418 | 2 | Bolt 1/4 x 2-1/4 | |
| 5 | 0641506 | 2 | Bolt 5/16 x 3/4 | |
| 6 | 0641605 | 4 | Bolt 3/8 x 5/8 | |
| 7 | 0641608 | 5 | Bolt 3/8 x 1 | |
| | 0641610 | 9 | Bolt 3/8 x 1-1/4 | |
| 9 | 0641612 | 1 | Bolt 3/8 x 1-1/2 | |
| 10 | 0642016 | 1 | Bolt 5/8 x 2 | |
| 11 | 0741010 | 2 | Bolt #10 x 1-1/4 | |
| 12 | 0902777 | 1 | Bracket, Engine Tray Latch Mount | |
| 13 | 0903475 | 1 | Plate, Fuel Regulator | |
| 14 | 0903476 | 1 | Plate, Fuel Filter | |
| 15 | 1001174486 | 2 | Clamp | |
| 16 | 1320061 | 3 | Clamp | |
| 17 | 1320220 | 1 | Clamp | |
| 18 | 1320323 | 1 | Clamp | |
| 19 | 2180348 | 2 | Fitting, Barb | |
| 20 | 2180387 | 1 | Fitting, LP | |
| 21 | 2180389 | 1 | Fitting, Relief Valve - LP | |
| 22 | 2180418 | 1 | Fitting | |
| 23 | 2220250 | 2 | Fitting, Reducer | |
| 24 | 2220290 | 1 | Fitting, Tee | |
| 25 | 2400044 | 1 | Fuse, Mounting Block | |
| 26 | 1001156820 | 1 | Hose | |
| 27 | 1001156823 | 1 | Hose | |
| 28 | 1001156825 | 1 | Hose | |
| 29 | 2720611 | 1 | Hose, LP | |
| 30 | 2902534 | 1 | Battery, Cable Kit | |
| 30A | 7027019 | 1 | Cable, Battery - Red (Includes 3 Terminal Boots) | |
| 30B | 7027020 | 1 | Cable, Battery - Black (Includes 1 Terminal Boots) | |
| 31 | 3290405 | 1 | Nut M4 | |
| 32 | 3290505 | 1 | Nut M5 | |
| 33 | 3300408 | 2 | Nut | |
| 34 | 3311405 | 9 | Nut 1/4 | |
| 35 | 3311505 | 2 | Nut 5/16 | |
| 36 | 3311605 | 14 | Nut 3/8 | |
| 37 | 3312005 | 1 | Nut 5/8 | |
| 38 | 3422582 | 1 | Pin | |
| 39 | 3573440 | 2 | Plate, LP Tank Mount | |
| 40 | 3740080 | 1 | Relay | |
| 41 | 3841143 | 1 | Keeper | |
| 44 | 1001165702 | 1 | Tube, Exhaust | |
| 45 | 4711400 | 10 | Washer 1/4 | |
| 46 | 4711500 | 4 | Washer 5/16 | |
| 47 | 4711600 | 27 | Washer 3/8 | |
| 48 | 4712000 | 1 | Washer 5/8 | |

SECTION 3 - ENGINE

| ITEM | PART NUMBER | QTY | DESCRIPTION | REV |
|------|-------------|-----|---|-----|
| 49 | 4751400 | 4 | Washer 1/4 | |
| 50 | 4761600 | 1 | Washer 3/8 | |
| 51 | 1001177169 | 1 | Hose | |
| 52 | 1001102987 | 1 | Filter, Charge Pump | |
| 52 | 70010383 | 1 | Filter, Element and O-Ring Kit | |
| 53 | 1001104356 | 1 | Bracket, Filter | |
| 54 | 1001104638 | 1 | Bracket, Battery Hold-Down | |
| 55 | 1001216090 | 1 | Engine and Pump Sub-Assembly - GM Engine (See ENGINE AND PUMP SUB-ASSEMBLY for Breakdown) | |
| 56 | 0100048 | AR | Grease, Dielectric (Not Shown) | |
| 57 | 2300004 | AR | Coolant | |
| 58 | 4420080 | 2 | Tape, Safety Tread Step | |
| 59 | 4751500 | 2 | Washer 5/16 | |
| 60 | 88521205 | 2 | Nut 5/16 | |
| 61 | 91401281 | 1 | Bracket, Battery Hold-Down | |
| 62 | 1001093382 | 2 | Bolt, J-Bolt | |
| 64 | 1001191839 | 1 | Seal | |
| 65 | 1001191840 | 1 | Seal | |
| 66 | 1001214862 | 1 | Engine, GM 3.0L (See GM Engine Supplement P/N 3121245 for Breakdown of Additional Components) | |
| 100 | 4400420 | 1 | LP Tank Assembly (#43 Steel Tank) | |
| 100 | 4400275 | 1 | LP Tank Assembly (#43 Aluminum Tank) | |

SECTION 3 - ENGINE

FIGURE 3-19. GM ENGINE AND PUMP SUB-ASSEMBLY (SN 0200239053 through 0200259520)



ART_100114630

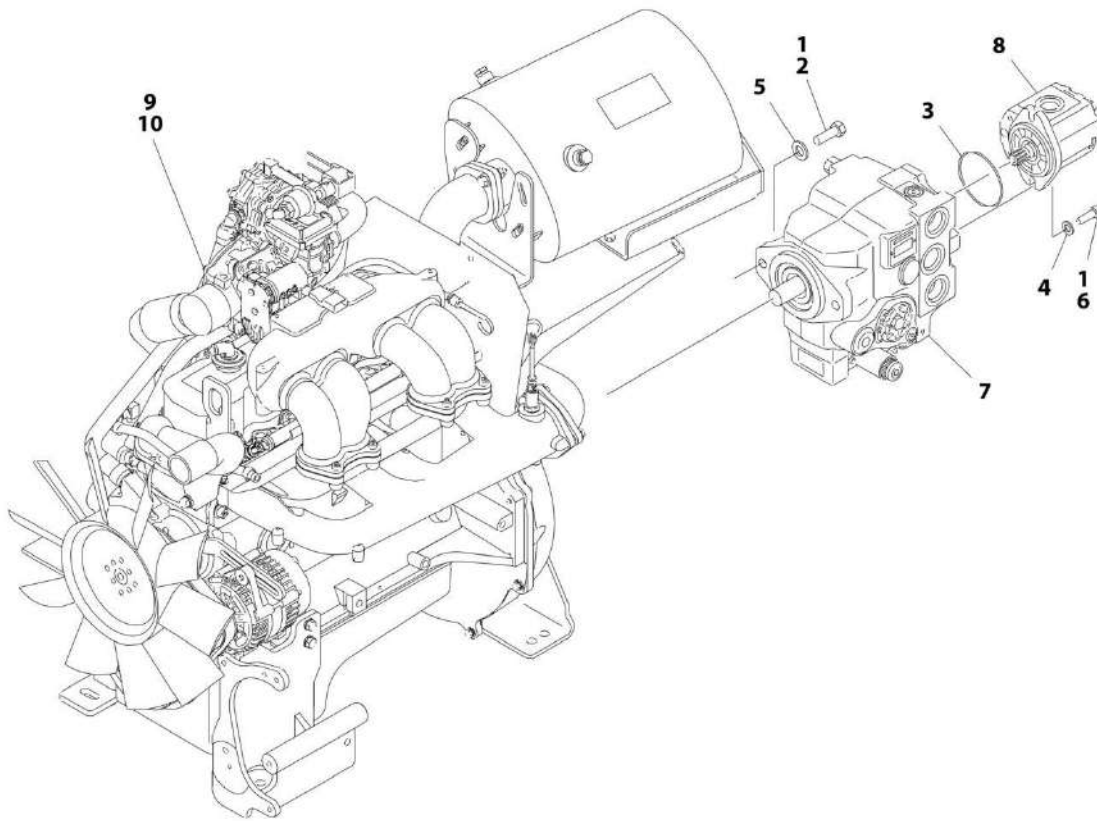
SECTION 3 - ENGINE

FIGURE 3-19. GM ENGINE AND PUMP SUB-ASSEMBLY (SN 0200239053 through 0200259520)

| ITEM | PART NUMBER | QTY | DESCRIPTION | REV |
|------|-------------|-----|---|-----|
| | 1001114630 | Ref | GM ENGINE AND PUMP SUB-ASSEMBLY (SN 0200239053 through 0200259520) | I |
| 1 | 0100011 | AR | Compound, Locking | |
| 2 | 0641814 | 2 | Bolt 1/2 x 1-3/4 | |
| 3 | 3790152 | 1 | O-Ring | |
| 4 | 4891600 | 2 | Washer 3/8 | |
| 5 | 4891800 | 2 | Washer 1/2 | |
| 6 | 83191040 | 2 | Bolt M10 x 30 | |
| 7 | 1001101331 | 1 | Piston Pump Assembly (See PISTON PUMP ASSEMBLY for Breakdown) | |
| 8 | 1001101699 | 1 | Gear Pump Assembly | |
| 8 | 70002210 | 1 | Seal Kit - 1001101699 Pump | |
| | | Ref | Note: Seal Kit is only service component available. | |
| 9 | 1001114629 | 1 | Engine Assembly - GM Engine (See ENGINE ASSEMBLY - GM ENGINE for Breakdown) | |
| 10 | 1001115930 | AR | Oil, Motor 10W-30 | |

SECTION 3 - ENGINE

FIGURE 3-20. GM ENGINE AND PUMP SUB-ASSEMBLY (SN 0200259521 to Present)



ART_1001216090

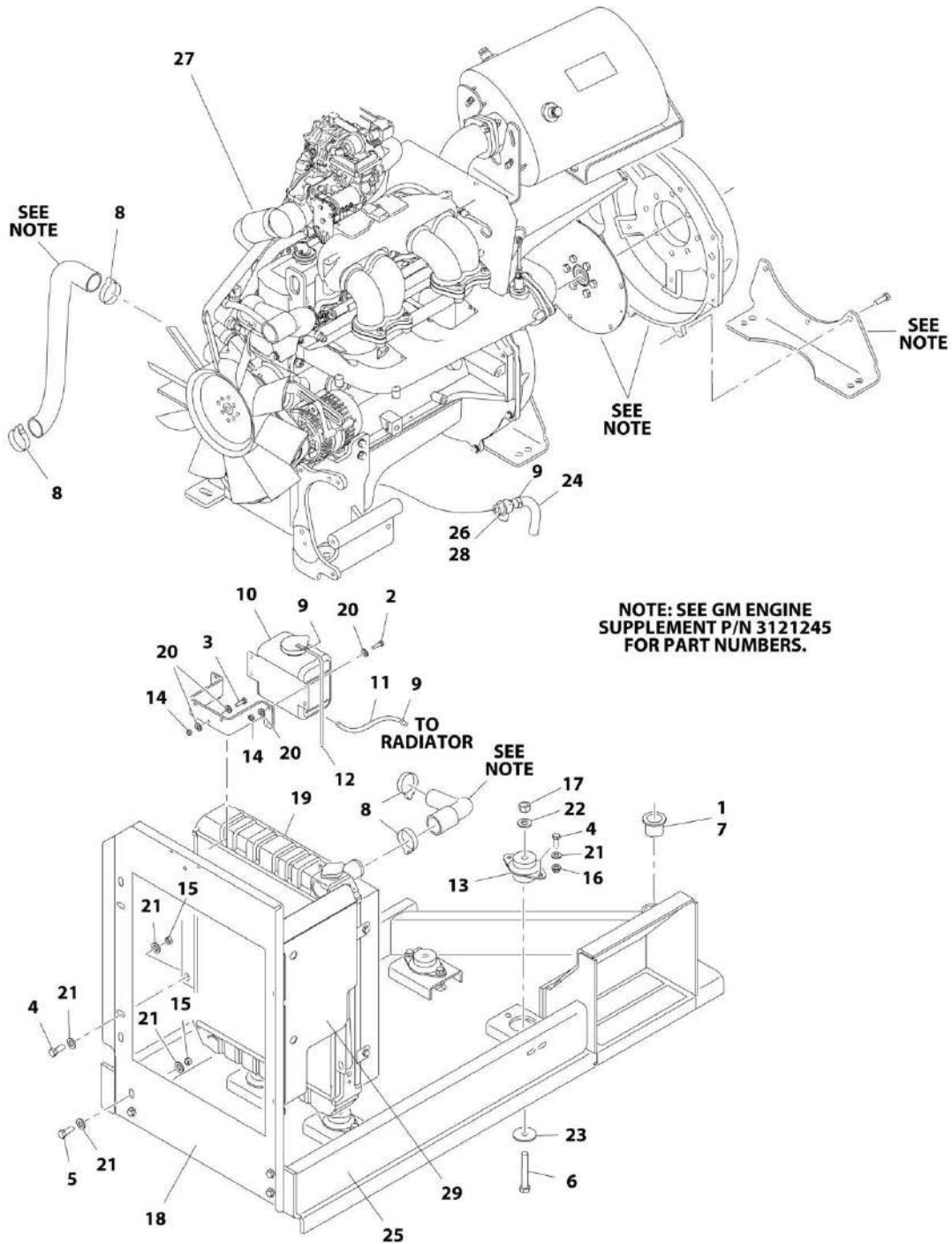
SECTION 3 - ENGINE

FIGURE 3-20. GM ENGINE AND PUMP SUB-ASSEMBLY (SN 0200259521 to Present)

| ITEM | PART NUMBER | QTY | DESCRIPTION | REV |
|------|-------------|-----|---|-----|
| | 1001216090 | Ref | GM ENGINE AND PUMP SUB-ASSEMBLY (SN 0200259521 to Present) | B |
| 1 | 0100011 | AR | Compound, Locking | |
| 2 | 0641814 | 2 | Bolt 1/2 x 1-3/4 | |
| 3 | 3790152 | 1 | O-Ring | |
| 4 | 4891600 | 2 | Washer 3/8 | |
| 5 | 4891800 | 2 | Washer 1/2 | |
| 6 | 83191040 | 2 | Bolt M10 x 30 | |
| 7 | 1001101331 | 1 | Piston Pump Assembly (See PISTON PUMP ASSEMBLY for Breakdown) | |
| 8 | 1001101699 | 1 | Gear Pump Assembly | |
| 8 | 70002210 | 1 | Seal Kit - 1001101699 Pump | |
| | | Ref | Note: Seal Kit is only service components available. | |
| 9 | 1001216089 | 1 | Engine Assembly - GM Engine (See ENGINE ASSEMBLY - GM ENGINE for Breakdown) | |
| 10 | 1001190775 | AR | Oil, Motor 5W-30 | |

SECTION 3 - ENGINE

FIGURE 3-21. GM ENGINE ASSEMBLY (SN 0200239053 through 0200259520)



ART_1001114629

SECTION 3 - ENGINE

FIGURE 3-21. GM ENGINE ASSEMBLY (SN 0200239053 through 0200259520)

| ITEM | PART NUMBER | QTY | DESCRIPTION | REV |
|------|-------------|------------------|---|-----|
| | 1001114629 | Ref | GM ENGINE ASSEMBLY (SN 0200239053 through 0200259520) | G |
| 1 | 0100062 | AR | Compound, Locking | |
| 2 | 0641406 | 4 | Bolt 1/4 x 3/4 | |
| 3 | 0641407 | 3 | Bolt 1/4 x 7/8 | |
| 4 | 0641608 | 12 | Bolt 3/8 x 1 | |
| 5 | 0641609 | 4 | Bolt 3/8 x 1-1/8 | |
| 6 | 0641828 | 4 | Bolt 1/2 x 3-1/2 | |
| 7 | 0961986 | 2 | Flange, Bearing | |
| 8 | 1320012 | 4 | Clamp | |
| 9 | 1320022 | 4 | Clamp | |
| 10 | 1580011 | 1 | Container, Coolant Overflow | |
| 11 | 2720058 | 10 in /25.4cm | Hose | |
| 12 | 2720271 | 8 in/20cm | Hose | |
| 13 | 3200362 | 4 | Mount, Resilient Engine | |
| 14 | 3311405 | 7 | Nut 1/4 | |
| 15 | 3311605 | 8 | Nut 3/8 | |
| 16 | 3311608 | 8 | Nut 3/8 | |
| 17 | 3311805 | 4 | Nut 1/2 | |
| 18 | 3573195 | 1 | Plate, Radiator Mount | |
| 19 | 3620042 | 1 | Radiator | |
| 19 | 7027412 | 1 | Cap, Radiator | |
| 20 | 4711400 | 14 | Washer 1/4 | |
| 21 | 4711600 | 32 | Washer 3/8 | |
| 22 | 4711800 | 4 | Washer 1/2 | |
| 23 | 4740274 | 4 | Washer (Snubbing) | |
| 24 | 2750532 | 10 in /25.4cm | Hose | |
| 25 | 1001105112 | 1 | Support, Engine Tray | |
| 26 | 4640952 | 1 | Valve, Oil Drain | |
| 27 | 1001114604 | 1 | Engine, GM 3.0L (See GM Engine Supplement P/N 3121245 for Breakdown of Additional Components) | |
| 27 | 7027965 | 1 | Filter, Oil | |
| 27 | 7027972 | 1 | Filter, Fuel - Inlet | |
| 27 | 70000164 | 4 | Plug, Spark | |
| 27 | 70002895 | 1 | Module, Engine Control (ECU) | |
| 27 | 7024438 | 1 | Element, Air Filter | |
| 28 | 0100020 | AR | Sealant, Pipe | |
| 29 | 1001191842 | 1 | Deflector, Air (SN 0200249091 through 0200259520) | |

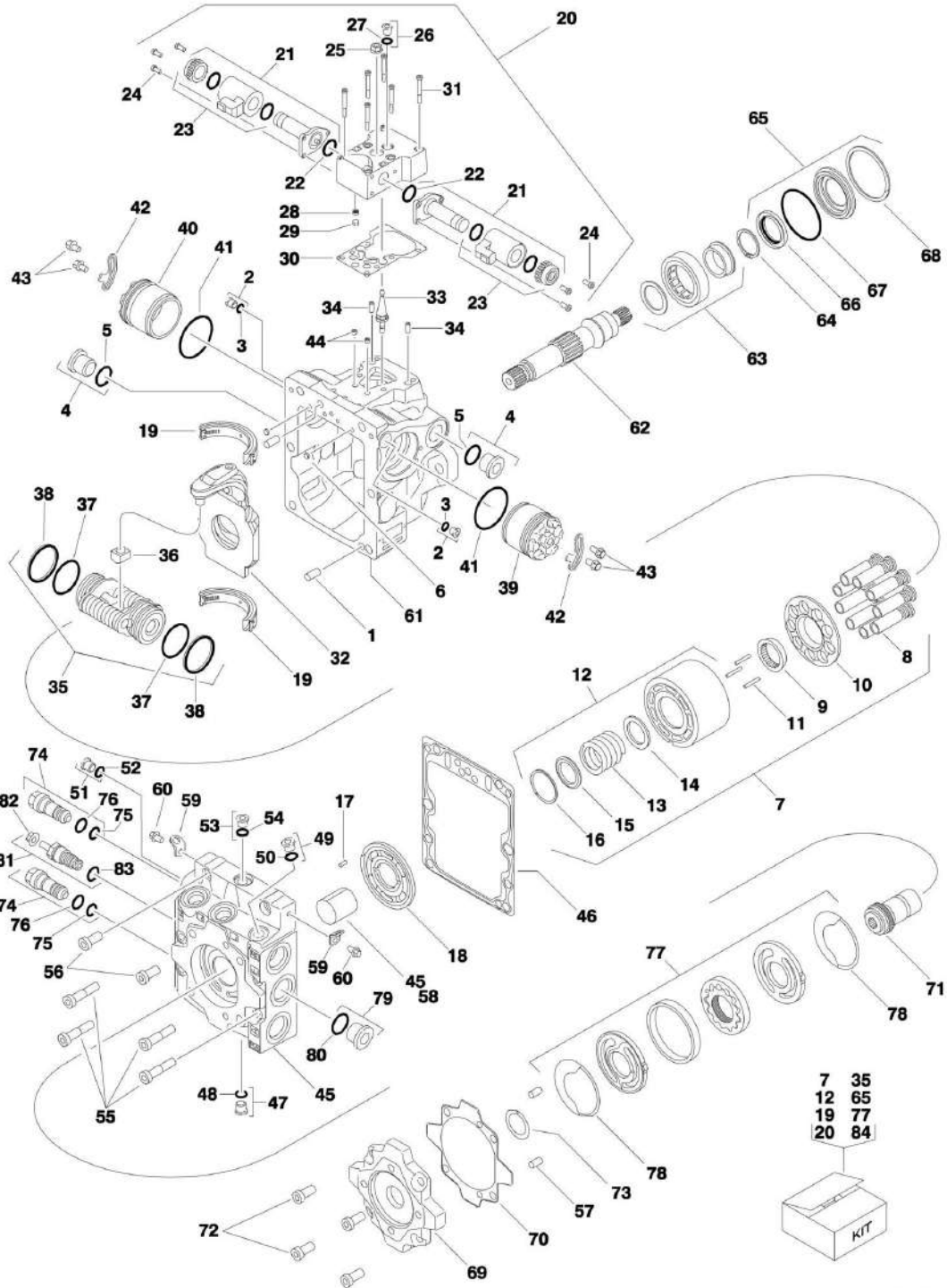
SECTION 3 - ENGINE

FIGURE 3-22. GM ENGINE ASSEMBLY (SN 0200259521 to Present)

| ITEM | PART NUMBER | QTY | DESCRIPTION | REV |
|------|-------------|------------------|---|-----|
| | 1001216089 | Ref | GM ENGINE ASSEMBLY (SN 0200259521 to Present) | B |
| 1 | 0100062 | AR | Compound, Locking | |
| 2 | 0641406 | 4 | Bolt 1/4 x 3/4 | |
| 3 | 0641407 | 3 | Bolt 1/4 x 7/8 | |
| 4 | 0641608 | 12 | Bolt 3/8 x 1 | |
| 5 | 0641609 | 4 | Bolt 3/8 x 1-1/8 | |
| 6 | 0641828 | 4 | Bolt 1/2 x 3-1/2 | |
| 7 | 0961986 | 2 | Flange, Bearing | |
| 8 | 1320012 | 4 | Clamp | |
| 9 | 1320022 | 4 | Clamp | |
| 10 | 1580011 | 1 | Container, Coolant Overflow | |
| 11 | 2720058 | 10 in /25.4cm | Hose | |
| 12 | 2720271 | 8 in /20cm | Hose | |
| 13 | 3200362 | 4 | Mount, Resilient Engine | |
| 14 | 3311405 | 7 | Nut 1/4 | |
| 15 | 3311605 | 8 | Nut 3/8 | |
| 16 | 3311608 | 8 | Nut 3/8 | |
| 17 | 3311805 | 4 | Nut 1/2 | |
| 18 | 3573195 | 1 | Plate, Radiator Mount | |
| 19 | 3620042 | 1 | Radiator | |
| 19 | 7027412 | 1 | Cap, Radiator | |
| 20 | 4711400 | 14 | Washer 1/4 | |
| 21 | 4711600 | 32 | Washer 3/8 | |
| 22 | 4711800 | 4 | Washer 1/2 | |
| 23 | 4740274 | 4 | Washer (Snubbing) | |
| 24 | 2750532 | 10 in /25.4cm | Hose | |
| 25 | 1001105112 | 1 | Support, Engine Tray | |
| 26 | 4640952 | 1 | Valve, Oil Drain | |
| 27 | 1001216088 | 1 | Engine, GM 3.0L (See GM Engine Supplement P/N 3121245 for Breakdown of Additional Components) | |
| 27 | 7027965 | 1 | Filter, Oil | |
| 27 | 7027972 | 1 | Filter, Fuel - Inlet | |
| 27 | 70000164 | 4 | Plug, Spark | |
| 27 | 70002895 | 1 | Module, Engine Control (ECU) (Note: Re-calibration Required when Replaced) | |
| 27 | 7024438 | 1 | Element, Air Filter | |
| 28 | 0100020 | AR | Sealant, Pipe | |
| 29 | 1001191842 | 1 | Deflector, Air | |

SECTION 3 - ENGINE

FIGURE 3-23. PISTON PUMP ASSEMBLY



ART_1001101331

SECTION 3 - ENGINE

FIGURE 3-23. PISTON PUMP ASSEMBLY

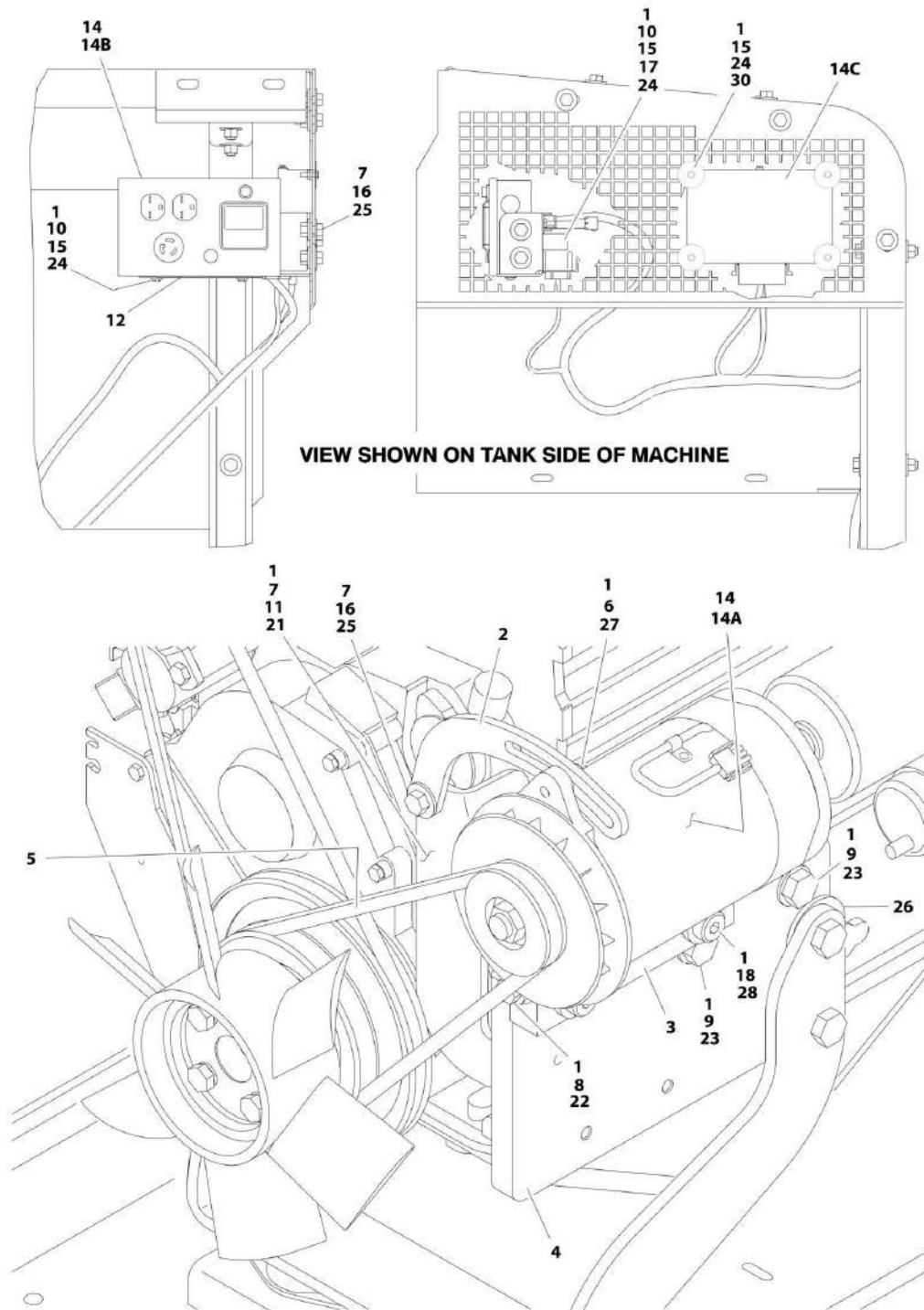
| ITEM | PART NUMBER | QTY | DESCRIPTION | REV |
|------|-------------|-----|---|-----|
| | 1001101331 | Ref | PISTON PUMP ASSEMBLY | D |
| 1 | 70002132 | 2 | Pin | |
| 2 | 70002133 | 2 | Plug Assembly (Includes Item 3) | |
| 3 | 7007207 | 2 | O-Ring (Part of Item 2) | |
| 4 | 7007419 | 2 | Plug Assembly (Includes Item 5) | |
| 5 | 7007418 | 2 | O-Ring (Part of Item 4) | |
| 6 | 70002134 | 2 | Screen | |
| 7 | 70002135 | 1 | Cylinder Block Kit (Includes Items 8-16) | |
| 8 | 70002136 | 1 | Piston Assembly Kit (Includes Qty 9 Piston Assemblies) (Part of Item 7) | |
| 9 | 70002137 | 1 | Guide, Slipper Retainer (Part of Item 7) | |
| 10 | 70002138 | 1 | Retainer, Slipper (Part of Item 7) | |
| 11 | 7021275 | 3 | Pin, Slipper Retainer Holddown (Part of Item 7) | |
| 12 | 70002143 | 1 | Cylinder Block Assembly (Includes Item 13-16) (Part of Item 7) | |
| 13 | 70002139 | 1 | Spring (Part of Item 12) | |
| 14 | 70002140 | 1 | Washer (Part of Item 12) | |
| 15 | 70002141 | 1 | Washer (Part of Item 12) | |
| 16 | 70002142 | 1 | Ring, Retaining (Part of Item 12) | |
| 17 | 7007446 | 1 | Pin | |
| 18 | 70002144 | 1 | Plate, CW Valve | |
| 19 | 70002145 | 1 | Swashplate Bearing Kit (Includes Qty 2 Bearings) | |
| 20 | 70002146 | 1 | EDC Kit (Includes Items 21-31) | |
| 21 | 70002147 | 2 | Solenoid Valve Assembly (Includes Item 22 & 23) (Part of Item 20) | |
| 22 | 70002148 | 2 | O-Ring (1 Per Valve Assembly) (Part of Item 21) | |
| 23 | 70002149 | 2 | Coil, Nut and Seals Kit (1 Per Valve Assembly) (Part of Item 21) | |
| 24 | 70002150 | 6 | Screw (Part of Item 20) | |
| 25 | 7022301 | 1 | Nut, Seal (Part of Item 20) | |
| 26 | 70002151 | 1 | Plug Assembly (Part of Item 20) (Includes Item 27) | |
| 27 | 7007207 | 1 | O-Ring (Part of Item 26) | |
| 28 | 70002134 | 1 | Screen (Part of Item 20) | |
| 29 | 70002153 | 1 | Ring, Locking (Part of Item 20) | |
| 30 | 70002154 | 1 | Gasket, Control (Part of Item 20) | |
| 31 | 70002156 | 6 | Capscrew (Part of Item 20) | |
| 32 | 70002152 | 1 | Swashplate | |
| 33 | 70002155 | 1 | Link, Swashplate | |
| 34 | 70002157 | 2 | Pin, Dowel | |
| 35 | 70002158 | 1 | Servo Piston Assembly (Includes Items 36-38) | |
| 36 | 70002159 | | Block, Slider (Part of Item 35) | |
| 37 | 70002160 | 2 | O-Ring (Part of Item 35) | |
| 38 | 70002161 | 2 | Ring, Piston (Part of Item 35) | |
| 39 | 70002162 | 1 | Cylinder, Servo | |
| 40 | 70002162 | 1 | Cylinder, Servo | |
| 41 | 70002163 | 2 | O-Ring | |
| 42 | 70002164 | 2 | Plate, Locking | |
| 43 | 70002165 | 4 | Screw | |
| 44 | 70002166 | 2 | Orifice | |
| 45 | 70002167 | 1 | Cap, End (Includes Item 58) | |
| 46 | 70002168 | 1 | Gasket, End Cap | |
| 47 | 70001958 | 1 | Plug Assembly (Includes Item 48) | |

SECTION 3 - ENGINE

| ITEM | PART NUMBER | QTY | DESCRIPTION | REV |
|------|-------------|-----|--|-----|
| 48 | 7021256 | 1 | O-Ring (Part of Item 47) | |
| 49 | 70001958 | 1 | Plug Assembly (Includes Item 50) | |
| 50 | 7021256 | 1 | O-Ring (Part of Item 49) | |
| 51 | 70001958 | 1 | Plug Assembly (Includes Item 52) | |
| 52 | 7021256 | 1 | O-Ring (Part of Item 51) | |
| 53 | 70001958 | 1 | Plug Assembly (Includes Item 54) | |
| 54 | 7021256 | 1 | O-Ring (Part of Item 53) | |
| 55 | 70002169 | 4 | Capscrew | |
| 56 | 70002170 | 2 | Capscrew | |
| 57 | 70002132 | 2 | Pin | |
| 58 | 70002172 | 1 | Bearing, Journal (Part of Item 45) | |
| 59 | 7022340 | 2 | Bracket, Lifting | |
| 60 | 70002165 | 2 | Screw | |
| 61 | See Note | 1 | Housing (Note: Purchase p/n 1001101331) | |
| 62 | 70002175 | 1 | Shaft | |
| 63 | 70002176 | 1 | Ball Bearing Kit | |
| 64 | 70007439 | 1 | Ring, Retaining | |
| 65 | 70002174 | 1 | Shaft Seal Kit (Includes Items 66-68) (Note: This is a universal kit and will contain extra pieces that are not used on this pump assembly.) | |
| 66 | 70002177 | 1 | Seal, Lip | |
| 67 | 70002178 | 1 | O-Ring | |
| 68 | 70002179 | 1 | Ring, Retaining | |
| 69 | 70002180 | 1 | Adapter | |
| 70 | 70002181 | 1 | Seal, Adapter | |
| 71 | 70002182 | 1 | Coupling | |
| 72 | 70002185 | 4 | Capscrew | |
| 73 | 70002186 | 1 | Plate, Thrust | |
| 74 | 70002188 | 2 | High Pressure Relief Valve Cartridge Assembly (Includes Item 75 & 76) | |
| 75 | 70002187 | 2 | O-Ring (1 Per Cartridge) (Part of Item 74) | |
| 76 | 7007415 | 2 | O-Ring (1 Per Cartridge) (Part of Item 74) | |
| 77 | 70002189 | 1 | Charge Pump Kit (Includes Item 78) | |
| 78 | 70002190 | 2 | Ring, Seal (Part of Item 77) | |
| 79 | 7023964 | 1 | Plug Assembly (Includes Item 80) | |
| 80 | 7007415 | 1 | O-Ring (Part of Item 79) | |
| 81 | 70002188 | 1 | Charge Relief Valve Cartridge Assembly (Includes Item 82 & 83) | |
| 82 | 70002187 | 1 | Nut, Seal (Part of Item 81) | |
| 83 | 7007415 | 1 | O-Ring (Part of Item 81) | |
| 84 | 70002192 | 1 | Overhaul Seal Kit (Includes Items 3, 5, 22, 27, 30, 37, 38, 41, 48, 50, 52, 54, 66, 67, 70, 75, 76, 78, 82 & 83) | |

SECTION 3 - ENGINE

FIGURE 3-24. GENERATOR INSTALLATION - 110V - DEUTZ D2011 ENGINE (OPTIONAL)



ART. 0271743

SECTION 3 - ENGINE

FIGURE 3-24. GENERATOR INSTALLATION - 110V - DEUTZ D2011 ENGINE (OPTIONAL)

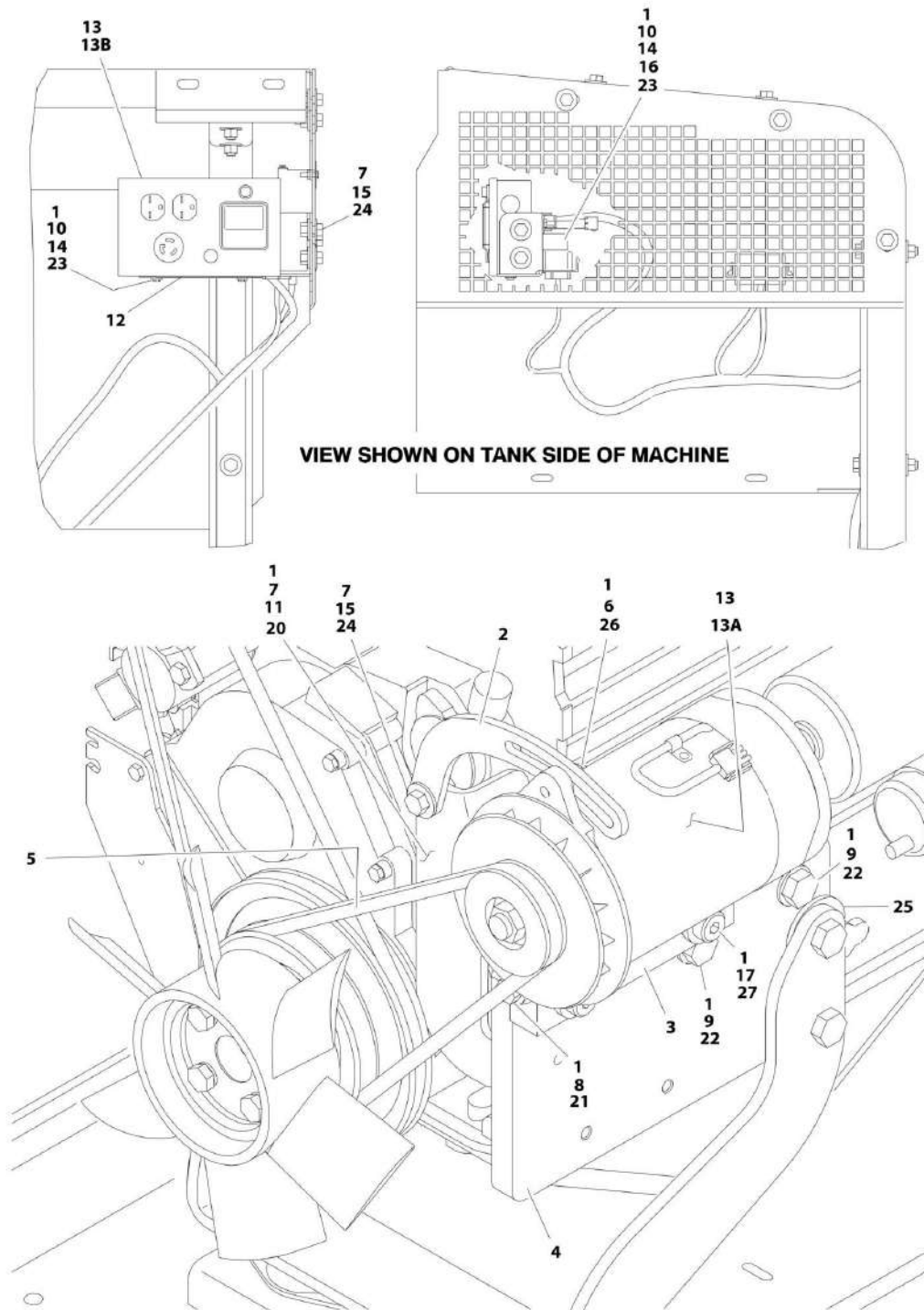
| ITEM | PART NUMBER | QTY | DESCRIPTION | REV |
|------|-------------|-----|--|-----|
| | 0271743 | Ref | GENERATOR INSTALLATION - 110V - DEUTZ D2011 ENGINE (OPTIONAL) | C |
| 1 | 0100011 | AR | Compound, Locking | |
| 2 | 0200742 | 1 | Arm, Adjusting | |
| 3 | 0363082 | 1 | Bar, Generator Adjusting | |
| 4 | 0363098 | 1 | Bar, Generator Mounting | |
| 5 | 0480124 | 1 | Belt, Drive | |
| 6 | 0641508 | 1 | Bolt 5/16 x 1 | |
| 7 | 0641608 | 6 | Bolt 3/8 x 1 | |
| 8 | 0641718 | 2 | Bolt 7/16 x 2-1/4 | |
| 9 | 0701418 | 2 | Bolt M14 x 50 | |
| 10 | 0721006 | 7 | Screw #10 x 3/4 | |
| 11 | 0902813 | 1 | Bracket, Arm Mounting | |
| 12 | 0902842 | 1 | Bracket, Generator Box Mounting | |
| 13 | 1061006 | 1 | Cable, AC (See ELECTRICAL SECTION for Breakdown) | |
| 14 | 2460043 | 1 | Generator and Control Box Assembly | B |
| 14A | 2460049 | 1 | Generator Only | |
| 14A | 70000122 | 1 | Armature with Slip Rings | |
| 14A | 7020108 | 4 | Brushes | |
| 14A | 7020109 | 4 | Holder, Brush | |
| 14A | 7012513 | 4 | Cap, Brush Holder | |
| 14A | 7012514 | 1 | Fan | |
| 14A | 7020110 | 1 | Bell, Front | |
| 14A | 7020111 | 1 | Bell, Rear | |
| 14A | 7020190 | 2 | Bearing | |
| 14A | 7027887 | 1 | Key, Pulley Woodruff | |
| 14A | 3580134 | 1 | Pulley | |
| 14B | 70002241 | 1 | Box, Control Assembly | |
| | | Ref | Note: Replacement 110V Control Box comes with 2 standard Receptacles p/n 4460190. Optional Industrial Twist Lock Receptacles p/n 4460027 must be ordered separately. | |
| 14B | 70002240 | 1 | Breaker, Circuit | |
| 14B | 2420203 | 1 | Voltmeter | |
| 14B | 4460190 | 1 | Receptacle -Standard | |
| 14B | 4460027 | 1 | Receptacle - Twist-Lock | |
| 14B | 2920162 | 1 | Lamp Assembly | |
| 14B | 70002237 | 1 | Diode 6A/600V | |
| 14B | 3520028 | 1 | Plug | |
| 14C | 7026525 | 1 | Regulator, Voltage | |
| 15 | 3311001 | 7 | Nut #10 | |
| 16 | 3311605 | 3 | Nut 3/8 | |
| 17 | 3740080 | 1 | Relay | |
| 18 | 3900322 | 2 | Bolt, Shoulder | |
| 19 | 4060802 | 1 | Guard, Switch (Not Shown - Located on Platform Console Box) | |
| 20 | 4360482 | 1 | Switch, Toggle (Not Shown - Located on Platform Console Box) | |
| 21 | 4711600 | 3 | Washer 3/8 | |
| 22 | 4711700 | 2 | Washer 7/16 | |
| 23 | 4711900 | 2 | Washer 9/16 | |
| 24 | 4751000 | 10 | Washer #10 | |
| 25 | 4751600 | 6 | Washer 3/8 | |

SECTION 3 - ENGINE

| ITEM | PART NUMBER | QTY | DESCRIPTION | REV |
|------|-------------|-----|---|-----|
| 26 | 4752200 | 2 | Washer 3/4 | |
| 27 | 4891500 | 2 | Washer 5/16 | |
| 28 | 4892000 | 2 | Washer 5/8 | |
| 29 | 4922800 | 1 | Harness, Generator (Not Shown - See ELECTRICAL SECTION for Breakdown) | |
| 30 | 4740362 | 4 | Washer, Fender | |

SECTION 3 - ENGINE

FIGURE 3-25. GENERATOR INSTALLATION - 220V - DEUTZ D2011 ENGINE (OPTIONAL)



ART. 0271745

SECTION 3 - ENGINE

FIGURE 3-25. GENERATOR INSTALLATION - 220V - DEUTZ D2011 ENGINE (OPTIONAL)

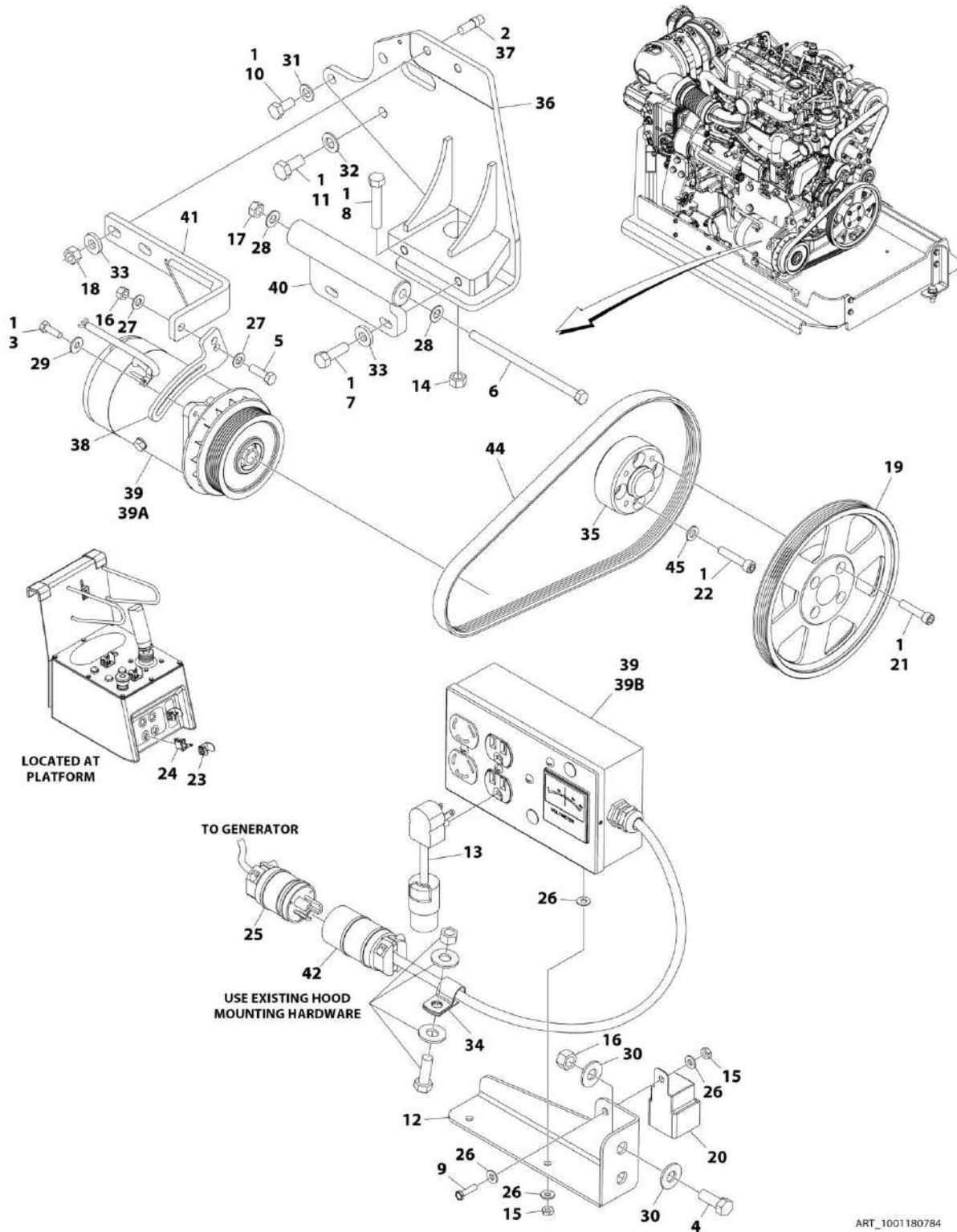
| ITEM | PART NUMBER | QTY | DESCRIPTION | REV |
|------|-------------|-----|---|-----|
| | 0271745 | Ref | GENERATOR INSTALLATION - 220V - DEUTZ D2011 ENGINE (OPTIONAL) | C |
| 1 | 0100011 | AR | Compound, Locking | |
| 2 | 0200742 | 1 | Arm, Adjusting | |
| 3 | 0363082 | 1 | Bar, Generator Adjusting | |
| 4 | 0363098 | 1 | Bar, Generator Mounting | |
| 5 | 0480124 | 1 | Belt, Drive | |
| 6 | 0641508 | 1 | Bolt 5/16 x 1 | |
| 7 | 0641608 | 6 | Bolt 3/8 x 1 | |
| 8 | 0641718 | 2 | Bolt 7/16 x 2-1/4 | |
| 9 | 0701418 | 2 | Bolt M14 x 50 | |
| 10 | 0721006 | 7 | Screw #10 x 3/4 | |
| 11 | 0902813 | 1 | Bracket, Arm Mounting | |
| 12 | 0902842 | 1 | Bracket, Generator Box Mounting | |
| 13 | 2460047 | 1 | Generator and Control Box Assembly | B |
| 13A | 1001100321 | 1 | Generator Only | |
| 13A | 70000123 | 1 | Armature with Slip Rings | |
| 13A | 7020108 | 4 | Brushes | |
| 13A | 7020109 | 4 | Holder, Brush | |
| 13A | 7012513 | 4 | Cap, Brush Holder | |
| 13A | 7012514 | 1 | Fan | |
| 13A | 7020110 | 1 | Bell, Front | |
| 13A | 7020111 | 1 | Bell, Rear | |
| 13A | 7020190 | 2 | Bearing | |
| 13A | 7027887 | 1 | Key, Pulley Woodruff | |
| 13A | 3580134 | 1 | Pulley | |
| 13B | 70002236 | 1 | Box, Control Assembly | |
| 13B | 70000126 | 1 | Breaker, Circuit | |
| 13B | 7020192 | 1 | Voltmeter | |
| 13B | 70000124 | 1 | Receptacle, Double | |
| 13B | 70000125 | 1 | Receptacle, Single | |
| 13B | 2920162 | 1 | Lamp Assembly | |
| 13B | 70002237 | 1 | Diode 6A/600V | |
| 13B | 3520028 | 1 | Plug | |
| 14 | 3311001 | 3 | Nut #10 | |
| 15 | 3311605 | 3 | Nut 3/8 | |
| 16 | 3740080 | 1 | Relay | |
| 17 | 3900322 | 2 | Bolt, Shoulder | |
| 18 | 4060802 | 1 | Guard, Switch (Not Shown - Located on Platform Console Box) | |
| 19 | 4360482 | 1 | Switch, Toggle (Not Shown - Located on Platform Console Box) | |
| 20 | 4711600 | 3 | Washer 3/8 | |
| 21 | 4711700 | 2 | Washer 7/16 | |
| 22 | 4711900 | 2 | Washer 9/16 | |
| 23 | 4751000 | 6 | Washer #10 | |
| 24 | 4751600 | 6 | Washer 3/8 | |
| 25 | 4752200 | 2 | Washer 3/4 | |
| 26 | 4891500 | 2 | Washer 5/16 | |
| 27 | 4892000 | 2 | Washer 5/8 | |
| 28 | 4922800 | 1 | Harness, Generator (Not Shown - See ELECTRICAL SECTION for Breakdown) | |

SECTION 3 - ENGINE

| ITEM | PART NUMBER | QTY | DESCRIPTION | REV |
|------|-------------|-----|--|-----|
| 29 | 1061006 | 1 | Cable, AC (Not Shown - See ELECTRICAL SECTION for Breakdown) | |

SECTION 3 - ENGINE

FIGURE 3-26. GENERATOR INSTALLATION - 110V - DEUTZ D2.9L4 (OPTIONAL)



SECTION 3 - ENGINE

FIGURE 3-26. GENERATOR INSTALLATION - 110V - DEUTZ D2.9L4 (OPTIONAL)

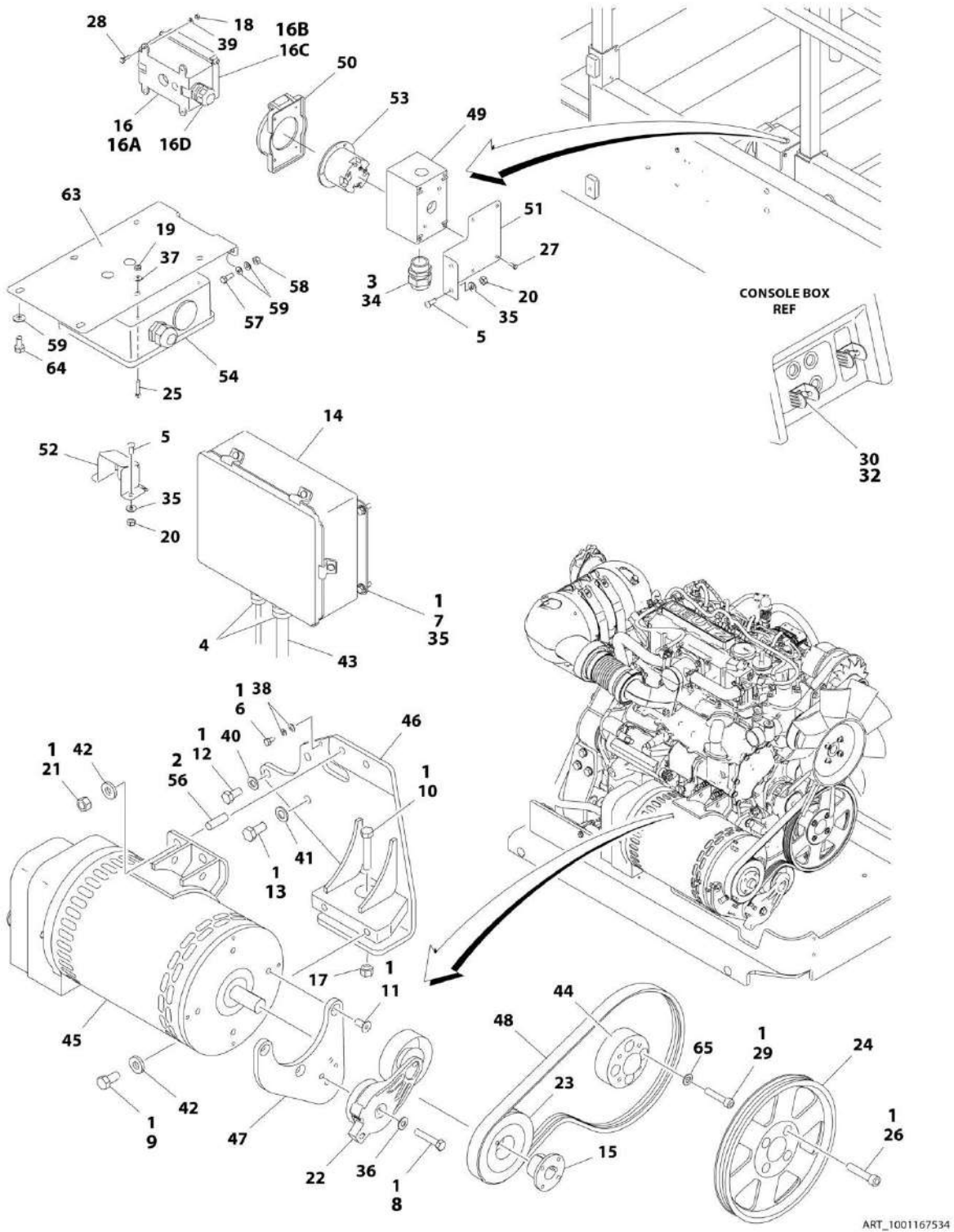
| ITEM | PART NUMBER | QTY | DESCRIPTION | REV |
|------|-------------|-----|--|-----|
| | 1001180784 | Ref | GENERATOR INSTALLATION - 110V - DEUTZ D2.9L4 (OPTIONAL) | B |
| 1 | 0100011 | AR | Compound, Locking | |
| 2 | 0100019 | AR | Compound, Locking | |
| 3 | 0641508 | 1 | Bolt 5/16 x 1 | |
| 4 | 0641608 | 2 | Bolt 3/8 x 1 | |
| 5 | 0641610 | 1 | Bolt 3/8 x 1-1/4 | |
| 6 | 0641772 | 1 | Bolt 7/16 x 9 | |
| 7 | 0641812 | 2 | Bolt 1/2 x 1-1/2 | |
| 8 | 0681822 | 1 | Bolt 1/2 x 2-3/4 | |
| 9 | 0721006 | 1 | Screw #10 x 3/4 | |
| 10 | 0771212 | 1 | Bolt M12 x 25 | |
| 11 | 0771414 | 2 | Bolt M14 x 30 | |
| 12 | 0902842 | 1 | Bracket, Generator Box | |
| 13 | 1061006 | 1 | AC Cable (See ELECTRICAL SECTION for Breakdown) | |
| 14 | 3271801 | 1 | Nut 1/2 | |
| 15 | 3311005 | 3 | Nut #10 | |
| 16 | 3311605 | 3 | Nut 3/8 | |
| 17 | 3311705 | 1 | Nut 7/16 | |
| 18 | 3311801 | 2 | Nut 1/2 | |
| 19 | 3580320 | 1 | Pulley | |
| 20 | 3740080 | 1 | Relay | |
| 21 | 3931628 | 4 | Capscrew 3/8 x 1-3/4 | |
| 22 | 4032014 | 4 | Capscrew M10 x 50 | |
| 23 | 4060802 | 1 | Guard, Switch | |
| 24 | 4360482 | 1 | Switch, Toggle | |
| 25 | 4460205 | 1 | Plug | |
| 26 | 4711000 | 6 | Washer #10 | |
| 27 | 4711600 | 2 | Washer 3/8 | |
| 28 | 4711700 | 2 | Washer 7/16 | |
| 29 | 4751500 | 1 | Washer 5/16 | |
| 30 | 4751600 | 4 | Washer 3/8 | |
| 31 | 4812100 | 1 | Washer M12 | |
| 32 | 4812200 | 2 | Washer M14 | |
| 33 | 4891800 | 4 | Washer 1/2 | |
| 34 | 8406101 | 1 | Clamp | |
| 35 | 1001135679 | 1 | Adapter, Pulley | |
| 36 | 1001147780 | 1 | Support | |
| 37 | 1001163599 | 2 | Stud | |
| 38 | 1001179837 | 1 | Arm, Adjustment | |
| 39 | 1001180001 | 1 | Generator, 110V-60Hz | |
| 39A | 7012558 | 1 | Generator Only | |
| 39A | 7026199 | 1 | Armature with Slip Rings | |
| 39A | 7020108 | 4 | Brushes | |
| 39A | 7020109 | 4 | Holder, Brush | |
| 39A | 7012513 | 4 | Cap, Brush Holder | |
| 39A | 7012514 | 1 | Fan | |
| 39A | 7020110 | 1 | Bell, Front | |
| 39A | 7020111 | 1 | Bell, Rear | |
| 39A | 7020190 | 2 | Bearing | |

SECTION 3 - ENGINE

| ITEM | PART NUMBER | QTY | DESCRIPTION | REV |
|------|-------------|------------|--|-----|
| 39A | 7027887 | 1 | Key, Pulley Woodruff | |
| 39A | 3580134 | 1 | Pulley | |
| 39A | 7020193 | 12 ft/3.7m | Cord, Power | |
| 39B | 7019680 | 1 | Box, Control Assembly | |
| | | Ref | Note: Replacement 110V Control Box comes with 2 standard Receptacles p/n 4460190. Optional Industrial Twist Lock Receptacles p/n 4460027 must be ordered separately. | |
| 39B | 4360542 | 1 | Breaker, Circuit | |
| 39B | 2420203 | 1 | Voltmeter | |
| 39B | 4460190 | 1 | Receptacle - Standard | |
| 39B | 4460027 | 1 | Receptacle - Twist-Lock | |
| 39B | 2920162 | 1 | Lamp Assembly | |
| 39B | 70002237 | 1 | Diode 6A/600V | |
| 39B | 3520028 | 1 | Plug, Hole | |
| 39B | 4460961 | 1 | Connector, Harness | |
| 39B | 4460705 | 4 | Pin, Male | |
| 40 | 1001181184 | 1 | Mount, Generator (Lower) | |
| 41 | 1001183129 | 1 | Mount, Generator (Upper) | |
| 42 | 1001183913 | 1 | Generator AC Harness (See ELECTRICAL SECTION for Breakdown) | |
| 43 | 1001183914 | 1 | Generator Harness (Not Shown - See ELECTRICAL SECTION for Breakdown) | |
| 44 | 1001148138 | 1 | Belt | |
| 45 | 4812000 | AR | Washer M10 | |

SECTION 3 - ENGINE

FIGURE 3-27. GENERATOR INSTALLATION - 7500W - DEUTZ D2.9L4 ENGINE (OPTIONAL)



SECTION 3 - ENGINE

FIGURE 3-27. GENERATOR INSTALLATION - 7500W - DEUTZ D2.9L4 ENGINE (OPTIONAL)

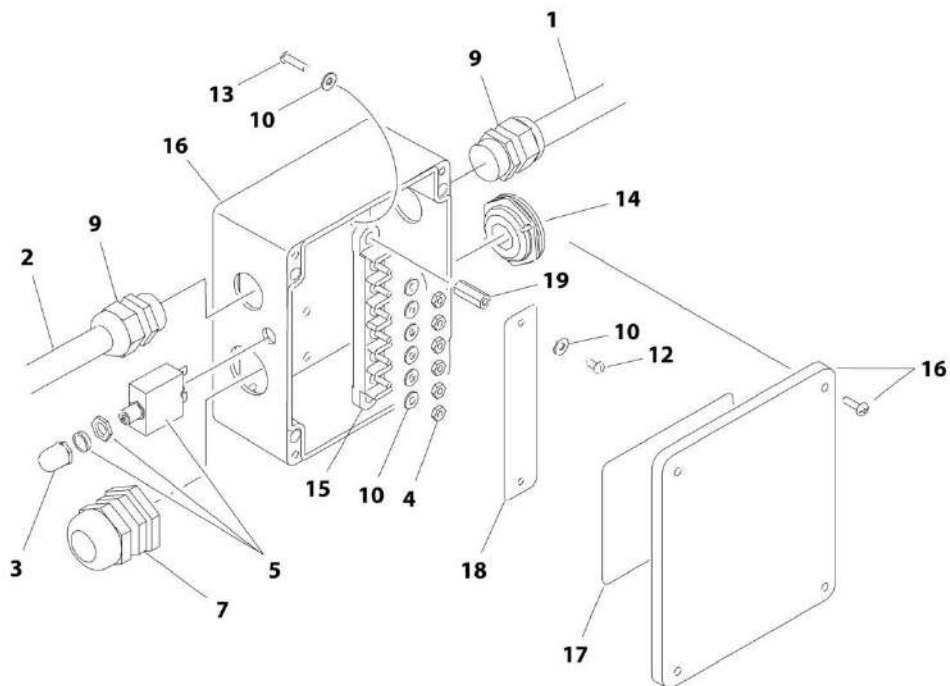
| ITEM | PART NUMBER | QTY | DESCRIPTION | REV |
|------|-------------|-----|---|-----|
| | 1001167534 | Ref | GENERATOR INSTALLATION - 7500W - DEUTZ D2.9L4 ENGINE (OPTIONAL) | F |
| 1 | 0100011 | AR | Compound, Locking | |
| 2 | 0100019 | AR | Compound, Locking | |
| 3 | 0100020 | AR | Sealant, Pipe (Not Shown) | |
| 4 | 0100048 | AR | Grease, Dielectric | |
| 5 | 0630407 | 4 | Screw 1/4 x 5/8 | |
| 6 | 0641404 | 1 | Bolt 1/4 x 1/2 | |
| 7 | 0641406 | 4 | Bolt 1/4 x 3/4 | |
| 8 | 0641616 | 1 | Bolt 3/8 x 2 | |
| 9 | 0641808 | 2 | Bolt 1/2 x 1 | |
| 10 | 0681822 | 1 | Bolt 1/2 x 2-3/4 Grade 8 | |
| 11 | 0741607 | 3 | Screw 3/8 x 7/8 | |
| 12 | 0771212 | 1 | Bolt M12 x 25 Grade 10.9 | |
| 13 | 0771414 | 2 | Bolt M14 x 30 Grade 10.9 | |
| 14 | 0861538 | 1 | Box, Generator Control | |
| 14 | 7024488 | 1 | Card, Circuit - Generator Power (Not Shown) | |
| 14 | See Note | 1 | Fuse (Note: Not Available - Purchase Locally) | |
| 14 | 7024489 | 1 | Card, Circuit - Control (Not Shown) | |
| 14 | 70000619 | 1 | Harness, Circuit Card | |
| 15 | 0962520 | 1 | Bushing, Taper | |
| 16 | 2902431 | 1 | Kit, Receptacle Box | |
| 16A | 0861731 | 1 | Box | |
| 16B | 1671207 | 1 | Cover | |
| 16C | 4460346 | 1 | Receptacle | |
| 16D | 4460662 | 1 | Connector, Strain Relief | |
| 17 | 3271801 | 1 | Nut 1/2 Grade 8 | |
| 18 | 3290405 | 4 | Nut M4 | |
| 19 | 3311005 | 4 | Nut #10 | |
| 20 | 3311405 | 4 | Nut 1/4 | |
| 21 | 3311801 | 2 | Nut 1/2 | |
| 22 | 3580317 | 1 | Tensioner, Belt (Includes Pulley) | |
| 23 | 3580318 | 1 | Pulley, Generator | |
| 24 | 3580320 | 1 | Pulley, Engine | |
| 25 | 3931016 | 4 | Screw #10 x 1 | |
| 26 | 3931628 | 4 | Capscrew 3/8 x 1-3/4 | |
| 27 | 3940804 | 4 | Self-Tapping | |
| 28 | 4010408 | 4 | Screw M4 x 16 | |
| 29 | 4032014 | 4 | Bolt M10 x 50 | |
| 30 | 4060802 | 1 | Guard, Switch | |
| 31 | 4240033 | AR | Strap, Tie (Not Shown) | |
| 32 | 4360482 | 1 | Switch, Toggle (Not Shown - Located on Platform Console Box) | |
| 33 | 4460315 | 3 | Terminal, Spade (Not Shown) | |
| 34 | 4460612 | 1 | Connector, Strain Relief | |
| 35 | 4711400 | 8 | Washer 1/4 | |
| 36 | 4711600 | 1 | Washer 3/8 | |
| 37 | 4751000 | 4 | Washer #10 | |
| 38 | 4791400 | 2 | Washer 1/4 | |
| 39 | 4811400 | 4 | Washer M4 | |
| 40 | 4812100 | 1 | Washer M12 | |

SECTION 3 - ENGINE

| ITEM | PART NUMBER | QTY | DESCRIPTION | REV |
|------|-------------|-----|---|-----|
| 41 | 4812200 | 2 | Washer M14 | |
| 42 | 4891800 | 4 | Washer 1/2 | |
| 43 | 4922925 | 1 | Harness (See ELECTRICAL SECTION for Breakdown) | |
| 44 | 1001135679 | 1 | Spacer, Pulley | |
| 45 | 1001136104 | 1 | Generator, 7500W (Note: No service parts breakdown at time of printing) | |
| 46 | 1001147780 | 1 | Support, Mount | |
| 47 | 1001147972 | 1 | Bracket | |
| 48 | 1001148138 | 1 | Belt | |
| 49 | 1001148675 | 1 | Box, Receptacle | |
| 50 | 1001148676 | 1 | Cover | |
| 51 | 1001148750 | 1 | Support | |
| 52 | 1001148844 | 1 | Support | |
| 53 | 1001148907 | 1 | Connector | |
| 54 | 1001157593 | 1 | Junction Box Assembly Options (See Items JUNCTION BOX ASSEMBLY for Breakdown) | |
| 55 | 1001148424 | 1 | 7500W Generator Harness (Not Shown - See ELECTRICAL DIAGRAM for Breakdown) | |
| 56 | 1001163599 | 2 | Stud | |
| 57 | 0641506 | 2 | Bolt 5/16 x 3/4 | |
| 58 | 3311505 | 2 | Nut 5/16 | |
| 59 | 4711500 | 6 | Washer 5/16 | |
| 63 | 1001148559 | 1 | Support | |
| 64 | 0641505 | 2 | Bolt 5/16 x 5/8 | |
| 65 | 4812000 | AR | Washer M10 | |

SECTION 3 - ENGINE

FIGURE 3-28. JUNCTION BOX ASSEMBLY - 7500W GENERATOR



ART_1001157593

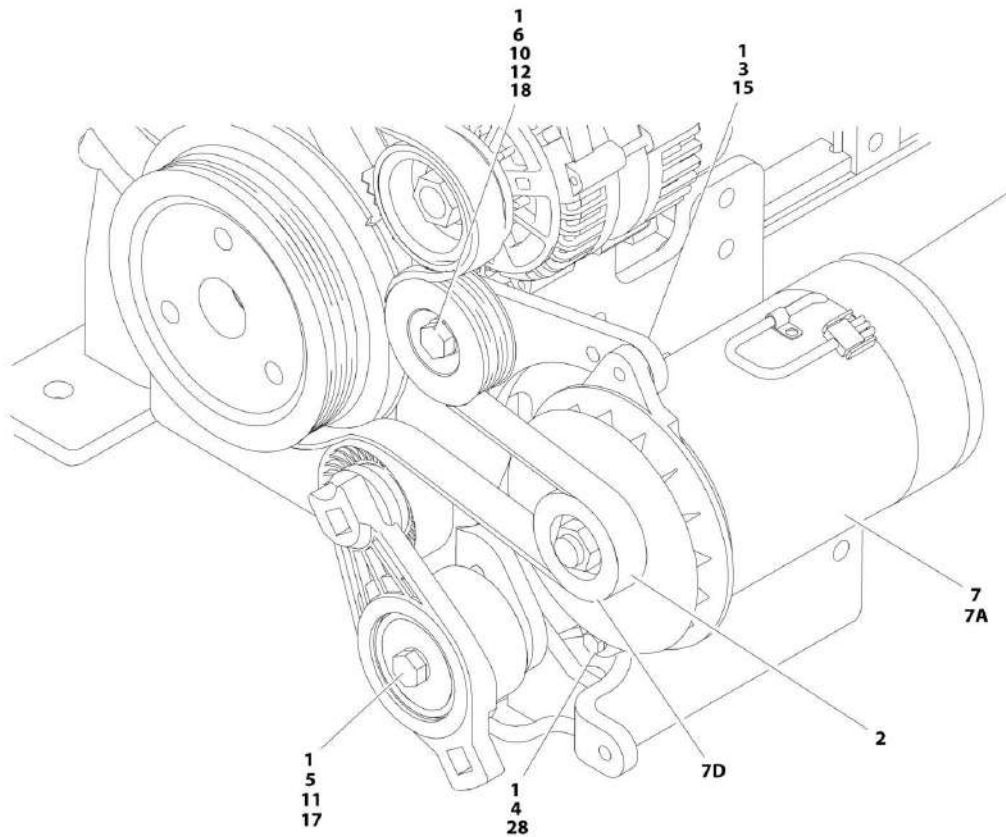
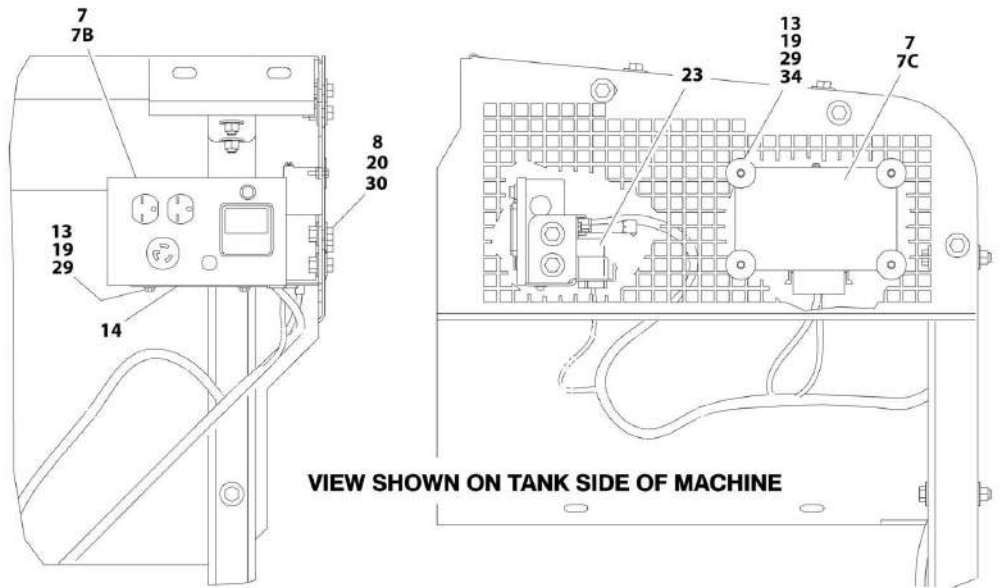
SECTION 3 - ENGINE

FIGURE 3-28. JUNCTION BOX ASSEMBLY - 7500W GENERATOR

| ITEM | PART NUMBER | QTY | DESCRIPTION | REV |
|------|-------------|-----------------|---|-----|
| | 1001157593 | Ref | JUNCTION BOX ASSEMBLY - 7500W GENERATOR | C |
| 1 | 1060394 | 4.5 ft /1.4m | Cable, Electrical 10/4 | |
| 2 | 1060494 | 3.5 ft/1m | Cable, Electrical 12/3 (SN 0200239053 through 0200246366) | |
| 2 | 1001179154 | 3.5 ft/1m | Cable, Electrical 12/3 (SN 0200246367 to Present) | |
| 3 | 3300396 | 1 | Cover, Fuse | |
| 4 | 3311001 | 6 | Nut #10 | |
| 5 | 4360070 | 1 | Circuit Breaker - 15Amp | |
| 7 | 4460426 | 1 | Connector, Strain Relief | |
| 9 | 4460425 | 2 | Connector, Strain Relief | |
| 10 | 4711000 | 10 | Washer #10 | |
| 12 | 10702077 | 2 | Screw #10 x 3/8 | |
| 13 | 10702082 | 2 | Screw #10 x 3/4 | |
| 14 | 1001148648 | 1 | Plug | |
| 15 | 1001157520 | 1 | Block, Terminal | |
| 16 | 1001157521 | 1 | Box, Junction | |
| 17 | 1001157530 | 1 | Decal - Wiring Schematic | |
| 18 | 1001158007 | 1 | Plate | |
| 19 | 1001158008 | 2 | Standoff | |

SECTION 3 - ENGINE

FIGURE 3-29. GENERATOR INSTALLATION - 110V - GM ENGINE (OPTIONAL)



ART_0275141

SECTION 3 - ENGINE

FIGURE 3-29. GENERATOR INSTALLATION - 110V - GM ENGINE (OPTIONAL)

| ITEM | PART NUMBER | QTY | DESCRIPTION | REV |
|------|-------------|-----|--|-----|
| | 0275141 | Ref | 110V GENERATOR INSTALLATION (GM ENGINE OPTION) | D |
| 1 | 0100011 | AR | Compound, Locking | |
| 2 | 0480143 | 1 | Belt, Serpentine | |
| 3 | 0641510 | 1 | Bolt 5/16 x 1-1/4 | |
| 4 | 0641710 | 2 | Bolt 7/16 x 1-1/4 | |
| 5 | 0700820 | 1 | Bolt M8 x 60 | |
| 6 | 0701016 | 1 | Bolt M10 x 40 | |
| 7 | 2460059 | 1 | Generator and Control Box Assembly | |
| 7A | 2460049 | 1 | Generator Assembly | |
| | | Ref | Note: Replacement Generator comes with a 3-1/2in Dia pulley standard, must be changed to p/n 3580324 - 3in pulley (Item 7D) to operate correctly. | |
| 7A | 70000122 | 1 | Armature | |
| 7A | 7020108 | 4 | Brushes | |
| 7A | 7020109 | 4 | Holder, Brush | |
| 7A | 7012513 | 4 | Cap, Brush Holder | |
| 7A | 7012514 | 1 | Fan | |
| 7A | 7020110 | 1 | Bell, Front | |
| 7A | 7020111 | 1 | Bell, Rear | |
| 7A | 7020190 | 2 | Bearing | |
| 7B | 70002241 | 1 | Box, Control Assembly | |
| | | Ref | Note: Replacement 110V Control Box comes with 2 standard Receptacles p/n 4460190. Optional Industrial Twist Lock Receptacles p/n 4460027 must be ordered separately. | |
| 7B | 70002240 | 1 | Breaker, Circuit | |
| 7B | 2420203 | 1 | Voltmeter | |
| 7B | | Ref | Receptacle Options: | |
| 7B | 4460190 | 2 | Standard Receptacle | |
| 7B | 4460027 | 2 | Twist-Lock Receptacle | |
| 7B | 70002237 | 1 | Diode | |
| 7B | 3520028 | 1 | Plug | |
| 7C | 7026525 | 1 | Regulator, Voltage | |
| 7D | 3580324 | 1 | Pulley | |
| 7D | 7027887 | 1 | Key, Woodruff | |
| 8 | 0641606 | 2 | Bolt 3/8 x 3/4 | |
| 10 | 3580312 | 1 | Pulley, Idler | |
| 11 | 3580348 | 1 | Tensioner, Belt (Includes Pulley) | |
| 12 | 4568735 | 1 | Tube, Spacer | |
| 13 | 0721006 | 7 | Screw #10 x 3/4 | |
| 14 | 0902842 | 1 | Bracket, Generator Box Mounting | |
| 15 | 4751500 | AR | Washer 5/16 | |
| 16 | 1061006 | 1 | Cable, AC (See ELECTRICAL SECTION for Breakdown) | |
| 17 | 4811900 | 1 | Washer M8 | |
| 18 | 4891600 | 1 | Washer 3/8 | |
| 19 | 3311001 | 7 | Nut #10 | |
| 20 | 3311605 | 2 | Nut 3/8 | |
| 23 | 3740080 | 1 | Relay | |
| 25 | 4060802 | 1 | Guard, Switch (Not Shown - Located on Platform Console Box) | |
| 26 | 4360482 | 1 | Switch, Toggle (Not Shown - Located on Platform Console Box) | |
| 28 | 4711700 | 2 | Washer 7/16 | |

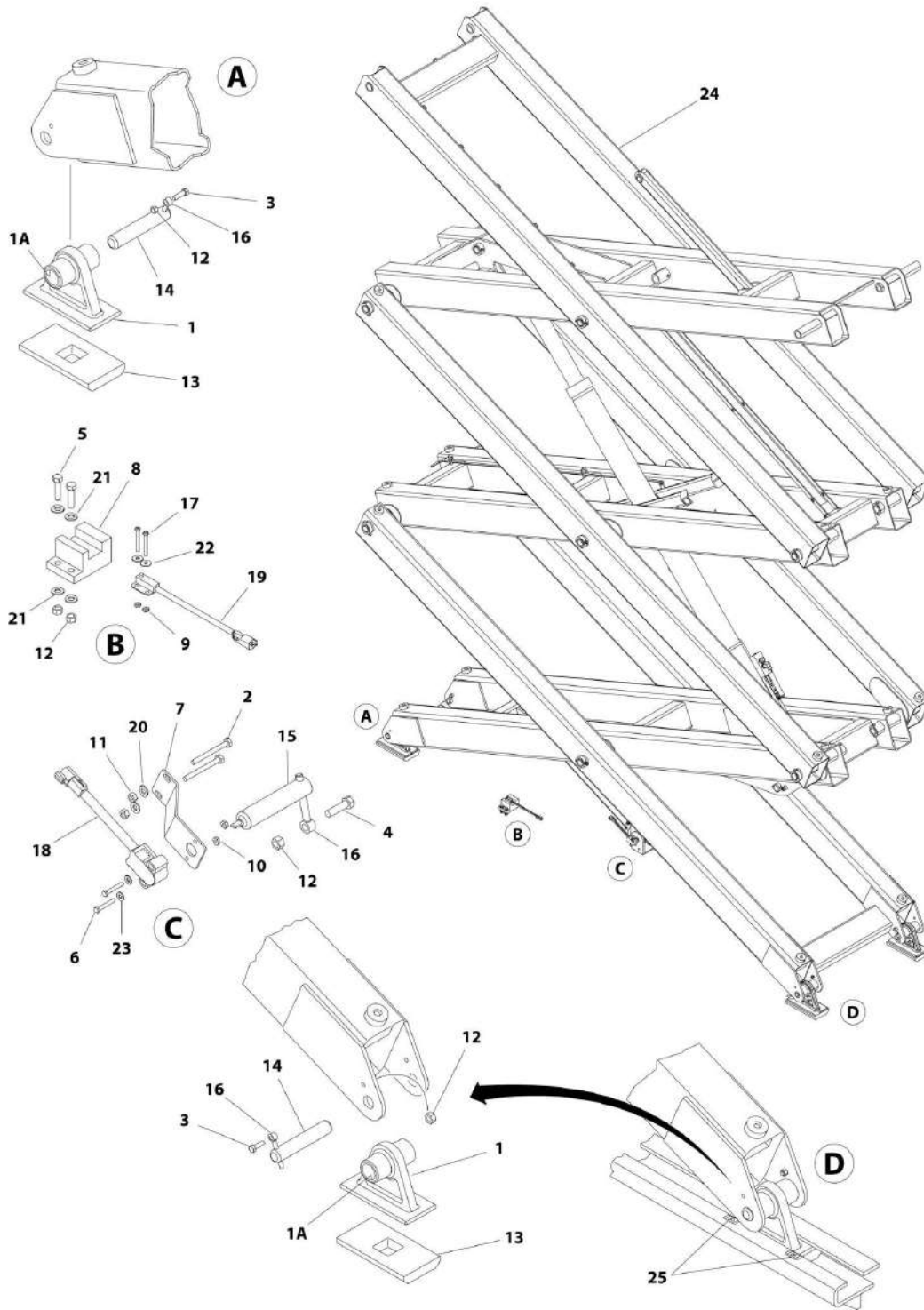
SECTION 3 - ENGINE

| ITEM | PART NUMBER | QTY | DESCRIPTION | REV |
|------|-------------|-----|---|-----|
| 29 | 4751000 | 10 | Washer #10 | |
| 30 | 4751600 | 4 | Washer 3/8 | |
| 33 | 4922800 | 1 | Harness, Generator (See ELECTRICAL SECTION for Breakdown) | |
| 34 | 4740362 | 4 | Washer, Fender | |

SECTION 4 - SCISSORS ARMS

SECTION 4 - SCISSORS ARMS

FIGURE 4-1. SCISSOR ARMS INSTALLATION - 3394RT (DEUTZ D2011 ENGINE AND GM ENGINE MACHINES)



ART_1001103766

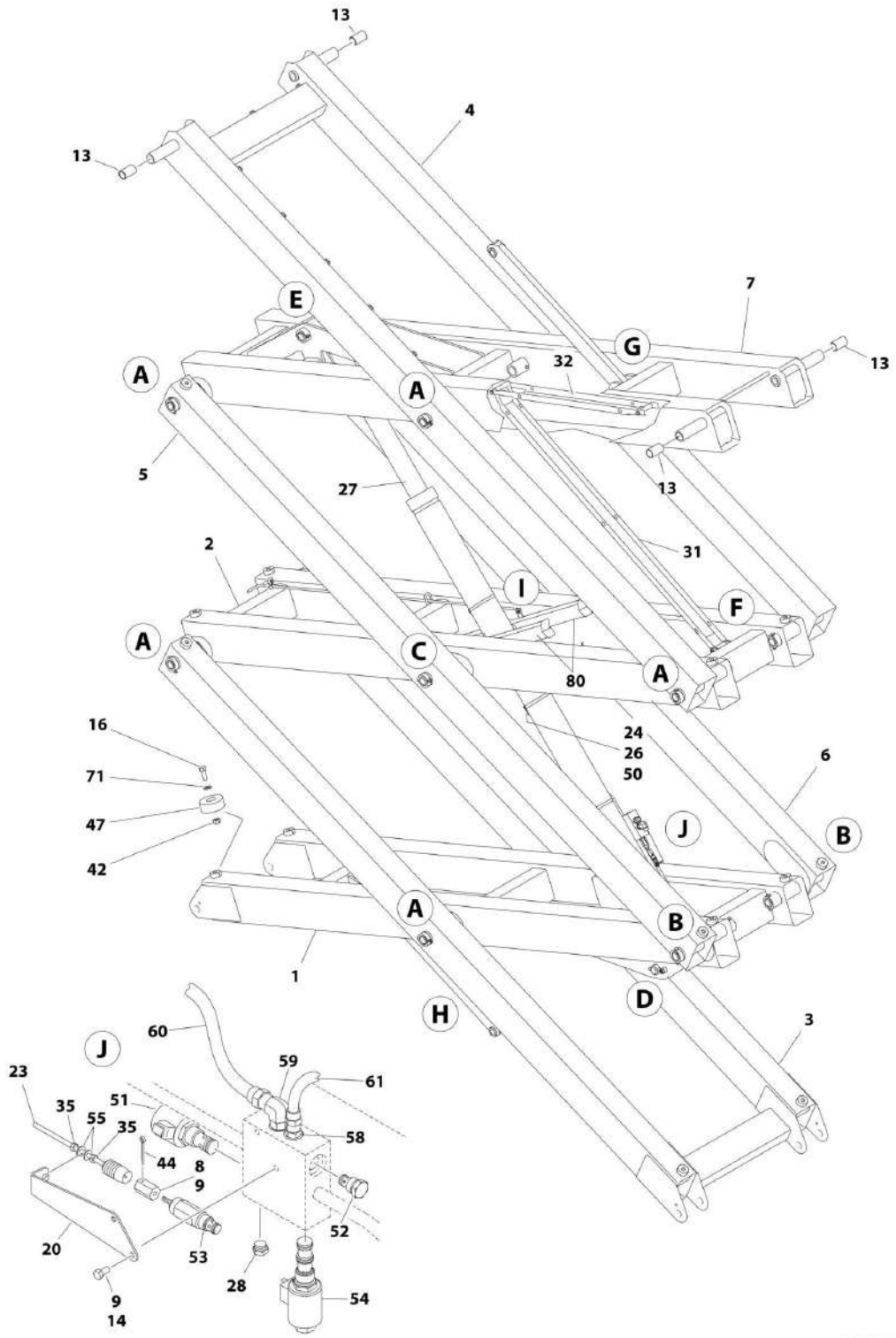
SECTION 4 - SCISSORS ARMS

FIGURE 4-1. SCISSOR ARMS INSTALLATION - 3394RT (DEUTZ D2011 ENGINE AND GM ENGINE MACHINES)

| ITEM | PART NUMBER | QTY | DESCRIPTION | REV |
|------|-------------|-----|--|-----|
| | 1001103766 | Ref | SCISSOR ARMS INSTALLATION - 3394RT (DEUTZ D2011 ENGINE AND GM ENGINE MACHINES) | E |
| 1 | 1001099623 | 4 | Slider | |
| 1A | 0440234 | 4 | Bearing (Qty 2 per Slider) | |
| 2 | 0641420 | 2 | Bolt 1/4 x 2-1/2 | |
| 3 | 0641610 | 4 | Bolt 3/8 x 1-1/4 | |
| 4 | 0641611 | 1 | Bolt 3/8 x 1-3/8 | |
| 5 | 0641612 | 2 | Bolt 3/8 x 1-1/2 | |
| 6 | 0721010 | 2 | Screw #10 x 1-1/4 | |
| 7 | 0902774 | 1 | Bracket, Switch Mounting | |
| 8 | 3200447 | 1 | Mount, Proximity Switch | |
| 9 | 3300455 | 2 | Nut #10 | |
| 10 | 3311005 | 2 | Nut #10 | |
| 11 | 3311405 | 2 | Nut 1/4 | |
| 12 | 3311605 | 7 | Nut 3/8 | |
| 13 | 3340935 | 4 | Pad, Slide | |
| 14 | 3422961 | 4 | Pin | |
| 15 | 3422963 | 1 | Pin | |
| 16 | 3841143 | 5 | Keeper, Pin | |
| 17 | 3900325 | 2 | Screw #10 | |
| 18 | 4360500 | 1 | Switch, Rotary Angle Sensor | |
| 19 | 4360502 | 1 | Switch, Proximity Sensor | |
| 20 | 4711400 | 2 | Washer 1/4 | |
| 21 | 4711600 | 4 | Washer 3/8 | |
| 22 | 4740506 | 2 | Washer #10 | |
| 23 | 4751000 | 2 | Washer #10 | |
| 24 | 1001103765 | 1 | Scissor Arms Assembly (See SCISSOR ARMS ASSEMBLY - 3394RT for Breakdown) | |
| 25 | 1001125243 | 1 | Decal Kit - Calibration (Includes 2 Decals) | |

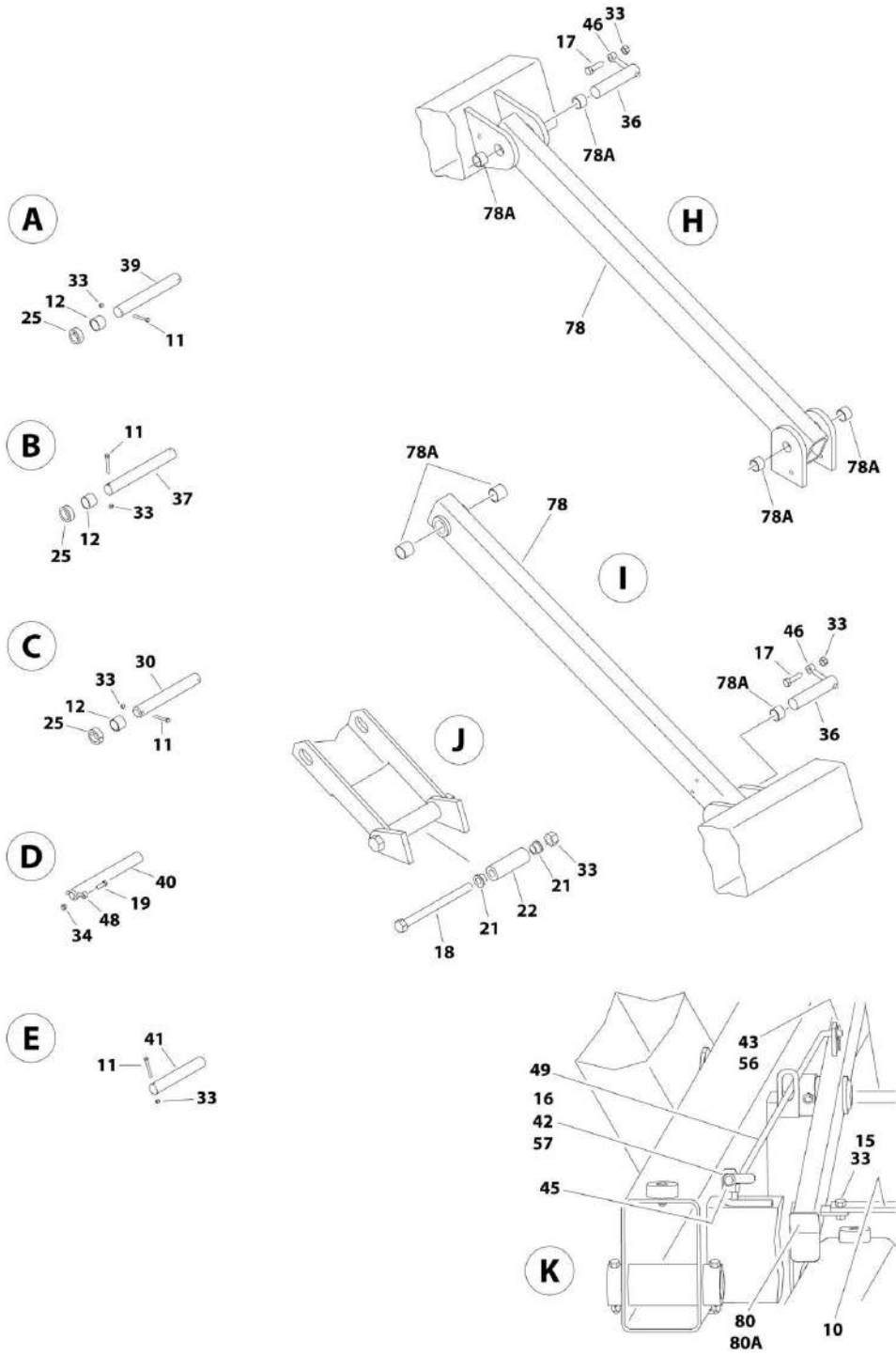
SECTION 4 - SCISSORS ARMS

FIGURE 4-2. SCISSOR ARMS ASSEMBLY - 3394RT (DEUTZ D2011 ENGINE AND GM ENGINE MACHINES)



ART_1001103765_10F2

SECTION 4 - SCISSORS ARMS



ART_1001103765_20F2

SECTION 4 - SCISSORS ARMS

FIGURE 4-2. SCISSOR ARMS ASSEMBLY - 3394RT (DEUTZ D2011 ENGINE AND GM ENGINE MACHINES)

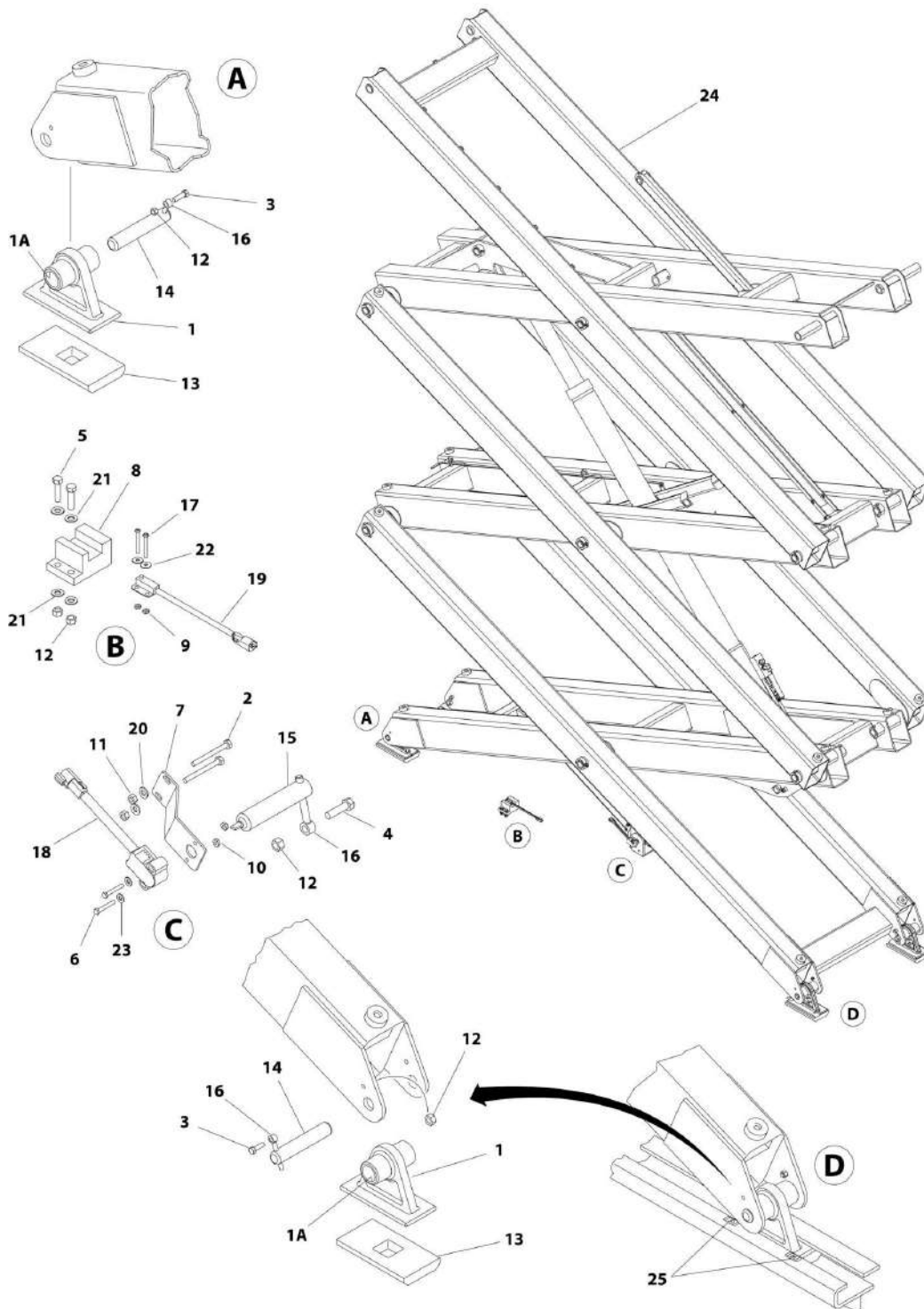
| ITEM | PART NUMBER | QTY | DESCRIPTION | REV |
|------|-------------|-----|--|-----|
| | 1001103765 | Ref | SCISSOR ARMS ASSEMBLY - 3394RT (DEUTZ D2011 ENGINE AND GM ENGINE MACHINES) | D |
| 1 | 0200712 | 1 | Arm - Lower Inboard | |
| 2 | 0200713 | 1 | Arm - Mid Inboard | |
| 3 | 0200716 | 1 | Arm - Lower Outboard | |
| 4 | 0200717 | 1 | Arm - Upper Inboard | |
| 5 | 0200718 | 1 | Arm - Mid Outboard (Left Side) | |
| 6 | 0200719 | 1 | Arm - Mid Outboard (Right Side) | |
| 7 | 0200723 | 1 | Arm - Upper Outboard | |
| 8 | 0080190 | 1 | Adapter, Cable | |
| 9 | 0100011 | AR | Compound, Locking | |
| 10 | 0363050 | 1 | Bar, Prop Attach | |
| 11 | 0681624 | 29 | Bolt 3/8 x 3 Grade 8 | |
| 12 | 0440236 | 28 | Bearing | |
| 13 | 0440250 | 4 | Bearing | |
| 14 | 0641505 | 2 | Bolt 5/16 x 5/8 | |
| 15 | 0681607 | 2 | Bolt 3/8 x 7/8 Grade 8 | |
| 16 | 0641507 | 16 | Bolt 5/16 x 7/8 | |
| 17 | 0681612 | 2 | Bolt 3/8 x 1-1/2 Grade 8 | |
| 18 | 0681632 | 3 | Bolt 3/8 x 4 Grade 8 | |
| 19 | 0681813 | 1 | Bolt 1/2 x 1-5/8 Grade 8 | |
| 20 | 0902773 | 1 | Bracket, Cable Mounting | |
| 21 | 0962031 | 8 | Bushing, Flanged | |
| 22 | 0962446 | 3 | Spacer | |
| 23 | 1060929 | 1 | Cable, Manual Descent | |
| 23 | 7020218 | 1 | Handle, "T" | |
| 23 | 7019602 | 1 | Bellow | |
| 23 | 7020219 | 1 | Washer | |
| 24 | 1320122 | 3 | Clamp | |
| 25 | 1440331 | 14 | Collar | |
| 26 | 1670995 | 3 | Cover, Hose/Cable | |
| 27 | 1684332 | 1 | Lift Cylinder Assembly (See CYLINDER SECTION for Breakdown) | |
| 28 | 2220885 | 1 | Plug | |
| 29 | 2902149 | 1 | Arm Components Kit (Not Shown - Includes Items 1-7, 12, 13, 16, 31, 32, 42, 47, 71, 78 & 80) | |
| 30 | 3422965 | 2 | Pin | |
| 31 | 1180371 | 1 | Carrier, Cable | |
| 32 | 1180372 | 1 | Carrier, Cable | |
| 33 | 3271605 | 36 | Nut 3/8 Grade 8 | |
| 34 | 3271805 | 1 | Nut 1/2 Grade 8 | |
| 35 | 3321402 | 2 | Nut 1/4 | |
| 36 | 3422943 | 2 | Pin | |
| 37 | 3422944 | 2 | Pin | |
| 38 | 2902062 | 1 | Scissor Arm Kit - 3394RT (Not Shown - Includes Items 1-7) | |
| 39 | 3422945 | 10 | Pin | |
| 40 | 3422946 | 1 | Pin | |
| 41 | 3422954 | 1 | Pin | |
| 42 | 3311505 | 16 | Nut 5/16 | |
| 43 | 3450304 | 1 | Pin, Cotter 3/32 x 1 | |

SECTION 4 - SCISSORS ARMS

| ITEM | PART NUMBER | QTY | DESCRIPTION | REV |
|------|-------------|----------------|--|-----|
| 44 | 3450405 | 1 | Pin, Cotter | |
| 45 | 3573370 | 1 | Plate, Rod Keeper | |
| 46 | 3841143 | 2 | Keeper, Pin | |
| 47 | 3340929 | 16 | Pad, Arm | |
| 48 | 3841203 | 1 | Keeper, Pin | |
| 49 | 3841556 | 1 | Rod, Prop Actuator | |
| 50 | 4280295 | 18 in /46cm | Strip, Protector | |
| 51 | 1001103760 | 1 | Cartridge, Lift Holding Solenoid | |
| 51 | 7023923 | 1 | Cartridge - 1001103760 Valve | |
| 51 | 7023919 | 1 | Seal Kit - 7023923 Valve | |
| 51 | 70001967 | 1 | Coil - 1001103760 Valve | |
| 52 | 4641193 | 1 | Cartridge, Check | |
| 52 | 2900756 | 1 | Seal Kit - 4641193 Valve | |
| 53 | 4641205 | 1 | Valve, Manual | |
| 53 | 7017496 | 1 | Seal Kit - 4641205 Valve | |
| 54 | 4641254 | 1 | Cartridge, Lift Holding Solenoid | |
| 54 | 7024829 | 1 | Cartridge - 4641254 Valve | |
| 54 | 7012925 | 1 | Seal Kit - 7024829 Valve | |
| 54 | 7017451 | 1 | Coil - 4641254 Valve | |
| 55 | 4711400 | 2 | Washer 1/4 | |
| 56 | 4711600 | 1 | Washer 3/8 | |
| 57 | 4740455 | 2 | Washer, Nylon Shoulder | |
| 58 | 2110808 | 1 | Fitting, Straight ORFS/ORB | |
| 59 | 2131008 | 1 | Fitting, 90 ORFS/ORB | |
| 60 | 2753793 | 1 | Hose | |
| 61 | 2753794 | 1 | Hose | |
| 62 | 1060866 | 1 | Cable, Electrical - 12/3 | |
| 63 | 1001103834 | 1 | Ground to Platform Module Harness (See ELECTRICAL SECTION for Breakdown) | |
| 64 | 4240033 | AR | Strap, Tie (Not Shown) | |
| 71 | 4711500 | 16 | Washer 5/16 | |
| 78 | 0272209 | 2 | Link, Attach | |
| 78A | 0962474 | 8 | Bushing (Qty 4 per Link) | |
| 80 | 0272211 | 2 | Prop, Safety | |
| 80A | 0961388 | 2 | Bushing (Qty 1 per Prop) | |

SECTION 4 - SCISSORS ARMS

FIGURE 4-3. SCISSOR ARMS INSTALLATION - 3394RT (DEUTZ D2.9L4 ENGINE MACHINES)



ART_1001149320

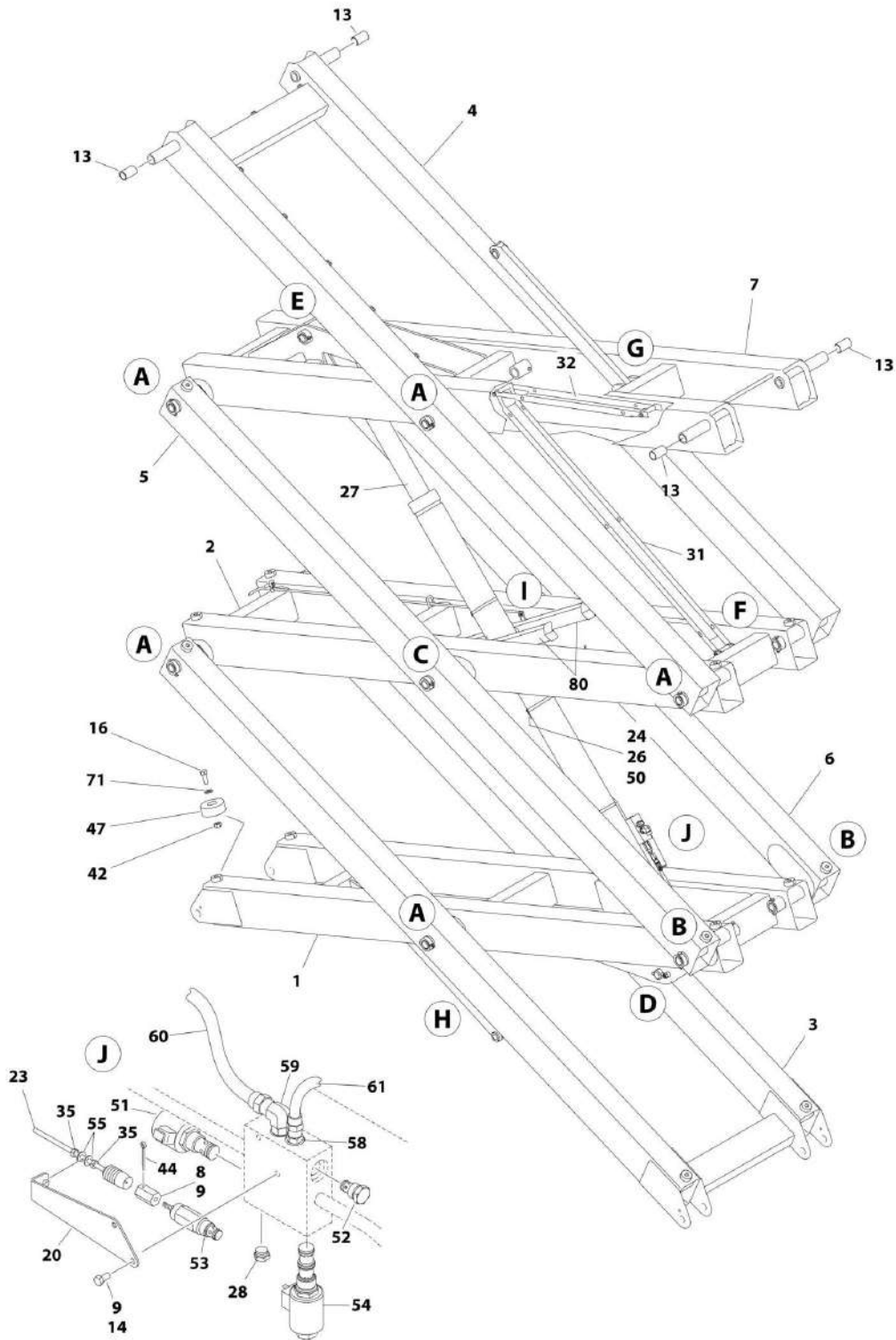
SECTION 4 - SCISSORS ARMS

FIGURE 4-3. SCISSOR ARMS INSTALLATION - 3394RT (DEUTZ D2.9L4 ENGINE MACHINES)

| ITEM | PART NUMBER | QTY | DESCRIPTION | REV |
|------|-------------|-----|--|-----|
| | 1001149320 | Ref | SCISSOR ARMS INSTALLATION - 3394RT (DEUTZ D2.9L4 ENGINE MACHINES) | B |
| 1 | 1001099623 | 4 | Slider | |
| 1A | 0440234 | 4 | Bearing (Qty 2 per Slider) | |
| 2 | 0641420 | 2 | Bolt 1/4 x 2-1/2 | |
| 3 | 0641610 | 4 | Bolt 3/8 x 1-1/4 | |
| 4 | 0641611 | 1 | Bolt 3/8 x 1-3/8 | |
| 5 | 0641612 | 2 | Bolt 3/8 x 1-1/2 | |
| 6 | 0721010 | 2 | Screw #10 x 1-1/4 | |
| 7 | 0902774 | 1 | Bracket, Switch Mounting | |
| 8 | 3200447 | 1 | Mount, Proximity Switch | |
| 9 | 3300455 | 2 | Nut #10 | |
| 10 | 3311005 | 2 | Nut #10 | |
| 11 | 3311405 | 2 | Nut 1/4 | |
| 12 | 3311605 | 7 | Nut 3/8 | |
| 13 | 3340935 | 4 | Pad, Slide | |
| 14 | 3422961 | 4 | Pin | |
| 15 | 3422963 | 1 | Pin | |
| 16 | 3841143 | 5 | Keeper, Pin | |
| 17 | 3900325 | 2 | Screw #10 | |
| 18 | 4360500 | 1 | Switch, Rotary Angle Sensor | |
| 19 | 4360502 | 1 | Switch, Proximity Sensor | |
| 20 | 4711400 | 2 | Washer 1/4 | |
| 21 | 4711600 | 4 | Washer 3/8 | |
| 22 | 4740506 | 2 | Washer #10 | |
| 23 | 4751000 | 2 | Washer #10 | |
| 24 | 1001149319 | 1 | Scissor Arms Assembly (See SCISSOR ARMS ASSEMBLY - 3394RT for Breakdown) | |
| 25 | 1001125243 | 1 | Decal Kit - Calibration (Includes 2 Decals) | |

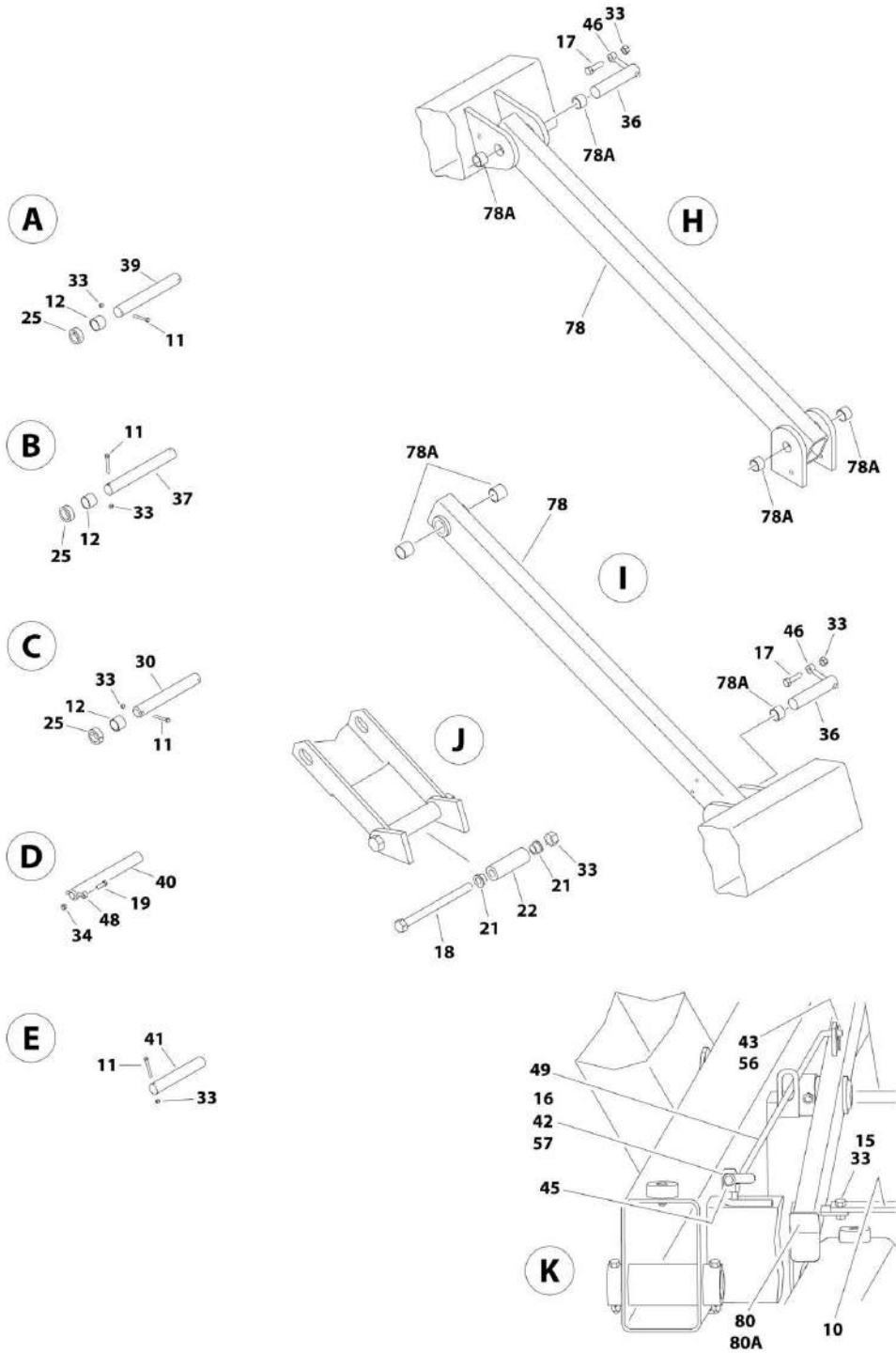
SECTION 4 - SCISSORS ARMS

FIGURE 4-4. SCISSOR ARMS ASSEMBLY - 3394RT (DEUTZ D2.9L4 ENGINE MACHINES)



ART_1001149319_10F2

SECTION 4 - SCISSORS ARMS



ART_1001149319_20F2

SECTION 4 - SCISSORS ARMS

FIGURE 4-4. SCISSOR ARMS ASSEMBLY - 3394RT (DEUTZ D2.9L4 ENGINE MACHINES)

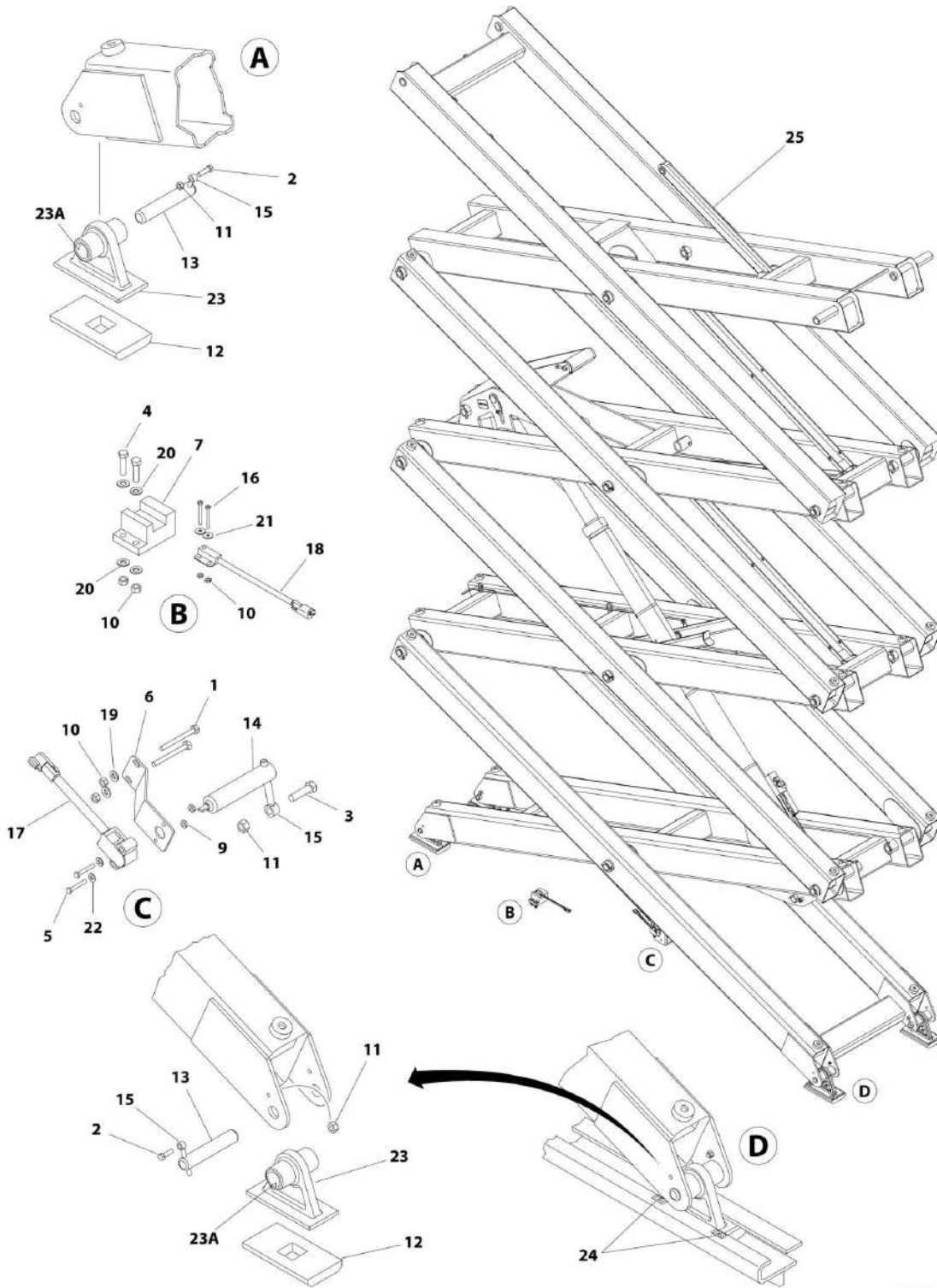
| ITEM | PART NUMBER | QTY | DESCRIPTION | REV |
|------|-------------|-----|--|-----|
| | 1001149319 | Ref | SCISSOR ARMS ASSEMBLY - 3394RT (DEUTZ D2.9L4 ENGINE MACHINES) | C |
| 1 | 0200712 | 1 | Arm - Lower Inboard | |
| 2 | 0200713 | 1 | Arm - Mid Inboard | |
| 3 | 0200716 | 1 | Arm - Lower Outboard | |
| 4 | 0200717 | 1 | Arm - Upper Inboard | |
| 5 | 0200718 | 1 | Arm - Mid Outboard (Left Side) | |
| 6 | 0200719 | 1 | Arm - Mid Outboard (Right Side) | |
| 7 | 0200723 | 1 | Arm - Upper Outboard | |
| 8 | 0080190 | 1 | Adapter, Cable | |
| 9 | 0100011 | AR | Compound, Locking | |
| 10 | 0363050 | 1 | Bar, Prop Attach | |
| 11 | 0681624 | 29 | Bolt 3/8 x 3 Grade 8 | |
| 12 | 0440236 | 28 | Bearing | |
| 13 | 0440250 | 4 | Bearing | |
| 14 | 0641505 | 2 | Bolt 5/16 x 5/8 | |
| 15 | 0681607 | 2 | Bolt 3/8 x 7/8 Grade 8 | |
| 16 | 0641507 | 16 | Bolt 5/16 x 7/8 | |
| 17 | 0681612 | 2 | Bolt 3/8 x 1-1/2 Grade 8 | |
| 18 | 0681632 | 3 | Bolt 3/8 x 4 Grade 8 | |
| 19 | 0681813 | 1 | Bolt 1/2 x 1-5/8 Grade 8 | |
| 20 | 0902773 | 1 | Bracket, Cable Mounting | |
| 21 | 0962031 | 8 | Bushing, Flanged | |
| 22 | 0962446 | 4 | Spacer | |
| 23 | 1060929 | 1 | Cable, Manual Descent | |
| 23 | 7020218 | 1 | Handle, "T" | |
| 23 | 7019602 | 1 | Bellow | |
| 23 | 7020219 | 1 | Washer | |
| 24 | 1320122 | 3 | Clamp | |
| 25 | 1440331 | 14 | Collar | |
| 26 | 1670995 | 3 | Cover, Hose/Cable | |
| 27 | 1684332 | 1 | Lift Cylinder Assembly (See CYLINDER SECTION for Breakdown) | |
| 28 | 2220885 | 1 | Plug, ORB | |
| 29 | 2902149 | 1 | Arm Components Kit (Not Shown - Includes Items 1-7, 12, 13, 16, 31, 32, 42, 47, 71, 78 & 80) | |
| 30 | 3422965 | 2 | Pin | |
| 31 | 1180371 | 1 | Carrier, Cable | |
| 32 | 1180372 | 1 | Carrier, Cable | |
| 33 | 3271605 | 36 | Nut 3/8 Grade 8 | |
| 34 | 3271805 | 1 | Nut 1/2 Grade 8 | |
| 35 | 3321402 | 2 | Nut 1/4 | |
| 36 | 3422943 | 2 | Pin | |
| 37 | 3422944 | 2 | Pin | |
| 38 | 2902062 | 1 | Scissor Arm Kit - 3394RT (Not Shown - Includes Items 1-7) | |
| 39 | 3422945 | 10 | Pin | |
| 40 | 3422946 | 1 | Pin | |
| 41 | 3422954 | 1 | Pin | |
| 42 | 3311505 | 16 | Nut 5/16 | |
| 43 | 3450304 | 1 | Pin, Cotter 3/32 x 1 | |
| 44 | 3450405 | 1 | Pin, Cotter | |

SECTION 4 - SCISSORS ARMS

| ITEM | PART NUMBER | QTY | DESCRIPTION | REV |
|------|-------------|----------------|--|-----|
| 45 | 3573370 | 1 | Plate, Rod Keeper | |
| 46 | 3841143 | 2 | Keeper, Pin | |
| 47 | 3340929 | 16 | Pad, Arm | |
| 48 | 3841203 | 1 | Keeper, Pin | |
| 49 | 3841556 | 1 | Rod, Prop Actuator | |
| 50 | 4280295 | 18 in /46cm | Strip, Protector | |
| 51 | 1001103760 | 1 | Cartridge, Lift Holding Solenoid | |
| 51 | 7023923 | 1 | Cartridge - 1001103760 Valve | |
| 51 | 7023919 | 1 | Seal Kit - 7023923 Valve | |
| 51 | 70001967 | 1 | Coil - 1001103760 Valve | |
| 52 | 4641193 | 1 | Cartridge, Check | |
| 52 | 2900756 | 1 | Seal Kit - 4641193 Valve | |
| 53 | 4641205 | 1 | Valve, Manual | |
| 53 | 7017496 | 1 | Seal Kit - 4641205 Valve | |
| 54 | 4641254 | 1 | Cartridge, Lift Holding Solenoid | |
| 54 | 7024829 | 1 | Cartridge - 4641254 Valve | |
| 54 | 7012925 | 1 | Seal Kit - 7024829 Valve | |
| 54 | 7017451 | 1 | Coil - 4641254 Valve | |
| 55 | 4711400 | 2 | Washer 1/4 | |
| 56 | 4711600 | 1 | Washer 3/8 | |
| 57 | 4740455 | 2 | Washer, Nylon Shoulder | |
| 58 | 2110808 | 1 | Fitting, Straight ORFS/ORB | |
| 59 | 2131008 | 1 | Fitting, 90 ORFS/ORB | |
| 60 | 2753793 | 1 | Hose | |
| 61 | 2753794 | 1 | Hose | |
| 62 | 1001149324 | 1 | Cable, Electrical - 8/5 | |
| 63 | 1001103834 | 1 | Ground to Platform Module Harness (See ELECTRICAL SECTION for Breakdown) | |
| 64 | 4240033 | AR | Strap, Tie (Not Shown) | |
| 71 | 4711500 | 16 | Washer 5/16 | |
| 78 | 0272209 | 2 | Link, Attach | |
| 78A | 0962474 | 8 | Bushing (Qty 4 per Link) | |
| 80 | 0272211 | 2 | Prop, Safety | |
| 80A | 0961388 | 2 | Bushing (Qty 1 per Prop) | |

SECTION 4 - SCISSORS ARMS

FIGURE 4-5. SCISSOR ARMS INSTALLATION - 4394RT (DEUTZ D2011 ENGINE AND GM ENGINE MACHINES)



ART_1001183061

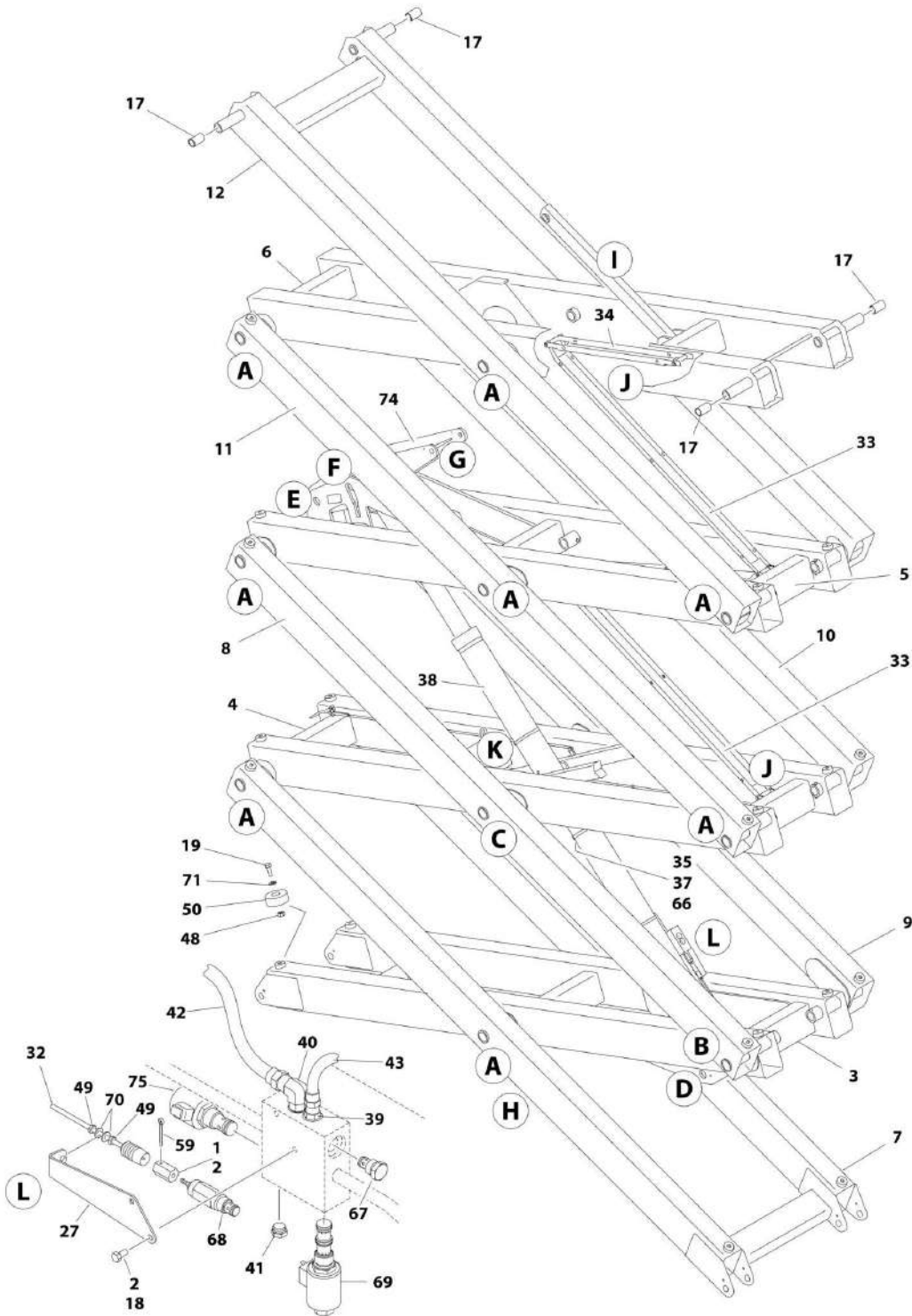
SECTION 4 - SCISSORS ARMS

FIGURE 4-5. SCISSOR ARMS INSTALLATION - 4394RT (DEUTZ D2011 ENGINE AND GM ENGINE MACHINES)

| ITEM | PART NUMBER | QTY | DESCRIPTION | REV |
|------|-------------|-----|--|-----|
| | 1001183061 | Ref | SCISSOR ARMS INSTALLATION - 4394RT (DEUTZ D2011 ENGINE AND GM ENGINE MACHINES) | B |
| 1 | 0641420 | 2 | Bolt 1/4 x 2-1/2 | |
| 2 | 0641610 | 4 | Bolt 3/8 x 1-1/4 | |
| 3 | 0641611 | 1 | Bolt 3/8 x 1-3/8 | |
| 4 | 0641612 | 2 | Bolt 3/8 x 1-1/2 | |
| 5 | 0721010 | 2 | Screw #10 x 1-1/4 | |
| 6 | 0902774 | 1 | Bracket, Switch Mounting | |
| 7 | 3200447 | 1 | Mount, Proximity Switch | |
| 8 | 3300455 | 2 | Nut #10 | |
| 9 | 3311005 | 2 | Nut #10 | |
| 10 | 3311405 | 4 | Nut 1/4 | |
| 11 | 3311605 | 5 | Nut 3/8 | |
| 12 | 3340935 | 4 | Pad, Slide | |
| 13 | 3422961 | 4 | Pin | |
| 14 | 3422963 | 1 | Pin | |
| 15 | 3841143 | 5 | Keeper, Pin | |
| 16 | 3900325 | 2 | Screw #10 | |
| 17 | 4360500 | 1 | Switch, Rotary Angle Sensor | |
| 18 | 4360502 | 1 | Switch, Proximity Sensor | |
| 19 | 4711400 | 2 | Washer 1/4 | |
| 20 | 4711600 | 4 | Washer 3/8 | |
| 21 | 4740506 | 2 | Washer #10 | |
| 22 | 4751000 | 2 | Washer #10 | |
| 23 | 1001099623 | 4 | Slider | |
| 23A | 0440234 | 4 | Bearing (Qty 2 per Slider) | |
| 24 | 1001125242 | 1 | Decal Kit - Calibration (Includes 2 Decals) | |
| 25 | 1001182989 | 1 | Scissor Arms Assembly (See SCISSOR ARMS ASSEMBLY - 4394RT for Breakdown) | |

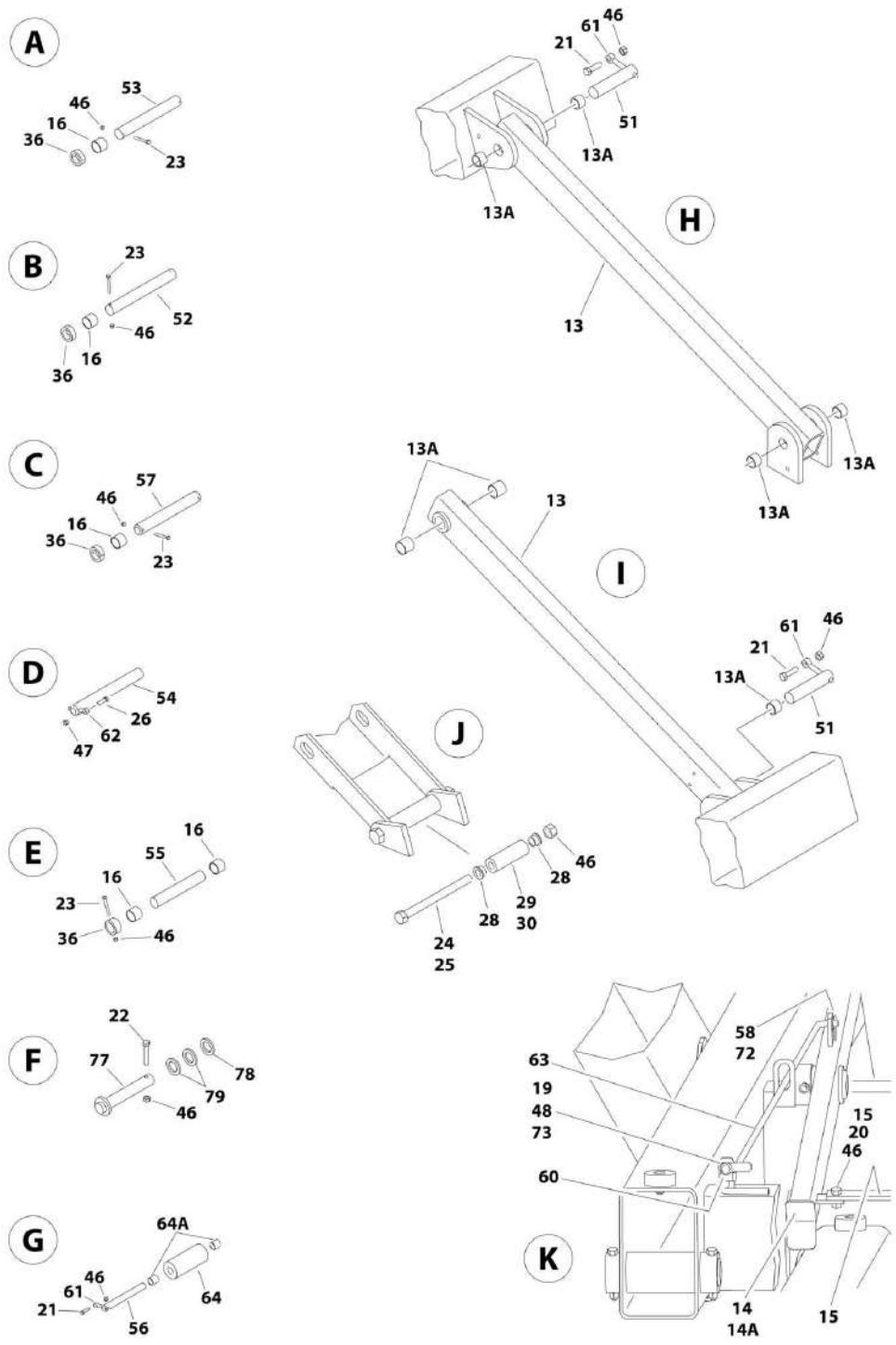
SECTION 4 - SCISSORS ARMS

FIGURE 4-6. SCISSOR ARMS ASSEMBLY - 4394RT (DEUTZ D2011 ENGINE AND GM ENGINE MACHINES)



ART_1001182989_10F2

SECTION 4 - SCISSORS ARMS



ART_1001182989_20F2

SECTION 4 - SCISSORS ARMS

FIGURE 4-6. SCISSOR ARMS ASSEMBLY - 4394RT (DEUTZ D2011 ENGINE AND GM ENGINE MACHINES)

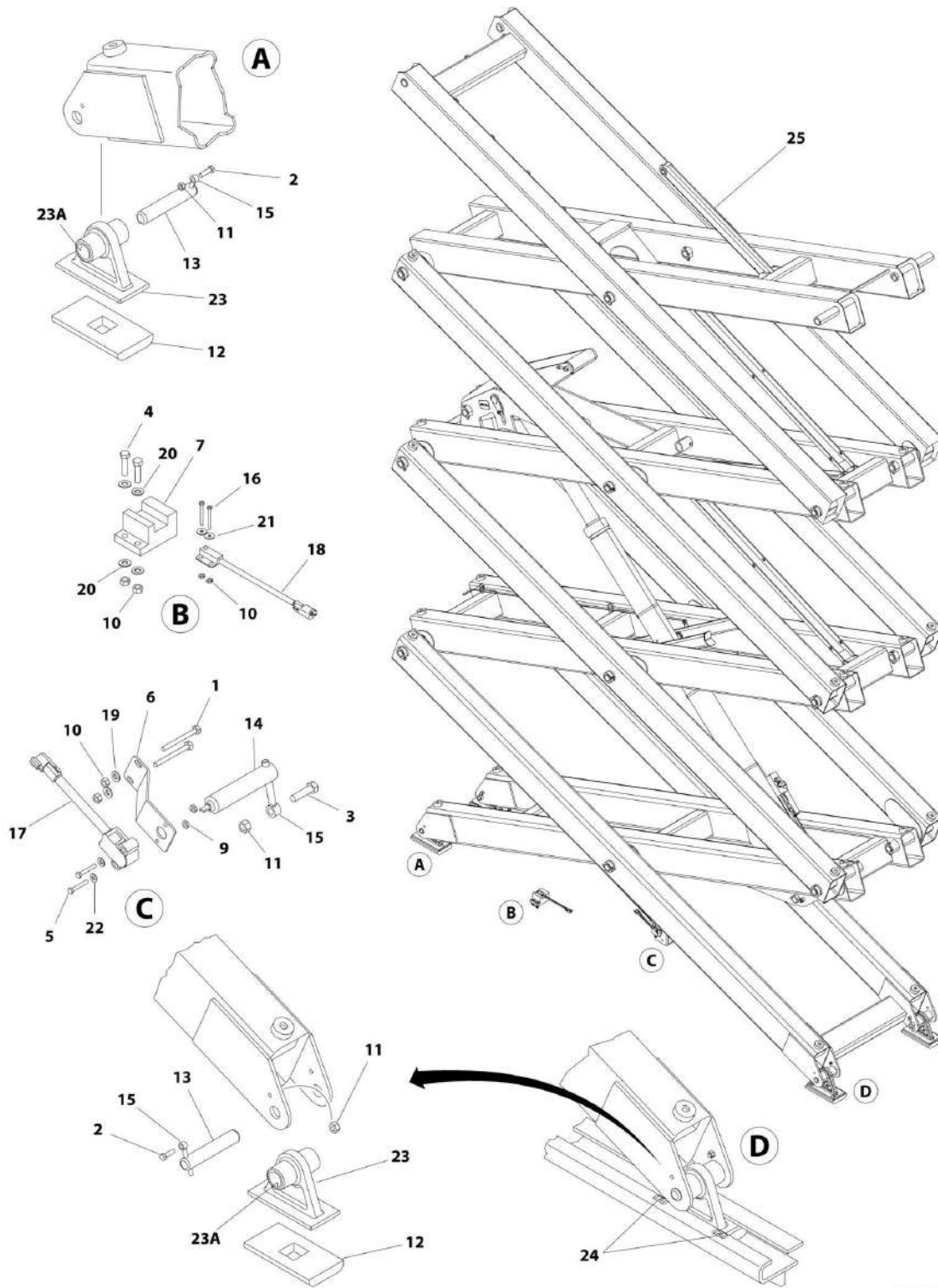
| ITEM | PART NUMBER | QTY | DESCRIPTION | REV |
|------|-------------|-----|---|-----|
| | 1001182989 | Ref | SCISSORS ARMS ASSEMBLY - 4394RT (DEUTZ D2011 ENGINE AND GM ENGINE MACHINES) | B |
| 1 | 0080190 | 1 | Adapter, Cable | |
| 2 | 0100011 | AR | Compound, Locking | |
| 3 | 0200712 | 1 | Arm - Lower Inboard | |
| 4 | 0200713 | 1 | Arm - Upper Mid Inboard | |
| 5 | 0200714 | 1 | Arm - Upper Mid Inboard | |
| 6 | 0200715 | 1 | Arm - Upper Inboard | |
| 7 | 0200716 | 1 | Arm - Lower Outboard | |
| 8 | 0200718 | 1 | Arm - Lower Mid Outboard (Left Side) | |
| 9 | 0200719 | 1 | Arm - Lower Mid Outboard (Right Side) | |
| 10 | 0200720 | 1 | Arm - Upper Mid Outboard (Left Side) | |
| 11 | 0200721 | 1 | Arm - Upper Mid Outboard (Right Side) | |
| 12 | 0200722 | 1 | Arm - Upper Outboard | |
| 13 | 0272209 | 2 | Link, Attach | |
| 13A | 0962474 | 8 | Bushing (Qty 4 per Link) | |
| 14 | 0272211 | 2 | Prop, Safety | |
| 14A | 0961388 | 2 | Bushing (Qty 1 per Prop) | |
| 15 | 0363050 | 1 | Bar, Prop Attach | |
| 16 | 0440236 | 42 | Bearing | |
| 17 | 0440250 | 4 | Bearing | |
| 18 | 0641505 | 2 | Bolt 5/16 x 5/8 | |
| 19 | 0641507 | 25 | Bolt 5/16 x 7/8 | |
| 20 | 0681607 | 2 | Bolt 3/8 x 7/8 Grade 8 | |
| 21 | 0681612 | 3 | Bolt 3/8 x 1-1/2 Grade 8 | |
| 22 | 0681618 | 1 | Bolt 3/8 x 2-1/4 Grade 8 | |
| 23 | 0681624 | 41 | Bolt 3/8 x 3 Grade 8 | |
| 24 | 0681632 | 4 | Bolt 3/8 x 4 Grade 8 | |
| 25 | 0681636 | 1 | Bolt 3/8 x 4-1/2 Grade 8 | |
| 26 | 0681813 | 1 | Bolt 1/2 x 1-5/8 Grade 8 | |
| 27 | 0902773 | 1 | Bracket, Cable Mounting | |
| 28 | 0962031 | 16 | Bushing, Flanged | |
| 29 | 0962445 | 1 | Spacer (2.19in Length) | |
| 30 | 0962446 | 4 | Spacer (2.50in Length) | |
| 31 | 1060907 | 1 | Cable, Electrical - 12/3 (Not Shown) | |
| 32 | 1060929 | 1 | Cable, Manual Descent | |
| 32 | 7020218 | 1 | Handle, "T" | |
| 32 | 7019602 | 1 | Bellow | |
| 32 | 7020219 | 1 | Washer | |
| 33 | 1180371 | 3 | Carrier, Cable | |
| 34 | 1180372 | 1 | Carrier, Cable | |
| 35 | 1320122 | 3 | Clamp | |
| 36 | 1440331 | 20 | Collar | |
| 37 | 1670995 | 3 | Cover, Hose/Cable | |
| 38 | 1684332 | 1 | Lift Cylinder Assembly (See CYLINDER SECTION for Breakdown) | |
| 39 | 2110808 | 1 | Fitting, Straight ORFS/ORB | |
| 40 | 2131008 | 1 | Fitting, 90 ORFS/ORB | |
| 41 | 2220885 | 1 | Plug, ORB | |
| 42 | 2753793 | 1 | Hose | |

SECTION 4 - SCISSORS ARMS

| ITEM | PART NUMBER | QTY | DESCRIPTION | REV |
|------|-------------|----------------|--|-----|
| 43 | 2753794 | 1 | Hose | |
| 44 | 2902063 | 1 | Scissor Arm Kit - 4394RT (Not Shown - Includes Items 3-12) | |
| 45 | 2902150 | 1 | Arm Components Kit (Not Shown - Includes Items 3-14, 16, 17, 19, 33, 34, 48,50, 71 & 74) | |
| 46 | 3271605 | 52 | Nut 3/8 Grade 8 | |
| 47 | 3271805 | 1 | Nut 1/2 Grade 8 | |
| 48 | 3311505 | 24 | Nut 5/16 | |
| 49 | 3321402 | 2 | Nut 1/4 | |
| 50 | 3340929 | 24 | Pad, Arm | |
| 51 | 3422943 | 2 | Pin | |
| 52 | 3422944 | 2 | Pin | |
| 53 | 3422945 | 16 | Pin | |
| 54 | 3422946 | 1 | Pin | |
| 55 | 3422948 | 1 | Pin | |
| 56 | 3422964 | 1 | Pin | |
| 57 | 3422965 | 2 | Pin | |
| 58 | 3450304 | 1 | Pin, Cotter 3/32 x 1 | |
| 59 | 3450405 | 1 | Pin, Cotter | |
| 60 | 3573370 | 1 | Plate, Rod Keeper | |
| 61 | 3841143 | 3 | Keeper, Pin | |
| 62 | 3841203 | 1 | Keeper, Pin | |
| 63 | 3841556 | 1 | Rod, Prop Actuator | |
| 64 | 3860102 | 1 | Roller | |
| 64A | 0962356 | 2 | Bearing | |
| 65 | 4240033 | AR | Strap, Tie (Not Shown) | |
| 66 | 4280295 | 18 in /46cm | Strip, Protector | |
| 67 | 4641193 | 1 | Cartridge, Check | |
| 67 | 2900756 | 1 | Seal Kit - 4641193 Valve | |
| 68 | 4641205 | 1 | Valve, Manual | |
| 68 | 7017496 | 1 | Seal Kit - 4641205 Valve | |
| 69 | 4641254 | 1 | Cartridge, Lift Holding Solenoid | |
| 69 | 7024829 | 1 | Cartridge - 4641254 Valve | |
| 69 | 7012925 | 1 | Seal Kit - 7024829 Valve | |
| 69 | 7017451 | 1 | Coil - 4641254 Valve | |
| 70 | 4711400 | 2 | Washer 1/4 | |
| 71 | 4711500 | 24 | Washer 5/16 | |
| 72 | 4711600 | 1 | Washer 3/8 | |
| 73 | 4740455 | 2 | Washer, Nylon Shoulder | |
| 74 | 4846460 | 1 | Kicker, Arm | |
| 75 | 1001103760 | 1 | Cartridge, Lift Holding Solenoid | |
| 75 | 7023923 | 1 | Cartridge - 1001103760 Valve | |
| 75 | 7023919 | 1 | Seal Kit - 7023923 Valve | |
| 75 | 70001967 | 1 | Coil - 1001103760 Valve | |
| 76 | 1001103835 | 1 | Ground to Platform Module Harness (Not Shown - See ELECTRICAL SECTION for Breakdown) | |
| 77 | 1001174384 | 1 | Pin | |
| 78 | 1001174386 | 1 | Plate | |
| 79 | 1001174387 | 2 | Pad, Washer | |

SECTION 4 - SCISSORS ARMS

FIGURE 4-7. SCISSOR ARMS INSTALLATION - 4394RT (DEUTZ D2.9L4 ENGINE MACHINES)



ART_1001183070

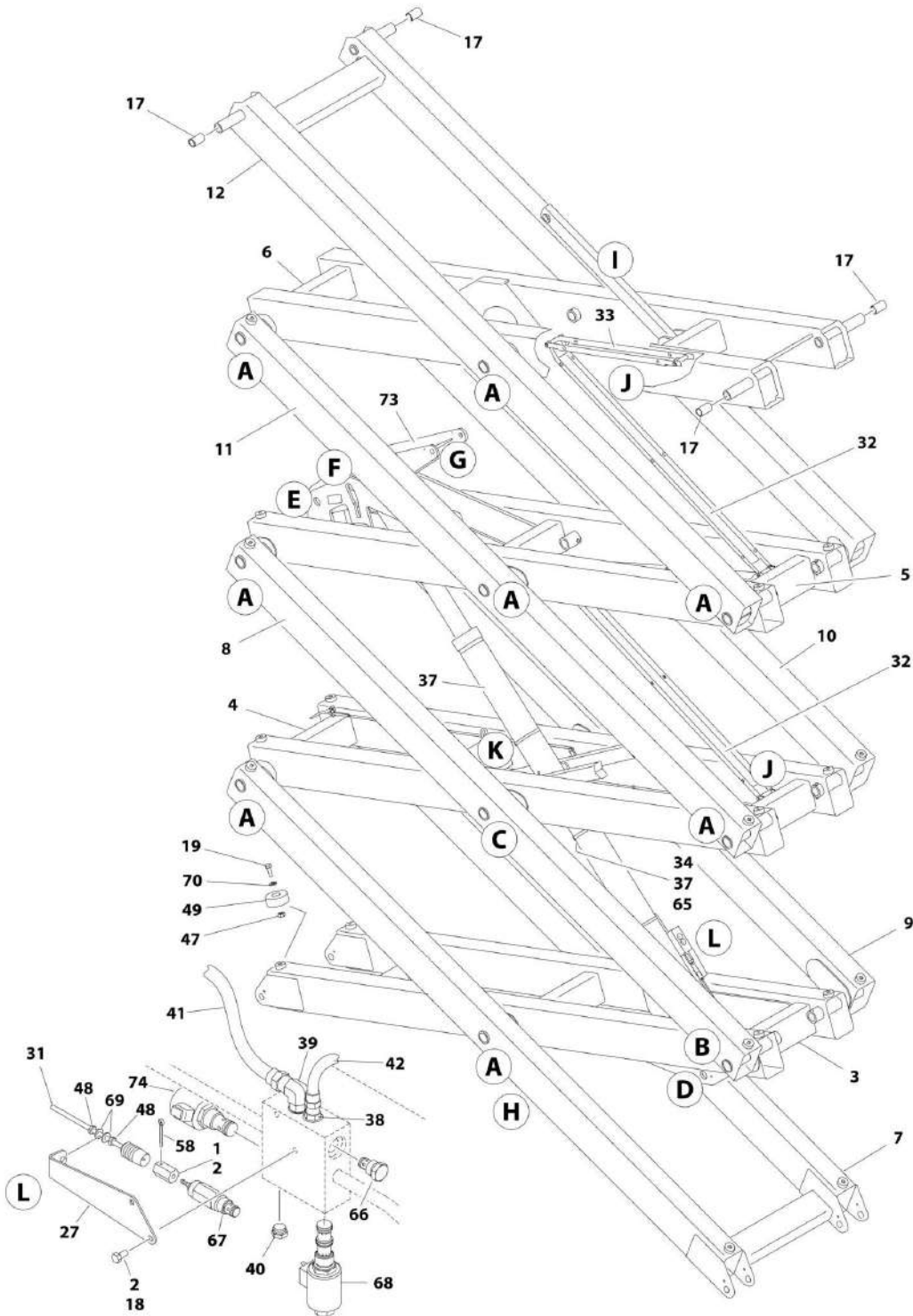
SECTION 4 - SCISSORS ARMS

FIGURE 4-7. SCISSOR ARMS INSTALLATION - 4394RT (DEUTZ D2.9L4 ENGINE MACHINES)

| ITEM | PART NUMBER | QTY | DESCRIPTION | REV |
|------|-------------|-----|--|-----|
| | 1001183070 | Ref | SCISSOR ARMS INSTALLATION - 4394RT (DEUTZ D2.9L4 ENGINE MACHINES) | A |
| 1 | 0641420 | 2 | Bolt 1/4 x 2-1/2 | |
| 2 | 0641610 | 4 | Bolt 3/8 x 1-1/4 | |
| 3 | 0641611 | 1 | Bolt 3/8 x 1-3/8 | |
| 4 | 0641612 | 2 | Bolt 3/8 x 1-1/2 | |
| 5 | 0721010 | 2 | Screw #10 x 1-1/4 | |
| 6 | 0902774 | 1 | Bracket, Switch Mounting | |
| 7 | 3200447 | 1 | Mount, Proximity Switch | |
| 8 | 3300455 | 2 | Nut #10 | |
| 9 | 3311005 | 2 | Nut #10 | |
| 10 | 3311405 | 4 | Nut 1/4 | |
| 11 | 3311605 | 5 | Nut 3/8 | |
| 12 | 3340935 | 4 | Pad, Slide | |
| 13 | 3422961 | 4 | Pin | |
| 14 | 3422963 | 1 | Pin | |
| 15 | 3841143 | 5 | Keeper, Pin | |
| 16 | 3900325 | 2 | Screw #10 | |
| 17 | 4360500 | 1 | Switch, Rotary Angle Sensor | |
| 18 | 4360502 | 1 | Switch, Proximity Sensor | |
| 19 | 4711400 | 2 | Washer 1/4 | |
| 20 | 4711600 | 4 | Washer 3/8 | |
| 21 | 4740506 | 2 | Washer #10 | |
| 22 | 4751000 | 2 | Washer #10 | |
| 23 | 1001099623 | 4 | Slider | |
| 23A | 0440234 | 4 | Bearing (Qty 2 per Slider) | |
| 24 | 1001125242 | 1 | Decal Kit - Calibration (Includes 2 Decals) | |
| 25 | 1001183060 | 1 | Scissor Arms Assembly (See SCISSOR ARMS ASSEMBLY - 4394RT for Breakdown) | |

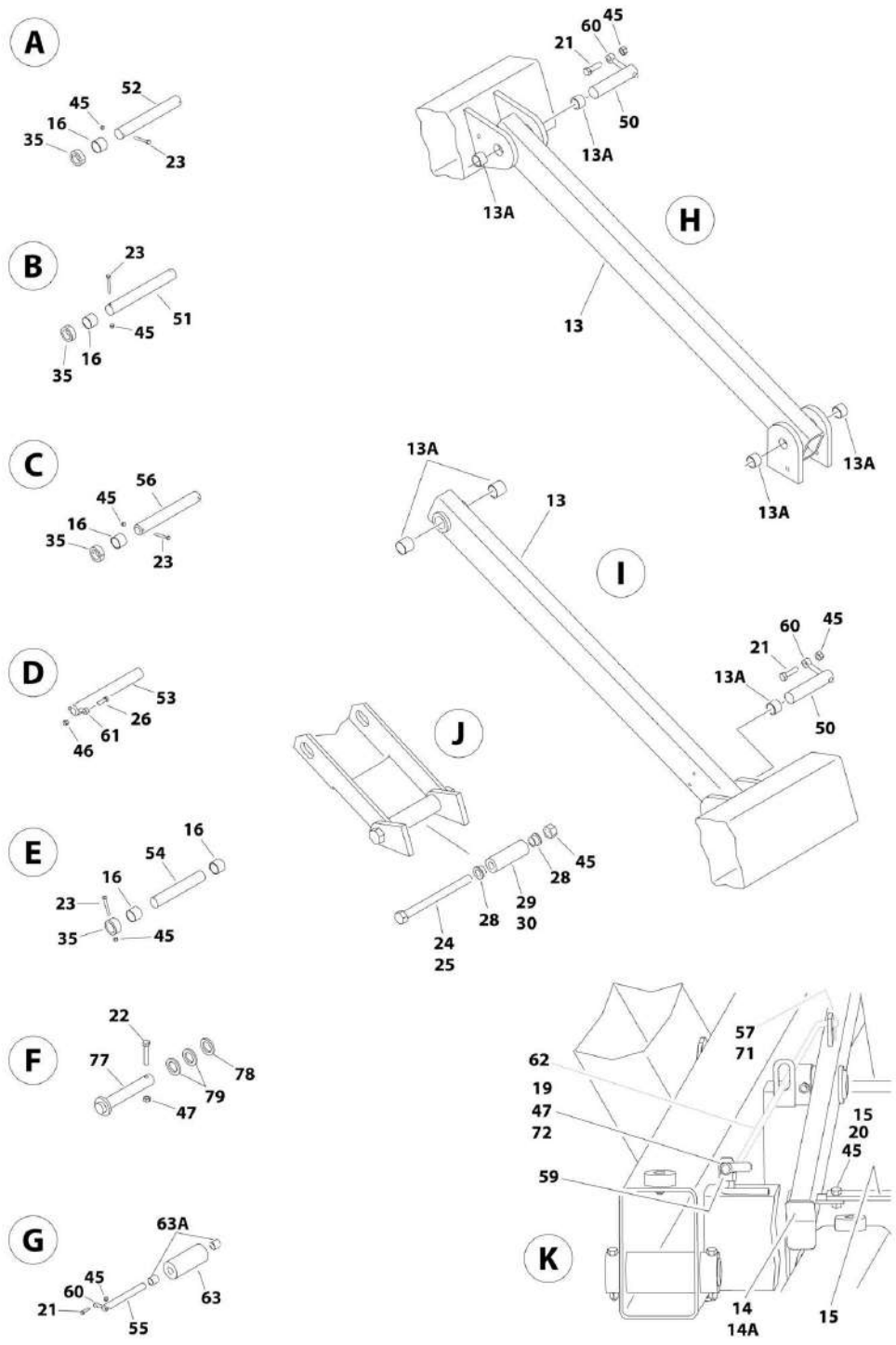
SECTION 4 - SCISSORS ARMS

FIGURE 4-8. SCISSORS ARMS ASSEMBLY - 4394RT



ART_1001183060_10F2

SECTION 4 - SCISSORS ARMS



ART_1001183060_20F2

SECTION 4 - SCISSORS ARMS

FIGURE 4-8. SCISSORS ARMS ASSEMBLY - 4394RT (DEUTZ D2.9L4 ENGINE MACHINES)

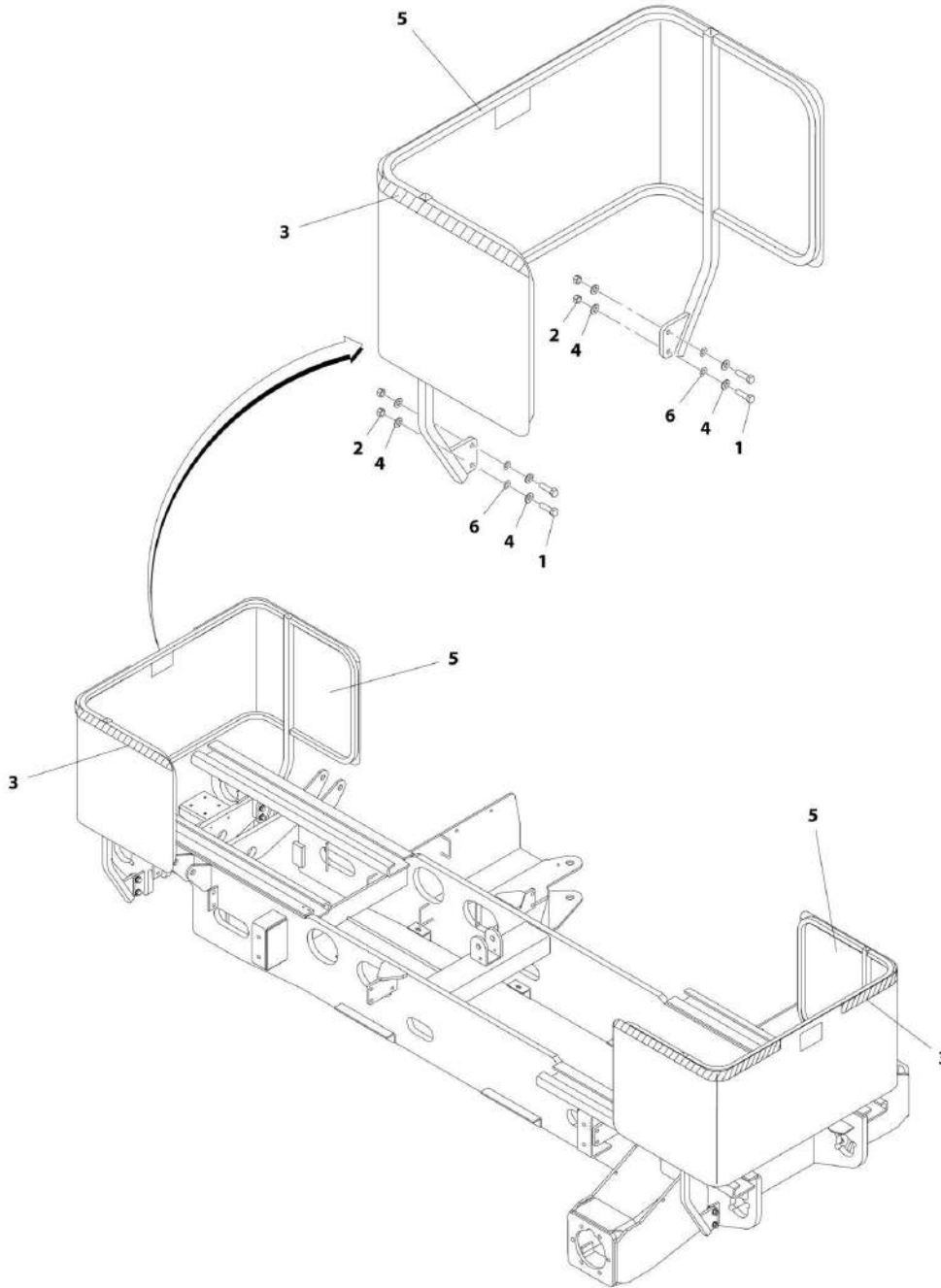
| ITEM | PART NUMBER | QTY | DESCRIPTION | REV |
|------|-------------|-----|--|-----|
| | 1001183060 | Ref | SCISSORS ARMS ASSEMBLY - 4394RT (DEUTZ D2.9L4 ENGINE MACHINES) | B |
| 1 | 0080190 | 1 | Adapter, Cable | |
| 2 | 0100011 | AR | Compound, Locking | |
| 3 | 0200712 | 1 | Arm - Lower Inboard | |
| 4 | 0200713 | 1 | Arm - Upper Mid Inboard | |
| 5 | 0200714 | 1 | Arm - Upper Mid Inboard | |
| 6 | 0200715 | 1 | Arm - Upper Inboard | |
| 7 | 0200716 | 1 | Arm - Lower Outboard | |
| 8 | 0200718 | 1 | Arm - Lower Mid Outboard (Left Side) | |
| 9 | 0200719 | 1 | Arm - Lower Mid Outboard (Right Side) | |
| 10 | 0200720 | 1 | Arm - Upper Mid Outboard (Left Side) | |
| 11 | 0200721 | 1 | Arm - Upper Mid Outboard (Right Side) | |
| 12 | 0200722 | 1 | Arm - Upper Outboard | |
| 13 | 0272209 | 2 | Link, Attach | |
| 13A | 0962474 | 8 | Bushing (Qty 4 per Link) | |
| 14 | 0272211 | 2 | Prop, Safety | |
| 14A | 0961388 | 2 | Bushing (Qty 1 per Prop) | |
| 15 | 0363050 | 1 | Bar, Prop Attach | |
| 16 | 0440236 | 42 | Bearing | |
| 17 | 0440250 | 4 | Bearing | |
| 18 | 0641505 | 2 | Bolt 5/16 x 5/8 | |
| 19 | 0641507 | 24 | Bolt 5/16 x 7/8 | |
| 20 | 0681607 | 2 | Bolt 3/8 x 7/8 Grade 8 | |
| 21 | 0681612 | 3 | Bolt 3/8 x 1-1/2 Grade 8 | |
| 22 | 0681618 | 1 | Bolt 3/8 x 2-1/4 Grade 8 | |
| 23 | 0681624 | 41 | Bolt 3/8 x 3 Grade 8 | |
| 24 | 0681632 | 4 | Bolt 3/8 x 4 Grade 8 | |
| 25 | 0681636 | 1 | Bolt 3/8 x 4-1/2 Grade 8 | |
| 26 | 0681813 | 1 | Bolt 1/2 x 1-5/8 Grade 8 | |
| 27 | 0902773 | 1 | Bracket, Cable Mounting | |
| 28 | 0962031 | 16 | Bushing, Flanged | |
| 29 | 0962445 | 1 | Spacer (2.19in Length) | |
| 30 | 0962446 | 4 | Spacer (2.50in Length) | |
| 31 | 1060929 | 1 | Cable, Manual Descent | |
| 31 | 7020218 | 1 | Handle, "T" | |
| 31 | 7019602 | 1 | Bellow | |
| 31 | 7020219 | 1 | Washer | |
| 32 | 1180371 | 3 | Carrier, Cable | |
| 33 | 1180372 | 1 | Carrier, Cable | |
| 34 | 1320122 | 3 | Clamp | |
| 35 | 1440331 | 20 | Collar | |
| 36 | 1670995 | 3 | Cover, Hose/Cable | |
| 37 | 1684332 | 1 | Lift Cylinder Assembly (See CYLINDER SECTION for Breakdown) | |
| 38 | 2110808 | 1 | Fitting, Straight ORFS/ORB | |
| 39 | 2131008 | 1 | Fitting, 90 ORFS/ORB | |
| 40 | 2220885 | 1 | Plug, ORB | |
| 41 | 2753793 | 1 | Hose | |
| 42 | 2753794 | 1 | Hose | |
| 43 | 2902063 | 1 | Scissor Arm Kit - 4394RT (Not Shown - Includes Items 3-12) | |

SECTION 4 - SCISSORS ARMS

| ITEM | PART NUMBER | QTY | DESCRIPTION | REV |
|------|-------------|----------------|--|-----|
| 44 | 2902150 | 1 | Arm Components Kit (Not Shown - Includes Items 3-14, 16, 17, 19, 32, 33, 47,49, 70 & 73) | |
| 45 | 3271605 | 52 | Nut 3/8 Grade 8 | |
| 46 | 3271805 | 1 | Nut 1/2 Grade 8 | |
| 47 | 3311505 | 24 | Nut 5/16 | |
| 48 | 3321402 | 2 | Nut 1/4 | |
| 49 | 3340929 | 24 | Pad, Arm | |
| 50 | 3422943 | 2 | Pin | |
| 51 | 3422944 | 2 | Pin | |
| 52 | 3422945 | 16 | Pin | |
| 53 | 3422946 | 1 | Pin | |
| 54 | 3422948 | 1 | Pin | |
| 55 | 3422964 | 1 | Pin | |
| 56 | 3422965 | 2 | Pin | |
| 57 | 3450304 | 1 | Pin, Cotter 3/32 x 1 | |
| 58 | 3450405 | 1 | Pin, Cotter 1/8 x 1-1/4 | |
| 59 | 3573370 | 1 | Plate, Rod Keeper | |
| 60 | 3841143 | 3 | Keeper, Pin | |
| 61 | 3841203 | 1 | Keeper, Pin | |
| 62 | 3841556 | 1 | Rod, Prop Actuator | |
| 63 | 3860102 | 1 | Roller | |
| 63A | 0962356 | 2 | Bearing | |
| 64 | 4240033 | AR | Strap, Tie (Not Shown) | |
| 65 | 4280295 | 18 in /46cm | Strip, Protector | |
| 66 | 4641193 | 1 | Cartridge, Check | |
| 66 | 2900756 | 1 | Seal Kit - 4641193 Valve | |
| 67 | 4641205 | 1 | Valve, Manual | |
| 67 | 7017496 | 1 | Seal Kit - 4641205 Valve | |
| 68 | 4641254 | 1 | Cartridge, Lift Holding Solenoid | |
| 68 | 7024829 | 1 | Cartridge - 4641254 Valve | |
| 68 | 7012925 | 1 | Seal Kit - 7024829 Valve | |
| 68 | 7017451 | 1 | Coil - 4641254 Valve | |
| 69 | 4711400 | 2 | Washer 1/4 | |
| 70 | 4711500 | 24 | Washer 5/16 | |
| 71 | 4711600 | 1 | Washer 3/8 | |
| 72 | 4740455 | 2 | Washer, Nylon Shoulder | |
| 73 | 4846460 | 1 | Kicker, Arm | |
| 74 | 1001103760 | 1 | Cartridge, Lift Holding Solenoid | |
| 74 | 7023923 | 1 | Cartridge - 1001103760 Valve | |
| 74 | 7023919 | 1 | Seal Kit - 7023923 Valve | |
| 74 | 70001967 | 1 | Coil - 1001103760 Valve | |
| 75 | 1001103835 | 1 | Ground to Platform Module Harness (Not Shown - See ELECTRICAL SECTION for Breakdown) | |
| 76 | 1001149325 | 1 | Cable, Electrical - 8/5 (Not Shown) | |
| 77 | 1001174384 | 1 | Pin | |
| 78 | 1001174386 | 1 | Plate | |
| 79 | 1001174387 | 2 | Pad, Washer | |

SECTION 4 - SCISSORS ARMS

FIGURE 4-9. ARM GUARDS INSTALLATION - 3394RT (CE SPEC ONLY)



ART_0271747

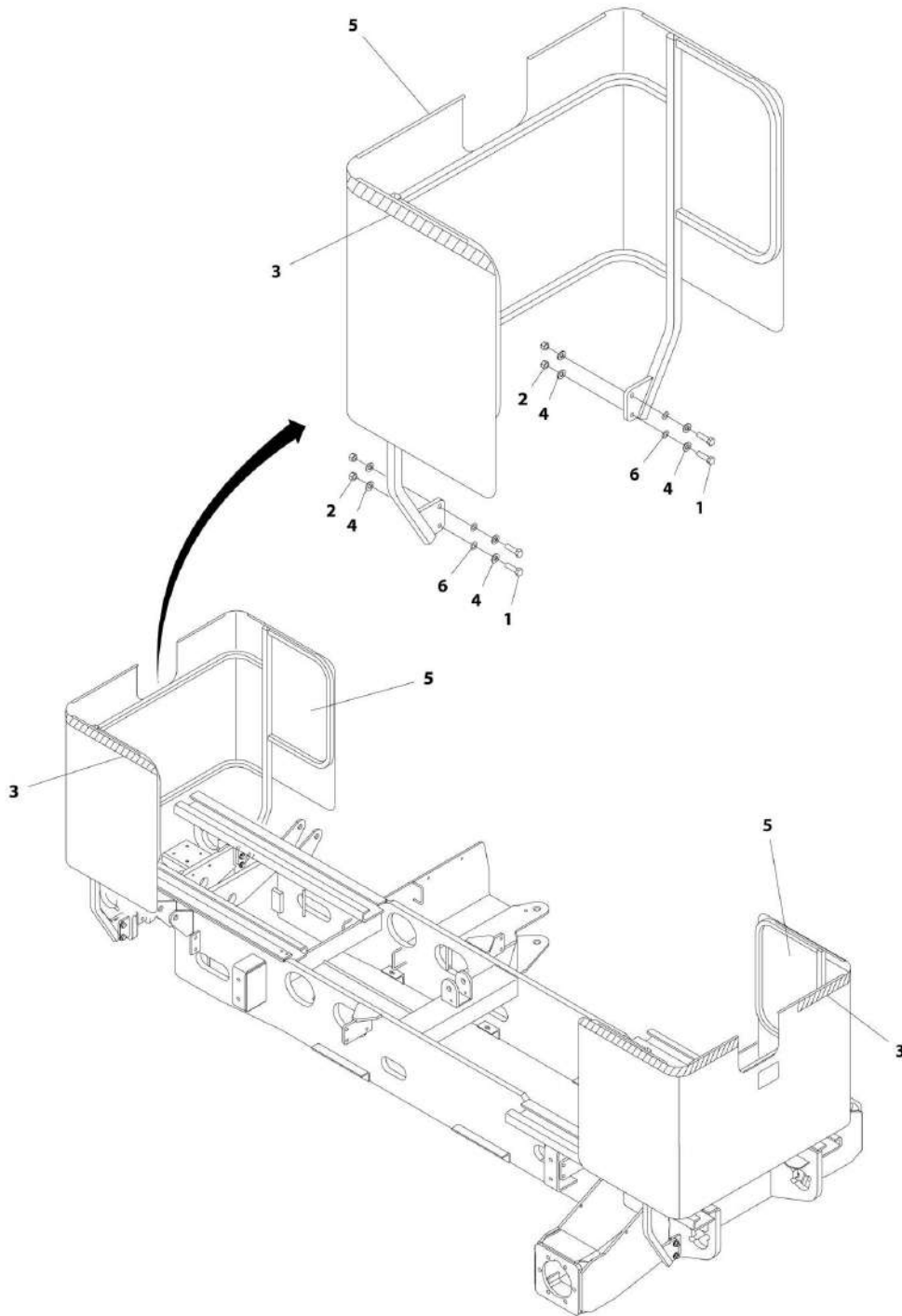
SECTION 4 - SCISSORS ARMS

FIGURE 4-9. ARM GUARDS INSTALLATION - 3394RT (CE SPEC ONLY)

| ITEM | PART NUMBER | QTY | DESCRIPTION | REV |
|------|-------------|------------|---|-----|
| | 0271747 | Ref | ARM GUARDS INSTALLATION - 3394RT (CE SPEC ONLY) | F |
| 1 | 0641814 | 8 | Bolt 1/2 x 1-3/4 | |
| 2 | 3311805 | 8 | Nut 1/2 | |
| 3 | 4420051 | 14 ft/4.3m | Tape, Safety | |
| 4 | 4711800 | 16 | Washer 1/2 | |
| 5 | 4061056 | 2 | Guard, Arm | |
| 6 | 2080072 | 8 | Retainer, Bolt | |

SECTION 4 - SCISSORS ARMS

FIGURE 4-10. ARM GUARDS INSTALLATION - 4394RT (CE SPEC ONLY)



ART_0272351

SECTION 4 - SCISSORS ARMS

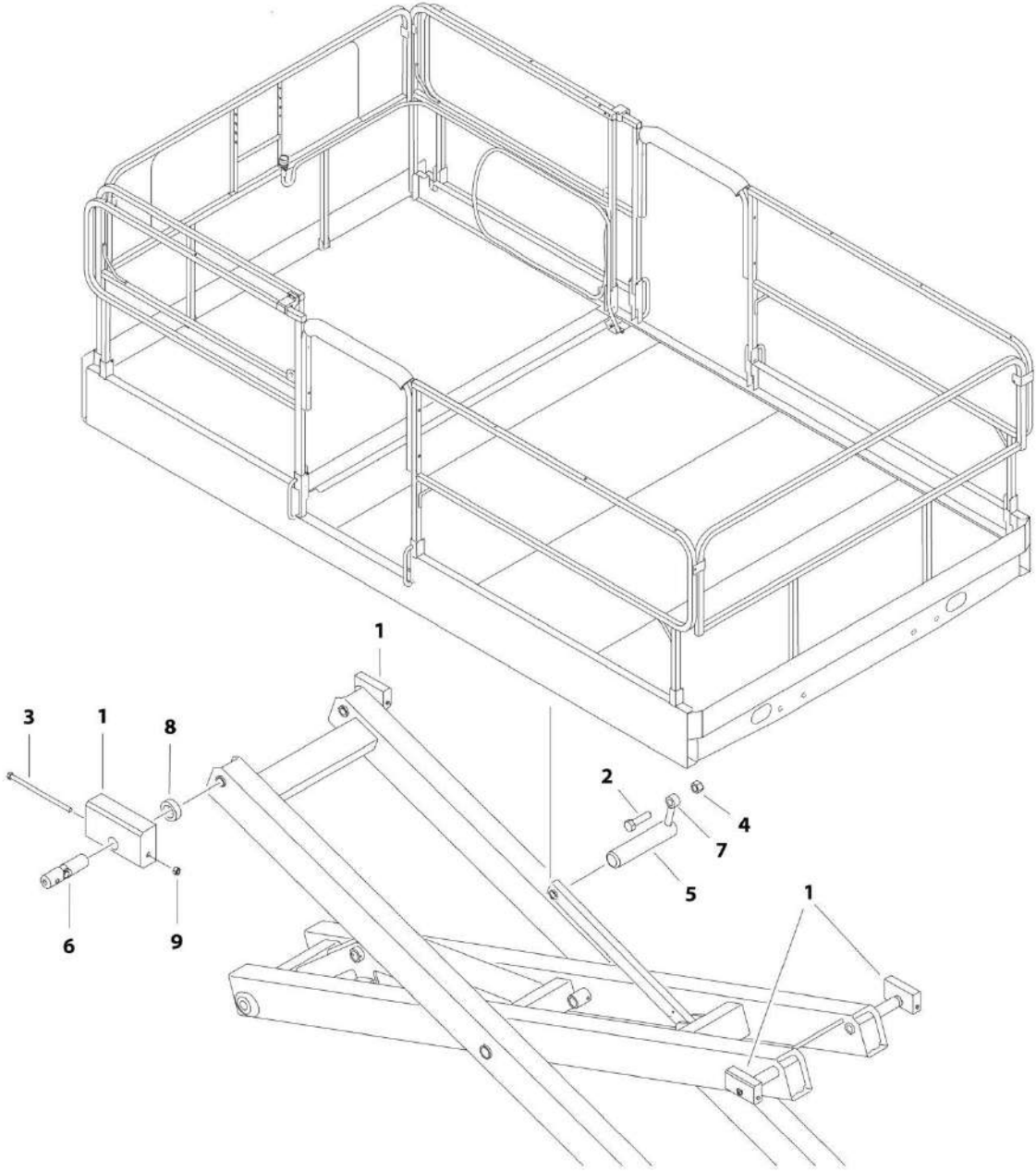
FIGURE 4-10. ARM GUARDS INSTALLATION - 4394RT (CE SPEC ONLY)

| ITEM | PART NUMBER | QTY | DESCRIPTION | REV |
|------|-------------|------------|---|-----|
| | 0272351 | Ref | ARM GUARDS INSTALLATION - 4394RT (CE SPEC ONLY) | G |
| 1 | 0641814 | 8 | Bolt 1/2 x 1-3/4 | |
| 2 | 3311805 | 8 | Nut 1/2 | |
| 3 | 4420051 | 13.2 ft/4m | Tape, Safety | |
| 4 | 4711800 | 16 | Washer 1/2 | |
| 5 | 4061057 | 2 | Guard, Arm | |
| 6 | 2080072 | 8 | Retainer, Bolt | |

SECTION 5 - PLATFORM

SECTION 5 - PLATFORM

FIGURE 5-1. PLATFORM ATTACH INSTALLATIONS - WITHOUT LSS



ART_0271682

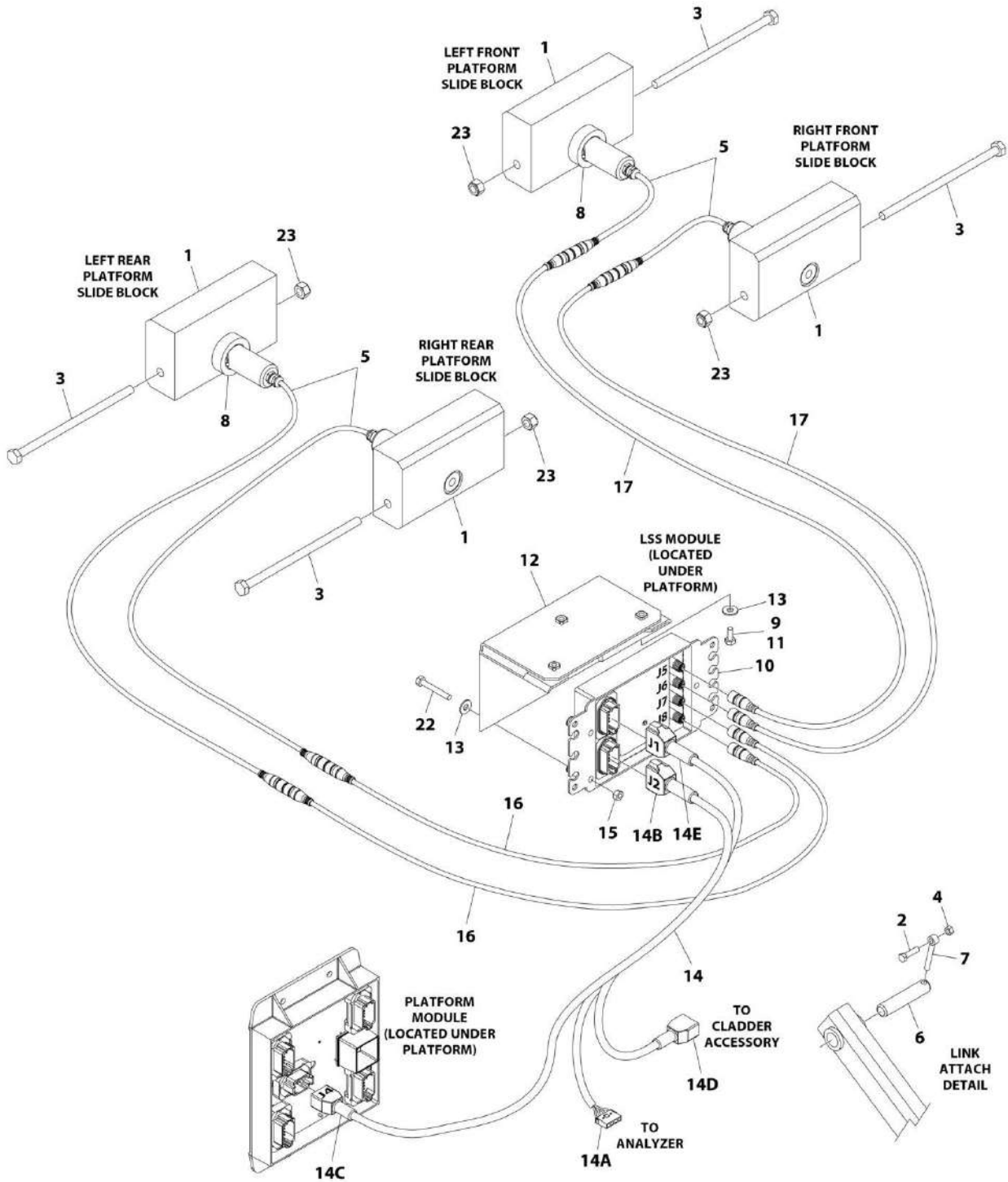
SECTION 5 - PLATFORM

FIGURE 5-1. PLATFORM ATTACH INSTALLATIONS - WITHOUT LSS

| ITEM | PART NUMBER | QTY | DESCRIPTION | REV |
|------|-------------|-----|--|-----|
| | 0271682 | Ref | PLATFORM ATTACH INSTALLATION - WITHOUT LSS | B |
| 1 | 0561489 | 4 | Block, Slide | |
| 2 | 0641611 | 1 | Bolt 3/8 x 1-3/8 | |
| 3 | 0701037 | 4 | Bolt M10 x 200 | |
| 4 | 3311605 | 1 | Nut 3/8 | |
| 5 | 3422943 | 1 | Pin | |
| 6 | 3423049 | 4 | Pin | |
| 7 | 3841143 | 1 | Keeper, Pin | |
| 8 | 4568295 | 4 | Tube, Spacer | |
| 9 | 3291005 | 4 | Nut M10 | |

SECTION 5 - PLATFORM

FIGURE 5-2. PLATFORM ATTACH INSTALLATION - WITH LSS



ART_0271683

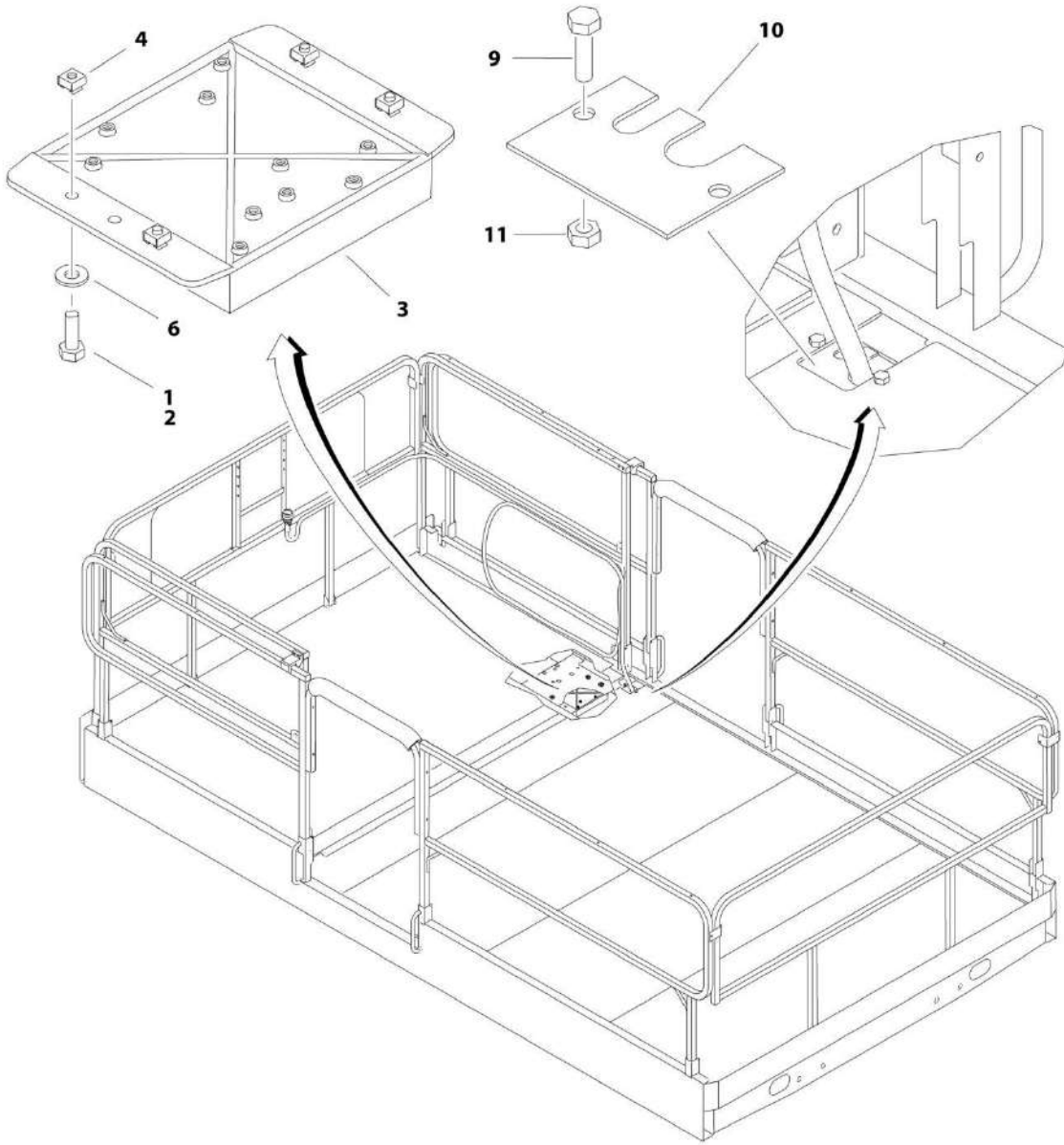
SECTION 5 - PLATFORM

FIGURE 5-2. PLATFORM ATTACH INSTALLATION - WITH LSS

| ITEM | PART NUMBER | QTY | DESCRIPTION | REV |
|------|-------------|-----|--|-----|
| | 0271683 | Ref | PLATFORM ATTACH INSTALLATION - WITH LSS | I |
| 1 | 0561489 | 4 | Block, Slide | |
| 2 | 0641611 | 1 | Bolt 3/8 x 1-3/8 | |
| 3 | 0701037 | 4 | Bolt M10 x 200 | |
| 4 | 3311605 | 1 | Nut 3/8 | |
| 5 | 3422938 | 4 | Pin, Load Management (Includes Harness) | |
| 6 | 3422943 | 1 | Pin | |
| 7 | 3841143 | 1 | Keeper, Pin | |
| 8 | 4568295 | 4 | Spacer | |
| 9 | 0100011 | AR | Compound, Locking | |
| 10 | 1600387 | 1 | Module, LSS (Note: Re-calibration Required when Replaced) | |
| 11 | 0641405 | 3 | Bolt 1/4 x 5/8 | |
| 12 | 0902837 | 1 | Bracket | |
| 13 | 4751400 | 6 | Washer 1/4 | |
| 14 | 4922882 | 1 | Module to Analyzer Harness | C |
| 14A | 4460761 | 1 | Connector, Female 4 Position | |
| 14A | 4460294 | 4 | Pin, Male | |
| 14B | 4460836 | 1 | Plug, Male 12 Position | |
| 14B | 4460465 | 8 | Socket, Female | |
| 14B | 4460466 | 4 | Seal, Plug | |
| 14B | 0840055 | 1 | Boot | |
| 14C | 4460930 | 1 | Plug, Male 8 Position | |
| 14C | 4460465 | 5 | Socket, Female | |
| 14C | 4460466 | 3 | Seal, Plug | |
| 14C | 0840058 | 1 | Boot | |
| 14D | 4460931 | 1 | Connector, Female 8 Position | |
| 14D | 4460464 | 5 | Pin, Male | |
| 14D | 4460466 | 3 | Seal, Plug | |
| 14D | 0840058 | 1 | Boot | |
| 14E | 4460933 | 1 | Plug, Male 12 Position | |
| 14E | 4460465 | 2 | Socket, Female | |
| 14E | 4460466 | 10 | Seal, Plug | |
| 14E | 0840055 | 1 | Boot | |
| 15 | 3311405 | 3 | Nut 1/4 | |
| 16 | 1061020 | 2 | Cable, Extension (1 meter) | |
| 17 | 1061021 | 2 | Cable, Extension (3 meter) | |
| 18 | 2920026 | 1 | Light, Indicator (Not Shown - Located on Platform Console) | |
| 19 | 2920029 | 1 | Bulb, Light (Not Shown - Located on Platform Console) | |
| 20 | 4240033 | AR | Tie-Strap (Not Shown) | |
| 22 | 0641415 | 3 | Bolt 1/4 x 1-7/8 | |
| 23 | 3291005 | 4 | Nut M10 | |

SECTION 5 - PLATFORM

FIGURE 5-3. PLATFORM MODULE INSTALLATION - 3394RT



ART_0271708

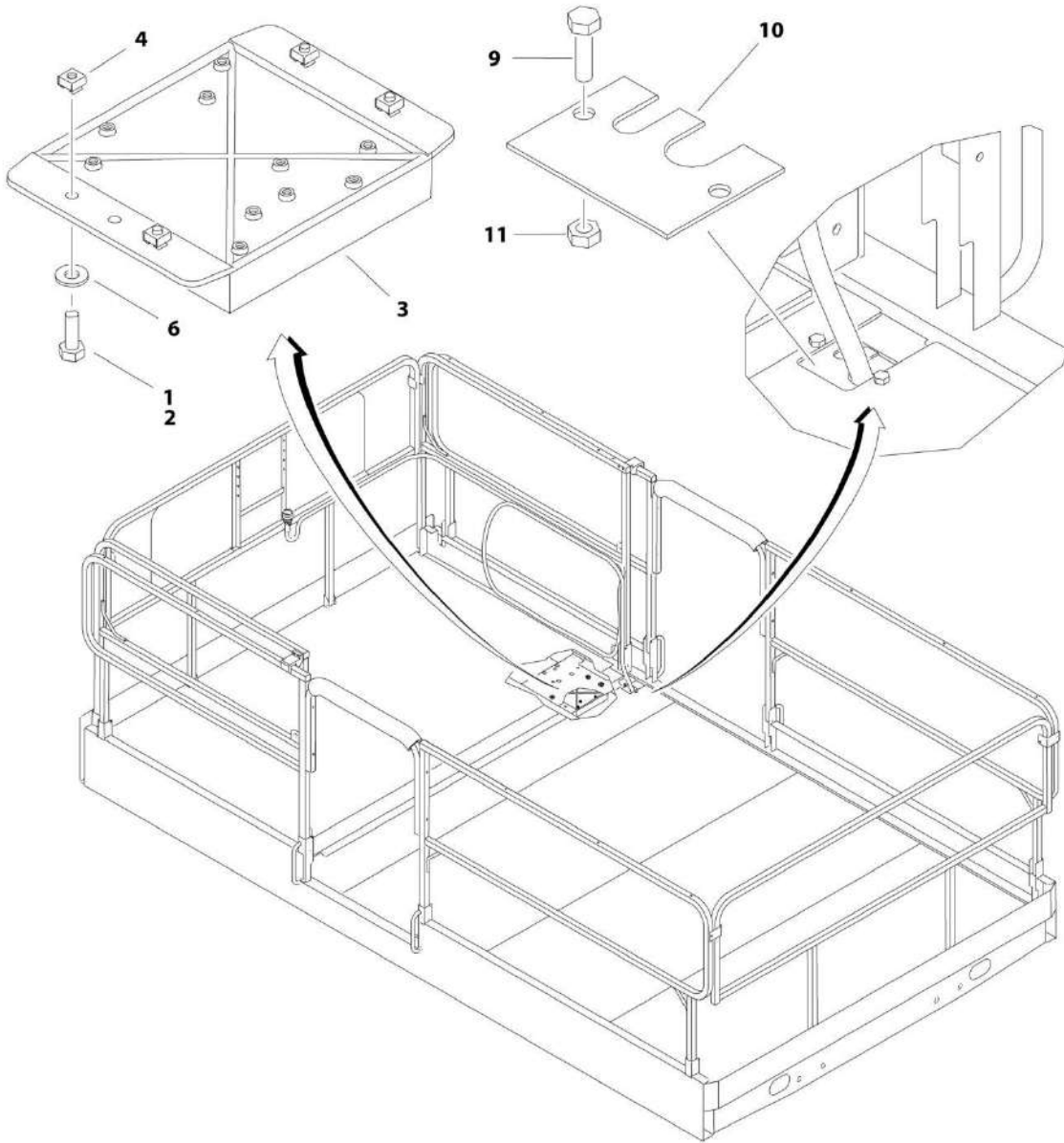
SECTION 5 - PLATFORM

FIGURE 5-3. PLATFORM MODULE INSTALLATION - 3394RT

| ITEM | PART NUMBER | QTY | DESCRIPTION | REV |
|------|-------------|-----|---|-----|
| | 0271708 | Ref | PLATFORM MODULE INSTALLATION - 3394RT | F |
| 1 | 0100011 | AR | Compound, Locking | |
| 2 | 0641406 | 4 | Bolt 1/4 x 3/4 | |
| 3 | 1001182481 | 1 | Module, Platform (Note: Re-calibration Required when Replaced) | |
| 4 | 3300182 | 4 | Nut 1/4 | |
| 5 | 4240033 | AR | Tie-Strap (Not Shown) | |
| 6 | 4711400 | 4 | Washer 1/4 | |
| 7 | 4922692 | 1 | Harness, Platform Module (See ELECTRICAL SECTION for Breakdown) | |
| 9 | 0641404 | 2 | Bolt 1/4 x 1/2 | |
| 10 | 1670988 | 1 | Cover, Cable Access | |
| 11 | 3311405 | 2 | Nut 1/4 | |

SECTION 5 - PLATFORM

FIGURE 5-4. PLATFORM MODULE INSTALLATION - 4394RT



ART_0271709

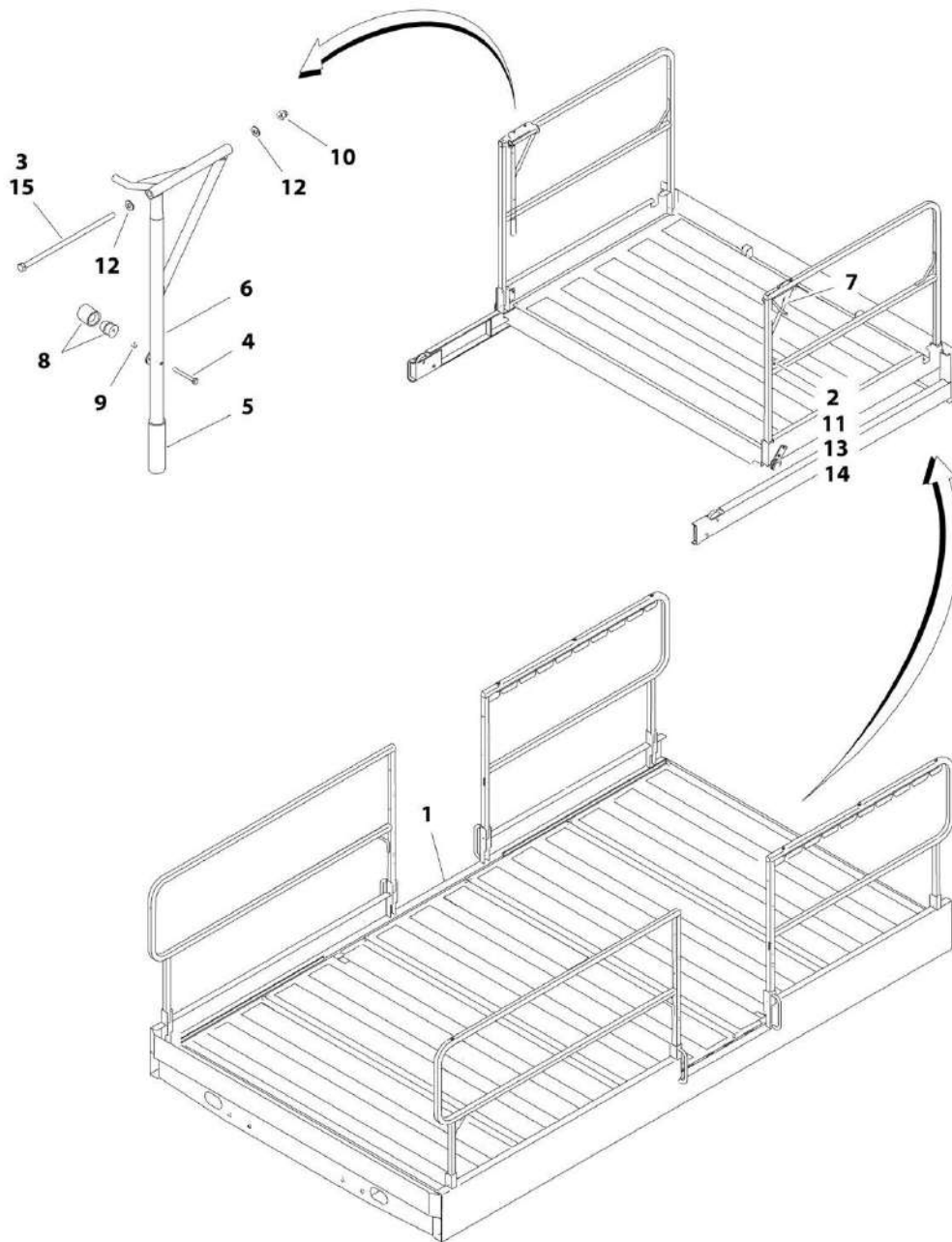
SECTION 5 - PLATFORM

FIGURE 5-4. PLATFORM MODULE INSTALLATION - 4394RT

| ITEM | PART NUMBER | QTY | DESCRIPTION | REV |
|------|-------------|-----|---|-----|
| | 0271709 | Ref | PLATFORM MODULE INSTALLATION - 4394RT | F |
| 1 | 0100011 | AR | Compound, Locking | |
| 2 | 0641406 | 4 | Bolt 1/4 x 3/4 | |
| 3 | 1001182481 | 1 | Module, Platform (Note: Re-calibration Required when Replaced) | |
| 4 | 3300182 | 4 | Nut 1/4 | |
| 5 | 4240033 | AR | Tie-Strap (Not Shown) | |
| 6 | 4711400 | 4 | Washer 1/4 | |
| 7 | 4922692 | 1 | Harness, Platform Module (See ELECTRICAL SECTION for Breakdown) | |
| 9 | 0641404 | 2 | Bolt 1/4 x 1/2 | |
| 10 | 1670988 | 1 | Cover, Cable Access | |
| 11 | 3311405 | 2 | Nut 1/4 | |

SECTION 5 - PLATFORM

FIGURE 5-5. MANUAL SINGLE DECK EXTENSION AND PLATFORM INSTALLATION



ART_0275196

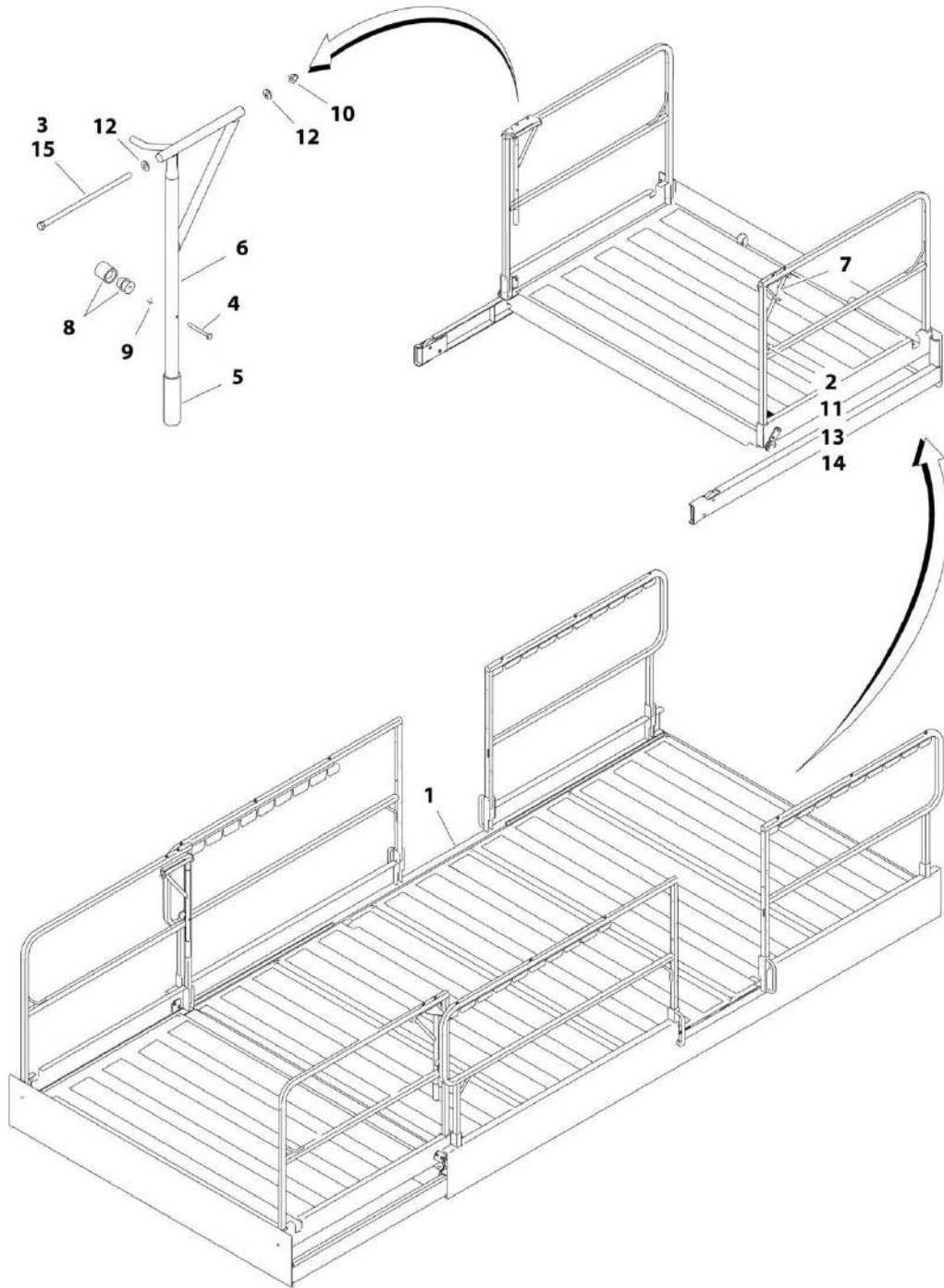
SECTION 5 - PLATFORM

FIGURE 5-5. MANUAL SINGLE DECK EXTENSION AND PLATFORM INSTALLATION

| ITEM | PART NUMBER | QTY | DESCRIPTION | REV |
|------|-------------|-----|---|-----|
| | 0275196 | Ref | MANUAL SINGLE DECK EXTENSION AND PLATFORM INSTALLATION | C |
| 1 | 0271700 | 1 | Platform and Deck Extension Assembly (See PLATFORM AND MANUAL SINGLE DECK EXTENSION ASSEMBLY for Breakdown) | |
| 2 | 0641406 | 2 | Bolt 1/4 x 3/4 | |
| 3 | 0641676 | 2 | Bolt 3/8 x 9-1/2 | |
| 4 | 0700619 | 2 | Bolt M6 x 55 | |
| 5 | 2560088 | 2 | Grip, Handle | |
| 6 | 2560171 | 1 | Handle (Left) | |
| 7 | 2560172 | 1 | Handle (Right) | |
| 8 | 2940127 | 2 | Latch | |
| 9 | 3290601 | 2 | Nut M6 | |
| 10 | 3300467 | 2 | Nut 3/8 | |
| 11 | 3311405 | 2 | Nut 1/4 | |
| 12 | 4711600 | 4 | Washer 3/8 | |
| 13 | 4751400 | 4 | Washer 1/4 | |
| 14 | 4751600 | 2 | Washer 3/8 | |
| 15 | 0100011 | AR | Compound, Locking | |

SECTION 5 - PLATFORM

FIGURE 5-6. MANUAL DUAL DECK EXTENSION AND PLATFORM INSTALLATION



ART. 0275197

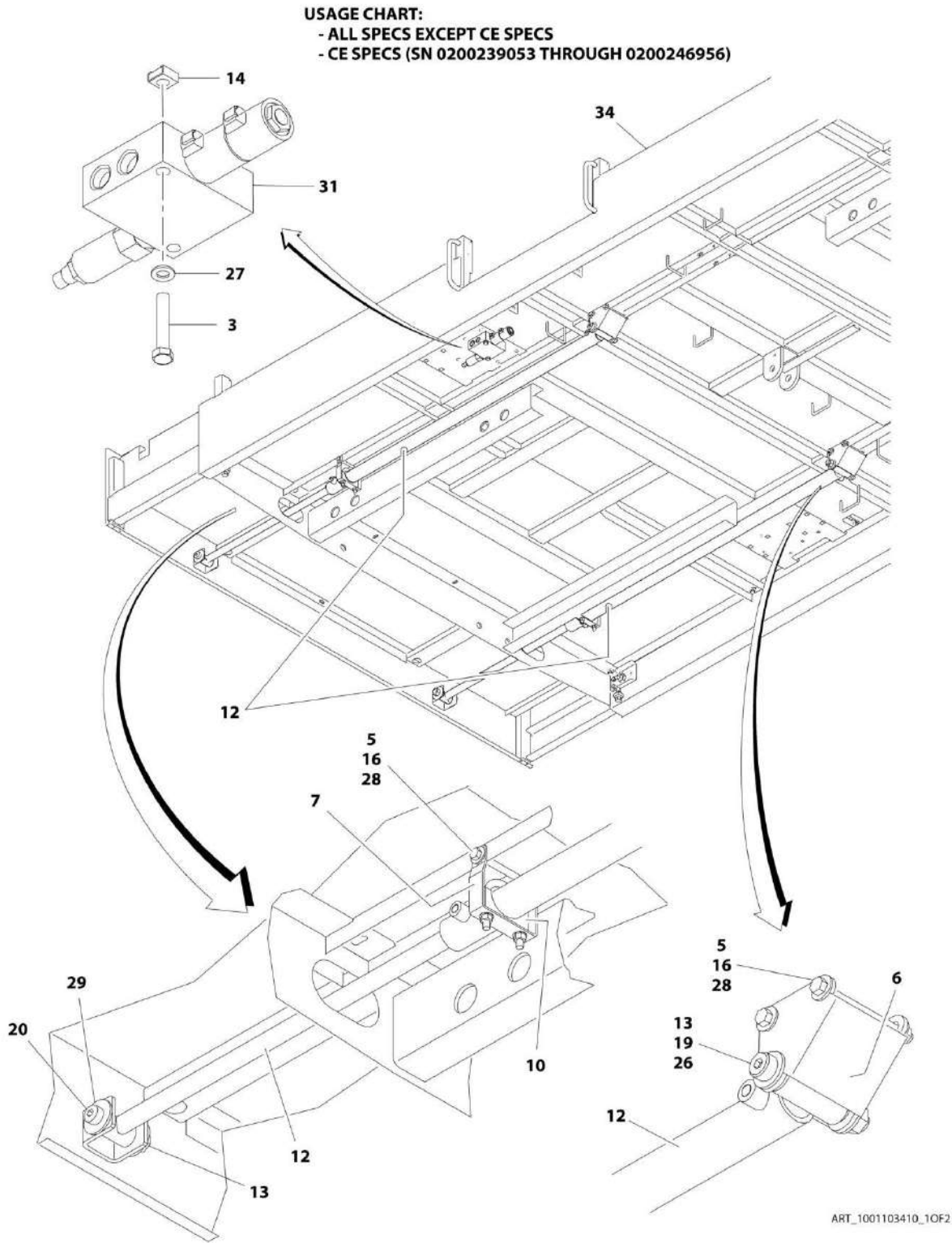
SECTION 5 - PLATFORM

FIGURE 5-6. MANUAL DUAL DECK EXTENSION AND PLATFORM INSTALLATION

| ITEM | PART NUMBER | QTY | DESCRIPTION | REV |
|------|-------------|-----|---|-----|
| | 0275197 | Ref | MANUAL DUAL DECK EXTENSION AND PLATFORM INSTALLATION | C |
| 1 | 0271704 | 1 | Platform and Extension Assembly (See PLATFORM AND MANUAL DUAL DECK EXTENSION ASSEMBLY for Breakdown) | |
| 2 | 0641406 | 4 | Bolt 1/4 x 3/4 | |
| 3 | 0641676 | 4 | Bolt 3/8 x 9-1/2 | |
| 4 | 0700619 | 4 | Bolt M6 x 55 | |
| 5 | 2560088 | 4 | Grip, Handle | |
| 6 | 2560171 | 2 | Handle (Left) | |
| 7 | 2560172 | 2 | Handle (Right) | |
| 8 | 2940127 | 4 | Latch | |
| 9 | 3290601 | 4 | Nut M6 | |
| 10 | 3300467 | 4 | Nut 3/8 | |
| 11 | 3311405 | 4 | Nut 1/4 | |
| 12 | 4711600 | 8 | Washer 3/8 | |
| 13 | 4751400 | 8 | Washer 1/4 | |
| 14 | 4751600 | 4 | Washer 3/8 | |
| 15 | 0100011 | AR | Compound, Locking | |

SECTION 5 - PLATFORM

FIGURE 5-7. POWER SINGLE DECK EXTENSION AND PLATFORM INSTALLATION - 3394RT



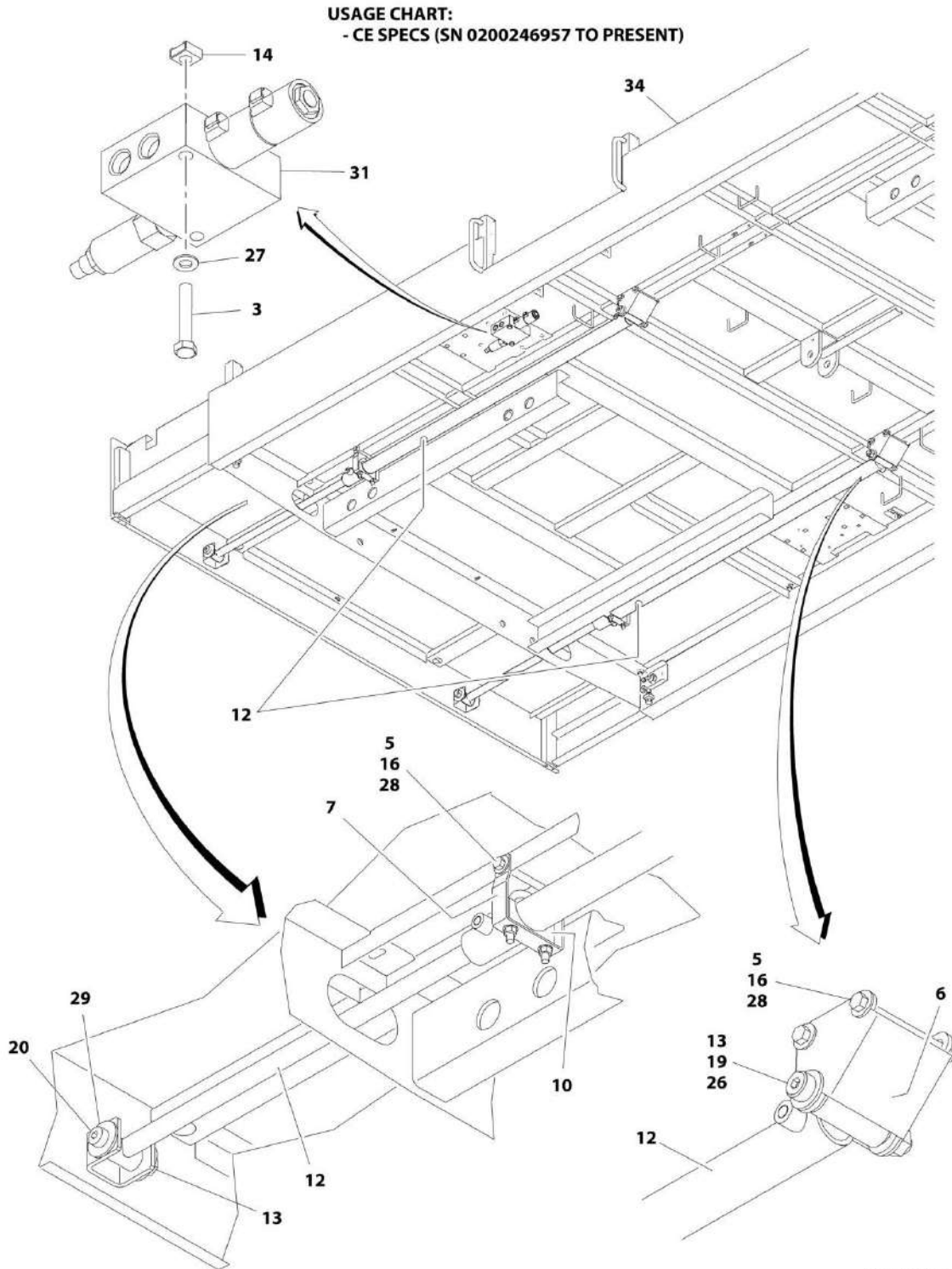
SECTION 5 - PLATFORM

FIGURE 5-7. POWER SINGLE DECK EXTENSION AND PLATFORM INSTALLATION - 3394RT

| ITEM | PART NUMBER | QTY | DESCRIPTION | REV |
|------|-------------|----------------|--|-----|
| | | Ref | USAGE CHART: | |
| | | Ref | - All Specs except CE Specs | |
| | | Ref | - CE Specs (SN 0200239053 through 0200246956) | |
| | 1001103410 | Ref | POWER SINGLE DECK EXTENSION AND PLATFORM INSTALLATION - 3394RT | B |
| | | Ref | Note: Replacement Decals Must be Ordered Separately - See DECAL SECTION. | |
| 1 | 0100011 | AR | Compound, Locking | |
| 2 | 0641405 | 2 | Bolt 1/4 x 5/8 | |
| 3 | 0641413 | 2 | Bolt 1/4 x 1-5/8 | |
| 4 | 0641608 | 2 | Bolt 3/8 x 1 | |
| 5 | 0641636 | 6 | Bolt 3/8 x 4-1/2 | |
| 6 | 0902838 | 2 | Bracket, Cylinder Attach | |
| 7 | 0902839 | 4 | Bracket, Hanger | |
| 8 | 1061003 | 1 | Cable, Solenoid | |
| 9 | 1061004 | 2 | Cable, Solenoid | |
| 10 | 1320019 | 4 | Clamp | |
| 11 | 1670995 | 3 | Cover | |
| 12 | 1684266 | 2 | Extension Cylinder Assembly (See CYLINDER SECTION for Breakdown) | |
| 13 | 3272005 | 4 | Nut 5/8 | |
| 14 | 3300182 | 2 | Nut 1/4 | |
| 15 | 3311405 | 2 | Nut 1/4 | |
| 16 | 3311605 | 6 | Nut 3/8 | |
| 17 | 3600468 | 1 | Auxiliary Pump Assembly (See POWER DECK AUXILIARY PUMP ASSEMBLY for Breakdown) | |
| 18 | 3740067 | 1 | Relay | |
| 19 | 3900254 | 2 | Capscrew 3/4 x 4 | |
| 20 | 3900330 | 2 | Capscrew 3/4 x 2-3/4 | |
| 21 | 4240033 | AR | Tie-Strap (Not Shown) | |
| 22 | 4280295 | 18 in /46cm | Strip, Protector | |
| 23 | 4360328 | 2 | Switch, Toggle | |
| 24 | 4360387 | 2 | Switch, Push Button | |
| 25 | 4360483 | 1 | Switch, Toggle | |
| 26 | 4712200 | 4 | Washer 3/4 | |
| 27 | 4751400 | 6 | Washer 1/4 | |
| 28 | 4751600 | 14 | Washer 3/8 | |
| 29 | 4752200 | 4 | Washer 3/4 | |
| 30 | 4922859 | 1 | Auxiliary Power Harness (Not Shown - See ELECTRICAL SECTION for Breakdown) | |
| 31 | 1001103266 | 1 | Power Deck Valve Assembly (See POWER DECK VALVE ASSEMBLY - SINGLE EXTENSION for Breakdown) | |
| 32 | 1001103490 | 1 | Power Deck Harness (Not Shown - See ELECTRICAL SECTION for Breakdown) | |
| 33 | 1001103708 | 1 | Hydraulic Diagram - Power Deck (Not Shown - See HYDRAULIC SECTION for Breakdown) | |
| 34 | 0272605 | 1 | Platform and Deck Extension Assembly (See PLATFORM AND POWER SINGLE DECK EXTENSION ASSEMBLY for Breakdown) | |

SECTION 5 - PLATFORM

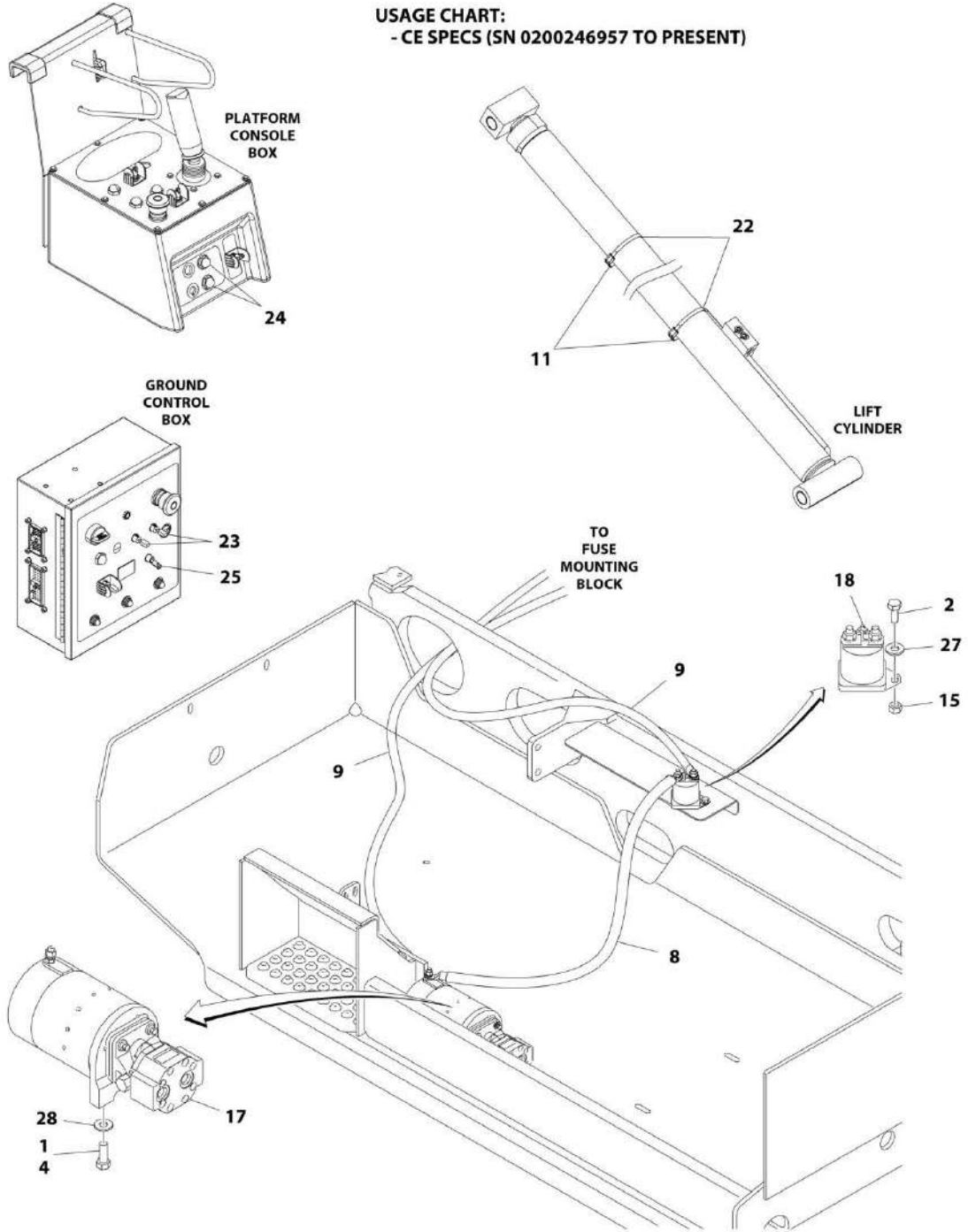
FIGURE 5-8. POWER SINGLE DECK EXTENSION AND PLATFORM INSTALLATION - 3394RT



ART_1001190534_10F2

SECTION 5 - PLATFORM

USAGE CHART:
- CE SPECS (SN 0200246957 TO PRESENT)



ART_1001190534_20F2

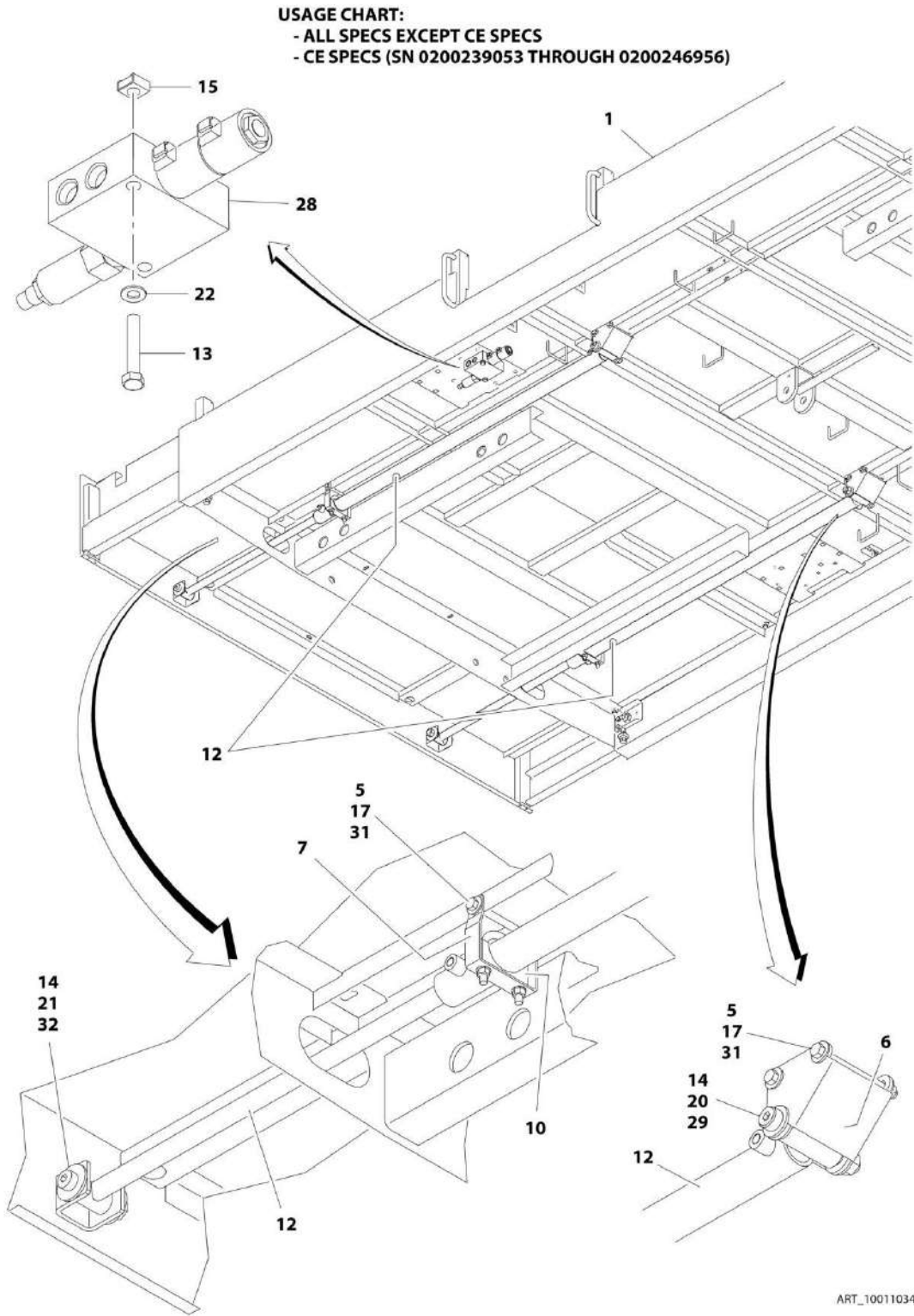
SECTION 5 - PLATFORM

FIGURE 5-8. POWER SINGLE DECK EXTENSION AND PLATFORM INSTALLATION - 3394RT

| ITEM | PART NUMBER | QTY | DESCRIPTION | REV |
|------|-------------|----------------|--|-----|
| | | Ref | USAGE CHART: | |
| | | Ref | - CE Specs (SN 0200246957 to Present) | |
| | 1001190534 | Ref | POWER SINGLE DECK EXTENSION AND PLATFORM INSTALLATION - 3394RT | A |
| | | Ref | Note: Replacement Decals Must be Ordered Separately - See DECAL SECTION. | |
| 1 | 0100011 | AR | Compound, Locking | |
| 2 | 0641405 | 2 | Bolt 1/4 x 5/8 | |
| 3 | 0641413 | 2 | Bolt 1/4 x 1-5/8 | |
| 4 | 0641608 | 2 | Bolt 3/8 x 1 | |
| 5 | 0641636 | 6 | Bolt 3/8 x 4-1/2 | |
| 6 | 0902838 | 2 | Bracket, Cylinder Attach | |
| 7 | 0902839 | 4 | Bracket, Hanger | |
| 8 | 1061003 | 1 | Cable, Solenoid | |
| 9 | 1061004 | 2 | Cable, Solenoid | |
| 10 | 1320019 | 4 | Clamp | |
| 11 | 1670995 | 3 | Cover | |
| 12 | 1684266 | 4 | Extension Cylinder Assembly (See CYLINDER SECTION for Breakdown) | |
| 13 | 3272005 | 4 | Nut 5/8 | |
| 14 | 3300182 | 2 | Nut 1/4 | |
| 15 | 3311405 | 2 | Nut 1/4 | |
| 16 | 3311605 | 6 | Nut 3/8 | |
| 17 | 3600468 | 1 | Auxiliary Pump Assembly (See POWER DECK AUXILIARY PUMP ASSEMBLY for Breakdown) | |
| 18 | 3740067 | 1 | Relay | |
| 19 | 3900254 | 2 | Capscrew 3/4 x 4 | |
| 20 | 3900330 | 2 | Capscrew 3/4 x 2-3/4 | |
| 21 | 4240033 | AR | Tie-Strap (Not Shown) | |
| 22 | 4280295 | 18 in /46cm | Strip, Protector | |
| 23 | 4360328 | 2 | Switch, Toggle | |
| 24 | 4360387 | 2 | Switch, Push Button | |
| 25 | 4360483 | 1 | Switch, Toggle | |
| 26 | 4712200 | 4 | Washer 3/4 | |
| 27 | 4751400 | 6 | Washer 1/4 | |
| 28 | 4751600 | 14 | Washer 3/8 | |
| 29 | 4752200 | 4 | Washer 3/4 | |
| 30 | 4922859 | 1 | Auxiliary Power Harness (Not Shown - See ELECTRICAL SECTION for Breakdown) | |
| 31 | 1001103266 | 1 | Power Deck Valve Assembly (See POWER DECK VALVE ASSEMBLY - SINGLE EXTENSION for Breakdown) | |
| 32 | 1001103490 | 1 | Power Deck Harness (Not Shown - See ELECTRICAL SECTION for Breakdown) | |
| 33 | 1001190537 | 1 | Hydraulic Diagram - Power Deck (Not Shown - See HYDRAULIC SECTION for Breakdown) | |
| 34 | 0272605 | 1 | Platform and Deck Extension Assembly (See PLATFORM AND POWER SINGLE DECK EXTENSION ASSEMBLY for Breakdown) | |

SECTION 5 - PLATFORM

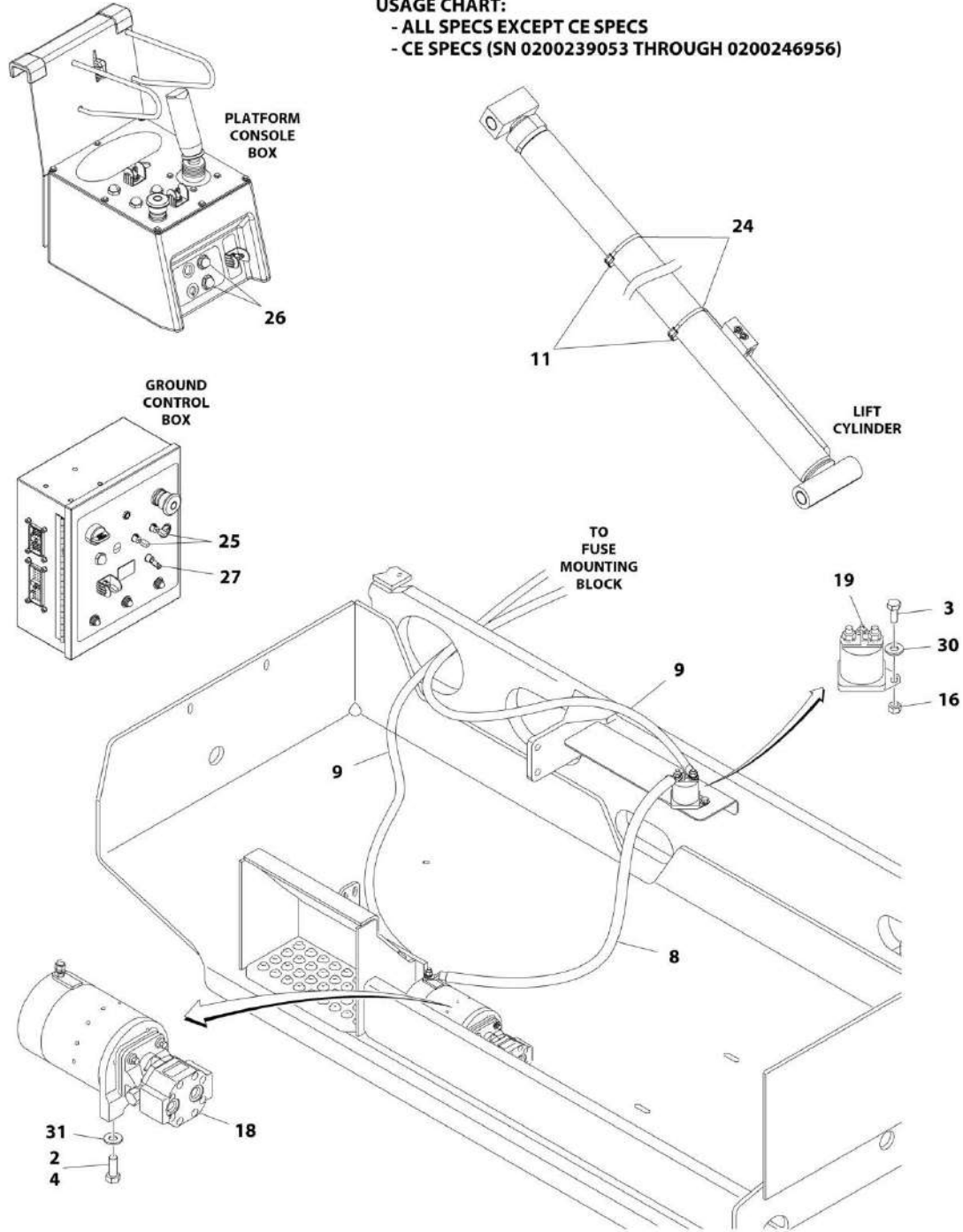
FIGURE 5-9. POWER SINGLE DECK EXTENSION AND PLATFORM INSTALLATION - 4394RT



ART_1001103411_1OF2

SECTION 5 - PLATFORM

USAGE CHART:
- ALL SPECS EXCEPT CE SPECS
- CE SPECS (SN 0200239053 THROUGH 0200246956)



ART_1001103411_20F2

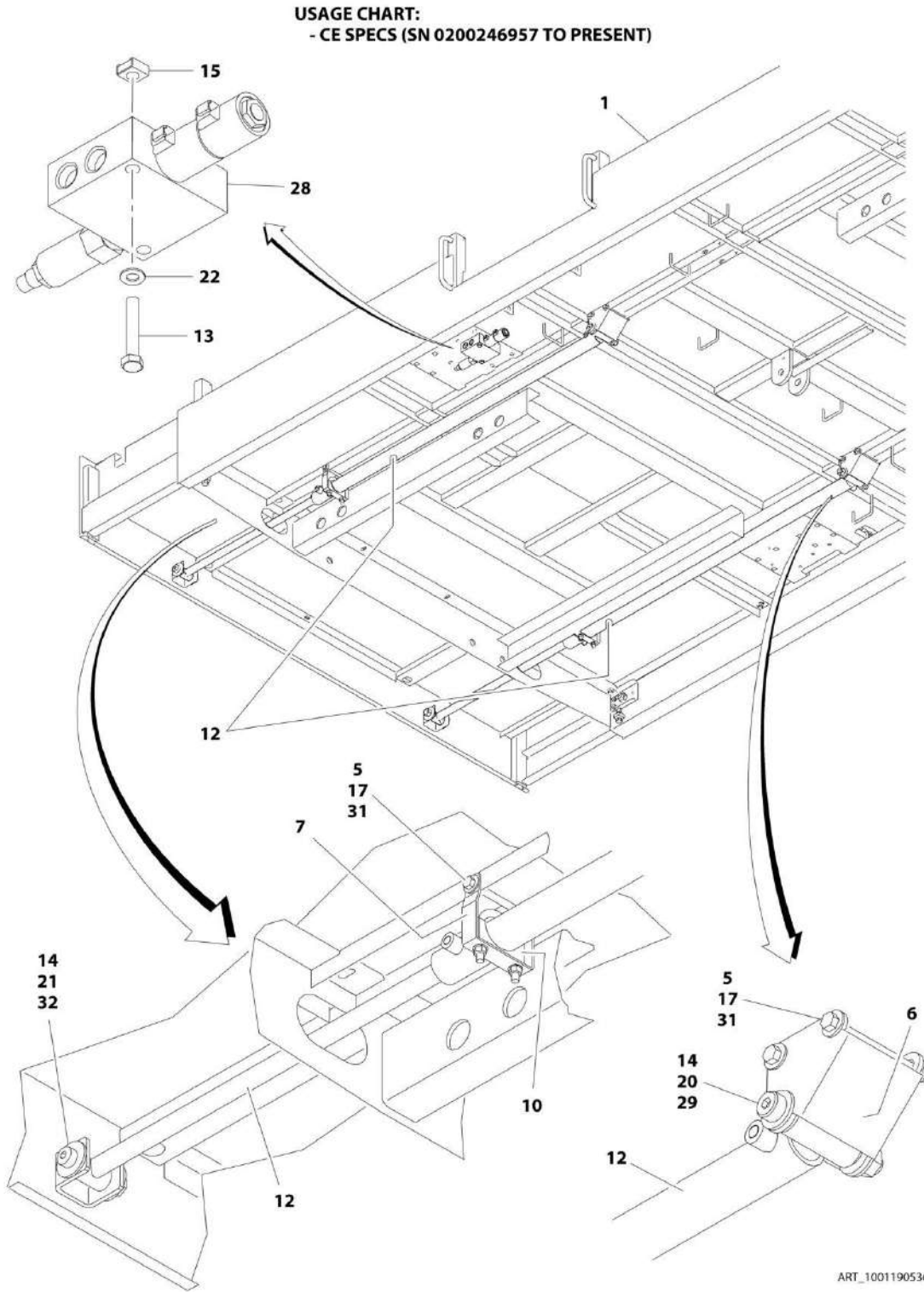
SECTION 5 - PLATFORM

FIGURE 5-9. POWER SINGLE DECK EXTENSION AND PLATFORM INSTALLATION - 4394RT

| ITEM | PART NUMBER | QTY | DESCRIPTION | REV |
|------|-------------|----------------|--|-----|
| | | Ref | USAGE CHART: | |
| | | Ref | - All Specs except CE Spec | |
| | | Ref | - CE Specs (SN 0200239053 through 0200246956) | |
| | 1001103411 | Ref | POWER SINGLE DECK EXTENSION AND PLATFORM INSTALLATION - 4394RT | B |
| | | Ref | Note: Replacement Decals Must be Ordered Separately - See DECAL SECTION. | |
| 1 | 0272605 | 1 | Platform and Deck Extension Assembly (See PLATFORM AND POWER SINGLE DECK EXTENSION ASSEMBLY for Breakdown) | |
| 2 | 0100011 | AR | Compound, Locking | |
| 3 | 0641405 | 2 | Bolt 1/4 x 5/8 | |
| 4 | 0641608 | 2 | Bolt 3/8 x 1 | |
| 5 | 0641636 | 6 | Bolt 3/8 x 4-1/2 | |
| 6 | 0902838 | 2 | Bracket, Cylinder Attach | |
| 7 | 0902839 | 2 | Bracket, Hanger | |
| 8 | 1061003 | 1 | Cable, Solenoid | |
| 9 | 1061004 | 2 | Cable, Solenoid | |
| 10 | 1320019 | 2 | Clamp | |
| 11 | 1670995 | 3 | Cover | |
| 12 | 1684266 | 2 | Extension Cylinder Assembly (See CYLINDER SECTION for Breakdown) | |
| 13 | 0641413 | 2 | Bolt 1/4 x 1-5/8 | |
| 14 | 3272005 | 4 | Nut 5/8 | |
| 15 | 3300182 | 2 | Nut 1/4 | |
| 16 | 3311405 | 2 | Nut 1/4 | |
| 17 | 3311605 | 6 | Nut 3/8 | |
| 18 | 3600468 | 1 | Auxiliary Pump Assembly (See POWER DECK AUXILIARY PUMP ASSEMBLY for Breakdown) | |
| 19 | 3740067 | 1 | Relay | |
| 20 | 3900254 | 2 | Capscrew 3/4 x 4 | |
| 21 | 3900330 | 2 | Capscrew 3/4 x 2-3/4 | |
| 22 | 4711400 | 2 | Washer 1/4 | |
| 23 | 4240033 | AR | Tie-Strap (Not Shown) | |
| 24 | 4280295 | 18 in /46cm | Strip, Protector | |
| 25 | 4360328 | 2 | Switch, Toggle | |
| 26 | 4360387 | 2 | Switch, Push Button | |
| 27 | 4360483 | 1 | Switch, Toggle | |
| 28 | 1001103266 | 1 | Power Deck Valve Assembly (See POWER DECK VALVE ASSEMBLY - SINGLE EXTENSION for Breakdown) | |
| 29 | 4712200 | 4 | Washer 3/4 | |
| 30 | 4751400 | 4 | Washer 1/4 | |
| 31 | 4751600 | 14 | Washer 3/8 | |
| 32 | 4752200 | 4 | Washer 3/4 | |
| 33 | 1001103570 | 1 | Power Deck Harness (Not Shown - See ELECTRICAL SECTION for Breakdown) | |
| 34 | 4922859 | 1 | Auxiliary Power Harness (Not Shown - See ELECTRICAL SECTION for Breakdown) | |
| 35 | 1001103708 | 1 | Hydraulic Diagram - Power Deck (Not Shown - See HYDRAULIC SECTION for Breakdown) | |

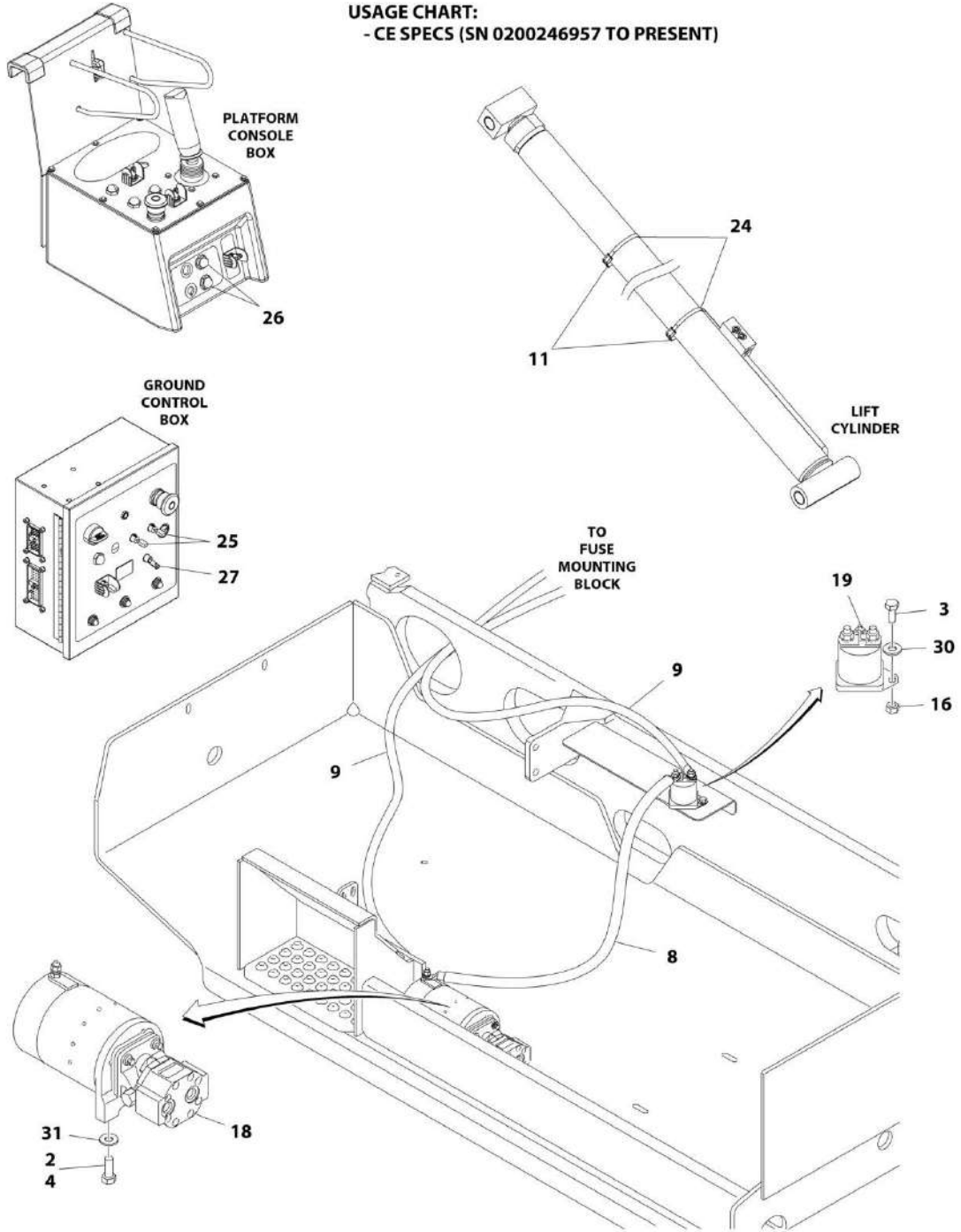
SECTION 5 - PLATFORM

FIGURE 5-10. POWER SINGLE DECK EXTENSION AND PLATFORM INSTALLATION - 4394RT



SECTION 5 - PLATFORM

USAGE CHART:
- CE SPECS (SN 0200246957 TO PRESENT)



ART_1001190536_20F2

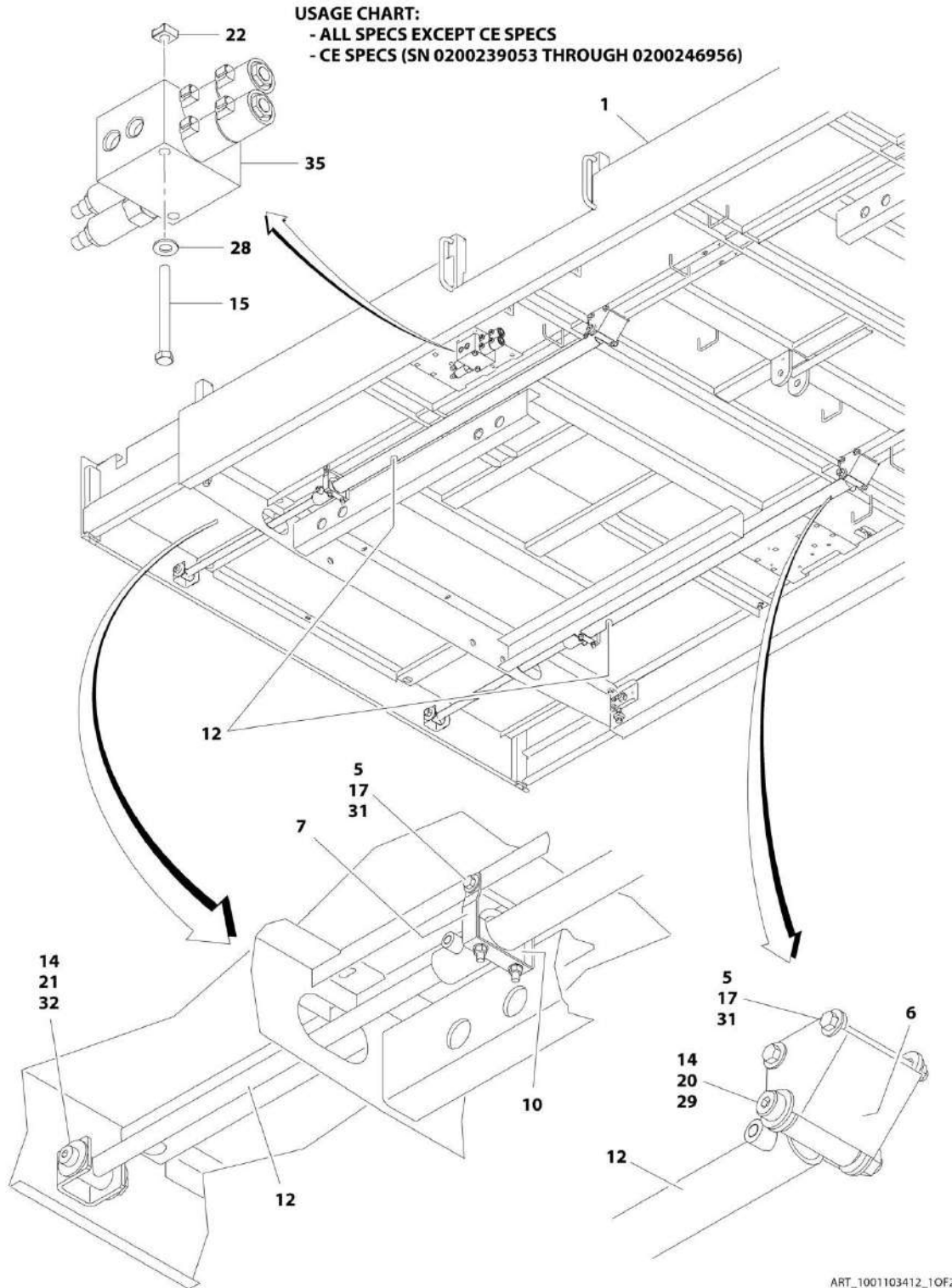
SECTION 5 - PLATFORM

FIGURE 5-10. POWER SINGLE DECK EXTENSION AND PLATFORM INSTALLATION - 4394RT

| ITEM | PART NUMBER | QTY | DESCRIPTION | REV |
|------|-------------|----------------|--|-----|
| | | Ref | USAGE CHART: | |
| | | Ref | - CE Spec (SN 0200246957 to Present) | |
| | 1001190536 | Ref | POWER SINGLE DECK EXTENSION AND PLATFORM INSTALLATION - 4394RT | A |
| | | Ref | Note: Replacement Decals Must be Ordered Separately - See DECAL SECTION. | |
| 1 | 0272605 | 1 | Platform and Deck Extension Assembly (See PLATFORM AND POWER SINGLE DECK EXTENSION ASSEMBLY for Breakdown) | |
| 2 | 0100011 | AR | Compound, Locking | |
| 3 | 0641405 | 2 | Bolt 1/4 x 5/8 | |
| 4 | 0641608 | 2 | Bolt 3/8 x 1 | |
| 5 | 0641636 | 6 | Bolt 3/8 x 4-1/2 | |
| 6 | 0902838 | 2 | Bracket, Cylinder Attach | |
| 7 | 0902839 | 2 | Bracket, Hanger | |
| 8 | 1061003 | 1 | Cable, Solenoid | |
| 9 | 1061004 | 2 | Cable, Solenoid | |
| 10 | 1320019 | 2 | Clamp | |
| 11 | 1670995 | 3 | Cover | |
| 12 | 1684266 | 2 | Extension Cylinder Assembly (See CYLINDER SECTION for Breakdown) | |
| 13 | 0641413 | 2 | Bolt 1/4 x 1-5/8 | |
| 14 | 3272005 | 4 | Nut 5/8 | |
| 15 | 3300182 | 2 | Nut 1/4 | |
| 16 | 3311405 | 2 | Nut 1/4 | |
| 17 | 3311605 | 6 | Nut 3/8 | |
| 18 | 3600468 | 1 | Auxiliary Pump Assembly (See POWER DECK AUXILIARY PUMP ASSEMBLY for Breakdown) | |
| 19 | 3740067 | 1 | Relay | |
| 20 | 3900254 | 2 | Capscrew 3/4 x 4 | |
| 21 | 3900330 | 2 | Capscrew 3/4 x 2-3/4 | |
| 22 | 4711400 | 2 | Washer 1/4 | |
| 23 | 4240033 | AR | Tie-Strap (Not Shown) | |
| 24 | 4280295 | 18 in /46cm | Strip, Protector | |
| 25 | 4360328 | 2 | Switch, Toggle | |
| 26 | 4360387 | 2 | Switch, Push Button | |
| 27 | 4360483 | 1 | Switch, Toggle | |
| 28 | 1001103266 | 1 | Power Deck Valve Assembly (See POWER DECK VALVE ASSEMBLY - SINGLE EXTENSION for Breakdown) | |
| 29 | 4712200 | 4 | Washer 3/4 | |
| 30 | 4751400 | 4 | Washer 1/4 | |
| 31 | 4751600 | 14 | Washer 3/8 | |
| 32 | 4752200 | 4 | Washer 3/4 | |
| 33 | 1001103570 | 1 | Power Deck Harness (Not Shown - See ELECTRICAL SECTION for Breakdown) | |
| 34 | 4922859 | 1 | Auxiliary Power Harness (Not Shown - See ELECTRICAL SECTION for Breakdown) | |
| 35 | 1001190537 | 1 | Hydraulic Diagram - Power Deck (Not Shown - See HYDRAULIC SECTION for Breakdown) | |

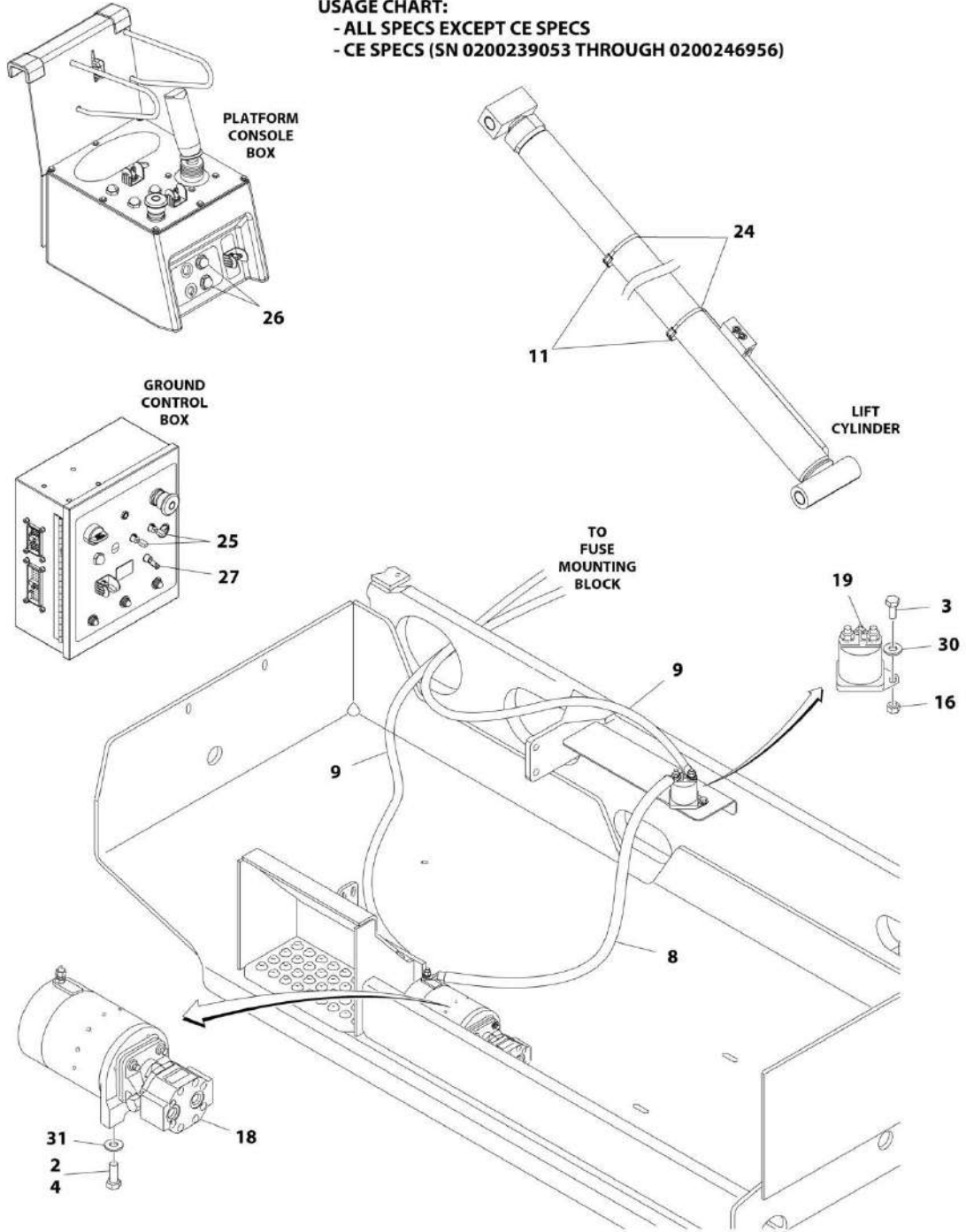
SECTION 5 - PLATFORM

FIGURE 5-11. POWER DUAL DECK EXTENSION AND PLATFORM INSTALLATION - 3394RT (WITH 12.6FT/3.8M LENGTH PLATFORM)



SECTION 5 - PLATFORM

USAGE CHART:
- ALL SPECS EXCEPT CE SPECS
- CE SPECS (SN 0200239053 THROUGH 0200246956)



ART_1001103412_2OF2

SECTION 5 - PLATFORM

FIGURE 5-11. POWER DUAL DECK EXTENSION AND PLATFORM INSTALLATION - 3394RT (WITH 12.6FT/3.8M LENGTH PLATFORM)

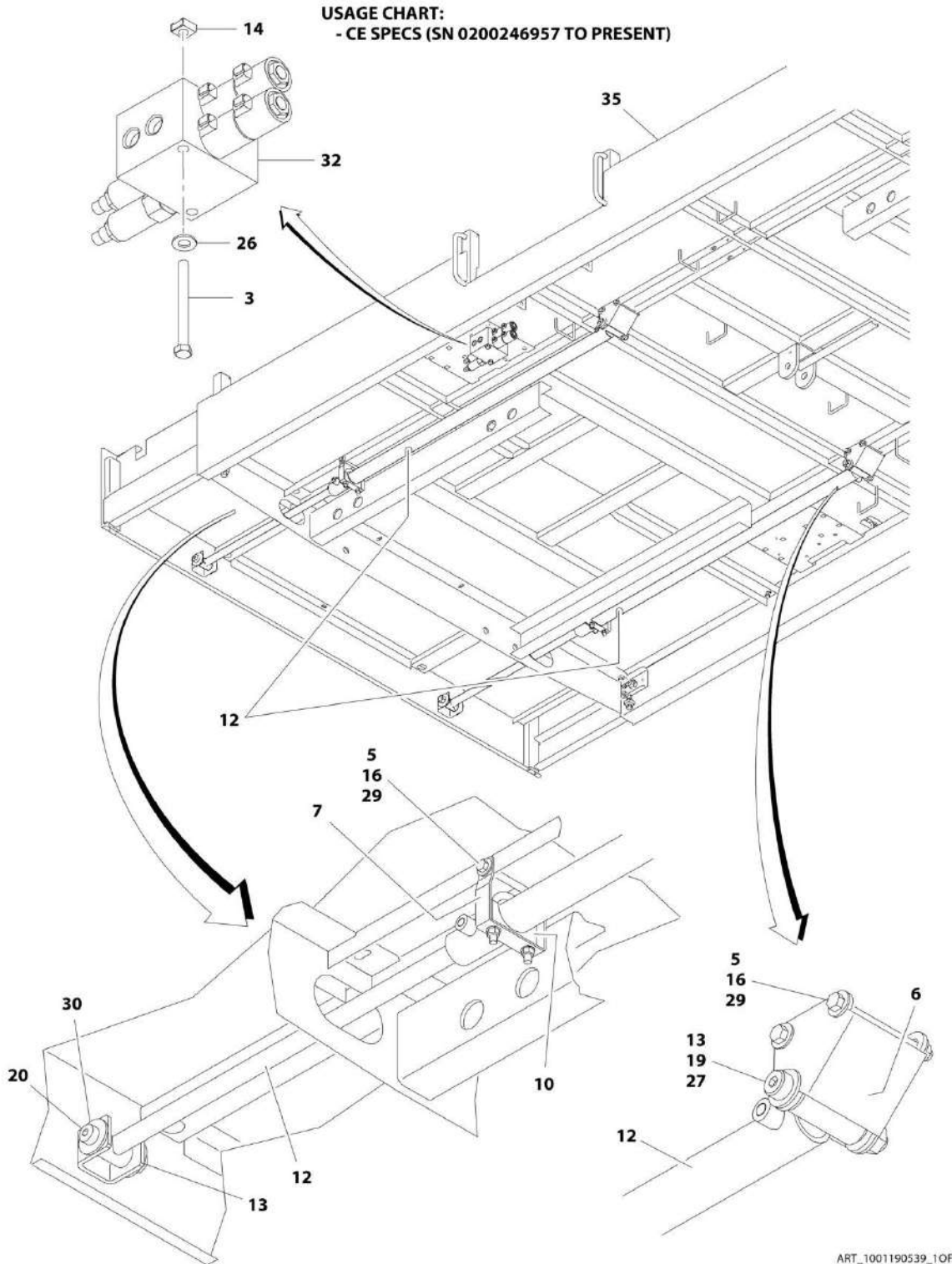
| ITEM | PART NUMBER | QTY | DESCRIPTION | REV |
|------|-------------|----------------|---|-----|
| | | Ref | USAGE CHART: | |
| | | Ref | - All Specs except CE Specs | |
| | | Ref | - CE Specs (SN 0200239053 through 0200246956) | |
| | 1001103412 | Ref | POWER DUAL DECK EXTENSION AND PLATFORM INSTALLATION - 3394RT (WITH 12.6FT/3.8M LENGTH PLATFORM) | B |
| | | Ref | Note: Replacement Decals Must be Ordered Separately - See DECAL SECTION. | |
| 1 | 0272707 | 1 | Platform and Deck Extension Assembly (See PLATFORM AND POWER DUAL DECK EXTENSION ASSEMBLY (WITH 12.6FT/3.8M LENGTH PLATFORM) for Breakdown) | |
| 2 | 0100011 | AR | Compound, Locking | |
| 3 | 0641405 | 2 | Bolt 1/4 x 5/8 | |
| 4 | 0641608 | 2 | Bolt 3/8 x 1 | |
| 5 | 0641636 | 12 | Bolt 3/8 x 4-1/2 | |
| 6 | 0902838 | 2 | Bracket, Cylinder Attach | |
| 7 | 0902839 | 4 | Bracket, Hanger | |
| 8 | 1061003 | 1 | Cable, Solenoid | |
| 9 | 1061004 | 2 | Cable, Solenoid | |
| 10 | 1320019 | 4 | Clamp | |
| 11 | 1670995 | 3 | Cover | |
| 12 | 1684266 | 4 | Extension Cylinder Assembly (See CYLINDER SECTION for Breakdown) | |
| 14 | 3272005 | 8 | Nut 5/8 | |
| 15 | 0641426 | 2 | Bolt 1/4 x 3-1/4 | |
| 16 | 3311405 | 2 | Nut 1/4 | |
| 17 | 3311605 | 12 | Nut 3/8 | |
| 18 | 3600468 | 1 | Auxiliary Pump Assembly (See POWER DECK AUXILIARY PUMP ASSEMBLY for Breakdown) | |
| 19 | 3740067 | 1 | Relay | |
| 20 | 3900254 | 4 | Capscrew 3/4 x 4 | |
| 21 | 3900330 | 4 | Capscrew 3/4 x 2-3/4 | |
| 22 | 3300182 | 2 | Nut 1/4 | |
| 23 | 4240033 | AR | Tie-Strap (Not Shown) | |
| 24 | 4280295 | 18 in /46cm | Strip, Protector | |
| 25 | 4360328 | 2 | Switch, Toggle | |
| 26 | 4360387 | 2 | Switch, Push Button | |
| 27 | 4360483 | 1 | Switch, Toggle | |
| 28 | 4711400 | 2 | Washer 1/4 | |
| 29 | 4712200 | 4 | Washer 3/4 | |
| 30 | 4751400 | 4 | Washer 1/4 | |
| 31 | 4751600 | 26 | Washer 3/8 | |
| 32 | 4752200 | 8 | Washer 3/4 | |
| 34 | 4922859 | 1 | Auxiliary Power Harness (Not Shown - See ELECTRICAL SECTION for Breakdown) | |
| 35 | 1001103267 | 1 | Power Deck Valve Assembly (See POWER DECK VALVE ASSEMBLY - DUAL EXTENSION for Breakdown) | |
| 36 | 1001103490 | 1 | Power Deck Harness (Not Shown - See ELECTRICAL SECTION for Breakdown) | |
| 37 | 1001103709 | 1 | Hydraulic Diagram - Power Deck (Not Shown - See HYDRAULIC | |

SECTION 5 - PLATFORM

| ITEM | PART NUMBER | QTY | DESCRIPTION | REV |
|------|-------------|-----|-----------------------|-----|
| | | | SECTON for Breakdown) | |

SECTION 5 - PLATFORM

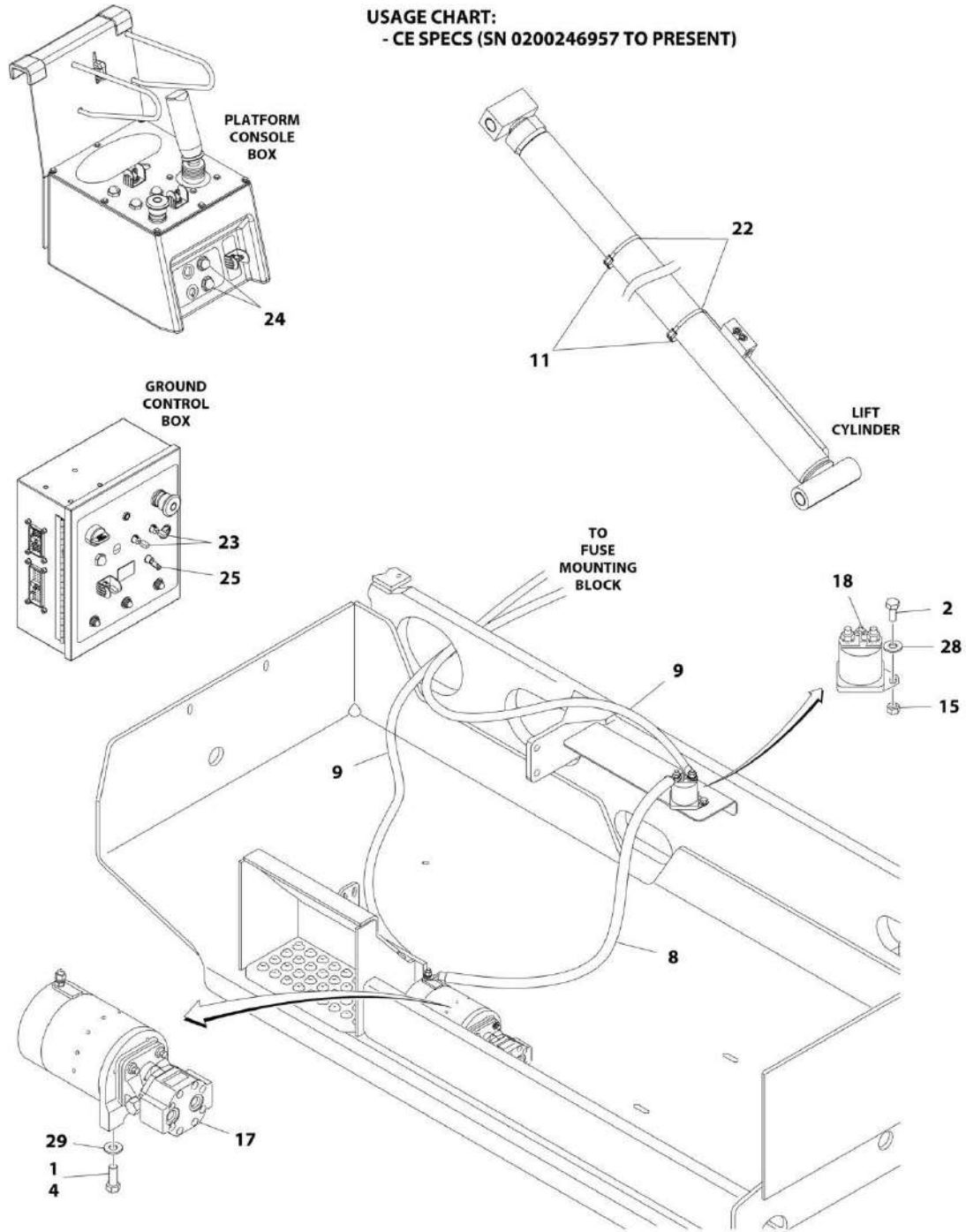
FIGURE 5-12. POWER DUAL DECK EXTENSION AND PLATFORM INSTALLATION - 3394RT (WITH 12.6FT/3.8M LENGTH PLATFORM)



ART_1001190539_1OF2

SECTION 5 - PLATFORM

USAGE CHART:
- CE SPECS (SN 0200246957 TO PRESENT)



ART_1001190539_20F2

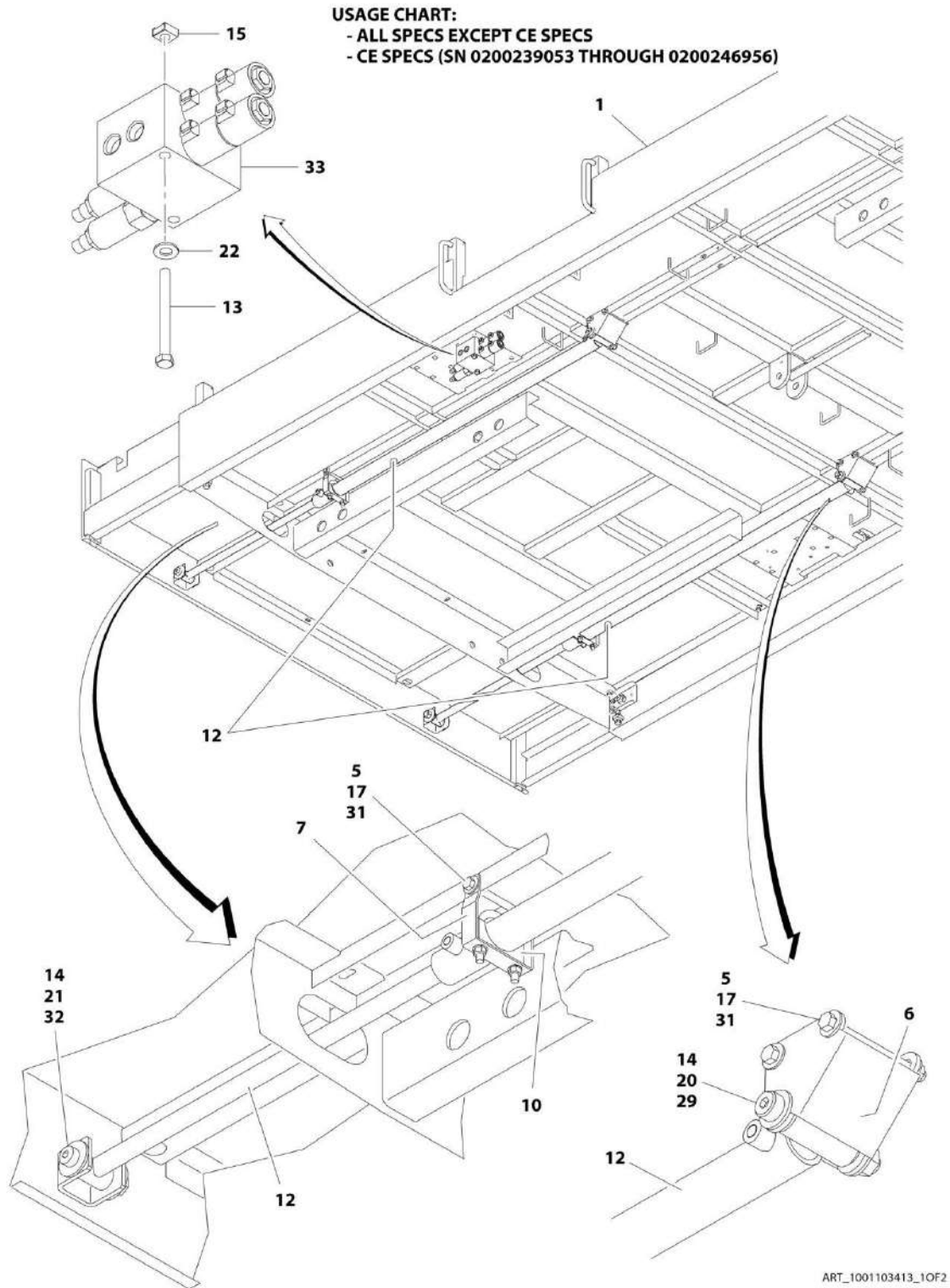
SECTION 5 - PLATFORM

FIGURE 5-12. POWER DUAL DECK EXTENSION AND PLATFORM INSTALLATION - 3394RT (WITH 12.6FT/3.8M LENGTH PLATFORM)

| ITEM | PART NUMBER | QTY | DESCRIPTION | REV |
|------|-------------|----------------|---|-----|
| | | Ref | USAGE CHART: | |
| | | Ref | - CE Specs (SN 0200246957 to Present) | |
| | 1001190539 | Ref | POWER DUAL DECK EXTENSION AND PLATFORM INSTALLATION - 3394RT (WITH 12.6FT/3.8M LENGTH PLATFORM) | A |
| | | Ref | Note: Replacement Decals Must be Ordered Separately - See DECAL SECTION. | |
| 1 | 0100011 | AR | Compound, Locking | |
| 2 | 0641405 | 2 | Bolt 1/4 x 5/8 | |
| 3 | 0641426 | 2 | Bolt 1/4 x 3-1/4 | |
| 4 | 0641608 | 2 | Bolt 3/8 x 1 | |
| 5 | 0641636 | 12 | Bolt 3/8 x 4-1/2 | |
| 6 | 0902838 | 4 | Bracket, Cylinder Attach | |
| 7 | 0902839 | 4 | Bracket, Hanger | |
| 8 | 1061003 | 1 | Cable, Solenoid | |
| 9 | 1061004 | 2 | Cable, Solenoid | |
| 10 | 1320019 | 4 | Clamp | |
| 11 | 1670995 | 3 | Cover | |
| 12 | 1684266 | 4 | Extension Cylinder Assembly (See CYLINDER ASSEMBLY for Breakdown) | |
| 13 | 3272005 | 8 | Nut 5/8 | |
| 14 | 3300182 | 2 | Nut 1/4 | |
| 15 | 3311405 | 2 | Nut 1/4 | |
| 16 | 3311605 | 12 | Nut 3/8 | |
| 17 | 3600468 | 1 | Auxiliary Pump Assembly (See POWER DECK AUXILIARY PUMP ASSEMBLY for Breakdown) | |
| 18 | 3740067 | 1 | Relay | |
| 19 | 3900254 | 4 | Capscrew 3/4 x 4 | |
| 20 | 3900330 | 4 | Capscrew 3/4 x 2-3/4 | |
| 21 | 4240033 | 12 | Tie-Strap (Not Shown) | |
| 22 | 4280295 | 18 in /46cm | Strip, Protector | |
| 23 | 4360328 | 2 | Switch, Toggle | |
| 24 | 4360387 | 2 | Switch, Push Button | |
| 25 | 4360483 | 1 | Switch, Toggle | |
| 26 | 4711400 | 2 | Washer 1/4 | |
| 27 | 4712200 | 8 | Washer 3/4 | |
| 28 | 4751400 | 4 | Washer 1/4 | |
| 29 | 4751600 | 26 | Washer 3/8 | |
| 30 | 4752200 | 8 | Washer 3/4 | |
| 31 | 4922859 | 1 | Auxiliary Power Harness (Not Shown - See ELECTRICAL SECTION for Breakdown) | |
| 32 | 1001103267 | 1 | Power Deck Valve Assembly (See POWER DECK VALVE ASSEMBLY - DUAL EXTENSION for Breakdown) | |
| 33 | 1001103490 | 1 | Power Deck Harness (Not Shown - See ELECTRICAL SECTION for Breakdown) | |
| 34 | 1001190544 | 1 | Hydraulic Diagram - Power Deck (Not Shown - See HYDRAULIC SECTION for Breakdown) | |
| 35 | 0272707 | 1 | Platform and Deck Extension Assembly (See PLATFORM AND POWER DUAL DECK EXTENSION ASSEMBLY (WITH 12.6FT/3.8M LENGTH PLATFORM) for Breakdown) | |

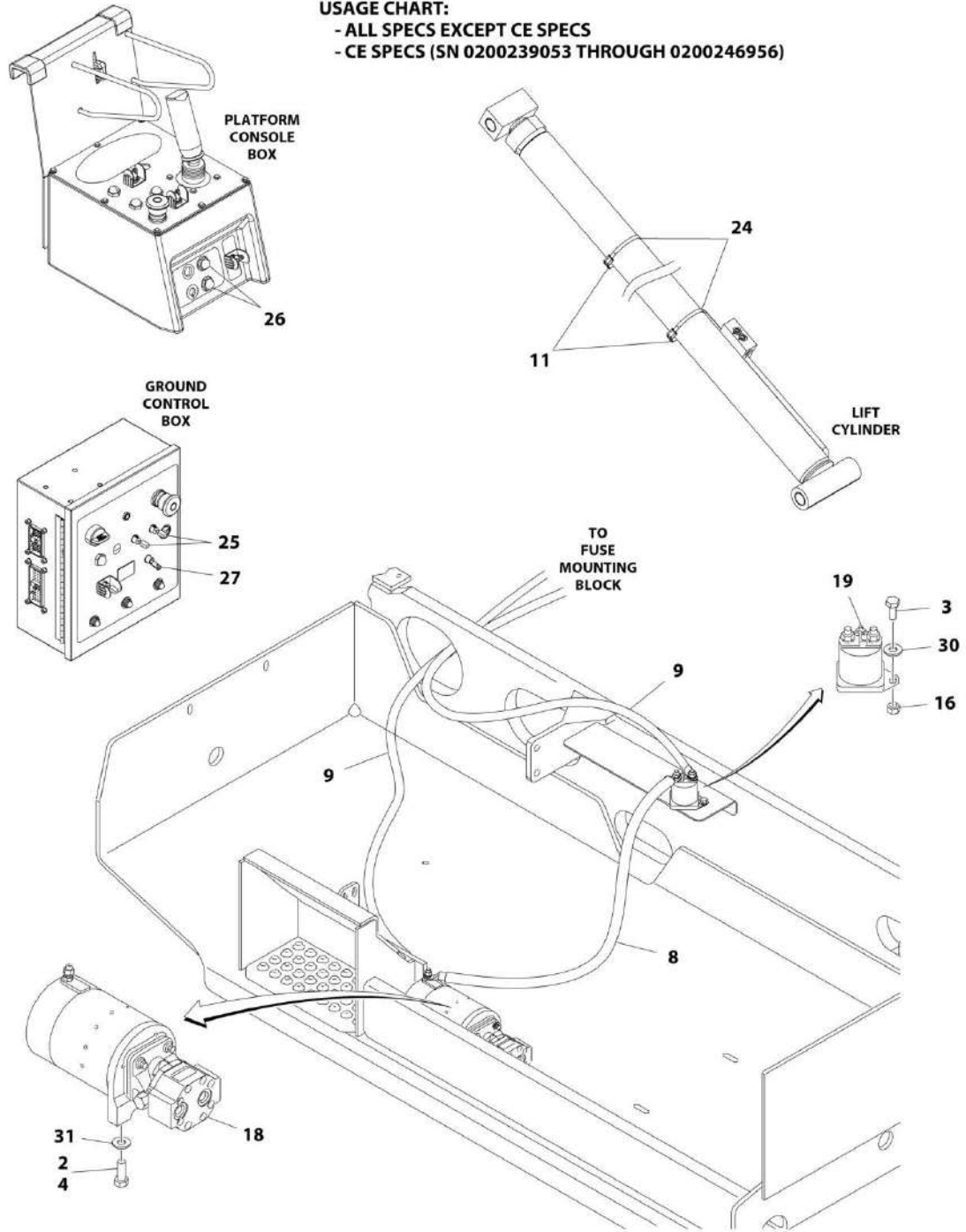
SECTION 5 - PLATFORM

FIGURE 5-13. POWER DUAL DECK EXTENSION AND PLATFORM INSTALLATION - 4394RT (WITH 12.6FT/3.8M LENGTH PLATFORM)



SECTION 5 - PLATFORM

USAGE CHART:
- ALL SPECS EXCEPT CE SPECS
- CE SPECS (SN 0200239053 THROUGH 0200246956)



ART_1001103413_2OF2

SECTION 5 - PLATFORM

FIGURE 5-13. POWER DUAL DECK EXTENSION AND PLATFORM INSTALLATION - 4394RT (WITH 12.6FT/3.8M LENGTH PLATFORM)

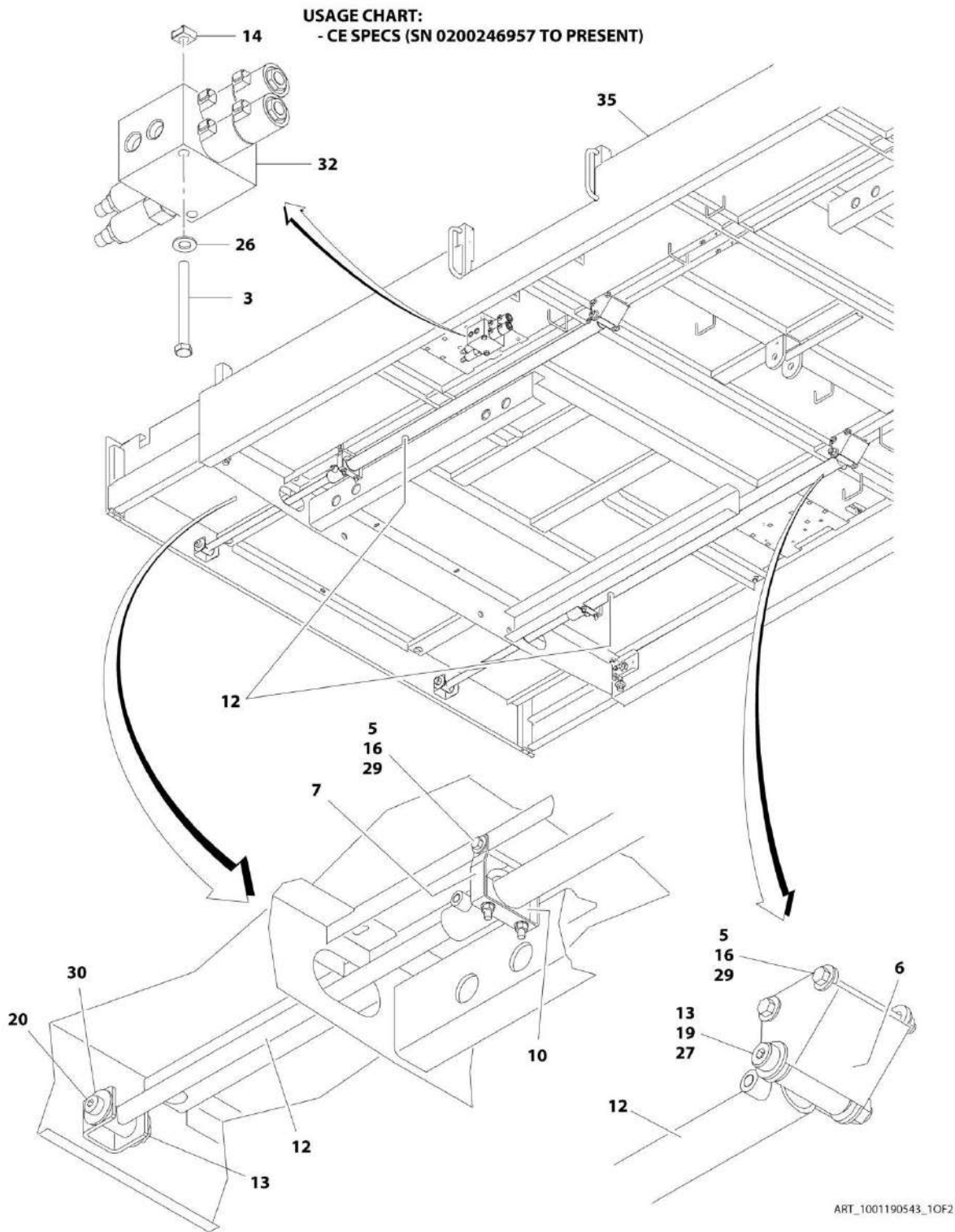
| ITEM | PART NUMBER | QTY | DESCRIPTION | REV |
|------|-------------|----------------|---|-----|
| | | Ref | USAGE CHART: | |
| | | Ref | - All Specs except CE Specs | |
| | | Ref | - CE Specs (SN 0200239053 through 0200246956) | |
| | 1001103413 | Ref | POWER DUAL DECK EXTENSION AND PLATFORM INSTALLATION - 4394RT (WITH 12.6FT/3.8M LENGTH PLATFORM) | B |
| | | Ref | Note: Replacement Decals Must be Ordered Separately - See DECAL SECTION. | |
| 1 | 0272707 | 1 | Platform and Deck Extension Assembly (See PLATFORM AND POWER DUAL DECK EXTENSION ASSEMBLY (WITH 12.6FT/3.8M LENGTH PLATFORM) for Breakdown) | |
| 2 | 0100011 | AR | Compound, Locking | |
| 3 | 0641405 | 2 | Bolt 1/4 x 5/8 | |
| 4 | 0641608 | 2 | Bolt 3/8 x 1 | |
| 5 | 0641636 | 12 | Bolt 3/8 x 4-1/2 | |
| 6 | 0902838 | 2 | Bracket, Cylinder Attach | |
| 7 | 0902839 | 4 | Bracket, Hanger | |
| 8 | 1061003 | 1 | Cable, Solenoid | |
| 9 | 1061004 | 2 | Cable, Solenoid | |
| 10 | 1320019 | 4 | Clamp | |
| 11 | 1670995 | 3 | Cover | |
| 12 | 1684266 | 4 | Extension Cylinder Assembly (See CYLINDER SECTION for Breakdown) | |
| 13 | 0641426 | 2 | Bolt 1/4 x 3-1/4 | |
| 14 | 3272005 | 8 | Nut 5/8 | |
| 15 | 3300182 | 2 | Nut 1/4 | |
| 16 | 3311405 | 2 | Nut 1/4 | |
| 17 | 3311605 | 12 | Nut 3/8 | |
| 18 | 3600468 | 1 | Auxiliary Pump Assembly (See POWER DECK AUXILIARY PUMP ASSEMBLY for Breakdown) | |
| 19 | 3740067 | 1 | Relay | |
| 20 | 3900254 | 4 | Capscrew 3/4 x 4 | |
| 21 | 3900330 | 4 | Capscrew 3/4 x 2-3/4 | |
| 22 | 4711400 | 2 | Washer 1/4 | |
| 23 | 4240033 | AR | Tie-Strap (Not Shown) | |
| 24 | 4280295 | 18 in /46cm | Strip, Protector | |
| 25 | 4360328 | 2 | Switch, Toggle | |
| 26 | 4360387 | 2 | Switch, Push Button | |
| 27 | 4360483 | 1 | Switch, Toggle | |
| 28 | 4922859 | 1 | Auxiliary Power Harness (Not Shown - See ELECTRICAL SECTION for Breakdown) | |
| 29 | 4712200 | 4 | Washer 3/4 | |
| 30 | 4751400 | 4 | Washer 1/4 | |
| 31 | 4751600 | 26 | Washer 3/8 | |
| 32 | 4752200 | 8 | Washer 3/4 | |
| 33 | 1001103267 | 1 | Power Deck Valve Assembly (See POWER DECK VALVE ASSEMBLY - DUAL EXTENSION for Breakdown) | |
| 34 | 1001103570 | 1 | Power Deck Harness (Not Shown - See ELECTRICAL SECTION for Breakdown) | |
| 35 | 1001103709 | 1 | Hydraulic Diagram - Power Deck (Not Shown - See HYDRAULIC | |

SECTION 5 - PLATFORM

| ITEM | PART NUMBER | QTY | DESCRIPTION | REV |
|------|-------------|-----|------------------------|-----|
| | | | SECTION for Breakdown) | |

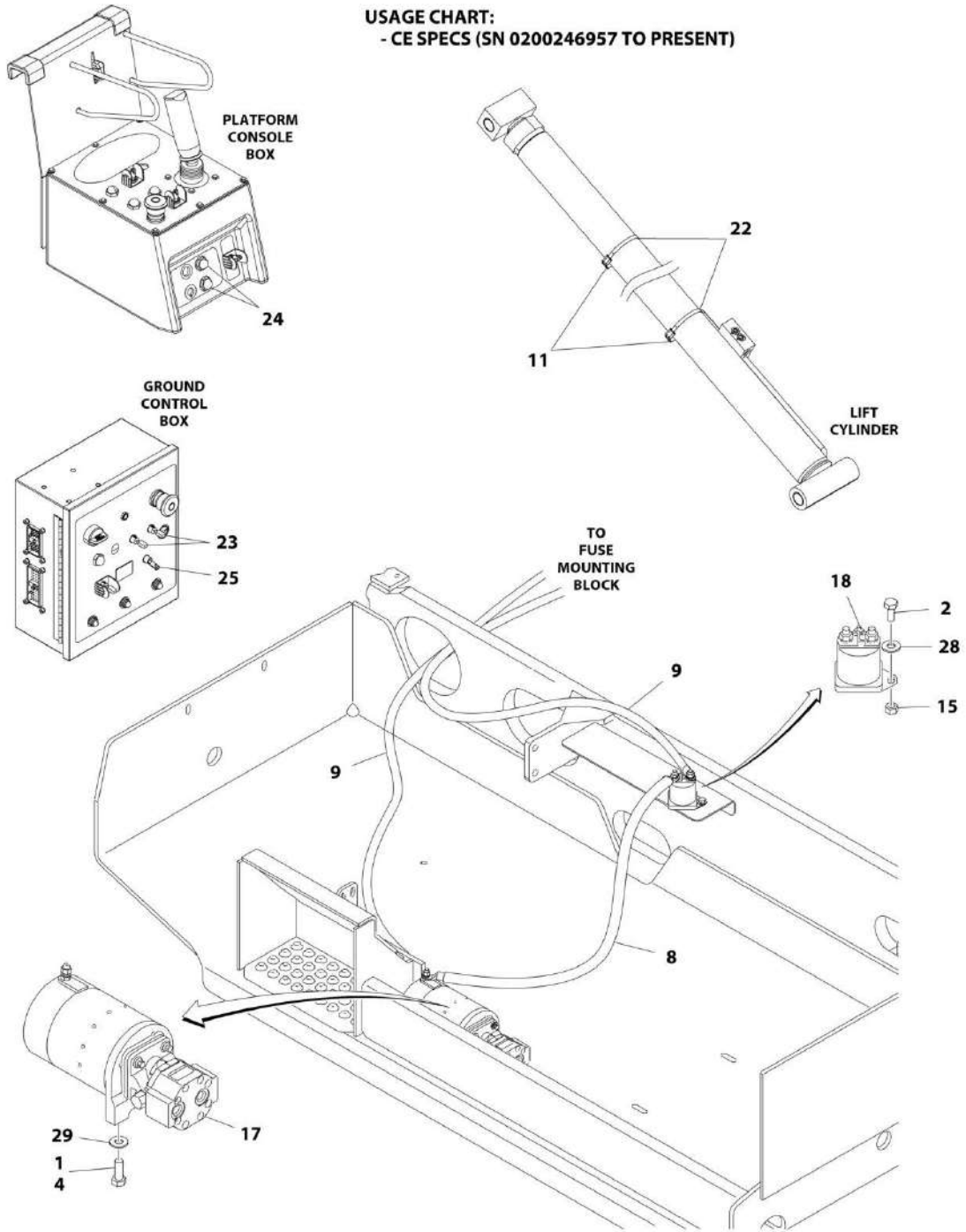
SECTION 5 - PLATFORM

FIGURE 5-14. POWER DUAL DECK EXTENSION AND PLATFORM INSTALLATION - 4394RT (WITH 12.6FT/3.8M LENGTH PLATFORM)



SECTION 5 - PLATFORM

USAGE CHART:
- CE SPECS (SN 0200246957 TO PRESENT)



ART_1001190543_20F2

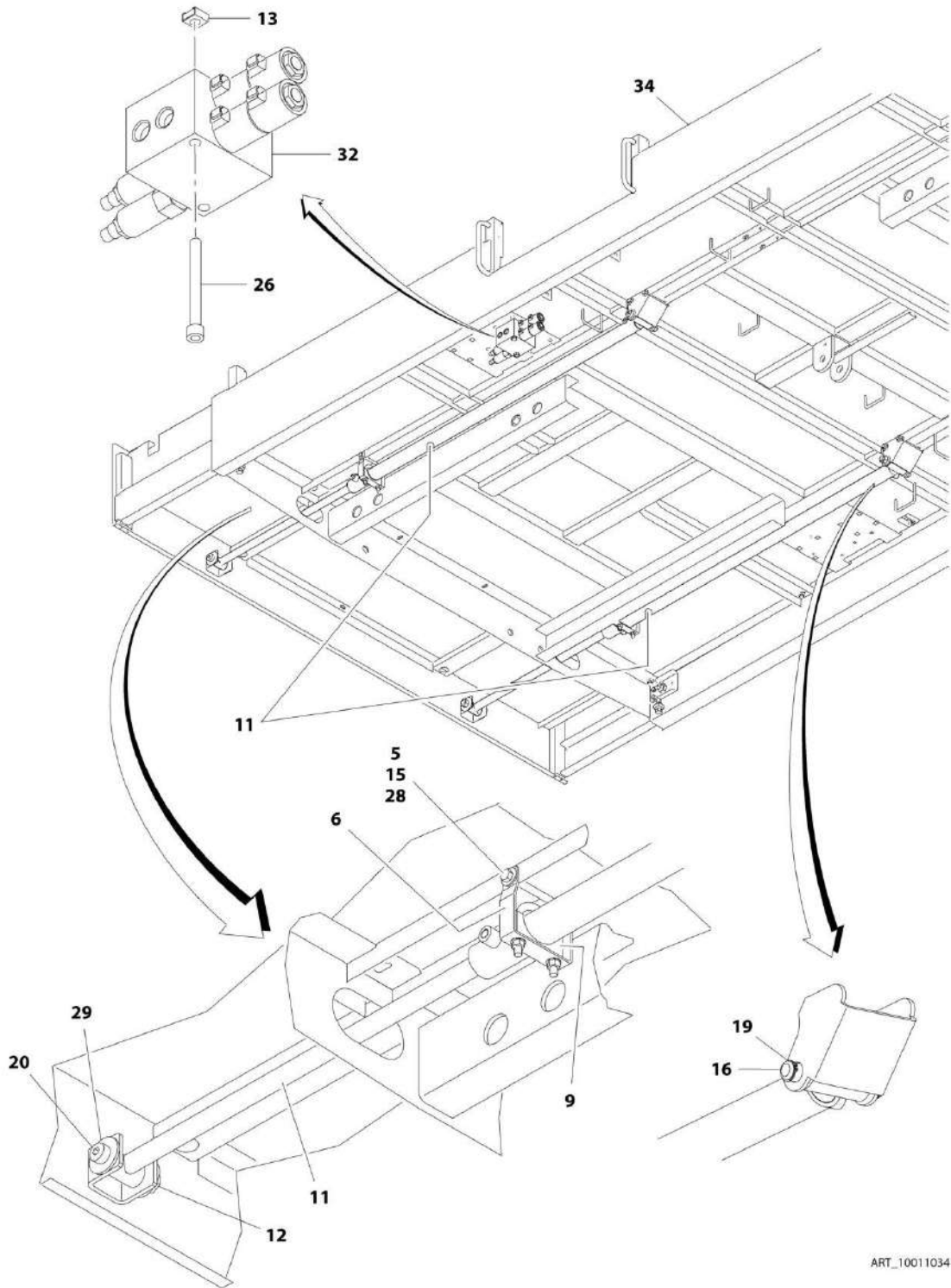
SECTION 5 - PLATFORM

FIGURE 5-14. POWER DUAL DECK EXTENSION AND PLATFORM INSTALLATION - 4394RT (WITH 12.6FT/3.8M LENGTH PLATFORM)

| ITEM | PART NUMBER | QTY | DESCRIPTION | REV |
|------|-------------|----------------|---|-----|
| | | Ref | USAGE CHART: | |
| | | Ref | - CE Specs (SN 0200246957 to Present) | |
| | 1001190543 | Ref | POWER DUAL DECK EXTENSION AND PLATFORM INSTALLATION - 4394RT (WITH 12.6FT/3.8M LENGTH PLATFORM) | A |
| | | Ref | Note: Replacement Decals Must be Ordered Separately - See DECAL SECTION. | |
| 1 | 0100011 | AR | Compound, Locking | |
| 2 | 0641405 | 2 | Bolt 1/4 x 5/8 | |
| 3 | 0641426 | 2 | Bolt 1/4 x 3-1/4 | |
| 4 | 0641608 | 2 | Bolt 3/8 x 1 | |
| 5 | 0641636 | 12 | Bolt 3/8 x 4-1/2 | |
| 6 | 0902838 | 4 | Bracket, Cylinder Attach | |
| 7 | 0902839 | 4 | Bracket, Hanger | |
| 8 | 1061003 | 1 | Cable, Solenoid | |
| 9 | 1061004 | 2 | Cable, Solenoid | |
| 10 | 1320019 | 4 | Clamp | |
| 11 | 1670995 | 3 | Cover | |
| 12 | 1684266 | 4 | Extension Cylinder Assembly (See CYLINDER SECTION for Breakdown) | |
| 13 | 3272005 | 8 | Nut 5/8 | |
| 14 | 3300182 | 2 | Nut 1/4 | |
| 15 | 3311405 | 2 | Nut 1/4 | |
| 16 | 3311605 | 12 | Nut 3/8 | |
| 17 | 3600468 | 1 | Auxiliary Pump Assembly (See POWER DECK AUXILIARY PUMP ASSEMBLY for Breakdown) | |
| 18 | 3740067 | 1 | Relay | |
| 19 | 3900254 | 4 | Capscrew 3/4 x 4 | |
| 20 | 3900330 | 4 | Capscrew 3/4 x 2-3/4 | |
| 21 | 4240033 | 12 | Tie-Strap (Not Shown) | |
| 22 | 4280295 | 18 in /46cm | Strip, Protector | |
| 23 | 4360328 | 2 | Switch, Toggle | |
| 24 | 4360387 | 2 | Switch, Push Button | |
| 25 | 4360483 | 1 | Switch, Toggle | |
| 26 | 4711400 | 2 | Washer 1/4 | |
| 27 | 4712200 | 8 | Washer 3/4 | |
| 28 | 4751400 | 4 | Washer 1/4 | |
| 29 | 4751600 | 26 | Washer 3/8 | |
| 30 | 4752200 | 8 | Washer 3/4 | |
| 31 | 4922859 | 1 | Auxiliary Power Harness (Not Shown - See ELECTRICAL SECTION for Breakdown) | |
| 32 | 1001103267 | 1 | Power Deck Valve Assembly (See POWER DECK VALVE ASSEMBLY - DUAL EXTENSION for Breakdown) | |
| 33 | 1001103570 | 1 | Power Deck Harness (Not Shown - See ELECTRICAL SECTION for Breakdown) | |
| 34 | 1001190544 | 1 | Hydraulic Diagram - Power Deck (Not Shown - See HYDRAULIC SECTION for Breakdown) | |
| 35 | 0272707 | 1 | Platform and Deck Extension Assembly (See PLATFORM AND POWER DUAL DECK EXTENSION ASSEMBLY (WITH 12.6FT/3.8M LENGTH PLATFORM) for Breakdown) | |

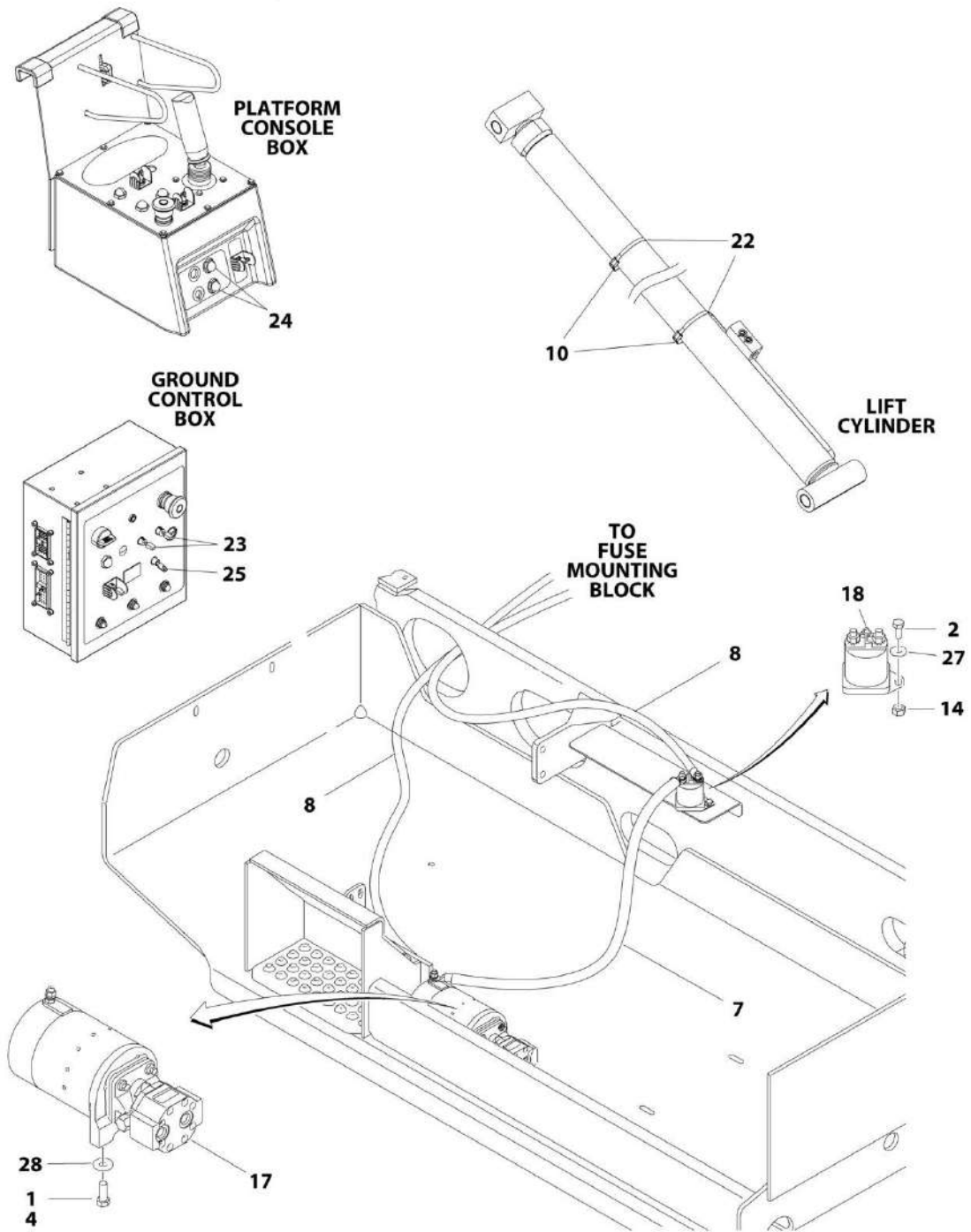
SECTION 5 - PLATFORM

FIGURE 5-15. POWER DUAL DECK EXTENSION AND PLATFORM INSTALLATION - 3394RT (WITH 15.8FT/4.8M LENGTH MEGADECK PLATFORM) (SN 0200239053 through 0200246956)



ART_1001103414_1OF2

SECTION 5 - PLATFORM



ART_1001103414_2OF2

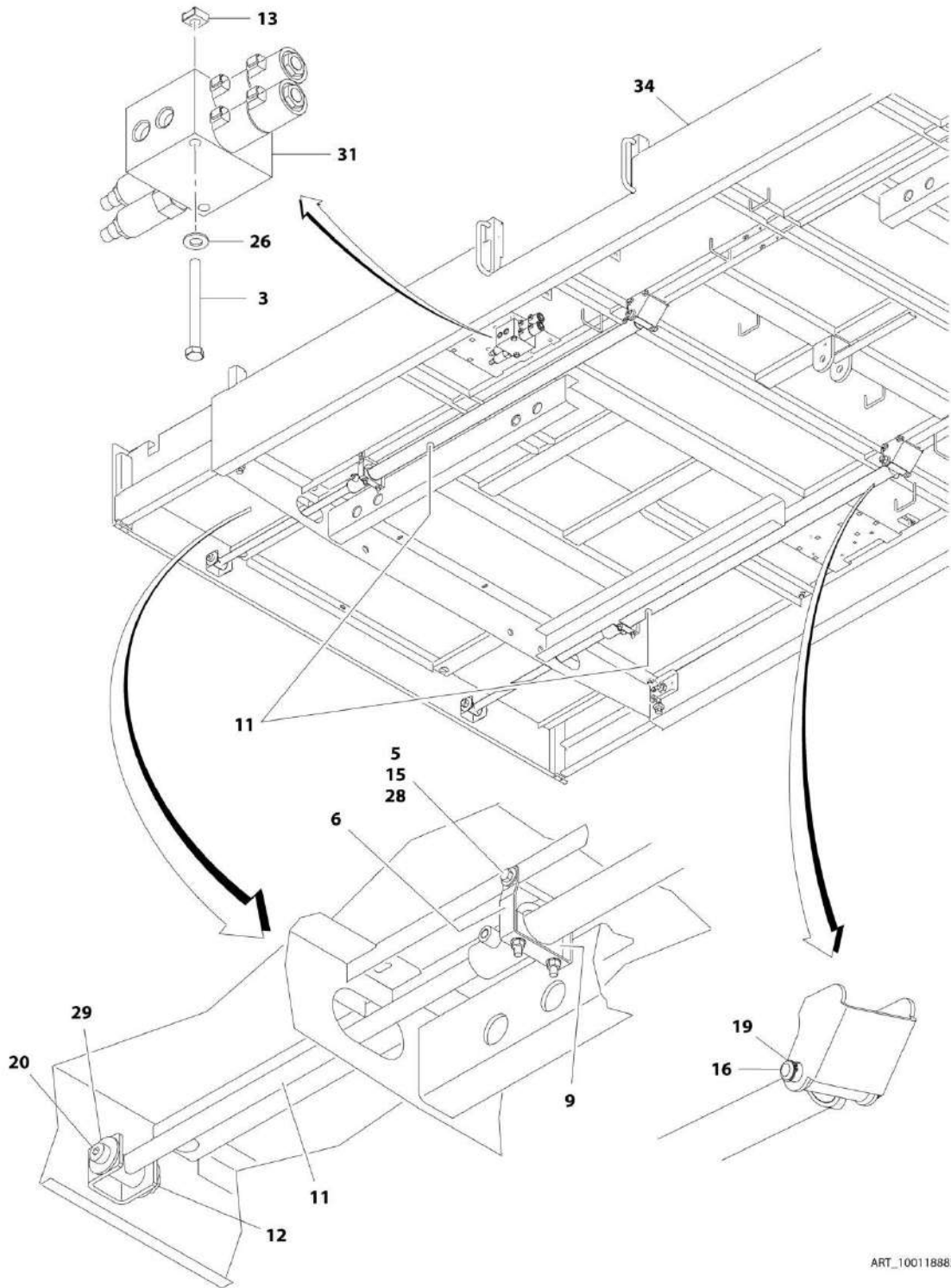
SECTION 5 - PLATFORM

FIGURE 5-15. POWER DUAL DECK EXTENSION AND PLATFORM INSTALLATION - 3394RT (WITH 15.8FT/4.8M LENGTH MEGADECK PLATFORM) (SN 0200239053 through 0200246956)

| ITEM | PART NUMBER | QTY | DESCRIPTION | REV |
|------|-------------|----------------|--|-----|
| | 1001103414 | Ref | POWER DUAL DECK EXTENSION AND PLATFORM INSTALLATION - 3394RT (WITH 15.8FT/4.8M LENGTH MEGADECK PLATFORM) (SN 0200239053 through 0200246956) | B |
| | | Ref | Note: Available on CE Spec Only. | |
| | | Ref | Note: Replacement Decals Must be Ordered Separately - See DECAL SECTION. | |
| 1 | 0100011 | AR | Compound, Locking | |
| 2 | 0641405 | 2 | Bolt 1/4 x 5/8 | |
| 3 | 2792611 | 1 | Hydraulic Diagram - Power Deck (Not Shown - See HYDRAULIC SECTION for Breakdown) | |
| 4 | 0641608 | 2 | Bolt 3/8 x 1 | |
| 5 | 0641636 | 4 | Bolt 3/8 x 4-1/2 | |
| 6 | 0902839 | 4 | Bracket, Hanger | |
| 7 | 1061003 | 1 | Cable, Solenoid | |
| 8 | 1061004 | 2 | Cable, Solenoid | |
| 9 | 1320019 | 4 | Clamp | |
| 10 | 1670995 | 3 | Cover | |
| 11 | 1684266 | 4 | Extension Cylinder Assembly (See CYLINDER SECTION for Breakdown) | |
| 12 | 3272005 | 4 | Nut 5/8 | |
| 13 | 3300471 | 8 | Nut 3/8 | |
| 14 | 3311405 | 2 | Nut 1/4 | |
| 15 | 3311605 | 4 | Nut 3/8 | |
| 16 | 3423052 | 4 | Pin, Tele Barrel | |
| 17 | 3600468 | 1 | Auxiliary Pump Assembly (See POWER DECK AUXILIARY PUMP ASSEMBLY for Breakdown) | |
| 18 | 3740067 | 1 | Relay | |
| 19 | 3760351 | 8 | Ring, Retaining | |
| 20 | 3900330 | 4 | Screw, Shoulder | |
| 21 | 4240033 | AR | Tie-Strap (Not Shown) | |
| 22 | 4280295 | 18 in /46cm | Strip, Protector | |
| 23 | 4360328 | 2 | Switch, Toggle | |
| 24 | 4360387 | 2 | Switch, Push Button | |
| 25 | 4360483 | 1 | Switch, Toggle | |
| 26 | 3931664 | 8 | Capscrew 3/8 x 4 | |
| 27 | 4751400 | 4 | Washer 1/4 | |
| 28 | 4751600 | 10 | Washer 3/8 | |
| 29 | 4752200 | 8 | Washer 3/4 | |
| 30 | 4922859 | 1 | Auxiliary Power Harness (Not Shown - See ELECTRICAL SECTION for Breakdown) | |
| 31 | 4922848 | 1 | Power Deck Harness (Not Shown - See ELECTRICAL SECTION for Breakdown) | |
| 32 | 1001092957 | 2 | Power Deck Valve Assembly (See POWER DECK VALVE ASSEMBLY - DUAL EXTENSION for Breakdown) | |
| 34 | 0272990 | 1 | Platform and Deck Extension Assembly (See PLATFORM AND POWER DUAL DECK EXTENSION ASSEMBLY (WITH 15.8FT/4.8M LENGTH MEGADECK PLATFORM) for Breakdown) | |

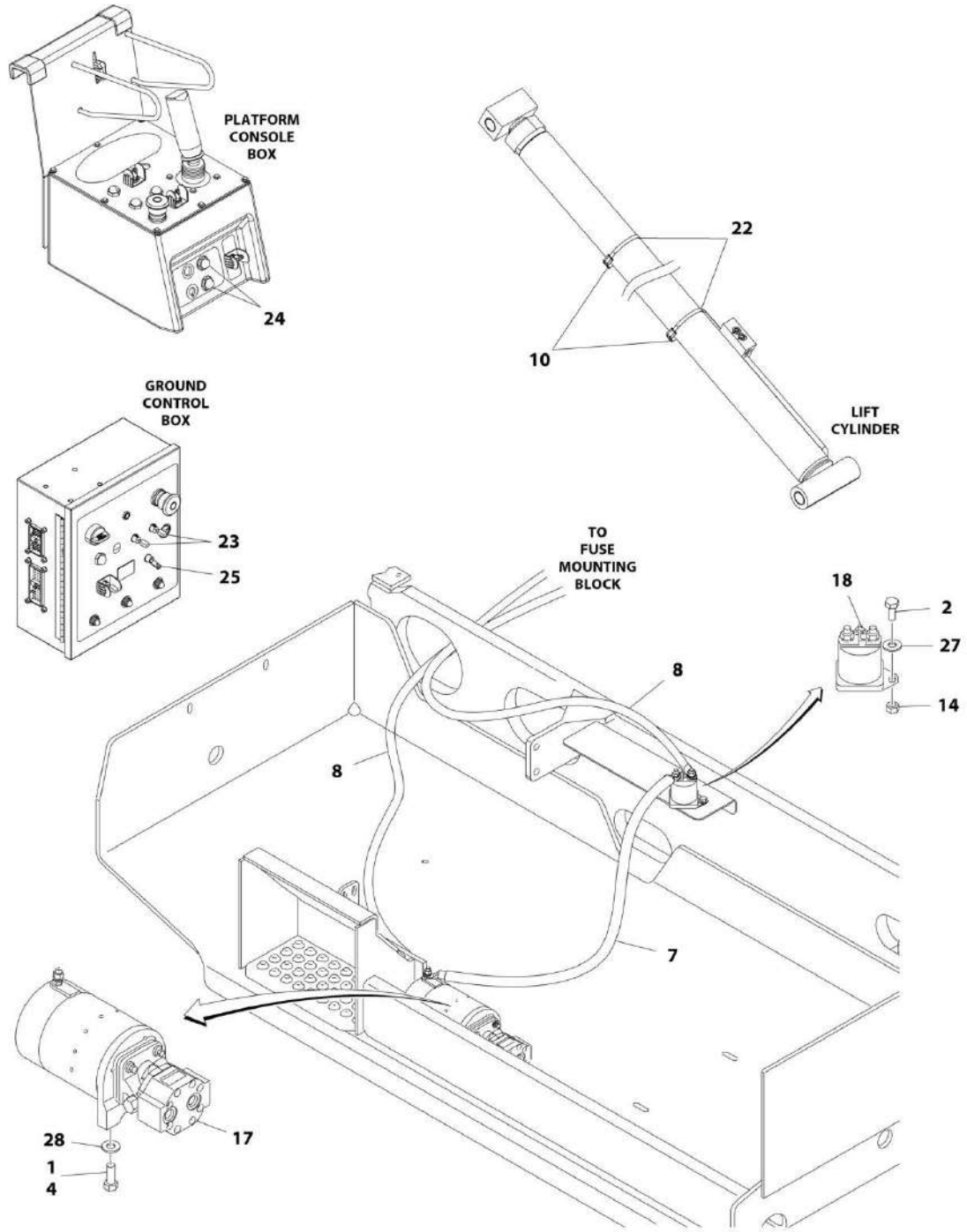
SECTION 5 - PLATFORM

FIGURE 5-16. POWER DUAL DECK EXTENSION AND PLATFORM INSTALLATION - 3394RT (WITH 15.8FT/4.8M LENGTH MEGADECK PLATFORM) (SN 0200246957 to Present)



ART_1001188850_1OF2

SECTION 5 - PLATFORM



ART_100118850_20F2

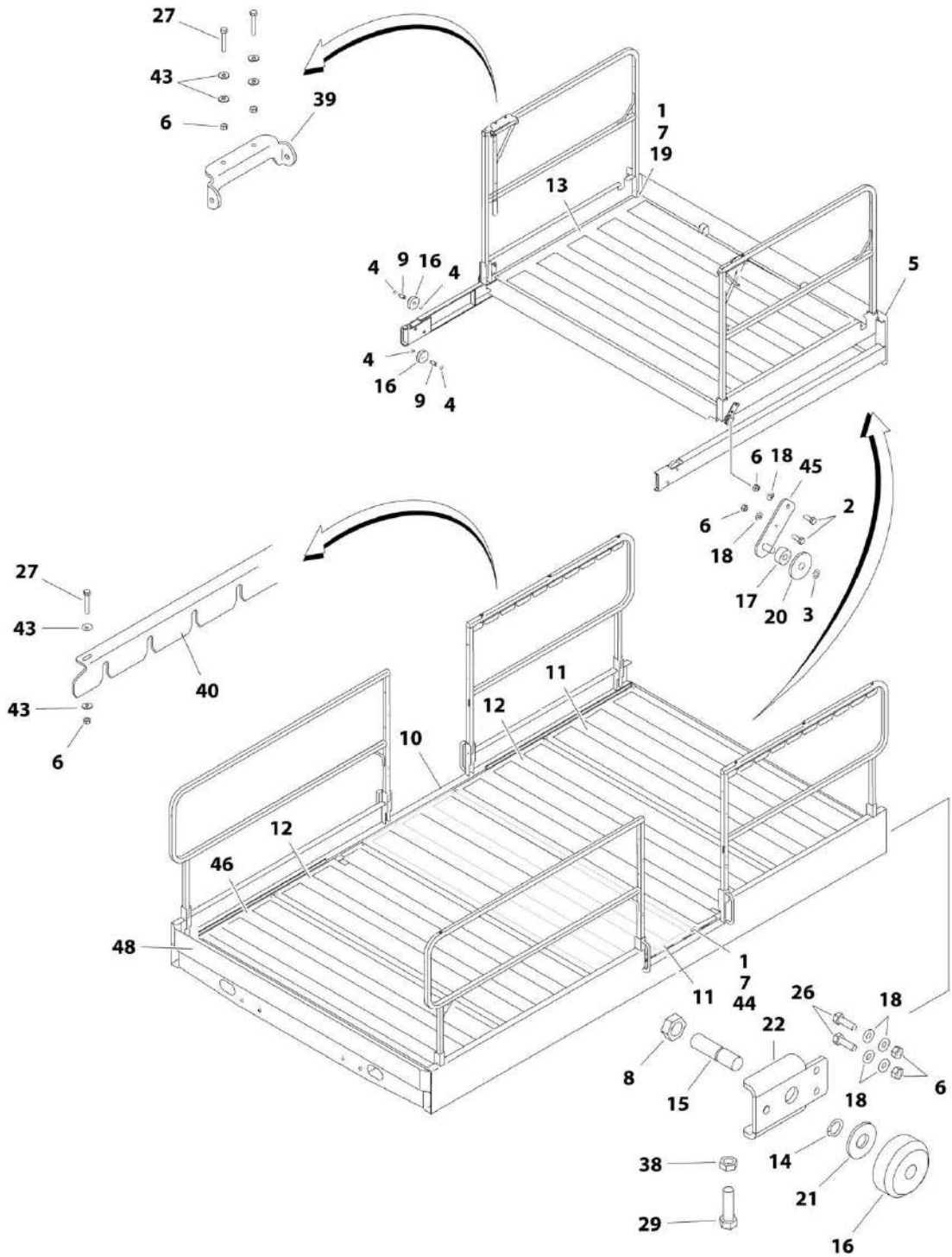
SECTION 5 - PLATFORM

FIGURE 5-16. POWER DUAL DECK EXTENSION AND PLATFORM INSTALLATION - 3394RT (WITH 15.8FT/4.8M LENGTH MEGADECK PLATFORM) (SN 0200246957 to Present)

| ITEM | PART NUMBER | QTY | DESCRIPTION | REV |
|------|-------------|----------------|--|-----|
| | 1001188850 | Ref | POWER DUAL DECK EXTENSION AND PLATFORM INSTALLATION - 3394RT (WITH 15.8FT/4.8M LENGTH MEGADECK PLATFORM) (SN 0200246957 to Present) | B |
| | | Ref | Note: Available on CE Spec Only. | |
| | | Ref | Note: Replacement Decals Must be Ordered Separately - See DECAL SECTION. | |
| 1 | 0100011 | AR | Compound, Locking | |
| 2 | 0641405 | 2 | Bolt 1/4 x 5/8 | |
| 3 | 0641426 | 2 | Bolt 1/4 x 3-1/4 | |
| 4 | 0641608 | 2 | Bolt 3/8 x 1 | |
| 5 | 0641636 | 4 | Bolt 3/8 x 4-1/2 | |
| 6 | 0902839 | 4 | Bracket, Hanger | |
| 7 | 1061003 | 1 | Cable, Solenoid | |
| 8 | 1061004 | 2 | Cable, Solenoid | |
| 9 | 1320019 | 4 | Clamp | |
| 10 | 1670995 | 3 | Cover | |
| 11 | 1684266 | 4 | Extension Cylinder Assembly (See CYLINDER SECTION for Breakdown) | |
| 12 | 3272005 | 4 | Nut 5/8 | |
| 13 | 3300471 | 8 | Nut 3/8 | |
| 14 | 3311405 | 2 | Nut 1/4 | |
| 15 | 3311605 | 4 | Nut 3/8 | |
| 16 | 3423052 | 4 | Pin, Tele Barrel | |
| 17 | 3600468 | 1 | Auxiliary Pump Assembly (See POWER DECK AUXILIARY PUMP ASSEMBLY for Breakdown) | |
| 18 | 3740067 | 1 | Relay | |
| 19 | 3760351 | 8 | Ring, Retaining | |
| 20 | 3900330 | 4 | Screw, Shoulder | |
| 21 | 4240033 | 12 | Tie-Strap (Not Shown) | |
| 22 | 4280295 | 18 in /46cm | Strip, Protector | |
| 23 | 4360328 | 2 | Switch, Toggle | |
| 24 | 4360387 | 2 | Switch, Push Button | |
| 25 | 4360483 | 1 | Switch, Toggle | |
| 26 | 4711400 | 2 | Washer 1/4 | |
| 27 | 4751400 | 4 | Washer 1/4 | |
| 28 | 4751600 | 10 | Washer 3/8 | |
| 29 | 4752200 | 8 | Washer 3/4 | |
| 30 | 4922859 | 1 | Auxiliary Power Harness (Not Shown - See ELECTRICAL SECTION for Breakdown) | |
| 31 | 1001103267 | 1 | Power Deck Valve Assembly (See POWER DECK VALVE ASSEMBLY - DUAL EXTENSION for Breakdown) | |
| 32 | 1001103570 | 1 | Power Deck Harness (Not Shown - See ELECTRICAL SECTION for Breakdown) | |
| 33 | 1001188851 | 1 | Hydraulic Diagram - Power Deck (Not Shown - See HYDRAULIC SECTION for Breakdown) | |
| 34 | 0272990 | 1 | Platform and Deck Extension Assembly (See PLATFORM AND POWER DUAL DECK EXTENSION ASSEMBLY (WITH 15.8FT/4.8M LENGTH MEGADECK PLATFORM) for Breakdown) | |

SECTION 5 - PLATFORM

FIGURE 5-17. PLATFORM AND MANUAL SINGLE DECK EXTENSION ASSEMBLY



ART_0271700

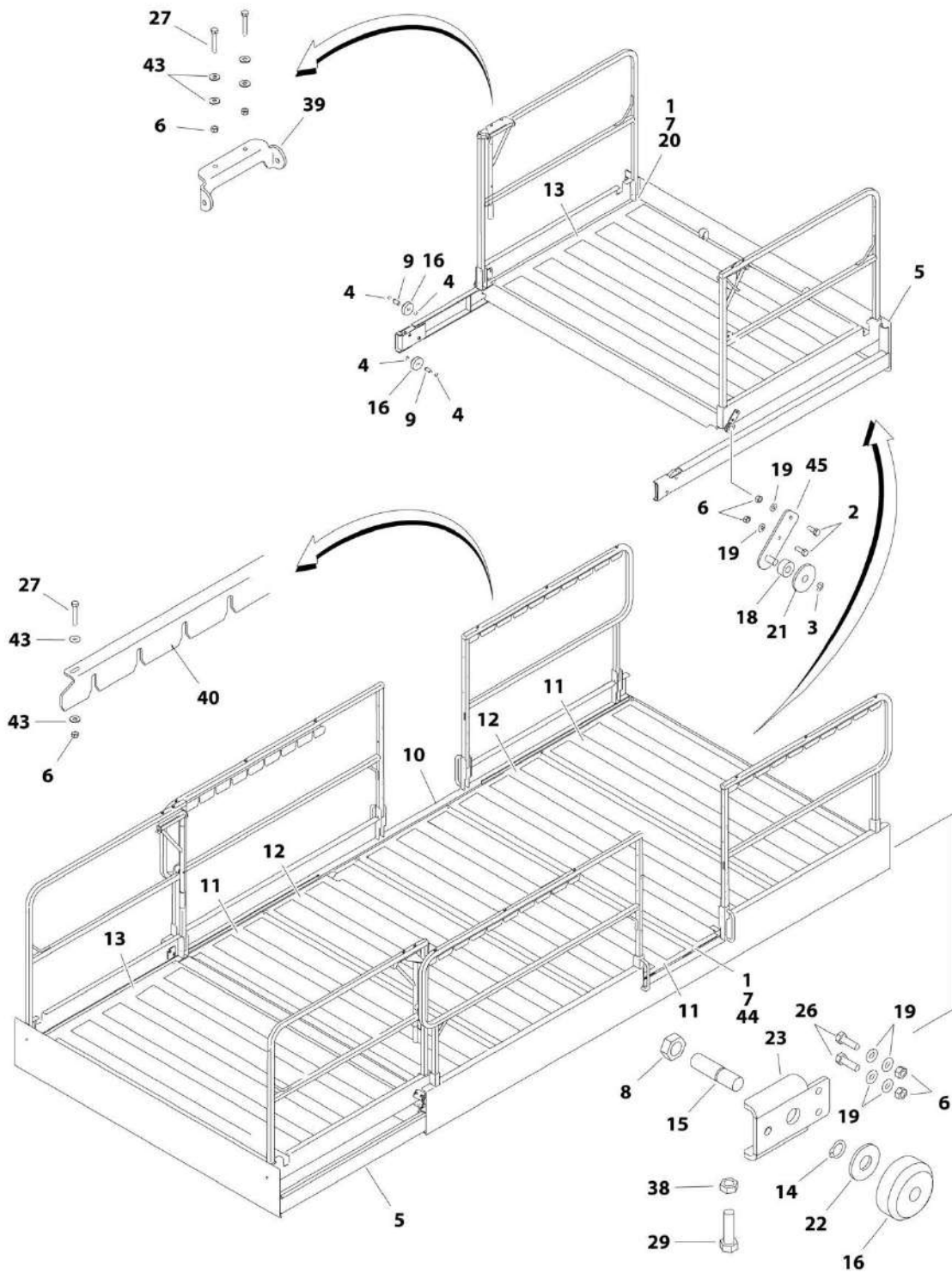
SECTION 5 - PLATFORM

FIGURE 5-17. PLATFORM AND MANUAL SINGLE DECK EXTENSION ASSEMBLY

| ITEM | PART NUMBER | QTY | DESCRIPTION | REV |
|------|-------------|-----------|---|-----|
| | 0271700 | Ref | PLATFORM AND MANUAL SINGLE DECK EXTENSION ASSEMBLY | R |
| | | Ref | Note: Replacement Decals Must be Ordered Separately - See DECAL SECTION. | |
| 1 | 0630485 | 24 | Bolt | |
| 2 | 0641507 | 4 | Bolt 5/16 x 7/8 | |
| 3 | 1380150 | 2 | E-Clip 1/2 | |
| 4 | 1380151 | 8 | E-Clip 3/4 | |
| 5 | 2020006 | 1 | Deck, Extension | |
| 6 | 3311505 | 18 | Nut 5/16 | |
| 7 | 3300472 | 24 | Nut 3/8 | |
| 8 | 3322202 | 2 | Nut 3/4 | |
| 9 | 3422966 | 4 | Pin | |
| 10 | 3510878 | 1 | Platform Weldment | |
| 11 | 0272241 | 2 | Plate, Floor | |
| 11 | 4420069 | AR | Tape, Safety Tread | |
| 12 | 0272242 | 2 | Plate, Floor | |
| 12 | 4420069 | AR | Tape, Safety Tread | |
| 13 | 0272101 | 1 | Plate, Floor | |
| 13 | 4420069 | AR | Tape, Safety Tread | |
| 14 | 3760348 | 2 | Ring, Retaining | |
| 15 | 3841233 | 2 | Rod, Roller | |
| 16 | 3860059 | 6 | Roller, Extension | |
| 17 | 1001143898 | 2 | Roller | |
| 18 | 4711500 | 12 | Washer 5/16 | |
| 19 | 4711600 | 4 | Washer 3/8 | |
| 20 | 1001096985 | 2 | Washer | |
| 21 | 4752200 | 2 | Washer 3/4 | |
| 22 | 4846519 | 2 | Support, Roller | |
| 23 | 0100048 | AR | Grease, Dielectric (Not Shown) | |
| 26 | 0641508 | 4 | Bolt 5/16 x 1 | |
| 27 | 0641516 | 10 | Bolt 5/16 x 2 | |
| 29 | 0641814 | 2 | Bolt 1/2 x 1-3/4 | |
| 38 | 3311802 | 2 | Nut 1/2 | |
| 39 | 3537609 | 2 | Plate, Pivot | |
| 40 | 3573438 | 2 | Plate, Latch | |
| 43 | 4751500 | 20 | Washer 5/16 | |
| 44 | 4751600 | 20 | Washer 3/8 | |
| 45 | 1001143896 | 2 | Mount, Roller | |
| 46 | 0272243 | 1 | Plate, Floor | |
| 46 | 4420069 | AR | Tape, Safety Tread | |
| 47 | 4420066 | 82 ft/25m | Tape, Double Sided (Not Shown - Located Between Floor Plates and Platform Weldment) | |
| 48 | 4846556 | | Kickplate | |

SECTION 5 - PLATFORM

FIGURE 5-18. PLATFORM AND MANUAL DUAL DECK EXTENSION ASSEMBLY



ART_0271704

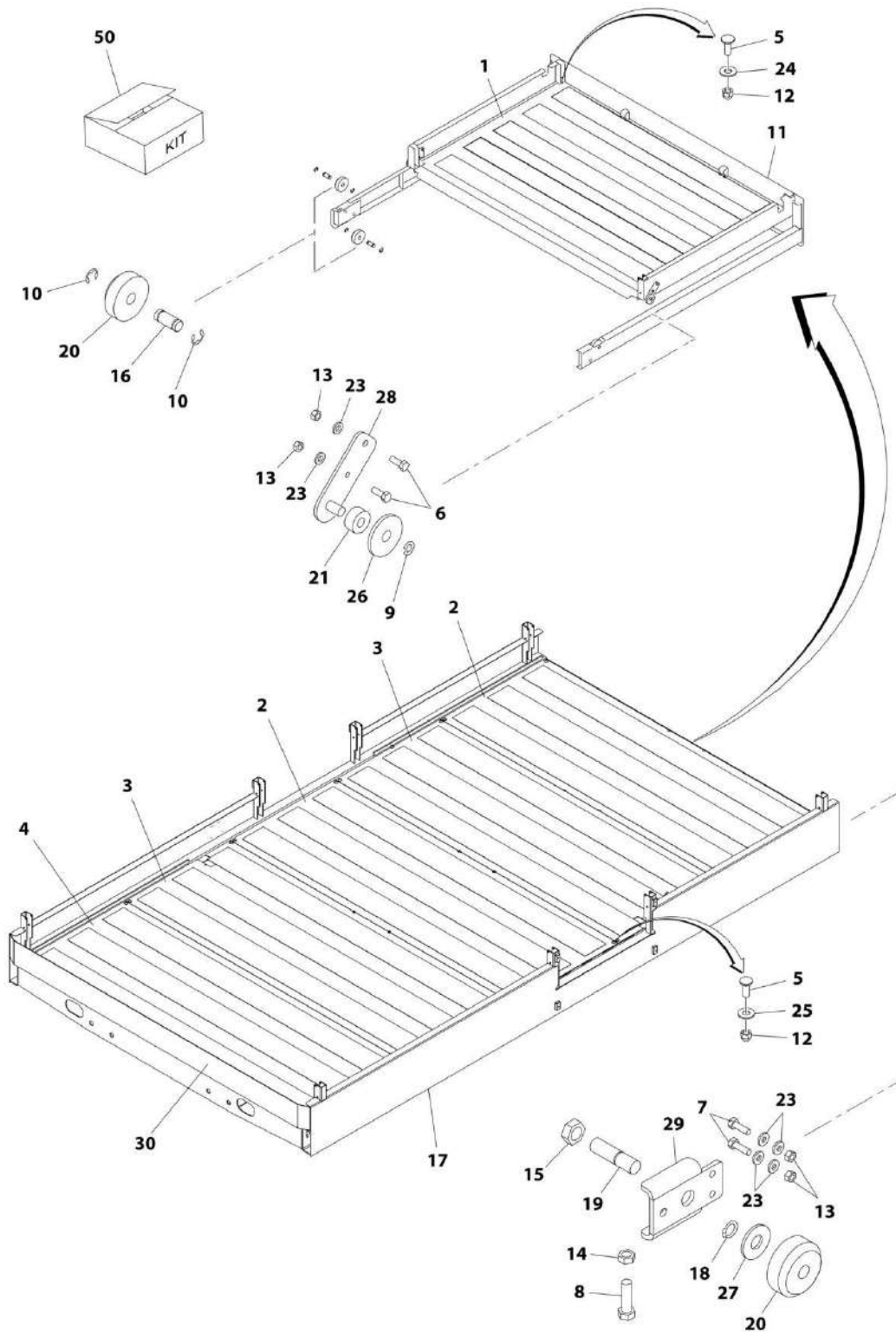
SECTION 5 - PLATFORM

FIGURE 5-18. PLATFORM AND MANUAL DUAL DECK EXTENSION ASSEMBLY

| ITEM | PART NUMBER | QTY | DESCRIPTION | REV |
|------|-------------|-----------------|---|-----|
| | 0271704 | Ref | PLATFORM AND MANUAL DUAL DECK EXTENSION ASSEMBLY | R |
| | | Ref | Note: Replacement Decals Must be Ordered Separately - See DECAL SECTION. | |
| 1 | 0630485 | 28 | Bolt | |
| 2 | 0641507 | 8 | Bolt 5/16 x 7/8 | |
| 3 | 1380150 | 4 | E-Clip 1/2 | |
| 4 | 1380151 | 16 | E-Clip 3/4 | |
| 5 | 2020006 | 2 | Deck, Extension | |
| 6 | 3311505 | 36 | Nut 5/16 | |
| 7 | 3300472 | 28 | Nut 3/8 | |
| 8 | 3322202 | 4 | Nut 3/4 | |
| 9 | 3422966 | 8 | Pin | |
| 10 | 3510878 | 1 | Platform Weldment | |
| 11 | 0272241 | 3 | Plate, Floor | |
| 11 | 4420069 | AR | Tape, Safety Tread | |
| 12 | 0272242 | 2 | Plate, Floor | |
| 12 | 4420069 | AR | Tape, Safety Tread | |
| 13 | 0272101 | 2 | Plate, Floor | |
| 13 | 4420069 | AR | Tape, Safety Tread | |
| 14 | 3760348 | 4 | Ring, Retaining | |
| 15 | 3841233 | 4 | Rod, Roller | |
| 16 | 3860059 | 12 | Roller, Extension | |
| 17 | 0100048 | AR | Grease, Dielectric (Not Shown) | |
| 18 | 1001143898 | 4 | Roller | |
| 19 | 4711500 | 24 | Washer 5/16 | |
| 20 | 4711600 | 8 | Washer 3/8 | |
| 21 | 1001096985 | 4 | Flatwasher | |
| 22 | 4752200 | 4 | Washer 3/4 | |
| 23 | 4846519 | 4 | Support, Roller | |
| 26 | 0641508 | 8 | Bolt 5/16 x 1 | |
| 27 | 0641516 | 20 | Bolt 5/16 x 2 | |
| 29 | 0641814 | 4 | Bolt 1/2 x 1-3/4 | |
| 38 | 3311802 | 4 | Nut 1/2 | |
| 39 | 3537609 | 4 | Plate, Pivot | |
| 40 | 3573438 | 4 | Plate, Latch | |
| 43 | 4751500 | 40 | Washer 5/16 | |
| 44 | 4751600 | 20 | Washer 3/8 | |
| 45 | 1001143896 | 4 | Mount, Roller | |
| 46 | 4420066 | 97 ft /29.6m | Tape, Double Sided (Not Shown - Located Between Floor Plates and Platform Weldment) | |

SECTION 5 - PLATFORM

FIGURE 5-19. PLATFORM AND POWER SINGLE DECK EXTENSION ASSEMBLY



ART_0272605

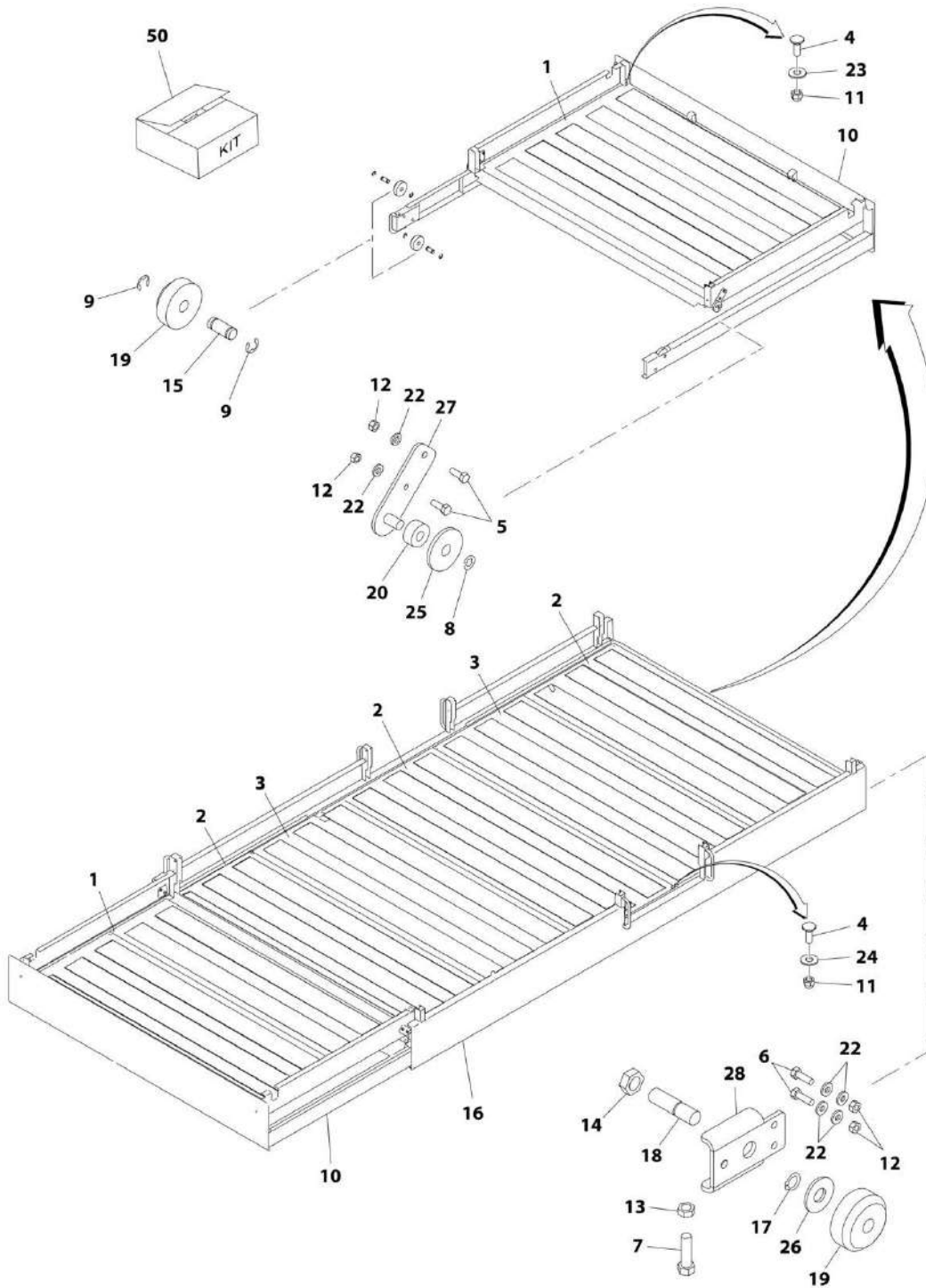
SECTION 5 - PLATFORM

FIGURE 5-19. PLATFORM AND POWER SINGLE DECK EXTENSION ASSEMBLY

| ITEM | PART NUMBER | QTY | DESCRIPTION | REV |
|------|-------------|------------|---|-----|
| | 0272605 | Ref | PLATFORM AND POWER SINGLE DECK EXTENSION ASSEMBLY | I |
| | | Ref | Note: Replacement Decals Must be Ordered Separately - See DECAL SECTION. | |
| 1 | 0272101 | 1 | Plate, Floor | |
| 1 | 4420069 | 30 ft/9m | Tape, Safety Tread | |
| 2 | 0272241 | 2 | Plate, Floor | |
| 2 | 4420069 | 19.5 ft/6m | Tape, Safety Tread | |
| 3 | 0272242 | 2 | Plate, Floor | |
| 3 | 4420069 | 19.5 ft/6m | Tape, Safety Tread | |
| 4 | 0272243 | 1 | Plate, Floor | |
| 4 | 4420069 | 19.5 ft/6m | Tape, Safety Tread | |
| 5 | 0630485 | 24 | Bolt | |
| 6 | 0641507 | 4 | Bolt 5/16 x 7/8 | |
| 7 | 0641508 | 4 | Bolt 5/16 x 1 | |
| 8 | 0641814 | 2 | Bolt 1/2 x 1-3/4 | |
| 9 | 1380150 | 2 | E-Clip 1/2 | |
| 10 | 1380151 | 8 | E-Clip 3/4 | |
| 11 | 2020006 | 1 | Deck, Extension | |
| 12 | 3300472 | 24 | Nut 3/8 | |
| 13 | 3311505 | 8 | Nut 5/16 | |
| 14 | 3311802 | 2 | Nut 1/2 | |
| 15 | 3322202 | 2 | Nut | |
| 16 | 3422966 | 4 | Pin | |
| 17 | 3510878 | 1 | Platform | |
| 18 | 3760348 | 2 | Ring, Retaining | |
| 19 | 3841233 | 2 | Rod, Roller | |
| 20 | 3860059 | 6 | Roller, Extension | |
| 21 | 1001143898 | 2 | Roller | |
| 22 | 4420066 | 82 ft/25m | Tape, Double Sided (Not Shown - Located Between Floor Plates and Platform Weldment) | |
| 23 | 4711500 | 12 | Washer 5/16 | |
| 24 | 4711600 | 4 | Washer 3/8 | |
| 25 | 4751600 | 20 | Washer 3/8 | |
| 26 | 1001096985 | 2 | Washer | |
| 27 | 4752200 | 2 | Washer 3/4 | |
| 28 | 1001143896 | 4 | Mount, Roller | |
| 29 | 4846519 | 2 | Support, Roller | |
| 30 | 4846556 | 1 | Kickplate | |
| 50 | 1001143909 | 1 | Extension Roller Kit (Includes Items 9, 21, 26 & 28) | |

SECTION 5 - PLATFORM

FIGURE 5-20. PLATFORM AND POWER DUAL DECK EXTENSION ASSEMBLY (WITH 12.6FT/3.8M LENGTH PLATFORM)



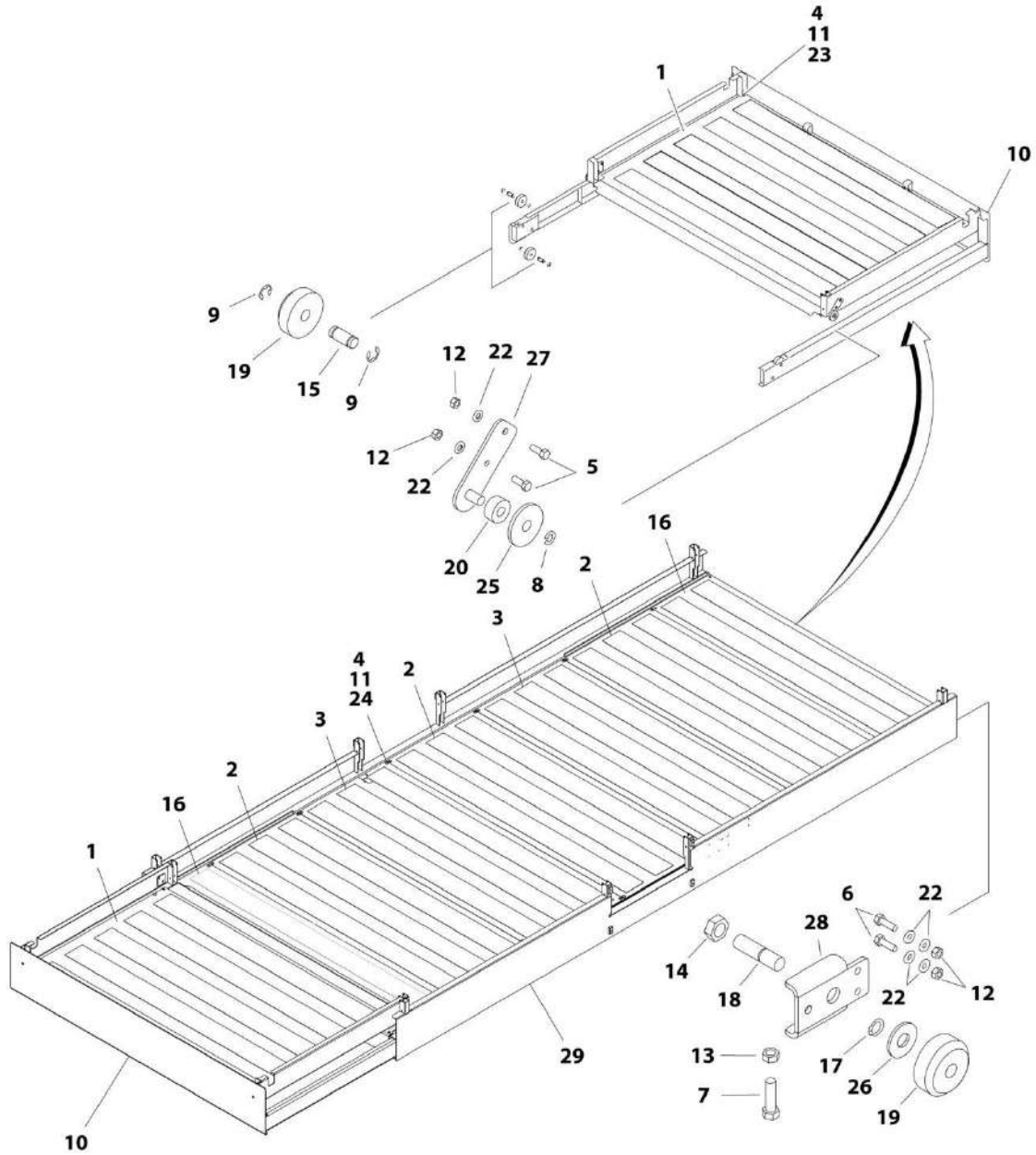
SECTION 5 - PLATFORM

FIGURE 5-20. PLATFORM AND POWER DUAL DECK EXTENSION ASSEMBLY (WITH 12.6FT/3.8M LENGTH PLATFORM)

| ITEM | PART NUMBER | QTY | DESCRIPTION | REV |
|------|-------------|------------|---|-----|
| | 0272707 | Ref | PLATFORM AND POWER DUAL DECK EXTENSION ASSEMBLY (WITH 12.6FT/3.8M LENGTH PLATFORM) | J |
| | | Ref | Note: Replacement Decals Must be Ordered Separately - See DECAL SECTION. | |
| 1 | 0272101 | 1 | Plate, Floor | |
| 1 | 4420069 | 30 ft/9m | Tape, Safety Tread | |
| 2 | 0272241 | 3 | Plate, Floor | |
| 2 | 4420069 | 19.5 ft/6m | Tape, Safety Tread | |
| 3 | 0272242 | 2 | Plate, Floor | |
| 3 | 4420069 | 19.5 ft/6m | Tape, Safety Tread | |
| 4 | 0630485 | 28 | Bolt | |
| 5 | 0641507 | 8 | Bolt 5/16 x 7/8 | |
| 6 | 0641508 | 8 | Bolt 5/16 x 1 | |
| 7 | 0641814 | 4 | Bolt 1/2 x 1-3/4 | |
| 8 | 1380150 | 4 | E-Clip 1/2 | |
| 9 | 1380151 | 16 | E-Clip 3/4 | |
| 10 | 2020006 | 2 | Deck, Extension | |
| 11 | 3300472 | 28 | Nut 3/8 | |
| 12 | 3311505 | 16 | Nut 5/16 | |
| 13 | 3311802 | 4 | Nut 1/2 | |
| 14 | 3322202 | 4 | Nut | |
| 15 | 3422966 | 4 | Pin | |
| 16 | 3510878 | 1 | Platform | |
| 17 | 3760348 | 4 | Ring, Retaining | |
| 18 | 3841233 | 4 | Rod, Roller | |
| 19 | 3860059 | 12 | Roller, Extension | |
| 20 | 1001143898 | 4 | Roller | |
| 21 | 4420066 | 97 ft/30m | Tape, Double Sided (Not Shown - Located Between Floor Plates and Platform Weldment) | |
| 22 | 4711500 | 24 | Washer 5/16 | |
| 23 | 4711600 | 8 | Washer 3/8 | |
| 24 | 4751600 | 12 | Washer 3/8 | |
| 25 | 1001096985 | 4 | Washer | |
| 26 | 4752200 | 4 | Washer 3/4 | |
| 27 | 1001143896 | 4 | Mount, Roller | |
| 28 | 4846519 | 4 | Support, Roller | |
| 50 | 1001143909 | 1 | Extension Roller Kit (Includes Items 8, 20, 25 & 27) | |

SECTION 5 - PLATFORM

FIGURE 5-21. PLATFORM AND POWER DUAL DECK EXTENSION ASSEMBLY (WITH 15.8FT/4.8M LENGTH MEGADECK PLATFORM)



ART_0272990

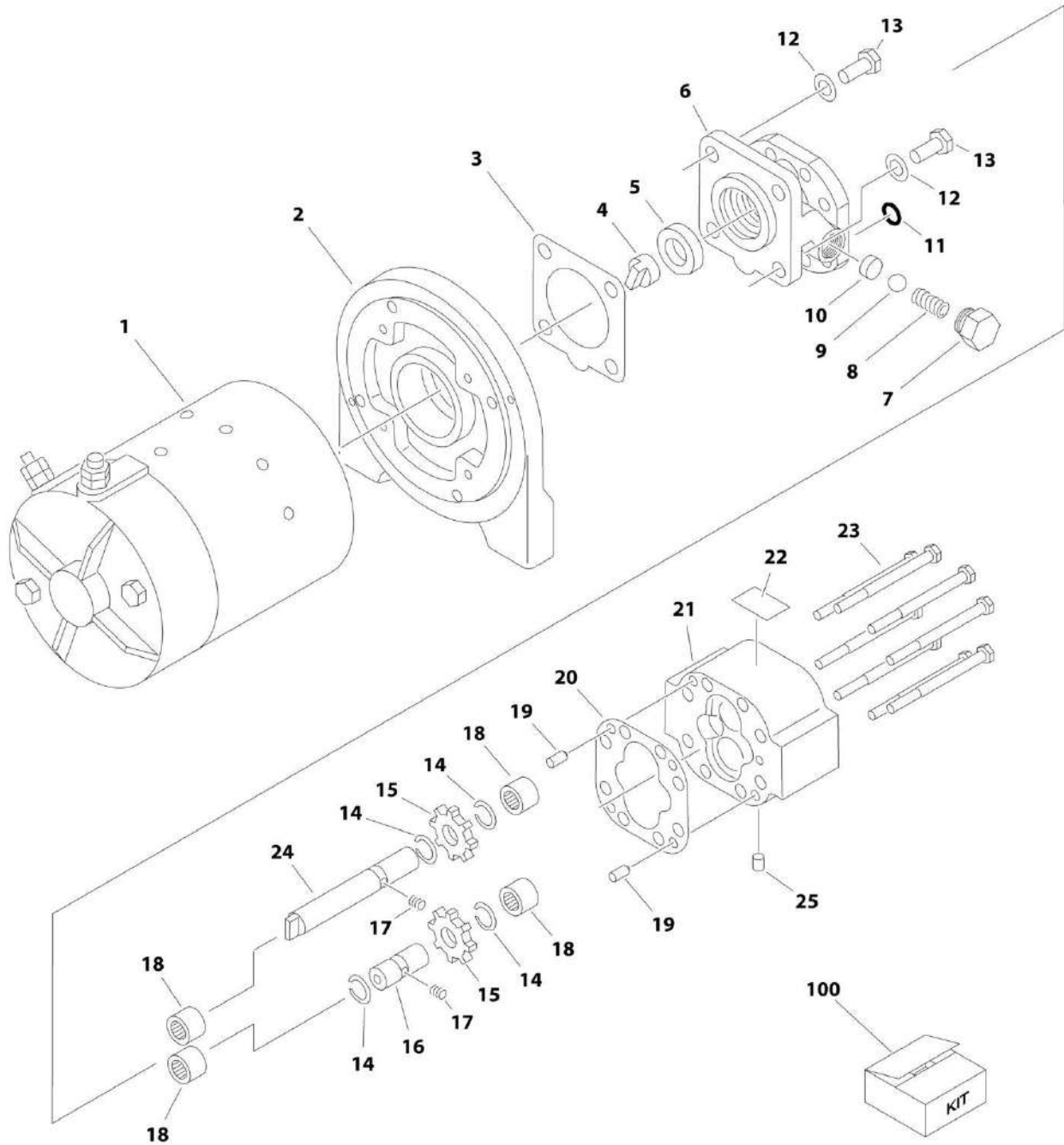
SECTION 5 - PLATFORM

FIGURE 5-21. PLATFORM AND POWER DUAL DECK EXTENSION ASSEMBLY (WITH 15.8FT/4.8M LENGTH MEGADECK PLATFORM)

| ITEM | PART NUMBER | QTY | DESCRIPTION | REV |
|------|-------------|------------------|---|-----|
| | 0272990 | Ref | PLATFORM AND POWER DUAL DECK EXTENSION ASSEMBLY (WITH 15.8FT/4.8M LENGTH MEGADECK PLATFORM) | M |
| | | Ref | Note: Replacement Decals Must be Ordered Separately - See DECAL SECTION. | |
| 1 | 0272101 | 2 | Plate, Floor | |
| 1 | 4420069 | AR | Tape, Safety Tread | |
| 2 | 0272241 | 3 | Plate, Floor | |
| 2 | 4420069 | AR | Tape, Safety Tread | |
| 3 | 0272242 | 2 | Plate, Floor | |
| 3 | 4420069 | AR | Tape, Safety Tread | |
| 4 | 0630485 | 32 | Bolt | |
| 5 | 0641507 | 8 | Bolt 5/16 x 7/8 | |
| 6 | 0641508 | 8 | Bolt 5/16 x 1 | |
| 7 | 0641814 | 4 | Bolt 1/2 x 1-3/4 | |
| 8 | 1380150 | 4 | E-Clip 1/2 | |
| 9 | 1380151 | 16 | E-Clip 3/4 | |
| 10 | 2020006 | 2 | Deck, Extension | |
| 11 | 3300472 | 32 | Nut 3/8 | |
| 12 | 3311505 | 16 | Nut 5/16 | |
| 13 | 3311802 | 4 | Nut 1/2 | |
| 14 | 3322202 | 4 | Nut | |
| 15 | 3422966 | 8 | Pin | |
| 16 | 0272998 | 2 | Plate, Deck | |
| 16 | 4420069 | AR | Tape, Safety Tread | |
| 17 | 3760348 | 4 | Ring, Retaining | |
| 18 | 3841233 | 4 | Rod, Roller | |
| 19 | 3860059 | 12 | Roller, Extension | |
| 20 | 1001143898 | 4 | Roller | |
| 21 | 4420066 | 113.5 ft /34.60m | Tape, Double Sided (Not Shown - Located Between Floor Plates and Platform Weldment) | |
| 22 | 4711500 | 24 | Washer 5/16 | |
| 23 | 4711600 | 8 | Washer 3/8 | |
| 24 | 4751600 | 22 | Washer 3/8 | |
| 25 | 1001096985 | 4 | Washer | |
| 26 | 4752200 | 4 | Washer 3/4 | |
| 27 | 1001143896 | 4 | Mount, Roller | |
| 28 | 4846519 | 4 | Support, Roller | |
| 29 | 3510879 | 1 | Platform | |

SECTION 5 - PLATFORM

FIGURE 5-22. POWER DECK AUXILIARY PUMP ASSEMBLY



ART_3600468

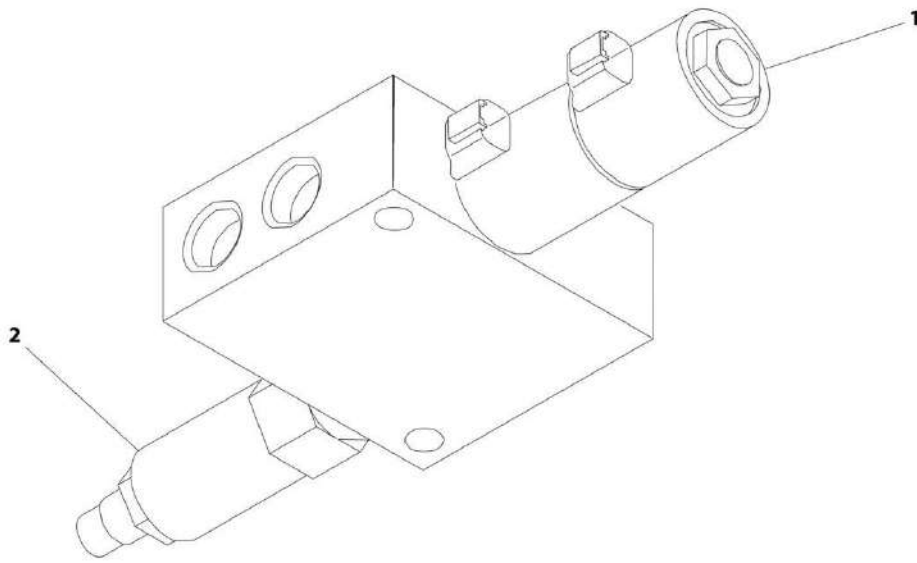
SECTION 5 - PLATFORM

FIGURE 5-22. POWER DECK AUXILIARY PUMP ASSEMBLY

| ITEM | PART NUMBER | QTY | DESCRIPTION | REV |
|------|-------------|-----|--|-----|
| | 3600468 | Ref | POWER DECK AUXILIARY PUMP ASSEMBLY | B |
| 1 | 7011003 | 1 | Motor | |
| 2 | 7012576 | 1 | Bracket, Mounting | |
| 3 | 7011044 | 1 | Gasket, Mounting | |
| 4 | 7011016 | 1 | Coupling | |
| 5 | 70000969 | 1 | Seal, Shaft | |
| 6 | See Note | NSS | Stator (Note: Use Item 100) | |
| 7 | 70001079 | 1 | Cap Assembly | |
| 8 | 70001076 | 1 | Spring | |
| 9 | 70001081 | 1 | Ball | |
| 10 | 70001080 | 1 | Seat | |
| 11 | 7011024 | 1 | Seal | |
| 12 | 7011048 | 4 | Washer | |
| 13 | 7011043 | 4 | Screw | |
| 14 | 70000970 | 4 | Ring, Retaining | |
| 15 | 70000971 | 2 | Gear | |
| 16 | 70001112 | 1 | Shaft, Idler | |
| 17 | 70001065 | 2 | Pin, Drive | |
| 18 | 70000976 | 4 | Bearing, Needle | |
| 19 | 7010911 | 2 | Pin, Dowel | |
| 20 | 70001085 | 1 | Gasket | |
| 21 | See Note | NSS | Housing, Gear (Note: Use Item 100) | |
| 22 | See Note | NSS | Label (Note: Not Available for Purchase) | |
| 23 | 70001106 | 8 | Screw | |
| 24 | 70001107 | 1 | Shaft, Drive | |
| 25 | See Note | NSS | Plug (Note: Use Item 100) | |
| 100 | 70001108 | 1 | Replacement Pump Kit (Includes Items 3-25) | |

SECTION 5 - PLATFORM

FIGURE 5-23. POWER DECK VALVE ASSEMBLY - SINGLE EXTENSION



ART_1001103266

SECTION 5 - PLATFORM

FIGURE 5-23. POWER DECK VALVE ASSEMBLY - SINGLE EXTENSION

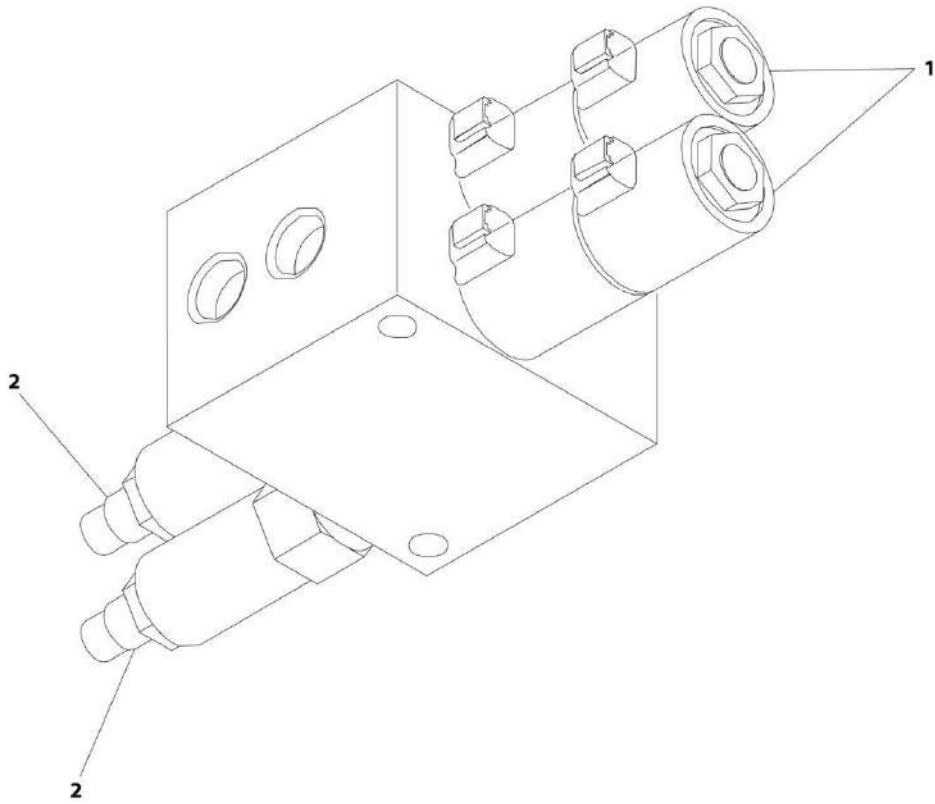
| ITEM | PART NUMBER | QTY | DESCRIPTION | REV |
|------|-------------|-----|--|-----|
| | 1001103266 | Ref | POWER DECK VALVE ASSEMBLY - SINGLE EXTENSION | A |
| 1 | 7017433 | 1 | Solenoid Cartridge Valve Assembly | |
| 1 | 7017402 | 1 | Seal Kit - 7017433 Cartridge | |
| 1 | 70001977 | 2 | Coil | |
| 2 | 7017460 | 1 | Relief Valve Assembly | |
| 2 | 7017461 | 1 | Seal Kit - 7017460 Cartridge | |

SECTION 5 - PLATFORM

FIGURE 5-24. POWER DECK VALVE ASSEMBLY - DUAL EXTENSION

USAGE CHART:

- ALL 12.6FT/3.8M LENGTH PLATFORM
- 15.8FT/4.8M LENGTH MEGADECK PLATFORM
(SN 0200246957 TO PRESENT)



ART_1001103267

SECTION 5 - PLATFORM

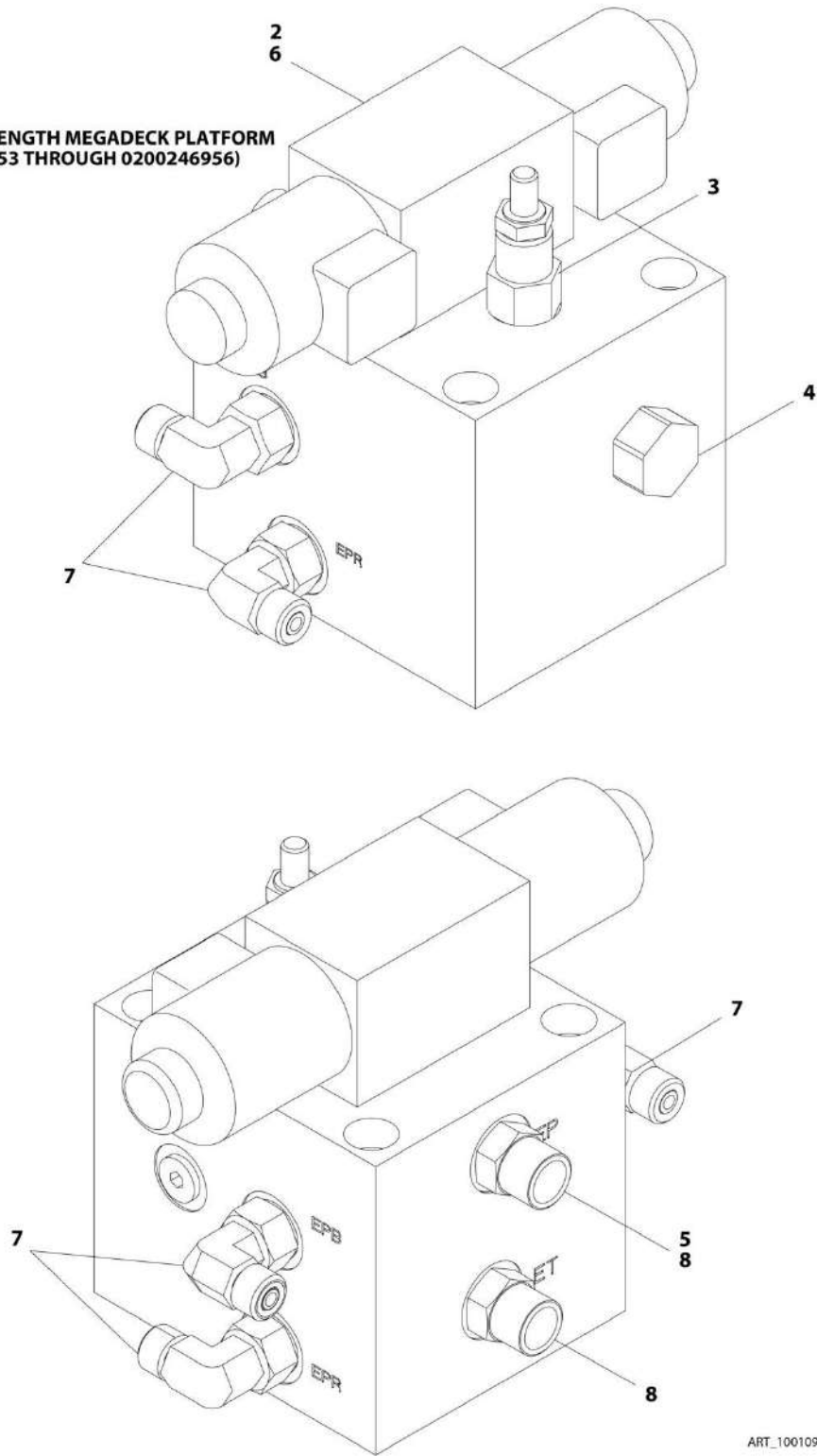
FIGURE 5-24. POWER DECK VALVE ASSEMBLY - DUAL EXTENSION

| ITEM | PART NUMBER | QTY | DESCRIPTION | REV |
|------|-------------|-----|--|-----|
| | | Ref | USAGE CHART: | |
| | | Ref | - All 12.6ft/3.8m Length Platform | |
| | | Ref | - 15.8ft/4.8m Length Megadeck Platform (SN 0200246957 to Present) | |
| | 1001103267 | Ref | POWER DECK VALVE ASSEMBLY - DUAL EXTENSION | A |
| 1 | 7017433 | 2 | Solenoid Cartridge Valve Assembly | |
| 1 | 7017402 | 2 | Seal Kit - 7017433 Cartridge | |
| 1 | 70001977 | 4 | Coil | |
| 2 | 7017460 | 2 | Relief Valve Assembly | |
| 2 | 7017461 | 2 | Seal Kit - 7017460 Cartridge | |

SECTION 5 - PLATFORM

FIGURE 5-25. POWER DECK VALVE ASSEMBLY - DUAL EXTENSION

USAGE CHART :
- 15.8FT/4.8M LENGTH MEGADECK PLATFORM
(SN 0200239053 THROUGH 0200246956)



ART_1001092957

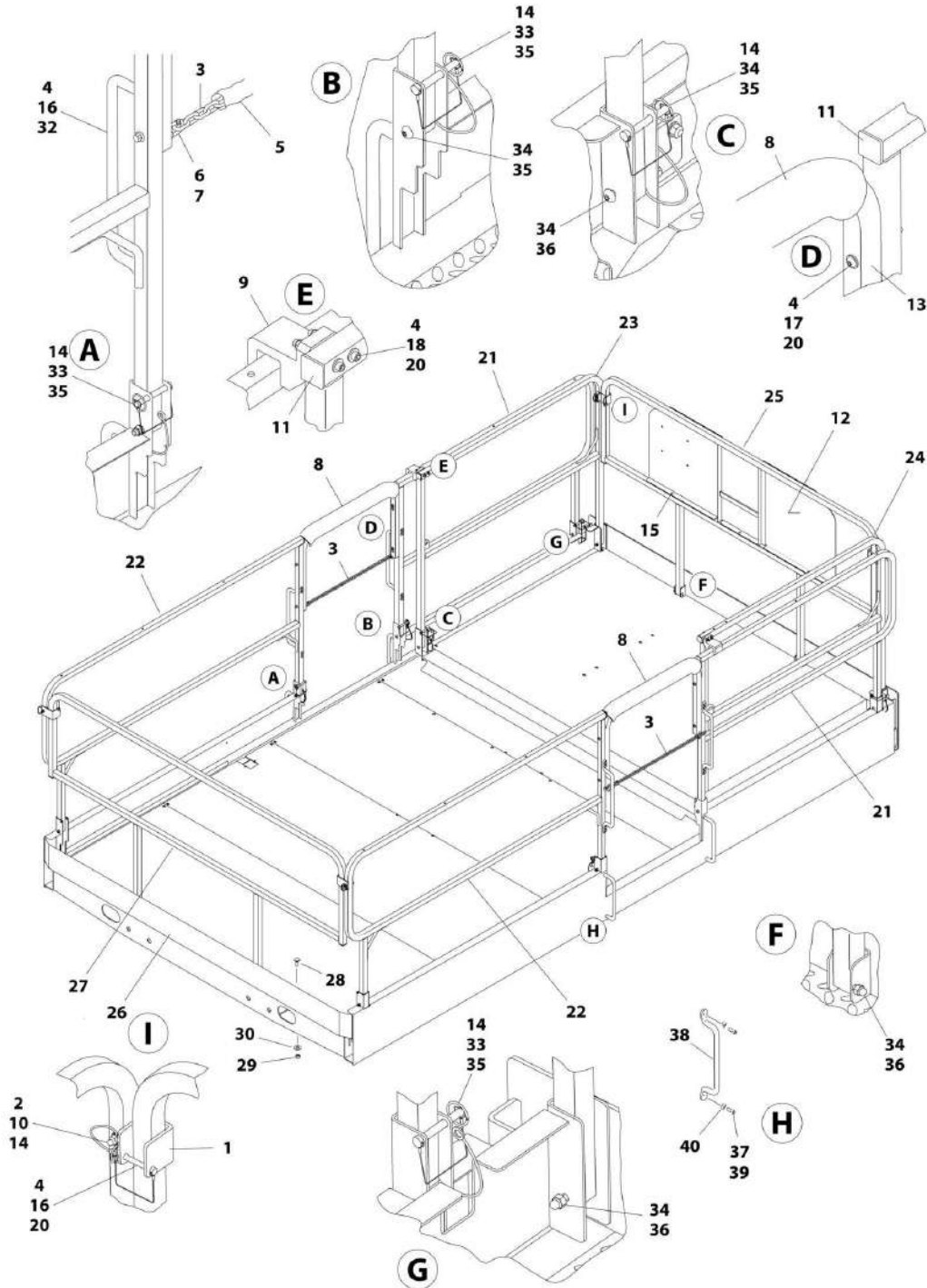
SECTION 5 - PLATFORM

FIGURE 5-25. POWER DECK VALVE ASSEMBLY - DUAL EXTENSION

| ITEM | PART NUMBER | QTY | DESCRIPTION | REV |
|------|-------------|-----|--|-----|
| | | Ref | USAGE CHART: | |
| | | Ref | - 15.8ft/4.8m Length Megadeck Platform (SN 0200239053 through 0200246956) | |
| | 1001092957 | Ref | POWER DECK VALVE ASSEMBLY - DUAL EXTENSION | B |
| 2 | 70001342 | 1 | Control Valve Assembly | |
| 3 | 70001343 | 1 | Cartridge, Relief Valve | |
| 3 | 7011346 | 1 | Seal Kit - 70001343 Valve | |
| 4 | 7026002 | 1 | Cartridge, Shuttle Valve | |
| 4 | 2900770 | 1 | Seal Kit - 7026002 Valve | |
| 5 | 7024926 | 1 | Orifice | |
| 6 | 7018942 | 4 | Capscrew #10 x 2 | |
| 7 | 2130406 | 4 | Fitting, 90 ORFS/ORB | |
| 8 | 2110606 | 2 | Fitting, Straight ORFS/ORB | |

SECTION 5 - PLATFORM

FIGURE 5-26. RAILS INSTALLATION - CHAIN ENTRY (SINGLE DECK EXTENSION)



ART_0271694

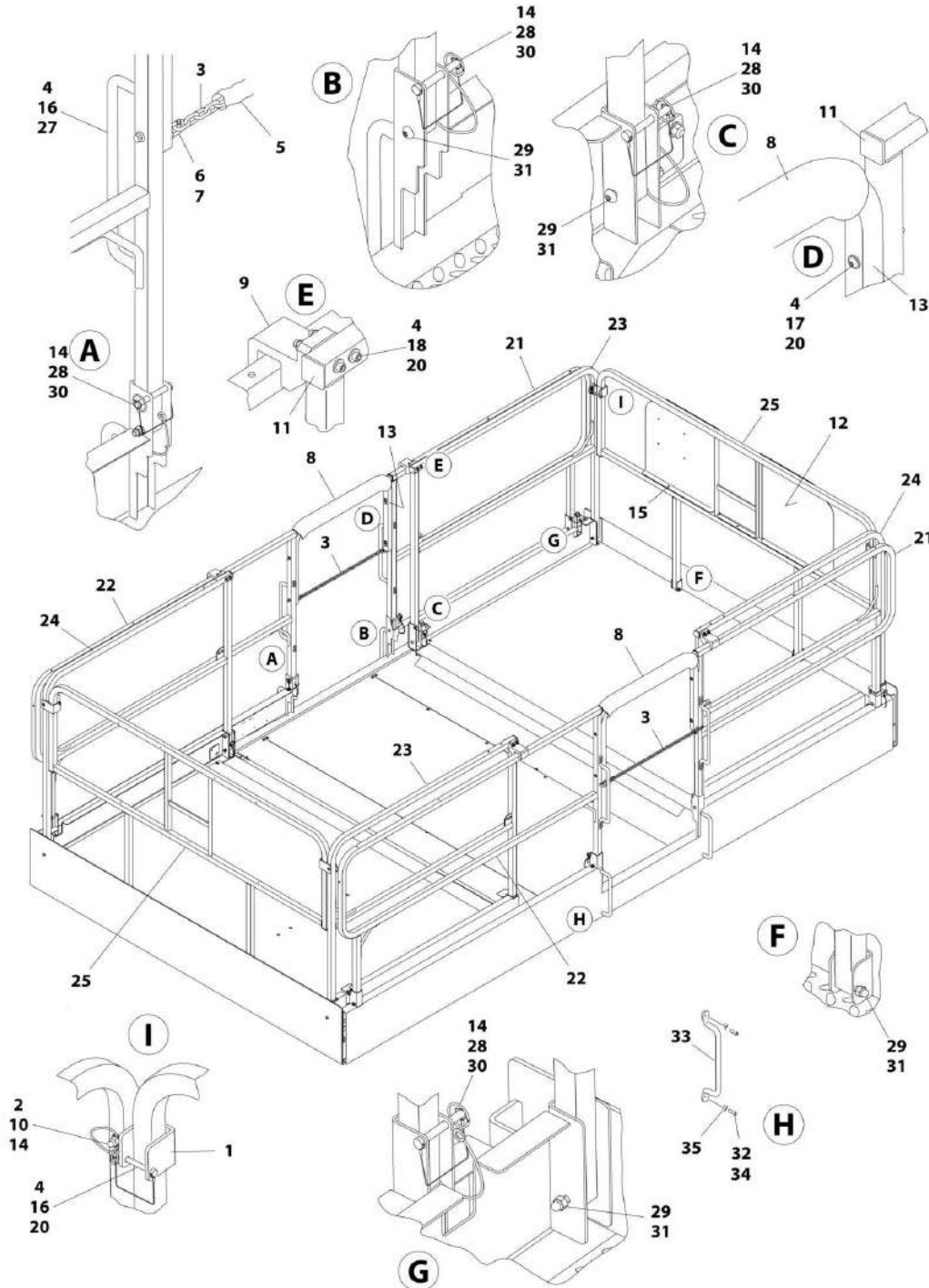
SECTION 5 - PLATFORM

FIGURE 5-26. RAILS INSTALLATION - CHAIN ENTRY (SINGLE DECK EXTENSION)

| ITEM | PART NUMBER | QTY | DESCRIPTION | REV |
|------|-------------|-------------|--|-----|
| | 0271694 | Ref | RAILS INSTALLATION - CHAIN ENTRY (SINGLE DECK EXTENSION) | M |
| 1 | 0901870 | 4 | Bracket | |
| 2 | 1060379 | 4 | Lanyard | |
| 3 | 1260136 | 4 ft /1.2m | Chain | |
| 4 | 2080063 | 32 | Fastener 1/4 | |
| 5 | 2820097 | 2 | Cover, Chain | |
| 6 | 2940064 | 2 | Latch, Snap | |
| 7 | 3010088 | 4 | Link, Repair | |
| 8 | 3340612 | 3 ft /0.91m | Cover, Rail | |
| 9 | 3340937 | 2 | Pad, Slide | |
| 10 | 3422219 | 4 | Pin, Snap | |
| 11 | 3520072 | 10 | Plug, Cap | |
| 12 | 3571862 | 1 | Plate, Placard | |
| 13 | 4846590 | 2 | Rail | |
| 14 | 3760170 | 12 | Ring, Split | |
| 15 | 3820020 | 7 | Rivet | |
| 16 | 3900318 | 20 | Screw 1/4 x 2 | |
| 17 | 3900319 | 8 | Screw 1/4 x 3 | |
| 18 | 3931436 | 4 | Capscrew 1/4 x 2-1/4 | |
| 20 | 4711400 | 24 | Washer 1/4 | |
| 21 | 4846530 | 2 | Rail, Side | |
| 22 | 4846531 | 2 | Rail, Side | |
| 23 | 4846532 | 1 | Rail, Side Extension | |
| 24 | 4846537 | 1 | Rail, Side Extension | |
| 25 | 4846542 | 1 | Rail, End Extension | |
| 26 | 4846556 | 1 | Kickplate | |
| 27 | 4846557 | 1 | Rail, End | |
| 28 | 0630485 | 4 | Bolt 3/8 | |
| 29 | 3311605 | 4 | Nut 3/8 | |
| 30 | 4751600 | 4 | Washer 3/8 | |
| 31 | 2902067 | 1 | Rail Kit (Not Shown - Includes Items 12, 13, 15 & 21-27) | |
| 32 | 2560176 | 4 | Handle | |
| 33 | 1060808 | 8 | Lanyard | |
| 34 | 2080064 | 16 | Fastener 5/16 | |
| 35 | 3421565 | 8 | Pin, Snap | |
| 36 | 3900323 | 16 | Screw 5/16 x 2 | |
| 37 | 0100011 | AR | Compound, Locking | |
| 38 | 2560188 | 4 | Handle | |
| 39 | 3931512 | 8 | Bolt 5/16 x 3/4 | |
| 40 | 4711500 | 8 | Washer 5/16 | |

SECTION 5 - PLATFORM

FIGURE 5-27. RAILS INSTALLATION - CHAIN ENTRY (DUAL DECK EXTENSION)



ART_0271711

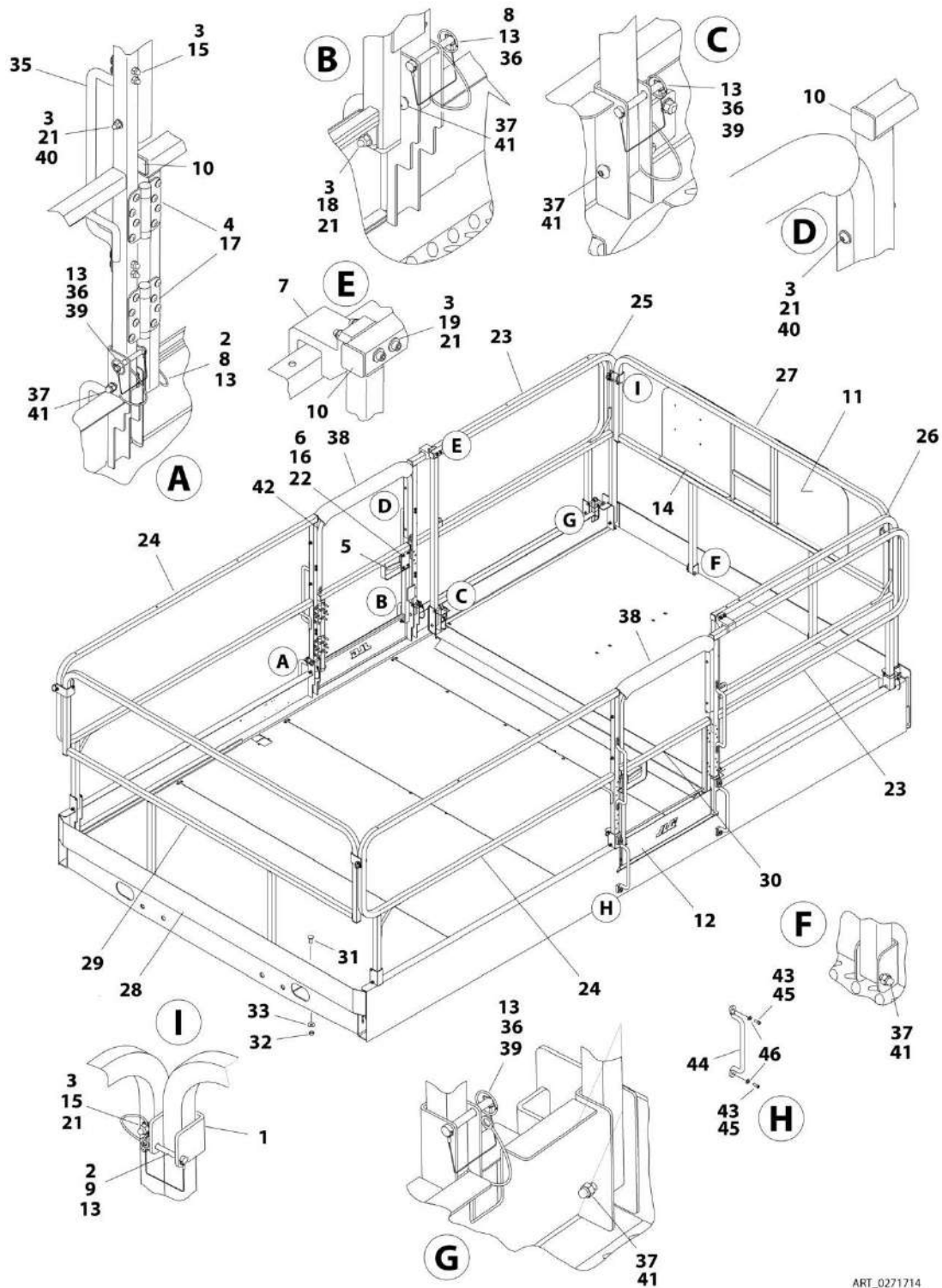
SECTION 5 - PLATFORM

FIGURE 5-27. RAILS INSTALLATION - CHAIN ENTRY (DUAL DECK EXTENSION)

| ITEM | PART NUMBER | QTY | DESCRIPTION | REV |
|------|-------------|-------------|--|-----|
| | 0271711 | Ref | RAILS INSTALLATION - CHAIN ENTRY (DUAL DECK EXTENSION) | L |
| 1 | 0901870 | 4 | Bracket | |
| 2 | 1060379 | 4 | Lanyard | |
| 3 | 1260136 | 4 ft /1.2m | Chain | |
| 4 | 2080063 | 36 | Fastener 1/4 | |
| 5 | 2820097 | 2 | Cover, Chain | |
| 6 | 2940064 | 2 | Latch, Snap | |
| 7 | 3010088 | 4 | Link, Repair | |
| 8 | 3340612 | 3 ft /0.91m | Cover, Rail | |
| 9 | 3340937 | 4 | Pad, Slide | |
| 10 | 3422219 | 4 | Pin, Snap | |
| 11 | 3520072 | 10 | Plug, Cap | |
| 12 | 3571862 | 1 | Plate, Placard | |
| 13 | 4846590 | 2 | Rail | |
| 14 | 3760170 | 16 | Ring, Split | |
| 15 | 3820020 | 7 | Rivet | |
| 16 | 3900318 | 20 | Screw 1/4 x 2 | |
| 17 | 3900319 | 8 | Screw 1/4 x 3 | |
| 18 | 3931436 | 8 | Capscrew 1/4 x 2-1/4 | |
| 20 | 4711400 | 32 | Washer 1/4 | |
| 21 | 4846530 | 2 | Rail, Side | |
| 22 | 4846531 | 2 | Rail, Side | |
| 23 | 4846532 | 2 | Rail, Side Extension | |
| 24 | 4846537 | 2 | Rail, Side Extension | |
| 25 | 4846542 | 2 | Rail, End Extension | |
| 26 | 2902148 | 1 | Rail Kit (Not Shown - Includes Items 12, 13, 15 & 21-25) | |
| 27 | 2560176 | 4 | Handle | |
| 28 | 1060808 | 12 | Lanyard | |
| 29 | 2080064 | 20 | Fastener 5/16 | |
| 30 | 3421565 | 12 | Pin, Snap | |
| 31 | 3900323 | 20 | Screw 5/16 x 2 | |
| 32 | 0100011 | AR | Compound, Locking | |
| 33 | 2560188 | 4 | Handle | |
| 34 | 3931512 | 8 | Bolt 5/16 x 3/4 | |
| 35 | 4711500 | 8 | Washer 5/16 | |

SECTION 5 - PLATFORM

FIGURE 5-28. RAILS INSTALLATION - SWING GATE ENTRY (SINGLE DECK EXTENSION)



ART_0271714

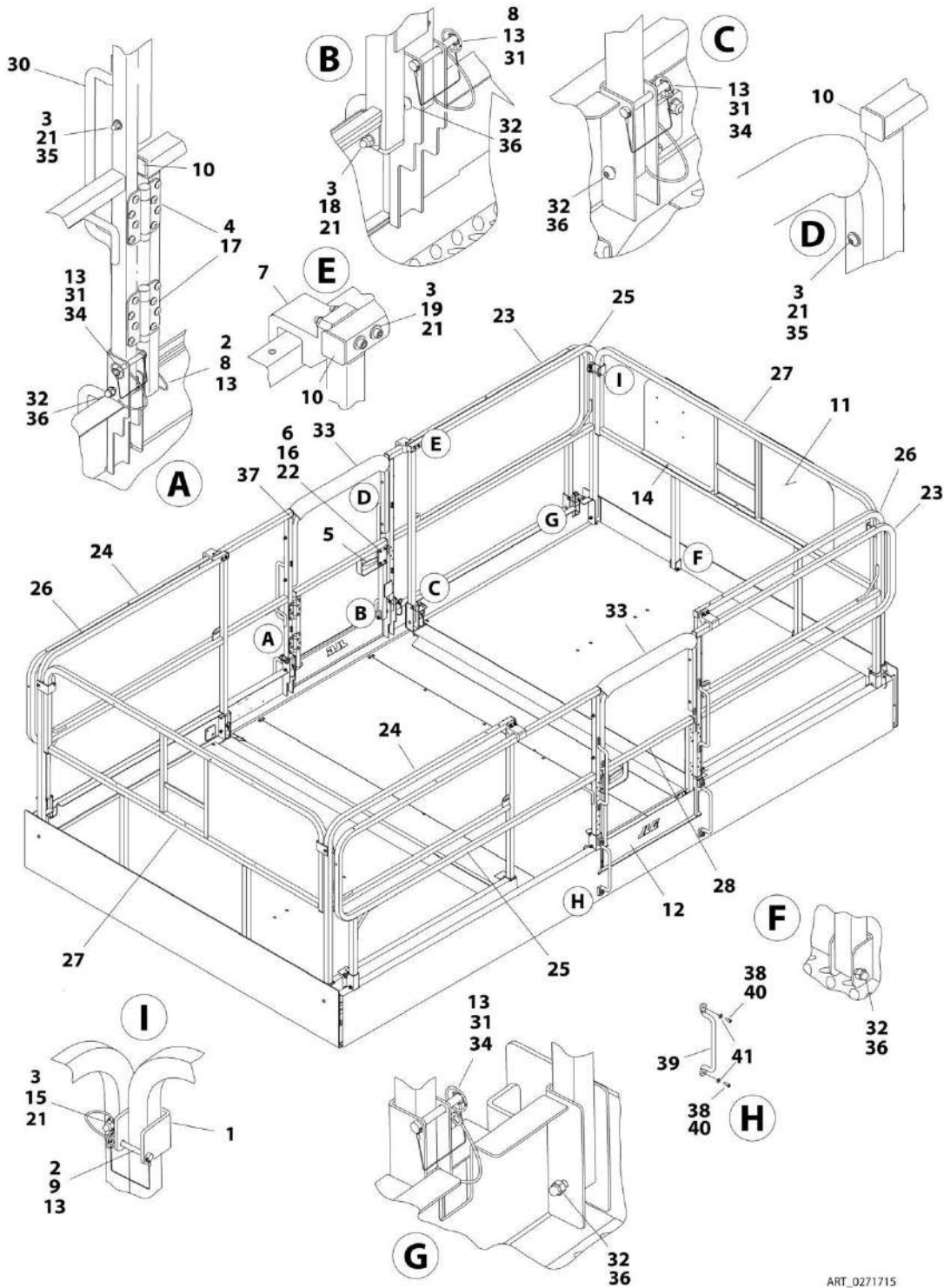
SECTION 5 - PLATFORM

FIGURE 5-28. RAILS INSTALLATION - SWING GATE ENTRY (SINGLE DECK EXTENSION)

| ITEM | PART NUMBER | QTY | DESCRIPTION | REV |
|------|-------------|----------------|---|-----|
| | 0271714 | Ref | RAILS INSTALLATION - SWING GATE ENTRY (SINGLE DECK EXTENSION) | K |
| 1 | 0901870 | 4 | Bracket | |
| 2 | 1060379 | 6 | Lanyard | |
| 3 | 2080063 | 36 | Fastener 1/4 | |
| 4 | 2600285 | 4 | Hinge | |
| 5 | 2940074 | 2 | Latch | |
| 6 | 3300432 | 8 | Nut #10 | |
| 7 | 3340937 | 2 | Pad, Slide | |
| 8 | 3421453 | 4 | Pin, Snap | |
| 9 | 3422219 | 4 | Pin, Snap | |
| 10 | 3520072 | 14 | Plug, Cap | |
| 11 | 3571862 | 1 | Plate, Placard | |
| 12 | 3573472 | 2 | Kickplate | |
| 13 | 3760170 | 14 | Ring, Split | |
| 14 | 3820020 | 7 | Rivet | |
| 15 | 3900318 | 20 | Screw 1/4 x 2 | |
| 16 | 3931010 | 8 | Capscrew #10 x 5/8 | |
| 17 | 2080040 | 32 | Fastener, Huck | |
| 18 | 3911428 | 4 | Screw 1/4 x 1-3/4 | |
| 19 | 3931436 | 4 | Capscrew 1/4 x 2-1/4 | |
| 21 | 4711400 | 30 | Washer 1/4 | |
| 22 | 4751000 | 8 | Washer #10 | |
| 23 | 4846530 | 2 | Rail, Side | |
| 24 | 4846531 | 2 | Rail, Side | |
| 25 | 4846532 | 1 | Rail, Side Extension | |
| 26 | 4846537 | 1 | Rail, Side Extension | |
| 27 | 4846542 | 1 | Rail, End Extension | |
| 28 | 4846556 | 1 | Kickplate | |
| 29 | 4846557 | 1 | Rail, End | |
| 30 | 4846570 | 2 | Gate | |
| 31 | 0630485 | 4 | Bolt | |
| 32 | 3311605 | 4 | Nut 3/8 | |
| 33 | 4751600 | 4 | Washer 3/8 | |
| 34 | 2902147 | 1 | Rail Kit (Not Shown - Includes Items 11, 12, 14, 23-30 & 42) | |
| 35 | 2560176 | 4 | Handle | |
| 36 | 1060808 | 8 | Lanyard | |
| 37 | 2080064 | 16 | Fastener 5/16 | |
| 38 | 3340612 | 3 ft /0.91m | Cover, Rail | |
| 39 | 3421565 | 6 | Pin, Snap | |
| 40 | 3900319 | 8 | Screw 1/4 x 3 | |
| 41 | 3900323 | 16 | Screw 5/16 x 2 | |
| 42 | 4846590 | 2 | Rail | |
| 43 | 0100011 | AR | Compound, Locking | |
| 44 | 2560188 | 4 | Handle | |
| 45 | 3931512 | 8 | Bolt 5/16 x 3/4 | |
| 46 | 4711500 | 8 | Washer 5/16 | |

SECTION 5 - PLATFORM

FIGURE 5-29. RAILS INSTALLATION - SWING GATE ENTRY (DUAL DECK EXTENSION)



ART_0271715

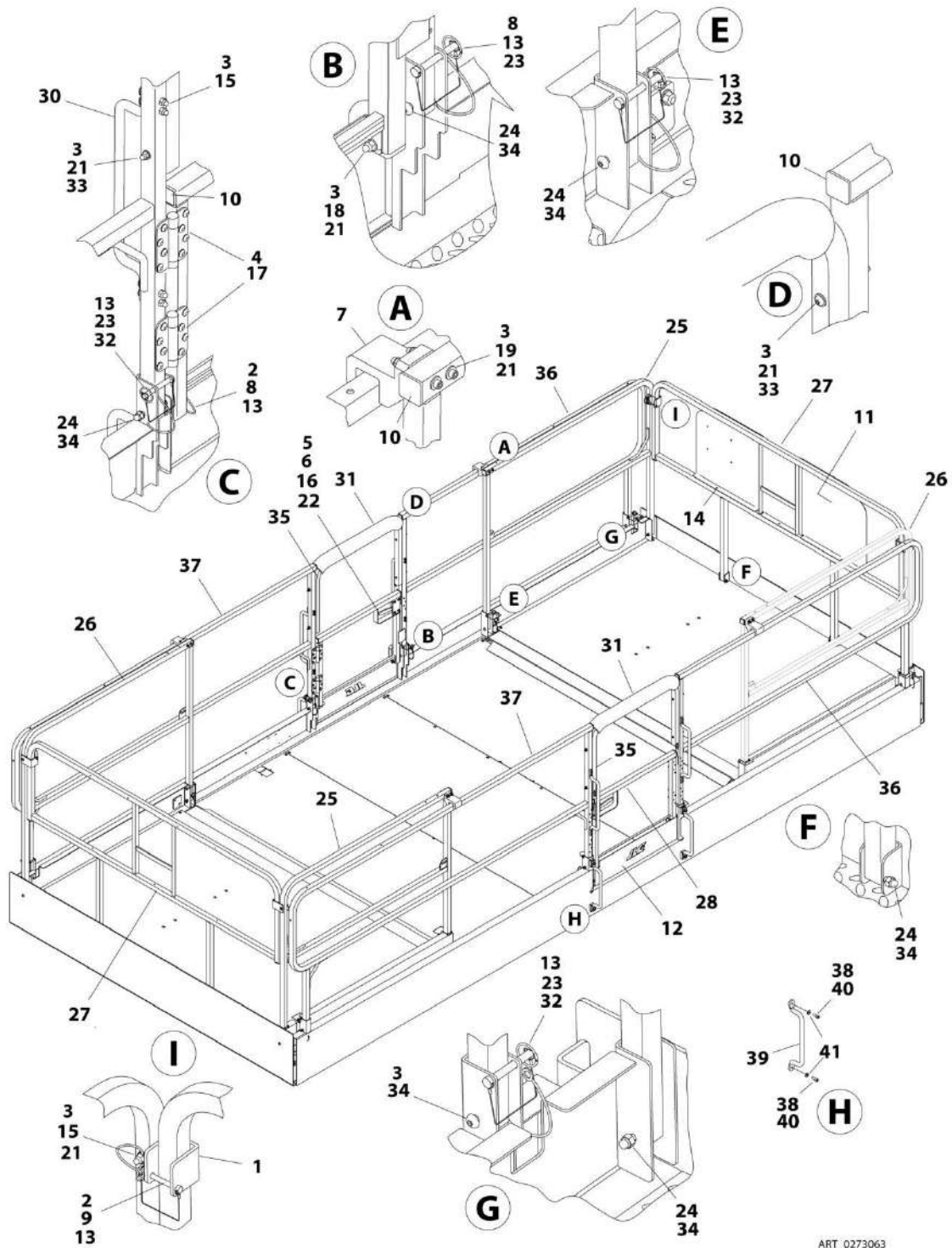
SECTION 5 - PLATFORM

FIGURE 5-29. RAILS INSTALLATION - SWING GATE ENTRY (DUAL DECK EXTENSION)

| ITEM | PART NUMBER | QTY | DESCRIPTION | REV |
|------|-------------|----------------|--|-----|
| | 0271715 | Ref | RAILS INSTALLATION - SWING GATE ENTRY (DUAL DECK EXTENSION) | K |
| 1 | 0901870 | 4 | Bracket | |
| 2 | 1060379 | 6 | Lanyard | |
| 3 | 2080063 | 40 | Fastener 1/4 | |
| 4 | 2600285 | 4 | Hinge | |
| 5 | 2940074 | 2 | Latch | |
| 6 | 3300432 | 8 | Nut #10 | |
| 7 | 3340937 | 4 | Pad, Slide | |
| 8 | 3421453 | 4 | Pin, Snap | |
| 9 | 3422219 | 4 | Pin, Snap | |
| 10 | 3520072 | 16 | Plug, Cap | |
| 11 | 3571862 | 1 | Plate, Placard | |
| 12 | 3573472 | 2 | Kickplate | |
| 13 | 3760170 | 18 | Ring, Split | |
| 14 | 3820020 | 7 | Rivet | |
| 15 | 3900318 | 20 | Screw 1/4 x 2 | |
| 16 | 3931010 | 8 | Capscrew #10 x 5/8 | |
| 17 | 2080040 | 32 | Fastener, Huck | |
| 18 | 3911428 | 4 | Screw 1/4 x 1-3/4 | |
| 19 | 3931436 | 8 | Capscrew 1/4 x 2-1/4 | |
| 21 | 4711400 | 38 | Washer 1/4 | |
| 22 | 4751000 | 8 | Washer #10 | |
| 23 | 4846530 | 2 | Rail, Side | |
| 24 | 4846531 | 2 | Rail, Side | |
| 25 | 4846532 | 2 | Rail, Side Extension | |
| 26 | 4846537 | 2 | Rail, Side Extension | |
| 27 | 4846542 | 2 | Rail, End Extension | |
| 28 | 4846570 | 2 | Gate | |
| 29 | 2902148 | 1 | Rail Kit (Not Shown - Includes Items 11, 12, 14, 23-28 & 37) | |
| 30 | 2560176 | 4 | Handle | |
| 31 | 1060808 | 12 | Lanyard | |
| 32 | 2080064 | 20 | Fastener 5/16 | |
| 33 | 3340612 | 3 ft /0.91m | Cover, Rail | |
| 34 | 3421565 | 10 | Pin, Snap | |
| 35 | 3900319 | 8 | Screw 1/4 x 3 | |
| 36 | 3900323 | 20 | Screw 5/16 x 2 | |
| 37 | 4846590 | 2 | Rail | |
| 38 | 0100011 | AR | Compound, Locking | |
| 39 | 2560188 | 4 | Handle | |
| 40 | 3931512 | 8 | Bolt 5/16 x 3/4 | |
| 41 | 4711500 | 8 | Washer 5/16 | |

SECTION 5 - PLATFORM

FIGURE 5-30. RAILS INSTALLATION - SWING GATE ENTRY (MEGADECK EXTENSION - 3394RT) (CE SPEC ONLY)



ART_0273063

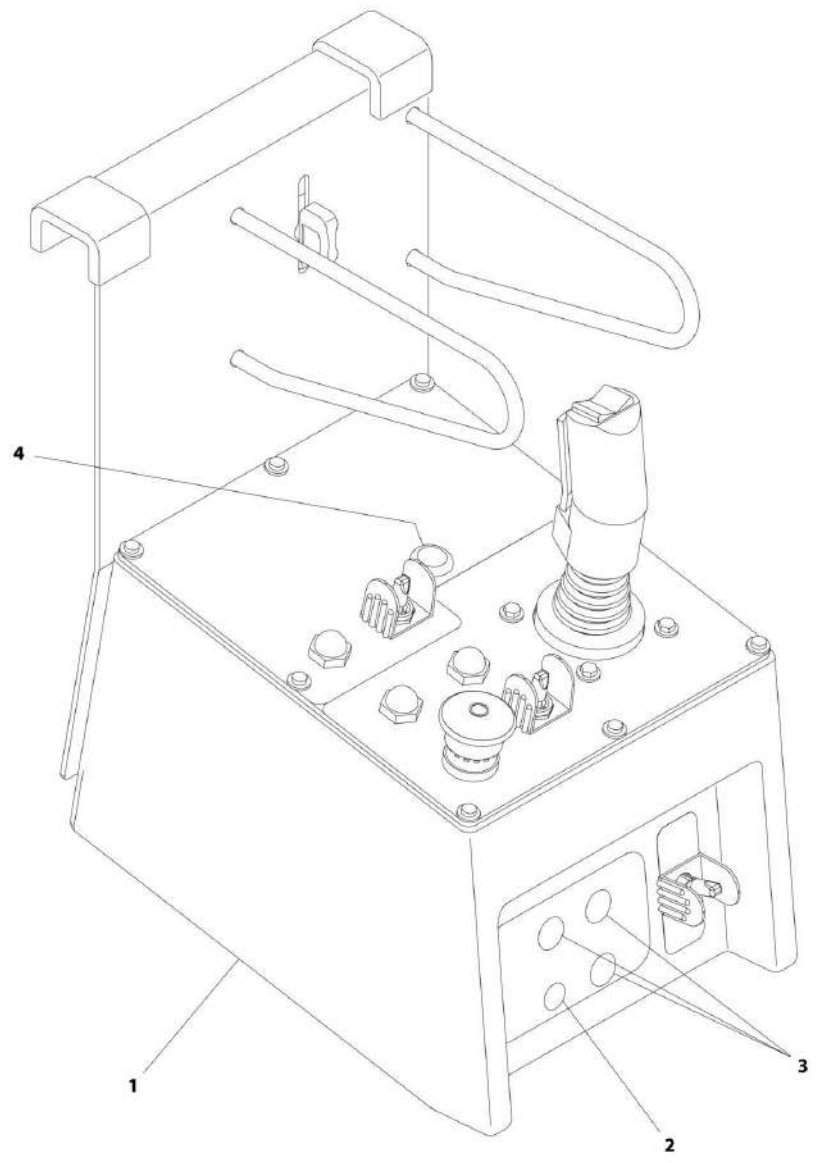
SECTION 5 - PLATFORM

FIGURE 5-30. RAILS INSTALLATION - SWING GATE ENTRY (MEGADECK EXTENSION - 3394RT) (CE SPEC ONLY)

| ITEM | PART NUMBER | QTY | DESCRIPTION | REV |
|------|-------------|----------------|--|-----|
| | 0273063 | Ref | RAILS INSTALLATION - SWING GATE ENTRY (MEGADECK EXTENSION - 3394RT) (CE SPEC ONLY) | E |
| 1 | 0901870 | 4 | Bracket | |
| 2 | 1060379 | 6 | Lanyard | |
| 3 | 2080063 | 40 | Fastener 1/4 | |
| 4 | 2600285 | 4 | Hinge | |
| 5 | 2940074 | 2 | Latch | |
| 6 | 3300432 | 8 | Nut #10 | |
| 7 | 3340937 | 4 | Pad, Slide | |
| 8 | 3421453 | 4 | Pin, Snap | |
| 9 | 3422219 | 4 | Pin, Snap | |
| 10 | 3520072 | 16 | Plug, Cap | |
| 11 | 3571862 | 1 | Plate, Placard | |
| 12 | 3573472 | 2 | Kickplate | |
| 13 | 3760170 | 18 | Ring, Split | |
| 14 | 3820020 | 7 | Rivet | |
| 15 | 3900318 | 20 | Screw 1/4 x 2 | |
| 16 | 3931010 | 8 | Capscrew #10 x 5/8 | |
| 17 | 2080040 | 32 | Fastener, Huck | |
| 18 | 3911428 | 4 | Screw 1/4 x 1-3/4 | |
| 19 | 3931436 | 8 | Capscrew 1/4 x 2-1/4 | |
| 21 | 4711400 | 38 | Washer 1/4 | |
| 22 | 4751000 | 8 | Washer #10 | |
| 23 | 1060808 | 12 | Lanyard | |
| 24 | 2080064 | 20 | Fastener 5/16 | |
| 25 | 4846532 | 2 | Rail, Side Extension | |
| 26 | 4846537 | 2 | Rail, Side Extension | |
| 27 | 4846542 | 2 | Rail, End Extension | |
| 28 | 4846570 | 2 | Gate | |
| 29 | 2902263 | 1 | Rail Kit (Not Shown - Includes Items 11, 12, 14, 25-28 & 35-37) | |
| 30 | 2560176 | 4 | Handle | |
| 31 | 3340612 | 3 ft /0.91m | Cover, Rail | |
| 32 | 3421565 | 10 | Pin, Snap | |
| 33 | 3900319 | 8 | Screw 1/4 x 3 | |
| 34 | 3900323 | 20 | Screw 5/16 x 2 | |
| 35 | 4846590 | 2 | Rail | |
| 36 | 4846843 | 2 | Rail, Side | |
| 37 | 4846844 | 2 | Rail, Side | |
| 38 | 0100011 | AR | Compound, Locking | |
| 39 | 2560188 | 4 | Handle | |
| 40 | 3931512 | 8 | Bolt 5/16 x 3/4 | |
| 41 | 4711500 | 8 | Washer 5/16 | |

SECTION 5 - PLATFORM

FIGURE 5-31. PLATFORM CONSOLE BOX INSTALLATION - DIESEL MACHINES



ART_0272409

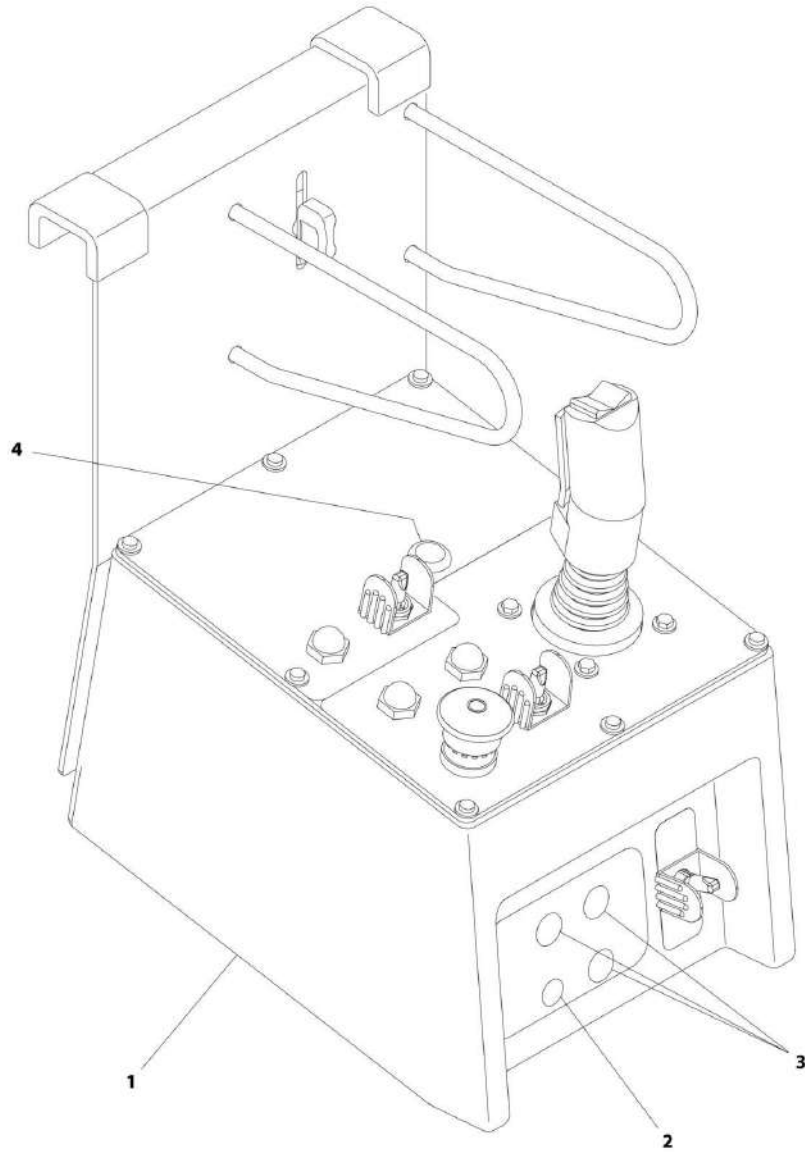
SECTION 5 - PLATFORM

FIGURE 5-31. PLATFORM CONSOLE BOX INSTALLATION - DIESEL MACHINES

| ITEM | PART NUMBER | QTY | DESCRIPTION | REV |
|------|-------------|-----|--|-----|
| | 0272409 | Ref | PLATFORM CONSOLE BOX INSTALLATION - DIESEL MACHINES | C |
| | See Note | Ref | Note: For machines with platform console box with cover refer to SPECIAL OPTIONS SECTION. | |
| | See Note | Ref | Note: For machines with platform console box with Turn Signal and Lights refer to SPECIAL OPTIONS SECTION. | |
| 1 | 0272400 | 1 | Platform Console Box Assembly (See PLATFORM CONSOLE BOX ASSEMBLY - DIESEL MACHINES for Breakdown) | |
| 2 | 3520079 | 1 | Plug, Hole | |
| 3 | 3520080 | 3 | Plug, Hole | |
| 4 | 3520193 | 1 | Plug, Hole | |

SECTION 5 - PLATFORM

FIGURE 5-32. PLATFORM CONSOLE BOX INSTALLATION - GAS DUAL FUEL MACHINES



ART_0272405

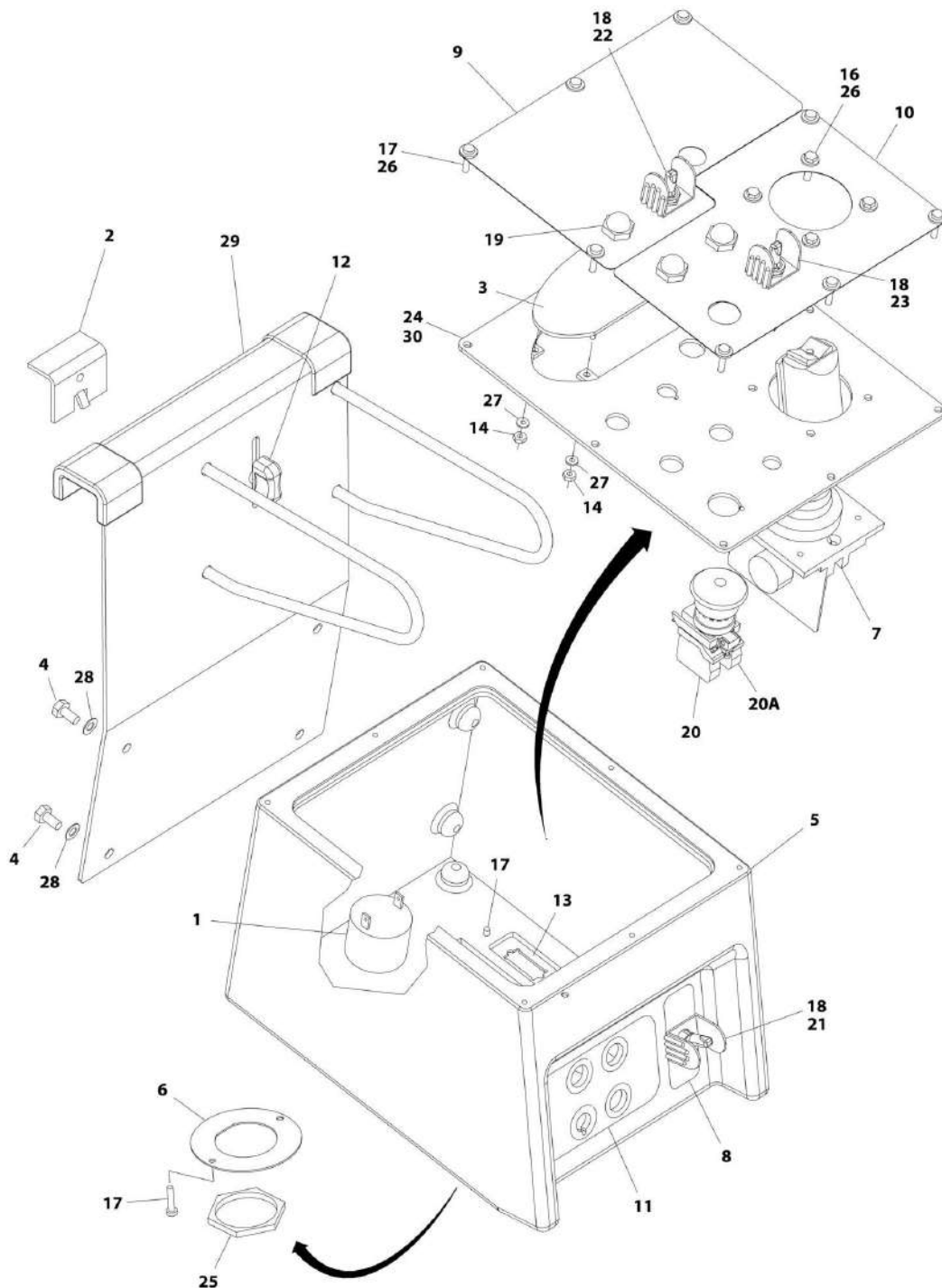
SECTION 5 - PLATFORM

FIGURE 5-32. PLATFORM CONSOLE BOX INSTALLATION - GAS DUAL FUEL MACHINES

| ITEM | PART NUMBER | QTY | DESCRIPTION | REV |
|------|-------------|-----|--|-----|
| | 0272405 | Ref | PLATFORM CONSOLE BOX INSTALLATION - GAS DUAL FUEL MACHINES | C |
| | See Note | Ref | Note: For machines with platform console box with cover refer to SPECIAL OPTIONS SECTION. | |
| | See Note | Ref | Note: For machines with platform console box with Turn Signal and Lights refer to SPECIAL OPTIONS SECTION. | |
| 1 | 0271748 | 1 | Platform Console Box Assembly (See PLATFORM CONSOLE BOX ASSEMBLY - GAS DUAL FUEL MACHINES for Breakdown) | |
| 2 | 3520079 | 1 | Plug, Hole | |
| 3 | 3520080 | 3 | Plug, Hole | |
| 4 | 3520193 | 1 | Plug, Hole | |

SECTION 5 - PLATFORM

FIGURE 5-33. PLATFORM CONSOLE BOX ASSEMBLY - DIESEL MACHINES



ART_0272400

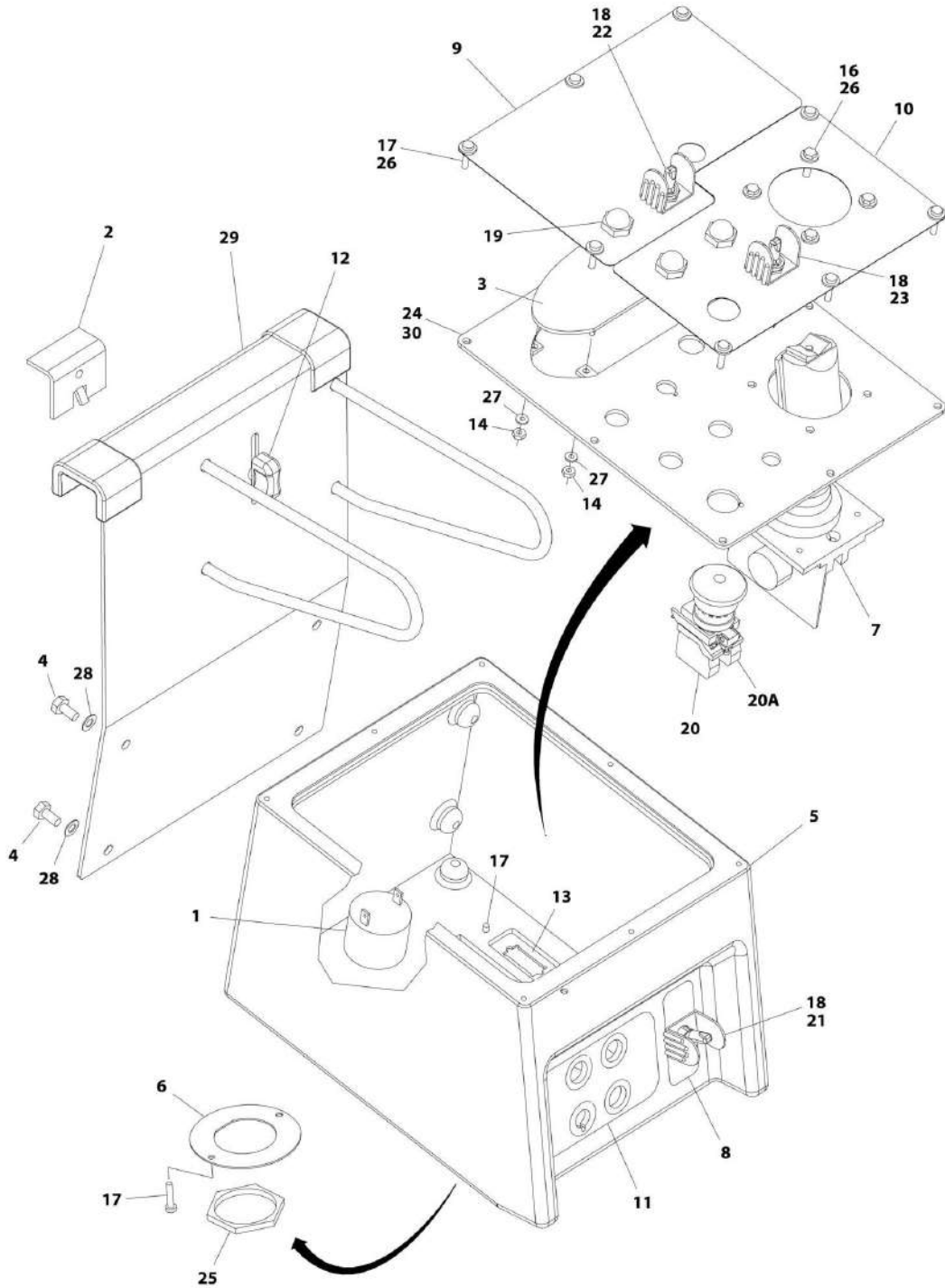
SECTION 5 - PLATFORM

FIGURE 5-33. PLATFORM CONSOLE BOX ASSEMBLY - DIESEL MACHINES

| ITEM | PART NUMBER | QTY | DESCRIPTION | REV |
|------|-------------|----------|--|-----|
| | 0272400 | Ref | PLATFORM CONSOLE BOX ASSEMBLY - DIESEL MACHINES | F |
| | | Ref | Note: For machines with platform console box with cover refer to SPECIAL OPTIONS SECTION. | |
| | | Ref | Note: For machines with platform console box with Turn Signal and Lights refer to SPECIAL OPTIONS SECTION. | |
| 1 | 0140011 | 1 | Alarm | |
| 2 | 0181847 | 1 | Angle, Latch | |
| 3 | 0610169 | 1 | Board, P/C Display | |
| 4 | 0641404 | 4 | Bolt 1/4 x 1/2 | |
| 5 | 0861554 | 1 | Box, Console | |
| 6 | 0902499 | 1 | Bracket, D-Ring | |
| 7 | 1600403 | 1 | Drive/Steer Controller Assembly (See DRIVE/STEER CONTROLLER ASSEMBLY for Breakdown) | |
| 8 | 1704589 | 1 | Decal - Glow Plug | |
| 9 | 1705913 | 1 | Decal - Platform Lid (Top Half of 2 Pc Decal) | |
| 10 | 1705914 | 1 | Decal - Platform Lid (Bottom Half of 2 Pc Decal) | |
| 11 | 1705392 | 1 | Decal - Outrigger Select | |
| 12 | 2560141 | 1 | Thumbscrew | |
| 13 | 3200450 | 1 | Mount, Terminal | |
| 14 | 3310601 | 4 | Nut #6 | |
| 16 | 3900178 | 4 | Screw Plastite #10 x 1/2 | |
| 17 | 3900265 | 12 | Screw #8 x 3/4 | |
| 18 | 4060802 | 3 | Guard, Switch | |
| 19 | 4360387 | 3 | Switch, Push Button | |
| 20 | 4360475 | 1 | Switch, Emergency Stop | |
| 20 | 7020175 | 1 | Cap | |
| 20A | 7020176 | 1 | Block, Contact | |
| 21 | 4360483 | 1 | Switch, Toggle | |
| 22 | 4360524 | 1 | Switch, Toggle | |
| 23 | 4360525 | 1 | Switch, Toggle | |
| 24 | 4420008 | 38 in/1m | Tape, Insulation | |
| 25 | 4460470 | 1 | Nut, Terminal | |
| 26 | 4740120 | 12 | Washer, Nylon | |
| 27 | 4760600 | 4 | Washer #6 | |
| 28 | 4791400 | 4 | Washer 1/4 | |
| 29 | 4845938 | 1 | Bracket, Box Mounting | |
| 30 | 4846655 | 1 | Lid, Box | |
| 31 | 4922768 | 1 | Platform Console Box Harness (Not Shown - See ELECTRICAL SECTION for Breakdown) | |

SECTION 5 - PLATFORM

FIGURE 5-34. PLATFORM CONSOLE BOX ASSEMBLY - GAS DUAL FUEL MACHINES



ART_0271748

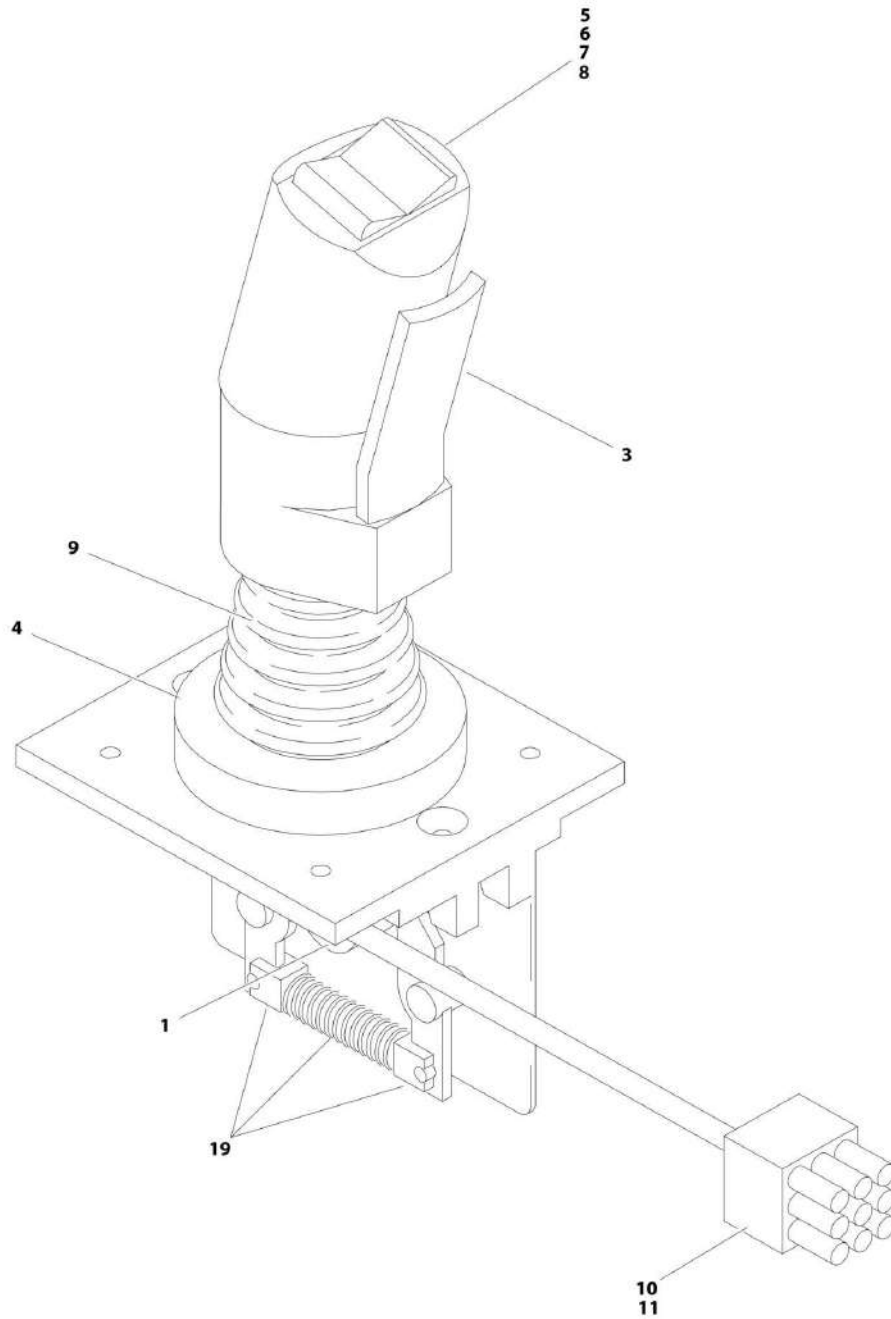
SECTION 5 - PLATFORM

FIGURE 5-34. PLATFORM CONSOLE BOX ASSEMBLY - GAS DUAL FUEL MACHINES

| ITEM | PART NUMBER | QTY | DESCRIPTION | REV |
|------|-------------|----------|--|-----|
| | 0271748 | Ref | PLATFORM CONSOLE BOX ASSEMBLY - GAS DUAL FUEL MACHINES | F |
| | | Ref | Note: For machines with platform console box with cover refer to SPECIAL OPTIONS SECTION. | |
| | | Ref | Note: For machines with platform console box with Turn Signal and Lights refer to SPECIAL OPTIONS SECTION. | |
| 1 | 0140011 | 1 | Alarm | |
| 2 | 0181847 | 1 | Angle, Latch | |
| 3 | 0610169 | 1 | Board, P/C Display | |
| 4 | 0641404 | 4 | Bolt 1/4 x 1/2 | |
| 5 | 0861554 | 1 | Box, Console | |
| 6 | 0902499 | 1 | Bracket, D-Ring | |
| 7 | 1600403 | 1 | Drive/Steer Controller Assembly (See DRIVE/STEER CONTROLLER ASSEMBLY for Breakdown) | |
| 8 | 1704588 | 1 | Decal - Fuel Select | |
| 9 | 1705913 | 1 | Decal - Platform Lid (Top Half of 2 Pc Decal) | |
| 10 | 1705914 | 1 | Platform Lid (Bottom Half of 2 Pc Decal) | |
| 11 | 1705392 | 1 | Decal - Outrigger Select | |
| 12 | 2560141 | 1 | Thumbscrew | |
| 13 | 3200450 | 1 | Mount, Terminal | |
| 14 | 3310601 | 4 | Nut #6 | |
| 16 | 3900178 | 4 | Screw, Plastite #10 x 1/2 | |
| 17 | 3900265 | 12 | Screw #8 x 3/4 | |
| 18 | 4060802 | 3 | Guard, Switch | |
| 19 | 4360387 | 3 | Switch, Push Button | |
| 20 | 4360475 | 1 | Switch, Emergency Stop | |
| 20 | 7020175 | 1 | Cap | |
| 20A | 7020176 | 1 | Block, Contact | |
| 21 | 4360482 | 1 | Switch, Toggle (Fuel Select) | |
| 22 | 4360524 | 1 | Switch, Toggle | |
| 23 | 4360525 | 1 | Switch, Toggle | |
| 24 | 4420008 | 38 in/1m | Tape, Insulation | |
| 25 | 4460470 | 1 | Nut, Terminal | |
| 26 | 4740120 | 12 | Washer, Nylon | |
| 27 | 4760600 | 4 | Washer #6 | |
| 28 | 4791400 | 4 | Washer 1/4 | |
| 29 | 4845938 | 1 | Bracket, Box Mounting | |
| 30 | 4846655 | 1 | Lid, Box | |
| 31 | 4922768 | 1 | Platform Console Box Harness (See ELECTRICAL SECTION for Breakdown) | |

SECTION 5 - PLATFORM

FIGURE 5-35. DRIVE/STEER CONTROLLER ASSEMBLY



ART_1600403

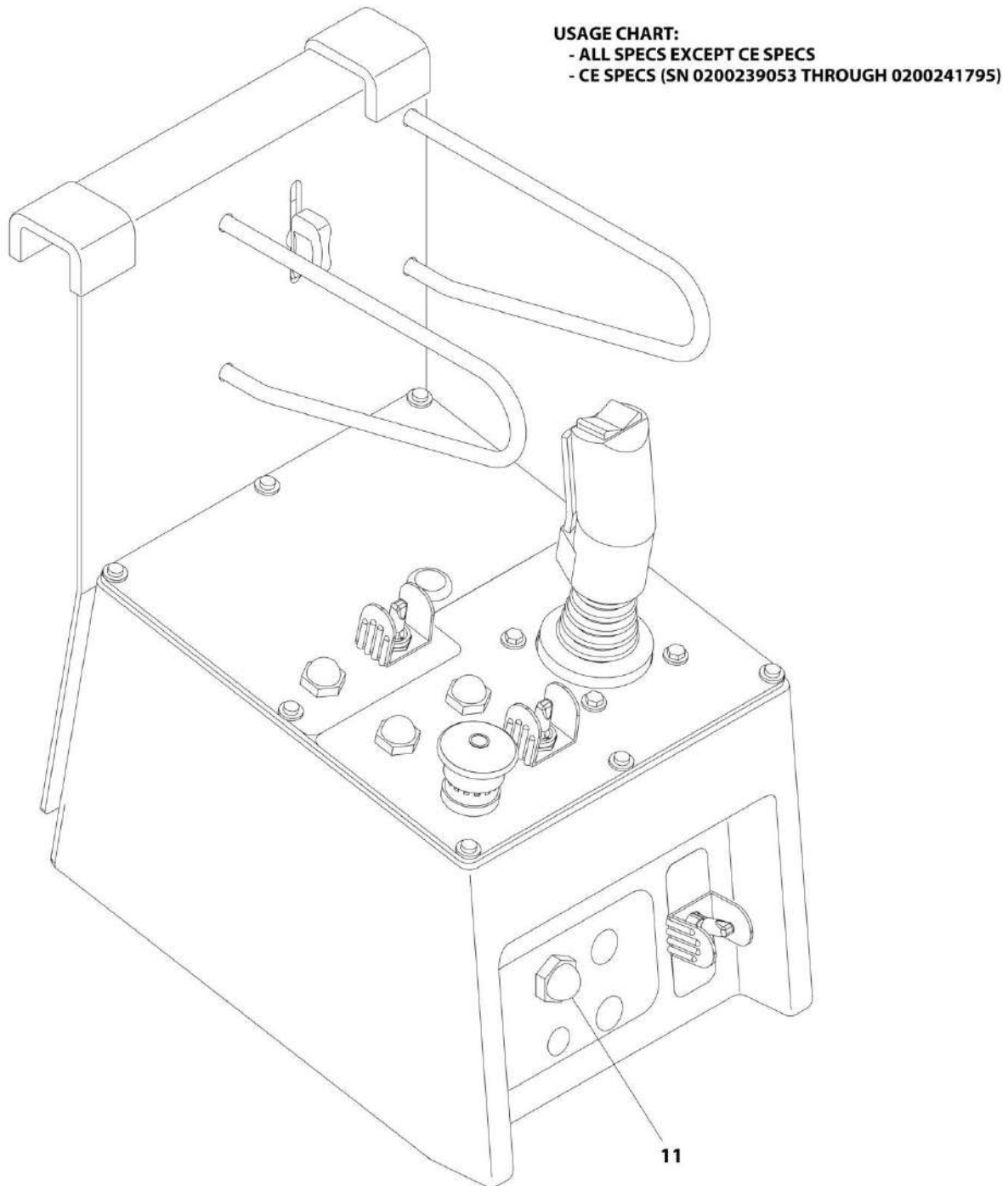
SECTION 5 - PLATFORM

FIGURE 5-35. DRIVE/STEER CONTROLLER ASSEMBLY

| ITEM | PART NUMBER | QTY | DESCRIPTION | REV |
|------|-------------|-----|--|-----|
| | 1600403 | Ref | DRIVE/STEER CONTROLLER ASSEMBLY | F |
| 1 | 70000081 | 1 | Potentiometer | |
| 1 | 70005484 | 1 | Gear, Potentiometer | |
| 1 | 70005485 | 1 | Screw (Attaches Potentiometer Gear to Shaft) | |
| 2 | 7027367 | 1 | Switch, Push Button (Not Shown - Located Behind #3) | |
| 3 | 7027765 | 1 | Lever, Enabler | |
| 4 | 7027766 | 1 | Ring, Retaining | |
| 5 | 70000082 | 1 | Microswitch | |
| 6 | 70000083 | 1 | Coupler, Microswitch | |
| 7 | 70000084 | 1 | Cap, Rubber | |
| 8 | 7027365 | 1 | Actuator, Switch | |
| 9 | 70000085 | 1 | Boot, Rubber | |
| 10 | 4460265 | 1 | Plug, Male - 9 Pin | |
| 11 | 4460226 | 8 | Socket, Female | |
| 12 | 70000685 | AR | Washer, Plastic (Not Shown) | |
| 13 | 70000684 | AR | Screw, Handle (Not Shown) | |
| 14 | See Note | NSS | Nut, Handle (Not Shown) (Note: Not available for purchase) | |
| 15 | 70000683 | AR | Washer, Neoprene (Not Shown) | |
| 16 | 70000686 | AR | Screw, Handle (Not Shown) | |
| 17 | 4460266 | 1 | Connector, Receptacle - 9 Pin (Not Shown - Part of Console Harness) | |
| 18 | 4460267 | 8 | Pin, Male (Not Shown - Part of Console Harness) | |
| 19 | 70004194 | 1 | Return Spring Kit | |
| | 70003650 | 1 | Handle Repair Kit (Includes handle gasket, push button, lever, front handle half, back handle half, top actuator, boot and hardware. | |

SECTION 5 - PLATFORM

FIGURE 5-36. LEVELING JACKS SWITCH INSTALLATION



ART_1001166178_20F2

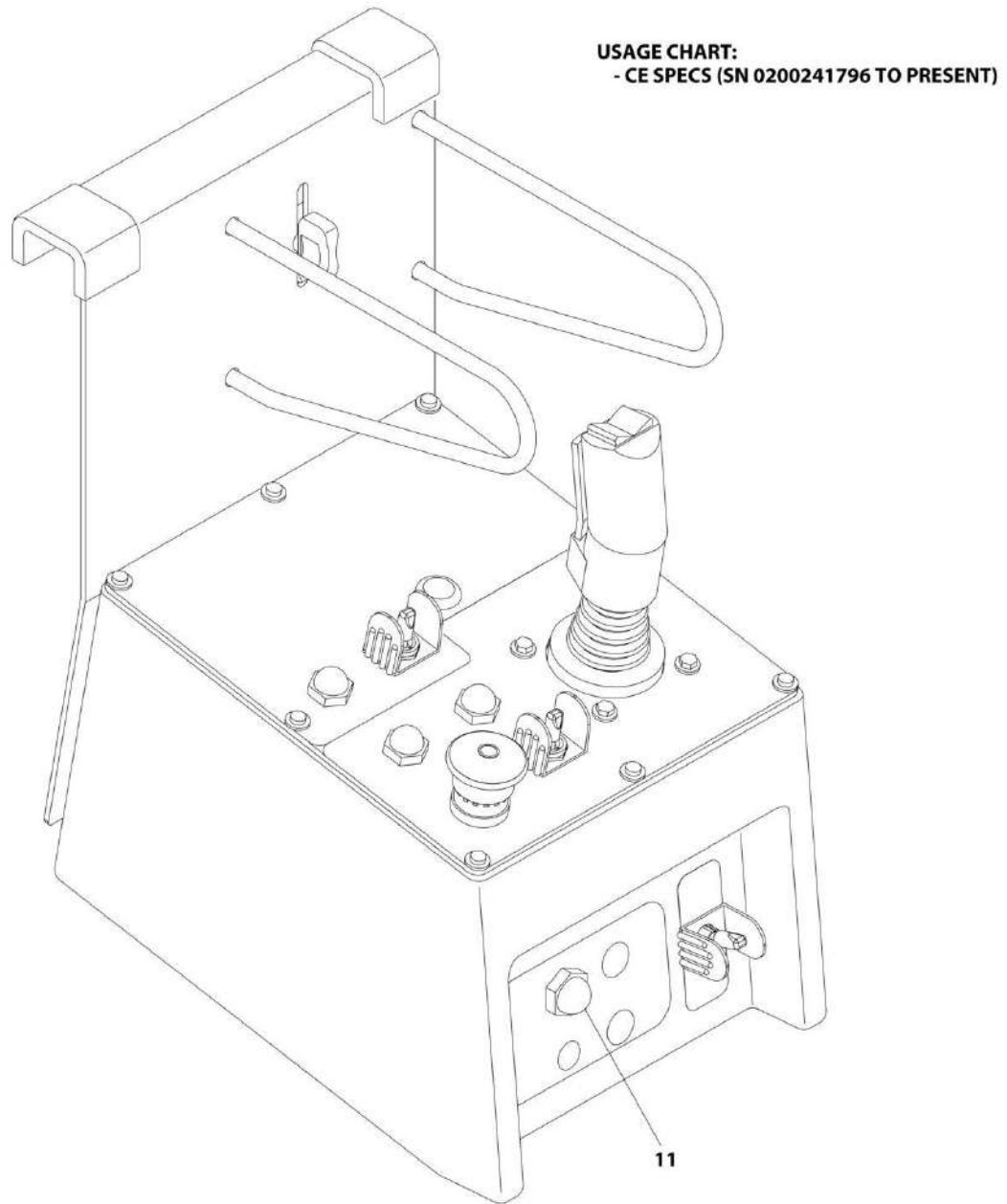
SECTION 5 - PLATFORM

FIGURE 5-36. LEVELING JACKS SWITCH INSTALLATION

| ITEM | PART NUMBER | QTY | DESCRIPTION | REV |
|------|-----------------------|-------------------------------|--|-----|
| 11 | 1001166178 4360387 | Ref Ref Ref Ref 1 | USAGE CHART: - All Specs except CE Specs - CE Specs (SN 0200239053 through 0200241795) LEVELING JACKS SWITCH INSTALLATION Switch, Push Button | B |

SECTION 5 - PLATFORM

FIGURE 5-37. LEVELING JACKS SWITCH INSTALLATION



ART_1001188847_20F2

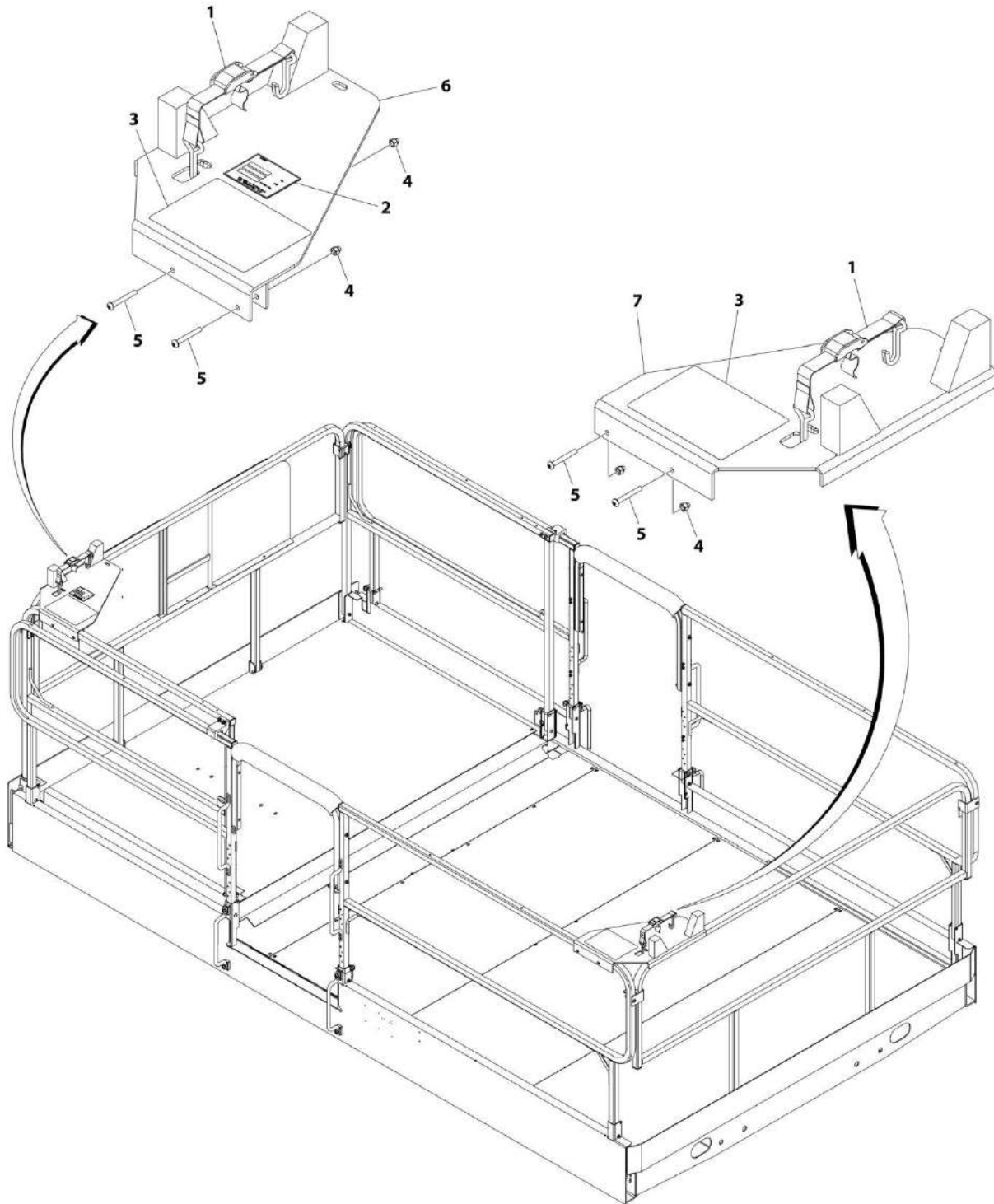
SECTION 5 - PLATFORM

FIGURE 5-37. LEVELING JACKS SWITCH INSTALLATION

| ITEM | PART NUMBER | QTY | DESCRIPTION | REV |
|------|-----------------------|------------------------|---|-----|
| 11 | 1001188847 4360387 | Ref Ref Ref 1 | USAGE CHART: - CE Specs (SN 0200241796 to Present) LEVELING JACKS SWITCH INSTALLATION Switch, Push Button | A |

SECTION 5 - PLATFORM

FIGURE 5-38. PIPE RACKS INSTALLATION (RAIL MOUNT)



ART_0272829

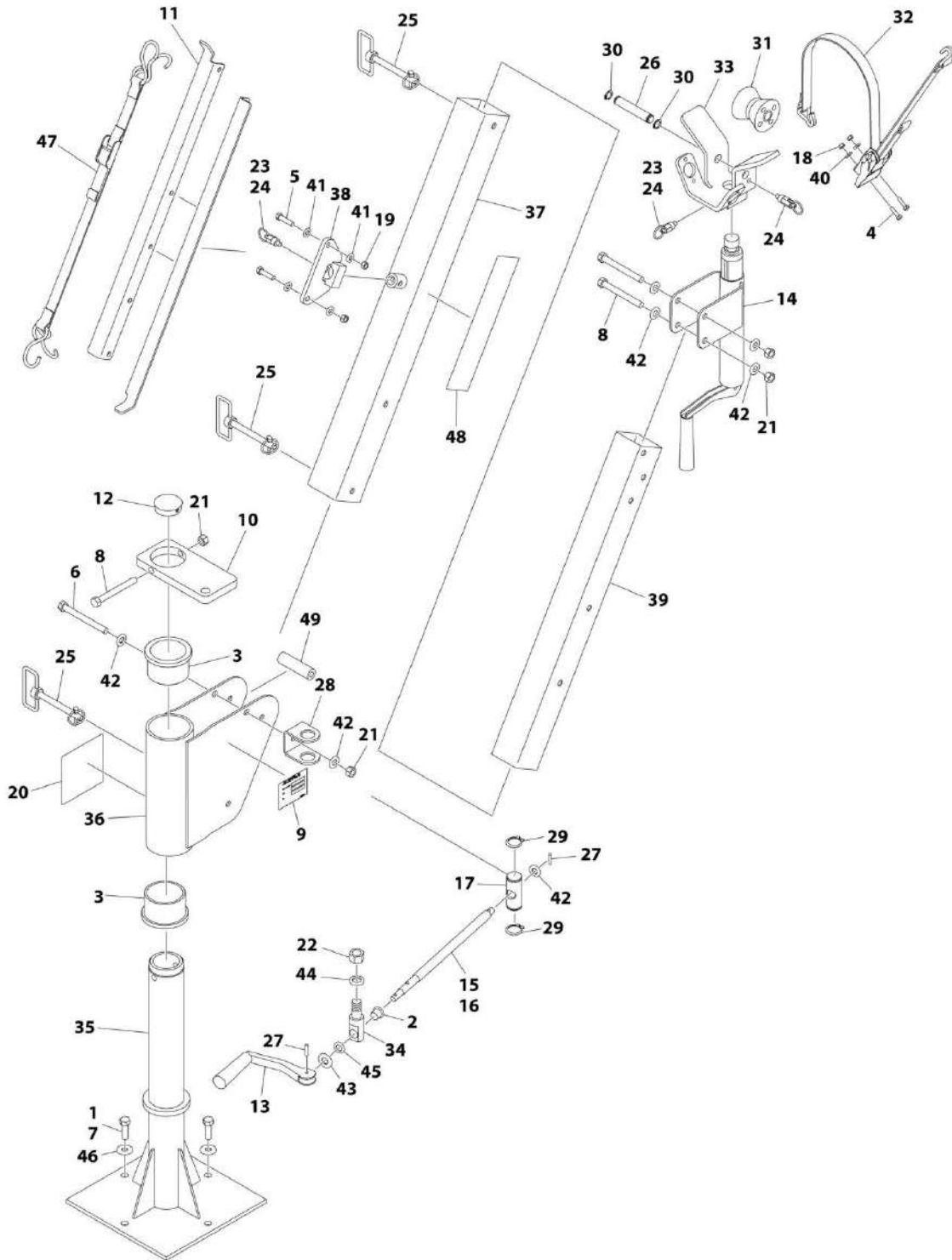
SECTION 5 - PLATFORM

FIGURE 5-38. PIPE RACKS INSTALLATION (RAIL MOUNT)

| ITEM | PART NUMBER | QTY | DESCRIPTION | REV |
|------|-------------|-----|--|-----|
| | 0272829 | Ref | PIPE RACKS INSTALLATION (RAIL MOUNT) | B |
| 1 | 0480100 | 2 | Belt, Tie Down | |
| 2 | See Note | NSS | Nameplate (Note: Not Available for Purchase) | |
| 3 | 1705637 | 2 | Decal – Pipe Rack Capacity | |
| 4 | 2080063 | 4 | Fastener 1/4 | |
| 5 | 3900318 | 4 | Screw 1/4 x 2 | |
| 6 | 4845441 | 1 | Support, Pipe Rack | |
| 7 | 4845442 | 1 | Support, Pipe Rack | |

SECTION 5 - PLATFORM

FIGURE 5-39. PIPE RACKS INSTALLATION (SKY POSITIONER)



ART_0274103

SECTION 5 - PLATFORM

FIGURE 5-39. PIPE RACKS INSTALLATION (SKY POSITIONER)

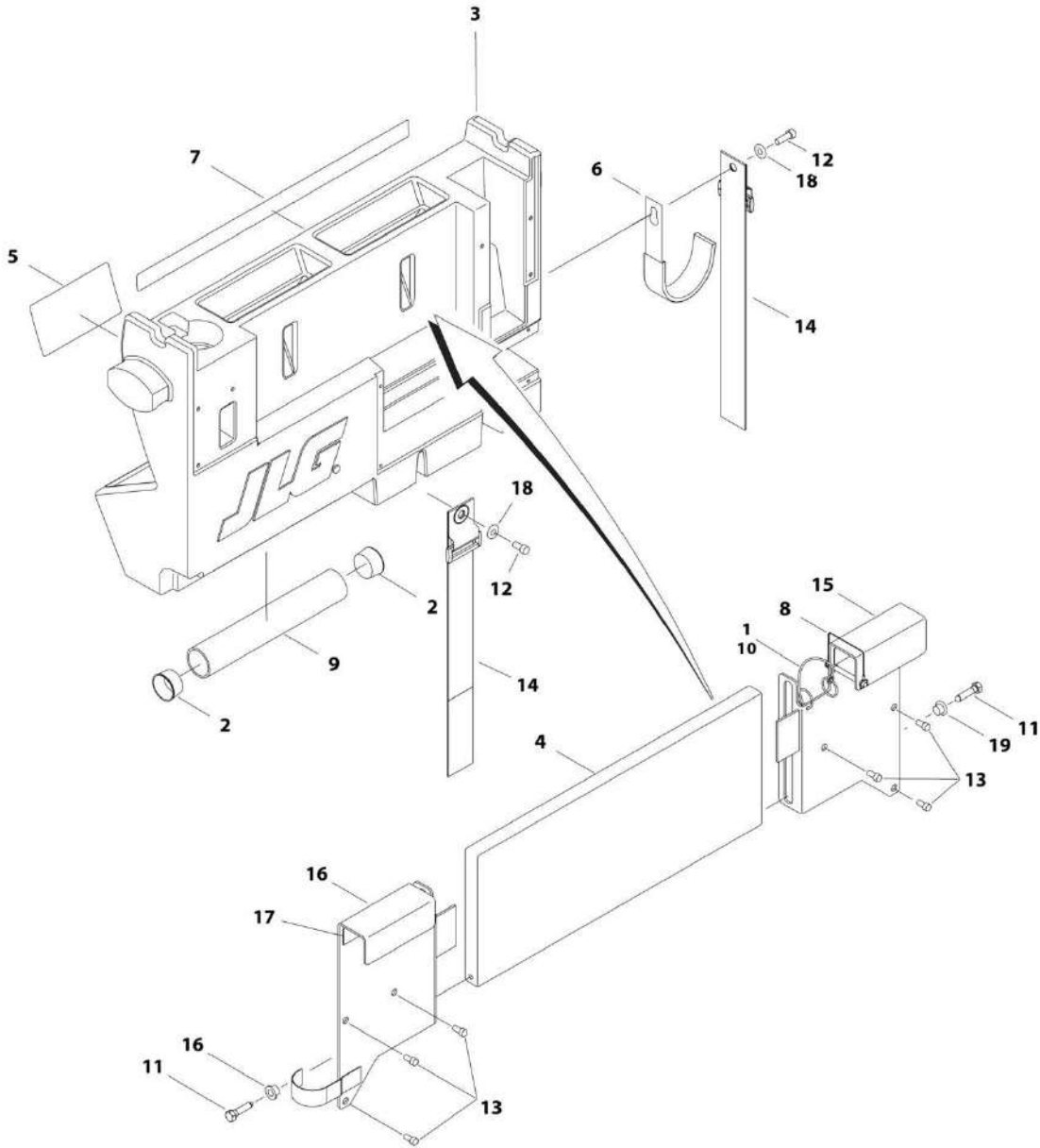
| ITEM | PART NUMBER | QTY | DESCRIPTION | REV |
|------|-------------|-----|--|-----|
| | 0274103 | Ref | PIPE RACKS INSTALLATION (SKY POSITIONER) | C |
| 1 | 0100011 | AR | Compound, Locking | |
| 2 | 0440311 | 2 | Bearing, Flanged | |
| 3 | 0440312 | 4 | Bearing, Flanged | |
| 4 | 0641408 | 4 | Bolt 1/4 x 1 | |
| 5 | 0641612 | 4 | Bolt 3/8 x 1-1/2 | |
| 6 | 0641840 | 2 | Bolt 1/2 x 5 | |
| 7 | 0641812 | 8 | Bolt 1/2 x 1-1/2 | |
| 8 | 0641836 | 6 | Bolt 1/2 x 4-1/2 | |
| 9 | See Note | 2 | Nameplate, Accessory Serial Tag (Note: Not Available for Purchase) | |
| 10 | 0903095 | 2 | Bracket, Jack Mount | |
| 11 | 0903104 | 4 | Bracket, Duct Mount | |
| 12 | 1120580 | 2 | Plug | |
| 13 | 2560186 | 2 | Handle | |
| 14 | 2840023 | 2 | Jack, Screw | |
| 15 | 2840024 | 2 | Screw, Jack | |
| 16 | 3020035 | AR | Lubricant (Not Shown) | |
| 17 | 3300489 | 2 | Nut 3/4 | |
| 18 | 3311405 | 4 | Nut 1/4 | |
| 19 | 3311605 | 4 | Nut 3/8 | |
| 20 | 1706113 | 2 | Decal - Pipe Rack Capacity | |
| 21 | 3311805 | 8 | Nut 1/2 | |
| 22 | 3312205 | 2 | Nut 3/4 | |
| 23 | 3423047 | 4 | Pin, Plunger (Use p/n 3423151) | |
| 24 | 3423151 | 6 | Pin, Locking Plunger | |
| 25 | 3423179 | 6 | Pin, Hitch | |
| 26 | 3423180 | 2 | Pin | |
| 27 | 3440816 | 4 | Pin, Roll | |
| 28 | 3575597 | 2 | Plate, Jack Mount | |
| 29 | 3760141 | 4 | Ring, Retaining | |
| 30 | 3760348 | 4 | Ring, Retaining | |
| 31 | 3860122 | 2 | Roller | |
| 32 | 4240170 | 2 | Strap, Ratchet Tie Down | |
| 33 | 4340922 | 2 | Pipe, Support | |
| 34 | 4340932 | 2 | Mount, Jack Screw | |
| 35 | 4340933 | 2 | Mount, Pipe Rack | |
| 36 | 4340934 | 2 | Support, Pipe Rack Arm | |
| 37 | 4340948 | 2 | Support, Pipe Rack Outer | |
| 38 | 4340949 | 2 | Mount, Duct | |
| 39 | 4569126 | 2 | Tube, Pipe Rack Inner | |
| 40 | 4711400 | 4 | Washer 1/4 | |
| 41 | 4711600 | 8 | Washer 3/8 | |
| 42 | 4711800 | 14 | Washer 1/2 | |
| 43 | 4712000 | 2 | Washer 5/8 | |
| 44 | 4740415 | 2 | Washer, Special | |
| 45 | 4740529 | 2 | Washer, Thrust | |
| 46 | 4751800 | 8 | Washer 1/2 | |
| 47 | 4240171 | 2 | Strap | |
| 48 | 1706197 | 2 | Decal - Sky Positioner | |

SECTION 5 - PLATFORM

| ITEM | PART NUMBER | QTY | DESCRIPTION | REV |
|------|-------------|-----|--------------|-----|
| 49 | 4569150 | 2 | Tube, Spacer | |

SECTION 5 - PLATFORM

FIGURE 5-40. WORKSTATION WITHOUT DC CONVERTER INSTALLATION



ART_0240087

SECTION 5 - PLATFORM

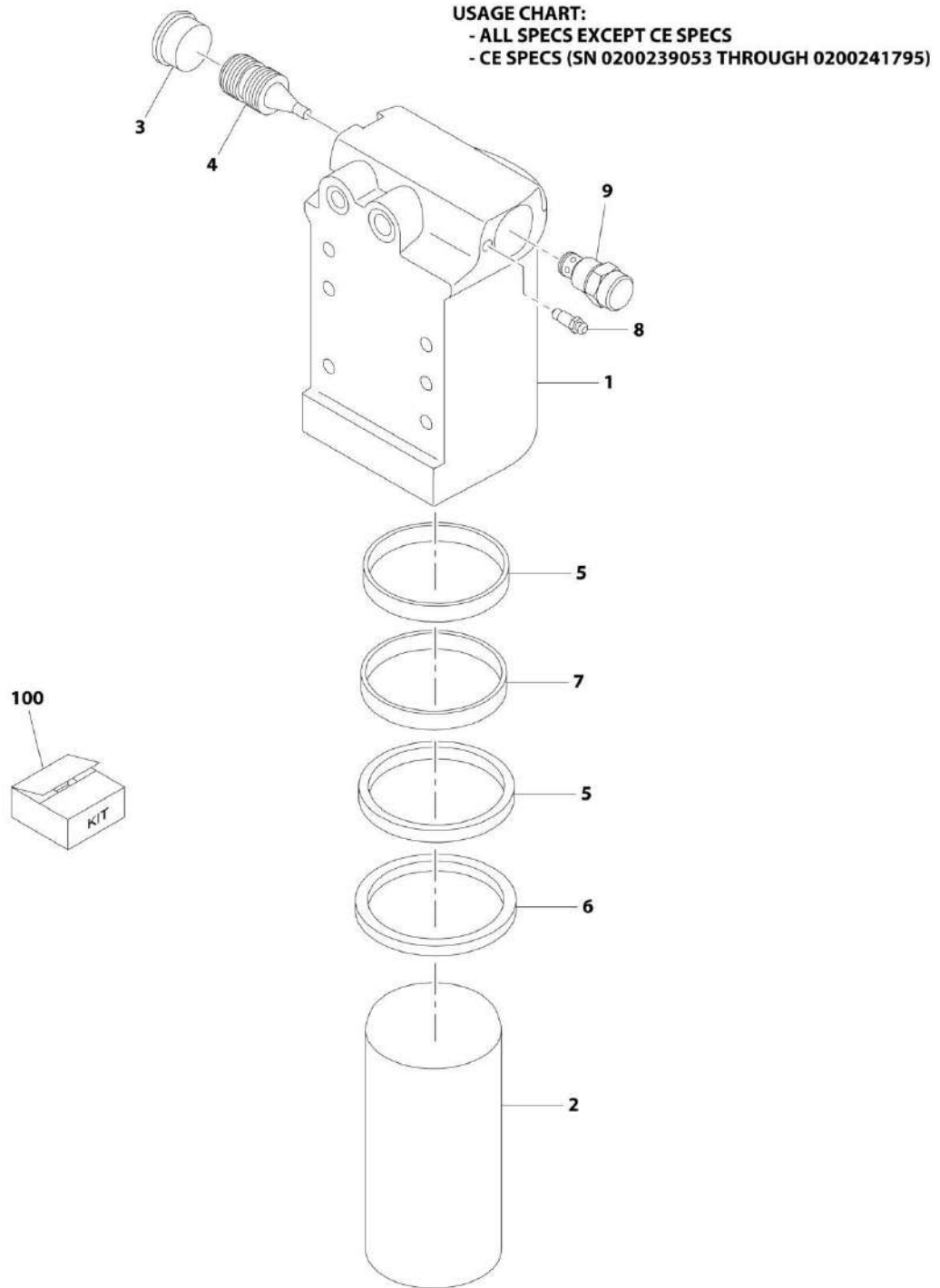
FIGURE 5-40. WORKSTATION WITHOUT DC CONVERTER INSTALLATION

| ITEM | PART NUMBER | QTY | DESCRIPTION | REV |
|------|-------------|------------|---|-----|
| | 0274260 | Ref | WORKSTATION INSTALLATION – REFERENCE CHART | B |
| | 0240087 | Ref | WORKSTATION WITHOUT DC CONVERTER INSTALLATION | C |
| 1 | 1060379 | 1 | Cable, Lanyard | |
| 2 | 1120555 | 2 | Cap, Manual Storage | |
| 3 | 1580023 | 1 | Container | |
| 4 | 1580024 | 1 | Tray | |
| 5 | 1705997 | 1 | Decal - Workstation | |
| 6 | 2700100 | 1 | Hook, Hanger | |
| 7 | 2902348 | 1 | Decal - Workstation Kit | |
| 8 | 3422219 | 1 | Pin | |
| 9 | 3460334 | 1 | PVC Pipe | |
| 10 | 3760170 | 2 | Ring | |
| 11 | 3900355 | 2 | Screw 5/16 x 1-1/2 | |
| 12 | 3931412 | 2 | Bolt 1/4 x 3/4 | |
| 13 | 3931508 | 6 | Bolt 5/16 x 1/2 | |
| 14 | 4240003 | 2 | Strap | |
| 15 | 4340853 | 1 | Mount, RH Channel | |
| 16 | 4340854 | 1 | Mount, LH Channel | |
| 17 | 4420062 | 3 ft /0.9m | Tape | |
| 18 | 4711400 | 2 | Washer 1/4 | |
| 19 | 4740480 | 2 | Insert, Plastic | |

SECTION 6 - CYLINDER

SECTION 6 - CYLINDER

FIGURE 6-1. AXLE LOCKOUT CYLINDER ASSEMBLY



ART_1684465

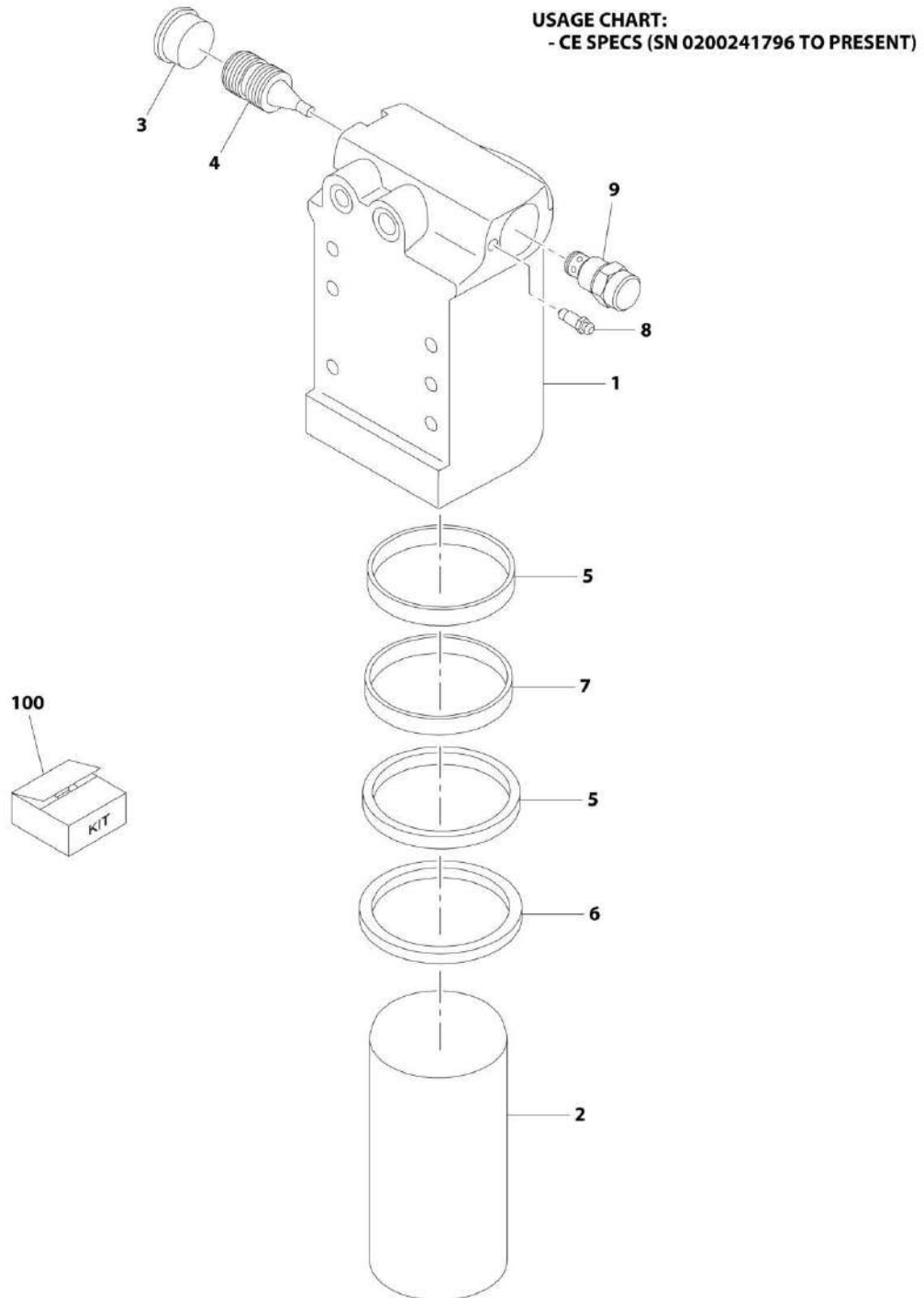
SECTION 6 - CYLINDER

FIGURE 6-1. AXLE LOCKOUT CYLINDER ASSEMBLY

| ITEM | PART NUMBER | QTY | DESCRIPTION | REV |
|------|-------------|-----|--|-----|
| | | Ref | USAGE CHART: | |
| | | Ref | - All Specs except CE Specs | |
| | | Ref | - CE Specs (SN 0200239053 through 0200241795) | |
| | 1684465 | Ref | AXLE LOCKOUT CYLINDER ASSEMBLY | J |
| 1 | 0370026 | 1 | Barrel | |
| 2 | 1684290 | 1 | Rod | |
| 3 | 2220890 | 1 | Plug | |
| 4 | 3480288 | 1 | Piston, Pilot | |
| 5 | See Note | NSS | Ring, Wear (Note: Use Item 100) | |
| 6 | See Note | NSS | Wiper (Note: Use Item 100) | |
| 7 | See Note | NSS | Seal, Rod (Note: Use Item 100) | |
| 8 | 4640858 | 1 | Bleeder | |
| 9 | 4641390 | 1 | Cartridge, Valve | |
| 9 | 7017496 | 1 | Seal Kit - 4641390 Cartridge | |
| 100 | 2902266 | 1 | Seal Kit (Includes Items 5-7) | |

SECTION 6 - CYLINDER

FIGURE 6-2. AXLE LOCKOUT CYLINDER ASSEMBLY



ART_1001163580

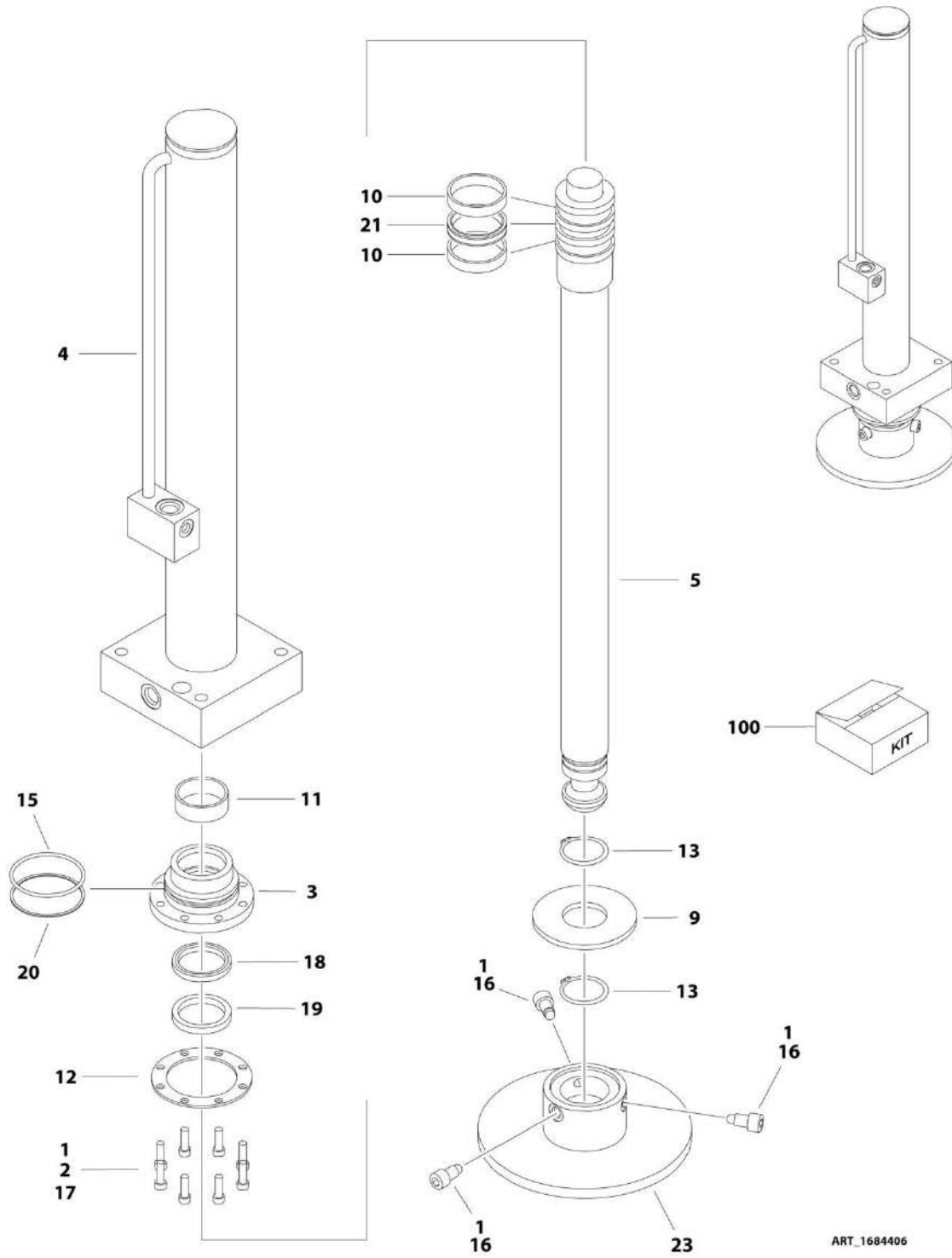
SECTION 6 - CYLINDER

FIGURE 6-2. AXLE LOCKOUT CYLINDER ASSEMBLY

| ITEM | PART NUMBER | QTY | DESCRIPTION | REV |
|------|-------------|-----|--|-----|
| | | Ref | USAGE CHART: | |
| | | Ref | - CE Specs (SN 0200241796 to Present) | |
| | 1001163580 | Ref | AXLE LOCKOUT CYLINDER ASSEMBLY | G |
| 1 | 0370026 | 1 | Barrel | |
| 2 | 1684290 | 1 | Rod | |
| 3 | 2220890 | 1 | Plug | |
| 4 | 3480288 | 1 | Piston, Pilot | |
| 5 | See Note | NSS | Ring, Wear (Note: Use Item 100) | |
| 6 | See Note | NSS | Wiper (Note: Use Item 100) | |
| 7 | See Note | NSS | Seal, Rod (Note: Use Item 100) | |
| 8 | 4640858 | 1 | Bleeder | |
| 9 | 4641390 | 1 | Cartridge, Valve | |
| 9 | 7017496 | 1 | Seal Kit - 4641390 Cartridge | |
| 100 | 2902266 | 1 | Seal Kit (Includes Items 5-7) | |

SECTION 6 - CYLINDER

FIGURE 6-3. LEVELING JACK CYLINDER ASSEMBLY



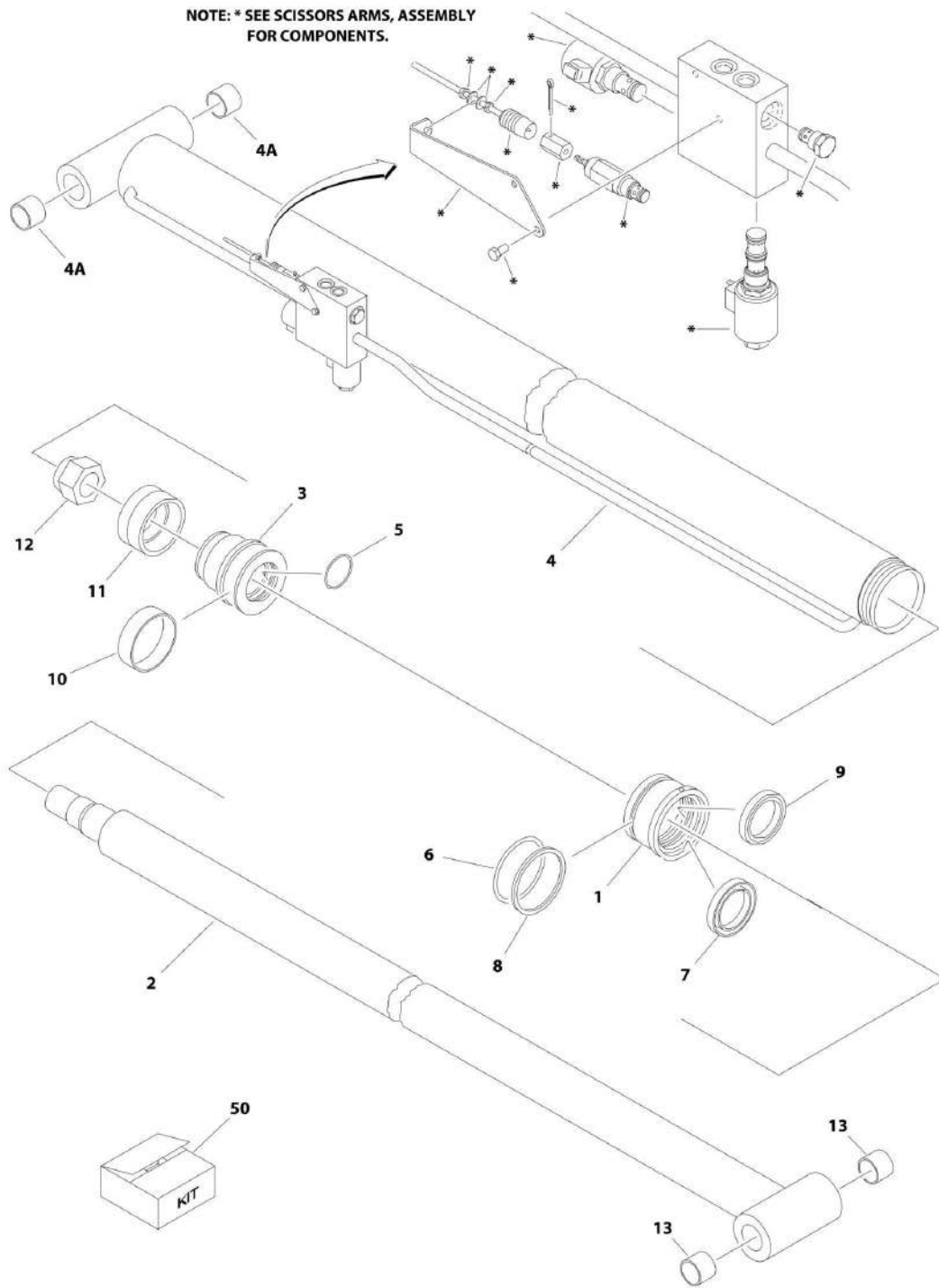
SECTION 6 - CYLINDER

FIGURE 6-3. LEVELING JACK CYLINDER ASSEMBLY

| ITEM | PART NUMBER | QTY | DESCRIPTION | REV |
|------|-------------|-----|---|-----|
| | 1684406 | Ref | LEVELING JACK CYLINDER ASSEMBLY | C |
| 1 | 0100011 | AR | Compound, Locking | |
| 2 | 0100038 | AR | Primer, Locking | |
| 3 | 1683054 | 1 | Head | |
| 4 | 0370018 | 1 | Barrel | |
| 5 | 3850013 | 1 | Rod | |
| 9 | 3573513 | 1 | Plate, Jack | |
| 10 | See Note | NSS | Ring, Lock (Note: Use Item 100) | |
| 11 | See Note | NSS | Ring, Wear (Note: Use Item 100) | |
| 12 | 3760368 | 1 | Ring, Washer | |
| 13 | 3760460 | 2 | Ring, Retaining | |
| 15 | See Note | NSS | O-Ring (Note: Use Item 100) | |
| 16 | 3900321 | 3 | Screw 1/2 x 1-1/4 | |
| 17 | 3931516 | 8 | Capscrew 5/16 x 1 | |
| 18 | See Note | NSS | Seal (Note: Use Item 100) | |
| 19 | See Note | NSS | Wiper (Note: Use Item 100) | |
| 20 | See Note | NSS | Ring, Back-up (Note: Use Item 100) | |
| 21 | See Note | NSS | T-Seal (Note: Use Item 100) | |
| 23 | 4846584 | 1 | Pad, Jack | |
| 100 | 2902182 | 1 | Seal Kit - 1684406 Cylinder (Includes Items 10, 11, 15 & 18-21) | |

SECTION 6 - CYLINDER

FIGURE 6-4. LIFT CYLINDER ASSEMBLY



ART_1684332

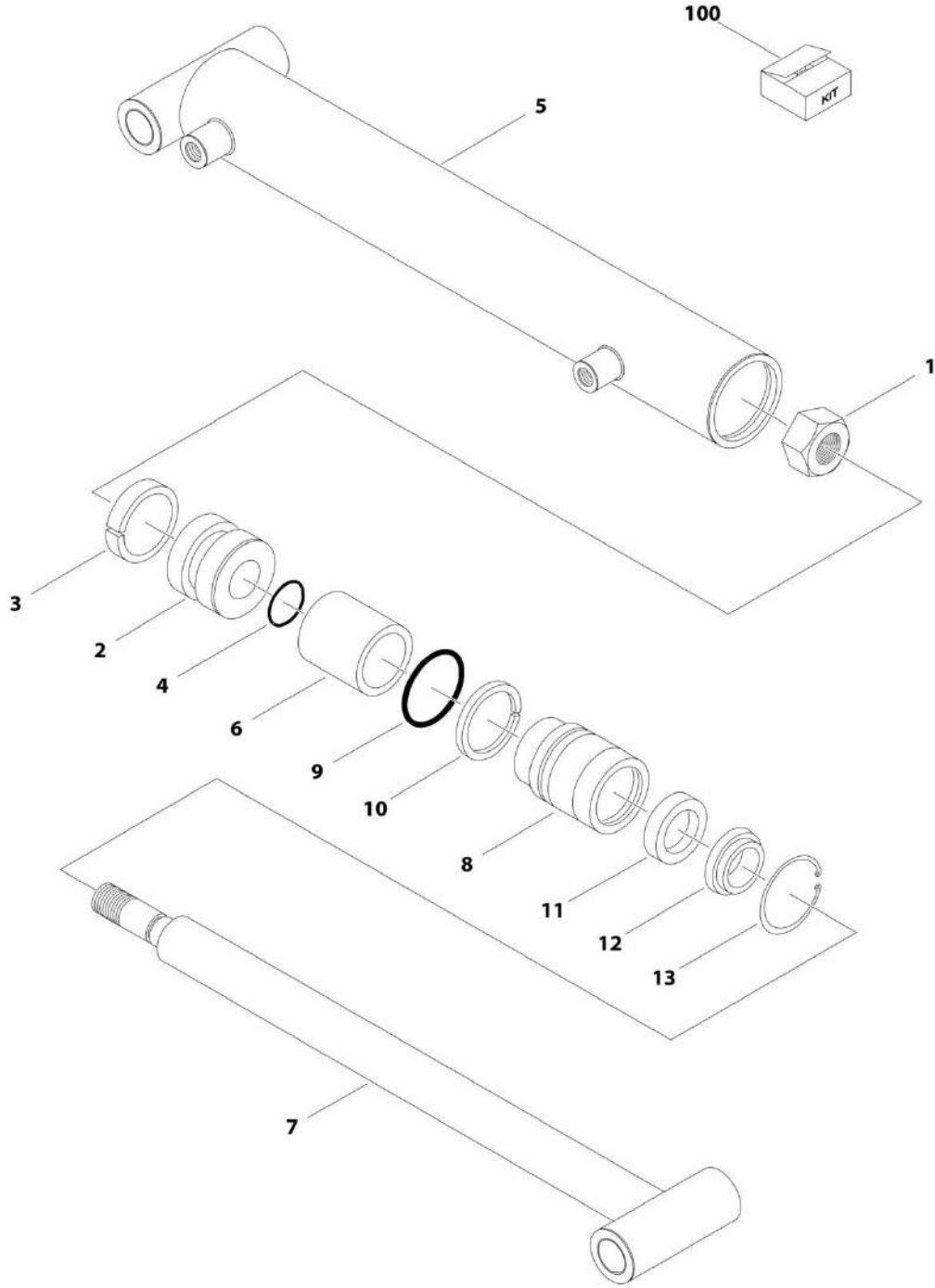
SECTION 6 - CYLINDER

FIGURE 6-4. LIFT CYLINDER ASSEMBLY

| ITEM | PART NUMBER | QTY | DESCRIPTION | REV |
|------|-------------|-----|---|-----|
| | 1684332 | Ref | LIFT CYLINDER ASSEMBLY | D |
| 1 | 7026585 | 1 | Head | |
| 2 | 7026584 | 1 | Rod | |
| 3 | 7026583 | 1 | Piston | |
| 4 | 7026582 | 1 | Barrel | |
| 4A | 70002202 | 2 | Bushing | |
| 5 | See Note | NSS | Ring, Back-up (Note: Use Item 50) | |
| 6 | See Note | NSS | Seal (Note: Use Item 50) | |
| 7 | See Note | NSS | Seal (Note: Use Item 50) | |
| 8 | See Note | NSS | Ring, Back-up (Note: Use Item 50) | |
| 9 | See Note | NSS | Wiper (Note: Use Item 50) | |
| 10 | See Note | NSS | Ring, Wear (Note: Use Item 50) | |
| 11 | See Note | NSS | Seal (Note: Use Item 50) | |
| 12 | 70002203 | 1 | Nut | |
| 13 | 70002202 | 2 | Bushing | |
| 50 | 7026586 | 1 | Seal Kit - 1684332 Cylinder (Includes Items 5-11) | |

SECTION 6 - CYLINDER

FIGURE 6-5. PLATFORM EXTENSION CYLINDER ASSEMBLY



ART_1674266

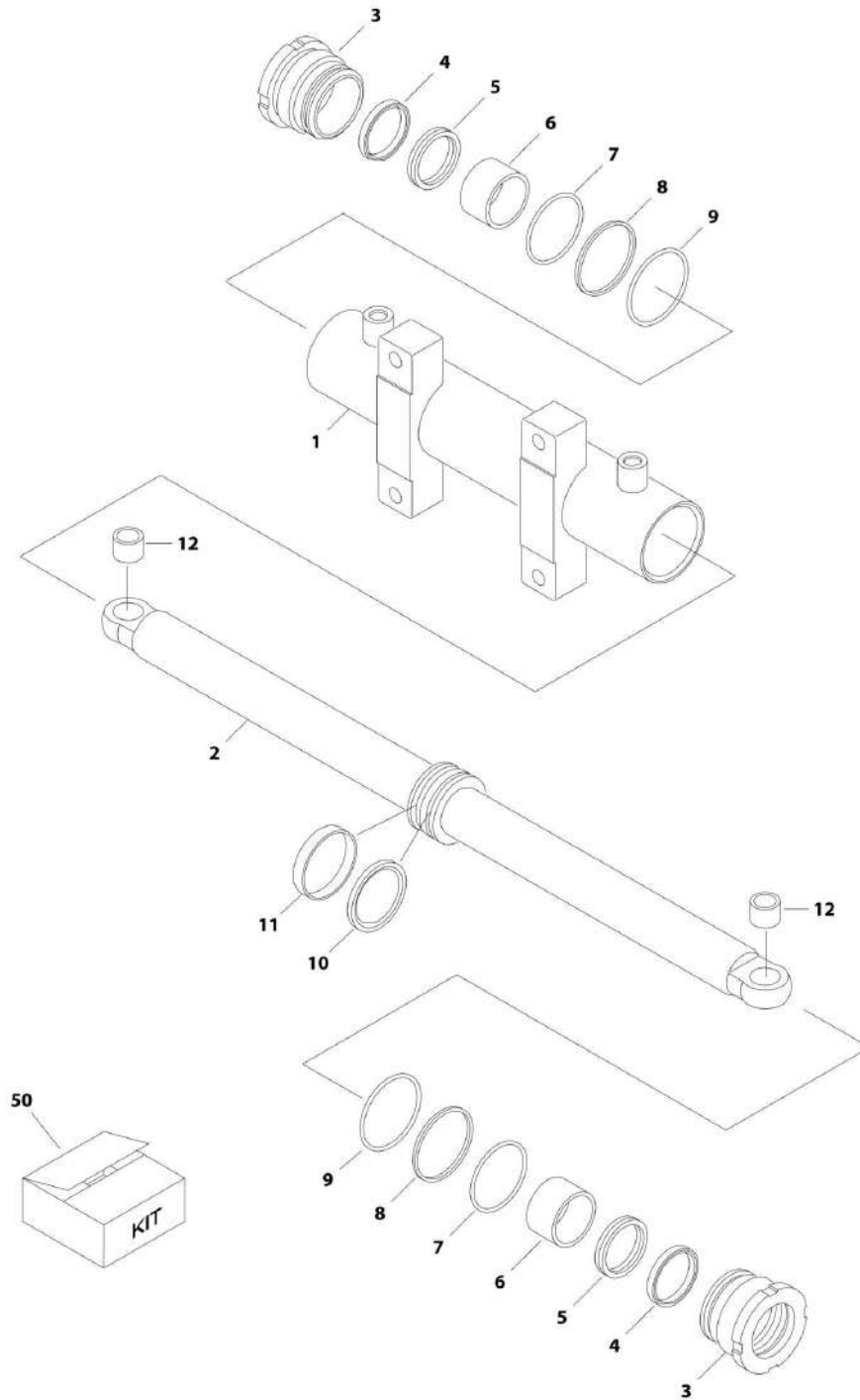
SECTION 6 - CYLINDER

FIGURE 6-5. PLATFORM EXTENSION CYLINDER ASSEMBLY

| ITEM | PART NUMBER | QTY | DESCRIPTION | REV |
|------|-------------|-----|--|-----|
| | 1684266 | Ref | PLATFORM EXTENSION CYLINDER ASSEMBLY | B |
| 1 | 7001084 | 1 | Locknut | |
| 2 | 7001610 | 1 | Piston | |
| 3 | See Note | NSS | Seal (Note: Use Item 100) | |
| 4 | See Note | NSS | O-Ring (Note: Use Item 100) | |
| 5 | 7023035 | 1 | Barrel | |
| 6 | 7023036 | 1 | Tube, Spacer | |
| 7 | 7001617 | 1 | Rod | |
| 8 | 7001613 | 1 | Head | |
| 9 | See Note | NSS | O-Ring (Note: Use Item 100) | |
| 10 | See Note | NSS | Ring, Back-up (Note: Use Item 100) | |
| 11 | See Note | NSS | Seal (Note: Use Item 100) | |
| 12 | See Note | NSS | Ring, Wiper (Note: Use Item 100) | |
| 13 | 7001614 | 1 | Ring, Retaining | |
| 100 | 7001608 | 1 | Seal Kit - 1684266 Cylinder (Includes Items 3, 4 & 9-13) | |

SECTION 6 - CYLINDER

FIGURE 6-6. STEER CYLINDER ASSEMBLY



ART_1001143434

SECTION 6 - CYLINDER

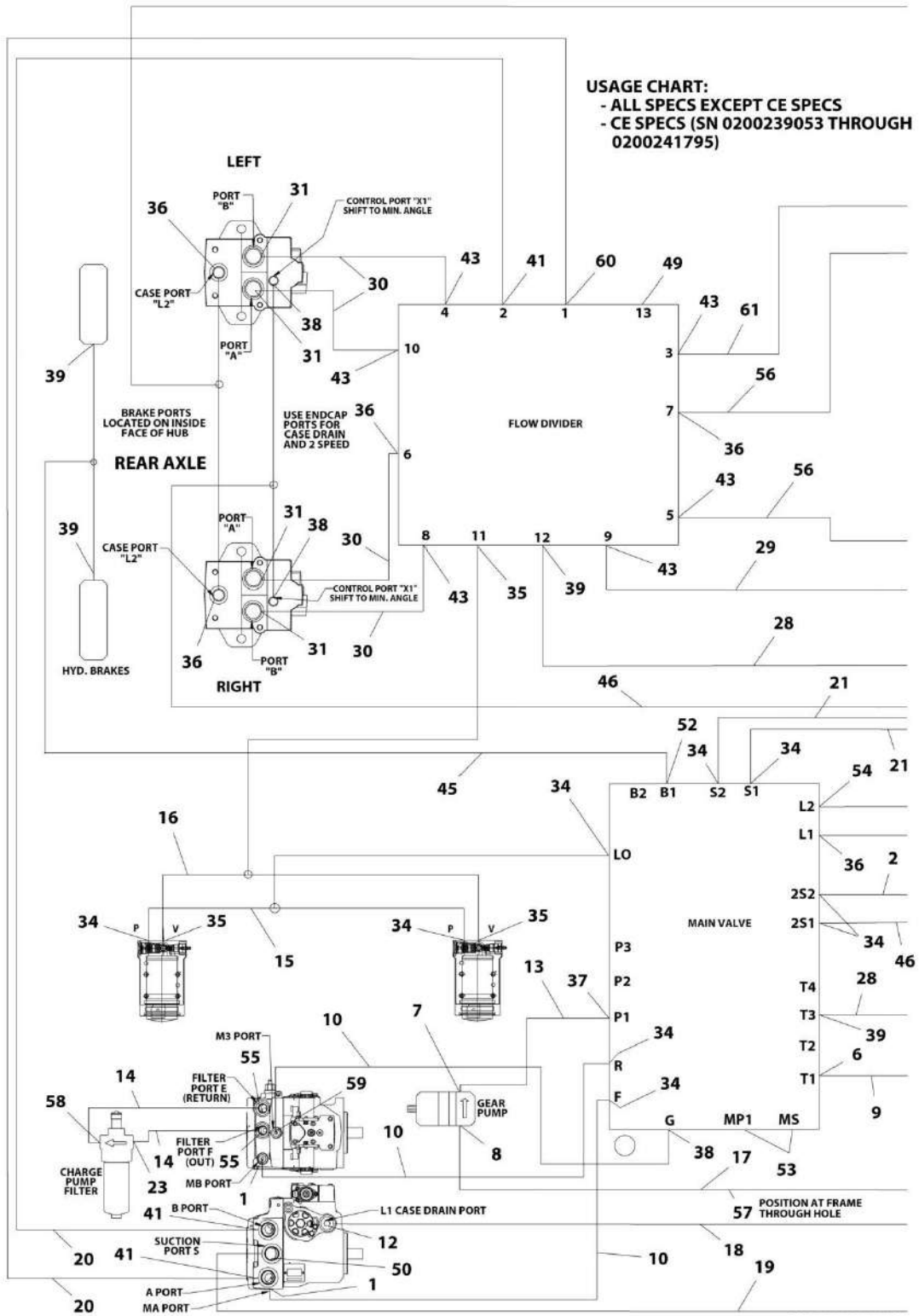
FIGURE 6-6. STEER CYLINDER ASSEMBLY

| ITEM | PART NUMBER | QTY | DESCRIPTION | REV |
|------|-------------|-----|--|-----|
| | 1001143434 | Ref | STEER CYLINDER ASSEMBLY | E |
| 1 | 70003933 | 1 | Barrel | |
| 2 | 70003934 | 1 | Rod | |
| 3 | 70003098 | 2 | Head | |
| 4 | See Note | NSS | Wiper (Note: Use Item 50) | |
| 5 | See Note | NSS | Seal, Rod (Note: Use Item 50) | |
| 6 | See Note | NSS | Bearing (Note: Use Item 50) | |
| 7 | See Note | NSS | O-Ring (Note: Use Item 50) | |
| 8 | See Note | NSS | Ring, Back-up (Note: Use Item 50) | |
| 9 | See Note | NSS | O-Ring (Note: Use Item 50) | |
| 10 | See Note | NSS | Seal, Piston (Note: Use Item 50) | |
| 11 | See Note | NSS | Ring, Wear (Note: Use Item 50) | |
| 12 | See Note | NSS | Bearing (Note: Use Item 50) | |
| 50 | 70003099 | 1 | Seal Kit - 1001143434 Cylinder (Includes Items 4-12) | |

SECTION 7 - HYDRAULIC

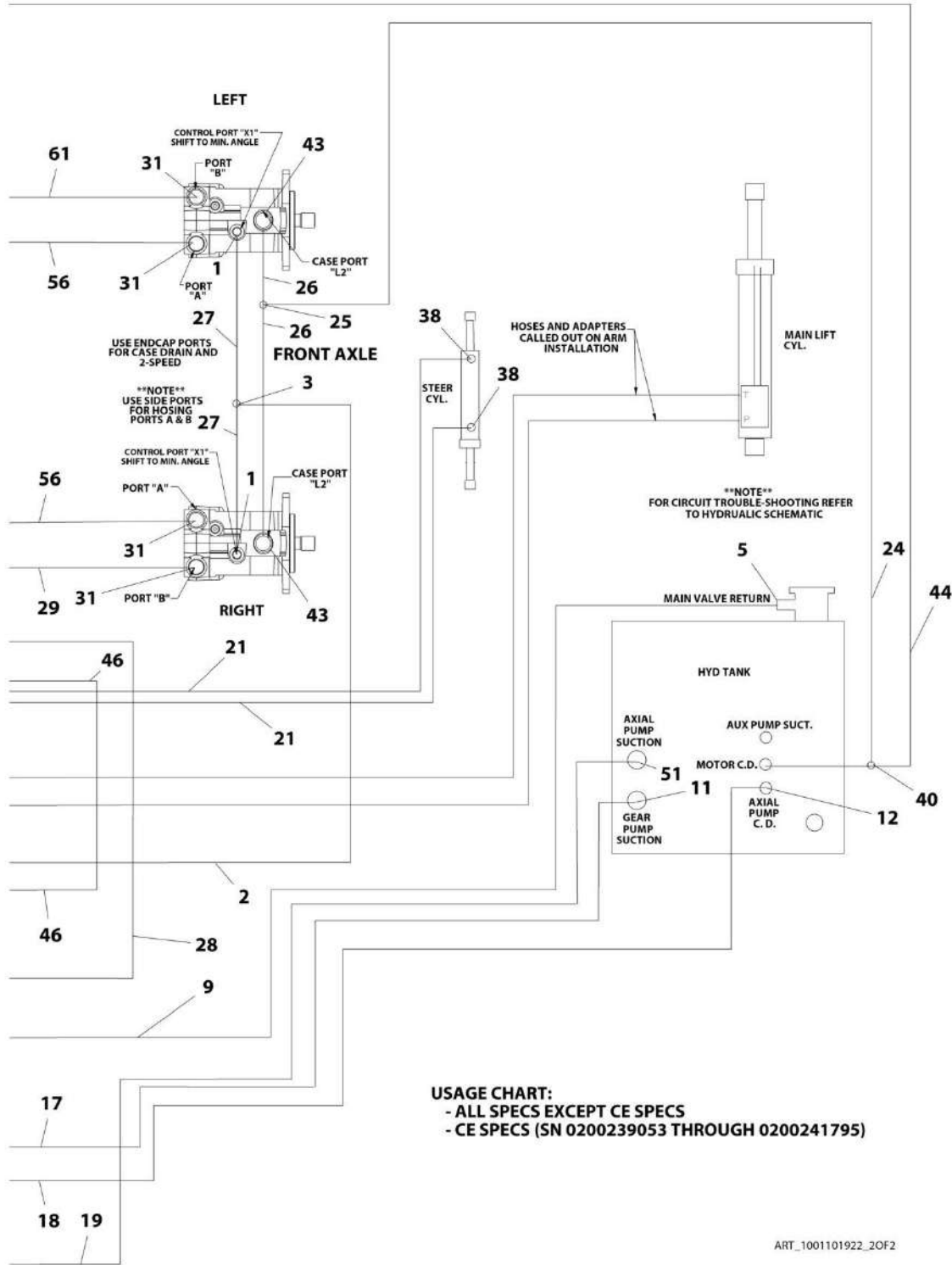
SECTION 7 - HYDRAULIC

FIGURE 7-1. HYDRAULIC DIAGRAM



ART_1001101922_10F2

SECTION 7 - HYDRAULIC



SECTION 7 - HYDRAULIC

FIGURE 7-1. HYDRAULIC DIAGRAM

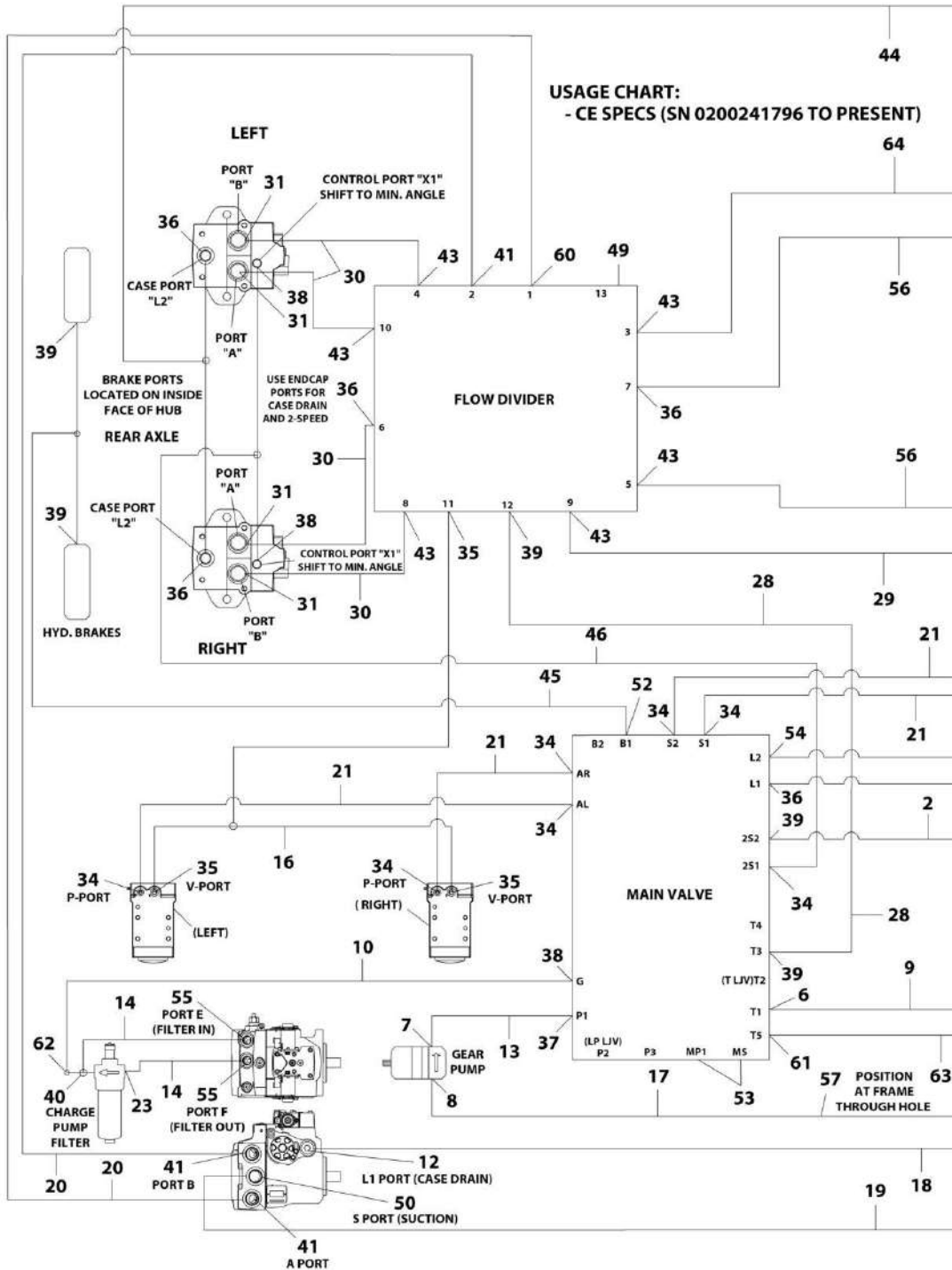
| ITEM | PART NUMBER | QTY | DESCRIPTION | REV |
|------|-------------|-----|---|-----|
| | | Ref | USAGE CHART: | |
| | | Ref | - All Specs except CE Specs | |
| | | Ref | - CE Specs (SN 0200239053 through 0200241795) | |
| | 1001101922 | Ref | HYDRAULIC DIAGRAM | J |
| 1 | 2130406 | 4 | Fitting, 90 ORFS/ORB | |
| 2 | 2753622 | 1 | Hose | |
| 3 | 2170504 | 1 | Fitting, Tee ORFS/ORFS/ORFS | |
| 5 | 2151216 | 1 | Fitting, 45 ORFS/ORB | |
| 6 | 2111210 | 1 | Fitting, Straight ORFS/ORB | |
| 7 | 1001103366 | 1 | Valve, Check | |
| 8 | 2220479 | 1 | Fitting, Straight JIC/ORB | |
| 9 | 2753704 | 1 | Hose | |
| 10 | 2753675 | 3 | Hose | |
| 11 | 8760351 | 1 | Fitting, 45 JIC/ORB | |
| 12 | 2111212 | 2 | Fitting, Straight ORFS/ORB | |
| 13 | 2753708 | 1 | Hose | |
| 14 | 2753582 | 2 | Hose | |
| 15 | 1001104578 | 1 | Hose | |
| 16 | 1001104579 | 1 | Hose | |
| 17 | 1001108128 | 1 | Hose | |
| 18 | 2753773 | 1 | Hose | |
| 19 | 1001104581 | 1 | Hose | |
| 20 | 1001107924 | 2 | Hose | |
| 21 | 2753784 | 2 | Hose | |
| 23 | 2130812 | 1 | Fitting, 90 ORFS/ORB | |
| 24 | 1001104584 | 1 | Hose (SN 0200239053 through 0200249090) | |
| 24 | 1001202897 | 1 | Hose (SN 0200249091 through 0200251741) | |
| 24 | 1001104584 | 1 | Hose (SN 0200251742 to Present) | |
| 25 | 2170508 | 1 | Fitting, Tee ORFS/ORFS/ORFS | |
| 26 | 2753659 | 2 | Hose (SN 0200239053 through 0200249090) | |
| 26 | 1001202903 | 2 | Hose (SN 0200249091 to Present) | |
| 27 | 1001104585 | 2 | Hose (SN 0200239053 through 0200249090) | |
| 27 | 1001202898 | 2 | Hose (SN 0200249091 to Present) | |
| 28 | 2753940 | 1 | Hose | |
| 29 | 1001149199 | 1 | Hose | |
| 30 | 2753791 | 4 | Hose | |
| 31 | 2110812 | 8 | Fitting, Straight ORFS/ORB | |
| 34 | 2110404 | 9 | Fitting, Straight ORFS/ORB | |
| 35 | 2110606 | 3 | Fitting, Straight ORFS/ORB | |
| 36 | 2110808 | 5 | Fitting, Straight ORFS/ORB | |
| 37 | 2111010 | 1 | Fitting, Straight ORFS/ORB | |
| 38 | 2110406 | 5 | Fitting, Straight ORFS/ORB | |
| 39 | 2130404 | 4 | Fitting, 90 ORFS/ORB | |
| 40 | 2221084 | 1 | Fitting, Tee ORFS/ORB/ORFS | |
| 41 | 2111216 | 3 | Fitting, Straight ORFS/ORB | |
| 43 | 2130808 | 8 | Fitting, 90 ORFS/ORB | |
| 44 | 1001104588 | 1 | Hose | |
| 45 | 1001104589 | 1 | Hose | |
| 46 | 1001104590 | 1 | Hose | |
| 49 | 2220238 | 1 | Plug | |

SECTION 7 - HYDRAULIC

| ITEM | PART NUMBER | QTY | DESCRIPTION | REV |
|------|-------------|-----|--|-----|
| 50 | 2112016 | 1 | Fitting, Straight ORFS/ORB | |
| 51 | 2152020 | 1 | Fitting, 45 ORFS/ORB | |
| 52 | 4641281 | 1 | Valve, Orifice Check | |
| 53 | 2221086 | 2 | Fitting, Gage Adapter | |
| 54 | 2151010 | 1 | Fitting, 45 ORFS/ORB | |
| 55 | 2110810 | 2 | Fitting, Straight ORFS/ORB | |
| 56 | 1001149107 | 2 | Hose | |
| 57 | 4061032 | 1 | Guard, Hose | |
| 58 | 2110812 | 1 | Fitting, Straight ORFS/ORB | |
| 59 | 2150406 | 1 | Fitting, 45 ORFS/ORB | |
| 60 | 2131216 | 1 | Fitting, 90 ORFS/ORB | |
| 61 | 1001149199 | 1 | Hose (SN 0200239053 through 0200249090) | |
| 61 | 1001202907 | 1 | Hose (SN 0200249091 to Present) | |

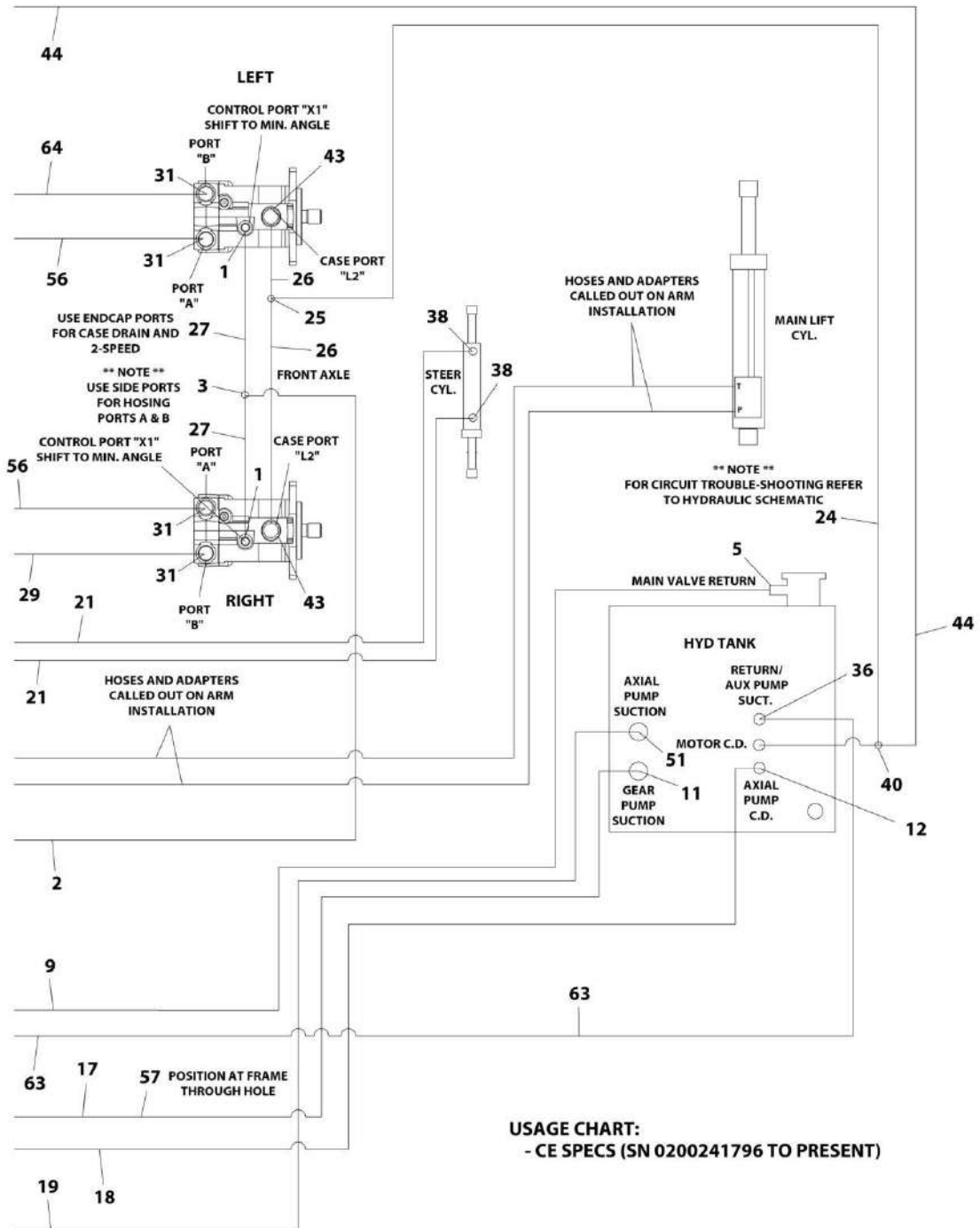
SECTION 7 - HYDRAULIC

FIGURE 7-2. HYDRAULIC DIAGRAM



ART_1001188563_10F2

SECTION 7 - HYDRAULIC



ART_1001188563_2OF2

SECTION 7 - HYDRAULIC

FIGURE 7-2. HYDRAULIC DIAGRAM

| ITEM | PART NUMBER | QTY | DESCRIPTION | REV |
|------|-------------|-----|---|-----|
| | | Ref | USAGE CHART: | |
| | | Ref | - CE Specs (SN 0200241796 to Present) | |
| | 1001188563 | Ref | HYDRAULIC DIAGRAM | D |
| 1 | 2130406 | 4 | Fitting, 90 ORFS/ORB | |
| 2 | 2753622 | 1 | Hose | |
| 3 | 2170504 | 1 | Fitting, Tee ORFS/ORFS/ORFS | |
| 5 | 2151216 | 1 | Fitting, 45 ORFS/ORB | |
| 6 | 2111210 | 1 | Fitting, Straight ORFS/ORB | |
| 7 | 1001103366 | 1 | Valve, Check | |
| 8 | 2220479 | 1 | Fitting, Straight JIC/ORB | |
| 9 | 2753704 | 1 | Hose | |
| 10 | 2754263 | 1 | Hose | |
| 11 | 8760351 | 1 | Fitting, 45 JIC/ORB | |
| 12 | 2111212 | 2 | Fitting, Straight ORFS/ORB | |
| 13 | 2753708 | 1 | Hose | |
| 14 | 2753582 | 2 | Hose | |
| 16 | 1001104579 | 1 | Hose | |
| 17 | 1001108128 | 1 | Hose | |
| 18 | 2753773 | 1 | Hose | |
| 19 | 1001104581 | 1 | Hose | |
| 20 | 1001107924 | 2 | Hose | |
| 21 | 2753784 | 4 | Hose | |
| 23 | 2130812 | 1 | Fitting, 90 ORFS/ORB | |
| 24 | 1001104584 | 1 | Hose (SN 0200241796 through 0200249090) | |
| 24 | 1001202897 | 1 | Hose (SN 0200249091 through 0200251741) | |
| 24 | 1001104584 | 1 | Hose (SN 0200251742 to Present) | |
| 25 | 2170508 | 1 | Fitting, Tee ORFS/ORFS/ORFS | |
| 26 | 2753659 | 2 | Hose (SN 0200241796 through 0200249090) | |
| 26 | 1001202903 | 2 | Hose (SN 0200249091 to Present) | |
| 27 | 1001104585 | 2 | Hose (SN 0200241796 through 0200249090) | |
| 27 | 1001202898 | 2 | Hose (SN 0200249091 to Present) | |
| 28 | 2753940 | 1 | Hose | |
| 29 | 1001149199 | 1 | Hose | |
| 30 | 2753791 | 4 | Hose | |
| 31 | 2110812 | 8 | Fitting, Straight ORFS/ORB | |
| 34 | 2110404 | 7 | Fitting, Straight ORFS/ORB | |
| 35 | 2110606 | 3 | Fitting, Straight ORFS/ORB | |
| 36 | 2110808 | 6 | Fitting, Straight ORFS/ORB | |
| 37 | 2111010 | 1 | Fitting, Straight ORFS/ORB | |
| 38 | 2110406 | 5 | Fitting, Straight ORFS/ORB | |
| 39 | 2130404 | 5 | Fitting, 90 ORFS/ORB | |
| 40 | 2221084 | 2 | Fitting, Tee ORFS/ORB/ORFS | |
| 41 | 2111216 | 3 | Fitting, Straight ORFS/ORB | |
| 43 | 2130808 | 8 | Fitting, 90 ORFS/ORB | |
| 44 | 1001104588 | 1 | Hose | |
| 45 | 1001104589 | 1 | Hose | |
| 46 | 1001104590 | 1 | Hose | |
| 49 | 2220238 | 1 | Plug | |
| 50 | 2112016 | 1 | Fitting, Straight ORFS/ORB | |
| 51 | 2152020 | 1 | Fitting, 45 ORFS/ORB | |

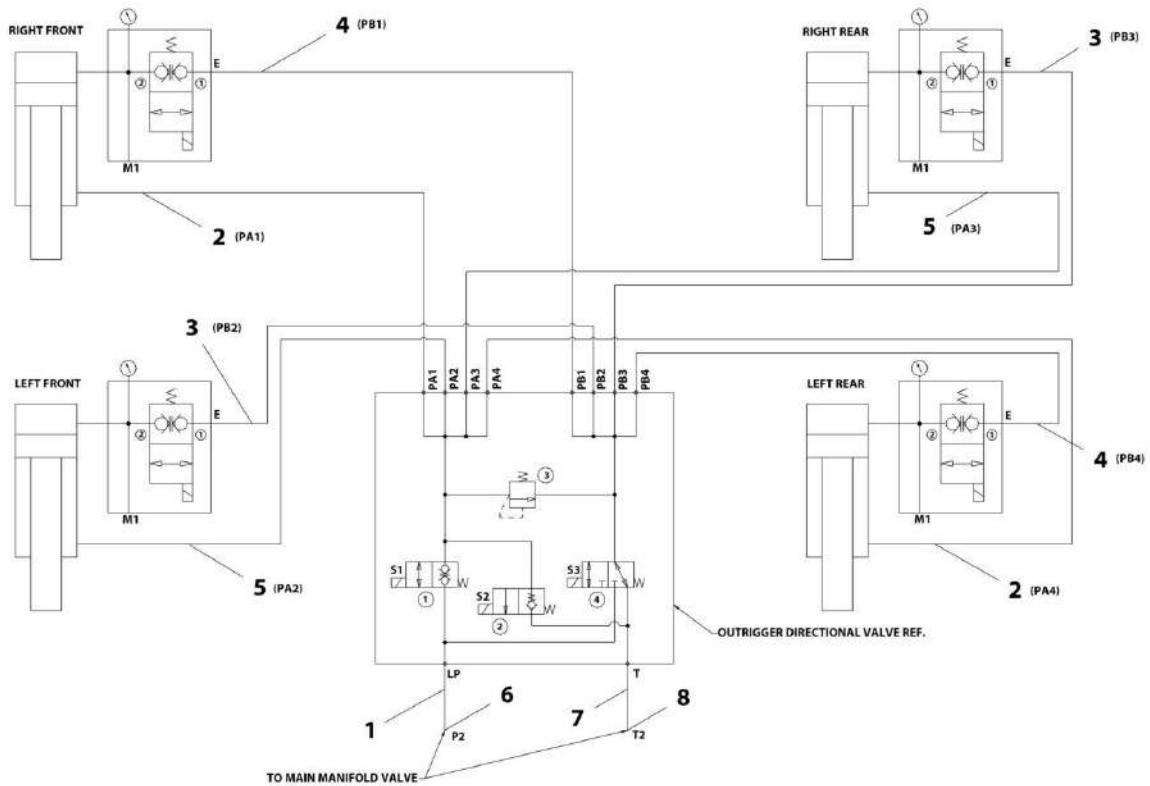
SECTION 7 - HYDRAULIC

| ITEM | PART NUMBER | QTY | DESCRIPTION | REV |
|------|-------------|-----|---|-----|
| 52 | 4641281 | 1 | Valve, Orifice Check | |
| 53 | 2221086 | 2 | Fitting, Gage Adapter | |
| 54 | 2151010 | 1 | Fitting, 45 ORFS/ORB | |
| 55 | 2110810 | 2 | Fitting, Straight ORFS/ORB | |
| 56 | 1001149107 | 2 | Hose | |
| 57 | 4061032 | 1 | Guard, Hose | |
| 60 | 2131216 | 1 | Fitting, 90 ORFS/ORB | |
| 61 | 2110806 | 1 | Fitting, 90 ORFS/ORB | |
| 62 | 2221183 | 1 | Fitting, Reducer ORFS/ORFS | |
| 63 | 2753582 | 1 | Hose | |
| 64 | 1001149199 | 1 | Hose (SN 0200241796 through 0200249090) | |
| 64 | 1001202907 | 1 | Hose (SN 0200249091 to Present) | |

SECTION 7 - HYDRAULIC

FIGURE 7-3. LEVELING JACK HYDRAULIC DIAGRAM - OPTIONAL ON 3394RT - STANDARD ON 4394RT

USAGE CHART:
 - ALL SPECS EXCEPT CE SPECS
 - CE SPECS (SN 0200239053 THROUGH 0200241795)



ART_1001103552

SECTION 7 - HYDRAULIC

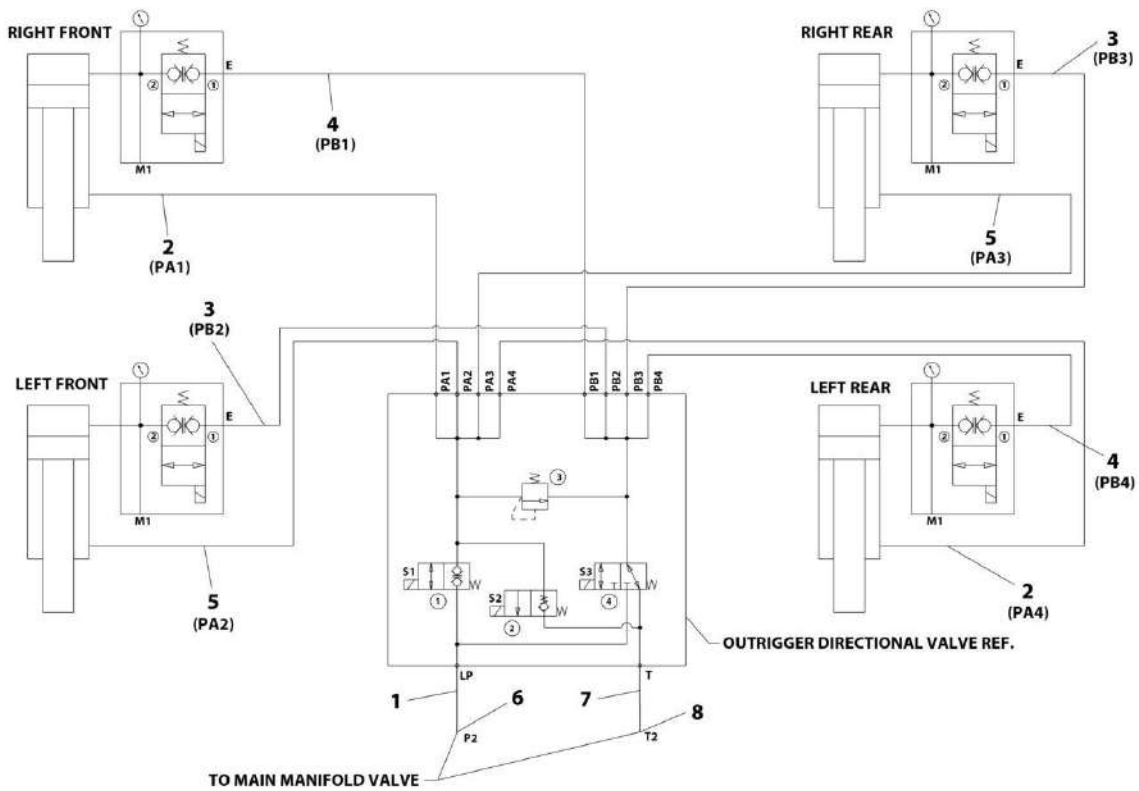
FIGURE 7-3. LEVELING JACK HYDRAULIC DIAGRAM - OPTIONAL ON 3394RT - STANDARD ON 4394RT

| ITEM | PART NUMBER | QTY | DESCRIPTION | REV |
|------|-------------|-----|--|-----|
| | | Ref | USAGE CHART: | |
| | | Ref | - All Specs except CE Specs | |
| | | Ref | - CE Specs (SN 0200239053 through 0200241795) | |
| | 1001103552 | Ref | LEVELING JACK HYDRAULIC DIAGRAM - OPTIONAL ON 3394RT - STANDARD ON 4394RT | B |
| 1 | 2753624 | 1 | Hose | |
| 2 | 2753832 | 2 | Hose | |
| 3 | 2753833 | 2 | Hose | |
| 4 | 2753834 | 2 | Hose | |
| 5 | 2753835 | 2 | Hose | |
| 6 | 2110606 | 1 | Fitting, Straight ORFS/ORB | |
| 7 | 2753576 | 1 | Hose | |
| 8 | 2130606 | 1 | Fitting, 90 ORFS/ORB | |

SECTION 7 - HYDRAULIC

FIGURE 7-4. LEVELING JACK HYDRAULIC DIAGRAM - OPTIONAL ON 3394RT - STANDARD ON 4394RT

USAGE CHART:
- CE SPECS (SN 0200241796 TO PRESENT)



ART_1001188848

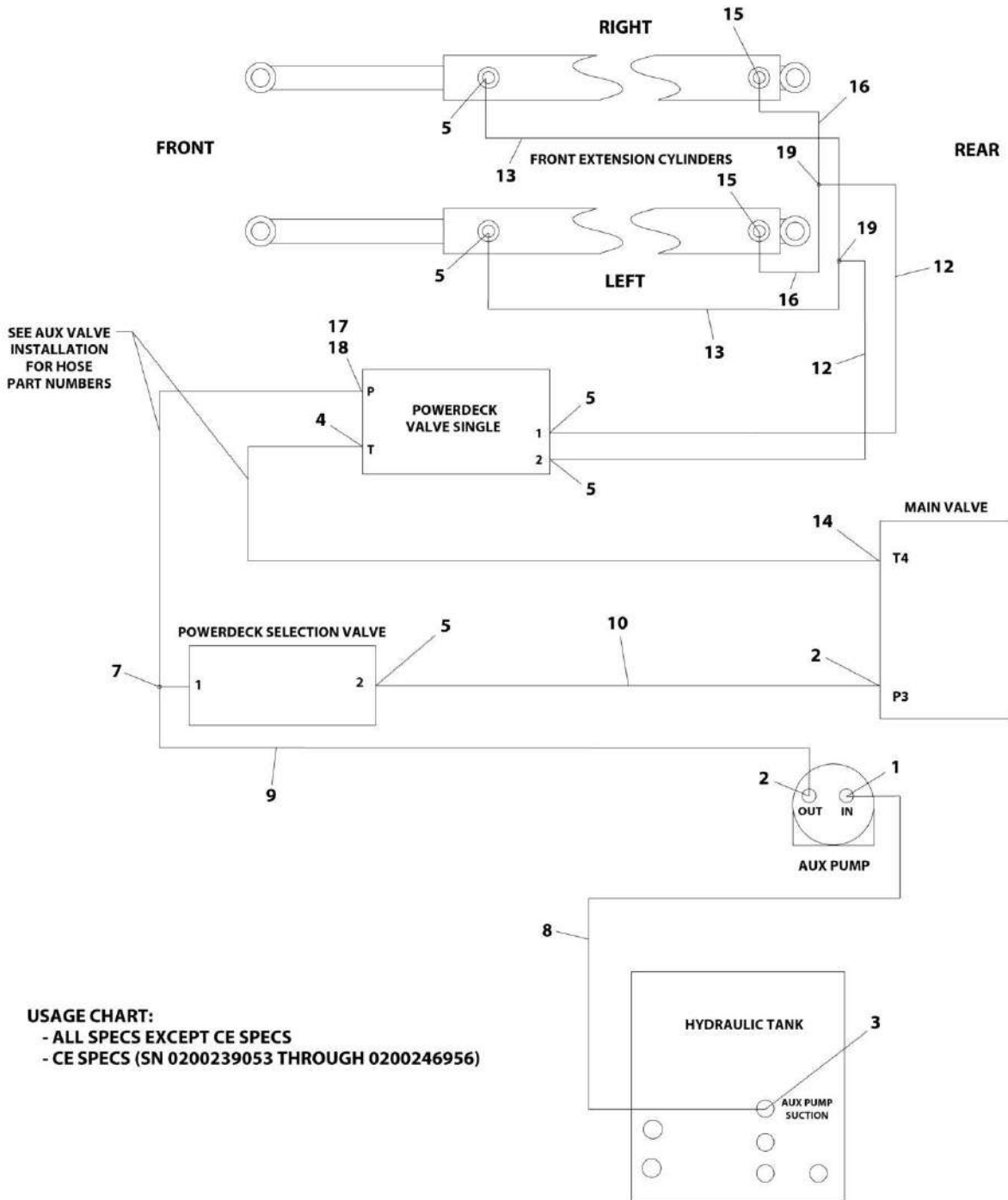
SECTION 7 - HYDRAULIC

FIGURE 7-4. LEVELING JACK HYDRAULIC DIAGRAM - OPTIONAL ON 3394RT - STANDARD ON 4394RT

| ITEM | PART NUMBER | QTY | DESCRIPTION | REV |
|------|-------------|-----|--|-----|
| | | Ref | USAGE CHART: | |
| | | Ref | - CE Specs (SN 0200241796 to Present) | |
| | 1001188848 | Ref | LEVELING JACK HYDRAULIC DIAGRAM - OPTIONAL ON 3394RT - STANDARD ON 4394RT | A |
| 1 | 2716960 | 1 | Hose | |
| 2 | 2753832 | 2 | Hose | |
| 3 | 2753833 | 2 | Hose | |
| 4 | 2753834 | 2 | Hose | |
| 5 | 2753835 | 2 | Hose | |
| 6 | 2110606 | 1 | Fitting, Straight ORFS/ORB | |
| 7 | 2753576 | 1 | Hose | |
| 8 | 2130606 | 1 | Fitting, 90 ORFS/ORB | |

SECTION 7 - HYDRAULIC

FIGURE 7-5. POWER SINGLE DECK EXTENSION HYDRAULIC DIAGRAM



ART_1001103708

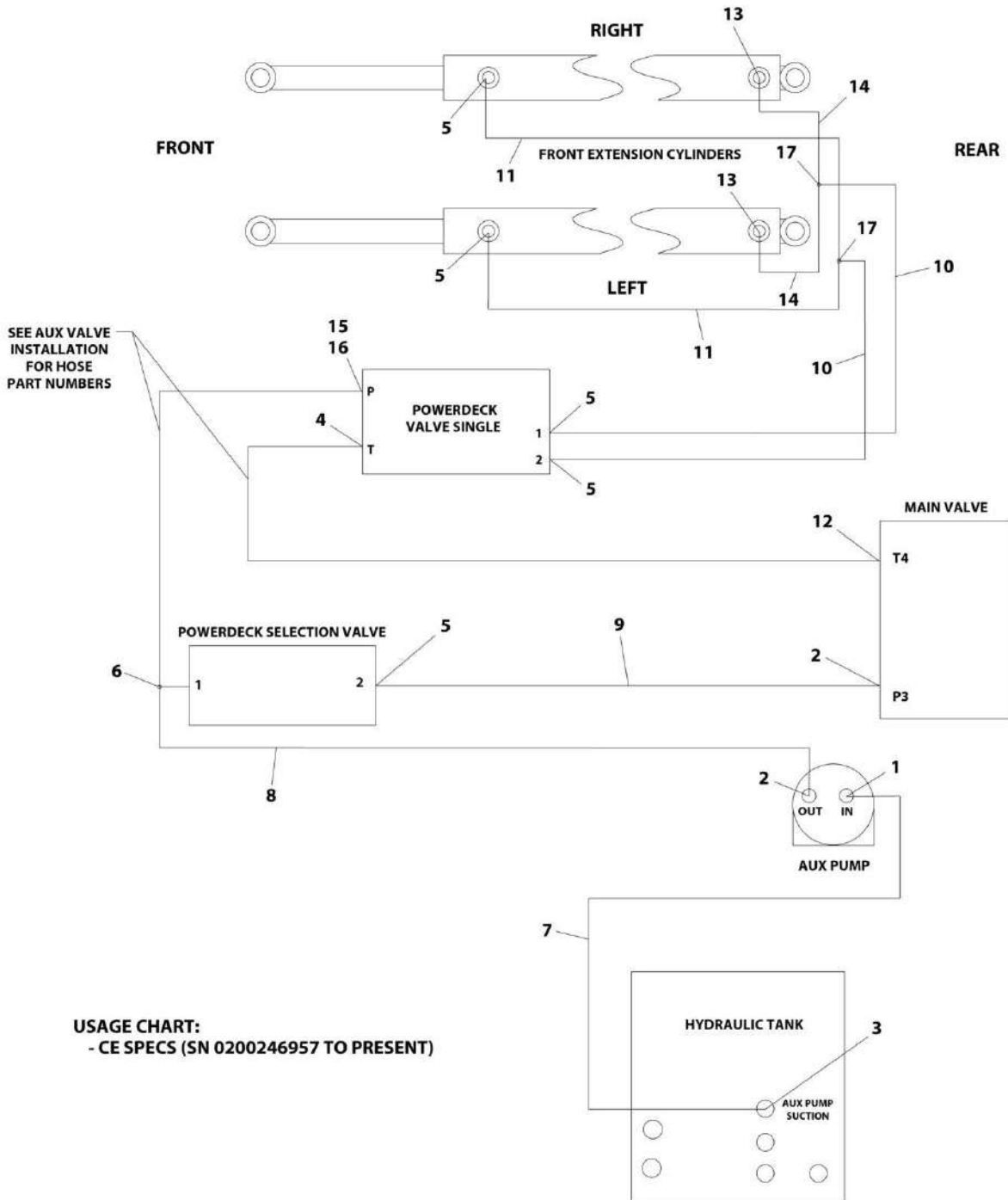
SECTION 7 - HYDRAULIC

FIGURE 7-5. POWER SINGLE DECK EXTENSION HYDRAULIC DIAGRAM

| ITEM | PART NUMBER | QTY | DESCRIPTION | REV |
|------|-------------|-----|--|-----|
| | | Ref | USAGE CHART: | |
| | | Ref | - All Specs except CE Specs | |
| | | Ref | - CE Specs (SN 0200239053 through 0200246956) | |
| | 1001103708 | Ref | POWER SINGLE DECK EXTENSION HYDRAULIC DIAGRAM | B |
| 1 | 2110806 | 1 | Fitting, Straight ORFS/ORB | |
| 2 | 2110406 | 2 | Fitting, Straight ORFS/ORB | |
| 3 | 2110808 | 1 | Fitting, Straight ORFS/ORB | |
| 4 | 2130604 | 1 | Fitting, 90 ORFS/ORB | |
| 5 | 2110404 | 5 | Fitting, Straight ORFS/ORB | |
| 7 | 2170304 | 1 | Fitting, Tee ORFS/ORB/ORFS | |
| 8 | 2753881 | 1 | Hose | |
| 9 | 1001105169 | 1 | Hose | |
| 10 | 2753939 | 1 | Hose | |
| 12 | 2753550 | 2 | Hose | |
| 13 | 2753717 | 2 | Hose | |
| 14 | 2110606 | 1 | Fitting, Straight ORFS/ORB | |
| 15 | 2170204 | 2 | Fitting, Tee ORFS/ORB | |
| 16 | 2753555 | 2 | Hose | |
| 17 | 2180830 | 1 | Orifice (.047) | |
| 18 | 2172104 | 1 | Fitting, 90 ORFS/FSORFS | |
| 19 | 2170504 | 2 | Fitting, Tee ORFS/ORFS/ORFS | |

SECTION 7 - HYDRAULIC

FIGURE 7-6. POWER SINGLE DECK EXTENSION HYDRAULIC DIAGRAM



ART_1001190537

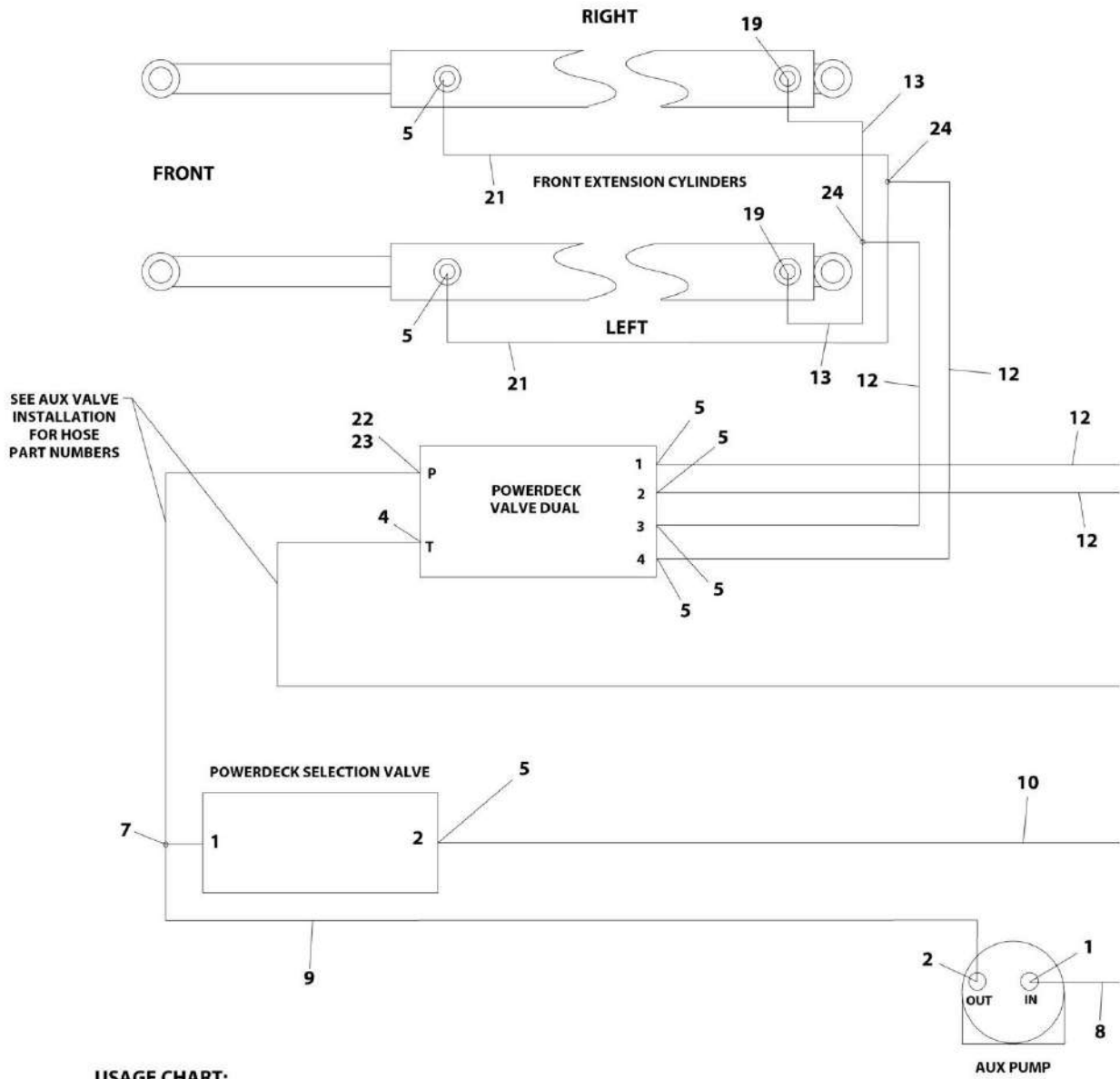
SECTION 7 - HYDRAULIC

FIGURE 7-6. POWER SINGLE DECK EXTENSION HYDRAULIC DIAGRAM

| ITEM | PART NUMBER | QTY | DESCRIPTION | REV |
|------|-------------|-----|--|-----|
| | | Ref | USAGE CHART: | |
| | | Ref | - CE Specs (SN 0200246957 to Present) | |
| | 1001190537 | Ref | POWER SINGLE DECK EXTENSION HYDRAULIC DIAGRAM | A |
| 1 | 2110806 | 1 | Fitting, Straight ORFS/ORB | |
| 2 | 2110406 | 2 | Fitting, Straight ORFS/ORB | |
| 3 | 2170308 | 1 | Fitting, Tee ORFS/ORB/ORFS | |
| 4 | 2130604 | 1 | Fitting, 90 ORFS/ORB | |
| 5 | 2110404 | 5 | Fitting, Straight ORFS/ORB | |
| 6 | 2170304 | 1 | Fitting, Tee ORFS/ORB/ORFS | |
| 7 | 2753881 | 1 | Hose | |
| 8 | 1001105169 | 1 | Hose | |
| 9 | 2753939 | 1 | Hose | |
| 10 | 2753550 | 2 | Hose | |
| 11 | 2753717 | 2 | Hose | |
| 12 | 2110606 | 1 | Fitting, Straight ORFS/ORB | |
| 13 | 2170204 | 2 | Fitting, 90 ORFS/ORB | |
| 14 | 2753555 | 2 | Hose | |
| 15 | 2180830 | 1 | Orifice (.047) | |
| 16 | 2172104 | 1 | Fitting, Straight ORFS/FSORFS | |
| 17 | 2170504 | 2 | Fitting, Tee ORFS/ORFS/ORFS | |

SECTION 7 - HYDRAULIC

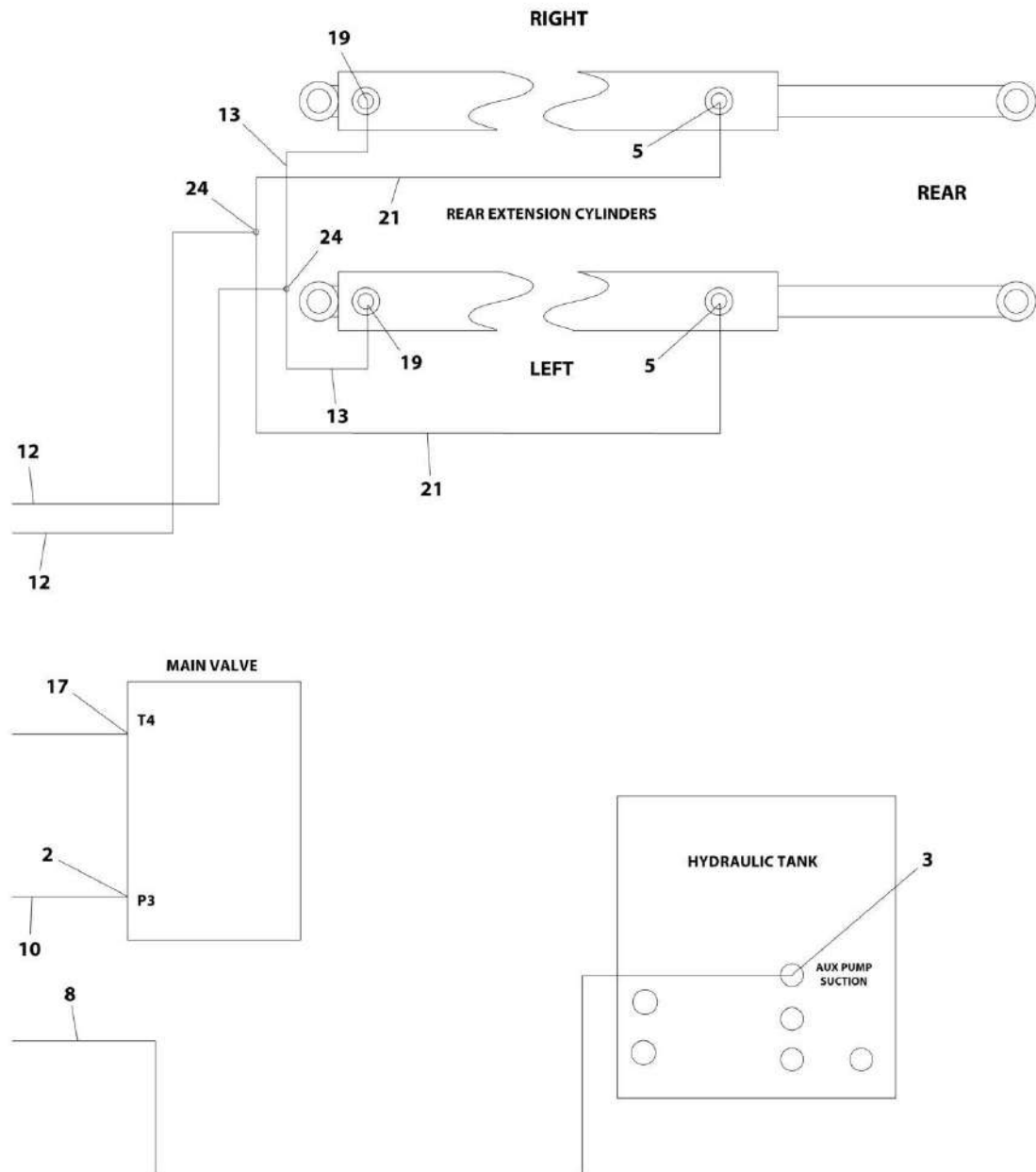
FIGURE 7-7. POWER DUAL DECK EXTENSION (12.6FT/3.8M LENGTH PLATFORM) HYDRAULIC DIAGRAM



USAGE CHART:
 - ALL SPECS EXCEPT CE SPECS
 - CE SPECS (SN 0200239053 THROUGH 0200246956)

ART_1001103709_1OF2

SECTION 7 - HYDRAULIC



USAGE CHART:
 - ALL SPECS EXCEPT CE SPECS
 - CE SPECS (SN 0200239053 THROUGH 0200246956)

ART_1001103709_20F2

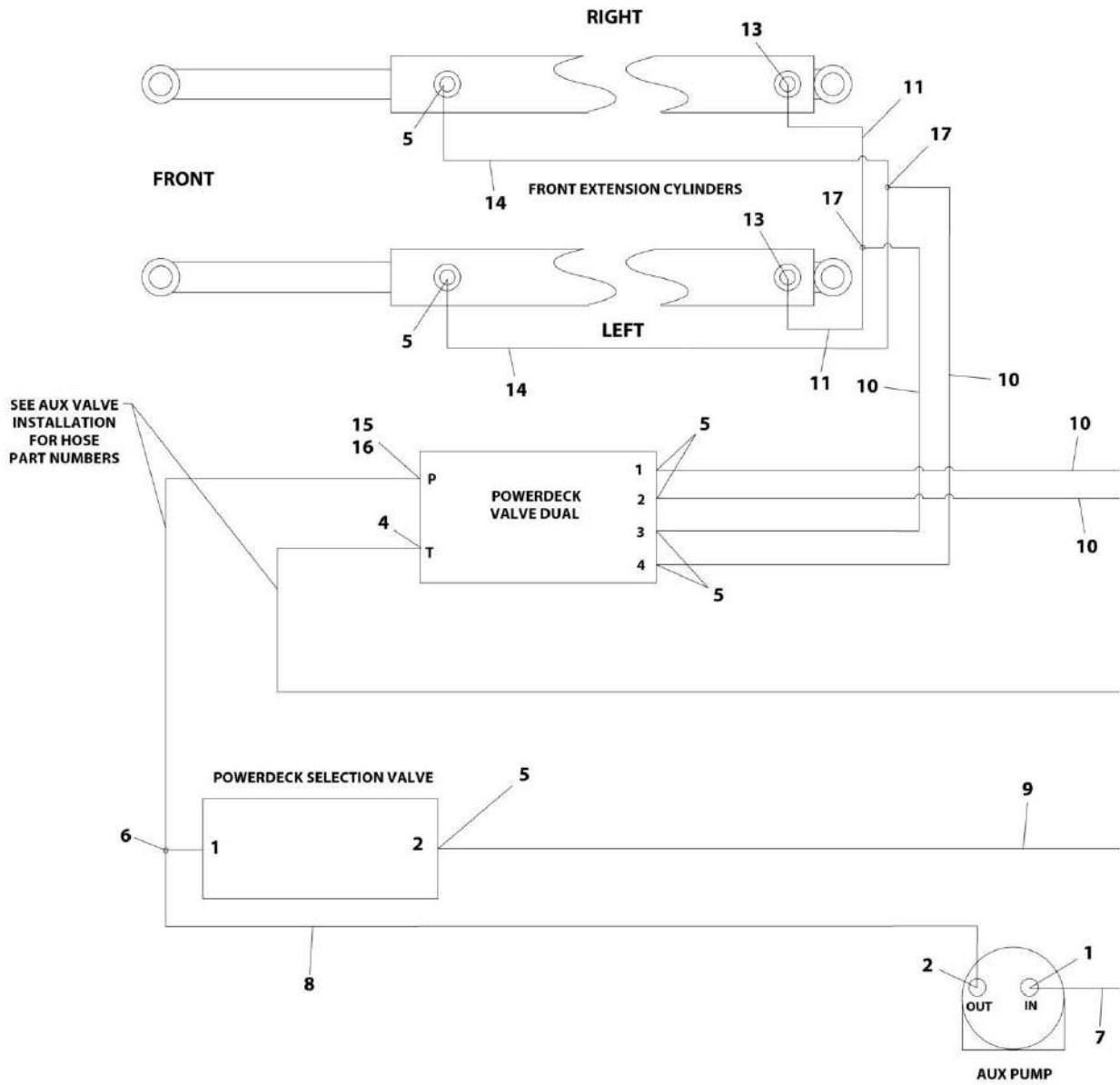
SECTION 7 - HYDRAULIC

FIGURE 7-7. POWER DUAL DECK EXTENSION (12.6FT/3.8M LENGTH PLATFORM) HYDRAULIC DIAGRAM

| ITEM | PART NUMBER | QTY | DESCRIPTION | REV |
|------|-------------|-----|---|-----|
| | | Ref | USAGE CHART: | |
| | | Ref | - All Specs except CE Specs | |
| | | Ref | - CE Specs (SN 0200239053 through 0200246956) | |
| | 1001103709 | Ref | POWER DUAL DECK EXTENSION (12.6FT/3.8M LENGTH PLATFORM) HYDRAULIC DIAGRAM | C |
| 1 | 2110806 | 1 | Fitting, Straight ORFS/ORB | |
| 2 | 2110406 | 2 | Fitting, Straight ORFS/ORB | |
| 3 | 2110808 | 1 | Fitting, Straight ORFS/ORB | |
| 4 | 2130604 | 1 | Fitting, 90 ORFS/ORB | |
| 5 | 2110404 | 9 | Fitting, Straight ORFS/ORB | |
| 7 | 2170304 | 1 | Fitting, Tee ORFS/ORB/ORFS | |
| 8 | 2753881 | 1 | Hose | |
| 9 | 1001105169 | 1 | Hose | |
| 10 | 2753939 | 1 | Hose | |
| 12 | 2753550 | 4 | Hose | |
| 13 | 2753554 | 4 | Hose | |
| 17 | 2110606 | 1 | Fitting, Straight ORFS/ORB | |
| 19 | 2170204 | 4 | Fitting, 90 ORFS/ORB | |
| 21 | 2753921 | 4 | Hose | |
| 22 | 2180830 | 1 | Orifice (.047) | |
| 23 | 2172104 | 1 | Fitting, 90 ORFS/FSORFS | |
| 24 | 2170504 | 4 | Fitting, Tee ORFS/ORFS/ORFS | |

SECTION 7 - HYDRAULIC

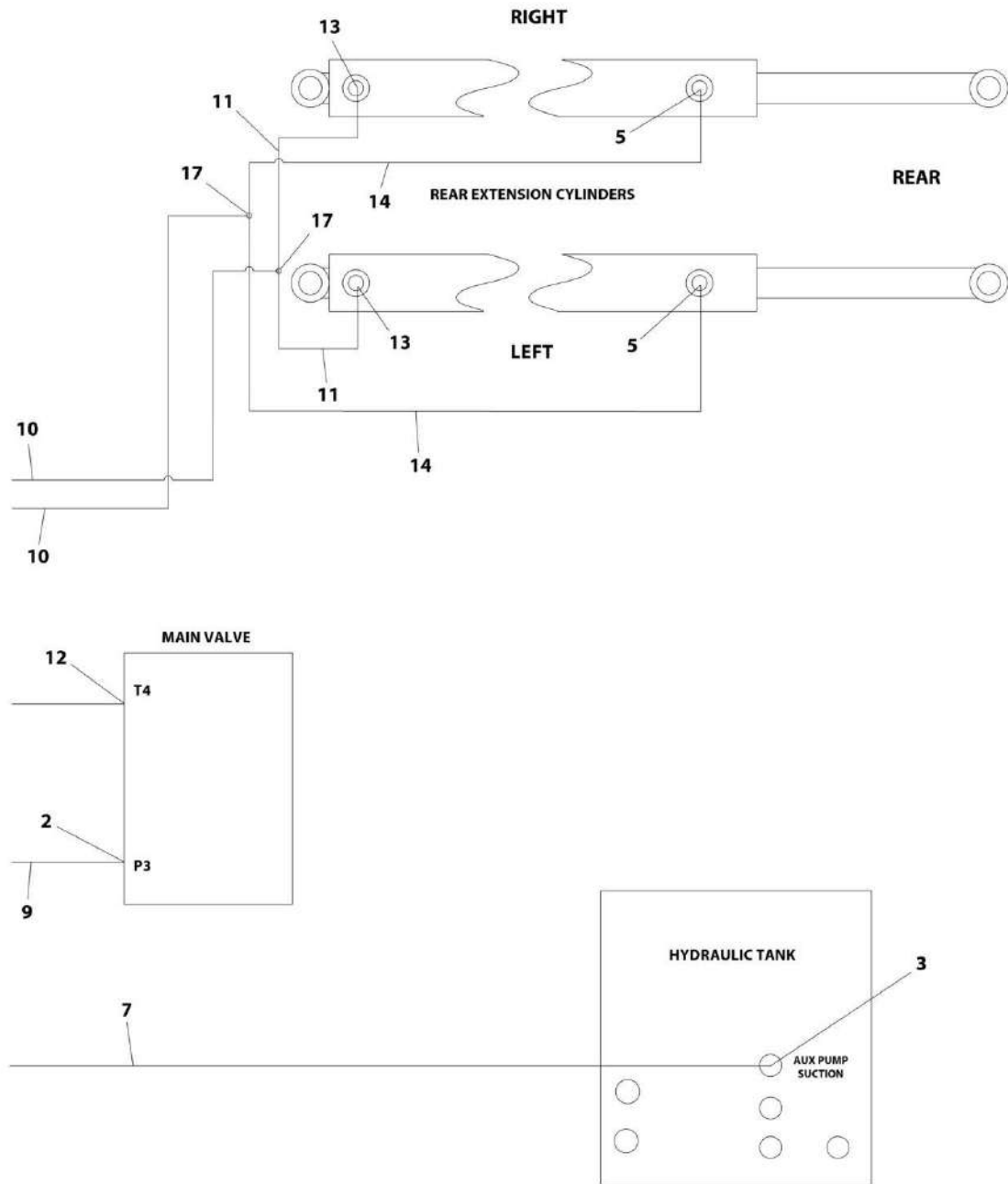
FIGURE 7-8. POWER DUAL DECK EXTENSION (12.6FT/3.8M LENGTH PLATFORM) HYDRAULIC DIAGRAM



USAGE CHART:
 - CE SPECS (SN 0200246957 TO PRESENT)

ART_1001190544_10F2

SECTION 7 - HYDRAULIC



USAGE CHART:
 - CE SPECS (SN 0200246957 TO PRESENT)

ART_1001190544_20F2

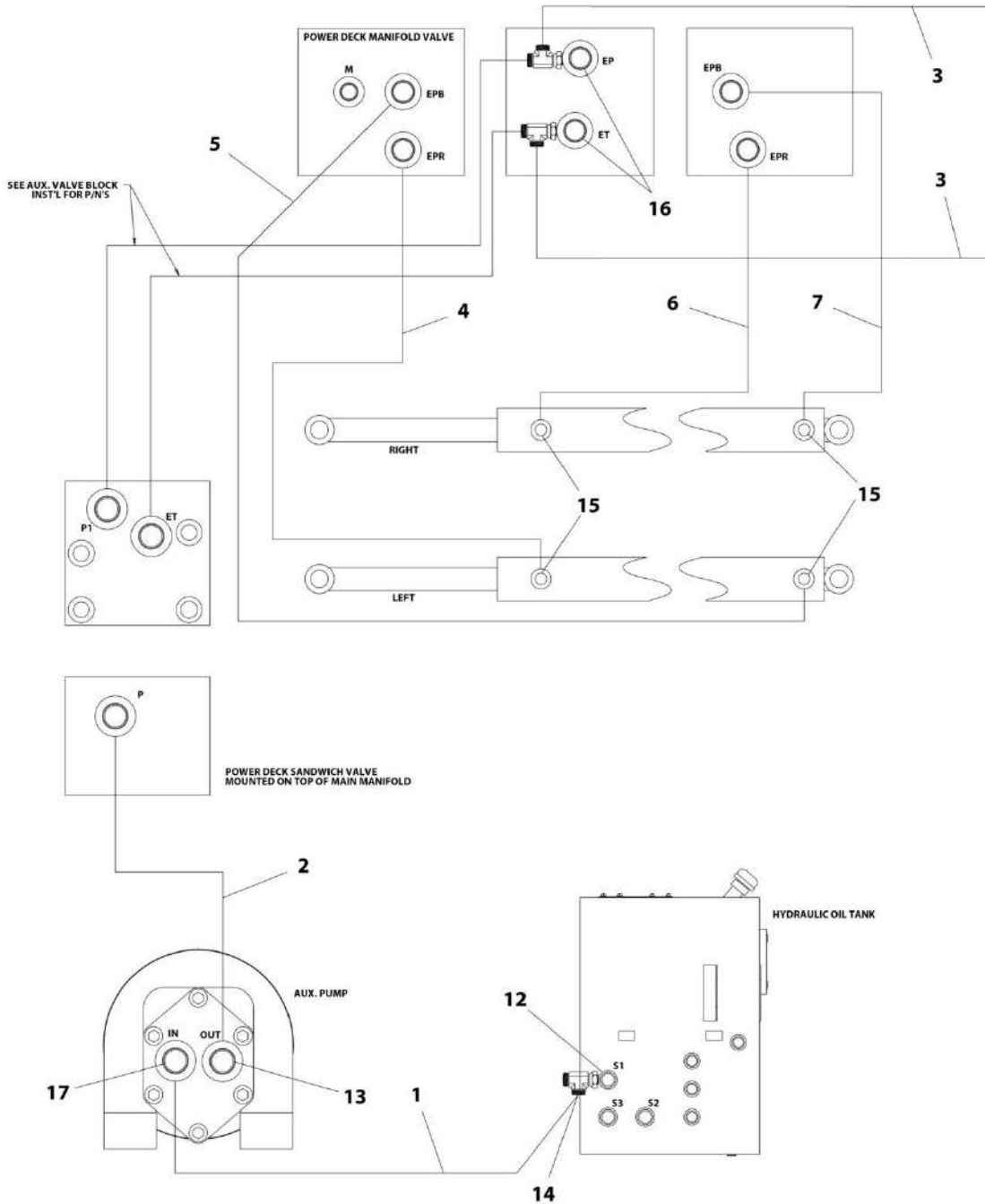
SECTION 7 - HYDRAULIC

FIGURE 7-8. POWER DUAL DECK EXTENSION (12.6FT/3.8M LENGTH PLATFORM) HYDRAULIC DIAGRAM

| ITEM | PART NUMBER | QTY | DESCRIPTION | REV |
|------|-------------|-----|---|-----|
| | | Ref | USAGE CHART: | |
| | | Ref | - CE Specs (SN 0200246957 to Present) | |
| | 1001190544 | Ref | POWER DUAL DECK EXTENSION (12.6FT/3.8M LENGTH PLATFORM) HYDRAULIC DIAGRAM | A |
| 1 | 2110806 | 1 | Fitting, Straight ORFS/ORB | |
| 2 | 2110406 | 2 | Fitting, Straight ORFS/ORB | |
| 3 | 2170308 | 1 | Fitting, Tee ORFS/ORB/ORFS | |
| 4 | 2130604 | 1 | Fitting, 90 ORFS/ORB | |
| 5 | 2110404 | 9 | Fitting, Straight ORFS/ORB | |
| 6 | 2170304 | 1 | Fitting, Tee ORFS/ORB/ORFS | |
| 7 | 2753881 | 1 | Hose | |
| 8 | 1001105169 | 1 | Hose | |
| 9 | 2753939 | 1 | Hose | |
| 10 | 2753550 | 4 | Hose | |
| 11 | 2753554 | 4 | Hose | |
| 12 | 2110606 | 1 | Fitting, Straight ORFS/ORB | |
| 13 | 2170204 | 4 | Fitting, 90 ORFS/ORB | |
| 14 | 2753921 | 4 | Hose | |
| 15 | 2180830 | 1 | Orifice (.047) | |
| 16 | 2172104 | 1 | Fitting, 90 ORFS/FSORFS | |
| 17 | 2170504 | 2 | Fitting, Tee ORFS/ORFS/ORFS | |

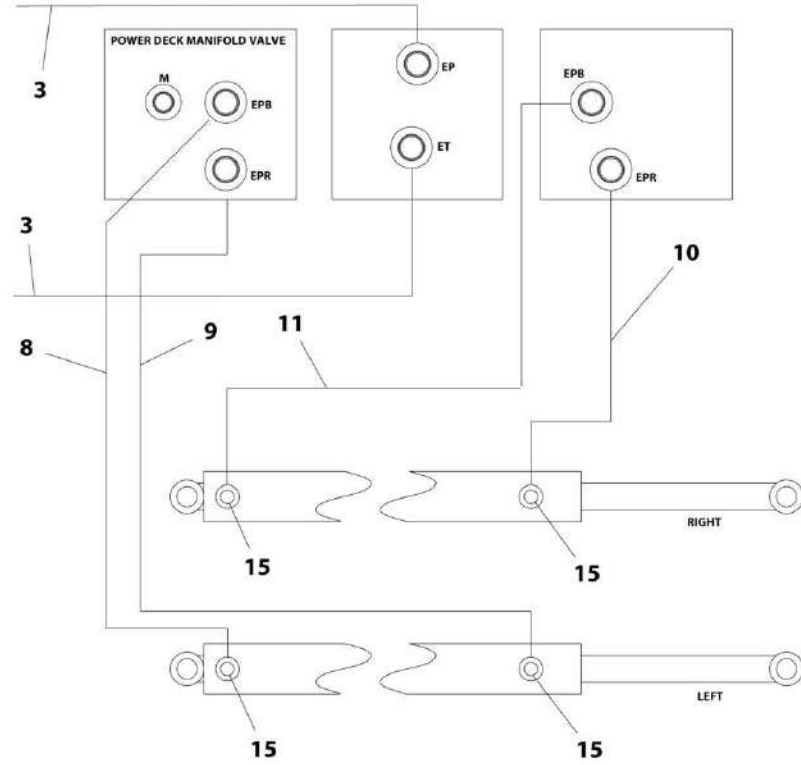
SECTION 7 - HYDRAULIC

**FIGURE 7-9. POWER DUAL DECK EXTENSION (15.8FT/4.8M LENGTH MEGADECK PLATFORM)
HYDRAULIC DIAGRAM (SN 0200239053 through 0200246956)**



ART_2792611_10F2

SECTION 7 - HYDRAULIC



ART_2792611_2OF2

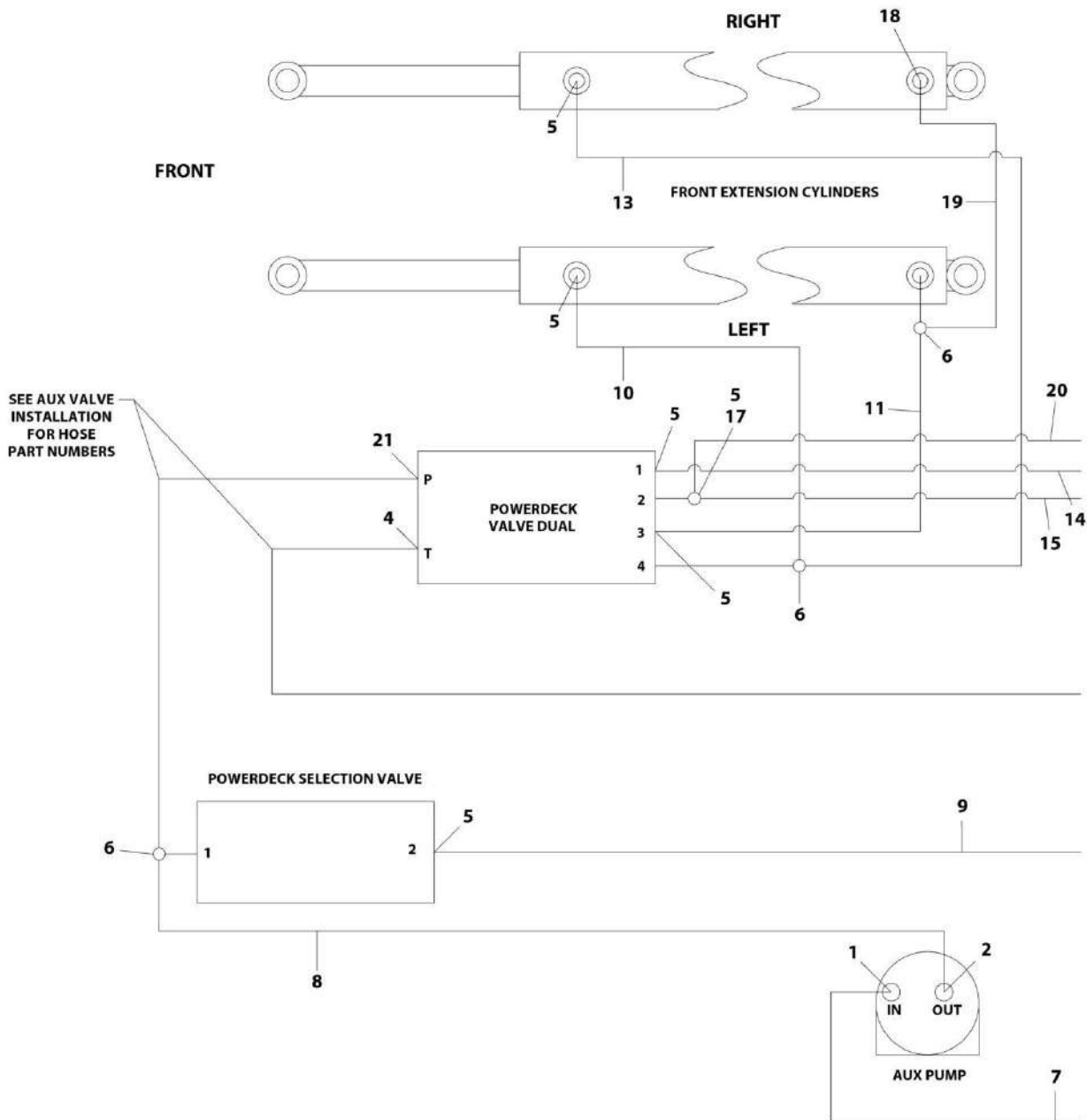
SECTION 7 - HYDRAULIC

**FIGURE 7-9. POWER DUAL DECK EXTENSION (15.8FT/4.8M LENGTH MEGADECK PLATFORM)
HYDRAULIC DIAGRAM (SN 0200239053 through 0200246956)**

| ITEM | PART NUMBER | QTY | DESCRIPTION | REV |
|------|-------------|-----|---|-----|
| | 2792611 | Ref | POWER DUAL DECK EXTENSION (15.8FT/4.8M LENGTH MEGADECK PLATFORM) HYDRAULIC DIAGRAM (SN 0200239053 through 0200246956) | A |
| 1 | 2753881 | 1 | Hose | |
| 2 | 2753873 | 1 | Hose | |
| 3 | 2753879 | 2 | Hose | |
| 4 | 2753919 | 1 | Hose | |
| 5 | 2753783 | 1 | Hose | |
| 6 | 2753920 | 1 | Hose | |
| 7 | 2753921 | 1 | Hose | |
| 8 | 2753922 | 1 | Hose | |
| 9 | 2753878 | 1 | Hose | |
| 10 | 2753923 | 1 | Hose | |
| 11 | 2753875 | 1 | Hose | |
| 12 | 2170716 | 1 | Fitting, Tee ORFS/FSORFS/ORFS | |
| 13 | 2110606 | 1 | Fitting, Straight ORFS/ORB | |
| 14 | 2221150 | 1 | Fitting, Reducer ORFS/FSORFS | |
| 15 | 2110404 | 8 | Fitting, Straight ORFS/ORB | |
| 16 | 2170706 | 2 | Fitting, Tee ORFS/FSORFS/ORFS | |
| 17 | 2110806 | 1 | Fitting, Straight ORFS/ORB | |

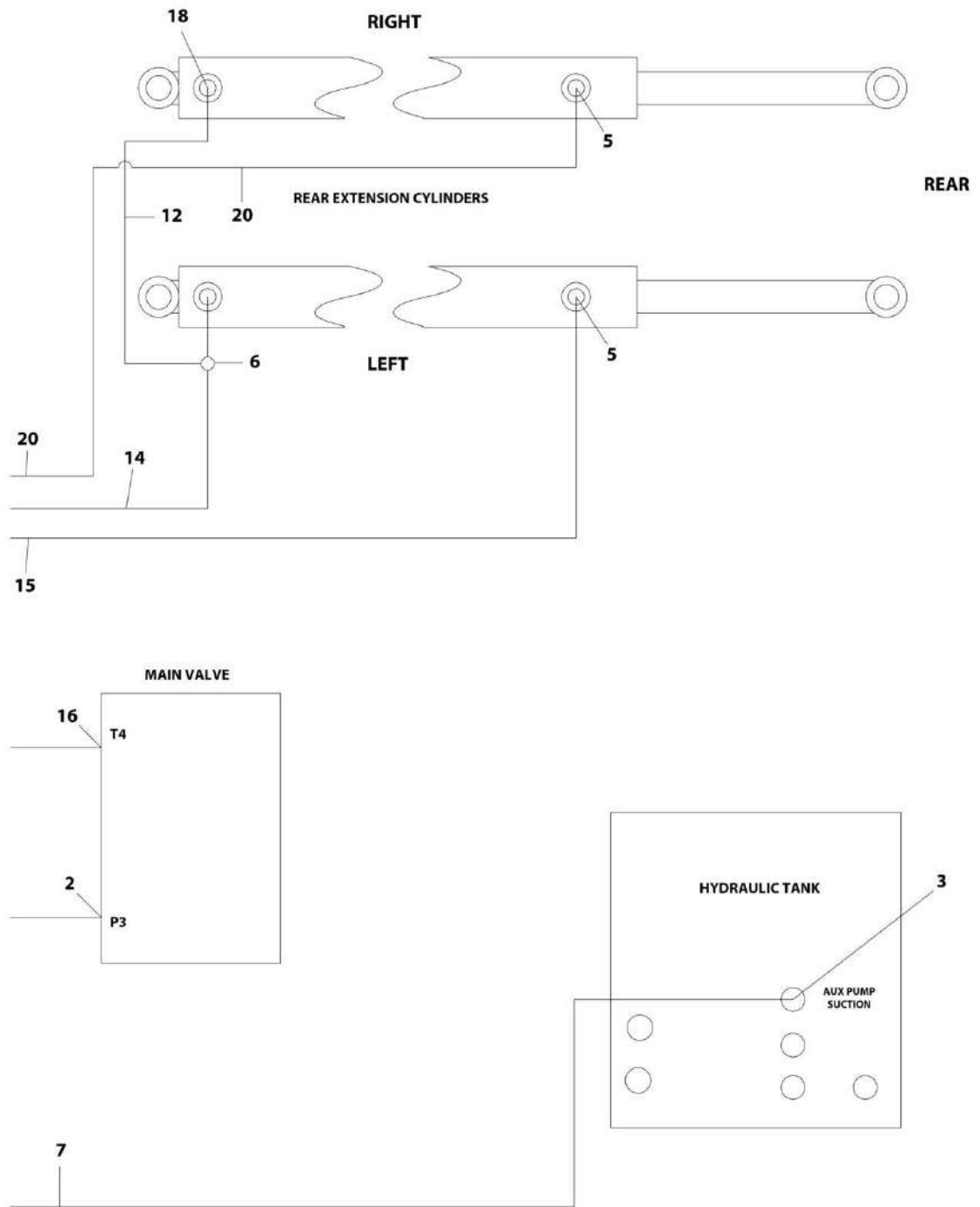
SECTION 7 - HYDRAULIC

FIGURE 7-10. POWER DUAL DECK EXTENSION (15.8FT/4.8M LENGTH MEGADECK PLATFORM) (SN 0200246957 to Present)



ART_1001188851_1OF2

SECTION 7 - HYDRAULIC



ART_1001188851_20F2

SECTION 7 - HYDRAULIC

FIGURE 7-10. POWER DUAL DECK EXTENSION (15.8FT/4.8M LENGTH MEGADECK PLATFORM) (SN 0200246957 to Present)

| ITEM | PART NUMBER | QTY | DESCRIPTION | REV |
|------|-------------|-----|---|-----|
| | 1001188851 | Ref | POWER DUAL DECK EXTENSION (15.8FT/4.8M LENGTH MEGADECK PLATFORM) (SN 0200246957 to Present) | A |
| 1 | 2110806 | 1 | Fitting, Straight ORFS/ORB | |
| 2 | 2110406 | 2 | Fitting, Straight ORFS/ORB | |
| 3 | 2170308 | 1 | Fitting, Tee ORFS/ORB/ORFS | |
| 4 | 2110604 | 1 | Fitting, Straight ORFS/ORB | |
| 5 | 2110404 | 8 | Fitting, Straight ORFS/ORB | |
| 6 | 2170304 | 4 | Fitting, Tee ORFS/ORB/ORFS | |
| 7 | 2753881 | 1 | Hose | |
| 8 | 1001105169 | 1 | Hose | |
| 9 | 2753939 | 1 | Hose | |
| 10 | 1001105234 | 1 | Hose | |
| 11 | 1001105235 | 1 | Hose | |
| 12 | 2753877 | 1 | Hose | |
| 13 | 1001105236 | 1 | Hose | |
| 14 | 1001105237 | 1 | Hose | |
| 15 | 1001105238 | 1 | Hose | |
| 16 | 2110606 | 1 | Fitting, Straight ORFS/ORB | |
| 17 | 2170704 | 1 | Fitting, Tee ORFS/FSORFS/ORFS | |
| 18 | 2170204 | 2 | Fitting, 90 ORFS/ORB | |
| 19 | 1001105172 | 1 | Hose | |
| 20 | 1001105239 | 1 | Hose | |
| 21 | 2180830 | 1 | Orifice (.047) | |

SECTION 7 - HYDRAULIC

FIGURE 7-11. HYDRAULIC DIAGRAM LIST

| ITEM | PART NUMBER | QTY | DESCRIPTION | REV |
|------|-------------|-----|--|-----|
| | | Ref | Note: Information on diagrams not shown are available from JLG Service/Parts Departments. See Service and Maintenance Manual for Schematics. | |
| | | Ref | HYDRAULIC DIAGRAM OPTIONS: | |
| | 1001101922 | Ref | Hydraulic Diagram (All Specs except CE Spec) | |
| | 1001101922 | Ref | Hydraulic Diagram (CE Specs) (SN 0200239053 through 0200241795) | |
| | 1001188563 | Ref | Hydraulic Diagram (CE Specs) (SN 0200241796 to Present) | |
| | | Ref | HYDRAULIC DIAGRAM - LEVELING JACKS OPTIONS: | |
| | 1001103552 | Ref | Hydraulic Diagram - Leveling Jacks (All Specs except CE Spec) | |
| | 1001103552 | Ref | Hydraulic Diagram - Leveling Jacks (CE Spec) (SN 0200239053 through 0200241795) | |
| | 1001188848 | Ref | Hydraulic Diagram - Leveling Jacks (CE Spec) (SN 0200241796 to Present) | |
| | | Ref | HYDRAULIC DIAGRAM - POWER DECK OPTIONS: | |
| | 1001103708 | Ref | Hydraulic Diagram - Power Single Deck Extension (All Specs except CE Spec) | |
| | 1001103708 | Ref | Hydraulic Diagram - Power Single Deck Extension (CE Spec) (SN 0200239053 through 0200246956) | |
| | 1001190537 | Ref | Hydraulic Diagram - Power Single Deck Extension (CE Spec) (SN 0200246957 to Present) | |
| | 1001103709 | Ref | Hydraulic Diagram - Power Dual Deck Extension (12.6ft/3.8m Length Platform) (All Specs except CE Spec) | |
| | 1001103709 | Ref | Hydraulic Diagram - Power Dual Deck Extension (12.6ft/3.8m Length Platform) (CE Spec) (SN 0200239053 through 0200246956) | |
| | 1001190544 | Ref | Hydraulic Diagram - Power Dual Deck Extension (12.6ft/3.8m Length Platform) (CE Spec) (SN 0200246957 to Present) | |
| | 2792611 | Ref | Hydraulic Diagram - Power Dual Deck Extension (15.8ft/4.8m Length Megadeck Platform) (SN 0200239053 through 0200246956) | |
| | 1001188851 | Ref | Hydraulic Diagram - Power Dual Deck Extension (15.8ft/4.8m Length Megadeck Platform) (SN 0200246957 to Present) | |
| | | Ref | HYDRAULIC SCHEMATIC OPTIONS: | |
| | 1001098823 | Ref | Hydraulic Schematic (All Specs except CE Spec) | |
| | 1001098823 | Ref | Hydraulic Schematic (CE Spec) (SN 0200239053 through 0200241795) | |
| | 1001188846 | Ref | Hydraulic Schematic (CE Spec) (SN 0200241796 to Present) | |

SECTION 8 - ELECTRICAL

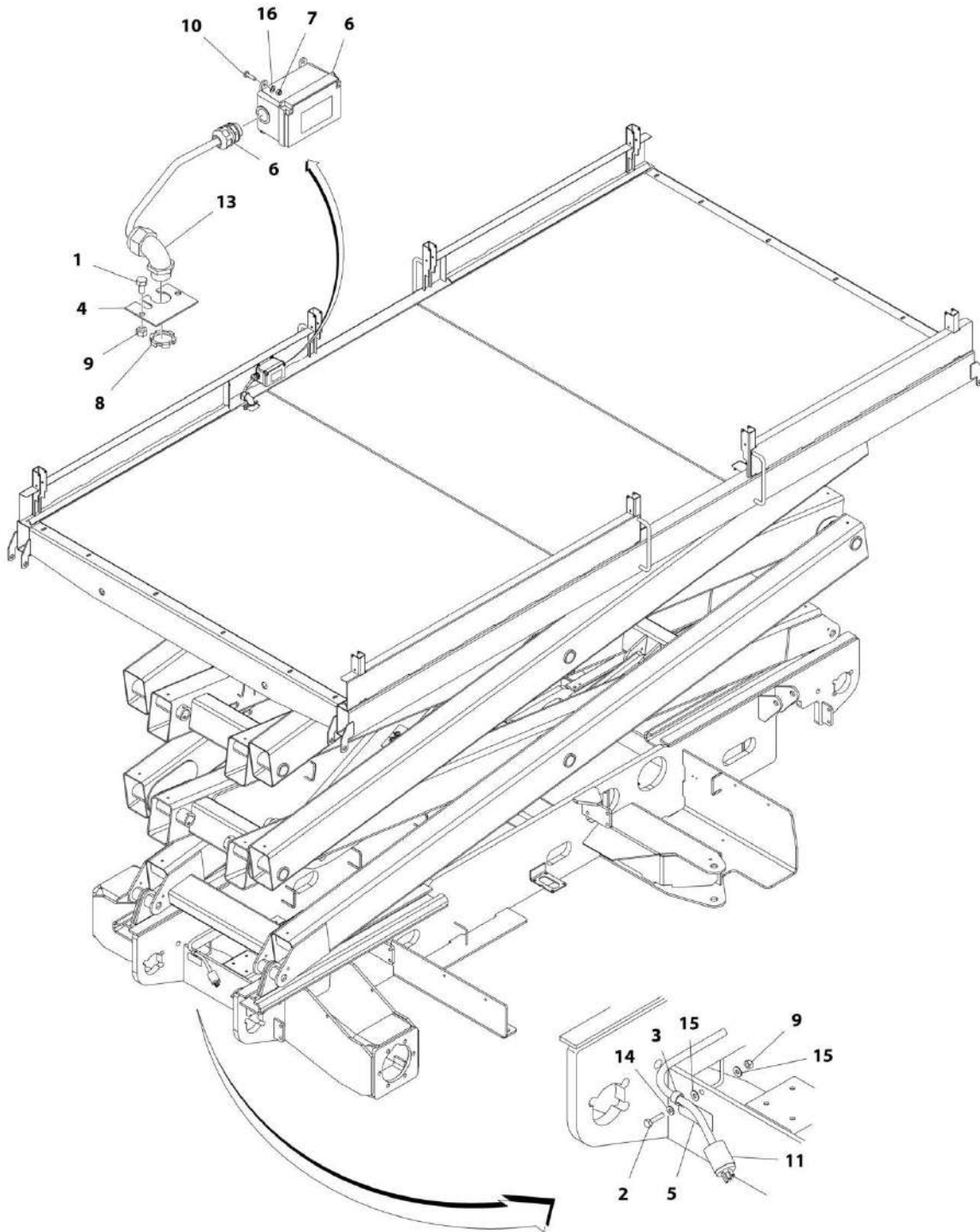
SECTION 8 - ELECTRICAL

FIGURE 8-1. ELECTRICAL DIAGRAM LIST

| ITEM | PART NUMBER | QTY | DESCRIPTION | REV |
|------|-------------|-----|--|-----|
| | | Ref | ELECTRICAL DIAGRAM LIST | |
| | | Ref | Note: For information, refer to Service Manual or contact JLG Customer Service Department. | |
| | 1001167526 | Ref | AC TO PLATFORM ELECTRICAL DIAGRAM - 220V (CEE7 POST GROUND 2X4 BOX) (CE SPEC) | |
| | 1001167527 | Ref | AC TO PLATFORM ELECTRICAL DIAGRAM - 220V (CEE7 SIDE GROUND 2X4 BOX) (CE SPEC) | |
| | 1001167529 | Ref | AC TO PLATFORM ELECTRICAL DIAGRAM - 220V (AFSINT 107 KEYED GROUND 2X4 BOX) (CE SPEC) | |
| | 1001167530 | Ref | AC BOX AT PLATFORM INSTALLATION - 110V (IEC 60309 YELLOW) (CE SPEC) | |
| | 1001167531 | Ref | AC BOX AT PLATFORM INSTALLATION - 220V (IEC 60309 BLUE) (CE SPEC) | |
| | 1001167532 | Ref | AC BOX AT PLATFORM INSTALLATION - 220V (CEE7 POST GROUND 70mm X 70mm BOX) (CE SPEC) | |
| | 1001167533 | Ref | AC BOX AT PLATFORM INSTALLATION - 220V (CEE7 SIDE GROUND 70mm X 70mm BOX) (CE SPEC) | |
| | 1001103488 | Ref | ELECTRICAL SCHEMATIC - DUAL FUEL | |
| | 1001103487 | Ref | ELECTRICAL SCHEMATIC - DIESEL | |
| | 1001184074 | Ref | 2500W/60HZ/110V GENERATOR ELECTRICAL DIAGRAM - DEUTZ D2.9L4 ENGINES | |
| | 1001157771 | Ref | 7500W/60HZ/110V GENERATOR ELECTRICAL DIAGRAM - DEUTZ D2.9L4 ENGINES | |
| | 1870170 | Ref | LSS SCHEMATIC | |

SECTION 8 - ELECTRICAL

FIGURE 8-2. AC BOX AT PLATFORM INSTALLATION - 110V GFI (ANSI, ANSI EXPORT AND CE SPECS)



ART_1001167523

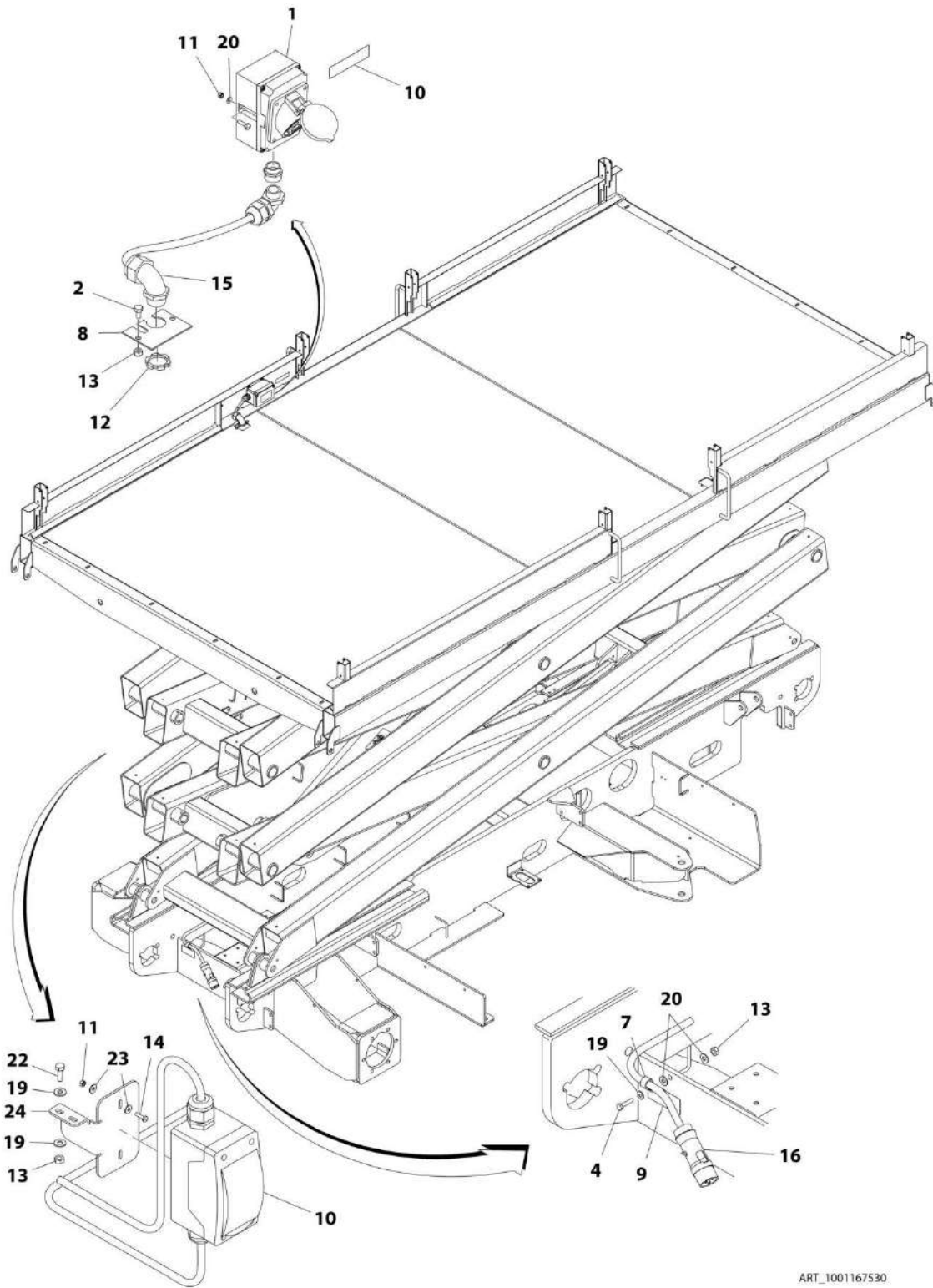
SECTION 8 - ELECTRICAL

FIGURE 8-2. AC BOX AT PLATFORM INSTALLATION - 110V GFI (ANSI, ANSI EXPORT AND CE SPECS)

| ITEM | PART NUMBER | QTY | DESCRIPTION | REV |
|------|-------------|-----|---|-----|
| | 1001167523 | Ref | AC BOX AT PLATFORM INSTALLATION - 110V GFI (ANSI, ANSI EXPORT AND CE SPECS) | C |
| 1 | 0641404 | 2 | Bolt 1/4 x 1/2 | |
| 2 | 0641409 | 1 | Bolt 1/4 x 1-1/8 | |
| 3 | 1320224 | 1 | Clamp | |
| 4 | 1670988 | 1 | Cover, Cable Access | |
| 5 | 1703464 | 1 | Decal - AC Power (120V-60Hz) | |
| 6 | 2902431 | 1 | Receptacle Box Kit - 110V GFI (See RECEPTACLE BOX KIT - 110V GFI for Breakdown) | |
| 7 | 3290405 | 4 | Nut M4 | |
| 8 | 3300048 | 1 | Nut, Conduit | |
| 9 | 3311405 | 3 | Nut 1/4 | |
| 10 | 4010408 | 4 | Screw M4 x 16 | |
| 11 | 4460138 | 1 | Plug, Male | |
| 12 | 4460315 | 3 | Terminal, Spade (Not Shown) | |
| 13 | 4460422 | 1 | Terminal, Strain Relief | |
| 14 | 4711400 | 1 | Washer 1/4 | |
| 15 | 4751400 | 2 | Washer 1/4 | |
| 16 | 4811400 | 4 | Washer M4 | |

SECTION 8 - ELECTRICAL

FIGURE 8-3. AC BOX AT PLATFORM INSTALLATION - 110V (IEC 60309 YELLOW) (CE SPEC ONLY)



ART_1001167530

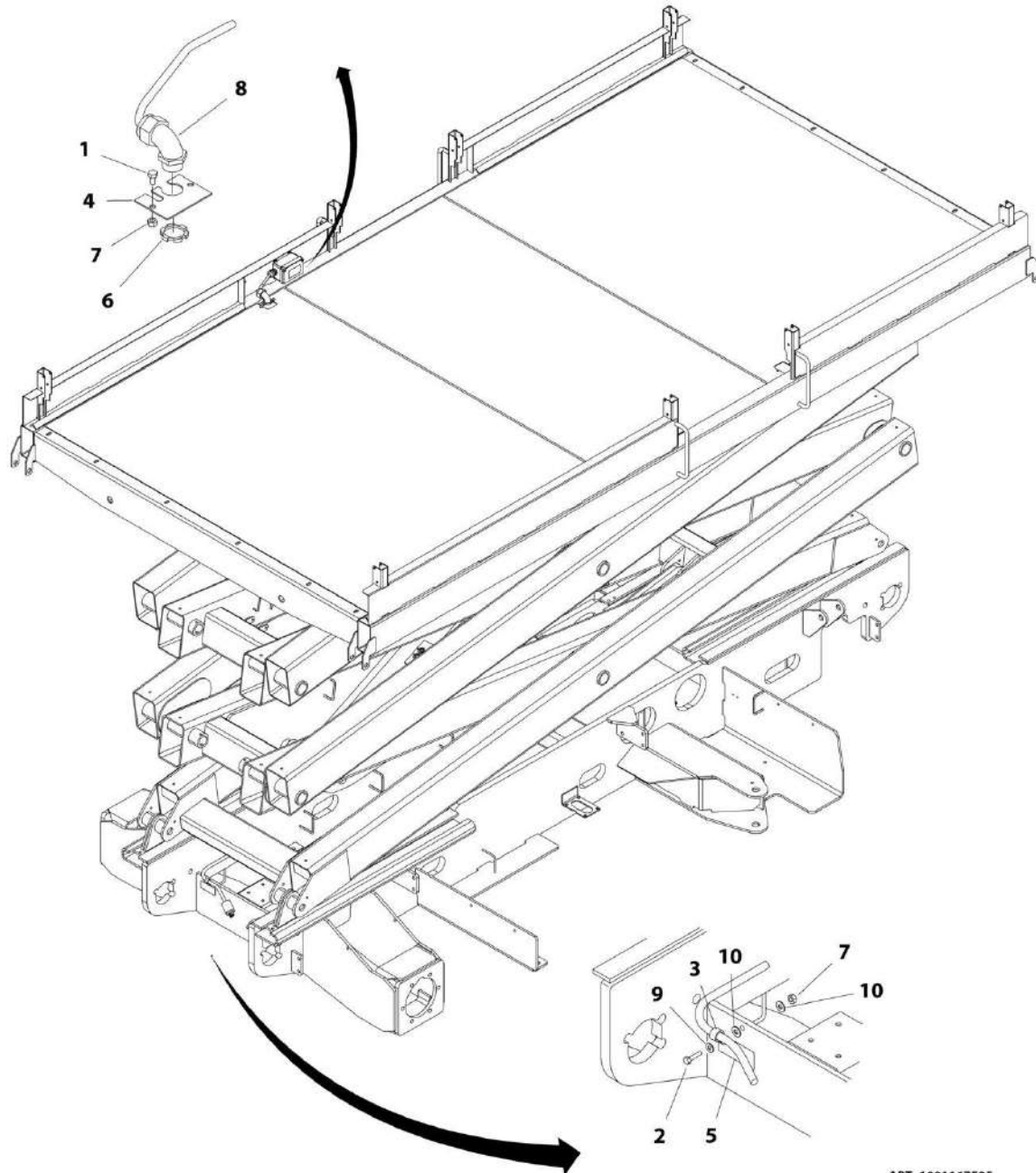
SECTION 8 - ELECTRICAL

FIGURE 8-3. AC BOX AT PLATFORM INSTALLATION - 110V (IEC 60309 YELLOW) (CE SPEC ONLY)

| ITEM | PART NUMBER | QTY | DESCRIPTION | REV |
|------|-------------|-----|---|-----|
| | 1001167530 | Ref | AC BOX AT PLATFORM INSTALLATION - 110V (IEC 60309 YELLOW) (CE SPEC ONLY) | D |
| 1 | 0275216 | 1 | Receptacle Box Kit (See RECEPTACLE BOX KIT - 110V IEC YELLOW (CE SPEC) for Breakdown) | |
| 2 | 0641404 | 2 | Bolt 1/4 x 1/2 | |
| 4 | 0641409 | 1 | Bolt 1/4 x 1-1/8 | |
| 7 | 1320224 | 1 | Clamp | |
| 8 | 1670988 | 1 | Cover, Cable Access | |
| 9 | 1705325 | 2 | Decal - AC Power (120V-50Hz) | |
| 10 | 2902549 | 1 | Breaker Box Kit (See BREAKER BOX KIT (CE SPEC) for Breakdown) | |
| 11 | 3290405 | 4 | Nut M4 | |
| 12 | 3300048 | 1 | Nut, Conduit | |
| 13 | 3311405 | 5 | Nut 1/4 | |
| 14 | 4010408 | 4 | Screw M4 x 16 | |
| 15 | 4460422 | 1 | Terminal, Strain Relief | |
| 16 | 4461196 | 1 | Plug, Male | |
| 17 | 4461257 | 1 | Connector, Strain Relief | |
| 18 | 4461258 | 1 | Adapter | |
| 19 | 4711400 | 5 | Washer 1/4 | |
| 20 | 4751400 | 2 | Washer 1/4 | |
| 21 | 4811400 | 2 | Washer M4 | |
| 22 | 0641406 | 2 | Bolt 1/4 x 3/4 | |
| 23 | 1001091102 | 4 | Washer M4 | |
| 24 | 1001094915 | 1 | Bracket | |

SECTION 8 - ELECTRICAL

FIGURE 8-4. AC BOX AT PLATFORM INSTALLATION - 220V - NO BOX (ALL SPECS)



ART_1001167525

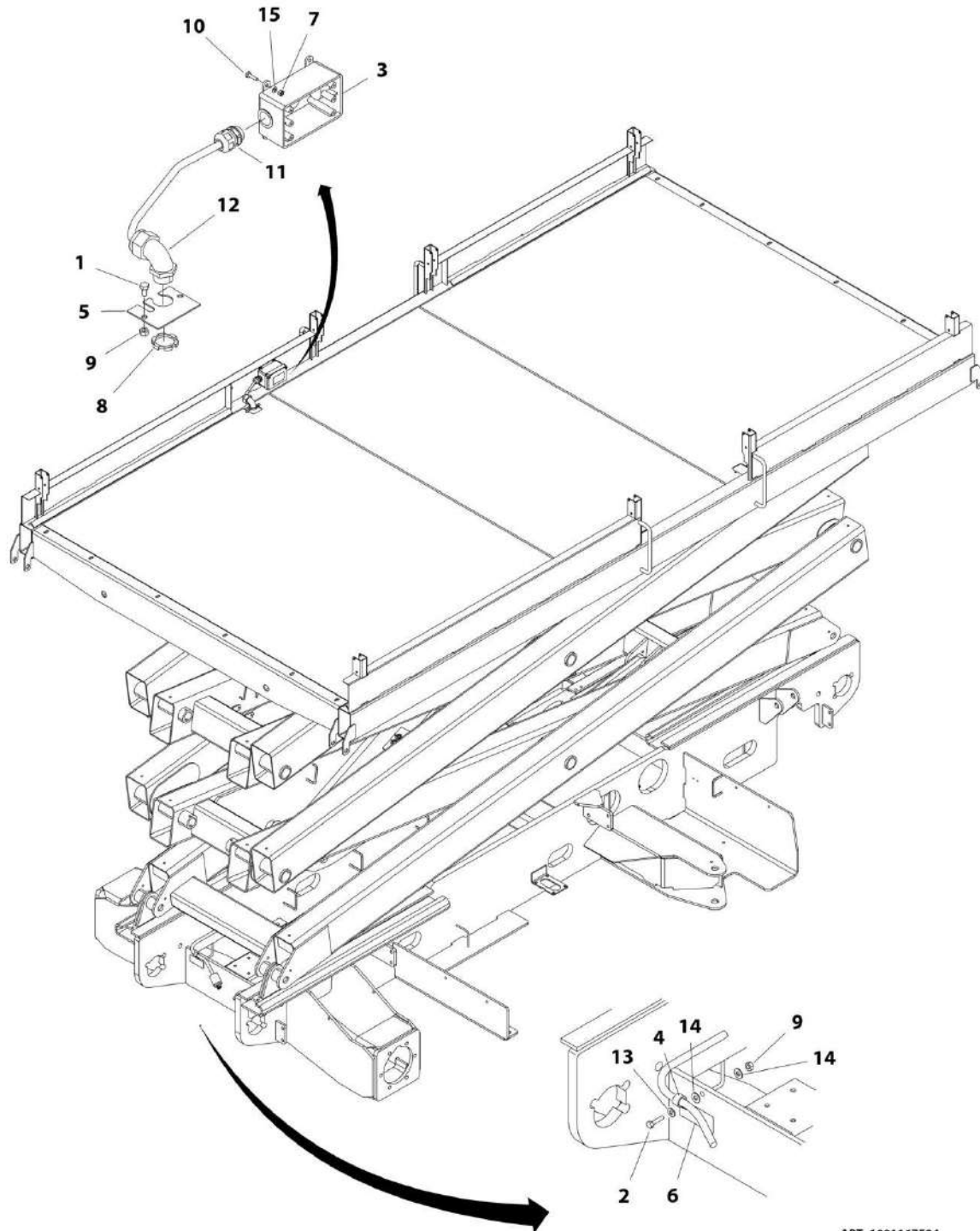
SECTION 8 - ELECTRICAL

FIGURE 8-4. AC BOX AT PLATFORM INSTALLATION - 220V - NO BOX (ALL SPECS)

| ITEM | PART NUMBER | QTY | DESCRIPTION | REV |
|------|-------------|-----|---|-----|
| | 1001167525 | Ref | AC BOX AT PLATFORM INSTALLATION - 220V - NO BOX (ALL SPECS) | C |
| 1 | 0641404 | 2 | Bolt 1/4 x 1/2 | |
| 2 | 0641409 | 1 | Bolt 1/4 x 1-1/8 | |
| 3 | 1320224 | 1 | Clamp | |
| 4 | 1670988 | 1 | Cover, Cable Access | |
| 5 | 3252507 | 1 | Decal - AC Power (220V-50/60Hz) | |
| 6 | 3300048 | 1 | Nut, Conduit | |
| 7 | 3311405 | 3 | Nut 1/4 | |
| 8 | 4460422 | 1 | Terminal, Strain Relief | |
| 9 | 4711400 | 1 | Washer 1/4 | |
| 10 | 4751400 | 2 | Washer 1/4 | |

SECTION 8 - ELECTRICAL

FIGURE 8-5. AC BOX AT PLATFORM INSTALLATION - 220V (ANSI, ANSI EXPORT AND CSA SPECS)



ART_1001167524

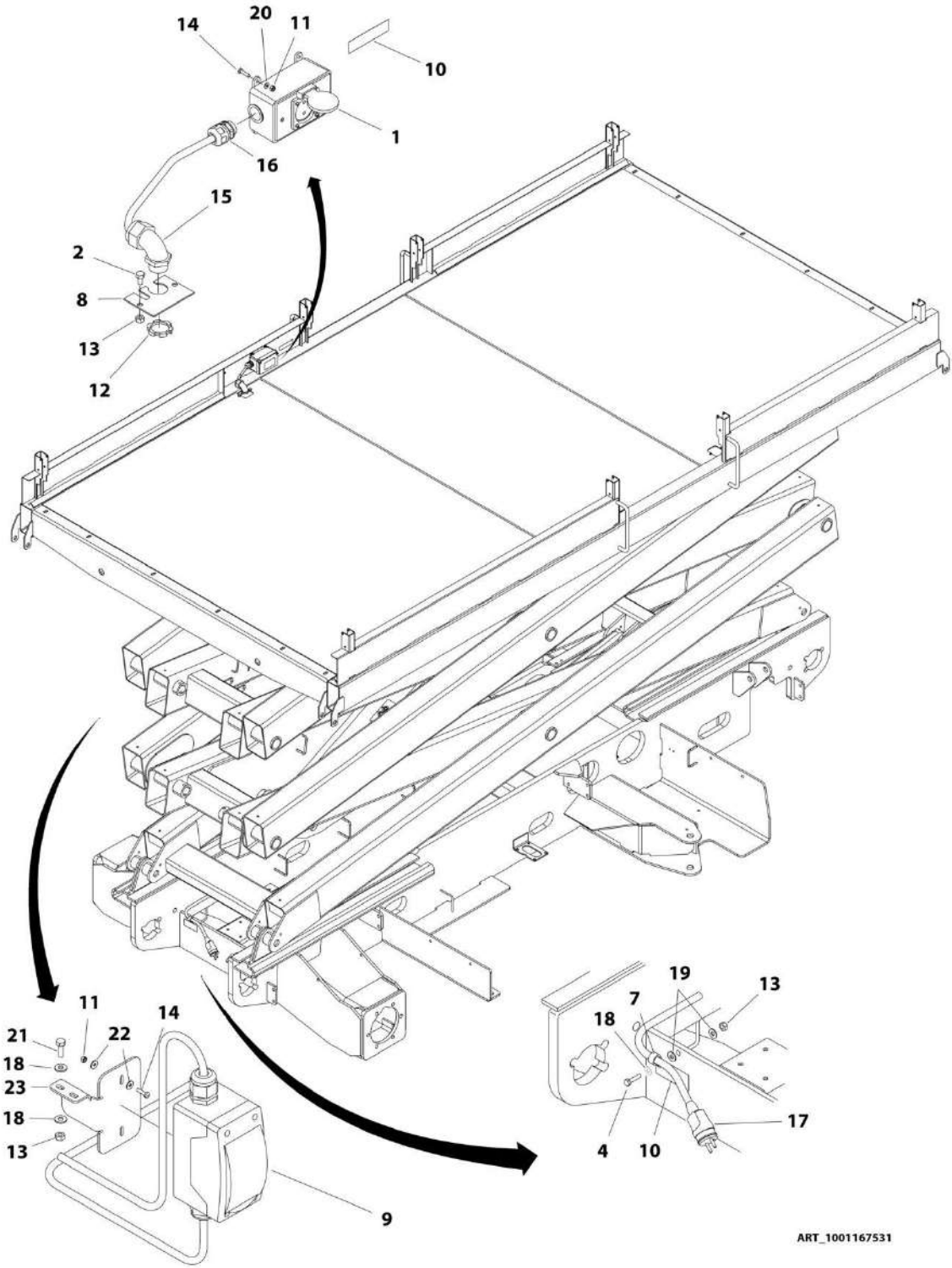
SECTION 8 - ELECTRICAL

FIGURE 8-5. AC BOX AT PLATFORM INSTALLATION - 220V (ANSI, ANSI EXPORT AND CSA SPECS)

| ITEM | PART NUMBER | QTY | DESCRIPTION | REV |
|------|-------------|-----|--|-----|
| | 1001167524 | Ref | AC BOX AT PLATFORM INSTALLATION - 220V (ANSI, ANSI EXPORT AND CSA SPECS) | D |
| 1 | 0641404 | 2 | Bolt 1/4 x 1/2 | |
| 2 | 0641409 | 1 | Bolt 1/4 x 1-1/8 | |
| 3 | 0861731 | 1 | Box | |
| 4 | 1320224 | 1 | Clamp | |
| 5 | 1670988 | 1 | Cover, Cable Access | |
| 6 | 3252507 | 1 | Decal - AC Power (220V-50/60Hz) | |
| 7 | 3290405 | 4 | Nut M4 | |
| 8 | 3300048 | 1 | Nut, Conduit | |
| 9 | 3311405 | 3 | Nut 1/4 | |
| 10 | 4010408 | 4 | Screw M4 x 16 | |
| 11 | 4460071 | 1 | Connector, Strain Relief (SN 0200239053 through 0200260027) | |
| 11 | 4460662 | 1 | Connector, Strain Relief (SN 0200260028 to Present) | |
| 12 | 4460422 | 1 | Terminal, Strain Relief | |
| 13 | 4711400 | 1 | Washer 1/4 | |
| 14 | 4751400 | 2 | Washer 1/4 | |
| 15 | 4811400 | 4 | Washer M4 | |

SECTION 8 - ELECTRICAL

FIGURE 8-6. AC BOX AT PLATFORM INSTALLATION - 220V (IEC 60309 BLUE) (CE SPEC ONLY)



ART_1001167531

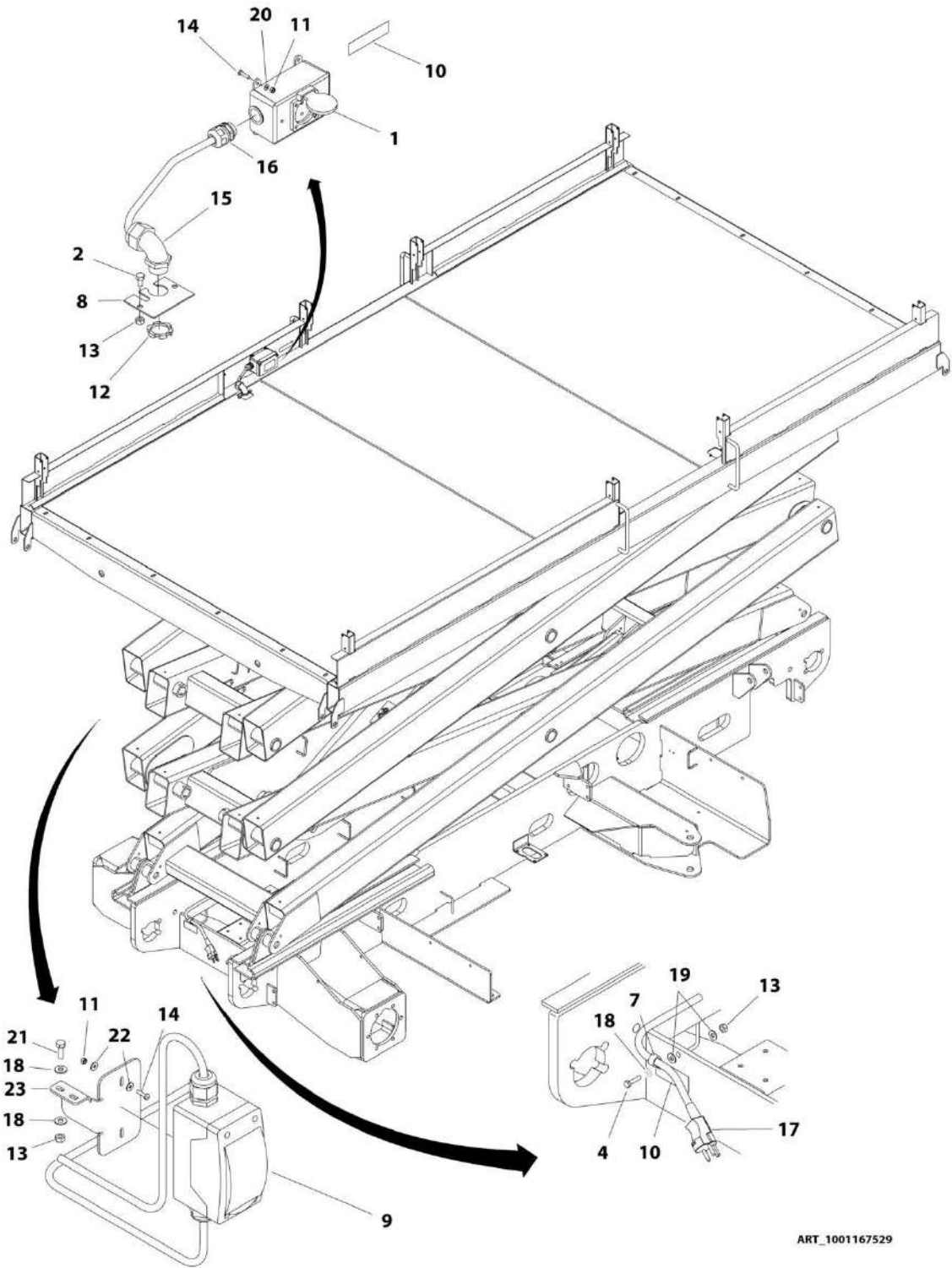
SECTION 8 - ELECTRICAL

FIGURE 8-6. AC BOX AT PLATFORM INSTALLATION - 220V (IEC 60309 BLUE) (CE SPEC ONLY)

| ITEM | PART NUMBER | QTY | DESCRIPTION | REV |
|------|-------------|-----|--|-----|
| | 1001167531 | Ref | AC BOX AT PLATFORM INSTALLATION - 220V (IEC 60309 BLUE) (CE SPEC ONLY) | F |
| 1 | 0275217 | 1 | Receptacle Box Kit (See RECEPTACLE BOX KIT - 220V IEC BLUE (CE SPEC) for Breakdown) | |
| 2 | 0641404 | 2 | Bolt 1/4 x 1/2 | |
| 4 | 0641409 | 1 | Bolt 1/4 x 1-1/8 | |
| 7 | 1320224 | 1 | Clamp | |
| 8 | 1670988 | 1 | Cover, Cable Access | |
| 9 | 2902549 | 1 | Breaker Box Kit (See BREAKER BOX KIT (CE SPEC) for Breakdown) | |
| 10 | 3252507 | 2 | Decal - AC Power (220V-50/60Hz) | |
| 11 | 3290405 | 6 | Nut M4 | |
| 12 | 3300048 | 1 | Nut, Conduit | |
| 13 | 3311405 | 5 | Nut 1/4 | |
| 14 | 4010408 | 6 | Screw M4 x 16 | |
| 15 | 4460422 | 1 | Terminal, Strain Relief | |
| 16 | 4460968 | 1 | Connector, Strain Relief (SN 0200239053 through 0200260027) | |
| 16 | 4460662 | 1 | Connector, Strain Relief (SN 0200260028 to Present) | |
| 17 | 4461202 | 1 | Plug, Male (SN 0200239052 through 0200256565) | |
| 17 | 4461205 | 1 | Plug, Male (SN 0200256566 to Present) | |
| 18 | 4711400 | 5 | Washer 1/4 | |
| 19 | 4751400 | 2 | Washer 1/4 | |
| 20 | 4811400 | 4 | Washer M4 | |
| 21 | 0641406 | 2 | Bolt 1/4 x 3/4 | |
| 22 | 1001091102 | 4 | Washer M4 | |
| 23 | 1001094915 | 1 | Bracket | |

SECTION 8 - ELECTRICAL

FIGURE 8-7. AC BOX AT PLATFORM INSTALLATION - 220V (AFSINT 107 KEYED GROUND 2X4 BOX)
(CE SPEC ONLY)



ART_1001167529

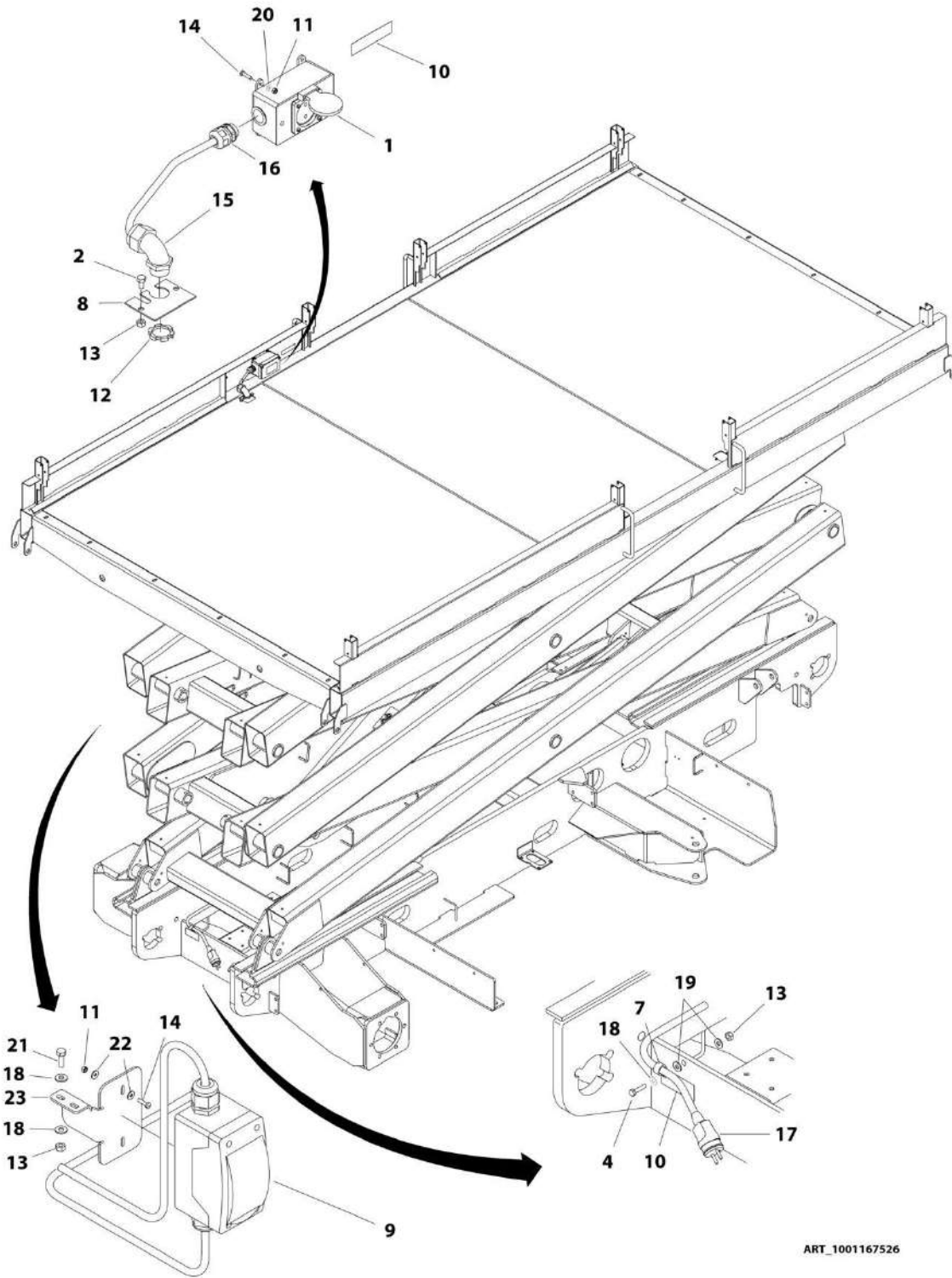
SECTION 8 - ELECTRICAL

**FIGURE 8-7. AC BOX AT PLATFORM INSTALLATION - 220V (AFSINT 107 KEYED GROUND 2X4 BOX)
(CE SPEC ONLY)**

| ITEM | PART NUMBER | QTY | DESCRIPTION | REV |
|------|-------------|-----|---|-----|
| | 1001167529 | Ref | AC BOX AT PLATFORM INSTALLATION - 220V (AFSINT 107 KEYED GROUND 2X4 BOX) (CE SPEC ONLY) | E |
| 1 | 0275454 | 1 | Receptacle Box Kit (See RECEPTACLE BOX KIT - 220V AFSINT 107 (CE SPEC) for Breakdown) | |
| 2 | 0641404 | 2 | Bolt 1/4 x 1/2 | |
| 4 | 0641409 | 1 | Bolt 1/4 x 1-1/8 | |
| 7 | 1320224 | 1 | Clamp | |
| 8 | 1670988 | 1 | Cover, Cable Access | |
| 9 | 2902549 | 1 | Breaker Box Kit (See BREAKER BOX KIT (CE SPEC) for Breakdown) | |
| 10 | 3252507 | 2 | Decal - AC Power (220V-50/60Hz) | |
| 11 | 3290405 | 6 | Nut M4 | |
| 12 | 3300048 | 1 | Nut, Conduit | |
| 13 | 3311405 | 5 | Nut 1/4 | |
| 14 | 4010408 | 6 | Screw M4 x 16 | |
| 15 | 4460422 | 1 | Terminal, Strain Relief | |
| 16 | 4460968 | 1 | Connector, Strain Relief (SN 0200239053 through 0200260027) | |
| 16 | 4460662 | 1 | Connector, Strain Relief (SN 0200260028 to Present) | |
| 17 | 4461249 | 1 | Plug, Male | |
| 18 | 4711400 | 5 | Washer 1/4 | |
| 19 | 4751400 | 2 | Washer 1/4 | |
| 20 | 4811400 | 4 | Washer M4 | |
| 21 | 0641406 | 2 | Bolt 1/4 x 3/4 | |
| 22 | 1001091102 | 4 | Washer M4 | |
| 23 | 1001094915 | 1 | Bracket | |

SECTION 8 - ELECTRICAL

FIGURE 8-8. AC BOX AT PLATFORM INSTALLATION - 220V (CEE7 POST GROUND 2X4 BOX) (CE SPEC ONLY)



ART_1001167526

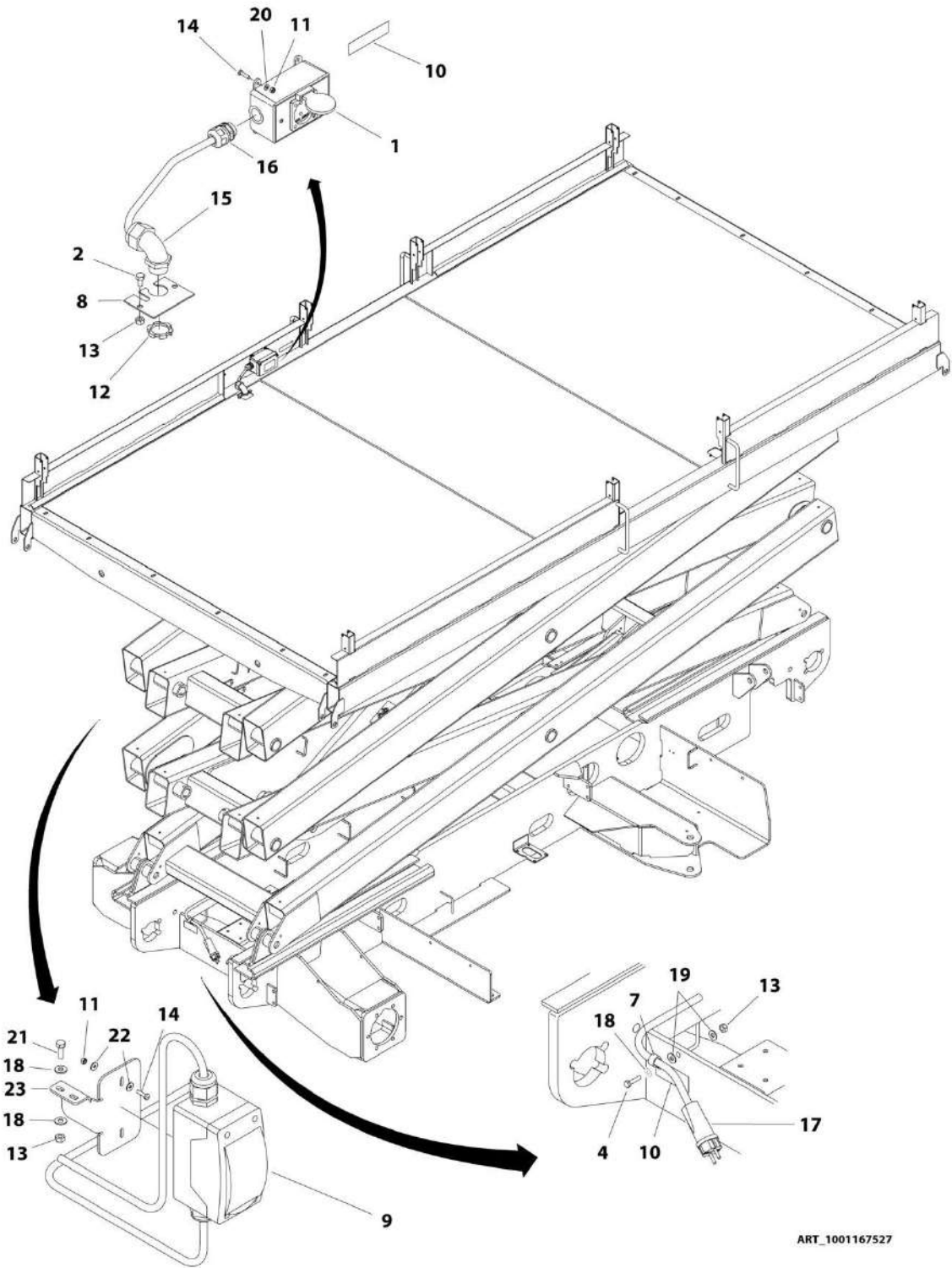
SECTION 8 - ELECTRICAL

FIGURE 8-8. AC BOX AT PLATFORM INSTALLATION - 220V (CEE7 POST GROUND 2X4 BOX) (CE SPEC ONLY)

| ITEM | PART NUMBER | QTY | DESCRIPTION | REV |
|------|-------------|-----|---|-----|
| | 1001167526 | Ref | AC BOX AT PLATFORM INSTALLATION - 220V (CEE7 POST GROUND,2X4 BOX) (CE SPEC ONLY) | F |
| 1 | 0275452 | 1 | Receptacle Box Kit (See RECEPTACLE BOX KIT - 220V CEE7 POST GROUND 2X4 BOX (CE SPEC) for Breakdown) | |
| 2 | 0641404 | 2 | Bolt 1/4 x 1/2 | |
| 4 | 0641409 | 1 | Bolt 1/4 x 1-1/8 | |
| 7 | 1320224 | 1 | Clamp | |
| 8 | 1670988 | 1 | Cover, Cable Access | |
| 9 | 2902549 | 1 | Breaker Box Kit (See BREAKER BOX KIT (CE SPEC) for Breakdown) | |
| 10 | 3252507 | 2 | Decal - AC Power (220V-50/60Hz) | |
| 11 | 3290405 | 6 | Nut M4 | |
| 12 | 3300048 | 1 | Nut, Conduit | |
| 13 | 3311405 | 5 | Nut 1/4 | |
| 14 | 4010408 | 6 | Screw M4 x 16 | |
| 15 | 4460422 | 1 | Terminal, Strain Relief | |
| 16 | 4460968 | 1 | Connector, Strain Relief (SN 0200239053 through 0200260027) | |
| 16 | 4460662 | 1 | Connector, Strain Relief (SN 0200260028 to Present) | |
| 17 | 4461202 | 1 | Plug, Male (SN 0200239052 through 0200256565) | |
| 17 | 4461205 | 1 | Plug, Male (SN 0200256566 to Present) | |
| 18 | 4711400 | 5 | Washer 1/4 | |
| 19 | 4751400 | 2 | Washer 1/4 | |
| 20 | 4811400 | 4 | Washer M4 | |
| 21 | 0641406 | 2 | Bolt 1/4 x 3/4 | |
| 22 | 1001091102 | 4 | Washer M4 | |
| 23 | 1001094915 | 1 | Bracket | |

SECTION 8 - ELECTRICAL

FIGURE 8-9. AC BOX AT PLATFORM INSTALLATION - 220V (CEE7 SIDE GROUND 2X4 BOX) (CE SPEC ONLY)



ART_1001167527

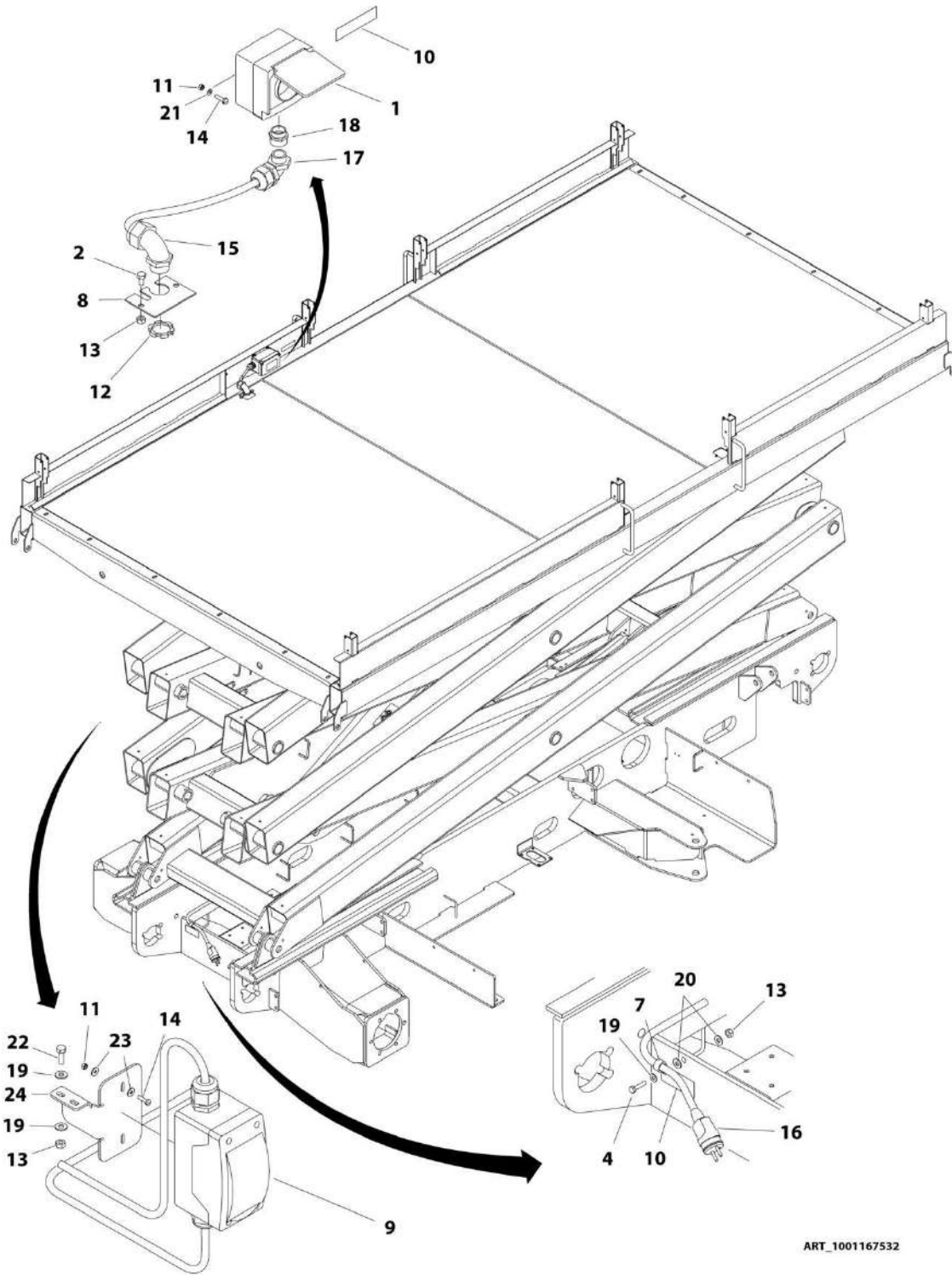
SECTION 8 - ELECTRICAL

FIGURE 8-9. AC BOX AT PLATFORM INSTALLATION - 220V (CEE7 SIDE GROUND 2X4 BOX) (CE SPEC ONLY)

| ITEM | PART NUMBER | QTY | DESCRIPTION | REV |
|------|-------------|-----|---|-----|
| | 1001167527 | Ref | AC BOX AT PLATFORM INSTALLATION - 220V (CEE7 SIDE GROUND,2X4 BOX) (CE SPEC ONLY) | E |
| 1 | 0275453 | 1 | Receptacle Box Kit (See RECEPTACLE BOX KIT - 220V CEE7 SIDE GROUND 2X4 BOX (CE SPEC) for Breakdown) | |
| 2 | 0641404 | 2 | Bolt 1/4 x 1/2 | |
| 4 | 0641409 | 1 | Bolt 1/4 x 1-1/8 | |
| 7 | 1320224 | 1 | Clamp | |
| 8 | 1670988 | 1 | Cover, Cable Access | |
| 9 | 2902549 | 1 | Breaker Box Kit (See BREAKER BOX KIT (CE SPEC) for Breakdown) | |
| 10 | 3252507 | 2 | Decal - AC Power (220V-50/60Hz) | |
| 11 | 3290405 | 6 | Nut M4 | |
| 12 | 3300048 | 1 | Nut, Conduit | |
| 13 | 3311405 | 5 | Nut 1/4 | |
| 14 | 4010408 | 6 | Screw M4 x 16 | |
| 15 | 4460422 | 1 | Terminal, Strain Relief | |
| 16 | 4460968 | 1 | Connector, Strain Relief (SN 0200239053 through 0200260027) | |
| 16 | 4460662 | 1 | Connector, Strain Relief (SN 0200260028 to Present) | |
| 17 | 4461205 | 1 | Plug, Male | |
| 18 | 4711400 | 5 | Washer 1/4 | |
| 19 | 4751400 | 2 | Washer 1/4 | |
| 20 | 4811400 | 4 | Washer M4 | |
| 21 | 0641406 | 2 | Bolt 1/4 x 3/4 | |
| 22 | 1001091102 | 4 | Washer M4 | |
| 23 | 1001094915 | 1 | Bracket | |

SECTION 8 - ELECTRICAL

FIGURE 8-10. AC BOX AT PLATFORM INSTALLATION - 220V (CEE7 POST GROUND 70X70 BOX) (CE SPEC ONLY)



ART_1001167532

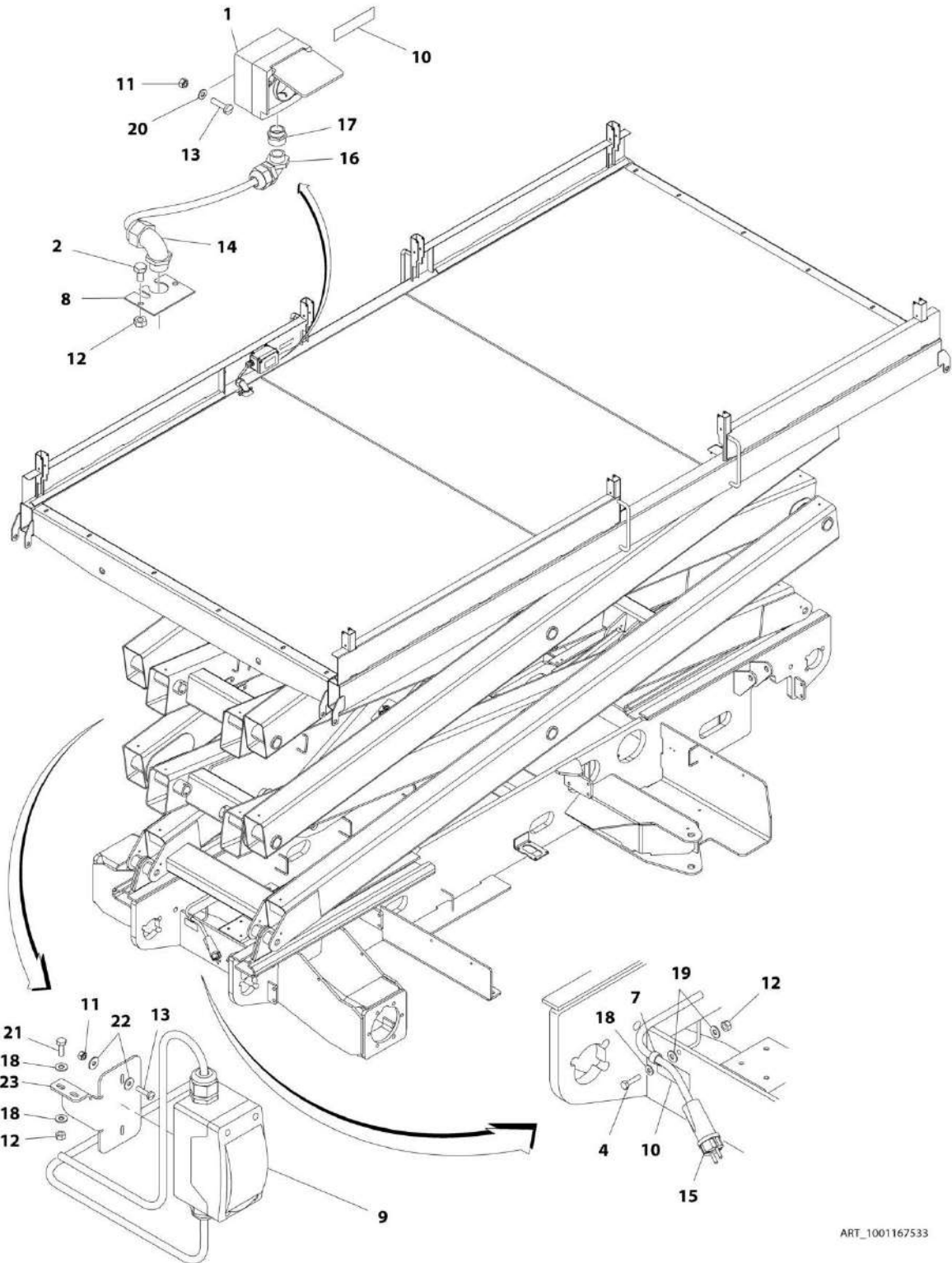
SECTION 8 - ELECTRICAL

FIGURE 8-10. AC BOX AT PLATFORM INSTALLATION - 220V (CEE7 POST GROUND 70X70 BOX) (CE SPEC ONLY)

| ITEM | PART NUMBER | QTY | DESCRIPTION | REV |
|------|-------------|-----|--|-----|
| | 1001167532 | Ref | AC BOX AT PLATFORM INSTALLATION - 220V (CEE7 POST GROUND 70X70 BOX) (CE SPEC ONLY) | E |
| 1 | 0275218 | 1 | Receptacle Box Kit (See RECEPTACLE BOX KIT - CEE7 POST GROUND 70X70 BOX (CE SPEC) for Breakdown) | |
| 2 | 0641404 | 2 | Bolt 1/4 x 1/2 | |
| 4 | 0641409 | 1 | Bolt 1/4 x 1-1/8 | |
| 7 | 1320224 | 1 | Clamp | |
| 8 | 1670988 | 1 | Cover, Cable Access | |
| 9 | 2902549 | 1 | Breaker Box Kit (See BREAKER BOX KIT (CE SPEC) for Breakdown) | |
| 10 | 3252507 | 2 | Decal - AC Power (220V-50/60Hz) | |
| 11 | 3290405 | 4 | Nut M4 | |
| 12 | 3300048 | 1 | Nut, Conduit | |
| 13 | 3311405 | 5 | Nut 1/4 | |
| 14 | 4010408 | 4 | Screw M4 x 16 | |
| 15 | 4460422 | 1 | Terminal, Strain Relief | |
| 16 | 4461202 | 1 | Plug, Male (SN 0200239052 through 0200256565) | |
| 16 | 4461205 | 1 | Plug, Male (SN 0200256566 to Present) | |
| 17 | 4461257 | 1 | Connector, Strain Relief | |
| 18 | 4461258 | 1 | Adapter | |
| 19 | 4711400 | 5 | Washer 1/4 | |
| 20 | 4751400 | 2 | Washer 1/4 | |
| 21 | 4811400 | 2 | Washer M4 | |
| 22 | 0641406 | 2 | Bolt 1/4 x 3/4 | |
| 23 | 1001091102 | 4 | Washer M4 | |
| 24 | 1001094915 | 1 | Bracket | |

SECTION 8 - ELECTRICAL

FIGURE 8-11. AC BOX AT PLATFORM INSTALLATION - 220V (CEE7 SIDE GROUND 70X70 BOX) (CE SPEC ONLY)



ART_1001167533

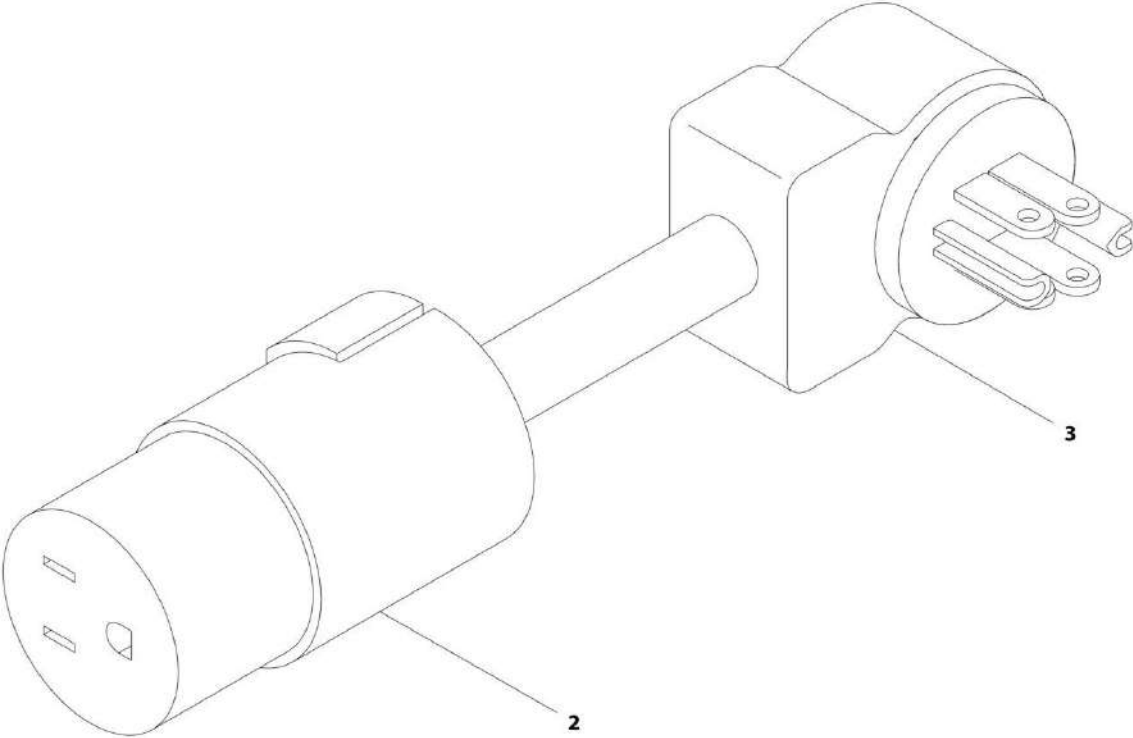
SECTION 8 - ELECTRICAL

FIGURE 8-11. AC BOX AT PLATFORM INSTALLATION - 220V (CEE7 SIDE GROUND 70X70 BOX) (CE SPEC ONLY)

| ITEM | PART NUMBER | QTY | DESCRIPTION | REV |
|------|-------------|-----|--|-----|
| | 1001167533 | Ref | AC BOX AT PLATFORM INSTALLATION - 220V (CEE7 SIDE GROUND 70X70 BOX) (CE SPEC ONLY) | D |
| 1 | 0275219 | 1 | Receptacle Box Kit (See RECEPTACLE BOX KIT - CEE7 SIDE GROUND 70X70 BOX (CE SPEC) for Breakdown) | |
| 2 | 0641404 | 2 | Bolt 1/4 x 1/2 | |
| 4 | 0641409 | 1 | Bolt 1/4 x 1-1/8 | |
| 7 | 1320224 | 1 | Clamp | |
| 8 | 1670988 | 1 | Cover, Cable Access | |
| 9 | 2902549 | 1 | Breaker Box Kit (See BREAKER BOX KIT (CE SPEC) for Breakdown) | |
| 10 | 3252507 | 2 | Decal - AC Power (220V-50/60Hz) | |
| 11 | 3290405 | 4 | Nut M4 | |
| 12 | 3311405 | 5 | Nut 1/4 | |
| 13 | 4010408 | 4 | Screw M4 x 16 | |
| 14 | 4460422 | 1 | Terminal, Strain Relief | |
| 15 | 4461205 | 1 | Plug, Male | |
| 16 | 4461257 | 1 | Connector, Strain Relief | |
| 17 | 4461258 | 1 | Adapter | |
| 18 | 4711400 | 5 | Washer 1/4 | |
| 19 | 4751400 | 2 | Washer 1/4 | |
| 20 | 4811400 | 2 | Washer M4 | |
| 21 | 0641406 | 2 | Bolt 1/4 x 3/4 | |
| 22 | 1001091102 | 4 | Washer M4 | |
| 23 | 1001094915 | 1 | Bracket | |

SECTION 8 - ELECTRICAL

FIGURE 8-12. AC CORD ASSEMBLY - 2000W & 3500W



ART_1061006

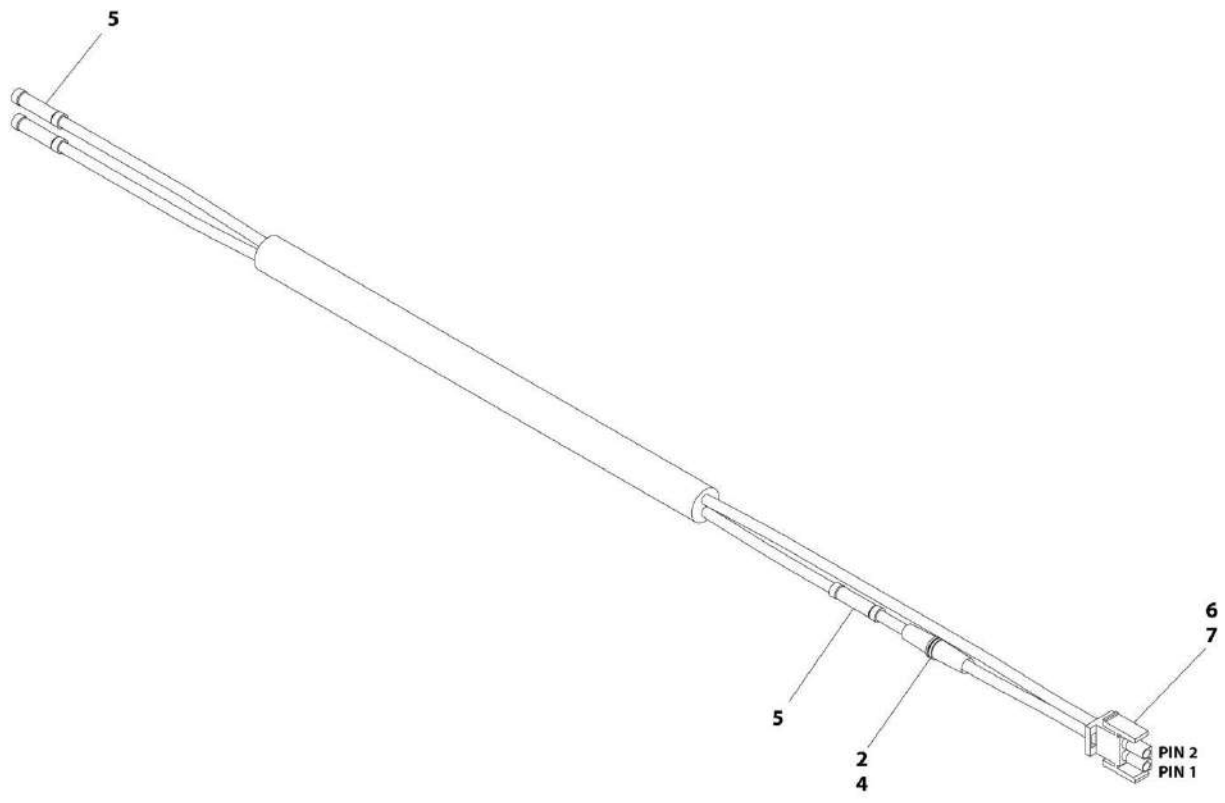
SECTION 8 - ELECTRICAL

FIGURE 8-12. AC CORD ASSEMBLY - 2000W & 3500W

| ITEM | PART NUMBER | QTY | DESCRIPTION | REV |
|------|-------------|-----|----------------------------------|-----|
| | 1061006 | Ref | AC CORD ASSEMBLY - 2000W & 3500W | A |
| 2 | 4460779 | 1 | Receptacle, Female | |
| 3 | 4460858 | 1 | Plug, 90 Male | |

SECTION 8 - ELECTRICAL

FIGURE 8-13. BEACON HARNESS ASSEMBLY (OPTIONAL)



ART_4922739

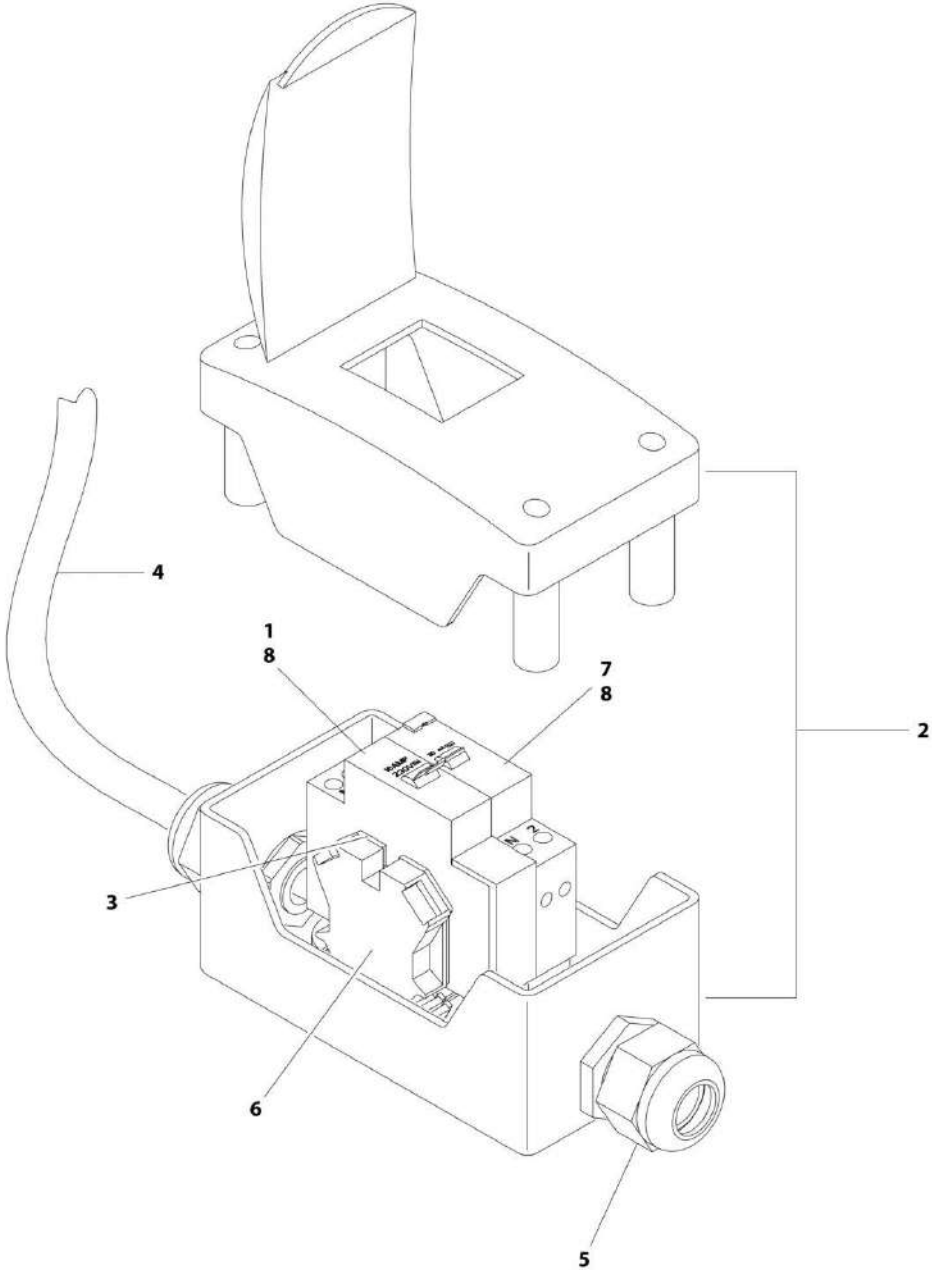
SECTION 8 - ELECTRICAL

FIGURE 8-13. BEACON HARNESS ASSEMBLY (OPTIONAL)

| ITEM | PART NUMBER | QTY | DESCRIPTION | REV |
|------|-------------|-----|------------------------------------|-----|
| | 4922739 | Ref | BEACON HARNESS ASSEMBLY (OPTIONAL) | B |
| 2 | 2400056 | 1 | Fuse - 5Amp | |
| 4 | 4460044 | 1 | Fuseholder | |
| 5 | 4460248 | 3 | Terminal | |
| 6 | 4460267 | 2 | Pin, Male | |
| 7 | 4460320 | 1 | Connector - 2 Position | |

SECTION 8 - ELECTRICAL

FIGURE 8-14. BREAKER BOX KIT (CE SPEC)



ART_2902549

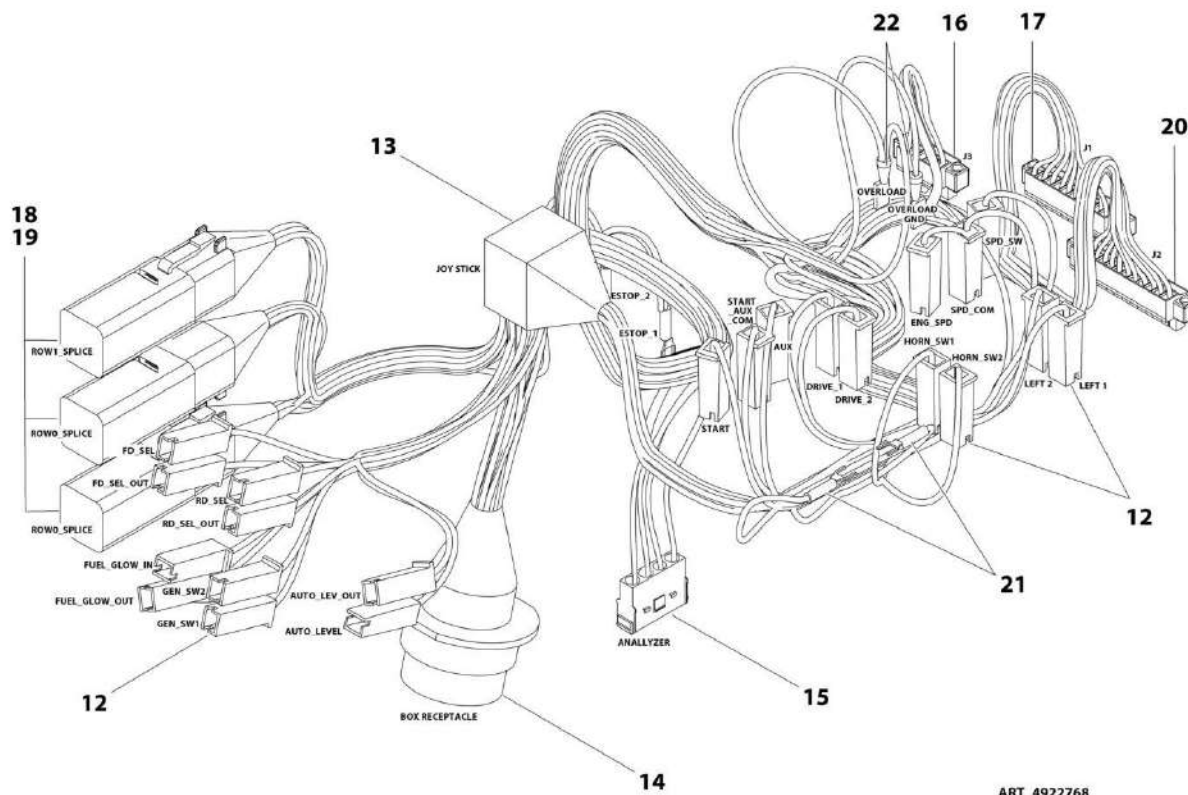
SECTION 8 - ELECTRICAL

FIGURE 8-14. BREAKER BOX KIT (CE SPEC)

| ITEM | PART NUMBER | QTY | DESCRIPTION | REV |
|------|-------------|----------------|---|-----|
| | 2902549 | Ref | BREAKER BOX KIT (CE SPEC) | E |
| 1 | 1001109475 | NLA | Breaker 16Amp (Use p/n 1001181045) (SN 0200239053 through 0200245688) | |
| 2 | 0861880 | 1 | Box, Breaker | |
| 3 | 4460956 | 1 | Barrier, Terminal | |
| 4 | 1060908 | 6 ft /1.83m | Cable, Electrical 12/3 | |
| 5 | 1001097150 | 2 | Connector, Strain Relief | |
| 6 | 4460957 | 1 | Block, Terminal | |
| 7 | 1001109482 | NLA | Breaker 30mAmp (Use p/n 1001181045) (SN 0200239053 through 0200246688) | |
| 8 | 1001181045 | 1 | Breaker 16Amp/30mAmp Combination (SN 0200246689 to Present) | |

SECTION 8 - ELECTRICAL

FIGURE 8-15. CONSOLE BOX HARNESS



SECTION 8 - ELECTRICAL

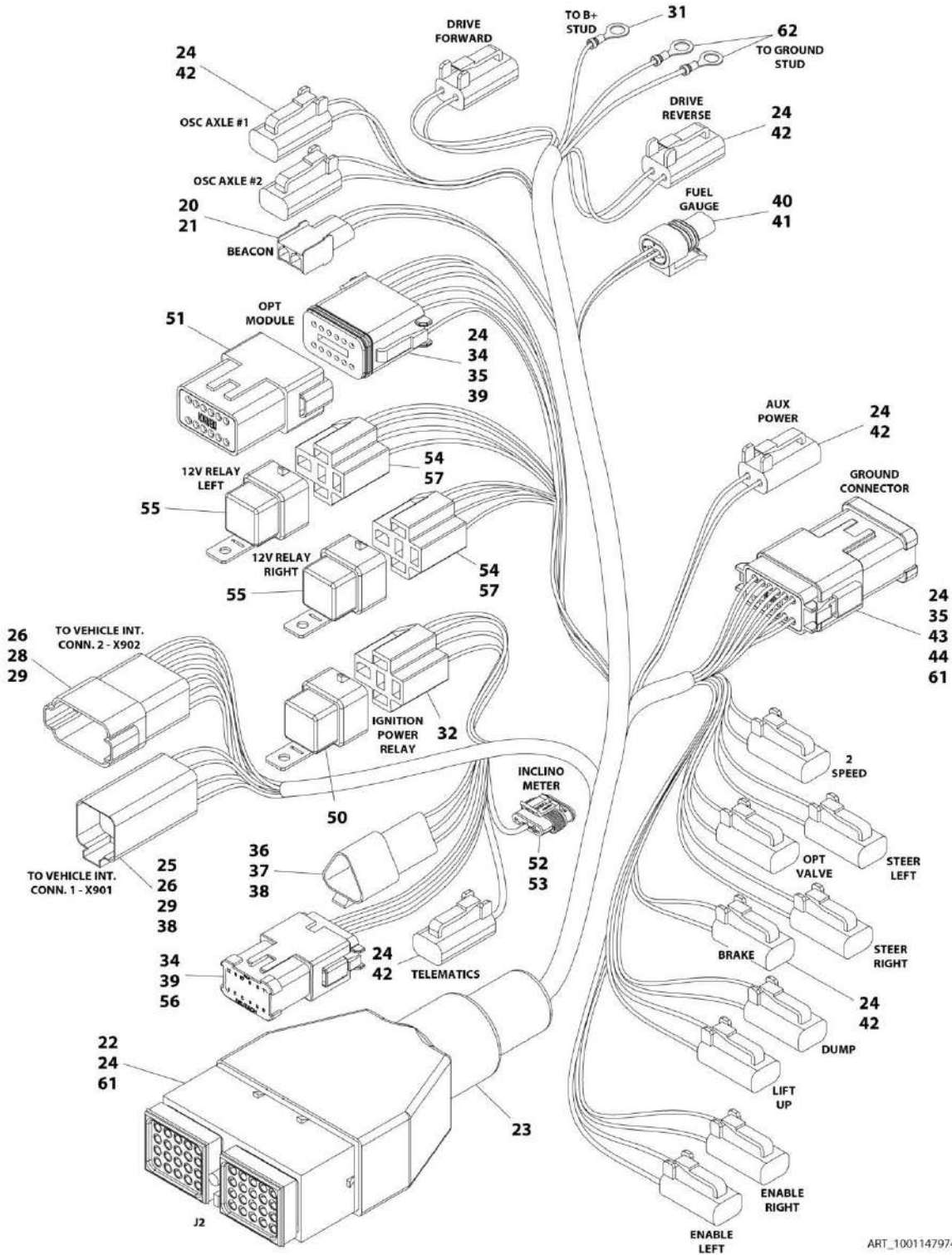
FIGURE 8-15. CONSOLE BOX HARNESS

| ITEM | PART NUMBER | QTY | DESCRIPTION | REV |
|------|-------------|-----|---------------------------------|-----|
| | 4922768 | Ref | CONSOLE BOX HARNESS | B |
| 12 | 4460260 | 22 | Terminal, Housing | |
| 12 | 4460259 | 22 | Terminal | |
| 13 | 4460266 | 1 | Connector - 9 Position | |
| 13 | 4460267 | 8 | Pin, Male | |
| 14 | 4460480 | 1 | Connector - 23 Position | |
| 14 | 4460465 | 21 | Socket, Female | |
| 15 | 4460761 | 1 | Connector - 4 Position | |
| 15 | 4460267 | 4 | Pin, Male | |
| 16 | 4460817 | 1 | Terminal, Male - 5 Position | |
| 17 | 4460818 | 1 | Terminal, Male - 10 Position | |
| 18 | 4460892 | 3 | Terminal, Buss Bar - 6 Position | |
| 18 | 4460894 | 3 | Connector - 6 Position | |
| 18 | 4460465 | 15 | Socket, Female | |
| 20 | 4460895 | 1 | Terminal, Male - 12 Position | |
| 21 | 4460183 | 4 | Terminal, Ring | |
| 22 | 4460016 | 2 | Terminal, Receptacle | |
| 26 | 4240032 | 57 | Tie-Strap (Not Shown) | |

SECTION 8 - ELECTRICAL

FIGURE 8-16. ENGINE AND VALVE HARNESS - DEUTZ ENGINE MACHINES

NOTE: SEE USAGE CHART ON PARTS LIST BEFORE ORDERING PARTS.



ART_1001147974

SECTION 8 - ELECTRICAL

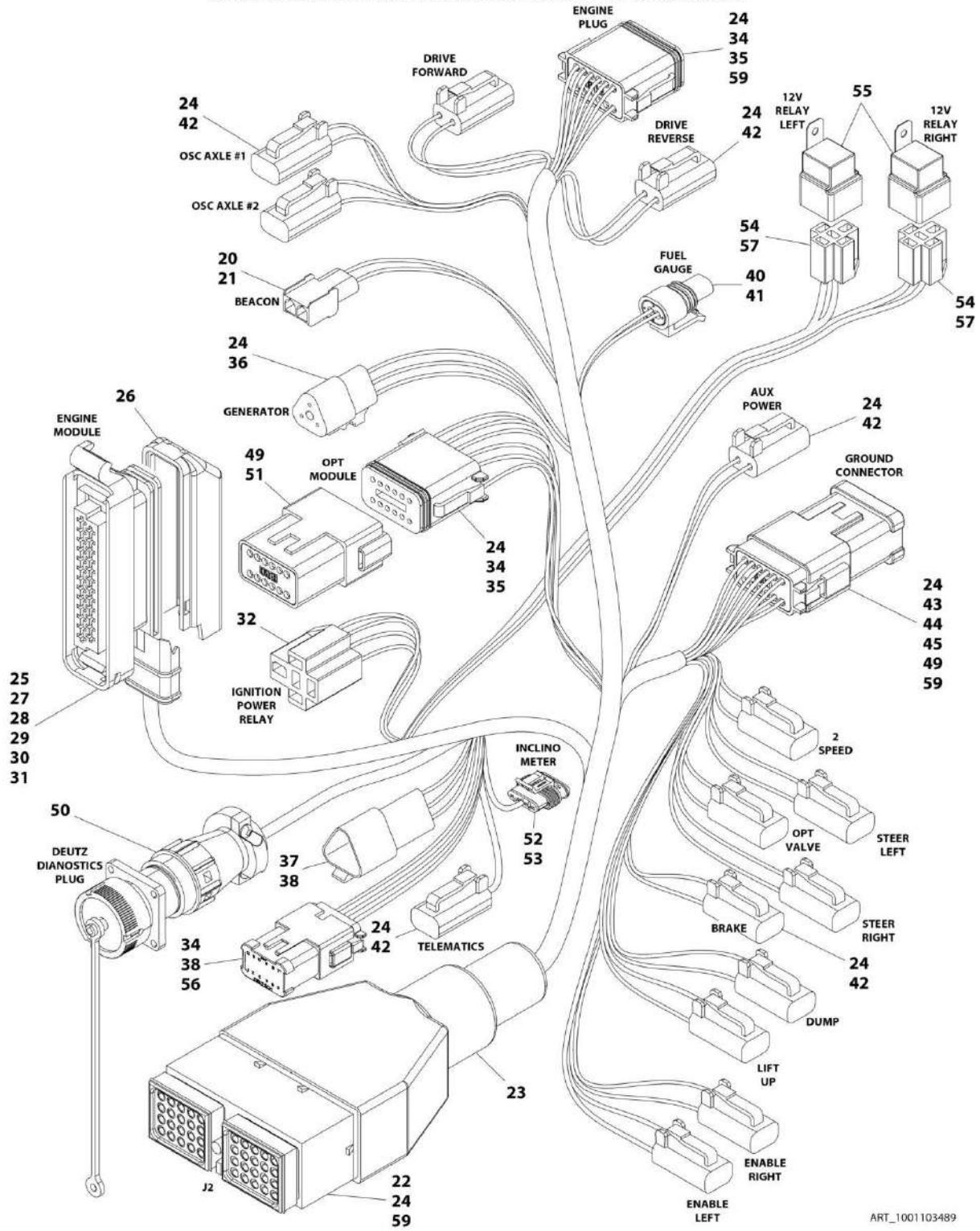
FIGURE 8-16. ENGINE AND VALVE HARNESS - DEUTZ ENGINE MACHINES

| ITEM | PART NUMBER | QTY | DESCRIPTION | REV |
|------|-------------|-----|---|-----|
| | | Ref | USAGE CHART: | |
| | | Ref | - Machines with Deutz D2011 Engines with Power Options Module ANSI Export and Australian Spec (SN 0200239053 through 0200241795) | |
| | | Ref | - Machines with Deutz D2011 Engines without Power Options Module CE Spec (SN 0200239053 through 0200241795) | |
| | | Ref | - Machines with Deutz D2011 Engines with Power Options Module CE Spec (SN 0200239053 through 0200241795) | |
| | | Ref | - Machines with Deutz D2011 Engines with Low Temperature Cutout (SN 0200239053 through 0200246032) | |
| | | Ref | - Machines with Deutz D2.9L4 Engines | |
| | 1001147974 | Ref | ENGINE AND VALVE HARNESS - DEUTZ ENGINE MACHINES | K |
| 20 | 4460424 | 1 | Connector, Female - 2 Position | |
| 21 | 4460268 | 2 | Socket, Female | |
| 22 | 4460814 | 1 | Connector - 40 Position | |
| 23 | 0840057 | 1 | Boot, Terminal | |
| 24 | 4460465 | AR | Socket, Female | |
| 25 | 4460899 | 1 | Connector, Male - 6 Position | |
| 26 | 4460464 | 7 | Pin, Male | |
| 28 | 4460931 | 1 | Connector, Male - 8 Position | |
| 29 | 4460466 | AR | Seal, Plug | |
| 31 | 4460670 | AR | Terminal, Eyelet | |
| 32 | 4460741 | 1 | Plug, Male Relay (SN 0200239053 through 0200240770) | |
| 32 | 4460374 | 1 | Plug, Male Relay (SN 0200240771 to Present) | |
| 32 | 4460420 | 4 | Terminal, Female (SN 0200239053 through 0200240770) | |
| 32 | 1001116732 | 2 | Terminal (SN 0200240771 to Present) | |
| 32 | 1001116734 | 2 | Terminal (SN 0200246392 to Present) | |
| 34 | 4460933 | AR | Connector - 12 Position | |
| 35 | 0840055 | 2 | Boot, Terminal | |
| 36 | 4460539 | 1 | Connector - 3 Position (SN 0200239053 through 0200240770) | |
| 37 | 4460536 | 1 | Connector - 3 Position (SN 0200239053 through 0200246391) | |
| 38 | 4460943 | AR | Pin, Male | |
| 39 | 4460944 | AR | Socket, Female (SN 0200240771 to Present) | |
| 40 | 4460955 | 1 | Connector - 2 Position | |
| 41 | 4460842 | 2 | Terminal, Female | |
| 42 | 4460891 | 15 | Connector - 2 Position | |
| 43 | 4460836 | 1 | Connector - 12 Position | |
| 44 | 4460837 | 1 | Connector, Buss Bar - 12 Position | |
| 47 | 4240032 | AR | Tie-Strap (Not Shown) | |
| 48 | 4240033 | AR | Tie-Strap (Not Shown) | |
| 50 | 3740049 | 1 | Relay (SN 0200239053 through 0200240770) | |
| 50 | 3740080 | 1 | Relay (SN 0200240771 to Present) | |
| 51 | 4460970 | 1 | Receptacle, Female | |
| 52 | 1001103012 | 1 | Connector - 4 Position (SN 0200246392 to Present) | |
| 53 | 1001107854 | 4 | Socket, Female (SN 0200246392 to Present) | |
| 54 | 4460375 | 8 | Terminal (SN 0200246392 to Present) | |
| 55 | 3740080 | 2 | Relay (SN 0200246392 to Present) | |
| 56 | 1001119020 | 1 | Connector, Buss Bar - 12 Position (SN 0200246392 to Present) | |
| 57 | 4460374 | 2 | Plug, Relay (SN 0200246392 to Present) | |
| 61 | 4460942 | 6 | Socket, Female (SN 0200254131 to Present) | |
| 62 | 4460738 | 2 | Terminal, Eyelet (SN 0200254131 to Present) | |

SECTION 8 - ELECTRICAL

FIGURE 8-17. ENGINE AND VALVE HARNESS - DEUTZ ENGINE MACHINES

NOTE: SEE USAGE CHART ON PARTS LIST BEFORE ORDERING PARTS.



SECTION 8 - ELECTRICAL

FIGURE 8-17. ENGINE AND VALVE HARNESS - DEUTZ ENGINE MACHINES

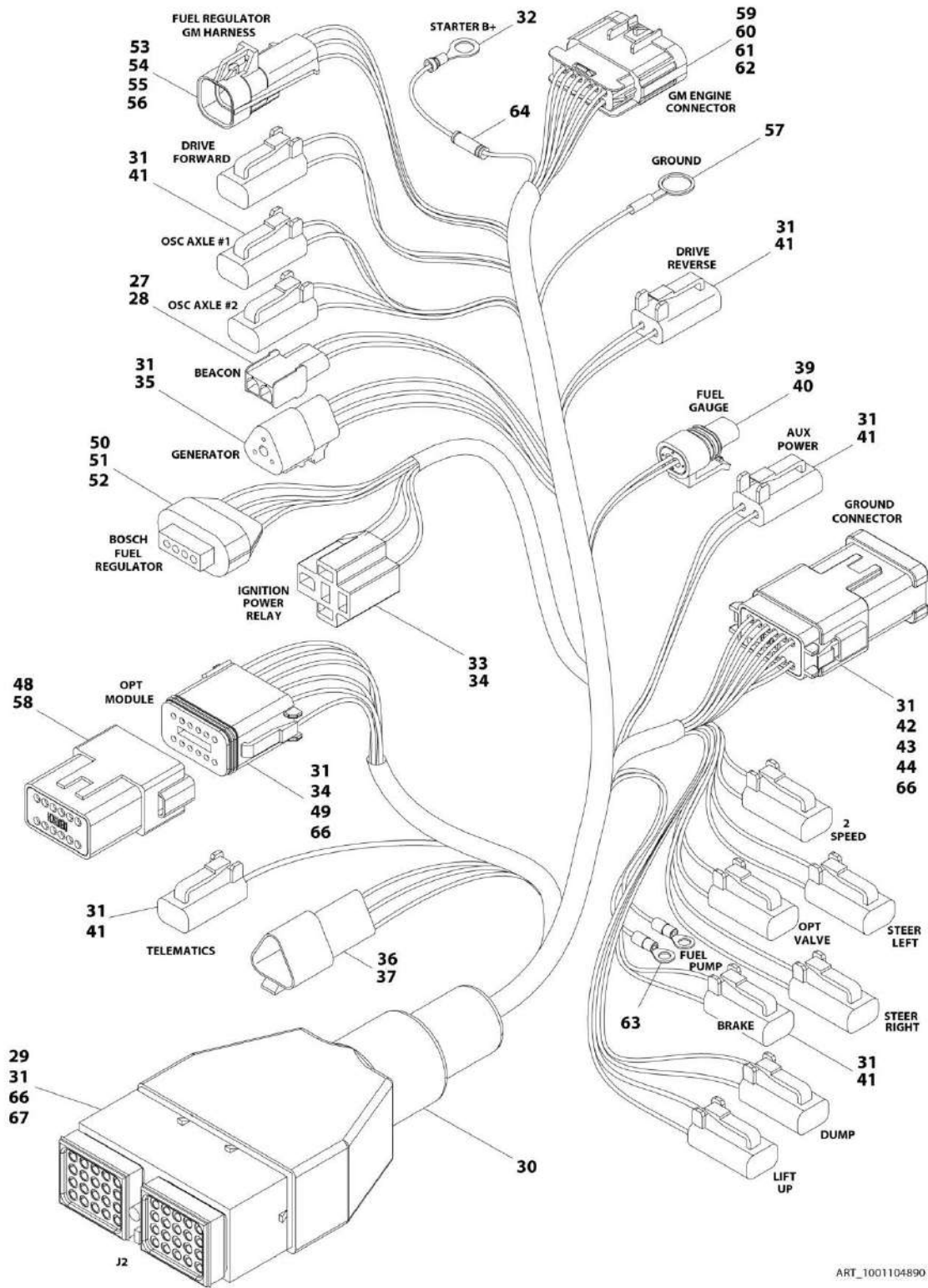
| ITEM | PART NUMBER | QTY | DESCRIPTION | REV |
|------|-------------|-----|---|-----|
| | | Ref | USAGE CHART: | |
| | | Ref | - Machines with Deutz D2011 Engines without Power Options Module ANSI Export and Australian Spec (SN 0200239053 to Present) | |
| | | Ref | - Machines with Deutz D2011 Engines with Power Options Module ANSI Export and Australian Spec (SN 0200241796 to Present) | |
| | | Ref | - Machines with Deutz D2011 Engines without Power Options Module CE Spec (SN 0200241796 to Present) | |
| | | Ref | - Machines with Deutz D2011 Engines with Power Options Module CE Spec (SN 0200241796 to Present) | |
| | | Ref | - Machines with Deutz D2011 Engines with Low Temperature Cutout (SN 0200246033 to Present) | |
| | 1001103489 | Ref | ENGINE AND VALVE HARNESS - DEUTZ ENGINE MACHINES | I |
| 20 | 4460424 | 1 | Connector, Female - 2 Position | |
| 21 | 4460268 | 2 | Socket, Female | |
| 22 | 4460814 | 1 | Connector - 40 Position | |
| 23 | 0840057 | 1 | Boot, Terminal | |
| 24 | 4460465 | AR | Socket, Female | |
| 25 | 4461052 | 1 | Connector - 25 Position | |
| 26 | 4461053 | 1 | Cover, Plug | |
| 27 | 4461005 | 5 | Terminal (Gold) | |
| 28 | 4461006 | 5 | Seal, Terminal | |
| 29 | 4461060 | 2 | Terminal (Tin) | |
| 30 | 4461054 | 2 | Seal, Terminal | |
| 31 | 4461008 | 18 | Plug, Hole | |
| 32 | 4460741 | 1 | Plug, Male Relay | |
| 32 | 4460420 | 4 | Terminal, Female | |
| 34 | 4460933 | 3 | Connector - 12 Position | |
| 35 | 0840055 | 2 | Boot, Terminal | |
| 36 | 4460539 | 1 | Connector - 3 Position | |
| 37 | 4460536 | 1 | Connector 3- Position (SN 0200239053 through 0200241795) | |
| 38 | 4460943 | AR | Pin, Male (SN 0200239053 through 0200254130) | |
| 38 | 4460944 | AR | Socket, Female (SN 0200254131 to Present) | |
| 40 | 4460955 | 1 | Connector - 2 Position | |
| 41 | 4460842 | 2 | Terminal, Female | |
| 42 | 4460891 | 15 | Connector - 2 Position | |
| 43 | 4460836 | 1 | Connector - 12 Position | |
| 44 | 4460837 | 1 | Connector, Buss Bar - 12 Position | |
| 45 | 0840055 | 1 | Boot, Terminal | |
| 47 | 4240032 | AR | Tie-Strap (Not Shown) | |
| 48 | 4240033 | AR | Tie-Strap (Not Shown) | |
| 49 | 4460466 | AR | Plug, Sealing | |
| 50 | 2902443 | 1 | Receptacle Kit | |
| 50 | 4461071 | 8 | Socket, Female | |
| 50 | 4461072 | 1 | Receptacle | |
| 50 | 4461073 | 1 | Cap, Dust | |
| 50 | 4461074 | 1 | Shell, Black | |
| 51 | 4460970 | 1 | Receptacle, Female | |
| 52 | 1001103012 | 1 | Connector - 4 Position (SN 0200241796 to Present) | |
| 53 | 1001107854 | 4 | Socket, Female (SN 0200241796 to Present) | |

SECTION 8 - ELECTRICAL

| ITEM | PART NUMBER | QTY | DESCRIPTION | REV |
|------|-------------|-----|--|-----|
| 54 | 4460375 | 8 | Terminal (SN 0200241796 to Present) | |
| 55 | 3740080 | 2 | Relay (SN 0200241796 to Present) | |
| 56 | 1001119020 | 1 | Connector, Buss Bar - 12 Position (SN 0200241796 to Present) | |
| 57 | 4460374 | 2 | Plug, Relay (SN 0200241796 to Present) | |
| 59 | 4460942 | 9 | Socket, Female (SN 0200254131 to Present) | |

SECTION 8 - ELECTRICAL

FIGURE 8-18. ENGINE AND VALVE HARNESS - GM ENGINE MACHINES



ART_1001104890

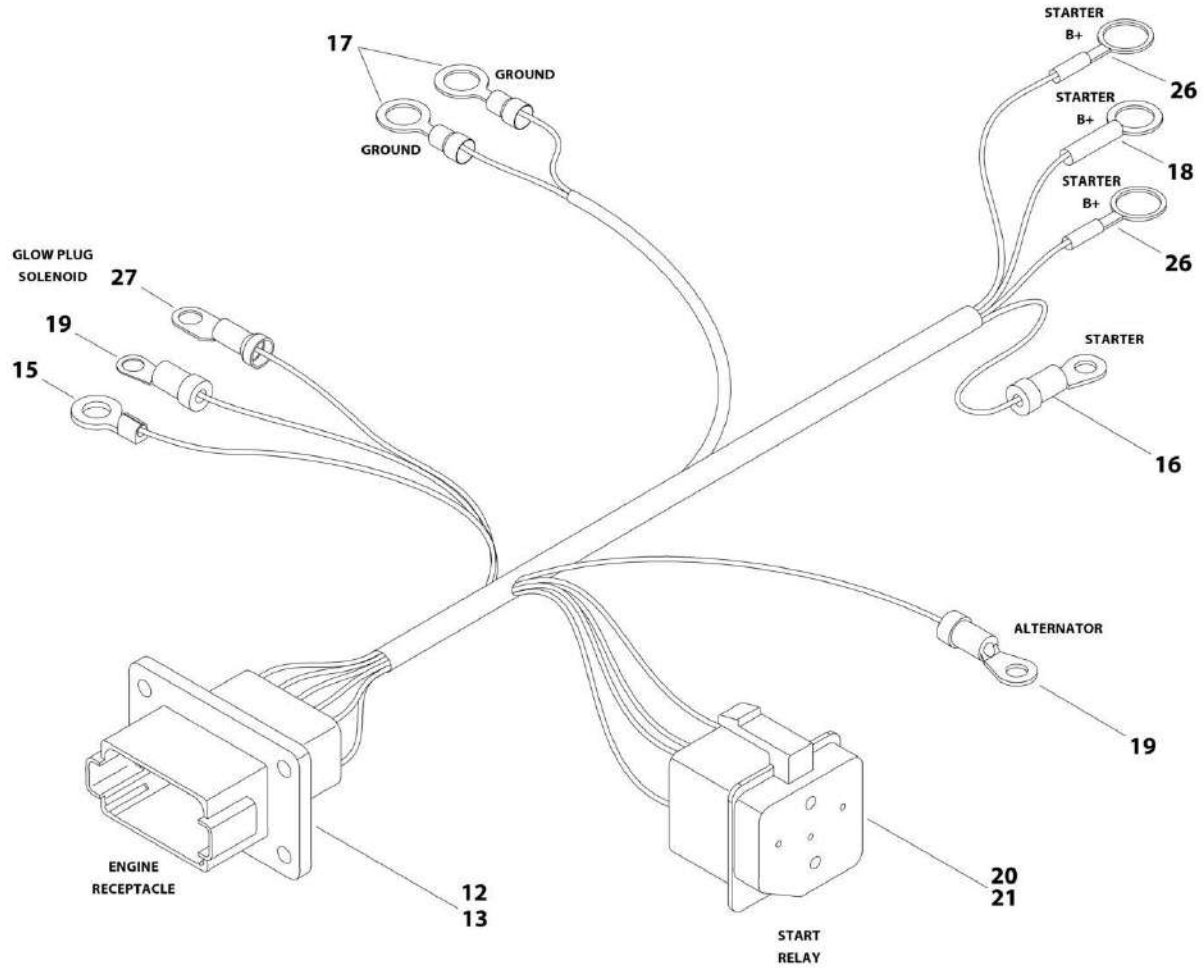
SECTION 8 - ELECTRICAL

FIGURE 8-18. ENGINE AND VALVE HARNESS - GM ENGINE MACHINES

| ITEM | PART NUMBER | QTY | DESCRIPTION | REV |
|------|-------------|-----|--|-----|
| | 1001104890 | Ref | ENGINE AND VALVE HARNESS - GM ENGINE MACHINES | G |
| 27 | 4460424 | 1 | Connector, Female - 2 Position | |
| 28 | 4460268 | 2 | Socket, Female | |
| 29 | 4460814 | 1 | Connector - 40 Position | |
| 30 | 0840057 | 1 | Boot, Terminal | |
| 31 | 4460465 | 69 | Socket, Female | |
| 32 | 4460738 | 1 | Terminal, Eyelet | |
| 33 | 4460374 | 1 | Plug, Male Relay | |
| 34 | 4460375 | 4 | Terminal, Female | |
| 35 | 4460539 | 1 | Plug, Male | |
| 36 | 4460536 | 1 | Connector 3- Position | |
| 37 | 4460943 | 3 | Pin, Male | |
| 39 | 4460955 | 1 | Connector - 2 Position | |
| 40 | 4460842 | 2 | Terminal, Female | |
| 41 | 4460891 | 13 | Connector - 2 Position | |
| 42 | 4460836 | 1 | Connector - 12 Position | |
| 43 | 4460837 | 1 | Connector, Buss Bar - 12 Position | |
| 44 | 0840055 | 2 | Boot, Terminal | |
| 46 | 4240032 | AR | Tie-Strap (Not Shown) | |
| 47 | 4240033 | AR | Tie-Strap (Not Shown) | |
| 48 | 4460466 | 12 | Plug, Sealing | |
| 49 | 4460933 | 1 | Connector - 12 Position | |
| 50 | 4461121 | 1 | Connector, Male 4 - Position | |
| 51 | 4461122 | 4 | Terminal, Female (SN 0200239053 through 0200250623) | |
| 51 | 1001126484 | 4 | Terminal, Female (SN 0200250624 to Present) | |
| 52 | 4461123 | 4 | Seal (SN 0200239053 through 0200250263) | |
| 52 | 1001126485 | 4 | Seal (SN 0200250264 to Present) | |
| 53 | 4461124 | 1 | Connector, Male 4 - Position | |
| 54 | 4460693 | 4 | Terminal, Male | |
| 55 | 4460608 | 4 | Seal | |
| 56 | 4461161 | 1 | Terminal, Lock | |
| 57 | 4460019 | 1 | Terminal, Eyelet | |
| 58 | 4460970 | 1 | Receptacle, Female | |
| 59 | 4461109 | 1 | Connector - 16 Position | |
| 60 | 4461111 | 7 | Pin, Male | |
| 61 | 4461113 | 7 | Seal, Terminal | |
| 62 | 4461222 | 9 | Terminal, Cavity Plug | |
| 63 | 4460313 | 2 | Terminal, Eyelet | |
| 64 | 4460474 | 1 | Terminal, Butt | |
| 66 | 4460942 | 6 | Socket, Female (SN 0200254131 to Present) | |
| 67 | 4460944 | 6 | Socket, Female (SN 0200254131 to Present) | |

SECTION 8 - ELECTRICAL

FIGURE 8-19. ENGINE HARNESS - DEUTZ D2011 ENGINE



ART_4923386

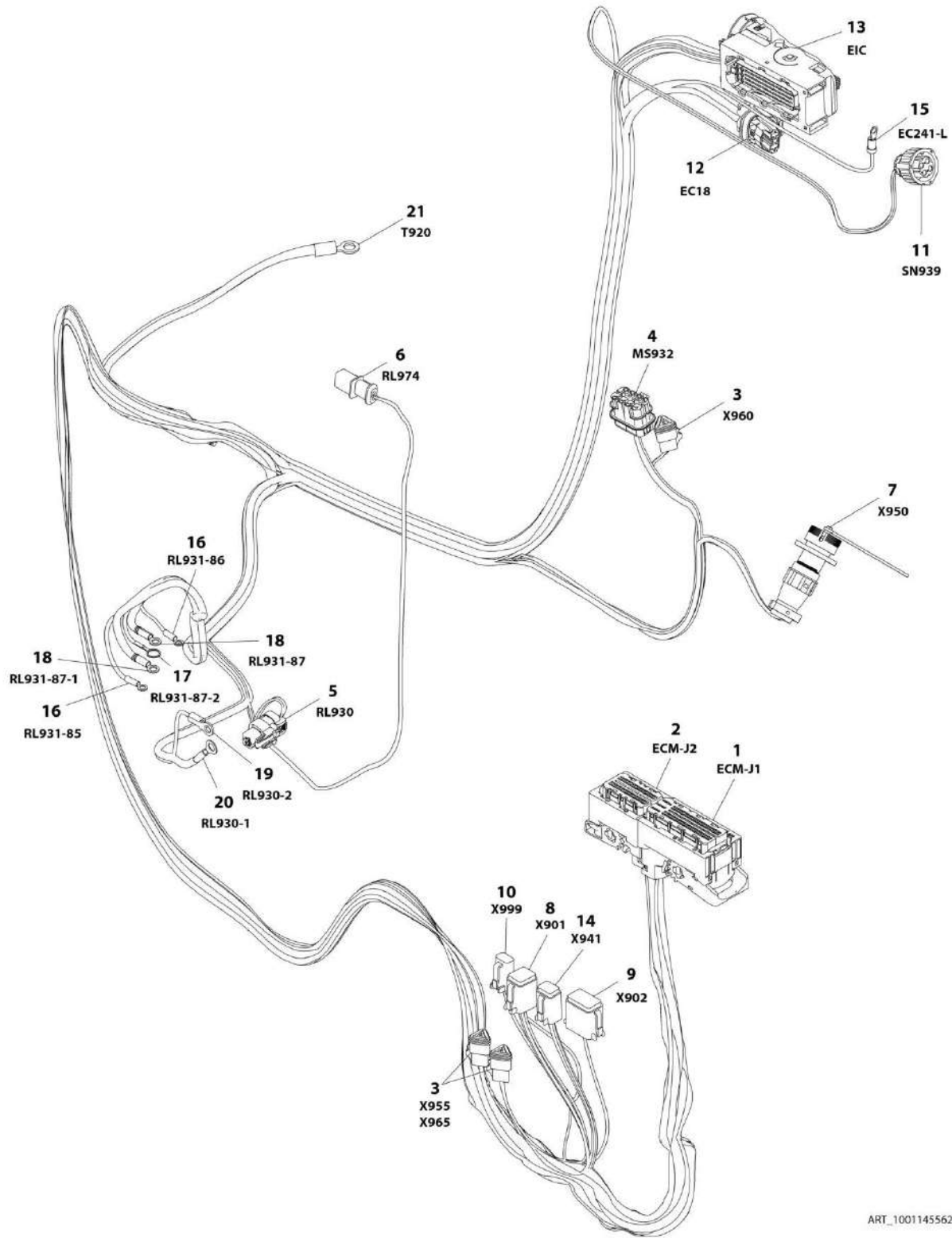
SECTION 8 - ELECTRICAL

FIGURE 8-19. ENGINE HARNESS - DEUTZ D2011 ENGINE

| ITEM | PART NUMBER | QTY | DESCRIPTION | REV |
|------|-------------|-----|-------------------------------------|-----|
| | 4923386 | Ref | ENGINE HARNESS - DEUTZ D2011 ENGINE | A |
| 12 | 4460939 | 1 | Connector - 12 Position | |
| 13 | 4460464 | 10 | Pin, Male | |
| 15 | 4460312 | 1 | Terminal, Ring | |
| 16 | 4460142 | 1 | Terminal, Ring | |
| 17 | 4460981 | 2 | Terminal, Ring | |
| 18 | 4460256 | 1 | Terminal, Ring | |
| 19 | 4460042 | 2 | Terminal, Ring | |
| 20 | 4460374 | 1 | Plug, Male Relay | |
| 21 | 4460375 | 4 | Terminal, Female | |
| 23 | 4240032 | AR | Tie-Strap (Not Shown) | |
| 24 | 4240033 | AR | Tie-Strap (Not Shown) | |
| 26 | 4460019 | 2 | Terminal, Ring | |
| 27 | 4461097 | 1 | Terminal, Ring | |

SECTION 8 - ELECTRICAL

FIGURE 8-20. ENGINE HARNESS - DEUTZ D2.9L4 ENGINE



ART_1001145562

SECTION 8 - ELECTRICAL

FIGURE 8-20. ENGINE HARNESS - DEUTZ D2.9L4 ENGINE

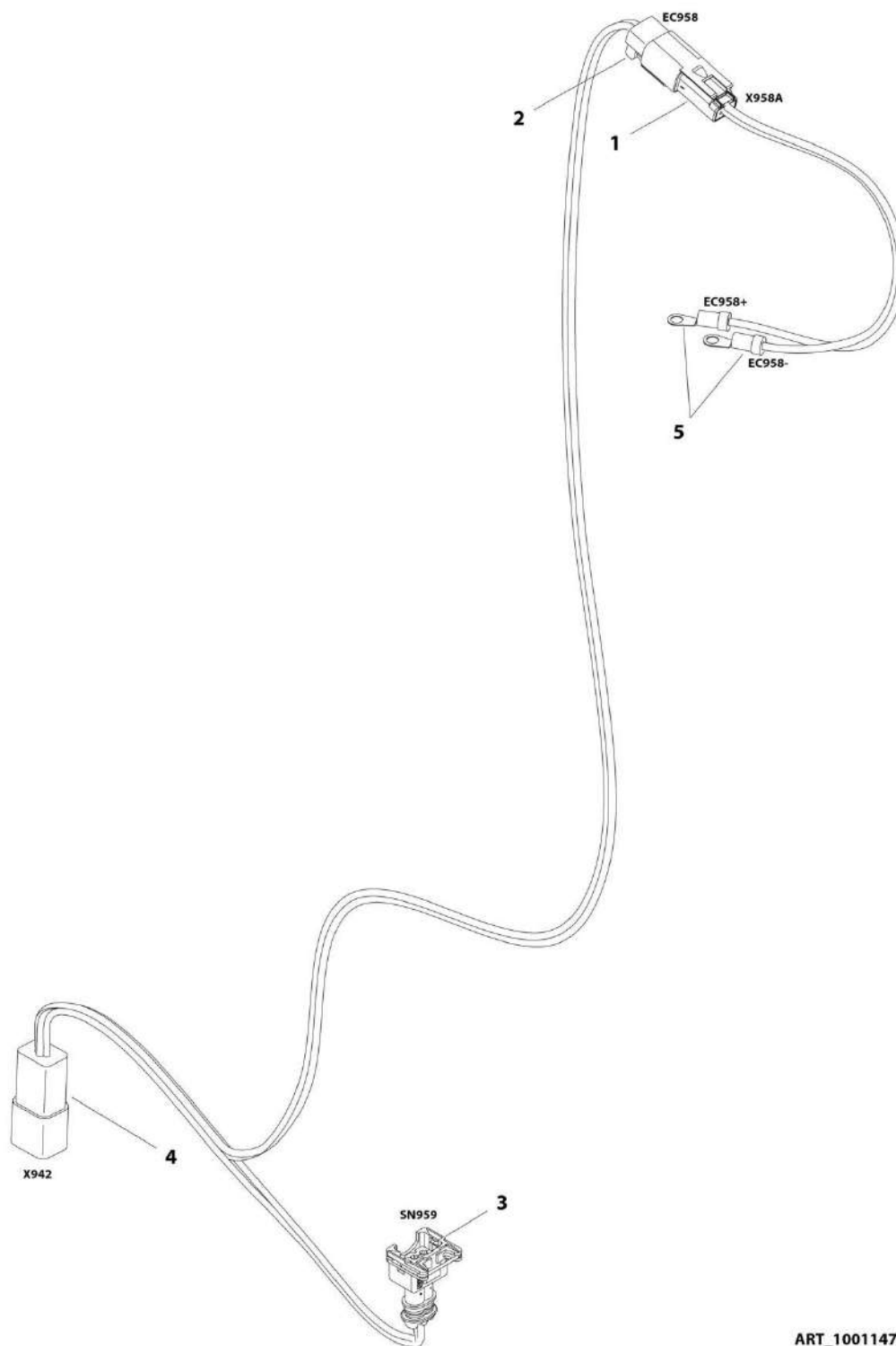
| ITEM | PART NUMBER | QTY | DESCRIPTION | REV |
|------|-------------|-----|---|-----|
| | 1001145562 | Ref | ENGINE HARNESS - DEUTZ D2.9L4 ENGINE | G |
| 1 | 1001133956 | 1 | Connector (Includes Cover, Locks & Retention Plate) | |
| 1 | 1001126352 | 6 | Terminal | |
| 1 | 1001126353 | 6 | Seal, Terminal | |
| 1 | 1001126384 | 21 | Terminal | |
| 1 | 1001126351 | 2 | Terminal | |
| 1 | 1001126356 | 63 | Plug, Seal | |
| 1 | 1001126357 | 2 | Plug, Seal | |
| 2 | 1001133957 | 1 | Connector (Includes Cover, Locks & Retention Plate) | |
| 2 | 1001126384 | 17 | Terminal | |
| 2 | 1001126351 | 13 | Terminal | |
| 2 | 1001126356 | 19 | Plug, Seal | |
| 2 | 1001126357 | 11 | Plug, Seal | |
| 3 | 4461070 | 3 | Receptacle, Female With Resistor (3 Position) | |
| 3 | 4461095 | 3 | Plug, Male - 3 Position | |
| 3 | 4460944 | 6 | Socket, Female | |
| 3 | 4460466 | 3 | Seal, Plug | |
| 4 | 80484084 | 1 | Receptacle, Female - 8 Position | |
| 4 | 8229242 | 1 | Fuse - 5A | |
| 4 | 80983191 | 1 | Fuse - 10A | |
| 4 | 1001147264 | 1 | Cap | |
| 4 | 1001116727 | 4 | Plug | |
| 4 | 1001116728 | 4 | Terminal | |
| 4 | 4460458 | 4 | Seal | |
| 5 | 1001116952 | 1 | Plug, Male - 2 Position | |
| 5 | 4460465 | 2 | Socket, Female | |
| 6 | 1001138110 | 1 | Plug, Male - 2 Position | |
| 6 | 1001138111 | 2 | Socket, Female | |
| 6 | 1001138113 | 2 | Seal | |
| 7 | 2902443 | 1 | Kit, Receptacle | |
| 7 | 4461071 | 8 | Terminal, Female (Gold) | |
| 7 | 4461072 | 1 | Connector, Flange Mount | |
| 7 | 4461073 | 1 | Connector, Dust Cap | |
| 7 | 4461074 | 1 | Connector, Shell | |
| 8 | 4460894 | 1 | Plug, Male - 6 Position | |
| 8 | 4460465 | 3 | Socket, Female | |
| 8 | 4460944 | 2 | Socket, Female | |
| 8 | 4460466 | 1 | Seal, Plug | |
| 9 | 4460930 | 1 | Plug, Male - 8 Position | |
| 9 | 4460465 | 1 | Socket, Female | |
| 9 | 4460466 | 7 | Seal, Plug | |
| 10 | 4460897 | 1 | Receptacle, Female - 2 Position | |
| 10 | 4460464 | 2 | Pin, Male | |
| 10 | See Note | 1 | Resistor - 1.5K Ohm (Note: Not Available at Time of Printing) | |
| 10 | 4460891 | 1 | Plug, Male - 2 Position | |
| 10 | 4460465 | 2 | Socket, Female | |
| 11 | 1001133714 | 1 | Plug, Male - 4 Position | |
| 11 | 1001133715 | 3 | Terminal, Female | |
| 11 | 1001135650 | 3 | Seal | |
| 11 | 1001135651 | 2 | Cavity, Plug | |

SECTION 8 - ELECTRICAL

| ITEM | PART NUMBER | QTY | DESCRIPTION | REV |
|------|-------------|-----|---|-----|
| 12 | 1001142938 | 1 | Plug, Male - 2 Position | |
| 12 | 1001142940 | 2 | Terminal, Female | |
| 12 | 1001142941 | 2 | Seal | |
| 13 | 1001126362 | 1 | Receptacle, Female - 62 Position | |
| 13 | 1001126363 | 33 | Terminal | |
| 13 | 1001126364 | 33 | Seal | |
| 13 | 1001126391 | 23 | Plug | |
| 13 | 4461008 | 4 | Plug, Cavity | |
| 13 | 1001126365 | 2 | Terminal | |
| 13 | 4461054 | 2 | Seal | |
| 13 | 1001151856 | 1 | Elbow, Conduit (Not Shown) | |
| 14 | 4460884 | 1 | Plug, Male - 4 Position (SN 0200239053 through 0200260368) | |
| 14 | 1001220379 | 1 | Plug, Male - 4 Position (SN 0200260369 to Present) | |
| 14 | 4460465 | 2 | Socket, Female | |
| 14 | 4460942 | 2 | Socket, Female | |
| 14 | 4460932 | 1 | Receptacle, Female - 4 Position (Not Shown) | |
| 14 | 4460466 | 4 | Plug, Terminal (Not Shown) | |
| 15 | 4460042 | 1 | Terminal, Ring | |
| 16 | 4460247 | 2 | Terminal, Ring | |
| 17 | 4460703 | 1 | Terminal, Ring | |
| 18 | 1001117107 | 2 | Terminal, Ring | |
| 19 | 1001117106 | 1 | Terminal, Ring | |
| 20 | 4460043 | 1 | Terminal, Ring | |
| 21 | 8220115 | 1 | Terminal, Ring | |

SECTION 8 - ELECTRICAL

FIGURE 8-21. FUEL HARNESS - DEUTZ D2.9L4 ENGINE



ART_1001147434

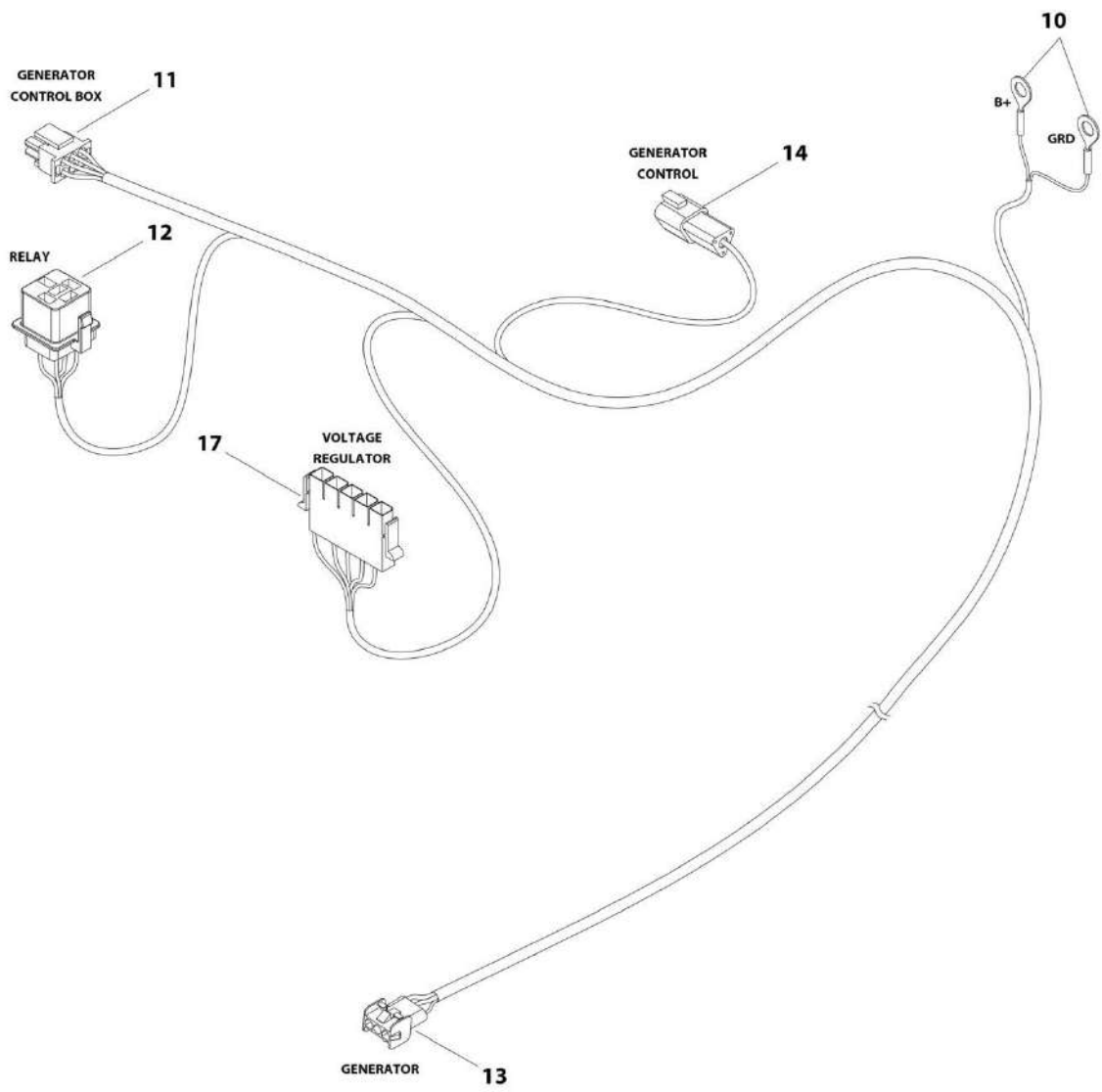
SECTION 8 - ELECTRICAL

FIGURE 8-21. FUEL HARNESS - DEUTZ D2.9L4 ENGINE

| ITEM | PART NUMBER | QTY | DESCRIPTION | REV |
|------|-------------|-----|------------------------------------|-----|
| | 1001147434 | Ref | FUEL HARNESS - DEUTZ D2.9L4 ENGINE | C |
| 1 | 4460897 | 1 | Receptacle, Female - 2 Position | |
| 1 | 4460941 | 2 | Pin, Male | |
| 2 | 4460891 | 1 | Plug, Male - 2 Position | |
| 2 | 4460942 | 2 | Socket, Female | |
| 3 | 1001116983 | 1 | Receptacle, Female - 2 Position | |
| 3 | 1001116710 | 2 | Terminal | |
| 4 | 4460932 | 1 | Receptacle, Female - 4 Position | |
| 4 | 4460941 | 2 | Pin, Male | |
| 4 | 4460464 | 2 | Pin, Male | |
| 5 | 4460042 | 2 | Terminal, Ring | |

SECTION 8 - ELECTRICAL

FIGURE 8-22. GENERATOR HARNESS - DEUTZ D2011 & GM ENGINES



ART_4922800

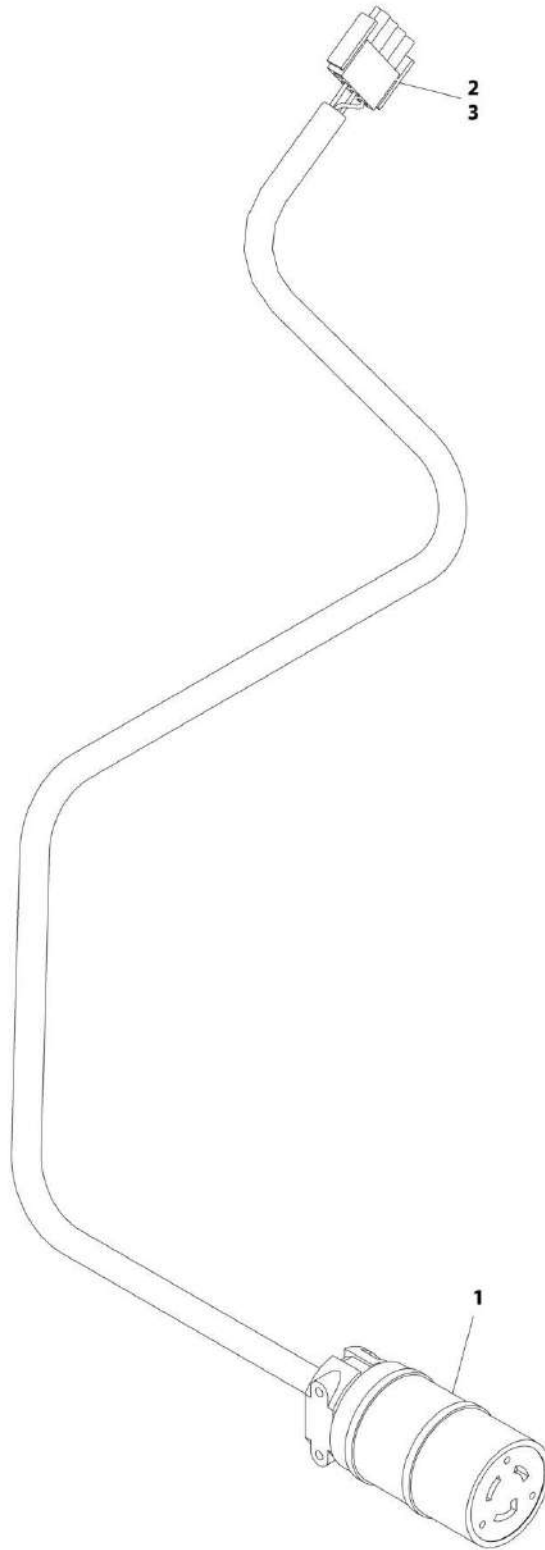
SECTION 8 - ELECTRICAL

FIGURE 8-22. GENERATOR HARNESS - DEUTZ D2011 & GM ENGINES

| ITEM | PART NUMBER | QTY | DESCRIPTION | REV |
|------|-------------|-----|--|-----|
| | 4922800 | Ref | GENERATOR HARNESS - DEUTZ D2011 & GM ENGINES | C |
| 10 | 4460019 | 2 | Terminal, Ring | |
| 11 | 4460225 | 1 | Connector - 6 Position | |
| 11 | 4460267 | 1 | Pin, Male | |
| 11 | 4460906 | 2 | Socket, Female | |
| 12 | 4460374 | 1 | Plug, Relay | |
| 12 | 4460375 | 4 | Terminal | |
| 13 | 4460445 | 1 | Connector - 3 Position | |
| 13 | 4460906 | 3 | Socket, Female | |
| 14 | 4460536 | 1 | Connector - 3 Position | |
| 14 | 4460464 | 2 | Pin, Male | |
| 17 | 4460972 | 1 | Connector - 5 Position | |
| 17 | 4460974 | 4 | Terminal | |
| 17 | 4460973 | 1 | Terminal | |

SECTION 8 - ELECTRICAL

FIGURE 8-23. GENERATOR AC CABLE - DEUTZ D2.9L4 ENGINES - 2500W



ART_1001183913

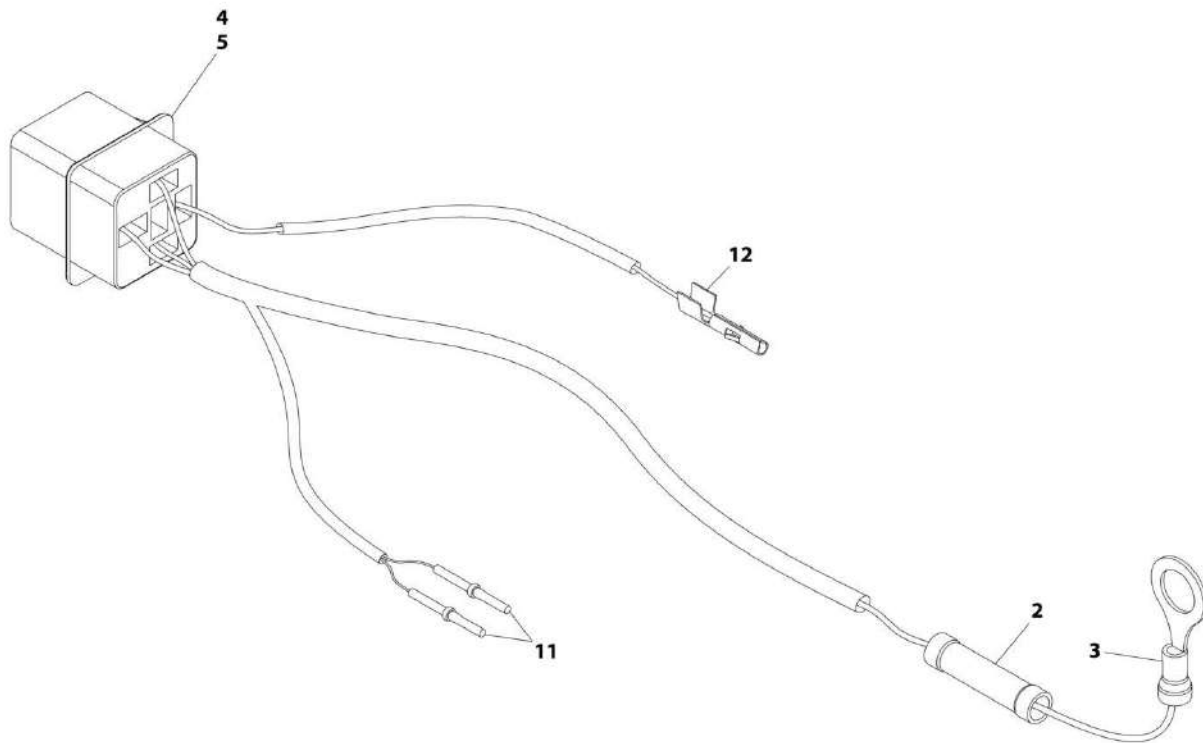
SECTION 8 - ELECTRICAL

FIGURE 8-23. GENERATOR AC CABLE - DEUTZ D2.9L4 ENGINES - 2500W

| ITEM | PART NUMBER | QTY | DESCRIPTION | REV |
|------|-------------|-----|---|-----|
| | 1001183913 | Ref | GENERATOR AC CABLE - DEUTZ D2.9L4 ENGINES - 2500W | A |
| 1 | 4460134 | 1 | Connector, Female | |
| 2 | 4460321 | 1 | Plug, Male - 4 Position | |
| 3 | 4460906 | 3 | Socket, Female | |

SECTION 8 - ELECTRICAL

FIGURE 8-24. GENERATOR HARNESS - DEUTZ D2.9L4 ENGINES - 2500W



ART_1001183914

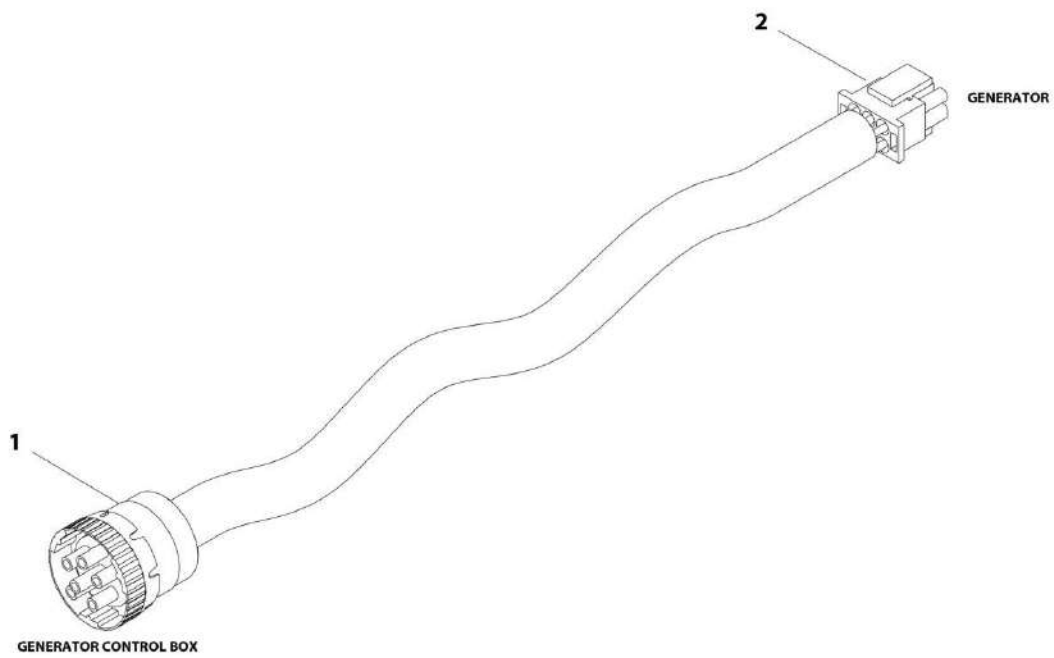
SECTION 8 - ELECTRICAL

FIGURE 8-24. GENERATOR HARNESS - DEUTZ D2.9L4 ENGINES - 2500W

| ITEM | PART NUMBER | QTY | DESCRIPTION | REV |
|------|-------------|-----|--|-----|
| | 1001183914 | Ref | GENERATOR HARNESS - DEUTZ D2.9L4 ENGINES - 2500W | A |
| 2 | 4460474 | 1 | Terminal, Connector | |
| 3 | 4460670 | 1 | Terminal, Ring | |
| 4 | 4460374 | 1 | Terminal, Plug | |
| 5 | 4460375 | 4 | Terminal | |
| 11 | 4460465 | 2 | Socket, Female | |
| 12 | 4460906 | 1 | Socket, Female | |

SECTION 8 - ELECTRICAL

FIGURE 8-25. GENERATOR TO CONTROL BOX HARNESS - DEUTZ D2.9L4 ENGINES - 7500W



ART_4922925

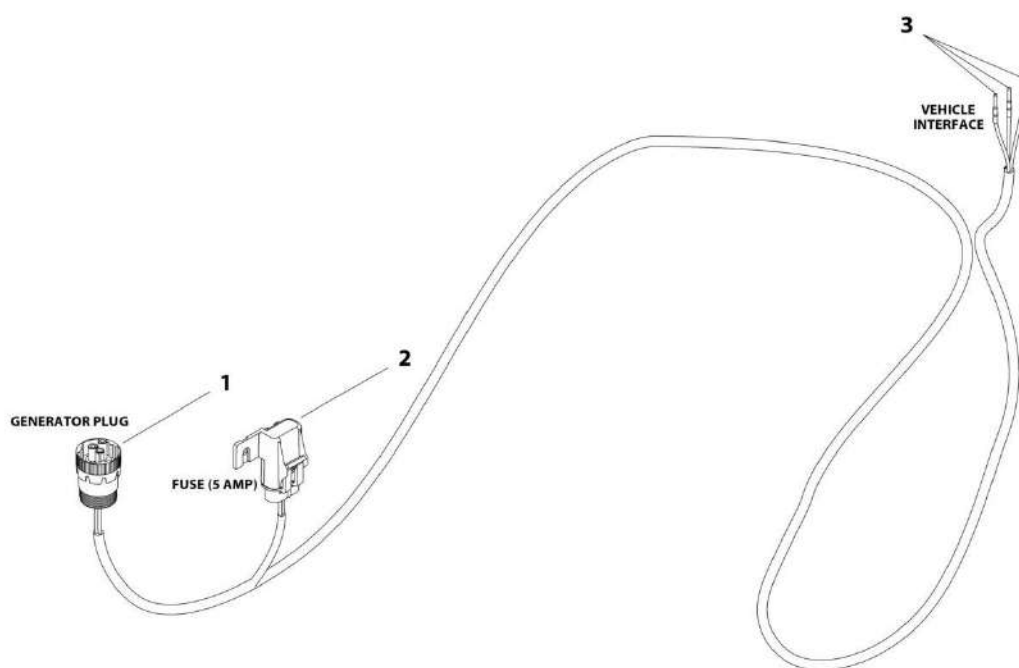
SECTION 8 - ELECTRICAL

FIGURE 8-25. GENERATOR TO CONTROL BOX HARNESS - DEUTZ D2.9L4 ENGINES - 7500W

| ITEM | PART NUMBER | QTY | DESCRIPTION | REV |
|------|-------------|-----|---|-----|
| | 4922925 | Ref | GENERATOR TO CONTROL BOX HARNESS - DEUTZ D2.9L4 ENGINES - 7500W | C |
| 1 | 77363233 | 1 | Plug, Male - 6 Position | |
| 1 | 4460465 | 6 | Socket, Female | |
| 2 | 4460225 | 1 | Plug, Male - 6 Position | |
| 2 | 4460226 | 6 | Socket, Female | |

SECTION 8 - ELECTRICAL

FIGURE 8-26. GENERATOR TO VEHICLE INTERFACE HARNESS - DEUTZ D2.9L4 ENGINES - 7500W



ART_1001148424

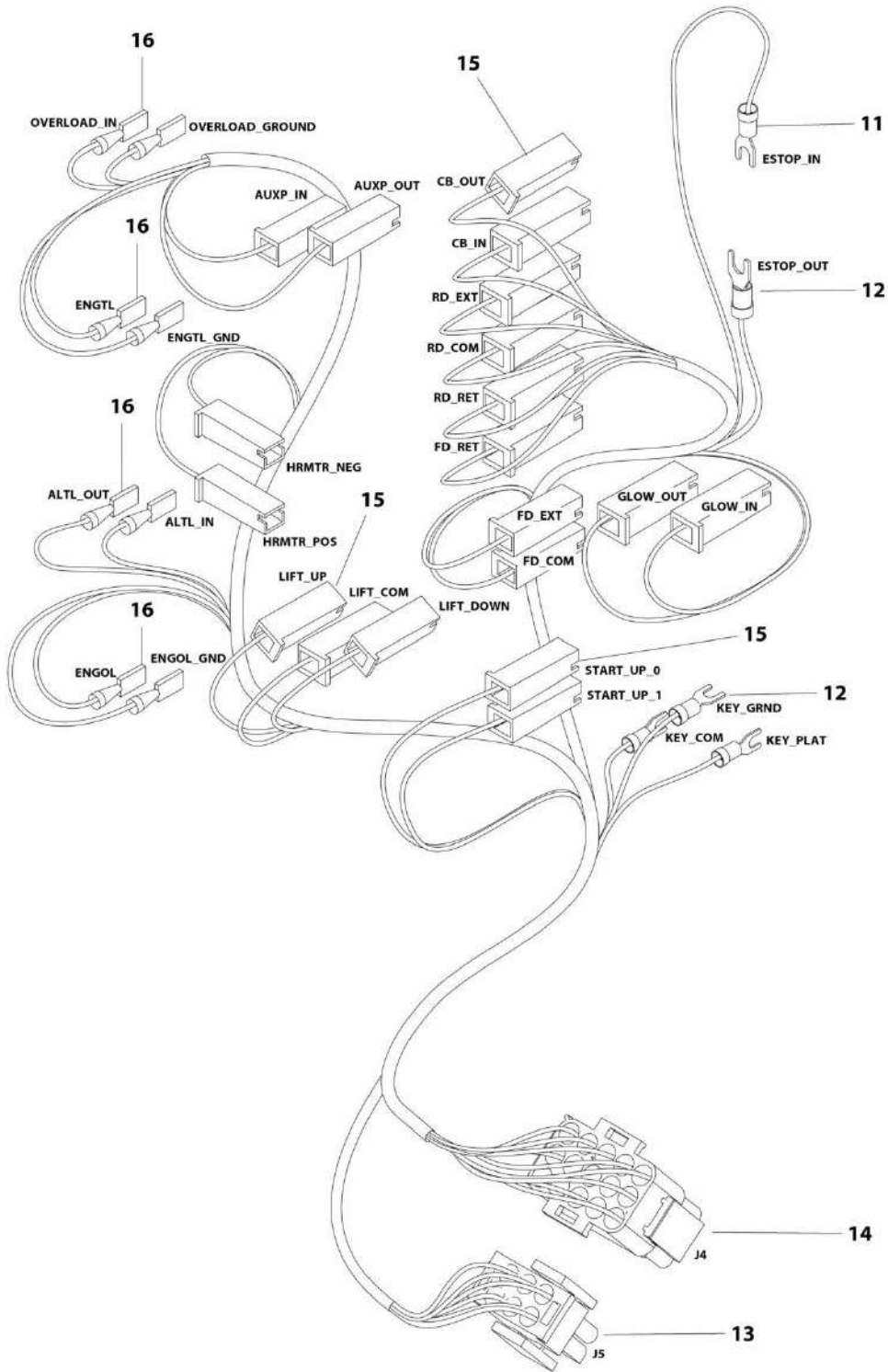
SECTION 8 - ELECTRICAL

FIGURE 8-26. GENERATOR TO VEHICLE INTERFACE HARNESS - DEUTZ D2.9L4 ENGINES - 7500W

| ITEM | PART NUMBER | QTY | DESCRIPTION | REV |
|------|-------------|-----|--|-----|
| | 1001148424 | Ref | GENERATOR TO VEHICLE INTERFACE HARNESS - DEUTZ D2.9L4 ENGINES - 7500W | A |
| 1 | 4460967 | 1 | Plug, Male - 3 Position | |
| 1 | 4460465 | 3 | Socket, Female | |
| 2 | 1001117078 | 1 | Fuseholder (Includes Fuse and Cap) | |
| 2 | See Note | NSS | Fuse 5Amp ATO (Note: Purchase Locally) | |
| 3 | 4460465 | 3 | Socket, Female | |

SECTION 8 - ELECTRICAL

FIGURE 8-27. GROUND CONTROL BOX HARNESS



ART_4922667

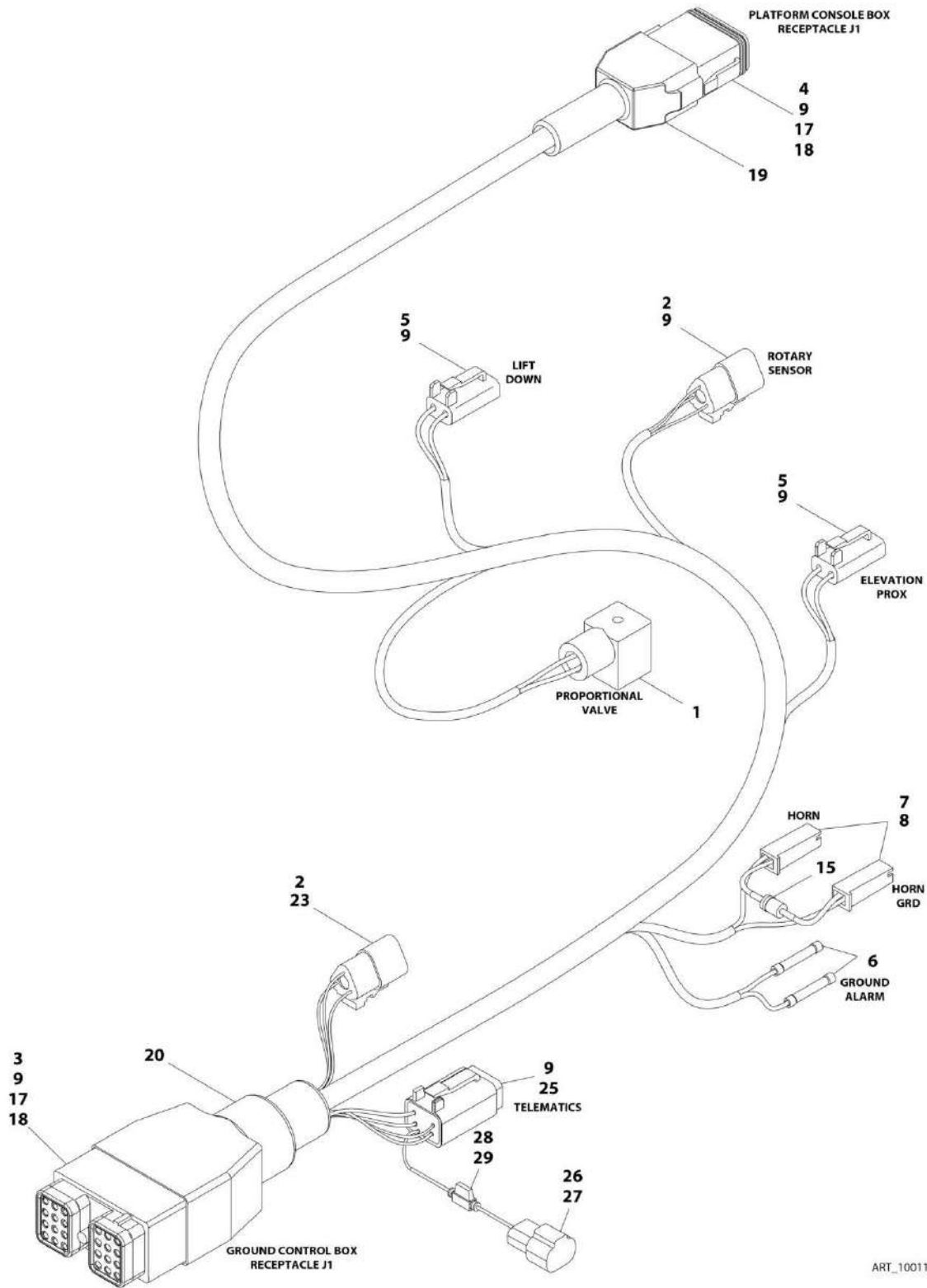
SECTION 8 - ELECTRICAL

FIGURE 8-27. GROUND CONTROL BOX HARNESS

| ITEM | PART NUMBER | QTY | DESCRIPTION | REV |
|------|-------------|-----|----------------------------|-----|
| | 4922667 | Ref | GROUND CONTROL BOX HARNESS | B |
| 11 | 4460115 | 1 | Terminal, Fork | |
| 12 | 4460183 | 4 | Terminal, Fork | |
| 13 | 4460225 | 1 | Connector - 6 Position | |
| 13 | 4460268 | 5 | Socket, Female | |
| 14 | 4460434 | 1 | Connector - 15 Position | |
| 14 | 4460268 | 15 | Socket, Female | |
| 15 | 4460260 | 19 | Terminal, Housing | |
| 15 | 4460259 | 19 | Terminal | |
| 16 | 4460016 | 1 | Terminal, Receptacle | |

SECTION 8 - ELECTRICAL

FIGURE 8-28. GROUND TO PLATFORM MODULE HARNESS - 3394RT



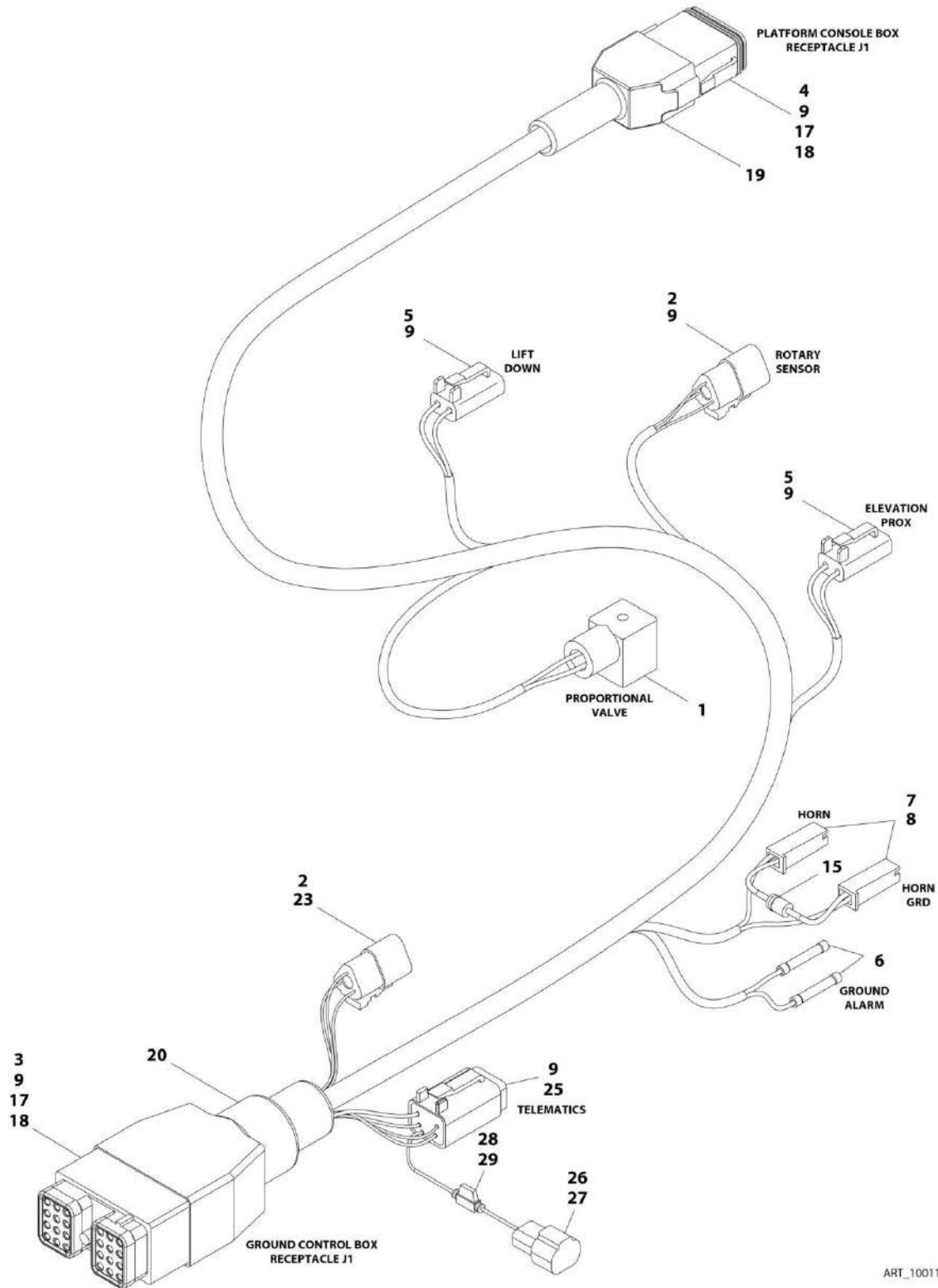
SECTION 8 - ELECTRICAL

FIGURE 8-28. GROUND TO PLATFORM MODULE HARNESS - 3394RT

| ITEM | PART NUMBER | QTY | DESCRIPTION | REV |
|------|-------------|-----|--|-----|
| | 1001103834 | Ref | GROUND TO PLATFORM MODULE HARNESS - 3394RT | B |
| 1 | 4460499 | 1 | DIN Connector with Diode | |
| 2 | 4460539 | 2 | Connector - 3 Position | |
| 3 | 4460812 | 1 | Connector - 24 Position | |
| 4 | 4460933 | 1 | Connector - 12 Position | |
| 5 | 4460891 | 2 | Connector - 2 Position | |
| 6 | 4460248 | 2 | Terminal | |
| 7 | 4460259 | 2 | Terminal, Positive Lock | |
| 8 | 4460260 | 2 | Terminal, Housing | |
| 9 | 4460465 | 42 | Socket, Female | |
| 14 | 4240033 | AR | Strap, Tie (Not Shown) | |
| 15 | 3990010 | 1 | Diode 6Amp | |
| 17 | 4460121 | 2 | Cap, Wire | |
| 18 | 4460466 | 5 | Plug, Sealing | |
| 19 | 0840055 | 1 | Boot | |
| 20 | 0840056 | 1 | Boot | |
| 23 | 4460944 | 3 | Socket, Female | |
| 25 | 4460884 | 1 | Plug, Male - 4 Position | |
| 26 | 4460897 | 1 | Receptacle, Female - 2 Position | |
| 27 | 4460464 | 1 | Pin, Male | |
| 28 | 2400060 | 1 | Fuseholder with Cover | |
| 29 | 8229242 | 1 | Fuse 5Amp | |

SECTION 8 - ELECTRICAL

FIGURE 8-29. GROUND TO PLATFORM MODULE HARNESS - 4394RT



ART_1001103835

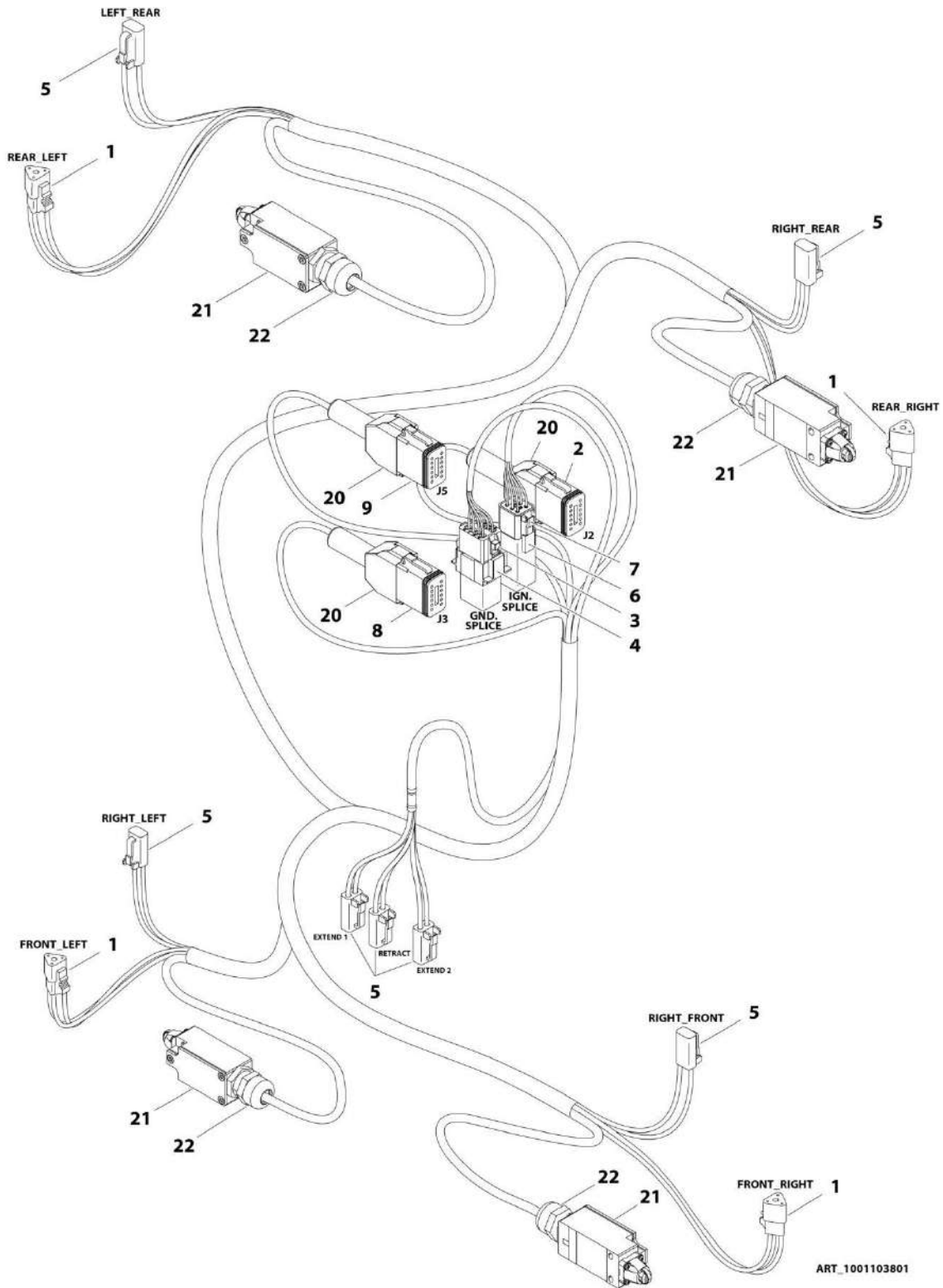
SECTION 8 - ELECTRICAL

FIGURE 8-29. GROUND TO PLATFORM MODULE HARNESS - 4394RT

| ITEM | PART NUMBER | QTY | DESCRIPTION | REV |
|------|-------------|-----|--|-----|
| | 1001103835 | Ref | GROUND TO PLATFORM MODULE HARNESS - 4394RT | B |
| 1 | 4460499 | 1 | DIN Connector with Diode | |
| 2 | 4460539 | 2 | Connector - 3 Position | |
| 3 | 4460812 | 1 | Connector - 24 Position | |
| 4 | 4460933 | 1 | Connector - 12 Position | |
| 5 | 4460891 | 2 | Connector - 2 Position | |
| 6 | 4460248 | 2 | Terminal | |
| 7 | 4460259 | 2 | Terminal, Positive Lock | |
| 8 | 4460260 | 2 | Terminal, Housing | |
| 9 | 4460465 | 42 | Socket, Female | |
| 14 | 4240033 | AR | Strap, Tie (Not Shown) | |
| 15 | 3990010 | 1 | Diode 6Amp | |
| 17 | 4460121 | 2 | Cap, Wire | |
| 18 | 4460466 | 5 | Plug, Sealing | |
| 19 | 0840055 | 1 | Boot | |
| 20 | 0840056 | 1 | Boot | |
| 23 | 4460944 | 3 | Socket, Female | |
| 25 | 4460884 | 1 | Plug, Male - 4 Position | |
| 26 | 4460897 | 1 | Receptacle, Female - 2 Position | |
| 27 | 4460464 | 1 | Pin, Male | |
| 28 | 2400060 | 1 | Fuseholder with Cover | |
| 29 | 8229242 | 1 | Fuse 5Amp | |

SECTION 8 - ELECTRICAL

FIGURE 8-30. LEVELING JACK HARNESS ASSEMBLY (OPTIONAL ON 3394RT - STANDARD ON 4394RT)



ART_1001103801

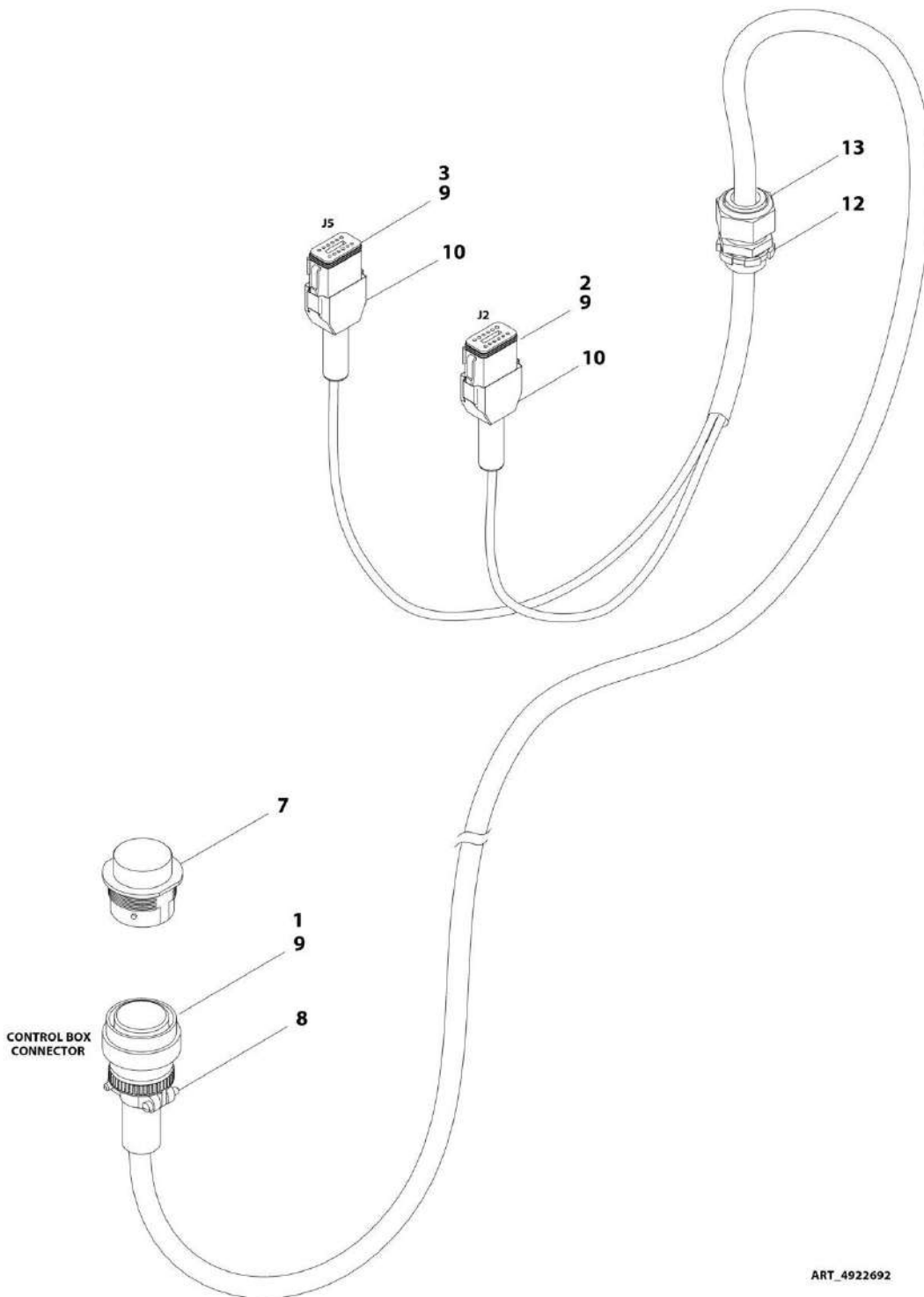
SECTION 8 - ELECTRICAL

FIGURE 8-30. LEVELING JACK HARNESS ASSEMBLY (OPTIONAL ON 3394RT - STANDARD ON 4394RT)

| ITEM | PART NUMBER | QTY | DESCRIPTION | REV |
|------|-------------|-----|--|-----|
| | 1001103801 | Ref | LEVELING JACK HARNESS ASSEMBLY (OPTIONAL ON 3394RT - STANDARD ON 4394RT) | D |
| 1 | 4460539 | 4 | Connector - 3 Position | |
| 1 | 4460465 | 12 | Socket, Female | |
| 2 | 4460836 | 1 | Connector - 12 Position | |
| 2 | 4460465 | 7 | Socket, Female | |
| 2 | 4460466 | 5 | Plug | |
| 3 | 4460851 | 1 | Connector - 8 Position | |
| 3 | 4460465 | 8 | Socket, Female | |
| 4 | 4460852 | 1 | Connector, Buss Bar - 8 Position | |
| 5 | 4460891 | 7 | Connector - 2 Position | |
| 5 | 4460465 | 14 | Socket, Female | |
| 6 | 4460892 | 1 | Terminal, Buss Bar - 6 Position | |
| 7 | 4460894 | 1 | Connector - 6 Position | |
| 7 | 4460465 | 6 | Socket, Female | |
| 8 | 4460934 | 1 | Connector - 12 Position | |
| 8 | 4460465 | 12 | Socket, Female | |
| 9 | 4460935 | 1 | Connector - 12 Position | |
| 9 | 4460465 | 5 | Socket, Female | |
| 9 | 4460466 | 7 | Plug | |
| 20 | 0840055 | 3 | Boot | |
| 21 | 4360548 | 4 | Switch, Limit | |
| 22 | 4460968 | 4 | Connector, Strain Relief | |

SECTION 8 - ELECTRICAL

FIGURE 8-31. PLATFORM MODULE TO CONSOLE BOX HARNESS



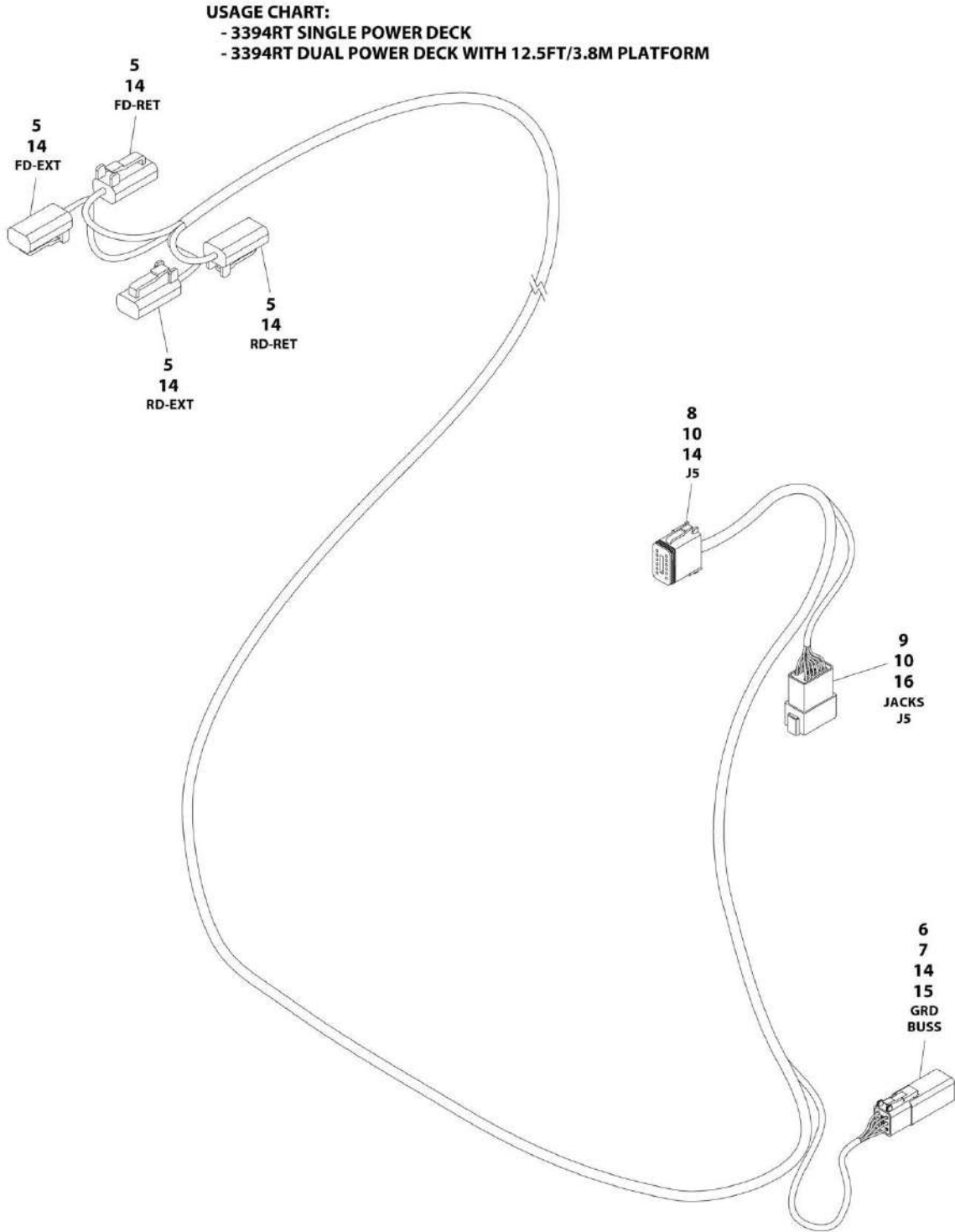
SECTION 8 - ELECTRICAL

FIGURE 8-31. PLATFORM MODULE TO CONSOLE BOX HARNESS

| ITEM | PART NUMBER | QTY | DESCRIPTION | REV |
|------|-------------|-----|--|-----|
| | 4922692 | Ref | PLATFORM MODULE TO CONSOLE BOX HARNESS | E |
| 1 | 4460481 | 1 | Connector - 23 Position | |
| 1 | 4460464 | 21 | Pin, Male | |
| 2 | 4460836 | 1 | Connector - 12 Position | |
| 2 | 4460465 | 10 | Socket, Female | |
| 3 | 4460935 | 1 | Connector - 12 position | |
| 3 | 4460465 | 11 | Socket, Female | |
| 7 | 4460468 | 1 | Cap, Dust | |
| 8 | 4460473 | 1 | Clamp Assembly | |
| 9 | 4460466 | 5 | Seal | |
| 10 | 0840055 | 2 | Boot | |
| 11 | 4460121 | 6 | Cap, Wire (Not Shown) | |
| 12 | 3300048 | 1 | Locknut, Conduit | |
| 13 | 4460051 | 1 | Connector, Strain Relief | |

SECTION 8 - ELECTRICAL

FIGURE 8-32. POWER DECK HARNESS



ART_1001103490

SECTION 8 - ELECTRICAL

FIGURE 8-32. POWER DECK HARNESS

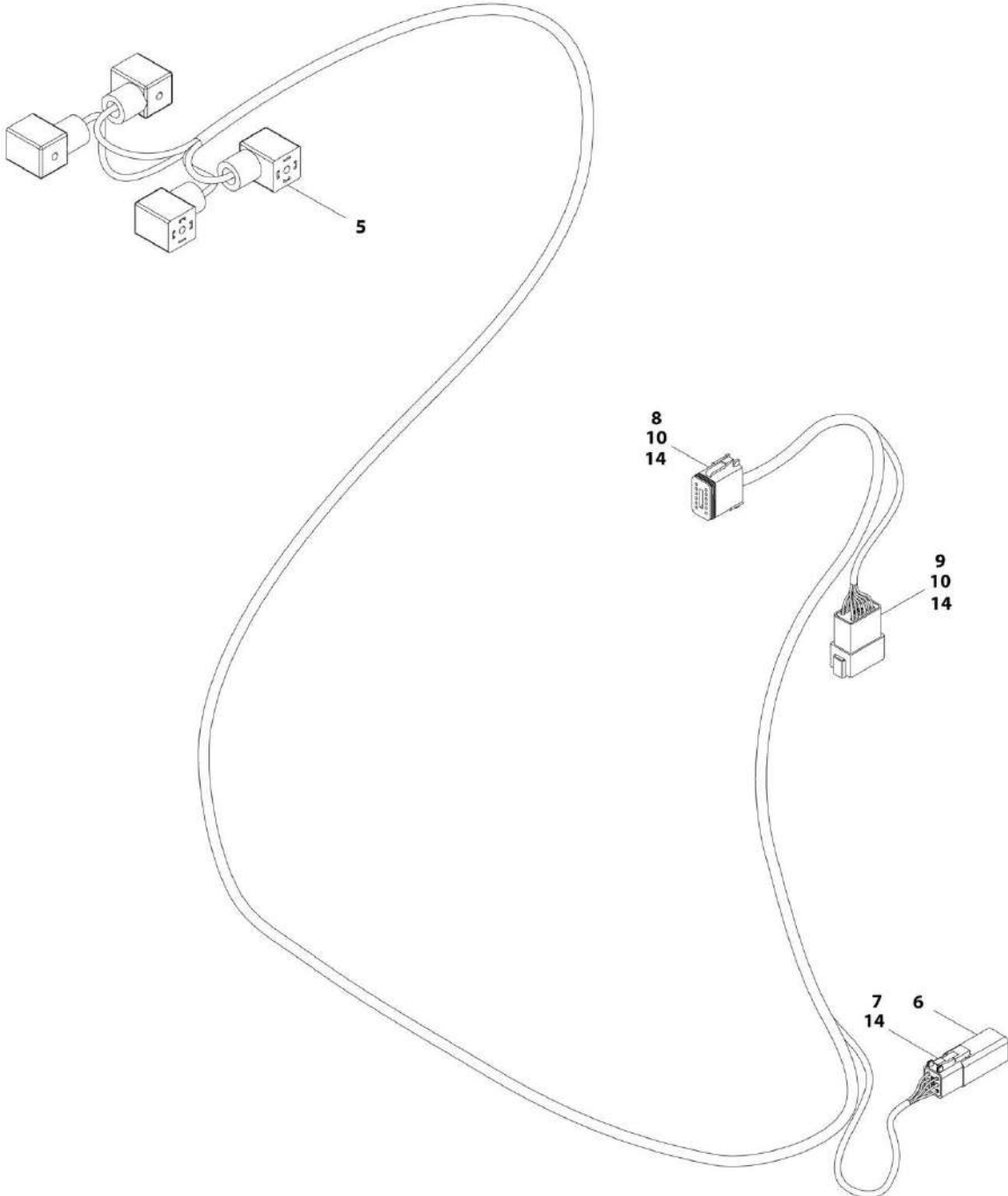
| ITEM | PART NUMBER | QTY | DESCRIPTION | REV |
|------|-------------|-----|--|-----|
| | | Ref | USAGE CHART: | |
| | | Ref | - 3394RT Single Power Deck | |
| | | Ref | - 3394RT Dual Power Deck with 12.5ft/3.8m Platform | |
| | 1001103490 | Ref | POWER DECK HARNESS | A |
| 5 | 4460891 | 4 | Plug, Male - 2 Position | |
| 6 | 4460892 | 1 | Receptacle, Buss Bar - 6 Position | |
| 7 | 4460894 | 1 | Plug, Male - 6 Position | |
| 8 | 4460935 | 1 | Plug, Male - 12 Position | |
| 9 | 4460982 | 1 | Receptacle, Female - 12 Position | |
| 10 | 0840055 | 1 | Boot | |
| 14 | 4460465 | 23 | Socket, Female | |
| 15 | 4460466 | 10 | Plug, Terminal | |
| 16 | 4460464 | 5 | Pin, Male | |

SECTION 8 - ELECTRICAL

FIGURE 8-33. POWER DECK HARNESS

USAGE CHART:

- 3394RT DUAL POWER DECK WITH 15.8FT/4.8M MEGADECK PLATFORM
(SN 0200239053 THROUGH 0200246956)



ART_4922848

SECTION 8 - ELECTRICAL

FIGURE 8-33. POWER DECK HARNESS

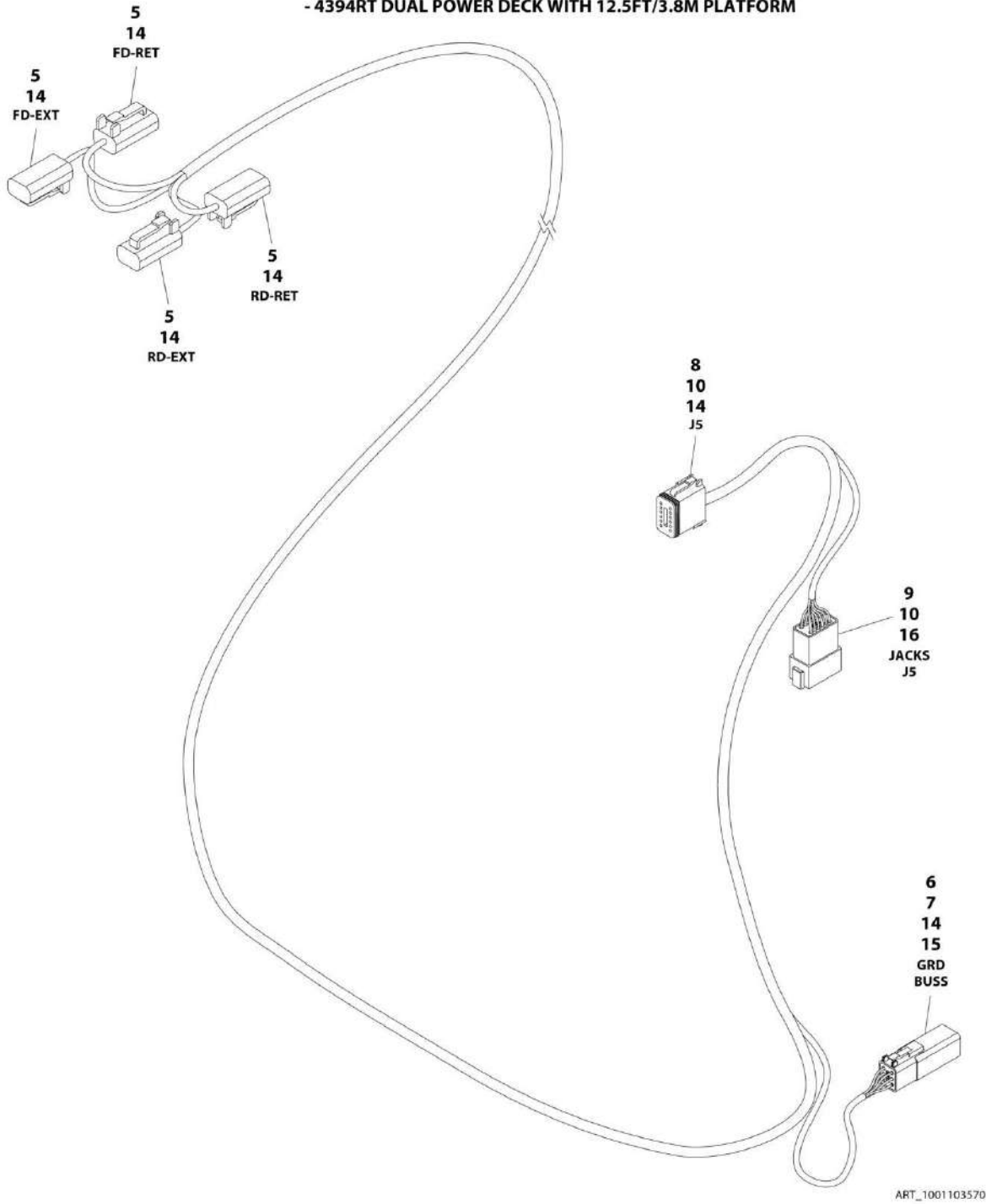
| ITEM | PART NUMBER | QTY | DESCRIPTION | REV |
|------|-------------|-----|--|-----|
| | | Ref | USAGE CHART: | |
| | | Ref | - 3394RT Dual Power Deck with 15.8ft/4.8m Megadeck Platform (SN 0200239053 through 0200246956) | |
| | 4922848 | Ref | POWER DECK HARNESS | B |
| 5 | 4460499 | 4 | DIN Connector with Diode | |
| 6 | 4460892 | 1 | Connector, Buss Bar - 6 Position | |
| 7 | 4460894 | 1 | Connector - 6 Position | |
| 8 | 4460935 | 1 | Connector - 12 Position | |
| 9 | 4460982 | 1 | Connector - 12 Position | |
| 10 | 0840055 | 2 | Boot, Terminal | |
| 13 | 4240032 | AR | Tie-Strap (Not Shown) | |
| 14 | 4460465 | 20 | Socket, Female | |
| 15 | 4460466 | 10 | Plug, Sealing (Not Shown) | |

SECTION 8 - ELECTRICAL

FIGURE 8-34. POWER DECK HARNESS

USAGE CHART:

- 3394RT DUAL POWER DECK WITH 15.8FT/4.8M MEGADECK PLATFORM (SN 0200246957 TO PRESENT)
- 4394RT SINGLE POWER DECK
- 4394RT DUAL POWER DECK WITH 12.5FT/3.8M PLATFORM



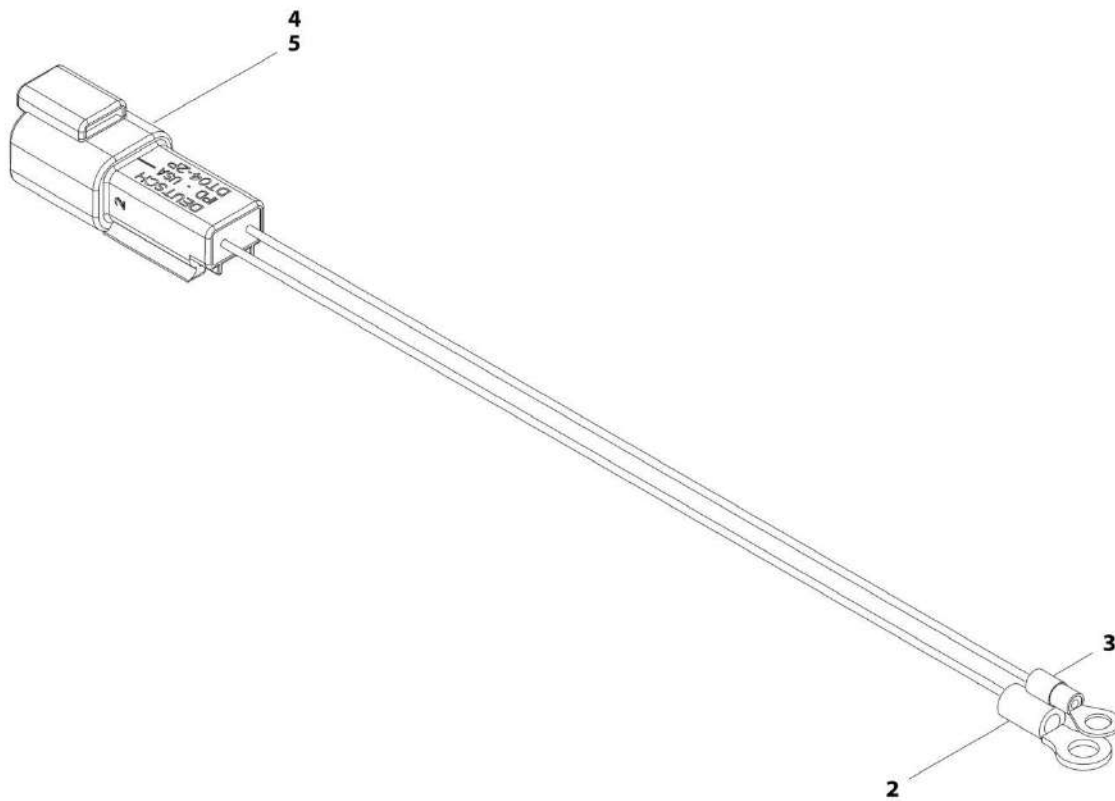
SECTION 8 - ELECTRICAL

FIGURE 8-34. POWER DECK HARNESS

| ITEM | PART NUMBER | QTY | DESCRIPTION | REV |
|------|-------------|-----|--|-----|
| | | Ref | USAGE CHART: | |
| | | Ref | - 3394RT Dual Power Deck with 15.8ft/4.8m Megadeck Platform (SN 0200246957 to Present) | |
| | | Ref | - 4394RT Single Power Deck | |
| | | Ref | - 4394RT Dual Power Deck with 12.5ft/3.8m Platform | |
| | 1001103570 | Ref | POWER DECK HARNESS | A |
| 5 | 4460891 | 4 | Plug, Male - 2 Position | |
| 6 | 4460892 | 1 | Receptacle, Buss Bar - 6 Position | |
| 7 | 4460894 | 1 | Plug, Male - 6 Position | |
| 8 | 4460935 | 1 | Plug, Male - 12 Position | |
| 9 | 4460982 | 1 | Receptacle, Female - 12 Position | |
| 10 | 0840055 | 1 | Boot | |
| 14 | 4460465 | 23 | Socket, Female | |
| 15 | 4460466 | 10 | Plug, Terminal | |
| 16 | 4460464 | 5 | Pin, Male | |

SECTION 8 - ELECTRICAL

FIGURE 8-35. POWER DECK AUXILIARY POWER HARNESS



ART_4922859

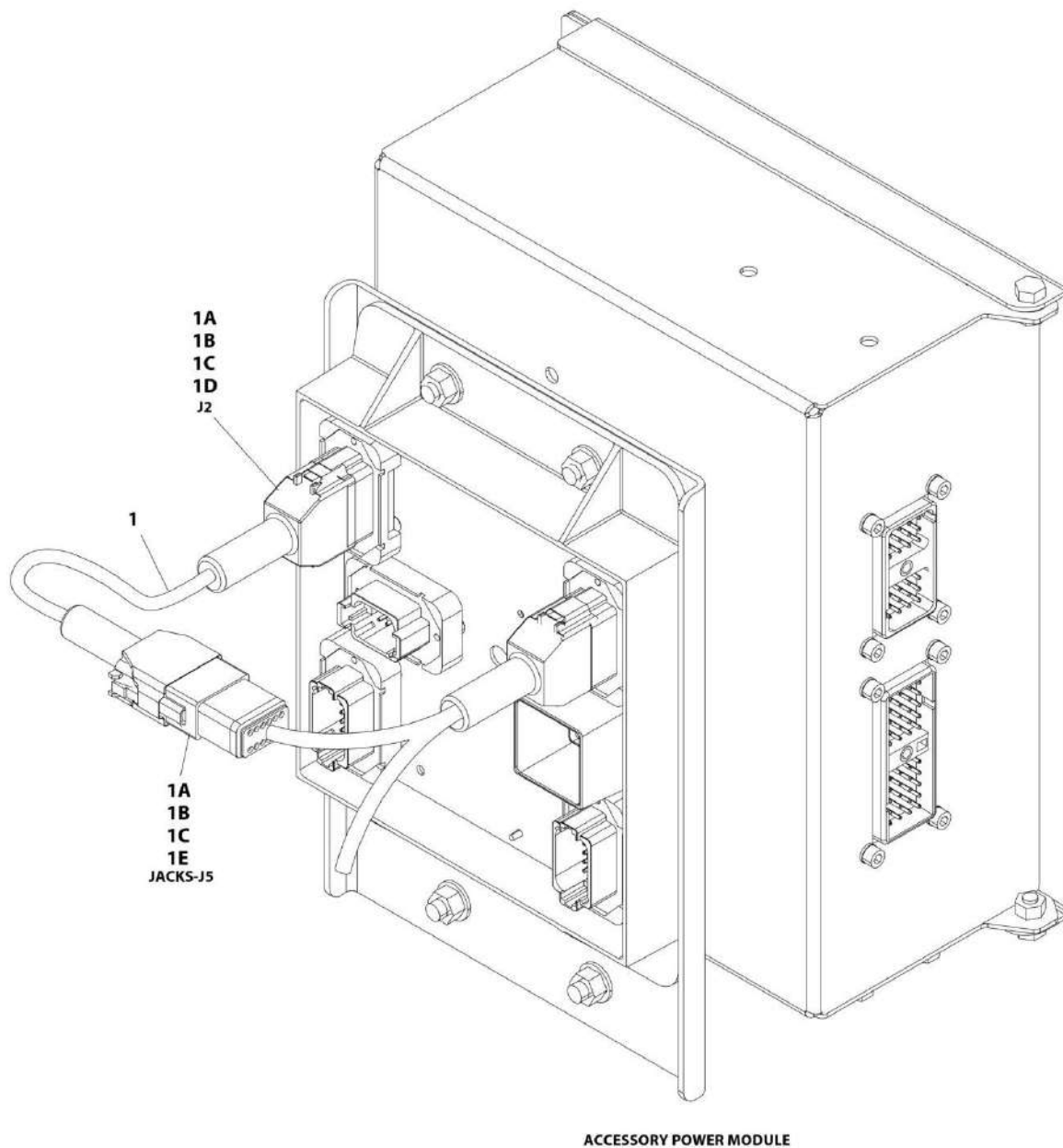
SECTION 8 - ELECTRICAL

FIGURE 8-35. POWER DECK AUXILIARY POWER HARNESS

| ITEM | PART NUMBER | QTY | DESCRIPTION | REV |
|------|-------------|-----|------------------------------------|-----|
| | 4922859 | Ref | POWER DECK AUXILIARY POWER HARNESS | A |
| 2 | 4460043 | 1 | Terminal, Ring | |
| 3 | 4460313 | 1 | Terminal, Ring | |
| 4 | 4460464 | 2 | Pin, Male | |
| 5 | 4460897 | 1 | Connector - 2 Position | |

SECTION 8 - ELECTRICAL

FIGURE 8-36. POWER DECK JUMPER HARNESS INSTALLATION



ACCESSORY POWER MODULE

ART_0275320

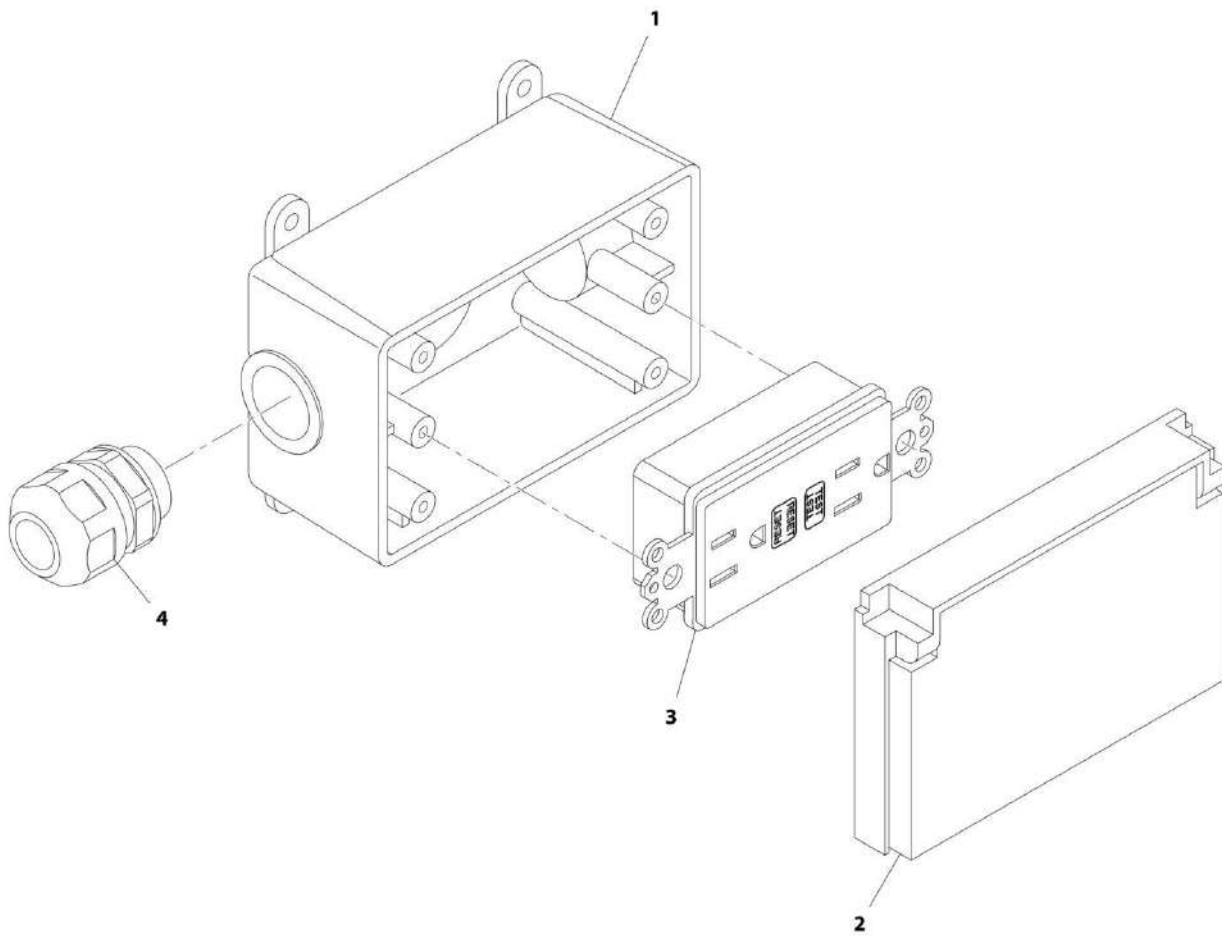
SECTION 8 - ELECTRICAL

FIGURE 8-36. POWER DECK JUMPER HARNESS INSTALLATION

| ITEM | PART NUMBER | QTY | DESCRIPTION | REV |
|------|-------------|-----|---|-----|
| | 0275320 | Ref | POWER DECK JUMPER HARNESS INSTALLATION | A |
| | | Ref | Note: Used with p/n 1001105906, 1001105907, 1001105908, 1001168946, 1001168947 Ground Control Box Installations Only. | |
| 1 | 4923507 | 1 | Power Deck Jumper Harness | A |
| 1A | 0840055 | 2 | Boot | |
| 1B | 4460465 | 2 | Socket, Female | |
| 1C | 4460466 | 22 | Plug, Terminal | |
| 1D | 4460836 | 1 | Connector - 12 Position | |
| 1E | 4460935 | 1 | Connector - 12 Position | |

SECTION 8 - ELECTRICAL

FIGURE 8-37. RECEPTACLE BOX KIT - 110V GFI



ART_2902431

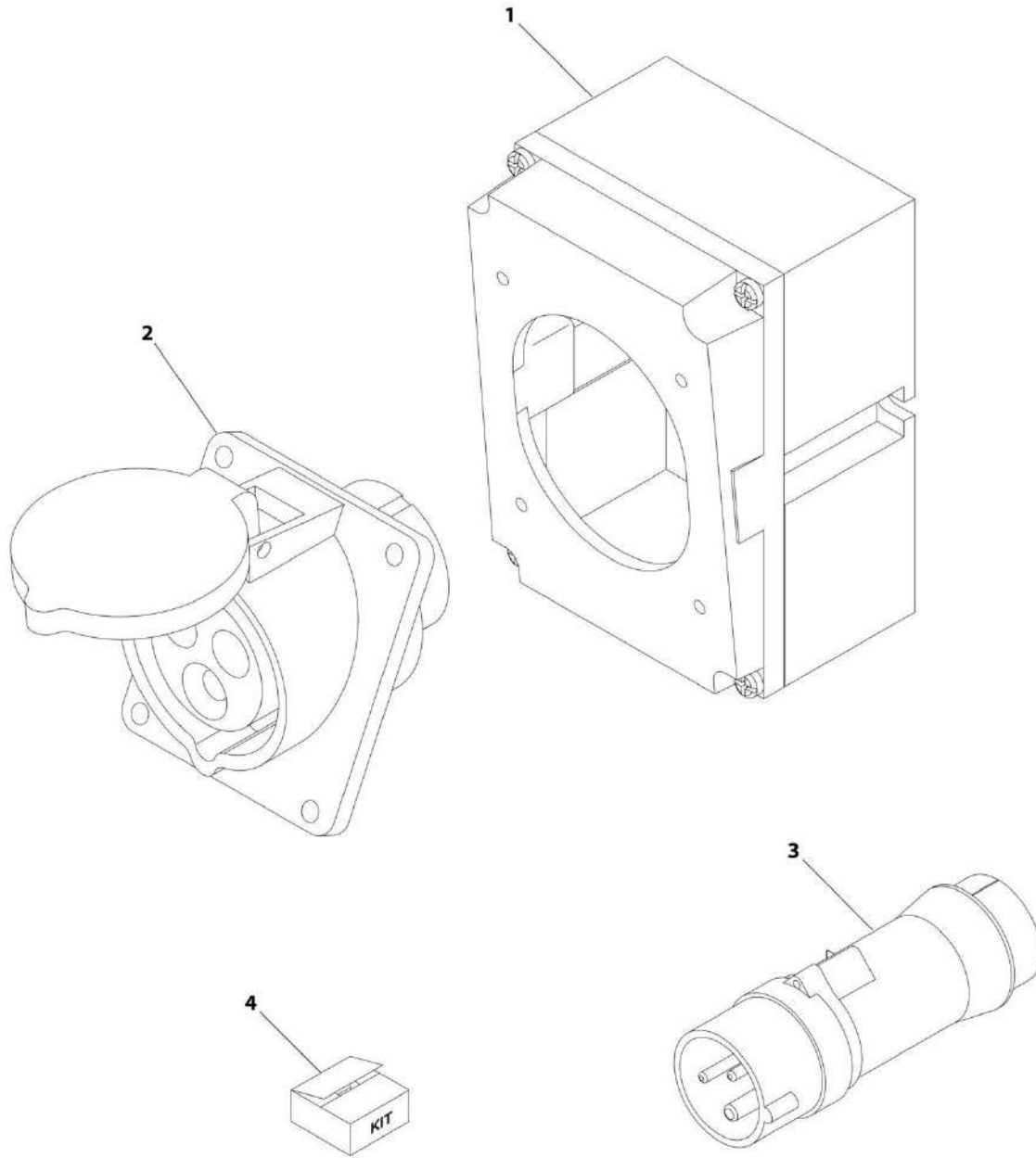
SECTION 8 - ELECTRICAL

FIGURE 8-37. RECEPTACLE BOX KIT - 110V GFI

| ITEM | PART NUMBER | QTY | DESCRIPTION | REV |
|------|-------------|-----|-------------------------------|-----|
| | 2902431 | Ref | RECEPTACLE BOX KIT - 110V GFI | C |
| 1 | 0861731 | 1 | Box, Receptacle | |
| 2 | 1671207 | 1 | Cover, Receptacle | |
| 3 | 4460346 | 1 | Receptacle | |
| 4 | 4460662 | 1 | Connector, Strain Relief | |

SECTION 8 - ELECTRICAL

FIGURE 8-38. RECEPTACLE BOX KIT - 110V IEC YELLOW (CE SPEC)



ART_0275216

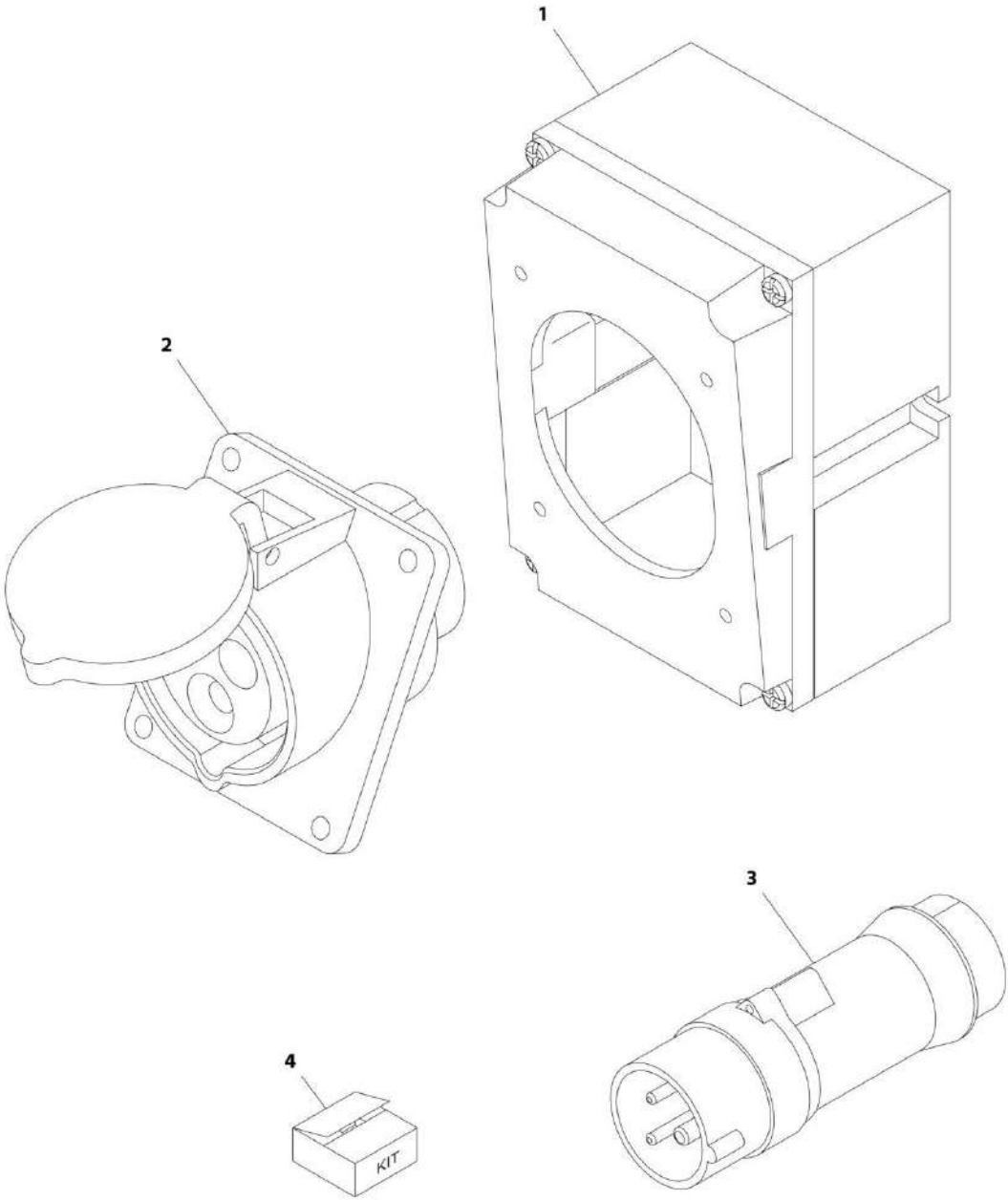
SECTION 8 - ELECTRICAL

FIGURE 8-38. RECEPTACLE BOX KIT - 110V IEC YELLOW (CE SPEC)

| ITEM | PART NUMBER | QTY | DESCRIPTION | REV |
|------|-------------|-----|--|-----|
| | 0275216 | Ref | RECEPTACLE BOX KIT - 110V IEC YELLOW (CE SPEC) | 2 |
| 1 | 0861781 | 1 | Box, Switch | |
| 2 | 4461198 | 1 | Receptacle | |
| 3 | 4461196 | 1 | Plug, Male | |
| 4 | 1001100341 | 1 | Plug and Socket Kit (Includes Items 1-3 and Female Plug p/n 4461197) | |

SECTION 8 - ELECTRICAL

FIGURE 8-39. RECEPTACLE BOX KIT - 220V IEC BLUE (CE SPEC)



ART_0275217

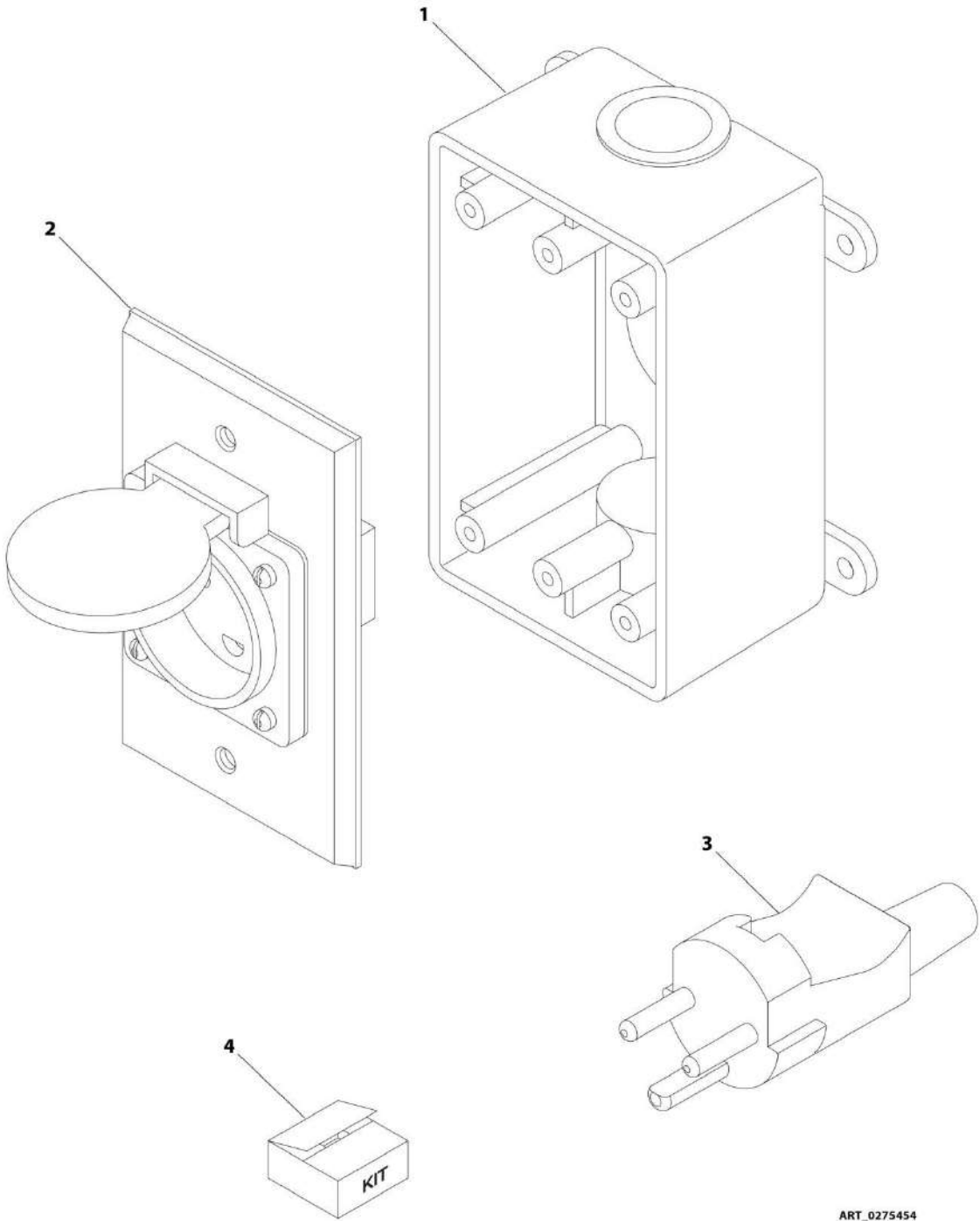
SECTION 8 - ELECTRICAL

FIGURE 8-39. RECEPTACLE BOX KIT - 220V IEC BLUE (CE SPEC)

| ITEM | PART NUMBER | QTY | DESCRIPTION | REV |
|------|-------------|-----|--|-----|
| | 0275217 | Ref | RECEPTACLE BOX KIT - 220V IEC BLUE (CE SPEC) | 2 |
| 1 | 0861781 | 1 | Box, Switch | |
| 2 | 4461201 | 1 | Receptacle | |
| 3 | 4461199 | 1 | Plug, Male | |
| 4 | 1001100342 | 1 | Plug and Socket Kit (Includes Items 1-3 and Female Plug p/n 4461200) | |

SECTION 8 - ELECTRICAL

FIGURE 8-40. RECEPTACLE BOX KIT - 220V AFSINT 107 (CE SPEC)



ART_0275454

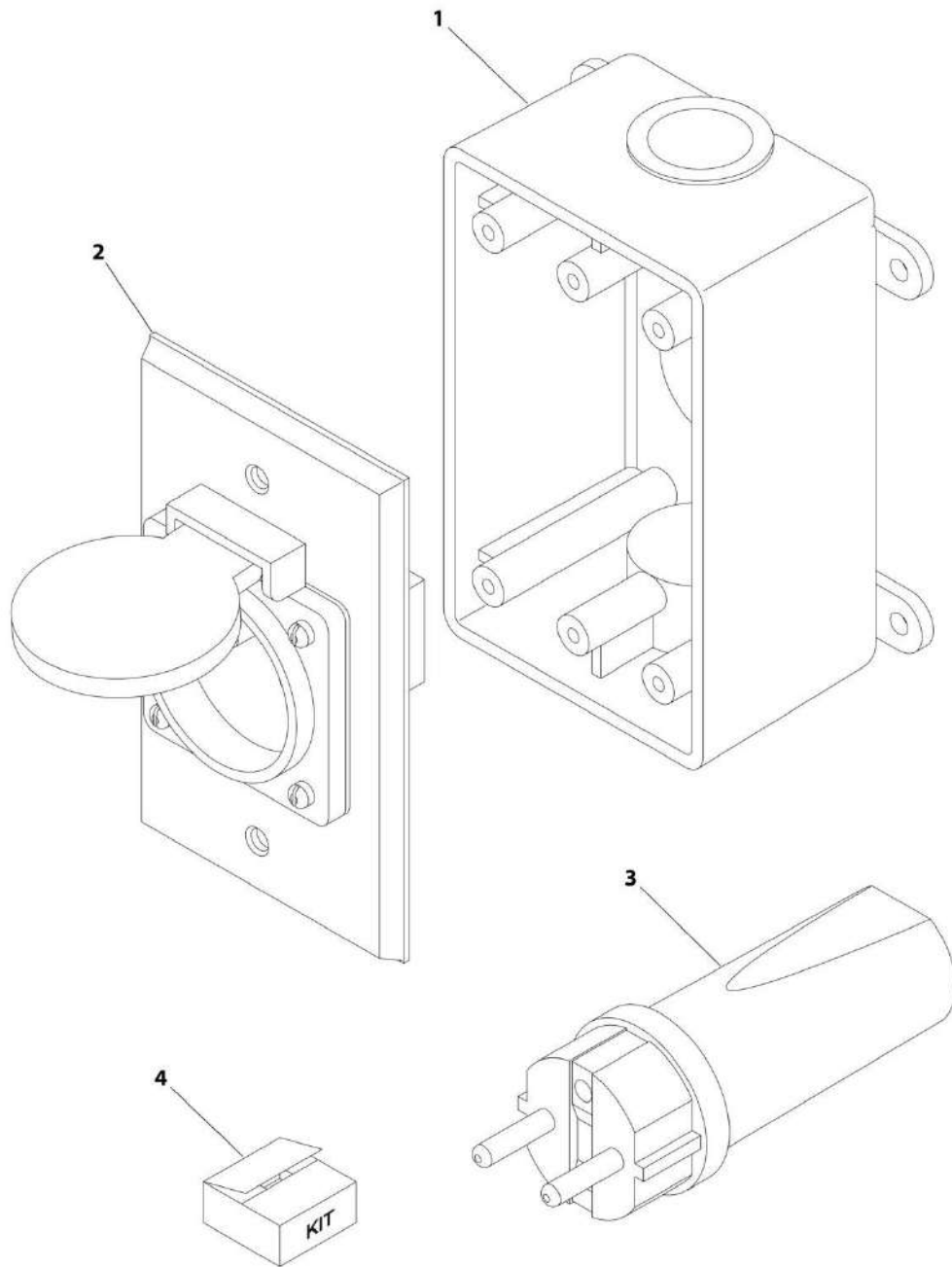
SECTION 8 - ELECTRICAL

FIGURE 8-40. RECEPTACLE BOX KIT - 220V AFSINT 107 (CE SPEC)

| ITEM | PART NUMBER | QTY | DESCRIPTION | REV |
|------|-------------|-----|--|-----|
| | 0275454 | Ref | RECEPTACLE BOX KIT - 220V AFSINT 107 (CE SPEC) | 2 |
| 1 | 0861731 | 1 | Box, Switch | |
| 2 | 4461246 | 1 | Receptacle | |
| 3 | 4461249 | 1 | Plug, Male | |
| 4 | 1001100346 | 1 | Plug and Socket Kit (Includes Items 1-3 and Female Plug p/n 4461250) | |

SECTION 8 - ELECTRICAL

FIGURE 8-41. RECEPTACLE BOX KIT - 220V CEE7 POST GROUND 2X4 BOX (CE SPEC)



ART_0275452

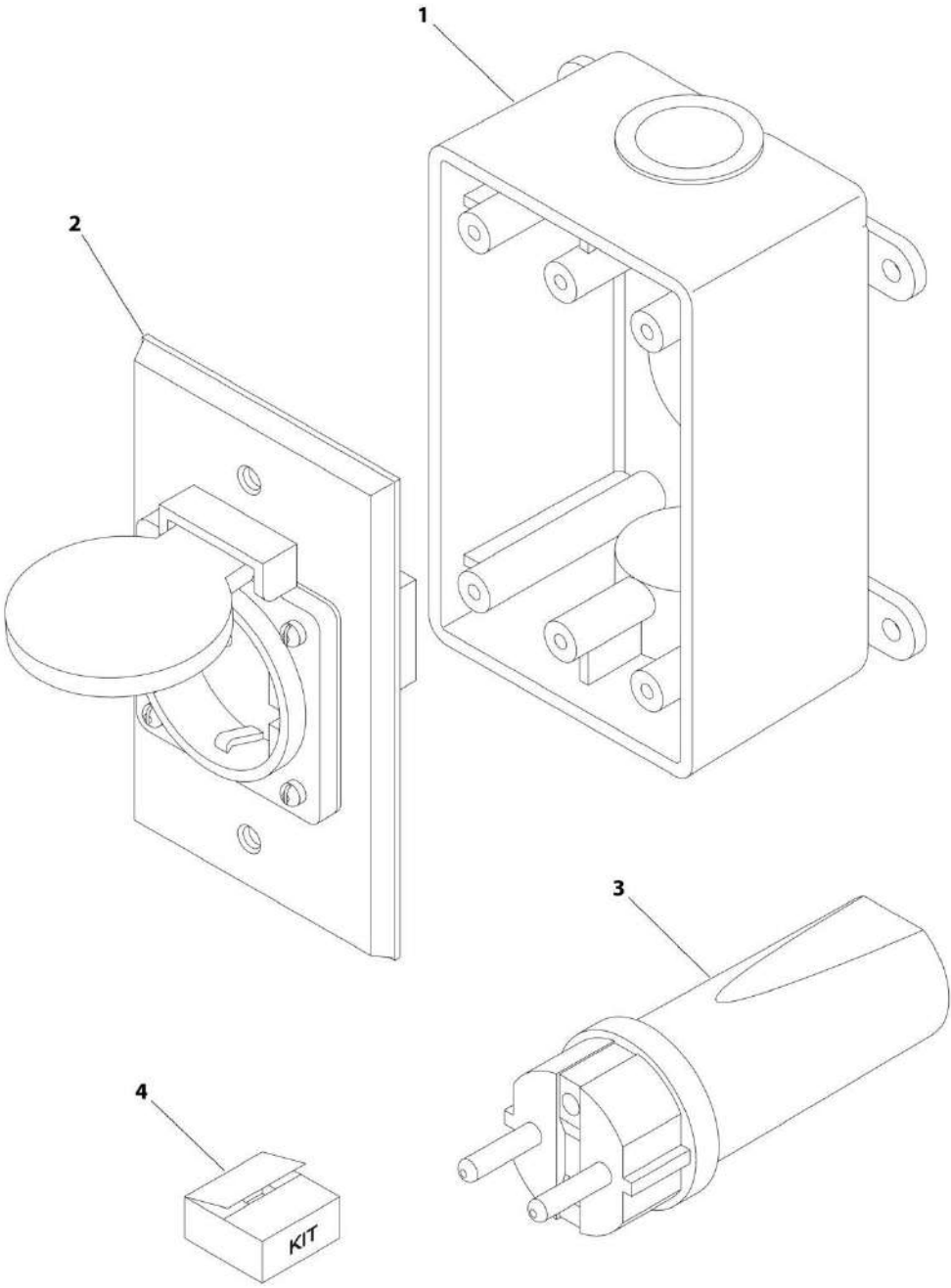
SECTION 8 - ELECTRICAL

FIGURE 8-41. RECEPTACLE BOX KIT - 220V CEE7 POST GROUND 2X4 BOX (CE SPEC)

| ITEM | PART NUMBER | QTY | DESCRIPTION | REV |
|------|-------------|-----|--|-----|
| | 0275452 | Ref | RECEPTACLE BOX KIT - 220V CEE7 POST GROUND 2X4 BOX (CE SPEC) | 2 |
| 1 | 0861731 | 1 | Box, Switch | |
| 2 | 4461244 | 1 | Receptacle | |
| 3 | 4461202 | 1 | Plug, Male | |
| 4 | 1001100345 | 1 | Plug and Socket Kit (Includes Items 1-3 and Female Plug p/n 4461206) | |

SECTION 8 - ELECTRICAL

FIGURE 8-42. RECEPTACLE BOX KIT - 220V CEE7 SIDE GROUND 2X4 BOX (CE SPEC)



ART_0275453

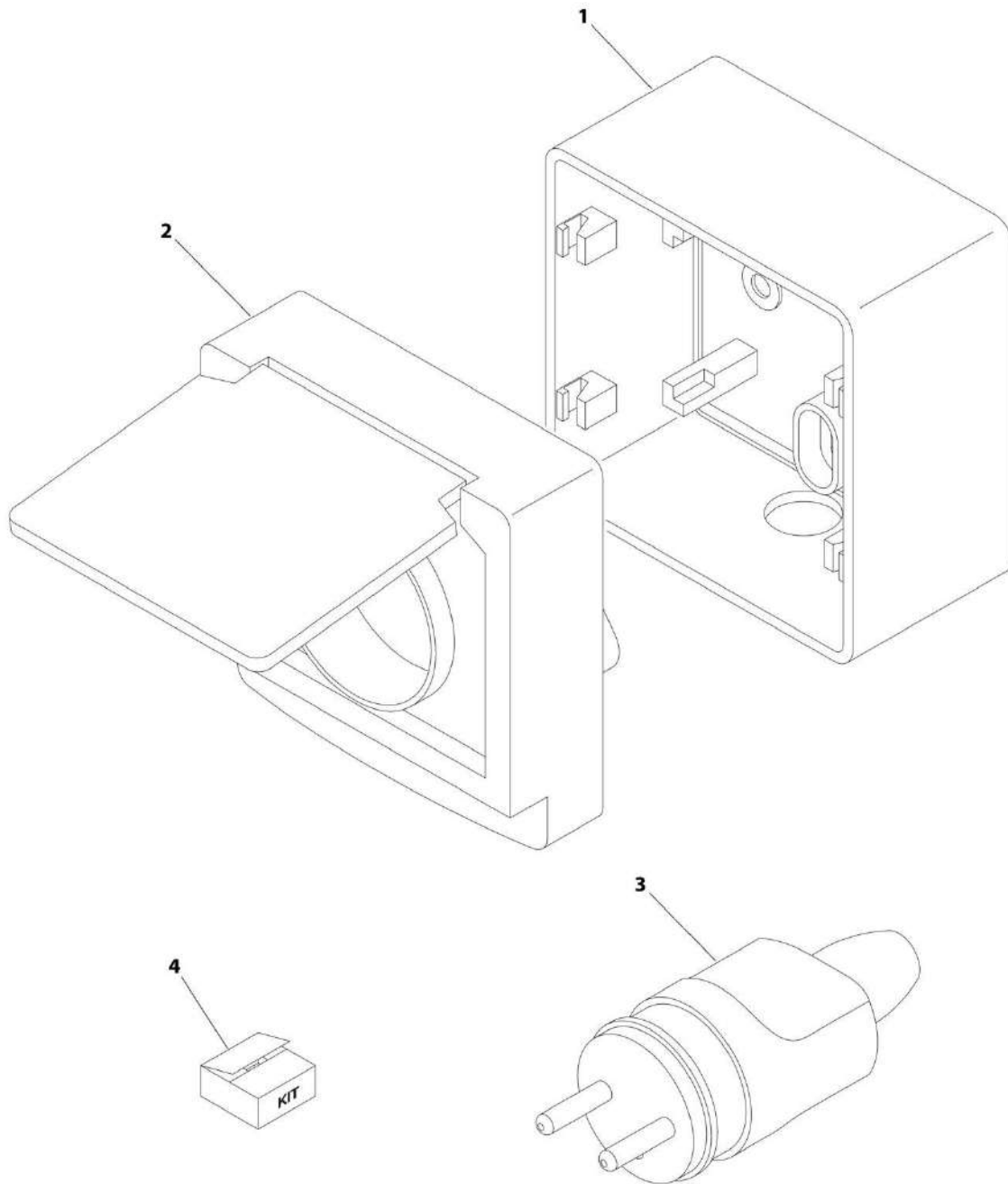
SECTION 8 - ELECTRICAL

FIGURE 8-42. RECEPTACLE BOX KIT - 220V CEE7 SIDE GROUND 2X4 BOX (CE SPEC)

| ITEM | PART NUMBER | QTY | DESCRIPTION | REV |
|------|-------------|-----|--|-----|
| | 0275453 | Ref | RECEPTACLE BOX KIT - 220V CEE7 SIDE GROUND 2X4 BOX (CE SPEC) | 1 |
| 1 | 0861731 | 1 | Box, Switch | |
| 2 | 4461245 | 1 | Receptacle | |
| 3 | 4461205 | 1 | Plug, Male | |
| 4 | 1001100347 | 1 | Plug and Socket Kit (Includes Items 1-3 and Female Plug p/n 4461206) | |

SECTION 8 - ELECTRICAL

FIGURE 8-43. RECEPTACLE BOX KIT - CEE7 POST GROUND 70X70 BOX (CE SPEC)



ART_0275218

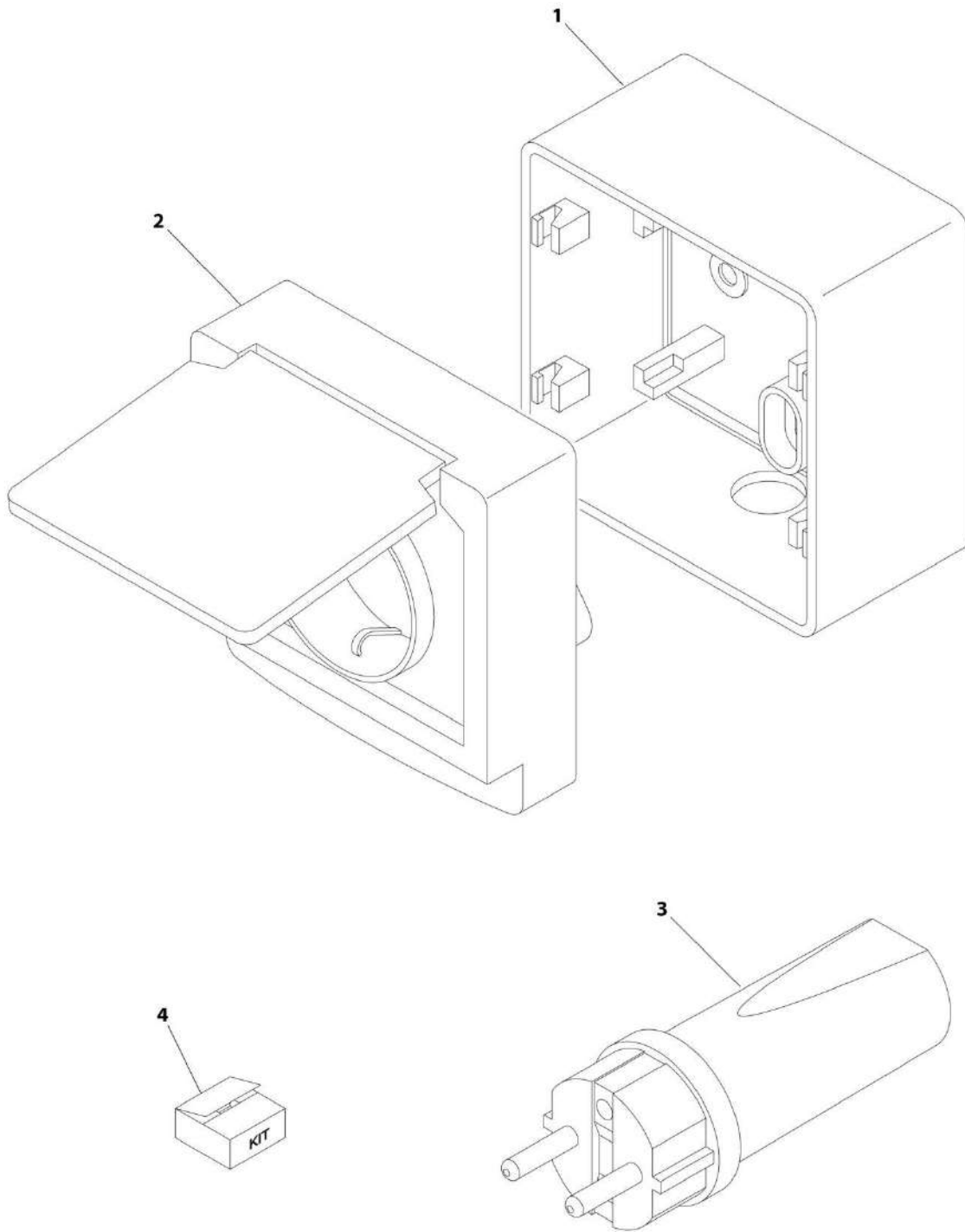
SECTION 8 - ELECTRICAL

FIGURE 8-43. RECEPTACLE BOX KIT - CEE7 POST GROUND 70X70 BOX (CE SPEC)

| ITEM | PART NUMBER | QTY | DESCRIPTION | REV |
|------|-------------|-----|--|-----|
| | 0275218 | Ref | RECEPTACLE BOX KIT - CEE7 POST GROUND 70X70 BOX (CE SPEC) | B |
| 1 | 1001141967 | 1 | Box, Switch | |
| 2 | 1001141968 | 1 | Receptacle | |
| 3 | 4461202 | 1 | Plug, Male | |
| 4 | 1001141971 | 1 | Plug and Socket Kit (Includes Items 1-3 and Female Plug p/n 4461206) | |

SECTION 8 - ELECTRICAL

FIGURE 8-44. RECEPTACLE BOX KIT - CEE7 SIDE GROUND 70X70 BOX (CE SPEC)



ART_0275219

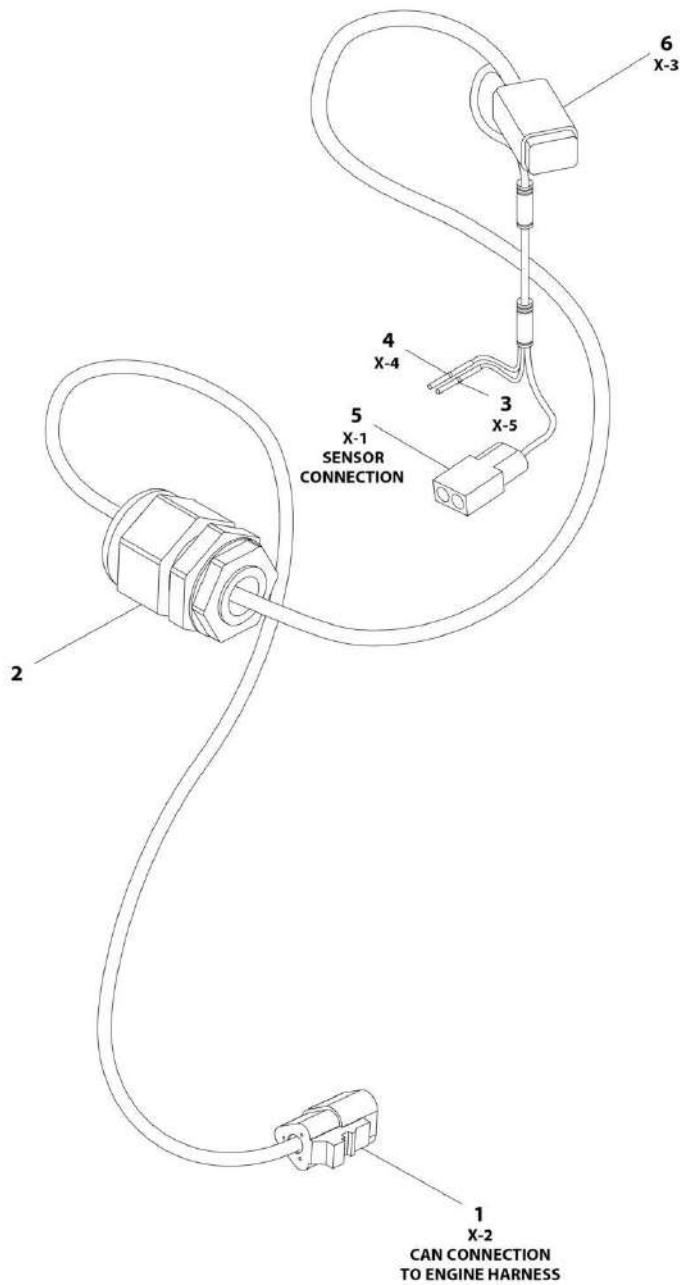
SECTION 8 - ELECTRICAL

FIGURE 8-44. RECEPTACLE BOX KIT - CEE7 SIDE GROUND 70X70 BOX (CE SPEC)

| ITEM | PART NUMBER | QTY | DESCRIPTION | REV |
|------|-------------|-----|--|-----|
| | 0275219 | Ref | RECEPTACLE BOX KIT - CEE7 SIDE GROUND 70X70 BOX (CE SPEC) | B |
| 1 | 1001141967 | 1 | Box, Switch | |
| 2 | 1001141969 | 1 | Receptacle | |
| 3 | 4461205 | 1 | Plug, Male | |
| 4 | 1001141970 | 1 | Plug and Socket Kit (Includes Items 1-3 and Female Plug p/n 4461206) | |

SECTION 8 - ELECTRICAL

FIGURE 8-45. TEMPERATURE SENSOR HARNESS



ART_1001164103

SECTION 8 - ELECTRICAL

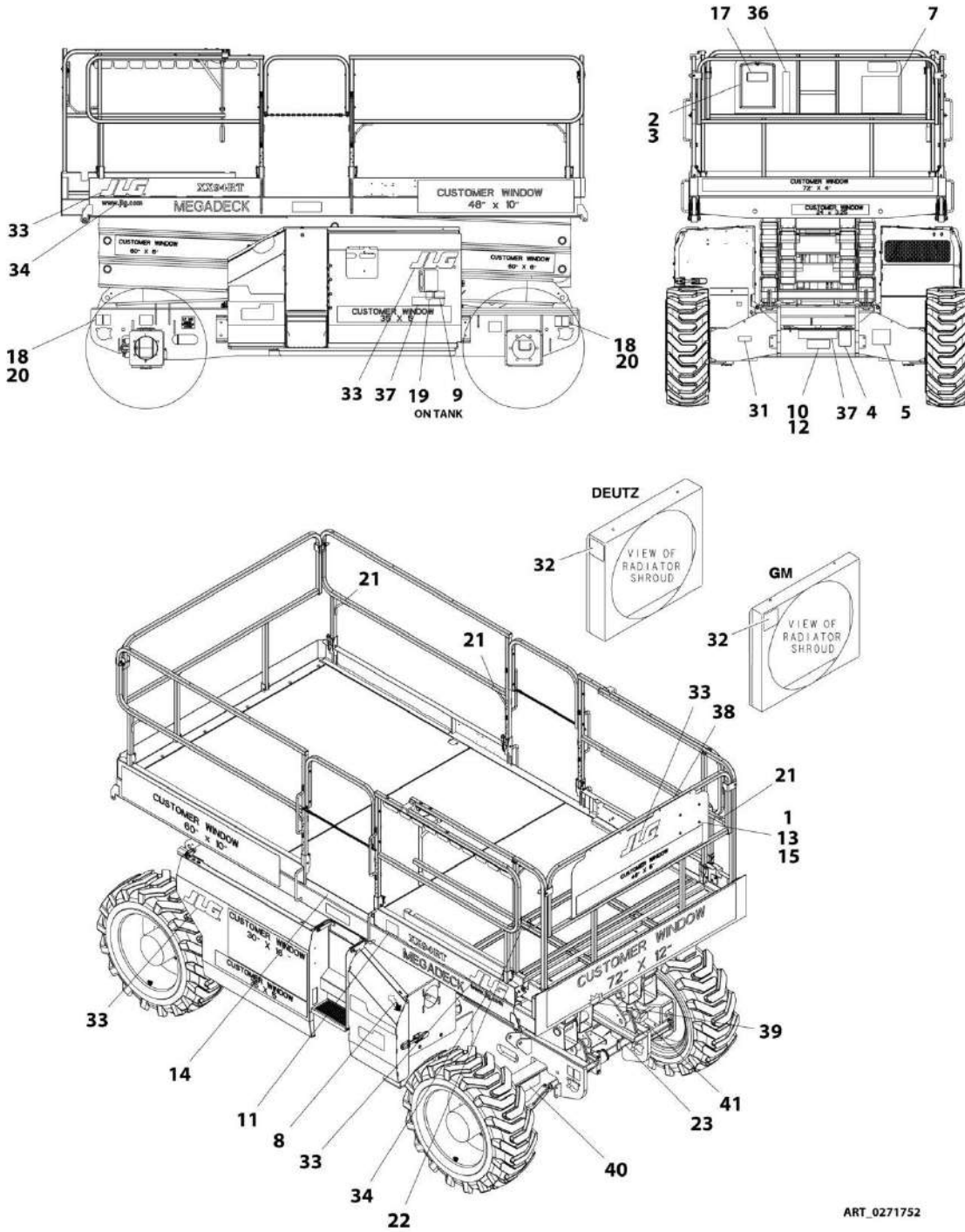
FIGURE 8-45. TEMPERATURE SENSOR HARNESS

| ITEM | PART NUMBER | QTY | DESCRIPTION | REV |
|------|-------------|-----|--------------------------------|-----|
| | 1001164103 | Ref | TEMPERATURE SENSOR HARNESS | B |
| 1 | 4460539 | 1 | Connector - 3 Position | |
| 1 | 4460944 | 3 | Socket, Female | |
| 2 | 1001097150 | 1 | Connector, Strain Relief | |
| 3 | 4460268 | 1 | Socket, Female | |
| 4 | 4460268 | 1 | Socket, Female | |
| 5 | 4460424 | 1 | Connector, Female - 2 Position | |
| 5 | 4460267 | 2 | Pin, Male | |
| 6 | 4460884 | 1 | Connector - 4 Position | |
| 6 | 4460465 | 2 | Socket, Female | |
| 6 | 4460944 | 2 | Socket, Female | |

SECTION 9 - DECALS

SECTION 9 - DECALS

FIGURE 9-1. DECAL INSTALLATION (ANSI SPEC)



ART_0271752

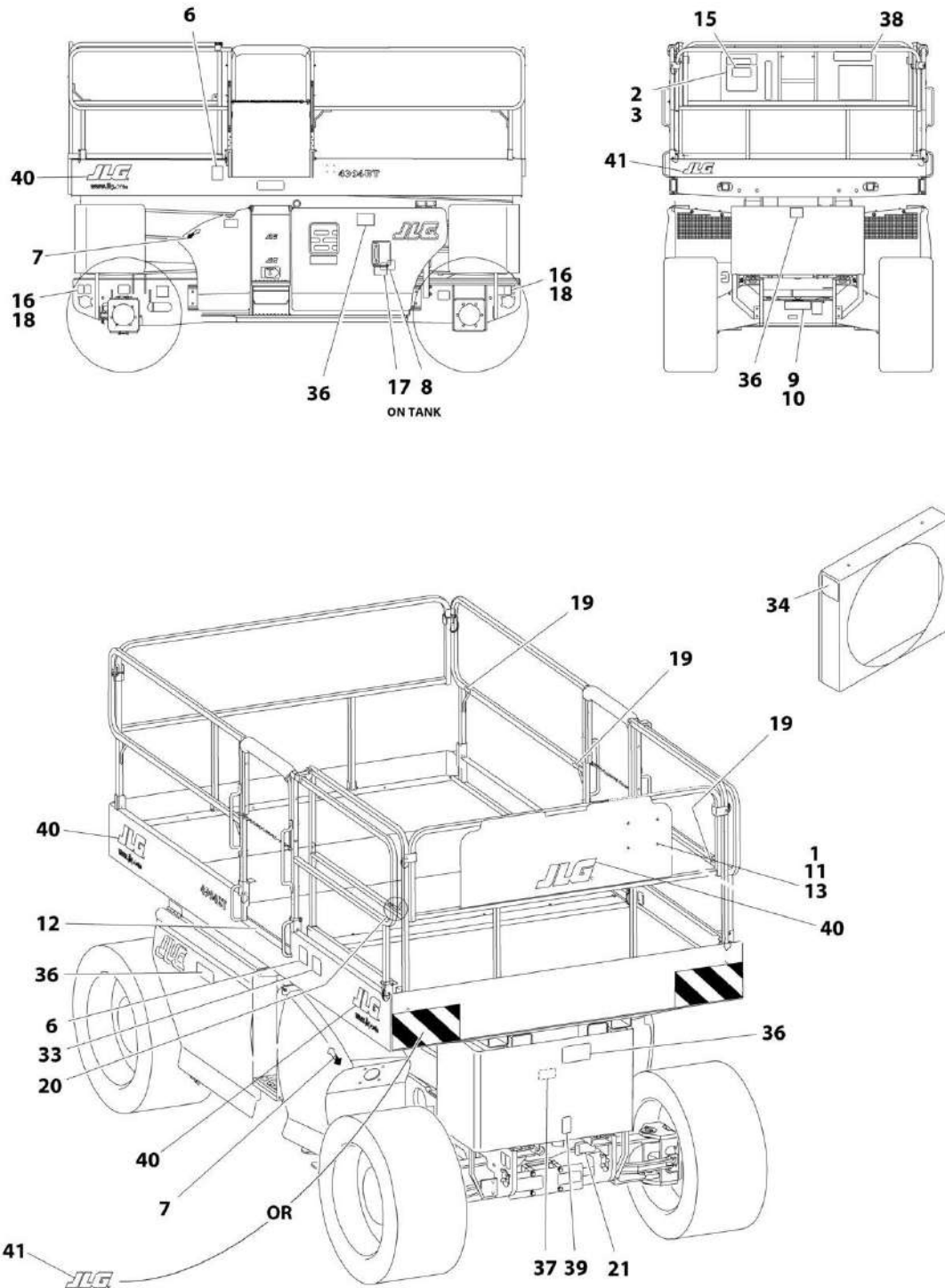
SECTION 9 - DECALS

FIGURE 9-1. DECAL INSTALLATION (ANSI SPEC)

| ITEM | PART NUMBER | QTY | DESCRIPTION | REV |
|------|-------------|-----------|--|-----|
| | 0271752 | Ref | DECAL INSTALLATION (ANSI SPEC) | B |
| | | Ref | Note: See DECAL INSTALLATION - OPTIONS for additional decals. | |
| 1 | 0641405 | 4 | Bolt 1/4 x 5/8 | |
| 2 | 0860520 | 1 | Box, Manual Storage | |
| 3 | 1060279 | 1 | Cable, Lanyard | |
| 4 | 1001131270 | 1 | Decal - Patent | |
| 5 | 1702153 | 1 | Decal - Inspection | |
| 6 | See Note | NSS | Decal - Bar Code (Not Shown - Located Near Control Box) (Note: Not Available for Purchase) | |
| 7 | 1703816 | 1 | Decal - Danger/Warning | |
| 8 | 1703687 | 2 | Decal - Directional Arrow | |
| 9 | 1704412 | 1 | Decal - Hydraulic Oil | |
| 10 | 2080057 | 4 | Fastener | |
| 11 | 3251813 | 1 | Nameplate - USA | |
| 12 | See Note | NSS | Nameplate - Serial Number (Note: Not Available for Purchase) | |
| 13 | 3311405 | 4 | Nut 1/4 | |
| 14 | 4420067 | 4 ft/1.2m | Tape, Safety Tread | |
| 15 | 4711400 | 8 | Washer 1/4 | |
| 17 | 1701509 | 1 | Decal - Manual Reference | |
| 18 | 1703811 | 4 | Decal - Lifting Lugs | |
| 19 | 1703812 | 1 | Decal - Oil | |
| 20 | 1703814 | 4 | Decal - Tie Down | |
| 21 | 1704277 | 8 | Decal - Attach Lanyard Here | |
| 22 | 1703819 | 1 | Decal - Directional Arrow | |
| 23 | 1703822 | 1 | Decal - Manual Descent | |
| 31 | 1705303 | 1 | Decal - CSA (SN 0200260127 to Present) | |
| 32 | 1703162 | 1 | Decal - Fan Blade | |
| 33 | 1702773 | 5 | Decal - JLG | |
| 34 | 1704885 | 2 | Decal - Website | |
| 36 | 1705190 | 1 | Decal - Legend | |
| 37 | 1703818 | 3 | Decal - Crushing Hazard/Danger Electrocution | |
| 38 | 1703821 | 1 | Decal - Control Box Location | |
| 39 | 1705019 | 1 | Decal - Safety Prop | |
| 40 | 1704432 | 1 | Decal - Warning Crushing | |
| 41 | 1703823 | 1 | Decal - Danger/Electrical Hazard | |

SECTION 9 - DECALS

FIGURE 9-2. DECAL INSTALLATION (AUSTRALIAN AND CE SPECS)



ART_0275086

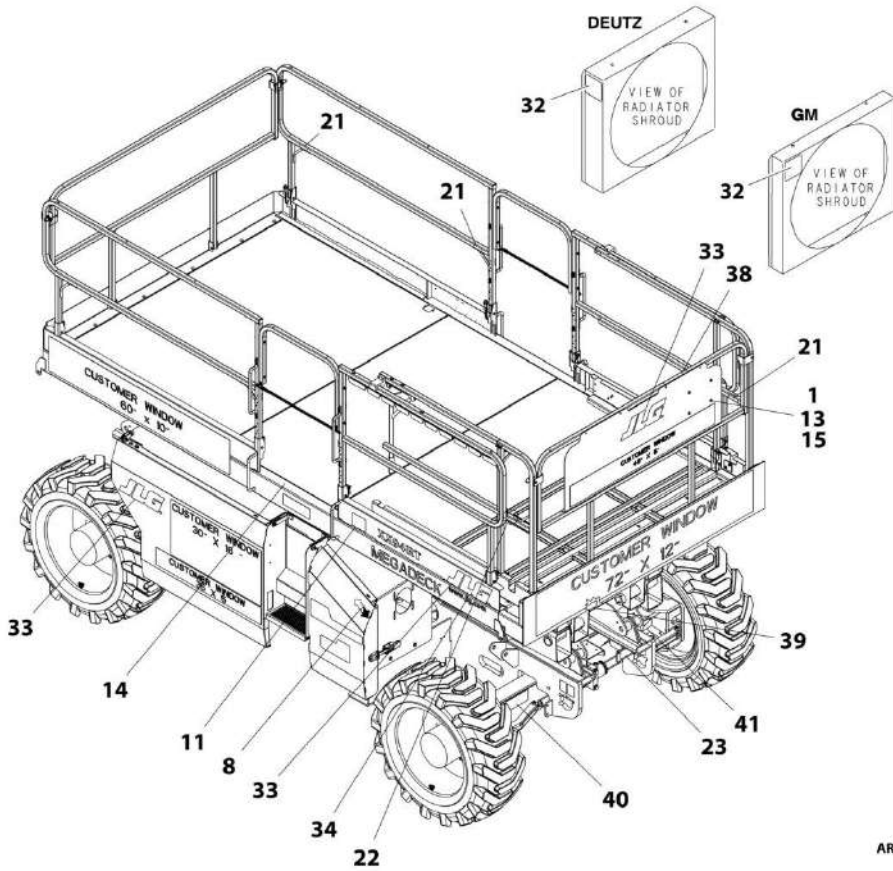
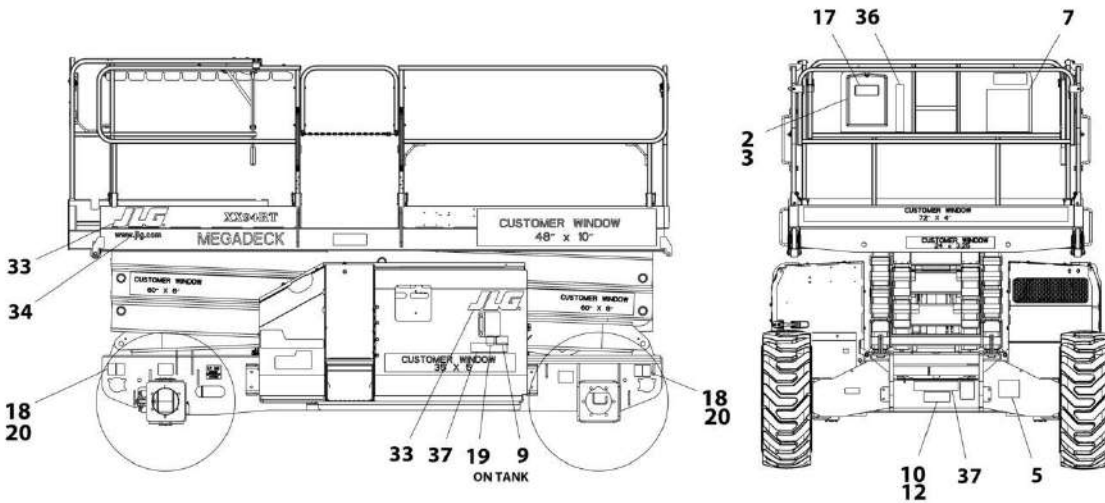
SECTION 9 - DECALS

FIGURE 9-2. DECAL INSTALLATION (AUSTRALIAN AND CE SPECS)

| ITEM | PART NUMBER | QTY | DESCRIPTION | REV |
|------|-------------|-----------|---|-----|
| | 0275086 | Ref | DECAL INSTALLATION (AUSTRALIAN AND CE SPECS) | B |
| | | Ref | Note: See DECAL INSTALLATION - OPTIONS for additional decals. | |
| 1 | 0641405 | 4 | Bolt 1/4 x 5/8 | |
| 2 | 0860520 | 1 | Box, Manual Storage | |
| 3 | 1060279 | 1 | Cable, Lanyard | |
| 5 | See Note | NSS | Decal - Bar Code (Not Shown - Located Near Control Box) (Note: Not Available for Purchase) | |
| 6 | 1705515 | 2 | Decal - 109db Sound Power Level | |
| 7 | 1703687 | 2 | Decal - Directional Arrow | |
| 8 | 1704412 | 1 | Decal - Hydraulic Oil | |
| 9 | 2080057 | 2 | Fastener | |
| 10 | See Note | NSS | Nameplate - Serial Number (Note: Not Available for Purchase) | |
| 11 | 3311405 | 4 | Nut 1/4 | |
| 12 | 4420067 | 4 ft/1.2m | Tape, Safety Tread | |
| 13 | 4711400 | 8 | Washer 1/4 | |
| 15 | 1701509 | 1 | Decal - Manual Reference | |
| 16 | 1703811 | 4 | Decal - Lifting Lugs | |
| 17 | 1703812 | 1 | Decal - Oil | |
| 18 | 1703814 | 4 | Decal - Tie Down | |
| 19 | 1704277 | 8 | Decal - Attach Lanyard Here | |
| 20 | 1703819 | 1 | Decal - Directional Arrow | |
| 21 | 1703822 | 1 | Decal - Manual Descent | |
| 33 | 3251813 | 1 | Nameplate - USA | |
| 34 | 1703162 | 1 | Decal - Fan Blade | |
| 36 | 1706338 | 4 | Decal - Electrocution/Crushing | |
| 37 | 1705019 | 1 | Decal - Safety Prop | |
| 38 | 1705671 | 1 | Decal - Caution | |
| 39 | 1705372 | 1 | Decal - Heading Crushing | |
| 40 | 1702773 | 2 | Decal - JLG (5in) (SN 0200259806 to Present) | |
| 41 | 1701435 | 2 | Decal - JLG (3-1/2in) (SN 0200259806 to Present) | |

SECTION 9 - DECALS

FIGURE 9-3. DECAL INSTALLATION - BRAZIL SPEC (SPANISH/PORTUGUESE)



ART_0271767

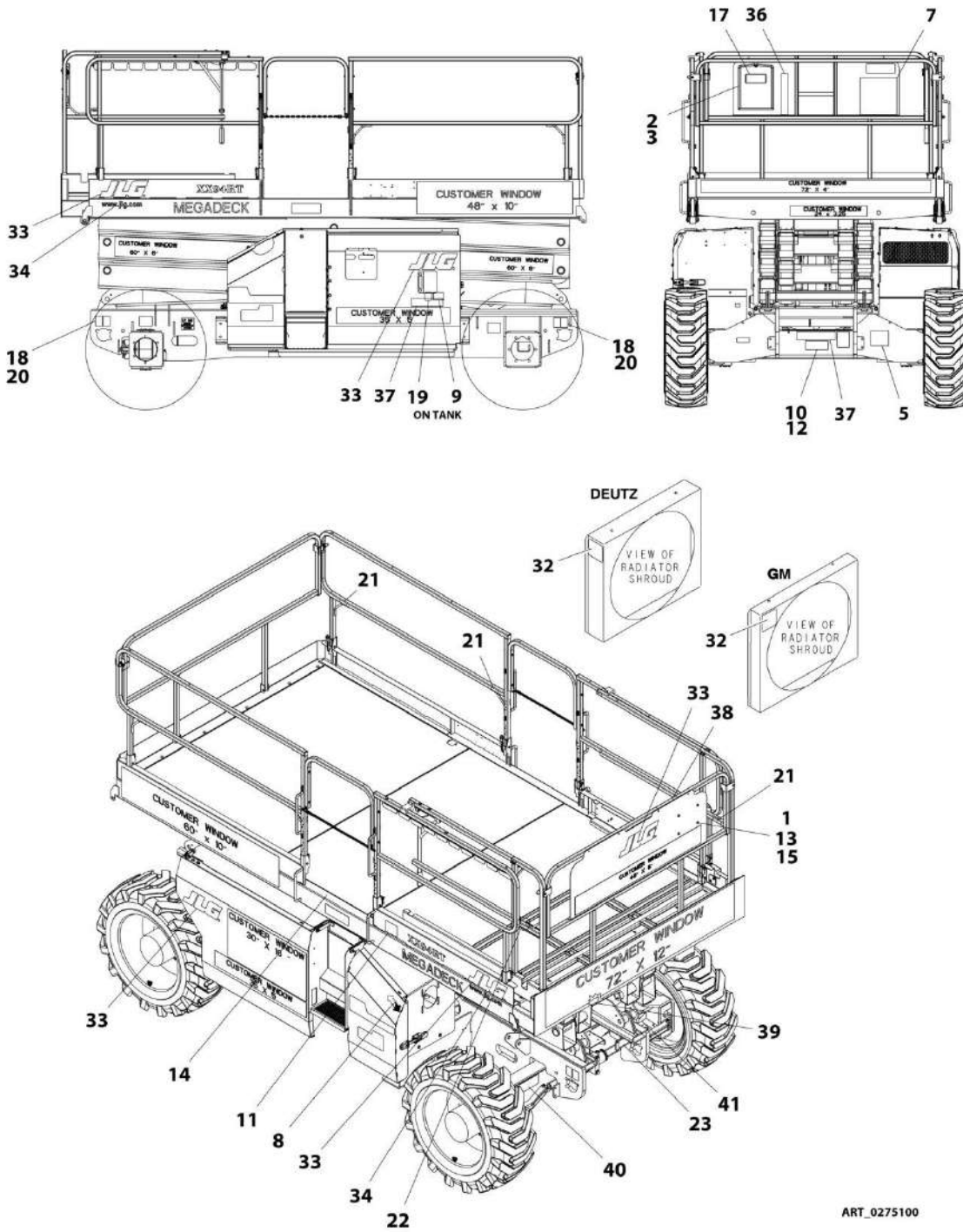
SECTION 9 - DECALS

FIGURE 9-3. DECAL INSTALLATION - BRAZIL SPEC (SPANISH/PORTUGUESE)

| ITEM | PART NUMBER | QTY | DESCRIPTION | REV |
|------|-------------|-----------|---|-----|
| | 0271767 | Ref | DECAL INSTALLATION - BRAZIL SPEC (SPANISH/PORTUGUESE) | 4 |
| | | Ref | Note: See DECAL INSTALLATION - OPTIONS for additional decals. | |
| 1 | 0641405 | 4 | Bolt 1/4 x 5/8 | |
| 2 | 0860520 | 1 | Box, Manual Storage | |
| 3 | 1060279 | 1 | Cable, Lanyard | |
| 5 | 1704008 | 1 | Decal - Inspection | |
| 6 | See Note | NSS | Decal - Bar Code (Not Shown - Located Near Control Box) (Note: Not Available for Purchase) | |
| 7 | 1704699 | 1 | Decal - Danger/Warning | |
| 8 | 1703687 | 2 | Decal - Directional Arrow | |
| 9 | 1704412 | 1 | Decal - Hydraulic Oil | |
| 10 | 2080057 | 4 | Fastener | |
| 11 | 3251813 | 1 | Nameplate - USA | |
| 12 | See Note | NSS | Nameplate - Serial Number (Note: Not Available for Purchase) | |
| 13 | 3311405 | 4 | Nut 1/4 | |
| 14 | 4420067 | 4 ft/1.2m | Tape, Safety Tread | |
| 15 | 4711400 | 8 | Washer 1/4 | |
| 17 | 1701509 | 1 | Decal - Manual Reference | |
| 18 | 1703811 | 4 | Decal - Lifting Lugs | |
| 19 | 1703812 | 1 | Decal - Oil | |
| 20 | 1703814 | 4 | Decal - Tie Down | |
| 21 | 1704277 | 8 | Decal - Attach Lanyard Here | |
| 22 | 1703819 | 1 | Decal - Directional Arrow | |
| 23 | 1703822 | 1 | Decal - Manual Descent | |
| 32 | 1703162 | 1 | Decal - Fan Blade | |
| 33 | 1702773 | 5 | Decal - JLG | |
| 34 | 1704885 | 2 | Decal - Website | |
| 36 | 1705317 | 1 | Decal - Legend | |
| 37 | 1704701 | 4 | Decal - Crushing Hazard/Danger Electrocutation | |
| 38 | 1704702 | 1 | Decal - Control Box Location | |
| 39 | 1705019 | 1 | Decal - Safety Prop | |
| 40 | 1705318 | 1 | Decal - Warning Crushing | |
| 41 | 1705043 | 1 | Decal - Danger/Electrical Hazard | |

SECTION 9 - DECALS

FIGURE 9-4. DECAL INSTALLATION - CHINESE SPEC (ENGLISH/CHINESE)



ART_0275100

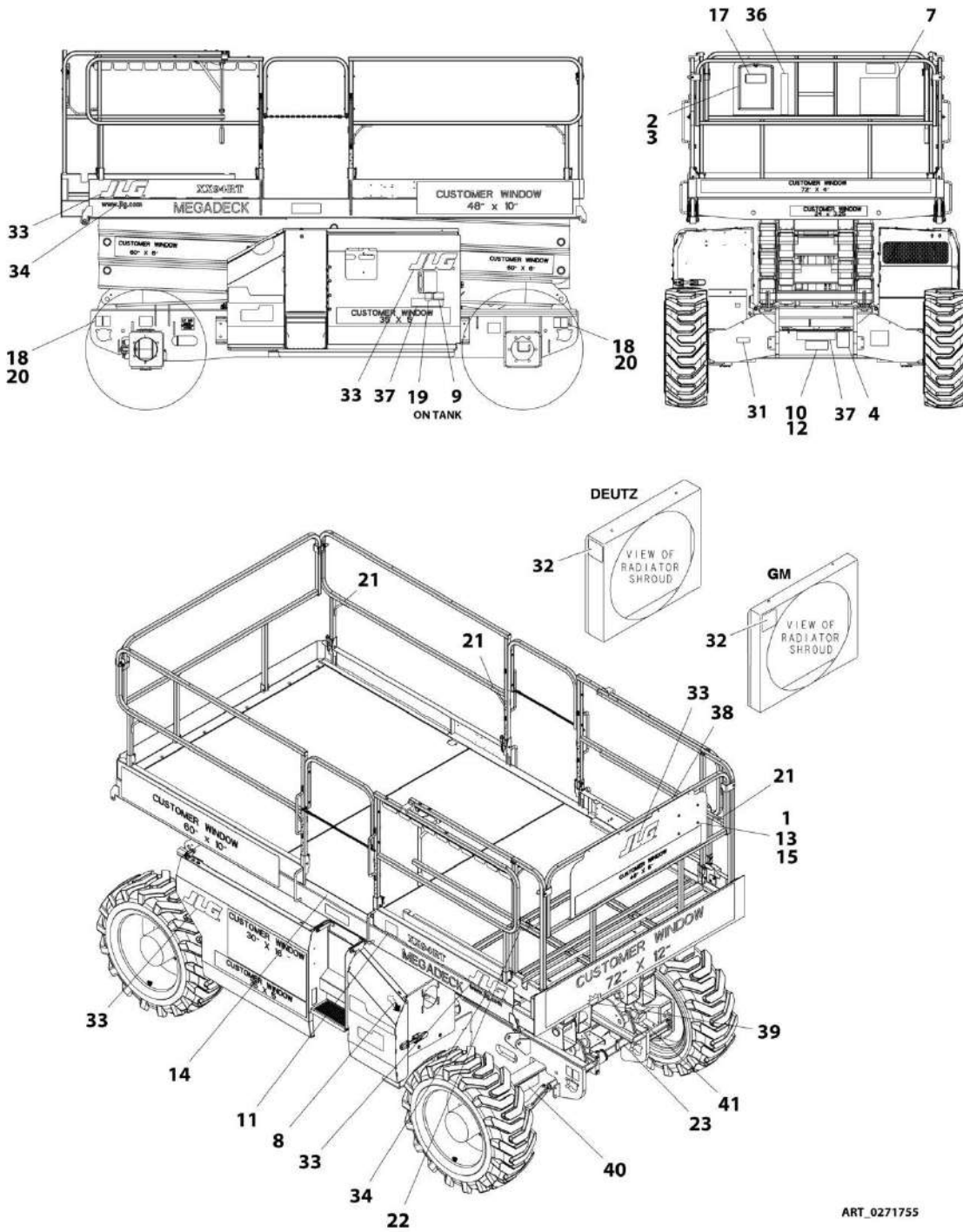
SECTION 9 - DECALS

FIGURE 9-4. DECAL INSTALLATION - CHINESE SPEC (ENGLISH/CHINESE)

| ITEM | PART NUMBER | QTY | DESCRIPTION | REV |
|------|-------------|-----------|---|-----|
| | 0275100 | Ref | DECAL INSTALLATION - CHINESE SPEC (ENGLISH/CHINESE) | 3 |
| | | Ref | Note: See DECAL INSTALLATION - OPTIONS for additional decals. | |
| 1 | 0641405 | 4 | Bolt 1/4 x 5/8 | |
| 2 | 0860520 | 1 | Box, Manual Storage | |
| 3 | 1060279 | 1 | Cable, Lanyard | |
| 5 | 1704607 | 1 | Decal - Inspection | |
| 6 | See Note | NSS | Decal - Bar Code (Not Shown - Located Near Control Box) (Note: Not Available for Purchase) | |
| 7 | 1705195 | 1 | Decal - Danger/Warning | |
| 8 | 1703687 | 2 | Decal - Directional Arrow | |
| 9 | 1704412 | 1 | Decal - Hydraulic Oil | |
| 10 | 2080057 | 4 | Fastener | |
| 11 | 3251813 | 1 | Nameplate - USA | |
| 12 | See Note | NSS | Nameplate - Serial Number (Note: Not Available for Purchase) | |
| 13 | 3311405 | 4 | Nut 1/4 | |
| 14 | 4420067 | 4 ft/1.2m | Tape, Safety Tread | |
| 15 | 4711400 | 8 | Washer 1/4 | |
| 17 | 1701509 | 1 | Decal - Manual Reference | |
| 18 | 1703811 | 4 | Decal - Lifting Lugs | |
| 19 | 1703812 | 1 | Decal - Oil | |
| 20 | 1703814 | 4 | Decal - Tie Down | |
| 21 | 1704277 | 8 | Decal - Attach Lanyard Here | |
| 22 | 1703819 | 1 | Decal - Directional Arrow | |
| 23 | 1703822 | 1 | Decal - Manual Descent | |
| 32 | 1703162 | 1 | Decal - Fan Blade | |
| 33 | 1702773 | 5 | Decal - JLG | |
| 34 | 1704885 | 2 | Decal - Website | |
| 36 | 1705190 | 1 | Decal - Legend | |
| 37 | 1705193 | 3 | Decal - Crushing Hazard/Danger Electrocutation | |
| 38 | 1705194 | 1 | Decal - Control Box Location | |
| 39 | 1705019 | 1 | Decal - Safety Prop | |
| 40 | 1705943 | 1 | Decal - Warning Crushing | |
| 41 | 1705944 | 1 | Decal - Danger/Electrical Hazard | |

SECTION 9 - DECALS

FIGURE 9-5. DECAL INSTALLATION - CSA SPEC (ENGLISH/FRENCH)



ART_0271755

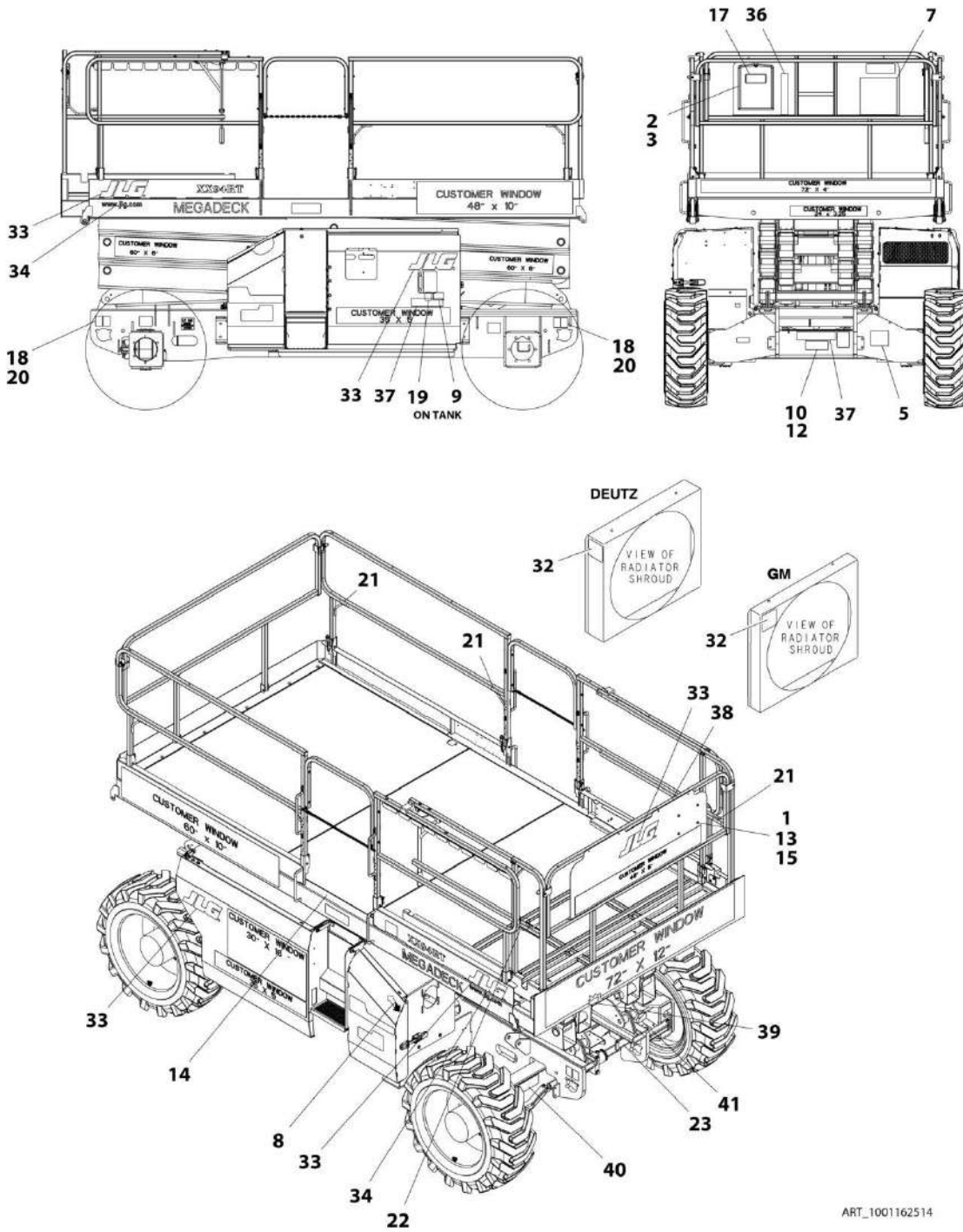
SECTION 9 - DECALS

FIGURE 9-5. DECAL INSTALLATION - CSA SPEC (ENGLISH/FRENCH)

| ITEM | PART NUMBER | QTY | DESCRIPTION | REV |
|------|-------------|-----------|---|-----|
| | 0271755 | Ref | DECAL INSTALLATION - CSA SPEC (ENGLISH/FRENCH) | 6 |
| | | Ref | Note: See DECAL INSTALLATION - OPTIONS for additional decals. | |
| 1 | 0641405 | 4 | Bolt 1/4 x 5/8 | |
| 2 | 0860520 | 1 | Box, Manual Storage | |
| 3 | 1060279 | 1 | Cable, Lanyard | |
| 4 | 1001131270 | 1 | Decal - Patent | |
| 6 | See Note | NSS | Decal - Bar Code (Note: Not Available for Purchase) | |
| 7 | 1704684 | 1 | Decal - Danger/Warning | |
| 8 | 1703687 | 2 | Decal - Directional Arrow | |
| 9 | 1704412 | 1 | Decal - Hydraulic Oil | |
| 10 | 2080057 | 4 | Fastener | |
| 11 | 3251813 | 1 | Nameplate - USA | |
| 12 | See Note | NSS | Nameplate - Serial Number (Note: Not Available for Purchase) | |
| 13 | 3311405 | 4 | Nut 1/4 | |
| 14 | 4420067 | 4 ft/1.2m | Tape, Safety Tread | |
| 15 | 4711400 | 8 | Washer 1/4 | |
| 17 | 1701509 | 1 | Decal - Manual Reference | |
| 18 | 1703811 | 4 | Decal - Lifting Lugs | |
| 19 | 1703812 | 1 | Decal - Oil | |
| 20 | 1703814 | 4 | Decal - Tie Down | |
| 21 | 1704277 | 8 | Decal - Attach Lanyard Here | |
| 22 | 1703819 | 1 | Decal - Directional Arrow | |
| 23 | 1703822 | 1 | Decal - Manual Descent | |
| 31 | 1705303 | 1 | Decal - CSA | |
| 32 | 1703162 | 1 | Decal - Fan Blade | |
| 33 | 1702773 | 5 | Decal - JLG | |
| 34 | 1704885 | 2 | Decal - Website | |
| 36 | 1705314 | 1 | Decal - Legend | |
| 37 | 1704686 | 3 | Decal - Crushing Hazard/Danger Electrocution | |
| 38 | 1704687 | 1 | Decal - Control Box Location | |
| 39 | 1705019 | 1 | Decal - Safety Prop | |
| 40 | 1705311 | 1 | Decal - Warning Crushing | |
| 41 | 1705040 | 1 | Decal - Danger/Electrical Hazard | |

SECTION 9 - DECALS

FIGURE 9-6. DECAL INSTALLATION - KOREAN SPEC (ENGLISH/KOREAN)



ART_1001162514

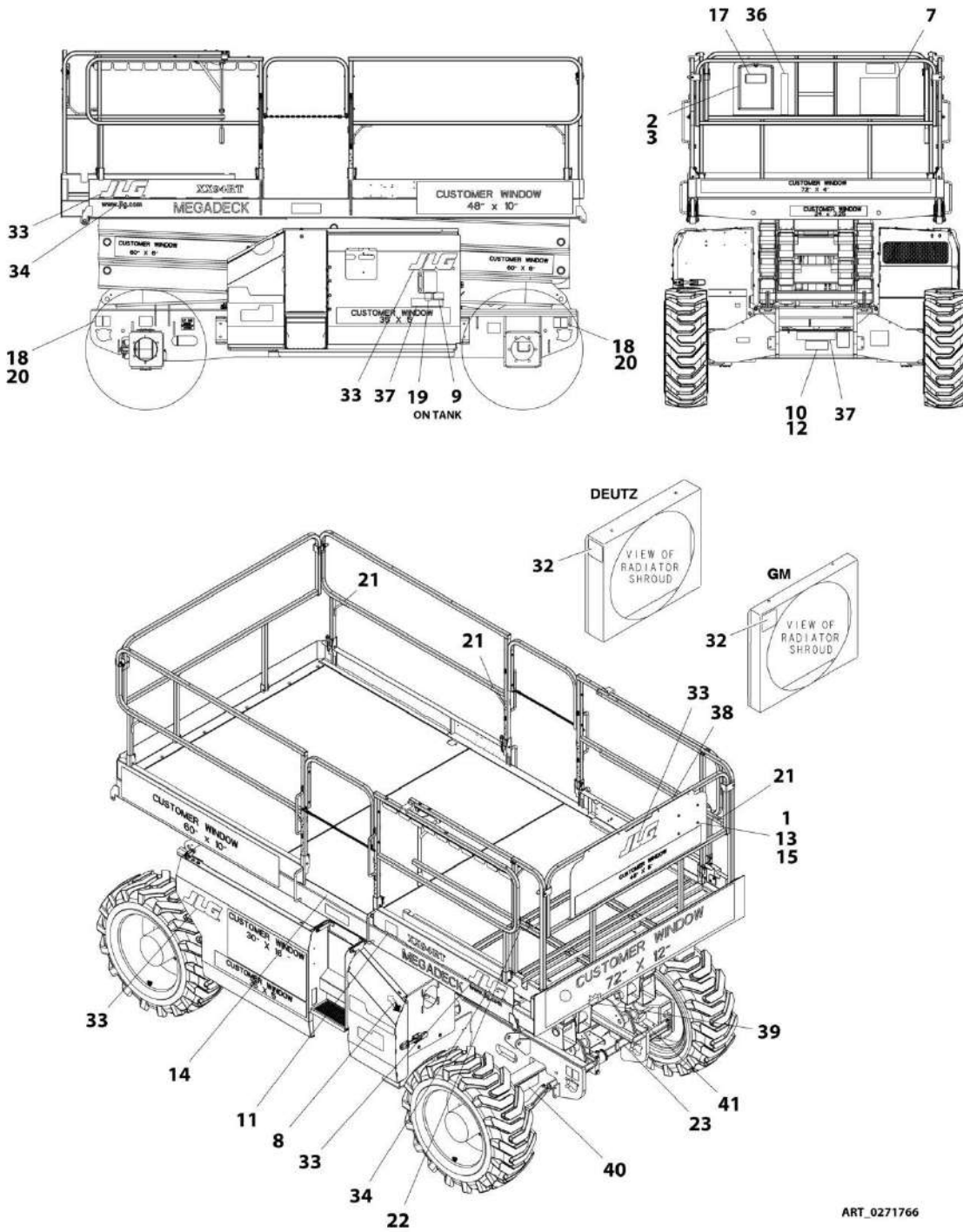
SECTION 9 - DECALS

FIGURE 9-6. DECAL INSTALLATION - KOREAN SPEC (ENGLISH/KOREAN)

| ITEM | PART NUMBER | QTY | DESCRIPTION | REV |
|------|-------------|-----------|--|-----|
| | 1001162514 | Ref | DECAL INSTALLATION - KOREAN SPEC (ENGLISH/KOREAN) | A |
| | | Ref | Note: See DECAL INSTALLATION - OPTIONS for additional decals. | |
| 1 | 0641405 | 4 | Bolt 1/4 x 5/8 | |
| 2 | 0860520 | 1 | Box, Manual Storage | |
| 3 | 1060279 | 1 | Cable, Lanyard | |
| 5 | 1704607 | 1 | Decal - Inspection | |
| 6 | See Note | NSS | Decal - Bar Code (Not Shown - Located Near Control Box) (Note: Not Available for Purchase) | |
| 7 | 1001162115 | 1 | Decal - Danger/Warning | |
| 8 | 1703687 | 2 | Decal - Directional Arrow | |
| 9 | 1704412 | 1 | Decal - Hydraulic Oil | |
| 10 | 2080057 | 4 | Fastener | |
| 12 | See Note | NSS | Nameplate - Serial Number (Note: Not Available for Purchase) | |
| 13 | 3311405 | 4 | Nut 1/4 | |
| 14 | 4420067 | 4 ft/1.2m | Tape, Safety Tread | |
| 15 | 4711400 | 8 | Washer 1/4 | |
| 17 | 1701509 | 1 | Decal - Manual Reference | |
| 18 | 1703811 | 4 | Decal - Lifting Lugs | |
| 19 | 1703812 | 1 | Decal - Oil | |
| 20 | 1703814 | 4 | Decal - Tie Down | |
| 21 | 1704277 | 8 | Decal - Attach Lanyard Here | |
| 22 | 1703819 | 1 | Decal - Directional Arrow | |
| 23 | 1703822 | 1 | Decal - Manual Descent | |
| 32 | 1703162 | 1 | Decal - Fan Blade | |
| 33 | 1702773 | 4 | Decal - JLG | |
| 34 | 1704885 | 2 | Decal - Website | |
| 36 | 1001162110 | 1 | Decal - Legend | |
| 37 | 1001162111 | 3 | Decal - Crushing Hazard/Danger Electrocutation | |
| 38 | 1001162112 | 1 | Decal - Control Box Location | |
| 39 | 1705019 | 1 | Decal - Safety Prop | |
| 40 | 1001162113 | 1 | Decal - Warning Crushing | |
| 41 | 1001162114 | 1 | Decal - Danger/Electrical Hazard | |

SECTION 9 - DECALS

FIGURE 9-7. DECAL INSTALLATION - LATIN AMERICAN SPEC (ENGLISH/SPANISH)



ART_0271766

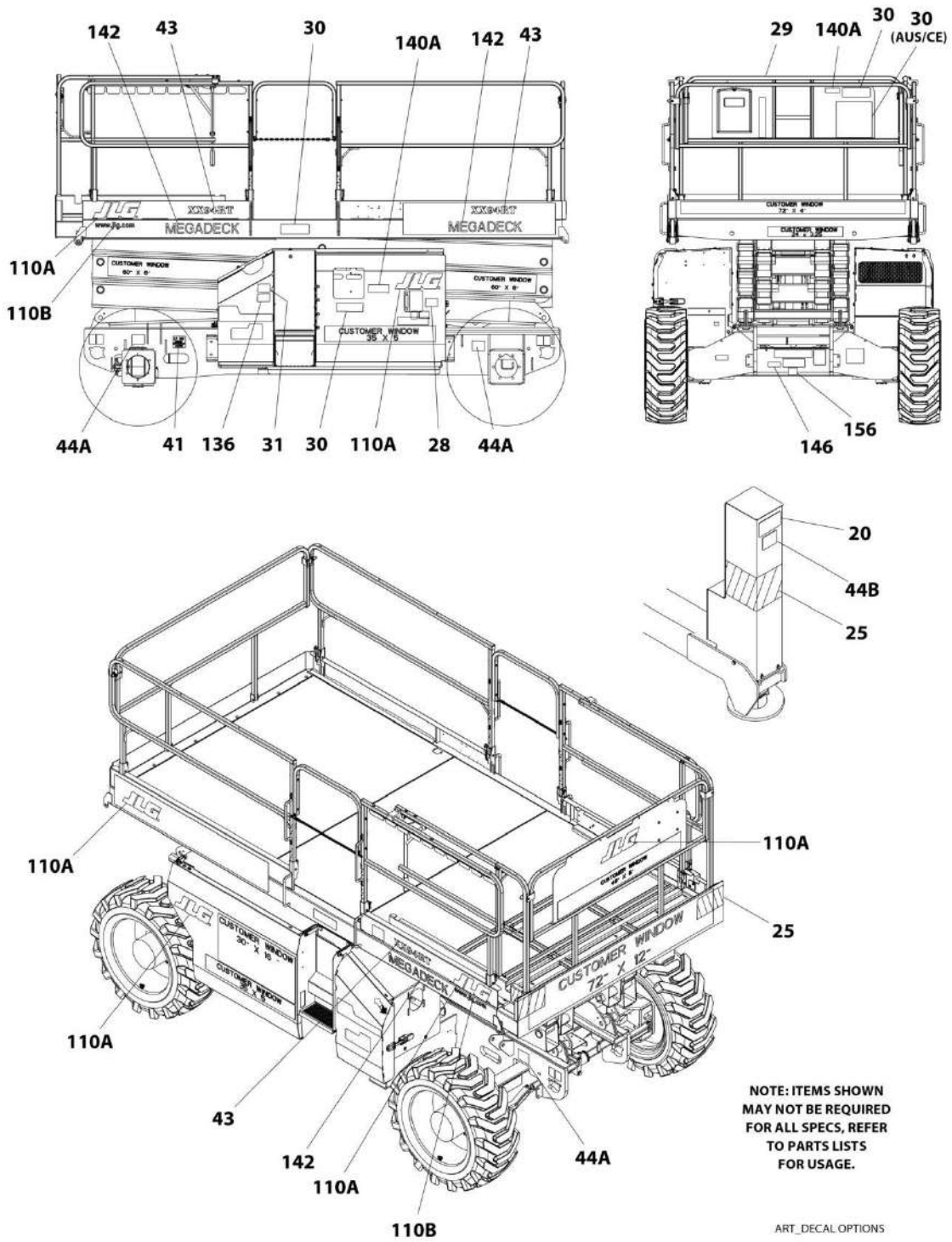
SECTION 9 - DECALS

FIGURE 9-7. DECAL INSTALLATION - LATIN AMERICAN SPEC (ENGLISH/SPANISH)

| ITEM | PART NUMBER | QTY | DESCRIPTION | REV |
|------|-------------|-----------|--|-----|
| | 0271766 | Ref | DECAL INSTALLATION - LATIN AMERICAN SPEC (ENGLISH/SPANISH) | 5 |
| | | Ref | Note: See DECAL INSTALLATION - OPTIONS for additional decals. | |
| 1 | 0641405 | 4 | Bolt 1/4 x 5/8 | |
| 2 | 0860520 | 1 | Box, Manual Storage | |
| 3 | 1060279 | 1 | Cable, Lanyard | |
| 6 | See Note | NSS | Decal - Bar Code (Not Shown - Located Near Control Box) (Note: Not Available for Purchase) | |
| 7 | 1704691 | 1 | Decal - Danger/Warning | |
| 8 | 1703687 | 2 | Decal - Directional Arrow | |
| 9 | 1704412 | 1 | Decal - Hydraulic Oil | |
| 10 | 2080057 | 4 | Fastener | |
| 11 | 3251813 | 1 | Nameplate - USA | |
| 12 | See Note | NSS | Nameplate - Serial Number (Note: Not Available for Purchase) | |
| 13 | 3311405 | 4 | Nut 1/4 | |
| 14 | 4420067 | 4 ft/1.2m | Tape, Safety Tread | |
| 15 | 4711400 | 8 | Washer 1/4 | |
| 17 | 1701509 | 1 | Decal - Manual Reference | |
| 18 | 1703811 | 4 | Decal - Lifting Lugs | |
| 19 | 1703812 | 1 | Decal - Oil | |
| 20 | 1703814 | 4 | Decal - Tie Down | |
| 21 | 1704277 | 8 | Decal - Attach Lanyard Here | |
| 22 | 1703819 | 1 | Decal - Directional Arrow | |
| 23 | 1703822 | 1 | Decal - Manual Descent | |
| 32 | 1703162 | 1 | Decal - Fan Blade | |
| 33 | 1702773 | 5 | Decal - JLG | |
| 34 | 1704885 | 2 | Decal - Website | |
| 36 | 1705315 | 1 | Decal - Legend | |
| 37 | 1704693 | 3 | Decal - Crushing Hazard/Danger Electrocution | |
| 38 | 1704694 | 1 | Decal - Control Box Location | |
| 39 | 1705019 | 1 | Decal - Safety Prop | |
| 40 | 1705316 | 1 | Decal - Warning Crushing | |
| 41 | 1705041 | 1 | Decal - Danger/Electrical Hazard | |

SECTION 9 - DECALS

FIGURE 9-8. DECAL INSTALLATION - OPTIONS



SECTION 9 - DECALS

FIGURE 9-8. DECAL INSTALLATION - OPTIONS

| ITEM | PART NUMBER | QTY | DESCRIPTION | REV |
|------|-------------|-----|--|-----|
| | 1001170776 | Ref | DECAL INSTALLATION - REFERENCE CHART (ALL SPECS EXCEPT AUSTRALIAN AND CE SPECS) | A |
| | 1283317 | Ref | DECAL INSTALLATION - REFERENCE CHART (AUSTRALIAN AND CE SPECS ONLY) | J |
| | 1001165100 | Ref | DECAL INSTALLATION - OPTIONS | |
| 20 | 1701214 | 8 | Decal - Outrigger Warning (ANSI Spec Only) (English) | |
| 20 | 1701785 | 8 | Decal - Outrigger Warning (Australian and CE Specs Only) (English) | |
| 20 | 1704698 | 8 | Decal - Outrigger Warning (Brazilian Spec Only) (Spanish/Portuguese) | |
| 20 | 1704690 | 8 | Decal - Outrigger Warning (CSA Spec Only) (English/French) | |
| 20 | 1001215447 | 1 | Decal - Outrigger Warning (Korean Spec Only) (English/Korean) | |
| 20 | 1704697 | 8 | Decal - Outrigger Warning (Latin American Spec Only) (English/Spanish) | |
| 25 | 0251642 | Ref | Corner Stripes Installation - Single Deck Extension | D |
| 25 | 0253807 | Ref | Corner Stripes Installation - Dual Deck Extension | 1 |
| 25 | 4420051 | AR | Tape, Safety | |
| 28 | 1704174 | 1 | Decal - Synthetic Biodegradable Hydraulic Fluid (Optional - All Specs except German Spec) | |
| 28 | 1702788 | 1 | Decal - Biodegradable Hydraulic Fluid (Optional - All Specs except German Spec) | |
| 28 | 1704175 | 1 | Decal - Synthetic Biodegradable Hydraulic Fluid (German Spec Only) | |
| 28 | 1703479 | 1 | Decal - Biodegradable Hydraulic Fluid (German Spec Only) | |
| 29 | 1702962 | 1 | Decal - Warning Prop (Diesel) (ANSI Spec Only) | |
| 29 | 1702961 | 1 | Decal - Warning Prop (Gas) (ANSI Spec Only) | |
| 30 | 1705020 | 4 | Decal - Capacity 2250lbs/909kg (3394RT with Single Deck Extension) (ANSI and ANSI Export Specs Only) | |
| 30 | 3252757 | 4 | Decal - Capacity 2000lbs/795kg (3394RT with Dual Deck Extension) (ANSI and ANSI Export Specs Only) | |
| 30 | 1705021 | 4 | Decal - Capacity 1500lbs/681kg (4394RT with Single Deck Extension) (ANSI and ANSI Export Specs Only) | |
| 30 | 1705022 | 4 | Decal - Capacity 1250lbs/568kg (4394RT with Dual Deck Extension) (ANSI and ANSI Export Specs Only) | |
| 30 | 1705034 | 1 | Decal - Capacity 1020kg (3394RT with Single Deck Extension) (Australian and CE Specs Only) | |
| 30 | 1705035 | 1 | Decal - Capacity 905kg (3394RT with Dual Deck Extension) (Australian and CE Specs Only) | |
| 30 | 1705036 | 1 | Decal - Capacity 680kg (4394RT with Single Deck Extension) (Australian and CE Specs Only) | |
| 30 | 1705037 | 1 | Decal - Capacity 565kg (4394RT with Dual Deck Extension) (Australian and CE Specs Only) | |
| 31 | 1701505 | 1 | Decal - Fuel (Diesel) | |
| 31 | 1701542 | 1 | Decal - Fuel (Gas) | |
| 41 | 1700818 | 1 | Decal - LP (English Language) | |
| 41 | 1704271 | 1 | Decal - LP (English/French Language) | |
| 41 | 1702720 | 1 | Decal - LP (Spanish Language) | |
| 43 | 1705038 | 2 | Decal - Model Designation (3394RT) | |
| 43 | 1705039 | 2 | Decal - Model Designation (4394RT) | |
| 44A | 1703493 | 4 | Decal - Max Tire Load (Machines without Leveling Jacks) | |
| 44B | 1705042 | 4 | Decal - Max Load (Machines with Leveling Jacks) | |
| 110 | 1001170869 | 1 | JLG Decals Installation (Not Shown) | |
| 110A | 1702773 | 5 | Decal - JLG | |

SECTION 9 - DECALS

| ITEM | PART NUMBER | QTY | DESCRIPTION | REV |
|------|-------------|-----|---|-----|
| 110B | 1704885 | 2 | Decal - Website | |
| 136 | 1001125387 | 1 | Decal - Ultra Sulfur Fuel (Deutz D2.9L4 Engine Machines Only) | |
| 140 | 1001112548 | Ref | Decal - Hearing Protection (3394RT Machines Only) (ANSI Spec Only) | |
| 140A | 1706837 | 2 | Decal - Hearing Loss | |
| 142 | 1001142595 | 2 | Decal - Megadeck | |
| 146 | 1001143852 | 1 | Decal - Emission Compliance (ANSI Export, Australian and CE Specs Only) | |
| 156 | 1001214029 | Ref | Decal - EAC Installation (CIS and Russia Specs) | |
| 156A | 1001173703 | 1 | Decal - EAC | |

SECTION 10 - RECOMMENDED SERVICE PARTS STOCK

SECTION 10 - RECOMMENDED SERVICE PARTS STOCK

SECTION 10 - RECOMMENDED SERVICE PARTS STOCK

FIGURE 10-1. RECOMMENDED SERVICE PARTS STOCK

| ITEM | PART NUMBER | QTY | DESCRIPTION | REV |
|------|-------------|-------|---|-----|
| | | Ref | Note: The following list will service one machine (built to current production per date on the front cover) with emergency repair parts which can be installed in the field. Parts from the list should be replaced when inventory is depleted to keep service parts stock supplied. For further information, contact your JLG dealer or the JLG Industries Parts Department. | |
| | | Ref | STANDARD PARTS | |
| | 70001965 | 1 | Coil | |
| | 7017451 | 1 | Coil | |
| | 3740067 | 1 | Relay | |
| | 3740080 | 1 | Relay | |
| | 70010383 | 1 | Element, Charge Filter | |
| | 70001960 | 4 | Element, Return Filter | |
| | 70002113 | 1 | Breather, Hydraulic Tank | |
| | 4360070 | 1 | Breaker, Circuit | |
| | 4360328 | 1 | Switch, Toggle | |
| | 4360387 | 1 | Switch, Push Button | |
| | 2860030 | 1 | Key, Replacement | |
| | 4360475 | 1 | Switch, Mushroom, Switch, Mushroom | |
| | 1810140 | 1 | Switch, Dual Axis | |
| | 4360500 | 1 | Switch, Rotary Angle Sensor | |
| | 4360502 | 1 | Switch, Proximity | |
| | 4360524 | 1 | Switch, Toggle | |
| | 4360525 | 1 | Switch, Toggle | |
| | 70000082 | 1 | Microswitch | |
| | 7027367 | 1 | Switch, Push Button | |
| | 70000081 | 1 | Potentiometer | |
| | 3990010 | 2 | Diode | |
| | | Ref | VARIABLE PARTS | |
| | 70001977 | 1 | Coil (All Specs except CE Spec) | |
| | 70001967 | 1 | Coil (All Specs except CE Spec) | |
| | 70050516 | 1 | Coil (CE Spec) | |
| | 70002963 | 1 | Coil (CE Spec) | |
| | 70001977 | 1 | Coil (Machines with Power Deck) | |
| | 7016331 | 1 | Filter, Oil (Deutz D2011 Engine Machines) | |
| | 7020023 | 4 | Filter, Spin On Fuel (Deutz D2011 Engine Machines) | |
| | 7027245 | 4 | Filter, Inline Fuel (Deutz D2011 Engine Machines) | |
| | 7024438 | 1 doz | Element, Air Cleaner (Deutz D2011 Engine) | |
| | 3740049 | 1 | Relay (Deutz D2011 Engine Machines) | |
| | 7016641 | 1 | Filter, Oil (Deutz D2.9L4 Engine Machines) | |
| | 70025154 | 1 | Filter, Fuel (Deutz D2.9L4 Engine Machines) | |
| | 70025161 | 1 | Filter, Fuel (Deutz D2.9L4 Engine Machines) | |
| | 70003937 | 1 doz | Element, Air Cleaner (Deutz D2.9L4 Engine) | |
| | 70025210 | 1 | Module, Control (Deutz D2.9L4 Engine Machines) | |
| | 1001138228 | 1 | Module, Power Relay (Deutz D2.9L4 Engine Machines) | |
| | 70023593 | 2 | Fuse - 30Amp (Deutz D2.9L4 Engine Machines) | |
| | 70023592 | 2 | Fuse - 20Amp (Deutz D2.9L4 Engine Machines) | |
| | 7027965 | 1 | Filter, Oil (GM Engine Machines) | |
| | 7027972 | 4 | Filter, Inline Fuel (GM Engine Machines) | |

SECTION 10 - RECOMMENDED SERVICE PARTS STOCK

| ITEM | PART NUMBER | QTY | DESCRIPTION | REV |
|------|-------------|-------|--|-----|
| | 7024438 | 1 doz | Element, Air Cleaner (GM Engine) | |
| | 1001135570 | 1 | Module, Ground Control | |
| | 1001182481 | 1 | Module (Machines with Power Options) | |
| | 3740067 | 1 | Relay (Machines with Power Deck) | |
| | 4360469 | 1 | Switch, Key (All Specs except CE Spec) | |
| | 4360470 | 1 | Switch, Key (CE Spec) | |
| | 4360483 | 1 | Switch, Toggle (Diesel Machines) | |
| | 4360482 | 1 | Switch, Toggle (Gas Machines) | |
| | 3740080 | 1 | Relay (Machines with Generator) | |
| | 4360482 | 1 | Switch, Toggle (Machines with Generator) | |
| | 4360070 | 1 | Breaker, Circuit (Deutz D2.9L4 with 7500W Generator) | |
| | 2940074 | 1 | Latch (With Swing Gates) | |
| | 1001101076 | 1 | Latch, Snap (With Chain Entry) | |
| | 2400056 | 2 | Fuse - 5Amp (With Beacon Light Option) | |
| | 4360548 | 1 | Switch, Limit (With Leveling Jacks) | |
| | 8229242 | 2 | Fuse - 5Amp (Deutz D2.9L4 Engine Machines) | |
| | 80983191 | 2 | Fuse - 10Amp (Deutz D2.9L4 Engine Machines) | |

SECTION 11 - SPECIAL OPTIONS

SECTION 11 - SPECIAL OPTIONS

FIGURE 11-1. SPECIAL OPTIONS LIST

| ITEM | PART NUMBER | QTY | DESCRIPTION | REV |
|------|-------------|-----|---|-----|
| | | Ref | Note: This list is to accommodate machines ordered with special equipment. Options may not be applicable to all models. For more specific parts information contact the JLG Parts Department. | |
| | 1001233047 | Ref | Air Intake Breather Heater Add-on Kit (Deutz T4F Engines) | |
| | 0271782 | Ref | Airline to Platform Installation - 1/2in 3394RT | |
| | 0271783 | Ref | Airline to Platform Installation - 1/2in 4394RT | |
| | 1001183337 | Ref | Circuit Breaker (RCD) Box Installation | |
| | 1001229107 | Ref | ClearSky Telematics Installation | |
| | 0271786 | Ref | Cold Weather Package Installation (Deutz D2011 Engine Machines) | |
| | 1001151902 | Ref | Cold Weather Package Installation (Deutz D2.9L4 Engine Machines) | |
| | 0275149 | Ref | Cold Weather Package Installation (GM Engine Machines) | |
| | 1001108500 | Ref | Container Shipment Preparation | |
| | | Ref | Decal Installations | |
| | 1001196612 | Ref | Decal - Ahern | |
| | 1001196700 | Ref | Decal - Blueline (SN 0200239053 through 0200260361) | |
| | 1001224015 | Ref | Decal - Blueline (SN 0200260362 to Present) | |
| | 1001229699 | Ref | Decal - ClearSky | |
| | 1001200301 | Ref | Decal - Customer Supplied Decals | |
| | 1001115671 | Ref | Decal - FedEx | |
| | 0274680 | Ref | Decal - Head and Engquist Equipment L.L.C (H&E) | |
| | 1001221960 | Ref | Decal - Herc Rentals | |
| | 1001128997 | Ref | Decal - Hertz | |
| | 1001222118 | Ref | Decal - Hertz (Canada) | |
| | 0274249 | Ref | Decal - National Equipment Services (NES) | |
| | 1001218718 | Ref | Decal - Riwal | |
| | 0272289 | Ref | Decal - Sunbelt (SN 0200239053 through 0200246956) | |
| | 1001197868 | Ref | Decal - Sunbelt (3394RT) (SN 0200246957 to Present) | |
| | 1001197870 | Ref | Decal - Sunbelt (4394RT) (SN 0200246957 to Present) | |
| | 1001151164 | Ref | Decal - Titan Rentals | |
| | 0271666 | Ref | Decal - United Rentals | |
| | 1001098292 | Ref | Decal - UPS | |
| | 1001141644 | Ref | Decal - Volvo | |
| | | Ref | Decal Kits | |
| | 1001125243 | Ref | Decal Kit - Calibration (3394RT) (Located on Arms) | |
| | 1001125242 | Ref | Decal Kit - Calibration (4394RT) (Located on Arms) | |
| | 2902066 | Ref | Decal Kit - Country Spec (ANSI) | |
| | 2902912 | Ref | Decal Kit - Country Spec (Brazil) (Spanish/Portuguese Languages) | |
| | 2902190 | Ref | Decal Kit - Country Spec (CSA) (English/French Languages) | |
| | 1001162116 | Ref | Decal Kit - Country Spec (Korea) (English/Korean Languages) | |
| | 2902191 | Ref | Decal Kit - Country Spec (Latin America) (English/Spanish Languages) | |
| | 2901912 | Ref | Decal Kit - Master | |
| | 1001209222 | Ref | Decal Kit - Service (3394RT) | |
| | 1001209221 | Ref | Decal Kit - Service (4394RT) | |
| | 2300040 | Ref | Diesel Fuel Conditioner | |
| | | Ref | Electrical Connector Kits | |
| | 1001148902 | Ref | Amp Connector Kit | |

SECTION 11 - SPECIAL OPTIONS

| ITEM | PART NUMBER | QTY | DESCRIPTION | REV |
|------|-------------|-----|---|-----|
| | 1001148903 | Ref | Deutsch DT Connector Kit | |
| | 1001148904 | Ref | Deutsch HD Connector Kit | |
| | 1001148905 | Ref | Packard Connector Kit | |
| | 1001148906 | Ref | Various Connector Kit | |
| | 1001179261 | Ref | Engine Installation with Modine Radiator (Without Arctic Package) (Note: Released after production ceased) | |
| | 1001179260 | Ref | Engine Sub-Assembly with Pumps with Modine Radiator (Without Arctic Package) (Note: Released after production ceased) | |
| | 1001179259 | Ref | Engine Assembly with Modine Radiator (Without Arctic Package) (Note: Released after production ceased) | |
| | 1001179265 | Ref | Engine Installation with Modine Radiator (With Arctic Package) (Note: Released after production ceased) | |
| | 1001179264 | Ref | Engine Sub-Assembly with Pumps with Modine Radiator (With Arctic Package) (Note: Released after production ceased) | |
| | 1001179263 | Ref | Engine Assembly with Modine Radiator (With Arctic Package) (Note: Released after production ceased) | |
| | 1001156953 | Ref | Fan Guard (D2.9L4 Engines) | |
| | 1001235569 | Ref | Fan & Belt Shield Add-on Kit (Deutz T4i D2011 Engines) | |
| | | Ref | Filter Kits | |
| | | Ref | Deutz Engine | |
| | 1001114030 | 1 | Combined Filter Kit (Hydraulic/Air and Fuel/Engine Oil) (SN 0200239053 through 0200224892) | |
| | 1001181152 | 1 | Combined Filter Kit (Hydraulic/Air and Fuel/Engine Oil) (SN 0200224893 to Present) | |
| | 1001114029 | 1 | Hydraulic/Air Filter | |
| | 1001111685 | 1 | Fuel/Engine Oil Filter | |
| | | Ref | GM Engine | |
| | 1001150357 | 1 | Combined Filter Kit (Hydraulic/Air and Fuel/Engine Oil) | |
| | 1001175145 | Ref | Fire Extinguisher Installation | |
| | | Ref | Fluids | |
| | 2300004 | Ref | Coolant, Antifreeze (GM Engines) | |
| | 3020008 | Ref | Drive Hub Lubricant | |
| | 2300040 | Ref | Diesel Fuel Conditioner | |
| | 1001115930 | Ref | Engine Oil 10W-30 (Machines With GM Tier III Engines) | |
| | 2300014 | Ref | Hydraulic Fluid - Mobil 424 | |
| | 2300027 | Ref | Hydraulic Fluid - Mobil 224H Bio | |
| | 2300029 | Ref | Hydraulic Fluid - Mobil EAL ISO 46 Bio | |
| | 2300016 | Ref | Hydraulic Fluid - Mobil DTE 10 EXCEL 32 | |
| | 2300021 | Ref | Hydraulic Fluid - Union Carbide Ucon HP5046 Fire Resistant | |
| | 2300027 | Ref | Hydraulic Fluid - Mobil EAL 224 H | |
| | 2300039 | Ref | Hydraulic Fluid - Exxon Univis HVI 26 | |
| | 1001112109 | Ref | Forklift Pockets Installations | |
| | 1001202749 | Ref | Fuel Cap Cover Installation (Black) (Note: Lock p/n 1001102157 Must be Purchased Separately) | |
| | 1001191395 | Ref | Fuel Cap Cover Installation (Green) (Diesel Machines) (Note: Lock p/n 1001102157 Must be Purchased Separately) | |
| | 1001191394 | Ref | Fuel Cap Cover Installation (Red) (Gas Machines) (Note: Lock p/n 1001102157 Must be Purchased Separately) | |
| | 1001110509 | Ref | Ground Control Box Panel Cover Installation | |
| | 1001111280 | Ref | Ground Control Box Panel Light Installation | |
| | 0272726 | Ref | Headlights and Taillights Installation without Directional Signals | |
| | 1001110538 | Ref | Headlights and Taillights Installation with Directional Signals | |
| | 1001190929 | Ref | Kits List | |
| | 1001110706 | Ref | Platform Console Box with Cover and Lights Installation | |

SECTION 11 - SPECIAL OPTIONS

| ITEM | PART NUMBER | QTY | DESCRIPTION | REV |
|------|-------------|-----|---|-----|
| | 1001151233 | Ref | Platform Console Box with Turn Signal and Lights Installation (Dual Fuel Machines) | |
| | 1001151234 | Ref | Platform Console Box with Turn Signal and Lights Installation (Diesel Machines) | |
| | 0271750 | Ref | Platform Floodlights Installation - 3394RT | |
| | 0271751 | Ref | Platform Floodlights Installation - 4394RT | |
| | 1001165122 | Ref | Platform Rail Padding with Limit Switches (Dual Extension) (ANSI and ANSI Export) | |
| | 1001148913 | Ref | Platform Top Rail Padding Installation (Single Extension) | |
| | 1001149364 | Ref | Platform Top Rail Padding Installation (Dual Extension) | |
| | 0271749 | Ref | Platform Worklights Installation - 3394RT | |
| | 1001137964 | Ref | Platform Worklights Installation - 3394RT (Dual Extension) | |
| | 0273801 | Ref | Platform Worklights Installation - 4394RT | |
| | 1001137965 | Ref | Platform Worklights Installation - 4394RT (Dual Extension) | |
| | 0274260 | Ref | Platform Workstation Installation | |
| | 1001200380 | Ref | Radiator Replacement Kit (Replacing RCP Radiator with Modine Radiator) (ANSI-USA & CSA Specs) | |
| | 1001200299 | Ref | Telematics Options (Customer Supplied): | |
| | 1001210089 | Ref | CAT | |
| | 1001209282 | Ref | Loxam | |
| | 1001210090 | Ref | Riwal | |
| | 1001195610 | Ref | United Rentals - M6 | |
| | 1001214463 | Ref | United Rentals - M8 | |
| | | Ref | Tools for Service | |
| | | Ref | Note: See GM Engine Supplement P/N 3121245 for GM | |
| | | Ref | Engine Tools | |
| | 7002821 | 1 | Crimper, Wire | |
| | 7002823 | 1 | Extractor, Pin - Universal | |
| | 4460467 | AR | Extractor, Pin #16 Gauge | |
| | 4460510 | AR | Extractor, Pin #12 Gauge | |
| | 7004275 | 1 | Installer, Cylinder Seal - 1in | |
| | 7004276 | 1 | Installer, Cylinder Seal - 1-1/2in | |
| | 7002826 | 1 | Installer, Cylinder Seal - 2in | |
| | 7016654 | 1 | Screwdriver, Magnetic | |
| | 7002822 | 1 | Screwdriver, Potentiometer | |
| | 7002828 | 1 | Stripper, Wire | |
| | 2901443 | 1 | Analyzer Kit | |
| | 1001137005 | 1 | USB to RS232 Drive Installation (Service Kit) | |

PART NUMBER INDEX

PART NUMBER INDEX

| | | | |
|---|--|---|---|
| 0080190....258, 264, 270, 276 | 0271700..... 293, 337 | 0275086 535 | 0641409.... 175, 187, 439, 441, 443, 445, 447, 449, 451, 453, 455, 457 |
| 0100011.... 15, 17, 19, 21, 23, 57, 59, 79, 83, 85, 87, 89, 91, 93, 95, 97, 99, 101, 103, 105, 107, 109, 111, 113, 115, 117, 150, 154, 167, 169, 175, 179, 182, 187, 191, 194, 203, 207, 209, 221, 223, 233, 237, 241, 245, 251, 258, 264, 270, 276, 287, 289, 291, 293, 295, 298, 302, 306, 310, 314, 318, 322, 326, 330, 334, 355, 357, 359, 361, 363, 381, 393 | 0271704..... 295, 339 | 0275100 539 | 0641410..... 214, 218 |
| 0100019..... 23, 241, 245 | 0271708..... 289 | 0275141 251 | 0641412..... 21, 77, 81 |
| 0100020.... 183, 187, 225, 227, 245 | 0271709..... 291 | 0275149 554 | 0641413.... 298, 302, 306, 310 |
| 0100038..... 15, 17, 393 | 0271711 357 | 0275196 293 | 0641414..... 150, 154 |
| 0100048.... 215, 219, 245, 337, 339 | 0271714 359 | 0275197 295 | 0641415..... 287 |
| 0100062.... 169, 182, 194, 225, 227 | 0271715 361 | 0275216 441, 515 | 0641418.79, 83, 214, 218 |
| 0100079..... 163 | 0271718 35, 51 | 0275217 447, 517 | 0641420.... 255, 261, 267, 273 |
| 0100081..... 150, 154 | 0271719 43 | 0275218 455, 525 | 0641426.... 314, 318, 322, 326, 334 |
| 0140001..... 139, 141 | 0271743 233 | 0275219 457, 527 | 0641505.... 246, 258, 264, 270, 276 |
| 0140011..... 369, 371 | 0271745 237 | 0275320 511 | 0641506..89, 91, 93, 101, 103, 105, 109, 115, 117, 135, 137, 139, 141, 150, 154, 182, 194, 214, 218, 246 |
| 0140032..... 135, 137 | 0271746 55 | 0275452 451, 521 | 0641507.... 169, 258, 264, 270, 276, 337, 339, 341, 343, 345 |
| 0181847 369, 371 | 0271747 279 | 0275453 453, 523 | 0641508.57, 59, 233, 237, 241, 337, 339, 341, 343, 345 |
| 0182029..... 169 | 0271748 367, 371 | 0275454 449, 519 | 0641509..... 175, 187 |
| 0182033..... 139, 141 | 0271749 556 | 0340052 169 | 0641510..... 251 |
| 0200712.... 258, 264, 270, 276 | 0271750 556 | 0363050 ... 258, 264, 270, 276 | 0641516..... 337, 339 |
| 0200713.... 258, 264, 270, 276 | 0271751 556 | 0363082 233, 237 | 0641560..... 67, 69 |
| 0200714..... 270, 276 | 0271752 533 | 0363098 233, 237 | 0641605.... 163, 175, 187, 214, 218 |
| 0200715..... 270, 276 | 0271755 541 | 0370018 393 | 0641606..... 251 |
| 0200716.... 258, 264, 270, 276 | 0271766 545 | 0370026 389, 391 | 0641607..... 19, 21 |
| 0200717..... 258, 264 | 0271767 537 | 0400075 ... 163, 175, 187, 214, 218 | 0641608.67, 69, 139, 141, 163, 169, 175, 187, 207, 209, 214, 218, 225, 227, 233, 237, 241, 298, 302, 306, 310, 314, 318, 322, 326, 330, 334 |
| 0200718.... 258, 264, 270, 276 | 0271774 147 | 04400234 ... 255, 261, 267, 273 | 0641609.... 139, 141, 150, 154, 159, 182, 194, 225, 227 |
| 0200719.... 258, 264, 270, 276 | 0271775 145 | 0440236 ... 258, 264, 270, 276 | 0641610.... 214, 218, 241, 255, 261, 267, 273 |
| 0200720..... 270, 276 | 0271781 137 | 0440250 ... 258, 264, 270, 276 | 0641611.... 183, 195, 203, 255, 261, 267, 273, 285, 287 |
| 0200721..... 270, 276 | 0271782 554 | 0440271 19, 21 | 0641612.... 163, 175, 182, 187, 194, 214, 218, 255, 261, 267, 273, 381 |
| 0200722..... 270, 276 | 0271783 554 | 0440291 19, 21 | 0641616..... 245 |
| 0200723..... 258, 264 | 0271785 45 | 0440311 381 | 0641636.... 298, 302, 306, 310, 314, 318, 322, 326, 330, 334 |
| 0200742..... 233, 237 | 0271786 554 | 0440312 381 | 0641676..... 293, 295 |
| 0240087 385 | 0271812 ... 111, 115, 127 | 0480100 379 | 0641707..... 182, 194 |
| 0251642..... 547 | 0271813. 85, 89, 91, 107, 109, 119 | 0480124 233, 237 | 0641710..... 251 |
| 0253807 547 | 0271814.95, 97, 101, 103, 121 | 0480143 251 | 0641718..... 233, 237 |
| 0257755..... 35, 51 | 0272201 ... 337, 339, 341, 343, 345 | 0480144 251 | 0641772..... 241 |
| 0257756..... 35, 51 | 0272209 ... 259, 265, 270, 276 | 0561489 285, 287 | 0641808..... 245 |
| 0258011 43 | 0272211 ... 259, 265, 270, 276 | 0610169 369, 371 | 0641812..... 241, 381 |
| 0258012 43 | 0272221 ... 337, 339, 341, 343, 345 | 0630407 245 | |
| 0270650..... 39, 53 | 0272242 ... 337, 339, 341, 343, 345 | 0630485 ... 337, 339, 341, 343, 345, 355, 359 | |
| 0270653..... 47 | 0272243 337, 341 | 0641404 ... 131, 133, 245, 289, 291, 369, 371, 439, 441, 443, 445, 447, 449, 451, 453, 455, 457 | |
| 0271666..... 554 | 0272268 45 | 0641405 ... 287, 298, 302, 306, 310, 314, 318, 322, 326, 330, 334, 533, 535, 537, 539, 541, 543, 545 | |
| 0271682..... 285 | 0272289 554 | 0641406 ... 85, 87, 89, 91, 93, 95, 97, 99, 101, 103, 105, 107, 109, 111, 113, 115, 117, 157, 159, 183, 195, 225, 227, 245, 289, 291, 293, 295, 441, 447, 449, 451, 453, 455, 457 | |
| 0271683..... 287 | 0272351 281 | 0641407.57, 59, 175, 182, 187, 194, 225, 227 | |
| 0271694..... 355 | 0272400 365, 369 | 0641408 ... 163, 175, 187, 214, 218, 381 | |
| | 0272405 367 | | |
| | 0272409 365 | | |
| | 0272605 ... 298, 302, 306, 310, 341 | | |
| | 0272707 ... 314, 318, 322, 326, 343 | | |
| | 0272726 555 | | |
| | 0272829 379 | | |
| | 0272990 ... 330, 334, 345 | | |
| | 0272998 345 | | |
| | 0273063 363 | | |
| | 0273801 556 | | |
| | 0273969 135 | | |
| | 0274103 381 | | |
| | 0274249 554 | | |
| | 0274260 385, 556 | | |
| | 0274680 554 | | |
| | 0274789 37 | | |

PART NUMBER INDEX

| | | | |
|--|--|---|---|
| 0641814 ... 167, 179, 191, 221, 223, 279, 281, 337, 339, 341, 343, 345 | 0840058287 | 1001098292.....554 | 1001103762 57, 59, 61 |
| 0641820 169 | 0860520 ... 533, 535, 537, 539, 541, 543, 545 | 1001098823.....434 | 1001103765 255, 258 |
| 0641822 15 | 0861508 119, 121, 127 | 1001099623.....255, 261, 267, 273 | 1001103766 255 |
| 0641824 63 | 0861538245 | 1001100321.....237 | 1001103801 .. 57, 59, 499 |
| 0641828 225, 227 | 0861554 369, 371 | 1001100341.....515 | 1001103834 259, 265, 495 |
| 0641836 381 | 0861731 ... 245, 445, 513, 519, 521, 523 | 1001100342.....517 | 1001103835 271, 277, 497 |
| 0641840 381 | 0861781 515, 517 | 1001100345.....521 | 1001104356 163, 175, 187, 215, 219 |
| 0642012 15, 17 | 0861880 463 | 1001100346.....519 | 1001104578 404 |
| 0642014 176, 188 | 0901870 ... 355, 357, 359, 361, 363 | 1001100347.....523 | 1001104579 404, 408 |
| 0642016 163, 214, 218 | 0902499 369, 371 | 1001100775..... 163, 167 | 1001104581 404, 408 |
| 0681607 ... 258, 264, 270, 276 | 0902773 ... 258, 264, 270, 276 | 1001101076.....551 | 1001104584 404, 408 |
| 0681612 ... 258, 264, 270, 276 | 0902774 ... 255, 261, 267, 273 | 1001101331..... 167, 179, 191, 221, 223, 229 | 1001104585 404, 408 |
| 0681618 270, 276 | 0902777 163, 214, 218 | 1001101511.....33, 41, 49 | 1001104588 404, 408 |
| 0681624 ... 258, 264, 270, 276 | 0902786 169 | 1001101512.....33, 49 | 1001104589 404, 408 |
| 0681632 ... 258, 264, 270, 276 | 0902812 167 | 1001101513.....33, 49 | 1001104590 404, 408 |
| 0681636 270, 276 | 0902813 233, 237 | 1001101699..... 167, 179, 191, 221, 223 | 1001104638 215, 219 |
| 0681810 23 | 0902837287 | 1001101922..... 404, 434 | 1001104763 167, 169 |
| 0681813 ... 258, 264, 270, 276 | 0902838 ... 298, 302, 306, 310, 314, 318, 322, 326 | 1001102190.....33 | 1001104765 169 |
| 0681816 150, 154 | 0902839 ... 298, 302, 306, 310, 314, 318, 322, 326, 330, 334 | 1001102194.....41 | 1001104890 111, 113, 115, 117, 473 |
| 0681820 19 | 0902842 ... 233, 237, 241, 251 | 1001102195.....41 | 1001105112 225, 227 |
| 0681822 21, 182, 194, 241, 245 | 0902847 . 89, 91, 93, 101, 103, 105, 109, 115, 117 | 1001102196.....41 | 1001105169 415, 417, 420, 424, 432 |
| 0681844 49, 51, 53 | 0902885 207, 209 | 1001102766..... 139, 141 | 1001105172 432 |
| 0682014 23 | 0903054 63 | 1001102804.....23 | 1001105234 432 |
| 0682230 57, 59 | 0903095 381 | 1001102805.....23, 31 | 1001105235 432 |
| 0700619 293, 295 | 0903104 381 | 1001102823..... 139, 141, 143 | 1001105236 432 |
| 0700820 251 | 0903475 214, 218 | 1001102976.....67 | 1001105237 432 |
| 0701013 207, 209 | 0903476 214, 218 | 1001102987..... 163, 175, 187, 215, 219 | 1001105238 432 |
| 0701016 251 | 0961388 ... 259, 265, 270, 276 | 1001103012.....467, 469 | 1001105239 432 |
| 0701037 285, 287 | 0961950 15, 17 | 1001103266.....298, 302, 306, 310, 349 | 1001105320 77, 79 |
| 0701222 17 | 0961986 ... 169, 182, 194, 225, 227 | 1001103267.....314, 318, 322, 326, 334, 351 | 1001105328 81, 83 |
| 0701414 169 | 0962031 ... 258, 264, 270, 276 | 1001103308..... 131, 133 | 1001105700 33, 41, 49 |
| 0701418 233, 237 | 0962356 271, 277 | 1001103340....77, 79, 81, 83 | 1001105709 67, 73 |
| 0701419 169 | 0962445 270, 276 | 1001103366..... 404, 408 | 1001105903 111 |
| 0711025 207, 209 | 0962446 ... 258, 264, 270, 276 | 1001103410.....298 | 1001105904 85 |
| 0720805 167 | 0962474 ... 259, 265, 270, 276 | 1001103411.....306 | 1001105905 97 |
| 0721004 55, 150, 154 | 0962520 245 | 1001103412.....314 | 1001105906 115 |
| 0721006 ... 167, 203, 233, 237, 241, 251 | 1001091102..... 441, 447, 449, 451, 453, 455, 457 | 1001103413.....322 | 1001105907 91 |
| 0721010 ... 255, 261, 267, 273 | 1001091564..... 141 | 1001103414.....330 | 1001105908 103 |
| 0731008 139, 141 | 1001091731..... 119, 121 | 1001103487 436 | 1001107854 467, 469 |
| 0741010 ... 163, 175, 187, 214, 218 | 1001092410..... 159 | 1001103488.....436 | 1001107924 404, 408 |
| 0741408 123, 125, 129 | 1001092724..... 169, 171 | 1001103489....85, 87, 91, 93, 97, 99, 103, 105, 469 | 1001108128 404, 408 |
| 0741606 182, 194 | 1001092957..... 330, 353 | 1001103490.....298, 302, 314, 318, 503 | 1001108500 554 |
| 0741607 245 | 1001093382..... 163, 175, 188, 215, 219 | 1001103552.57, 411, 434 | 1001109475 463 |
| 0760810 ... 175, 183, 187, 195, 196 | 1001094915..... 441, 447, 449, 451, 453, 455, 457 | 1001103570.....306, 310, 322, 326, 334, 507 | 1001109482 463 |
| 0761008 182, 194 | 1001096148..... 150, 154 | 1001103708.....298, 306, 415, 434 | 1001110509 555 |
| 0761210 183, 195 | 1001096985..... 337, 339, 341, 343, 345 | 1001103709.....314, 322, 420, 434 | 1001110538 555 |
| 0761215 182, 194 | 1001097150..... 463, 529 | 1001103751.....77 | 1001110706 555 |
| 0771212 ... 175, 188, 241, 245 | 1001098130..... 15, 17 | 1001103752.....81 | 1001111280 555 |
| 0771414 241, 245 | | 1001103760.....259, 265, 271, 277 | 1001111341 183, 195 |
| 0840055 ... 287, 467, 469, 473, 495, 497, 499, 501, 503, 505, 507, 511 | | 1001103761 63 | 1001111685 555 |
| 0840056 495, 497 | | | 1001112109 555 |
| 0840057 467, 469, 473 | | | 1001112548 548 |

PART NUMBER INDEX

| | | | |
|--|---|---------------------------------------|--|
| 1001116732.....467 | 1001140564..... 183, 195 | 1001148559.....246 | 1001164103..... 123, 125, 129, 529 |
| 1001116734.....467 | 1001141304..... 183, 195 | 1001148641..... 183, 195 | 1001164185.....51, 53 |
| 1001116867..... 19, 21 | 1001141644..... 554 | 1001148648..... 249 | 1001164187..... 123, 125, 129 |
| 1001116952.....477 | 1001141717..... 175, 188 | 1001148675..... 246 | 1001164188..... 113, 117, 129 |
| 1001116983.....481 | 1001141967..... 525, 527 | 1001148676..... 246 | 1001164207.99, 105, 125 |
| 1001117078.....491 | 1001141968..... 525 | 1001148750..... 246 | 1001164393... 87, 93, 123 |
| 1001117106.....478 | 1001141969..... 527 | 1001148844..... 246 | 1001164401.....49, 51, 53 |
| 1001117107.....478 | 1001141970..... 527 | 1001148867..... 39, 53 | 1001164534..... 139, 141 |
| 1001117140..... 150, 154 | 1001141971..... 525 | 1001148868..... 39, 53 | 1001164722..... 139 |
| 1001117308..... 182, 194 | 1001142501..... 175, 187, 203 | 1001148869..... 47 | 1001165035..... 175, 188 |
| 1001119020.....467, 470 | 1001142595..... 548 | 1001148870..... 47 | 1001165100.....547 |
| 1001119141..... 79, 83 | 1001142938..... 478 | 1001148902..... 554 | 1001165122.....556 |
| 1001125242.....267, 273, 554 | 1001142940..... 478 | 1001148903..... 555 | 1001165196..... 176, 188, 203 |
| 1001125243.....255, 261, 554 | 1001142941..... 478 | 1001148904..... 555 | 1001165372..... 150, 154 |
| 1001125387.....548 | 1001143434.. 19, 21, 399 | 1001148905..... 555 | 1001165373..... 154 |
| 1001126351.....477 | 1001143797..... 183, 195 | 1001148906..... 555 | 1001165374..... 150, 154 |
| 1001126352.....477 | 1001143852..... 548 | 1001148907..... 246 | 1001165375..... 150, 154 |
| 1001126353.....477 | 1001143896..... 337, 339, 341, 343, 345 | 1001148913..... 556 | 1001165376..... 150, 154 |
| 1001126356.....477 | 1001143898..... 337, 339, 341, 343, 345 | 1001149107..... 405, 409 | 1001165377..... 150, 154 |
| 1001126357.....477 | 1001143907..... 183, 195 | 1001149199..... 404, 405, 408, 409 | 1001165378..... 150, 154 |
| 1001126362.....478 | 1001143909..... 341, 343 | 1001149319..... 261, 264 | 1001165379..... 150, 154 |
| 1001126363.....478 | 1001144112..... 183, 195 | 1001149320..... 261 | 1001165384..... 150, 154 |
| 1001126364.....478 | 1001144113..... 183, 195 | 1001149324..... 265 | 1001165702..... 163, 176, 188, 214, 218 |
| 1001126365.....478 | 1001144115..... 183, 195 | 1001149325..... 277 | 1001165734..... 131, 133 |
| 1001126384.....477 | 1001144116..... 183, 195 | 1001149364..... 556 | 1001165849..... 183, 195 |
| 1001126391.....478 | 1001144115..... 183, 195 | 1001149953..... 47 | 1001166168..... 150 |
| 1001126484.....473 | 1001145006..... 183, 195 | 1001150357..... 555 | 1001166176.....63 |
| 1001126485.....473 | 1001145562..... 183, 195, 477 | 1001150918..... 187 | 1001166177..... 57, 59, 63 |
| 1001128997.....554 | 1001145758..... 183, 195, 199 | 1001151164..... 554 | 1001166178..... 57, 375 |
| 1001131270.....533, 541 | 1001146043..... 183, 195 | 1001151233..... 556 | 1001166230..... 175 |
| 1001133714.....477 | 1001146327..... 179, 182 | 1001151234..... 556 | 1001166245..... 150, 154 |
| 1001133715.....477 | 1001146329..... 175, 179 | 1001151856..... 478 | 1001166247..... 150, 154 |
| 1001133956.....477 | 1001146356..... 183, 195 | 1001151902..... 554 | 1001166248..... 150, 154 |
| 1001133957.....477 | 1001146357..... 183, 195 | 1001154334..... 183, 195 | 1001166252..... 163 |
| 1001134488..... 182, 194 | 1001146358..... 183, 195 | 1001154405..... 176, 188, 203 | 1001166256..... 187 |
| 1001135570..... 119, 121, 123, 125, 127, 129, 551 | 1001146359..... 183, 195 | 1001155477..... 183, 195 | 1001166274..... 113 |
| 1001135650.....477 | 1001146360..... 183, 195 | 1001155493..... 183, 195 | 1001166275..... 117 |
| 1001135651.....477 | 1001146396..... 183, 195 | 1001155823..... 176, 188 | 1001166276..... 87 |
| 1001135679.....241, 246 | 1001146517..... 183, 195 | 1001155874..... 183, 195 | 1001166277..... 93 |
| 1001136079..... 182 | 1001146616..... 183, 195 | 1001155875..... 183, 195 | 1001166278..... 99 |
| 1001136104.....246 | 10011466974..... 203 | 1001156037..... 109 | 1001166279..... 105 |
| 1001136172..... 194 | 1001147264..... 477 | 1001156820..... 214, 218 | 1001166280..... 214 |
| 1001136834..... 182, 194 | 1001147274..... 39, 47, 53 | 1001156823..... 214, 218 | 1001166310..... 141 |
| 1001137005.....556 | 1001147434..... 175, 188, 481 | 1001156825..... 214, 218 | 1001166423..... 150, 154 |
| 1001137964.....556 | 1001147435..... 176, 188 | 1001156953..... 555 | 1001166424..... 150, 154 |
| 1001137965.....556 | 1001147571..... 176, 184, 188, 196 | 1001157520..... 249 | 1001166425..... 150 |
| 1001138110.....477 | 1001147572..... 176, 188 | 1001157521..... 249 | 1001166426..... 154 |
| 1001138111.....477 | 1001147629..... 176, 188 | 1001157530..... 249 | 1001166502..... 154 |
| 1001138113.....477 | 1001147631..... 176, 188 | 1001157593..... 246, 249 | 1001166503..... 150 |
| 1001138228..... 182, 194, 550 | 1001147775..... 211 | 1001157771..... 436 | 1001166837..... 57, 59 |
| 1001138827..... 182, 194 | 1001147780..... 241, 246 | 1001158007..... 249 | 1001166983..... 159 |
| 1001139141..... 19, 21 | 1001147783..... 211 | 1001158008..... 249 | 1001167043..... 183, 195 |
| 1001139240..... 175, 187 | 1001147972..... 246 | 1001160561..... 141 | 1001167174..... 176, 188 |
| 1001139303..... 182, 194 | 1001147974... 89, 93, 95, 99, 101, 105, 107, 109, 467 | 1001162110..... 543 | 1001167523.....439 |
| 1001139409..... 183, 195 | 1001148043..... 191, 194 | 1001162111..... 543 | 1001167524.....445 |
| 1001139476..... 19, 21 | 1001148044..... 188, 191 | 1001162112..... 543 | 1001167525..... 443 |
| 1001139626..... 15 | 1001148077..... 107 | 1001162113..... 543 | 1001167526..... 436, 451 |
| 1001139645..... 19, 21 | 1001148138..... 242, 246 | 1001162114..... 543 | 1001167527..... 436, 453 |
| 1001139892..... 19, 21 | 1001148424..... 246, 491 | 1001162115..... 543 | 1001167529..... 436, 449 |
| 1001139935..... 19 | | 1001162116..... 554 | 1001167530..... 436, 441 |
| 1001139943..... 19, 21 | | 1001162514..... 543 | 1001167531..... 436, 447 |
| 1001140312..... 195 | | 1001163095..... 123, 125, 129 | 1001167532..... 436, 455 |
| 1001140535..... 182, 194 | | 1001163580..... 17, 391 | 1001167533..... 436, 457 |
| | | 1001163599..... 241, 246 | 1001167534..... 245 |

PART NUMBER INDEX

| | | | |
|---|---------------------------------------|--|--|
| 1001168945..... 95 | 1001188563..... 408, 434 | 1001233047..... 554 | 1600336... 89, 91, 93, 101, 103, 105, 109, 115, 117 |
| 1001168946..... 89 | 1001188845..... 17 | 1001235569..... 555 | 1600387..... 287 |
| 1001168947..... 101 | 1001188846..... 434 | 1060279.... 533, 535, 537, 539, 541, 543, 545 | 1600403.... 369, 371, 373 |
| 1001169054..... 184, 196 | 1001188847..... 59, 377 | 1060379.... 355, 357, 359, 361, 363, 385 | 1670988... 289, 291, 439, 441, 443, 445, 447, 449, 451, 453, 455, 457 |
| 1001169138..... 184, 196 | 1001188848... 59, 413, 434 | 1060394..... 249 | 1670995... 258, 264, 270, 276, 298, 302, 306, 310, 314, 318, 322, 326, 330, 334 |
| 1001169979..... 49 | 1001188850..... 334 | 1060494..... 249 | 1671165..... 57, 59 |
| 1001169980..... 51 | 1001188851..... 334, 432, 434 | 1060625..... 187 | 1671207..... 245, 513 |
| 1001169981..... 53 | 1001188874..... 131, 133 | 1060626..... 188 | 1683054..... 393 |
| 1001170776..... 547 | 1001188972..... 187 | 1060808.... 355, 357, 359, 361, 363 | 1684266... 298, 302, 306, 310, 314, 318, 322, 326, 330, 334, 397 |
| 1001170869..... 547 | 1001188990..... 69 | 1060866..... 259 | 1684290..... 389, 391 |
| 1001171266..... 159 | 1001190534..... 302 | 1060907..... 270 | 1684332... 258, 264, 270, 276, 395 |
| 1001171267..... 157 | 1001190536..... 310 | 1060908..... 463 | 1684406..... 63, 393 |
| 1001171284..... 157 | 1001190537..... 302, 310, 417, 434 | 1060929.... 258, 264, 270, 276 | 1684465..... 15, 389 |
| 1001173703..... 548 | 1001190539..... 318 | 1061003.... 298, 302, 306, 310, 314, 318, 322, 326, 330, 334 | 1700818..... 547 |
| 1001174384..... 271, 277 | 1001190543..... 326 | 1061004.... 298, 302, 306, 310, 314, 318, 322, 326, 330, 334 | 1701214..... 547 |
| 1001174386..... 271, 277 | 1001190544.... 318, 326, 424, 434 | 1061020..... 287 | 1701435..... 535 |
| 1001174387..... 271, 277 | 1001190697..... 150 | 1061021..... 287 | 1701505..... 547 |
| 1001174486..... 214, 218 | 1001190775..... 223 | 10702077..... 249 | 1701509... 533, 535, 537, 539, 541, 543, 545 |
| 1001175145..... 555 | 1001190929..... 555 | 10702082..... 249 | 1701542..... 547 |
| 1001175556..... 150, 154 | 1001191227..... 154 | 1120361..... 139 | 1701785..... 547 |
| 1001175557..... 150, 154 | 1001191228..... 150 | 1120485..... 147 | 1702137..... 37 |
| 1001177167..... 215 | 1001191394..... 555 | 1120555..... 385 | 1702153..... 533 |
| 1001177169..... 215, 219 | 1001191395..... 555 | 1120558..... 145 | 1702720..... 547 |
| 1001177617..... 119, 121, 127, 131 | 1001191839.... 215, 219 | 1120580..... 381 | 1702740.... 35, 39, 51, 53 |
| 1001177618..... 131, 133 | 1001191840.... 215, 219 | 1180371.... 258, 264, 270, 276 | 1702773... 533, 535, 537, 539, 541, 543, 545, 547 |
| 1001179154..... 249 | 1001191842.... 225, 227 | 1180372.... 258, 264, 270, 276 | 1702788..... 547 |
| 1001179259..... 555 | 1001192245..... 79 | 1260136..... 355, 357 | 1702941..... 187 |
| 1001179260..... 555 | 1001192246..... 83 | 1283317..... 547 | 1702943..... 187 |
| 1001179261..... 555 | 1001195610..... 556 | 1320012..... 225, 227 | 1702944..... 187 |
| 1001179263..... 555 | 1001196612..... 554 | 1320016..... 169 | 1702961..... 547 |
| 1001179264..... 555 | 1001196700..... 554 | 1320019.... 207, 209, 298, 302, 306, 310, 314, 318, 322, 326, 330, 334 | 1702962..... 547 |
| 1001179265..... 555 | 1001197068.... 184, 196 | 1320022.... 163, 169, 225, 227 | 1703162... 533, 535, 537, 539, 541, 543, 545 |
| 1001179431..... 183, 195 | 1001197868..... 554 | 1320058..... 169 | 1703464..... 439 |
| 1001179432..... 183, 195 | 1001197870..... 554 | 1320061..... 214, 218 | 1703479..... 547 |
| 1001179443..... 183, 195 | 1001200299..... 556 | 1320122.... 258, 264, 270, 276 | 1703493..... 547 |
| 1001179833..... 184, 196 | 1001200301..... 554 | 1320220..... 214, 218 | 1703687... 533, 535, 537, 539, 541, 543, 545 |
| 1001179834..... 184, 196 | 1001200380.... 183, 195, 556 | 1320224... 439, 441, 443, 445, 447, 449, 451, 453, 455, 457 | 1703811... 533, 535, 537, 539, 541, 543, 545 |
| 1001179835..... 184, 196 | 1001202749..... 555 | 1320323..... 214, 218 | 1703812... 533, 535, 537, 539, 541, 543, 545 |
| 1001179837..... 241 | 1001202897.... 404, 408 | 1321716..... 183, 195 | 1703814... 533, 535, 537, 539, 541, 543, 545 |
| 1001180001..... 241 | 1001202898.... 404, 408 | 1340066..... 169 | 1703816..... 533 |
| 1001180314..... 182, 194 | 1001202903.... 404, 408 | 1380150.... 337, 339, 341, 343, 345 | 1703818..... 533 |
| 1001180620..... 184, 196 | 1001202907.... 405, 409 | 1380151.... 337, 339, 341, 343, 345 | 1703819... 533, 535, 537, 539, 541, 543, 545 |
| 1001180784..... 241 | 1001209221..... 554 | 1440331.... 258, 264, 270, 276 | 1703821..... 533 |
| 1001181045..... 463 | 1001209222..... 554 | 1580011..... 225, 227 | 1703822... 533, 535, 537, 539, 541, 543, 545 |
| 1001181152..... 555 | 1001209282..... 556 | 1580023..... 385 | 1703823..... 533 |
| 1001181184..... 242 | 1001210089..... 556 | 1580024..... 385 | 1704008..... 537 |
| 1001181895..... 195 | 1001210090..... 556 | | 1704174..... 547 |
| 1001182481... 89, 91, 93, 101, 103, 105, 109, 115, 117, 289, 291, 551 | 1001211336..... 141 | | 1704175..... 547 |
| 1001182989..... 267, 270 | 1001214029..... 548 | | 1704271..... 547 |
| 1001182997..... 183, 195 | 1001214463..... 556 | | |
| 1001183060..... 273, 276 | 1001214862..... 219 | | |
| 1001183061..... 267 | 1001215447..... 547 | | |
| 1001183070..... 273 | 1001216088..... 227 | | |
| 1001183129..... 242 | 1001216089.... 223, 227 | | |
| 1001183337..... 554 | 1001216090.... 219, 223 | | |
| 1001183913..... 242, 485 | 1001216091..... 218 | | |
| 1001183914..... 242, 487 | 1001218718..... 554 | | |
| 1001184074..... 436 | 1001220379..... 478 | | |
| 1001186467..... 21 | 1001221960..... 554 | | |
| 1001186552..... 69, 75 | 1001222118..... 554 | | |
| 1001187559..... 123, 125, 129, 133 | 1001224015..... 554 | | |
| 1001187695..... 21 | 1001229107..... 554 | | |
| 1001187880..... 21 | 1001229699..... 554 | | |

PART NUMBER INDEX

| | | | |
|--|--|---|---|
| 1704277.....533, 535, 537, 539, 541, 543, 545 | 1706098 163 | 2180348 163, 214, 218 | 2720611.....214, 218 |
| 1704412.....533, 535, 537, 539, 541, 543, 545 | 1706113 381 | 2180387 214, 218 | 2750532..... 169, 225, 227 |
| 1704432.....533 | 1706197 381 | 2180389 214, 218 | 2753550....415, 417, 420, 424 |
| 1704588.....371 | 1706338 535 | 2180418 214, 218 | 2753554.....420, 424 |
| 1704589.....369 | 1706837 548 | 2180830 ... 415, 417, 420, 424, 432 | 2753555.....415, 417 |
| 1704607.....539, 543 | 1810140 ... 119, 121, 123, 125, 127, 129, 550 | 2220238 404, 408 | 2753576.....411, 413 |
| 1704684.....541 | 1870170 436 | 2220250 163, 214, 218 | 2753582.....404, 408, 409 |
| 1704686.....541 | 2020006 ... 337, 339, 341, 343, 345 | 2220290 214, 218 | 2753622.....404, 408 |
| 1704687.....541 | 2080040 359, 361, 363 | 2220451 169 | 2753624.....411 |
| 1704690.....547 | 2080057 ... 533, 535, 537, 539, 541, 543, 545 | 2220479 404, 408 | 2753659.....404, 408 |
| 1704691.....545 | 2080063 ... 355, 357, 359, 361, 363, 379 | 2220633 175, 187 | 2753675.....404 |
| 1704693.....545 | 2080064 ... 355, 357, 359, 361, 363 | 2220655 169 | 2753704.....404, 408 |
| 1704694.....545 | 2080072 279, 281 | 2220881 75 | 2753708.....404, 408 |
| 1704697.....547 | 2110404 ... 404, 408, 415, 417, 420, 424, 428, 432 | 2220883 31, 63, 75 | 2753717.....415, 417 |
| 1704698.....547 | 2110406 ... 404, 408, 415, 417, 420, 424, 432 | 2220885 75, 258, 264, 270, 276 | 2753773.....404, 408 |
| 1704699.....537 | 2110604 432 | 2220886 31 | 2753783.....428 |
| 1704701.....537 | 211060661, 63, 353, 404, 408, 411, 413, 415, 417, 420, 424, 428, 432 | 2220890 389, 391 | 2753784.....404, 408 |
| 1704702.....537 | 2110608 61 | 2221084 404, 408 | 2753791.....404, 408 |
| 1704885.....533, 537, 539, 541, 543, 545, 548 | 2110806 ... 409, 415, 417, 420, 424, 428, 432 | 2221086 405, 409 | 2753793....259, 265, 270, 276 |
| 1704972.....163, 176, 188 | 211080861, 63, 259, 265, 270, 276, 404, 408, 415, 420 | 2221114 175, 187 | 2753794....259, 265, 271, 276 |
| 1705019.....533, 535, 537, 539, 541, 543, 545 | 2110810 405, 409 | 2221150 428 | 2753832.....411, 413 |
| 1705020.....547 | 2110812 404, 405, 408 | 2221183 409 | 2753833.....411, 413 |
| 1705021.....547 | 2111010 404, 408 | 2300004 ... 182, 215, 219, 555 | 2753834.....411, 413 |
| 1705022.....547 | 2111210 404, 408 | 2300014 555 | 2753835.....411, 413 |
| 1705034.....547 | 2111212 404, 408 | 2300016 23, 555 | 2753867.....77, 79 |
| 1705035.....547 | 2111216 404, 408 | 2300021 555 | 2753868.....81, 83 |
| 1705036.....547 | 2112016 405, 408 | 2300027 555 | 2753873.....428 |
| 1705037.....547 | 2130404 404, 408 | 2300029 555 | 2753877.....432 |
| 1705038.....547 | 2130406 ... 353, 404, 408 | 2300039 555 | 2753878.....428 |
| 1705039.....547 | 2130604 ... 415, 417, 420, 424 | 2300040 554, 555 | 2753879.....428 |
| 1705040.....541 | 2130606 411, 413 | 2300041 194 | 2753881....415, 417, 420, 424, 428, 432 |
| 1705041.....545 | 2130608 61 | 2400044 ... 163, 175, 187, 214, 218 | 2753919.....428 |
| 1705042.....547 | 2130808 404, 408 | 2400056 461, 551 | 2753920.....428 |
| 1705043.....537 | 2130812 404, 408 | 2400060 495, 497 | 2753921....420, 424, 428 |
| 1705190.....533, 539 | 2131008 ... 259, 265, 270, 276 | 2420172 ... 119, 121, 123, 125, 127, 129 | 2753922.....428 |
| 1705193.....539 | 2131216 405, 409 | 2420199 139, 141 | 2753923.....428 |
| 1705194.....539 | 2150406 405 | 2420203 233, 242, 251 | 2753939....415, 417, 420, 424, 432 |
| 1705195.....539 | 2151010 405, 409 | 2460043 233 | 2753940.....404, 408 |
| 1705303.....533, 541 | 2151216 404, 408 | 2460047 237 | 2754263.....408 |
| 1705311.....541 | 2152020 405, 408 | 2460049 233, 251 | 2780267.....23, 27 |
| 1705314.....541 | 2170204 ... 415, 417, 420, 424, 432 | 2460059 251 | 2780268.....23, 25 |
| 1705315.....545 | 2170304 ... 415, 417, 420, 424, 432 | 2560088 293, 295 | 2792611....330, 428, 434 |
| 1705316.....545 | 2170308 ... 417, 424, 432 | 2560141 369, 371 | 2820018.....55 |
| 1705317.....537 | 2170504 ... 404, 408, 415, 417, 420, 424 | 2560171 293, 295 | 2820097.....355, 357 |
| 1705318.....537 | 2170508 404, 408 | 2560172 293, 295 | 2840023.....381 |
| 1705325.....441 | 2170704 432 | 2560176 ... 355, 357, 359, 361, 363 | 2840024.....381 |
| 1705372.....535 | 2170706 428 | 2560186 381 | 2860030....119, 121, 123, 125, 127, 129, 550 |
| 1705392.....369, 371 | 2170716 428 | 2560188 ... 355, 357, 359, 361, 363 | 2900708.....73 |
| 1705515.....535 | 2172104 ... 415, 417, 420, 424 | 2580001 187 | 2900756.....71, 259, 265, 271, 277 |
| 1705637.....379 | | 2580050 187 | 2900770.....353 |
| 1705671.....535 | | 2600285 359, 361, 363 | 2901443.....556 |
| 1705688....119, 121, 123, 125, 127, 129 | | 2700100 385 | 2901912.....554 |
| 1705913.....369, 371 | | 2716960 413 | 2902062.....258, 264 |
| 1705914.....369, 371 | | 2720015 183, 195 | 2902063.....271, 276 |
| 1705943.....539 | | 2720058 163, 225, 227 | 2902065....167, 179, 191, 205 |
| 1705944.....539 | | 2720271 225, 227 | 2902066.....554 |
| 1705997.....385 | | 2720340 183, 195 | 2902067.....355 |
| 1706059.....163 | | 2720486 169 | 2902132.....163 |
| 1706060.....163 | | 2720494 169 | |
| 1706061.....163 | | 2720495 169 | |
| 1706063.....164 | | | |
| 1706064.....176, 188 | | | |

PART NUMBER INDEX

| | | | |
|--|--|---|---|
| 2902147 359 | 3300048 ... 439, 441, 443, 445, 447, 449, 451, 453, 455, 501 | 3311805.....63, 169, 225, 227, 279, 281, 381 | 3520028 ... 119, 121, 123, 125, 127, 129, 233, 237, 242, 251 |
| 2902148 357, 361 | 3300106 23 | 3312005.... 163, 176, 188, 214, 218 | 3520072... 355, 357, 359, 361, 363 |
| 2902149 258, 264 | 3300182 ... 289, 291, 298, 302, 306, 310, 314, 318, 322, 326 | 3312008..... 19, 21 | 3520079 365, 367 |
| 2902150 271, 277 | 3300353 57, 59, 131, 133 | 3312205.....381 | 3520080 365, 367 |
| 2902182 393 | 3300396 249 | 3321402....258, 264, 271, 277 | 3520193... 119, 121, 123, 125, 127, 129, 365, 367 |
| 2902190 554 | 3300408 ... 163, 175, 187, 214, 218 | 3322202....337, 339, 341, 343, 345 | 3537609 337, 339 |
| 2902191 554 | 3300432 ... 359, 361, 363 | 3340612....355, 357, 359, 361, 363 | 3571862... 355, 357, 359, 361, 363 |
| 2902243 207 | 3300455 ... 255, 261, 267, 273 | 3340929....259, 265, 271, 277 | 3573195 225, 227 |
| 2902244 209 | 3300467 293, 295 | 3340935....255, 261, 267, 273 | 3573288 169 |
| 2902263 363 | 3300471 330, 334 | 3340937....355, 357, 359, 361, 363 | 3573304 169 |
| 2902266 389, 391 | 3300472 ... 337, 339, 341, 343, 345 | 3340945..... 150, 154 | 3573370... 259, 265, 271, 277 |
| 2902348 385 | 3300489 381 | 3421453....359, 361, 363 | 3573438 337, 339 |
| 2902431 245, 439, 513 | 3310401 175, 187 | 3421565....355, 357, 359, 361, 363 | 3573440 214, 218 |
| 2902443 469, 477 | 3310601 369, 371 | 3422219....355, 357, 359, 361, 363, 385 | 3573472 359, 361, 363 |
| 2902534 214, 218 | 3310805 57, 59, 167 | 3422582.... 163, 175, 187, 214, 218 | 3573513 393 |
| 2902549 ... 441, 447, 449, 451, 453, 455, 457, 463 | 3311001 ... 203, 233, 237, 249, 251 | 3422592..... 15, 17 | 3573658 57, 59 |
| 2902912 554 | 3311005 55, 150, 154, 167, 241, 245, 255, 261, 267, 273 | 3422669.... 163, 175, 187, 214 | 3575597 381 |
| 2920026 ... 119, 121, 123, 125, 127, 129, 287 | 3311405 21, 131, 133, 150, 154, 157, 159, 163, 175, 182, 187, 194, 214, 218, 225, 227, 245, 255, 261, 267, 273, 287, 289, 291, 293, 295, 298, 302, 306, 310, 314, 318, 322, 326, 330, 334, 381, 439, 441, 443, 445, 447, 449, 451, 453, 455, 457, 533, 535, 537, 539, 541, 543, 545 | 3422938.....287 | 3576003 163 |
| 2920029 ... 119, 121, 123, 125, 127, 129, 287 | 3311501 67, 69 | 3422943....258, 264, 271, 277, 285, 287 | 3580134 233, 237, 242 |
| 2920146 55 | 3311505 . 89, 91, 93, 101, 103, 105, 109, 115, 117, 135, 137, 139, 141, 150, 154, 169, 175, 187, 214, 218, 246, 258, 264, 271, 277, 337, 339, 341, 343, 345 | 3422944....258, 264, 271, 277 | 3580312 251 |
| 2920162 233, 237, 242 | 3311508 183, 195 | 3422945....258, 264, 271, 277 | 3580317 245 |
| 2940064 355, 357 | 3311605 ... 139, 141, 150, 154, 159, 163, 169, 175, 182, 184, 187, 194, 196, 203, 214, 218, 225, 227, 233, 237, 241, 251, 255, 261, 267, 273, 285, 287, 298, 302, 306, 310, 314, 318, 322, 326, 330, 334, 355, 359, 381 | 3422946....258, 264, 271, 277 | 3580320 241, 245 |
| 2940074 ... 359, 361, 363, 551 | 3311608 225, 227 | 3422948..... 271, 277 | 3580324 251 |
| 2940109 150, 154 | 3311705 241 | 3422954.....258, 264 | 3580348 251 |
| 2940127 293, 295 | 3311801 23, 241, 245 | 3422961....255, 261, 267, 273 | 3600468 ... 298, 302, 306, 310, 314, 318, 322, 326, 330, 334, 347 |
| 3010088 355, 357 | 3311802 ... 337, 339, 341, 343, 345 | 3422963....255, 261, 267, 273 | 3620042 225, 227 |
| 3020008 23, 555 | 3311808 225, 227 | 3422964.....271, 277 | 3620043 169 |
| 3020021 205 | 3311809 225, 227 | 3422965....258, 264, 271, 277 | 3740049 163, 467, 550 |
| 3020029 19, 21 | 3311810 23, 241, 245 | 3422966....337, 339, 341, 343, 345 | 3740067 ... 167, 298, 302, 306, 310, 314, 318, 322, 326, 330, 334, 550, 551 |
| 3020035 381 | 3311811 23, 241, 245 | 3423047 381 | 3740080 ... 167, 214, 218, 233, 237, 241, 251, 467, 470, 550, 551 |
| 3200362 225, 227 | 3311812 ... 337, 339, 341, 343 | 3423049.....285 | 3760141 381 |
| 3200378 169 | 3311813 ... 337, 339, 341, 343 | 3423052..... 330, 334 | 3760170 ... 355, 357, 359, 361, 363, 385 |
| 3200431 169 | 3311814 ... 337, 339, 341, 343 | 3423151.....381 | 3760348 63, 337, 339, 341, 343, 345, 381 |
| 3200447 ... 255, 261, 267, 273 | 3311815 ... 337, 339, 341, 343 | 3423179.....381 | 3760351 330, 334 |
| 3200450 369, 371 | 3311816 ... 337, 339, 341, 343 | 3423180.....381 | 3760368 393 |
| 3220129 207 | 3311817 ... 337, 339, 341, 343 | 3440816.....381 | 3760460 393 |
| 3220131 209 | 3311818 ... 337, 339, 341, 343 | 3450304....258, 264, 271, 277 | 3780182 19, 21 |
| 3251813 ... 533, 535, 537, 539, 541, 545 | 3311819 ... 337, 339, 341, 343 | 3450405....259, 264, 271, 277 | 3790152 ... 167, 179, 191, 221, 223 |
| 3252507 ... 443, 445, 447, 449, 451, 453, 455, 457 | 3311820 ... 337, 339, 341, 343 | 3460334.....385 | 3820020 ... 355, 357, 359, 361, 363 |
| 3252757 547 | 3311821 ... 337, 339, 341, 343 | 3460335..... 167 | 3841143... 163, 175, 187, 214, 218, 255, 259, 261, 265, 267, 271, 273, 277, 285, 287 |
| 3271405 123, 125, 129 | 3311822 ... 337, 339, 341, 343 | 3480288..... 389, 391 | 3841203... 259, 265, 271, 277 |
| 3271605 ... 258, 264, 271, 277 | 3311823 ... 337, 339, 341, 343 | 3510878....337, 339, 341, 343 | 3841233... 337, 339, 341, 343, 345 |
| 3271801 ... 182, 194, 241, 245 | 3311824 ... 337, 339, 341, 343 | 3510879.....345 | 3841258 15, 17 |
| 3271805 . 49, 51, 53, 150, 154, 258, 264, 271, 277 | 3311825 ... 337, 339, 341, 343 | 3520026..... 127, 129 | 3841520 19, 21 |
| 3272005 ... 298, 302, 306, 310, 314, 318, 322, 326, 330, 334 | 3311826 ... 337, 339, 341, 343 | | |
| 3272205 57, 59 | 3311827 ... 337, 339, 341, 343 | | |
| 3290405 ... 214, 218, 245, 439, 441, 445, 447, 449, 451, 453, 455, 457 | 3311828 ... 337, 339, 341, 343 | | |
| 3290505 214, 218 | 3311829 ... 337, 339, 341, 343 | | |
| 3290601 293, 295 | 3311830 ... 337, 339, 341, 343 | | |
| 3291005 ... 207, 209, 285, 287 | 3311831 ... 337, 339, 341, 343 | | |

PART NUMBER INDEX

| | | | |
|---|---|---|--|
| 3841556.....259, 265, 271, 277 | 4061032..... 405, 409 | 4420008..... 369, 371 | 4460445.....483 |
| 3841564.....63 | 4061056..... 279 | 4420037..... 139, 141 | 4460458.....477 |
| 3850013.....393 | 4061057..... 281 | 4420051 57, 59, 279, 281, 547 | 4460464....287, 467, 475, 477, 481, 483, 495, 497, 501, 503, 507, 509 |
| 3860059....337, 339, 341, 343, 345 | 4070987 ... 119, 121, 123, 125, 127, 129 | 4420062..... 385 | 4460465....287, 465, 467, 469, 473, 477, 478, 487, 489, 491, 495, 497, 499, 501, 503, 505, 507, 511, 529 |
| 3860102.....271, 277 | 4160116..... 63 | 4420066 ... 337, 339, 341, 343, 345 | 4460466....287, 467, 469, 473, 477, 478, 495, 497, 499, 501, 503, 505, 507, 511 |
| 3860122.....381 | 4240003..... 385 | 4420067 ... 533, 535, 537, 539, 541, 543, 545 | 4460467.....556 |
| 3900178.....369, 371 | 4240032 ... 465, 467, 469, 473, 475, 505 | 4420069 ... 337, 339, 341, 343, 345 | 4460468.....501 |
| 3900254....298, 302, 306, 310, 314, 318, 322, 326 | 4240033 ... 245, 259, 265, 271, 277, 287, 289, 291, 298, 302, 306, 310, 314, 318, 322, 326, 330, 334, 467, 469, 473, 475, 495, 497 | 4420080 ... 150, 154, 163, 215, 219 | 4460470.....369, 371 |
| 3900255.....19, 21 | 4240099..... 187, 195 | 4460016..... 465, 493 | 4460473.....501 |
| 3900265.....369, 371 | 4240170..... 381 | 4460019 473, 475, 483 | 4460474.....473, 487 |
| 3900290.....150, 154 | 4240171..... 381 | 4460027 233, 242, 251 | 4460480.....465 |
| 3900300....119, 121, 123, 125, 127, 129 | 4280295 ... 259, 265, 271, 277, 298, 302, 306, 310, 314, 318, 322, 326, 330, 334 | 4460042 475, 478, 481 | 4460481.....501 |
| 3900318....355, 357, 359, 361, 363, 379 | 4340853..... 385 | 4460043 478, 509 | 4460499.... 495, 497, 505 |
| 3900319....355, 357, 359, 361, 363 | 4340854..... 385 | 4460044 461 | 4460510.....556 |
| 3900321.....393 | 4340922..... 381 | 4460051..... 501 | 4460536....467, 469, 473, 483 |
| 3900322.....233, 237 | 4340932..... 381 | 4460071 445 | 4460539....467, 469, 473, 495, 497, 499, 529 |
| 3900323....355, 357, 359, 361, 363 | 4340933..... 381 | 4460115 493 | 4460608.....473 |
| 3900325....255, 261, 267, 273 | 4340934..... 381 | 4460121 495, 497, 501 | 4460612.....245 |
| 3900330....298, 302, 306, 310, 314, 318, 322, 326, 330, 334 | 4340948 381 | 4460134 485 | 4460662....245, 445, 447, 449, 451, 453, 513 |
| 3900355.....385 | 4340949 381 | 4460138 439 | 4460670.....467, 487 |
| 3910408.....175, 187 | 4360070 ... 119, 121, 123, 125, 127, 129, 249, 550, 551 | 4460142 475 | 4460693.....473 |
| 3910606....119, 121, 123, 125, 127, 129 | 4360328 ... 119, 121, 123, 125, 127, 129, 298, 302, 306, 310, 314, 318, 322, 326, 330, 334, 550 | 4460183 465, 493 | 4460703.....478 |
| 3910616....119, 121, 123, 125, 127, 129 | 4360387 ... 119, 121, 123, 125, 127, 129, 298, 302, 306, 310, 314, 318, 322, 326, 330, 377, 550 | 4460190 233, 242, 251 | 4460705.....242 |
| 3910804....119, 121, 123, 125, 127, 129 | 4360469 ... 119, 121, 123, 125, 127, 129, 551 | 4460205 241 | 4460738.....467, 473 |
| 3911428....359, 361, 363 | 4360470 121, 551 | 4460225 483, 489, 493 | 4460741.....467, 469 |
| 3930820.....57, 59 | 4360475 ... 119, 121, 123, 125, 127, 129, 369, 371, 550 | 4460226 373, 489 | 4460761.....287, 465 |
| 3931010....359, 361, 363 | 4360482 ... 233, 237, 241, 245, 251, 371, 551 | 4460234 187, 195 | 4460779.....459 |
| 3931016.....245 | 4360483 ... 298, 302, 306, 310, 314, 318, 322, 326, 330, 334, 369, 551 | 4460247 478 | 4460812.....495, 497 |
| 3931412.....385 | 4360500 ... 255, 261, 267, 273, 550 | 4460248 461, 495, 497 | 4460814....467, 469, 473 |
| 3931436....182, 194, 355, 357, 359, 361, 363 | 4360502 ... 255, 261, 267, 273, 550 | 4460256 475 | 4460817.....465 |
| 3931508.....385 | 4360518..... 63 | 4460259 ... 465, 493, 495, 497 | 4460818.....465 |
| 3931512....182, 194, 355, 357, 359, 361, 363 | 4360524 369, 371, 550 | 4460260 ... 465, 493, 495, 497 | 4460836....287, 467, 469, 473, 499, 501, 511 |
| 3931516.....393 | 4360525 369, 371, 550 | 4460261 ... 119, 121, 123, 125, 127, 129, 373, 461, 465, 483, 529 | 4460837....467, 469, 473 |
| 3931628.....241, 245 | 4360542 242 | 4460262 373, 489 | 4460842....467, 469, 473 |
| 3931664.....330 | 4360548..... 499, 551 | 4460267 ... 119, 121, 123, 125, 127, 129, 373, 461, 465, 483, 529 | 4460851.....499 |
| 3940804.....245 | 4400275 215, 219 | 4460268 ... 467, 469, 473, 493, 529 | 4460852.....499 |
| 3960407.....171 | 4400420 215, 219 | 4460294 287 | 4460858.....459 |
| 3960468.....163, 214 | 4400436 139 | 4460312 475 | 4460884....478, 495, 497, 529 |
| 3960525.....139, 141 | | 4460313 473, 509 | 4460891....467, 469, 473, 477, 481, 495, 497, 499, 503, 507 |
| 3960526.....23 | | 4460315 245, 439 | 4460892....465, 499, 503, 505, 507 |
| 3990010....495, 497, 550 | | 4460320 461 | 4460894....465, 477, 499, 503, 505, 507 |
| 4010408....245, 439, 441, 445, 447, 449, 451, 453, 455, 457 | | 4460321 ... 119, 121, 123, 125, 127, 129, 485 | 4460895.....465 |
| 4031914.....182, 194 | | 4460346 245, 513 | 4460897....477, 481, 495, 497, 509 |
| 4032014.....241, 245 | | 4460374 ... 467, 470, 473, 475, 483, 487 | 4460899.....467 |
| 4060802....119, 121, 123, 125, 127, 129, 233, 237, 241, 245, 251, 369, 371 | | 4460375 ... 467, 470, 473, 475, 483, 487 | 4460906....483, 485, 487 |
| 4060803....150, 154, 169 | | 4460420 467, 469 | 4460930.....287, 477 |
| 4060805.....150, 154 | | 4460422 ... 439, 441, 443, 445, 447, 449, 451, 453, 455, 457 | 4460931.....287, 467 |
| | | 4460424 ... 467, 469, 473, 529 | 4460932.....478, 481 |
| | | 4460425 249 | |
| | | 4460426 249 | |
| | | 4460434 493 | |

PART NUMBER INDEX

| | | | |
|--|---|--|--|
| 4460933 ... 287, 467, 469, 473, 495, 497 | 4520576 37 | 4712200.....298, 302, 306, 310, 314, 318, 322, 326 | 4812100 ... 175, 182, 188, 194, 241, 245 |
| 4460934 499 | 4520608 33, 41, 49 | 4740086..... 19, 21 | 4812200 241, 246 |
| 4460935 ... 499, 501, 503, 505, 507, 511 | 4568295 285, 287 | 4740120..... 369, 371 | 4845441 379 |
| 4460939 475 | 4568398 169 | 4740158..... 15, 17 | 4845442 379 |
| 4460941 481 | 4569126 381 | 4740274..... 169, 225, 227 | 4845938 369, 371 |
| 4460942 ... 467, 470, 473, 478, 481 | 4569150 382 | 4740362..... 234, 252 | 4846460 271, 277 |
| 4460943 467, 469, 473 | 4640113 ... 33, 35, 37, 39, 41, 45, 49, 51, 53 | 4740415..... 381 | 4846519 ... 337, 339, 341, 343, 345 |
| 4460944 ... 467, 469, 473, 477, 495, 497, 529 | 4640751 ... 169, 182, 194 | 4740455..... 259, 265, 271, 277 | 4846530 ... 355, 357, 359, 361 |
| 4460955 467, 469, 473 | 4640858 389, 391 | 4740480..... 385 | 4846531 ... 355, 357, 359, 361 |
| 4460956 463 | 4640952 225, 227 | 4740506..... 255, 261, 267, 273 | 4846532 ... 355, 357, 359, 361, 363 |
| 4460957 463 | 4641122 41, 45, 47 | 4740518..... 131, 133 | 4846537 ... 355, 357, 359, 361, 363 |
| 4460961 242 | 4641192 73 | 4740529..... 381 | 4846542 ... 355, 357, 359, 361, 363 |
| 4460967 491 | 4641193 ... 259, 265, 271, 277 | 4740541..... 15, 17 | 4846556 ... 337, 341, 355, 359 |
| 4460968 ... 447, 449, 451, 453, 499 | 4641205 ... 259, 265, 271, 277 | 4750600.... 119, 121, 123, 125, 127, 129 | 4846557 355, 359 |
| 4460970 467, 469, 473 | 4641254 ... 259, 265, 271, 277 | 4750800.57, 59, 150, 154 | 4846570 359, 361, 363 |
| 4460972 483 | 4641281 405, 409 | 4751000.... 139, 141, 167, 233, 237, 245, 252, 255, 261, 267, 273, 359, 361, 363 | 4846584 393 |
| 4460973 483 | 4641303 67, 69, 71 | 475140079, 83, 215, 219, 287, 293, 295, 298, 302, 306, 310, 314, 318, 322, 326, 330, 334, 439, 441, 443, 445, 447, 449, 451, 453, 455, 457 | 4846590 ... 355, 357, 359, 361, 363 |
| 4460974 483 | 4641390 389, 391 | 4751500.... 150, 154, 163, 175, 188, 215, 219, 241, 251, 337, 339 | 4846655 369, 371 |
| 4460981 475 | 4710400 175, 187 | 4751600.... 150, 154, 159, 182, 194, 233, 237, 241, 252, 293, 295, 298, 302, 306, 310, 314, 318, 322, 326, 330, 334, 337, 339, 341, 343, 345, 355, 359 | 4846683 363 |
| 4460982 503, 505, 507 | 4711000 203, 241, 249 | 4751800..... 381 | 4846684 363 |
| 4461005 469 | 4711400 ... 21, 57, 59, 77, 81, 131, 133, 150, 154, 157, 159, 163, 175, 182, 187, 194, 214, 218, 225, 227, 245, 255, 259, 261, 265, 267, 271, 273, 277, 289, 291, 306, 310, 314, 318, 322, 326, 334, 355, 357, 359, 361, 363, 381, 385, 439, 441, 443, 445, 447, 449, 451, 453, 455, 457, 533, 535, 537, 539, 541, 543, 545 | 4752200.... 234, 237, 298, 302, 306, 310, 314, 318, 322, 326, 330, 334, 337, 339, 341, 343, 345 | 4860179 35, 43, 51 |
| 4461006 469 | 4711500 ... 57, 59, 89, 91, 93, 101, 103, 105, 109, 115, 117, 135, 137, 139, 141, 150, 154, 169, 175, 182, 187, 194, 214, 218, 246, 259, 265, 271, 277, 337, 339, 341, 343, 345, 355, 357, 359, 361, 363 | 4760600.... 119, 121, 123, 125, 127, 129, 369, 371 | 4860237 45 |
| 4461008 469, 478 | 4711600 ... 139, 141, 150, 154, 163, 169, 175, 182, 187, 194, 203, 207, 209, 215, 218, 225, 227, 233, 237, 241, 245, 255, 259, 261, 265, 267, 271, 273, 277, 293, 295, 337, 339, 341, 343, 345, 381 | 4761000.... 119, 121, 123, 125, 127, 129 | 4891500 234, 237 |
| 4461052 469 | 4711700 ... 182, 194, 233, 237, 241, 251 | 4761200.... 123, 125, 129 | 4891600 ... 139, 141, 150, 154, 167, 179, 191, 207, 209, 221, 223, 251 |
| 4461053 469 | 4711800 ... 169, 225, 227, 279, 281, 381 | 4761400.... 85, 87, 89, 91, 93, 95, 97, 99, 101, 103, 105, 107, 109, 111, 113, 115, 117 | 4891800 ... 15, 19, 21, 23, 49, 51, 53, 150, 154, 167, 179, 182, 191, 194, 221, 222, 241, 246 |
| 4461054 469, 478 | 4711900 233, 237 | 4761500..... 67, 69 | 4892000 23, 234, 237 |
| 4461060 469 | 4712000 ... 163, 176, 188, 215, 218, 381 | 4761600.67, 69, 215, 219 | 4892200 57, 59 |
| 4461070 477 | | 4791400..... 245, 369, 371 | 4922667 ... 119, 121, 123, 125, 127, 129, 493 |
| 4461071 469, 477 | | 4811400.... 245, 439, 441, 445, 447, 449, 451, 453, 455, 457 | 4922692 289, 291, 501 |
| 4461072 469, 477 | | 4811900.... 175, 182, 187, 194, 251 | 4922739 55, 461 |
| 4461073 469, 477 | | 4811902..... 184, 196 | 4922768 369, 371, 465 |
| 4461074 469, 477 | | 4812000.... 207, 209, 242, 246 | 4922800 ... 234, 237, 252, 483 |
| 4461095 477 | | 4812002..... 182, 194 | 4922848 330, 505 |
| 4461097 475 | | | 4922859 ... 298, 302, 306, 310, 314, 318, 322, 326, 330, 334, 509 |
| 4461109 473 | | | 4922882 287 |
| 4461111 473 | | | 4922925 246, 489 |
| 4461113 473 | | | 4923386 167, 475 |
| 4461121 473 | | | 4923478 167 |
| 4461122 473 | | | 4923507 511 |
| 4461123 473 | | | 5241200 17 |
| 4461124 473 | | | 70000081 373, 550 |
| 4461161 473 | | | 70000082 373, 550 |
| 4461196 441, 515 | | | 70000083 373 |
| 4461198 515 | | | 70000084 373 |
| 4461199 517 | | | 70000085 373 |
| 4461201 517 | | | 70000122 233, 251 |
| 4461202 ... 447, 451, 455, 521, 525 | | | 70000123 237 |
| 4461205 ... 447, 451, 453, 455, 457, 523, 527 | | | 70000124 237 |
| 4461222 473 | | | 70000125 237 |
| 4461244 521 | | | |
| 4461245 523 | | | |
| 4461246 519 | | | |
| 4461249 449, 519 | | | |
| 4461257 441, 455, 457 | | | |
| 4461258 441, 455, 457 | | | |
| 4520217 35, 43, 51 | | | |
| 4520240 39, 47, 53 | | | |
| 4520262 45 | | | |
| 4520570 37 | | | |
| 4520571 37 | | | |

PART NUMBER INDEX

| | | | |
|---|---|--|-----------------------|
| 70000126.....237 | 70002140.....229 | 7000263.....25, 27 | 70024507.....200 |
| 70000164.....225, 227 | 70002141.....229 | 70002718.....199 | 70024513.....199 |
| 70000263.....169 | 70002142.....229 | 70002768.....143 | 70024517.....199 |
| 70000345.....171, 199 | 70002143.....229 | 70002895.....225, 227 | 70024905.....199 |
| 70000619.....245 | 70002144.....229 | 70002963.....75, 550 | 70024906.....199 |
| 70000683.....373 | 70002145.....229 | 70003024.....75 | 70024907.....199 |
| 70000684.....373 | 70002146.....229 | 70003098.....399 | 70024910.....200 |
| 70000685.....373 | 70002147.....229 | 70003099.....399 | 70024914.....200 |
| 70000686.....373 | 70002148.....229 | 70003468.....171 | 70024915.....200 |
| 70000783.....171 | 70002149.....229 | 70003469.....171 | 70024916.....200 |
| 70000793.....205 | 70002150.....229 | 70003475.....171 | 70024917.....200 |
| 70000797.....31 | 70002151.....229 | 70003479.....171 | 70024918.....200 |
| 70000912.....171 | 70002152.....229 | 70003480.....172 | 70024920.....200 |
| 70000913.....171 | 70002153.....229 | 70003481.....172 | 70024924.....199 |
| 70000914.....171 | 70002154.....229 | 70003650.....373 | 70024925.....199 |
| 70000915.....171 | 70002155.....229 | 70003933.....399 | 70024961.....199 |
| 70000916.....171 | 70002156.....229 | 70003934.....399 | 70025076.....199 |
| 70000917.....171 | 70002157.....229 | 70003935.....71 | 70025082.....199 |
| 70000918.....171 | 70002158.....229 | 70003936.....71 | 70025084.....200 |
| 70000919.....171 | 70002159.....229 | 70003937.....183, 550 | 70025088.....199 |
| 70000969.....347 | 70002160.....229 | 70003977.....75 | 70025091.....199 |
| 70000970.....347 | 70002161.....229 | 70003978.....75 | 70025120.....200 |
| 70000971.....347 | 70002162.....229 | 70004194.....373 | 70025135.....199 |
| 70000976.....347 | 70002163.....229 | 70004274.....199 | 70025136.....199 |
| 70001002.....171 | 70002164.....229 | 70004275.....199 | 70025140.....199 |
| 70001017.....207 | 70002165.....229, 230 | 70004277.....200 | 70025142.....200 |
| 70001065.....347 | 70002166.....229 | 70004279.....199 | 70025143.....200 |
| 70001076.....347 | 70002167.....229 | 70004281.....199 | 70025144.....199 |
| 70001079.....347 | 70002168.....229 | 70004283.....200 | 70025145.....199 |
| 70001080.....347 | 70002169.....230 | 70004284.....200 | 70025146.....199 |
| 70001081.....347 | 70002170.....230 | 70004389.....75 | 70025149.....200 |
| 70001085.....347 | 70002172.....230 | 70005069.....75 | 70025151.....200 |
| 70001103.....141 | 70002174.....230 | 70005073.....75 | 70025152.....199 |
| 70001106.....347 | 70002175.....230 | 70005080.....75 | 70025153.....199 |
| 70001107.....347 | 70002176.....230 | 70005100.....75 | 70025154.....199, 550 |
| 70001108.....347 | 70002177.....230 | 70005161.....75 | 70025160.....199 |
| 70001112.....347 | 70002178.....230 | 70005162.....75 | 70025161.....199, 550 |
| 70001342.....353 | 70002179.....230 | 70005163.....75 | 70025164.....199 |
| 70001343.....353 | 70002180.....230 | 70005164.....75 | 70025176.....199 |
| 70001349.....25, 27 | 70002181.....230 | 70005165.....75 | 70025177.....200 |
| 70001435.....171 | 70002182.....230 | 70005166.....75 | 70025179.....199, 200 |
| 70001787.....169 | 70002185.....230 | 70005167.....75 | 70025180.....199 |
| 70001870.....171, 199 | 70002186.....230 | 70005168.....75 | 70025200.....200 |
| 70001871.....171 | 70002187.....230 | 70005446.....200 | 70025202.....199 |
| 70001932.....31 | 70002188.....230 | 70005483.....28 | 70025206.....199 |
| 70001958.....229, 230 | 70002189.....230 | 70005484.....373 | 70025207.....199 |
| 70001959.....143 | 70002190.....230 | 70005485.....373 | 70025208.....199 |
| 70001960.....143, 550 | 70002192.....230 | 70006428.....25, 28 | 70025210.....200, 550 |
| 70001965.....61, 63, 550 | 70002202.....395 | 70006429.....25, 28 | 70025231.....199, 200 |
| 70001967.....73, 259, 265, 271, 277, 550 | 70002203.....395 | 7000663.....171 | 70025235.....200 |
| 70001977.....73, 77, 79, 81, 83, 349, 351, 550 | 70002210.....167, 179, 191, 221, 223 | 7000731.....28 | 70025239.....199 |
| 70001978.....73 | 70002236.....237 | 70007439.....230 | 70025241.....200 |
| 70001979.....73 | 70002237.....233, 237, 242, 251 | 70010383.....163, 175, 187, 215, 219, 550 | 70025242.....200 |
| 70001980.....73 | 70002240.....233, 251 | 7001084.....397 | 70025477.....200 |
| 7000206.....25, 27 | 70002241.....233, 251 | 7001608.....397 | 70025660.....200 |
| 70002112.....143 | 7000229.....25, 27 | 7001610.....397 | 7002821.....556 |
| 70002113.....143, 550 | 7000230.....25, 27 | 7001613.....397 | 7002822.....556 |
| 70002132.....229, 230 | 7000232.....25, 27 | 7001614.....397 | 7002823.....556 |
| 70002133.....229 | 7000246.....25, 27 | 7001617.....397 | 7002826.....556 |
| 70002134.....229 | 7000248.....25, 27 | 7001998.....25, 27 | 7004275.....556 |
| 70002135.....229 | 7000253.....25, 27 | 70023592.....182, 194, 550 | 7004276.....556 |
| 70002136.....229 | 7000257.....25, 27 | 70023593.....182, 194, 550 | 70050516.....75, 550 |
| 70002137.....229 | 7000258.....25, 27 | 70024473.....200 | 7007207.....229 |
| 70002138.....229 | 7000261.....25, 27 | 70024486.....199 | 7007415.....230 |
| 70002139.....229 | 7000262.....25, 27 | 70024488.....199 | 7007418.....229 |
| | | 70024504.....200 | 7007419.....229 |

PART NUMBER INDEX

| | | | |
|---|---|--|--------------------------------------|
| 7007437 31 | 7020108 ... 233, 237, 241, 251 | 7023347 143 | 7026525 233, 251 |
| 7007438 31 | 7020109 ... 233, 237, 241, 251 | 7023900 75 | 7026582 395 |
| 7007439 31 | 7020110 ... 233, 237, 241, 251 | 7023907 31 | 7026583 395 |
| 7007446 31, 229 | 7020111 ... 233, 237, 241, 251 | 7023910 31 | 7026584 395 |
| 7007601 25, 27 | 7020175 ... 119, 121, 123, 125, 127, 129, 369, 371 | 7023912 73 | 7026585 395 |
| 7007640 25, 27 | 7020176 ... 119, 121, 123, 125, 127, 129, 369, 371 | 7023917 71 | 7026586 395 |
| 7010429 25, 27 | 7020190 ... 233, 237, 241, 251 | 7023919 259, 265, 271, 277 | 7026608 171 |
| 70104570 200 | 7020192 237 | 7023923 259, 265, 271, 277 | 7027019 214, 218 |
| 7010542 73 | 7020193 242 | 7023933 71 | 7027020 214, 218 |
| 7010543 73 | 7020218 ... 258, 264, 270, 276 | 7023936 75 | 7027059 25, 27 |
| 7010545 73 | 7020219 ... 258, 264, 270, 276 | 7023964 230 | 7027089 176, 188 |
| 7010635 73 | 7020404 199 | 7023981 73 | 7027090 176, 188 |
| 7010911 347 | 7020414 171 | 7024182 27, 28 | 7027091 176, 188 |
| 7011003 347 | 7020430 172 | 7024189 28 | 7027236 171 |
| 7011016 347 | 7020447 171 | 7024190 28 | 7027239 171 |
| 7011024 347 | 7020460 171 | 7024191 28 | 7027245 171, 550 |
| 7011043 347 | 7020465 171, 199 | 7024192 28 | 7027276 171 |
| 7011044 347 | 7020468 171 | 7024193 28 | 7027365 373 |
| 7011048 347 | 7020471 171 | 7024194 28 | 7027367 373, 550 |
| 7011346 353 | 7020479 171 | 7024196 28 | 7027412 225, 227 |
| 70124530 200 | 7020486 171 | 7024197 28 | 7027419 31 |
| 70124538 200 | 7020492 200 | 7024438 169, 225, 227, 550, 551 | 7027765 373 |
| 7012513 ... 233, 237, 241, 251 | 7020494 171 | 7024441 143 | 7027766 373 |
| 7012514 ... 233, 237, 241, 251 | 7020495 171 | 7024446 143 | 7027790 171 |
| 7012558 241 | 7021249 31 | 7024488 245 | 7027791 171 |
| 7012576 347 | 7021256 230 | 7024489 245 | 7027792 171 |
| 7012905 73 | 7021275 31, 229 | 7024497 61 | 7027795 171 |
| 7012910 73 | 7021276 31 | 7024498 61 | 7027887 ... 233, 237, 242, 251 |
| 7012920 73 | 7021277 31 | 7024499 61 | 7027903 171 |
| 7012925 ... 259, 265, 271, 277 | 7021625 71 | 7024500 61 | 7027965 ... 225, 227, 550 |
| 7012941 73 | 7021639 71 | 7024502 61, 63 | 7027972 ... 225, 227, 550 |
| 7012967 ... 73, 77, 79, 81, 83 | 7022301 229 | 7024503 61 | 77363233 489 |
| 7012972 73 | 7022302 31 | 7024504 61 | 80484084 477 |
| 7016319 55 | 7022305 31 | 7024505 61 | 80983191 477, 551 |
| 7016331 171, 550 | 7022310 31 | 7024506 61, 63 | 8220115 478 |
| 7016372 55 | 7022311 31 | 7024507 61 | 8229242 ... 477, 495, 497, 551 |
| 7016641 199, 550 | 7022312 31 | 7024565 171 | 8273291 169 |
| 7016654 556 | 7022314 31 | 7024579 171, 199 | 83191040. 167, 179, 191, 221, 223 |
| 7017067 25, 27 | 7022326 31 | 7024585 163 | 8405006 ... 175, 187, 203 |
| 7017070 25, 27 | 7022328 31 | 7024586 163 | 8405007 182, 194 |
| 7017080 25, 27 | 7022340 230 | 7024587 163 | 8405009 183, 195 |
| 7017402 73, 349, 351 | 7022368 31 | 7024705 27 | 8405104 182, 194 |
| 7017406 73 | 7022369 31 | 7024712 25, 27 | 8405201 182, 194 |
| 7017433 73, 349, 351 | 7022371 31 | 7024713 25, 27 | 8405202 182, 194 |
| 7017451 ... 259, 265, 271, 277, 550 | 7022390 75 | 7024714 25, 27 | 8406101 241 |
| 7017460 349, 351 | 7022397 71 | 7024715 25, 27 | 8406102 183, 195 |
| 7017461 349, 351 | 7022398 75 | 7024716 25, 27 | 8406112 175, 187 |
| 7017467 ... 77, 79, 81, 83 | 7022399 71, 75 | 7024717 27 | 8410011 182, 194 |
| 7017493 75 | 7023035 397 | 7024718 28 | 8702156 150, 154 |
| 7017496 73, 259, 265, 271, 277, 389, 391 | 7023036 397 | 7024829 ... 259, 265, 271, 277 | 8760351 404, 408 |
| 7018942 353 | 7023212 ... 119, 121, 123, 125, 127, 129 | 7024844 73 | 8786514 43 |
| 7019602 ... 258, 264, 270, 276 | 7023306 143 | 7024854 31 | 88521205. 163, 175, 188, 215, 219 |
| 7019680 242 | | 7024862 31 | 88662523 150, 154 |
| 7020023 171, 550 | | 7024868 31 | 91401281. 163, 175, 188, 215, 219 |
| 7020026 171 | | 7024881 71 | 91563070 182, 194 |
| | | 7024926 353 | |
| | | 7026002 353 | |
| | | 7026199 241 | |



3121643



An Oshkosh Corporation Company

Corporate Office
JLG Industries, Inc.
1 JLG Drive
McConnellsburg, PA 17233-9533 USA
☎ **(717) 485-5161 (Corporate)**
☎ **(877) 554-5438 (Customer Support)**
☎ **(717) 485-6417**

Visit our website for JLG Worldwide Locations.
www.jlg.com