



# Illustrated Parts Manual

*Models*  
*E400An/*  
*E400AJP/*  
*E400AJPn/*  
*M400AJP/*  
*M400AJPn*

SN 0300189901  
through 0300208528

P/N  
3121646

November 16, 2018 - Rev G

**ANSI**

**CE**



An Oshkosh Corporation Company



## **REVISION LOG**

September 15, 2014 - A - Original Issue Of Manual (Edit to B/M 1001164638 Revision D)

April 3, 2015 - B - Revised (Manual edited to B/M 1001164638 Revision K)

July 6, 2015 - C - Revised (Manual edited to B/M 1001164638 Revision K)

October 30, 2015 - D - Revised Manual

April 29, 2016 - E - Revised Manual

April 28, 2017 - F - Revised Manual

November 16, 2018 - G - Revised Manual

## GENERAL INFORMATION

**SECTION 6 CYLINDER**

**FIGURE 6-3. LIFT CYLINDER ASSEMBLY**

PG#                      Model Designation                      Manual #

**SECTION 6 CYLINDER**

**FIGURE 6-3. LIFT CYLINDER ASSEMBLY**

ITEM #	PART NUMBER	QTY	DESCRIPTION	REV
	1001140104	Ref	LIFT CYLINDER ASSEMBLY	B
1	0100011	AR	Compound, Locking	
2	0605035	3	Cap screw 1/4-20 x 1-1/8	
3	0701003	1	Screw #10-24 x 3/8	
4	0961897	1	Bushing, Tapered	
5	1300136	1	Clamp, Cable	
6	1603063	1	Hoist	
7	2200893	1	Plug, O-Ring	
8	2200895	2	Plug, O-Ring	
9	2200896	1	Plug, O-Ring	
10	3000039	AR	Lubricant	
11	3400292	1	Pinion	
12	3700071	1	Ring, Washer	
13	3901420	8	Cap screw 1/4-20 x 1-1/4	
14	3901824	8	Cap screw 1/2-13 x 1-1/2	
15	3901003	1	Set screw #10-24 x 3/8	
16	4100099	1	Spacer	
17	4640999	1	Cartridge, Holding Valve (Non Vented)	
18	2900792	1	Kit, Seal - 4640999 Cartridge Valve	
19	4641248	1	Cartridge, Counterbalance Valve (Non Vented)	
20	70004186	1	Kit, Seal - 4641248 Cartridge Valve	
21	100117091	1	Sensor, Cylinder Length	
22	1001148070	1	Casp. Retainer	
21A	1001180364	1	Board	
21A	0901900	2	Bushing	
22	1001180366	1	Rod	
22A	0901900	2	Bushing	
100	1001139986	1	Kit, Seal (includes items 101-109)	
101	See Note	2	Ring, Wiper (Note: Use pin 1001139996)	
102	See Note	1	Ring, Back-Up (Note: Use pin 1001139996)	
103	See Note	2	Ring, Lock (Note: Use pin 1001139996)	
104	See Note	2	Ring, Back-Up (Note: Use pin 1001139996)	
105	See Note	2	O Ring (Note: Use pin 1001139996)	
106	See Note	1	O Ring (Note: Use pin 1001139996)	
107	See Note	1	Seal (Note: Use pin 1001139996)	
108	See Note	1	Wiper, Rod (Note: Use pin 1001139996)	
109	See Note	2	Seal (Note: Use pin 1001139996)	
200	100119105	1	Kit, Sensor Magnet (includes items 201-203)	
201	See Note	NSS	Stem, Spacer (Note: Use pin 100119105)	
202	1001180366	1	Magnet, Sensor	
203	1001180369	1	Ring, Internal Retaining	

Manual #                      Model Designation                      PG#

### 1) MACHINE IDENTIFICATION

Machines are identified by model and in some cases a combination of models, serial number (SN) or regional standard (i.e ANSI, CE, CSA). Components may also be identified by SN or manufacturer. Common components that may be identified by these characteristics are engines and hydraulic components.

### 2) PARTS MANUAL ORGANIZATION

Product information in this manual is organized under section titles. Frame, Cylinder, Hydraulic and Electrical are a few examples. Each section is organized by figure and page number. The information within the Figure is then organized by item number, part number, description and corresponding illustration(s).

### 3) TABLE OF CONTENTS

A table of contents is found toward the beginning of the manual. Figure number, description and page number are provided for quick reference to the page containing the related information.

### 4) RECOMMENDED SPARE PARTS

The Recommended Spare Parts, located near the end of the manual, reference most frequently used maintenance parts.

### 5) PART NUMBER INDEX

A numerical index listing all part numbers and the corresponding page number(s) appears at the back of the manual.

## GENERAL INFORMATION

### 6) NON-SERVICED PARTS

In some instances, it is necessary to display non-serviced parts, assemblies or installations. In the case of assemblies and installations there will be a Ref in the Qty column. In case of parts that are not available for service within assemblies or components, there will be a NSS (Not Sold Separately) or NLA (No Longer Available) listed in the Qty. column of the manual.

### 7) PARTS LIST ITEM NUMBERS

Numbers shown in the item# column correspond to numbers used in the associated illustration (s). Item numbers which are missing from the sequence in the parts list are not used on that page

### 8) INDENTED PARTS DESCRIPTION

An indented part description is included in the item under which it is indented.

### 9) ABB REVIATION AND SYMBOLS

AC.....	.. Alternating Current	LCD .....	.. Liquid Crystal Display
ADE.....	..Advanced Design Electronics	LED .....	.. Light Emitting Diodes
ANSI .....	..American National Standards Institute	LH.....	.. Left Hand
AR.....	..As Required	LSS .....	..Load Sensing System
ASSY .....	.. Assembly	M(m).....	.. Metric/Meter
AUX.....	..Auxiliary	MM (mm) .....	..Milimeter
AWG.....	..American WireGauge	mA.....	.. Miliamps
B/M.....	..Bill of Material	NLA.....	..No Longer Available
CE.....	..European Conformity	NPT .....	.. National Pipe Threads
CCW .....	..Counter Clockwise	NSS .....	..Not So ld Separately
cm.....	.. Centimeter	OD.....	..Outside Diameter
CW.....	..Clockwise	ORB.....	.. O-Ring Boss
CSA.....	..Canadian Standards Association	ORFS.....	.. O-Ring Face Seal
CYL.....	..Cylinder	OZ (oz) .....	..Ounces
DIA.....	.. Diameter	PG.....	..Page
DC.....	..Direct Current	P/N.....	..Part Number
EMS .....	.. Emergency Stop	qt.....	..Quarts
ENG .....	..Engine	QTY.....	..Quantity
FT (ft).....	.. Feet	REF .....	..Reference
GA(Ga).....	..Gauge	REV .....	..Revision Level
HYD .....	..Hydraulic	RH.....	.. Right Hand
Hz.....	.. Hertz	SAE.....	.. Society of Automotive Engineers
ID.....	..Inside Diameter	SN.....	..Serial Number
in.....	..inches	SPEC(S).....	..Specifications
ISO .....	..International Organization for Standards	T/T.....	..Turntable
JIC.....	..Joint Industry Council	UGM .....	..Universal Ground Module
KG .....	..Kilogram	V.....	..Volts
L.....	..Liter	W.....	..Watts
LB.....	..Pounds	#.....	.. Number

### 10) ILLUSTRATION REFERENCE LETTERS

When necessary, illustrations may contain reference letters that are intended to track information (i. e. hoses, harnesses) from one point to another or to track visual enlargement of components to show details that may be located in another area on the illustration.

*Note: Due to continuous product improvements, JLG Industries, Inc. reserves the right to make specification changes without prior notification. Contact JLG Industries, Inc. for updated information.*



# TABLE OF CONTENTS

SECTION 1 - FRAME.....	13
FIGURE 1-1. STEERING INSTALLATION - E400AJP/M400AJP.....	14
FIGURE 1-2. STEERING INSTALLATION - E400AN/E400AJPN/M400AJPN .....	16
FIGURE 1-3. HUB - SPINDLE ASSEMBLY - RH .....	18
FIGURE 1-4. HUB - SPINDLE ASSEMBLY - LH - E400AJP/M400AJP .....	20
FIGURE 1-5. HUB - SPINDLE ASSEMBLY - RH - E400AN/E400AJPN/M400AJPN .....	22
FIGURE 1-6. HUB - SPINDLE ASSEMBLY - LH - E400AN/E400AJPN/M400AJPN .....	24
FIGURE 1-7. WHEEL DRIVE - E400AN - E400AJP/E400AJPN .....	26
FIGURE 1-8. WHEEL DRIVE - E400AN/E400AJP/E400AJPN - UL LISTED .....	30
FIGURE 1-9. WHEEL DRIVE - M400AJP/M400AJPN.....	34
FIGURE 1-10. HUB - DRIVE ASSEMBLY .....	38
FIGURE 1-11. DRIVE MOTOR ASSEMBLY .....	42
FIGURE 1-12. TIRE/WHEEL - IN240/55-17.5 PNEUMATIC .....	44
FIGURE 1-13. TIRE/WHEEL - IN240/55 - 17.5 FOAM FILL .....	46
FIGURE 1-14. TIRE/WHEEL - SOLID NON-MARKING .....	48
FIGURE 1-15. TIRE/WHEEL - 26 X 7 X 20 - SOLID NON MARKING .....	50
FIGURE 1-16. TIRE/WHEEL - IN240/55-17.5 PNEUMATIC NON MARKING .....	52
FIGURE 1-17. TIRE/WHEEL - IN240/55-17.5 FOAM FILL NON MARKING .....	54
FIGURE 1-18. TIRE/WHEEL - IN240/55-17.5 PNEUMATIC TS.....	56
FIGURE 1-19. WHEEL COVER INSTALLATION - IN240/55-17.5 TIRES ONLY .....	58
FIGURE 1-20. MOTOR/PUMP/TANK - E400AN/E400AJP/E400AJPN .....	60
FIGURE 1-21. MOTOR/PUMP/TANK - M400AJP .....	62
FIGURE 1-22. MOTOR/PUMP/TANK - E400AN/E400AJP/E400AJPN - UL LISTED.....	64
FIGURE 1-23. MOTOR/PUMP/TANK - M400AJPN.....	66
FIGURE 1-24. MOTOR/PUMP ASSEMBLY .....	68
FIGURE 1-25. HYDRAULIC TANK ASSEMBLY - E400AN/E400AJP/E400AJPN.....	70
FIGURE 1-26. HYDRAULIC TANK ASSEMBLY - M400AJP/M400AJPN.....	72
FIGURE 1-27. VALVE INSTALLATION - FRAME MOUNTED - E400AN.....	74
FIGURE 1-28. VALVE INSTALLATION - FRAME MOUNTED - E400AJP/E400AJPN.....	76
FIGURE 1-29. VALVE INSTALLATION - FRAME MOUNTED - M400AJP/M400AJPN.....	78
FIGURE 1-30. BRAKE/STEER VALVE ASSEMBLY .....	80
FIGURE 1-31. BATTERY BOX INSTALLATION.....	82
FIGURE 1-32. BATTERY BOX INSTALLATION - AGM BATTERIES .....	84
FIGURE 1-33. BATTERY BOX INSTALLATION - CE AND AUSTRALIAN SPECS .....	86
FIGURE 1-34. BATTERY BOX INSTALLATION - AGM BATTERIES (CE AND AUSTRALIAN SPECS).....	88
FIGURE 1-35. BATTERY CHARGER INSTALLATION - E400AN/E400AJP/E400AJPN (ALL SPECS EXCEPT CE AND AUSTRALIAN SPECS).....	90
FIGURE 1-36. BATTERY CHARGER INSTALLATION - E400AJP/E400AJPN (AUSTRALIAN SPEC) .....	92
FIGURE 1-37. BATTERY CHARGER INSTALLATION - E400AN/E400AJP/E400AJPN (ANSI EXPORT AND CE SPECS) .....	94
FIGURE 1-38. BATTERY CHARGER INSTALLATION - M400AJP (ALL SPECS EXCEPTED CE, AUSTRALIAN AND UL SPECS).....	96
FIGURE 1-39. BATTERY CHARGER INSTALLATION - M400AJP (AUSTRALIAN SPEC) .....	98
FIGURE 1-40. BATTERY CHARGER INSTALLATION - M400AJP (ANSI EXPORT AND CE SPECS).....	100
FIGURE 1-41. BATTERY CHARGER INSTALLATION - M400AJPN .....	102
FIGURE 1-42. BATTERY CHARGER INSTALLATION - M400AJPN (AUSTRALIAN SPEC) .....	104
FIGURE 1-43. BATTERY CHARGER INSTALLATION - M400AJPN (ANSI EXPORT AND CE SPECS).....	106
FIGURE 1-44. INVERTER INSTALLATION - E400AJP/M400AJP .....	108
FIGURE 1-45. INVERTER INSTALLATION - E400AN/E400AJPN/M400AJPN .....	110
FIGURE 1-46. FRAME COVER INSTALLATION - E400AJP .....	112
FIGURE 1-47. FRAME COVER INSTALLATION - M400AJP.....	114
FIGURE 1-48. FRAME COVER INSTALLATION - E400AN/E400AJPN .....	116
FIGURE 1-49. FRAME COVER INSTALLATION - M400AJPN .....	118
SECTION 2 - TURNTABLE .....	121
FIGURE 2-1. VALVE INSTALLATION - TURNTABLE MOUNTED - E400AN .....	122
FIGURE 2-2. VALVE INSTALLATION - TURNTABLE MOUNTED - E400AJP/E400AJPN .....	124
FIGURE 2-3. VALVE INSTALLATION - TURNTABLE MOUNTED - M400AJP/M400AJPN .....	126
FIGURE 2-4. MAIN CONTROL VALVE ASSEMBLY .....	128
FIGURE 2-5. RELEVELING VALVE ASSEMBLY .....	132
FIGURE 2-6. JIB VALVE ASSEMBLY .....	134
FIGURE 2-7. MOTION ALARM INSTALLATION .....	136
FIGURE 2-8. TURNTABLE BEARING AND SWING DRIVE INSTALLATION.....	138
FIGURE 2-9. SWING BEARING ASSEMBLY .....	140
FIGURE 2-10. SWING MOTOR ASSEMBLY .....	142

# TABLE OF CONTENTS

FIGURE 2-11. REMOTE BEARING LUBE INSTALLATION - OPTIONAL .....	144
FIGURE 2-12. DRIVE ORIENTATION INSTALLATION.....	146
FIGURE 2-13. FUEL TANK AND BATTERY INSTALLATION - M400AJP/M400AJPN.....	148
FIGURE 2-14. GROUND CONTROL BOX ASSEMBLY - E400A & E400AN - ALL SPECS EXCEPT CE SPEC .....	150
FIGURE 2-15. GROUND CONTROL BOX ASSEMBLY – E400A & E400AN – CE SPEC (Prior to SN 0300200792).....	152
FIGURE 2-16. GROUND CONTROL BOX ASSEMBLY - E400A - CE SPEC (SN 0300200792 through 0300208528) .....	154
FIGURE 2-17. GROUND CONTROL BOX ASSEMBLY - E400AJP/E400AJPN/M400AJP/M400AJPN - ALL SPECS EXCEPT CE SPEC .....	156
FIGURE 2-18. GROUND CONTROL BOX ASSEMBLY - E400AJP/E400AJPN/M400AJP/M400AJPN - CE SPEC (Prior to SN 0300200792).....	158
FIGURE 2-19. GROUND CONTROL BOX ASSEMBLY - E400AJP/E400AJPN/M400AJP/M400AJPN - CE SPEC (SN 0300200792 through 0300208528) .....	160
FIGURE 2-20. MOTOR CONTROLS INSTALLATION - M400AJP/M400AJPN .....	162
FIGURE 2-21. STROBE LIGHT INSTALLATION (AMBER) - OPTIONAL.....	164
FIGURE 2-22. STROBE LIGHT INSTALLATION - UL LISTED - OPTIONAL .....	166
FIGURE 2-23. STROBE LIGHT ASSEMBLY (AMBER) .....	168
FIGURE 2-24. HOOD INSTALLATION - E400AN.....	170
FIGURE 2-25. HOOD INSTALLATION - E400AJP/E400AJPN/M400AJP/M400AJPN .....	172
FIGURE 2-26. BEACON LIGHT INSTALLATION - BLUE (SN 0300200116 through 0300208528).....	174
SECTION 3 - ENGINE .....	177
FIGURE 3-1. KUBOTA MOTOR/GENERATOR INSTALLATION - M400AJP/M400AJPN.....	178
FIGURE 3-2. KUBOTA MOTOR/GENERATOR ASSEMBLY - M400AJP/M400AJPN .....	180
FIGURE 3-3. KUBOTA MOTOR/GENERATOR COMPONENTS .....	182
SECTION 4 - BOOM.....	185
FIGURE 4-1. BOOM AND CYLINDERS INSTALLATION - E400AN.....	186
FIGURE 4-2. BOOM AND CYLINDERS INSTALLATION - E400AJP/E400AJPN/M400AJP/M400AJPN .....	188
FIGURE 4-3. MAIN BOOM ASSEMBLY - E400AN.....	192
FIGURE 4-4. MAIN BOOM ASSEMBLY - E400AJP/E400AJPN/M400AJP/M400AJPN .....	196
FIGURE 4-5. JIB INSTALLATION .....	198
FIGURE 4-6. ROTATOR ASSEMBLY - E400AN .....	200
FIGURE 4-7. ROTATOR ASSEMBLY - PLATFORM SUPPORT TO JIB - E400AJP/E400AJPN/M400AJP/M400AJPN.....	202
FIGURE 4-8. ROTATOR ASSEMBLY - MAIN BOOM TO JIB - E400AJP/E400AJPN/M400AJP/M400AJPN.....	204
FIGURE 4-9. PLATFORM SUPPORT WITHOUT LOAD SENSING .....	206
FIGURE 4-10. PLATFORM SUPPORT INSTALLATION - WITH LSS - E400AJP/M400AJP/E400AJPN/M400AJPN .....	208
FIGURE 4-11. PLATFORM SUPPORT INSTALLATION - WITH LSS - E400AN.....	212
FIGURE 4-12. CABLES AND CLAMPS INSTALLATION - E400AN .....	216
FIGURE 4-13. CABLES AND CLAMPS INSTALLATION - E400AJP/E400AJPN/M400AJP/M400AJPN.....	218
FIGURE 4-14. LIMIT SWITCHES INSTALLATION .....	220
SECTION 5 - PLATFORM .....	223
FIGURE 5-1. PLATFORM ASSEMBLY - 4FT/1.22M - SIDE GATE ENTRY (SN 0300189901 through 0300200791).....	224
FIGURE 5-2. PLATFORM ASSEMBLY - 4FT/1.22M - SIDE GATE ENTRY (SN 0300200792 through 0300208528).....	226
FIGURE 5-3. PLATFORM ASSEMBLY - 5FT/1.52M - SIDE GATE ENTRY (SN 0300189901 through 0300200791).....	228
FIGURE 5-4. PLATFORM ASSEMBLY - 5FT/1.52M - SIDE GATE ENTRY (SN 0300200792 through 0300208528).....	230
FIGURE 5-5. PLATFORM ASSEMBLY - 5FT/1.52M - WITH STOP (SN 0300189901 through 0300200791) .....	232
FIGURE 5-6. PLATFORM ASSEMBLY - 6FT/1.83M - SIDE GATE ENTRY (SN 0300200792 through 0300208528).....	234
FIGURE 5-7. PLATFORM ASSEMBLY - 4FT/1.22M - DROP BAR ENTRY (SN 0300189901 through 0300200791) .....	236
FIGURE 5-8. PLATFORM ASSEMBLY - 4FT/1.22M - DROP BAR ENTRY (SN 0300200792 through 0300208528) .....	238
FIGURE 5-9. PLATFORM ASSEMBLY - 5FT/1.52M - DROP BAR ENTRY (SN 0300189901 through 0300200791) .....	240
FIGURE 5-10. PLATFORM ASSEMBLY - 5FT/1.52M - DROP BAR ENTRY (SN 0300200792 through 0300208528) .....	242
FIGURE 5-11. TRAY ASSEMBLY.....	244
FIGURE 5-12. PLATFORM CONSOLE AND FOOTSWITCH INSTALLATION - E400AN .....	246
FIGURE 5-13. PLATFORM CONSOLE AND FOOTSWITCH INSTALLATION - E400AN -UL LISTED .....	248
FIGURE 5-14. PLATFORM CONSOLE AND FOOTSWITCH INSTALLATION - WITH SKYGUARD (SN 0300200792 through 0300208528).....	250
FIGURE 5-15. PLATFORM CONSOLE AND FOOTSWITCH INSTALLATION – E400AN WITH SKYGUARD (SN 0300200792 through 0300208528) .....	252
FIGURE 5-16. PLATFORM CONSOLE AND FOOTSWITCH INSTALLATION - E400AJP/E400AJPN/M400AJP/M400AJPN.....	254
FIGURE 5-17. PLATFORM CONSOLE AND FOOTSWITCH INSTALLATION - E400AJP/E400AJPN/M400AJP/E400AJPN - UL LISTED.....	256
FIGURE 5-18. PLATFORM CONSOLE ASSEMBLY - E400AN (SN 0300189901 through 0300194237).....	258
FIGURE 5-19. PLATFORM CONSOLE ASSEMBLY - E400AN (SN 0300194238 through 0300208528).....	262



# TABLE OF CONTENTS

FIGURE 5-20. PLATFORM CONSOLE ASSEMBLY - UL LISTED - E400AN (SN 0300189901 through 0300194237) .....	266
FIGURE 5-21. PLATFORM CONSOLE ASSEMBLY - E400AN - UL LISTED (SN 0300194238 through 0300208528) .....	270
FIGURE 5-22. PLATFORM CONSOLE ASSEMBLY - E400AN (SN 0300189901 through 0300194237) .....	274
FIGURE 5-23. PLATFORM CONSOLE ASSEMBLY - E400AJP/E400AJPN/M400AJP/M400AJPN (SN 0300194238 through 0300208528) .....	278
FIGURE 5-24. PLATFORM CONSOLE ASSEMBLY - E400AN - UL LISTED (SN 0300189901 through 0300194237) .....	282
FIGURE 5-25. PLATFORM CONSOLE ASSEMBLY - E400AJP/E400AJPN/M400AJP/M400AJPN - UL LISTED (SN 0300194238 through 0300208528) .....	286
FIGURE 5-26. PLATFORM CONSOLE ASSEMBLY - WITH SKYGUARD (SN 0300200792 through 0300208528) .....	290
FIGURE 5-27. PLATFORM CONSOLE ASSEMBLY - WITH SKYGUARD – E400AN (SN 0300200792 through 0300208528) ..	294
FIGURE 5-28. LIGHT PANEL DECAL INSTALLATION .....	298
FIGURE 5-29. SEALED ENCLOSURES - UL LISTED .....	300
FIGURE 5-30. CONTROLLER ASSEMBLY - DRIVE AND STEER (SN 0300189901 through 0300194237) .....	302
FIGURE 5-31. CONTROLLER ASSEMBLY - DRIVE AND STEER (SN 0300194238 through 0300208528) .....	304
FIGURE 5-32. CONTROLLER ASSEMBLY - LIFT AND SWING (SN 0300189901 through 0300194237) .....	306
FIGURE 5-33. CONTROLLER ASSEMBLY - LIFT AND SWING (SN 0300194238 through 0300208528) .....	308
FIGURE 5-34. FOOTSWITCH ASSEMBLY .....	312
FIGURE 5-35. MOTOR CONTROLS INSTALLATION - M400AJP/M400AJPN .....	314
FIGURE 5-36. CROSS RAIL INSTALLATION .....	316
FIGURE 5-37. PIPE RACK INSTALLATION .....	318
SECTION 6 - CYLINDER .....	321
FIGURE 6-1. JIB CYLINDER ASSEMBLY - E400AJP/E400AJPN/M400AJP/M400AJPN .....	322
FIGURE 6-2. LIFT CYLINDER ASSEMBLY - LOWER - E400AN (ORIGINAL EQUIPMENT) .....	324
FIGURE 6-3. LIFT CYLINDER ASSEMBLY - LOWER - E400AN (SERVICE REPLACEMENT) .....	326
FIGURE 6-4. LIFT CYLINDER ASSEMBLY - LOWER - E400AJP/E400AJPN/M400AJP/M400AJPN (ORIGINAL EQUIPMENT) .....	328
FIGURE 6-5. LIFT CYLINDER ASSEMBLY - LOWER - E400AJP/E400AJPN/M400AJP/M400AJPN (SERVICE REPLACEMENT) .....	330
FIGURE 6-6. LIFT CYLINDER ASSEMBLY - MID - E400AN (ORIGINAL EQUIPMENT) .....	332
FIGURE 6-7. LIFT CYLINDER ASSEMBLY - MID - E400AN (SERVICE REPLACEMENT) .....	334
FIGURE 6-8. LIFT CYLINDER ASSEMBLY - MID - E400AJP/E400AJPN/M400AJP/M400AJPN (ORIGINAL EQUIPMENT) .....	336
FIGURE 6-9. LIFT CYLINDER ASSEMBLY - MID - E400AJP/E400AJPN/M400AJP/M400AJPN (SERVICE REPLACEMENT) .....	338
FIGURE 6-10. LIFT CYLINDER - UPPER - E400AN (ORIGINAL EQUIPMENT) .....	340
FIGURE 6-11. LIFT CYLINDER - UPPER - E400AN (SERVICE REPLACEMENT) .....	342
FIGURE 6-12. LIFT CYLINDER - UPPER - E400AJP/E400AJPN/M400AJP/M400AJPN (ORIGINAL EQUIPMENT) .....	344
FIGURE 6-13. LIFT CYLINDER - UPPER - E400AJP/E400AJPN/M400AJP/M400AJPN (SERVICE REPLACEMENT) .....	346
FIGURE 6-14. MASTER CYLINDER ASSEMBLY - E400AN .....	348
FIGURE 6-15. MASTER CYLINDER ASSEMBLY - E400AJP/E400AJPN/M400AJP/M400AJPN .....	350
FIGURE 6-16. PLATFORM LEVEL CYLINDER - E400AN .....	352
FIGURE 6-17. PLATFORM LEVEL CYLINDER - JIB - E400AJP/E400AJPN/M400AJP/M400AJPN .....	354
FIGURE 6-18. STEER CYLINDER ASSEMBLY .....	356
FIGURE 6-19. TELESCOPE CYLINDER ASSEMBLY - E400AN .....	358
FIGURE 6-20. TELESCOPE CYLINDER ASSEMBLY - E400AN (SERVICE REPLACEMENT) .....	360
FIGURE 6-21. TELESCOPE CYLINDER ASSEMBLY - E400AN (SERVICE REPLACEMENT) .....	362
FIGURE 6-22. TELESCOPE CYLINDER ASSEMBLY - E400AJP/E400AJPN/M400AJP/M400AJPN .....	364
FIGURE 6-23. TELESCOPE CYLINDER ASSEMBLY - E400AJP/E400AJPN/M400AJP/M400AJPN (SERVICE REPLACEMENT) .....	366
FIGURE 6-24. COUNTERBALANCE VALVE ASSEMBLY .....	368
SECTION 7 - HYDRAULIC .....	371
FIGURE 7-1. HYDRAULIC DIAGRAM - E400AN .....	372
FIGURE 7-2. HYDRAULIC DIAGRAM - E400AJP/E400AJPN .....	376
FIGURE 7-3. HYDRAULIC DIAGRAM - M400AJP/M400AJPN .....	380
FIGURE 7-4. HYDRAULIC DIAGRAM LIST .....	384
SECTION 8 - ELECTRICAL .....	385
FIGURE 8-1. ELECTRICAL DIAGRAM LIST .....	386
FIGURE 8-2. BATTERY CHARGER HARNESS .....	388
FIGURE 8-3. BEACON LIGHT HARNESS (BLUE BEACON ONLY) .....	390
FIGURE 8-4. CONTACTOR CABLE KIT - E400AN/E400AJP/E400AJPN .....	392
FIGURE 8-5. CONTACTOR CABLE KIT - E400AN/E400AJP/E400AJPN - UL LISTED .....	394
FIGURE 8-6. CONTACTOR CABLE KIT - M400AJP - M400AJPN .....	396
FIGURE 8-7. CONTACTOR PLATE ASSEMBLY AND HARNESES .....	398

# TABLE OF CONTENTS

FIGURE 8-8. CONTACTOR PLATE ASSEMBLY AND HARNESSSES - UL LISTED.....	400
FIGURE 8-9. STEER/BRAKE HARNESS - E400AN/E400AJP/E400AJPN .....	402
FIGURE 8-10. MOTOR/STEER/BRAKE HARNESS - M400AJP/M400AJPN .....	404
FIGURE 8-11. LED REMOTE HARNESS .....	406
FIGURE 8-12. BATTERY CHARGER ASSEMBLY .....	408
FIGURE 8-13. INVERTER HARNESS (SN 0300189901 through 0300193793) .....	410
FIGURE 8-14. INVERTER HARNESS (SN 0300193794 through 0300208528) .....	412
FIGURE 8-15. DRIVE ORIENTATION HARNESS .....	414
FIGURE 8-16. GROUND CONTROL FUNCTION SWITCH HARNESS ASSEMBLY .....	416
FIGURE 8-17. GROUND CONTROL VALVE HARNESS ASSEMBLY .....	418
FIGURE 8-18. TURNTABLE/FRAME HARNESS ASSEMBLY .....	420
FIGURE 8-19. HORN/BEACON HARNESS ASSEMBLY .....	422
FIGURE 8-20. POSI-TRACK MODULE CAN HARNESS ASSEMBLY .....	424
FIGURE 8-21. GROUND CONTROL CAN HARNESS ASSEMBLY .....	426
FIGURE 8-22. GENERATOR HARNESS TO GROUND CONTROL BOX .....	428
FIGURE 8-23. MAIN BOOM HARNESS ASSEMBLY .....	430
FIGURE 8-24. TOWER BOOM HARNESS ASSEMBLY .....	432
FIGURE 8-25. BOOM LIMIT SWITCH HARNESS - LOWER .....	434
FIGURE 8-26. BOOM LIMIT SWITCH HARNESS - UPPER .....	436
FIGURE 8-27. JIB HARNESS - AJP MODELS ONLY .....	438
FIGURE 8-28. INDICATOR LAMP HARNESS ASSEMBLY .....	440
FIGURE 8-29. PLATFORM FUNCTION SWITCH HARNESS ASSEMBLY - E400AN .....	442
FIGURE 8-30. PLATFORM FUNCTION SWITCH HARNESS ASSEMBLY - E400AJP/E400AJPN/M400AJP/M400AJPN .....	444
FIGURE 8-31. PLATFORM CAN BUS HARNESS ASSEMBLY .....	446
FIGURE 8-32. ANALYZER HARNESS ASSEMBLY .....	448
FIGURE 8-33. DRIVE ORIENTATION HARNESS ASSEMBLY .....	450
FIGURE 8-34. PLUG AND RECEPTACLE INSTALLATION - 110V - ANSI SPEC .....	452
FIGURE 8-35. PLUG AND RECEPTACLE INSTALLATION - SUPPLIED LOCALLY .....	454
FIGURE 8-36. PLUG AND RECEPTACLE 220V INSTALLATION - ANSI SPEC .....	456
FIGURE 8-37. PLUG AND RECEPTACLE 220V INSTALLATION - CEE7 POST GROUND - 2 X 4 BOX - CE SPEC .....	458
FIGURE 8-38. PLUG AND RECEPTACLE 220V INSTALLATION - CEE7 SIDE GROUND - 2 X 4 BOX - CE SPEC .....	460
FIGURE 8-39. PLUG AND RECEPTACLE 220V INSTALLATION - AFSINT 107 KEYED GROUND - 2 X 4 BOX - CE SPEC .....	462
FIGURE 8-40. PLUG AND RECEPTACLE 110V INSTALLATION - IEC 60309 - YELLOW - CE SPEC .....	464
FIGURE 8-41. PLUG AND RECEPTACLE 220V INSTALLATION IEC 60309 BLUE - CE SPEC .....	466
FIGURE 8-42. PLUG AND RECEPTACLE 220V INSTALLATION - CEE7 POST GROUND - 70MM X 70MM BOX - CE SPEC .....	468
FIGURE 8-43. PLUG AND RECEPTACLE 220V INSTALLATION - CEE7 SIDE GROUND - 70MM X 70MM BOX - CE SPEC .....	470
FIGURE 8-44. LOWER BOOM 110V HARNESS ASSEMBLY .....	472
FIGURE 8-45. LOWER BOOM 220V HARNESS ASSEMBLY WITH BREAKER BOX - CE SPEC .....	474
FIGURE 8-46. LOWER BOOM 220V HARNESS ASSEMBLY WITHOUT BREAKER BOX - CE SPEC .....	476
FIGURE 8-47. MAIN BOOM 110V HARNESS ASSEMBLY .....	478
FIGURE 8-48. MAIN BOOM 220V HARNESS ASSEMBLY - CE SPEC .....	480
FIGURE 8-49. BREAKER BOX KIT WITH TWO BREAKERS - CE SPEC .....	482
FIGURE 8-50. BREAKER BOX KIT WITH THREE BREAKERS - CE SPEC .....	484
FIGURE 8-51. AC PLUGS AND SOCKETS INSTALLATION - CEE7 POST GROUND 2 X 4 BOX - CE SPEC .....	486
FIGURE 8-52. AC PLUGS AND SOCKETS INSTALLATION - CEE7 SIDE GROUND 2 X 4 BOX - CE SPEC .....	488
FIGURE 8-53. AC PLUGS AND SOCKETS INSTALLATION - AFSINT 107-2-01 KEYED GROUND - 2 X 4 BOX - CE SPEC .....	490
FIGURE 8-54. PLUGS AND SOCKETS INSTALLATION - IEC 60309 YELLOW - CE SPEC .....	492
FIGURE 8-55. PLUGS AND SOCKETS INSTALLATION - IEC 60309 BLUE - CE SPEC .....	494
FIGURE 8-56. AC PLUGS AND SOCKETS INSTALLATION - CEE7 POST GROUND - CE SPEC .....	496
FIGURE 8-57. AC PLUGS AND SOCKETS INSTALLATION - CEE7 POST GROUND - CE SPEC .....	498
FIGURE 8-58. STROBE LIGHT - AMBER - HARNESS .....	500
FIGURE 8-59. STROBE LIGHT HARNESS .....	502
FIGURE 8-60. CHARGER CORD PLUG INSTALLATION - 220V - CEE7 POST GROUND - CE SPEC .....	504
FIGURE 8-61. CHARGER CORD PLUG INSTALLATION - 220V - CEE7 SIDE GROUND - CE SPEC .....	506
FIGURE 8-62. CHARGER CORD PLUG INSTALLATION - 220V - AFSINT 107 KEYED GROUND - CE SPEC .....	508
FIGURE 8-63. CHARGER CORD PLUG INSTALLATION - 110V - IEC 60309 - YELLOW - CE SPEC .....	510
FIGURE 8-64. CHARGER CORD PLUG INSTALLATION - 220V - IEC 60309 - BLUE - CE SPEC .....	512
FIGURE 8-65. SKYGUARD PLATFORM SENSOR HARNESS (SN 0300200792 through 0300208528) .....	514
FIGURE 8-66. SKYGUARD CAN HARNESS (SN 0300200792 through 0300208528) .....	516
SECTION 9 - DECALS .....	519
FIGURE 9-1. DECAL INSTALLATION - JLG LOGO - E400AN .....	520
FIGURE 9-2. DECAL INSTALLATION - JLG LOGO - E400AJP/E400AJPN/M400AJP/M400AJPN .....	522
FIGURE 9-3. DECAL INSTALLATION - ANSI SPEC - E400AN/E400AJP/E400AJPN .....	524
FIGURE 9-4. DECAL INSTALLATION - ANSI SPEC - M400AJP/M400AJPN .....	526
FIGURE 9-5. DECAL INSTALLATION - CE/AUSTRALIAN SPEC -E400AN/E400AJP/E400AJPN .....	528

# TABLE OF CONTENTS

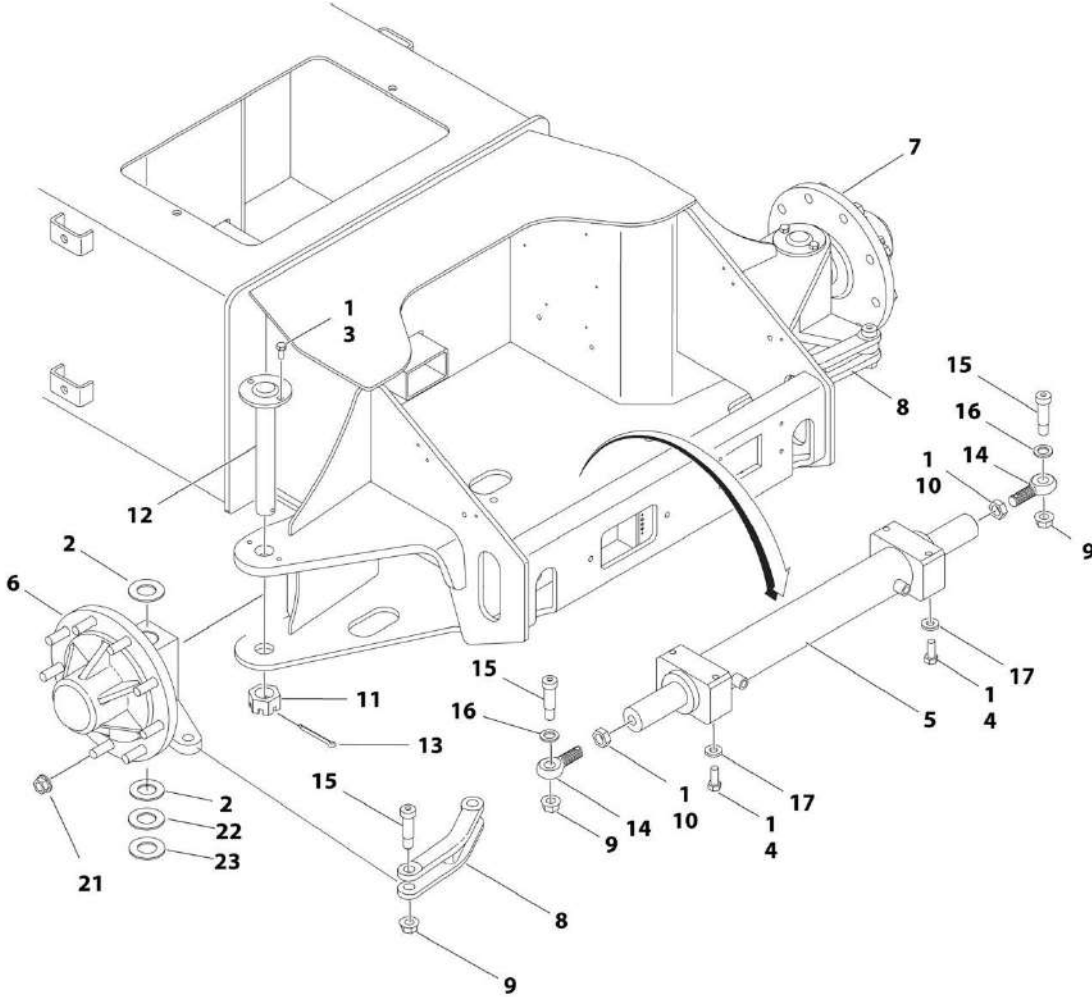
FIGURE 9-6. DECAL INSTALLATION - CE SPEC - E400AJP/E400AJPN (SN 0300200792 through 0300208528) .....	530
FIGURE 9-7. DECAL INSTALLATION - CE/AUSTRALIAN SPEC - M400AJP/M400AJPN.....	532
FIGURE 9-8. DECAL INSTALLATION - CE SPEC - M400AJP/M400AJPN (SN 0300200792 through 0300208528).....	534
FIGURE 9-9. DECAL INSTALLATION - JAPANESE SPEC - E400AN/E400AJP/E400AJPN .....	536
FIGURE 9-10. DECAL INSTALLATION - JAPANESE SPEC - M400AJP/M400AJPN .....	538
FIGURE 9-11. DECAL INSTALLATION - KOREAN SPEC - E400AN/E400AJP/E400AJPN .....	540
FIGURE 9-12. DECAL INSTALLATION - KOREAN SPEC - M400AJP/M400AJPN.....	542
FIGURE 9-13. DECAL INSTALLATION - SPANISH/ENGLISH SPECS - E400AN/E400AJP/E400AJPN .....	544
FIGURE 9-14. DECAL INSTALLATION - SPANISH/ENGLISH SPECS - M400AJP/M400AJPN .....	546
FIGURE 9-15. DECAL INSTALLATION - FRENCH/ENGLISH SPECS - E400AN/E400AJP/E400AJPN.....	548
FIGURE 9-16. DECAL INSTALLATION - FRENCH/ENGLISH SPECS - M400AJP/M400AJPN .....	550
FIGURE 9-17. DECAL INSTALLATION - CHINESE/ENGLISH - E400AN/E400AJP/E400AJPN .....	552
FIGURE 9-18. DECAL INSTALLATION - CHINESE/ENGLISH - M400AJP/M400AJPN .....	554
FIGURE 9-19. DECAL INSTALLATION - SPANISH/PORTUGUESE - E400AN/E400AJP/E400AJPN .....	556
FIGURE 9-20. DECAL INSTALLATION - SPANISH/PORTUGUESE SPECS - M400AJP/M400AJPN.....	558
SECTION 10 - RECOMMENDED SERVICE PARTS STOCK .....	561
FIGURE 10-1. RECOMMENDED SERVICE PARTS STOCK .....	562
SECTION 11 - SPECIAL OPTIONS.....	563
FIGURE 11-1. SPECIAL OPTIONS.....	564
PART NUMBER INDEX .....	567



**SECTION 1 - FRAME**

# SECTION 1 - FRAME

## FIGURE 1-1. STEERING INSTALLATION - E400AJP/M400AJP



ART\_1001166414

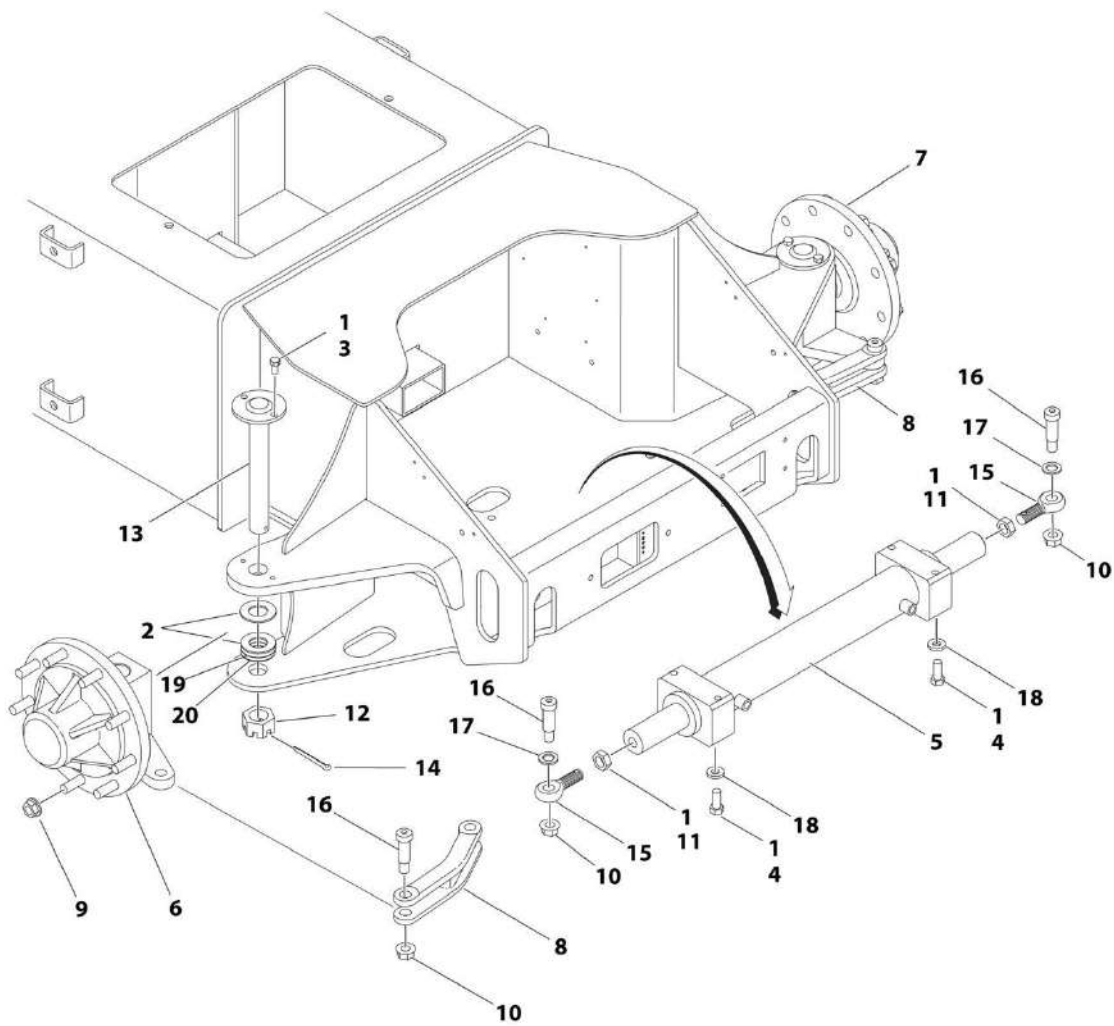
# SECTION 1 - FRAME

## FIGURE 1-1. STEERING INSTALLATION - E400AJP/M400AJP

ITEM	PART NUMBER	QTY	DESCRIPTION	REV
	1001166414	Ref	STEERING INSTALLATION - E400AJP/M400AJP	D
1	0100011	AR	Compound, Locking	
2	0440162	4	Bearing, Thrust	
3	0641606	4	Bolt, 3/8-16 x 3/4	
4	0681810	4	Bolt, 1/2-13 x 1-1/4, Grade 8	
5	1683591	1	Steering, Cylinder (See CYLINDER SECTION for Breakdown)	
6	2780241	1	Spindle, Hub Assembly RH (See HUB - SPINDLE ASSEMBLY for Breakdown)	
7	2780242	1	Spindle, Hub Assembly LH (See HUB - SPINDLE ASSEMBLY LH for Breakdown)	
8	1001153021	2	Link, Steering	
9	3312008	4	Nut, 5/8-11 Serrated	
10	3322202	2	Nut, Jam	
11	3323003	2	Nut, 1-1/4-12, Castle	
12	3422692	2	Pin, King	
13	3450810	2	Pin, Cotter	
14	3841517	2	End, Tie Rod	
15	3900109	4	Screw, Shoulder	
16	4740156	2	Washer, Thrust	
17	4891800	4	Washer, 1/2	
21	3300426	18	Lugnut, 5/8-18UNF	
22	1001151395	AR	Shim, .048 (SN 0300196083 through 0300208528)	
23	1001151428	AR	Shim, .036 (SN 0300196083 through 0300208528)	

# SECTION 1 - FRAME

FIGURE 1-2. STEERING INSTALLATION - E400AN/E400AJPN/M400AJPN



ART\_1001171075



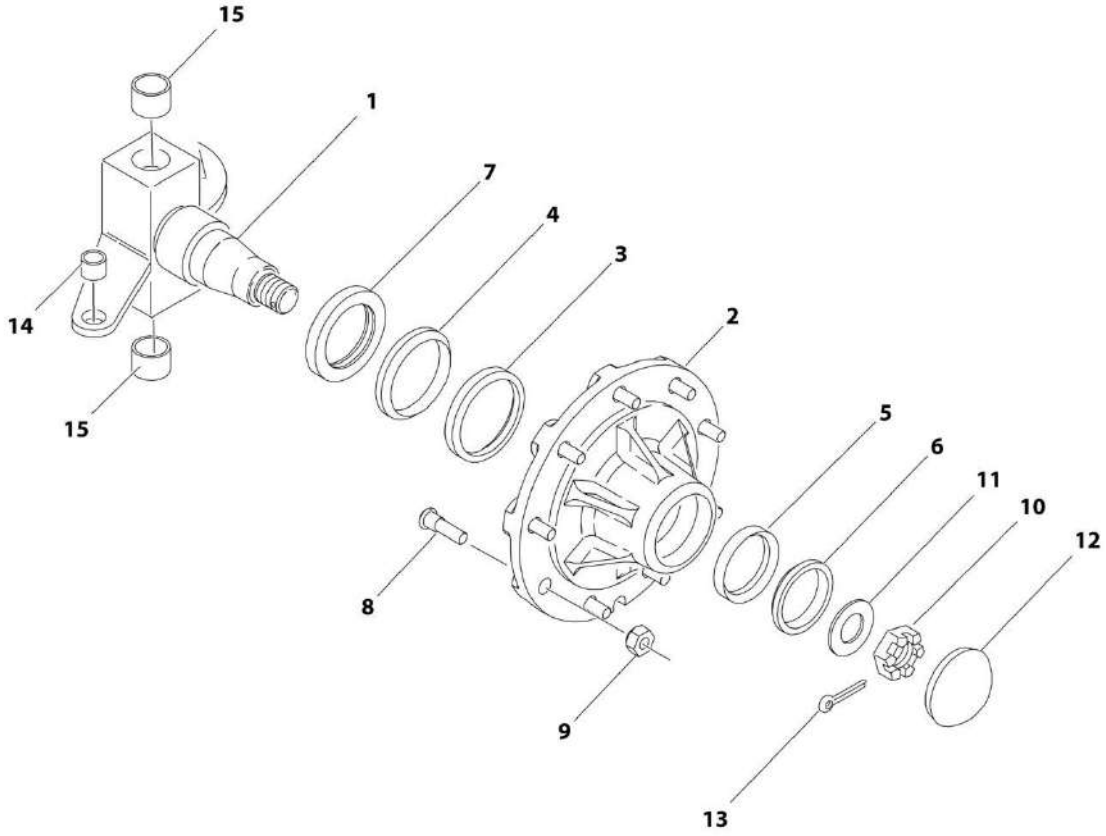
## SECTION 1 - FRAME

**FIGURE 1-2. STEERING INSTALLATION - E400AN/E400AJPN/M400AJPN**

ITEM	PART NUMBER	QTY	DESCRIPTION	REV
	1001171075	Ref	STEERING INSTALLATION - E400An/E400AJPN/M400AJPN	C
1	0100011	AR	Compound, Locking	
2	0440162	4	Bearing, Thrust	
3	0641606	4	Bolt, 3/8-16 x 3/4	
4	0681810	4	Bolt, 1/2-13 x 1-1/4, Grade 8	
5	1683591	1	Steering, Cylinder (See CYLINDER SECTION for Breakdown)	
6	2780251	1	Spindle, Hub Assembly RH (See HUB-SPINDLE ASSEMBLY RH for Breakdown)	
7	2780250	1	Spindle, Hub Assembly LH (See HUB - SPINDLE ASSEMBLY LH for Breakdown)	
8	1001153023	2	Link, Steering	
9	3300426	18	Lugnut, 5/8-18UNF	
10	3312008	4	Nut, 5/8-11 Serrated	
11	3322202	2	Nut, Jam	
12	3323003	2	Nut, 1-1/4-12, Castle	
13	3422692	2	Pin, King	
14	3450810	2	Pin, Cotter	
15	3841517	2	End, Tie Rod	
16	3900109	4	Screw, Shoulder	
17	4740156	2	Washer, Thrust	
18	4891800	4	Washer 1/2	
19	1001151395	AR	Shim, .048 (SN 0300196083 through 0300208528)	
20	1001151428	AR	Shim, .036 (SN 0300196083 through 0300208528)	

# SECTION 1 - FRAME

## FIGURE 1-3. HUB - SPINDLE ASSEMBLY - RH



ART\_2780241

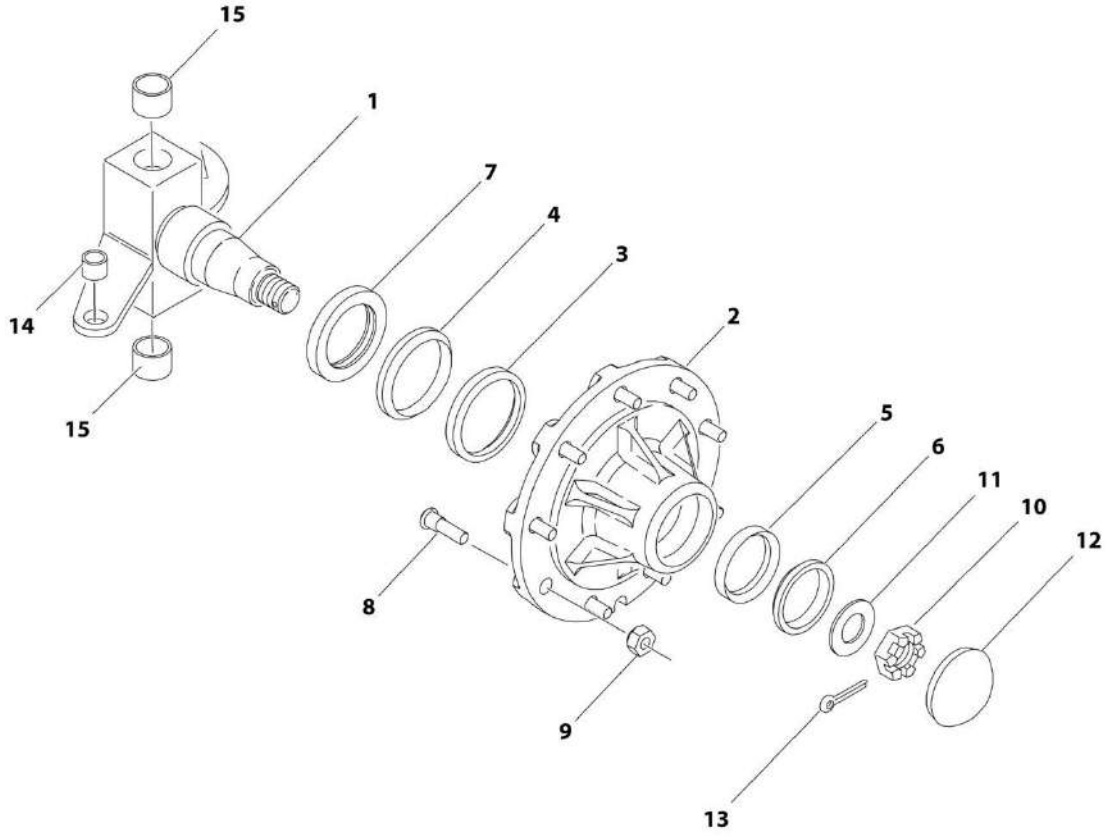
## SECTION 1 - FRAME

**FIGURE 1-3. HUB - SPINDLE ASSEMBLY - RH**

ITEM	PART NUMBER	QTY	DESCRIPTION	REV
	2780241	Ref	HUB - SPINDLE ASSEMBLY - RH	C
1	4130351	1	Spindle RH	
2	7020035	1	Hub	
3	7020036	1	Cup, Bearing - Inner	
4	7020037	1	Cone, Bearing - Inner	
5	7020038	1	Cup, Bearing - Outer	
6	7020039	1	Cone, Bearing - Outer	
7	7020040	1	Seal	
8	7020041	9	Stud, Wheel	
9	7020042	9	Lugnut	
10	7020054	1	Nut, Castle	
11	7020055	1	Washer, Spindle	
12	7020137	1	Dust Cap	
13	7020140	1	Pin, Cotter	
14	0962140	1	Bushing	
15	0961951	2	Bushing	

# SECTION 1 - FRAME

FIGURE 1-4. HUB - SPINDLE ASSEMBLY - LH - E400AJP/M400AJP



ART\_2780242

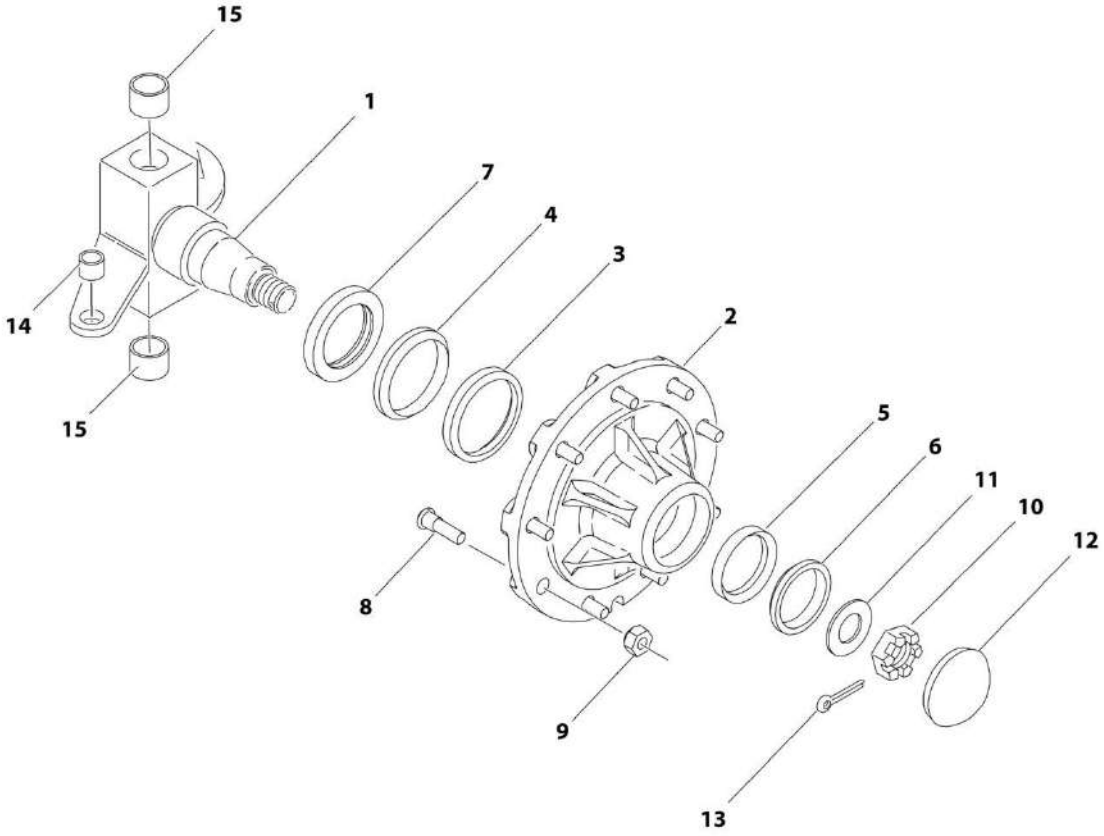
## SECTION 1 - FRAME

**FIGURE 1-4. HUB - SPINDLE ASSEMBLY - LH - E400AJP/M400AJP**

ITEM	PART NUMBER	QTY	DESCRIPTION	REV
	2780242	Ref	HUB - SPINDLE ASSEMBLY - LH - E400AJP/M400AJP	C
1	4130350	1	Spindle, LH	
2	7020035	1	Hub	
3	7020036	1	Cup, Bearing - Inner	
4	7020037	1	Cone, Bearing - Inner	
5	7020038	1	Cup, Bearing - Outer	
6	7020039	1	Cone, Bearing - Outer	
7	7020040	1	Seal	
8	7020041	1	Stud, Wheel	
9	7020042	1	Lugnut	
10	7020054	1	Nut, Castle	
11	7020055	1	Washer, Spindle	
12	7020137	1	Dust Cap	
13	7020140	1	Pin, Cotter	
14	0962140	1	Bushing	
15	0961951	2	Bushing	

# SECTION 1 - FRAME

FIGURE 1-5. HUB - SPINDLE ASSEMBLY - RH - E400AN/E400AJPN/M400AJPN



ART\_2780251

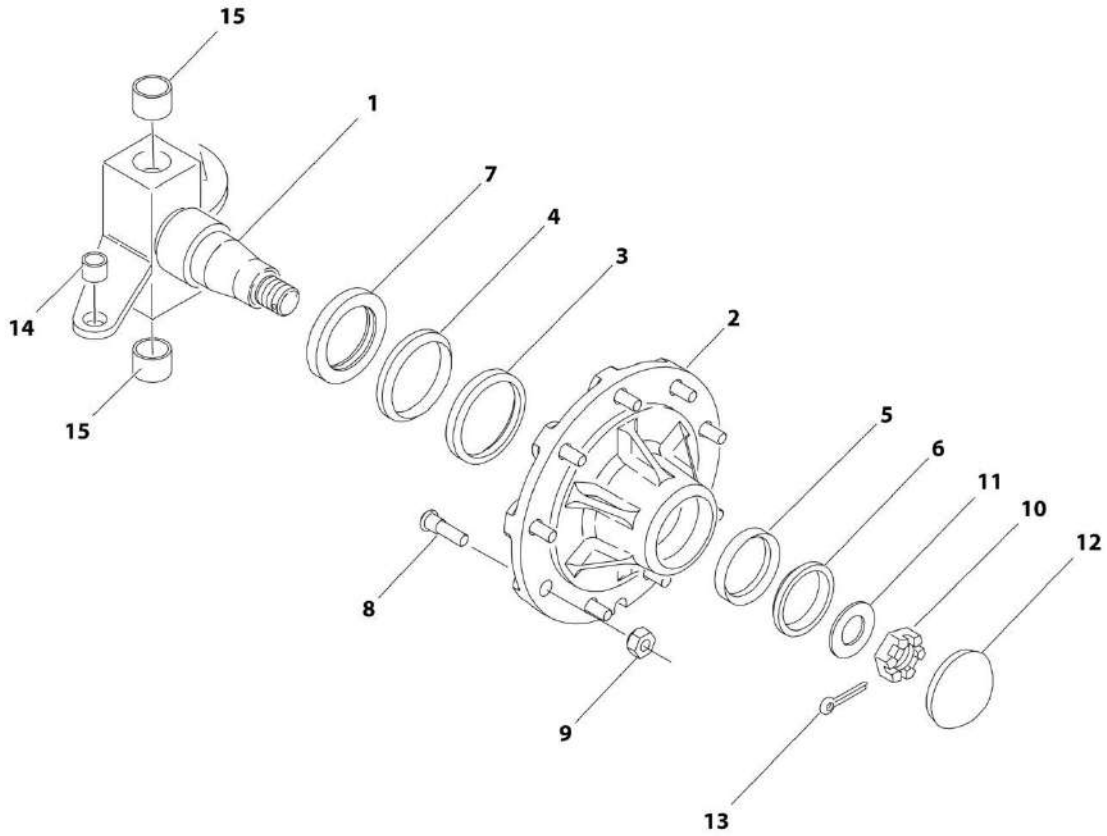
## SECTION 1 - FRAME

**FIGURE 1-5. HUB - SPINDLE ASSEMBLY - RH - E400AN/E400AJPN/M400AJPN**

ITEM	PART NUMBER	QTY	DESCRIPTION	REV
	2780251	Ref	HUB - SPINDLE ASSEMBLY - RH - E400AN/E400AJPN/M400AJPN	C
1	7023217	1	Spindle, RH	
2	7020035	1	Hub	
3	7020036	1	Cup, Bearing - Inner	
4	7020037	1	Cone, Bearing - Inner	
5	7020038	1	Cup, Bearing - Outer	
6	7020039	1	Cone, Bearing - Outer	
7	7020040	1	Seal	
8	7020041	9	Stud, Wheel	
9	7020042	9	Lugnut	
10	7020054	1	Nut, Castle	
11	7020055	1	Washer, Spindle	
12	7020137	1	Dust Cap	
13	7020140	1	Pin, Cotter	
14	0962140	1	Bushing	
15	0961951	2	Bushing	

# SECTION 1 - FRAME

FIGURE 1-6. HUB - SPINDLE ASSEMBLY - LH - E400AN/E400AJPN/M400AJPN



ART\_2780250



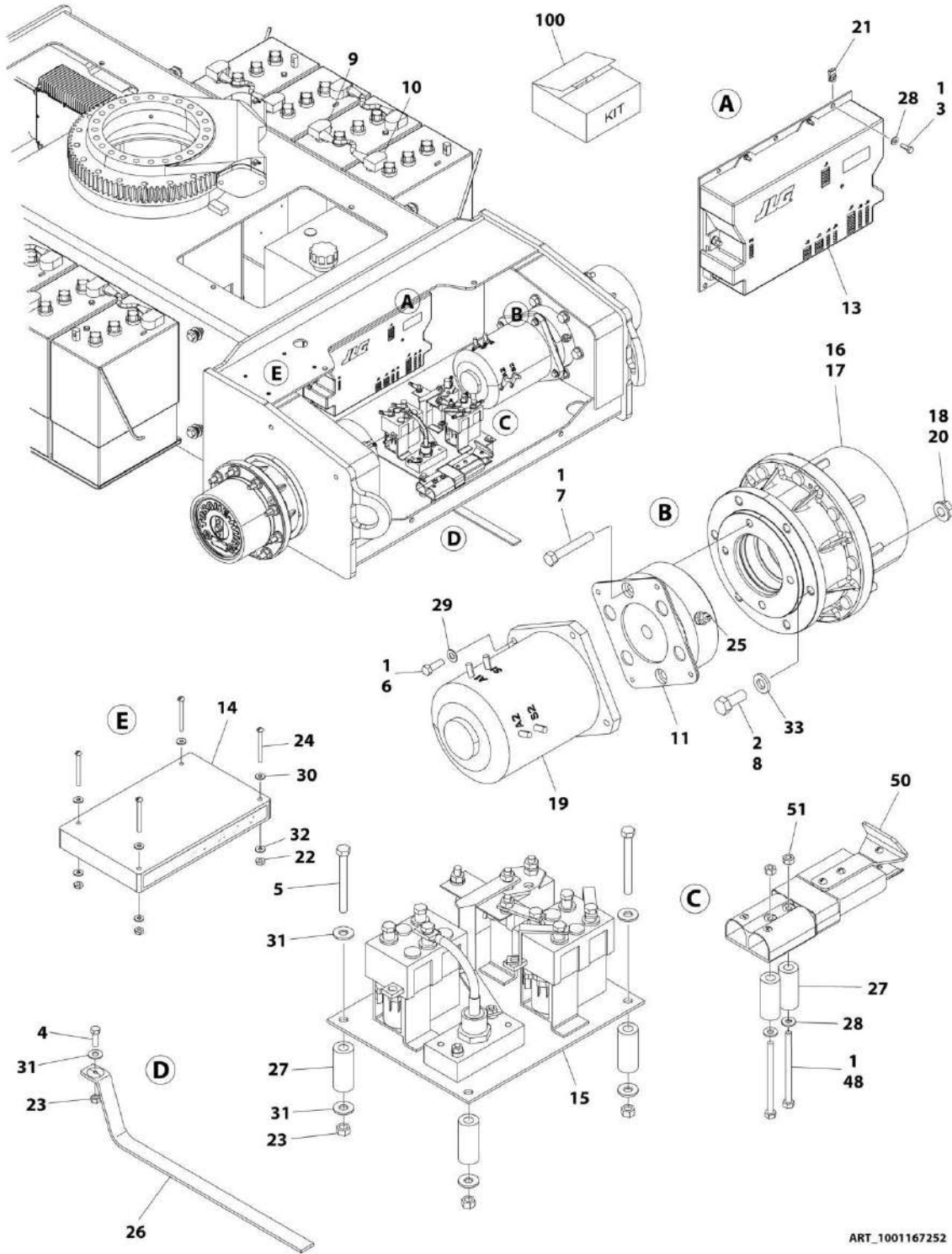
## SECTION 1 - FRAME

**FIGURE 1-6. HUB - SPINDLE ASSEMBLY - LH - E400AN/E400AJPN/M400AJPN**

ITEM	PART NUMBER	QTY	DESCRIPTION	REV
	2780250	Ref	HUB - SPINDLE ASSEMBLY - LH - E400AN/E400AJPN/M400AJPN	C
1	7023216	1	Spindle, LH	
2	7020035	1	Hub	
3	7020036	1	Cup, Bearing - Inner	
4	7020037	1	Cone, Bearing - Inner	
5	7020038	1	Cup, Bearing - Outer	
6	7020039	1	Cone, Bearing - Outer	
7	7020040	1	Seal	
8	7020041	1	Stud, Wheel	
9	7020042	1	Lugnut	
10	7020054	1	Nut, Castle	
11	7020055	1	Washer, Spindle	
12	7020137	1	Dust Cap	
13	7020140	1	Pin, Cotter	
14	0962140	1	Bushing	
15	0961951	2	Bushing	

# SECTION 1 - FRAME

FIGURE 1-7. WHEEL DRIVE - E400AN - E400AJP/E400AJPN



ART\_1001167252

## SECTION 1 - FRAME

**FIGURE 1-7. WHEEL DRIVE - E400AN - E400AJP/E400AJPN**

ITEM	PART NUMBER	QTY	DESCRIPTION	REV
	1001167252	Ref	WHEEL DRIVE - E400AN - E400AJP/E400AJPN	F
1	0100011	AR	Compound, Locking	
2	0100019	AR	Compound, Locking	
3	0641406	5	Bolt, 1/4-20 x 3/4	
4	0641508	1	Bolt, 5/16-18 x 1	
5	0641524	4	Bolt, 5/16-18 x 3	
6	0641609	8	Bolt, 3/8-16 x 1-1/8	
7	0641826	4	Bolt, 1/2-13 x 3-1/4	
8	0682014	12	Bolt, 5/8-11 x 1-3/4, Grade 8	
9	0840031	8	Boot, Terminal d Shaped	
10	0840032	8	Boot, Terminal b Shaped	
11	0920113	2	Brake	
11	See Note	NSS	Ring, Sensor (Note: Use p/n 0920113)	
11	7007977	2	Ring, Bearing Retaining (Large) (1 per Assembly)	
11	7011716	2	Ring, Bearing Retaining (Small) (1 per Assembly)	
11	7007912	4	Lockwasher	
11	7007913	4	Bolt	
11	7011757	2	Complete Repair Kit (Includes Case and Oil Seals, O-Rings, Back-up Rings, Stator and Rotor Discs, Return Plate, Springs, Bearing and Brake to Hub Gasket (1 per Assembly)	
11	2900768	2	Bearing Kit (1 per Assembly)	
11	7007900	2	Seal, Oil - Front (1 per Assembly)	
11	7007933	2	Gasket, Brake to Hub (1 per Assembly)	
11	70002408	2	Gasket, Brake to Motor (1 per Assembly) (Not Included in Repair Kit)	
13	1600292	1	Controller, Power Module	
14	1600293	1	Module, Positrac/Tilt (Note: Re-calibration Required when Replaced)	
15	1600294	1	Controller, Contactor Panel (See ELECTRICAL SECTION for Breakdown)	
16	2780282	2	Drive Hub Assembly (See DRIVE HUB ASSEMBLY for Breakdown)	
17	3020008	1.5 l	Lubricant, Mobilube HD 80W-90	
18	3020037	AR	Lube, Coupling Grease	
19	3160237	2	Motor, Drive (See DRIVE MOTOR ASSEMBLY for Breakdown)	
20	3300426	18	Nut, 5/8-18UNF	
21	3300454	5	Nut, 1/4-20	
22	3310601	4	Nut, #6-32	
23	3311505	5	Nut, Lock, 5/16-18	
24	3910628	4	Screw, #6-32 x 1-3/4	
25	3990105	2	Sensor, Speed	
26	4240084	1	Strap, Anti-Static	
27	4568114	6	Spacer, Tube	
28	4711400	7	Washer, 1/4	
29	4711600	8	Washer, 3/8	
30	4750600	8	Washer, #6	
31	4751500	10	Washer, 5/16	
32	4760600	4	Washer, Lock, #6	
33	4892000	12	Washer, 5/8	
43	4922103	1	Harness, Battery (Not Shown - See ELECTRICAL SECTION for Breakdown) (Prior to SN 0300196083)	

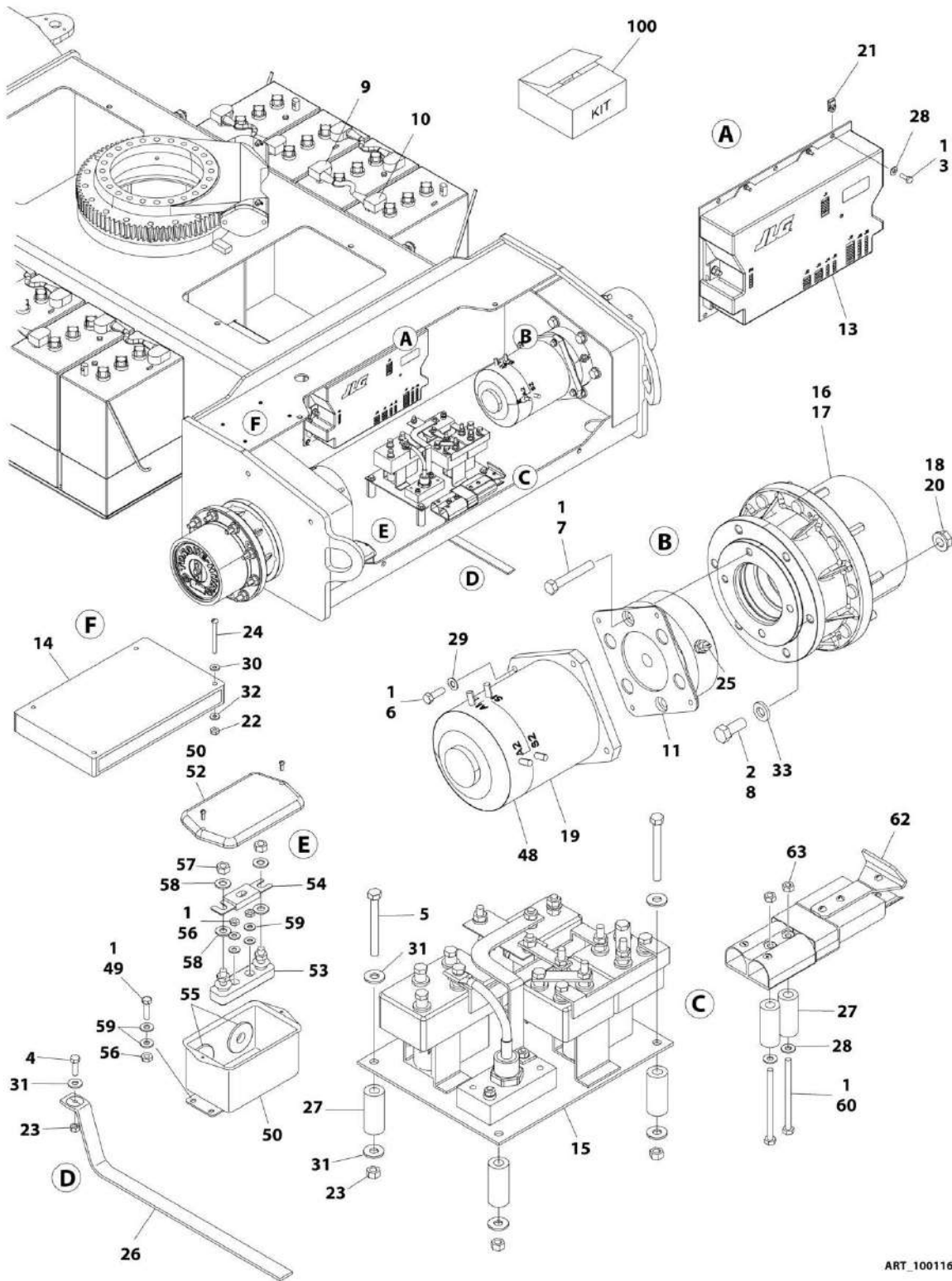
## SECTION 1 - FRAME

ITEM	PART NUMBER	QTY	DESCRIPTION	REV
48	0641430	2	Bolt, 1/4-20 x 3-3/4	
50	1320172	1	Handle, Pull	
51	3311401	2	Nut, 1/4-20	
100	1001176310	1	Cable, Kit (See ELECTRICAL SECTION for Breakdown)	



# SECTION 1 - FRAME

## FIGURE 1-8. WHEEL DRIVE - E400AN/E400AJP/E400AJPN - UL LISTED



ART\_1001167645

## SECTION 1 - FRAME

**FIGURE 1-8. WHEEL DRIVE - E400AN/E400AJP/E400AJPN - UL LISTED**

ITEM	PART NUMBER	QTY	DESCRIPTION	REV
	1001167645	Ref	WHEEL DRIVE - E400AN/E400AJP/E400AJPN - UL LISTED	F
1	0100011	AR	Locking Compound	
2	0100019	AR	Locking Compound	
3	0641406	5	Bolt, 1/4-20 x 3/4	
4	0641508	1	Bolt, 5/16-18 x 1	
5	0641524	4	Bolt, 5/16-18 x 3	
6	0641609	8	Bolt, 3/8-16 x 1-1/8	
7	0641826	4	Bolt, 1/2-13 x 3-1/4	
8	0682014	12	Bolt , 5/8-11 x 1-3/4, Grade 8	
9	0840031	8	Boot, Terminal d Shaped	
10	0840032	8	Boot, Terminal b Shaped	
11	0920113	2	Brake, Multi-Disc	
11	See Note	NSS	Ring, Sensor (Note: Use p/n 0920113)	
11	7007977	2	Ring, Bearing Retaining (Large) (1 per Assembly)	
11	7011716	2	Ring, Bearing Retaining (Small) (1 per Assembly)	
11	7007912	4	Lockwasher	
11	7007913	4	Bolt	
11	7011757	2	Complete Repair Kit (Includes Case and Oil Seals, O-Rings, Back-up Rings, Stator and Rotor Discs, Return Plate, Springs, Bearing and Brake to Hub Gasket (1 per Assembly)	
11	2900768	2	Bearing Kit (1 per Assembly)	
11	7007900	2	Seal, Oil - Front (1 per Assembly)	
11	7007933	2	Gasket, Brake to Hub (1 per Assembly)	
11	70002408	2	Gasket, Brake to Motor (1 per Assembly) (Not Included in Repair Kit)	
13	1600292	1	Controller, Power Module	
14	1600293	1	Module, Positrac/Tilt (Note: Re-calibration Required when Replaced)	
15	1600300	1	Controller, UL Contactor Panel (See ELECTRICAL SECTION for Breakdown)	
16	2780282	2	Drive Hub Assembly (See DRIVE HUB ASSEMBLY for Breakdown)	
17	3020008	1.5 l	Lubricant, Mobilube HD 80W-90	
18	3020037	AR	Lube, Coupling Grease	
19	3160237	2	Motor, Drive (See DRIVE MOTOR ASSEMBLY for Breakdown)	
20	3300426	18	Nut, Flange, 5/8-18UNF	
21	3300454	5	Nut, 1/4-20	
22	3310601	4	Nut, #6-32	
23	3311505	5	Nut, Lock, 5/16-18	
24	3910628	4	Screw, #6-32 x 1-3/4	
25	3990105	2	Speed Sensor, Assembly	
26	4240084	1	Strap, Anti-Static	
27	4568114	6	Tube, Spacer	
28	4711400	7	Washer, 1/4	
29	4711600	8	Washer, 3/8	
30	4750600	8	Washer, #6	
31	4751500	10	Washer, 5/16	
32	4760600	4	Washer, Lock, #6	
33	4892000	12	Washer, 5/8	
43	4922103	1	Harness, Battery Charger (Not Shown - See ELECTRICAL SECTION for Breakdown) (Prior to SN 0300196083)	

## SECTION 1 - FRAME

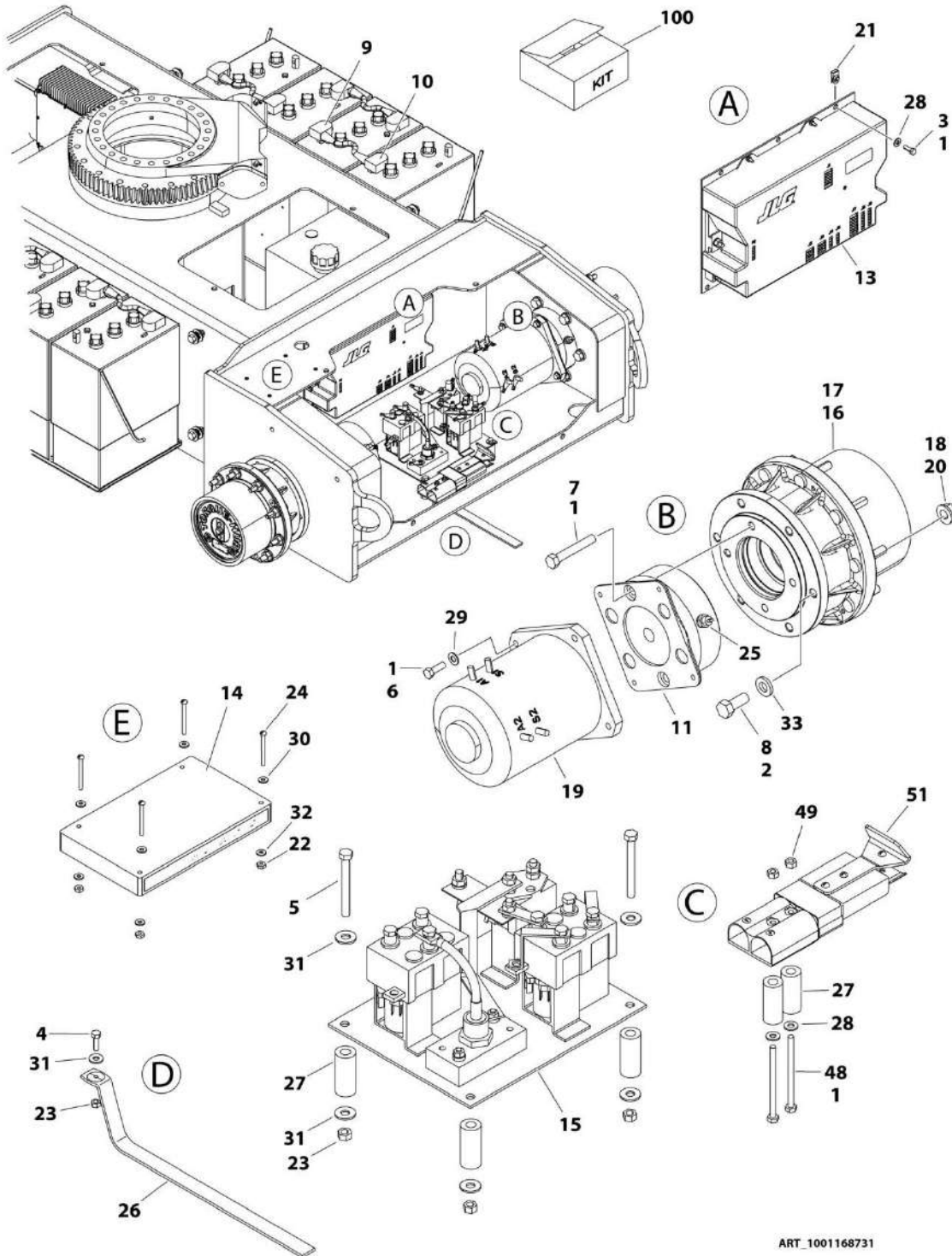
ITEM	PART NUMBER	QTY	DESCRIPTION	REV
48	0340047	2	Band, Motor	
49	0721006	4	Bolt, #10-24 x .750	
50	0861375	1	Cover	
52	1704712	1	Decal, 300Amp Fuse	
53	2400044	1	Fuse, Mounting Block	
54	2400062	1	Fuse, 300Amp	
55	2540037	2	Grommet	
56	3311001	6	Nut, #10-24	
57	3311501	2	Nut, 5/16-18	
58	4711500	4	Washer, 5/16	
59	4751000	12	Washer, #10	
60	0641430	2	Bolt, 1/4-20 x 3-3/4	
62	1320172	1	Handle, Pull	
63	3311401	2	Nut, 1/4-20	
100	1001176309	1	Cable, Kit (See ELECTRICAL SECTION for Breakdown)	





# SECTION 1 - FRAME

## FIGURE 1-9. WHEEL DRIVE - M400AJP/M400AJPN



ART 1001168731

# SECTION 1 - FRAME

## FIGURE 1-9. WHEEL DRIVE - M400AJP/M400AJPN

ITEM	PART NUMBER	QTY	DESCRIPTION	REV
	1001168731	Ref	WHEEL DRIVE - M400AJP/M400AJPN	E
1	0100011	AR	Locking Compound	
2	0100019	AR	Locking Compound	
3	0641406	5	Bolt, 1/4-20 x 3/4	
4	0641508	1	Bolt, 5/16-18 x 1	
5	0641524	4	Bolt, 5/16-18 x 3	
6	0641609	8	Bolt, 3/8-16 x 1-1/8	
7	0641826	4	Bolt, 1/2-13 x 3-1/4	
8	0682012	12	Bolt, 5/8-11 x 1-1/2, Grade 8	
9	0840031	8	Boot, Terminal d Shaped	
10	0840032	8	Boot, Terminal b Shaped	
11	0920113	2	Brake, Multi-Disc	
11	See Note	NSS	Ring, Sensor (Note: Use p/n 0920113)	
11	7007977	2	Ring, Bearing Retaining (Large) (1 per Assembly)	
11	7011716	2	Ring, Bearing Retaining (Small) (1 per Assembly)	
11	7007913	4	Bolt	
11	7011757	2	Complete Repair Kit (Includes Case and Oil Seals, O-Rings, Back-up Rings, Stator and Rotor Discs, Return Plate, Springs, Bearing and Brake to Hub Gasket (1 per Assembly)	
11	2900768	2	Bearing Kit (1 per Assembly)	
11	7007900	2	Seal, Oil - Front (1 per Assembly)	
11	7007933	2	Gasket, Brake to Hub (1 per Assembly)	
11	70002408	2	Gasket, Brake to Motor (1 per Assembly) (Not Included in Repair Kit)	
13	1600292	1	Controller, Power Module	
14	1600293	1	Module, Positrac/Tilt (Note: Re-calibration Required when Replaced)	
15	1600294	1	Contact, Dual Motor Panel (See ELECTRICAL SECTION for Breakdown)	
16	2780282	2	Drive Hub Assembly (See DRIVE HUB ASSEMBLY for Breakdown)	
17	3020008	1.5 l	Lubricant, Mobilube HD 80W-90	
18	3020037	AR	Lube, Coupling Grease	
19	3160237	2	Motor (See DRIVE MOTOR ASSEMBLY for Breakdown)	
20	3300426	18	Nut, Flange, 5/8-18UNF	
21	3300454	5	Nut, 1/4-20	
22	3310601	4	Nut, #6-32	
23	3311505	5	Nut, Lock, 5/16-18	
24	3910624	4	Screw, 6-32 x 1-1/2	
25	3990105	2	Speed Sensor, Assembly	
26	4240084	1	Strap, Anti-Static	
27	4568114	6	Tube, Spacer	
28	4711400	7	Washer, 1/4	
29	4711600	8	Washer, 3/8	
30	4750600	8	Washer, #6	
31	4751500	10	Washer, 5/16	
32	4760600	4	Washer, Lock, #6	
33	4892000	12	Washer, 5/8	
43	4922103	1	Harness, Battery Charger (Not Shown - See ELECTRICAL SECTION for Breakdown) (Prior to SN 0300196083)	
48	0641430	2	Bolt, 1/4-20 x 3-3/4	

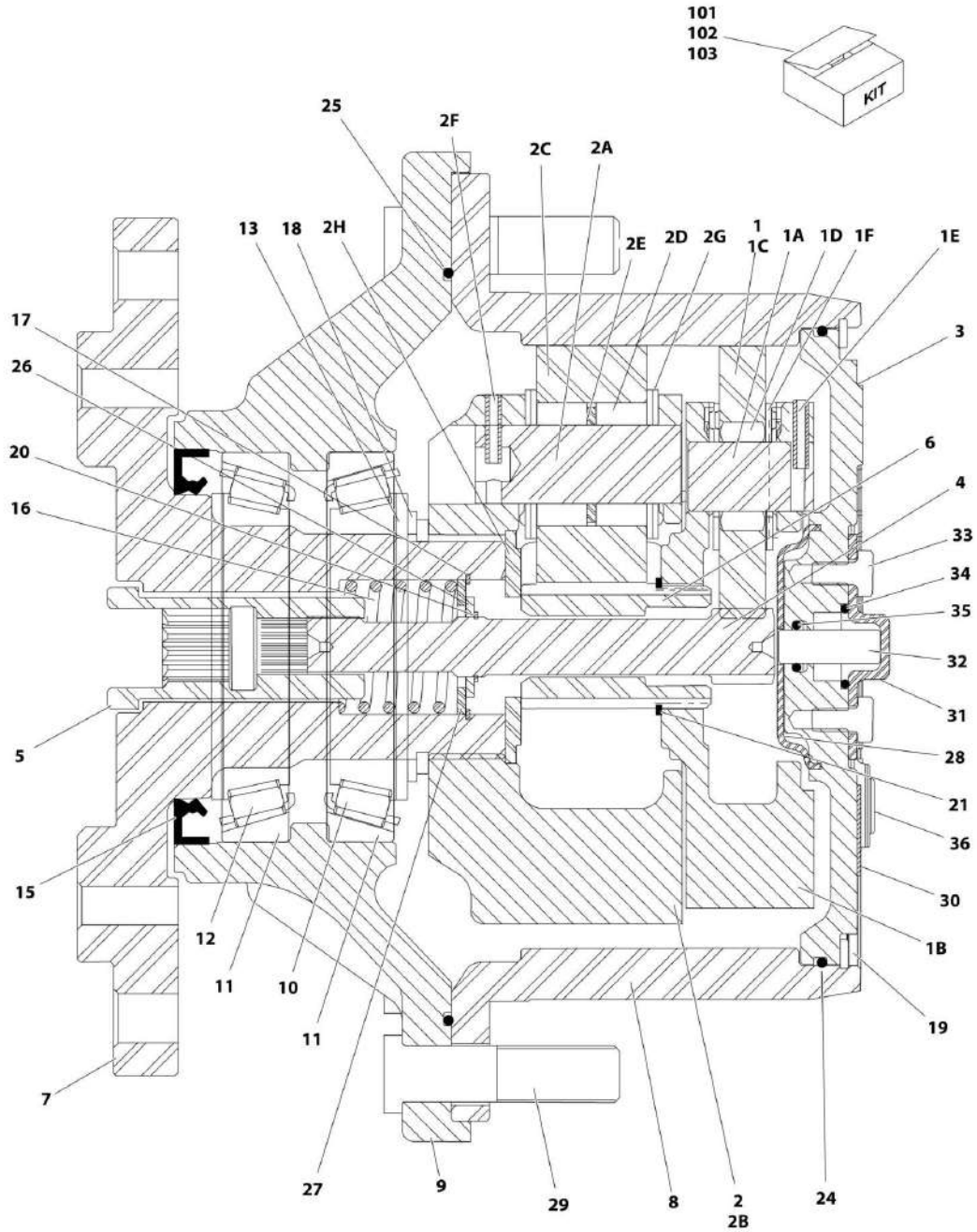
## SECTION 1 - FRAME

ITEM	PART NUMBER	QTY	DESCRIPTION	REV
49	3311401	2	Nut, 1/4-20	
51	1320172	1	Handle, Pull	
100	1001176311	1	Cable, Kit (See ELECTRICAL SECTION for Breakdown)	



# SECTION 1 - FRAME

## FIGURE 1-10. HUB - DRIVE ASSEMBLY



ART\_2780282

FIGURE 1-10. HUB - DRIVE ASSEMBLY

ITEM	PART NUMBER	QTY	DESCRIPTION	REV
	2780282	Ref	HUB - DRIVE ASSEMBLY	A
1	70001366	1	Carrier, Sub Assembly	
1A	See Note	NSS	Shaft, Planet (Note: Use Item 1)	
1B	See Note	NSS	Carrier (Note: Use Item 1)	
1C	See Note	NSS	Gear, Planet (Note: Use Item 1)	
1D	See Note	NSS	Bearing, Needle (Note: Use Item 1)	
1E	See Note	NSS	Pin, Roll (Note: Use Item 1)	
1F	See Note	NSS	Washer, Thrust (Note: Use Item 1)	
2	70001367	1	Carrier, Input	
2A	See Note	NSS	Shaft, Planet (Note: Use Item 2)	
2B	See Note	NSS	Carrier (Note: Use Item 2)	
2C	See Note	NSS	Gear, Planet (Note: Use Item 2)	
2D	See Note	NSS	Bearing, Needle (Note: Use Item 2)	
2E	See Note	NSS	Spacer, Thrust (Note: Use Item 2)	
2F	See Note	NSS	Pin, Roll (Note: Use Item 2)	
2G	See Note	NSS	Washer, Thrust (Note: Use Item 2)	
2H	See Note	NSS	Washer, Thrust (Note: Use Item 2)	
3	70001368	1	Cover	
4	70001369	1	Shaft, Input	
5	70001370	1	Coupling	
6	70001371	1	Shaft, Sun Gear	
7	70001372	1	Spindle	
8	70001373	1	Gear, Ring	
9	See Note	NSS	Housing (Note: Use p/n 2780282)	
10	See Note	NSS	Bearing, Tapered-Cone (Note: Use Item 101)	
11	See Note	NSS	Bearing, Tapered-Cup (Note: Use Item 101)	
12	See Note	NSS	Bearing, Tapered-Cone (Note: Use Item 101)	
13	7017009	1	Washer, Thrust	
15	See Note	NSS	Seal, Lip (Note: Use Item 102)	
16	70001374	1	Spring	
17	70001375	1	Ring, Retaining (Internal)	
18	See Note	NSS	Ring, Retaining (External) (Note: Use Item 102)	
19	7024738	1	Ring, Retaining (Internal)	
20	70001376	1	Ring, Retaining (External)	
21	70001377	1	Ring, Retaining (External)	
22	7000281	4	Screw (Not Shown - ID Plate Screws)	
23	7017022	3	Bolt, Flathead (Not Shown - Located on front of hub)	
24	See Note	NSS	O-Ring (Note: Use Item 102)	
25	See Note	NSS	O-Ring (Note: Use Item 102)	
26	70001378	1	Spacer, Thrust	
27	70001379	1	Washer, Thrust	
28	7024741	1	Spacer, Thrust	
29	7007640	9	Stub, Wheel	
30	See Note	NSS	Flange, Plate (Note: Use Item 103)	
31	See Note	NSS	Cap, Disengage (Note: Use Item 103)	
32	See Note	NSS	Pin, Dowel (Note: Use Item 103)	
33	See Note	NSS	Bolt (Note: Use Item 103)	
34	See Note	NSS	O-Ring (Note: Use Item 103)	
35	See Note	NSS	O-Ring (Note: Use Item 103)	
36	See Note	NSS	Plug (Note: Use Item 103)	

## SECTION 1 - FRAME

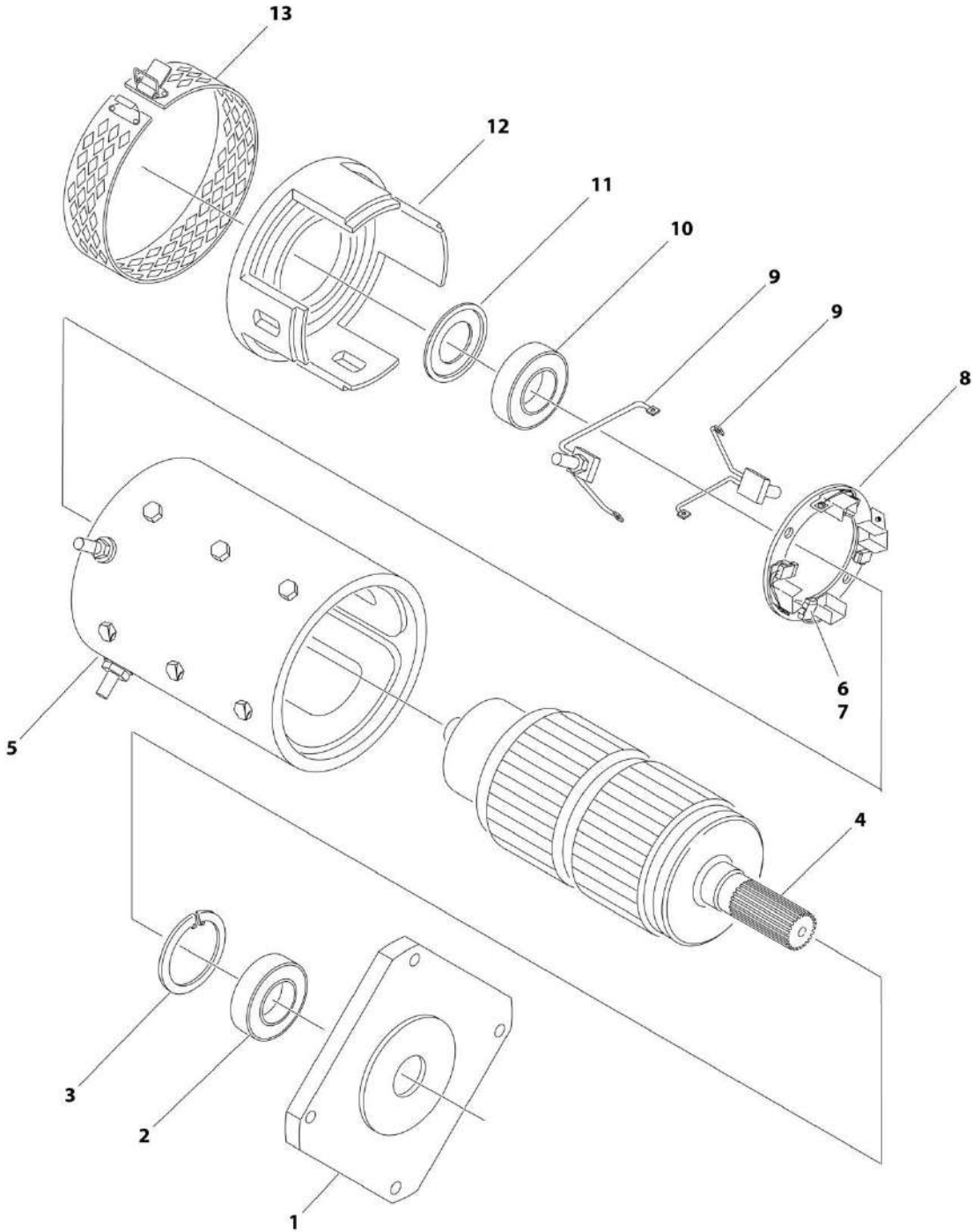
ITEM	PART NUMBER	QTY	DESCRIPTION	REV
101	7017007	1	Bearing Kit - Planet Gear (Includes Items 10-12)	
102	70001380	1	Seal Kit - Planet Gear (Includes Items 15, 18, 24 & 25)	
103	70001368	1	Cap/Disengage Kit (Includes Items 30-36)	





# SECTION 1 - FRAME

## FIGURE 1-11. DRIVE MOTOR ASSEMBLY



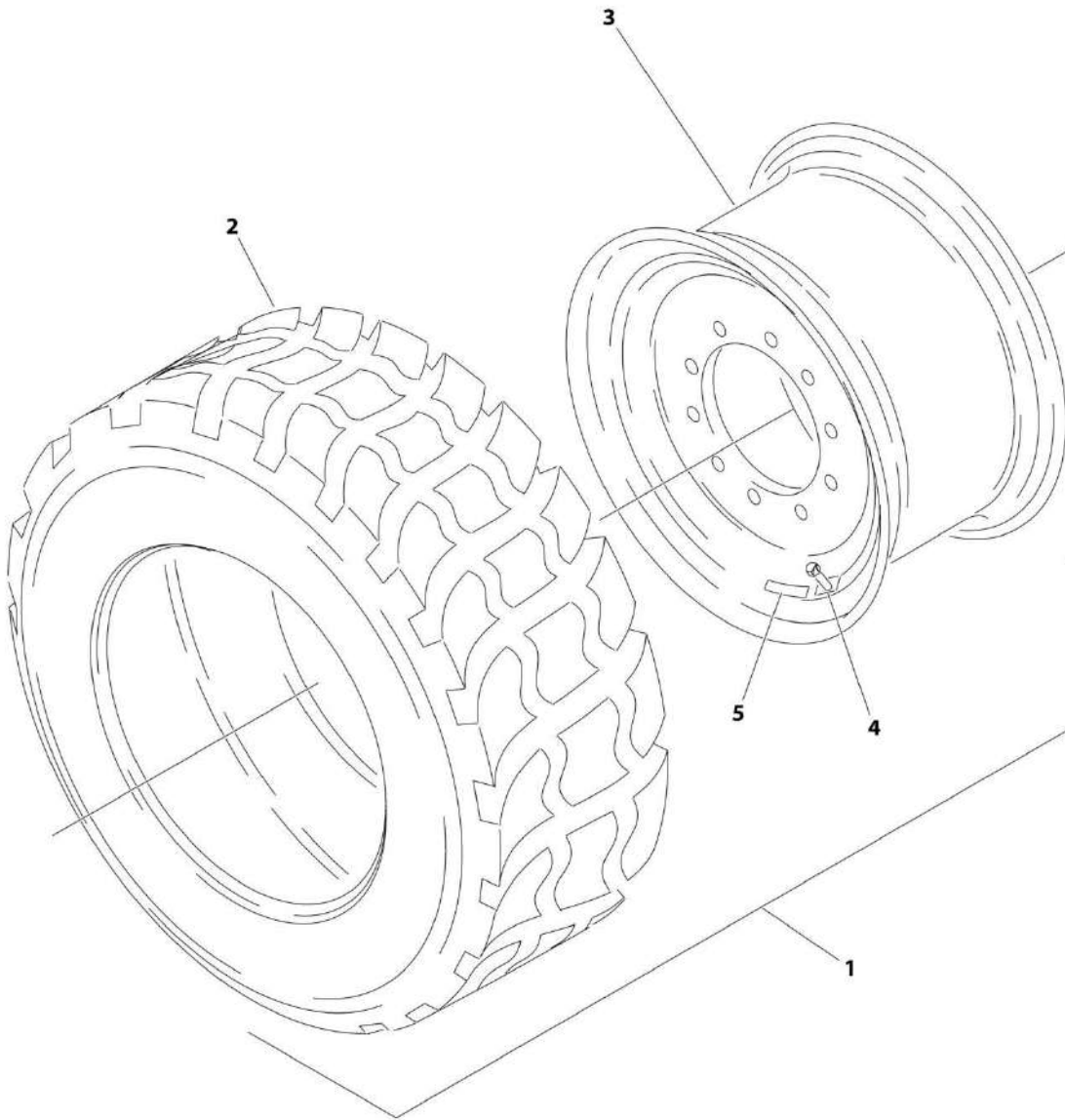
ART\_3160237

FIGURE 1-11. DRIVE MOTOR ASSEMBLY

ITEM	PART NUMBER	QTY	DESCRIPTION	REV
	3160237	Ref	DRIVE MOTOR ASSEMBLY	F
1	7020184	1	Plate, Drive End	
2	7012545	1	Bearing	
3	7020185	1	Ring, Retaining	
4	See Note	NSS	Armature (Note: Use p/n 3160237)	
5	See Note	NSS	Frame and Field Assembly (Note: Use p/n 3160237)	
6	7012548	4	Spring, Brush	
7	7020149	4	Brush	
8	7020150	1	Holder, Brush	
9	7020151	2	Brush Lead Assembly Kit	
10	7012545	1	Bearing	
11	7012549	1	Washer	
12	7020189	1	End, Commutator	
13	7019609	1	Headband Assembly	

# SECTION 1 - FRAME

FIGURE 1-12. TIRE/WHEEL - IN240/55-17.5 PNEUMATIC



ART\_0258995

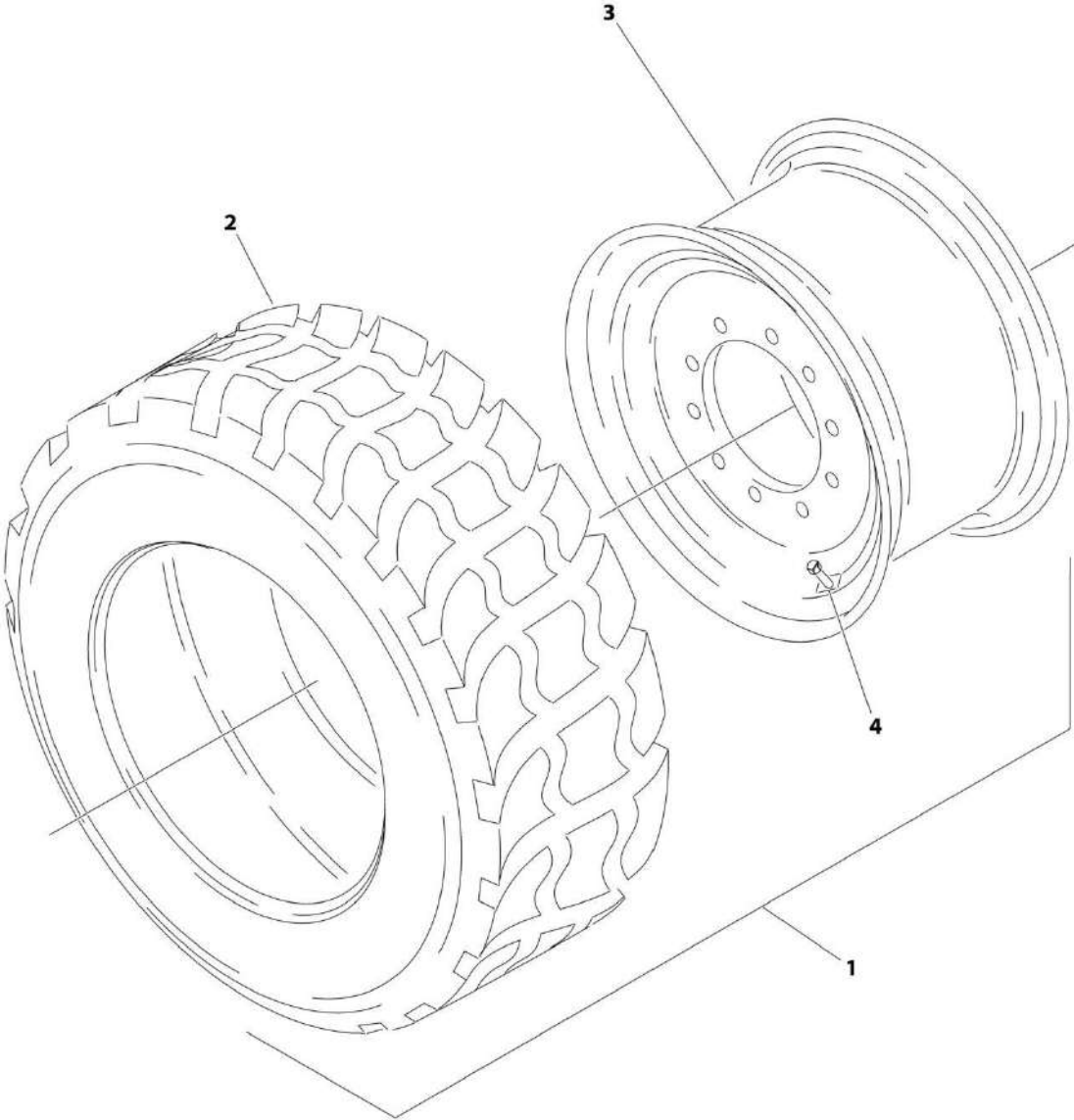
## SECTION 1 - FRAME

### FIGURE 1-12. TIRE/WHEEL - IN240/55-17.5 PNEUMATIC

ITEM	PART NUMBER	QTY	DESCRIPTION	REV
	0258995	Ref	TIRE/WHEEL - IN240/55-17.5 PNEUMATIC	1
1	0258688	4	Tire Assembly	2
2	4520209	1	Tire, OTR, IN240/55-17.5 Pneumatic	
3	4860191	1	Rim, Wheel	
4	4641167	1	Valve, Stem	
5	1702740	1	Decal - Tire Pressure	

**SECTION 1 - FRAME**

**FIGURE 1-13. TIRE/WHEEL - IN240/55 - 17.5 FOAM FILL**



ART\_0258996

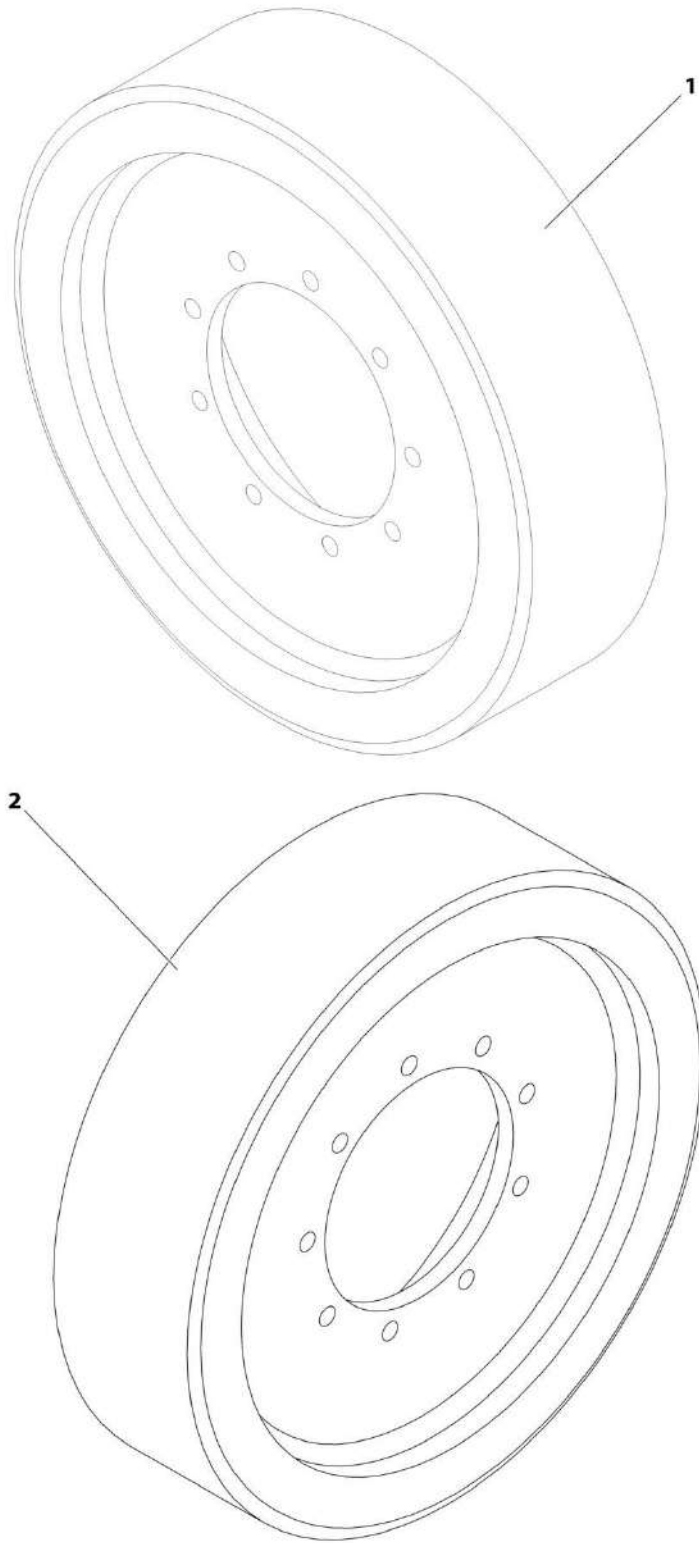
**SECTION 1 - FRAME**

**FIGURE 1-13. TIRE/WHEEL - IN240/55 - 17.5 FOAM FILL**

ITEM	PART NUMBER	QTY	DESCRIPTION	REV
1	0258996 0258997 See Note	Ref 4 Ref	TIRE/WHEEL - IN240/55 - 17.5 FOAM FILL Tire Assembly Note: Assemblies may require ballast/foam filling to manufacture's specifications prior to installing on a machine. Refer to Operation and Safety or Service and Maintenance Manuals. Purchase Individual tire and/or rim only if able to foam fill tire and wheel assembly, otherwise, purchase complete assembly	1 D
2	4520209	1	Tire, OTR, IN240/55-17.5	
3	4860191	1	Rim, Wheel	
4	4641122	1	Valve, Stem	

# SECTION 1 - FRAME

FIGURE 1-14. TIRE/WHEEL - SOLID NON-MARKING



ART\_0270028



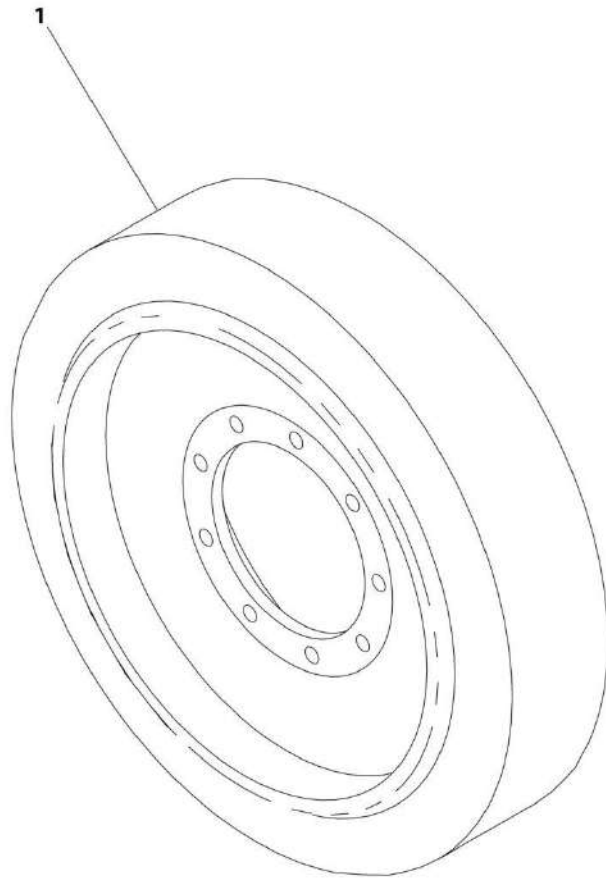
## SECTION 1 - FRAME

### FIGURE 1-14. TIRE/WHEEL - SOLID NON-MARKING

ITEM	PART NUMBER	QTY	DESCRIPTION	REV
	0270028	Ref	TIRE/WHEEL - SOLID NON-MARKING	C
		Ref	E400An/E400AJPn/M400AJPn Machines Only	
		Ref	Note: Must replace Tire and Wheel Assemblies in pairs per axle.	
1	1001110772	2	25 x 7 x 16 - Solideal Tire and Wheel (Drive Axle Tire)	
2	1001110774	2	22 x 6 x 17.75 - Solideal Tire and Wheel (Steer Axle Tire)	

# SECTION 1 - FRAME

FIGURE 1-15. TIRE/WHEEL - 26 X 7 X 20 - SOLID NON MARKING



ART\_0270037

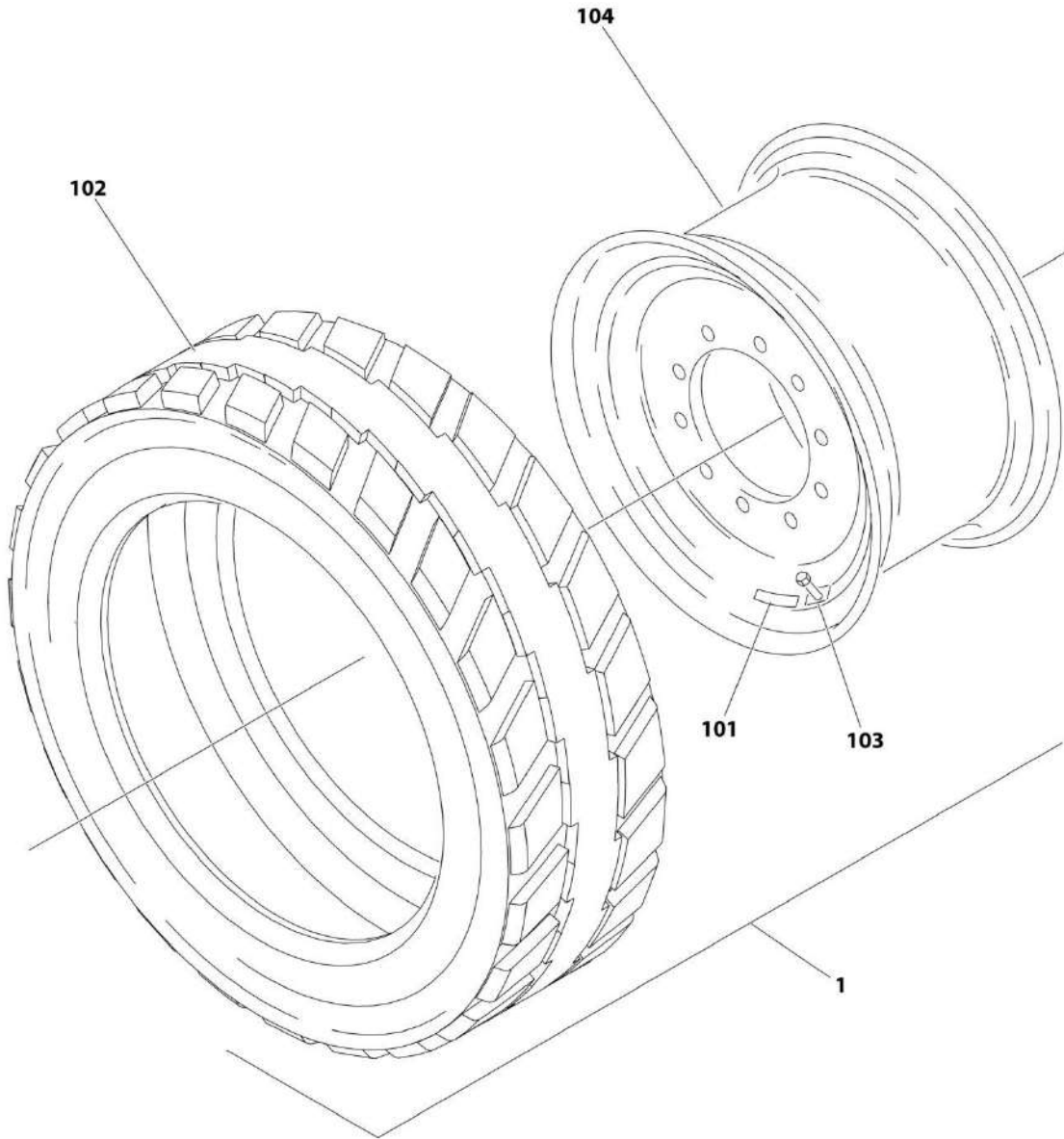
## SECTION 1 - FRAME

**FIGURE 1-15. TIRE/WHEEL - 26 X 7 X 20 - SOLID NON MARKING**

ITEM	PART NUMBER	QTY	DESCRIPTION	REV
	0270037	Ref	TIRE/WHEEL - 26 X 7 X 20 - SOLID NON MARKING	2
	See Note	Ref	Note: Must replace Tire and Wheel Assemblies in pairs per axle.	
1	1001110775	4	Tire Assembly	B

# SECTION 1 - FRAME

FIGURE 1-16. TIRE/WHEEL - IN240/55-17.5 PNEUMATIC NON MARKING



ART\_0273683

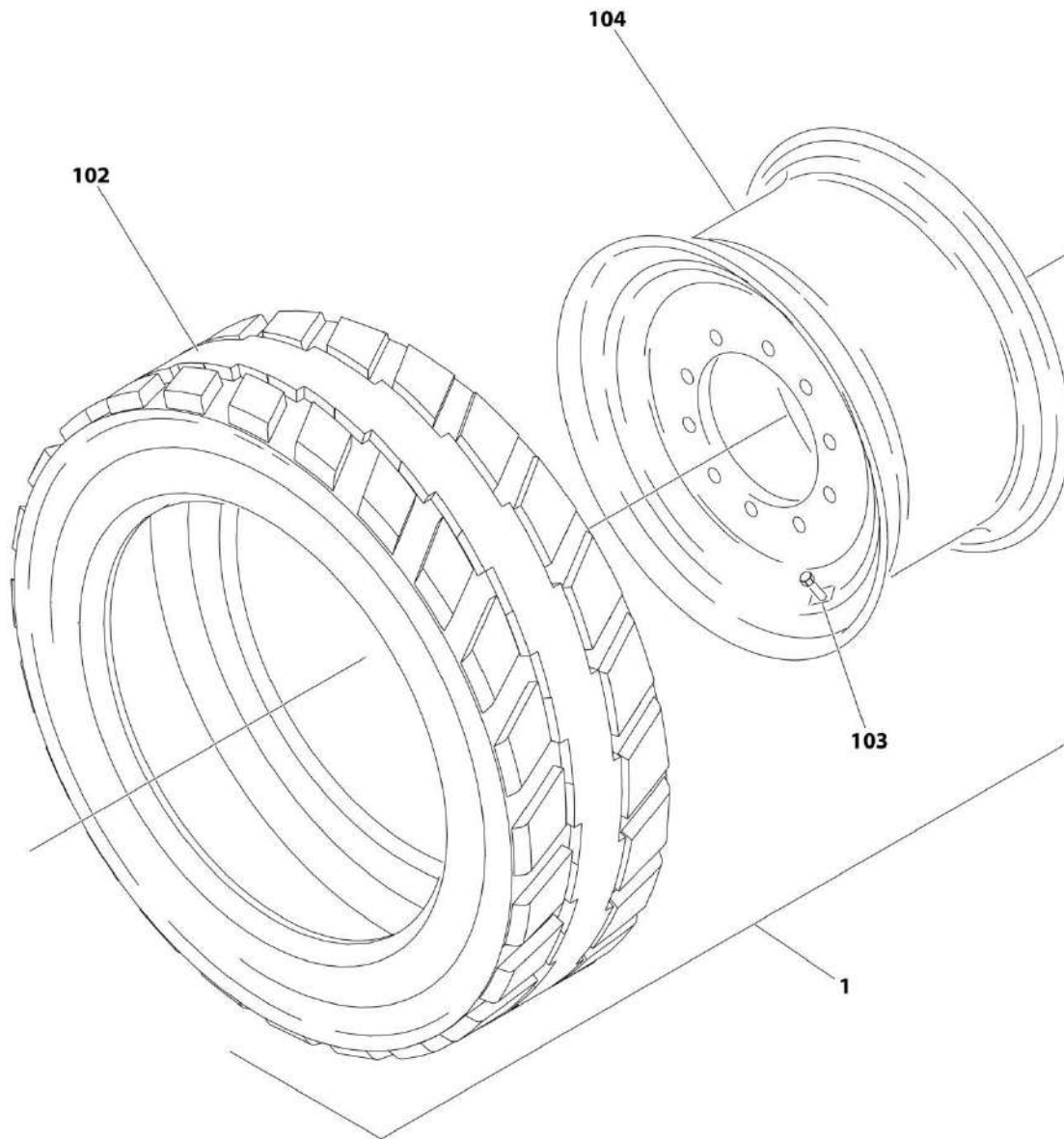
## SECTION 1 - FRAME

**FIGURE 1-16. TIRE/WHEEL - IN240/55-17.5 PNEUMATIC NON MARKING**

ITEM	PART NUMBER	QTY	DESCRIPTION	REV
	0273683	Ref	TIRE/WHEEL - IN240/55-17.5 PNEUMATIC NON MARKING	A
		Ref	Note: Assemblies may require ballast/foam filling to manufacturer's prior to installing on a machine. Refer to Operation and Safety or Service and Maintenance Manuals. Purchase individual tire and/or rim only if able to foam fill tire and wheel assembly, otherwise purchase complete assembly.	
1	4520279	4	Tire and Wheel Assembly	
101	1702740	1	Decal - Tire Pressure	
102	4520269	1	IN240/55-17.5 Non-Marking Tire with Lighting Tread Pattern	
103	4641167	1	Valve	
104	4860191	1	Rim, Wheel	

# SECTION 1 - FRAME

FIGURE 1-17. TIRE/WHEEL - IN240/55-17.5 FOAM FILL NON MARKING



ART\_0273684

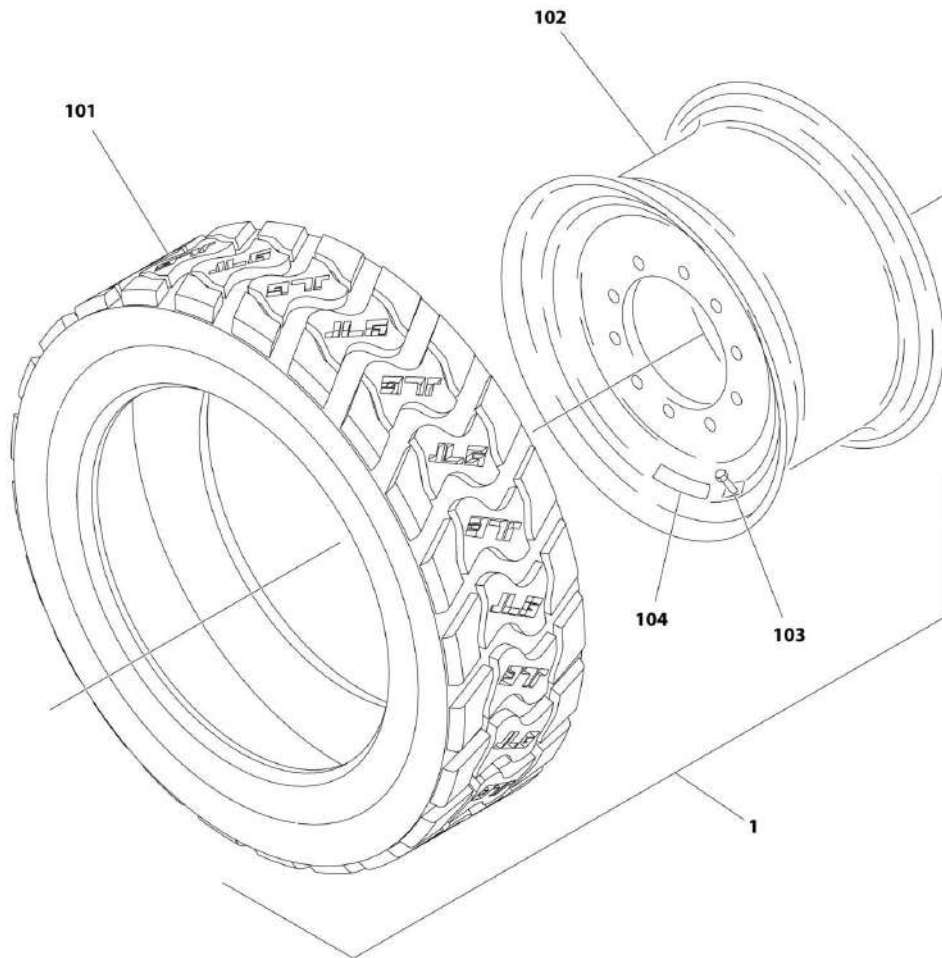
## SECTION 1 - FRAME

**FIGURE 1-17. TIRE/WHEEL - IN240/55-17.5 FOAM FILL NON MARKING**

ITEM	PART NUMBER	QTY	DESCRIPTION	REV
	0273684	Ref	TIRE/WHEEL - IN240/55-17.5 FOAM FILL NON MARKING	A
		Ref	Note: Assemblies may require ballast/foam filling to manufacturer's specifications prior to installing on a machine. Refer to Operation and Safety or Service and Maintenance Manuals. Purchase individual tire and/or rim only if able to foam fill tire and wheel assembly, otherwise, purchase complete assembly.	
1	0273468	4	Tire Assembly	F
102	4520269	1	Tire, OTR, IN240/55-17.5 Foam Filled Non Marking	
103	4641122	1	Valve, Stem	
104	4860191	1	Rim, Wheel	

# SECTION 1 - FRAME

FIGURE 1-18. TIRE/WHEEL - IN240/55-17.5 PNEUMATIC TS



ART\_0272314



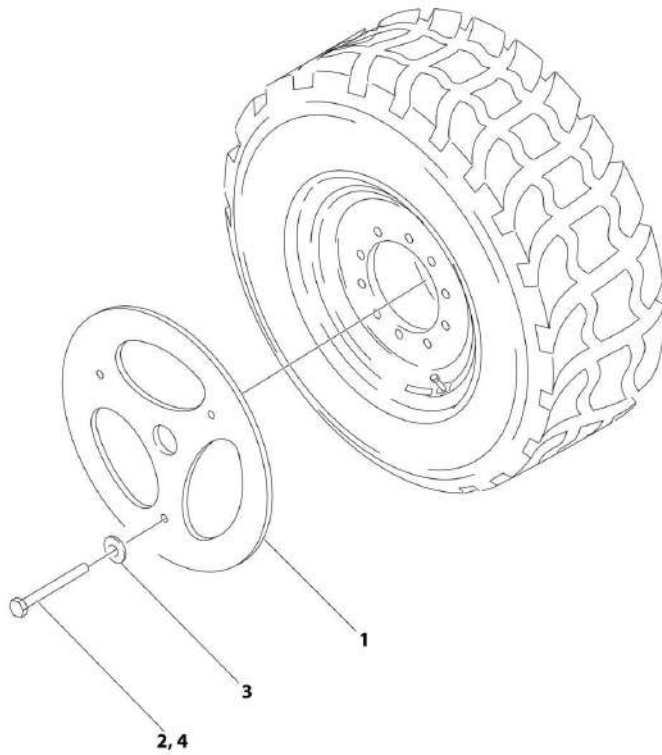
## SECTION 1 - FRAME

**FIGURE 1-18. TIRE/WHEEL - IN240/55-17.5 PNEUMATIC TS**

ITEM	PART NUMBER	QTY	DESCRIPTION	REV
	0272314	Ref	TIRE/WHEEL - IN240/55-17.5 PNEUMATIC TS	2
1	0272335	4	Tire Assembly - ORT IN240/55-17.5 Pneumatic (Tire with JLG Pattern in Tread and Tire Sealant)	
101	4520209	1	Tire, ORT, IN240/55-17.5 (With JLG Pattern in Tread)	
102	4860191	1	Rim, Wheel	
103	4641167	1	Valve, Stem	
104	1702740	1	Decal - Tire Air Pressure	
105	1300019	1	Sealant, Tire (Not Shown)	
106	1705364	1	Decal - Tire Sealant (Not Shown)	

## SECTION 1 - FRAME

FIGURE 1-19. WHEEL COVER INSTALLATION - IN240/55-17.5 TIRES ONLY



ART. 0259302

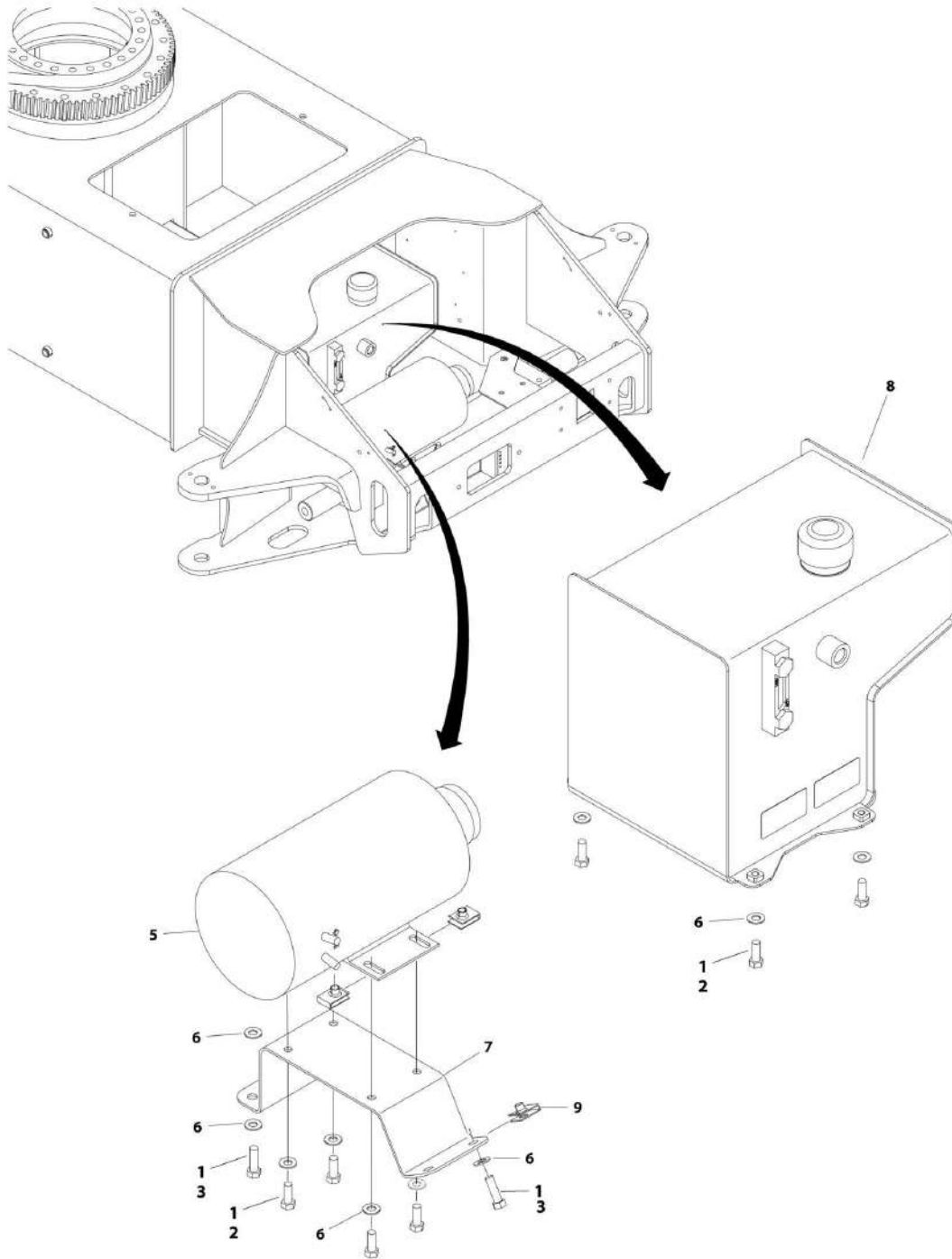
## SECTION 1 - FRAME

**FIGURE 1-19. WHEEL COVER INSTALLATION - IN240/55-17.5 TIRES ONLY**

ITEM	PART NUMBER	QTY	DESCRIPTION	REV
	0259302	Ref	WHEEL COVER INSTALLATION - IN240/55-17.5 TIRES ONLY	1
1	1670887	4	Cover, Wheel	
2	0641542	12	Bolt, 5/16-18 x 5-1/4	
3	4711500	12	Washer, 5/16	
4	0100011	AR	Compound, Locking	

# SECTION 1 - FRAME

FIGURE 1-20. MOTOR/PUMP/TANK - E400AN/E400AJP/E400AJPN



ART\_1001166417

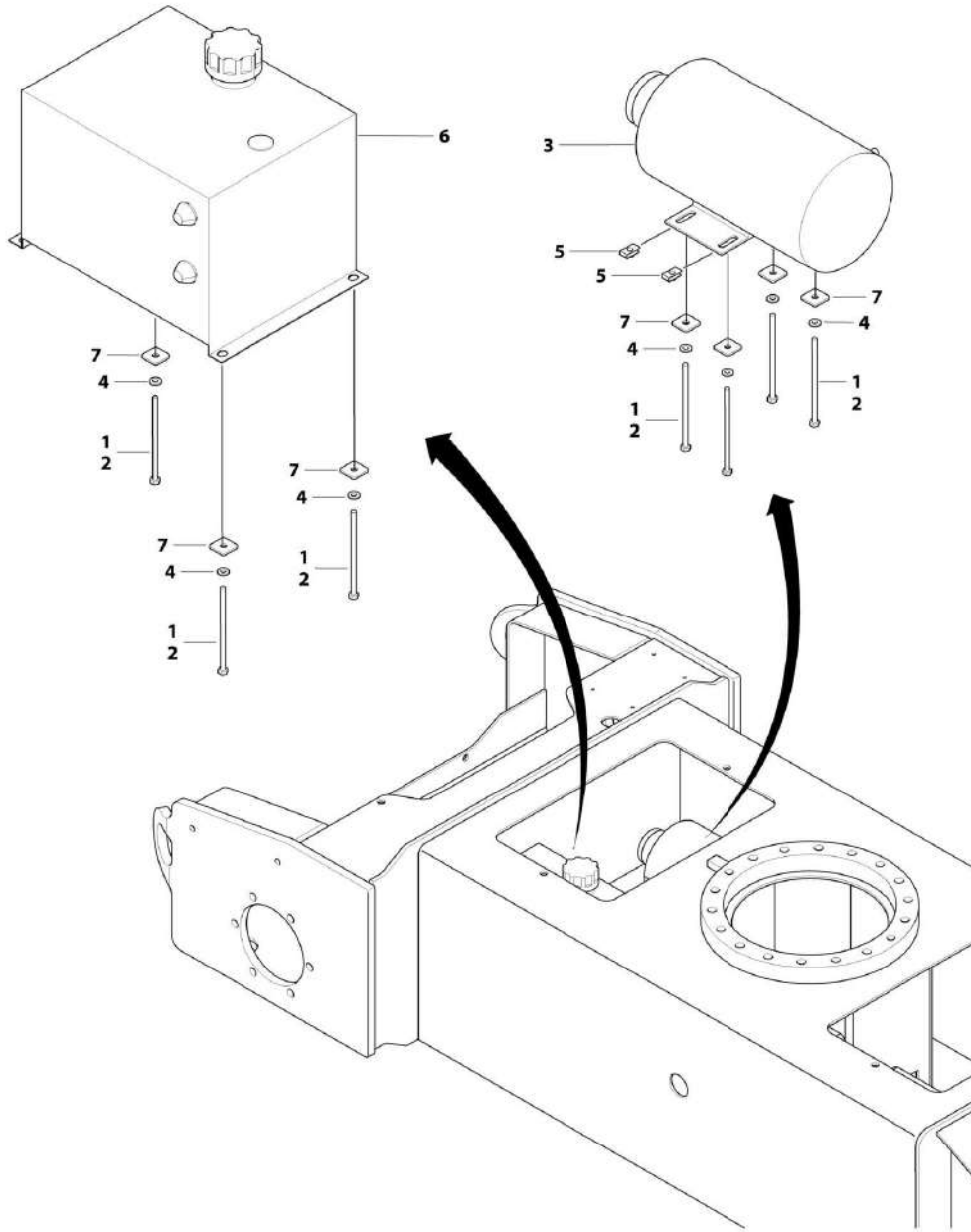
## SECTION 1 - FRAME

**FIGURE 1-20. MOTOR/PUMP/TANK - E400AN/E400AJP/E400AJPN**

ITEM	PART NUMBER	QTY	DESCRIPTION	REV
	1001166417	Ref	MOTOR/PUMP/TANK - E400AN/E400AJP/E400AJPN	F
1	0100011	AR	Compound, Locking	
2	0641608	8	Bolt, 3/8-16 x 1	
3	0641610	4	Bolt, 3/8-16 x 1-1/4	
5	3600289	1	Motor/Pump Assembly (See MOTOR/PUMP ASSEMBLY for Breakdown)	
6	4711600	4	Washer, 3/8	
7	1001166419	1	Plate, Mounting	
8	1001171213	1	Tank, Hydraulic (See HYDRAULIC TANK ASSEMBLY for Breakdown)	
9	88662523	8	Nut, Tinnerman	
10	4891600	8	Washer, 3/8 Hardened <b>(SN 0300195633 through 0300208528)</b>	

# SECTION 1 - FRAME

## FIGURE 1-21. MOTOR/PUMP/TANK - M400AJP



ART\_1001167450

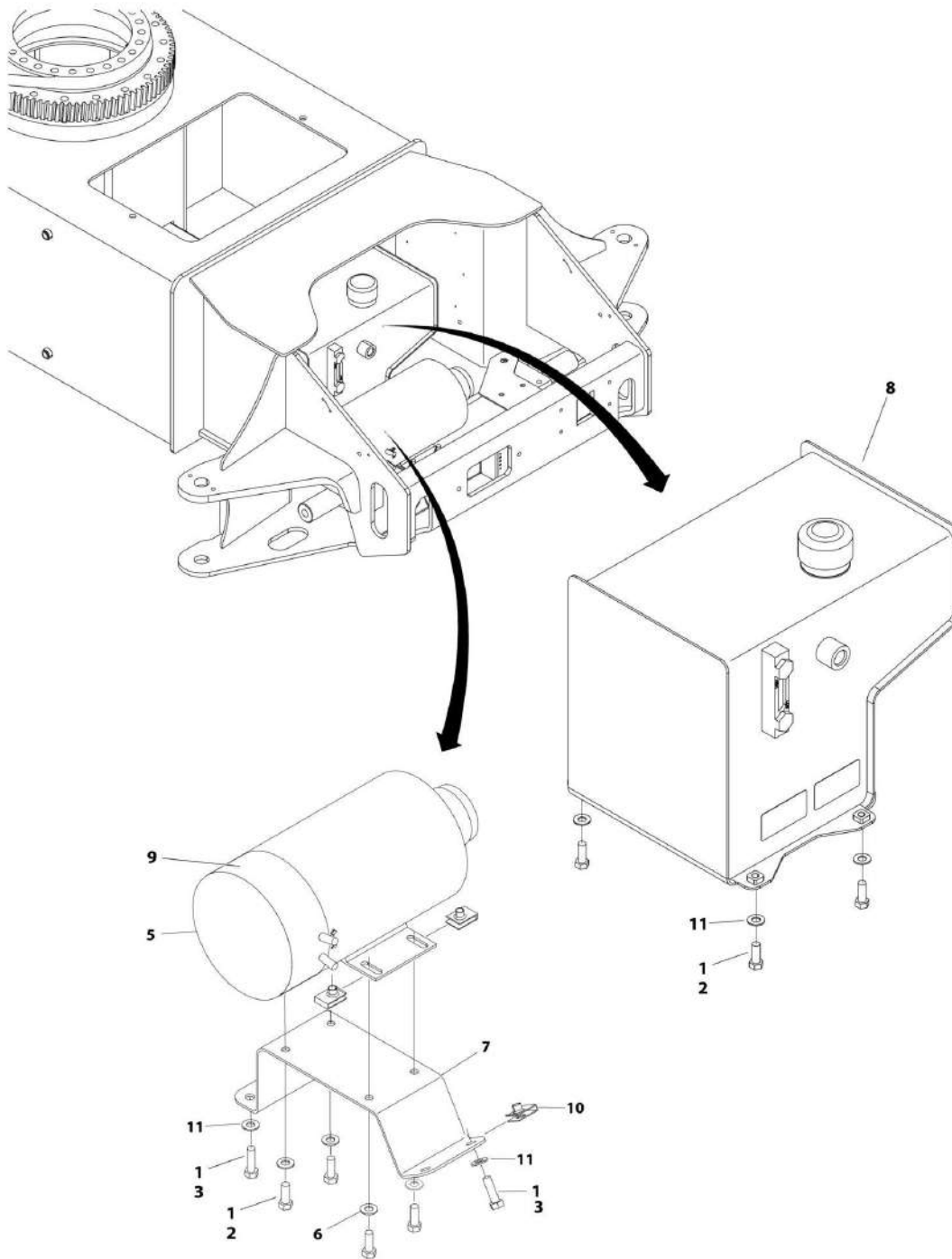
## SECTION 1 - FRAME

### FIGURE 1-21. MOTOR/PUMP/TANK - M400AJP

ITEM	PART NUMBER	QTY	DESCRIPTION	REV
	1001167450	Ref	MOTOR/PUMP/TANK - M400AJP	B
1	0100011	AR	Compound, Locking	
2	0641424	7	Bolt, 1/4-20 x 3	
3	3600289	1	Motor/Pump Assembly (See MOTOR/PUMP ASSEMBLY for Breakdown)	
4	4711400	7	Washer, 1/4	
5	3300454	4	Nut, 1/4-20	
6	1001171214	1	Tank, Hydraulic (See HYDRAULIC TANK ASSEMBLY for Breakdown)	
7	1001167291	7	Washer	

# SECTION 1 - FRAME

FIGURE 1-22. MOTOR/PUMP/TANK - E400AN/E400AJP/E400AJPN - UL LISTED



ART\_1001167487



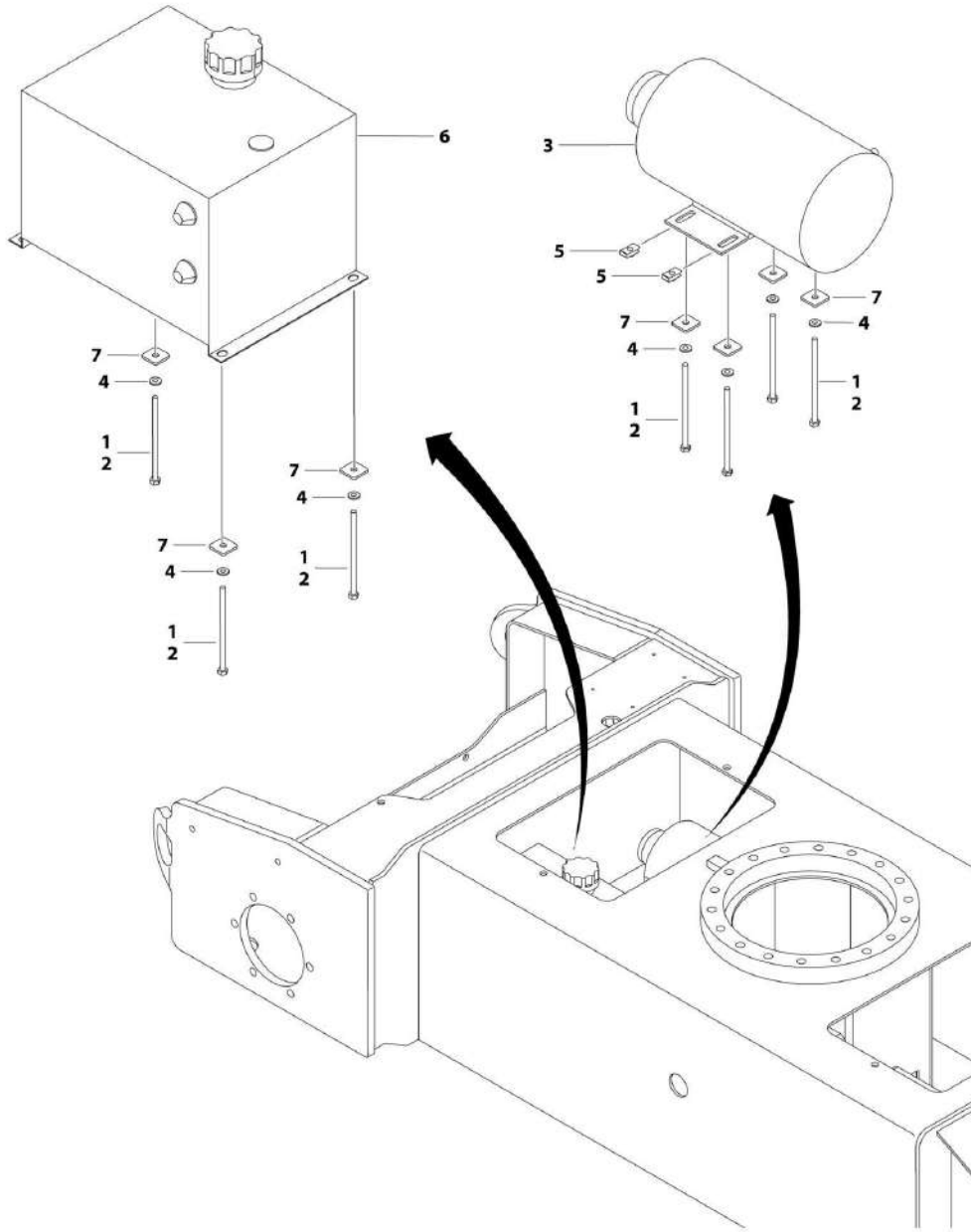
## SECTION 1 - FRAME

**FIGURE 1-22. MOTOR/PUMP/TANK - E400AN/E400AJP/E400AJPN - UL LISTED**

ITEM	PART NUMBER	QTY	DESCRIPTION	REV
	1001167487	Ref	MOTOR/PUMP/TANK - E400AN/E400AJP/E400AJPN - UL LISTED	F
1	0100011	AR	Compound, Locking	
2	0641608	8	Bolt, 3/8-16 x 1	
3	0641610	4	Bolt, 3/8-16 x 1-1/4	
5	3600289	1	Motor/Pump Assembly (See MOTOR/PUMP ASSEMBLY for Breakdown)	
6	4711600	4	Washer, 3/8	
7	1001166419	1	Plate, Mounting	
8	1001171213	1	Tank Hydraulic (See HYDRAULIC TANK ASSEMBLY for Breakdown)	
9	0340048	1	Band, Motor	
10	88662523	8	Nut, Tinnerman	
11	4891600	8	Washer, 3/8 Hardened ( <b>SN 0300195633 through 0300208528</b> )	

# SECTION 1 - FRAME

## FIGURE 1-23. MOTOR/PUMP/TANK - M400AJPN



ART\_1001167363

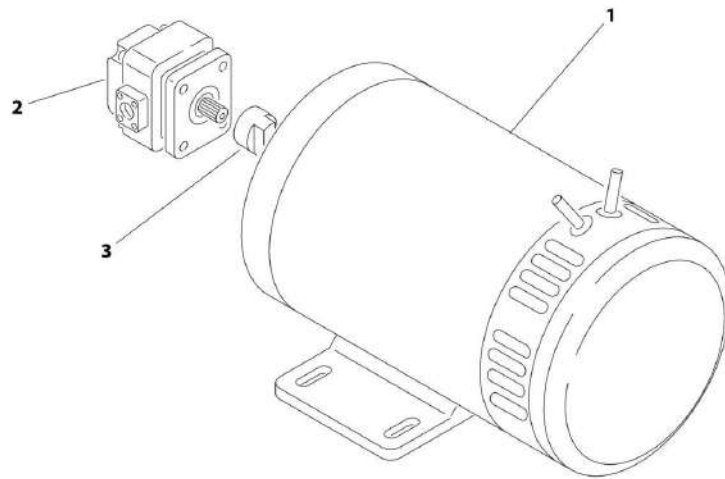
## SECTION 1 - FRAME

**FIGURE 1-23. MOTOR/PUMP/TANK - M400AJPN**

ITEM	PART NUMBER	QTY	DESCRIPTION	REV
	1001167363	Ref	MOTOR/PUMP/TANK - M400AJPN	B
1	0100011	AR	Compound, Locking	
2	0641440	7	Bolt, 1/4-20 x 5	
3	3600289	1	Motor/Pump Assembly (See MOTOR/PUMP ASSEMBLY for Breakdown)	
4	4711400	7	Washer, 1/4	
5	3300454	4	Nut, 1/4-20	
6	1001171214	1	Tank, Hydraulic (See HYDRAULIC TANK ASSEMBLY for Breakdown)	
7	1001167291	7	Washer	

# SECTION 1 - FRAME

FIGURE 1-24. MOTOR/PUMP ASSEMBLY



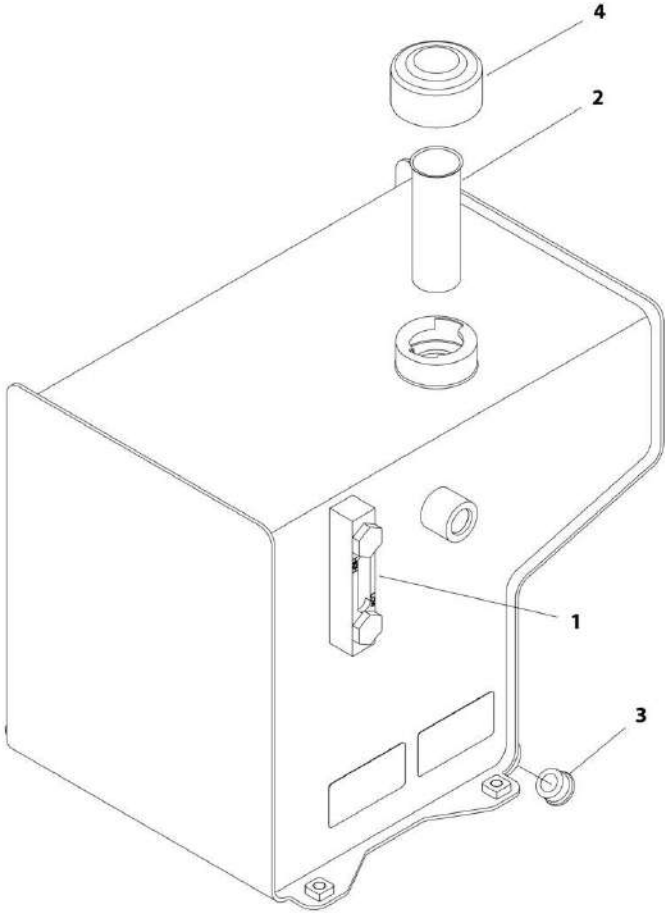
ART\_3600289

FIGURE 1-24. MOTOR/PUMP ASSEMBLY

ITEM	PART NUMBER	QTY	DESCRIPTION	REV
	3600289	Ref	MOTOR/PUMP ASSEMBLY	A
1	7021318	1	Motor Assembly	
1	7021361	1	Brush Kit	
1	70003171	1	Spring, Brush	
1	70001961	1	Seal, Oil	
2	7021319	1	Pump Assembly	
2	7021377	1	Seal Kit	
3	70002523	1	Coupling	

**SECTION 1 - FRAME**

**FIGURE 1-25. HYDRAULIC TANK ASSEMBLY - E400AN/E400AJP/E400AJPN**



ART\_1001171213

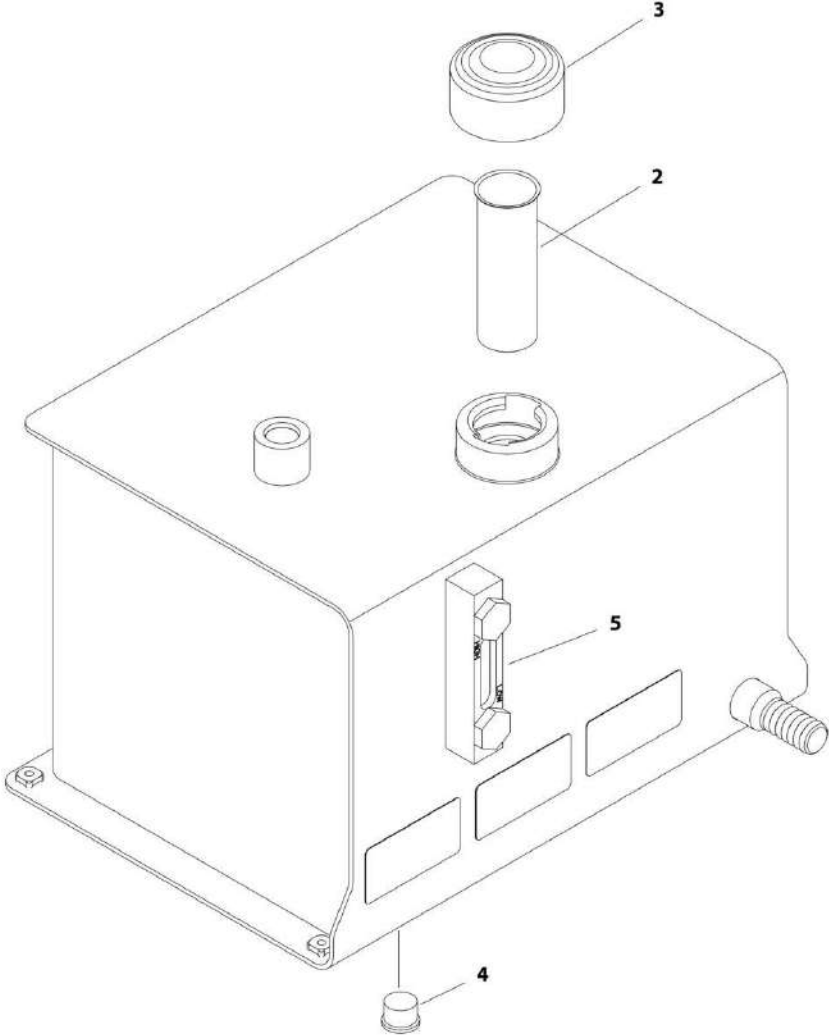
## SECTION 1 - FRAME

**FIGURE 1-25. HYDRAULIC TANK ASSEMBLY - E400AN/E400AJP/E400AJPN**

ITEM	PART NUMBER	QTY	DESCRIPTION	REV
	1001171213	Ref	HYDRAULIC TANK ASSEMBLY - E400AN/E400AJP/E400AJPN	A
1	70005101	1	Gauge, Sight	
2	7024445	1	Strainer	
3	70002112	1	Plug, Drain	
4	7024444	1	Cap, Filler	

**SECTION 1 - FRAME**

**FIGURE 1-26. HYDRAULIC TANK ASSEMBLY - M400AJP/M400AJPN**



ART\_1001171214



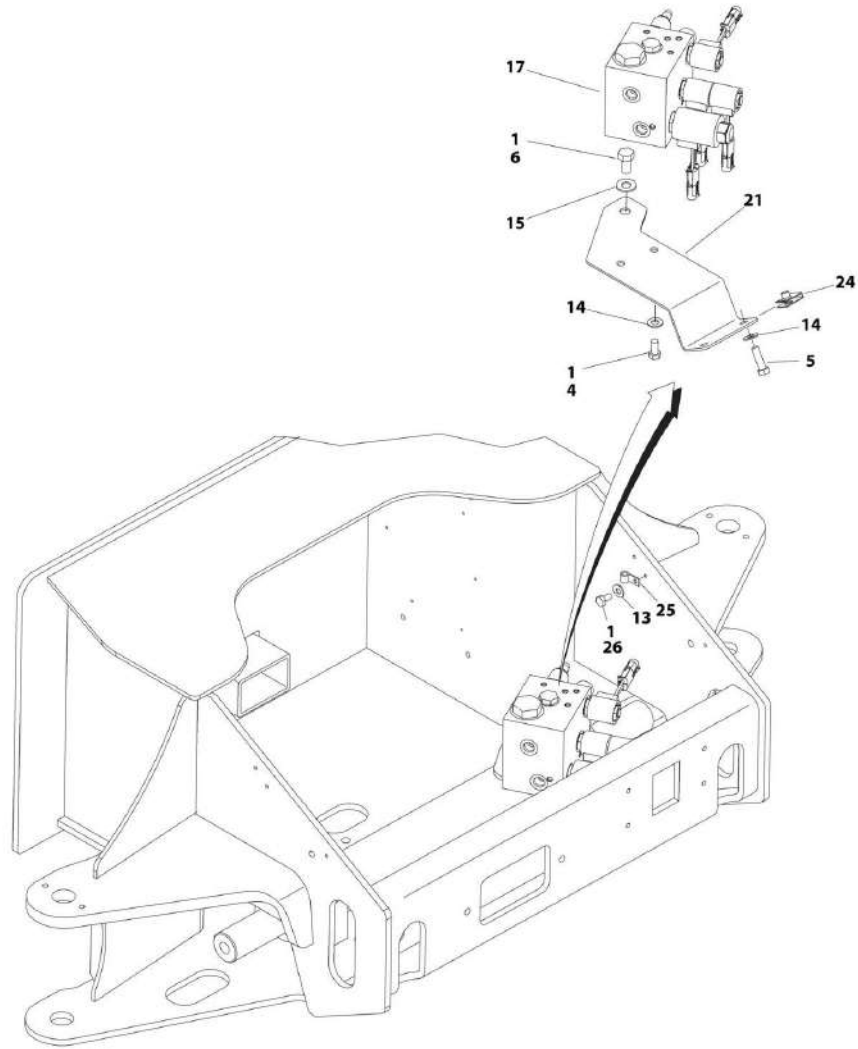
## SECTION 1 - FRAME

**FIGURE 1-26. HYDRAULIC TANK ASSEMBLY - M400AJP/M400AJPN**

ITEM	PART NUMBER	QTY	DESCRIPTION	REV
	1001171214	Ref	HYDRAULIC TANK ASSEMBLY - M400AJP/M400AJPN	A
2	7024445	1	Strainer	
3	7024444	1	Cap, Filler	
4	70002112	1	Plug, Drain	
5	70005101	1	Gauge, Sight	

# SECTION 1 - FRAME

FIGURE 1-27. VALVE INSTALLATION - FRAME MOUNTED - E400AN



ART\_1001166438\_10F2

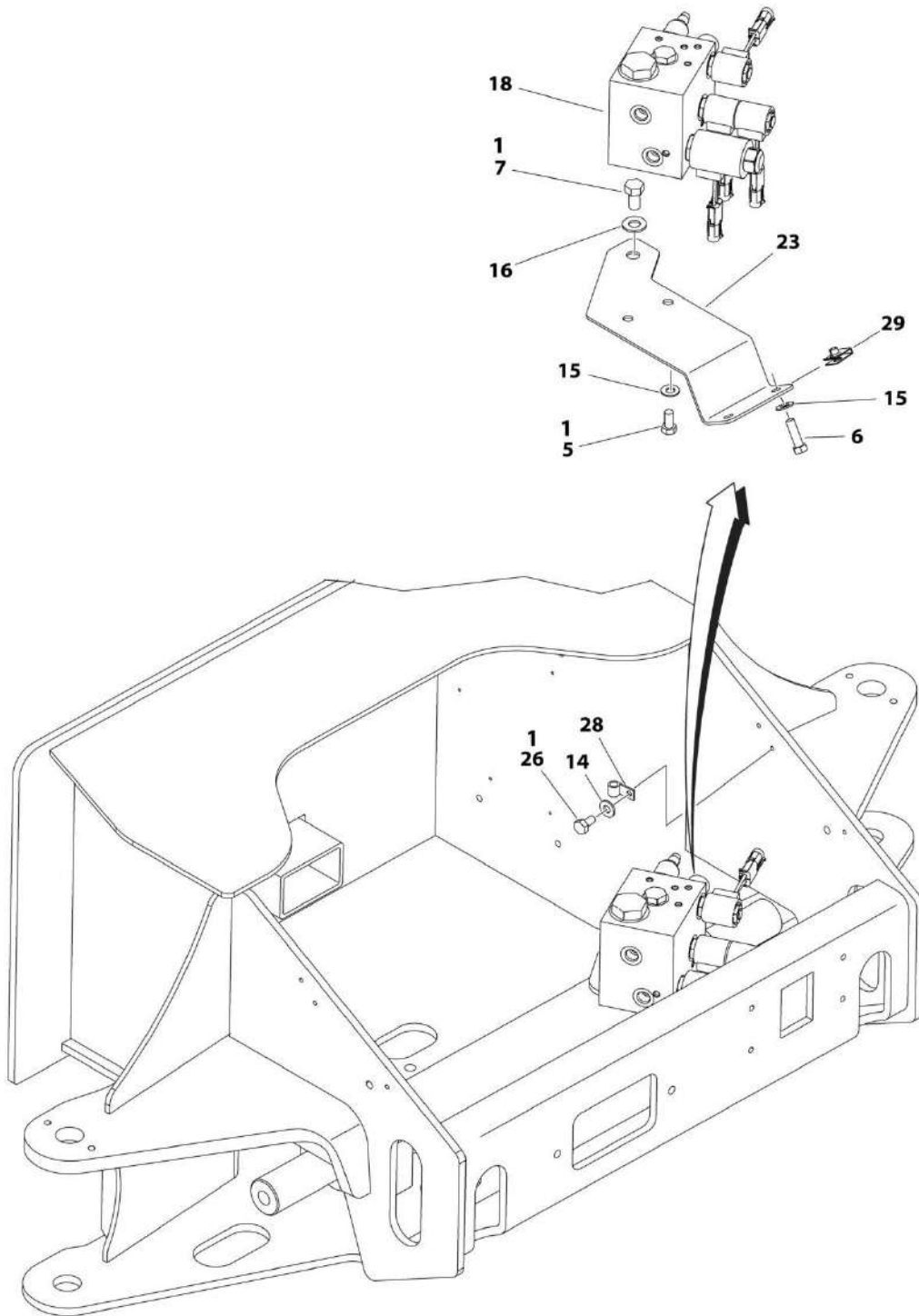
## SECTION 1 - FRAME

**FIGURE 1-27. VALVE INSTALLATION - FRAME MOUNTED - E400AN**

ITEM	PART NUMBER	QTY	DESCRIPTION	REV
	1001166438	Ref	VALVE INSTALLATION - FRAME MOUNTED - E400AN	D
1	0100011	AR	Compound, Locking	
4	0641606	6	Bolt, 3/8-16 x 3/4	
5	0641610	2	Bolt, 3/8-16 x 1-1/4	
6	0641807	1	Bolt, 1/2-13 x 7/8	
12	3311605	2	Nut, Lock, 3/8-16	
13	4711400	1	Washer, 1/4	
14	4711600	4	Washer, 3/8	
15	4711800	1	Washer, 1/2	
17	1001097506	1	Brake/Steer Control Valve Assembly (See BRAKE/STEER VALVE ASSEMBLY for Breakdown)	
21	1001166420	1	Bracket, Mounting	
22	1001170991	1	Harness Assembly - Brake/Steer Control Valve (Not Shown - See ELECTRICAL SECTION for Breakdown)	
24	88662523	2	Nut, Tinnerman	
25	1320040	1	Clamp	
26	0641404	1	Bolt, 1/4-20 x 1/2	
27	4240032	1	Tie, Strap (Not Shown)	

# SECTION 1 - FRAME

FIGURE 1-28. VALVE INSTALLATION - FRAME MOUNTED - E400AJP/E400AJPN



ART\_1001167096\_10F2

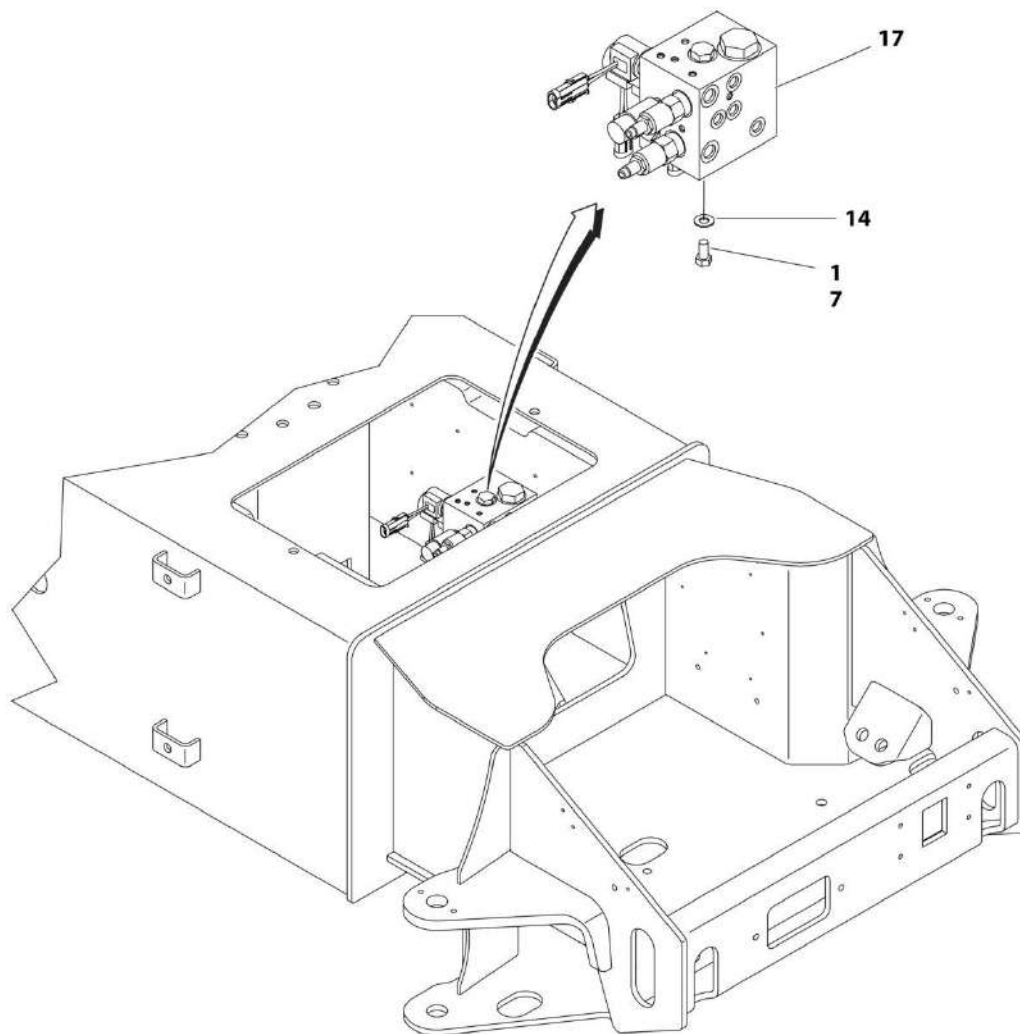
## SECTION 1 - FRAME

**FIGURE 1-28. VALVE INSTALLATION - FRAME MOUNTED - E400AJP/E400AJPN**

ITEM	PART NUMBER	QTY	DESCRIPTION	REV
	1001167096	Ref	VALVE INSTALLATION - FRAME MOUNTED - E400AJP/E400AJPN	F
1	0100011	AR	Compound, Locking	
5	0641606	2	Bolt, 3/8-16 x 3/4	
6	0641610	2	Bolt, 3/8-16 x 1-1/4	
7	0641807	1	Bolt, 1/2-13 x 7/8	
14	4711400	1	Washer, 1/4	
15	4711600	6	Washer, 3/8	
16	4711800	1	Washer, 1/2	
18	1001097506	1	Brake/Steer Control Valve Assembly (See BRAKE/STEER VALVE ASSEMBLY for Breakdown)	
23	1001166420	1	Bracket, Mounting	
24	1001170991	1	Harness Assembly - Brake/Steer Control Valve (Not Shown - See ELECTRICAL SECTION for Breakdown)	
26	0641404	1	Bolt, 1/4-20 x 1/2	
27	4240032	1	Tie-Strap (Not Shown)	
28	1320040	1	Clamp	
29	88662523	2	Nut, Tinnerman	

# SECTION 1 - FRAME

FIGURE 1-29. VALVE INSTALLATION - FRAME MOUNTED - M400AJP/M400AJPN



ART\_1001167415\_10F2

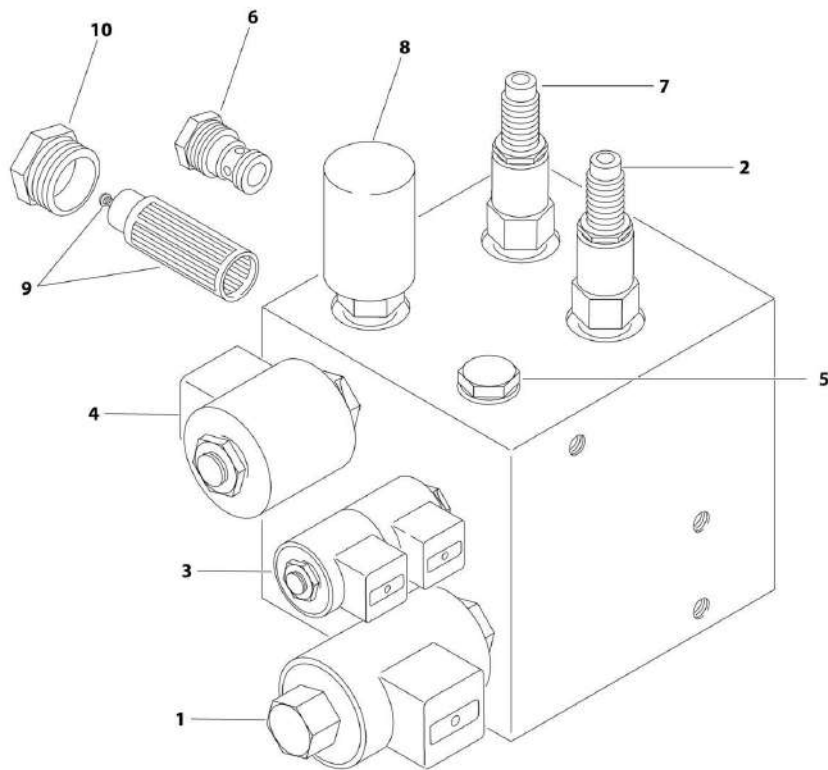
## SECTION 1 - FRAME

**FIGURE 1-29. VALVE INSTALLATION - FRAME MOUNTED - M400AJP/M400AJPN**

ITEM	PART NUMBER	QTY	DESCRIPTION	REV
	1001167415	Ref	VALVE INSTALLATION - FRAME MOUNTED - M400AJP/M400AJPN	C
1	0100011	AR	Compound, Locking	
7	0641606	6	Bolt, 3/8-16 x 3/4	
14	4711600	6	Washer, 3/8	
17	1001097506	1	Brake/Steer Control Valve Assembly (See BRAKE/STEER VALVE ASSEMBLY for Breakdown)	
20	1001171115	1	Harness Assembly - Brake/Steer Control Valve (Not Shown - See ELECTRICAL SECTION for Breakdown)	

# SECTION 1 - FRAME

## FIGURE 1-30. BRAKE/STEER VALVE ASSEMBLY



ART\_1001097506



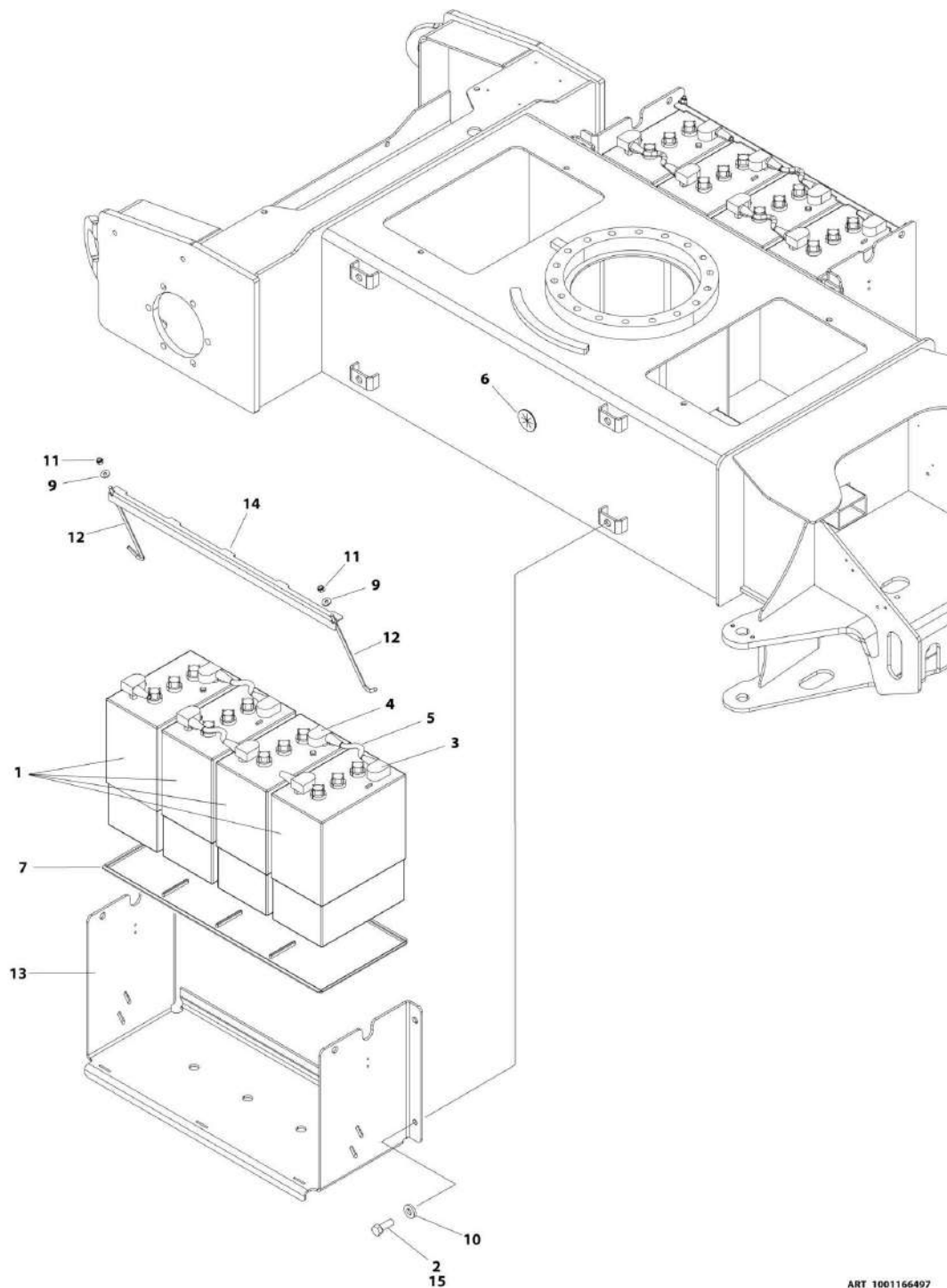
## SECTION 1 - FRAME

**FIGURE 1-30. BRAKE/STEER VALVE ASSEMBLY**

ITEM	PART NUMBER	QTY	DESCRIPTION	REV
	1001097506	Ref	BRAKE/STEER VALVE ASSEMBLY	F
1	7021611	1	Cartridge, Proportional without Coil (Flow Control)	
1	7012518	1	Seal Kit - 7021611 Cartridge	
1	7021618	1	Coil	
2	7021659	1	Cartridge, Relief (Main)	
2	7012972	1	Seal Kit - 7021659	
3	7017433	1	Cartridge, without Coil (Steer)	
3	7017402	1	Seal Kit - 7017433 Cartridge	
3	7021609	2	Coil	
4	7012941	1	Cartridge, without Coil (Brake Release)	
4	7010543	1	Seal Kit - 7012941 Cartridge	
4	7021609	1	Coil	
5	7022391	1	Cartridge, Check	
5	7012967	1	Seal Kit - 7022391 Cartridge	
6	7010542	1	Cartridge, Shuttle	
6	7010543	1	Seal Kit - 7010542 Cartridge	
7	7017488	1	Cartridge, Relief (Steer)	
7	7012998	1	Seal Kit - 7017488 Cartridge	
8	7021619	1	Switch, Pressure	
9	7021616	1	Cartridge, Filter	
10	7024832	1	Plug	

# SECTION 1 - FRAME

## FIGURE 1-31. BATTERY BOX INSTALLATION



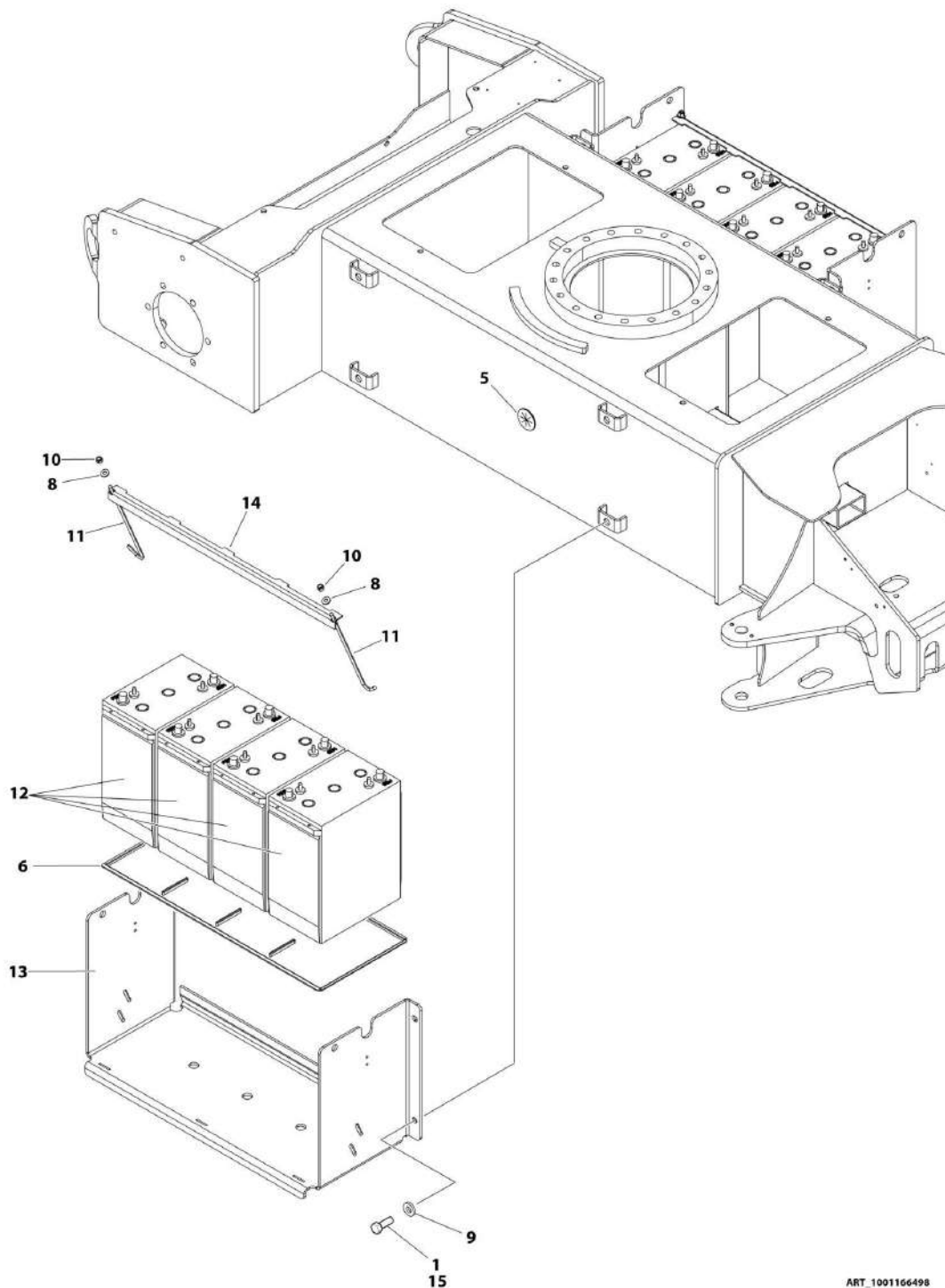
ART\_1001166407

FIGURE 1-31. BATTERY BOX INSTALLATION

ITEM	PART NUMBER	QTY	DESCRIPTION	REV
	1001166497	Ref	BATTERY BOX INSTALLATION	B
1	0400055	8	Battery (Wet)	
1	7016177	8	Battery (Dry)	
2	0641811	8	Bolt, 1/2-13 x 1-3/8	
3	0840031	8	Boot, Terminal d Shaped	
4	0840032	8	Boot, Terminal b Shaped	
5	1060092	6	Cable, Battery	
6	2540045	2	Grommet	
7	3000003	2	Liner, Battery Box	
9	4751500	4	Washer, 5/16	
10	4751800	8	Washer, 1/2	
11	88521205	4	Nut, Lock, 5/16-18	
12	1001093382	4	Bolt, J-Bolt	
13	1001166495	2	Tray, Battery	
14	1001166496	2	Battery Hold Down	
15	0100011	AR	Compound, Locking	

# SECTION 1 - FRAME

## FIGURE 1-32. BATTERY BOX INSTALLATION - AGM BATTERIES



ART\_1001166498

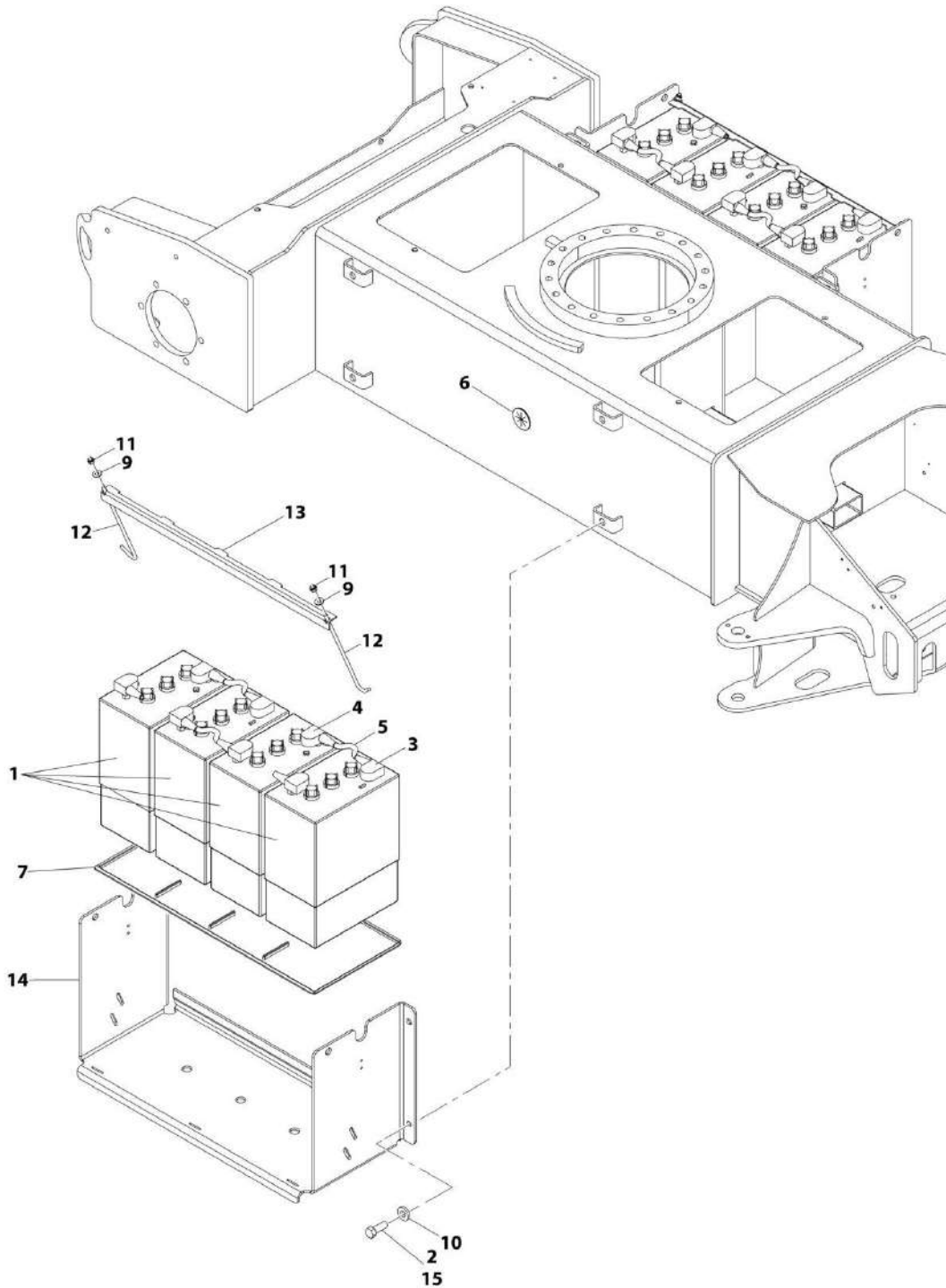
## SECTION 1 - FRAME

### FIGURE 1-32. BATTERY BOX INSTALLATION - AGM BATTERIES

ITEM	PART NUMBER	QTY	DESCRIPTION	REV
	1001166498	Ref	BATTERY BOX INSTALLATION (AGM BATTERIES)	C
1	0641811	8	Bolt, 1/2-13 x 1-3/8	
5	2540045	2	Grommet	
6	3000003	2	Liner, Battery Box	
8	4751500	4	Washer, 5/16	
9	4891800	8	Washer, 1/2	
10	88521205	4	Nut, Lock, 5/16-18	
11	1001093382	4	Bolt, J-Bolt	
12	1001114782	8	Battery (Wet) (AGM Batteries)	
13	1001166495	2	Tray, Battery	
14	1001166496	2	Battery Hold Down	
15	0100011	AR	Compound, Locking	

# SECTION 1 - FRAME

## FIGURE 1-33. BATTERY BOX INSTALLATION - CE AND AUSTRALIAN SPECS



ART\_1001168670

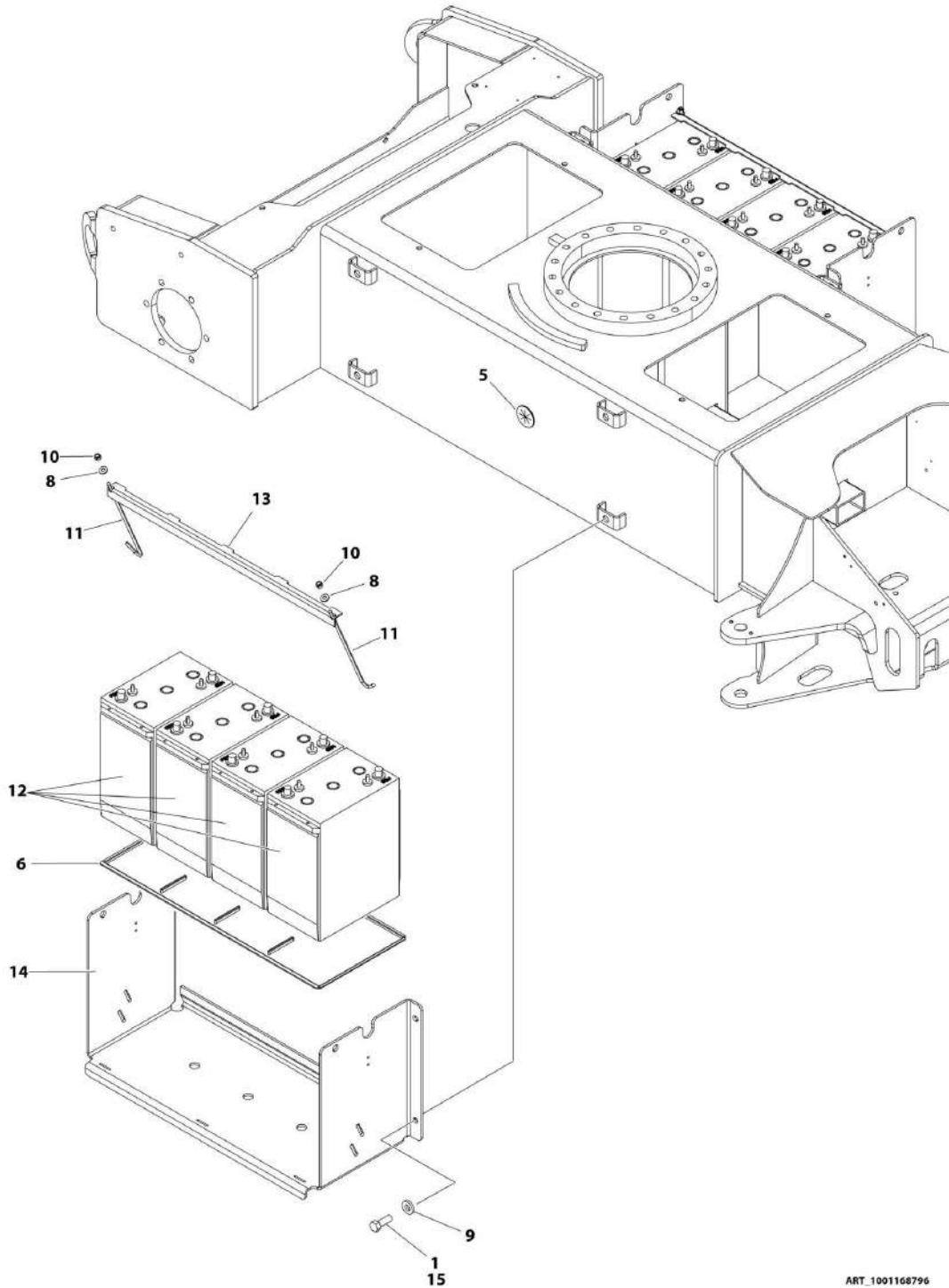
## SECTION 1 - FRAME

**FIGURE 1-33. BATTERY BOX INSTALLATION - CE AND AUSTRALIAN SPECS**

ITEM	PART NUMBER	QTY	DESCRIPTION	REV
	1001168670	Ref	BATTERY BOX INSTALLATION - CE AND AUSTRALIAN SPECS	C
1	0400055	8	Battery (Wet)	
1	7016177	8	Battery (Dry)	
2	0641811	8	Bolt, 1/2-13 x 1-3/8	
3	0840031	8	Boot, Terminal d Shaped <b>(SN 0300189898 through 0300196080)</b>	
4	0840032	8	Boot, Terminal b Shaped <b>(SN 0300189898 through 0300196080)</b>	
5	1060092	6	Cable, Battery <b>(SN 0300189898 through 0300196080)</b>	
6	2540045	2	Grommet	
7	3000003	2	Liner, Battery Box	
9	4751500	4	Washer, 5/16	
10	4891800	8	Washer, 1/2 Hardened	
11	88521205	4	Nut, Lock, 5/16-18	
12	1001093382	4	Bolt, J-Bolt	
13	1001166496	2	Battery Hold Down	
14	1001168800	2	Tray, Battery	
15	0100011	AR	Compound, Locking	

# SECTION 1 - FRAME

FIGURE 1-34. BATTERY BOX INSTALLATION - AGM BATTERIES (CE AND AUSTRALIAN SPECS)



ART\_1001168796



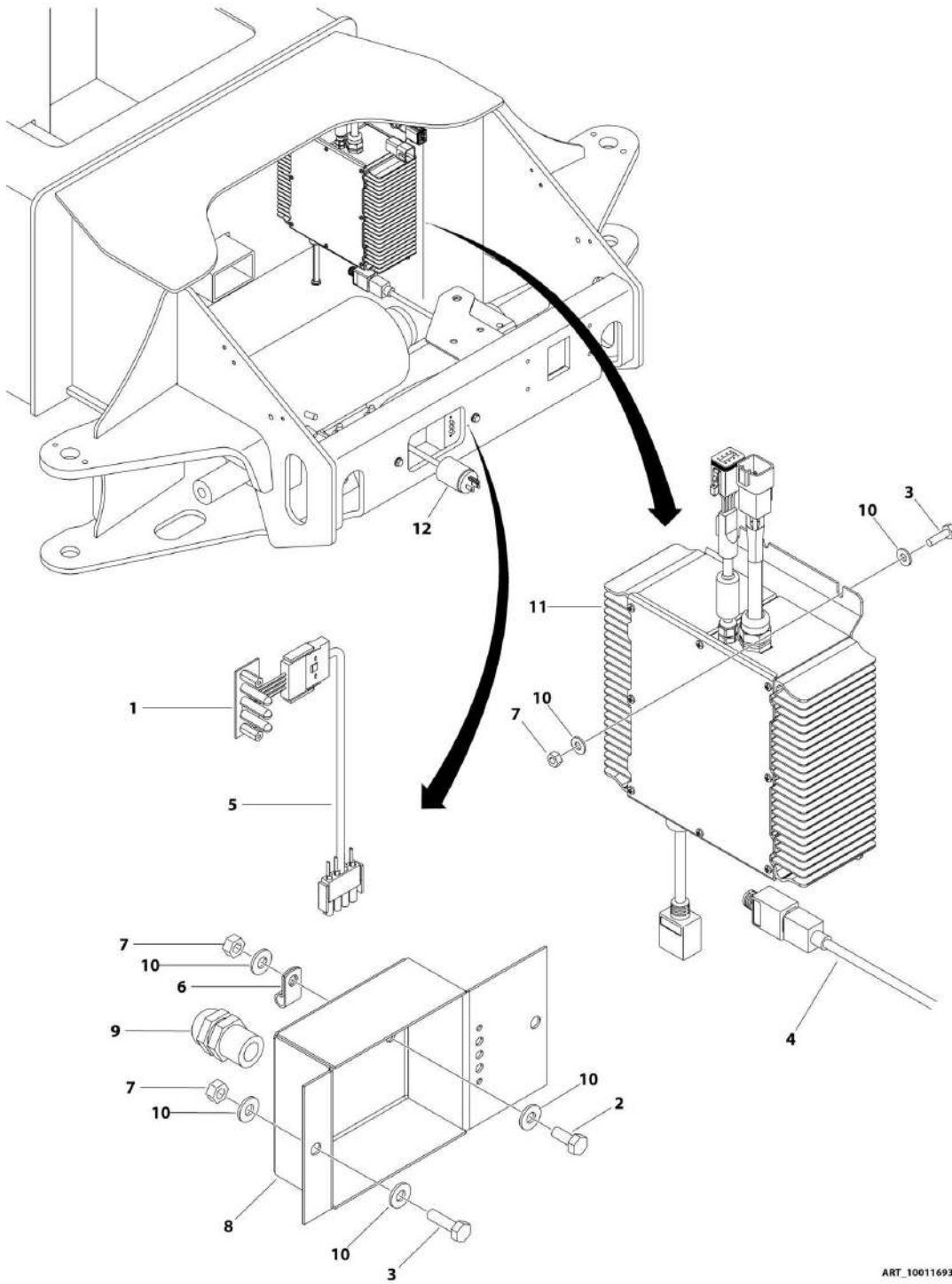
## SECTION 1 - FRAME

**FIGURE 1-34. BATTERY BOX INSTALLATION - AGM BATTERIES (CE AND AUSTRALIAN SPECS)**

ITEM	PART NUMBER	QTY	DESCRIPTION	REV
	1001168796	Ref	BATTERY BOX INSTALLATION - AGM BATTERIES (CE AND AUSTRALIAN SPECS)	C
1	0641811	8	Bolt, 1/2-13 x 1-3/8	
5	2540045	2	Grommet	
6	3000003	2	Liner, Battery Box	
8	4751500	4	Washer, 5/16	
9	4751800	8	Washer, 1/2	
10	88521205	4	Nut, Lock, 5/16-18	
11	1001093382	4	Bolt, J-Bolt	
12	1001114782	8	Battery	
13	1001166496	2	Battery Hold Down	
14	1001168800	2	Tray, Battery	
15	0100011	AR	Compound, Locking	

# SECTION 1 - FRAME

FIGURE 1-35. BATTERY CHARGER INSTALLATION - E400AN/E400AJP/E400AJPN (ALL SPECS EXCEPT CE AND AUSTRALIAN SPECS)



ART\_100116939

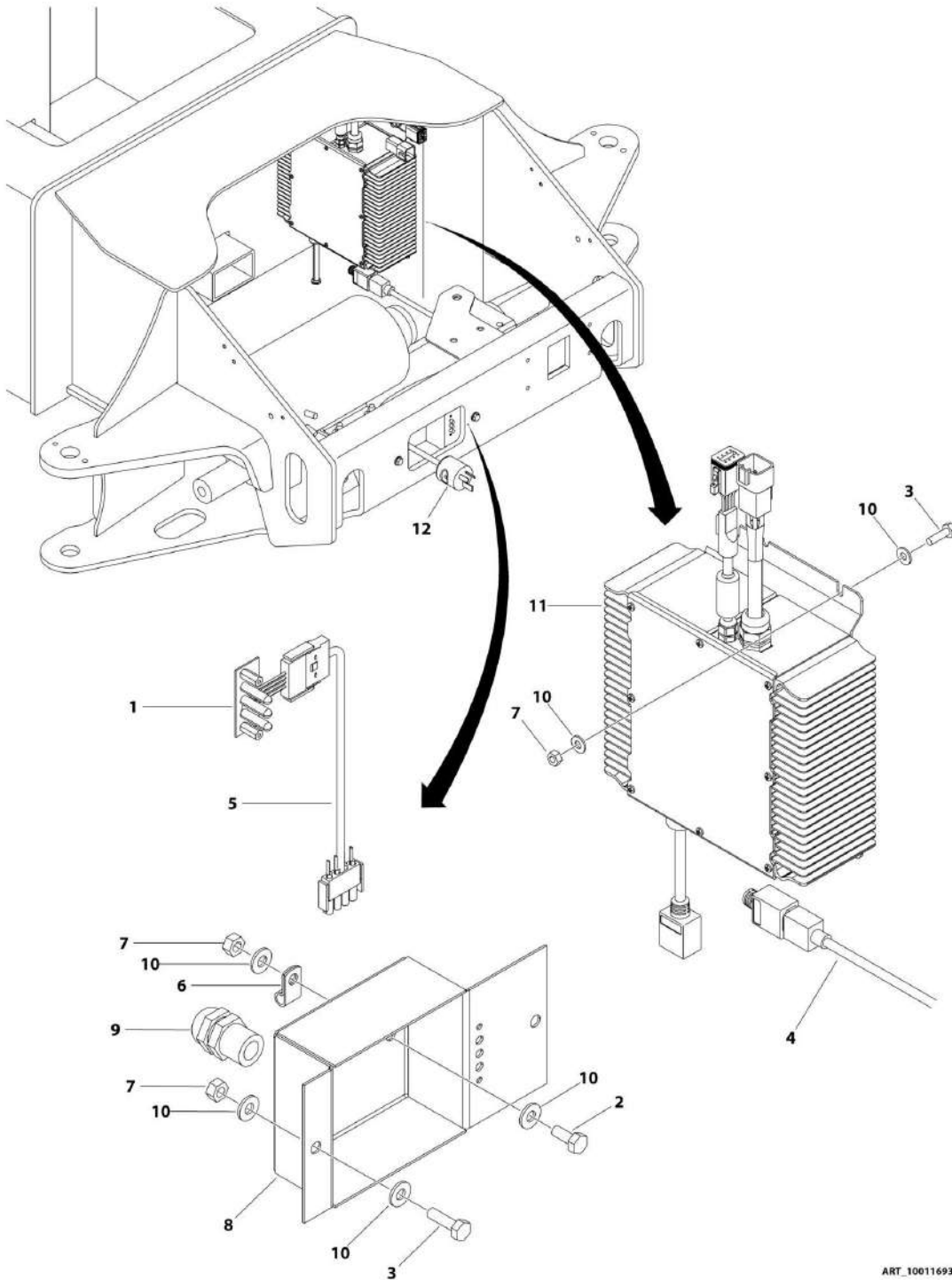
## SECTION 1 - FRAME

**FIGURE 1-35. BATTERY CHARGER INSTALLATION - E400AN/E400AJP/E400AJPN (ALL SPECS EXCEPT CE AND AUSTRALIAN SPECS)**

ITEM	PART NUMBER	QTY	DESCRIPTION	REV
	1001166939	Ref	BATTERY CHARGER INSTALLATION - E400AN/E400AJP/E400AJPN (ALL SPECS EXCEPT CE AND AUSTRALIAN SPECS)	B
1	0610131	1	Charger LED Assembly	
2	0641405	1	Bolt, 1/4-20 x 5/8	
3	0641407	6	Bolt, 1/4-20 x 7/8	
4	1060689	1	AC Cord	
5	1060778	1	LED, Remote Lead (See ELECTRICAL SECTION for Breakdown)	
6	1320136	1	Clamp	
7	3311405	7	Nut, Lock, 1/4-20	
8	3571834	1	Plate, Panel	
9	4460428	1	Connector, Strain Relief	
10	4711400	14	Washer, 1/4	
11	1001103105	1	Battery Charger Assembly (See ELECTRICAL SECTION for Breakdown)	
12	4460138	1	Plug, AC	

# SECTION 1 - FRAME

FIGURE 1-36. BATTERY CHARGER INSTALLATION - E400AJP/E400AJPN (AUSTRALIAN SPEC)



ART\_100116938

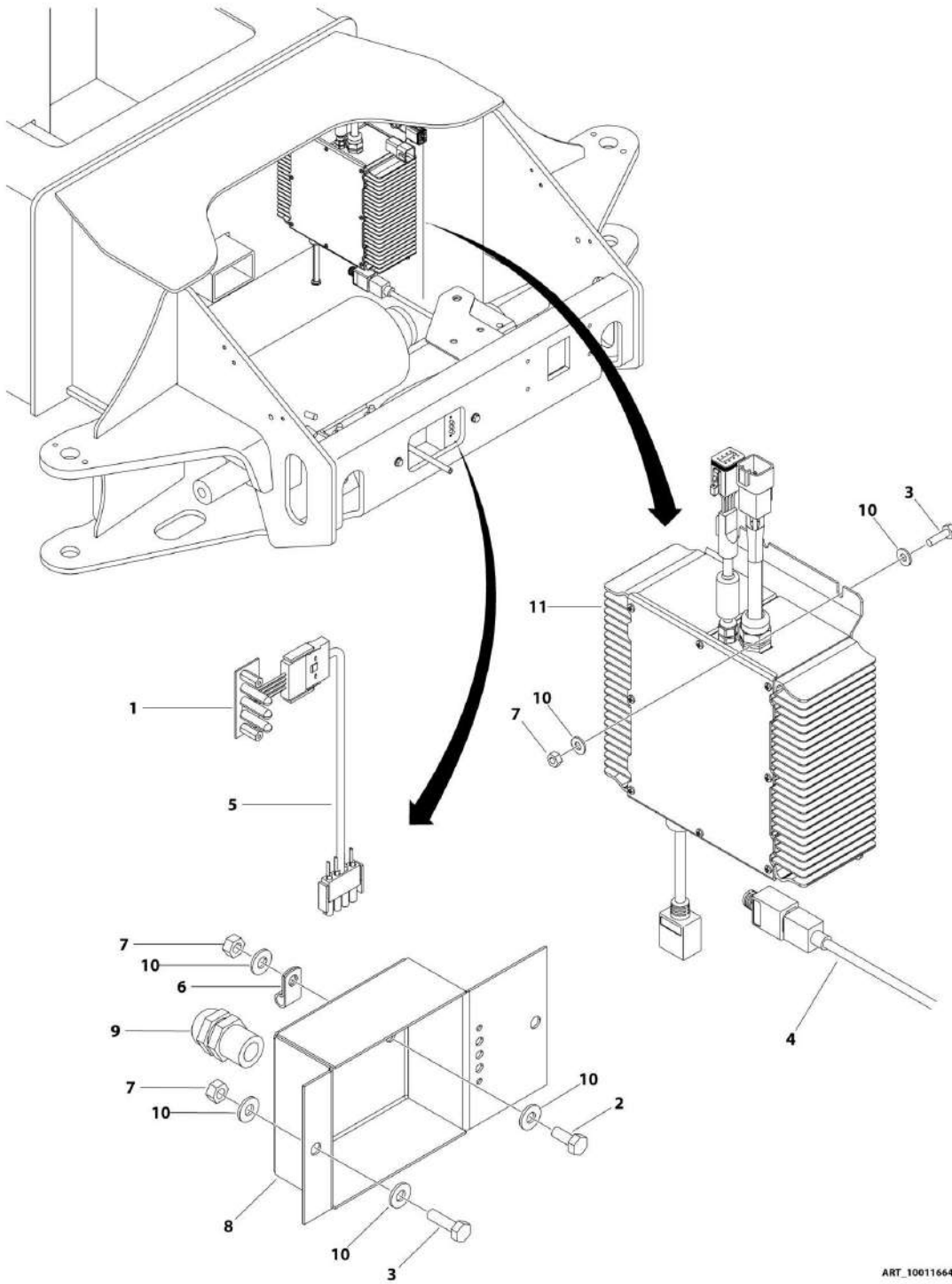
## SECTION 1 - FRAME

**FIGURE 1-36. BATTERY CHARGER INSTALLATION - E400AJP/E400AJPN (AUSTRALIAN SPEC)**

ITEM	PART NUMBER	QTY	DESCRIPTION	REV
	1001166938	Ref	BATTERY CHARGER INSTALLATION - E400AJP/E400AJPN (AUSTRALIAN SPEC)	B
1	0610131	1	Charger LED Assembly	
2	0641405	1	Bolt, 1/4-20 x 5/8	
3	0641407	6	Bolt, 1/4-20 x 7/8	
4	1060689	1	AC Cord	
5	1060778	1	LED, Remote Lead (See ELECTRICAL SECTION for Breakdown)	
6	1320136	1	Clamp	
7	3311405	7	Nut, Lock, 1/4-20	
8	3571834	1	Plate, Panel	
9	4460428	1	Connector, Strain Relief	
10	4711400	14	Washer, 1/4	
11	1001103105	1	Battery Charger Assembly (See ELECTRICAL SECTION for Breakdown)	
12	4460805	1	Plug, AC	

# SECTION 1 - FRAME

FIGURE 1-37. BATTERY CHARGER INSTALLATION - E400AN/E400AJP/E400AJPN (ANSI EXPORT AND CE SPECS)



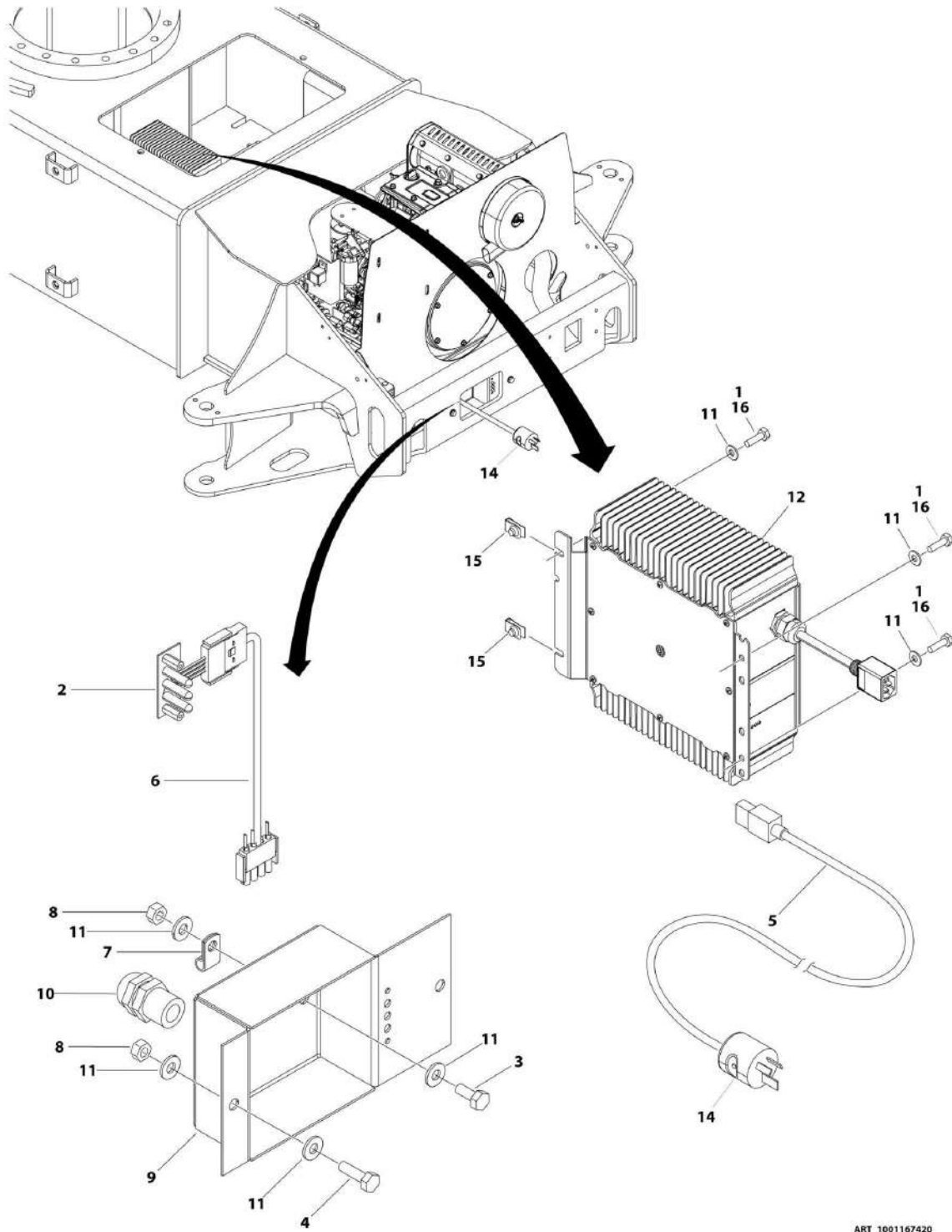
## SECTION 1 - FRAME

**FIGURE 1-37. BATTERY CHARGER INSTALLATION - E400AN/E400AJP/E400AJPN (ANSI EXPORT AND CE SPECS)**

ITEM	PART NUMBER	QTY	DESCRIPTION	REV
	1001166444	Ref	BATTERY CHARGER INSTALLATION - E400AN/E400AJP/E400AJPN (ANSI EXPORT AND CE SPECS)	B
	See Note	Ref	Note: AC Plug Supplied Locally.	
1	0610131	1	Charger LED Assembly	
2	0641405	1	Bolt, 1/4-20 x 5/8	
3	0641407	6	Bolt, 1/4-20 x 7/8	
4	1060689	1	AC Cord (Note: For Plug Options See ELECTRICAL SECTION)	
5	1060778	1	LED, Remote Harness (See ELECTRICAL SECTION for Breakdown)	
6	1320136	1	Clamp	
7	3311405	7	Nut, Lock, 1/4-20	
8	3571834	1	Plate, Panel	
9	4460428	1	Connector, Strain Relief	
10	4711400	14	Washer, 1/4	
11	1001103105	1	Battery Charger Assembly (See ELECTRICAL SECTION for Breakdown)	

# SECTION 1 - FRAME

FIGURE 1-38. BATTERY CHARGER INSTALLATION - M400AJP (ALL SPECS EXCEPTED CE, AUSTRALIAN AND UL SPECS)



ART\_1001167420



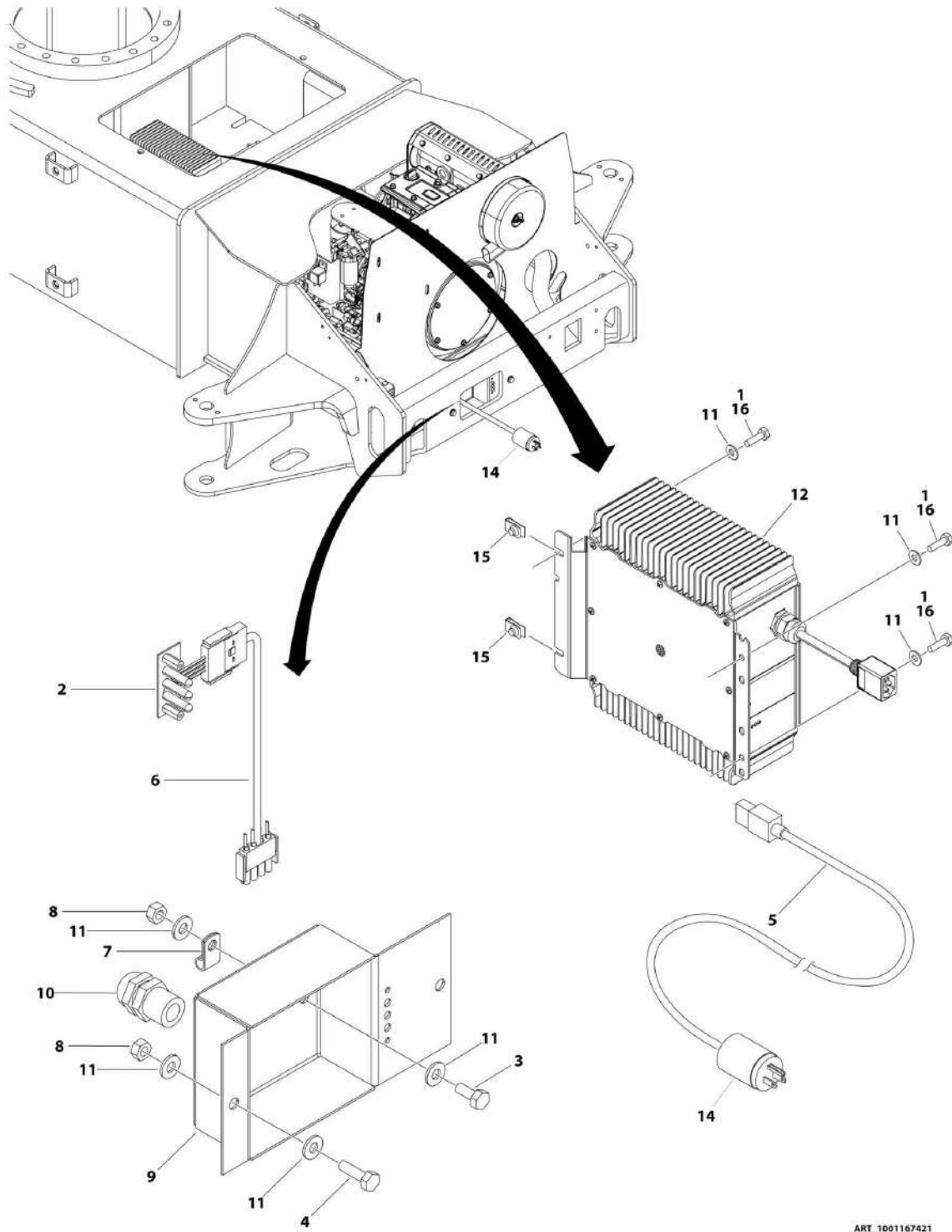
## SECTION 1 - FRAME

**FIGURE 1-38. BATTERY CHARGER INSTALLATION - M400AJP (ALL SPECS EXCEPTED CE, AUSTRALIAN AND UL SPECS)**

ITEM	PART NUMBER	QTY	DESCRIPTION	REV
	1001167420	Ref	BATTERY CHARGER INSTALLATION - M400AJP (ALL SPECS EXCEPTED CE, AUSTRALIAN AND UL SPECS)	D
1	0100011	AR	Compound, Locking	
2	0610131	1	Charger LED Assembly	
3	0641405	1	Bolt, 1/4-20 x 5/8	
4	0641407	2	Bolt, 1/4-20 x 7/8	
5	1060689	1	AC Cord	
6	1060778	1	LED, Remote Lead (See ELECTRICAL SECTION for Breakdown)	
7	1320136	1	Clamp	
8	3311405	3	Nut, Lock, 1/4-20	
9	3571834	1	Plate, Panel	
10	4460428	1	Connector, Strain Relief	
11	4711400	10	Washer, 1/4	
12	1001103105	1	Battery Charger Assembly (See ELECTRICAL SECTION for Breakdown)	
14	4460805	1	AC Plug	
15	3300454	4	Nut, 1/4-20	
16	0641406	4	Bolt, 1/4-20 x 3/4	

# SECTION 1 - FRAME

## FIGURE 1-39. BATTERY CHARGER INSTALLATION - M400AJP (AUSTRALIAN SPEC)



ART\_1001167421

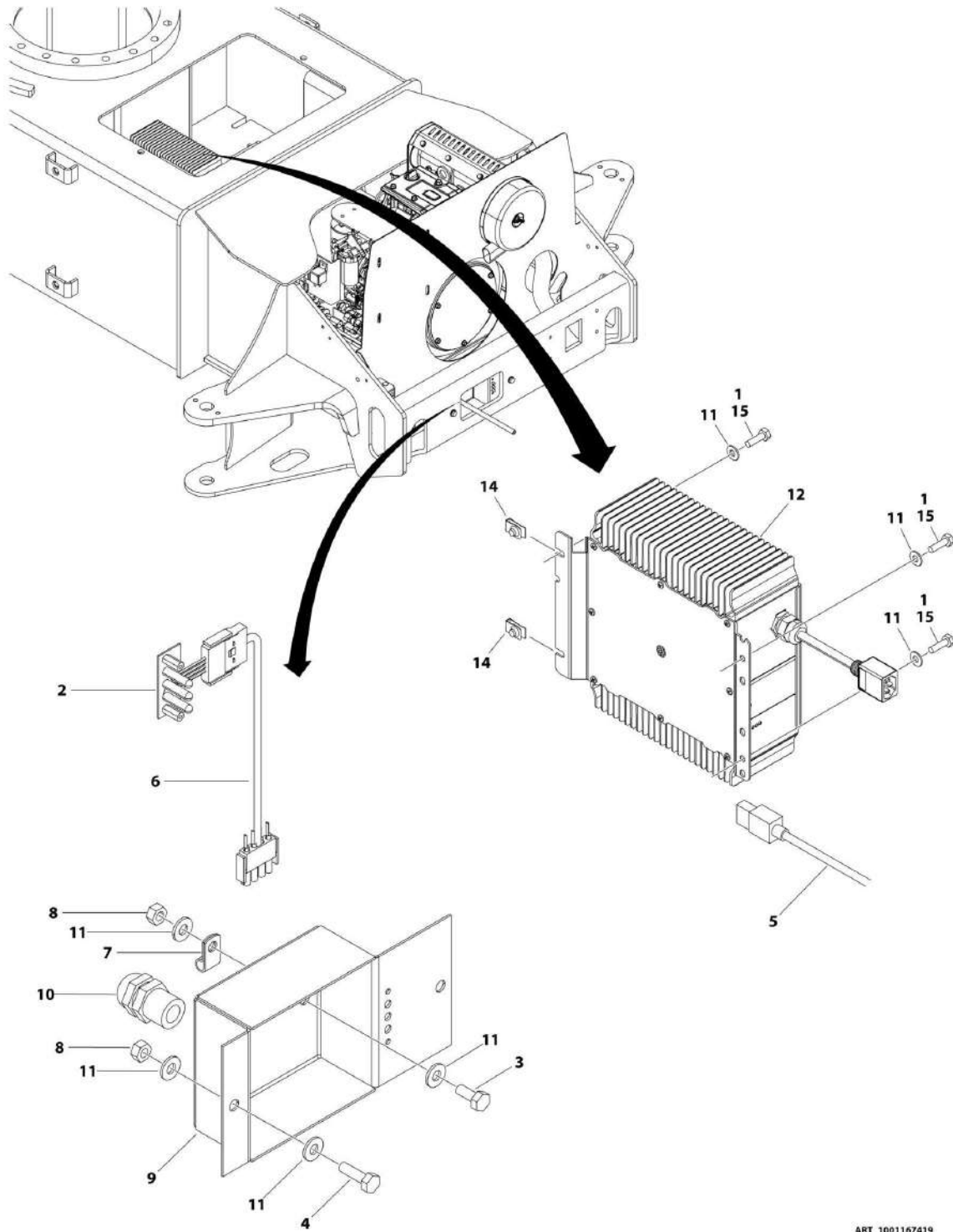
## SECTION 1 - FRAME

**FIGURE 1-39. BATTERY CHARGER INSTALLATION - M400AJP (AUSTRALIAN SPEC)**

ITEM	PART NUMBER	QTY	DESCRIPTION	REV
	1001167421	Ref	BATTERY CHARGER INSTALLATION - M400AJP (AUSTRALIAN SPEC)	D
1	0100011	AR	Compound, Locking	
2	0610131	1	Charger LED Assembly	
3	0641405	1	Bolt, 1/4-20 x 5/8	
4	0641407	2	Bolt, 1/4-20 x 7/8	
5	1060689	1	AC Cord	
6	1060778	1	LED, Remote Lead (See ELECTRICAL SECTION for Breakdown)	
7	1320136	1	Clamp	
8	3311405	3	Nut, Lock, 1/4-20	
9	3571834	1	Plate, Panel	
10	4460428	1	Connector, Strain Relief	
11	4711400	10	Washer, 1/4	
12	1001103105	1	Battery Charger Assembly (See ELECTRICAL SECTION for Breakdown)	
14	4460138	1	AC Plug	
15	3300454	4	Nut, 1/4-20	
16	0641406	4	Bolt, 1/4-20 x 3/4	

# SECTION 1 - FRAME

FIGURE 1-40. BATTERY CHARGER INSTALLATION - M400AJP (ANSI EXPORT AND CE SPECS)



ART\_1001167419

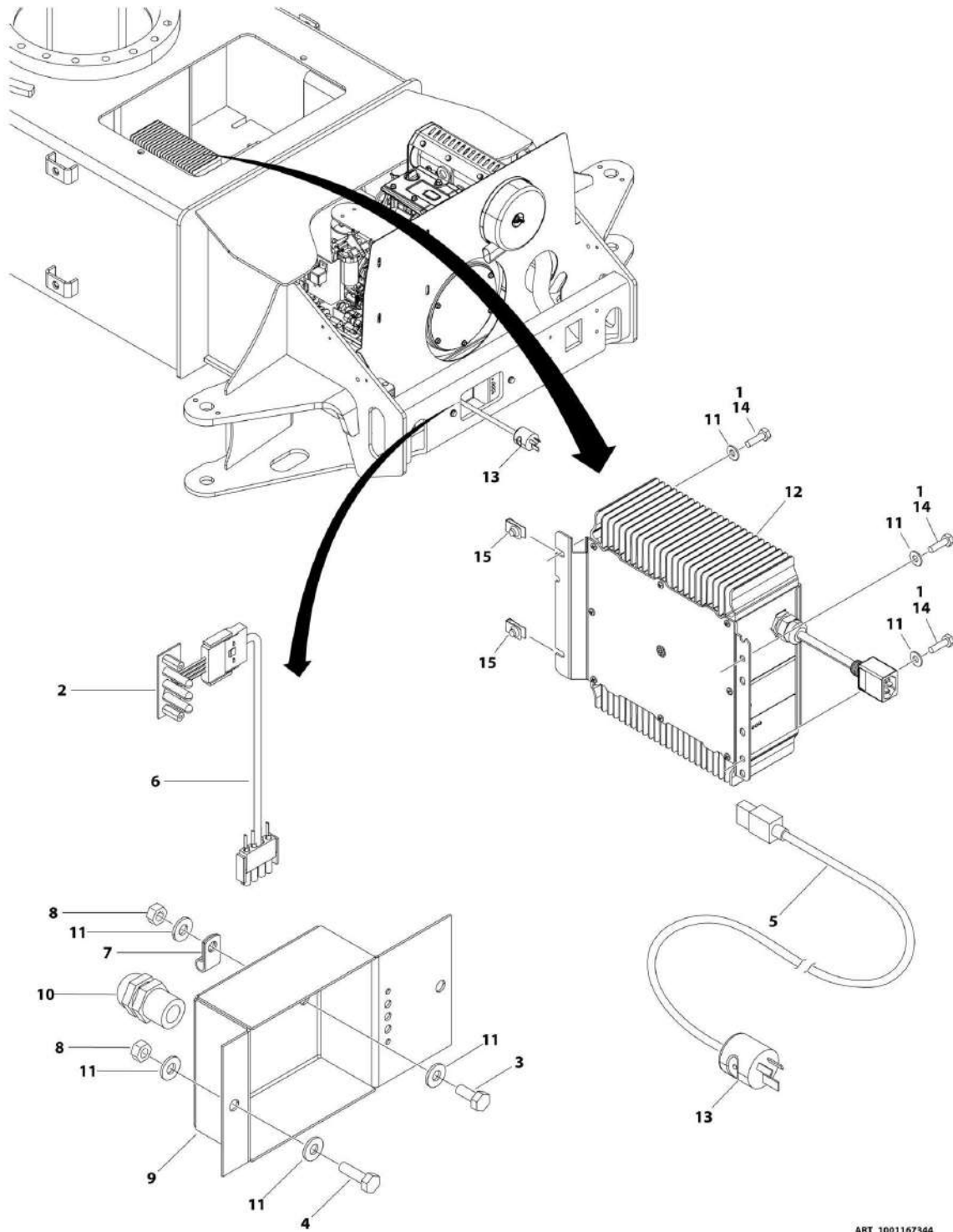
## SECTION 1 - FRAME

**FIGURE 1-40. BATTERY CHARGER INSTALLATION - M400AJP (ANSI EXPORT AND CE SPECS)**

ITEM	PART NUMBER	QTY	DESCRIPTION	REV
	1001167419	Ref	BATTERY CHARGER INSTALLATION - M400AJP (ANSI EXPORT AND CE SPECS)	D
	See Note	Ref	Note: AC Plug Supplied Locally.	
1	0100011	AR	Compound, Locking	
2	0610131	1	Charger LED Assembly	
3	0641405	1	Bolt, 1/4-20 x 5/8	
4	0641407	2	Bolt, 1/4-20 x 7/8	
5	1060689	1	AC Cord (Note: For Plug Options See ELECTRICAL SECTION)	
6	1060778	1	LED, Remote Lead (See ELECTRICAL SECTION for Breakdown)	
7	1320136	1	Clamp	
8	3311405	3	Nut, Lock, 1/4-20	
9	3571834	1	Plate, Panel	
10	4460428	1	Connector, Strain Relief	
11	4711400	10	Washer, 1/4	
12	1001103105	1	Battery Charger Assembly (See ELECTRICAL SECTION for Breakdown)	
14	3300454	4	Nut, 1/4-20	
15	0641406	4	Bolt, 1/4-20 x 3/4	

# SECTION 1 - FRAME

## FIGURE 1-41. BATTERY CHARGER INSTALLATION - M400AJPN



ART\_1001167344

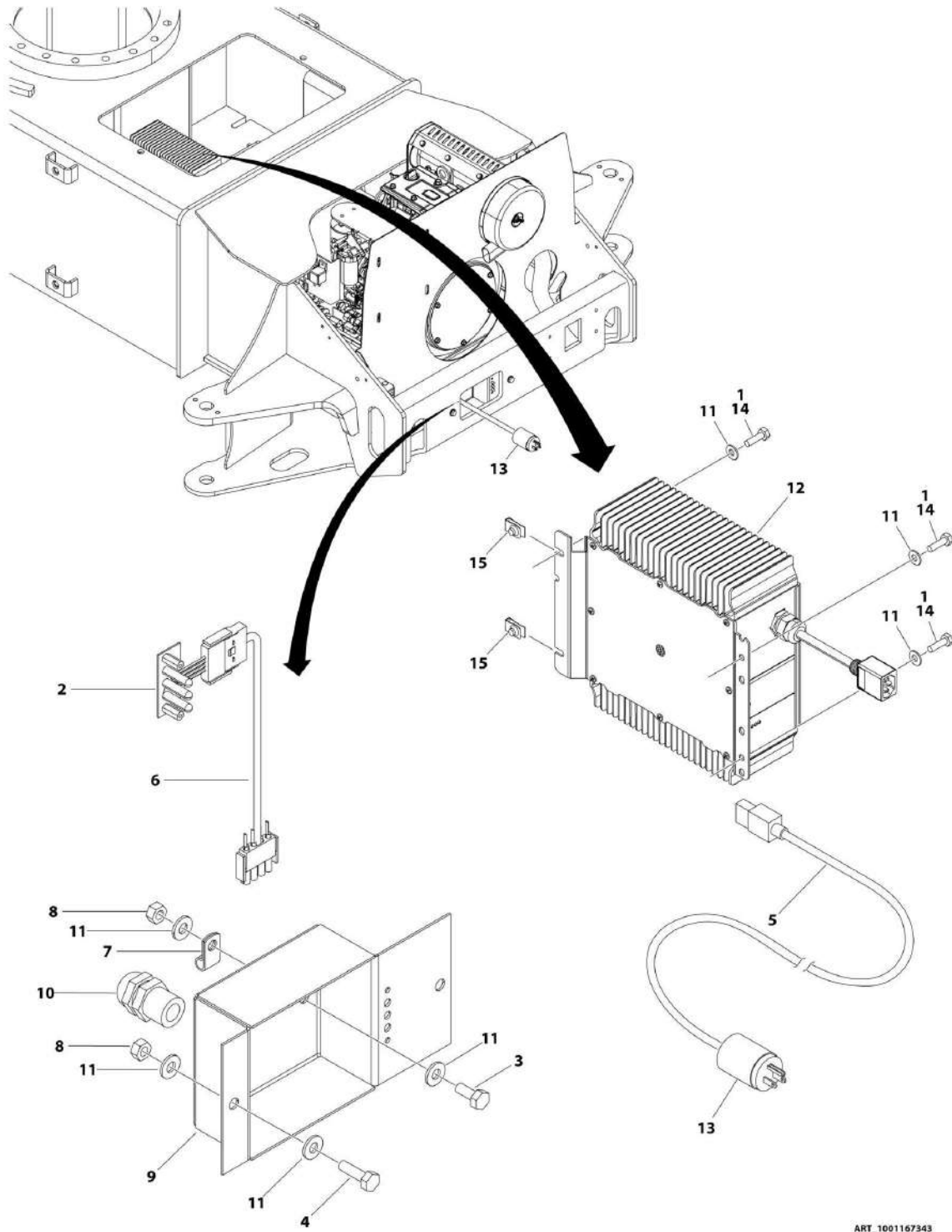
## SECTION 1 - FRAME

**FIGURE 1-41. BATTERY CHARGER INSTALLATION - M400AJPN**

ITEM	PART NUMBER	QTY	DESCRIPTION	REV
	1001167344	Ref	BATTERY CHARGER INSTALLATION - M400AJPN (ALL SPECS EXCEPT CE, AUSTRALIAN AND UL SPECS)	B
1	0100011	AR	Compound, Locking	
2	0610131	1	Charger LED Assembly	
3	0641405	1	Bolt, 1/4-20 x 5/8	
4	0641407	6	Bolt, 1/4-20 x 7/8	
5	1060689	1	AC Cord	
6	1060778	1	LED, Remote Lead (See ELECTRICAL SECTION for Breakdown)	
7	1320136	1	Clamp	
8	3311405	3	Nut, Lock, 1/4-20	
9	3571834	1	Plate, Panel	
10	4460428	1	Connector, Strain Relief	
11	4711400	10	Washer, 1/4	
12	1001103105	1	Battery Charger Assembly (See ELECTRICAL SECTION for Breakdown)	
13	4460138	1	AC Plug	
14	0641406	4	Bolt, 1/4-20 x 3/4	
15	3300454	4	Nut, 1/4-20	

# SECTION 1 - FRAME

## FIGURE 1-42. BATTERY CHARGER INSTALLATION - M400AJPN (AUSTRALIAN SPEC)



ART\_1001167343



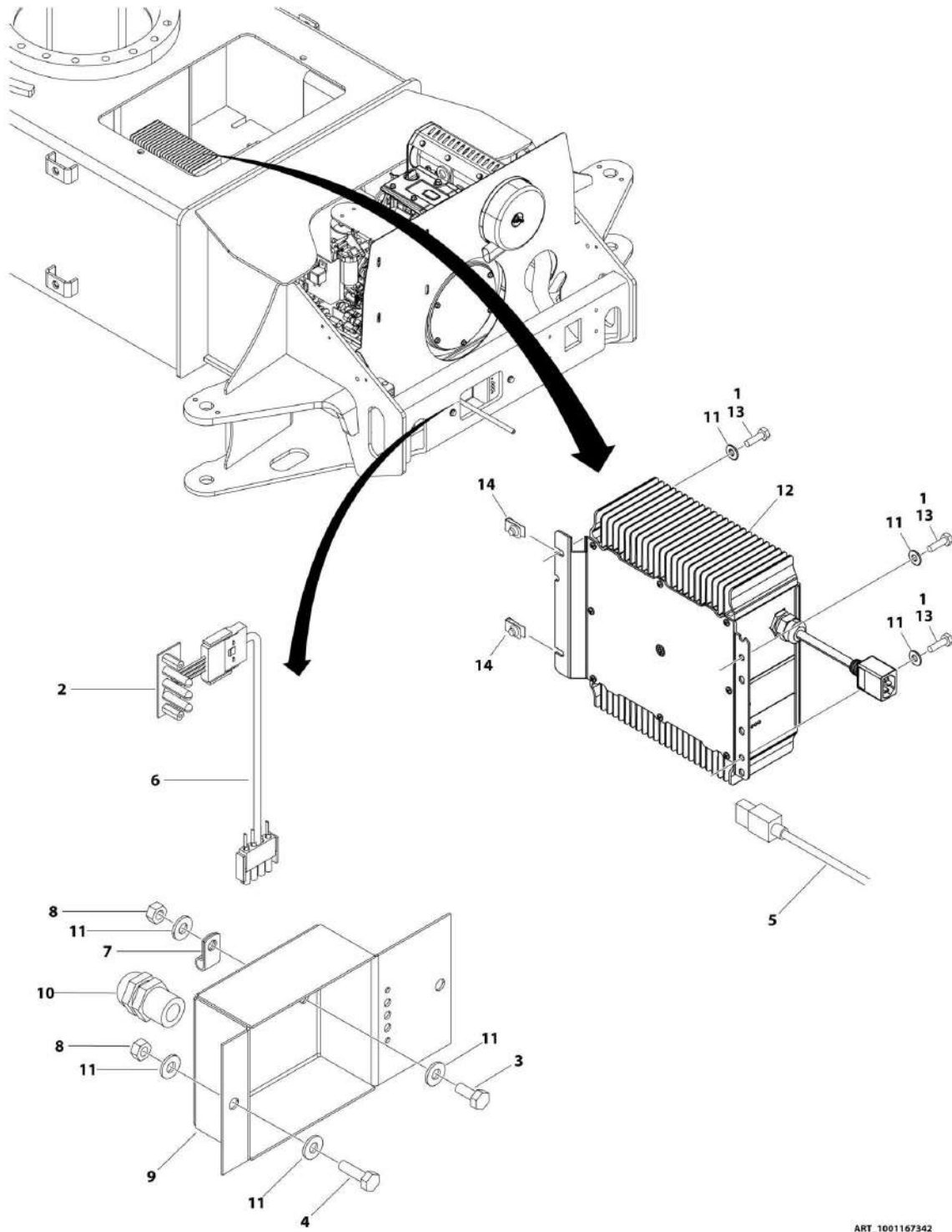
## SECTION 1 - FRAME

**FIGURE 1-42. BATTERY CHARGER INSTALLATION - M400AJPN (AUSTRALIAN SPEC)**

ITEM	PART NUMBER	QTY	DESCRIPTION	REV
	1001167343	Ref	BATTERY CHARGER INSTALLATION - M400AJPN (AUSTRALIAN SPEC)	B
1	0100011	AR	Compound, Locking	
2	0610131	1	Charger LED Assembly	
3	0641405	1	Bolt, 1/4-20 x 5/8	
4	0641407	2	Bolt, 1/4-20 x 7/8	
5	1060689	1	AC Cord	
6	1060778	1	LED, Remote Lead (See ELECTRICAL SECTION for Breakdown)	
7	1320136	1	Clamp	
8	3311405	3	Nut, Lock, 1/4-20	
9	3571834	1	Plate, Panel	
10	4460428	1	Connector, Strain Relief	
11	4711400	10	Washer, 1/4	
12	1001103105	1	Battery Charger Assembly (See ELECTRICAL SECTION for Breakdown)	
13	4460805	1	AC Plug	
14	0641406	4	Bolt, 1/4-20 x 3/4	
15	3300454	4	Nut, 1/4-20	

# SECTION 1 - FRAME

FIGURE 1-43. BATTERY CHARGER INSTALLATION - M400AJPN (ANSI EXPORT AND CE SPECS)



ART\_1001167342

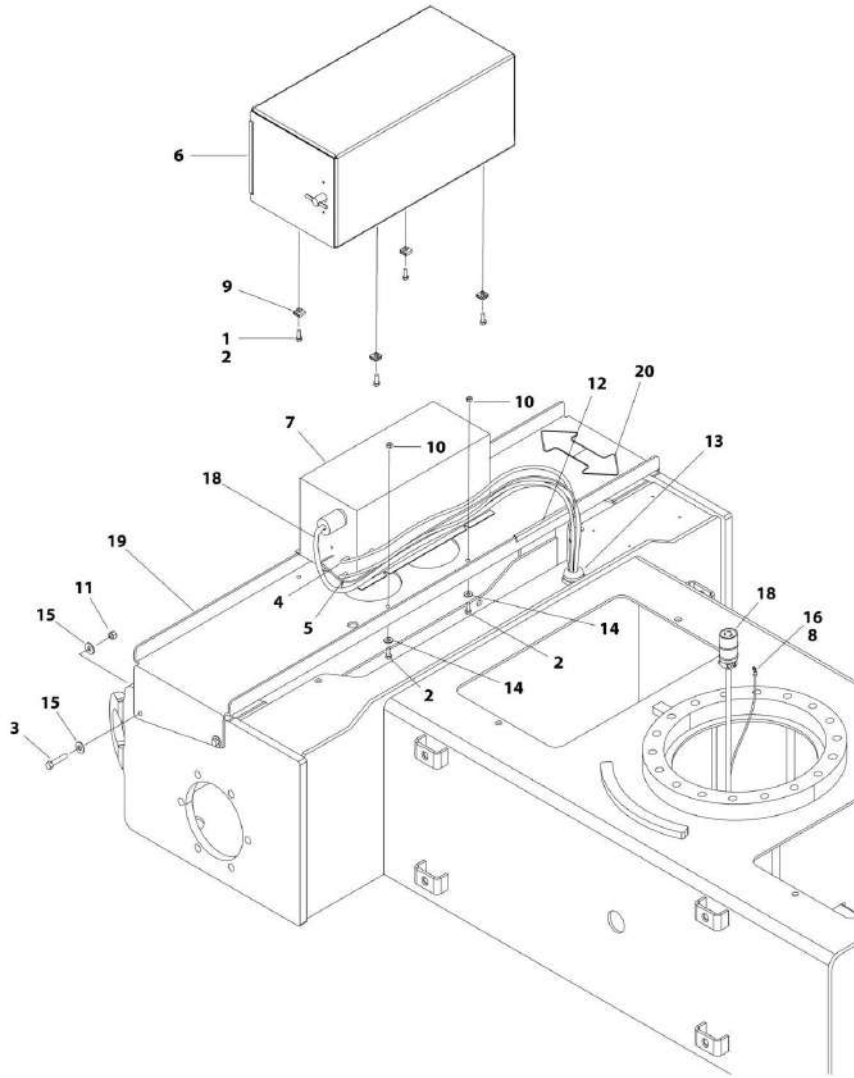
## SECTION 1 - FRAME

**FIGURE 1-43. BATTERY CHARGER INSTALLATION - M400AJPN (ANSI EXPORT AND CE SPECS)**

ITEM	PART NUMBER	QTY	DESCRIPTION	REV
	1001167342	Ref	BATTERY CHARGER INSTALLATION - M400AJPN (ANSI EXPORT AND CE SPECS)	B
	See Note	Ref	Note: AC Plug Supplied Locally.	
1	0100011	AR	Compound, Locking	
2	0610131	1	Charger LED Assembly	
3	0641405	1	Bolt, 1/4-20 x 5/8	
4	0641407	2	Bolt, 1/4-20 x 7/8	
5	1060689	1	AC Cord (Note: For Plug Options See ELECTRICAL SECTION)	
6	1060778	1	LED, Remote Lead (See ELECTRICAL SECTION for Breakdown)	
7	1320136	1	Clamp	
8	3311405	3	Nut, Lock, 1/4-20	
9	3571834	1	Plate, Panel	
10	4460428	1	Connector, Strain Relief	
11	4711400	10	Washer, 1/4	
12	1001103105	1	Battery Charger Assembly (See ELECTRICAL SECTION for Breakdown)	
13	0641406	4	Bolt, 1/4-20 x 3/4	
14	3300454	4	Nut 1/4-20	

# SECTION 1 - FRAME

## FIGURE 1-44. INVERTER INSTALLATION - E400AJP/M400AJP



ART\_1001167024

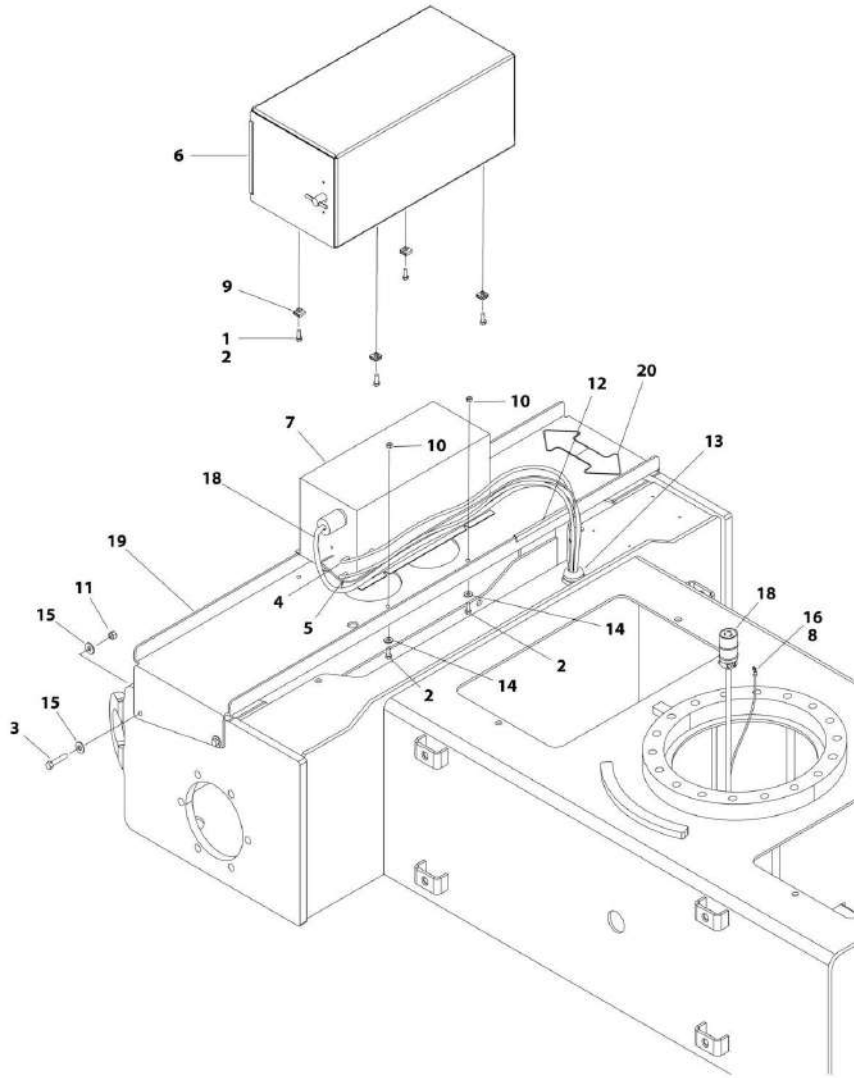
## SECTION 1 - FRAME

**FIGURE 1-44. INVERTER INSTALLATION - E400AJP/M400AJP**

ITEM	PART NUMBER	QTY	DESCRIPTION	REV
	1001167024	Ref	INVERTER INSTALLATION - E400AJP/M400AJP	C
1	0100011	AR	Compound, Locking	
2	0641406	8	Bolt, 1/4-20 x 3/4	
3	0641614	4	Bolt, 3/8-16 x 1-3/4	
4	1060801	1	Cable, Battery	
5	1060802	1	Cable, Ground	
6	1670953	1	Cover	
7	2460037	1	Inverter	
8	2820035	10 ft /3.1m	Insulate, Tubing	
9	3300353	4	Nut, Tinnerman	
10	3311405	4	Nut, Lock, 1/4-20	
11	3311605	4	Nut, Lock, 3/8-16	
12	4060805	6 in /150mm	Shield, Flex Trim	
13	4460426	1	Connector, Strain Relief	
14	4751400	4	Washer, 1/4	
15	4751600	8	Washer, 3/8	
16	4460078	1	Terminal	
18	4922390	1	Harness, Inverter (See ELECTRICAL SECTION for Breakdown) <b>(SN 0300189901 through 0300193793)</b>	
18	1001182296	1	Harness, Inverter (See ELECTRICAL SECTION for Breakdown) <b>(SN 0300193794 through 0300208528)</b>	
19	1001167014	1	Bracket	
20	1701642	1	Decal - Arrow <b>(SN 0300193794 through 0300208528)</b>	

# SECTION 1 - FRAME

## FIGURE 1-45. INVERTER INSTALLATION - E400AN/E400AJPN/M400AJPN



ART\_1001167023

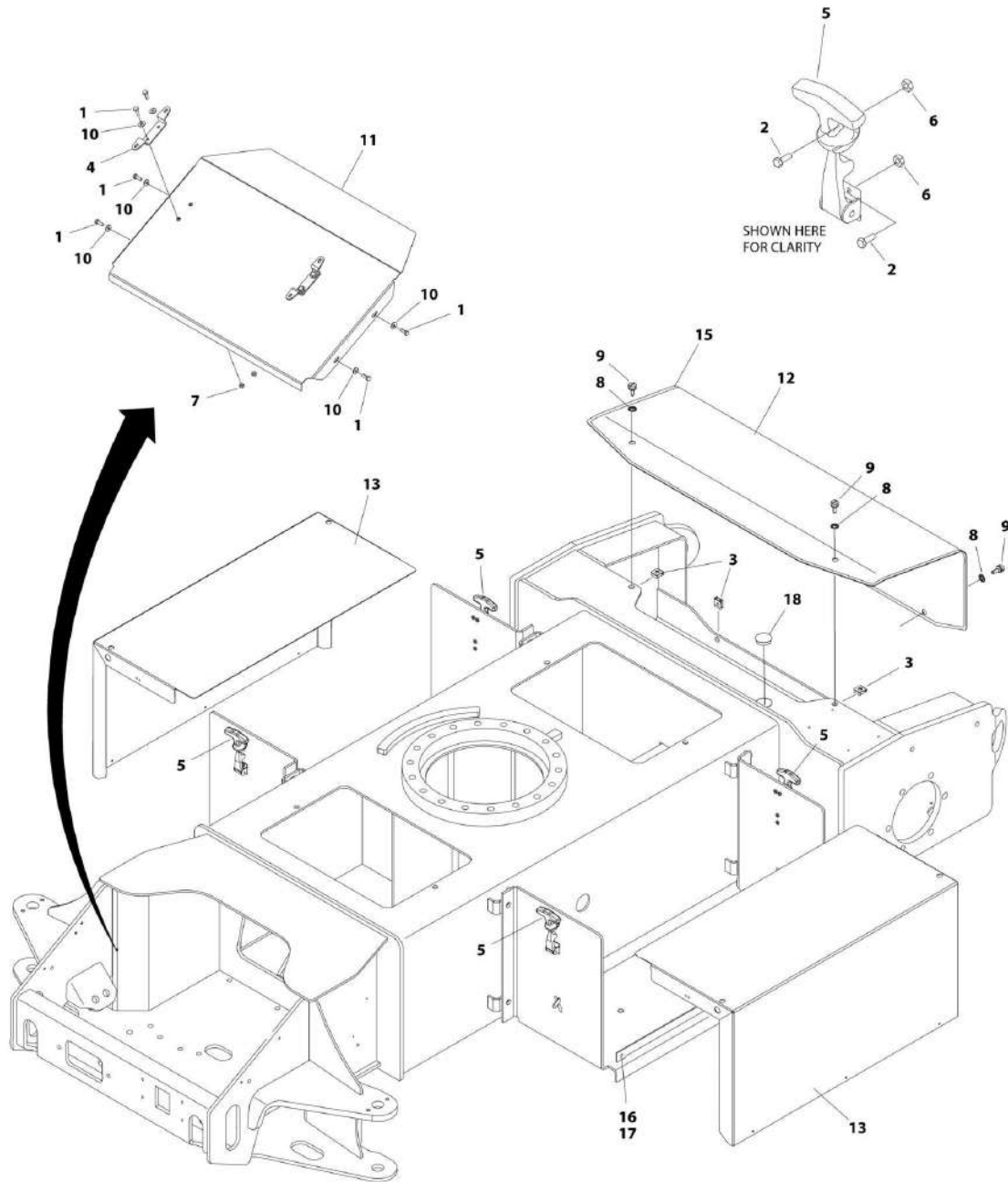
## SECTION 1 - FRAME

**FIGURE 1-45. INVERTER INSTALLATION - E400AN/E400AJPN/M400AJPN**

ITEM	PART NUMBER	QTY	DESCRIPTION	REV
	1001167023	Ref	INVERTER INSTALLATION - E400AN/E400AJPN/M400AJPN	C
1	0100011	AR	Compound, Locking	
2	0641406	8	Bolt, 1/4-20 x 3/4	
3	0641614	4	Bolt, 3/8-16 x 1-3/4	
4	1060801	1	Cable, Battery	
5	1060802	1	Cable, Ground	
6	1670953	1	Cover	
7	2460037	1	Inverter	
8	2820035	10 ft /3.1m	Insulate, Tubing	
9	3300353	4	Nut, Tinnerman	
10	3311405	4	Nut, Lock, 1/4-20	
11	3311605	4	Nut, Lock, 3/8-16	
12	4060805	6 in /150mm	Shield, Flex Trim	
13	4460426	1	Connector, Strain Relief	
14	4751400	4	Washer, 1/4	
15	4751600	8	Washer, 3/8	
16	4460078	1	Terminal	
18	4922390	1	Harness, Inverter (See ELECTRICAL SECTION for Breakdown) <b>(SN 0300189901 through 0300193793)</b>	
18	1001182296	1	Harness, Inverter (See ELECTRICAL SECTION for Breakdown) <b>(SN 0300193794 through 0300208528)</b>	
19	1001167013	1	Bracket	
20	1701642	1	Decal - Arrow <b>(SN 0300193794 through 0300208528)</b>	

# SECTION 1 - FRAME

## FIGURE 1-46. FRAME COVER INSTALLATION - E400AJP



ART\_1001166327



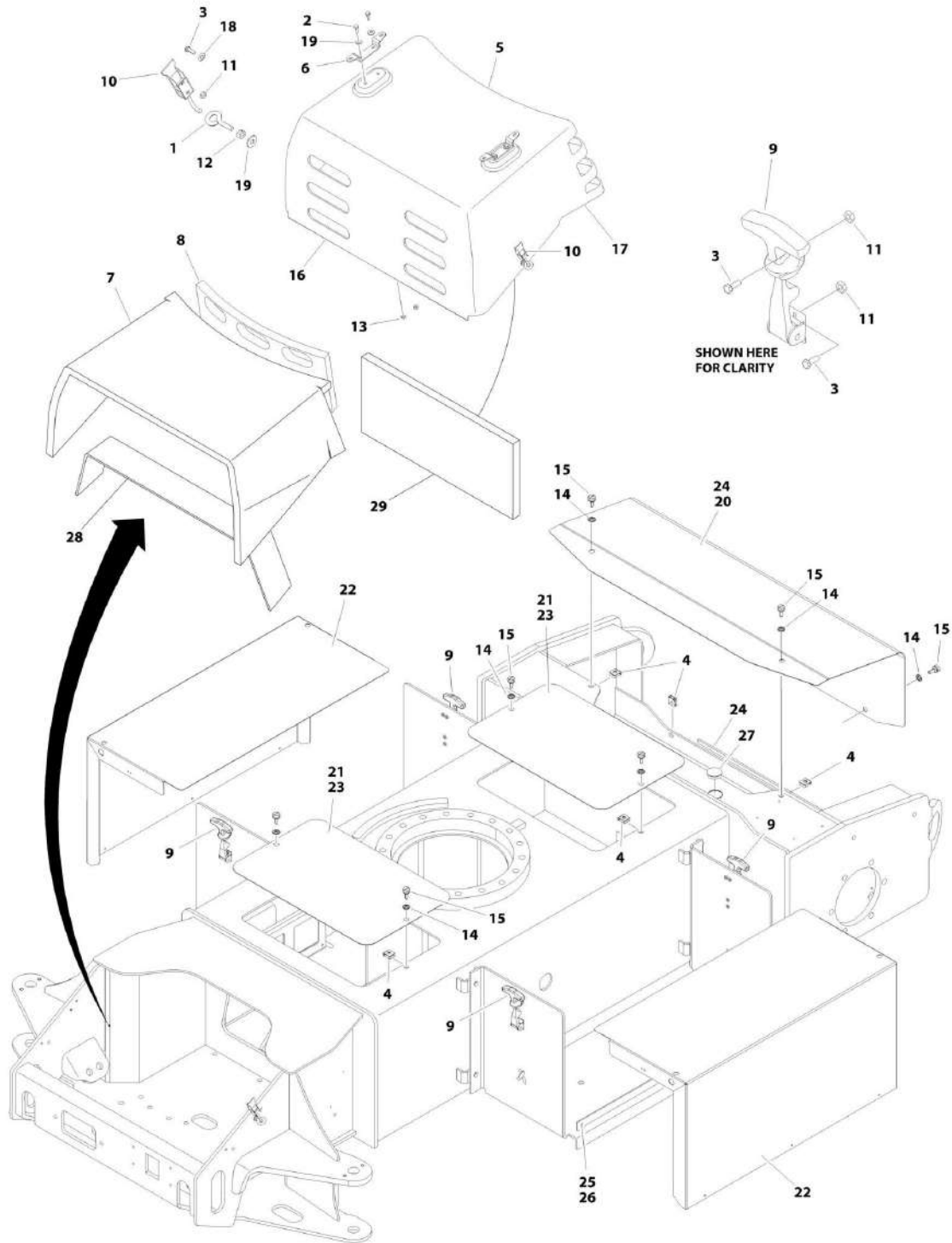
## SECTION 1 - FRAME

**FIGURE 1-46. FRAME COVER INSTALLATION - E400AJP**

ITEM	PART NUMBER	QTY	DESCRIPTION	REV
	1001166327	Ref	FRAME COVER INSTALLATION - E400AJP	E
1	0641406	8	Bolt, 1/4-20 x 3/4	
2	0721004	16	Bolt, #10-24 x .500	
3	1380138	4	Clip, Receptacle	
4	2700093	2	Hook	
5	2940095	4	Latch	
6	3311005	16	Nut, Lock, #10-24	
7	3311405	4	Nut, Lock, 1/4-20	
8	3760308	4	Retainer	
9	3900174	4	Screw, Special <b>(Prior to SN 0300195138)</b>	
9	1001112496	4	Screw, Special <b>(SN 0300195138 through 0300208528)</b>	
10	4751400	8	Washer, 1/4	
11	1001166321	1	Cover	
12	1001166330	1	Axle Cover	
13	1001166493	2	Battery Cover	
15	3960447	11 ft /3.52m	Seal	
16	3820019	6	Rivet	
17	1001175025	2	Brace, Battery Tray	
18	3520035	1	Plug, Cap	

# SECTION 1 - FRAME

## FIGURE 1-47. FRAME COVER INSTALLATION - M400AJP



ART. 1001166326

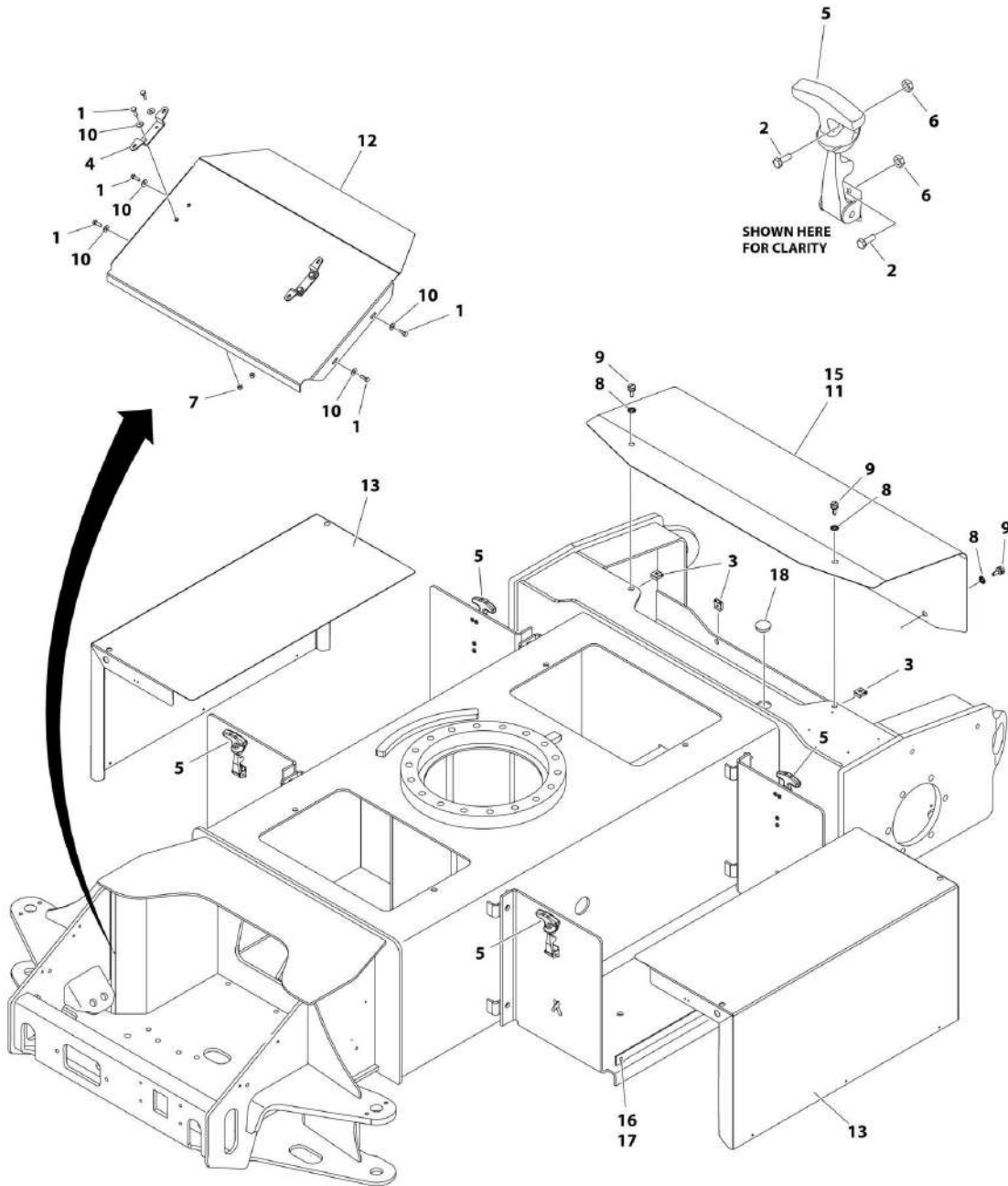
# SECTION 1 - FRAME

**FIGURE 1-47. FRAME COVER INSTALLATION - M400AJP**

ITEM	PART NUMBER	QTY	DESCRIPTION	REV
	1001166328	Ref	FRAME COVER INSTALLATION - M400AJP	F
1	0630440	2	Eyebolt	
2	0641406	4	Bolt, 1/4-20 x 3/4	
3	0721004	20	Bolt, #10-24 x .500	
4	1380138	8	Clip, Receptacle	
5	1670880	1	Cover	
6	2700093	2	Hook	
7	2820105	1	Insulation, Acoustical Foam	
8	2820106	1	Insulation, Acoustic Foam	
9	2940095	4	Latch	
10	2940115	2	Latch	
11	3311005	20	Nut, Lock, #10-24	
12	3311401	2	Nut, 1/4-20	
13	3311405	4	Nut, Lock, 1/4-20	
14	3760308	8	Retainer	
15	3900174	8	Screw, Special <b>(Prior to SN 0300195138)</b>	
15	1001112496	8	Screw, Special <b>(SN 0300195138 through 0300208528)</b>	
16	3960389	2.5 ft /0.76m	Seal	
17	4060804	6.5 ft /1.9m	Flex Trim	
18	4751000	4	Washer, 10	
19	4751400	6	Washer, 1/4	
20	1001166330	1	Axle, Cover	
21	1001166377	2	Frame Cover	
22	1001166493	2	Battery Cover	
23	3960417	12 ft /3.66m	Seal	
24	3960447	11 ft /3.35m	Seal	
25	3820019	6	Rivet	
26	1001175025	2	Brace, Battery Tray	
27	3520035	1	Plug, Cap	
28	1001182709	1	Insulation	
29	2820110	1	Insulation	

# SECTION 1 - FRAME

## FIGURE 1-48. FRAME COVER INSTALLATION - E400AN/E400AJPN



ART\_1001166312

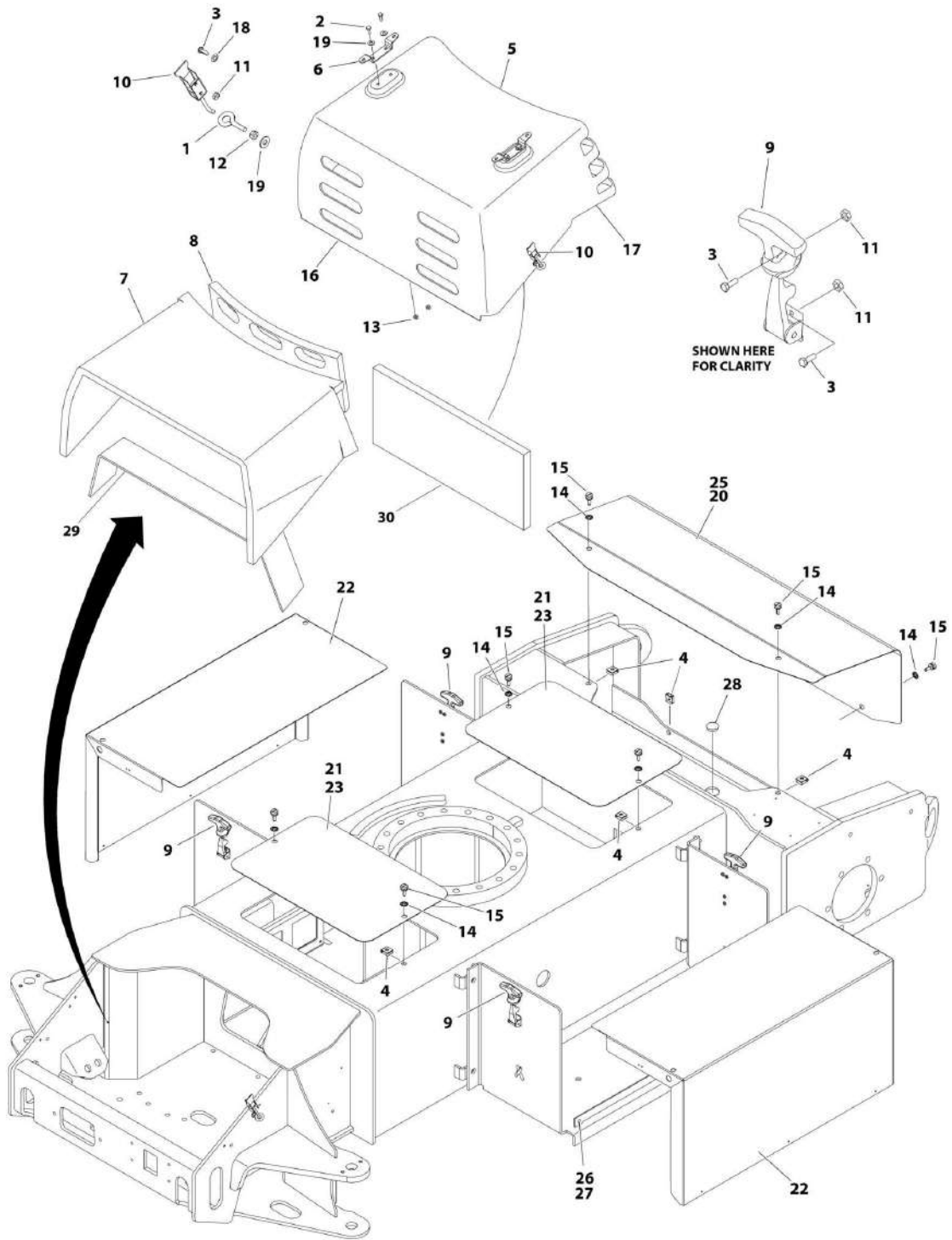
## SECTION 1 - FRAME

**FIGURE 1-48. FRAME COVER INSTALLATION - E400AN/E400AJPN**

ITEM	PART NUMBER	QTY	DESCRIPTION	REV
	1001166312	Ref	FRAME COVER INSTALLATION - E400AN/E400AJPN	D
1	0641406	8	Bolt, 1/4-20 x 3/4	
2	0721004	16	Bolt, #10-24 x .500	
3	1380138	4	Clip, Receptacle	
4	2700093	2	Hook	
5	2940095	4	Latch	
6	3311005	16	Nut, Lock, #10-24	
7	3311405	5	Nut, Lock, 1/4-20	
8	3760308	4	Retainer	
9	3900174	4	Screw, Special	
10	4751400	8	Washer, 1/4	
11	1001166296	1	Axle Cover	
12	1001166321	1	Cover	
13	1001166493	2	Battery Cover	
15	3960447	9.5 ft /2.9m	Seal	
16	3820019	6	Rivet	
17	1001175025	2	Brace, Battery Tray	
18	3520035	1	Plug, Cap	

# SECTION 1 - FRAME

## FIGURE 1-49. FRAME COVER INSTALLATION - M400AJPN



ART\_1001166329

## SECTION 1 - FRAME

**FIGURE 1-49. FRAME COVER INSTALLATION - M400AJPN**

ITEM	PART NUMBER	QTY	DESCRIPTION	REV
	1001166329	Ref	FRAME COVER INSTALLATION - M400AJPN	F
1	0630440	2	Eyebolt	
2	0641406	4	Bolt, 1/4-20 x 3/4	
3	0721004	20	Bolt, #10-24 x .500	
4	1380138	8	Clip, Receptacle	
5	1670880	1	Cover	
6	2700093	2	Hook	
7	2820105	1	Insulation, Acoustical Foam	
8	2820106	1	Insulation, Acoustic Foam	
9	2940095	4	Latch	
10	2940115	2	Latch	
11	3311005	20	Nut, Lock, #10-24	
12	3311401	2	Nut, 1/4-20	
13	3311405	4	Nut, Lock, 1/4-20	
14	3760308	8	Retainer	
15	3900174	8	Screw, Special <b>(Prior to SN 0300195138)</b>	
15	1001112496	8	Screw, Special <b>(SN 0300195138 through 0300208528)</b>	
16	3960389	2.5 ft /0.76m	Seal	
17	4060804	6 ft /1.83m	Flex Trim	
18	4751000	4	Washer, 10	
19	4751400	6	Washer, 1/4	
20	1001166296	1	Axle Cover	
21	1001166377	2	Frame Cover	
22	1001166493	2	Battery Cover	
23	3960417	12 ft /3.66m	Seal	
25	3960447	9.5 ft /2.9m	Seal	
26	3820019	6	Rivet	
27	1001175025	2	Brace, Battery Tray	
28	3520035	1	Plug, Cap	
29	1001182709	1	Insulation	
30	2820110	1	Insulation	

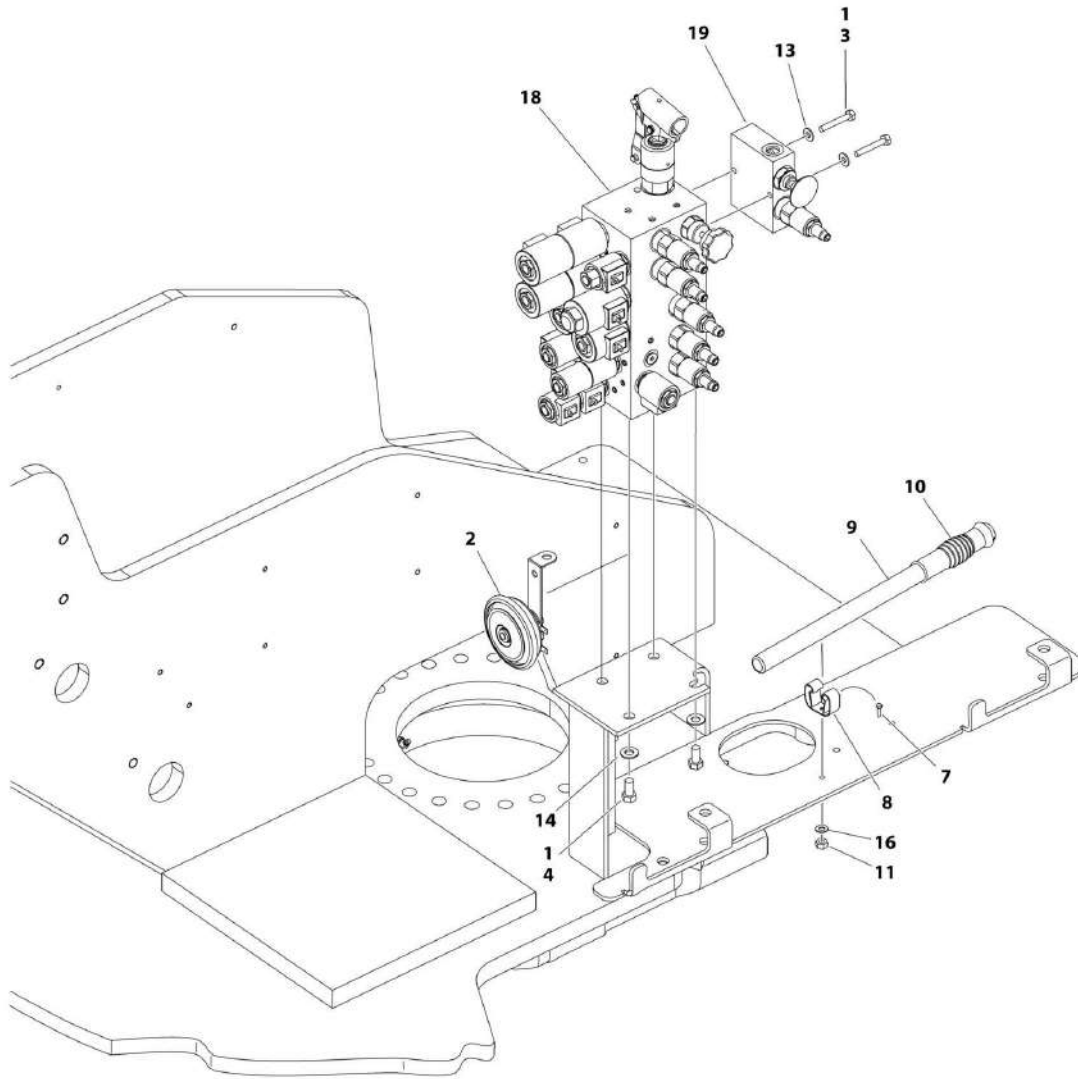




**SECTION 2 - TURNTABLE**

# SECTION 2 - TURNTABLE

FIGURE 2-1. VALVE INSTALLATION - TURNTABLE MOUNTED - E400AN



ART\_1001166438\_20F2

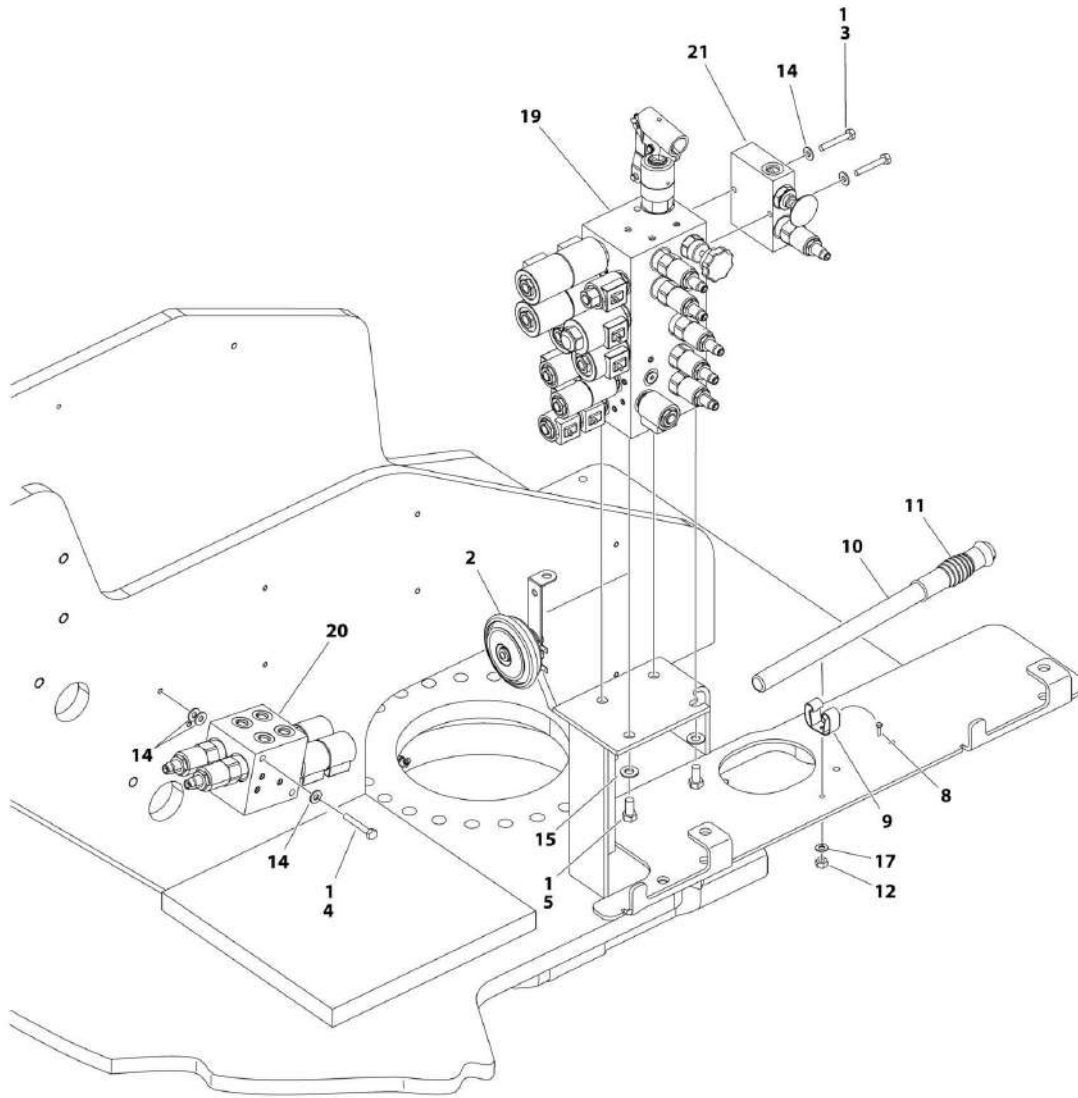
# SECTION 2 - TURNTABLE

**FIGURE 2-1. VALVE INSTALLATION - TURNTABLE MOUNTED - E400AN**

ITEM	PART NUMBER	QTY	DESCRIPTION	REV
	1001166438	Ref	VALVE INSTALLATION - TURNTABLE MOUNTED - E400AN	F
1	0100011	AR	Compound, Locking	
2	0140028	1	Alarm, Horn	
3	0641413	2	Bolt, 1/4-20 x 1-5/8	
4	0641606	4	Bolt, 3/8-16 x 3/4	
7	0720804	1	Bolt, #8-32 x 1/2	
8	1380136	1	Clip	
9	2560122	1	Handle	
10	2560123	1	Handle, Grip	
11	3310805	1	Nut, Lock, #8-32	
13	4711400	2	Washer, 1/4	
14	4711600	4	Washer, 3/8	
16	4750800	1	Washer, 8	
18	1001097507	1	Main Control Valve Assembly (See MAIN CONTROL VALVE ASSEMBLY for Breakdown)	
19	1001097777	1	Releveling Valve Assembly (See RELEVELING VALVE ASSEMBLY for Breakdown)	

# SECTION 2 - TURNTABLE

FIGURE 2-2. VALVE INSTALLATION - TURNTABLE MOUNTED - E400AJP/E400AJPN



ART\_1001167096\_20F2

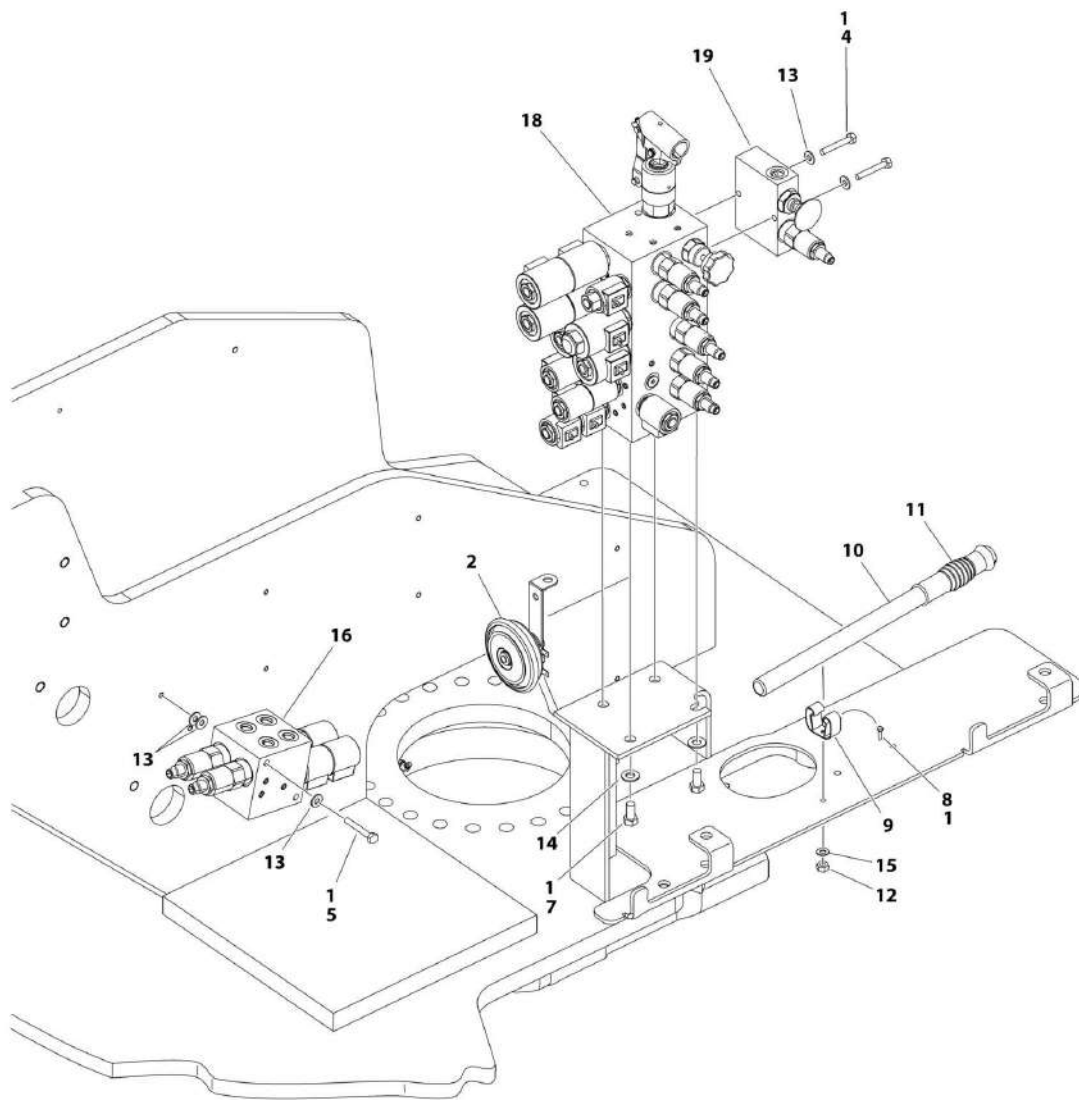
# SECTION 2 - TURNTABLE

**FIGURE 2-2. VALVE INSTALLATION - TURNTABLE MOUNTED - E400AJP/E400AJPN**

ITEM	PART NUMBER	QTY	DESCRIPTION	REV
	1001167096	Ref	VALVE INSTALLATION - TURNTABLE MOUNTED - E400AJP/E400AJPN	F
1	0100011	AR	Compound, Locking	
2	0140028	1	Alarm, Horn	
3	0641413	2	Bolt, 1/4-20 x 1-5/8	
4	0641426	2	Bolt, 1/4-20 x 3-1/4	
5	0641606	4	Bolt, 3/8-16 x 3/4	
8	0720804	1	Bolt, #8-32 x 1/2	
9	1380136	1	Clip	
10	2560122	1	Handle	
11	2560123	1	Grip, Handle	
12	3310805	1	Nut, Lock, #8-32	
14	4711400	8	Washer, 1/4	
15	4711600	2	Washer, 3/8	
17	4750800	1	Washer, #8	
19	1001097507	1	Main Control Valve Assembly (See MAIN CONTROL VALVE ASSEMBLY for Breakdown)	
20	1001097505	1	Jib Valve Assembly (See JIB VALVE ASSEMBLY for Breakdown)	
21	1001097777	1	Releveling Valve Assembly (See RELEVELING VALVE ASSEMBLY for Breakdown)	

## SECTION 2 - TURNTABLE

FIGURE 2-3. VALVE INSTALLATION - TURNTABLE MOUNTED - M400AJP/M400AJPN



ART\_1001167415\_20F2

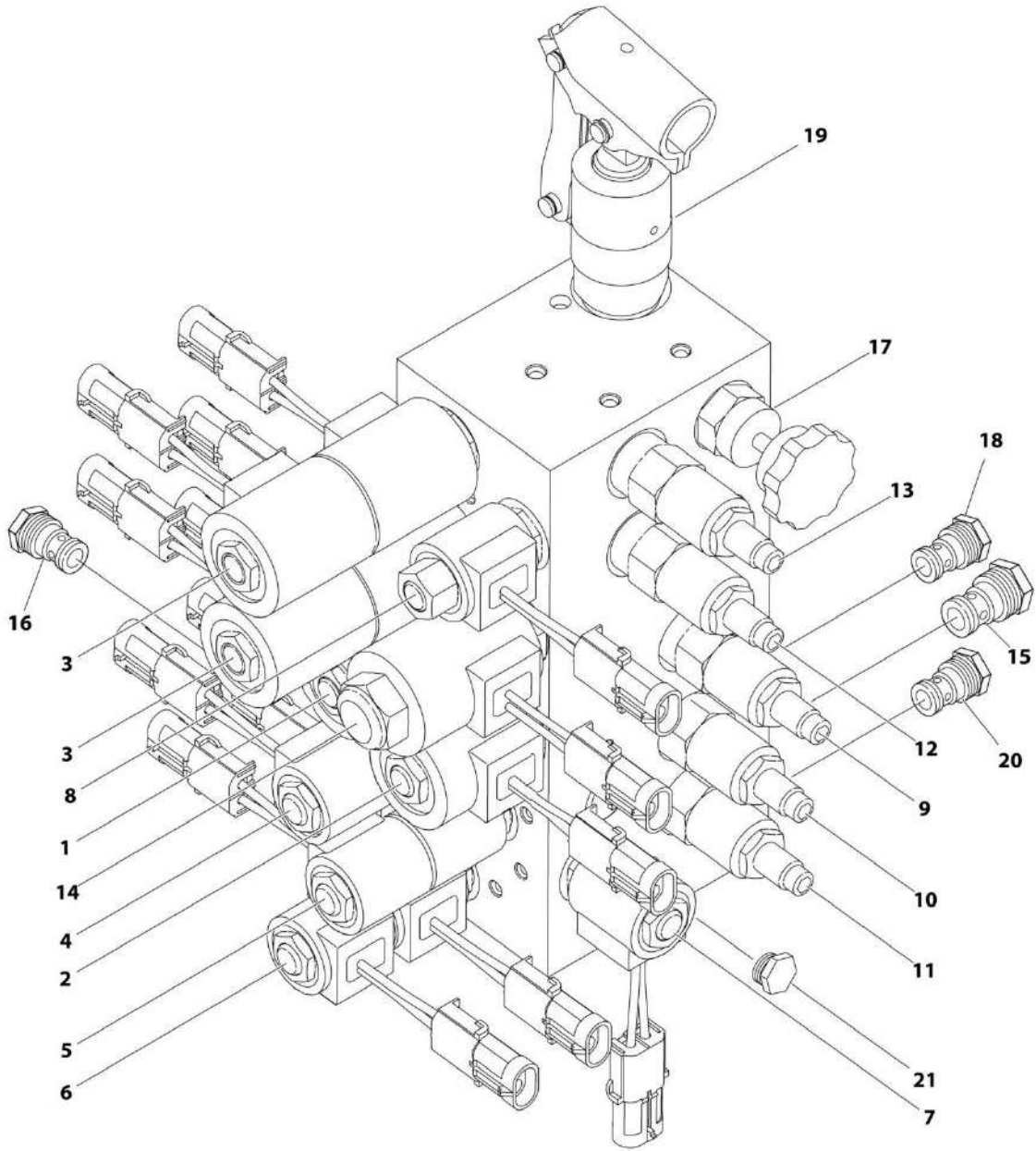
# SECTION 2 - TURNTABLE

**FIGURE 2-3. VALVE INSTALLATION - TURNTABLE MOUNTED - M400AJP/M400AJPN**

ITEM	PART NUMBER	QTY	DESCRIPTION	REV
	1001167415	Ref	VALVE INSTALLATION - TURNTABLE MOUNTED - M400AJP/M400AJPN	C
1	0100011	AR	Compound, Locking	
2	0140028	1	Alarm, Horn	
4	0641413	2	Bolt, 1/4-20 x 1-5/8	
5	0641426	2	Bolt, 1/4-20 x 3-1/4	
7	0641606	4	Bolt, 3/8-16 x 3/4	
8	0720804	1	Bolt, #8-32 x 1/2	
9	1380136	1	Clip	
10	2560122	1	Handle	
11	2560123	1	Grip, Handle	
12	3310805	1	Nut, Lock, #8-32	
13	4711400	8	Washer, 1/4	
14	4711600	4	Washer, 3/8	
15	4750800	1	Washer, #8	
16	1001097505	1	Jib Valve Assembly (See JIB VALVE ASSEMBLY for Breakdown)	
18	1001097507	1	Main Control Valve Assembly (See MAIN CONTROL VALVE ASSEMBLY for Breakdown)	
19	1001097777	1	Releveling Valve Assembly (See RELEVELING VALVE ASSEMBLY for Breakdown)	

# SECTION 2 - TURNTABLE

## FIGURE 2-4. MAIN CONTROL VALVE ASSEMBLY



ART\_1001097507



## SECTION 2 - TURNTABLE

### FIGURE 2-4. MAIN CONTROL VALVE ASSEMBLY

ITEM	PART NUMBER	QTY	DESCRIPTION	REV
	1001097507	Ref	MAIN CONTROL VALVE ASSEMBLY	D
1	7022394	1	Cartridge without Coil (Telescope In)	
1	7012518	1	Seal Kit - 7022394 Cartridge	
1	7021610	1	Coil	
2	7012995	1	Cartridge without Coil (Telescope Out)	
2	7012518	1	Seal Kit - 7012995 Cartridge	
2	7021610	1	Coil	
3	7021603	2	Cartridge without Coil (Lower and Upper Lift)	
3	7012903	1	Seal Kit - 7021603 Cartridge	
3	7021610	1	Coil (2 Per Valve)	
4	7017452	1	Cartridge without Coil (Platform Level)	
4	7017402	1	Seal Kit - 7017452 Cartridge	
4	7011609	2	Coil	
5	7017452	1	Cartridge without Coil (Rotator)	
5	7017402	1	Seal Kit - 7017452 Cartridge	
5	7011609	2	Coil	
6	7017433	1	Cartridge without Coil (Swing)	
6	7017402	1	Seal Kit - 7017433 Cartridge	
6	7021609	2	Coil	
7	7021604	1	Cartridge without Coil (Swing Restrictor)	
7	7012953	1	Seal Kit - 7021604 Cartridge	
7	7021609	1	Coil	
8	7017410	1	Cartridge without Coil (Bypass Unloading)	
8	7012998	1	Seal Kit - 7017410 Cartridge	
8	7021609	1	Coil	
9	7017418	1	Cartridge (Telescope)	
9	7012998	1	Seal Kit - 7017418 Cartridge	
10	7017421	1	Cartridge (Platform Level Backward Piston End)	
10	7012998	1	Seal Kit - 7017421 Cartridge	
11	7017418	1	Cartridge (Platform Level Forward Rod End)	
11	7012998	1	Seal Kit - 7017418 Cartridge	
12	70001876	1	Cartridge (Lower Lift Down)	
12	7012998	1	Seal Kit - 70001876 Cartridge	
13	70002806	1	Cartridge (Upper Lift Down)	
13	7012998	1	Seal Kit - 70002806 Cartridge	
14	7021611	1	Cartridge without Coil (Flow Regulator)	
14	7012518	1	Seal Kit - 7021611 Cartridge	
14	7021618	1	Coil	
15	7012914	1	Cartridge (Platform Level Piston Side)	
15	7021653	1	Seal Kit - 7012914 Cartridge	
16	7012914	1	Cartridge (Platform Level Rod Side)	
16	7021653	1	Seal Kit - 7012914 Cartridge	
17	7012947	1	Cartridge (Emergency Descent)	
17	7012518	1	Seal Kit - 7012947 Cartridge	
17	7012961	1	Knob	
18	10837580	1	Cartridge (Telescope)	
18	7010543	1	Seal Kit - 10837580 Cartridge	
19	70004019	1	Pump, Manual	
19	7017496	1	Seal Kit - 70004019 Pump	
20	7012975	1	Valve, Check	

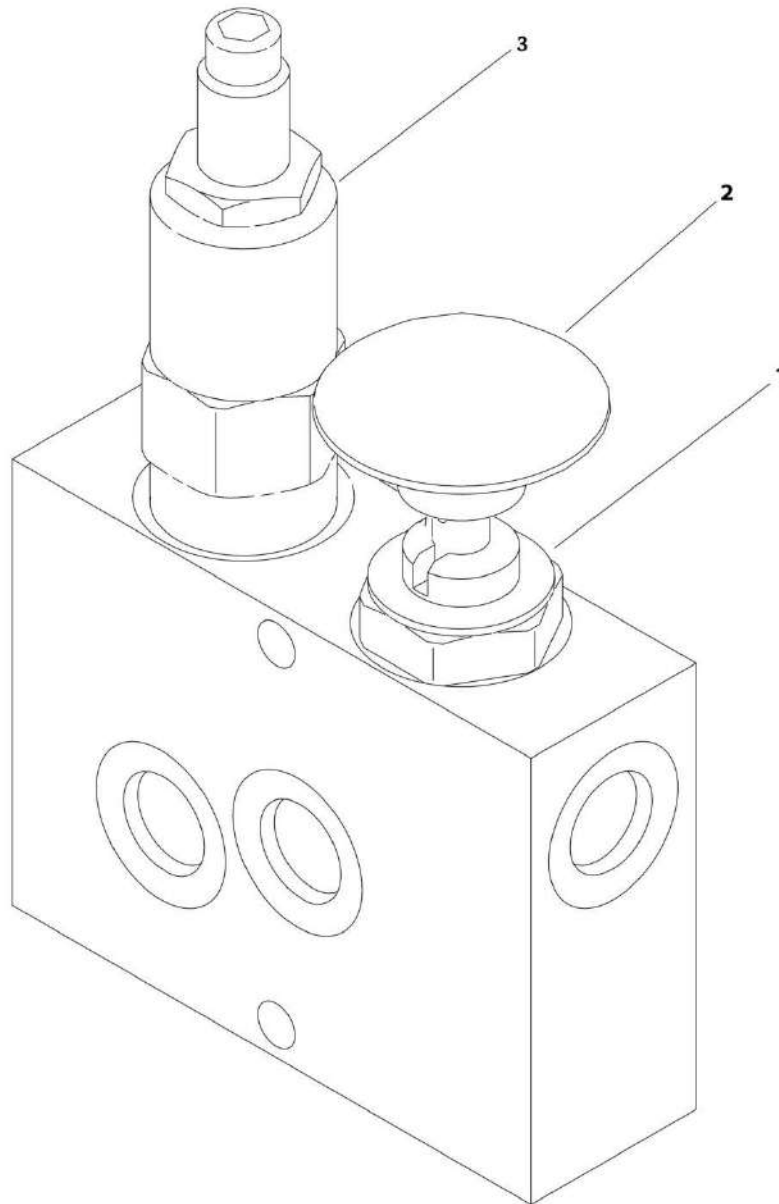
## SECTION 2 - TURNTABLE

ITEM	PART NUMBER	QTY	DESCRIPTION	REV
20	7012540	1	Seal Kit - 7012975 Cartridge	
21	70000381	1	Cartridge, Plug	
22	7017406	4	Plug (Not Shown)	



## SECTION 2 - TURNTABLE

FIGURE 2-5. RELEVELING VALVE ASSEMBLY



ART\_1001097777

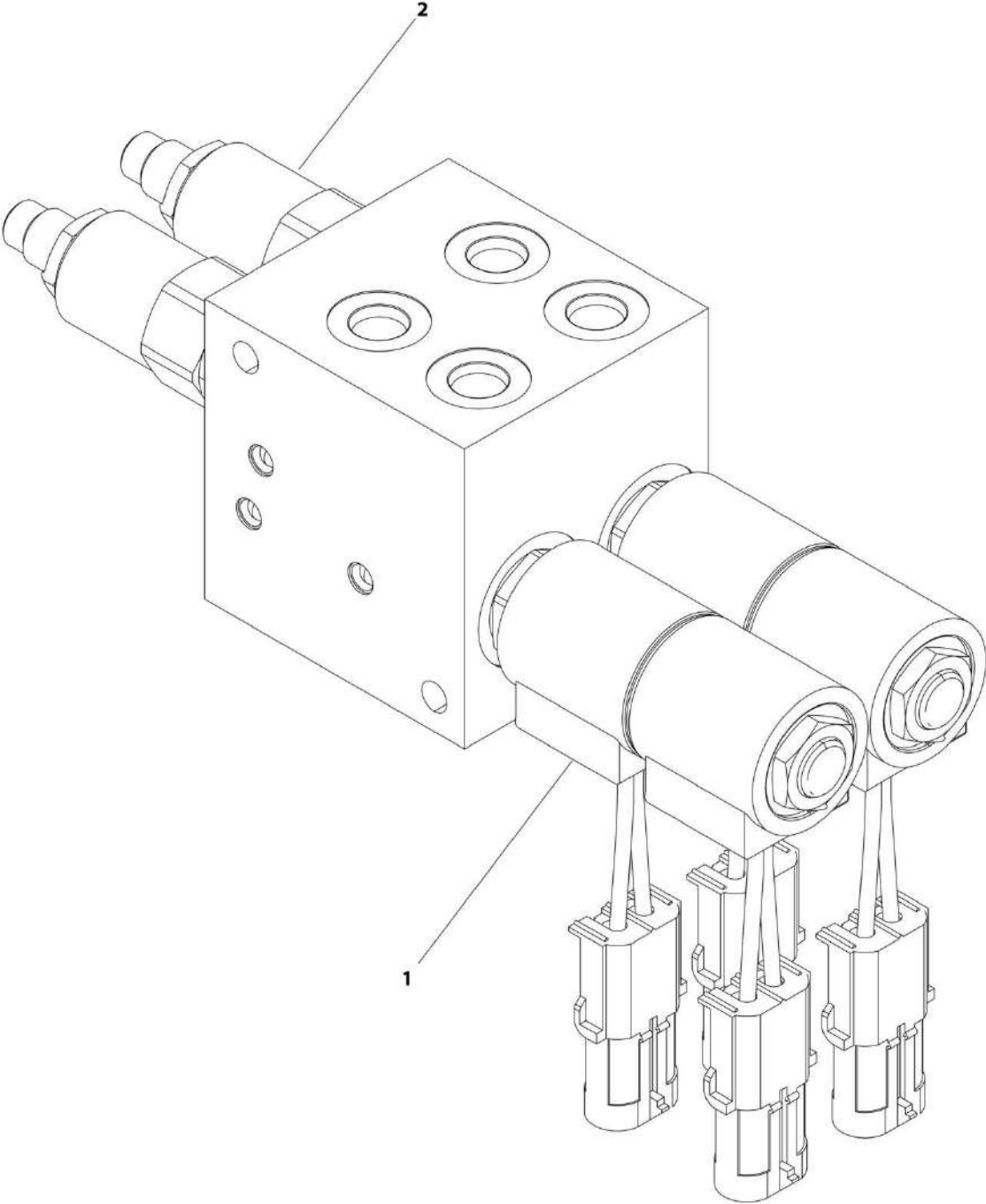
**SECTION 2 - TURNTABLE**

**FIGURE 2-5. RELEVELING VALVE ASSEMBLY**

<b>ITEM</b>	<b>PART NUMBER</b>	<b>QTY</b>	<b>DESCRIPTION</b>	<b>REV</b>
	1001097777	Ref	RELEVELING VALVE ASSEMBLY	A
1	7017466	1	Cartridge	
1	7017496	1	Seal Kit - 7017466 Cartridge	
2	7012959	1	Knob	
3	7024891	1	Cartridge	
3	7012953	1	Seal Kit - 7024891 Cartridge	

**SECTION 2 - TURNTABLE**

**FIGURE 2-6. JIB VALVE ASSEMBLY**



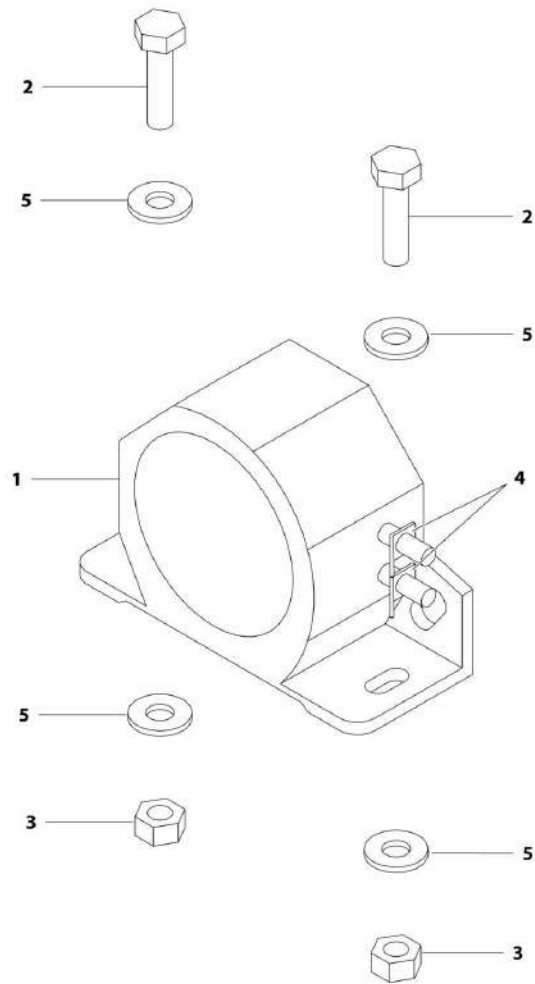
ART\_1001097505

FIGURE 2-6. JIB VALVE ASSEMBLY

ITEM	PART NUMBER	QTY	DESCRIPTION	REV
	1001097505	Ref	JIB VALVE ASSEMBLY	C
1	7017452	2	Cartridge without Coil	
1	7017402	2	Seal Kit - 7017452 Cartridge	
1	7021609	4	Coil	
2	70002808	2	Cartridge	
2	7021653	2	Seal Kit - 70002808 Cartridge	

## SECTION 2 - TURNTABLE

FIGURE 2-7. MOTION ALARM INSTALLATION



ART\_1001166437



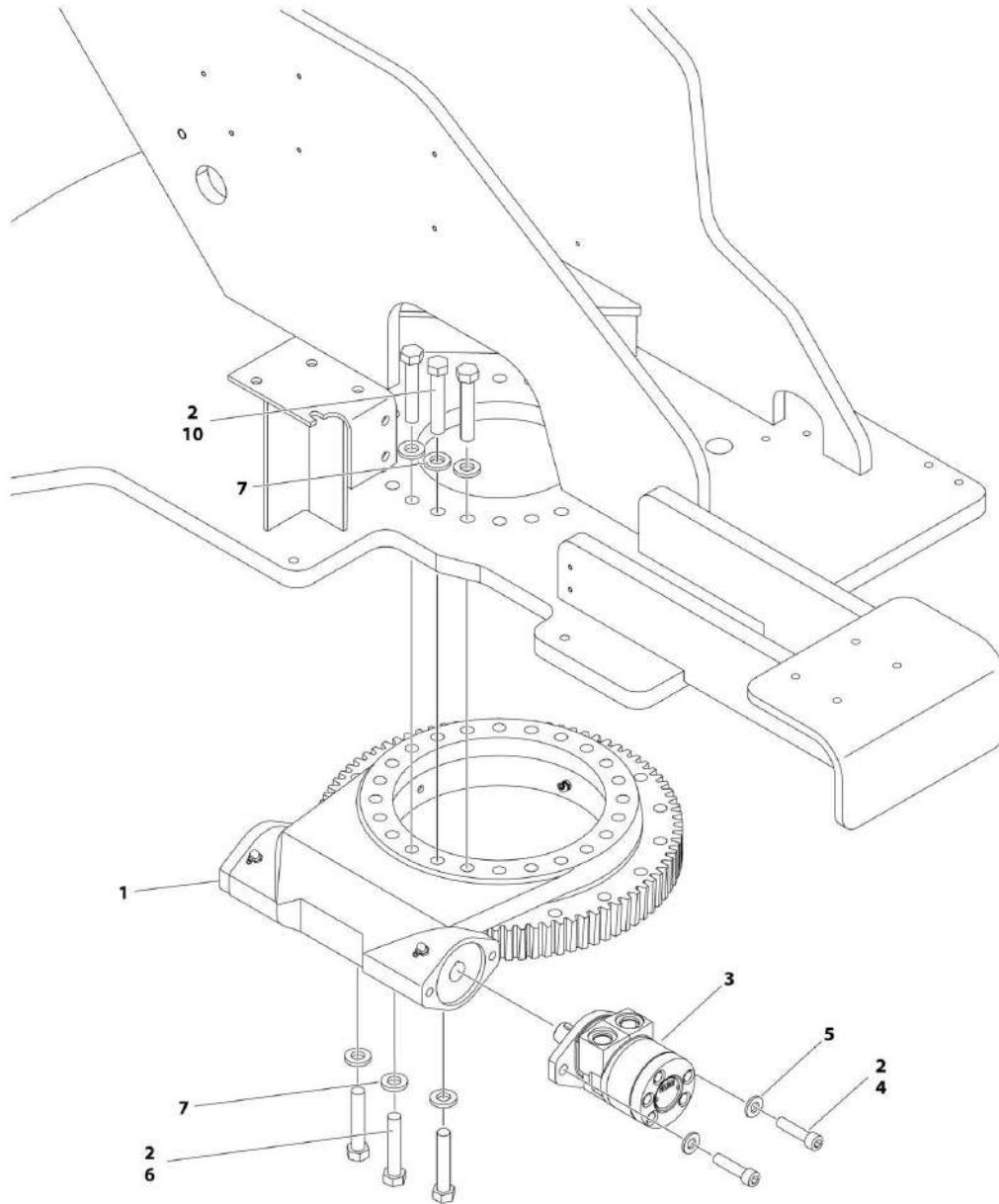
**SECTION 2 - TURNTABLE**

**FIGURE 2-7. MOTION ALARM INSTALLATION**

<b>ITEM</b>	<b>PART NUMBER</b>	<b>QTY</b>	<b>DESCRIPTION</b>	<b>REV</b>
	1001166437	Ref	MOTION ALARM INSTALLATION	A
1	0140031	1	Alarm, Motion	
2	0641408	2	Bolt, 1/4-20 x 1	
3	3311405	2	Nut, Lock, 1/4-20	
4	4460685	2	Terminal, Stud Mounted Tab	
5	4711400	4	Washer, 1/4	

## SECTION 2 - TURNTABLE

FIGURE 2-8. TURNTABLE BEARING AND SWING DRIVE INSTALLATION



ART\_1001166395

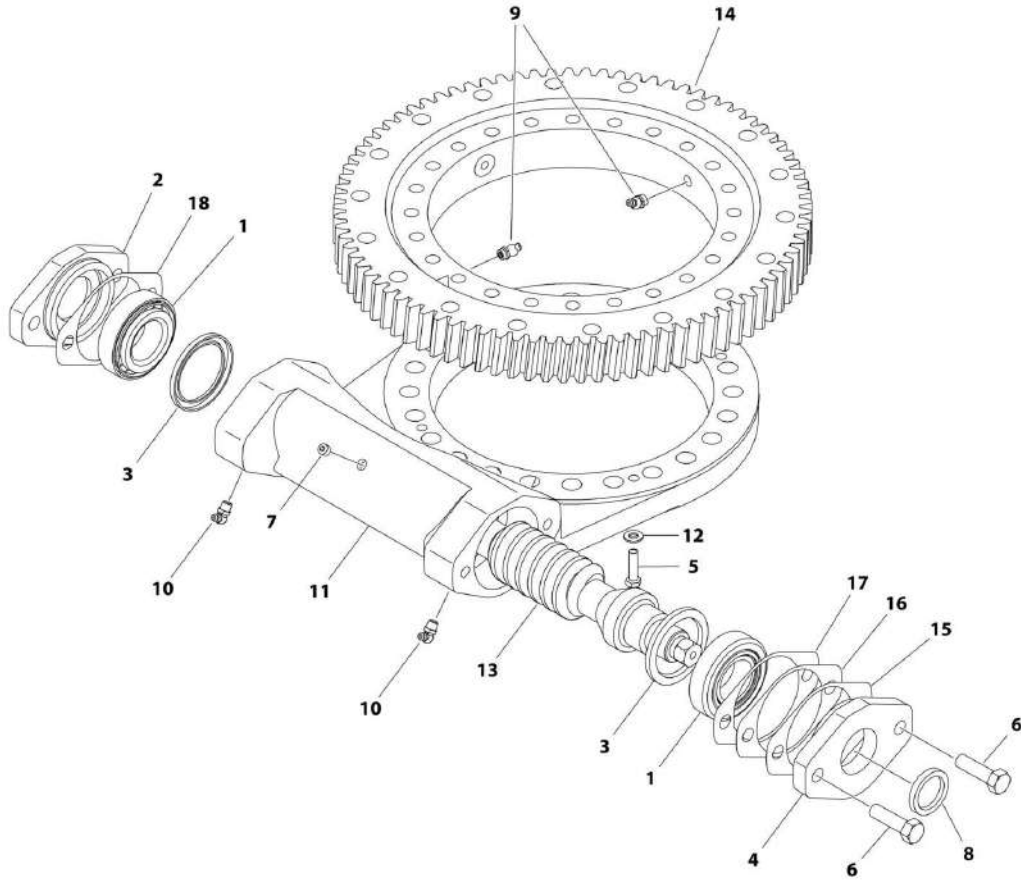
## SECTION 2 - TURNTABLE

**FIGURE 2-8. TURNTABLE BEARING AND SWING DRIVE INSTALLATION**

ITEM	PART NUMBER	QTY	DESCRIPTION	REV
	1001166395	Ref	TURNTABLE BEARING AND SWING DRIVE INSTALLATION	B
1	1001153017	1	Turntable Bearing and Worm Gear Assembly (See SWING BEARING ASSEMBLY for Breakdown)	
2	0100019	AR	Compound, Locking	
3	1001104850	1	Swing Motor Assembly (See SWING MOTOR ASSEMBLY for Breakdown)	
4	3931832	2	Bolt, Allen Head, 1/2-13 x 2	
5	4740171	2	Washer	
6	0682026	18	Bolt, 5/8-11 x 3-1/4, Grade 8	
7	4892000	41	Washer, 5/8	
9	3020029	AR	Lube, Bearing Grease	
10	0682028	23	Bolt, 5/8-11 x 3-1/2, Grade 8	

**SECTION 2 - TURNTABLE**

**FIGURE 2-9. SWING BEARING ASSEMBLY**



ART\_1001153017

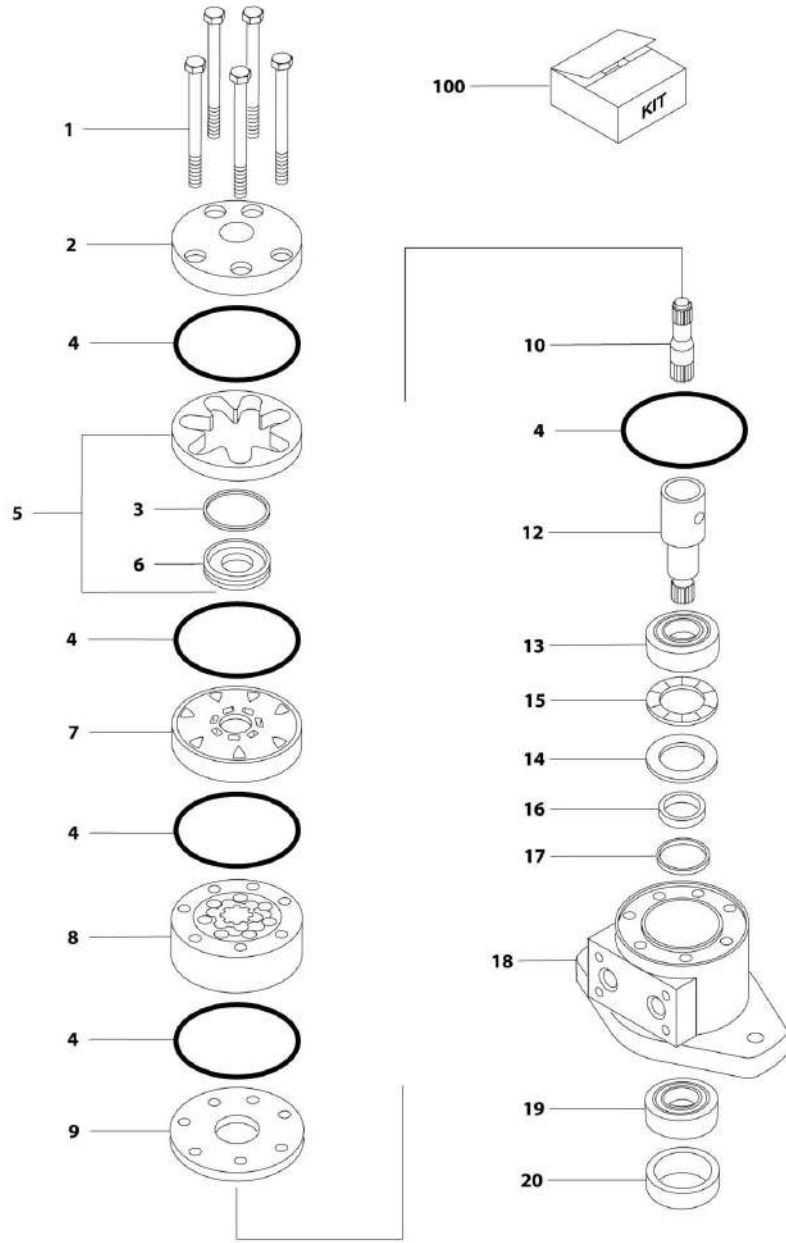
**SECTION 2 - TURNTABLE**

**FIGURE 2-9. SWING BEARING ASSEMBLY**

ITEM	PART NUMBER	QTY	DESCRIPTION	REV
	1001153017	Ref	SWING BEARING ASSEMBLY	B
1	7026042	2	Bearing, Cup	
1	7026043	2	Bearing, Cone	
2	7027356	1	Adapter, Motor	
3	7027361	2	Seal	
4	7027354	1	Cap, End	
5	0641510	2	Bolt, 5/16-18 x 1-1/4	
6	0641812	2	Bolt, 1/2-13 x 1-1/2	
7	70000865	1	Plug	
8	7027360	1	Seal	
9	7027359	2	Fitting, Grease - Straight	
9	2160003	2	Fitting, Grease - 45	
10	7027358	2	Fitting, Grease - 90	
11	See Note	1	Housing (Note: Not Sold Separate - Use 1001153017)	
12	4891500	1	Washer, 5/16	
13	7027363	1	Gear, Worm	
14	70004159	1	Ring Gear	
15	7027352	AR	Gasket (.010 - Brown)	
16	7027351	AR	Gasket (.0075 - Clear)	
17	7027350	AR	Gasket (.005 - Blue)	
18	7027353	1	Gasket (.020 - Yellow)	

# SECTION 2 - TURNTABLE

## FIGURE 2-10. SWING MOTOR ASSEMBLY



ART\_1001104850

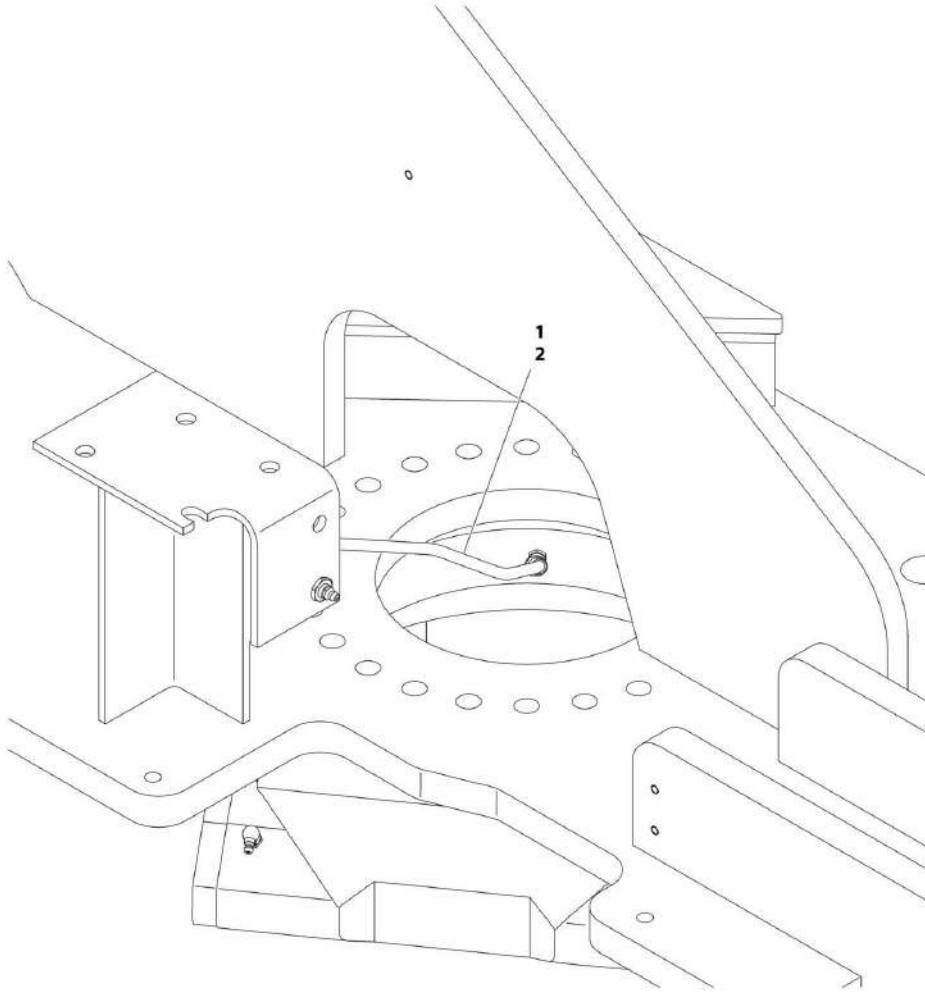
## SECTION 2 - TURNTABLE

### FIGURE 2-10. SWING MOTOR ASSEMBLY

ITEM	PART NUMBER	QTY	DESCRIPTION	REV
	1001104850	Ref	SWING MOTOR ASSEMBLY	A
1	See Note	5	Bolt (Note: Not Available for Purchase)	
2	7004035	1	Cover, End	
3	7023318	1	Seal, Commutator	
4	7004036	5	O-Ring	
5	7024453	1	Commutator and Ring Assembly	
6	See Note	NSS	Ring (Note: Use Item 5)	
7	7024379	1	Manifold	
8	70002206	1	Rotor Set	
9	7024380	1	Plate, Ware	
10	70002207	1	Link, Drive	
12	70000088	1	Shaft, Coupling	
12A	70000089	1	Key, Woodruff	
13	7024381	1	Bearing, Inner	
14	7004043	1	Washer, Thrust	
15	7004044	1	Bearing, Thrust	
16	7004049	1	Seal, Inner	
17	7004045	1	Ring, Back-up	
18	See Note	NSS	Housing (Note: Use p/n 1001104850)	
19	7024390	1	Bearing, Outer	
20	7004047	1	Seal	
100	7024389	1	Seal Kit (Includes Items 3, 4, 16, 17 & 20)	

## SECTION 2 - TURNTABLE

FIGURE 2-11. REMOTE BEARING LUBE INSTALLATION - OPTIONAL



ART\_1001166341



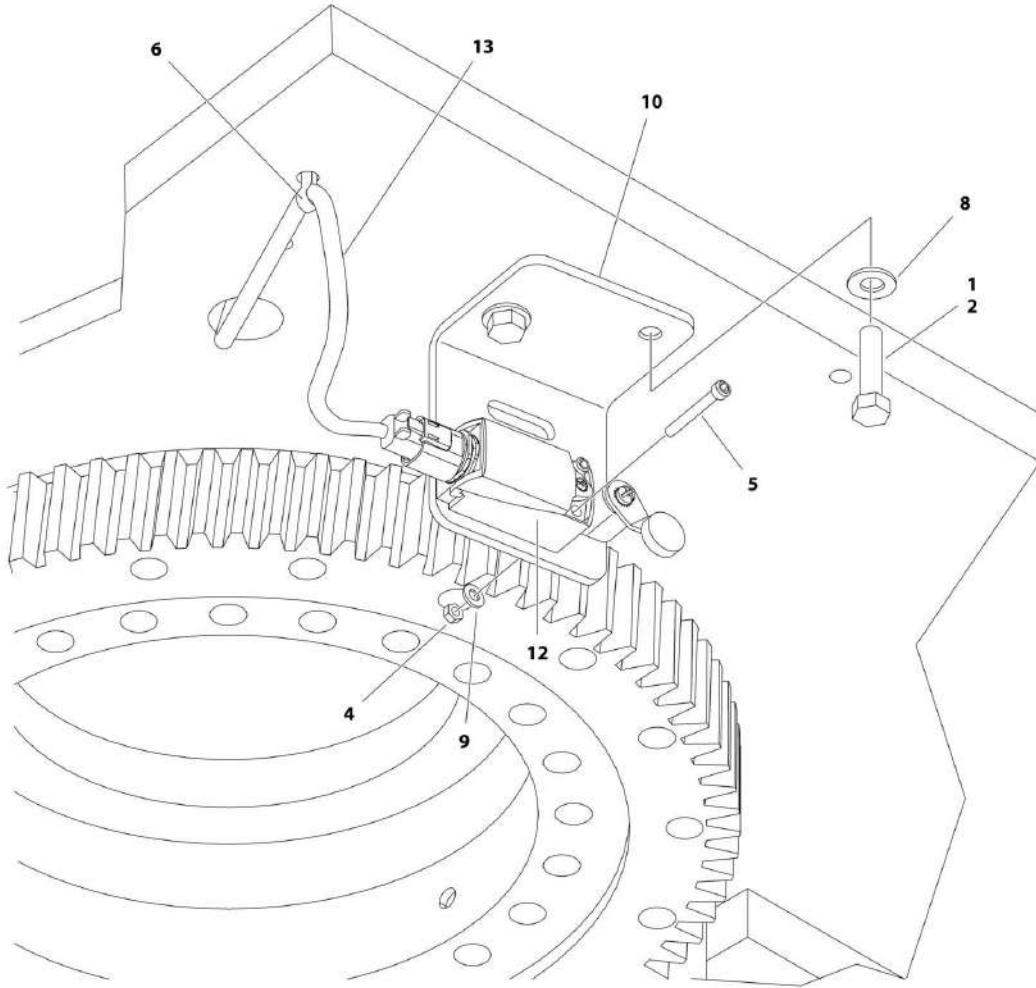
**SECTION 2 - TURNTABLE**

**FIGURE 2-11. REMOTE BEARING LUBE INSTALLATION - OPTIONAL**

<b>ITEM</b>	<b>PART NUMBER</b>	<b>QTY</b>	<b>DESCRIPTION</b>	<b>REV</b>
	1001166341	Ref	REMOTE BEARING LUBE INSTALLATION - OPTIONAL	B
1	1001157058	1	Hose, Remote Grease Line	
2	0100011	AR	Compound, Locking	

# SECTION 2 - TURNTABLE

## FIGURE 2-12. DRIVE ORIENTATION INSTALLATION



ART\_1001166440

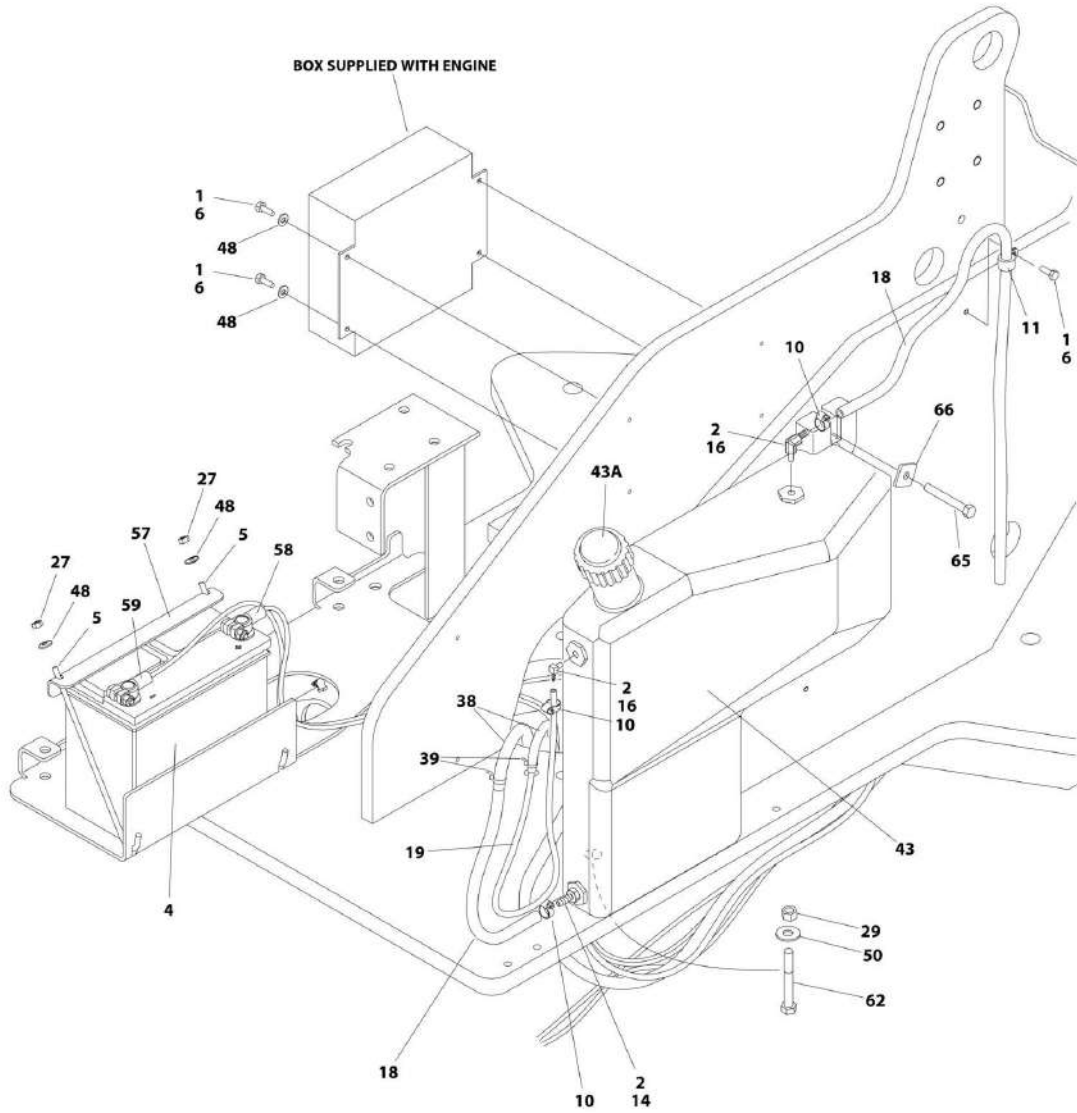
**SECTION 2 - TURNTABLE**

**FIGURE 2-12. DRIVE ORIENTATION INSTALLATION**

ITEM	PART NUMBER	QTY	DESCRIPTION	REV
	1001166440	Ref	DRIVE ORIENTATION INSTALLATION	B
1	0100011	AR	Compound, Locking	
2	0641608	2	Bolt, 3/8-16 x 1	
4	3310805	2	Nut, Lock, #8-32	
5	3930824	2	Bolt, Allen Head, #8-32 x 1-1/2	
6	4240175	1	Tie, Strap	
8	4711600	2	Washer, 3/8	
9	4750800	2	Washer, #8	
10	1001171298	1	Bracket, Mounting	
12	1001116232	1	Switch, Limit	
13	1001116522	1	Harness, Drive Orientation (See ELECTRICAL SECTION for Breakdown)	

# SECTION 2 - TURNTABLE

## FIGURE 2-13. FUEL TANK AND BATTERY INSTALLATION - M400AJP/M400AJPN



ART\_1001167699\_10F4

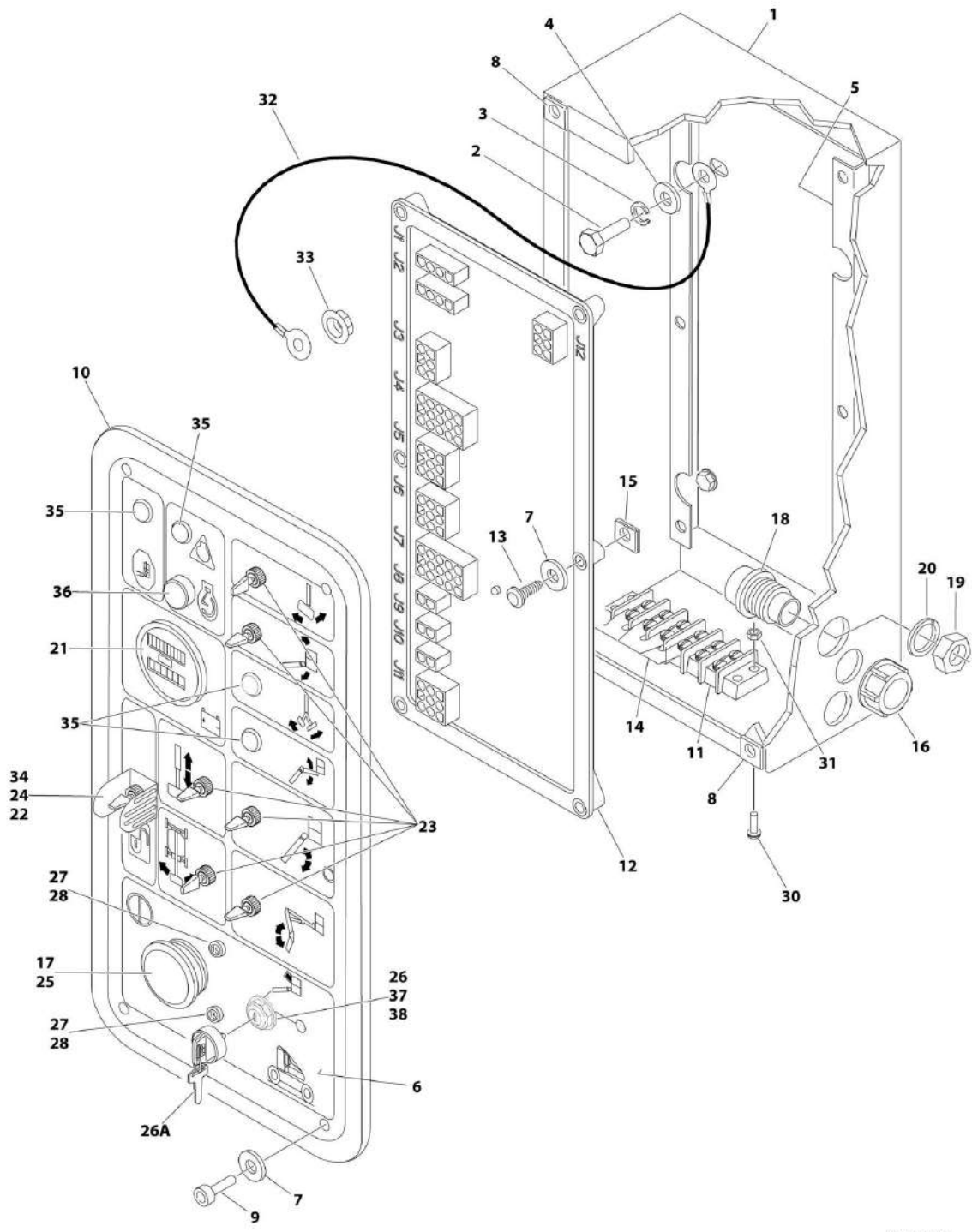
## SECTION 2 - TURNTABLE

**FIGURE 2-13. FUEL TANK AND BATTERY INSTALLATION - M400AJP/M400AJPN**

ITEM	PART NUMBER	QTY	DESCRIPTION	REV
	1001167699	Ref	FUEL TANK AND BATTERY INSTALLATION - M400AJP/M400AJPN	C
1	0100011	AR	Compound, Locking	
2	0100020	AR	Sealant	
4	0400201	1	Battery	
5	0630552	2	Bolt, Battery Hold Down	
6	0641406	6	Bolt, 1/4-20 x 3/4	
10	1320022	3	Clamp	
11	1320041	1	Clamp	
14	2180348	1	Fitting, Straight, NPT - Barb	
16	2221046	1	Fitting, 90, NPT - Barb	
17	2221047	1	Fitting, 90, NPT - Barb	
18	2720058	16 ft /4.9m	Hose	
19	2720271	10 ft/3m	Hose	
27	3311405	2	Nut, Lock, 1/4-20	
29	3311605	1	Nut, Lock, 3/8-16	
38	4100026	6 ft/1.8m	Sleeve, Hose	
39	4240033	AR	Tie, Wire	
43	4400417	1	Tank, Fuel	
43A	7020179	1	Cap, Fuel (Standard)	
43A	1120487	1	Cap, Lockable (Optional)	
48	4711400	6	Washer, 1/4	
50	4751600	1	Washer, 3/8	
57	1001165977	1	Mount, Battery	
58	1001168004	1	Cable, Battery (+)	
59	1001168005	1	Cable, Battery (-)	
62	0641622	1	Bolt, 3/8-16 x 2-3/4	
65	0641518	1	Bolt, 5/16-18 x 2-1/4	
66	1001167291	1	Washer	

# SECTION 2 - TURNTABLE

FIGURE 2-14. GROUND CONTROL BOX ASSEMBLY - E400A & E400AN - ALL SPECS EXCEPT CE SPEC



ART\_1810136

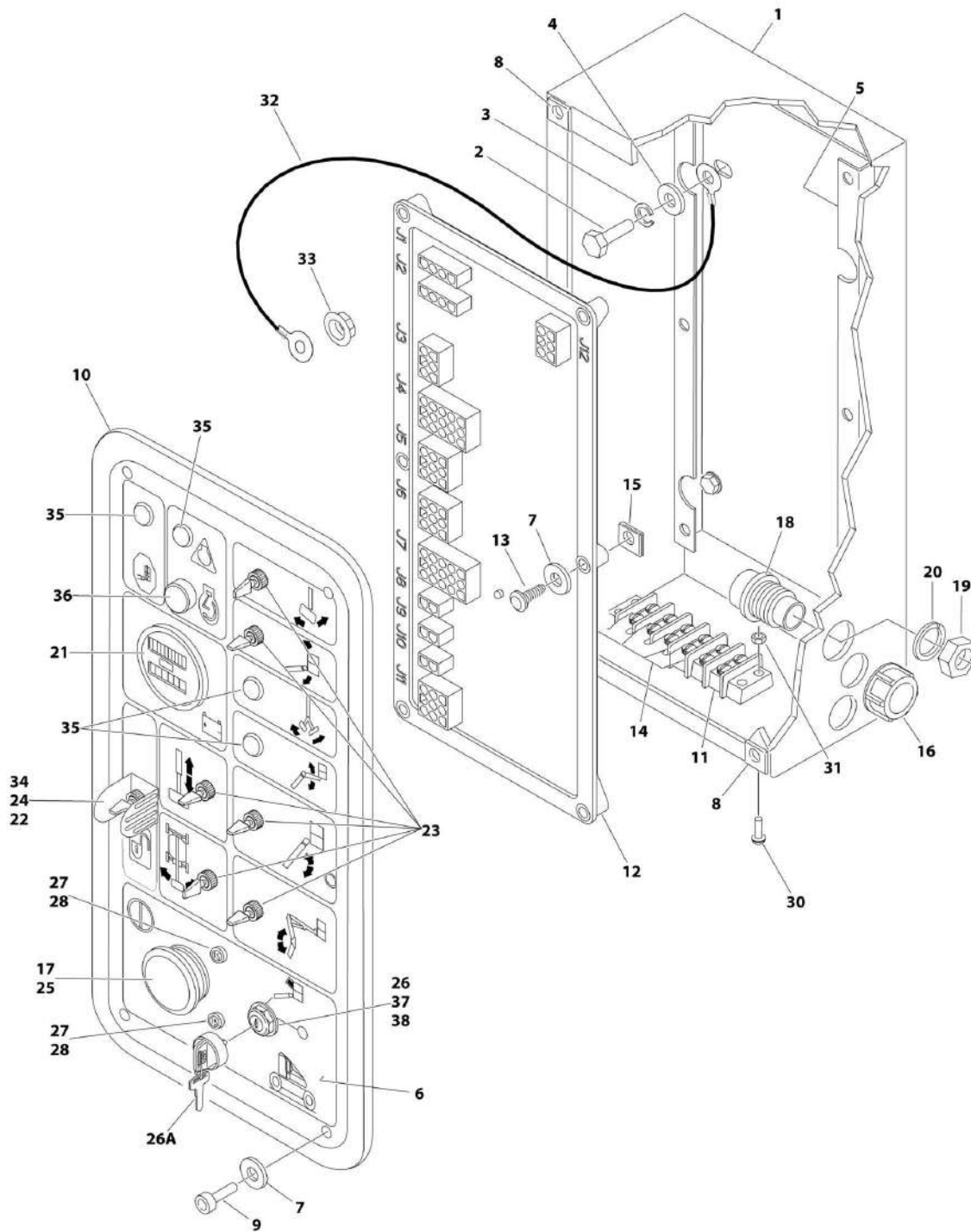
## SECTION 2 - TURNTABLE

**FIGURE 2-14. GROUND CONTROL BOX ASSEMBLY - E400A & E400AN - ALL SPECS EXCEPT CE SPEC**

ITEM	PART NUMBER	QTY	DESCRIPTION	REV
	1810136	Ref	GROUND CONTROL BOX ASSEMBLY - E400A & E400An - ALL SPECS EXCEPT CE SPEC	D
1	0861152	1	Box Weldment	
2	0641605	4	Bolt, 3/8-16 x 5/8	
3	4761600	4	Washer, Lock, 3/8	
4	4751600	4	Washer, 3/8	
5	0902406	1	Bracket, Module Mounting	
6	1706938	1	Nameplate	
7	4740120	12	Washer	
8	3300365	6	Nut, Retainer	
9	0630518	6	Screw #10-24 x 3/4	
10	3960438	50 in /1.26m	Seal	
11	4460007	1	Strip, Terminal - 6 Position	
12	1001109497	1	Module (Note: Re-calibration Required when Replaced)	
13	0750808	6	Screw, #8 x 1	
14	4460264	3	Buss, Terminal	
15	3300188	6	Nut, Tinnerman	
16	4460425	1	Connector, Strain Relief	
17	4360476	1	Block, Contact	
18	4460495	1	Connector - 14 Position	
19	4460497	1	Nut, Conduit	
20	4460496	1	Washer, Lock	
21	2420106	1	Gauge, Hourmeter and Battery Capacity	
22	4740397	7	Spacer	
23	4360328	6	Switch, Toggle	
24	4060802	1	Guard, Switch	
25	4360475	1	Switch, Emergency Stop	
26	4360469	1	Keypad	
26A	2860030	AR	Key, Replacement (Set of 2)	
27	4360070	2	Breaker, Circuit - 15Amp	
28	3300396	2	Nut, Special	
29	4933388	1	Wiring Diagram (Not Shown - See ELECTRICAL SECTION for Breakdown)	
30	0721005	2	Screw, #10-24 x 5/8	
31	3311005	2	Nut, Lock, #10-24	
32	1060584	1	Cable, Lanyard	
33	3311011	1	Nut, Push #10	
34	4360330	1	Switch, Toggle	
35	3520028	4	Plug, Hole, 1/2	
36	3520026	1	Plug, Hole, 5/8	
37	1001151393	1	Shim, Nylon	
38	3910804	6	Screw, #8-32 x 1/4	

## SECTION 2 - TURNTABLE

FIGURE 2-15. GROUND CONTROL BOX ASSEMBLY – E400A & E400AN – CE SPEC (Prior to SN 0300200792)



ART\_1810137



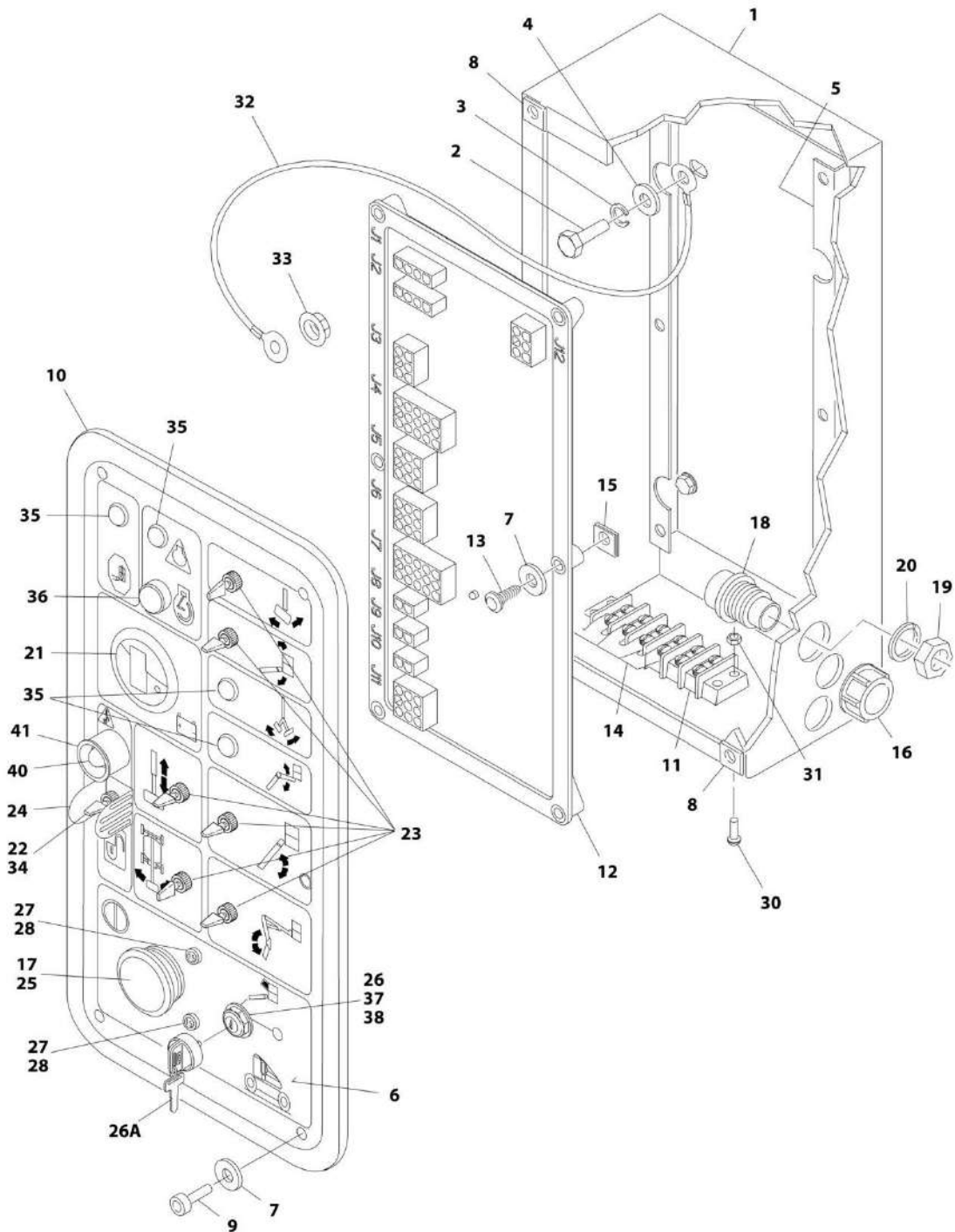
## SECTION 2 - TURNTABLE

**FIGURE 2-15. GROUND CONTROL BOX ASSEMBLY – E400A & E400AN – CE SPEC (Prior to SN 0300200792)**

ITEM	PART NUMBER	QTY	DESCRIPTION	REV
	1810137	Ref	GROUND CONTROL BOX ASSEMBLY - E400A & E400AN - CE SPEC (Prior to SN 0300200792)	D
1	0861152	1	Box, Weldment	
2	0641605	4	Bolt, 3/8-16 x 5/8	
3	4761600	4	Washer, Lock, 3/8	
4	4751600	4	Washer, 3/8	
5	0902406	1	Bracket, Module Mounting	
6	1706938	1	Nameplate	
7	4740120	12	Washer	
8	3300365	6	Nut, Retainer	
9	0630518	6	Screw, #10-24 x 3/4	
10	3960438	50 in /1.26m	Seal	
11	4460007	1	Strip, Terminal - 6 Position	
12	1001109497	1	Module (Note: Re-calibration Required when Replaced)	
13	0750808	6	Screw, #8 x 1	
14	4460264	1	Buss, Terminal	
15	3300188	6	Nut, Tinnerman	
16	4460425	1	Connector, Strain Relief	
17	4360476	1	Block, Contact	
18	4460495	1	Connector - 14 Position	
19	4460497	1	Nut, Conduit	
20	4460496	1	Washer, Lock	
21	2420106	1	Gauge, Hourmeter/Battery Capacity	
22	4740397	7	Spacer	
23	4360328	6	Switch, Toggle	
24	4060802	1	Guard, Switch	
25	4360475	1	Switch, Emergency Stop	
26	4360470	1	Keyswitch	
26A	2860030	AR	Key, Replacement (Set of 2)	
27	4360070	2	Breaker, Circuit - 15Amp	
28	3300396	2	Nut, Special	
29	4933388	1	Wiring Diagram (Not Shown - See ELECTRICAL SECTION for Breakdown)	
30	0721005	2	Screw, #10-24 x 5/8	
31	3311005	2	Nut, Lock, #10-24	
32	1060584	1	Cable, Lanyard	
33	3311011	1	Nut, Push, #10	
34	4360330	1	Switch, Toggle	
35	3520028	4	Plug, Hole - 1/2	
36	3520026	1	Plug, Hole - 5/8	
37	1001151393	1	Shim - 0.063	
38	3910804	6	Screw, #8-32 x 1/4	

## SECTION 2 - TURNTABLE

FIGURE 2-16. GROUND CONTROL BOX ASSEMBLY - E400A - CE SPEC (SN 0300200792 through 0300208528)



ART\_1001188028

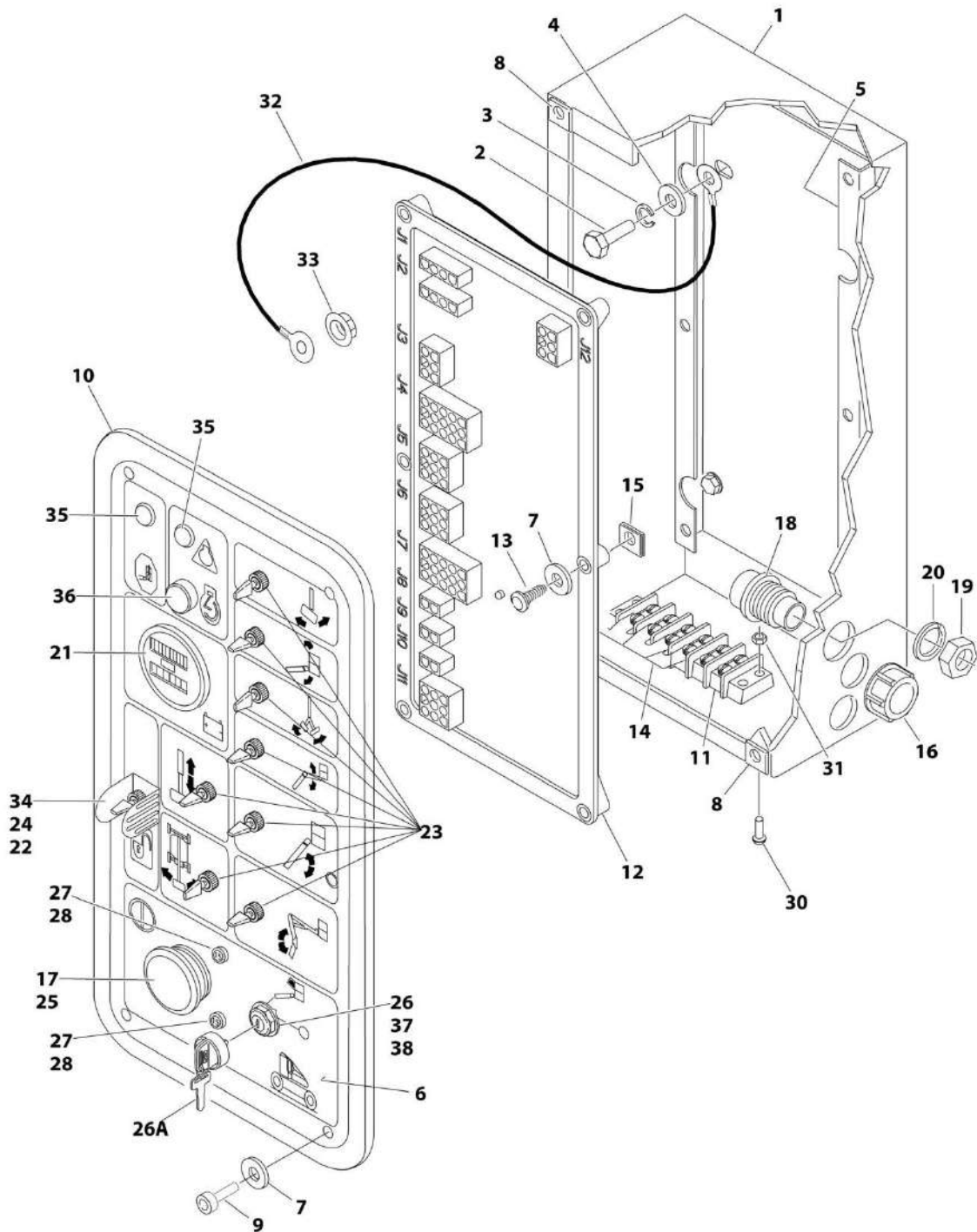
## SECTION 2 - TURNTABLE

**FIGURE 2-16. GROUND CONTROL BOX ASSEMBLY - E400A - CE SPEC (SN 0300200792 through 0300208528)**

ITEM	PART NUMBER	QTY	DESCRIPTION	REV
	1001188028	Ref	<b>GROUND CONTROL BOX ASSEMBLY - E400A - CE SPEC (SN 0300200792 through 0300208528)</b>	B
1	0861152	1	Box, Weldment	
2	0641605	4	Bolt, 3/8-16 x 5/8	
3	4761600	4	Washer, Lock, 3/8	
4	4751600	4	Washer, 3/8	
5	0902406	1	Bracket, Module Mounting	
6	1001196786	1	Nameplate	
7	4740120	12	Washer	
8	3300365	6	Nut, Retainer	
9	0630518	6	Screw, #10-24 x 3/4	
10	3960438	50 in /1.26m	Seal	
11	4460007	1	Strip, Terminal - 6 Position	
12	1001109497	1	Module (Note: Re-calibration Required when Replaced)	
13	0750808	6	Screw, #8 x 1	
14	4460264	3	Buss, Terminal	
15	3300188	6	Nut, Tinnerman	
16	4460425	1	Connector, Strain Relief	
17	4360476	1	Block, Contact	
18	4460495	1	Connector - 14 Position	
19	4460497	1	Nut, Conduit	
20	4460496	1	Washer, Lock	
21	1001109503	1	Gauge, Indicator	
22	4740397	7	Spacer	
23	4360328	6	Switch, Toggle	
24	4060802	1	Guard, Switch	
25	4360475	1	Switch, Emergency Stop	
26	4360469	1	Keyswitch	
26A	2860030	AR	Key, Replacement (Set of 2)	
27	4360070	2	Breaker, Circuit - 15Amp	
28	3300396	2	Nut, Special	
29	1001189765	1	Wiring Diagram (Not Shown - See ELECTRICAL SECTION for Breakdown)	
30	0721005	2	Screw, #10-24 x 5/8	
31	3311005	2	Nut, Lock, #10-24	
32	1060584	1	Cable, Lanyard	
33	3311011	1	Nut, Push, #10	
34	4360330	1	Switch, Toggle	
35	3520028	4	Plug, Hole - 1/2	
36	3520026	1	Plug, Hole - 5/8	
37	1001151393	1	Shim - 0.063	
38	3910804	6	Screw, #8-32 x 1/4	
40	4360387	1	Switch, Push Button	
41	1001176469	1	Shroud, Push Button Switch	

## SECTION 2 - TURNTABLE

FIGURE 2-17. GROUND CONTROL BOX ASSEMBLY - E400AJP/E400AJPN/M400AJP/M400AJPN - ALL SPECS EXCEPT CE SPEC



ART\_1810134

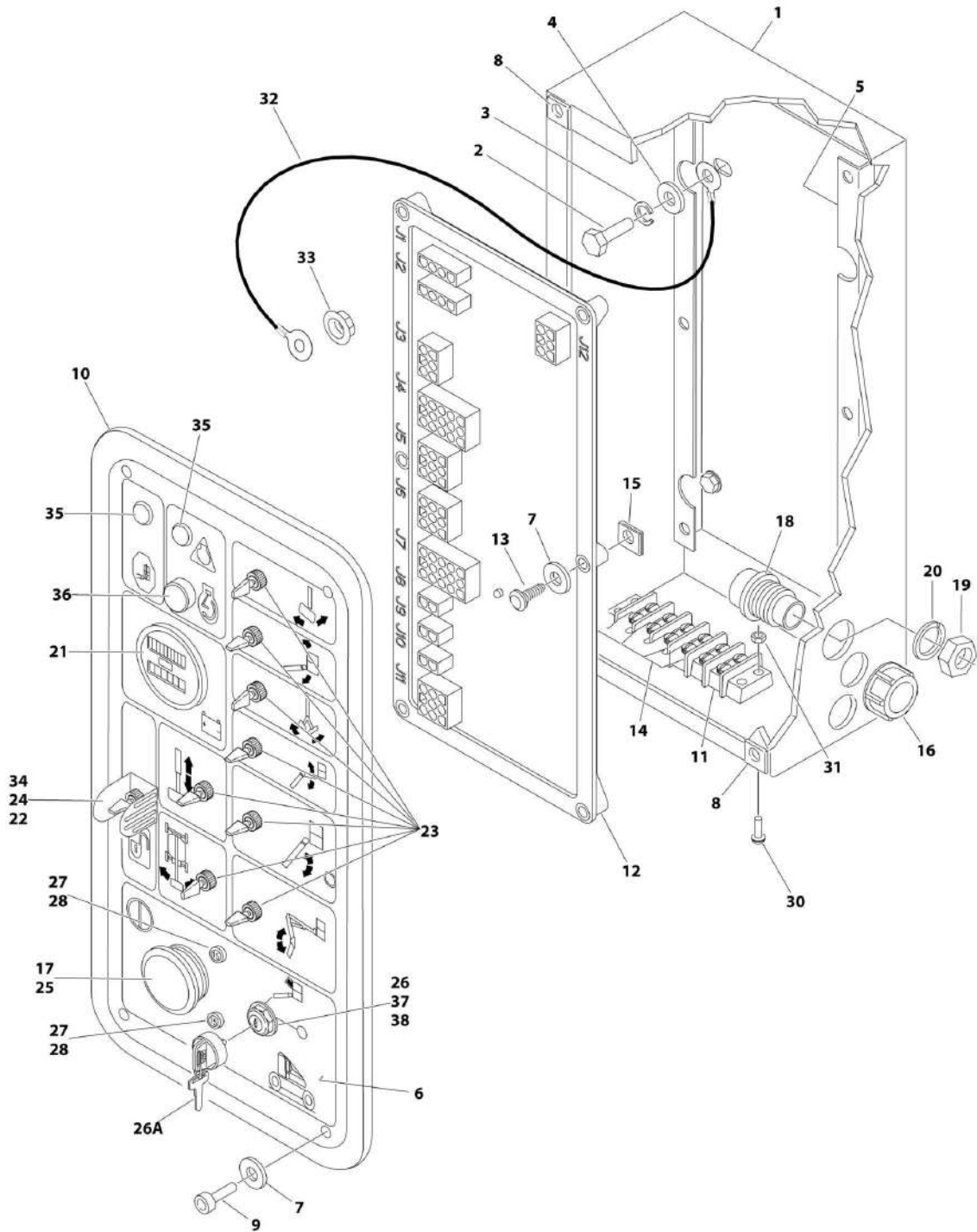
## SECTION 2 - TURNTABLE

**FIGURE 2-17. GROUND CONTROL BOX ASSEMBLY - E400AJP/E400AJPN/M400AJP/M400AJPN - ALL SPECS EXCEPT CE SPEC**

ITEM	PART NUMBER	QTY	DESCRIPTION	REV
	1810134	Ref	GROUND CONTROL BOX ASSEMBLY - E400AJP/E400AJPN/M400AJP/M400AJPN - ALL SPECS EXCEPT CE SPEC	D
1	0861152	1	Box Weldment	
2	0641605	4	Bolt, 3/8-16 x 5/8	
3	4761600	4	Washer, Lock, 3/8	
4	4751600	4	Washer, 3/8	
5	0902406	1	Bracket, Module Mounting	
6	1706938	1	Nameplate	
7	4740120	12	Washer	
8	3300365	6	Nut, Retainer	
9	0630518	6	Screw #10-24 x 3/4	
10	3960438	50 in /1.26m	Seal	
11	4460007	1	Strip, Terminal - 6 Position	
12	1001109497	1	Module (Note: Re-calibration Required when Replaced)	
13	0750808	6	Screw, #8 x 1	
14	4460264	3	Buss, Terminal	
15	3300188	6	Nut, Tinnerman	
16	4460425	1	Connector, Strain Relief	
17	4360476	1	Block, Contact	
18	4460495	1	Connector - 14 Position	
19	4460497	1	Nut, Conduit	
20	4460496	1	Washer, Lock	
21	2420106	1	Gauge, Hourmeter and Battery Capacity	
22	4740397	9	Spacer	
23	4360328	8	Switch, Toggle	
24	4060802	1	Guard, Switch	
25	4360475	1	Switch, Emergency Stop	
26	4360469	1	Keyswitch	
26A	2860030	AR	Key, Replacement (Set of 2)	
27	4360070	2	Breaker, Circuit - 15Amp	
28	3300396	2	Nut, Special	
29	4933388	1	Wiring Diagram (Not Shown - See ELECTRICAL SECTION for Breakdown)	
30	0721005	2	Screw, #10-24 x 5/8	
31	3311005	2	Nut, Lock, #10-24	
32	1060584	1	Cable, Lanyard	
33	3311011	1	Nut, Push #10	
34	4360330	1	Switch, Toggle	
35	3520028	2	Plug, Hole, 1/2	
36	3520026	1	Plug, Hole, 5/8	
37	1001151393	1	Shim, Nylon	
38	3910804	6	Screw, #8-32 x 1/4	

## SECTION 2 - TURNTABLE

FIGURE 2-18. GROUND CONTROL BOX ASSEMBLY - E400AJP/E400AJPN/M400AJP/M400AJPN - CE SPEC (Prior to SN 0300200792)



ART\_1810135

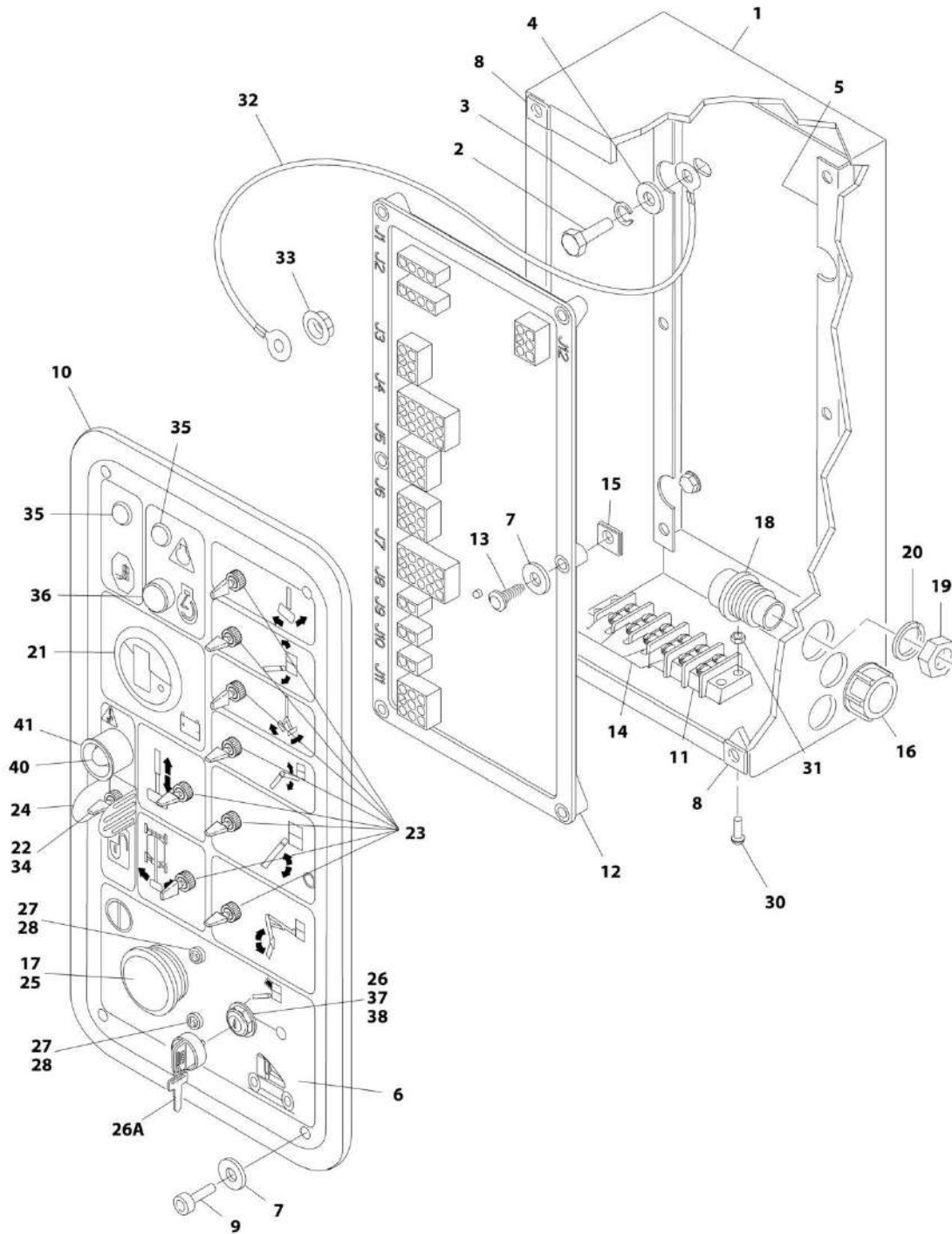
## SECTION 2 - TURNTABLE

**FIGURE 2-18. GROUND CONTROL BOX ASSEMBLY - E400AJP/E400AJPN/M400AJP/M400AJPN - CE SPEC (Prior to SN 0300200792)**

ITEM	PART NUMBER	QTY	DESCRIPTION	REV
	1810135	Ref	GROUND CONTROL BOX ASSEMBLY - E400AJP/E400AJPN/M400AJP/M400AJPN - CE SPEC (Prior to <b>SN 0300200792</b> )	D
1	0861152	1	Box, Weldment	
2	0641605	4	Bolt, 3/8-16 x 5/8	
3	4761600	4	Washer, Lock, 3/8	
4	4751600	4	Washer, 3/8	
5	0902406	1	Bracket, Module Mounting	
6	1706938	1	Nameplate	
7	4740120	12	Washer	
8	3300365	6	Nut, Retainer	
9	0630518	6	Screw, #10-24 x 3/4	
10	3960438	50 in /1.26m	Seal	
11	4460007	1	Strip, Terminal - 6 Position	
12	1001109497	1	Module (Note: Re-calibration Required when Replaced)	
13	0750808	6	Screw, #8 x 1	
14	4460264	3	Buss, Terminal	
15	3300188	6	Nut, Tinnerman	
16	4460425	1	Connector, Strain Relief	
17	4360476	1	Block, Contact	
18	4460495	1	Connector - 14 Position	
19	4460497	1	Nut, Conduit	
20	4460496	1	Washer, Lock	
21	2420106	1	Gauge, Hourmeter/Battery Capacity	
22	4740397	9	Spacer	
23	4360328	8	Switch, Toggle	
24	4060802	1	Guard, Switch	
25	4360475	1	Switch, Emergency Stop	
26	4360470	1	Keyswitch	
26A	2860030	1	Key, Replacement (Set of 2)	
27	4360070	2	Breaker, Circuit - 15Amp	
28	3300396	2	Nut, Special	
29	4933388	1	Wiring Diagram (Not Shown - See ELECTRICAL SECTION for Breakdown)	
30	0721005	2	Screw, #10-24 x 3/4	
31	3311005	2	Nut, Lock, #10-24	
32	1060584	1	Cable, Lanyard	
33	3311011	1	Nut, Push, #10	
34	4360330	1	Switch, Toggle	
35	3520028	2	Plug, Hole - 1/2	
36	3520026	1	Plug, Hole - 5/8	
37	1001151393	1	Shim - 0.063	
38	3910804	6	Screw, #8-32 x 1/4	

## SECTION 2 - TURNTABLE

FIGURE 2-19. GROUND CONTROL BOX ASSEMBLY - E400AJP/E400AJPN/M400AJP/M400AJPN - CE SPEC (SN 0300200792 through 0300208528)



ART\_1001188054



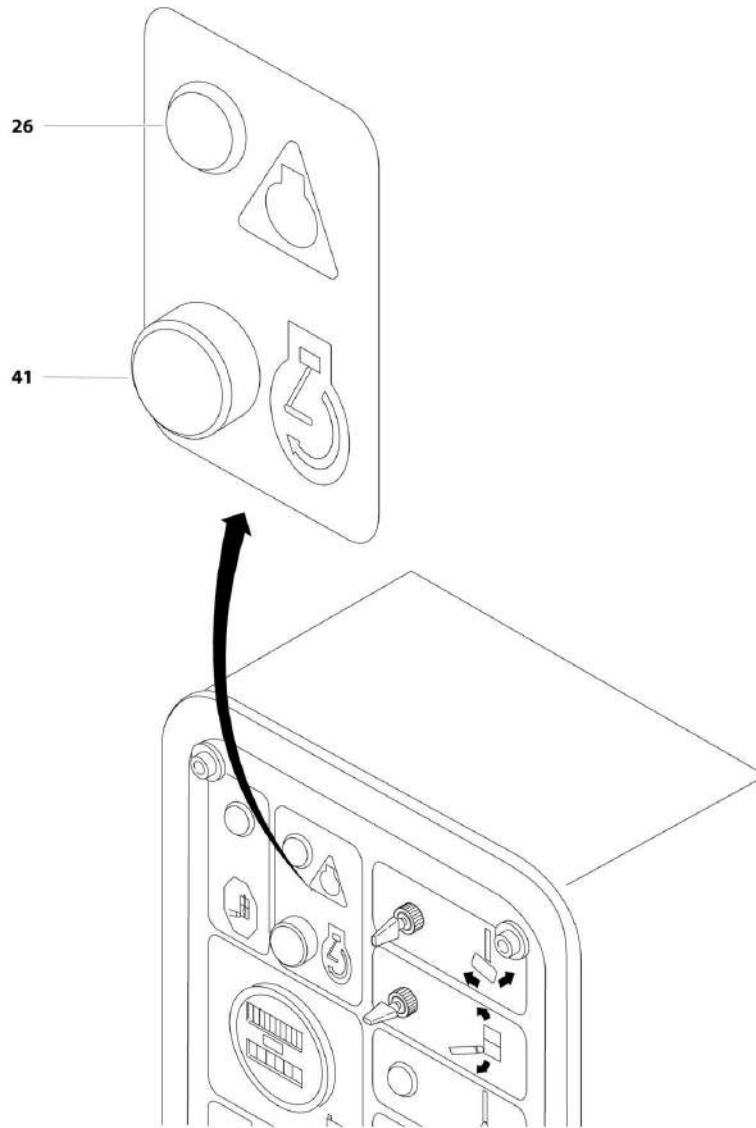
## SECTION 2 - TURNTABLE

**FIGURE 2-19. GROUND CONTROL BOX ASSEMBLY - E400AJP/E400AJPN/M400AJP/M400AJPN - CE SPEC (SN 0300200792 through 0300208528)**

ITEM	PART NUMBER	QTY	DESCRIPTION	REV
	1001188054	Ref	GROUND CONTROL BOX ASSEMBLY - E400AJP/E400AJPN/M400AJP/M400AJPN - CE SPEC (SN 0300200792 through 0300208528)	B
1	0861152	1	Box, Weldment	
2	0641605	4	Bolt, 3/8-16 x 5/8	
3	4761600	4	Washer, Lock, 3/8	
4	4751600	4	Washer, 3/8	
5	0902406	1	Bracket, Module Mounting	
6	1001196786	1	Decal, MTB	
7	4740120	12	Washer	
8	3300365	6	Nut, Retainer	
9	0630518	6	Screw, #10-24 x 3/4	
10	3960438	50 in /1.26m	Seal	
11	4460007	1	Strip, Terminal - 6 Position	
12	1001109497	1	Module (Note: Re-calibration Required when Replaced)	
13	0750808	6	Screw, #8 x 1	
14	4460264	3	Buss, Terminal	
15	3300188	6	Nut, Tinnerman	
16	4460425	1	Connector, Strain Relief	
17	4360476	1	Block, Contact	
18	4460495	1	Connector - 14 Position	
19	4460497	1	Nut, Conduit	
20	4460496	1	Washer, Lock	
21	1001109503	1	Gauge, Indicator	
22	4740397	9	Spacer	
23	4360328	8	Switch, Toggle	
24	4060802	1	Guard, Switch	
25	4360475	1	Switch, Emergency Stop	
26	4360469	1	Keyswitch	
26A	2860030	1	Key, Replacement (Set of 2)	
27	4360070	2	Breaker, Circuit - 15Amp	
28	3300396	2	Nut, Special	
29	1001189765	1	Wiring Diagram (Not Shown - See ELECTRICAL SECTION for Breakdown)	
30	0721005	2	Screw, #10-24 x 3/4	
31	3311005	2	Nut, Lock, #10-24	
32	1060584	1	Cable, Lanyard	
33	3311011	1	Nut, Push, #10	
34	4360330	1	Switch, Toggle	
35	3520028	2	Plug, Hole - 1/2	
36	3520026	1	Plug, Hole - 5/8	
37	1001151393	1	Shim - 0.063	
38	3910804	6	Screw, #8-32 x 1/4	
40	4360387	1	Switch, Yellow Push Button	
41	1001176469	1	Shroud, Push Button	

## SECTION 2 - TURNTABLE

FIGURE 2-20. MOTOR CONTROLS INSTALLATION - M400AJP/M400AJPn



ART\_1001167699\_20F4

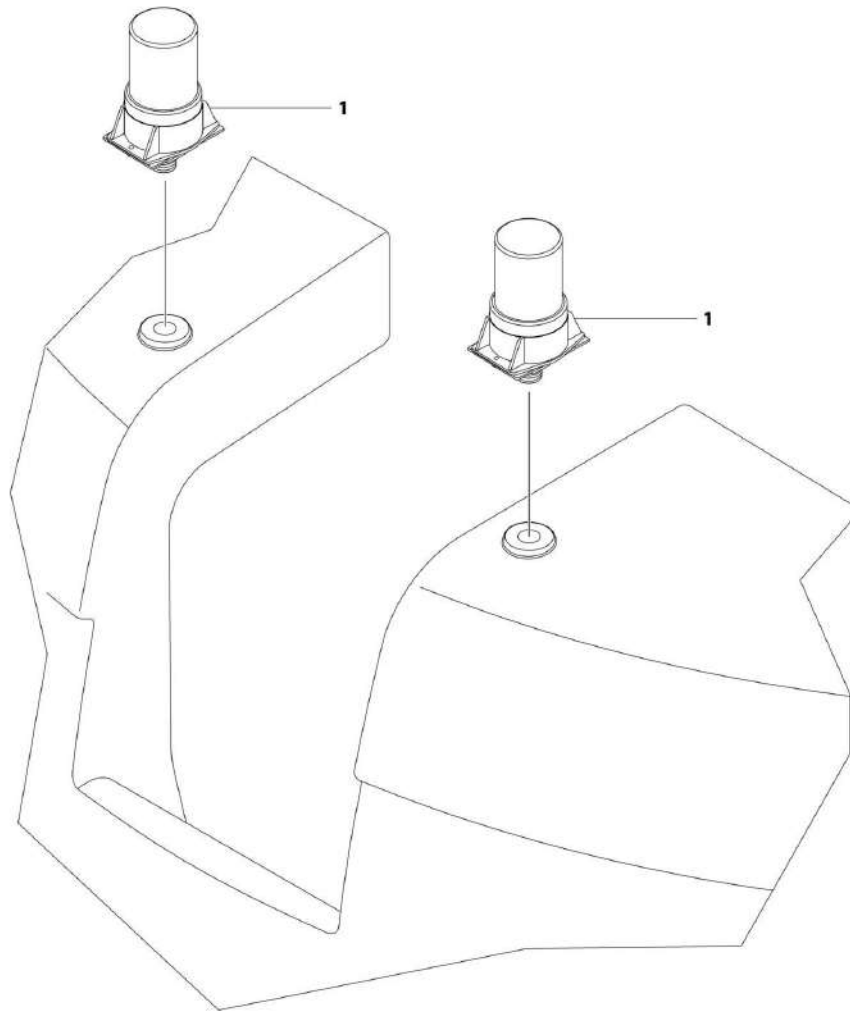
**SECTION 2 - TURNTABLE**

**FIGURE 2-20. MOTOR CONTROLS INSTALLATION - M400AJP/M400AJPN**

<b>ITEM</b>	<b>PART NUMBER</b>	<b>QTY</b>	<b>DESCRIPTION</b>	<b>REV</b>
	1001167699	Ref	MOTOR CONTROLS INSTALLATION - M400AJP/M400AJPN	C
26	2920151	1	Led (Red)	
41	4360274	1	Switch, Push Button	
54	4922319	1	Harness, Generator (Not Shown - See ELECTRICAL SECTION for Breakdown)	

## SECTION 2 - TURNTABLE

FIGURE 2-21. STROBE LIGHT INSTALLATION (AMBER) - OPTIONAL



ART\_1001149955

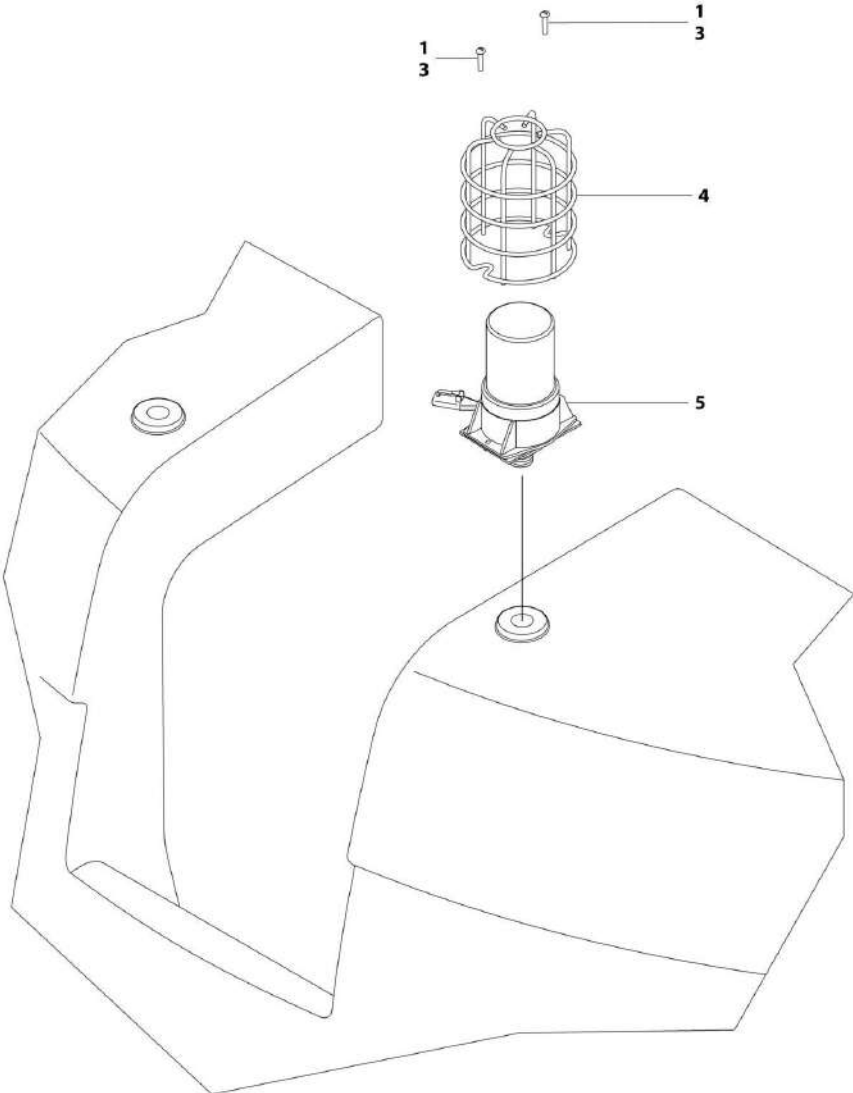
**SECTION 2 - TURNTABLE**

**FIGURE 2-21. STROBE LIGHT INSTALLATION (AMBER) - OPTIONAL**

ITEM	PART NUMBER	QTY	DESCRIPTION	REV
	1001149955	Ref Ref	STROBE LIGHT INSTALLATION (AMBER) - OPTIONAL Note: If machine is equipped with BLUE Strobe Light, see SPECIAL OPTIONS SECTION SkyGuard Kit.	A
1	1001150406	1	Strobe Light Assembly (See STROBE LIGHT ASSEMBLY for Breakdown)	
2	1001149818	1	Harness, Strobe Light (Not Shown - See ELECTRICAL SECTION for Breakdown)	

**SECTION 2 - TURNTABLE**

**FIGURE 2-22. STROBE LIGHT INSTALLATION - UL LISTED - OPTIONAL**



ART\_1001158612

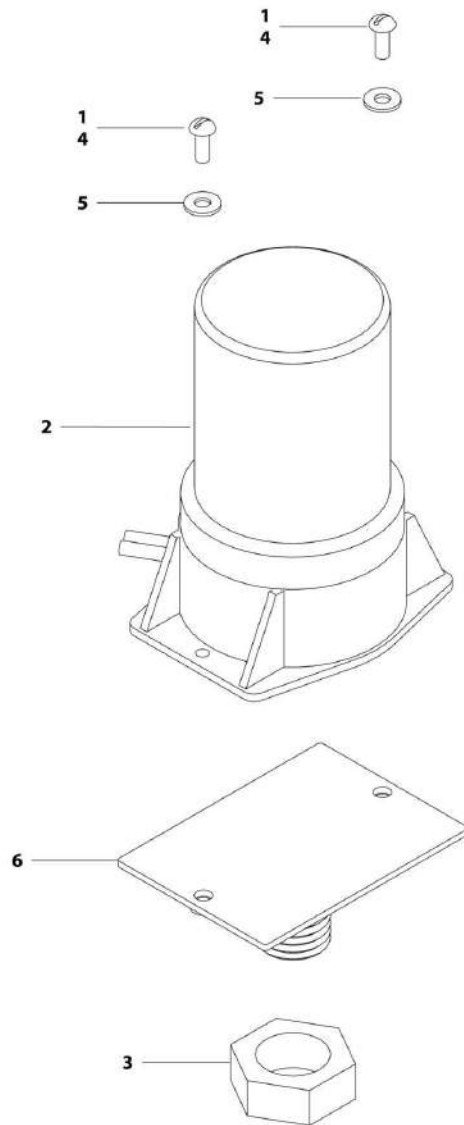
**SECTION 2 - TURNTABLE**

**FIGURE 2-22. STROBE LIGHT INSTALLATION - UL LISTED - OPTIONAL**

ITEM	PART NUMBER	QTY	DESCRIPTION	REV
	1001158612	Ref	STROBE LIGHT INSTALLATION - UL LISTED - OPTIONAL	A
		Ref	Note: If machine is equipped with BLUE Strobe Light, see SPECIAL OPTIONS SECTION SkyGuard Kit.	
1	0100035	AR	Compound, Locking	
2	1001149818	1	Harness, Strobe Light (Not Shown - See ELECTRICAL SECTION for Breakdown)	
3	3900128	2	Screw #10-32 x 7/8	
4	4060865	1	Guard	
5	1001150406	1	Strobe Light Assembly (See STROBE LIGHT ASSEMBLY for Breakdown)	

## SECTION 2 - TURNTABLE

FIGURE 2-23. STROBE LIGHT ASSEMBLY (AMBER)



ART\_1001150406



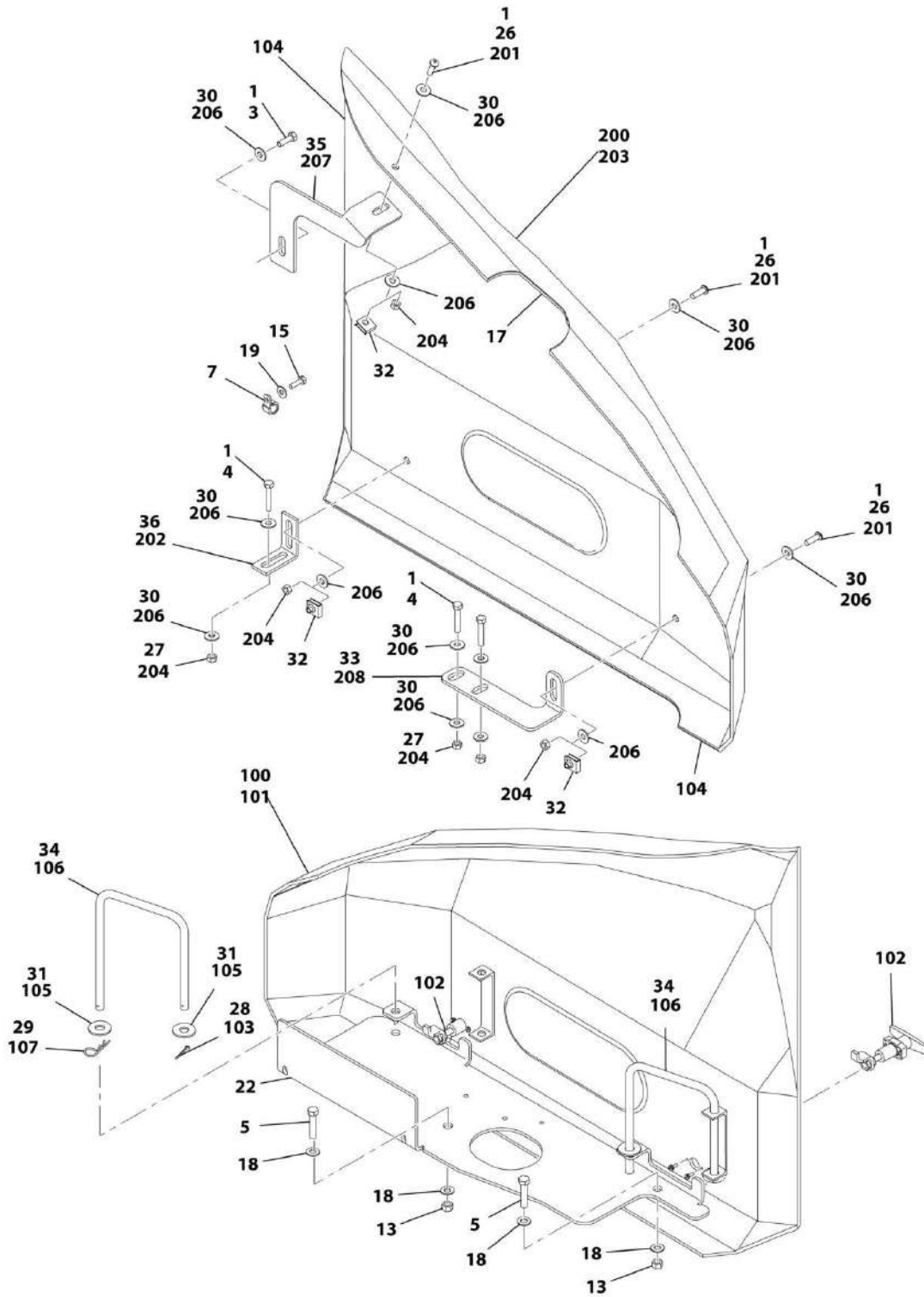
**SECTION 2 - TURNTABLE**

**FIGURE 2-23. STROBE LIGHT ASSEMBLY (AMBER)**

ITEM	PART NUMBER	QTY	DESCRIPTION	REV
	1001150406	Ref	STROBE LIGHT ASSEMBLY (AMBER)	B
		Ref	Note: If machine is equipped with BLUE Strobe Light, see SPECIAL OPTIONS SECTION SkyGuard Kit.	
1	0100035	AR	Compound, Locking	
2	2920161	1	Strobe Light/Harness Assembly (See ELECTRICAL SECTION for Breakdown)	
3	3312602	1	Nut, Jam 1-8	
4	3900085	2	Screw #10-32 x 1/2	
5	4751000	2	Washer, #10	
6	1001149994	1	Plate, Mounting	

# SECTION 2 - TURNTABLE

## FIGURE 2-24. HOOD INSTALLATION - E400AN



ART\_1001166738

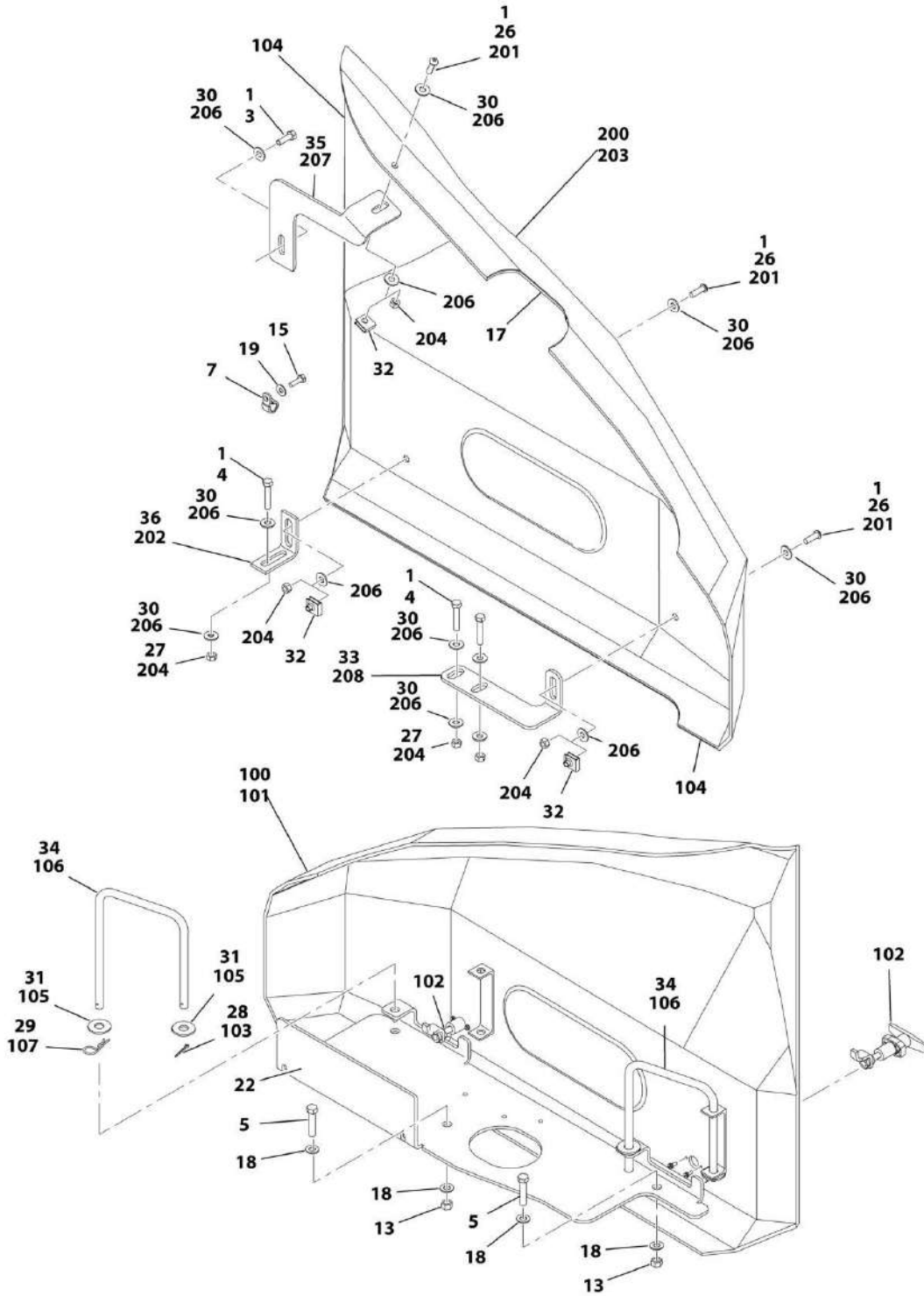
## SECTION 2 - TURNTABLE

### FIGURE 2-24. HOOD INSTALLATION - E400AN

ITEM	PART NUMBER	QTY	DESCRIPTION	REV
	1001166738	Ref	HOOD INSTALLATION - E400AN	D
1	0100011	AR	Compound, Locking	
3	0641508	1	Bolt, 5/16-18 x 1	
4	0641514	3	Bolt, 5/16-18 x 1-3/4	
5	0641614	2	Bolt, 3/8-16 x 1-3/4	
7	1320041	1	Clamp	
13	3311601	2	Nut, 3/8-16	
15	0641407	1	Bolt, 1/4-20 x 7/8	
17	4060805	8 in/0.20m	Shield, Flex Trim <b>(Prior to SN 0300199193)</b>	
18	4711600	4	Washer, 3/8	
19	4751400	1	Washer, 1/4	
22	1001165963	1	Plate, Tray	
26	88261024	3	Screw, 5/16-18 x 1	
27	3311501	3	Nut, 5/16-18 <b>(SN 0300199193 through 0300208528)</b>	
28	3420156	2	Pin, Cotter <b>(SN 0300199193 through 0300208528)</b>	
29	3450304	2	Pin, Cotter <b>(SN 0300199193 through 0300208528)</b>	
30	4751500	10	Washer, 5/16 <b>(SN 0300199193 through 0300208528)</b>	
31	4751800	2	Washer, 1/2 <b>(SN 0300199193 through 0300208528)</b>	
32	88662530	3	Nut, Tinnerman <b>(SN 0300199193 through 0300208528)</b>	
33	1001165981	1	Mount, Hood - Lower <b>(SN 0300199193 through 0300208528)</b>	
34	1001165985	2	Mount, Hood Swing <b>(SN 0300199193 through 0300208528)</b>	
35	1001182725	1	Mount, Hood <b>(SN 0300199193 through 0300208528)</b>	
36	1001183212	1	Bracket, Hood Mount <b>(SN 0300199193 through 0300208528)</b>	
100	1001176417	1	LH Side Hood Kit (Includes Items 101-107)	B
		Ref	Note: Replacement Decals Must be Ordered Separately - See DECAL SECTION.	
101	See Note	1	Hood, LH (Note: Use Item 100)	
102	2940071	2	Latch	
103	3420156	2	Pin, Cotter <b>(Prior to SN 0300199193)</b>	
104	3960453	AR	Seal, Door	
105	4751800	2	Washer, 1/2 <b>(Prior to SN 0300199193)</b>	
106	1001165985	2	Mount, Hood Swing <b>(Prior to SN 0300199193)</b>	
107	3450304	2	Pin, Cotter <b>(Prior to SN 0300199193)</b>	
200	1001176441	1	RH Side Hood Kit (Includes Items 201-208)	B
		Ref	Note: Replacement Decals Must be Ordered Separately - See DECAL SECTION.	
201	0630468	3	Bolt, 5/16-18 x 1 <b>(Prior to SN 0300199193)</b>	
202	0901923	1	Bracket, Hood Mount <b>(Prior to SN 0300199193)</b>	
203	See Note	1	Hood, RH (Use Item 200)	
204	3311501	6	Nut, 5/16-18 <b>(Prior to SN 0300199193)</b>	
205	3960453	AR	Seal, Door	
206	4751500	14	Washer, 5/16 <b>(Prior to SN 0300199193)</b>	
207	1001165980	1	Mount, Hood <b>(Prior to SN 0300199193)</b>	
208	1001165981	1	Mount, Hood - Lower <b>(Prior to SN 0300199193)</b>	

# SECTION 2 - TURNTABLE

## FIGURE 2-25. HOOD INSTALLATION - E400AJP/E400AJPN/M400AJP/M400AJPN



ART\_1001166250

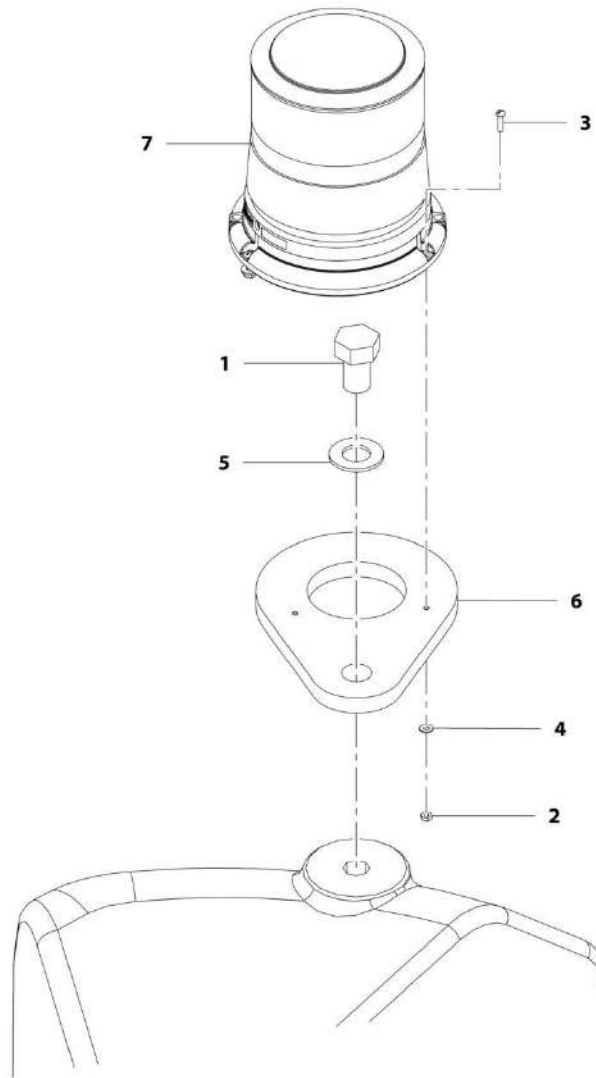
## SECTION 2 - TURNTABLE

**FIGURE 2-25. HOOD INSTALLATION - E400AJP/E400AJPN/M400AJP/M400AJPN**

ITEM	PART NUMBER	QTY	DESCRIPTION	REV
	1001166250	Ref	HOOD INSTALLATION - E400AJP/E400AJPN/M400AJP/M400AJPN	D
1	0100011	AR	Compound, Locking	
3	0641508	1	Bolt, 5/16-18 x 1	
4	0641514	3	Bolt, 5/16-18 x 1-3/4	
5	0641614	2	Bolt, 3/8-16 x 1-3/4	
7	1320041	1	Clamp	
13	3311601	2	Nut, 3/8-16	
15	0641407	1	Bolt, 1/4-20 x 7/8	
17	4060805	8 in/0.20m	Shield, Flex Trim <b>(Prior to SN 0300199193)</b>	
18	4711600	4	Washer, 3/8	
19	4751400	1	Washer, 1/4	
22	1001165962	1	Plate, Tray	
26	88261024	3	Screw, 5/16-18 x 1	
27	3311501	3	Nut, 5/16-18 <b>(SN 0300199193 through 0300208528)</b>	
28	3420156	2	Pin, Cotter <b>(SN 0300199193 through 0300208528)</b>	
29	3450304	2	Pin, Cotter <b>(SN 0300199193 through 0300208528)</b>	
30	4751500	10	Washer, 5/16 <b>(SN 0300199193 through 0300208528)</b>	
31	4751800	2	Washer, 1/2 <b>(SN 0300199193 through 0300208528)</b>	
32	88662530	3	Nut, Tinnerman <b>(SN 0300199193 through 0300208528)</b>	
33	1001165981	1	Mount, Hood - Lower <b>(SN 0300199193 through 0300208528)</b>	
34	1001165985	2	Mount, Hood Swing <b>(SN 0300199193 through 0300208528)</b>	
35	1001182725	1	Mount, Hood <b>(SN 0300199193 through 0300208528)</b>	
36	1001183212	1	Bracket, Hood Mount <b>(SN 0300199193 through 0300208528)</b>	
100	1001176417	1	LH Hood Kit (Includes Items 101-107)	B
		Ref	Note: Replacement Decals Must be Ordered Separately - See DECAL SECTION.	
101	See Note	1	Hood, LH (Note: Use Item 100)	
102	2940071	2	Latch	
103	3420156	2	Pin, Cotter <b>(Prior to SN 0300199193)</b>	
104	3960453	AR	Seal, Door	
105	4751800	2	Washer, 1/2 <b>(Prior to SN 0300199193)</b>	
106	1001165985	2	Mount, Hood Swing <b>(Prior to SN 0300199193)</b>	
107	3450304	2	Pin, Cotter <b>(Prior to SN 0300199193)</b>	
200	1001176441	1	RH, Side Hood Kit (Includes Items 201-208)	B
		Ref	Note: Replacement Decals Must be Ordered Separately - See DECAL SECTION.	
201	0630468	3	Bolt, 5/16-18 x 1 <b>(Prior to SN 0300199193)</b>	
202	0901923	1	Bracket, Hood Mount <b>(Prior to SN 0300199193)</b>	
203	See Note	1	Hood, RH (Note: Use Item 200)	
204	3311501	6	Nut, 5/16-18 <b>(Prior to SN 0300199193)</b>	
205	3960453	AR	Seal, Door	
206	4751500	14	Washer, 5/16 <b>(Prior to SN 0300199193)</b>	
207	1001165980	1	Mount, Hood <b>(Prior to SN 0300199193)</b>	
208	1001165981	1	Mount, Hood - Lower <b>(Prior to SN 0300199193)</b>	

## SECTION 2 - TURNTABLE

FIGURE 2-26. BEACON LIGHT INSTALLATION - BLUE (SN 0300200116 through 0300208528)



ART\_1001189194

## SECTION 2 - TURNTABLE

**FIGURE 2-26. BEACON LIGHT INSTALLATION - BLUE (SN 0300200116 through 0300208528)**

ITEM	PART NUMBER	QTY	DESCRIPTION	REV
	1001189194	Ref	BEACON LIGHT INSTALLATION - BLUE (SN 0300200116 through 0300208528)	A
1	0642612	1	Bolt, 1-8 x 1-1/2	
2	3311005	3	Nut, Lock #10-24	
3	3911012	3	Screw, 10-24 x 3/4	
4	4711000	3	Washer, #10	
5	4712600	1	Washer, 1	
6	1001142694	1	Bracket	
7	1001143431	1	Light, Beacon	
7	7028909	1	Connector - 2 Position	
7	4460943	1	Pin, Male	
8	1001149570	1	Beacon Harness (Not Shown - See ELECTRICAL SECTION for Breakdown)	

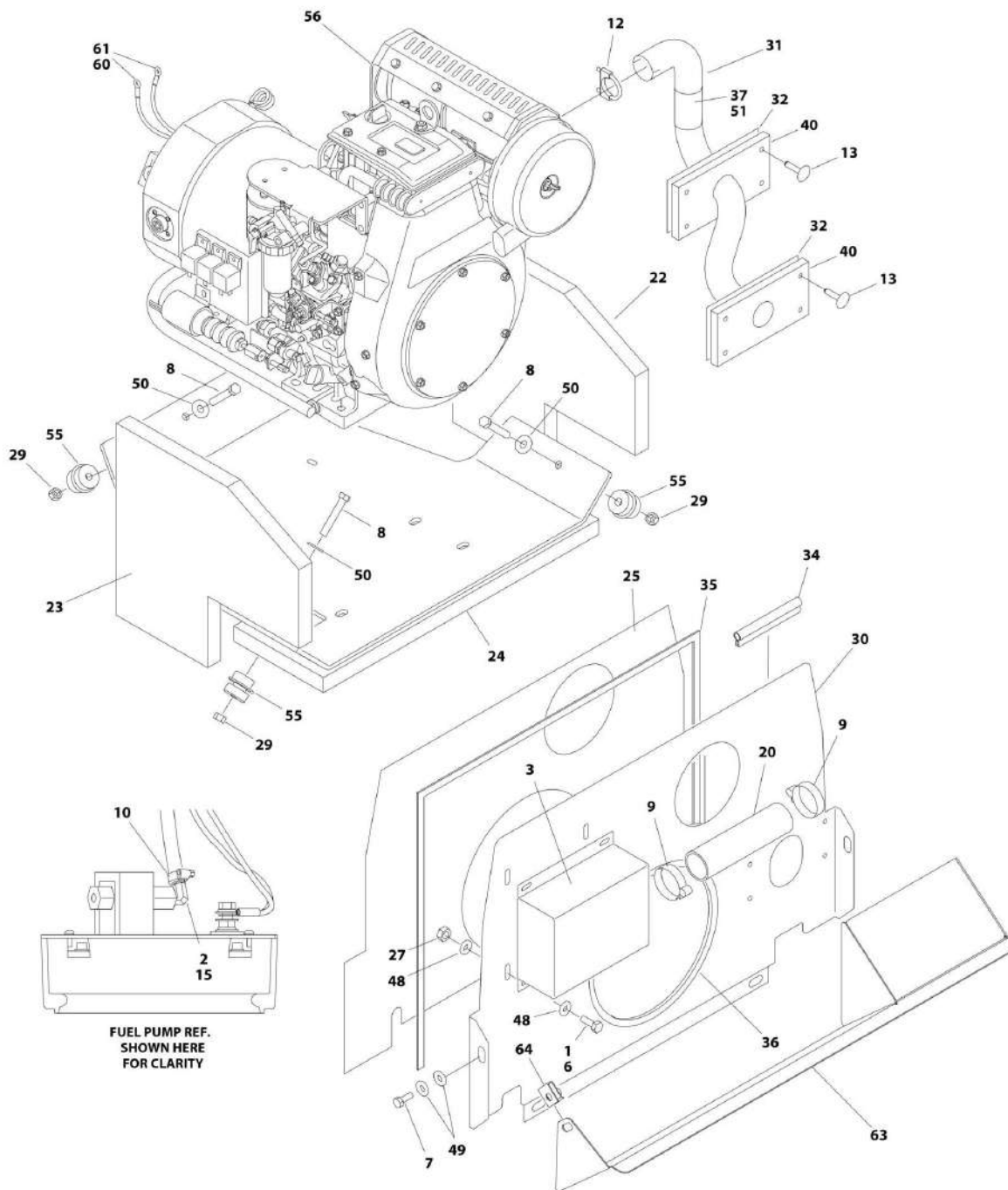




**SECTION 3 - ENGINE**

# SECTION 3 - ENGINE

## FIGURE 3-1. KUBOTA MOTOR/GENERATOR INSTALLATION - M400AJP/M400AJPN



ART\_1001167699\_30F4

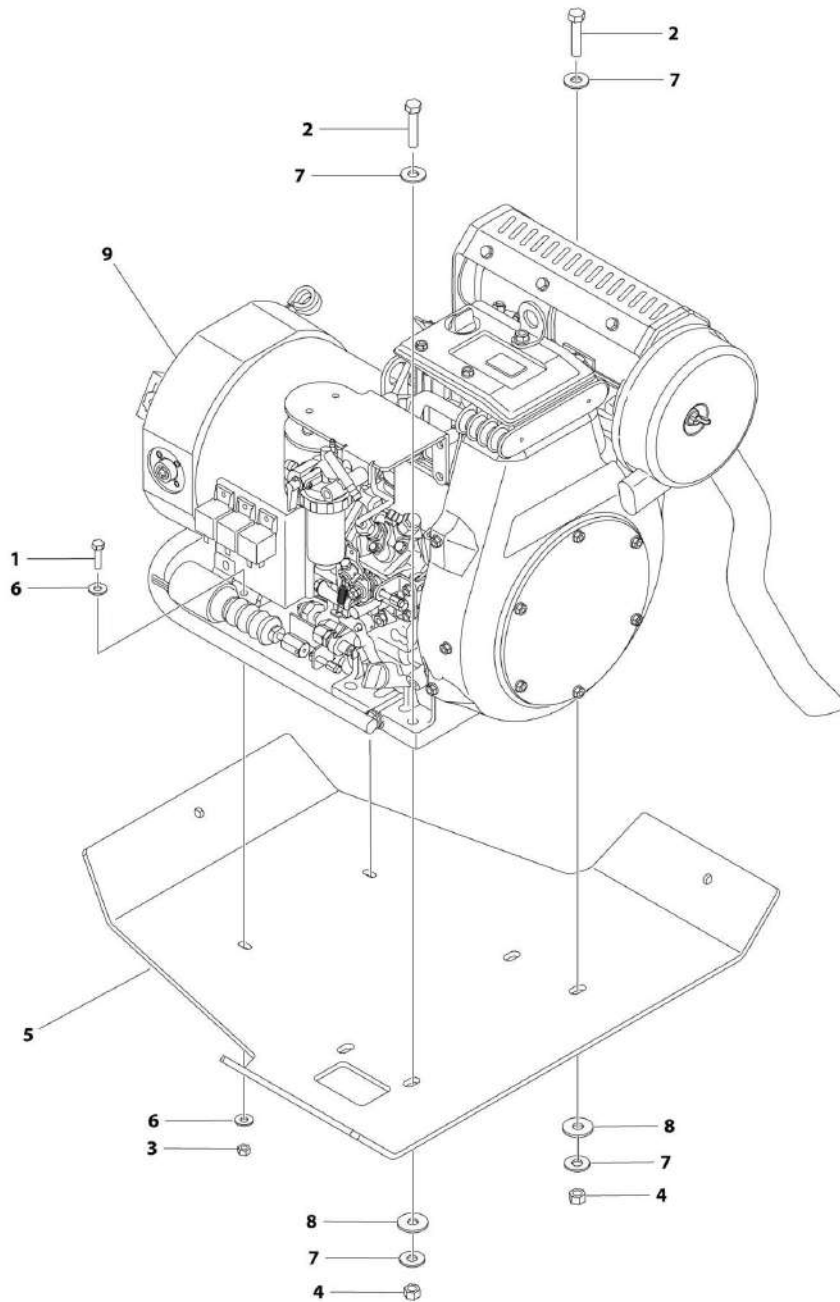
## SECTION 3 - ENGINE

**FIGURE 3-1. KUBOTA MOTOR/GENERATOR INSTALLATION - M400AJP/M400AJPN**

ITEM	PART NUMBER	QTY	DESCRIPTION	REV
	1001167699	Ref	KUBOTA MOTOR/GENERATOR INSTALLATION - M400AJP/M400AJPN	C
1	0100011	AR	Compound, Locking	
2	0100020	AR	Sealant	
3	0259481	1	Plenum Box Assembly	
6	0641406	8	Bolt, 1/4-20 x 3/4	
7	0641510	2	Bolt, 5/16-18 x 1-1/4	
8	0641618	3	Bolt, 3/8-16 x 2-1/4	
9	1320012	2	Clamp	
10	1320022	2	Clamp	
12	1320135	1	Clamp	
13	1380164	8	Clip, Panel Retainer	
15	2220805	1	Fitting, NPT Coupling 90	
20	2720559	1	Hose	
22	2820112	1	Insulation, Right Side	
23	2820116	1	Insulation, Left Side	
24	2820117	1	Foam	
25	2820218	1	Insulation, Acoustic Barrier	
27	3311405	4	Nut, Lock, 1/4-20	
29	3311605	3	Nut, Lock, 3/8-16	
30	3380602	1	Shield, Heat	
31	3460457	1	Pipe, Exhaust	
32	3575961	2	Plate, Exhaust Mount	
34	3960389	2.6 ft /2380mm	Seal	
35	3960417	2.3 ft /701mm	Seal	
36	3960418	3 ft /915mm	Seal	
37	4100025	1.8 ft /549mm	Sleeve, Fiberglass	
40	4341072	2	Support, Exhaust Mount	
48	4711400	12	Washer, 1/4	
49	4751500	4	Washer, 5/16	
50	4751600	3	Washer, 3/8	
51	4920385	7.3 in /183mm	Wire, Safety	
55	1001125248	3	Mount, Engine	
56	1001159361	1	Kubota Engine Assembly (See KUBOTA ENGINE ASSEMBLY for Breakdown)	
60	1060755	1	Cable, Battery (Includes Terminal Boot) (- Generator)	
61	1060754	1	Cable, Battery (Includes Terminal Boot) (+ Generator)	
63	1001181081	1	Shield, Heat	
64	88662530	2	Nut, Tinnerman	

# SECTION 3 - ENGINE

## FIGURE 3-2. KUBOTA MOTOR/GENERATOR ASSEMBLY - M400AJP/M400AJPN



ART\_1001159361

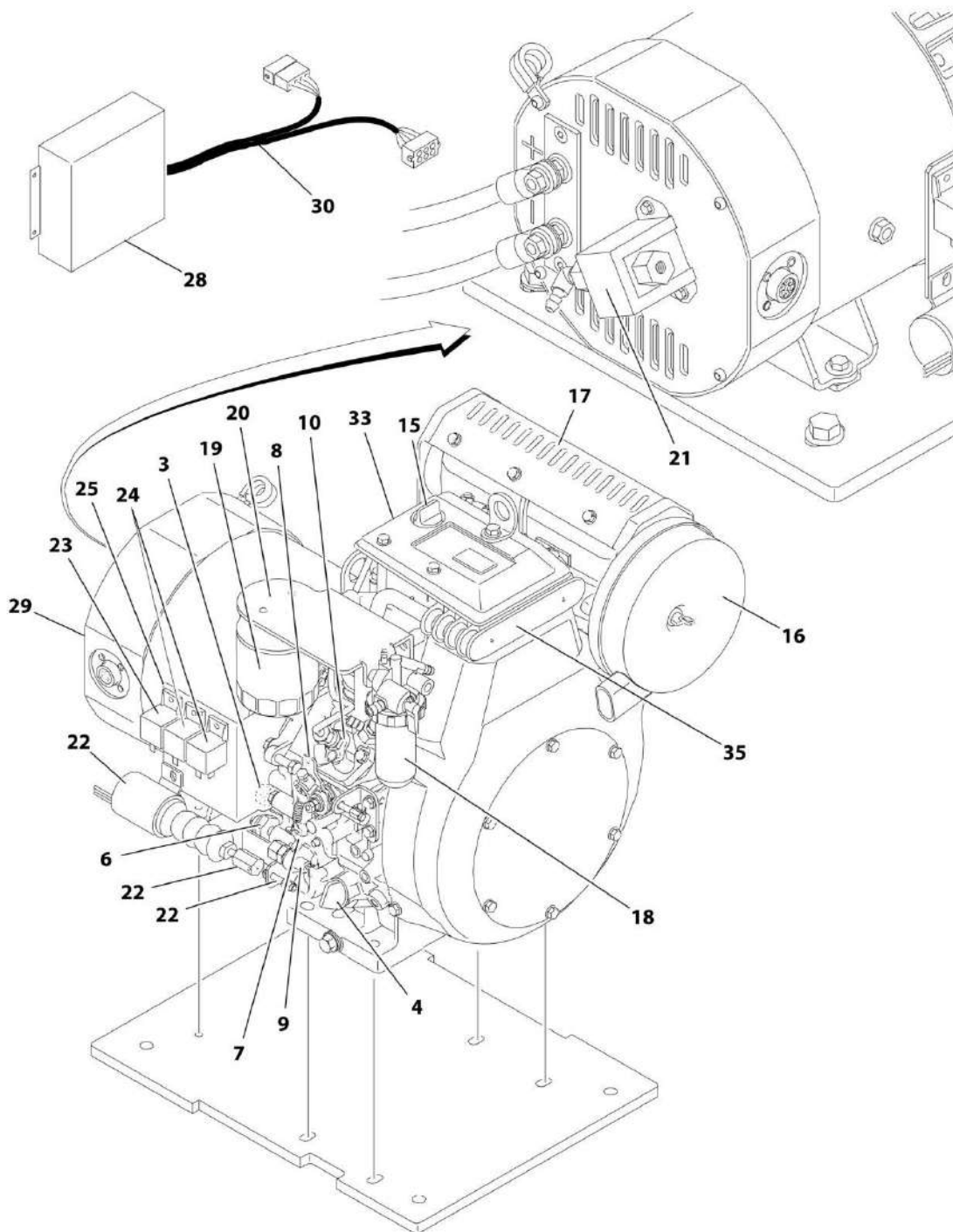
## SECTION 3 - ENGINE

**FIGURE 3-2. KUBOTA MOTOR/GENERATOR ASSEMBLY - M400AJP/M400AJPN**

ITEM	PART NUMBER	QTY	DESCRIPTION	REV
	1001159361	Ref	KUBOTA MOTOR/GENERATOR ASSEMBLY - M400AJP/M400AJPN	A
1	0641408	2	Bolt, 1/4-20 x 1	
2	0641614	4	Bolt, 3/8-16 x 1-3/4	
3	3311405	2	Nut, Lock, 1/4-20	
4	3311605	4	Nut, Lock, 3/8-16	
5	3575952	1	Plate, Base	
6	4751400	4	Washer, 1/4	
7	4751600	8	Washer, 3/8	
8	4761600	4	Washer, Lock 3/8	
9	1001159355	1	Kubota Engine/Generator Assembly (See KUBOTA ENGINE/GENERATOR COMPONENTS for Breakdown)	

# SECTION 3 - ENGINE

## FIGURE 3-3. KUBOTA MOTOR/GENERATOR COMPONENTS



ART\_1001159355

## SECTION 3 - ENGINE

**FIGURE 3-3. KUBOTA MOTOR/GENERATOR COMPONENTS**

ITEM	PART NUMBER	QTY	DESCRIPTION	REV
	1001159355	Ref	KUBOTA MOTOR/GENERATOR COMPONENTS	A
1	70000290	1	Glow Plug (Not Shown)	
1	70000291	1	Harness, Glow Plug (Not Shown)	
2	70000292	1	Screen, Oil Sump (Includes O-Ring)	
3	70000293	1	Cap, Oil Filler (Includes O-Ring)	
4	70000294	1	Dipstick	
5	70000295	1	Pump, Oil Rotor (Not Shown - Located beside Item 6)	
5	70000296	1	O-Ring Oil Rotor Pump (Not Shown)	
6	70000297	1	Switch, Oil	
7	70000298	1	Lever, Governor	
7	70000299	1	Pin, Governor Lever	
7	70000300	1	Spring, Governor Lever	
8	70000301	1	Spring, Idling	
8	70000304	1	Lever, Spring Control	
8	70000305	1	Spring, Stop (Speed Control Lever)	
9	70000302	1	Valve, Fuel Limit (Not Shown)	
9	70000303	1	Gasket, Fuel Limit (Not Shown)	
10	70000306	1	Pump, Injection	
10	70000307	1	Kit, Pump Adjustment Shim	
11	70000308	1	Flywheel/Ring Gear Assembly (Not Shown - Located Behind Front Cover)	
11	70000309	1	Ring Gear (Not Shown)	
11	70001121	1	Stator, Engine (Not Shown - Located Behind Flywheel) (Includes Coil and Grommet)	
12	70003557	1	Regulator, Voltage (Not Shown - Located on Opposite Side of Engine)	
13	70000310	1	Starter (Not Shown - Located on Opposite of Engine)	
14	70000311	1	Solenoid, Starter (Not Shown - Located on Opposite Side of Engine)	
15	70002244	1	Cap, Oil Filler (Includes O-Ring)	
16	70000312	1	Air Filter Assembly	
16	70000313	1	Element, Air Cleaner	
16	70000314	1	Gasket, Air Cleaner	
17	70000315	1	Muffler Assembly	
17	70000316	1	Gasket, Muffler	
18	70000317	1	Inline Fuel Check Valve Assembly	
18	70000967	1	Fuel Filter Assembly	
18	70000318	1	Element, Fuel Filter	
19	70000319	1	Element, Oil Filter	
19	70001144	1	Head, Oil Filter Head (Note: Does Not Include Element)	
20	70002544	1	Bracket, Oil Filter Mount	
21	70000320	1	Pump, Fuel	
22	70000321	1	Solenoid, Fuel	
22	70003618	1	Adapter, Solenoid	
22	70003619	1	Screw	
23	70000322	1	Relay	
24	70000323	2	Relay	
25	70002083	1	Bracket, Solenoid/Relay	
26	70000324	1	Sensor, Speed (Not Shown - Located Inside Front Cover)	
26	70004265	1	Bracket, Speed Sensor (Not Show - Located Inside Front Cover)	

## SECTION 3 - ENGINE

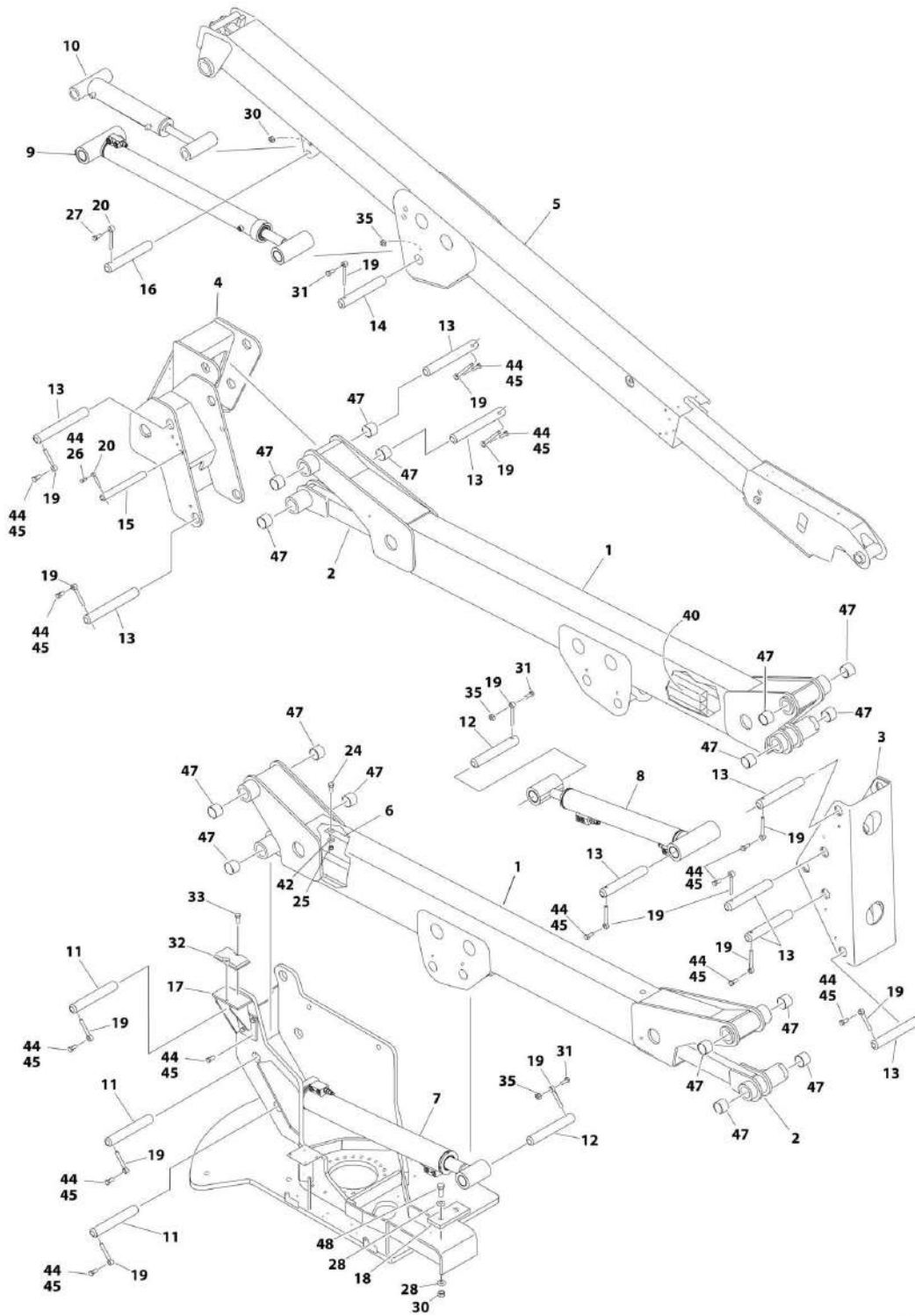
ITEM	PART NUMBER	QTY	DESCRIPTION	REV
27	70000325	1	Sensor, Oil Temperature (Not Shown - Located on Opposite Side of Engine Base)	
28	70000326	1	Module, Engine Control	
28	70005169	1	Cap, Connector, Anti-EMI	
29	70000327	1	Alternator	
29	70000382	1	Stator, Alternator	
29	70004394	1	Lead, Field Terminal Block Diode	
29	70004954	4	Screws	
30	70000328	1	Harness, Generator	
31	70000329	1	Fuse 15Amp (Not Shown)	
32	70000330	1	Fuse 20Amp (Not Shown)	
33	70002543	1	Engine, Kubota (Without Generator)	
34	70000289	1	Regulator, Voltage (Not Shown - Located on Opposite Side of Engine)	
35	70004785	1	Cooler, Oil	



**SECTION 4 - BOOM**

# SECTION 4 - BOOM

## FIGURE 4-1. BOOM AND CYLINDERS INSTALLATION - E400AN



ART\_0270724

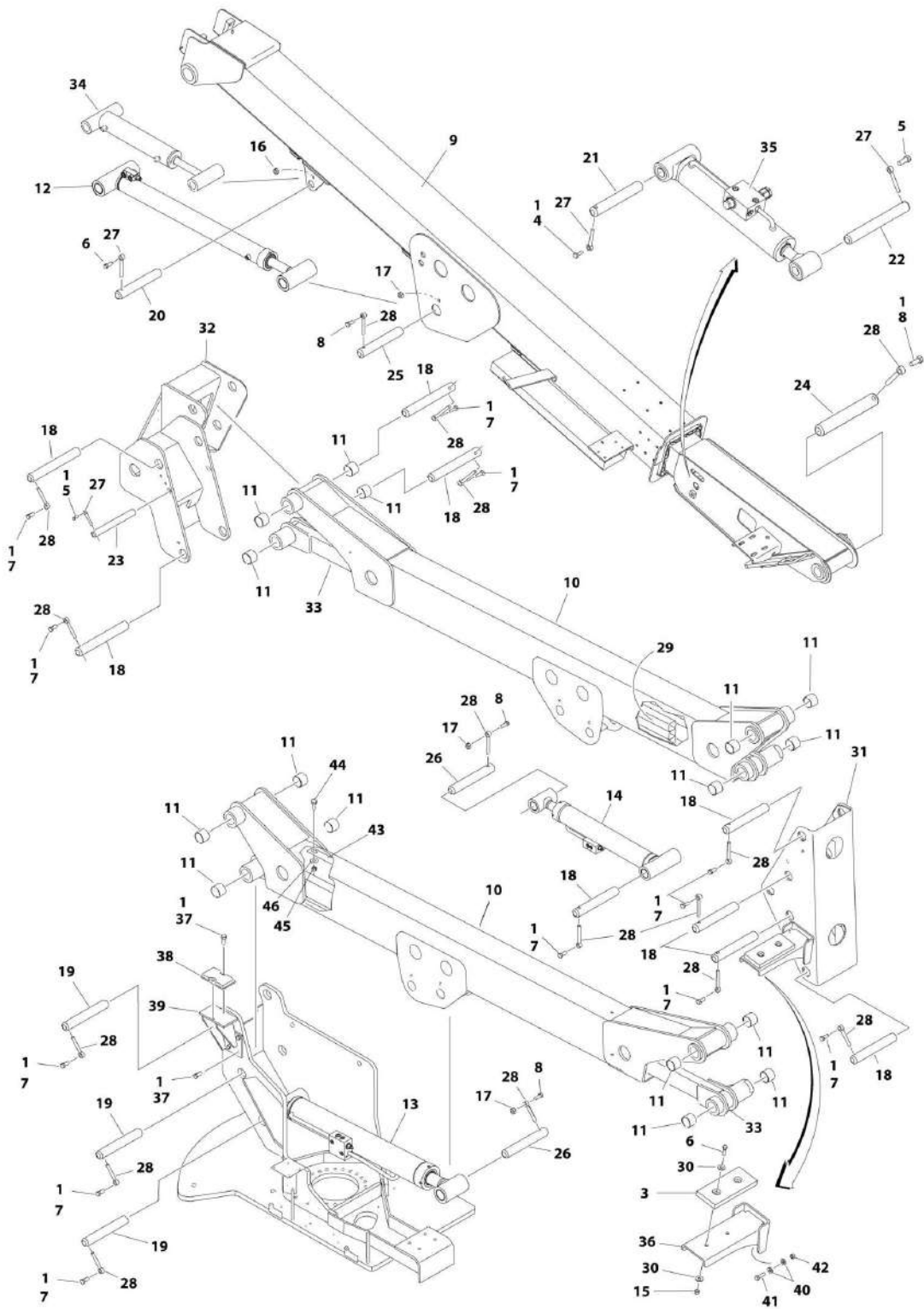
## SECTION 4 - BOOM

**FIGURE 4-1. BOOM AND CYLINDERS INSTALLATION - E400AN**

ITEM	PART NUMBER	QTY	DESCRIPTION	REV
	0270724	Ref	BOOM AND CYLINDERS INSTALLATION - E400AN	H
1	0801262	2	Boom Assembly - Tower	
2	4846209	2	Level Link	
3	4844303	1	Upright Weldment - Lower	
4	4844304	1	Upright Weldment - Upper	
5	0270725	1	Boom Assembly - Main (See MAIN BOOM ASSEMBLY - E400An for Breakdown)	
6	4566427	1	Tube (Not Shown) <b>(SN 0300189901 through 0300193895)</b>	
6	3536491	1	Plate <b>(SN 0300193896 through 0300208528)</b>	
7	1684453	NLA	Lift Cylinder Assembly - Lower (Use p/n 1001228037) (Original Equipment) (See CYLINDER SECTION for Breakdown)	
7	1001228037	1	Lift Cylinder Assembly - Lower (Service Replacement) (See CYLINDER SECTION for Breakdown)	
8	1684454	NLA	Lift Cylinder Assembly - Mid (Use p/n 1001228038) (Original Equipment) (See CYLINDER SECTION for Breakdown)	
8	1001228038	1	Lift Cylinder Assembly - Mid (Service Replacement) (See CYLINDER SECTION for Breakdown)	
9	1684061	NLA	Lift Cylinder Assembly - Upper (Use p/n 1001228018) (Original Equipment) (See CYLINDER SECTION for Breakdown)	
9	1001228018	1	Lift Cylinder Assembly - Upper (Service Replacement) (See CYLINDER SECTION for Breakdown)	
10	1001140597	1	Master Cylinder Assembly (See CYLINDER SECTION for Breakdown)	
11	3422175	3	Pin	
12	3422176	2	Pin	
13	3422177	9	Pin	
14	3422178	1	Pin	
15	3422179	1	Pin	
16	3422180	1	Pin	
17	4844467	1	Boom Rest Weldment	
18	0561076	1	Block, Boom Rest	
19	3841203	15	Keeper, Pin - 1/2	
20	3841143	2	Keeper, Pin - 3/8	
24	0641506	4	Bolt, 5/16-18 x 3/4 <b>(SN 0300193896 through 0300208528)</b>	
25	3311505	4	Nut, Lock 5/16-18 <b>(SN 0300193896 through 0300208528)</b>	
26	0641608	1	Bolt, 3/8-16 x 1	
27	0641610	1	Bolt, 3/8-16 x 1-1/4	
28	4751600	4	Washer, 3/8	
30	3311605	3	Nut, Lock 3/8-16	
31	0641812	3	Bolt, 1/2-13 x 1-1/2	
32	0940048	1	Bumper	
33	0641806	2	Bolt, 1/2-13 x 3/4	
35	3311805	3	Nut, Lock 1/2-13	
40	4566427	1	Tube	
42	4751500	4	Washer, 5/16 <b>(SN 0300193896 through 0300208528)</b>	
44	0100011	AR	Compound, Locking	
45	0641810	15	Bolt, 1/2-13 x 1-1/4	
47	0961950	16	Bushing	
48	0641608	2	Bolt, 3/8-18 x 1 <b>(SN 0300189901 through 0300194576)</b>	
48	0641614	2	Bolt, 3/8-16 x 1-3/4 <b>(SN 0300194577 through 0300208528)</b>	

# SECTION 4 - BOOM

## FIGURE 4-2. BOOM AND CYLINDERS INSTALLATION - E400AJP/E400AJPN/M400AJP/M400AJPN



ART\_1001168674

## SECTION 4 - BOOM

**FIGURE 4-2. BOOM AND CYLINDERS INSTALLATION - E400AJP/E400AJPN/M400AJP/M400AJPN**

ITEM	PART NUMBER	QTY	DESCRIPTION	REV
	1001168674	Ref	BOOM AND CYLINDERS INSTALLATION - E400AJP/E400AJPN/M400AJP/M400AJPN	E
1	0100011	AR	Compound, Locking	
3	0561076	1	Block, Boom Rest	
4	0641607	1	Bolt, 3/8-16 x 7/8	
5	0641608	2	Bolt, 3/8-16 x 1	
6	0641610	3	Bolt, 3/8-16 x 1-1/4	
7	0641808	12	Bolt, 1/2-13 x 1	
8	0641810	13	Bolt, 1/2-13 x 1-1/4	
9	0801225	1	Boom Assembly - Main (See MAIN BOOM ASSEMBLY - E400AJP/E400AJPN/M400AJP/M400AJPN for Breakdown)	
10	0801227	1	Boom Assembly - Tower	
11	0961950	16	Bushing	
12	1683945	NLA	Lift Cylinder Assembly - Upper (Use p/n 1001228016) (Original Equipment) (See CYLINDER SECTION for Breakdown)	
12	1001228016	1	Lift Cylinder Assembly - Upper (Service Replacement) (See CYLINDER SECTION for Breakdown)	
13	1684451	NLA	Lift Cylinder Assembly - Lower (Use p/n 1001228035) (Original Equipment) (See CYLINDER SECTION for Breakdown)	
13	1001228035	1	Lift Cylinder Assembly - Lower (Service Replacement) (See CYLINDER SECTION for Breakdown)	
14	1684452	NLA	Lift Cylinder Assembly - Mid (Use p/n 1001228036) (Original Equipment) (See CYLINDER SECTION for Breakdown)	
14	1001228036	1	Lift Cylinder Assembly - Mid (Service Replacement) (See CYLINDER SECTION for Breakdown)	
15	3311601	2	Nut, 3/8-16	
16	3311605	1	Nut, Lock, 3/8-16	
17	3311805	3	Nut, Lock, 1/2-13	
18	3422480	9	Pin	
19	3422481	3	Pin	
20	3422582	1	Pin	
21	3422669	1	Pin	
22	3422792	1	Pin	
23	3422806	1	Pin	
24	3422814	1	Pin	
25	3422844	1	Pin	
26	3422845	2	Pin	
27	3841143	4	Keeper, 3/8	
28	3841203	16	Keeper, 1/2	
29	4566427	1	Tube	
30	4751600	4	Washer, 3/8	
31	4844427	1	Upright Weldment - Lower	
32	4846026	1	Upright Weldment - Upper	
33	4846209	2	Level Link	
34	1001140278	1	Master Cylinder Assembly (See CYLINDER SECTION for Breakdown)	
35	1001140279	1	Platform Level Cylinder (See CYLINDER SECTION for Breakdown)	
36	1001177483	1	Support, Boom Rest	
37	0641806	5	Bolt, 1/2-13 x 3/4	
38	0940048	1	Bumper	
39	4844467	1	Boom Rest Weldment	

## SECTION 4 - BOOM

ITEM	PART NUMBER	QTY	DESCRIPTION	REV
40	4891600	8	Washer, 3/8	
41	0681610	4	Bolt, 3/8-16 x 1-1/4, Grade 8	
42	3271605	4	Nut, Lock, 3/8-16, Grade 8	
43	3536491	1	Plate <b>(SN 0300193896 through 0300208528)</b>	
44	0641506	4	Bolt, 5/16-18 x 3/4 <b>(SN 0300193896 through 0300208528)</b>	
45	3311505	4	Nut, Lock 5/16-18 <b>(SN 0300193896 through 0300208528)</b>	
46	4751500	4	Washer, 5/16 <b>(SN 0300193896 through 0300208528)</b>	







## SECTION 4 - BOOM

**FIGURE 4-3. MAIN BOOM ASSEMBLY - E400AN**

ITEM	PART NUMBER	QTY	DESCRIPTION	REV
	0270725	Ref	MAIN BOOM ASSEMBLY - E400AN	D
1	0801263	1	Base, Weldment	
2	0801267	1	Fly, Weldment	
3		Ref	Telescope Cylinder Assembly (See CYLINDER SECTION for Breakdown)	
3	1684030	NLA	Telescope Cylinder Assembly (Use p/n 1001228063) (Original Equipment) <b>(Prior to SN 0300200116)</b>	
3	1001151497	NLA	Telescope Cylinder Assembly (Use p/n 1001228063) (Original Equipment) <b>(SN 0300200116 through 0300208528)</b>	
3	1001228063	1	Telescope Cylinder Assembly (Service Replacement)	
4	3422901	1	Pin	
5	1180302	1	Powertrack Assembly	
5	7019698	1	Link, Repair	
5A	7019699	1	Feet, Mounting	
6	4844579	1	Holder, Wear Pad	
7	3340663	8	Pad, Wear (Base Front Top and Sides/Fly Rear Sides and Bottom)	
8	3340820	2	Pad, Wear (Fly Rear Top)	
9	3340682	1	Pad, Wear (Base Front Bottom)	
10	1760160	8	Disc	
11	0630487	6	Bolt, 3/8-16 x 1-3/8	
12	3311602	8	Nut, Jam, 3/8-16	
13	0641818	4	Bolt, 1/2-13 x 2-1/4	
14	4761800	4	Washer, Lock, 1/2	
15	3760115	2	Ring, Snap	
16	0641405	2	Bolt, 1/4-20 x 5/8	
17	0641404	2	Bolt, 1/4-20 x 1/2	
18	4761400	7	Washer, Lock, 1/4	
19	0641606	7	Bolt, 3/8-16 x 3/4	
20	4761600	7	Washer, Lock, 3/8	
21	0100011	AR	Compound, Locking	
22	1670679	1	Cover, Boom	
23	1670698	1	Cover, Boom	
24	4751400	7	Washer, 1/4	
25	3311401	3	Nut, 1/4-20	
26	1220038	1	Holder, Wear Pad (Base Front Left Side)	
27	1220039	1	Holder, Wear Pad (Base Front Right Side)	
28	1220040	1	Holder, Wear Pad (Base Front Top)	
29	0630399	2	Bolt, Special, 3/8-16 x 2-1/4	
30	0100009	AR	Silicone	
31	4740413	5	Washer, Spacer	
32	4751600	5	Washer, 3/8	
33	0641608	5	Bolt, 3/8-16 x 1	
34	3520034	4	Plug, Hole	
35	0961951	2	Bearing	
36	1683933	1	Platform Level Cylinder Assembly (See CYLINDER SECTION for Breakdown)	
37	3422181	1	Shaft, Pin	
39	3841143	3	Keeper	
40	0641607	1	Bolt, 3/8-16 x 7/8	
41	0100011	AR	Compound, Locking	

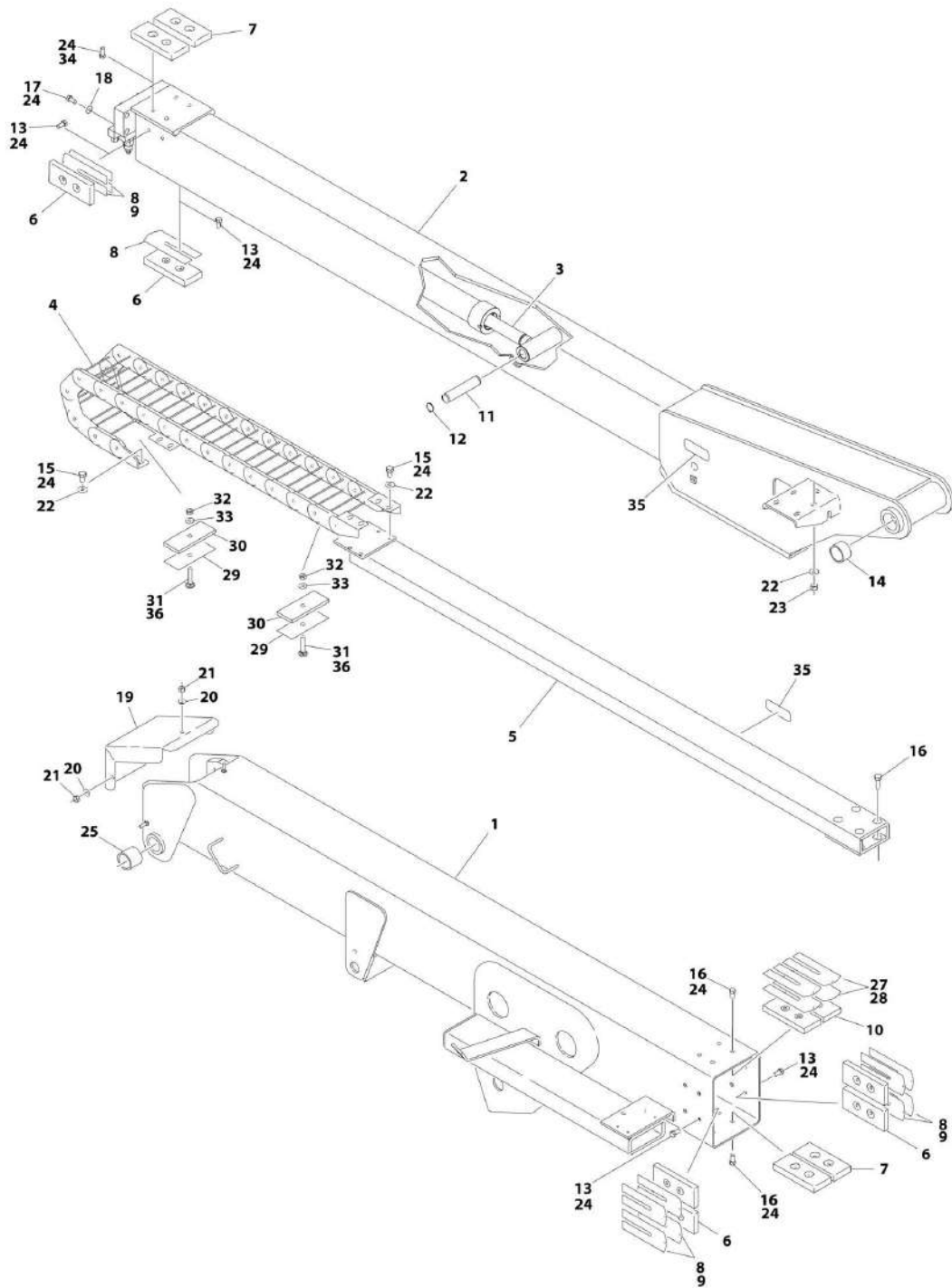
## SECTION 4 - BOOM

ITEM	PART NUMBER	QTY	DESCRIPTION	REV
42	0060052	1	Rotator Assembly (See ROTATOR ASSEMBLY for Breakdown)	
43	3422709	1	Shaft, Pin	
44	0641608	2	Bolt, 3/8-16 x 1	
45	3311605	2	Nut, Lock, 3/8-16	
46	3422180	1	Shaft, Pin	
47	0961950	2	Bearing	



# SECTION 4 - BOOM

## FIGURE 4-4. MAIN BOOM ASSEMBLY - E400AJP/E400AJPn/M400AJP/M400AJPn



ART\_0801225

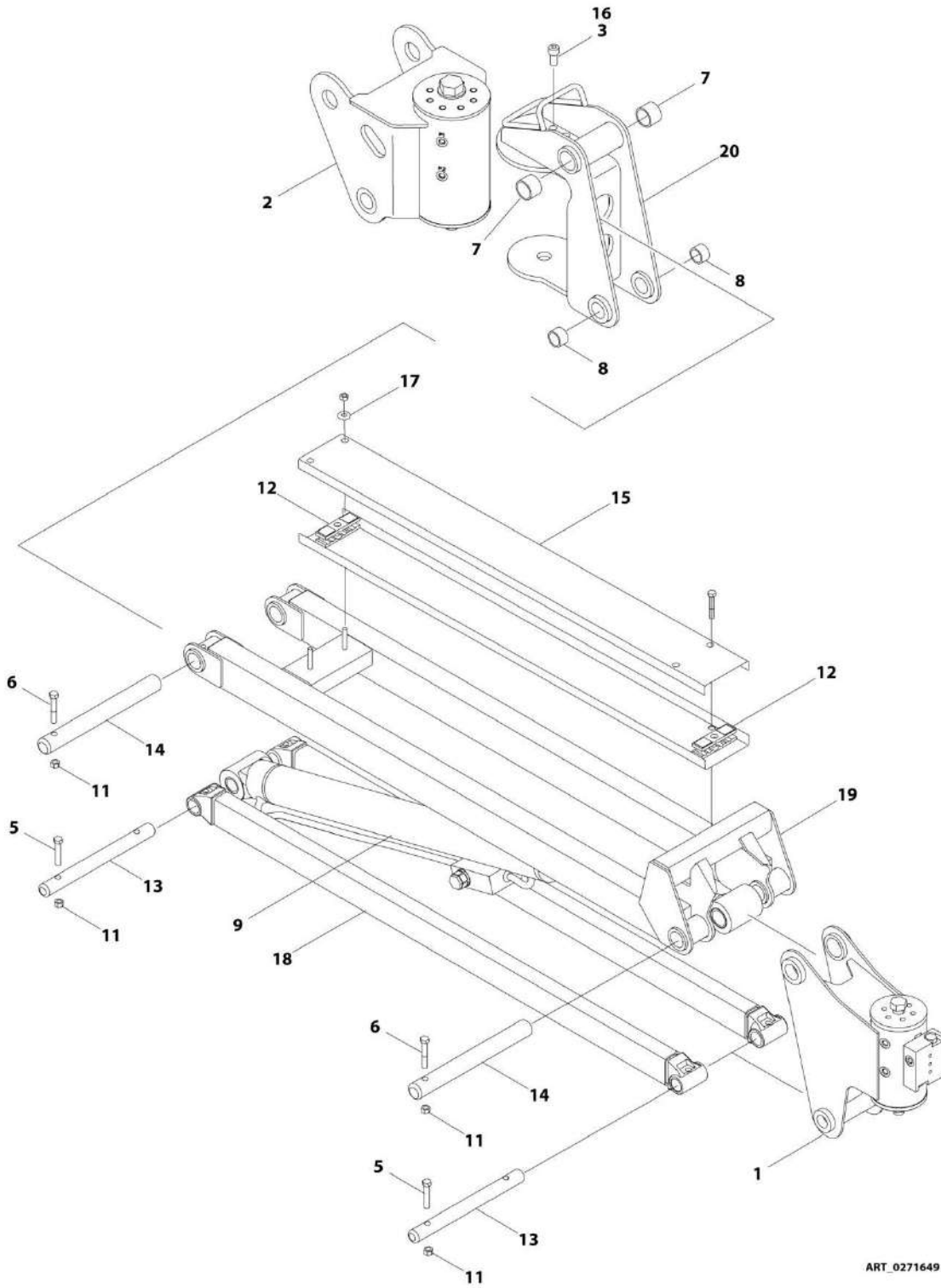
## SECTION 4 - BOOM

**FIGURE 4-4. MAIN BOOM ASSEMBLY - E400AJP/E400AJPN/M400AJP/M400AJPN**

ITEM	PART NUMBER	QTY	DESCRIPTION	REV
	0801225	Ref	MAIN BOOM ASSEMBLY - E400AJP/E400AJPN/M400AJP/M400AJPN	J
1	0801224	1	Base, Boom	
2	0801226	1	Fly, Boom	
3	1683911	NLA	Telescope Cylinder Assembly (Use p/n 1001228015) (Original Equipment) (See CYLINDER SECTION for Breakdown)	
3	1001228015	1	Telescope Cylinder Assembly (Service Replacement) (See CYLINDER SECTION for Breakdown)	
4	1001099834	1	Powertrack	
4	70001996	1	Repair Section (Includes 4 links, 10 pins, 10 washers, 10 snap rings, 2 Rod Carriers and 4 self-tapping screws)	
4	70001998	1	Bracket Kit (Includes 2 Left and 2 Right Mounting Feet, 4 center pins, 4 center pin snap rings, 8 pins for bracket lockout, 8 washers and 8 snap rings)	
5	4846180	1	Weldment, Push Tube	
6	3340878	10	Pad, Wear	
7	3340884	4	Pad, Wear	
8	4070864	12	Shim 18Ga	
9	4070863	8	Shim 11Ga	
10	3340886	2	Pad, Wear	
11	3422804	1	Pin	
12	3760115	2	Ring, Retaining	
13	0641606	30	Bolt, 3/8-16 x 3/4	
14	0961948	2	Bearing	
15	0641605	8	Bolt, 3/8-16 x 5/8	
16	0641608	16	Bolt, 3/8-16 x 1	
17	0641818	4	Bolt, 1/2-13 x 2-1/4	
18	4761800	4	Washer, Lock, 1/2	
19	1670959	1	Cover	
20	4761400	3	Washer, Lock, 1/4	
21	3311401	3	Nut 1/4-20	
22	4711600	12	Washer, 3/8	
23	3311605	4	Nut, Lock, 3/8-16	
24	0100011	AR	Compound, Locking	
25	0961950	2	Bearing	
26	3520082	2	Plug (Not Shown) <b>(Prior to SN 0300197380)</b>	
27	4070997	2	Shim 16Ga	
28	4070998	2	Shim 18Ga	
29	1001106757	3	Plate, Clamp	
30	3340939	2	Pad, Rubber	
31	0630401	2	Bolt, Carriage, 5/16-18 x 2	
32	3311505	2	Nut, Lock, 5/16/18	
33	4711500	2	Washer, 5/16	
34	0741606	6	Screw, Countersunk, 3/8-16 x 3/4	
35	4060804	16 in /41cm	Flex-Trim	
36	0100081	AR	Adhesive	

# SECTION 4 - BOOM

## FIGURE 4-5. JIB INSTALLATION



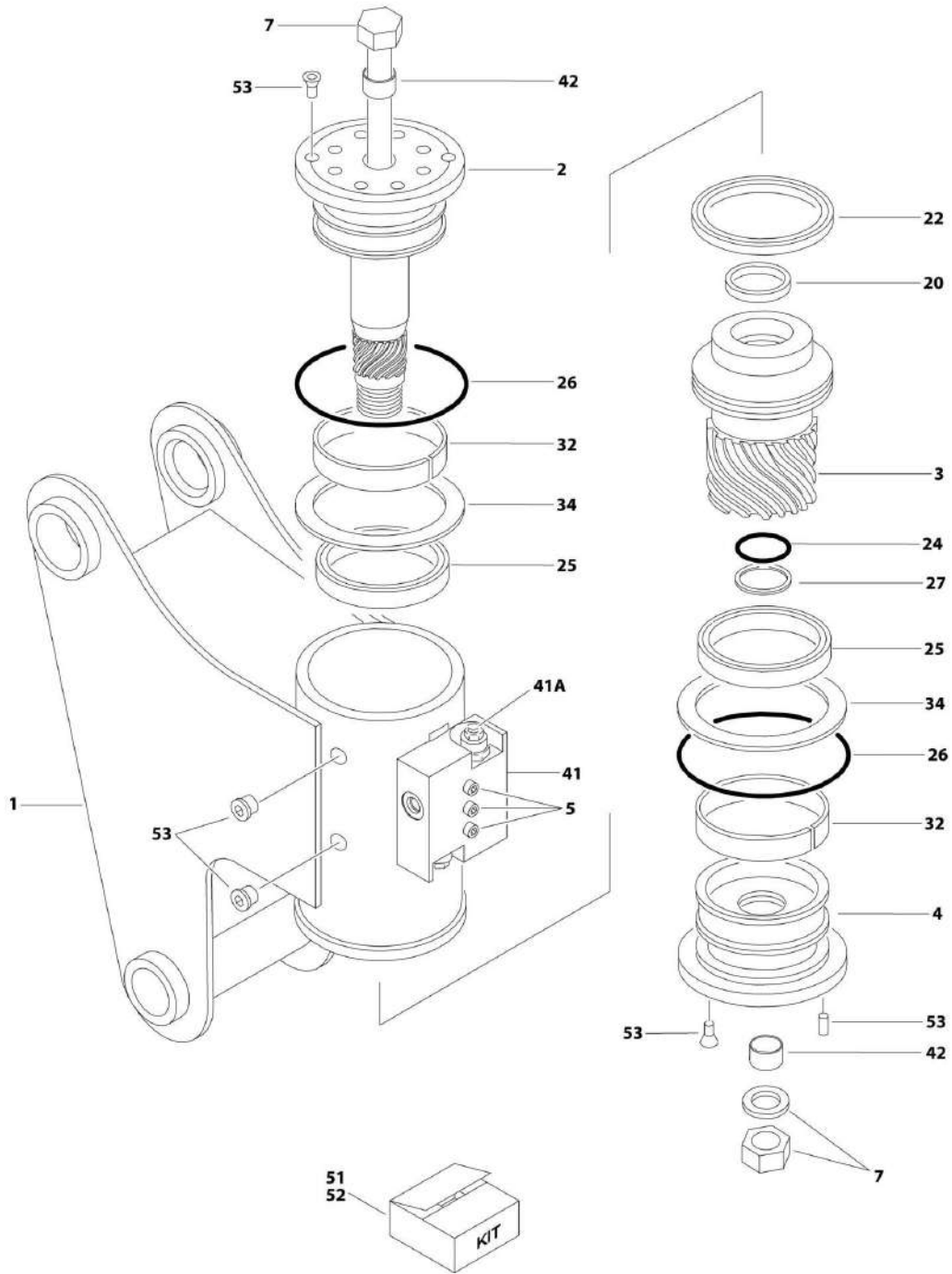
ART\_0271649

FIGURE 4-5. JIB INSTALLATION

ITEM	PART NUMBER	QTY	DESCRIPTION	REV
	0271649	Ref	JIB INSTALLATION	D
1	0060044	1	Rotator Assembly - Jib to Platform Support (See ROTATOR ASSEMBLY for Breakdown)	
2	0060065	1	Rotator Assembly - Main Boom to Jib (See ROTATOR ASSEMBLY for Breakdown)	
3	0100011	AR	Compound, Locking	
4	0641516	2	Bolt, 5/16-18 x 2	
5	0641616	4	Bolt, 3/8-16 x 2	
6	0641618	2	Bolt, 3/8-16 x 2-1/4	
7	0962292	2	Bushing	
8	0961951	2	Bushing	
9	1001140280	1	Jib Cylinder Assembly (See CYLINDER SECTION for Breakdown)	
10	3311501	4	Nut, 5/16-18	
11	3311605	6	Nut, Lock, 3/8-16	
12	3340860	4	Clamp, Block	
13	3422791	2	Pin	
14	3422794	2	Pin	
15	3572551	2	Plate, Jib Cover	
16	3931816	8	Bolt, 1/2-13 x 1	
17	4751500	4	Washer, 5/16	
18	1001094670	2	Link, Lower	
19	4846278	1	Link, Upper	
20	4846502	1	Pivot	

# SECTION 4 - BOOM

## FIGURE 4-6. ROTATOR ASSEMBLY - E400AN



ART\_0060052

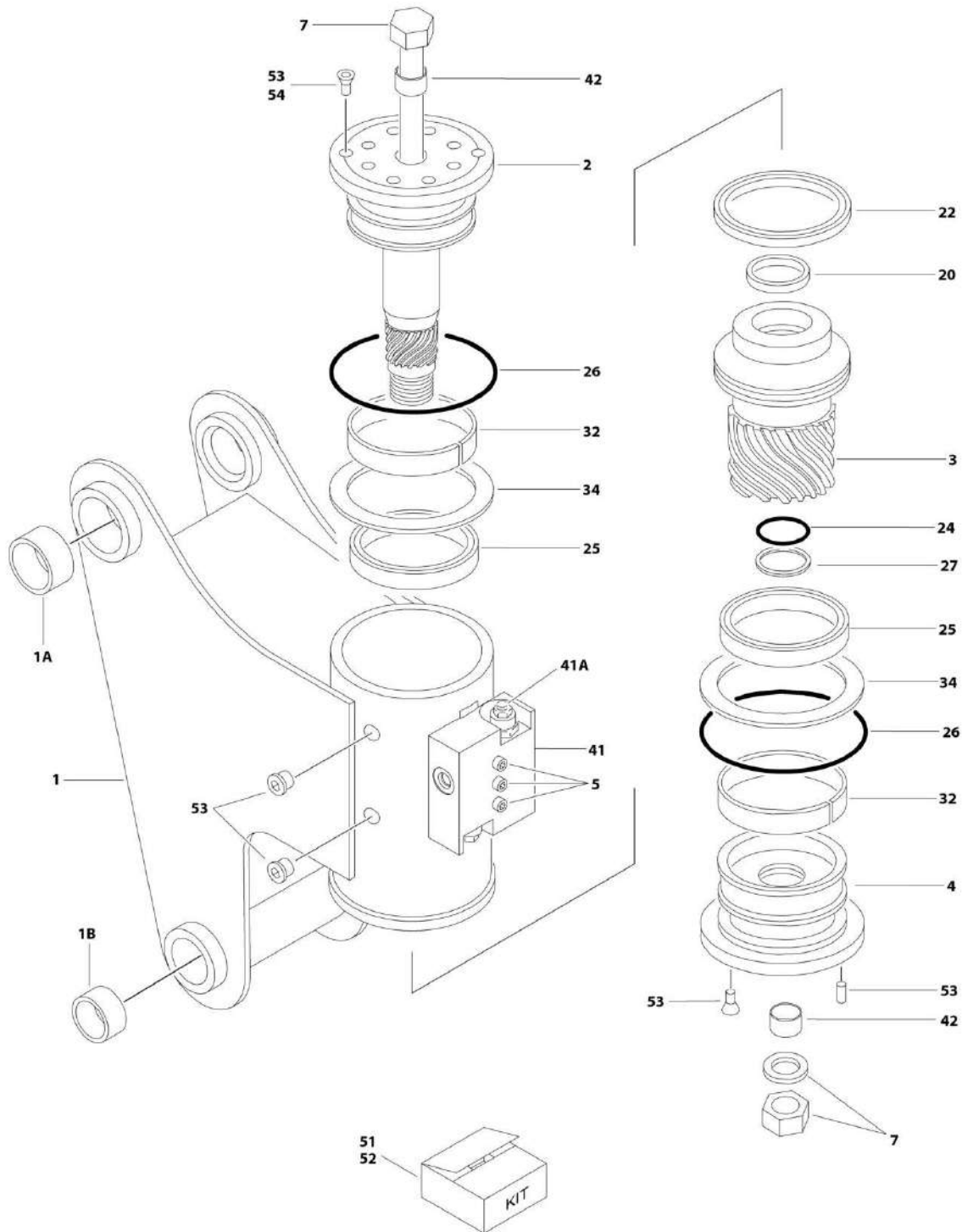


FIGURE 4-6. ROTATOR ASSEMBLY - E400AN

ITEM	PART NUMBER	QTY	DESCRIPTION	REV
	0060052	Ref	ROTATOR ASSEMBLY - E400AN	F
1	See Note	1	Case/Bracket Weldment (Note: Not Available - Purchase Complete Assembly)	
2	7017120	1	Shaft (Rotator with Helac Control #26409)	
2	7017196	1	Shaft (Rotator with Helac Control #26966)	
3	7017121	1	Piston Sleeve (Rotator with Helac Control #26409)	
3	7027900	1	Piston Sleeve (Rotator with Helac Control #26966)	
4	7017153	1	Cap, End (Rotator with Helac Control #26409)	
4	7027901	1	Cap, End (Rotator with Helac Control #26966)	
5	See Note	3	Capscrew, 1/4-20, Grade 8 (Note: Not Available - Purchase Locally)	
7	7017126	1	Tie Rod Assembly	
20	See Note	1	Seal, Rod (Note: Use Item 52)	
22	See Note	1	Seal, Piston (Note: Use Item 52)	
24	See Note	1	Seal, Cap (Note: Use Item 52)	
25	See Note	2	Packing, Bearing (Note: Use Item 52)	
26	See Note	2	Seal (Note: Use Item 52)	
27	See Note	1	Ring, Back-up Cap (Note: Use Item 52)	
32	See Note	2	Bearing, Shaft (Note: Use Item 51)	
34	See Note	2	Washer, Thrust (Note: Use Item 51)	
41	7017172	1	Counterbalance Valve Assembly (Helac p/n 24327, 26553 or 26554 Stamped Beside Mounting Screws)	
41A	7011323	2	Valve, Cartridge (Helac p/n 24327 Valve)	
41A	2900770	2	Seal Kit - 7011323 Cartridge (1 Per Assembly)	
41A	7017192	2	Valve Cartridge (Helac p/n 26553 or 26554) (No Seal Kit Available)	
42	See Note	2	Bushing, Shaft (Note: Not Available for Purchase)	
51	7017122	1	Bearing Kit (Includes Items 32-34)	
52	7017127	1	Seal Kit - Standard (Includes Items 20, 22, 24, 25, 26 & 27)	
52	70000341	1	Seal Kit - Low Temperature (Includes Items 20, 22, 24, 25, 26 & 27)	
53	7017123	1	Hardware Kit	

# SECTION 4 - BOOM

## FIGURE 4-7. ROTATOR ASSEMBLY - PLATFORM SUPPORT TO JIB - E400AJP/E400AJPN/M400AJP/M400AJPN



ART\_0060044

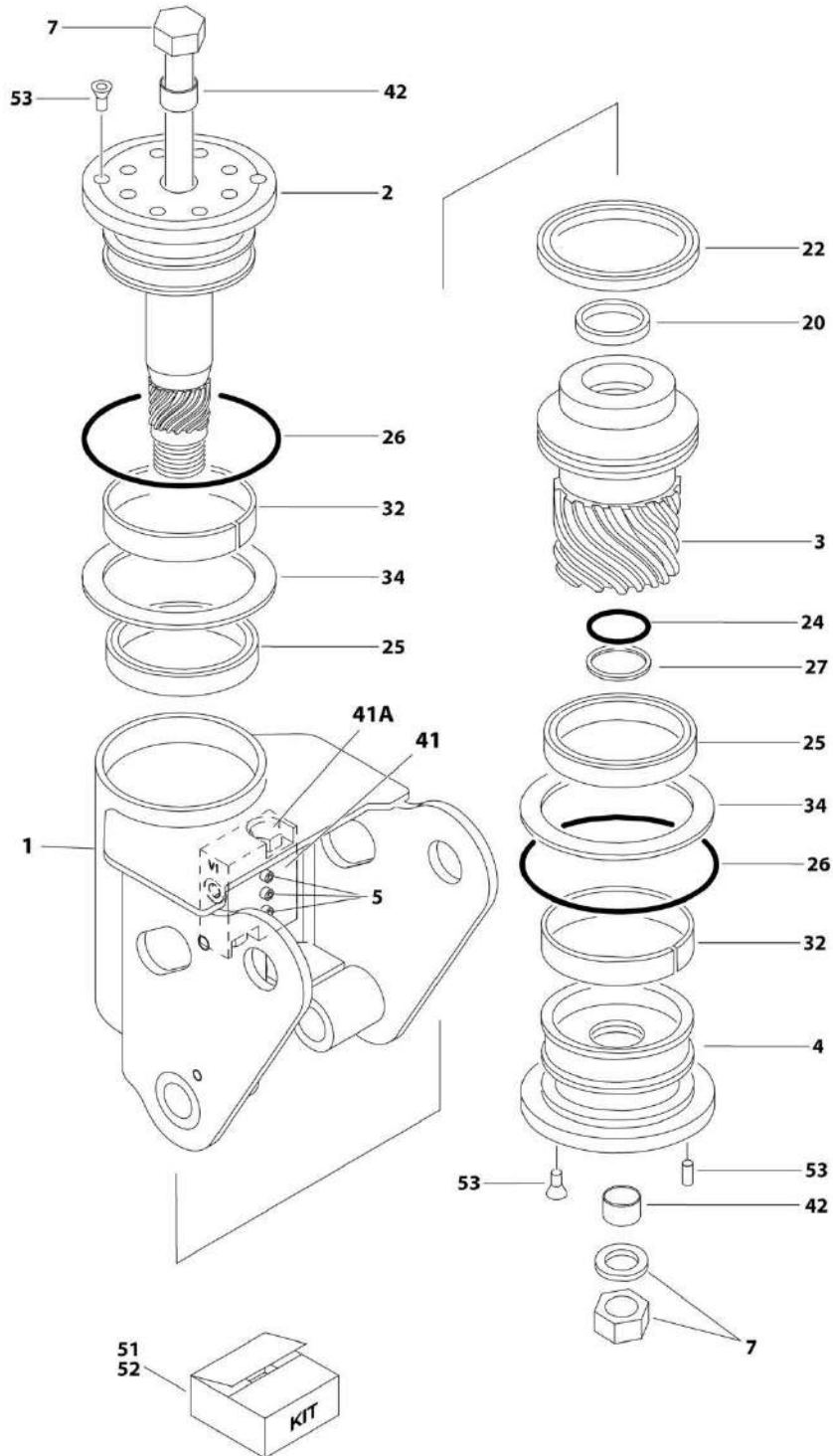
## SECTION 4 - BOOM

**FIGURE 4-7. ROTATOR ASSEMBLY - PLATFORM SUPPORT TO JIB -  
E400AJP/E400AJPN/M400AJP/M400AJPN**

ITEM	PART NUMBER	QTY	DESCRIPTION	REV
	0060044	Ref	ROTATOR ASSEMBLY - PLATFORM SUPPORT TO JIB - E400AJP/E400AJPN/M400AJP/M400AJPN	D
1	See Note	1	Case/Bracket Weldment (Note: Not Available - Purchase Complete Assembly)	
1A	0962257	2	Bushing	
1B	0961947	2	Bushing	
2	7017120	1	Shaft (Rotator with Helac Control #25928)	
2	7017196	1	Shaft (Rotator with Helac Control #26962)	
3	7017121	1	Piston Sleeve (Rotator with Helac Control #25928)	
3	7027900	1	Piston Sleeve (Rotator with Helac Control #26962)	
4	See Note	NSS	Cap, End (Rotator with Helac Control #25928) (Note: Use p/n 0060044)	
4	7027901	1	Cap, End (Rotator with Helac Control #26962)	
5	See Note	3	Capscrew, 1/4-20, Grade 8 (Note: Not Available - Purchase Locally)	
7	7017126	1	Tie Rod Assembly	
20	See Note	1	Seal, Rod (Note: Use Item 52)	
22	See Note	1	Seal, Piston (Note: Use Item 52)	
24	See Note	1	Seal, Cap (Note: Use Item 52)	
25	See Note	1	Packing, Bearing (Note: Use Item 52)	
26	See Note	2	Seal (Note: Use Item 52)	
27	See Note	1	Ring, Back-up Cap (Note: Use Item 52)	
32	See Note	2	Bearing, Shaft (Note: Use Item 51)	
34	See Note	2	Washer, Thrust (Note: Use Item 51)	
41	7017172	1	Counterbalance Valve Assembly (Helac p/n 24327, 26553 or 26554 Stamped Beside Mounting Screws)	
41A	7011323	2	Valve, Cartridge (Helac p/n 24327 Valve)	
41A	2900770	2	Seal Kit - 7011323 Cartridge (1 Per Assembly)	
41A	7017192	2	Valve Cartridge (Helac p/n 26553 or 26554) (No Seal Kit Available)	
42	70004323	2	Bushing, Shaft	
51	7017122	1	Bearing Kit (Includes Items 32-34)	
52	7017127	1	Seal Kit - Standard (Includes Items 20, 22, 24, 25, 26 & 27)	
52	70000341	1	Seal Kit - Low Temperature (Includes Items 20, 22, 24, 25, 26 & 27)	
53	7017123	1	Hardware Kit	
54	70001697	4	Screw, Countersunk 1/4-20NC x 3/8	

# SECTION 4 - BOOM

## FIGURE 4-8. ROTATOR ASSEMBLY - MAIN BOOM TO JIB - E400AJP/E400AJPN/M400AJP/M400AJPN



ART\_0060065

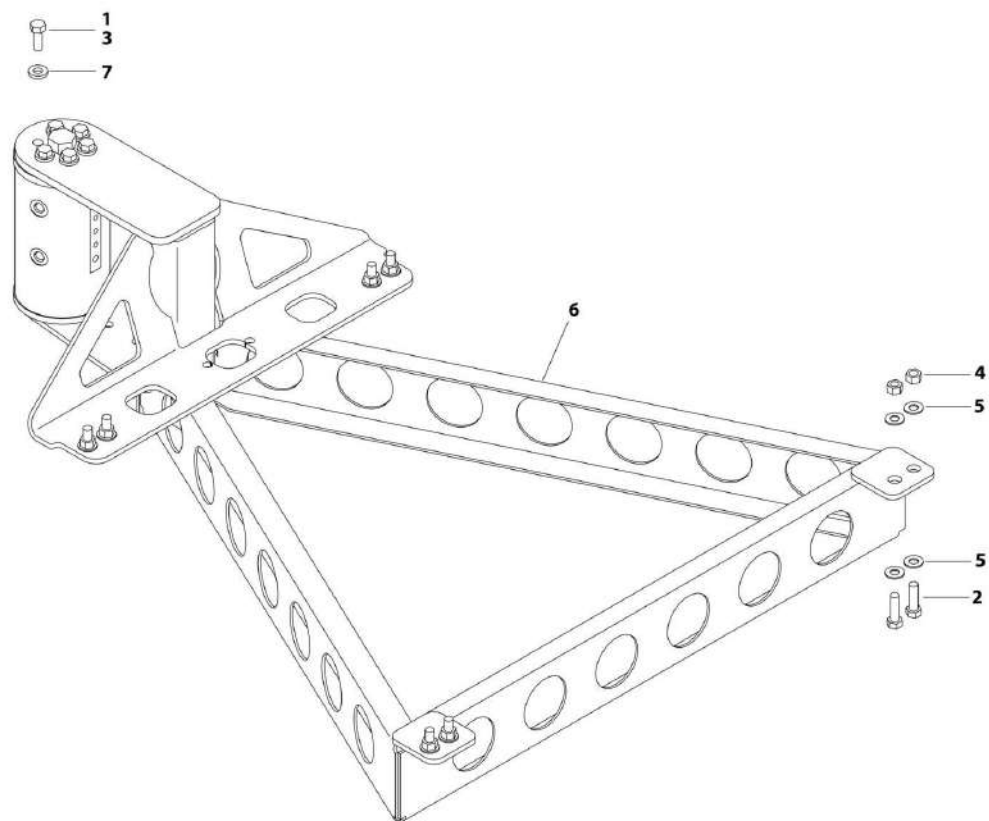
## SECTION 4 - BOOM

**FIGURE 4-8. ROTATOR ASSEMBLY - MAIN BOOM TO JIB -  
E400AJP/E400AJPN/M400AJP/M400AJPN**

ITEM	PART NUMBER	QTY	DESCRIPTION	REV
	0060065	Ref	ROTATOR ASSEMBLY - MAIN BOOM TO JIB - E400AJP/E400AJPN/M400AJP/M400AJPN	C
1	See Note	1	Case/Bracket Weldment (Note: Not Available - Purchase Complete Assembly)	
2	7017167	1	Shaft	
3	7017168	1	Piston Sleeve	
4	7017169	1	Cap, End	
5	See Note	3	Capscrew, 1/4-20, Grade 8 (Note: Not Available - Purchase Locally)	
7	7017173	1	Tie Rod Assembly	
20	See Note	1	Seal, Rod (Note: Use Item 52)	
22	See Note	1	Seal, Piston (Note: Use Item 52)	
24	See Note	1	Seal, Cap (Note: Use Item 52)	
25	See Note	2	Packing, Bearing (Note: Use Item 52)	
26	See Note	2	Seal (Note: Use Item 52)	
27	See Note	1	Ring, Back-up (Note: Use Item 52)	
32	See Note	2	Bearing, Shaft (Note: Use Item 51)	
34	See Note	2	Washer, Thrust (Note: Use Item 51)	
41	7017172	1	Counterbalance Valve Assembly	
41A	7017192	2	Valve, Cartridge (No Seal Kit Available)	
42	See Note	2	Bushing, Shaft (Note: Not Available for Purchase)	
51	7017178	1	Bearing Kit (Includes Items 32-34)	
52	7017165	1	Seal Kit - Standard (Includes Items 20, 22 & 24-27,	
52	70000340	1	Seal Kit - Low Temperature (Includes Items 20,22 & 24-27)	
53	7017179	1	Hardware Kit	

# SECTION 4 - BOOM

## FIGURE 4-9. PLATFORM SUPPORT WITHOUT LOAD SENSING



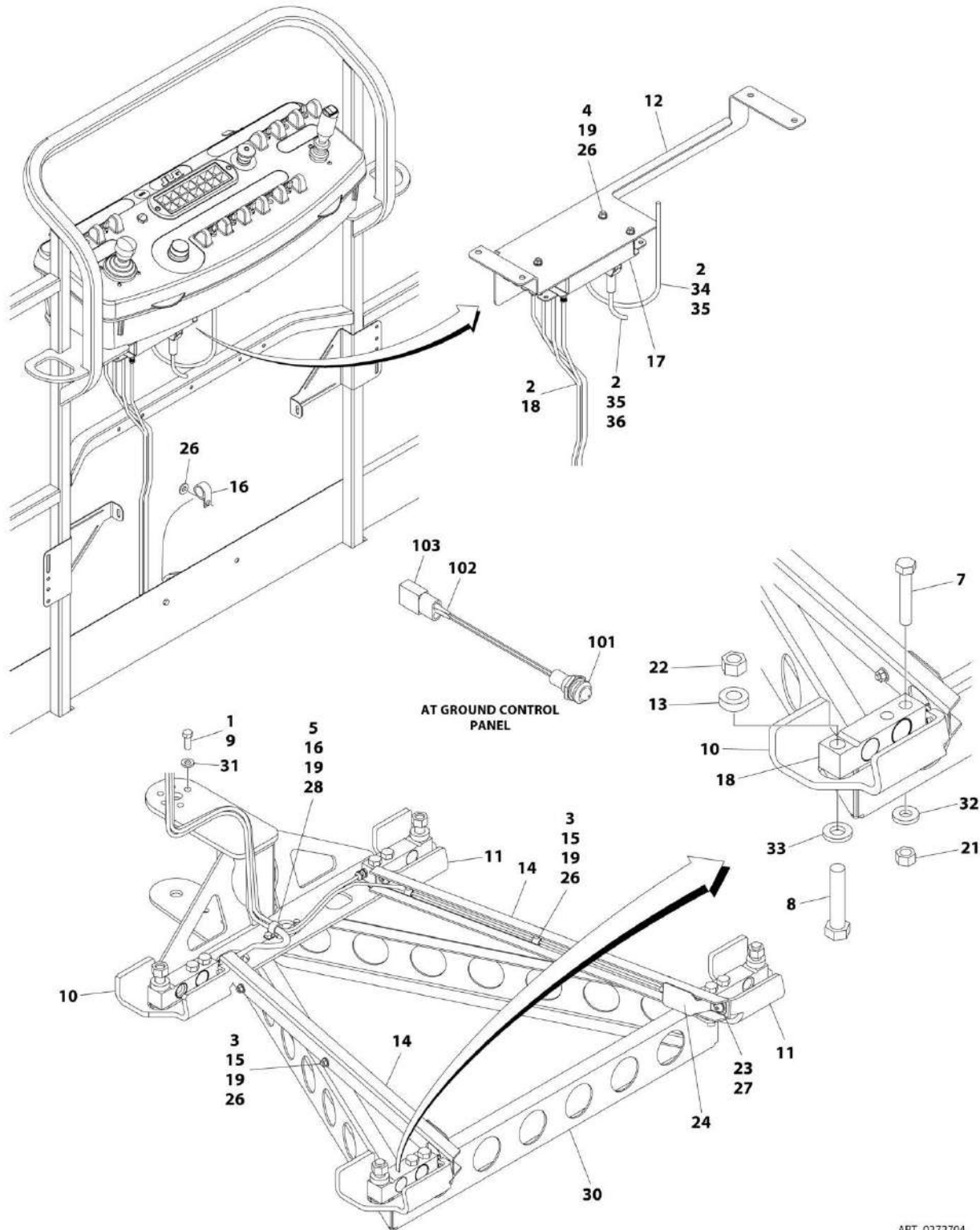
ART\_0272976

FIGURE 4-9. PLATFORM SUPPORT WITHOUT LOAD SENSING

ITEM	PART NUMBER	QTY	DESCRIPTION	REV
	0272976	Ref	PLATFORM SUPPORT WITHOUT LOAD SENSING	A
1	0100001	AR	Compound, Locking	
2	0641610	8	Bolt, 3/8-16 x 1-1/4	
3	0681608	6	Bolt, 3/8-16 x 1, Grade 8	
4	3311605	8	Nut, Lock, 3/8-16	
5	4711600	16	Washer, 3/8	
6	4846608	1	Support, Weldment (Without Load Sensing)	
6	See Note	1	Support, Weldment (With Load Sensing) (Note: See Note Above)	
7	4891600	6	Washer, 3/8	

# SECTION 4 - BOOM

## FIGURE 4-10. PLATFORM SUPPORT INSTALLATION - WITH LSS - E400AJP/M400AJP/E400AJPN/M400AJPN



ART\_0272704



## SECTION 4 - BOOM

**FIGURE 4-10. PLATFORM SUPPORT INSTALLATION - WITH LSS -  
E400AJP/M400AJP/E400AJPN/M400AJPN**

ITEM	PART NUMBER	QTY	DESCRIPTION	REV
	0272704	Ref	PLATFORM SUPPORT INSTALLATION - WITH LSS - E400AJP/M400AJP/E400AJPN/M400AJPN	K
1	0100011	AR	Compound, Locking	
2	0100048	AR	Grease, Dielectric	
3	0641405	6	Bolt 1/4 x 5/8	
4	0641416	3	Bolt 1/4 x 2	
5	0641407	1	Bolt 1/4 x 7/8	
7	0641822	8	Bolt 1/2 x 2-3/4	
8	0642024	4	Bolt 5/8 x 3	
9	0681608	6	Bolt 3/8 x 1	
10	0902919	2	Bracket, Cell Guard	
11	0902920	2	Bracket, Cell Guard	
12	1001113483	1	Bracket, Module Mounting	
13	0962450	4	Bushing, Spacer	
14	1271538	2	Channel	
15	1320136	6	Clamp	
16	1320224	2	Clamp	
17	1600387	1	Electronic Interface Module (Note: Re-calibration Required when Replaced)	
18	2420202	4	Load Cell Assembly	
19	3311405	10	Nut 1/4	
21	3311805	8	Nut 1/2	
22	3312005	4	Nut 5/8	
23	3900283	4	Screw 3/8 x 3/4	
24	4061054	2	Shield	
25	4240033	AR	Tie-Strap (Not Shown)	
26	4711400	13	Washer 1/4	
27	4711600	4	Washer 3/8	
28	4751400	1	Washer 1/4	
30	4846608	1	Platform Support	
31	4891600	6	Washer 3/8	
32	4891800	8	Washer 1/2	
33	4892000	4	Washer 5/8	
34	4922916	1	Harness, LSS System	
34	4460933	1	Connector - 12 Position (Grey) (J1)	
34	4460465	3	Socket, Female	
34	4460466	9	Plug, Terminal	
34	0840055	1	Boot	
34	4460313	3	Terminal, Ring	
35	4933289	1	EIM Load Cell to Platform Console Box Wiring (See Separate Breakdown in ELECTRICAL SECTION)	
36	4922917	1	Harness, Analyzer	
36	4460836	1	Connector - 12 Position (Black) (J2)	
36	4460465	4	Socket, Female	
36	4460466	8	Plug, Terminal	
36	0840055	1	Boot	
36	4460761	1	Connector - 4 Position	
36	4460227	4	Pin, Male	
	0273104	Ref	INDICATOR LIGHT INSTALLATION (LSS)	A/1

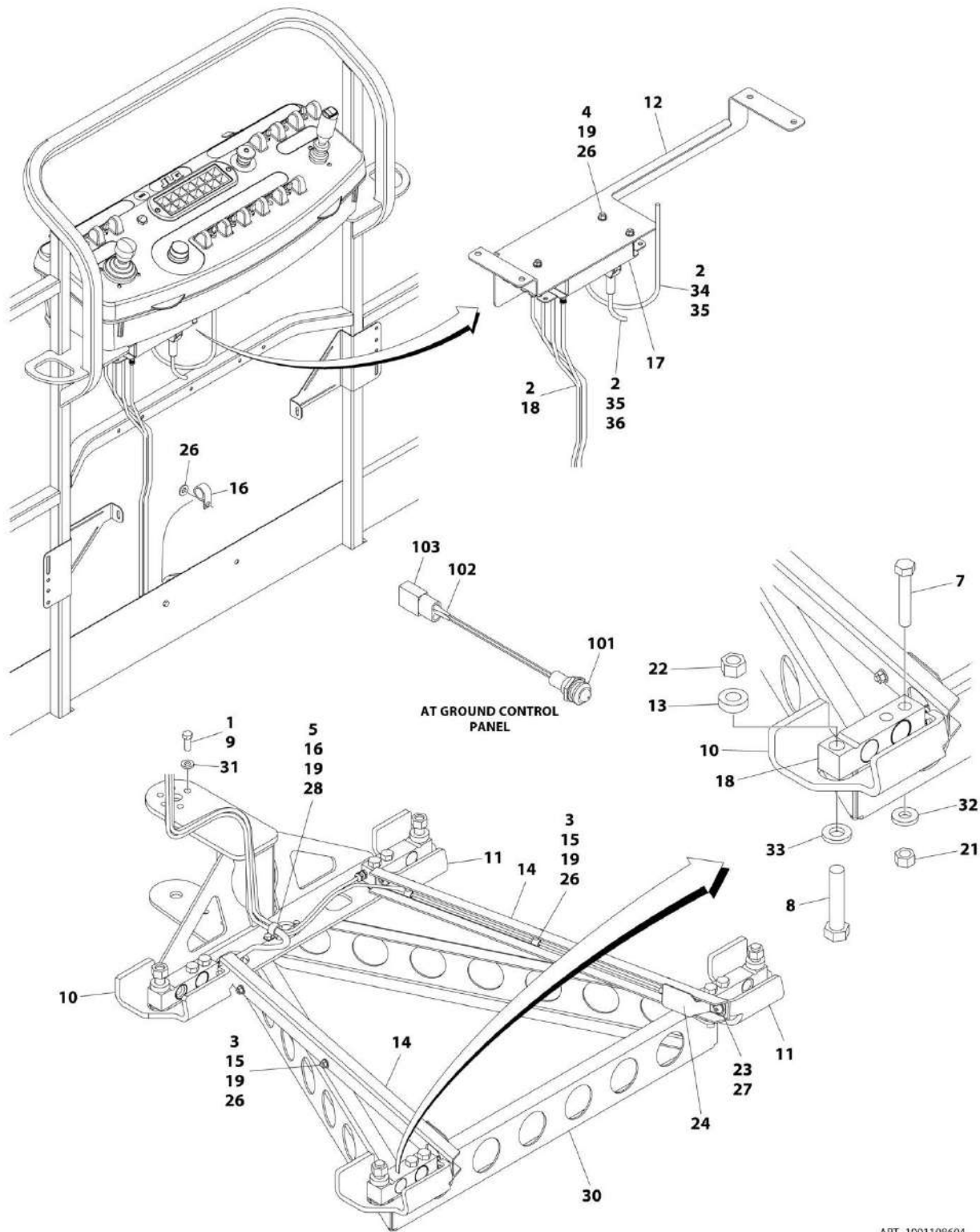
## SECTION 4 - BOOM

ITEM	PART NUMBER	QTY	DESCRIPTION	REV
101	2920151	1	Light (Located on Ground Control Box)	
102	4460226	2	Socket, Female	
103	4460424	1	Connector - 2 Position	
104	4922926	1	Harness, Indicator Lamp (Not Shown - Located at Ground Control Box)	
104	4460320	1	Plug, Male - 2 Position	
104	4460227	2	Pin, Male	
104	4460042	1	Terminal, Ring	
104	4460313	1	Terminal, Ring	
104	4460265	1	Connector - 9 Position	
104	4460226	3	Socket, Female	



# SECTION 4 - BOOM

## FIGURE 4-11. PLATFORM SUPPORT INSTALLATION - WITH LSS - E400AN



ART\_1001108604

## SECTION 4 - BOOM

**FIGURE 4-11. PLATFORM SUPPORT INSTALLATION - WITH LSS - E400AN**

ITEM	PART NUMBER	QTY	DESCRIPTION	REV
	1001108604	Ref	PLATFORM SUPPORT INSTALLATION - WITH LSS - E400AN	C
1	0100011	AR	Compound, Locking	
2	0100048	AR	Grease, Dielectric	
3	0641405	6	Bolt 1/4 x 5/8	
4	0641416	3	Bolt 1/4 x 2	
5	0641407	1	Bolt 1/4 x 7/8	
7	0641822	8	Bolt 1/2 x 2-3/4	
8	0642024	4	Bolt 5/8 x 3	
9	0681608	6	Bolt 3/8 x 1	
10	0902919	2	Bracket, Cell Guard	
11	0902920	2	Bracket, Cell Guard	
12	1001113483	1	Bracket, Module Mounting	
13	0962450	4	Bushing, Spacer	
14	1271538	2	Channel	
15	1320136	6	Clamp	
16	1320224	2	Clamp	
17	1600387	1	Electronic Interface Module (Note: Re-calibration Required when Replaced)	
18	2420202	4	Load Cell Assembly	
19	3311405	10	Nut 1/4	
21	3311805	8	Nut 1/2	
22	3312005	4	Nut 5/8	
23	3900283	4	Screw 3/8 x 3/4	
24	4061054	2	Shield	
25	4240033	AR	Tie-Strap (Not Shown)	
26	4711400	13	Washer 1/4	
27	4711600	4	Washer 3/8	
28	4751400	1	Washer 1/4	
30	4846608	1	Platform Support	
31	4891600	6	Washer 3/8	
32	4891800	8	Washer 1/2	
33	4892000	4	Washer 5/8	
34	4922916	1	Harness, LSS System	
34	4460933	1	Connector - 12 Position (Grey) (J1)	
34	4460465	3	Socket, Female	
34	4460466	9	Plug, Terminal	
34	0840055	1	Boot	
34	4460313	3	Terminal, Ring	
35	4933289	1	EIM Load Cell to Platform Console Box Wiring (See Separate Breakdown in ELECTRICAL SECTION)	
36	4922917	1	Harness, Analyzer	
36	4460836	1	Connector - 12 Position (Black) (J2)	
36	4460465	4	Socket, Female	
36	4460466	8	Plug, Terminal	
36	0840055	1	Boot	
36	4460761	1	Connector - 4 Position	
36	4460227	4	Pin, Male	
37	4460225	1	Plug, Male - 6 Position (Not Shown - Located in Platform Console Box (J8))	
	0273104	Ref	INDICATOR LIGHT INSTALLATION (LSS)	A/1

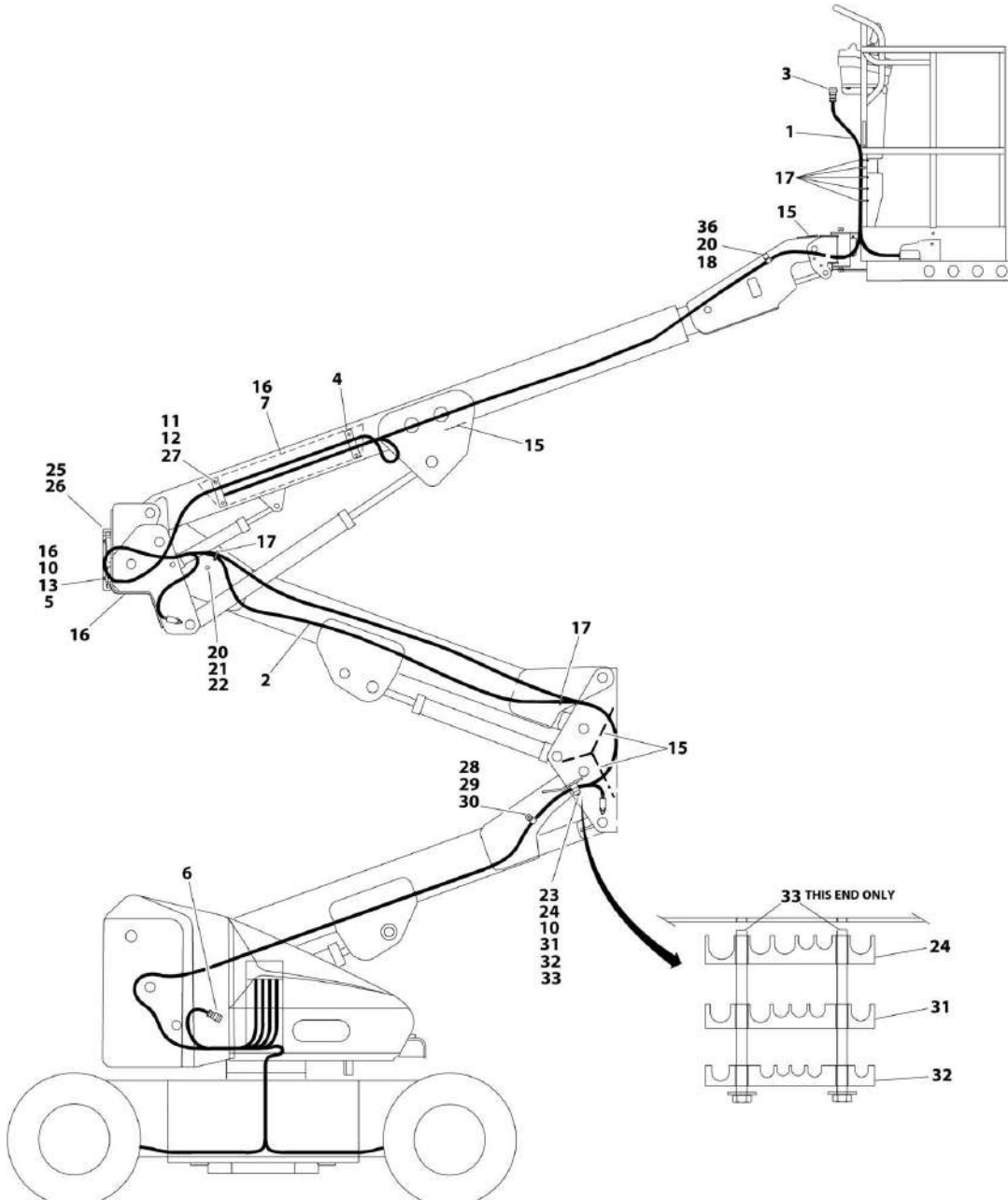
## SECTION 4 - BOOM

ITEM	PART NUMBER	QTY	DESCRIPTION	REV
101	2920151	1	Light (Located on Ground Control Box)	
102	4460226	2	Socket, Female	
103	4460424	1	Connector - 2 Position	
104	4922926	1	Harness, Indicator Lamp (Not Shown - Located at Ground Control Box)	
104	4460320	1	Plug, Male - 2 Position	
104	4460227	2	Pin, Male	
104	4460042	1	Terminal, Ring	
104	4460313	1	Terminal, Ring	
104	4460265	1	Connector - 9 Position	
104	4460226	3	Socket, Female	



# SECTION 4 - BOOM

## FIGURE 4-12. CABLES AND CLAMPS INSTALLATION - E400AN



ART\_0276817



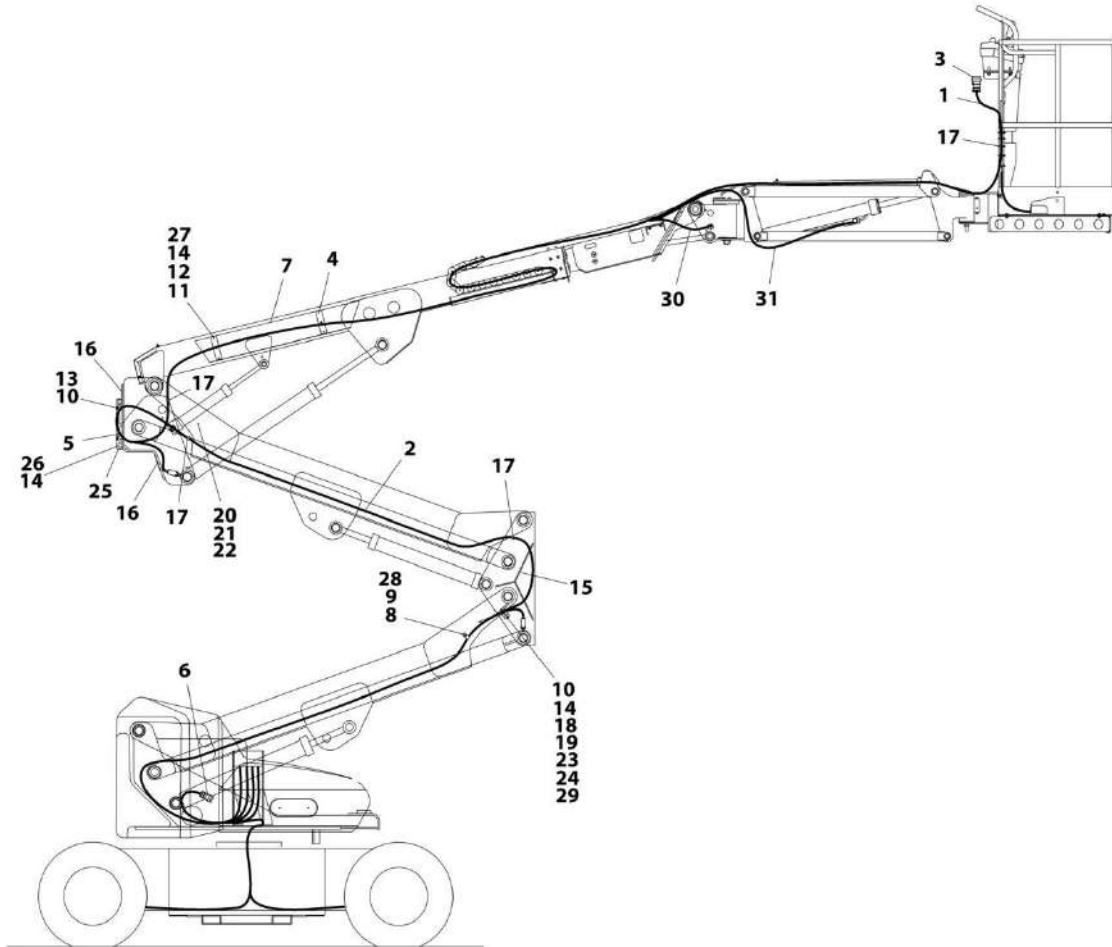
## SECTION 4 - BOOM

**FIGURE 4-12. CABLES AND CLAMPS INSTALLATION - E400AN**

ITEM	PART NUMBER	QTY	DESCRIPTION	REV
	0270817	Ref	CABLES AND CLAMPS INSTALLATION - E400AN	D
1	4922496	1	Harness Assembly - Upper Boom (See ELECTRICAL SECTION for Breakdown)	
2	4922363	1	Harness Assembly - Lower Boom (See ELECTRICAL SECTION for Breakdown)	
3	4460754	1	Connector	
4	1320260	2	Block, Hose Clamp	
5	0561317	1	Block, Hose Clamp	
6	4460753	1	Connector	
7	3536999	1	Shield	
10	4751500	5	Washer, 5/16	
11	4751400	12	Washer, 1/4	
12	3311401	6	Nut, 1/4-20	
13	0641514	3	Bolt, 5/16-18 x 1-3/4	
14	0100011	AR	Compound, Locking (Not Shown)	
15	4060805	4	Trim, Flex	
16	4060808	8	Trim, Flex	
17	4240099	26	Tie, Strap	
18	0641516	1	Bolt, 5/16-18 x 2	
20	3311505	2	Nut, Lock, 5/16-18	
21	4566243	1	Roller	
22	0641560	1	Bolt, 5/16-18 x 7-1/2	
23	4300140	2	Stud, 5/16-18 x 3-5/8	
24	0561384	1	Block, Hose Clamp	
25	1670697	1	Cover, Hose	
26	0630467	4	Capscrew, Button 5/16-18 x 1/2	
27	3300151	6	Nut, 1/4-20	
28	1320043	1	Clamp, Cable	
29	0641410	1	Bolt, 1/4-20 x 1-1/4	
30	3311405	1	Nut, Lock, 1/4-20	
31	0561385	1	Block, Hose Clamp	
32	0561386	1	Block, Hose Clamp	
33	0100019	1	Compound, Locking	
36	0561424	1	Block, Hose Clamp	

# SECTION 4 - BOOM

FIGURE 4-13. CABLES AND CLAMPS INSTALLATION - E400AJP/E400AJPN/M400AJP/M400AJPN



ART\_0259970

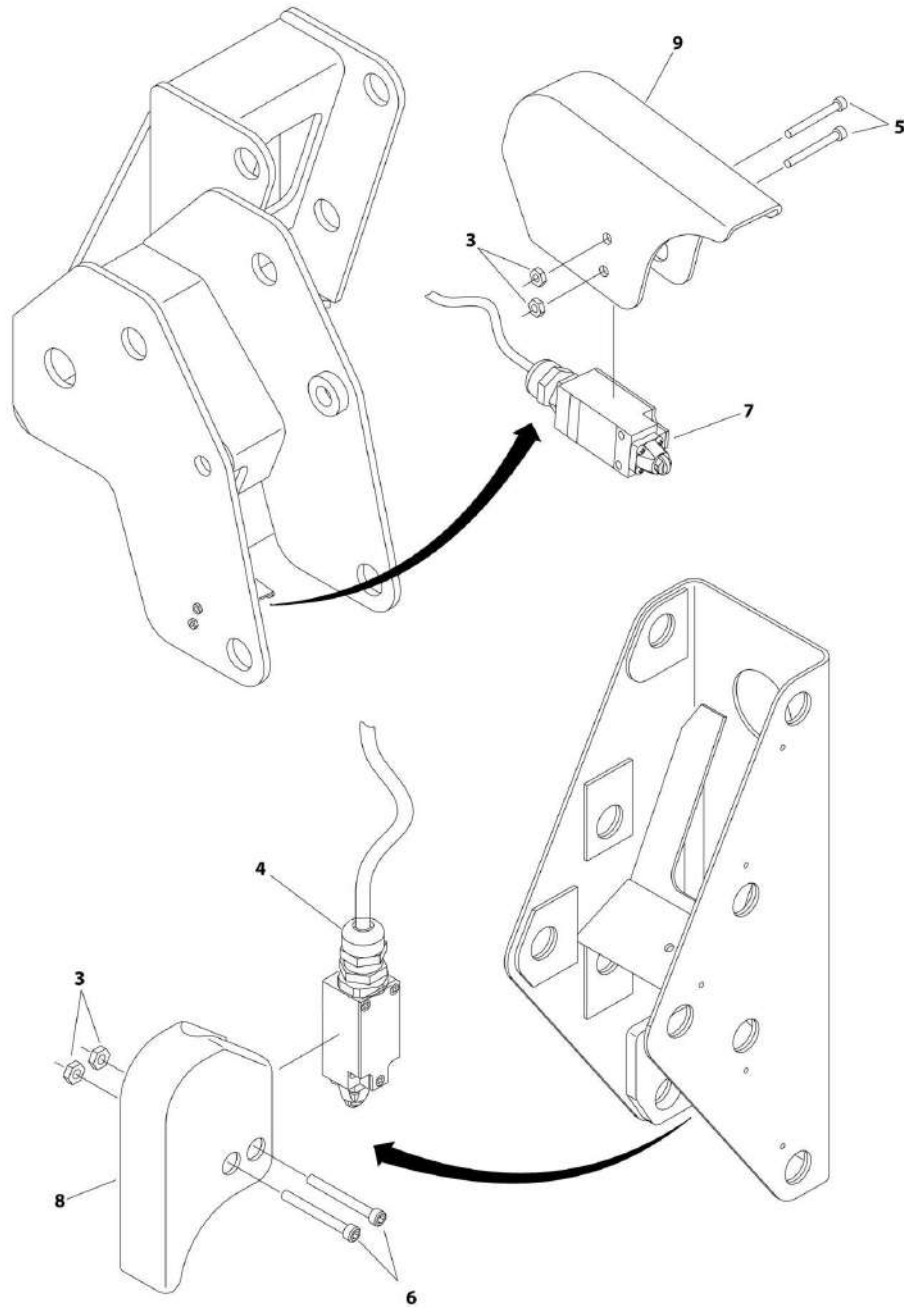
## SECTION 4 - BOOM

**FIGURE 4-13. CABLES AND CLAMPS INSTALLATION - E400AJP/E400AJPN/M400AJP/M400AJPN**

ITEM	PART NUMBER	QTY	DESCRIPTION	REV
	0259970	Ref	CABLES AND CLAMPS INSTALLATION - E400AJP/E400AJPN/M400AJP/M400AJPN	E
1	4922496	1	Harness Assembly - Upper Boom (See ELECTRICAL SECTION for Breakdown)	
2	4922363	1	Harness Assembly - Lower Boom (See ELECTRICAL SECTION for Breakdown)	
3	4460754	1	Connector	
4	1320260	2	Block, Hose Clamp	
5	0561317	1	Block, Hose Clamp	
6	4460753	1	Connector	
7	3571462	1	Shield	
8	0641410	1	Bolt, 1/4-20 x 1-1/4	
9	3311405	1	Nut, Lock, 1/4-20	
10	4751500	5	Washer, 5/16	
11	4751400	12	Washer, 1/4	
12	3311401	6	Nut, 1/4-20	
13	0641514	3	Bolt, 5/16-18 x 1-3/4	
14	0100011	AR	Compound, Locking	
15	4060805	1	Trim, 1/4	
16	4060808	8	Trim, 1/2	
17	4240099	30	Tie-Strap	
18	0561385	1	Block, Hose Clamp	
19	0561386	1	Block, Hose Clamp	
20	3311505	1	Nut, Lock, 5/16-18	
21	4566243	1	Roller	
22	0641560	1	Bolt, 5/16-18 x 7-1/2	
23	4300140	2	Stud, Weld, 5/16-18 x 3-5/8	
24	0561384	1	Block, Hose Clamp	
25	1670697	1	Cover, Hose	
26	0630467	4	Capscrew, Button, 5-16-18 x 1/2	
27	3300151	6	Nut, Acorn, 1/4-20	
28	1320043	1	Clamp, Cable	
29	0100019	AR	Compound, Locking	
30	4100067	1	Sleeve	
31	4100065	1	Sleeve	

# SECTION 4 - BOOM

## FIGURE 4-14. LIMIT SWITCHES INSTALLATION



ART\_0271494

FIGURE 4-14. LIMIT SWITCHES INSTALLATION

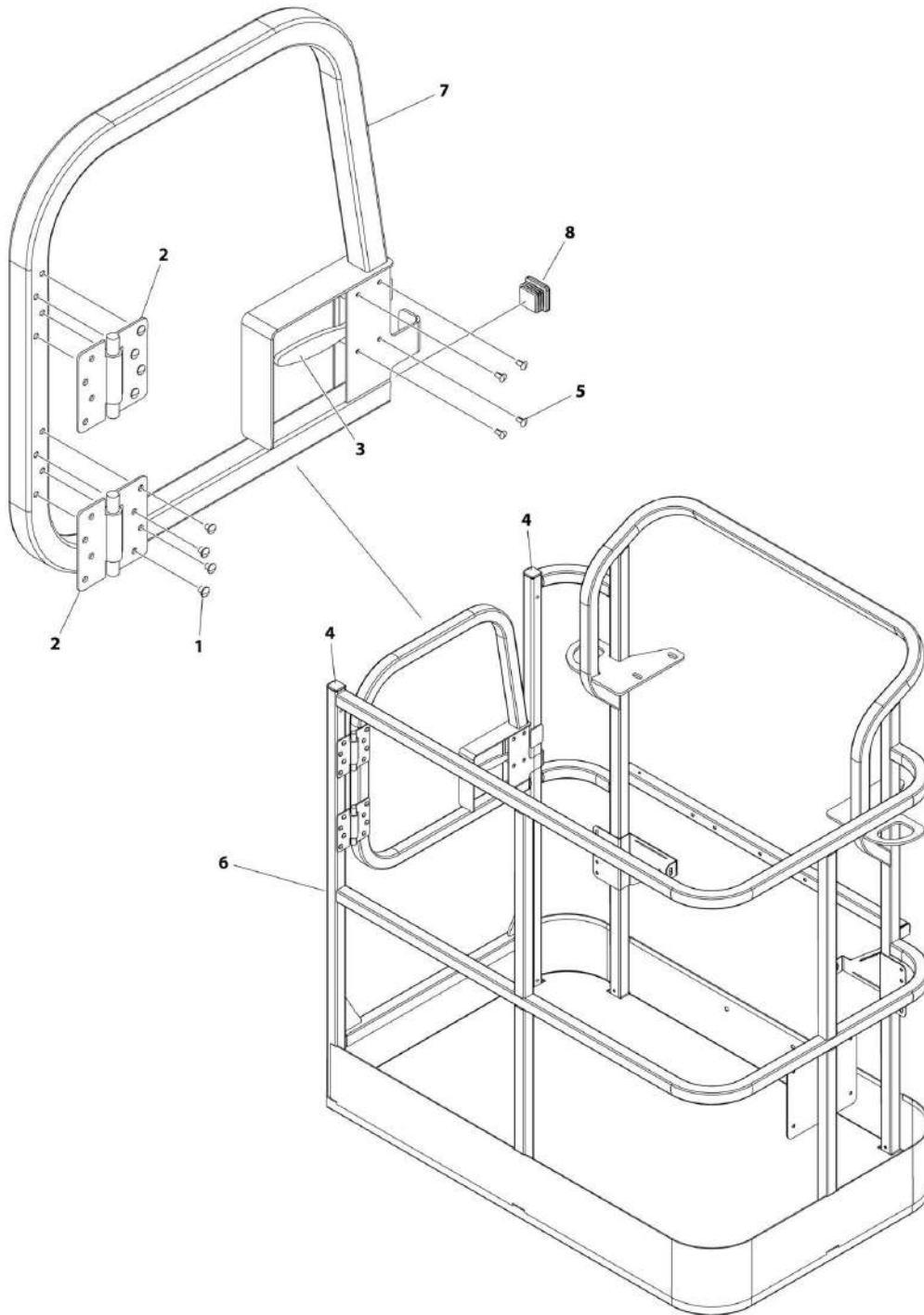
ITEM	PART NUMBER	QTY	DESCRIPTION	REV
	0271494	Ref	BOOM LIMIT SWITCHES INSTALLATION	2
3	3311005	4	Nut, Lock, #10-24	
4	4922614	1	Limit Switch Harness - Lower (Includes Limit Switch) (See ELECTRICAL SECTION for Breakdown)	
5	3931028	2	Screw, #10-24 x 1-3/4	
6	3900104	2	Screw, Fillister Head, #10-24 x 2-1/4	
7	4922615	1	Limit Switch Harness - Upper (Includes Limit Switch) (See ELECTRICAL SECTION for Breakdown)	
8	1670832	1	Cover, Switch - Lower	
9	1670833	1	Cover, Switch - Upper	



**SECTION 5 - PLATFORM**

# SECTION 5 - PLATFORM

FIGURE 5-1. PLATFORM ASSEMBLY - 4FT/1.22M - SIDE GATE ENTRY (SN 0300189901 through 0300200791)



ART\_1001144027



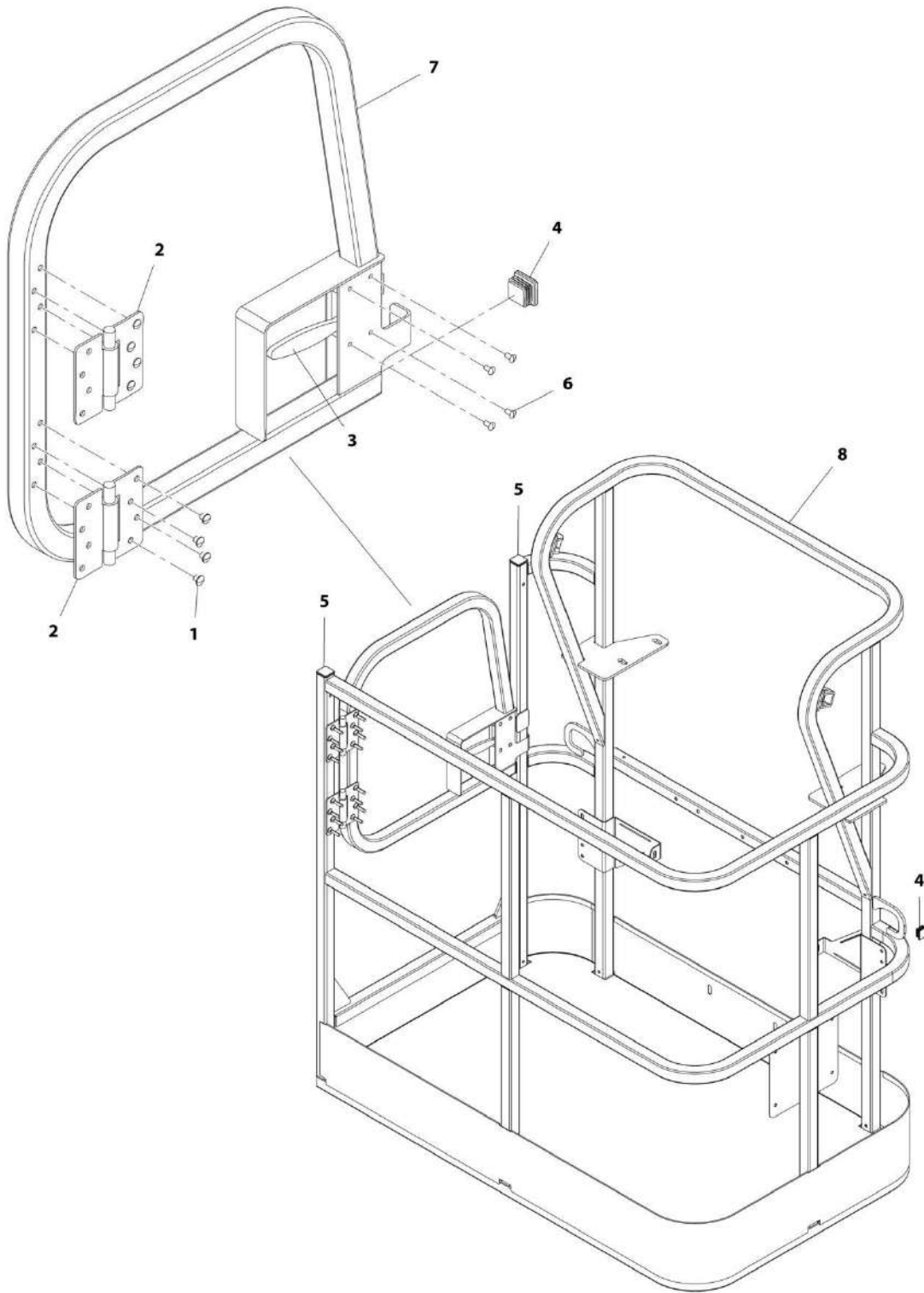
## SECTION 5 - PLATFORM

**FIGURE 5-1. PLATFORM ASSEMBLY - 4FT/1.22M - SIDE GATE ENTRY (SN 0300189901 through 0300200791)**

ITEM	PART NUMBER	QTY	DESCRIPTION	REV
	1001144027	Ref	PLATFORM ASSEMBLY - 4ft/1.22m – SIDE GATE ENTRY ( <b>SN 0300189901 through 0300200791</b> )	D
		Ref	Note: Platform and Mesh must be ordered separately for Platforms with Mesh. See SPECTIAL OPTIONS SECTION for Mesh Installations.	
		Ref	Note: Replacement Decals Must be Ordered Separately - See DECALS SECTION.	
1	2080040	16	Fastener, Huck	
2	2600281	2	Hinge, Self-Closing	
3	2940074	1	Latch	
4	3520198	2	Plug, Cap	
5	3820020	4	Rivet	
6	See Note	1	Platform, Weldment (Note: Not Available - Purchase Platform Assembly)	
7	1001144629	1	Gate, Weldment	
8	3520072	3	Plug, Cap	

# SECTION 5 - PLATFORM

FIGURE 5-2. PLATFORM ASSEMBLY - 4FT/1.22M - SIDE GATE ENTRY (SN 0300200792 through 0300208528)



ART\_1001186387

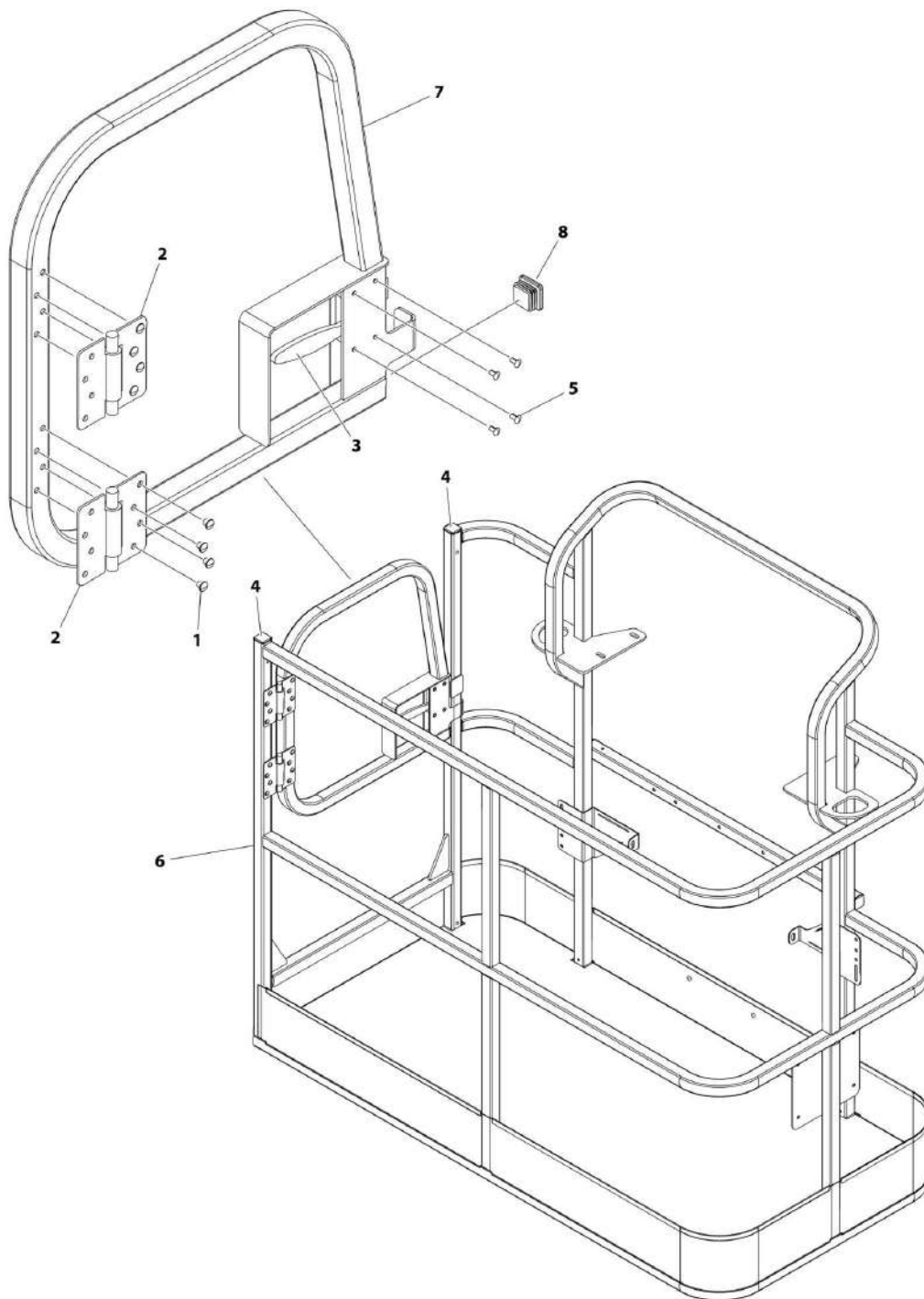
## SECTION 5 - PLATFORM

**FIGURE 5-2. PLATFORM ASSEMBLY - 4FT/1.22M - SIDE GATE ENTRY (SN 0300200792 through 0300208528)**

ITEM	PART NUMBER	QTY	DESCRIPTION	REV
	1001186387	Ref	PLATFORM ASSEMBLY - 4ft/1.22m - SIDE GATE ENTRY (SN <b>0300200792 through 0300208528</b> )	B
		Ref	Note: Platform and Mesh must be ordered separately for Platforms with Mesh. See SPECTIAL OPTIONS SECTION for Mesh Installations.	
		Ref	Note: Replacement Decals Must be Ordered Separately - See DECALS SECTION.	
1	2080040	16	Fastener, Huck	
2	2600281	2	Hinge, Self-Closing	
3	2940074	1	Latch	
4	3520072	3	Plug, Cap	
5	3520198	2	Plug, Cap	
6	3820020	4	Rivet	
7	1001144629	1	Gate, Weldment	
8	See Note	1	Platform, Weldment (Note: Not Available - Purchase Platform Assembly)	

# SECTION 5 - PLATFORM

FIGURE 5-3. PLATFORM ASSEMBLY - 5FT/1.52M - SIDE GATE ENTRY (SN 0300189901 through 0300200791)



ART\_1001144026

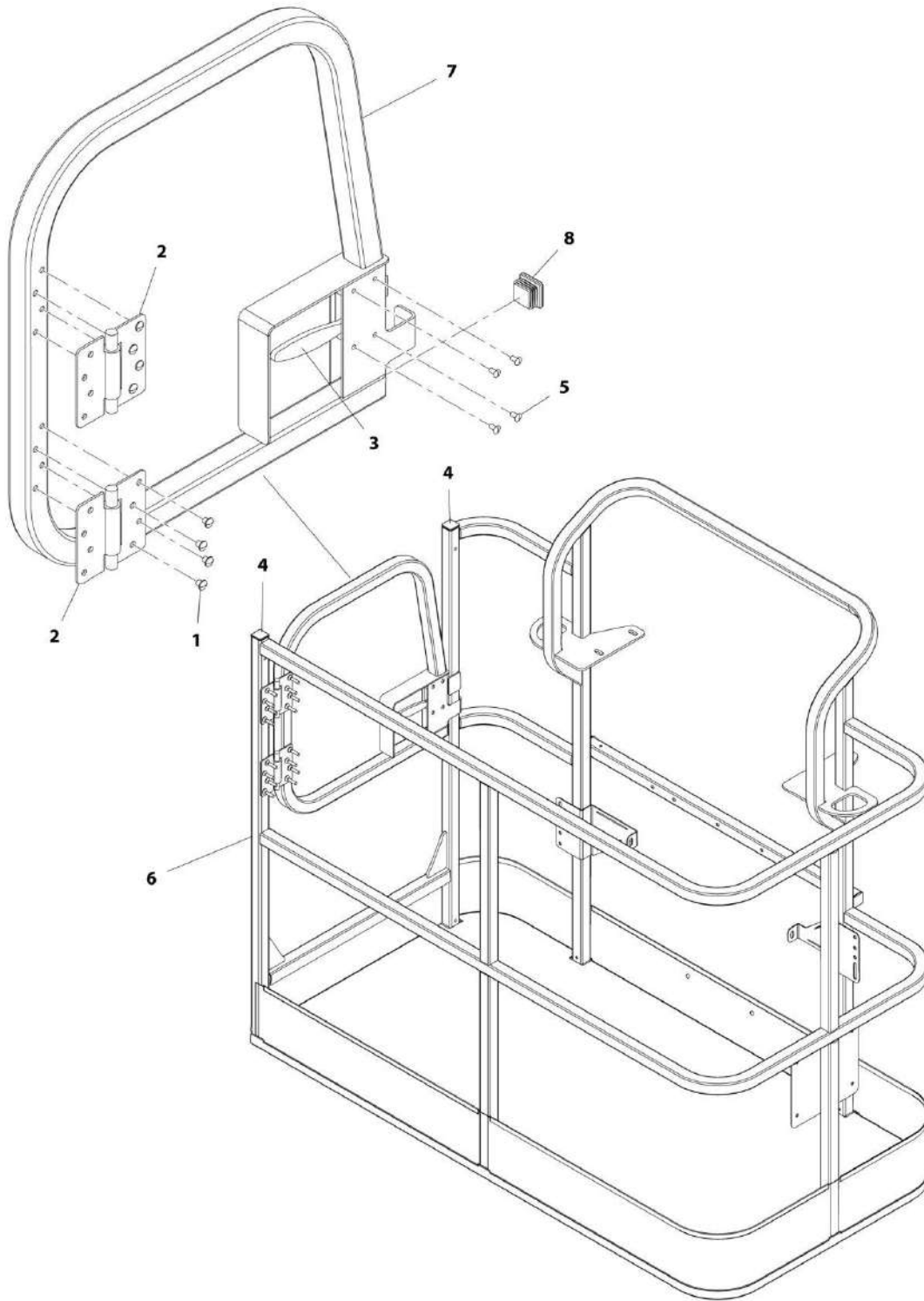
## SECTION 5 - PLATFORM

**FIGURE 5-3. PLATFORM ASSEMBLY - 5FT/1.52M - SIDE GATE ENTRY (SN 0300189901 through 0300200791)**

ITEM	PART NUMBER	QTY	DESCRIPTION	REV
	1001144026	Ref	PLATFORM ASSEMBLY - 5ft/1.52m - SIDE GATE ENTRY (SN <b>0300189901 through 0300200791</b> )	D
		Ref	Note: Platform and Mesh must be ordered separately for Platforms with Mesh. See SPECTIAL OPTIONS SECTION for Mesh Installations.	
		Ref	Note: Replacement Decals Must be Ordered Separately - See DECALS SECTION.	
1	2080040	16	Fastener, Huck	
2	2600281	2	Hinge, Self-Closing	
3	2940074	1	Latch	
4	3520198	2	Plug, Cap	
5	3820020	4	Rivet	
6	See Note	1	Platform, Weldment (Note: Not Available - Purchase Platform Assembly)	
7	1001144629	1	Gate, Weldment	
8	3520072	3	Plug, Cap	

# SECTION 5 - PLATFORM

FIGURE 5-4. PLATFORM ASSEMBLY - 5FT/1.52M - SIDE GATE ENTRY (SN 0300200792 through 0300208528)



ART\_1001186386

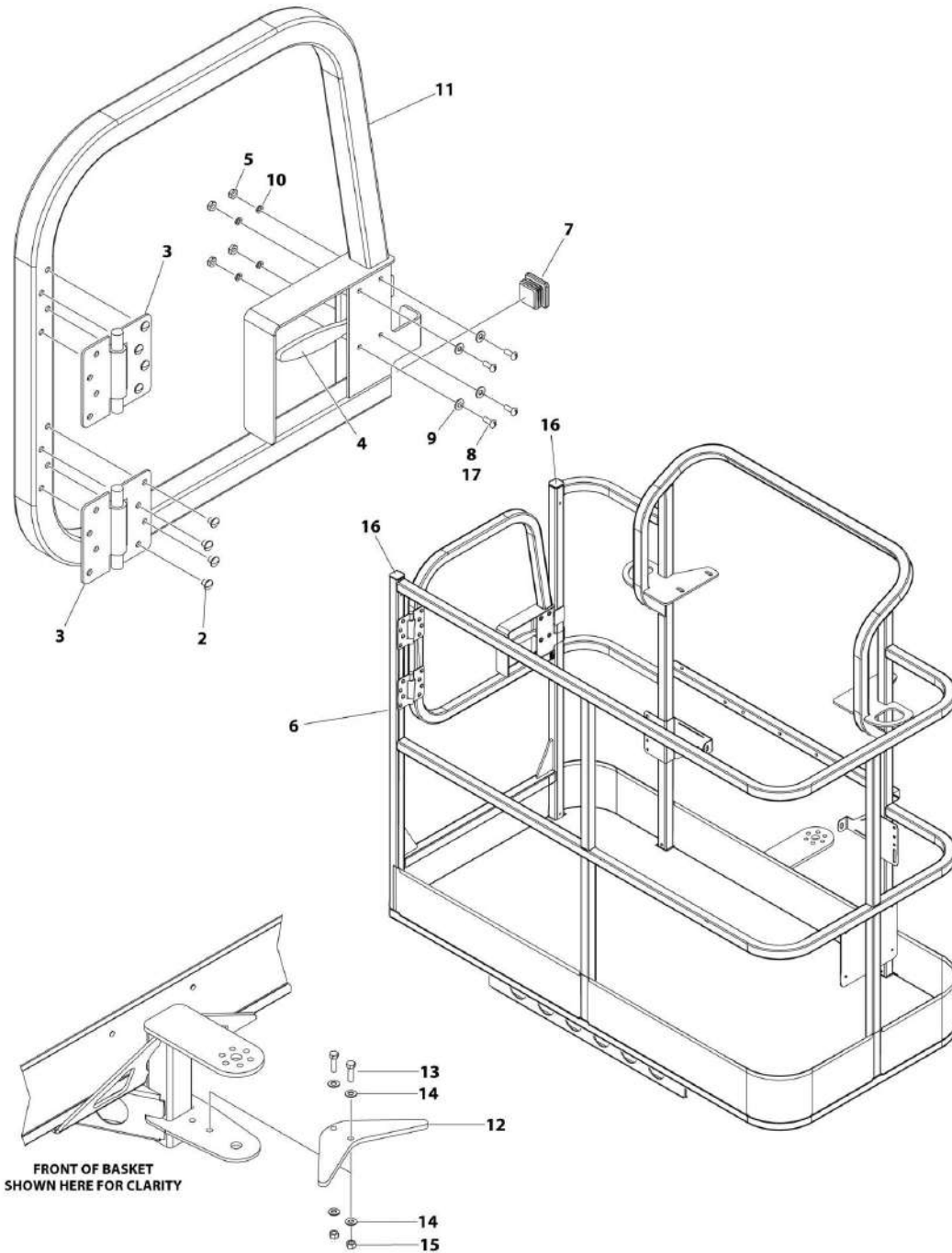
## SECTION 5 - PLATFORM

**FIGURE 5-4. PLATFORM ASSEMBLY - 5FT/1.52M - SIDE GATE ENTRY (SN 0300200792 through 0300208528)**

ITEM	PART NUMBER	QTY	DESCRIPTION	REV
	1001186386	Ref	PLATFORM ASSEMBLY - 5ft/1.52m - SIDE GATE ENTRY (SN <b>0300200792 through 0300208528</b> )	B
		Ref	Note: Platform and Mesh must be ordered separately for Platforms with Mesh. See SPECTIAL OPTIONS SECTION for Mesh Installations.	
		Ref	Note: Replacement Decals Must be Ordered Separately - See DECALS SECTION.	
1	2080040	16	Fastener, Huck	
2	2600281	2	Hinge, Self-Closing	
3	2940074	1	Latch	
4	3520198	2	Plug, Cap	
5	3820020	4	Rivet	
6	See Note	1	Platform, Weldment (Note: Not Available - Purchase Platform Assembly)	
7	1001144629	1	Gate, Weldment	
8	3520072	3	Plug, Cap	

# SECTION 5 - PLATFORM

FIGURE 5-5. PLATFORM ASSEMBLY - 5FT/1.52M - WITH STOP (SN 0300189901 through 0300200791)



ART\_3510844



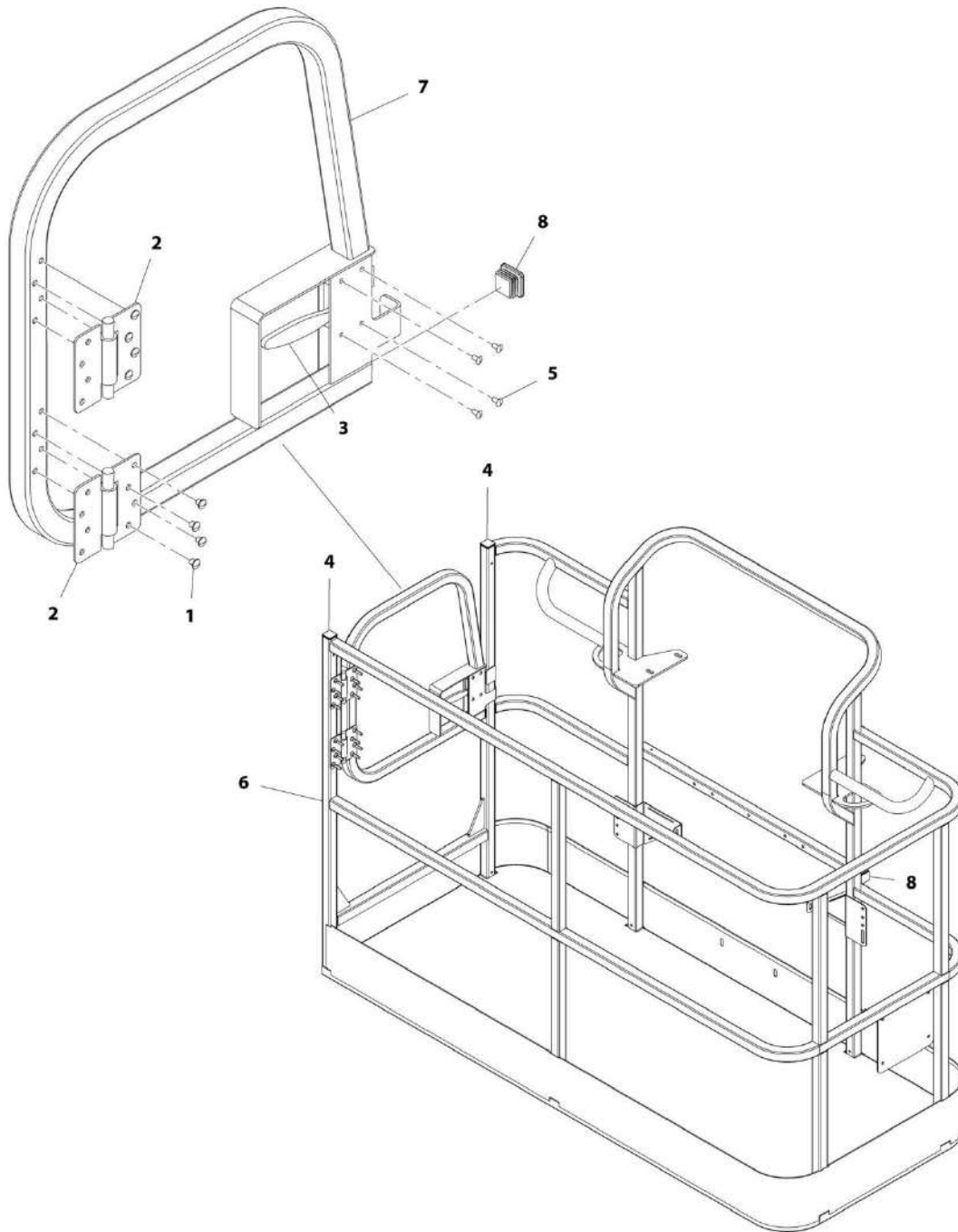
## SECTION 5 - PLATFORM

**FIGURE 5-5. PLATFORM ASSEMBLY - 5FT/1.52M - WITH STOP (SN 0300189901 through 0300200791)**

ITEM	PART NUMBER	QTY	DESCRIPTION	REV
	3510844	Ref	PLATFORM ASSEMBLY - 5ft/1.52m - WITH STOP (SN <b>0300189901 through 0300200791</b> )	F
		Ref	Note: Platform and Mesh must be ordered separately for Platforms with Mesh. See SPECTIAL OPTIONS SECTION for Mesh Installations.	
		Ref	Note: Replacement Decals Must be Ordered Separately - See DECAL SECTION.	
2	2080040	16	Fastener, Huck	
3	2600281	2	Hinge, Self-Closing	
4	2940074	1	Latch	
5	3311001	4	Nut #10-24	
6	See Note	1	Platform Weldment (Note: Not Available - Purchase Platform Assembly)	
7	1001144630	1	Cap-Plug	
8	3911008	4	Screw #10-24 x 1	
9	4751000	4	Washer, #10	
10	4761000	4	Washer, Locking #10	
11	1001144629	1	Gate Weldment	
12	3572413	1	Stop	
13	0641610	2	Bolt 3/8-16 x 1-1/4	
14	4711600	4	Washer, 3/8	
15	3311605	2	Nut, Lock, 3/8-16	
16	3520198	2	Cap-Plug	
17	0100011	AR	Compound, Locking	

# SECTION 5 - PLATFORM

FIGURE 5-6. PLATFORM ASSEMBLY - 6FT/1.83M - SIDE GATE ENTRY (SN 0300200792 through 0300208528)



ART\_1001144025

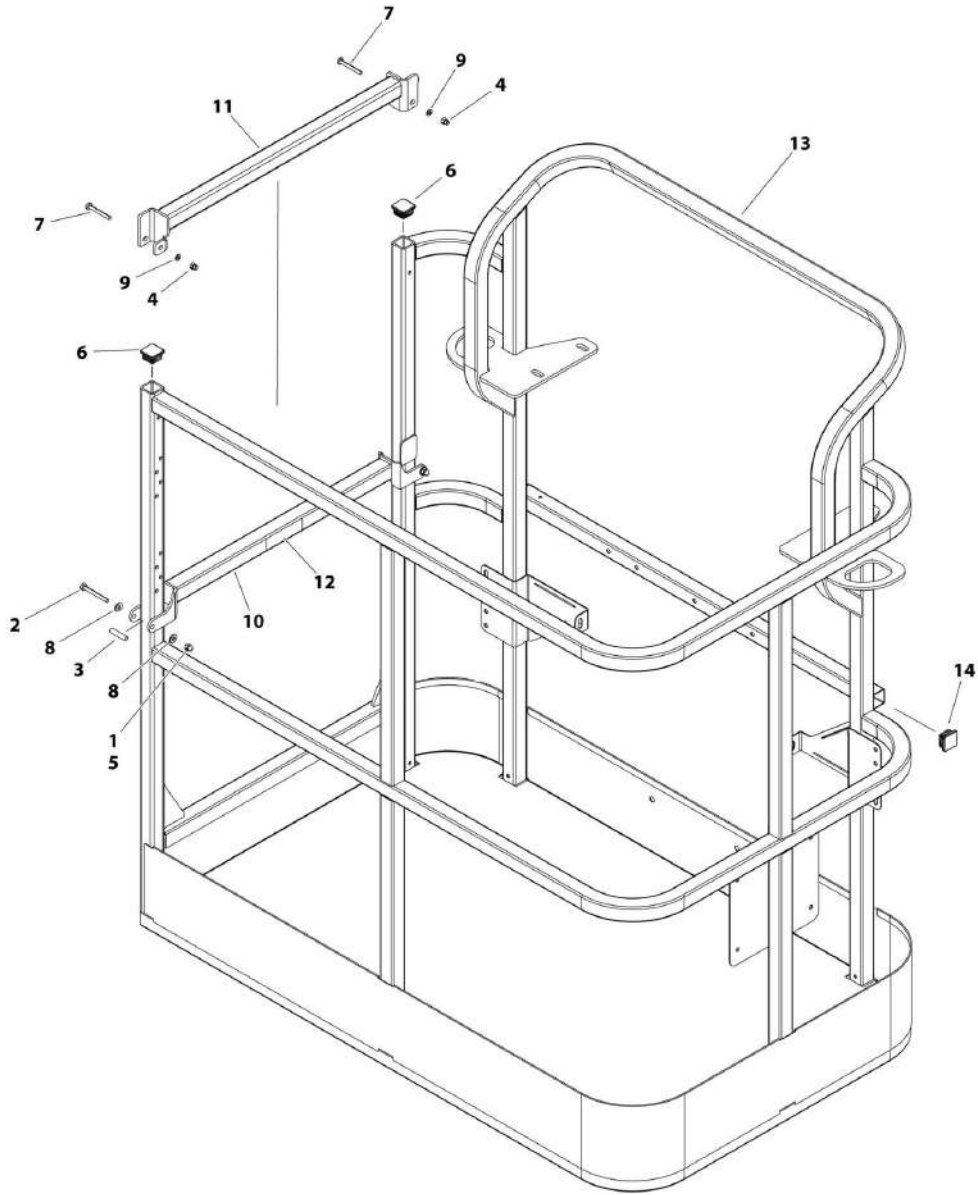
## SECTION 5 - PLATFORM

**FIGURE 5-6. PLATFORM ASSEMBLY - 6FT/1.83M - SIDE GATE ENTRY (SN 0300200792 through 0300208528)**

ITEM	PART NUMBER	QTY	DESCRIPTION	REV
	1001144025	Ref	PLATFORM ASSEMBLY - 6ft/1.83m - SIDE GATE ENTRY (SN <b>0300200792 through 0300208528</b> )	D
		Ref	Note: Platform and Mesh must be ordered separately for Platforms with Mesh. See SPECTIAL OPTIONS SECTION for Mesh Installations.	
		Ref	Note: Replacement Decals Must be Ordered Separately - See DECALS SECTION	
1	2080040	16	Fastener, Huck	
2	2600281	2	Hinge, Self-Closing	
3	2940074	1	Latch	
4	3520198	2	Plug, Cap	
5	3820020	4	Rivet	
6	See Note	1	Platform, Weldment (Note: Not Available - Purchase Platform Assembly)	
7	1001144629	1	Gate, Weldment	
8	3520072	3	Cap, Plug	

# SECTION 5 - PLATFORM

FIGURE 5-7. PLATFORM ASSEMBLY - 4FT/1.22M - DROP BAR ENTRY (SN 0300189901 through 0300200791)



ART\_1001144018

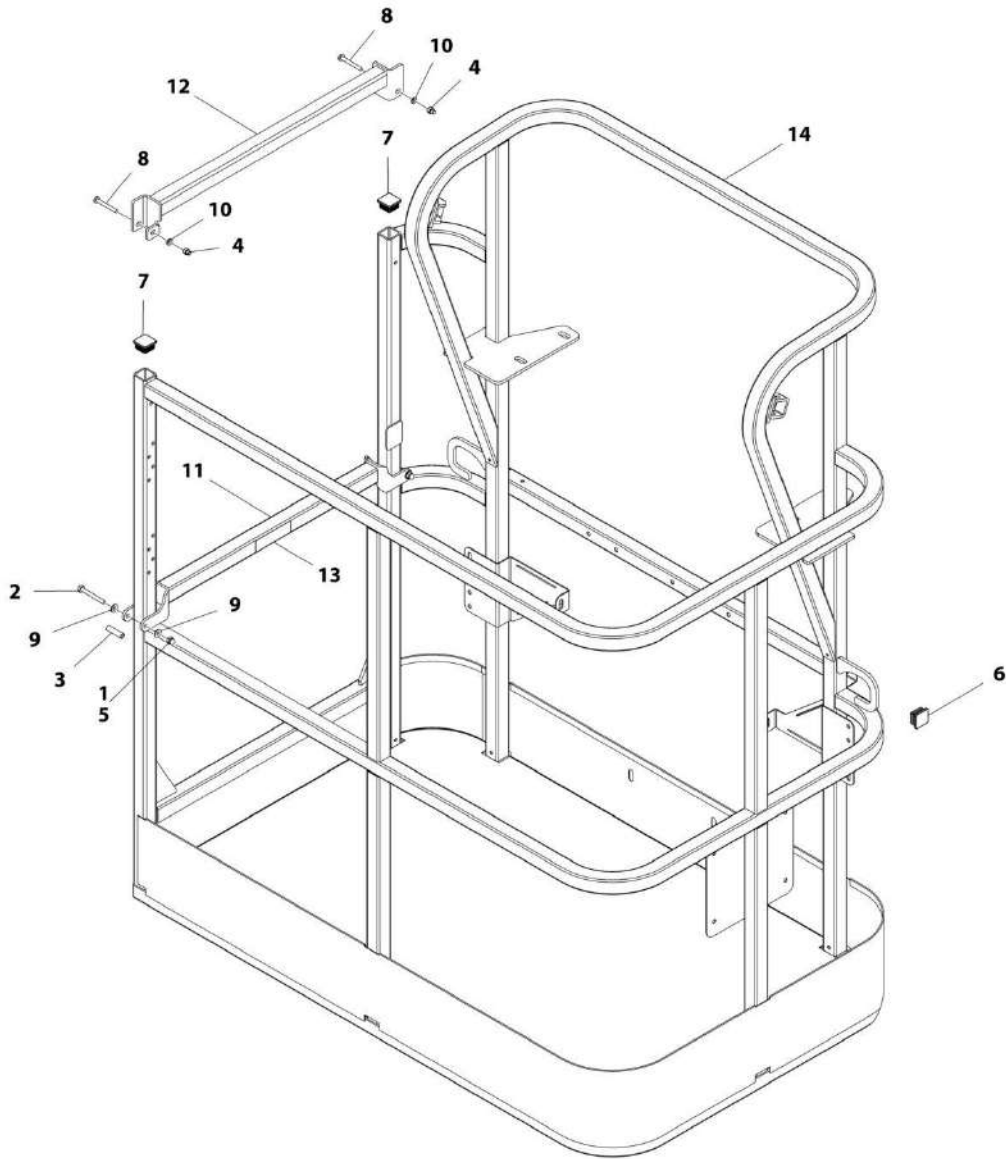
## SECTION 5 - PLATFORM

**FIGURE 5-7. PLATFORM ASSEMBLY - 4FT/1.22M - DROP BAR ENTRY (SN 0300189901 through 0300200791)**

ITEM	PART NUMBER	QTY	DESCRIPTION	REV
	1001144018	Ref	PLATFORM ASSEMBLY - 4ft/1.22m - DROP BAR ENTRY (SN 0300189901 through 0300200791)	D
		Ref	Note: Replacement Decals Must be Ordered Separately - See DECALS SECTION	
1	0100011	AR	Compound, Locking	
2	0641418	2	Bolt, 1/4-20 x 2-1/4	
3	0961845	2	Bushing	
4	3290606	2	Nut, M6	
5	3300151	2	Nut, Acorn, 1/4-20	
6	3520198	2	Plug, Cap	
7	4010618	2	Screw, M6 x 50	
8	4711400	4	Washer, 1/4	
9	4811700	2	Washer, M6	
10	1001138494	1	Bar, Drop	
11	1001138514	1	Rail - Top	
12	1001140429	1	Decal - Drop Bar	
13	See Note	1	Platform, Weldment (Note: Not Available - Purchase Platform Assembly)	
14	3520072	2	Plug, Cap	

# SECTION 5 - PLATFORM

FIGURE 5-8. PLATFORM ASSEMBLY - 4FT/1.22M - DROP BAR ENTRY (SN 0300200792 through 0300208528)



ART\_1001186375

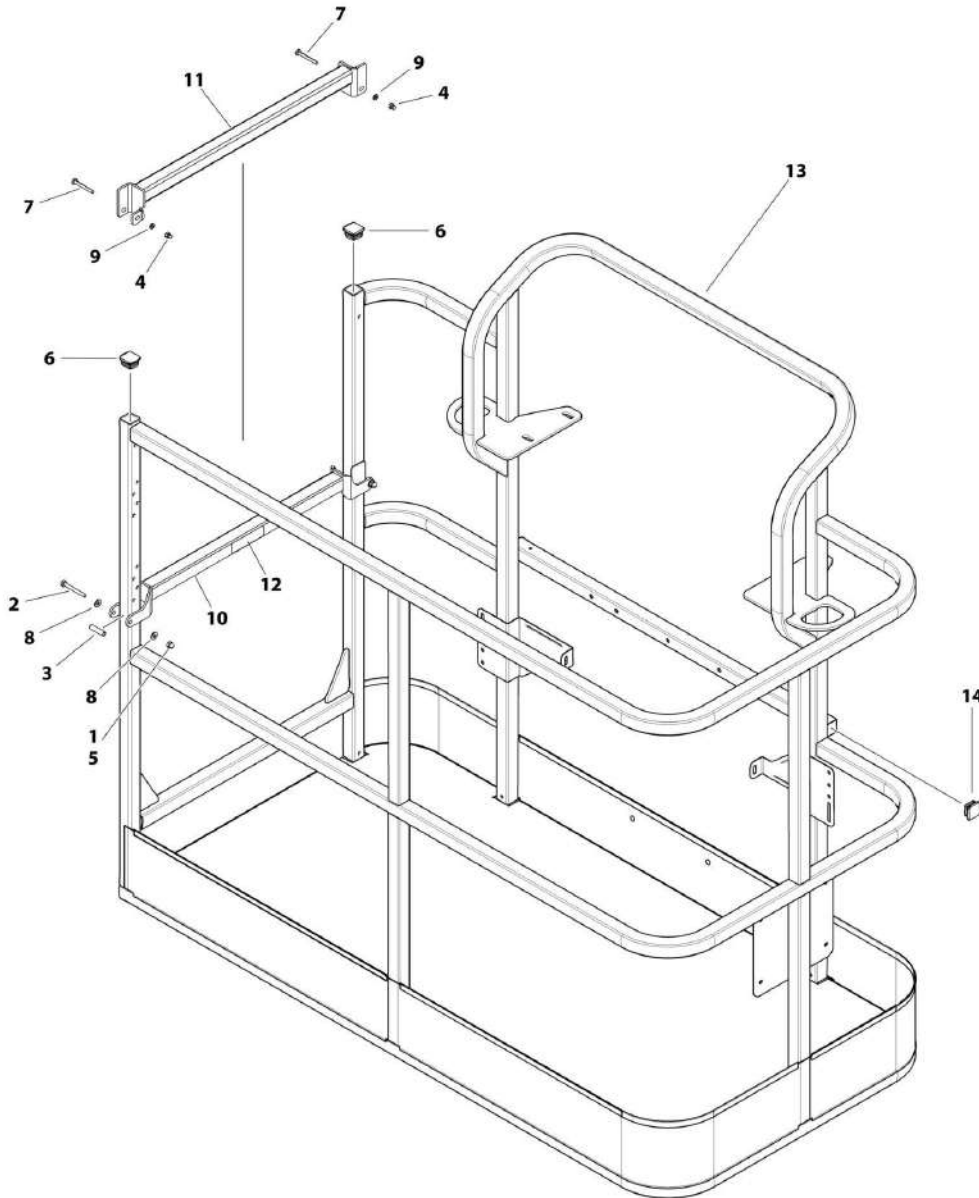
## SECTION 5 - PLATFORM

**FIGURE 5-8. PLATFORM ASSEMBLY - 4FT/1.22M - DROP BAR ENTRY (SN 0300200792 through 0300208528)**

ITEM	PART NUMBER	QTY	DESCRIPTION	REV
	1001186375	Ref	PLATFORM ASSEMBLY - 4FT/1.22M - DROP BAR ENTRY (SN <b>0300200792 through 0300208528</b> )	B
		Ref	Note: Replacement Decals Must be Ordered Separately - See DECALS SECTION	
1	0100011	AR	Compound, Locking	
2	0641418	2	Bolt, 1/4-20 x 2-1/4	
3	0961845	2	Bushing	
4	3290606	2	Nut, M6	
5	3300151	2	Nut, Acorn, 1/4-20	
6	3520072	2	Plug, Cap	
7	3520198	2	Plug, Cap	
8	4010618	2	Screw, M6 x 50	
9	4711400	4	Washer, 1/4	
10	4811700	2	Washer, M6	
11	1001138494	1	Bar, Drop	
12	1001138514	1	Rail - Top	
13	1001140429	1	Decal - Drop Bar	
14	See Note	1	Platform, Weldment (Note: Not Available - Purchase Platform Assembly)	

# SECTION 5 - PLATFORM

FIGURE 5-9. PLATFORM ASSEMBLY - 5FT/1.52M - DROP BAR ENTRY (SN 0300189901 through 0300200791)



ART\_1001144019



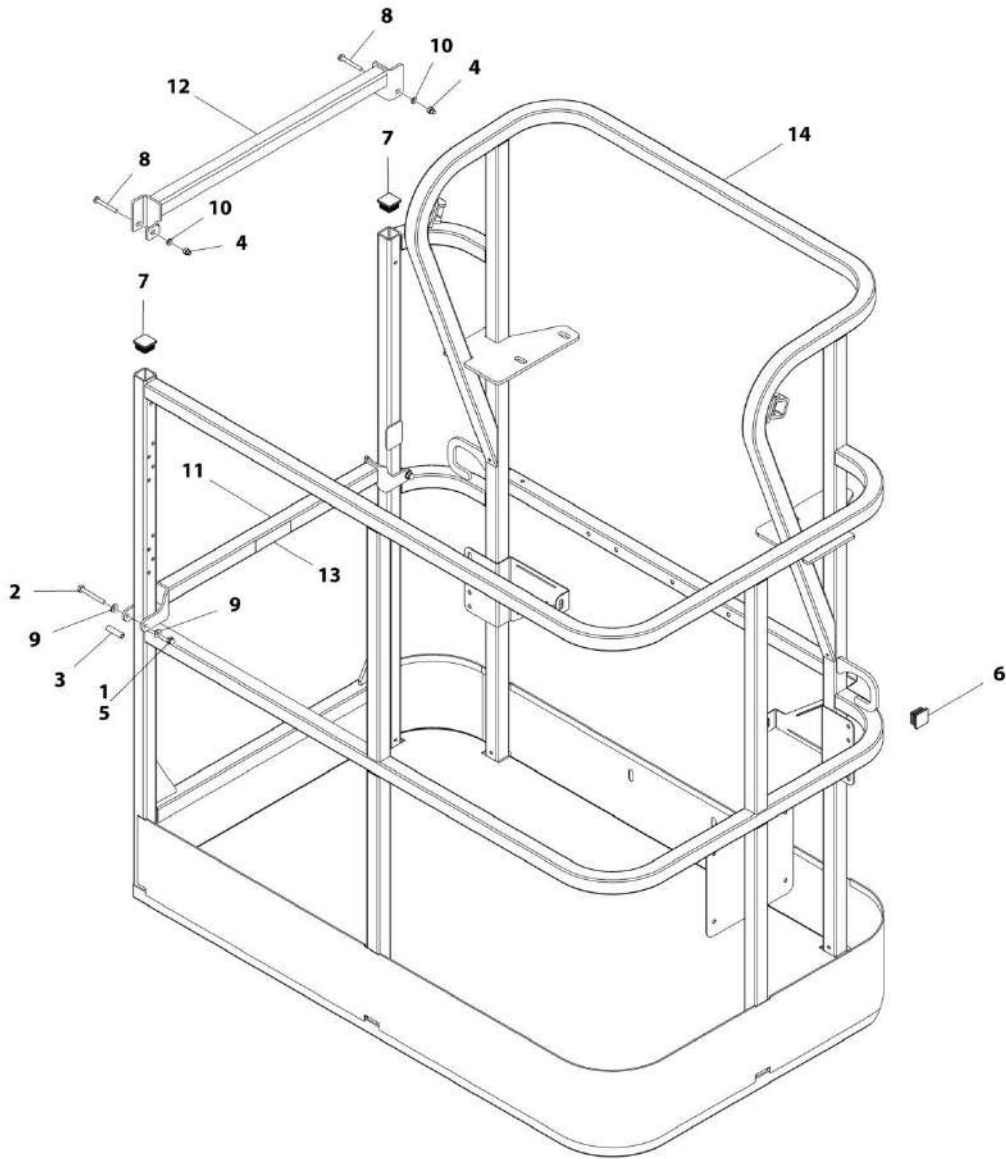
## SECTION 5 - PLATFORM

**FIGURE 5-9. PLATFORM ASSEMBLY - 5FT/1.52M - DROP BAR ENTRY (SN 0300189901 through 0300200791)**

ITEM	PART NUMBER	QTY	DESCRIPTION	REV
	1001144019	Ref	PLATFORM ASSEMBLY - 5ft/1.52m - DROP BAR ENTRY (SN 0300189901 through 0300200791)	D
		Ref	Note: Replacement Decals Must be Ordered Separately - See DECALS SECTION	
1	0100011	AR	Compound, Locking	
2	0641418	2	Bolt, 1/4-20 x 2-1/4	
3	0961845	2	Bushing	
4	3290606	2	Nut, M6	
5	3300151	2	Nut, Acorn, 1/4-20	
6	3520198	2	Plug, Cap	
7	4010618	2	Screw, M6 x 50	
8	4711400	4	Washer, 1/4	
9	4811700	2	Washer, M6	
10	1001138494	1	Bar, Drop	
11	1001138514	1	Rail - Top	
12	1001140429	1	Decal - Drop Bar	
13	See Note	1	Platform, Weldment (Note: Not Available - Purchase Platform Assembly)	
14	3520072	2	Plug, Cap	

# SECTION 5 - PLATFORM

FIGURE 5-10. PLATFORM ASSEMBLY - 5FT/1.52M - DROP BAR ENTRY (SN 0300200792 through 0300208528)



ART\_1001186377

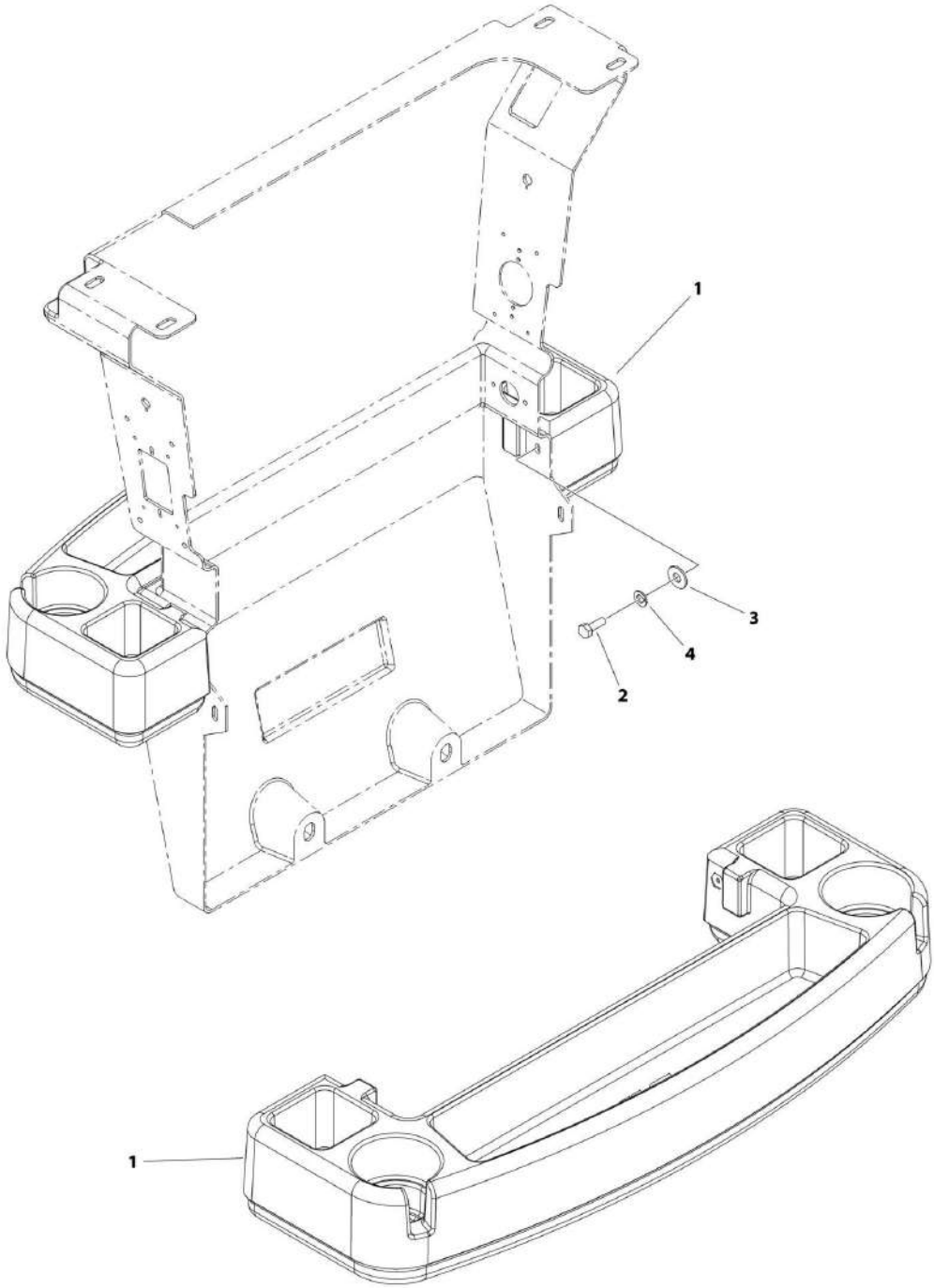
## SECTION 5 - PLATFORM

**FIGURE 5-10. PLATFORM ASSEMBLY - 5FT/1.52M - DROP BAR ENTRY (SN 0300200792 through 0300208528)**

ITEM	PART NUMBER	QTY	DESCRIPTION	REV
	1001186377	Ref	PLATFORM ASSEMBLY - 5FT/1.52M - DROP BAR ENTRY (SN 0300200792 through 0300208528)	B
		Ref	Note: Replacement Decals Must be Ordered Separately - See DECALS SECTION	
1	0100011	AR	Compound, Locking	
2	0641418	2	Bolt, 1/4-20 x 2-1/4	
3	0961845	2	Bushing	
4	3290606	2	Nut, M6	
5	3300151	2	Nut, Acorn, 1/4-20	
6	3520072	2	Plug, Cap	
7	3520198	2	Plug, Cap	
8	4010618	2	Screw, M6 x 50	
9	4711400	4	Washer, 1/4	
10	4811700	2	Washer, M6	
11	1001138494	1	Bar, Drop	
12	1001138514	1	Rail - Top	
13	1001140429	1	Decal - Drop Bar	
14	See Note	1	Platform, Weldment (Note: Not Available - Purchase Platform Assembly)	

**SECTION 5 - PLATFORM**

**FIGURE 5-11. TRAY ASSEMBLY**



ART\_1580012

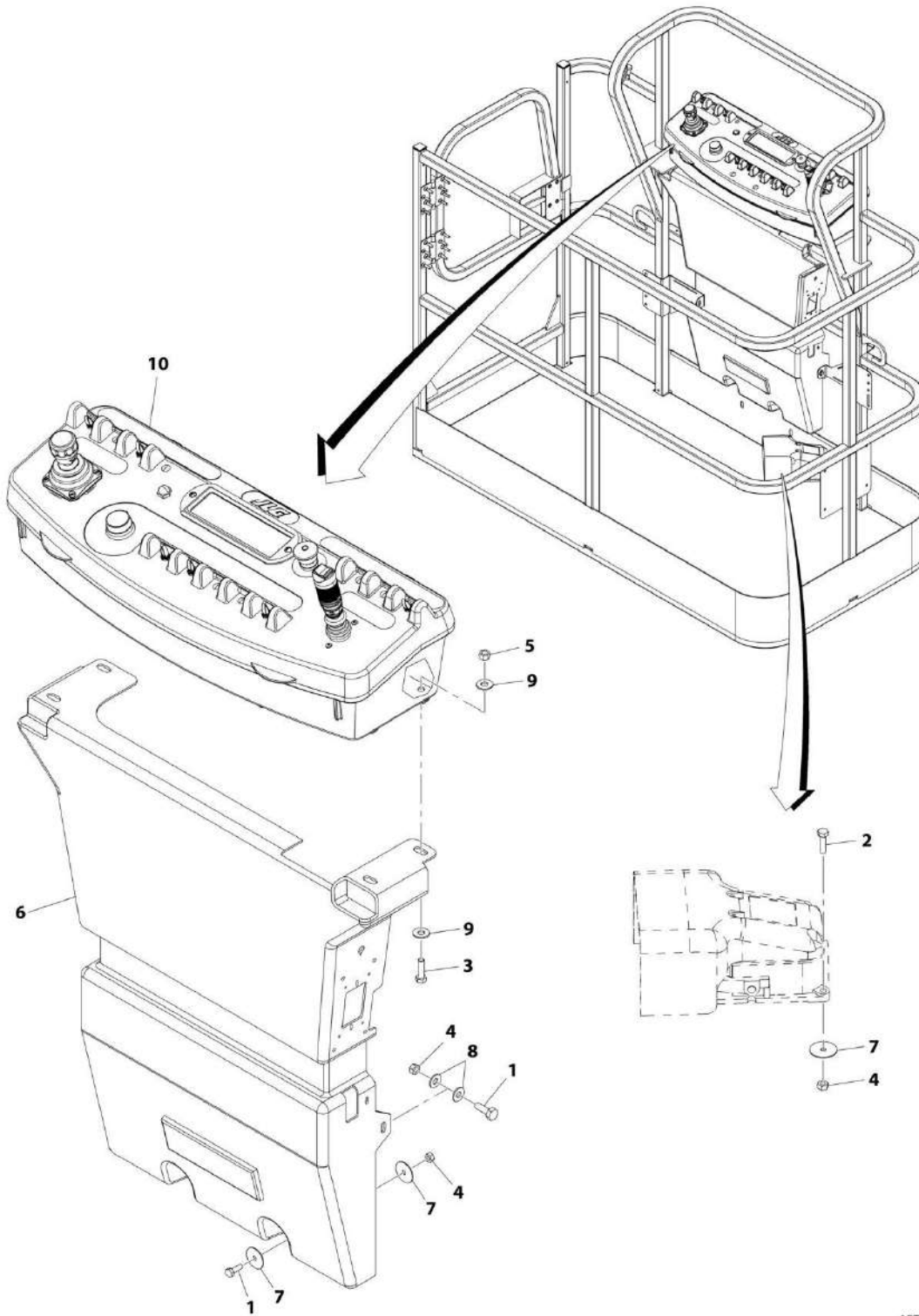
## SECTION 5 - PLATFORM

### FIGURE 5-11. TRAY ASSEMBLY

ITEM	PART NUMBER	QTY	DESCRIPTION	REV
	1580012	Ref	TRAY ASSEMBLY	C
1	See Note	NSS	Tray, Storage - Center (Note: Use p/n 1580012)	
2	0641406	2	Bolt, 1/4-20 x 3/4	
3	4751400	2	Washer, 1/4	
4	4761400	2	Washer, Locking, 1/4	

# SECTION 5 - PLATFORM

## FIGURE 5-12. PLATFORM CONSOLE AND FOOTSWITCH INSTALLATION - E400AN



ART\_1001146082

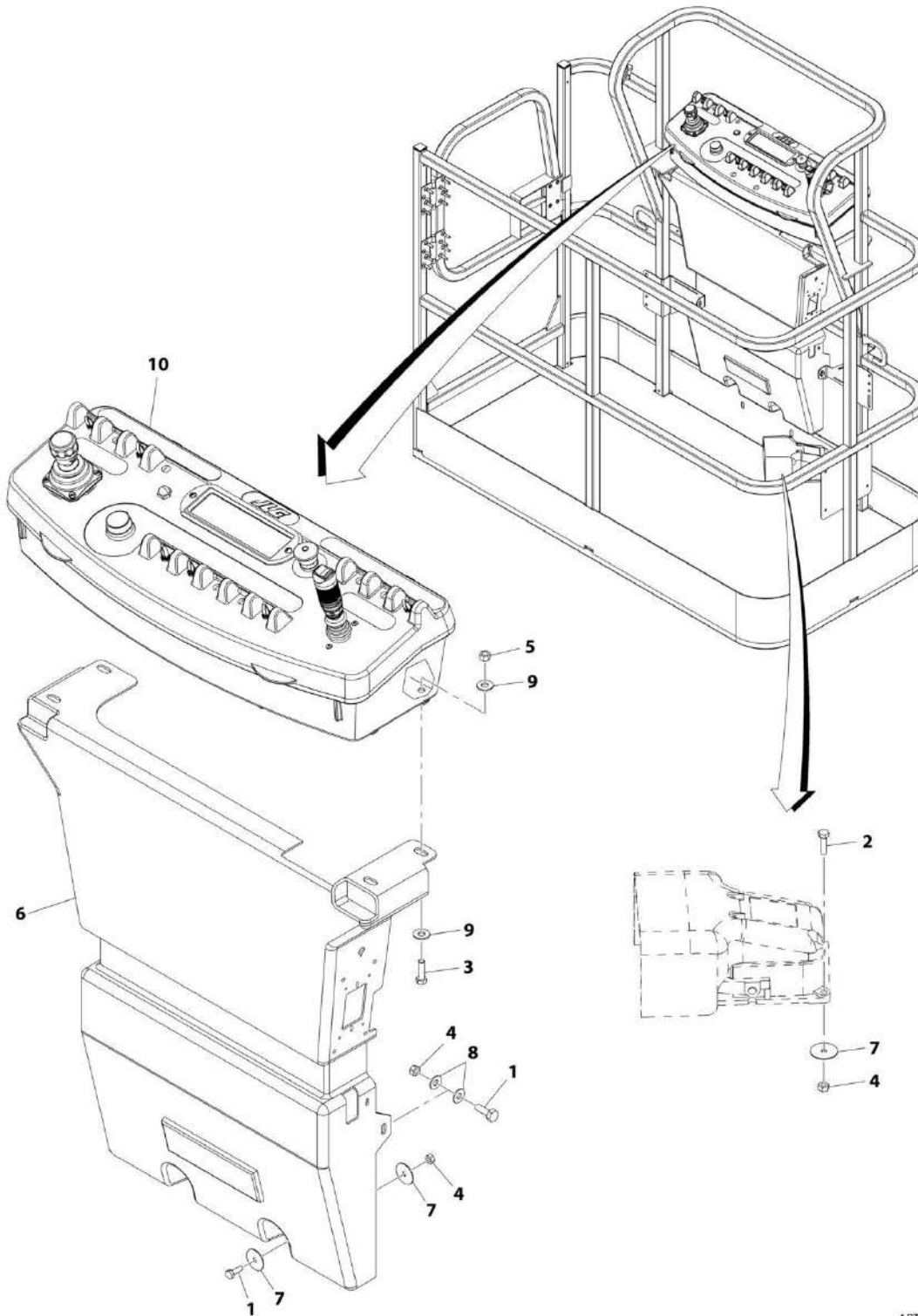
## SECTION 5 - PLATFORM

**FIGURE 5-12. PLATFORM CONSOLE AND FOOTSWITCH INSTALLATION - E400AN**

ITEM	PART NUMBER	QTY	DESCRIPTION	REV
	1001146082	Ref	PLATFORM CONSOLE AND FOOTSWITCH INSTALLATION - E400AN	B
1	0641406	4	Bolt, 1/4-20 x 3/4	
2	0641408	3	Bolt, 1/4-20 x 1	
3	0641610	4	Bolt, 3/8-16 x 1-1/4	
4	3311405	7	Nut, Lock, 1/4-20	
5	3311605	4	Nut, Lock, 3/8-16	
6	3380434	1	Panel, Pedestal	
7	4740362	7	Washer, 1/4	
8	4751400	4	Washer, 1/4	
9	4751600	8	Washer, 3/8	
10	1001146083	1	Platform Console Assembly (See PLATFORM CONSOLE ASSEMBLY for Breakdown) <b>(SN 0300189901 through 0300194237)</b>	
10	1001175617	1	Platform Console Assembly (See PLATFORM CONSOLE ASSEMBLY for Breakdown) <b>(SN 0300194238 through 0300208528)</b>	

# SECTION 5 - PLATFORM

FIGURE 5-13. PLATFORM CONSOLE AND FOOTSWITCH INSTALLATION - E400AN -UL LISTED



ART\_1001145800



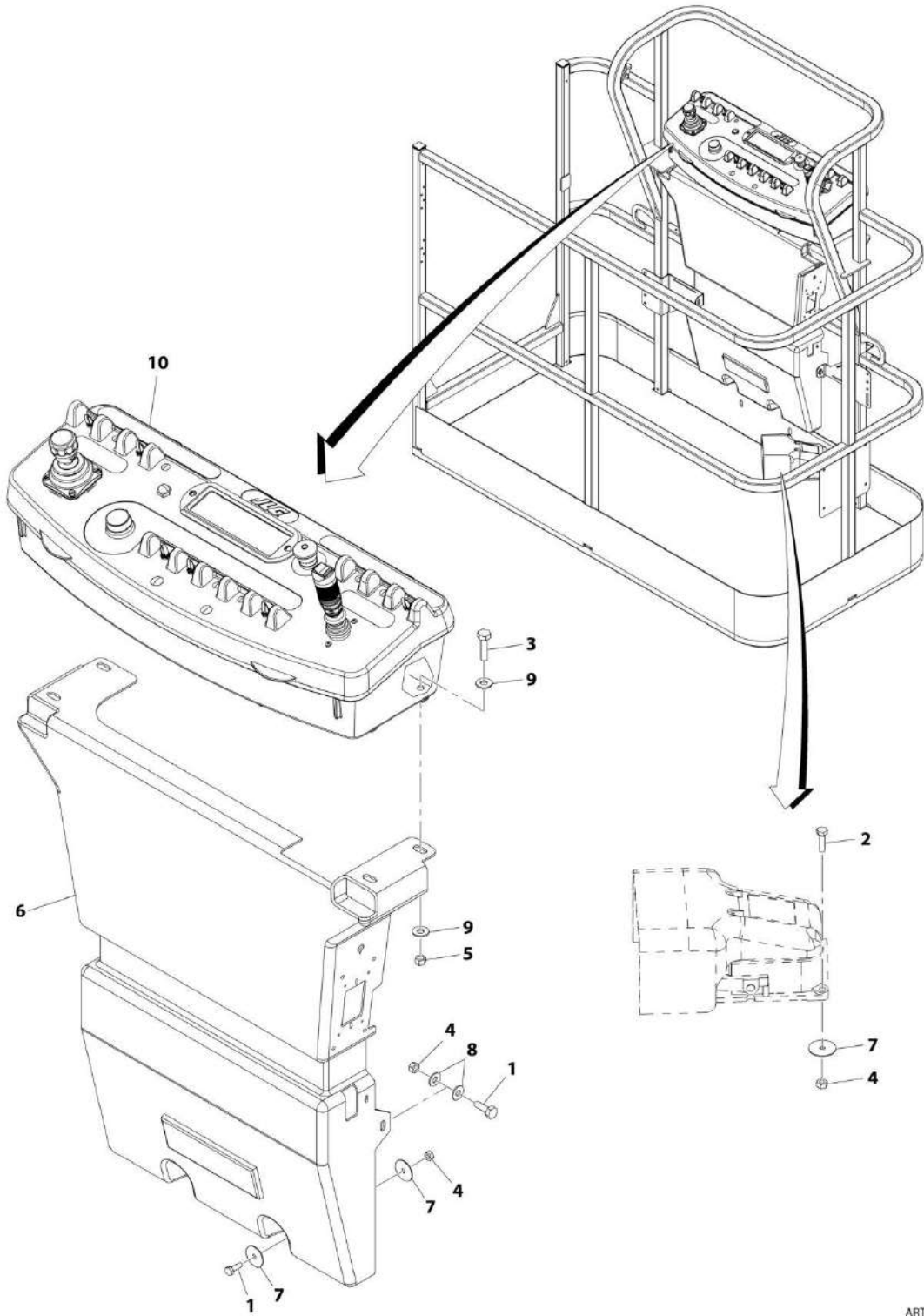
## SECTION 5 - PLATFORM

**FIGURE 5-13. PLATFORM CONSOLE AND FOOTSWITCH INSTALLATION - E400AN -UL LISTED**

ITEM	PART NUMBER	QTY	DESCRIPTION	REV
	1001145800	Ref	PLATFORM CONSOLE AND FOOTSWITCH INSTALLATION - E400AN -UL LISTED	B
1	0641406	4	Bolt, 1/4-20 x 3/4	
2	0641408	3	Bolt, 1/4-20 x 1	
3	0641610	4	Bolt, 3/8-16 x 1-1/4	
4	3311405	7	Nut, Lock, 1/4-20	
5	3311605	4	Nut, Lock, 3/8-16	
6	3380434	1	Panel, Pedestal	
7	4740362	7	Washer, 1/4	
8	4751400	4	Washer, 1/4	
9	4751600	8	Washer, 3/8	
10	1001145798	1	Platform Console Assembly (See PLATFORM CONSOLE ASSEMBLY - UL LISTED for Breakdown) <b>(SN 0300189901 through 0300194237)</b>	
10	1001175619	1	Platform Console Assembly (See PLATFORM CONSOLE ASSEMBLY - UL LISTED for Breakdown) <b>(SN 0300194238 through 0300208528)</b>	

# SECTION 5 - PLATFORM

FIGURE 5-14. PLATFORM CONSOLE AND FOOTSWITCH INSTALLATION - WITH SKYGUARD (SN 0300200792 through 0300208528)



ART\_1001189118

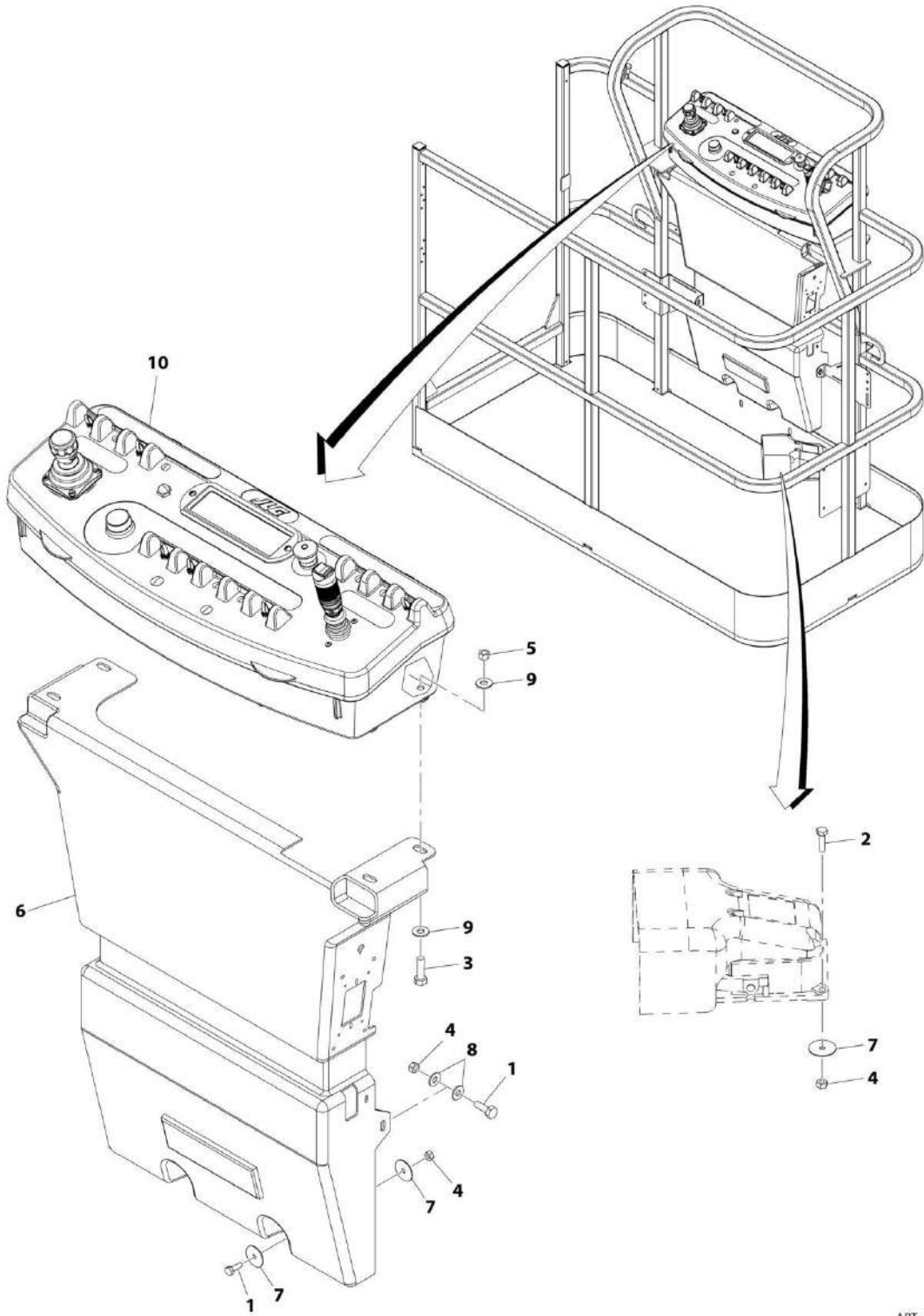
## SECTION 5 - PLATFORM

**FIGURE 5-14. PLATFORM CONSOLE AND FOOTSWITCH INSTALLATION - WITH SKYGUARD (SN 0300200792 through 0300208528)**

ITEM	PART NUMBER	QTY	DESCRIPTION	REV
	1001189118	Ref	PLATFORM CONSOLE AND FOOTSWITCH INSTALLATION - WITH SKYGUARD (SN 0300200792 through 0300208528)	A
1	0641406	4	Bolt, 1/4-20 x 3/4	
2	0641408	3	Bolt, 1/4-20 x 1	
3	0641610	4	Bolt, 3/8-16 x 1-1/4	
4	3311405	7	Nut, Lock, 1/4-20	
5	3311605	4	Nut, Lock, 3/8-16	
6	3380434	1	Panel, Pedestal	
7	4740362	7	Washer, 1/4	
8	4751400	4	Washer, 1/4	
9	4751600	8	Washer, 3/8	
10	1001189117	1	Platform Console Assembly - SKYGUARD (See PLATFORM CONSOLE ASSEMBLY - SKYGUARD for Breakdown)	

# SECTION 5 - PLATFORM

FIGURE 5-15. PLATFORM CONSOLE AND FOOTSWITCH INSTALLATION – E400AN WITH SKYGUARD (SN 0300200792 through 0300208528)



ART\_1001189208

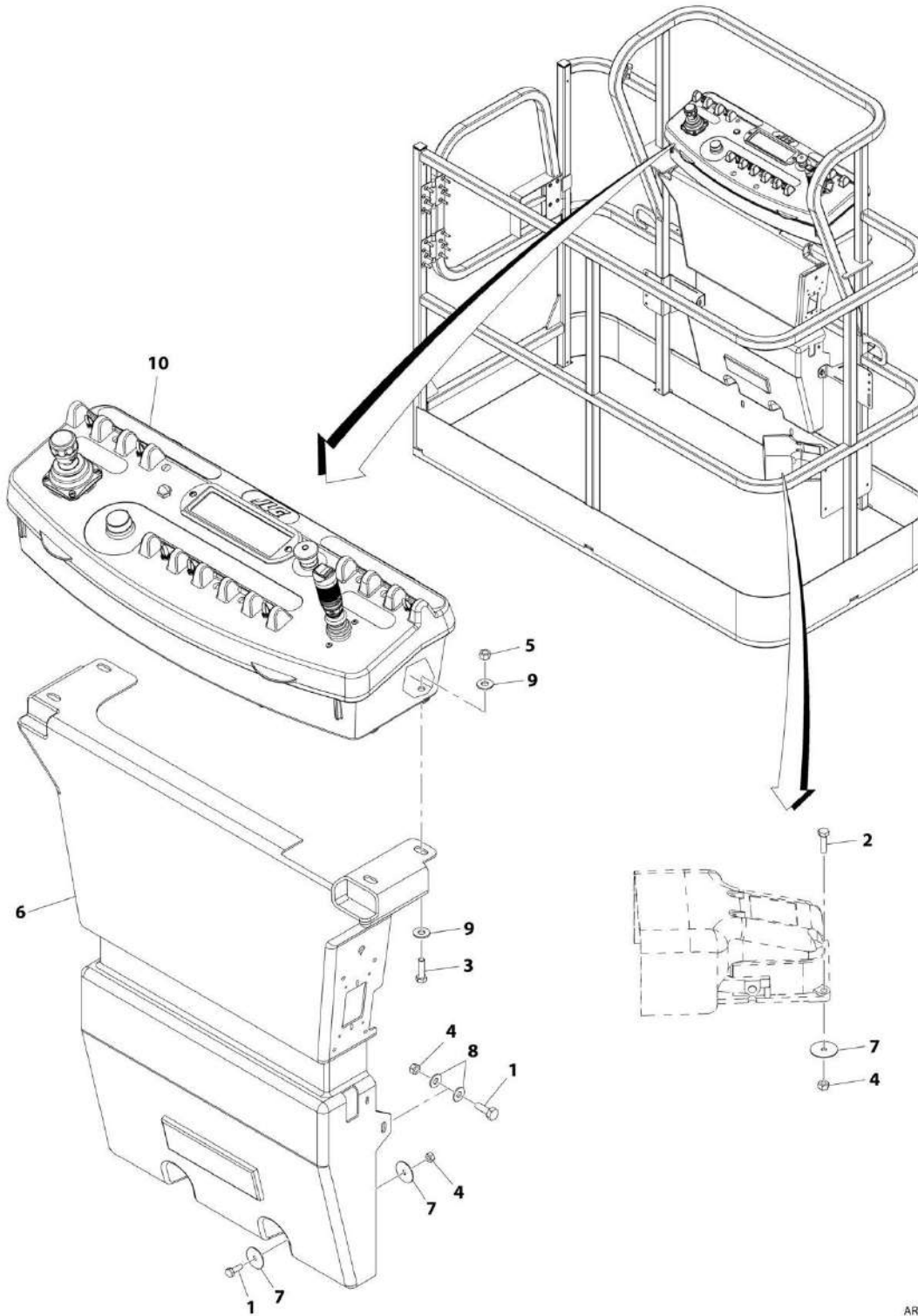
## SECTION 5 - PLATFORM

**FIGURE 5-15. PLATFORM CONSOLE AND FOOTSWITCH INSTALLATION – E400AN WITH SKYGUARD (SN 0300200792 through 0300208528)**

ITEM	PART NUMBER	QTY	DESCRIPTION	REV
	1001189208	Ref	PLATFORM CONSOLE AND FOOTSWITCH INSTALLATION – E400AN WITH SKYGUARD (SN 0300200792 through 0300208528)	A
1	0641406	4	Bolt, 1/4-20 x 3/4	
2	0641408	3	Bolt, 1/4-20 x 1	
3	0641610	4	Bolt, 3/8-16 x 1-1/4	
4	3311405	7	Nut, Lock, 1/4-20	
5	3311605	4	Nut, Lock, 3/8-16	
6	3380434	1	Panel, Pedestal	
7	4740362	7	Washer, 1/4	
8	4751400	4	Washer, 1/4	
9	4751600	8	Washer, 3/8	
10	1001189210	1	Platform Console Assembly (See PLATFORM CONSOLE ASSEMBLY for Breakdown) (SN 0300200792 through 0300208528)	

# SECTION 5 - PLATFORM

## FIGURE 5-16. PLATFORM CONSOLE AND FOOTSWITCH INSTALLATION - E400AJP/E400AJPN/M400AJP/M400AJPN



ART\_1001145801

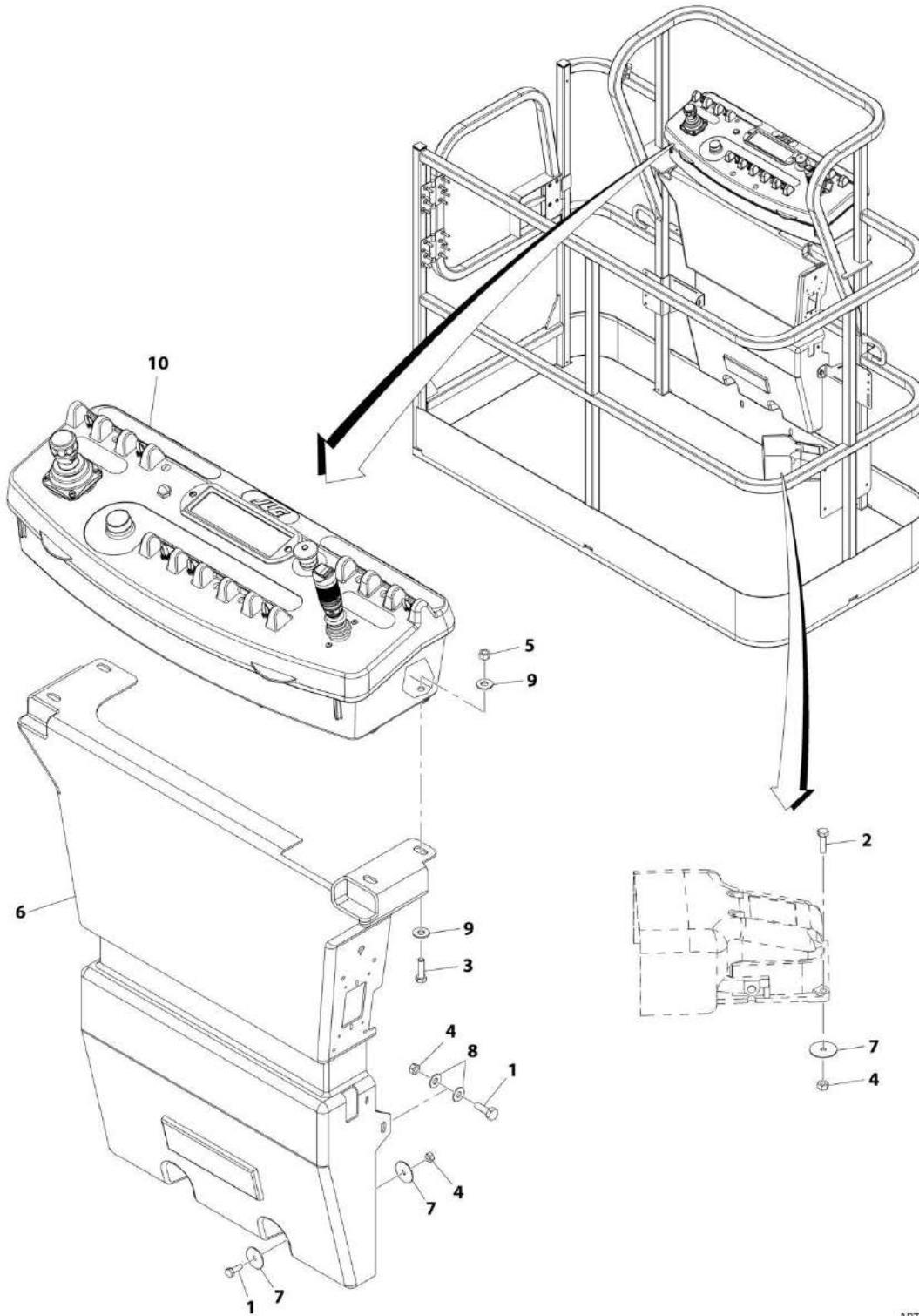
## SECTION 5 - PLATFORM

**FIGURE 5-16. PLATFORM CONSOLE AND FOOTSWITCH INSTALLATION -  
E400AJP/E400AJPN/M400AJP/M400AJPN**

ITEM	PART NUMBER	QTY	DESCRIPTION	REV
	1001145801	Ref	PLATFORM CONSOLE AND FOOTSWITCH INSTALLATION - E400AJP/E400AJPN/M400AJP/M400AJPN	B
1	0641406	4	Bolt, 1/4-20 x 3/4	
2	0641408	3	Bolt, 1/4-20 x 1	
3	0641610	4	Bolt, 3/8-16 x 1-1/4	
4	3311405	7	Nut, Lock, 1/4-20	
5	3311605	4	Nut, Lock, 3/8-16	
6	3380434	1	Panel, Pedestal	
7	4740362	7	Washer, 1/4	
8	4751400	4	Washer, 1/4	
9	4751600	8	Washer, 3/8	
10	1001145799	1	Platform Console Assembly (See PLATFORM CONSOLE ASSEMBLY for Breakdown) <b>(SN 0300189901 through 0300194237)</b>	
10	1001175620	1	Platform Console Assembly (See PLATFORM CONSOLE ASSEMBLY for Breakdown) <b>(SN 0300194238 through 0300208528)</b>	

# SECTION 5 - PLATFORM

FIGURE 5-17. PLATFORM CONSOLE AND FOOTSWITCH INSTALLATION - E400AJP/E400AJPN/M400AJP/E400AJPN - UL LISTED



ART\_1001145796



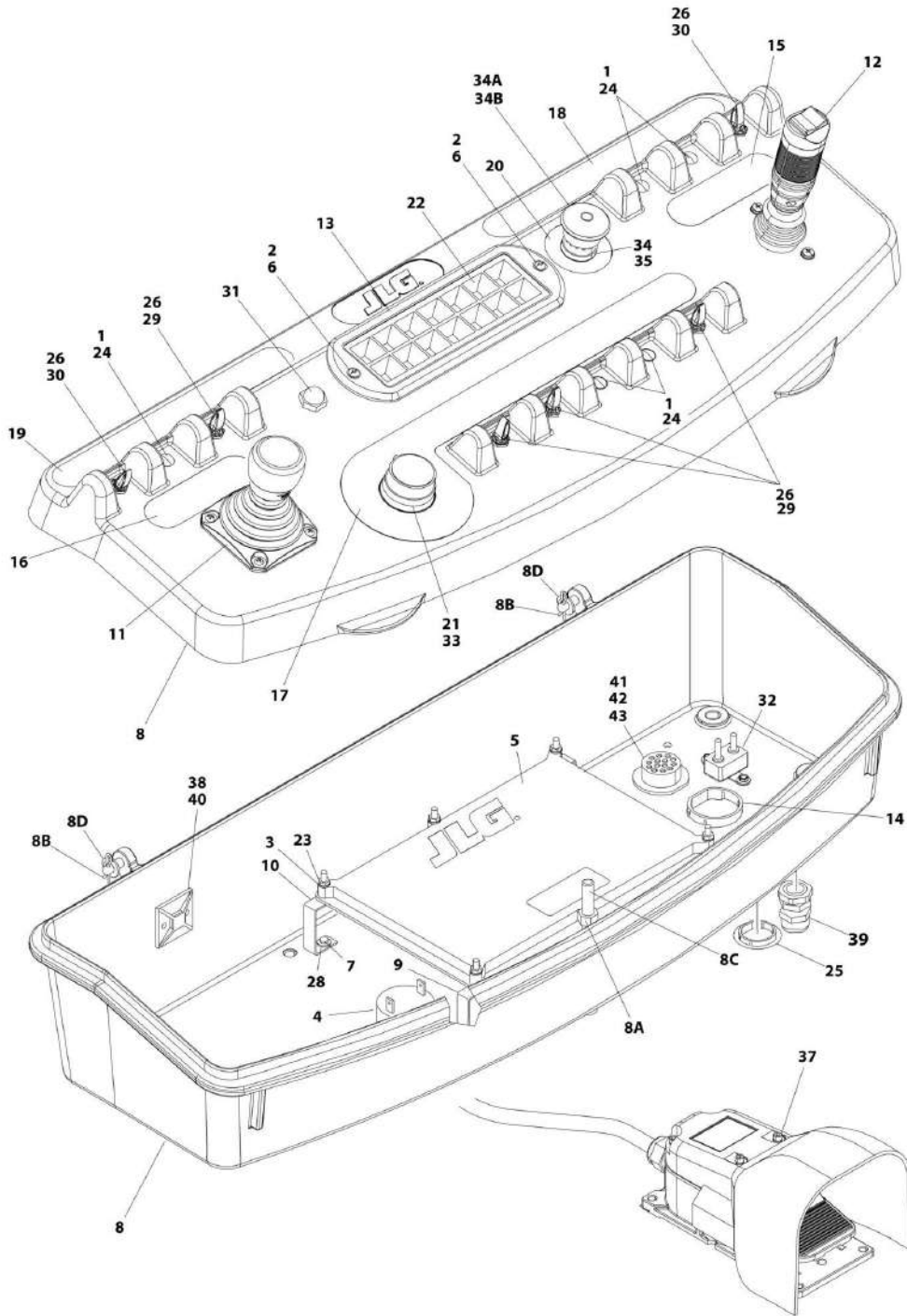
## SECTION 5 - PLATFORM

**FIGURE 5-17. PLATFORM CONSOLE AND FOOTSWITCH INSTALLATION -  
E400AJP/E400AJPN/M400AJP/E400AJPN - UL LISTED**

ITEM	PART NUMBER	QTY	DESCRIPTION	REV
	1001145796	Ref	PLATFORM CONSOLE AND FOOTSWITCH INSTALLATION - E400AJP/E400AJPN/M400AJP/E400AJPN - UL LISTED	B
1	0641406	4	Bolt, 1/4-20 x 3/4	
2	0641408	3	Bolt, 1/4-20 x 1	
3	0641610	4	Bolt, 3/8-16 x 1-1/4	
4	3311405	7	Nut, Lock, 1/4-20	
5	3311605	4	Nut, Lock, 3/8-16	
6	3380434	1	Panel, Pedestal	
7	4740362	7	Washer, 1/4	
8	4751400	4	Washer, 1/4	
9	4751600	8	Washer, 3/8	
10	1001145797	1	Platform Console Assembly (See PLATFORM CONSOLE ASSEMBLY for Breakdown) <b>(SN 0300189901 through 0300194237)</b>	
10	1001175621	1	Platform Console Assembly (See PLATFORM CONSOLE ASSEMBLY for Breakdown) <b>(SN 0300194238 through 0300208528)</b>	

# SECTION 5 - PLATFORM

FIGURE 5-18. PLATFORM CONSOLE ASSEMBLY - E400AN (SN 0300189901 through 0300194237)



ART\_1001146083

## SECTION 5 - PLATFORM

**FIGURE 5-18. PLATFORM CONSOLE ASSEMBLY - E400AN (SN 0300189901 through 0300194237)**

ITEM	PART NUMBER	QTY	DESCRIPTION	REV
	1001146083	Ref	PLATFORM CONSOLE ASSEMBLY - E400AN (SN 0300189901 through 0300194237)	B
1	0100009	AR	Sealant	
2	0100035	AR	Compound, Locking	
3	4750600	6	Washer, #6	
4	0140011	1	Alarm	
5	1001109498	1	Module, PC (Note: Re-calibration Required when Replaced)	
6	0630464	2	Bolt, #10-24 x 1/2	
7	0720804	6	Bolt, #8-32 x 1/2	
8	0861537	1	Console Box Assembly	
8A	3311601	1	Nut, 3/8-16	
8B	3470003	2	Pin, Cotter	
8C	0630568	1	Capscrew, 3/8-16 x 4-1/2	
8D	4711500	2	Washer, 5/16	
9	0902575	1	Bracket	
10	0902588	1	Bracket	
11	1001118419	1	Controller Assembly - Lift and Swing (See CONTROLLER ASSEMBLY LIFT AND SWING for Breakdown)	
12	1001118418	1	Controller Assembly - Drive and Steer (See CONTROLLER ASSEMBLY - DRIVE AND STEER for Breakdown)	
13	1670829	1	Bezel	
14	1001110435	1	Plug, D-Shaped	
15	1702565	1	Decal - Drive and Steer	
16	1702566	1	Decal - Lift and Swing	
17	1702567	1	Decal - Function Speed	
18	1001132175	1	Decal - Stop - Generator	
19	1704240	1	Decal - Horn	
20	1704260	1	Decal - EMS	
21	2560136	1	Handle, Knob	
22	2760105	1	Fixture, Light	
23	3310601	6	Nut, #6-32	
24	3520054	5	Plug, Hole	
25	3520030	1	Plug, Hole	
26	3790012	6	O-Ring	
27	4240032	AR	Tie-Strap (Not Shown)	
28	4750800	6	Washer, #8	
29	4360328	4	Switch, Toggle	
30	4360330	2	Switch, Toggle	
31	4360387	1	Switch, Push Button	
32	4360448	1	Breaker, Circuit - 10Amp	
33	4360462	1	Switch, Potentiometer	
34	4360475	1	Switch, Emergency Stop	
34A	7020175	1	Cap, Mushroom with Sealing Ring	
34B	7020176	1	Block, Contact	
35	4360476	1	Block, Contact	
36	4933060	1	Platform Console Wiring Diagram (Not Shown - See ELECTRICAL SECTION for Breakdown)	
37	1001136889	1	Footswitch Assembly (See FOOTSWITCH ASSEMBLY for Breakdown)	
38	4460234	3	Mount, Tie-Strap	
39	4460428	1	Connector, Strain Relief	

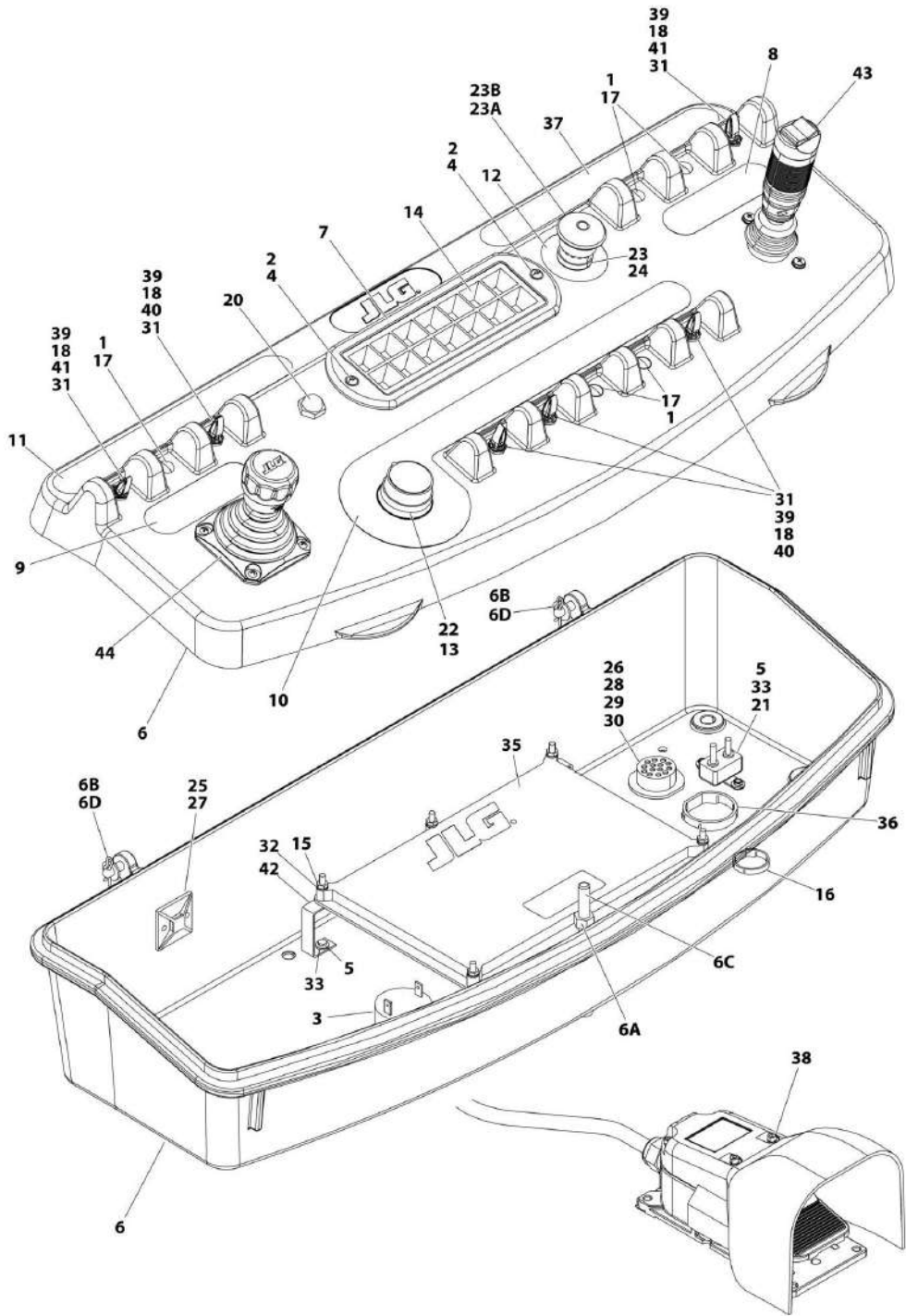
## SECTION 5 - PLATFORM

ITEM	PART NUMBER	QTY	DESCRIPTION	REV
40	4460488	1	Base, Terminal Mounting	
41	4460496	1	Washer, Lock, Terminal	
42	4460497	1	Nut, Terminal	
43	4460752	1	Connector - 14 Position	



# SECTION 5 - PLATFORM

FIGURE 5-19. PLATFORM CONSOLE ASSEMBLY - E400AN (SN 0300194238 through 0300208528)



ART\_1001175617

## SECTION 5 - PLATFORM

**FIGURE 5-19. PLATFORM CONSOLE ASSEMBLY - E400AN (SN 0300194238 through 0300208528)**

ITEM	PART NUMBER	QTY	DESCRIPTION	REV
	1001175617	Ref	PLATFORM CONSOLE ASSEMBLY - E400AN (SN 0300194238 through 0300208528)	B
1	0100009	AR	Sealant	
2	0100035	AR	Compound, Locking	
3	0140011	1	Alarm	
4	0630464	2	Bolt, #10-24 x 1/2	
5	0720804	6	Bolt, #8-32 x 1/2	
6	0861537	1	Console Box Assembly	
6A	3311601	1	Nut, 3/8-16	
6B	3470003	2	Pin, Cotter	
6C	0630568	1	Capscrew, 3/8-16 x 4-1/2	
6D	4711500	2	Washer, 5/16	
7	1670829	1	Bezel	
8	1702565	1	Decal - Drive and Steer	
9	1702566	1	Decal - Lift and Swing	
10	1702567	1	Decal - Function Speed	
11	1704240	1	Decal - Horn	
12	1704260	1	Decal - EMS	
13	2560136	1	Handle, Knob	
14	2760105	1	Fixture, Light	
15	3310601	6	Nut, #6-32	
16	3520030	1	Plug, Hole	
17	3520054	5	Plug, Hole	
18	3790012	6	O-Ring	
19	4240032	AR	Tie-Strap (Not Shown)	
20	4360387	1	Switch, Push Button	
21	4360448	1	Breaker, Circuit - 10Amp	
22	4360462	1	Switch, Potentiometer	
23	4360475	1	Switch, Emergency Stop	
23A	7020175	1	Cap, Mushroom with Sealing Ring	
23B	7020176	1	Block, Contact	
24	4360476	1	Block, Contact	
25	4460234	3	Mount, Tie-Strap	
26	4460428	1	Connector, Strain Relief	
27	4460488	1	Base, Terminal Mounting	
28	4460496	1	Washer, Lock, Terminal	
29	4460497	1	Nut, Terminal	
30	4460752	1	Connector - 14 Position	
31	4740397	6	Spacer	
32	4750600	6	Washer, #6	
33	4750800	6	Washer, #8	
34	4933060	1	Platform Console Wiring Diagram (Not Shown - See ELECTRICAL SECTION for Breakdown)	
35	1001109498	1	Module, PC (Note: Re-calibration Required when Replaced)	
36	1001110435	1	Plug, D-Shaped	
37	1001132175	1	Decal - Stop - Generator	
38	1001136889	1	Footswitch Assembly (See FOOTSWITCH ASSEMBLY for Breakdown)	
39	1001155044	6	Nut, 15/32-32	
40	1001155045	4	Switch, Toggle	

## SECTION 5 - PLATFORM

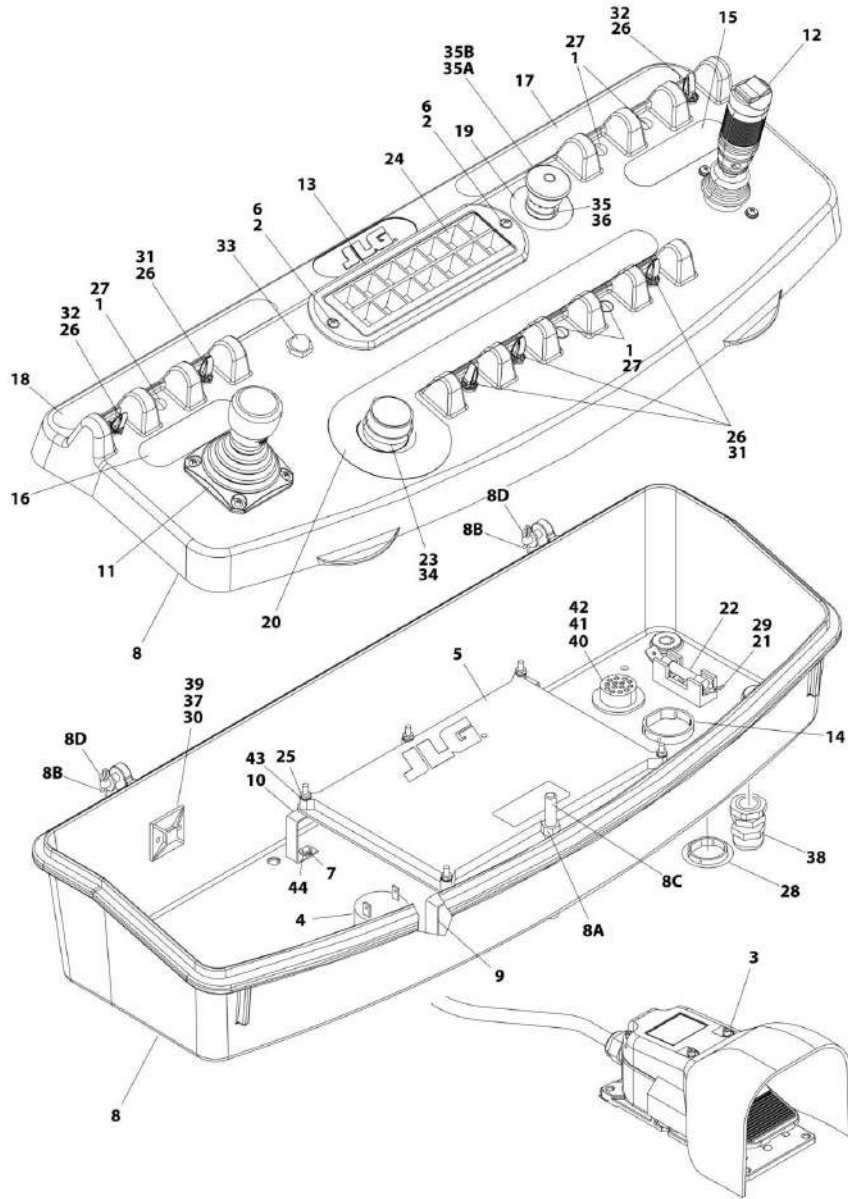
ITEM	PART NUMBER	QTY	DESCRIPTION	REV
41	1001159256	2	Switch, Toggle	
42	1001175597	2	Bracket, Module	
43	1001178132	1	Controller Assembly - Drive and Steer (See CONTROLLER ASSEMBLY - DRIVE AND STEER for Breakdown)	
44	1001178139	1	Controller Assembly - Lift and Swing (See CONTROLLER ASSEMBLY LIFT AND SWING for Breakdown)	





# SECTION 5 - PLATFORM

FIGURE 5-20. PLATFORM CONSOLE ASSEMBLY - UL LISTED - E400AN (SN 0300189901 through 0300194237)



ART\_1001145798

## SECTION 5 - PLATFORM

**FIGURE 5-20. PLATFORM CONSOLE ASSEMBLY - UL LISTED - E400AN (SN 0300189901 through 0300194237)**

ITEM	PART NUMBER	QTY	DESCRIPTION	REV
	1001145798	Ref	PLATFORM CONSOLE ASSEMBLY - UL LISTED - E400AN (SN 0300189901 through 0300194237)	B
1	0100009	AR	Sealant	
2	0100035	AR	Compound, Locking	
3	1001136889	1	Footswitch Assembly (See FOOTSWITCH ASSEMBLY for Breakdown)	
4	0140011	1	Alarm	
5	1001109498	1	Module, PC (Note: Re-calibration Required when Replaced)	
6	0630464	2	Bolt, #10-24 x 1/2	
7	0720804	4	Bolt, #8-32 x 1/2	
8	0861537	1	Console Box Assembly	
8A	3311601	1	Nut, 3/8-16	
8B	3470003	2	Pin, Cotter	
8C	0630568	1	Capscrew, 3/8-16 x 4-1/2	
8D	4711500	2	Washer, 5/16	
9	0902575	1	Bracket	
10	0902588	1	Bracket	
11	1001118419	1	Controller Assembly - Lift and Swing (See CONTROLLER ASSEMBLY LIFT AND SWING for Breakdown)	
12	1001118418	1	Controller Assembly - Drive and Steer (See CONTROLLER ASSEMBLY - DRIVE AND STEER for Breakdown)	
13	1670829	1	Bezel	
14	1001110435	1	Plug, D-Shaped	
15	1702565	1	Decal - Drive and Steer	
16	1702566	1	Decal - Lift and Swing	
17	1001132175	1	Decal - Stop - Generator	
18	1704240	1	Decal - Horn	
19	1704260	1	Decal - EMS	
20	1702567	1	Decal - Function Speed	
21	2400067	1	Holder, Fuse	
22	2400068	1	Fuse - 10Amp	
23	2560136	1	Handle, Knob	
24	2760105	1	Fixture, Light	
25	3310601	6	Nut, #6-32	
26	3790012	6	O-Ring	
27	3520054	5	Plug, Hole	
28	3520030	1	Plug, Hole	
29	3910808	1	Screw, #8-32 x 1/2	
30	4240032	AR	Tie-Strap (Not Shown)	
31	4360328	4	Switch, Toggle	
32	4360330	2	Switch, Toggle	
33	4360387	1	Switch, Push Button	
34	4360462	1	Switch, Potentiometer	
35	4360475	1	Switch, Emergency Stop	
35A	7020175	1	Cap, Mushroom with Sealing Ring	
35B	7020176	1	Block, Contact	
36	4360476	1	Block, Contact	
37	4460234	3	Mount, Tie-Strap	
38	4460428	1	Connector, Strain Relief	
39	4460488	1	Base, Terminal Mounting	

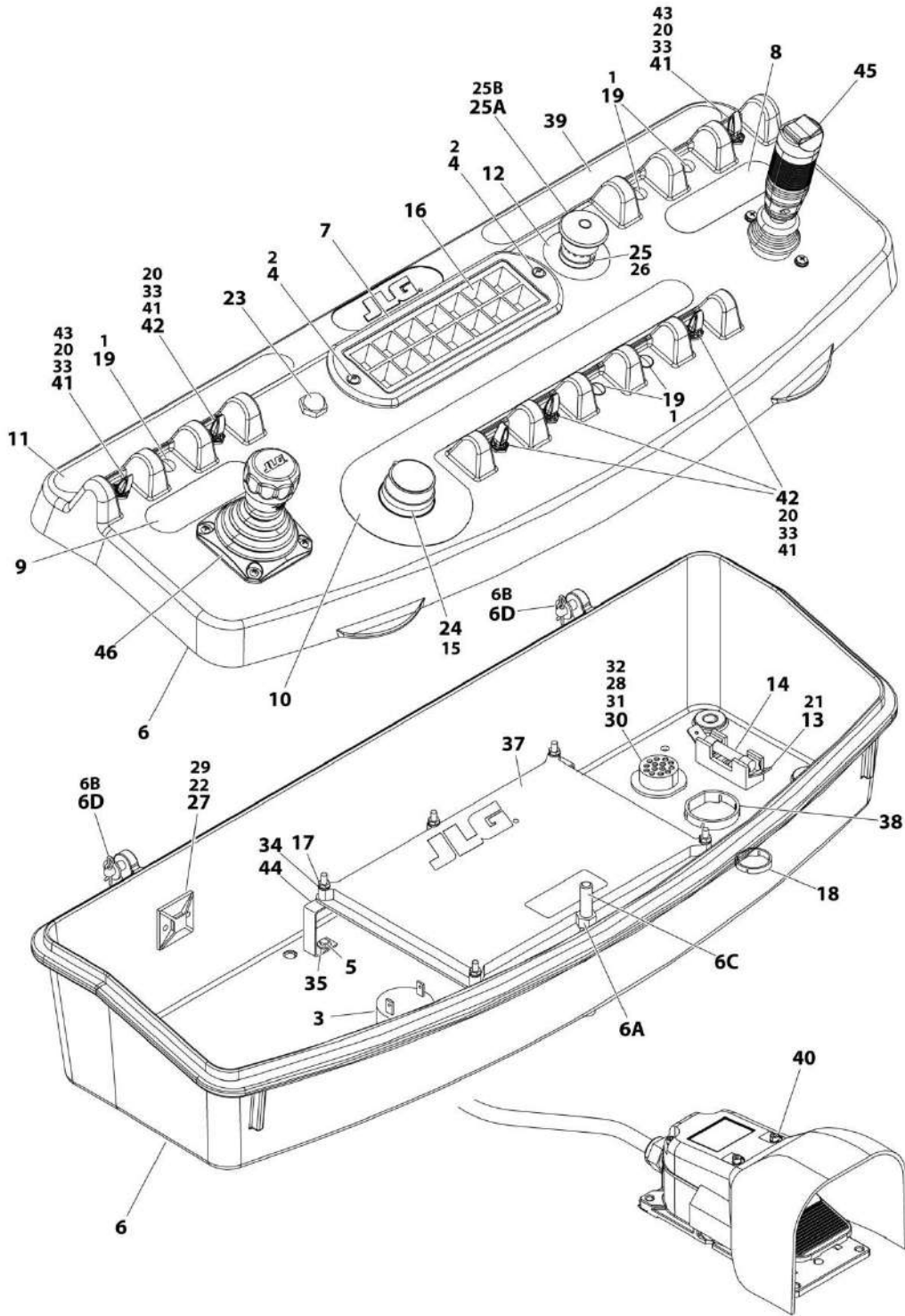
## SECTION 5 - PLATFORM

ITEM	PART NUMBER	QTY	DESCRIPTION	REV
40	4460496	1	Washer, Lock, Terminal	
41	4460497	1	Nut, Terminal	
42	4460752	1	Connector - 14 Position	
43	4750600	6	Washer, #6	
44	4750800	4	Washer, #8	
45	4933181	1	Platform Console Wiring Diagram (Not Shown - See ELECTRICAL SECTION for Breakdown)	



# SECTION 5 - PLATFORM

FIGURE 5-21. PLATFORM CONSOLE ASSEMBLY - E400AN - UL LISTED (SN 0300194238 through 0300208528)



ART\_1001175619

## SECTION 5 - PLATFORM

**FIGURE 5-21. PLATFORM CONSOLE ASSEMBLY - E400AN - UL LISTED (SN 0300194238 through 0300208528)**

ITEM	PART NUMBER	QTY	DESCRIPTION	REV
	1001175619	Ref	PLATFORM CONSOLE ASSEMBLY - E400AN - UL LISTED (SN 0300194238 through 0300208528)	B
1	0100009	AR	Sealant	
2	0100035	AR	Compound, Locking	
3	0140011	1	Alarm	
4	0630464	2	Bolt, #10-24 x 1/2	
5	0720804	4	Bolt, #8-32 x 1/2	
6	0861537	1	Console Box Assembly	
6A	3311601	1	Nut, 3/8-16	
6B	3470003	2	Pin, Cotter	
6C	0630568	1	Capscrew, 3/8-16 x 4-1/2	
6D	4711500	2	Washer, 5/16	
7	1670829	1	Bezel	
8	1702565	1	Decal - Drive and Steer	
9	1702566	1	Decal - Lift and Swing	
10	1702567	1	Decal - Function Speed	
11	1704240	1	Decal, Horn	
12	1704260	1	Decal - EMS	
13	2400067	1	Holder, Fuse	
14	2400068	1	Fuse - 10Amp	
15	2560136	1	Handle, Knob	
16	2760105	1	Fixture, Light	
17	3310601	6	Nut, #6-32	
18	3520030	1	Plug, Hole	
19	3520054	5	Plug, Hole	
20	3790012	6	O-Ring	
21	3910808	1	Screw, #8-32 x 1/2	
22	4240032	AR	Tie-Strap (Not Shown)	
23	4360387	1	Switch, Push Button	
24	4360462	1	Switch, Potentiometer	
25	4360475	1	Switch, Emergency Stop	
25A	7020175	1	Cap, Mushroom with Sealing Ring	
25B	7020176	1	Block, Contact	
26	4360476	1	Block, Contact	
27	4460234	3	Mount, Tie-Strap	
28	4460428	1	Connector, Strain Relief	
29	4460488	1	Base, Terminal Mounting	
30	4460496	1	Washer, Lock, Terminal	
31	4460497	1	Nut, Terminal	
32	4460752	1	Connector - 14 Position	
33	4740397	6	Spacer	
34	4750600	6	Washer, #6	
35	4750800	4	Washer, #8	
36	4933181	1	Platform Console Wiring Diagram (Not Shown - See ELECTRICAL SECTION for Breakdown)	
37	1001109498	1	Module, PC (Note: Re-calibration Required when Replaced)	
38	1001110435	1	Plug, D-Shaped	
39	1001132175	1	Decal - Stop - Generator	
40	1001136889	1	Footswitch Assembly (See FOOTSWITCH ASSEMBLY for	

## SECTION 5 - PLATFORM

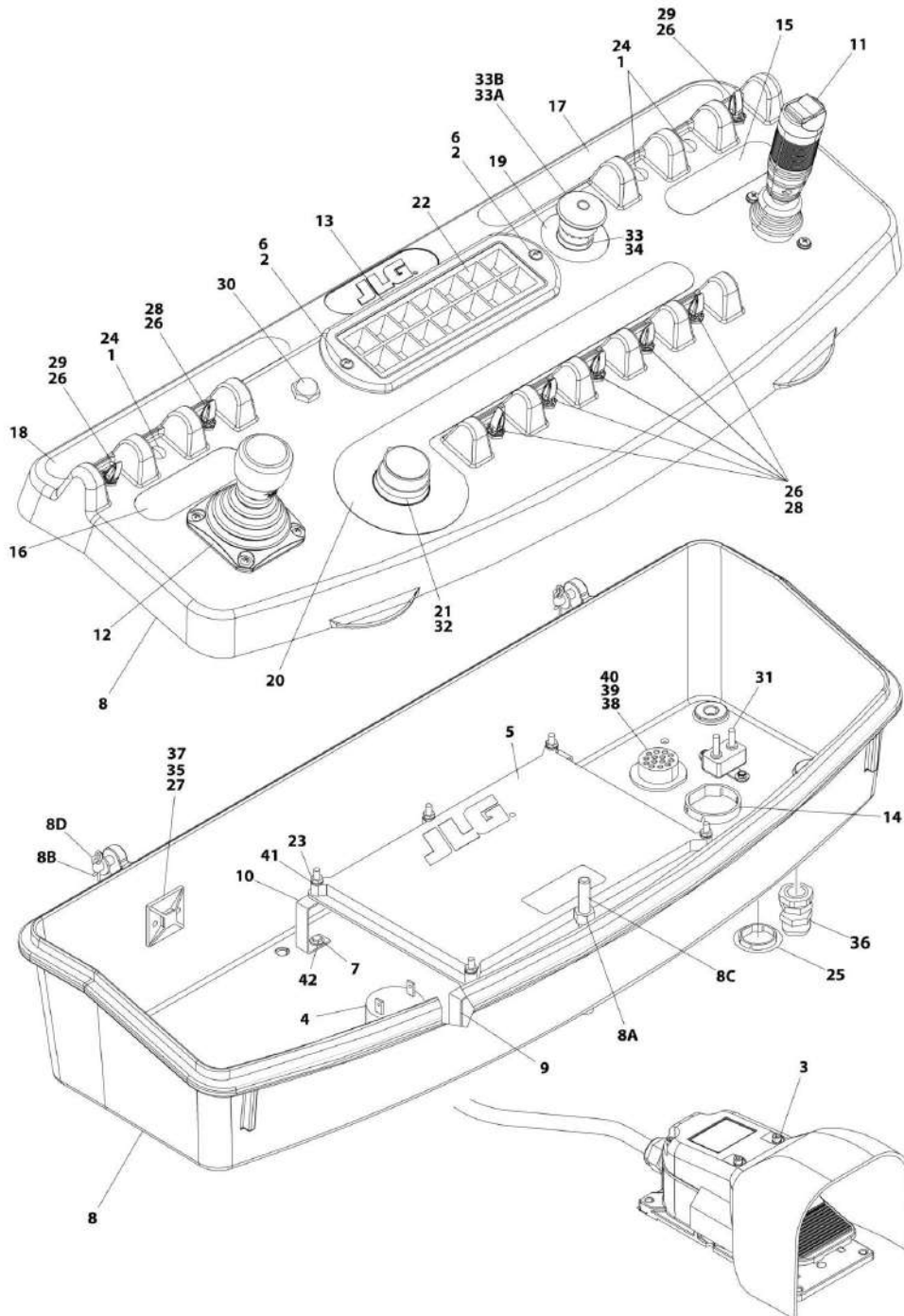
ITEM	PART NUMBER	QTY	DESCRIPTION	REV
41	1001155044	6	Breakdown) Nut, 15/32-32	
42	1001155045	4	Switch, Toggle	
43	1001159256	2	Switch, Toggle	
44	1001175597	2	Bracket, Module	
45	1001178132	1	Controller Assembly - Drive and Steer (See CONTROLLER ASSEMBLY - DRIVE AND STEER for Breakdown)	
46	1001178139	1	Controller Assembly - Lift and Swing (See CONTROL ASSEMBLY - LIFT AND SWING for Breakdown)	





# SECTION 5 - PLATFORM

FIGURE 5-22. PLATFORM CONSOLE ASSEMBLY - E400AN (SN 0300189901 through 0300194237)



ART\_1001145799

## SECTION 5 - PLATFORM

**FIGURE 5-22. PLATFORM CONSOLE ASSEMBLY - E400AN (SN 0300189901 through 0300194237)**

ITEM	PART NUMBER	QTY	DESCRIPTION	REV
	1001145799	Ref	PLATFORM CONSOLE ASSEMBLY - E400AN (SN 0300189901 through 0300194237)	B
1	0100009	AR	Sealant	
2	0100035	AR	Compound, Locking	
3	1001136889	1	Footswitch Assembly (See FOOTSWITCH ASSEMBLY for Breakdown)	
4	0140011	1	Alarm	
5	1001109498	1	Module, PC (Note: Re-calibration Required when Replaced)	
6	0630464	2	Bolt, #10-24 x 1/2	
7	0720804	6	Bolt, #8-32 x 1/2	
8	0861537	1	Console Box Assembly	
8A	3311601	1	Nut, 3/8-16	
8B	3470003	2	Pin, Cotter	
8C	0630568	1	Capscrew, 3/8-16 x 4-1/2	
8D	4711500	2	Washer, 5/16	
9	0902575	1	Bracket	
10	0902588	1	Bracket	
11	1001118418	1	Controller Assembly - Drive and Steer (See CONTROLLER ASSEMBLY - DRIVE AND STEER for Breakdown)	
12	1001118419	1	Controller Assembly - Lift and Swing (See CONTROLLER ASSEMBLY LIFT AND SWING for Breakdown)	
13	1670829	1	Bezel	
14	1001110435	1	Plug, D-Shaped	
15	1702565	1	Decal - Drive and Steer	
16	1702566	1	Decal - Lift and Swing	
17	1001132175	1	Decal - Stop - Generator	
18	1704240	1	Decal - Horn	
19	1704260	1	Decal - EMS	
20	1704422	1	Decal - Function Speed	
21	2560136	1	Handle, Knob	
22	2760105	1	Fixture, Light	
23	3310601	6	Nut, #6-32	
24	3520054	3	Plug, Hole	
25	3520030	1	Plug, Hole	
26	3790012	8	O-Ring	
27	4240032	AR	Tie-Strap (Not Shown)	
28	4360328	4	Switch, Toggle	
29	4360330	2	Switch, Toggle	
30	4360387	1	Switch, Push Button	
31	4360448	1	Breaker, Circuit - 10Amp	
32	4360462	1	Switch, Potentiometer	
33	4360475	1	Switch, Emergency Stop	
33A	7020175	1	Cap, Mushroom with Sealing Ring	
33B	7020176	1	Block, Contact	
34	4360476	1	Block, Contact	
35	4460234	3	Mount, Tie-Strap	
36	4460428	1	Connector, Strain Relief	
37	4460488	1	Base, Terminal Mounting	
38	4460496	1	Washer, Lock, Terminal	
39	4460497	1	Nut, Terminal	

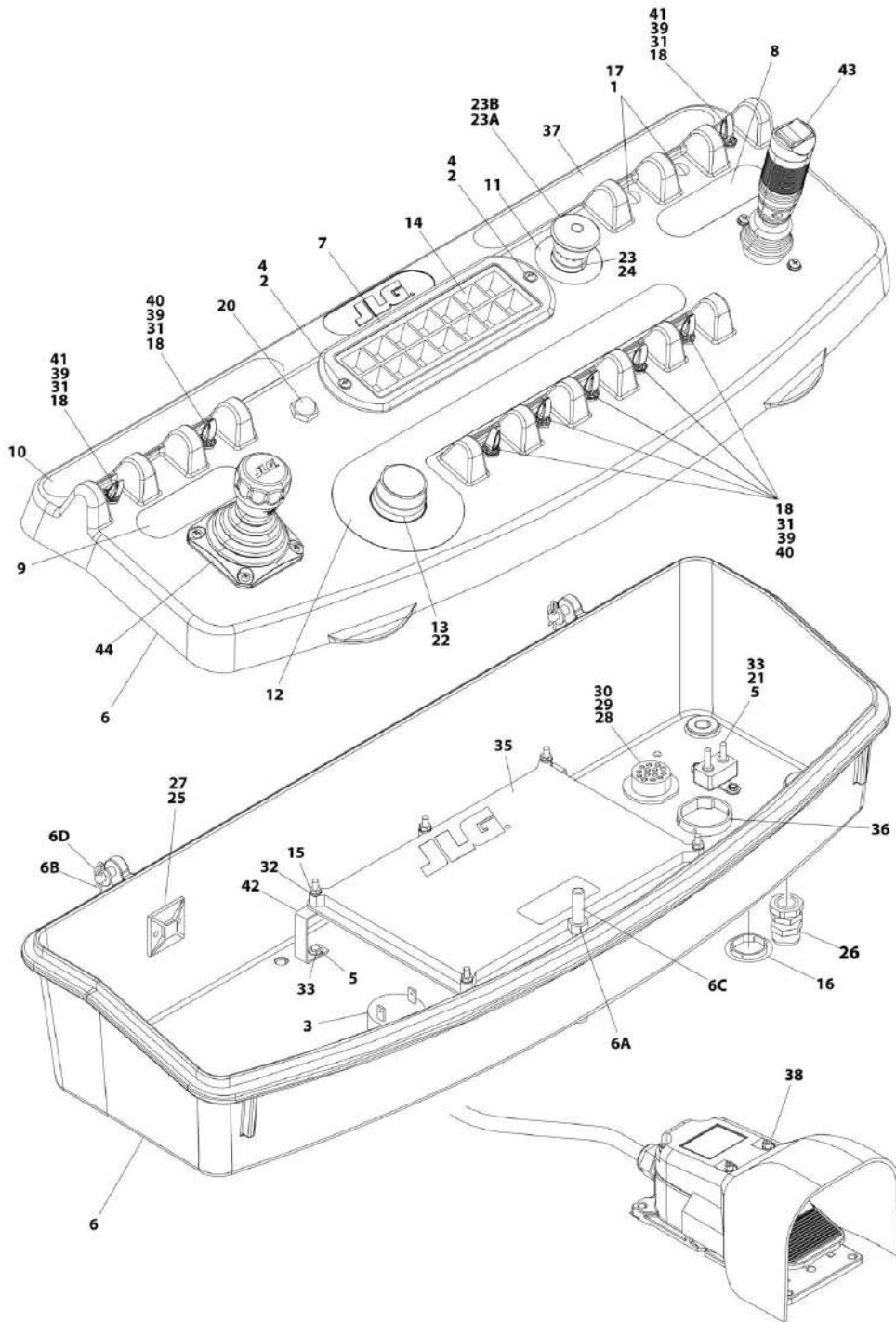
## SECTION 5 - PLATFORM

ITEM	PART NUMBER	QTY	DESCRIPTION	REV
40	4460752	1	Connector - 14 Position	
41	4750600	6	Washer, #6	
42	4750800	6	Washer, #8	
43	4933105	1	Platform Console Wiring Diagram (Not Shown - See ELECTRICAL SECTION for Breakdown)	



# SECTION 5 - PLATFORM

FIGURE 5-23. PLATFORM CONSOLE ASSEMBLY - E400AJP/E400AJPN/M400AJP/M400AJPN (SN 0300194238 through 0300208528)



ART\_1001175620

## SECTION 5 - PLATFORM

**FIGURE 5-23. PLATFORM CONSOLE ASSEMBLY - E400AJP/E400AJPN/M400AJP/M400AJPN (SN 0300194238 through 0300208528)**

ITEM	PART NUMBER	QTY	DESCRIPTION	REV
	1001175620	Ref	PLATFORM CONSOLE ASSEMBLY - E400AJP/E400AJPN/M400AJP/M400AJPN (SN 0300194238 through 0300208528)	B
1	0100009	AR	Sealant	
2	0100035	AR	Compound, Locking	
3	0140011	1	Alarm	
4	0630464	2	Bolt, #10-24 x 1/2	
5	0720804	6	Bolt, #8-32 x 1/2	
6	0861537	1	Console Box Assembly	
6A	3311601	1	Nut, 3/8-16	
6B	3470003	2	Pin, Cotter	
6C	0630568	1	Capscrew, 3/8-16 x 4-1/2	
6D	4711500	2	Washer, 5/16	
7	1670829	1	Bezel	
8	1702565	1	Decal - Drive and Steer	
9	1702566	1	Decal - Lift and Swing	
10	1704240	1	Decal - Horn	
11	1704260	1	Decal - EMS	
12	1704422	1	Decal - Function Speed	
13	2560136	1	Handle, Knob	
14	2760105	1	Fixture, Light	
15	3310601	6	Nut, #6-32	
16	3520030	1	Plug, Hole	
17	3520054	3	Plug, Hole	
18	3790012	8	O-Ring	
19	4240032	AR	Tie-Strap (Not Shown)	
20	4360387	1	Switch, Push Button	
21	4360448	1	Breaker, Circuit - 10Amp	
22	4360462	1	Switch, Potentiometer	
23	4360475	1	Switch, Emergency Stop	
23A	7020175	1	Cap, Mushroom with Sealing Ring	
23B	7020176	1	Block, Contact	
24	4360476	1	Block, Contact	
25	4460234	3	Mount, Tie-Strap	
26	4460428	1	Connector, Strain Relief	
27	4460488	1	Base, Terminal Mounting	
28	4460496	1	Washer, Lock, Terminal	
29	4460497	1	Nut, Terminal	
30	4460752	1	Connector - 14 Position	
31	4740397	8	Spacer	
32	4750600	6	Washer, #6	
33	4750800	6	Washer, #8	
34	4933105	1	Platform Console Wiring Diagram (Not Shown - See ELECTRICAL SECTION for Breakdown)	
35	1001109498	1	Module, PC (Note: Re-calibration Required when Replaced)	
36	1001110435	1	Plug, D-Shaped	
37	1001132175	1	Decal - Stop - Generator	
38	1001136889	1	Footswitch Assembly (See FOOTSWITCH ASSEMBLY for Breakdown)	
39	1001155044	8	Nut, 15/32-32	

## SECTION 5 - PLATFORM

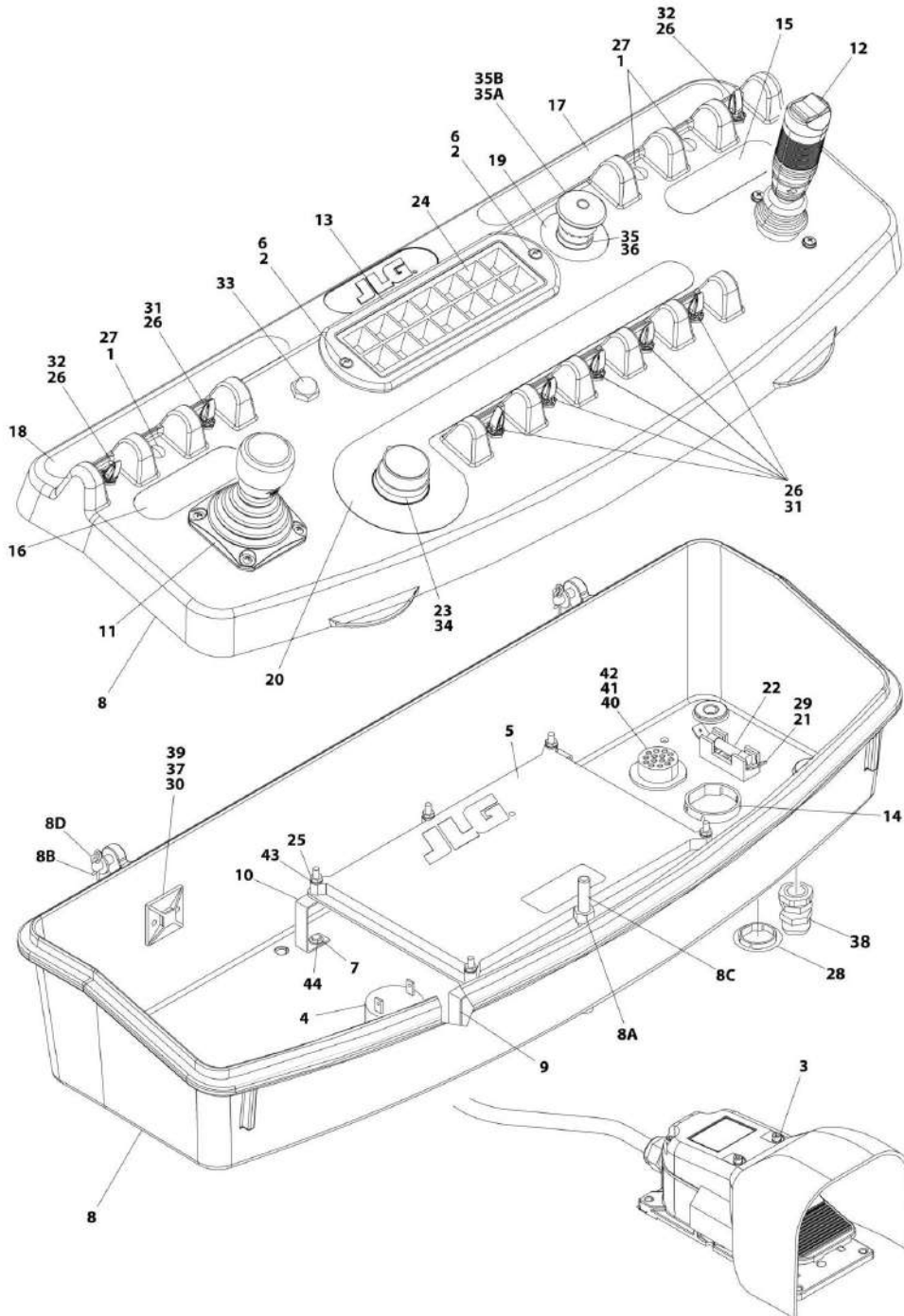
ITEM	PART NUMBER	QTY	DESCRIPTION	REV
40	1001155045	6	Switch, Toggle	
41	1001159256	2	Switch, Toggle	
42	1001175597	2	Bracket, Module	
43	1001178132	1	Controller Assembly - Drive and Steer (See CONTROLLER ASSEMBLY - DRIVE AND STEER for Breakdown)	
44	1001178139	1	Controller Assembly - Lift and Swing (See CONTROLLER ASSEMBLY LIFT AND SWING for Breakdown)	





# SECTION 5 - PLATFORM

FIGURE 5-24. PLATFORM CONSOLE ASSEMBLY - E400AN - UL LISTED (SN 0300189901 through 0300194237)



ART\_1001145797

## SECTION 5 - PLATFORM

**FIGURE 5-24. PLATFORM CONSOLE ASSEMBLY - E400AN - UL LISTED (SN 0300189901 through 0300194237)**

ITEM	PART NUMBER	QTY	DESCRIPTION	REV
	1001145797	Ref	PLATFORM CONSOLE ASSEMBLY - E400AN - UL LISTED (SN 0300189901 through 0300194237)	B
1	0100009	AR	Sealant	
2	0100035	AR	Compound, Locking	
3	1001136889	1	Footswitch Assembly (See FOOTSWITCH ASSEMBLY for Breakdown)	
4	0140011	1	Alarm	
5	1001109498	1	Module, PC (Note: Re-calibration Required when Replaced)	
6	0630464	2	Bolt, #10-24 x 1/2	
7	0720804	4	Bolt, #8-32 x 1/2	
8	0861537	1	Console Box Assembly	
8A	3311601	1	Nut, 3/8-16	
8B	3470003	2	Pin, Cotter	
8C	0630568	1	Capscrew, 3/8-16 x 4-1/2	
8D	4711500	2	Washer, 5/16	
9	0902575	1	Bracket	
10	0902588	1	Bracket	
11	1001118419	1	Controller Assembly - Lift and Swing (See CONTROLLER ASSEMBLY LIFT AND SWING for Breakdown)	
12	1001118418	1	Controller Assembly - Drive and Steer (See CONTROLLER ASSEMBLY - DRIVE AND STEER for Breakdown)	
13	1670829	1	Bezel	
14	1001110435	1	Plug, D-Shaped	
15	1702565	1	Decal - Drive and Steer	
16	1702566	1	Decal - Lift and Swing	
17	1001132175	1	Decal - Stop - Generator	
18	1704240	1	Decal - Horn	
19	1704260	1	Decal - EMS	
20	1704422	1	Decal - Function Speed	
21	2400067	1	Holder, Fuse	
22	2400068	1	Fuse - 10Amp	
23	2560136	1	Handle, Knob	
24	2760105	1	Fixture, Light	
25	3310601	6	Nut, #6-32	
26	3790012	8	O-Ring	
27	3520054	3	Plug, Hole	
28	3520030	1	Plug, Hole	
29	3910808	1	Screw, #8-32 x 1/2	
30	4240032	AR	Tie-Strap (Not Shown)	
31	4360328	6	Switch, Toggle	
32	4360330	2	Switch, Toggle	
33	4360387	1	Switch, Push Button	
34	4360462	1	Switch, Potentiometer	
35	4360475	1	Switch, Emergency Stop	
35A	7020175	1	Cap, Mushroom with Sealing Ring	
35B	7020176	1	Block, Contact	
36	4360476	1	Block, Contact	
37	4460234	3	Mount, Tie-Strap	
38	4460428	1	Connector, Strain Relief	
39	4460488	1	Base, Terminal Mounting	

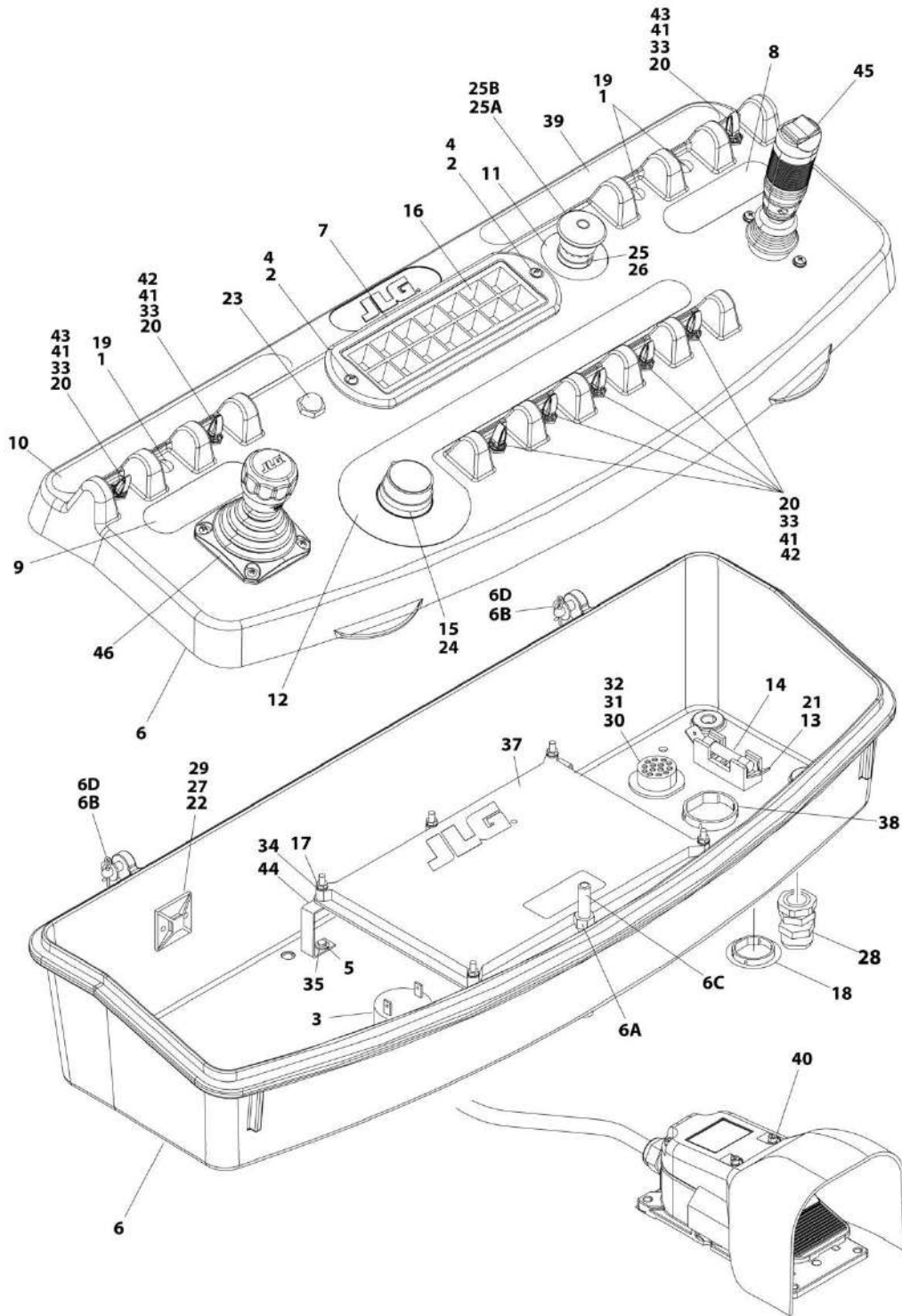
## SECTION 5 - PLATFORM

ITEM	PART NUMBER	QTY	DESCRIPTION	REV
40	4460496	1	Washer, Lock, Terminal	
41	4460497	1	Nut, Terminal	
42	4460752	1	Connector - 14 Position	
43	4750600	6	Washer, #6	
44	4750800	4	Washer, #8	
45	4933182	1	Platform Console Wiring Diagram (Not Shown - See ELECTRICAL SECTION for Breakdown)	



# SECTION 5 - PLATFORM

FIGURE 5-25. PLATFORM CONSOLE ASSEMBLY - E400AJP/E400AJPN/M400AJP/M400AJPN - UL LISTED (SN 0300194238 through 0300208528)



ART\_1001175621

## SECTION 5 - PLATFORM

**FIGURE 5-25. PLATFORM CONSOLE ASSEMBLY - E400AJP/E400AJPN/M400AJP/M400AJPN - UL LISTED (SN 0300194238 through 0300208528)**

ITEM	PART NUMBER	QTY	DESCRIPTION	REV
	1001175621	Ref	PLATFORM CONSOLE ASSEMBLY - E400AJP/E400AJPN/M400AJP/M400AJPN - UL LISTED (SN <b>0300194238 through 0300208528</b> )	B
1	0100009	AR	Sealant	
2	0100035	AR	Compound, Locking	
3	0140011	1	Alarm	
4	0630464	2	Bolt, #10-24 x 1/2	
5	0720804	4	Bolt, #8-32 x 1/2	
6	0861537	1	Console Box Assembly	
6A	3311601	1	Nut, 3/8-16	
6B	3470003	2	Pin, Cotter	
6C	0630568	1	Capscrew, 3/8-16 x 4-1/2	
6D	4711500	2	Washer, 5/16	
7	1670829	1	Bezel	
8	1702565	1	Decal - Drive and Steer	
9	1702566	1	Decal - Lift and Swing	
10	1704240	1	Decal, Horn	
11	1704260	1	Decal - EMS	
12	1704422	1	Decal - Function Speed	
13	2400067	1	Holder, Fuse	
14	2400068	1	Fuse - 10Amp	
15	2560136	1	Handle, Knob	
16	2760105	1	Fixture, Light	
17	3310601	6	Nut, #6-32	
18	3520030	1	Plug, Hole	
19	3520054	3	Plug, Hole	
20	3790012	8	O-Ring	
21	3910808	1	Screw, #8-32 x 1/2	
22	4240032	AR	Tie-Strap (Not Shown)	
23	4360387	1	Switch, Push Button	
24	4360462	1	Switch, Potentiometer	
25	4360475	1	Switch, Emergency Stop	
25A	7020175	1	Cap, Mushroom with Sealing Ring	
25B	7020176	1	Block, Contact	
26	4360476	1	Block, Contact	
27	4460234	3	Mount, Tie-Strap	
28	4460428	1	Connector, Strain Relief	
29	4460488	1	Base, Terminal Mounting	
30	4460496	1	Washer, Lock, Terminal	
31	4460497	1	Nut, Terminal	
32	4460752	1	Connector - 14 Position	
33	4740397	8	Spacer	
34	4750600	6	Washer, #6	
35	4750800	4	Washer, #8	
36	4933182	1	Platform Console Wiring Diagram (Not Shown - See ELECTRICAL SECTION for Breakdown)	
37	1001109498	1	Module, PC (Note: Re-calibration Required when Replaced)	
38	1001110435	1	Plug, D-Shaped	
39	1001132175	1	Decal - Stop - Generator	

## SECTION 5 - PLATFORM

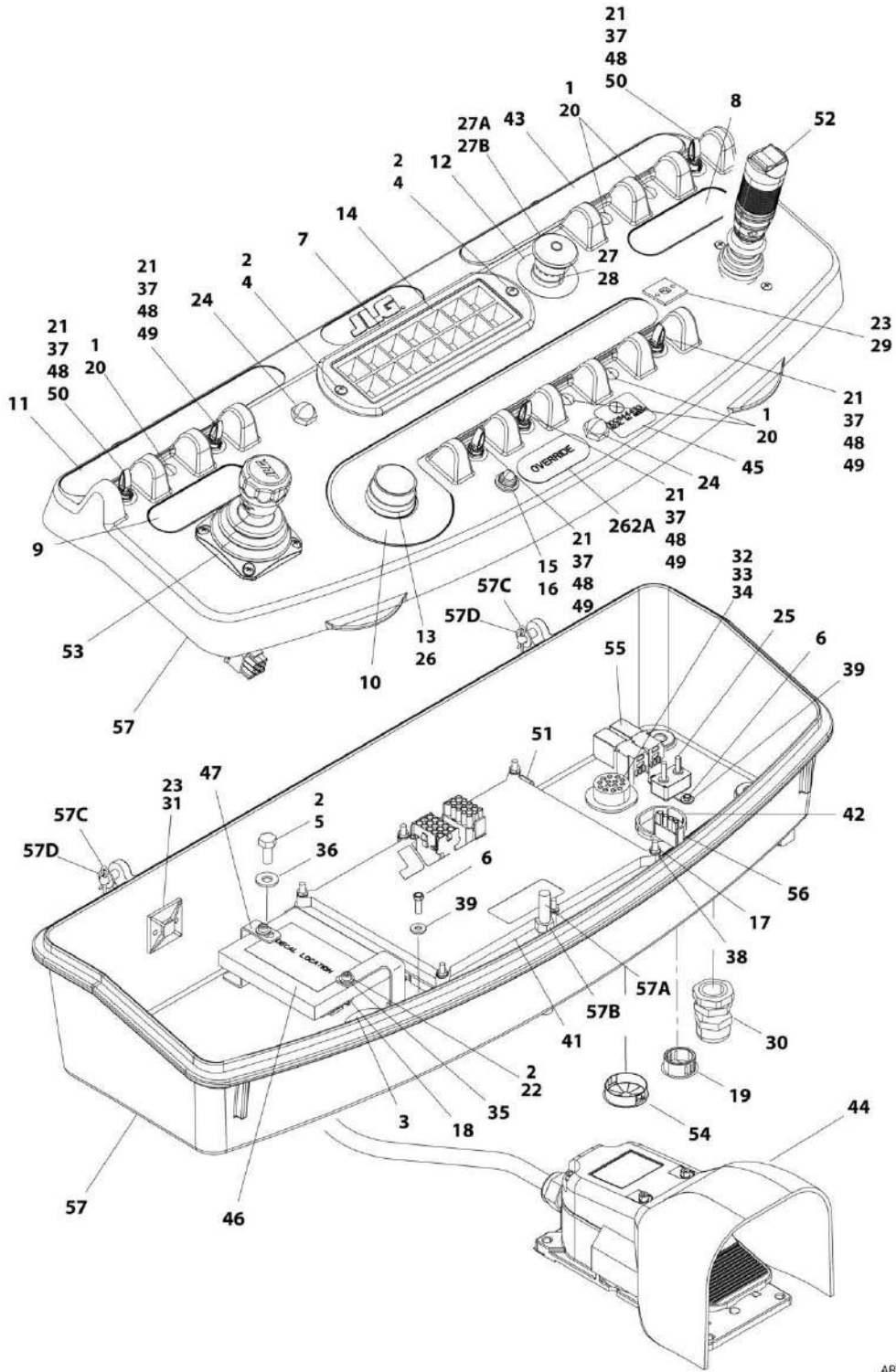
ITEM	PART NUMBER	QTY	DESCRIPTION	REV
40	1001136889	1	Footswitch Assembly (See FOOTSWITCH ASSEMBLY for Breakdown)	
41	1001155044	8	Nut, 15/32-32	
42	1001155045	6	Switch, Toggle	
43	1001159256	2	Switch, Toggle	
44	1001175597	2	Bracket, Module	
45	1001178132	1	Controller Assembly - Drive and Steer (See CONTROLLER ASSEMBLY - DRIVE AND STEER for Breakdown)	
46	1001178139	1	Controller Assembly - Lift and Swing (See CONTROL ASSEMBLY - LIFT AND SWING for Breakdown)	





# SECTION 5 - PLATFORM

FIGURE 5-26. PLATFORM CONSOLE ASSEMBLY - WITH SKYGUARD (SN 0300200792 through 0300208528)



ART\_1001189117

## SECTION 5 - PLATFORM

**FIGURE 5-26. PLATFORM CONSOLE ASSEMBLY - WITH SKYGUARD (SN 0300200792 through 0300208528)**

ITEM	PART NUMBER	QTY	DESCRIPTION	REV
	1001189117	Ref	PLATFORM CONSOLE ASSEMBLY - WITH SKYGUARD (SN 0300200792 through 0300208528)	A
1	0100009	AR	Sealant	
2	0100035	AR	Compound, Locking	
3	0140011	1	Alarm	
4	0630464	2	Bolt, #10-24 x 1/2	
5	0641405	2	Bolt, 1/4-20 x 5/8	
6	0720804	6	Bolt, #8-32 x 1/2	
7	1670829	1	Bezel	
8	1702565	1	Decal - Drive and Steer	
9	1702566	1	Decal - Lift and Swing	
10	1702567	1	Decal - Function Speed	
11	1704240	1	Decal, Horn	
12	1704260	1	Decal - EMS	
13	2560136	1	Handle, Knob	
14	2760105	1	Fixture, Light	
15	2920028	1	Light, Indicator	
16	2920029	1	Bulb	
17	3310601	6	Nut, #6-32	
18	3311005	2	Nut, Lock, #10-24	
19	3520030	1	Plug, Hole	
20	3520054	5	Plug, Hole	
21	3790012	6	O-Ring	
22	3931016	2	Capscrew, #10-24 x 1	
23	4240032	AR	Tie-Strap	
24	4360387	2	Switch, Push Button	
25	4360448	1	Breaker, Circuit 10Amp	
26	4360462	1	Switch, Potentiometer	
27	4360475	1	Switch, Emergency Stop	
27A	7020175	1	Cap, Mushroom with Sealing Ring	
27B	7020176	1	Block, Contact	
28	4360476	1	Block, Contact	
29	4460234	3	Mount, Tie-Strap	
30	4460428	1	Connector, Strain Relief	
31	4460488	1	Base, Terminal Mounting	
32	4460496	1	Washer, Lock, Terminal	
33	4460497	1	Nut, Terminal	
34	4460752	1	Connector - 14 Position	
35	4711000	4	Washer, #10	
36	4711400	2	Washer, 1/4	
37	4740397	6	Spacer	
38	4750600	6	Washer, #6	
39	4750800	6	Washer, #8	
40	4933105	1	Platform Console Wiring Diagram (Not Shown - See ELECTRICAL SECTION for Breakdown)	
41	1001109498	1	Module, PC (Note: Re-calibration Required when Replaced)	
42	1001110435	1	Plug, D-Shaped	
43	1001132175	1	Decal - Stop - Generator	
44	1001136889	1	Footswitch Assembly (See FOOTSWITCH ASSEMBLY for	

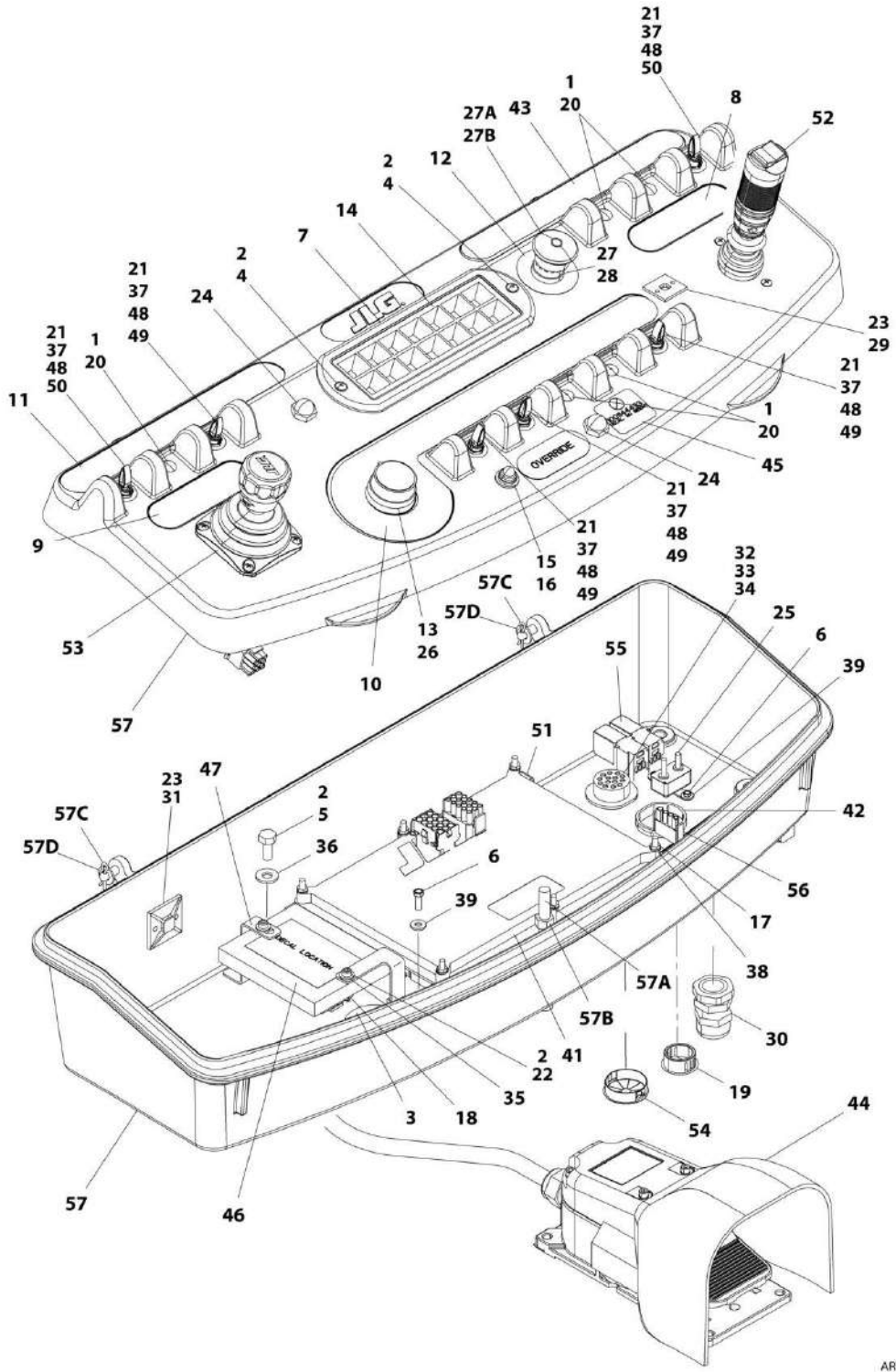
## SECTION 5 - PLATFORM

ITEM	PART NUMBER	QTY	DESCRIPTION	REV
			Breakdown)	
45	1001144433	1	Decal - No Weight - SkyGuard	
46	1001149571	1	Module, Beacon Control	
47	1001151817	2	Bracket	
48	1001155044	6	Nut, 15/32-32	
49	1001155045	4	Switch, Toggle	
50	1001159256	2	Switch, Toggle	
51	1001175597	2	Bracket	
52	1001178132	1	Controller Assembly - Drive and Steer (See CONTROLLER ASSEMBLY - DRIVE AND STEER for Breakdown)	
53	1001178139	1	Controller Assembly - Lift and Swing (See CONTROLLER ASSEMBLY LIFT AND SWING for Breakdown)	
54	1001185281	1	Plug	
55	1001189074	1	Harness, SkyGuard (See ELECTRICAL SECTION for Breakdown)	
56	1001189076	1	Harness, SkyGuard Can (See ELECTRICAL SECTION for Breakdown)	
57	1001189116	1	Console Box Assembly	
57A	0630568	1	Capscrew, 3/8-16 x 4-1/2	
57B	3311601	1	Nut, 3/8-16	
57C	3470003	2	Pin, Cotter	
57D	4711500	2	Washer, 5/16	
262A	1001141300	1	Decal - SkyGuard Override	



# SECTION 5 - PLATFORM

FIGURE 5-27. PLATFORM CONSOLE ASSEMBLY - WITH SKYGUARD – E400AN (SN 0300200792 through 0300208528)



ART\_1001189210

## SECTION 5 - PLATFORM

**FIGURE 5-27. PLATFORM CONSOLE ASSEMBLY - WITH SKYGUARD – E400AN (SN 0300200792 through 0300208528)**

ITEM	PART NUMBER	QTY	DESCRIPTION	REV
	1001189210	Ref	PLATFORM CONSOLE ASSEMBLY - WITH SKYGUARD – E400An (SN 0300200792 through 0300208528)	A
1	0100009	AR	Sealant	
2	0100035	AR	Compound, Locking	
3	0140011	1	Alarm	
4	0630464	2	Bolt, #10-24 x 1/2	
5	0641405	2	Bolt, 1/4-20 x 5/8	
6	0720804	6	Bolt, #8-32 x 1/2	
7	1670829	1	Bezel	
8	1702565	1	Decal - Drive and Steer	
9	1702566	1	Decal - Lift and Swing	
10	1704422	1	Decal - Function Speed	
11	1704240	1	Decal, Horn	
12	1704260	1	Decal - EMS	
13	2560136	1	Handle, Knob	
14	2760105	1	Fixture, Light	
15	2920028	1	Light, Indicator	
16	2920029	1	Bulb	
17	3310601	6	Nut, #6-32	
18	3311005	2	Nut, Lock, #10-24	
19	3520030	1	Plug, Hole	
20	3520054	5	Plug, Hole	
21	3790012	6	O-Ring	
22	3931016	2	Capscrew, #10-24 x 1	
23	4240032	AR	Tie-Strap	
24	4360387	2	Switch, Push Button	
25	4360448	1	Breaker, Circuit 10Amp	
26	4360462	1	Switch, Potentiometer	
27	4360475	1	Switch, Emergency Stop	
27A	7020175	1	Cap, Mushroom with Sealing Ring	
27B	7020176	1	Block, Contact	
28	4360476	1	Block, Contact	
29	4460234	3	Mount, Tie-Strap	
30	4460428	1	Connector, Strain Relief	
31	4460488	1	Base, Terminal Mounting	
32	4460496	1	Washer, Lock, Terminal	
33	4460497	1	Nut, Terminal	
34	4460752	1	Connector - 14 Position	
35	4711000	4	Washer, #10	
36	4711400	2	Washer, 1/4	
37	4740397	6	Spacer	
38	4750600	6	Washer, #6	
39	4750800	6	Washer, #8	
40	4933105	1	Platform Console Wiring Diagram (Not Shown - See ELECTRICAL SECTION for Breakdown)	
41	1001109498	1	Module, PC (Note: Re-calibration Required when Replaced)	
42	1001110435	1	Plug, D-Shaped	
43	1001132175	1	Decal - Stop - Generator	
44	1001136889	1	Footswitch Assembly (See FOOTSWITCH ASSEMBLY for	

## SECTION 5 - PLATFORM

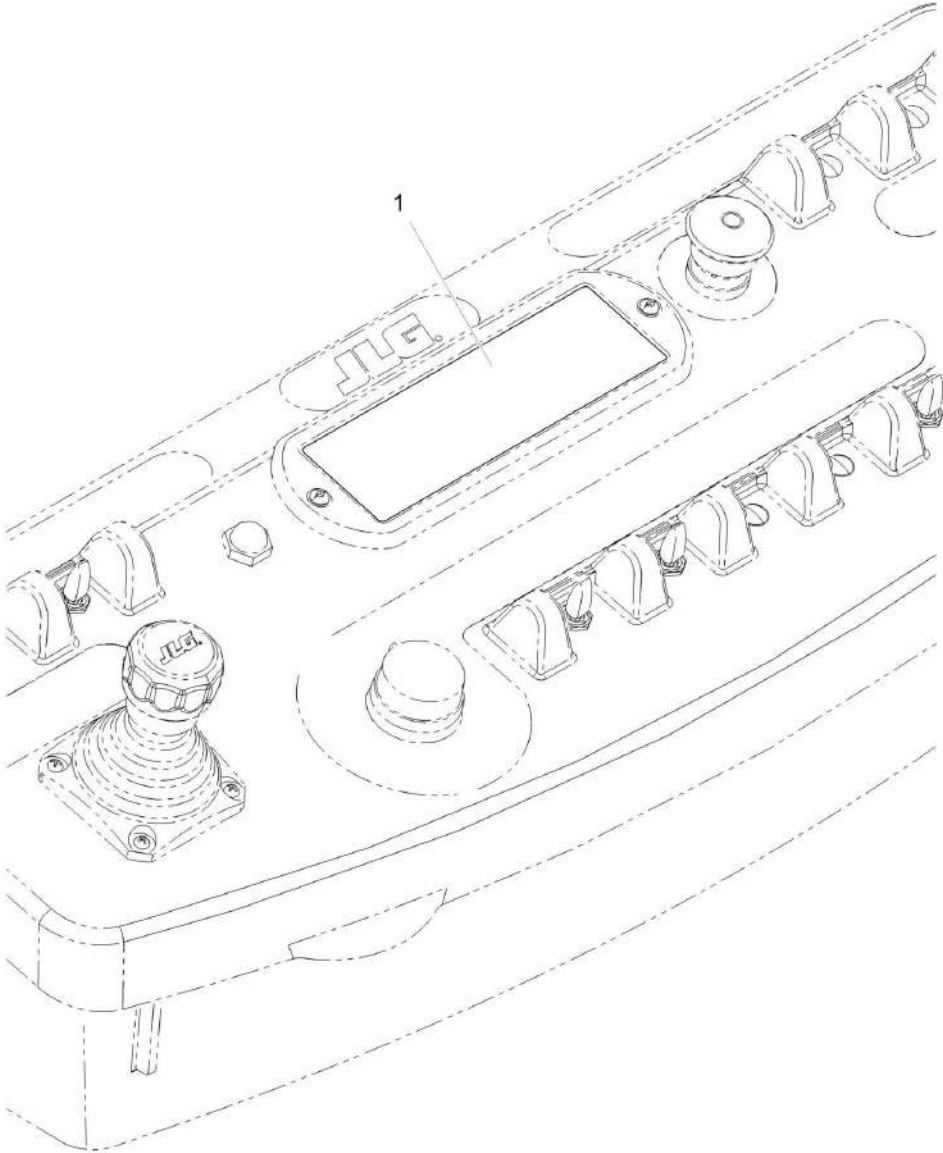
ITEM	PART NUMBER	QTY	DESCRIPTION	REV
			Breakdown)	
45	1001144433	1	Decal - No Weight - SkyGuard	
46	1001149571	1	Module, Beacon Control	
47	1001151817	2	Bracket	
48	1001155044	6	Nut, 15/32-32	
49	1001155045	4	Switch, Toggle	
50	1001159256	2	Switch, Toggle	
51	1001175597	2	Bracket	
52	1001178132	1	Controller Assembly - Drive and Steer (See CONTROLLER ASSEMBLY - DRIVE AND STEER for Breakdown)	
53	1001178139	1	Controller Assembly - Lift and Swing (See CONTROLLER ASSEMBLY LIFT AND SWING for Breakdown)	
54	1001185281	1	Plug	
55	1001189074	1	Harness, SkyGuard (See ELECTRICAL SECTION for Breakdown)	
56	1001189076	1	Harness, SkyGuard Can (See ELECTRICAL SECTION for Breakdown)	
57	1001189116	1	Console Box Assembly	
57A	0630568	1	Capscrew, 3/8-16 x 4-1/2	
57B	3311601	1	Nut, 3/8-16	
57C	3470003	2	Pin, Cotter	
57D	4711500	2	Washer, 5/16	





**SECTION 5 - PLATFORM**

**FIGURE 5-28. LIGHT PANEL DECAL INSTALLATION**



ART\_0273089

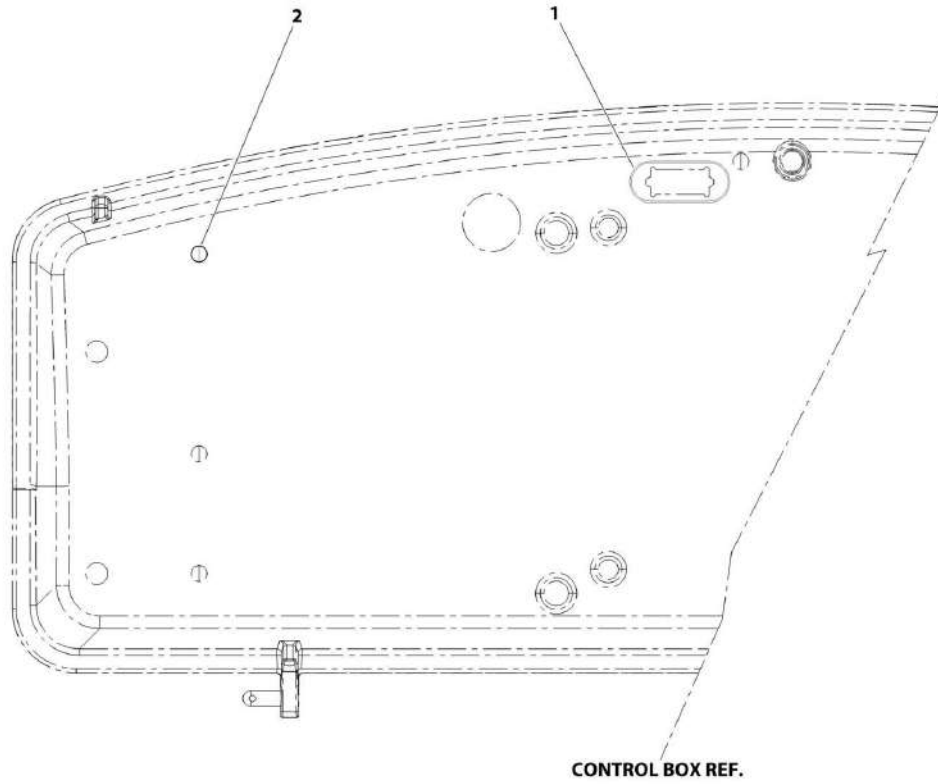
## SECTION 5 - PLATFORM

**FIGURE 5-28. LIGHT PANEL DECAL INSTALLATION**

ITEM	PART NUMBER	QTY	DESCRIPTION	REV
1	0273089 1001110226	Ref 1	LIGHT PANEL DECAL INSTALLATION Decal - Light Display	B

# SECTION 5 - PLATFORM

## FIGURE 5-29. SEALED ENCLOSURES - UL LISTED



ART\_0272111

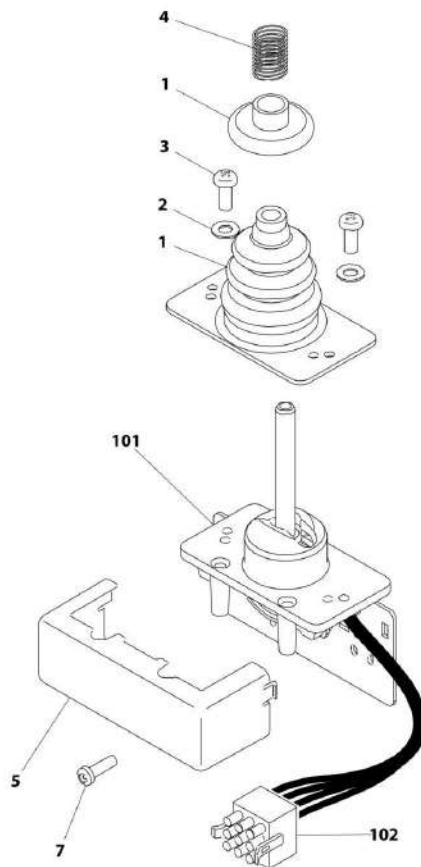
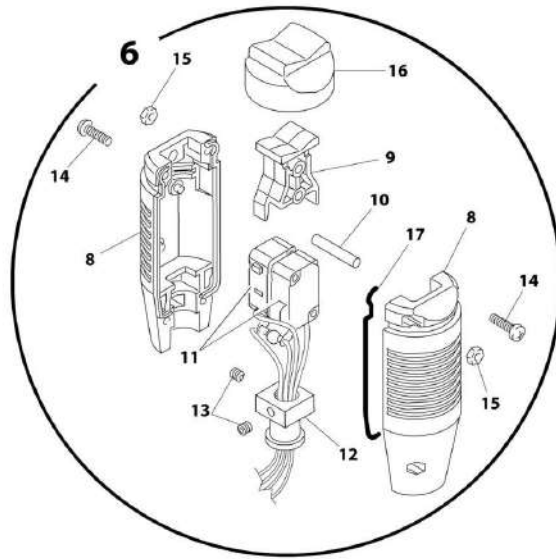
## SECTION 5 - PLATFORM

**FIGURE 5-29. SEALED ENCLOSURES - UL LISTED**

ITEM	PART NUMBER	QTY	DESCRIPTION	REV
	0272111	Ref	SEALED ENCLOSURES - UL LISTED	B
1	0100009	AR	Sealant (Seal Around Analyzer Port)	
2	3520173	8	Plug (Located in Bottom of Console Box)	

# SECTION 5 - PLATFORM

FIGURE 5-30. CONTROLLER ASSEMBLY - DRIVE AND STEER (SN 0300189901 through 0300194237)



ART\_1001116416

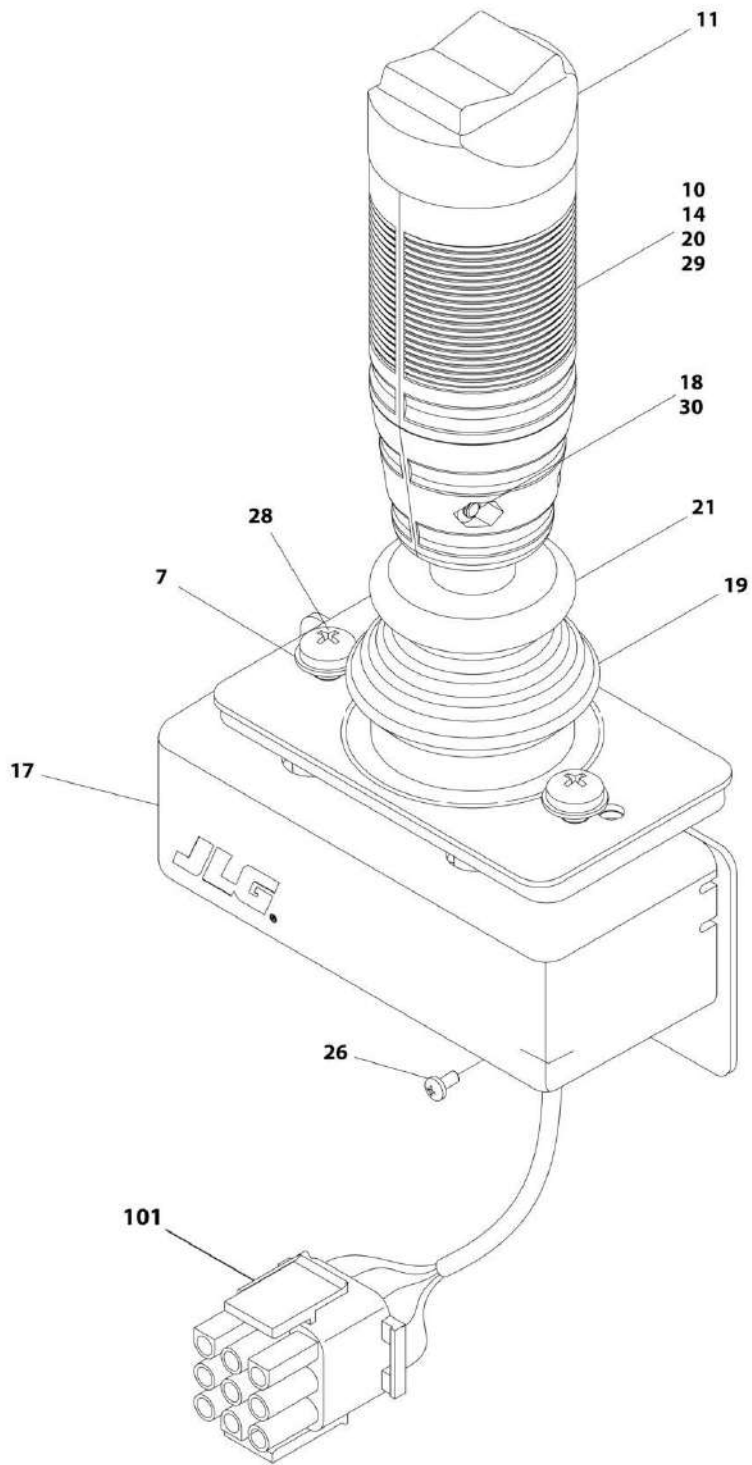
## SECTION 5 - PLATFORM

**FIGURE 5-30. CONTROLLER ASSEMBLY - DRIVE AND STEER (SN 0300189901 through 0300194237)**

ITEM	PART NUMBER	QTY	DESCRIPTION	REV
	1001118418	Ref	<b>CONTROLLER ASSEMBLY - DRIVE AND STEER (SN 0300189901 through 0300194237)</b>	C
1	70002724	1	Boot and Control Lock Assembly	
2	7003941	2	Washer	
3	70002725	2	Washer	
4	7019162	1	Spring	
5	70002726	1	Enclosure	
6	70002736	1	Handle Assembly (See Items 8-17 for Breakdown)	
7	70002728	1	Screw	
8	7003973	2	Half, Handle	
9	7019165	1	Rocker	
10	7019164	1	Axle	
11	70002737	1	Wiring Assembly	
11	7003982	2	Switch, Micro	
12	7019194	1	Coupling	
13	7003983	2	Setscrew	
14	7003980	4	Screw	
15	7019167	4	Nut	
16	7003972	1	Boot, Switch	
17	7003989	2	Gasket	
101	See Note	1	Mechanical Assembly (Note: Not Available for Purchase)	
102	4460265	1	Plug, Male - 9 Position	
102	4460226	7	Socket, Female	

# SECTION 5 - PLATFORM

FIGURE 5-31. CONTROLLER ASSEMBLY - DRIVE AND STEER (SN 0300194238 through 0300208528)



ART\_1001178132



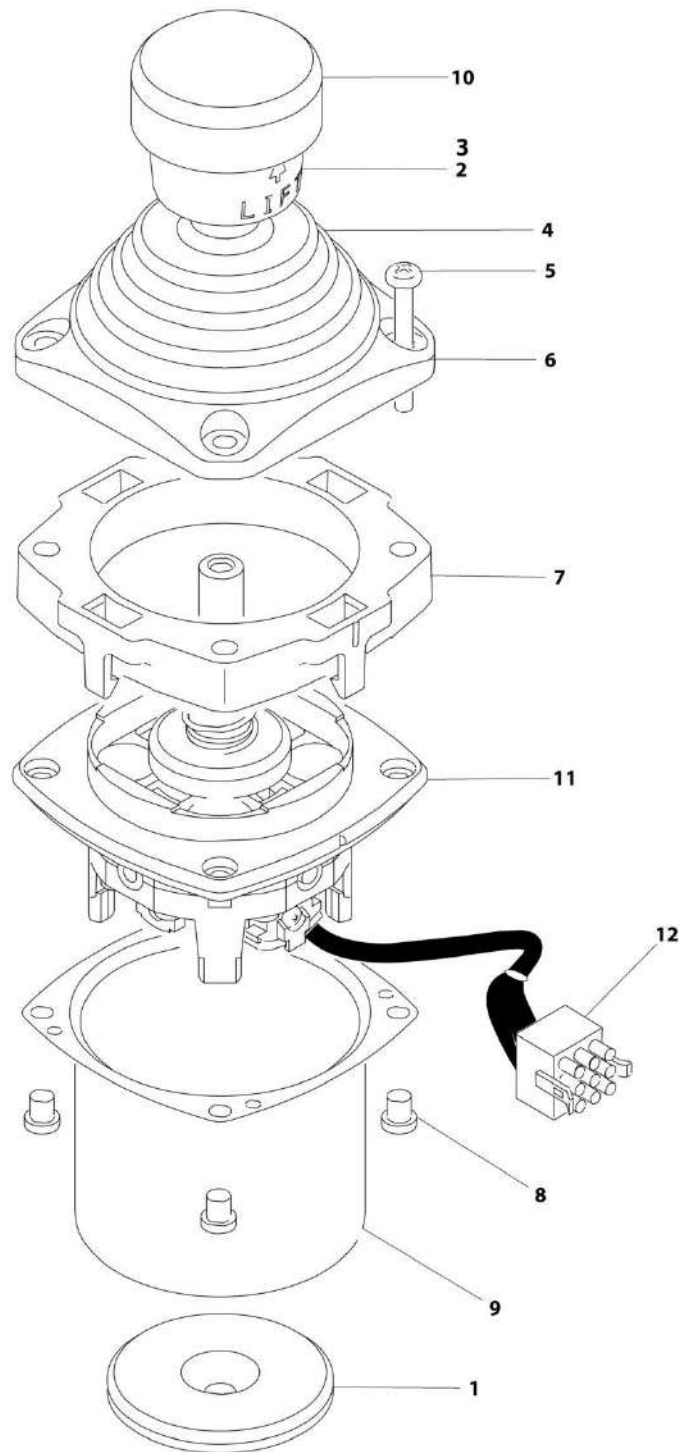
## SECTION 5 - PLATFORM

**FIGURE 5-31. CONTROLLER ASSEMBLY - DRIVE AND STEER (SN 0300194238 through 0300208528)**

ITEM	PART NUMBER	QTY	DESCRIPTION	REV
	1001178132	Ref	<b>CONTROLLER ASSEMBLY - DRIVE AND STEER (SN 0300194238 through 0300208528)</b>	E
7	70004738	2	Washer	
10	70004739	1	Roller	
11	70004740	1	Boot, Switch	
14	70004741	2	Half, Handle	
17	70004742	1	Enclosure	
18	70004743	4	Nut	
19	70004744	NLA	Boot, Controller (Use p/n 70005230 Boot/Base Assembly)	
20	70004745	NLA	Tube, Locking (Use p/n 70005230 Boot/Base Assembly)	
21	70004746	NLA	Disc, Locking (Use p/n 70005230 Boot/Base Assembly)	
25	70004747	2	Seal, Rope	
26	70004748	1	Screw, M3 x 6mm	
28	70004749	2	Screw, M5 x 20mm	
29	70004750	1	Pin, Dowel	
30	70004751	4	Screw, M3 x 16mm	
101	4460265	1	Connector - 9 Position	
101	4460226	7	Socket, Female	

# SECTION 5 - PLATFORM

FIGURE 5-32. CONTROLLER ASSEMBLY - LIFT AND SWING (SN 0300189901 through 0300194237)



ART\_100118419

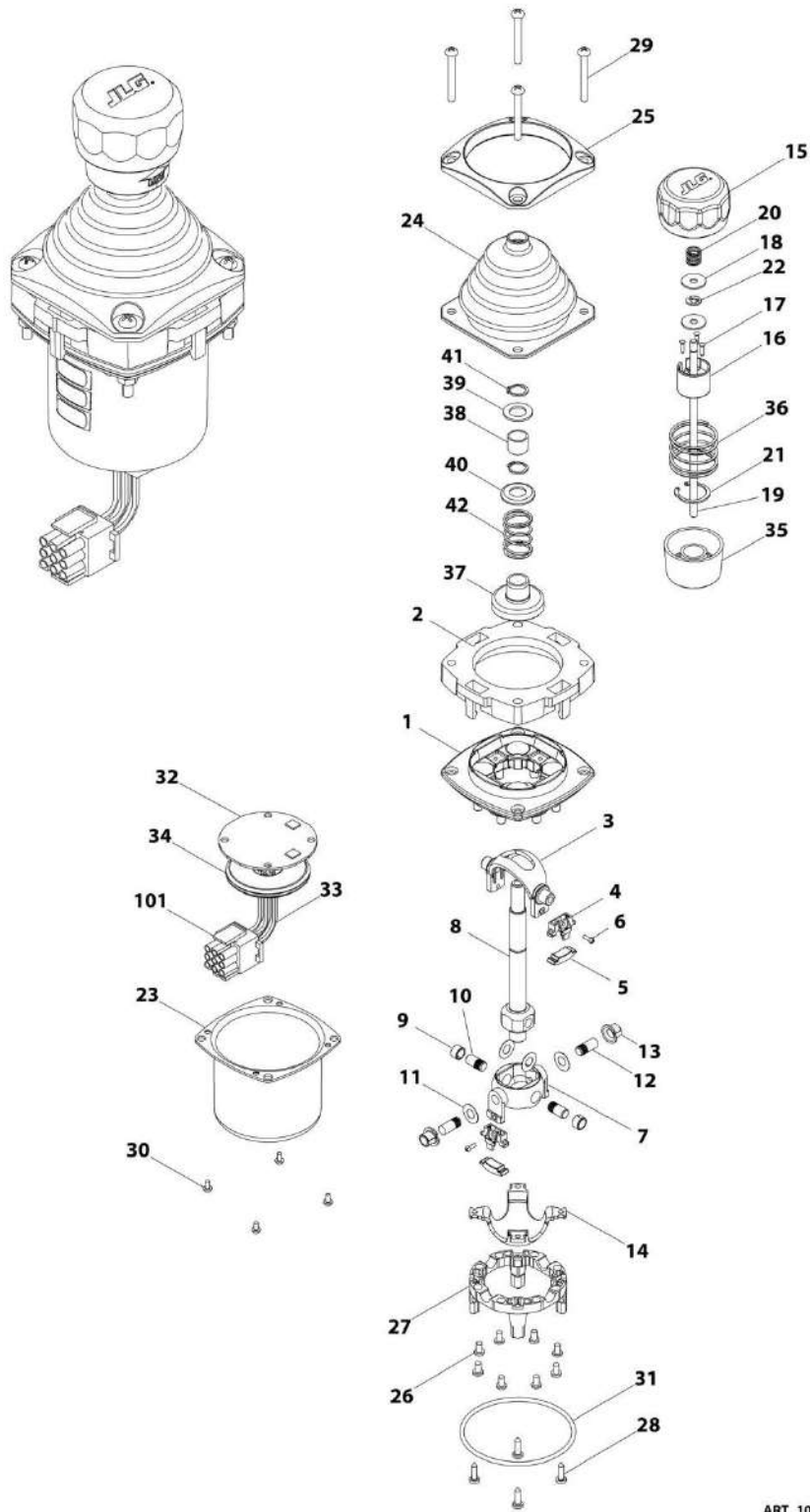
## SECTION 5 - PLATFORM

**FIGURE 5-32. CONTROLLER ASSEMBLY - LIFT AND SWING (SN 0300189901 through 0300194237)**

ITEM	PART NUMBER	QTY	DESCRIPTION	REV
	1001118419	Ref	<b>CONTROLLER ASSEMBLY - LIFT AND SWING (SN 0300189901 through 0300194237)</b>	C
1	70002730	1	Gasket	
2	7003928	1	Spring	
3	7022808	1	Cap, Lift	
4	70002731	1	Boot	
5	70002732	4	Screw	
6	7022815	1	Bezel	
7	70002733	1	Adapter	
8	70002734	4	Screw	
9	70002735	1	Can, Enclosure	
10	70002906	1	Cap	
11	See Note	1	Mechanical Assembly (Note: Not Available for Purchase)	
12	4460265	1	Connector - 9 Position	
12	4460226	8	Socket, Female	

# SECTION 5 - PLATFORM

FIGURE 5-33. CONTROLLER ASSEMBLY - LIFT AND SWING (SN 0300194238 through 0300208528)



ART\_1001178139

## SECTION 5 - PLATFORM

**FIGURE 5-33. CONTROLLER ASSEMBLY - LIFT AND SWING (SN 0300194238 through 0300208528)**

ITEM	PART NUMBER	QTY	DESCRIPTION	REV
	1001178139	Ref	<b>CONTROLLER ASSEMBLY - LIFT AND SWING (SN 0300194238 through 0300208528)</b>	A
1	See Note	1	Main Cast Body (Note: Not Available - Purchase Complete Assembly)	
2	70004752	1	Adapter	
3	See Note	1	Pivot Arm, Plastic (Note: Not Available - Purchase Complete Assembly)	
4	See Note	2	Holder, Magnet (Note: Not Available - Purchase Complete Assembly)	
5	See Note	2	Arc, Magnet (Note: Not Available - Purchase Complete Assembly)	
6	See Note	2	Screw (Note: Not Available for Purchase)	
7	See Note	1	Pivot Arm, Cast (Note: Not Available - Purchase Complete Assembly)	
8	See Note	1	Shaft, Main (Note: Not Available - Purchase Complete Assembly)	
9	See Note	2	Bearing (Note: Not Available - Purchase Complete Assembly)	
10	See Note	2	Pin (Note: Not Available - Purchase Complete Assembly)	
11	See Note	4	Shim (Note: Not Available - Purchase Complete Assembly)	
12	See Note	2	Pin (Note: Not Available - Purchase Complete Assembly)	
13	See Note	2	Bearing (Note: Not Available - Purchase Complete Assembly)	
14	See Note	1	Dome, Centering (Note: Not Available - Purchase Complete Assembly)	
15	70004753	1	Cap	
16	70004754	1	Insert, Cap	
17	70004755	3	Pin	
18	70004756	2	Washer	
19	70004757	1	Pin, Centering	
20	70004758	1	Spring	
21	70004759	1	Ring, Retaining	
22	70004760	1	E-Ring	
23	70004761	1	Can, Enclosure	
24	70004762	1	Boot	
25	70004763	1	Bezel	
26	See Note	8	Screw (Note: Not Available for Purchase)	
27	See Note	1	Base Mounting (Note: Not Available - Purchase Complete Assembly)	
28	See Note	4	Screw (Note: Not Available for Purchase)	
29	70004764	4	Screw	
30	70004765	4	Screw	
31	70004766	1	O-Ring	
32	See Note	1	Plate (Note: Not Available - Purchase Complete Assembly)	
33	See Note	1	Harness (Note: Not Available - Purchase Complete Assembly)	
34	70004767	1	Gromment, Rubber	
35	70004768	1	Housing	
36	70004769	1	Spring	
37	70004770	1	Stopper	
38	70004771	1	Spacer	
39	70004772	1	Washer	
40	70004773	1	Disc	
41	70004774	2	Ring, Retaining	
42	70004775	1	Spring	
101	4460265	1	Connector - 9 Position	

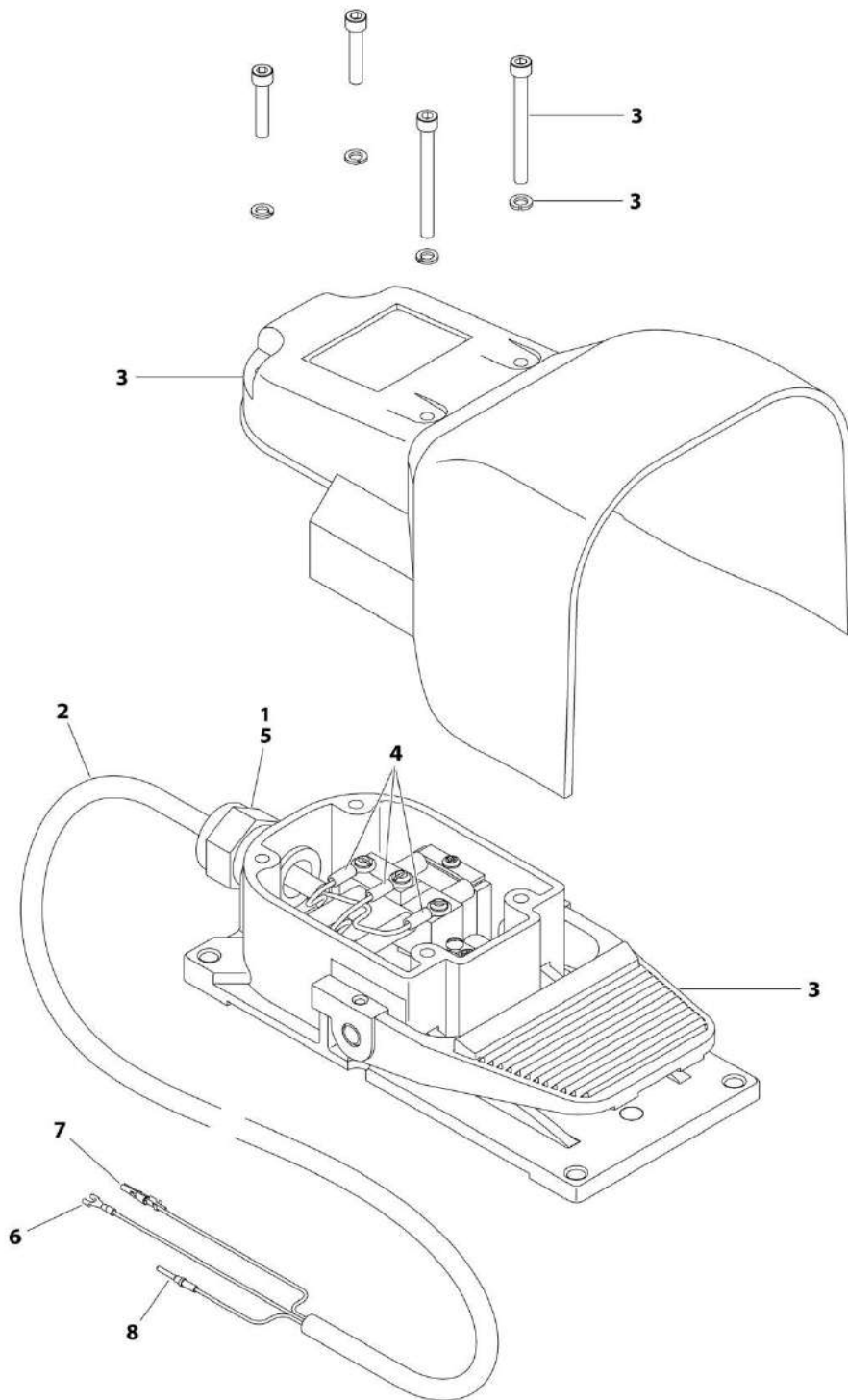
## SECTION 5 - PLATFORM

ITEM	PART NUMBER	QTY	DESCRIPTION	REV
101	4460226	6	Socket, Female	



# SECTION 5 - PLATFORM

## FIGURE 5-34. FOOTSWITCH ASSEMBLY



ART\_1001136889



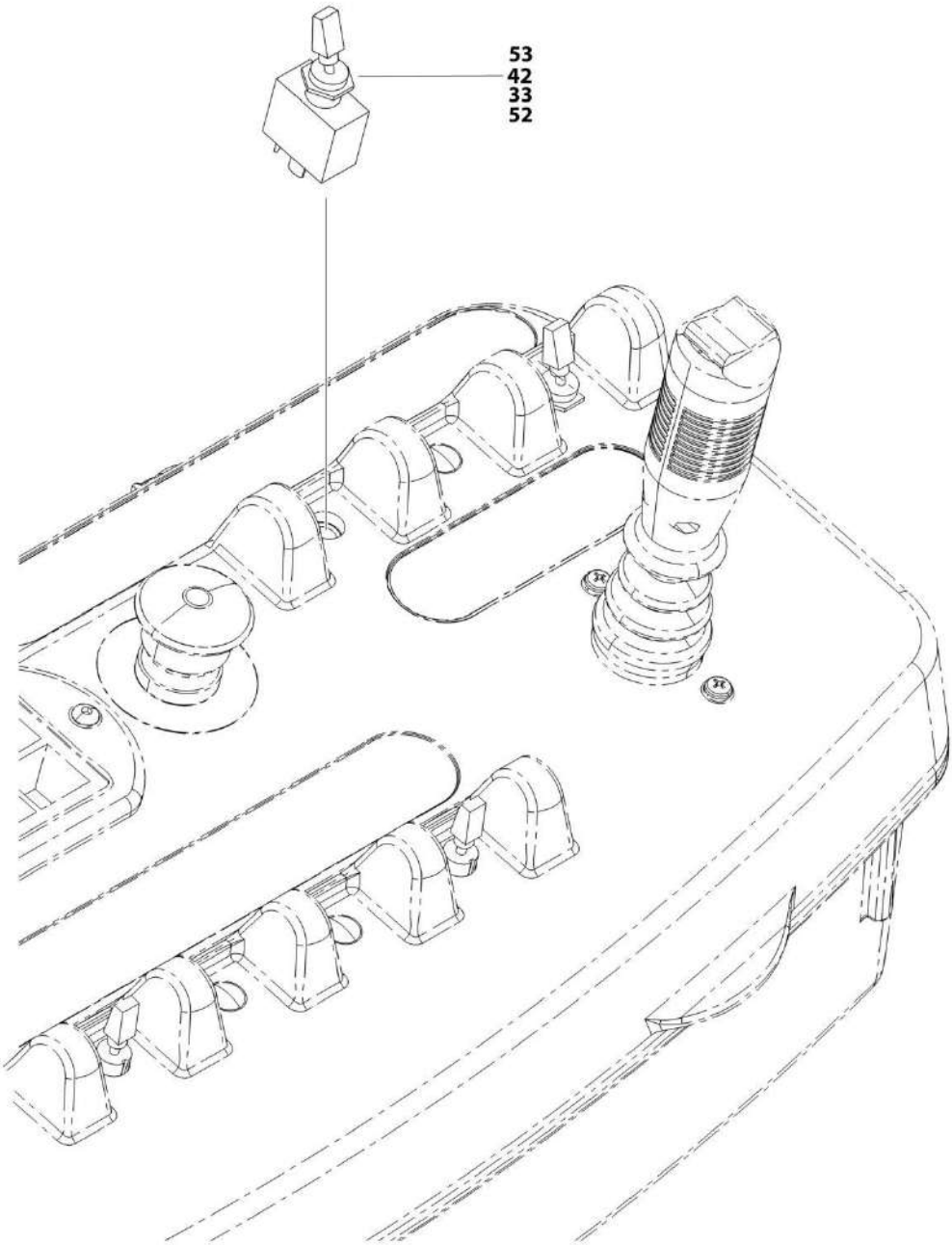
## SECTION 5 - PLATFORM

### FIGURE 5-34. FOOTSWITCH ASSEMBLY

ITEM	PART NUMBER	QTY	DESCRIPTION	REV
	1001136889	Ref	FOOTSWITCH ASSEMBLY	A
1	0100020	AR	Sealant	
2	1060330	1	Cable, Electrical - 16/3	
3	1001117172	1	Footswitch	
3	70002902	1	Switch, 20Amp	
3	70002903	1	Gasket	
3	70002905	1	Cover	
3	70002904	1	Kit, Replacement Bolt	
4	4460042	3	Terminal	
5	4460071	1	Connector, Strain Relief	
6	4460183	1	Terminal	
7	4460226	1	Socket, Female	
8	4460464	1	Pin, Male	

**SECTION 5 - PLATFORM**

**FIGURE 5-35. MOTOR CONTROLS INSTALLATION - M400AJP/M400AJPN**



ART\_1001167699\_40F4

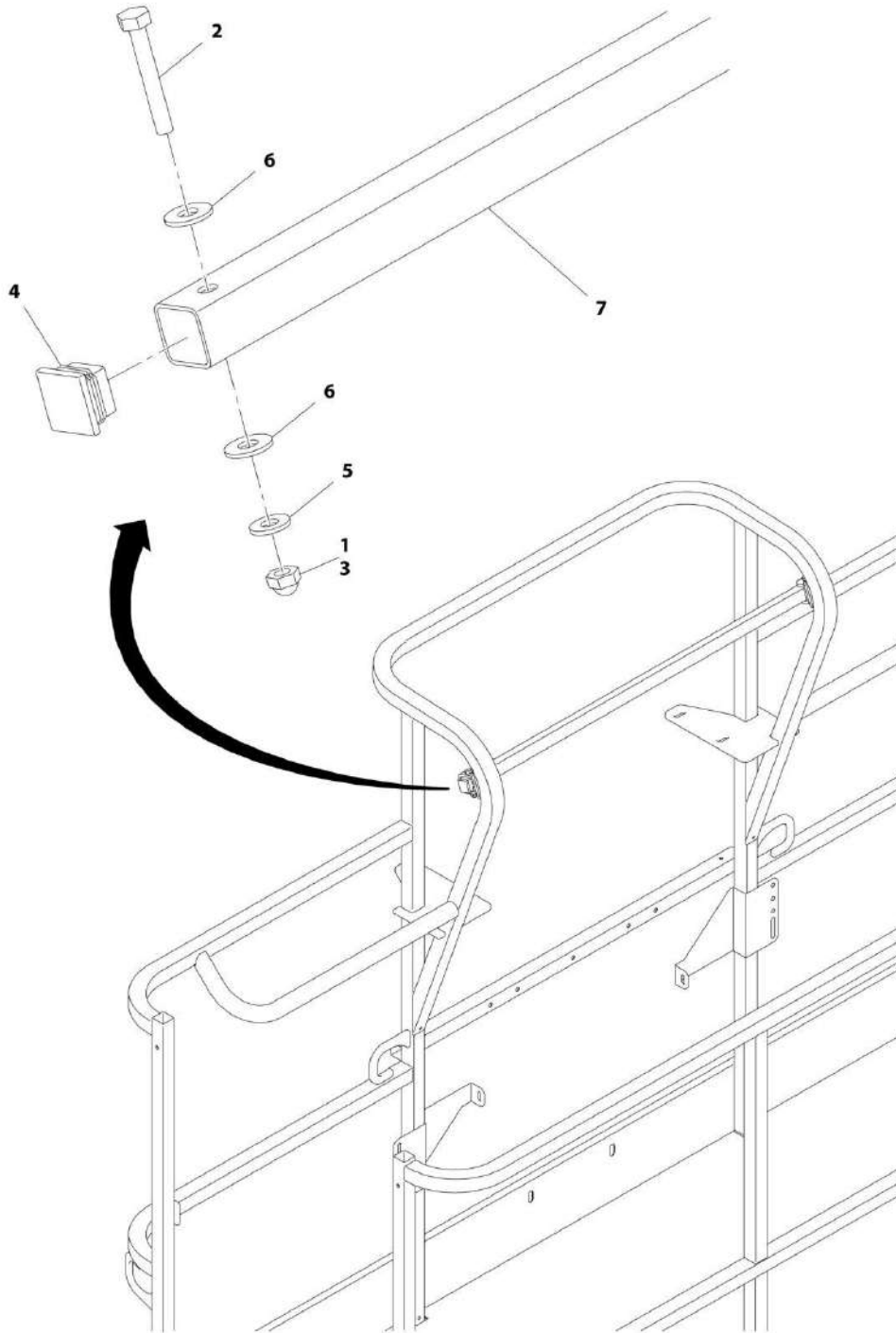
## SECTION 5 - PLATFORM

**FIGURE 5-35. MOTOR CONTROLS INSTALLATION - M400AJP/M400AJPN**

ITEM	PART NUMBER	QTY	DESCRIPTION	REV
	1001167699	Ref	MOTOR CONTROLS INSTALLATION - M400AJP/M400AJPN	C
33	3790012	1	O-Ring	
42	4360336	1	Switch, Toggle	
52	4922222	1	Harness (Not Shown)	
52	4460464	1	Pin, Male	
53	4922223	1	Harness (Not Shown)	
53	4460464	1	Pin, Male	

# SECTION 5 - PLATFORM

## FIGURE 5-36. CROSS RAIL INSTALLATION



ART\_1001182138

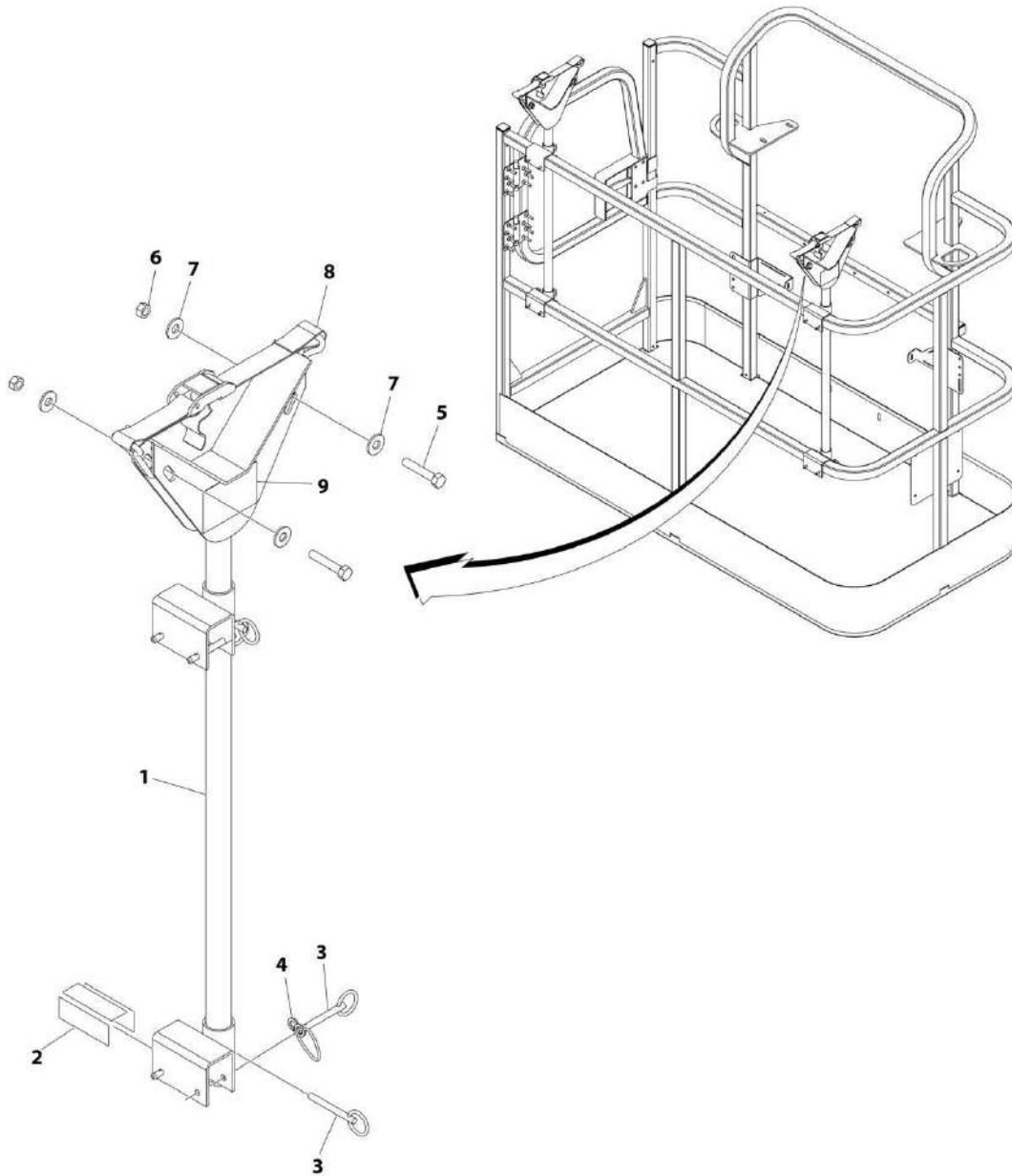
## SECTION 5 - PLATFORM

### FIGURE 5-36. CROSS RAIL INSTALLATION

ITEM	PART NUMBER	QTY	DESCRIPTION	REV
	1001182138	Ref	CROSS RAIL INSTALLATION	A
1	0100071	AR	Compound, Locking	
2	0641414	2	Bolt 1/4 x 1-3/4	
3	3300430	2	Nut 1/4	
4	3520182	2	Plug	
5	4711400	2	Washer 1/4	
6	4751400	4	Washer 1/4	
7	1001191708	1	Bar	

# SECTION 5 - PLATFORM

## FIGURE 5-37. PIPE RACK INSTALLATION



ART\_0257728

## SECTION 5 - PLATFORM

### FIGURE 5-37. PIPE RACK INSTALLATION

ITEM	PART NUMBER	QTY	DESCRIPTION	REV
	0257728	Ref	<b>PIPE RACK INSTALLATION</b>	2/C
1	4845582	2	Rack, Pipe	
2	4420062	AR	Tape	
3	3422661	10	Pin	
4	1060379	4	Lanyard	
5	0641514	4	Bolt 5/16 x 1-3/4	
6	3311505	4	Nut 5/16	
7	4751500	8	Washer 5/16	
8	0480100	2	Tie-Down	
9	1703683	2	Decal - Capacity	

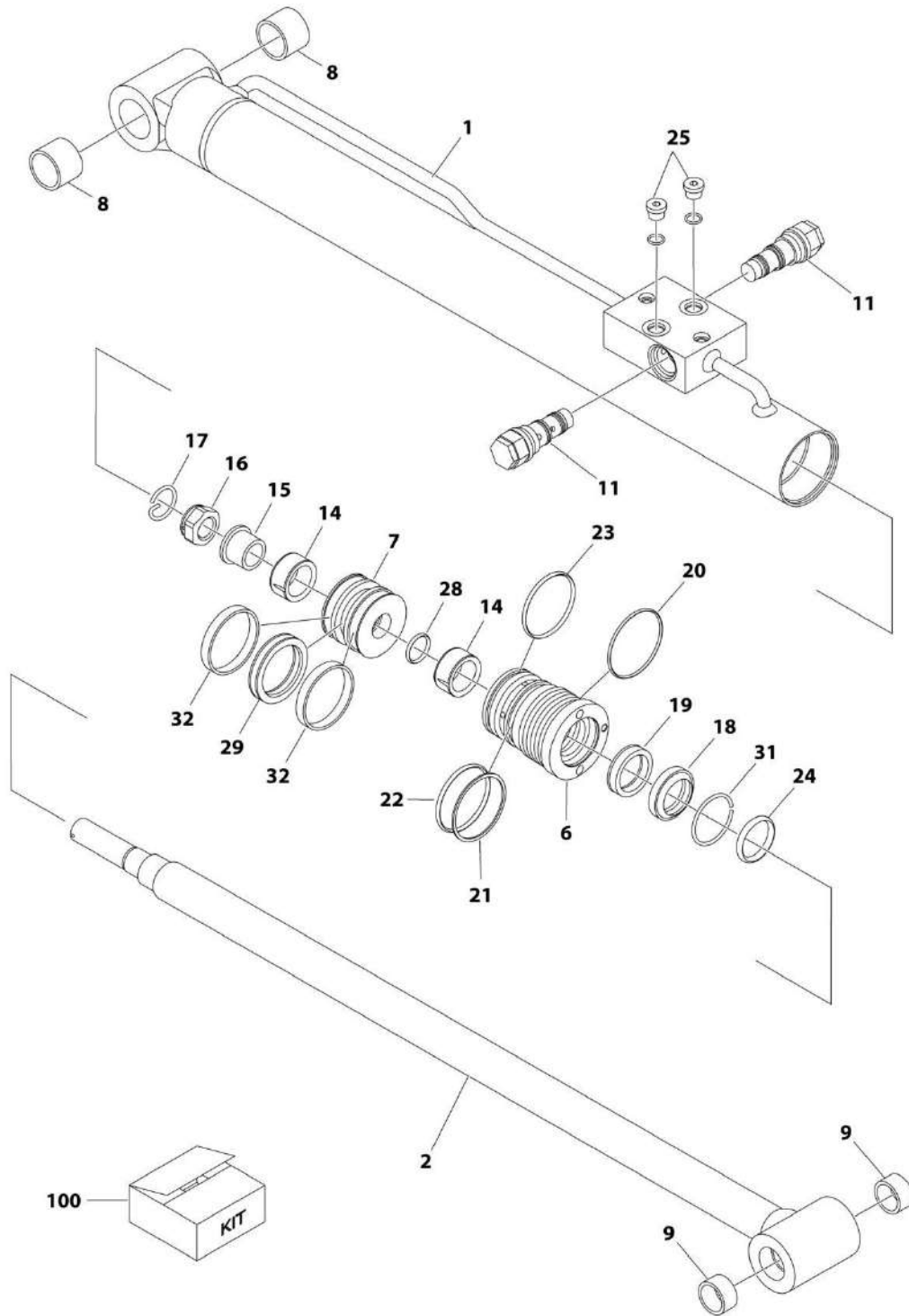




**SECTION 6 - CYLINDER**

# SECTION 6 - CYLINDER

FIGURE 6-1. JIB CYLINDER ASSEMBLY - E400AJP/E400AJPN/M400AJP/M400AJPN



ART\_1001140280

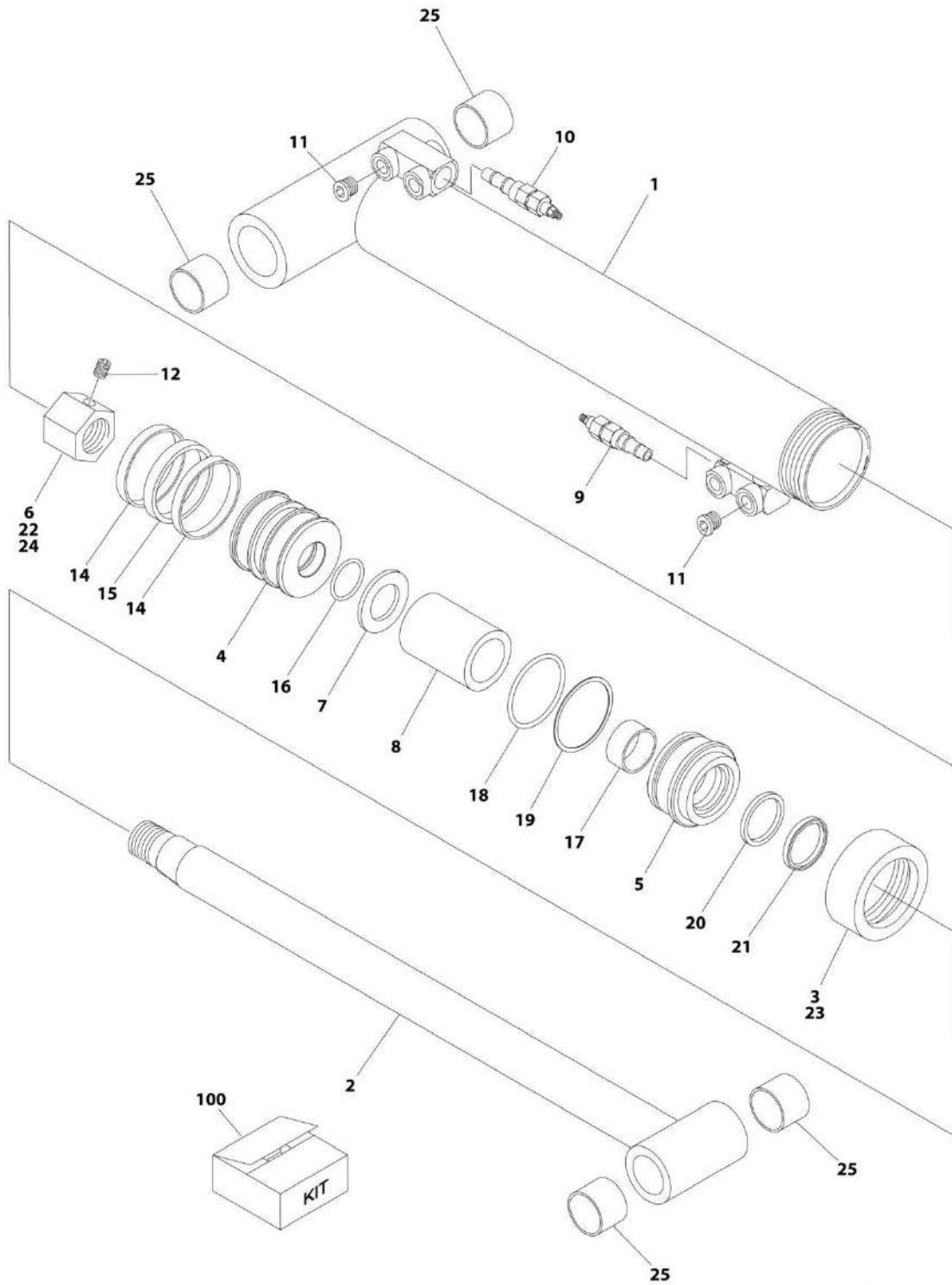
## SECTION 6 - CYLINDER

**FIGURE 6-1. JIB CYLINDER ASSEMBLY - E400AJP/E400AJPN/M400AJP/M400AJPN**

ITEM	PART NUMBER	QTY	DESCRIPTION	REV
	1001140280	Ref	JIB CYLINDER ASSEMBLY - E400AJP/E400AJPN/M400AJP/M400AJPN	A
		Ref	Note: For Jib Cylinder with Manual Descent Valve See SPECIAL OPTIONS SECTION.	
1	70003863	1	Barrel, Weldment	
2	70003864	1	Rod, Weldment	
6	7026088	1	Head	
7	70003833	1	Piston	
8	0961951	2	Bushing	
9	0961947	2	Bushing	
11	4640509	2	Cartridge, Counterbalance Valve	
11	2900792	2	Seal Kit - 4640509	
14	7026090	2	Bushing	
15	7026091	1	Sleeve	
16	7026092	1	Nut	
17	70002223	1	Retainer	
18	See Note	NSS	Wiper, Rod (Note: Use Item 100)	
19	See Note	NSS	Seal, Rod (Note: Use Item 100)	
20	See Note	NSS	O-Ring (Note: Use Item 100)	
21	See Note	NSS	Ring, Back-up (Note: Use Item 100)	
22	See Note	NSS	O-Ring (Note: Use Item 100)	
23	See Note	NSS	O-Ring (Note: Use Item 100)	
24	7026068	1	O-Ring	
25	7024844	2	Plug	
28	See Note	NSS	O-Ring (Note: Use Item 100)	
29	See Note	NSS	Seal, Piston (Note: Use Item 100)	
31	70002220	1	Ring, Retaining	
32	See Note	NSS	Ring, Wear (Note: Use Item 100)	
100	70003836	1	Seal Kit (Includes Items 18-23, 28, 29 & 32)	

# SECTION 6 - CYLINDER

## FIGURE 6-2. LIFT CYLINDER ASSEMBLY - LOWER - E400AN (ORIGINAL EQUIPMENT)



ART\_1684453

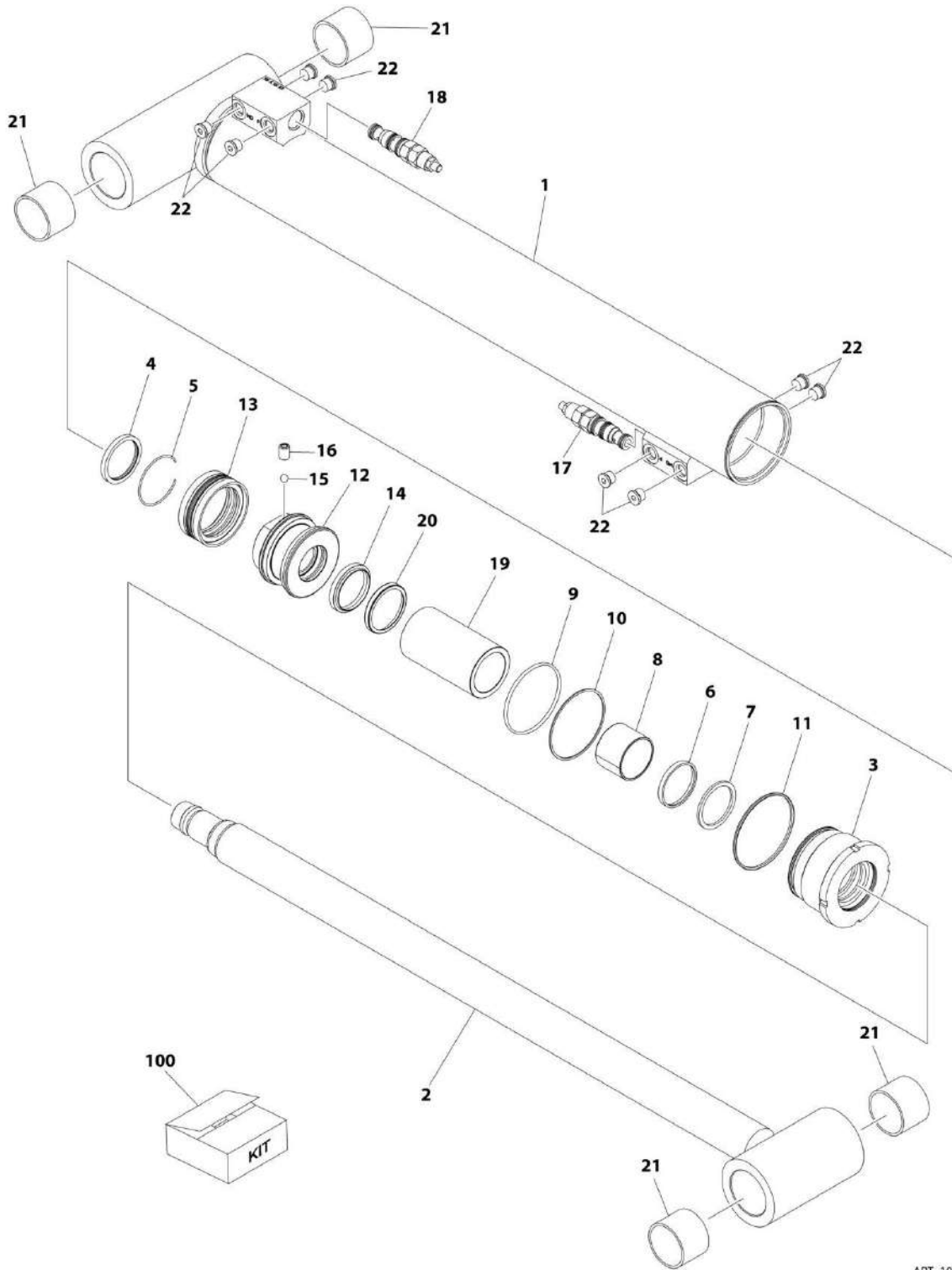
## SECTION 6 - CYLINDER

**FIGURE 6-2. LIFT CYLINDER ASSEMBLY - LOWER - E400AN (ORIGINAL EQUIPMENT)**

ITEM	PART NUMBER	QTY	DESCRIPTION	REV
	1684453	Ref	LIFT CYLINDER ASSEMBLY - LOWER - E400AN	C
		Ref	Note: Original Cylinder may have been replaced with Service Replacement. Identify PN Stamped on Cylinder Before Ordering Parts.	
1	1684022	1	Barrel, Weldment	
2	1684023	1	Rod, Weldment	
3	1120305	1	Retainer	
4	3480242	1	Piston	
5	1683712	1	Head	
6	3300281	1	Nut	
7	4740207	1	Washer	
8	4565992	1	Spacer	
9	4640634	1	Cartridge, Holding Valve	
9	2900770	1	Seal Kit - 4640634 Valve	
10	4641386	1	Cartridge, Holding Valve	
10	7011376	1	Seal Kit - 4641386 Valve	
11	2220885	2	Plug	
12	3900170	1	Setscrew	
14	See Note	NSS	Ring, Wear (Note: Use Item 100)	
15	See Note	NSS	Seal, Piston (Note: Use Item 100)	
16	See Note	NSS	O-Ring (Note: Use Item 100)	
17	See Note	NSS	Ring, Wear (Note: Use Item 100)	
18	See Note	NSS	O-Ring (Note: Use Item 100)	
19	See Note	NSS	Ring, Back-up (Note: Use Item 100)	
20	See Note	NSS	Seal, Rod (Note: Use Item 100)	
21	See Note	NSS	Wiper, Rod (Note: Use Item 100)	
22	0100011	AR	Compound, Locking	
23	0100035	AR	Compound, Locking	
24	0100038	AR	Primer, Locking	
25	0961950	4	Bushing	
100	2901805	1	Seal Kit (Includes Items 14-21)	

# SECTION 6 - CYLINDER

## FIGURE 6-3. LIFT CYLINDER ASSEMBLY - LOWER - E400AN (SERVICE REPLACEMENT)



ART\_1001228037

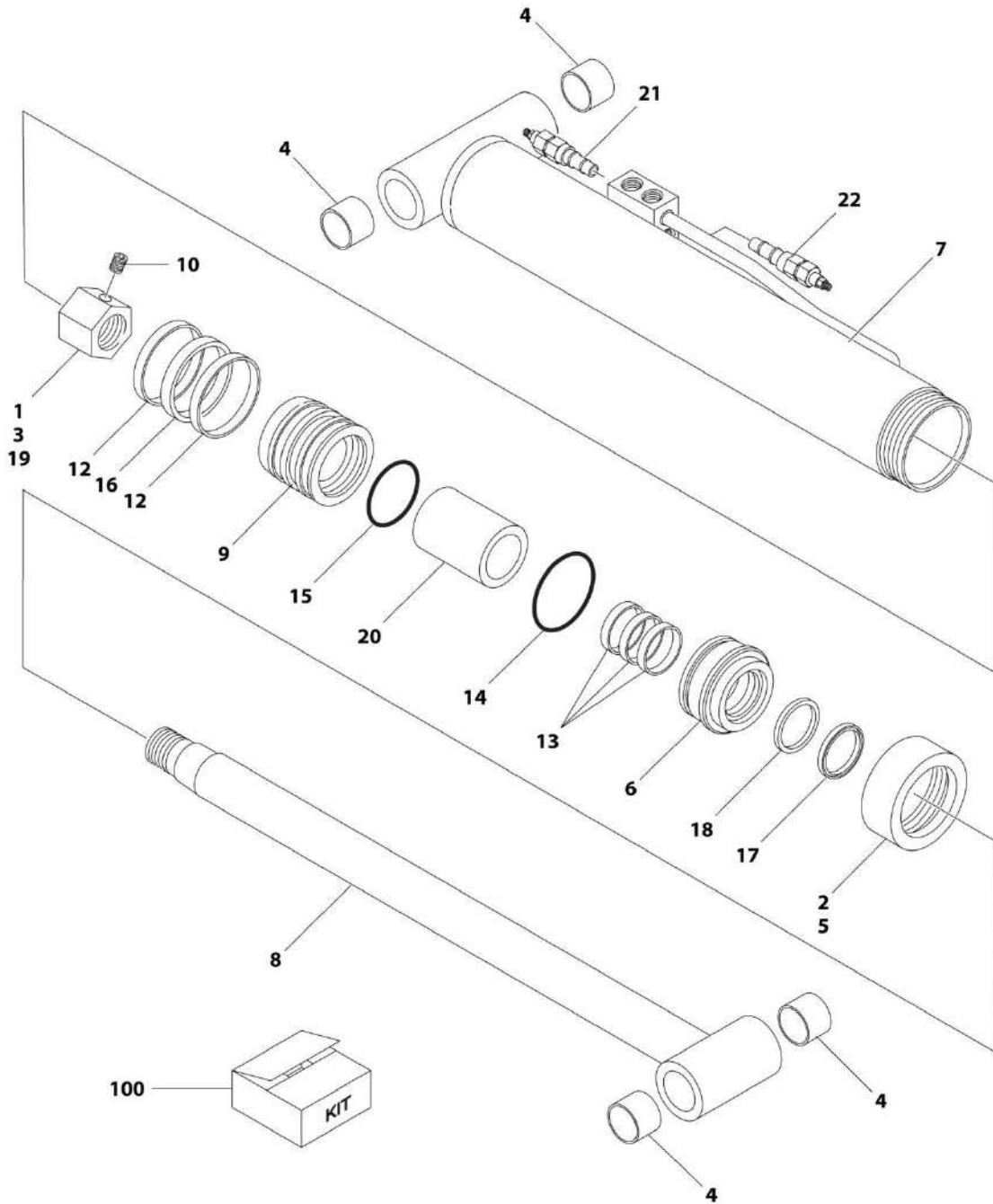
## SECTION 6 - CYLINDER

**FIGURE 6-3. LIFT CYLINDER ASSEMBLY - LOWER - E400AN (SERVICE REPLACEMENT)**

ITEM	PART NUMBER	QTY	DESCRIPTION	REV
	1001228037	Ref	LIFT CYLINDER ASSEMBLY - LOWER	A
		Ref	Note: Original Cylinder may have been replaced with Service Replacement. Identify PN Stamped on Cylinder Before Ordering Parts.	
1	See Note	NSS	Barrel (Note: Not Available for Purchase)	
2	70006593	1	Rod	
3	70006592	1	Head	
4	See Note	NSS	Wiper (Note: Use Item 100)	
5	70002412	1	Retainer	
6	See Note	NSS	Seal, Rod (Note: Use Item 100)	
7	See Note	NSS	Ring, Back-up (Note: Use Item 100)	
8	70006591	1	Bearing	
9	See Note	NSS	O-Ring (Note: Use Item 100)	
10	See Note	NSS	Ring, Back-up (Note: Use Item 100)	
11	70050801	1	O-Ring	
12	70006590	1	Piston	
13	See Note	NSS	Seal (Note: Use Item 100)	
14	See Note	NSS	O-Ring (Note: Use Item 100)	
15	70022564	1	Ball, Steel	
16	70006601	1	Setscrew	
17	4640634	1	Cartridge, Holding Valve	
17	2900770	1	Seal Kit - 4640634 Valve	
18	4641386	1	Cartridge, Holding Valve	
18	7011376	1	Seal Kit - 4641386 Valve	
19	70006589	1	Spacer	
20	70006588	1	O-Ring	
21	0961950	4	Bushing	
22	2220883	8	Plug, O-Ring	
100	70006587	1	Seal Kit (Includes Items 4, 6, 7, 9, 10, 13 & 14)	

# SECTION 6 - CYLINDER

FIGURE 6-4. LIFT CYLINDER ASSEMBLY - LOWER - E400AJP/E400AJPN/M400AJP/M400AJPN (ORIGINAL EQUIPMENT)





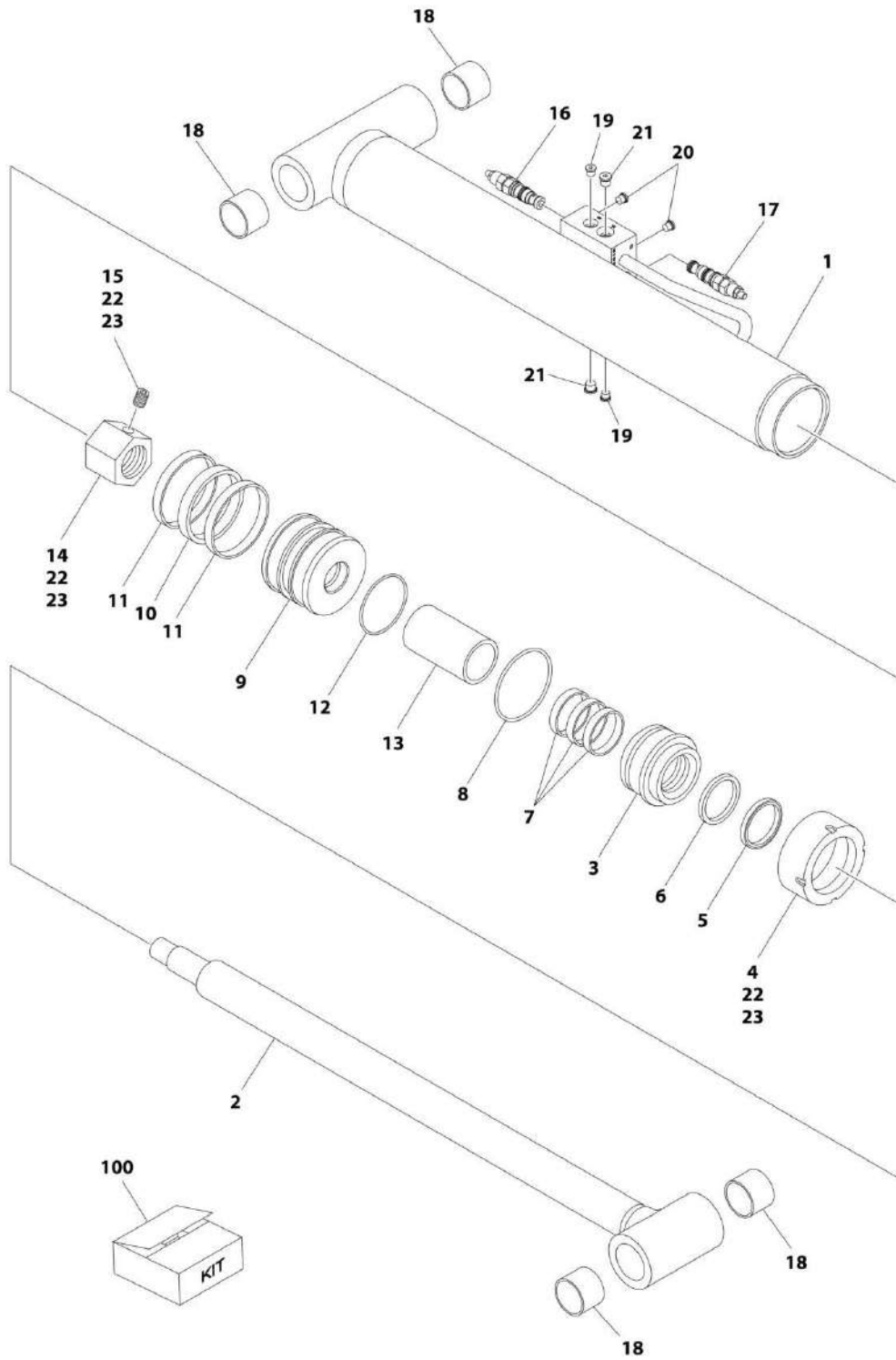
## SECTION 6 - CYLINDER

**FIGURE 6-4. LIFT CYLINDER ASSEMBLY - LOWER - E400AJP/E400AJPN/M400AJP/M400AJPN  
(ORIGINAL EQUIPMENT)**

ITEM	PART NUMBER	QTY	DESCRIPTION	REV
	1684451	Ref	LIFT CYLINDER ASSEMBLY - LOWER - E400AJP/E400AJPN/M400AJP/M400AJPN	D
		Ref	Note: Original Cylinder may have been replaced with Service Replacement. Identify PN Stamped on Cylinder Before Ordering Parts.	
1	0100011	AR	Compound, Locking	
2	0100035	1	Compound, Locking	
4	0961950	4	Bushing	
5	1120094	1	Retainer	
6	1683710	1	Head	
7	1683940	1	Barrel, Weldment	
8	1683941	1	Rod, Weldment	
9	3480241	1	Piston	
10	3900170	1	Setscrew	
12	See Note	NSS	Ring, Wear (Note: Use Item 100)	
13	See Note	NSS	Ring, Wear (Note: Use Item 100)	
14	See Note	NSS	O-Ring (Note: Use Item 100)	
15	See Note	NSS	O-Ring (Note: Use Item 100)	
16	See Note	NSS	Seal, Piston (Note: Use Item 100)	
17	See Note	NSS	Wiper, Rod (Note: Use Item 100)	
18	See Note	1	Seal, Rod	
19	3300281	1	Nut	
20	4566432	1	Spacer	
21	4640634	1	Cartridge, Holding Valve	
21	2900770	1	Seal Kit - 4640634 Valve	
22	4641386	1	Cartridge, Holding Valve	
22	7011376	1	Seal Kit - 4641386 Valve	
23	0100038	1	Primer, Locking	
100	2901806	1	Seal Kit (Includes Items 12-18)	

# SECTION 6 - CYLINDER

FIGURE 6-5. LIFT CYLINDER ASSEMBLY - LOWER - E400AJP/E400AJPN/M400AJP/M400AJPN  
(SERVICE REPLACEMENT)



ART\_1001228035

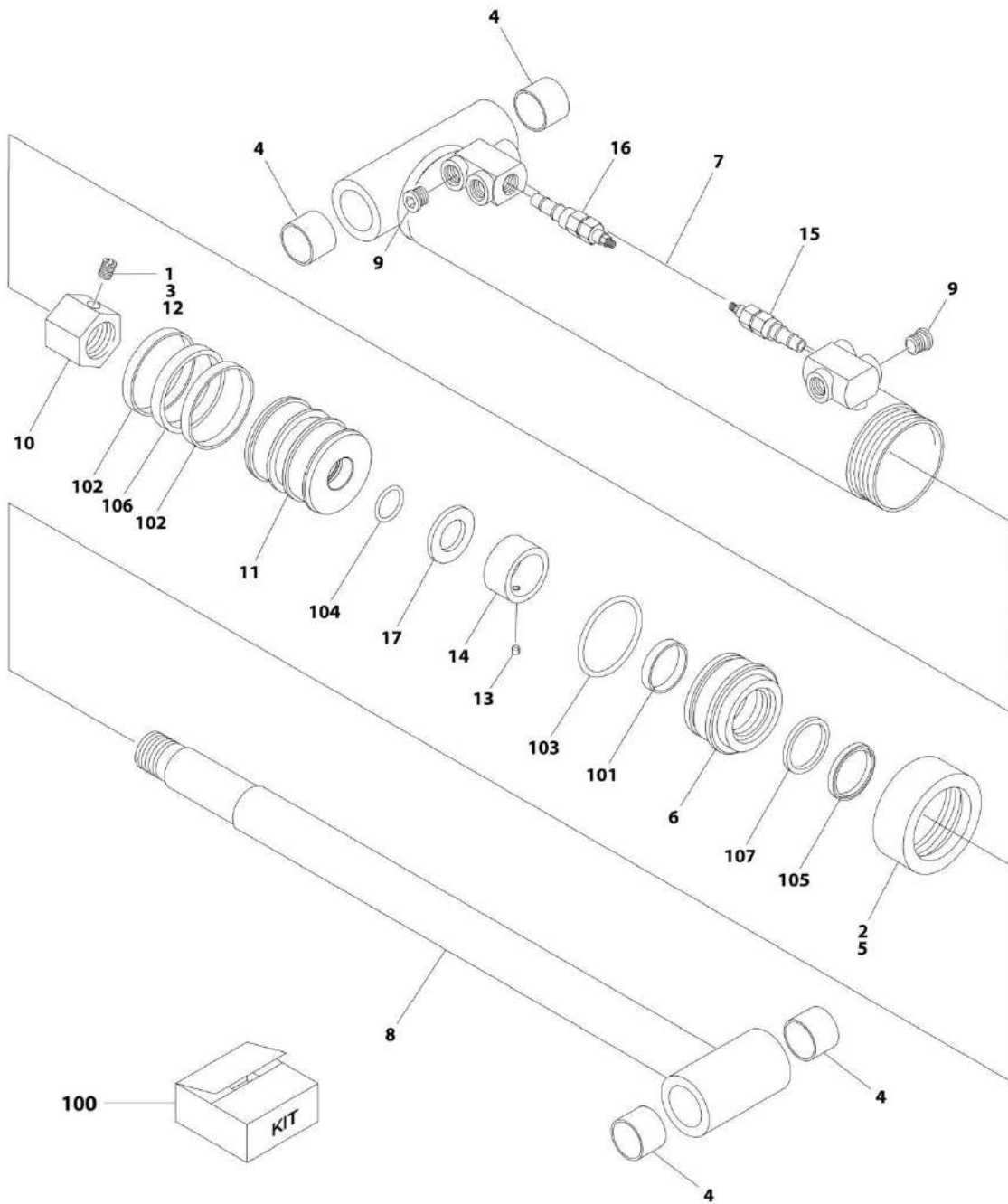
## SECTION 6 - CYLINDER

**FIGURE 6-5. LIFT CYLINDER ASSEMBLY - LOWER - E400AJP/E400AJPN/M400AJP/M400AJPN  
(SERVICE REPLACEMENT)**

ITEM	PART NUMBER	QTY	DESCRIPTION	REV
	1001228035	Ref	LIFT CYLINDER ASSEMBLY - LOWER	B
		Ref	Note: Original Cylinder may have been replaced with Service Replacement. Identify PN Stamped on Cylinder Before Ordering Parts.	
1	See Note	NSS	Barrel Weldment (Note: Not Available for Purchase)	
2	70006535	1	Rod Weldment	
3	70006533	1	Head	
4	70006533	1	Retainer	
5	See Note	NSS	Wiper (Note: Use Item 100)	
6	See Note	NSS	Seal, Rod (Note: Use Item 100)	
7	See Note	NSS	Ring, Wear (Note: Use Item 100)	
8	See Note	NSS	O-Ring (Note: Use Item 100)	
9	70006532	1	Piston	
10	See Note	NSS	Seal (Note: Use Item 100)	
11	See Note	NSS	Ring, Wear (Note: Use Item 100)	
12	See Note	NSS	O-Ring (Note: Use Item 100)	
13	70006531	1	Spacer	
14	3300281	1	Nut	
15	3900170	1	Setscrew	
16	4640634	1	Cartridge, Holding Valve	
16	2900770	1	Seal Kit - 4640634 Valve	
17	4641386	1	Cartridge, Holding Valve	
17	7011376	1	Seal Kit - 4641386 Valve	
18	0961950	4	Bushing	
19	2220883	2	Plug, O-Ring	
20	2220883	2	Plug, O-Ring	
21	2220885	2	Plug, O-Ring	
22	0100011	AR	Compound, Locking	
23	0100038	AR	Primer, Locking	
100	2901806	1	Seal Kit (Includes Items 5-8 & 10-12)	

# SECTION 6 - CYLINDER

## FIGURE 6-6. LIFT CYLINDER ASSEMBLY - MID - E400AN (ORIGINAL EQUIPMENT)



ART\_1684454

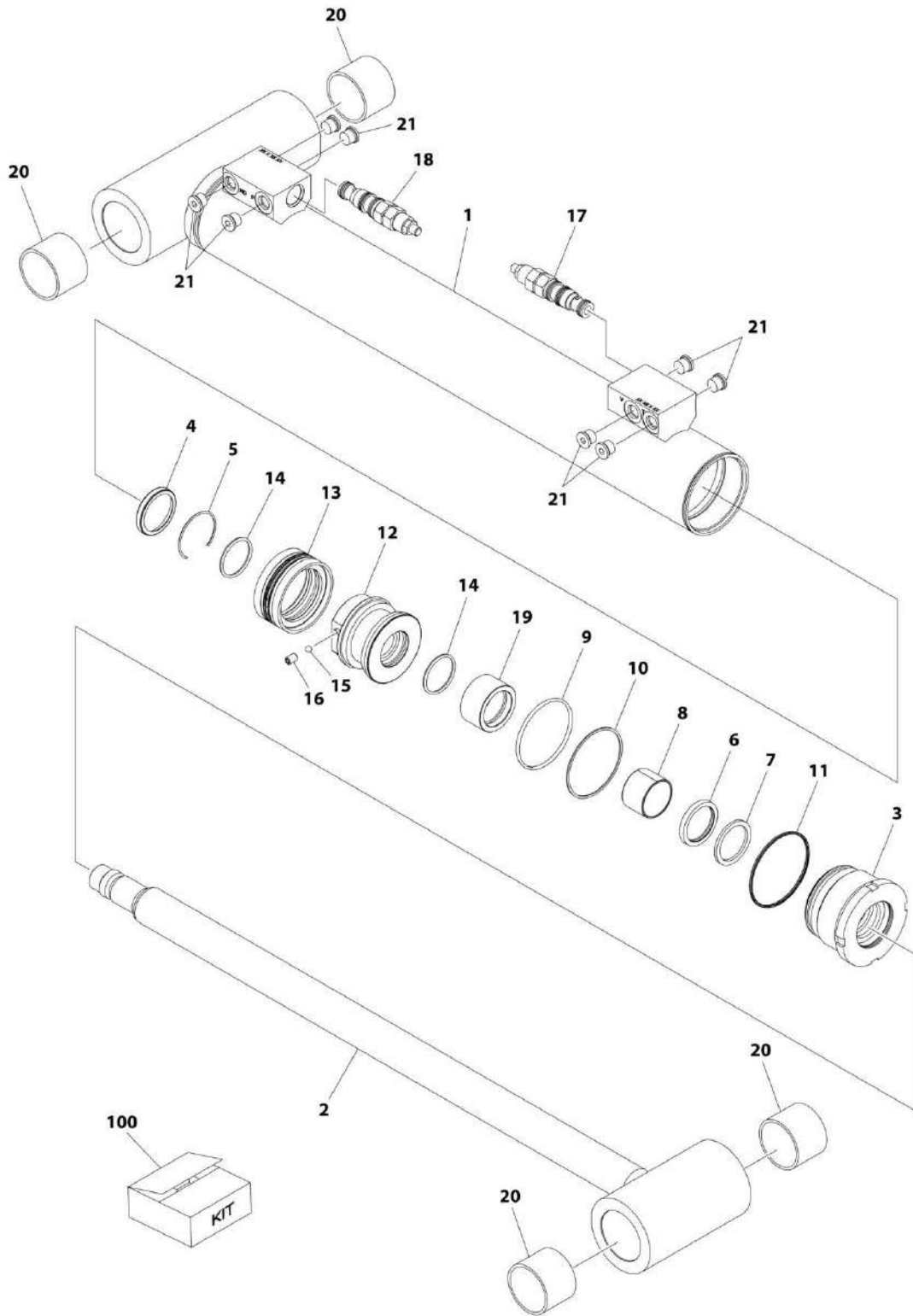
## SECTION 6 - CYLINDER

**FIGURE 6-6. LIFT CYLINDER ASSEMBLY - MID - E400AN (ORIGINAL EQUIPMENT)**

ITEM	PART NUMBER	QTY	DESCRIPTION	REV
	1684454	Ref	LIFT CYLINDER ASSEMBLY - MID - E400AN	A
		Ref	Note: Original Cylinder may have been replaced with Service Replacement. Identify PN Stamped on Cylinder Before Ordering Parts.	
1	0100011	AR	Compound, Locking	
2	0100035	AR	Compound, Locking	
3	0100038	AR	Primer, Locking	
4	0961950	4	Bushing	
5	1120108	1	Retainer	
6	1681344	1	Head	
7	1684025	1	Barrel, Weldment	
8	1684026	1	Rod, Weldment	
9	2220885	2	Plug	
10	3300279	1	Nut	
11	3480240	1	Piston	
12	3900170	1	Setscrew	
13	3951402	1	Setscrew, 1/4-20 x 1/4	
14	4565994	1	Spacer	
15	4640634	1	Cartridge, Holding Valve	
15	2900770	1	Seal Kit - 4640634 Valve	
16	4641386	1	Cartridge, Holding Valve	
16	7011376	1	Seal Kit - 4641386 Valve	
17	4740394	1	Washer	
100	2902419	1	Seal Kit (Includes Items 101-107)	
101	See Note	NSS	Ring, Wear (Note: Use Item 100)	
102	See Note	NSS	Ring, Wear (Note: Use Item 100)	
103	See Note	NSS	O-Ring (Note: Use Item 100)	
104	See Note	NSS	O-Ring (Note: Use Item 100)	
105	See Note	NSS	Wiper, Rod (Note: Use Item 100)	
106	See Note	NSS	Seal, Piston (Note: Use Item 100)	
107	See Note	NSS	Seal, Rod (Note: Use Item 100)	

# SECTION 6 - CYLINDER

## FIGURE 6-7. LIFT CYLINDER ASSEMBLY - MID - E400AN (SERVICE REPLACEMENT)



ART\_1001228038

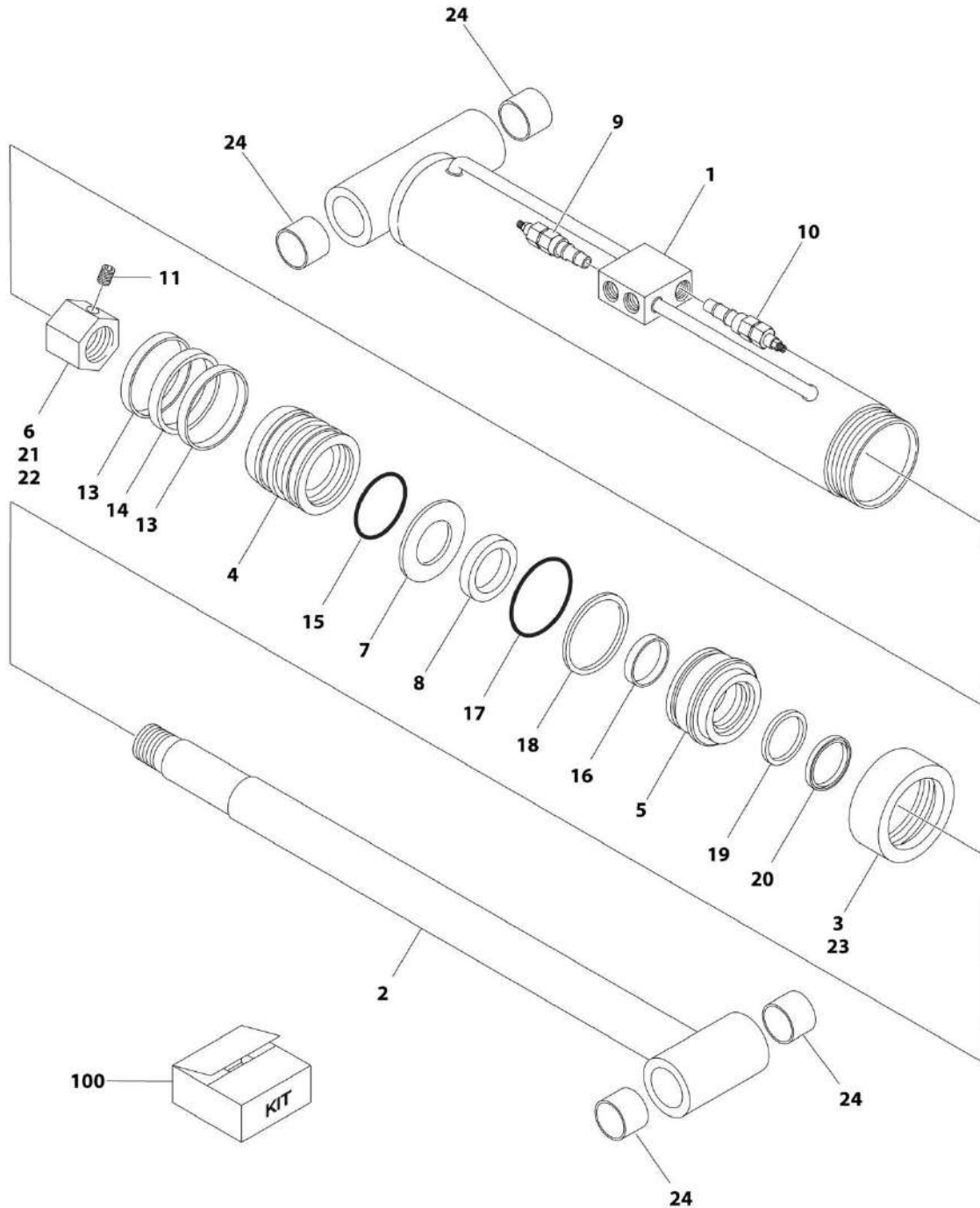
## SECTION 6 - CYLINDER

**FIGURE 6-7. LIFT CYLINDER ASSEMBLY - MID - E400AN (SERVICE REPLACEMENT)**

ITEM	PART NUMBER	QTY	DESCRIPTION	REV
	1001228038	Ref	LIFT CYLINDER ASSEMBLY - MID - E400An	A
		Ref	Note: Original Cylinder may have been replaced with Service Replacement. Identify PN Stamped on Cylinder Before Ordering Parts.	
1	See Note	NSS	Barrel Weldment (Note: Not Available for Purchase)	
2	70006600	1	Rod Weldment	
3	70006599	1	Head	
4	See Note	1	Wiper (Note: Use Item 100)	
5	70002373	1	Retainer	
6	See Note	NSS	Seal, Rod (Note: Use Item 100)	
7	See Note	NSS	Ring, Back-up (Note: Use Item 100)	
8	70005143	1	Bearing	
9	See Note	NSS	O-Ring (Note: Use Item 100)	
10	See Note	NSS	Ring, Back-up (Note: Use Item 100)	
11	70006598	1	O-Ring	
12	70006597	1	Piston	
13	See Note	NSS	Seal (Note: Use Item 100)	
14	See Note	NSS	O-Ring (Note: Use Item 100)	
15	70022564	1	Ball, Steel	
16	70006596	1	Setscrew	
17	4640634	1	Cartridge, Holding Valve	
17	2900770	1	Seal Kit - 4640634 Valve	
18	4641386	1	Cartridge, Holding Valve	
18	7011376	1	Seal Kit - 4641386 Valve	
19	70006595	1	Spacer	
20	0961950	4	Bushing	
21	2220885	8	Plug, O-Ring	
100	70006594	1	Seal Kit (Includes 4, 6, 7, 9, 10, 13 & 14)	

# SECTION 6 - CYLINDER

FIGURE 6-8. LIFT CYLINDER ASSEMBLY - MID - E400AJP/E400AJPN/M400AJP/M400AJPN  
(ORIGINAL EQUIPMENT)



ART\_1684452



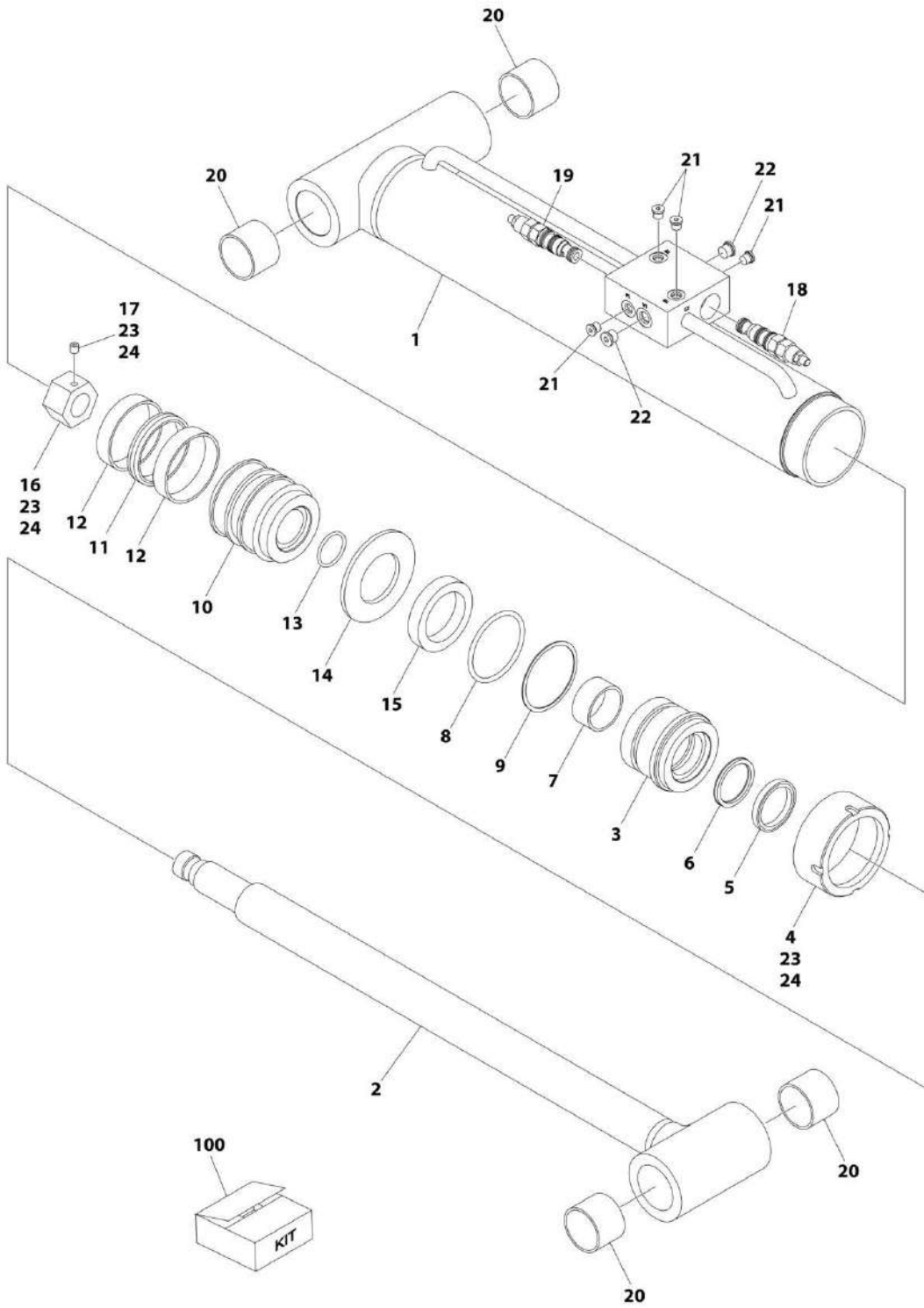
## SECTION 6 - CYLINDER

**FIGURE 6-8. LIFT CYLINDER ASSEMBLY - MID - E400AJP/E400AJPN/M400AJP/M400AJPN  
(ORIGINAL EQUIPMENT)**

ITEM	PART NUMBER	QTY	DESCRIPTION	REV
	1684452	Ref	LIFT CYLINDER ASSEMBLY - MID - E400AJP/E400AJPN/M400AJP/M400AJPN	C
		Ref	Note: Original Cylinder may have been replaced with Service Replacement. Identify PN Stamped on Cylinder Before Ordering Parts.	
1	1683943	1	Barrel, Weldment	
2	1683944	1	Rod, Weldment	
3	1120305	1	Retainer	
4	3480242	1	Piston	
5	1683712	1	Head	
6	3300281	1	Nut	
7	4740207	1	Washer	
8	4566435	1	Spacer	
9	4640634	1	Cartridge, Holding Valve	
9	2900770	1	Seal Kit - 4640634 Valve	
10	4641386	1	Cartridge, Holding Valve	
10	7011376	1	Seal Kit - 4641386 Valve	
11	3900170	1	Setscrew	
13	See Note	NSS	Ring, Wear (Note: Use Item 100)	
14	See Note	NSS	Seal, Piston (Note: Use Item 100)	
15	See Note	NSS	O-Ring (Note: Use Item 100)	
16	See Note	NSS	Ring, Wear (Note: Use Item 100)	
17	See Note	NSS	O-Ring (Note: Use Item 100)	
18	See Note	NSS	Ring, Back-up (Note: Use Item 100)	
19	See Note	NSS	Seal, Rod (Note: Use Item 100)	
20	See Note	NSS	Wiper, Rod (Note: Use Item 100)	
21	0100011	AR	Compound, Locking	
22	0100038	AR	Primer, Locking	
23	0100035	1	Compound, Locking	
24	0961950	4	Bushing	
100	2901805	1	Seal Kit (Includes Items 13-20)	

# SECTION 6 - CYLINDER

FIGURE 6-9. LIFT CYLINDER ASSEMBLY - MID - E400AJP/E400AJPN/M400AJP/M400AJPN (SERVICE REPLACEMENT)



ART\_1001228036

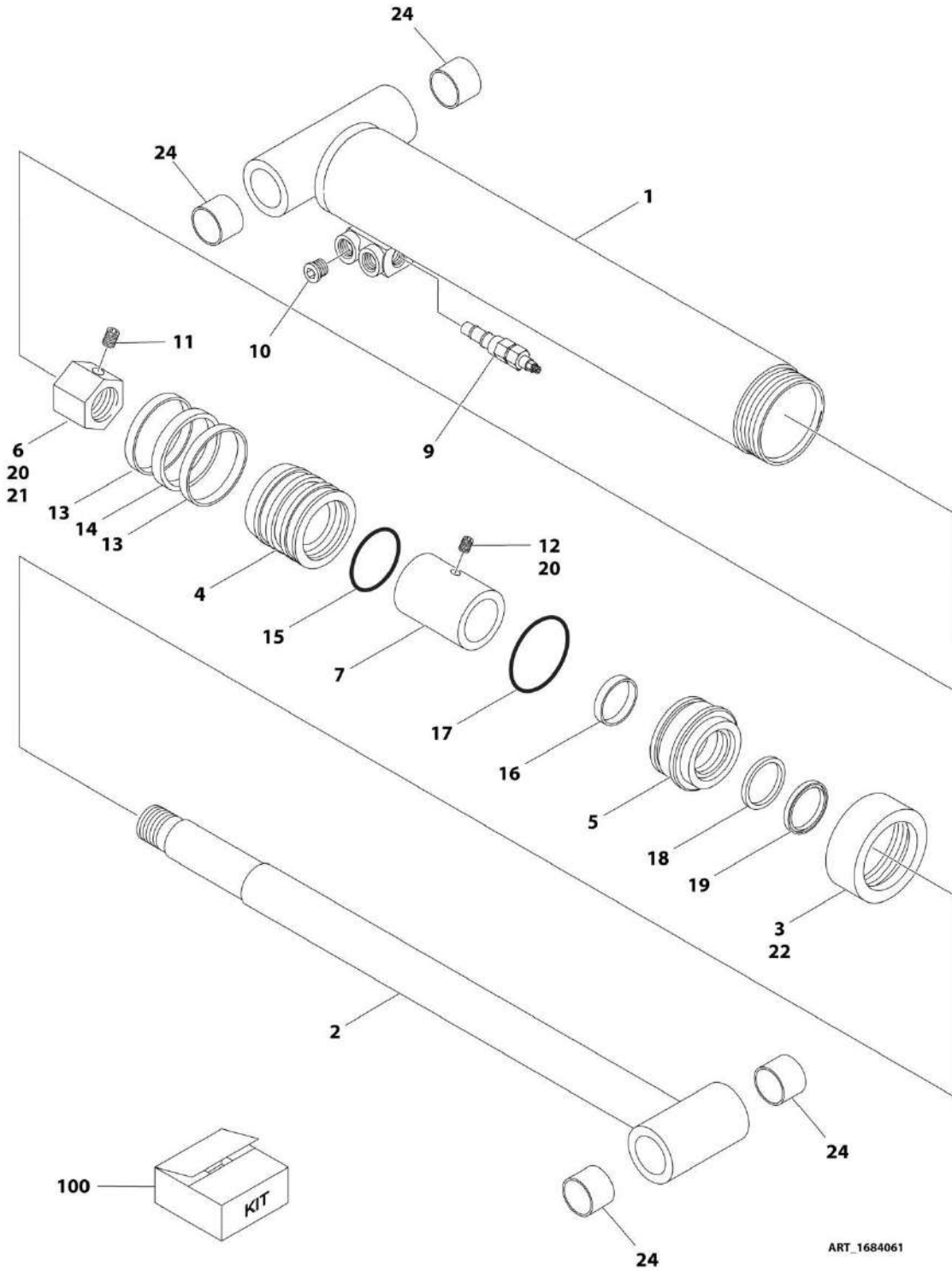
## SECTION 6 - CYLINDER

**FIGURE 6-9. LIFT CYLINDER ASSEMBLY - MID - E400AJP/E400AJPN/M400AJP/M400AJPN (SERVICE REPLACEMENT)**

ITEM	PART NUMBER	QTY	DESCRIPTION	REV
	1001228036	Ref	LIFT CYLINDER ASSEMBLY - MID	E
		Ref	Note: Original Cylinder may have been replaced with Service Replacement. Identify PN Stamped on Cylinder Before Ordering Parts.	
1	See Note	NSS	Barrel Weldment (Note: Not Available for Purchase)	
2	70006543	1	Rod Weldment	
3	70006542	1	Head	
4	70006533	1	Retainer	
5	See Note	NSS	Wiper (Note: Use Item 100)	
6	See Note	NSS	Seal, Rod (Note: Use Item 100)	
7	See Note	NSS	Ring, Wear (Note: Use Item 100)	
8	See Note	NSS	O-Ring (Note: Use Item 100)	
9	See Note	NSS	Ring, Back-up (Note: Use Item 100)	
10	70006532	1	Piston	
11	See Note	NSS	Seal (Note: Use Item 100)	
12	See Note	NSS	Ring, Wear (Note: Use Item 100)	
13	See Note	NSS	O-Ring (Note: Use Item 100)	
14	4740207	1	Washer	
15	70006539	1	Spacer	
16	3300281	1	Nut	
17	3900170	1	Setscrew	
18	4640634	1	Cartridge, Holding Valve	
18	2900770	1	Seal Kit - 4640634 Valve	
19	4641386	1	Cartridge, Holding Valve	
19	7011376	1	Seal Kit - 4641386 Valve	
20	0961950	4	Bushing	
21	2220883	4	Plug, O-Ring	
22	2220885	2	Plug, O-Ring	
23	0100011	AR	Compound, Locking	
24	0100038	AR	Primer, Locking	
100	2901806	1	Seal Kit (Includes Items 5-9 & 11-13)	

# SECTION 6 - CYLINDER

FIGURE 6-10. LIFT CYLINDER - UPPER - E400AN (ORIGINAL EQUIPMENT)



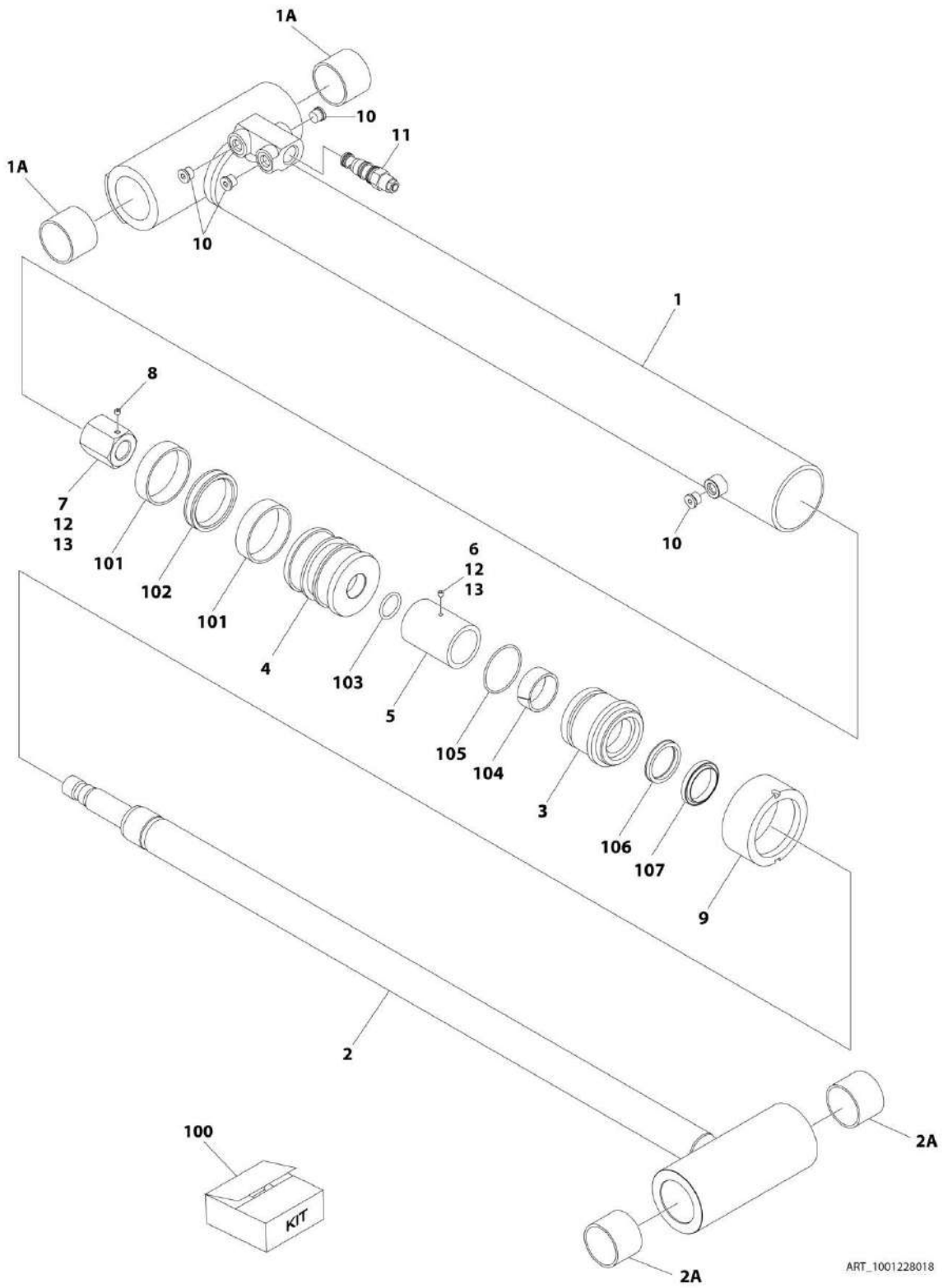
## SECTION 6 - CYLINDER

**FIGURE 6-10. LIFT CYLINDER - UPPER - E400AN (ORIGINAL EQUIPMENT)**

ITEM	PART NUMBER	QTY	DESCRIPTION	REV
	1684061	Ref	LIFT CYLINDER - UPPER - E400AN	5
		Ref	Note: Original Cylinder may have been replaced with Service Replacement. Identify PN Stamped on Cylinder Before Ordering Parts.	
1	1684060	1	Barrel, Weldment	
2	1684059	1	Rod, Weldment	
3	1120108	1	Retainer	
4	3480240	1	Piston	
5	1683709	1	Head	
6	3300315	1	Nut	
7	4567177	1	Spacer	
9	4640936	1	Cartridge, Valve	
9	2900770	1	Seal Kit - 4640936 Valve	
10	2220885	4	Plug	
11	3900170	1	Setscrew	
12	3951402	1	Setscrew	
13	See Note	NSS	Ring, Wear (Note: Use Item 100)	
14	See Note	NSS	Seal, Piston (Note: Use Item 100)	
15	See Note	NSS	O-Ring (Note: Use Item 100)	
16	See Note	NSS	Ring, Wear (Note: Use Item 100)	
17	See Note	NSS	O-Ring (Note: Use Item 100)	
18	See Note	NSS	Seal, Rod (Note: Use Item 100)	
19	See Note	NSS	Wiper, Rod (Note: Use Item 100)	
20	0100011	AR	Compound, Locking	
21	0100038	AR	Primer, Locking	
22	0100035	AR	Compound, Locking	
24	0961950	4	Bushing	
100	2901804	1	Seal Kit (Includes Items 13-19)	

# SECTION 6 - CYLINDER

## FIGURE 6-11. LIFT CYLINDER - UPPER - E400AN (SERVICE REPLACEMENT)



ART\_1001228018

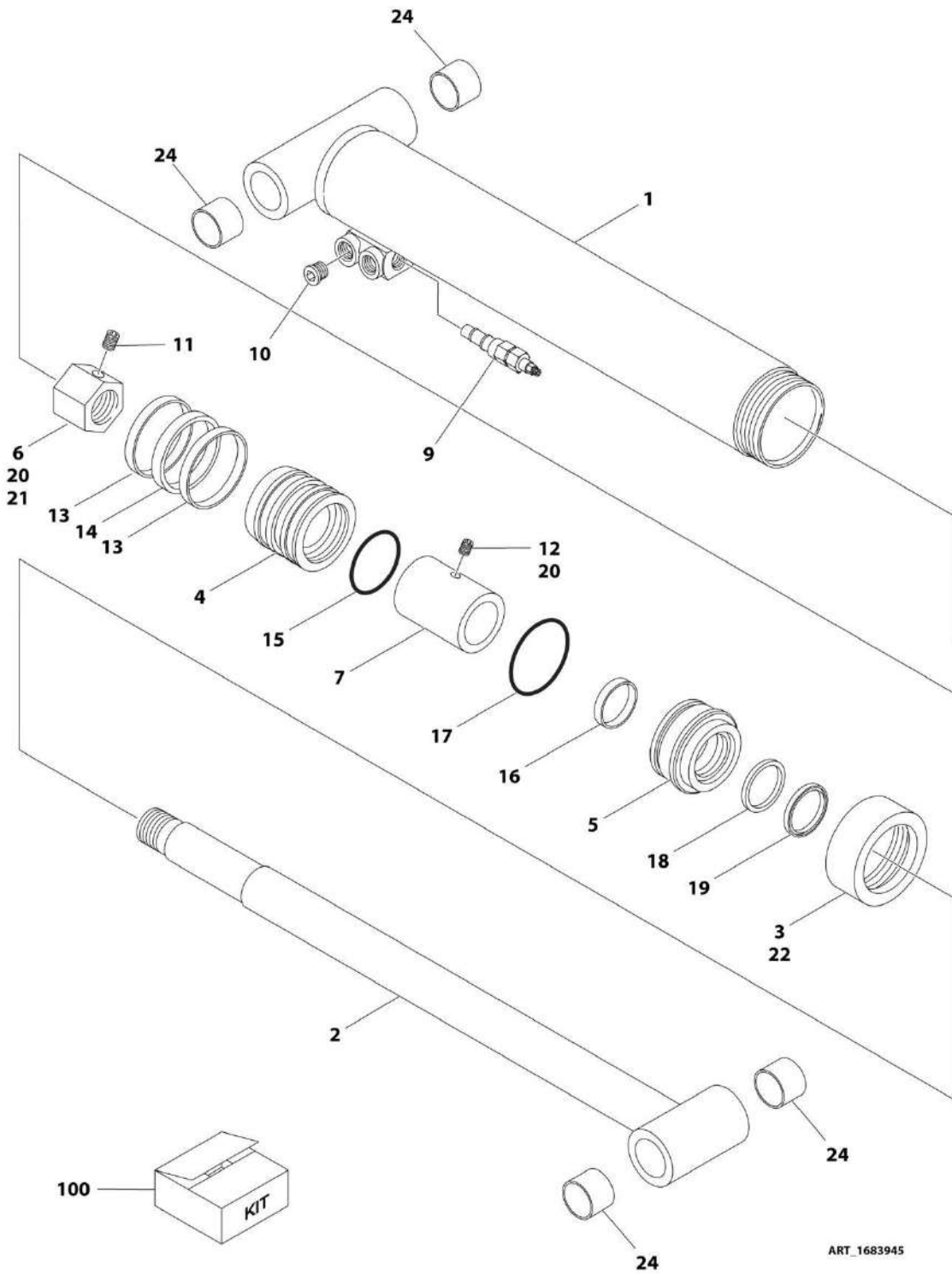
## SECTION 6 - CYLINDER

**FIGURE 6-11. LIFT CYLINDER - UPPER - E400AN (SERVICE REPLACEMENT)**

ITEM	PART NUMBER	QTY	DESCRIPTION	REV
	1001228018	Ref	LIFT CYLINDER ASSEMBLY - UPPER	B
		Ref	Note: Original Cylinder may have been replaced with Service Replacement. Identify PN Stamped on Cylinder Before Ordering Parts.	
1	See Note	NSS	Barrel Weldment (Note: Not Available for Purchase)	
1A	0961950	2	Bushing	
2	70006415	1	Rod Weldment	
2A	0961950	2	Bushing	
3	70006401	1	Head	
4	70006400	1	Piston	
5	70006414	1	Spacer	
6	70006413	1	Setscrew	
7	70006412	1	Nut	
8	70023915	1	Setscrew	
9	70006411	4	Retainer	
10	2220885	1	Plug, O-Ring	
11	4640936	1	Cartridge, Holding Valve	
11	2900770	1	Seal Kit - 4640936 Valve	
12	0100011	AR	Compound, Locking	
13	0100038	AR	Primer, Locking	
100	2901804	1	Seal Kit (Includes Items 101-107)	
101	See Note	NSS	Ring, Wear (Note: Use Item 100)	
102	See Note	NSS	Seal, Piston (Note: Use Item 100)	
103	See Note	NSS	O-Ring (Note: Use Item 100)	
104	See Note	NSS	Ring, Wear (Note: Use Item 100)	
105	See Note	NSS	O-Ring (Note: Use Item 100)	
106	See Note	NSS	Seal, Rod (Note: Use Item 100)	
107	See Note	NSS	Wiper, Rod (Note: Use Item 100)	

# SECTION 6 - CYLINDER

FIGURE 6-12. LIFT CYLINDER - UPPER - E400AJP/E400AJPN/M400AJP/M400AJPN (ORIGINAL EQUIPMENT)





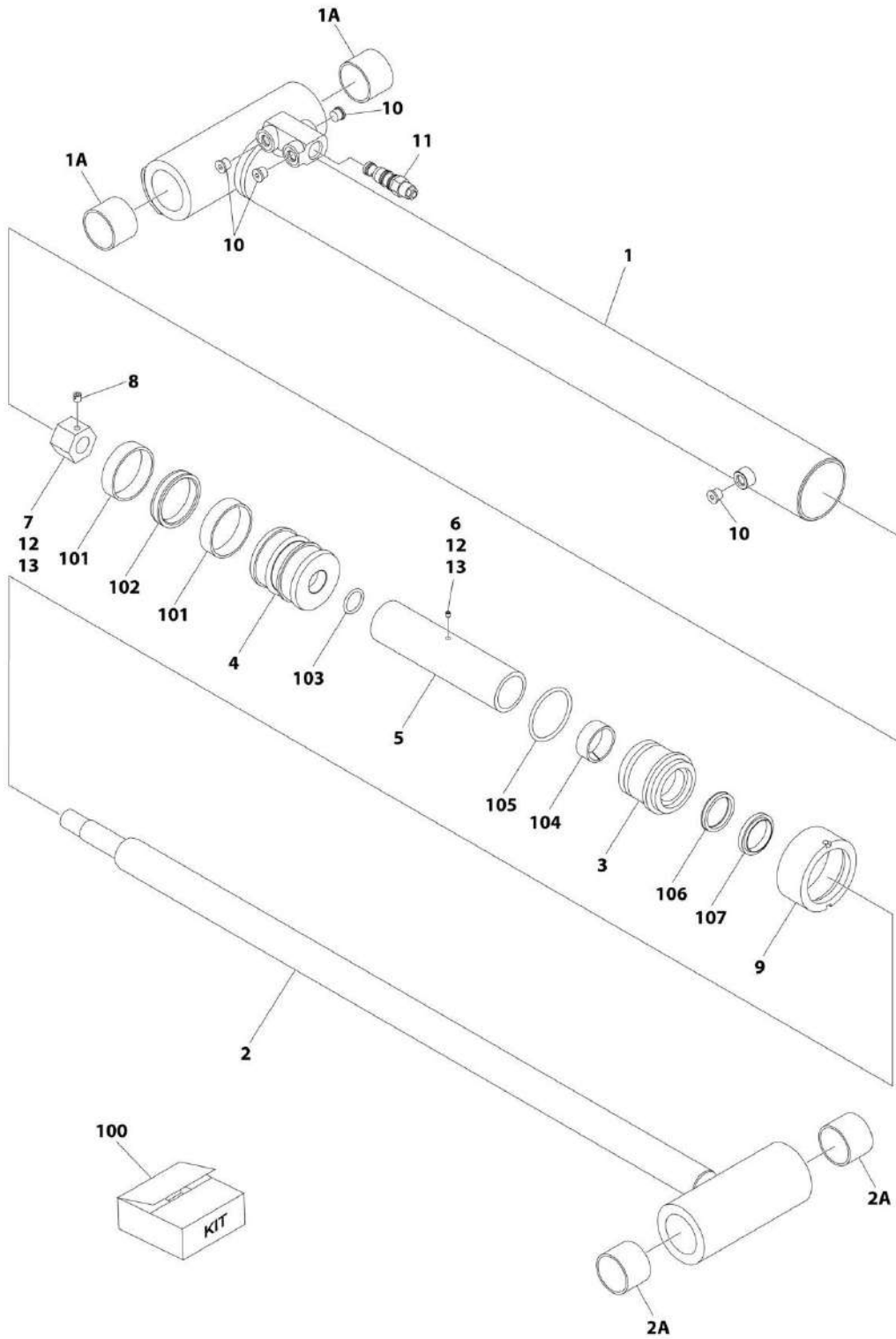
## SECTION 6 - CYLINDER

**FIGURE 6-12. LIFT CYLINDER - UPPER - E400AJP/E400AJPN/M400AJP/M400AJPN (ORIGINAL EQUIPMENT)**

ITEM	PART NUMBER	QTY	DESCRIPTION	REV
	1683945	Ref	LIFT CYLINDER - UPPER - E400AJP/E400AJPN/M400AJP/M400AJPN	4
		Ref	Note: Original Cylinder may have been replaced with Service Replacement. Identify PN Stamped on Cylinder Before Ordering Parts.	
1	1683946	1	Barrel, Weldment	
2	1683947	1	Rod, Weldment	
3	1120108	1	Retainer	
4	3480240	1	Piston	
5	1683709	1	Head	
6	3300279	1	Nut	
7	4567908	1	Spacer	
9	4640936	1	Cartridge, Holding Valve	
9	2900770	1	Seal Kit - 4640936 Valve	
10	2220885	4	Plug	
11	3900170	1	Setscrew	
12	3900142	1	Setscrew	
13	See Note	NSS	Ring, Wear (Note: Use Item 100)	
14	See Note	NSS	Seal, Piston (Note: Use Item 100)	
15	See Note	NSS	O-Ring (Note: Use Item 100)	
16	See Note	NSS	Ring, Wear (Note: Use Item 100)	
17	See Note	NSS	O-Ring (Note: Use Item 100)	
18	See Note	NSS	Seal, Rod (Note: Use Item 100)	
19	See Note	NSS	Wiper, Rod (Note: Use Item 100)	
20	0100011	AR	Compound, Locking	
21	0100038	AR	Primer, Locking	
22	0100035	AR	Compound, Locking	
24	0961950	2	Bushing	
100	2901804	1	Seal Kit (Includes Items 13-19)	

# SECTION 6 - CYLINDER

FIGURE 6-13. LIFT CYLINDER - UPPER - E400AJP/E400AJPN/M400AJP/M400AJPN (SERVICE REPLACEMENT)



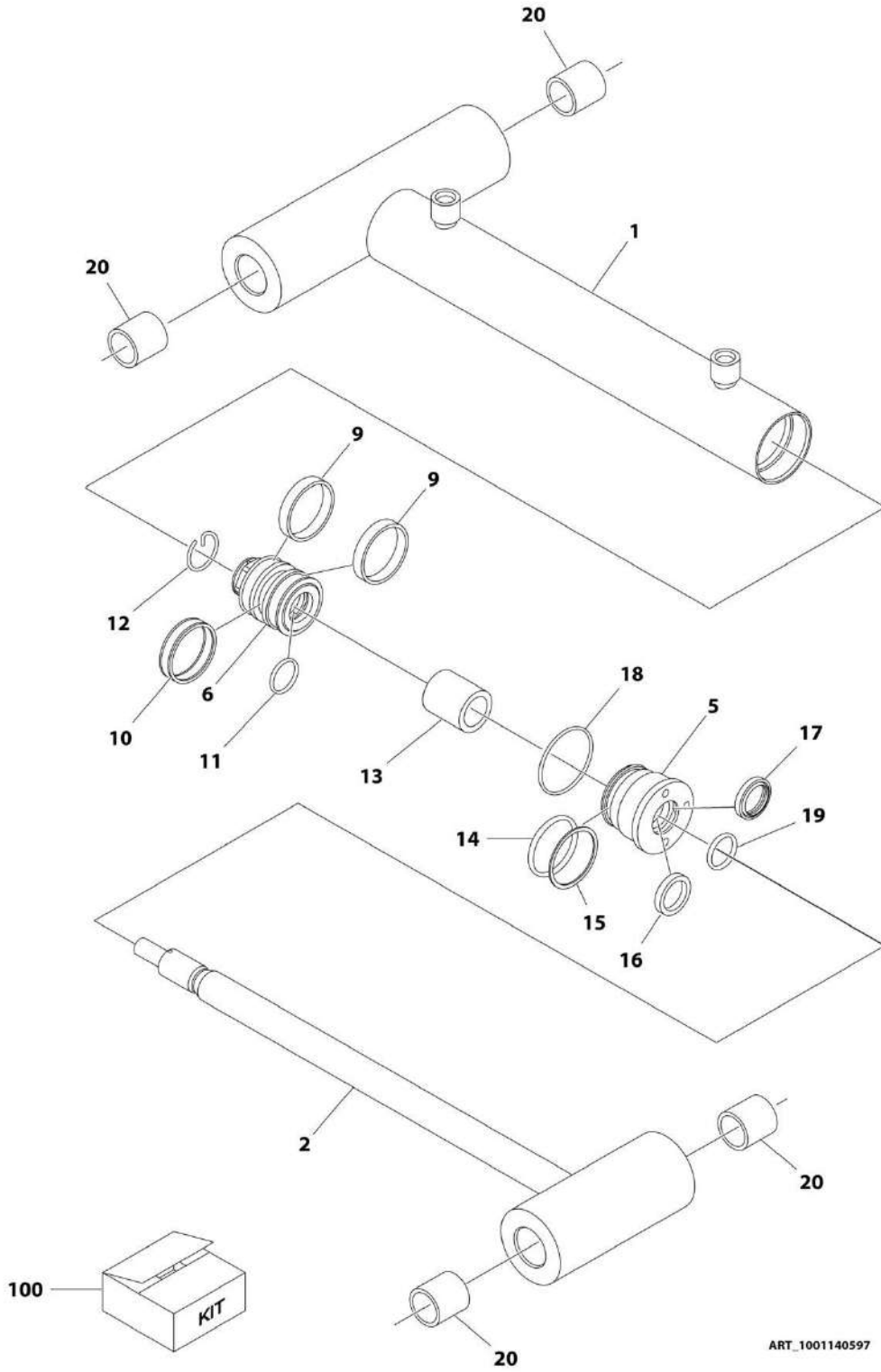
## SECTION 6 - CYLINDER

**FIGURE 6-13. LIFT CYLINDER - UPPER - E400AJP/E400AJPN/M400AJP/M400AJPN (SERVICE REPLACEMENT)**

ITEM	PART NUMBER	QTY	DESCRIPTION	REV
	1001228016	Ref	LIFT CYLINDER ASSEMBLY - UPPER	B
		Ref	Note: Original Cylinder may have been replaced with Service Replacement. Identify PN Stamped on Cylinder Before Ordering Parts.	
1	See Note	NSS	Barrel Weldment (Note: Not Available for Purchase)	
1A	0961950	2	Bushing	
2	70006402	1	Rod Weldment	
2A	0961950	2	Bushing	
3	70006401	1	Head	
4	70006400	1	Piston	
5	70006399	1	Spacer	
6	70006398	1	Setscrew	
7	70006397	1	Nut	
8	70023915	1	Setscrew	
9	70006396	1	Retainer	
10	2220885	4	Plug, O-Ring	
11	4640936	1	Cartridge, Holding Valve	
11	2900770	1	Seal Kit - 4640936 Valve	
12	0100011	AR	Compound, Locking	
13	0100038	AR	Primer, Locking	
100	2901804	1	Seal Kit (Includes Items 101-107)	
101	See Note	NSS	Ring, Wear (Note: Use Item 100)	
102	See Note	NSS	Seal, Piston (Note: Use Item 100)	
103	See Note	NSS	O-Ring (Note: Use Item 100)	
104	See Note	NSS	Ring, Wear (Note: Use Item 100)	
105	See Note	NSS	O-Ring (Note: Use Item 100)	
106	See Note	NSS	Seal, Rod (Note: Use Item 100)	
107	See Note	NSS	Wiper, Rod (Note: Use Item 100)	

# SECTION 6 - CYLINDER

## FIGURE 6-14. MASTER CYLINDER ASSEMBLY - E400AN



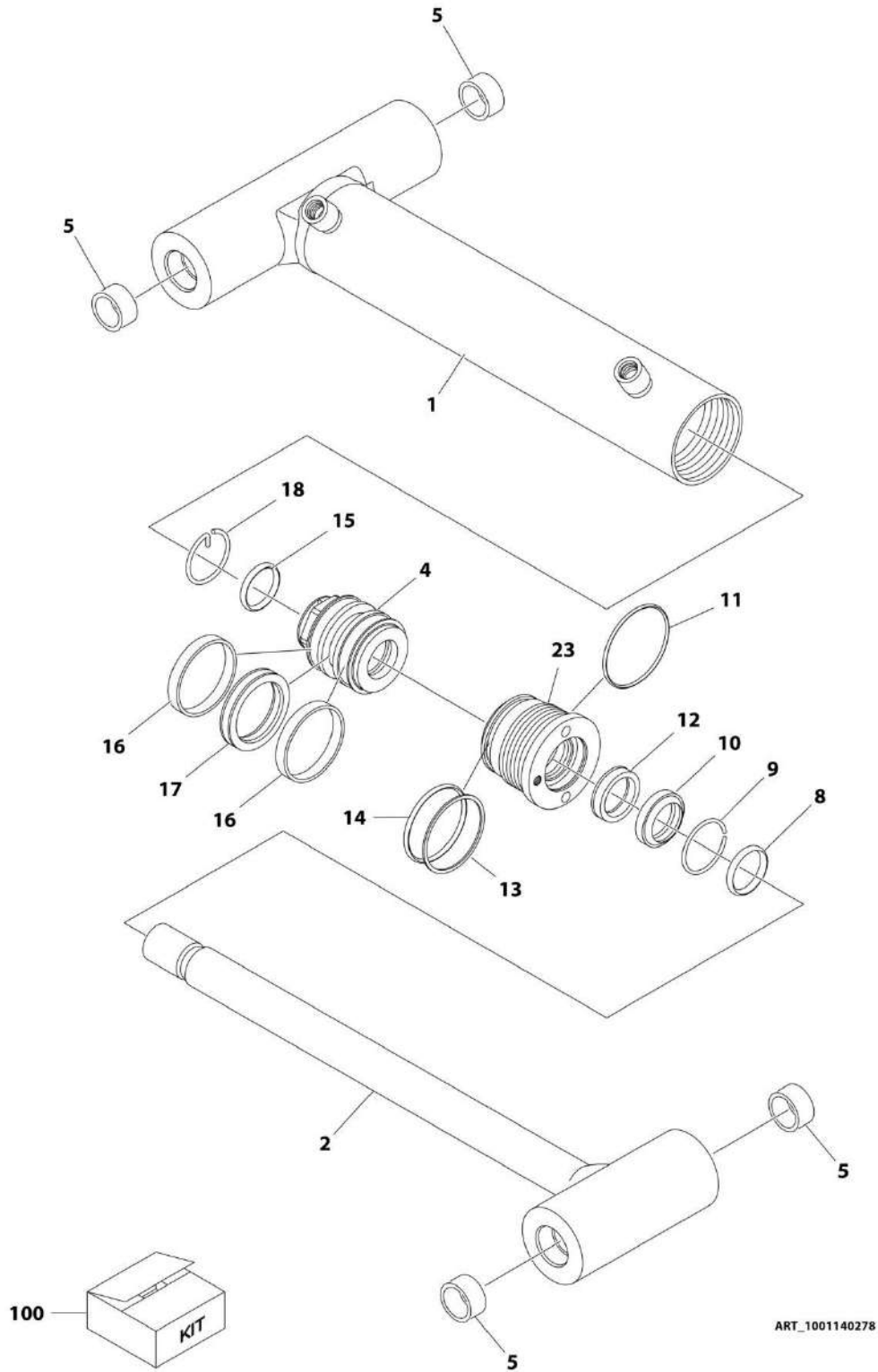
## SECTION 6 - CYLINDER

**FIGURE 6-14. MASTER CYLINDER ASSEMBLY - E400AN**

ITEM	PART NUMBER	QTY	DESCRIPTION	REV
	1001140597	Ref	MASTER CYLINDER ASSEMBLY - E400AN	A
1	70004144	1	Barrel, Weldment	
2	70004145	1	Rod, Weldment	
5	70000739	1	Head	
6	70004141	1	Piston	
9	See Note	NSS	Ring, Wear (Note: Use Item 100)	
10	See Note	NSS	Seal, Piston (Note: Use Item 100)	
11	70023094	1	O-Ring	
12	70004142	1	Retainer	
13	70004143	1	Spacer	
14	See Note	NSS	O-Ring (Note: Use Item 100)	
15	See Note	NSS	Ring, Back-up (Note: Use Item 100)	
16	See Note	NSS	Seal, Rod (Note: Use Item 100)	
17	See Note	NSS	Wiper, Rod (Note: Use Item 100)	
18	See Note	NSS	O-Ring (Note: Use Item 100)	
19	See Note	NSS	O-Ring (Note: Use Item 100)	
20	0962356	4	Bushing	
100	70004130	1	Seal Kit (Includes Items 9-11 & 14-19)	

# SECTION 6 - CYLINDER

FIGURE 6-15. MASTER CYLINDER ASSEMBLY - E400AJP/E400AJPN/M400AJP/M400AJPN



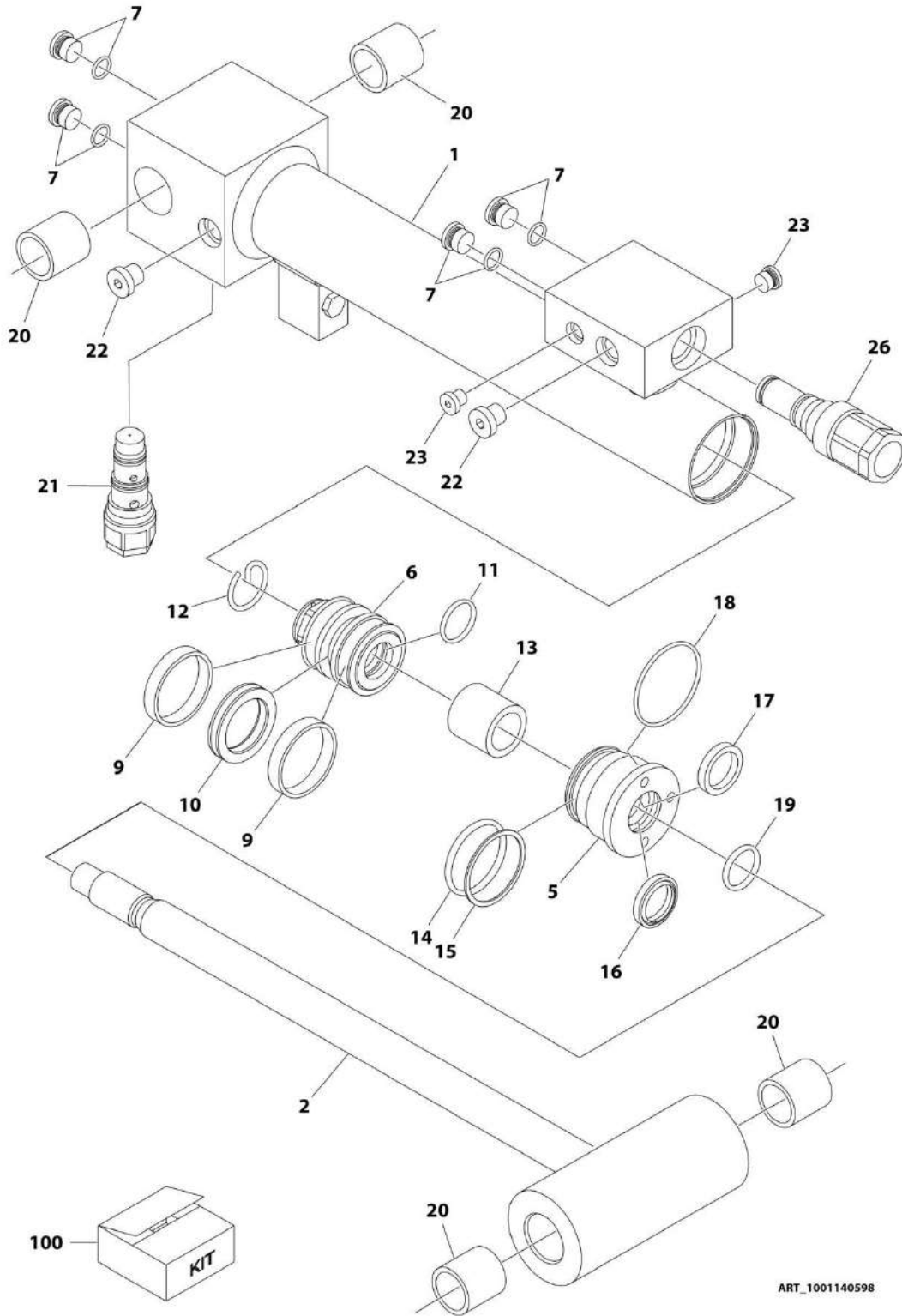
## SECTION 6 - CYLINDER

**FIGURE 6-15. MASTER CYLINDER ASSEMBLY - E400AJP/E400AJPN/M400AJP/M400AJPN**

ITEM	PART NUMBER	QTY	DESCRIPTION	REV
	1001140278	Ref	MASTER CYLINDER ASSEMBLY - E400AJP/E400AJPN/M400AJP/M400AJPN	A
1	70003843	1	Barrel, Weldment	
2	70003844	1	Rod, Weldment	
4	70003819	1	Piston	
5	0961951	4	Bushing	
8	7026084	1	O-Ring	
9	70002217	1	Ring, Retaining	
10	See Note	NSS	Wiper, Rod (Note: Use Item 100)	
11	See Note	NSS	O-Ring (Note: Use Item 100)	
12	See Note	NSS	Seal, Rod (Note: Use Item 100)	
13	See Note	NSS	Ring, Back-up (Note: Use Item 100)	
14	See Note	NSS	O-Ring (Note: Use Item 100)	
15	See Note	NSS	O-Ring (Note: Use Item 100)	
16	See Note	NSS	Ring, Wear (Note: Use Item 100)	
17	See Note	NSS	Seal, Piston (Note: Use Item 100)	
18	70002216	1	Retainer	
23	7026082	1	Head	
100	70003845	1	Seal Kit (Includes Items 10-17)	

# SECTION 6 - CYLINDER

## FIGURE 6-16. PLATFORM LEVEL CYLINDER - E400AN



ART\_1001140598



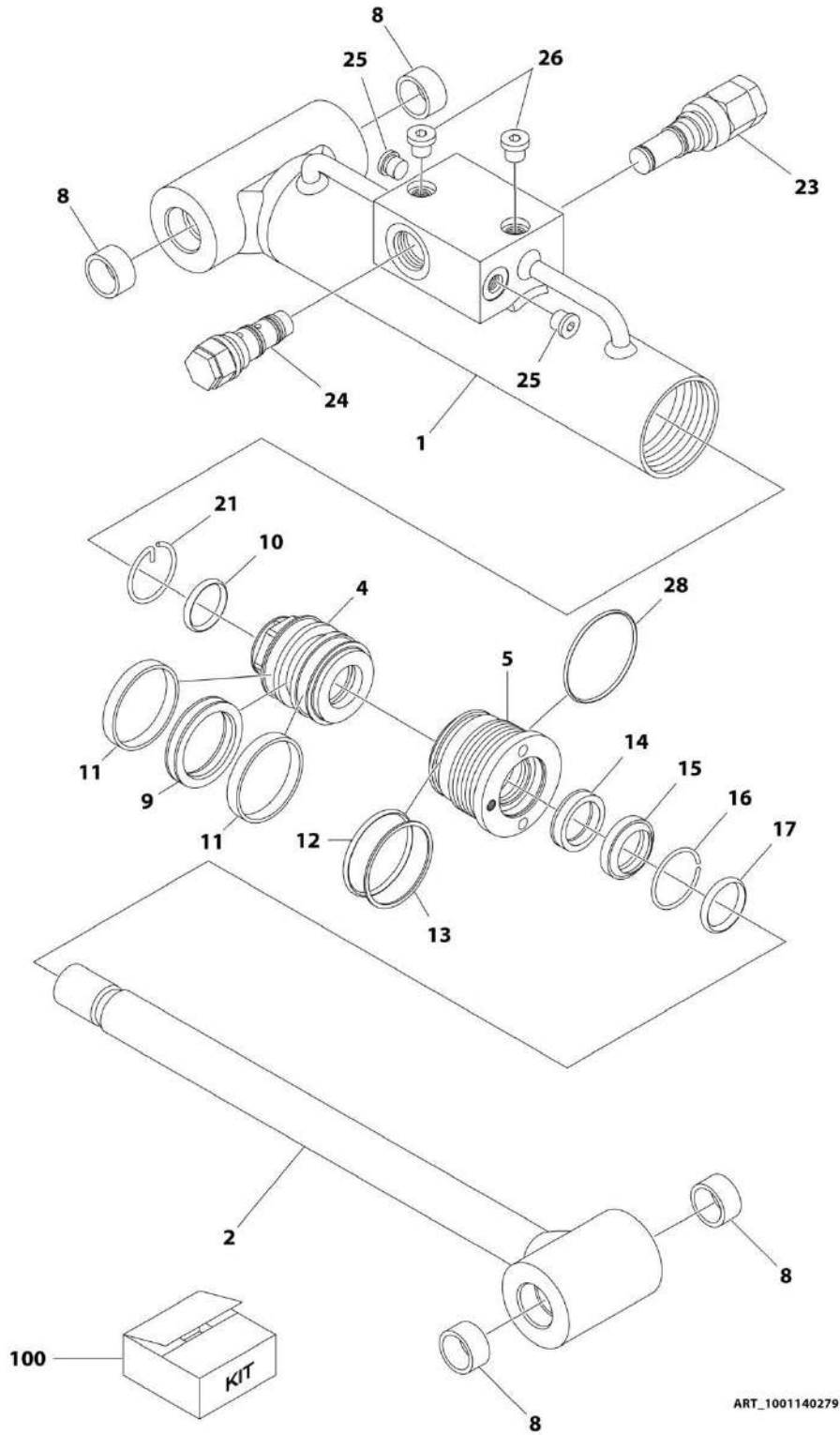
## SECTION 6 - CYLINDER

**FIGURE 6-16. PLATFORM LEVEL CYLINDER - E400AN**

ITEM	PART NUMBER	QTY	DESCRIPTION	REV
	1001140598	Ref	PLATFORM LEVEL CYLINDER - E400AN	A
1	70004146	1	Barrel, Weldment	
2	70004147	1	Rod, Weldment	
5	70000739	1	Head	
6	70004141	1	Piston	
7	See Note	4	Plug (Note: Not Available for Purchase)	
9	See Note	NSS	Ring, Wear (Note: Use Item 100)	
10	See Note	NSS	Seal, Piston (Note: Use Item 100)	
11	70023094	NLA	O-Ring (Note: Use Item 100)	
12	70004142	1	Retainer	
13	70004143	1	Spacer	
14	See Note	NSS	O-Ring (Note: Use Item 100)	
15	See Note	NSS	Ring, Back-up (Note: Use Item 100)	
16	See Note	NSS	Wiper, Rod (Note: Use Item 100)	
17	See Note	NSS	Seal, Rod (Note: Use Item 100)	
18	See Note	NSS	O-Ring (Note: Use Item 100)	
19	70000740	1	O-Ring	
20	0962356	4	Bushing	
21	4640509	1	Cartridge, Counterbalance Valve	
21	2900792	1	Seal Kit - 4640509 Valve	
22	70024262	2	Plug	
23	See Note	2	Plug (Note: Not Available for Purchase)	
26	4640932	1	Cartridge, Counterbalance Valve	
26	7011112	1	Seal Kit - 4640932 Valve	
100	70004131	1	Seal Kit (Includes Items 9-11 & 14-18)	

# SECTION 6 - CYLINDER

FIGURE 6-17. PLATFORM LEVEL CYLINDER - JIB - E400AJP/E400AJPN/M400AJP/M400AJPN



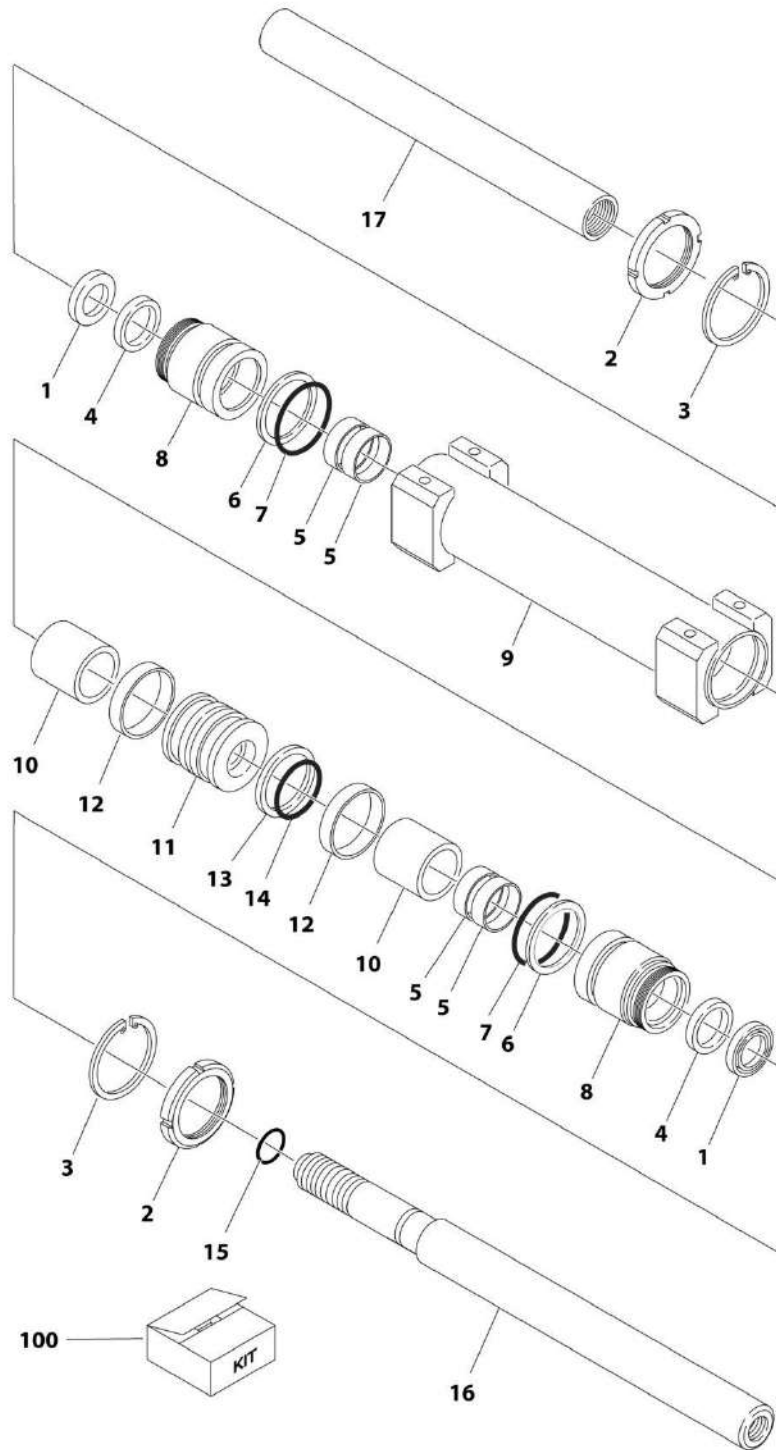
## SECTION 6 - CYLINDER

**FIGURE 6-17. PLATFORM LEVEL CYLINDER - JIB - E400AJP/E400AJPN/M400AJP/M400AJPN**

ITEM	PART NUMBER	QTY	DESCRIPTION	REV
	1001140279	Ref	PLATFORM LEVEL CYLINDER - JIB - E400AJP/E400AJPN/M400AJP/M400AJPN	A
1	70003846	1	Barrel, Weldment	
2	70003847	1	Rod, Weldment	
4	70003819	1	Piston	
5	7026082	1	Head	
8	0961951	4	Bushing	
9	See Note	NSS	Seal, Piston (Note: Use Item 100)	
10	See Note	NSS	O-Ring (Note: Use Item 100)	
11	See Note	NSS	Ring, Wear (Note: Use Item 100)	
12	See Note	NSS	O-Ring (Note: Use Item 100)	
13	See Note	NSS	Ring, Back-up (Note: Use Item 100)	
14	See Note	NSS	Seal, Rod (Note: Use Item 100)	
15	See Note	NSS	Wiper, Rod (Note: Use Item 100)	
16	70002217	1	Ring, Retaining	
17	7026084	1	O-Ring	
21	70002216	1	Retainer	
23	4640932	1	Cartridge, Counterbalance Valve	
23	7011112	1	Seal Kit - 4640932 Valve	
24	4641086	1	Cartridge, Counterbalance Valve	
24	2900792	1	Seal Kit - 4641086 Valve	
25	7024844	2	Plug	
26	See Note	2	Plug (Note: Not Available for Purchase)	
28	See Note	NSS	O-Ring (Note: Use Item 100)	
100	70003845	1	Seal Kit (Includes Items 9-15 & 28)	

# SECTION 6 - CYLINDER

## FIGURE 6-18. STEER CYLINDER ASSEMBLY



ART\_1683591

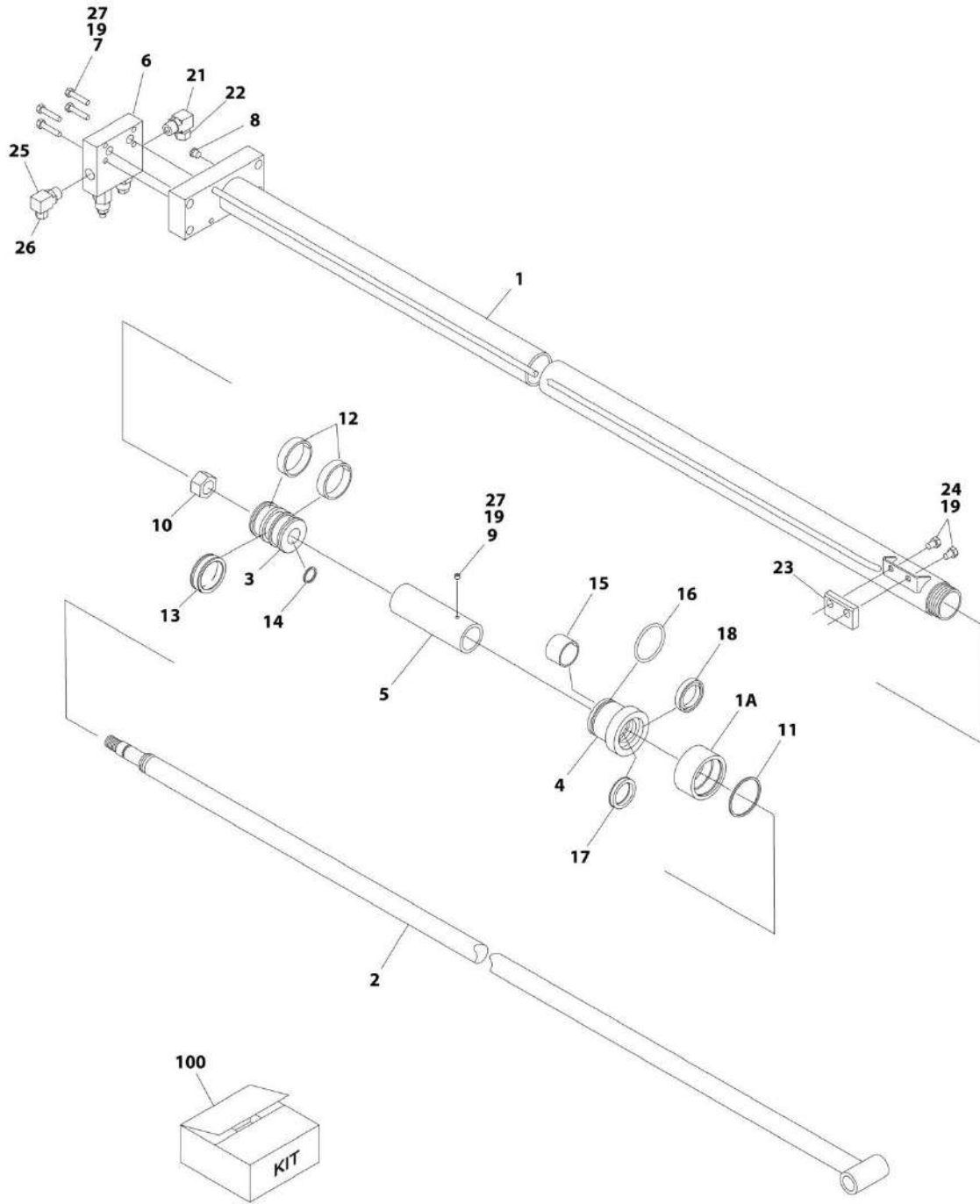
## SECTION 6 - CYLINDER

**FIGURE 6-18. STEER CYLINDER ASSEMBLY**

ITEM	PART NUMBER	QTY	DESCRIPTION	REV
	1683591	Ref	STEER CYLINDER ASSEMBLY	B
1	See Note	NSS	Wiper (Note: Use Item 100)	
2	7001630	2	Nut, Spanner	
3	7017247	2	Ring, Retaining	
4	See Note	NSS	Seal, Lip (Note: Use Item 100)	
5	See Note	NSS	Ring, Wear (Note: Use Item 100)	
6	See Note	NSS	Ring, Back-up (Note: Use Item 100)	
7	See Note	NSS	O-Ring (Note: Use Item 100)	
8	7017248	2	Guide	
9	70003341	1	Barrel, Weldment	
10	7017249	2	Tube	
11	7017250	1	Piston	
12	See Note	NSS	Ring, Wear (Note: Use Item 100)	
13	See Note	NSS	Seal (Note: Use Item 100)	
14	See Note	NSS	O-Ring (Note: Use Item 100)	
15	See Note	NSS	O-Ring (Note: Use Item 100)	
16	7017251	1	Rod - Male End	
17	7017252	1	Rod - Female End	
100	7017246	1	Seal Kit (Includes Items 1, 4-7 & 12-15)	

# SECTION 6 - CYLINDER

## FIGURE 6-19. TELESCOPE CYLINDER ASSEMBLY - E400AN



ART\_1684030

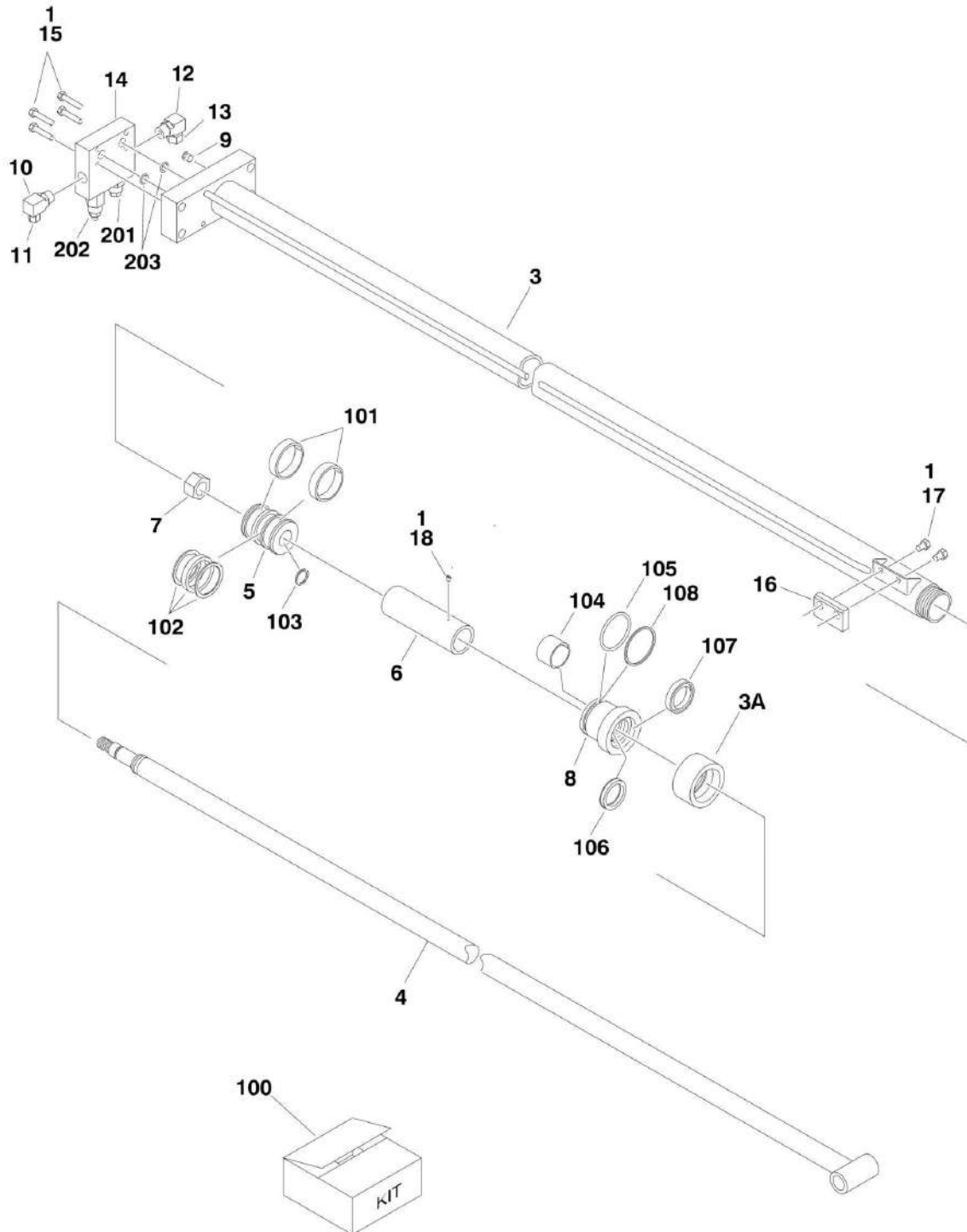
## SECTION 6 - CYLINDER

**FIGURE 6-19. TELESCOPE CYLINDER ASSEMBLY - E400AN**

ITEM	PART NUMBER	QTY	DESCRIPTION	REV
		Ref	TELESCOPE CYLINDER ASSEMBLY - E400AN	
	1684030	Ref	Telescope Cylinder Assembly – E400AN <b>(Prior to SN 0300200116)</b>	D
	1001151497	Ref	Telescope Cylinder Assembly – E400AN <b>(SN 0300200116 through 0300208528)</b>	B
		Ref	Note: Original Cylinder may have been replaced with Service Replacement. Identify PN Stamped on Cylinder Before Ordering Parts.	
1	1682888	NLA	Barrel, Weldment (Use p/n 1001151496) <b>(Prior to SN 0300200116)</b>	
1	1001151496	1	Barrel, Weldment <b>(SN 0300200116 through 0300208528)</b>	
1A	4566028	1	Cap, End	
2	1684029	1	Rod, Weldment	
3	3480239	1	Piston	
4	1683705	NLA	Head (Use p/n 1683584) <b>(Prior to SN 0300200116)</b>	
4	1683584	1	Head <b>(SN 0300200116 through 0300208528)</b>	
5	4567704	1	Spacer	
6	4640807	1	Counterbalance Valve Assembly (See COUNTERBALANCE VALVE ASSEMBLY for Breakdown)	
7	0641512	4	Bolt, 5/16-18 x 1-1/2	
8	2220883	2	Plug	
9	3951402	1	Setscrew 1/4-20 x 1/4	
10	3322205	1	Nut, Lock, 3/4-16	
11	3760318	NLA	Ring, Retainer (Use p/n 3760408) <b>(Prior to SN 0300200116)</b>	
11	3760408	1	Ring, Retainer <b>(SN 0300200116 through 0300208528)</b>	
12	See Note	NSS	Ring, Wear (Note: Use Item 100)	
13	See Note	NSS	Seal, Cap (Note: Use Item 100)	
14	See Note	NSS	O-Ring (Note: Use Item 100)	
15	See Note	NSS	Ring, Wear (Note: Use Item 100)	
16	See Note	NSS	O-Ring (Note: Use Item 100)	
17	See Note	NSS	Seal, Rod (Note: Use Item 100)	
18	See Note	NSS	Wiper, Rod (Note: Use Item 100)	
19	0100011	AR	Compound, Locking	
21	2220628	1	Fitting, 90 JIC/ORB	
22	2220516	1	Fitting, Cap	
23	3340679	1	Pad, Wear	
24	0641604	2	Bolt, 3/8-16 x 1/2	
25	2220596	1	Fitting, 90 JIC/ORB	
26	2220517	1	Fitting, Cap	
27	0100038	AR	Primer, Locking	
100	2901807	NLA	Seal Kit (Includes Items 12-18) (Use p/n 100115230) <b>(Prior to SN 0300200116)</b>	
100	1001152230	1	Seal Kit (Includes Items 12-18) <b>(SN 0300200116 through 0300208528)</b>	

# SECTION 6 - CYLINDER

FIGURE 6-20. TELESCOPE CYLINDER ASSEMBLY - E400AN (SERVICE REPLACEMENT)



ART\_1001151497



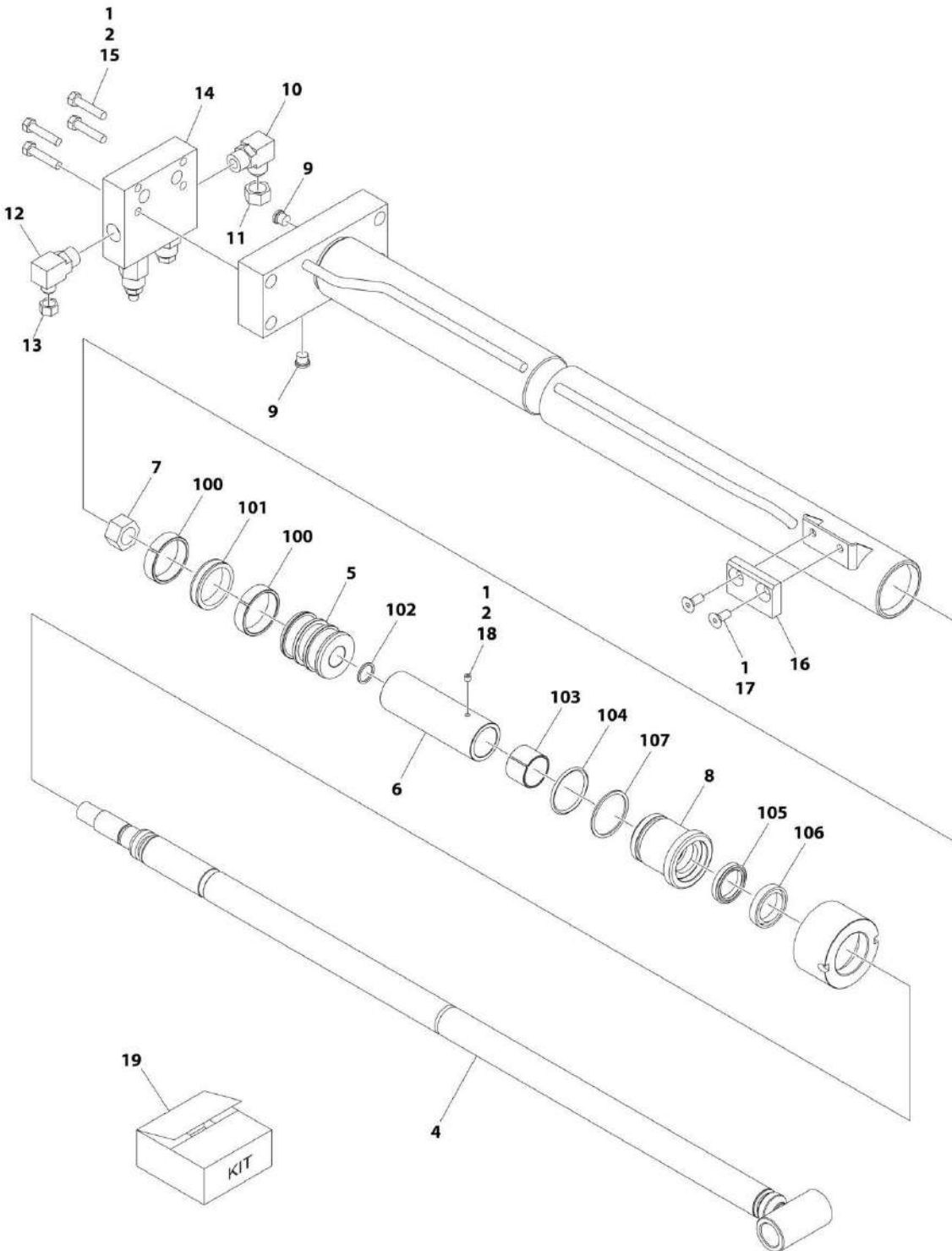
## SECTION 6 - CYLINDER

**FIGURE 6-20. TELESCOPE CYLINDER ASSEMBLY - E400AN (SERVICE REPLACEMENT)**

ITEM	PART NUMBER	QTY	DESCRIPTION	REV
	1001151497	Ref	TELESCOPE CYLINDER ASSEMBLY	C
		Ref	Note: Original Cylinder may have been replaced with Service Replacement. Identify PN Stamped on Cylinder Before Ordering Parts.	
1	0100011	AR	Compound, Locking	
1	0100038	AR	Primer, Locking	
3	1001151496	1	Barrel	
3A	1120110	1	Cap, End	
4	1684029	1	Rod	
5	3480239	1	Piston	
6	4567704	1	Spacer, Tube	
7	3322205	1	Locknut	
8	1683584	1	Head	
9	2220883	1	Plug, O-Ring	
10	2220596	1	Fitting, Elbow	
11	2220517	1	Fitting, Cap	
12	2220628	1	Fitting, Elbow	
13	2220516	1	Fitting, Cap	
14	4640807	1	Counterbalance Valve Assy (See Items 201-203 for Breakdown)	
15	0641512	4	Bolt 5/16in-18NC x 1-1/2in	
16	3340679	1	Wear Pad Assembly	
17	0641604	2	Bolt 3/8in-16NC x 1/2in	
18	3951402	1	Setscrew 1/4in-20NC x 1/4in	
100	1001152230	1	Seal Kit Options (Includes Items 101-108):	
101	See Note	2	Ring, Wear (Note: Use Item 100)	
102	See Note	1	Seal, Cap (Note: Use Item 100)	
103	See Note	1	O-Ring (Note: Use Item 100)	
104	See Note	1	Ring, Wear (Note: Use Item 100)	
105	See Note	1	O-Ring (Note: Use Item 100)	
106	See Note	1	Seal, Rod (Note: Use Item 100)	
107	See Note	1	Wiper (Note: Use Item 100)	
108	See Note	1	Ring, Back-up (Note: Use Item 100)	
	4640807	Ref	<b>COUNTERBALANCE VALVE ASSEMBLY</b>	D
201	4640771	1	Cartridge, Counterbalance	
201	2900770	1	Seal Kit - 4640771 Cartridge	
202	4640709	1	Cartridge, Vented Counterbalance	
202	2900770	1	Seal Kit - 4640709 Cartridge	
203	3790113	2	O-Ring (Between Valve and Cylinder Block)	

# SECTION 6 - CYLINDER

## FIGURE 6-21. TELESCOPE CYLINDER ASSEMBLY - E400AN (SERVICE REPLACEMENT)



ART\_1001228063

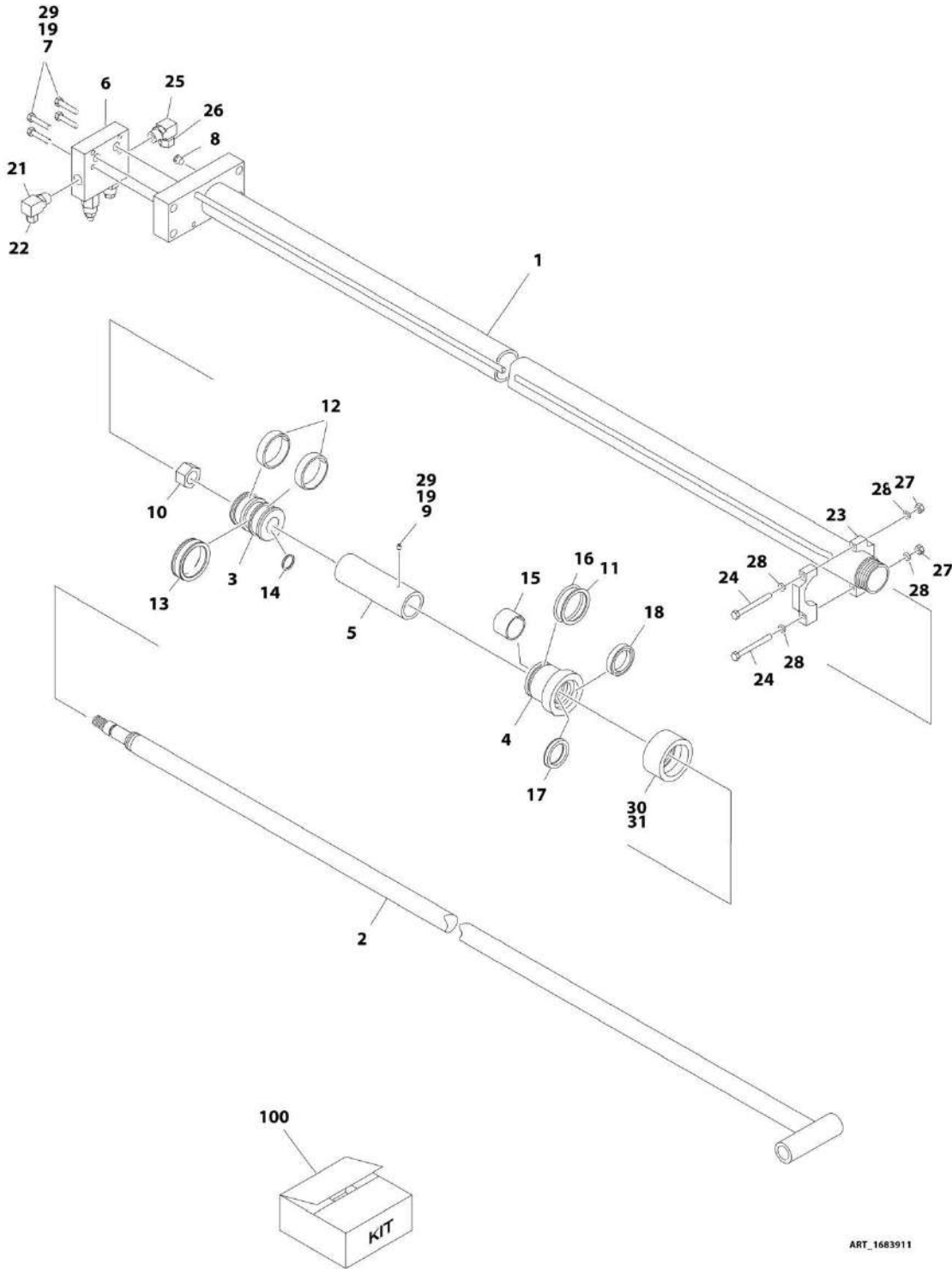
## SECTION 6 - CYLINDER

**FIGURE 6-21. TELESCOPE CYLINDER ASSEMBLY - E400AN (SERVICE REPLACEMENT)**

ITEM	PART NUMBER	QTY	DESCRIPTION	REV
	1001228063	Ref	TELESCOPE CYLINDER ASSEMBLY	E
		Ref	Note: Original Cylinder may have been replaced with Service Replacement. Identify PN Stamped on Cylinder Before Ordering Parts.	
1	0100011	AR	Compound, Locking	
2	0100038	AR	Primer, Locking	
4	70006566	1	Rod	
5	70006564	1	Piston	
6	70006563	1	Spacer	
7	70006971	1	Nut	
8	70006565	1	Head	
9	2220883	1	Plug	
10	2220596	1	Fitting, 90 JIC/ORB	
11	2220517	1	Fitting, Cap	
12	2220628	1	Fitting, 90 JIC/ORB	
13	2220516	1	Fitting, Cap	
14	4640807	1	Counterbalance Valve Assembly (See COUNTERBALANCE VALVE ASSEMBLY for Breakdown)	
15	0641512	4	Bolt, 5/16 x 1-1/2	
16	3340679	1	Pad, Wear	
17	70006976	2	Screw	
18	70023915	1	Setscrew, M6 x 8	
19	1001152230	1	Seal Kit (Includes Items 100-107)	
100	See Note	NSS	Ring, Wear (Note: Use p/n 1001152230)	
101	See Note	NSS	Seal, Piston(Note: Use p/n 1001152230)	
102	See Note	NSS	O-Ring (Note: Use p/n 1001152230)	
103	See Note	NSS	Ring, Wear (Note: Use p/n 1001152230)	
104	See Note	NSS	O-Ring (Note: Use p/n 1001152230)	
105	See Note	NSS	Seal, Rod (Note: Use p/n 1001152230)	
106	See Note	NSS	Seal, Rod (Note: Use p/n 1001152230)	
107	See Note	NSS	Ring, Back-Up (Note: Use p/n 1001152230)	

# SECTION 6 - CYLINDER

FIGURE 6-22. TELESCOPE CYLINDER ASSEMBLY - E400AJP/E400AJPN/M400AJP/M400AJPN



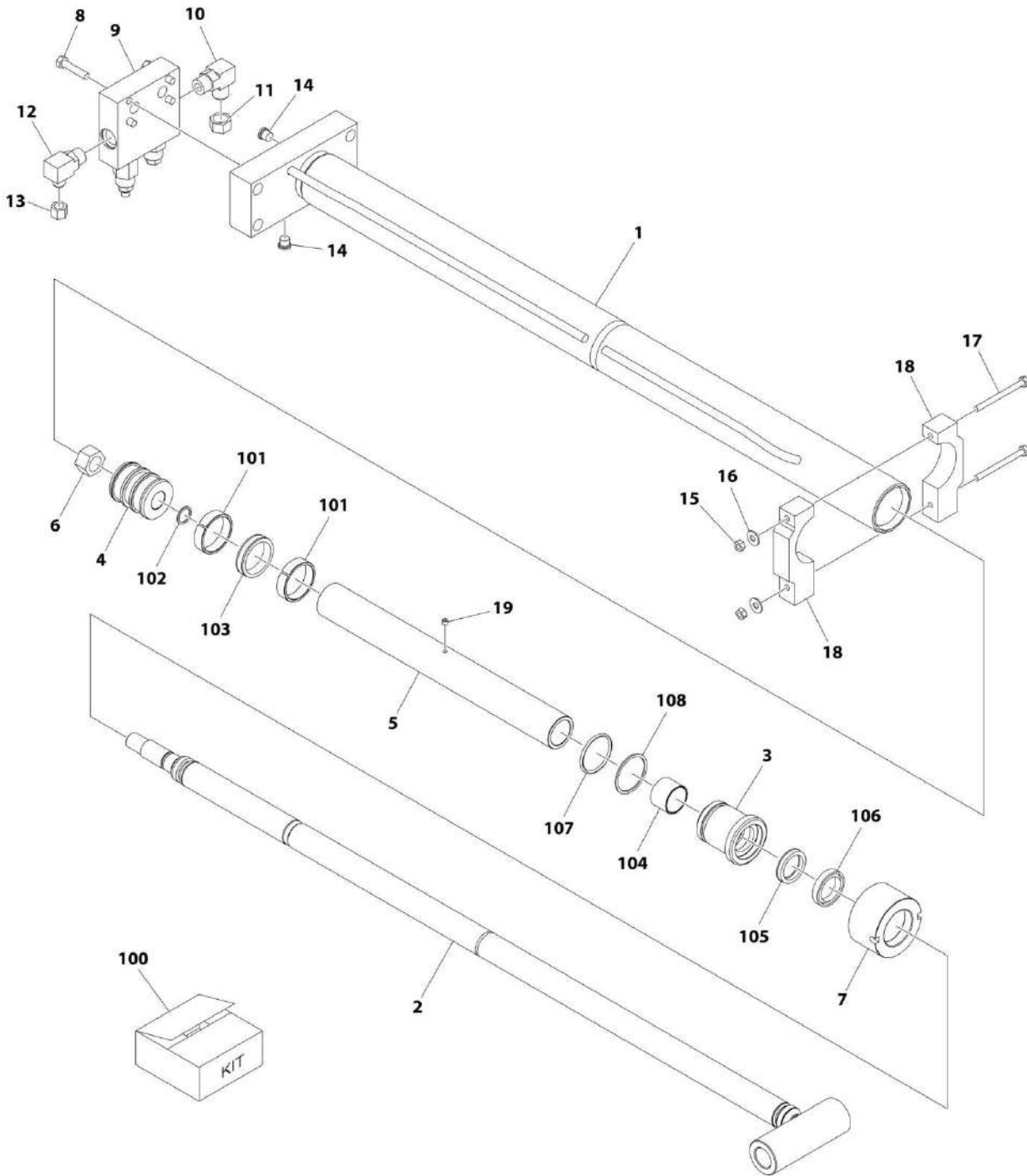
## SECTION 6 - CYLINDER

**FIGURE 6-22. TELESCOPE CYLINDER ASSEMBLY - E400AJP/E400AJPN/M400AJP/M400AJPN**

ITEM	PART NUMBER	QTY	DESCRIPTION	REV
	1683911	Ref	TELESCOPE CYLINDER ASSEMBLY - E400AJP/E400AJPN/M400AJP/M400AJPN	4
		Ref	Note: Original Cylinder may have been replaced with Service Replacement. Identify PN Stamped on Cylinder Before Ordering Parts.	
1	1683912	1	Barrel, Weldment	
1A	1120110	1	Cap, End	
2	1683980	1	Rod, Weldment	
4	1683584	1	Head	
5	4567963	1	Spacer	
6	4640807	1	Counterbalance Valve Assembly (See COUNTERBALANCE VALVE ASSEMBLY for Breakdown)	
7	0641512	4	Bolt, 5/16-18 x 1-1/2	
8	2220883	2	Plug	
9	3951402	1	Setscrew 1/4-20 x 1/4	
10	3322205	1	Nut, Lock, 3/4-16	
11	See Note	NSS	Ring, Back-up (Note: Use Item 100)	
12	See Note	NSS	Ring, Wear (Note: Use Item 100)	
13	See Note	NSS	Seal, Cap (Note: Use Item 100)	
14	See Note	NSS	O-Ring (Note: Use Item 100)	
15	See Note	NSS	Ring, Wear (Note: Use Item 100)	
16	See Note	NSS	O-Ring (Note: Use Item 100)	
17	See Note	NSS	Seal, Rod (Note: Use Item 100)	
18	See Note	NSS	Wiper, Rod (Note: Use Item 100)	
19	0100011	AR	Compound, Locking	
21	2220628	1	Fitting, 90 JIC/ORB	
22	2220516	1	Fitting, Cap	
23	3340882	2	Pad	
24	0641424	2	Bolt, 1/4-20 x 3	
25	2220596	1	Fitting, 90 JIC/ORB	
26	2220517	1	Fitting, Cap	
27	3311405	2	Nut, 1/4-20	
28	4751400	4	Washer, 1/4	
29	0100038	AR	Primer, Locking	
30	0100035	AR	Compound, Locking	
31	1120110	1	Cap, End	
100	2901903	1	Seal Kit (Includes Items 11-18)	

# SECTION 6 - CYLINDER

## FIGURE 6-23. TELESCOPE CYLINDER ASSEMBLY - E400AJP/E400AJPN/M400AJP/M400AJPN (SERVICE REPLACEMENT)



ART\_1001228015

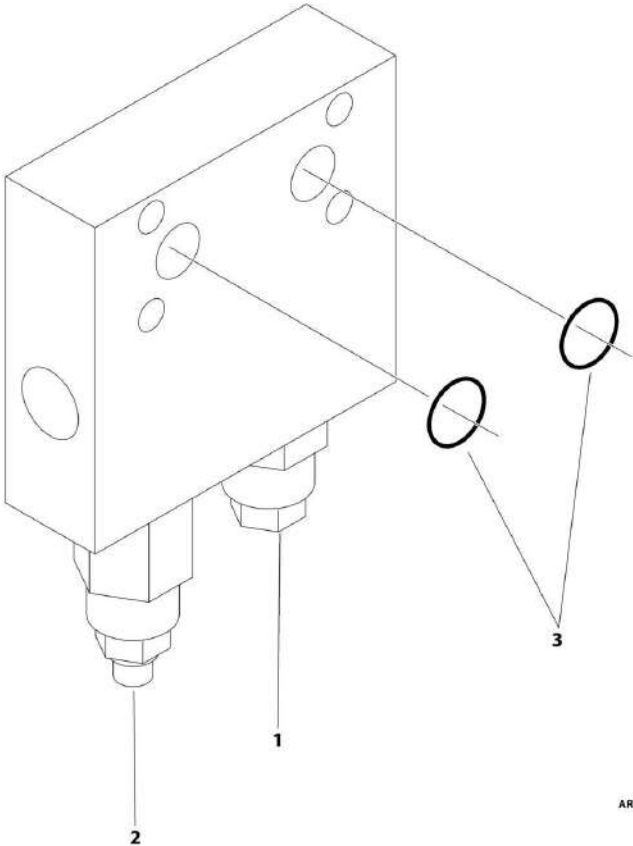
## SECTION 6 - CYLINDER

**FIGURE 6-23. TELESCOPE CYLINDER ASSEMBLY - E400AJP/E400AJPN/M400AJP/M400AJPN  
(SERVICE REPLACEMENT)**

ITEM	PART NUMBER	QTY	DESCRIPTION	REV
	1001228015	Ref	TELESCOPE CYLINDER ASSEMBLY	B
		Ref	Note: Original Cylinder may have been replaced with Service Replacement. Identify PN Stamped on Cylinder Before Ordering Parts.	
1	See Note	NSS	Barrel Weldment (Note: Not Available for Purchase)	
2	70006975	1	Rod	
3	70006565	1	Head	
4	70006564	1	Piston	
5	70006974	1	Spacer	
6	70006971	1	Nut, Lock	
7	70006561	1	Cap, End	
8	0641512	4	Bolt, 5/16 x 1-1/2	
9	4640807	1	Counterbalance Valve Assembly (See COUNTERBALANCE VALVE ASSEMBLY for Breakdown)	
10	2220596	1	Fitting, 90 JIC/ORB	
11	2220517	1	Fitting, Cap	
12	2220628	1	Fitting, 90 JIC/ORB	
13	2220516	1	Fitting, Cap	
14	2220883	2	Plug	
15	3311405	2	Nut 1/4 x 20	
16	4751400	4	Flatwasher 1/4	
17	0641424	2	Bolt 1/4 x 3	
18	3340882	2	Wear Pad Assembly	
19	70006413	1	Setscrew	
100	2901903	1	Seal Kit (Includes Items 101-108)	
101	See Note	NSS	Ring, Wear (Note: Use p/n 2901903)	
102	See Note	NSS	O-Ring (Note: Use p/n 2901903)	
103	See Note	NSS	Seal, Piston (Note: Use p/n 2901903)	
104	See Note	NSS	Ring, Wear (Note: Use p/n 2901903)	
105	See Note	NSS	Seal, Rod (Note: Use p/n 2901903)	
106	See Note	NSS	Wiper, Rod (Note: Use p/n 2901903)	
107	See Note	NSS	O-Ring (Note: Use p/n 2901903)	
108	See Note	NSS	Ring, Back-Up (Note: Use p/n 2901903)	

**SECTION 6 - CYLINDER**

**FIGURE 6-24. COUNTERBALANCE VALVE ASSEMBLY**



ART. 4640807



## SECTION 6 - CYLINDER

### FIGURE 6-24. COUNTERBALANCE VALVE ASSEMBLY

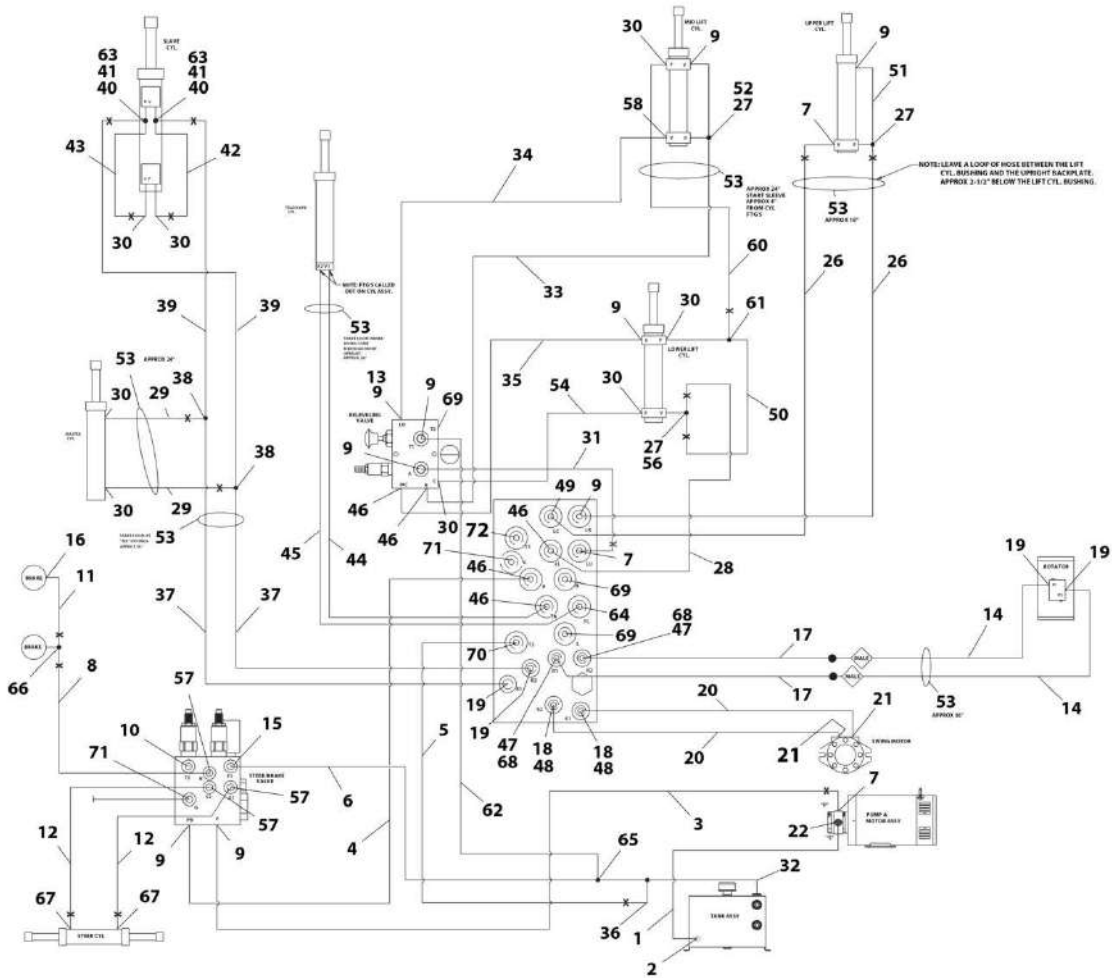
ITEM	PART NUMBER	QTY	DESCRIPTION	REV
	4640807	Ref	COUNTERBALANCE VALVE ASSEMBLY	D
1	4640771	1	Cartridge, Counterbalance	
1	2900770	1	Seal Kit - 4640771 Cartridge	
2	4640709	1	Cartridge, Vented Counterbalance	
2	2900770	1	Seal Kit - 4640709 Cartridge	
3	3790113	2	O-Ring (Between Valve and Cylinder Block)	



**SECTION 7 - HYDRAULIC**

# SECTION 7 - HYDRAULIC

## FIGURE 7-1. HYDRAULIC DIAGRAM - E400AN



ART\_1001169636

## SECTION 7 - HYDRAULIC

### FIGURE 7-1. HYDRAULIC DIAGRAM - E400AN

ITEM	PART NUMBER	QTY	DESCRIPTION	REV
	1001169636	Ref	HYDRAULIC DIAGRAM - E400AN	F
1	2753973	1	Hose	
2	2220498	1	Fitting, 45 JIC/ORB	
3	1001152635	1	Hose	
4	2750915	1	Hose	
5	1001177666	1	Hose	
6	2752467	1	Hose	
7	2220371	3	Fitting, Straight, JIC/ORB	
8	2752589	1	Hose	
9	2220473	9	Fitting, 90 JIC/ORB	
10	2220885	1	Plug	
11	1001109687	1	Hose	
12	2752453	2	Hose	
13	2220507	1	Fitting, 90 JIC/JIC	
14	2753337	2	Hose <b>(Prior to SN 0300201791)</b>	
14	1001185828	2	Hose <b>(SN 0300201791 through 0300208528)</b>	
15	2220371	1	Fitting, Straight, JIC/ORB	
16	2220466	1	Fitting, 90 JIC/ORB	
17	2753332	2	Hose <b>(Prior to SN 0300201791)</b>	
17	2753520	2	Hose <b>(SN 0300201791 through 0300208528)</b>	
18	2220415	2	Fitting, Straight JIC/ORB	
19	2220502	4	Fitting, 45 JIC/ORB	
20	2752459	2	Hose	
21	2221033	2	Fitting, Straight JIC/ORB	
22	2220593	1	Fitting, Straight JIC/ORB	
26	2753519	2	Hose	
27	2220899	3	Fitting, Tee JIC/ORB/JIC	
28	2752620	1	Hose	
29	2752437	2	Hose	
30	2220472	8	Fitting, 90 JIC/ORB	
31	2750910	1	Hose	
32	2220999	1	Fitting, Tee JIC/ORB/JIC	
33	2753335	1	Hose	
34	2753334	1	Hose	
35	2752475	1	Hose	
36	2220386	1	Fitting, 90 JIC/JIC	
37	2753520	2	Hose	
38	2220504	2	Fitting, Tee JIC/JIC/JIC	
39	2753535	2	Hose	
40	2220727	2	Fitting, Reducer ORB	
41	2220684	2	Fitting, Tee NPT/JIC/JIC	
42	2752435	1	Hose	
43	2752573	1	Hose	
44	2753474	1	Hose	
45	2753475	1	Hose	
46	2220501	5	Fitting, 45 JIC/ORB	
47	2220502	2	Fitting, 45 JIC/ORB	
48	2220677	2	Fitting, 45 JIC/JIC	
49	2221147	1	Fitting, 90 JIC/ORB	
50	2752581	1	Hose	

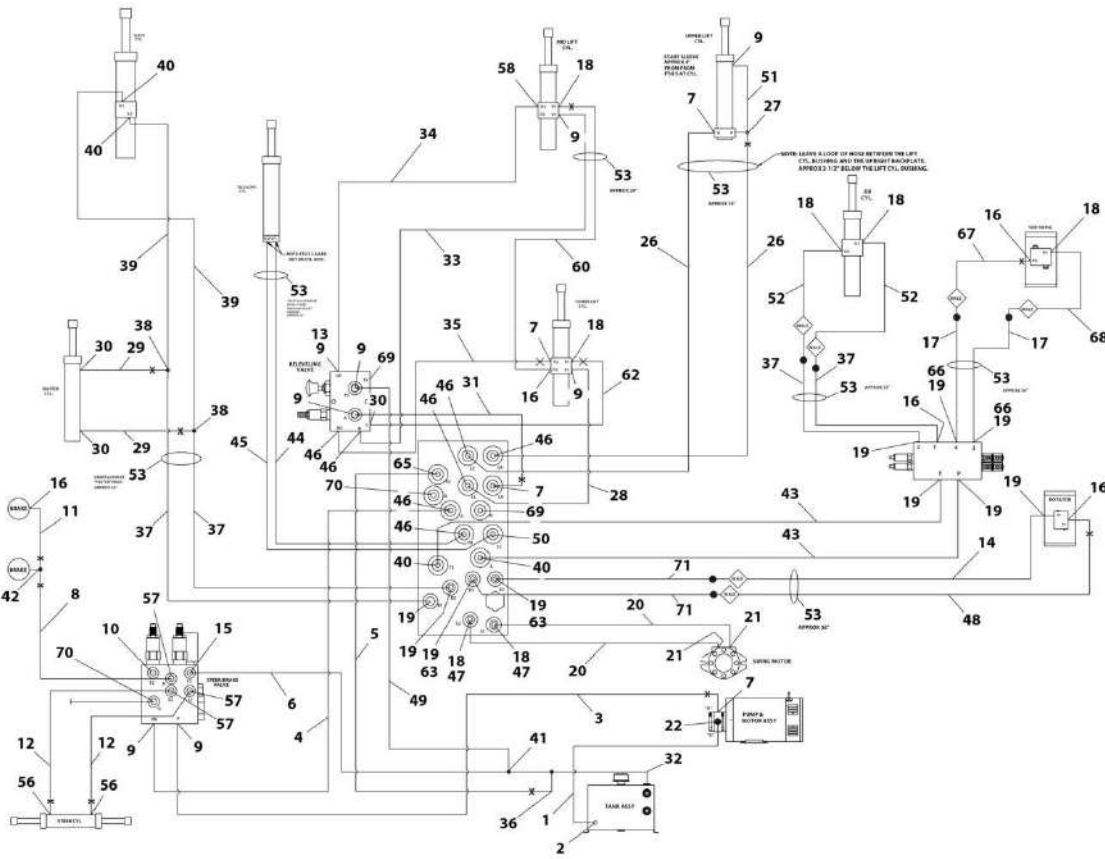
## SECTION 7 - HYDRAULIC

ITEM	PART NUMBER	QTY	DESCRIPTION	REV
51	4566188	1	Tube	
52	4566187	1	Tube	
53	4100026	13.7 ft /4.2m	Nylon, Sleeve	
54	2752983	1	Hose	
55	1702124	1	Hose, Tag (Not Shown)	
56	2220609	1	Fitting, Straight JIC/JIC	
57	2220415	3	Fitting, Straight JIC/ORB	
58	2220473	1	Fitting, 90 JIC/ORB	
60	2752440	1	Hose	
61	2220605	1	Fitting, Tee JIC/JIC/JIC	
62	2750915	1	Hose	
63	0100020	AR	Sealant	
64	2220600	1	Fitting, Straight JIC/ORB	
65	2221054	1	Fitting, Tee JIC/JIC/JIC	
66	2220711	1	Fitting, Tee JIC/ORB/JIC	
67	2220582	2	Fitting, Straight JIC/ORB	
68	2220909	2	Fitting, Restrictor	
69	2220237	3	Plug, ORB	
70	1001136881	1	Fitting, 45 JIC/ORB	
71	2221086	2	Fitting, Nipple	
72	2220239	1	Plug, ORB	



# SECTION 7 - HYDRAULIC

## FIGURE 7-2. HYDRAULIC DIAGRAM - E400AJP/E400AJPN



ART\_1001169638



## SECTION 7 - HYDRAULIC

### FIGURE 7-2. HYDRAULIC DIAGRAM - E400AJP/E400AJPN

ITEM	PART NUMBER	QTY	DESCRIPTION	REV
	1001169638	Ref	HYDRAULIC DIAGRAM - E400AJP/E400AJPN	F
1	2753973	1	Hose	
2	2220498	1	Fitting, 45 JIC/ORB	
3	1001152635	1	Hose	
4	2750915	1	Hose	
5	1001177666	1	Hose	
6	2752467	1	Hose	
7	2220371	4	Fitting, Straight JIC/ORB	
8	2752589	1	Hose	
9	2220473	8	Fitting, 90 JIC/ORB	
10	2220885	1	Plug	
11	1001109687	1	Hose	
12	2752453	2	Hose	
13	2220507	1	Fitting, 90 JIC/JIC	
14	2753337	1	Hose <b>(Prior to SN 0300201791)</b>	
14	1001185828	1	Hose <b>(SN 0300201791 through 0300208528)</b>	
15	2220371	1	Fitting, Straight JIC/ORB	
16	2220466	5	Fitting, 90 JIC/ORB	
17	2753332	2	Hose	
18	2220415	7	Fitting, Straight JIC/ORB	
19	2220502	10	Fitting, 45 JIC/ORB	
20	2752459	2	Hose	
21	2221033	2	Fitting, Straight JIC/ORB	
22	2220593	1	Fitting, Straight JIC/ORB	
26	2752619	2	Hose	
27	2220899	1	Fitting, Tee JIC/ORB/JIC	
28	2752466	1	Hose	
29	2752437	2	Hose	
30	2220472	3	Fitting, 90 JIC/ORB	
31	2750910	1	Hose	
32	2220999	1	Fitting, Tee JIC/ORB/JIC	
33	2753335	1	Hose	
34	2753334	1	Hose	
35	2752611	1	Hose	
36	2220386	1	Fitting, 90 JIC/JIC	
37	2752571	4	Hose	
38	2220504	2	Fitting, Tee JIC/JIC/JIC	
39	2753333	2	Hose	
40	2220582	4	Fitting, Straight JIC/ORB	
41	2221054	1	Fitting, Tee JIC/JIC/JIC	
42	2220711	1	Fitting, Tee JIC/ORB/JIC	
43	2752430	2	Hose	
44	2753474	1	Hose	
45	2753475	1	Hose	
46	2220501	7	Fitting, 45 JIC/ORB	
47	2220677	2	Fitting, 45 JIC/JIC	
48	2753336	1	Hose <b>(Prior to SN 0300201791)</b>	
48	1001185829	1	Hose <b>(SN 0300201791 through 0300208528)</b>	
49	2750915	1	Hose	
50	2220600	1	Fitting, Straight JIC/ORB	

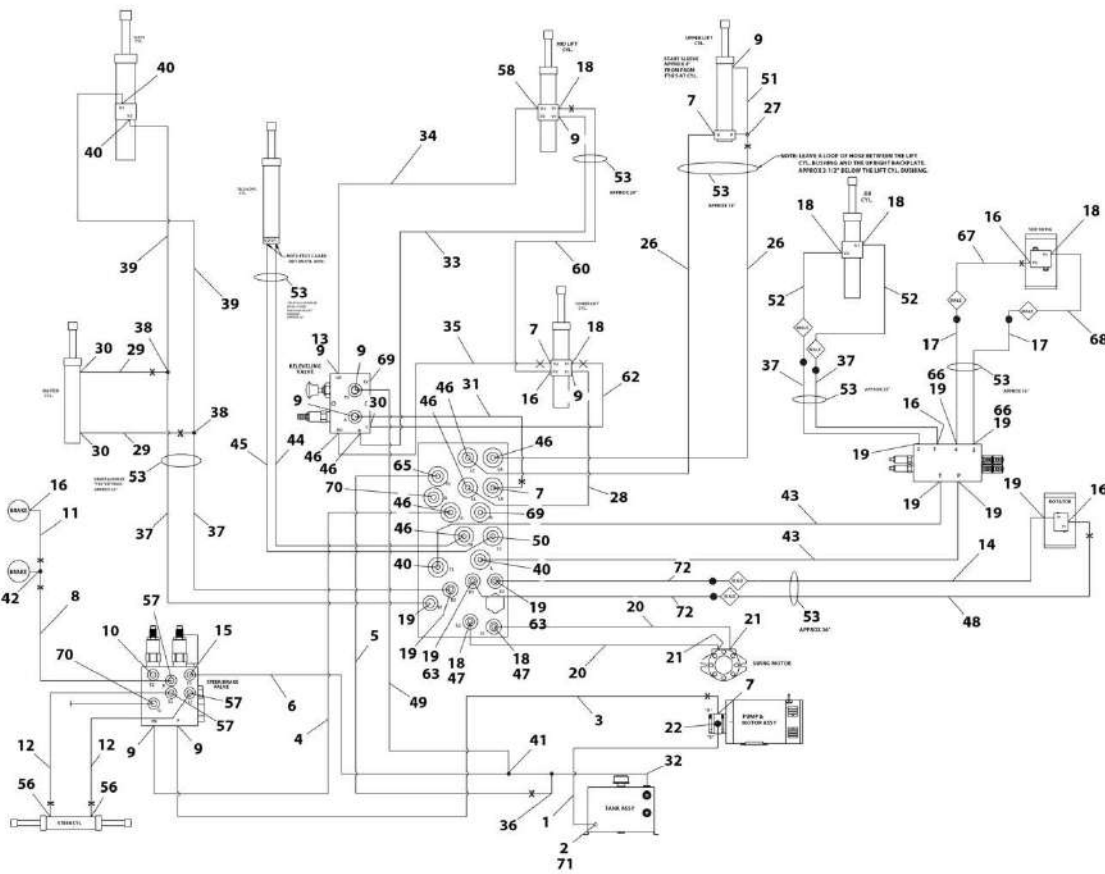
## SECTION 7 - HYDRAULIC

ITEM	PART NUMBER	QTY	DESCRIPTION	REV
51	4567946	1	Tube	
52	2753329	2	Hose	
53	4100026	17.2 ft /5.2m	Nylon, Sleeve	
55	1702124	1	Hose, Tag (Not Shown)	
56	2220582	2	Fitting, Straight JIC/ORB	
57	2220415	3	Fitting, Straight JIC/ORB	
58	2220473	1	Fitting, 90 JIC/ORB	
60	2751890	1	Hose	
62	2752600	1	Hose	
63	2220909	2	Fitting, Restrictor	
65	2220499	1	Fitting, 45 JIC/ORB	
66	2221039	2	Fitting, Orifice	
67	2753330	1	Hose	
68	2753331	1	Hose	
69	2220237	2	Plug, ORB	
70	2221086	2	Fitting, Nipple	
71	2753520	2	Hose (SN 0300201791 through 0300208528)	



# SECTION 7 - HYDRAULIC

## FIGURE 7-3. HYDRAULIC DIAGRAM - M400AJP/M400AJPN



ART\_1001169640

## SECTION 7 - HYDRAULIC

### FIGURE 7-3. HYDRAULIC DIAGRAM - M400AJP/M400AJPN

ITEM	PART NUMBER	QTY	DESCRIPTION	REV
	1001169640	Ref	HYDRAULIC DIAGRAM - M400AJP/M400AJPN	D
1	2752675	1	Hose	
2	1320033	1	Clamp	
3	2752486	1	Hose	
4	2752466	1	Hose	
5	2752519	1	Hose	
6	2752462	1	Hose	
7	2220371	4	Fitting, Straight JIC/ORB	
8	2753010	1	Hose	
9	2220473	8	Fitting, 90 JIC/ORB	
10	2220885	1	Plug	
11	1001109687	1	Hose	
12	2752574	2	Hose	
13	2220507	1	Fitting, 90 JIC/JIC	
14	2753337	1	Hose <b>(Prior to SN 0300201791)</b>	
14	1001185828	1	Hose <b>(SN 0300201791 through 0300208528)</b>	
15	2220473	1	Fitting, 90 JIC/ORB	
16	2220466	5	Fitting, 90 JIC/ORB	
17	2753332	2	Hose	
18	2220415	7	Fitting, Straight JIC/ORB	
19	2220502	10	Fitting, 45 JIC/ORB	
20	2752459	2	Hose	
21	2221033	2	Fitting, Straight JIC/ORB	
22	2220593	1	Fitting, Straight JIC/ORB	
26	2752619	2	Hose	
27	2220899	1	Fitting, Tee JIC/ORB/JIC	
28	2752466	1	Hose	
29	2752437	2	Hose	
30	2220472	3	Fitting, 90 JIC/ORB	
31	2750910	1	Hose	
32	2220999	1	Fitting, Tee JIC/ORB/JIC	
33	2753335	1	Hose	
34	2753334	1	Hose	
35	2752611	1	Hose	
36	2220386	1	Fitting, 90 JIC/JIC	
37	2752571	4	Hose	
38	2220504	2	Fitting, Tee JIC/JIC/JIC	
39	2753333	2	Hose	
40	2220582	4	Fitting, Straight JIC/ORB	
41	2221054	1	Fitting, Tee JIC/JIC/JIC	
42	2220711	1	Fitting, Tee JIC/ORB/JIC	
43	2752430	2	Hose	
44	2753474	1	Hose	
45	2753475	1	Hose	
46	2220501	7	Fitting, 45 JIC/ORB	
47	2220677	2	Fitting, 45 JIC/JIC	
48	2753336	1	Hose <b>(Prior to SN 0300201791)</b>	
48	1001185829	1	Hose <b>(SN 0300201791 through 0300208528)</b>	
49	2752466	1	Hose	
50	2220600	1	Fitting, Straight JIC/ORB	

## SECTION 7 - HYDRAULIC

ITEM	PART NUMBER	QTY	DESCRIPTION	REV
51	4567946	1	Tube	
52	2753329	2	Hose	
53	4100026	17.2 ft /5.2m	Nylon, Sleeve	
55	1702124	1	Hose, Tag (Not Shown)	
56	2220582	2	Fitting, Straight JIC/ORB	
57	2220415	3	Fitting, Straight JIC/ORB	
58	2220473	1	Fitting, 90 JIC/ORB	
60	2751890	1	Hose	
62	2752600	1	Hose	
63	2220909	2	Fitting, Restrictor	
65	2220499	1	Fitting, 45 JIC/ORB	
66	2221039	2	Fitting, Orifice	
67	2753330	1	Hose	
68	2753331	1	Hose	
69	2220237	2	Plug, ORB	
70	2221086	2	Fitting, Nipple	
71	4061032	1	Shield, Hose	
72	2753520	2	Hose <b>(SN 0300201791 through 0300208528)</b>	



## SECTION 7 - HYDRAULIC

FIGURE 7-4. HYDRAULIC DIAGRAM LIST

ITEM	PART NUMBER	QTY	DESCRIPTION	REV
		Ref	Note: Diagrams are available from JLG Service/Parts Department.	
	1001169636	Ref	HYDRAULIC DIAGRAM - E400An	
	1001169638	Ref	HYDRAULIC DIAGRAM - E400AJP/E400AJPn	
	1001169640	Ref	HYDRAULIC DIAGRAM - M400AJP/M400AJPn	
	2792505	Ref	HYDRAULIC SCHEMATIC	



**SECTION 8 - ELECTRICAL**

## SECTION 8 - ELECTRICAL

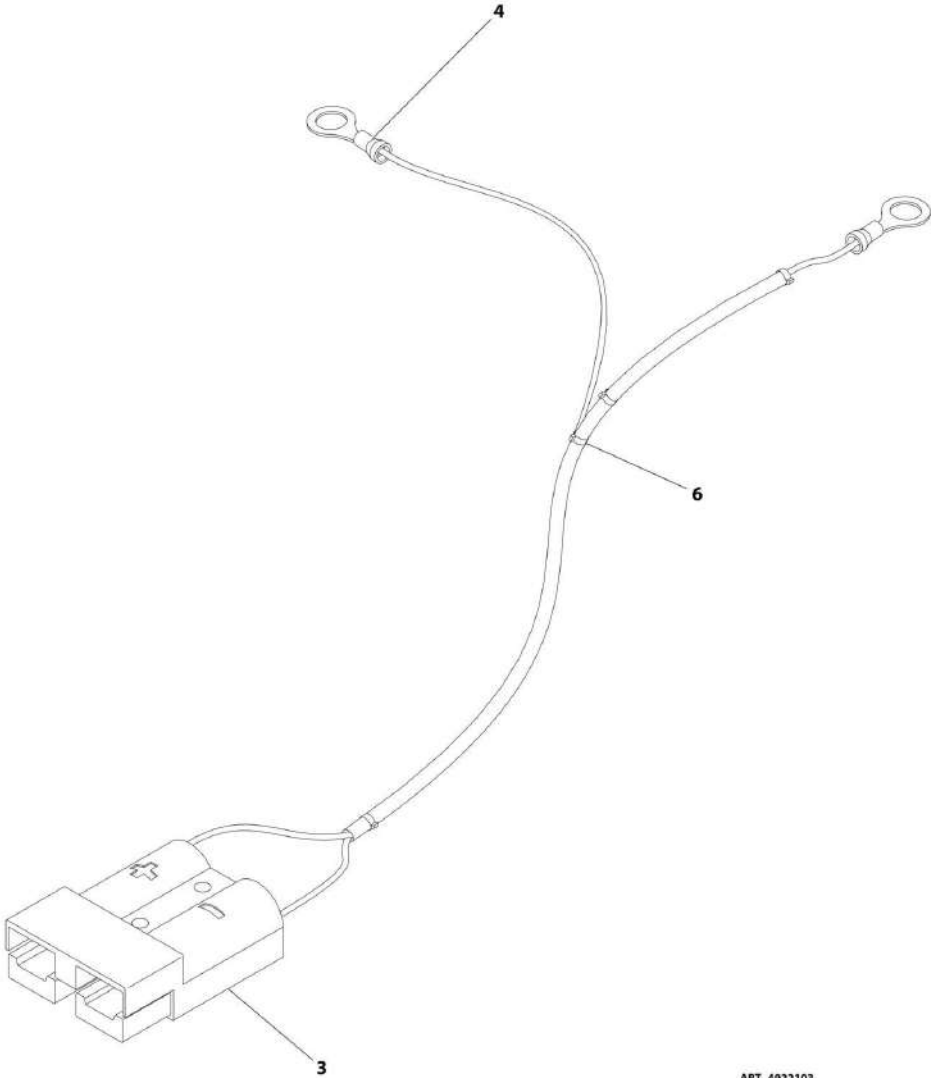
FIGURE 8-1. ELECTRICAL DIAGRAM LIST

ITEM	PART NUMBER	QTY	DESCRIPTION	REV
		Ref	Note: For information, refer to Service Manual or contact JLG Customer Service Department.	
	1870227	Ref	ELECTRICAL SCHEMATIC	
	4933388	Ref	GROUND CONTROL BOX WIRING DIAGRAM Options: GROUND CONTROL BOX WIRING DIAGRAM ( <b>Prior to SN 0300200792</b> )	
	1001189765		GROUND CONTROL BOX WIRING ( <b>SN 0300200792 through 0300208528</b> )	
	1001190300	Ref	BATTERY CHARGER INDICATOR HARNESS - CE SPEC	
	4933060	Ref	PLATFORM ELECTRICAL DIAGRAM - E400An	
	4933181	Ref	PLATFORM ELECTRICAL DIAGRAM - E400An - UL LISTED	
	4933105	Ref	PLATFORM ELECTRICAL DIAGRAM - E400AJP/E400AJPn/M400AJP/M400AJPn	
	4933182	Ref	PLATFORM ELECTRICAL DIAGRAM - E400AJP/E400AJPn/M400AJP/M400AJPn - UL LISTED	
	1870227	Ref	ELECTRICAL SCHEMATIC	
	1001189074	Ref	SKYGUARD HARNESS	
	1001189076	Ref	SKYGUARD CAN HARNESS	
	1001149563	Ref	SKYGUARD SENSOR WIRING DIAGRAM	



**SECTION 8 - ELECTRICAL**

**FIGURE 8-2. BATTERY CHARGER HARNESS**



ART\_4922103

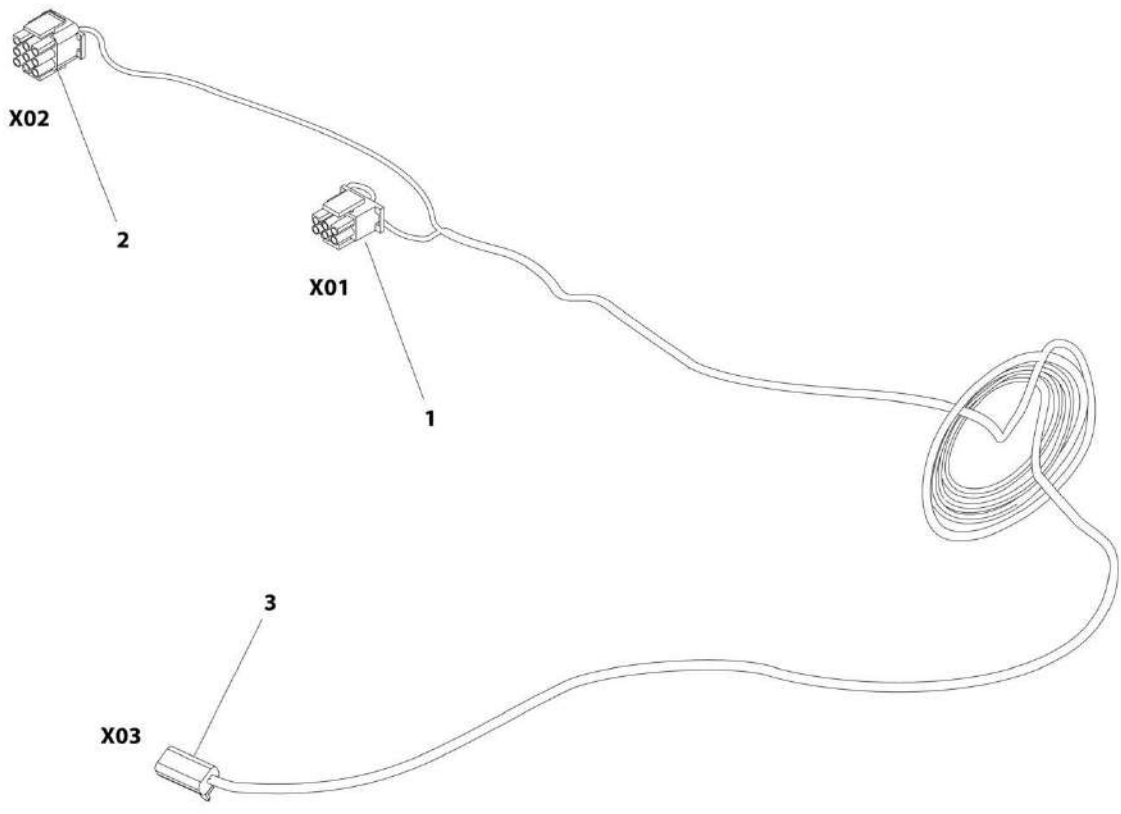
## SECTION 8 - ELECTRICAL

### FIGURE 8-2. BATTERY CHARGER HARNESS

ITEM	PART NUMBER	QTY	DESCRIPTION	REV
	4922103	Ref	BATTERY CHARGER HARNESS	A
3	4460444	1	Connector, Anderson	
4	4460738	2	Terminal	
6	4240033	4	Tie-Strap	

# SECTION 8 - ELECTRICAL

## FIGURE 8-3. BEACON LIGHT HARNESS (BLUE BEACON ONLY)



ART\_1001149570

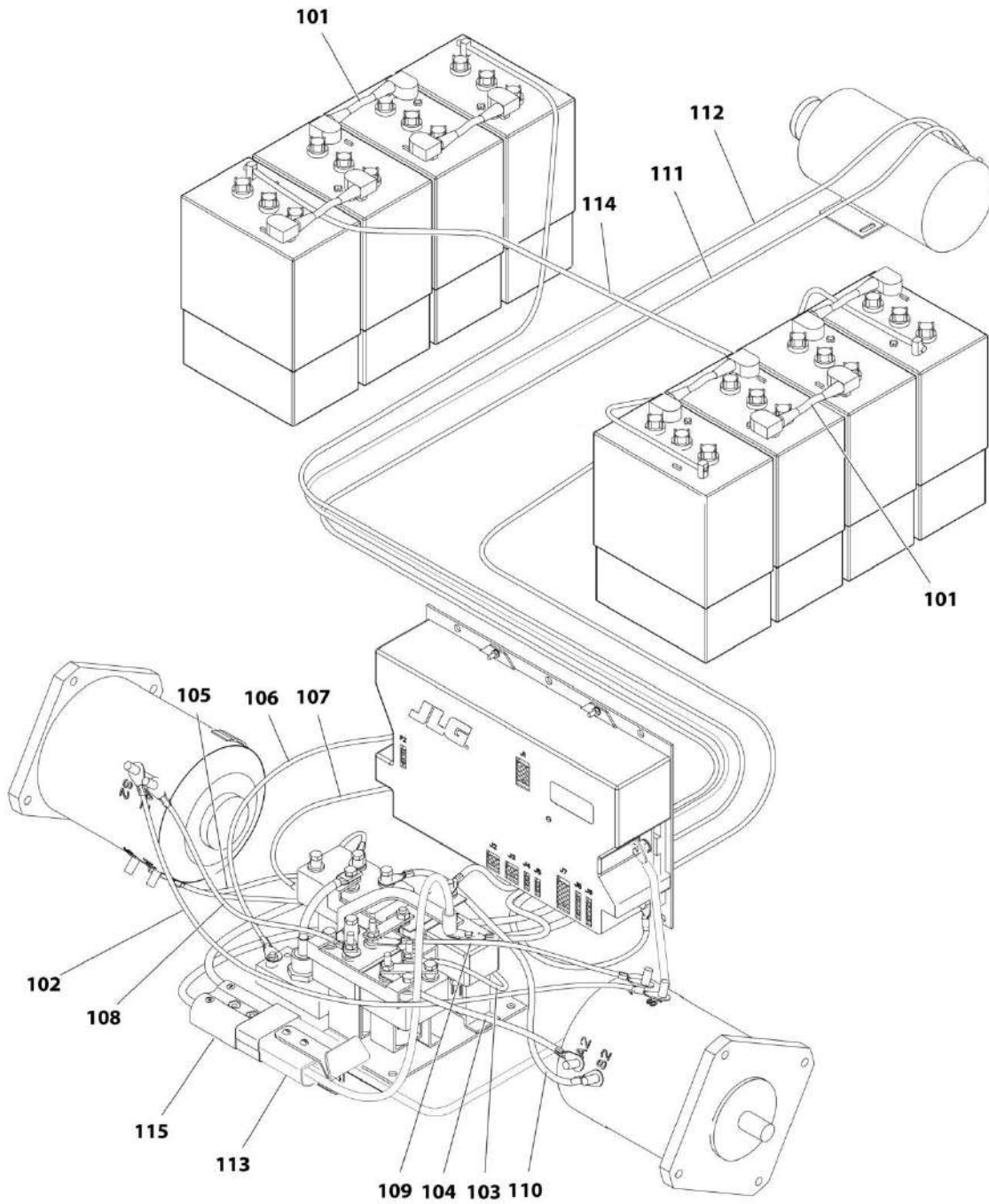
## SECTION 8 - ELECTRICAL

### FIGURE 8-3. BEACON LIGHT HARNESS (BLUE BEACON ONLY)

ITEM	PART NUMBER	QTY	DESCRIPTION	REV
	1001149570	Ref	BEACON LIGHT HARNESS (BLUE BEACON ONLY)	B
1	4460225	1	Plug, Male - 6 Position	
1	4460267	1	Pin, Male	
2	4460265	1	Plug, Male - 9 Position	
2	4460268	1	Socket, Female	
3	4460891	1	Plug, Male - 2 Position	
3	4460465	2	Socket, Female	

# SECTION 8 - ELECTRICAL

## FIGURE 8-4. CONTACTOR CABLE KIT - E400AN/E400AJP/E400AJPN



ART\_1001176310



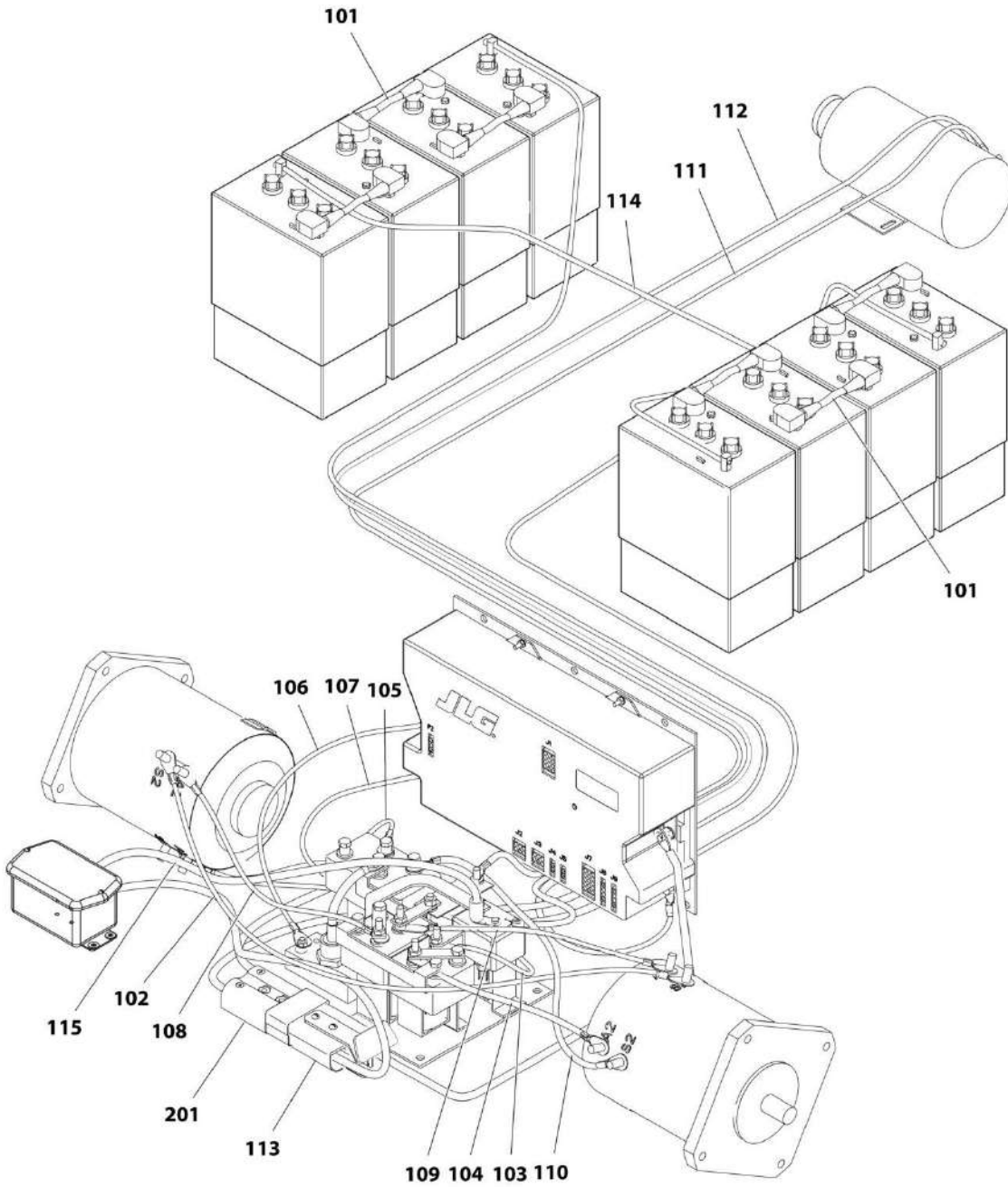
## SECTION 8 - ELECTRICAL

**FIGURE 8-4. CONTACTOR CABLE KIT - E400AN/E400AJP/E400AJPN**

ITEM	PART NUMBER	QTY	DESCRIPTION	REV
	1001176310	Ref	CONTACTOR CABLE KIT - E400AN/E400AJP/E400AJPN	A
101	1060092	6	Cable, Battery	
102	1060717	1	Cable, Electrical (Motor B S2 to Motor A S1)	
103	1060718	1	Cable, Electrical (Motor B A1 to Contactor Plate MB2)	
104	1060719	1	Cable, Electrical (Motor A A2 to Contactor Plate MA2)	
105	1001171290	1	Cable, Electrical (Motor B S1 to Contactor Plate SA1)	
106	1060721	1	Cable, Electrical (Power Module A to Contactor Plate B+)	
107	1060722	1	Cable, Electrical (Power Module B+ to Contactor Plate A)	
108	1060723	1	Cable, Electrical (Motor B A2 to Contactor Plate MB1)	
109	1060724	1	Cable, Electrical (Motor A A1 to Contactor Plate MA1)	
110	1001171289	1	Cable, Electrical (Motor A S2 to Contactor Plate SB1)	
111	1001167433	1	Cable, Electrical (Contactor Plate P2 to Hydraulic Pump Motor +)	
112	1001167434	1	Cable, Electrical (Power Module to Hydraulic Pump Motor -)	
113	1060810	1	Cable, Electrical (Contactor Plate to Battery Connector)	
114	1060811	1	Cable, Electrical (Battery to Battery)	
115	1060809	1	Cable, Electrical (Battery Connector to Batteries)	

# SECTION 8 - ELECTRICAL

FIGURE 8-5. CONTACTOR CABLE KIT - E400AN/E400AJP/E400AJPN - UL LISTED



ART\_1001176309

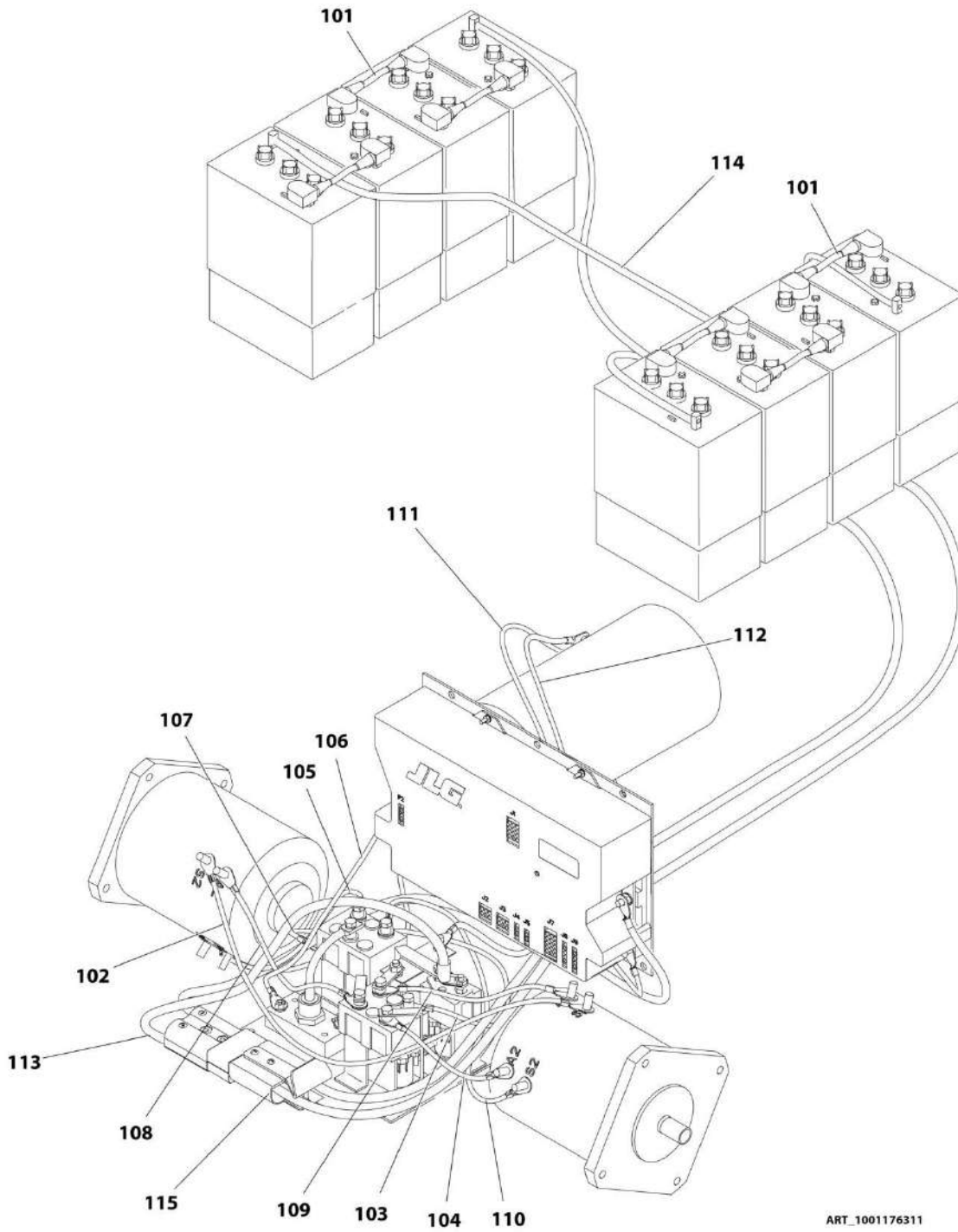
## SECTION 8 - ELECTRICAL

**FIGURE 8-5. CONTACTOR CABLE KIT - E400AN/E400AJP/E400AJPN - UL LISTED**

ITEM	PART NUMBER	QTY	DESCRIPTION	REV
	1001176309	Ref	CONTACTOR CABLE KIT - E400AN/E400AJP/E400AJPN - UL LISTED	A
101	1060092	6	Cable, Battery	
102	1060835	1	Cable, Electrical (Motor B S2 to Motor A S1)	
103	1060836	1	Cable, Electrical (Motor B A1 to Contactor Plate MB2)	
104	1060837	1	Cable, Electrical (Motor A A2 to Contactor Plate MA2)	
105	1001167426	1	Cable, Electrical (Motor B S1 to Contactor Plate SA1)	
106	1060839	1	Cable, Electrical (Power Module A to Contactor Plate)	
107	1060840	1	Cable, Electrical (Power Module B+ to Contactor Plate)	
108	1060841	1	Cable, Electrical (Motor B A2 to Contactor Plate MB1)	
109	1060842	1	Cable, Electrical (Motor A A1 to Contactor Plate MA1)	
110	1001167431	1	Cable, Electrical (Motor A S2 to Contactor Plate SB1)	
111	1001171292	1	Cable, Electrical (Contactor Plate P2 to Hydraulic Pump Motor +)	
112	1001171291	1	Cable, Electrical (Power Module to Hydraulic Pump Motor -)	
113	1060810	1	Cable, Electrical (Power Module to Batteries)	
114	1060811	1	Cable, Electrical (Battery to Battery)	
115	1060847	1	Cable, Electrical (Jumper, Fuse)	
201	1060809	1	Cable, Battery	

# SECTION 8 - ELECTRICAL

FIGURE 8-6. CONTACTOR CABLE KIT - M400AJP - M400AJPN



ART\_1001176311

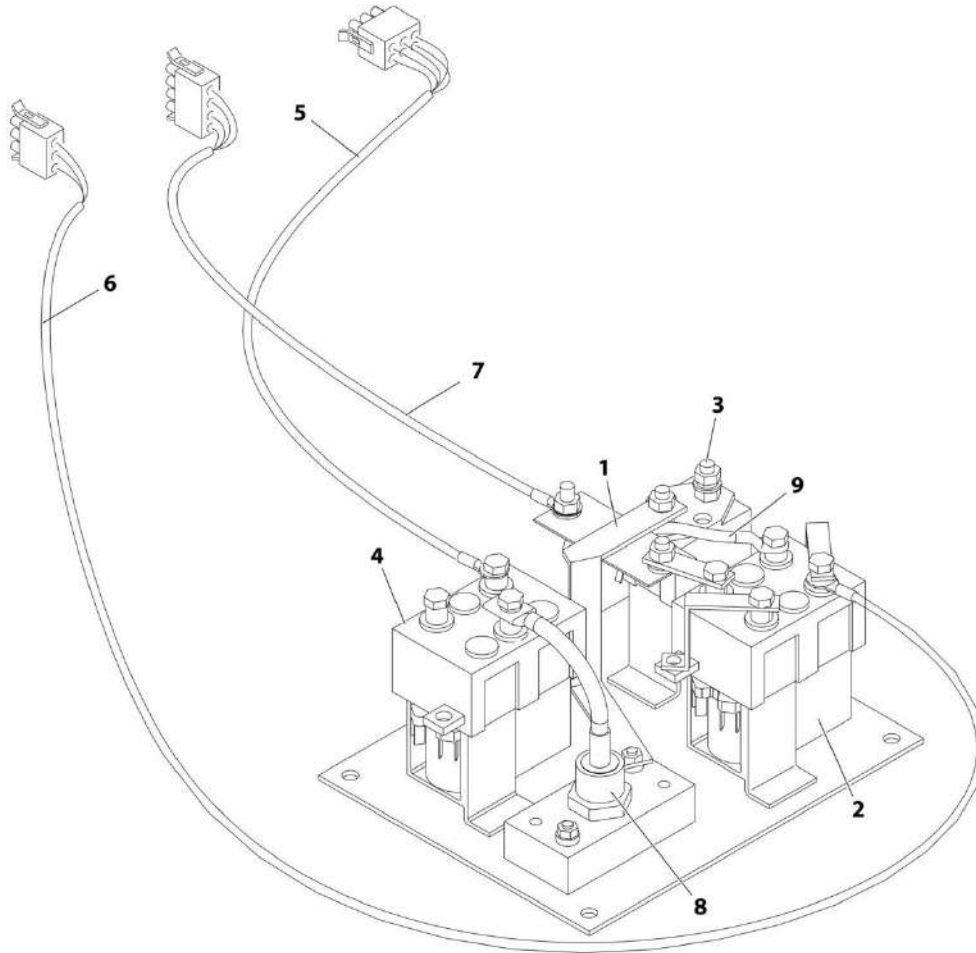
## SECTION 8 - ELECTRICAL

**FIGURE 8-6. CONTACTOR CABLE KIT - M400AJP - M400AJPN**

ITEM	PART NUMBER	QTY	DESCRIPTION	REV
	1001176311	Ref	CONTACTOR CABLE KIT - M400AJP/M400AJPN	A
101	1060092	6	Cable, Battery	
102	1060717	1	Cable, Electrical (Motor B S2 to Motor A S1)	
103	1060718	1	Cable, Electrical (Motor B A1 to Contactor Plate MB2)	
104	1060719	1	Cable, Electrical (Motor A A2 to Contactor Plate MA2)	
105	1001171290	1	Cable, Electrical (Motor B S1 to Contactor Plate SA1)	
106	1060721	1	Cable, Electrical (Power Module A to Contactor Plate B+)	
107	1060722	1	Cable, Electrical (Power Module B+ to Contactor Plate A)	
108	1060723	1	Cable, Electrical (Motor B A2 to Contactor Plate MB1)	
109	1060724	1	Cable, Electrical (Motor A A1 to Contactor Plate MA1)	
110	1001171289	1	Cable, Electrical (Motor A S2 to Contactor Plate SB1)	
111	1060728	1	Cable, Electrical (Contactor Plate P2 to Hydraulic Pump Motor +)	
112	1001171293	1	Cable, Electrical (Power Module to Hydraulic Pump Motor -)	
113	1060810	1	Cable, Electrical (Contactor Plate to Battery Connector)	
114	1060811	1	Cable, Electrical (Battery to Battery)	
115	1060809	1	Cable, Electrical (Battery Connector to Batteries)	

# SECTION 8 - ELECTRICAL

## FIGURE 8-7. CONTACTOR PLATE ASSEMBLY AND HARNESSSES



ART\_1600294

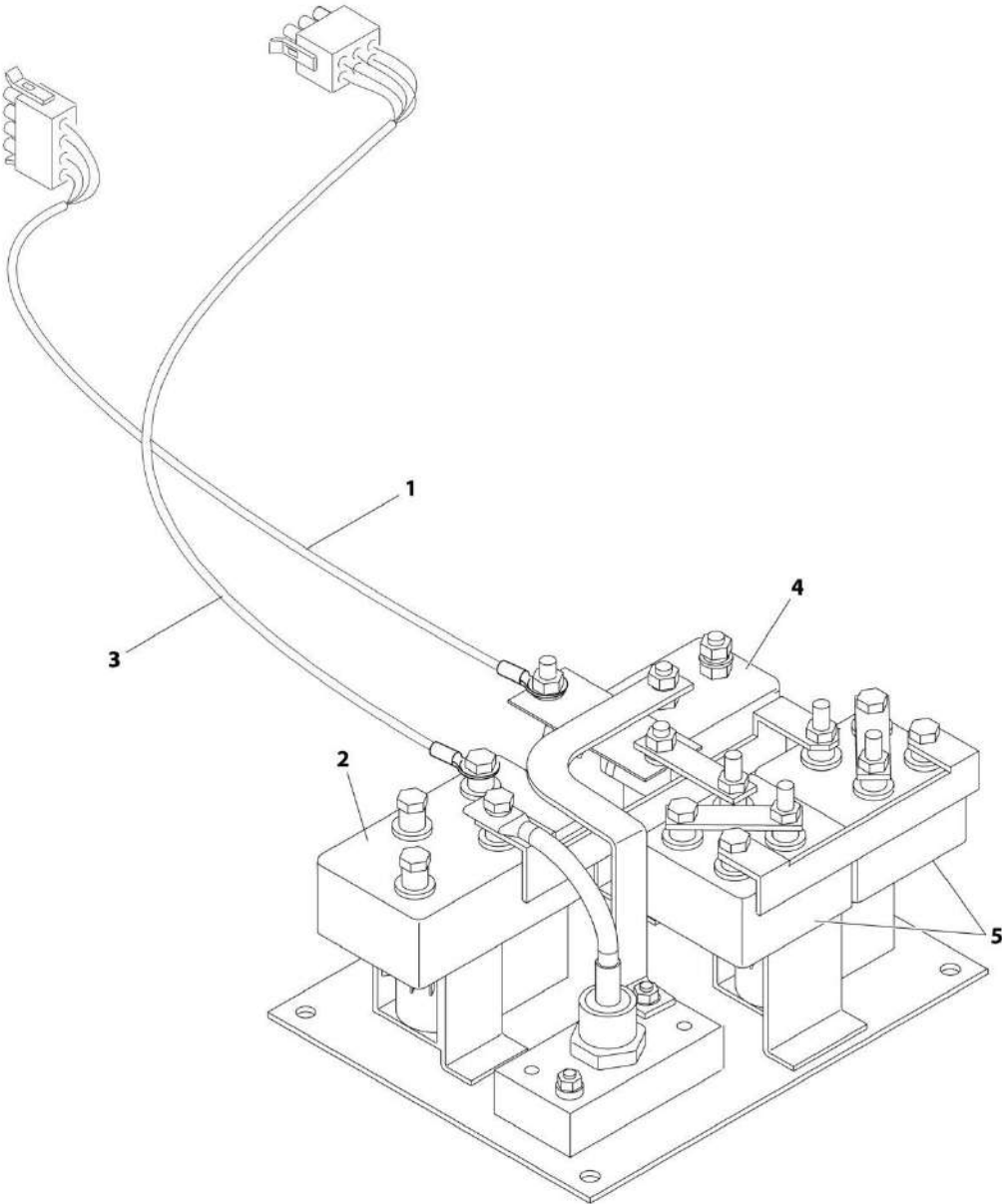
## SECTION 8 - ELECTRICAL

**FIGURE 8-7. CONTACTOR PLATE ASSEMBLY AND HARNESSSES**

ITEM	PART NUMBER	QTY	DESCRIPTION	REV
	1600294	Ref	CONTACTOR PLATE ASSEMBLY AND HARNESSSES	E
1	70001052	1	Harness, Shunt/Bus Bar Assembly	
2	7022000	1	Contactor (Posi-Track)	
3	7022001	1	Contactor (Main)	
4	7022002	1	Contactor (Forward/Reverse)	
5	7022003	1	Harness, Contactor	
5	4460225	1	Connector - 3 Position	
5	4460226	6	Socket, Female	
6	7022004	1	Harness, Posi-Track Contactor	
6	4460326	1	Connector - 3 Position	
6	4460227	3	Pin, Male	
7	7022005	1	Harness, Shunt	
7	4460321	1	Connector - 4 Position	
7	4460227	4	Pin, Male	
8	7022011	1	Diode, Power	
9	7022012	1	Cable, Power	

**SECTION 8 - ELECTRICAL**

**FIGURE 8-8. CONTACTOR PLATE ASSEMBLY AND HARNESSSES - UL LISTED**



ART\_1600300



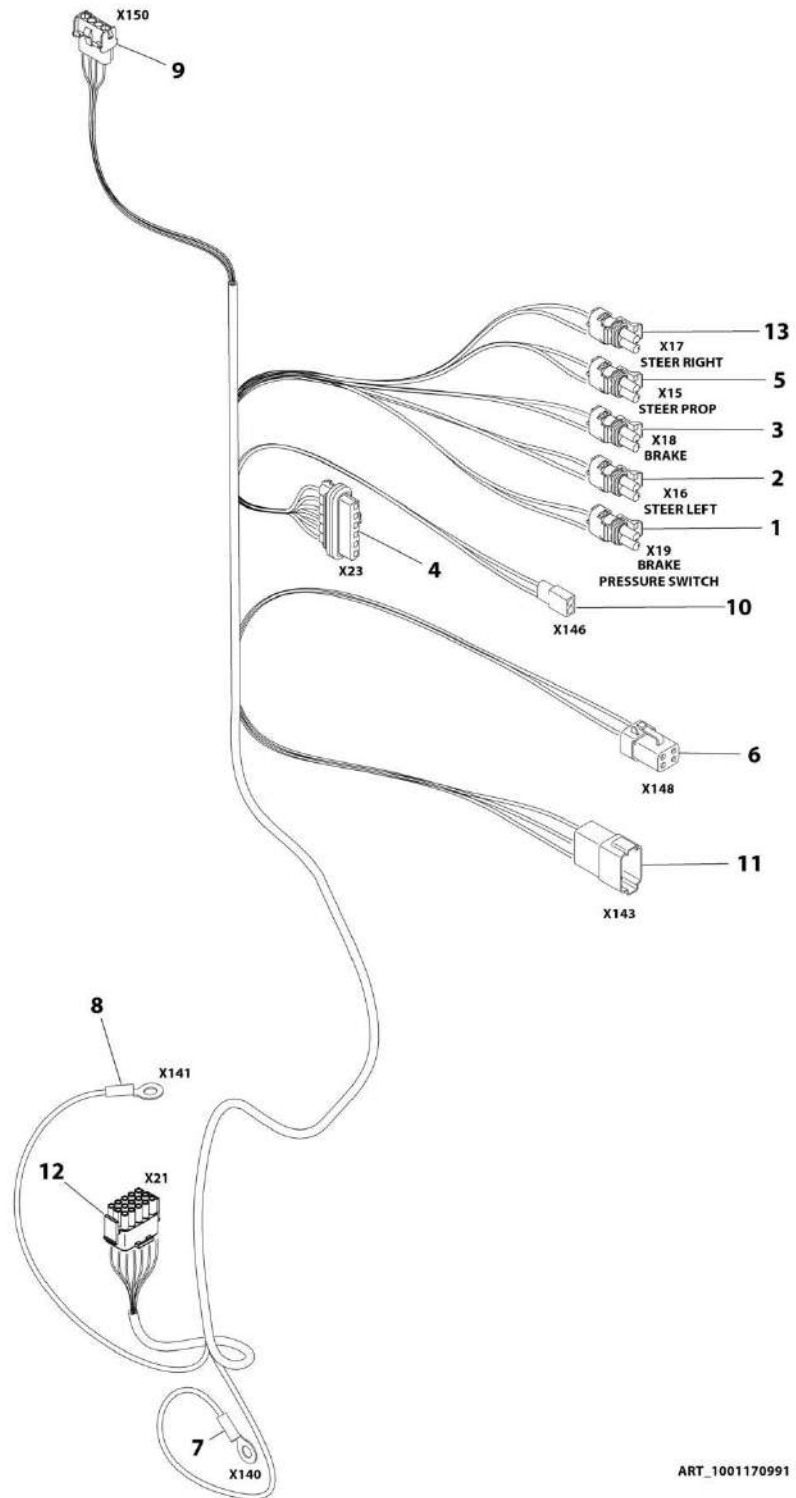
## SECTION 8 - ELECTRICAL

**FIGURE 8-8. CONTACTOR PLATE ASSEMBLY AND HARNESSSES - UL LISTED**

ITEM	PART NUMBER	QTY	DESCRIPTION	REV
	1600300	Ref	CONTACTOR PLATE ASSEMBLY AND HARNESSSES - UL LISTED	
1	7022005	1	Harness, Shunt	
1	4460321	1	Connector - 4 Position	
1	4460227	4	Pin, Male	
2	7022007	1	Contactor, (Forward/Reverse)	
3	7022008	1	Harness, Contactor	
3	4460225	1	Connector - 6 Position	
3	4460226	6	Socket, Female	
4	7022009	1	Contactor (Main)	
5	7022010	2	Contactor (Posi-Track)	

# SECTION 8 - ELECTRICAL

## FIGURE 8-9. STEER/BRAKE HARNESS - E400AN/E400AJP/E400AJPN



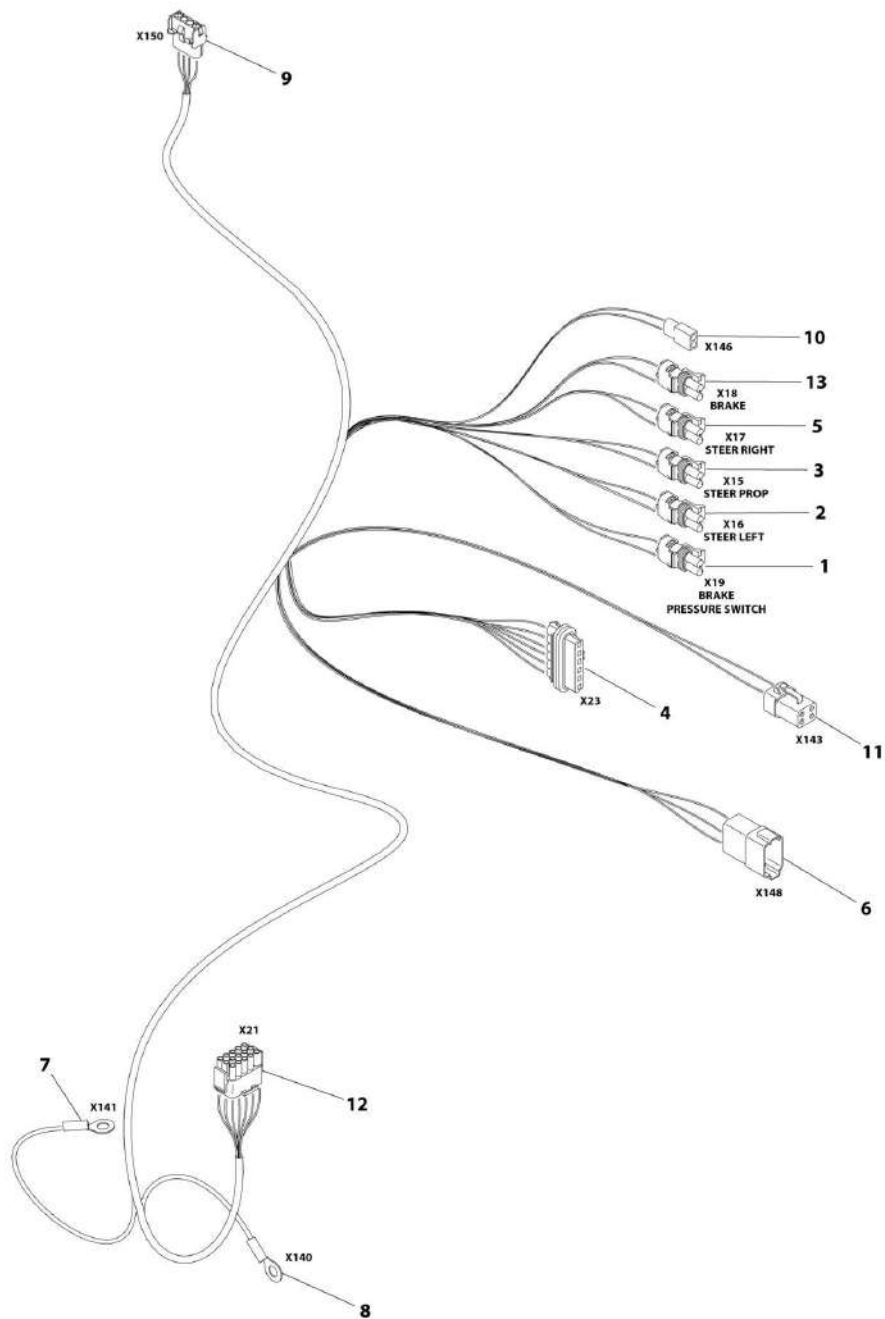
## SECTION 8 - ELECTRICAL

**FIGURE 8-9. STEER/BRAKE HARNESS - E400AN/E400AJP/E400AJPN**

ITEM	PART NUMBER	QTY	DESCRIPTION	REV
	1001170991	Ref	STEER/BRAKE HARNESS - E400AN/E400AJP/E400AJPN	A
1	4460742	1	Connector - 2 Position	
1	4460743	2	Terminal, Female	
1	4460458	2	Seal	
2	4460742	1	Connector - 2 Position	
2	4460743	2	Terminal, Female	
2	4460458	2	Seal	
3	4460742	1	Connector - 2 Position	
3	4460743	2	Terminal, Female	
3	4460458	2	Seal	
4	4460744	1	Connector - 6 Position	
4	4460749	1	Cap, Shell	
4	4460750	1	Bar, Buss - 6 Position	
4	4460745	1	Lock, Secondary	
4	4460751	1	Clip, Mounting	
4	4460746	5	Socket, Female	
4	4460458	5	Seal	
4	4460748	1	Plug, Terminal	
5	4460742	1	Connector - 2 Position	
5	4460743	2	Terminal, Female	
5	4460458	2	Seal	
6	4460931	1	Connector - 8 Position	
6	4460464	6	Pin, Male	
6	4460466	2	Plug, Seal	
7	4460738	1	Ring, Terminal	
8	4460738	1	Ring, Terminal	
9	4460761	1	Connector - 4 Position	
9	4460227	4	Pin, Male	
10	4460424	1	Connector - 2 Position	
10	4460227	2	Pin, Male	
11	1001116810	1	Connector - 4 Position	
11	4460509	2	Socket, Female	
11	4460466	2	Plug, Seal	
12	4460434	1	Connector - 15 Position	
12	4460226	7	Pin, Male	
13	4460742	1	Connector - 2 Position	
13	4460743	2	Terminal, Female	
13	4460458	2	Seal	

# SECTION 8 - ELECTRICAL

## FIGURE 8-10. MOTOR/STEER/BRAKE HARNESS - M400AJP/M400AJPN



ART\_1001171115

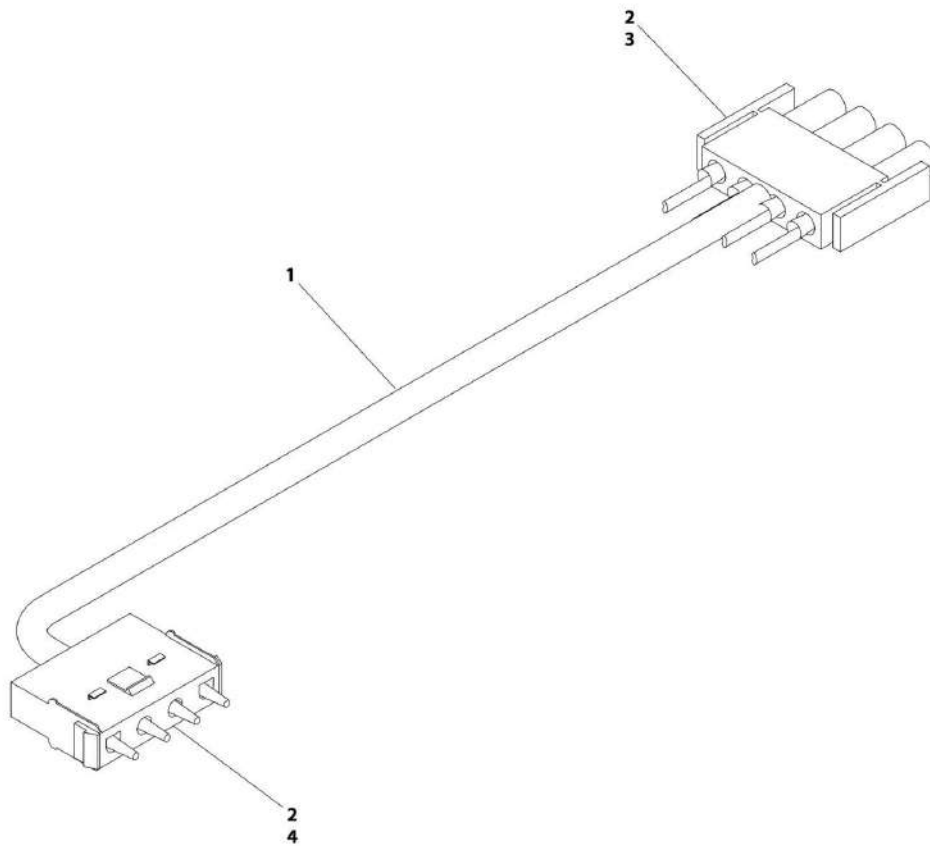
## SECTION 8 - ELECTRICAL

**FIGURE 8-10. MOTOR/STEER/BRAKE HARNESS - M400AJP/M400AJPN**

ITEM	PART NUMBER	QTY	DESCRIPTION	REV
	1001171115	Ref	MOTOR/STEER/BRAKE HARNESS - M400AJP/M400AJPN	A
1	4460742	1	Connector - 2 Position	
1	4460743	2	Terminal, Female	
1	4460458	2	Seal	
2	4460742	1	Connector - 2 Position	
2	4460743	2	Terminal, Female	
2	4460458	2	Seal	
3	4460742	1	Connector - 2 Position	
3	4460743	2	Terminal, Female	
3	4460458	2	Seal	
4	4460744	1	Connector- 6 Position	
4	4460749	1	Cap, Shell	
4	4460750	1	Bar, Buss - 6 Position	
4	4460745	1	Lock, Secondary	
4	4460751	1	Clip, Mounting	
4	4460746	5	Socket, Female	
4	4460748	1	Plug, Seal	
4	4460458	5	Seal	
5	4460742	1	Connector - 2 Position	
5	4460743	2	Terminal, Female	
5	4460458	2	Seal	
6	4460931	1	Connector- 8 Position	
6	4460464	6	Socket, Female	
6	4460466	2	Plug, Seal	
7	4460738	1	Ring, Terminal	
8	4460738	1	Ring, Terminal	
10	4460424	1	Connector - 2 Position	
10	4460227	2	Pin, Male	
11	1001116810	1	Connector - 4 Position	
11	4460509	2	Socket, Female	
11	4460466	2	Plug, Seal	
12	4460434	1	Connector - 15 Position	
12	4460226	7	Pin, Male	
13	4460742	1	Connector - 2 Position	
13	4460743	2	Terminal, Female	
13	4460458	2	Seal	

# SECTION 8 - ELECTRICAL

## FIGURE 8-11. LED REMOTE HARNESS



ART\_1060776

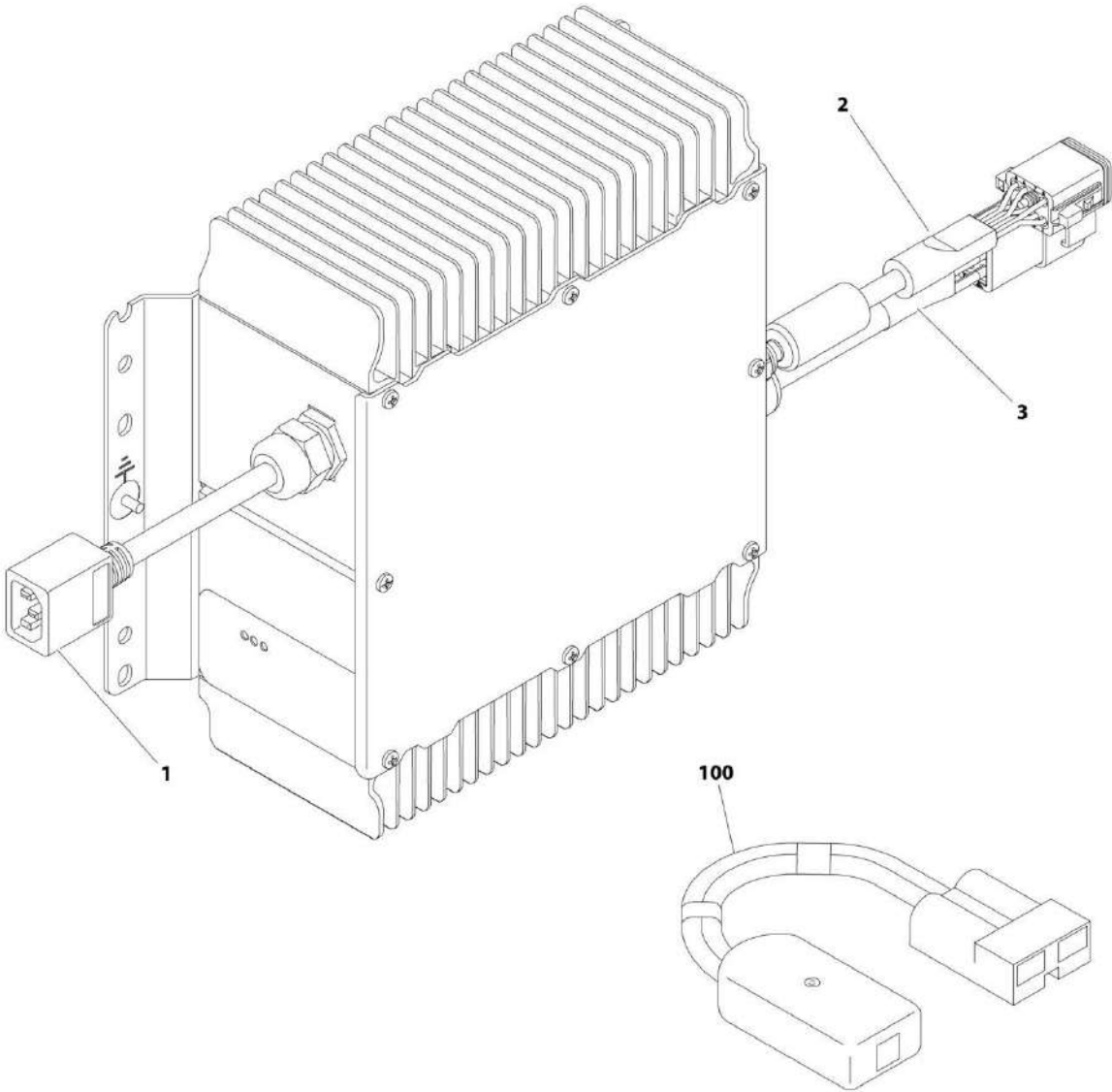
## SECTION 8 - ELECTRICAL

### FIGURE 8-11. LED REMOTE HARNESS

ITEM	PART NUMBER	QTY	DESCRIPTION	REV
	1060778	Ref	LED REMOTE HARNESS	A
1	1060779	4 ft/1.2m	Cable, Electrical 4-18	
2	4460226	8	Socket, female	
3	4460321	1	Connector - 4 Position	
4	4460761	1	Connector - 4 Position	

**SECTION 8 - ELECTRICAL**

**FIGURE 8-12. BATTERY CHARGER ASSEMBLY**



ART\_1001103105



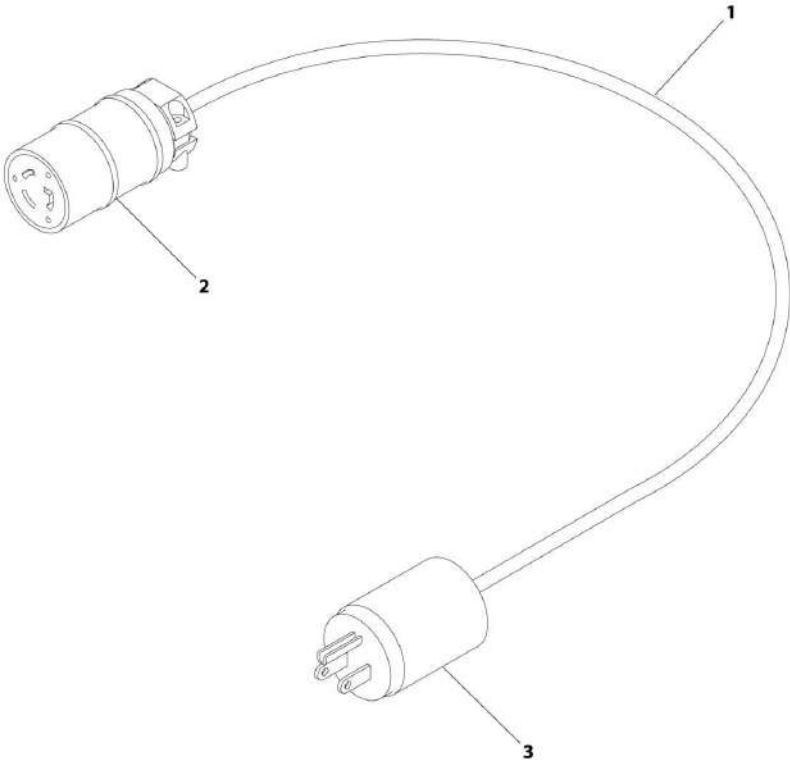
## SECTION 8 - ELECTRICAL

**FIGURE 8-12. BATTERY CHARGER ASSEMBLY**

ITEM	PART NUMBER	QTY	DESCRIPTION	REV
	1001103105	1	BATTERY CHARGER ASSEMBLY	
1	See Note	1	Harness, Battery Charger AC Plug (Note: Not Available for Purchase)	
1	See Note	1	Connector, Plug (Note: Not Available for Purchase)	
2	See Note	1	Harness, Battery Charger Signal (Note: Not Available for Purchase)	
2	4460930	1	Connector - 8 Position	
2	4460464	7	Socket, Female	
3	See Note	1	Harness, Battery Charger Power (Note: Not Available - Purchase Complete Charger)	
3	1001116811	1	Connector - 4 Position	
3	4460508	4	Pin, Male	
100	2915230	1	BATTERY CHARGER REPROGRAM CONTROLLER KIT (Includes Controller, Software and Instructions)	

**SECTION 8 - ELECTRICAL**

**FIGURE 8-13. INVERTER HARNESS (SN 0300189901 through 0300193793)**



ART\_4922390

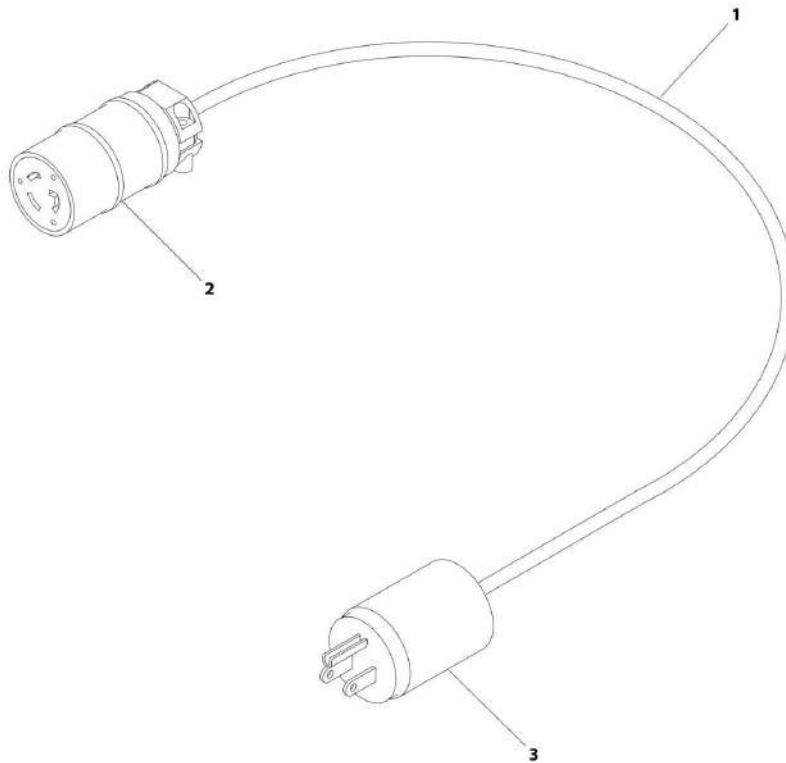
## SECTION 8 - ELECTRICAL

**FIGURE 8-13. INVERTER HARNESS (SN 0300189901 through 0300193793)**

ITEM	PART NUMBER	QTY	DESCRIPTION	REV
	4922390	Ref	INVERTER HARNESS (SN 0300189901 through 0300193793)	B
1	1060494	6 ft/1.9m	Cable, Electrical 12/3	
2	4460134	1	Connector, Female	
3	4460138	1	Plug, Connector	

## SECTION 8 - ELECTRICAL

FIGURE 8-14. INVERTER HARNESS (SN 0300193794 through 0300208528)



ART\_1001182296

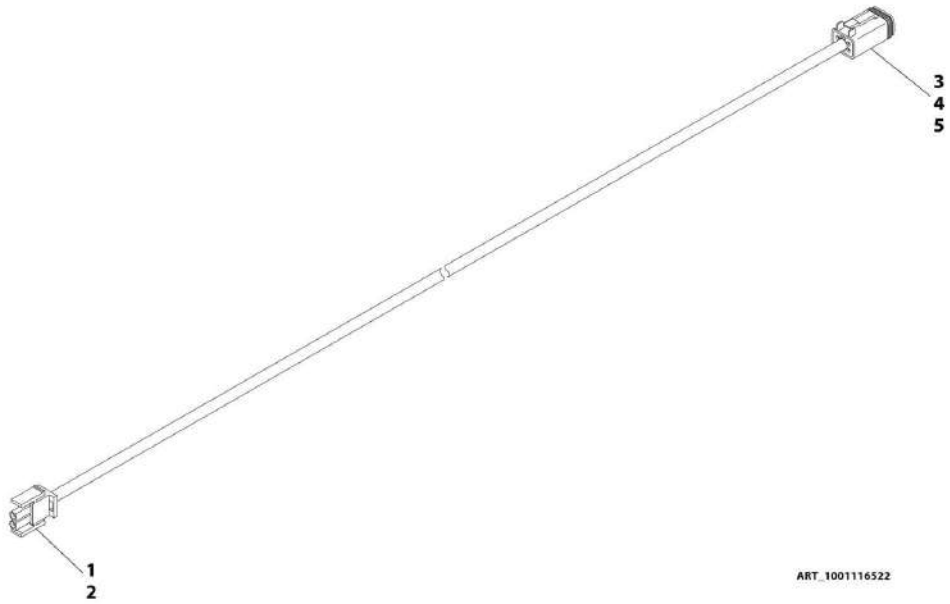
## SECTION 8 - ELECTRICAL

**FIGURE 8-14. INVERTER HARNESS (SN 0300193794 through 0300208528)**

ITEM	PART NUMBER	QTY	DESCRIPTION	REV
1	1001182296 1060494	Ref 9.58 ft /2.92m	INVERTER HARNESS (SN 0300193794 through 0300208528) Cable, Electrical 12/3	A
2	4460134	1	Connector, Female	
3	4460138	1	Plug, Connector	

# SECTION 8 - ELECTRICAL

## FIGURE 8-15. DRIVE ORIENTATION HARNESS



ART. 1001116522

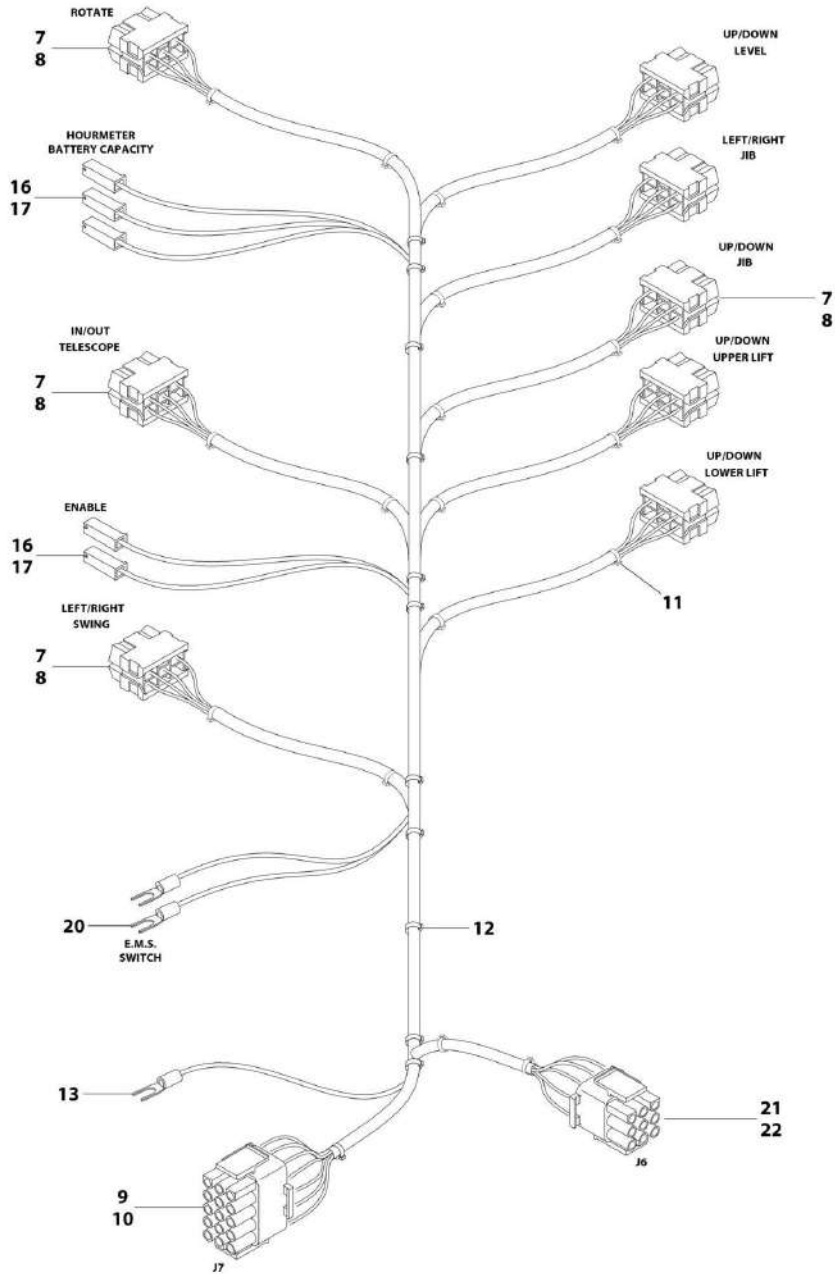
## SECTION 8 - ELECTRICAL

### FIGURE 8-15. DRIVE ORIENTATION HARNESS

ITEM	PART NUMBER	QTY	DESCRIPTION	REV
	1001116522	Ref	DRIVE ORIENTATION HARNESS	B
1	4460227	2	Pin, Male	
2	4460320	1	Connector - 2 Position	
3	4460465	2	Socket, Female	
4	4460466	2	Seal	
5	4460884	1	Connector - 4 Position	

# SECTION 8 - ELECTRICAL

## FIGURE 8-16. GROUND CONTROL FUNCTION SWITCH HARNESS ASSEMBLY



ART\_4923625



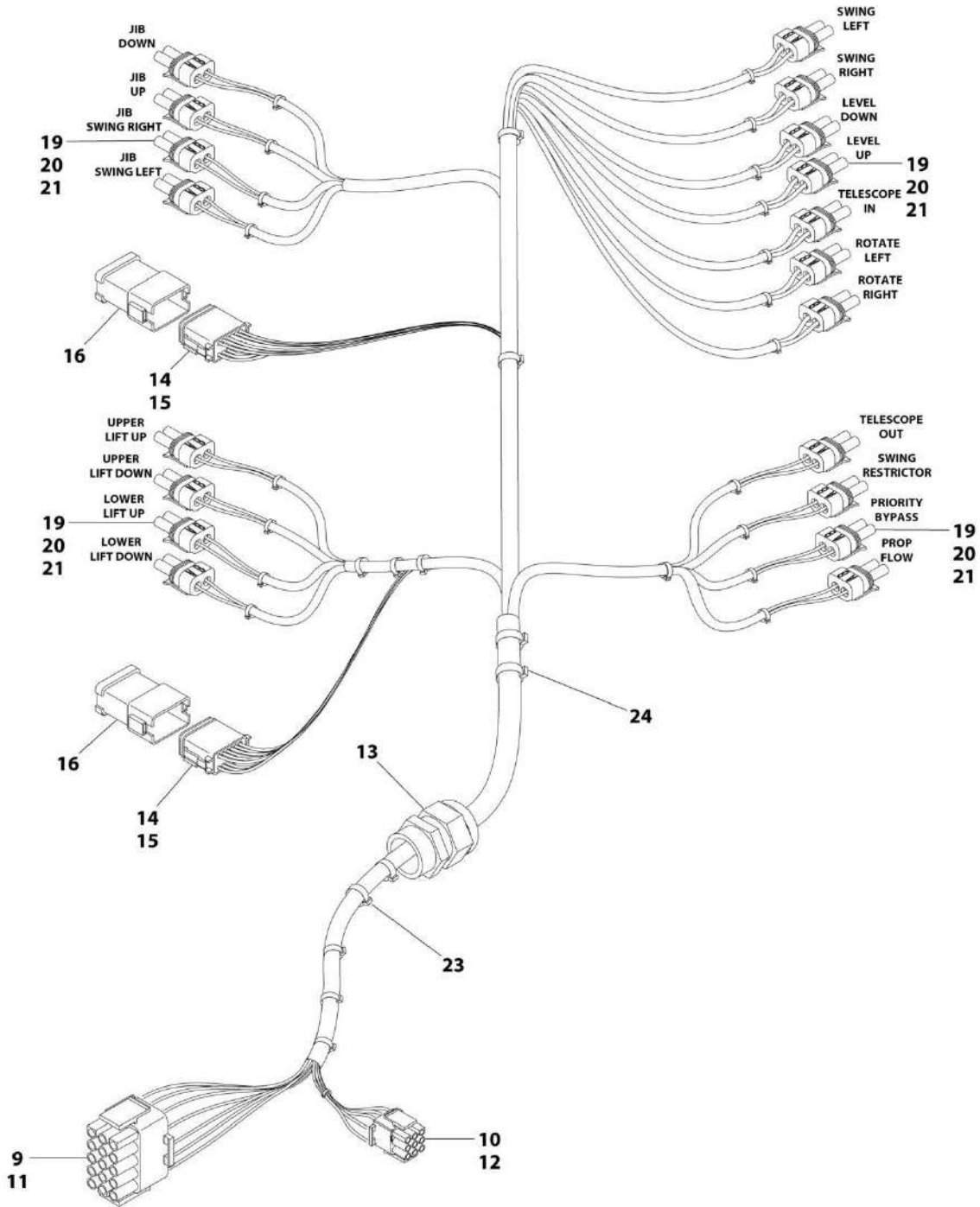
## SECTION 8 - ELECTRICAL

**FIGURE 8-16. GROUND CONTROL FUNCTION SWITCH HARNESS ASSEMBLY**

ITEM	PART NUMBER	QTY	DESCRIPTION	REV
	4923625	Ref	GROUND CONTROL FUNCTION SWITCH HARNESS ASSEMBLY	1-D
7	4460418	8	Connector - 6 Position	
8	4460419	24	Terminal, Female	
9	4460434	1	Connector - 15 Position	
10	4460226	15	Socket, Female	
11	4240032	AR	Tie-Strap	
12	4240033	AR	Tie-Strap	
13	4460145	1	Terminal	
16	4460259	5	Terminal	
17	4460260	5	Terminal, Housing	
20	4460183	2	Terminal	
21	4460265	1	Connector - 9 Position	
22	4460227	2	Pin, Male	

# SECTION 8 - ELECTRICAL

## FIGURE 8-17. GROUND CONTROL VALVE HARNESS ASSEMBLY



ART\_4922367

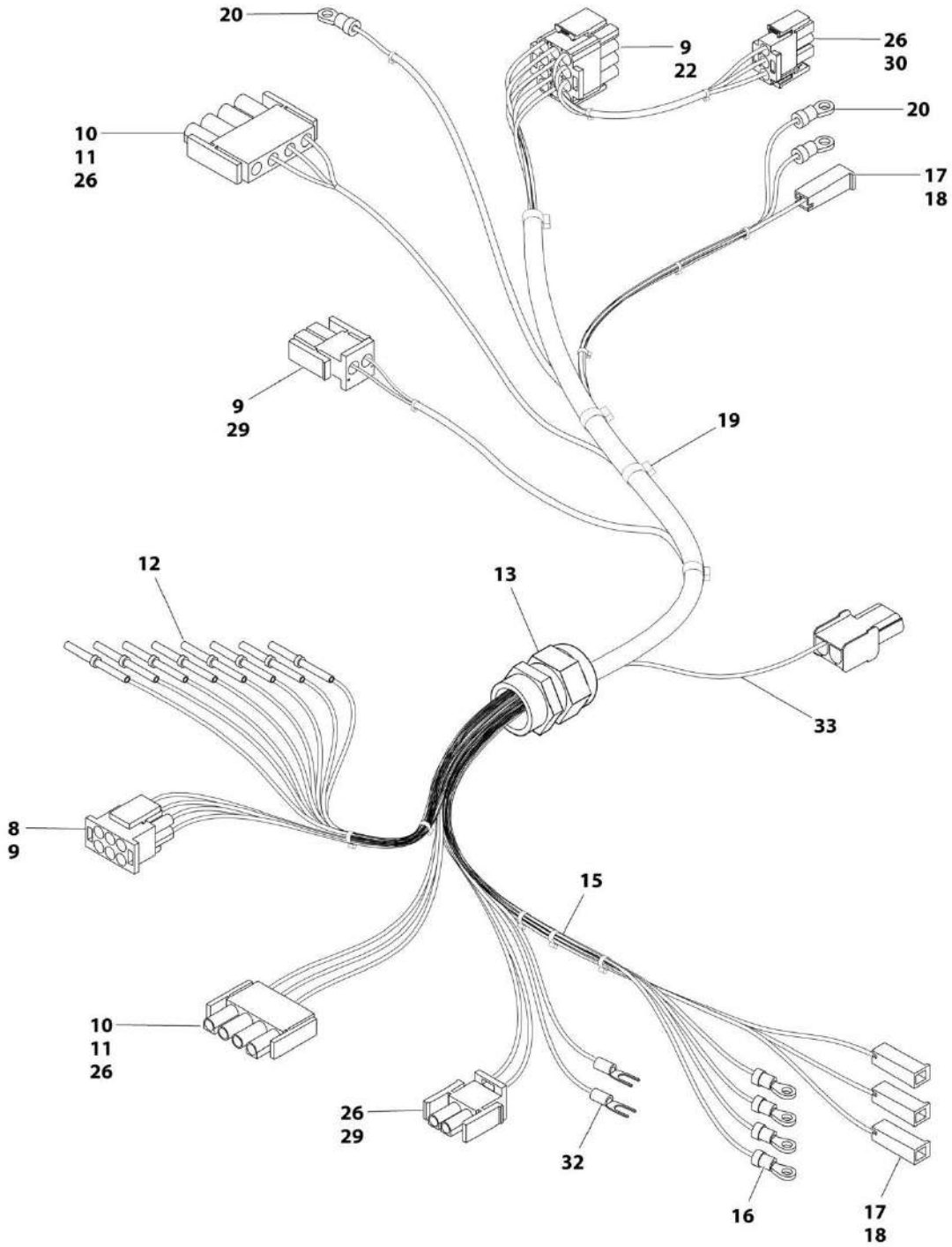
## SECTION 8 - ELECTRICAL

### FIGURE 8-17. GROUND CONTROL VALVE HARNESS ASSEMBLY

ITEM	PART NUMBER	QTY	DESCRIPTION	REV
	4922367	Ref	GROUND CONTROL VALVE HARNESS ASSEMBLY	2-E
9	4460434	1	Connector - 15 Position	
10	4460265	1	Connector - 9 Position	
11	4460227	14	Pin, Male	
12	4460226	6	Socket, Female	
13	4460425	1	Connector, Strain Relief	
14	4460465	22	Pin, Terminal	
15	4460836	2	Connector, 12 Position	
16	4460837	2	Housing, Terminal - 12 Position	
19	4460458	38	Seal	
20	4460742	19	Connector - 2 Position	
21	4460743	38	Terminal, Female	
23	4240032	32	Tie-Strap	
24	4240033	7	Tie-Strap	

# SECTION 8 - ELECTRICAL

## FIGURE 8-18. TURNTABLE/FRAME HARNESS ASSEMBLY



ART\_4922104

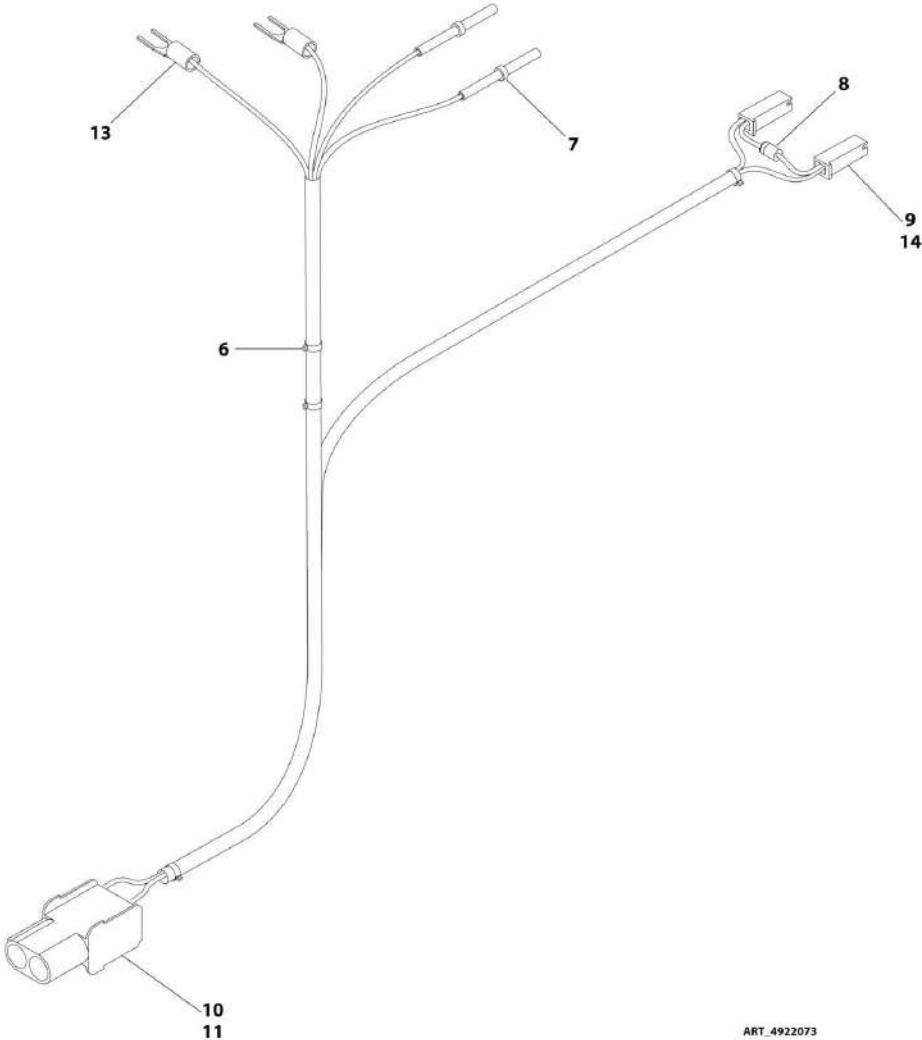
## SECTION 8 - ELECTRICAL

**FIGURE 8-18. TURNTABLE/FRAME HARNESS ASSEMBLY**

ITEM	PART NUMBER	QTY	DESCRIPTION	REV
	4922104	Ref	TURNTABLE/FRAME HARNESS ASSEMBLY	7-G
8	4460225	1	Connector - 6 Position	
9	4460268	17	Socket, Female	
10	4460321	2	Connector - 4 Position	
11	4460227	2	Pin, Male	
12	4460465	8	Socket, Female	
13	4460425	1	Connector, Strain Relief	
14	4460315	1	Terminal, Spade	
15	4240032	12	Tie-Strap	
16	4460042	4	Ring, Terminal	
17	4460259	4	Terminal	
18	4460260	4	Terminal, Housing	
19	4240033	4	Tie-Strap	
20	4460738	3	Ring, Terminal	
22	4460343	1	Connector, 12 Position	
26	4460267	11	Pin, Male	
29	4460320	2	Connector, 2 Position	
30	4460326	1	Connector, 3 Position	
32	4460145	1	Terminal	
33	4922073	1	Horn/Beacon Harness Assembly (See HORN/BEACON HARNESS ASSEMBLY for Breakdown)	

**SECTION 8 - ELECTRICAL**

**FIGURE 8-19. HORN/BEACON HARNESS ASSEMBLY**



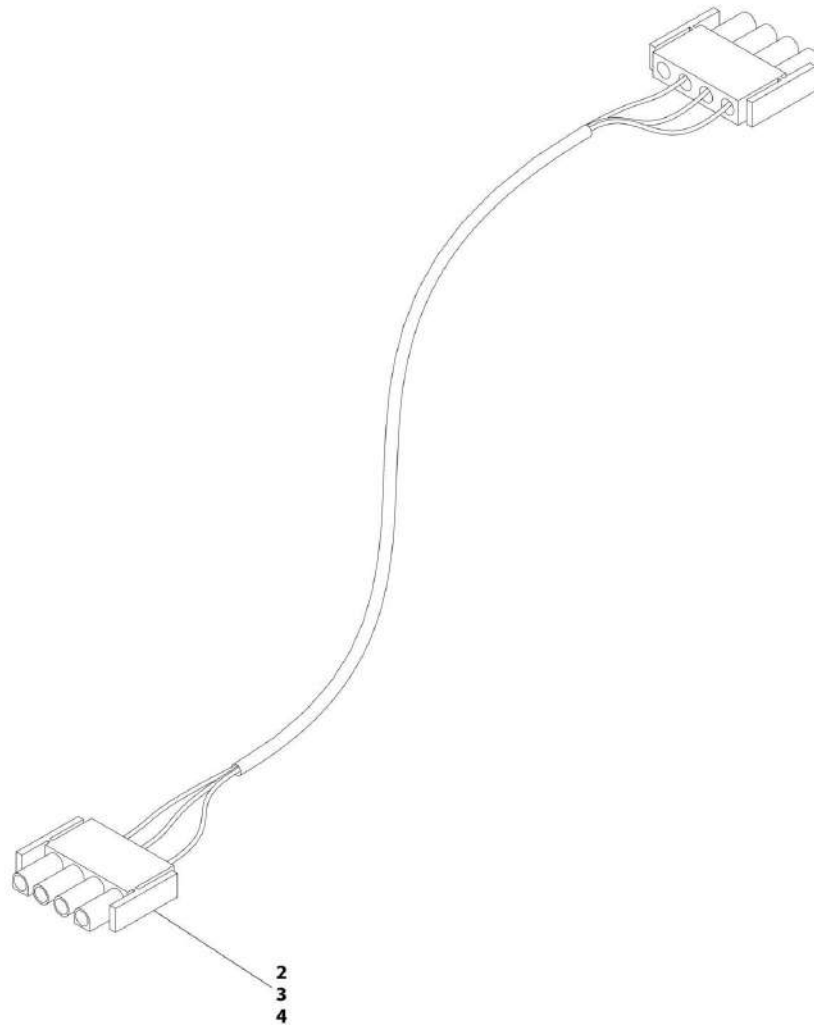
## SECTION 8 - ELECTRICAL

### FIGURE 8-19. HORN/BEACON HARNESS ASSEMBLY

ITEM	PART NUMBER	QTY	DESCRIPTION	REV
	4922073	Ref	HORN/BEACON HARNESS ASSEMBLY	5-E
6	4240032	4	Tie-Strap	
7	4460465	2	Socket, Female	
8	3990001	1	Diode	
9	4460259	2	Terminal	
10	4460268	2	Socket, Female	
11	4460424	1	Connector, 2 Position	
13	4460145	2	Terminal	
14	4460260	2	Terminal, Housing	

# SECTION 8 - ELECTRICAL

FIGURE 8-20. POSI-TRACK MODULE CAN HARNESS ASSEMBLY



ART\_4922263



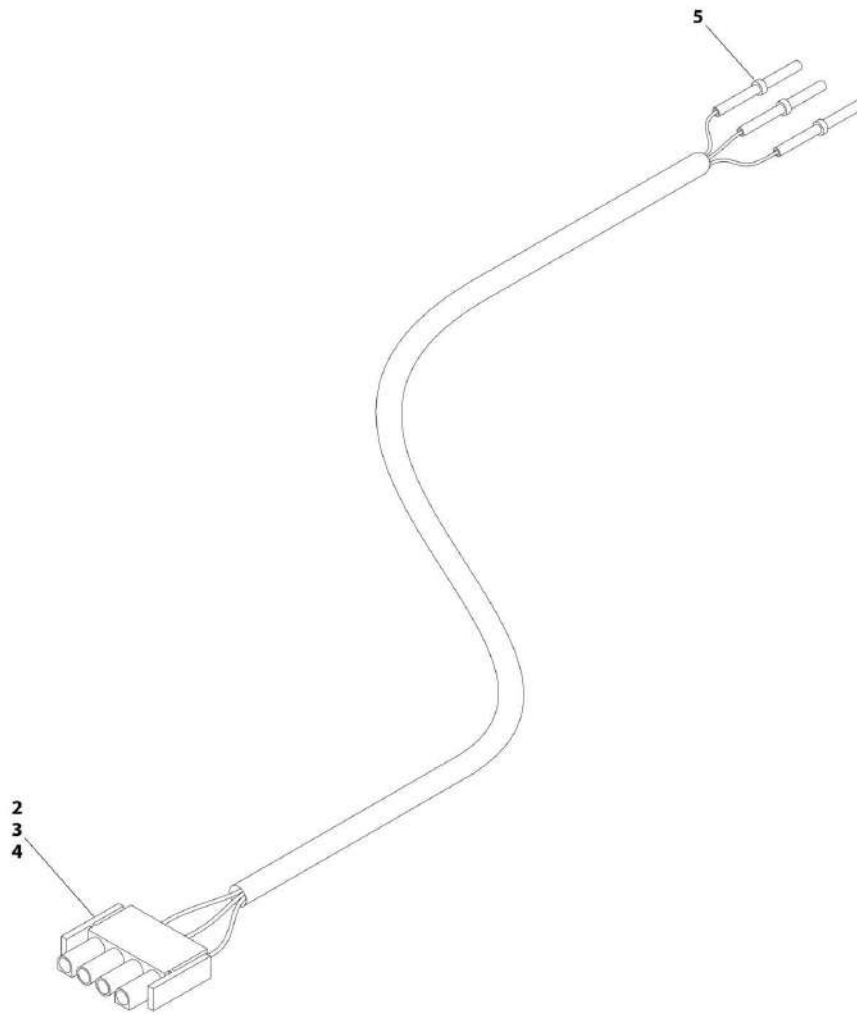
## SECTION 8 - ELECTRICAL

**FIGURE 8-20. POSI-TRACK MODULE CAN HARNESS ASSEMBLY**

ITEM	PART NUMBER	QTY	DESCRIPTION	REV
	4922263	Ref	POSI-TRACK MODULE CAN HARNESS ASSEMBLY	2-A
2	4460321	2	Connector - 4 Position	
3	4460227	4	Pin, Male	
4	4460267	2	Pin, Male	

# SECTION 8 - ELECTRICAL

FIGURE 8-21. GROUND CONTROL CAN HARNESS ASSEMBLY



ART\_4922117

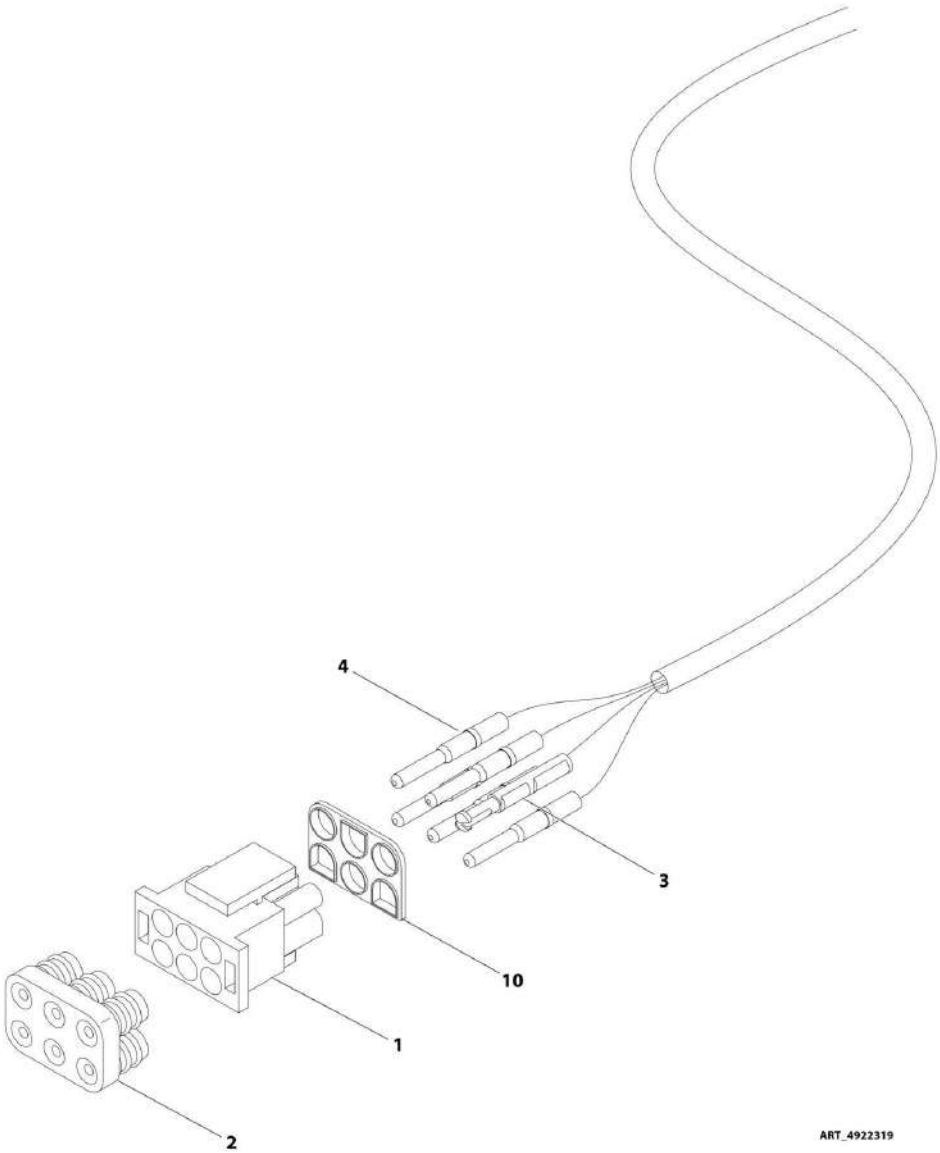
## SECTION 8 - ELECTRICAL

### FIGURE 8-21. GROUND CONTROL CAN HARNESS ASSEMBLY

ITEM	PART NUMBER	QTY	DESCRIPTION	REV
	4922117	Ref	GROUND CONTROL CAN HARNESS ASSEMBLY	3-B
2	4460321	1	Connector - 4 Position	
3	4460227	2	Pin, Male	
4	4460267	1	Pin, Male	
5	4460465	3	Socket, Female	

**SECTION 8 - ELECTRICAL**

**FIGURE 8-22. GENERATOR HARNESS TO GROUND CONTROL BOX**



ART\_4922319

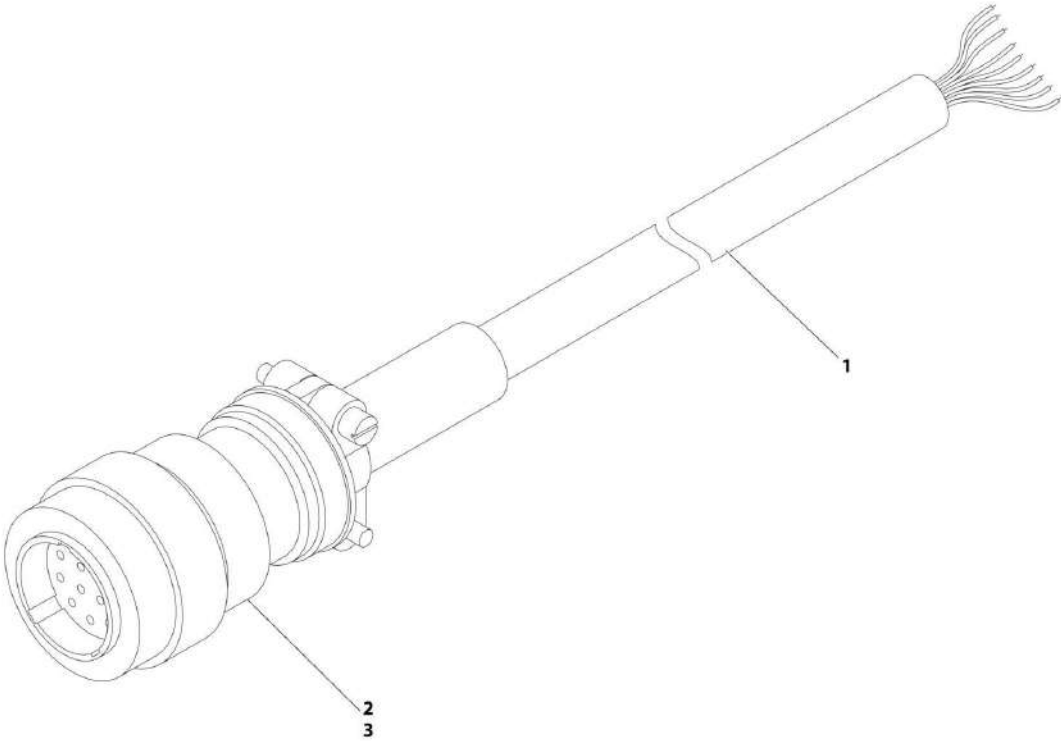
## SECTION 8 - ELECTRICAL

**FIGURE 8-22. GENERATOR HARNESS TO GROUND CONTROL BOX**

ITEM	PART NUMBER	QTY	DESCRIPTION	REV
	4922319	Ref	GENERATOR HARNESS TO GROUND CONTROL BOX	1-A
1	4460225	1	Connector - 6 Position	
2	4460807	1	Seal, Terminal	
3	4460809	1	Pin, Terminal	
4	4460267	5	Pin, Terminal	
10	4460808	1	Terminal, Seal	

**SECTION 8 - ELECTRICAL**

**FIGURE 8-23. MAIN BOOM HARNESS ASSEMBLY**



ART\_4922496

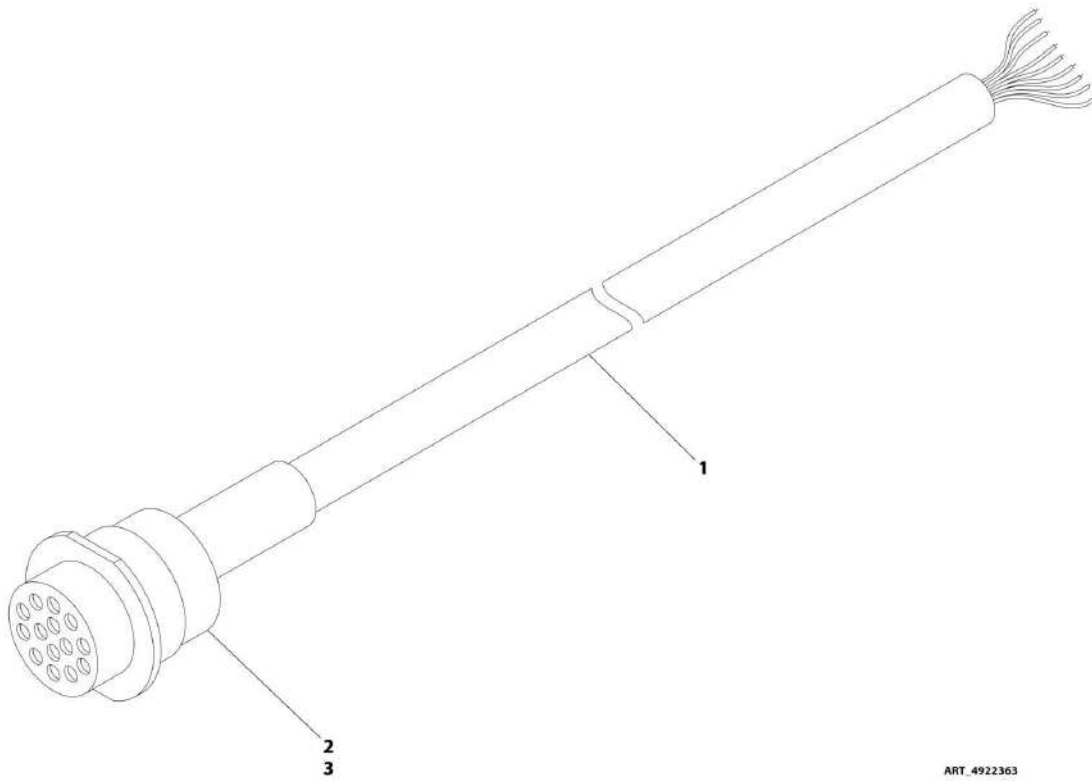
## SECTION 8 - ELECTRICAL

### FIGURE 8-23. MAIN BOOM HARNESS ASSEMBLY

ITEM	PART NUMBER	QTY	DESCRIPTION	REV
	4922496	Ref	MAIN BOOM HARNESS ASSEMBLY	2-D
1	1060677	25.25 ft /7.7m	Cable, Electrical	
2	4460465	28	Socket, Female	
3	4460754	1	Connector - 14 Position	

# SECTION 8 - ELECTRICAL

## FIGURE 8-24. TOWER BOOM HARNESS ASSEMBLY



ART\_4922363



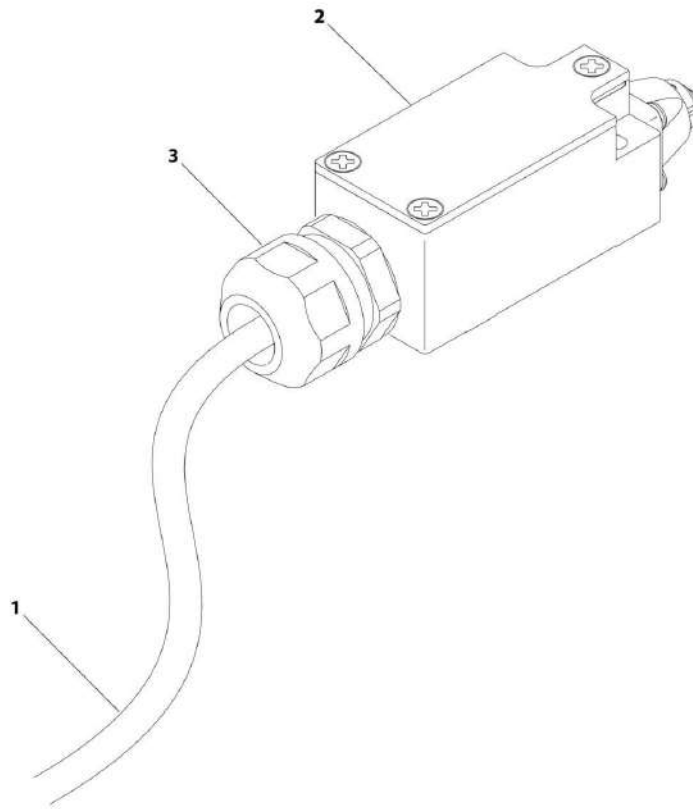
## SECTION 8 - ELECTRICAL

**FIGURE 8-24. TOWER BOOM HARNESS ASSEMBLY**

ITEM	PART NUMBER	QTY	DESCRIPTION	REV
1	4922363 1060677	Ref 32 ft /9.75m	TOWER BOOM HARNESS ASSEMBLY Cable, Electrical	3-D
2	4460464	28	Pin, Male	
3	4460752	1	Connector - 14 Position	

## SECTION 8 - ELECTRICAL

FIGURE 8-25. BOOM LIMIT SWITCH HARNESS - LOWER



ART\_4922614

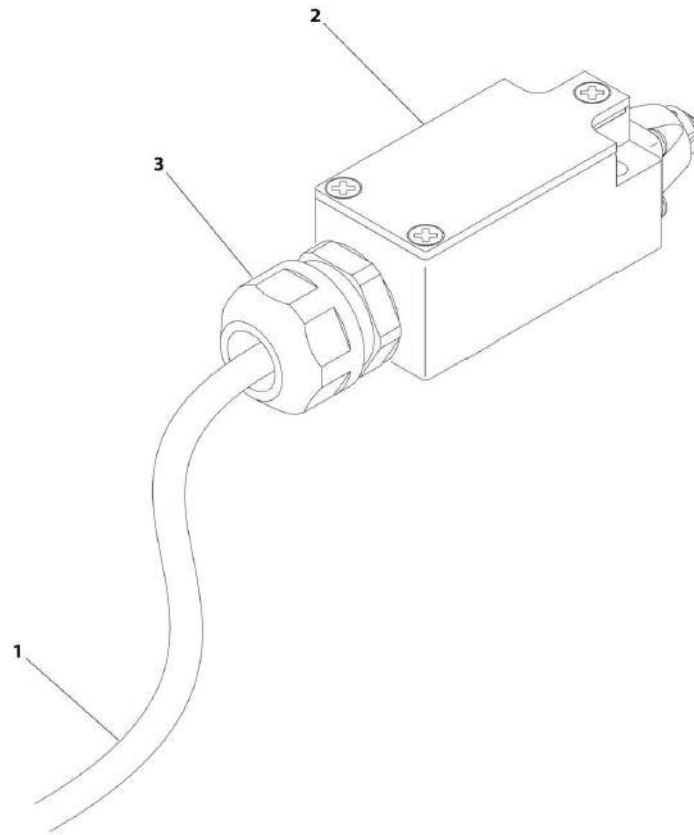
## SECTION 8 - ELECTRICAL

### FIGURE 8-25. BOOM LIMIT SWITCH HARNESS - LOWER

ITEM	PART NUMBER	QTY	DESCRIPTION	REV
	4922614	Ref	BOOM LIMIT SWITCH HARNESS - LOWER	B
1	1060341	19 ft/5.8m	Cable, Electrical - 16/2	
2	4360548	1	Switch, Limit	
3	4460968	1	Connector, Strain Relief	

## SECTION 8 - ELECTRICAL

FIGURE 8-26. BOOM LIMIT SWITCH HARNESS - UPPER



ART\_4922615

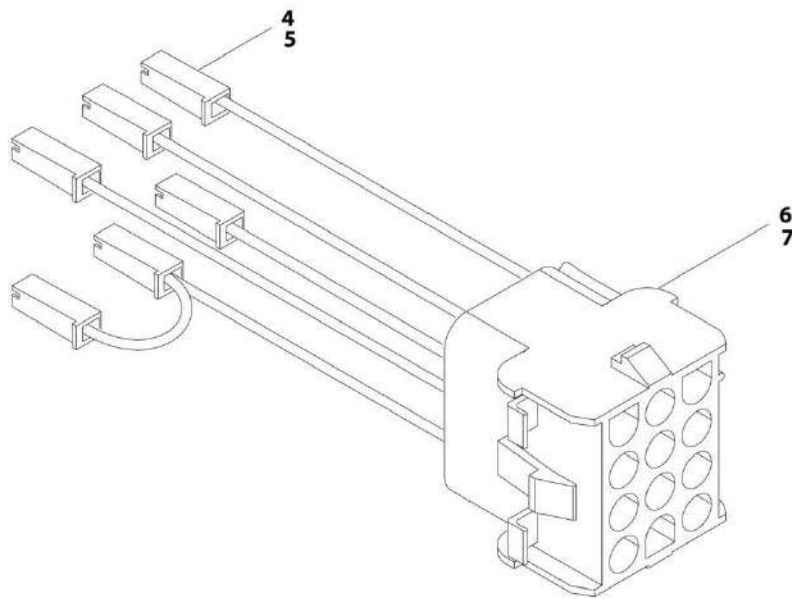
## SECTION 8 - ELECTRICAL

### FIGURE 8-26. BOOM LIMIT SWITCH HARNESS - UPPER

ITEM	PART NUMBER	QTY	DESCRIPTION	REV
	4922615	Ref	BOOM LIMIT SWITCH HARNESS - UPPER	B
1	1060341	31 ft/9.4m	Cable, Electrical - 16/2	
2	4360548	1	Switch, Limit	
3	4460968	1	Connector, Strain Relief	

# SECTION 8 - ELECTRICAL

## FIGURE 8-27. JIB HARNESS - AJP MODELS ONLY



ART. 4922307

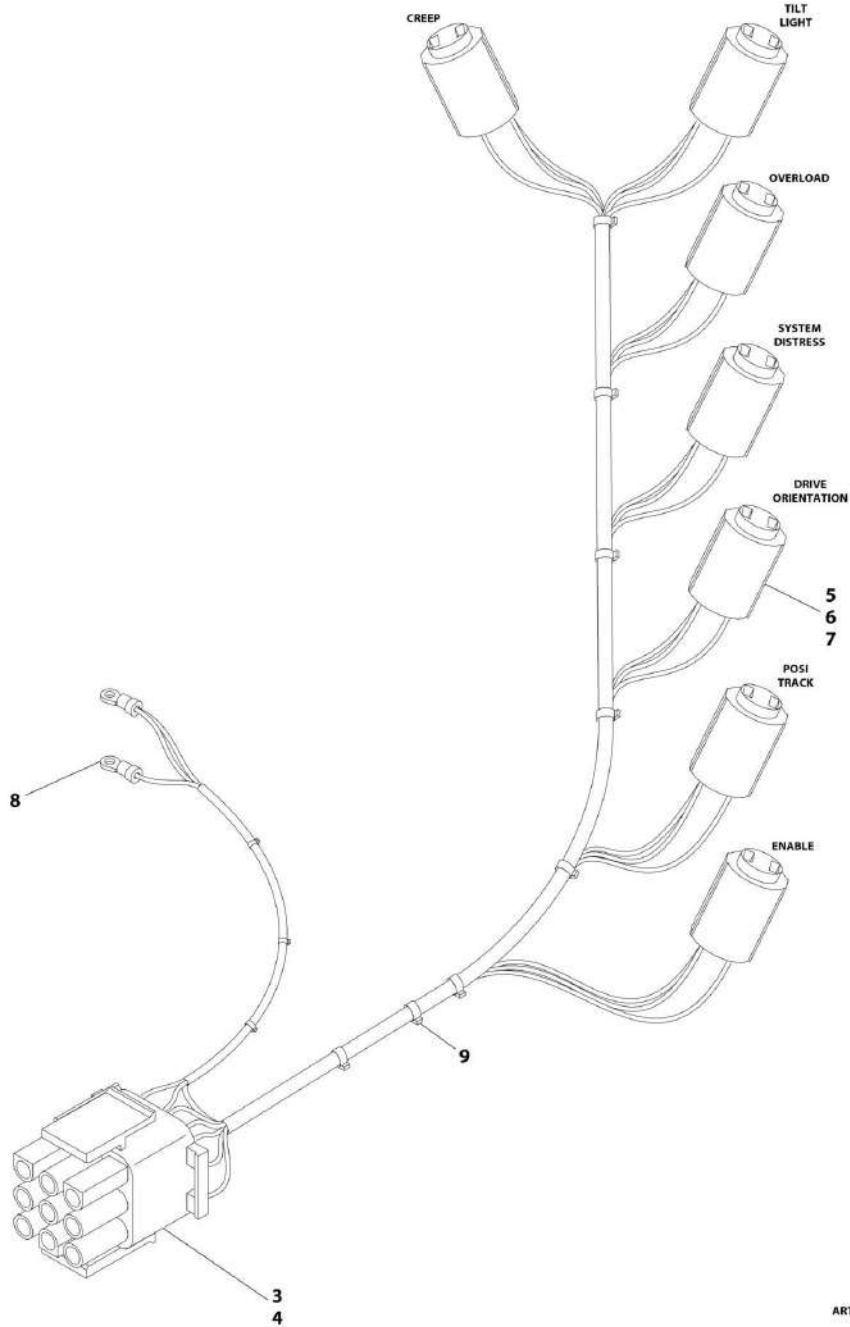
## SECTION 8 - ELECTRICAL

**FIGURE 8-27. JIB HARNESS - AJP MODELS ONLY**

ITEM	PART NUMBER	QTY	DESCRIPTION	REV
	4922307	Ref	JIB HARNESS - AJP MODELS ONLY	3-C
4	4460259	6	Terminal, Posi-Lock	
5	4460260	6	Terminal, Housing	
6	4460367	1	Connector - 12 Position	
7	4460226	1	Socket, Female	

# SECTION 8 - ELECTRICAL

## FIGURE 8-28. INDICATOR LAMP HARNESS ASSEMBLY



ART\_1001109860



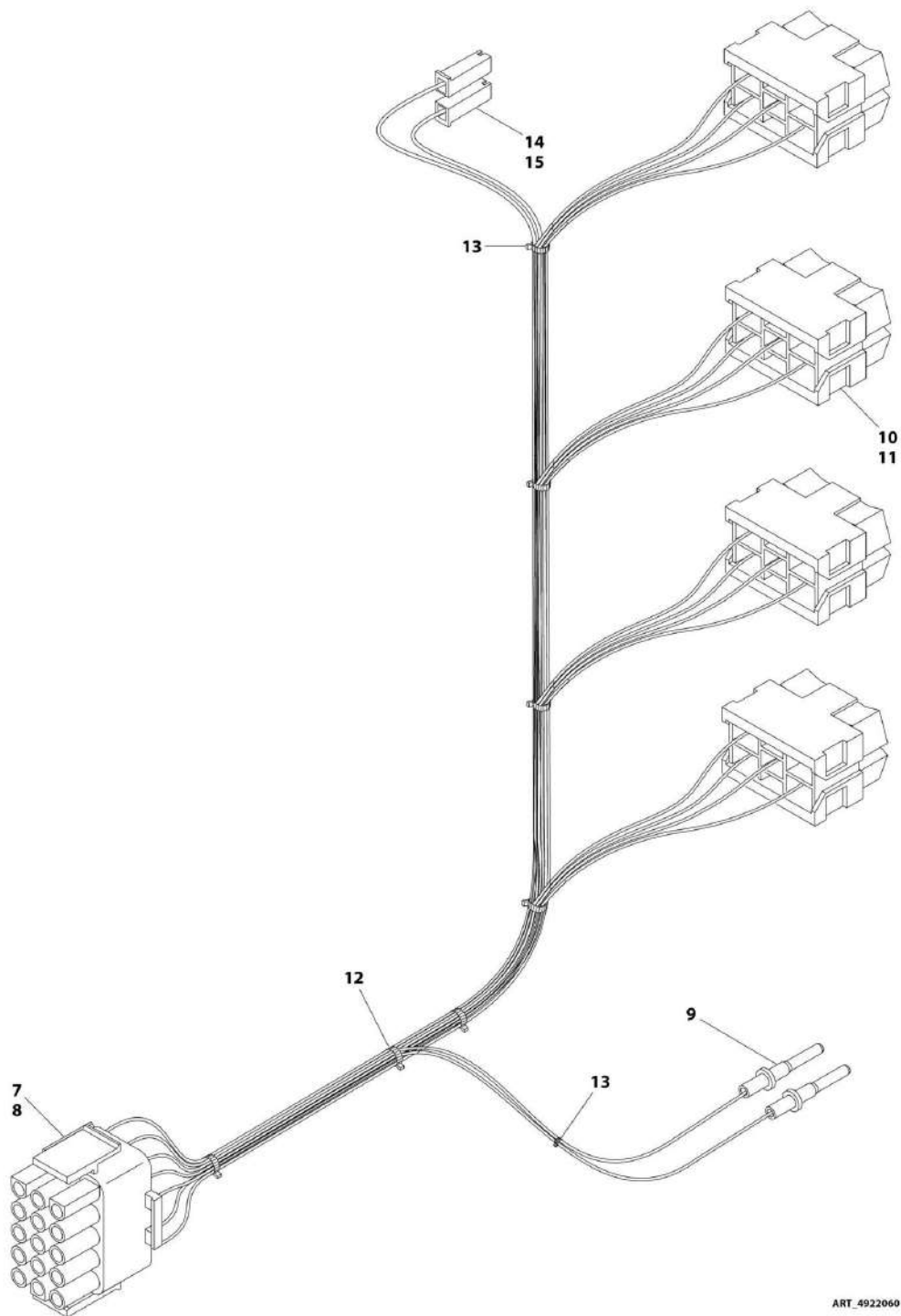
## SECTION 8 - ELECTRICAL

### FIGURE 8-28. INDICATOR LAMP HARNESS ASSEMBLY

ITEM	PART NUMBER	QTY	DESCRIPTION	REV
	1001109860	Ref	INDICATOR LAMP HARNESS ASSEMBLY	B
3	4460265	1	Connector - 9 Position	
4	4460227	8	Pin, Male	
5	4120035	6	Socket, Lamp	
6	4460634	7	Socket (Single Wire)	
7	4460635	5	Socket (Two Wire)	
8	4460042	2	Ring, Terminal	
9	4240032	AR	Tie-Strap	

# SECTION 8 - ELECTRICAL

## FIGURE 8-29. PLATFORM FUNCTION SWITCH HARNESS ASSEMBLY - E400AN



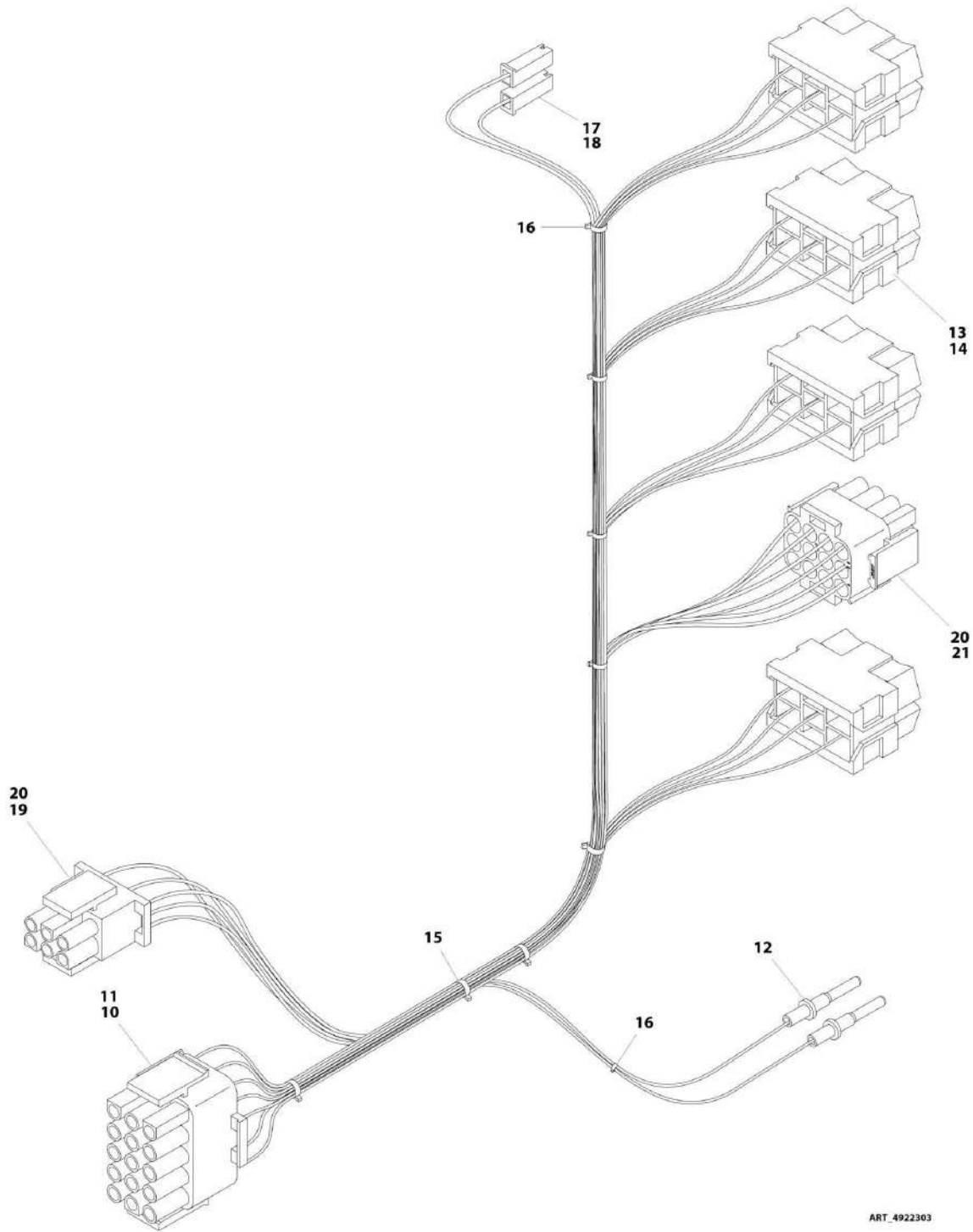
## SECTION 8 - ELECTRICAL

**FIGURE 8-29. PLATFORM FUNCTION SWITCH HARNESS ASSEMBLY - E400AN**

ITEM	PART NUMBER	QTY	DESCRIPTION	REV
	4922060	Ref	PLATFORM FUNCTION SWITCH HARNESS ASSEMBLY - E400AN	2-D
7	4460434	1	Connector - 15 Position	
8	4460226	12	Pin, Male	
9	4460464	2	Pin, Male	
10	4460418	4	Connector, Female	
11	4460419	12	Terminal	
12	4240033	6	Tie-Strap	
13	4240032	14	Tie-Strap	
14	4460259	1	Terminal	
15	4460260	1	Terminal Housing	

# SECTION 8 - ELECTRICAL

**FIGURE 8-30. PLATFORM FUNCTION SWITCH HARNESS ASSEMBLY -  
E400AJP/E400AJPN/M400AJP/M400AJPN**



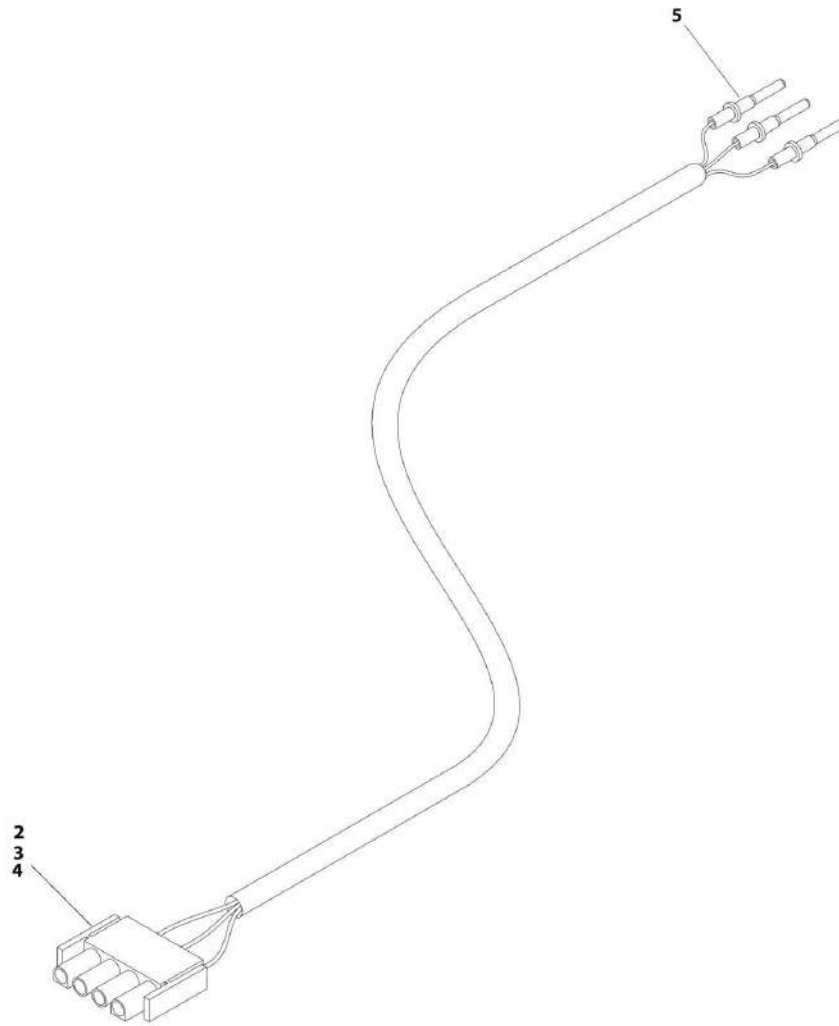
## SECTION 8 - ELECTRICAL

**FIGURE 8-30. PLATFORM FUNCTION SWITCH HARNESS ASSEMBLY -  
E400AJP/E400AJPN/M400AJP/M400AJPN**

ITEM	PART NUMBER	QTY	DESCRIPTION	REV
	4922303	Ref	PLATFORM FUNCTION SWITCH HARNESS ASSEMBLY - E400AJP/E400AJPN/M400AJP/M400AJPN	5-D
10	4460434	1	Connector - 15 Position	
11	4460226	12	Pin, Male	
12	4460464	2	Pin, Male	
13	4460418	4	Connector, Female	
14	4460419	12	Terminal	
15	4240033	6	Tie-Strap	
16	4240032	14	Tie-Strap	
17	4460259	1	Terminal	
18	4460260	1	Terminal Housing	
19	4460225	1	Connector - 6 Position	
20	4460227	10	Socket, Female	
21	4460343	1	Connector, 12 Position	

# SECTION 8 - ELECTRICAL

## FIGURE 8-31. PLATFORM CAN BUS HARNESS ASSEMBLY



ART\_4922071

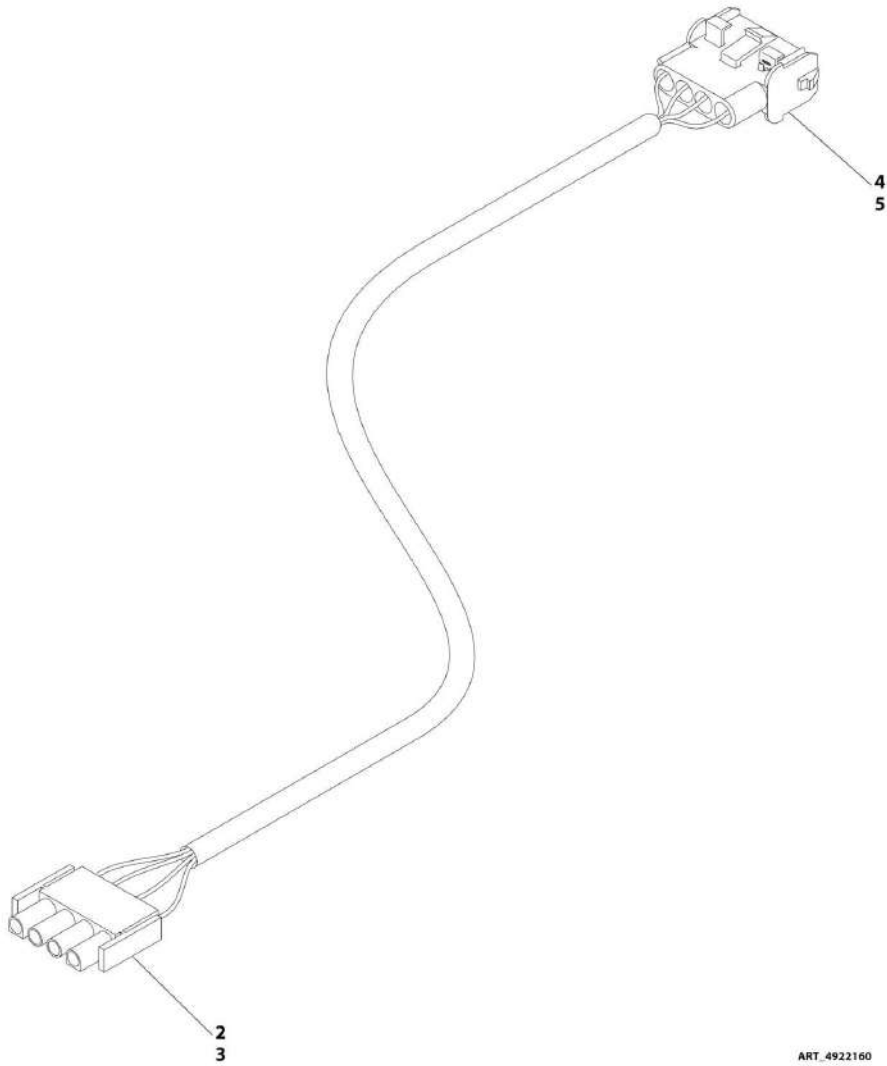
## SECTION 8 - ELECTRICAL

### FIGURE 8-31. PLATFORM CAN BUS HARNESS ASSEMBLY

ITEM	PART NUMBER	QTY	DESCRIPTION	REV
	4922071	Ref	PLATFORM CAN BUS HARNESS ASSEMBLY	2-B
2	4460321	1	Connector - 4 Position	
3	4460227	2	Pin, Male	
4	4460267	1	Pin, Male	
5	4460464	3	Pin, Male	

# SECTION 8 - ELECTRICAL

## FIGURE 8-32. ANALYZER HARNESS ASSEMBLY



ART\_4922160



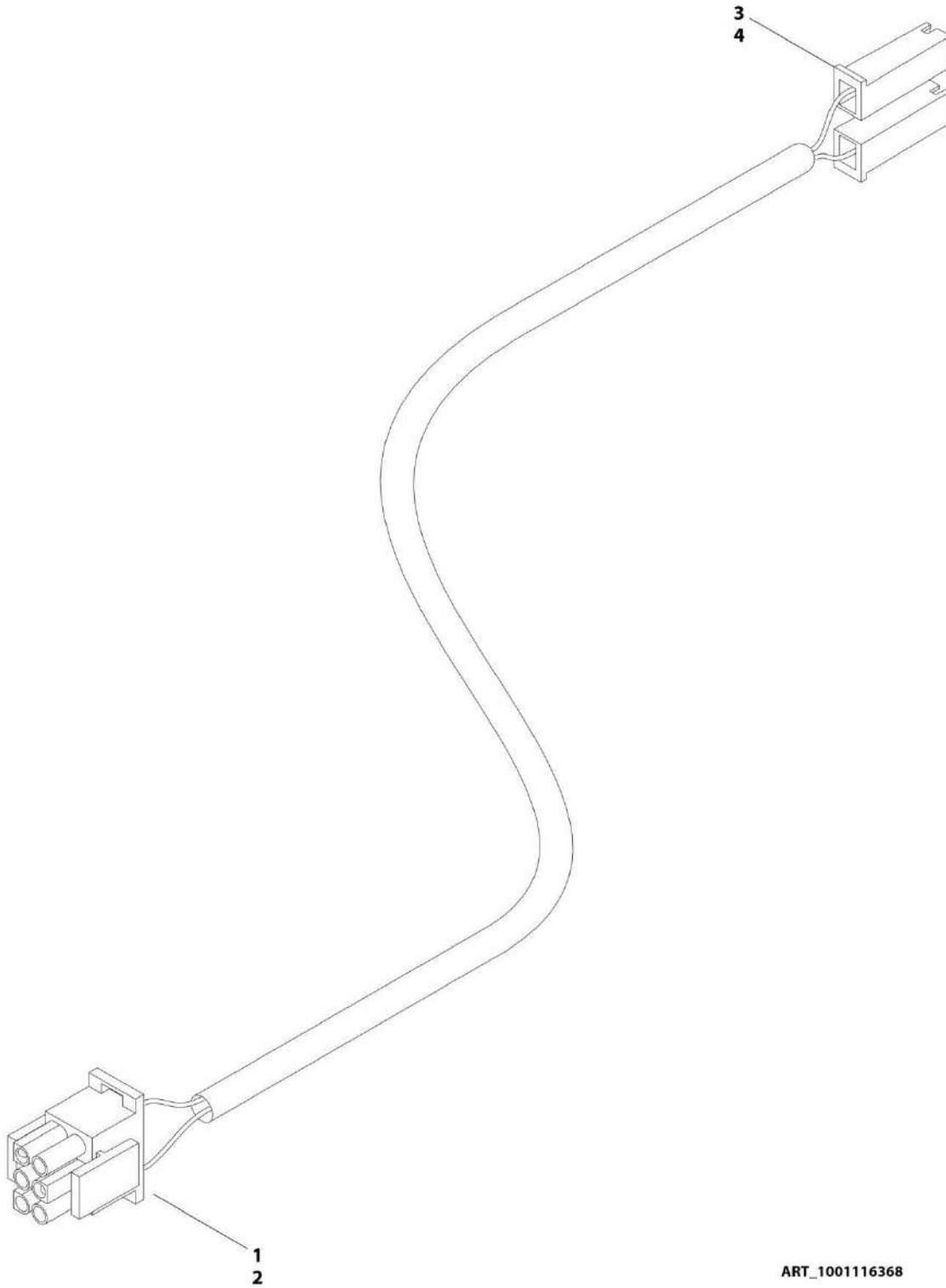
## SECTION 8 - ELECTRICAL

### FIGURE 8-32. ANALYZER HARNESS ASSEMBLY

ITEM	PART NUMBER	QTY	DESCRIPTION	REV
	4922160	Ref	ANALYZER HARNESS ASSEMBLY	3-C
2	4460321	1	Connector - 4 Position	
3	4460226	4	Socket, Female	
4	4460761	1	Connector, Female - 4 Position	
5	4460227	4	Pin, Male	

# SECTION 8 - ELECTRICAL

FIGURE 8-33. DRIVE ORIENTATION HARNESS ASSEMBLY



ART\_100116368

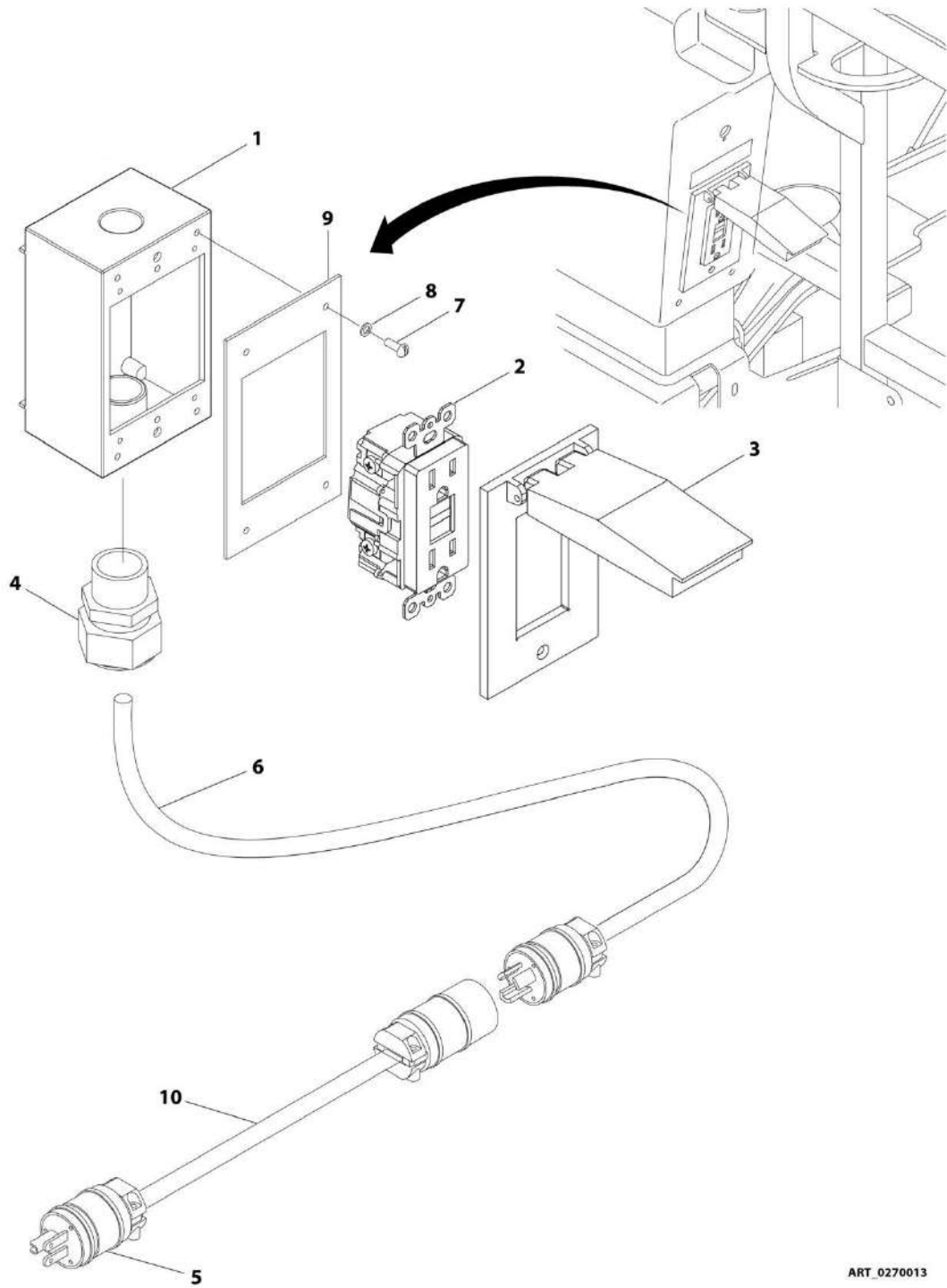
## SECTION 8 - ELECTRICAL

### FIGURE 8-33. DRIVE ORIENTATION HARNESS ASSEMBLY

ITEM	PART NUMBER	QTY	DESCRIPTION	REV
	1001116368	Ref	DRIVE ORIENTATION HARNESS ASSEMBLY	A
1	4460225	1	Connector - 6 Position	
2	4460227	2	Socket, Female	
3	4460259	2	Terminal	
4	4460260	2	Terminal Housing	

# SECTION 8 - ELECTRICAL

FIGURE 8-34. PLUG AND RECEPTACLE INSTALLATION - 110V - ANSI SPEC



ART\_0270013

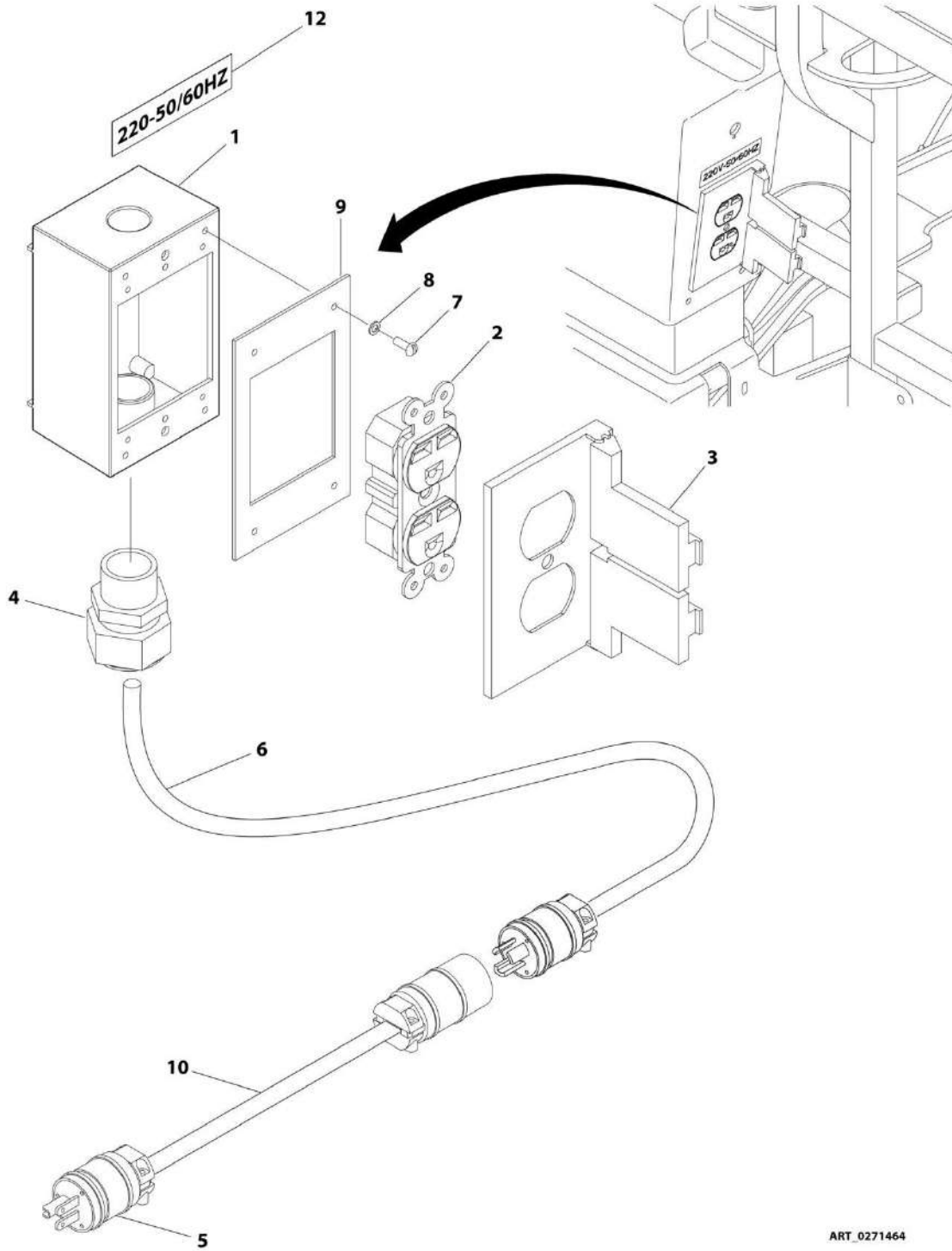
## SECTION 8 - ELECTRICAL

**FIGURE 8-34. PLUG AND RECEPTACLE INSTALLATION - 110V - ANSI SPEC**

ITEM	PART NUMBER	QTY	DESCRIPTION	REV
	0270013	Ref	PLUG AND RECEPTACLE INSTALLATION - 110V - ANSI SPEC	5
1	0860038	1	Box, Switch	
2	4460346	1	Receptacle	
3	1001110873	1	Shield, Cover	
4	4460071	1	Connector, Strain Relief	
5	4460205	1	Plug, Male	
6	4922608	1	Main Boom 110V Harness Assembly (See MAIN BOOM 110V HARNESS ASSEMBLY for Breakdown)	
7	3910610	4	Screw, Self-tapping, #6-32 x 5/8	
8	4760600	4	Washer, #6	
9	3960422	1	Gasket	
10	4922611	1	Lower Boom 110V Harness Assembly (See LOWER BOOM 110V HARNESS ASSEMBLY for Breakdown)	

# SECTION 8 - ELECTRICAL

## FIGURE 8-35. PLUG AND RECEPTACLE INSTALLATION - SUPPLIED LOCALLY



ART\_0271464

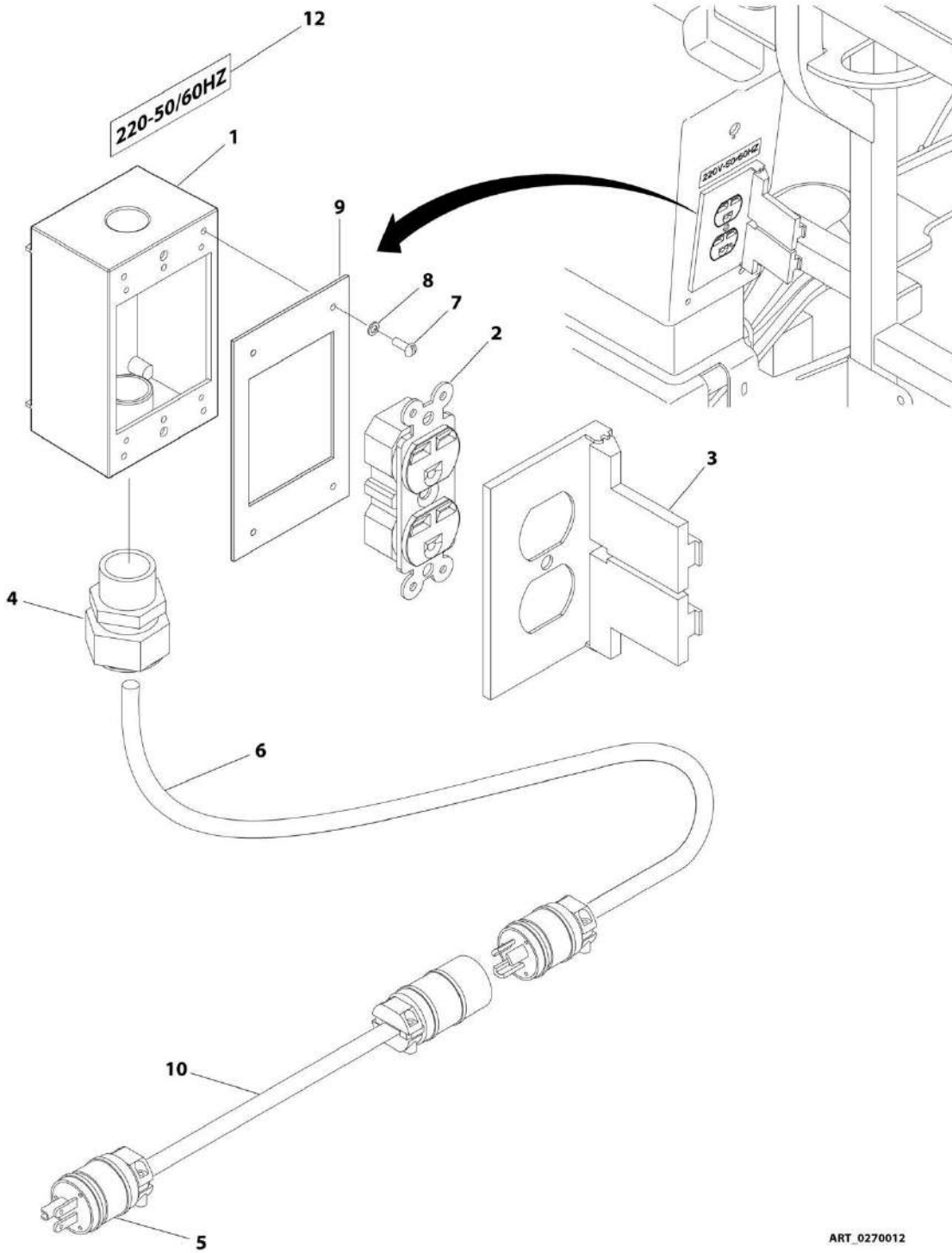
## SECTION 8 - ELECTRICAL

**FIGURE 8-35. PLUG AND RECEPTACLE INSTALLATION - SUPPLIED LOCALLY**

ITEM	PART NUMBER	QTY	DESCRIPTION	REV
	0271464	Ref	PLUG AND RECEPTACLE INSTALLATION - SUPPLIED LOCALLY	2
1	See Note	1	Box, Switch (Note: Supplied Locally)	
2	See Note	1	Receptacle (Note: Supplied Locally)	
3	See Note	1	Shield, Cover (Note: Supplied Locally)	
4	See Note	1	Connector, Strain Relief (Note: Supplied Locally)	
5	See Note	1	Plug, Male (Note: Supplied Locally)	
6	4922610	1	Main Boom 220V Harness Assembly - CE Spec (See MAIN BOOM 220V HARNESS ASSEMBLY - CE SPEC for Breakdown)	
7	See Note	4	Screw, Self-tapping, #6-32 x 5/8 (Note: Supplied Locally)	
8	See Note	4	Washer, #6 (Note: Supplied Locally)	
9	See Note	1	Gasket (Note: Supplied Locally)	
10	4922612	1	Lower Boom 220V Harness Assembly - CE Spec (See LOWER BOOM 220V HARNESS ASSEMBLY - CE SPEC for Breakdown)	
12	See Note	1	Decal - 220V-50/60Hz (Note: Supplied Locally)	

# SECTION 8 - ELECTRICAL

## FIGURE 8-36. PLUG AND RECEPTACLE 220V INSTALLATION - ANSI SPEC



ART\_0270012



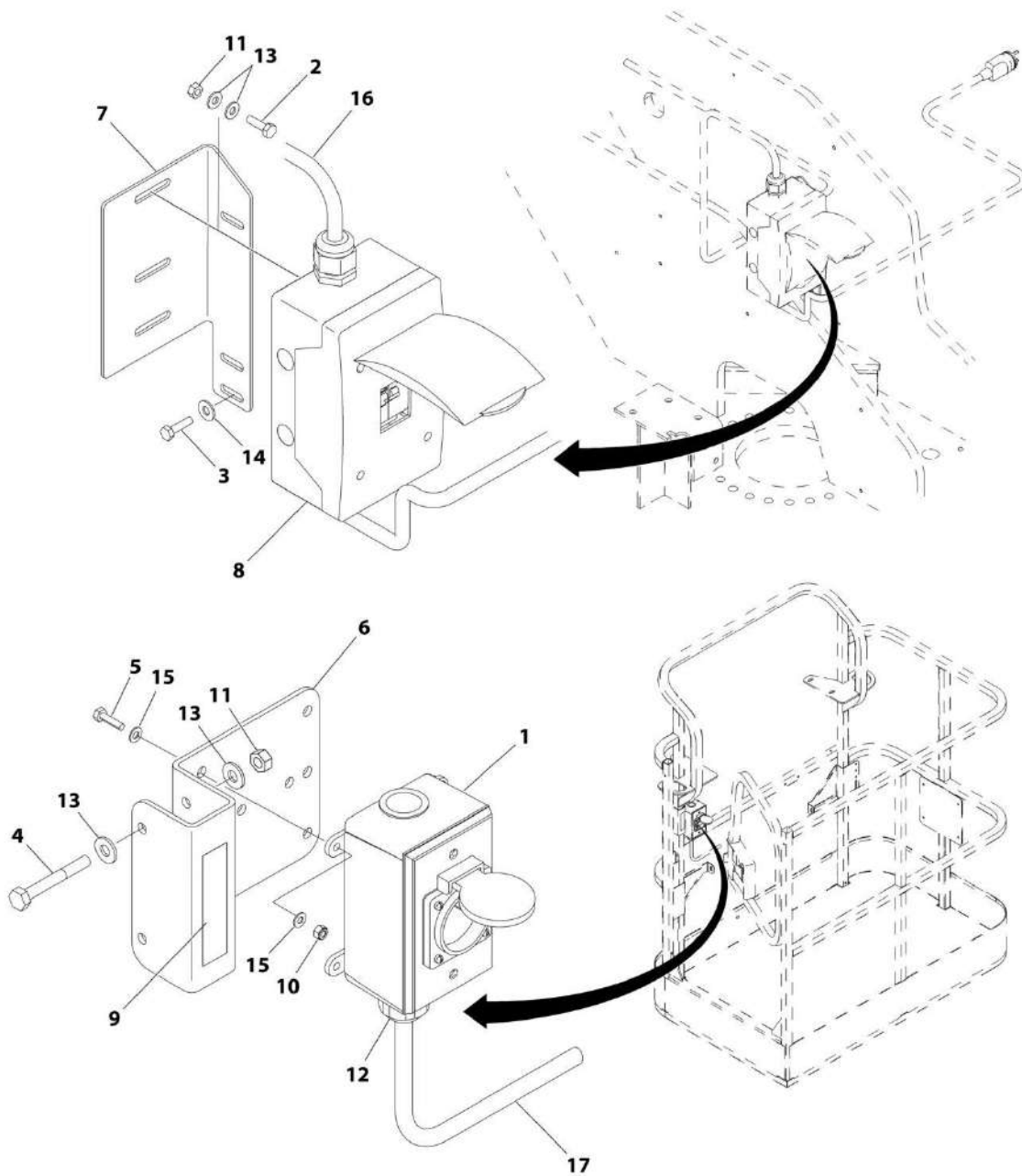
## SECTION 8 - ELECTRICAL

**FIGURE 8-36. PLUG AND RECEPTACLE 220V INSTALLATION - ANSI SPEC**

ITEM	PART NUMBER	QTY	DESCRIPTION	REV
	0270012	Ref	PLUG AND RECEPTACLE 220V INSTALLATION - ANSI SPEC	4
1	0860038	1	Box, Switch	
2	4460125	1	Receptacle	
3	4060092	1	Shield, Cover	
4	4460071	1	Connector, Strain Relief	
5	4460233	1	Plug, Male	
6	4922608	1	Main Boom 110V Harness Assembly (See MAIN BOOM 110V HARNESS ASSEMBLY for Breakdown)	
7	3910610	4	Screw, Self-tapping, #6-32 x 5/8	
8	4760600	4	Washer, #6	
9	3960422	1	Gasket	
10	4922611	1	Lower Boom 110V Harness Assembly (See LOWER BOOM 110V HARNESS ASSEMBLY for Breakdown)	
12	3252507	1	Decal - 220V-50/60Hz	

# SECTION 8 - ELECTRICAL

FIGURE 8-37. PLUG AND RECEPTACLE 220V INSTALLATION - CEE7 POST GROUND - 2 X 4 BOX - CE SPEC



ART\_1001166251

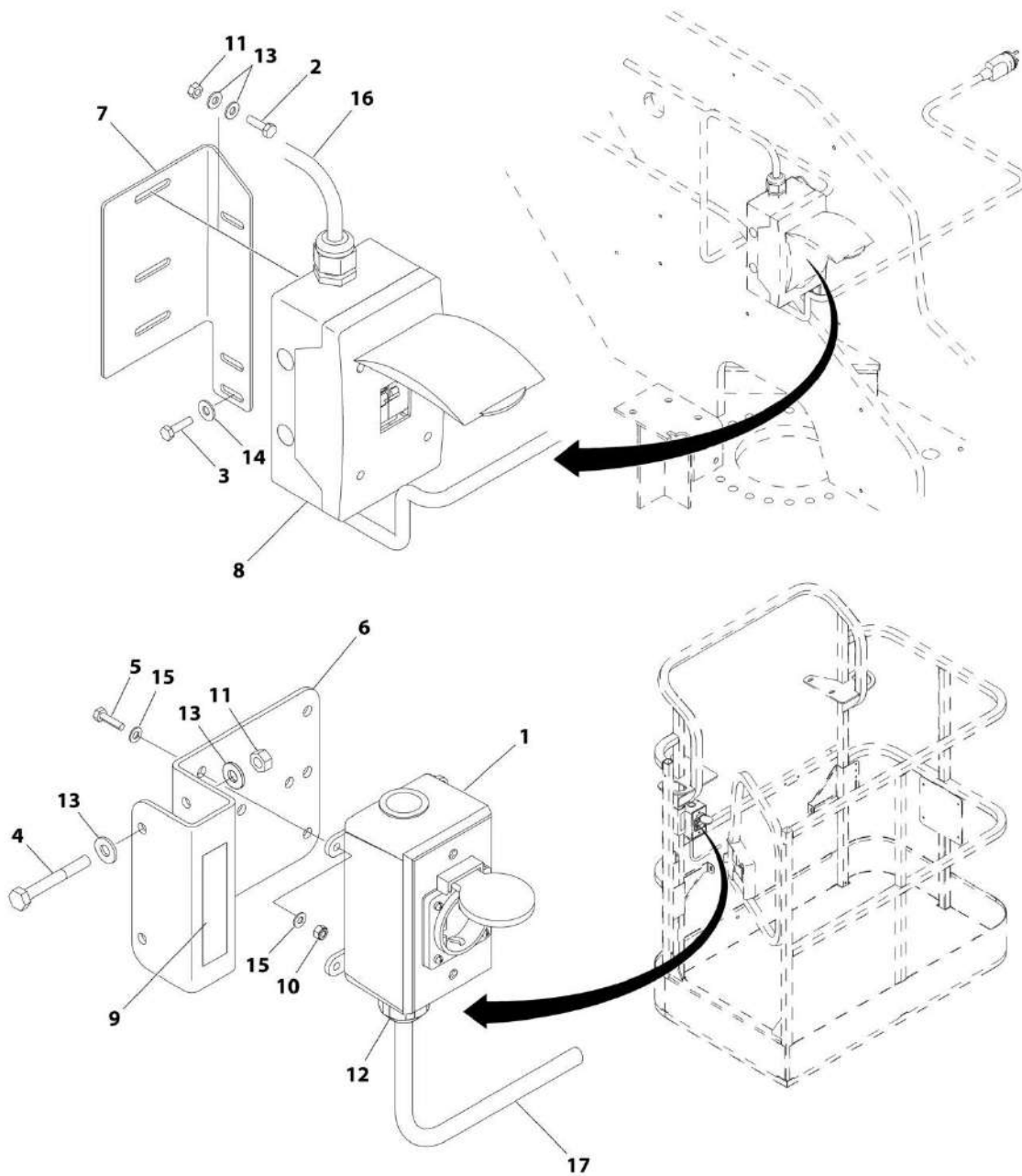
## SECTION 8 - ELECTRICAL

**FIGURE 8-37. PLUG AND RECEPTACLE 220V INSTALLATION - CEE7 POST GROUND - 2 X 4 BOX - CE SPEC**

ITEM	PART NUMBER	QTY	DESCRIPTION	REV
	1001166251	Ref	PLUG AND RECEPTACLE 220V INSTALLATION - CEE7 POST GROUND - 2 X 4 BOX - CE SPEC	B
1	0275452	1	AC Plugs and Sockets Installation - CE Spec (See AC PLUGS AND SOCKETS INSTALLATION - CE SPEC for Breakdown)	
2	0641407	2	Bolt, 1/4-20 x 7/8	
3	0641408	2	Bolt, 1/4-20 x 1	
4	0641416	2	Bolt, 1/4-20 x 2	
5	0700408	4	Bolt, M4 x 16	
6	0903484	1	Bracket	
7	1001178491	1	Bracket	
8	2902549	1	Breaker Box Kit with Two Breakers - CE Spec (See BREAKER BOX KIT WITH TWO BREAKERS CE SPEC for Breakdown)	
9	3252507	2	Decal - 220V - 50/60Hz	
10	3290405	4	Nut, Lock, M4 x 0.7	
11	3311405	4	Nut, Lock, 1/4-20	
12	4460662	1	Connector, Strain Relief	
13	4711400	8	Washer, 1/4	
14	4751400	2	Washer, 1/4	
15	4811400	8	Washer, 4mm	
16	4922609	1	Lower Boom 220V Harness Assembly - CE Spec (See LOWER BOOM 220V HARNESS ASSEMBLY - CE SPEC for Breakdown)	
17	4922610	1	Main Boom 220V Harness Assembly - CE Spec (See MAIN BOOM 220V HARNESS ASSEMBLY - CE SPEC for Breakdown)	

# SECTION 8 - ELECTRICAL

FIGURE 8-38. PLUG AND RECEPTACLE 220V INSTALLATION - CEE7 SIDE GROUND - 2 X 4 BOX - CE SPEC



ART\_1001166258

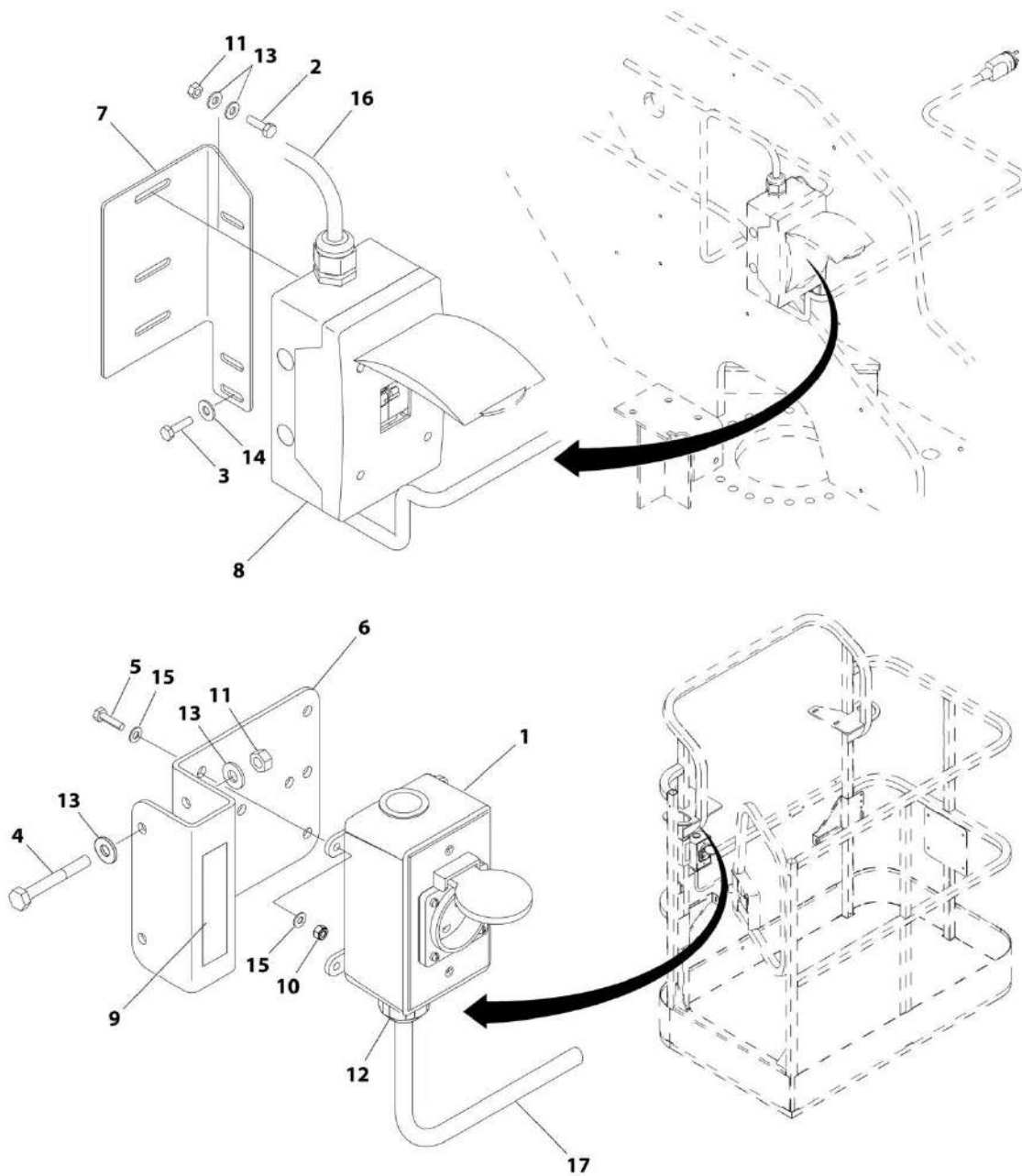
## SECTION 8 - ELECTRICAL

**FIGURE 8-38. PLUG AND RECEPTACLE 220V INSTALLATION - CEE7 SIDE GROUND - 2 X 4 BOX - CE SPEC**

ITEM	PART NUMBER	QTY	DESCRIPTION	REV
	1001166258	Ref	PLUG AND RECEPTACLE 220V INSTALLATION - CEE7 SIDE GROUND - 2 X 4 BOX - CE SPEC	B
1	0275453	1	AC Plugs and Sockets Installation - CE Spec (See AC PLUGS AND SOCKETS INSTALLATION - CE SPEC for Breakdown)	
2	0641407	2	Bolt, 1/4-20 x 7/8	
3	0641408	2	Bolt, 1/4-20 x 1	
4	0641416	2	Bolt, 1/4-20 x 2	
5	0700408	4	Bolt, M4 x 16	
6	0903484	1	Bracket	
7	1001178491	1	Bracket	
8	1001152485	1	Breaker Box Kit with Three Breakers - CE Spec (See BREAKER BOX KIT WITH THREE BREAKERS - CE SPEC for Breakdown)	
9	3252507	2	Decal - 220V - 50/60 Hz	
10	3290405	4	Nut, Lock, M4 x 0.7	
11	3311405	4	Nut, Lock, 1/4-20	
12	4460662	1	Connector, Strain Relief	
13	4711400	8	Washer, 1/4	
14	4751400	2	Washer, 1/4	
15	4811400	8	Washer, 4mm	
16	4922609	1	Lower Boom 220V Harness Assembly - CE Spec (See LOWER BOOM 220V HARNESS ASSEMBLY - CE SPEC for Breakdown)	
17	4922610	1	Main Boom 220V Harness Assembly - CE Spec (See MAIN BOOM 220V HARNESS ASSEMBLY - CE SPEC for Breakdown)	

# SECTION 8 - ELECTRICAL

FIGURE 8-39. PLUG AND RECEPTACLE 220V INSTALLATION - AFSINT 107 KEYED GROUND - 2 X 4 BOX - CE SPEC



ART\_1001166259

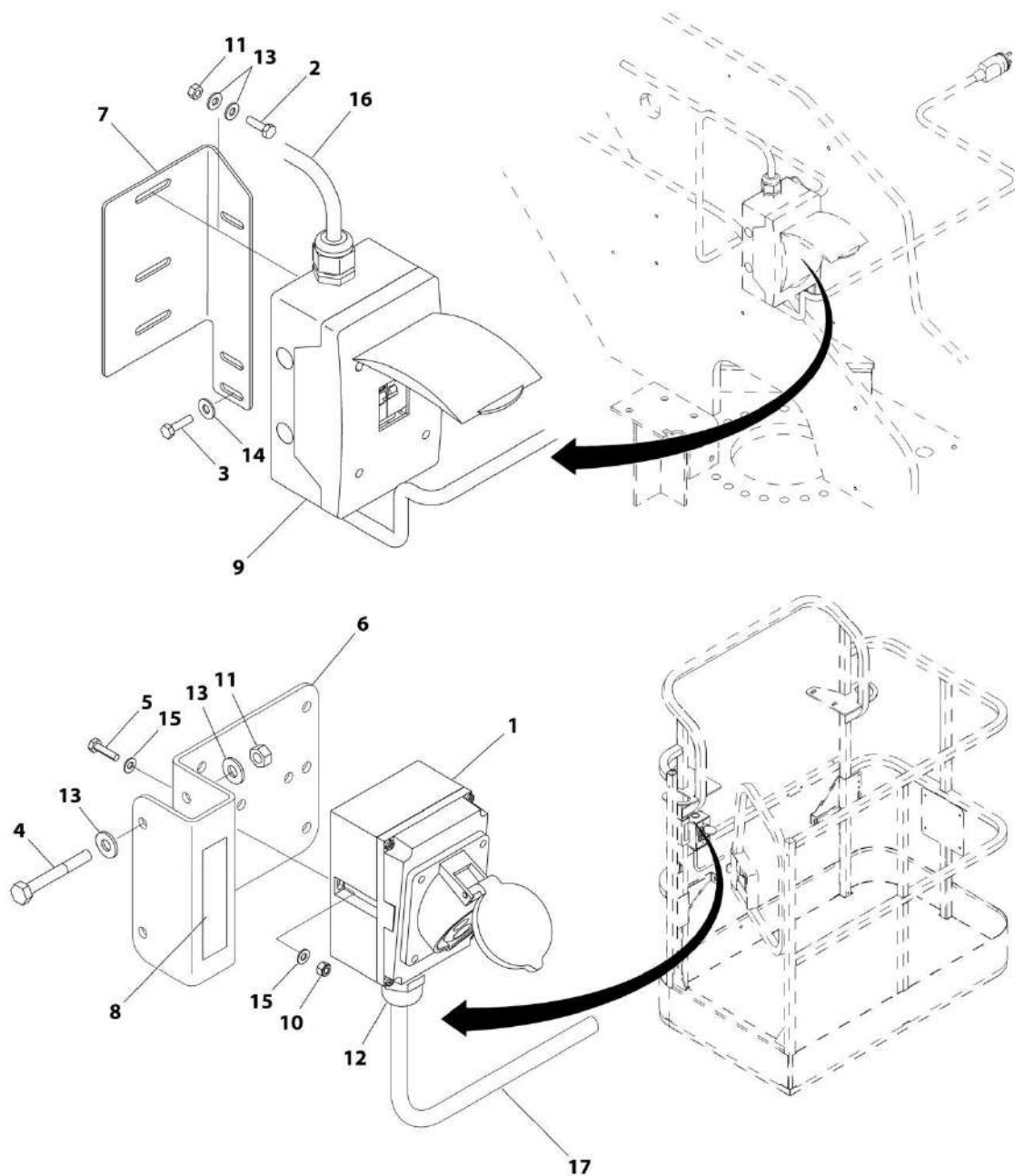
## SECTION 8 - ELECTRICAL

**FIGURE 8-39. PLUG AND RECEPTACLE 220V INSTALLATION - AFSINT 107 KEYED GROUND - 2 X 4 BOX - CE SPEC**

ITEM	PART NUMBER	QTY	DESCRIPTION	REV
	1001166259	Ref	PLUG AND RECEPTACLE 220V INSTALLATION - AFSINT 107 KEYED GROUND - 2 X 4 BOX - CE SPEC	C
1	0275454	1	AC Plugs and Sockets Installation - CE Spec (See AC PLUGS AND SOCKETS INSTALLATION - CE SPEC for Breakdown)	
2	0641407	2	Bolt, 1/4-20 x 7/8	
3	0641408	2	Bolt, 1/4-20- x 1	
4	0641416	2	Bolt, 1/4-20 x 2	
5	0700408	4	Bolt, M4 x 16	
		Ref	Bracket Options:	
6	0903484	1	Bracket ( <b>Prior to SN 0300200792</b> )	
6	1001193018	1	Bracket ( <b>SN 0300200792 through 0300208528</b> )	
7	1001178491	1	Bracket	
8	2902549	1	Breaker Box Kit with Two Breakers - CE Spec (See BREAKER BOX KIT WITH TWO BREAKERS - CE SPEC for Breakdown)	
9	3252507	2	Decal - 220V - 50/60 Hz	
10	3290405	4	Nut, Lock, M4 x 0.7	
11	3311405	4	Nut, Lock, 1/4-20	
12	4460662	1	Connector, Strain Relief	
13	4711400	8	Washer, 1/4	
14	4751400	2	Washer, 1/4	
15	4811400	8	Washer, 4mm	
16	4922609	1	Lower Boom 220V Harness Assembly - CE Spec (See LOWER BOOM 220V HARNESS ASSEMBLY - CE SPEC for Breakdown)	
17	4922610	1	Main Boom 220V Harness Assembly - CE Spec (See MAIN BOOM 220V HARNESS ASSEMBLY - CE SPEC for Breakdown)	

# SECTION 8 - ELECTRICAL

FIGURE 8-40. PLUG AND RECEPTACLE 110V INSTALLATION - IEC 60309 - YELLOW - CE SPEC



ART\_1001166263



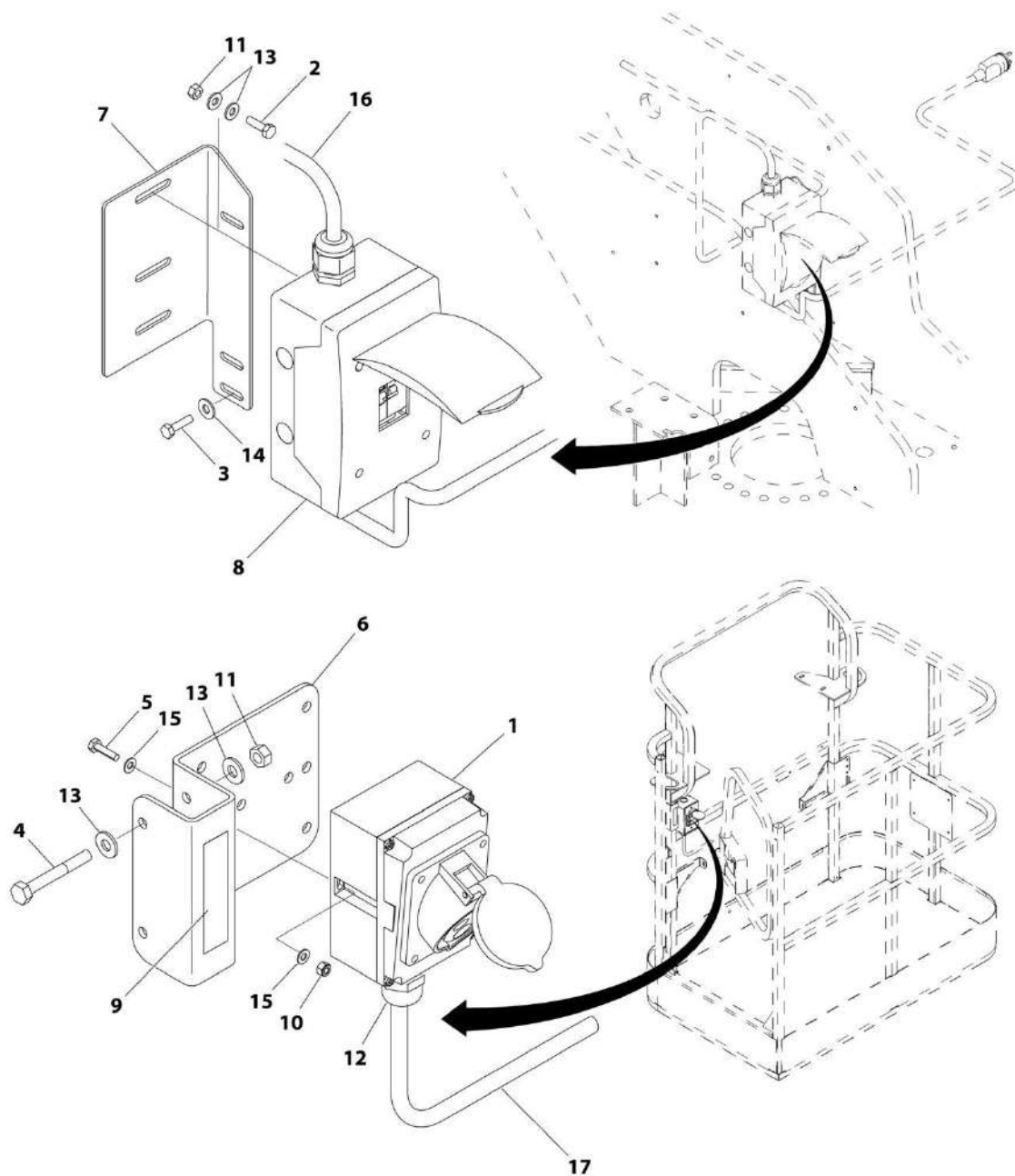
## SECTION 8 - ELECTRICAL

**FIGURE 8-40. PLUG AND RECEPTACLE 110V INSTALLATION - IEC 60309 - YELLOW - CE SPEC**

ITEM	PART NUMBER	QTY	DESCRIPTION	REV
	1001166263	Ref	PLUG AND RECEPTACLE 110V INSTALLATION - IEC 60309 - YELLOW - CE SPEC	C
1	0275216	1	AC Plugs and Sockets Installation - CE Spec (See AC PLUGS AND SOCKETS INSTALLATION - CE SPEC for Breakdown)	
2	0641407	2	Bolt, 1/4-20 x 7/8	
3	0641408	2	Bolt, 1/4-20 x 1	
4	0641416	2	Bolt, 1/4-20 x 2	
5	0700408	2	Bolt, M4 x 16	
		Ref	Bracket Options:	
6	0903484	1	Bracket ( <b>Prior to SN 0300200792</b> )	
6	1001193018	1	Bracket ( <b>SN 0300200792 through 0300208528</b> )	
7	1001178491	1	Bracket	
8	1705325	2	Decal - 120V - 50Hz	
9	2902549	1	Breaker Box Kit with Two Breakers - CE Spec (See BREAKER BOX KIT WITH TWO BREAKERS CE SPEC for Breakdown)	
10	3290405	2	Nut, Lock, M4 x 0.7	
11	3311405	4	Nut, Lock, 1/4-20	
12	4460968	1	Connector, Strain Relief	
13	4711400	8	Washer, 1/4	
14	4751400	2	Washer, 1/4	
15	4811400	4	Washer, 4mm	
16	4922609	1	Lower Boom 220V Harness Assembly - CE Spec (See LOWER BOOM 220V HARNESS ASSEMBLY - CE SPEC for Breakdown)	
17	4922610	1	Main Boom 220V Harness Assembly - CE Spec (See MAIN BOOM 220V HARNESS ASSEMBLY - CE SPEC for Breakdown)	

# SECTION 8 - ELECTRICAL

FIGURE 8-41. PLUG AND RECEPTACLE 220V INSTALLATION IEC 60309 BLUE - CE SPEC



ART\_1001166260

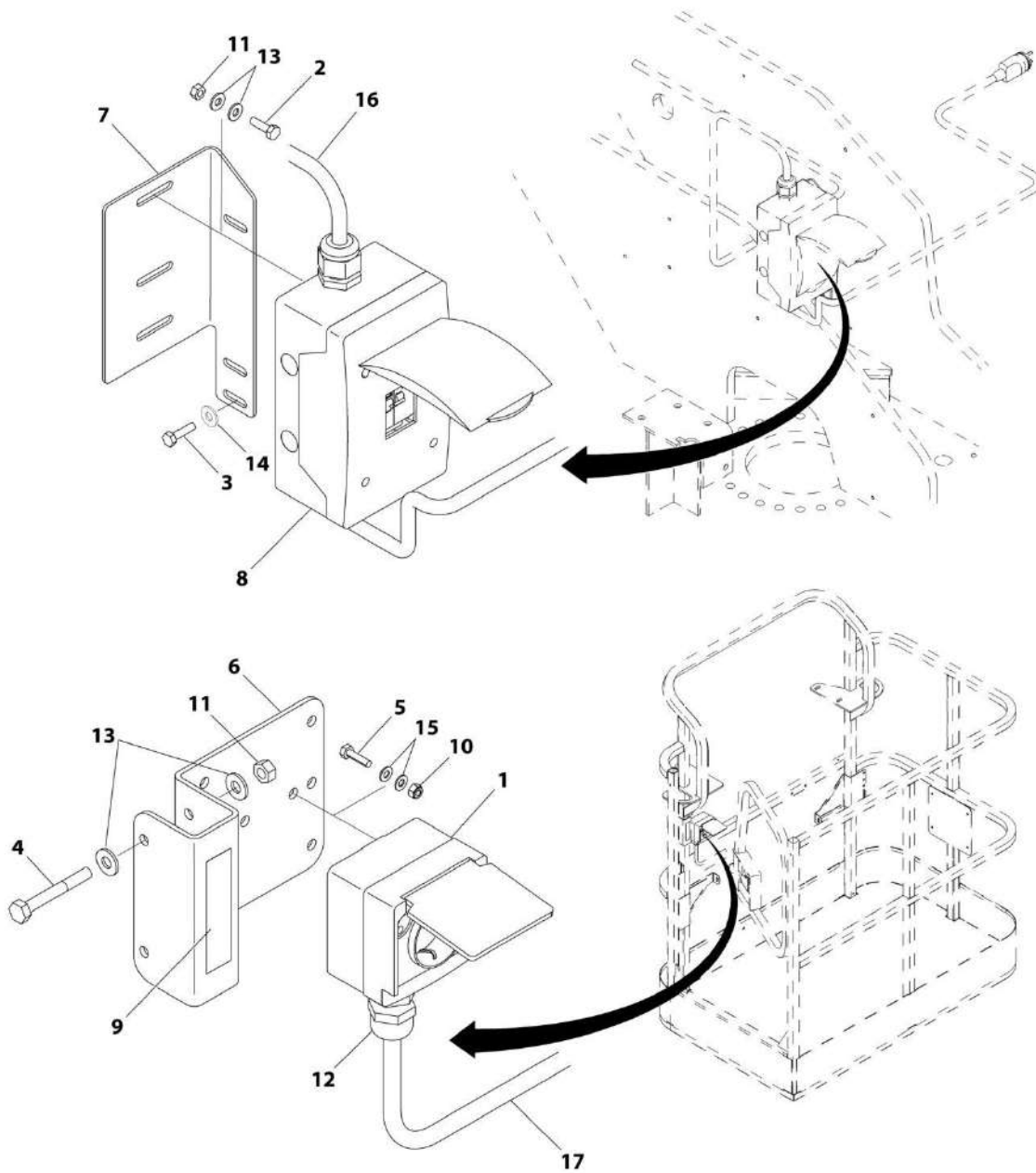
## SECTION 8 - ELECTRICAL

**FIGURE 8-41. PLUG AND RECEPTACLE 220V INSTALLATION IEC 60309 BLUE - CE SPEC**

ITEM	PART NUMBER	QTY	DESCRIPTION	REV
	1001166260	Ref	PLUG AND RECEPTACLE 220V INSTALLATION IEC 60309 BLUE - CE SPEC	C
1	0275217	1	AC Plugs and Sockets Installation - CE Spec (See AC PLUGS AND SOCKETS INSTALLATION - CE SPEC for Breakdown)	
2	0641407	2	Bolt, 1/4-20 x 7/8	
3	0641408	2	Bolt, 1/4-20 x 1	
4	0641416	2	Bolt, 1/4-20 x 2	
5	0700408	2	Bolt, M4 x 16	
		Ref	Bracket Options:	
6	0903484	1	Bracket ( <b>Prior to SN 0300200792</b> )	
6	1001193018	1	Bracket ( <b>SN 0300200792 through 0300208528</b> )	
7	1001178491	1	Bracket	
8	2902549	1	Breaker Box Kit with Two Breakers - CE Spec (See BREAKER BOX KIT WITH TWO BREAKERS - CE SPEC for Breakdown)	
9	3252507	2	Decal - 220V - 50/60Hz	
10	3290405	2	Nut, Lock, M4 x 0.7	
11	3311405	4	Nut, Lock, 1/4-20	
12	4460968	1	Connector, Strain Relief	
13	4711400	8	Washer, 1/4	
14	4751400	2	Washer, 1/4	
15	4811400	4	Washer, 4mm	
16	4922609	1	Lower Boom 220V Harness Assembly - CE Spec (See LOWER BOOM 220V HARNESS ASSEMBLY - CE SPEC for Breakdown)	
17	4922610	1	Main Boom 220V Harness Assembly - CE Spec (See MAIN BOOM 220V HARNESS ASSEMBLY - CE SPEC for Breakdown)	

# SECTION 8 - ELECTRICAL

FIGURE 8-42. PLUG AND RECEPTACLE 220V INSTALLATION - CEE7 POST GROUND - 70MM X 70MM BOX - CE SPEC



ART\_1001166261

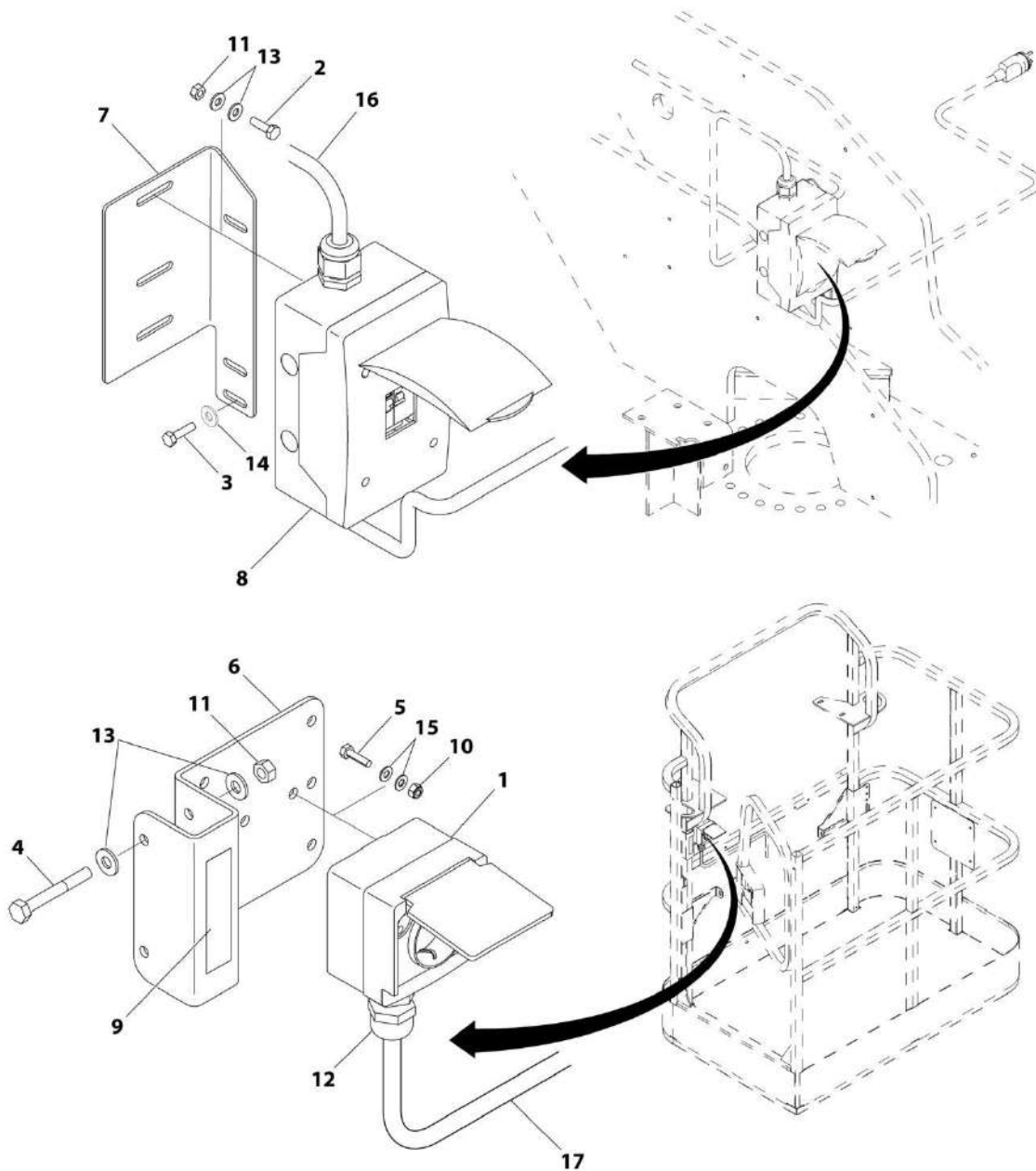
## SECTION 8 - ELECTRICAL

**FIGURE 8-42. PLUG AND RECEPTACLE 220V INSTALLATION - CEE7 POST GROUND - 70MM X 70MM BOX - CE SPEC**

ITEM	PART NUMBER	QTY	DESCRIPTION	REV
	1001166261	Ref	PLUG AND RECEPTACLE 220V INSTALLATION - CEE7 POST GROUND - 70MM X 70MM BOX - CE SPEC	C
1	0275218	1	AC Plugs and Sockets Installation - CE Spec (See AC PLUGS AND SOCKETS INSTALLATION - CE SPEC for Breakdown)	
2	0641407	2	Bolt, 1/4-20 x 7/8	
3	0641408	2	Bolt, 1/4-20 x 1	
4	0641416	2	Bolt, 1/4-20 x 2	
5	0700408	2	Bolt, M4 x 16	
		Ref	Bracket Options:	
6	0903484	1	Bracket ( <b>Prior to SN 0300200792</b> )	
6	1001193018	1	Bracket ( <b>SN 0300200792 through 0300208528</b> )	
7	1001178491	1	Bracket	
8	2902549	1	Breaker Box Kit with Two Breakers - CE Spec (See BREAKER BOX KIT WITH TWO BREAKERS CE Spec for Breakdown)	
9	3252507	2	Decal - 220V - 50/60Hz	
10	3290405	2	Nut, Lock, M4 x 0.7	
11	3311405	4	Nut, Lock, 1/4-20	
12	4460968	1	Connector, Strain Relief	
13	4711400	8	Washer, 1/4	
14	4751400	2	Washer, 1/4	
15	4811400	8	Washer, 4mm	
16	4922609	1	Lower Boom 220V Harness Assembly - CE Spec (See LOWER BOOM 220V HARNESS ASSEMBLY - CE SPEC for Breakdown)	
17	4922610	1	Main Boom 220V Harness Assembly - CE Spec (See MAIN BOOM 220V HARNESS ASSEMBLY - CE SPEC for Breakdown)	

## SECTION 8 - ELECTRICAL

FIGURE 8-43. PLUG AND RECEPTACLE 220V INSTALLATION - CEE7 SIDE GROUND - 70MM X 70MM BOX - CE SPEC



ART\_1001166262

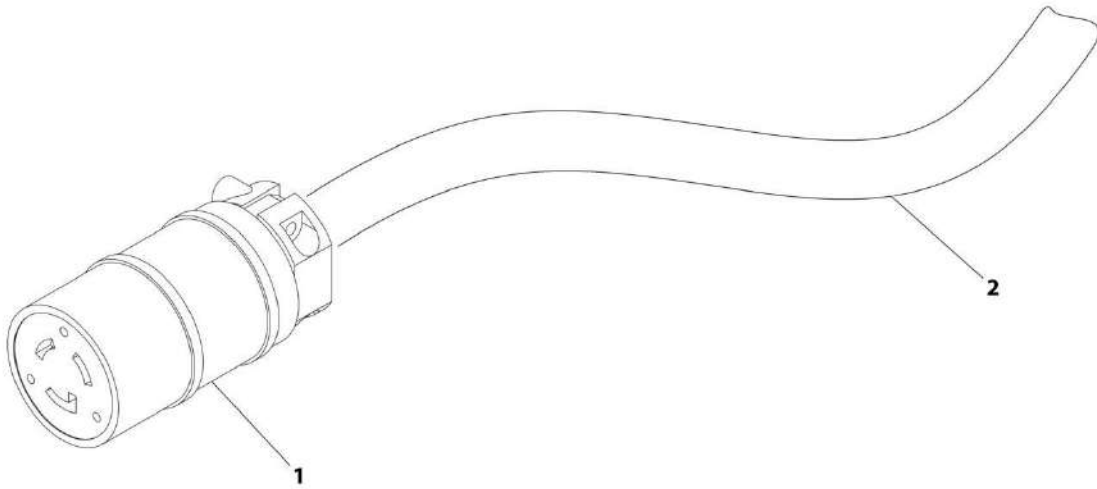
## SECTION 8 - ELECTRICAL

**FIGURE 8-43. PLUG AND RECEPTACLE 220V INSTALLATION - CEE7 SIDE GROUND - 70MM X 70MM BOX - CE SPEC**

ITEM	PART NUMBER	QTY	DESCRIPTION	REV
	1001166262	Ref	PLUG AND RECEPTACLE 220V INSTALLATION - CEE7 SIDE GROUND - 70MM X 70MM BOX - CE SPEC	C
1	0275219	1	AC Plugs and Sockets Installation - CE Spec (See AC PLUGS AND SOCKETS INSTALLATION - CE SPEC for Breakdown)	
2	0641407	2	Bolt, 1/4-20 x 7/8	
3	0641408	2	Bolt, 1/4-20 x 1	
4	0641416	2	Bolt, 1/4-20 x 2	
5	0700408	2	Bolt, M4 x 16	
		Ref	Bracket Options:	
6	0903484	1	Bracket ( <b>Prior to SN 0300200792</b> )	
6	1001193018	1	Bracket ( <b>SN 0300200792 through 0300208528</b> )	
7	1001178491	1	Bracket	
8	1001152485	1	Breaker Box Kit with Three Breakers - CE Spec (See BREAKER BOX KIT WITH THREE BREAKERS - CE SPEC for Breakdown)	
9	3252507	2	Decal - 220V - 50/60 Hz	
10	3290405	2	Nut, Lock, M4 x 0.7	
11	3311405	4	Nut, Lock, 1/4-20	
12	4460968	1	Connector, Strain Relief	
13	4711400	8	Washer, 1/4	
14	4751400	2	Washer, 1/4	
15	4811400	4	Washer, 4mm	
16	4922609	1	Lower Boom 220V Harness Assembly - CE Spec (See LOWER BOOM 220V HARNESS ASSEMBLY - CE SPEC for Breakdown)	
17	4922610	1	Main Boom 220V Harness Assembly - CE Spec (See MAIN BOOM 220V HARNESS ASSEMBLY - CE SPEC for Breakdown)	

## SECTION 8 - ELECTRICAL

FIGURE 8-44. LOWER BOOM 110V HARNESS ASSEMBLY



ART\_4922611



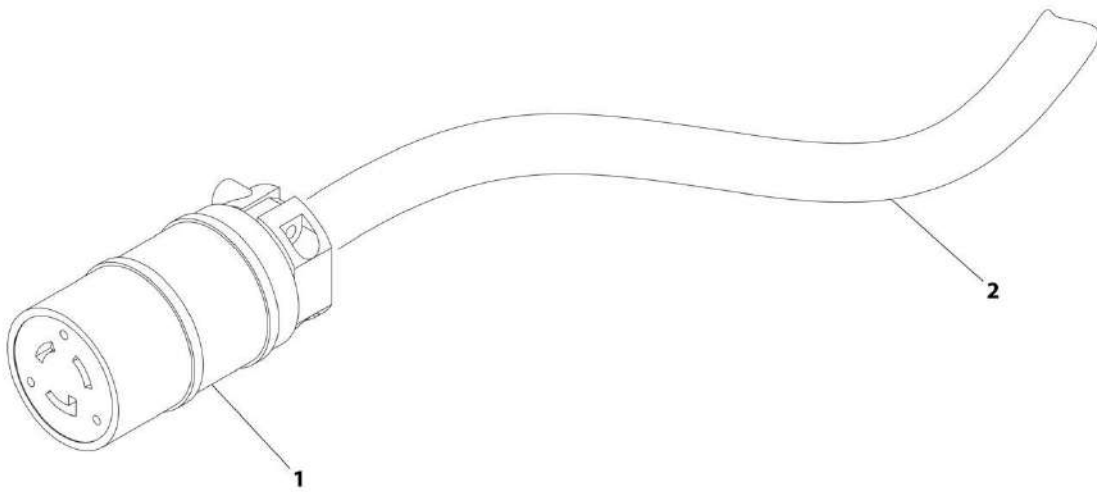
## SECTION 8 - ELECTRICAL

**FIGURE 8-44. LOWER BOOM 110V HARNESS ASSEMBLY**

ITEM	PART NUMBER	QTY	DESCRIPTION	REV
	4922611	Ref	LOWER BOOM 110V HARNESS ASSEMBLY	1
1	4460134	1	Connector, Female	
2	1060494	32.5 ft /9.9m	Electrical Cable, 12/3	

## SECTION 8 - ELECTRICAL

FIGURE 8-45. LOWER BOOM 220V HARNESS ASSEMBLY WITH BREAKER BOX - CE SPEC



ART\_4922609

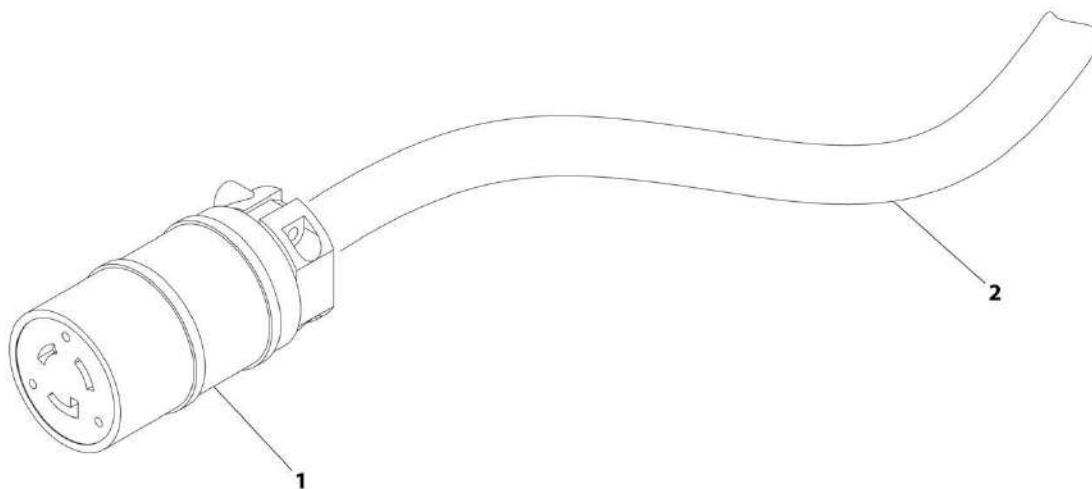
## SECTION 8 - ELECTRICAL

**FIGURE 8-45. LOWER BOOM 220V HARNESS ASSEMBLY WITH BREAKER BOX - CE SPEC**

ITEM	PART NUMBER	QTY	DESCRIPTION	REV
	4922609	Ref	LOWER BOOM 220V HARNESS ASSEMBLY WITH BREAKER BOX - CE SPEC	1
1	4460710	1	Connector, Female	
2	1060461	37 ft /11.3m	Electrical Cable, 12/3	

## SECTION 8 - ELECTRICAL

FIGURE 8-46. LOWER BOOM 220V HARNESS ASSEMBLY WITHOUT BREAKER BOX - CE SPEC



ART\_4922612

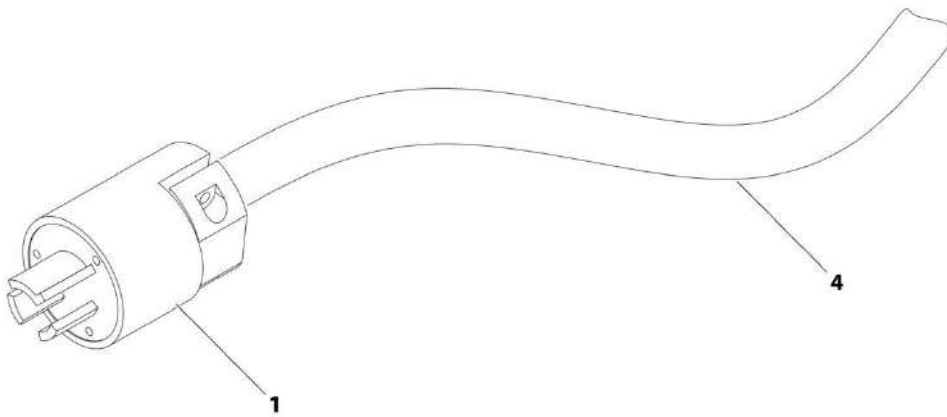
## SECTION 8 - ELECTRICAL

**FIGURE 8-46. LOWER BOOM 220V HARNESS ASSEMBLY WITHOUT BREAKER BOX - CE SPEC**

ITEM	PART NUMBER	QTY	DESCRIPTION	REV
	4922612	Ref	LOWER BOOM 220V HARNESS ASSEMBLY WITHOUT BREAKER BOX - CE SPEC	2
1	4460710	1	Connector, Female	
2	1060461	32.5 ft /9.9m	Electrical Cable, 12/3	

## SECTION 8 - ELECTRICAL

FIGURE 8-47. MAIN BOOM 110V HARNESS ASSEMBLY



ART\_4922608

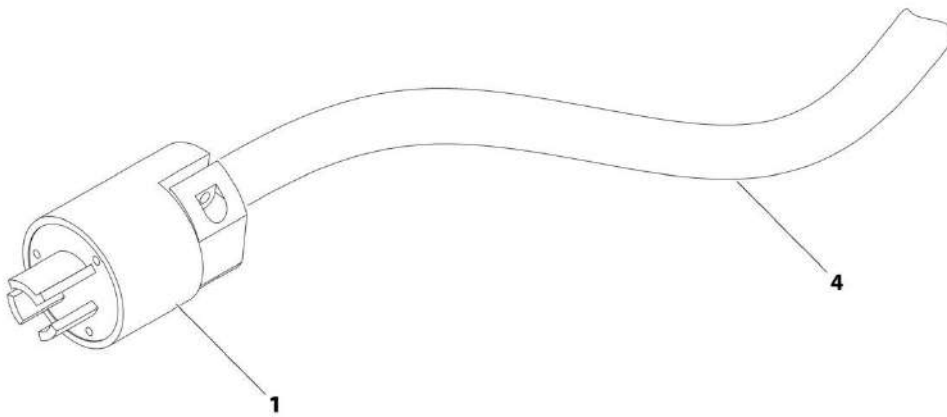
## SECTION 8 - ELECTRICAL

### FIGURE 8-47. MAIN BOOM 110V HARNESS ASSEMBLY

ITEM	PART NUMBER	QTY	DESCRIPTION	REV
	4922608	Ref	MAIN BOOM 110V HARNESS ASSEMBLY	2
1	4460205	1	Plug, Male	
4	1060494	27.2 ft /8.3m	Electrical Cable, 12/3	

## SECTION 8 - ELECTRICAL

FIGURE 8-48. MAIN BOOM 220V HARNESS ASSEMBLY - CE SPEC



ART\_4922610



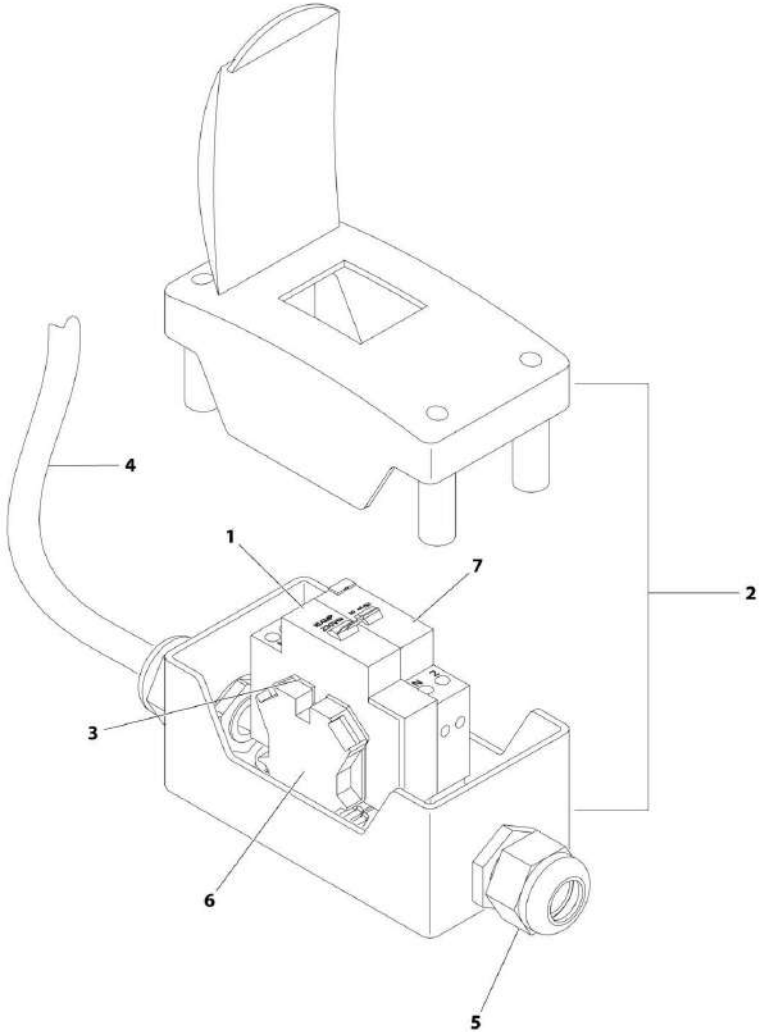
## SECTION 8 - ELECTRICAL

**FIGURE 8-48. MAIN BOOM 220V HARNESS ASSEMBLY - CE SPEC**

ITEM	PART NUMBER	QTY	DESCRIPTION	REV
	4922610	Ref	MAIN BOOM 220V HARNESS ASSEMBLY - CE SPEC	1
1	4460709	1	Plug, Male	
4	1060461	28 ft/8.5m	Electrical Cable, 12/3	

**SECTION 8 - ELECTRICAL**

**FIGURE 8-49. BREAKER BOX KIT WITH TWO BREAKERS - CE SPEC**



ART\_2902549

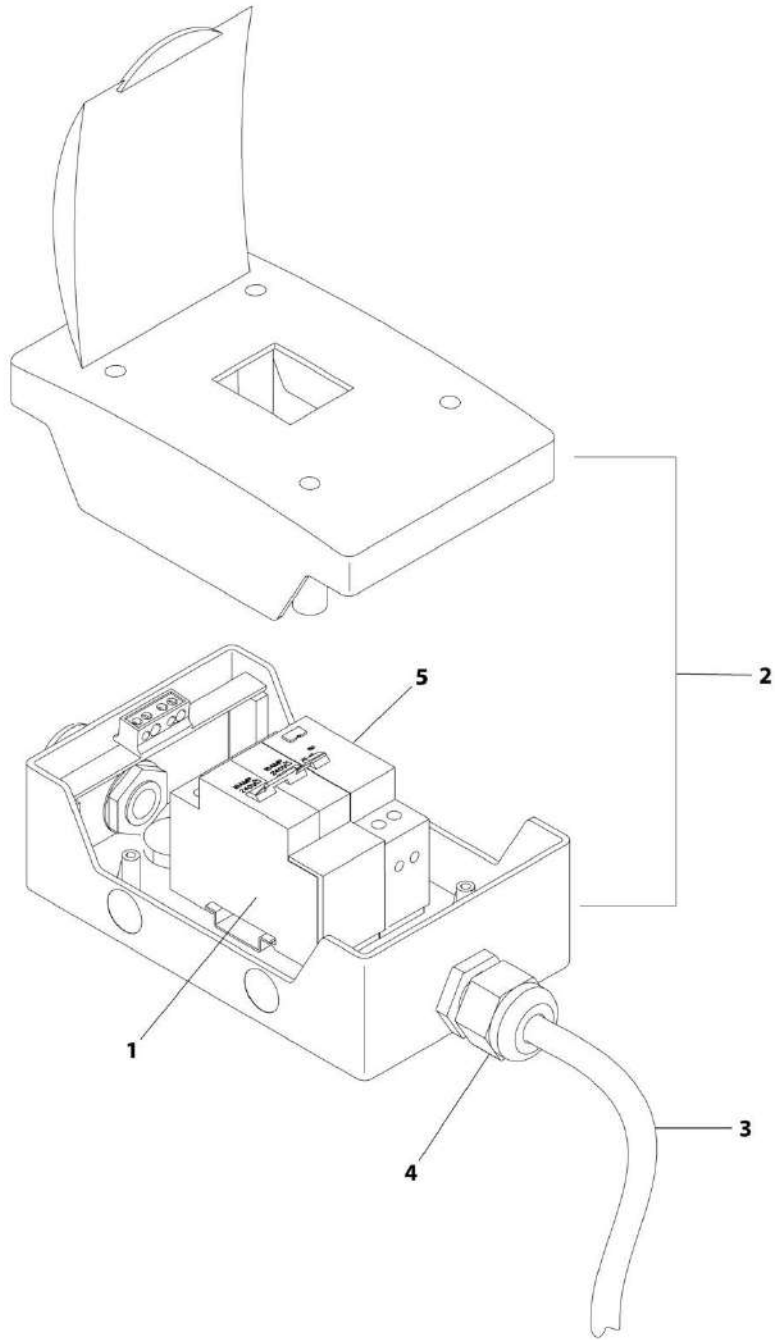
## SECTION 8 - ELECTRICAL

**FIGURE 8-49. BREAKER BOX KIT WITH TWO BREAKERS - CE SPEC**

ITEM	PART NUMBER	QTY	DESCRIPTION	REV
	2902549	Ref	BREAKER BOX KIT WITH TWO BREAKERS - CE SPEC	D
1	1001181045	1	Breaker, 16Amp	
2	0861880	1	Box	
3	4460956	1	Barrier, Terminal	
4	1060908	6 ft /1.8m	Cable, 12/3	
5	1001097150	2	Connector, Strain Relief	
6	4460957	1	Block, Terminal	
7	1001181046	1	Breaker, 30mA	

# SECTION 8 - ELECTRICAL

FIGURE 8-50. BREAKER BOX KIT WITH THREE BREAKERS - CE SPEC



ART\_1001152485

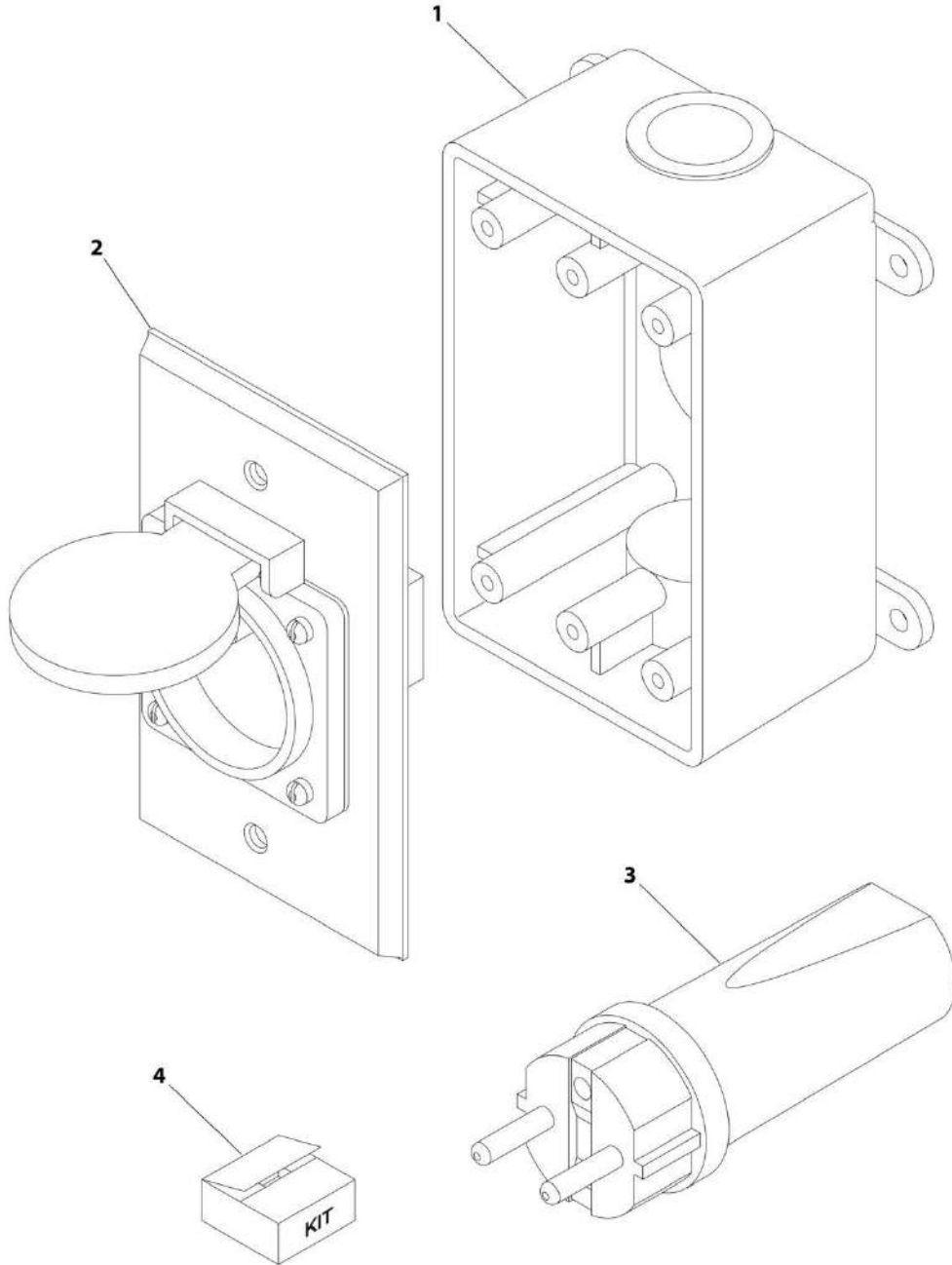
## SECTION 8 - ELECTRICAL

**FIGURE 8-50. BREAKER BOX KIT WITH THREE BREAKERS - CE SPEC**

ITEM	PART NUMBER	QTY	DESCRIPTION	REV
	1001152485	Ref	BREAKER BOX KIT WITH THREE BREAKERS - CE SPEC	B
1	1001189172	1	Breaker, 16 Amp (Double)	
2	1001152483	1	Box	
3	1060908	6 ft /1.8m	Cable, 12/3	
4	1001097150	2	Connector, Strain Relief	
5	1001189171	1	Breaker, 30mA	

# SECTION 8 - ELECTRICAL

FIGURE 8-51. AC PLUGS AND SOCKETS INSTALLATION - CEE7 POST GROUND 2 X 4 BOX - CE SPEC



ART\_0275452

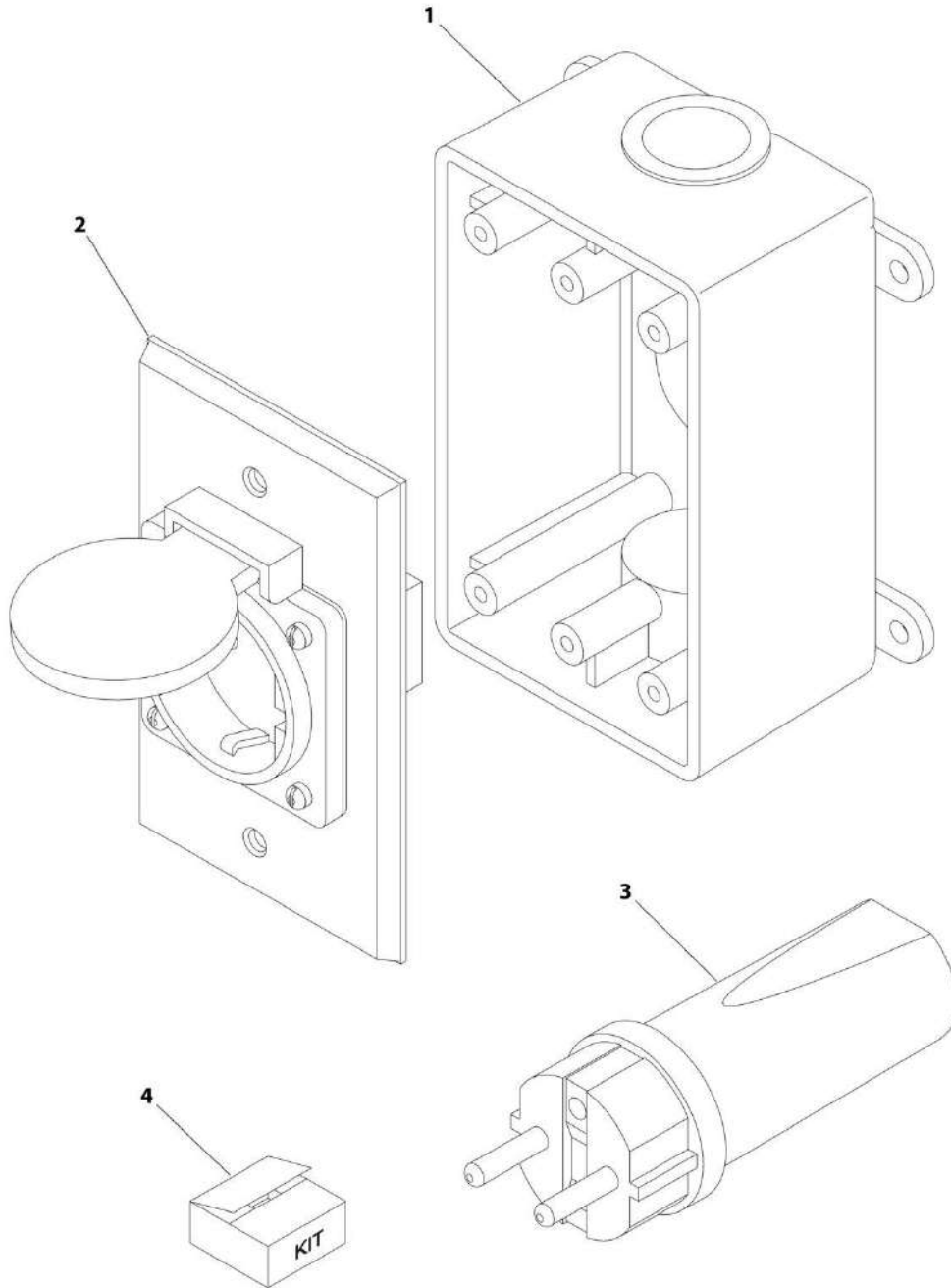
## SECTION 8 - ELECTRICAL

**FIGURE 8-51. AC PLUGS AND SOCKETS INSTALLATION - CEE7 POST GROUND 2 X 4 BOX - CE SPEC**

ITEM	PART NUMBER	QTY	DESCRIPTION	REV
	0275452	Ref	AC PLUGS AND SOCKETS INSTALLATION - CEE7 POST GROUND 2 X 4 BOX - CE SPEC	1
1	0861731	1	Box, Switch	
2	4461244	1	Receptacle	
3	4461202	1	Plug, Male	
4	1001100345	1	Plug and Socket Kit (Includes Items 1-3 and Female Plug p/n 4461206)	

# SECTION 8 - ELECTRICAL

FIGURE 8-52. AC PLUGS AND SOCKETS INSTALLATION - CEE7 SIDE GROUND 2 X 4 BOX - CE SPEC



ART\_0275453



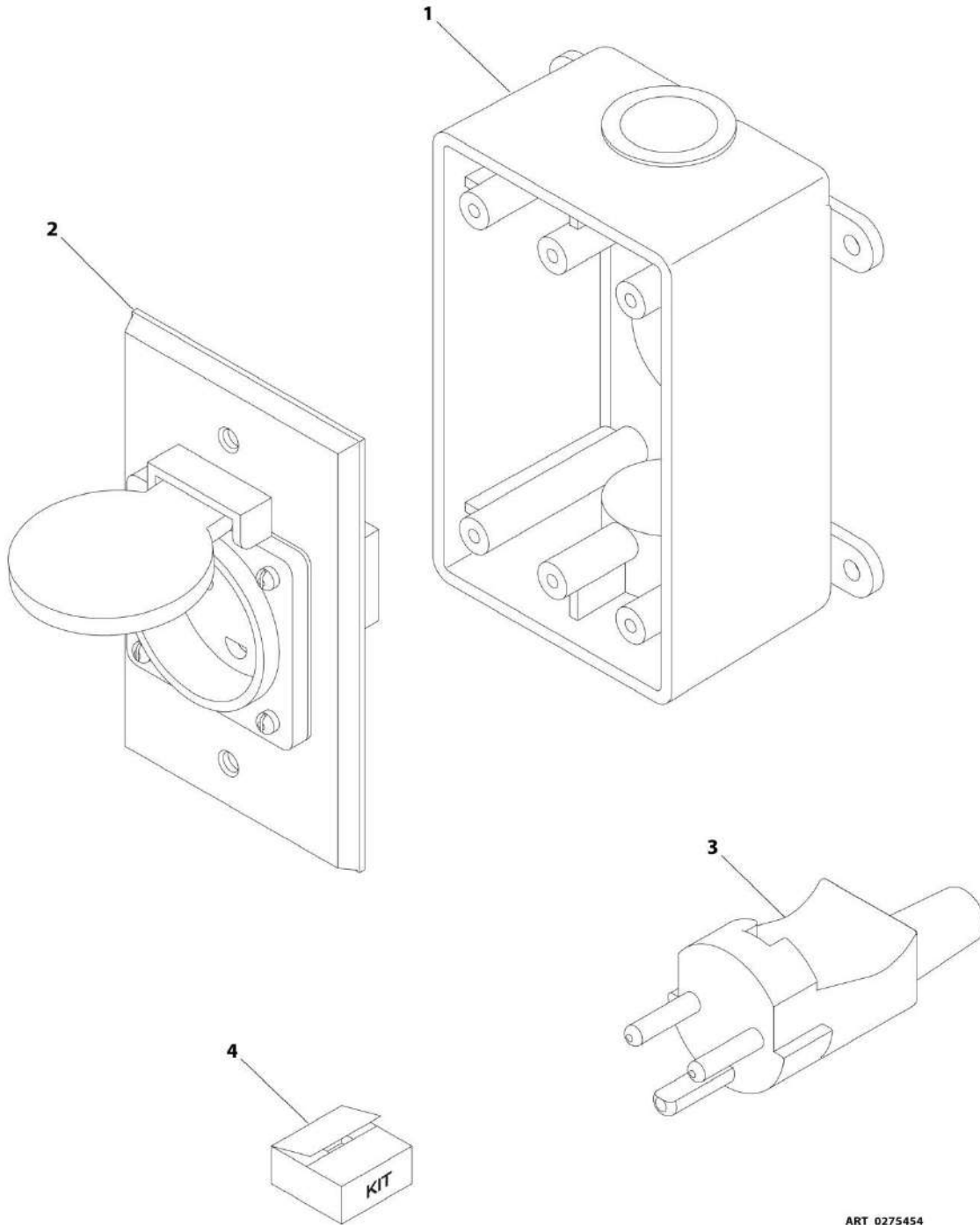
## SECTION 8 - ELECTRICAL

**FIGURE 8-52. AC PLUGS AND SOCKETS INSTALLATION - CEE7 SIDE GROUND 2 X 4 BOX - CE SPEC**

ITEM	PART NUMBER	QTY	DESCRIPTION	REV
	0275453	Ref	AC PLUGS AND SOCKETS INSTALLATION - CEE7 SIDE GROUND 2 X 4 BOX - CE SPEC	1
1	0861731	1	Box, Switch	
2	4461245	1	Receptacle	
3	4461205	1	Plug, Male	
4	1001100347	1	Plug and Socket Kit (Includes Items 1-3 and Female Plug p/n 4461206)	

# SECTION 8 - ELECTRICAL

FIGURE 8-53. AC PLUGS AND SOCKETS INSTALLATION - AFSINT 107-2-01 KEYED GROUND - 2 X 4 BOX - CE SPEC



ART\_0275454

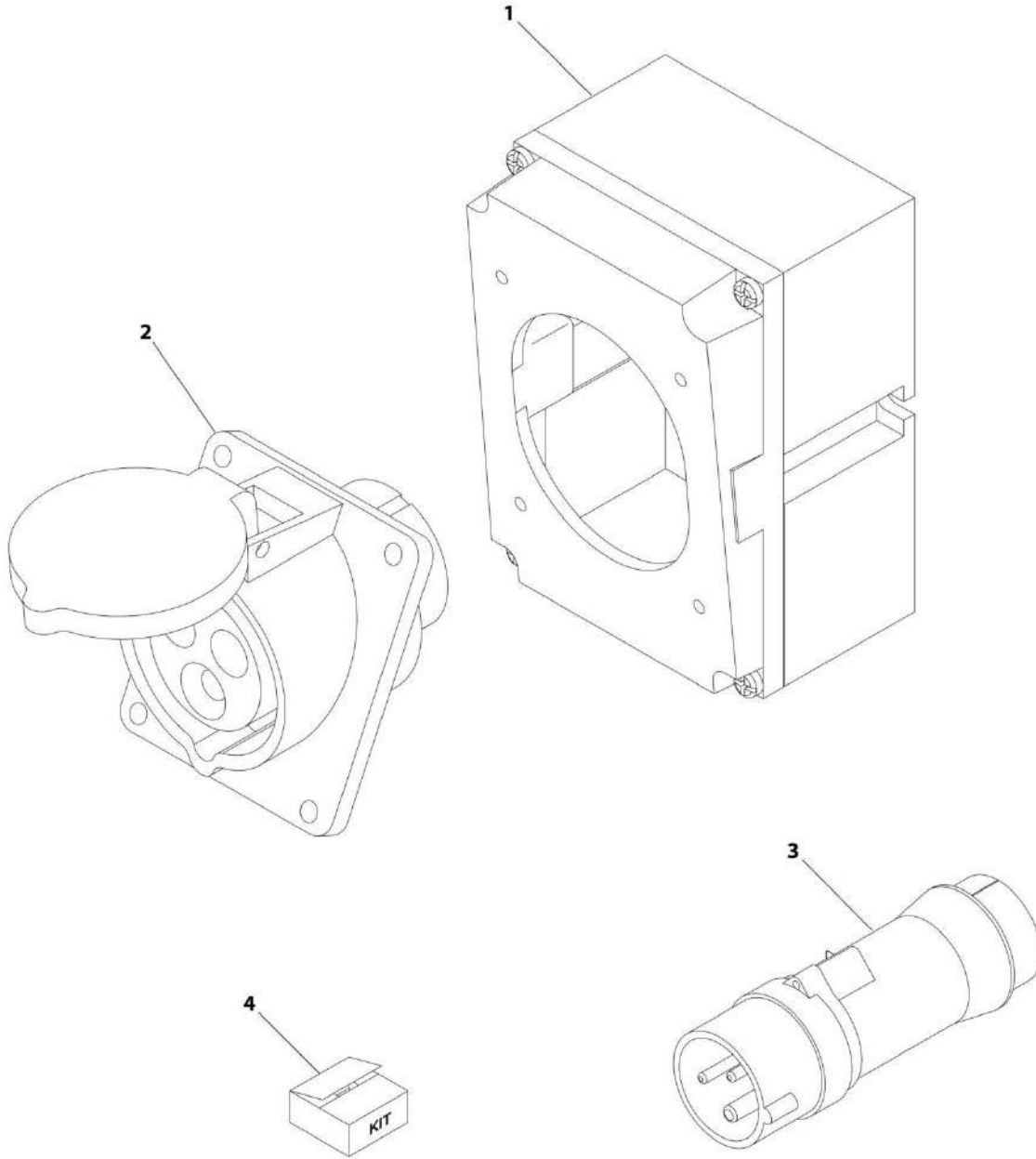
## SECTION 8 - ELECTRICAL

**FIGURE 8-53. AC PLUGS AND SOCKETS INSTALLATION - AFSINT 107-2-01 KEYED GROUND - 2 X 4 BOX - CE SPEC**

ITEM	PART NUMBER	QTY	DESCRIPTION	REV
	0275454	Ref	AC PLUGS AND SOCKETS INSTALLATION - AFSINT 107-2-01 KEYED GROUND - 2 X 4 BOX - CE SPEC	1
1	0861731	1	Box, Switch	
2	4461246	1	Receptacle	
3	4461249	1	Plug, Male	
4	1001100346	1	Plug and Socket Kit (Includes Items 1-3 and Female Plug p/n 4461250)	

# SECTION 8 - ELECTRICAL

FIGURE 8-54. PLUGS AND SOCKETS INSTALLATION - IEC 60309 YELLOW - CE SPEC



ART\_0275216

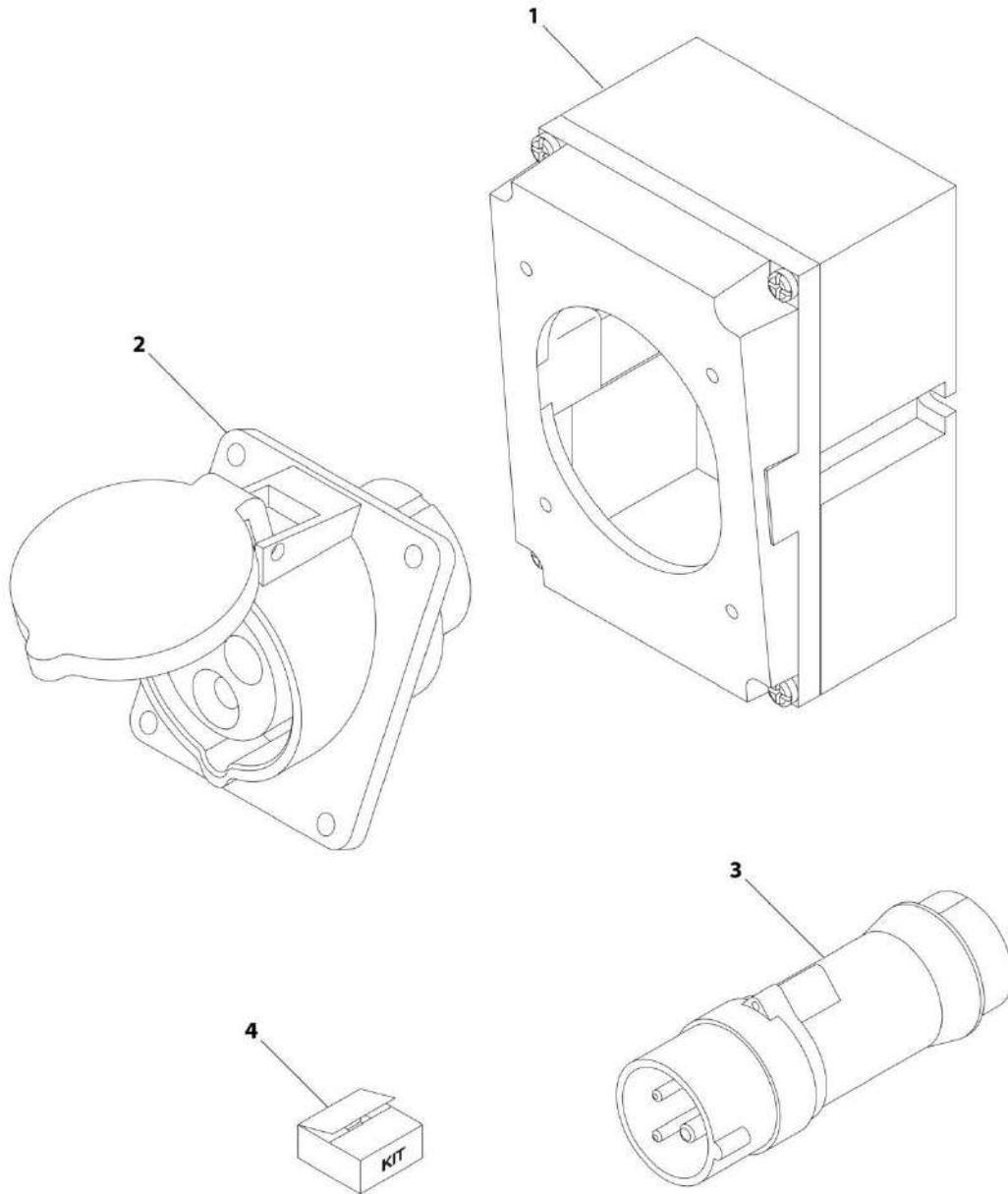
## SECTION 8 - ELECTRICAL

**FIGURE 8-54. PLUGS AND SOCKETS INSTALLATION - IEC 60309 YELLOW - CE SPEC**

ITEM	PART NUMBER	QTY	DESCRIPTION	REV
	0275216	Ref	PLUGS AND SOCKETS INSTALLATION - IEC 60309 YELLOW - CE SPEC	1
1	0861781	1	Box, Switch	
2	4461198	1	Receptacle	
3	4461196	1	Plug, Male	
4	1001100341	1	Plug and Socket Kit (Includes Items 1-3 and Female Plug p/n 4461197)	

# SECTION 8 - ELECTRICAL

FIGURE 8-55. PLUGS AND SOCKETS INSTALLATION - IEC 60309 BLUE - CE SPEC



ART\_0275217

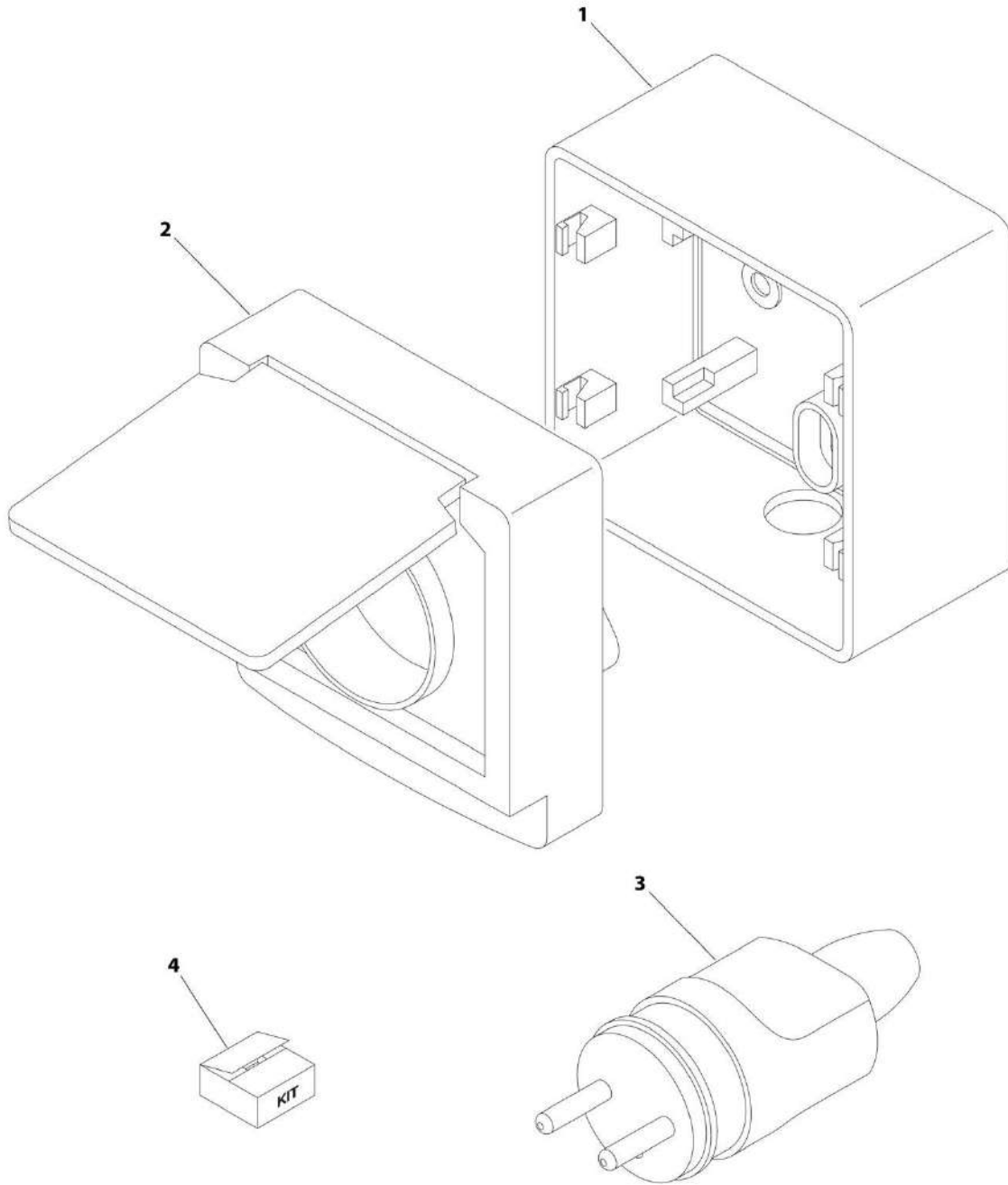
## SECTION 8 - ELECTRICAL

**FIGURE 8-55. PLUGS AND SOCKETS INSTALLATION - IEC 60309 BLUE - CE SPEC**

ITEM	PART NUMBER	QTY	DESCRIPTION	REV
	0275217	Ref	PLUGS AND SOCKETS INSTALLATION - IEC 60309 BLUE - CE SPEC	1
1	0861781	1	Box, Switch	
2	4461201	1	Receptacle	
3	4461199	1	Plug, Male	
4	1001100342	1	Plug and Socket Kit (Includes Items 1-3 and Female Plug p/n 4461200)	

# SECTION 8 - ELECTRICAL

FIGURE 8-56. AC PLUGS AND SOCKETS INSTALLATION - CEE7 POST GROUND - CE SPEC



ART\_0275218



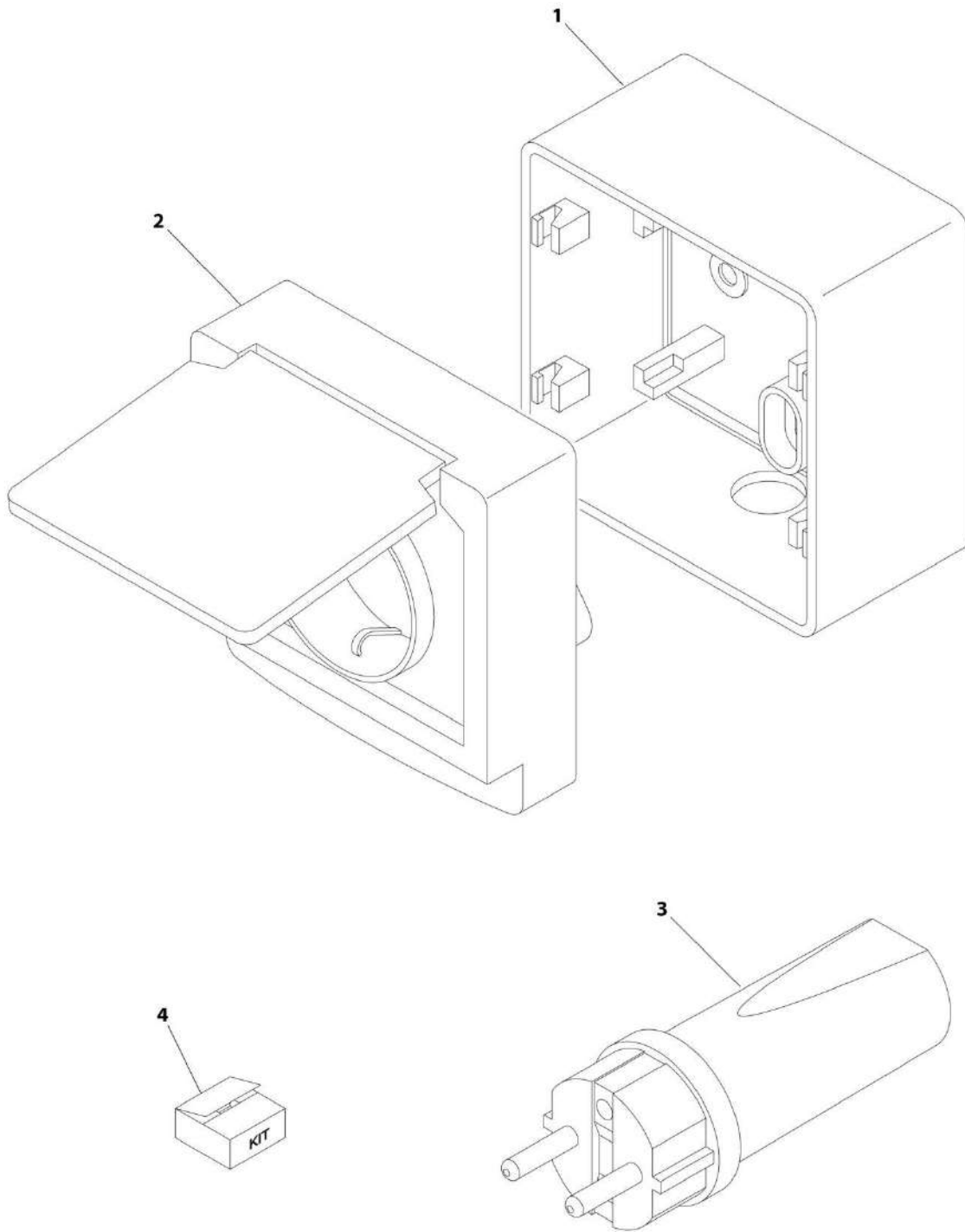
## SECTION 8 - ELECTRICAL

**FIGURE 8-56. AC PLUGS AND SOCKETS INSTALLATION - CEE7 POST GROUND - CE SPEC**

ITEM	PART NUMBER	QTY	DESCRIPTION	REV
	0275218	Ref	AC PLUGS AND SOCKETS INSTALLATION - CEE7 POST GROUND - CE SPEC	B
1	1001141967	1	Box, Switch	
2	1001141968	1	Receptacle	
3	4461202	1	Plug, Male	
4	1001141971	1	Plug and Socket Kit (Includes Items 1-3 and Female Plug p/n 4461206)	

# SECTION 8 - ELECTRICAL

FIGURE 8-57. AC PLUGS AND SOCKETS INSTALLATION - CEE7 POST GROUND - CE SPEC



ART\_0275219

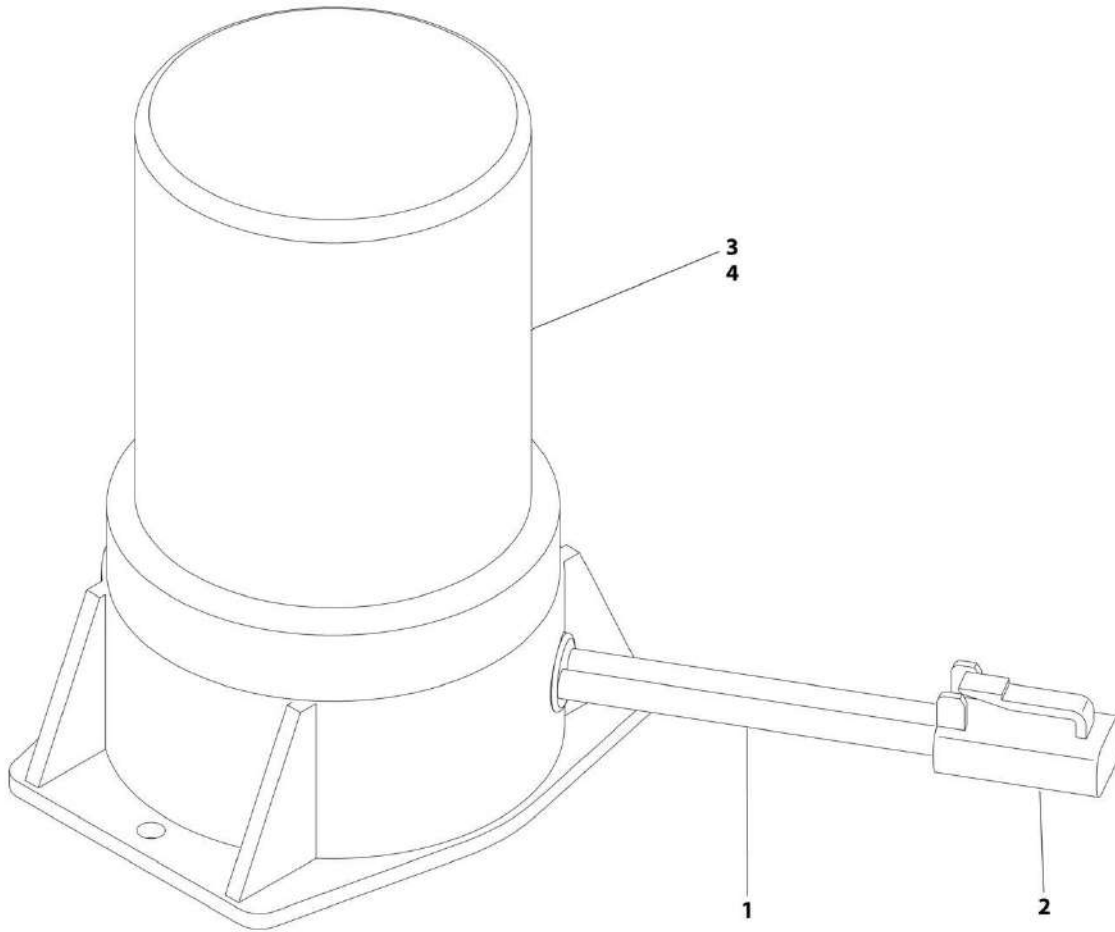
## SECTION 8 - ELECTRICAL

**FIGURE 8-57. AC PLUGS AND SOCKETS INSTALLATION - CEE7 POST GROUND - CE SPEC**

ITEM	PART NUMBER	QTY	DESCRIPTION	REV
	0275219	Ref	AC PLUGS AND SOCKETS INSTALLATION - CEE7 POST GROUND - CE SPEC	B
1	1001141967	1	Box, Switch	
2	1001141969	1	Receptacle	
3	4461205	1	Plug, Male	
4	1001141970	1	Plug and Socket Kit (Includes Items 1-3 and Female Plug p/n 4461206)	

# SECTION 8 - ELECTRICAL

## FIGURE 8-58. STROBE LIGHT - AMBER - HARNESS



ART\_2920161

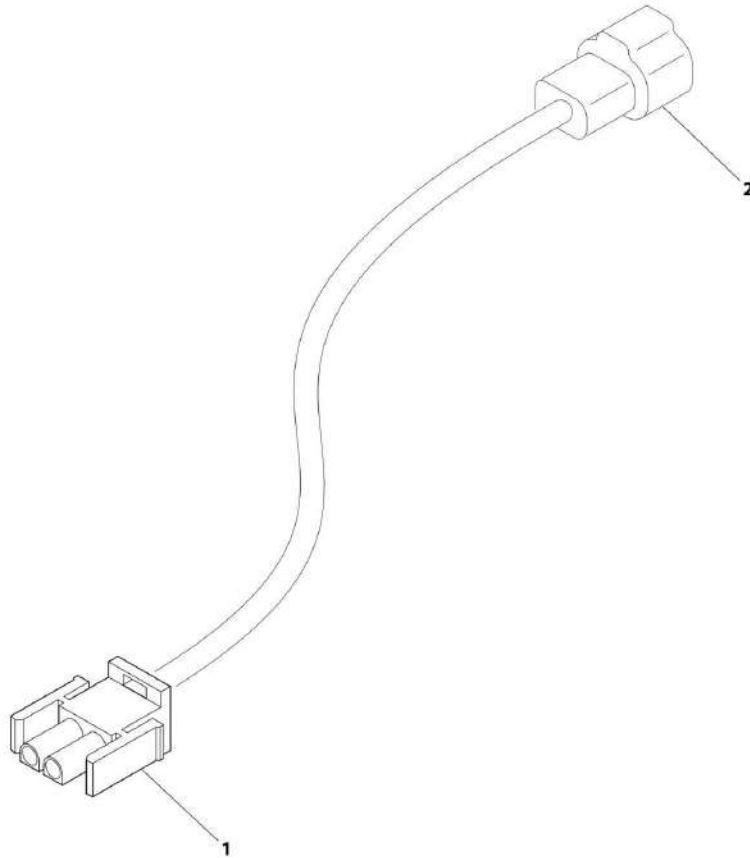
## SECTION 8 - ELECTRICAL

### FIGURE 8-58. STROBE LIGHT - AMBER - HARNESS

ITEM	PART NUMBER	QTY	DESCRIPTION	REV
	2920161	Ref	STROBE LIGHT - AMBER - HARNESS	C
1	See Note	NSS	Harness (Note: Use p/n 2920161)	
2	4460891	1	Connector - 2 Position	
2	4460465	2	Socket, Female	
3	7016319	1	Bulb, Replacement	
4	7016272	1	Lens, Replacement	

## SECTION 8 - ELECTRICAL

FIGURE 8-59. STROBE LIGHT HARNESS



ART\_1001149818

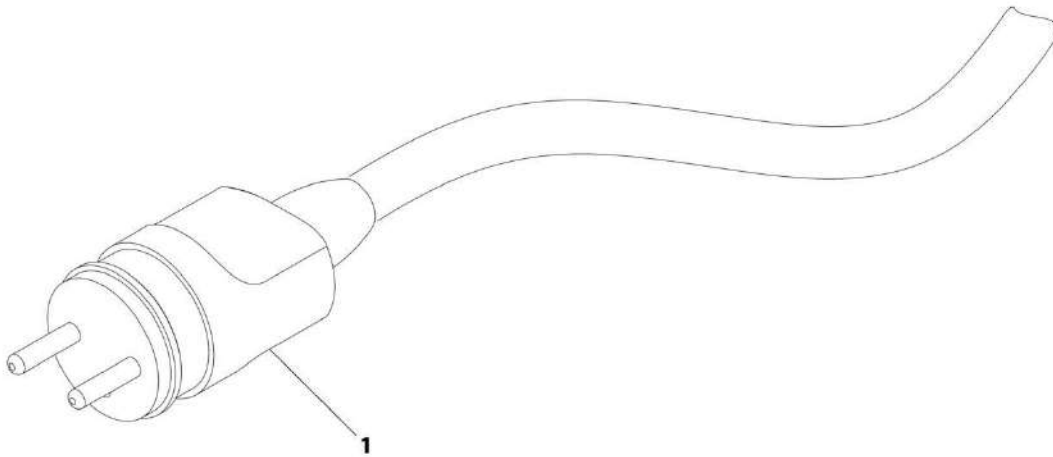
## SECTION 8 - ELECTRICAL

### FIGURE 8-59. STROBE LIGHT HARNESS

ITEM	PART NUMBER	QTY	DESCRIPTION	REV
	1001149818	Ref	STROBE LIGHT HARNESS	B
1	4460320	1	Connector, 2 Position	
1	4460267	2	Pin, Male	
2	4460897	1	Connector, Female - 2 Position	
2	4460464	2	Pin, Male	

## SECTION 8 - ELECTRICAL

FIGURE 8-60. CHARGER CORD PLUG INSTALLATION - 220V - CEE7 POST GROUND - CE SPEC



ART. 0275663



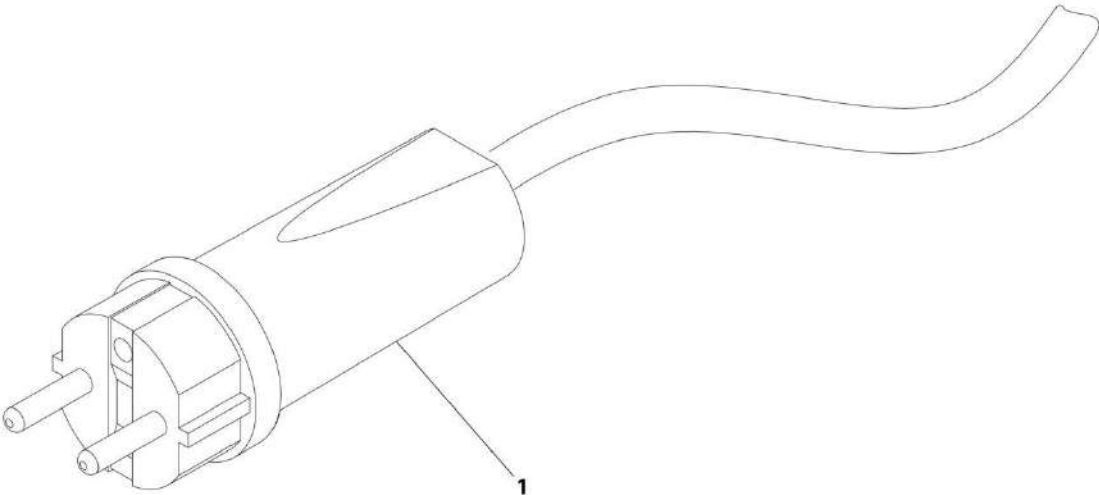
## SECTION 8 - ELECTRICAL

**FIGURE 8-60. CHARGER CORD PLUG INSTALLATION - 220V - CEE7 POST GROUND - CE SPEC**

ITEM	PART NUMBER	QTY	DESCRIPTION	REV
	0275663	Ref	CHARGER CORD PLUG INSTALLATION - 220V - CEE7 POST GROUND - CE SPEC	A
1	4461202	1	Plug	

**SECTION 8 - ELECTRICAL**

**FIGURE 8-61. CHARGER CORD PLUG INSTALLATION - 220V - CEE7 SIDE GROUND - CE SPEC**



ART\_0275664

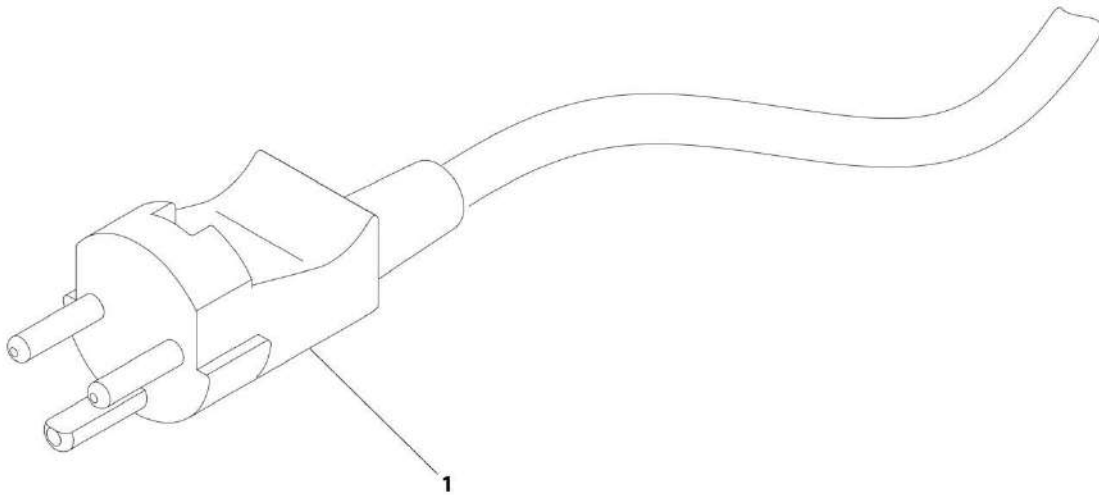
## SECTION 8 - ELECTRICAL

**FIGURE 8-61. CHARGER CORD PLUG INSTALLATION - 220V - CEE7 SIDE GROUND - CE SPEC**

ITEM	PART NUMBER	QTY	DESCRIPTION	REV
	0275664	Ref	CHARGER CORD PLUG INSTALLATION - 220V - CEE7 SIDE GROUND - CE SPEC	A
1	4461205	1	Plug	

## SECTION 8 - ELECTRICAL

FIGURE 8-62. CHARGER CORD PLUG INSTALLATION - 220V - AFSINT 107 KEYED GROUND - CE SPEC



ART\_0275665

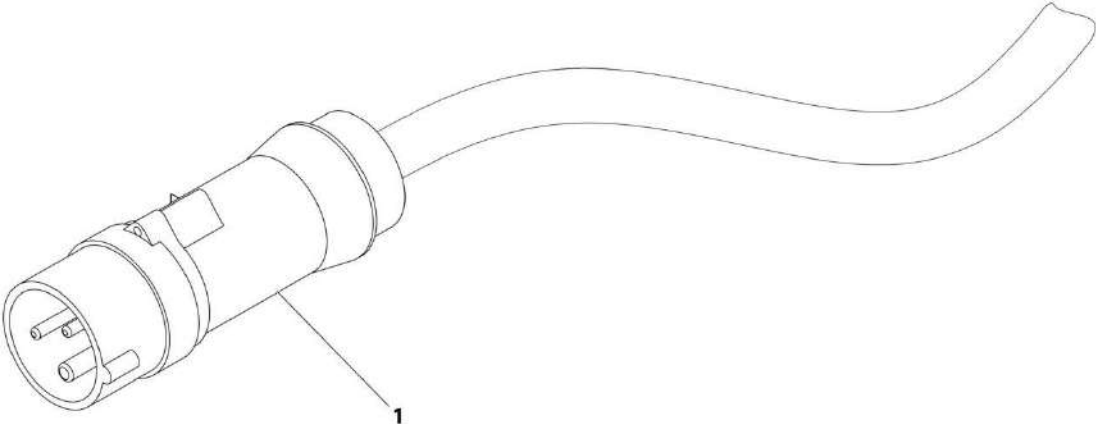
## SECTION 8 - ELECTRICAL

**FIGURE 8-62. CHARGER CORD PLUG INSTALLATION - 220V - AFSINT 107 KEYED GROUND - CE SPEC**

ITEM	PART NUMBER	QTY	DESCRIPTION	REV
	0275665	Ref	CHARGER CORD PLUG INSTALLATION - 220V - AFSINT 107 KEYED GROUND - CE SPEC	A
1	4461249	1	Plug	

**SECTION 8 - ELECTRICAL**

**FIGURE 8-63. CHARGER CORD PLUG INSTALLATION - 110V - IEC 60309 - YELLOW - CE SPEC**



ART\_0275666

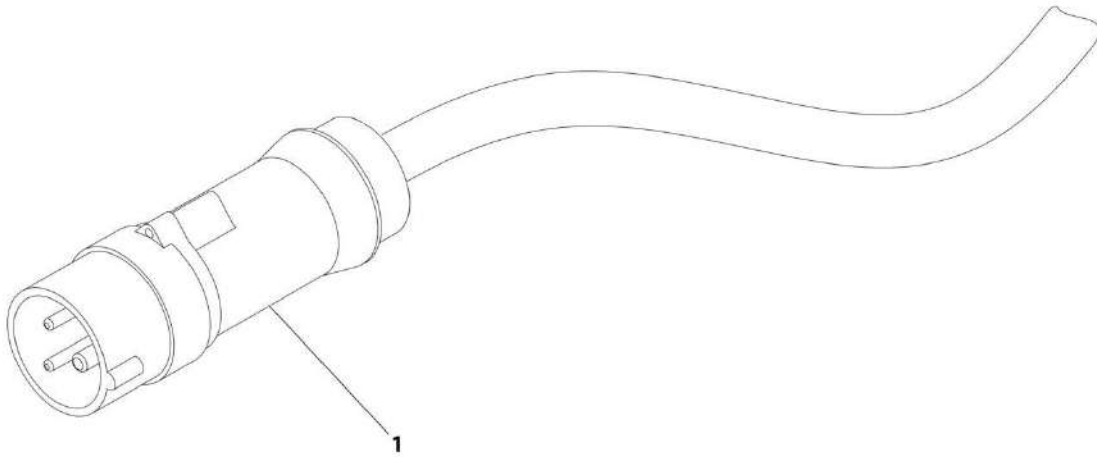
## SECTION 8 - ELECTRICAL

**FIGURE 8-63. CHARGER CORD PLUG INSTALLATION - 110V - IEC 60309 - YELLOW - CE SPEC**

ITEM	PART NUMBER	QTY	DESCRIPTION	REV
	0275666	Ref	CHARGER CORD PLUG INSTALLATION - 110V - IEC 60309 - YELLOW - CE SPEC	A
1	4461196	1	Plug	

## SECTION 8 - ELECTRICAL

FIGURE 8-64. CHARGER CORD PLUG INSTALLATION - 220V - IEC 60309 - BLUE - CE SPEC



ART\_0275667



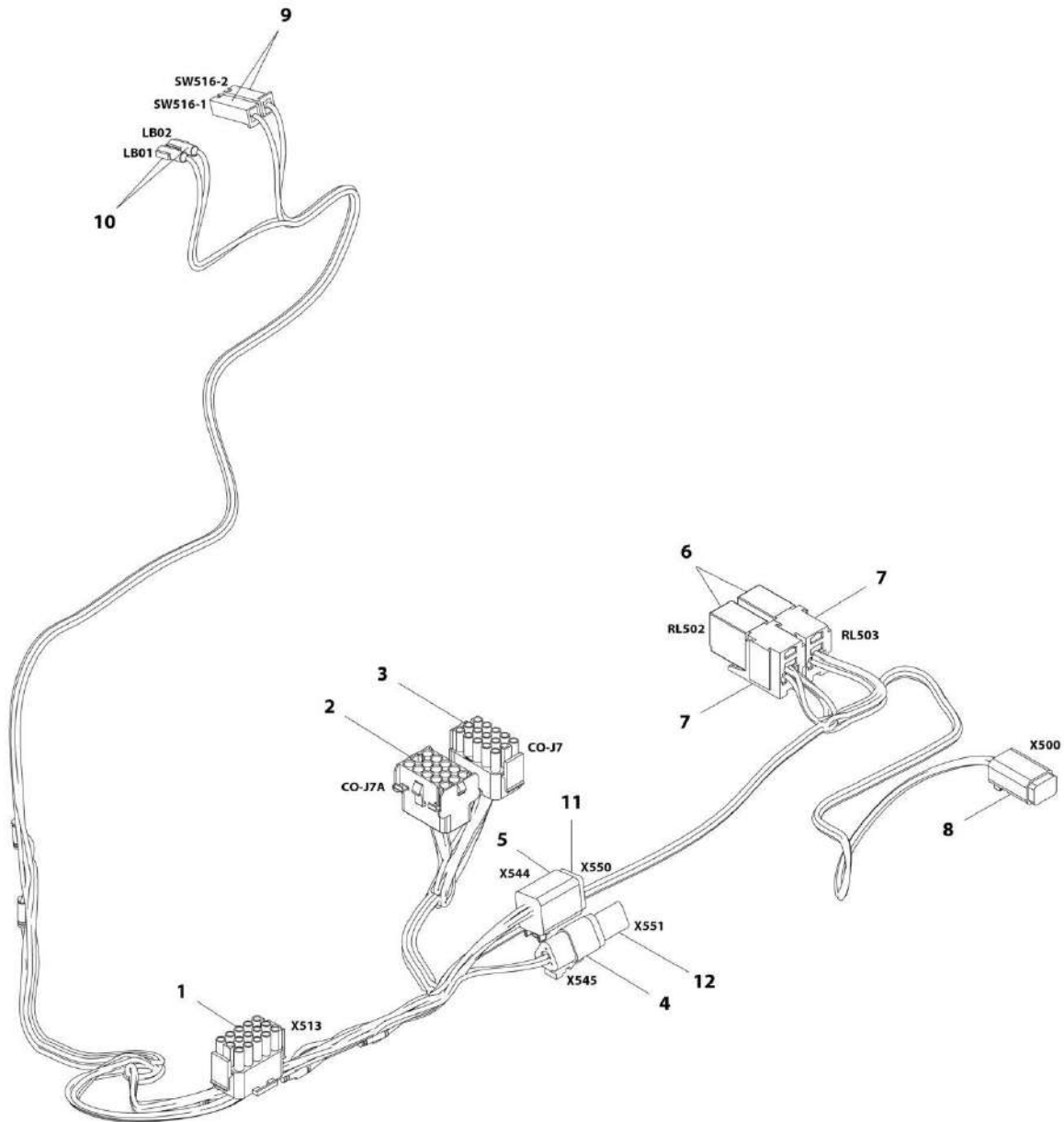
## SECTION 8 - ELECTRICAL

**FIGURE 8-64. CHARGER CORD PLUG INSTALLATION - 220V - IEC 60309 - BLUE - CE SPEC**

ITEM	PART NUMBER	QTY	DESCRIPTION	REV
	0275667	Ref	CHARGER CORD PLUG INSTALLATION - 220V - IEC 60309 - BLUE - CE SPEC	A
1	4461199	1	Plug	

# SECTION 8 - ELECTRICAL

FIGURE 8-65. SKYGUARD PLATFORM SENSOR HARNESS (SN 0300200792 through 0300208528)



ART\_1001189074

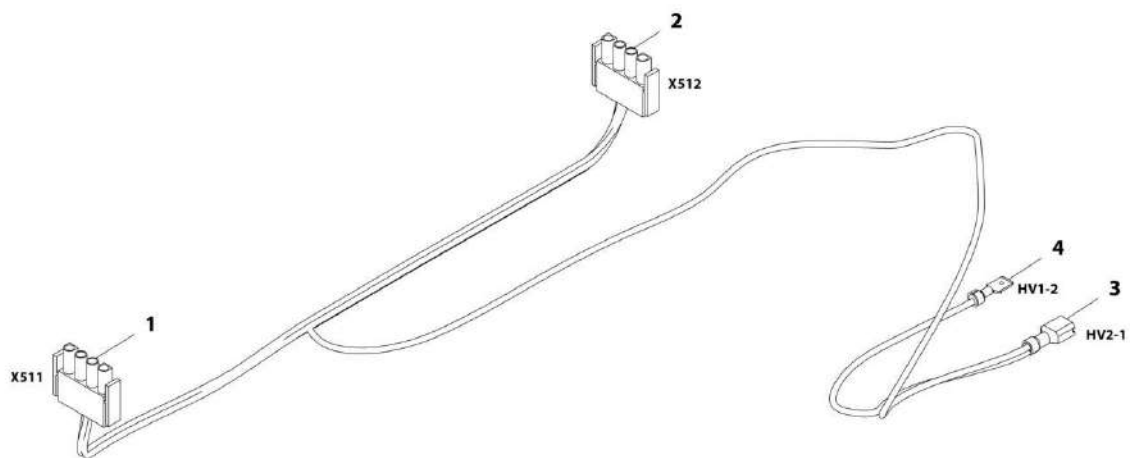
## SECTION 8 - ELECTRICAL

**FIGURE 8-65. SKYGUARD PLATFORM SENSOR HARNESS (SN 0300200792 through 0300208528)**

ITEM	PART NUMBER	QTY	DESCRIPTION	REV
	1001189074	Ref	SKYGUARD PLATFORM SENSOR HARNESS (SN 0300200792 through 0300208528)	C
1	4460434	1	Connector - 15 Position	
1	4460268	8	Socket, Female	
2	4460708	1	Connector - 15 Position	
2	4460227	14	Pin, Male	
3	4460434	1	Connector - 15 Position	
3	4460226	15	Socket, Female	
4	4460539	1	Connector - 3 Position	
4	4460465	3	Socket, Female	
5	4460894	1	Connector - 6 Position	
5	4460465	6	Socket, Female	
6	1001186432	2	Holder, Relay	
6	1001116720	4	Terminal	
6	1001118388	8	Terminal	
7	1001186432	2	Holder, Relay	
7	1001118388	4	Terminal	
7	1001116720	6	Terminal	
8	4460884	1	Connector - 4 Position	
8	4460932	1	Connector - 4 Position	
8	4460944	4	Socket, Female (Gold)	
9	4460260	2	Terminal, Housing	
9	4460259	2	Terminal	
10	1001117093	2	Connector	
11	4460899	1	Connector - 6 Position	
11	4460464	6	Pin, Male	
12	4460536	1	Connector - 3 Position	
12	4460464	3	Pin, Male	

## SECTION 8 - ELECTRICAL

FIGURE 8-66. SKYGUARD CAN HARNESS (SN 0300200792 through 0300208528)



ART\_1001189076

## SECTION 8 - ELECTRICAL

**FIGURE 8-66. SKYGUARD CAN HARNESS (SN 0300200792 through 0300208528)**

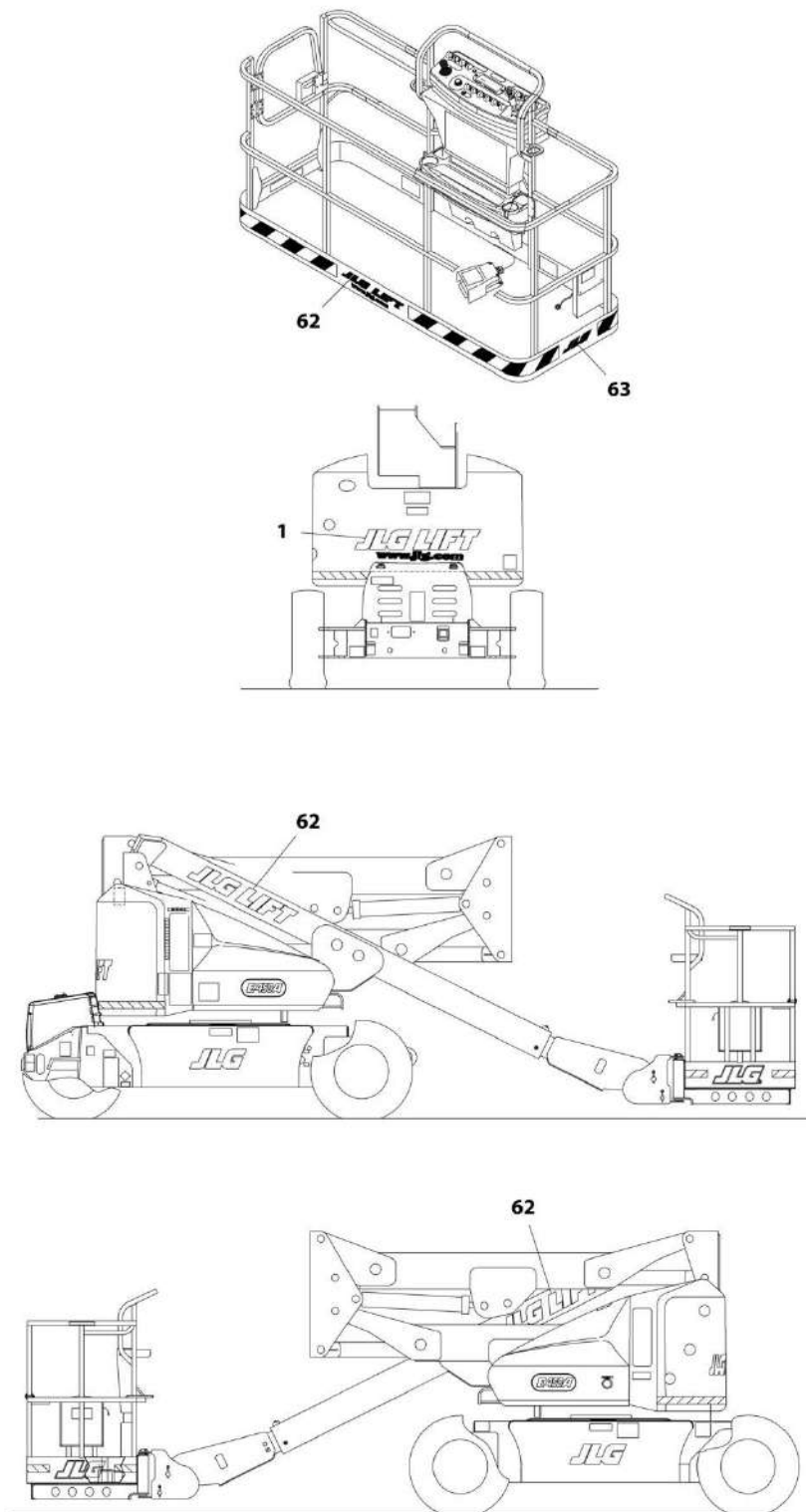
ITEM	PART NUMBER	QTY	DESCRIPTION	REV
	1001189076	Ref	SKYGUARD CAN HARNESS (SN 0300200792 through <b>0300208528</b> )	D
1	4460321	1	Connector - 4 Position	
1	4460267	3	Pin, Male	
2	4460321	1	Connector - 4 Position	
2	4460267	4	Pin, Male	
3	8220051	1	Terminal	
4	4461002	1	Terminal	



**SECTION 9 - DECALS**

# SECTION 9 - DECALS

## FIGURE 9-1. DECAL INSTALLATION - JLG LOGO - E400AN



ART\_0270273



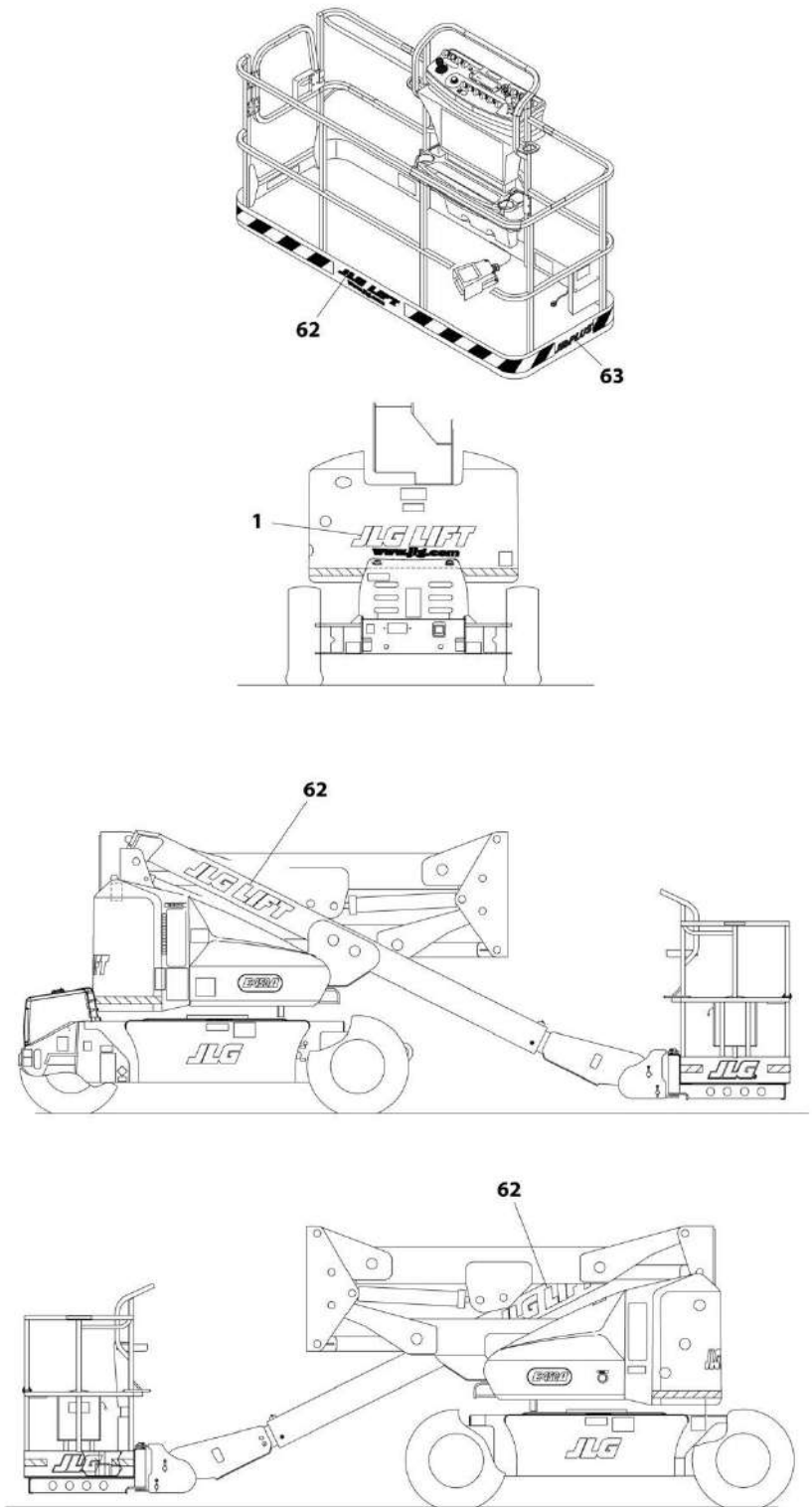
## SECTION 9 - DECALS

**FIGURE 9-1. DECAL INSTALLATION - JLG LOGO - E400AN**

ITEM	PART NUMBER	QTY	DESCRIPTION	REV
	0270273	Ref	DECAL INSTALLATION - JLG LOGO - E400AN	3
1	1702860	1	Decal - JLG Lift	
62	1702774	3	Decal - JLG Lift	
63	1702773	1	Decal - JLG	

# SECTION 9 - DECALS

FIGURE 9-2. DECAL INSTALLATION - JLG LOGO - E400AJP/E400AJPn/M400AJP/M400AJPn



ART\_0270274

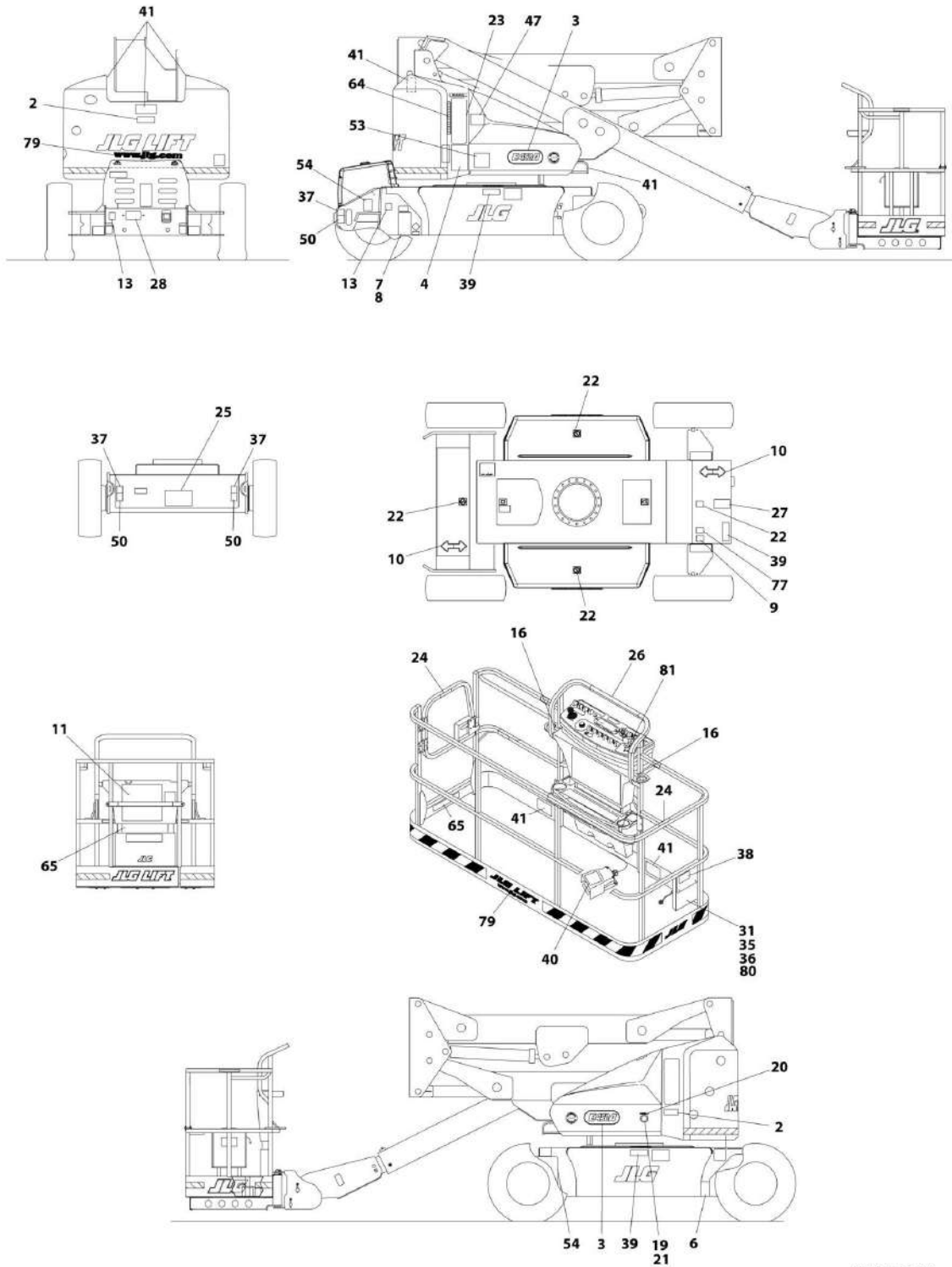
## SECTION 9 - DECALS

**FIGURE 9-2. DECAL INSTALLATION - JLG LOGO - E400AJP/E400AJPN/M400AJP/M400AJPN**

ITEM	PART NUMBER	QTY	DESCRIPTION	REV
	0270274	Ref	DECAL INSTALLATION - JLG LOGO - E400AJP/E400AJPN/M400AJP/M400AJPN	3
1	1702860	1	Decal - JLG Lift	
62	1702774	3	Decal - JLG Lift	
63	1704200	1	Decal - Jib Plus	

# SECTION 9 - DECALS

FIGURE 9-3. DECAL INSTALLATION - ANSI SPEC - E400AN/E400AJP/E400AJPN



ART\_1001178364

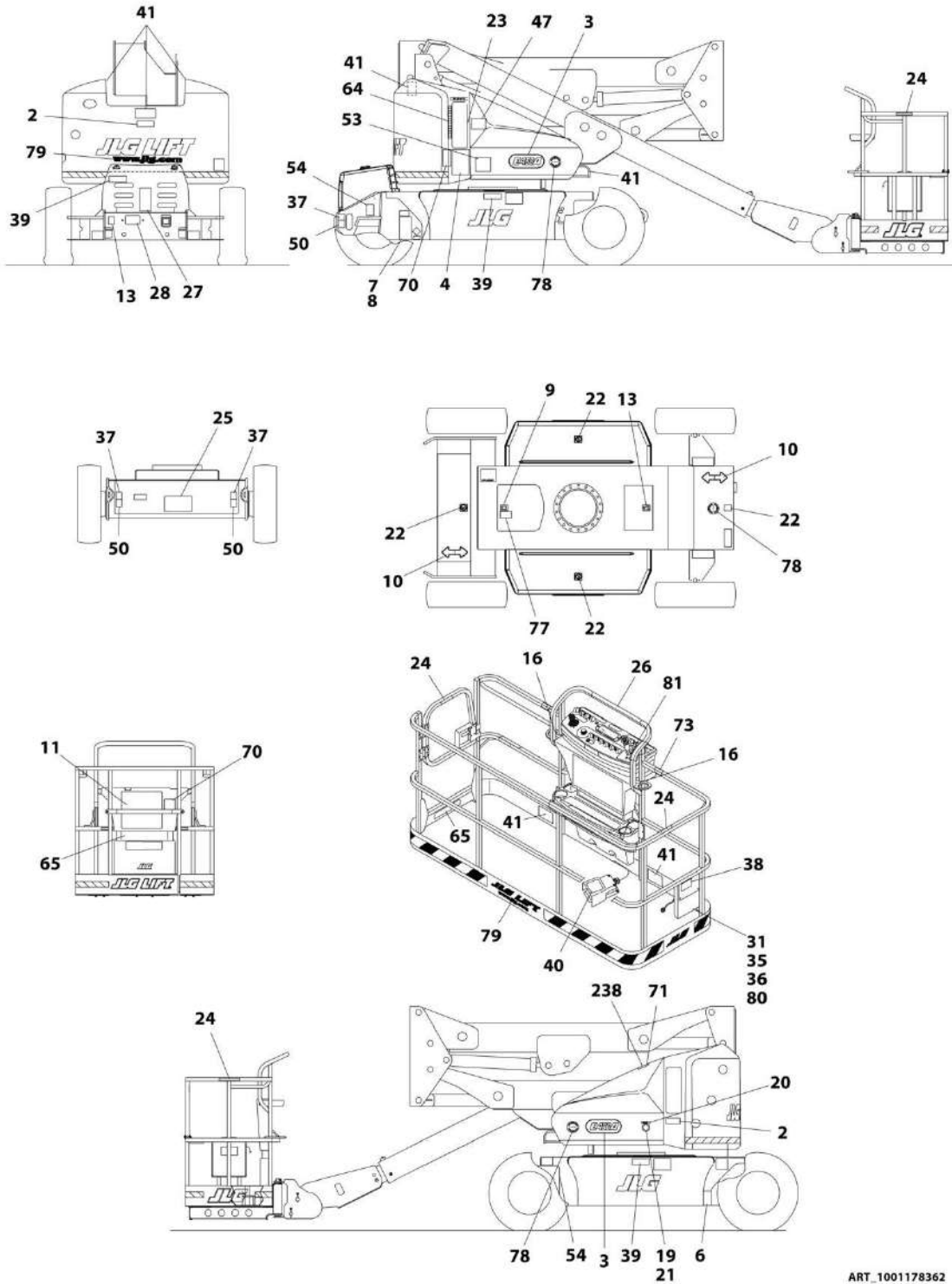
## SECTION 9 - DECALS

**FIGURE 9-3. DECAL INSTALLATION - ANSI SPEC - E400AN/E400AJP/E400AJPN**

ITEM	PART NUMBER	QTY	DESCRIPTION	REV
	1001178364	Ref	DECAL INSTALLATION - ANSI SPEC - E400AN/E400AJP/E400AJPN	A
2	1703805	2	Decal - Electrocution	
3	1704900	2	Decal - Model Designation (E400An)	
3	1704791	2	Decal - Model Designation (E400AJP)	
3	1704792	2	Decal - Model Designation (E400AJPN)	
4	1703798	1	Decal - Crushing	
6	1001131269	1	Decal - Patent	
7	See Note	1	Nameplate - Serial Number (Note: Not Available for Purchase)	
8	3820001	2	Rivet	
9	1701504	1	Decal - Hydraulic Oil	
10	1701642	2	Decal - Arrow	
11	1703797	1	Decal - Caution/Danger	
13	1701644	2	Decal - Charger	
16	1704277	2	Decal - Attach Lanyard	
19	0961127	1	Bushing, Snap	
20	3251243	1	Nameplate 120V-60Hz	
21	0100010	AR	Adhesive	
22	1701691	4	Decal - No Step	
23	1001104864	1	Decal - Manual Descent	
24	1702868	2	Decal - No Hands	
25	1001173577	1	Decal - Cable Routing	
26	1704253	1	Decal - Key Platform	
27	1704446	1	Decal - Charger	
28	1704431	1	Decal - Battery Charger LED Indicator	
31	0860520	1	Box, Manual Storage	
35	4751400	4	Washer, 1/4	
36	3311405	4	Nut, 1/4-20	
37	1701500	4	Decal - Lift	
38	1701509	1	Decal - Manual	
39	1703813	3	Decal - Danger	
40	3252347	1	Nameplate - Footswitch	
41	1703804	6	Decal - Crushing Hazard	
47	1702265	1	Decal	
50	1702300	4	Decal - Tie Down	
53	1001121814	1	Decal - 500 LBS Max Capacity	
54	1703488	4	Decal - Tire Load (E400An)	
54	1704727	4	Decal - Tire Load (E400AJP)	
54	1704752	4	Decal - Tire Load (E400AJPN)	
64	1706950	1	Decal - Key Main Terminal Box	
65	1001121801	2	Decal - 500 LBS Max Capacity	
77	1704412	1	Decal - Oil Type	
79	1704885	2	Decal - Website	
80	0641406	4	Bolt, 1/4-20 x 3/4	
81	1705351	1	Decal - Drive/Steer Instruction	

# SECTION 9 - DECALS

FIGURE 9-4. DECAL INSTALLATION - ANSI SPEC - M400AJP/M400AJPN



ART\_1001178362

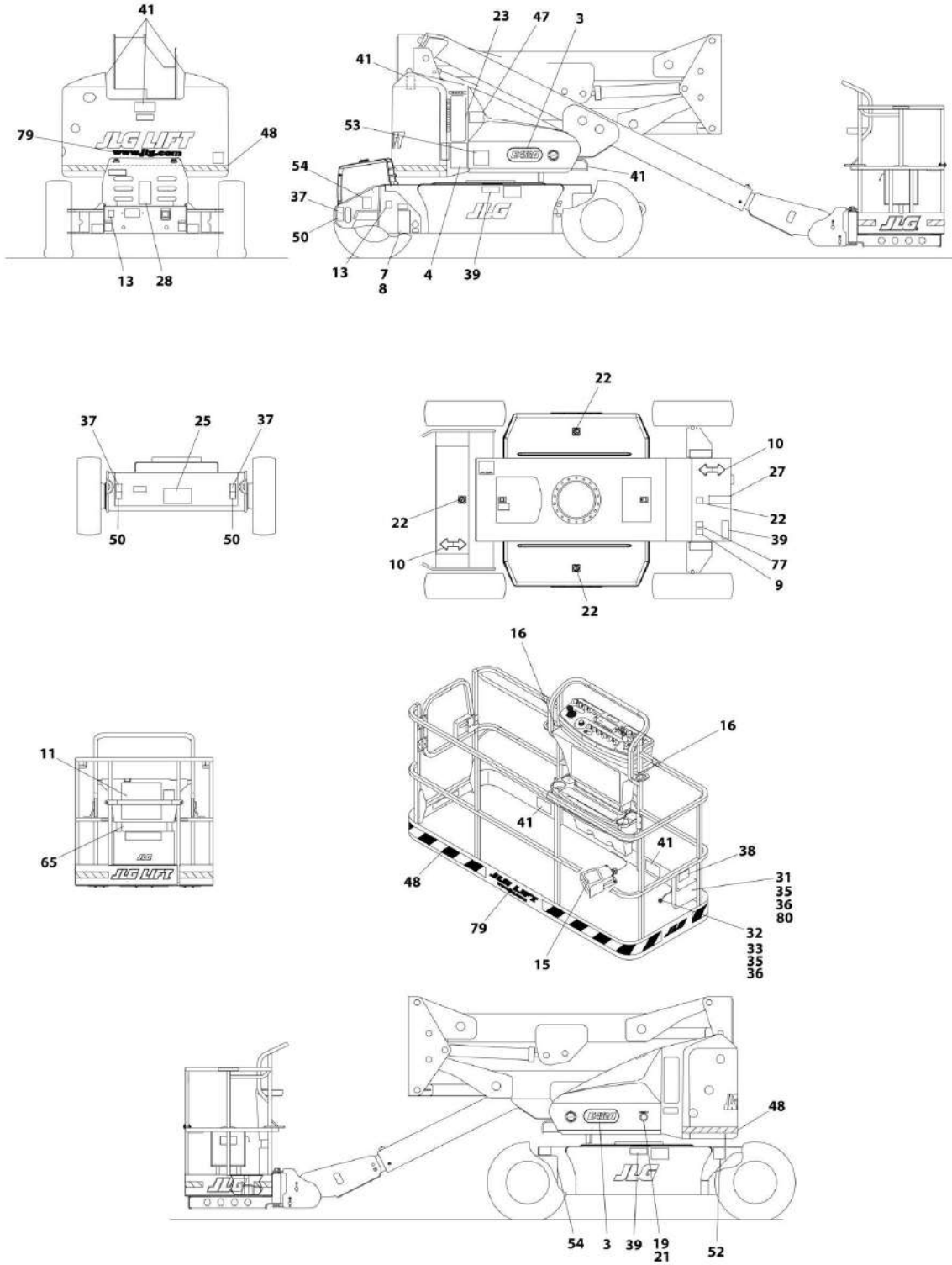
## SECTION 9 - DECALS

**FIGURE 9-4. DECAL INSTALLATION - ANSI SPEC - M400AJP/M400AJPN**

ITEM	PART NUMBER	QTY	DESCRIPTION	REV
	1001178362	Ref	DECAL INSTALLATION - ANSI SPEC - M400AJP/M400AJPN	A
2	1703805	2	Decal - Electrocution	
3	1704793	2	Decal - Model Designation (M400AJP)	
3	1704794	2	Decal - Model Designation (M400AJPN)	
4	1703798	1	Decal - Crushing	
6	1001131269	1	Decal - Patent	
7	See Note	1	Nameplate - Serial Number (Note: Not Available for Purchase)	
8	3820001	2	Rivet	
9	1701504	1	Decal - Hydraulic Oil	
10	1701642	2	Decal - Arrow	
11	1703797	1	Decal - Caution/Danger	
13	1701644	2	Decal - Charger	
16	1704277	2	Decal - Attach Lanyard	
19	0961127	1	Bushing, Snap	
20	3251243	1	Nameplate 120V-60Hz	
21	0100010	AR	Adhesive	
22	1701691	4	Decal - No Step	
23	1001104864	1	Decal - Manual Descent	
24	1702868	2	Decal - No Hands	
25	1001173577	1	Decal - Cable Routing	
26	1704253	1	Decal - Key Platform	
27	1704446	1	Decal - Charger	
28	1704431	1	Decal - Battery Charger LED Indicator	
31	0860520	1	Box, Manual Storage	
35	4751400	4	Washer, 1/4	
36	3311405	4	Nut, 1/4-20	
37	1701500	4	Decal - Lift	
38	1701509	1	Decal - Manual	
39	1703813	3	Decal - Danger	
40	3252347	1	Nameplate - Footswitch	
41	1703804	6	Decal - Crushing Hazard	
47	1702265	1	Decal	
50	1702300	4	Decal - Tie Down	
53	1001121814	1	Decal - 500 LBS Max Capacity	
54	1704727	4	Decal - Tire Load (M400AJP)	
54	1704752	4	Decal - Tire Load (M400AJPN)	
64	1706950	1	Decal - Key Main Terminal Box	
65	1001121801	2	Decal - 500 LBS Max Capacity	
70	1704286	2	Decal - Generator Danger	
71	1701505	1	Decal - Fuel	
73	1702962	1	Decal - Fuel Warning	
77	1704412	1	Decal - Oil Type	
78	1001121510	3	Decal - Hybrid	
79	1704885	2	Decal - Website	
80	0641406	4	Bolt, 1/4-20 x 3/4	
81	1705351	1	Decal - Drive/Steer Instruction	
238	1001108923	1	Decal - Ultra Low Sulfur Fuel	

# SECTION 9 - DECALS

FIGURE 9-5. DECAL INSTALLATION - CE/AUSTRALIAN SPEC -E400AN/E400AJP/E400AJPN



ART\_1001178378



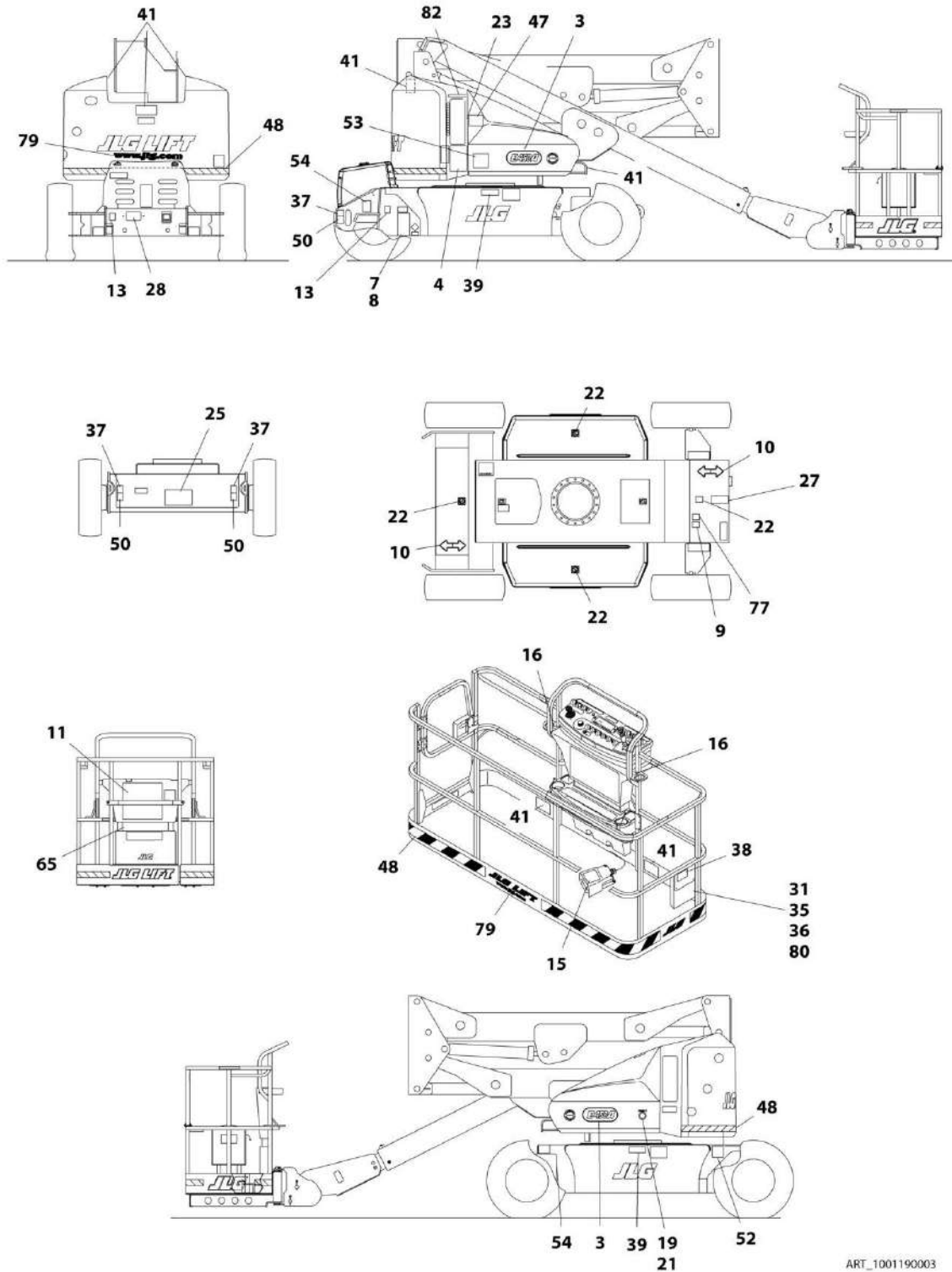
## SECTION 9 - DECALS

**FIGURE 9-5. DECAL INSTALLATION - CE/AUSTRALIAN SPEC -E400AN/E400AJP/E400AJPN**

ITEM	PART NUMBER	QTY	DESCRIPTION	REV
	1001178378	Ref	DECAL INSTALLATION - CE/AUSTRALIAN SPEC - E400AN/E400AJP/E400AJPN	C
3	1704900	2	Decal - Model Designation (E400An)	
3	1704791	2	Decal - Model Designation (E400AJP)	
3	1704792	2	Decal - Model Designation (E400AJPN)	
4	1705822	1	Decal - Danger/Caution	
7	See Note	1	Nameplate - Serial Number (Note: Not Available for Purchase)	
8	3820001	2	Rivet	
9	1701504	1	Decal - Hydraulic Oil	
10	1701642	2	Decal - Arrow	
11	1705921	1	Decal - Danger/Caution	
13	1701644	2	Decal - Charger	
15	1705828	1	Decal - Footswitch	
16	1704277	2	Decal - Attach Lanyard	
19	0961127	1	Bushing, Snap	
21	0100010	AR	Adhesive	
22	1701691	4	Decal - No Step	
23	1001104864	1	Decal - Manual Descent	
25	1001173577	1	Decal - Cable Routing	
27	1706378	1	Decal - Charging Instructions	
28	1704431	1	Decal - Battery Charger LED Indicator	
31	0860520	1	Box, Manual Storage	
32	1060279	1	Lanyard <b>(Prior to SN 0300196410)</b>	
33	0641408	1	Bolt, 1/4-20 x 1 <b>(Prior to SN 0300196410)</b>	
35	4751400	AR	Washer, 1/4	
36	3311405	AR	Nut, 1/4-20	
37	1703811	4	Decal - Lift	
38	1701509	1	Decal - Manual	
39	1705670	2	Decal - Explosion Warning	
41	1701518	6	Decal - Crushing Hazard	
47	1705977	1	Decal - Upright Level Over-Ride	
48	4420051	17.4 ft /5.3m	Tape, Warning Stripes	
50	1703814	4	Decal - Tie Down	
52	See Note	1	Decal - Bar Code (Note: Not Available for Purchase)	
53	1705978	1	Decal - Capacity	
54	1703488	4	Decal - Tire Load (E400An)	
54	1704727	4	Decal - Tire Load (E400AJP)	
54	1704752	4	Decal - Tire Load (E400AJPN)	
65	1705978	1	Decal - Capacity	
77	1704412	1	Decal - Oil Type	
79	1704885	2	Decal - Website	
80	0641406	4	Bolt, 1/4-20 x 3/4	

# SECTION 9 - DECALS

FIGURE 9-6. DECAL INSTALLATION - CE SPEC - E400AJP/E400AJPN (SN 0300200792 through 0300208528)



ART\_1001190003

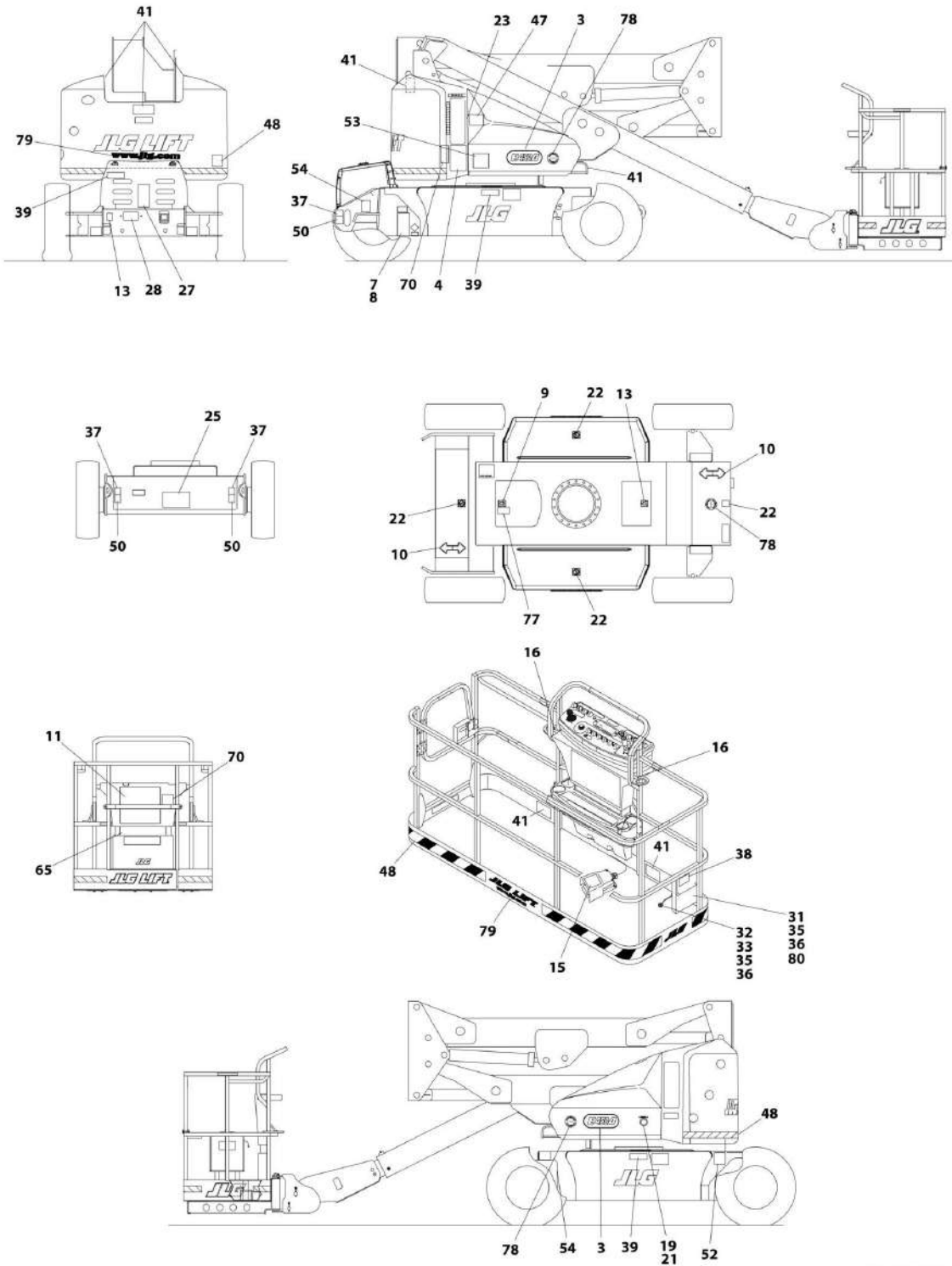
## SECTION 9 - DECALS

**FIGURE 9-6. DECAL INSTALLATION - CE SPEC - E400AJP/E400AJPN (SN 0300200792 through 0300208528)**

ITEM	PART NUMBER	QTY	DESCRIPTION	REV
	1001190003	Ref	<b>DECAL INSTALLATION - CE SPEC - E400AJP/E400AJPN (SN 0300200792 through 0300208528)</b>	A
3	1704789	2	Decal - Model Designation	
4	1705822	1	Decal - Danger/Caution	
7	See Note	1	Nameplate - Serial Number (Note: Not Available for Purchase)	
8	3820001	2	Rivet	
9	1701504	1	Decal - Hydraulic Oil	
10	1701642	2	Decal - Arrow	
11	1705921	1	Decal - Danger/Caution	
13	1701644	2	Decal - Charger	
15	1705828	1	Decal - Footswitch	
16	1704277	2	Decal - Attach Lanyard	
19	0961127	1	Bushing, Snap	
21	0100010	AR	Adhesive	
22	1701691	4	Decal - No Step	
23	1001104864	1	Decal - Manual Descent	
25	1001173577	1	Decal - Cable Routing	
27	1706378	1	Decal - Charging Instructions	
28	1704431	1	Decal - Battery Charger LED Indicator	
31	0860520	1	Box, Manual Storage	
35	4751400	4	Washer, 1/4	
36	3311405	4	Nut, 1/4-20	
37	1703811	4	Decal - Lift	
38	1701509	1	Decal - Manual	
39	1705670	2	Decal - Explosion Warning	
41	1701518	6	Decal - Crushing Hazard	
47	1705977	1	Decal - Upright Level Over-Ride	
48	4420051	17.4 ft /5.3m	Tape, Warning Stripes	
50	1703814	4	Decal - Tie Down	
52	See Note	1	Decal - Bar Code (Note: Not Available for Purchase)	
53	1705978	1	Decal - Capacity	
54	1704445	4	Decal - Tire Load	
65	1705978	1	Decal - Capacity	
77	1704412	1	Decal - Oil Type	
79	1704885	2	Decal - Website	
80	0641406	4	Bolt, 1/4-20 x 3/4	
82	1001189882	1	Decal - MSSO Instructions	

# SECTION 9 - DECALS

FIGURE 9-7. DECAL INSTALLATION - CE/AUSTRALIAN SPEC - M400AJP/M400AJPN



ART\_1001178377

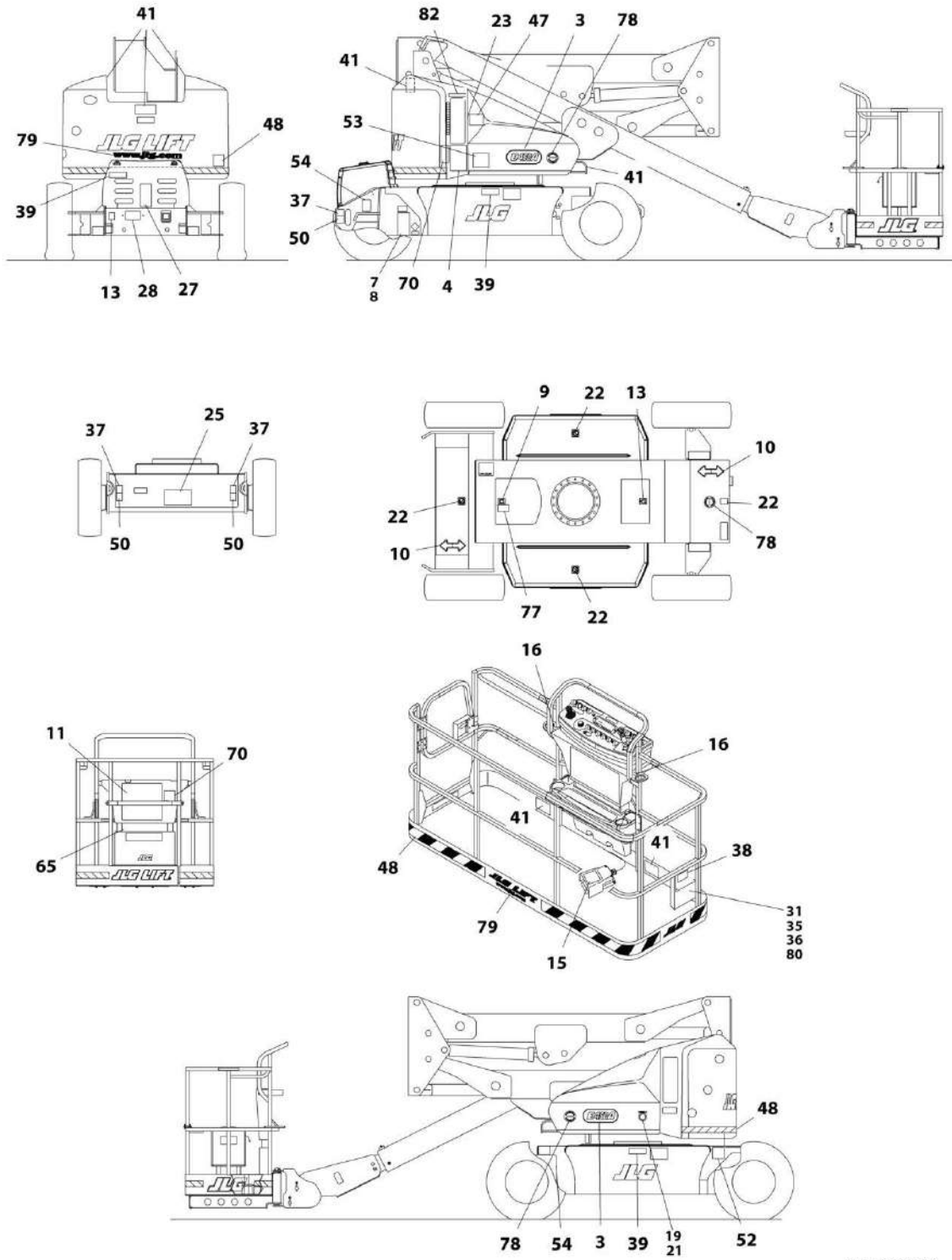
## SECTION 9 - DECALS

**FIGURE 9-7. DECAL INSTALLATION - CE/AUSTRALIAN SPEC - M400AJP/M400AJPN**

ITEM	PART NUMBER	QTY	DESCRIPTION	REV
	1001178377	Ref	DECAL INSTALLATION - CE/AUSTRALIAN SPEC - M400AJP/M400AJPN	C
3	1704793	2	Decal - Model Designation (M400AJP)	
3	1704794	2	Decal - Model Designation (M400AJPN)	
4	1705822	1	Decal - Danger/Caution	
7	See Note	1	Nameplate - Serial Number (Note: Not Available for Purchase)	
8	3820001	2	Rivet	
9	1701504	1	Decal - Hydraulic Oil	
10	1701642	2	Decal - Arrow	
11	1705921	1	Decal - Danger/Caution	
13	1701644	2	Decal - Charger	
15	1705828	1	Decal - Footswitch	
16	1704277	2	Decal - Attach Lanyard	
19	0961127	1	Bushing, Snap	
21	0100010	AR	Adhesive	
22	1701691	4	Decal - No Step	
23	1001104864	1	Decal - Manual Descent	
25	1001173577	1	Decal - Cable Routing	
27	1706378	1	Decal - Charging Instructions	
28	1704431	1	Decal - Battery Charger LED Indicator	
31	0860520	1	Box, Manual Storage	
32	1060279	1	Lanyard <b>(Prior to SN 0300196410)</b>	
33	0641408	1	Bolt 1/4-20 x 1 <b>(Prior to SN 0300196410)</b>	
35	4751400	AR	Washer, 1/4	
36	3311405	AR	Nut, 1/4-20	
37	1703811	4	Decal - Lift	
38	1701509	1	Decal - Manual	
39	1705670	2	Decal - Warning Explosion	
41	1701518	6	Decal - Crushing Hazard	
47	1705977	1	Decal - Upright Level Over-Ride	
48	4420051	17.4 ft /5.3m	Tape, Warning Stripes	
50	1703814	4	Decal - Tie Down	
52	See Note	1	Decal - Bar Code (Note: Not Available for Purchase)	
53	1705978	1	Decal - Capacity	
54	1704727	4	Decal - Tire Load (M400AJP)	
54	1704752	4	Decal - Tire Load (M400AJPN)	
65	1705978	1	Decal - Capacity	
70	1001093687	2	Decal - Generator Danger	
77	1704412	1	Decal - Oil Type	
78	1001121510	3	Decal - Hybrid	
79	1704885	2	Decal - Website	
80	0641406	4	Bolt 1/4-20 x 3/4	

# SECTION 9 - DECALS

FIGURE 9-8. DECAL INSTALLATION - CE SPEC - M400AJP/M400AJPN (SN 0300200792 through 0300208528)



ART\_1001190004

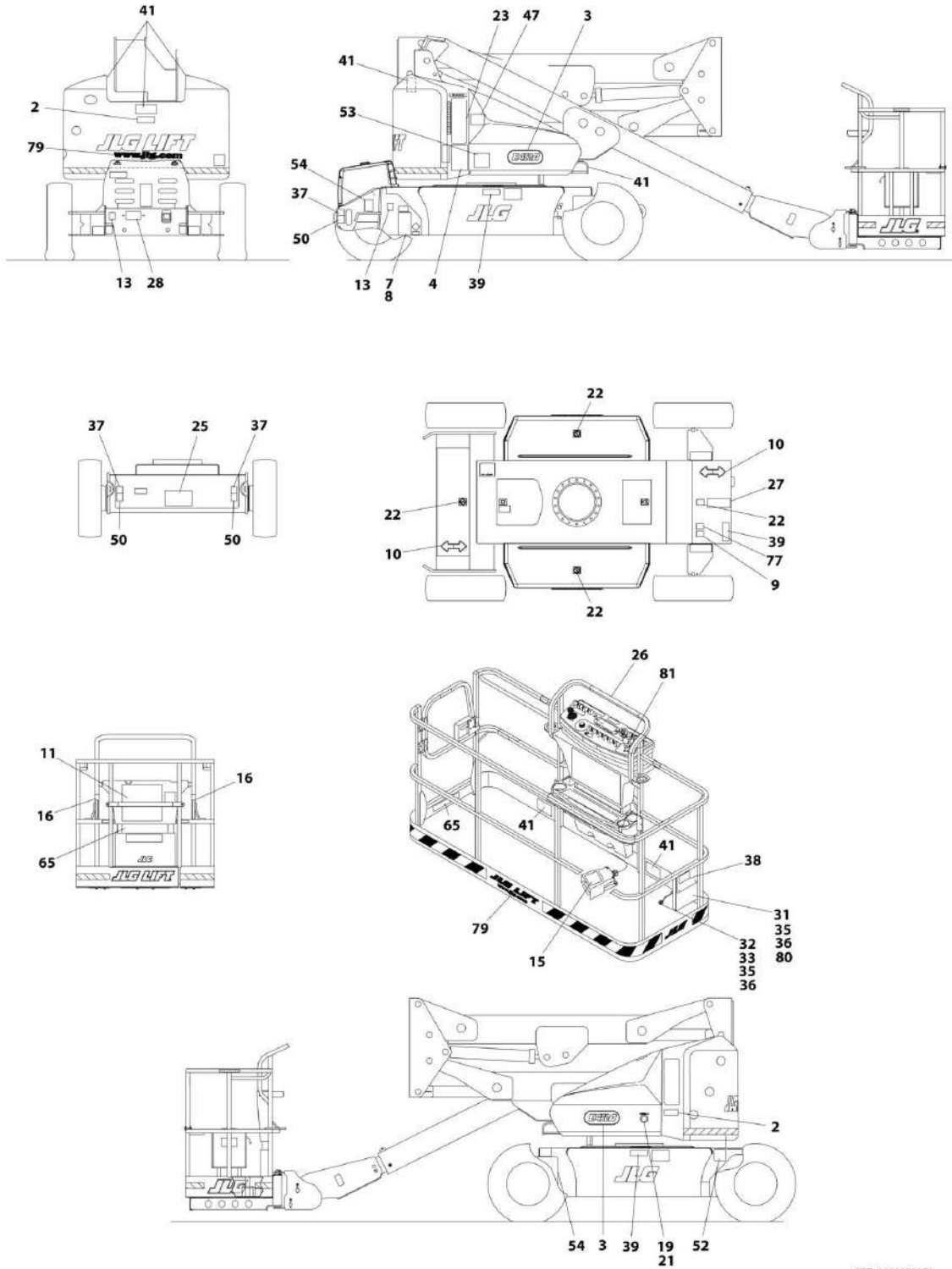
## SECTION 9 - DECALS

**FIGURE 9-8. DECAL INSTALLATION - CE SPEC - M400AJP/M400AJPN (SN 0300200792 through 0300208528)**

ITEM	PART NUMBER	QTY	DESCRIPTION	REV
	1001190004	Ref	DECAL INSTALLATION - CE SPEC - M400AJP/M400AJPN (SN 0300200792 through 0300208528)	B
3	1704790	2	Decal - Model Designation	
4	1705822	1	Decal - Danger/Caution	
7	See Note	1	Nameplate - Serial Number (Note: Not Available for Purchase)	
8	3820001	2	Rivet	
9	1701504	1	Decal - Hydraulic Oil	
10	1701642	2	Decal - Arrow	
11	1705921	1	Decal - Danger/Caution	
13	1701644	2	Decal - Charger	
15	1705828	1	Decal - Footswitch	
16	1704277	2	Decal - Attach Lanyard	
19	0961127	1	Bushing, Snap	
21	0100010	AR	Adhesive	
22	1701691	4	Decal - No Step	
23	1001104864	1	Decal - Manual Descent	
25	1001173577	1	Decal - Cable Routing	
27	1706378	1	Decal - Charging Instructions	
28	1704431	1	Decal - Battery Charger LED Indicator	
31	0860520	1	Box, Manual Storage	
35	4751400	4	Washer, 1/4	
36	3311405	4	Nut, 1/4-20	
37	1703811	4	Decal - Lift	
38	1701509	1	Decal - Manual	
39	1705670	2	Decal - Warning Explosion	
41	1701518	6	Decal - Crushing Hazard	
47	1705977	1	Decal - Upright Level Over-Ride	
48	4420051	17.4 ft /5.3m	Tape, Warning Stripes	
50	1703814	4	Decal - Tie Down	
52	See Note	1	Decal - Bar Code (Note: Not Available for Purchase)	
53	1705978	1	Decal - Capacity	
54	1704445	4	Decal - Tire Load	
65	1705978	1	Decal - Capacity	
70	1001093687	2	Decal - Generator Danger	
77	1704412	1	Decal - Oil Type	
78	1001121510	3	Decal - Hybrid	
79	1704885	2	Decal - Website	
80	0641406	4	Bolt 1/4-20 x 3/4	
82	1001189882	1	Decal - MSSO Instructions	

# SECTION 9 - DECALS

FIGURE 9-9. DECAL INSTALLATION - JAPANESE SPEC - E400AN/E400AJP/E400AJPN



ART\_1001178372



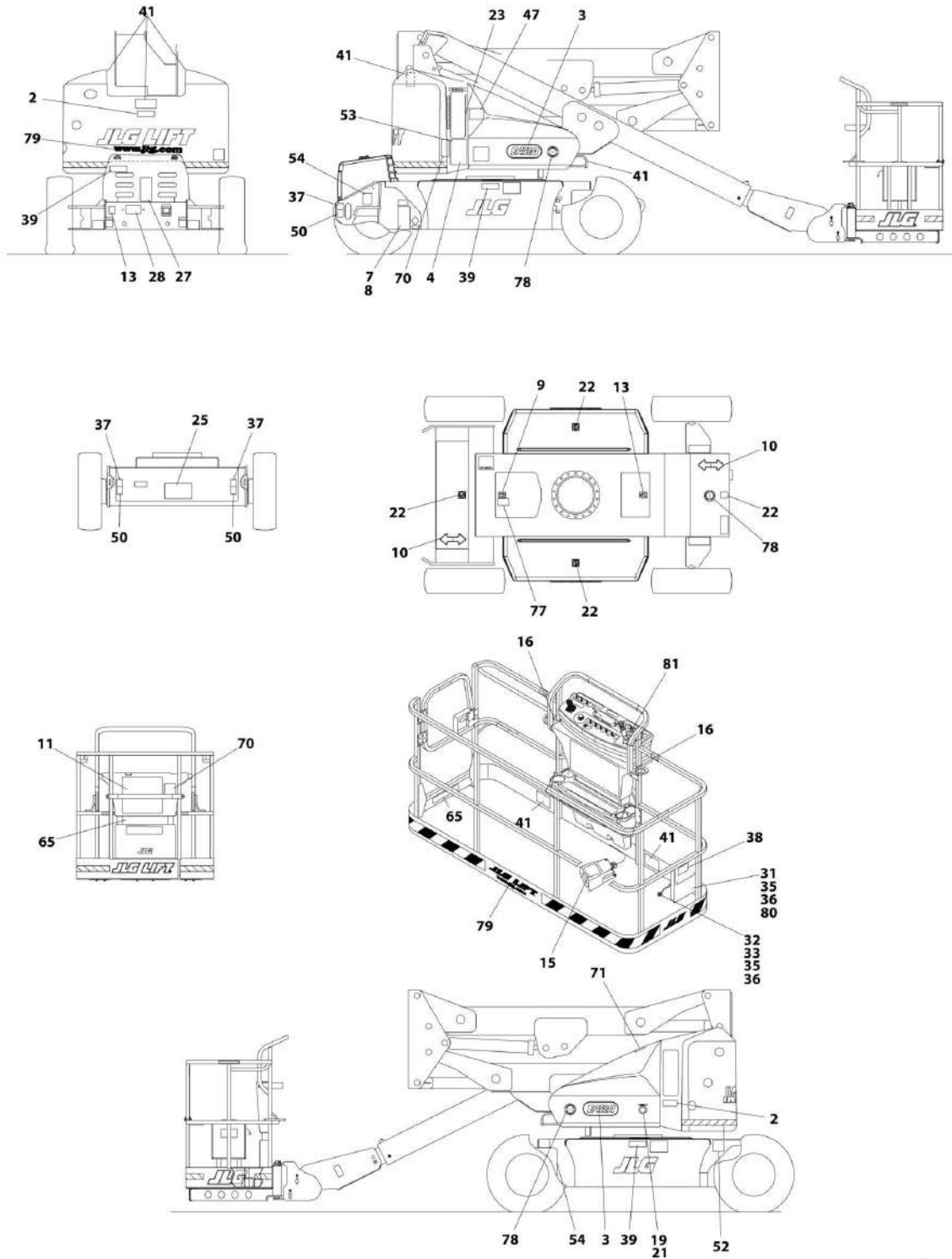
## SECTION 9 - DECALS

**FIGURE 9-9. DECAL INSTALLATION - JAPANESE SPEC - E400AN/E400AJP/E400AJPN**

ITEM	PART NUMBER	QTY	DESCRIPTION	REV
	1001178372	Ref	DECAL INSTALLATION - JAPANESE SPEC - E400AN/E400AJP/E400AJPN	B
2	1703938	2	Decal - Electrocution	
3	1704900	2	Decal - Model Designation (E400An)	
3	1704791	2	Decal - Model Designation (E400AJP)	
3	1704792	2	Decal - Model Designation (E400AJPN)	
4	1703932	1	Decal - Danger/Caution	
7	See Note	1	Nameplate - Serial Number (Note: Not Available for Purchase)	
8	3820001	2	Rivet	
9	1701504	1	Decal - Hydraulic Oil	
10	1701642	2	Decal - Arrow	
11	1703926	1	Decal - Caution/Danger	
13	1701644	2	Decal - Charger	
15	1703980	1	Decal - Footswitch	
16	1704277	2	Decal - Attach Lanyard	
19	0961127	1	Bushing, Snap	
21	0100010	AR	Adhesive	
22	1701691	4	Decal - No Step	
23	1001104864	1	Decal - Manual Descent	
25	1001173577	1	Decal - Cable Routing	
26	1704253	1	Decal - Key Platform	
27	1704417	1	Decal - Charger	
28	1704431	1	Decal - Battery Charger LED Indicator	
31	0860520	1	Box, Manual Storage	
32	1060279	1	Lanyard <b>(Prior to SN 0300196410)</b>	
33	0641408	1	Bolt 1/4-20 x 1 <b>(Prior to SN 0300196410)</b>	
35	4751400	AR	Washer, 1/4	
36	3311405	AR	Nut, Lock, 1/4-20	
37	1701500	4	Decal - Lift	
38	1701509	1	Decal - Manual	
39	1704342	3	Decal - Explosion Warning	
41	1703950	6	Decal - Crushing Hazard	
47	1702271	1	Decal	
50	1702300	4	Decal - Tie Down	
52	See Note	1	Decal - Bar Code (Note: Not Available for Purchase)	
53	1001121821	1	Decal - 500 LBS. Max Capacity	
54	1703488	4	Decal - Tire Load (E400An)	
54	1704727	4	Decal - Tire Load (E400AJP)	
54	1704752	4	Decal - Tire Load (E400AJPN)	
65	1001121808	2	Decal - 500 LBS. Max Capacity	
77	1704412	1	Decal - Oil Type	
79	1704885	2	Decal - Website	
80	0641406	4	Bolt 1/4-20 x 3/4	
81	1705426	1	Decal - Drive/Steer Instruction	

# SECTION 9 - DECALS

FIGURE 9-10. DECAL INSTALLATION - JAPANESE SPEC - M400AJP/M400AJPN



ART\_1001178371

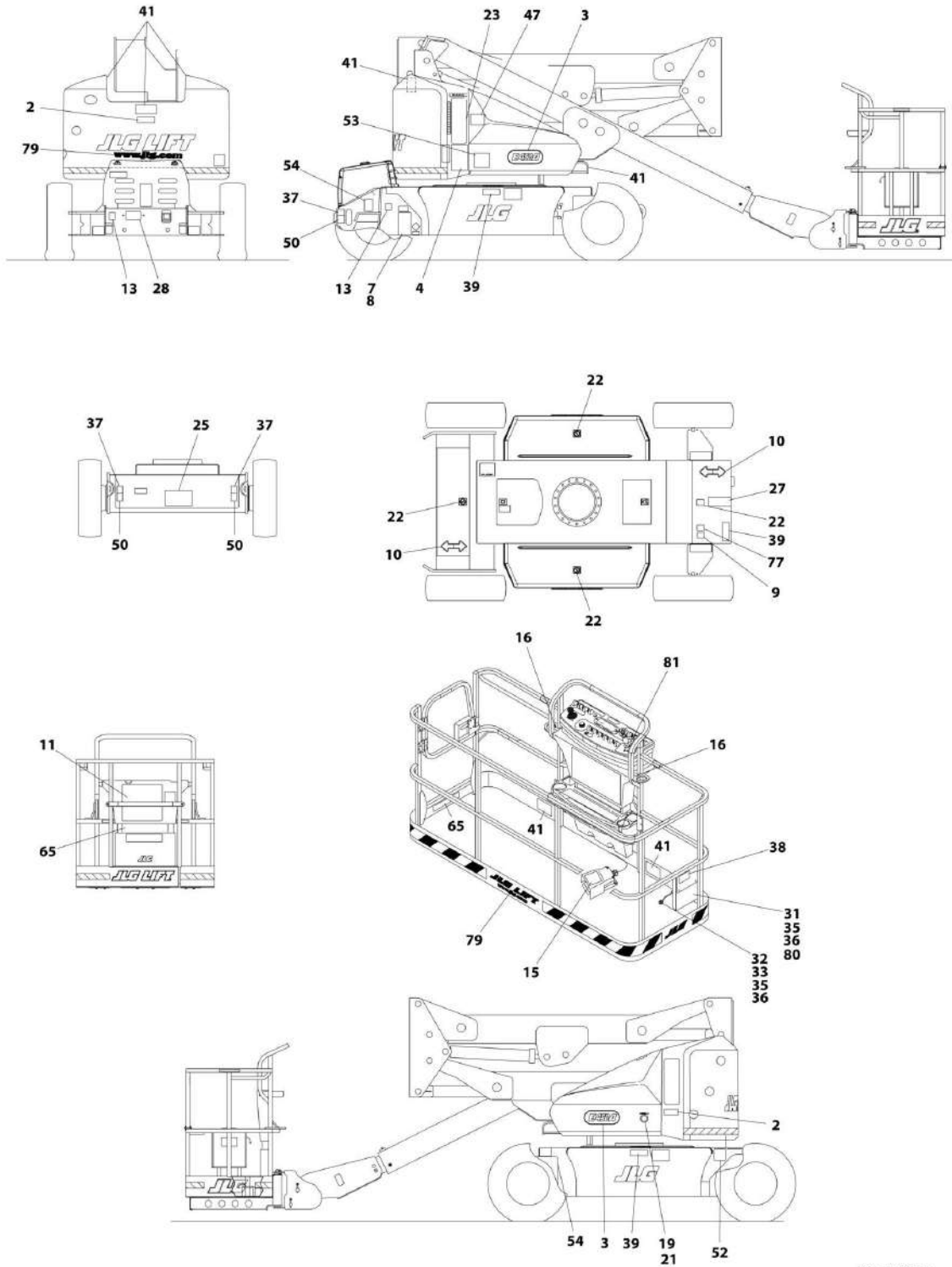
## SECTION 9 - DECALS

**FIGURE 9-10. DECAL INSTALLATION - JAPANESE SPEC - M400AJP/M400AJPN**

ITEM	PART NUMBER	QTY	DESCRIPTION	REV
	1001178371	Ref	DECAL INSTALLATION - JAPANESE SPEC - M400AJP/M400AJPN	B
2	1703938	2	Decal - Electrocutation	
3	1704793	2	Decal - Model Designation (M400AJP)	
3	1704794	2	Decal - Model Designation (M400AJPN)	
4	1703932	1	Decal - Danger/Caution	
7	See Note	1	Nameplate - Serial Number (Note: Not Available for Purchase)	
8	3820001	2	Rivet	
9	1701504	1	Decal - Hydraulic Oil	
10	1701642	2	Decal - Arrow	
11	1703926	1	Decal - Caution/Danger	
13	1701644	2	Decal - Charger	
15	1703980	1	Decal - Footswitch	
16	1704277	2	Decal - Attach Lanyard	
19	0961127	1	Bushing, Snap	
21	0100010	AR	Adhesive	
22	1701691	4	Decal - No Step	
23	1001104864	1	Decal - Manual Descent	
25	1001173577	1	Decal - Cable Routing	
27	1704417	1	Decal - Charger	
28	1704431	1	Decal - Battery Charger LED Indicator	
31	0860520	1	Box, Manual Storage	
32	1060279	1	Lanyard <b>(Prior to SN 0300196410)</b>	
33	0641408	1	Bolt 1/4-20 x 1 <b>(Prior to SN 0300196410)</b>	
35	4751400	AR	Washer, 1/4	
36	3311405	AR	Nut, Lock, 1/4-20	
37	1701500	4	Decal - Lift	
38	1701509	1	Decal - Manual	
39	1704342	3	Decal - Explosion Warning	
41	1703950	6	Decal - Crushing Hazard	
47	1702271	1	Decal	
50	1702300	4	Decal - Tie Down	
52	See Note	1	Decal - Bar Code (Note: Not Available for Purchase)	
53	1001121821	1	Decal - 500 LBS. Max Capacity	
54	1704727	4	Decal - Tire Load (M400AJP)	
54	1704752	4	Decal - Tire Load (M400AJPN)	
65	1001121808	2	Decal - 500 LBS. Max Capacity	
70	1001093687	2	Decal - Generator Danger	
71	1701505	1	Decal - Fuel	
77	1704412	1	Decal - Oil Type	
78	1001121510	3	Decal - Hybrid	
79	1704885	2	Decal - Website	
80	0641406	4	Bolt 1/4-20 x 3/4	
81	1705426	1	Decal - Drive/Steer Instruction	

# SECTION 9 - DECALS

FIGURE 9-11. DECAL INSTALLATION - KOREAN SPEC - E400AN/E400AJP/E400AJPN



ART\_1001178374

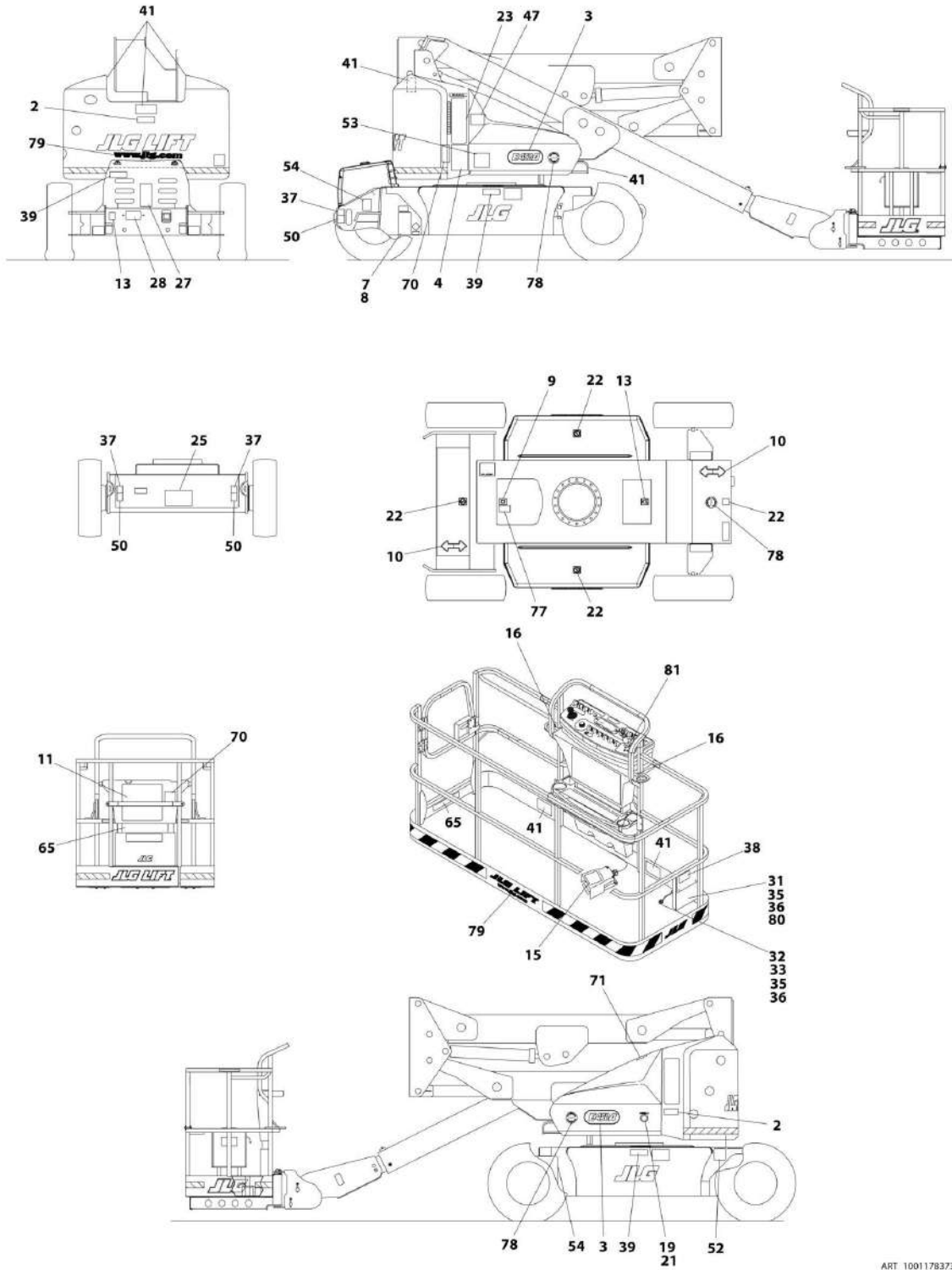
## SECTION 9 - DECALS

**FIGURE 9-11. DECAL INSTALLATION - KOREAN SPEC - E400AN/E400AJP/E400AJPN**

ITEM	PART NUMBER	QTY	DESCRIPTION	REV
	1001178374	Ref	DECAL INSTALLATION - KOREAN SPEC - E400AN/E400AJP/E400AJPN	B
2	1703939	2	Decal - Electrocutation	
3	1704900	2	Decal - Model Designation (E400An)	
3	1704791	2	Decal - Model Designation (E400AJP)	
3	1704792	2	Decal - Model Designation (E400AJPN)	
4	1703933	1	Decal - Danger/Caution	
7	See Note	1	Nameplate - Serial Number (Note: Not Available for Purchase)	
8	3820001	2	Rivet	
9	1701504	1	Decal - Hydraulic Oil	
10	1701642	2	Decal - Arrow	
11	1703927	1	Decal - Caution/Danger	
13	1701644	2	Decal - Charger	
15	1703981	1	Decal - Footswitch	
16	1704277	2	Decal - Attach Lanyard	
19	0961127	1	Bushing, Snap	
21	0100010	AR	Adhesive	
22	1701691	4	Decal - No Step	
23	1001104864	1	Decal - Manual Descent	
25	1001173577	1	Decal - Cable Routing	
27	1704418	1	Decal - Charger	
28	1704431	1	Decal - Battery Charger LED Indicator	
31	0860520	1	Box, Manual Storage	
32	1060279	1	Lanyard <b>(Prior to SN 0300196410)</b>	
33	0641408	1	Bolt 1/4-20 x 1 <b>(Prior to SN 0300196410)</b>	
35	4751400	AR	Washer, 1/4	
36	3311405	AR	Nut, Lock, 1/4-20	
37	1701500	4	Decal - Lift	
38	1701509	1	Decal - Manual	
39	1704343	3	Decal - Explosion Warning	
41	1703951	6	Decal - Crushing Hazard	
47	1703987	1	Decal - Upright Level Override	
50	1702300	4	Decal - Tie Down	
52	See Note	1	Decal - Bar Code (Note: Not Available for Purchase)	
53	1001121921	1	Decal - 500 LBS. Max Capacity	
54	1703488	4	Decal - Tire Load (E400An)	
54	1704727	4	Decal - Tire Load (E400AJP)	
54	1704752	4	Decal - Tire Load (E400AJPN)	
65	1001121918	2	Decal - 500 LBS. Max Capacity	
77	1704412	1	Decal - Oil Type	
79	1704885	2	Decal - Website	
80	0641406	4	Bolt 1/4-20 x 3/4	
81	1705427	1	Decal - Drive/Steer Instruction	

# SECTION 9 - DECALS

FIGURE 9-12. DECAL INSTALLATION - KOREAN SPEC - M400AJP/M400AJPN



ART\_1001178373

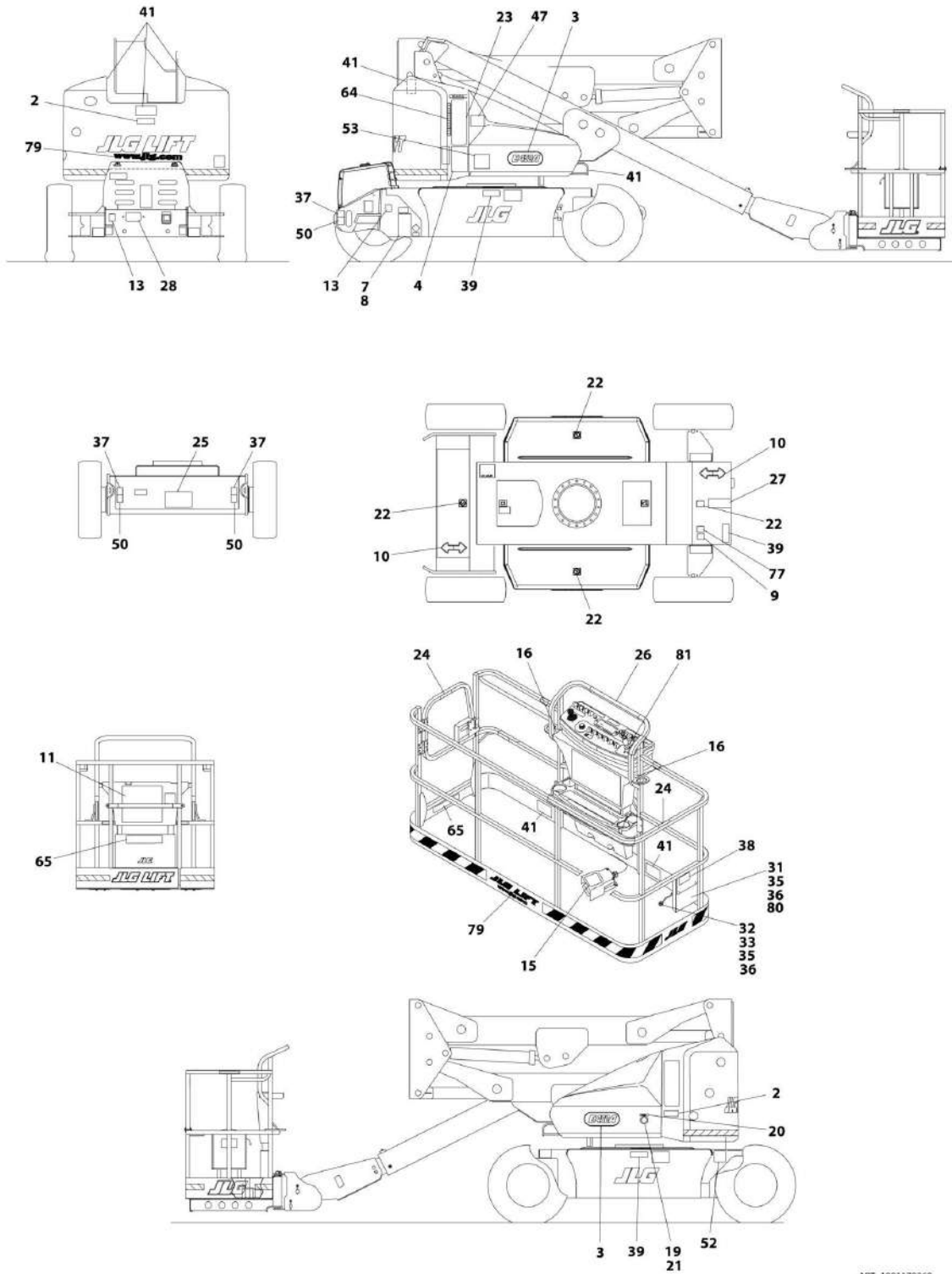
## SECTION 9 - DECALS

**FIGURE 9-12. DECAL INSTALLATION - KOREAN SPEC - M400AJP/M400AJPN**

ITEM	PART NUMBER	QTY	DESCRIPTION	REV
	1001178373	Ref	DECAL INSTALLATION - KOREAN SPEC - M400AJP/M400AJPN	B
2	1703939	2	Decal - Electrocution	
3	1704793	2	Decal - Model Designation (M400AJP)	
3	1704794	2	Decal - Model Designation (M400AJPN)	
4	1703933	1	Decal - Danger/Caution	
7	See Note	1	Nameplate - Serial Number (Note: Not Available for Purchase)	
8	3820001	2	Rivet	
9	1701504	1	Decal - Hydraulic Oil	
10	1701642	2	Decal - Arrow	
11	1703927	1	Decal - Caution/Danger	
13	1701644	2	Decal - Charger	
15	1703981	1	Decal - Footswitch	
16	1704277	2	Decal - Attach Lanyard	
19	0961127	1	Bushing, Snap	
21	0100010	AR	Adhesive	
22	1701691	4	Decal - No Step	
23	1001104864	1	Decal - Manual Descent	
25	1001173577	1	Decal - Cable Routing	
27	1704418	1	Decal - Charger	
28	1704431	1	Decal - Battery Charger LED Indicator	
31	0860520	1	Box, Manual Storage	
32	1060279	1	Lanyard <b>(Prior to SN 0300196410)</b>	
33	0641408	1	Bolt 1/4-20 x 1 <b>(Prior to SN 0300196410)</b>	
35	4751400	AR	Washer, 1/4	
36	3311405	AR	Nut, Lock, 1/4-20	
37	1701500	4	Decal - Lift	
38	1701509	1	Decal - Manual	
39	1704343	3	Decal - Explosion Warning	
41	1703951	6	Decal - Crushing Hazard	
47	1703987	1	Decal - Upright Level Override	
50	1702300	4	Decal - Tie Down	
52	See Note	1	Decal - Bar Code (Note: Not Available for Purchase)	
53	1001121921	1	Decal - 500 LBS. Max Capacity	
54	1704727	4	Decal - Tire Load (M400AJP)	
54	1704752	4	Decal - Tire Load (M400AJPN)	
65	1001121918	2	Decal - 500 LBS. Max Capacity	
70	1001093687	2	Decal - Generator Danger	
71	1701505	1	Decal - Fuel	
77	1704412	1	Decal - Oil Type	
78	1001121510	3	Decal - Hybrid	
79	1704885	2	Decal - Website	
80	0641406	4	Bolt 1/4-20 x 3/4	
81	1705427	1	Decal - Drive/Steer Instruction	

# SECTION 9 - DECALS

FIGURE 9-13. DECAL INSTALLATION - SPANISH/ENGLISH SPECS - E400AN/E400AJP/E400AJPN



ART\_1001178368



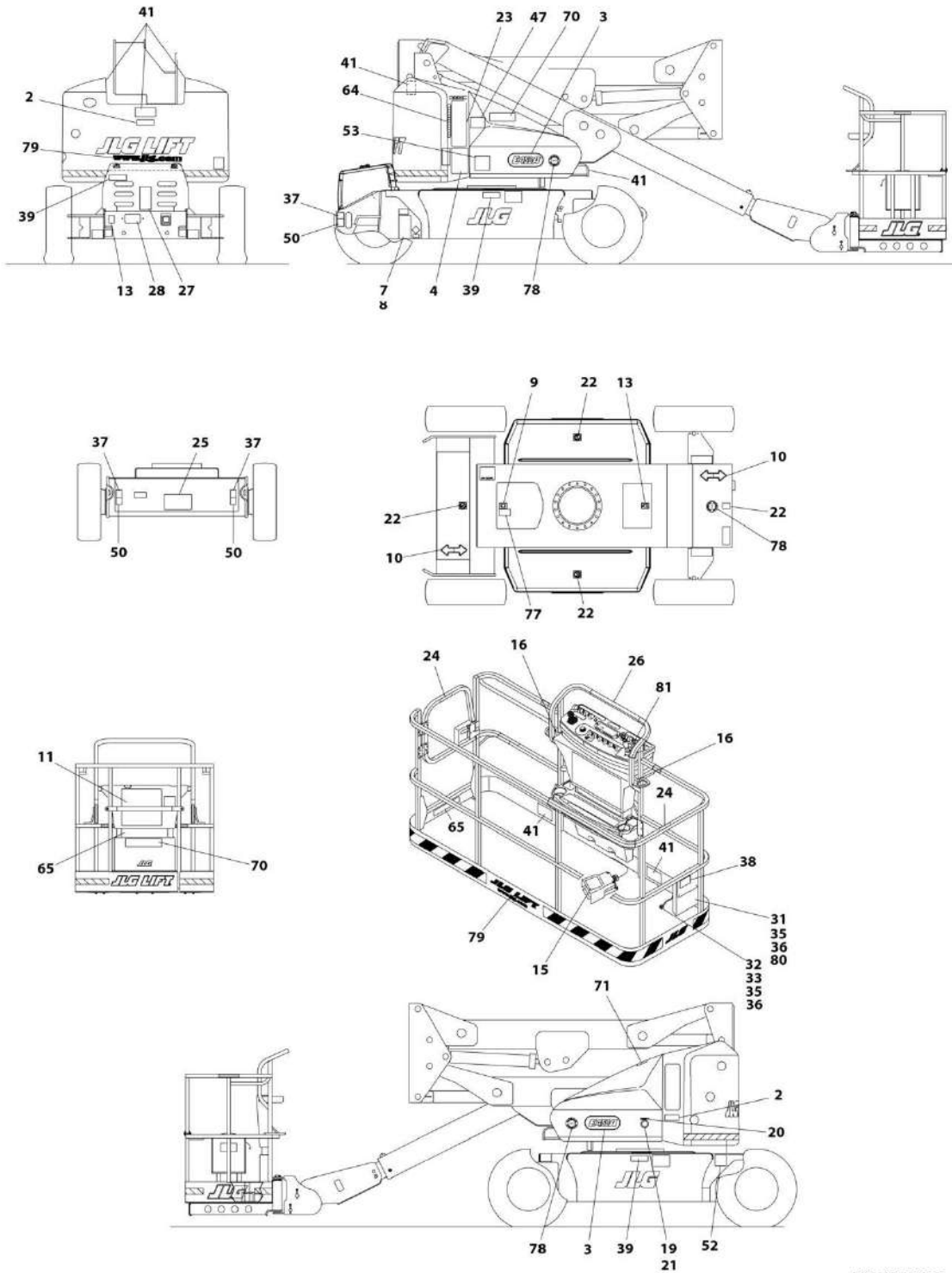
## SECTION 9 - DECALS

**FIGURE 9-13. DECAL INSTALLATION - SPANISH/ENGLISH SPECS - E400AN/E400AJP/E400AJPN**

ITEM	PART NUMBER	QTY	DESCRIPTION	REV
	1001178368	Ref	DECAL INSTALLATION - SPANISH/ENGLISH SPECS - E400AN/E400AJP/E400AJPN	B
2	1703935	2	Decal - Electrocutation	
3	1704900	2	Decal - Model Designation (E400An)	
3	1704791	2	Decal - Model Designation (E400AJP)	
3	1704792	2	Decal - Model Designation (E400AJPN)	
4	1703929	1	Decal - Danger/Caution	
7	See Note	1	Nameplate - Serial Number (Note: Not Available for Purchase)	
8	3820001	2	Rivet	
9	1701504	1	Decal - Hydraulic Oil	
10	1701642	2	Decal - Arrow	
11	1703923	1	Decal - Caution/Danger	
13	1701644	2	Decal - Charger	
15	1703983	1	Decal - Footswitch	
16	1704277	2	Decal - Attach Lanyard	
19	0961127	1	Bushing, Snap	
20	3251243	1	Nameplate - 120V/60Hz	
21	0100010	AR	Adhesive	
22	1701691	4	Decal - No Step	
23	1001104864	1	Decal - Manual Descent	
24	1704001	2	Decal - No Hands	
25	1001173577	1	Decal - Cable Routing	
26	1704253	1	Decal - Key Platform	
27	1704454	1	Decal - Charger	
28	1704431	1	Decal - Battery Charger LED Indicator	
31	0860520	1	Box, Manual Storage	
32	1060279	1	Lanyard <b>(Prior to SN 0300196410)</b>	
33	0641408	1	Bolt 1/4-20 x 1 <b>(Prior to SN 0300196410)</b>	
35	4751400	AR	Washer, 1/4	
36	3311405	AR	Nut, Lock, 1/4-20	
37	1701500	4	Decal - Lift	
38	1701509	1	Decal - Manual	
39	1704339	3	Decal - Explosion Warning	
41	1703947	6	Decal - Crushing Hazard	
47	1702265	1	Decal - Boom Sequence	
50	1702300	4	Decal - Tie Down	
52	See Note	1	Decal - Bar Code (Note: Not Available for Purchase)	
53	1001121818	1	Decal - 500 LBS. Max Capacity	
64	1706950	1	Decal - Key, Main Terminal Box	
65	1001121805	2	Decal - 500 LBS. Max Capacity	
77	1704412	1	Decal - Oil Type	
79	1704885	2	Decal - Website	
80	0641406	4	Bolt 1/4-20 x 3/4	
81	1705910	1	Decal - Drive/Steer Instruction	

# SECTION 9 - DECALS

FIGURE 9-14. DECAL INSTALLATION - SPANISH/ENGLISH SPECS - M400AJP/M400AJPN



ART\_1001178367

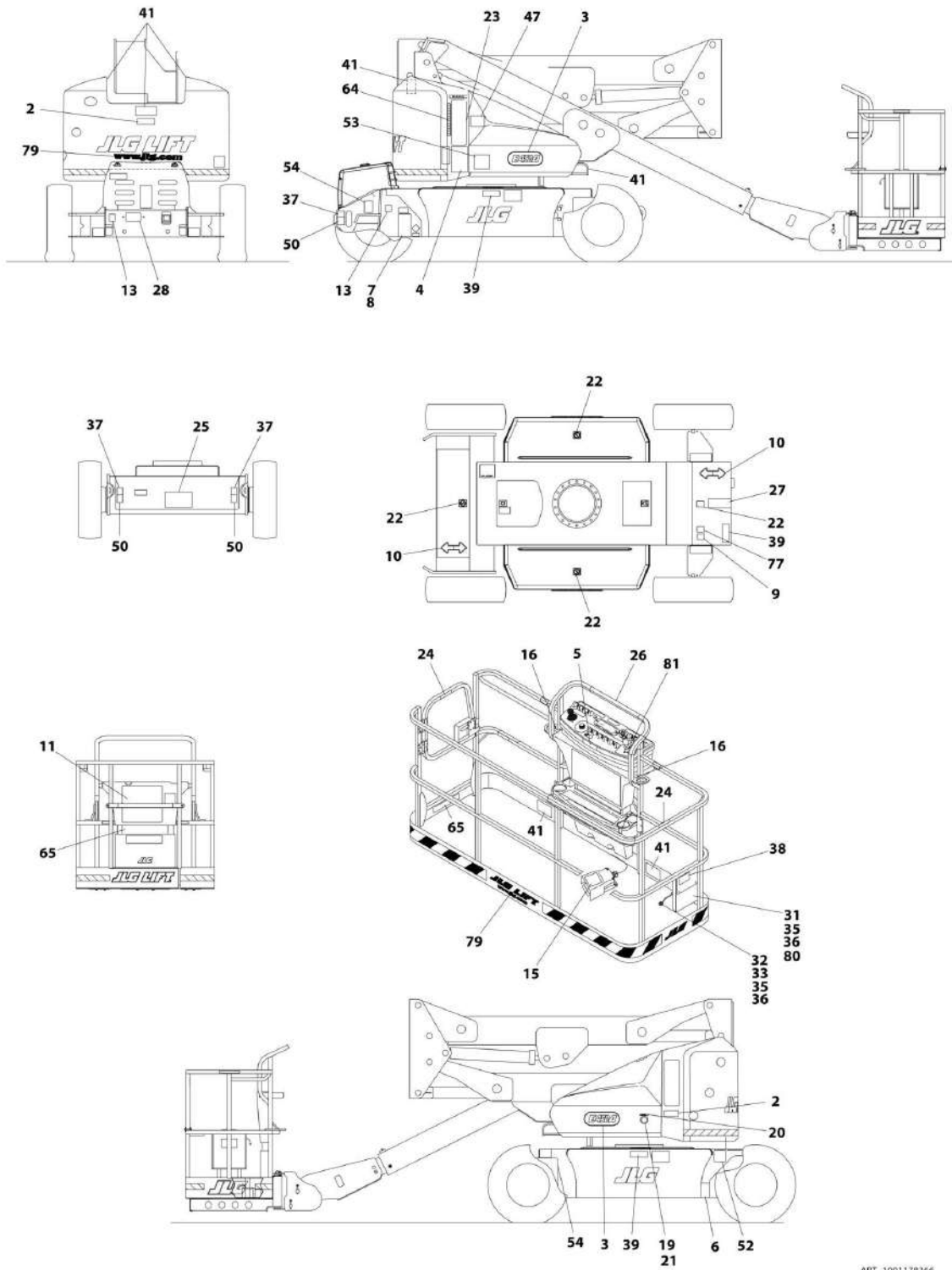
## SECTION 9 - DECALS

**FIGURE 9-14. DECAL INSTALLATION - SPANISH/ENGLISH SPECS - M400AJP/M400AJPN**

ITEM	PART NUMBER	QTY	DESCRIPTION	REV
	1001178367	Ref	DECAL INSTALLATION - SPANISH/ENGLISH SPECS - M400AJP/M400AJPN	B
2	1703935	2	Decal - Electrocutation	
3	1704793	2	Decal - Model Designation (M400AJP)	
3	1704794	2	Decal - Model Designation (M400AJPN)	
4	1703929	1	Decal - Danger/Caution	
7	See Note	1	Nameplate - Serial Number (Note: Not Available for Purchase)	
8	3820001	2	Rivet	
9	1701504	1	Decal - Hydraulic Oil	
10	1701642	2	Decal - Arrow	
11	1703923	1	Decal - Caution/Danger	
13	1701644	2	Decal - Charger	
15	1703983	1	Decal - Footswitch	
16	1704277	2	Decal - Attach Lanyard	
19	0961127	1	Bushing, Snap	
20	3251243	1	Nameplate - 120V/60Hz	
21	0100010	AR	Adhesive	
22	1701691	4	Decal - No Step	
23	1001104864	1	Decal - Manual Descent	
24	1704001	2	Decal - No Hands	
25	1001173577	1	Decal - Cable Routing	
26	1704253	1	Decal - Key Platform	
27	1704454	1	Decal - Charger	
28	1704431	1	Decal - Battery Charger LED Indicator	
31	0860520	1	Box, Manual Storage	
32	1060279	1	Lanyard <b>(Prior to SN 0300196410)</b>	
33	0641408	1	Bolt 1/4-20 x 1 <b>(Prior to SN 0300196410)</b>	
35	4751400	AR	Washer, 1/4	
36	3311405	AR	Nut, Lock, 1/4-20	
37	1701500	4	Decal - Lift	
38	1701509	1	Decal - Manual	
39	1704339	3	Decal - Explosion Warning	
41	1703947	6	Decal - Crushing Hazard	
47	1702265	1	Decal - Boom Sequence	
50	1702300	4	Decal - Tie Down	
52	See Note	1	Decal - Bar Code (Note: Not Available for Purchase)	
53	1001121818	1	Decal - 500 LBS. Max Capacity	
64	1706950	1	Decal - Key, Main Terminal Box	
65	1001121805	2	Decal - 500 LBS. Max Capacity	
70	1704371	2	Decal - Generator Danger	
71	1701505	1	Decal - Fuel	
77	1704412	1	Decal - Oil Type	
78	1001121510	3	Decal - Hybrid	
79	1704885	2	Decal - Website	
80	0641406	4	Bolt 1/4-20 x 3/4	
81	1705910	1	Decal - Drive/Steer Instruction	

# SECTION 9 - DECALS

FIGURE 9-15. DECAL INSTALLATION - FRENCH/ENGLISH SPECS - E400AN/E400AJP/E400AJPN



ART\_1001178366

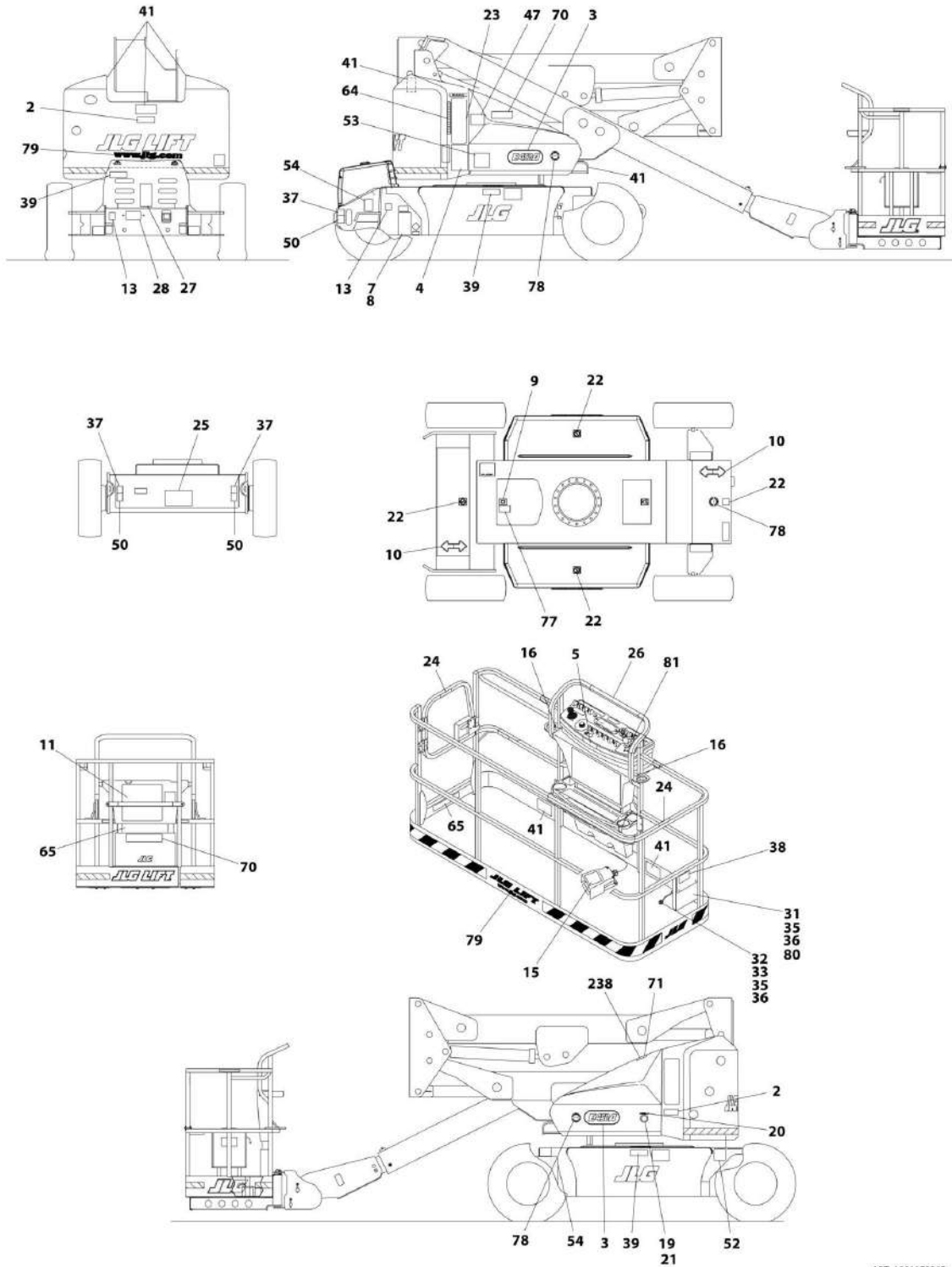
## SECTION 9 - DECALS

**FIGURE 9-15. DECAL INSTALLATION - FRENCH/ENGLISH SPECS - E400AN/E400AJP/E400AJPN**

ITEM	PART NUMBER	QTY	DESCRIPTION	REV
	1001178366	Ref	DECAL INSTALLATION - FRENCH/ENGLISH SPECS - E400AN/E400AJP/E400AJPN	B
2	1703936	2	Decal - Electrocutation	
3	1704900	2	Decal - Model Designation (E400An)	
3	1704791	2	Decal - Model Designation (E400AJP)	
3	1704792	2	Decal - Model Designation (E400AJPN)	
4	1703930	1	Decal - Danger/Caution	
5	1705514	1	Decal - CSA	
6	1700584	1	Decal - Patent	
7	See Note	1	Nameplate - Serial Number (Note: Not Available for Purchase)	
8	3820001	2	Rivet	
9	1701504	1	Decal - Hydraulic Oil	
10	1701642	2	Decal - Arrow	
11	1703924	1	Decal - Caution/Danger	
13	1701644	2	Decal - Charger	
15	1703984	1	Decal - Footswitch	
16	1704277	2	Decal - Attach Lanyard	
19	0961127	1	Bushing, Snap	
20	3251243	1	Nameplate - 120V/60Hz	
21	0100010	AR	Adhesive	
22	1701691	4	Decal - No Step	
23	1001104864	1	Decal - Manual Descent	
24	1704000	2	Decal - No Hands	
25	1001173577	1	Decal - Cable Routing	
26	1704253	1	Decal - Key Platform	
27	1704452	1	Decal - Charger	
28	1704431	1	Decal - Battery Charger LED Indicator	
31	0860520	1	Box, Manual Storage	
32	1060279	1	Lanyard <b>(Prior to SN 0300196410)</b>	
33	0641408	1	Bolt 1/4-20 x 1 <b>(Prior to SN 0300196410)</b>	
35	4751400	AR	Washer, 1/4	
36	3311405	AR	Nut, Lock, 1/4-20	
37	1701500	4	Decal - Lift	
38	1701509	1	Decal - Manual	
39	1704340	3	Decal - Explosion Warning	
41	1703948	6	Decal - Crushing Hazard	
47	1702265	1	Decal - Boom Sequence	
50	1702300	4	Decal - Tie Down	
52	See Note	1	Decal - Bar Code (Note: Not Available for Purchase)	
53	1001121816	1	Decal - 500 LBS. Max Capacity	
54	1703488	4	Decal - Tire Load (E400An)	
54	1704727	4	Decal - Tire Load (E400AJP)	
54	1704752	4	Decal - Tire Load (E400AJPN)	
64	1706950	1	Decal - Key, Main Terminal Box	
65	1001121803	2	Decal - 500 LBS. Max Capacity	
77	1704412	1	Decal - Oil Type	
79	1704885	2	Decal - Website	
80	0641406	4	Bolt 1/4-20 x 3/4	
81	1705429	1	Decal - Drive/Steer Instruction	

# SECTION 9 - DECALS

FIGURE 9-16. DECAL INSTALLATION - FRENCH/ENGLISH SPECS - M400AJP/M400AJPN



ART\_1001178365

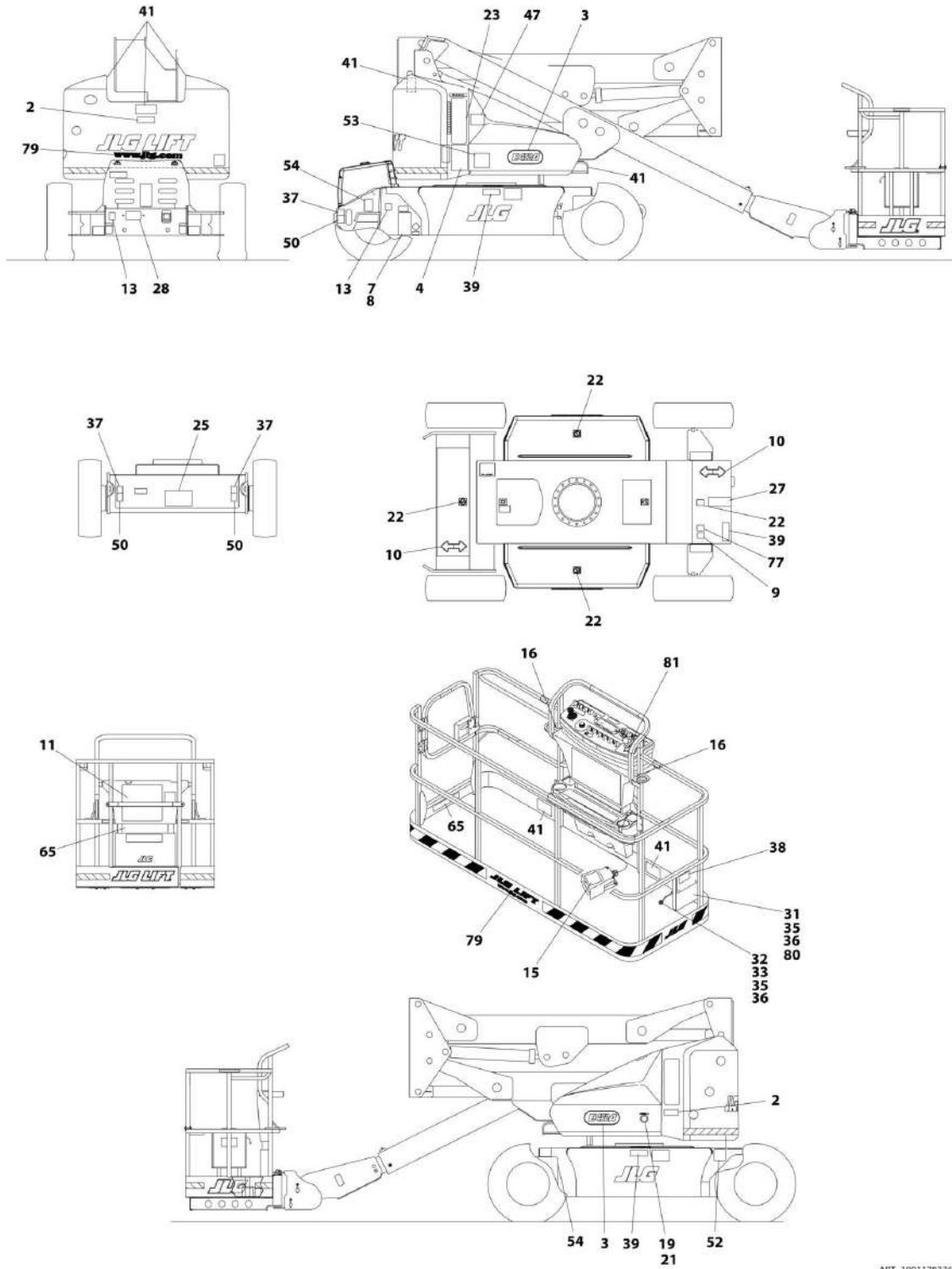
## SECTION 9 - DECALS

**FIGURE 9-16. DECAL INSTALLATION - FRENCH/ENGLISH SPECS - M400AJP/M400AJPN**

ITEM	PART NUMBER	QTY	DESCRIPTION	REV
	1001178365	Ref	DECAL INSTALLATION - FRENCH/ENGLISH SPECS - M400AJP/M400AJPN	B
2	1703936	2	Decal - Electrocutation	
3	1704793	2	Decal - Model Designation (M400AJP)	
3	1704794	2	Decal - Model Designation (M400AJPN)	
4	1703930	1	Decal - Danger/Caution	
5	1705514	1	Decal - CSA	
7	See Note	1	Nameplate - Serial Number (Note: Not Available for Purchase)	
8	3820001	2	Rivet	
9	1701504	1	Decal - Hydraulic Oil	
10	1701642	2	Decal - Arrow	
11	1703924	1	Decal - Caution/Danger	
13	1701644	2	Decal - Charger	
15	1703984	1	Decal - Footswitch	
16	1704277	2	Decal - Attach Lanyard	
19	0961127	1	Bushing, Snap	
20	3251243	1	Nameplate - 120V/60Hz	
21	0100010	AR	Adhesive	
22	1701691	4	Decal - No Step	
23	1001104864	1	Decal - Manual Descent	
24	1704000	2	Decal - No Hands	
25	1001173577	1	Decal - Cable Routing	
26	1704253	1	Decal - Key Platform	
27	1704452	1	Decal - Charger	
28	1704431	1	Decal - Battery Charger LED Indicator	
31	0860520	1	Box, Manual Storage	
32	1060279	1	Lanyard <b>(Prior to SN 0300196410)</b>	
33	0641408	1	Bolt 1/4-20 x 1 <b>(Prior to SN 0300196410)</b>	
35	4751400	AR	Washer, 1/4	
36	3311405	AR	Nut, Lock, 1/4-20	
37	1701500	4	Decal - Lift	
38	1701509	1	Decal - Manual	
39	1704340	3	Decal - Explosion Warning	
41	1703948	6	Decal - Crushing Hazard	
47	1702265	1	Decal - Boom Sequence	
50	1702300	4	Decal - Tie Down	
52	See Note	1	Decal - Bar Code (Note: Not Available for Purchase)	
53	1001121816	1	Decal - 500 LBS. Max Capacity	
54	1704727	4	Decal - Tire Load (M400AJP)	
54	1704752	4	Decal - Tire Load (M400AJPN)	
64	1706950	1	Decal - Key, Main Terminal Box	
65	1001121803	2	Decal - 500 LBS. Max Capacity	
70	1001093687	2	Decal - Generator Danger	
71	1701505	1	Decal - Fuel	
77	1704412	1	Decal - Oil Type	
78	1001121510	3	Decal - Hybrid	
79	1704885	2	Decal - Website	
80	0641406	4	Bolt 1/4-20 x 3/4	
81	1705429	1	Decal - Drive/Steer Instruction	
238	1001108923	1	Decal - Ultra Low Sulfur Fuel	

# SECTION 9 - DECALS

FIGURE 9-17. DECAL INSTALLATION - CHINESE/ENGLISH - E400AN/E400AJP/E400AJPN



ART\_1001178376



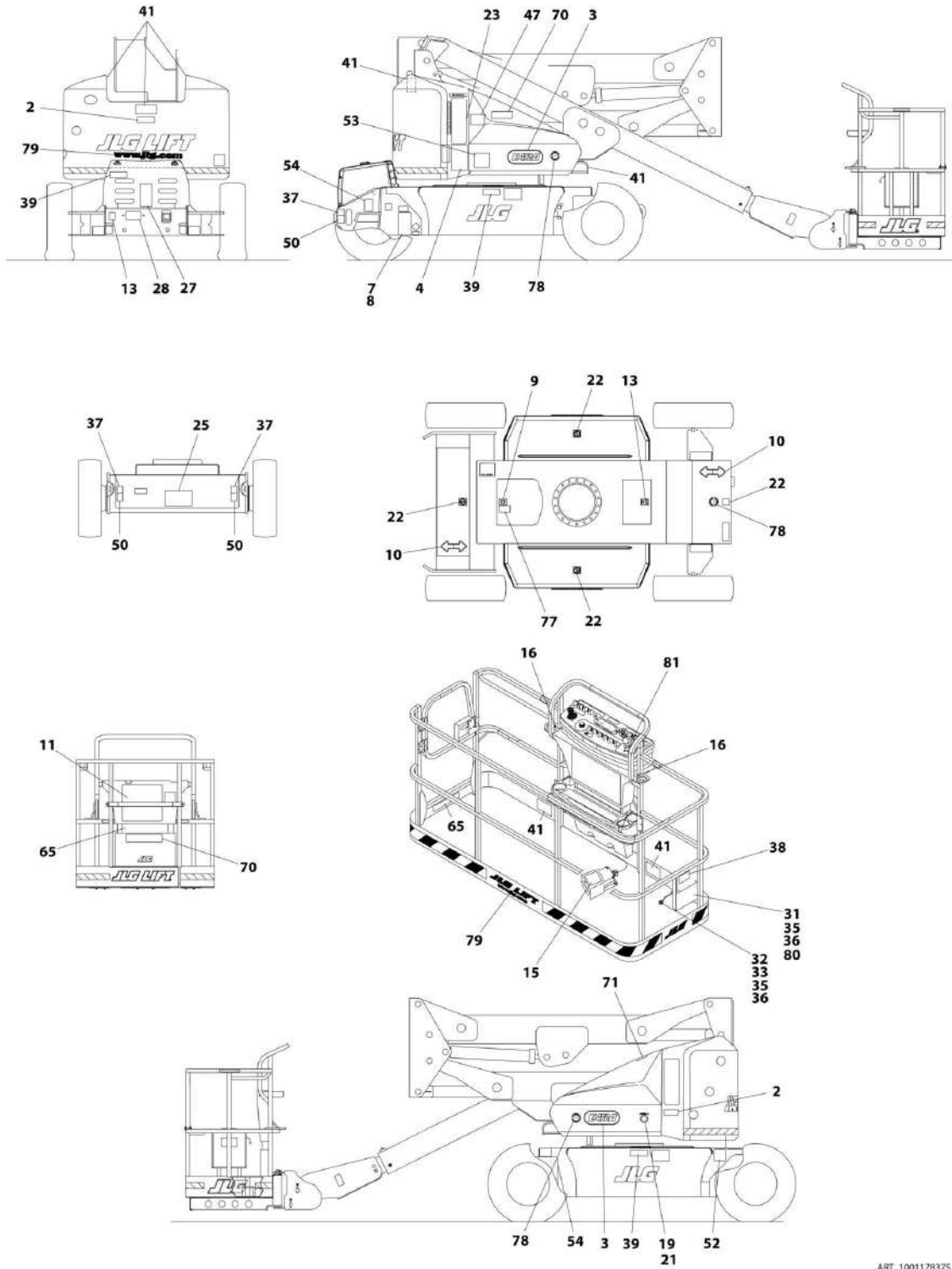
## SECTION 9 - DECALS

**FIGURE 9-17. DECAL INSTALLATION - CHINESE/ENGLISH - E400AN/E400AJP/E400AJPN**

ITEM	PART NUMBER	QTY	DESCRIPTION	REV
	1001178376	Ref	DECAL INSTALLATION - CHINESE/ENGLISH - E400AN/E400AJP/E400AJPN	B
2	1703937	2	Decal - Electrocutation	
3	1704900	2	Decal - Model Designation (E400An)	
3	1704791	2	Decal - Model Designation (E400AJP)	
3	1704792	2	Decal - Model Designation (E400AJPN)	
4	1703931	1	Decal - Danger/Caution	
7	See Note	1	Nameplate - Serial Number (Note: Not Available for Purchase)	
8	3820001	2	Rivet	
9	1701504	1	Decal - Hydraulic Oil	
10	1701642	2	Decal - Arrow	
11	1703925	1	Decal - Caution/Danger	
13	1701644	2	Decal - Charger	
15	1703982	1	Decal - Footswitch	
16	1704277	2	Decal - Attach Lanyard	
19	0961127	1	Bushing, Snap	
21	0100010	AR	Adhesive	
22	1701691	4	Decal - No Step	
23	1001104864	1	Decal - Manual Descent	
25	1001173577	1	Decal - Cable Routing	
27	1704419	1	Decal - Charger	
28	1704431	1	Decal - Battery Charger LED Indicator	
31	0860520	1	Box, Manual Storage	
32	1060279	1	Lanyard <b>(Prior to SN 0300196410)</b>	
33	0641408	1	Bolt 1/4-20 x 1 <b>(Prior to SN 0300196410)</b>	
35	4751400	AR	Washer, 1/4	
36	3311405	AR	Nut, Lock, 1/4-20	
37	1701500	4	Decal - Lift	
38	1701509	1	Decal - Manual	
39	1704344	3	Decal - Explosion Warning	
41	1703949	6	Decal - Crushing Hazard	
47	1703988	1	Decal - Upright Level Override	
50	1702300	4	Decal - Tie Down	
52	See Note	1	Decal - Bar Code (Note: Not Available for Purchase)	
53	1001121823	1	Decal - 500 LBS. Max Capacity	
54	1703488	4	Decal - Tire Load (E400An)	
54	1704727	4	Decal - Tire Load (E400AJP)	
54	1704752	4	Decal - Tire Load (E400AJPN)	
65	1001121810	2	Decal - 500 LBS. Max Capacity	
77	1704412	1	Decal - Oil Type	
79	1704885	2	Decal - Website	
80	0641406	4	Bolt 1/4-20 x 3/4	
81	1705430	1	Decal - Drive/Steer Instruction	

# SECTION 9 - DECALS

FIGURE 9-18. DECAL INSTALLATION - CHINESE/ENGLISH - M400AJP/M400AJPN



ART\_1001178375

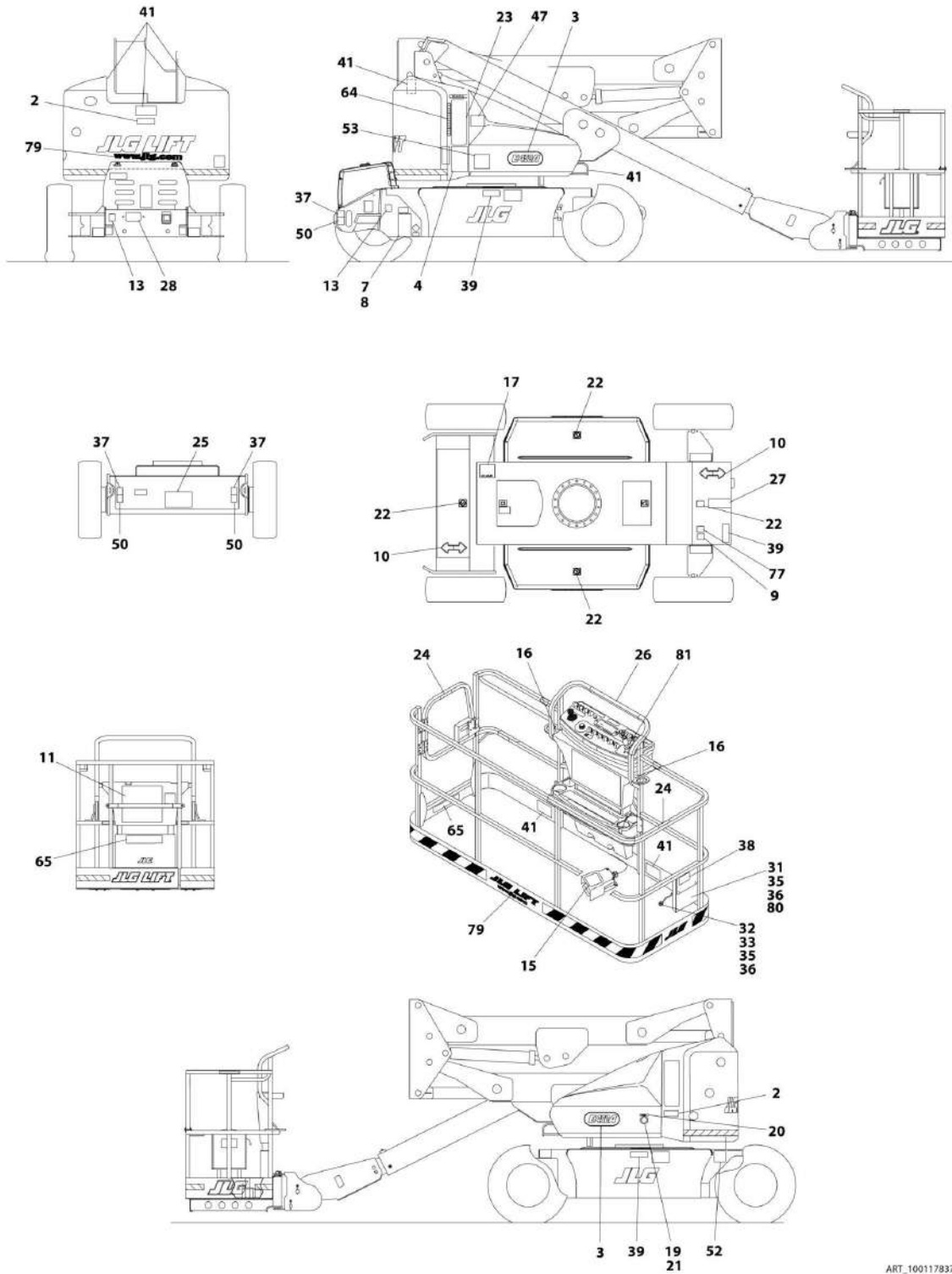
## SECTION 9 - DECALS

**FIGURE 9-18. DECAL INSTALLATION - CHINESE/ENGLISH - M400AJP/M400AJPN**

ITEM	PART NUMBER	QTY	DESCRIPTION	REV
	1001178375	Ref	DECAL INSTALLATION - CHINESE/ENGLISH - M400AJP/M400AJPN	B
2	1703937	2	Decal - Electrocutation	
3	1704793	2	Decal - Model Designation (M400AJP)	
3	1704794	2	Decal - Model Designation (M400AJPN)	
4	1703931	1	Decal - Danger/Caution	
7	See Note	1	Nameplate - Serial Number (Note: Not Available for Purchase)	
8	3820001	2	Rivet	
9	1701504	1	Decal - Hydraulic Oil	
10	1701642	2	Decal - Arrow	
11	1703925	1	Decal - Caution/Danger	
13	1701644	2	Decal - Charger	
15	1703982	1	Decal - Footswitch	
16	1704277	2	Decal - Attach Lanyard	
19	0961127	1	Bushing, Snap	
21	0100010	AR	Adhesive	
22	1701691	4	Decal - No Step	
23	1001104864	1	Decal - Manual Descent	
25	1001173577	1	Decal - Cable Routing	
27	1704419	1	Decal - Charger	
28	1704431	1	Decal - Battery Charger LED Indicator	
31	0860520	1	Box, Manual Storage	
32	1060279	1	Lanyard <b>(Prior to SN 0300196410)</b>	
33	0641408	1	Bolt 1/4-20 x 1 <b>(Prior to SN 0300196410)</b>	
35	4751400	AR	Washer, 1/4	
36	3311405	AR	Nut, Lock, 1/4-20	
37	1701500	4	Decal - Lift	
38	1701509	1	Decal - Manual	
39	1704344	3	Decal - Explosion Warning	
41	1703949	6	Decal - Crushing Hazard	
47	1703988	1	Decal - Upright Level Override	
50	1702300	4	Decal - Tie Down	
52	See Note	1	Decal - Bar Code (Note: Not Available for Purchase)	
53	1001121823	1	Decal - 500 LBS. Max Capacity	
54	1704727	4	Decal - Tire Load (M400AJP)	
54	1704752	4	Decal - Tire Load (M400AJPN)	
65	1001121810	2	Decal - 500 LBS. Max Capacity	
70	1001093687	2	Decal - Generator Danger	
71	1701505	1	Decal - Fuel	
77	1704412	1	Decal - Oil Type	
78	1001121510	3	Decal - Hybrid	
79	1704885	2	Decal - Website	
80	0641406	4	Bolt 1/4-20 x 3/4	
81	1705430	1	Decal - Drive/Steer Instruction	

# SECTION 9 - DECALS

FIGURE 9-19. DECAL INSTALLATION - SPANISH/PORTUGUESE - E400AN/E400AJP/E400AJPN



ART\_1001178370

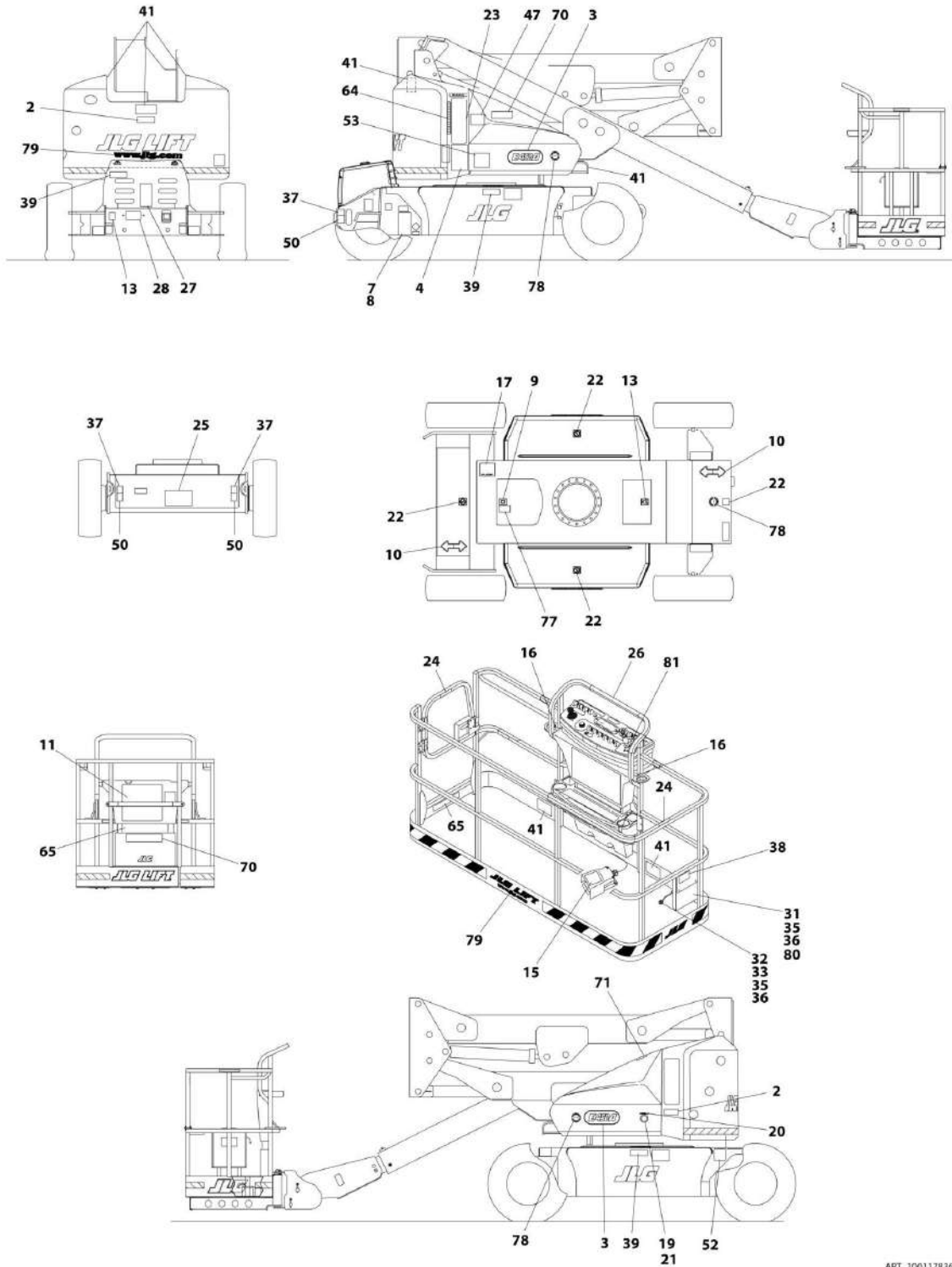
## SECTION 9 - DECALS

**FIGURE 9-19. DECAL INSTALLATION - SPANISH/PORTUGUESE - E400AN/E400AJP/E400AJPN**

ITEM	PART NUMBER	QTY	DESCRIPTION	REV
	1001178370	Ref	DECAL INSTALLATION - SPANISH/PORTUGUESE - E400AN/E400AJP/E400AJPN	B
2	1703940	2	Decal - Electrocutation	
3	1704900	2	Decal - Model Designation (E400An)	
3	1704791	2	Decal - Model Designation (E400AJP)	
3	1704792	2	Decal - Model Designation (E400AJPN)	
4	1703934	1	Decal - Danger/Caution	
7	See Note	1	Nameplate - Serial Number (Note: Not Available for Purchase)	
8	3820001	2	Rivet	
9	1701504	1	Decal - Hydraulic Oil	
10	1701642	1	Decal - Arrow	
11	1703928	1	Decal - Caution/Danger	
13	1701644	2	Decal - Charger	
15	1703985	1	Decal - Footswitch	
16	1704277	2	Decal - Footswitch	
17	1704008	1	Decal - Inspection	
19	0961127	1	Bushing, Snap	
20	3251243	1	Nameplate - 120V/60Hz	
21	0100010	AR	Adhesive	
22	1701691	4	Decal - No Step	
23	1001104864	1	Decal - Manual Descent	
24	1704002	2	Decal - No Hands	
25	1001173577	1	Decal - Cable Routing	
26	1704253	1	Decal - Key Platform	
27	1704453	1	Decal - Charger	
28	1704431	1	Decal - Battery Charger LED Indicator	
31	0860520	1	Box, Manual Storage	
32	1060279	1	Lanyard <b>(Prior to SN 0300196410)</b>	
33	0641408	1	Bolt 1/4-20 x 1 <b>(Prior to SN 0300196410)</b>	
35	4751400	AR	Washer, 1/4	
36	3311405	AR	Nut, Lock, 1/4-20	
37	1701500	4	Decal - Lift	
38	1701509	1	Decal - Manual	
39	1704341	3	Decal - Explosion Warning	
41	1703952	6	Decal - Crushing Hazard	
47	1703991	1	Decal - Boom Sequence	
50	1702300	4	Decal - Tie Down	
52	See Note	1	Decal - Bar Code (Note: Not Available for Purchase)	
53	1001121923	1	Decal - 500 LBS. Max Capacity	
64	1706950	1	Decal - Key, Main Terminal Box	
65	1001121920	2	Decal - 500 LBS. Max Capacity	
77	1704412	1	Decal - Oil Type	
79	1704885	2	Decal - Website	
80	0641406	4	Bolt, 1/4-20 x 3/4	
81	1001113680	1	Decal - Drive/Steer Instruction	

# SECTION 9 - DECALS

FIGURE 9-20. DECAL INSTALLATION - SPANISH/PORTUGUESE SPECS - M400AJP/M400AJPN



ART\_1001178369

## SECTION 9 - DECALS

**FIGURE 9-20. DECAL INSTALLATION - SPANISH/PORTUGUESE SPECS - M400AJP/M400AJPN**

ITEM	PART NUMBER	QTY	DESCRIPTION	REV
	1001178369	Ref	DECAL INSTALLATION - SPANISH/PORTUGUESE SPECS - M400AJP/M400AJPN	B
2	1703940	2	Decal - Electrocutation	
3	1704793	2	Decal - Model Designation (M400AJP)	
3	1704794	2	Decal - Model Designation (M400AJPN)	
4	1703934	1	Decal - Danger/Caution	
7	See Note	1	Nameplate - Serial Number (Note: Not Available for Purchase)	
8	3820001	2	Rivet	
9	1701504	1	Decal - Hydraulic Oil	
10	1701642	2	Decal - Arrow	
11	1703928	1	Decal - Caution/Danger	
13	1701644	2	Decal - Charger	
15	1703985	1	Decal - Footswitch	
16	1704277	2	Decal - Attach Lanyard	
17	1704008	1	Decal - Inspection	
19	0961127	1	Bushing, Snap	
20	3251243	1	Nameplate - 120V/60Hz	
21	0100010	AR	Adhesive	
22	1701691	4	Decal - No Step	
23	1001104864	1	Decal - Manual Descent	
24	1704002	2	Decal - No Hands	
25	1001173577	1	Decal - Cable Routing	
26	1704253	1	Decal - Key Platform	
27	1704453	1	Decal - Charger	
28	1704431	1	Decal - Battery Charger LED Indicator	
31	0860520	1	Box, Manual Storage	
32	1060279	1	Lanyard <b>(Prior to SN 0300196410)</b>	
33	0641408	1	Bolt 1/4-20 x 1 <b>(Prior to SN 0300196410)</b>	
35	4751400	AR	Washer, 1/4	
36	3311405	AR	Nut, Lock, 1/4-20	
37	1701500	4	Decal - Lift	
38	1701509	1	Decal - Manual	
39	1704341	3	Decal - Explosion Warning	
41	1703952	6	Decal - Crushing Hazard	
47	1703991	1	Decal - Boon Sequence	
50	1702300	4	Decal - Tie Down	
52	See Note	1	Decal - Bar Code (Note: Not Available for Purchase)	
53	1001121923	1	Decal - 500 LBS. Max Capacity	
64	1706950	1	Decal - Key, Main Terminal Box	
65	1001121920	2	Decal - 500 LBS. Max Capacity	
70	1001093687	2	Decal - Generator Danger	
71	1701505	1	Decal - Fuel	
77	1704412	1	Decal - Oil Type	
78	1001121510	3	Decal - Hybrid	
79	1704885	2	Decal - Website	
80	0641406	4	Bolt 1/4-20 x 3/4	
81	1001113680	1	Decal - Drive/Steer Instruction	





## **SECTION 10 - RECOMMENDED SERVICE PARTS STOCK**

## **SECTION 10 - RECOMMENDED SERVICE PARTS STOCK**

# SECTION 10 - RECOMMENDED SERVICE PARTS STOCK

FIGURE 10-1. RECOMMENDED SERVICE PARTS STOCK

ITEM	PART NUMBER	QTY	DESCRIPTION	REV
		Ref	Note: The following list will service one machine (built to current production per date on the front cover) with emergency repair parts which can be installed in the field. Parts from the list should be replaced when inventory is depleted to keep service parts stock supplied. For further information, contact your JLG dealer or the JLG Industries Parts Department.	
		Ref	STANDARD PARTS	
	4360070	1	Breaker, Circuit	
	4360448	1	Breaker, Circuit	
	7021618	1	Coil	
	7021609	1	Coil	
	7021610	1	Coil	
	1001178132	1	Controller (Drive and Steer)	
	1001178139	1	Controller (Lift and Swing)	
	4360476	1	Contact, Switch	
	3990001	2	Diode	
	7021616	4	Filter Cartridge	
	2860030	1	Key Replacement	
	2940074	1	Latch	
	4360328	1	Switch, Toggle	
	4360330	1	Switch, Toggle	
	4360475	1	Switch, Emergency	
	4360469	1	Switch, Key (ANSI Spec)	
	4360470	1	Switch, Key (CE Spec)	
	4360387	1	Switch, Push Button	
		Ref	VARIABLE PARTS	
	1001181045	1	Breaker 16Amp (CE Spec with 2 Breakers Box)	
	1001181046	1	Breaker 30mA (CE Spec with Breaker Box)	
	70000313	1	Element, Air Cleaner (M400AJP/M400AJPn Only)	
	70000318	1	Element, Fuel Filter (M400AJP/M400AJPn Only)	
	70000319	1	Element, Oil Filter (M400AJP/M400AJPn Only)	
	2400062	1	Fuse 300Amp (UL Listed)	
	2400068	1	Fuse 10Amp (UL Listed)	
	70000329	1	Fuse 15Amp (M400AJP/M400AJPn Only)	
	70000330	1	Fuse 20Amp (M450AJ Only)	
	1600292	1	Module (Frame Power)	
	1600293	1	Module (Posi-Trac)	
	1001109497	1	Module (Ground Control)	
	1600387	1	Module (LSS System)	
	1001109498	1	Module (Platform Control)	
	70000326	1	Module (Engine Control)	
	7019698	1	Power Track - 1 Link	
	70001996	1	Power Track - 2ft Section	
	70001998	1	Power Track - Bracket Kit	
	4360548	1	Switch, Limit	
	4360274	1	Switch, Push Button (M400AJP/M400AJPn Only)	
	4360336	1	Switch, Toggle (M400AJP/M400AJPn Only)	

**SECTION 11 - SPECIAL OPTIONS**

# SECTION 11 - SPECIAL OPTIONS

## FIGURE 11-1. SPECIAL OPTIONS

ITEM	PART NUMBER	QTY	DESCRIPTION	REV
		Ref	MISCELLANEOUS SPECIAL OPTIONS	
		Ref	Note: This list is to accommodate machines ordered with special equipment. Options may not be applicable to all models. For more specific parts information contact JLG Parts Department.	
	0271801	Ref	Airline Installation - 1/2in (E400An Model)	
		Ref	ClearSky Telematics Add-on Kits:	
	1001230504	Ref	ClearSky Telematics Add-on Kit - 3 Wire (ANSI Specs)	
	1001234102	Ref	ClearSky Telematics Add-on Kit - 3 Wire (ANSI Export & CE Specs)	
	1001236405	Ref	ClearSky Telematics Add-on Kit - Canbus (ANSI Specs)	
	1001237110	Ref	ClearSky Telematics Add-on Kit - Canbus (ANSI Export & CE Specs)	
	1001195304	Ref	Console Cover	
		Ref	Cylinder Bellows Installations	
	0259397	Ref	Cylinder Bellows Installations (E400An)	
	0271251	Ref	Cylinder Bellows Installations (E400AJP/E400AJPn/M400AJP/M400AJPn)	
	0460110	2	Bellows - Platform Level and Master Cylinders (E400An)	
	0460194	2	Bellows - Platform Level and Master Cylinders (E400AJP/E400AJPn/M400AJP/M400AJPn)	
	0460115	1	Bellows - Main Lift Cylinder	
	0460113	1	Bellows - Mid Lift Cylinder	
	0460114	1	Bellows - Tower Lift Cylinder	
	1320037	6	Clamp	
	1001237443	Ref	Cylinder Service Kit - E/M400A Mid Lift	
	1001151286	Ref	Cylinder Service Kit - E/M400AJ/AJP (Adds Manual Descent Valve Kit) (Italy Specs)	
		Ref	Decal Installations	
	1703175	Ref	Decal - Lanyard Attach (GM K-1 Spec)	
	1702868	Ref	Decal - No Hands (English) (ANSI Spec) (Used with Platform Padding or Mesh to Top Rail)	
	1704000	Ref	Decal - No Hands (English and French) (CSA Spec) (Used with Platform Padding or Mesh to Top Rail)	
	0270433	Ref	UL Listed Machines Decal Installation	
	0259550	Ref	Decal - Warning Stripes Installation	
		Ref	<b>Decal Kit Options:</b>	
	1001108727	Ref	Decal Kit - Platform	
	1001119566	Ref	Decal Kit - Platform Console	
	1001198649	Ref	Decal Kit - (E/M400AJP)	
		Ref	Electrical Connector Kits	
	1001148902	Ref	Amp Connector Kit	
	1001148903	Ref	Deutsch DT Connector Kit	
	1001148904	Ref	Deutsch HD Connector Kit	
	1001148905	Ref	Packard Connector Kit	
	1001148906	Ref	Various Connector Kit	
	1001152523	1	Fire Extinguisher Installation (Platform Mounted)	
	1001166284	Ref	Headlight and Tail Lights Installation	
		Ref	Hose KIts:	
	1001198657	Ref	Hose Kit - Power Track (E/M400AJP)	
	1001198658	Ref	Hose Kit - Power Track (E/M400A Narrow)	

## SECTION 11 - SPECIAL OPTIONS

ITEM	PART NUMBER	QTY	DESCRIPTION	REV
	1001198659	Ref	Hose Kit - Power Track (E/M400AJ)	
	1001239570	Ref	Hose Kit - Platform Valve (E/M400AJP)	
		Ref	Hydraulic Fluids	
	2300028	Ref	Hydraulic Fluid - Mobil DTE 10 Excel 15	
	2300042	Ref	SYN Biodegradable	
	0273104	Ref	INDICATOR LIGHT INSTALLATION (Green) (LSS)	
	1001148971	Ref	Lanyard Kit (Platform Bolt-on)	
	1001222307	Ref	LSS Override Kit	
	1001189162	Ref	Low Temperature Cutout Installation (Russian Specs)	
	1001151286	Ref	Manual Descent Add-on Kit (Italy Specs)	
	0257728	Ref	Pipe Rack	
		Ref	Platform Entry Kits	
	1001142504	Ref	Drop Bar (Replacing Swing Gate with Drop Bar)	
	1001142505	Ref	Swing Gate (Replacing Drop Bar with Swing Gate)	
		Ref	Platform Mesh To Mid Rail Installations (Factory Installed)	
	1001140318	Ref	30in X 4ft (76cm x 1.22m)	
	1001140315	Ref	30in X 5ft (76cm x 1.52m)	
		Ref	Platform Mesh Mid Rail Add-on Kits (Dealer Installed)	
	1001214478	Ref	30in X 4ft (76cm x 1.22m) Platform p/n 10011816387 Only	
	1001214515	Ref	30in X 5ft (76cm x 1.52m) Platform p/n 10011186386 Only	
		Ref	Platform Mesh Top Rail Installations (Factory Installed)	
	0273146	Ref	30in X 5ft (76cm x 1.52m)	
	0273147	Ref	30in X 4ft (76cm x 1.22m)	
		Ref	Platform Mesh Top Rail Add-on Kits (Dealer Installed)	
	1001214552	Ref	30in X 4ft (76cm x 1.22m) Platform p/n 10011816387 Only	
	1001214559	Ref	30in X 5ft (76cm x 1.52m) Platform p/n 10011186386 Only	
	1001214560	Ref	30in X 6ft (76cm x 2.1m) Platform p/n 10011186385 Only	
		Ref	Platform Padding Installation	
	0273381	Ref	30 x 48 Platform	
	0273382	Ref	30 x 60 Platform	
		Ref	Platform Top Rail Extension Installation	
	1001103617	Ref	30 x 48 Platform	
	1001103558	Ref	30 x 60 Platform	
	0259338	Ref	Platform Worklights Installation	
	0271301	Ref	Platform Worklights Installation (UL Listed) (E Models Only)	
	1001212202	Ref	Rotary Actuator Protection Add-on Kit	
		Ref	SkyGuard Kits (Dealer Add-on Kit):	
	1001187508	Ref	SkyGuard Kit Without Beacon (Dealer Add-on Kit)	
	1001206996	Ref	SkyGuard Kit (Dealer Add-on Kit) (Blue Beacon Light)	
	1001210033	Ref	SkyGuard Kit (Dealer Add-on Kit) (Red Beacon Light)	
	1001205501	Ref	Blue Light Kit (Dealer Add-on Kit)	
	1001210032	Ref	Red Light Kit (Dealer Add-on Kit)	
	1001149563	Ref	Platform Sensor Kit	
	1001176372	Ref	SkyGuard Removal Plug Kit	
		Ref	Strobe Light Installations (Amber)	
	1001152965	Ref	Strobe Light Installation (Amber) Platform Mounted	
	1001154231	Ref	Strobe Light Installation (Amber) Platform/Ground Mounted	
	0272315	Ref	Tire Sealant	
	0272341	Ref	Tire Sealant Decal Installation	
	1705363	1	Decal - Tire Sealant (Located on Hood)	
		Ref	Tools for Service	

## SECTION 11 - SPECIAL OPTIONS

ITEM	PART NUMBER	QTY	DESCRIPTION	REV
	7002828	Ref	Wire Stripper	
	7002821	Ref	Wire Crimper (To install wire ends to wires)	
	7002823	Ref	Pin/Socket Extractor - Universal (To Remove Pins/Sockets from Connectors)	
	4460467	Ref	Extractor - 16-18 Gauge (For Removal of Pins/Sockets for Deutsch Connectors)	
	4460510	Ref	Extractor - 12-14 Gauge (For Removal of Pins/Sockets for Deutsch Connectors)	
	7002822	Ref	Screwdriver, Potentiometer (To Adjust Drive Controllers)	
	7016654	Ref	Screwdriver, Magnetic	
	7004275	Ref	Seal Installation Tool - 1in	
	7004276	Ref	Seal Installation Tool - 1-1/2in	
	7002826	Ref	Seal Installation Tool - 2in	
	2901443	Ref	Analyzer, Machine	
	2915230	Ref	Battery Charger Reprogram Controller Kit	
	1001137005	Ref	USB to RS232 Drive Installation (Service Kit)	
	1001160527	Ref	Turntable Bearing Kit	
		Ref	Wear Pad Kits:	
	1001241268	Ref	Wear Pad (E/M400A)	
	1001241269	Ref	Wear Pad (E/M400AJP)	

**PART NUMBER INDEX**

# PART NUMBER INDEX

0060044.....195, 199	0270725 ..... 183, 189	0630552 ..... 145	0641610....57, 61, 71, 73,
0060052.....190, 197	0270817 ..... 213	0630568 ... 255, 259, 263,	183, 185, 203, 229,
0060065.....195, 201	0271251 ..... 560	267, 271, 275, 279,	243, 245, 247, 249,
0100001.....203	0271301 ..... 561	283, 288, 292	251, 253
0100009....189, 255, 259,	0271464 ..... 451	0641404 ..... 71, 73, 189	0641614....105, 107, 167,
263, 267, 271, 275,	0271494 ..... 217	0641405 ... 87, 89, 91, 93,	169, 177, 183
279, 283, 287, 291, 297	0271649 ..... 195	95, 97, 99, 101, 103,	0641616.....195
0100010....521, 523, 525,	0271801 ..... 560	189, 205, 209, 287, 291	0641618.....175, 195
527, 529, 531, 533,	0272111 ..... 297	0641406 ... 23, 27, 31, 93,	0641622.....145
535, 537, 539, 541,	0272314 ..... 53	95, 97, 99, 101, 103,	0641806.....183, 185
543, 545, 547, 549,	0272315 ..... 561	105, 107, 109, 111,	0641807.....71, 73
551, 553, 555	0272335 ..... 53	113, 115, 145, 175,	0641808.....185
0100011....11, 13, 23, 27,	0272341 ..... 561	241, 243, 245, 247,	0641810.....183, 185
31, 55, 57, 59, 61, 63,	0272704 ..... 205	249, 251, 253, 521,	0641811....79, 81, 83, 85
71, 73, 75, 79, 81, 83,	0272976 ..... 203	523, 525, 527, 529,	0641812.....137, 183
85, 93, 95, 97, 99, 101,	0273089 ..... 295	531, 533, 535, 537,	0641818.....189, 193
103, 105, 107, 119,	0273104 .... 205, 209, 561	539, 541, 543, 545,	0641822.....205, 209
121, 123, 141, 143,	0273146 ..... 561	547, 549, 551, 553, 555	0641826.....23, 27, 31
145, 167, 169, 175,	0273147 ..... 561	0641407 ... 87, 89, 91, 93,	0642024.....205, 209
183, 185, 189, 193,	0273381 ..... 561	95, 97, 99, 101, 103,	0642612.....171
195, 205, 209, 213,	0273382 ..... 561	167, 169, 205, 209,	0681608....203, 205, 209
215, 229, 233, 235,	0273468 ..... 51	455, 457, 459, 461,	0681610.....186
237, 239, 321, 325,	0273683 ..... 49	463, 465, 467	0681810.....11, 13
327, 329, 333, 335,	0273684 ..... 51	0641408 ... 133, 177, 243,	0682012.....31
337, 339, 341, 343,	0275216 ..... 461, 489	245, 247, 249, 251,	0682014.....23, 27
355, 357, 359, 361	0275217 ..... 463, 491	253, 455, 457, 459,	0682026.....135
0100019...23, 27, 31, 135,	0275218 ..... 465, 493	461, 463, 465, 467,	0682028.....135
213, 215	0275219 ..... 467, 495	525, 529, 533, 535,	0700408....455, 457, 459,
0100020....145, 175, 309,	0275452 ..... 455, 483	537, 539, 541, 543,	461, 463, 465, 467
370	0275453 ..... 457, 485	545, 547, 549, 551,	0720804....119, 121, 123,
0100035....163, 165, 255,	0275454 ..... 459, 487	553, 555	255, 259, 263, 267,
259, 263, 267, 271,	0275663 ..... 501	0641410 ..... 213, 215	271, 275, 279, 283,
275, 279, 283, 287,	0275664 ..... 503	0641413 .... 119, 121, 123	287, 291
291, 321, 325, 329,	0275665 ..... 505	0641414 ..... 313	0721004....109, 111, 113,
333, 337, 341, 361	0275666 ..... 507	0641416 ... 205, 209, 455,	115
0100038....321, 325, 327,	0275667 ..... 509	457, 459, 461, 463,	0721005....147, 149, 151,
329, 333, 335, 337,	0340047 ..... 28	465, 467	153, 155, 157
339, 341, 343, 355,	0340048 ..... 61	0641418 ... 233, 235, 237,	0721006.....28
357, 359, 361	0400055 ..... 79, 83	239	0741606.....193
0100048.....205, 209	0400201 ..... 145	0641424 ..... 59, 361, 363	0750808....147, 149, 151,
0100071 ..... 313	0440162 ..... 11, 13	0641426 ..... 121, 123	153, 155, 157
0100081 ..... 193	0460110 ..... 560	0641430 ..... 24, 28, 31	0801224.....193
0140011....255, 259, 263,	0460113 ..... 560	0641440 ..... 63	0801225.....185, 193
267, 271, 275, 279,	0460114 ..... 560	0641506 ..... 183, 186	0801226.....193
283, 287, 291	0460115 ..... 560	0641508 .23, 27, 31, 167,	0801227.....185
0140028....119, 121, 123	0460194 ..... 560	169	0801262.....183
0140031 ..... 133	0480100 ..... 315	0641510 ..... 137, 175	0801263.....189
0257728.....315, 561	0561076 ..... 183, 185	0641512 ... 355, 357, 359,	0801267.....189
0258688.....41	0561317 ..... 213, 215	361, 363	0840031....23, 27, 31, 79,
0258995.....41	0561384 ..... 213, 215	0641514 ... 167, 169, 213,	83
0258996.....43	0561385 ..... 213, 215	215, 315	0840032....23, 27, 31, 79,
0258997 ..... 43	0561386 ..... 213, 215	0641516 ..... 195, 213	83
0259302 ..... 55	0561424 ..... 213	0641518 ..... 145	0840055.....205, 209
0259338.....561	0610131 ... 87, 89, 91, 93,	0641524 ..... 23, 27, 31	0860038.....449, 453
0259397 ..... 560	95, 97, 99, 101, 103	0641542 ..... 55	0860520....521, 523, 525,
0259481 ..... 175	0630399 ..... 189	0641560 ..... 213, 215	527, 529, 531, 533,
0259550.....560	0630401 ..... 193	0641604 ..... 355, 357	535, 537, 539, 541,
0259970.....215	0630440 ..... 111, 115	0641605 ... 147, 149, 151,	543, 545, 547, 549,
0270012.....453	0630464 ... 255, 259, 263,	153, 155, 157, 193	551, 553, 555
0270013.....449	267, 271, 275, 279,	0641606 ... 11, 13, 71, 73,	0861152....147, 149, 151,
0270028.....45	283, 287, 291	75, 119, 121, 123, 189,	153, 155, 157
0270037 ..... 47	0630467 ..... 213, 215	193	0861375.....28
0270273.....517	0630468 ..... 167, 169	0641607 ..... 185, 189	0861537....255, 259, 263,
0270274.....519	0630487 ..... 189	0641608 57, 61, 143, 183,	267, 271, 275, 279, 283
0270433.....560	0630518 ... 147, 149, 151,	185, 189, 190, 193	0861731....483, 485, 487
0270724.....183	153, 155, 157	0641609 ..... 23, 27, 31	0861781.....489, 491



# PART NUMBER INDEX

0861880 .....	479	1001108727.....	560	1001138514.....	233, 235,	1001152523 .....	560
0901923 .....	167, 169	1001108923.....	523, 547	237, 239		1001152635 .....	369, 373
0902406 ...	147, 149, 151,	1001109497.....	147, 149,	1001140278.....	185, 347	1001152965 .....	561
153, 155, 157		151, 153, 155, 157, 558		1001140279.....	185, 351	1001153017 .....	135, 137
0902575 ...	255, 263, 271,	1001109498.....	255, 259,	1001140280.....	195, 319	1001153021 .....	11
279		263, 267, 271, 275,		1001140315.....	561	1001153023 .....	13
0902588 ...	255, 263, 271,	279, 283, 287, 291, 558		1001140318.....	561	1001154231 .....	561
279		1001109503.....	151, 157	1001140429.....	233, 235,	1001155044 .....	259, 268,
0902919 .....	205, 209	1001109687.....	369, 373,	237, 239		275, 284, 288, 292	
0902920 .....	205, 209	377		1001140597.....	183, 345	1001155045 .....	259, 268,
0903484 ...	455, 457, 459,	1001109860.....	437	1001140598.....	349	276, 284, 288, 292	
461, 463, 465, 467		1001110226.....	295	1001141300.....	288	1001157058 .....	141
0920113 .....	23, 27, 31	1001110435.....	255, 259,	1001141967.....	493, 495	1001158612 .....	163
0940048 .....	183, 185	263, 267, 271, 275,		1001141968.....	493	1001159256 .....	260, 268,
0961127 ...	521, 523, 525,	279, 283, 287, 291		1001141969.....	495	276, 284, 288, 292	
527, 529, 531, 533,		1001110772.....	45	1001141970.....	495	1001159355 .....	177, 179
535, 537, 539, 541,		1001110774.....	45	1001141971.....	493	1001159361 .....	175, 177
543, 545, 547, 549,		1001110775.....	47	1001142504.....	561	1001160527 .....	562
551, 553, 555		1001110873.....	449	1001142505.....	561	1001165962 .....	169
0961845 ...	233, 235, 237,	1001112496.....	109, 111,	1001142694.....	171	1001165963 .....	167
239		115		1001143431.....	171	1001165977 .....	145
0961947 .....	199, 319	1001113483.....	205, 209	1001144018.....	233	1001165980 .....	167, 169
0961948 .....	193	1001113680.....	553, 555	1001144019.....	237	1001165981 .....	167, 169
0961950 ...	183, 185, 190,	1001114782.....	81, 85	1001144025.....	231	1001165985 .....	167, 169
193, 321, 323, 325,		1001116232.....	143	1001144026.....	225	1001166250 .....	169
327, 329, 331, 333,		1001116368.....	447	1001144027.....	221	1001166251 .....	455
335, 337, 339, 341, 343		1001116522.....	143, 411	1001144433.....	288, 292	1001166258 .....	457
0961951 ...	15, 17, 19, 21,	1001116720.....	511	1001144629.....	221, 223,	1001166259 .....	459
189, 195, 319, 347, 351		1001116810.....	399, 401	225, 227, 229, 231		1001166260 .....	463
0962140 ....	15, 17, 19, 21	1001116811.....	405	1001144630 .....	229	1001166261 .....	465
0962257 .....	199	1001117093.....	511	1001145796.....	253	1001166262 .....	467
0962292 .....	195	1001117172.....	309	1001145797.....	253, 279	1001166263 .....	461
0962356 .....	345, 349	1001118388.....	511	1001145798.....	245, 263	1001166284 .....	560
0962450 .....	205, 209	1001118418.....	255, 263,	1001145799.....	251, 271	1001166296 .....	113, 115
1001093382 ...	79, 81, 83,	271, 279, 299		1001145800.....	245	1001166312 .....	113
85		1001118419.....	255, 263,	1001145801.....	251	1001166321 .....	109, 113
1001093687 ....	529, 531,	271, 279, 303		1001146082.....	243	1001166327 .....	109
535, 539, 547, 551, 555		1001119566.....	560	1001146083.....	243, 255	1001166328 .....	111
1001094670 .....	195	1001121510.....	523, 529,	1001148902.....	560	1001166329 .....	115
1001097150 .....	479, 481	531, 535, 539, 543,		1001148903.....	560	1001166330 .....	109, 111
1001097505 .....	121, 123,	547, 551, 555		1001148904.....	560	1001166341 .....	141
131		1001121801.....	521, 523	1001148905.....	560	1001166377 .....	111, 115
1001097506 ...	71, 73, 75,	1001121803.....	545, 547	1001148906.....	560	1001166395 .....	135
77		1001121805.....	541, 543	1001148971.....	561	1001166414 .....	11
1001097507 ....	119, 121,	1001121808.....	533, 535	1001149563.....	382, 561	1001166417 .....	57
123, 125		1001121810.....	549, 551	1001149570.....	171, 387	1001166419 .....	57, 61
1001097777 ....	119, 121,	1001121814.....	521, 523	1001149571.....	288, 292	1001166420 .....	71, 73
123, 129		1001121816.....	545, 547	1001149818.....	161, 163,	1001166437 .....	133
1001099834 .....	193	1001121818.....	541, 543	499		1001166438 .....	71, 119
1001100341 .....	489	1001121821.....	533, 535	1001149955.....	161	1001166440 .....	143
1001100342 .....	491	1001121823.....	549, 551	1001149994.....	165	1001166444 .....	91
1001100345 .....	483	1001121918.....	537, 539	1001150406.....	161, 163,	1001166493 .....	109, 111,
1001100346 .....	487	1001121920.....	553, 555	165		113, 115	
1001100347 .....	485	1001121921.....	537, 539	1001151286.....	560, 561	1001166495 .....	79, 81
1001103105 ...	87, 89, 91,	1001121923.....	553, 555	1001151393.....	147, 149,	1001166496 ...	79, 81, 83,
93, 95, 97, 99, 101,		1001125248.....	175	151, 153, 155, 157		85	
103, 405		1001131269.....	521, 523	1001151395.....	11, 13	1001166497 .....	79
1001103558 .....	561	1001132175.....	255, 259,	1001151428.....	11, 13	1001166498 .....	81
1001103617 .....	561	263, 267, 271, 275,		1001151496.....	355, 357	1001166738 .....	167
1001104850 .....	135, 139	279, 283, 287, 291		1001151497.....	189, 355,	1001166938 .....	89
1001104864 ....	521, 523,	1001136881.....	370	357		1001166939 .....	87
525, 527, 529, 531,		1001136889.....	255, 259,	1001151817.....	288, 292	1001167013 .....	107
533, 535, 537, 539,		263, 267, 271, 275,		1001152230.....	355, 357,	1001167014 .....	105
541, 543, 545, 547,		279, 284, 287, 291, 309		359		1001167023 .....	107
549, 551, 553, 555		1001137005.....	562	1001152483.....	481	1001167024 .....	105
1001106757 .....	193	1001138494.....	233, 235,	1001152485.....	457, 467,	1001167096 .....	73, 121
1001108604 .....	209	237, 239		481		1001167252 .....	23

# PART NUMBER INDEX

1001167291 ...59, 63, 145	1001178362 ..... 523	1001205501 ..... 561	1060840.....391
1001167342 ..... 103	1001178364 ..... 521	1001206996 ..... 561	1060841.....391
1001167343 ..... 101	1001178365 ..... 547	1001210032 ..... 561	1060842.....391
1001167344 ..... 99	1001178366 ..... 545	1001210033 ..... 561	1060847.....391
1001167363 ..... 63	1001178367 ..... 543	1001212202 ..... 561	1060908..... 479, 481
1001167415 ..... 75, 123	1001178368 ..... 541	1001214478 ..... 561	10837580..... 125
1001167419 ..... 97	1001178369 ..... 555	1001214515 ..... 561	1120094..... 325
1001167420 ..... 93	1001178370 ..... 553	1001214552 ..... 561	1120108..... 329, 337, 341
1001167421 ..... 95	1001178371 ..... 535	1001214559 ..... 561	1120110..... 357, 361
1001167426 ..... 391	1001178372 ..... 533	1001214560 ..... 561	1120305..... 321, 333
1001167431 ..... 391	1001178373 ..... 539	1001222307 ..... 561	1120487..... 145
1001167433 ..... 389	1001178374 ..... 537	1001228015 ..... 193, 363	1180302..... 189
1001167434 ..... 389	1001178375 ..... 551	1001228016 ..... 185, 343	1220038..... 189
1001167450 ..... 59	1001178376 ..... 549	1001228018 ..... 183, 339	1220039..... 189
1001167487 ..... 61	1001178377 ..... 529	1001228035 ..... 185, 327	1220040..... 189
1001167645 ..... 27	1001178378 ..... 525	1001228036 ..... 185, 335	12701538..... 205, 209
1001167699 ..... 145, 159, 175, 311	1001178491 ..... 455, 457, 459, 461, 463, 465, 467	1001228037 ..... 183, 323	1300019..... 53
1001168004 ..... 145	1001181045 ..... 479, 558	1001228038 ..... 183, 331	1320012..... 175
1001168005 ..... 145	1001181046 ..... 479, 558	1001228063 ..... 189, 359	1320022..... 145, 175
1001168670 ..... 83	1001181081 ..... 175	1001230504 ..... 560	1320033..... 377
1001168674 ..... 185	1001182138 ..... 313	1001234102 ..... 560	1320037..... 560
1001168731 ..... 31	1001182296 ..... 105, 107, 409	1001236405 ..... 560	1320040..... 71, 73
1001168796 ..... 85	1001182709 ..... 111, 115	1001237110 ..... 560	1320041..... 145, 167, 169
1001168800 ..... 83, 85	1001182725 ..... 167, 169	1001237443 ..... 560	1320043..... 213, 215
1001169636 ..... 369, 380	1001183212 ..... 167, 169	1001239570 ..... 561	1320135..... 175
1001169638 ..... 373, 380	1001185281 ..... 288, 292	1001241268 ..... 562	1320136..... 87, 89, 91, 93, 95, 97, 99, 101, 103, 205, 209
1001169640 ..... 377, 380	1001185828 ..... 369, 373, 377	1001241269 ..... 562	1320172..... 24, 28, 32
1001170991 ...71, 73, 399	1001185829 ..... 373, 377	106009279, 83, 389, 391, 393	1320224..... 205, 209
1001171075 ..... 13	1001186375 ..... 235	1060279 ... 525, 529, 533, 535, 537, 539, 541, 543, 545, 547, 549, 551, 553, 555	1320260..... 213, 215
1001171115 ..... 75, 401	1001186377 ..... 239	1060330 ..... 309	1380136..... 119, 121, 123
1001171213 ..... 57, 61, 67	1001186386 ..... 227	1060341 ..... 431, 433	1380138.... 109, 111, 113, 115
1001171214 ..... 59, 63, 69	1001186387 ..... 223	1060379 ..... 315	1380164..... 175
1001171289 ..... 389, 393	1001186432 ..... 511	1060461 ... 471, 473, 477	1580012..... 241
1001171290 ..... 389, 393	1001187508 ..... 561	1060494 ... 407, 409, 469, 475	1600292... 23, 27, 31, 558
1001171291 ..... 391	1001188028 ..... 151	1060584 ... 147, 149, 151, 153, 155, 157	1600293... 23, 27, 31, 558
1001171292 ..... 391	1001188054 ..... 157	1060677 ..... 427, 429	1600294..... 23, 31, 395
1001171293 ..... 393	1001189074 ..... 288, 292, 382, 511	1060689 ... 87, 89, 91, 93, 95, 97, 99, 101, 103	1600300..... 27, 397
1001171298 ..... 143	1001189076 ..... 288, 292, 382, 513	1060717 ..... 389, 393	1600387..... 205, 209, 558
1001173577 ..... 521, 523, 525, 527, 529, 531, 533, 535, 537, 539, 541, 543, 545, 547, 549, 551, 553, 555	1001189116 ..... 288, 292	1060689 ... 87, 89, 91, 93, 95, 97, 99, 101, 103	1670679..... 189
1001175025 ..... 109, 111, 113, 115	1001189117 ..... 247, 287	1060718 ..... 389, 393	1670697..... 213, 215
1001175597 ..... 260, 268, 276, 284, 288, 292	1001189118 ..... 247	1060719 ..... 389, 393	1670698..... 189
1001175617 ..... 243, 259	1001189162 ..... 561	1060721 ..... 389, 393	1670829... 255, 259, 263, 267, 271, 275, 279, 283, 287, 291
1001175619 ..... 245, 267	1001189171 ..... 481	1060722 ..... 389, 393	1670832..... 217
1001175620 ..... 251, 275	1001189172 ..... 481	1060723 ..... 389, 393	1670833..... 217
1001175621 ..... 253, 283	1001189194 ..... 171	1060724 ..... 389, 393	1670880..... 111, 115
1001176309 ..... 28, 391	1001189208 ..... 249	1060728 ..... 393	1670887..... 55
1001176310 ..... 24, 389	1001189210 ..... 249, 291	1060754 ..... 175	1670953..... 105, 107
1001176311 ..... 32, 393	1001189765 ..... 151, 157, 382	1060755 ..... 175	1670959..... 193
1001176372 ..... 561	1001189882 ..... 527, 531	1060778 ... 87, 89, 91, 93, 95, 97, 99, 101, 103, 403	1681344..... 329
1001176417 ..... 167, 169	1001190003 ..... 527	1060779 ..... 403	1682888..... 355
1001176441 ..... 167, 169	1001190004 ..... 531	1060801 ..... 105, 107	1683584..... 355, 357, 361
1001176469 ..... 151, 157	1001190300 ..... 382	1060802 ..... 105, 107	1683591..... 11, 13, 353
1001177483 ..... 185	1001191708 ..... 313	1060809 ... 389, 391, 393	1683705..... 355
1001177666 ..... 369, 373	1001193018 ..... 459, 461, 463, 465, 467	1060810 ... 389, 391, 393	1683709..... 337, 341
1001178132 ..... 260, 268, 276, 284, 288, 292, 301, 558	1001195304 ..... 560	1060811 ... 389, 391, 393	1683710..... 325
1001178139 ..... 260, 268, 276, 284, 288, 292, 305, 558	1001196786 ..... 151, 157	1060835 ..... 391	1683712..... 321, 333
	1001198649 ..... 560	1060836 ..... 391	1683911..... 193, 361
	1001198657 ..... 560	1060837 ..... 391	1683912..... 361
	1001198658 ..... 560	1060839 ..... 391	1683933..... 189
	1001198659 ..... 561		1683940..... 325
			1683941..... 325
			1683943..... 333

# PART NUMBER INDEX

1683944 ..... 333	1702567 ... 255, 259, 263, 267, 287	1704260.....255, 259, 263, 267, 271, 275, 279, 283, 287, 291	1705430 ..... 549, 551
1683945 ..... 185, 341	1702740 ..... 41, 49, 53	1704277 .... 521, 523, 525, 527, 529, 531, 533, 535, 537, 539, 541, 543, 545, 547, 549, 551, 553, 555	1705514 ..... 545, 547
1683946 ..... 341	1702773 ..... 517	1704286 ..... 523	1705670 ... 525, 527, 529, 531
1683947 ..... 341	1702774 ..... 517, 519	1704339 ..... 541, 543	1705822 ... 525, 527, 529, 531
1683980 ..... 361	1702860 ..... 517, 519	1704340 ..... 545, 547	1705828 ... 525, 527, 529, 531
1684022 ..... 321	1702868 .... 521, 523, 560	1704341 ..... 553, 555	1705910 ..... 541, 543
1684023 ..... 321	1702962 ..... 523	1704342 ..... 533, 535	1705921 ... 525, 527, 529, 531
1684025 ..... 329	1703175 ..... 560	1704343 ..... 537, 539	1705977 ... 525, 527, 529, 531
1684026 ..... 329	1703488 ... 521, 525, 533, 537, 545, 549	1704344 ..... 549, 551	1705978 ... 525, 527, 529, 531
1684029 ..... 355, 357	1703683 ..... 315	1704371 ..... 543	1706378 ... 525, 527, 529, 531
1684030 ..... 189, 355	1703797 ..... 521, 523	1704412 .... 521, 523, 525, 527, 529, 531, 533, 535, 537, 539, 541, 543, 545, 547, 549, 551, 553, 555	1706938 ... 147, 149, 153, 155
1684059 ..... 337	1703798 ..... 521, 523	1704417 ..... 533, 535	1706950 ... 521, 523, 541, 543, 545, 547, 553, 555
1684060 ..... 337	1703804 ..... 521, 523	1704418 ..... 537, 539	1760160 ..... 189
1684061 ..... 183, 337	1703805 ..... 521, 523	1704419 ..... 549, 551	1810134 ..... 153
1684451 ..... 185, 325	1703811 ... 525, 527, 529, 531	1704422 .... 271, 275, 279, 283, 291	1810135 ..... 155
1684452 ..... 185, 333	1703813 ..... 521, 523	1704431 .... 521, 523, 525, 527, 529, 531, 533, 535, 537, 539, 541, 543, 545, 547, 549, 551, 553, 555	1810136 ..... 147
1684453 ..... 183, 321	1703814 ... 525, 527, 529, 531	1704433 ..... 537, 539	1810137 ..... 149
1684454 ..... 183, 329	1703923 ..... 541, 543	1704434 ..... 549, 551	1870227 ..... 382
1700584 ..... 545	1703924 ..... 545, 547	1704371 ..... 543	2080040 ... 221, 223, 225, 227, 229, 231
1701500 ... 521, 523, 533, 535, 537, 539, 541, 543, 545, 547, 549, 551, 553, 555	1703925 ..... 549, 551	1704371 ..... 543	2160003 ..... 137
1701504 ... 521, 523, 525, 527, 529, 531, 533, 535, 537, 539, 541, 543, 545, 547, 549, 551, 553, 555	1703926 ..... 533, 535	1704412 .... 521, 523, 525, 527, 529, 531, 533, 535, 537, 539, 541, 543, 545, 547, 549, 551, 553, 555	2180348 ..... 145
1701505 ... 523, 535, 539, 543, 547, 551, 555	1703927 ..... 537, 539	1704422 .... 271, 275, 279, 283, 291	2220237 .... 370, 374, 378
1701509 ... 521, 523, 525, 527, 529, 531, 533, 535, 537, 539, 541, 543, 545, 547, 549, 551, 553, 555	1703928 ..... 553, 555	1704431 .... 521, 523, 525, 527, 529, 531, 533, 535, 537, 539, 541, 543, 545, 547, 549, 551, 553, 555	2220239 ..... 370
1701518 ... 525, 527, 529, 531	1703929 ..... 541, 543	1704433 ..... 537, 539	2220371 .... 369, 373, 377
1701642 ... 105, 107, 521, 523, 525, 527, 529, 531, 533, 535, 537, 539, 541, 543, 545, 547, 549, 551, 553, 555	1703930 ..... 545, 547	1704434 ..... 549, 551	2220386 .... 369, 373, 377
1701644 ... 521, 523, 525, 527, 529, 531, 533, 535, 537, 539, 541, 543, 545, 547, 549, 551, 553, 555	1703931 ..... 549, 551	1704437 ..... 543, 545, 547, 549, 551, 553, 555	2220415 ... 369, 370, 373, 374, 377, 378
1701691 ... 521, 523, 525, 527, 529, 531, 533, 535, 537, 539, 541, 543, 545, 547, 549, 551, 553, 555	1703932 ..... 533, 535	1704445 ..... 527, 531	2220466 .... 369, 373, 377
1702124 .... 370, 374, 378	1703933 ..... 537, 539	1704446 ..... 521, 523	2220472 .... 369, 373, 377
1702265 ... 521, 523, 541, 543, 545, 547	1703934 ..... 553, 555	1704452 ..... 545, 547	2220473 ... 369, 370, 373, 374, 377, 378
1702271 ..... 533, 535	1703935 ..... 541, 543	1704453 ..... 553, 555	2220498 ..... 369, 373
1702300 ... 521, 523, 533, 535, 537, 539, 541, 543, 545, 547, 549, 551, 553, 555	1703936 ..... 545, 547	1704454 ..... 541, 543	2220499 ..... 374, 378
1702565 ... 255, 259, 263, 267, 271, 275, 279, 283, 287, 291	1703937 ..... 549, 551	1704455 ..... 527, 531	2220501 .... 369, 373, 377
1702566 ... 255, 259, 263, 267, 271, 275, 279, 283, 287, 291	1703938 ..... 533, 535	1704472 ... 521, 523, 525, 529, 533, 535, 537, 539, 545, 547, 549, 551	2220502 .... 369, 373, 377
	1703939 ..... 537, 539	1704475 ... 521, 523, 525, 529, 533, 535, 537, 539, 545, 547, 549, 551	2220504 .... 369, 373, 377
	1703940 ..... 553, 555	1704479 ..... 527	2220507 .... 369, 373, 377
	1703947 ..... 541, 543	1704780 ..... 531	2220516 ... 355, 357, 359, 361, 363
	1703948 ..... 545, 547	1704791 ... 521, 525, 533, 537, 541, 545, 549, 553	2220517 ... 355, 357, 359, 361, 363
	1703949 ..... 549, 551	1704792 ... 521, 525, 533, 537, 541, 545, 549, 553	2220582 ... 370, 373, 374, 377, 378
	1703950 ..... 533, 535	1704793 ... 523, 529, 535, 539, 543, 547, 551, 555	2220593 .... 369, 373, 377
	1703951 ..... 537, 539	1704794 ... 523, 529, 535, 539, 543, 547, 551, 555	2220596 ... 355, 357, 359, 361, 363
	1703952 ..... 553, 555	1704885 ... 521, 523, 525, 527, 529, 531, 533, 535, 537, 539, 541, 543, 545, 547, 549, 551, 553, 555	2220600 .... 370, 373, 377
	1703980 ..... 533, 535	1704900 ... 521, 525, 533, 537, 541, 545, 549, 553	2220605 ..... 370
	1703981 ..... 537, 539	1705325 ..... 461	2220609 ..... 370
	1703982 ..... 549, 551	1705351 ..... 521, 523	2220628 ... 355, 357, 359, 361, 363
	1703983 ..... 541, 543	1705363 ..... 561	2220677 .... 369, 373, 377
	1703984 ..... 545, 547	1705364 ..... 53	2220684 ..... 369
	1703985 ..... 553, 555	1705426 ..... 533, 535	2220711 .... 370, 373, 377
	1703987 ..... 537, 539	1705427 ..... 537, 539	2220727 ..... 369
	1703988 ..... 549, 551	1705429 ..... 545, 547	2220805 ..... 175
	1703991 ..... 553, 555		
	1704000 ... 545, 547, 560		
	1704001 ..... 541, 543		
	1704002 ..... 553, 555		
	1704008 ..... 553, 555		
	1704200 ..... 519		
	1704240 ... 255, 259, 263, 267, 271, 275, 279, 283, 287, 291		
	1704253 ... 521, 523, 533, 541, 543, 545, 547, 553, 555		

# PART NUMBER INDEX

2220883.....323, 327, 335, 355, 357, 359, 361, 363	2753010 ..... 377	3251243 ... 521, 523, 541, 543, 545, 547, 553, 555	3311605.....71, 105, 107, 145, 175, 177, 183, 185, 190, 193, 195, 203, 229, 243, 245, 247, 249, 251, 253
2220885.....321, 327, 329, 331, 335, 337, 339, 341, 343, 369, 373, 377	2753329 ..... 374, 378	3252347 ..... 521, 523	3311805.... 183, 185, 205, 209
2220899.....369, 373, 377	2753330 ..... 374, 378	3252507 ... 453, 455, 457, 459, 463, 465, 467	3312005.....205, 209
2220909.....370, 374, 378	2753331 ..... 374, 378	3271605 ..... 186	3312008..... 11, 13
2220999.....369, 373, 377	2753332 .... 369, 373, 377	3290405 ... 455, 457, 459, 461, 463, 465, 467	3312602..... 165
2221033.....369, 373, 377	2753333 ..... 373, 377	3290606 ... 233, 235, 237, 239	3322202..... 11, 13
2221039.....374, 378	2753334 .... 369, 373, 377	3300151 ... 213, 215, 233, 235, 237, 239	3322205..... 355, 357, 361
2221046..... 145	2753335 .... 369, 373, 377	3300188 ... 147, 149, 151, 153, 155, 157	3323003..... 11, 13
2221047 ..... 145	2753336 ..... 373, 377	3300279 ..... 329, 341	3340663..... 189
2221054..... 370, 373, 377	2753337 ... 369, 373, 377	3300281 ... 321, 325, 327, 333, 335	3340679..... 355, 357, 359
2221086.....370, 374, 378	2753474 .... 369, 373, 377	3300315 ..... 337	3340682..... 189
2221147 ..... 369	2753475 .... 369, 373, 377	3300353 ..... 105, 107	3340860..... 195
2300028.....561	2753519 ..... 369	3300365 ... 147, 149, 151, 153, 155, 157	3340878..... 193
2300042.....561	2753520 .... 369, 374, 378	3300396 ... 147, 149, 151, 153, 155, 157	3340882..... 361, 363
2400044.....28	2753535 ..... 369	3300426 ... 11, 13, 23, 27, 31	3340884..... 193
2400062.....28, 558	2753973 ..... 369, 373	3300430 ..... 313	3340886..... 193
2400067 .... 263, 267, 279, 283	2760105 ... 255, 259, 263, 267, 271, 275, 279, 283, 287, 291	3300454 ... 23, 27, 31, 59, 63, 93, 95, 97, 99, 101, 103	3340888..... 193
2400068.... 263, 267, 279, 283, 558	2780241 ..... 11, 15	3310601 . 23, 27, 31, 255, 259, 263, 267, 271, 275, 279, 283, 287, 291	3340939..... 193
2420106.... 147, 149, 153, 155	2780242 ..... 11, 17	3300426 ... 11, 13, 23, 27, 31	3380434.... 243, 245, 247, 249, 251, 253
2420202.....205, 209	2780250 ..... 13, 21	3300430 ..... 313	3380602..... 175
2460037 ..... 105, 107	2780251 ..... 13, 19	3300454 ... 23, 27, 31, 59, 63, 93, 95, 97, 99, 101, 103	3420156..... 167, 169
2540037 ..... 28	2780282 .... 23, 27, 31, 35	3311001 ..... 28, 229	3422175..... 183
2540045.....79, 81, 83, 85	2792505 ..... 380	3311005 ... 109, 111, 113, 115, 147, 149, 151, 153, 155, 157, 171, 217, 287, 291	3422176..... 183
2560122..... 119, 121, 123	2820035 ..... 105, 107	3311011 ... 147, 149, 151, 153, 155, 157	3422177..... 183
2560123..... 119, 121, 123	2820105 ..... 111, 115	3311401 . 24, 28, 32, 111, 115, 189, 193, 213, 215	3422178..... 183
2560136.... 255, 259, 263, 267, 271, 275, 279, 283, 287, 291	2820110 ..... 111, 115	3311405 ... 87, 89, 91, 93, 95, 97, 99, 101, 103, 105, 107, 109, 111, 113, 115, 133, 145, 175, 177, 205, 209, 213, 215, 243, 245, 247, 249, 251, 253, 361, 363, 455, 457, 459, 461, 463, 465, 467, 521, 523, 525, 527, 529, 531, 533, 535, 537, 539, 541, 543, 545, 547, 549, 551, 553, 555	3422179..... 183
2600281 .... 221, 223, 225, 227, 229, 231	2820112 ..... 175	3311501 ..... 28, 167, 169, 195	3422180..... 183, 190
2700093.... 109, 111, 113, 115	2820116 ..... 175	3311505 . 23, 27, 31, 183, 186, 193, 213, 215, 315	3422181..... 189
2720058..... 145	2820117 ..... 175	3311601 ... 167, 169, 185, 255, 259, 263, 267, 271, 275, 279, 283,	3422182..... 185
2720271 ..... 145	2820218 ..... 175	3311602 ..... 189	3422183..... 185
2720559..... 175	2860030 ... 147, 149, 151, 153, 155, 157, 558		3422184..... 185
2750910..... 369, 373, 377	2900768 ..... 23, 27, 31		3422185..... 185
2750915..... 369, 370, 373	2900770 ... 197, 199, 321, 323, 325, 327, 329, 331, 333, 335, 337, 339, 341, 343, 357, 365		3422186..... 185
2751890.....374, 378	2901443 ..... 562		3422187..... 185
2752430.....373, 377	2901804 ... 337, 339, 341, 343		3422188..... 185
2752435.....369	2901805 ..... 321, 333		3422189..... 189
2752437 ..... 369, 373, 377	2901806 .... 325, 327, 335		3450304..... 167, 169
2752440.....370	2901807 ..... 355		3450810..... 11, 13
2752453..... 369, 373	2901903 ..... 361, 363		3460457..... 175
2752459..... 369, 373, 377	2902419 ..... 329		3470003.... 255, 259, 263, 267, 271, 275, 279, 283, 288, 292
2752462.....377	2902549 ... 455, 459, 461, 463, 465, 479		3480239..... 355, 357
2752466..... 373, 377	2915230 ..... 405, 562		3480240..... 329, 337, 341
2752467 ..... 369, 373	2920028 ..... 287, 291		3480241..... 325
2752475..... 369	2920029 ..... 287, 291		3480242..... 321, 333
2752486.....377	2920151 ... 159, 206, 210		3510844..... 229
2752519.....377	2920161 ..... 165, 497		3520026.... 147, 149, 151, 153, 155, 157
2752571 ..... 373, 377	2940071 ..... 167, 169		3520028.... 147, 149, 151, 153, 155, 157
2752573..... 369	2940074 ... 221, 223, 225, 227, 229, 231, 558		
2752574.....377	2940095 ... 109, 111, 113, 115		
2752581..... 369	2940115 ..... 111, 115		
2752589..... 369, 373	3000003 ... 79, 81, 83, 85		
2752600..... 374, 378	3020008 ..... 23, 27, 31		
2752611 ..... 373, 377	3020029 ..... 135		
2752619..... 373, 377	3020037 ..... 23, 27, 31		
2752620..... 369	3160237 .... 23, 27, 31, 39		
2752675.....377			
2752983.....370			

# PART NUMBER INDEX

3520030 ... 255, 259, 263, 267, 271, 275, 279, 283, 287, 291	3911008 ..... 229	4360387.... 151, 157, 255, 259, 263, 267, 271, 275, 279, 283, 287, 291, 558	4460268 ... 387, 417, 419, 511
3520034 ..... 189	3911012 ..... 171	4360448.... 255, 259, 271, 275, 287, 291, 558	4460313... 205, 206, 209, 210
3520035 ... 109, 111, 113, 115	3930824 ..... 143	4360462.... 255, 259, 263, 267, 271, 275, 279, 283, 287, 291	4460315 ..... 417
3520054 ... 255, 259, 263, 267, 271, 275, 279, 283, 287, 291	3931016 ..... 287, 291	4360469.... 147, 151, 153, 157, 558	4460320... 206, 210, 411, 417, 499
3520072 ... 221, 223, 225, 227, 231, 233, 235, 237, 239	3931028 ..... 217	4360470..... 149, 155, 558	4460321 ... 395, 397, 403, 417, 421, 423, 443, 445, 513
3520082 ..... 193	3931816 ..... 195	4360475.... 147, 149, 151, 153, 155, 157, 255, 259, 263, 267, 271, 275, 279, 283, 287, 291, 558	4460326 ..... 395, 417
3520173 ..... 297	3931832 ..... 135	4360476.... 147, 149, 151, 153, 155, 157, 255, 259, 263, 267, 271, 275, 279, 283, 287, 291, 558	4460343 ..... 417, 441
3520182 ..... 313	3951402 ... 329, 337, 355, 357, 361	4420051.... 525, 527, 529, 531	4460346 ..... 449
3520198 ... 221, 223, 225, 227, 229, 231, 233, 235, 237, 239	3960389 .... 111, 115, 175	4420062..... 315	4460367 ..... 435
3536491 ..... 183, 186	3960417 .... 111, 115, 175	4460007.... 147, 149, 151, 153, 155, 157	4460418 .... 413, 439, 441
3536999 ..... 213	3960418 ..... 175	4460042.... 206, 210, 309, 417, 437	4460419 ... 413, 439, 441
3571462 ..... 215	3960422 ..... 449, 453	4460071..... 309, 449, 453	4460424... 206, 210, 399, 401, 419
3571834 ... 87, 89, 91, 93, 95, 97, 99, 101, 103	3960438 ... 147, 149, 151, 153, 155, 157	4460078..... 105, 107	4460425 ... 147, 149, 151, 153, 155, 157, 415, 417
3572413 ..... 229	3960447 ... 109, 111, 113, 115	4460125..... 453	4460426 ..... 105, 107
3572551 ..... 195	3960453 ..... 167, 169	4460134..... 407, 409, 469	4460428 ... 87, 89, 91, 93, 95, 97, 99, 101, 103, 255, 259, 263, 267, 271, 275, 279, 283, 287, 291
3575952 ..... 177	3990001 ..... 419, 558	4460138... 87, 95, 99, 407, 409	4460434 ... 399, 401, 413, 415, 439, 441, 511
3575961 ..... 175	3990105 ..... 23, 27, 31	4460145.... 413, 417, 419	4460444 ..... 385
3600289 ... 57, 59, 61, 63, 65	4010618 ... 233, 235, 237, 239	4460183..... 309, 413	4460458 .... 399, 401, 415
3760115 ..... 189, 193	4060092 ..... 453	4460205..... 449, 475	4460464 ... 309, 311, 399, 401, 405, 429, 439, 441, 443, 499, 511
3760308 ... 109, 111, 113, 115	4060802 ... 147, 149, 151, 153, 155, 157	4460225.... 209, 387, 395, 397, 417, 425, 441, 447	4460465 ... 205, 209, 387, 411, 415, 417, 419, 423, 427, 497, 511
3760318 ..... 355	4060804 .... 111, 115, 193	4460226.... 206, 210, 299, 301, 303, 306, 309, 395, 397, 399, 401, 403, 413, 415, 435, 439, 441, 445, 511	4460466 ... 205, 209, 399, 401, 411
3760408 ..... 355	4060805 ... 105, 107, 167, 169, 213, 215	4460227.... 205, 206, 209, 210, 395, 397, 399, 401, 411, 413, 415, 417, 421, 423, 437, 441, 443, 445, 447, 511	4460467 ..... 562
3790012 ... 255, 259, 263, 267, 271, 275, 279, 283, 287, 291, 311	4060808 ..... 213, 215	4460233..... 453	4460488 ... 256, 259, 263, 267, 271, 275, 279, 283, 287, 291
3790113 ..... 357, 365	4060865 ..... 163	4460234.... 255, 259, 263, 267, 271, 275, 279, 283, 287, 291	4460495 ... 147, 149, 151, 153, 155, 157
3820001 ... 521, 523, 525, 527, 529, 531, 533, 535, 537, 539, 541, 543, 545, 547, 549, 551, 553, 555	4061032 ..... 378	4460259.... 413, 417, 419, 435, 439, 441, 447, 511	4460496 ... 147, 149, 151, 153, 155, 157, 256, 259, 264, 267, 271, 275, 280, 283, 287, 291
3820019 ... 109, 111, 113, 115	4061054 ..... 205, 209	4460260.... 413, 417, 419, 435, 439, 441, 447, 511	4460497 ... 147, 149, 151, 153, 155, 157, 256, 259, 264, 267, 271, 275, 280, 283, 287, 291
3820020 ... 221, 223, 225, 227, 231	4070863 ..... 193	4460265.... 206, 210, 299, 301, 303, 305, 387, 413, 415, 437	4460508 ..... 405
3841143 .... 183, 185, 189	4070864 ..... 193	4460267.... 387, 417, 421, 423, 425, 443, 499, 513	4460509 ..... 399, 401
3841203 ..... 183, 185	4070997 ..... 193		4460510 ..... 562
3841517 ..... 11, 13	4070998 ..... 193		4460536 ..... 511
3900085 ..... 165	4100025 ..... 175		4460539 ..... 511
3900104 ..... 217	4100026 ... 145, 370, 374, 378		4460634 ..... 437
3900109 ..... 11, 13	4100065 ..... 215		4460635 ..... 437
3900128 ..... 163	4100067 ..... 215		4460662 ... 455, 457, 459
3900142 ..... 341	4120035 ..... 437		4460685 ..... 133
3900170 ... 321, 325, 327, 329, 333, 335, 337, 341	4130350 ..... 17		4460708 ..... 511
3900174 ... 109, 111, 113, 115	4130351 ..... 15		4460709 ..... 477
3900283 ..... 205, 209	4240032 71, 73, 255, 259, 263, 267, 271, 275, 279, 283, 287, 291, 413, 415, 417, 419, 437, 439, 441		4460710 ..... 471, 473
3910610 ..... 449, 453	4240033 ... 145, 205, 209, 385, 413, 415, 417, 439, 441		4460738 ... 385, 399, 401, 417
3910624 ..... 31	4240084 ..... 23, 27, 31		4460742 .... 399, 401, 415
3910628 ..... 23, 27	4240099 ..... 213, 215		
3910804 ... 147, 149, 151, 153, 155, 157	4240175 ..... 143		
3910808 ... 263, 267, 279, 283	4300140 ..... 213, 215		
	4341072 ..... 175		
	4360070 ... 147, 149, 151, 153, 155, 157, 558		
	4360274 ..... 159, 558		
	4360328 ... 147, 149, 151, 153, 155, 157, 255, 263, 271, 279, 558		
	4360330 ... 147, 149, 151, 153, 155, 157, 255, 263, 271, 279, 558		
	4360336 ..... 311, 558		

# PART NUMBER INDEX

4460743.....399, 401, 415	4640634 ... 321, 323, 325, 327, 329, 331, 333, 335	545, 547, 549, 551, 553, 555	4922610....451, 455, 457, 459, 461, 463, 465, 467, 477
4460744.....399, 401	4640709 ..... 357, 365	4751500 ... 23, 27, 31, 79, 81, 83, 85, 167, 169, 175, 183, 186, 195, 213, 215, 315	4922611.....449, 453, 469
4460745.....399, 401	4640771 ..... 357, 365	4751600 ... 105, 107, 145, 147, 149, 151, 153, 155, 157, 175, 177, 183, 185, 189, 243, 245, 247, 249, 251, 253	4922612.....451, 473
4460746.....399, 401	4640807 ... 355, 357, 359, 361, 363, 365	4760600 . 23, 27, 31, 449, 453	4922614.....217, 431
4460748.....399, 401	4640932 ..... 349, 351	4761000 ..... 229	4922615.....217, 433
4460749.....399, 401	4640936 ... 337, 339, 341, 343	4761400 .... 189, 193, 241	4922916.....205, 209
4460750.....399, 401	4641086 ..... 351	4761600 ... 147, 149, 151, 153, 155, 157, 177, 189	4922917.....205, 209
4460751.....399, 401	4641122 ..... 43, 51	4761800 ..... 189, 193	4922926.....206, 210
4460752....256, 259, 264, 267, 272, 275, 280, 283, 287, 291, 429	4641167 ..... 41, 49, 53	4811400 ... 455, 457, 459, 461, 463, 465, 467	4923625.....413
4460753.....213, 215	4641386 ... 321, 323, 325, 327, 329, 331, 333, 335	4811700 ... 233, 235, 237, 239	4933060....255, 259, 382
4460754.....213, 215, 427	4711000 .... 171, 287, 291	4844303 ..... 183	4933105....272, 275, 287, 291, 382
4460761....205, 209, 399, 403, 445	4711400 ... 23, 27, 31, 59, 63, 71, 73, 87, 89, 91, 93, 95, 97, 99, 101, 103, 119, 121, 123, 133, 145, 175, 205, 209, 233, 235, 237, 239, 287, 291, 313, 455, 457, 459, 461, 463, 465, 467	4844304 ..... 183	4933181.....264, 267, 382
4460805.....89, 93, 101	471150028, 55, 193, 255, 259, 263, 267, 271, 275, 279, 283, 288, 292	4844427 ..... 185	4933182.....280, 283, 382
4460807.....425	4711600 ... 23, 27, 31, 57, 61, 71, 73, 75, 119, 121, 123, 143, 167, 169, 193, 203, 205, 209, 229	4844467 ..... 183, 185	4933289.....205, 209
4460808.....425	4711800 ..... 71, 73	4844579 ..... 189	4933388....147, 149, 153, 155, 382
4460809.....425	4712600 ..... 171	4845582 ..... 315	70000088.....139
4460836....205, 209, 415	4740120 ... 147, 149, 151, 153, 155, 157	4846026 ..... 185	70000089.....139
4460837.....415	4740156 ..... 11, 13	4846180 ..... 193	70000289.....180
4460884.....411, 511	4740171 ..... 135	4846209 ..... 183, 185	70000290.....179
4460891.....387, 497	4740207 ... 321, 333, 335	4846278 ..... 195	70000291.....179
4460894.....511	4740362 ... 243, 245, 247, 249, 251, 253	4846502 ..... 195	70000292.....179
4460897.....499	4740394 ..... 329	4846608 .... 203, 205, 209	70000293.....179
4460899.....511	4740397 ... 147, 149, 151, 153, 155, 157, 259, 267, 275, 283, 287, 291	4860191 ... 41, 43, 49, 51, 53	70000294.....179
4460930.....405	4740413 ..... 189	4891500 ..... 137	70000295.....179
4460931.....399, 401	4750600 . 23, 27, 31, 255, 259, 264, 267, 272, 275, 280, 283, 287, 291	4891600 57, 61, 186, 203, 205, 209	70000296.....179
4460932.....511	4750800 ... 119, 121, 123, 143, 255, 259, 264, 267, 272, 275, 280, 283, 287, 291	4891800 ... 11, 13, 81, 83, 205, 209	70000297.....179
4460933.....205, 209	4751000 .... 28, 111, 115, 165, 229	4892000 . 23, 27, 31, 135, 205, 209	70000298.....179
4460943.....171	4751400 ... 105, 107, 109, 111, 113, 115, 167, 169, 177, 189, 205, 209, 213, 215, 241, 243, 245, 247, 249, 251, 253, 313, 361, 363, 455, 457, 459, 461, 463, 465, 467, 521, 523, 525, 527, 529, 531, 533, 535, 537, 539, 541, 543,	4920385 ..... 175	70000299.....179
4460944.....511		4922060 ..... 439	70000300.....179
4460956.....479		4922071 ..... 443	70000301.....179
4460957.....479		4922073 ..... 417, 419	70000302.....179
4460968....431, 433, 461, 463, 465, 467		4922103 .. 23, 27, 31, 385	70000303.....179
4461002.....513		4922104 ..... 417	70000304.....179
4461196.....489, 507		4922117 ..... 423	70000305.....179
4461198.....489		4922160 ..... 445	70000306.....179
4461199.....491, 509		4922222 ..... 311	70000307.....179
4461201.....491		4922223 ..... 311	70000308.....179
4461202....483, 493, 501		4922263 ..... 421	70000309.....179
4461205....485, 495, 503		4922303 ..... 441	70000310.....179
4461244.....483		4922307 ..... 435	70000311.....179
4461245.....485		4922319 ..... 159, 425	70000312.....179
4461246.....487		4922363 .... 213, 215, 429	70000313.....179, 558
4461249.....487, 505		4922367 ..... 415	70000314.....179
4520209.....41, 43, 53		4922390 .... 105, 107, 407	70000315.....179
4520269.....49, 51		4922496 .... 213, 215, 427	70000316.....179
4520279.....49		4922608 .... 449, 453, 475	70000317.....179
4565992.....321		4922609 ... 455, 457, 459, 461, 463, 465, 467, 471	70000318.....179, 558
4565994.....329			70000319.....179, 558
4566028.....355			70000320.....179
4566187.....370			70000321.....179
4566188.....370			70000322.....179
4566243.....213, 215			70000323.....179
4566427.....183, 185			70000324.....179
4566432.....325			70000325.....180
4566435.....333			70000326.....180, 558
4567177.....337			70000327.....180
4567704.....355, 357			70000328.....180
4567908.....341			70000329.....180, 558
4567946.....374, 378			70000330.....180, 558
4567963.....361			70000340.....201
4568114.....23, 27, 31			70000341.....197, 199
4640509.....319, 349			70000381.....126
			70000382.....180

## PART NUMBER INDEX

70000739	345, 349	70003819	347, 351	70006396	343	7004049	139
70000740	349	70003833	319	70006397	343	7004275	562
70000865	137	70003836	319	70006398	343	7004276	562
70000967	179	70003843	347	70006399	343	70050801	323
70001052	395	70003844	347	70006400	339, 343	7007640	35
70001121	179	70003845	347, 351	70006401	339, 343	7007900	23, 27, 31
70001144	179	70003846	351	70006402	343	7007912	23, 27
70001366	35	70003847	351	70006411	339	7007913	23, 27, 31
70001367	35	70003863	319	70006412	339	7007933	23, 27, 31
70001368	35, 36	70003864	319	70006413	339, 363	7007977	23, 27, 31
70001369	35	70004019	125	70006414	339	7010542	77
70001370	35	70004130	345	70006415	339	7010543	77, 125
70001371	35	70004131	349	70006531	327	7011112	349, 351
70001372	35	70004141	345, 349	70006532	327, 335	7011323	197, 199
70001373	35	70004142	345, 349	70006533	327, 335	7011376	321, 323, 325, 327, 329, 331, 333, 335
70001374	35	70004143	345, 349	70006535	327	7011609	125
70001375	35	70004144	345	70006539	335	7011716	23, 27, 31
70001376	35	70004145	345	70006542	335	7011757	23, 27, 31
70001377	35	70004146	349	70006543	335	7012518	77, 125
70001378	35	70004147	349	70006561	363	7012540	126
70001379	35	70004159	137	70006563	359	7012545	39
70001380	36	70004265	179	70006564	359, 363	7012548	39
70001697	199	70004323	199	70006565	359, 363	7012549	39
70001876	125	70004394	180	70006566	359	7012903	125
70001961	65	70004738	301	70006587	323	7012914	125
70001996	193, 558	70004739	301	70006588	323	7012941	77
70001998	193, 558	70004740	301	70006589	323	7012947	125
70002083	179	70004741	301	70006590	323	7012953	125, 129
70002112	67, 69	70004742	301	70006591	323	7012959	129
70002206	139	70004743	301	70006592	323	7012961	125
70002207	139	70004744	301	70006593	323	7012967	77
70002216	347, 351	70004745	301	70006594	331	7012972	77
70002217	347, 351	70004746	301	70006595	331	7012975	125
70002220	319	70004747	301	70006596	331	7012995	125
70002223	319	70004748	301	70006597	331	7012998	77, 125
70002244	179	70004749	301	70006598	331	7016177	79, 83
70002373	331	70004750	301	70006599	331	7016272	497
70002408	23, 27, 31	70004751	301	70006600	331	7016319	497
70002412	323	70004752	305	70006601	323	7016654	562
70002523	65	70004753	305	70006971	359, 363	7017007	36
70002543	180	70004754	305	70006974	363	7017009	35
70002544	179	70004755	305	70006975	363	7017022	35
70002724	299	70004756	305	70006976	359	7017120	197, 199
70002725	299	70004757	305	7001630	353	7017121	197, 199
70002726	299	70004758	305	70022564	323, 331	7017122	197, 199
70002728	299	70004759	305	70023094	345, 349	7017123	197, 199
70002730	303	70004760	305	70023915	339, 343, 359	7017126	197, 199
70002731	303	70004761	305	70024262	349	7017127	197, 199
70002732	303	70004762	305	7002821	562	7017153	197
70002733	303	70004763	305	7002822	562	7017165	201
70002734	303	70004764	305	7002823	562	7017167	201
70002735	303	70004765	305	7002826	562	7017168	201
70002736	299	70004766	305	7002828	562	7017169	201
70002737	299	70004767	305	7003928	303	7017172	197, 199, 201
70002806	125	70004768	305	7003941	299	7017173	201
70002808	131	70004769	305	7003972	299	7017178	201
7000281	35	70004770	305	7003973	299	7017179	201
70002902	309	70004771	305	7003980	299	7017192	197, 199, 201
70002903	309	70004772	305	7003982	299	7017196	197, 199
70002904	309	70004773	305	7003983	299	7017246	353
70002905	309	70004774	305	7003989	299	7017247	353
70002906	303	70004775	305	7004035	139	7017248	353
70003171	65	70004785	180	7004036	139	7017249	353
70003341	353	70004954	180	7004043	139	7017250	353
70003557	179	70005101	67, 69	7004044	139	7017251	353
70003618	179	70005143	331	7004045	139	7017252	353
70003619	179	70005169	180	7004047	139		

## PART NUMBER INDEX

7017402.....	77, 125, 131	7020149 .....	39	7022002 .....	395	7026042.....	137
7017406.....	126	7020150 .....	39	7022003 .....	395	7026043.....	137
7017410.....	125	7020151 .....	39	7022004 .....	395	7026068.....	319
7017418.....	125	7020175 ...	255, 259, 263, 267, 271, 275, 279, 283, 287, 291	7022005 .....	395, 397	7026082.....	347, 351
7017421.....	125	7020176 ...	255, 259, 263, 267, 271, 275, 279, 283, 287, 291	7022007 .....	397	7026084.....	347, 351
7017433.....	77, 125	7020179 .....	145	7022008 .....	397	7026088.....	319
7017452.....	125, 131	7020184 .....	39	7022009 .....	397	7026090.....	319
7017466.....	129	7020185 .....	39	7022010 .....	397	7026091.....	319
7017488.....	77	7020189 .....	39	7022011 .....	395	7026092.....	319
7017496.....	125, 129	7021318 .....	65	7022012 .....	395	7027350.....	137
7019162.....	299	7021319 .....	65	7022391 .....	77	7027351.....	137
7019164.....	299	7021361 .....	65	7022394 .....	125	7027352.....	137
7019165.....	299	7021377 .....	65	7022808 .....	303	7027353.....	137
7019167.....	299	7021603 .....	125	7022815 .....	303	7027354.....	137
7019194.....	299	7021604 .....	125	7023216 .....	21	7027356.....	137
7019609.....	39	7021609 .....	77, 125, 131, 558	7023217 .....	19	7027358.....	137
7019698.....	189, 558	7021610 .....	125, 558	7023318 .....	139	7027359.....	137
7019699.....	189	7021611 .....	77, 125	7024379 .....	139	7027360.....	137
7020035.....	15, 17, 19, 21	7021616 .....	77, 558	7024380 .....	139	7027361.....	137
7020036.....	15, 17, 19, 21	7021618 .....	77, 125, 558	7024381 .....	139	7027363.....	137
7020037.....	15, 17, 19, 21	7021619 .....	77	7024389 .....	139	7027900.....	197, 199
7020038.....	15, 17, 19, 21	7021653 .....	125, 131	7024390 .....	139	7027901.....	197, 199
7020039.....	15, 17, 19, 21	7021659 .....	77	7024444 .....	67, 69	7028909.....	171
7020040.....	15, 17, 19, 21	7022000 .....	395	7024445 .....	67, 69	8220051.....	513
7020041.....	15, 17, 19, 21	7022001 .....	395	7024453 .....	139	88261024.....	167, 169
7020042.....	15, 17, 19, 21			7024738 .....	35	88521205... 79, 81, 83, 85	
7020054.....	15, 17, 19, 21			7024741 .....	35	88662523... 57, 61, 71, 73	
7020055.....	15, 17, 19, 21			7024832 .....	77	88662530... 167, 169, 175	
7020137.....	15, 17, 19, 21			7024844 .....	319, 351		
7020140.....	15, 17, 19, 21			7024891 .....	129		







3121646



An Oshkosh Corporation Company

**Corporate Office**  
**JLG Industries, Inc.**  
**1 JLG Drive**  
**McConnellsburg, PA 17233-9533 USA**  
☎ **(717) 485-5161 (Corporate)**  
☎ **(877) 554-5438 (Customer Support)**  
☎ **(717) 485-6417**

**Visit our website for JLG Worldwide Locations.**  
**[www.jlg.com](http://www.jlg.com)**