



---

# Illustrated Parts Manual

*Model*

**520AJ**

P/N  
**3121666**

*November 16, 2018 - Rev P*

CE  
**AS/NZS**



---

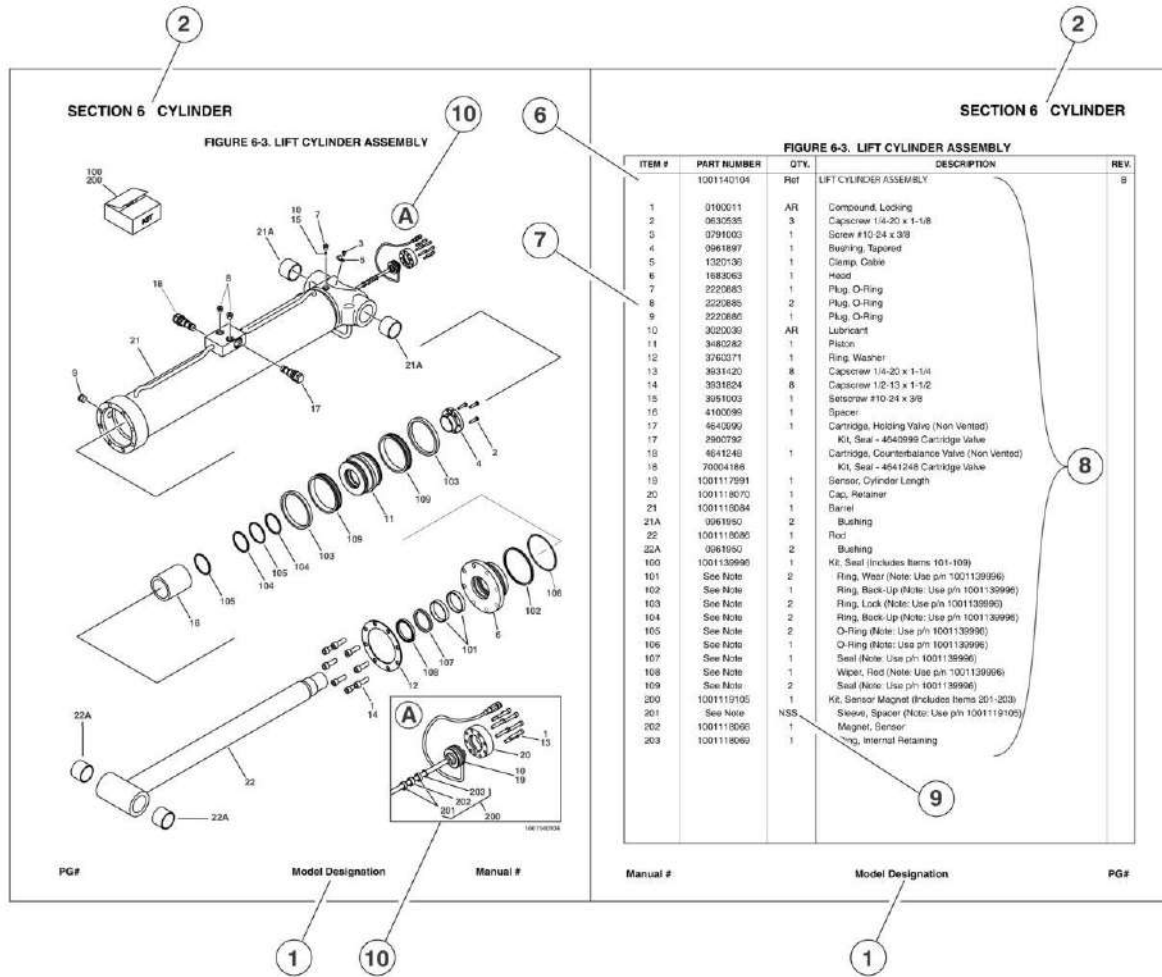
An Oshkosh Corporation Company



## REVISION LOG

July 1, 2015 - A - Original Issue Of Manual (Edited to B/M 1001166193 Revision J)  
August 21, 2015 - B - Revised Manual (Edited to B/M 1001166193 Revision K) (Revision 1)  
November 30, 2015 - C - Revised Manual (Edited to B/M 1001166193 Revision M) (Revision 2)  
February 5, 2016 - D - Revised Manual (Edited to B/M 1001166193 Revision N) (Revision 3)  
May 9, 2016 - E - Revised Manual (Edited to B/M 1001166193 Revision N) (Revision 1)  
August 1, 2016 - F - Revised Manual (Edited to B/M 1001166193 Revision AB) (Revision 1)  
November 7, 2016 - G - Revised Manual (Edited to B/M 1001166193 Revision AC) (Revision 2)  
February 15, 2017 - H - Revised Manual (Edited to B/M 1001166193 Revision AD) (Revision 2)  
May 5, 2017 - I Revised Manual (Edited to B/M 1001166193 Revision AD) (Revision 2)  
August 11, 2017 - J - Revised Manual (Edited to B/M 1001166193 Revision AK) (Revision 2)  
November 10, 2017 - K - Revised Manual (Edited to B/M 1001166193 Revision AL) (Revision 2)  
February 28, 2018 - L - Revised Manual (Edited to B/M 1001166193 Revision AL) (Revision 2)  
May 14, 2018 - M - Revised Manual (Edited to B/M 1001166193 Revision AN)  
June 8, 2018 - N - Revised Manual (Edited to B/M 1001166193 Revision AN) (Revision 1)  
August 3, 2018 - O - Revised Manual (Edited to B/M 1001166193 Revision AN) (Revision 2)  
November 16, 2018 - P - Revised Manual (Edited to B/M 1001166193 Revision AN)

# GENERAL INFORMATION



## 1) MACHINE IDENTIFICATION

Machines are identified by model and in some cases a combination of models, serial number (SN) or regional standard (i.e. ANSI, CE, CSA). Components may also be identified by SN or manufacturer. Common components that may be identified by these characteristics are engines and hydraulic components.

## 2) PARTS MANUAL ORGANIZATION

Product information in this manual is organized under section titles. Frame, Cylinder, Hydraulic and Electrical are a few examples. Each section is organized by figure and page number. The information within the figure is then organized by item number, part number, description and corresponding illustration(s).

## 3) TABLE OF CONTENTS

A table of contents is found toward the beginning of the manual. Figure number, description and page number are provided for quick reference to the page containing the related information.

## 4) RECOMMENDED SPARE PARTS

The Recommended Spare Parts, located near the end of the manual, reference most frequently used maintenance parts.

## 5) PART NUMBER INDEX

A numerical index listing all part numbers and the corresponding page number(s) appears at the back of the manual.

## GENERAL INFORMATION

### 6) NON-SERVICED PARTS

In some instances, it is necessary to display non-serviced parts, assemblies or installations. In the case of assemblies and installations there will be a Ref in the Qty column. In case of parts that are not available for service within assemblies or components, there will be a NSS (Not Sold Separately) or NLA (No Longer Available) listed in the Qty. column of the manual.

### 7) PARTS LIST ITEM NUMBERS

Numbers shown in the item# column correspond to numbers used in the associated illustration (s). Item numbers which are missing from the sequence in the parts list are not used on that page

### 8) INDENTED PARTS DESCRIPTION

An indented part description is included in the item under which it is indented.

### 9) ABB REVIATION AND SYMBOLS

AC.....	.. Alternating Current	LCD.....	.. Liquid Crystal Display
ADE.....	..Advanced Design Electronics	LED.....	.. Light Emitting Diodes
ANSI.....	..American National Standards Institute	LH.....	.. Left Hand
AR.....	..As Required	LSS.....	..Load Sensing System
ASSY.....	..Assembly	M(m).....	..Metric/Meter
AUX.....	..Auxiliary	MM (mm).....	..Milimeter
AWG.....	..American Wire Gauge	mA.....	..Miliamps
B/M.....	..Bill of Material	NLA.....	..No Longer Available
CE.....	..European Conformity	NPT.....	..National Pipe Threads
CCW.....	..Counter Clockwise	NSS.....	..Not Sold Separately
cm.....	..Centimeter	OD.....	..Outside Diameter
CW.....	..Clockwise	ORB.....	..O-Ring Boss
CSA.....	..Canadian Standards Association	ORFS.....	..O-Ring Face Seal
CYL.....	..Cylinder	OZ (oz).....	..Ounces
DIA.....	..Diameter	PG.....	..Page
DC.....	..Direct Current	P/N.....	..Part Number
EMS.....	..Emergency Stop	qt.....	..Quarts
ENG.....	..Engine	QTY.....	..Quantity
FT (ft).....	..Feet	REF.....	..Reference
GA (Ga).....	..Gauge	REV.....	..Revision Level
HYD.....	..Hydraulic	RH.....	..Right Hand
HZ.....	..Hertz	SAE.....	..Society of Automotive Engineers
ID.....	..Inside Diameter	SN.....	..Serial Number
in.....	..inches	SPEC(S).....	..Specifications
ISO.....	..International Organization for Standards	T/T.....	..Turntable
JIC.....	..Joint Industry Council	UGM.....	..Universal Ground Module
KG.....	..Kilogram	V.....	..Volts
L.....	..Liter	W.....	..Watts
LB.....	..Pounds	#.....	..Number

### 10) ILLUSTRATION REFERENCE LETTERS

When necessary, illustrations may contain reference letters that are intended to track information (i. e. hoses, harnesses) from one point to another or to track visual enlargement of components to show details that may be located in another area on the illustration.

*Note: Due to continuous product improvements, JLG Industries, Inc. reserves the right to make specification changes without prior notification. Contact JLG Industries, Inc. for updated information.*



# TABLE OF CONTENTS

SECTION 1 - FRAME.....	11
FIGURE 1-1. AXLE INSTALLATION .....	12
FIGURE 1-2. STEER INSTALLATION WITHOUT TOW PACKAGE .....	14
FIGURE 1-3. STEER INSTALLATION WITH TOW PACKAGE .....	16
FIGURE 1-4. WHEEL DRIVE INSTALLATION, 4WD .....	18
FIGURE 1-5. DRIVE HUB AND BRAKE ASSEMBLY - REAR .....	20
FIGURE 1-6. DRIVE HUB ASSEMBLY - FRONT.....	24
FIGURE 1-7. DRIVE MOTOR ASSEMBLY, 4WD.....	26
FIGURE 1-8. TIRE AND WHEEL INSTALLATION - 33 X 12-20 SOLID NON-MARKING .....	28
FIGURE 1-9. TIRE AND WHEEL INSTALLATION - 33/1550 X 16.5 FOAM FILLED .....	30
FIGURE 1-10. TIRE AND WHEEL INSTALLATION - 315/55 D20 FOAM FILLED .....	32
FIGURE 1-11. TIRE AND WHEEL INSTALLATION - 315/55 D20 FOAM FILLED NON-MARKING .....	34
FIGURE 1-12. VALVES INSTALLATION - FRAME MOUNTED.....	36
FIGURE 1-13. TRACTION VALVE ASSEMBLY.....	38
FIGURE 1-14. FRAME COVERS INSTALLATION.....	40
FIGURE 1-15. TOW PACKAGE INSTALLATION (OPTIONAL) .....	42
FIGURE 1-16. TOW BAR ASSEMBLY .....	44
SECTION 2 - TURNTABLE.....	47
FIGURE 2-1. VALVES INSTALLATION - TURNTABLE MOUNTED .....	48
FIGURE 2-2. MAIN VALVE ASSEMBLY .....	50
FIGURE 2-3. AUXILIARY PUMP ASSEMBLY.....	52
FIGURE 2-4. SWING DRIVE AND TURNTABLE BEARING INSTALLATION.....	54
FIGURE 2-5. SWING MOTOR ASSEMBLY .....	56
FIGURE 2-6. TURNTABLE BEARING ASSEMBLY .....	58
FIGURE 2-7. TURNTABLE COVERS INSTALLATION .....	60
FIGURE 2-8. TURNTABLE LOCK INSTALLATION.....	62
FIGURE 2-9. TANKS INSTALLATION (Prior to SN E300004228) .....	64
FIGURE 2-10. TANKS INSTALLATION - DIESEL MACHINES (SN 1300007286 through 1300007383, SN E300004228 to Present).....	66
FIGURE 2-11. DRIVE ORIENTATION INSTALLATION .....	68
FIGURE 2-12. GROUND CONTROL ASSEMBLY - AUSTRALIAN SPEC .....	70
FIGURE 2-13. GROUND CONTROL ASSEMBLY - CE SPEC .....	72
FIGURE 2-14. ELECTRICAL SYSTEM INSTALLATION.....	74
FIGURE 2-15. BEACON LIGHT INSTALLATION - AMBER .....	78
FIGURE 2-16. BEACON LIGHT INSTALLATION - BLUE .....	80
FIGURE 2-17. BEACON LIGHT INSTALLATION - RED .....	82
FIGURE 2-18. BATTERY AND CABLE INSTALLATION.....	84
FIGURE 2-19. HOODS INSTALLATION (Prior to SN E300006377) .....	86
FIGURE 2-20. HOODS INSTALLATION (SN E300006377 to Present).....	90
FIGURE 2-21. HOOD ASSEMBLY - TANK SIDE (Prior to SN E300006377).....	94
FIGURE 2-22. HOOD ASSEMBLY - TANK SIDE (SN E300006377 to Present).....	96
FIGURE 2-23. HOOD ASSEMBLY - ENGINE SIDE (Prior to SN E300006377).....	98
FIGURE 2-24. HOOD ASSEMBLY - ENGINE SIDE (SN E300006377 to Present).....	100
FIGURE 2-25. COVERS INSTALLATION - COUNTERWEIGHT .....	102
SECTION 3 - ENGINE .....	105
FIGURE 3-1. ENGINE INSTALLATION - DEUTZ D2.3L3 ENGINE.....	106
FIGURE 3-2. ENGINE AND PUMP SUB-ASSEMBLY - DEUTZ D2.3L3.....	110
FIGURE 3-3. ENGINE ASSEMBLY - DEUTZ D2.3L3 ENGINE.....	112
FIGURE 3-4. ENGINE COMPONENTS - DEUTZ D2.3L3 .....	116
FIGURE 3-5. ENGINE INSTALLATION - DEUTZ D2011 ENGINE (STAGE V) (WITHOUT ARCTIC PACKAGE) (CE SPECS)..	120
FIGURE 3-6. ENGINE AND PUMP SUB-ASSEMBLY - DEUTZ D2011 (STAGE V) (WITHOUT ARCTIC PACKAGE) (CE SPECS).....	124
FIGURE 3-7. ENGINE ASSEMBLY - DEUTZ D2011 ENGINE (STAGE V) (WITHOUT ARCTIC PACKAGE) (CE SPECS).....	126
FIGURE 3-8. ENGINE COMPONENTS - DEUTZ D2011 (STAGE V) .....	130
FIGURE 3-9. PUMP COUPLING KIT .....	134
FIGURE 3-10. GEAR PUMP ASSEMBLY (Prior to SN E300004772) .....	136
FIGURE 3-11. PISTON PUMP ASSEMBLY .....	138
FIGURE 3-12. CATALYTIC SPARK ARRESTOR INSTALLATION - DEUTZ D2.3L3 ENGINE.....	142
FIGURE 3-13. SPARK ARRESTOR INSTALLATION - DEUTZ D2.3L3 ENGINE .....	144
FIGURE 3-14. ENGINE BAFFLE INSTALLATION .....	146
FIGURE 3-15. GENERATOR INSTALLATION - 4000W/50HZ (DEUTZ D2.3L3 ENGINE) .....	148

# TABLE OF CONTENTS

FIGURE 3-16. GENERATOR INSTALLATION - 7500W/50HZ (DEUTZ D2.3L3 ENGINE).....	152
SECTION 4 - BOOM.....	157
FIGURE 4-1. CYLINDERS INSTALLATION.....	158
FIGURE 4-2. BOOM INSTALLATION.....	160
FIGURE 4-3. JIB INSTALLATION.....	162
FIGURE 4-4. MAIN BOOM ASSEMBLY.....	164
FIGURE 4-5. TOWER BOOM ASSEMBLY.....	166
FIGURE 4-6. ROTATOR ASSEMBLY (SN E300002833 through E300004882).....	168
FIGURE 4-7. ROTATOR ASSEMBLY (SN 1300007286 through 1300007383, SN E300004883 to Present).....	170
FIGURE 4-8. PLATFORM SUPPORT INSTALLATION - WITH 4 CELL LSS (Prior to SN E300002782).....	172
FIGURE 4-9. PLATFORM SUPPORT INSTALLATION - WITH 4 CELL LSS (SN 1300007286 through 1300007383, SN E300002782 to Present).....	176
FIGURE 4-10. PLATFORM SUPPORT INSTALLATION - WITH 1 CELL LSS.....	178
FIGURE 4-11. VALVES INSTALLATION - BOOM MOUNTED.....	180
FIGURE 4-12. UPRIGHT VALVE ASSEMBLY.....	182
FIGURE 4-13. BOOM VALVE ASSEMBLY.....	184
SECTION 5 - PLATFORM.....	187
FIGURE 5-1. PLATFORM ASSEMBLY - 30IN X 4FT (76CM X 1.22M) - SIDE GATE ENTRY.....	188
FIGURE 5-2. PLATFORM ASSEMBLY - 30IN X 5FT (76CM X 1.52M) - SIDE GATE ENTRY.....	190
FIGURE 5-3. PLATFORM ASSEMBLY - 30IN X 6FT (76CM X 1.83M) - SIDE GATE ENTRY.....	192
FIGURE 5-4. PLATFORM ASSEMBLY - 30IN X 3FT (76CM X .91M) - WITH DROP BAR.....	194
FIGURE 5-5. PLATFORM ASSEMBLY - 30IN X 4FT (76CM X 1.22M) - WITH DROP BAR.....	196
FIGURE 5-6. PLATFORM ASSEMBLY - 30IN X 5FT (76CM X 1.52M) - WITH DROP BAR.....	198
FIGURE 5-7. PLATFORM ASSEMBLY - 30IN X 6FT (76CM X 1.83M) - WITH DROP BAR.....	200
FIGURE 5-8. CONSOLE BOX INSTALLATION - WITHOUT SKYGUARD.....	202
FIGURE 5-9. CONSOLE BOX INSTALLATION - WITH SKYGUARD.....	204
FIGURE 5-10. PLATFORM CONSOLE BOX ASSEMBLY - WITHOUT SKYGUARD (Prior to SN E300003610).....	206
FIGURE 5-11. PLATFORM CONSOLE BOX ASSEMBLY - 450AJ WITHOUT SKYGUARD (SN 1300007286 through 1300007383, SN E300003610 to Present).....	210
FIGURE 5-12. PLATFORM CONSOLE BOX ASSEMBLY - WITH SKYGUARD (Prior to SN E300003610).....	214
FIGURE 5-13. PLATFORM CONSOLE BOX ASSEMBLY - WITH SKYGUARD (SN 1300007286 through 1300007383, SN E300003610 to Present).....	218
FIGURE 5-14. CONTROLLER ASSEMBLY - DRIVE AND STEER.....	222
FIGURE 5-15. CONTROLLER ASSEMBLY - LIFT AND SWING.....	224
FIGURE 5-16. FOOTSWITCH ASSEMBLY.....	228
FIGURE 5-17. TRAY ASSEMBLY.....	230
FIGURE 5-18. SKYEYE INSTALLATION.....	232
FIGURE 5-19. SKYGUARD SYSTEM INSTALLATION.....	234
FIGURE 5-20. SKYLINE INSTALLATION.....	236
FIGURE 5-21. CROSS RAIL INSTALLATION.....	238
FIGURE 5-22. SKYGLAZIER INSTALLATION (AUSTRALIAN SPECS) (Prior to SN E300004872).....	240
FIGURE 5-23. SKYGLAZIER INSTALLATION (AUSTRALIAN SPECS) (SN 1300007286 through 1300007383, SN E300004872 to Present).....	242
FIGURE 5-24. PIPE RACK INSTALLATION (AUSTRALIAN SPEC).....	244
FIGURE 5-25. PIPE RACK INSTALLATION (CE SPECS).....	246
SECTION 6 - CYLINDER.....	249
FIGURE 6-1. AXLE LOCKOUT CYLINDER ASSEMBLY.....	250
FIGURE 6-2. LEVEL (PLATFORM SLAVE) CYLINDER ASSEMBLY.....	252
FIGURE 6-3. LIFT CYLINDER ASSEMBLY - JIB.....	254
FIGURE 6-4. LIFT CYLINDER ASSEMBLY - MAIN BOOM (Prior to SN E300004512).....	256
FIGURE 6-5. LIFT CYLINDER ASSEMBLY - MAIN BOOM (SN 1300007286 through 1300007383, SN E300004512 to Present).....	258
FIGURE 6-6. LIFT CYLINDER ASSEMBLY - TOWER BOOM.....	260
FIGURE 6-7. MASTER CYLINDER ASSEMBLY.....	262
FIGURE 6-8. STEER CYLINDER ASSEMBLY.....	264
FIGURE 6-9. TELESCOPE CYLINDER ASSEMBLY.....	266
SECTION 7 - HYDRAULIC.....	269
FIGURE 7-1. HYDRAULIC SYSTEM INSTALLATION (Prior to SN E300004228).....	270
FIGURE 7-2. HYDRAULIC SYSTEM INSTALLATION (SN 1300007286 through 1300007383, SN E300004228 to Present).....	276



# TABLE OF CONTENTS

FIGURE 7-3. HYDRAULIC DIAGRAM LIST .....	282
SECTION 8 - ELECTRICAL .....	283
FIGURE 8-1. ELECTRICAL DIAGRAM LIST .....	284
FIGURE 8-2. AC BOX AT PLATFORM - LOCALLY SUPPLIED COMPONENTS (Prior to SN E300003512) .....	286
FIGURE 8-3. AC BOX AT PLATFORM INSTALLATION - 110V IEC YELLOW (CE SPEC) (Prior to SN E300003512) .....	288
FIGURE 8-4. AC BOX AT PLATFORM INSTALLATION - 110V IEC 60309 YELLOW WITHOUT 2500W GENERATOR (CE SPECS) (SN 1300007286 through 1300007383, SN E300003512 to Present) .....	290
FIGURE 8-5. AC BOX AT PLATFORM INSTALLATION - 220V IEC BLUE (CE SPEC) (Prior to SN E300003512) .....	292
FIGURE 8-6. AC BOX AT PLATFORM INSTALLATION - 220V IEC 60309 BLUE WITHOUT 2500W GENERATOR (CE SPECS) (SN 1300007286 through 1300007383, SN E300003512 to Present) .....	294
FIGURE 8-7. AC BOX AT PLATFORM INSTALLATION - 220V CEE7 POST GROUND WITH 70MM X 70MM BOX (CE SPEC) (Prior to SN E300002764) .....	296
FIGURE 8-8. AC BOX AT PLATFORM INSTALLATION - 220V CEE7 SIDE GROUND WITH 70MM X 70MM BOX (CE SPEC) (Prior to SN E300002764) .....	298
FIGURE 8-9. AC BOX AT PLATFORM INSTALLATION - 220V CEE7 POST GROUND WITH 2IN X 4IN BOX (CE SPEC) (Prior to SN E300002764) .....	300
FIGURE 8-10. AC BOX AT PLATFORM INSTALLATION - 220V CEE7 POST GROUND WITH 2IN X 4IN BOX (CE SPEC) (SN E300002764 through E300003511) .....	302
FIGURE 8-11. AC BOX AT PLATFORM INSTALLATION - 220V CEE7 POST GROUND (2X4 BOX) WITHOUT 2500W GENERATOR (CE SPECS) (SN 1300007286 through 1300007383, SN E300003512 to Present) .....	304
FIGURE 8-12. AC BOX AT PLATFORM INSTALLATION - 220V CEE7 SIDE GROUND WITH 2IN X 4IN BOX (CE SPEC) (Prior to SN E300002764) .....	306
FIGURE 8-13. AC BOX AT PLATFORM INSTALLATION - 220V CEE7 SIDE GROUND WITH 2IN X 4IN BOX (CE SPEC) (SN E300002764 through E300003511) .....	308
FIGURE 8-14. AC BOX AT PLATFORM INSTALLATION - 220V CEE7 SIDE GROUND (2X4 BOX) WITHOUT 2500W GENERATOR (CE SPECS) (SN 1300007286 through 1300007383, SN E300003512 to Present) .....	310
FIGURE 8-15. AC BOX AT PLATFORM INSTALLATION - 220V AFSINT 107 KEYED GROUND WITH 2IN X 4IN BOX (CE SPEC) (Prior to SN E300003512) .....	312
FIGURE 8-16. AC BOX AT PLATFORM INSTALLATION - 220V AFSINT 107 KEYED GROUND (2X4 BOX) WITHOUT 2500W GENERATOR (CE SPECS) (SN 1300007286 through 1300007383, SN E300003512 to Present) .....	314
FIGURE 8-17. AC CABLE INSTALLATION – WITH TWO BREAKERS (CE SPECS) (SN 1300007286 through 1300007383, SN E300003512 to Present) .....	316
FIGURE 8-18. AC CABLE INSTALLATION – WITH THREE BREAKERS (CE SPECS) (SN 1300007286 through 1300007383, SN E300003512 to Present) .....	318
FIGURE 8-19. BEACON LIGHT HARNESS (BLUE BEACON ONLY) .....	320
FIGURE 8-20. BEACON EXTENSION HARNESS (Prior to SN E600003882) .....	322
FIGURE 8-21. BOOM CABLES AND CLAMPS INSTALLATION .....	324
FIGURE 8-22. BOOM HARNESS - MAIN BOOM .....	328
FIGURE 8-23. BOOM HARNESS - MAIN BOOM AC CABLE .....	330
FIGURE 8-24. BOOM HARNESS - TOWER BOOM .....	332
FIGURE 8-25. BOOM HARNESS - TOWER BOOM AC CABLE .....	334
FIGURE 8-26. BOOM VALVE HARNESS .....	336
FIGURE 8-27. BREAKER BOX KIT - CE SPEC .....	338
FIGURE 8-28. BREAKER BOX KIT - 30MA/16AMP .....	340
FIGURE 8-29. CHASSIS SOLENOID HARNESS .....	342
FIGURE 8-30. ENGINE HARNESS - DEUTZ D2.3L3 .....	344
FIGURE 8-31. GENERATOR HARNESS - 4000W GENERATOR .....	346
FIGURE 8-32. GROUND CONTROL PANEL HARNESS .....	348
FIGURE 8-33. PLATFORM CONSOLE BOX HARNESS .....	350
FIGURE 8-34. RECEPTACLE BOX KIT - 110V IEC YELLOW (CE SPEC) .....	352
FIGURE 8-35. RECEPTACLE BOX KIT - 220V IEC BLUE (CE SPEC) .....	354
FIGURE 8-36. RECEPTACLE BOX KIT - 220V CEE7 POST GROUND 2X4 (CE SPEC) .....	356
FIGURE 8-37. RECEPTACLE BOX KIT - 220V CEE7 SIDE GROUND 2X4 (CE SPEC) .....	358
FIGURE 8-38. RECEPTACLE BOX KIT - 220V CEE7 POST GROUND 70MMX70MM (CE SPEC) .....	360
FIGURE 8-39. RECEPTACLE BOX KIT - 220V CEE7 SIDE GROUND 70MMX70MM (CE SPEC) .....	362
FIGURE 8-40. RECEPTACLE BOX KIT - 220V AFSINT 107 (CE SPEC) .....	364
FIGURE 8-41. SKYEYE INTERMEDIATE HARNESS .....	366
FIGURE 8-42. SKYEYE RECEIVER HARNESS .....	368
FIGURE 8-43. SKYEYE EMITTER HARNESS .....	370
FIGURE 8-44. SKYLINE HARNESS .....	372
FIGURE 8-45. SKYGUARD HARNESS .....	374
FIGURE 8-46. TURNABLE HARNESS .....	376
FIGURE 8-47. VALVE HARNESS - MAIN VALVE .....	380
FIGURE 8-48. VALVE HARNESS - PLATFORM VALVE .....	382

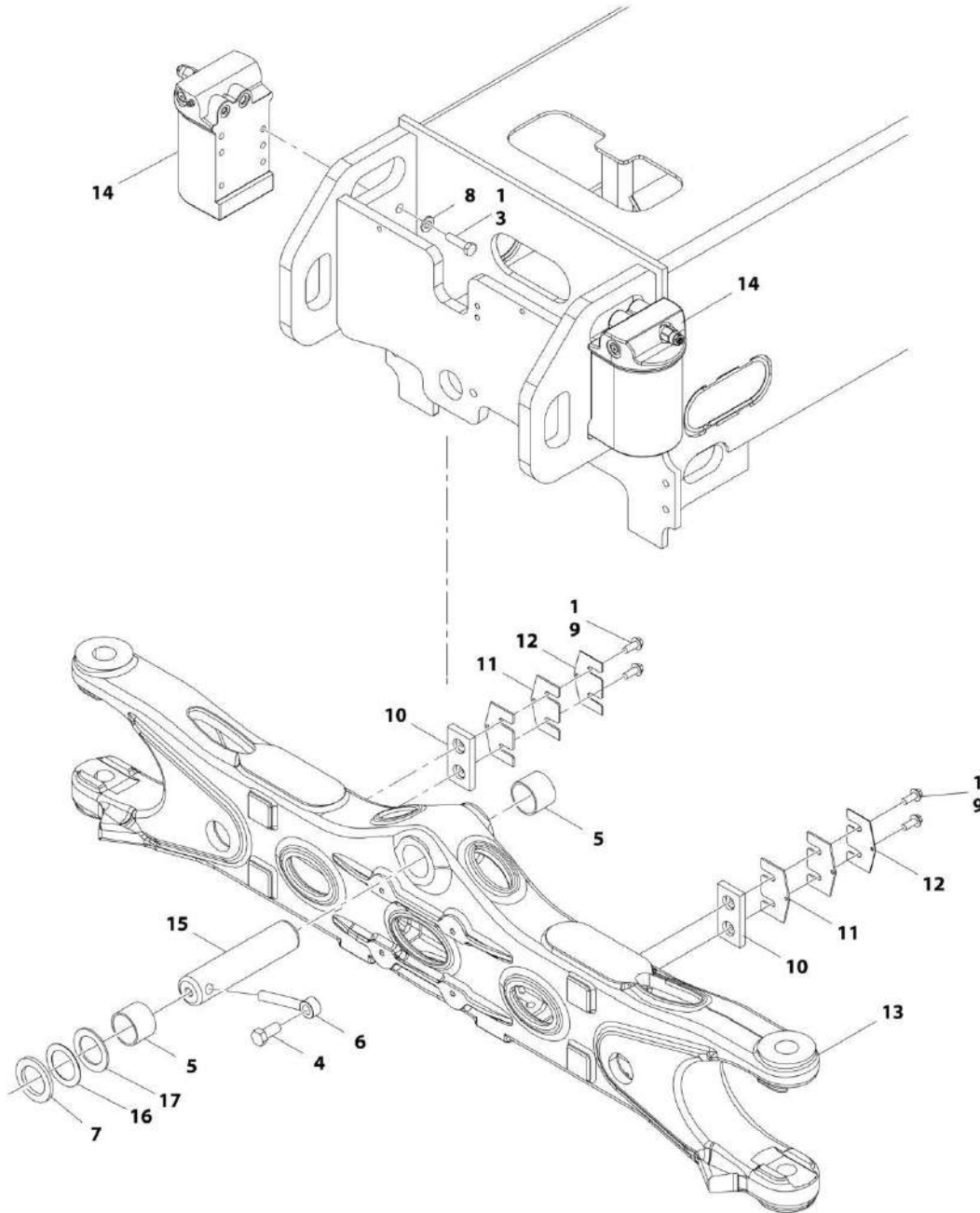
# TABLE OF CONTENTS

SECTION 9 - DECAL.....	385
FIGURE 9-1. DECAL INSTALLATION - AUSTRALIAN SPEC (ENGLISH).....	386
FIGURE 9-2. DECAL INSTALLATION - CE SPEC (ENGLISH) .....	388
FIGURE 9-3. DECAL INSTALLATION - OPTIONS.....	390
FIGURE 9-4. TOW BAR DECAL INSTALLATION - ENGLISH LANGUAGE (ANSI, ANSI EXPORT AND CE SPECS).....	392
FIGURE 9-5. TOW BAR DECAL INSTALLATION - SPANISH LANGUAGE (CE SPECS) .....	394
SECTION 10 - RECOMMENDED SERVICE PARTS STOCK.....	397
FIGURE 10-1. RECOMMENDED SERVICE PARTS STOCK.....	398
SECTION 11 - SPECIAL OPTIONS .....	399
FIGURE 11-1. SPECIAL OPTIONS .....	400
PART NUMBER INDEX.....	403

**SECTION 1 - FRAME**

# SECTION 1 - FRAME

## FIGURE 1-1. AXLE INSTALLATION



ART\_1001164093

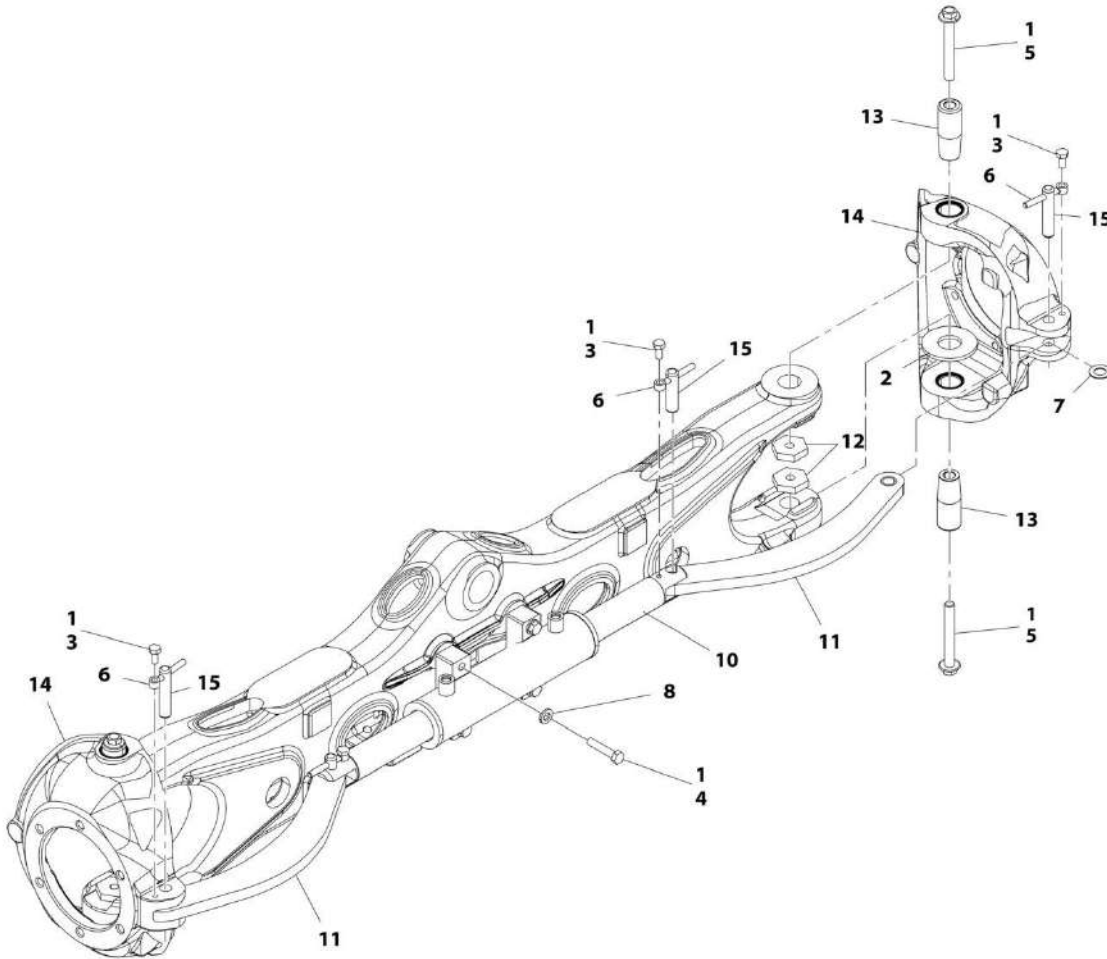
# SECTION 1 - FRAME

## FIGURE 1-1. AXLE INSTALLATION

ITEM	PART NUMBER	QTY	DESCRIPTION	REV
	1001164093	Ref	AXLE INSTALLATION	C
1	0100011	AR	Compound, Locking	
3	0701217	8	Bolt M12 x 45	
4	0761615	1	Bolt M16 x 35	
5	0961950	2	Bearing	
6	3841258	1	Keeper, Pin	
7	4740158	AR	Washer	
8	5241200	8	Washer M12	
9	5251012	4	Bolt M10 x 25	
10	1001118511	2	Pad, Wear	
11	1001118518	4	Shim 11Ga	
12	1001118519	2	Shim 16Ga	
13	1001162995	1	Axle	
14	1001163580	2	Axle Lockout Cylinder Assembly (See CYLINDER SECTION for Breakdown)	
15	1001164552	1	Pin	
16	4071101	AR	Shim <b>(SN E300004925 to Present)</b>	
17	4740229	AR	Washer <b>(SN E300004925 to Present)</b>	

# SECTION 1 - FRAME

## FIGURE 1-2. STEER INSTALLATION WITHOUT TOW PACKAGE



ART\_1001164092

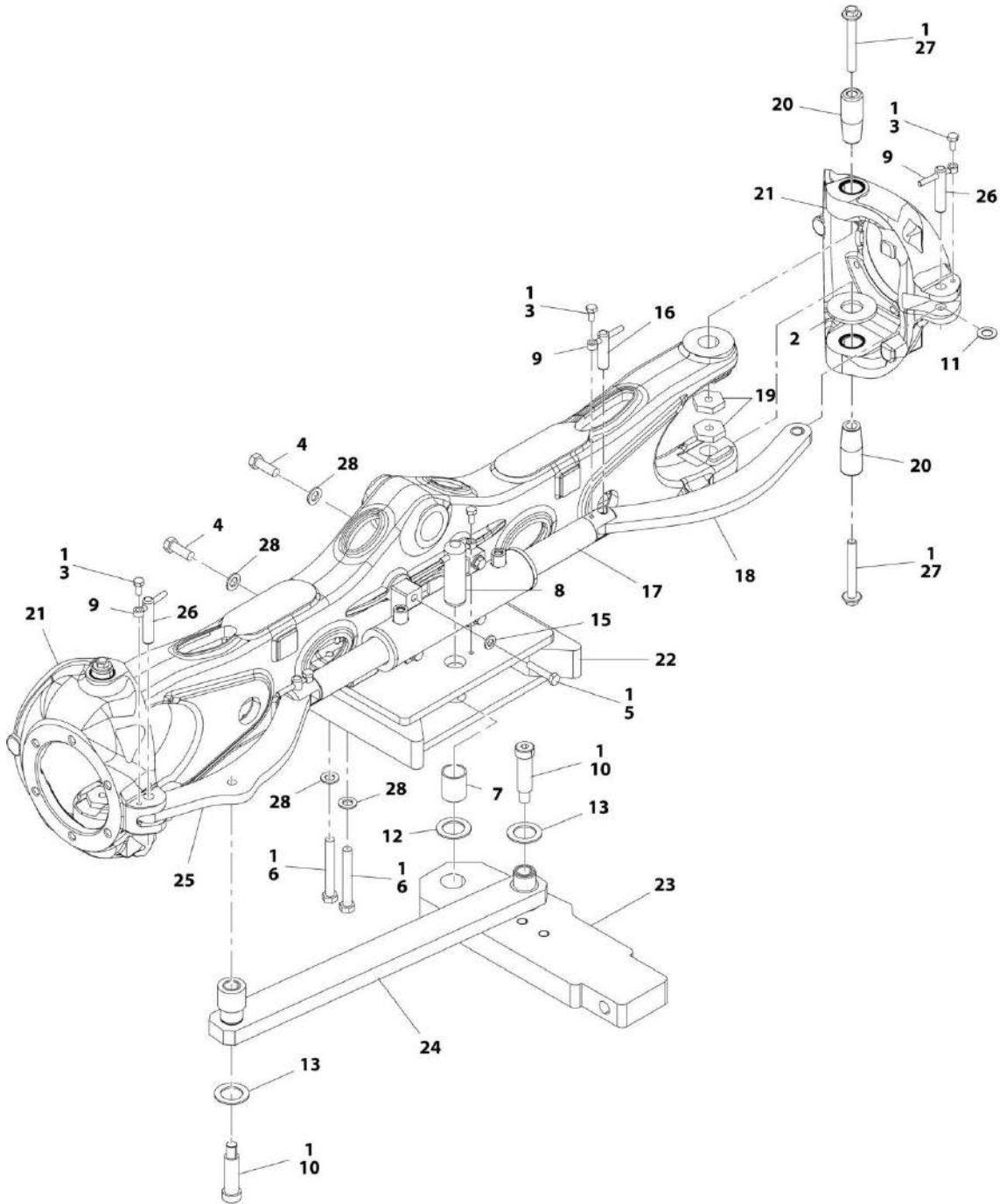
## SECTION 1 - FRAME

**FIGURE 1-2. STEER INSTALLATION WITHOUT TOW PACKAGE**

ITEM	PART NUMBER	QTY	DESCRIPTION	REV
	1001164092	Ref	STEER INSTALLATION WITHOUT TOW PACKAGE	F
1	0100011	AR	Compound, Locking	
2	0440271	2	Bearing, Thrust ( <b>SN 1300007286 through 1300007383, Prior to SN E300005317</b> )	
2	1001233139	2	Bearing, Thrust ( <b>SN E300005317 to Present</b> )	
3	0761011	4	Bolt M10 x 22	
4	0711220	4	Bolt M12 x 60 Grade 10.9	
5	1001190368	4	Bolt M16 x 120	
6	3841143	4	Keeper, Pin	
7	4740086	4	Washer	
8	5241200	4	Washer M12	
10	1001163178	1	Steer Cylinder Assembly (See CYLINDER SECTION for Breakdown)	
11	1001163179	2	Link	
11	1001164209	4	Bearing (2 Per Link)	
12	1001176848	4	Nut M16	
13	1001163405	4	Kingpin	
14	1001163715	2	Spindle	
14	0961948	4	Bearing (2 Per Spindle)	
14	1001163716	8	Seal (4 Per Spindle)	
15	3423304	4	Pin	

# SECTION 1 - FRAME

## FIGURE 1-3. STEER INSTALLATION WITH TOW PACKAGE



ART\_1001164095



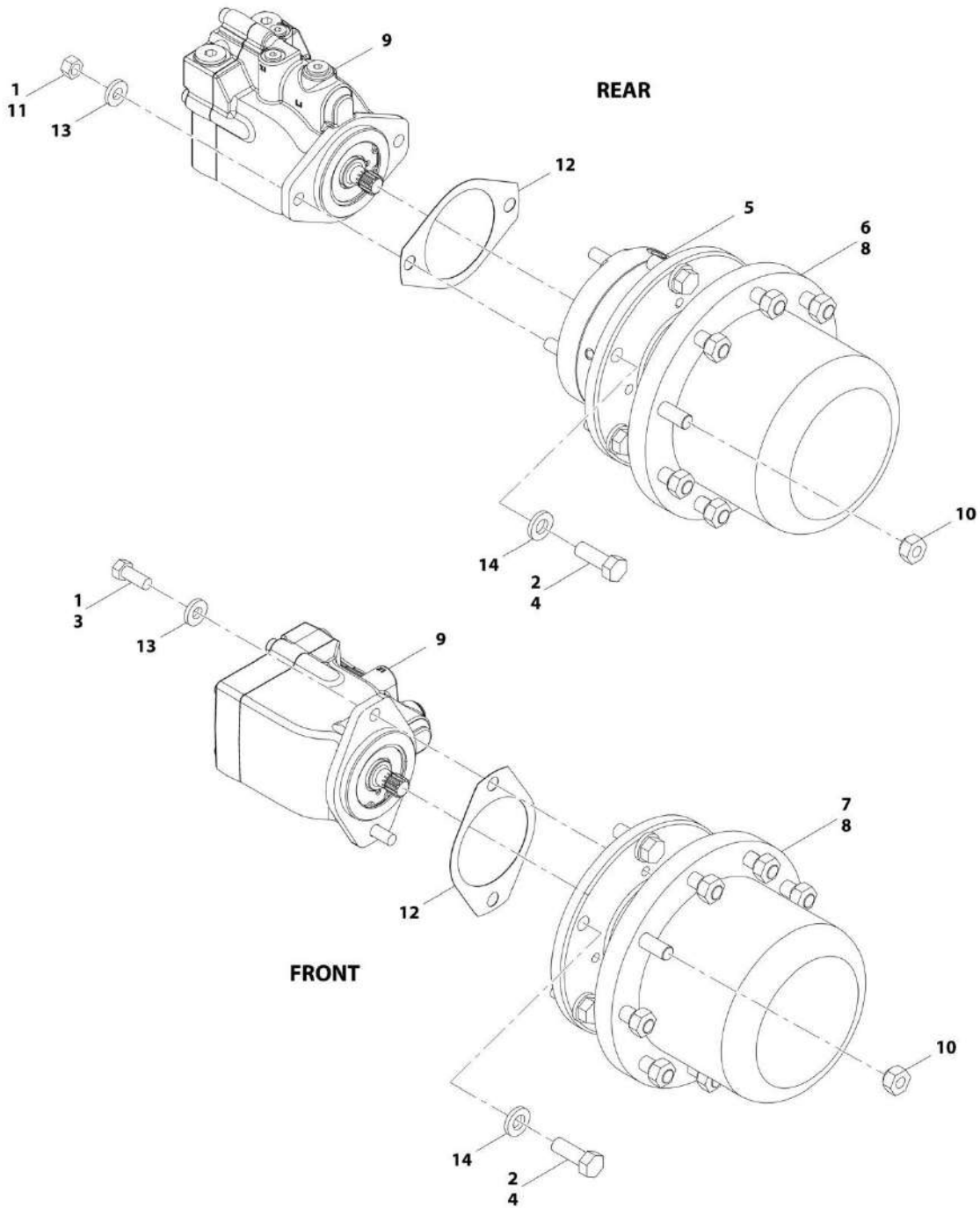
# SECTION 1 - FRAME

## FIGURE 1-3. STEER INSTALLATION WITH TOW PACKAGE

ITEM	PART NUMBER	QTY	DESCRIPTION	REV
	1001164095	Ref	STEER INSTALLATION WITH TOW PACKAGE	D
1	0100011	AR	Compound, Locking	
2	0440271	2	Bearing, Thrust	
3	0761011	5	Bolt M10 x 22	
4	0701617	2	Bolt M16 x 45	
5	0711220	4	Bolt M12 x 60 Grade 10.9	
6	0711629	4	Bolt M16 x 120 Grade 10.9	
7	0962348	1	Bearing	
8	3422848	1	Pin	
9	3841143	5	Keeper, Pin	
10	3900295	2	Bolt 1 x 3	
11	4740086	4	Washer	
12	4740155	1	Washer	
13	4740491	2	Washer	
15	5241200	4	Washer M12	
16	1001139586	2	Pin	
17	1001163178	1	Steer Cylinder Assembly (See CYLINDER SECTION for Breakdown)	
18	1001163179	1	Link	
18	1001164209	2	Bearing	
19	1001176848	4	Nut M16	
20	1001163405	4	Kingpin	
21	1001163715	2	Spindle	
21	0961948	4	Bearing (2 per Spindle)	
21	1001163716	8	Seal, Kingpin (4 per Spindle)	
22	1001163717	1	Bracket	
23	1001163722	1	Plate, Pivot	
24	1001163724	1	Link	
24	0962292	2	Bearing	
25	1001163726	1	Link	
25	1001164209	2	Bearing	
26	3423304	2	Pin	
27	1001190368	4	Bolt M16 x 120	
28	5241600	6	Washer M16	

# SECTION 1 - FRAME

## FIGURE 1-4. WHEEL DRIVE INSTALLATION, 4WD



ART\_1001166239

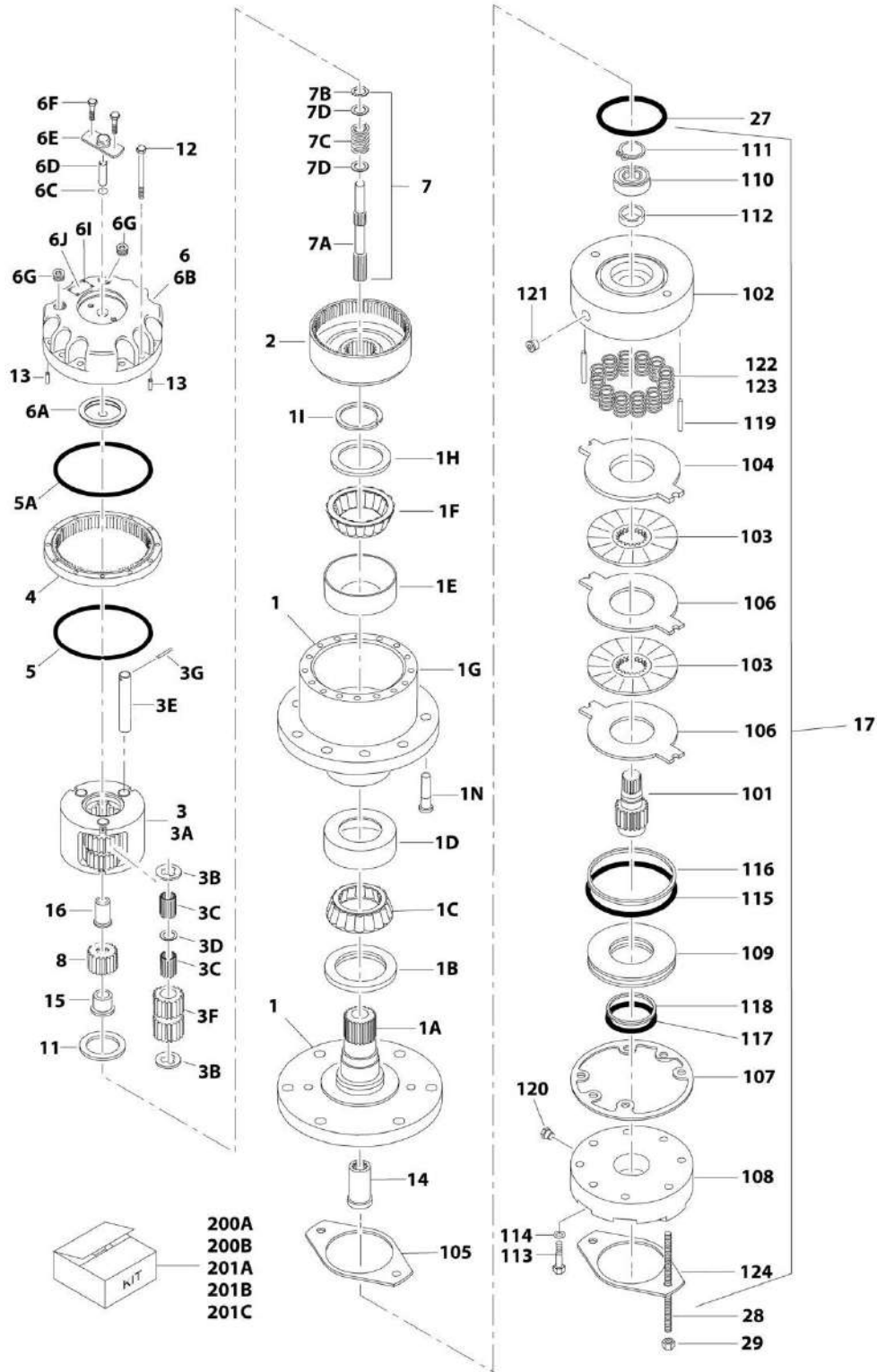
## SECTION 1 - FRAME

**FIGURE 1-4. WHEEL DRIVE INSTALLATION, 4WD**

ITEM	PART NUMBER	QTY	DESCRIPTION	REV
	1001166239	Ref	WHEEL DRIVE INSTALLATION, 4WD	D
1	0100011	AR	Compound, Locking	
2	0100019	AR	Compound, Locking	
3	0681810	4	Bolt 1/2 x 1-1/4 Grade 8	
4	0682014	24	Bolt 5/8 x 1-3/4 Grade 8	
5	2300016	AR	Fluid, Hydraulic	
6	2780267	2	Drive Hub Assembly - Rear (See DRIVE HUB ASSEMBLY - REAR for Breakdown)	
7	2780268	2	Drive Hub Assembly - Front (See DRIVE HUB ASSEMBLY - FRONT for Breakdown)	
8	3020008	AR	Lubricant	
9	3160348	4	Drive Motor Assembly (See DRIVE MOTOR ASSEMBLY for Breakdown)	
10	3300106	36	Lugnut	
11	3311801	4	Nut 1/2	
12	3960526	4	Gasket, Brake	
13	4891800	8	Washer 1/2	
14	4892000	24	Washer 5/8	

# SECTION 1 - FRAME

## FIGURE 1-5. DRIVE HUB AND BRAKE ASSEMBLY - REAR



ART\_2780267

## SECTION 1 - FRAME

### FIGURE 1-5. DRIVE HUB AND BRAKE ASSEMBLY - REAR

ITEM	PART NUMBER	QTY	DESCRIPTION	REV
	2780267	Ref	DRIVE HUB AND BRAKE ASSEMBLY - REAR	I
1	See Note	1	Spindle/Housing Assembly (Note: Purchase Individual Components)	
1A	7027059	1	Spindle	
1B	7001998	1	Seal	
1C	7010429	1	Cone, Bearing (Includes Item 1D)	
1D	7010429	1	Cup, Bearing (Includes Item 1C)	
1E	7000257	1	Cup, Bearing	
1F	7000258	1	Cone, Bearing	
1G	7007601	1	Housing/Ring Gear	
1H	7000232	1	Washer, Thrust	
1I	7000229	1	Ring, Retaining	
1N	7007640	9	Stud, Wheel	
2	7000246	1	Gear, Internal	
3	7024712	1	Carrier Assembly	
3A	See Note	1	Carrier (Note: Use p/n 7024712)	
3B	See Note	6	Ring, Retaining (Note: Use p/n 7024712)	
3C	See Note	AR	Bearing, Needle (Note: Use p/n 7024712)	
3D	See Note	3	Washer, Thrust (Note: Use p/n 7024712)	
3E	See Note	3	Shaft, Planet (Note: Use p/n 7024712)	
3F	See Note	3	Gear, Planet (Note: Use p/n 7024712)	
3G	See Note	3	Rollpin (Note: Not Available for Purchase)	
4	7000248	1	Ring Gear	
5	7000230	1	O-Ring	
5A	7017070	1	O-Ring	
6	70001349	1	Cover assembly Kit	
6A	See Note	1	Spacer, Thrust (Note: Use p/n 70001349)	
6B	See Note	1	Plate, Cover (Note: Use p/n 70001349)	
6C	See Note	1	O-Ring (Note: Use p/n 70001349)	
6D	See Note	1	Rod, Disconnect (Note: Use p/n 70001349)	
6E	See Note	1	Cap, Disengage (Note: Use p/n 70001349)	
6F	See Note	2	Bolt (Note: Use p/n 70001349)	
6G	See Note	1	Plug, Pipe (Note: Use p/n 70001349)	
6I	See Note	4	Rivet (Note: Not Available for Purchase)	
6J	See Note	1	Plate, ID (Note: Not Available for Purchase)	
7		Ref	Input Shaft Assembly	
7A	7024714	1	Shaft	
7B	7000261	1	Ring, Retaining	
7C	7000262	1	Spring	
7D	7000263	2	Spacer, Thrust	
8	7024713	1	Gear, Sun	
11	7000253	1	Washer, Thrust	
12	7017067	12	Bolt	
13	7017080	4	Pin, Dowell	
14	7000206	1	Coupling	
15	7024715	1	Spacer, Input	
16	7024716	1	Spacer, Input	
17	7024182	1	Brake Assembly (See Items 101-123 for Breakdown)	
27	7024705	1	O-Ring	
28	7024717	2	Rod, Threaded	

## SECTION 1 - FRAME

ITEM	PART NUMBER	QTY	DESCRIPTION	REV
29	7024718	2	Nut 1/2in-13NC	
	7024182	Ref	BRAKE ASSEMBLY	
101	7024189	1	Shaft	
102	See Note	1	Housing (Note: Use p/n 7024182)	
103	See Note	2	Plate, Friction (Note: Use p/n 7024193)	
104	See Note	1	Plate, Pressure (Note: Use p/n 7024193)	
105	70005483	1	Gasket	
106	See Note	2	Plate, Outer (Note: Use p/n 7024193)	
107	See Note	1	Gasket (Note: Use Items 200A, 201B or 201C)	
108	7024191	1	Cylinder	
109	7024192	1	Piston	
110	See Note	1	Bearing, Ball (Note: Use p/n 7024197)	
111	See Note	1	Ring, Retaining (Note: Use p/n 7024197)	
112	See Note	1	Seal, Shaft (Note: Use p/n 7024197)	
113	See Note	6	Capscrew (Note: Not Available for Purchase)	
114	See Note	6	Lockwasher (Note: Not Available for Purchase)	
115	See Note	1	O-Ring (Note: Not Available for Purchase)	
116	See Note	1	Ring, Back-up (Note: Not Available for Purchase)	
117	See Note	1	O-Ring (Note: Not Available for Purchase)	
118	See Note	1	Ring, Back-up (Note: Not Available for Purchase)	
119	7024190	2	Pin, Dowel	
120	See Note	1	Plug (Note: Not Available for Purchase)	
121	See Note	2	Plug (Note: Not Available for Purchase)	
122	See Note	12	Spring Kit (Natural) (Note: Use p/n 7024196)	
123	See Note	2	Spring Kit (Blue) (Note: Use p/n 7024196)	
124	70005483	1	Gasket	
		Ref	Kit Options	
200		Ref	Seal Kit Options:	
200A	See Note	1	Hub Seal Kit (Note: Purchase Individual Components)	
200B	7024194	1	Brake Seal Kit (Includes Items 105, 107 & 115-118)	
201		Ref	Repair Kit Options:	
201A	7024196	1	Brake Spring Kit (Includes 12 Natural Colored and 2 Blue Colored Springs Items 122 & 123)	
201B	7024193	1	Brake Friction Disc Kit (Includes Items 103, 104, 106 & 107)	
201C	7024197	1	Brake Bearing Kit (Includes Items 107 & 110-112)	







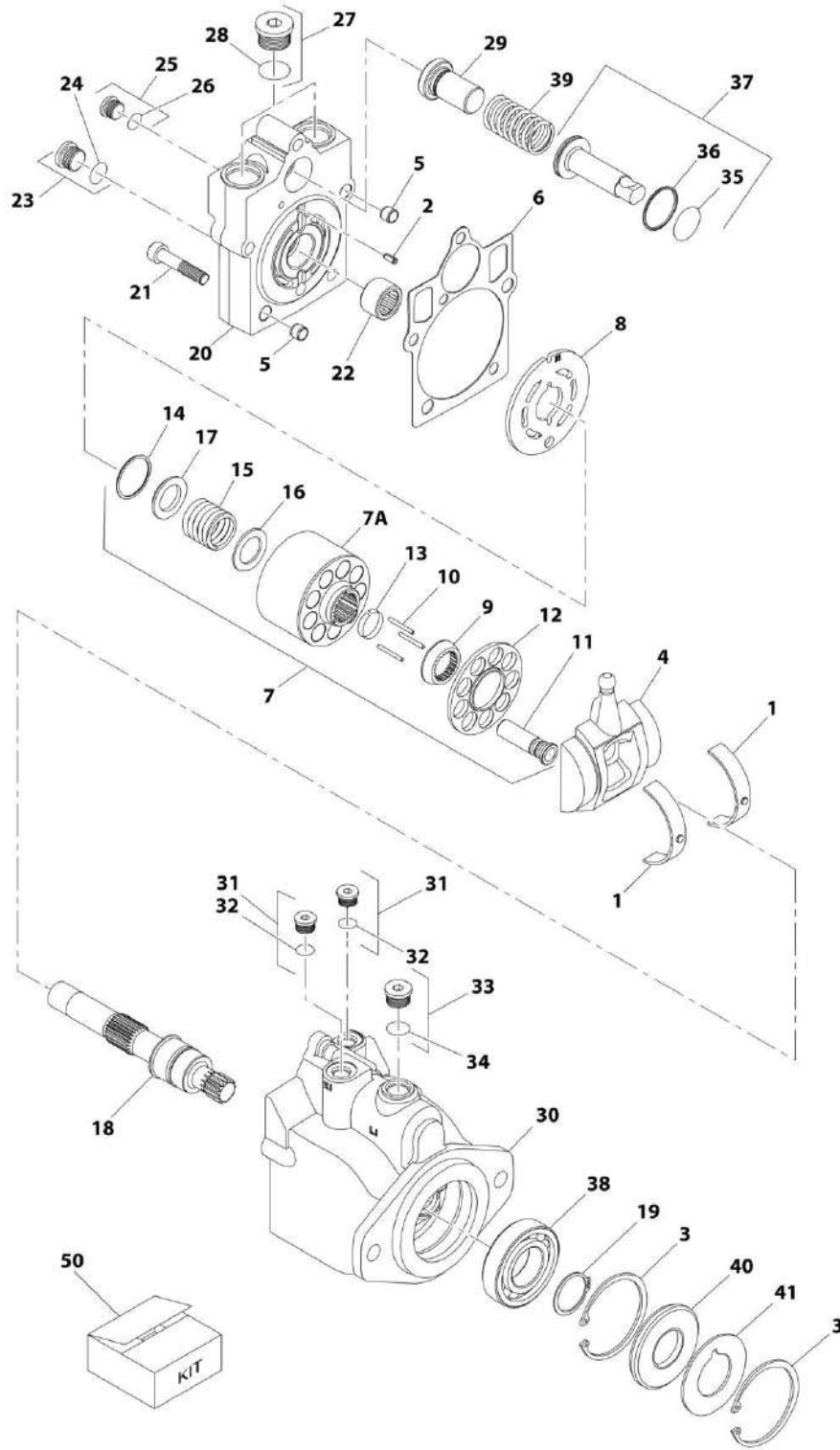
# SECTION 1 - FRAME

## FIGURE 1-6. DRIVE HUB ASSEMBLY - FRONT

ITEM	PART NUMBER	QTY	DESCRIPTION	REV
	2780268	Ref	DRIVE HUB ASSEMBLY - FRONT	A
1	See Note	1	Spindle/Housing Assembly (Note: Purchase Individual Components)	
1A	7027059	1	Spindle	
1B	7001998	1	Seal	
1C	7010429	1	Cone, Bearing (Includes Item 1D)	
1D	7010429	1	Cup, Bearing (Includes Item 1C)	
1E	7000257	1	Cup, Bearing	
1F	7000258	1	Cone, Bearing	
1G	7007601	1	Housing/Ring Gear	
1H	7000232	1	Washer, Thrust	
1I	7000229	1	Ring, Retaining	
1N	7007640	9	Stud, Wheel	
2	7000246	1	Gear, Internal	
3	7024712	1	Carrier Assembly	
3A	See Note	1	Carrier (Note: Use p/n 7024712)	
3B	See Note	6	Ring, Retaining (Note: Use p/n 7024712)	
3C	See Note	AR	Bearing, Needle (Note: Use p/n 7024712)	
3D	See Note	3	Washer, Thrust (Note: Use p/n 7024712)	
3E	See Note	3	Shaft, Planet (Note: Use p/n 7024712)	
3F	See Note	3	Gear, Planet (Note: Use p/n 7024712)	
3G	See Note	3	Rollpin (Note: Not Available for Purchase)	
4	7000248	1	Ring Gear	
5	7000230	1	O-Ring	
5A	7017070	1	O-Ring	
6	70001349	1	Cover Assembly Kit	
6A	See Note	1	Spacer, Thrust (Note: Use p/n 70001349)	
6B	See Note	1	Plate, Cover (Note: Use p/n 70001349)	
6C	See Note	1	O-Ring (Note: Use p/n 70001349)	
6D	See Note	1	Rod, Disconnect (Note: Use p/n 70001349)	
6E	See Note	1	Cap, Disengage (Note: Use p/n 70001349)	
6F	See Note	2	Bolt (Note: Use p/n 70001349)	
6G	See Note	1	Plug, Pipe (Note: Use p/n 70001349)	
6I	See Note	4	Rivet (Note: Not Available for Purchase)	
6J	See Note	1	Plate, ID (Note: Not Available for Purchase)	
7		Ref	Input Shaft Assembly	
7A	7024714	1	Shaft	
7B	7000261	1	Ring, Retaining	
7C	7000262	1	Spring	
7D	7000263	2	Spacer, Thrust	
8	7024713	1	Gear, Sun	
11	7000253	1	Washer, Thrust	
12	7017067	12	Bolt	
13	7017080	4	Pin, Dowell	
14	7000206	1	Coupling	
15	7024715	1	Spacer, Input	
16	7024716	1	Spacer, Input	

# SECTION 1 - FRAME

## FIGURE 1-7. DRIVE MOTOR ASSEMBLY, 4WD



ART\_3160348

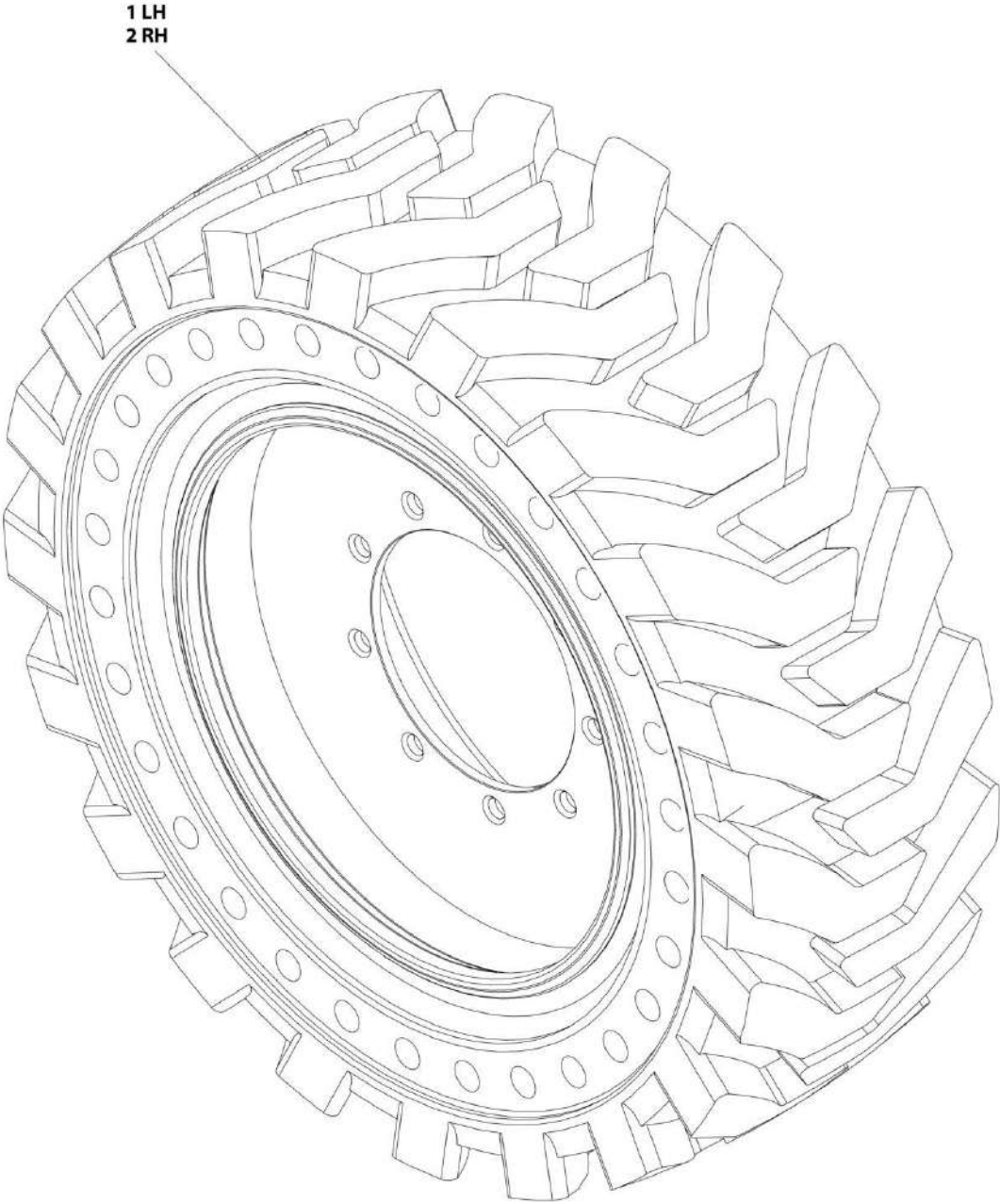
# SECTION 1 - FRAME

## FIGURE 1-7. DRIVE MOTOR ASSEMBLY, 4WD

ITEM	PART NUMBER	QTY	DESCRIPTION	REV
	3160348	Ref	DRIVE MOTOR ASSEMBLY, 4WD	B
1	7022302	2	Bearing, Journal	
2	7007446	1	Pin	
3	7007438	2	Ring, Retaining	
4	7022305	1	Swash Plate	
5	See Note	2	Pin (Note: Not Available for Purchase)	
6	See Note	NSS	Gasket (Note: Use Item 50)	
7	7023907	1	Cylinder Block Kit (Includes Items 7A & 9-17)	
7A	See Note	NSS	Block, Cylinder (Note: Use p/n 7023907)	
8	7023908	1	Plate, Valve	
9	7021277	1	Guide, Slipper Retainer	
10	7021275	3	Pin, Slipper Hold Down	
11	See Note	NSS	Piston Assembly (Note: Use p/n 7023907)	
12	7021276	1	Retainer, Hold Down Pin	
13	7022310	1	Retainer, Slipper	
14	7022311	1	Ring, Retaining	
15	7022312	1	Spring	
16	7024868	1	Washer	
17	7022314	1	Retainer, Spring	
18	7023910	1	Shaft	
19	7007439	1	Ring, Retaining	
20	70000797	1	Cap, End - Axial	
21	7022368	5	Screw	
22	7021249	1	Bearing, Needle	
23	2220886	1	Plug (Includes Item 24)	
24	See Note	NSS	O-Ring (Note: Use Item 23 or 50)	
25	2220883	1	Plug (Includes Item 26)	
26	See Note	NSS	O-Ring (Note: Use Item 25 or 50)	
27	2220888	2	Plug (Includes Item 28)	
28	See Note	NSS	O-Ring (Note: Use Item 27 or 50)	
29	7022372	1	Seat, Spring	
30	See Note	NSS	Housing (Note: Use p/n 3160248)	
31	2220883	2	Plug (Includes Item 32)	
32	See Note	NSS	O-Ring (Note: Use Item 31 or 50)	
33	2220886	1	Plug (Includes Item 34)	
34	See Note	NSS	O-Ring (Note: Use Item 33 or 50)	
35	See Note	NSS	O-Ring (Note: Use Item 50)	
36	See Note	NSS	Seal, Ring (Note: Use Item 50)	
37	7024854	1	Piston, Servo (Includes Items 35 & 36)	
38	7007437	1	Bearing	
39	7022326	1	Spring	
40	See Note	NSS	Seal, Lip (Note: Use Item 50)	
41	7022371	1	Washer, Support	
50	7022328	1	Seal Kit (Includes Items 6, 24, 26, 28, 32, 34, 35, 36 & 40)	

**SECTION 1 - FRAME**

**FIGURE 1-8. TIRE AND WHEEL INSTALLATION - 33 X 12-20 SOLID NON-MARKING**



ART\_1001169062

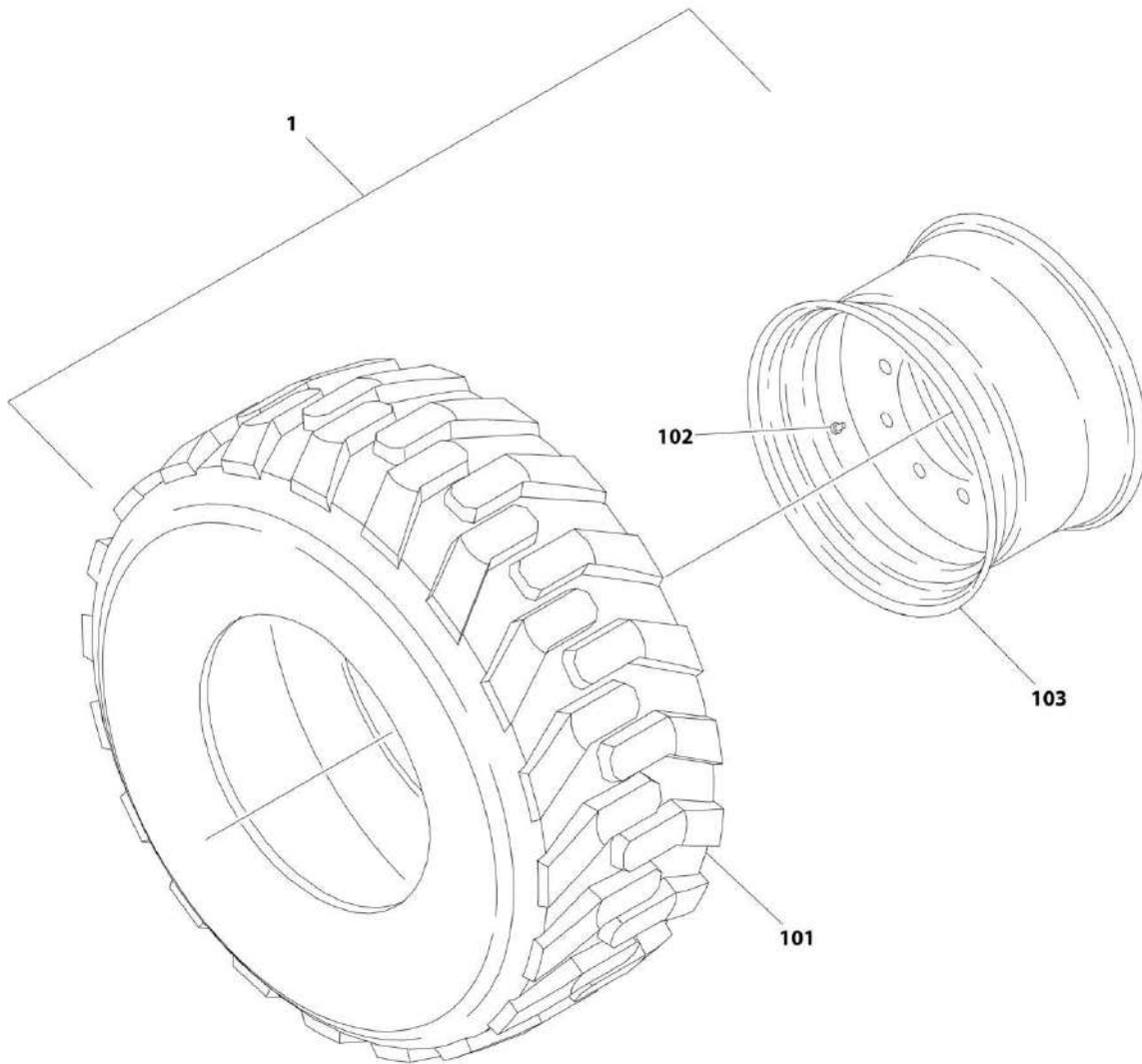
## SECTION 1 - FRAME

**FIGURE 1-8. TIRE AND WHEEL INSTALLATION - 33 X 12-20 SOLID NON-MARKING**

ITEM	PART NUMBER	QTY	DESCRIPTION	REV
	1001169062	Ref	TIRE AND WHEEL INSTALLATION - 33 X 12-20 SOLID NON-MARKING (AVAILABLE ON AUSTRALIAN AND CE SPECS)	A
		Ref	Note: Due to critical stable weights, only replace tire and wheel assemblies with like components.	
1	1001170098	2	Tire and Wheel Assembly - 33 x 12-20 Solid Non-Marking (LH Side)	
2	1001170099	2	Tire and Wheel Assembly - 33 x 12-20 Solid Non-Marking (RH Side)	

# SECTION 1 - FRAME

FIGURE 1-9. TIRE AND WHEEL INSTALLATION - 33/1550 X 16.5 FOAM FILLED



ART\_1001169075

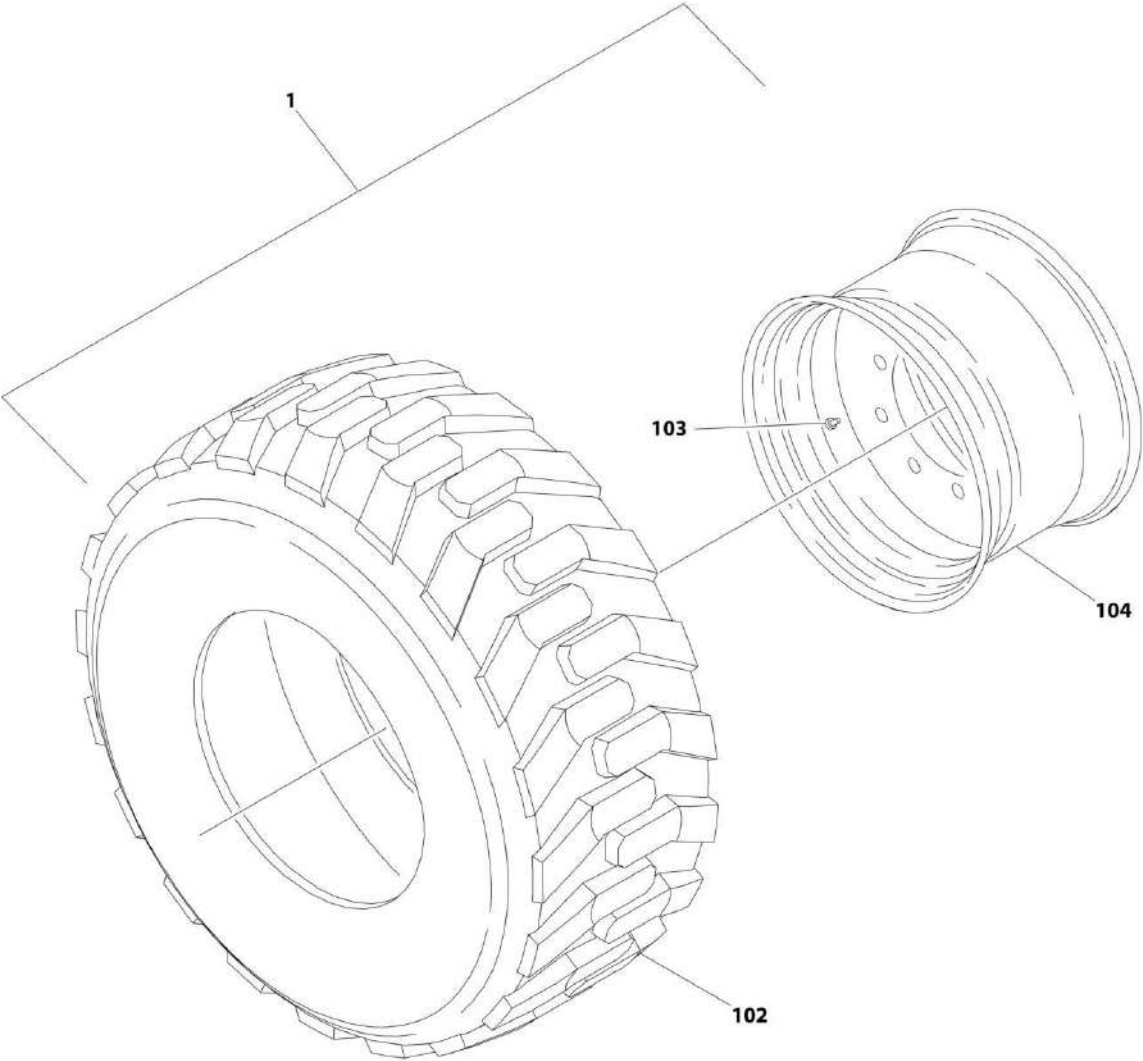
**SECTION 1 - FRAME**

**FIGURE 1-9. TIRE AND WHEEL INSTALLATION - 33/1550 X 16.5 FOAM FILLED**

ITEM	PART NUMBER	QTY	DESCRIPTION	REV
	1001169075	Ref	TIRE AND WHEEL INSTALLATION - 33/1550 X 16.5 FOAM-FILLED (AVAILABLE ON ALL SPECS)	A
		Ref	Note: Assemblies may require ballast/foam filling to manufacturer's specifications prior to installing on a machine. Refer to Operation and Safety or Service and Maintenance Manuals. Purchase individual tire and/or rim only if able to foam fill tire and wheel assembly, otherwise, purchase complete assembly.	
1	0258011	2	Tire and Wheel Assembly (RH Side)	I
1	0258012	2	Tire and Wheel Assembly (LH Side)	I
101	4520217	4	Tire, 33/1550 x 16.5	
102	8786514	4	Valve, Stem	
103	4860179	4	Rim, Wheel	

**SECTION 1 - FRAME**

**FIGURE 1-10. TIRE AND WHEEL INSTALLATION - 315/55 D20 FOAM FILLED**



ART\_1001166157



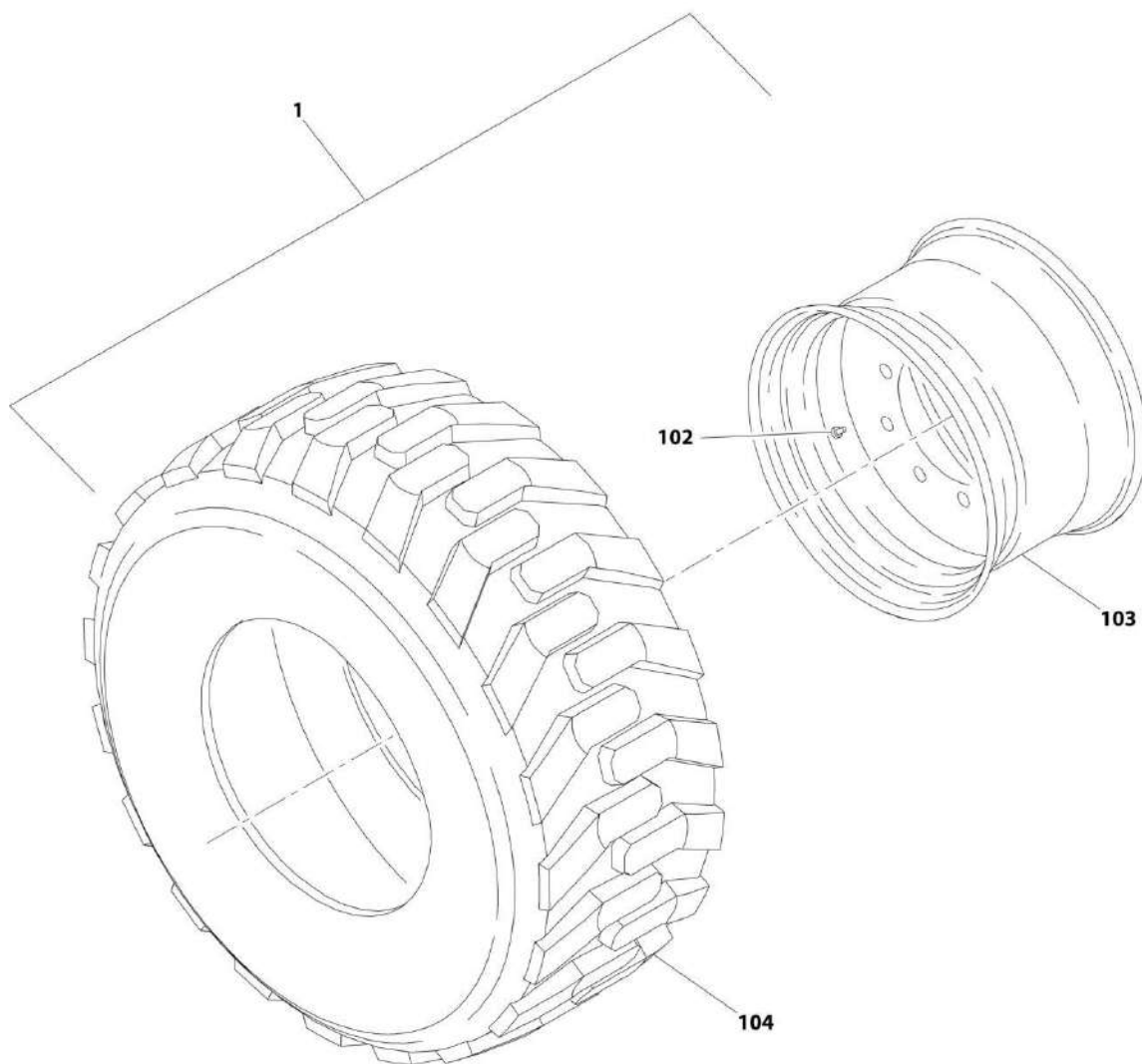
## SECTION 1 - FRAME

**FIGURE 1-10. TIRE AND WHEEL INSTALLATION - 315/55 D20 FOAM FILLED**

ITEM	PART NUMBER	QTY	DESCRIPTION	REV
	1001166157	Ref	TIRE AND WHEEL INSTALLATION - 315/55 D20 FOAM FILLED (AVAILABLE ON AUSTRALIAN AND CE SPECS)	A
		Ref	Note: Assemblies may require ballast/foam filling to manufacturer's specifications prior to installing on a machine. Refer to Operation and Safety or Service and Maintenance Manuals. Purchase individual tire and/or rim only if able to foam fill tire and wheel assembly, otherwise, purchase complete assembly.	
1	1001166155	2	Tire and Wheel Assembly (LH Side)	I
1	1001166156	2	Tire and Wheel Assembly (RH Side)	I
102	4520608	4	Tire IN315/55/D20	
103	4641122	4	Valve, Stem	
104	1001166153	4	Rim, Wheel	

# SECTION 1 - FRAME

FIGURE 1-11. TIRE AND WHEEL INSTALLATION - 315/55 D20 FOAM FILLED NON-MARKING



ART\_1001169058

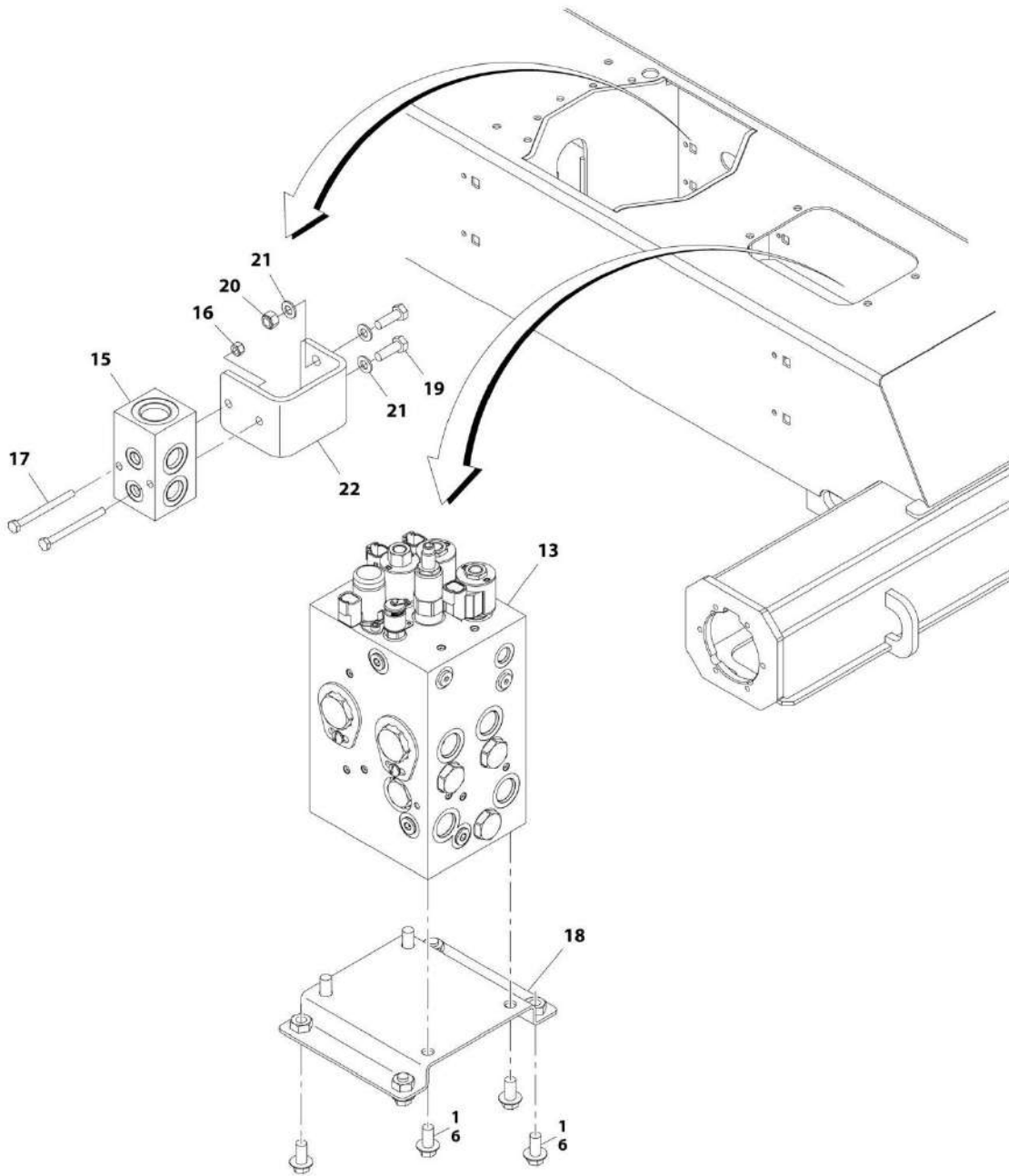
## SECTION 1 - FRAME

**FIGURE 1-11. TIRE AND WHEEL INSTALLATION - 315/55 D20 FOAM FILLED NON-MARKING**

ITEM	PART NUMBER	QTY	DESCRIPTION	REV
	1001169058	Ref	TIRE AND WHEEL INSTALLATION - 315/55 D20 FOAM FILLED NON-MARKING (AVAILABLE ON AUSTRALIAN AND CE SPECS)	A
		Ref	Note: Assemblies may require ballast/foam filling to manufacturer's specifications prior to installing on a machine. Refer to Operation and Safety or Service and Maintenance Manuals. Purchase individual tire and/or rim only if able to foam fill tire and wheel assembly, otherwise, purchase complete assembly.	
1	1001170459	2	Tire and Wheel Assembly (RH Side)	F
1	1001170460	2	Tire and Wheel Assembly (LH Side)	F
102	4641122	4	Valve, Stem	
103	1001166153	4	Rim, Wheel	
104	1001170458	4	Tire 315/55 D20 Non Marking	

# SECTION 1 - FRAME

## FIGURE 1-12. VALVES INSTALLATION - FRAME MOUNTED



ART\_1001165948\_10F3

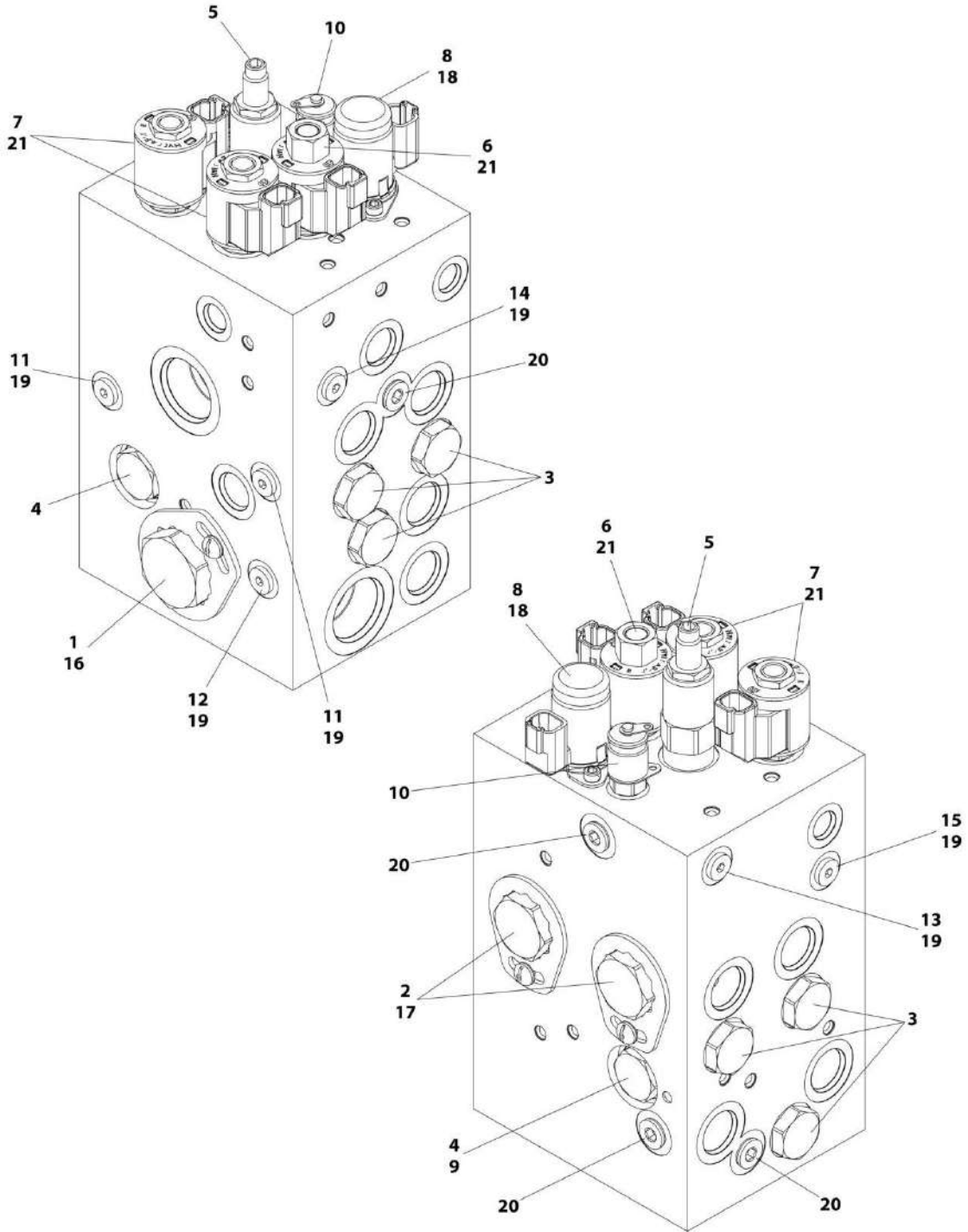
## SECTION 1 - FRAME

**FIGURE 1-12. VALVES INSTALLATION - FRAME MOUNTED**

ITEM	PART NUMBER	QTY	DESCRIPTION	REV
	1001165948	Ref	VALVES INSTALLATION - FRAME MOUNTED	H
1	0100011	AR	Compound, Locking	
6	5251010	4	Bolt M10 x 20	
13	1001162539	1	Traction Valve Assembly (See TRACTION VALVE ASSEMBLY for Breakdown)	
15	4641155	1	Junction Valve Assembly	
16	3290605	2	Nut, M6	
17	1001096653	2	Bolt M6 x 70	
18	1001179517	1	Bracket	
19	0760812	1	Bolt M8 x 25	
20	3290805	1	Nut M8	
21	4811900	1	Washer M8	
22	1001197221	1	Bracket	

# SECTION 1 - FRAME

## FIGURE 1-13. TRACTION VALVE ASSEMBLY



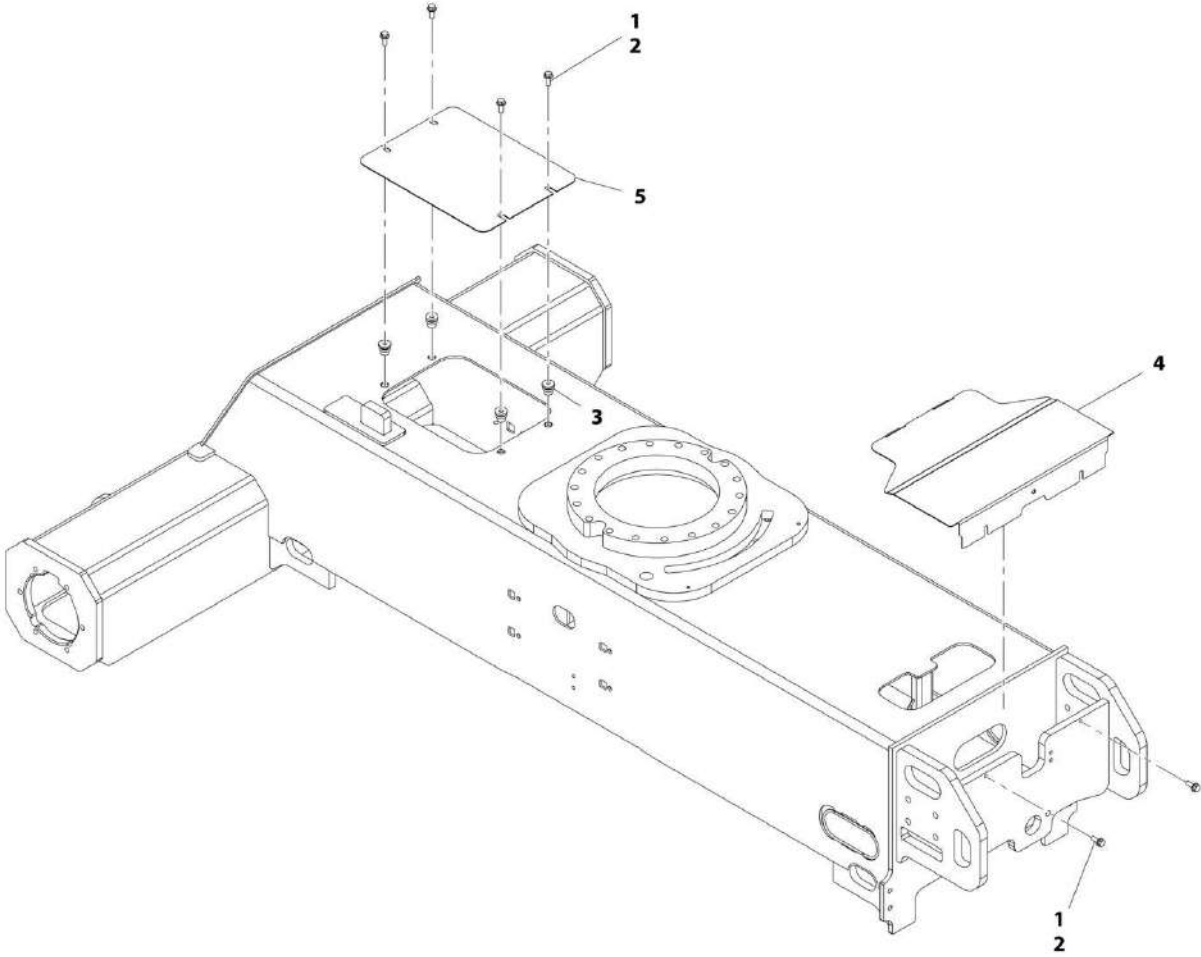
ART\_1001162539

FIGURE 1-13. TRACTION VALVE ASSEMBLY

ITEM	PART NUMBER	QTY	DESCRIPTION	REV
	1001162539	Ref	TRACTION VALVE ASSEMBLY	D
1	70004017	1	Cartridge, Flow Divider	
1	7021625	1	Seal Kit - 70004017 Valve	
2	70004885	2	Cartridge, Flow Divider	
2	70004577	2	Seal Kit - 70004885 Valve	
3	7022397	6	Cartridge, Check Valve	
3	7022399	6	Seal Kit - 7022397 Valve	
4	7021639	2	Cartridge, Check Valve	
4	2900756	2	Seal Kit - 7021639 Valve	
5	70004886	1	Cartridge, Relief Valve	
5	7017496	1	Seal Kit - 70004886 Valve	
6	7017410	1	Cartridge, Solenoid Less Coil	
6	7012967	1	Seal Kit - 7017410 Valve	
7	7012974	2	Cartridge, Solenoid Less Coil	
7	7010543	2	Seal Kit - 7012974 Valve	
8	70004887	1	Cartridge, Solenoid Less Coil	
8	70023606	1	Seal Kit - 70004887 Valve	
8	7024885	1	Coil	
9	7024881	1	Piston, Pilot	
10	2221086	1	Fitting, Diagnostic	
11	70003975	2	Orifice	
12	70002209	1	Orifice	
13	70002063	1	Orifice	
14	70004884	1	Orifice	
15	70004883	1	Orifice	
16	70000781	1	Locking Kit	
17	70002962	2	Locking Kit	
18	70004888	2	Screw	
19	2220883	6	Plug #4	
20	2220885	5	Plug #6	
21	70002386	3	Coil	

**SECTION 1 - FRAME**

**FIGURE 1-14. FRAME COVERS INSTALLATION**



ART\_1001162105

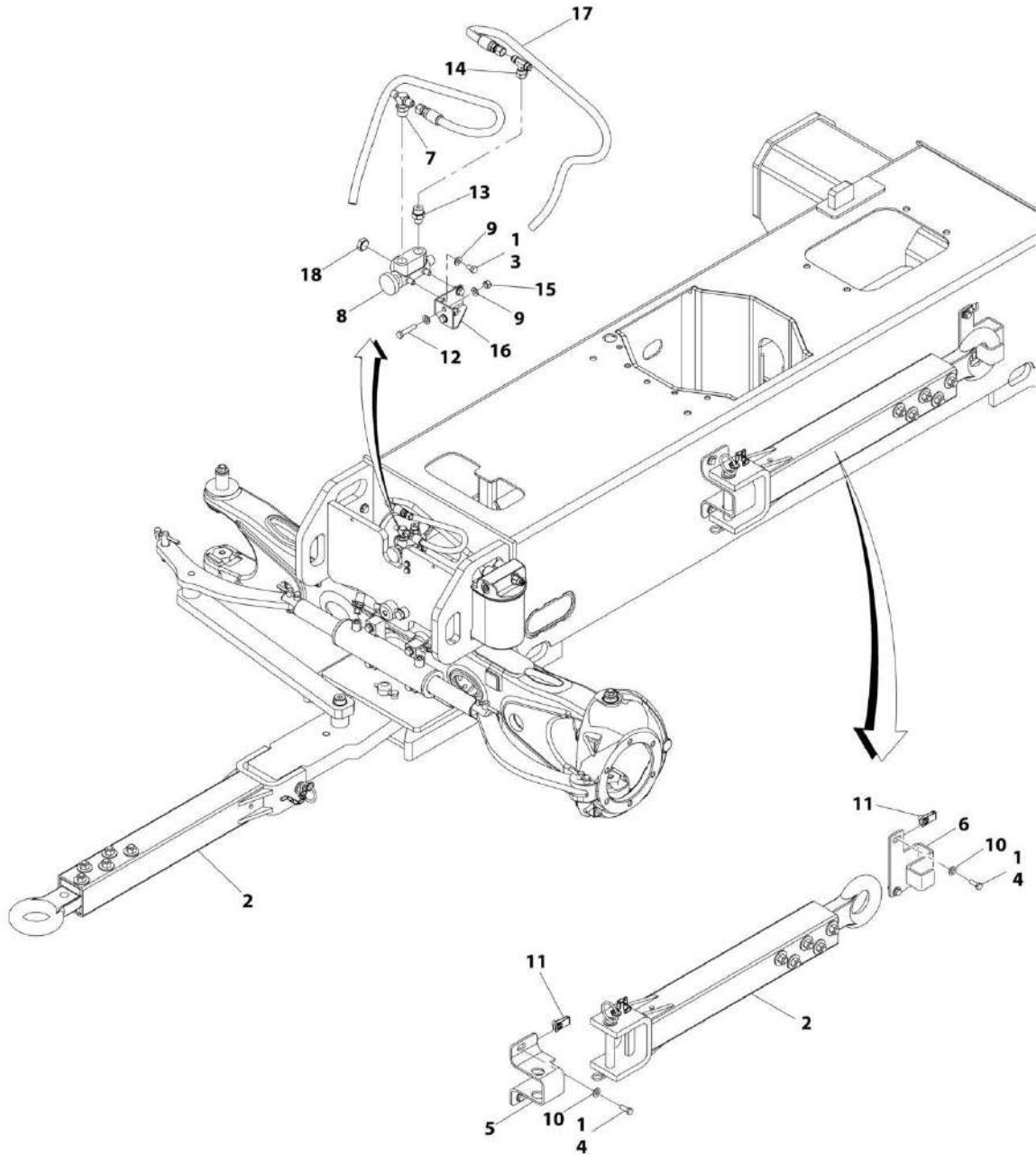


**FIGURE 1-14. FRAME COVERS INSTALLATION**

<b>ITEM</b>	<b>PART NUMBER</b>	<b>QTY</b>	<b>DESCRIPTION</b>	<b>REV</b>
	1001162105	Ref	FRAME COVERS INSTALLATION	B
1	0100011	AR	Compound, Locking	
2	5251012	6	Bolt, M10 x 25mm	
3	1001180916	4	Nut	
4	1001162107	1	Front Cover Plate, Top	
5	1001165968	1	Top Cover Plate, Flow Divider	

# SECTION 1 - FRAME

## FIGURE 1-15. TOW PACKAGE INSTALLATION (OPTIONAL)



ART\_1001166232

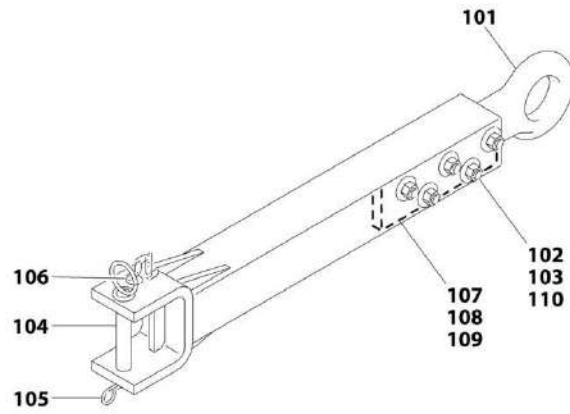
## SECTION 1 - FRAME

**FIGURE 1-15. TOW PACKAGE INSTALLATION (OPTIONAL)**

ITEM	PART NUMBER	QTY	DESCRIPTION	REV
	1001166232	Ref	TOW PACKAGE INSTALLATION (OPTIONAL)	D
1	0100011	AR	Compound, Locking	
2	0363019	1	Tow Bar Assembly (See TOW BAR ASSEMBLY for Breakdown)	
3	0641504	2	Bolt 5/16 x 1/2	
4	0701014	4	Bolt M10 x 30	
5	0902733	1	Bracket	
6	0902734	1	Bracket	
7	2221052	1	Fitting, Tee JIC/ORB/JIC	
8	4640261	1	Steer/Tow Select Valve Assembly	
9	4711500	6	Washer 5/16	
10	5241200	4	Washer M12	
11	1001118972	4	Nut M10	
12	0700816	2	Bolt M8 x 40	
13	2220372	1	Fitting, Straight JIC/ORB	
14	2220579	1	Fitting, Tee JIC/FSJIC/JIC	
15	3290805	2	Nut M8	
16	1001181527	1	Bracket	
17	1001181913	2	Hose	
18	2220238	1	Plug	

# SECTION 1 - FRAME

## FIGURE 1-16. TOW BAR ASSEMBLY



ART\_0363019

FIGURE 1-16. TOW BAR ASSEMBLY

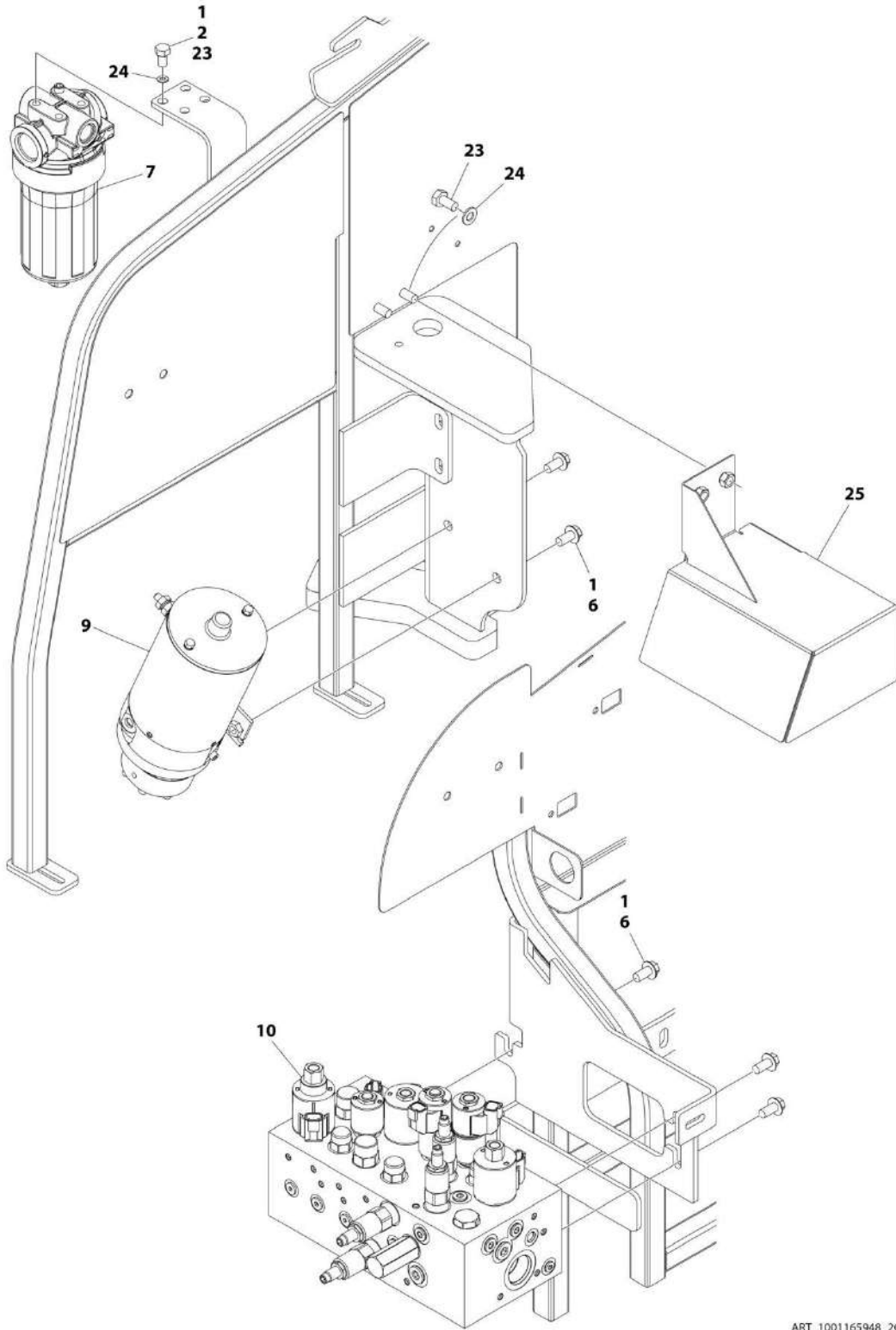
ITEM	PART NUMBER	QTY	DESCRIPTION	REV
	0363019	Ref	TOW BAR ASSEMBLY	B
101	0360406	1	Pintle, Draw Eye	
102	0682040	5	Bolt 5/8 x 5	
103	3312005	5	Nut 5/8	
104	3420352	1	Pin, Towing	
105	3420372	1	Hairpin	
106	3760170	1	Ring, Split	
107	4070450	2	Shim (.07)	
108	4070560	2	Shim (.88)	
109	4070561	2	Shim (.12)	
110	4752000	10	Washer 5/8	



**SECTION 2 - TURNTABLE**

# SECTION 2 - TURNTABLE

## FIGURE 2-1. VALVES INSTALLATION - TURNTABLE MOUNTED



ART\_1001165948\_20F3



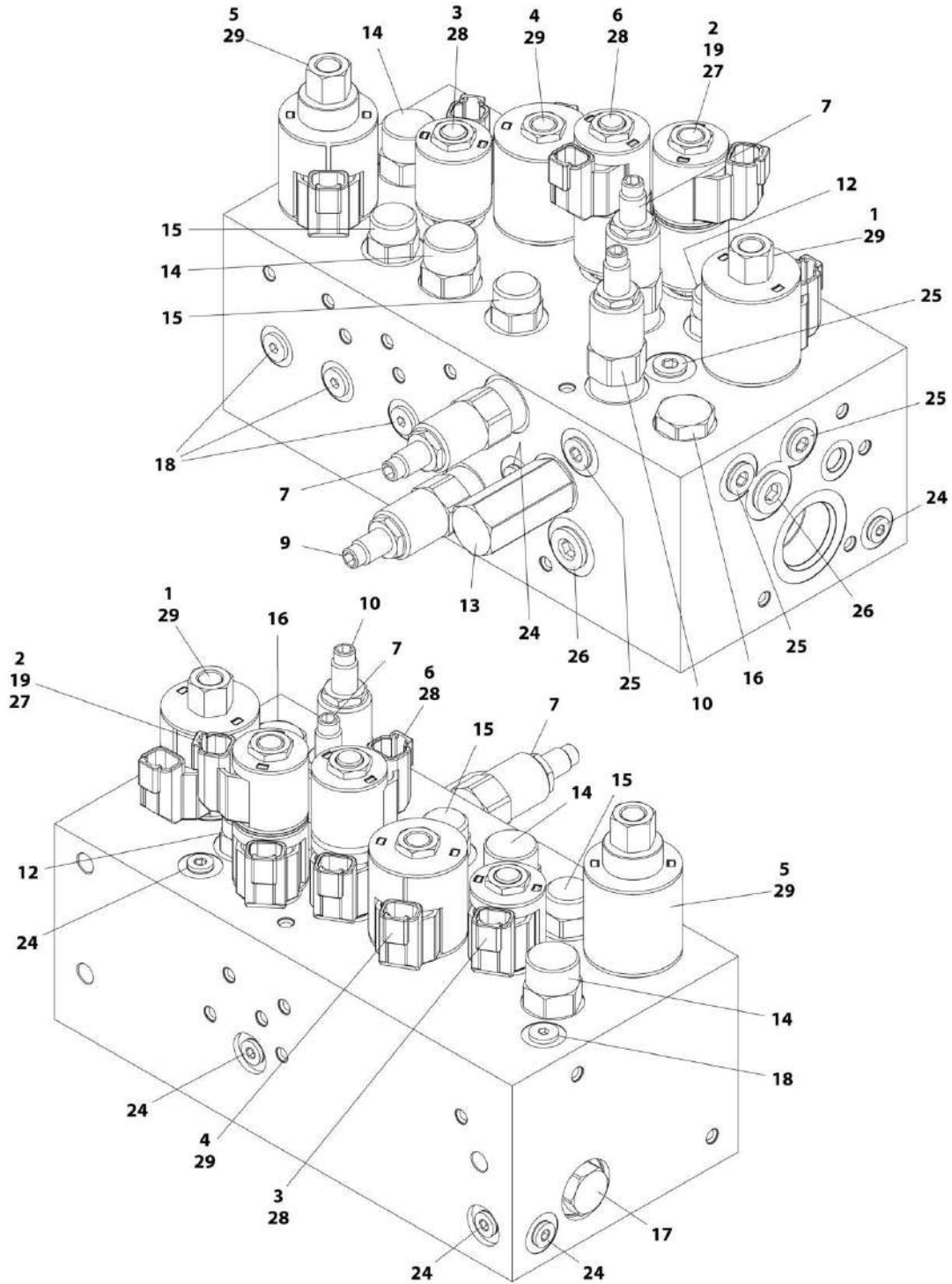
# SECTION 2 - TURNTABLE

**FIGURE 2-1. VALVES INSTALLATION - TURNTABLE MOUNTED**

ITEM	PART NUMBER	QTY	DESCRIPTION	REV
	1001165948	Ref	VALVES INSTALLATION - TURNTABLE MOUNTED	H
1	0100011	AR	Compound, Locking	
2	0641605	AR	Bolt 3/8 x 5/8	
6	5251010	15	Bolt M10 x 20	
7	1001102987	1	Filter, Charge Pump <b>(Prior to SN E300004959)</b>	
7	1001208874	1	Filter, Charge Pump <b>(SN E300004959 to Present)</b>	
7	70010383	1	Element, Filter (Includes O-Ring)	
9	1001185821	1	Auxiliary Pump Assembly (See AUXILIARY PUMP ASSEMBLY for Breakdown)	
10	1001162534	1	Main Valve Assembly (See MAIN VALVE ASSEMBLY for Breakdown)	
23	0761010	AR	Bolt M10 x 20	
24	4812000	AR	Washer M10	
25	1001234295	1	Cover <b>(SN E300006377 to Present)</b>	

# SECTION 2 - TURNTABLE

## FIGURE 2-2. MAIN VALVE ASSEMBLY



ART\_1001162534

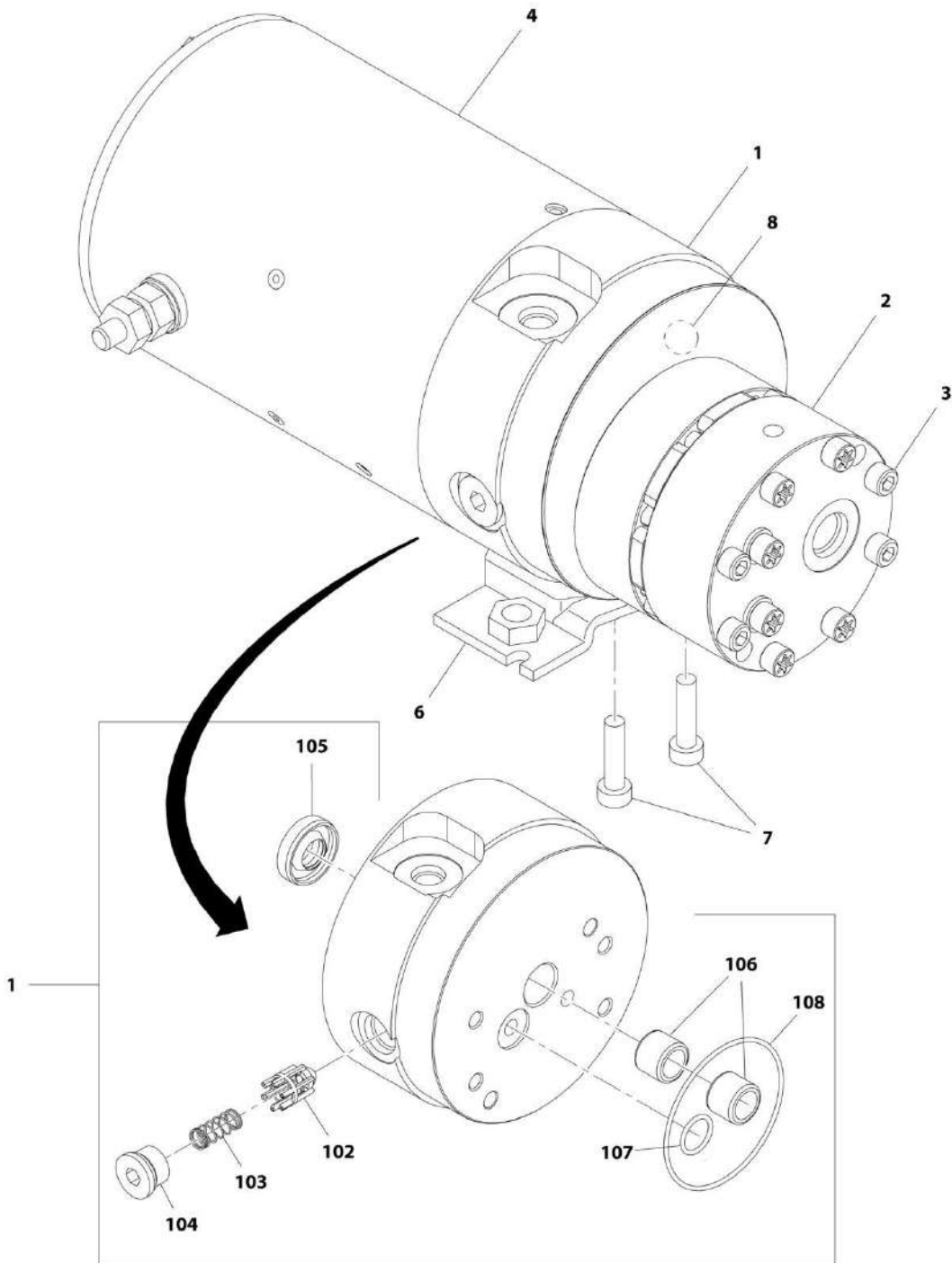
**SECTION 2 - TURNTABLE**

**FIGURE 2-2. MAIN VALVE ASSEMBLY**

ITEM	PART NUMBER	QTY	DESCRIPTION	REV
	1001162534	Ref	MAIN VALVE ASSEMBLY	F
1	70005069	1	Cartridge, Solenoid Less Coil (Main Dump)	
1	7022399	1	Seal Kit - 70005069 Valve	
1	70003977	1	Nut, Coil	
2	70005217	1	Cartridge, Solenoid Less Coil (Steer)	
2	70005071	1	Seal Kit - 70005217 Valve	
2	7022390	1	Nut, Coil	
3	70005094	1	Cartridge, Solenoid Less Coil (Main Lift Up)	
3	7023936	1	Seal Kit - 70005094 Valve	
3	7022390	1	Nut, Coil	
4	70005076	1	Cartridge, Solenoid Less Coil (Tower Lift Up)	
4	7022399	1	Seal Kit - 70005076 Valve	
4	7022390	1	Nut, Coil	
5	70005095	1	Cartridge, Solenoid Less Coil (Flow Control)	
5	7022399	1	Seal Kit - 70005095 Valve	
5	70003977	1	Nut, Coil	
6	70005096	1	Cartridge, Solenoid Less Coil (Swing)	
6	70005071	1	Seal Kit - 70005096 Valve	
7	70005097	1	Cartridge, Solenoid Less Coil	
7	70005082	2	Seal Kit - 70005097 Valve	
9	70005098	1	Cartridge, Relief Valve	
9	7023936	1	Seal Kit - 70005098 Valve	
10	70005080	1	Cartridge, Relief Valve	
10	7022399	1	Seal Kit - 70005080 Valve	
12	70005218	1	Cartridge, Valve	
12	70005082	1	Seal Kit - 70005218 Valve	
13	70005084	1	Cartridge, Valve	
13	70005085	1	Seal Kit - 70005084 Valve	
14	70005099	2	Cartridge, Valve	
14	70005087	2	Seal Kit - 70005099 Valve	
15	70005088	2	Cartridge, Valve	
15	7023900	2	Seal Kit - 70005088 Valve	
16	70005100	1	Cartridge, Check Valve	
16	7022399	1	Seal Kit - 70005100 Valve	
17	70005089	1	Cartridge, Check Valve	
17	7023936	1	Seal Kit - 70005089 Valve	
18	70005090	5	Cartridge, Check Valve	
18	70005092	5	Seal Kit - 70005092 Valve	
19	70002974	1	Disc, Check Valve	
24	91164059	7	Plug	
25	91164079	4	Plug	
26	91164057	2	Plug	
27	70005219	2	Coil	
28	70002386	3	Coil	
29	70003788	3	Coil	

# SECTION 2 - TURNTABLE

## FIGURE 2-3. AUXILIARY PUMP ASSEMBLY



ART\_1001185821

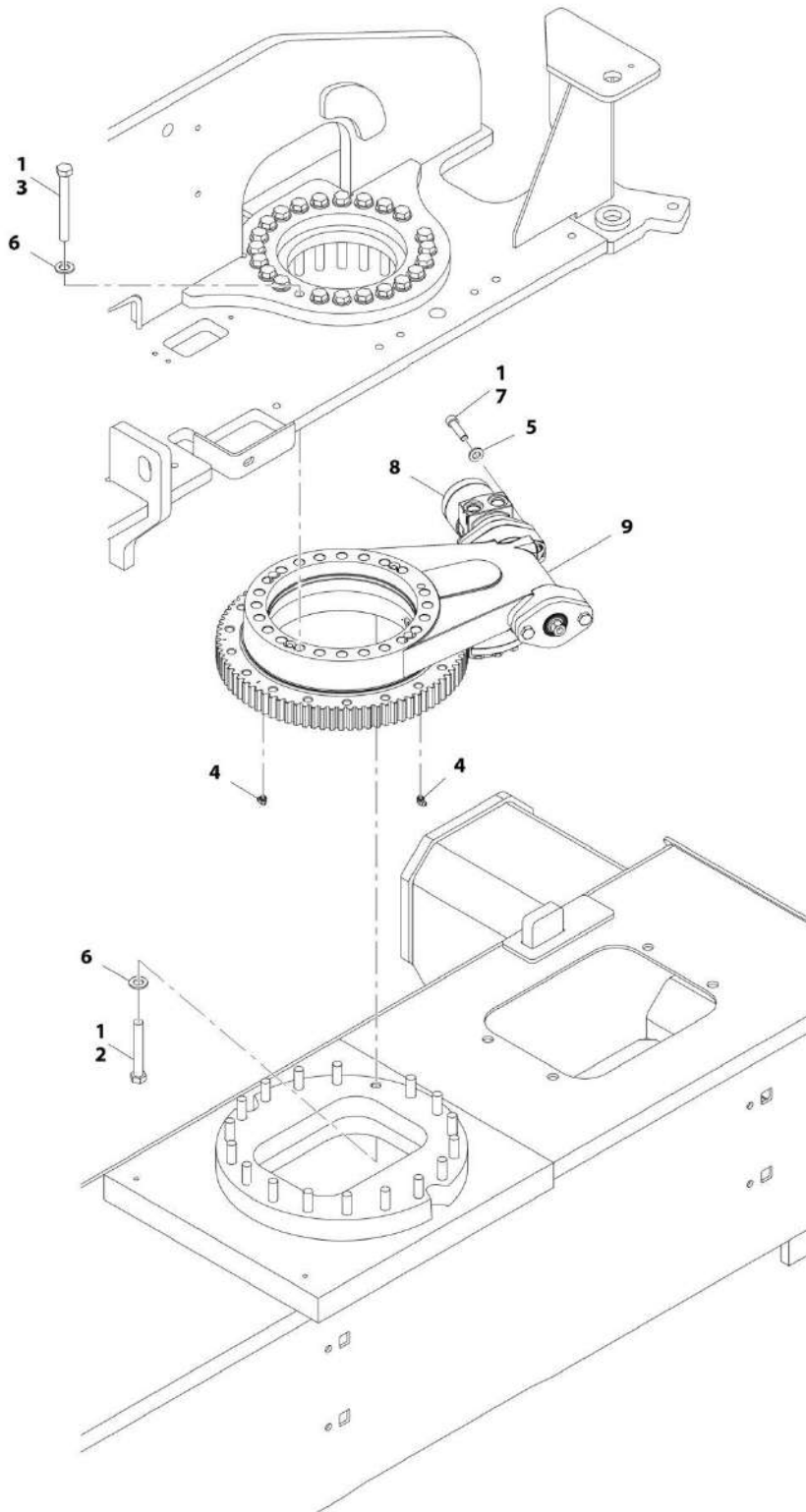
**SECTION 2 - TURNTABLE**

**FIGURE 2-3. AUXILIARY PUMP ASSEMBLY**

ITEM	PART NUMBER	QTY	DESCRIPTION	REV
	1001185821	Ref	AUXILIARY PUMP ASSEMBLY	B
1	70005065	1	Base Assembly (See Items 102-108 for Breakdown)	
2	70005066	1	Pump Assembly (Note: No Seal Kit or Internal Components are Available - Purchase Complete Pump Assembly)	
3	70005067	4	Capscrew 1/4 x 2-3/4	
4	70004013	1	Motor Assembly (Note: No Internal Components are Available - Purchase Complete Motor Assembly)	
6	70004014	1	Bracket	
7	70004000	2	Capscrew 3/8 x 1	
8	70005068	1	Relief Valve Assembly	
	70005065	Ref	BASE ASSEMBLY	
102	See Note	NSS	Poppet, Check (Note: Not Available - Purchase p/n 70005065)	
103	See Note	NSS	Spring (Note: Not Available - Purchase p/n 70005065)	
104	See Note	NSS	Plug (Note: Not Available - Purchase p/n 70005065)	
105	7026330	1	Seal, Shaft	
106	70005139	2	Bearing	
107	70003612	1	O-Ring	
108	70004267	1	O-Ring	

## SECTION 2 - TURNTABLE

FIGURE 2-4. SWING DRIVE AND TURNTABLE BEARING INSTALLATION



ART\_1001165946

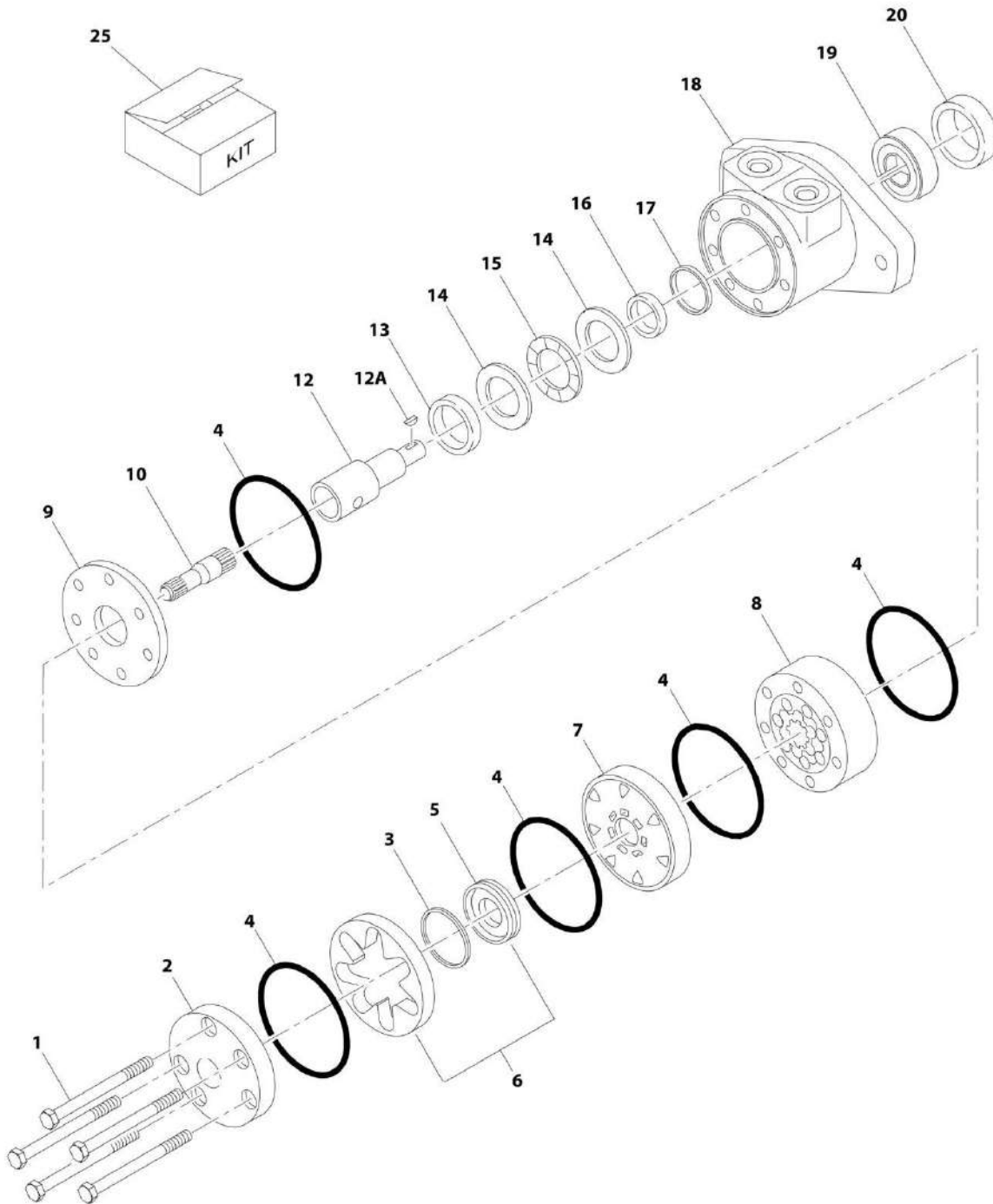
## SECTION 2 - TURNTABLE

**FIGURE 2-4. SWING DRIVE AND TURNTABLE BEARING INSTALLATION**

ITEM	PART NUMBER	QTY	DESCRIPTION	REV
	1001165946	Ref	SWING DRIVE AND TURNTABLE BEARING INSTALLATION	B
1	0100019	AR	Compound, Locking	
2	0711628	18	Bolt M16 x 110 Grade 10.9	
3	0711631	23	Bolt M16 x 140	
4	2160001	2	Fitting, Grease 90	
5	5241200	2	Washer M12	
6	5241600	41	Washer M16	
7	5272114	2	Capscrew M12 x 50 Grade 12.9	
8	1001104850	1	Swing Motor Assembly (See SWING MOTOR ASSEMBLY for breakdown)	
9	1001133972	1	Turntable Bearing Assembly (See TURNTABLE BEARING ASSEMBLY for Breakdown)	

# SECTION 2 - TURNTABLE

## FIGURE 2-5. SWING MOTOR ASSEMBLY



ART\_1001104850



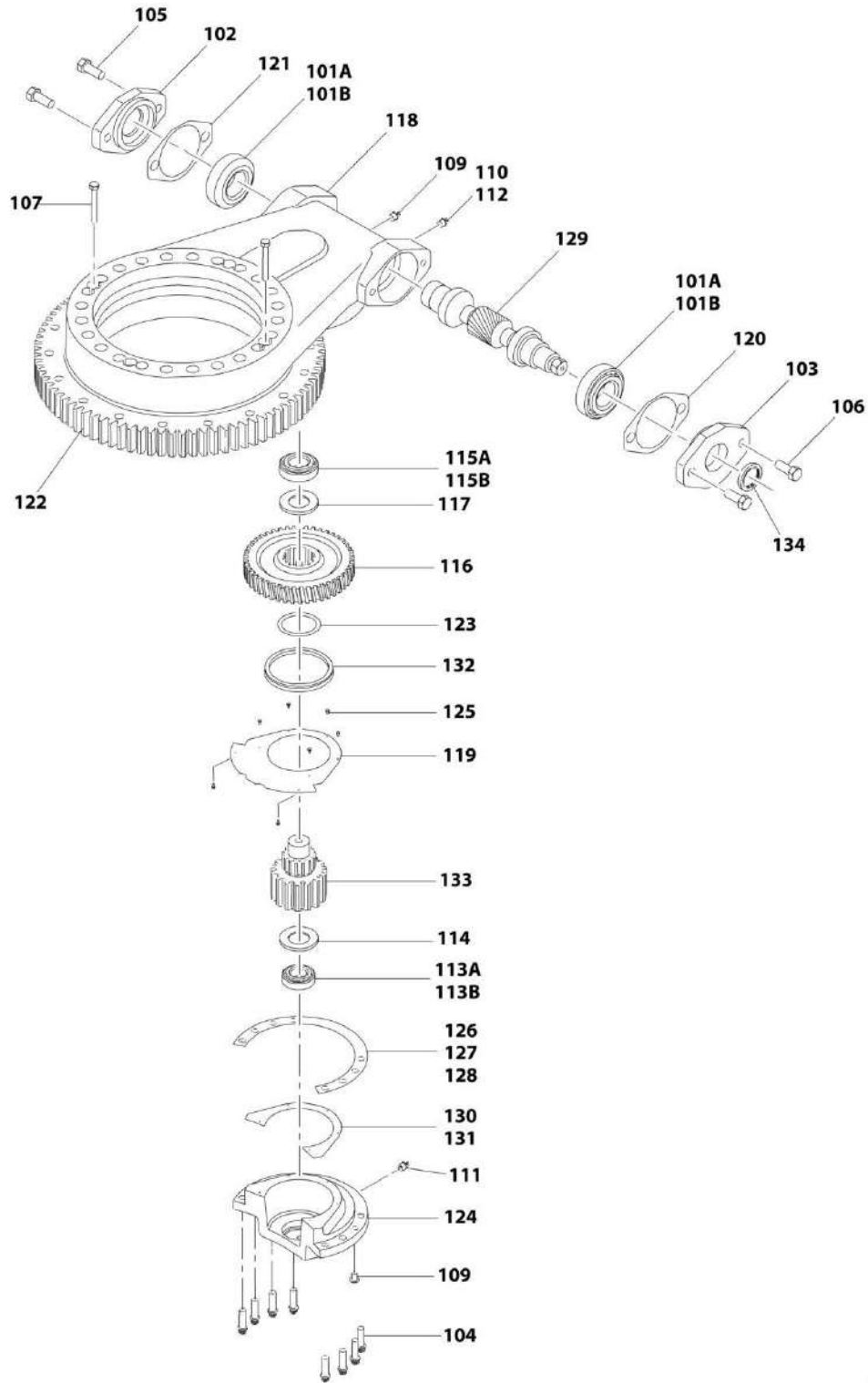
**SECTION 2 - TURNTABLE**

**FIGURE 2-5. SWING MOTOR ASSEMBLY**

ITEM	PART NUMBER	QTY	DESCRIPTION	REV
	1001104850	Ref	SWING MOTOR ASSEMBLY	A
1	See Note	5	Bolt (Note: Not Available for Purchase)	
2	7004035	1	Cover, End	
3	7023318	1	Seal, Commutator	
4	7004036	5	O-Ring	
5	See Note	NSS	Commutator (Note: Use Item 6)	
6	7024453	1	Commutator and Ring Assembly (Includes Item 5)	
7	7024379	1	Manifold	
8	70002206	1	Rotor Set	
9	7024380	1	Plate, Wear	
10	70002207	1	Link, Drive	
12	70000088	1	Shaft, Coupling	
12A	70000089	1	Key	
13	7024381	1	Bushing, Inner	
14	7004043	1	Thrust Washer	
15	7004044	1	Bearing, Thrust	
16	7004049	1	Seal, Inner Shaft	
17	7004045	1	Ring, Backup	
18	See Note	NSS	Housing (Note: Not Available - Purchase Complete Motor)	
19	7024390	1	Bearing	
20	7004047	1	Seal, Outer Shaft	
25	7024389	1	Seal Kit (Includes Items 3, 4, 16, 17 & 20)	

# SECTION 2 - TURNTABLE

## FIGURE 2-6. TURNTABLE BEARING ASSEMBLY



ART\_1001133972

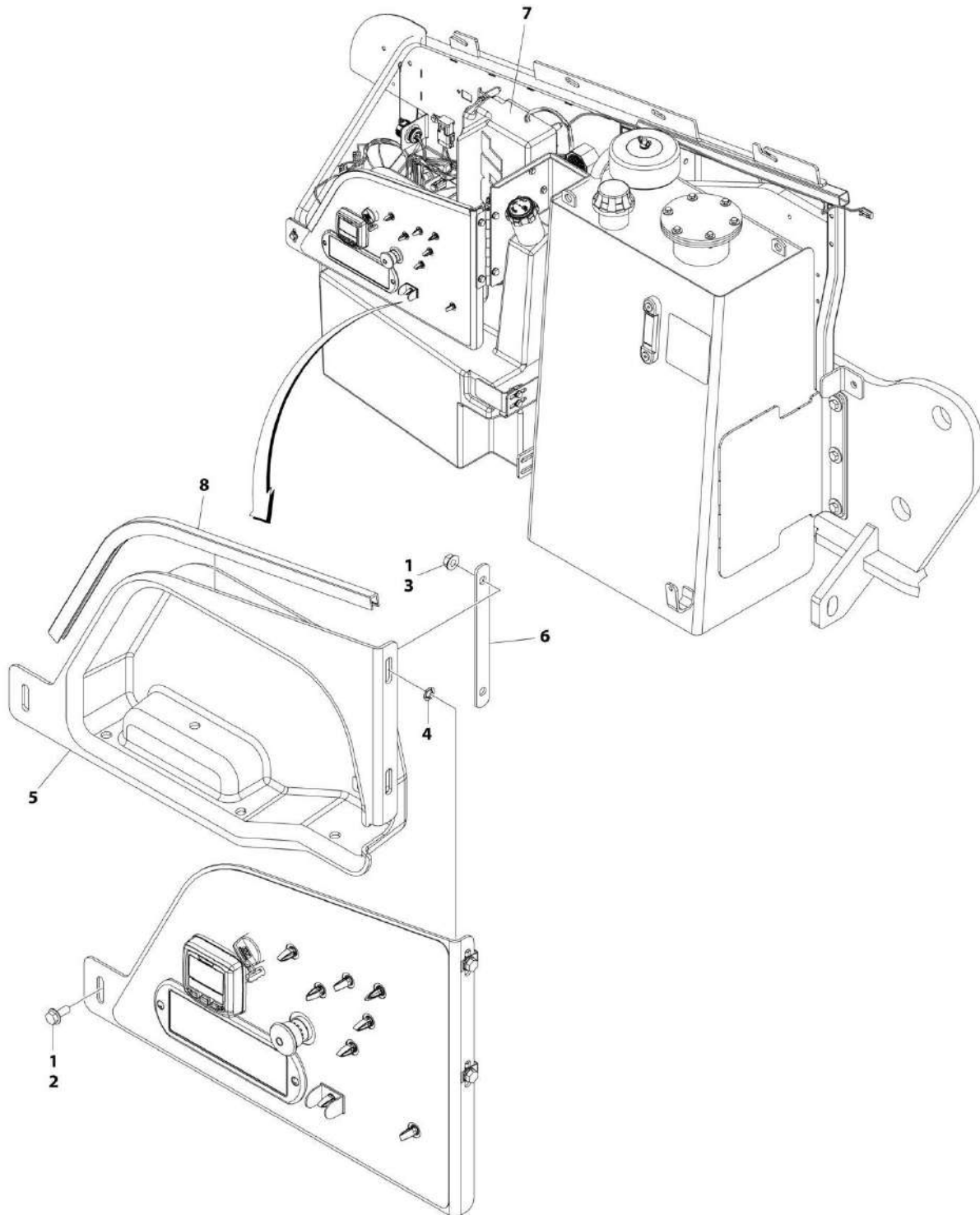
## SECTION 2 - TURNTABLE

### FIGURE 2-6. TURNTABLE BEARING ASSEMBLY

ITEM	PART NUMBER	QTY	DESCRIPTION	REV
	1001133972	Ref	TURNTABLE BEARING ASSEMBLY	D
101A	7026042	2	Cup, Bearing	
101B	7026043	2	Cone, Bearing	
102	7027356	1	Adapter, Motor	
103	7027354	1	Cap, Worm	
104	70004249	8	Bolt M10 x 35 Grade 10.9	
105	70004250	2	Bolt M12 x 30 Grade 10.9	
106	70004251	2	Bolt M12 x 40 Grade 10.9	
107	70004252	2	Bolt M8 x 65mm	
109	70000865	1	Plug	
110	70002649	1	Vent, Pressure	
111	70002651	1	Fitting, Grease	
112	7026044	1	Bushing, Reducer	
113A	7026045	1	Cup, Bearing	
113B	7026047	1	Cone, Bearing	
114	7026046	1	Ring, Grease	
115A	7026048	1	Cup, Bearing	
115B	7026049	1	Cone, Bearing	
116	7026050	1	Worm-Gear	
117	7026052	1	Spacer, Washer	
118	See Note	1	Housing (Note: Not Available - Purchase Complete Assembly)	
119	7026053	1	Cover, Gear	
120	7027350	AR	Shim, Blue (.005in)	
120	7027351	AR	Shim, Clear (.0075in)	
120	7027352	AR	Shim, Brown (.010in)	
121	7027353	AR	Shim, Yellow (.020in)	
122	70004253	1	Bearing, Turntable	
123	70004254	1	O-Ring	
124	70004255	1	Cap, Gear	
125	70004256	8	Bolt M4 x 8	
126	70004257	AR	Shim, Green (.003)	
127	70004258	AR	Shim, Blue (.005)	
128	70004259	AR	Shim, Natural (.0075)	
129	7026057	1	Gear, Worm	
130	70004260	AR	Shim, Blue (.005)	
131	70004261	AR	Shim, Yellow (.020)	
132	70004262	1	Seal, Oil	
133	7026051	1	Pinion, Output	
134	70004263	1	Seal, Oil	

# SECTION 2 - TURNTABLE

## FIGURE 2-7. TURNTABLE COVERS INSTALLATION



ART\_1001219129

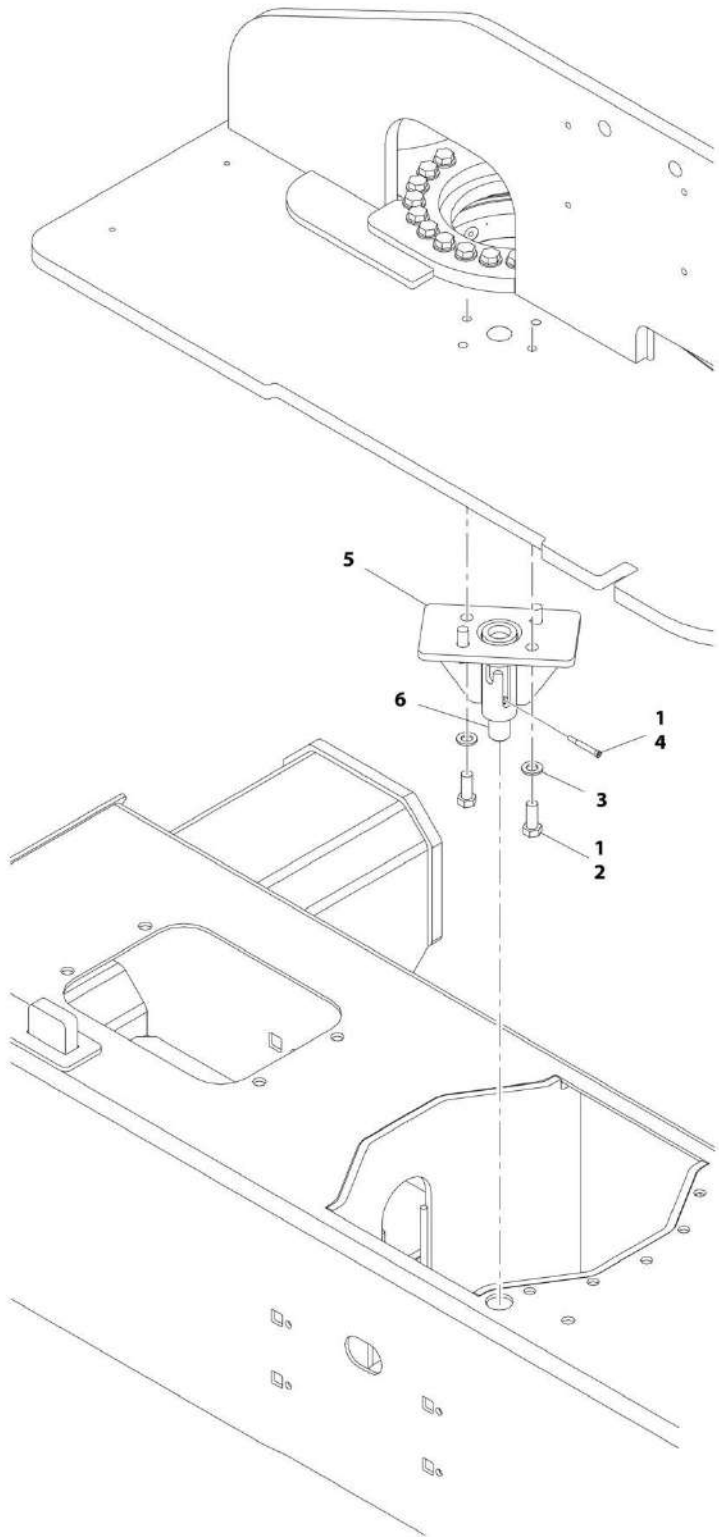
**SECTION 2 - TURNTABLE**

**FIGURE 2-7. TURNTABLE COVERS INSTALLATION**

<b>ITEM</b>	<b>PART NUMBER</b>	<b>QTY</b>	<b>DESCRIPTION</b>	<b>REV</b>
	1001219129	Ref	TURNTABLE COVERS INSTALLATION	A
1	0100011	AR	Compound, Locking	
2	5250812	1	Bolt M8 x 25	
3	5260800	2	Nut M8	
4	1001119228	2	Nut M8	
5	1001218533	1	Cover	
6	1001218535	1	Plate, Mounting	
7	1001218537	1	Cover	
8	4060806	2 ft/0.6m	Shield, Flex	

**SECTION 2 - TURNTABLE**

**FIGURE 2-8. TURNTABLE LOCK INSTALLATION**



ART\_1001177820

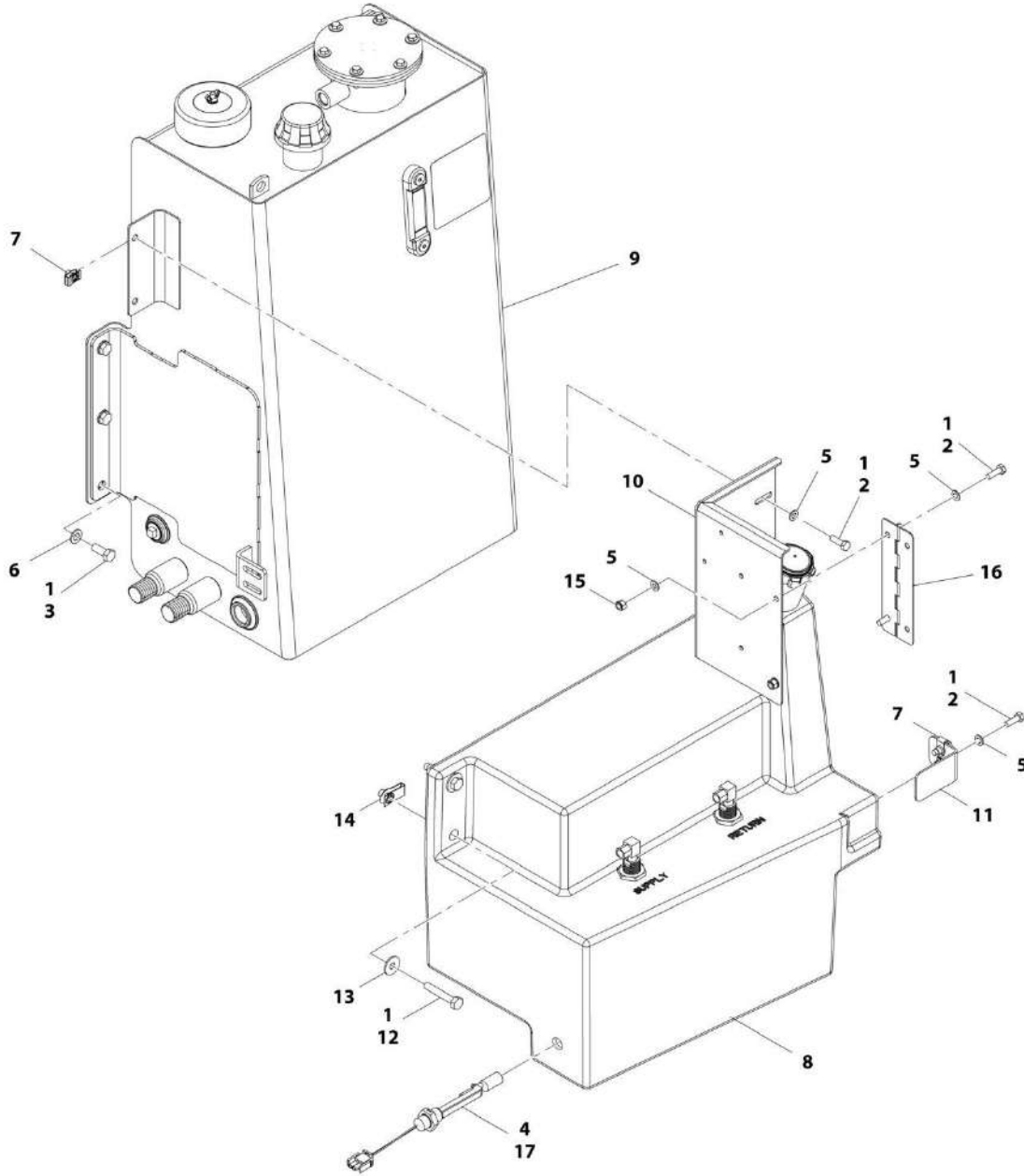
**SECTION 2 - TURNTABLE**

**FIGURE 2-8. TURNTABLE LOCK INSTALLATION**

ITEM	PART NUMBER	QTY	DESCRIPTION	REV
	1001177820	Ref	TURNTABLE LOCK INSTALLATION	B
1	0100011	AR	Compound, Locking	
2	0701616	4	Bolt M16 x 40	
3	4812300	4	Washer M16	
4	1001157466	1	Bolt M10 x 30	
5	1001177821	1	Support, Lock	
6	1001177834	1	Pin, Lock	
7	1001223118	1	Decal - Lift Diagram (Not Shown) (SN 1300007286 through 1300007383, SN E300004122 to Present)	

# SECTION 2 - TURNTABLE

FIGURE 2-9. TANKS INSTALLATION (Prior to SN E300004228)



ART\_1001165942



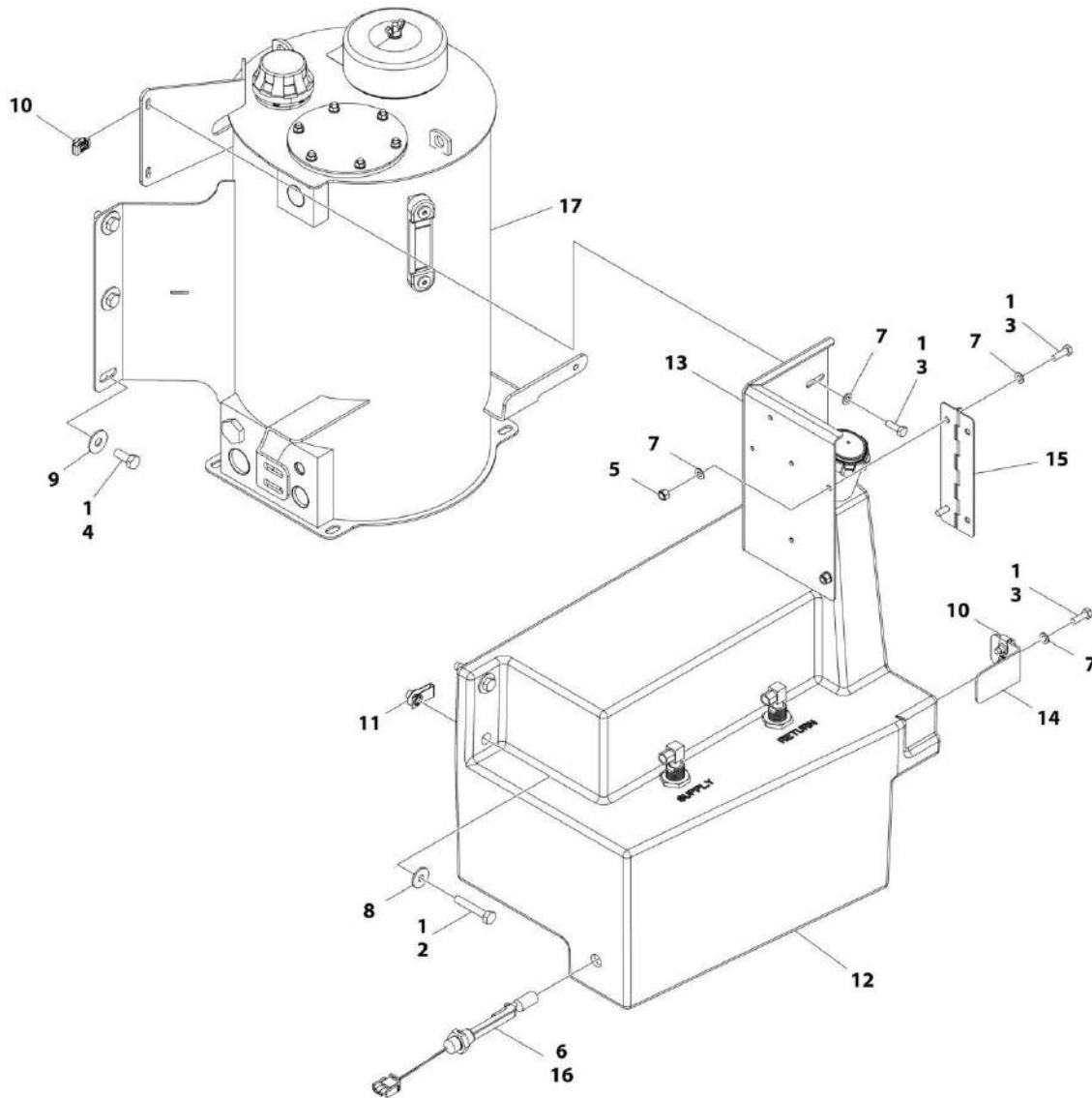
## SECTION 2 - TURNTABLE

**FIGURE 2-9. TANKS INSTALLATION (Prior to SN E300004228)**

ITEM	PART NUMBER	QTY	DESCRIPTION	REV
	1001165942	Ref	TANKS INSTALLATION (Prior to SN E300004228)	E
1	0100011	AR	Compound, Locking	
2	0760812	6	Bolt M8 x 25	
3	0761214	6	Bolt M12 x 30	
4	4360436	1	Switch, Fuel Level	
4	4460320	1	Plug, Male - 2 Position	
4	4460267	1	Pin, Male	
5	4811900	8	Washer M8	
6	4812102	6	Washer M12	
7	1001118274	4	Nut M8	
8	1001163061	1	Fuel Tank Assembly	
8	1001188196	NLA	Cap, Fuel (Use p/n 1001193336)	
8	70004876	2	Tube, Pick-up	
8	0100020	AR	Compound, Locking	
9	1001165816	1	Hydraulic Tank Assembly	
9	70003614	1	Filter Kit (Includes Hydraulic Element, Breather Element and Gasket)	
9	70002838	1	Fill Cap Assembly (Includes Cap, Chain and Fill Basket)	
9	7024441	1	Gauge, Sight	
10	1001169898	1	Support, Ground Control	
11	1001170480	1	Support, Tank	
12	0701020	2	Bolt M10 x 60	
13	4812002	2	Washer M10	
14	1001118972	2	Nut M10	
15	3290805	2	Nut M8	
16	1001179339	1	Hinge	
17	1001182997	AR	Adhesive	

## SECTION 2 - TURNTABLE

FIGURE 2-10. TANKS INSTALLATION - DIESEL MACHINES (SN 1300007286 through 1300007383, SN E300004228 to Present)



ART\_1001207347

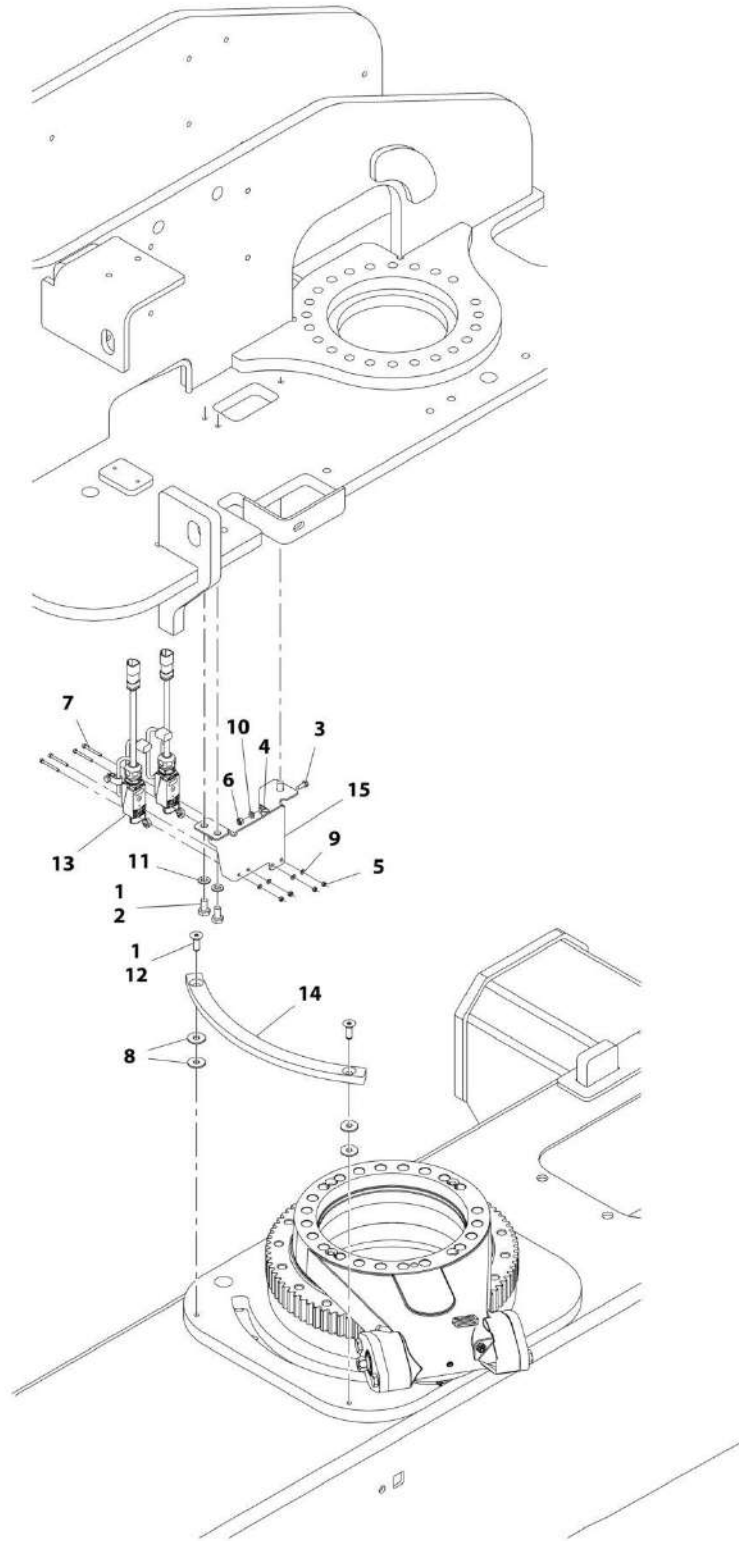
**SECTION 2 - TURNTABLE**

**FIGURE 2-10. TANKS INSTALLATION - DIESEL MACHINES (SN 1300007286 through 1300007383, SN E300004228 to Present)**

ITEM	PART NUMBER	QTY	DESCRIPTION	REV
	1001207347	Ref	TANKS INSTALLATION - DIESEL MACHINES (SN 1300007286 through 1300007383, SN E300004228 to Present)	A
1	0100011	AR	Compound, Locking	
2	0701020	2	Bolt M10 x 60	
3	0760812	6	Bolt M8 x 25	
4	0761214	6	Bolt M12 x 30	
5	3290805	2	Nut M8	
6	4360436	1	Switch, Fuel Level	
6	4460320	1	Plug, Male - 2 Position	
6	4460267	1	Pin, Male	
7	4811900	8	Washer M8	
8	4812002	2	Washer M10	
9	4812102	6	Washer M12	
10	1001118274	4	Nut M8	
11	1001118972	2	Nut M10	
12	1001163061	1	Fuel Tank Assembly	
12	1001188196	NLA	Cap, Fuel (Use p/n 1001193336) (Prior to SN E300004844)	
12	1001193336	1	Cap, Fuel (SN 1300007286 through 1300007383, SN E300004844 to Present)	
12	70004876	2	Tube, Pick-up	
12	0100020	AR	Compound, Locking	
13	1001169898	1	Support, Ground Control	
14	1001170480	1	Support, Tank	
15	1001179339	1	Hinge	
16	1001182997	AR	Adhesive	
17	1001206916	1	Hydraulic Tank Assembly	
17	70003614	1	Filter Kit (Includes Hydraulic Element, Breather Element and Gasket)	
17	70002838	1	Fill Cap Assembly (Includes Cap, Chain and Fill Basket)	
17	7024441	1	Gauge, Sight	
17	70002112	1	Plug, Drain	

# SECTION 2 - TURNTABLE

## FIGURE 2-11. DRIVE ORIENTATION INSTALLATION



ART\_1001166767

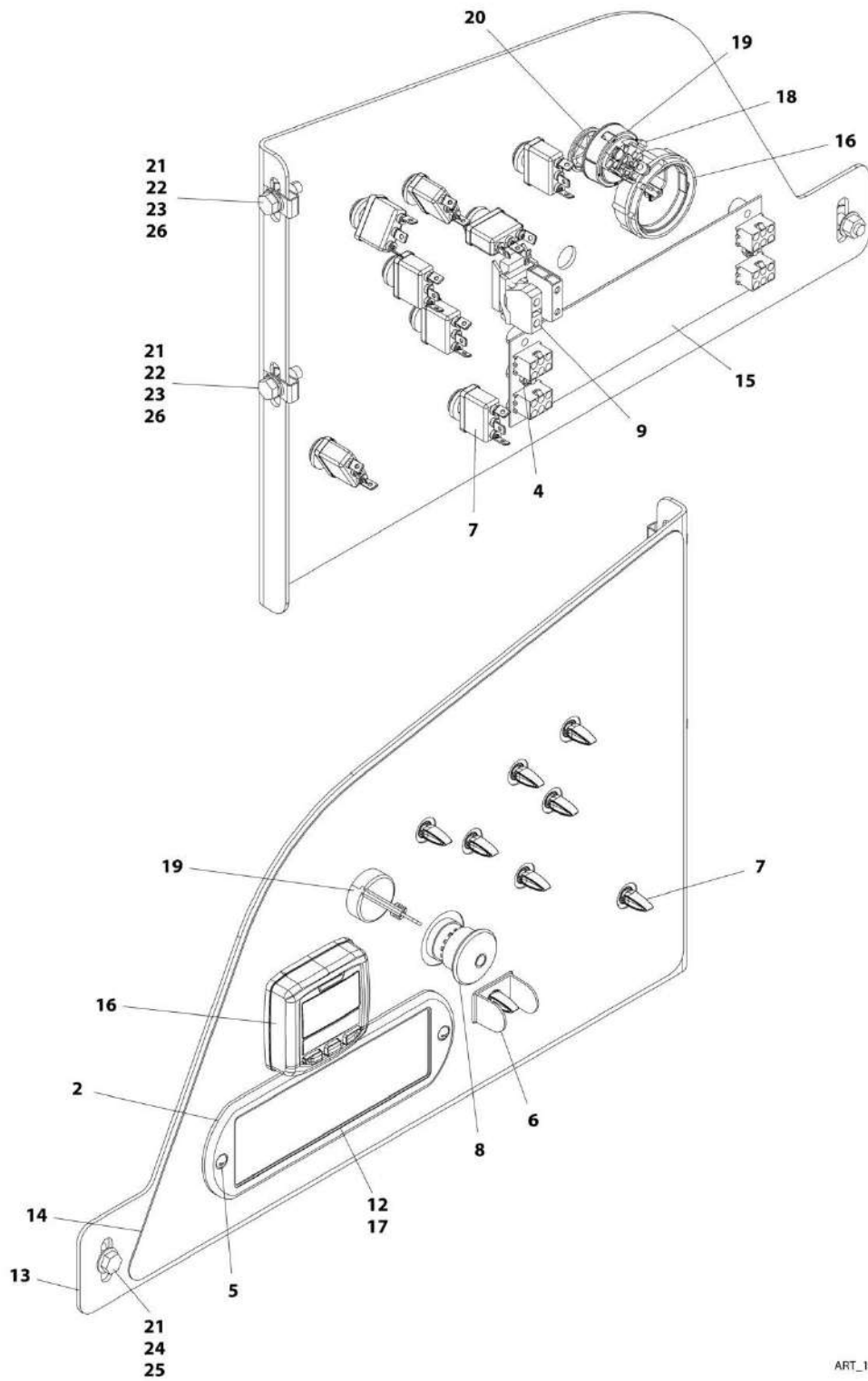
**SECTION 2 - TURNTABLE**

**FIGURE 2-11. DRIVE ORIENTATION INSTALLATION**

ITEM	PART NUMBER	QTY	DESCRIPTION	REV
	1001166767	Ref	DRIVE ORIENTATION INSTALLATION	F
1	0100011	AR	Compound, Locking	
2	0761010	3	Bolt M10 x 20	
3	0760608	2	Bolt M6 x 16	
4	1321293	2	Clamp, Cable	
5	3290405	4	Nut M4	
6	3290605	2	Nut M6	
7	4031512	4	Capscrew M4 x 40	
8	4812002	4	Washer M10	
9	4811400	4	Washer M4	
10	4811700	2	Washer M6	
11	4812000	3	Washer M10	
12	8310614	2	Screw M10 x 30	
13	1001119176	2	Switch, Limit	
13	1001129407	1	Receptacle, Female - 4 Position	
13	4460464	4	Pin, Male	
14	1001162106	1	Cam Plate	
15	1001166768	1	Bracket	
16	8881800	AR	Tie-Strap (Not Shown)	

# SECTION 2 - TURNTABLE

## FIGURE 2-12. GROUND CONTROL ASSEMBLY - AUSTRALIAN SPEC



ART\_1001169895

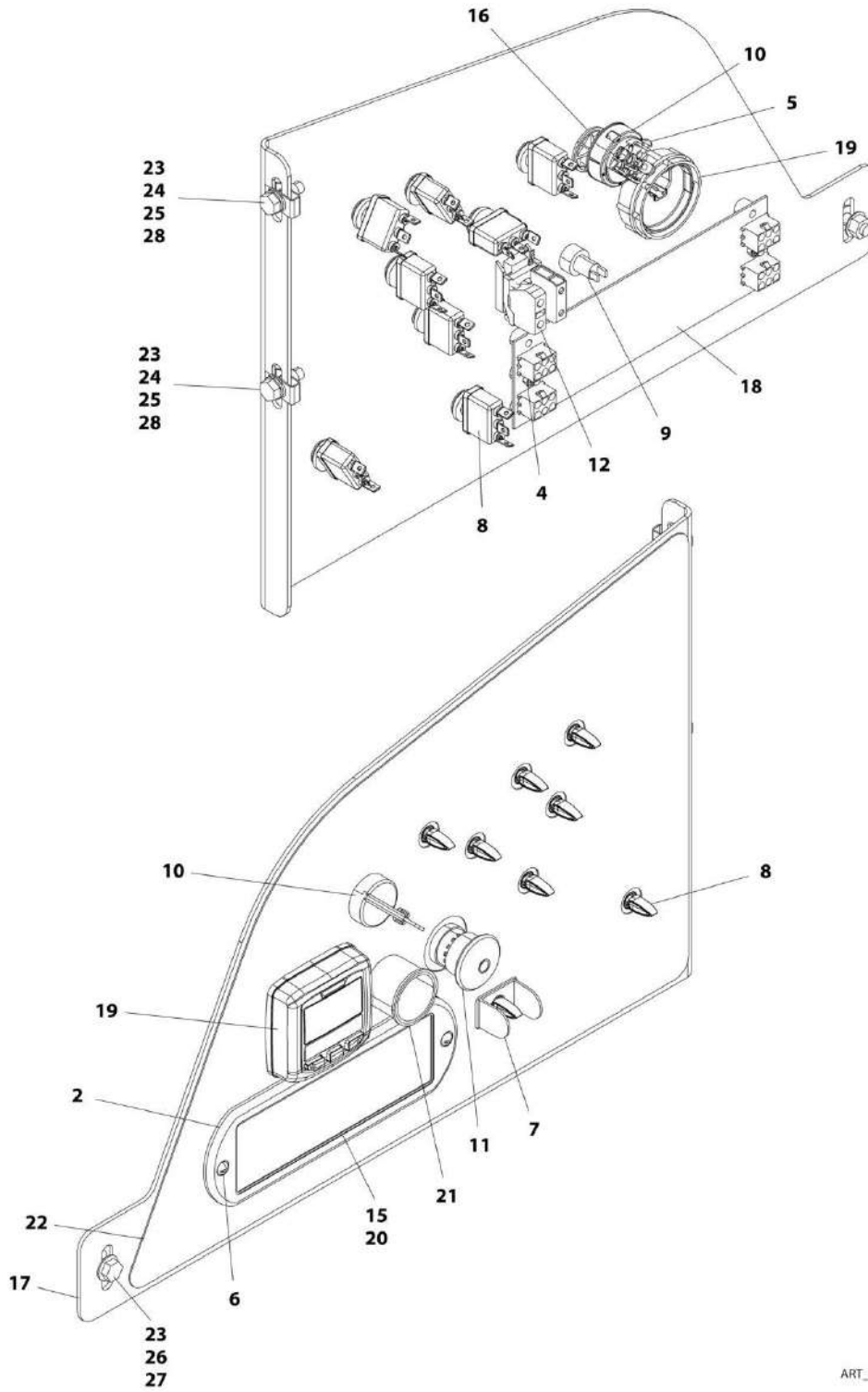
## SECTION 2 - TURNTABLE

**FIGURE 2-12. GROUND CONTROL ASSEMBLY - AUSTRALIAN SPEC**

ITEM	PART NUMBER	QTY	DESCRIPTION	REV
	1001169895	Ref	GROUND CONTROL ASSEMBLY - AUSTRALIAN SPEC	E
2	1670829	1	Bezel, Front	
4	3300408	2	Nut	
5	3911018	2	Screw #10 x 1-1/8	
6	4060906	1	Guard, Switch	
7	4360328	8	Switch, Toggle	
8	4360475	1	Switch, Emergency	
8	7020175	1	Cap	
8	7020176	1	Block, Contact	
9	4360476	1	Block, Contact	
12	1001146220	1	Display, Light	
13	1001169896	1	Panel, Ground Control	
14	1001169897	1	Decal - Ground Control	
15	1001170838	1	PC Board, LED Light	
16	1001171482	1	Gauge, Display	
17	1001173529	1	Decal - Light Display	
18	3910804	3	Screw M8 x 1/4	
19	4360469	1	Switch, Key	
19	2860030	1	Key, Replacement	
20	1001151393	1	Shim .063	
21	0100011	AR	Compound, Locking	
22	0760812	2	Bolt M8 x 25	
23	4811900	2	Washer M8	
24	5250810	1	Bolt M8 x 20	
25	5260800	1	Nut M8	
26	1001118274	2	Nut M8	

# SECTION 2 - TURNTABLE

## FIGURE 2-13. GROUND CONTROL ASSEMBLY - CE SPEC



ART\_1001177541



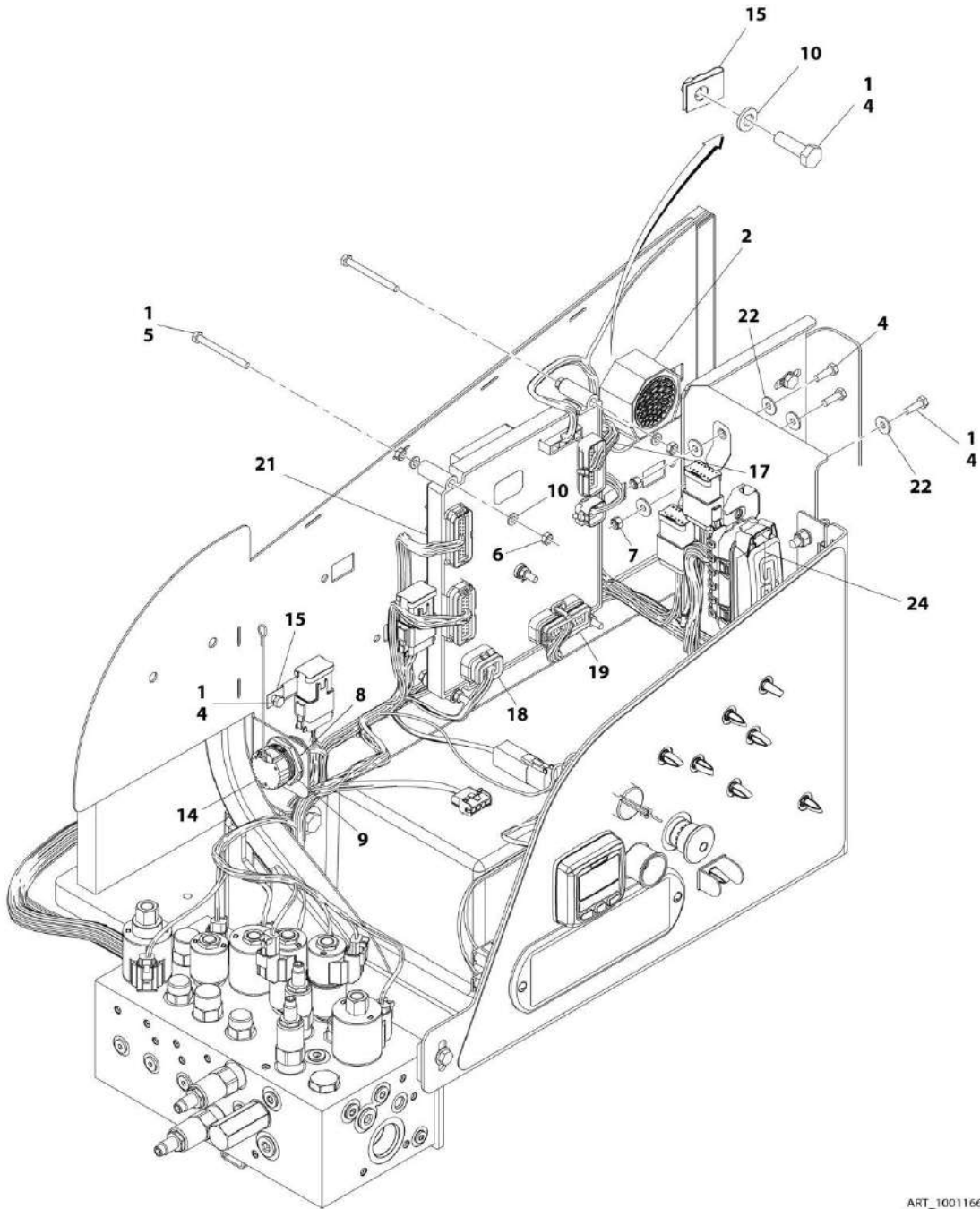
**SECTION 2 - TURNTABLE**

**FIGURE 2-13. GROUND CONTROL ASSEMBLY - CE SPEC**

ITEM	PART NUMBER	QTY	DESCRIPTION	REV
	1001177541	Ref	GROUND CONTROL ASSEMBLY - CE SPEC	E
2	1670829	1	Bezel, Front	
4	3300408	2	Nut	
5	3910804	3	Screw M8 x 1/4	
6	3911018	2	Screw #10 x 1-1/8	
7	4060906	1	Guard, Switch	
8	4360328	8	Switch, Toggle	
9	4360387	1	Switch, Push Button	
10	4360469	1	Switch, Key	
10	2860030	1	Key, Replacement	
11	4360475	1	Switch, Emergency	
11	7020175	1	Cap	
11	7020176	1	Block, Contact	
12	4360476	1	Block, Contact	
15	1001146220	1	Display, Light	
16	1001151393	1	Shim .063	
17	1001169896	1	Panel, Ground Control	
18	1001170838	1	PC Board, LED Light	
19	1001171482	1	Gauge, Display	
20	1001173529	1	Decal - Light Display	
21	1001176469	1	Shroud, Switch	
22	1001177543	1	Decal - Ground Control	
23	0100011	AR	Compound, Locking	
24	0760812	2	Bolt M8 x 25	
25	4811900	2	Washer M8	
26	5250810	1	Bolt M8 x 20	
27	5260800	1	Nut M8	
28	1001118274	2	Nut M8	

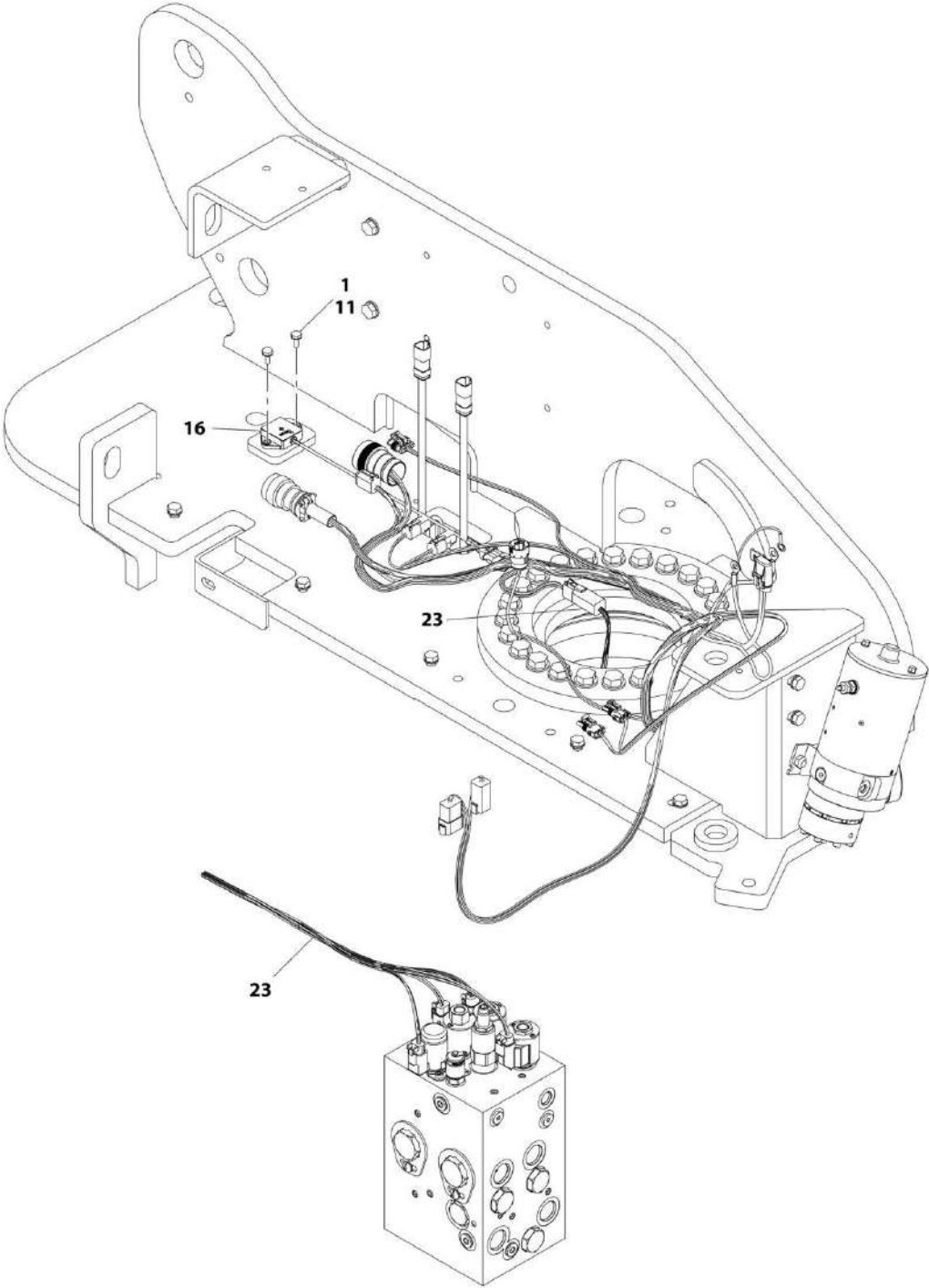
# SECTION 2 - TURNTABLE

## FIGURE 2-14. ELECTRICAL SYSTEM INSTALLATION



ART\_1001166315\_10F2

**SECTION 2 - TURNTABLE**



**DETAIL OF TRACTION VALVE**

ART\_1001166315\_20F2

## SECTION 2 - TURNTABLE

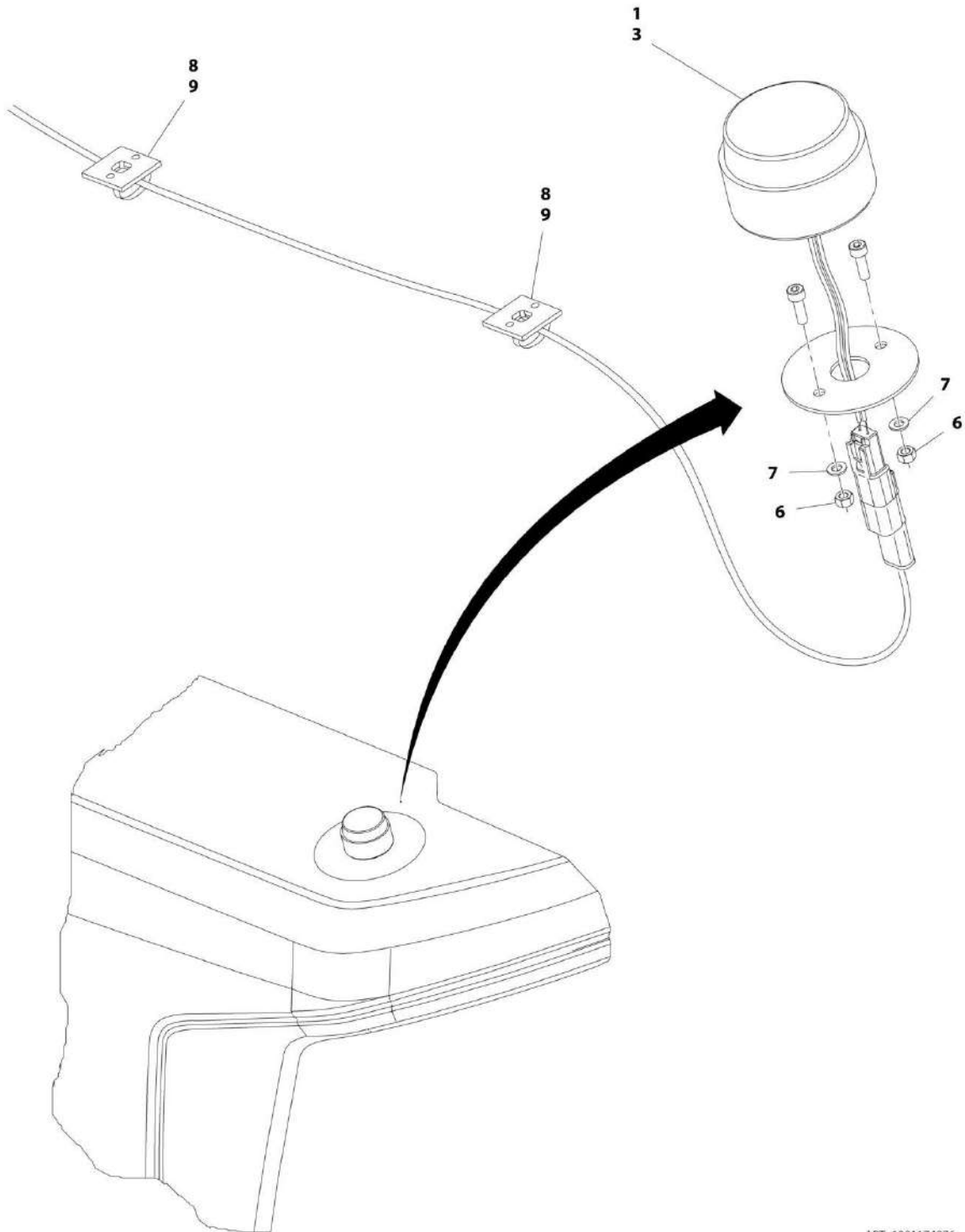
FIGURE 2-14. ELECTRICAL SYSTEM INSTALLATION

ITEM	PART NUMBER	QTY	DESCRIPTION	REV
	1001166315	Ref	ELECTRICAL SYSTEM INSTALLATION	H
1	0100011	AR	Compound, Locking	
2	0140043	1	Alarm	
2	4460536	1	Receptacle, Female - 3 Position	
2	4460943	3	Pin, Male	
4	0760610	7	Bolt M6 x 20	
5	0760621	5	Bolt M6 x 65	
6	3290601	10	Nut M6	
7	3290605	2	Nut M6	
8	4460496	1	Washer, Terminal	
9	4460497	1	Nut, Terminal	
10	4811700	12	Washer M6	
11	5250608	2	Bolt M6 x 16	
14	1001106736	1	Cap, Dust	
15	1001130220	3	Nut, Tinnerman M6	
16	1001181325	1	Sensor (SN 1300007286 through 1300007383, Prior to SN E300005354)	
16	1001219601	1	Sensor (SN E300005354 to Present)	
16	See Note	1	Receptacle, Female - 4 Position (Note: Not Available for Purchase)	
16	See Note	4	Pin, Male (Note: Not Available for Purchase)	
17	1001186007	1	Turntable Harness (See ELECTRICAL SECTION for Breakdown)	
18	1001164736	1	Valve Harness - Main Valve (See ELECTRICAL SECTION for Breakdown)	
19	1001164737	1	Ground Control Panel Harness (See ELECTRICAL SECTION for Breakdown)	
21	1001170094	1	Module, Ground Control	
	See Note	Ref	Note: Re-calibration Required when Replaced.	
22	4811702	7	Washer M6	
23	1001179236	1	Chassis Solenoid Harness (See ELECTRICAL SECTION for Breakdown)	
24	1001196637	1	Decal - Fuse Box	



# SECTION 2 - TURNTABLE

## FIGURE 2-15. BEACON LIGHT INSTALLATION - AMBER



ART\_1001174976

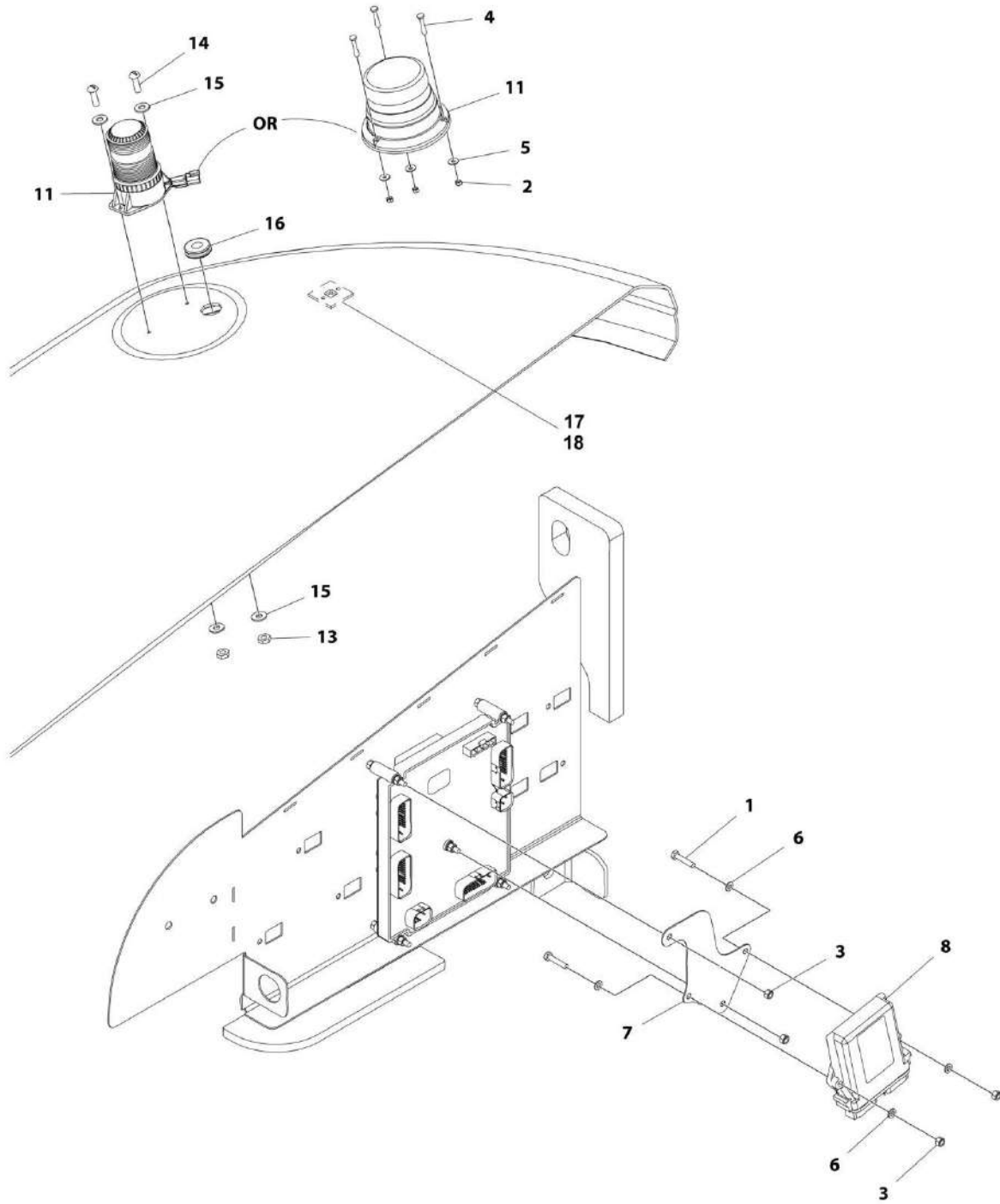
**SECTION 2 - TURNTABLE**

**FIGURE 2-15. BEACON LIGHT INSTALLATION - AMBER**

<b>ITEM</b>	<b>PART NUMBER</b>	<b>QTY</b>	<b>DESCRIPTION</b>	<b>REV</b>
	1001174976	Ref	BEACON LIGHT INSTALLATION - AMBER	D
1	0100048	AR	Compound, Silicone	
3	1001181405	1	Lamp, Strobe	
3	4460897	1	Receptacle, Female - 2 Position	
3	4460464	2	Pin, Male	
6	3290505	2	Nut M5	
7	4811600	2	Washer M5	
8	4240032	AR	Tie-Strap	
9	4460234	2	Mount, Tie-Strap	

# SECTION 2 - TURNTABLE

## FIGURE 2-16. BEACON LIGHT INSTALLATION - BLUE



ART\_1001193216



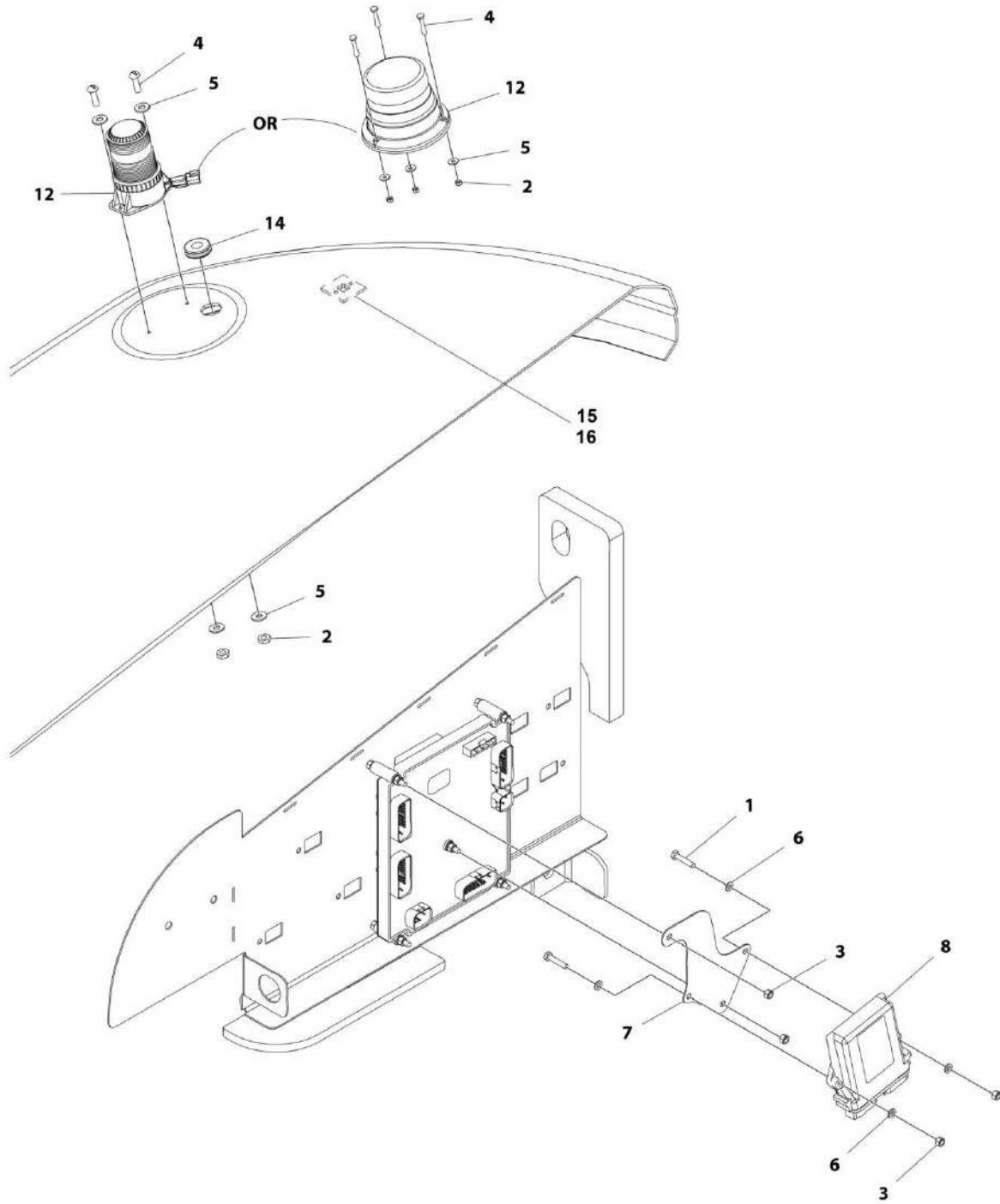
## SECTION 2 - TURNTABLE

### FIGURE 2-16. BEACON LIGHT INSTALLATION - BLUE

ITEM	PART NUMBER	QTY	DESCRIPTION	REV
	1001193216	Ref	BEACON LIGHT INSTALLATION - BLUE	F
1	0760614	2	Bolt M6 x 30	
2	3290505	AR	Nut M5	
3	3290605	4	Nut M6	
4	4010514	AR	Screw M5 x 30	
5	4811602	AR	Washer M5	
6	4811700	4	Washer M6	
7	1001100433	1	Mount, Module	
8	1001142683	1	Decal - Control	
9	1001142736	1	Beacon Harness (Not Shown - See ELECTRICAL SECTION for Breakdown)	
11	1001193061	NLA	Light, Beacon (Use p/n 1001210696 & 1001200910) <b>(Prior to SN E300003262)</b>	
11	1001200910	1	Light, Beacon <b>(SN 1300007286 through 1300007383, SN E300003262 to Present)</b>	
11	4460897	1	Receptacle, Female - 2 Position	
11	4460943	2	Pin, Male	
12	1001196458	1	Beacon Extension Harness (Not Shown - See ELECTRICAL SECTION for Breakdown) <b>(Prior to SN E300003882)</b>	
13	3311005	AR	Nut #10	
14	3911010	AR	Screw #10 x 5/8	
15	4711000	AR	Washer #10	
16	2540020	1	Grommet <b>(SN 1300007286 through 1300007383, SN E300003610 to Present)</b>	
17	4240032	3	Tie-Strap	
18	4460488	3	Terminal, Mounting	

# SECTION 2 - TURNTABLE

## FIGURE 2-17. BEACON LIGHT INSTALLATION - RED



ART\_1001207315

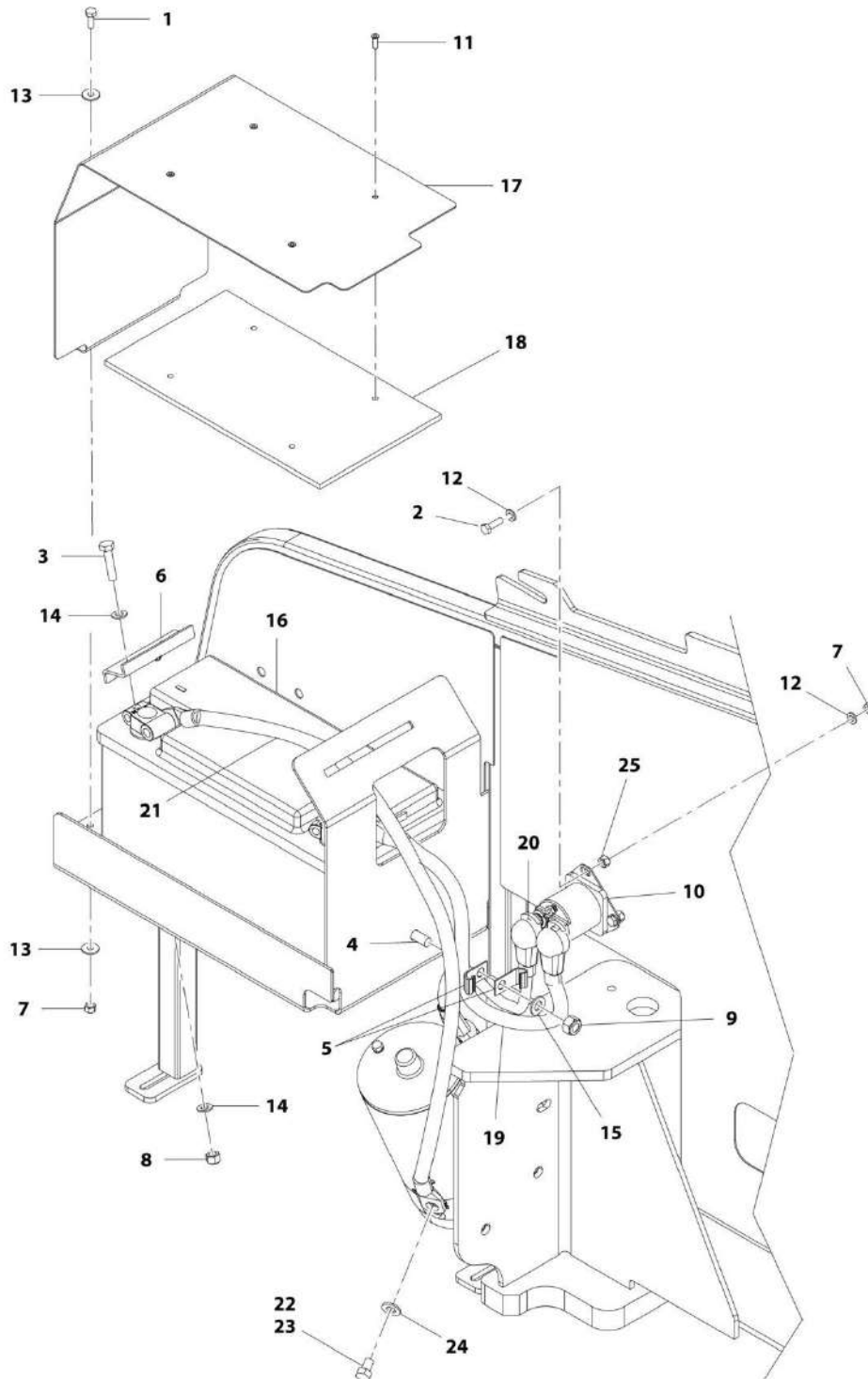
# SECTION 2 - TURNTABLE

**FIGURE 2-17. BEACON LIGHT INSTALLATION - RED**

ITEM	PART NUMBER	QTY	DESCRIPTION	REV
	1001207315	Ref	BEACON LIGHT INSTALLATION - RED	F
1	0760614	2	Bolt M6 x 30	
2	3290505	3	Nut M5	
2	3311005	2	Nut #10-24	
3	3290605	4	Nut M6	
4	4010514	3	Screw M5 x 30	
4	3911010	2	Screw #10 x 5/8	
5	4811602	3	Washer M5	
5	4711000	4	Washer #10	
6	4811700	4	Washer M6	
7	1001100433	1	Mount, Module	
8	1001142683	1	Decal - Control	
9	1001142736	1	Beacon Harness (Not Shown - See ELECTRICAL SECTION for Breakdown)	
11	1001196458	1	Beacon Extension Harness (Not Shown - See ELECTRICAL SECTION for Breakdown) <b>(Prior to SN E300003882)</b>	
12	1001207302	NLA	Light, Beacon (Use p/n 1001210696 and 1001207004) <b>(Prior to SN E300003262)</b>	
12	1001207004	1	Light, Beacon <b>(SN E300003262 to Present, SN 1300007286 through 1300007383)</b>	
12	4460897	1	Receptacle, Female - 2 Position	
12	4460943	2	Pin, Male	
14	2540020	1	Grommet <b>(SN E300003610 to Present, SN 1300007286 through 1300007383)</b>	
15	4240032	3	Tie-Strap	
16	4460488	3	Terminal, Mounting	

# SECTION 2 - TURNTABLE

## FIGURE 2-18. BATTERY AND CABLE INSTALLATION



ART\_1001166317

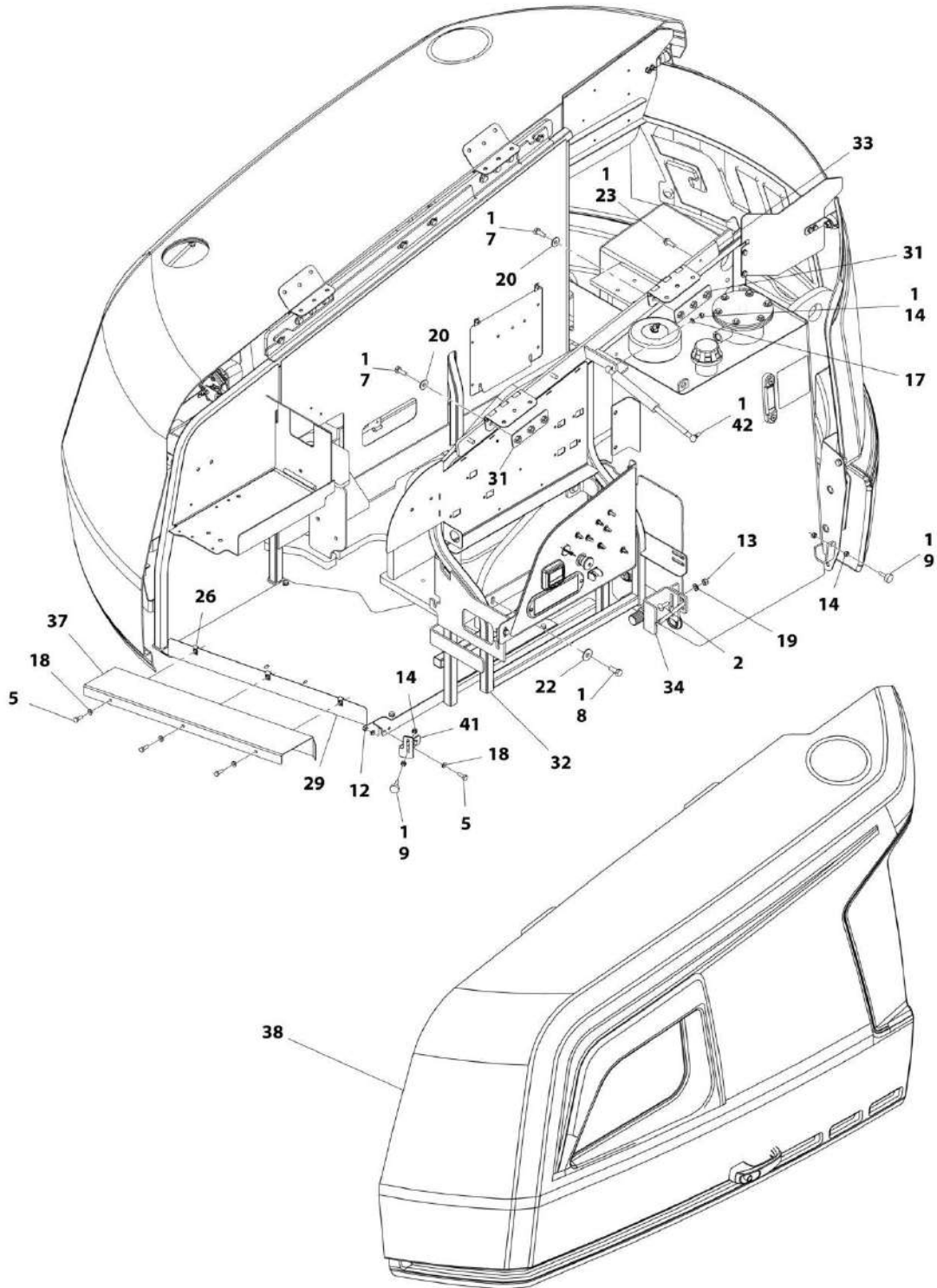
SECTION 2 - TURNTABLE

FIGURE 2-18. BATTERY AND CABLE INSTALLATION

ITEM	PART NUMBER	QTY	DESCRIPTION	REV
	1001166317	Ref	BATTERY AND CABLE INSTALLATION	E
1	0760608	2	Bolt M6 x 16	
2	0760612	2	Bolt M6 x 25	
3	0760815	2	Bolt M8 x 35	
4	0761012	1	Bolt M10 x 25	
5	1320223	2	J-Clip	
6	1787217	1	Clamp	
7	3290605	4	Nut M6	
8	3290805	2	Nut M8	
9	3291005	1	Nut M10	
10	3740067	1	Relay	
10	3300220	2	Nut 3/8	
10	1001111424	2	Washer 3/8	
10	3321001	1	Nut #10	
10	4761000	1	Washer #10	
11	3820032	4	Rivet	
12	4811700	4	Washer M6	
13	4811702	4	Washer M6	
14	4811900	4	Washer M8	
15	4812000	2	Washer M10	
16	8008750	1	Battery	
17	1001117240	1	Cover	
18	1001119278	1	Insulation	
19	1001171678	1	Cable, Battery (Positive + to Aux Relay) <b>(SN E300000001 through E300002973)</b>	
19	1001205752	1	Cable, Battery (Positive + to Aux Relay) <b>(SN 1300007286 through 1300007383, SN E300002974 to Present)</b>	
20	1001171679	1	Cable, Battery (Aux Relay to Aux Pump)	
21	1001171680	1	Cable, Battery (Negative – to Aux Pump) <b>(SN E300000001 through E300002973)</b>	
21	1001205750	1	Cable, Battery (Negative – to Aux Pump) <b>(SN 1300007286 through 1300007383, SN E300002974 to Present)</b>	
22	0100011	AR	Compound, Locking	
23	0641504	1	Bolt 5/16 x 1/2	
24	4711500	1	Washer 5/16	
25	3290601	2	Nut M6	

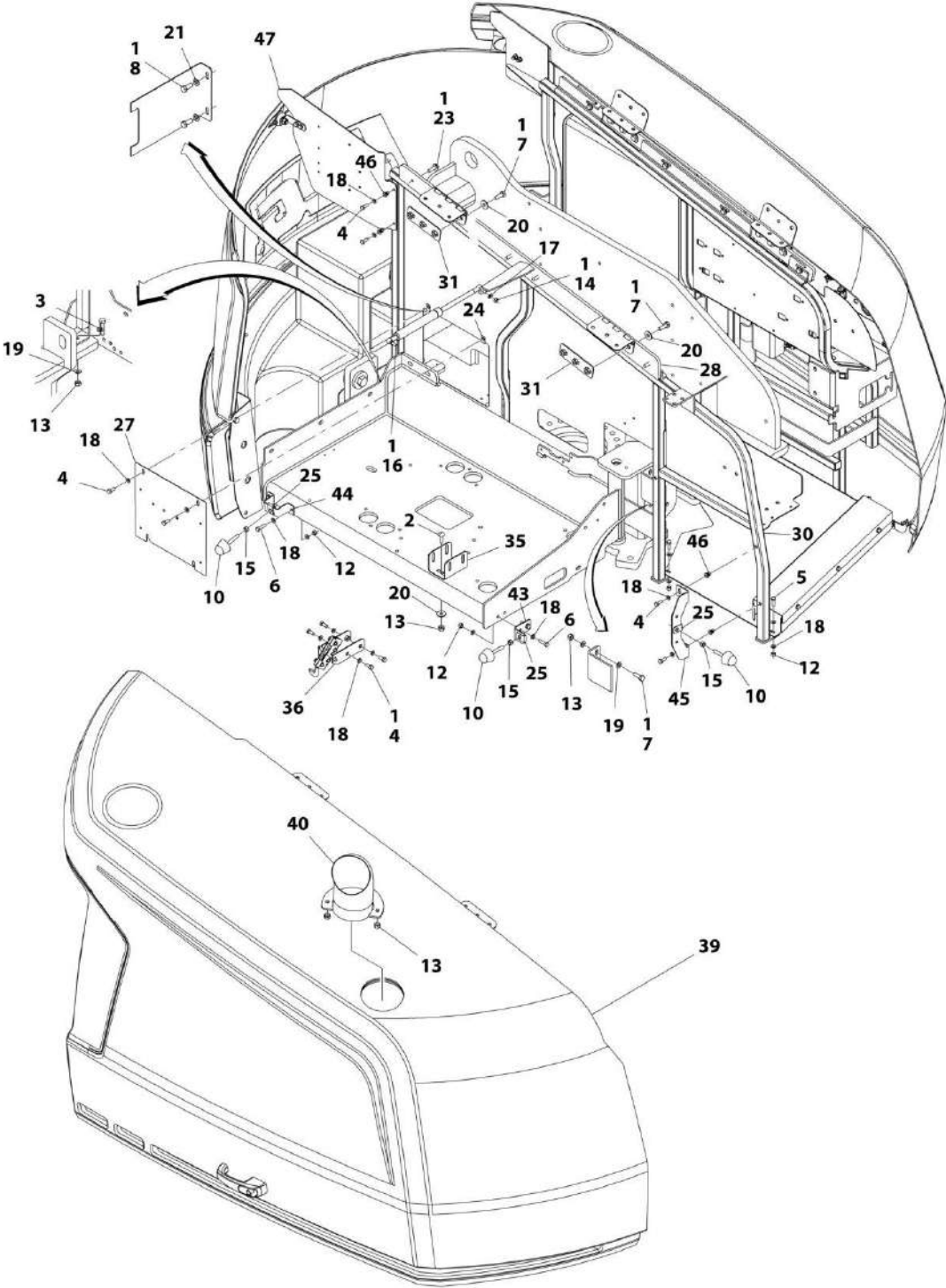
# SECTION 2 - TURNTABLE

FIGURE 2-19. HOODS INSTALLATION (Prior to SN E300006377)



ART\_1001202450\_10F2

SECTION 2 - TURNTABLE



ART\_1001202450\_2OF2

## SECTION 2 - TURNTABLE

FIGURE 2-19. HOODS INSTALLATION (Prior to SN E300006377)

ITEM	PART NUMBER	QTY	DESCRIPTION	REV
	1001202450	Ref	HOODS INSTALLATION	D
1	0100011	AR	Compound, Locking	
2	0630613	4	Bolt M10 x 30	
3	0701018	5	Bolt M10 x 50	
4	0760810	8	Bolt M8 x 20	
5	0760812	11	Bolt M8 x 25	
6	0760814	4	Bolt M8 x 30	
7	0761014	14	Bolt M10 x 30	
8	0761214	6	Bolt M12 x 30	
9	0940049	2	Bumper	
10	0940071	3	Bumper	
11	1701691	2	Decal - No Step	
12	3290805	10	Nut M8	
13	3291005	14	Nut M10	
14	3311501	6	Nut 5/16	
15	3311601	3	Nut 3/8	
16	4160182	1	Spring, Gas	
17	4711500	2	Washer 5/16	
18	4811900	33	Washer M8	
19	4812000	16	Washer M10	
20	4812002	14	Washer M10	
21	4812100	2	Washer M12	
22	4812102	4	Washer M12	
23	5251014	8	Bolt M10 x 30	
24	8310686	2	Nut, Retainer M8	
25	88662523	3	Nut, Tinnerman	
26	1001118274	3	Nut M8	
27	1001167149	1	Panel, Filler	
28	1001167159	1	Mount	
29	1001167163	1	Tray	
30	1001167169	1	Mount	
31	1001169046	4	Nut	
32	1001170001	1	Support, Hood (Prior to SN E300003754)	
32	1001211716	1	Support, Hood (SN 1300007286 through 1300007383, SN E300003754 to Present)	
33	1001170018	1	Mount	
34	1001170022	1	Mount	
35	1001170859	1	Mount	
36	1001170860	NLA	Support (Use p/n 1001223777) (Prior to SN E300004184)	
36	1001223777	1	Support (SN 1300007286 through 1300007383, SN E300004184 to Present)	
37	1001171216	1	Cover	
38	1001172282	1	Hood Assembly - Tank Side (See HOOD ASSEMBLY - TANK SIDE for Breakdown)	
39	1001172833	1	Hood Assembly - Engine Side (See HOOD ASSEMBLY - ENGINE SIDE for Breakdown)	
40	1001174098	1	Pipe, Exhaust (Prior to SN E300006195)	
40	1001233899	1	Pipe, Exhaust (SN E300006196 to Present)	
41	1001179904	1	Mount	
42	1001182169	1	Spring, Gas	

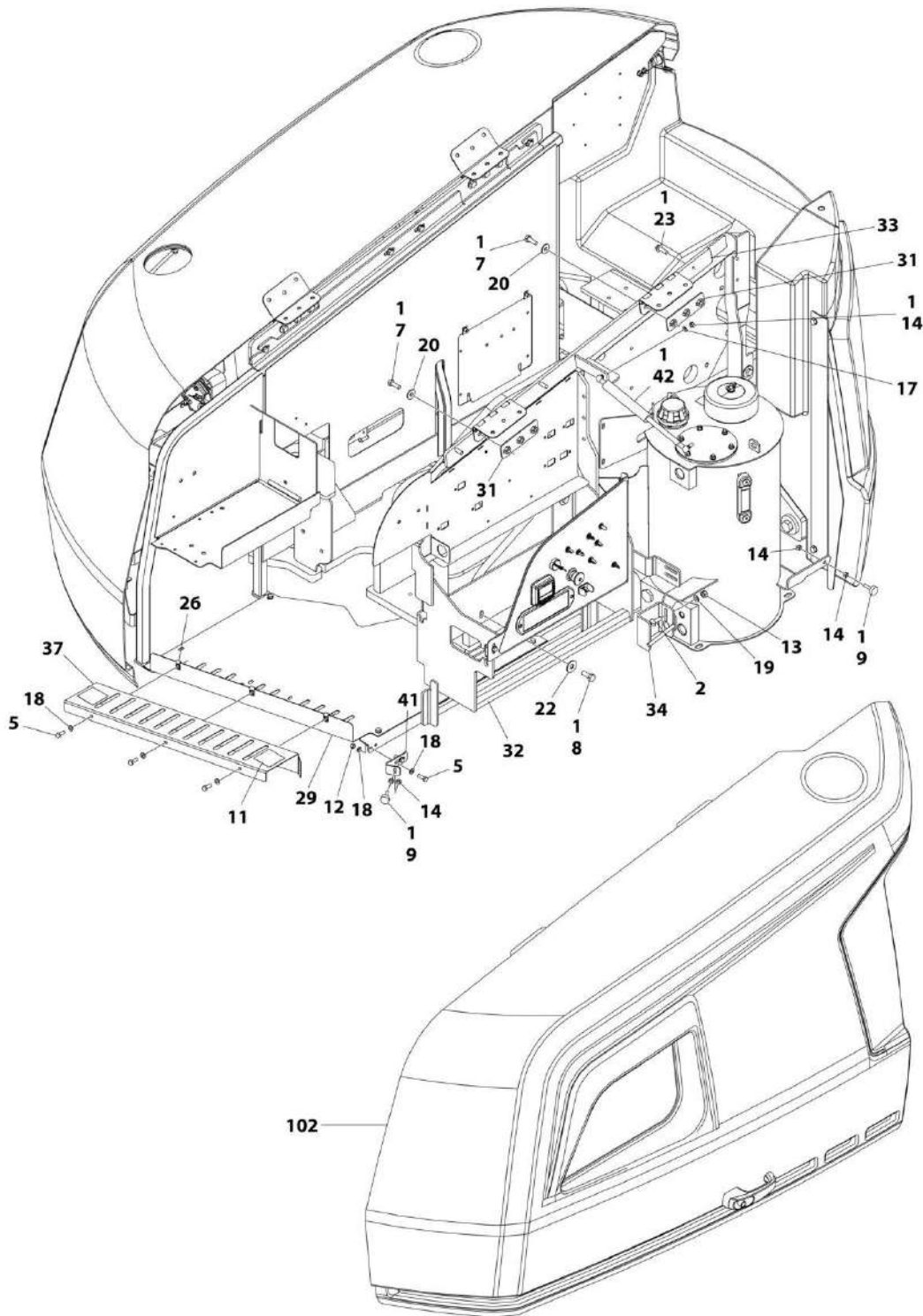


**SECTION 2 - TURNTABLE**

<b>ITEM</b>	<b>PART NUMBER</b>	<b>QTY</b>	<b>DESCRIPTION</b>	<b>REV</b>
43	1001182875	1	Mount	
44	1001182877	1	Mount	
45	1001182879	1	Mount	
46	1001191832	4	Rivnut M8	
47	1001200086	1	Support, Front Hood (Prior to SN E300003754)	
47	1001211717	1	Support, Hood (SN 1300007286 through 1300007383, SN E300003754 to Present)	

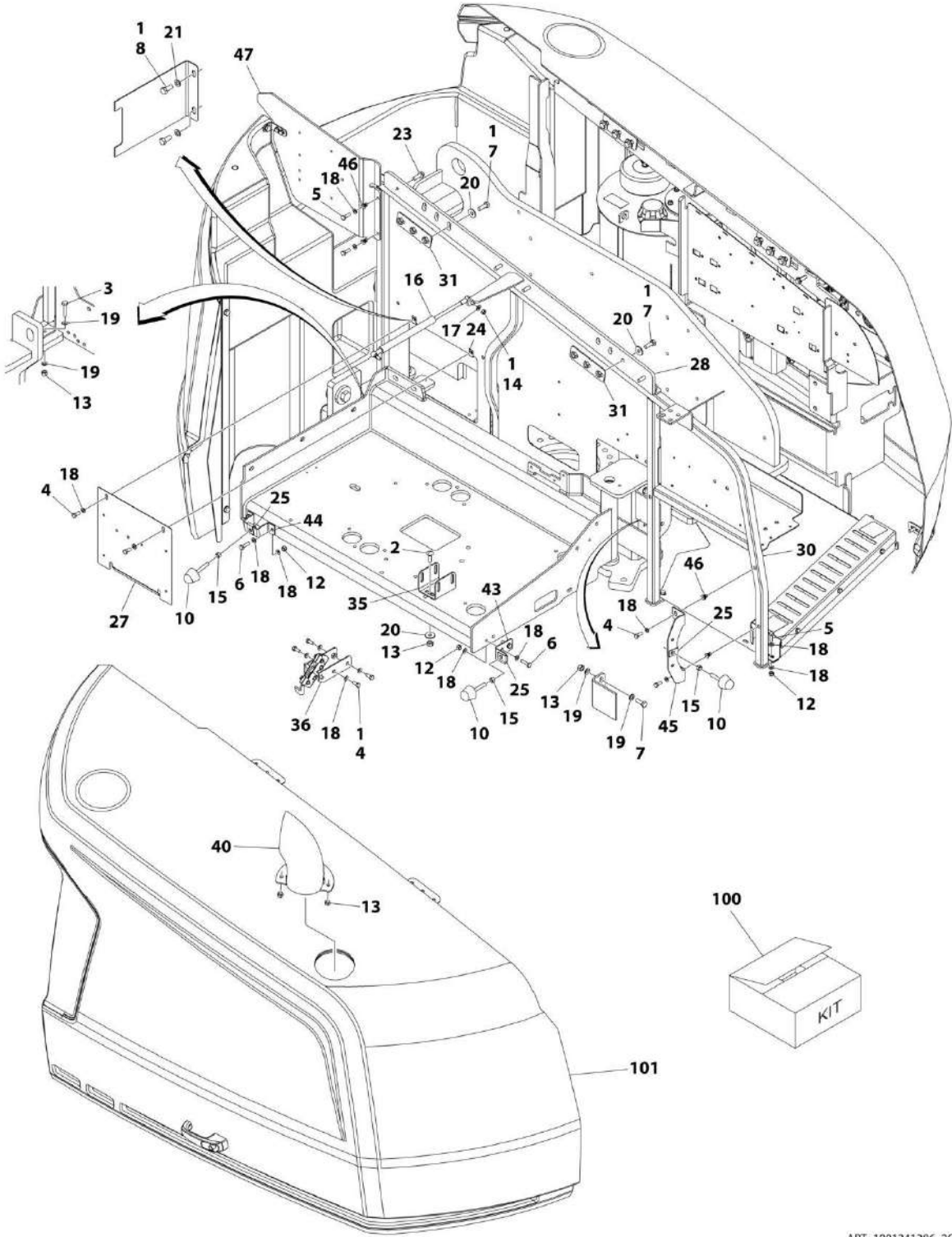
# SECTION 2 - TURNTABLE

FIGURE 2-20. HOODS INSTALLATION (SN E30006377 to Present)



ART\_1001241286\_10F2

SECTION 2 - TURNTABLE



ART\_1001241286\_20F2

## SECTION 2 - TURNTABLE

FIGURE 2-20. HOODS INSTALLATION (SN E300006377 to Present)

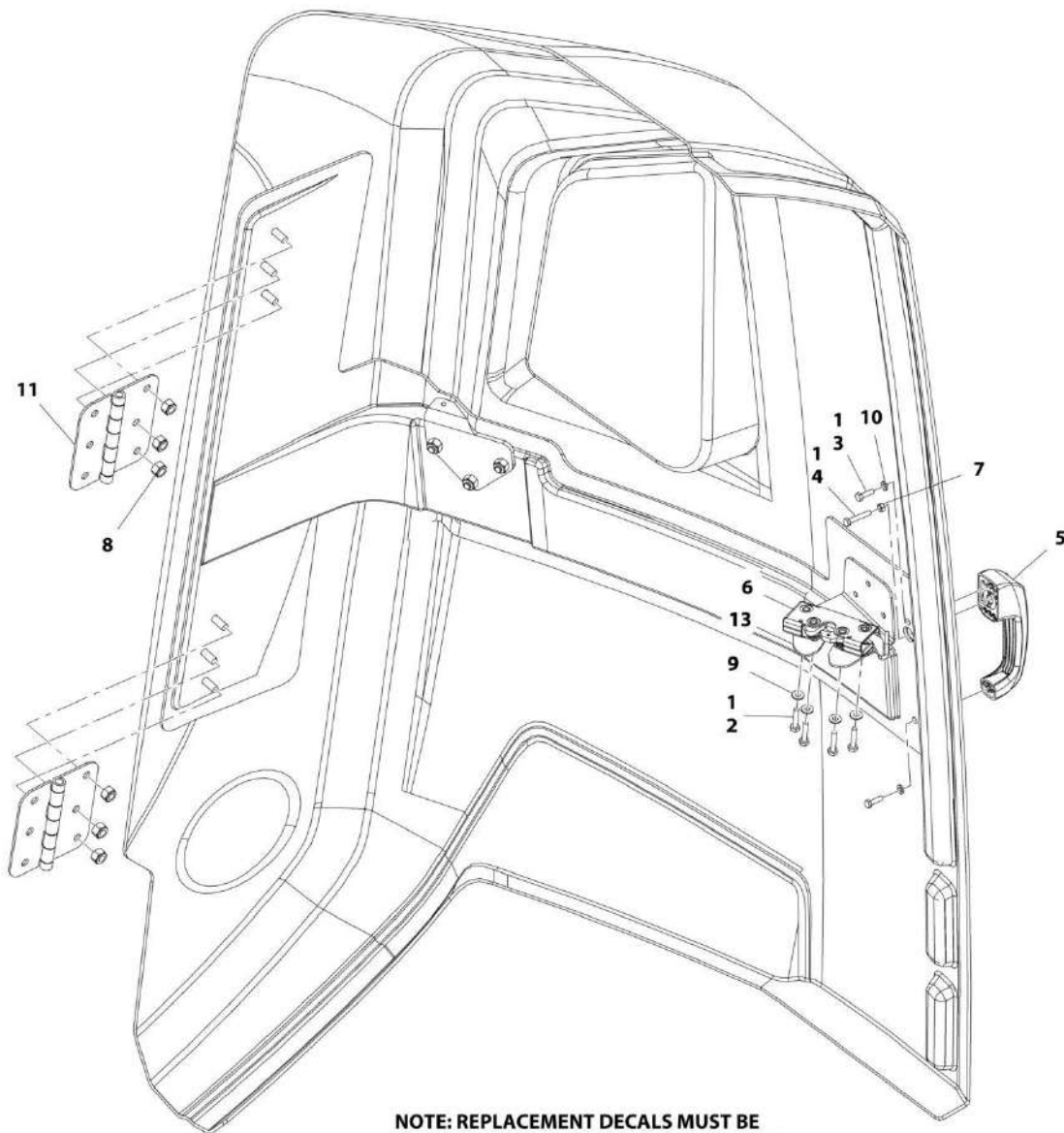
ITEM	PART NUMBER	QTY	DESCRIPTION	REV
	1001241286	Ref	HOODS INSTALLATION	A
1	0100011	AR	Compound, Locking	
2	0630613	4	Bolt M10 x 30	
3	0701018	5	Bolt M10 x 50	
4	0760810	8	Bolt M8 x 20	
5	0760812	11	Bolt M8 x 25	
6	0760814	4	Bolt M8 x 30	
7	0761014	14	Bolt M10 x 30	
8	0761214	6	Bolt M12 x 30	
9	0940049	2	Bumper	
10	0940071	3	Bumper	
11	1701691	2	Decal - No Step	
12	3290805	10	Nut M8	
13	3291005	14	Nut M10	
14	3311501	6	Nut 5/16	
15	3311601	3	Nut 3/8	
16	4160182	1	Spring, Gas	
17	4711500	2	Washer 5/16	
18	4811900	33	Washer M8	
19	4812000	16	Washer M10	
20	4812002	14	Washer M10	
21	4812100	2	Washer M12	
22	4812102	4	Washer M12	
23	5251014	8	Bolt M10 x 30	
24	8310686	2	Nut, Retainer M8	
25	88662523	3	Nut, Tinnerman	
26	1001118274	3	Nut M8	
27	1001167149	1	Panel, Filler	
28	1001167159	1	Mount	
29	1001167163	1	Tray	
30	1001167169	1	Mount	
31	1001169046	4	Nut	
32	1001211716	1	Support, Hood	
33	1001170018	1	Mount	
34	1001170022	1	Mount	
35	1001170859	1	Mount	
36	1001223777	1	Support	
37	1001171216	1	Cover	
40	1001233899	1	Pipe, Exhaust (SN E300006196 to Present)	
41	1001179904	1	Mount	
42	1001182169	1	Spring, Gas	
43	1001182875	1	Mount	
44	1001182877	1	Mount	
45	1001182879	1	Mount	
46	1001191832	4	Rivnut M8	
47	1001211717	1	Support, Hood	
100	1001241290	1	Hood Kit (Includes Items 101-102)	
101	1001241295	1	Hood Assembly - Engine Side (See HOOD ASSEMBLY - ENGINE SIDE for Breakdown)	
102	1001241296	1	Hood Assembly - Tank Side (See HOOD ASSEMBLY - TANK	

**SECTION 2 - TURNTABLE**

ITEM	PART NUMBER	QTY	DESCRIPTION	REV
			SIDE for Breakdown)	

## SECTION 2 - TURNTABLE

FIGURE 2-21. HOOD ASSEMBLY - TANK SIDE (Prior to SN E300006377)



**NOTE: REPLACEMENT DECALS MUST BE ORDERED SEPARATELY - SEE DECAL SECTION.**

ART\_1001172282

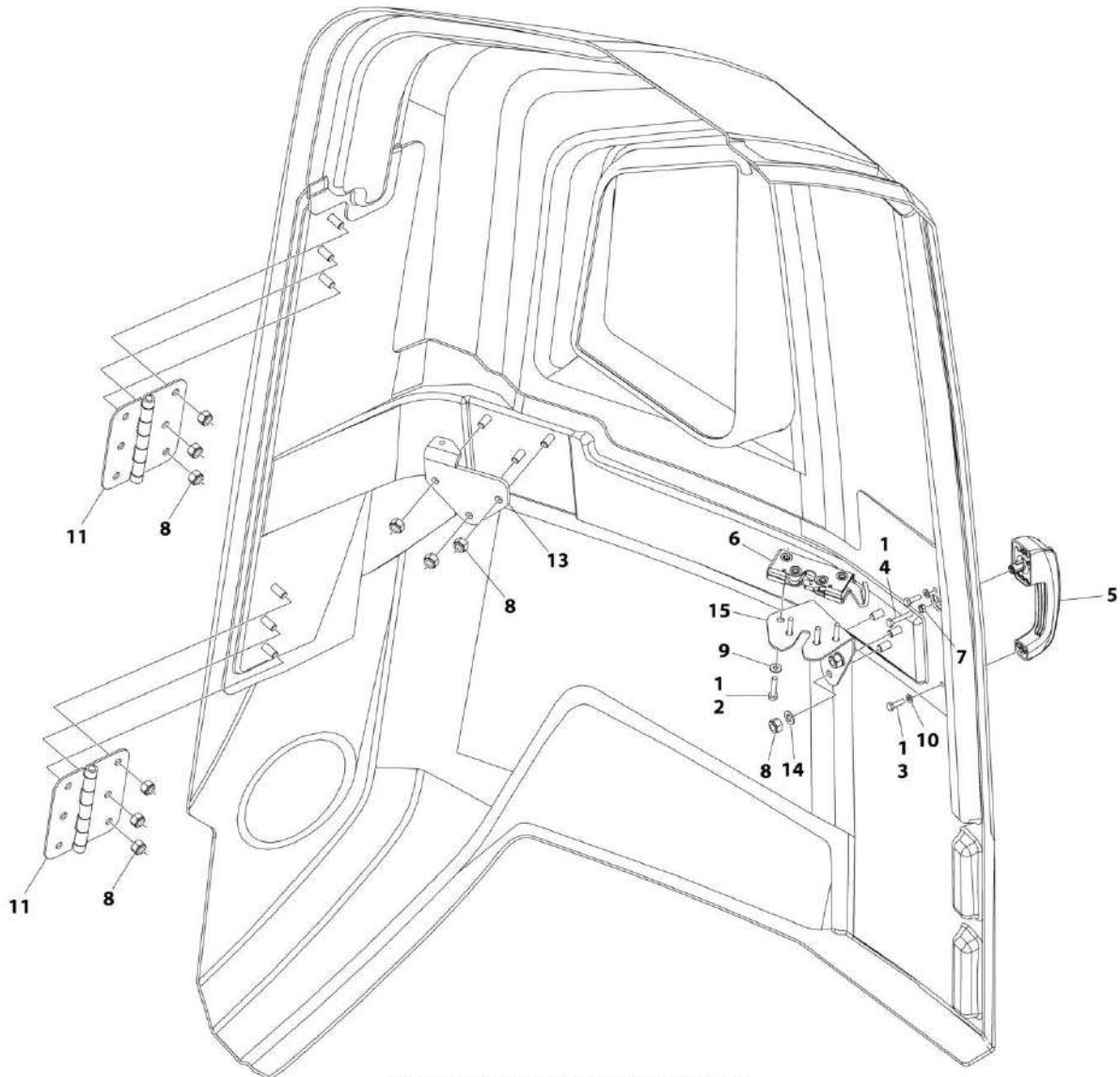
**SECTION 2 - TURNTABLE**

**FIGURE 2-21. HOOD ASSEMBLY - TANK SIDE (Prior to SN E300006377)**

<b>ITEM</b>	<b>PART NUMBER</b>	<b>QTY</b>	<b>DESCRIPTION</b>	<b>REV</b>
	1001172282	Ref	HOOD ASSEMBLY - TANK SIDE	C
1	0100011	AR	Compound, Locking	
2	0641410	4	Bolt 1/4 x 1-1/4	
3	0760610	2	Bolt M6 x 20	
4	0760615	1	Bolt M6 x 35	
5	2560187	1	Handle	
6	2940173	1	Latch	
7	3290601	1	Nut M6	
8	3291005	6	Nut M10	
9	4711400	4	Washer 1/4	
10	4811700	2	Washer M6	
11	1001139384	2	Hinge	
13	1001200458	1	Plate, Latch Guide	

## SECTION 2 - TURNTABLE

FIGURE 2-22. HOOD ASSEMBLY - TANK SIDE (SN E30006377 to Present)



**NOTE: REPLACEMENT DECALS MUST BE ORDERED SEPARATELY - SEE DECAL SECTION.**

ART\_1001241296



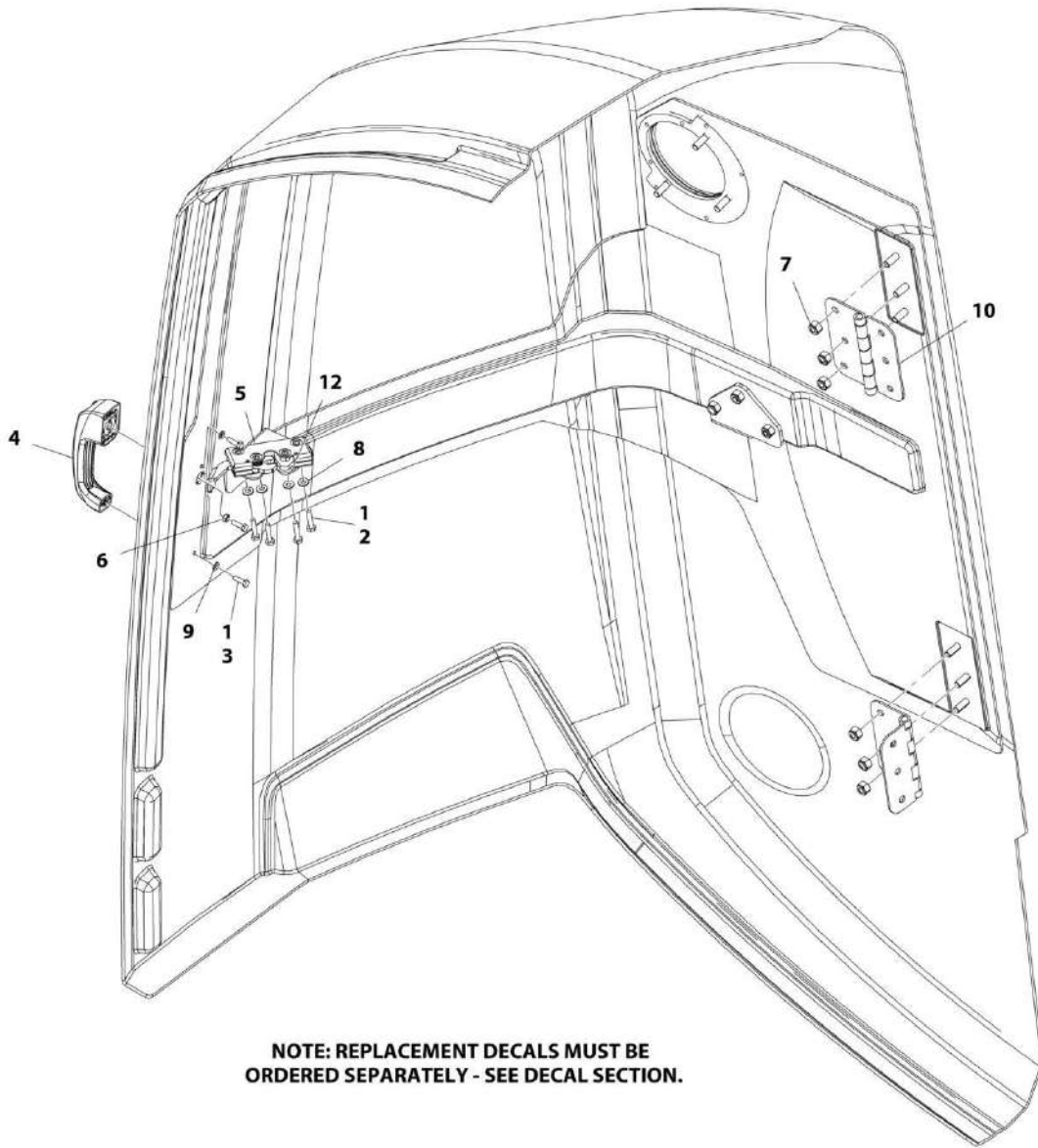
**SECTION 2 - TURNTABLE**

**FIGURE 2-22. HOOD ASSEMBLY - TANK SIDE (SN E300006377 to Present)**

ITEM	PART NUMBER	QTY	DESCRIPTION	REV
	1001241296	Ref	HOOD ASSEMBLY - TANK SIDE	A
1	0100011	AR	Compound, Locking	
2	0641410	4	Bolt 1/4 x 1-1/4	
3	0760610	2	Bolt M6 x 20	
4	0760615	1	Bolt M6 x 35	
5	2560187	1	Handle	
6	2940173	1	Latch	
7	3290601	1	Nut M6	
8	3291005	12	Nut M10	
9	4711400	4	Washer 1/4	
10	4811700	2	Washer M6	
11	1001139384	2	Hinge	
13	1001170475	1	Bracket	
14	4812000	3	Washer M10	
15	1001203322	1	Support	

## SECTION 2 - TURNTABLE

FIGURE 2-23. HOOD ASSEMBLY - ENGINE SIDE (Prior to SN E300006377)



ART\_1001172833

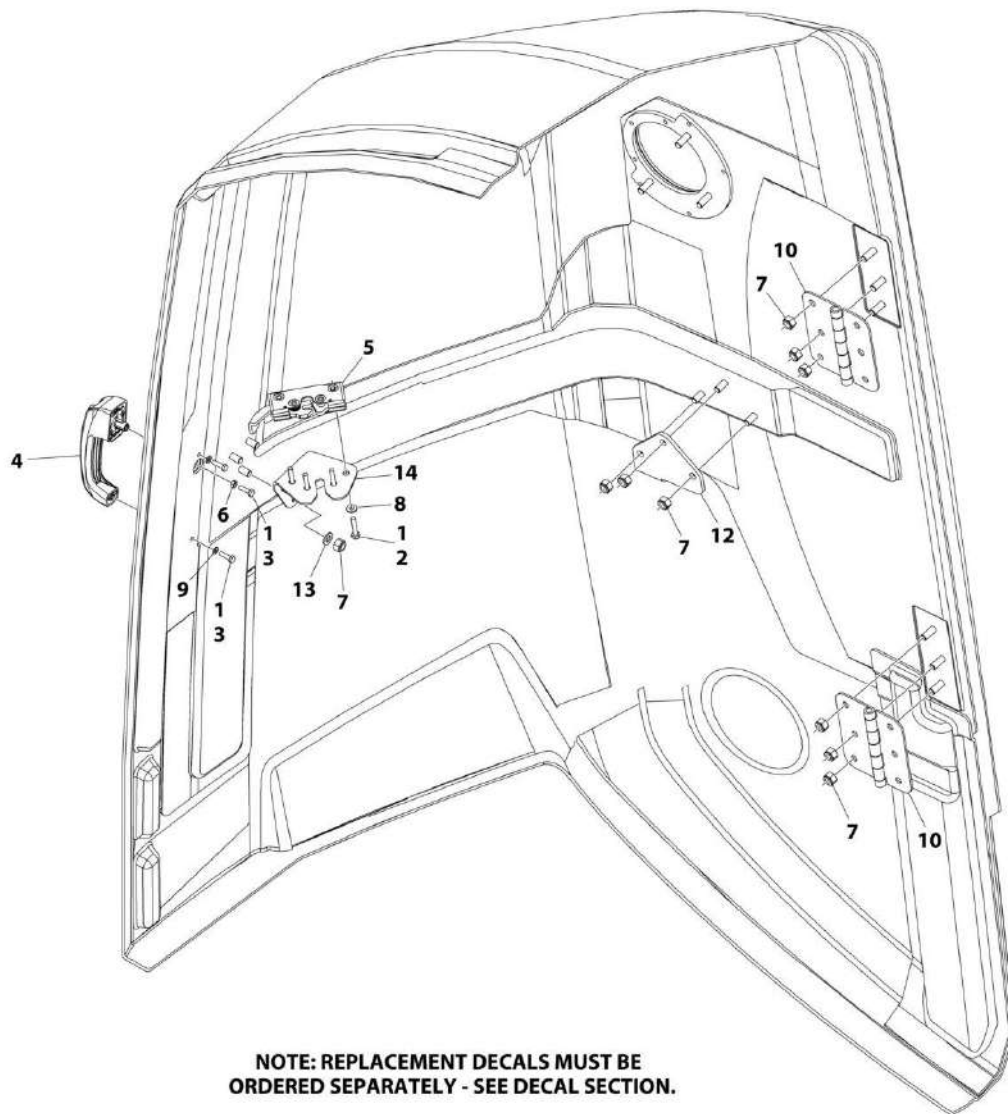
**SECTION 2 - TURNTABLE**

**FIGURE 2-23. HOOD ASSEMBLY - ENGINE SIDE (Prior to SN E300006377)**

ITEM	PART NUMBER	QTY	DESCRIPTION	REV
	1001172833	Ref	HOOD ASSEMBLY - ENGINE SIDE	C
1	0100011	AR	Compound, Locking	
2	0641410	4	Bolt 1/4 x 1-1/4	
3	0760610	3	Bolt M6 x 20	
4	2560187	1	Handle	
5	2940173	1	Latch	
6	3290601	1	Nut M6	
7	3291005	6	Nut M10	
8	4711400	4	Washer 1/4	
9	4811700	2	Washer M6	
10	1001139384	2	Hinge	
12	1001200458	1	Plate, Latch Guide	

## SECTION 2 - TURNTABLE

FIGURE 2-24. HOOD ASSEMBLY - ENGINE SIDE (SN E300006377 to Present)



ART\_1001241295

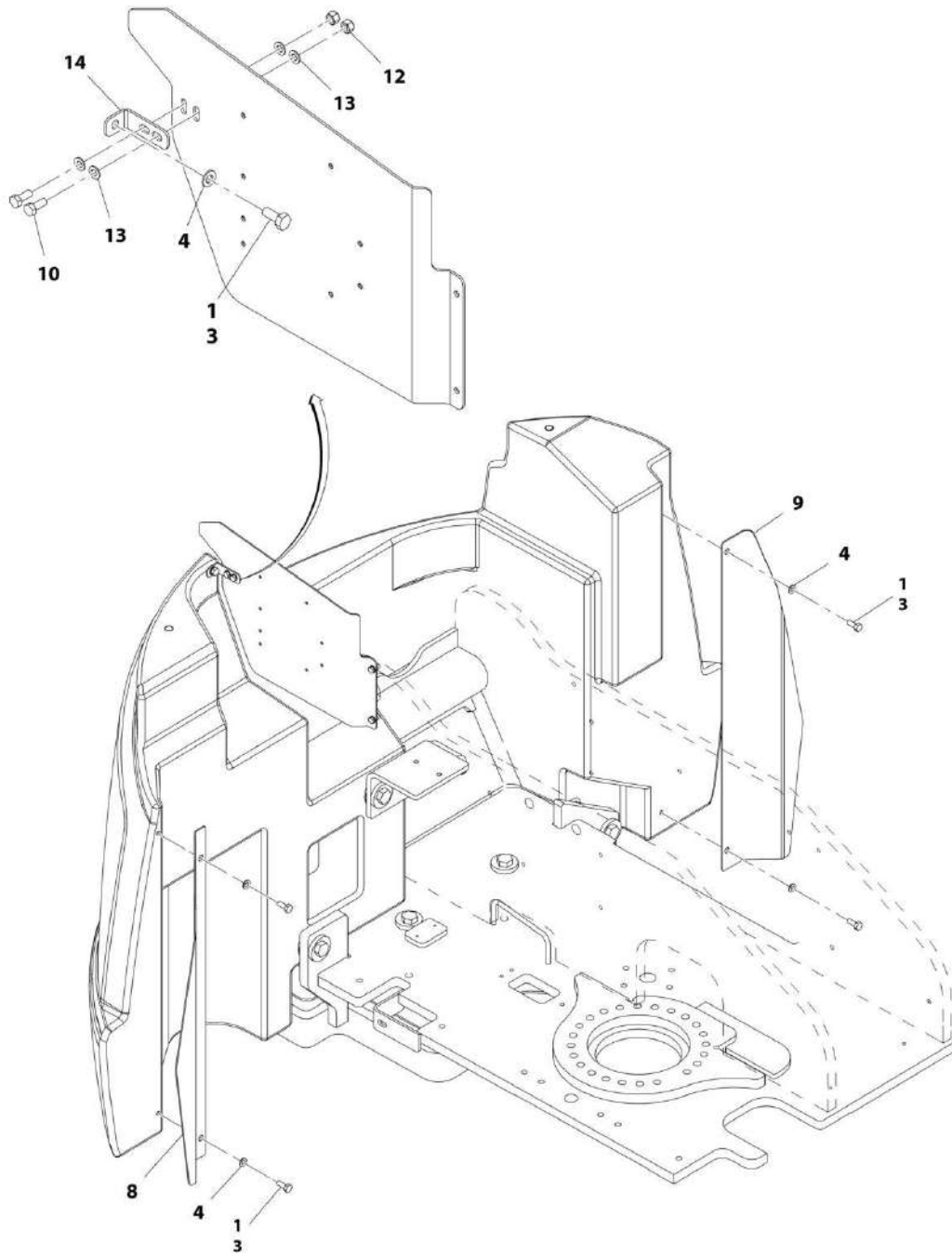
**SECTION 2 - TURNTABLE**

**FIGURE 2-24. HOOD ASSEMBLY - ENGINE SIDE (SN E300006377 to Present)**

ITEM	PART NUMBER	QTY	DESCRIPTION	REV
	1001241295	Ref	HOOD ASSEMBLY - ENGINE SIDE	A
1	0100011	AR	Compound, Locking	
2	0641410	4	Bolt 1/4 x 1-1/4	
3	0760610	3	Bolt M6 x 20	
4	2560187	1	Handle	
5	2940173	1	Latch	
6	3290601	1	Nut M6	
7	3291005	12	Nut M10	
8	4711400	4	Washer 1/4	
9	4811700	2	Washer M6	
10	1001139384	2	Hinge	
12	1001178228	1	Bracket	
13	4812000	3	Washer M10	
14	1001202830	1	Support	

# SECTION 2 - TURNTABLE

## FIGURE 2-25. COVERS INSTALLATION - COUNTERWEIGHT



ART\_1001169382

**SECTION 2 - TURNTABLE**

**FIGURE 2-25. COVERS INSTALLATION - COUNTERWEIGHT**

<b>ITEM</b>	<b>PART NUMBER</b>	<b>QTY</b>	<b>DESCRIPTION</b>	<b>REV</b>
	1001169382	Ref	COVERS INSTALLATION - COUNTERWEIGHT	C
1	0100011	AR	Compound, Locking	
2	0100019	AR	Compound, Locking	
3	0701012	5	Bolt M10 x 25	
4	4812000	5	Washer M10	
8	1001170120	1	Bracket	
9	1001170121	1	Bracket	
10	0760810	2	Bolt M8 x 20	
12	3290805	2	Nut M8	
13	4811900	4	Washer M8	
14	1001179191	1	Mount, Hood	

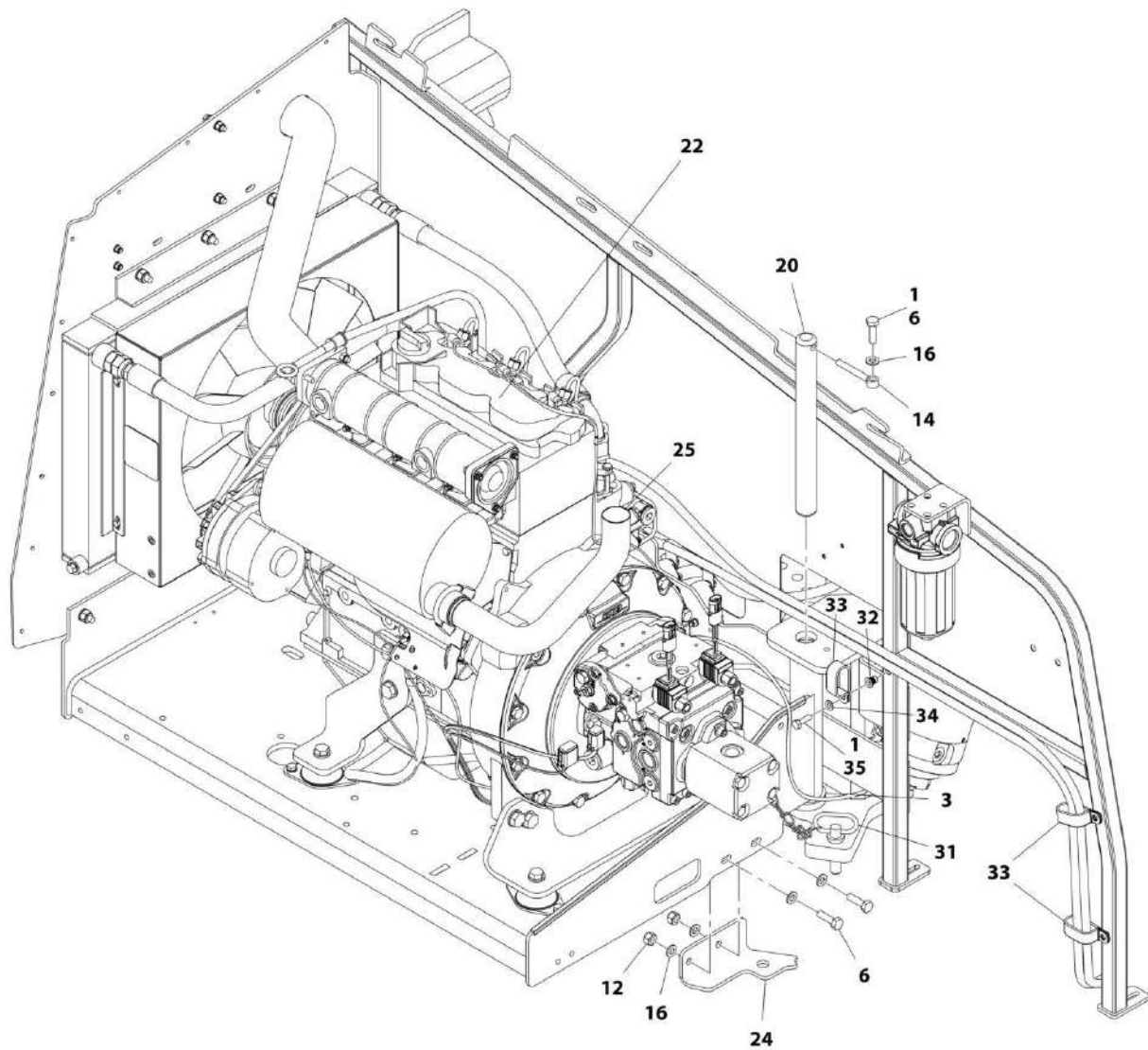




**SECTION 3 - ENGINE**

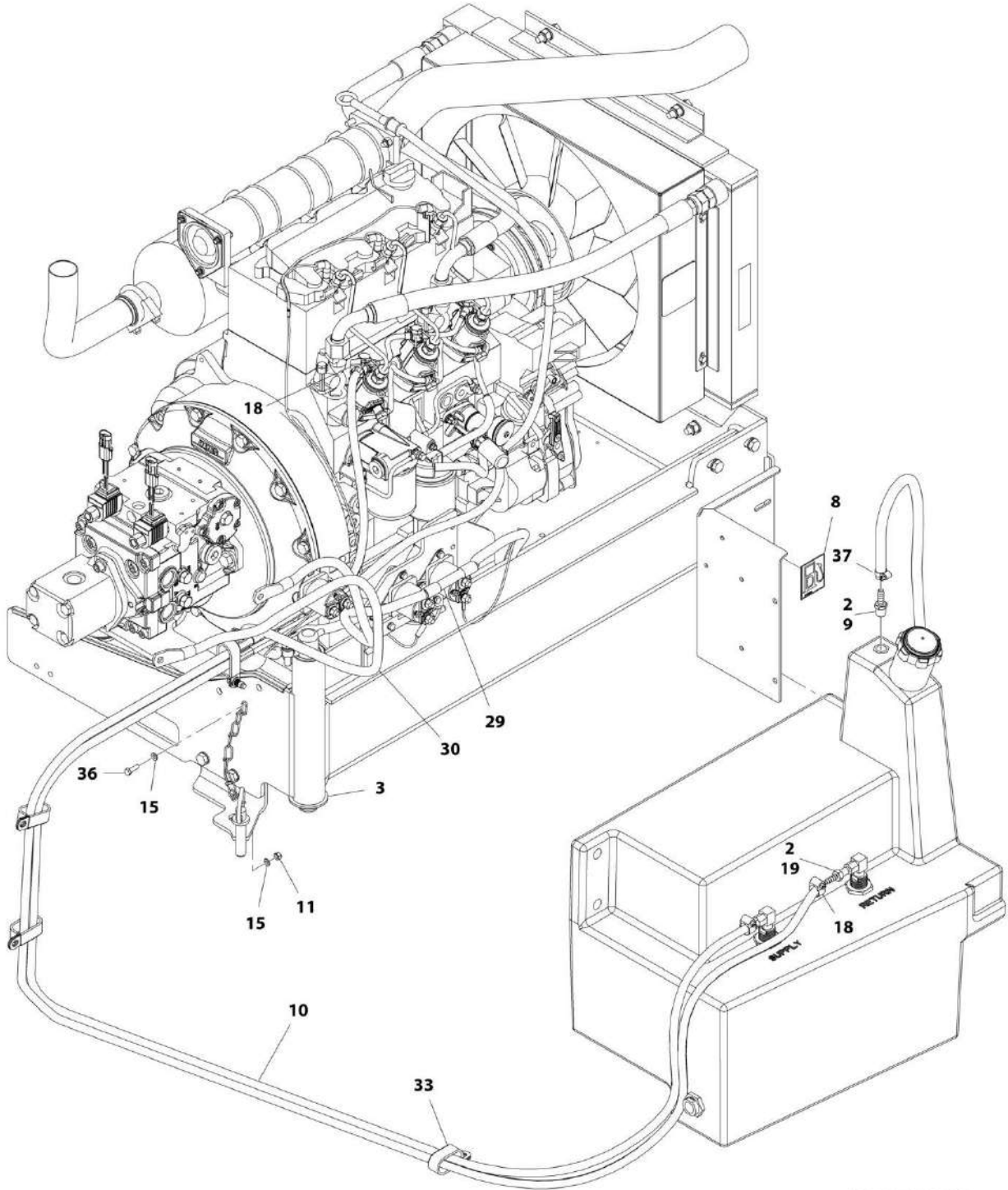
# SECTION 3 - ENGINE

## FIGURE 3-1. ENGINE INSTALLATION - DEUTZ D2.3L3 ENGINE



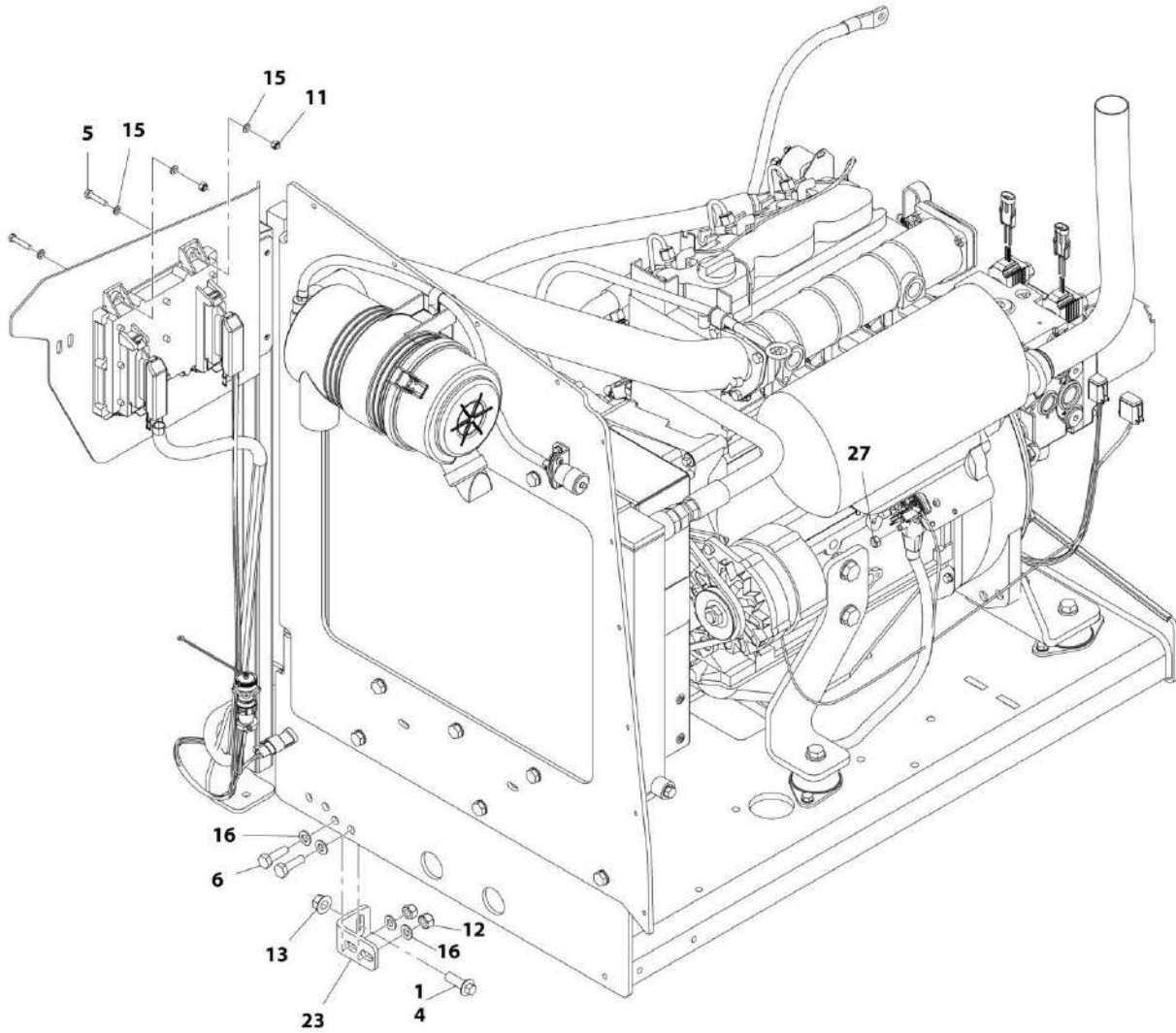
ART\_1001166305\_10F3

# SECTION 3 - ENGINE



ART\_1001166305\_20F3

# SECTION 3 - ENGINE



ART\_1001166305\_3OF3

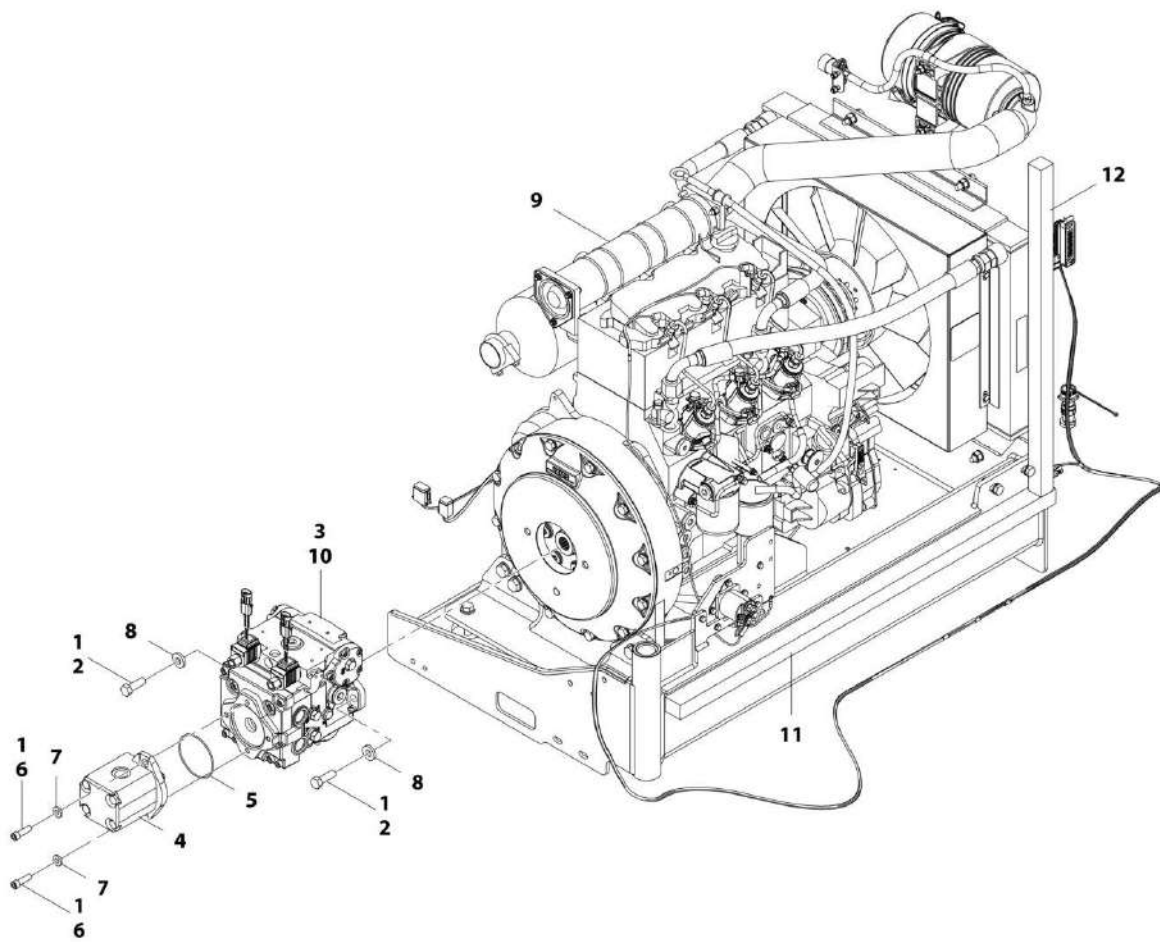
## SECTION 3 - ENGINE

**FIGURE 3-1. ENGINE INSTALLATION - DEUTZ D2.3L3 ENGINE**

ITEM	PART NUMBER	QTY	DESCRIPTION	REV
	1001166305	Ref	ENGINE INSTALLATION - DEUTZ D2.3L3 ENGINE	F
1	0100011	AR	Compound, Locking	
2	0100020	AR	Sealant, Pipe	
3	0440162	1	Bearing	
4	5251215	1	Bolt, M12 x 35mm	
5	0760614	4	Bolt, M6 x 30mm	
6	0761015	5	Bolt, M10 x 35mm	
7	1704972	1	Decal - Warning Explosion/Fire	
8	1701505	1	Decal - Diesel Fuel	
9	2180876	1	Fitting, Barbed	
10	2720058	22 ft/6.7m	Hose	
11	3290605	5	Nut, Lock M6 x 1	
12	3291005	4	Nut, Lock M10 x 1.5	
13	5261200	1	Nut, Flange M12 Grade 10.9	
14	3841143	1	Keeper, Pin	
15	4811700	10	Washer, M6	
16	4812000	9	Washer, M10	
18	8410013	4	Clamp	
19	2180348	2	Fitting, Barbed	
20	1001135196	1	Pin	
22	1001166021	1	Engine and Pump Sub-Assembly - Deutz D2.3L3 (ANSI Export, Australian and CE Specs) (See ENGINE AND PUMP SUB-ASSEMBLY - DEUTZ D2.3L3 (ANSI EXPORT, AUSTRALIAN AND CE SPECS for Breakdown)	
23	1001167512	1	Bracket, Engine	
24	1001169823	1	Bracket, Engine	
25	1001172202	1	Pipe, Exhaust	
27	3290801	1	Nut, M8 x 1.25	
29	1001171681	1	Cable, Battery (Red) (Battery Positive to Auxiliary Power Relay)	
30	1001171682	1	Cable, Battery (Black) (Battery Negative to Auxiliary Power Pump)	
31	3422532	1	Pin	
32	1001191832	1	Nut, Rivet, M8	
33	1321716	4	Clamp	
34	4811900	1	Washer, M8	
35	0760812	1	Bolt, M8 x 25mm	
36	0760610	1	Bolt, M6 x 20mm	
37	1320022	1	Clamp	

# SECTION 3 - ENGINE

FIGURE 3-2. ENGINE AND PUMP SUB-ASSEMBLY - DEUTZ D2.3L3



ART\_1001166021

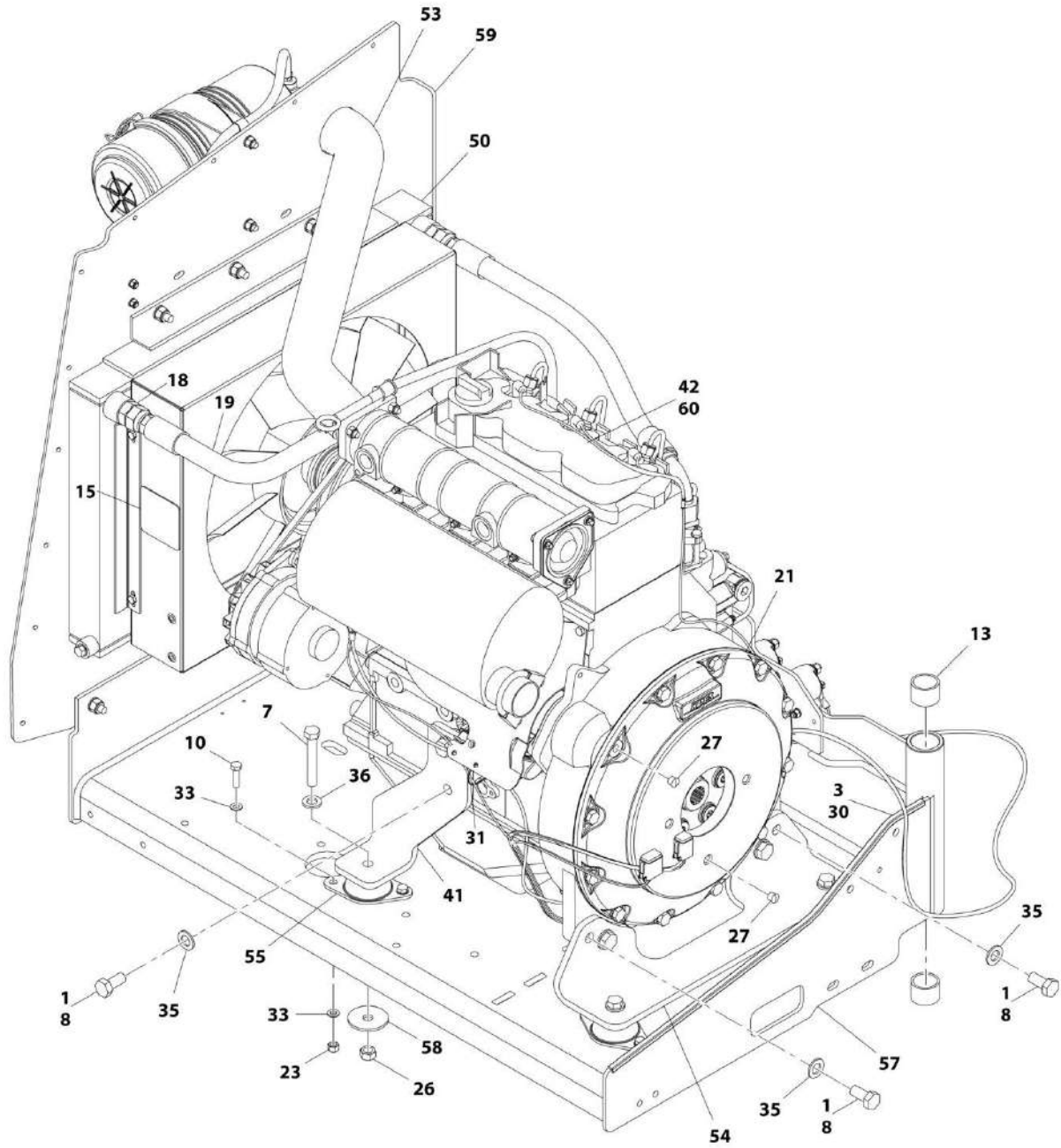
## SECTION 3 - ENGINE

**FIGURE 3-2. ENGINE AND PUMP SUB-ASSEMBLY - DEUTZ D2.3L3**

ITEM	PART NUMBER	QTY	DESCRIPTION	REV
	1001166021	Ref	ENGINE AND PUMP SUB-ASSEMBLY - DEUTZ D2.3L3	E
1	0100011	AR	Compound, Locking	
2	0641812	2	Bolt, 1/2-13 x 1-1/2	
3	3020037	AR	Lube	
4	3600242	1	Gear Pump Assembly (See GEAR PUMP ASSEMBLY for Breakdown) <b>(Prior to SN E300004772)</b>	
4	1001214207	1	Gear Pump Assembly <b>(SN 1300007286 through 1300007383, SN E300004772 to Present)</b>	
4	70006356	1	Seal Kit – 1001214207 Pump	
5	3790152	1	O-Ring	
6	3931620	2	Capscrew, 3/8-16 x 1-1/4	
6	3931618	2	Capscrew, 3/8-16 x 1-1/8	
7	4891600	2	Washer, 3/8 Hardened	
8	4891800	2	Washer, 1/2 Hardened	
9	1001166020	1	Engine Assembly - Deutz D2.3L3 Engine (See ENGINE ASSEMBLY - DEUTZ D2.3L3 ENGINE for Breakdown)	
10	1001167036	1	Piston Pump Assembly (See PISTON PUMP ASSEMBLY for Breakdown)	
11	1001171953	1	Seal	
12	1001171954	1	Seal	

# SECTION 3 - ENGINE

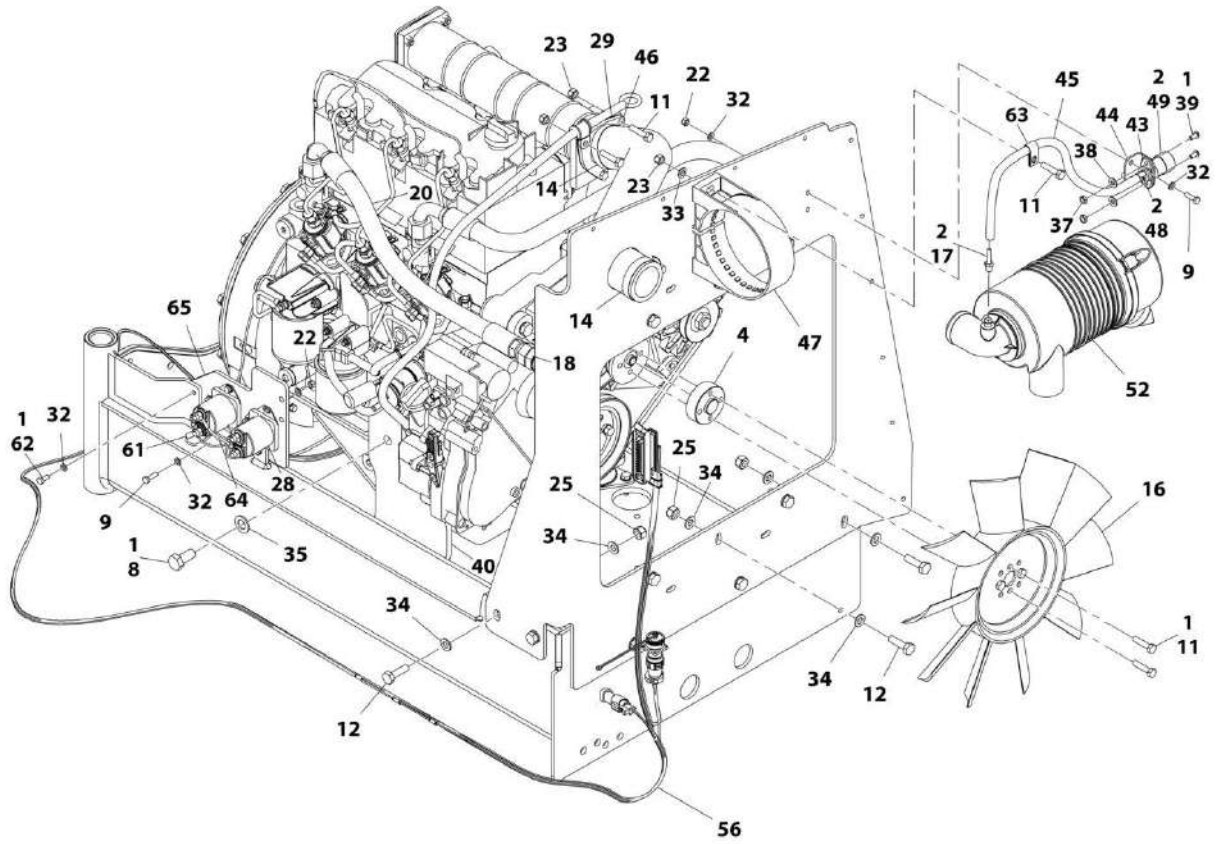
## FIGURE 3-3. ENGINE ASSEMBLY - DEUTZ D2.3L3 ENGINE



ART\_1001166020\_10F2



# SECTION 3 - ENGINE



ART\_1001166020\_2OF2

## SECTION 3 - ENGINE

FIGURE 3-3. ENGINE ASSEMBLY - DEUTZ D2.3L3 ENGINE

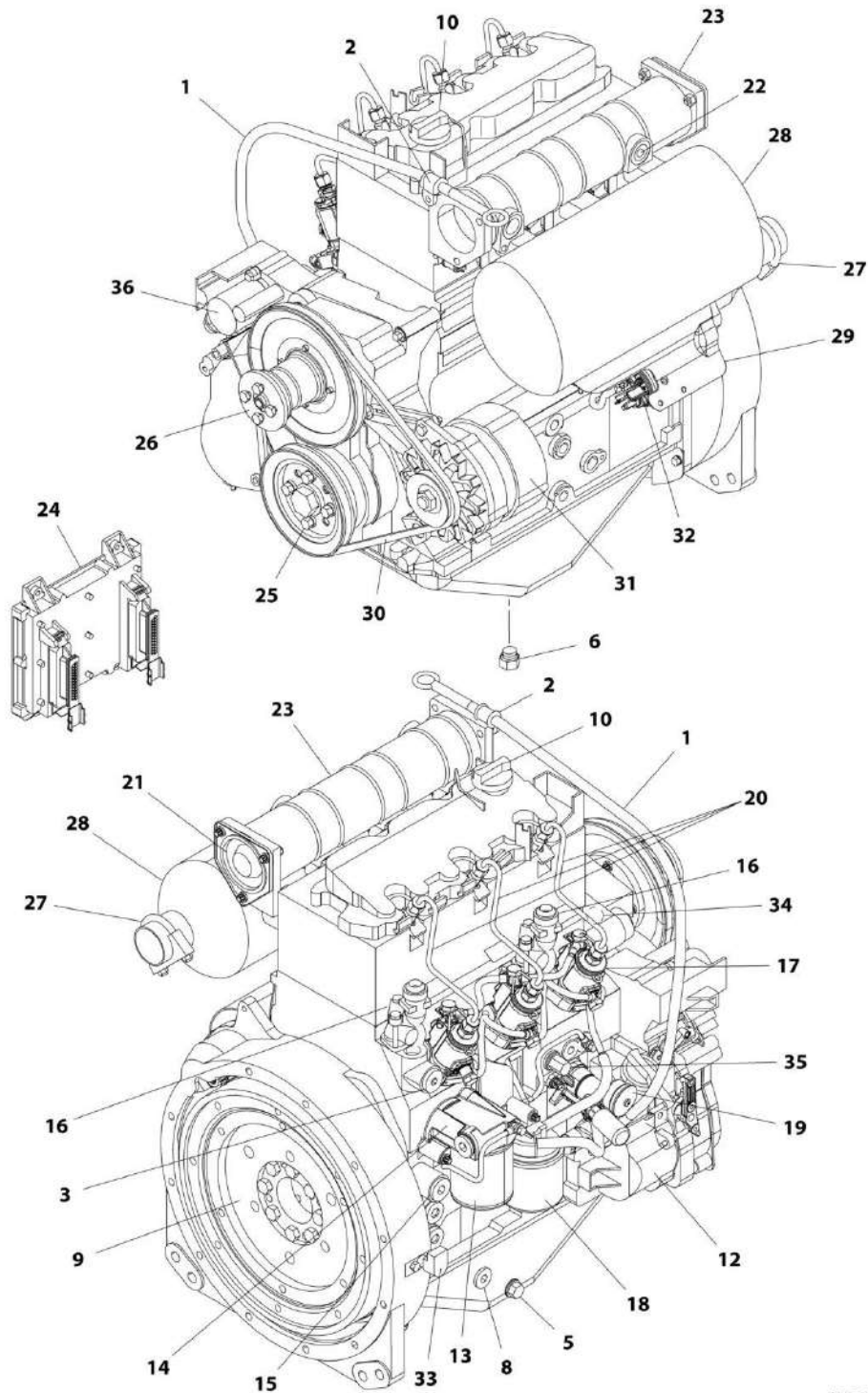
ITEM	PART NUMBER	QTY	DESCRIPTION	REV
	1001166020	Ref	ENGINE ASSEMBLY - DEUTZ D2.3L3 ENGINE	K
1	0100011	AR	Compound, Locking	
2	0100020	AR	Sealant, Pipe	
3	0100081	AR	Adhesive	
4	0080231	1	Spacer, Fan	
7	0711224	4	Bolt, M12 x 80mm Grade 10.9	
8	0771414	8	Bolt, M14 x 30mm Grade 10.9	
9	0760610	6	Bolt, M6 x 20mm	
10	0760814	8	Bolt, M8 x 30mm	
11	0760815	9	Bolt, M8 x 35mm	
12	0761015	11	Bolt, M10 x 35mm	
13	0961951	2	Bushing	
14	1320016	2	Clamp	
15	1703162	2	Decal - Caution Fan	
16	2060025	1	Fan	
17	2220315	1	Fitting, Barbed	
18	2220451	2	Fitting, Straight JIC/ORB	
19	2720398	1	Hose	
20	2720447	1	Hose	
21	2902065	1	Pump Coupling Kit (See PUMP COUPLING KIT for Breakdown)	
22	3290605	6	Nut, Lock, M6 x 1	
23	3290805	13	Nut, Lock M8 x 1.25	
25	3291005	11	Nut, Lock M10 x 1.5	
26	3331215	4	Nut, M12 x 1.75	
27	3520054	2	Plug	
28	3740067	2	Relay Assembly	
28	3300220	2	Nut	
28	3321001	1	Nut, #10-32	
28	3740140	1	Relay	
28	4761000	1	Washer, Lock #10	
28	1001111424	2	Washer	
29	3960407	1	Gasket	
30	4060805	2.3 ft /0.7m	Trim, Flex Shield	
31	4240099	AR	Tie-Strap	
32	4811700	15	Washer, M6	
33	4811900	20	Washer, M8	
34	4812000	22	Washer, M10	
35	4812200	8	Washer, M14	
36	5241200	4	Washer, M12 Hardened	
37	8305401	2	Nut, Jam .250-20	
38	8307109	2	Washer, .250	
39	8310548	2	Screw, 1/4 NC x 1/2	
40	1001132195	1	Bracket, Engine Mount	
41	1001132196	1	Bracket, Engine Mount	
42	1001136079	3 gal /11.3L	Oil, Motor	
43	1001138173	1	Support, Service Indicator	
44	1001138175	1	Bracket, Service Indicator	
45	1001138248	2 ft/0.6m	Tube	

## SECTION 3 - ENGINE

ITEM	PART NUMBER	QTY	DESCRIPTION	REV
46	1001139819	1	Adapter, Air Intake	
47	1001141694	1	Clamp, Air Cleaner	
48	1001141995	1	Fitting, Barbed	
49	1001143390	1	Indicator	
50	1001150998	1	Radiator	
52	1001165388	1	Air Cleaner Assembly	
52	70003783	1	Element, Air Cleaner	
53	1001165389	1	Hose	
54	1001166717	1	Bracket, Engine Mount	
55	1001166718	4	Isolator, Engine Mount	
56	1001167111	1	Harness Engine - Deutz D2.3L3 (See ELECTRICAL SECTION for Breakdown)	
57	1001167520	1	Tray, Engine	
58	1001168018	4	Washer, Snubbing	
59	1001168059	1	Plate, Radiator Mounting	
60	1001170693	1	Engine, Deutz D2.3L3 (See ENGINE COMPONENTS - DEUTZ D2.3L3 ENGINE for Breakdown)	
61	4923451	1	Harness, Glow Plugs	
62	0760614	3	Bolt, M6 x 30	
63	8406109	1	Clip	
64	1001178859	1	Cable, Alternator	
65	1001179903	1	Bracket <b>(Prior to SN E300003245)</b>	
65	1001214975	1	Bracket <b>(SN 1300007286 through 1300007383, SN E300003245 to Present)</b>	

# SECTION 3 - ENGINE

## FIGURE 3-4. ENGINE COMPONENTS - DEUTZ D2.3L3



ART\_1001170693

## SECTION 3 - ENGINE

**FIGURE 3-4. ENGINE COMPONENTS - DEUTZ D2.3L3**

ITEM	PART NUMBER	QTY	DESCRIPTION	REV
	1001170693	Ref	ENGINE COMPONENTS - DEUTZ D2.3L3	C
1	70001002	1	Tube, Dipstick	
1	7020403	1	Seal, Tube	
1	7020026	1	Dipstick	
2	70001654	1	Clamp	
2	70001655	1	Bolt	
3	70003475	1	Thermostat	
3	7020460	1	Spring	
4		Ref	Seal and Gasket Options (Not Shown):	
4	70002718	1	Seal, Rear Main	
4	7020430	1	Gasket, Valve Cover	
4	70003479	1	Gasket, Head - 1 Notch	
4	70003480	1	Gasket, Head - 2 Notch	
4	70003481	1	Gasket, Head - 3 Notch	
5	70025088	1	Plug	
6	70025667	1	Plug	
7	70025123	22	Bolt, Torx (Oil Pan Bolts) (Not Shown)	
8	7020492	1	Seal	
8	70025084	1	Plug	
9	70001870	1	Flywheel	
9	7024579	1	Ring Gear (Part of Flywheel)	
9	70025139	8	Bolt	
10	7020465	1	Cap, Oil Fill	
11	70000800	1	Timing Belt/Idler Kit (Includes Timing Belt, Tensioner and Tensioner Bolt) (Not Shown)	
12	70001850	1	Pump, Lubricating	
12	7020468	1	Seal, Pump to Engine Block (Not Shown)	
13	7016331	1	Filter, Oil	
14	70003472	1	Bracket, Oil Filter (Includes Plug with Seal, Temperature Sensor, Control Valve and Compression Spring)	
14	7027236	1	Sender, Temperature	
14	70025082	1	Seal, Plug	
14	70025091	1	Plug	
14	70003473	1	Gasket, Bracket to Engine Block (Not Shown)	
15	70001181	1	Valve	
15	70025091	1	Plug	
15	70025082	1	Seal, Plug	
16	70004268	2	Connector, Radiator Neck	
16	70004269	2	Seal, Radiator Neck to Engine Block	
17	70000912	3	Pump, Fuel Injector - A Spec	
17	70000913	3	Pump, Fuel Injector - B Spec	
17	70000914	3	Pump, Fuel Injector - C Spec	
17	70000915	3	Pump, Fuel Injector - D Spec	
17	70003464	3	O-Ring, Pump to Engine Block	
18	7020023	1	Filter, Fuel	
18	70003463	1	Filter, Fuel - RME Resistant	
18	70001423	1	Bracket, Fuel Filter	
19	70000916	1	Pump Fuel Supply	
19	70000917	1	O-Seal Between Fuel Pump and Engine Block	
19	70000918	1	Sealing Ring Between Hand Pump and Supply Pump	

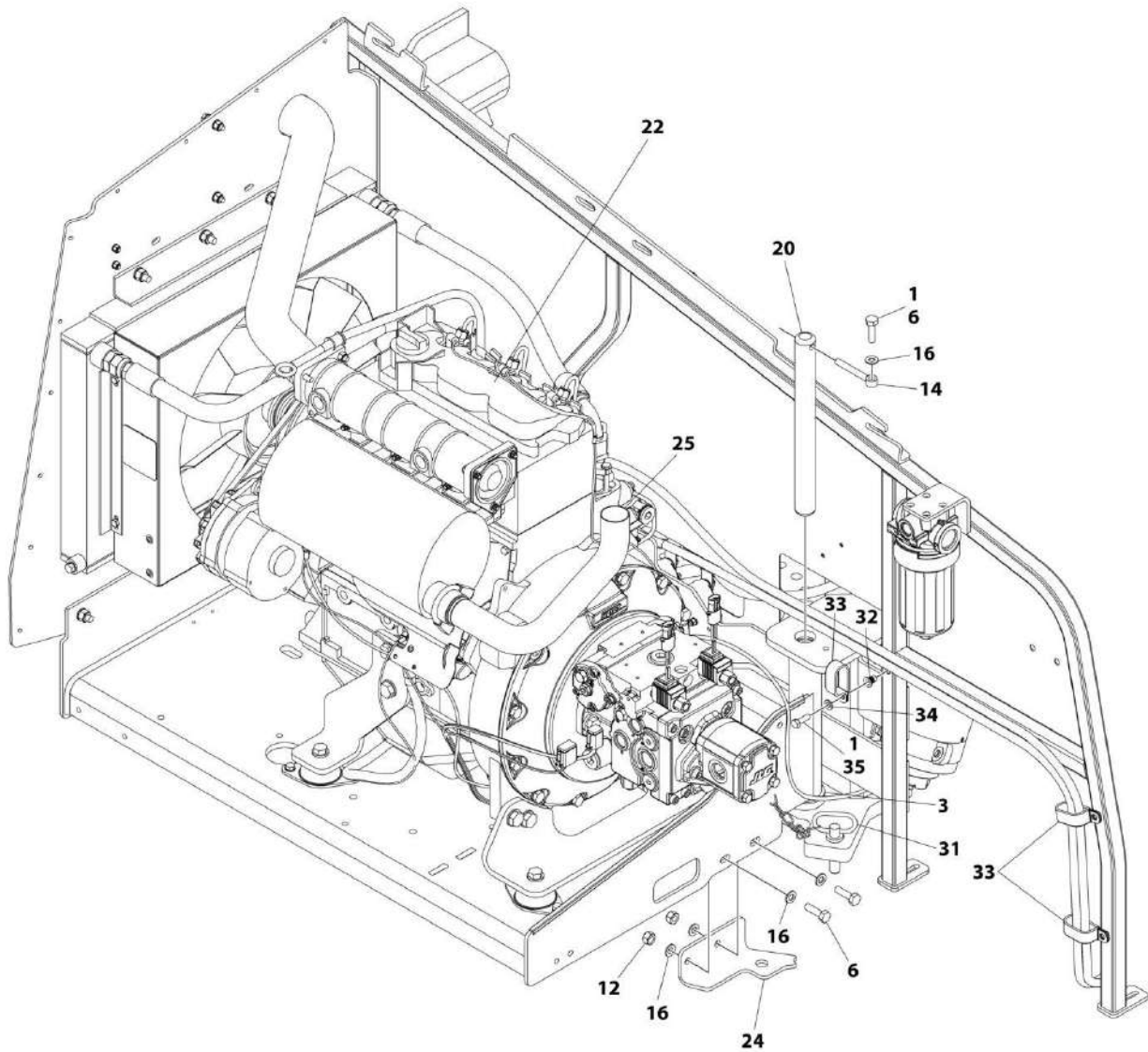
## SECTION 3 - ENGINE

ITEM	PART NUMBER	QTY	DESCRIPTION	REV
19	70000919	1	Pump, Hand	
19	70001435	1	Repair Kit	
19	70025694	2	Bolt, Torx	
20	70000931	3	Pipe, High Pressure	
21	70003469	1	Flange, Intake	
21	70003468	1	Seal	
22	70025084	1	Plug	
22	7020492	1	Seal, Plug	
23	7027903	1	Manifold, Air Intake	
23	70001871	3	Gasket Between Manifold and Engine Block	
24	See Note	1	Module, Engine Control (Note: Not Currently Available)	
24	7027796	1	Cable, Electrical Between Module and Engine Harness (Not Shown)	
24	70001872	1	Harness, Engine (Connects to p/n 70004060) (Not Shown)	
24	70004060	1	Plug, Connector Located on Cable Near Module (Not Shown)	
24	70004059	1	Plug, Analyzer (Not Shown)	
25	70025123	4	Bolt, Torx	
26	70000787	1	Support, Fan (Includes Support, Internal Shaft, Bearings and Circlip)	
27	70001844	1	Clamp	
28	See Note	1	Muffler (Note: See ENGINE ASSEMBLY for Breakdown)	
28	7020471	3	Gasket, Exhaust Between Muffler and Engine Block	
28	70004270	6	Stud, Muffler	
29	70001498	1	Shield, Starter	
29	70025693	3	Bolt	
30	70004102	1	V-Belt	
31	70004056	1	Alternator (Includes Voltage Regulator and Gaskets, Fan and Fan Mounting Hardware)	
31	70001868	1	Regulator, Voltage	
31	70001866	1	Gasket Set, Voltage Regulator	
31	70025131	1	Fan	
31	70025086	1	Nut, Fan	
31	70000851	1	Bracket, Alternator Mounting	
31	70002234	1	Bracket, Alternator Adjustment	
31	70004103	1	Harness, Alternator (Not Shown)	
32	7020479	1	Starter	
32	70025121	2	Bolt, Starter Mounting	
32	70004058	1	Relay	
32	70004062	1	Harness, Starter (Not Shown)	
33	7024565	1	Sensor, Speed	
33	70003931	1	Bolt	
33	70003932	1	Spacer, Sleeve	
34	7027791	1	Sender, Temperature	
35	7027790	1	Sensor, Oil Pressure	
36	7027792	1	Actuator	
37	70000345	3	Plug, Glow (Not Shown)	



# SECTION 3 - ENGINE

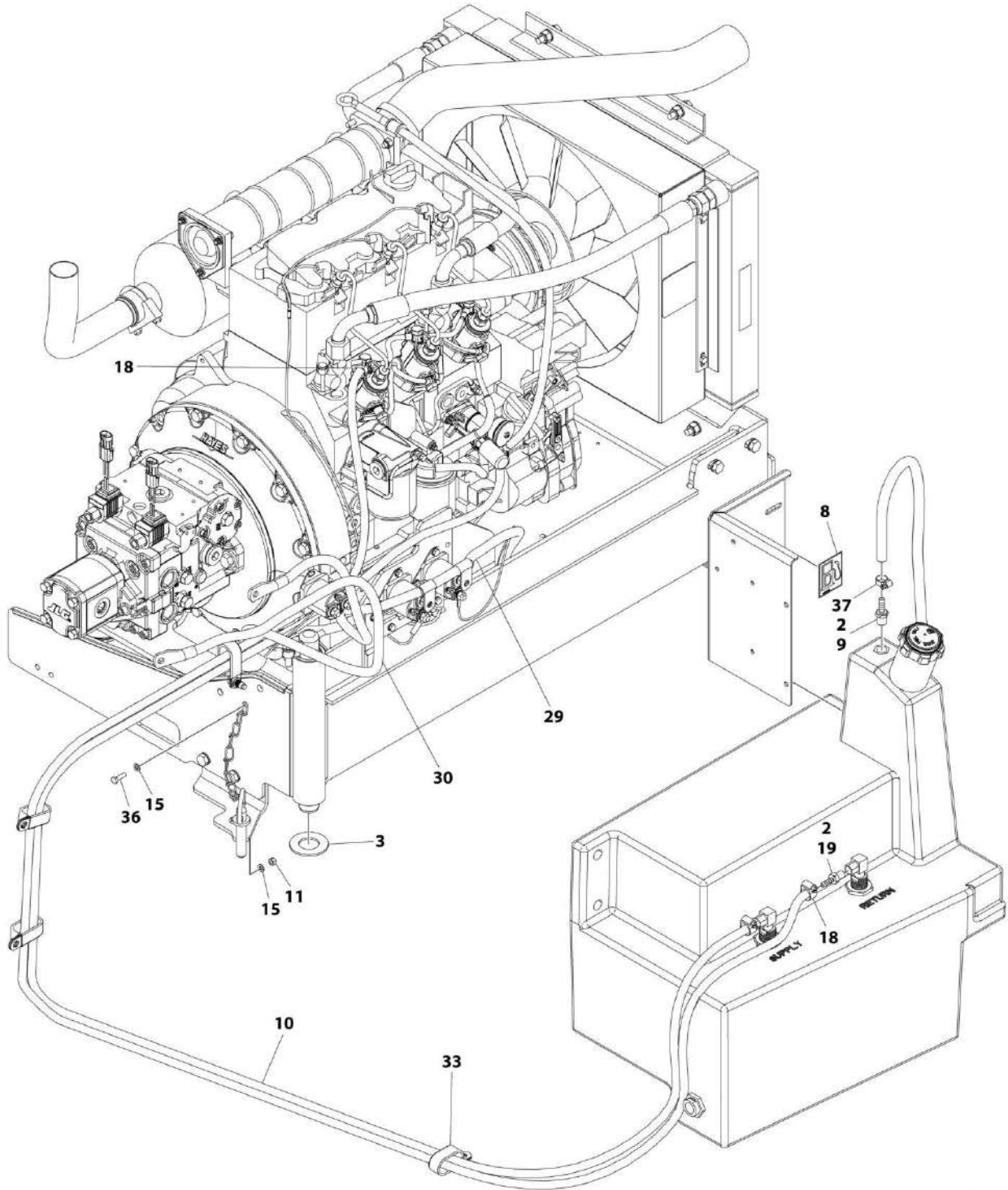
## FIGURE 3-5. ENGINE INSTALLATION - DEUTZ D2011 ENGINE (STAGE V) (WITHOUT ARCTIC PACKAGE) (CE SPECS)



ART\_1001235465\_10F3

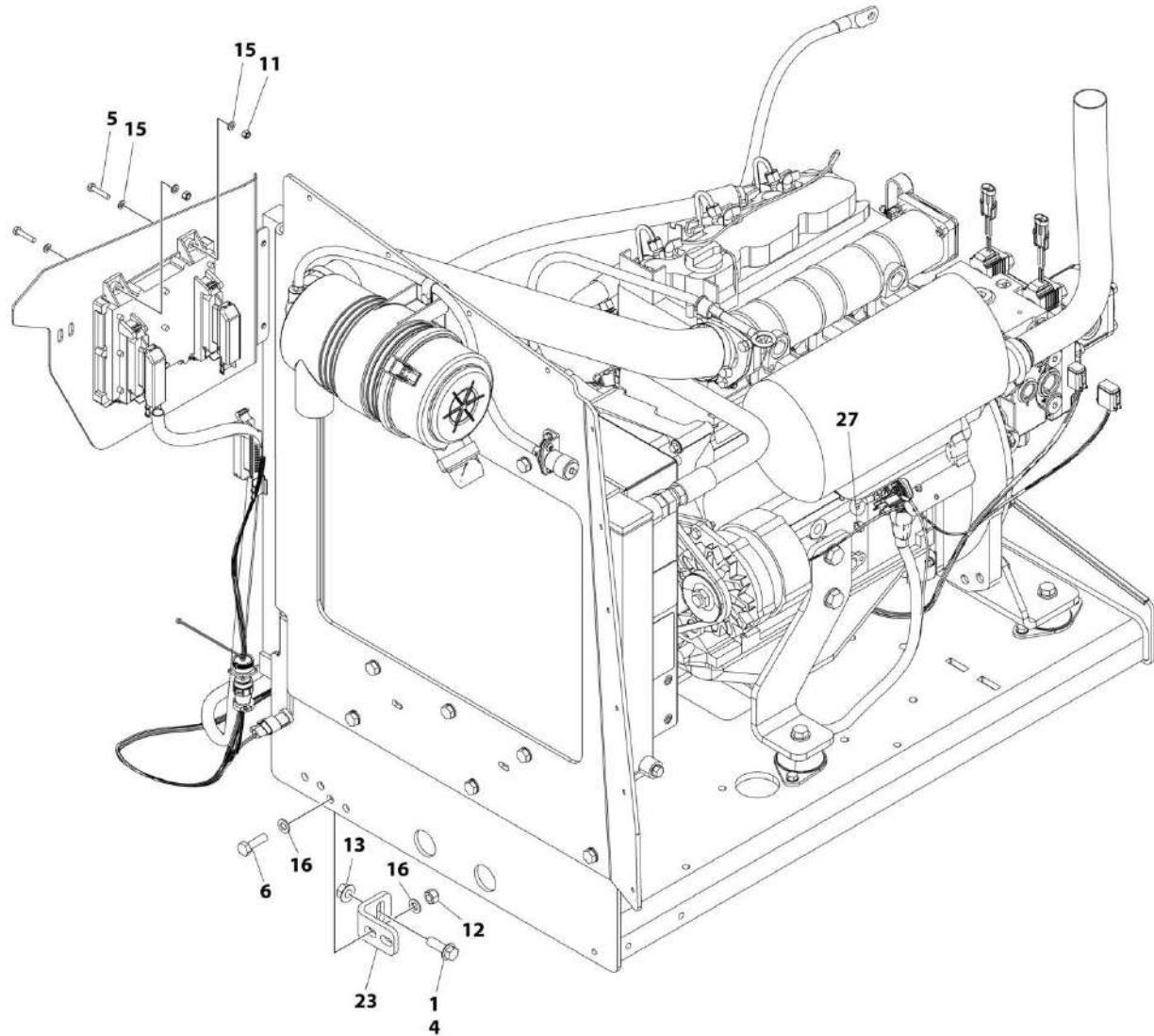


# SECTION 3 - ENGINE



ART\_1001235465\_20F3

# SECTION 3 - ENGINE



ART\_1001235465\_30F3

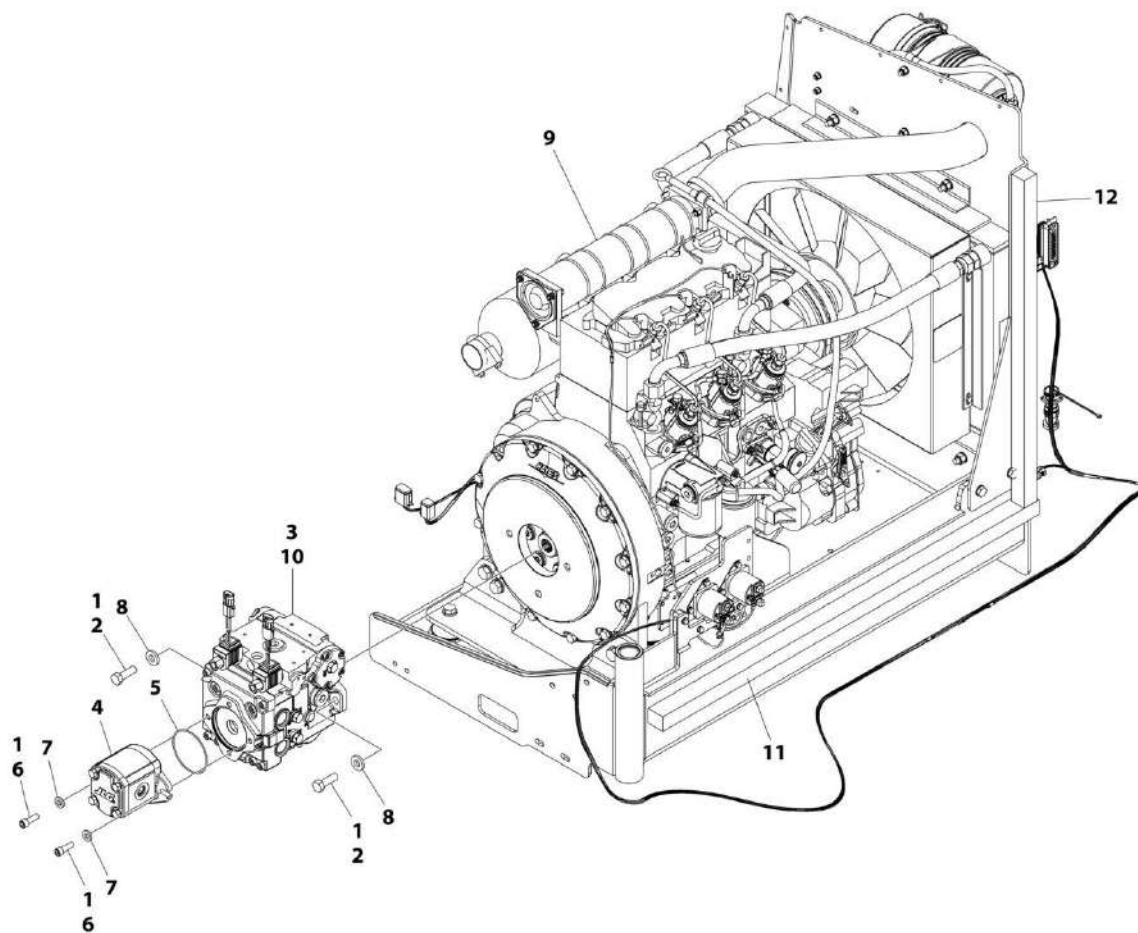
## SECTION 3 - ENGINE

**FIGURE 3-5. ENGINE INSTALLATION - DEUTZ D2011 ENGINE (STAGE V) (WITHOUT ARCTIC PACKAGE) (CE SPECS)**

ITEM	PART NUMBER	QTY	DESCRIPTION	REV
	1001235465	Ref	ENGINE INSTALLATION - DEUTZ D2011 ENGINE (STAGE V) (WITHOUT ARCTIC PACKAGE)	B
1	0100011	AR	Compound, Locking	
2	0100020	AR	Sealant, Pipe	
3	0440162	1	Bearing	
4	5251215	1	Bolt M12 x 35	
5	0760614	4	Bolt M6 x 30	
6	0761015	5	Bolt M10 x 35	
8	1701505	1	Decal - Diesel Fuel	
9	2180876	1	Fitting, Barbed	
10	2720058	22 ft /6.7m	Hose	
11	3290605	5	Nut M6	
12	3291005	4	Nut M10	
13	5261200	1	Nut M12	
14	3841143	1	Keeper, Pin	
15	4811700	10	Washer M6	
16	4812000	9	Washer M10	
18	8410013	4	Clamp	
19	2180348	2	Fitting, Barbed	
20	1001135196	1	Pin	
22	1001235461	1	Engine and Pump Sub-Assembly - Deutz D2011 (Stage V) (Without Arctic Package) (CE Specs) (See ENGINE AND PUMP SUB-ASSEMBLY - DEUTZ D2011 (STAGE V) (WITHOUT ARCTIC PACKAGE) (CE SPECS) for Breakdown)	
23	1001167512	1	Bracket, Engine	
24	1001169823	1	Bracket, Engine	
25	1001172202	1	Pipe, Exhaust	
27	3290801	1	Nut M8	
29	1001171681	1	Cable, Battery (Red) (Battery Positive to Auxiliary Power Relay)	
30	1001171682	1	Cable, Battery (Black) (Battery Negative to Auxiliary Power Pump)	
31	3422532	1	Pin	
32	1001191832	1	Nut Rivet, M8	
33	1321716	4	Clamp	
34	4811900	1	Washer M8	
35	0760812	1	Bolt M8 x 25	
36	0760610	1	Bolt M6 x 20	
37	1320022	1	Clamp	

## SECTION 3 - ENGINE

FIGURE 3-6. ENGINE AND PUMP SUB-ASSEMBLY - DEUTZ D2011 (STAGE V) (WITHOUT ARCTIC PACKAGE) (CE SPECS)



ART\_1001235461

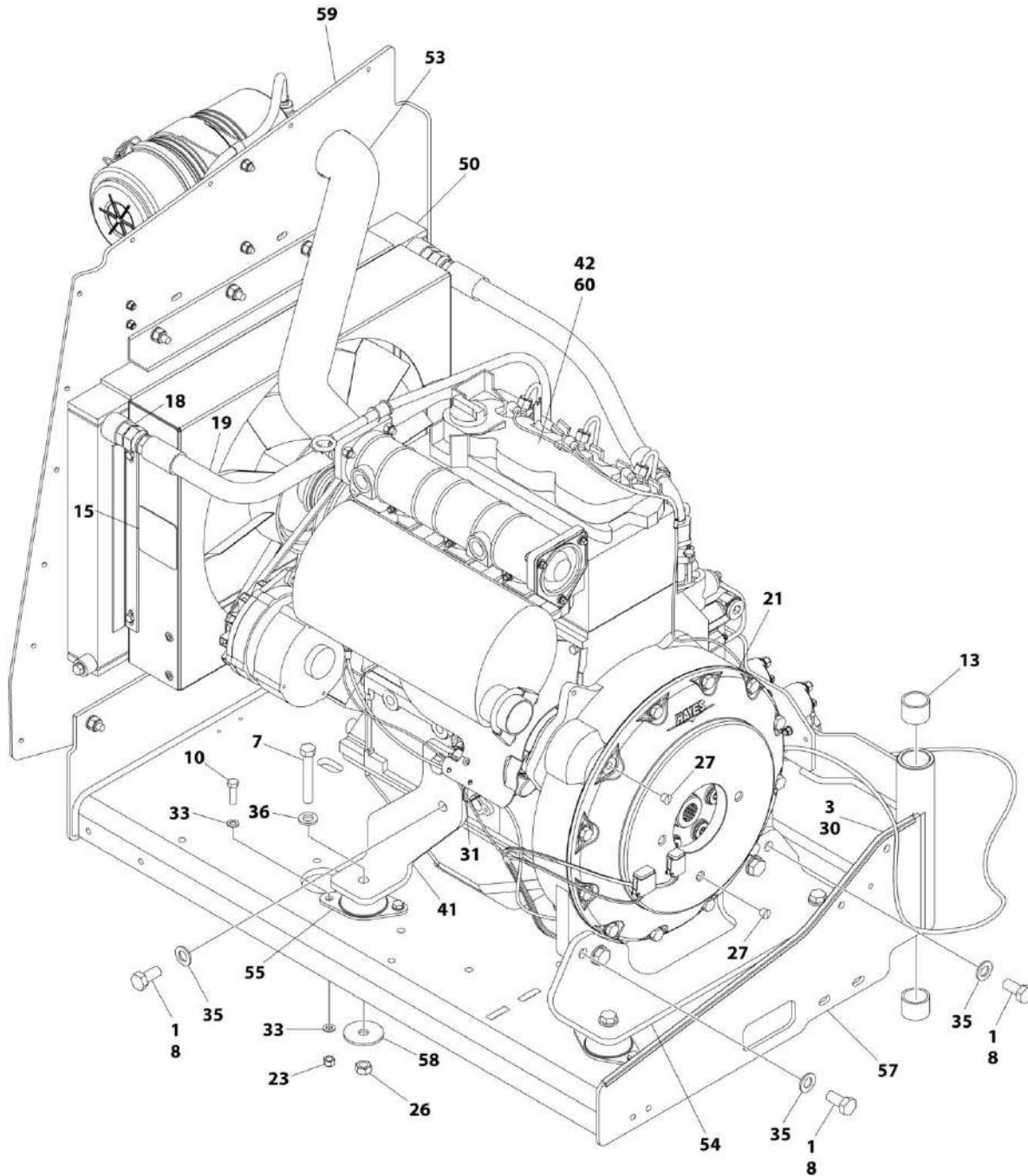
## SECTION 3 - ENGINE

**FIGURE 3-6. ENGINE AND PUMP SUB-ASSEMBLY - DEUTZ D2011 (STAGE V) (WITHOUT ARCTIC PACKAGE) (CE SPECS)**

ITEM	PART NUMBER	QTY	DESCRIPTION	REV
	1001235461	Ref	ENGINE AND PUMP SUB-ASSEMBLY - DEUTZ D2011 (STAGE V) (WITHOUT ARCTIC PACKAGE)	A
1	0100011	AR	Compound, Locking	
2	0641812	2	Bolt 1/2 x 1-1/2	
3	3020037	AR	Lube	
4	1001214207	1	Gear Pump Assembly	
4	70006356	1	Seal Kit - 1001214207 Pump	
5	3790152	1	O-Ring	
6	3931618	2	Capscrew 3/8 x 1-1/8	
7	4891600	2	Washer 3/8 Hardened	
8	4891800	2	Washer 1/2 Hardened	
9	1001235462	1	Engine Assembly - Deutz D2011 Engine (Stage V) (Without Arctic Package) (CE Specs) (See ENGINE ASSEMBLY - DEUTZ D2011 (STAGE V) ENGINE (WITHOUT ARCTIC PACKAGE) (CE SPECS) for Breakdown)	
10	1001167036	1	Piston Pump Assembly (See PISTON PUMP ASSEMBLY for Breakdown)	
11	1001171953	1	Seal	
12	1001171954	1	Seal	

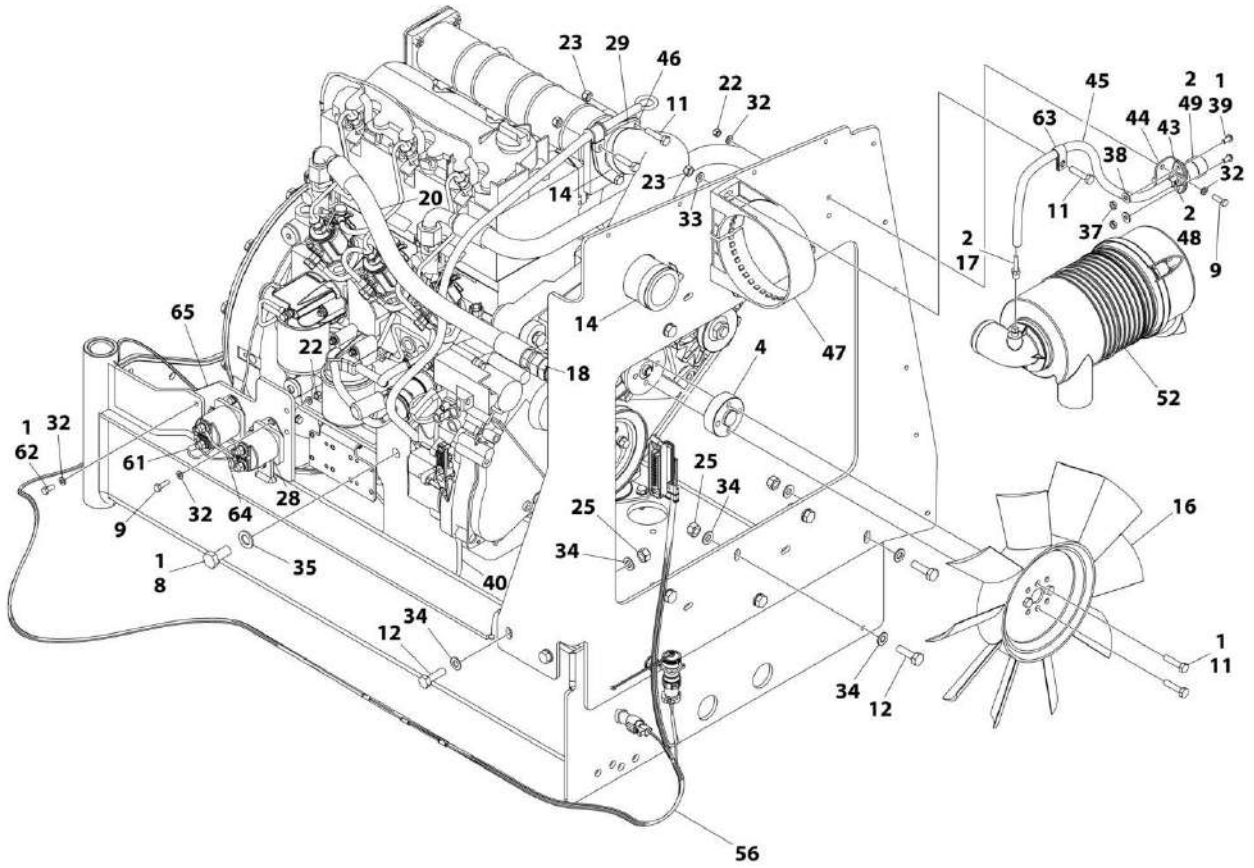
# SECTION 3 - ENGINE

FIGURE 3-7. ENGINE ASSEMBLY - DEUTZ D2011 ENGINE (STAGE V) (WITHOUT ARCTIC PACKAGE) (CE SPECS)



ART\_1001235462\_10F2

# SECTION 3 - ENGINE



ART\_1001235462\_20F2

## SECTION 3 - ENGINE

**FIGURE 3-7. ENGINE ASSEMBLY - DEUTZ D2011 ENGINE (STAGE V) (WITHOUT ARCTIC PACKAGE)  
(CE SPECS)**

ITEM	PART NUMBER	QTY	DESCRIPTION	REV
	1001235462	Ref	ENGINE ASSEMBLY - DEUTZ D2011 ENGINE (STAGE V) (WITHOUT ARCTIC PACKAGE)	B
1	0100011	AR	Compound, Locking	
2	0100020	AR	Sealant, Pipe	
3	0100081	AR	Adhesive	
4	0080231	1	Spacer, Fan	
7	0711224	4	Bolt M12 x 80	
8	0771414	8	Bolt M14 x 30	
9	0760610	6	Bolt M6 x 20	
10	0760814	8	Bolt M8 x 30	
11	0760815	9	Bolt M8 x 35	
12	0761015	11	Bolt M10 x 35	
13	0961951	2	Bushing	
14	1320016	2	Clamp	
15	1703162	2	Decal - Caution Fan	
16	2060025	1	Fan	
17	2220315	1	Fitting, Barbed	
18	2220451	2	Fitting, Straight JIC/ORB	
19	2720398	1	Hose	
20	2720447	1	Hose	
21	2902065	1	Pump Coupling Kit (See PUMP COUPLING KIT for Breakdown)	
22	3290605	6	Nut M6	
23	3290805	13	Nut M8	
25	3291005	11	Nut M10	
26	3331215	4	Nut M12	
27	3520054	2	Plug	
28	3740067	2	Relay Assembly	
28	3300220	2	Nut	
28	3321001	1	Nut #10-32	
28	3740140	1	Relay	
28	4761000	1	Washer #10	
28	1001111424	2	Washer	
29	3960407	1	Gasket	
30	4060805	2.25 ft / 0.69m	Trim, Flex Shield	
31	4240099	AR	Tie-Strap	
32	4811700	15	Washer M6	
33	4811900	20	Washer M8	
34	4812000	22	Washer M10	
35	4812200	8	Washer M14	
36	5241200	4	Washer M12 Hardened	
37	8305401	2	Nut Jam .250-20	
38	8307109	2	Washer .250	
39	8310548	2	Screw 1/4 NC x 1/2	
40	1001132195	1	Bracket, Engine Mount	
41	1001132196	1	Bracket, Engine Mount	
42	1001136079	3 gal/ 11.3L	Oil, Motor	
43	1001138173	1	Support, Service Indicator	

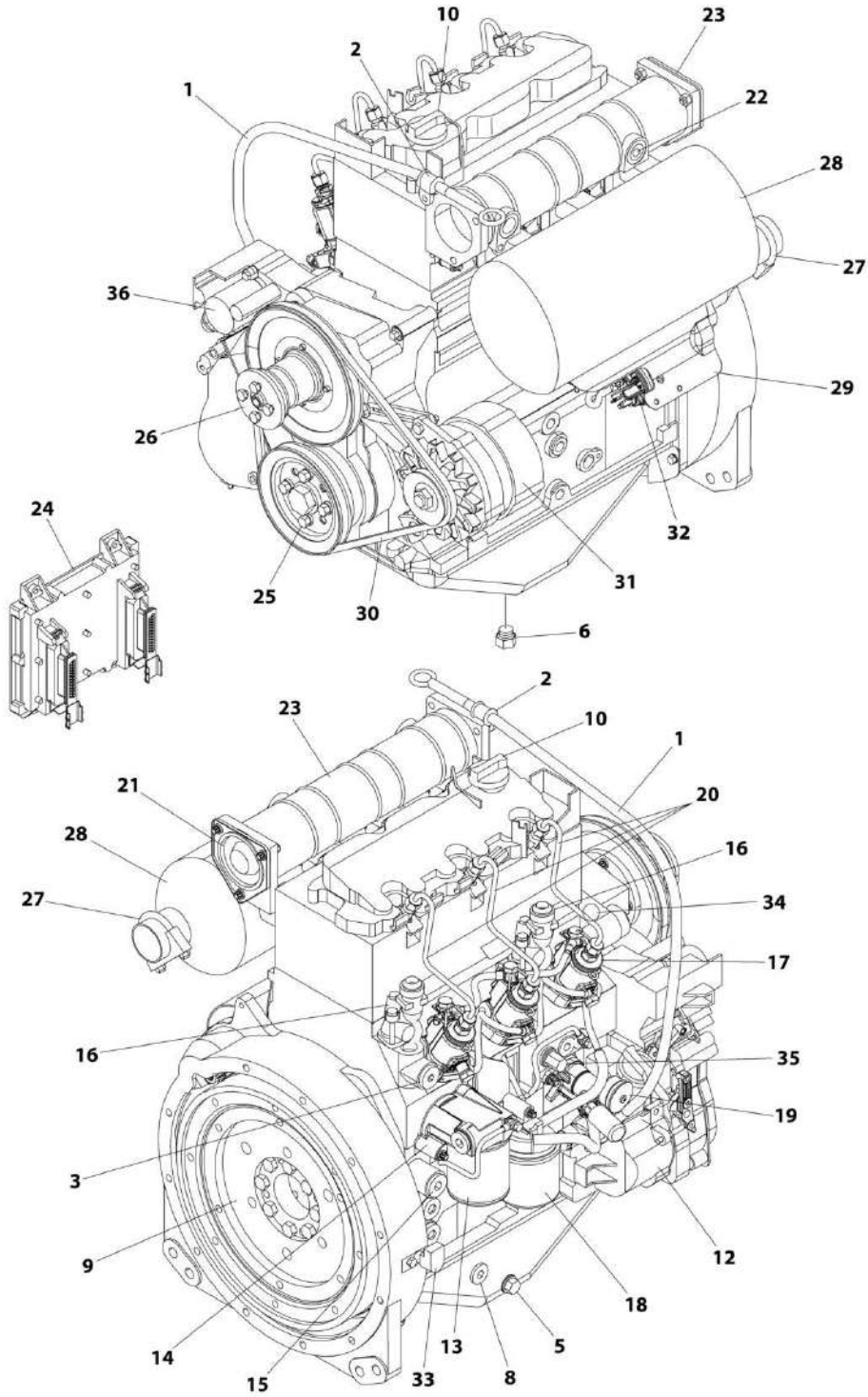


## SECTION 3 - ENGINE

ITEM	PART NUMBER	QTY	DESCRIPTION	REV
44	1001138175	1	Bracket, Service Indicator	
45	1001138248	2 ft /0.61m	Tube	
46	1001139819	1	Adapter, Air Intake	
47	1001141694	1	Clamp, Air Cleaner	
48	1001141995	1	Fitting, Barbed	
49	1001143390	1	Indicator	
50	1001150998	1	Radiator	
52	1001165388	1	Air Cleaner Assembly	
52	70003783	1	Element, Air Cleaner	
53	1001165389	1	Hose	
54	1001166717	1	Bracket, Engine Mount	
55	1001166718	4	Isolator, Engine Mount	
56	1001167111	1	Harness Engine - Deutz D2011 (See ELECTRICAL SECTION for Breakdown)	
57	1001167520	1	Tray, Engine	
58	1001168018	4	Washer, Snubbing	
59	1001168059	1	Plate, Radiator Mounting	
60	1001235455	1	Engine, Deutz D2011 (Stage V) (See ENGINE COMPONENTS - DEUTZ D2011 ENGINE (STAGE V) for Breakdown)	
61	4923451	1	Harness, Glow Plugs	
62	0760614	3	Bolt M6 x 30	
63	8406109	1	Clip	
64	1001178859	1	Cable, Alternator	
65	1001214975	1	Bracket	

# SECTION 3 - ENGINE

## FIGURE 3-8. ENGINE COMPONENTS - DEUTZ D2011 (STAGE V)



ART\_1001235455

## SECTION 3 - ENGINE

**FIGURE 3-8. ENGINE COMPONENTS - DEUTZ D2011 (STAGE V)**

ITEM	PART NUMBER	QTY	DESCRIPTION	REV
	1001235455	Ref	ENGINE COMPONENTS - DEUTZ D2011 (STAGE V)	B
1	70001002	1	Tube, Dipstick	
1	7020403	1	Seal, Tube	
1	7020026	1	Dipstick	
2	70001654	1	Clamp	
2	70001655	1	Bolt	
3	70003475	1	Thermostat	
3	7020460	1	Spring	
4		Ref	Seal and Gasket Options (Not Shown):	
4	70002718	1	Seal, Rear Main	
4	7020430	1	Gasket, Valve Cover	
4	70003479	1	Gasket, Head - 1 Notch	
4	70003480	1	Gasket, Head - 2 Notch	
4	70003481	1	Gasket, Head - 3 Notch	
5	70025088	1	Plug	
6	70025667	1	Plug	
7	70025123	22	Bolt, Torx (Oil Pan Bolts) (Not Shown)	
8	7020492	1	Seal	
8	70025084	1	Plug	
9	70001870	1	Flywheel	
9	7024579	1	Ring Gear (Part of Flywheel)	
9	70025139	8	Bolt	
10	7020465	1	Cap, Oil Fill	
11	70000800	1	Timing Belt/Idler Kit (Includes Timing Belt, Tensioner and Tensioner Bolt) (Not Shown)	
12	70001850	1	Pump, Lubricating	
12	7020468	1	Seal, Pump to Engine Block (Not Shown)	
13	7016331	1	Filter, Oil	
14	70003472	1	Bracket, Oil Filter (Includes Plug with Seal, Temperature Sensor, Control Valve and Compression Spring)	
14	7027236	1	Sender, Temperature	
14	70025082	1	Seal, Plug	
14	70025091	1	Plug	
14	70003473	1	Gasket, Bracket to Engine Block (Not Shown)	
15	70001181	1	Valve	
15	70025091	1	Plug	
15	70025082	1	Seal, Plug	
16	70004268	2	Connector, Radiator Neck	
16	70004269	2	Seal, Radiator Neck to Engine Block	
17	70000912	3	Pump, Fuel Injector - A Spec	
17	70000913	3	Pump, Fuel Injector - B Spec	
17	70000914	3	Pump, Fuel Injector - C Spec	
17	70000915	3	Pump, Fuel Injector - D Spec	
17	70003464	3	O-Ring, Pump to Engine Block	
18	7020023	1	Filter, Fuel	
18	70003463	1	Filter, Fuel - RME Resistant	
18	70001423	1	Bracket, Fuel Filter	
19	70000916	1	Pump Fuel Supply	
19	70000917	1	O-Seal Between Fuel Pump and Engine Block	
19	70000918	1	Sealing Ring Between Hand Pump and Supply Pump	

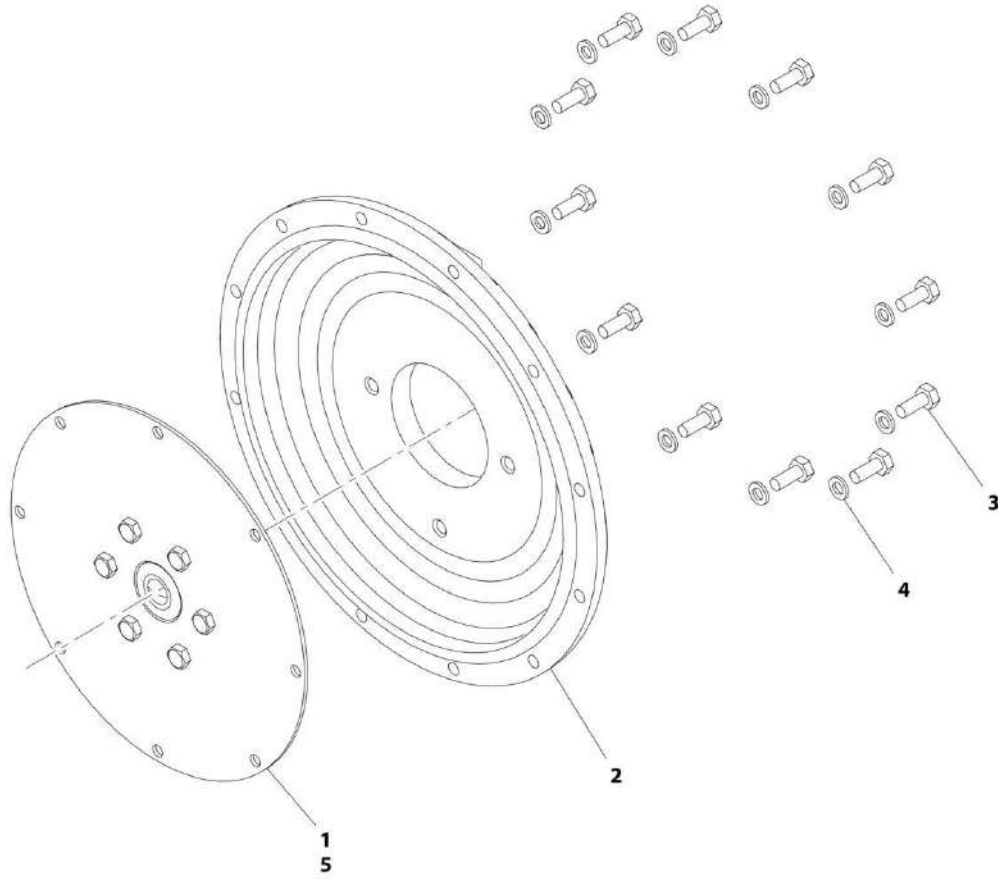
## SECTION 3 - ENGINE

ITEM	PART NUMBER	QTY	DESCRIPTION	REV
19	70000919	1	Pump, Hand	
19	70001435	1	Repair Kit	
19	70025694	2	Bolt, Torx	
20	70000931	3	Pipe, High Pressure	
21	70003469	1	Flange, Intake	
21	70003468	1	Seal	
22	70025084	1	Plug	
22	7020492	1	Seal, Plug	
23	7027903	1	Manifold, Air Intake	
23	70001871	3	Gasket Between Manifold and Engine Block	
24	See Note	1	Module, Engine Control (Note: Not Currently Available)	
24	7027796	1	Cable, Electrical Between Module and Engine Harness (Not Shown)	
24	70001872	1	Harness, Engine (Connects to p/n 70004060) (Not Shown)	
24	70004060	1	Plug, Connector Located on Cable Near Module (Not Shown)	
24	70004059	1	Plug, Analyzer (Not Shown)	
25	70025123	4	Bolt, Torx	
26	70000787	1	Support, Fan (Includes Support, Internal Shaft, Bearings and Circlip)	
27	70001844	1	Clamp	
28	See Note	1	Muffler (Note: See ENGINE ASSEMBLY)	
28	7020471	3	Gasket, Exhaust Between Muffler and Engine Block	
28	70004270	6	Stud, Muffler	
29	70001498	1	Shield, Starter	
29	70025693	3	Bolt	
30	70004102	1	V-Belt	
31	70004056	1	Alternator (Includes Voltage Regulator and Gaskets, Fan and Fan Mounting Hardware)	
31	70001868	1	Regulator, Voltage	
31	70001866	1	Gasket Set, Voltage Regulator	
31	70025131	1	Fan	
31	70025086	1	Nut, Fan	
31	70000851	1	Bracket, Alternator Mounting	
31	70002234	1	Bracket, Alternator Adjustment	
31	70004103	1	Harness, Alternator (Not Shown)	
32	7020479	1	Starter	
32	70025121	2	Bolt, Starter Mounting	
32	70004058	1	Relay	
32	70004062	1	Harness, Starter (Not Shown)	
33	7024565	1	Sensor, Speed	
33	70003931	1	Bolt	
33	70003932	1	Spacer, Sleeve	
34	7027791	1	Sender, Temperature	
35	7027790	1	Sensor, Oil Pressure	
36	7027792	1	Actuator	
37	70000345	3	Plug, Glow (Not Shown)	



# SECTION 3 - ENGINE

## FIGURE 3-9. PUMP COUPLING KIT



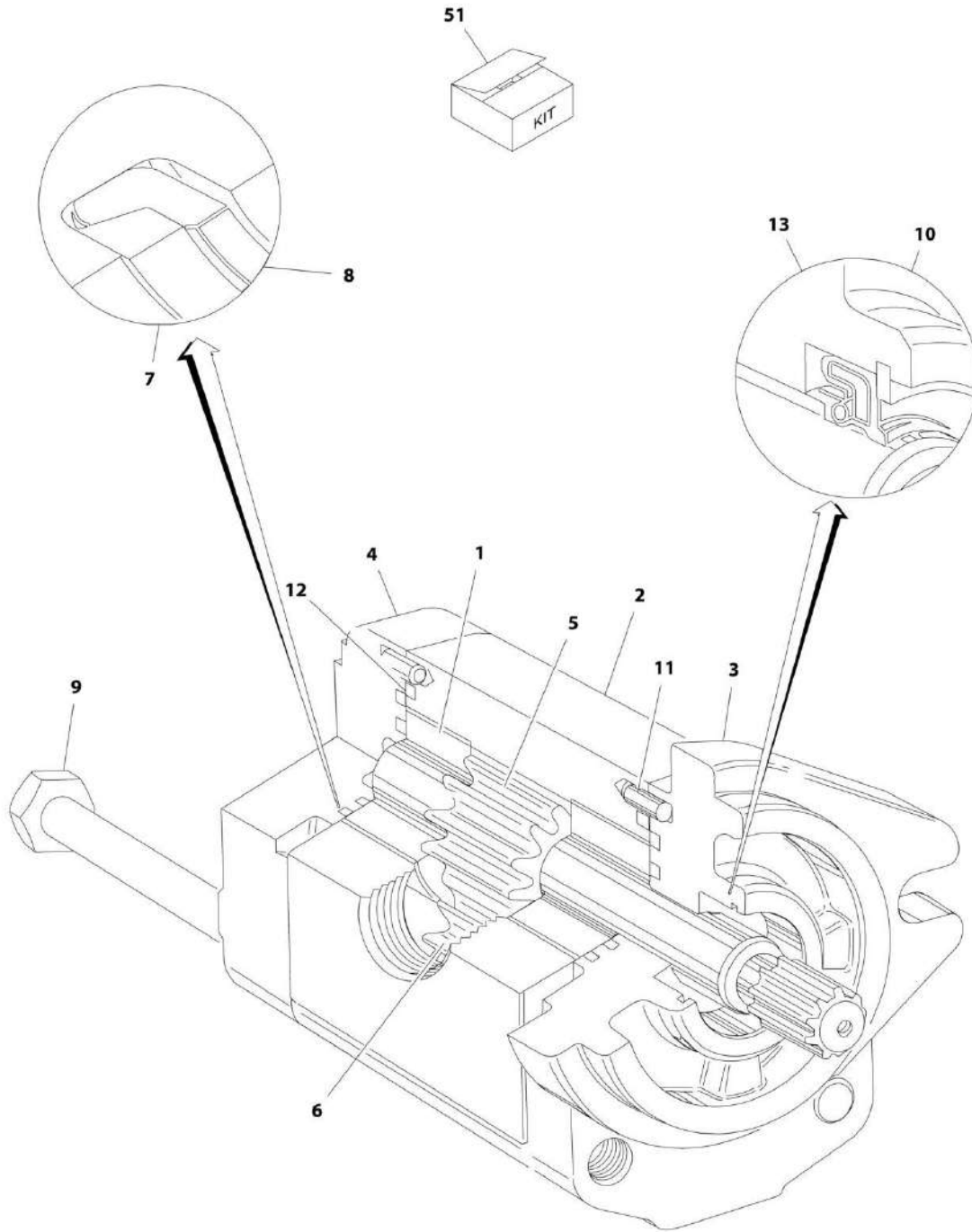
ART\_2902065

FIGURE 3-9. PUMP COUPLING KIT

ITEM	PART NUMBER	QTY	DESCRIPTION	REV
	2902065	Ref	PUMP COUPLING KIT	K
1	70000793	1	Coupling, Hayes	
2	See Note	NSS	Plate, Pump Adapter (Note: Purchase p/n 2902065)	
3	See Note	NSS	Bolt M10 x 30 (Note: Purchase p/n 2902065)	
4	See Note	NSS	Washer M10 (Note: Purchase p/n 2902065)	
5	3020021	AR	Grease, Coupling	

# SECTION 3 - ENGINE

## FIGURE 3-10. GEAR PUMP ASSEMBLY (Prior to SN E300004772)



ART\_3600242



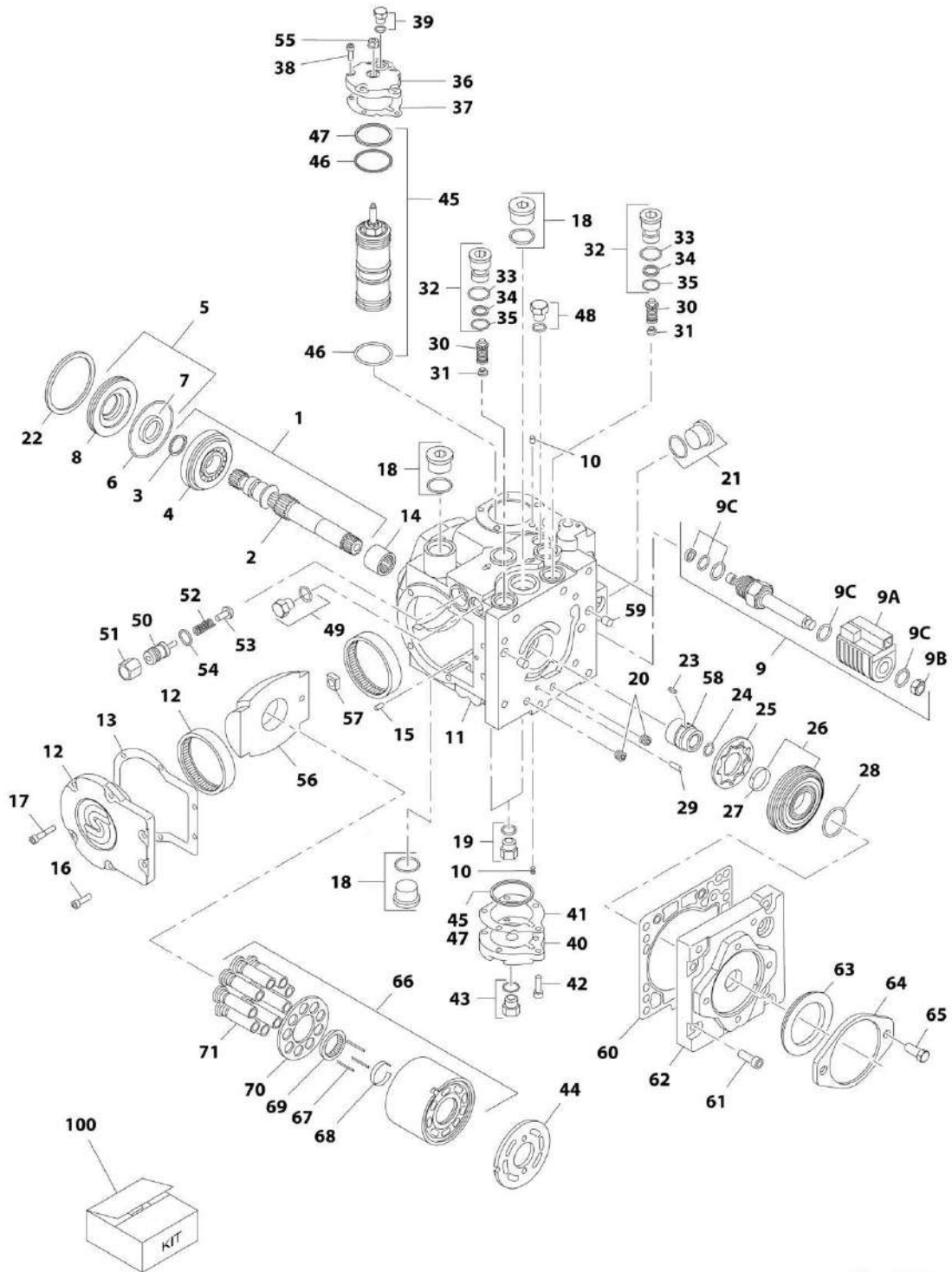
## SECTION 3 - ENGINE

**FIGURE 3-10. GEAR PUMP ASSEMBLY (Prior to SN E300004772)**

ITEM	PART NUMBER	QTY	DESCRIPTION	REV
	3600242	Ref	GEAR PUMP ASSEMBLY (Prior to SN E300004772)	
1	7010105	2	Bearing/Bushing	
2	See Note	NSS	Housing (Note: Not Available - Purchase Complete Assembly)	
3	See Note	NSS	Flange (Note: Not Available - Purchase Complete Assembly)	
4	7010103	1	Cover	
5	7012987	1	Gear, Drive	
6	7012988	1	Gear, Idler	
7	7007489	2	Ring, Anti-Extrusion	
8	7007489	2	Seal	
9	See Note	4	Bolt (Note: Not Available for Purchase)	
10	7010104	1	Ring, Retaining	
11	See Note	4	Pin, Dowel (Note: Not Available for Purchase)	
12	7007489	2	Seal, O-Ring	
13	7007489	1	Seal, Shaft	
51	7007489	1	Seal Kit (Includes Items 7, 8, 12 & 13)	

# SECTION 3 - ENGINE

## FIGURE 3-11. PISTON PUMP ASSEMBLY



ART\_1001167036

FIGURE 3-11. PISTON PUMP ASSEMBLY

ITEM	PART NUMBER	QTY	DESCRIPTION	REV
	1001167036	Ref	PISTON PUMP ASSEMBLY	C
1	7021240	1	Shaft Assembly (Includes Items 2-4)	
2	7021237	1	Shaft	
3	7021238	1	Ring, Retaining	
4	7021239	1	Bearing, Roller	
5	70004896	1	Shaft Seal Kit (Includes Items 6-8)	
6	7021241	1	O-Ring	
7	7021242	1	Seal, Lip	
8	7021243	1	Carrier, Seal Shaft	
9	7024855	2	Solenoid Assembly	
9A	70004897	2	Coil (1 Per Assembly)	
9B	7024857	2	Nut (1 Per Assembly)	
9C	7024858	2	Seal Kit - 7024855 Cartridge (1 Per Assembly)	
10	70004889	2	Orifice	
11	See Note	1	Housing Assembly (Note: Not Available for Purchase)	
12	7021248	1	Side Cover Assembly (Includes Item 13)	
13	70004891	1	Gasket	
14	7021249	1	Bearing, Needle	
15	See Note	1	Pin (Note: Not Available for Purchase)	
16	70004890	2	Screw	
17	70004892	4	Screw	
18	7007419	2	Plug Assembly (Includes O-Ring)	
19	7007420	2	Plug Assembly (Includes O-Ring)	
20	See Note	2	Plug (Note: Not Available for Purchase)	
21	7007419	1	Plug Assembly (Includes O-Ring)	
22	7021257	1	Ring, Retaining	
23	70004893	1	Key	
24	7022341	1	Ring, Retaining	
25	7021258	1	Gerotor	
26	70004894	1	Gerotor Cover Assembly (Includes Item 27)	
27	7021259	1	Bearing, Journal	
28	7021262	1	O-Ring	
29	See Note	1	Pin (Note: Not Available for Purchase)	
30	7021263	2	Bypass Valve Assembly	
31	7024800	2	Spring	
32	7021265	2	Bypass Valve Assembly (Includes Items 32-34)	
33	7007415	2	O-Ring	
34	7021293	2	Ring, Back-up	
35	7022300	2	O-Ring	
36	70004895	1	Cover, Servo	
37	7021253	1	Gasket	
38	70004892	5	Screw	
39	7007420	1	Plug Assembly (Includes O-Ring)	
40	7021268	1	Cover, Servo	
41	7021253	1	Gasket	
42	70004892	5	Screw	
43	7007420	1	Plug Assembly (Includes O-Ring)	
44	7021281	1	Plate, Valve	
45	70004898	1	Servo Piston Kit (Includes Items 46 & 47)	
46	7007495	2	O-Ring	

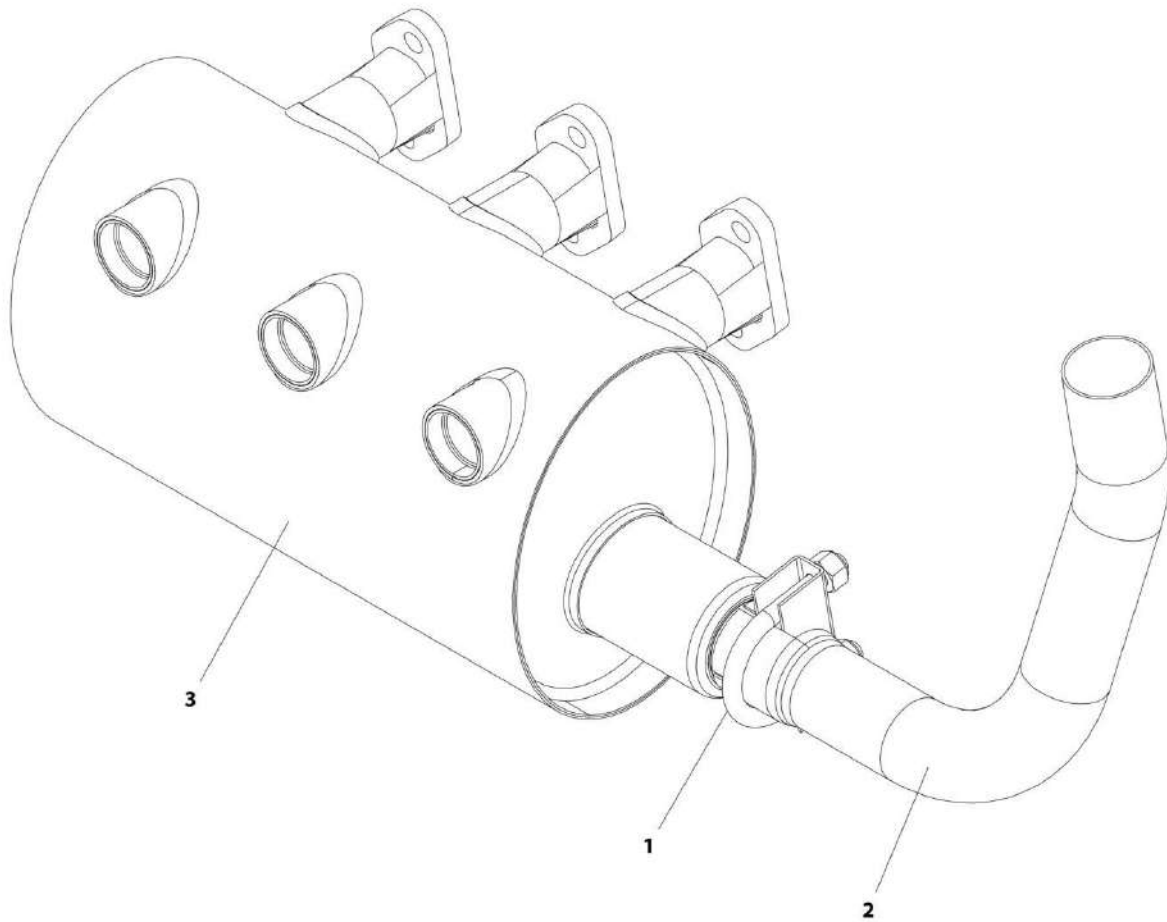
## SECTION 3 - ENGINE

ITEM	PART NUMBER	QTY	DESCRIPTION	REV
47	7007493	2	O-Ring	
48	7007420	1	Plug Assembly (Includes O-Ring)	
49	70004900	1	Plug Assembly (Includes O-Ring)	
50	7022346	1	Adjuster	
51	7021290	1	Nut	
52	7022347	1	Spring	
53	70004901	1	Poppet	
54	7007415	1	O-Ring	
55	70004902	1	Nut, Seal	
56	70004903	1	Swashplate	
57	70004904	1	Bearing Assembly	
58	70004905	1	Coupling	
59	7001481	2	Pin	
60	70002257	1	Gasket	
61	70004906	8	Screw	
62	70004907	1	Cover, Charge Pump	
63	70004908	1	Seal	
64	7021299	1	Plate, Cover	
65	7007289	2	Screw	
66	70004909	1	Cylinder Block Assembly (Includes Items 67-71)	
67	70004910	3	Pin, Slipper Hold Down	
68	7021276	1	Retainer, Hold Down Pin	
69	7021277	1	Guide, Slipper Retainer	
70	7021278	1	Retainer, Slipper	
71	70004911	1	Piston Assembly	
100	70004899	1	Seal Kit (Includes Items 5-8, 33-35, 37, 41,46, 47 & 54)	



## SECTION 3 - ENGINE

FIGURE 3-12. CATALYTIC SPARK ARRESTOR INSTALLATION - DEUTZ D2.3L3 ENGINE



ART\_1001174379

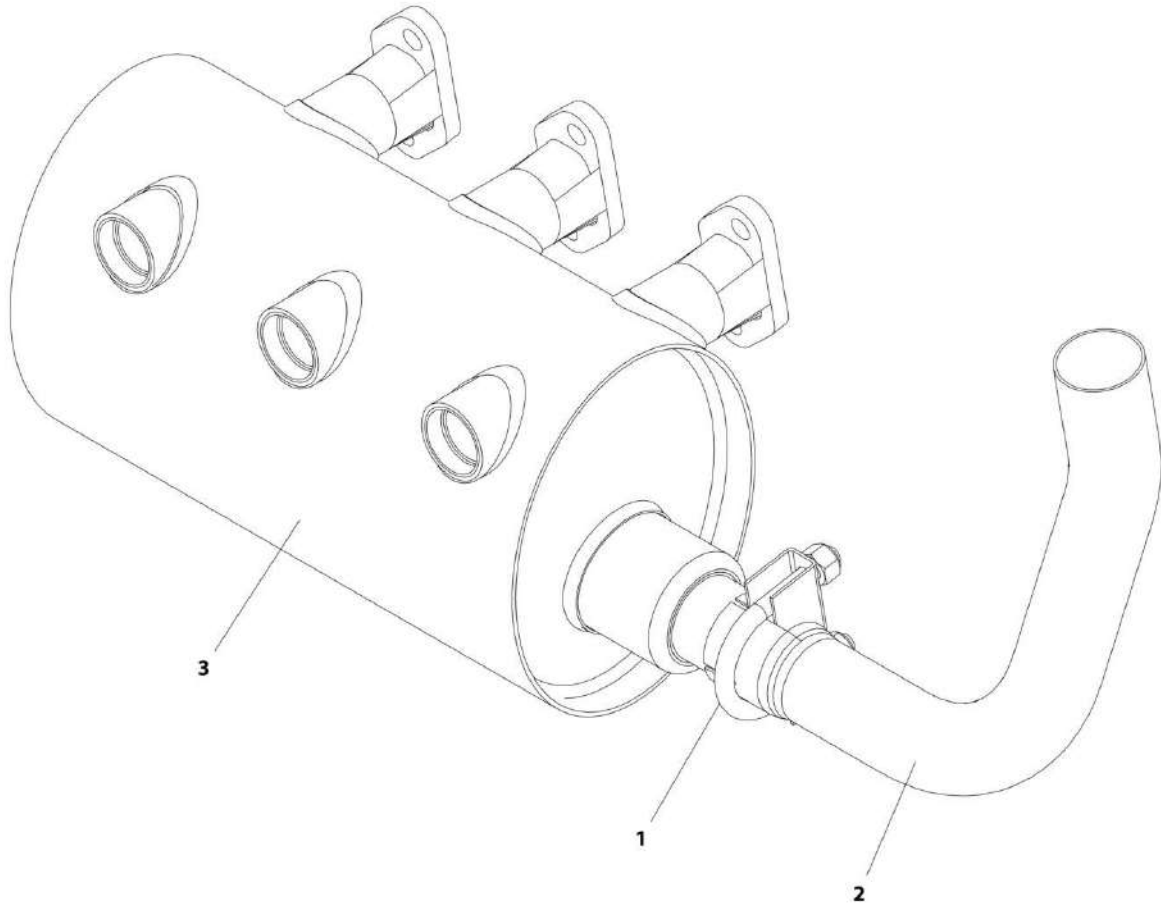
## SECTION 3 - ENGINE

**FIGURE 3-12. CATALYTIC SPARK ARRESTOR INSTALLATION - DEUTZ D2.3L3 ENGINE**

ITEM	PART NUMBER	QTY	DESCRIPTION	REV
	1001174379	Ref	CATALYTIC SPARK ARRESTOR INSTALLATION - DEUTZ D2.3L3 ENGINE	A
1	1320176	1	Clamp	
2	1001169525	1	Pipe, Exhaust	
3	1001170225	1	Muffler, Catalytic Spark Arresting	

## SECTION 3 - ENGINE

FIGURE 3-13. SPARK ARRESTOR INSTALLATION - DEUTZ D2.3L3 ENGINE



ART\_1001174378



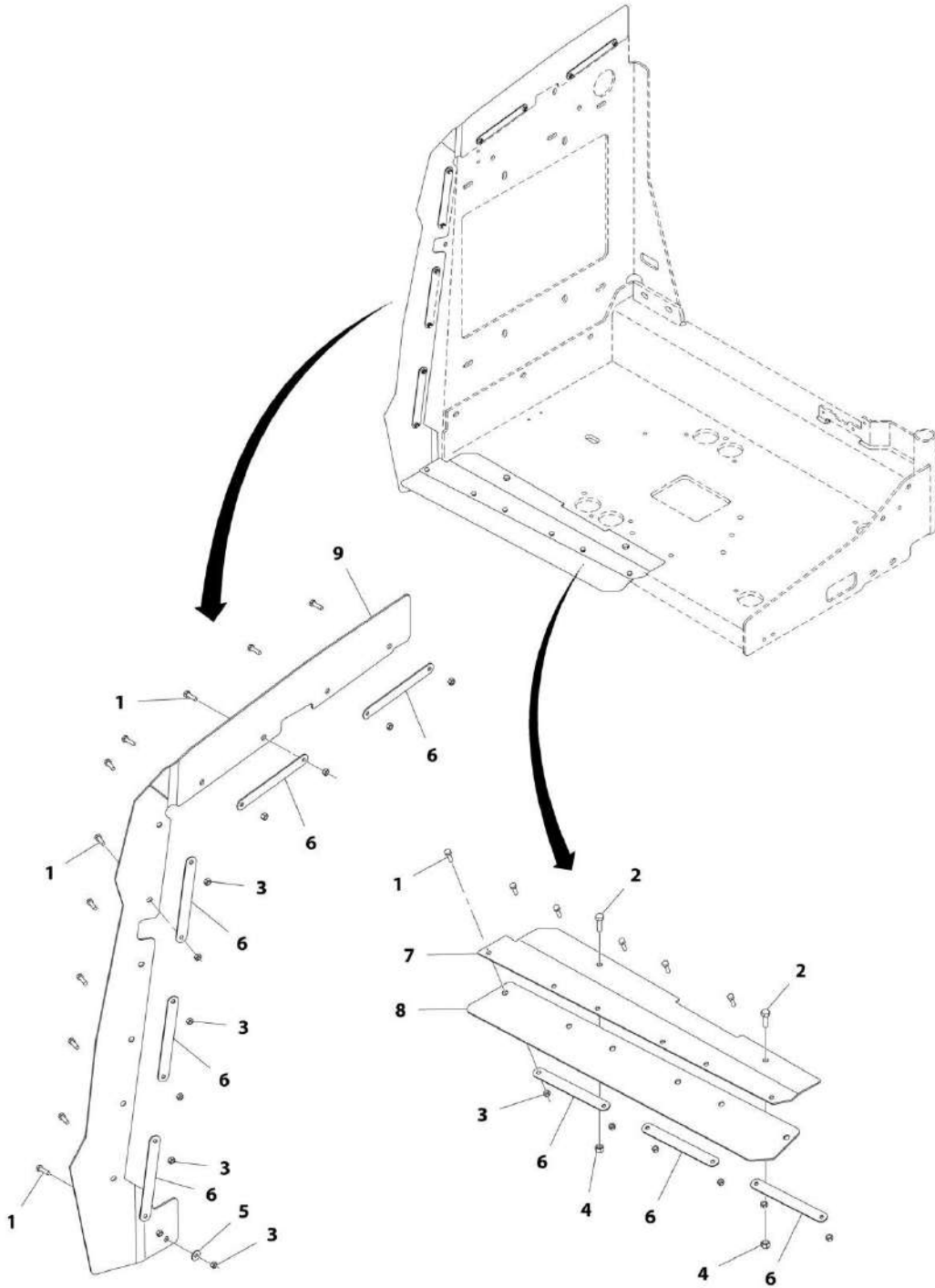
## SECTION 3 - ENGINE

**FIGURE 3-13. SPARK ARRESTOR INSTALLATION - DEUTZ D2.3L3 ENGINE**

ITEM	PART NUMBER	QTY	DESCRIPTION	REV
	1001174378	Ref	SPARK ARRESTOR INSTALLATION - DEUTZ D2.3L3 ENGINE	A
1	1320176	1	Clamp	
2	1001169525	1	Pipe, Exhaust	
3	1001170224	1	Muffler, Spark Arresting	

# SECTION 3 - ENGINE

## FIGURE 3-14. ENGINE Baffle INSTALLATION



ART\_1001172265

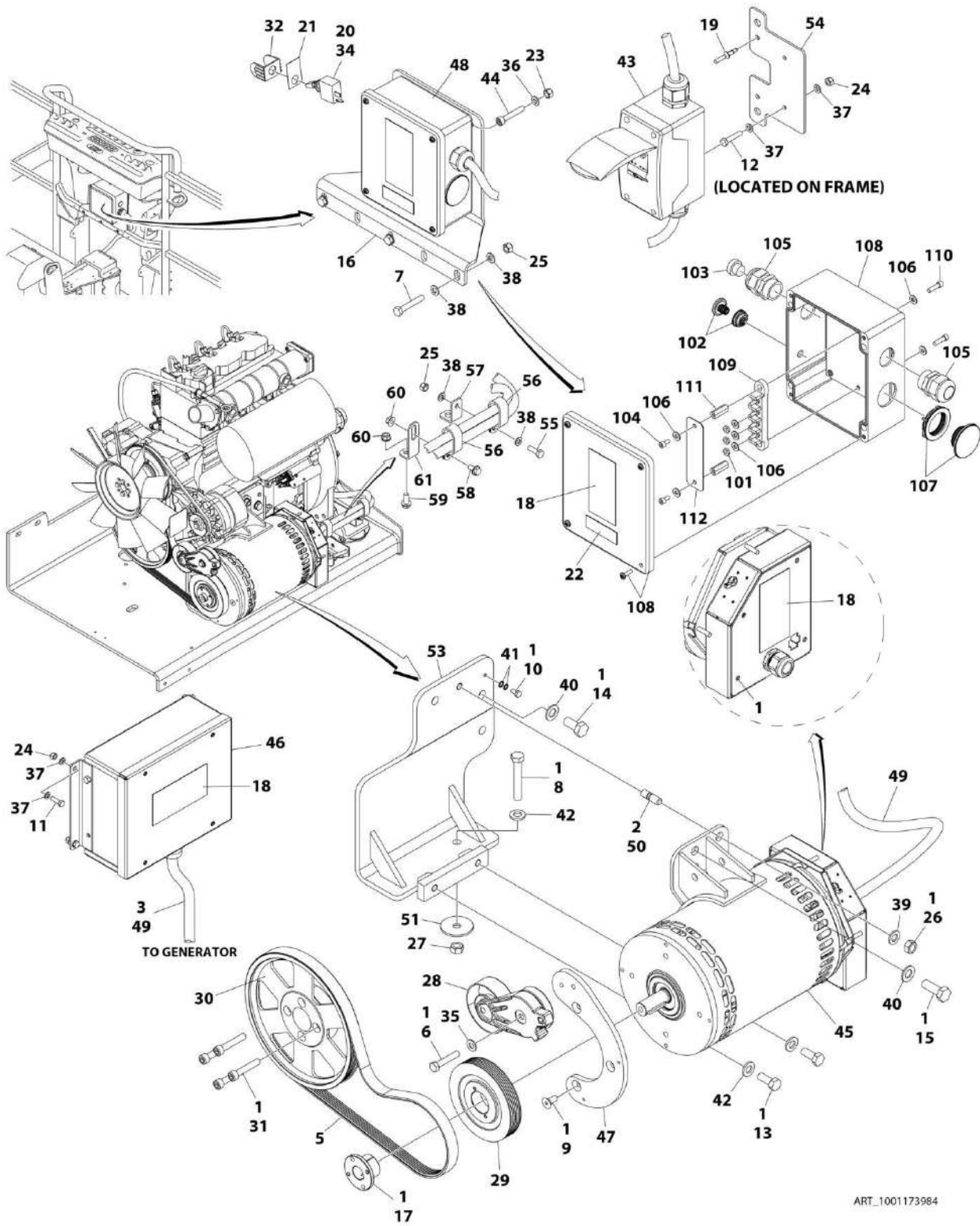
## SECTION 3 - ENGINE

### FIGURE 3-14. ENGINE BAFFLE INSTALLATION

ITEM	PART NUMBER	QTY	DESCRIPTION	REV
	1001172265	Ref	ENGINE BAFFLE INSTALLATION	B
1	0760610	17	Bolt, M6 X 20mm	
2	0760812	2	Bolt, M8 X 25mm	
3	3290605	17	Nut, Lock M6 X 1	
4	3290805	2	Nut, Lock M8 X 1.25	
5	4811702	1	Washer, M6	
6	1001167164	8	Plate, Support	
7	1001170663	1	Bracket	
8	1001170664	1	Seal	
9	1001172264	1	Seal	

# SECTION 3 - ENGINE

## FIGURE 3-15. GENERATOR INSTALLATION - 4000W/50HZ (DEUTZ D2.3L3 ENGINE)



## SECTION 3 - ENGINE

**FIGURE 3-15. GENERATOR INSTALLATION - 4000W/50HZ (DEUTZ D2.3L3 ENGINE)**

ITEM	PART NUMBER	QTY	DESCRIPTION	REV
	1001173984	Ref	GENERATOR INSTALLATION - 4000W/50HZ (DEUTZ D2.3L3 ENGINE)	H
1	0100011	AR	Compound, Locking	
2	0100019	AR	Compound, Locking	
3	0100048	AR	Grease, Dielectric	
4	0100079	AR	Sealant (Not Shown)	
5	0480126	1	Belt	
6	0641616	1	Bolt 3/8 x 2	
7	0700818	AR	Bolt M8 x 50	
8	0711224	1	Bolt M12 x 80 Grade 10.9	
9	0741607	3	Screw 3/8 x 7/8	
10	0760606	1	Bolt M6 x 12	
11	0760610	4	Bolt M6 x 20	
12	0760614	2	Bolt M6 x 30	
13	0761214	2	Bolt M12 x 30	
14	0771414	2	Bolt M14 x 30 Grade 10.9	
15	0771416	1	Bolt M14 x 40	
16	0902888	1	Bracket ( <b>Prior to SN E300002840</b> )	
17	0962520	1	Bushing	
18	1705489	AR	Decal - Hazardous Voltage (50Hz)	
19	2080040	2	Fastener, Huck	
20	2820031	AR	Heat Shrink	
21	See Note	1	Nameplate (Note: Not Available for Purchase)	
22	3251242	1	Decal - 240V/50Hz ( <b>Prior to SN E300002840</b> )	
23	3290505	AR	Nut M5	
24	3290605	6	Nut M6	
25	3290805	AR	Nut M8	
26	3291201	1	Nut M12	
27	3331211	1	Nut M12	
28	3580317	1	Pulley	
29	3580319	1	Pulley	
30	3580320	1	Pulley	
31	4032015	4	Bolt M10 x 55	
32	4060802	1	Guard, Switch	
33	4240099	AR	Tie-Strap (Not Shown)	
34	4360336	1	Switch, Toggle	
35	4711600	1	Washer 3/8	
36	4811600	AR	Washer M5	
37	4811700	12	Washer M6	
38	4811900	AR	Washer M8	
39	4812100	1	Washer M12	
40	4812200	3	Washer M14	
41	4871700	2	Washer M6	
42	5241200	3	Washer M12	
43	1001096070	1	Breaker Box Kit (50Hz) (See ELECTRICAL SECTION for Breakdown)	
44	1001104029	AR	Screw M5 x 30	
45	1001138565	1	Generator Assembly	
45	70003709	1	Ring, Retaining (External)	
45	70003708	1	Ring, Retaining (Internal)	

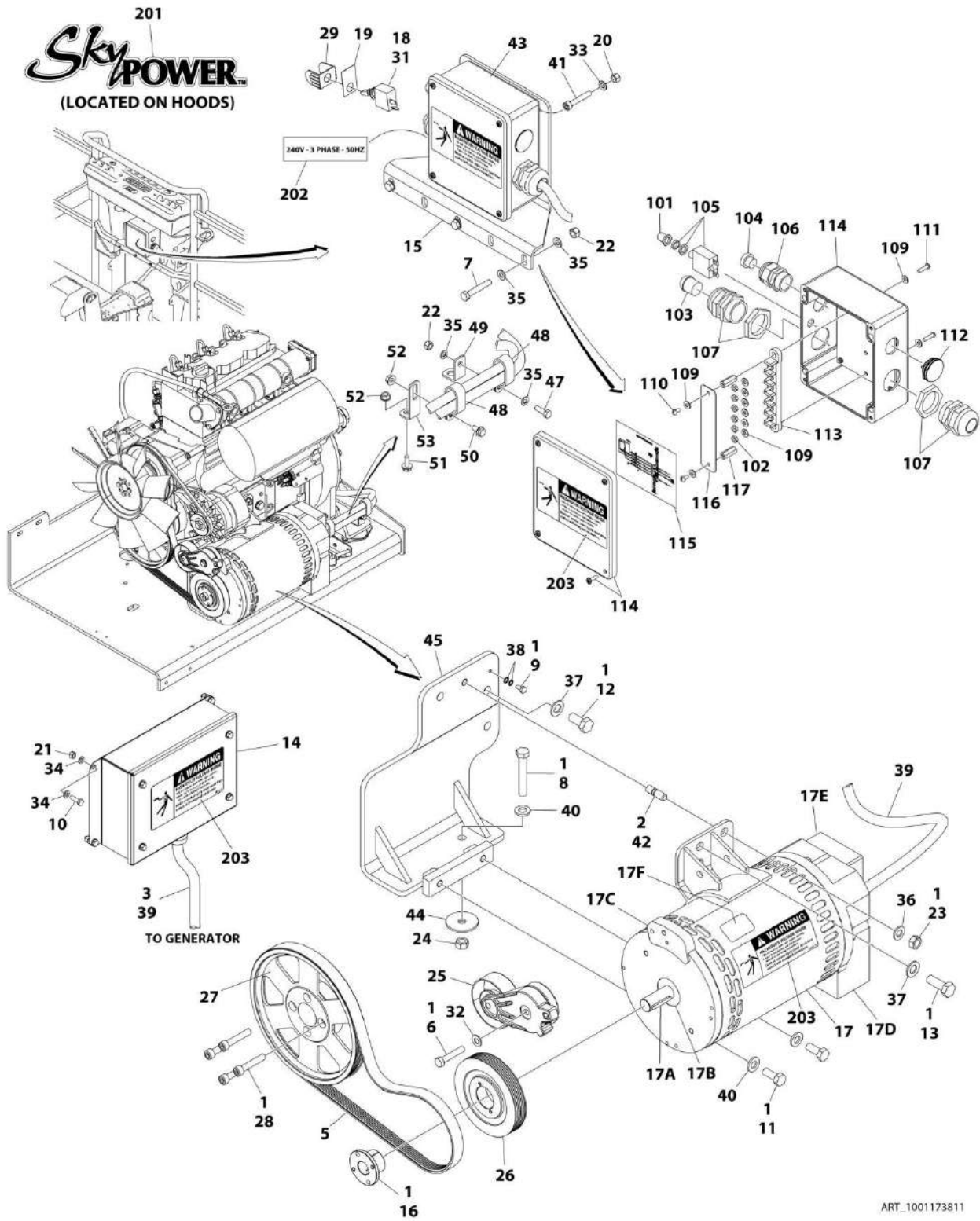
## SECTION 3 - ENGINE

ITEM	PART NUMBER	QTY	DESCRIPTION	REV
45	70001966	1	Bearing	
45	70004092	1	Endbell (Shaft End)	
45	70004171	1	Key	
45	70004676	1	Rotor	
45	70004677	1	Stator	
45	70004678	1	Endbell (Rear)	
45	70004679	1	Cover, Endbell (Rear)	
45	70004680	1	Enclosure, Wiring	
45	70004681	1	Cover, Enclosure	
45	70004682	1	Switch, Reset (Located on Enclosure Cover)	
45	70004683	1	Connector, Strain Relief (Located on Enclosure Cover)	
46	1001138566	1	Box, Control	
46	70006552	1	Capacitor	
46	70006553	1	Relay	
47	1001139357	1	Mount, Tensioner	
48	1001152458	Ref	Generator Junction Box Components (See Items 101-112 for Breakdown) <b>(Prior to SN E300002840)</b>	
49	1001152532	1	Generator Harness (See ELECTRICAL SECTION for Breakdown)	
50	1001155041	1	Stud <b>(Prior to SN E300003357)</b>	
50	1001196382	1	Stud <b>(SN 1300007286 through 1300007383, SN E300003357 to Present)</b>	
51	1001168018	1	Washer, Snubbing	
53	1001173925	1	Mount	
54	1001174158	1	Mount	
55	0760812	1	Bolt M8 x 25	
56	1321716	AR	Clamp	
57	1001148641	1	Bracket	
58	5250808	AR	Bolt M8 x 16	
59	5250810	AR	Bolt M8 x 20	
60	5260800	AR	Nut M8	
61	1001223122	1	Support <b>(SN 1300007286 through 1300007383, SN E300004185 to Present)</b>	
	1001152458	Ref	<b>GENERATOR JUNCTION BOX COMPONENTS (Prior to SN E300002840)</b>	
101	3311001	3	Nut #10	
102	1001155813	1	Plug	
103	3520192	1	Plug	
104	3900300	2	Capscrew #10 x 3/8	
105	4460425	2	Connector, Strain Relief	
106	4711000	7	Washer #10	
107	1001148648	1	Plug	
108	1001152456	1	Box, Junction	
109	1001152530	1	Terminal, Block	
110	3900267	2	Screw	
111	1001158008	2	Stand-Off	
112	1001158363	1	Cover, Terminal Block	



# SECTION 3 - ENGINE

FIGURE 3-16. GENERATOR INSTALLATION - 7500W/50HZ (DEUTZ D2.3L3 ENGINE)





## SECTION 3 - ENGINE

**FIGURE 3-16. GENERATOR INSTALLATION - 7500W/50HZ (DEUTZ D2.3L3 ENGINE)**

ITEM	PART NUMBER	QTY	DESCRIPTION	REV
	1001173811	Ref	GENERATOR INSTALLATION - 7500W/50HZ (DEUTZ D2.3L3 ENGINE)	E
1	0100011	AR	Compound, Locking	
2	0100019	AR	Compound, Locking	
3	0100048	AR	Grease, Dielectric	
4	0100079	AR	Sealant (Not Shown)	
5	0480126	1	Belt	
6	0641616	1	Bolt 3/8 x 2	
7	0700818	3	Bolt M8 x 50	
8	0711224	1	Bolt M12 x 80 Grade 10.9	
9	0760606	1	Bolt M6 x 12	
10	0760610	4	Bolt M6 x 20	
11	0761214	2	Bolt M12 x 30	
12	0771414	2	Bolt M14 x 30 Grade 10.9	
13	0771416	1	Bolt M14 x 40	
14	0861572	1	Control Box Assembly	
14	7024488	1	Card, Circuit - Generator Power	
14	See Note	NSS	Fuse (Note: Not Available - Purchase Locally)	
14	7024489	1	Card, Circuit - Control	
14	70000619	1	Harness, Control Box (Internal)	
15	0902888	1	Bracket	
16	0962520	1	Bushing	
17	2460048	1	Generator Assembly	
17	70001100	1	Rotor (Includes p/n 70001384 & 70000863) (Not Shown)	
17	70001384	1	Bearing, Ball Radial (Not Shown)	
17	70000863	1	Fan (Not Shown)	
17	70002088	1	Stator (Not Shown)	
17	70002297	1	Stud	
17	70003631	1	Brushholder Assembly (Not Shown)	
17A	70004171	1	Key	
17B	70001966	1	Bearing, Ball Radial (Located in Belt Tensioner Endbell)	
17B	70003708	1	Ring, Internal Retaining (Located in Belt Tensioner Endbell)	
17B	70003709	1	Ring, External Retaining (Located in Belt Tensioner Endbell)	
17C	70001953	1	Endbell, Belt Tensioner	
17D	70004169	1	Endbell, Brush Block	
17E	70004169	1	Shroud	
17E	See Note	NSS	Insulator, Endbell (Note: Not Available for Purchase)	
17E	7027799	1	Block, Connector - 6 Position (Not Shown)	
17E	70002460	1	Nut, Brass (Attaches p/n 7027799 to Cover) (Not Shown)	
17E	7024485	1	Breaker, Circuit 30Amp (Not Shown)	
17E	70001696	1	Boot, Breaker (Not Shown)	
17E	7026626	1	Connector - 6 Position (Includes Seal) (Not Shown - Plugs into Item 39)	
17E	7026597	1	Connector, with Leads (Not Shown)	
17E	7026188	1	Clamp, Cable Options (Not Shown)	
17E	70004169	1	Plate, End Panel	
17E	70001974	1	Decal - Terminal Connections	
17F	70001973	1	Decal - Warning Moving Parts	
18	2820031	AR	Heat Shrink	
19	3252764	1	Nameplate	

## SECTION 3 - ENGINE

ITEM	PART NUMBER	QTY	DESCRIPTION	REV
20	3290505	4	Nut M5	
21	3290605	4	Nut M6	
22	3290805	4	Nut M8	
23	3291201	1	Nut M12	
24	3331211	1	Nut M12	
25	3580317	1	Pulley	
26	3580319	1	Pulley	
27	3580320	1	Pulley	
28	4032015	4	Bolt M10 x 55	
29	4060802	1	Guard, Switch	
30	4240099	AR	Tie-Strap (Not Shown)	
31	4360336	1	Switch, Toggle	
32	4711600	1	Washer 3/8	
33	4811600	4	Washer M5	
34	4811700	8	Washer M6	
35	4811900	8	Washer M8	
36	4812100	1	Washer M12	
37	4812200	3	Washer M14	
38	4871700	2	Washer M6	
39	4922925	1	Generator Harness	
39	4460225	1	Plug, Male - 6 Position (Plugs into Generator)	
39	See Note	NSS	Socket, Female (Use with 4460225)	
39	See Note	NSS	Seal, Plug (Use with 4460225)	
39	See Note	NSS	Seal, Interface (Use with 4460225)	
40	5241200	3	Washer M12 Hardened	
41	1001104029	4	Screw M5 x 30	
42	1001155041	1	Stud ( <b>Prior to SN E300002840</b> )	
42	1001196382	1	Stud ( <b>SN 1300007286 through 1300007383, SN E300002840 to Present</b> )	
43	1001157525	1	Junction Box Assembly (See Items 101-117 for Breakdown)	
44	1001168018	1	Washer, Snubbing	
45	1001173925	1	Mount	
46	1001174675	1	Wiring Diagram (Not Shown - See ELECTRICAL SECTION for Breakdown)	
47	0760812	1	Bolt M8 x 25	
48	1321716	AR	Clamp	
49	1001148641	1	Bracket	
50	5250808	1	Bolt M8 x 16	
51	5250810	1	Bolt M8 x 20	
52	5260800	2	Nut M8	
53	1001223122	1	Support ( <b>SN 1300007286 through 1300007383, SN E300004185 to Present</b> )	
	1001157525	Ref	JUNCTION BOX ASSEMBLY	
101	3300396	1	Cover, Fuse	
102	3311001	6	Nut #10-24NC	
103	3520189	1	Plug	
104	3520192	1	Plug	
105	4360070	1	Circuit Breaker - 15Amp	
106	4460425	1	Connector, Strain Relief	
107	4460426	2	Connector, Strain Relief	
109	4711000	4	Flatwasher, #10 Thin	
110	10702077	2	Screw #10-32NF x 3/8in	

## SECTION 3 - ENGINE

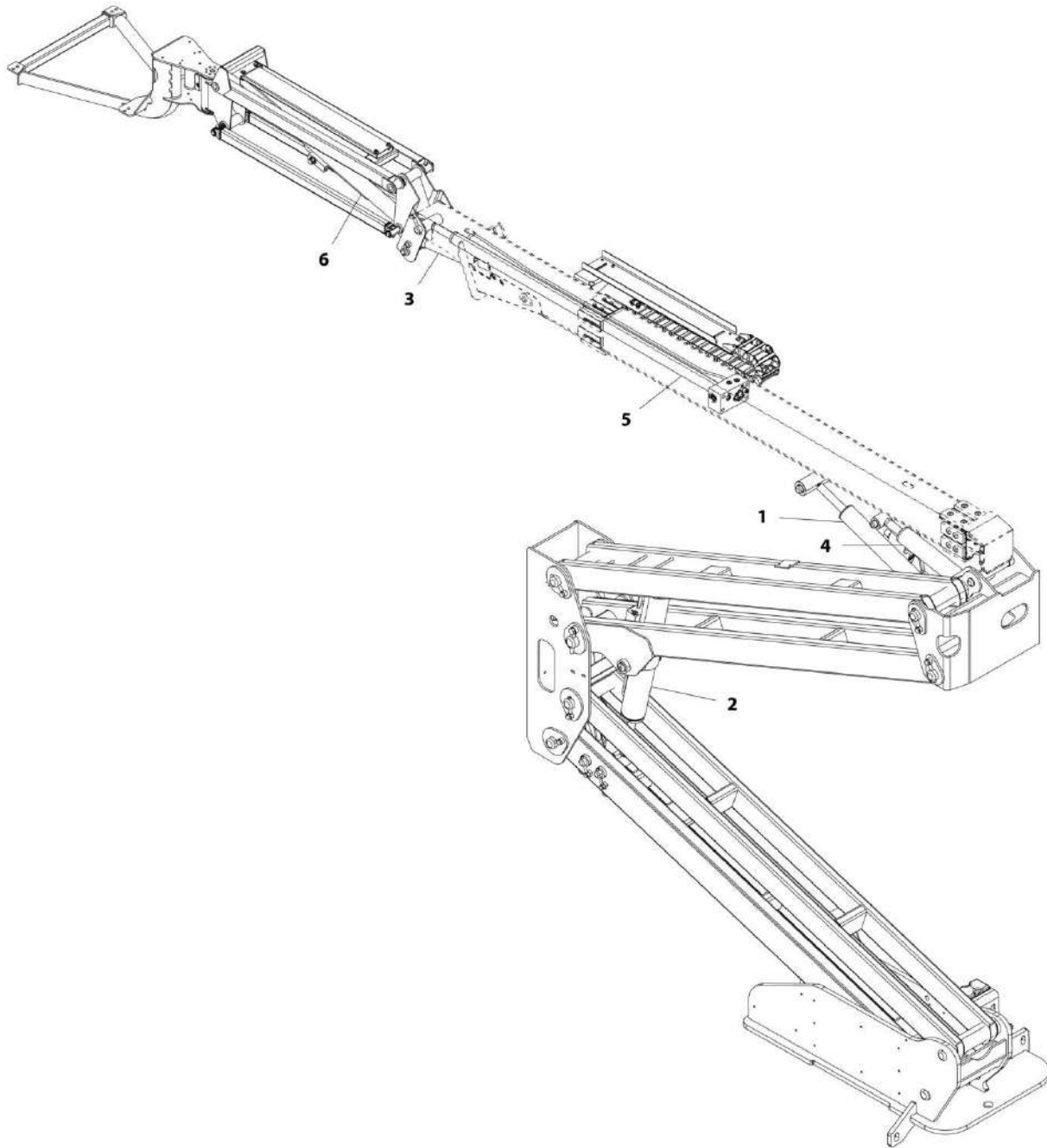
ITEM	PART NUMBER	QTY	DESCRIPTION	REV
111	10702082	2	Screw #10-32NF x 3/4in	
112	1001152525	1	Plug	
113	1001157520	1	Block, Terminal	
114	1001157521	1	Box, Junction	
115	1001157528	1	Decal - Wiring Schematic	
116	1001158007	1	Cover, PVC	
117	1001158008	2	Stand-Off	
	0272589	Ref	DECAL INSTALLATION	A
201	1705460	2	Decal - SkyPower	
202	1705461	1	Decal - 240V-3 Phase-50Hz	
203	1705489	3	Decal - Hazardous Voltage	



**SECTION 4 - BOOM**

# SECTION 4 - BOOM

## FIGURE 4-1. CYLINDERS INSTALLATION



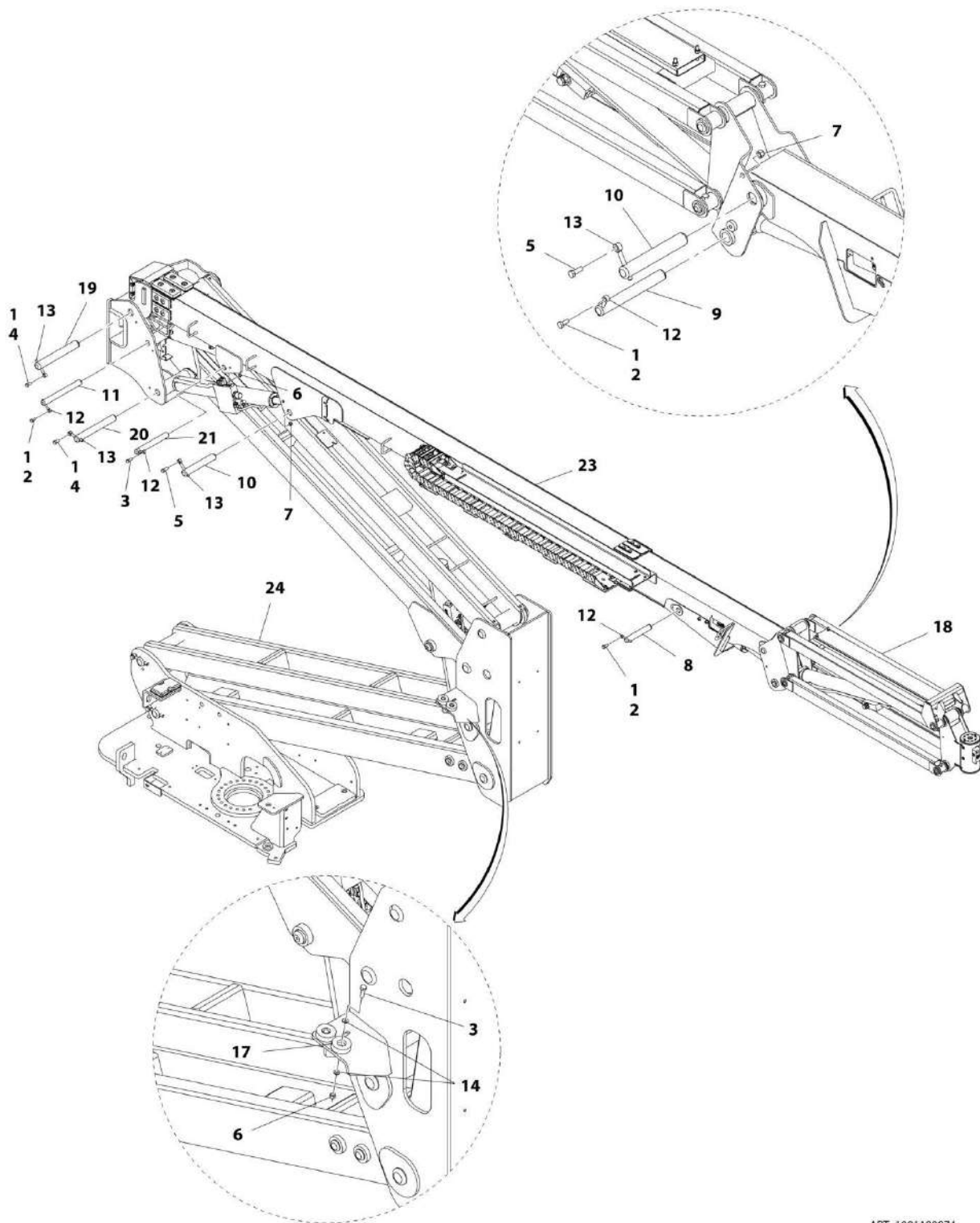
ART\_1001163863

FIGURE 4-1. CYLINDERS INSTALLATION

ITEM	PART NUMBER	QTY	DESCRIPTION	REV
	1001163863	Ref	CYLINDERS INSTALLATION	C
1	1001181706	1	Lift Cylinder Assembly - Main Boom (See CYLINDER SECTION for Breakdown) <b>(Prior to SN E300004512)</b>	
1	1001217681	1	Lift Cylinder Assembly - Main Boom (See CYLINDER SECTION for Breakdown) <b>(SN 1300007286 through 1300007383, SN E300004512 to Present)</b>	
2	1001161715	1	Lift Cylinder Assembly - Tower Boom (See CYLINDER SECTION for Breakdown)	
3	1001161716	1	Level (Platform Slave) Cylinder Assembly (See CYLINDER SECTION for Breakdown)	
4	1001161717	1	Master Cylinder Assembly (See CYLINDER SECTION for Breakdown)	
5	1001161804	1	Telescope Cylinder Assembly (See CYLINDER SECTION for Breakdown)	
6	1001163767	1	Lift Cylinder Assembly - Jib (See CYLINDER SECTION for Breakdown)	

# SECTION 4 - BOOM

## FIGURE 4-2. BOOM INSTALLATION



ART\_1001180874

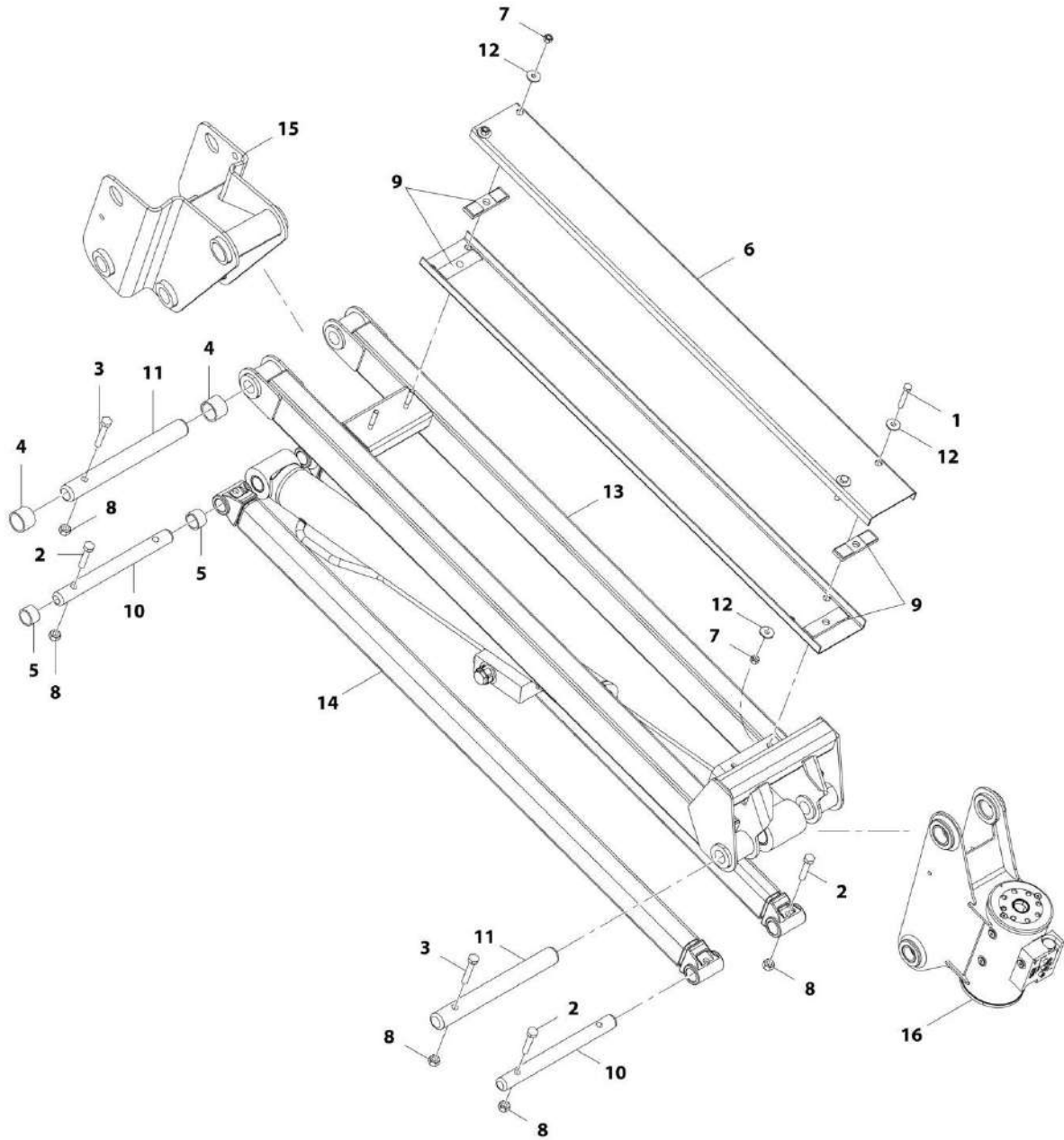


FIGURE 4-2. BOOM INSTALLATION

ITEM	PART NUMBER	QTY	DESCRIPTION	REV
	1001180874	Ref	BOOM INSTALLATION	C
1	0100011	AR	Compound, Locking	
2	0761012	3	Bolt, M10 x 25mm	
3	0761015	3	Bolt, M10 x 35mm	
4	0761212	2	Bolt, M12 x 25mm	
5	0761215	2	Bolt, M12 x 35mm	
6	3291005	3	Nut, Lock M10 x 1.5	
7	3291205	2	Nut, Lock M12 x 1.75	
8	3422755	1	Pin	
9	3422792	1	Pin	
10	3422793	2	Pin	
11	3422806	1	Pin	
12	3841143	4	Keeper, Pin	
13	3841203	4	Keeper, Pin	
14	4812000	4	Washer, M10	
17	1001112607	2	Block, Boom Rest	
18	1001164017	1	Jib Installation (See JIB INSTALLATION for Breakdown)	
19	1001169246	1	Pin	
20	1001169247	1	Pin	
21	3423038	1	Pin	
23	1001179626	1	Main Boom Assembly (See MAIN BOOM ASSEMBLY for Breakdown)	
24	1001180006	1	Tower Boom Assembly (See TOWER BOOM ASSEMBLY for Breakdown)	

# SECTION 4 - BOOM

## FIGURE 4-3. JIB INSTALLATION



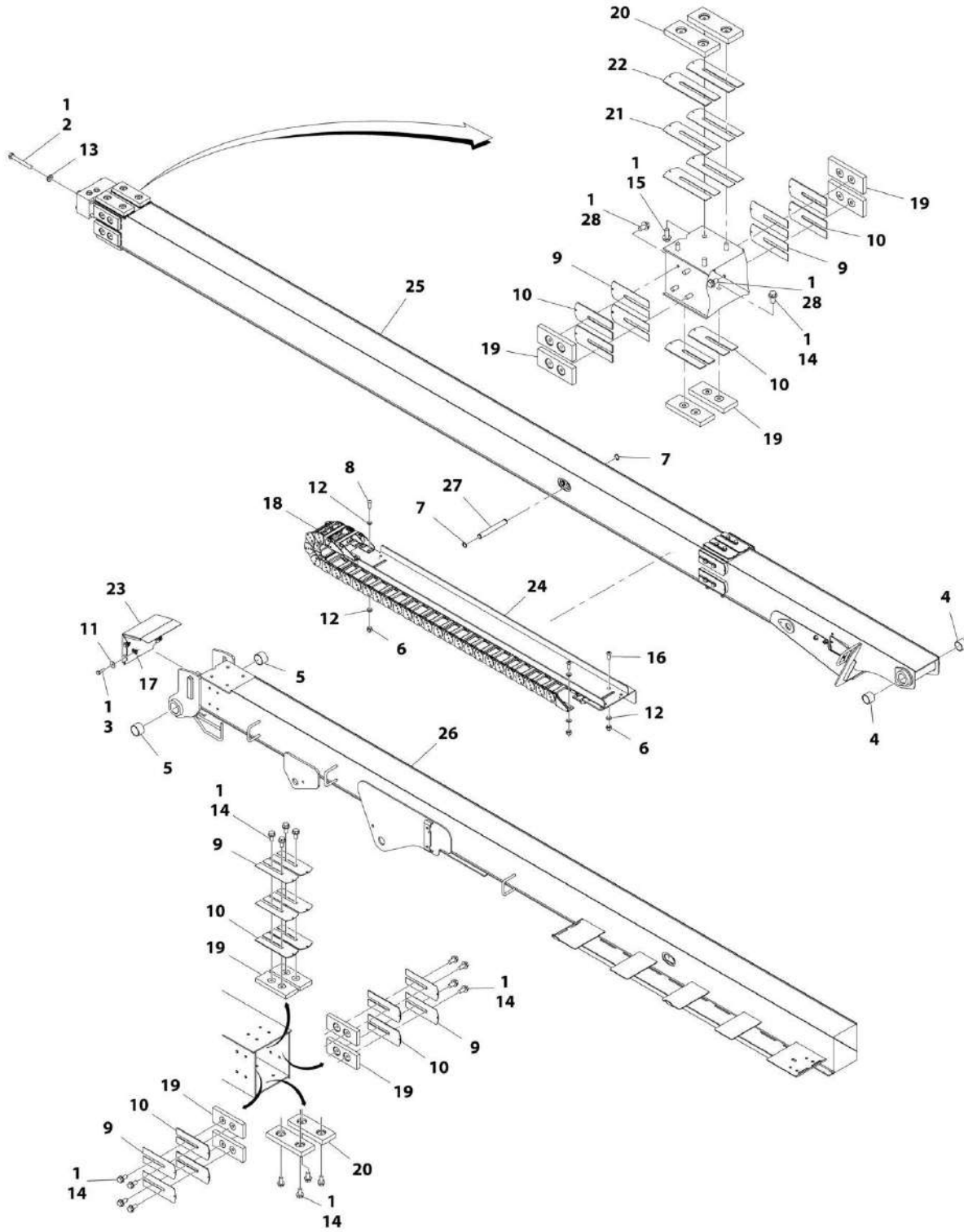
ART\_1001164017

FIGURE 4-3. JIB INSTALLATION

ITEM	PART NUMBER	QTY	DESCRIPTION	REV
	1001164017	Ref	JIB INSTALLATION	D
1	0700820	2	Bolt, M8 x 60	
2	0701019	4	Bolt, M8 x 55	
3	0701020	2	Bolt, M10 x 60	
4	0961951	2	Bushing	
5	0962292	2	Bearing	
6	3572551	2	Channel	
7	3290805	4	Nut, M8	
8	3291005	6	Nut, M10	
9	3340860	4	Pad, Rubber	
10	3422791	2	Pin	
11	1001116550	2	Pin	
12	4811902	6	Washer, M8	
13	1001183171	1	Link (Upper)	
14	4846689	2	Link (Lower)	
15	1001163937	1	Pivot	
16	1001165302	NLA	Rotator Assembly (Use p/n 1001217779) (See ROTATOR ASSEMBLY for Breakdown) <b>(SN E300002833 through E300004882)</b>	
16	1001217779	1	Rotator Assembly (See ROTATOR ASSEMBLY for Breakdown) <b>(SN 1300007286 through 1300007383, SN E300004883 to Present)</b>	

# SECTION 4 - BOOM

## FIGURE 4-4. MAIN BOOM ASSEMBLY



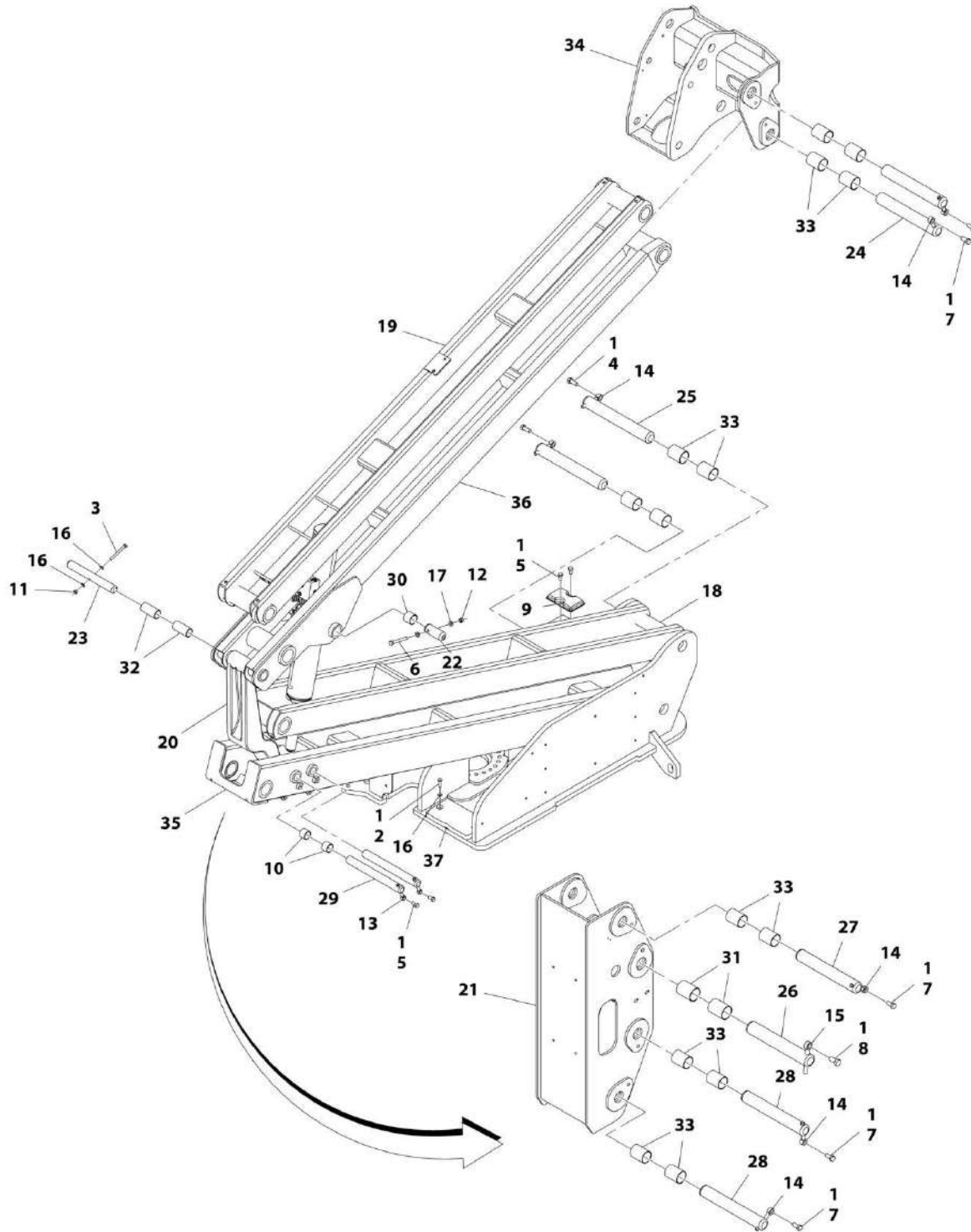
ART\_1001179626

FIGURE 4-4. MAIN BOOM ASSEMBLY

ITEM	PART NUMBER	QTY	DESCRIPTION	REV
	1001179626	Ref	MAIN BOOM ASSEMBLY	C
1	0100011	AR	Compound, Locking	
2	0711227	4	Bolt, M12 x 100mm	
3	0760812	4	Bolt, M8 x 25mm	
4	0961948	2	Bearing	
5	0961949	2	Bearing	
6	3291005	10	Nut, Lock M10 x 1.5	
7	3760351	4	Ring, Retaining	
8	3900351	4	Screw, M10 x 1.5 x 30mm	
9	4070897	12	Shim	
10	4070898	12	Shim	
11	4811902	4	Washer, M8	
12	4812000	18	Washer, M10	
13	5241200	4	Washer, M12 Hardened	
14	5251010	20	Bolt, M10 x 20mm	
15	5251012	4	Bolt, M10 x 25mm	
16	8310668	6	Screw, M10-1.5 x 25mm Grade 10.9	
17	1001118274	4	Nut, M8 x 1.25	
18	1001168190	NLA	Powertrack Assembly (Use p/n 1001224894) <b>(Prior to SN E300004536)</b>	
18	70005104	1	Repair Section	
18	70005105	1	Feet, Mounting	
18	1001224894	1	Powertrack Assembly <b>(SN 1300007286 through 1300007383, SN E300004536 to Present)</b>	
18	70006256	1	Link, Repair	
18	70006272	1	Feet, Mounting	
19	1001169304	12	Pad, Wear	
20	1001169305	4	Pad, Wear	
21	1001169402	4	Shim	
22	1001169403	2	Shim	
23	1001170226	1	Cover, Boom End	
24	1001170334	1	Push Tube, Hose Cover	
25	1001178554	1	Fly, Boom	
26	1001178555	1	Base, Boom	
27	1001180541	2	Pin	
28	5251009	8	Bolt, M10 x 18mm	

# SECTION 4 - BOOM

## FIGURE 4-5. TOWER BOOM ASSEMBLY



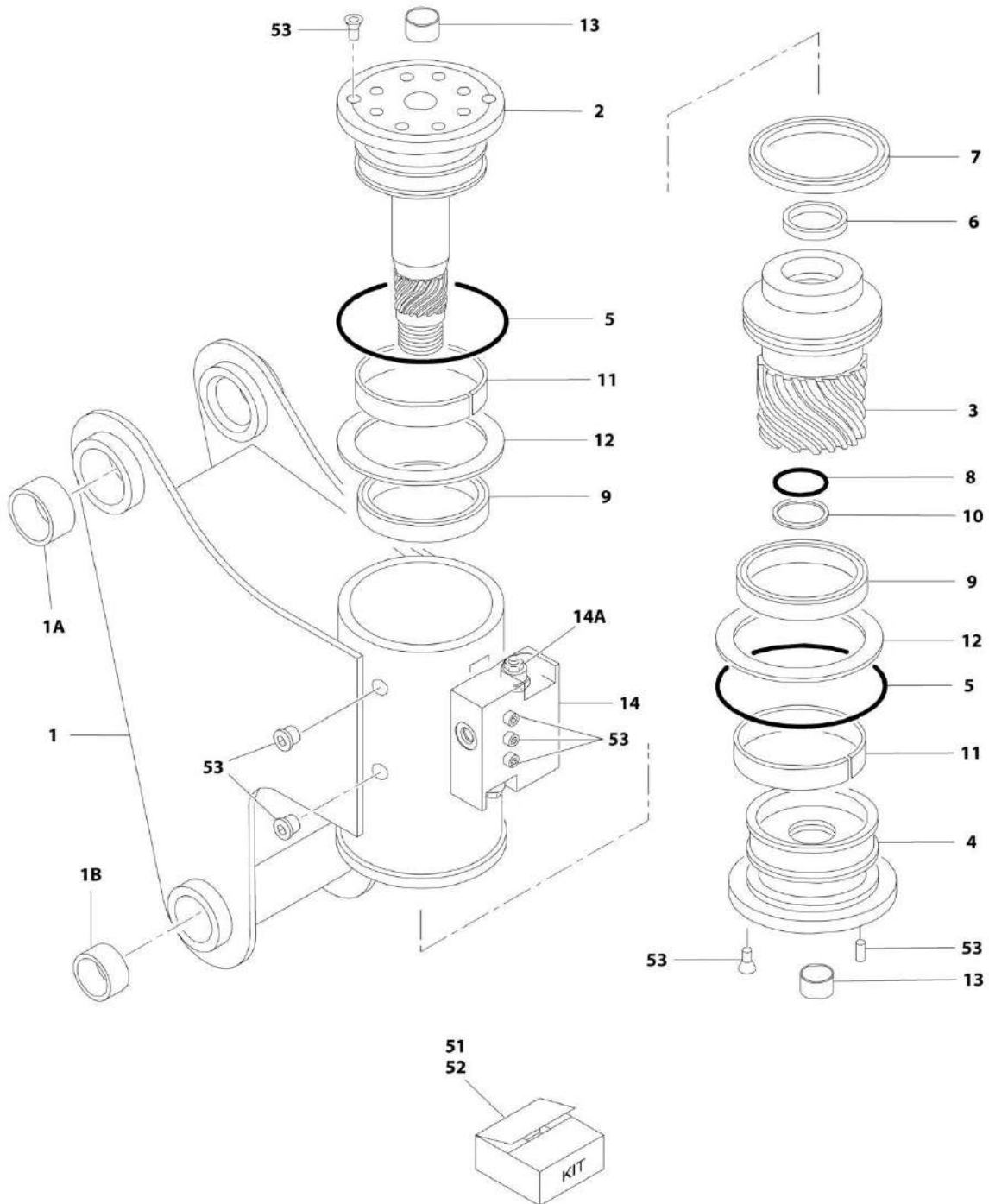
ART\_1001180006

FIGURE 4-5. TOWER BOOM ASSEMBLY

ITEM	PART NUMBER	QTY	DESCRIPTION	REV
	1001180006	Ref	TOWER BOOM ASSEMBLY	B
1	0100011	AR	Compound, Locking	
2	0701015	2	Bolt, M10 x 35mm	
3	0701027	1	Bolt, M10 x 100mm	
4	0701616	2	Bolt, M16 x 40mm	
5	0761212	4	Bolt, M12 x 25mm	
6	0761227	2	Bolt, M12 x 100mm	
7	0761615	5	Bolt, M16 x 35mm	
8	0762016	1	Bolt, M20 x 40mm	
9	0940048	1	Bumper	
10	0961948	2	Bearing	
11	3291005	1	Nut, Lock M10 x 1.5	
12	3291205	2	Nut, Lock M12 x 1.75	
13	3841203	2	Keeper, Pin	
14	3841258	7	Keeper, Pin	
15	3841287	1	Keeper, Pin	
16	4812000	4	Washer, M10	
17	4812100	4	Washer, M12	
18	1001160859	1	Link, Lower Tower Boom	
19	1001160872	1	Link, Upper Tower Boom	
20	1001166096	1	Link, Timing	
21	1001166853	1	Upright, Lower	
22	1001169240	2	Pin	
23	1001169241	1	Pin	
24	1001169242	2	Pin	
25	1001169249	2	Pin	
26	1001169295	1	Pin	
27	1001169296	1	Pin	
28	1001169297	2	Pin	
29	1001169298	2	Pin	
30	1001169299	2	Bearing	
31	1001169300	2	Bearing	
32	1001169301	2	Bearing	
33	1001169302	14	Bearing	
34	1001174065	1	Upright, Upper	
35	1001178133	1	Tower Boom (Lower)	
36	1001178135	1	Tower, Boom (Upper)	
37	1001180056	1	Pad, Wear	
38	1001227993	1	Tower Boom Kit (Not Shown – Includes Items 18, 19, 35 & 36)	

# SECTION 4 - BOOM

FIGURE 4-6. ROTATOR ASSEMBLY (SN E300002833 through E300004882)



ART\_1001165302



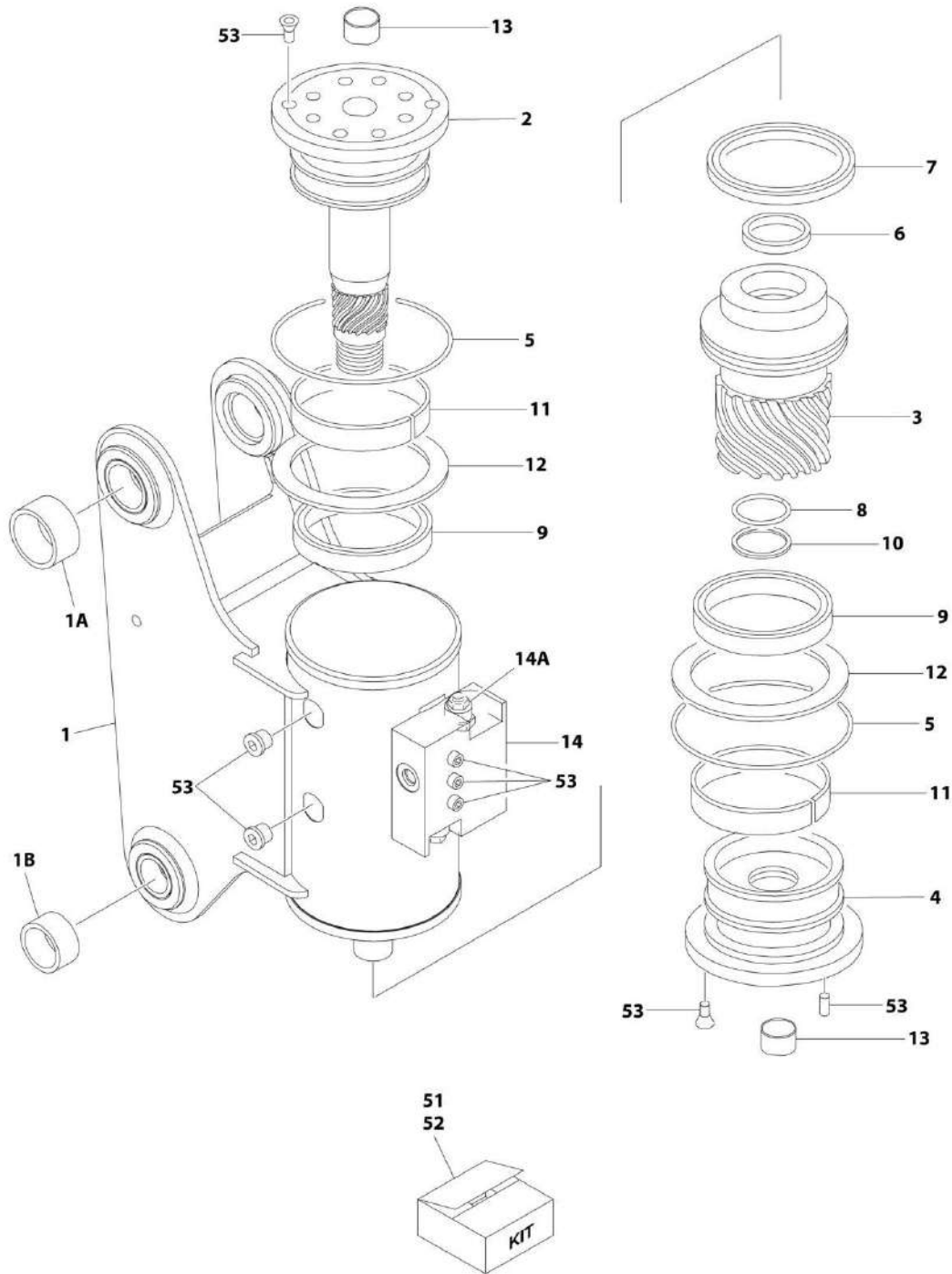
**SECTION 4 - BOOM**

**FIGURE 4-6. ROTATOR ASSEMBLY (SN E300002833 through E300004882)**

ITEM	PART NUMBER	QTY	DESCRIPTION	REV
	1001165302	Ref	ROTATOR ASSEMBLY (SN E300002833 through E300004882)	I
1	See Note	NSS	Housing (Note: Purchase Complete Assembly)	
1A	0962257	2	Bushing	
1B	0961947	2	Bushing	
2	7017162	1	Shaft	
3	7017163	1	Piston	
4	7017164	1	Cap, End	
5	See Note	NSS	O-Ring (Note: Use p/n 70000342)	
6	See Note	NSS	Seal, Rod (Note: Purchase p/n 70000342)	
7	See Note	NSS	Seal, Piston (Note: Purchase p/n 70000342)	
8	See Note	NSS	Seal, Cap (Note: Purchase p/n 70000342)	
9	See Note	NSS	Packing, Bearing (Note: Purchase p/n 70000342)	
10	See Note	NSS	Ring, Back-up (Note: Purchase p/n 70000342)	
11	See Note	NSS	Bearing, Shaft (Note: Purchase p/n 7017159)	
12	See Note	NSS	Washer, Thrust (Note: Purchase p/n 7017159)	
13	7017195	2	Bushing	
14	7017172	1	Counterbalance Valve Assembly	
14A	7017192	2	Valve Cartridge (No Seal Kit Available)	
51	70000342	1	Seal Kit (Includes Items 5-10)	
52	7017159	1	Bearing Kit (Includes Items 11 & 12)	
53	7017142	1	Hardware Kit	

# SECTION 4 - BOOM

FIGURE 4-7. ROTATOR ASSEMBLY (SN 130007286 through 130007383, SN E30004883 to Present)



ART\_1001217779

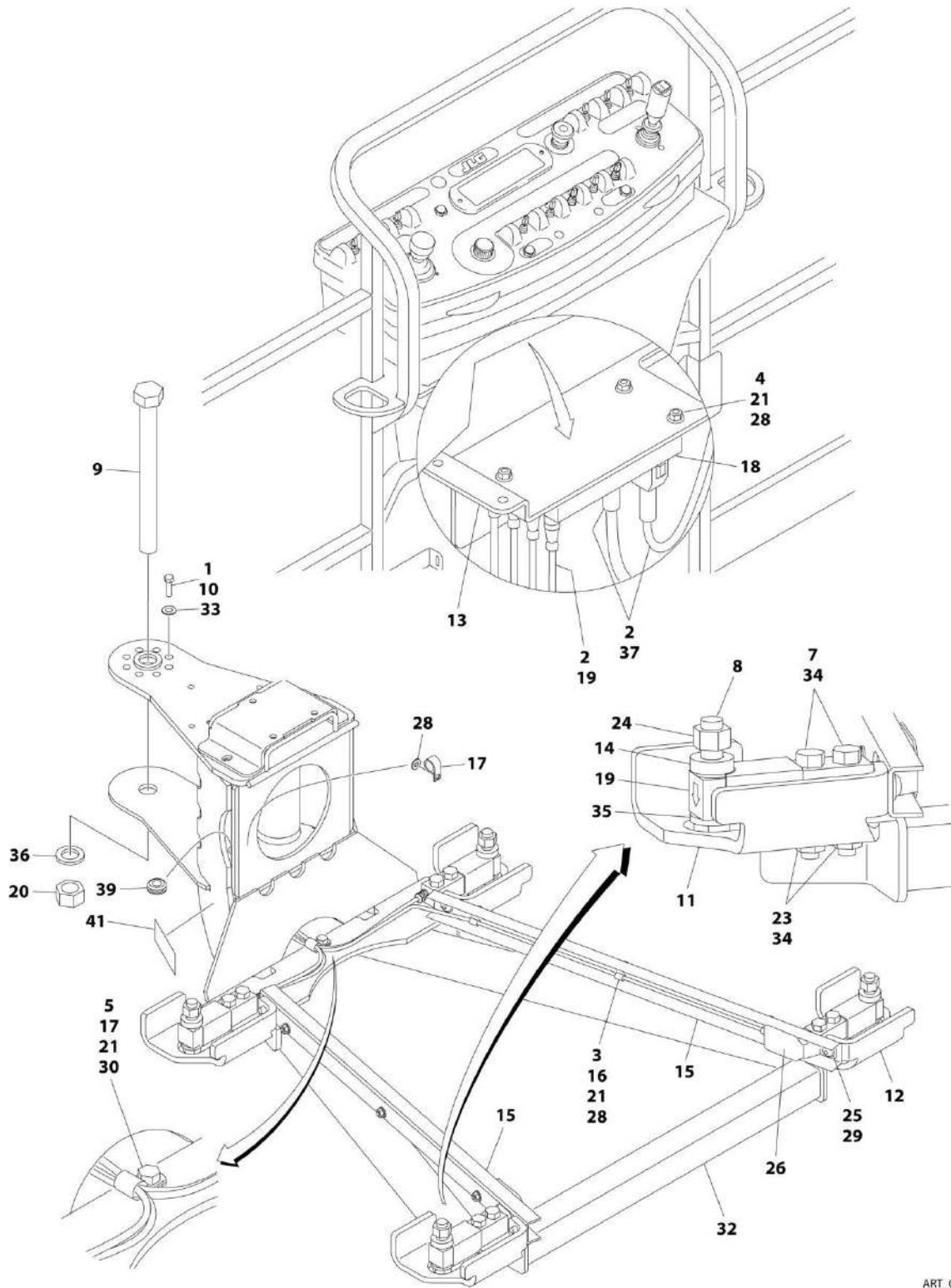
## SECTION 4 - BOOM

**FIGURE 4-7. ROTATOR ASSEMBLY (SN 1300007286 through 1300007383, SN E300004883 to Present)**

ITEM	PART NUMBER	QTY	DESCRIPTION	REV
	1001217779	Ref	ROTATOR ASSEMBLY (SN 1300007286 through 1300007383, SN E300004883 to Present)	B
1	See Note	NSS	Housing (Note: Purchase Complete Assembly)	
1A	0962257	2	Bushing	
1B	0961947	2	Bushing	
2	7017162	1	Shaft	
3	7017163	1	Piston	
4	7017164	1	Cap, End	
5	See Note	NSS	O-Ring (Note: Use p/n 70000342)	
6	See Note	NSS	Seal, Rod (Note: Purchase p/n 70000342)	
7	See Note	NSS	Seal, Piston (Note: Purchase p/n 70000342)	
8	See Note	NSS	Seal, Cap (Note: Purchase p/n 70000342)	
9	See Note	NSS	Packing, Bearing (Note: Purchase p/n 70000342)	
10	See Note	NSS	Ring, Back-up (Note: Purchase p/n 70000342)	
11	See Note	NSS	Bearing, Shaft (Note: Purchase p/n 7017159)	
12	See Note	NSS	Washer, Thrust (Note: Purchase p/n 7017159)	
13	7017195	2	Bushing	
14	7017172	1	Counterbalance Valve Assembly	
14A	7017192	2	Valve Cartridge (No Seal Kit Available)	
51	70000342	1	Seal Kit (Includes Items 5-10)	
52	7017159	1	Bearing Kit (Includes Items 11 & 12)	
53	7017142	1	Hardware Kit	

# SECTION 4 - BOOM

FIGURE 4-8. PLATFORM SUPPORT INSTALLATION - WITH 4 CELL LSS (Prior to SN E300002782)



ART\_0272703

## SECTION 4 - BOOM

**FIGURE 4-8. PLATFORM SUPPORT INSTALLATION - WITH 4 CELL LSS (Prior to SN E300002782)**

ITEM	PART NUMBER	QTY	DESCRIPTION	REV
	0272703	Ref	PLATFORM SUPPORT INSTALLATION - WITH 4 CELL LSS (Prior to SN E300002782)	Q
1	0100011	AR	Compound, Locking	
2	0100048	AR	Grease, Dielectric	
3	0641405	6	Bolt 1/4 x 5/8	
4	0641416	3	Bolt 1/4 x 2	
5	0641407	1	Bolt 1/4 x 7/8	
7	0641822	8	Bolt 1/2 x 2-3/4	
8	0642024	4	Bolt 5/8 x 3	
9	0642684	1	Bolt 1 x 10-1/2	
10	0681608	8	Bolt 3/8 x 1 Grade 8	
11	0902919	2	Bracket, Cell Guard	
12	0902920	2	Bracket, Cell Guard	
13	1001113483	1	Bracket, Module Mount	
14	0962450	4	Bushing, Spacer	
15	1271538	2	Channel	
16	1320136	6	Clamp	
17	1320224	2	Clamp	
18	1600387	1	Module, Control - LSS (Note: Recalibration Required When Replaced)	
19	2420202	4	Cell, Load (Includes Cable)	
20	3272605	1	Nut 1 Grade 8	
21	3311405	13	Nut 1/4	
23	3311805	8	Nut 1/2	
24	3312005	4	Nut 5/8	
25	3900283	4	Screw 3/8 x 3/4	
26	4061054	2	Shield	
27	4240033	AR	Tie-Strap (Not Shown)	
28	4711400	10	Washer 1/4	
29	4711600	4	Washer 3/8	
30	4751400	1	Washer 1/4	
32	4846573	1	Support, Platform	
33	4891600	8	Washer 3/8	
34	4891800	8	Washer 1/2	
35	4892000	4	Washer 5/8	
36	4892600	1	Washer 1	
37	4922869	1	LSS Harness	
37	4922705	1	Analyzer Harness (Not Shown)	
37	4460761	1	Receptacle, Female - 4 Position (Not Shown)	
37	4460226	1	Socket, Female	
37	4460836	1	Connector - 12 Position (Black) (J2)	
37	4460465	1	Socket, Female	
37	4460466	1	Plug, Terminal	
37	0840055	1	Boot	
37	4460933	1	Connector - 12 Position (Grey) (J1)	
37	4460465	1	Socket, Female	
37	4460466	1	Plug, Terminal	
37	0840055	1	Boot	
39	2540038	1	Grommet	
40	2920129	1	Bulb, Light (Not Shown - Located on Ground Control Box)	

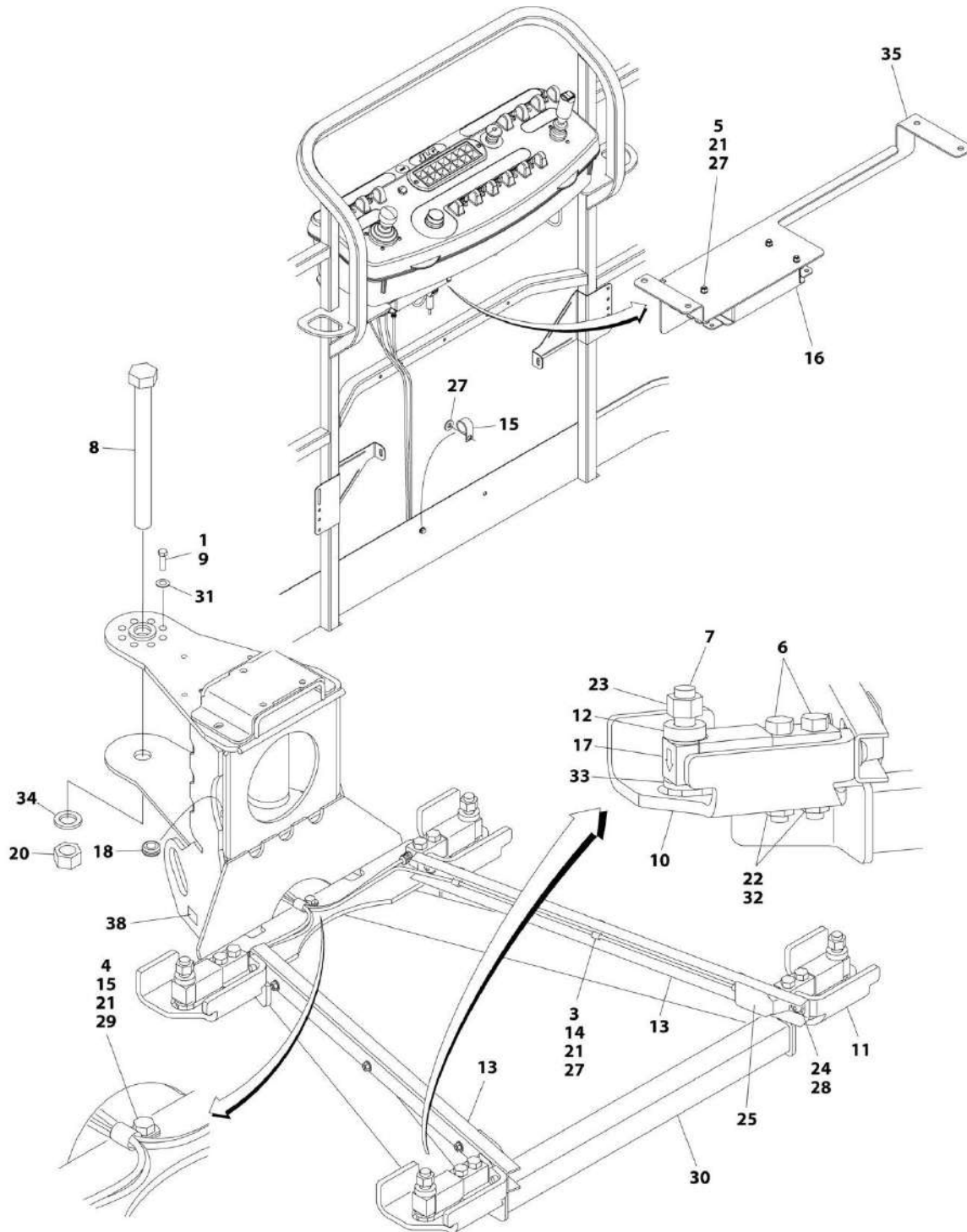
## SECTION 4 - BOOM

ITEM	PART NUMBER	QTY	DESCRIPTION	REV
41	1001216630	2	Decal - Tie Down/No Lift	



# SECTION 4 - BOOM

FIGURE 4-9. PLATFORM SUPPORT INSTALLATION - WITH 4 CELL LSS (SN 130007286 through 130007383, SN E30002782 to Present)



ART\_1001197036



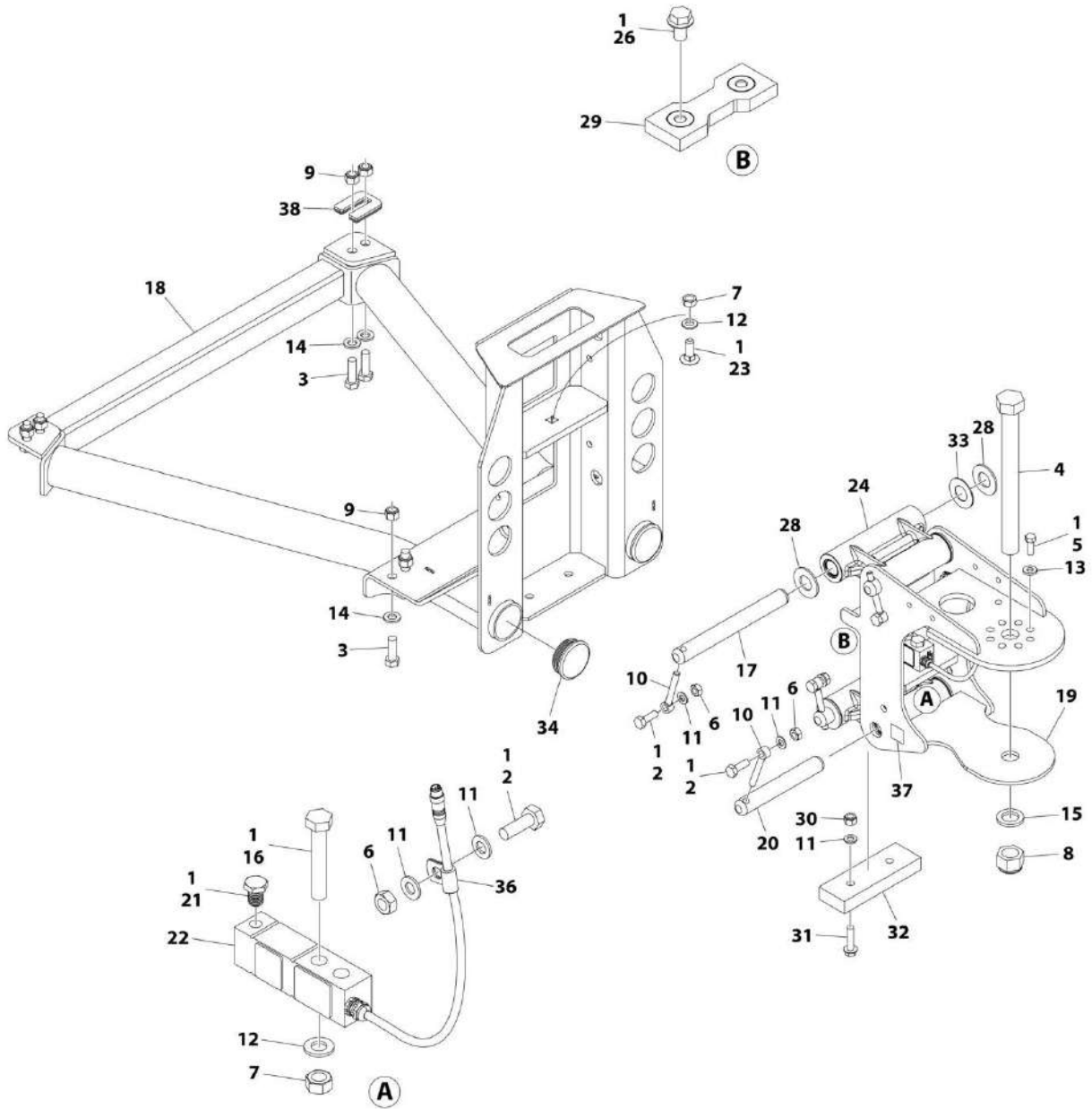
## SECTION 4 - BOOM

**FIGURE 4-9. PLATFORM SUPPORT INSTALLATION - WITH 4 CELL LSS (SN 1300007286 through 1300007383, SN E300002782 to Present)**

ITEM	PART NUMBER	QTY	DESCRIPTION	REV
	1001197036	Ref	PLATFORM SUPPORT INSTALLATION - WITH 4 CELL LSS (SN 1300007286 through 1300007383, SN E300002782 to Present)	F
1	0100011	AR	Compound, Locking	
2	0100048	AR	Silicon, Compound (Not Shown)	
3	0641405	6	Bolt 1/4 x 5/8	
4	0641407	1	Bolt 1/4 x 7/8	
5	0641416	3	Bolt 1/4 x 2	
6	0641822	8	Bolt 1/2 x 2-3/4	
7	0642024	4	Bolt 5/8 x 3	
8	0642684	1	Bolt 1/8 x 10-1/2	
9	0681608	8	Bolt 3/8 x 1	
10	0902919	2	Bracket, LH	
11	0902920	2	Bracket, RH	
12	0962450	4	Bushing, Spacer	
13	1271538	2	Channel, Load Cell Wire	
14	1320136	6	Clamp, Cable	
15	1320224	2	Clamp, Cable	
16	1600387	1	Controller, Load Sense	
17	2420202	4	Gauge	
18	2540038	1	Grommet	
20	3272605	1	Nut 1	
21	3311405	10	Nut 1/4	
22	3311805	8	Nut 1/2	
23	3312005	4	Nut 5/8	
24	3900283	4	Screw 3/8 x 3/4	
25	4061054	2	Shield	
26	4240033	AR	Tie-Strap (Not Shown)	
27	4711400	13	Washer 1/4	
28	4711600	4	Washer 3/8	
29	4751400	1	Washer 1/4	
30	4846573	1	Weldment	
31	4891600	8	Washer 3/8	
32	4891800	8	Washer 1/2	
33	4892000	4	Washer 5/8	
34	4892600	1	Washer 1	
35	1001113483	1	Bracket	
36	1001120371	1	LSS Harness (Not Shown - See ELECTRICAL SECTION for Breakdown)	
37	4460428	1	Connector, Strain Relief (Not Shown)	
38	1001216630	2	Decal - Tie Down/No Lift	

# SECTION 4 - BOOM

## FIGURE 4-10. PLATFORM SUPPORT INSTALLATION - WITH 1 CELL LSS



ART\_1001167596

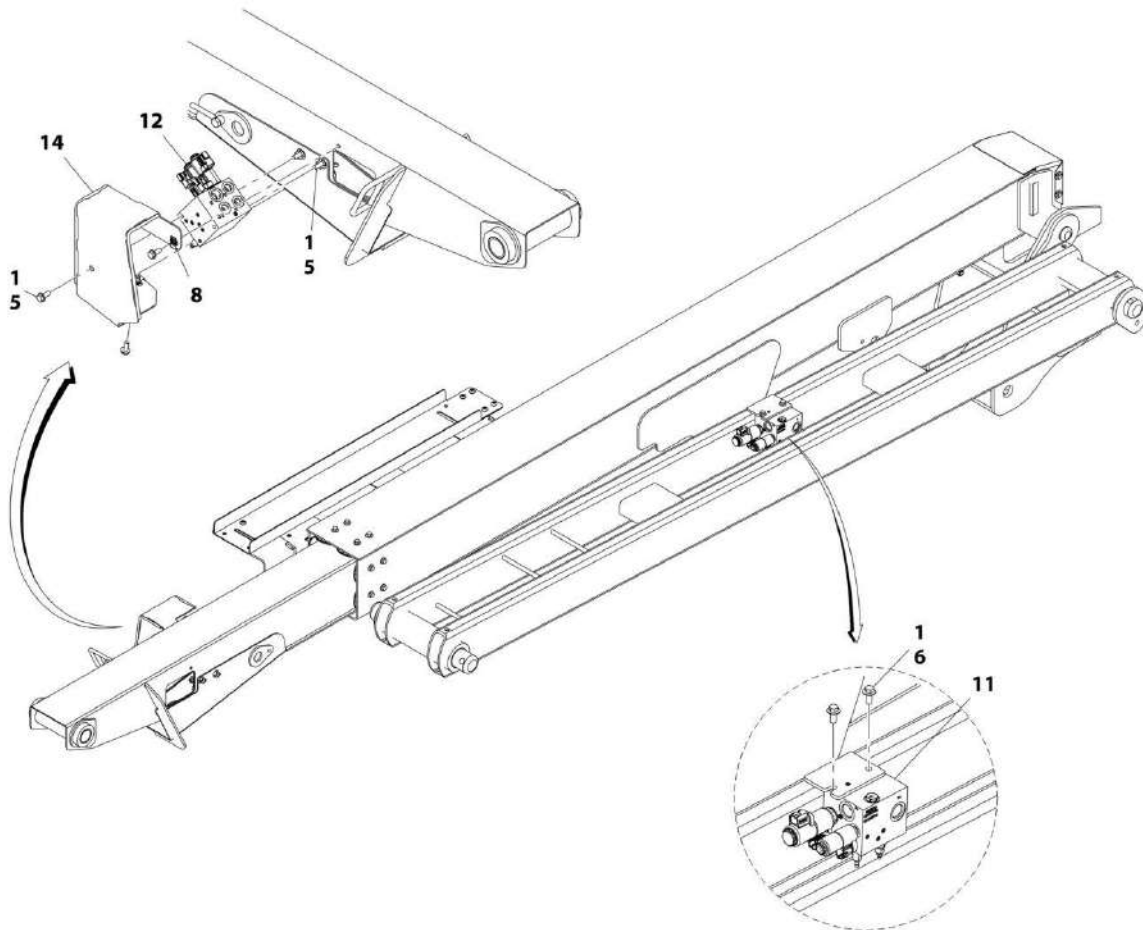
## SECTION 4 - BOOM

**FIGURE 4-10. PLATFORM SUPPORT INSTALLATION - WITH 1 CELL LSS**

ITEM	PART NUMBER	QTY	DESCRIPTION	REV
	1001167596	Ref	PLATFORM SUPPORT INSTALLATION - WITH 1 CELL LSS	K
1	0100011	AR	Compound, Locking	
2	0761014	4	Bolt M10 x 30	
3	0641812	8	Bolt 1/2 x 1-1/2	
3	0761216	8	Bolt M12 x 40	
4	0642684	1	Bolt 1 x 10-1/2	
5	0681608	8	Bolt 3/8 x 1	
6	3291001	AR	Nut M10	
7	3291201	3	Nut M12	
8	3300243	1	Nut 1	
9	3311805	8	Nut 1/2	
9	3291205	8	Nut M12	
10	3841143	4	Keeper	
11	4812000	AR	Washer M10	
12	4812100	3	Washer M12	
13	4891600	8	Washer 3/8	
14	4891800	8	Washer 1/2	
14	5241200	8	Washer M12	
15	4892600	1	Washer 1	
16	1001098828	2	Bolt M12 x 70 Grade 10.9	
17	1001167565	2	Pin	
18	1001200494	1	Support	
19	1001167567	1	Platform Support	
20	1001168402	2	Pin	
21	1001188622	1	Screw M12	
22	1001172663	1	Gauge, Load Sensing	
23	1001188844	1	Bolt M12 x 35	
24	1001201351	2	LSS Link Assembly	
24	1001187382	4	Bearing	
24	1001187383	4	Seal	
26	5251008	2	Bolt M10 x 16	
27	1001175244	1	Harness, LSS (Not Shown) <b>(Prior to SN E300003634)</b>	
28	1001189002	8	Bearing	
29	1001190985	1	Pad, Wear	
30	3291005	2	Nut M10	
31	5251016	2	Bolt M10 x 40	
32	1001200491	1	Plate	
33	1001189001	4	Bearing	
34	1001204725	2	Plug	
35	4460428	1	Connector, Strain Relief (Not Shown) <b>(Prior to SN E300003634)</b>	
36	91203039	1	Clamp <b>(SN 1300007286 through 1300007383, SN E300003634 to Present)</b>	
37	1001216630	2	Decal - Tie Down/No Lift <b>(SN 1300007286 through 1300007383, SN E300003634 to Present)</b>	
38	1001238421	AR	Platform Leveling Kit <b>(SN B300006377 to Present)</b>	

# SECTION 4 - BOOM

## FIGURE 4-11. VALVES INSTALLATION - BOOM MOUNTED



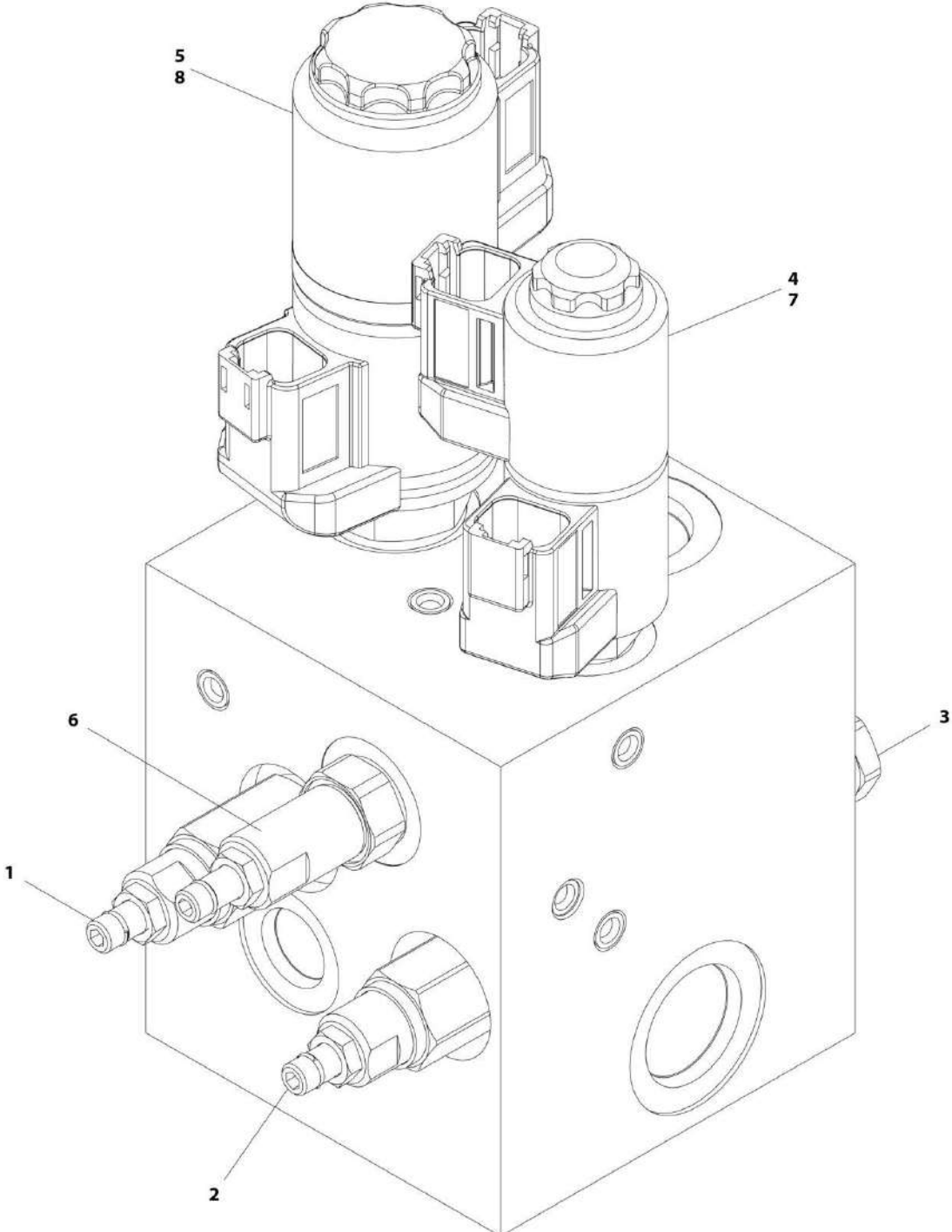
ART\_1001165948\_30F3

**FIGURE 4-11. VALVES INSTALLATION - BOOM MOUNTED**

ITEM	PART NUMBER	QTY	DESCRIPTION	REV
	1001165948	Ref	VALVES INSTALLATION - BOOM MOUNTED	H
1	0100011	AR	Compound, Locking	
5	5250810	5	Bolt M8 x 20	
6	5251010	2	Bolt M10 x 20	
8	1001118274	2	Nut M8	
11	1001162535	1	Upright Valve Assembly (See UPRIGHT VALVE ASSEMBLY for Breakdown)	
12	1001162536	1	Boom Valve Assembly (See BOOM VALVE ASSEMBLY for Breakdown)	
14	1001170375	1	Shield	

**SECTION 4 - BOOM**

**FIGURE 4-12. UPRIGHT VALVE ASSEMBLY**



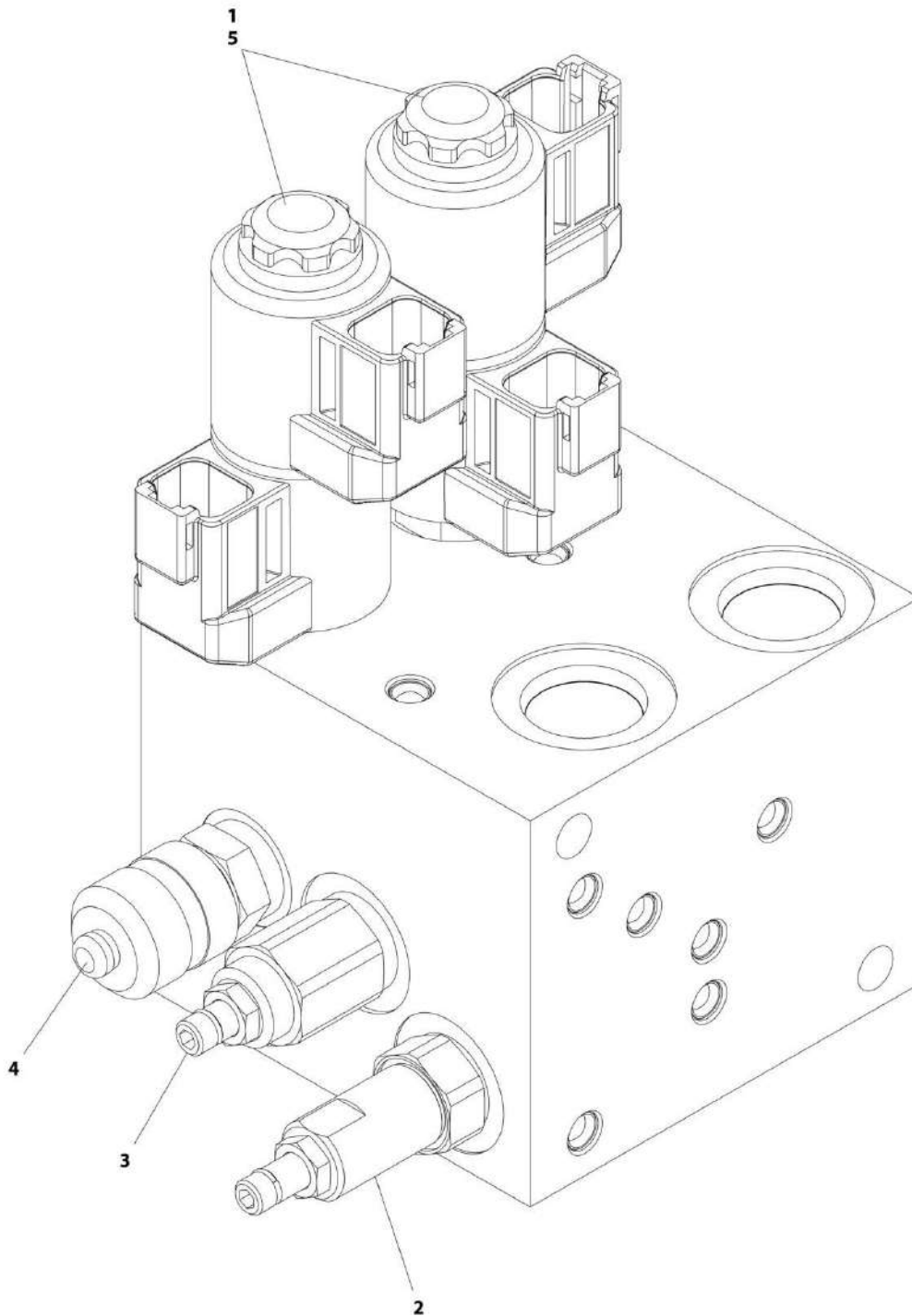
ART\_1001162535

FIGURE 4-12. UPRIGHT VALVE ASSEMBLY

ITEM	PART NUMBER	QTY	DESCRIPTION	REV
	1001162535	Ref	UPRIGHT VALVE ASSEMBLY	D
1	70004864	1	Cartridge, Valve	
1	70004875	1	Seal Kit - 70004864 Valve	
2	70004865	1	Cartridge, Valve	
2	70004875	1	Seal Kit - 70004865 Valve	
3	70004866	1	Cartridge, Relief Valve	
3	70004867	1	Seal Kit - 70004866 Valve	
4	70004868	1	Cartridge, Solenoid Valve Less Coil	
4	70004869	1	Seal Kit - 70004868 Valve	
5	7027625	1	Cartridge, Solenoid Valve Less Coil	
5	70000100	1	Seal Kit - 7027625 Valve	
6	70004870	1	Cartridge, Valve <b>(Prior to SN E300005535)</b>	
6	70006660	1	Cartridge, Valve <b>(SN 1300007286 through 1300007383, SN E300005535 to Present)</b>	
6	70004867	1	Seal Kit - 70004870/70006660 Valve	
7	70004871	2	Coil	
8	7027628	2	Coil	

# SECTION 4 - BOOM

## FIGURE 4-13. BOOM VALVE ASSEMBLY



ART\_1001162536



FIGURE 4-13. BOOM VALVE ASSEMBLY

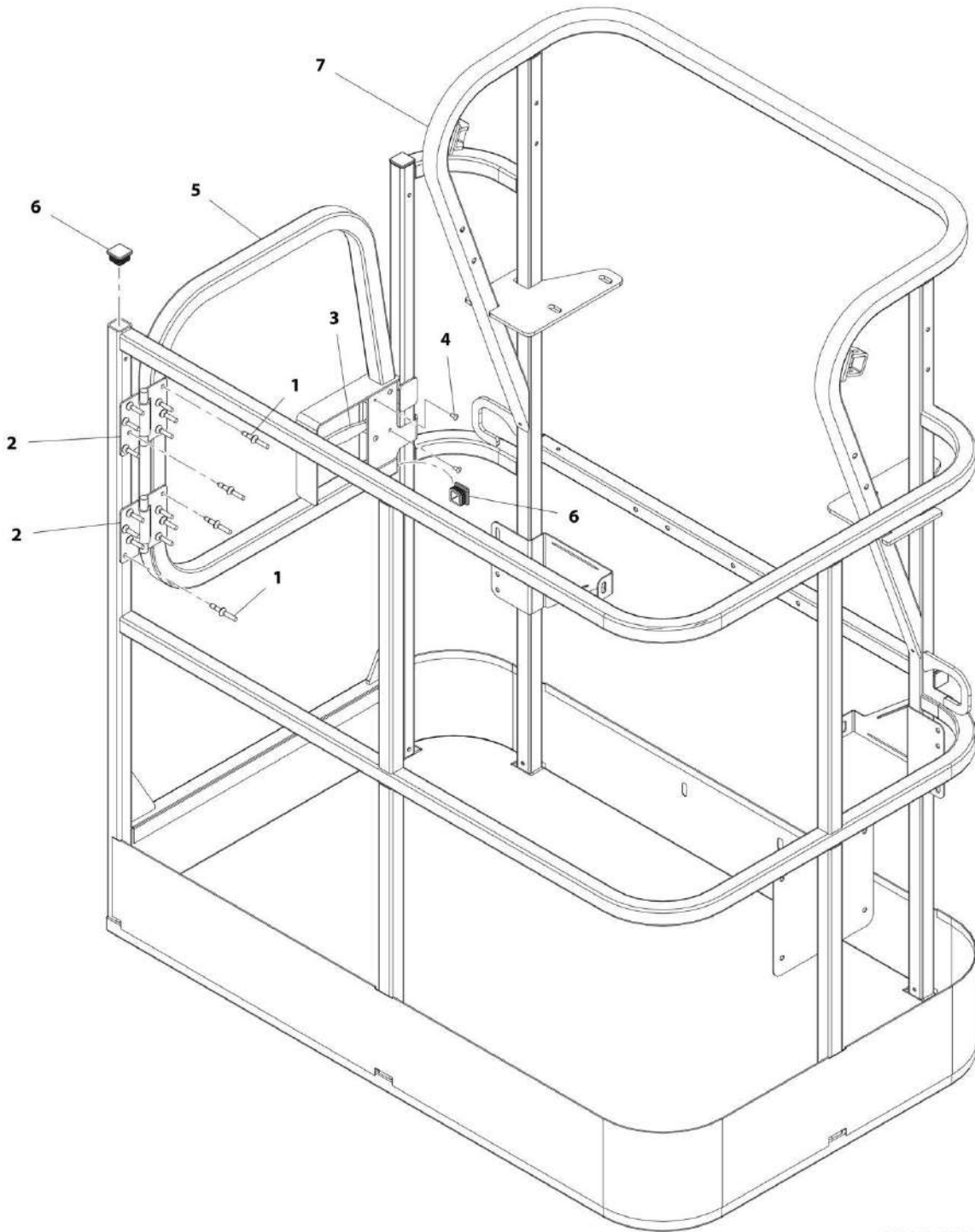
ITEM	PART NUMBER	QTY	DESCRIPTION	REV
	1001162536	Ref	BOOM VALVE ASSEMBLY	F
1	70005243	2	Cartridge, Solenoid Valve Less Coil	
1	70004869	2	Seal Kit - 70005243 Valve	
2	70004873	1	Cartridge, Valve	
2	70004867	1	Seal Kit - 70004873 Valve	
3	70004874	1	Cartridge, Valve <b>(Prior to SN E300006382)</b>	
3	70006970	1	Cartridge, Valve <b>(SN E300006383 to Present)</b>	
3	70004867	1	Seal Kit - 70004874 & 70006970 Valve	
4	2221086	1	Fitting, Test	
5	70004871	4	Coil	



**SECTION 5 - PLATFORM**

# SECTION 5 - PLATFORM

FIGURE 5-1. PLATFORM ASSEMBLY - 30IN X 4FT (76CM X 1.22M) - SIDE GATE ENTRY



ART\_1001188319

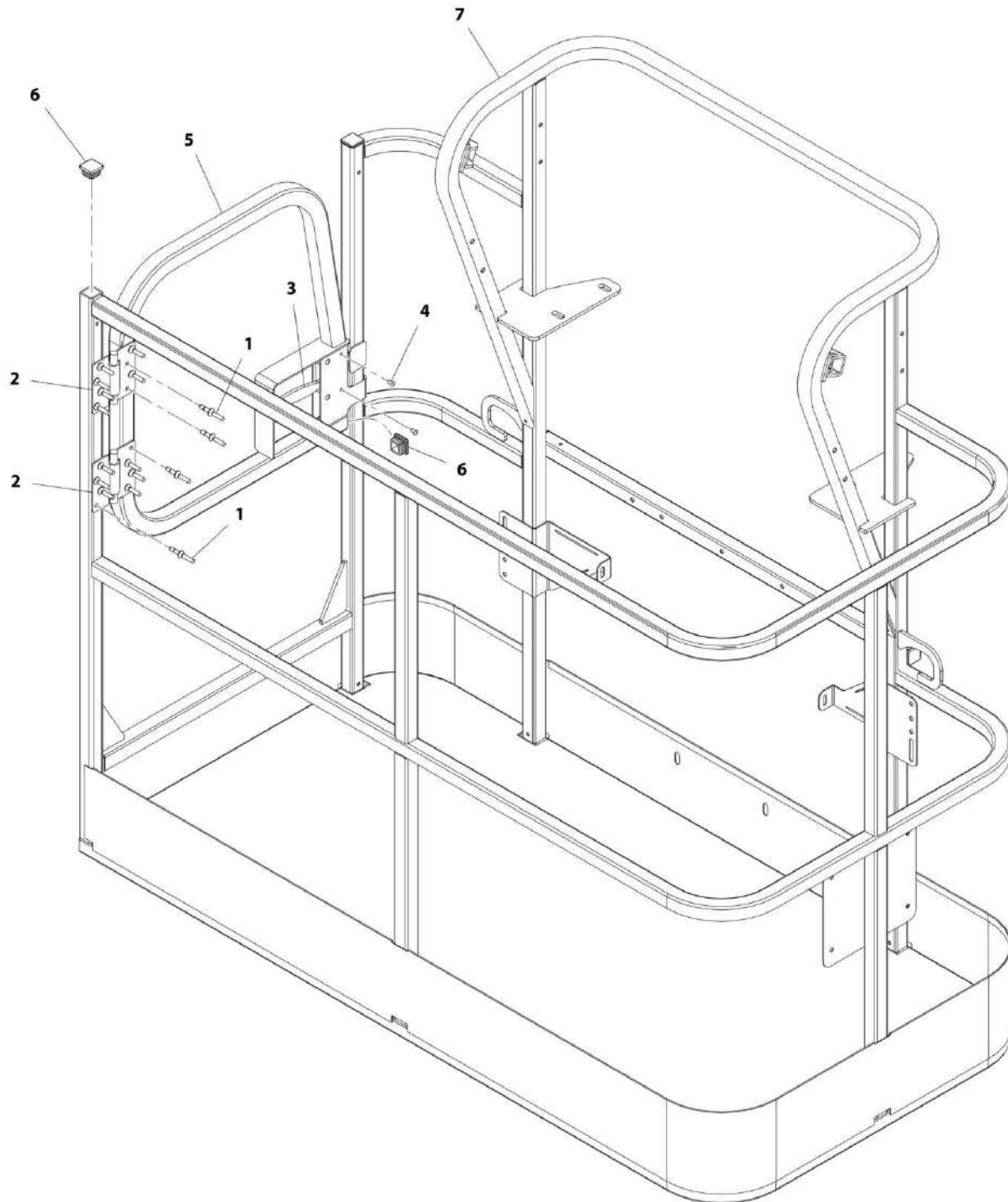
## SECTION 5 - PLATFORM

**FIGURE 5-1. PLATFORM ASSEMBLY - 30IN X 4FT (76CM X 1.22M) - SIDE GATE ENTRY**

ITEM	PART NUMBER	QTY	DESCRIPTION	REV
	1001188319	Ref	PLATFORM ASSEMBLY - 30IN X 4FT (76CM X 1.22M) - SIDE GATE ENTRY	C
	See Note	Ref	Note: Platform and Mesh must be ordered separately for Platforms with Mesh. See SPECIAL OPTIONS SECTION for Mesh Installations.	
	See Note	Ref	Note: Replacement Decals Must be Ordered Separately - See DECALS SECTION.	
1	2080040	16	Fastener, Huck	
2	2600281	2	Hinge, Self-Closing	
3	2940074	1	Latch	
4	3820020	4	Rivet	
5	1001144629	1	Gate, Weldment	
6	1001145781	5	Cap, Plug	
7	See Note	1	Platform, Weldment (Note: Not Available - Purchase Platform Assembly)	

# SECTION 5 - PLATFORM

FIGURE 5-2. PLATFORM ASSEMBLY - 30IN X 5FT (76CM X 1.52M) - SIDE GATE ENTRY



ART\_1001188315

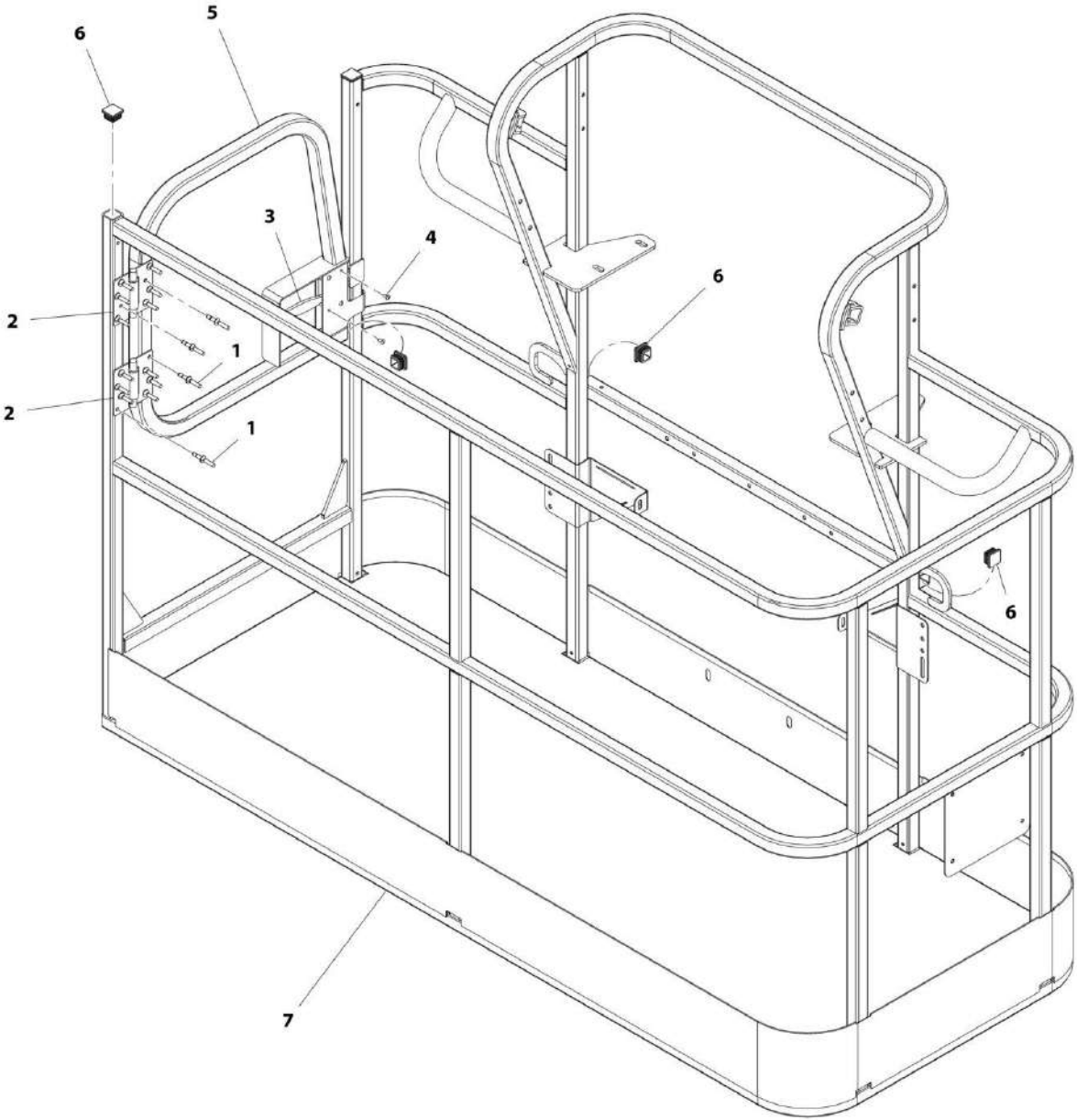
## SECTION 5 - PLATFORM

**FIGURE 5-2. PLATFORM ASSEMBLY - 30IN X 5FT (76CM X 1.52M) - SIDE GATE ENTRY**

ITEM	PART NUMBER	QTY	DESCRIPTION	REV
	1001188315	Ref	PLATFORM ASSEMBLY - 30IN X 5FT (76CM X 1.52M) - SIDE GATE ENTRY	D
	See Note	Ref	Note: Platform and Mesh must be ordered separately for Platforms with Mesh. See SPECIAL OPTIONS SECTION for Mesh Installations.	
	See Note	Ref	Note: Replacement Decals Must be Ordered Separately - See DECALS SECTION.	
1	2080040	16	Fastener, Huck	
2	2600281	2	Hinge, Self-Closing	
3	2940074	1	Latch	
4	3820020	4	Rivet	
5	1001144629	1	Gate, Weldment	
6	1001145781	5	Cap, Plug	
7	See Note	1	Platform, Weldment (Note: Not Available - Purchase Platform Assembly)	

**SECTION 5 - PLATFORM**

**FIGURE 5-3. PLATFORM ASSEMBLY - 30IN X 6FT (76CM X 1.83M) - SIDE GATE ENTRY**



ART\_1001188312



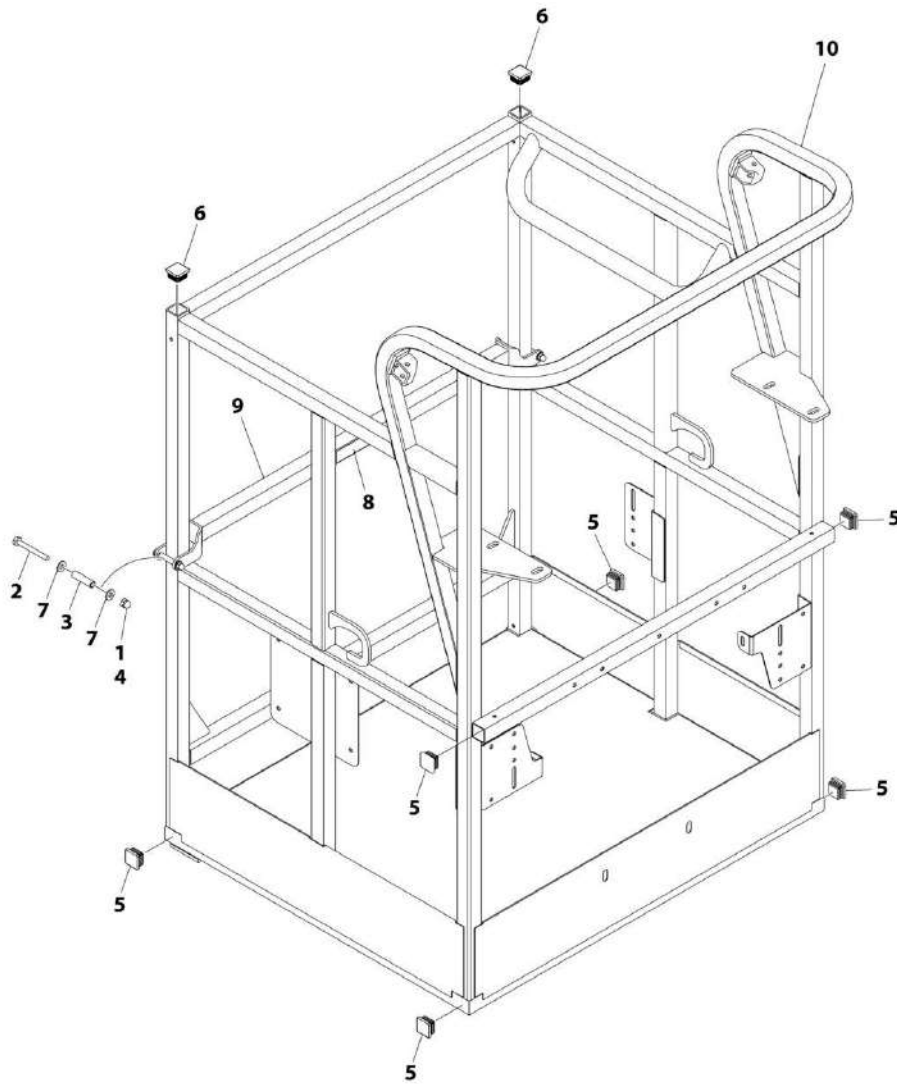
## SECTION 5 - PLATFORM

**FIGURE 5-3. PLATFORM ASSEMBLY - 30IN X 6FT (76CM X 1.83M) - SIDE GATE ENTRY**

ITEM	PART NUMBER	QTY	DESCRIPTION	REV
	1001188312	Ref	PLATFORM ASSEMBLY - 30IN X 6FT (76CM X 1.83M) - SIDE GATE ENTRY	E
	See Note	Ref	Note: Platform and Mesh must be ordered separately for Platforms with Mesh. See SPECIAL OPTIONS SECTION for Mesh Installations.	
	See Note	Ref	Note: Replacement Decals Must be Ordered Separately - See DECALS SECTION.	
1	2080040	16	Fastener, Huck	
2	2600281	2	Hinge, Self-Closing	
3	2940074	1	Latch	
4	3820020	4	Rivet	
5	1001144629	1	Gate, Weldment	
6	1001145781	5	Cap, Plug	
7	See Note	1	Platform, Weldment (Note: Not Available - Purchase Platform Assembly)	

# SECTION 5 - PLATFORM

FIGURE 5-4. PLATFORM ASSEMBLY - 30IN X 3FT (76CM X .91M) - WITH DROP BAR



ART\_1001228215

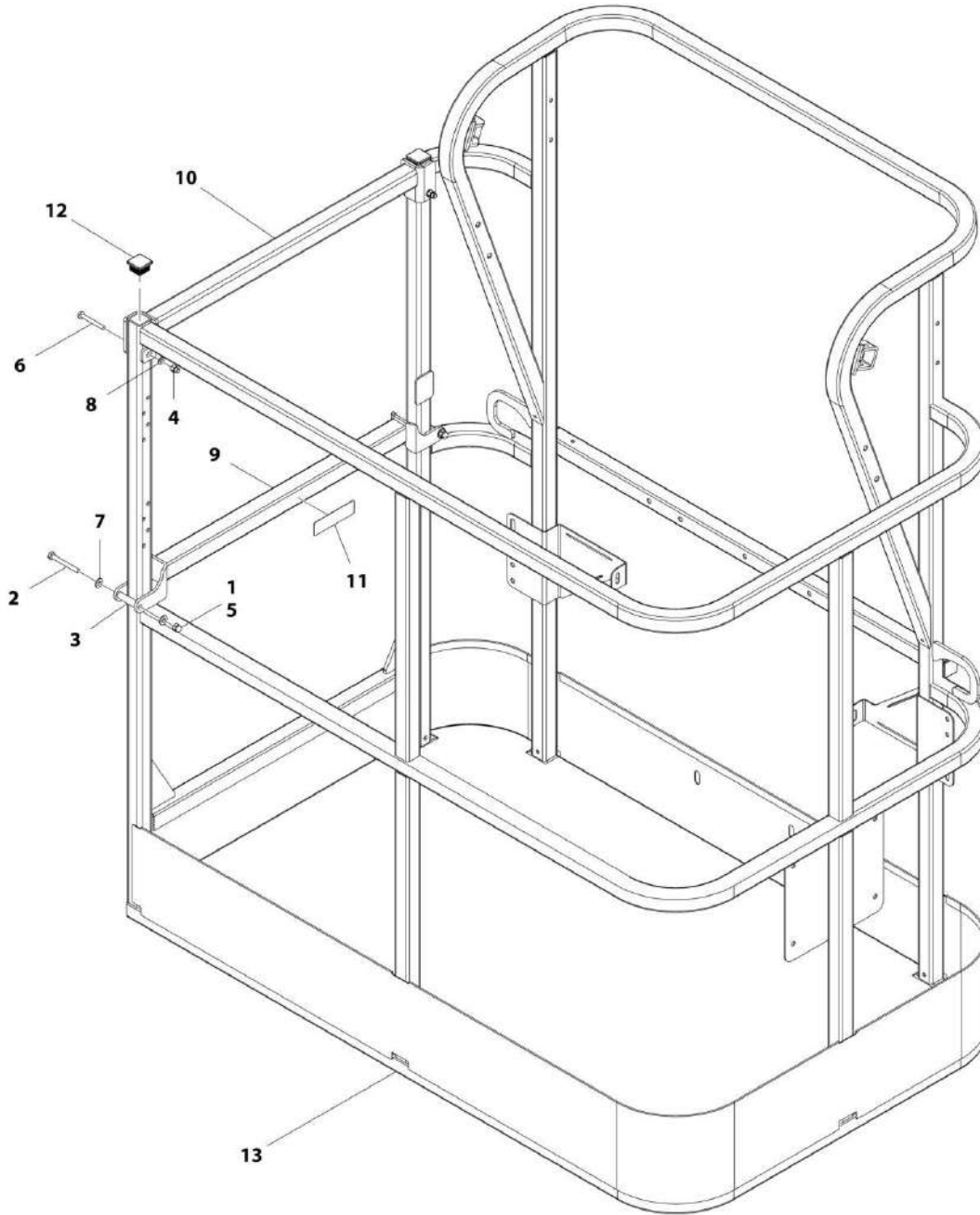
## SECTION 5 - PLATFORM

**FIGURE 5-4. PLATFORM ASSEMBLY - 30IN X 3FT (76CM X .91M) - WITH DROP BAR**

ITEM	PART NUMBER	QTY	DESCRIPTION	REV
	1001228215	Ref	PLATFORM ASSEMBLY - DROP BAR ENTRY (30IN x 3FT/76CM x .91M)	A
	See Note	Ref	Note: Platform and Mesh must be ordered separately for Platforms with Mesh. See SPECIAL OPTIONS SECTION for Mesh Installations.	
	See Note	Ref	Note: Replacement Decals Must be Ordered Separately - See DECAL SECTION.	
1	0100011	AR	Compound, Locking	
2	0641418	2	Bolt 1/4 x 2-1/4	
3	0961845	2	Bushing	
4	3300151	2	Nut, Acorn	
5	3520072	6	Plug	
6	3520198	2	Plug	
7	4711400	4	Washer 1/4	
8	1001140429	1	Decal - Drop Bar	
9	1001226872	1	Bar, Drop	
10	See Note	NSS	Platform, Weldment (Note: Not Available - Purchase Platform Assembly)	

# SECTION 5 - PLATFORM

FIGURE 5-5. PLATFORM ASSEMBLY - 30IN X 4FT (76CM X 1.22M) - WITH DROP BAR



ART\_1001188318

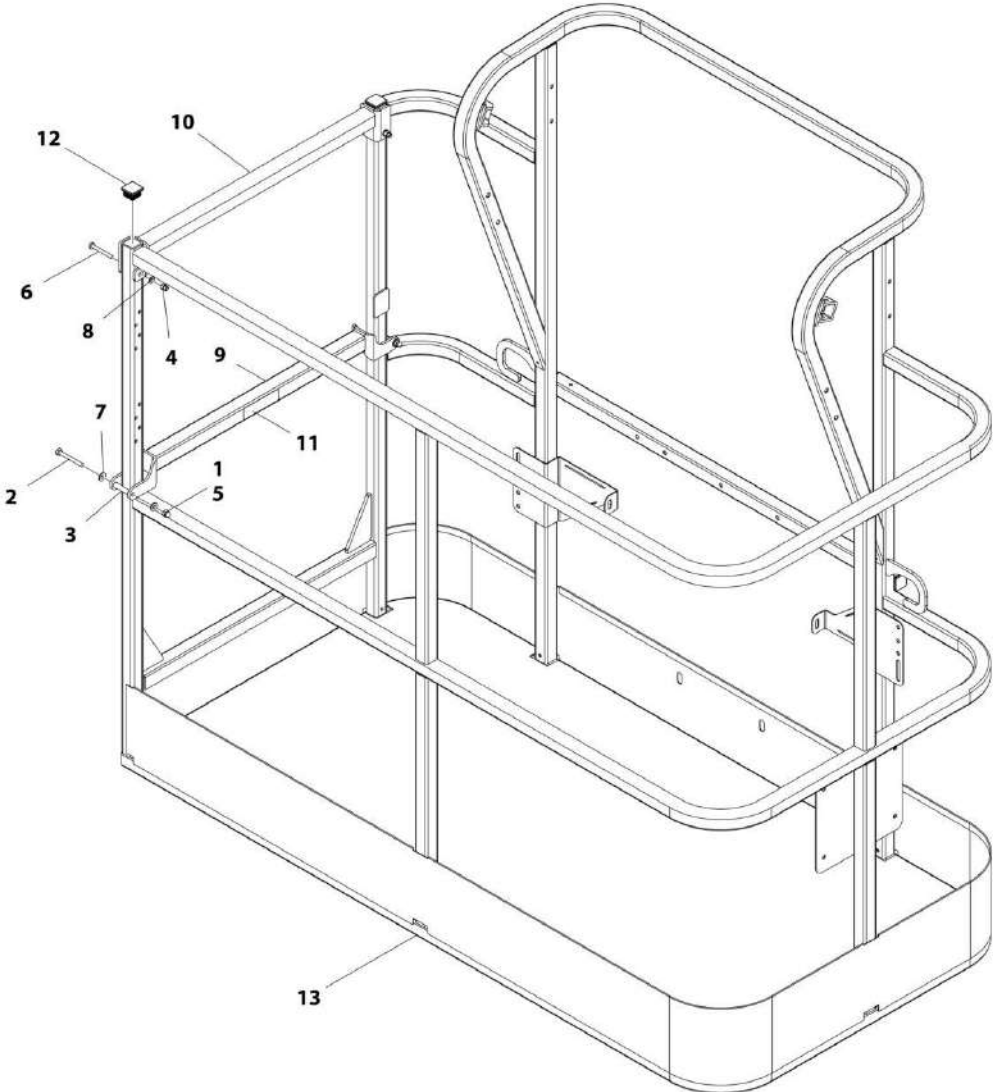
## SECTION 5 - PLATFORM

**FIGURE 5-5. PLATFORM ASSEMBLY - 30IN X 4FT (76CM X 1.22M) - WITH DROP BAR**

ITEM	PART NUMBER	QTY	DESCRIPTION	REV
	1001188318	Ref	PLATFORM ASSEMBLY - 30IN X 4FT (76CM X 1.22M) - WITH DROP BAR	B
	See Note	Ref	Note: Platform and Mesh must be ordered separately for Platforms with Mesh. See SPECIAL OPTIONS SECTION for Mesh Installations.	
	See Note	Ref	Note: Replacement Decals Must be Ordered Separately - See DECALS SECTION.	
1	0100011	AR	Compound, Locking	
2	0641418	2	Bolt, 1/4-20 x 2-1/4	
3	0961845	2	Bushing	
4	3290606	2	Nut, M6 x 1	
5	3300151	2	Nut, Acorn 1/4-20	
6	4010618	2	Screw, M6 x 50mm	
7	4711400	4	Washer, 1/4	
8	4811700	2	Washer, M6	
9	1001138494	1	Bar, Drop	
10	1001138514	1	Rail (Top)	
11	1001140429	1	Decal - Drop Bar	
12	1001145781	4	Cap, Plug	
13	See Note	1	Platform, Weldment (Note: Not Available - Purchase Platform Assembly)	

**SECTION 5 - PLATFORM**

**FIGURE 5-6. PLATFORM ASSEMBLY - 30IN X 5FT (76CM X 1.52M) - WITH DROP BAR**



ART\_1001188314

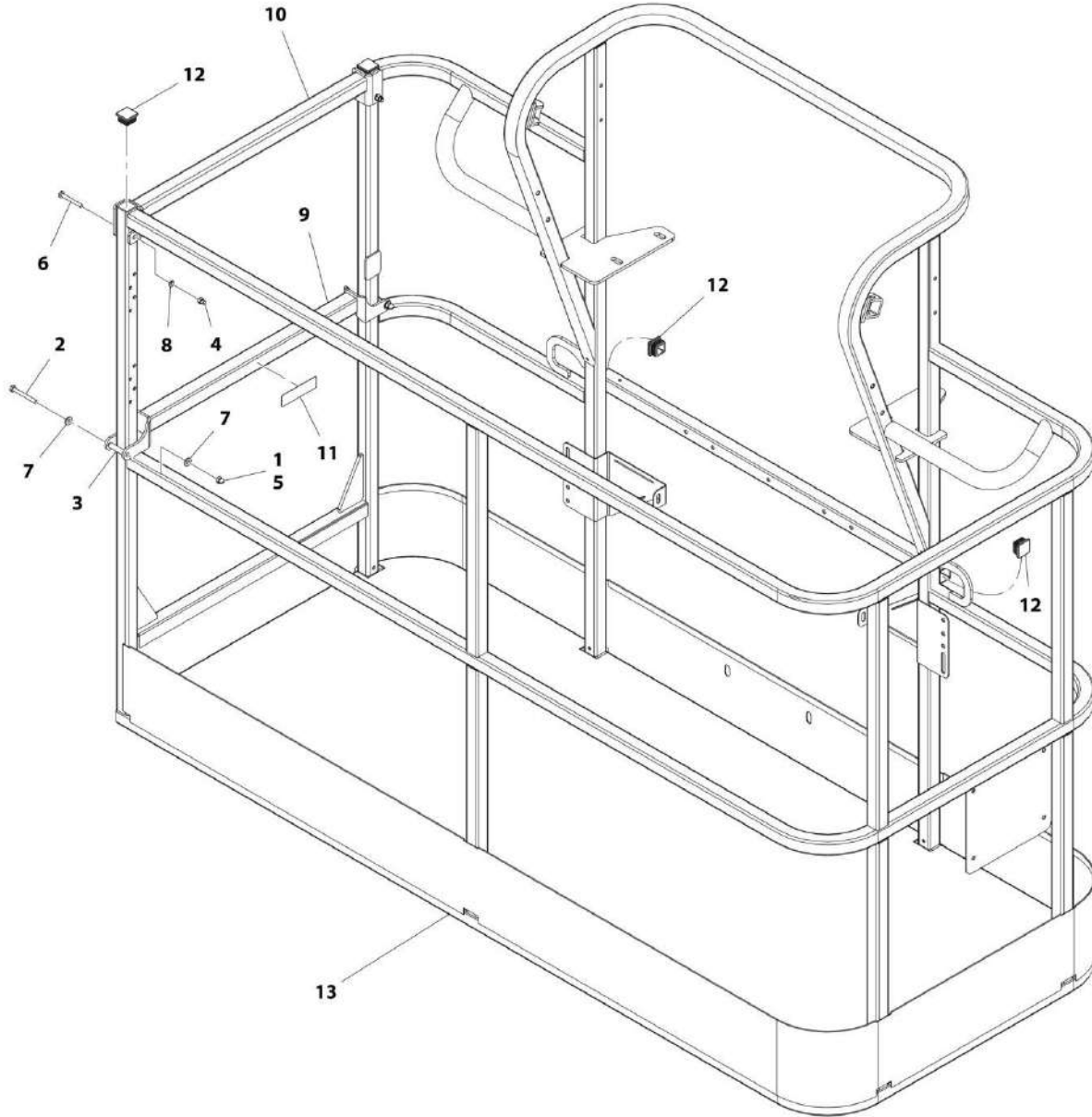
## SECTION 5 - PLATFORM

**FIGURE 5-6. PLATFORM ASSEMBLY - 30IN X 5FT (76CM X 1.52M) - WITH DROP BAR**

ITEM	PART NUMBER	QTY	DESCRIPTION	REV
	1001188314	Ref	PLATFORM ASSEMBLY - 30IN X 5FT (76CM X 1.52M) - WITH DROP BAR	B
	See Note	Ref	Note: Platform and Mesh must be ordered separately for Platforms with Mesh. See SPECIAL OPTIONS SECTION for Mesh Installations.	
	See Note	Ref	Note: Replacement Decals Must be Ordered Separately - See DECALS SECTION.	
1	0100011	AR	Compound, Locking	
2	0641418	2	Bolt, 1/4-20 x 2-1/4	
3	0961845	2	Bushing	
4	3290606	2	Nut, M6 x 1	
5	3300151	2	Nut, Acorn 1/4-20	
6	4010618	2	Screw, M6 x 50mm	
7	4711400	4	Washer, 1/4	
8	4811700	2	Washer, M6	
9	1001138494	1	Bar, Drop	
10	1001138514	1	Rail (Top)	
11	1001140429	1	Decal - Drop Bar	
12	1001145781	4	Cap, Plug	
13	See Note	1	Platform, Weldment (Note: Not Available - Purchase Platform Assembly)	

# SECTION 5 - PLATFORM

FIGURE 5-7. PLATFORM ASSEMBLY - 30IN X 6FT (76CM X 1.83M) - WITH DROP BAR



ART\_1001188311



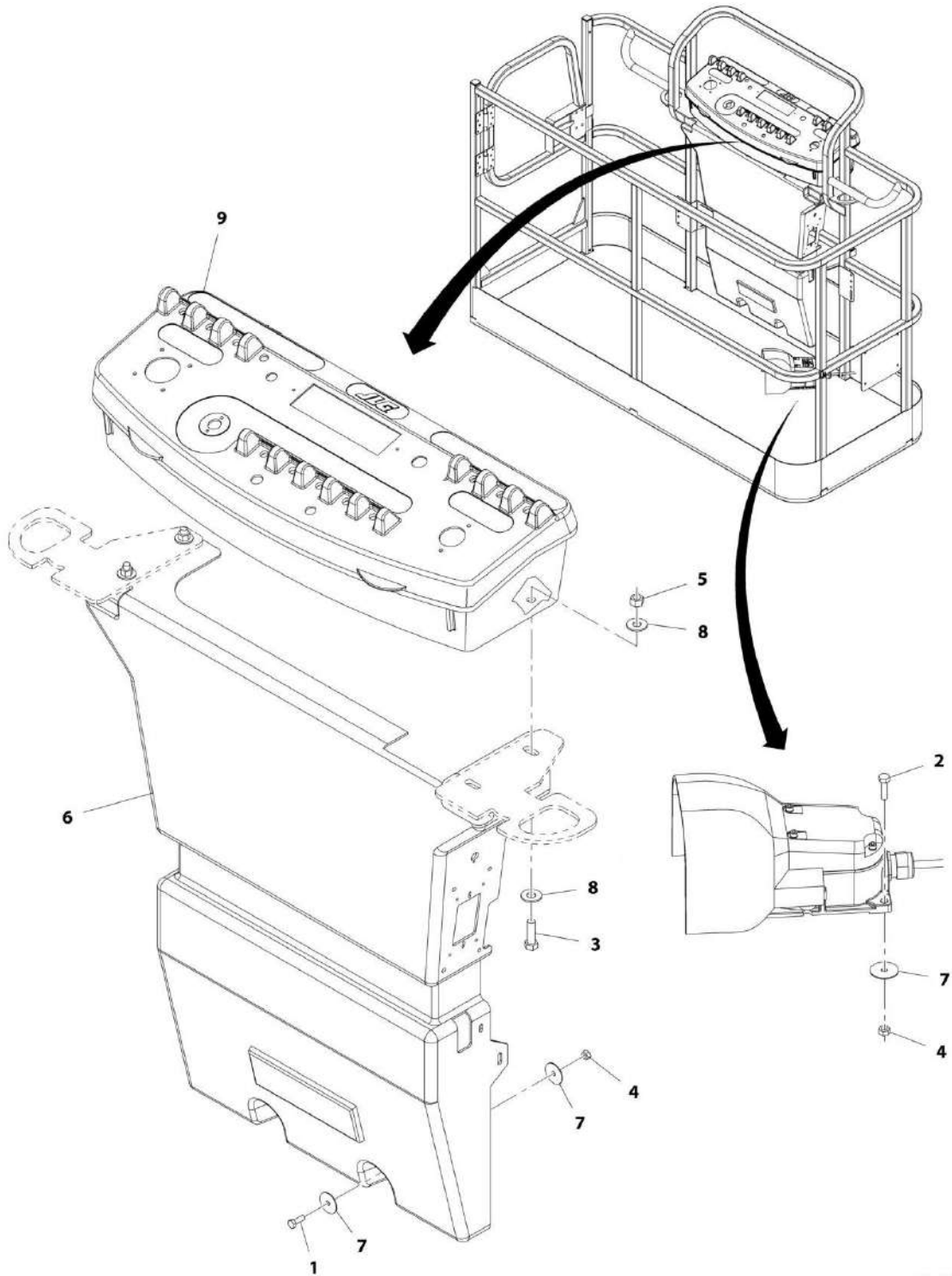
## SECTION 5 - PLATFORM

**FIGURE 5-7. PLATFORM ASSEMBLY - 30IN X 6FT (76CM X 1.83M) - WITH DROP BAR**

ITEM	PART NUMBER	QTY	DESCRIPTION	REV
	1001188311	Ref	PLATFORM ASSEMBLY - 30IN X 6FT (76CM X 1.83M) - WITH DROP BAR	B
	See Note	Ref	Note: Platform and Mesh must be ordered separately for Platforms with Mesh. See SPECIAL OPTIONS SECTION for Mesh Installations.	
	See Note	Ref	Note: Replacement Decals Must be Ordered Separately - See DECALS SECTION.	
1	0100011	AR	Compound, Locking	
2	0641418	2	Bolt, 1/4-20 x 2-1/4	
3	0961845	2	Bushing	
4	3290606	2	Nut, M6 x 1	
5	3300151	2	Nut, Acorn 1/4-20	
6	4010618	2	Screw, M6 x 50mm	
7	4711400	4	Washer, 1/4	
8	4811700	2	Washer, M6	
9	1001138494	1	Bar, Drop	
10	1001138514	1	Rail (Top)	
11	1001140429	1	Decal - Drop Bar	
12	1001145781	4	Cap, Plug	
13	See Note	1	Platform, Weldment (Note: Not Available - Purchase Platform Assembly)	

# SECTION 5 - PLATFORM

## FIGURE 5-8. CONSOLE BOX INSTALLATION - WITHOUT SKYGUARD



ART\_1001166142

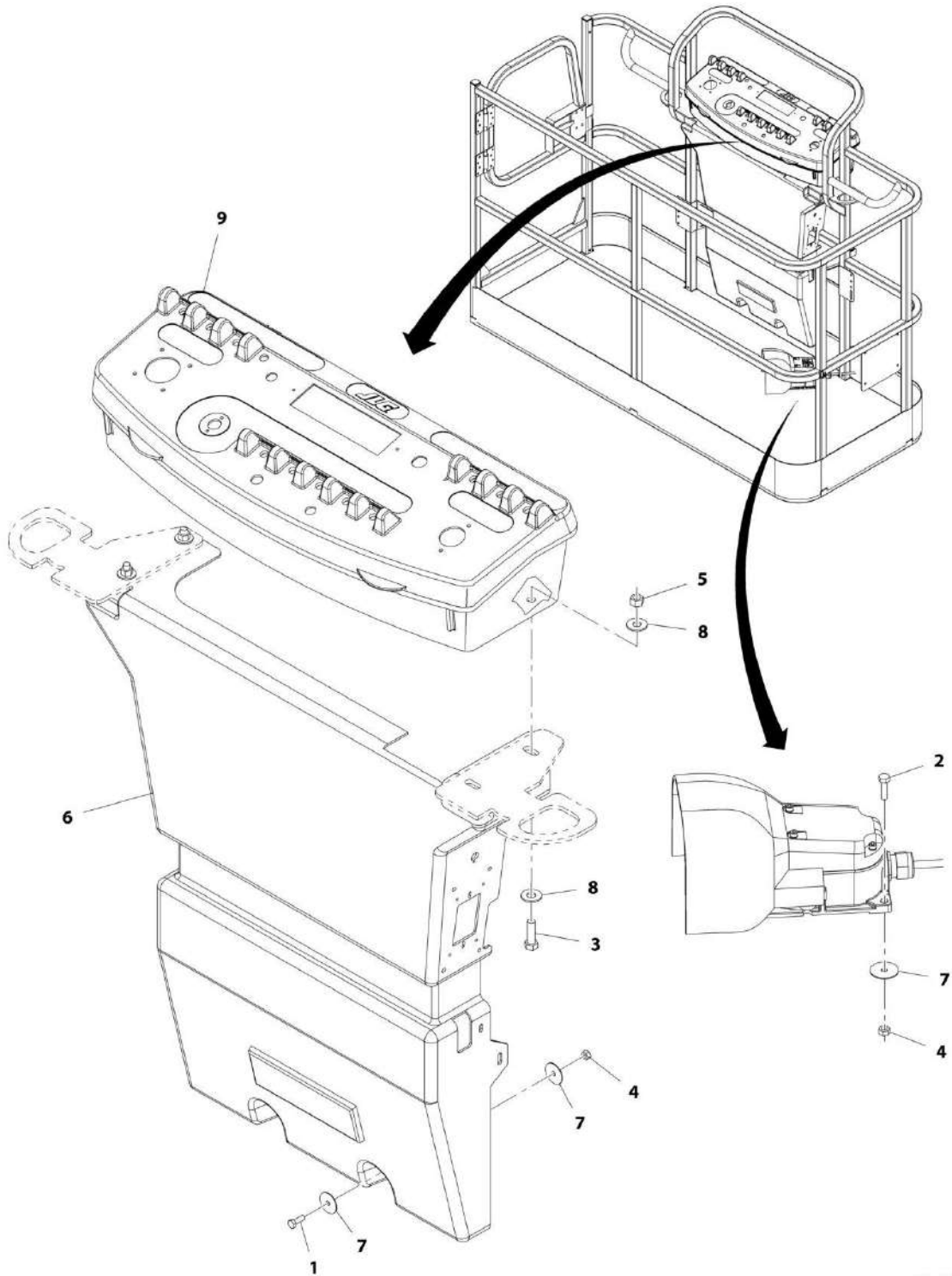
## SECTION 5 - PLATFORM

**FIGURE 5-8. CONSOLE BOX INSTALLATION - WITHOUT SKYGUARD**

ITEM	PART NUMBER	QTY	DESCRIPTION	REV
	1001166142	Ref	CONSOLE BOX INSTALLATION - WITHOUT SKYGUARD	C
1	0641406	2	Bolt, 1/4-20 x 3/4	
2	0641408	3	Bolt, 1/4-20 x 1	
3	0641610	4	Bolt, 3/8-16 x 1-1/4	
4	3311405	5	Nut, Lock 1/4-20	
5	3311605	4	Nut, Lock 3/8-16	
6	3380434	1	Panel, Decal Mount	
7	4740362	7	Washer, 1/4	
8	4751600	8	Washer, 3/8	
9	1001167267	NLA	Platform Console Box Assembly (See PLATFORM CONSOLE BOX ASSEMBLY - WITHOUT SKYGUARD for Breakdown) (Use p/n 1001202612) <b>(Prior to SN E300003610)</b>	
9	1001202612	1	Platform Console Box Assembly (See PLATFORM CONSOLE BOX ASSEMBLY - WITHOUT SKYGUARD for Breakdown) <b>(SN 1300007286 through 1300007383, SN E300003610 to Present)</b>	
10	1001164728	1	Harness, Platform Valve (Not Shown - See ELECTRICAL SECTION for Breakdown) <b>(SN 1300007286 through 1300007383, SN E300003015 to Present)</b>	

# SECTION 5 - PLATFORM

## FIGURE 5-9. CONSOLE BOX INSTALLATION - WITH SKYGUARD



ART\_1001195446

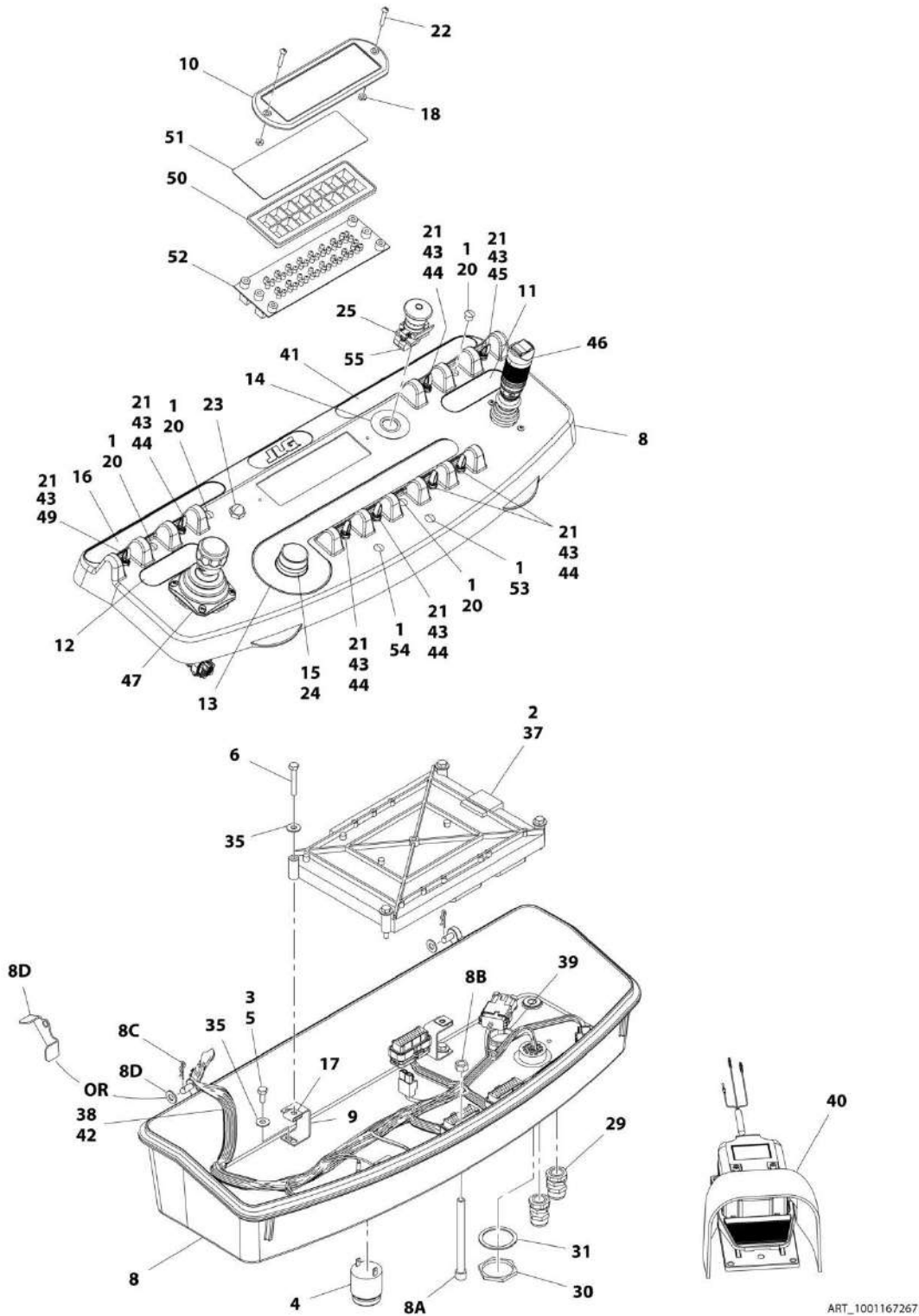
## SECTION 5 - PLATFORM

**FIGURE 5-9. CONSOLE BOX INSTALLATION - WITH SKYGUARD**

ITEM	PART NUMBER	QTY	DESCRIPTION	REV
	1001195446	Ref	CONSOLE BOX INSTALLATION - WITH SKYGUARD	C
1	0641406	2	Bolt, 1/4-20 x 3/4	
2	0641408	3	Bolt, 1/4-20 x 1	
3	0641610	4	Bolt, 3/8-16 x 1-1/4	
4	3311405	5	Nut, Lock 1/4-20	
5	3311605	4	Nut, Lock 3/8-16	
6	3380434	1	Panel, Decal Mount	
7	4740362	7	Washer, 1/4	
8	4751600	8	Washer, 3/8	
9	1001195444	NLA	Platform Console Box Assembly (See PLATFORM CONSOLE BOX ASSEMBLY - WITH SKYGUARD for Breakdown) (Use p/n 1001202611) <b>(Prior to SN E300003610)</b>	
9	1001202611	1	Platform Console Box Assembly (See PLATFORM CONSOLE BOX ASSEMBLY - WITH SKYGUARD for Breakdown) <b>(SN 1300007286 through 1300007383, SN E300003610 to Present)</b>	
10	1001164728	1	Harness, Platform Valve (Not Shown - See ELECTRICAL SECTION for Breakdown) <b>(SN 1300007286 through 1300007383, SN E300003015 to Present)</b>	

# SECTION 5 - PLATFORM

FIGURE 5-10. PLATFORM CONSOLE BOX ASSEMBLY - WITHOUT SKYGUARD (Prior to SN E300003610)



ART\_1001167267

## SECTION 5 - PLATFORM

**FIGURE 5-10. PLATFORM CONSOLE BOX ASSEMBLY - WITHOUT SKYGUARD (Prior to SN E300003610)**

ITEM	PART NUMBER	QTY	DESCRIPTION	REV
	1001167267	Ref	PLATFORM CONSOLE BOX ASSEMBLY - WITHOUT SKYGUARD <b>(Prior to SN E300003610)</b>	J
1	0100009	AR	Sealant	
2	0100048	AR	Grease, Dielectric	
3	0100081	AR	Adhesive	
4	0140011	1	Alarm	
5	0641404	4	Bolt, 1/4-20 x 1/2	
6	0641414	4	Bolt, 1/4-20 x 1-3/4	
8	1001184324	1	Platform Console Box	
8A	0630568	1	Capscrew, 3/8-16 x 4-1/2	
8B	3311601	1	Nut, 3/8-16	
8C	3470003	2	Hairpin	
8D	4711500	2	Washer, 5/16	
8D	1001200575	2	Bracket, Stop	
9	1001172760	4	Bracket	
10	1670829	1	Bezel	
11	1702565	1	Decal - Drive and Steer	
12	1702566	1	Decal - Lift and Swing	
13	1702567	1	Decal - Function Speed	
14	1704260	1	Decal - EMS	
15	2560136	1	Handle, Knob	
16	1001184626	1	Decal - Horn	
17	3300353	4	Nut, Tinnerman	
18	3300408	2	Nut, Lock	
20	3520054	4	Plug	
21	3790012	8	O-Ring	
22	3911018	2	Screw, 10-24 x 1-1/8	
23	4360387	1	Switch, Pushbutton	
24	4360407	1	Switch, Potentiometer	
25	4360475	1	Switch, Emergency	
25	7020175	1	Cap, Red	
25	7020176	1	Contact Block	
28	4460234	2	Terminal	
29	4460428	2	Connector, Strain Relief	
30	4460470	1	Nut, Terminal	
31	4460471	1	Washer, Lock	
35	4751400	8	Washer, 1/4	
37	1001118412	1	Controller, Module (Note: Re-calibration Required when Replaced)	
38	1001164353	1	Harness, Platform Console Box (See ELECTRICAL SECTION for Breakdown)	
39	1001110434	1	Plug	
40	1001117174	1	Footswitch Assembly (See FOOTSWITCH ASSEMBLY for Breakdown)	
41	1001184618	1	Decal - Stop	
42	1001164728	1	Harness, Platform Valve (See ELECTRICAL SECTION for Breakdown) <b>(Prior to SN E300003015)</b>	
43	1001155044	8	Nut, Special 15/32-32	
44	1001155045	6	Switch, Toggle	
45	1001159256	1	Switch, Toggle	
46	1001166538	NLA	Controller Assembly (Drive and Steer) (Use p/n 1001212415) (See	

## SECTION 5 - PLATFORM

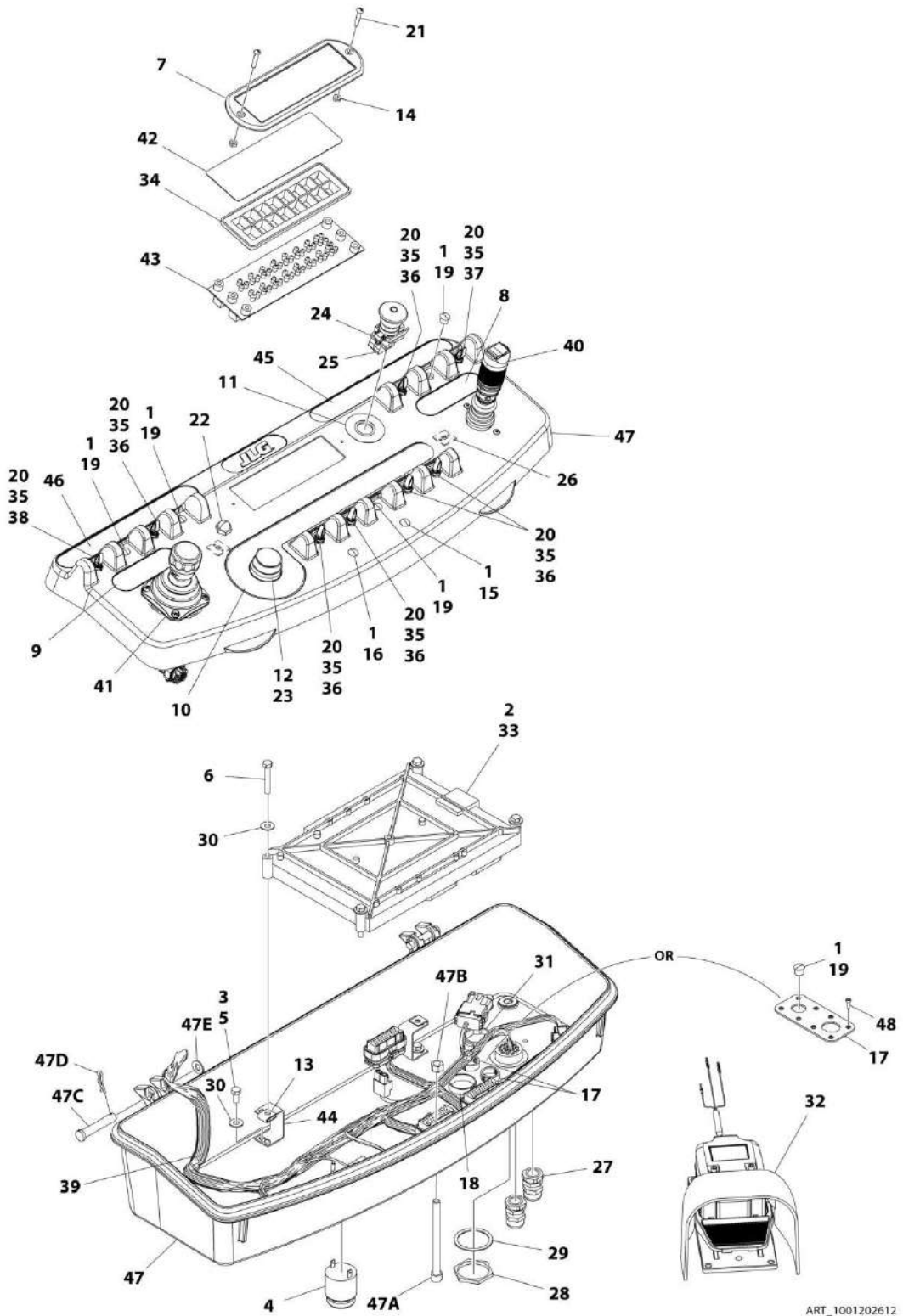
ITEM	PART NUMBER	QTY	DESCRIPTION	REV
47	1001166539	NLA	CONTROLLER ASSEMBLY (DRIVE AND STEER) for Breakdown) Controller Assembly (Lift and Swing) (See CONTROLLER ASSEMBLY (LIFT AND SWING) for Breakdown) (Note: Use p/n 1001129555 as Replacement)	
49	1001161709	1	Switch, Toggle	
50	1001146220	1	Housing, Display Light	
51	1001170446	1	Decal - Platform Display	
52	1001170838	1	Gauge, Led Panel	
53	3520026	1	Plug	
54	3520027	1	Plug	
55	4360476	1	Switch, Contact	





# SECTION 5 - PLATFORM

**FIGURE 5-11. PLATFORM CONSOLE BOX ASSEMBLY - 450AJ WITHOUT SKYGUARD (SN 1300007286 through 1300007383, SN E300003610 to Present)**



ART\_1001202612

## SECTION 5 - PLATFORM

**FIGURE 5-11. PLATFORM CONSOLE BOX ASSEMBLY - 450AJ WITHOUT SKYGUARD (SN 1300007286 through 1300007383, SN E300003610 to Present)**

ITEM	PART NUMBER	QTY	DESCRIPTION	REV
	1001202612	Ref	PLATFORM CONSOLE BOX ASSEMBLY - 450AJ WITHOUT SKYGUARD (SN E300003610 to Present)	C
1	0100009	AR	Sealant	
2	0100048	AR	Grease, Dielectric	
3	0100081	AR	Adhesive	
4	0140011	1	Alarm	
5	0641405	4	Bolt 1/4 x 5/8	
6	0641414	4	Bolt 1/4 x 1-3/4	
7	1670829	1	Bezel	
8	1702565	1	Decal - Drive and Steer	
9	1702566	1	Decal - Lift and Swing	
10	1702567	1	Decal - Function Speed	
11	1704260	1	Decal - EMS	
12	2560136	1	Handle, Knob	
13	3300353	4	Nut	
14	3300408	2	Nut	
15	3520026	1	Plug	
16	3520027	1	Plug	
17	3520033	2	Plug (Prior to SN E300003750)	
17	1001213882	1	Connector, Mounting (SN E300003750 to Present)	
18	3520035	1	Plug	
19	3520054	5	Plug	
20	3790012	8	O-Ring	
21	3911018	2	Screw 10 x 1-1/8	
22	4360387	1	Switch, Pushbutton	
23	4360407	1	Switch, Potentiometer	
24	4360475	1	Switch, Emergency	
24	7020175	1	Cap, Red	
24	7020176	1	Contact Block	
25	4360476	1	Switch, Contact	
26	4460234	2	Terminal	
27	4460428	2	Connector, Strain Relief	
28	4460470	1	Nut	
29	4460471	1	Washer	
30	4751400	8	Washer 1/4	
31	1001110434	1	Plug	
32	1001117174	1	Footswitch Assembly (See FOOTSWITCH ASSEMBLY for Breakdown)	
33	1001118412	1	Controller, Module (Note: Re-calibration Required when Replaced)	
34	1001146220	1	Housing, Display Light	
35	1001155044	8	Nut 15/32	
36	1001155045	6	Switch, Toggle	
37	1001159256	1	Switch, Toggle	
38	1001161709	1	Switch, Toggle	
39	1001164353	1	Harness, Platform Console Box (See ELECTRICAL SECTION for Breakdown)	
40	1001166538	NLA	Controller Assembly (Drive and Steer) (Use p/n 1001212415) (See CONTROLLER ASSEMBLY (DRIVE AND STEER) for Breakdown)	
41	1001166539	NLA	Controller Assembly (Lift and Swing) (See CONTROLLER ASSEMBLY (LIFT AND SWING) for Breakdown) (Note: Use p/n	

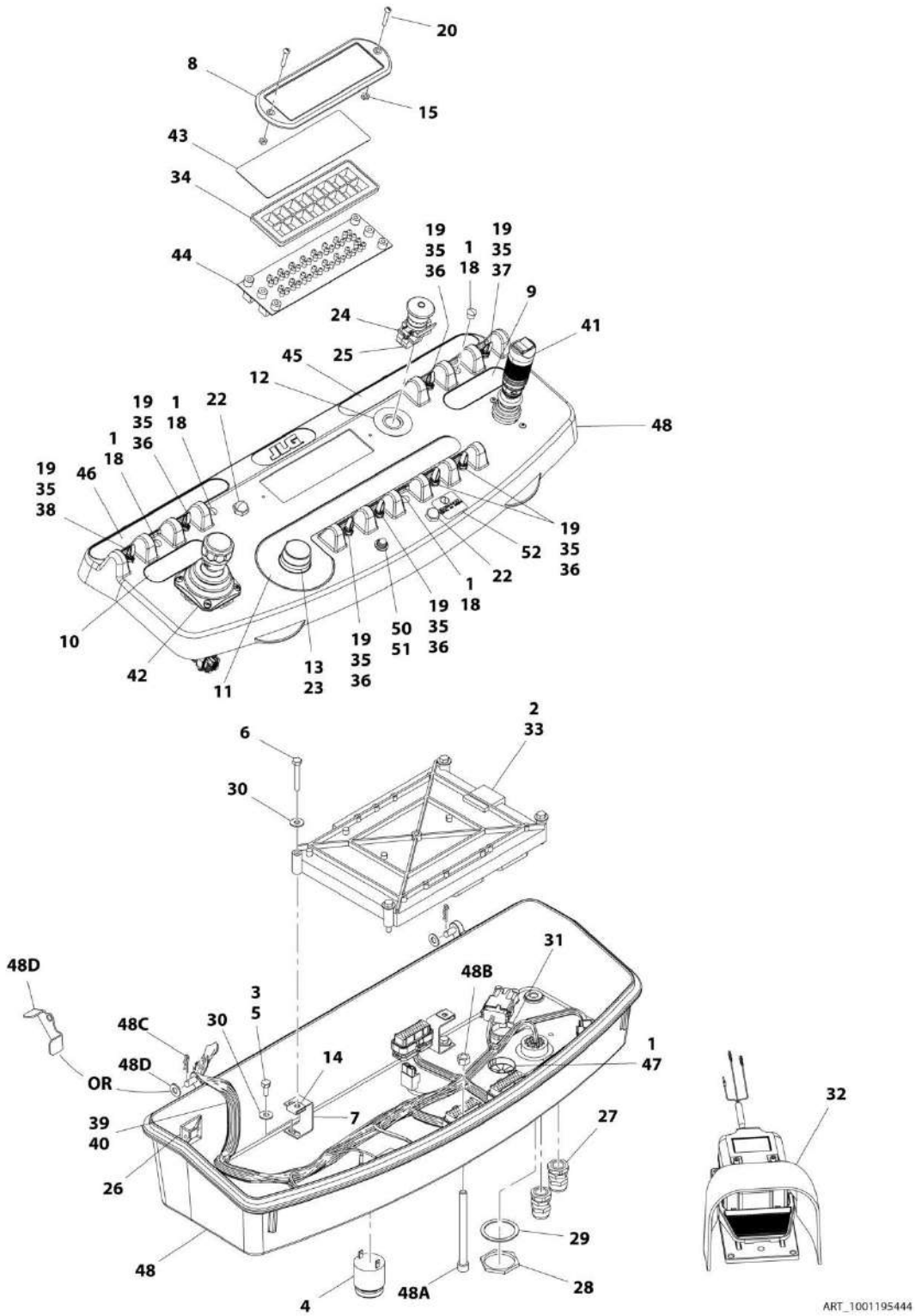
## SECTION 5 - PLATFORM

ITEM	PART NUMBER	QTY	DESCRIPTION	REV
			1001129555 as Replacement)	
42	1001170446	1	Decal - Platform Display	
43	1001170838	1	Gauge, Led Panel	
44	1001172760	4	Bracket	
45	1001184618	1	Decal - Stop	
46	1001184626	1	Decal - Horn	
47	1001201891	1	Platform Console Box <b>(Prior to SN E300003750)</b>	
47	1001215228	1	Platform Console Box <b>(SN E300003750 to Present)</b>	
47A	0630568	1	Capscrew 3/8 x 4-1/2	
47B	3311601	1	Nut 3/8	
47C	3430616	2	Pin, Clevis	
47D	3470003	2	Hairpin	
47E	4711600	2	Washer 3/8	
48	3900349	2	Screw <b>(SN E300003750 to Present)</b>	



# SECTION 5 - PLATFORM

FIGURE 5-12. PLATFORM CONSOLE BOX ASSEMBLY - WITH SKYGUARD (Prior to SN E300003610)



ART\_1001195444

## SECTION 5 - PLATFORM

**FIGURE 5-12. PLATFORM CONSOLE BOX ASSEMBLY - WITH SKYGUARD (Prior to SN E300003610)**

ITEM	PART NUMBER	QTY	DESCRIPTION	REV
	1001195444	Ref	PLATFORM CONSOLE BOX ASSEMBLY - WITH SKYGUARD <b>(Prior to SN E300003610)</b>	E
1	0100009	AR	Sealant	
2	0100048	AR	Grease, Dielectric	
3	0100081	AR	Adhesive	
4	0140011	1	Alarm	
5	0641405	4	Bolt, 1/4-20 x 5/8	
6	0641414	4	Bolt, 1/4-20 x 1-3/4	
7	1001172760	4	Bracket	
8	1670829	1	Bezel	
9	1702565	1	Decal - Drive and Steer	
10	1702566	1	Decal - Lift and Swing	
11	1702567	1	Decal - Function Speed	
12	1704260	1	Decal - EMS	
13	2560136	1	Handle, Knob	
14	3300353	4	Nut, Tinnerman	
15	3300408	2	Nut, Lock	
18	3520054	4	Plug	
19	3790012	8	O-Ring	
20	3911018	2	Screw, 10-24 x 1-1/8	
21	4240099	AR	Tie-Strap (Not Shown)	
22	4360387	2	Switch, Pushbutton	
23	4360407	1	Switch, Potentiometer	
24	4360475	1	Switch, Emergency	
24	7020175	1	Cap, Red	
24	7020176	1	Contact Block	
25	4360476	1	Block, Contact	
26	4460234	4	Terminal	
27	4460428	2	Connector, Strain Relief	
28	4460470	1	Nut, Terminal	
29	4460471	1	Washer, Lock	
30	4751400	8	Washer, 1/4	
31	1001110434	1	Plug	
32	1001117174	1	Footswitch Assembly (See FOOTSWITCH ASSEMBLY for Breakdown)	
33	1001118412	1	Controller, Module (Note: Re-calibration Required when Replaced)	
34	1001146220	1	Housing, Display Light	
35	1001155044	8	Nut, Special 15/32-32	
36	1001155045	6	Switch, Toggle	
37	1001159256	1	Switch, Toggle	
38	1001161709	1	Switch, Toggle	
39	1001164353	1	Harness, Platform Console Box (See ELECTRICAL SECTION for Breakdown)	
40	1001164728	1	Harness, Platform Valve (See ELECTRICAL SECTION for Breakdown) <b>(Prior to SN E300003015)</b>	
41	1001166538	NLA	Controller Assembly (Drive and Steer) (Use p/n 1001212415) (See CONTROLLER ASSEMBLY (DRIVE AND STEER) for Breakdown)	
42	1001166539	NLA	Controller Assembly (Lift and Swing) (See CONTROLLER ASSEMBLY (LIFT AND SWING) for Breakdown) (Note: Use p/n 1001129555 as Replacement)	
43	1001170446	1	Decal - Platform Display	

## SECTION 5 - PLATFORM

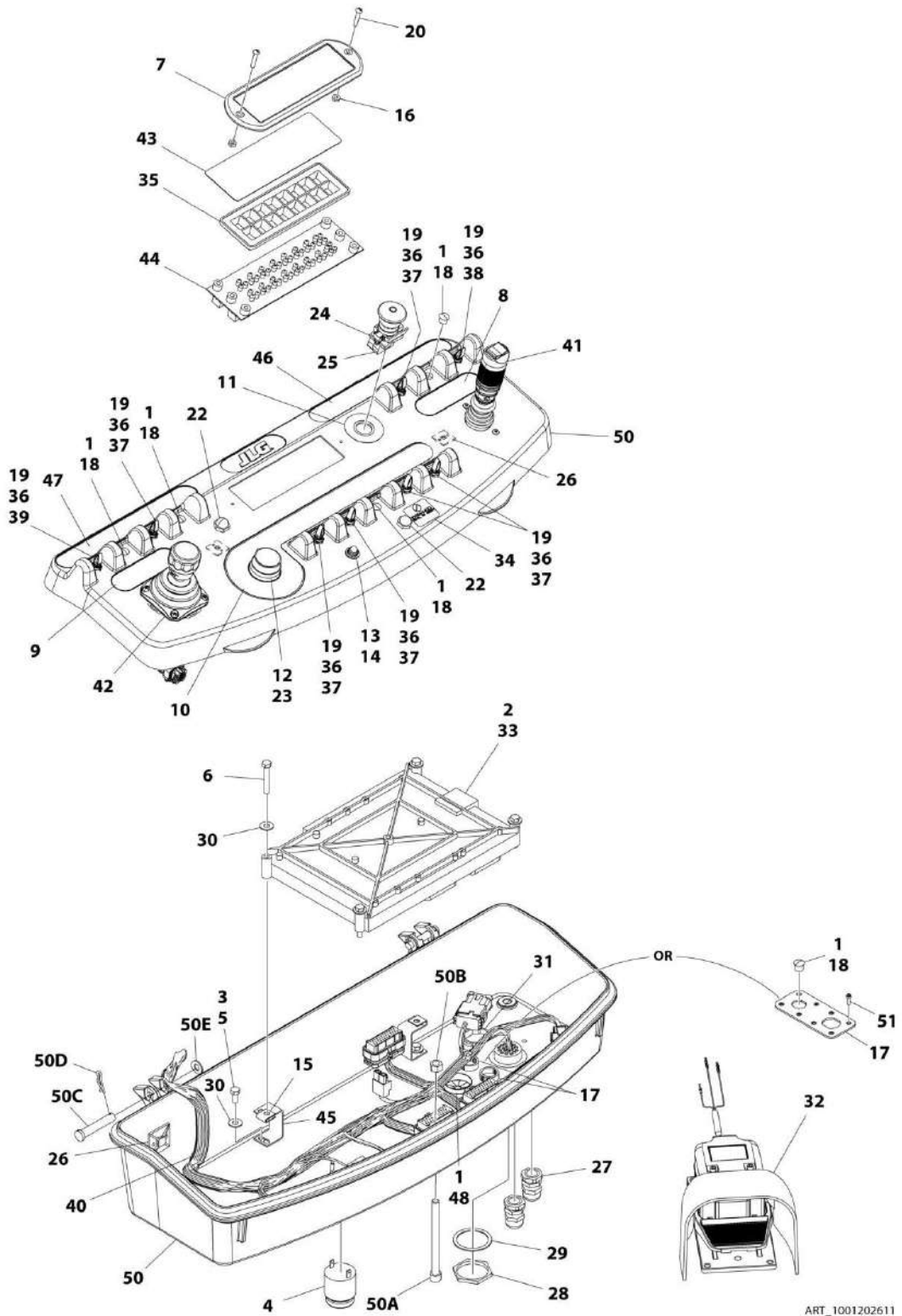
ITEM	PART NUMBER	QTY	DESCRIPTION	REV
44	1001170838	1	Gauge, Led Panel	
45	1001184618	1	Decal - Stop	
46	1001184626	1	Decal - Horn	
47	1001185281	1	Plug	
48	1001193730	1	Platform Console Box	
48A	0630568	1	Capscrew 3/8 x 4-1/2	
48B	3311601	1	Nut 3/8	
48C	3470003	2	Hairpin	
48D	4711500	2	Washer, 5/16	
48D	1001200575	2	Bracket, Stop	
49	1001192292	1	Harness, SkyGuard (Not Shown - See ELECTRICAL SECTION for Breakdown)	
50	2920028	1	Light, Indicator	
51	2920029	1	Bulb, Light	
52	1001144433	1	Decal - No Weight SkyGuard	





# SECTION 5 - PLATFORM

FIGURE 5-13. PLATFORM CONSOLE BOX ASSEMBLY - WITH SKYGUARD (SN 130007286 through 130007383, SN E30003610 to Present)



## SECTION 5 - PLATFORM

**FIGURE 5-13. PLATFORM CONSOLE BOX ASSEMBLY - WITH SKYGUARD (SN 1300007286 through 1300007383, SN E300003610 to Present)**

ITEM	PART NUMBER	QTY	DESCRIPTION	REV
	1001202611	Ref	PLATFORM CONSOLE BOX ASSEMBLY - WITH SKYGUARD (SN 1300007286 through 1300007383, SN E300003610 to Present)	C
1	0100009	AR	Sealant	
2	0100048	AR	Grease, Dielectric	
3	0100081	AR	Adhesive	
4	0140011	1	Alarm	
5	0641405	4	Bolt 1/4 x 5/8	
6	0641414	4	Bolt 1/4 x 1-3/4	
7	1670829	1	Bezel	
8	1702565	1	Decal - Drive and Steer	
9	1702566	1	Decal - Lift and Swing	
10	1702567	1	Decal - Function Speed	
11	1704260	1	Decal - EMS	
12	2560136	1	Handle, Knob	
13	2920028	1	Light, Indicator	
14	2920029	1	Bulb, Light	
15	3300353	4	Nut	
16	3300408	2	Nut	
17	3520033	2	Plug (Prior to SN E300003750)	
17	1001213882	1	Connector, Mounting (SN 1300007286 through 1300007383, SN E300003750 to Present)	
18	3520054	AR	Plug	
19	3790012	8	O-Ring	
20	3911018	2	Screw 10 x 1-1/8	
21	4240099	AR	Tie-Strap (Not Shown)	
22	4360387	2	Switch, Pushbutton	
23	4360407	1	Switch, Potentiometer	
24	4360475	1	Switch, Emergency	
24	7020175	1	Cap, Red	
24	7020176	1	Contact Block	
25	4360476	1	Block, Contact	
26	4460234	4	Terminal	
27	4460428	2	Connector, Strain Relief	
28	4460470	1	Nut	
29	4460471	1	Washer	
30	4751400	8	Washer 1/4	
31	1001110434	1	Plug	
32	1001117174	1	Footswitch Assembly (See FOOTSWITCH ASSEMBLY for Breakdown)	
33	1001118412	1	Controller, Module (Note: Re-calibration Required when Replaced)	
34	1001144433	1	Decal - No Weight SkyGuard	
35	1001146220	1	Housing, Display Light	
36	1001155044	8	Nut 15/32	
37	1001155045	6	Switch, Toggle	
38	1001159256	1	Switch, Toggle	
39	1001161709	1	Switch, Toggle	
40	1001164353	1	Harness, Platform Console Box (See ELECTRICAL SECTION for Breakdown)	
41	1001166538	NLA	Controller Assembly (Drive and Steer) (Use p/n 1001212415) (See CONTROLLER ASSEMBLY (DRIVE AND STEER) for Breakdown)	

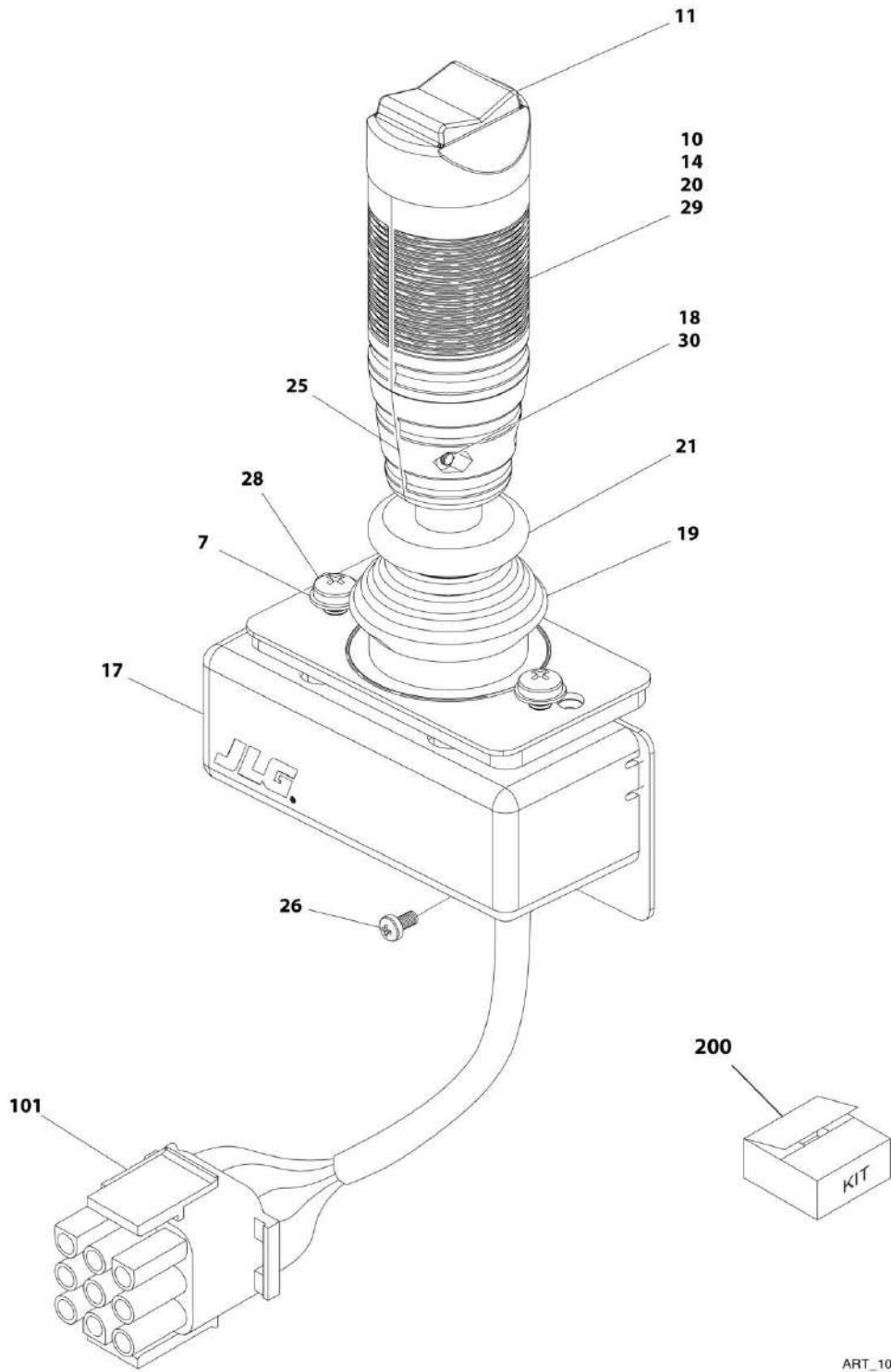
## SECTION 5 - PLATFORM

ITEM	PART NUMBER	QTY	DESCRIPTION	REV
42	1001166539	NLA	Controller Assembly (Lift and Swing) (See CONTROLLER ASSEMBLY (LIFT AND SWING) for Breakdown) (Note: Use p/n 1001129555 as Replacement)	
43	1001170446	1	Decal - Platform Display	
44	1001170838	1	Gauge, Led Panel	
45	1001172760	4	Bracket	
46	1001184618	1	Decal - Stop	
47	1001184626	1	Decal - Horn	
48	1001185281	1	Plug	
49	1001192292	1	Harness, SkyGuard (Not Shown - See ELECTRICAL SECTION for Breakdown)	
50	1001201891	1	Platform Console Box <b>(Prior to SN E300003750)</b>	
50	1001215228	1	Platform Console Box <b>(SN 1300007286 through 1300007383, SN E300003750 to Present)</b>	
50A	0630568	1	Capscrew 3/8 x 4-1/2	
50B	3311601	1	Nut 3/8	
50C	3430616	2	Pin, Clevis	
50D	3470003	2	Hairpin	
50E	4711600	2	Washer 3/8	
51	3900349	8	Screw <b>(SN 1300007286 through 1300007383, SN E300003750 to Present)</b>	



# SECTION 5 - PLATFORM

## FIGURE 5-14. CONTROLLER ASSEMBLY - DRIVE AND STEER



ART\_1001166538

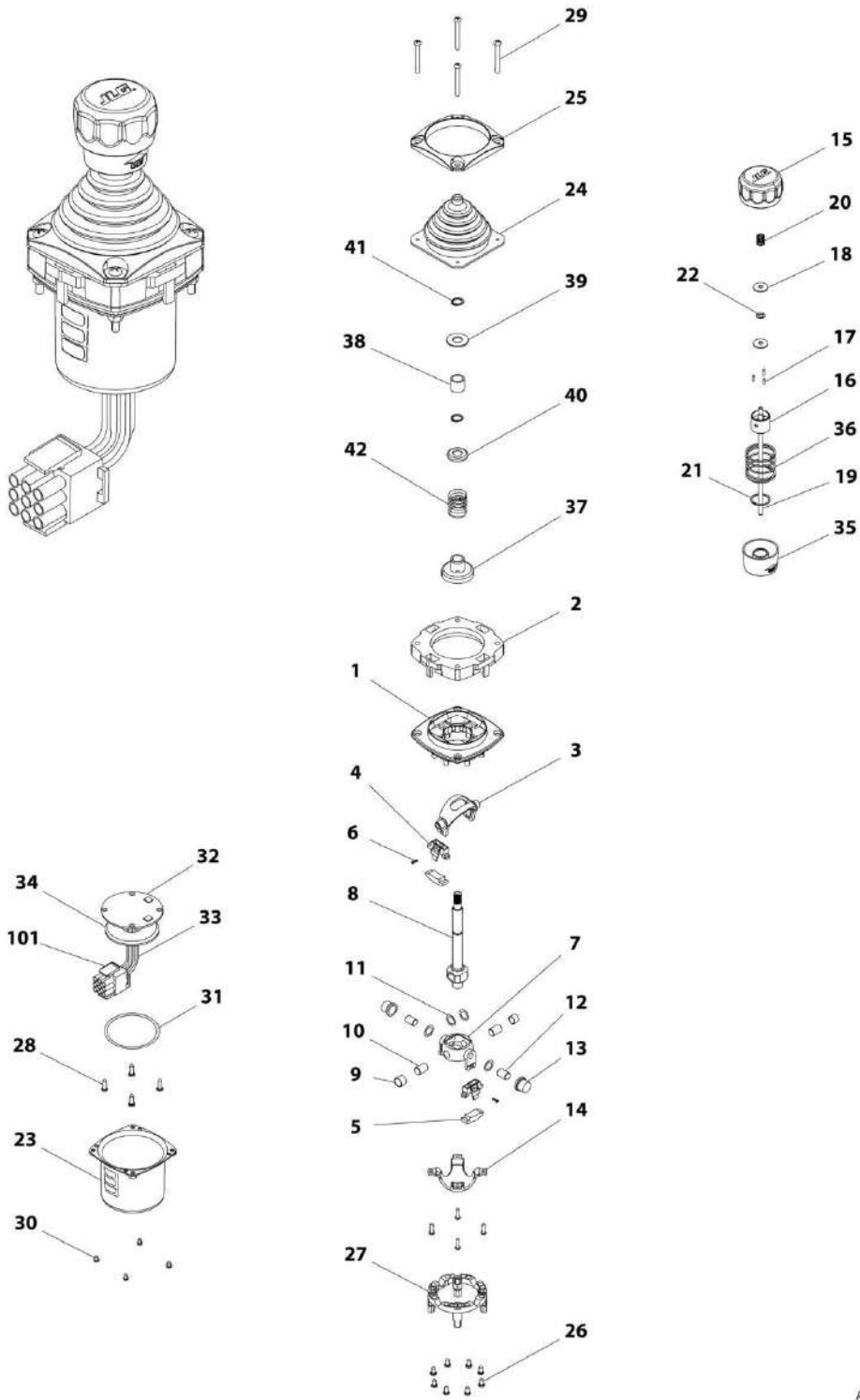
## SECTION 5 - PLATFORM

**FIGURE 5-14. CONTROLLER ASSEMBLY - DRIVE AND STEER**

ITEM	PART NUMBER	QTY	DESCRIPTION	REV
	1001166538	Ref	CONTROLLER ASSEMBLY - DRIVE AND STEER	G
		Ref	Note: Use p/n 1001212415 as Replacement.	
7	70004738	2	Washer	
10	70004739	1	Roller	
11	70004740	1	Boot, Switch	
14	70004741	2	Half, Handle	
17	70004742	1	Enclosure	
18	70004743	4	Nut	
19	70004744	NLA	Boot, Controller (Use Item 200)	
20	70004745	NLA	Tube, Locking (Use Item 200)	
21	70004746	NLA	Disc, Locking (Use Item 200)	
25	70004747	2	Seal, Rope	
26	70004748	1	Screw, M3 x 6mm	
28	70004749	2	Screw, M5 x 20mm	
29	70004750	1	Pin, Dowel	
30	70004751	4	Screw, M3 x 16mm	
101	4460265	1	Connector - 9 Position	
101	4460226	7	Socket, Female	
200	70005230	1	Boot Kit (Includes Items 19-21)	

# SECTION 5 - PLATFORM

## FIGURE 5-15. CONTROLLER ASSEMBLY - LIFT AND SWING



ART\_1001166539



## SECTION 5 - PLATFORM

### FIGURE 5-15. CONTROLLER ASSEMBLY - LIFT AND SWING

ITEM	PART NUMBER	QTY	DESCRIPTION	REV
	1001166539	Ref	CONTROLLER ASSEMBLY - LIFT AND SWING	D
	See Note	Ref	Note: Use p/n 1001129555 as Replacement	
1	See Note	1	Main Cast Body (Note: Not Available - Purchase Complete Assembly)	
2	70004752	1	Adapter	
3	See Note	NSS	Pivot Arm, Plastic (Note: Not Available - Purchase Complete Assembly)	
4	See Note	NSS	Holder, Magnet (Note: Not Available - Purchase Complete Assembly)	
5	See Note	NSS	Arc, Magnet (Note: Not Available - Purchase Complete Assembly)	
6	See Note	NSS	Screw (Note: Not Available for Purchase)	
7	See Note	NSS	Pivot Arm, Cast (Note: Not Available - Purchase Complete Assembly)	
8	See Note	NSS	Shaft, Main (Note: Not Available - Purchase Complete Assembly)	
9	See Note	NSS	Bearing (Note: Not Available - Purchase Complete Assembly)	
10	See Note	NSS	Pin (Note: Not Available - Purchase Complete Assembly)	
11	See Note	NSS	Shim (Note: Not Available - Purchase Complete Assembly)	
12	See Note	NSS	Pin (Note: Not Available - Purchase Complete Assembly)	
13	See Note	NSS	Bearing (Note: Not Available - Purchase Complete Assembly)	
14	See Note	NSS	Dome, Centering (Note: Not Available - Purchase Complete Assembly)	
15	70004753	1	Cap	
16	70004754	1	Insert, Cap	
17	70004755	3	Pin	
18	70004756	2	Washer	
19	70004757	1	Pin, Centering	
20	70004758	1	Spring	
21	70004759	1	Ring, Retaining	
22	70004760	1	E-Ring	
23	70004761	1	Can, Enclosure	
24	70004762	1	Boot	
25	70004763	1	Bezel	
26	See Note	NSS	Screw (Note: Not Available for Purchase)	
27	See Note	NSS	Base Mounting (Note: Not Available - Purchase Complete Assembly)	
28	See Note	NSS	Screw (Note: Not Available for Purchase)	
29	70004764	4	Screw	
30	70004765	4	Screw	
31	70004766	1	O-Ring	
32	See Note	NSS	Plate (Note: Not Available - Purchase Complete Assembly)	
33	See Note	NSS	Harness (Note: Not Available - Purchase Complete Assembly)	
34	70004767	1	Grommet, Rubber	
35	70004768	1	Housing	
36	70004769	1	Spring	
37	70004770	1	Stopper	
38	70004771	1	Spacer	
39	70004772	1	Washer	
40	70004773	1	Disc	
41	70004774	2	Ring, Retaining	
42	70004775	1	Spring	

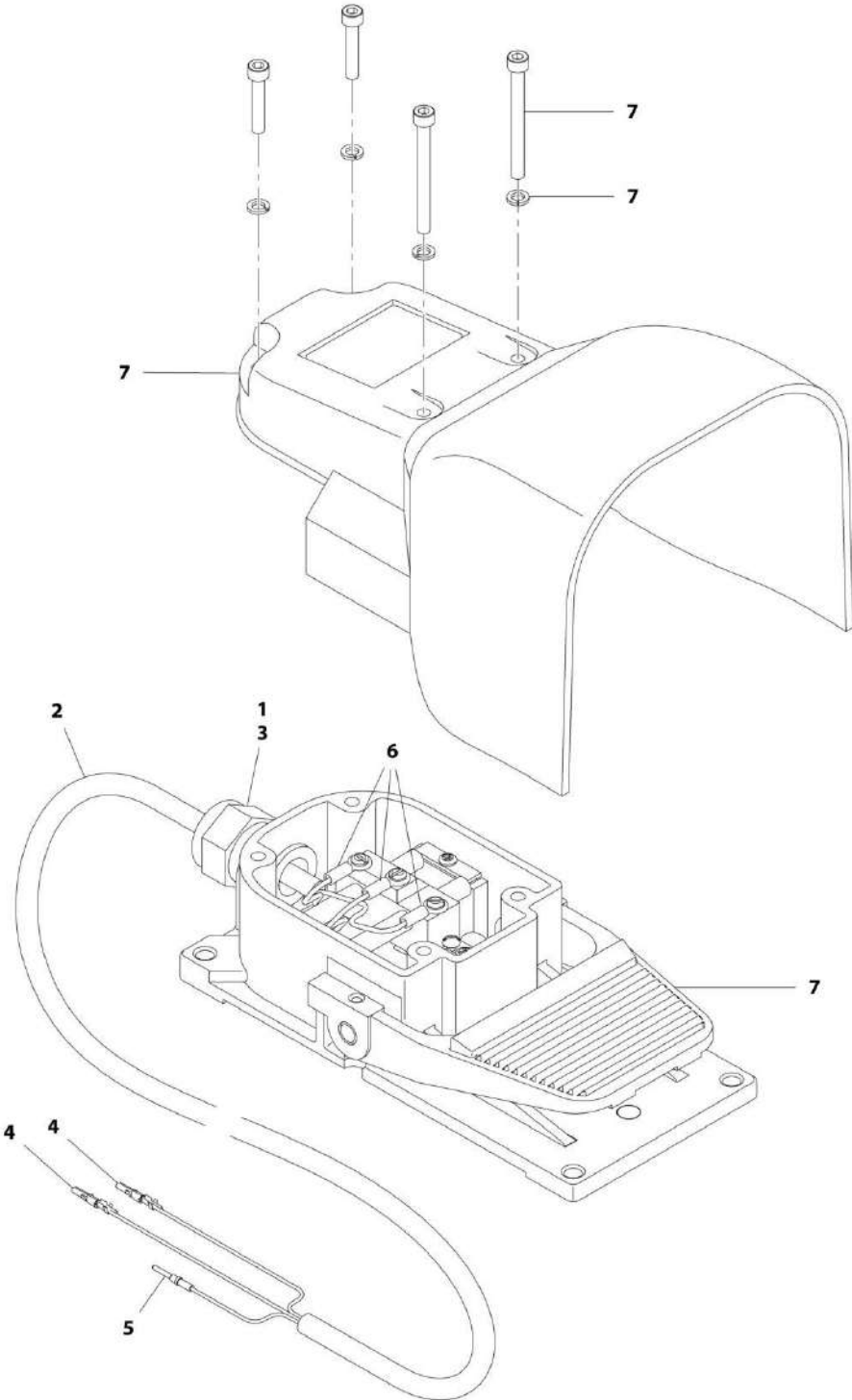
## SECTION 5 - PLATFORM

ITEM	PART NUMBER	QTY	DESCRIPTION	REV
101	4460265	1	Connector - 9 Position	
101	4460226	6	Socket, Female	



**SECTION 5 - PLATFORM**

**FIGURE 5-16. FOOTSWITCH ASSEMBLY**



ART\_1001117174

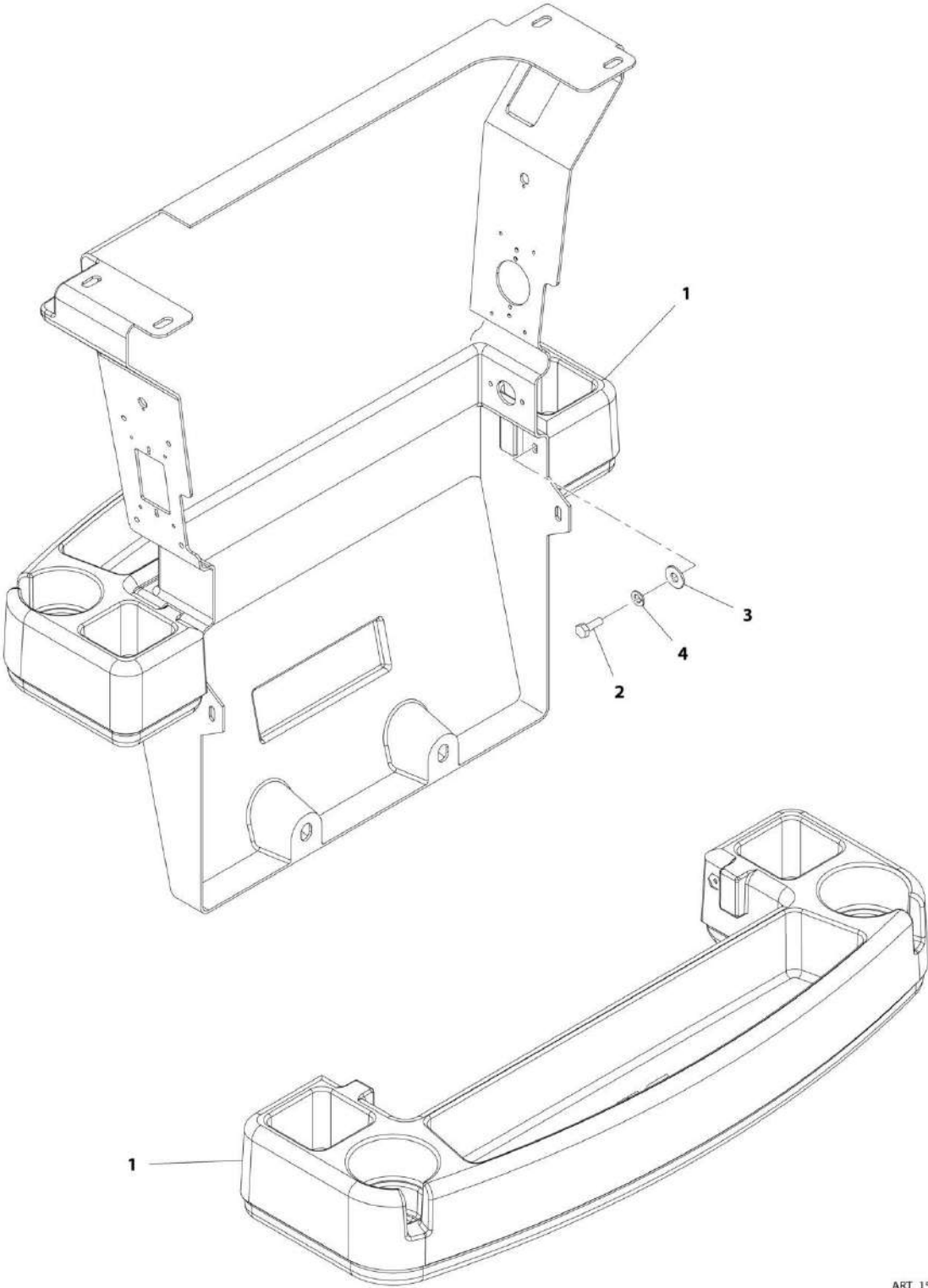
## SECTION 5 - PLATFORM

**FIGURE 5-16. FOOTSWITCH ASSEMBLY**

ITEM	PART NUMBER	QTY	DESCRIPTION	REV
	1001117174	Ref	FOOTSWITCH ASSEMBLY	B
1	0100020	AR	Sealant	
2	1060918	7.5 ft /2.3m	Cable, Electrical - 18/3	
3	4460071	1	Connector, Strain Relief	
4	4460226	2	Socket, Female	
5	4460464	1	Pin, Male	
6	1001098122	3	Terminal	
7	1001117172	1	Footswitch	
7	70002902	1	Switch, 20Amp	
7	70002903	1	Gasket	
7	70002905	1	Cover	
7	70002904	1	Kit, Replacement Bolt	

**SECTION 5 - PLATFORM**

**FIGURE 5-17. TRAY ASSEMBLY**



ART\_1580012

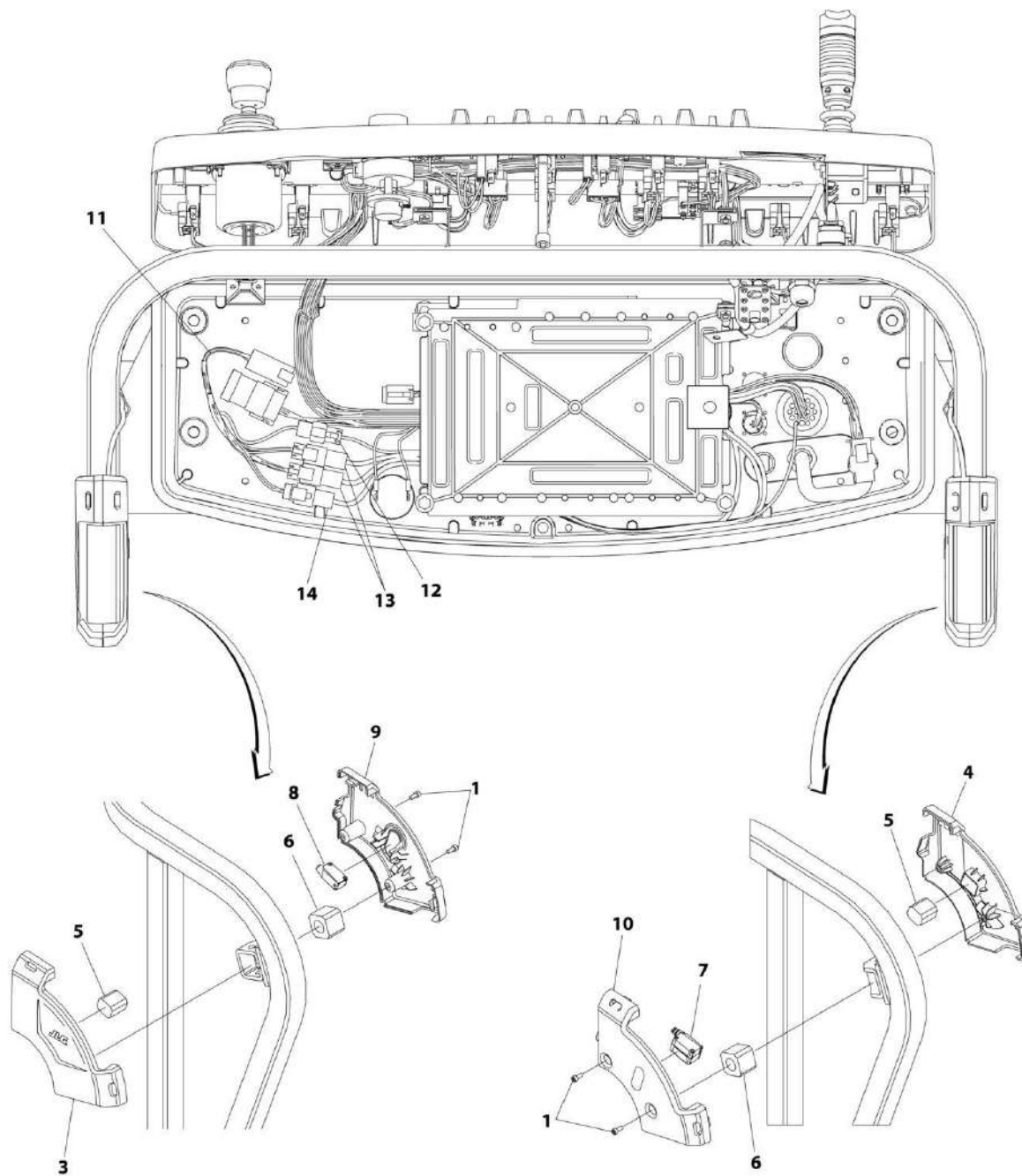
## SECTION 5 - PLATFORM

### FIGURE 5-17. TRAY ASSEMBLY

ITEM	PART NUMBER	QTY	DESCRIPTION	REV
	1580012	Ref	TRAY ASSEMBLY	C
1	See Note	1	Tray, Storage - Center (Note: Purchase p/n 1580012)	
2	0641406	2	Bolt, 1/4-20 x 3/4	
3	4751400	2	Washer, 1/4	
4	4761400	2	Washer, Locking, 1/4	

# SECTION 5 - PLATFORM

## FIGURE 5-18. SKYEYE INSTALLATION



ART\_1001229341



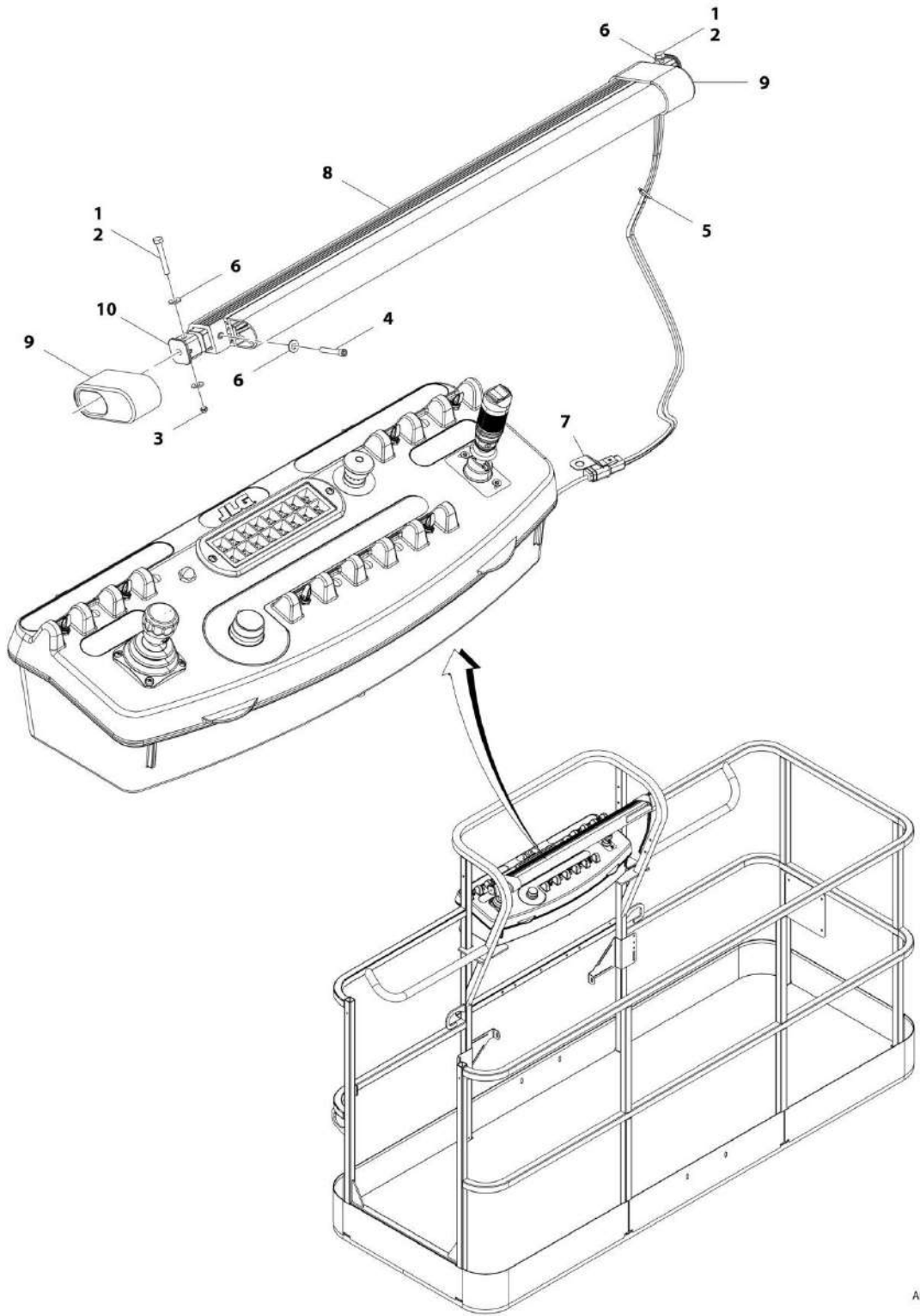
## SECTION 5 - PLATFORM

**FIGURE 5-18. SKYEYE INSTALLATION**

ITEM	PART NUMBER	QTY	DESCRIPTION	REV
	1001229341	Ref	SKYEYE INSTALLATION	A
1	4031505	4	Bolt M4 x 10	
2	4240033	AR	Tie-Strap (Not Shown)	
3	1001227633	1	Housing, LH Outer	
4	1001227634	1	Housing, RH Outer	
5	1001227985	2	Shim	
6	1001227987	2	Shim	
7	1001228224	2	Sensor, Receiver	
8	1001228225	1	Sensor, Emitter	
9	1001232164	1	Housing, LH Inner	
10	1001232165	1	Housing, RH Inner	
11	1001237865	1	Harness, Skyeeye Intermediate (See Separate Breakdown in ELECTRICAL SECTION)	
12	1001238319	1	Harness, Skyeeye Drain Jumper	
12	1001187674	1	Plug, Male - 2 Position	
12	4460942	1	Terminal	
12	4460466	1	Plug, Terminal	
12	4460508	1	Pin, Male	
13	1001237863	2	Harness, Skyeeye Receiver (See Separate Breakdown in ELECTRICAL SECTION)	
14	1001237864	1	Harness, Skyeeye Emitter (See Separate Breakdown in ELECTRICAL SECTION)	

# SECTION 5 - PLATFORM

## FIGURE 5-19. SKYGUARD SYSTEM INSTALLATION



ART\_1001187508

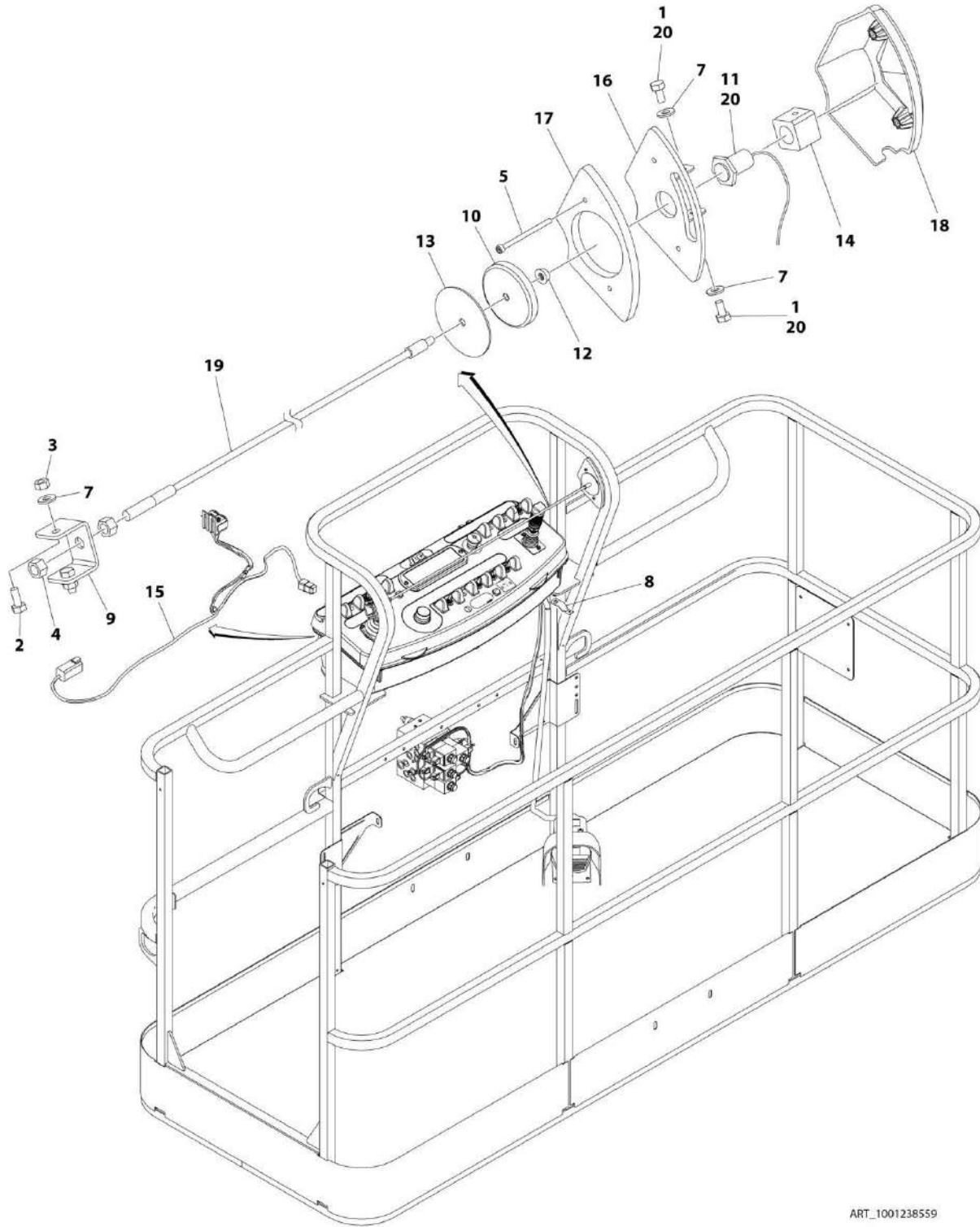
## SECTION 5 - PLATFORM

**FIGURE 5-19. SKYGUARD SYSTEM INSTALLATION**

ITEM	PART NUMBER	QTY	DESCRIPTION	REV
	1001187508	Ref	SKYGUARD SYSTEM INSTALLATION	C
1	0100011	AR	Compound, Locking	
2	0641414	2	Bolt, 1/4-20 x 1-3/4	
3	3300430	2	Nut, Acorn 1/4-20	
4	3931424	2	Capscrew, 1/4-20 x 1-1/2	
4	3931408	2	Capscrew, 1/4-20 x 1/2	
5	4240033	AR	Tie-Strap	
6	4711400	AR	Washer, 1/4	
7	1001120328	1	Mount	
8	1001137673	1	Switch, SkyGuard Assembly	
9	1001186517	2	Cover, Platform Sensor	
10	1001188889	NLA	Support, Block (Use p/n 1001209664) <b>(SN 1300007286 through 1300007383, Prior to SN E300005699)</b>	
10	1001209664	2	Support, Block <b>(SN E300005699 to Present)</b>	

# SECTION 5 - PLATFORM

## FIGURE 5-20. SKYLINE INSTALLATION



ART\_1001238559

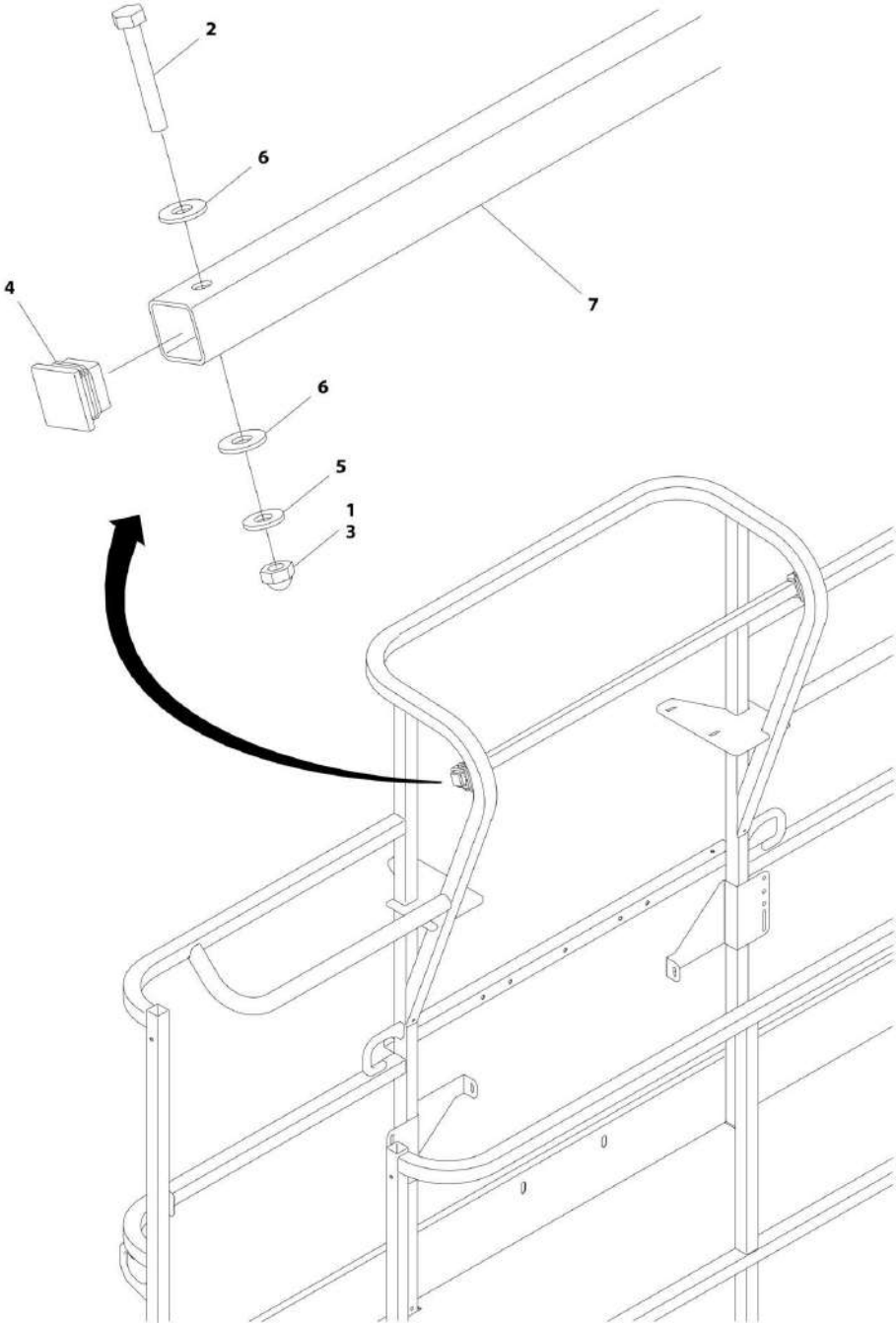
## SECTION 5 - PLATFORM

### FIGURE 5-20. SKYLINE INSTALLATION

ITEM	PART NUMBER	QTY	DESCRIPTION	REV
	1001238559	Ref	SKYLINE INSTALLATION	B
1	0641404	2	Bolt 1/4 x 1/2	
2	0641405	2	Bolt 1/4 x 5/8	
3	3311405	2	Nut 1/4	
4	3311601	2	Nut 3/8	
5	4031516	2	Capscrew M4 x 60	
6	4240033	AR	Tie-Strap (Not Shown)	
7	4711400	4	Washer 1/4	
8	1001120328	1	Mount	
9	1001232642	1	Bracket	
10	1001232650	1	Magnet	
11	1001232667	1	Sensor, Proximity	
12	1001235011	1	Nut	
13	1001235013	1	Washer	
14	1001236552	1	Block	
15	1001238418	1	Harness, Skyline (See Separate Breakdown in ELECTRICAL SECTION)	
16	1001238472	1	Mount	
17	1001238477	1	Housing, LH	
18	1001241965	1	Housing, RH	
19	1001238824	1	Rope	
20	0100011	AR	Compound, Locking	

**SECTION 5 - PLATFORM**

**FIGURE 5-21. CROSS RAIL INSTALLATION**



ART\_1001182138

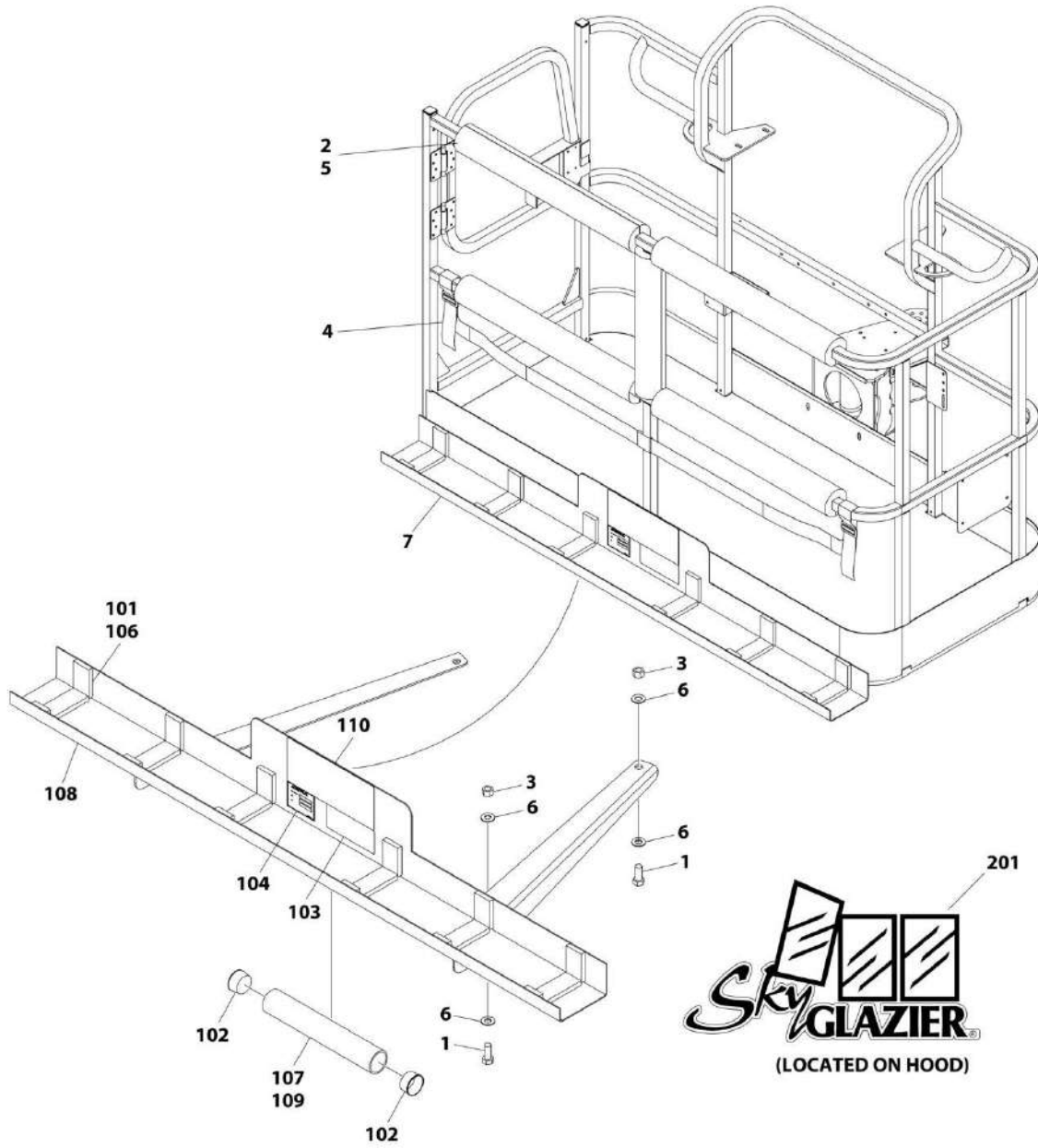
## SECTION 5 - PLATFORM

### FIGURE 5-21. CROSS RAIL INSTALLATION

ITEM	PART NUMBER	QTY	DESCRIPTION	REV
	1001182138	Ref	CROSS RAIL INSTALLATION	A
1	0100071	AR	Compound, Locking	
2	0641414	2	Bolt 1/4 X 1-3/4	
3	3300430	2	Nut 1/4	
4	3520182	2	Plug	
5	4711400	2	Washer 1/4	
6	4751400	4	Washer 1/4	
7	1001191708	1	Bar	

# SECTION 5 - PLATFORM

FIGURE 5-22. SKYGLAZIER INSTALLATION (AUSTRALIAN SPECS) (Prior to SN E300004872)



ART\_1001199314



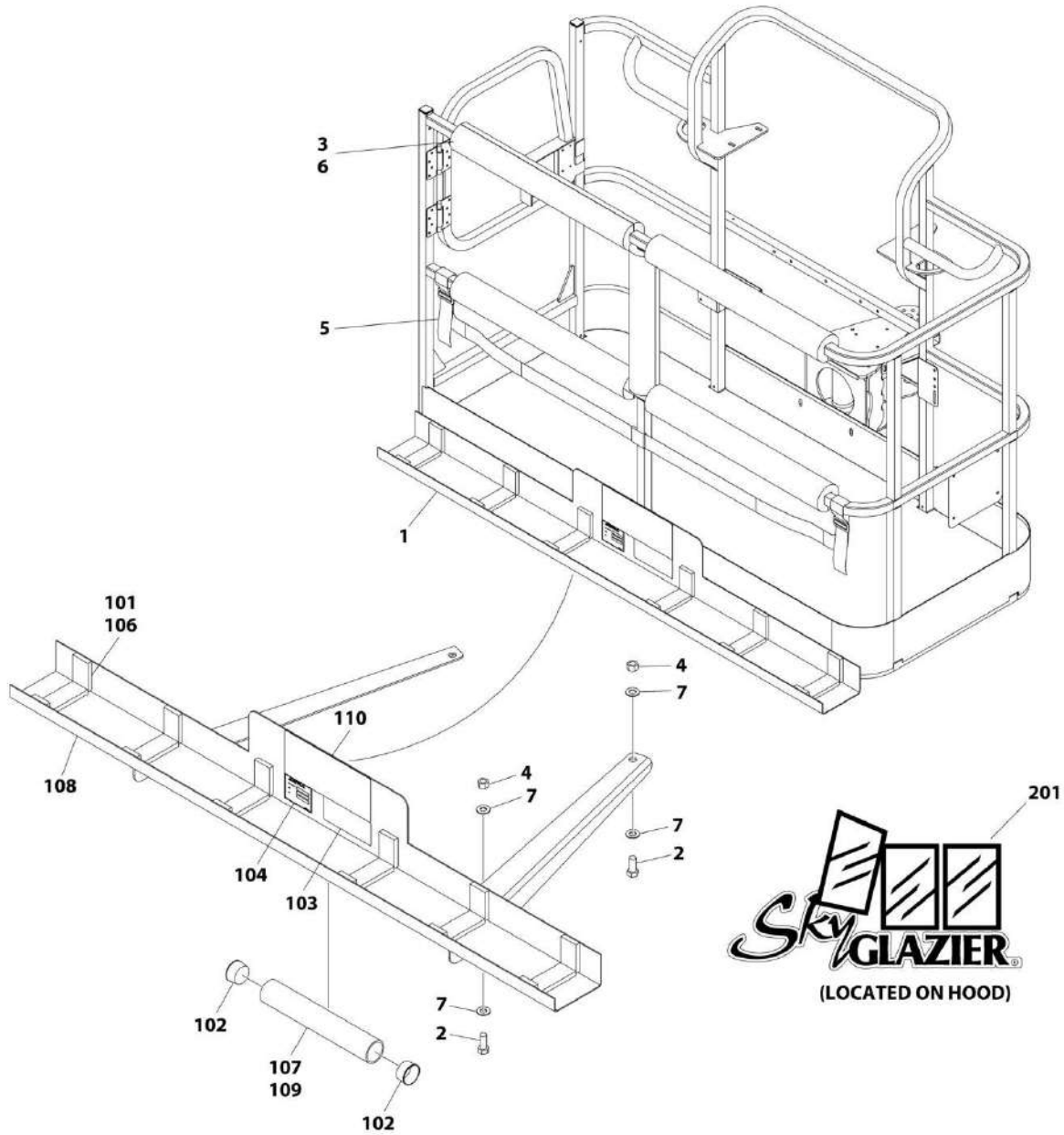
## SECTION 5 - PLATFORM

**FIGURE 5-22. SKYGLAZIER INSTALLATION (AUSTRALIAN SPECS) (Prior to SN E300004872)**

ITEM	PART NUMBER	QTY	DESCRIPTION	REV
	1001199314	Ref	SKYGLAZIER INSTALLATION (AUSTRALIAN SPECS) (Prior to SN E300004872)	A
1	0642026	4	Bolt 5/8 x 3-1/4	
2	0940199	1	Bumper Kit	
3	3312005	4	Nut 5/8	
4	4240149	1	Strap Kit	
5	4420014	AR	Tape	
6	4712000	8	Washer 5/8	
7	1001173973	1	Tray Assembly (See Items 101-110 for Breakdown)	
	1001173973	Ref	TRAY ASSEMBLY	A
101	0100081	AR	Adhesive	
102	1120555	2	Cap, Tube	
103	1701509	1	Decal - Manual	
104	See Note	NSS	Nameplate - Serial Number (Note: Not Available for Purchase)	
106	3340956	1	Pad Kit	
107	3460334	1	Tube	
108	4341415	1	Support	
109	4420066	AR	Tape, Double Sided	
110	1001163131	2	Decal - Glazier Capacity	
201	1705358	2	Decal - SkyGlazier	

# SECTION 5 - PLATFORM

FIGURE 5-23. SKYGLAZIER INSTALLATION (AUSTRALIAN SPECS) (SN 1300007286 through 1300007383, SN E300004872 to Present)



ART\_1001173975

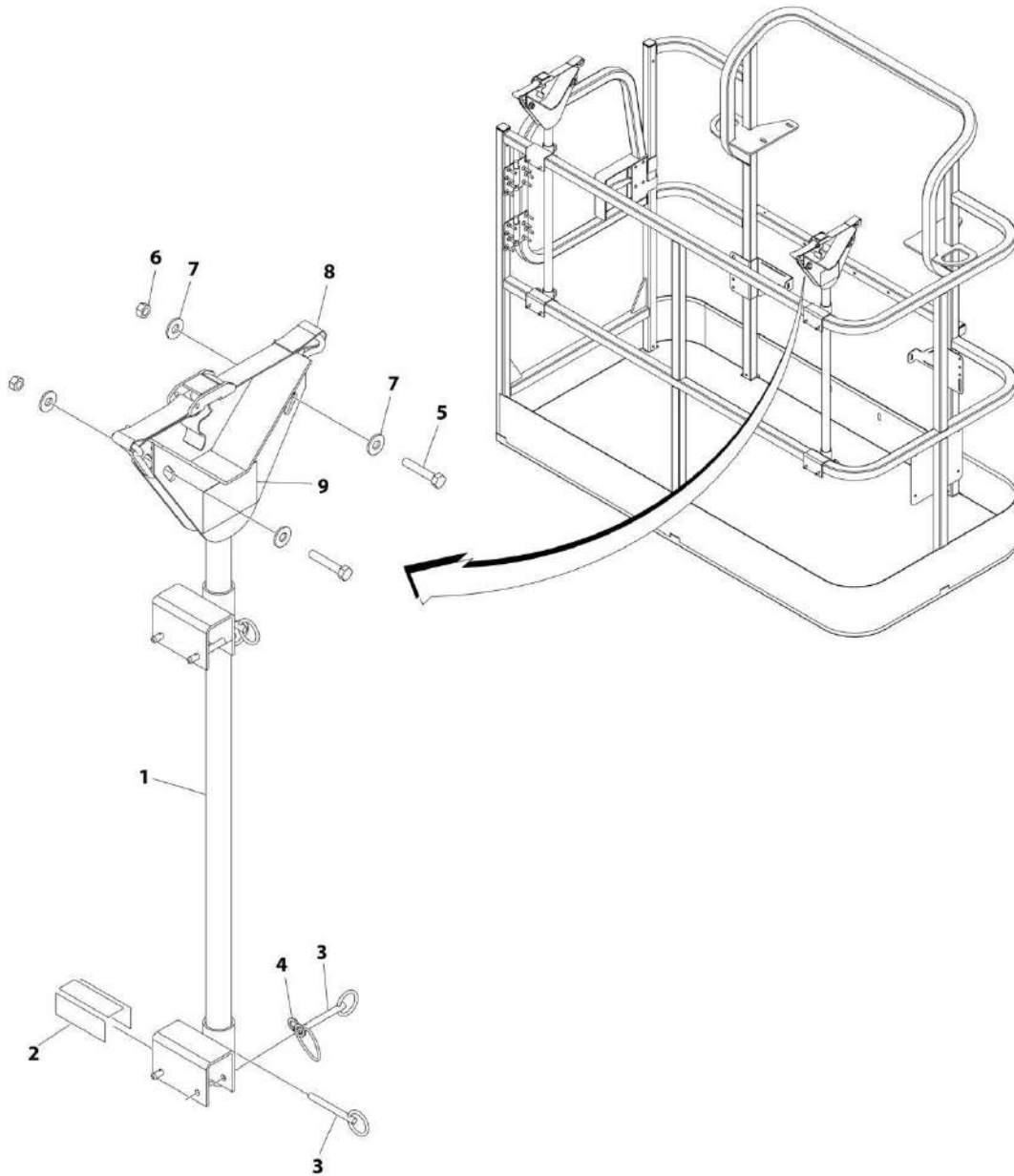
## SECTION 5 - PLATFORM

**FIGURE 5-23. SKYGLAZIER INSTALLATION (AUSTRALIAN SPECS) (SN 1300007286 through 1300007383, SN E300004872 to Present)**

ITEM	PART NUMBER	QTY	DESCRIPTION	REV
	1001173975	Ref	SKYGLAZIER INSTALLATION (AUSTRALIAN SPECS) (SN 1300007286 through 1300007383, SN E300004872 to Present)	B
1	1001173973	1	Tray Assembly (See Items 101-110 for Breakdown)	
2	0642012	4	Bolt 5/8 x 1-1/2	
3	0940199	1	Bumper Kit	
4	3312005	4	Nut 5/8	
5	4240149	1	Strap Kit	
6	4420014	AR	Tape	
7	4712000	8	Washer 5/8	
	1001173973	Ref	TRAY ASSEMBLY	A
101	0100081	AR	Adhesive	
102	1120555	2	Cap, Tube	
103	1701509	1	Decal - Manual	
104	See Note	NSS	Nameplate - Serial Number (Note: Not Available for Purchase)	
106	3340956	1	Pad Kit	
107	3460334	1	Tube	
108	4341415	1	Support	
109	4420066	AR	Tape, Double Sided	
110	1001173969	NLA	Decal - Glazier Capacity (Use p/n 1001229138) (SN 1300007286 through 1300007383, Prior to SN E300005391)	
110	1001229138	1	Decal - Glazier Capacity (SN E300005391 to Present)	
201	1705358	2	Decal - SkyGlazier	

# SECTION 5 - PLATFORM

## FIGURE 5-24. PIPE RACK INSTALLATION (AUSTRALIAN SPEC)



ART\_0274661

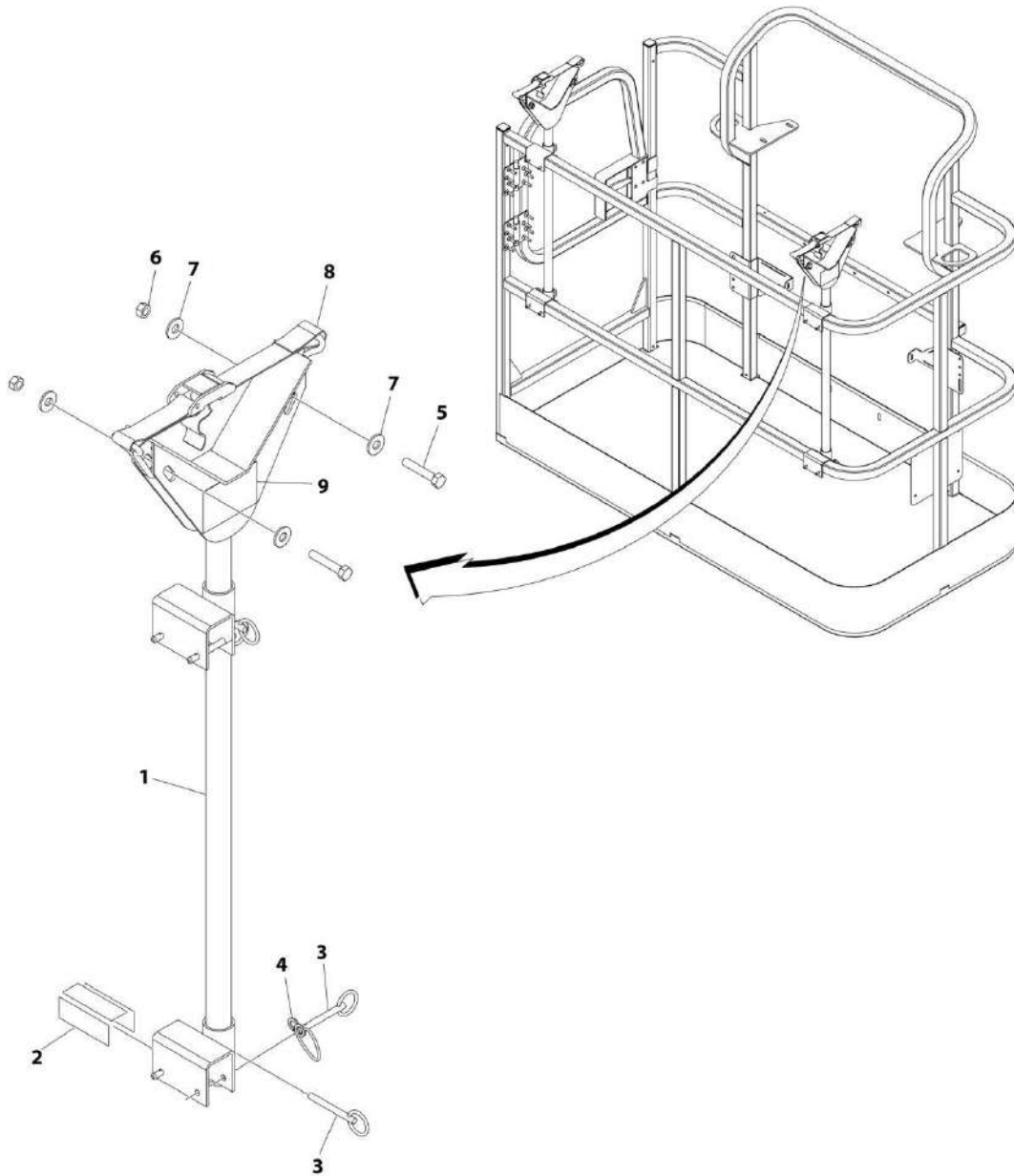
## SECTION 5 - PLATFORM

**FIGURE 5-24. PIPE RACK INSTALLATION (AUSTRALIAN SPEC)**

ITEM	PART NUMBER	QTY	DESCRIPTION	REV
	0274661	Ref	PIPE RACK INSTALLATION (AUSTRALIAN SPEC)	1/A
1	4845582	2	Rack, Pipe	
2	4420062	AR	Tape	
3	3422661	10	Pin	
4	1060379	4	Lanyard	
5	0641514	4	Bolt 5/16 x 1-3/4	
6	3311505	4	Nut 5/16	
7	4751500	8	Washer 5/16	
8	0480100	2	Tie-Down	
9	1706510	2	Decal - Capacity	

# SECTION 5 - PLATFORM

## FIGURE 5-25. PIPE RACK INSTALLATION (CE SPECS)



ART\_0257728

## SECTION 5 - PLATFORM

**FIGURE 5-25. PIPE RACK INSTALLATION (CE SPECS)**

ITEM	PART NUMBER	QTY	DESCRIPTION	REV
	0257728	Ref	PIPE RACK INSTALLATION (CE SPECS)	2/C
1	4845582	2	Rack, Pipe	
2	4420062	AR	Tape	
3	3422661	10	Pin	
4	1060379	4	Lanyard	
5	0641514	4	Bolt 5/16 x 1-3/4	
6	3311505	4	Nut 5/16	
7	4751500	8	Washer 5/16	
8	0480100	2	Tie-Down	
9	1703683	2	Decal - Capacity	

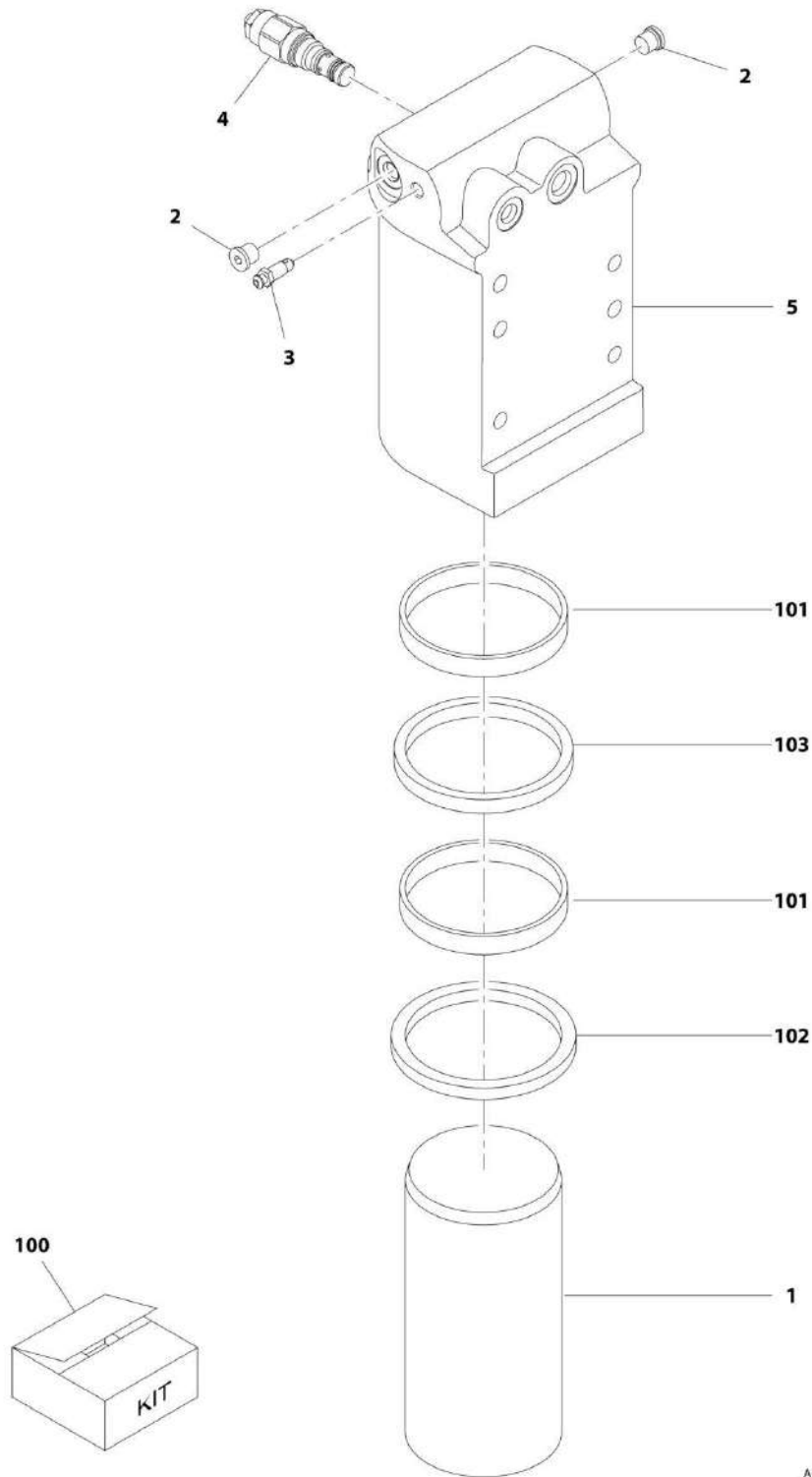




**SECTION 6 - CYLINDER**

# SECTION 6 - CYLINDER

## FIGURE 6-1. AXLE LOCKOUT CYLINDER ASSEMBLY



ART\_1001163580

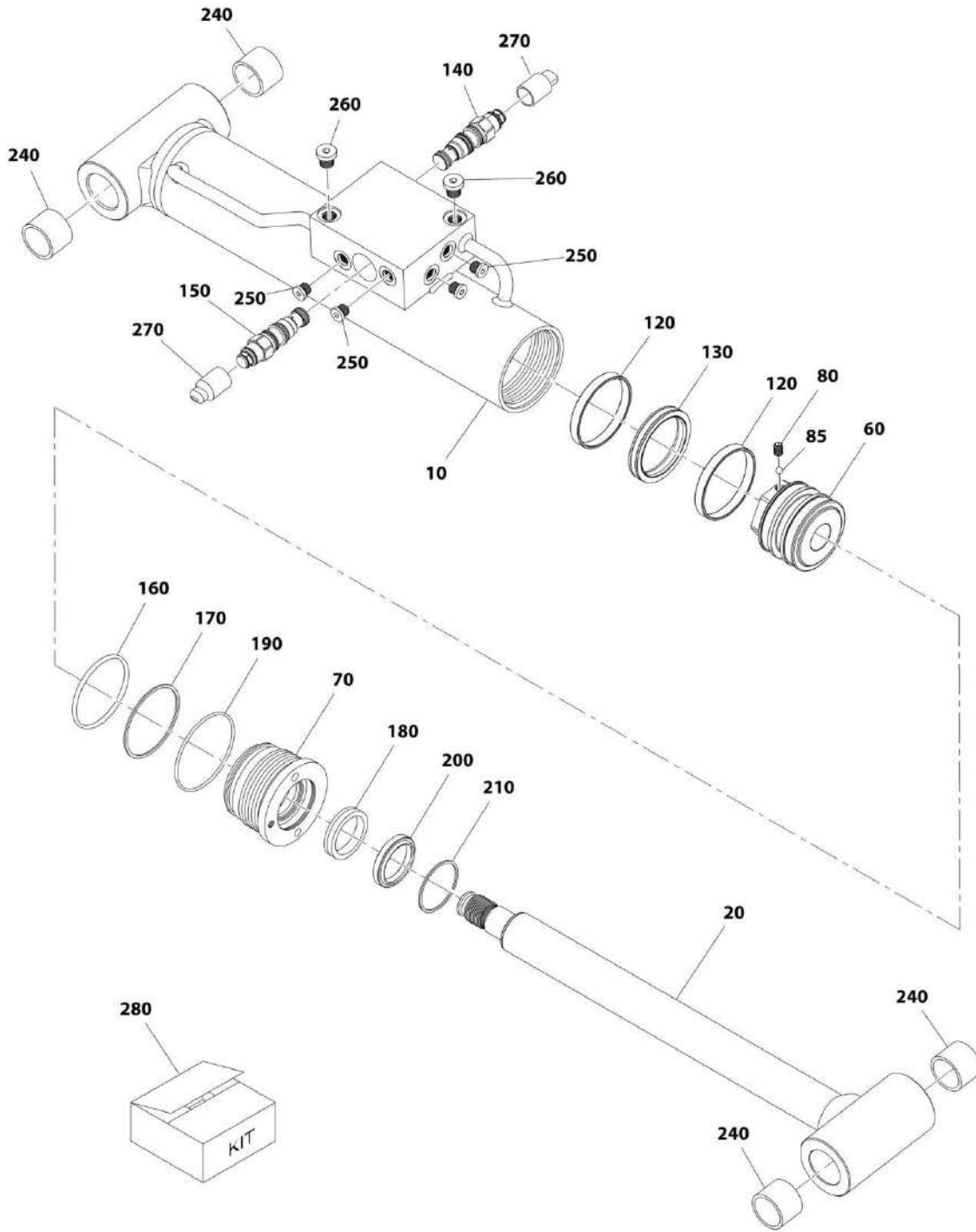
## SECTION 6 - CYLINDER

**FIGURE 6-1. AXLE LOCKOUT CYLINDER ASSEMBLY**

ITEM	PART NUMBER	QTY	DESCRIPTION	REV
	1001163580	Ref	AXLE LOCKOUT CYLINDER ASSEMBLY	G
1	1684290	1	Rod	
2	2220883	2	Plug #4	
3	4640858	1	Valve, Bleeder	
4	1001117372	1	Cartridge, Valve	
4	70002842	1	Seal Kit - 1001117372 Valve	
5	1001164817	1	Barrel	
100	2902266	1	Seal Kit - 1001163590 Cylinder (Includes Items 101-103)	
101	See Note	2	Ring, Wear	
102	See Note	1	Seal	
103	See Note	1	Wiper	

# SECTION 6 - CYLINDER

## FIGURE 6-2. LEVEL (PLATFORM SLAVE) CYLINDER ASSEMBLY



ART\_1001161716

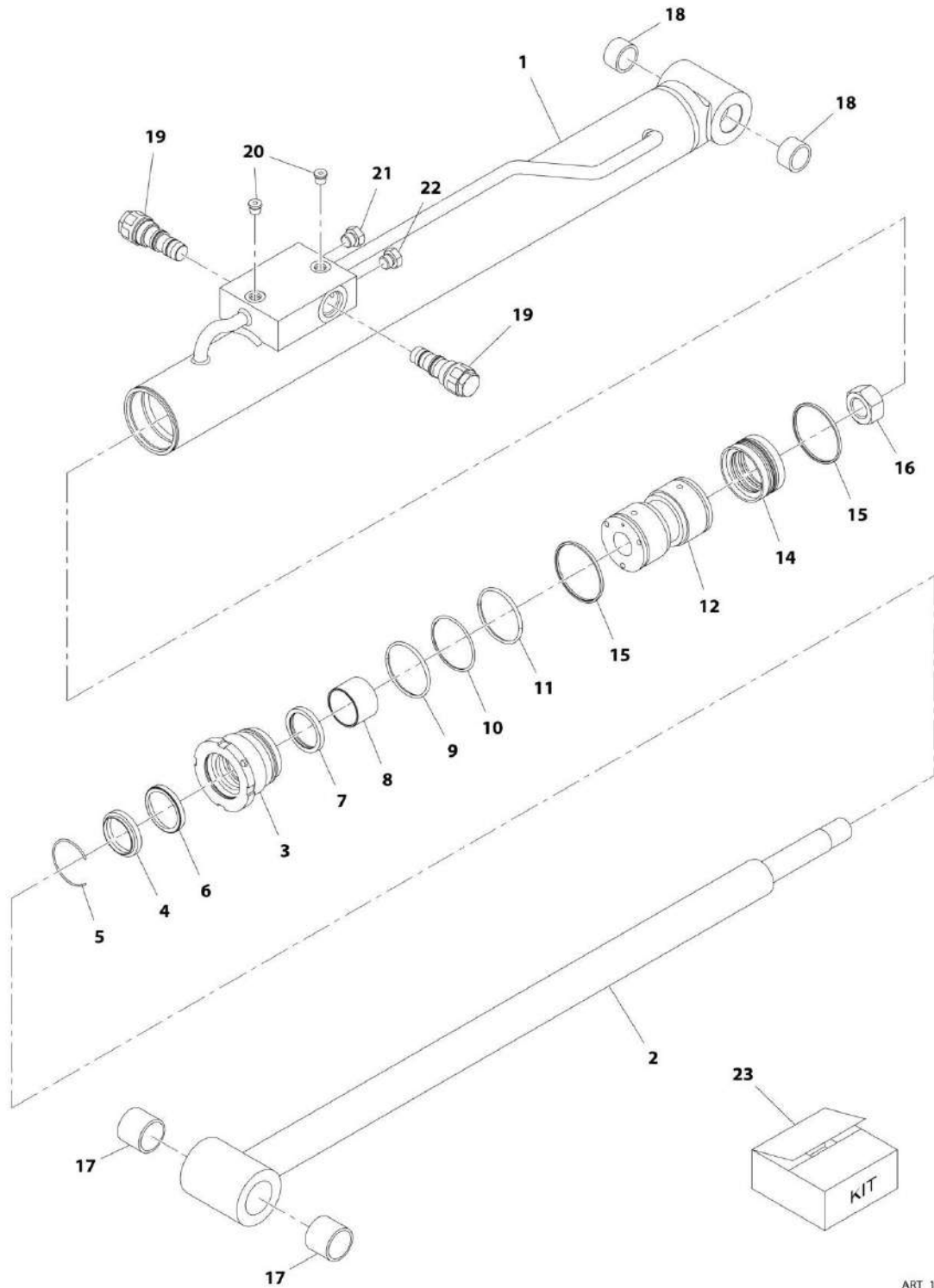
## SECTION 6 - CYLINDER

**FIGURE 6-2. LEVEL (PLATFORM SLAVE) CYLINDER ASSEMBLY**

ITEM	PART NUMBER	QTY	DESCRIPTION	REV
	1001161716	Ref	LEVEL (PLATFORM SLAVE) CYLINDER ASSEMBLY	D
10	70005010	1	Barrel	
20	70005011	1	Rod	
60	70005012	1	Piston	
70	70003837	1	Head	
80	70005013	1	Setscrew	
85	70005014	1	Ball	
120	See Note	NSS	Ring, Bearing (Note: Use Item 280)	
130	See Note	NSS	Seal, Piston (Note: Use Item 280)	
140	70002413	1	Cartridge, Valve	
140	2900770	1	Seal Kit - 70002413 Valve	
150	1001168210	1	Cartridge, Valve	
150	2900770	1	Seal Kit - 1001168210 Valve	
160	See Note	NSS	O-Ring (Note: Use Item 280)	
170	See Note	NSS	Seal (Note: Use Item 280)	
180	See Note	NSS	Seal (Note: Use Item 280)	
190	See Note	NSS	O-Ring (Note: Use Item 280)	
200	See Note	NSS	Wiper (Note: Use Item 280)	
210	70003838	1	Ring, Retaining	
240	0961951	4	Bushing	
250	70025619	4	Plug 7/16	
260	70024262	2	Plug 1/4	
270	See Note	2	Plug, Shipping (Note: Not Available for Purchase)	
280	70005016	1	Seal Kit - 1001161716 Cylinder (Includes Items 120, 130 & 160-200)	

# SECTION 6 - CYLINDER

## FIGURE 6-3. LIFT CYLINDER ASSEMBLY - JIB



ART\_1001163767

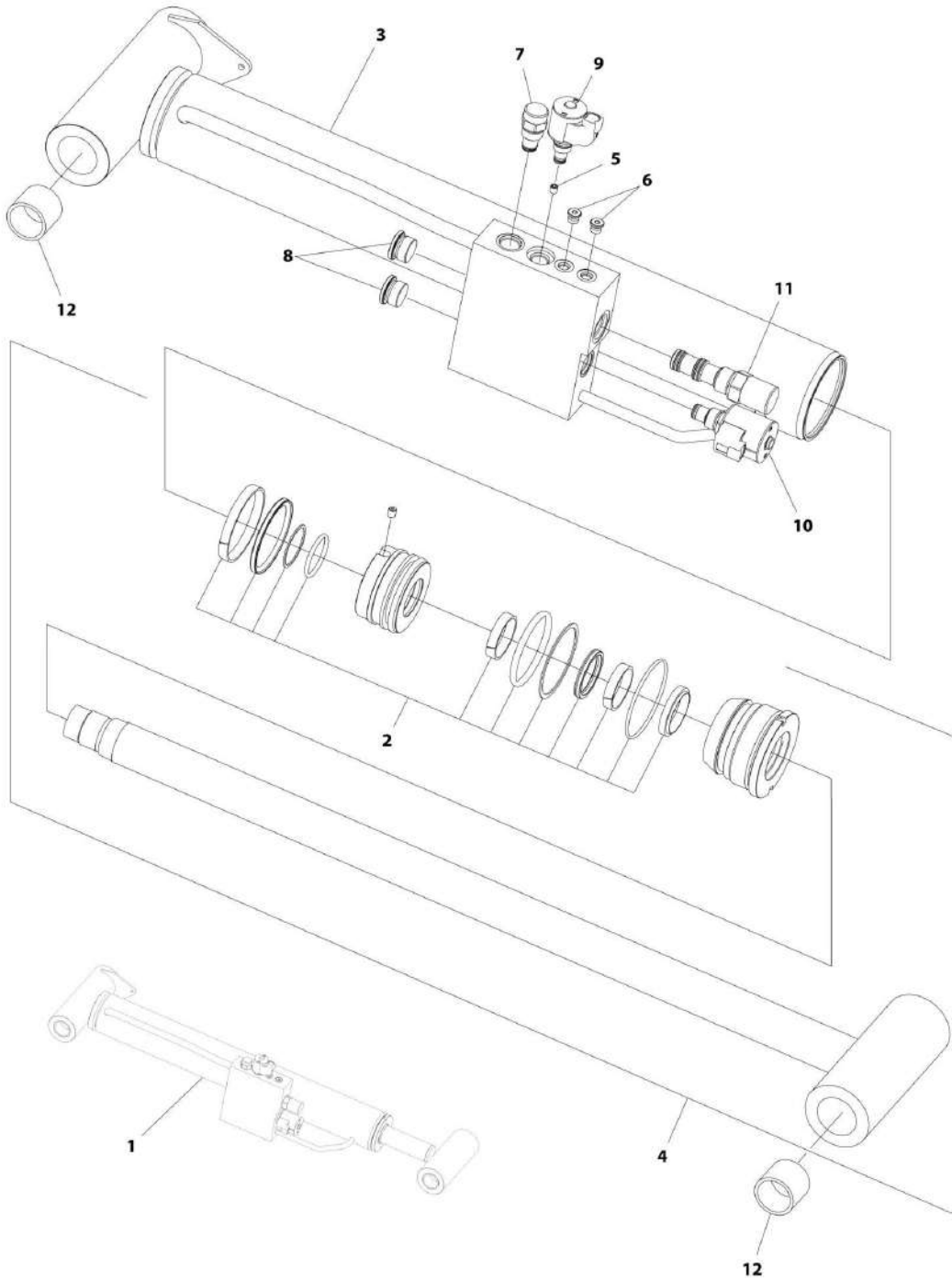
## SECTION 6 - CYLINDER

**FIGURE 6-3. LIFT CYLINDER ASSEMBLY - JIB**

ITEM	PART NUMBER	QTY	DESCRIPTION	REV
	1001163767	Ref	LIFT CYLINDER ASSEMBLY - JIB	B
1	70005155	1	Barrel	
2	70005156	1	Rod	
3	70005157	1	Head	
4	See Note	NSS	Wiper (Note: Use Item 23)	
5	70002373	1	Ring, Retaining	
6	See Note	NSS	Seal, Rod (Note: Use Item 23)	
7	See Note	NSS	Ring, Back-up (Note: Use Item 23)	
8	70005143	1	Bearing, Dry	
9	See Note	NSS	O-Ring (Note: Use Item 23)	
10	See Note	NSS	Ring, Back-up (Note: Use Item 23)	
11	See Note	NSS	O-Ring (Note: Use Item 23)	
12	70002371	1	Piston	
13	See Note	NSS	O-Ring (Note: Use Item 23)	
14	See Note	NSS	Seal, Piston (Note: Use Item 23)	
15	See Note	NSS	Ring, Piston (Note: Use Item 23)	
16	70002335	2	Nut	
17	70005158	2	Bushing	
18	70005159	2	Bushing	
19	4640509	2	Cartridge, Valve	
19	2900792	2	Seal Kit - 4640509 Valve	
20	70023370	2	Plug 7/16	
21	See Note	1	Plug 7/16 (Note: Not Available for Purchase)	
22	See Note	1	Plug 9/16 (Note: Not Available for Purchase)	
23	70005160	1	Seal Kit - 1001163767 Cylinder (Includes Items 4, 6, 7, 9-11 & 13-15)	

# SECTION 6 - CYLINDER

FIGURE 6-4. LIFT CYLINDER ASSEMBLY - MAIN BOOM (Prior to SN E300004512)



ART\_1001181706



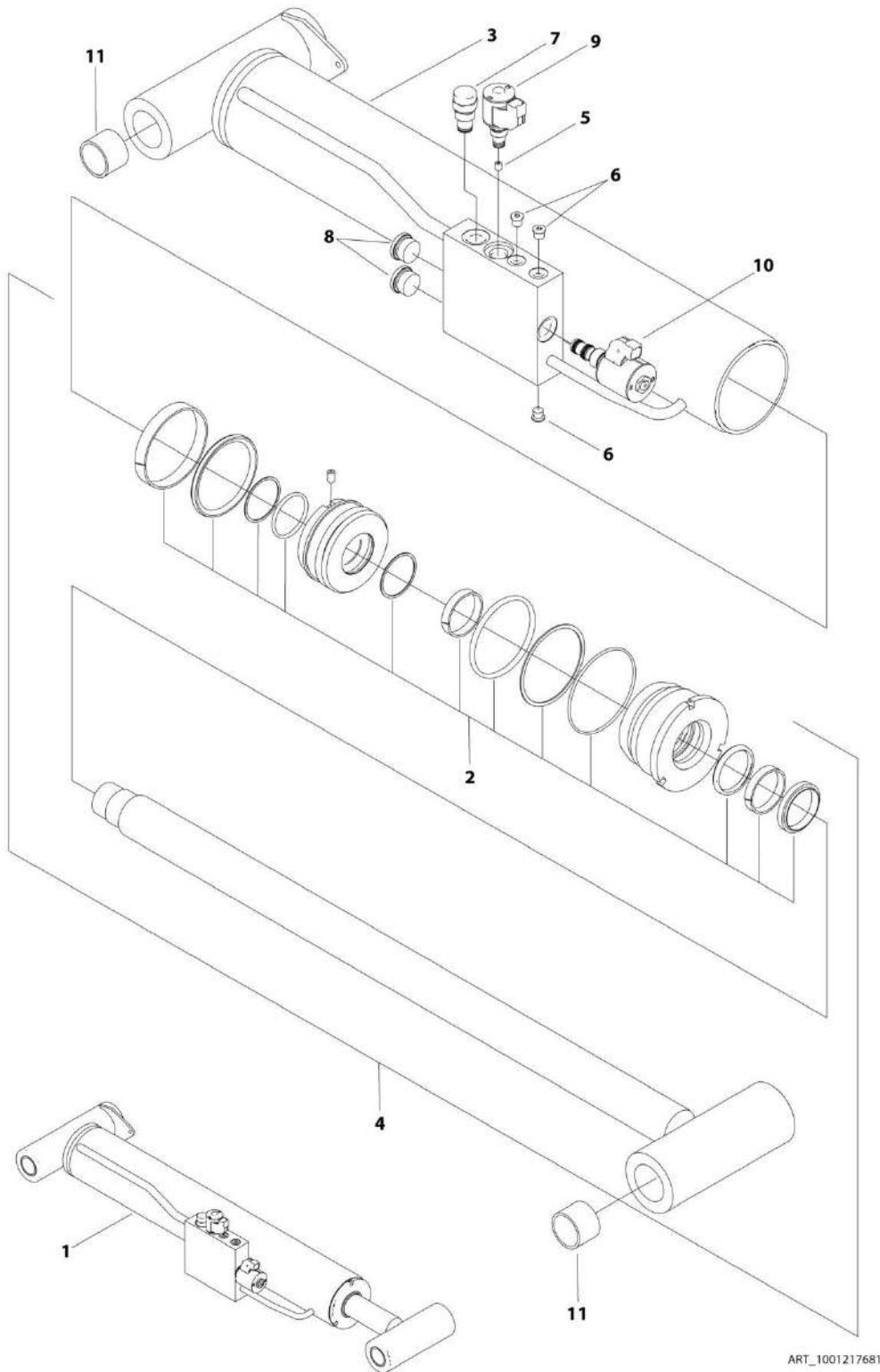
## SECTION 6 - CYLINDER

**FIGURE 6-4. LIFT CYLINDER ASSEMBLY - MAIN BOOM (Prior to SN E300004512)**

ITEM	PART NUMBER	QTY	DESCRIPTION	REV
1	1001181706	Ref	LIFT CYLINDER ASSEMBLY - MAIN BOOM ( <b>Prior to SN E300004512</b> )	C
2	70004969	1	Seal Kit - 1001181706 Cylinder	
3	70004968	1	Barrel	
4	70004967	1	Rod Assembly (Includes Item 2)	
5	2180736	1	Orifice	
6	2220883	2	Plug #4	
7	4641390	1	Cartridge, Check Valve	
7	7017496	1	Seal Kit - 4641390 Valve	
8	See Note	NSS	Plug (Note: Not Available for Purchase)	
9	1001164709	1	Cartridge, Solenoid Valve (Includes Coil)	
9	7017467	1	Cartridge, Solenoid Valve Less Coil	
9	7012998	1	Seal Kit - 1001164709 & 7017467 Valves	
9	70002386	1	Coil	
10	1001148972	1	Cartridge, Solenoid Valve (Includes Coil)	
10	70002401	1	Cartridge, Solenoid Valve Less Coil	
10	7017496	1	Seal Kit - 1001148972 & 70002401 Valves	
10	70003788	1	Coil	
11	1001165131	1	Cartridge, Compensator Valve ( <b>Prior to SN E300003032</b> )	
11	1001203628	1	Cartridge, Compensator Valve ( <b>SN E300003032 through E300004512</b> )	
11	7012925	1	Seal Kit - 1001165131 & 1001203628 Valve	
12	0961948	4	Bushing	

# SECTION 6 - CYLINDER

FIGURE 6-5. LIFT CYLINDER ASSEMBLY - MAIN BOOM (SN 1300007286 through 1300007383, SN E300004512 to Present)



ART\_1001217681

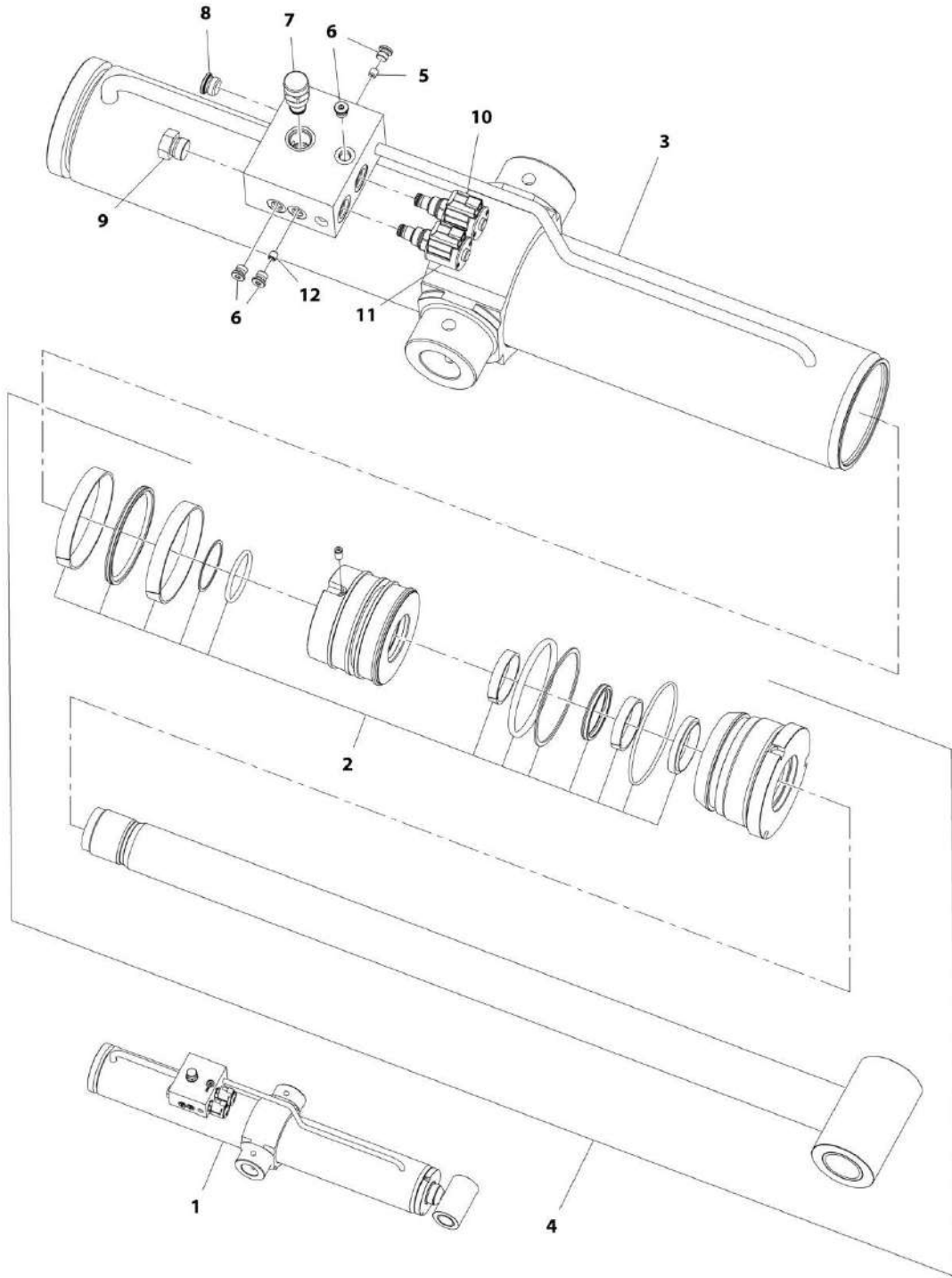
## SECTION 6 - CYLINDER

**FIGURE 6-5. LIFT CYLINDER ASSEMBLY - MAIN BOOM (SN 1300007286 through 1300007383, SN E300004512 to Present)**

ITEM	PART NUMBER	QTY	DESCRIPTION	REV
	1001217681	Ref	LIFT CYLINDER ASSEMBLY - MAIN BOOM (SN E300004512 to Present, SN 1300007286 through 1300007383)	B
2	70004969	1	Seal Kit - 1001217681 Cylinder	
3	See Note	NSS	Barrel (Note: Not Available for Purchase)	
4	70004967	1	Rod Assembly (Includes Item 2)	
5	2180736	1	Orifice	
6	2220883	3	Plug #4	
7	4641390	1	Cartridge, Check Valve	
7	7017496	1	Seal Kit - 4641390 Valve	
8	See Note	NSS	Plug (Note: Not Available for Purchase)	
9	1001164709	1	Cartridge, Solenoid Valve (Includes Coil)	
9	7012967	1	Cartridge, Solenoid Valve Less Coil	
9	7012998	1	Seal Kit - 1001164709 & 7017467 Valves	
9	70002386	1	Coil	
10	1001206625	1	Cartridge, Compensator Valve	
10	70006104	1	Cartridge, Solenoid Valve Less Coil	
10	70006105	1	Seal Kit - 70006104 Valve	
10	70003788	1	Coil	
10	7022390	1	Coil Nut	
11	0961948	4	Bushing	

# SECTION 6 - CYLINDER

## FIGURE 6-6. LIFT CYLINDER ASSEMBLY - TOWER BOOM



ART\_1001161715

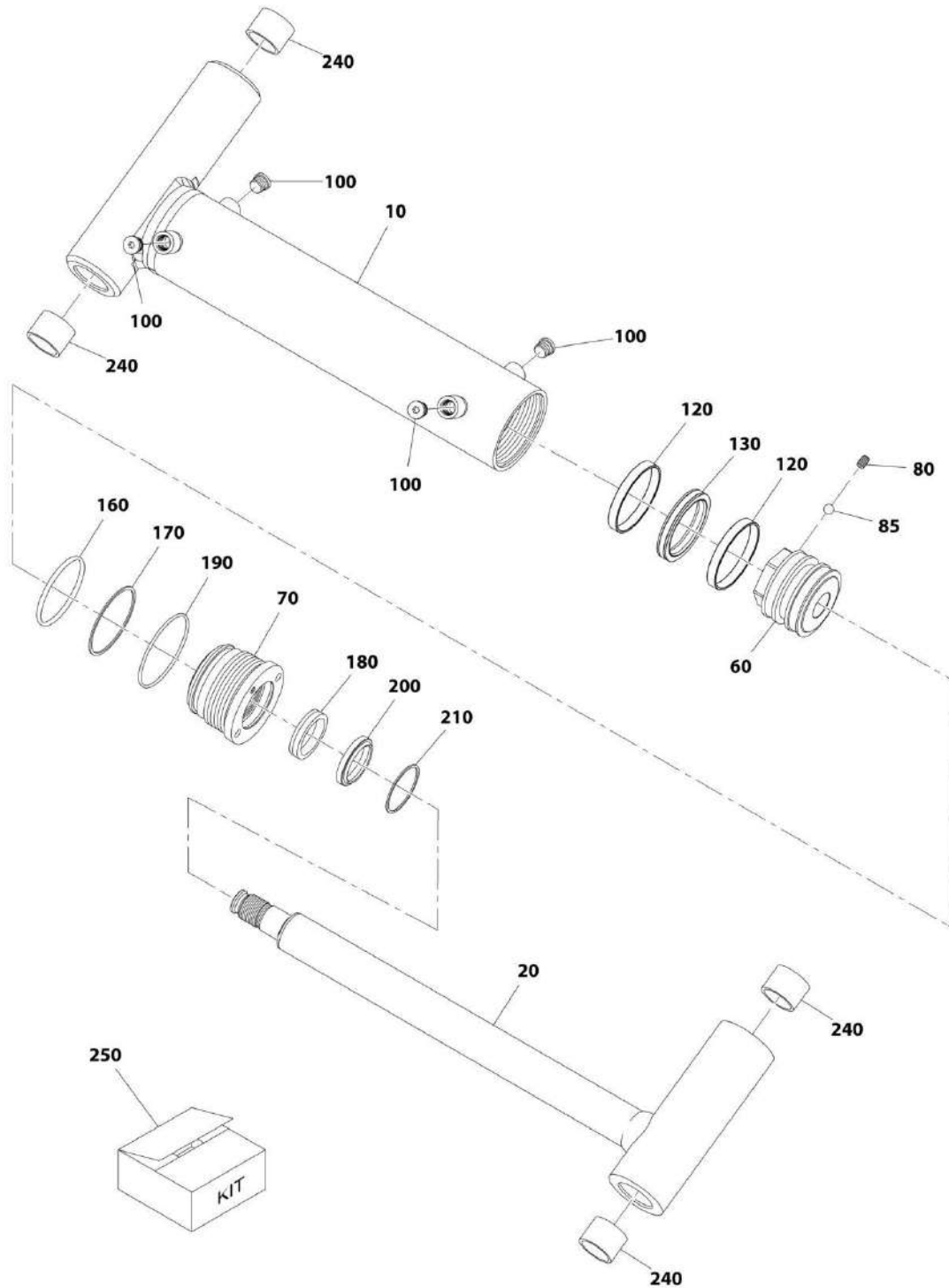
## SECTION 6 - CYLINDER

**FIGURE 6-6. LIFT CYLINDER ASSEMBLY - TOWER BOOM**

ITEM	PART NUMBER	QTY	DESCRIPTION	REV
1	1001161715	1	LIFT CYLINDER ASSEMBLY - TOWER BOOM	G
2	70004966	1	Seal Kit - 1001161715 Cylinder	
3	70004965	1	Barrel	
4	70004964	1	Rod Assembly (Includes Seal Kit and Bushings)	
4	0961948	2	Bushing	
5	70005578	1	Plug, Orifice	
6	2220883	4	Plug #4	
7	4641390	1	Cartridge, Check Valve	
7	7017496	1	Seal Kit - 4641390 Valve	
8	2220886	1	Plug #8	
9	See Note	1	Plug, Shipping (Note: Not Available for Purchase)	
10	1001166208	1	Cartridge, Solenoid Valve (Includes Coil)	
10	7024884	1	Cartridge, Solenoid Valve Less Coil	
10	7012967	1	Seal Kit - 1001166208 & 7024884 Valves	
10	70002386	1	Coil	
11	1001164709	1	Cartridge, Solenoid Valve (Includes Coil)	
11	7017467	1	Cartridge, Solenoid Valve Less Coil	
11	7012998	1	Seal Kit - 1001164709 & 7017467 Valves	
11	70002386	1	Coil	
12	70005577	1	Plug, Orifice	

# SECTION 6 - CYLINDER

## FIGURE 6-7. MASTER CYLINDER ASSEMBLY



ART\_1001161717

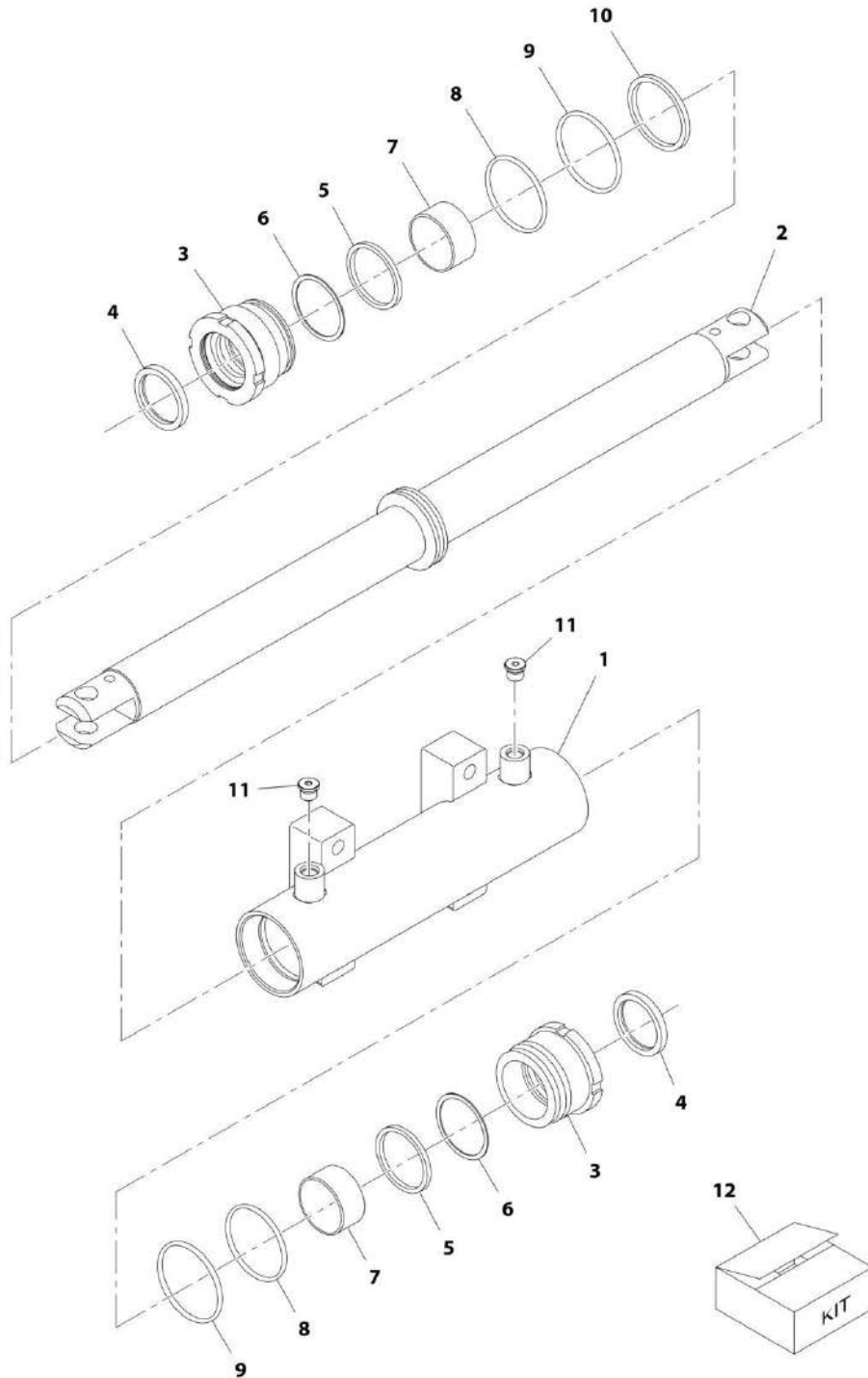
## SECTION 6 - CYLINDER

### FIGURE 6-7. MASTER CYLINDER ASSEMBLY

ITEM	PART NUMBER	QTY	DESCRIPTION	REV
	1001161717	Ref	MASTER CYLINDER ASSEMBLY	D
10	70005017	1	Barrel	
20	70005018	1	Rod	
60	70005012	1	Piston	
70	70003837	1	Head	
80	70005013	1	Setscrew	
85	70005014	1	Ball	
100	70025959	4	Plug 9/16	
120	See Note	NSS	Ring, Piston (Note: Use Item 250)	
130	See Note	NSS	Seal (Note: Use Item 250)	
160	See Note	NSS	O-Ring (Note: Use Item 250)	
170	See Note	NSS	Ring (Note: Use Item 250)	
180	See Note	NSS	Seal (Note: Use Item 250)	
190	See Note	NSS	O-Ring (Note: Use Item 250)	
200	See Note	NSS	Wiper (Note: Use Item 250)	
210	70003838	1	Ring, Retaining	
240	0961951	4	Bushing	
250	70005016	1	Seal Kit - 1001161717 Cylinder (Includes Items 120-200)	

# SECTION 6 - CYLINDER

## FIGURE 6-8. STEER CYLINDER ASSEMBLY



ART\_1001163178



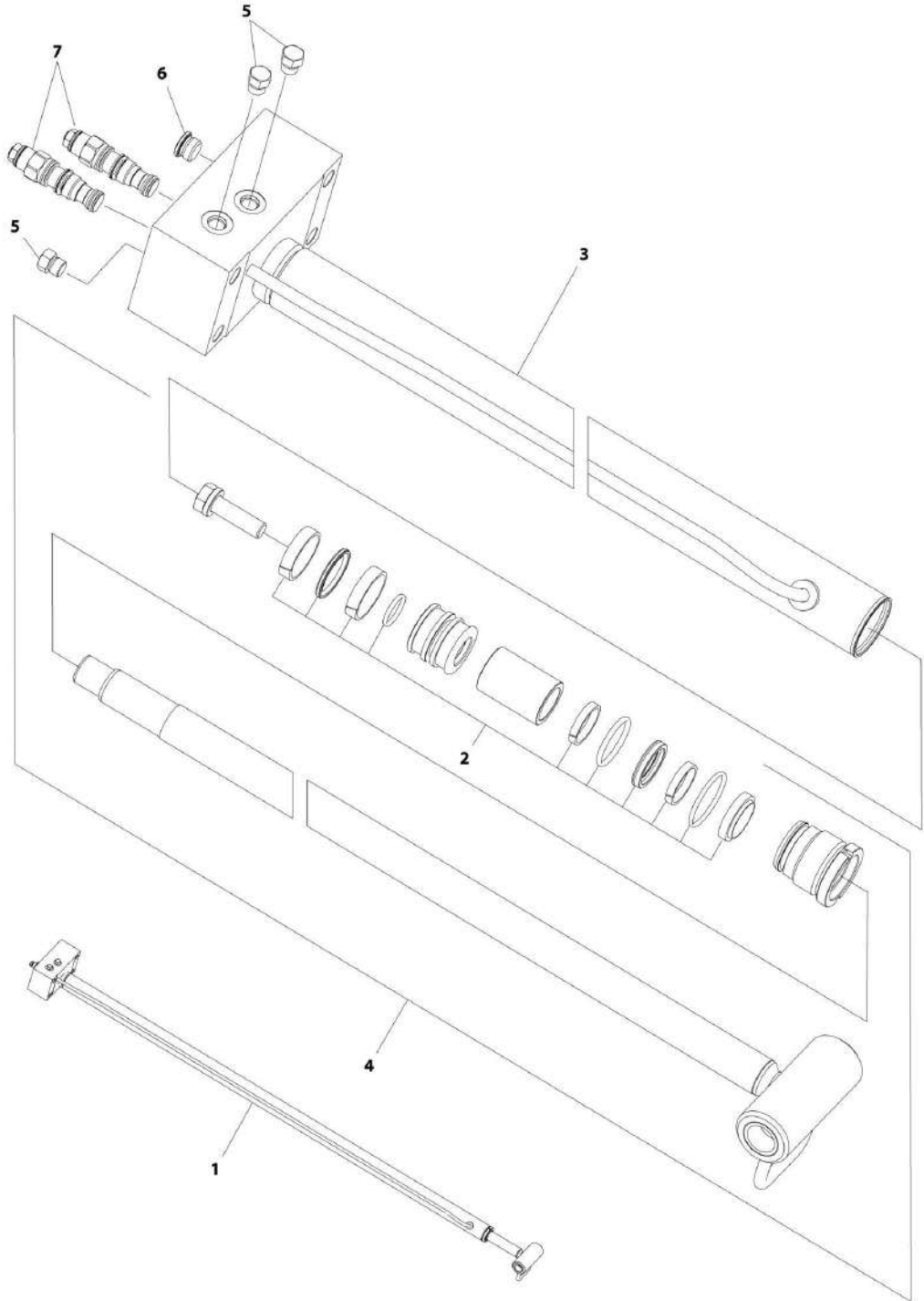
## SECTION 6 - CYLINDER

**FIGURE 6-8. STEER CYLINDER ASSEMBLY**

ITEM	PART NUMBER	QTY	DESCRIPTION	REV
	1001163178	Ref	STEER CYLINDER ASSEMBLY	D
1	70005150	1	Barrel	
2	70005151	1	Rod	
3	70005152	2	Head	
4	See Note	NSS	Wiper (Note: Use Item 12)	
5	See Note	NSS	Seal, Rod (Note: Use Item 12)	
6	See Note	NSS	Ring, Back-up (Note: Use Item 12)	
7	70005153	2	Bearing, Dry	
8	See Note	NSS	O-Ring (Note: Use Item 12)	
9	See Note	NSS	O-Ring (Note: Use Item 12)	
10	See Note	NSS	Seal, Piston (Note: Use Item 12)	
11	See Note	2	Plug 9/16 (Note: Not Available for Purchase)	
12	70005154	1	Seal Kit - 1001163178 Cylinder (Includes Items 4-6 & 8-10)	

# SECTION 6 - CYLINDER

## FIGURE 6-9. TELESCOPE CYLINDER ASSEMBLY



ART\_1001161804

## SECTION 6 - CYLINDER

**FIGURE 6-9. TELESCOPE CYLINDER ASSEMBLY**

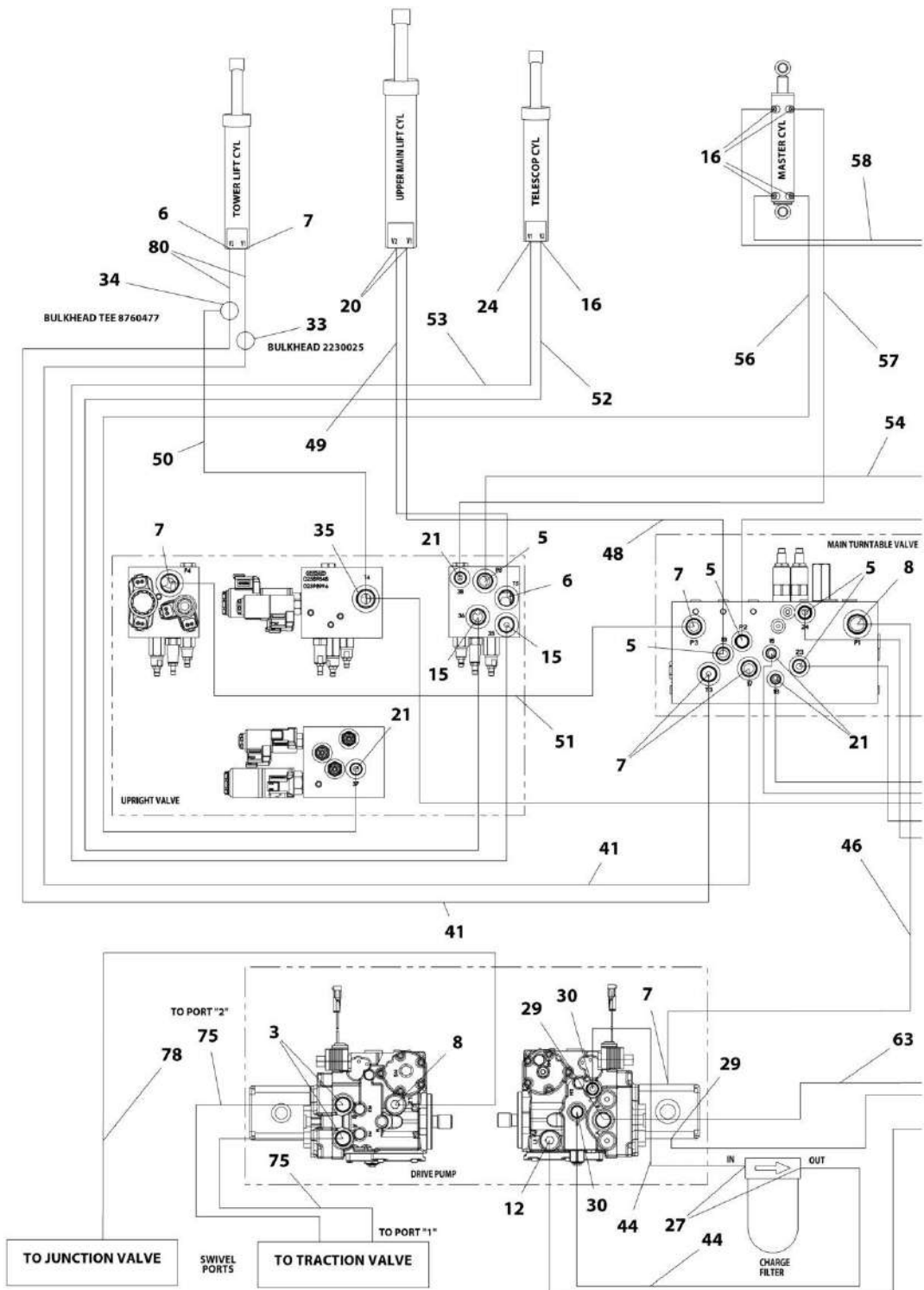
ITEM	PART NUMBER	QTY	DESCRIPTION	REV
1	1001161804	Ref	TELESCOPE CYLINDER ASSEMBLY	E
2	70004960	1	Seal Kit - 1001161804 Cylinder (Part of Item 4)	
3	70004959	1	Barrel	
4	70004958	1	Rod Assembly (Includes Seal Kit)	
5	2220237	3	Plug #6 <b>(Prior to SN E300003032)</b>	
5	2220885	3	Plug #6 <b>(SN 1300007286 through 1300007383, SN E300003032 to Present)</b>	
6	2220886	1	Plug #8	
7	4640771	2	Cartridge, Valve	
7	2900770	2	Seal Kit - 4460771 Valve	



**SECTION 7 - HYDRAULIC**

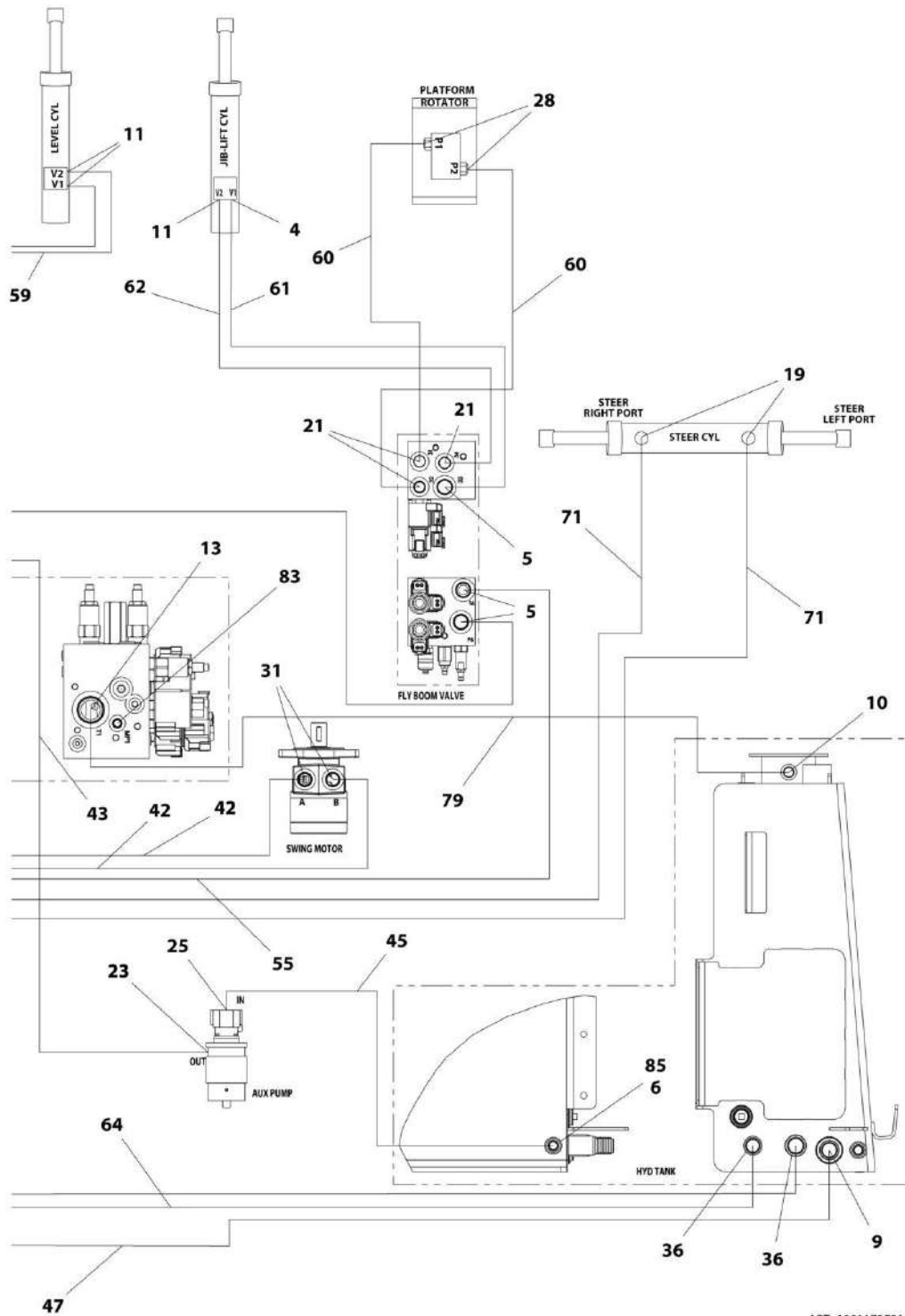
# SECTION 7 - HYDRAULIC

FIGURE 7-1. HYDRAULIC SYSTEM INSTALLATION (Prior to SN E300004228)



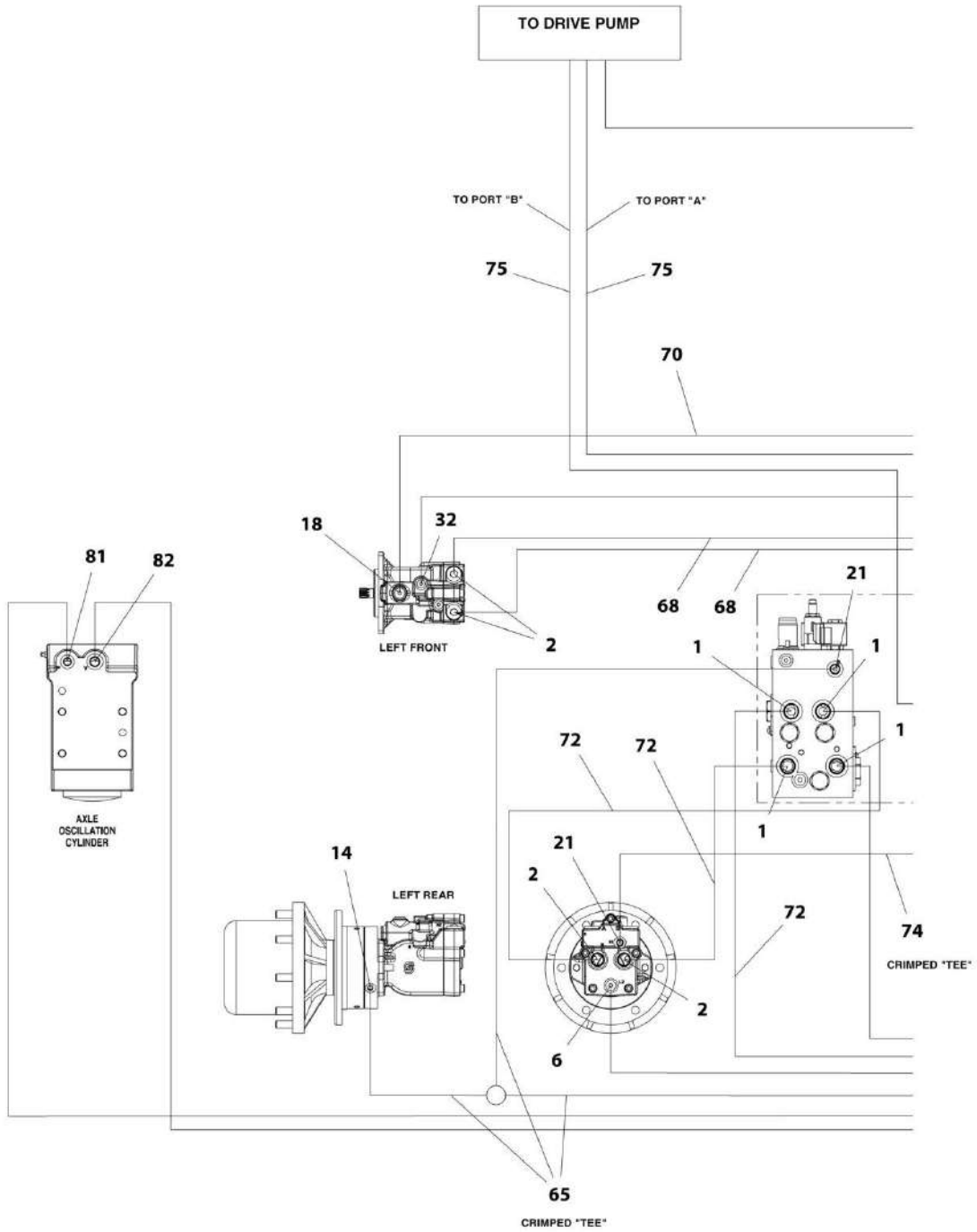
ART\_1001173721\_10F4

# SECTION 7 - HYDRAULIC



ART\_1001173721\_20F4

# SECTION 7 - HYDRAULIC



ART\_1001173721\_3OF4





# SECTION 7 - HYDRAULIC

**FIGURE 7-1. HYDRAULIC SYSTEM INSTALLATION (Prior to SN E300004228)**

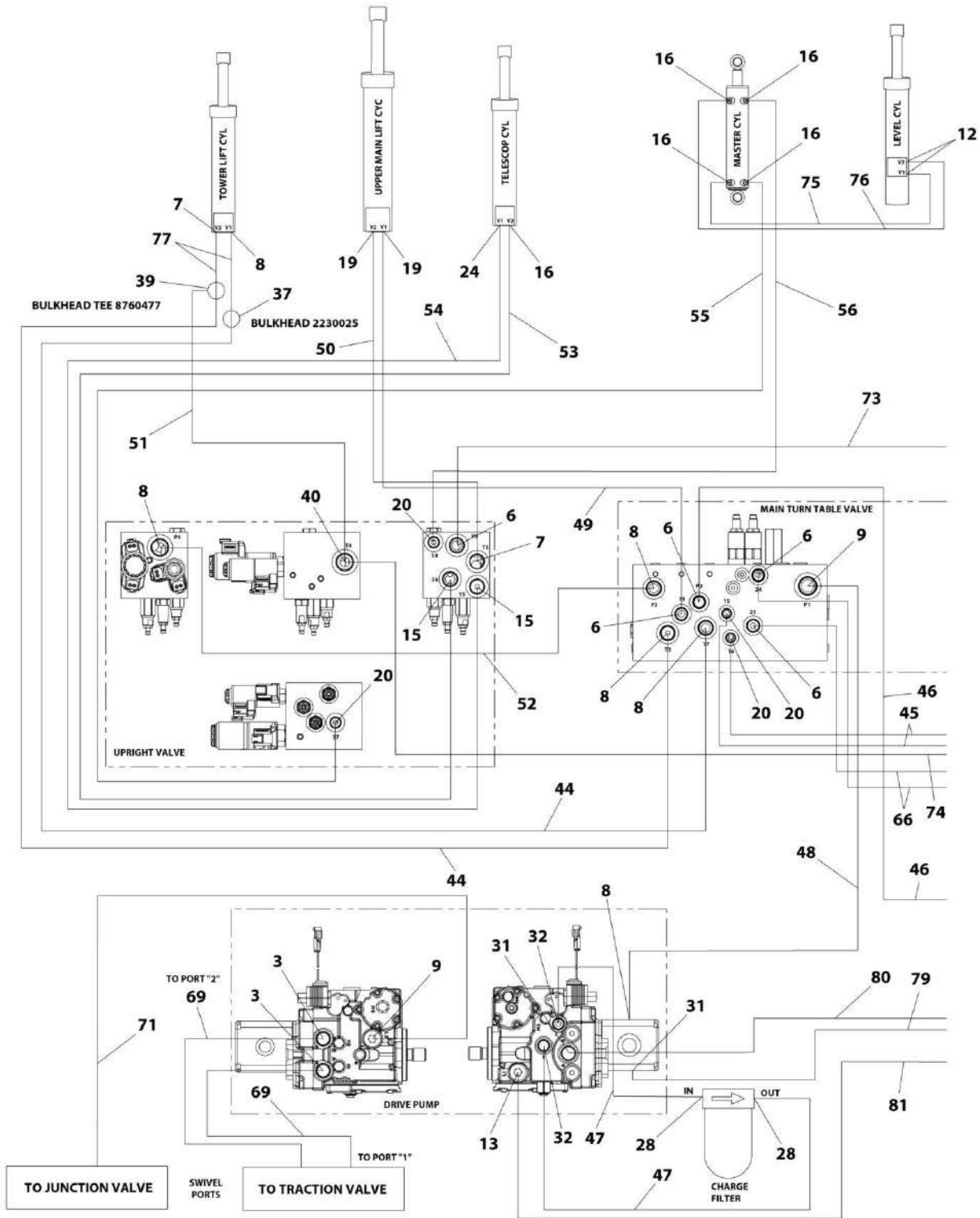
ITEM	PART NUMBER	QTY	DESCRIPTION	REV
	1001173721	Ref	HYDRAULIC SYSTEM INSTALLATION (Prior to SN E300004228)	C
1	2110810	8	Fitting, Straight ORFS/ORB	
2	2110812	8	Fitting, Straight ORFS/ORB	
3	2151212	2	Fitting, 45 ORFS/ORB	
4	2220371	1	Fitting, Straight JIC/ORB	
5	2220372	11	Fitting, Straight JIC/ORB	
6	2220373	5	Fitting, Straight JIC/ORB	
7	2220374	6	Fitting, Straight JIC/ORB	
8	2220375	2	Fitting, Straight JIC/ORB	
9	2220377	1	Fitting, Straight JIC/ORB	
10	2220408	1	Fitting, Straight JIC/ORB	
11	2220415	3	Fitting, Straight JIC/ORB	
12	2220451	1	Fitting, Straight JIC/ORB	
13	2220465	1	Fitting, 90 JIC/ORB	
14	2220466	2	Fitting, 90 JIC/ORB	
15	2220468	2	Fitting, Straight JIC/ORB	
16	2220472	5	Fitting, 90 JIC/ORB	
18	2220500	4	Fitting, 45 JIC/ORB	
19	2220501	2	Fitting, 45 JIC/ORB	
20	2220577	2	Fitting, Straight JIC/ORB	
21	2220582	11	Fitting, Straight JIC/ORB	
22	2220596	1	Fitting, 90 JIC/ORB	
23	2220603	1	Fitting, Straight JIC/ORB	
24	2220628	1	Fitting, 90 JIC/ORB	
25	2220600	1	Fitting, Straight JIC/ORB	
26	2220811	1	Fitting, Straight FORB/ORB	
27	2220906	2	Fitting, 90 JIC/ORB	
28	2220940	2	Fitting, Elbow	
29	2220946	2	Fitting, Straight JIC/ORB	
30	2220947	2	Fitting, Straight JIC/ORB	
31	2221033	2	Fitting, Straight JIC/ORB	
32	2221040	2	Fitting, 45 JIC/ORB	
33	2230025	1	Fitting, Straight JIC/JIC	
34	8760477	1	Fitting, Tee JIC/JIC/JIC	
35	8770289	1	Fitting, Tee JIC/ORB/JIC	
36	80633030	2	Clamp, Hose	
37	1001119627	1	Fitting, Straight JIC/ORB	
38	1001142679	2	Fitting, Straight ORFS/ORB	
39	1001143936	1	Fitting, 90 FORB/ORB	
40	1001175024	1	Fitting, Tee JIC/JIC/ORB	
41	1001173006	2	Hose	
42	1001173027	2	Hose	
43	1001173028	1	Hose	
44	1001173029	2	Hose	
45	1001173030	1	Hose	
46	1001173031	1	Hose	
47	1001173032	1	Hose	
48	1001173034	1	Hose	
49	1001173035	1	Hose	
50	1001173036	1	Hose	

## SECTION 7 - HYDRAULIC

ITEM	PART NUMBER	QTY	DESCRIPTION	REV
51	1001173037	1	Hose	
52	1001173038	1	Hose	
53	1001173039	1	Hose	
54	1001176299	1	Hose	
55	1001176300	1	Hose	
56	1001173042	1	Hose	
57	1001173043	1	Hose	
58	1001176301	1	Hose	
59	1001176302	1	Hose	
60	1001173046	2	Hose	
61	1001173048	1	Hose	
62	1001173049	1	Hose	
63	1001173050	1	Hose	
64	1001173051	1	Hose	
65	1001173052	1	Hose	
66	1001173053	1	Hose	
67	1001173054	1	Hose	
68	1001173055	4	Hose	
69	1001173056	1	Hose	
70	1001173057	2	Hose	
71	1001173058	2	Hose	
72	1001173059	4	Hose	
74	1001173061	1	Hose	
75	1001173062	2	Hose	
76	1001173063	1	Hose	
77	1001197039	1	Hose	
78	1001173066	1	Hose	
79	1001173631	1	Tube Assembly	
80	1001180035	2	Hose	
81	2220923	2	Fitting, Straight JIC/ORB	
82	2220998	2	Fitting, Straight JIC/ORB	
83	2221086	1	Fitting, Diagnostic	
84	2220883	2	Plug #4	
85	8765204	1	Fitting, 90 JIC/FSJIC	

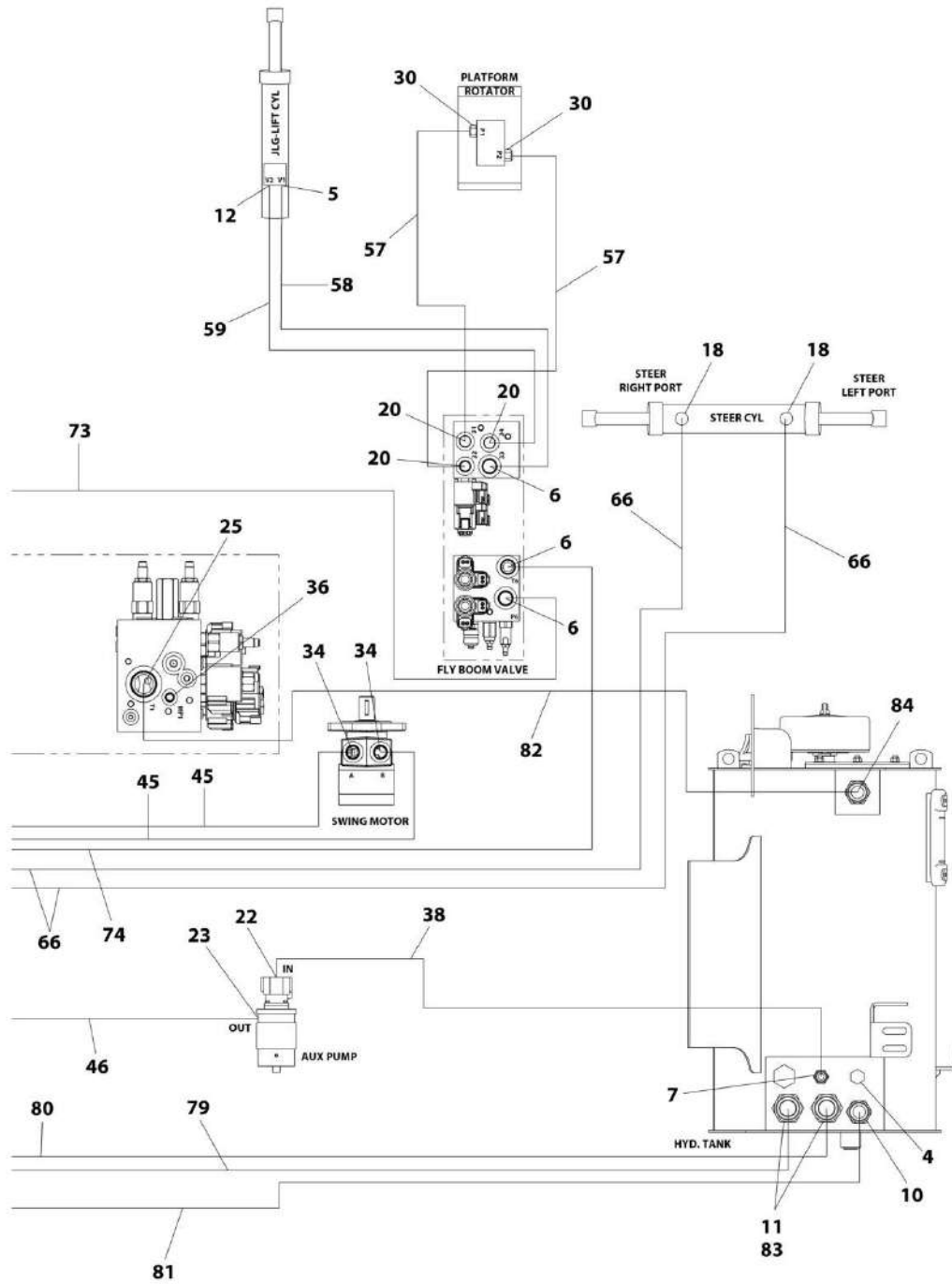
# SECTION 7 - HYDRAULIC

FIGURE 7-2. HYDRAULIC SYSTEM INSTALLATION (SN 130007286 through 130007383, SN E30004228 to Present)



ART\_1001207356\_10F4

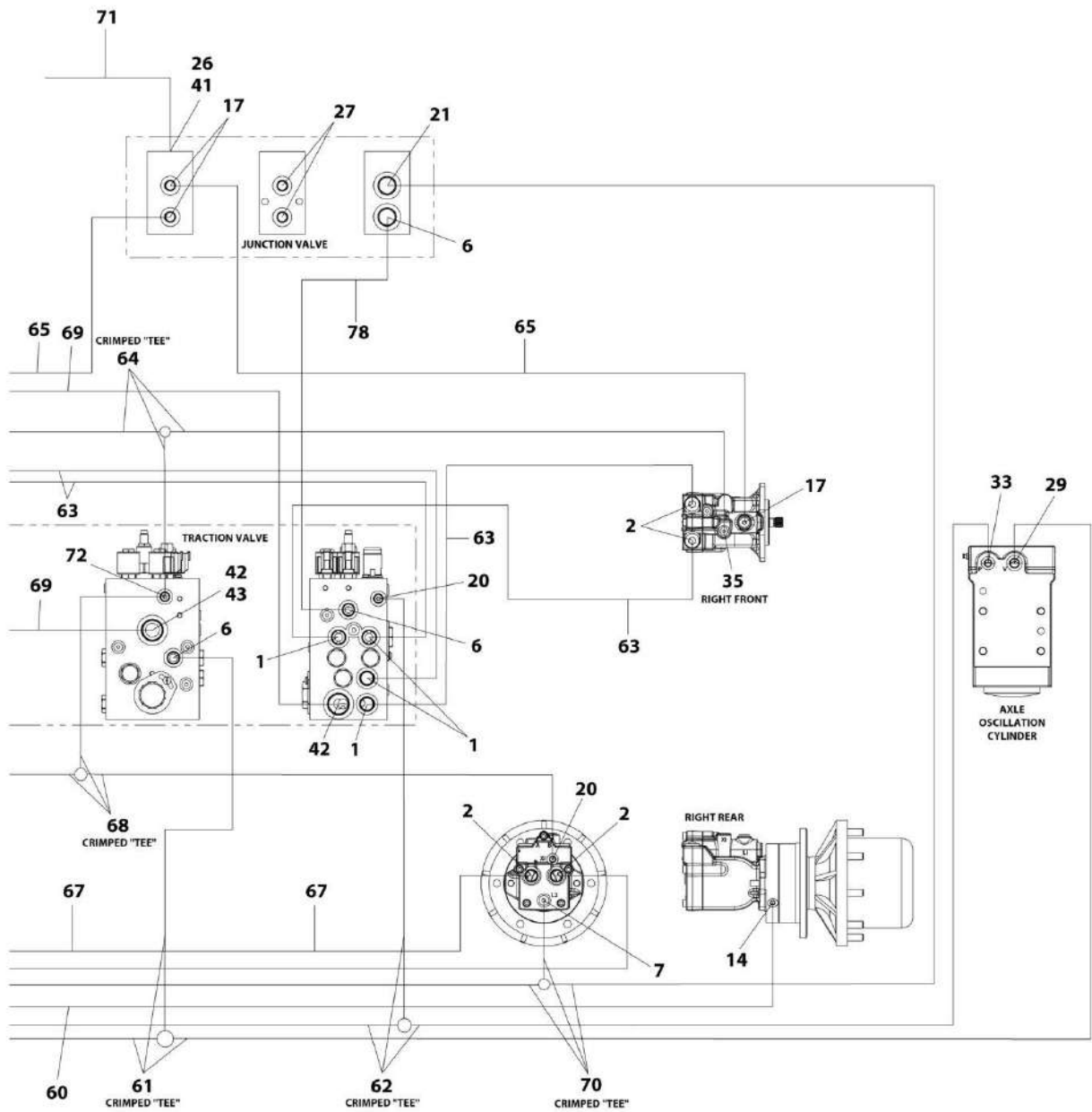
# SECTION 7 - HYDRAULIC



ART\_1001207356\_2OF4



# SECTION 7 - HYDRAULIC



ART\_1001207356\_4OF4

## SECTION 7 - HYDRAULIC

**FIGURE 7-2. HYDRAULIC SYSTEM INSTALLATION (SN 1300007286 through 1300007383, SN E300004228 to Present)**

ITEM	PART NUMBER	QTY	DESCRIPTION	REV
	1001207356	Ref	HYDRAULIC SYSTEM INSTALLATION (SN 1300007286 through 1300007383, SN E300004228 to Present)	C
1	2110810	8	Fitting, Straight ORFS/ORB	
2	2110812	8	Fitting, Straight ORFS/ORB	
3	2151212	2	Fitting, 45 ORFS/ORB	
4	2220238	1	Plug	
5	2220371	1	Fitting, Straight JIC/ORB	
6	2220372	11	Fitting, Straight JIC/ORB	
7	2220373	5	Fitting, Straight JIC/ORB	
8	2220374	6	Fitting, Straight JIC/ORB	
9	2220375	2	Fitting, Straight JIC/ORB	
10	2220377	1	Fitting, Straight JIC/ORB	
11	1001202910	2	Fitting, Straight MORB	
12	2220415	3	Fitting, Straight JIC/ORB	
13	2220451	1	Fitting, Straight JIC/ORB	
14	2220466	2	Fitting, 90 JIC/ORB	
15	2220468	2	Fitting, Straight JIC/ORB	
16	2220472	5	Fitting, 90 JIC/ORB	
17	2220500	4	Fitting, 45 JIC/ORB	
18	2220501	2	Fitting, 45 JIC/ORB	
19	2220497	2	Fitting, Straight JIC/ORB	
20	2220582	11	Fitting, Straight JIC/ORB	
21	2220596	1	Fitting, 90 JIC/ORB	
22	2220600	1	Fitting, Straight JIC/ORB	
23	2220603	1	Fitting, Straight JIC/ORB	
24	2220628	1	Fitting, 90 JIC/ORB	
25	2220465	1	Fitting, 90 JIC/ORB	
26	2220811	1	Fitting, Straight FORB/ORB	
27	2220883	2	Plug #4	
28	2220906	2	Fitting, 90 JIC/ORB	
29	2220923	2	Fitting, Straight JIC/ORB	
30	2220940	2	Fitting, Elbow	
31	2220946	2	Fitting, Straight JIC/ORB	
32	2220947	2	Fitting, Straight JIC/ORB	
33	2220998	2	Fitting, Straight JIC/ORB	
34	2221033	2	Fitting, Straight JIC/ORB	
35	2221040	2	Fitting, 45 JIC/ORB	
36	2221086	1	Fitting, Diagnostic	
37	2230025	1	Fitting, Straight JIC/JIC	
38	2752519	1	Hose	
39	8760477	1	Fitting, Tee JIC/JIC/JIC	
40	8770289	1	Fitting, Tee JIC/ORB/JIC	
41	1001119627	1	Fitting, Straight JIC/ORB	
42	1001142679	2	Fitting, Straight ORFS/ORB	
43	1001143936	1	Fitting, 90 FORB/ORB	
44	1001173006	2	Hose	
45	1001173027	2	Hose	
46	1001173028	1	Hose	
47	1001173029	2	Hose	



## SECTION 7 - HYDRAULIC

ITEM	PART NUMBER	QTY	DESCRIPTION	REV
48	2752504	1	Hose	
49	1001173034	1	Hose	
50	1001173035	1	Hose	
51	1001173036	1	Hose	
52	1001173037	1	Hose	
53	1001173038	1	Hose	
54	1001173039	1	Hose	
55	1001173042	1	Hose	
56	1001173043	1	Hose	
57	1001173046	2	Hose	
58	1001173048	1	Hose	
59	1001173049	1	Hose	
60	1001173052	1	Hose	
61	1001173053	1	Hose	
62	1001173054	1	Hose	
63	1001173055	4	Hose	
64	1001173056	1	Hose	
65	1001173057	2	Hose	
66	1001173058	2	Hose	
67	1001173059	4	Hose	
68	1001173061	1	Hose	
69	1001173062	2	Hose	
70	1001173063	1	Hose	
71	1001173066	1	Hose	
72	1001175024	1	Fitting, Tee JIC/JIC/ORB	
73	1001176299	1	Hose	
74	1001176300	1	Hose	
75	1001176301	1	Hose	
76	1001176302	1	Hose	
77	1001180035	2	Hose	
78	1001197039	1	Hose	
79	1001207335	1	Hose	
80	1001207335	1	Hose	
81	1001207336	1	Hose	
82	1001210356	1	Tube	
83	80633030	2	Clamp, Hose	
84	2220435	1	Fitting, Straight JIC/ORB	

## SECTION 7 - HYDRAULIC

FIGURE 7-3. HYDRAULIC DIAGRAM LIST

ITEM	PART NUMBER	QTY	DESCRIPTION	REV
	1001175260	Ref Ref	Note: Diagrams are available from JLG Service/Parts Department. HYDRAULIC SCHEMATIC (Not Shown - See Service Manual)	

**SECTION 8 - ELECTRICAL**

## SECTION 8 - ELECTRICAL

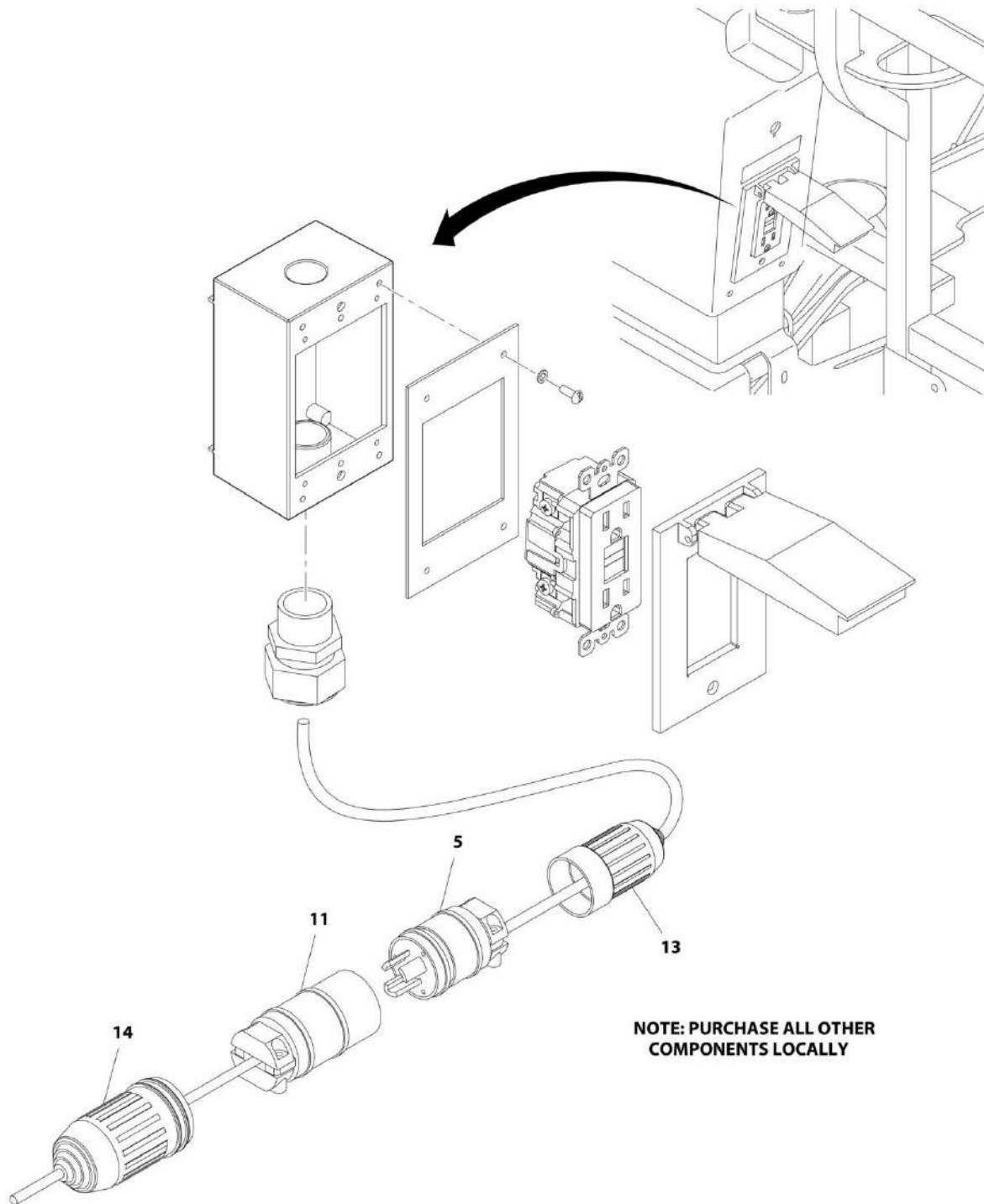
FIGURE 8-1. ELECTRICAL DIAGRAM LIST

ITEM	PART NUMBER	QTY	DESCRIPTION	REV
		Ref	Note: For information, refer to Service Manual or contact JLG Customer Service Department.	
	1001157930	Ref	ELECTRICAL SCHEMATIC	
	1001175634	Ref	Generator Electrical Diagram - 4000W Generator - 50Hz (Australian Specs)	
	1001175632	Ref	Generator Electrical Diagram - 4000W Generator - 50Hz (CE Specs)	
	1001175633	Ref	Generator Electrical Diagram - 4000W Generator - 50Hz (UK Specs)	
	1001174675	Ref	Generator Electrical Diagram - 7500W SkyPower Generator	



# SECTION 8 - ELECTRICAL

FIGURE 8-2. AC BOX AT PLATFORM - LOCALLY SUPPLIED COMPONENTS (Prior to SN E30003512)



**NOTE: PURCHASE ALL OTHER COMPONENTS LOCALLY**

ART\_0258304

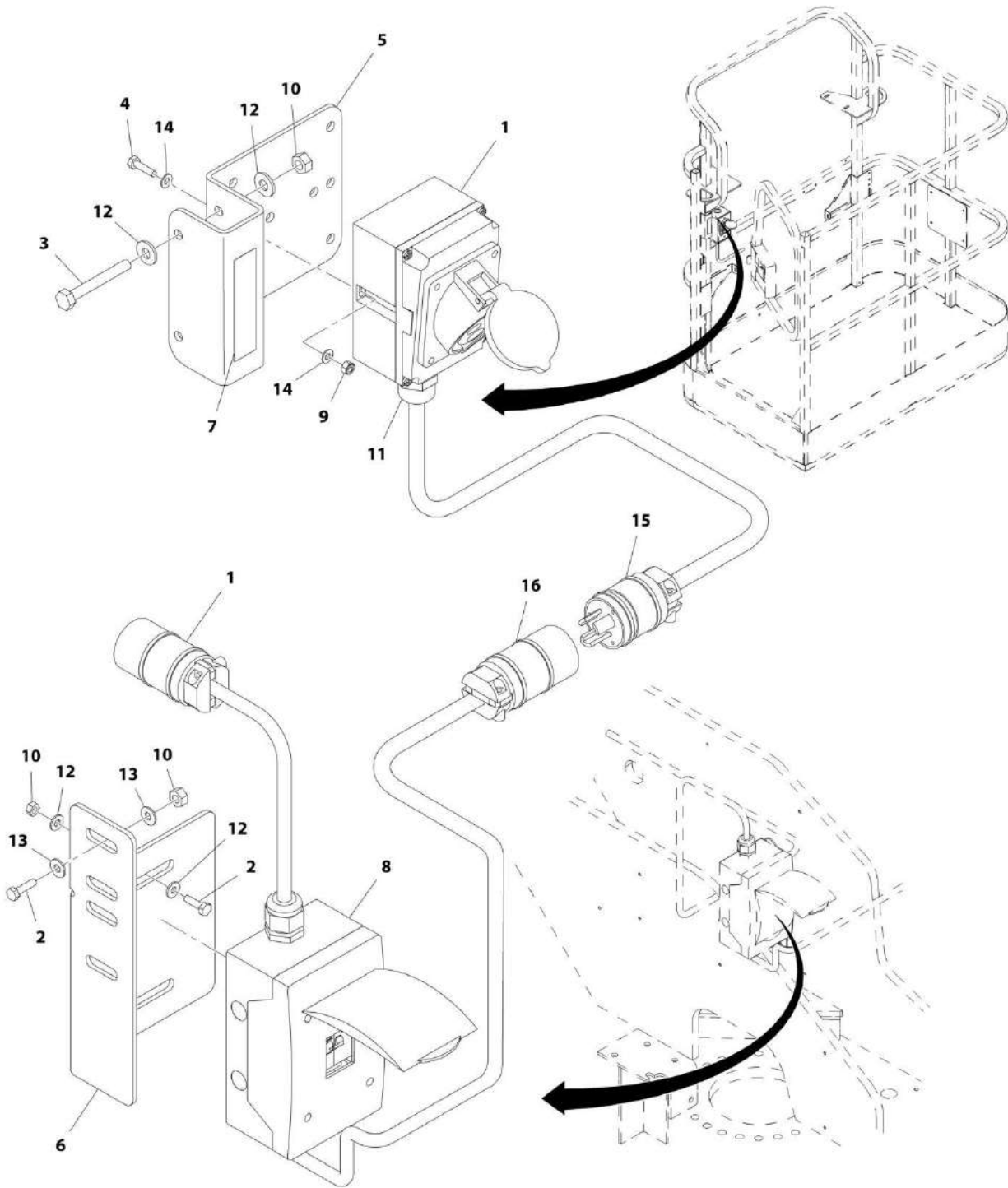
## SECTION 8 - ELECTRICAL

**FIGURE 8-2. AC BOX AT PLATFORM - LOCALLY SUPPLIED COMPONENTS (Prior to SN E300003512)**

ITEM	PART NUMBER	QTY	DESCRIPTION	REV
	0258304	Ref	AC BOX AT PLATFORM - LOCALLY SUPPLIED COMPONENTS (Prior to SN E300003512)	C
5	4460709	1	Plug	
11	4460710	1	Receptacle	
13	1001156351	1	Cover, Female Connector	
14	1001156352	1	Cover, Male Connector	

# SECTION 8 - ELECTRICAL

FIGURE 8-3. AC BOX AT PLATFORM INSTALLATION - 110V IEC YELLOW (CE SPEC) (Prior to SN E300003512)



ART\_0275681



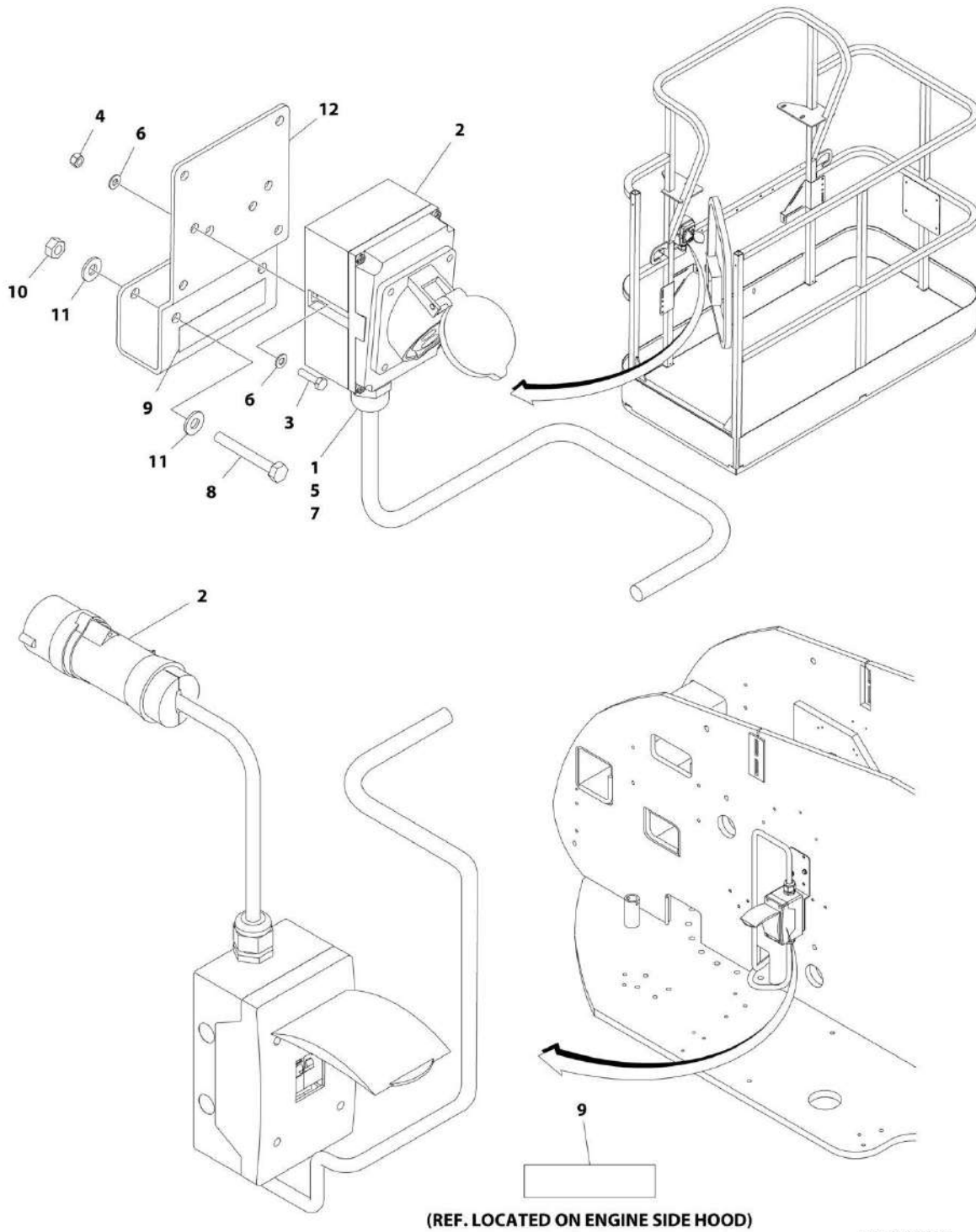
## SECTION 8 - ELECTRICAL

**FIGURE 8-3. AC BOX AT PLATFORM INSTALLATION - 110V IEC YELLOW (CE SPEC) (Prior to SN E300003512)**

ITEM	PART NUMBER	QTY	DESCRIPTION	REV
	0275681	Ref	AC BOX AT PLATFORM INSTALLATION - 110V IEC YELLOW (CE SPEC) <b>(Prior to SN E300003512)</b>	B
		Ref	Note: For Machines equipped with 4000W Generator, see SPECIAL OPTIONS SECTION.	
1	0275216	1	Receptacle Box Kit (See RECEPTACLE BOX KIT - 110V IEC YELLOW (CE SPEC) for Breakdown)	
2	0641407	4	Bolt, 1/4 x 7/8	
3	0641416	2	Bolt, 1/4 x 2	
4	0700408	2	Bolt, M4 x 16	
5	0903484	1	Bracket	
6	0903612	1	Bracket	
7	1705325	2	Decal - 120V - 50 Hz	
8	2902549	1	Breaker Box Kit - CE Spec (See BREAKER BOX KIT - CE SPEC for Breakdown)	
9	3290405	2	Nut M4	
10	3311405	6	Nut 1/4	
11	4460968	1	Connector, Strain Relief	
12	4711400	8	Washer 1/4	
13	4751400	4	Washer 1/4	
14	4811400	4	Washer M4	
15	4460709	1	Plug, Male	
16	4460710	1	Receptacle, Female	

## SECTION 8 - ELECTRICAL

**FIGURE 8-4. AC BOX AT PLATFORM INSTALLATION - 110V IEC 60309 YELLOW WITHOUT 2500W GENERATOR (CE SPECS) (SN 1300007286 through 1300007383, SN E300003512 to Present)**



ART\_1001091969

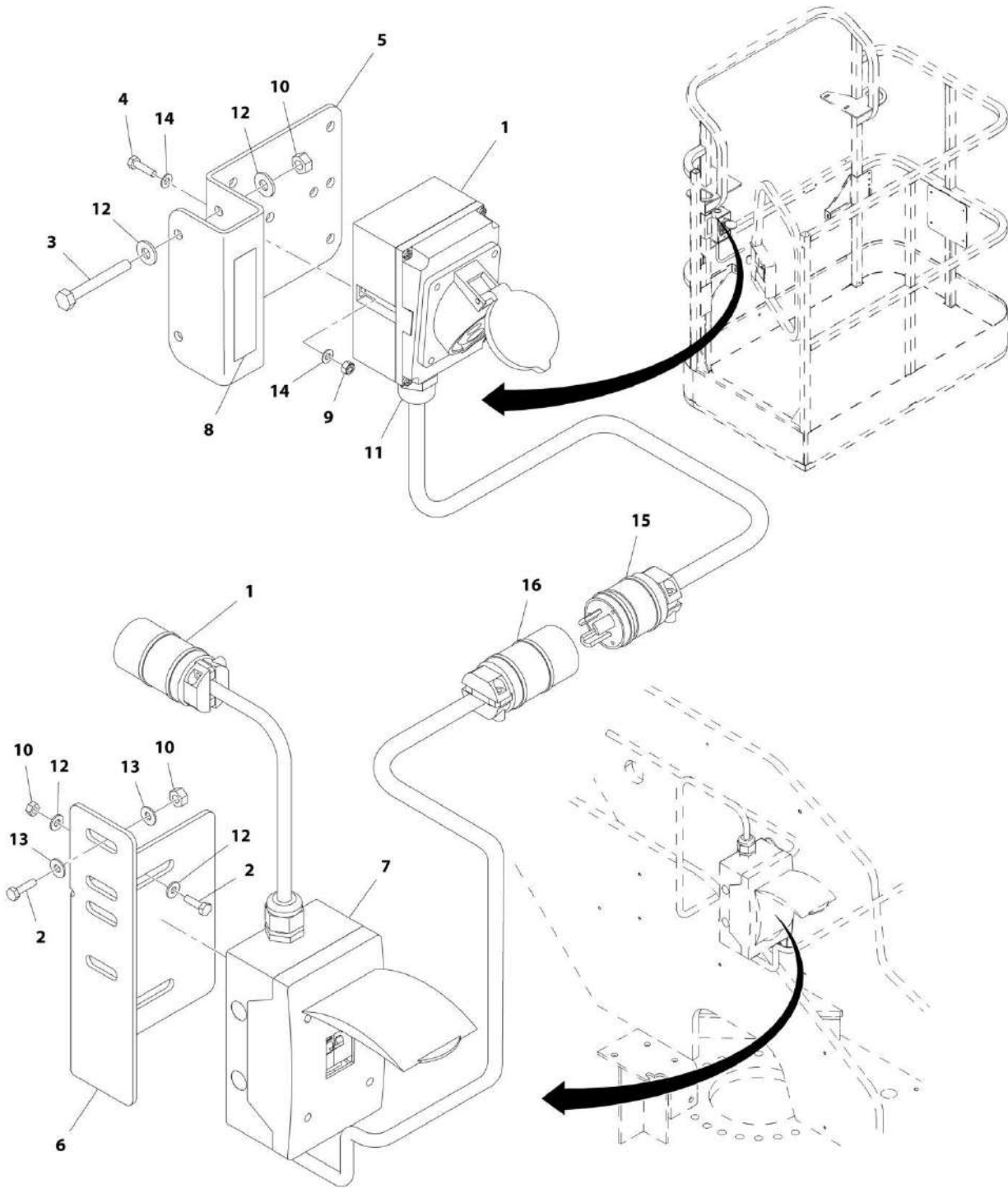
## SECTION 8 - ELECTRICAL

**FIGURE 8-4. AC BOX AT PLATFORM INSTALLATION - 110V IEC 60309 YELLOW WITHOUT 2500W GENERATOR (CE SPECS) (SN 1300007286 through 1300007383, SN E300003512 to Present)**

ITEM	PART NUMBER	QTY	DESCRIPTION	REV
	1001091969	Ref	AC BOX AT PLATFORM INSTALLATION - 110V IEC 60309 YELLOW WITHOUT 2500W GENERATOR (CE SPECS) (SN 1300007286 through 1300007383, SN E300003512 to Present)	D
		Ref	Note: For Machines equipped with 4000W Generator, see SPECIAL OPTIONS SECTION.	
1	0100020	AR	Sealant, Pipe	
2	0275216	1	Receptacle Box Kit (See RECEPTACLE BOX KIT - 110V IEC YELLOW WITHOUT 2500W GENERATOR (CE SPECS) for Breakdown)	
3	0700408	2	Bolt M4 x 16	
4	3290405	2	Nut M4	
5	1001101196	1	Adapter	
6	4811400	4	Washer M4	
7	1001101191	1	Connector, Strain Relief	
8	0641416	2	Bolt 1/4 x 2	
9	1705325	AR	Decal - 110V	
10	3311405	2	Nut 1/4	
11	4711400	4	Washer 1/4	
12	1001193018	1	Bracket	

# SECTION 8 - ELECTRICAL

FIGURE 8-5. AC BOX AT PLATFORM INSTALLATION - 220V IEC BLUE (CE SPEC) (Prior to SN E300003512)



ART\_0275682

## SECTION 8 - ELECTRICAL

**FIGURE 8-5. AC BOX AT PLATFORM INSTALLATION - 220V IEC BLUE (CE SPEC) (Prior to SN E300003512)**

ITEM	PART NUMBER	QTY	DESCRIPTION	REV
	0275682	Ref	AC BOX AT PLATFORM INSTALLATION - 220V IEC BLUE (CE SPEC) <b>(Prior to SN E300003512)</b>	B
		Ref	Note: For Machines equipped with 4000W Generator, see SPECIAL OPTIONS SECTION.	
1	0275217	1	Receptacle Box Kit (See RECEPTACLE BOX KIT - 220V IEC BLUE (CE SPEC) for Breakdown)	
2	0641407	4	Bolt, 1/4 x 7/8	
3	0641416	2	Bolt, 1/4 x 2	
4	0700408	2	Bolt, M4 x 16	
5	0903484	1	Bracket	
6	0903612	1	Bracket	
7	3252507	2	Decal - Voltage	
8	2902549	1	Breaker Box Kit - CE Spec (See BREAKER BOX KIT - CE SPEC for Breakdown)	
9	3290405	2	Nut M4	
10	3311405	6	Nut 1/4	
11	4460968	1	Connector, Strain Relief	
12	4711400	8	Washer 1/4	
13	4751400	4	Washer 1/4	
14	4811400	4	Washer M4	
15	4460709	1	Plug, Male	
16	4460710	1	Receptacle, Female	



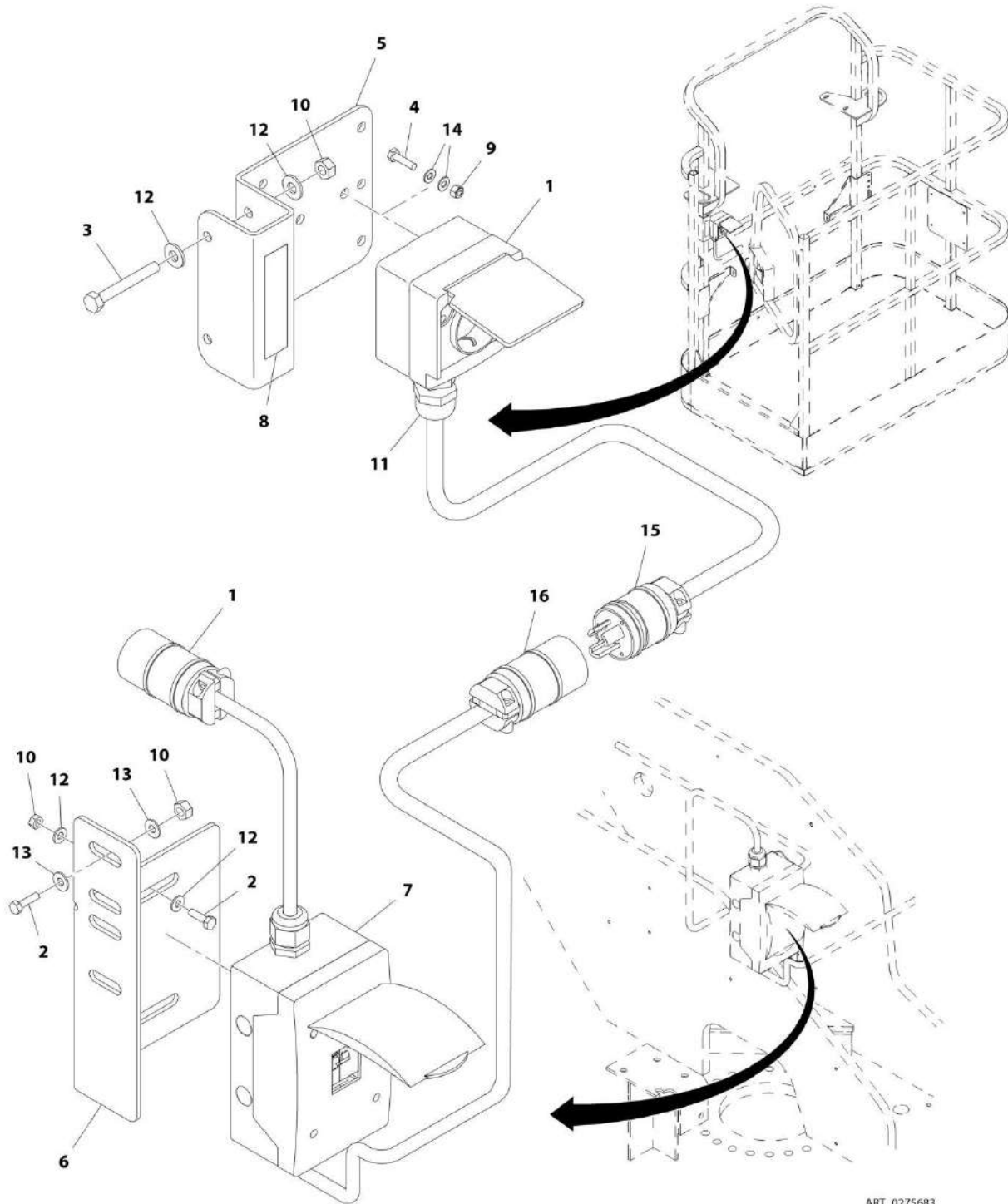
## SECTION 8 - ELECTRICAL

**FIGURE 8-6. AC BOX AT PLATFORM INSTALLATION - 220V IEC 60309 BLUE WITHOUT 2500W GENERATOR (CE SPECS) (SN 1300007286 through 1300007383, SN E300003512 to Present)**

ITEM	PART NUMBER	QTY	DESCRIPTION	REV
	1001091970	Ref	AC BOX AT PLATFORM INSTALLATION - 220V IEC 60309 BLUE WITHOUT 2500W GENERATOR (CE SPECS) <b>(SN 1300007286 through 1300007383, SN E300003512 to Present)</b>	D
		Ref	Note: For Machines equipped with 4000W Generator, see SPECIAL OPTIONS SECTION.	
1	0100020	AR	Sealant, Pipe	
2	0275217	1	Receptacle Box Kit (See RECEPTACLE BOX KIT - 220V IEC BLUE WITHOUT 2500W GENERATOR (CE SPECS) for Breakdown)	
3	0700408	2	Bolt M4 x 16	
4	3290405	2	Nut M4	
5	1001101196	1	Adapter	
6	4811400	4	Washer M4	
7	1001101191	1	Connector, Strain Relief	
8	0641416	2	Bolt 1/4 x 2	
9	3311405	2	Nut 1/4	
10	4711400	4	Washer 1/4	
11	1001193018	1	Bracket	
12	3251242	2	Decal - 240V/50Hz <b>(SN 1300007286 through 1300007383, SN E300004872 to Present)</b>	

# SECTION 8 - ELECTRICAL

FIGURE 8-7. AC BOX AT PLATFORM INSTALLATION - 220V CEE7 POST GROUND WITH 70MM X 70MM BOX (CE SPEC) (Prior to SN E300002764)





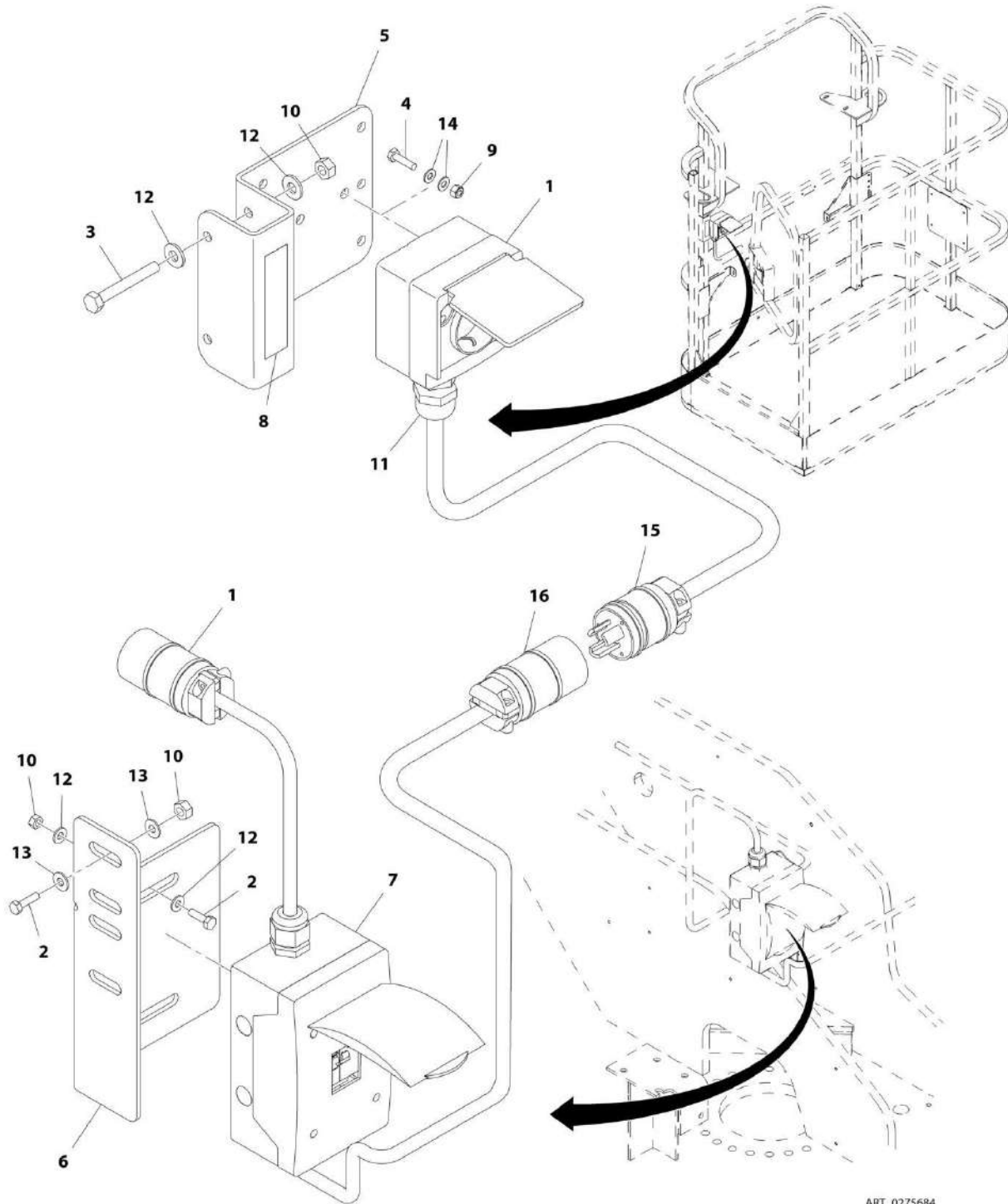
## SECTION 8 - ELECTRICAL

**FIGURE 8-7. AC BOX AT PLATFORM INSTALLATION - 220V CEE7 POST GROUND WITH 70MM X 70MM BOX (CE SPEC) (Prior to SN E300002764)**

ITEM	PART NUMBER	QTY	DESCRIPTION	REV
	0275683	Ref	AC BOX AT PLATFORM INSTALLATION - 220V CEE7 POST GROUND WITH 70MM X 70MM BOX (CE SPEC) <b>(Prior to SN E300002764)</b>	B
		Ref	Note: For Machines equipped with 4000W Generator, see SPECIAL OPTIONS SECTION.	
1	0275218	1	Receptacle Box Kit (See RECEPTACLE BOX KIT- 220V CEE7 POST GROUND WITH 70MM X 70MM BOX (CE SPEC) for Breakdown)	
2	0641407	4	Bolt, 1/4 x 7/8	
3	0641416	2	Bolt, 1/4 x 2	
4	0700408	2	Bolt, M4 x 16	
5	0903484	1	Bracket	
6	0903612	1	Bracket	
7	2902549	1	Breaker Box Kit - CE Spec (See BREAKER BOX KIT - CE SPEC for Breakdown)	
8	3252507	2	Decal - Voltage	
9	3290405	2	Nut M4	
10	3311405	6	Nut 1/4	
11	4460968	1	Connector, Strain Relief	
12	4711400	8	Washer 1/4	
13	4751400	4	Washer 1/4	
14	4811400	4	Washer M4	
15	4460709	1	Plug, Male	
16	4460710	1	Receptacle, Female	

# SECTION 8 - ELECTRICAL

FIGURE 8-8. AC BOX AT PLATFORM INSTALLATION - 220V CEE7 SIDE GROUND WITH 70MM X 70MM BOX (CE SPEC) (Prior to SN E30002764)



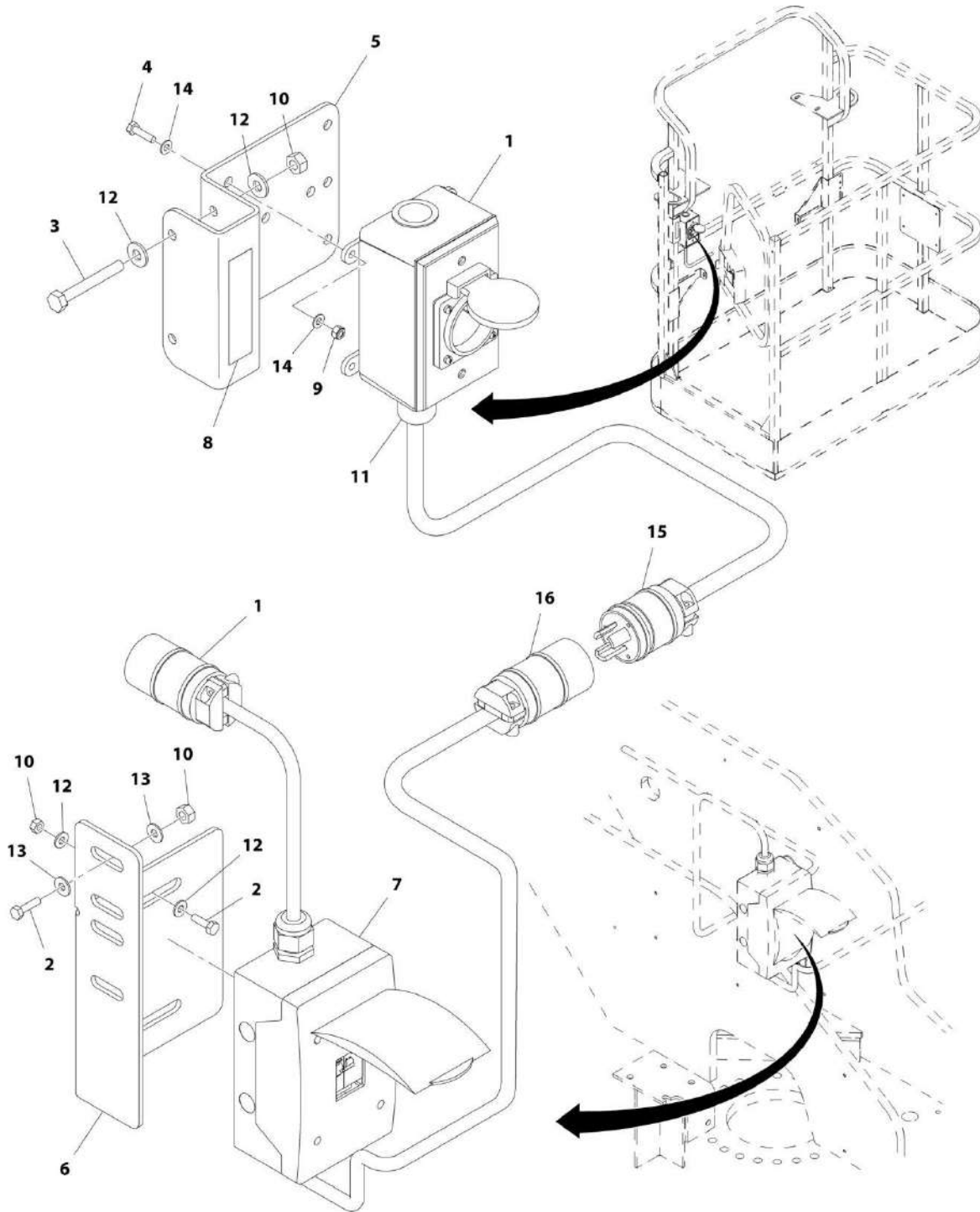
## SECTION 8 - ELECTRICAL

**FIGURE 8-8. AC BOX AT PLATFORM INSTALLATION - 220V CEE7 SIDE GROUND WITH 70MM X 70MM BOX (CE SPEC) (Prior to SN E300002764)**

ITEM	PART NUMBER	QTY	DESCRIPTION	REV
	0275684	Ref	AC BOX AT PLATFORM INSTALLATION - 220V CEE7 SIDE GROUND WITH 70MM X 70MM BOX (CE SPEC) <b>(Prior to SN E300002764)</b>	B
		Ref	Note: For Machines equipped with 4000W Generator, see SPECIAL OPTIONS SECTION.	
1	0275219	1	Receptacle Box Kit (See RECEPTACLE BOX KIT- 220V CEE7 SIDE GROUND WITH 70MM X 70MM BOX (CE SPEC) for Breakdown)	
2	0641407	4	Bolt, 1/4 x 7/8	
3	0641416	2	Bolt, 1/4 x 2	
4	0700408	2	Bolt, M4 x 16	
5	0903484	1	Bracket	
6	0903612	1	Bracket	
7	2902549	1	Breaker Box Kit - CE Spec (See BREAKER BOX KIT - CE SPEC for Breakdown)	
8	3252507	2	Decal - Voltage	
9	3290405	2	Nut M4	
10	3311405	6	Nut 1/4	
11	4460968	1	Connector, Strain Relief	
12	4711400	8	Washer 1/4	
13	4751400	4	Washer 1/4	
14	4811400	4	Washer M4	
15	4460709	1	Plug, Male	
16	4460710	1	Receptacle, Female	

## SECTION 8 - ELECTRICAL

FIGURE 8-9. AC BOX AT PLATFORM INSTALLATION - 220V CEE7 POST GROUND WITH 2IN X 4IN BOX (CE SPEC) (Prior to SN E30002764)



ART\_0275679

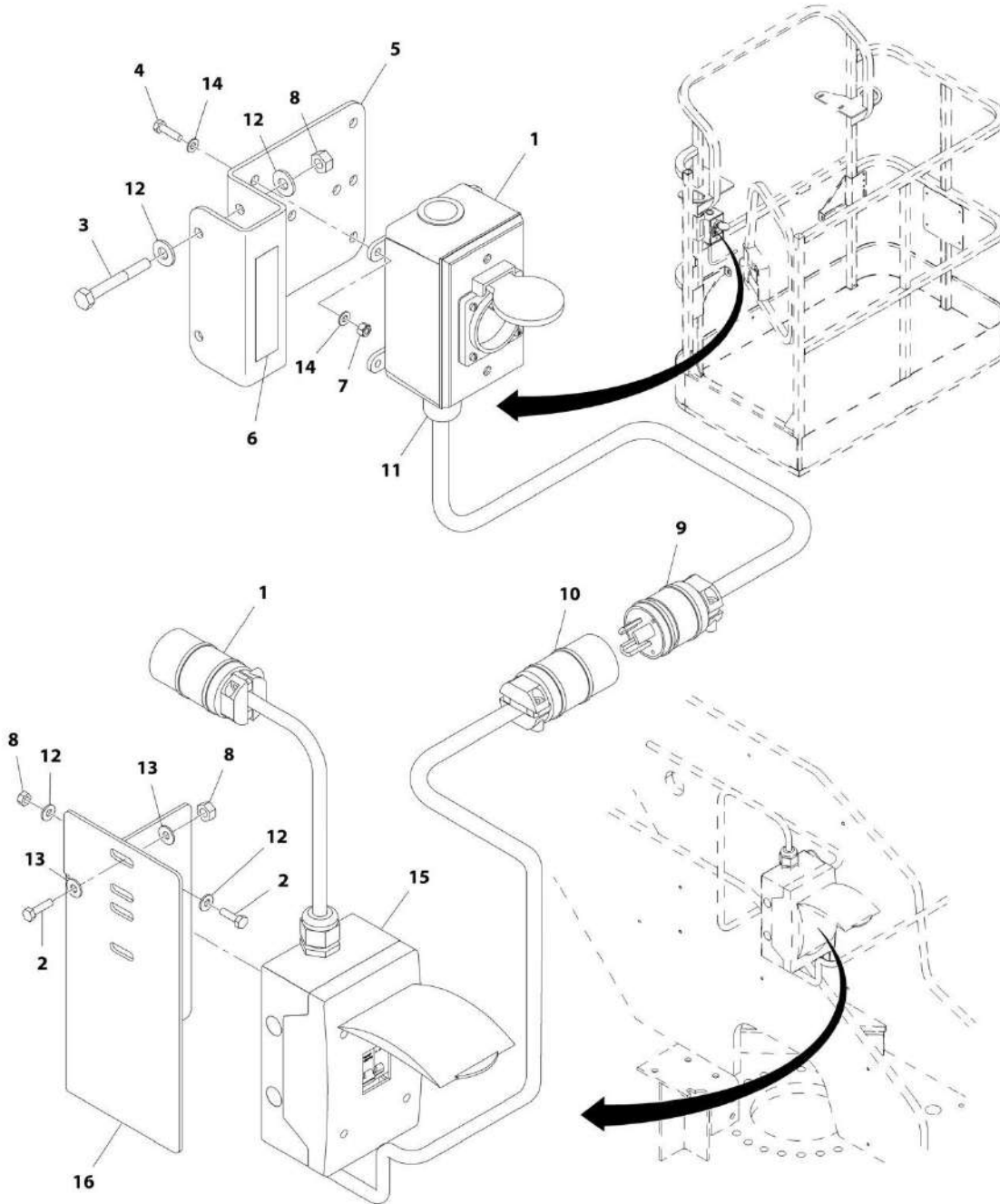
## SECTION 8 - ELECTRICAL

**FIGURE 8-9. AC BOX AT PLATFORM INSTALLATION - 220V CEE7 POST GROUND WITH 2IN X 4IN BOX (CE SPEC) (Prior to SN E300002764)**

ITEM	PART NUMBER	QTY	DESCRIPTION	REV
	0275679	Ref	AC BOX AT PLATFORM INSTALLATION - 220V CEE7 POST GROUND WITH 2IN X 4IN BOX (CE SPEC) <b>(Prior to SN E300002764)</b>	D
		Ref	Note: For Machines equipped with 4000W Generator, see SPECIAL OPTIONS SECTION.	
1	0275453	1	Receptacle Box Kit (See RECEPTACLE BOX KIT- 220V CEE7 POST GROUND WITH 2INX 4IN BOX (CE SPEC) for Breakdown)	
2	0641407	4	Bolt, 1/4 x 7/8	
3	0641416	2	Bolt, 1/4 x 2	
4	0700408	2	Bolt, M4 x 16	
5	0903484	1	Bracket	
6	0903612	1	Bracket	
7	2902549	1	Breaker Box Kit - CE Spec (See BREAKER BOX KIT - CE SPEC for Breakdown)	
8	3252507	2	Decal - Voltage	
9	3290405	2	Nut M4	
10	3311405	6	Nut 1/4	
11	4460968	1	Connector, Strain Relief	
11	4460662	1	Connector, Strain Relief	
12	4711400	8	Washer 1/4	
13	4751400	4	Washer 1/4	
14	4811400	4	Washer M4	
15	4460709	1	Plug, Male	
16	4460710	1	Receptacle, Female	

## SECTION 8 - ELECTRICAL

FIGURE 8-10. AC BOX AT PLATFORM INSTALLATION - 220V CEE7 POST GROUND WITH 2IN X 4IN BOX (CE SPEC) (SN E300002764 through E300003511)



ART\_1001162448

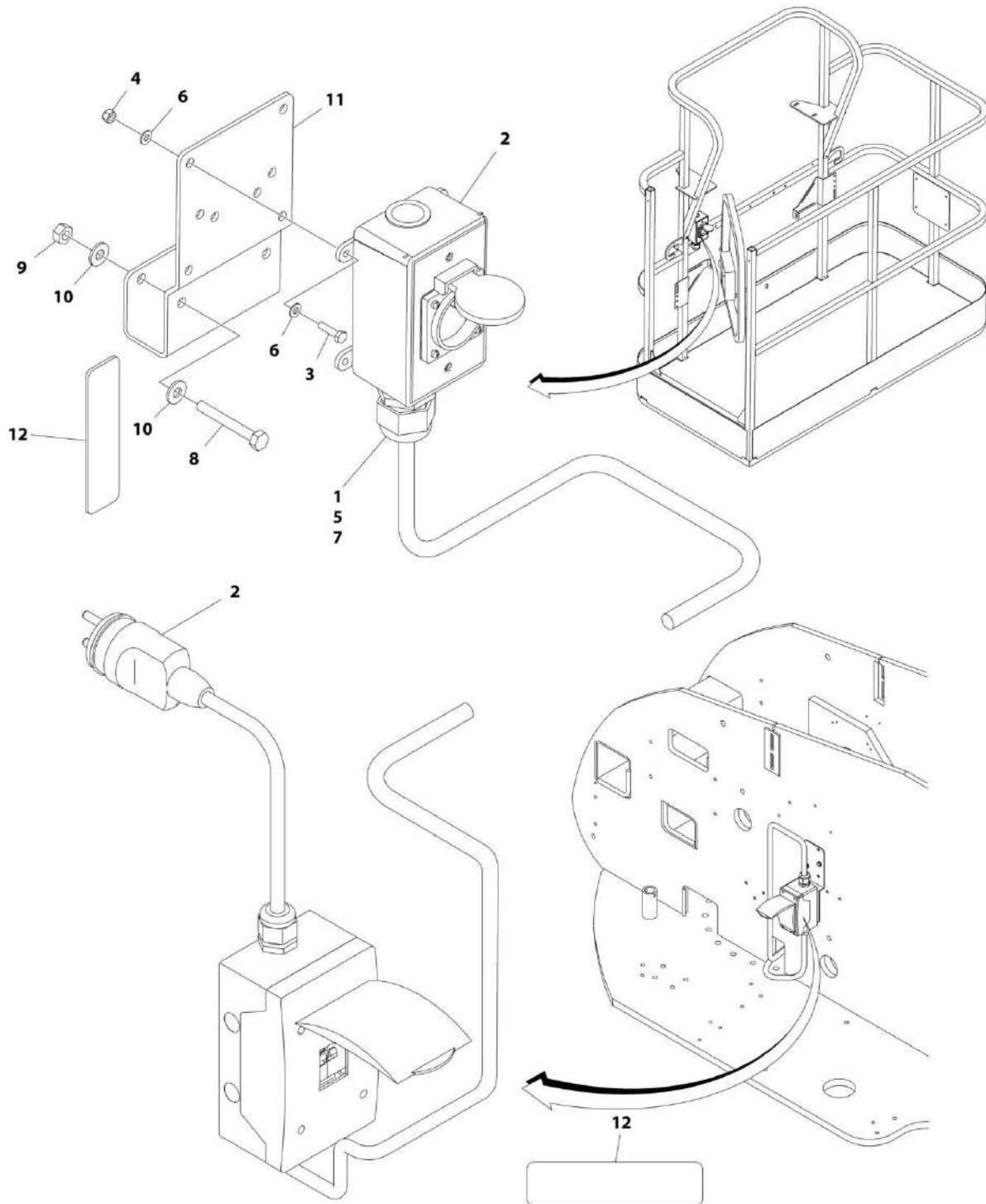
## SECTION 8 - ELECTRICAL

**FIGURE 8-10. AC BOX AT PLATFORM INSTALLATION - 220V CEE7 POST GROUND WITH 2IN X 4IN BOX (CE SPEC) (SN E300002764 through E300003511)**

ITEM	PART NUMBER	QTY	DESCRIPTION	REV
	1001162448	Ref	AC BOX AT PLATFORM INSTALLATION - 220V CEE7 POST GROUND WITH 2IN X 4IN BOX (CE SPEC) <b>(SN E300002764 through E300003511)</b>	B
		Ref	Note: For Machines equipped with 4000W Generator, see SPECIAL OPTIONS SECTION.	
1	0275452	1	Receptacle Box Kit (See RECEPTACLE BOX KIT- 220V CEE7 POST GROUND WITH 2INX 4IN BOX (CE SPEC) for Breakdown)	
2	0641407	4	Bolt, 1/4 x 7/8	
3	0641416	2	Bolt, 1/4 x 2	
4	0700408	4	Bolt, M4 x 16	
5	0903484	1	Bracket	
6	3252507	2	Decal - Voltage	
7	3290405	4	Nut M4	
8	3311405	6	Nut 1/4	
9	4460709	1	Plug, Male	
10	4460710	1	Receptacle, Female	
11	4460968	1	Connector, Strain Relief	
11	4460662	1	Connector, Strain Relief	
12	4711400	8	Washer 1/4	
13	4751400	4	Washer 1/4	
14	4811400	8	Washer M4	
15	1001152485	1	Breaker Box Kit - CE Spec (See BREAKER BOX KIT WITH THREE BREAKERS - CE SPEC for Breakdown)	
16	1001162445	1	Bracket	

## SECTION 8 - ELECTRICAL

**FIGURE 8-11. AC BOX AT PLATFORM INSTALLATION - 220V CEE7 POST GROUND (2X4 BOX)  
WITHOUT 2500W GENERATOR (CE SPECS) (SN 1300007286 through 1300007383, SN E300003512 to  
Present)**



(REF. LOCATED ON ENGINE SIDE HOOD)

ART\_1001091973



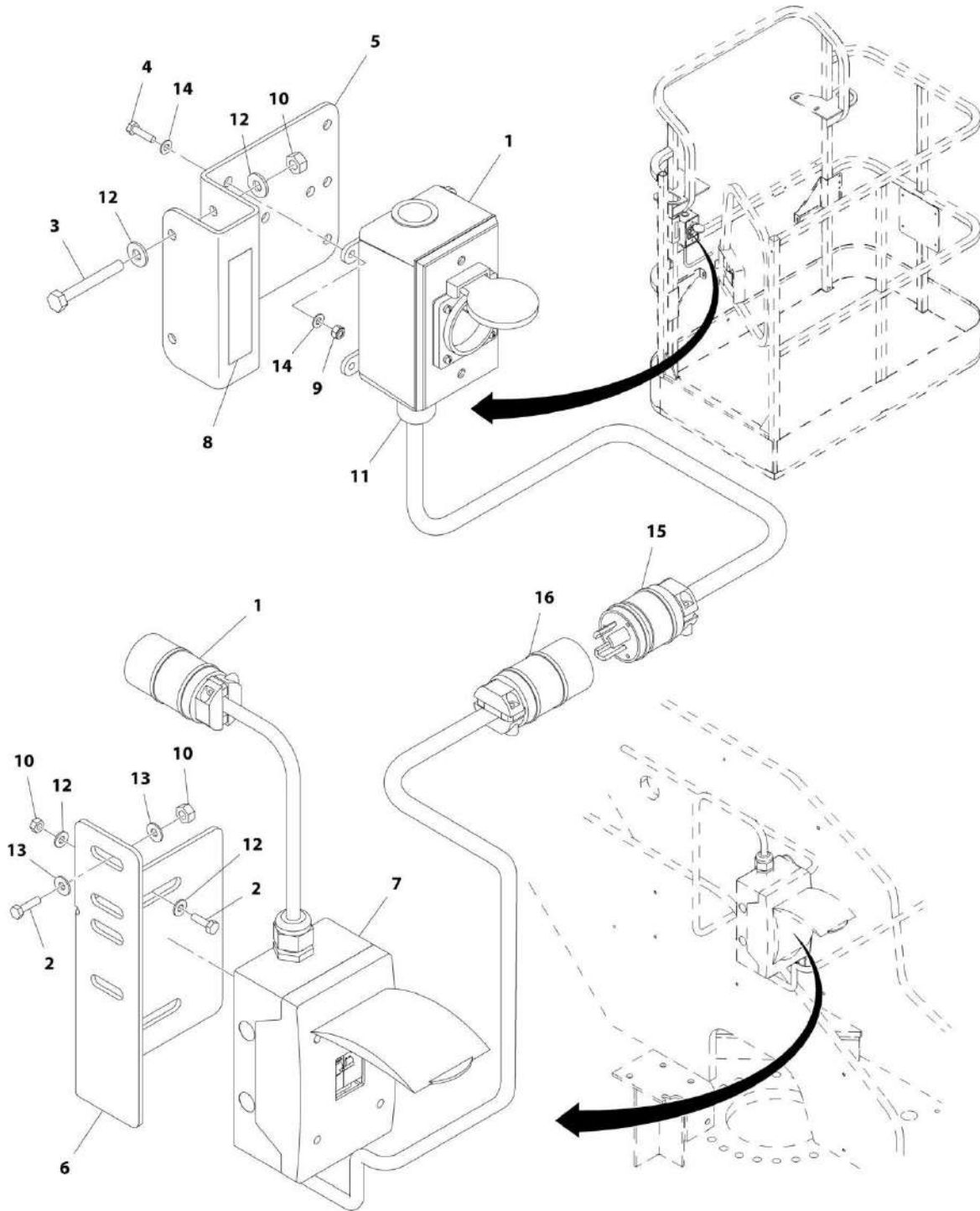
## SECTION 8 - ELECTRICAL

**FIGURE 8-11. AC BOX AT PLATFORM INSTALLATION - 220V CEE7 POST GROUND (2X4 BOX) WITHOUT 2500W GENERATOR (CE SPECS) (SN 1300007286 through 1300007383, SN E300003512 to Present)**

ITEM	PART NUMBER	QTY	DESCRIPTION	REV
	1001091973	Ref	AC BOX AT PLATFORM INSTALLATION - 220V CEE7 POST GROUND (2X4 BOX) WITHOUT 2500W GENERATOR (CE SPECS) (SN 1300007286 through 1300007383, SN E300003512 to Present)	F
1	0100020	AR	Sealant, Pipe	
2	0275452	1	Receptacle Box Kit (See RECEPTACLE BOX KIT - 220V CEE7 POST GROUND WITHOUT 2500W GENERATOR (2X4 BOX) (CE SPECS) for Breakdown)	
3	0700408	4	Bolt M4 x 16	
4	3290405	4	Nut M4	
5	1001101197	1	Adapter	
6	4811400	8	Washer M4	
7	1001101191	1	Connector, Strain Relief	
8	0641416	2	Bolt 1/4 x 2	
9	3311405	2	Nut 1/4	
10	4711400	4	Washer 1/4	
11	1001193018	1	Bracket	
12	3251242	2	Decal - 240V/50Hz (SN 1300007286 through 1300007383, SN E300004872 to Present)	
13	4460806	2	Terminal, Fork (Not Shown – Located inside Receptacle Box)	
14	1001205958	1	Terminal (Not Shown – Located inside Receptacle Box)	

# SECTION 8 - ELECTRICAL

FIGURE 8-12. AC BOX AT PLATFORM INSTALLATION - 220V CEE7 SIDE GROUND WITH 2IN X 4IN BOX (CE SPEC) (Prior to SN E30002764)



ART\_0275678

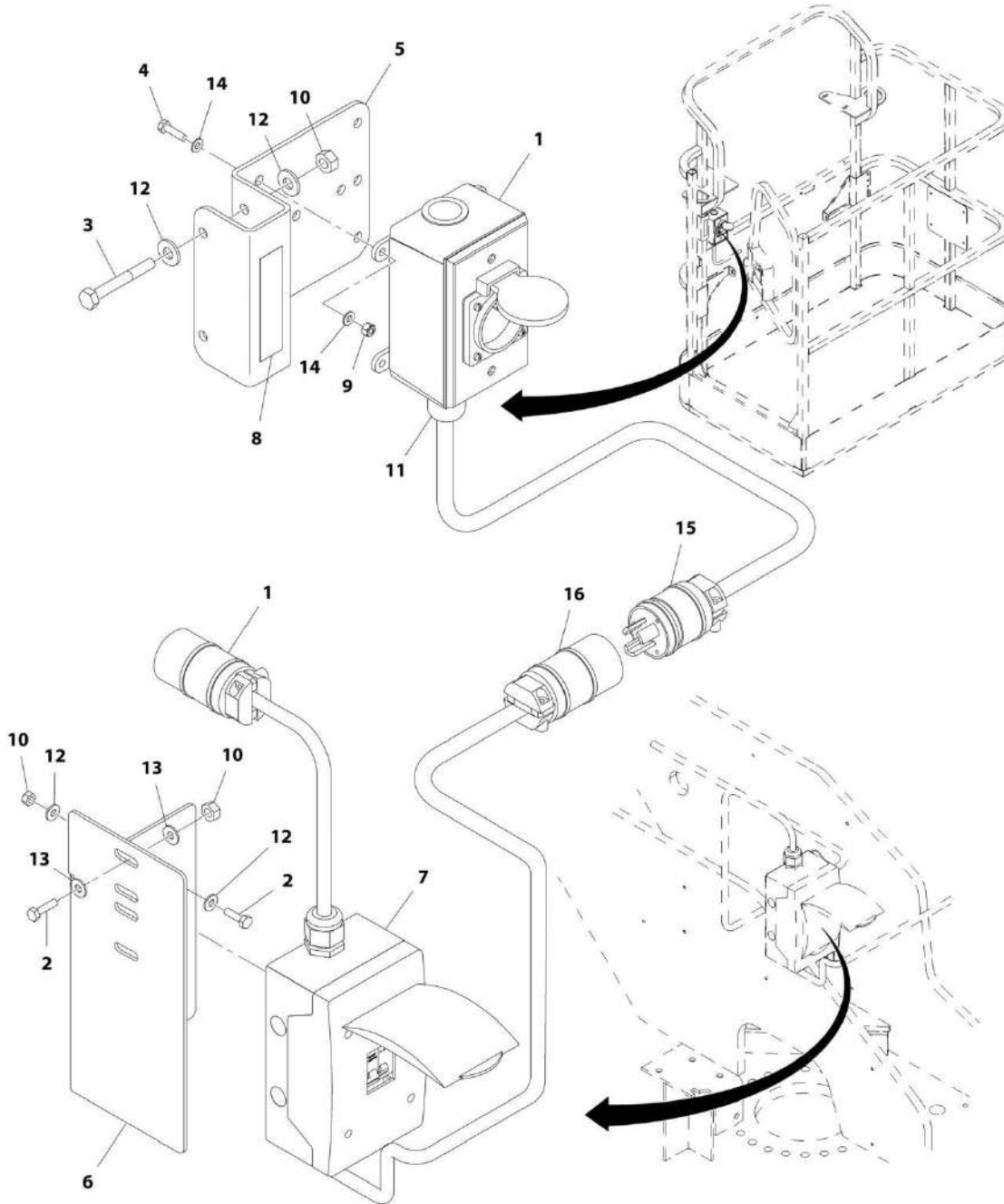
## SECTION 8 - ELECTRICAL

**FIGURE 8-12. AC BOX AT PLATFORM INSTALLATION - 220V CEE7 SIDE GROUND WITH 2IN X 4IN BOX (CE SPEC) (Prior to SN E300002764)**

ITEM	PART NUMBER	QTY	DESCRIPTION	REV
	0275678	Ref	AC BOX AT PLATFORM INSTALLATION - 220V CEE7 SIDE GROUND WITH 2IN X 4IN BOX (CE SPEC) <b>(Prior to SN E300002764)</b>	D
		Ref	Note: For Machines equipped with 4000W Generator, see SPECIAL OPTIONS SECTION.	
1	0275452	1	Receptacle Box Kit (See RECEPTACLE BOX KIT- 220V CEE7 SIDE GROUND WITH 2INX 4IN BOX (CE SPEC) for Breakdown)	
2	0641407	4	Bolt, 1/4 x 7/8	
3	0641416	2	Bolt, 1/4 x 2	
4	0700408	2	Bolt, M4 x 16	
5	0903484	1	Bracket	
6	0903612	1	Bracket	
7	2902549	1	Breaker Box Kit - CE Spec (See BREAKER BOX KIT - CE SPEC for Breakdown)	
8	3252507	2	Decal - Voltage	
9	3290405	2	Nut M4	
10	3311405	6	Nut 1/4	
11	4460968	1	Connector, Strain Relief	
11	4460662	1	Connector, Strain Relief	
12	4711400	8	Washer 1/4	
13	4751400	4	Washer 1/4	
14	4811400	4	Washer M4	
15	4460709	1	Plug, Male	
16	4460710	1	Receptacle, Female	

## SECTION 8 - ELECTRICAL

FIGURE 8-13. AC BOX AT PLATFORM INSTALLATION - 220V CEE7 SIDE GROUND WITH 2IN X 4IN BOX (CE SPEC) (SN E300002764 through E300003511)



ART\_1001162451

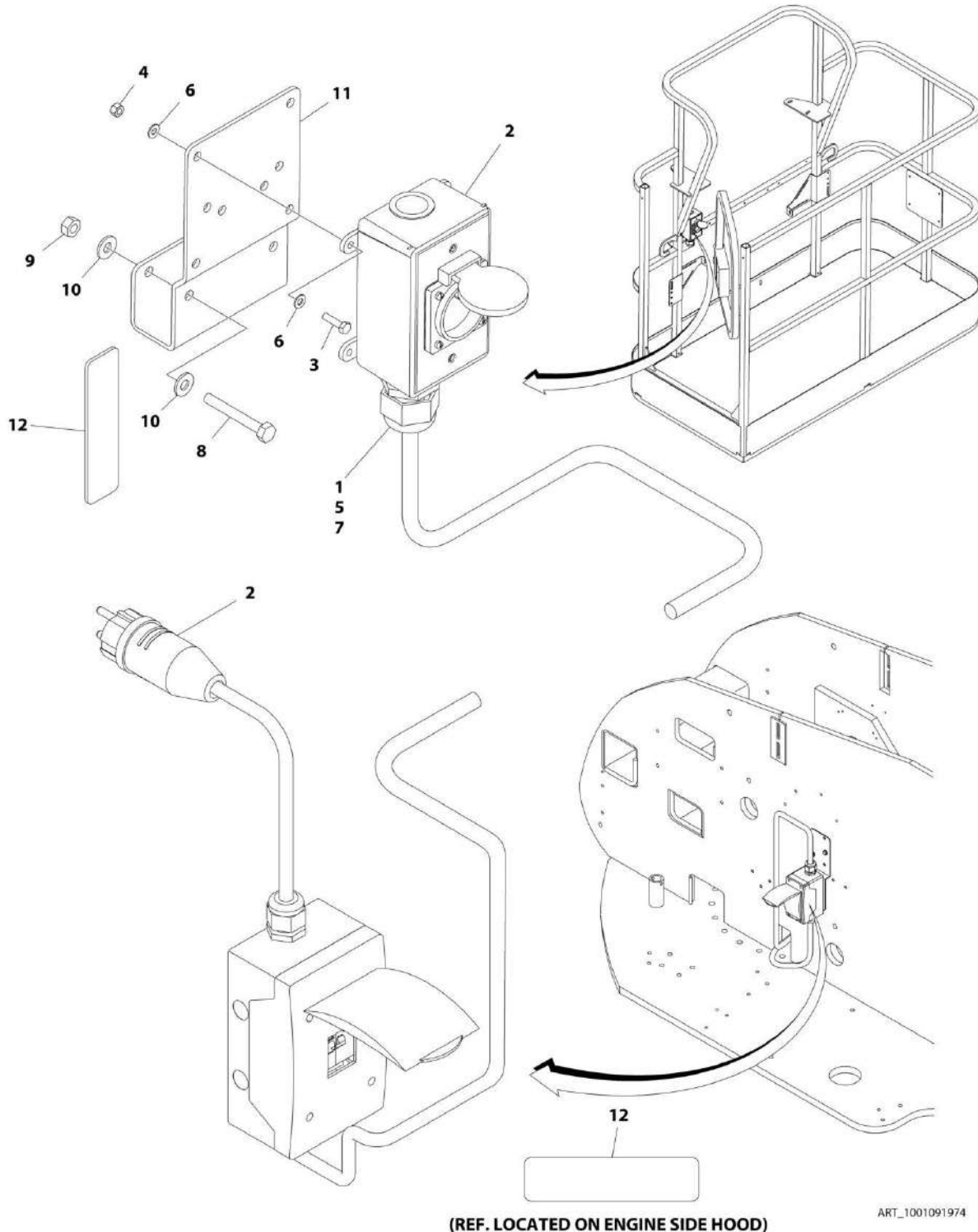
## SECTION 8 - ELECTRICAL

**FIGURE 8-13. AC BOX AT PLATFORM INSTALLATION - 220V CEE7 SIDE GROUND WITH 2IN X 4IN BOX (CE SPEC) (SN E300002764 through E300003511)**

ITEM	PART NUMBER	QTY	DESCRIPTION	REV
	1001162451	Ref	AC BOX AT PLATFORM INSTALLATION - 220V CEE7 SIDE GROUND WITH 2IN X 4IN BOX (CE SPEC) <b>(SN E300002764 through E300003511)</b>	B
		Ref	Note: For Machines equipped with 4000W Generator, see SPECIAL OPTIONS SECTION.	
1	0275453	1	Receptacle Box Kit (See RECEPTACLE BOX KIT- 220V CEE7 SIDE GROUND WITH 2IN X 4IN BOX (CE SPEC) for Breakdown)	
2	0641407	4	Bolt, 1/4 x 7/8	
3	0641416	2	Bolt, 1/4 x 2	
4	0700408	4	Bolt, M4 x 16	
5	0903484	1	Bracket	
6	1001162445	1	Bracket	
7	1001152485	1	Breaker Box Kit - CE Spec (See BREAKER BOX KIT WITH THREE BREAKERS - CE SPEC for Breakdown)	
8	3252507	2	Decal - Voltage	
9	3290405	4	Nut M4	
10	3311405	6	Nut 1/4	
11	4460968	1	Connector, Strain Relief	
11	4460662	1	Connector, Strain Relief	
12	4711400	8	Washer 1/4	
13	4751400	4	Washer 1/4	
14	4811400	8	Washer M4	
15	4460709	1	Plug, Male	
16	4460710	1	Receptacle, Female	

## SECTION 8 - ELECTRICAL

**FIGURE 8-14. AC BOX AT PLATFORM INSTALLATION - 220V CEE7 SIDE GROUND (2X4 BOX)  
WITHOUT 2500W GENERATOR (CE SPECS) (SN 1300007286 through 1300007383, SN E300003512 to  
Present)**



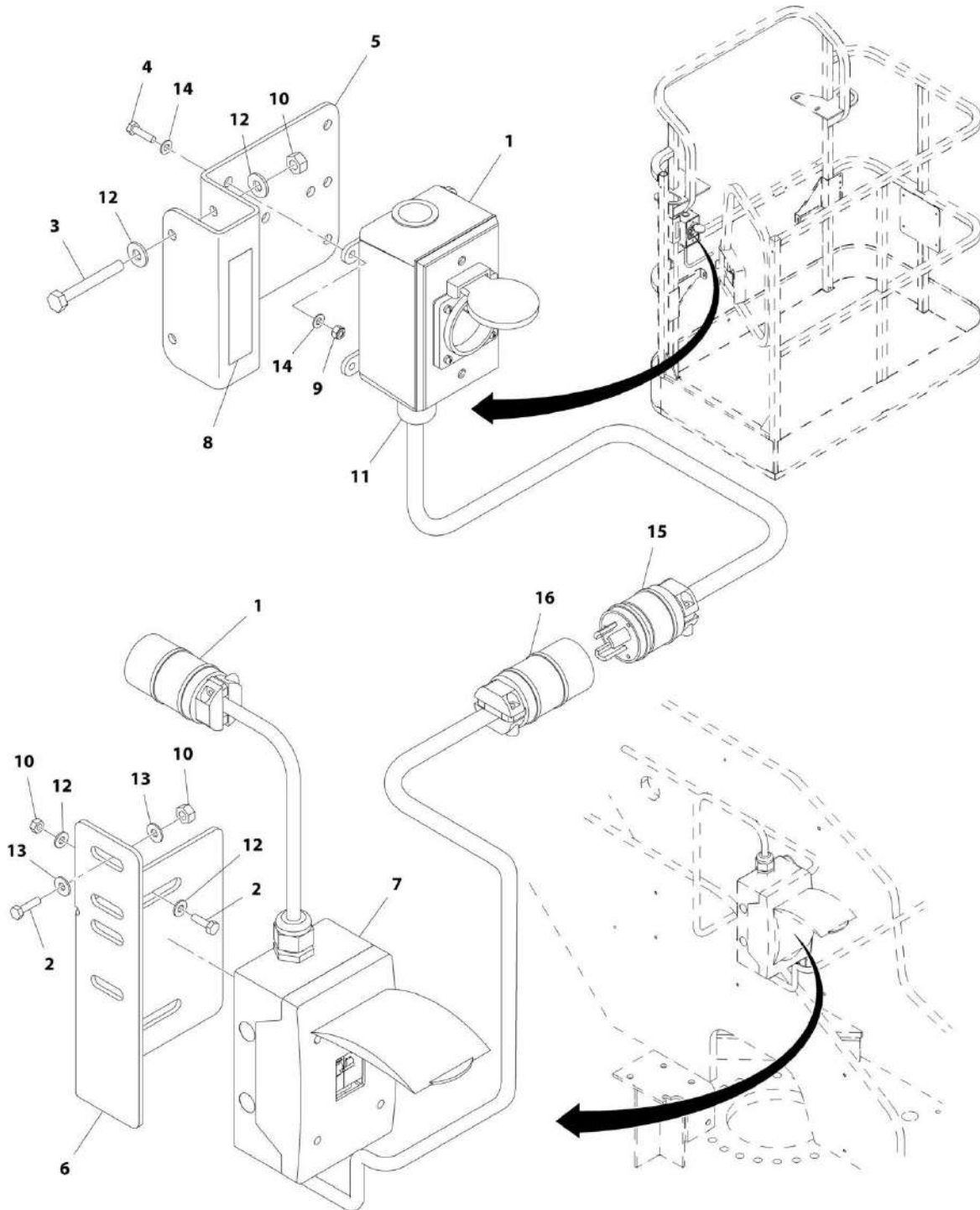
## SECTION 8 - ELECTRICAL

**FIGURE 8-14. AC BOX AT PLATFORM INSTALLATION - 220V CEE7 SIDE GROUND (2X4 BOX) WITHOUT 2500W GENERATOR (CE SPECS) (SN 1300007286 through 1300007383, SN E300003512 to Present)**

ITEM	PART NUMBER	QTY	DESCRIPTION	REV
	1001091974	Ref	AC BOX AT PLATFORM INSTALLATION - 220V CEE7 SIDE GROUND (2X4 BOX) WITHOUT 2500W GENERATOR (CE SPECS) (SN 1300007286 through 1300007383, SN E300003512 to Present)	F
1	0100020	AR	Sealant, Pipe	
2	0275453	1	Receptacle Box Kit (See RECEPTACLE BOX KIT - 220V CEE7 SIDE GROUND WITHOUT 2500W GENERATOR (2X4 BOX) (CE SPECS) for Breakdown)	
3	0700408	4	Bolt M4 x 16	
4	3290405	4	Nut M4	
5	1001101197	1	Adapter	
6	4811400	8	Washer M4	
7	1001101191	1	Connector, Strain Relief	
8	0641416	2	Bolt 1/4 x 2	
9	3311405	2	Nut 1/4	
10	4711400	4	Washer 1/4	
11	1001193018	1	Bracket	
12	3251242	2	Decal - 240V/50Hz (SN 1300007286 through 1300007383, SN E300004872 to Present)	
13	4460806	2	Terminal, Fork (Not Shown – Located inside Receptacle Box)	
14	1001205958	1	Terminal (Not Shown – Located inside Receptacle Box)	

## SECTION 8 - ELECTRICAL

FIGURE 8-15. AC BOX AT PLATFORM INSTALLATION - 220V AFSINT 107 KEYED GROUND WITH 2IN X 4IN BOX (CE SPEC) (Prior to SN E300003512)



ART\_0275680



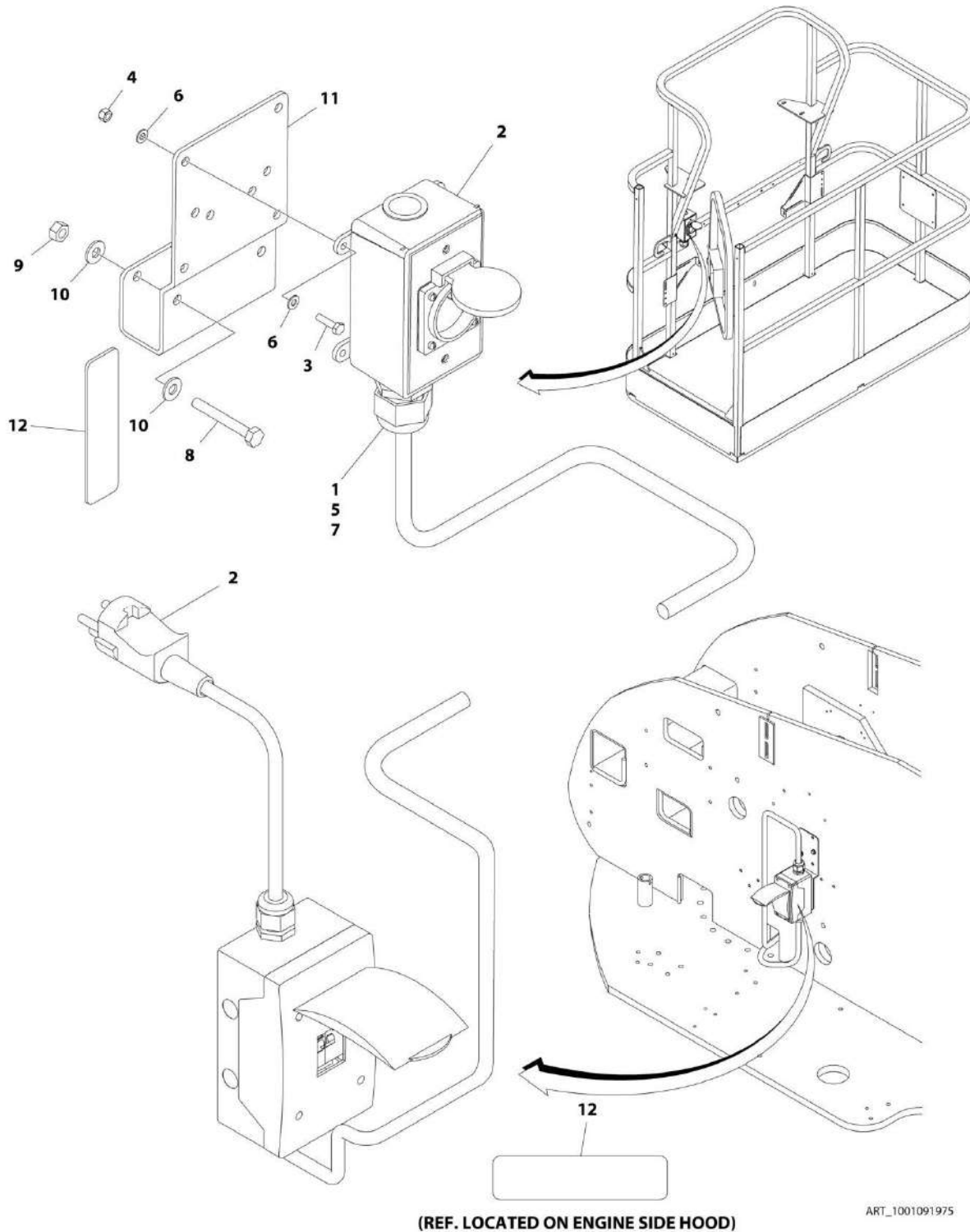
## SECTION 8 - ELECTRICAL

**FIGURE 8-15. AC BOX AT PLATFORM INSTALLATION - 220V AFSINT 107 KEYED GROUND WITH 2IN X 4IN BOX (CE SPEC) (Prior to SN E300003512)**

ITEM	PART NUMBER	QTY	DESCRIPTION	REV
	0275680	Ref	AC BOX AT PLATFORM INSTALLATION - 220V AFSINT 107 KEYED GROUND WITH 2IN X 4IN BOX (CE SPEC) <b>(Prior to SN E300003512)</b>	C
		Ref	Note: For Machines equipped with 4000W Generator, see SPECIAL OPTIONS SECTION.	
1	0275454	1	Receptacle Box Kit (See RECEPTACLE BOX KIT- 220V AFSINT 107 KEYED GROUND WITH 2IN X 4IN BOX (CE SPEC) for Breakdown)	
2	0641407	4	Bolt, 1/4 x 7/8	
3	0641416	2	Bolt, 1/4 x 2	
4	0700408	2	Bolt, M4 x 16	
5	0903484	1	Bracket	
6	0903612	1	Bracket	
7	2902549	1	Breaker Box Kit - CE Spec (See BREAKER BOX KIT - CE SPEC for Breakdown)	
8	3252507	2	Decal - Voltage	
9	3290405	2	Nut M4	
10	3311405	6	Nut 1/4	
11	4460968	1	Connector, Strain Relief	
11	4460662	1	Connector, Strain Relief	
12	4711400	8	Washer 1/4	
13	4751400	4	Washer 1/4	
14	4811400	4	Washer M4	
15	4460709	1	Plug, Male	
16	4460710	1	Receptacle, Female	

## SECTION 8 - ELECTRICAL

**FIGURE 8-16. AC BOX AT PLATFORM INSTALLATION - 220V AFSINT 107 KEYED GROUND (2X4 BOX) WITHOUT 2500W GENERATOR (CE SPECS) (SN 1300007286 through 1300007383, SN E300003512 to Present)**



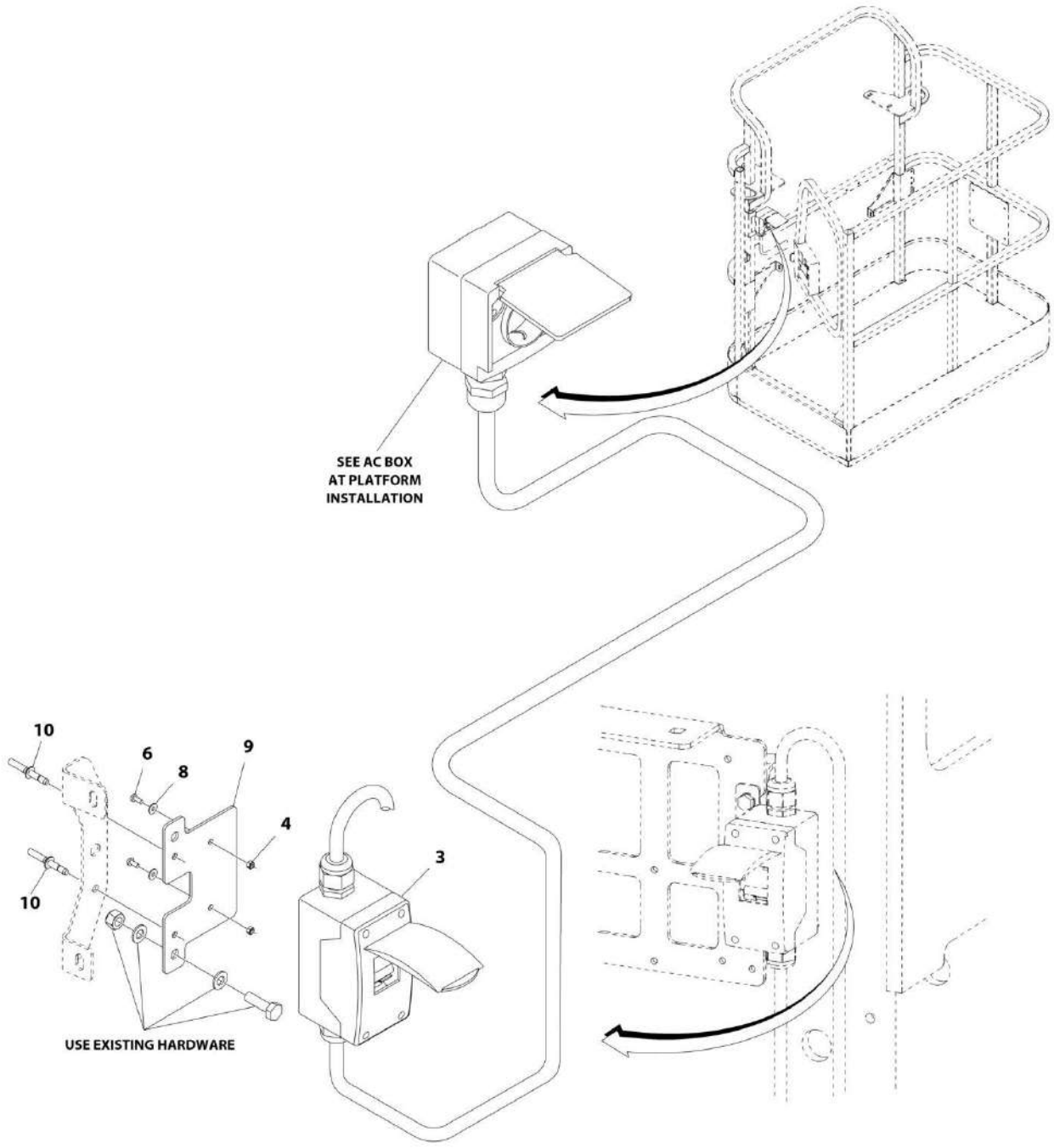
## SECTION 8 - ELECTRICAL

**FIGURE 8-16. AC BOX AT PLATFORM INSTALLATION - 220V AFSINT 107 KEYED GROUND (2X4 BOX) WITHOUT 2500W GENERATOR (CE SPECS) (SN 1300007286 through 1300007383, SN E300003512 to Present)**

ITEM	PART NUMBER	QTY	DESCRIPTION	REV
	1001091975	Ref	AC BOX AT PLATFORM INSTALLATION - 220V AFSINT 107 KEYED GROUND (2X4 BOX) WITHOUT 2500W GENERATOR (CE SPECS) (SN 1300007286 through 1300007383, SN E300003512 to Present)	F
		Ref	Note: For Machines equipped with 4000W Generator, see SPECIAL OPTIONS SECTION.	
1	0100020	AR	Sealant, Pipe	
2	0275454	1	Receptacle Box Kit (See RECEPTACLE BOX KIT - 220V AFSINT 107 KEYED GROUND WITHOUT 2500W GENERATOR (2X4 BOX) (CE SPECS) for Breakdown)	
3	0700408	4	Bolt M4 x 16	
4	3290405	4	Nut M4	
5	1001101197	1	Adapter	
6	4811400	8	Washer M4	
7	1001101191	1	Connector, Strain Relief	
8	0641416	2	Bolt 1/4 x 2	
9	3311405	2	Nut 1/4	
10	4711400	4	Washer 1/4	
11	1001193018	1	Bracket	
12	3251242	2	Decal - 240V/50Hz (SN 1300007286 through 1300007383, SN E300004872 to Present)	
13	1001205958	3	Terminal (Not Shown – Located inside Receptacle Box)	

# SECTION 8 - ELECTRICAL

**FIGURE 8-17. AC CABLE INSTALLATION – WITH TWO BREAKERS (CE SPECS) (SN 1300007286 through 1300007383, SN E300003512 to Present)**



ART\_1001167312

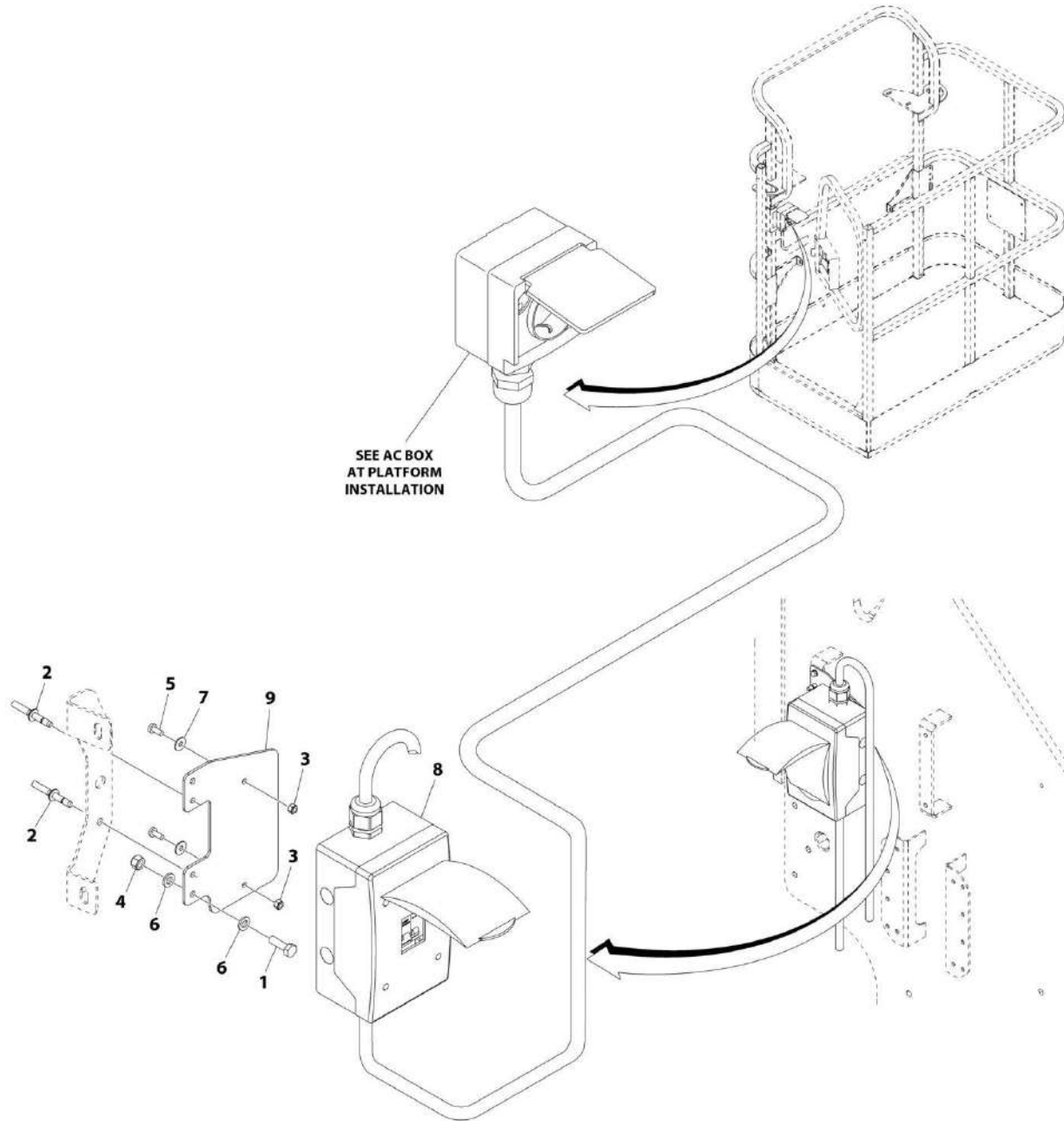
## SECTION 8 - ELECTRICAL

**FIGURE 8-17. AC CABLE INSTALLATION – WITH TWO BREAKERS (CE SPECS) (SN 1300007286 through 1300007383, SN E300003512 to Present)**

ITEM	PART NUMBER	QTY	DESCRIPTION	REV
	1001167312	Ref	AC CABLE INSTALLATION – WITH TWO BREAKERS (CE SPECS) (SN 1300007286 through 1300007383, SN E300003512 to Present)	F
3	2902549	1	Breaker Box Kit - CE Spec (See BREAKER BOX KIT WITH TWO BREAKERS - CE SPEC for Breakdown)	
4	3290405	2	Nut M4	
4	3290605	2	Nut M6	
6	4010405	2	Screw M4 x 10	
6	0760614	2	Screw M6 x 30	
8	1001091102	2	Washer M4	
8	4811700	4	Washer M6	
9	1001174158	1	Bracket	
10	2080040	2	Fastener, Huck	

# SECTION 8 - ELECTRICAL

**FIGURE 8-18. AC CABLE INSTALLATION – WITH THREE BREAKERS (CE SPECS) (SN 1300007286 through 1300007383, SN E300003512 to Present)**



ART\_1001209677

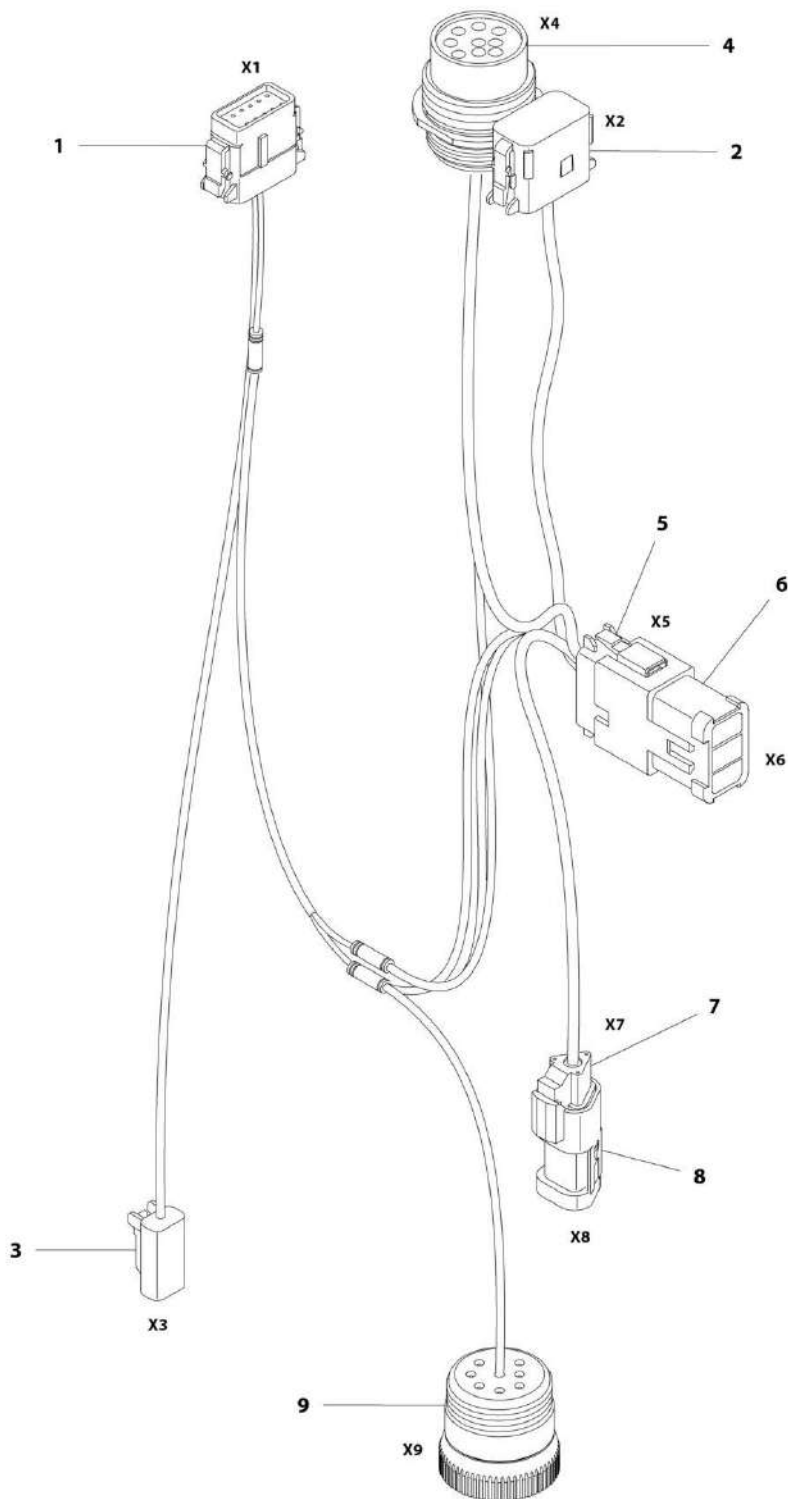
## SECTION 8 - ELECTRICAL

**FIGURE 8-18. AC CABLE INSTALLATION – WITH THREE BREAKERS (CE SPECS) (SN 1300007286 through 1300007383, SN E300003512 to Present)**

ITEM	PART NUMBER	QTY	DESCRIPTION	REV
	1001209677	Ref	AC CABLE INSTALLATION – WITH THREE BREAKERS (CE SPECS) (SN 1300007286 through 1300007383, SN E300003512 to Present)	A
1	0760610	2	Bolt M6 x 20	
2	2080040	2	Fastener, Huck	
3	3290405	2	Nut M4	
4	3290605	2	Nut M6	
5	4010405	2	Screw M4 x 10	
6	4811700	4	Washer M6	
7	1001091102	2	Washer M4	
8	1001152485	1	Breaker Box Kit - CE Spec (See BREAKER BOX KIT WITH THREE BREAKERS - CE SPEC for Breakdown)	
9	1001209832	1	Bracket	

# SECTION 8 - ELECTRICAL

## FIGURE 8-19. BEACON LIGHT HARNESS (BLUE BEACON ONLY)



ART\_1001142736



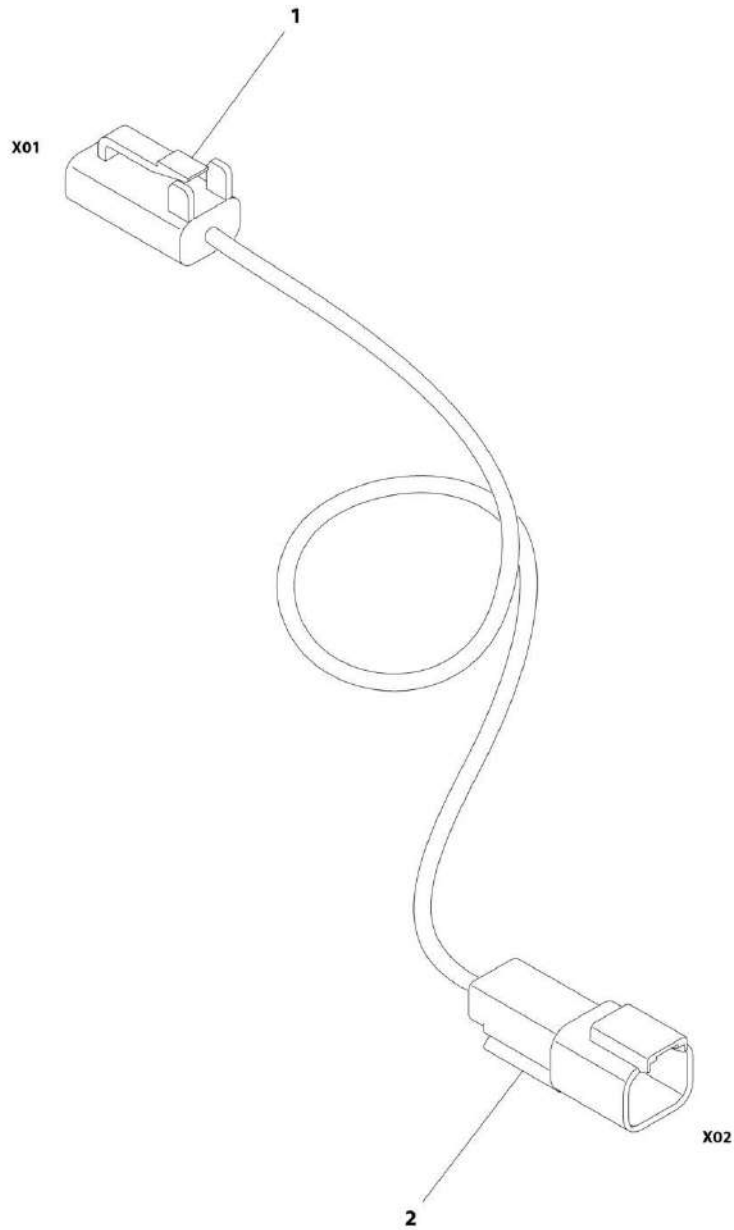
## SECTION 8 - ELECTRICAL

**FIGURE 8-19. BEACON LIGHT HARNESS (BLUE BEACON ONLY)**

ITEM	PART NUMBER	QTY	DESCRIPTION	REV
	1001142736	Ref	BEACON LIGHT HARNESS (BLUE BEACON ONLY)	F
1	1001116808	1	Plug, Male - 12 Position	
1	4460928	3	Socket, Female	
1	4460518	9	Plug, Terminal	
2	1001116774	1	Plug, Male - 12 Position	
2	4460928	3	Socket, Female	
2	4460518	9	Plug, Terminal	
3	4460891	1	Plug, Male - 2 Position	
3	4460465	2	Socket, Female	
4	1001112612	1	Connector - 9 Position	
4	4460464	6	Pin, Male	
4	4460466	3	Plug, Terminal	
5	4460933	1	Plug, Male - 12 Position	
5	4460465	12	Socket, Female	
6	1001119020	1	Buss bar - 12 Position	
7	4461095	1	Plug, Male - 3 Position	
7	4460465	3	Socket, Female	
8	4461070	1	Buss bar - 3 Position	
9	1001112796	1	Connector - 9 Position	
9	4460465	6	Socket, Female	
9	4460466	3	Plug, Terminal	

## SECTION 8 - ELECTRICAL

FIGURE 8-20. BEACON EXTENSION HARNESS (Prior to SN E60003882)



ART\_1001196458

## SECTION 8 - ELECTRICAL

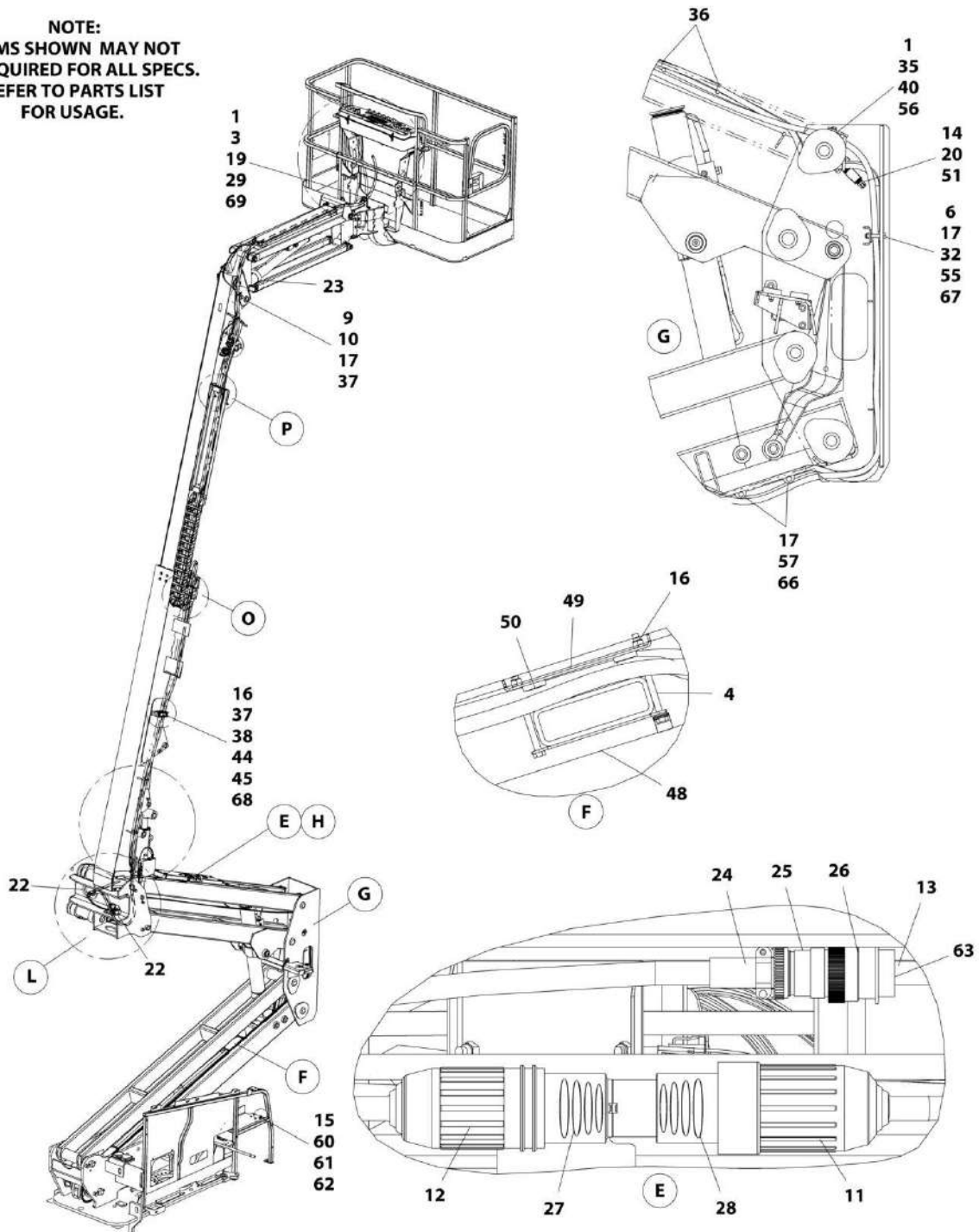
**FIGURE 8-20. BEACON EXTENSION HARNESS (Prior to SN E600003882)**

ITEM	PART NUMBER	QTY	DESCRIPTION	REV
	1001196458	Ref	BEACON EXTENSION HARNESS (Prior to SN E300003882)	A
1	4460891	1	Plug, Male -2 Position	
1	4460465	2	Socket, Female	
2	4460897	1	Receptacle, Female	
2	4460464	2	Pin, Male	

# SECTION 8 - ELECTRICAL

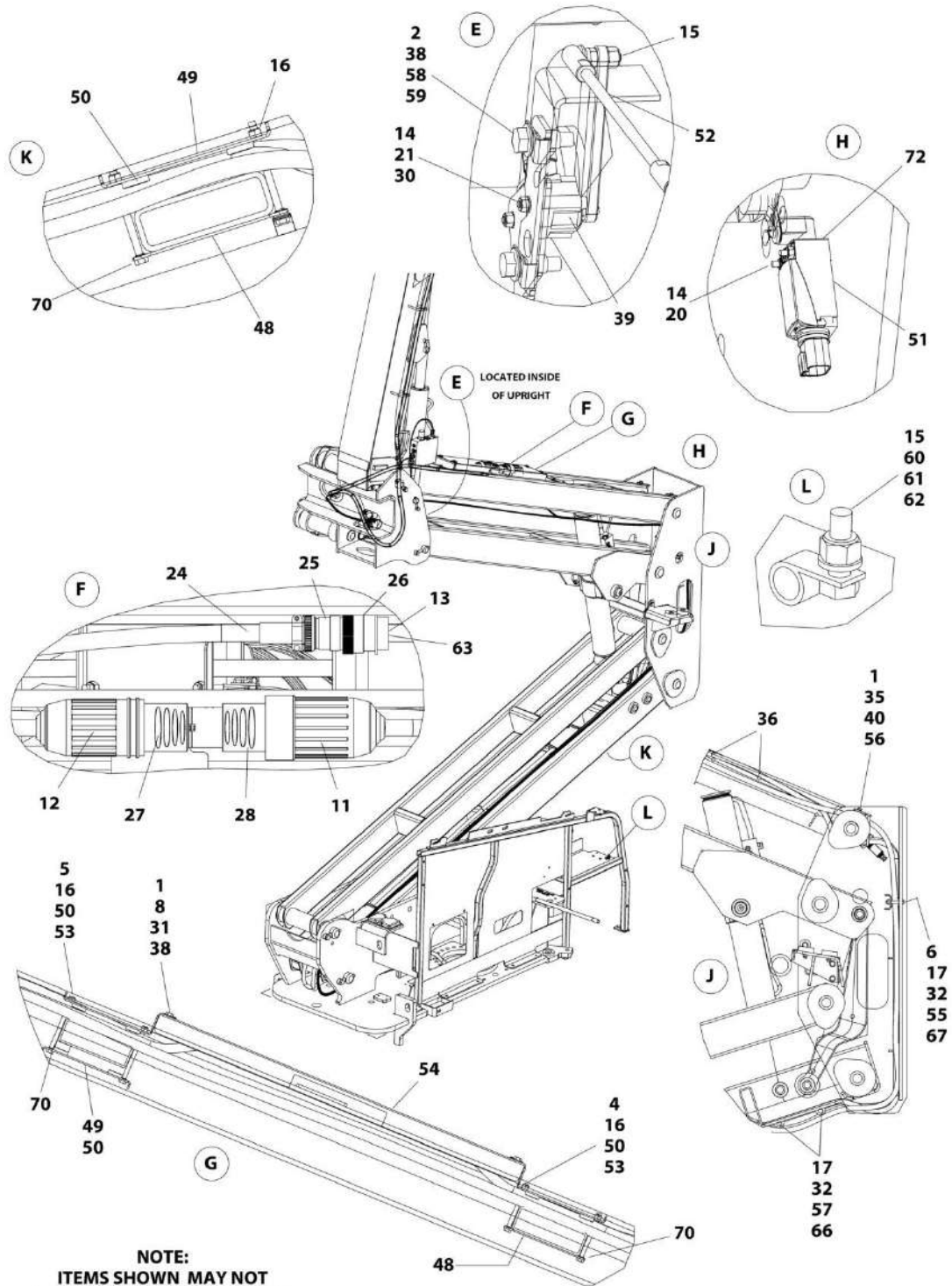
## FIGURE 8-21. BOOM CABLES AND CLAMPS INSTALLATION

**NOTE:**  
ITEMS SHOWN MAY NOT  
BE REQUIRED FOR ALL SPECS.  
REFER TO PARTS LIST  
FOR USAGE.



ART\_1001179778\_10F2

# SECTION 8 - ELECTRICAL



**NOTE:**  
 ITEMS SHOWN MAY NOT  
 BE REQUIRED FOR ALL SPECS.  
 REFER TO PARTS LIST  
 FOR USAGE.

ART\_1001179778\_20F2

## SECTION 8 - ELECTRICAL

FIGURE 8-21. BOOM CABLES AND CLAMPS INSTALLATION

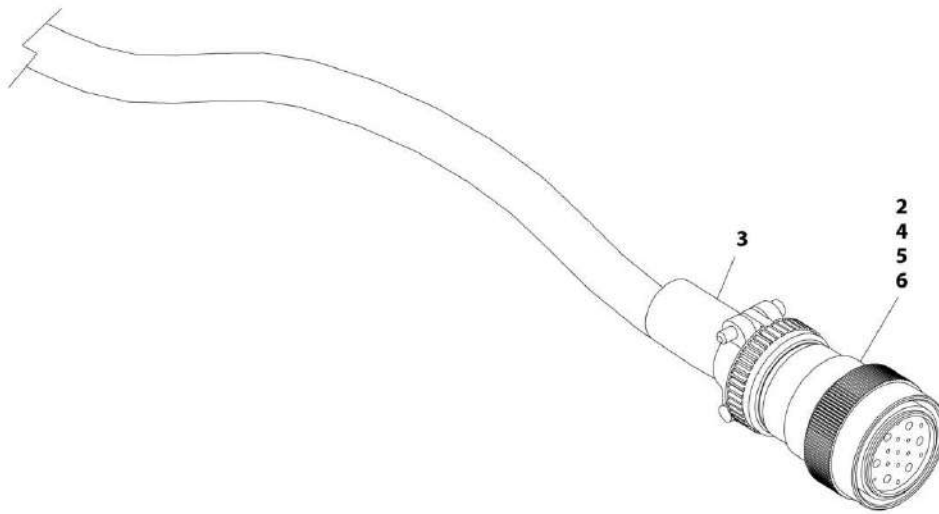
ITEM	PART NUMBER	QTY	DESCRIPTION	REV
	1001179778	Ref	BOOM CABLES AND CLAMPS INSTALLATION	K
1	0100011	AR	Compound, Locking	
2	0100081	AR	Adhesive	
3	0641509	2	Bolt 5/16 x 1-1/8	
4	0700827	6	Bolt M8 x 100	
5	0700828	2	Bolt M8 x 110	
6	0701021	3	Bolt M10 x 65	
7	0701024	4	Bolt M10 x 80	
8	0760812	4	Bolt M8 x 25	
9	0761012	1	Bolt M10 x 25	
10	1320130	1	Clamp	
13	2820031	AR	Heat Shrink	
14	3290405	4	Nut M4	
15	3290605	3	Nut M6	
16	3290805	10	Nut M8	
17	3291005	10	Nut M10	
19	3841340	1	Loop, Hose	
20	4010417	2	Screw M4 x 45	
20	4010418	1	Screw M4 x 50	
21	4031511	2	Capscrew M4 x 35	
22	4060808	27.5 in /8.4m	Flex-Trim	
23	4240156	2	Strap, Clinch	
24	4460473	AR	Clamp, Cable	
25	4460865	1	Connector - 19 Position	
26	4460866	1	Connector - 19 Position	
29	4711500	4	Washer 5/16	
30	4811400	2	Washer M4	
31	4811902	4	Washer M8	
32	4812000	13	Washer M10	
33	1001176951	1	Harness, Tower Boom (See BOOM HARNESS - TOWER BOOM for Breakdown)	
34	1001174749	1	Harness, Tower Boom AC Cable (See BOOM HARNESS - TOWER BOOM AC CABLE for Breakdown)	
35	5251014	2	Bolt M10 x 30	
36	8881800	AR	Tie-Strap	
37	5281920	2	Screw M8 x 80	
38	1001118274	8	Nut M8	
39	1001118971	1	Sensor, Angle	
39	70005667	1	Arm	
40	1001118972	2	Nut M10	
41	1001172335	1	Harness, Main Boom (See BOOM HARNESS - MAIN BOOM for Breakdown)	
42	1001172336	1	Harness, Main Boom AC Cable (See BOOM HARNESS - MAIN BOOM AC CABLE for Breakdown)	
43	1001164738	1	Harness, Boom Valve (See BOOM VALVE HARNESS for Breakdown)	
44	1001166656	3	Block, Clamping	
45	1001166662	1	Plate	
46	1001168472	1	Plate, Clamping	
47	1001168473	2	Clamp, Rubber	

## SECTION 8 - ELECTRICAL

ITEM	PART NUMBER	QTY	DESCRIPTION	REV
48	1001171553	3	Plate, Clamping	
49	1001171555	3	Plate, Clamping	
50	1001171559	10	Pad	
51	1001172271	1	Switch, Limit	
52	1001172796	NLA	Link, Sensor (Use p/n 1001238466) (Note: Sold as Assembly Only) <b>(Prior to SN E300006273)</b>	
52	1001238466	1	Link, Sensor (Note: Sold as Assembly Only) <b>(SN E300006273 to Present)</b>	
53	1001178448	2	Plate, Clamping	
54	1001178449	1	Cover	
55	1001178644	1	Plate	
56	1001178958	1	Bracket	
57	1001182561	2	Roller	
58	5250812	2	Bolt M8 x 25	
59	1001179266	1	Plate, Mounting	
60	0760610	1	Bolt M6 x 20	
61	1320043	1	Clamp	
62	4811700	1	Washer M6	
63	4460466	AR	Plug, Terminal	
64	1001181875	1	Cover	
65	1001181923	1	Shield, Hose	
66	1001119280	2	Bolt M10 x 260	
67	1001185747	2	Pad	
69	88521205	2	Nut 5/16	
70	1001119228	8	Nut M8	
71	8310070	1	Pushnut 3/8	
72	4750800	AR	Washer #8	

# SECTION 8 - ELECTRICAL

## FIGURE 8-22. BOOM HARNESS - MAIN BOOM



ART\_1001172335



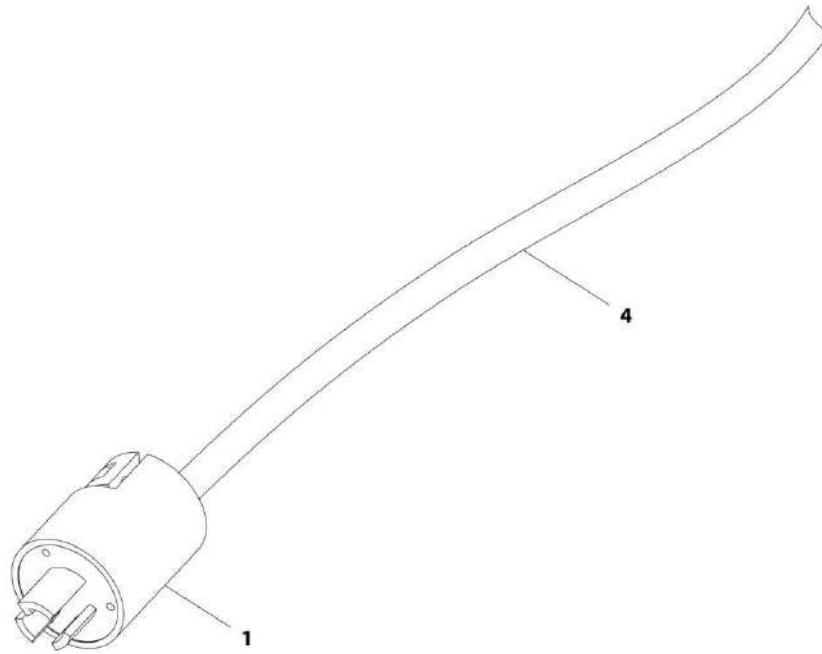
## SECTION 8 - ELECTRICAL

### FIGURE 8-22. BOOM HARNESS - MAIN BOOM

ITEM	PART NUMBER	QTY	DESCRIPTION	REV
	1001172335	Ref	BOOM HARNESS - MAIN BOOM	E
2	4460865	1	Connector - 19 Position	
3	4460473	1	Clamp	
4	4460465	20	Socket, Female	
5	4460509	8	Socket, Female	
6	4460466	5	Plug, Socket	

## SECTION 8 - ELECTRICAL

FIGURE 8-23. BOOM HARNESS - MAIN BOOM AC CABLE



ART\_1001172336

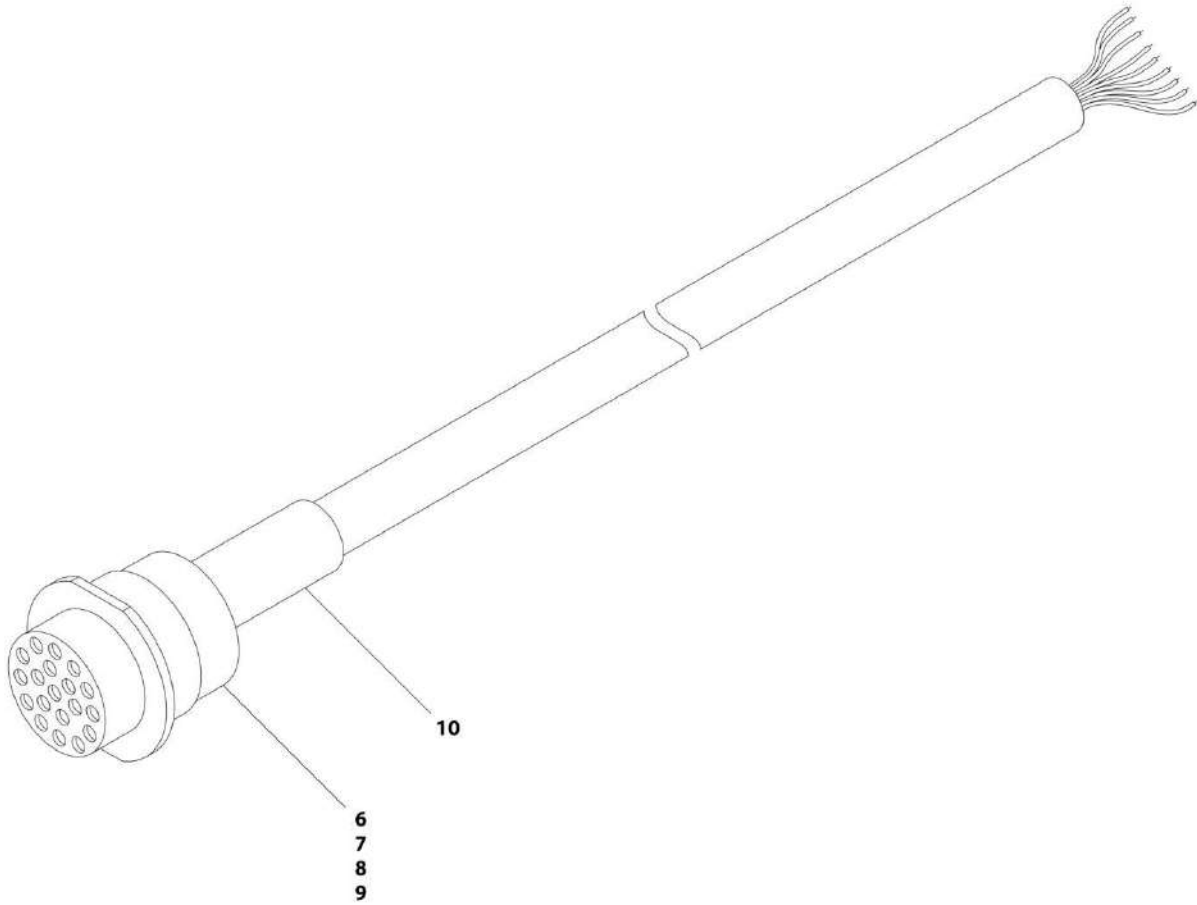
## SECTION 8 - ELECTRICAL

### FIGURE 8-23. BOOM HARNESS - MAIN BOOM AC CABLE

ITEM	PART NUMBER	QTY	DESCRIPTION	REV
	1001172336	Ref	BOOM HARNESS - MAIN BOOM AC CABLE	C
1	1001120204	1	Plug, Male	
4	1060461	494 in /12.6m	Cable, Electrical - 12/3	

# SECTION 8 - ELECTRICAL

## FIGURE 8-24. BOOM HARNESS - TOWER BOOM



ART\_1001176951

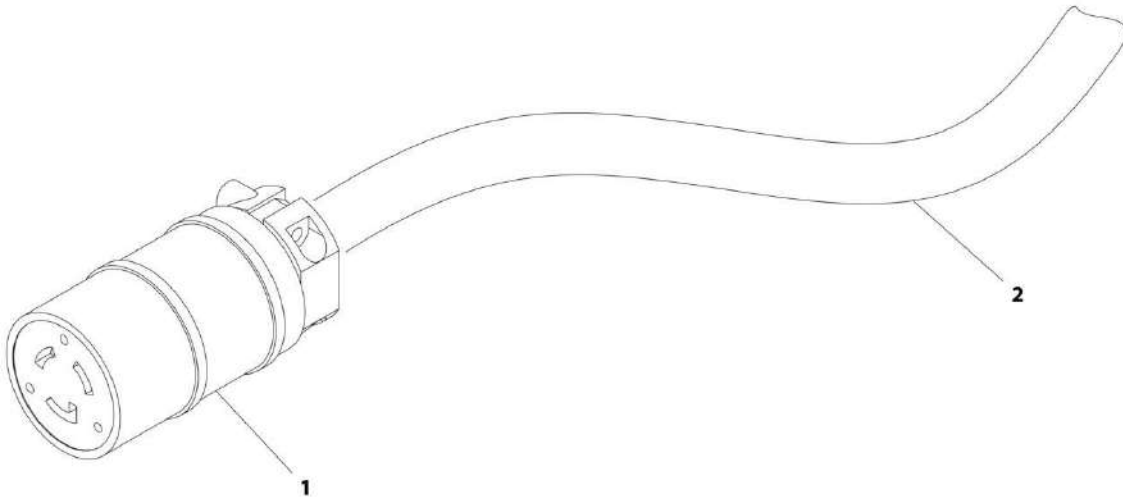
## SECTION 8 - ELECTRICAL

### FIGURE 8-24. BOOM HARNESS - TOWER BOOM

ITEM	PART NUMBER	QTY	DESCRIPTION	REV
	1001176951	Ref	BOOM HARNESS - TOWER BOOM	E
6	4460466	5	Plug, Terminal	
7	4460464	20	Pin, Male	
8	4460508	8	Pin, Male	
9	4460866	1	Connector - 19 Position	
10	2820031	AR	Heat Shrink	

## SECTION 8 - ELECTRICAL

FIGURE 8-25. BOOM HARNESS - TOWER BOOM AC CABLE



ART\_1001174749

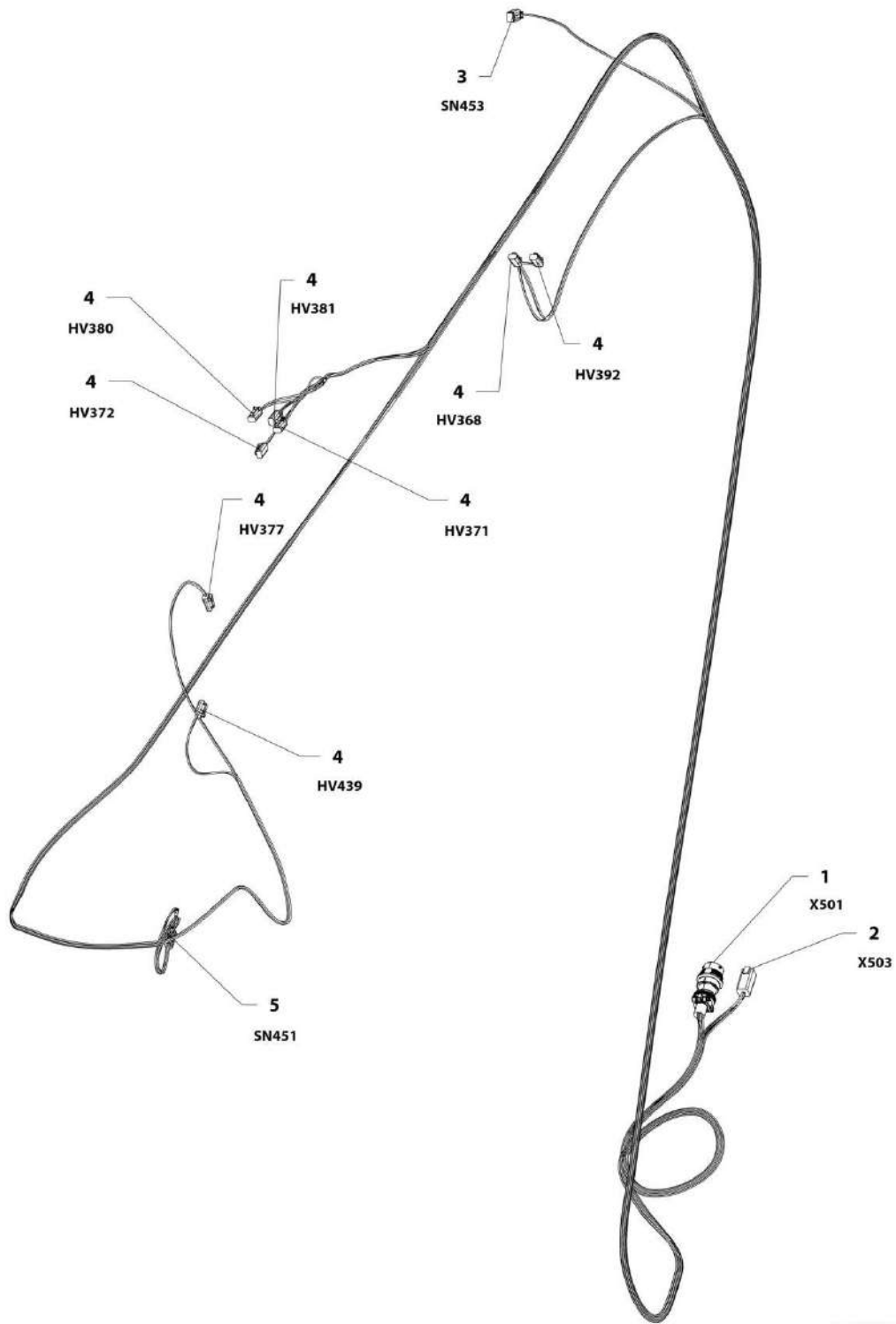
## SECTION 8 - ELECTRICAL

### FIGURE 8-25. BOOM HARNESS - TOWER BOOM AC CABLE

ITEM	PART NUMBER	QTY	DESCRIPTION	REV
	1001174749	Ref	BOOM HARNESS - TOWER BOOM AC CABLE	C
1	1001120205	1	Connector, Female	
2	1060461	28 ft/8.5m	Electrical Cable, 12/3	

# SECTION 8 - ELECTRICAL

## FIGURE 8-26. BOOM VALVE HARNESS



ART\_1001164738



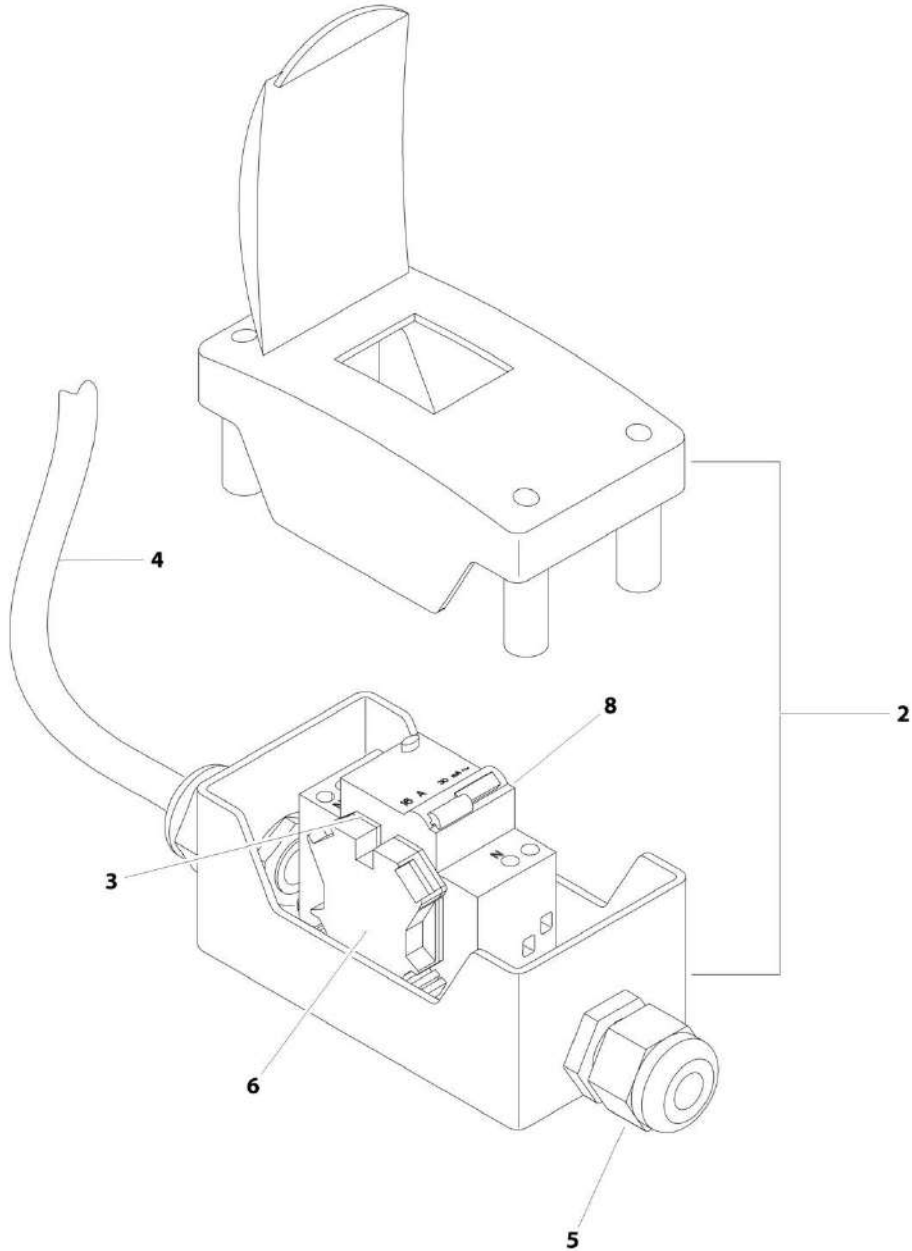
## SECTION 8 - ELECTRICAL

### FIGURE 8-26. BOOM VALVE HARNESS

ITEM	PART NUMBER	QTY	DESCRIPTION	REV
	1001164738	Ref	BOOM VALVE HARNESS	H
1	1001156541	1	Connector - 19 Position	
1	4460464	13	Pin, Male	
1	4460466	1	Plug, Terminal	
2	4460899	1	Connector - 6 Position	
2	4460464	6	Pin, Male	
3	4460884	1	Plug, Male - 4 Position	
3	4460465	2	Socket, Female	
3	4460466	2	Plug, Terminal	
4	4460891	8	Plug, Male - 2 Position	
4	4460465	18	Socket, Female	
5	1001117064	1	Plug, Male - 6 Position <b>(SN 1300007286 through 1300007383, Prior to SN E300004994)</b>	
5	91554014	6	Terminal <b>(SN 1300007286 through 1300007383, Prior to SN E300004994)</b>	
5	1001230931	1	Plug, Male - 6 Position <b>(SN E300004994 to Present)</b>	
5	1001116748	6	Terminal <b>(SN E300004994 to Present)</b>	

**SECTION 8 - ELECTRICAL**

**FIGURE 8-27. BREAKER BOX KIT - CE SPEC**



ART\_2902549

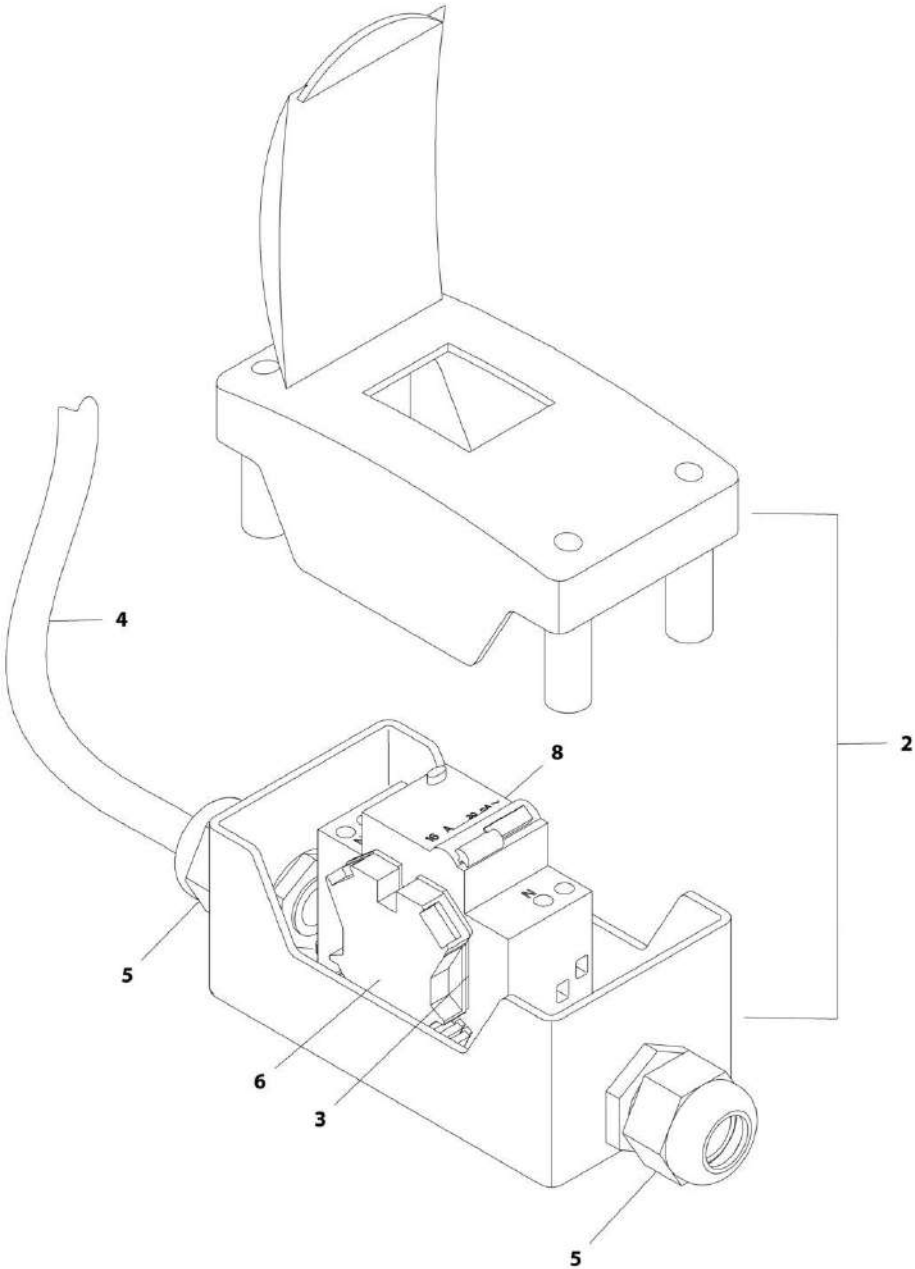
## SECTION 8 - ELECTRICAL

### FIGURE 8-27. BREAKER BOX KIT - CE SPEC

ITEM	PART NUMBER	QTY	DESCRIPTION	REV
	2902549	Ref	BREAKER BOX KIT - CE SPEC	F
2	0861880	1	Box	
3	4460956	1	Barrier, Terminal	
4	1060908	6 ft/1.8m	Cable, 12/3	
5	1001097150	2	Connector, Strain Relief	
6	4460957	1	Block, Terminal	
8	1001181045	1	Breaker, Double 30mAmp/16Amp	

**SECTION 8 - ELECTRICAL**

**FIGURE 8-28. BREAKER BOX KIT - 30MA/16AMP**



ART\_1001096070

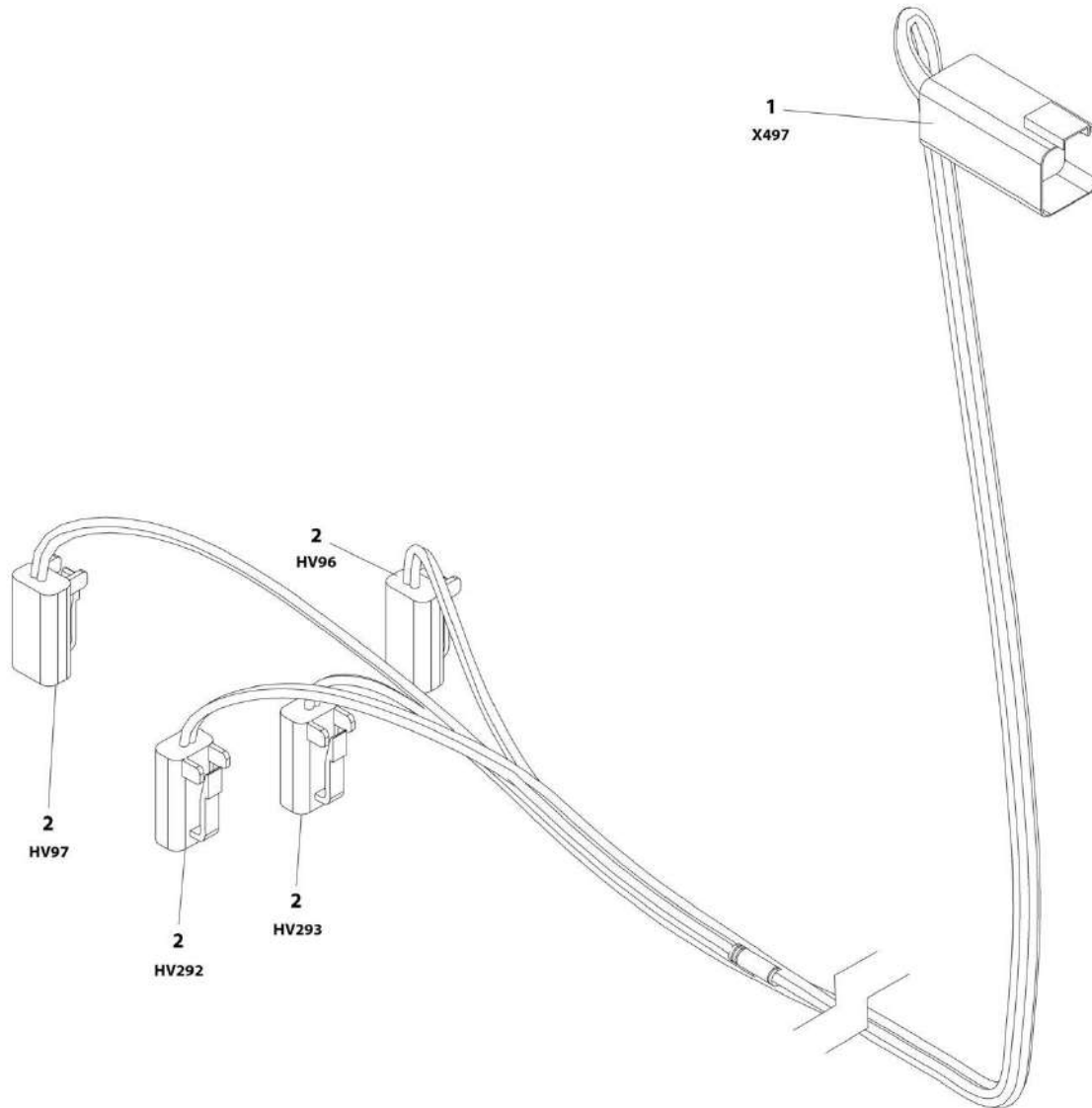
## SECTION 8 - ELECTRICAL

### FIGURE 8-28. BREAKER BOX KIT - 30MA/16AMP

ITEM	PART NUMBER	QTY	DESCRIPTION	REV
	1001096070	Ref	BREAKER BOX KIT - 30mA/16AMP	E
2	0861880	1	Box, Breaker	
3	4460956	1	Barrier, Terminal Block End	
4	1060908	12 ft /3.6m	Cable, Electrical 12/3	
5	1001097150	2	Connector, Strain Relief	
6	4460957	1	Block, Terminal	
8	1001181045	1	Breaker, Double 30mA/16Amp	

# SECTION 8 - ELECTRICAL

## FIGURE 8-29. CHASSIS SOLENOID HARNESS



ART\_1001179236

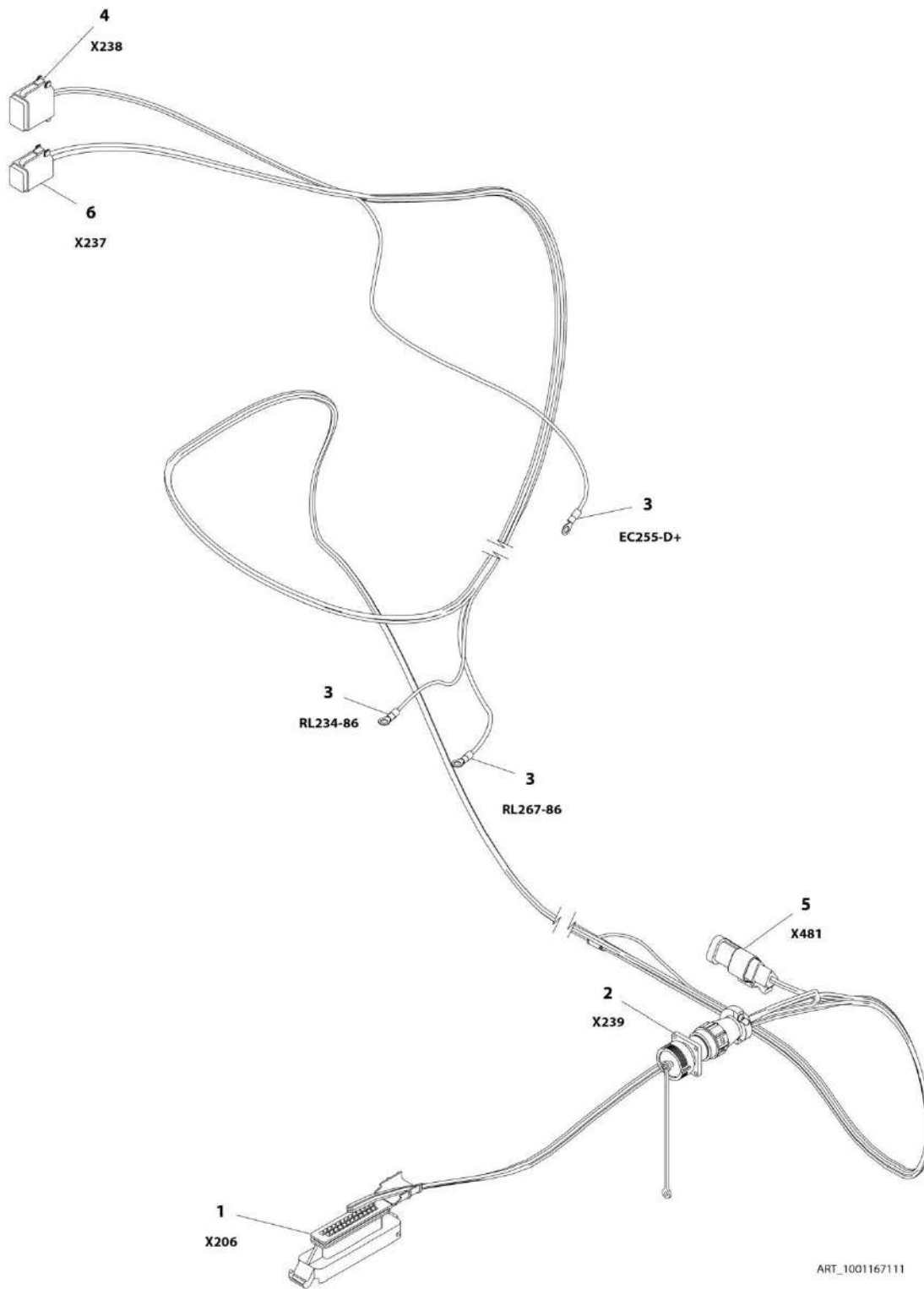
## SECTION 8 - ELECTRICAL

### FIGURE 8-29. CHASSIS SOLENOID HARNESS

ITEM	PART NUMBER	QTY	DESCRIPTION	REV
	1001179236	Ref	CHASSIS SOLENOID HARNESS	A
1	4460899	1	Receptacle, Female - 6 Position	
1	4460464	6	Pin, Male	
2	4460891	4	Plug, Male - 2 Position	
2	4460465	8	Socket, Female	

# SECTION 8 - ELECTRICAL

## FIGURE 8-30. ENGINE HARNESS - DEUTZ D2.3L3





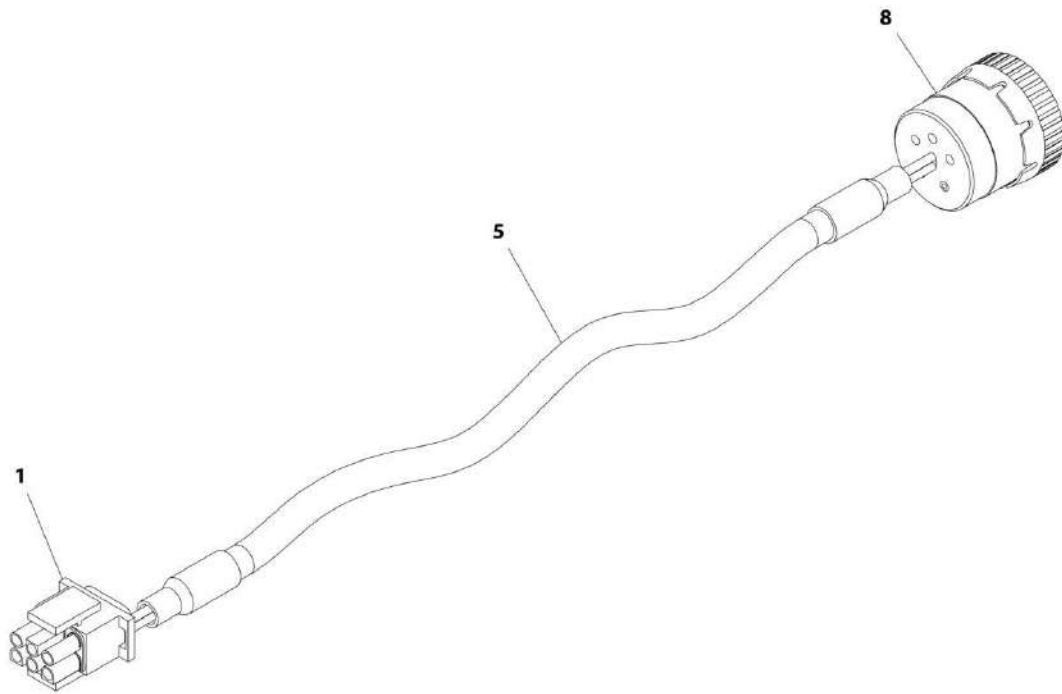
## SECTION 8 - ELECTRICAL

**FIGURE 8-30. ENGINE HARNESS - DEUTZ D2.3L3**

ITEM	PART NUMBER	QTY	DESCRIPTION	REV
	1001167111	Ref	ENGINE HARNESS - DEUTZ D2.3L3	B
1	4461052	1	Connector - 25 Position	
1	4461005	7	Terminal	
1	4461008	18	Plug, Terminal	
2	2902443	1	Receptacle Kit	
2	4461071	8	Socket, Female	
2	4461072	1	Receptacle with Flange - 8 Position	
2	4461073	1	Cap, Dust	
2	4461074	1	Shell, Black	
3	4460313	3	Terminal, Ring	
4	4460930	1	Plug, Male - 8 Position	
4	4460465	2	Socket, Female	
4	4460466	6	Seal, Terminal	
5	4461095	1	Plug, Male - 3 Position	
5	4460465	3	Socket, Female	
6	4460894	1	Plug, Male - 6 Position	
6	4460465	6	Socket, Female	

## SECTION 8 - ELECTRICAL

FIGURE 8-31. GENERATOR HARNESS - 4000W GENERATOR



ART\_1001152532

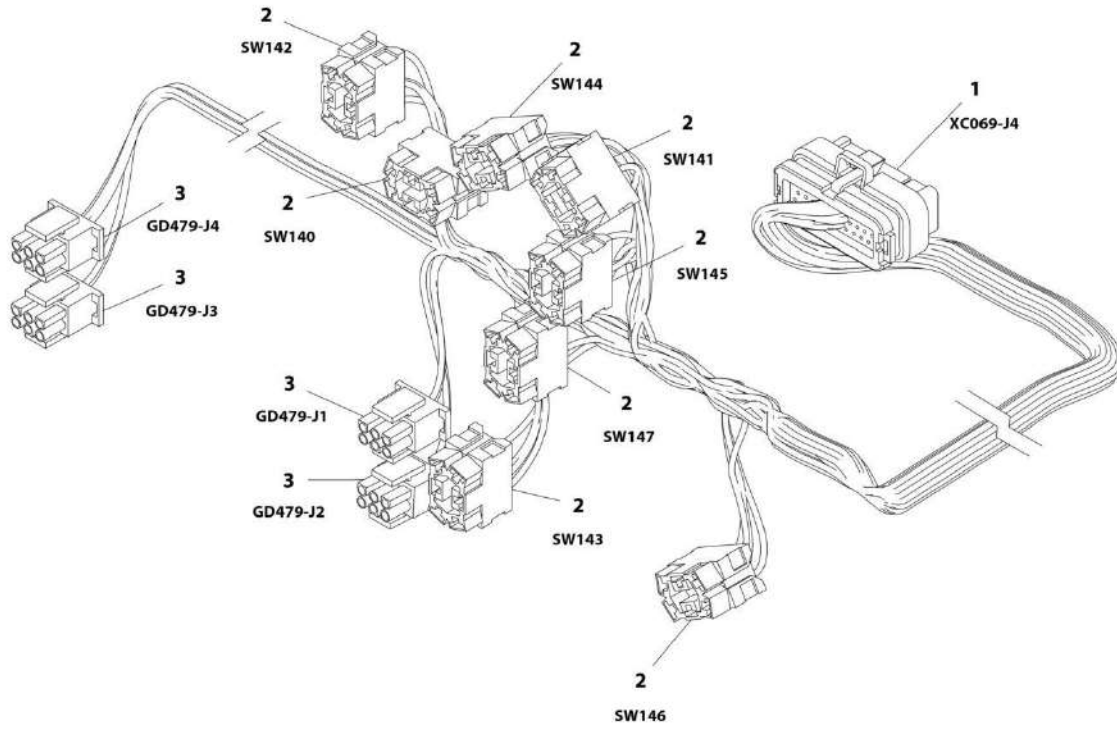
## SECTION 8 - ELECTRICAL

### FIGURE 8-31. GENERATOR HARNESS - 4000W GENERATOR

ITEM	PART NUMBER	QTY	DESCRIPTION	REV
	1001152532	Ref	GENERATOR HARNESS - 4000W GENERATOR	A
1	4460225	1	Connector - 6 Position	
1	4460268	2	Socket, Female	
1	4460807	1	Seal, Plug	
1	4460808	1	Seal, Plug	
5	1060341	13 ft /4.0m	Cable, 16/2	
8	77363233	1	Connector - 6 Position	
8	4460465	2	Socket, Female	

# SECTION 8 - ELECTRICAL

## FIGURE 8-32. GROUND CONTROL PANEL HARNESS



ART\_1001164737

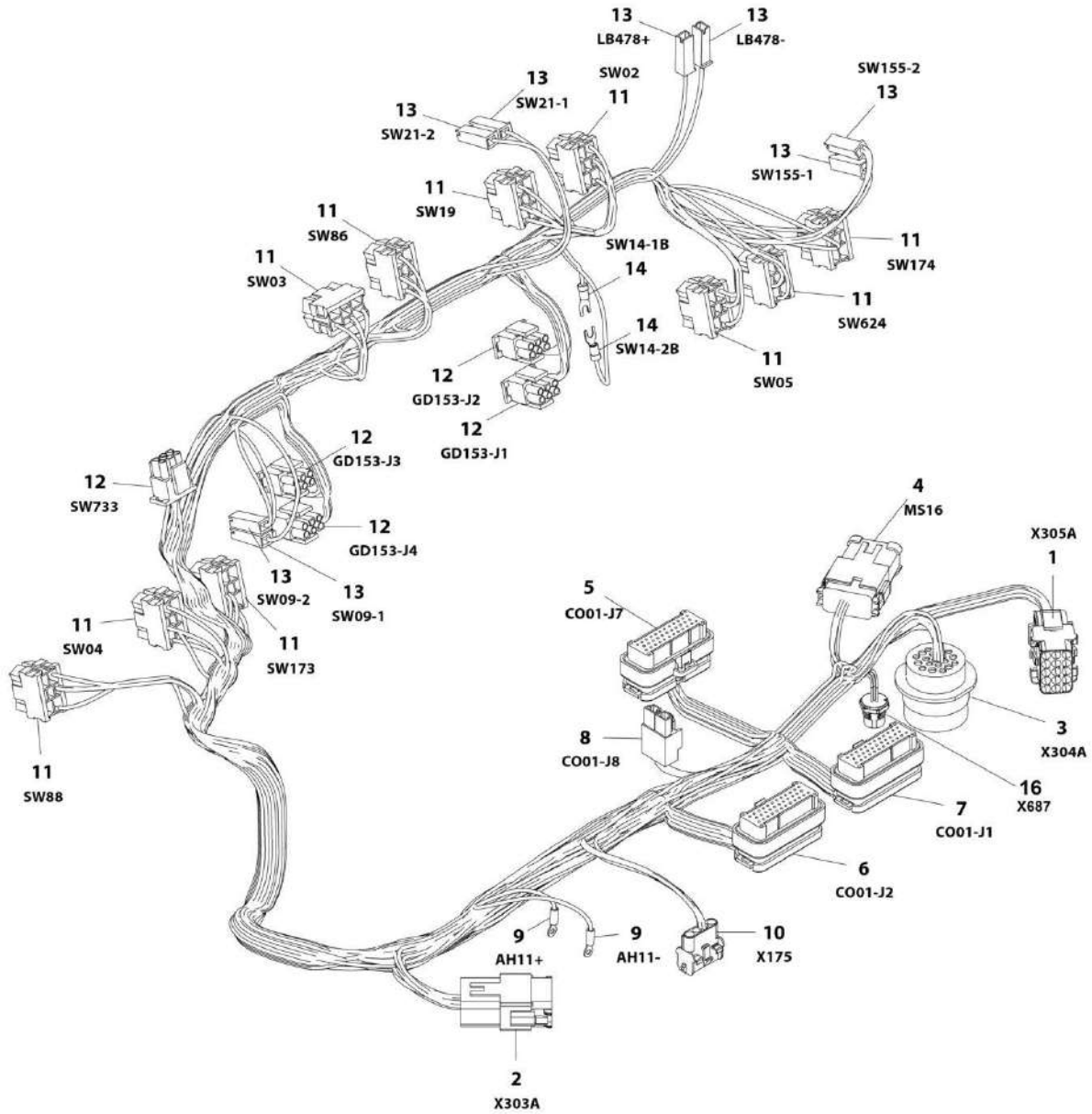
## SECTION 8 - ELECTRICAL

### FIGURE 8-32. GROUND CONTROL PANEL HARNESS

ITEM	PART NUMBER	QTY	DESCRIPTION	REV
	1001164737	Ref	GROUND CONTROL PANEL HARNESS	D
1	4460876	1	Connector - 35 Position	
1	4460871	27	Socket, Female	
1	4460905	8	Plug, Terminal	
2	4460418	1	Connector - 6 Position	
2	4460419	14	Terminal	
2	1001159186	17	Terminal	
3	4460225	4	Connector - 6 Position	
3	4460226	10	Socket, Female	

# SECTION 8 - ELECTRICAL

## FIGURE 8-33. PLATFORM CONSOLE BOX HARNESS



ART\_1001164353

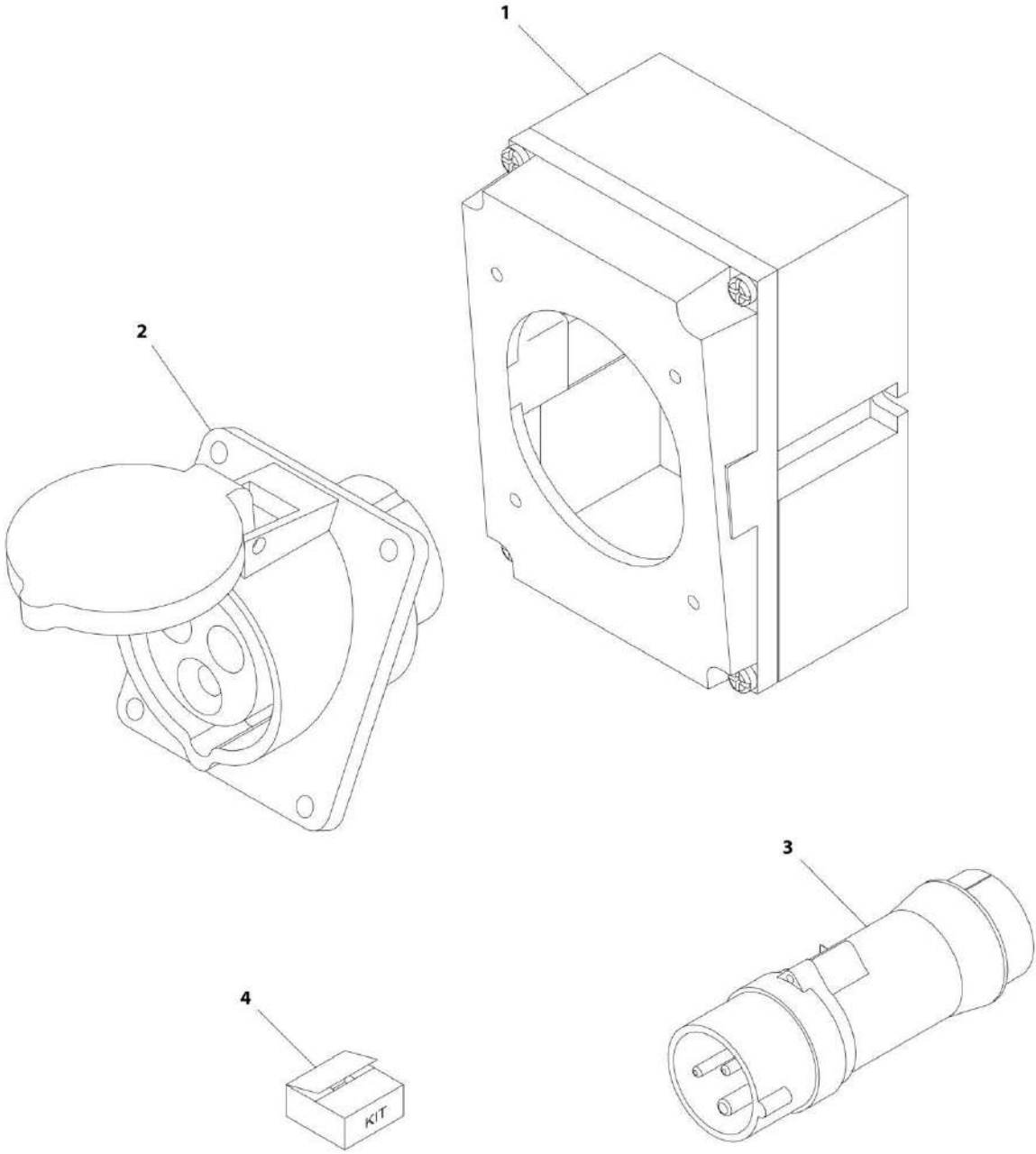
## SECTION 8 - ELECTRICAL

### FIGURE 8-33. PLATFORM CONSOLE BOX HARNESS

ITEM	PART NUMBER	QTY	DESCRIPTION	REV
	1001164353	Ref	PLATFORM CONSOLE BOX HARNESS	I
1	4460434	1	Connector - 15 Position	
1	4460267	12	Pin, Male	
2	4460970	1	Receptacle, Female - 12 Position	
2	1001116693	11	Pin, Male	
2	4460466	1	Plug, Terminal	
2	4460933	1	Plug, Male - 12 Position	
3	4460866	1	Connector - 19 Position	
3	4460464	7	Pin, Male	
3	4460466	12	Plug, Terminal	
4	4460933	1	Plug, Male - 12 Position	
4	4460465	6	Socket, Female	
4	4460466	6	Plug, Terminal	
4	1001119020	1	Bussbar - 12 Position <b>(Prior to SN E300004917)</b>	
4	1001125677	1	Bussbar - 12 Position <b>(SN 1300007286 through 1300007383, SN E300004917 to Present)</b>	
5	4460873	1	Connector - 35 Position	
5	4460871	21	Socket, Female	
5	4460905	14	Plug, Terminal	
6	4460875	1	Connector - 35 Position	
6	4460871	23	Socket, Female	
6	4460905	8	Plug, Terminal	
7	4460874	1	Connector - 35 Position	
7	4460871	25	Socket, Female	
7	4460905	10	Plug, Terminal	
8	4460879	1	Plug, Male - 2 Position	
8	4460887	2	Terminal	
9	1001098122	2	Terminal, Ring	
10	4460761	1	Receptacle, Female - 4 Position	
10	4460267	4	Pin, Male	
11	4460418	10	Connector - 6 Position	
11	4460419	35	Terminal	
11	4460259	6	Terminal (Note: Used only on Fuel Select)	
12	4460225	1	Plug, Male - 6 Position	
12	4460227	5	Pin, Male (Note: Used on Pump Potentiometer Connection Only)	
12	4460226	19	Socket, Female	
13	4460260	6	Housing, Terminal	
13	4460259	6	Terminal	
14	4460183	2	Terminal, Fork	
15	4460260	2	Housing, Terminal <b>(Prior to SN E300002846)</b>	
15	4460259	2	Terminal <b>(Prior to SN E300002846)</b>	
15	4460016	2	Terminal, Receptacle <b>(SN 1300007286 through 1300007383, SN E300002846 to Present)</b>	
16	1001213447	1	Connector - 5 Position <b>(SN 1300007286 through 1300007383, SN E300004917 to Present)</b>	

**SECTION 8 - ELECTRICAL**

**FIGURE 8-34. RECEPTACLE BOX KIT - 110V IEC YELLOW (CE SPEC)**



ART\_0275216



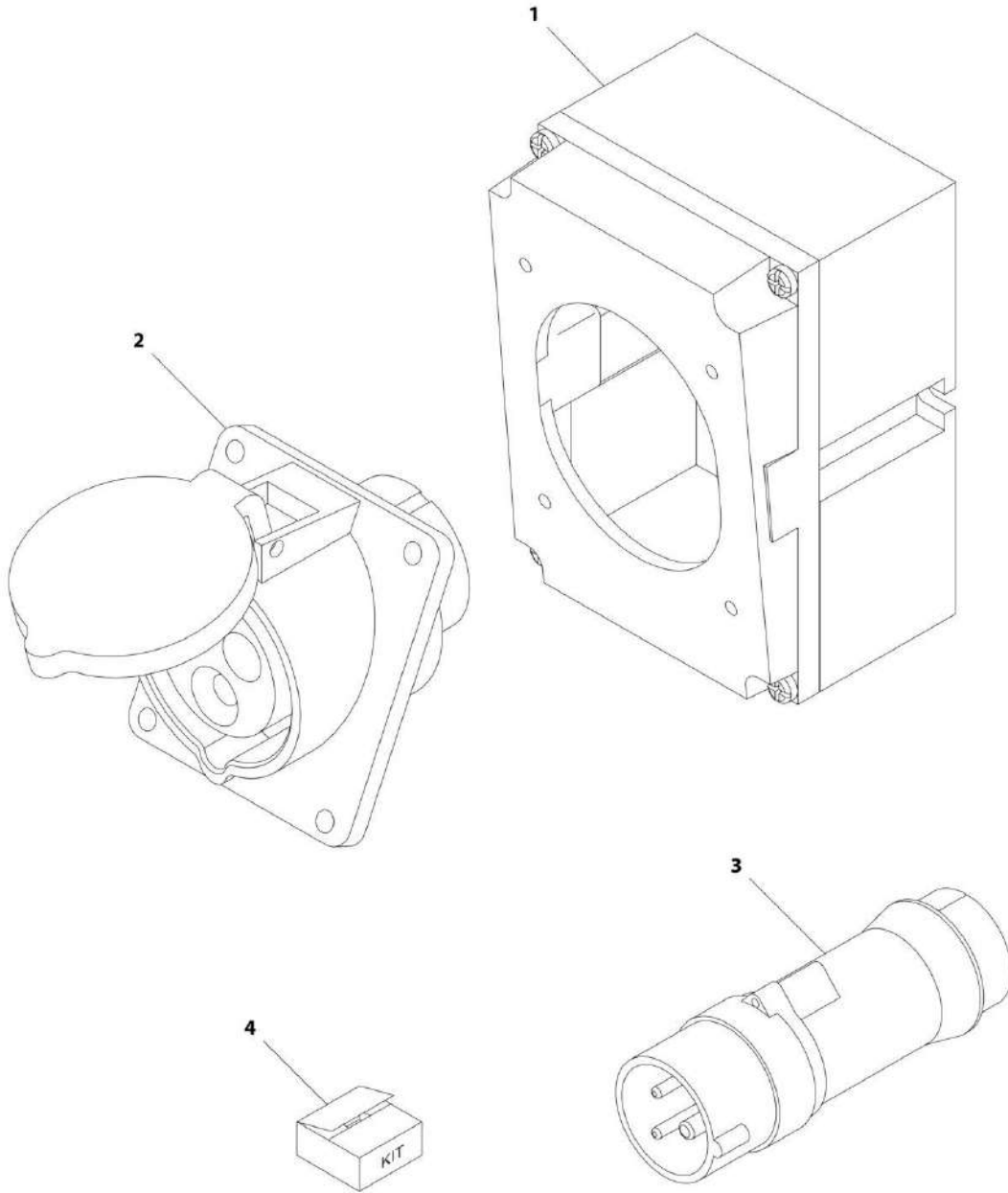
## SECTION 8 - ELECTRICAL

**FIGURE 8-34. RECEPTACLE BOX KIT - 110V IEC YELLOW (CE SPEC)**

ITEM	PART NUMBER	QTY	DESCRIPTION	REV
	0275216	Ref	RECEPTACLE BOX KIT - 110V IEC YELLOW (CE SPEC)	1
1	0861781	1	Box, Switch	
2	4461198	1	Receptacle	
3	4461196	1	Plug, Male	
4	1001100341	1	Plug and Socket Kit (Includes Items 1-3 and Female Plug p/n 4461197)	

# SECTION 8 - ELECTRICAL

FIGURE 8-35. RECEPTACLE BOX KIT - 220V IEC BLUE (CE SPEC)



ART\_0275217

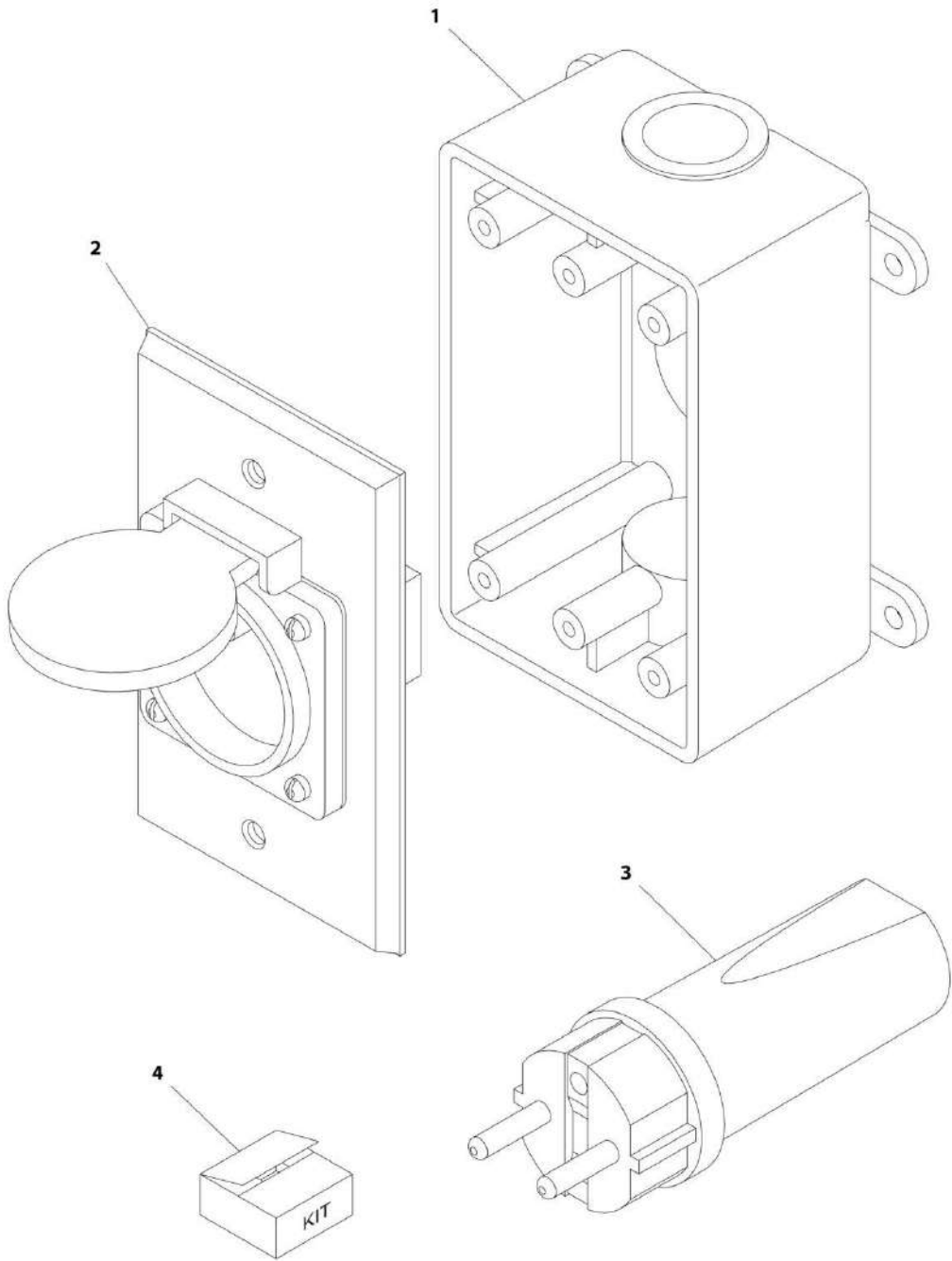
## SECTION 8 - ELECTRICAL

**FIGURE 8-35. RECEPTACLE BOX KIT - 220V IEC BLUE (CE SPEC)**

ITEM	PART NUMBER	QTY	DESCRIPTION	REV
	0275217	Ref	RECEPTACLE BOX KIT - 220V IEC BLUE (CE SPEC)	1
1	0861781	1	Box, Switch	
2	4461201	1	Receptacle	
3	4461199	1	Plug, Male	
4	1001100342	1	Plug and Socket Kit (Includes Items 1-3 and Female Plug p/n 4461200)	

**SECTION 8 - ELECTRICAL**

**FIGURE 8-36. RECEPTACLE BOX KIT - 220V CEE7 POST GROUND 2X4 (CE SPEC)**



ART\_0275452

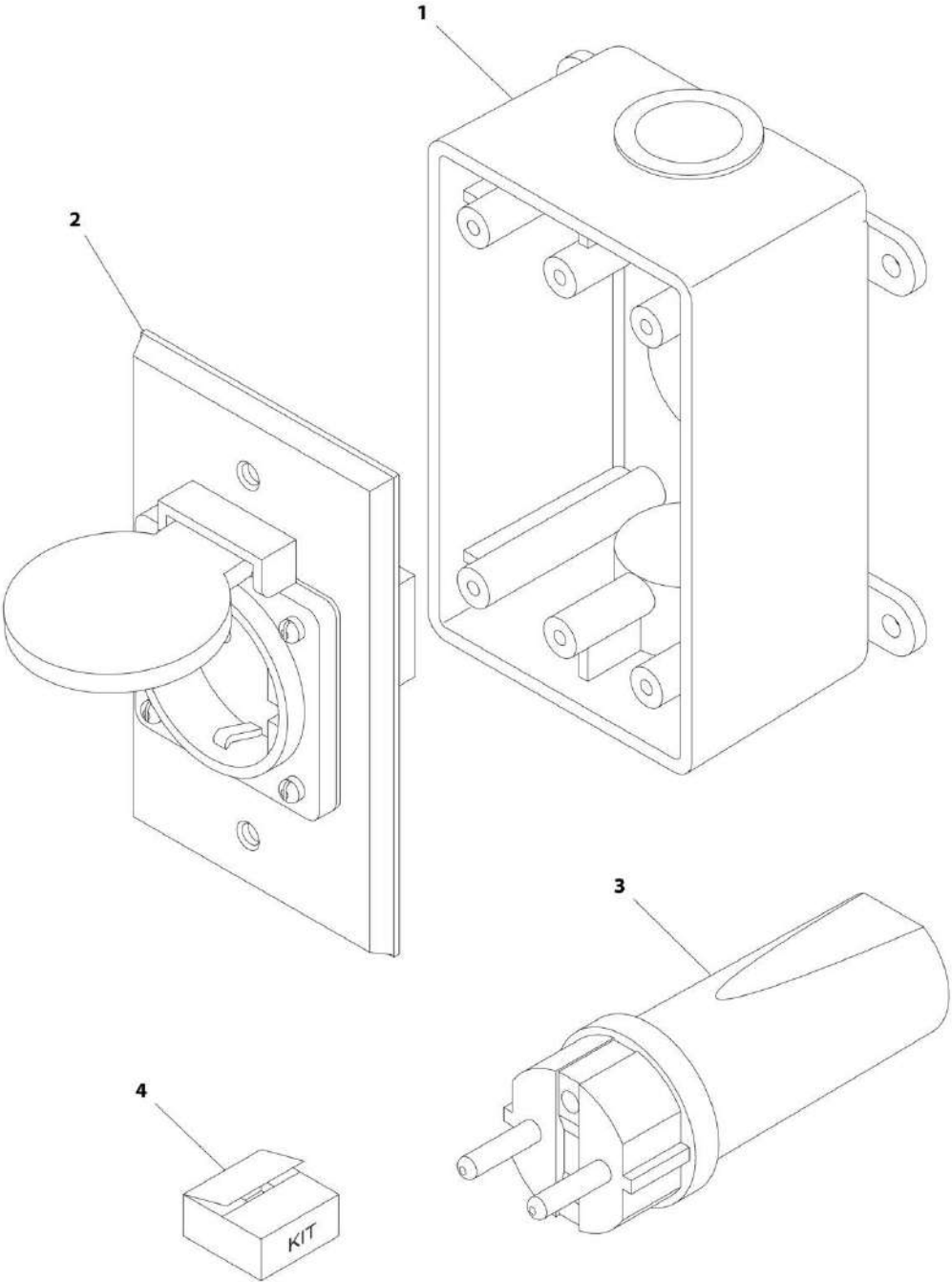
## SECTION 8 - ELECTRICAL

**FIGURE 8-36. RECEPTACLE BOX KIT - 220V CEE7 POST GROUND 2X4 (CE SPEC)**

ITEM	PART NUMBER	QTY	DESCRIPTION	REV
	0275452	Ref	RECEPTACLE BOX KIT - 220V CEE7 POST GROUND 2X4 (CE SPEC)	1
1	0861731	1	Box, Switch	
2	4461244	1	Receptacle	
3	4461202	1	Plug, Male	
4	1001100345	1	Plug and Socket Kit (Includes Items 1-3 and Female Plug p/n 4461206)	

**SECTION 8 - ELECTRICAL**

**FIGURE 8-37. RECEPTACLE BOX KIT - 220V CEE7 SIDE GROUND 2X4 (CE SPEC)**



ART\_0275453

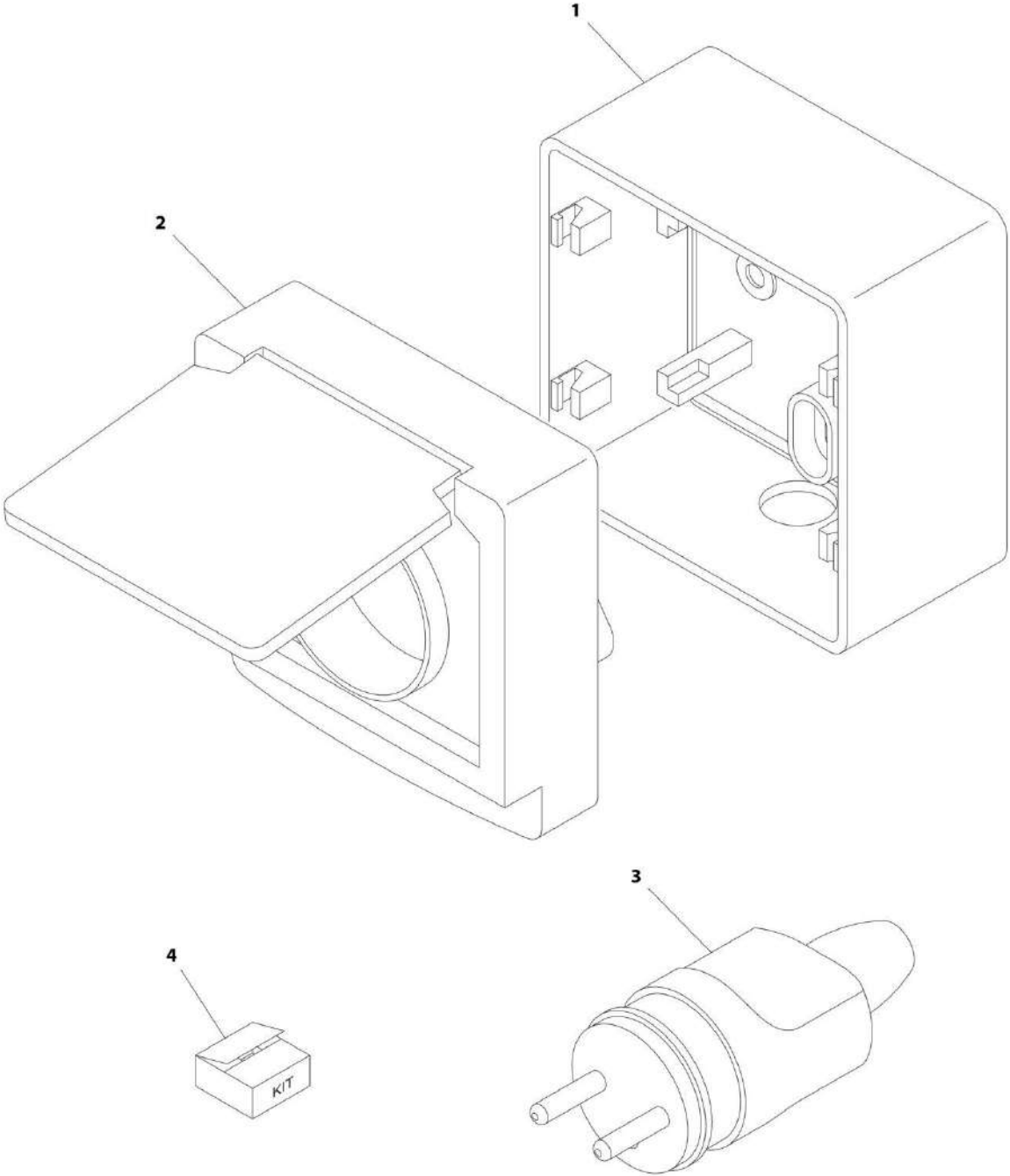
## SECTION 8 - ELECTRICAL

**FIGURE 8-37. RECEPTACLE BOX KIT - 220V CEE7 SIDE GROUND 2X4 (CE SPEC)**

ITEM	PART NUMBER	QTY	DESCRIPTION	REV
	0275453	Ref	RECEPTACLE BOX KIT - 220V CEE7 SIDE GROUND 2X4 (CE SPEC)	1
1	0861731	1	Box, Switch	
2	4461245	1	Receptacle	
3	4461205	1	Plug, Male	
4	1001100347	1	Plug and Socket Kit (Includes Items 1-3 and Female Plug p/n 4461206)	

**SECTION 8 - ELECTRICAL**

**FIGURE 8-38. RECEPTACLE BOX KIT - 220V CEE7 POST GROUND 70MMX70MM (CE SPEC)**



ART\_0275218



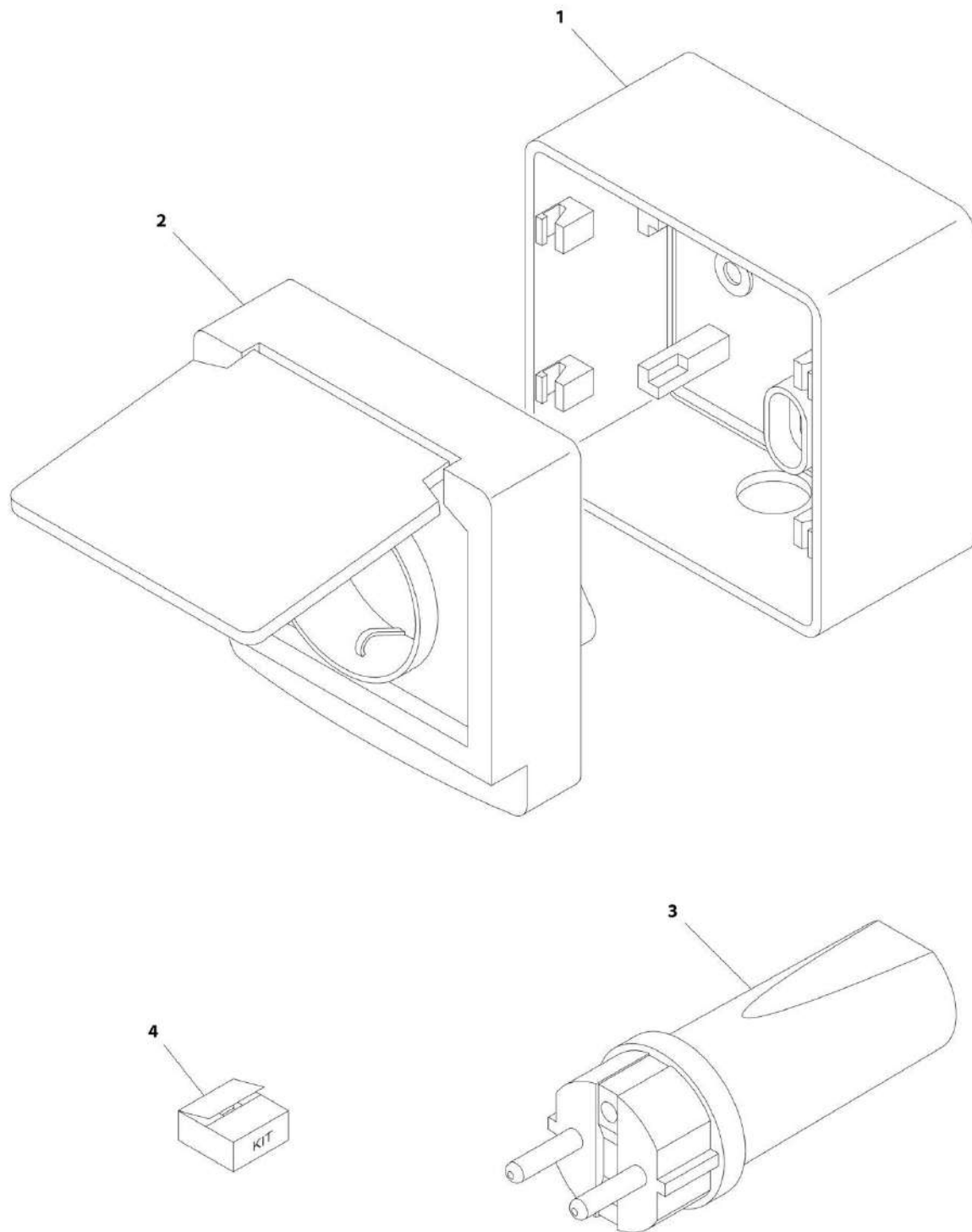
## SECTION 8 - ELECTRICAL

**FIGURE 8-38. RECEPTACLE BOX KIT - 220V CEE7 POST GROUND 70MMX70MM (CE SPEC)**

ITEM	PART NUMBER	QTY	DESCRIPTION	REV
	0275218	Ref	RECEPTACLE BOX KIT - 220V CEE7 POST GROUND 70MMX70MM (CE SPEC)	B
1	1001141967	1	Box, Switch	
2	1001141968	1	Receptacle	
3	4461202	1	Plug, Male	
4	1001141971	1	Plug and Socket Kit (Includes Items 1-3 and Female Plug p/n 4461206)	

# SECTION 8 - ELECTRICAL

FIGURE 8-39. RECEPTACLE BOX KIT - 220V CEE7 SIDE GROUND 70MMX70MM (CE SPEC)



ART\_0275219

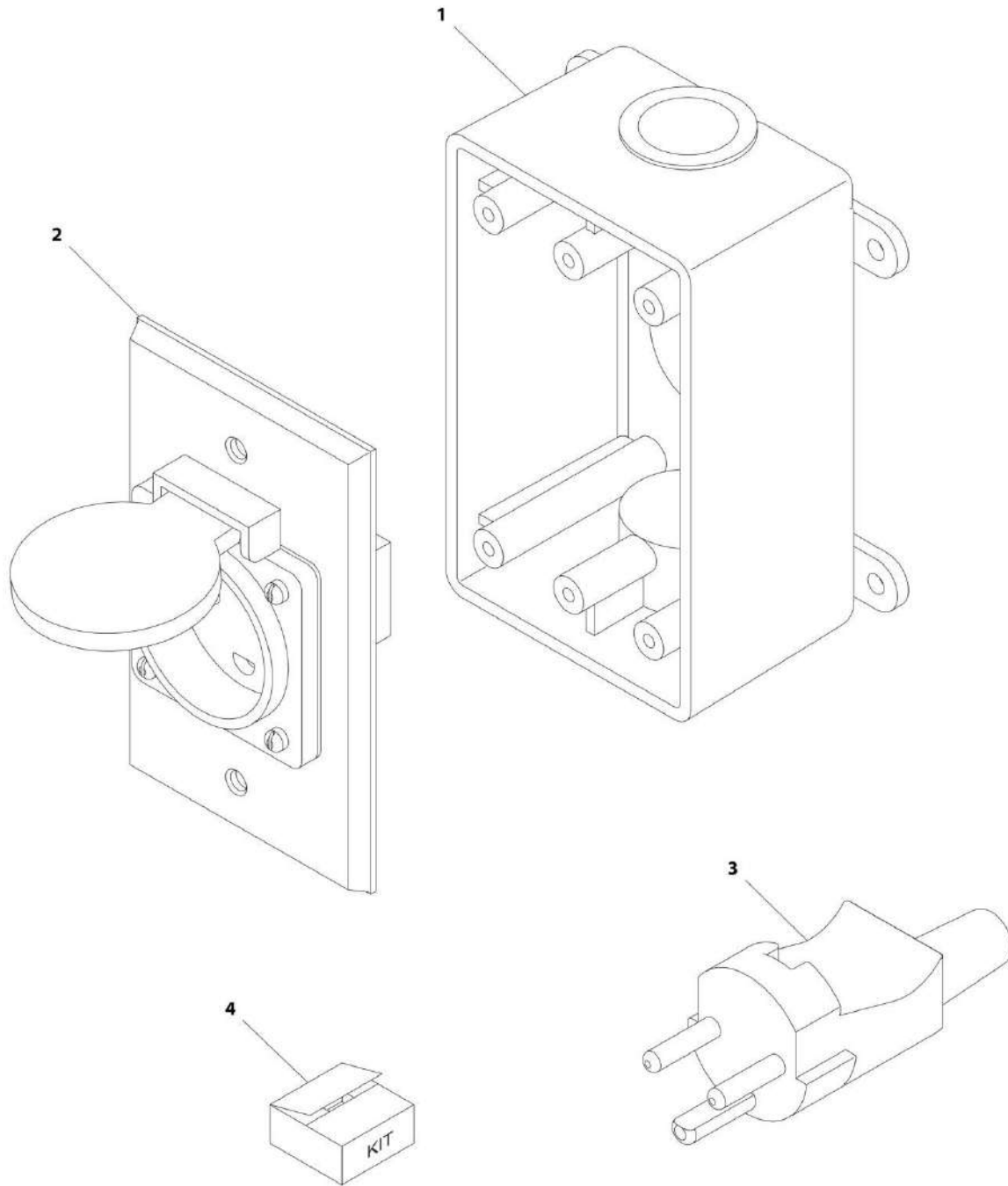
## SECTION 8 - ELECTRICAL

**FIGURE 8-39. RECEPTACLE BOX KIT - 220V CEE7 SIDE GROUND 70MMX70MM (CE SPEC)**

ITEM	PART NUMBER	QTY	DESCRIPTION	REV
	0275219	Ref	RECEPTACLE BOX KIT - 220V CEE7 SIDE GROUND 70MMX70MM (CE SPEC)	B
1	1001141967	1	Box, Switch	
2	1001141969	1	Receptacle	
3	4461205	1	Plug, Male	
4	1001141970	1	Plug and Socket Kit (Includes Items 1-3 and Female Plug p/n 4461206)	

# SECTION 8 - ELECTRICAL

FIGURE 8-40. RECEPTACLE BOX KIT - 220V AFSINT 107 (CE SPEC)



ART\_0275454

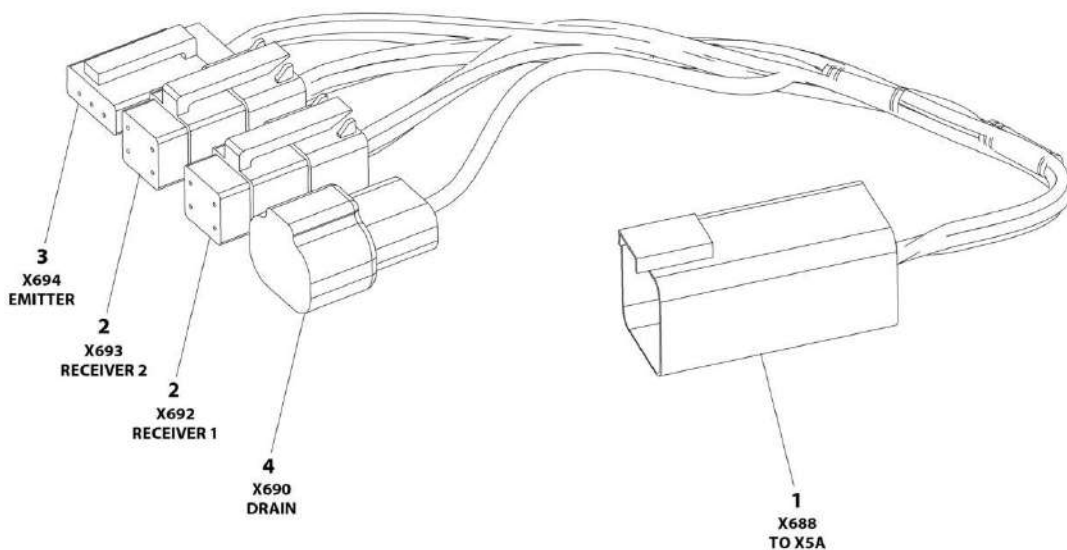
## SECTION 8 - ELECTRICAL

**FIGURE 8-40. RECEPTACLE BOX KIT - 220V AFSINT 107 (CE SPEC)**

ITEM	PART NUMBER	QTY	DESCRIPTION	REV
	0275454	Ref	RECEPTACLE BOX KIT - 220V AFSINT 107 (CE SPEC)	1
1	0861731	1	Box, Switch	
2	4461246	1	Receptacle	
3	4461249	1	Plug, Male	
4	1001100346	1	Plug and Socket Kit (Includes Items 1-3 and Female Plug p/n 4461250)	

# SECTION 8 - ELECTRICAL

## FIGURE 8-41. SKYEYE INTERMEDIATE HARNESS



ART\_1001237865

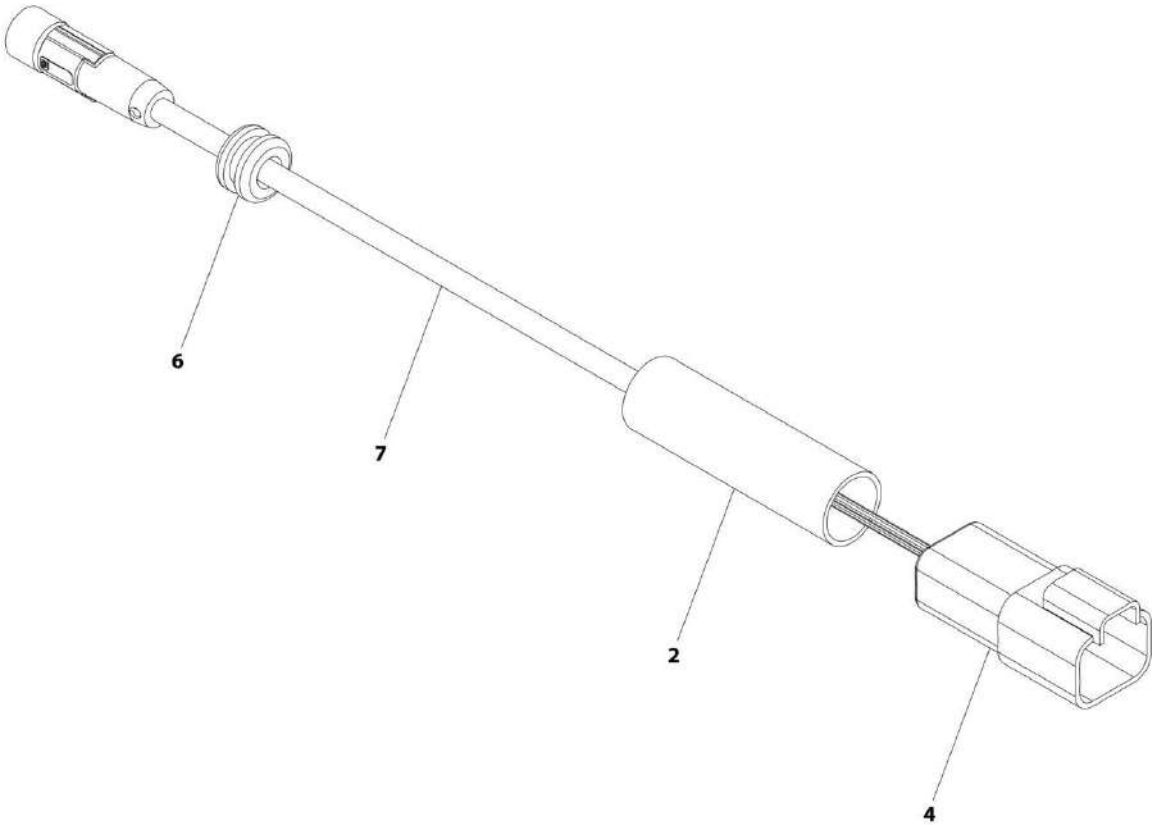
## SECTION 8 - ELECTRICAL

### FIGURE 8-41. SKYEYE INTERMEDIATE HARNESS

ITEM	PART NUMBER	QTY	DESCRIPTION	REV
	1001237865	Ref	SKYEYE INTERMEDIATE HARNESS	A
1	4460899	1	Connector - 6 Position	
1	4460943	4	Pin, Male	
1	4460466	2	Plug, Terminal	
2	4461077	2	Connector - 4 Position	
2	1001119619	8	Socket, Female	
3	4460911	1	Connector - 3 Position	
3	1001119619	3	Socket, Female	
4	1001187681	1	Connector - 2 Position	
4	4460941	1	Pin, Male	
4	4460466	1	Plug, Terminal	

**SECTION 8 - ELECTRICAL**

**FIGURE 8-42. SKYEYE RECEIVER HARNESS**



ART\_1001237863



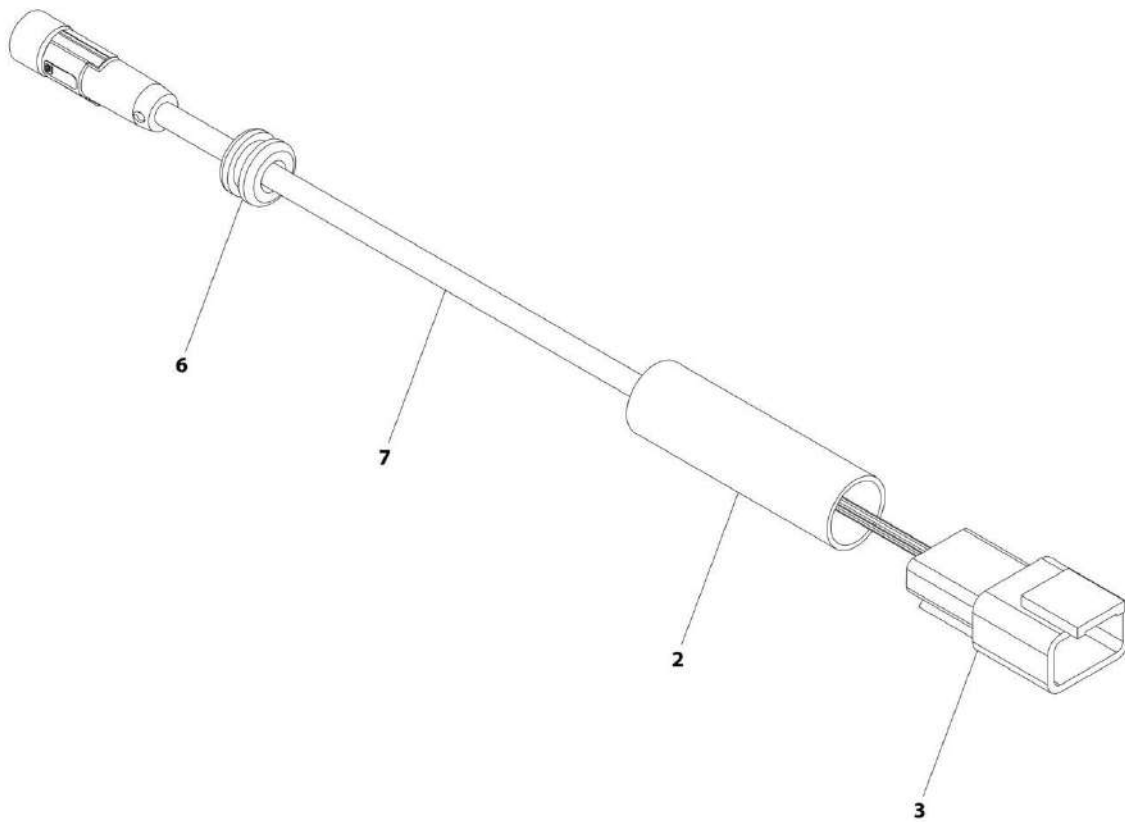
## SECTION 8 - ELECTRICAL

### FIGURE 8-42. SKYEYE RECEIVER HARNESS

ITEM	PART NUMBER	QTY	DESCRIPTION	REV
	1001237863	Ref	SKYEYE RECEIVER HARNESS	A
2	2820247	AR	Tubing, Heat Shrink	
4	1001097051	1	Connector - 4 Position	
4	1001119620	4	Pin, Male	
6	1001227996	1	Grommet	
7	1001237862	1	Cable, M8 Female Cordset	

# SECTION 8 - ELECTRICAL

## FIGURE 8-43. SKYEYE EMITTER HARNESS



ART\_1001237864

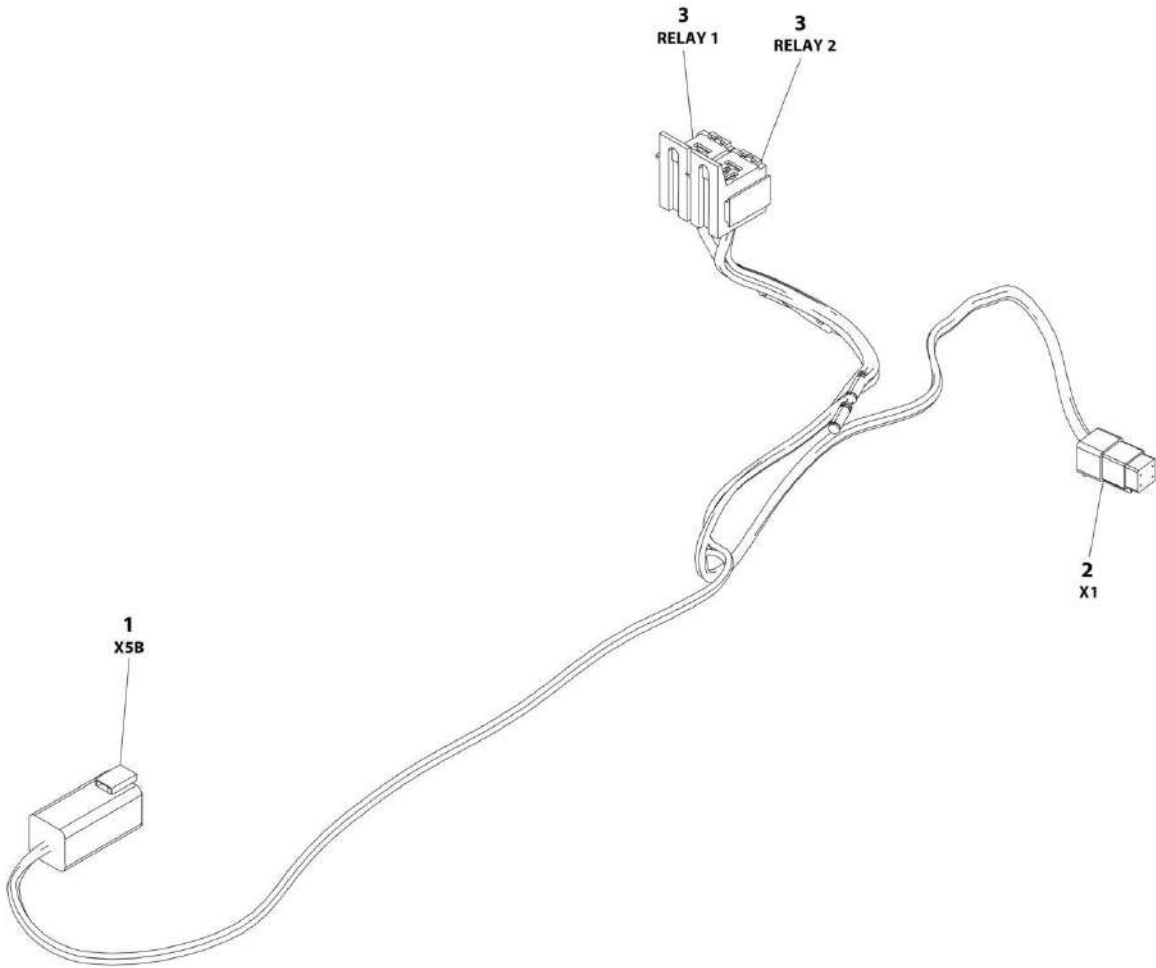
## SECTION 8 - ELECTRICAL

### FIGURE 8-43. SKYEYE EMITTER HARNESS

ITEM	PART NUMBER	QTY	DESCRIPTION	REV
	1001237864	Ref	SKYEYE EMITTER HARNESS	A
2	2820247	AR	Tubing, Heat Shrink	
3	4460910	1	Connector - 3 Position	
3	1001119620	3	Pin, Male	
6	1001227996	1	Grommet	
7	1001237862	1	Cable, M8 Female Cordset	

# SECTION 8 - ELECTRICAL

## FIGURE 8-44. SKYLINE HARNESS



ART\_1001238418

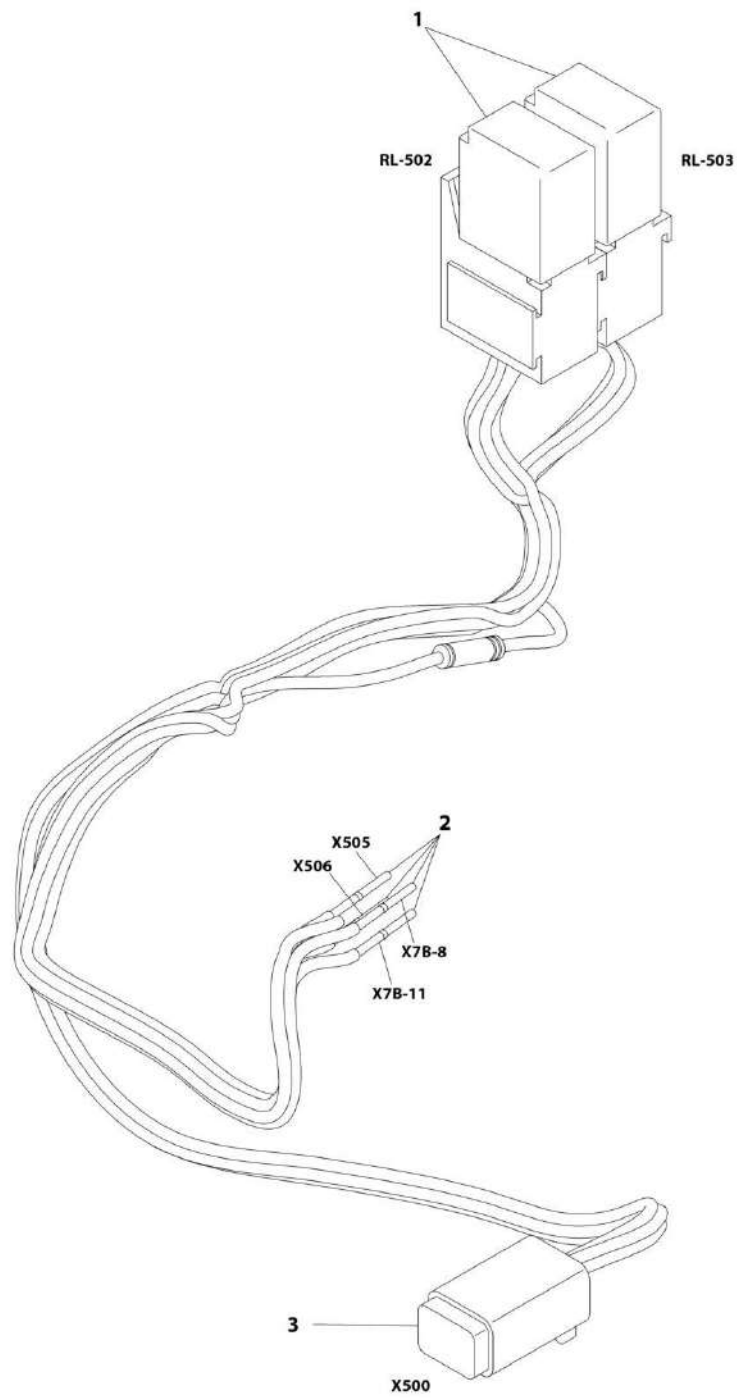
## SECTION 8 - ELECTRICAL

### FIGURE 8-44. SKYLINE HARNESS

ITEM	PART NUMBER	QTY	DESCRIPTION	REV
	1001238418	Ref	SKYLINE HARNESS	A
1	4460899	1	Connector - 6 Position	
1	4460464	4	Pin, Male	
1	4460466	2	Plug, Terminal	
2	4461077	1	Connector - 4 Position	
2	1001126009	4	Socket, Female	
3	1001186432	2	Plug, Relay	
3	1001118388	5	Terminal	
3	1001118384	3	Terminal	
3	3740086	2	Relay	
3	3990013	2	Diode	

# SECTION 8 - ELECTRICAL

## FIGURE 8-45. SKYGUARD HARNESS



ART\_1001192292

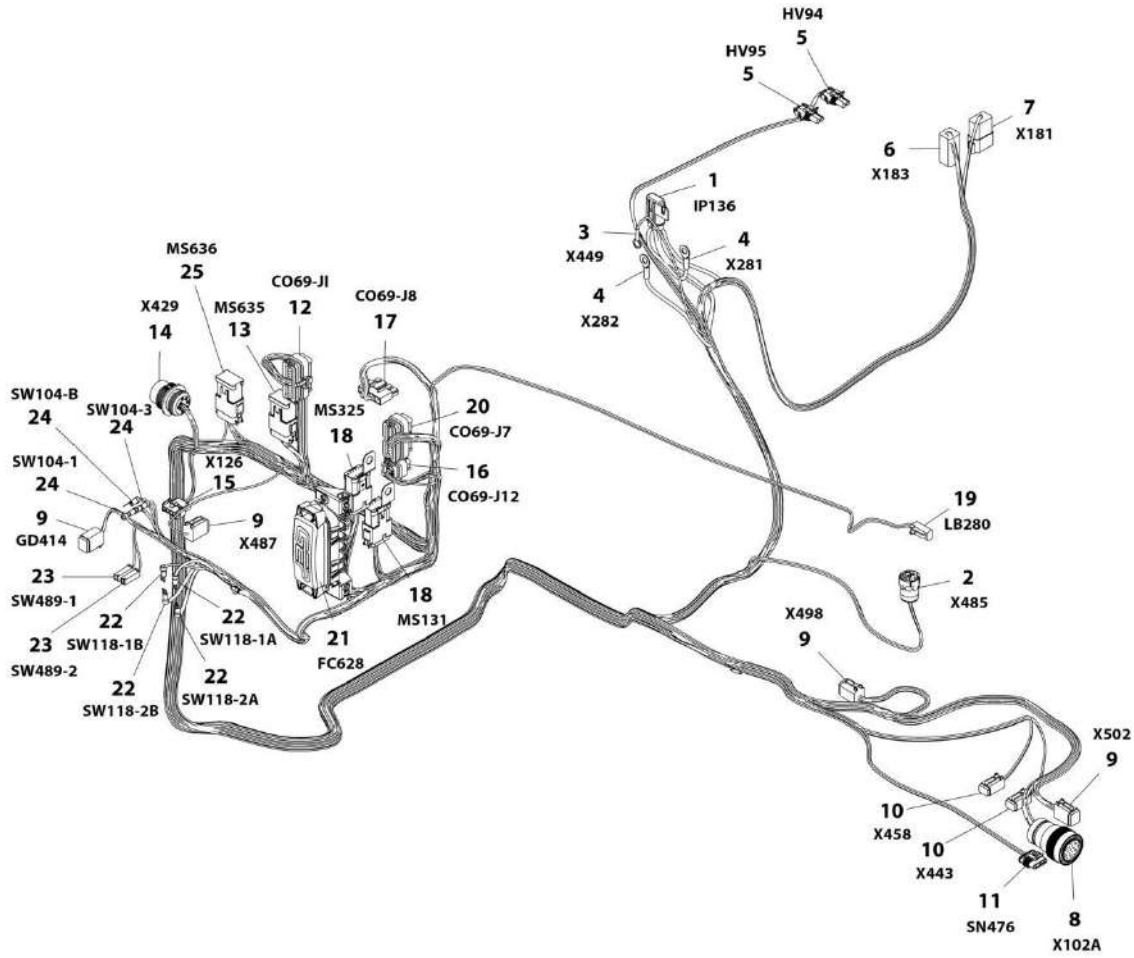
## SECTION 8 - ELECTRICAL

### FIGURE 8-45. SKYGUARD HARNESS

ITEM	PART NUMBER	QTY	DESCRIPTION	REV
	1001192292	Ref	SKYGUARD HARNESS	B
1	1001186432	2	Holder, Micro Relay	
1	1001186431	2	Relay, Micro 35 Amp	
1	1001116720	11	Terminal	
2	4460226	4	Socket, Female	
3	4460884	1	Plug, Male - 4 Position	
3	4460465	4	Socket, Female	

# SECTION 8 - ELECTRICAL

## FIGURE 8-46. TURNTABLE HARNESS



ART\_1001186007



## SECTION 8 - ELECTRICAL

### FIGURE 8-46. TURNTABLE HARNESS

ITEM	PART NUMBER	QTY	DESCRIPTION	REV
	1001186007	Ref	TURNTABLE HARNESS	F
1	1001117070	1	Fuseholder with 30Amp Fuse	
1	See Note	1	Fuse 30Amp (Note: Not Available - Purchase Locally)	
2	4460967	1	Connector - 3 Position	
2	4460465	3	Socket, Female	
3	4460247	1	Terminal, Ring	
4	8220045	2	Terminal, Ring	
5	4460742	2	Plug, Male - 2 Position	
5	4460743	4	Socket, Female	
5	4460458	4	Seal, Terminal	
6	4460899	1	Receptacle, Female - 6 Position	
6	4460464	3	Pin, Male	
6	4460943	2	Pin, Male	
6	4460466	1	Plug, Terminal	
7	4460931	1	Receptacle, Female	
7	4460464	3	Pin, Male	
7	4460466	5	Plug, Terminal	
8	4460865	1	Connector - 19 Position	
8	4460465	6	Socket, Female	
8	4460509	2	Socket, Female	
8	4460466	11	Plug, Terminal	
8	1321647	1	Clamp	
9	4460894	4	Plug, Male - 6 Position	
9	4460465	15	Socket, Female	
9	4460944	2	Socket, Female (Gold)	
9	4460466	7	Plug, Terminal	
10	4460884	2	Plug, Male - 4 Position	
10	4460465	4	Socket, Female	
10	4460466	4	Plug, Terminal	
11	1001103012	1	Connector - 4 Position	
11	1001107854	4	Socket, Female	
11	1001116763	4	Seal, Terminal <b>(Prior to SN E300003058)</b>	
11	1001104498	4	Seal, Terminal <b>(SN 1300007286 through 1300007383, SN E300003058 to Present)</b>	
12	4460874	1	Connector - 35 Position	
12	4460871	18	Socket, Female	
12	4460905	17	Plug, Terminal	
13	4460836	1	Connector - 12 Position	
13	4460465	7	Socket, Female	
13	4460466	13	Plug, Terminal	
13	4460837	2	Bussbar - 12 Position	
14	1001112612	1	Connector - 9 Position	
14	4460464	3	Pin, Male	
14	4460943	2	Pin, Male (Gold)	
14	4460466	4	Plug, Terminal	
15	4460761	1	Receptacle, Female - 4 Position	
15	4460267	4	Pin, Male	
16	1001113961	1	Plug, Male - 8 Position	
16	4460871	5	Socket, Female	
16	4460905	3	Plug, Terminal	

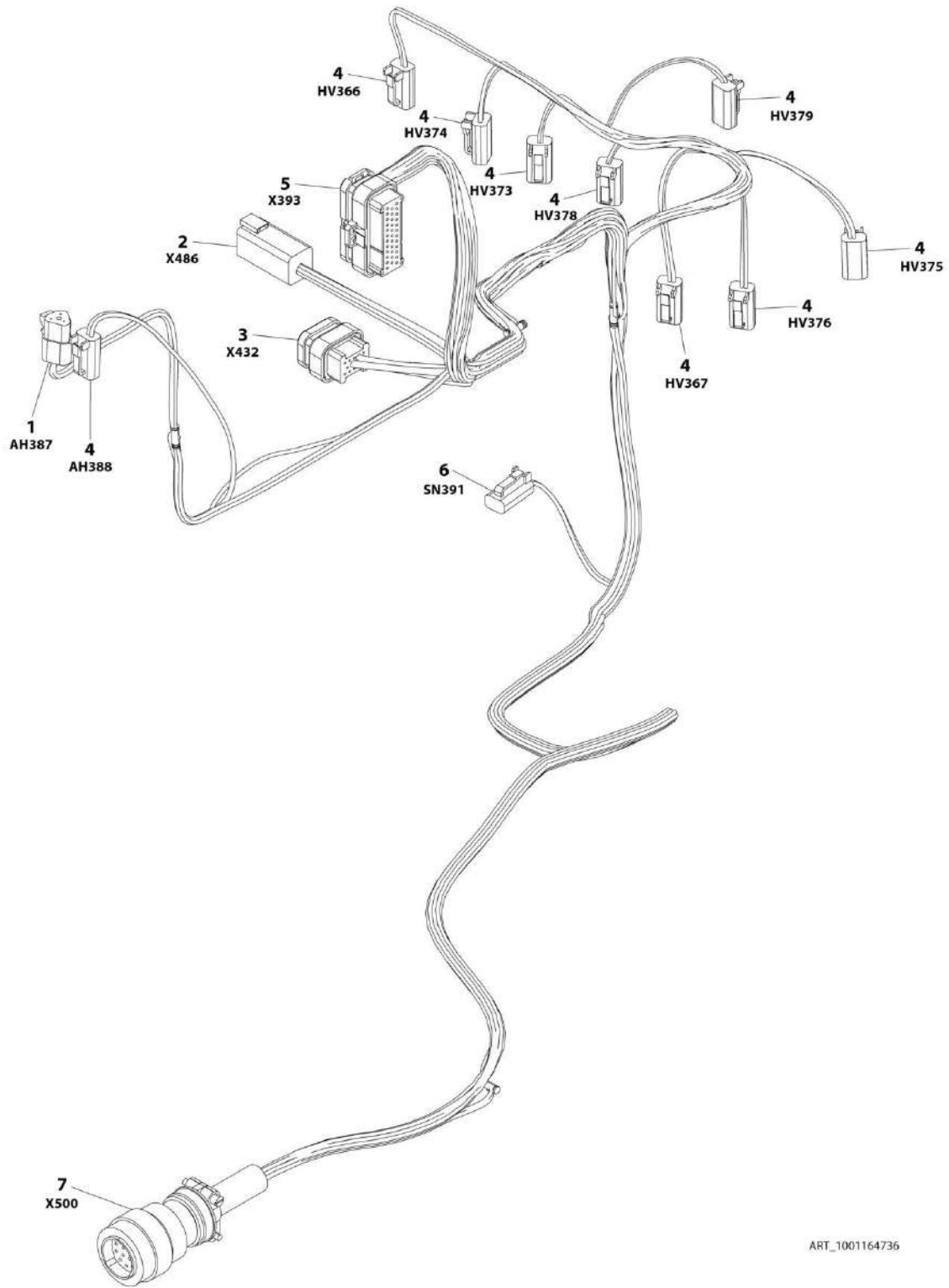
## SECTION 8 - ELECTRICAL

ITEM	PART NUMBER	QTY	DESCRIPTION	REV
17	4460878	1	Plug, Male - 4 Position	
17	4460887	4	Terminal	
18	4460933	2	Plug, Male - 12 Position	
18	4460465	14	Socket, Female	
18	4460466	10	Plug, Terminal	
18	1001119020	2	Bussbar - 12 Position	
18	1001120328	2	Clip, Mounting	
19	4460891	1	Plug, Male - 2 Position	
19	4460465	2	Socket, Female	
20	4460873	1	Connector - 35 Position	
20	4460871	22	Socket, Female	
20	4460905	13	Plug, Terminal	
21	1001185964	1	Fuse Box Assembly	
21	8229244	2	Fuse 15Amp	
21	8229242	4	Fuse 5Amp	
21	1001129285	2	Fuse with Diode	
21	1001095704	1	Relay	
22	4460806	4	Terminal, Fork	
23	4460260	2	Housing, Terminal	
23	4460259	2	Terminal	
24	4460042	3	Terminal, Ring	
25	4460836	1	Connector - 12 Position	
25	4460465	4	Socket, Female	
25	4460466	7	Plug, Terminal	
25	1001157890	1	Socket, Female	
25	4460837	1	Bussbar - 12 Position	



# SECTION 8 - ELECTRICAL

## FIGURE 8-47. VALVE HARNESS - MAIN VALVE



ART\_1001164736

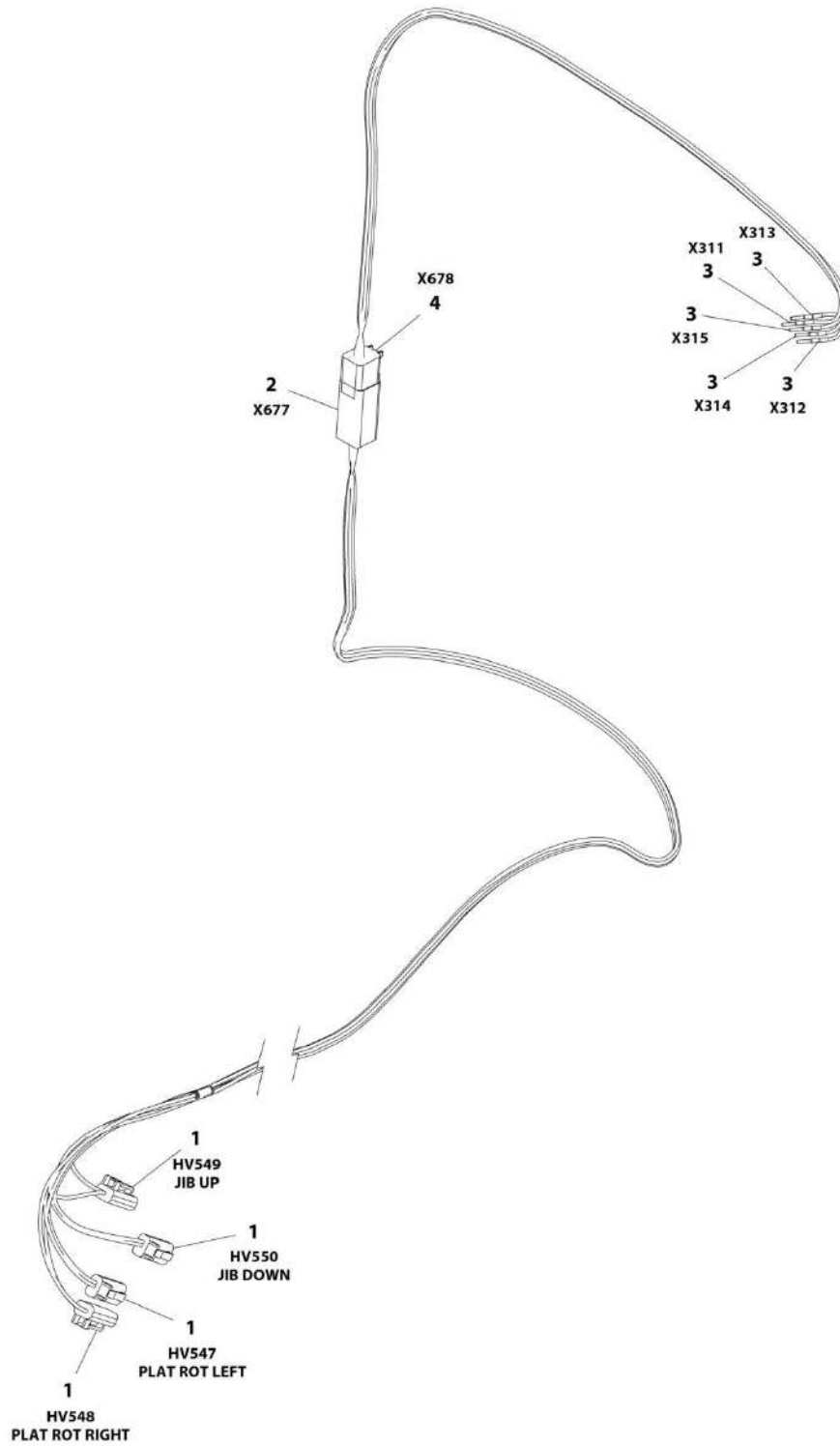
## SECTION 8 - ELECTRICAL

### FIGURE 8-47. VALVE HARNESS - MAIN VALVE

ITEM	PART NUMBER	QTY	DESCRIPTION	REV
	1001164736	Ref	VALVE HARNESS - MAIN VALVE	E
1	4460539	1	Plug, Male - 3 Position	
1	4460465	3	Socket, Female	
2	4460899	1	Receptacle, Female - 6 Position	
2	4460464	5	Pin, Male	
2	4460466	1	Plug, Terminal	
3	4460872	1	Connector - 13 Position	
3	4460871	9	Socket, Female	
3	4460905	4	Plug, Terminal	
4	4460891	9	Plug, Male - 2 Position	
4	4460465	18	Socket, Female	
5	4460875	1	Connector - 35 Position	
5	4460871	25	Socket, Female	
5	4460905	10	Plug, Terminal	
6	4460424	1	Plug, Male - 2 Position	
6	4460268	2	Socket, Female	
7	4460754	1	Connector - 14 Position	
7	4460465	13	Socket, Female	
7	4460466	1	Plug, Terminal	

# SECTION 8 - ELECTRICAL

## FIGURE 8-48. VALVE HARNESS - PLATFORM VALVE



ART\_1001164728

## SECTION 8 - ELECTRICAL

### FIGURE 8-48. VALVE HARNESS - PLATFORM VALVE

ITEM	PART NUMBER	QTY	DESCRIPTION	REV
	1001164728	Ref	VALVE HARNESS - PLATFORM VALVE	D
1	4460891	4	Plug, Male - 2 Position	
1	4460465	8	Socket, Female	
2	4460899	1	Receptacle, Female - 6 Position	
2	4460464	5	Pin, Male	
2	4460466	1	Plug, Terminal	
3	4460465	5	Socket, Female	
4	4460894	1	Plug, Male - 6 Position	
4	4460465	5	Socket, Female	
4	4460466	1	Plug, Terminal	

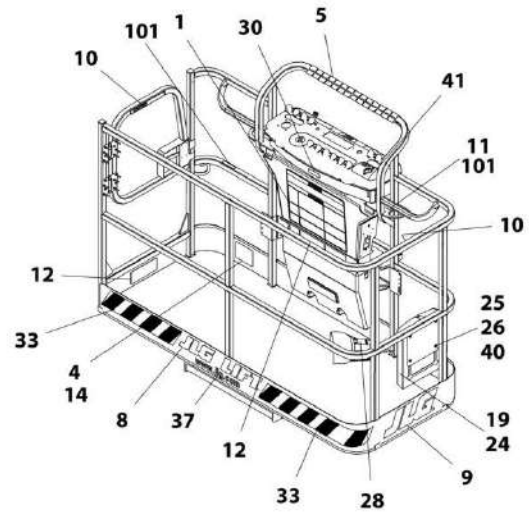
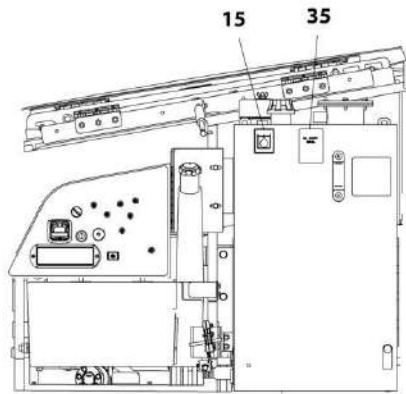




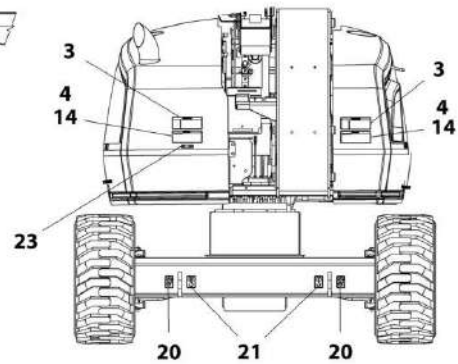
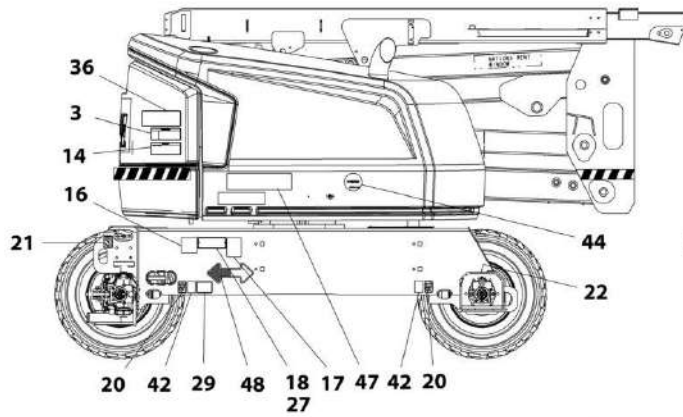
**SECTION 9 - DECAL**

# SECTION 9 - DECAL

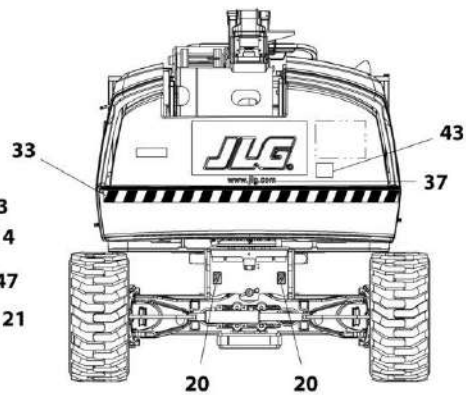
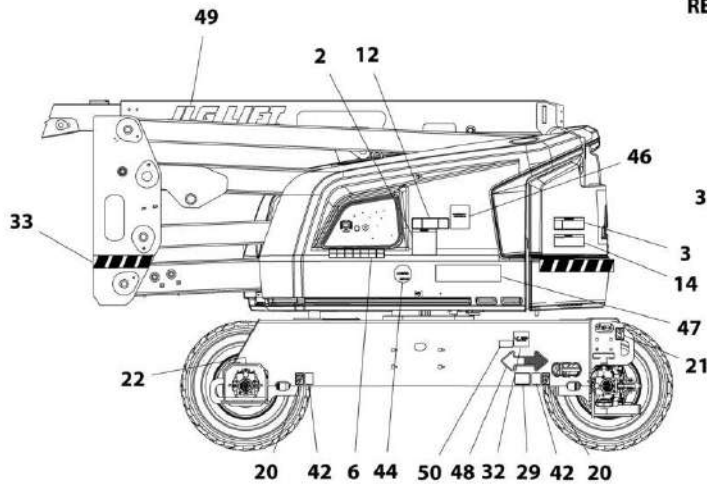
## FIGURE 9-1. DECAL INSTALLATION - AUSTRALIAN SPEC (ENGLISH)



**NOTE: SOME DECALS ARE CALLED OUT ON OPTIONAL DECALS INSTALLATION.**



**NOTE: ITEMS SHOWN MAY NOT BE REQUIRED FOR ALL SPECS. REFER TO PARTS LIST FOR USAGE.**



ART\_1001162522

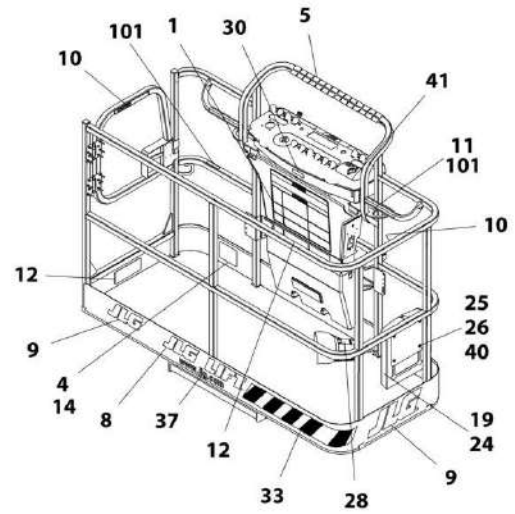
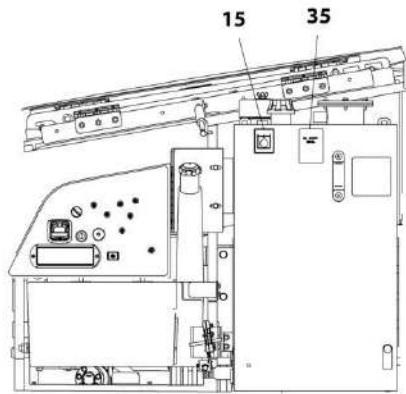
## SECTION 9 - DECAL

**FIGURE 9-1. DECAL INSTALLATION - AUSTRALIAN SPEC (ENGLISH)**

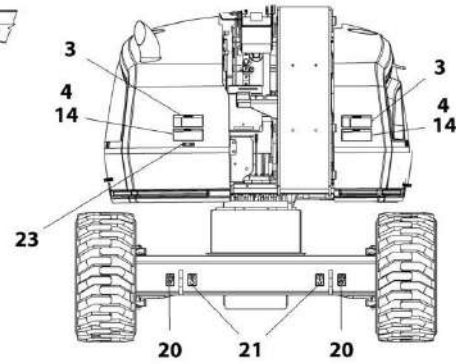
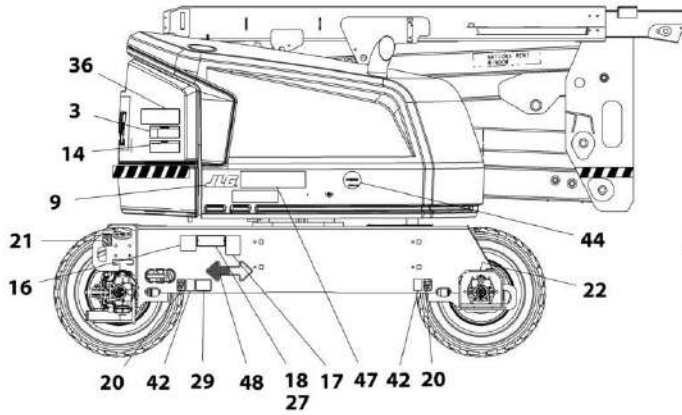
ITEM	PART NUMBER	QTY	DESCRIPTION	REV
	1001169157	Ref	DECAL INSTALLATION - REFERENCE CHART	N
	1001162522	Ref	DECAL INSTALLATION - AUSTRALIAN SPEC (ENGLISH)	G
1	1001162429	1	Decal - Tipping/Electrocution	
2	1705822	1	Decal - Electrocution/Safety Manual	
3	1705961	4	Decal - Danger Electrocution	
11	1704277	2	Decal - Attach Lanyard Here <b>(Prior to SN E300005043)</b>	
12	1001190913	1	Decal - Max Capacity	
14	1701518	6	Decal - Warning/Crushing	
15	1701504	1	Decal - Hydraulic Oil	
16	See Note	NSS	Decal - Bar Code (Note: Not Available for Purchase)	
19	1701509	1	Decal - Manual	
20	1702300	8	Decal - Tie Down /Lift	
21	1701500	4	Decal - Tie Down /Lift	
22	1703687	2	Decal - Arrow	
23	3251242	1	Decal - 240V / 50HZ <b>(Prior to SN E300003037)</b>	
24	0860520	1	Box, Manual Storage	
25	4751400	4	Washer, 1/4	
26	3311405	4	Nut, Lock 1/4-20	
27	3820001	4	Rivet	
28	1705828	1	Decal - Footswitch	
35	1704412	1	Decal - Hydraulic Fluid	
36	1001172217	1	Decal - Lift Diagram (Without Turntable Lock)	
36	1001223118	1	Decal - Lift Diagram (With Turntable Lock)	
37	1704885	2	Decal - Website	
40	0641406	4	Bolt, 1/4-20 X 3/4	
42	1701499	4	Decal - No Tie Down/Lift	
43	1001204510	1	Decal – Sound Power Level <b>(SN 1300007286 through 1300007383, SN E300004592 to Present)</b>	
46	1001112551	1	Decal - Emergency Controls	
48	1701529	2	Decal - Arrow	
100	1001232026	1	Decal – Platform Lanyard Kit (Not Shown) <b>(SN E300005043 to Present)</b>	
101	1704277	3	Decal - Attach Lanyard Here	

# SECTION 9 - DECAL

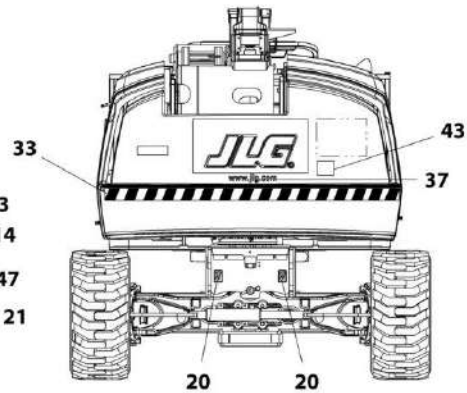
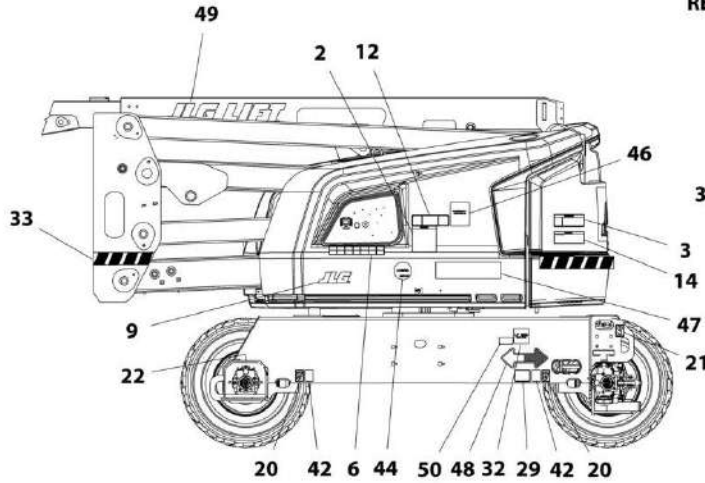
## FIGURE 9-2. DECAL INSTALLATION - CE SPEC (ENGLISH)



**NOTE: SOME DECALS ARE CALLED OUT ON OPTIONAL DECALS INSTALLATION.**



**NOTE: ITEMS SHOWN MAY NOT BE REQUIRED FOR ALL SPECS. REFER TO PARTS LIST FOR USAGE.**



ART\_1001162528

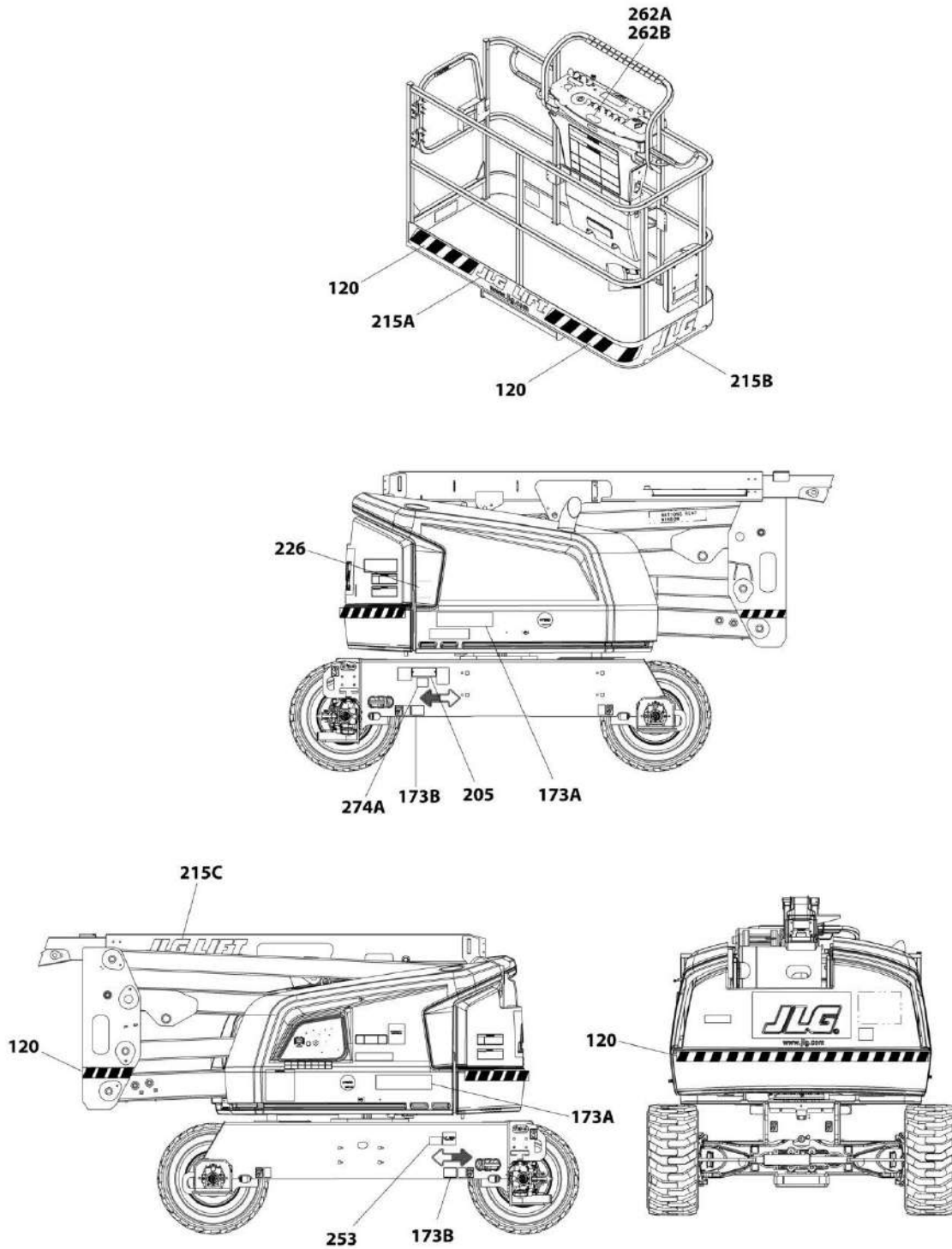
**SECTION 9 - DECAL**

**FIGURE 9-2. DECAL INSTALLATION - CE SPEC (ENGLISH)**

ITEM	PART NUMBER	QTY	DESCRIPTION	REV
	1001169157	Ref	DECAL INSTALLATION - REFERENCE CHART <b>(Prior to SN E300003610)</b>	I
	1001217904	Ref	DECAL INSTALLATION - REFERENCE CHART <b>(SN 1300007286 through 1300007383, SN E300003610 to Present)</b>	C
	1001162528	Ref	DECAL INSTALLATION - CE SPEC (ENGLISH)	H
1	1001162429	1	Decal - Tipping/Electrocution	
2	1705822	1	Decal - Electrocution/Safety Manual	
3	1705961	4	Decal - Danger Electrocution	
9	1702773	3	Decal - JLG <b>(SN 1300007286 through 1300007383, SN E300003610 to Present)</b>	
11	1704277	2	Decal - Attach Lanyard Here <b>(Prior to SN E300005043)</b>	
12	1001190913	1	Decal - Max Capacity	
14	1701518	6	Decal - Warning/Crushing	
15	1701504	1	Decal - Hydraulic Oil	
16	See Note	NSS	Decal - Bar Code (Note: Not Available for Purchase)	
19	1701509	1	Decal - Manual	
20	1702300	8	Decal - Tie Down /Lift	
21	1701500	4	Decal - Tie Down /Lift	
22	1703687	2	Decal - Arrow	
24	0860520	1	Box, Manual Storage	
25	4751400	4	Washer, 1/4	
26	3311405	4	Nut, Lock 1/4-20	
27	3820001	4	Rivet	
28	1705828	1	Decal - Footswitch	
35	1704412	1	Decal - Hydraulic Fluid	
36	1001172217	1	Decal - Lift Diagram (Without Turntable Lock)	
36	1001223118	1	Decal - Lift Diagram (With Turntable Lock)	
37	1704885	2	Decal - Website <b>(Prior to SN E300003610)</b>	
40	0641406	4	Bolt, 1/4-20 X 3/4	
42	1701499	4	Decal - No Tie Down/Lift	
43	1705084	1	Decal - Sound Power Level <b>(Prior to SN E300002974)</b>	
43	1001204510	1	Decal - Sound Power Level <b>(SN 1300007286 through 1300007383, SN E300002974 to Present)</b>	
46	1001189882	1	Decal - MSSO	
48	1701529	2	Decal - Arrow	
100	1001232026	1	Decal - Platform Lanyard Kit (Not Shown) <b>(SN E300005043 to Present)</b>	
101	1704277	3	Decal - Attach Lanyard Here	

# SECTION 9 - DECAL

## FIGURE 9-3. DECAL INSTALLATION - OPTIONS



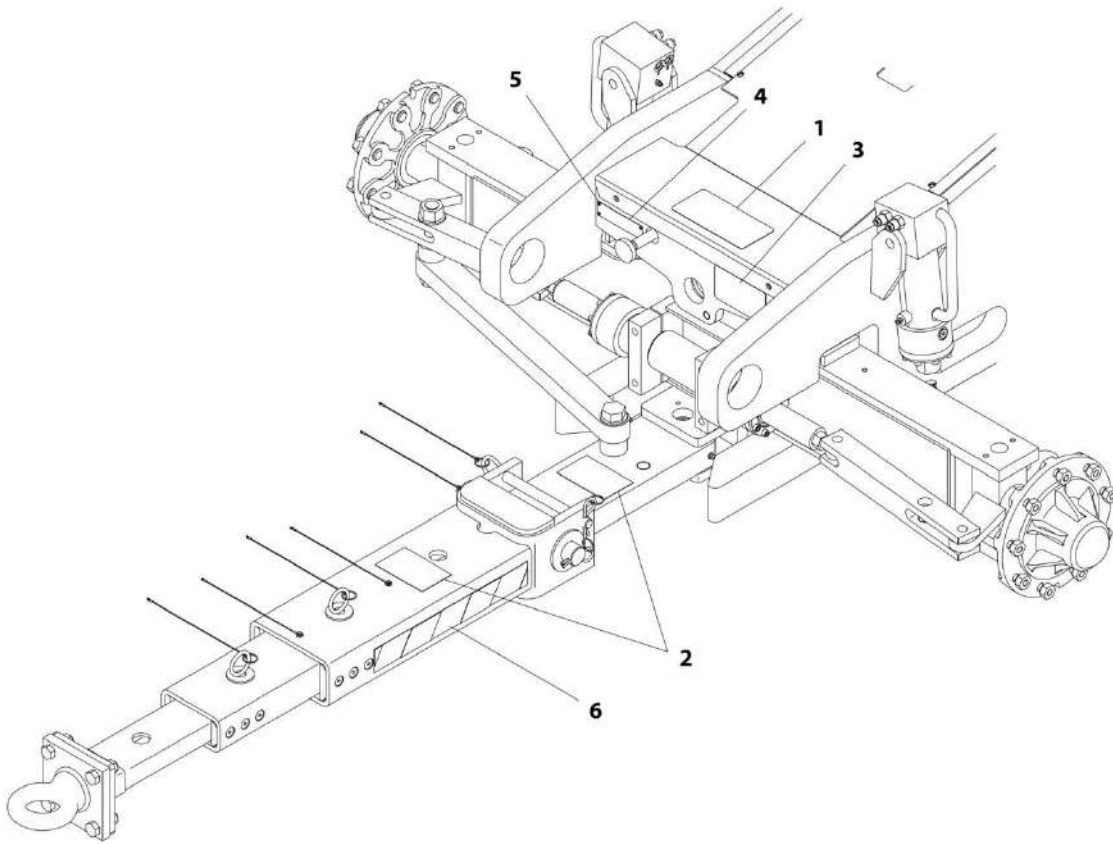
ART\_DECAL OPTIONS

**FIGURE 9-3. DECAL INSTALLATION - OPTIONS**

ITEM	PART NUMBER	QTY	DESCRIPTION	REV
	1001169157	Ref	DECAL INSTALLATION - REFERENCE CHART	N
	1001166193	Ref	DECAL INSTALLATION - OPTIONS	
120	1001188883	1	Warning Strip Installation (Not Shown)	
120	4420051	21.5 ft /6.6m	Tape, Safety	
173	1001173076	Ref	Decal - Model Designation (Not Shown)	C
173A	1001172800	2	Decal - 520AJ	
173B	1001195746	2	Decal - Max Tire Load	
205	See Note	1	Nameplate - Serial Number (Note: Not Available for Purchase)	
215	1001166085	Ref	Decal Installation - JLG Logo (Not Shown)	C
215A	1702774	1	Decal - JLG Lift	
215B	1702773	1	Decal - JLG	
215C	1702860	1	Decal - JLG Lift	
226	1706098	1	Decal - Warning Explosion/Fire (Not Shown)	
262A	1001141300	1	Decal - SkyGuard Override	
262B	1001141302	1	Decal - SkyGuard/Soft Touch Override	
274	1001214029	1	Decal - EAC Installation (CIS and Russia Specs)	
274A	1001173703	1	Decal - EAC	

# SECTION 9 - DECAL

FIGURE 9-4. TOW BAR DECAL INSTALLATION - ENGLISH LANGUAGE (ANSI, ANSI EXPORT AND CE SPECS)



ART\_1283125



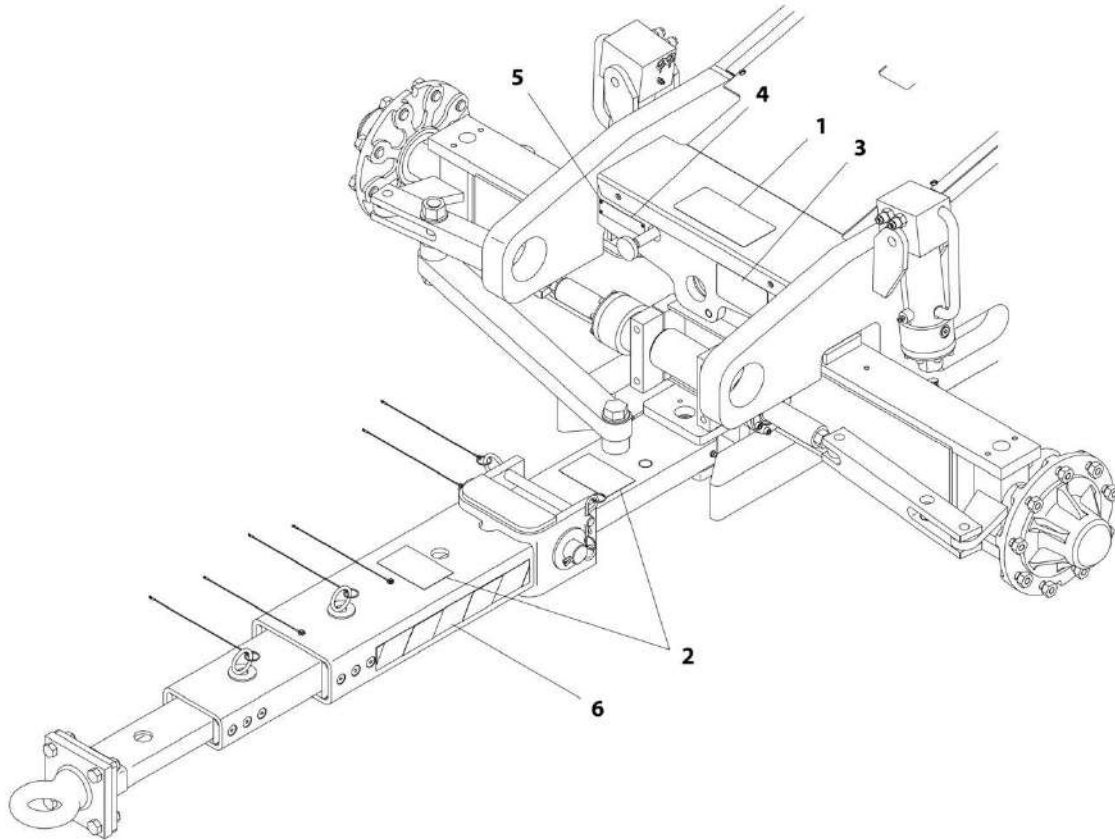
## SECTION 9 - DECAL

**FIGURE 9-4. TOW BAR DECAL INSTALLATION - ENGLISH LANGUAGE (ANSI, ANSI EXPORT AND CE SPECS)**

ITEM	PART NUMBER	QTY	DESCRIPTION	REV
	0270115	Ref	TOW BAR DECAL INSTALLATION - ENGLISH LANGUAGE (ANSI, ANSI EXPORT AND CE SPECS)	A
1	1704482	1	Decal - Tow Instructions	
2	1704578	3	Decal - Crushing	
3	1703450	1	Decal - Warning	
4	3250872	1	Nameplate - Steer/Tow Select Valve	
5	3820001	4	Rivet	
6	4420051	43 in /1.1m	Tape, Safety	

## SECTION 9 - DECAL

FIGURE 9-5. TOW BAR DECAL INSTALLATION - SPANISH LANGUAGE (CE SPECS)



ART\_1283125

**SECTION 9 - DECAL**

**FIGURE 9-5. TOW BAR DECAL INSTALLATION - SPANISH LANGUAGE (CE SPECS)**

<b>ITEM</b>	<b>PART NUMBER</b>	<b>QTY</b>	<b>DESCRIPTION</b>	<b>REV</b>
	0270116	Ref	TOW BAR DECAL INSTALLATION - SPANISH LANGUAGE (CE SPECS)	A
1	1704455	1	Decal - Tow Instructions	
2	1701518	3	Decal - Crushing	
3	1704456	1	Decal - Warning	
4	3252692	1	Nameplate - Steer/Tow Select Valve	
5	3820001	4	Rivet	
6	4420051	43 in /1.1m	Tape, Safety	



**SECTION 10 - RECOMMENDED SERVICE PARTS STOCK**

**SECTION 10 - RECOMMENDED SERVICE PARTS STOCK**

## SECTION 10 - RECOMMENDED SERVICE PARTS STOCK

FIGURE 10-1. RECOMMENDED SERVICE PARTS STOCK

ITEM	PART NUMBER	QTY	DESCRIPTION	REV
		Ref	Note: The following list will service one machine (built to current production per date on the front cover) with emergency repair parts which can be installed in the field. Parts from the list should be replaced when inventory is depleted to keep service parts stock supplied. For further information, contact your JLG dealer or the JLG Industries Parts Department.	
		Ref	STANDARD PARTS	
	7024885	1	Coil	
	70002386	1	Coil	
	70005219	1	Coil	
	70003788	1	Coil	
	70004871	1	Coil	
	1001212415	1	Controller Assembly (Drive and Steer)	
	1001129555	1	Controller Assembly (Lift and Swing)	
	70002838	1	Fill Cap Assembly (Includes Cap, Chain & Fill Basket)	
	70003614	1	Filter Kit (Includes Hydraulic Element, Breather Element & Gasket)	
	3740067	1	Relay	
	3740140	1	Relay	
	2860030	1	Key, Replacement	
	4360328	1	Switch, Toggle	
	4360387	1	Switch, Push Button	
	4360475	1	Switch, Emergency Stop	
	4360476	1	Switch, Contact Block	
	4360407	1	Switch, Potentiometer	
	1001155045	1	Switch, Toggle	
	1001159256	1	Switch, Toggle	
	1001161709	1	Switch, Toggle	
		Ref	VARIABLE PARTS	
	1001181045	1	Breaker, 30mA/16Amp (CE Spec)	
	70003783	12	Element, Air Cleaner (Deutz 2.9L4 and Deutz 2.3L3 Engines)	
	7016331	12	Filter, Oil (Deutz Engines)	
	7020023	12	Filter, Fuel (Deutz 2.3L3 Engines)	
	70003463	12	Filter, Fuel - RME Resistant (Deutz 2.3L3 Engines)	
	8229242	1	Fuse - 5Amp	
	8229244	1	Fuse - 15Amp	
	2940074	1	Latch (Machines with Gate)	
	1001170094	1	Module, Ground Control	
	1001118412	1	Module, Platform Control	
	1600387	1	Module, LSS Control	
	1001119176	1	Switch, Limit (Drive Orientation)	
	1001137673	1	Switch, SkyGuard Assembly	

**SECTION 11 - SPECIAL OPTIONS**

# SECTION 11 - SPECIAL OPTIONS

## FIGURE 11-1. SPECIAL OPTIONS

ITEM	PART NUMBER	QTY	DESCRIPTION	REV
	Note	Ref	Note: This list is to accommodate machines ordered with special equipment. Options may not be applicable to all models. For more specific parts information contact JLG Parts Department.	
		Ref	MISCELLANEOUS SPECIAL OPTIONS	
	1001101913	Ref	AC Box at Platform Installation - 110V IEC Yellow (CE Spec with 4000W Generator) <b>(Prior to SN E300002764)</b>	
	1001194203	Ref	AC Box at Platform Installation - 110V IEC Yellow (CE Spec with 4000W Generator) <b>(SN 1300007286 through 1300007383, SN E300002764 to Present)</b>	
	1001101914	Ref	AC Box at Platform Installation - 220V IEC Blue (CE Spec with 4000W Generator) <b>(Prior to SN E300002764)</b>	
	1001194204	Ref	AC Box at Platform Installation - 220V IEC Blue (CE Spec with 4000W Generator) <b>(SN 1300007286 through 1300007383, SN E300002764 to Present)</b>	
	1001101910	Ref	AC Box at Platform Installation - 220V CEE7 Post Ground 2in x 4in Box (CE Spec with 4000W Generator) <b>(Prior to SN E300002764)</b>	
	1001194197	Ref	AC Box at Platform Installation - 220V CEE7 Post Ground 2in x 4in Box (CE Spec with 4000W Generator) <b>(SN 1300007286 through 1300007383, SN E300002764 to Present)</b>	
	1001101911	Ref	AC Box at Platform Installation - 220V CEE7 Side Ground 2in x 4in Box (CE Spec with 4000W Generator) <b>(Prior to SN E300002764)</b>	
	1001194198	Ref	AC Box at Platform Installation - 220V CEE7 Side Ground 2in x 4in Box (CE Spec with 4000W Generator) <b>(SN 1300007286 through 1300007383, SN E300002764 to Present)</b>	
	1001101915	Ref	AC Box at Platform Installation - 220V CEE7 Post Ground 70mm x 70mm Box (CE Spec with 4000W Generator) <b>(Prior to SN E300002764)</b>	
	1001101916	Ref	AC Box at Platform Installation - 220V CEE7 Side Ground 70mm x 70mm Box (CE Spec with 4000W Generator) <b>(Prior to SN E300002764)</b>	
	1001101912	Ref	AC Box at Platform Installation - 220V AFSINT 107 (CE Spec with 4000W Generator) <b>(Prior to SN E300002764)</b>	
	1001194200	Ref	AC Box at Platform Installation - 220V AFSINT 107 (CE Spec with 4000W Generator) <b>(SN 1300007286 through 1300007383, SN E300002764 to Present)</b>	
	1001194365	Ref	AC Box at Platform Installation - 220V (Box W/Cover) (Australian Spec with 4000W Generator) <b>(SN 1300007286 through 1300007383, SN E300002764 to Present)</b>	
	1001174661	Ref	Airline Installation	
	1001209617	Ref	Alarm White Noise Installation	
	70006428	Ref	Bearing and Seal Kit (For Huh Assembly 2780267 & 2780268)	
	1001241254	Ref	Boom Angle Sensor Offset Link Kit	
	1001179781	Ref	Boom Cables and Clamps Installation for Machines with 7500W SkyPower	
	1001172045	Ref	Cable Carrier Tray Installation	
	1001175029	Ref	ClearSky (Telematics) Installation (Factory Installed) (Australian Spec) Note: Refer to Manual Supplement p/n 3128499 for available replacement parts. <b>(Prior to SN E300004911)</b>	
	1001175027	Ref	ClearSky (Telematics) Installation (Factory Installed) (Brazil & New Zealand Specs) Note: Refer to Manual Supplement p/n 3128499 for available replacement parts. <b>(Prior to SN E300004911)</b>	
	1001228960	Ref	ClearSky (Telematics) Installation (Factory Installed) Canbus Connection (CE Specs) <b>(SN 1300007286 through 1300007383, SN E300004912 to Present)</b>	
	1001233237	Ref	ClearSky (Telematics) Installation (Factory Installed) 3-Wire	



## SECTION 11 - SPECIAL OPTIONS

ITEM	PART NUMBER	QTY	DESCRIPTION	REV
			Connection (CE Specs) (SN 130007286 through 130007383, SN E30004912 to Present)	
	1001234099	Ref	ClearSky (Telematics) Added-on Kit (Dealer Installed) (CE Specs)	
	1001174767	Ref	Cold Weather Package - Deutz D2.3L3 Engines	
	1001204481	Ref	Combined Filter Kit – Deutz D2.3L3 Engine (Air/Engine Oil/Fuel/Hydraulic/Air)	
	0272031	Ref	Container/Transport Wheels Installation - 33/1550 x 16.5 Tires	
	1001196012	Ref	Cylinder Bellows Installation	
	1001127096	Ref	Decal - ClearSky	
	1001200131	Ref	Decal - Quick Start Reference (Loxam Rental) (Danish Spec)	
	1001200129	Ref	Decal - Quick Start Reference (Loxam Rental) (Dutch Spec)	
	1001181145	Ref	Decal - Quick Start Reference (Loxam Rental) (English Spec)	
	1001200128	Ref	Decal - Quick Start Reference (Loxam Rental) (French Spec)	
	1001200130	Ref	Decal - Quick Start Reference (Loxam Rental) (German Spec)	
	1001200134	Ref	Decal - Quick Start Reference (Loxam Rental) (Norwegian Spec)	
	1001200133	Ref	Decal - Quick Start Reference (Loxam Rental) (Spanish Spec)	
	1001200132	Ref	Decal - Quick Start Reference (Loxam Rental) (Swedish Spec)	
	1001188883	Ref	Decal - Warning Stripes	
	1001148902	Ref	Electrical Connector Kit - Amp/Tyco Electrical Connectors	
	1001148903	Ref	Electrical Connector Kit - Deutsch DT Electrical Connectors	
	1001148904	Ref	Electrical Connector Kit - Deutsch HD Electrical Connectors	
	1001148905	Ref	Electrical Connector Kit - Packard Electrical Connectors	
	1001148906	Ref	Electrical Connector Kit - Various Electrical Connectors	
	1001243331	Ref	Fan Guard Installation	
		Ref	Filter Kits:	
	1001225794	Ref	Combined Filter Kit (Hydraulic/Air and Fuel/Engine Oil) (Deutz D2.3L3 Engine Only)	
	1001202749	Ref	Fuel Cap Cover (Black)	
	1001220003	Ref	Ground Control and UGM Covers Kit	
		Ref	Hydraulic Fluids	
	2300014	Ref	Mobil 424	
	2300016	Ref	Mobil DTE 10 EXCEL 32	
	2300019	Ref	Quintolubric (Fire Resistant)	
	2300027	Ref	Mobil 224H Bio	
	2300029	Ref	Mobil EAL ISO 46 Bio	
	1001169831	Ref	Hostile Environment Package (Includes Cylinder Bellows, Platform Console Cover & Boom Wiper)	
	1001172001	Ref	Lights Installation - Headlights & Taillights	
	1001120466	Ref	Lights Installation - Platform Worklights	
	1001183407	Ref	Low Temperature Cutout Installation (Russian Specs)	
	1001173664	Ref	Oil Cooler Installation - Deutz D2.3L3 Engines	
	1001205175	Ref	Platform Console (Steel Cover Add-On Kit)	
	1001238421	Ref	Platform Leveling Kit	
	1001209059	Ref	Platform Work Surface Installation	
	1001233080	Ref	Pump Rotation Kit (Re-orient Gear Pump 90 Degrees)	
	70006429	Ref	Seal Kit (For Huh Assembly 2780267 & 2780268)	
	1001203510	Ref	SkyGuard Platform Sensor Kit	
	1001203511	Ref	SkyGuard Beacon Kit (Blue Light)	
	1001210036	Ref	SkyGuard Beacon Kit (Red Light)	
	2901443	Ref	Tools - Analyzer Kit	
	1001137005	Ref	Tools - Cable Kit, Software	
	7002821	Ref	Tools - Crimper, Wire	

## SECTION 11 - SPECIAL OPTIONS

ITEM	PART NUMBER	QTY	DESCRIPTION	REV
	7002823	Ref	Tools - Pin Extractor - Universal (For Electrical Connectors with Pins and Sockets)	
	4460510	Ref	Tools - Pin Extractor - 12-14 Gauge (For Removal of Pin/Sockets from Deutsch Connectors)	
	4460467	Ref	Tools - Pin Extractor - 16-18 Gauge (For Removal of Pin/Sockets from Deutsch Connectors)	
	7016654	Ref	Tools - Screwdriver, Magnetic	
	7002822	Ref	Tools - Screwdriver, Potentiometer	
	7004275	Ref	Tools - Seal Tool 1in (For Cylinders)	
	7004276	Ref	Tools - Seal Tool 1-1/2in (For Cylinders)	
	7002828	Ref	Tools - Stripper, Wire	

**PART NUMBER INDEX**

# PART NUMBER INDEX

0080231.....114, 128	0641405... 173, 177, 211, 215, 219, 237	128, 147, 149, 153, 319, 327	1001091970.....295
0100009....207, 211, 215, 219	0641406... 203, 205, 231, 387, 389	0760612 ..... 85	1001091973.....305
0100011....13, 15, 17, 19, 37, 41, 43, 49, 61, 63, 65, 67, 69, 71, 73, 76, 85, 88, 92, 95, 97, 99, 101, 103, 109, 111, 114, 123, 125, 128, 149, 153, 161, 165, 167, 173, 177, 179, 181, 195, 197, 199, 201, 235, 237, 326	0641407... 173, 177, 289, 293, 297, 299, 301, 303, 307, 309, 313	0760614 81, 83, 109, 115, 123, 129, 149, 317	1001091974.....311
0100019 19, 55, 103, 149, 153	0641408 ..... 203, 205	0760615 ..... 95, 97	1001091975.....315
0100020 65, 67, 109, 114, 123, 128, 229, 291, 295, 305, 311, 315	0641410...95, 97, 99, 101	0760621 ..... 76	1001095704.....378
0100048.....79, 149, 153, 173, 177, 207, 211, 215, 219	0641414... 207, 211, 215, 219, 235, 239	0760810 ..... 88, 92, 103	1001096070.....149, 341
0100071.....239	0641416... 173, 177, 289, 291, 293, 295, 297, 299, 301, 303, 305, 307, 309, 311, 313, 315	0760812 ... 37, 65, 67, 71, 73, 88, 92, 109, 123, 147, 150, 154, 165, 326	1001096653.....37
0100079.....149, 153	0641418 ... 195, 197, 199, 201	0760814 88, 92, 114, 128	1001097051.....369
0100081... 114, 128, 207, 211, 215, 219, 241, 243, 326	0641504 ..... 43, 85	0760815 ..... 85, 114, 128	1001097150.....339, 341
0140011....207, 211, 215, 219	0641509 ..... 326	0761010 ..... 49, 69	1001098122.....229, 351
0140043.....76	0641514 ..... 245, 247	0761011 ..... 15, 17	1001098828.....179
0257728.....247	0641605 ..... 49	0761012 ..... 85, 161, 326	1001100341.....353
0258011.....31	0641610 ..... 203, 205	0761014 ..... 88, 92, 179	1001100342.....355
0258012.....31	0641616 ..... 149, 153	0761015 ... 109, 114, 123, 128, 161	1001100345.....357
0258304.....287	0641812 ... 111, 125, 179	0761212 ..... 161, 167	1001100346.....365
0270115.....393	0641822 ..... 173, 177	0761214 ... 65, 67, 88, 92, 149, 153	1001100347.....359
0270116.....395	0642012 ..... 243	0761216 ..... 179	1001100433.....81, 83
0272031.....401	0642024 ..... 173, 177	0761227 ..... 167	1001101191.....291, 295, 305, 311, 315
0272589.....155	0642026 ..... 241	0761615 ..... 13, 167	1001101196.....291, 295
0272703.....173	0642684 ... 173, 177, 179	0762016 ..... 167	1001101197.....305, 311, 315
0274661.....245	0681608 ... 173, 177, 179	0771414 ... 114, 128, 149, 153	1001101910.....400
0275216....289, 291, 353	0681810 ..... 19	0771416 ..... 149, 153	1001101911.....400
0275217....293, 295, 355	0682014 ..... 19	0840055 ..... 173	1001101912.....400
0275218.....297, 361	0682040 ..... 45	0860520 ..... 387, 389	1001101913.....400
0275219.....299, 363	0700408 ... 289, 291, 293, 295, 297, 299, 301, 303, 305, 307, 309, 311, 313, 315	0861572 ..... 153	1001101914.....400
0275452....303, 305, 307, 357	0700816 ..... 43	0861731 ... 357, 359, 365	1001101915.....400
0275453....301, 309, 311, 359	0700818 ..... 149, 153	0861781 ..... 353, 355	1001101916.....400
0275454....313, 315, 365	0700820 ..... 163	0861880 ..... 339, 341	1001102987.....49
0275678.....307	0700827 ..... 326	0902733 ..... 43	1001103012.....377
0275679.....301	0700828 ..... 326	0902734 ..... 43	1001104029.....149, 154
0275680.....313	0701012 ..... 103	0902888 ..... 149, 153	1001104498.....377
0275681.....289	0701014 ..... 43	0902919 ..... 173, 177	1001104850.....55, 57
0275682.....293	0701015 ..... 167	0902920 ..... 173, 177	1001106736.....76
0275683.....297	0701018 ..... 88, 92	0903484 ... 289, 293, 297, 299, 301, 303, 307, 309, 313	1001107854.....377
0275684.....299	0701019 ..... 163	0903612 ... 289, 293, 297, 299, 301, 307, 313	1001110434.....207, 211, 215, 219
0360406.....45	0701020 ..... 65, 67, 163	0940048 ..... 167	1001111424.85, 114, 128
0363019.....43, 45	0701021 ..... 326	0940049 ..... 88, 92	1001112551.....387
0440162.....109, 123	0701024 ..... 326	0940071 ..... 88, 92	1001112607.....161
0440271.....15, 17	0701027 ..... 167	0940199 ..... 241, 243	1001112612.....321, 377
0480100.....245, 247	0701217 ..... 13	0961845 ... 195, 197, 199, 201	1001112796.....321
0480126.....149, 153	0701616 ..... 63, 167	0961947 ..... 169, 171	1001113483.....173, 177
0630568....207, 212, 216, 220	0701617 ..... 17	0961948 15, 17, 165, 167, 257, 259, 261	1001113961.....377
0630613.....88, 92	0711220 ..... 15, 17	0961949 ..... 165	1001116550.....163
0641404.....207, 237	0711224 ... 114, 128, 149, 153	0961950 ..... 13	1001116693.....351
	0711227 ..... 165	0961951 ... 114, 128, 163, 253, 263	1001116720.....375
	0711628 ..... 55	0962257 ..... 169, 171	1001116748.....337
	0711629 ..... 17	0962292 ..... 17, 163	1001116763.....377
	0711631 ..... 55	0962348 ..... 17	1001116774.....321
	0741607 ..... 149	0962450 ..... 173, 177	1001116808.....321
	0760606 ..... 149, 153	0962520 ..... 149, 153	1001117064.....337
	0760608 ..... 69, 85	1001091102 ..... 317, 319	1001117070.....377
	0760610 ... 76, 95, 97, 99, 101, 109, 114, 123,	1001091969 ..... 291	1001117172.....229
			1001117174.....207, 211, 215, 219, 229
			1001117240.....85
			1001117372.....251
			1001118274....65, 67, 71, 73, 88, 92, 165, 181, 326
			1001118384.....373
			1001118388.....373
			1001118412.....207, 211, 215, 219, 398

## PART NUMBER INDEX

1001118511 ..... 13	1001144629..... 189, 191, 193	1001163061.....65, 67	1001167036..... 111, 125, 139
1001118518 ..... 13	1001145781..... 189, 191, 193, 197, 199, 201	1001163131.....241	1001167111 ..... 115, 129, 345
1001118519 ..... 13	1001146220.. 71, 73, 208, 211, 215, 219	1001163178... 15, 17, 265	1001167149 ..... 88, 92
1001118971 ..... 326	1001148641..... 150, 154	1001163179..... 15, 17	1001167159 ..... 88, 92
1001118972 ... 43, 65, 67, 326	1001148648..... 150	1001163405..... 15, 17	1001167163 ..... 88, 92
1001119020 ..... 321, 351, 378	1001148902..... 401	1001163580..... 13, 251	1001167164 ..... 147
1001119176 ..... 69, 398	1001148903..... 401	1001163715..... 15, 17	1001167169 ..... 88, 92
1001119228 ..... 61, 327	1001148904..... 401	1001163716..... 15, 17	1001167267 ..... 203, 207
1001119278 ..... 85	1001148905..... 401	1001163717 ..... 17	1001167312 ..... 317
1001119280 ..... 327	1001148906..... 401	1001163722..... 17	1001167312 ..... 317
1001119619 ..... 367	1001148972..... 257	1001163724..... 17	1001167512 ..... 109, 123
1001119620 ..... 369, 371	1001150998..... 115, 129	1001163726..... 17	1001167520 ..... 115, 129
1001119627 ..... 274, 280	1001151393..... 71, 73	1001163767 ..... 159, 255	1001167565 ..... 179
1001120204 ..... 331	1001152456..... 150	1001163863..... 159	1001167567 ..... 179
1001120205 ..... 335	1001152458..... 150	1001163937 ..... 163	1001167596 ..... 179
1001120328 ..... 235, 237, 378	1001152485..... 303, 309, 319	1001164017 ..... 161, 163	1001168018 ..... 115, 129, 150, 154
1001120371 ..... 177	1001152525..... 155	1001164092..... 15	1001168059 ..... 115, 129
1001120466 ..... 401	1001152530..... 150	1001164093..... 13	1001168190 ..... 165
1001125677 ..... 351	1001152532..... 150, 347	1001164095..... 17	1001168210 ..... 253
1001126009 ..... 373	1001155041..... 150, 154	1001164209..... 15, 17	1001168210 ..... 253
1001127096 ..... 401	1001155044..... 207, 211, 215, 219	1001164353..... 207, 211, 215, 219, 351	1001168402 ..... 179
1001129285 ..... 378	1001155045..... 207, 211, 215, 219, 398	1001164552..... 13	1001168472 ..... 326
1001129407 ..... 69	1001155813..... 150	1001164709..... 257, 259, 261	1001168473 ..... 326
1001129555 ..... 398	1001156351..... 287	1001164728..... 203, 205, 207, 215, 383	1001169046 ..... 88, 92
1001130220 ..... 76	1001156352..... 287	1001164736..... 76, 381	1001169058 ..... 35
1001132195 ..... 114, 128	1001156541..... 337	1001164737..... 76, 349	1001169062 ..... 29
1001132196 ..... 114, 128	1001157466..... 63	1001164738..... 326, 337	1001169075 ..... 31
1001133972 ..... 55, 59	1001157520..... 155	1001164817 ..... 251	1001169157 ..... 387, 389, 391
1001135196 ..... 109, 123	1001157521..... 155	1001165131 ..... 257	1001169240 ..... 167
1001136079 ..... 114, 128	1001157522..... 154	1001165302..... 163, 169	1001169241 ..... 167
1001137005 ..... 401	1001157528..... 155	1001165388..... 115, 129	1001169242 ..... 167
1001137673 ..... 235, 398	1001157890..... 378	1001165389..... 115, 129	1001169246 ..... 161
1001138173 ..... 114, 128	1001157930..... 284	1001165816..... 65	1001169247 ..... 161
1001138175 ..... 114, 129	1001158007..... 155	1001165816..... 65	1001169249 ..... 167
1001138248 ..... 114, 129	1001158008..... 150, 155	1001165942..... 65	1001169295 ..... 167
1001138494 ..... 197, 199, 201	1001158363..... 150	1001165946..... 55	1001169296 ..... 167
1001138514 ..... 197, 199, 201	1001159186..... 349	1001165948... 37, 49, 181	1001169297 ..... 167
1001138565 ..... 149	1001159256..... 207, 211, 215, 219, 398	1001165968..... 41	1001169298 ..... 167
1001138566 ..... 150	1001160859..... 167	1001166020..... 111, 114	1001169299 ..... 167
1001139357 ..... 150	1001160872..... 167	1001166021 ..... 109, 111	1001169300 ..... 167
1001139384 ... 95, 97, 99, 101	1001161709..... 208, 211, 215, 219, 398	1001166085..... 391	1001169301 ..... 167
1001139586 ..... 17	1001161715..... 159, 261	1001166096..... 167	1001169302 ..... 167
1001139819 ..... 115, 129	1001161716..... 159, 253	1001166142..... 203	1001169304 ..... 165
1001140429 ..... 195, 197, 199, 201	1001161717..... 159, 263	1001166153..... 33, 35	1001169305 ..... 165
1001141300 ..... 391	1001161804..... 159, 267	1001166155..... 33	1001169382 ..... 103
1001141302 ..... 391	1001162105..... 41	1001166156..... 33	1001169402 ..... 165
1001141694 ..... 115, 129	1001162106..... 69	1001166157 ..... 33	1001169403 ..... 165
1001141967 ..... 361, 363	1001162107..... 41	1001166193..... 391	1001169525 ..... 143, 145
1001141968 ..... 361	1001162429..... 387, 389	1001166208..... 261	1001169823 ..... 109, 123
1001141969 ..... 363	1001162445..... 303, 309	1001166232..... 43	1001169831 ..... 401
1001141970 ..... 363	1001162448..... 303	1001166239..... 19	1001169895 ..... 71
1001141971 ..... 361	1001162451..... 309	1001166305..... 109	1001169896 ..... 71, 73
1001141995 ..... 115, 129	1001162522..... 387	1001166315..... 76	1001169897 ..... 71
1001142679 ..... 274, 280	1001162528..... 389	1001166317..... 85	1001169898 ..... 65, 67
1001142683 ..... 81, 83	1001162534..... 49, 51	1001166538..... 207, 211, 215, 219, 223	1001170001 ..... 88
1001142736 .. 81, 83, 321	1001162535..... 181, 183	1001166539..... 208, 211, 215, 220, 225	1001170018 ..... 88, 92
1001143390 ..... 115, 129	1001162536..... 181, 185	1001166656..... 326	1001170022 ..... 88, 92
1001143936 ..... 274, 280	1001162539..... 37, 39	1001166662..... 326	1001170094 ..... 76, 398
1001144433 ..... 216, 219	1001162995..... 13	1001166717 ..... 115, 129	1001170098 ..... 29
		1001166718..... 115, 129	1001170099 ..... 29
		1001166767..... 69	1001170120 ..... 103
		1001166768..... 69	1001170121 ..... 103
		1001166853..... 167	1001170224 ..... 145
			1001170225 ..... 143
			1001170226 ..... 165

# PART NUMBER INDEX

1001170334.....165	1001173055.....275, 281	1001179778.....326	1001192292.....216, 220, 375
1001170375.....181	1001173056.....275, 281	1001179781.....400	1001193018.....291, 295, 305, 311, 315
1001170446.....208, 212, 215, 220	1001173057.....275, 281	1001179903.....115	1001193061.....81
1001170458.....35	1001173058.....275, 281	1001179904.....88, 92	1001193216.....81
1001170459.....35	1001173059.....275, 281	1001180006.....161, 167	1001193336.....67
1001170460.....35	1001173061.....275, 281	1001180035.....275, 281	1001193730.....216
1001170475.....97	1001173062.....275, 281	1001180056.....167	1001194197.....400
1001170480.....65, 67	1001173063.....275, 281	1001180541.....165	1001194198.....400
1001170663.....147	1001173066.....275, 281	1001180874.....161	1001194200.....400
1001170664.....147	1001173076.....391	1001180916.....41	1001194203.....400
1001170693.....115, 117	1001173529.....71, 73	1001181045.....339, 341, 398	1001194204.....400
1001170838.....71, 73, 208, 212, 216, 220	1001173631.....275	1001181145.....401	1001194365.....400
1001170859.....88, 92	1001173664.....401	1001181325.....76	1001195444.....205, 215
1001170860.....88	1001173703.....391	1001181405.....79	1001195446.....205
1001171216.....88, 92	1001173721.....274	1001181527.....43	1001195746.....391
1001171482.....71, 73	1001173811.....153	1001181706.....159, 257	1001196012.....401
1001171553.....327	1001173925.....150, 154	1001181875.....327	1001196382.....150, 154
1001171555.....327	1001173969.....243	1001181913.....43	1001196458.....81, 83, 323
1001171559.....327	1001173973.....241, 243	1001181923.....327	1001196637.....76
1001171678.....85	1001173975.....243	1001182138.....239	1001197036.....177
1001171679.....85	1001173984.....149	1001182169.....88, 92	1001197039.....275, 281
1001171680.....85	1001174065.....167	1001182561.....327	1001197221.....37
1001171681.....109, 123	1001174098.....88	1001182875.....89, 92	1001199314.....241
1001171682.....109, 123	1001174158.....150, 317	1001182877.....89, 92	1001200086.....89
1001171953.....111, 125	1001174378.....145	1001182879.....89, 92	1001200128.....401
1001171954.....111, 125	1001174379.....143	1001182997.....65, 67	1001200129.....401
1001172001.....401	1001174661.....400	1001183171.....163	1001200130.....401
1001172045.....400	1001174675.....154, 284	1001183407.....401	1001200131.....401
1001172202.....109, 123	1001174749.....326, 335	1001184324.....207	1001200132.....401
1001172217.....387, 389	1001174767.....401	1001184618.....207, 212, 216, 220	1001200133.....401
1001172264.....147	1001174976.....79	1001184626.....207, 212, 216, 220	1001200458.....95, 99
1001172265.....147	1001175024.....274, 281	1001185281.....216, 220	1001200491.....179
1001172271.....327	1001175027.....400	1001185747.....327	1001200494.....179
1001172282.....88, 95	1001175029.....400	1001185821.....49, 53	1001200575.....207, 216
1001172335.....326, 329	1001175244.....179	1001185964.....378	1001200910.....81
1001172336.....326, 331	1001175260.....282	1001186007.....76, 377	1001201351.....179
1001172663.....179	1001175632.....284	1001186431.....375	1001201891.....212, 220
1001172760.....207, 212, 215, 220	1001175633.....284	1001186432.....373, 375	1001202450.....88
1001172796.....327	1001175634.....284	1001186517.....235	1001202611.....205, 219
1001172800.....391	1001176299.....275, 281	1001187382.....179	1001202612.....203, 211
1001172833.....88, 99	1001176300.....275, 281	1001187383.....179	1001202749.....401
1001173006.....274, 280	1001176301.....275, 281	1001187508.....235	1001202830.....101
1001173027.....274, 280	1001176302.....275, 281	1001187674.....233	1001202910.....280
1001173028.....274, 280	1001176469.....73	1001187681.....367	1001203322.....97
1001173029.....274, 280	1001176848.....15, 17	1001188196.....65, 67	1001203510.....401
1001173030.....274	1001176951.....326, 333	1001188311.....201	1001203511.....401
1001173031.....274	1001177541.....73	1001188312.....193	1001203628.....257
1001173032.....274	1001177543.....73	1001188314.....199	1001204481.....401
1001173034.....274, 281	1001177820.....63	1001188315.....191	1001204510.....387, 389
1001173035.....274, 281	1001177821.....63	1001188318.....197	1001204725.....179
1001173036.....274, 281	1001177834.....63	1001188319.....189	1001205175.....401
1001173037.....275, 281	1001178133.....167	1001188622.....179	1001205750.....85
1001173038.....275, 281	1001178135.....167	1001188844.....179	1001205752.....85
1001173039.....275, 281	1001178228.....101	1001188883.....391, 401	1001205958.....305, 311, 315
1001173042.....275, 281	1001178448.....327	1001188889.....235	1001206625.....259
1001173043.....275, 281	1001178449.....327	1001189001.....179	1001206916.....67
1001173046.....275, 281	1001178554.....165	1001189002.....179	1001207004.....83
1001173048.....275, 281	1001178555.....165	1001189882.....389	1001207302.....83
1001173049.....275, 281	1001178555.....165	1001190368.....15, 17	1001207315.....83
1001173050.....275	1001178644.....327	1001190913.....387, 389	1001207335.....281
1001173051.....275	1001178644.....327	1001190985.....179	1001207336.....281
1001173052.....275, 281	1001178859.....115, 129	1001191708.....239	1001207347.....67
1001173053.....275, 281	1001178958.....327	1001191832.....89, 92, 109, 123	1001207356.....280
1001173054.....275, 281	1001179191.....103		
	1001179236.....76, 343		
	1001179266.....327		
	1001179339.....65, 67		
	1001179517.....37		
	1001179626.....161, 165		

## PART NUMBER INDEX

1001208874 .....	49	1001237863.....	233, 369	1704260.....	207, 211, 215,	2220923 .....	275, 280
1001209059 .....	401	1001237864.....	233, 371	219		2220940 .....	274, 280
1001209617 .....	400	1001237865.....	233, 367	1704277 .....	387, 389	2220946 .....	274, 280
1001209664 .....	235	1001238319.....	233	1704412.....	387, 389	2220947 .....	274, 280
1001209677 .....	319	1001238418.....	237, 373	1704455.....	395	2220998 .....	275, 280
1001209832 .....	319	1001238421.....	179, 401	1704456.....	395	2221033 .....	274, 280
1001210036 .....	401	1001238466.....	327	1704482.....	393	2221040 .....	274, 280
1001210356 .....	281	1001238472.....	237	1704578.....	393	2221052 .....	43
1001211716 .....	88, 92	1001238477.....	237	1704885.....	387, 389	2221086 .....	39, 185, 275,
1001211717 .....	89, 92	1001238559.....	237	1704972.....	109	280	
1001212415 .....	398	1001238824.....	237	1705084.....	389	2230025 .....	274, 280
1001213447 .....	351	1001241254.....	400	1705325.....	289, 291	2300014 .....	401
1001213882 .....	211, 219	1001241286.....	92	1705358.....	241, 243	2300016 .....	19, 401
1001214029 .....	391	1001241290.....	92	1705460.....	155	2300019 .....	401
1001214207 .....	111, 125	1001241295.....	92, 101	1705461.....	155	2300027 .....	401
1001214975 .....	115, 129	1001241296.....	92, 97	1705489.....	149, 155	2300029 .....	401
1001215228 .....	212, 220	1001241965.....	237	1705822.....	387, 389	2420202 .....	173, 177
1001216630 .....	174, 177,	1001243331.....	401	1705828.....	387, 389	2460048 .....	153
179		1060341 .....	347	1705961.....	387, 389	2540020 .....	81, 83
1001217681 .....	159, 259	1060379 .....	245, 247	1706098.....	391	2540038 .....	173, 177
1001217779 .....	163, 171	1060461 .....	331, 335	1706510.....	245	2560136 .....	207, 211, 215,
1001217904 .....	389	1060908 .....	339, 341	1787217 .....	85	219	
1001218533 .....	61	1060918 .....	229	2060025.....	114, 128	2560187 .....	95, 97, 99, 101
1001218535 .....	61	10702077 .....	154	2080040 .....	149, 189, 191,	2600281 .....	189, 191, 193
1001218537 .....	61	10702082 .....	155	193, 317, 319		2720058 .....	109, 123
1001219129 .....	61	1120555 .....	241, 243	2110810.....	274, 280	2720398 .....	114, 128
1001219601 .....	76	1271538 .....	173, 177	2110812.....	274, 280	2720447 .....	114, 128
1001220003 .....	401	1320016 .....	114, 128	2151212.....	274, 280	2752504 .....	281
1001223118 .....	63, 387, 389	1320022 .....	109, 123	2160001.....	55	2752519 .....	280
1001223122 .....	150, 154	1320043 .....	327	2180348.....	109, 123	2780267 .....	19, 21
1001223777 .....	88, 92	1320130 .....	326	2180736.....	257, 259	2780268 .....	19, 25
1001224894 .....	165	1320136 .....	173, 177	2180876.....	109, 123	2820031 .....	149, 153, 326,
1001225794 .....	401	1320176 .....	143, 145	2220237 .....	267	333	
1001226872 .....	195	1320223 .....	85	2220238.....	43, 280	2820247 .....	369, 371
1001227633 .....	233	1320224 .....	173, 177	2220315.....	114, 128	2860030 .....	71, 73, 398
1001227634 .....	233	1321293 .....	69	2220371.....	274, 280	2900756 .....	39
1001227985 .....	233	1321647 .....	377	2220372.....	43, 274, 280	2900770 .....	253, 267
1001227987 .....	233	1321716 .....	109, 123, 150,	2220373.....	274, 280	2900792 .....	255
1001227993 .....	167	154		2220374.....	274, 280	2901443 .....	401
1001227996 .....	369, 371	1580012 .....	231	2220375.....	274, 280	2902065 .....	114, 128, 135
1001228215 .....	195	1600387 .....	173, 177, 398	2220377.....	274, 280	2902266 .....	251
1001228224 .....	233	167082971, 73, 207, 211,		2220408.....	274	2902443 .....	345
1001228225 .....	233	215, 219		2220415.....	274, 280	2902549 .....	289, 293, 297,
1001228960 .....	400	1684290 .....	251	2220435.....	281	299, 301, 307, 313,	
1001229138 .....	243	1701499 .....	387, 389	2220451 .....	114, 128, 274,	317, 339	
1001229341 .....	233	1701500 .....	387, 389	280		2920028 .....	216, 219
1001230931 .....	337	1701504 .....	387, 389	2220465.....	274, 280	2920029 .....	216, 219
1001232026 .....	387, 389	1701505 .....	109, 123	2220466.....	274, 280	2920129 .....	173
1001232164 .....	233	1701509 .....	241, 243, 387,	2220468.....	274, 280	2940074 .....	189, 191, 193,
1001232165 .....	233	389		2220472.....	274, 280	398	
1001232642 .....	237	1701518 .....	387, 389, 395	2220497.....	280	2940173 .....	95, 97, 99, 101
1001232650 .....	237	1701529 .....	387, 389	2220500.....	274, 280	3020008 .....	19
1001232667 .....	237	1701691 .....	88, 92	2220501.....	274, 280	3020021 .....	135
1001233080 .....	401	1702300 .....	387, 389	2220577 .....	274	3020037 .....	111, 125
1001233139 .....	15	1702565 .....	207, 211, 215,	2220579.....	43	3160348 .....	19, 27
1001233237 .....	400	219		2220582.....	274, 280	3250872 .....	393
1001233899 .....	88, 92	1702566 .....	207, 211, 215,	2220596.....	274, 280	3251242 .....	149, 295, 305,
1001234099 .....	401	219		2220600.....	274, 280	311, 315, 387	
1001234295 .....	49	1702567 .....	207, 211, 215,	2220603.....	274, 280	3252507 .....	293, 297, 299,
1001235011 .....	237	219		2220628.....	274, 280	301, 303, 307, 309, 313	
1001235013 .....	237	1702773 .....	389, 391	2220811.....	274, 280	3252692 .....	395
1001235455 .....	129, 131	1702774 .....	391	2220883 .....	27, 39, 251, 257,	3252764 .....	153
1001235461 .....	123, 125	1702860 .....	391	259, 261, 275, 280		3272605 .....	173, 177
1001235462 .....	125, 128	1703162 .....	114, 128	2220885.....	39, 267	3290405 .....	69, 289, 291,
1001235465 .....	123	1703450 .....	393	2220886.....	27, 261, 267	293, 295, 297, 299,	
1001236552 .....	237	1703683 .....	247	2220888.....	27	301, 303, 305, 307,	
1001237862 .....	369, 371	1703687 .....	387, 389	2220906.....	274, 280		

# PART NUMBER INDEX

309, 311, 313, 315, 317, 319, 326	3423038 ..... 161	4032015 ..... 149, 154	4460464 69, 79, 229, 321, 323, 333, 337, 343, 351, 373, 377, 381, 383
3290505...79, 81, 83, 149, 154	3423304 ..... 15, 17	4060802 ..... 149, 154	4460465.... 173, 321, 323, 329, 337, 343, 345, 347, 351, 375, 377, 378, 381, 383
3290601....76, 85, 95, 97, 99, 101	3430616 ..... 212, 220	4060805 ..... 114, 128	4460466.... 173, 233, 321, 327, 329, 333, 337, 345, 351, 367, 373, 377, 378, 381, 383
3290605....37, 69, 76, 81, 83, 85, 109, 114, 123, 128, 147, 149, 154, 317, 319, 326	3460334 ..... 241, 243	4060806 ..... 61	4460467.....402
3290606.... 197, 199, 201	3470003 ... 207, 212, 216, 220	4060808 ..... 326	4460470.... 207, 211, 215, 219
3290801 ..... 109, 123	3520026 ..... 208, 211	4060906 ..... 71, 73	4460471.... 207, 211, 215, 219
3290805....37, 43, 65, 67, 85, 88, 92, 103, 114, 128, 147, 149, 154, 163, 326	3520027 ..... 208, 211	4061054 ..... 173, 177	4460473.....326, 329
3291001 ..... 179	3520033 ..... 211, 219	4070450 ..... 45	4460488.....81, 83
3291005....85, 88, 92, 95, 97, 99, 101, 109, 114, 123, 128, 161, 163, 165, 167, 179, 326	3520035 ..... 211	4070560 ..... 45	4460496.....76
3291201.... 149, 154, 179	3520054... 114, 128, 207, 211, 215, 219	4070561 ..... 45	4460497.....76
3291205.... 161, 167, 179	3520072 ..... 195	4070897 ..... 165	4460508.....233, 333
3300106 ..... 19	3520182 ..... 239	4070898 ..... 165	4460509.....329, 377
3300151.... 195, 197, 199, 201	3520189 ..... 154	4071101 ..... 13	4460510.....402
3300220..... 85, 114, 128	3520192 ..... 150, 154	4160182 ..... 88, 92	4460518.....321
3300243 ..... 179	3520198 ..... 195	4240032 ..... 79, 81, 83	4460536.....76
3300353....207, 211, 215, 219	3520199 ..... 163	4240033 ... 173, 177, 233, 235, 237	4460539.....381
3300396.....154	3572551 ..... 163	4240099 ... 114, 128, 149, 154, 215, 219	4460662.... 301, 303, 307, 309, 313
3300408 71, 73, 207, 211, 215, 219	3580317 ..... 149, 154	4240149 ..... 241, 243	4460709....287, 289, 293, 297, 299, 301, 303, 307, 309, 313
3300430.....235, 239	3580319 ..... 149, 154	4240156 ..... 326	4460710....287, 289, 293, 297, 299, 301, 303, 307, 309, 313
3311001 ..... 150, 154	3580320 ..... 149, 154	4341415 ..... 241, 243	4460742.....377
3311005.....81, 83	3600242 ..... 111, 137	4360070 ..... 154	4460743.....377
3311405.... 173, 177, 203, 205, 237, 289, 291, 293, 295, 297, 299, 301, 303, 305, 307, 309, 311, 313, 315, 387, 389	3740067 .... 85, 114, 128, 398	4360328 ..... 71, 73, 398	4460754.....381
3311501 ..... 88, 92	3740086 ..... 373	4360336 ..... 149, 154	4460761.... 173, 351, 377
3311505.....245, 247	3740140 .... 114, 128, 398	4360387 ..... 73, 207, 211, 215, 219, 398	4460806.... 305, 311, 378
3311601 88, 92, 207, 212, 216, 220, 237	3760170 ..... 45	4360407 ... 207, 211, 215, 219, 398	4460807.....347
3311605.....203, 205	3760351 ..... 165	4360436 ..... 65, 67	4460808.....347
3311801 ..... 19	3790012 ... 207, 211, 215, 219	4360469 ..... 71, 73	4460836.... 173, 377, 378
3311805.... 173, 177, 179	3790152 ..... 111, 125	4360475 71, 73, 207, 211, 215, 219, 398	4460837.....377, 378
3312005....45, 173, 177, 241, 243	3820001 ... 387, 389, 393, 395	4360476 71, 73, 208, 211, 215, 219, 398	4460865.... 326, 329, 377
3321001.... 85, 114, 128	3820020 .... 189, 191, 193	4420014 ..... 241, 243	4460866.... 326, 333, 351
3331211 ..... 149, 154	3820032 ..... 85	4420051 .... 391, 393, 395	4460871.... 349, 351, 377, 378, 381
3331215 ..... 114, 128	3841143 15, 17, 109, 123, 161, 179	4420062 ..... 245, 247	4460872.....381
3340860 ..... 163	3841203 ..... 161, 167	4420066 ..... 241, 243	4460873.....351, 378
3340956.....241, 243	3841258 ..... 13, 167	4460016 ..... 351	4460874.....351, 377
3380434 ..... 203, 205	3841287 ..... 167	4460042 ..... 378	4460875.....351, 381
3420352 ..... 45	3841340 ..... 326	4460071 ..... 229	4460876.....349
3420372 ..... 45	3900267 ..... 150	4460183 ..... 351	4460878.....378
3422532 ..... 109, 123	3900283 ..... 173, 177	4460225 ... 154, 347, 349, 351	4460879.....351
3422661 ..... 245, 247	3900295 ..... 17	4460226 ... 173, 223, 226, 229, 349, 351, 375	4460884.... 337, 375, 377
3422755 ..... 161	3900300 ..... 150	4460227 ..... 351	4460887.....351, 378
3422791 ..... 163	3900349 ..... 212, 220	4460234 .... 79, 207, 211, 215, 219	4460891.... 321, 323, 337, 343, 378, 381, 383
3422792 ..... 161	3900351 ..... 165	4460247 ..... 377	4460894.... 345, 377, 383
3422793 ..... 161	3910804 ..... 71, 73	4460259 ..... 351, 378	4460897... 79, 81, 83, 323
3422806 ..... 161	3911010 ..... 81, 83	4460260 ..... 351, 378	4460899.... 337, 343, 367, 373, 377, 381, 383
3422848 ..... 17	3911018 71, 73, 207, 211, 215, 219	4460265 ..... 223, 226	4460905.... 349, 351, 377, 378, 381
	3931408 ..... 235	4460267 65, 67, 351, 377	4460910.....371
	3931424 ..... 235	4460268 ..... 347, 381	4460911.....367
	3931618 ..... 111, 125	4460313 ..... 345	4460928.....321
	3931620 ..... 111	4460320 ..... 65, 67	
	3960407 ..... 114, 128	4460418 ..... 349, 351	
	3960526 ..... 19	4460419 ..... 349, 351	
	3990013 ..... 373	4460424 ..... 381	
	4010405 ..... 317, 319	4460425 ..... 150, 154	
	4010417 ..... 326	4460426 ..... 154	
	4010418 ..... 326	4460428 ... 177, 179, 207, 211, 215, 219	
	4010514 ..... 81, 83	4460434 ..... 351	
	4010618 .... 197, 199, 201	4460458 ..... 377	
	4031505 ..... 233		
	4031511 ..... 326		
	4031512 ..... 69		
	4031516 ..... 237		



## PART NUMBER INDEX

4460930 .....	345	5251215.....	109, 123	70002386.....	39, 51, 257,
4460931 .....	377	5260800..61, 71, 73, 150,		259, 261, 398	
4460933 ... 173, 321, 351,		154		70002401 .....	257
378		5261200.....	109, 123	70002413.....	253
4460941 .....	367	5272114.....	55	7000246 .....	21, 25
4460942 .....	233	5281920.....	326	70002460 .....	153
4460943. 76, 81, 83, 367,		70000088.....	57	7000248 .....	21, 25
377		70000089.....	57	7000253 .....	21, 25
4460944 .....	377	70000100.....	183	7000257 .....	21, 25
4460956 .....	339, 341	70000342.....	169, 171	7000258 .....	21, 25
4460957 .....	339, 341	70000345.....	118, 132	7000261 .....	21, 25
4460967 .....	377	70000619.....	153	7000262 .....	21, 25
4460968 ... 289, 293, 297,		70000781.....	39	7000263 .....	21, 25
299, 301, 303, 307,		70000787.....	118, 132	70002649.....	59
309, 313		70000793.....	135	70002651.....	59
4460970 .....	351	70000797.....	27	70002718.....	117, 131
4461005 .....	345	70000800.....	117, 131	70002838.....	65, 67, 398
4461008 .....	345	70000851.....	118, 132	70002842.....	251
4461052 .....	345	70000863.....	153	70002902.....	229
4461070 .....	321	70000865.....	59	70002903.....	229
4461071 .....	345	70000912.....	117, 131	70002904.....	229
4461072 .....	345	70000913.....	117, 131	70002905.....	229
4461073 .....	345	70000914.....	117, 131	70002962.....	39
4461074 .....	345	70000915.....	117, 131	70002974.....	51
4461077 .....	367, 373	70000916.....	117, 131	70003463..	117, 131, 398
4461095 .....	321, 345	70000917.....	117, 131	70003464.....	117, 131
4461196 .....	353	70000918.....	117, 131	70003468.....	118, 132
4461198 .....	353	70000919.....	118, 132	70003469.....	118, 132
4461199 .....	355	70000931.....	118, 132	70003473.....	117, 131
4461201 .....	355	70001002.....	117, 131	70003475.....	117, 131
4461202 .....	357, 361	70001100.....	153	70003479.....	117, 131
4461205 .....	359, 363	70001181.....	117, 131	70003480.....	117, 131
4461244 .....	357	70001349.....	21, 25	70003481.....	117, 131
4461245 .....	359	70001384.....	153	70003612.....	53
4461246 .....	365	70001423.....	117, 131	70003614.....	65, 67, 398
4461249 .....	365	70001435.....	118, 132	70003631.....	153
4520217 .....	31	70001498.....	118, 132	70003708.....	149, 153
4520608 .....	33	70001654.....	117, 131	70003709.....	149, 153
4640261 .....	43	70001655.....	117, 131	70003783..	115, 129, 398
4640509 .....	255	70001696.....	153	70003788... 51, 257, 259,	
4640771 .....	267	70001844.....	118, 132	398	
4640858 .....	251	70001850.....	117, 131	70003837.....	253, 263
4641122 .....	33, 35	70001866.....	118, 132	70003838.....	253, 263
4641155 .....	37	70001868.....	118, 132	70003931.....	118, 132
4641390 .... 257, 259, 261		70001870.....	117, 131	70003932.....	118, 132
4711000 81, 83, 150, 154		70001871.....	118, 132	70003975.....	39
4711400. 95, 97, 99, 101,		70001872.....	118, 132	70003977.....	51
173, 177, 195, 197,		70001953.....	153	70004000.....	53
199, 201, 235, 237,		70001966.....	150, 153	70004013.....	53
239, 289, 291, 293,		70001973.....	153	70004014.....	53
295, 297, 299, 301,		70001974.....	153	70004017.....	39
303, 305, 307, 309,		7000206.....	21, 25	70004056.....	118, 132
311, 313, 315		70002063.....	39	70004058.....	118, 132
4711500 ... 43, 85, 88, 92,		70002088.....	153	70004059.....	118, 132
207, 216, 326		70002112.....	67	70004060.....	118, 132
4711600 ... 149, 154, 173,		70002206.....	57	70004062.....	118, 132
177, 212, 220		70002207.....	57	70004092.....	150
4712000 .....	241, 243	70002209.....	39	70004102.....	118, 132
4740086 .....	15, 17	70002234.....	118, 132	70004103.....	118, 132
4740155 .....	17	70002257.....	140	70004169.....	153
4740158 .....	13	7000229.....	21, 25	70004171.....	150, 153
4740229 .....	13	70002297.....	153	70004249.....	59
4740362 .....	203, 205	7000230.....	21, 25	70004250.....	59
4740491 .....	17	7000232.....	21, 25	70004251.....	59
4750800 .....	327	70002335.....	255	70004252.....	59
4751400 ... 173, 177, 207,		70002371.....	255	70004253.....	59
211, 215, 219, 231,		70002373.....	255		
239, 289, 293, 297,					
299, 301, 303, 307,					
309, 313, 387, 389					
4751500 .....	245, 247				
4751600 .....	203, 205				
4752000 .....	45				
4761000 .....	85, 114, 128				
4761400 .....	231				
4811400 .... 69, 289, 291,					
293, 295, 297, 299,					
301, 303, 305, 307,					
309, 311, 313, 315, 326					
4811600 .....	79, 149, 154				
4811602 .....	81, 83				
4811700 ... 69, 76, 81, 83,					
85, 95, 97, 99, 101,					
109, 114, 123, 128,					
149, 154, 197, 199,					
201, 317, 319, 327					
4811702 .....	76, 85, 147				
4811900 ... 37, 65, 67, 71,					
73, 85, 88, 92, 103,					
109, 114, 123, 128,					
149, 154					
4811902 .... 163, 165, 326					
4812000 ... 49, 69, 85, 88,					
92, 97, 101, 103, 109,					
114, 123, 128, 161,					
165, 167, 179, 326					
4812002 ... 65, 67, 69, 88,					
92					
4812100 88, 92, 149, 154,					
167, 179					
4812102 .... 65, 67, 88, 92					
4812200 ... 114, 128, 149,					
154					
4812300 .....	63				
4845582 .....	245, 247				
4846573 .....	173, 177				
4846689 .....	163				
4860179 .....	31				
4871700 .....	149, 154				
4891600 ... 111, 125, 173,					
177, 179					
4891800 .... 19, 111, 125,					
173, 177, 179					
4892000 .....	19, 173, 177				
4892600 .... 173, 177, 179					
4922705 .....	173				
4922869 .....	173				
4922925 .....	154				
4923451 .....	115, 129				
5241200 ... 13, 15, 17, 43,					
55, 114, 128, 149, 154,					
165, 179					
5241600 .....	17, 55				
5250608 .....	76				
5250808 .....	150, 154				
5250810 71, 73, 150, 154,					
181					
5250812 .....	61, 327				
5251008 .....	179				
5251009 .....	165				
5251010 37, 49, 165, 181					
5251012 .....	13, 41, 165				
5251014 .....	88, 92, 326				
5251016 .....	179				

# PART NUMBER INDEX

70004254.....59	70004870.....183	70005092.....51	7002823.....402
70004255.....59	70004871.. 183, 185, 398	70005094.....51	7002828.....402
70004256.....59	70004873.....185	70005095.....51	7004035.....57
70004257.....59	70004874.....185	70005096.....51	7004036.....57
70004258.....59	70004875.....183	70005097.....51	7004043.....57
70004259.....59	70004876.....65, 67	70005098.....51	7004044.....57
70004260.....59	70004883.....39	70005099.....51	7004045.....57
70004261.....59	70004884.....39	70005100.....51	7004047.....57
70004262.....59	70004885.....39	70005104.....165	7004049.....57
70004263.....59	70004886.....39	70005105.....165	7004275.....402
70004267.....53	70004887.....39	70005139.....53	7004276.....402
70004268.....117, 131	70004888.....39	70005143.....255	7007289.....140
70004269.....117, 131	70004889.....139	70005150.....265	7007415.....139, 140
70004270.....118, 132	70004890.....139	70005151.....265	7007419.....139
70004577.....39	70004891.....139	70005152.....265	7007420.....139, 140
70004676.....150	70004892.....139	70005153.....265	7007437.....27
70004677.....150	70004893.....139	70005154.....265	7007438.....27
70004678.....150	70004894.....139	70005155.....255	7007439.....27
70004679.....150	70004895.....139	70005156.....255	7007446.....27
70004680.....150	70004896.....139	70005157.....255	7007489.....137
70004681.....150	70004897.....139	70005158.....255	7007493.....140
70004682.....150	70004898.....139	70005159.....255	7007495.....139
70004683.....150	70004899.....140	70005160.....255	7007601.....21, 25
70004738.....223	70004900.....140	70005217.....51	7007640.....21, 25
70004739.....223	70004901.....140	70005218.....51	7010103.....137
70004740.....223	70004902.....140	70005219.....51, 398	7010104.....137
70004741.....223	70004903.....140	70005230.....223	7010105.....137
70004742.....223	70004904.....140	70005243.....185	7010429.....21, 25
70004743.....223	70004905.....140	70005483.....22	7010543.....39
70004744.....223	70004906.....140	70005577.....261	7012925.....257
70004745.....223	70004907.....140	70005578.....261	7012967.....39, 259, 261
70004746.....223	70004908.....140	70005667.....326	7012974.....39
70004747.....223	70004909.....140	70006104.....259	7012987.....137
70004748.....223	70004910.....140	70006105.....259	7012988.....137
70004749.....223	70004911.....140	70006256.....165	7012998.....257, 259, 261
70004750.....223	70004958.....267	70006272.....165	7016331.....117, 131, 398
70004751.....223	70004959.....267	70006356.....111, 125	7016654.....402
70004752.....225	70004960.....267	70006428.....400	7017067.....21, 25
70004753.....225	70004964.....261	70006429.....401	7017070.....21, 25
70004754.....225	70004965.....261	70006552.....150	7017080.....21, 25
70004755.....225	70004966.....261	70006553.....150	7017142.....169, 171
70004756.....225	70004967.....257, 259	70006660.....183	7017159.....169, 171
70004757.....225	70004968.....257	70006970.....185	7017162.....169, 171
70004758.....225	70004969.....257, 259	70010383.....49	7017163.....169, 171
70004759.....225	70005010.....253	7001481.....140	7017164.....169, 171
70004760.....225	70005011.....253	7001998.....21, 25	7017172.....169, 171
70004761.....225	70005012.....253, 263	70023370.....255	7017192.....169, 171
70004762.....225	70005013.....253, 263	70023606.....39	7017195.....169, 171
70004763.....225	70005014.....253, 263	70024262.....253	7017410.....39
70004764.....225	70005016.....253, 263	70025082.....117, 131	7017467.....257, 261
70004765.....225	70005017.....263	70025084. 117, 118, 131, 132	7017496.....39, 257, 259, 261
70004766.....225	70005018.....263	70025086.....118, 132	7020023.....117, 131, 398
70004767.....225	70005065.....53	70025088.....117, 131	7020026.....117, 131
70004768.....225	70005066.....53	70025091.....117, 131	7020175 71, 73, 207, 211, 215, 219
70004769.....225	70005067.....53	70025121.....118, 132	7020176 71, 73, 207, 211, 215, 219
70004770.....225	70005068.....53	70025123. 117, 118, 131, 132	7020403.....117, 131
70004771.....225	70005069.....51	70025131.....118, 132	7020430.....117, 131
70004772.....225	70005071.....51	70025619.....253	7020460.....117, 131
70004773.....225	70005076.....51	70025667.....117, 131	7020465.....117, 131
70004774.....225	70005080.....51	70025693.....118, 132	7020468.....117, 131
70004775.....225	70005082.....51	70025694.....118, 132	7020471.....118, 132
70004864.....183	70005084.....51	70025959.....263	7020479.....118, 132
70004865.....183	70005085.....51	7002821.....401	7020492.....117, 118, 131, 132
70004866.....183	70005087.....51	7002822.....402	
70004867.....183, 185	70005088.....51		
70004868.....183	70005089.....51		
70004869.....183, 185	70005090.....51		

## PART NUMBER INDEX

7021237 .....	139	7022347 .....	140	7024715.....	21, 25	7027625 .....	183
7021238 .....	139	7022368 .....	27	7024716.....	21, 25	7027628 .....	183
7021239 .....	139	7022371 .....	27	7024717.....	21	7027790 .....	118, 132
7021240 .....	139	7022372 .....	27	7024718.....	22	7027791 .....	118, 132
7021241 .....	139	7022390 .....	51, 259	7024800.....	139	7027792 .....	118, 132
7021242 .....	139	7022397 .....	39	7024854.....	27	7027796 .....	118, 132
7021243 .....	139	7022399 .....	39, 51	7024855.....	139	7027799 .....	153
7021248 .....	139	7023318 .....	57	7024857.....	139	7027903.....	118, 132
7021249 .....	27, 139	7023900 .....	51	7024858.....	139	77363233.....	347
7021253 .....	139	7023907 .....	27	7024868.....	27	8008750 .....	85
7021257 .....	139	7023908 .....	27	7024881.....	39	80633030.....	274, 281
7021258 .....	139	7023910 .....	27	7024884.....	261	8220045 .....	377
7021259 .....	139	7023936 .....	51	7024885.....	39, 398	8229242 .....	378, 398
7021262 .....	139	7024182 .....	21, 22	7026042.....	59	8229244 .....	378, 398
7021263 .....	139	7024189 .....	22	7026043.....	59	8305401 .....	114, 128
7021265 .....	139	7024190 .....	22	7026044.....	59	8307109 .....	114, 128
7021268 .....	139	7024191 .....	22	7026045.....	59	8310070 .....	327
7021275 .....	27	7024192 .....	22	7026046.....	59	8310548 .....	114, 128
7021276 .....	27, 140	7024193 .....	22	7026047.....	59	8310614 .....	69
7021277 .....	27, 140	7024194 .....	22	7026048.....	59	8310668 .....	165
7021278 .....	140	7024196 .....	22	7026049.....	59	8310686 .....	88, 92
7021281 .....	139	7024197 .....	22	7026050.....	59	8406109 .....	115, 129
7021290 .....	140	7024379 .....	57	7026051.....	59	8410013 .....	109, 123
7021293 .....	139	7024380 .....	57	7026052.....	59	8760477 .....	274, 280
7021299 .....	140	7024381 .....	57	7026053.....	59	8765204 .....	275
7021625 .....	39	7024389 .....	57	7026057.....	59	8770289 .....	274, 280
7021639 .....	39	7024390 .....	57	7026188.....	153	8786514 .....	31
7022300 .....	139	7024441 .....	65, 67	7026330.....	53	88521205 .....	327
7022302 .....	27	7024453 .....	57	7026597.....	153	88662523 .....	88, 92
7022305 .....	27	7024485 .....	153	7026626.....	153	8881800 .....	69, 326
7022310 .....	27	7024488 .....	153	7027059.....	21, 25	91164057 .....	51
7022311 .....	27	7024489 .....	153	7027236.....	117, 131	91164059 .....	51
7022312 .....	27	7024565 .....	118, 132	7027350.....	59	91164079 .....	51
7022314 .....	27	7024579 .....	117, 131	7027351.....	59	91203039 .....	179
7022326 .....	27	7024705 .....	21	7027352.....	59	91554014 .....	337
7022328 .....	27	7024712 .....	21, 25	7027353.....	59		
7022341 .....	139	7024713 .....	21, 25	7027354.....	59		
7022346 .....	140	7024714 .....	21, 25	7027356.....	59		



3121666



An Oshkosh Corporation Company

**Corporate Office**  
**JLG Industries, Inc.**  
**1 JLG Drive**  
**McConnellsburg, PA 17233-9533 USA**  
**☎ (717) 485-5161 (Corporate)**  
**☎ (877) 554-5438 (Customer Support)**  
**☎ (717) 485-6417**

**Visit our website for JLG Worldwide Locations.**  
**[www.jlg.com](http://www.jlg.com)**