



Illustrated Parts Manual

Model
2032ES
2632ES

P/N
3121682

October 1, 2018 - Rev O

ANSI

CE



AS/NZS



An Oshkosh Corporation Company

REVISION LOG

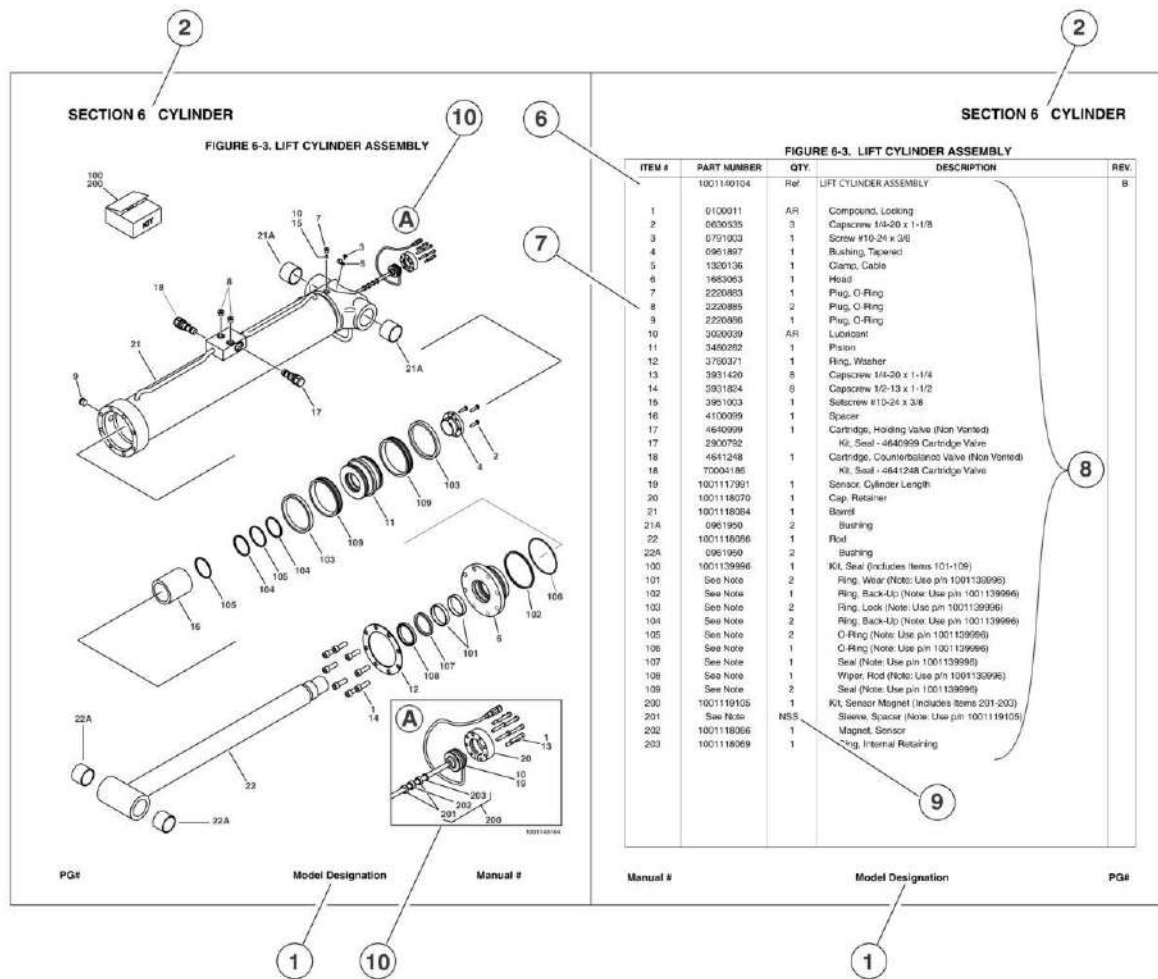
NOTE: Country of Manufacture - The ES Scissor Lifts are manufactured by JLG Industries in the following countries:

USA, Belgium, China or Mexico. Refer to the Serial Number Tag to identify the country of manufacture. ES Scissors manufactured in the USA will have a serial number prefix of 02 (i.e. 02XXXXXXXX), ES Scissors manufactured in Belgium will have a prefix of 12 (i.e. 12XXXXXXXX), ES Scissors manufactured in China will have a serial number prefix of B2 (i.e. B2XXXXXXXX) and ES Scissors manufactured in Mexico will have a serial number prefix of M2 (i.e. M2XXXXXXXX).

MANUAL REVISION LOG:

November 4, 2014 - A - Original Issue Of Manual (Edit to B/M 1001180000 Revision G)
September 15, 2015 - B - Revised Manual (Edit to B/M 1001180000 Revision W) (Revision 1)
December 2, 2015 - C - Revised Manual (Edit to B/M 1001180000 Revision X) (Revision 3)
March 21, 2016 - D - Revised Manual (Edit to B/M 1001180000 Revision AE) (Revision 2)
June 30, 2016 - E - Revised Manual (Edit to B/M 1001180000 Revision AI) (Revision 2)
September 9, 2016 - F - Revised Manual (Edit to B/M 1001180000 Revision AI) (Revision 2)
December 14, 2016 - G - Revised Manual (Edit to B/M 1001180000 Revision AI) (Revision 2)
March 15, 2017 - H - Revised Manual (Edited to B/M 1001180000 revision AU and 1001215518 Revision B) (Revision 2)
June 2, 2017 - I - Revised Manual (Edited to B/M 1001180000 revision AW and 1001215518 Revision B) (Revision 2)
August 4, 2017 - J - Revised Manual (Edited to B/M 1001180000 revision AW and 1001215518 Revision B) (Revision 2)
November 10, 2017 - K - Revised Manual (Edited to B/M 1001180000 Revision AW and 1001215518 Revision B)
December 8, 2017 - L - Revised Manual (Edited to B/M 1001180000 Revision BA and 1001215518 Revision C) (Revision 2)
April 12, 2018 - M - Revised Manual (Edited to B/M 1001180000 Revision BF and 1001215518 Revision C) (Revision 1)
June 8, 2018 - N - Revised Manual (Edited to B/M 1001180000 Revision BF and 1001215518 Revision D) (Revision 2)
October 1, 2018 - O - Revised Manual (Edited to B/M 1001180000 Revision BL and 1001215518 Revision E) (Revision 1)

GENERAL INFORMATION



1) MACHINE IDENTIFICATION

Machines are identified by model and in some cases a combination of models, serial number (SN) or regional standard (i.e. ANSI, CE, CSA). Components may also be identified by SN or manufacturer. Common components that may be identified by these characteristics are engines and hydraulic components.

2) PARTS MANUAL ORGANIZATION

Product information in this manual is organized under section titles. Frame, Cylinder, Hydraulic and Electrical are a few examples. Each section is organized by figure and page number. The information within the Figure is then organized by item number, part number, description and corresponding illustration(s).

3) TABLE OF CONTENTS

A table of contents is found toward the beginning of the manual. Figure number, description and page number are provided for quick reference to the page containing the related information.

4) RECOMMENDED SPARE PARTS

The Recommended Spare Parts, located near the end of the manual, reference most frequently used maintenance parts.

5) PART NUMBER INDEX

A numerical index listing all part numbers and the corresponding page number(s) appears at the back of the manual.

GENERAL INFORMATION

6) NON-SERVICED PARTS

In some instances, it is necessary to display non-serviced parts, assemblies or installations. In the case of assemblies and installations there will be a Ref in the Qty column. In case of parts that are not available for service within assemblies or components, there will be a NSS (Not Sold Separately) or NLA (No Longer Available) listed in the Qty. column of the manual.

7) PARTS LIST ITEM NUMBERS

Numbers shown in the item# column correspond to numbers used in the associated illustration (s). Item numbers which are missing from the sequence in the parts list are not used on that page

8) INDENTED PARTS DESCRIPTION

An indented part description is included in the item under which it is indented.

9) ABB REVIATION AND SYMBOLS

AC.....	.. Alternating Current	LCD Liquid Crystal Display
ADE.....	..Advanced Design Electronics	LED Light Emitting Diodes
ANSIAmerican National Standards Institute	LH.....	.. Left Hand
AR.....	..As Required	LSSLoad Sensing System
ASSY Assembly	M(m).....	.. Metric/Meter
AUX.....	..Auxiliary	MM (mm)Milimeter
AWG.....	..American WireGauge	mA.....	.. Miliamps
B/M.....	..Bill of Material	NLA.....	..No Longer Available
CE.....	..European Conformity	NPT National Pipe Threads
CCWCounter Clockwise	NSSNot Sold Separately
cm.....	.. Centimeter	OD.....	..Outside Diameter
CW.....	..Clockwise	ORB.....	.. O-Ring Boss
CSA.....	..Canadian Standards Association	ORFS.....	.. O-Ring Face Seal
CYL.....	..Cylinder	OZ (oz)Ounces
DIA.....	.. Diameter	PG.....	..Page
DC.....	..Direct Current	P/N.....	..Part Number
EMS Emergency Stop	qt.....	..Quarts
ENGEngine	QTY.....	..Quantity
FT (ft).....	.. Feet	REFReference
GA(Ga).....	..Gauge	REVRevision Level
HYDHydraulic	RH.....	.. Right Hand
HZ.....	.. Hertz	SAE.....	.. Society of Automotive Engineers
ID.....	..Inside Diameter	SN.....	..Serial Number
in.....	..inches	SPEC(S).....	..Specifications
ISOInternational Organization for Standards	T/T.....	..Turntable
JIC.....	..Joint Industry Council	UGMUniversal Ground Module
KGKilogram	V.....	..Volts
L.....	..Liter	W.....	..Watts
LB.....	..Pounds	#.....	.. Number

10) ILLUSTRATION REFERENCE LETTERS

When necessary, illustrations may contain reference letters that are intended to track information (i. e. hoses, harnesses) from one point to another or to track visual enlargement of components to show details that may be located in another area on the illustration.

Note: Due to continuous product improvements, JLG Industries, Inc. reserves the right to make specification changes without prior notification. Contact JLG Industries, Inc. for updated information.

TABLE OF CONTENTS

SECTION 1 - FRAME.....	13
FIGURE 1-1. STEERING INSTALLATION (USA AND MEXICO BUILT MACHINES).....	14
FIGURE 1-2. STEERING INSTALLATION (BELGIUM AND CHINA BUILT MACHINES).....	16
FIGURE 1-3. DRIVE HUB AND MODULE INSTALLATION.....	18
FIGURE 1-4. DRIVE HUB AND MODULE INSTALLATION (BELGIUM BUILT MACHINES ONLY).....	20
FIGURE 1-5. DRIVE MOTOR/HUB ASSEMBLY.....	22
FIGURE 1-6. HUB ASSEMBLY - REAR.....	26
FIGURE 1-7. TIRE AND WHEEL ASSEMBLY.....	28
FIGURE 1-8. POTHOLE PROTECTION INSTALLATION - NON-UL.....	30
FIGURE 1-9. POTHOLE PROTECTION INSTALLATION - UL.....	32
FIGURE 1-10. BATTERY CHARGER INSTALLATION WITH 110V PLUG AND DELTA-Q CHARGER (ANSI, ANSI EXPORT, CSA, JAPANESE AND UL SPECS).....	34
FIGURE 1-11. BATTERY CHARGER INSTALLATION WITH 110V PLUG AND EAGLE PERFORMANCE CHARGER (ANSI AND CSA SPECS).....	36
FIGURE 1-12. BATTERY CHARGER INSTALLATION WITH LOCALLY SUPPLIED PLUG AND DELTA-Q CHARGER (ANSI, ANSI EXPORT, CSA AND CE SPECS).....	38
FIGURE 1-13. BATTERY CHARGER INSTALLATION WITH LOCALLY SUPPLIED PLUG AND EAGLE PERFORMANCE CHARGER (ANSI AND CSA SPECS).....	40
FIGURE 1-14. BATTERY CHARGER INSTALLATION WITH LOCALLY SUPPLIED PLUG (AUSTRALIAN SPEC).....	42
FIGURE 1-15. BATTERY CHARGER INSTALLATION WITH CHINESE PLUG (CHINESE SPEC).....	44
FIGURE 1-16. BATTERY CHARGER ASSEMBLY - DELTA-Q.....	46
FIGURE 1-17. BATTERY CHARGER ASSEMBLY - EAGLE PERFORMANCE.....	48
FIGURE 1-18. CHARGER (INVERTER) INSTALLATION (ANSI, ANSI EXPORT, CSA SPECS).....	50
FIGURE 1-19. BEACON (AMBER) LIGHT INSTALLATION (OPTIONAL).....	52
FIGURE 1-20. LADDER INSTALLATION - 2032ES.....	54
FIGURE 1-21. LADDER INSTALLATION - 2632ES.....	56
SECTION 2 - GROUND COMPONENTS.....	59
FIGURE 2-1. GROUND CONTROL BOX/ALARM INSTALLATION - NO LSS (SN 0200000001 to Present, SN B200023312 to Present, SN M200000100 to Present).....	60
FIGURE 2-2. GROUND CONTROL BOX/ALARM INSTALLATION - NO LSS (SN B200000100 through B200023311).....	62
FIGURE 2-3. GROUND CONTROL BOX/ALARM INSTALLATION - LSS (ALL SPECS EXCEPT CE SPEC) (SN 0200000001 to Present, SN B200023312 to Present, SN M200000100 to Present).....	64
FIGURE 2-4. GROUND CONTROL BOX/ALARM INSTALLATION - LSS (ALL SPECS EXCEPT CE SPEC) (SN B200000100 through B200023311).....	66
FIGURE 2-5. GROUND CONTROL BOX/ALARM INSTALLATION - LSS (CE SPEC) (SN 0200000001 through 0200241828) ..	68
FIGURE 2-6. GROUND CONTROL BOX/ALARM INSTALLATION - LSS (CE SPEC) (SN B200000100 through B200021650) ..	70
FIGURE 2-7. GROUND CONTROL BOX/ALARM INSTALLATION - LSS (CE SPECS) (SN 0200241829 to Present, SN B200021651 to Present, SN M200000100 to Present).....	72
FIGURE 2-8. GROUND CONTROL BOX/ALARM INSTALLATION - LSS (CE SPECS) (SN 1200025021 to Present).....	74
FIGURE 2-9. GROUND CONTROL BOX ASSEMBLY - NO LSS (SN 0200000001 to Present, SN B200023312 to Present, SN M200000100 to Present).....	76
FIGURE 2-10. GROUND CONTROL BOX ASSEMBLY - NO LSS (SN B200000100 through B200023311).....	78
FIGURE 2-11. GROUND CONTROL BOX ASSEMBLY - LSS (ALL SPECS EXCEPT CE SPEC) (SN 0200000001 to Present, SN B200023312 to Present, SN M200000100 to Present).....	80
FIGURE 2-12. GROUND CONTROL BOX ASSEMBLY - LSS (ALL SPECS EXCEPT CE SPEC) (SN B200000100 through B200023311).....	82
FIGURE 2-13. GROUND CONTROL BOX ASSEMBLY - LSS (CE SPECS) (SN 0200000001 through 0200241828).....	84
FIGURE 2-14. GROUND CONTROL BOX ASSEMBLY - LSS (CE SPECS) (SN B200000100 through B200021650).....	86
FIGURE 2-15. GROUND CONTROL BOX ASSEMBLY - LSS (CE SPECS) (SN 0200241829 to Present, SN B200021651 to Present, SN M200000100 to Present).....	88
FIGURE 2-16. BATTERIES INSTALLATION - AGM AND EVG TYPE - 225 AH RATING (NON-LOCKING COVERS).....	90
FIGURE 2-17. BATTERIES INSTALLATION - AGM AND EVG TYPE - 225 AH RATING (NON-UL LOCKING COVERS).....	92
FIGURE 2-18. BATTERIES INSTALLATION - AGM AND EVG TYPE - 225 AH RATING (UL LOCKING COVERS).....	94
FIGURE 2-19. BATTERIES INSTALLATION - EV TYPE - 244 AH RATING (NON-LOCKING COVERS).....	96
FIGURE 2-20. BATTERIES INSTALLATION - EV TYPE - 244 AH RATING (NON-UL LOCKING COVERS).....	98
FIGURE 2-21. BATTERIES INSTALLATION - EV TYPE - 244 AH RATING (UL LOCKING COVERS).....	100
FIGURE 2-22. BATTERIES INSTALLATION - GC TYPE - 225 AH RATING (NON-LOCKING COVERS).....	102
FIGURE 2-23. BATTERIES INSTALLATION - GC TYPE - 225 AH RATING (NON-UL LOCKING COVERS).....	104
FIGURE 2-24. BATTERIES INSTALLATION - GC TYPE - 225 AH RATING (UL LOCKING COVERS).....	106
FIGURE 2-25. BATTERIES INSTALLATION - 220 AH RATING WITHOUT BATTERIES (NON LOCKING COVERS).....	108
FIGURE 2-26. BATTERY TRAY ASSEMBLY - NON-UL.....	110
FIGURE 2-27. BATTERY TRAY ASSEMBLY - UL.....	112
FIGURE 2-28. BATTERY COVER ASSEMBLY - NON-LOCKING.....	114

TABLE OF CONTENTS

FIGURE 2-29. BATTERY COVER ASSEMBLY - LOCKING	116
FIGURE 2-30. BRAKE DISCONNECT AND MDI (MULTIFUNCTION DIGITAL INDICATOR) GAUGE INSTALLATION	118
FIGURE 2-31. BRAKE CABLE INSTALLATION (OPTIONAL).....	120
SECTION 3 - SCISSORS ARMS	123
FIGURE 3-1. SCISSORS ARMS INSTALLATION - 2032ES STANDARD HYDRAULIC OIL (USA AND MEXICO BUILT MACHINES)	124
FIGURE 3-2. SCISSORS ARMS ASSEMBLY - 2032ES STANDARD HYDRAULIC OIL (USA AND MEXICO BUILT MACHINES)	126
FIGURE 3-3. SCISSORS ARMS INSTALLATION - 2032ES STANDARD HYDRAULIC OIL (BELGIUM AND CHINA BUILT MACHINES)	128
FIGURE 3-4. SCISSORS ARMS ASSEMBLY - 2032ES STANDARD HYDRAULIC OIL (BELGIUM AND CHINA BUILT MACHINES)	130
FIGURE 3-5. SCISSORS ARMS INSTALLATION - 2032ES BIODEGRADEABLE HYDRAULIC OIL (USA AND MEXICO BUILT MACHINES)	132
FIGURE 3-6. SCISSORS ARMS ASSEMBLY - 2032ES BIODEGRADEABLE HYDRAULIC OIL (USA AND MEXICO BUILT MACHINES)	134
FIGURE 3-7. SCISSORS ARMS INSTALLATION - 2032ES BIODEGRADEABLE HYDRAULIC OIL (CHINA BUILT MACHINES)	136
FIGURE 3-8. SCISSORS ARMS ASSEMBLY - 2032ES BIODEGRADEABLE HYDRAULIC OIL (CHINA BUILT MACHINES)	138
FIGURE 3-9. SCISSORS ARMS INSTALLATION - 2632ES STANDARD HYDRAULIC OIL (USA BUILT MACHINES) (SN 0200000001 through 0200241220)	140
FIGURE 3-10. SCISSORS ARMS ASSEMBLY - 2632ES STANDARD HYDRAULIC OIL (USA BUILT MACHINES) (SN 0200000001 through 0200241220)	142
FIGURE 3-11. SCISSORS ARMS INSTALLATION - 2632ES STANDARD HYDRAULIC OIL (USA AND MEXICO BUILT MACHINES) (SN 0200241221 to Present, SN M200000100 through M200022019)	146
FIGURE 3-12. SCISSORS ARMS ASSEMBLY - 2632ES STANDARD HYDRAULIC OIL (USA AND MEXICO BUILT MACHINES) (SN 0200241221 to Present, SN M200000100 to Present)	148
FIGURE 3-13. SCISSORS ARMS INSTALLATION - 2632ES STANDARD HYDRAULIC OIL (CHINA BUILT MACHINES) (SN B200000100 through B200020981)	152
FIGURE 3-14. SCISSORS ARMS ASSEMBLY - 2632ES STANDARD HYDRAULIC OIL (CHINA BUILT MACHINES) (SN B200000100 through B200020981)	154
FIGURE 3-15. SCISSORS ARMS INSTALLATION - 2632ES STANDARD HYDRAULIC OIL (BELGIUM, CHINA AND MEXICO BUILT MACHINES) (SN 1200025021 to Present, SN B200020982 to Present, SN M200022020 to Present)	158
FIGURE 3-16. SCISSORS ARMS ASSEMBLY - 2632ES STANDARD HYDRAULIC OIL (BELGIUM AND CHINA BUILT MACHINES) (SN 1200025021 to Present, SN B200020982 to Present)	160
FIGURE 3-17. SCISSORS ARMS INSTALLATION - 2632ES BIODEGRADEABLE HYDRAULIC OIL (USA BUILT MACHINES) (SN 0200000001 through 0200241220)	164
FIGURE 3-18. SCISSORS ARMS ASSEMBLY - 2632ES BIODEGRADEABLE HYDRAULIC OIL (USA BUILT MACHINES) (SN 0200000001 through 0200241220)	166
FIGURE 3-19. SCISSORS ARMS INSTALLATION - 2632ES BIODEGRADEABLE HYDRAULIC OIL (USA AND MEXICO BUILT MACHINES) (SN 0200241221 to Present, SN M200000100 to Present)	170
FIGURE 3-20. SCISSORS ARMS ASSEMBLY - 2632ES BIODEGRADEABLE HYDRAULIC OIL (USA AND MEXICO BUILT MACHINES) (SN 0200241221 to Present, SN M200000100 to Present)	172
FIGURE 3-21. SCISSORS ARMS INSTALLATION - 2632ES BIODEGRADEABLE HYDRAULIC OIL (CHINA BUILT MACHINES) (SN B200000100 through B200020891)	176
FIGURE 3-22. SCISSORS ARMS ASSEMBLY - 2632ES BIODEGRADEABLE HYDRAULIC OIL (CHINA BUILT MACHINES) (SN B200000100 through B200020891)	178
FIGURE 3-23. SCISSORS ARMS INSTALLATION - 2632ES BIODEGRADEABLE HYDRAULIC OIL (CHINA BUILT MACHINES) (SN B200020982 to Present)	182
FIGURE 3-24. SCISSORS ARMS ASSEMBLY - 2632ES BIODEGRADEABLE HYDRAULIC OIL (CHINA BUILT MACHINES) (SN B200020982 to Present)	184
SECTION 4 - PLATFORM	187
FIGURE 4-1. PLATFORM INSTALLATION - WITH INSIDE EXTENSION RAILS AND WITHOUT LSS	188
FIGURE 4-2. PLATFORM INSTALLATION - WITH OUTSIDE EXTENSION RAILS AND WITHOUT LSS	190
FIGURE 4-3. PLATFORM INSTALLATION - WITH INSIDE EXTENSION RAILS AND WITH LSS	192
FIGURE 4-4. PLATFORM INSTALLATION - WITH OUTSIDE EXTENSION RAILS AND WITH LSS	194
FIGURE 4-5. PLATFORM AND EXTENSION ASSEMBLY - WITH INSIDE EXTENSION RAILS	196
FIGURE 4-6. PLATFORM AND EXTENSION ASSEMBLY - WITH OUTSIDE EXTENSION RAILS	198
FIGURE 4-7. LATCH ASSEMBLY - WITH INSIDE EXTENSION RAILS (SN 0200249260 to Present, SN 1200025023 through 1200030229, SN B200024834 through B200051215, Prior to SN M200021509)	200
FIGURE 4-8. LATCH ASSEMBLY - WITH INSIDE EXTENSION RAILS (SN 1200030230 to Present, SN B200051216 to Present, SN M200021509 to Present)	202
FIGURE 4-9. LATCH ASSEMBLY - WITH OUTSIDE EXTENSION RAILS	204

TABLE OF CONTENTS

FIGURE 4-10. RAILS INSTALLATION - WITH INSIDE EXTENSION RAILS AND CHAIN GATE	206
FIGURE 4-11. RAILS INSTALLATION - WITH INSIDE EXTENSION RAILS, HANDLE AND CHAIN GATE	208
FIGURE 4-12. RAIL KIT - WITH INSIDE EXTENSION RAILS AND CHAIN GATE	210
FIGURE 4-13. RAIL KIT - WITH INSIDE EXTENSION RAILS, HANDLE AND CHAIN GATE	212
FIGURE 4-14. RAILS INSTALLATION - WITH INSIDE EXTENSION RAILS AND SELF CLOSING GATE	214
FIGURE 4-15. RAILS INSTALLATION - WITH INSIDE EXTENSION RAILS, HANDLE AND SELF CLOSING GATE	216
FIGURE 4-16. RAILS INSTALLATION - WITH OUTSIDE EXTENSION RAILS AND SELF CLOSING GATE	218
FIGURE 4-17. RAIL KIT - WITH INSIDE EXTENSION RAILS AND SELF CLOSING GATE	220
FIGURE 4-18. RAIL KIT - WITH INSIDE EXTENSION RAILS, HANDLE AND SELF CLOSING GATE	222
FIGURE 4-19. RAIL KIT - WITH OUTSIDE EXTENSION RAILS AND SELF CLOSING GATE	224
FIGURE 4-20. PLATFORM CONSOLE ASSEMBLY	226
FIGURE 4-21. PLATFORM CONSOLE ASSEMBLY	228
FIGURE 4-22. DRIVE/STEER CONTROLLER ASSEMBLY	230
FIGURE 4-23. PLATFORM CONSOLE HANGER INSTALLATION (OPTIONAL)	232
FIGURE 4-24. WORKSTATION WITHOUT DC CONVERTER INSTALLATION - 2032ES/2632ES	234
FIGURE 4-25. WORKSTATION WITH DC CONVERTER INSTALLATION - 2032ES ONLY	236
FIGURE 4-26. WORKSTATION WITH DC CONVERTER INSTALLATION - 2632ES ONLY	238
FIGURE 4-27. ELECTRICIAN'S TREE INSTALLATION	240
FIGURE 4-28. LOW HEIGHT DRIVE CUTOUT - 2032ES (JAPANESE SPECS ONLY)	242
FIGURE 4-29. LOW HEIGHT DRIVE CUTOUT - 2632ES (JAPANESE SPECS ONLY)	244
FIGURE 4-30. OVERHEAD PROTECTION AND LOW HEIGHT DRIVE CUTOUT - 2032ES (KOREAN SPECS ONLY)	246
FIGURE 4-31. OVERHEAD PROTECTION AND LOW HEIGHT DRIVE CUTOUT - 2632ES (KOREAN SPECS ONLY)	248
FIGURE 4-32. OVERHEAD SWITCH KIT (FRONT) (Prior to SN B200046827)	250
FIGURE 4-33. OVERHEAD SWITCH KIT (REAR) (Prior to SN B200046827)	252
FIGURE 4-34. OVERHEAD SWITCH KIT (FRONT/REAR) (SN B200046827 to Present)	254
FIGURE 4-35. PANEL INSTALLATION (ANSI, ANSI EXPORT, CHINESE, CSA AND KOREA SPECS)	256
FIGURE 4-36. PANEL INSTALLATION (AUSTRALIAN, CE AND JAPANESES SPECS)	258
FIGURE 4-37. PIPE RACKS INSTALLATION (FACTORY INSTALLED)	260
FIGURE 4-38. PIPE RACK INSTALLATION (FACTORY INSTALLED)	262
FIGURE 4-39. QUIK WELDER INSTALLATION (2032ES)	264
FIGURE 4-40. QUIK WELDER INSTALLATION (2632ES)	266
FIGURE 4-41. QUIK WELDER READY INSTALLATION (2032ES)	268
FIGURE 4-42. QUIK WELDER READY INSTALLATION (2632ES)	270
SECTION 5 - CYLINDER	273
FIGURE 5-1. LIFT CYLINDER ASSEMBLY - 2032ES (TEXAS HYDRAULICS)	274
FIGURE 5-2. LIFT CYLINDER ASSEMBLY - 2032ES WITH STANDARD HYDRAULIC OIL (SERTA)	278
FIGURE 5-3. LIFT CYLINDER ASSEMBLY - 2032ES WITH STANDARD HYDRAULIC OIL (SH-PAC)	282
FIGURE 5-4. LIFT CYLINDER ASSEMBLY - 2032ES WITH BIODEGRADEABLE HYDRAULIC OIL (SERTA)	286
FIGURE 5-5. LIFT CYLINDER ASSEMBLY - 2032ES WITH BIODEGRADEABLE HYDRAULIC OIL (SH-PAC)	290
FIGURE 5-6. LIFT CYLINDER ASSEMBLY - 2632ES (TEXAS HYDRAULICS)	294
FIGURE 5-7. LIFT CYLINDER ASSEMBLY - 2632ES WITH STANDARD HYDRAULIC OIL (SERTA)	298
FIGURE 5-8. LIFT CYLINDER ASSEMBLY - 2632ES WITH STANDARD HYDRAULIC OIL (SH-PAC)	302
FIGURE 5-9. LIFT CYLINDER ASSEMBLY - 2632ES WITH BIODEGRADEABLE HYDRAULIC OIL (SERTA)	306
FIGURE 5-10. LIFT CYLINDER ASSEMBLY - 2632ES WITH BIODEGRADEABLE HYDRAULIC OIL (SH-PAC)	310
FIGURE 5-11. STEER CYLINDER ASSEMBLY (SERTA)	314
FIGURE 5-12. STEER CYLINDER ASSEMBLY (SH-PAC)	316
SECTION 6 - HYDRAULIC	319
FIGURE 6-1. HYDRAULIC DIAGRAM LIST	320
SECTION 7 - ELECTRICAL	321
FIGURE 7-1. ELECTRICAL DIAGRAM LIST	322
FIGURE 7-2. AC BOX AT PLATFORM INSTALLATION - 110V GFI	324
FIGURE 7-3. AC BOX AT PLATFORM INSTALLATION - 220V CEE7 SIDE GRD (ANSI EXPORT SPEC ONLY)	326
FIGURE 7-4. AC BOX AT PLATFORM INSTALLATION - 110V IEC YELLOW (CE SPEC ONLY)	328
FIGURE 7-5. AC BOX AT PLATFORM INSTALLATION - 220V IEC BLUE (CE SPEC ONLY)	330
FIGURE 7-6. AC BOX AT PLATFORM INSTALLATION - 220V AFSINT107 (CE SPEC ONLY)	332
FIGURE 7-7. AC BOX AT PLATFORM INSTALLATION - 220V CEE7 SIDE GRD (CE SPEC ONLY)	334
FIGURE 7-8. AC BOX AT PLATFORM INSTALLATION - 220V CEE7 POST GRD (CE SPEC ONLY)	336
FIGURE 7-9. AC BOX AT PLATFORM INSTALLATION - 220V (ANSI EXPORT AND CHINESE SPEC ONLY)	338
FIGURE 7-10. BATTERY CABLE KIT	340
FIGURE 7-11. BRAKE DISCONNECT HARNESS	342
FIGURE 7-12. BREAKER BOX KIT WITH TWO BREAKERS (CE SPEC ONLY)	344

TABLE OF CONTENTS

FIGURE 7-13. BREAKER BOX KIT WITH THREE BREAKERS (CE SPEC ONLY)	346
FIGURE 7-14. CABLES INSTALLATION - 2032ES	348
FIGURE 7-15. CABLES INSTALLATION - 2032ES	350
FIGURE 7-16. CABLES INSTALLATION - 2032ES	352
FIGURE 7-17. CABLES INSTALLATION - 2032ES	354
FIGURE 7-18. CABLES INSTALLATION - 2032ES	356
FIGURE 7-19. CABLES INSTALLATION - 2032ES	358
FIGURE 7-20. CABLES INSTALLATION - 2632ES	360
FIGURE 7-21. CABLES INSTALLATION - 2632ES	362
FIGURE 7-22. CABLES INSTALLATION - 2632ES	364
FIGURE 7-23. CABLES INSTALLATION - 2632ES	366
FIGURE 7-24. CABLES INSTALLATION - 2632ES	368
FIGURE 7-25. CABLES INSTALLATION - 2632ES	370
FIGURE 7-26. CHARGER CORD PLUG INSTALLATION - 110V IEC YELLOW (CE SPEC ONLY)	372
FIGURE 7-27. CHARGER CORD PLUG INSTALLATION - 220V IEC BLUE (CE SPEC)	374
FIGURE 7-28. CHARGER CORD PLUG INSTALLATION - 220V AFSINT 107 (CE SPEC)	376
FIGURE 7-29. CHARGER CORD PLUG INSTALLATION - 220V CEE7 SIDE GROUND (CE SPEC)	378
FIGURE 7-30. CHARGER CORD PLUG INSTALLATION - 220V POST GROUND (CE SPEC)	380
FIGURE 7-31. CHARGER CORD PLUG INSTALLATION (KOREA SPEC)	382
FIGURE 7-32. CHASSIS HARNESS	384
FIGURE 7-33. CHASSIS HARNESS - UL SPEC	386
FIGURE 7-34. CYLINDER HARNESS	388
FIGURE 7-35. DRIVE CABLE ASSEMBLY	390
FIGURE 7-36. DRIVE FIELD CONNECTION HARNESS	392
FIGURE 7-37. GROUND CONTROL BOX HARNESS (SN B200000100 through B200023311)	394
FIGURE 7-38. GROUND CONTROL BOX HARNESS (SN 0200000001 to Present, SN 1200025021 to Present, SN B200023312 to Present, SN M200000100 to Present)	396
FIGURE 7-39. GROUND CONTROL BOX HARNESS - NO LSS (SN 0200266380 to Present, SN B200042925 to Present, SN M200012165 to Present)	398
FIGURE 7-40. GROUND TO PLATFORM HARNESS - 2032ES	400
FIGURE 7-41. GROUND TO PLATFORM HARNESS - 2032ES	402
FIGURE 7-42. GROUND TO PLATFORM HARNESS - 2632ES	404
FIGURE 7-43. GROUND TO PLATFORM HARNESS - 2632ES	406
FIGURE 7-44. LOAD SENSE HARNESS	408
FIGURE 7-45. MDI (MULTIFUNCTION DIGITAL INDICATOR) HARNESS	410
FIGURE 7-46. PLATFORM BOX HARNESS	412
FIGURE 7-47. PLATFORM CABLE ASSEMBLY (Prior to SN 0200262519, SN 1200025021 to Present, SN B200000100 to Present, Prior to SN M200010205)	414
FIGURE 7-48. PLATFORM CABLE ASSEMBLY (SN 0200262519 to Present, SN M200010205 to Present)	416
FIGURE 7-49. PUMP POWER CABLE ASSEMBLY	418
FIGURE 7-50. RECEPTACLE BOX KIT - 110V GFI	420
FIGURE 7-51. RECEPTACLE BOX KIT - 110V IEC YELLOW (CE SPEC)	422
FIGURE 7-52. RECEPTACLE BOX KIT - 220V IEC BLUE (CE SPEC)	424
FIGURE 7-53. RECEPTACLE BOX KIT - 220V AFSINT 107 (CE SPEC)	426
FIGURE 7-54. RECEPTACLE BOX KIT - 220V CEE7 SIDE GROUND (CE SPEC)	428
FIGURE 7-55. RECEPTACLE BOX KIT - 220V CEE7 POST GROUND (CE SPEC)	430
FIGURE 7-56. WORKSTATION POWER HARNESS	432
 SECTION 8 - DECALS	 435
FIGURE 8-1. DECAL INSTALLATION - ANSI SPEC (ENGLISH)	436
FIGURE 8-2. DECAL INSTALLATION - AUSTRALIAN SPEC (ENGLISH)	438
FIGURE 8-3. DECAL INSTALLATION - BRAZIL SPEC (PORTUGUESE/SPANISH)	440
FIGURE 8-4. DECAL INSTALLATION - CE SPEC (ENGLISH)	442
FIGURE 8-5. DECAL INSTALLATION - CHINA SPEC (GB)	444
FIGURE 8-6. DECAL INSTALLATION - CHINESE SPEC (CHINESE/ENGLISH)	446
FIGURE 8-7. DECAL INSTALLATION - CSA SPEC (ENGLISH/FRENCH)	448
FIGURE 8-8. DECAL INSTALLATION - KOREAN SPEC (KOREAN/ENGLISH)	450
FIGURE 8-9. DECAL INSTALLATION - LATIN AMERICAN SPEC (ENGLISH/SPANISH)	452
FIGURE 8-10. DECAL INSTALLATION - OPTIONS	454
 SECTION 9 - RECOMMENDED SERVICE PARTS STOCK	 457
FIGURE 9-1. RECOMMENDED SERVICE PARTS STOCK	458
 SECTION 10 - SPECIAL OPTIONS	 459

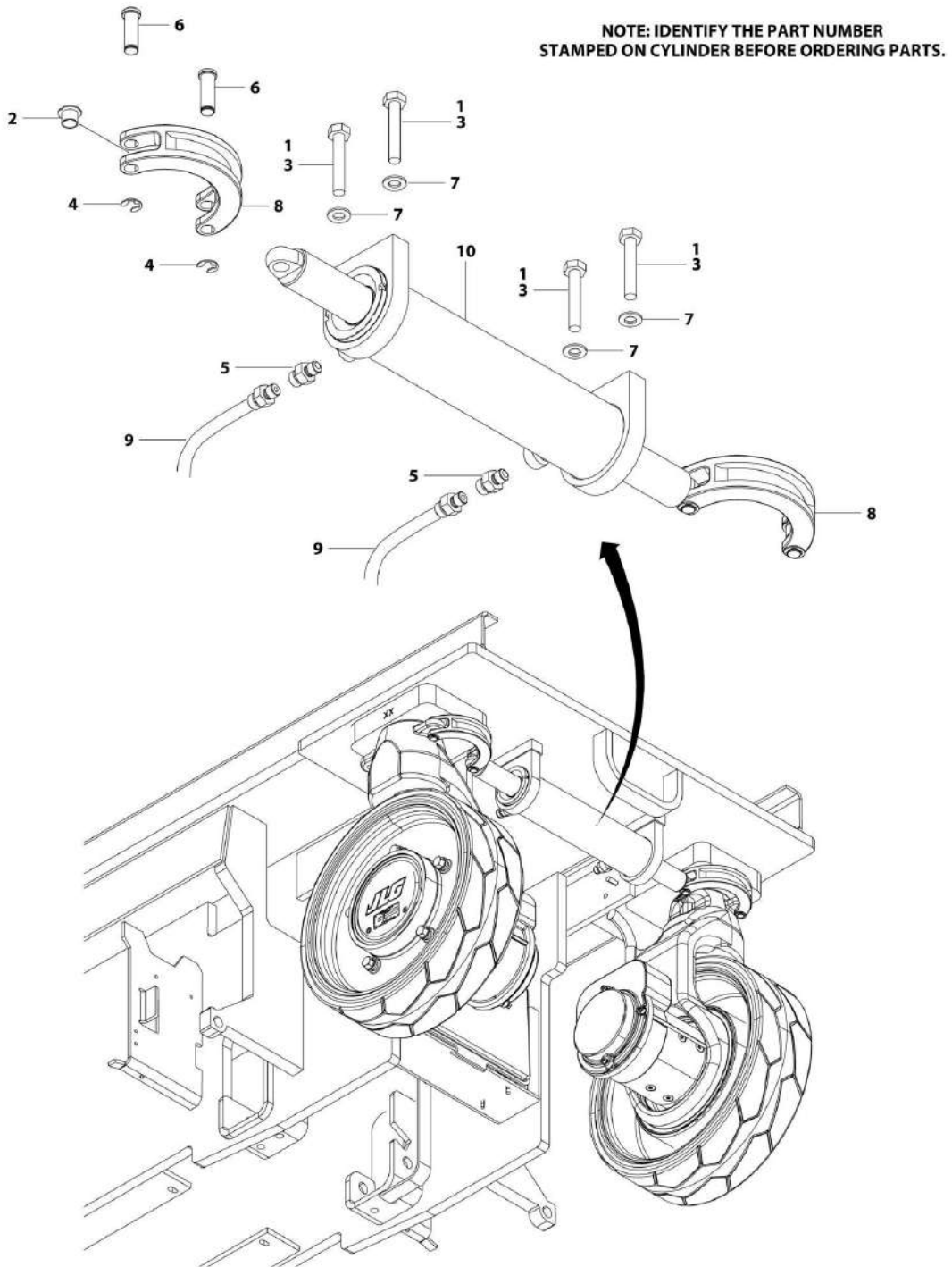
TABLE OF CONTENTS

FIGURE 10-1. SPECIAL OPTIONS.....	460
PART NUMBER INDEX.....	463

SECTION 1 - FRAME

SECTION 1 - FRAME

FIGURE 1-1. STEERING INSTALLATION (USA AND MEXICO BUILT MACHINES)



ART_100117966

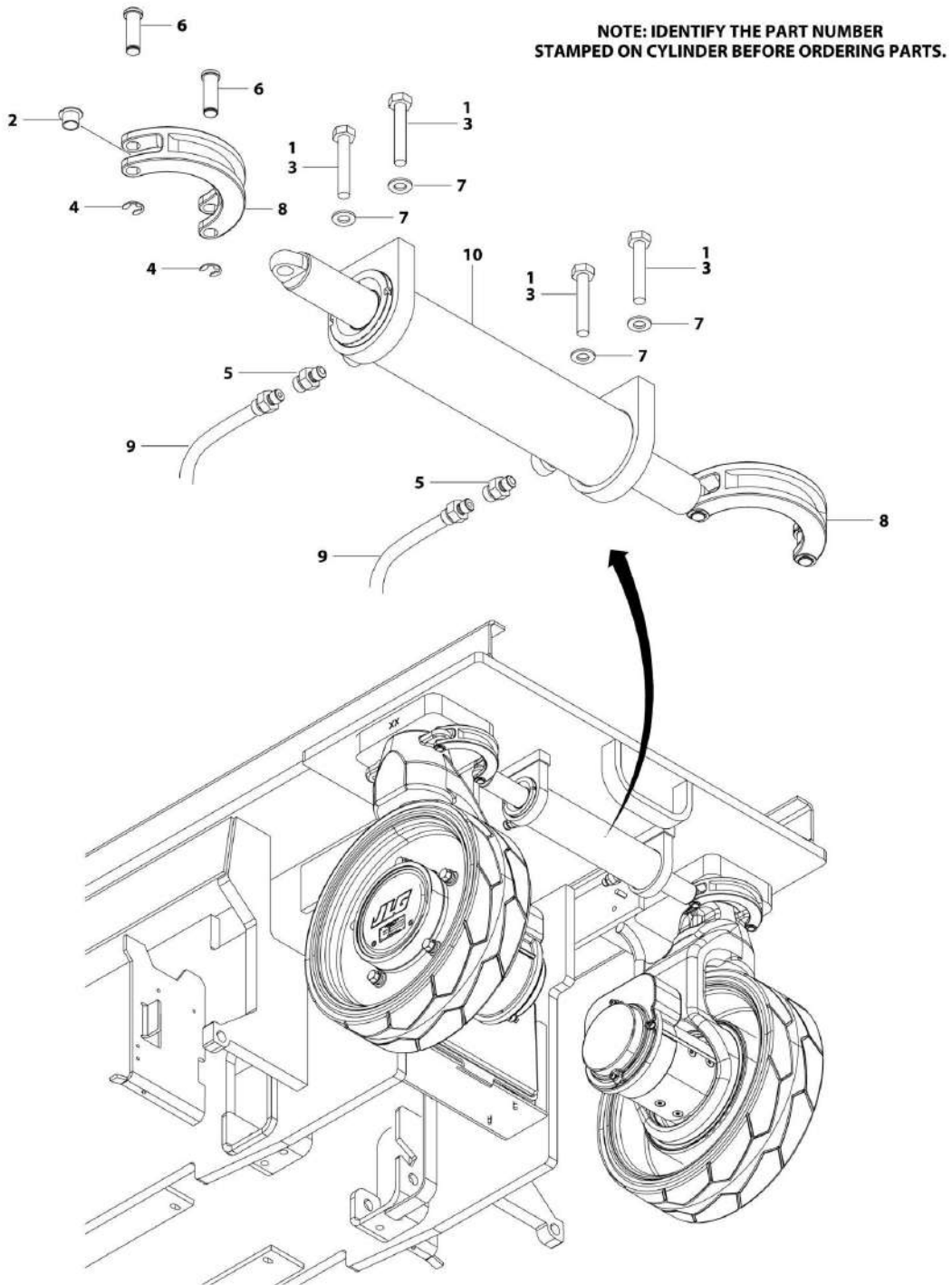
SECTION 1 - FRAME

FIGURE 1-1. STEERING INSTALLATION (USA AND MEXICO BUILT MACHINES)

ITEM	PART NUMBER	QTY	DESCRIPTION	REV
	1001177966	Ref	STEERING INSTALLATION (USA AND MEXICO BUILT MACHINES)	B
1	0100011	AR	Compound, Locking	
2	0440259	2	Bearing	
3	0701020	4	Bolt M10 x 60	
4	1380153	4	Clip	
5	2110404	2	Fitting, Straight ORFS/ORB	
6	3423037	4	Pin, Clevis	
7	4812000	4	Washer M10	
8	4846757	2	Lug, Steer	
9	1001113888	2	Hose	
10	1001177435	1	Steer Cylinder Assembly (See CYLINDER SECTION for Breakdown)	

SECTION 1 - FRAME

FIGURE 1-2. STEERING INSTALLATION (BELGIUM AND CHINA BUILT MACHINES)



ART_1001179448

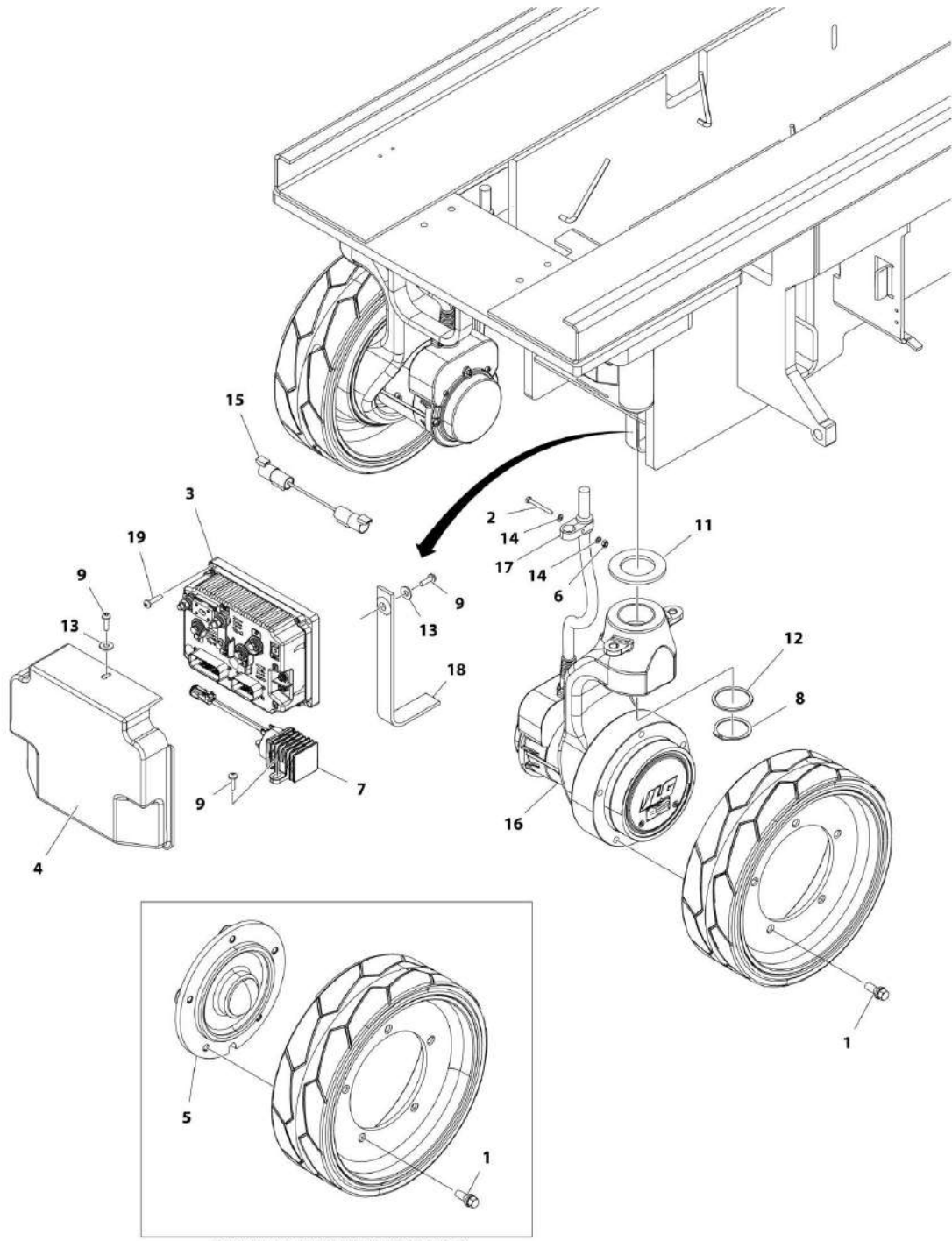
SECTION 1 - FRAME

FIGURE 1-2. STEERING INSTALLATION (BELGIUM AND CHINA BUILT MACHINES)

ITEM	PART NUMBER	QTY	DESCRIPTION	REV
	1001179448	Ref	STEERING INSTALLATION (BELGIUM AND CHINA BUILT MACHINES)	B
1	0100011	AR	Compound, Locking	
2	0440259	2	Bearing	
3	0701020	4	Bolt M10 x 60	
4	1380153	4	Clip	
5	2110404	2	Fitting, Straight ORFS/ORB	
6	3423037	4	Pin, Clevis	
7	4812000	4	Washer M10	
8	4846757	2	Lug, Steer	
9	1001113888	2	Hose	
10	1001179447	1	Steer Cylinder Assembly (See CYLINDER SECTION for Breakdown)	

SECTION 1 - FRAME

FIGURE 1-3. DRIVE HUB AND MODULE INSTALLATION



ART_1001114682

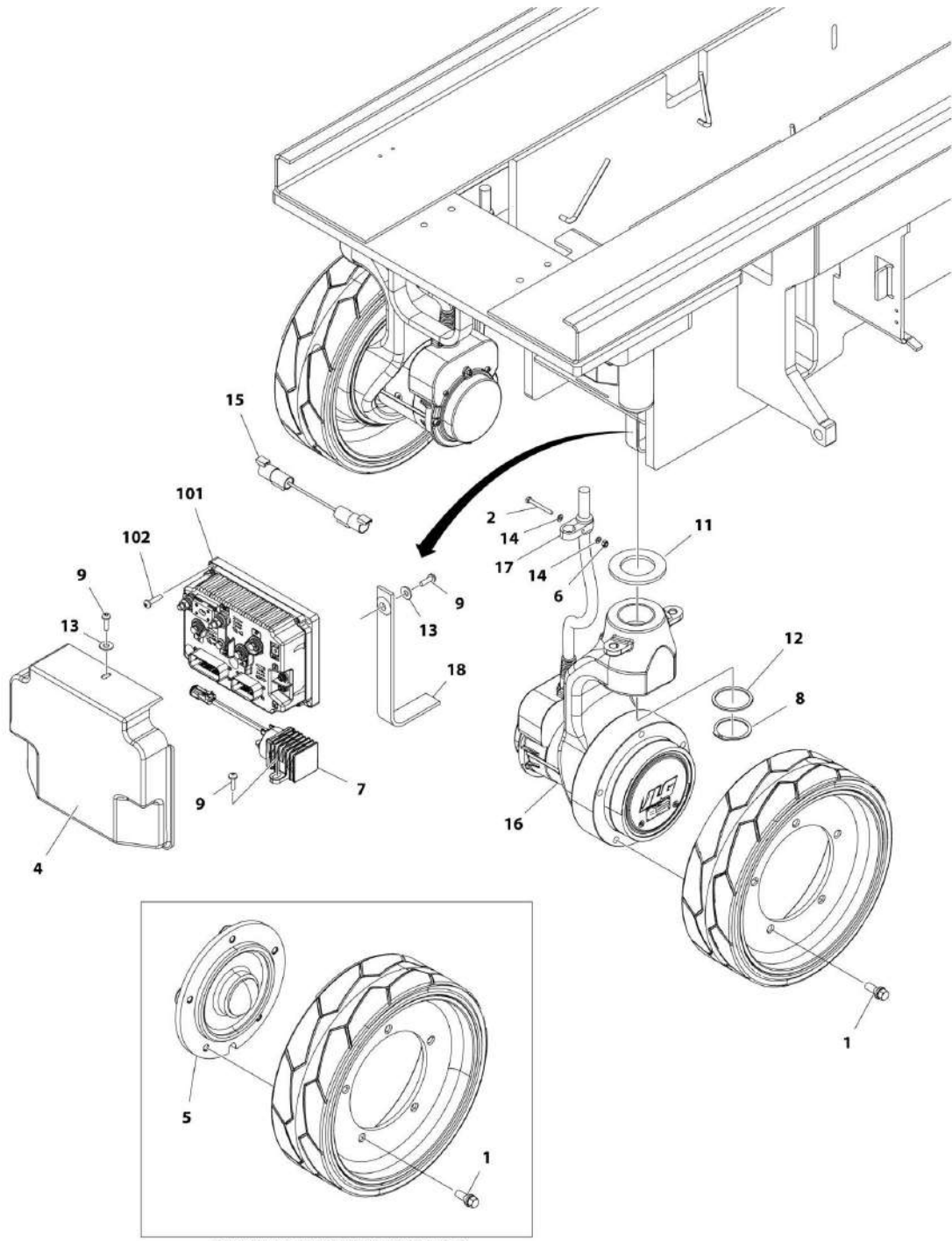
SECTION 1 - FRAME

FIGURE 1-3. DRIVE HUB AND MODULE INSTALLATION

ITEM	PART NUMBER	QTY	DESCRIPTION	REV
	1001114882	Ref	DRIVE HUB AND MODULE INSTALLATION	D
1	0630580	20	Bolt, Wheel	
2	0700619	2	Bolt M6 x 55	
3	1001092456	1	Module, Control	
4	1001115170	1	Cover	
5	2780266	2	Hub Assembly - Rear (See HUB ASSEMBLY - REAR for Breakdown)	
6	3290605	2	Nut M6	
7	3740150	1	Relay	
8	3760463	2	Ring, Retaining	
9	4191708	4	Screw M6 x 20	
11	4740524	2	Washer, Thrust	
12	4740564	2	Washer	
13	4751400	2	Washer 1/4	
14	4811700	4	Washer M6	
15	4923602	1	Harness, Field Wire Connection (See ELECTRICAL SECTION for Breakdown)	
16	1001092738	2	Drive Motor Assembly (See DRIVE MOTOR/HUB ASSEMBLY for Breakdown)	
17	1001094301	2	Clamp	
18	4240147	1	Strap, Anti-Static	
19	4191709	4	Screw M6 x 25	

SECTION 1 - FRAME

FIGURE 1-4. DRIVE HUB AND MODULE INSTALLATION (BELGIUM BUILT MACHINES ONLY)



ART_1001219123

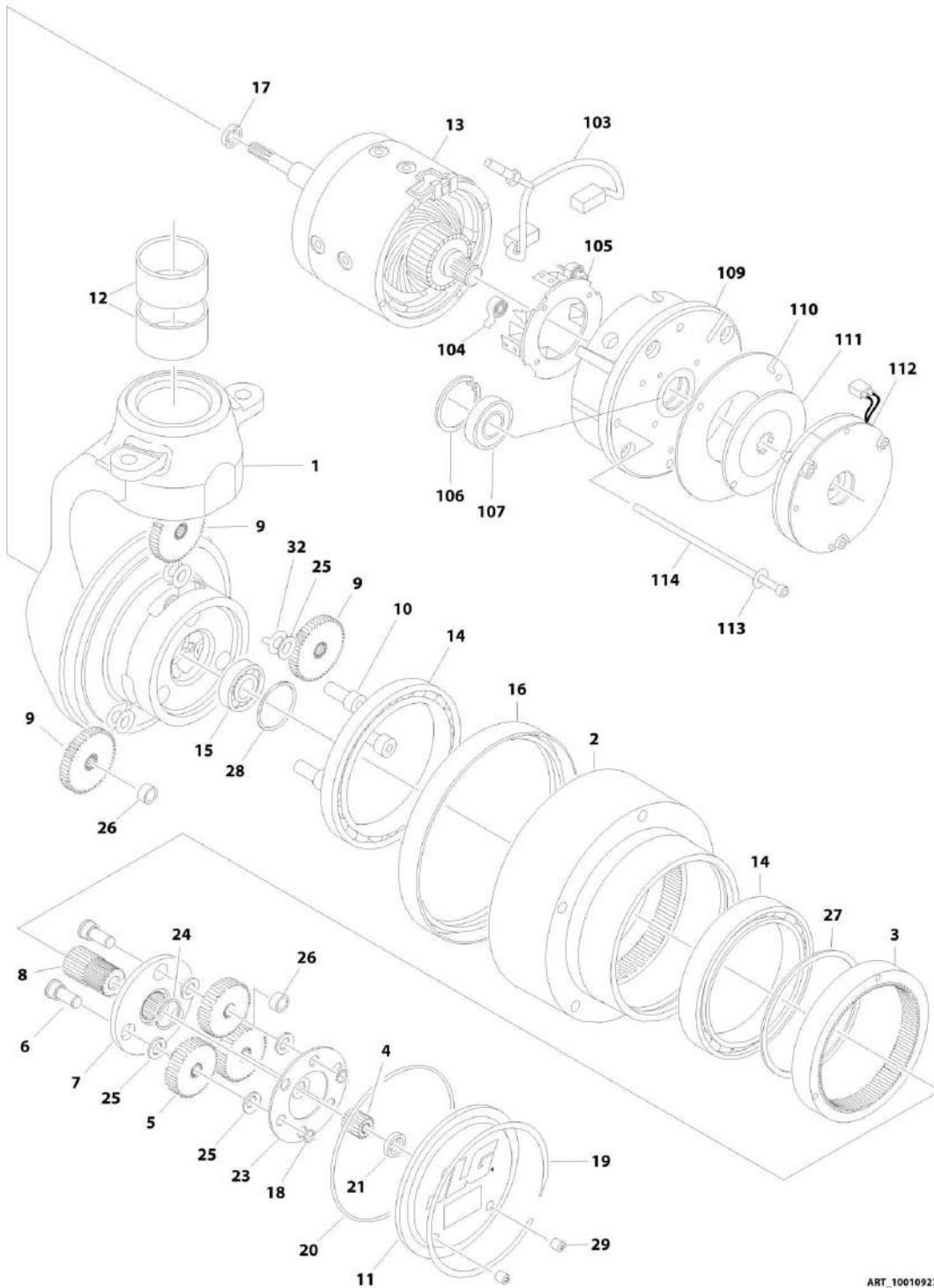
SECTION 1 - FRAME

FIGURE 1-4. DRIVE HUB AND MODULE INSTALLATION (BELGIUM BUILT MACHINES ONLY)

ITEM	PART NUMBER	QTY	DESCRIPTION	REV
	1001219123	Ref	DRIVE HUB AND MODULE INSTALLATION (BELGIUM BUILT MACHINES ONLY)	A
1	0630580	20	Bolt, Wheel	
2	0700619	2	Bolt M6 x 55	
4	1001115170	1	Cover	
5	2780266	2	Hub Assembly - Rear (See HUB ASSEMBLY - REAR for Breakdown)	
6	3290605	2	Nut M6	
7	3740150	1	Relay	
8	3760463	2	Ring, Retaining	
9	4191708	4	Screw M6 x 20	
11	4740524	2	Washer, Thrust	
12	4740564	2	Washer	
13	4751400	2	Washer 1/4	
14	4811700	4	Washer M6	
15	4923602	1	Harness, Field Wire Connection (See ELECTRICAL SECTION for Breakdown)	
16	1001092738	2	Drive Motor Assembly (See DRIVE MOTOR/HUB ASSEMBLY for Breakdown)	
17	1001094301	2	Clamp	
18	4240147	1	Strap, Anti-Static	
		Ref	ADDITIONAL COMPONENTS ORDERED SEPARATE	
101	1001092456	1	Module, Control	
102	4191709	4	Screw M6 x 25	

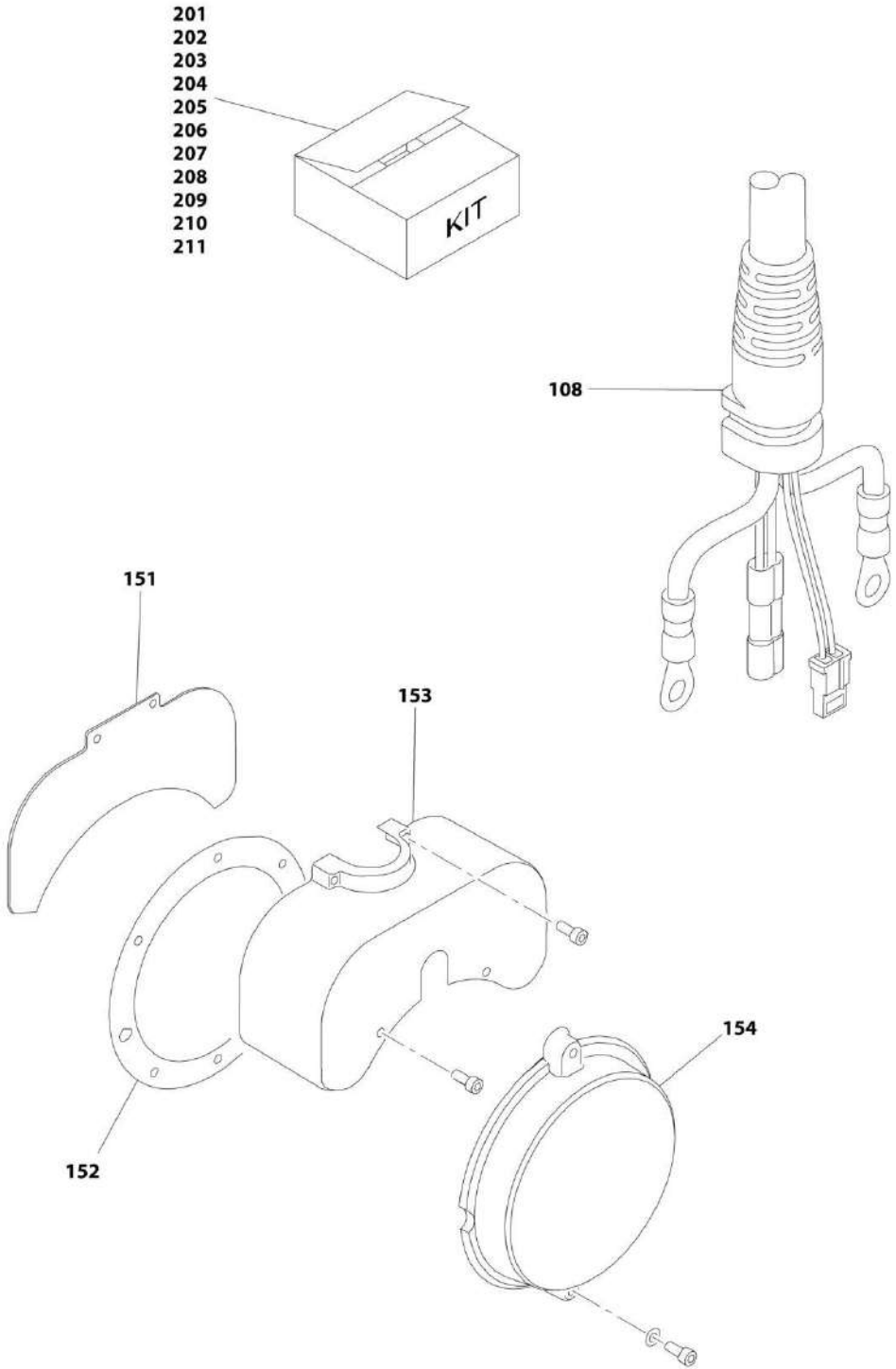
SECTION 1 - FRAME

FIGURE 1-5. DRIVE MOTOR/HUB ASSEMBLY



ART_1001092738_10F2

SECTION 1 - FRAME



ART_1001092738_20F2

SECTION 1 - FRAME

FIGURE 1-5. DRIVE MOTOR/HUB ASSEMBLY

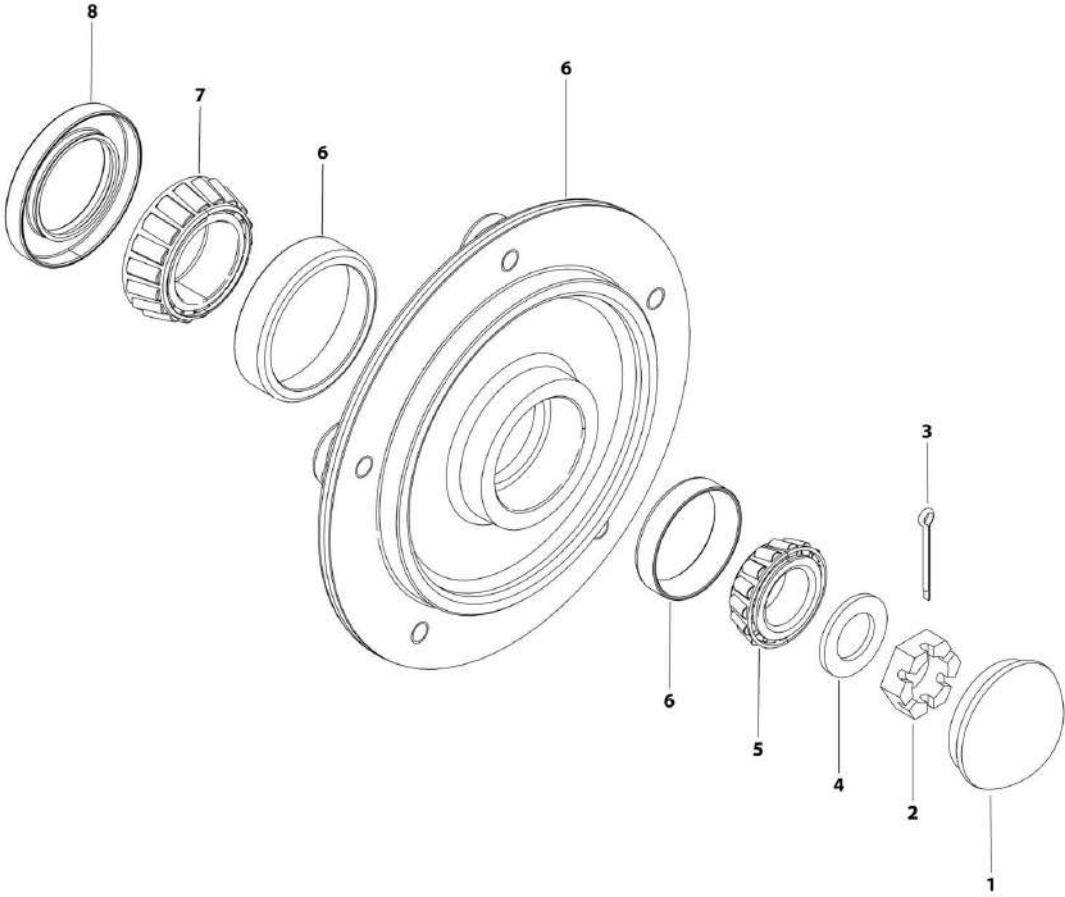
ITEM	PART NUMBER	QTY	DESCRIPTION	REV
	1001092738	Ref	DRIVE MOTOR/HUB ASSEMBLY	K
		Ref	HUB ASSEMBLY	
1	See Note	NSS	Spindle (Note: Purchase Complete Assembly)	
2	See Note	NSS	Hub (Note: Use Item 206)	
3	See Note	NSS	Ring, Input (Note: Use Item 204)	
4	See Note	NSS	Gear, Input Sun (Note: Use Item 203)	
5	See Note	NSS	Gear, Input Planet (Note: Use Item 203)	
6	See Note	NSS	Pin, Planet Gear (Note: Use Item 203)	
7	See Note	NSS	Carrier (Note: Use Item 203)	
8	See Note	NSS	Gear, Output Sun (Note: Use Item 203)	
9	See Note	NSS	Gear, Output Planet (Note: Use Item 207)	
10	See Note	NSS	Pin, Output Planet (Note: Use Item 207)	
11	See Note	NSS	Cover (Note: Use Item 201)	
12	7024757	1	Bushing Kit, Kingpin (Includes 2 Bushings)	
13	See Note	NSS	Motor, Electric (Note: Use Item 205)	
14	See Note	NSS	Bearing, Main (Note: Use Item 202, 204, 206 or 207)	
15	See Note	NSS	Bearing, Shaft (Note: Use Item 207)	
16	70001739	1	Seal, Lip	
17	7024786	1	Seal, Lip	
18	See Note	NSS	Ring, Retaining (Note: Use Item 203)	
19	See Note	NSS	Ring, Retaining (Note: Use Item 201)	
20	70000191	1	O-Ring	
21	See Note	NSS	Washer, Thrust (Note: Use Item 201)	
23	See Note	NSS	Plate, Thrust (Note: Item 203)	
24	See Note	NSS	Ring, Retaining (Note: Use Item 203)	
25	See Note	NSS	Washer, Thrust (Note: Use Item 203 or 207)	
26	See Note	NSS	Bushing (Note: Use Item 203 or 207)	
27	See Note	NSS	Ring, Retaining (Note: Use Item 204, 206 or 207)	
28	See Note	NSS	Ring, Retaining (Note: Use Item 207)	
29	See Note	NSS	Plug (Note: Use Item 201)	
32	See Note	NSS	Washer, Tanged (Note: Use Item 207)	
		Ref	BRAKE AND MOTOR COMPONENTS	
103	See Note	NSS	Brush and Terminal Assembly (Note: Use Item 208)	
104	70000790	2	Spring, Brush	
105	70000791	1	Box, Brush	
106	See Note	NSS	Ring, Retaining (Note: Use Item 208)	
107	See Note	NSS	Bearing (Note: Use Item 208)	
108	1001132439	1	Harness, Drive Motor (See ELECTRICAL SECTION for Breakdown)	
109	70000792	1	Commutator	
110	See Note	NSS	Disc, Reaction (Note: Use Item 209)	
111	7024785	1	Disc, Friction	
112	See Note	NSS	Brake Assembly (Note: Use Item 209)	
113	See Note	NSS	Washer (Note: Use Item 210)	
114	See Note	NSS	Bolt (Note: Use Item 210)	
151	See Note	NSS	Plate, Cover (Note: Use Item 211)	
152	70001949	1	Gasket, Cover	
153	70006426	1	Cover, Top	
154	See Note	NSS	Cover, End (Note: Use Item 211)	
		Ref	KIT OPTIONS	

SECTION 1 - FRAME

ITEM	PART NUMBER	QTY	DESCRIPTION	REV
201	7024747	1	Cover Kit (Includes Items 11, 19, 20, 21 & 29)	
202	7024748	1	Main Seal Kit (Includes Qty 1 of Items 14, 16 & 20)	
203	7024749	1	Input Carrier Kit (Includes Items 4-8, 18, 20 & 23-26)	
204	7024758	1	Input Ring Kit (Includes Items 3, 20, 27 & Qty 1 of Item 14)	
205	70001345	1	Motor Kit (Includes Items 13,17,103-114, 151, 152 & 154)	
206	7024756	1	Hub Kit (Includes Items 2, 16, 20, 27 & Qty 1 of Item 14)	
207	7024750	1	Output Planet Kit (Includes Items 9, 10, 15, 20, 25-28, 32 & Qty 1 of Item 14)	
208	7024771	1	Motor Brush and Bearing Kit (Includes Items 103, 106 & 107)	
209	7024772	1	Brake Kit (Includes Items 110, 111 & 112)	
211	70001265	1	Brake Cover Kit (Includes Items 151, 152 & 154)	

SECTION 1 - FRAME

FIGURE 1-6. HUB ASSEMBLY - REAR



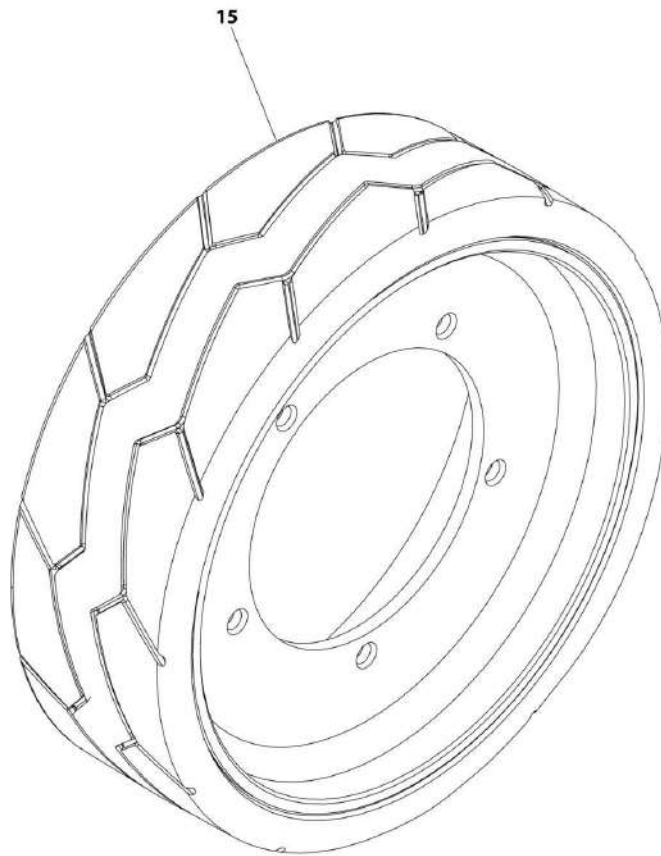
ART_2780266

FIGURE 1-6. HUB ASSEMBLY - REAR

ITEM	PART NUMBER	QTY	DESCRIPTION	REV
	2780266	Ref	HUB ASSEMBLY	D
1	1001102354	1	Cap, Dust (was p/n 7012524)	
2	3300423	1	Nut, Slotted (was p/n 7010641)	
3	3450406	1	Pin, Cotter 2 x 3/16 (was p/n 7010642)	
4	4740468	1	Washer (was p/n 7019697)	
5	1001102351	1	Bearing, Cone - Outer (was p/n 7026185)	
6	See Note	NSS	Hub (Note: Purchase Complete Assembly p/n 2780266)	
7	1001102353	1	Bearing, Cone - Inner (was p/n 7026183)	
8	1001102349	1	Seal (was p/n 7026184)	

SECTION 1 - FRAME

FIGURE 1-7. TIRE AND WHEEL ASSEMBLY



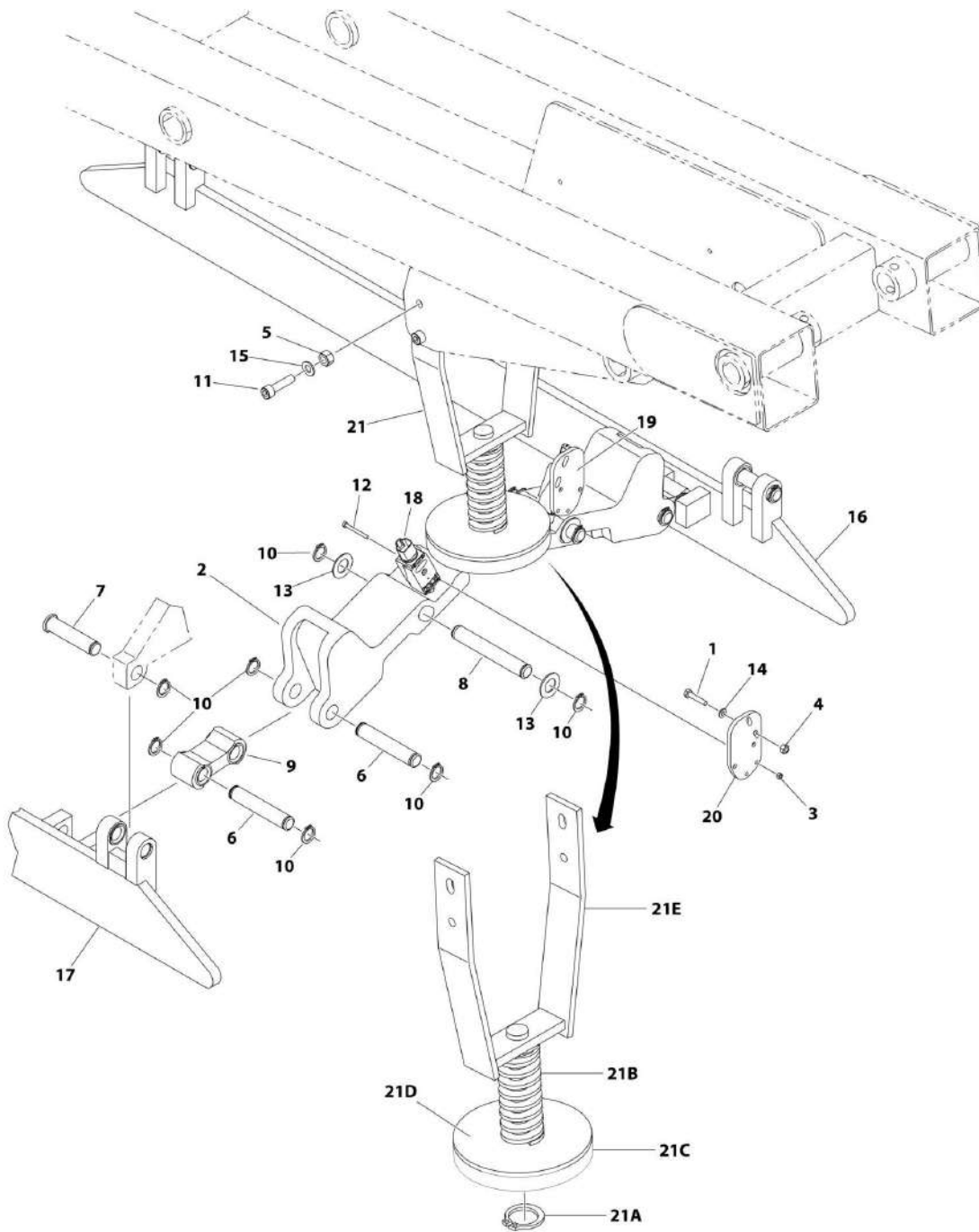
ART_100114466

FIGURE 1-7. TIRE AND WHEEL ASSEMBLY

ITEM	PART NUMBER	QTY	DESCRIPTION	REV
15	1001114466 2915013	Ref	TIRE AND WHEEL ASSEMBLY	
		Ref	NOTE: MUST REPLACE TIRE AND WHEEL ASSEMBLIES IN	
			PAIRS PER AXLE.	
		4	Tire and Wheel Assembly - Non-Marking	
	4	Tire and Wheel Kit (Includes Tire, Wheel and Bolts)		

SECTION 1 - FRAME

FIGURE 1-8. POTHOLE PROTECTION INSTALLATION - NON-UL



ART_1001178234

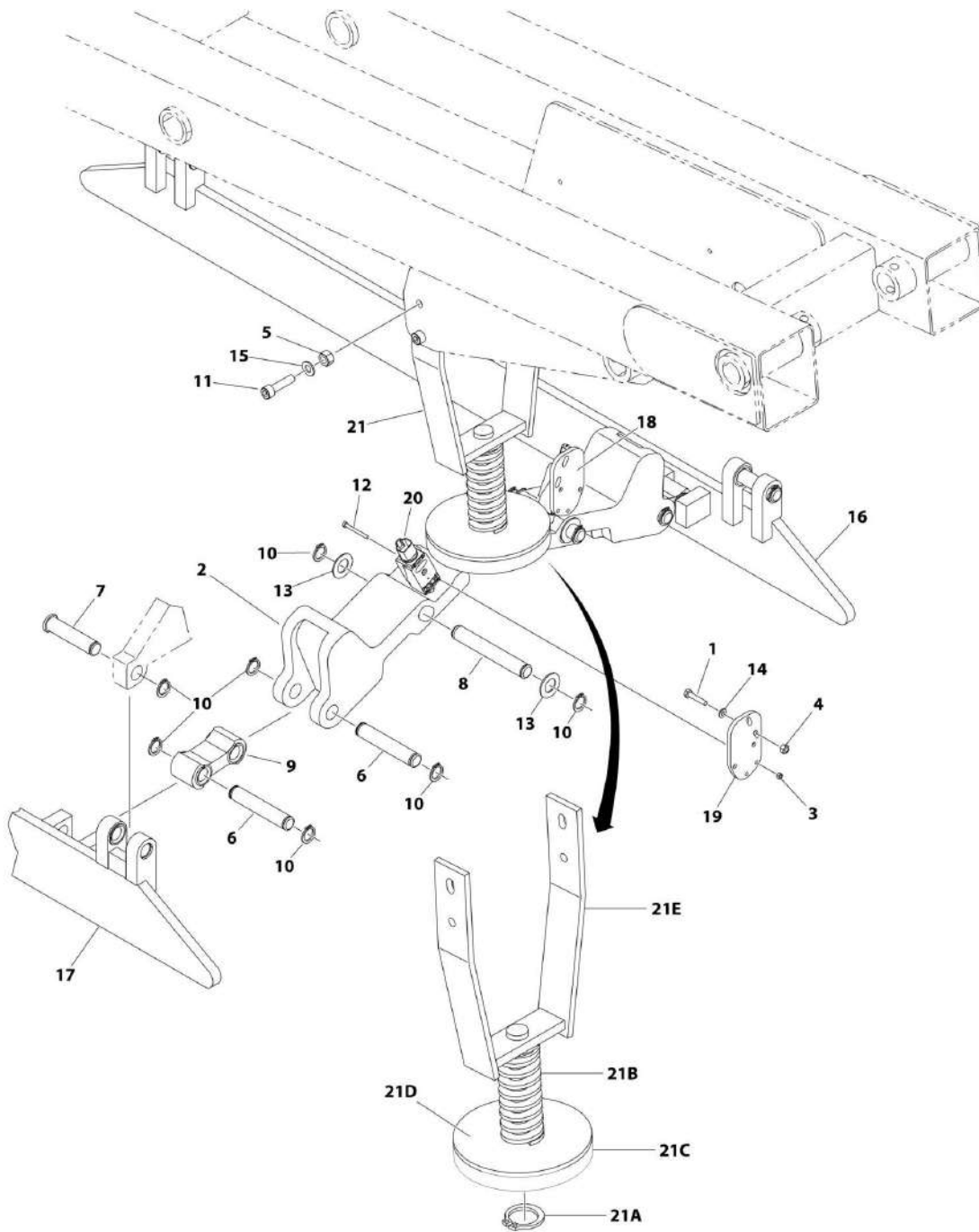
SECTION 1 - FRAME

FIGURE 1-8. POTHOLE PROTECTION INSTALLATION - NON-UL

ITEM	PART NUMBER	QTY	DESCRIPTION	REV
	1001178234	Ref	POTHOLE PROTECTION INSTALLATION - NON-UL	D
1	0700614	4	Bolt M6 x 30	
2	3010158	2	Link	
3	3290405	4	Nut M4	
4	3290605	4	Nut M6	
5	3291005	4	Nut M10	
6	3423045	4	Pin, Pivot	
7	3423189	4	Pin, Pivot	
8	3423267	2	Pin	
9	3574176	2	Plate, Link	
10	3760348	16	Ring, Retaining	
11	5272012	4	Capscrew M10 x 40	
11	3900357	4	Screw M10 x 30	
12	4031512	4	Capscrew M4 x 40	
13	4740086	4	Washer, Thrust	
14	4811700	4	Washer M6	
15	4812000	4	Washer M10	
16	4846816	1	Support (RH)	
17	4846863	1	Support (LH)	
18	1001109088	2	Switch, Limit	
19	1001109232	1	Plate, Mounting	
20	1001109233	1	Plate, Mounting	
21	1001178239	1	Actuator Assembly (Includes Items 21A-21E)	D
21A	3760115	1	Ring, Retaining	
21B	4160202	1	Spring	
21C	1001178146	1	Pad	
21D	1001178147	1	Plate	
21E	0060091	1	Bracket, Actuator	

SECTION 1 - FRAME

FIGURE 1-9. POTHOLE PROTECTION INSTALLATION - UL



ART_1001178357

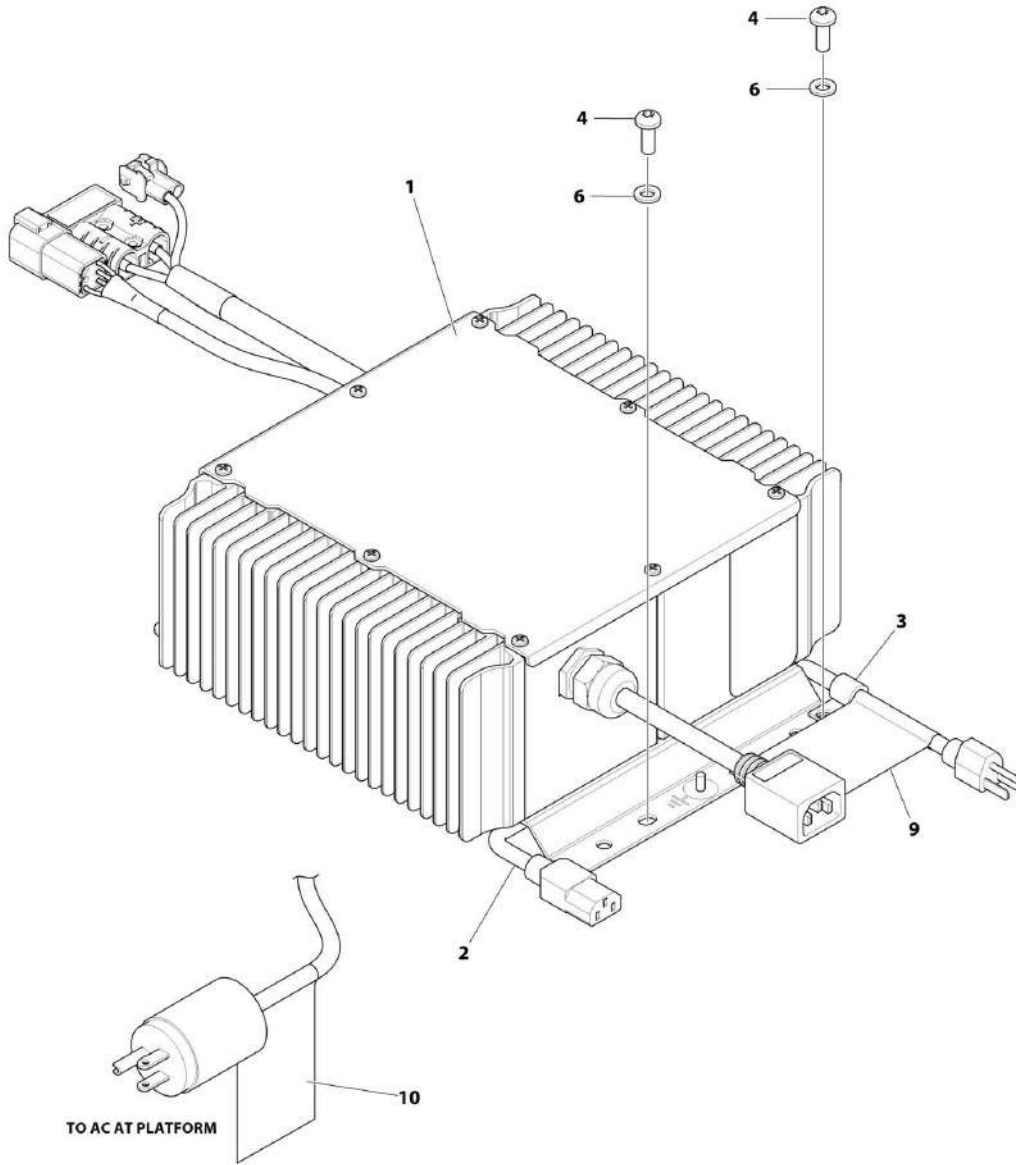
SECTION 1 - FRAME

FIGURE 1-9. POTHOLE PROTECTION INSTALLATION - UL

ITEM	PART NUMBER	QTY	DESCRIPTION	REV
	1001178357	Ref	POTHOLE PROTECTION INSTALLATION - UL	C
1	0700614	4	Bolt M6 x 30	
2	3010158	2	Link	
3	3290405	4	Nut M4	
4	3290605	4	Nut M6	
5	3291005	4	Nut M10	
6	3423045	4	Pin, Pivot	
7	3423189	4	Pin, Pivot	
8	3423267	2	Pin	
9	3574176	2	Plate, Link	
10	3760348	16	Ring, Retaining	
11	5272012	4	Capscrew M10 x 40	
12	4031512	4	Capscrew M4 x 40	
13	4740086	4	Washer, Thrust	
14	4811700	4	Washer M6	
15	4812000	4	Washer M10	
16	4846816	1	Support (RH)	
17	4846863	1	Support (LH)	
18	1001109232	1	Plate, Mounting	
19	1001109233	1	Plate, Mounting	
20	1001126905	2	Switch, Limit	
20	4460535	2	Receptacle, Female - 4 Position (1 per Switch)	
20	4460464	8	Pin, Male (4 per Switch)	
21	1001178239	1	Actuator Assembly (Includes Items 21A-21E)	D
21A	3760115	1	Ring, Retaining	
21B	4160202	1	Spring	
21C	1001178146	1	Pad	
21D	1001178147	1	Plate	
21E	0060091	1	Bracket, Actuator	

SECTION 1 - FRAME

FIGURE 1-10. BATTERY CHARGER INSTALLATION WITH 110V PLUG AND DELTA-Q CHARGER
(ANSI, ANSI EXPORT, CSA, JAPANESE AND UL SPECS)



ART_0272874

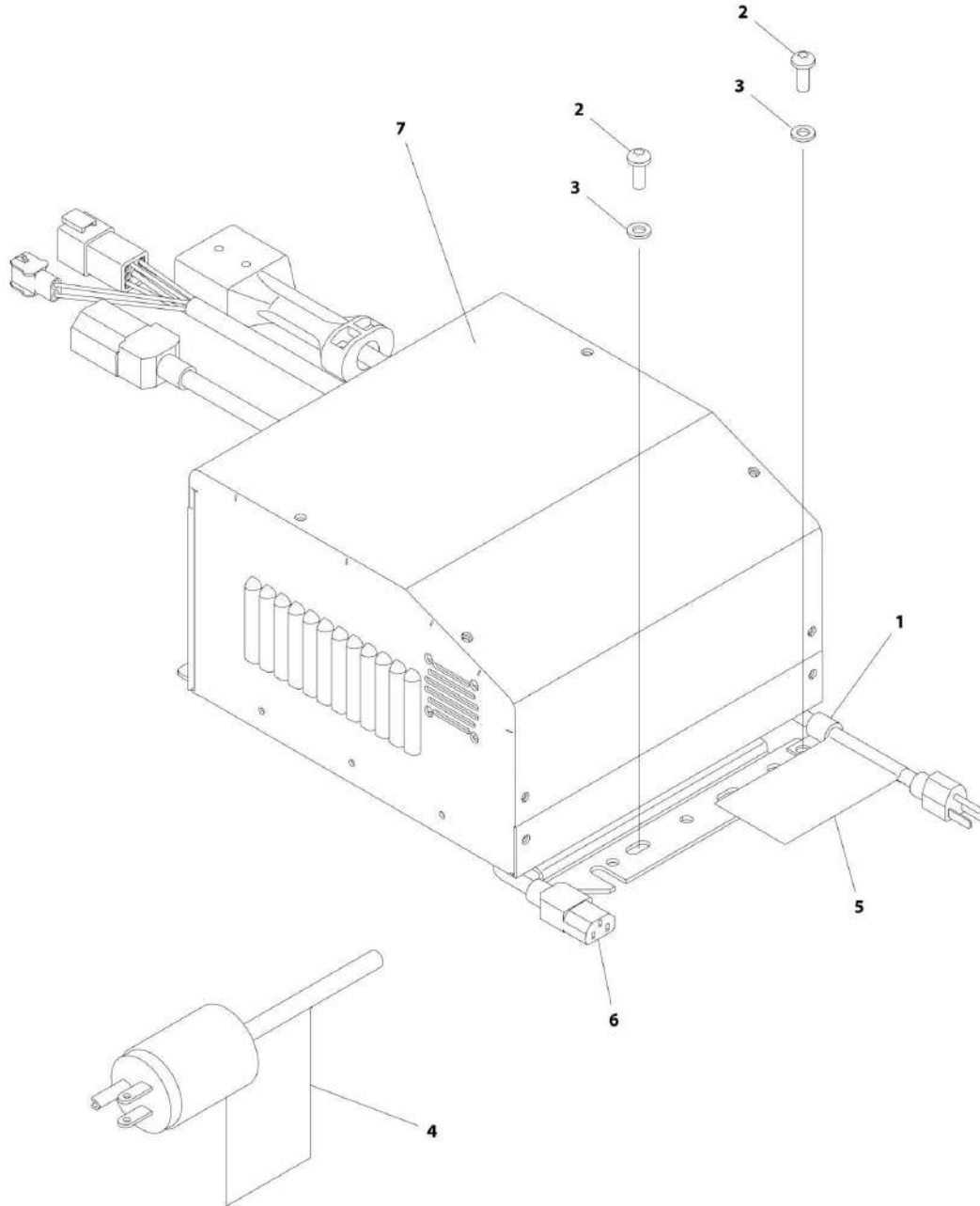
SECTION 1 - FRAME

**FIGURE 1-10. BATTERY CHARGER INSTALLATION WITH 110V PLUG AND DELTA-Q CHARGER
(ANSI, ANSI EXPORT, CSA, JAPANESE AND UL SPECS)**

ITEM	PART NUMBER	QTY	DESCRIPTION	REV
	0272874	Ref	BATTERY CHARGER INSTALLATION WITH 110V PLUG AND DELTA-Q CHARGER (ANSI, ANSI EXPORT, CSA, JAPANESE AND UL SPECS)	N
1	1001112111	1	Battery Charger Assembly (See BATTERY CHARGER ASSEMBLY - DELTA-Q for Breakdown)	
2	1001103257	1	Cable, Charger (AC Input)	
3	1321293	1	Clamp	
4	4191707	2	Screw M6 x 16	
6	4811700	2	Washer M6	
9	1001102489	1	Decal - Charger Plug (Prior to SN 0200257823, SN B200020297 to Present, Prior to SN M200002935)	
9	1001215870	1	Decal - Charger Plug (SN 0200257823 to Present, SN M200002935 to Present)	
10	1001102258	1	Decal - AC to Platform	
11	1001112113	1	Sensor, Temperature (Not Shown - Located on Negative Battery Terminal) (SN 0200266434 to Present, SN B200045242 to Present, SN M200014371 to Present)	

SECTION 1 - FRAME

FIGURE 1-11. BATTERY CHARGER INSTALLATION WITH 110V PLUG AND EAGLE PERFORMANCE CHARGER (ANSI AND CSA SPECS)



ART_1001179428

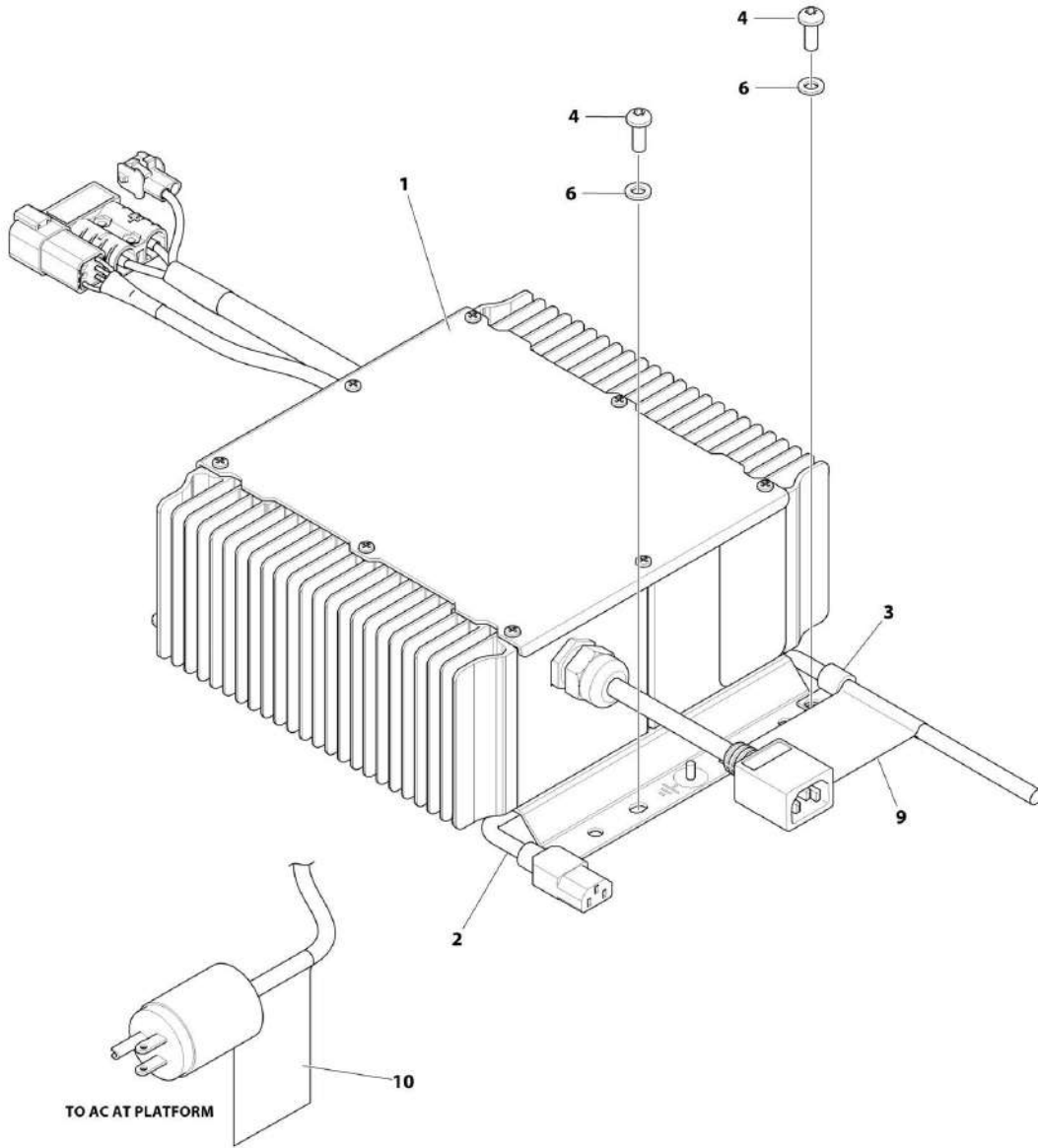
SECTION 1 - FRAME

FIGURE 1-11. BATTERY CHARGER INSTALLATION WITH 110V PLUG AND EAGLE PERFORMANCE CHARGER (ANSI AND CSA SPECS)

ITEM	PART NUMBER	QTY	DESCRIPTION	REV
	1001179428	Ref	BATTERY CHARGER INSTALLATION WITH 110V PLUG AND EAGLE PERFORMANCE CHARGER (ANSI AND CSA SPECS)	A
1	1321293	1	Clamp	
2	4191707	2	Screw M6 x 16	
3	4811700	2	Washer M6	
4	1001102258	1	Decal - AC to Platform	
5	1001102489	1	Decal - Charger Plug	
6	1001103257	1	Cable, Charger (AC Input)	
7	1001177842	1	Battery Charger Assembly (See BATTERY CHARGER ASSEMBLY - EAGLE PERFORMANCE for Breakdown)	

SECTION 1 - FRAME

FIGURE 1-12. BATTERY CHARGER INSTALLATION WITH LOCALLY SUPPLIED PLUG AND DELTA-Q CHARGER (ANSI, ANSI EXPORT, CSA AND CE SPECS)



ART_0272875

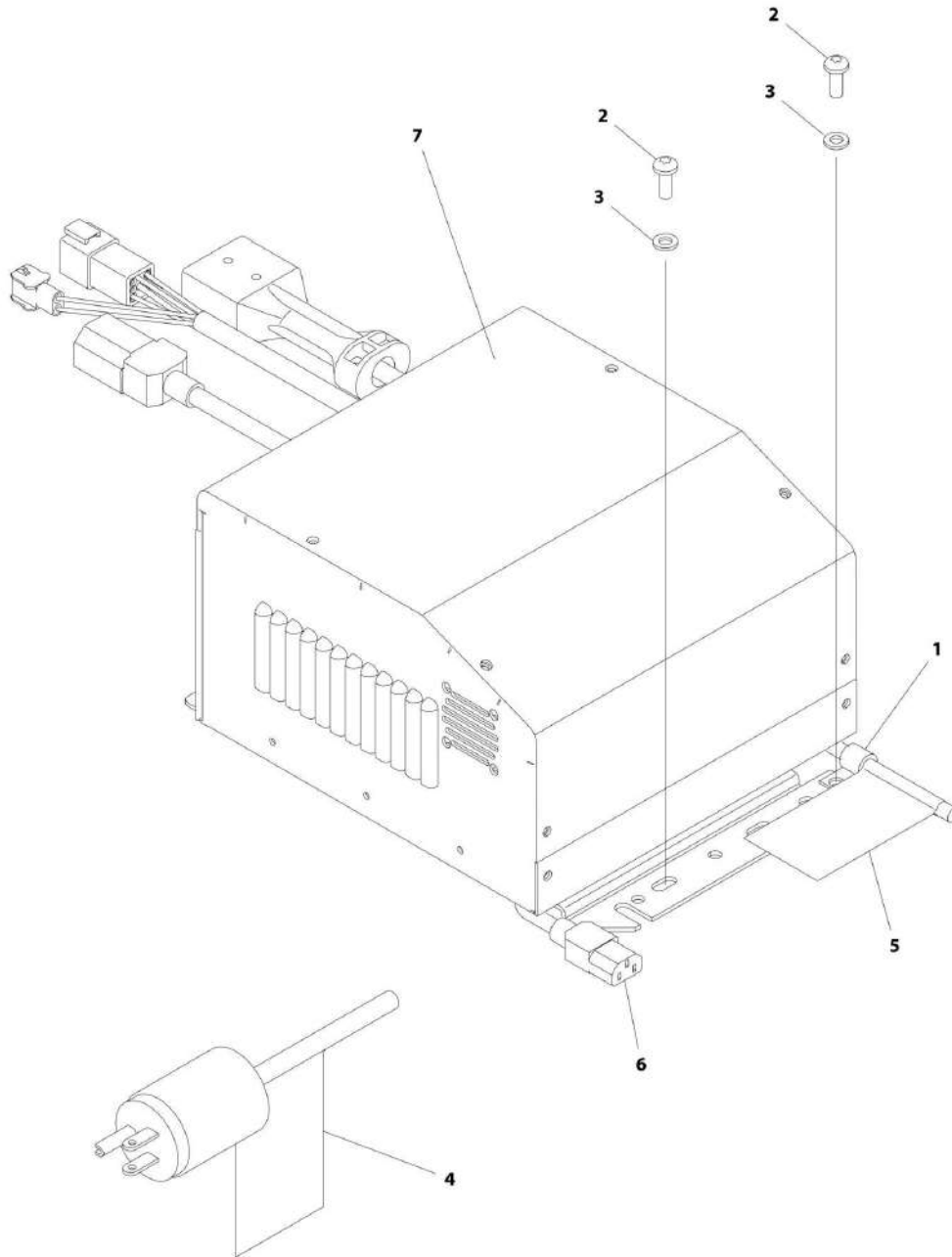
SECTION 1 - FRAME

FIGURE 1-12. BATTERY CHARGER INSTALLATION WITH LOCALLY SUPPLIED PLUG AND DELTA-Q CHARGER (ANSI, ANSI EXPORT, CSA AND CE SPECS)

ITEM	PART NUMBER	QTY	DESCRIPTION	REV
	0272875	Ref	BATTERY CHARGER INSTALLATION WITH LOCALLY SUPPLIED PLUG AND DELTA-Q CHARGER (ANSI, ANSI EXPORT, CSA AND CE SPECS)	N
1	1001112111	1	Battery Charger Assembly (See BATTERY CHARGER ASSEMBLY - DELTA-Q for Breakdown)	
2	1001103258	1	Cable, Charger (AC Input)	
3	1320136	1	Clamp (USA Built Machines)	
3	1321293	1	Clamp	
4	4191707	2	Screw M6 x 16	
6	4811700	2	Washer M6	
9	1001102489	1	Decal - Charger Plug (Prior to SN 0200257823, SN B200000100 to Present, Prior to SN M200002935)	
9	1001215870	1	Decal - Charger Plug (SN 0200257823 to Present, SN 1200025021 to Present, SN M200002935 to Present)	
10	1001102258	1	Decal - AC to Platform	
11	1001112113	1	Sensor, Temperature (Not Shown - Located on Negative Battery Terminal) (SN 0200266434 to Present, SN 1200027658 to Present, SN B200045242 to Present, SN M200014371 to Present)	

SECTION 1 - FRAME

FIGURE 1-13. BATTERY CHARGER INSTALLATION WITH LOCALLY SUPPLIED PLUG AND EAGLE PERFORMANCE CHARGER (ANSI AND CSA SPECS)



ART_1001180312

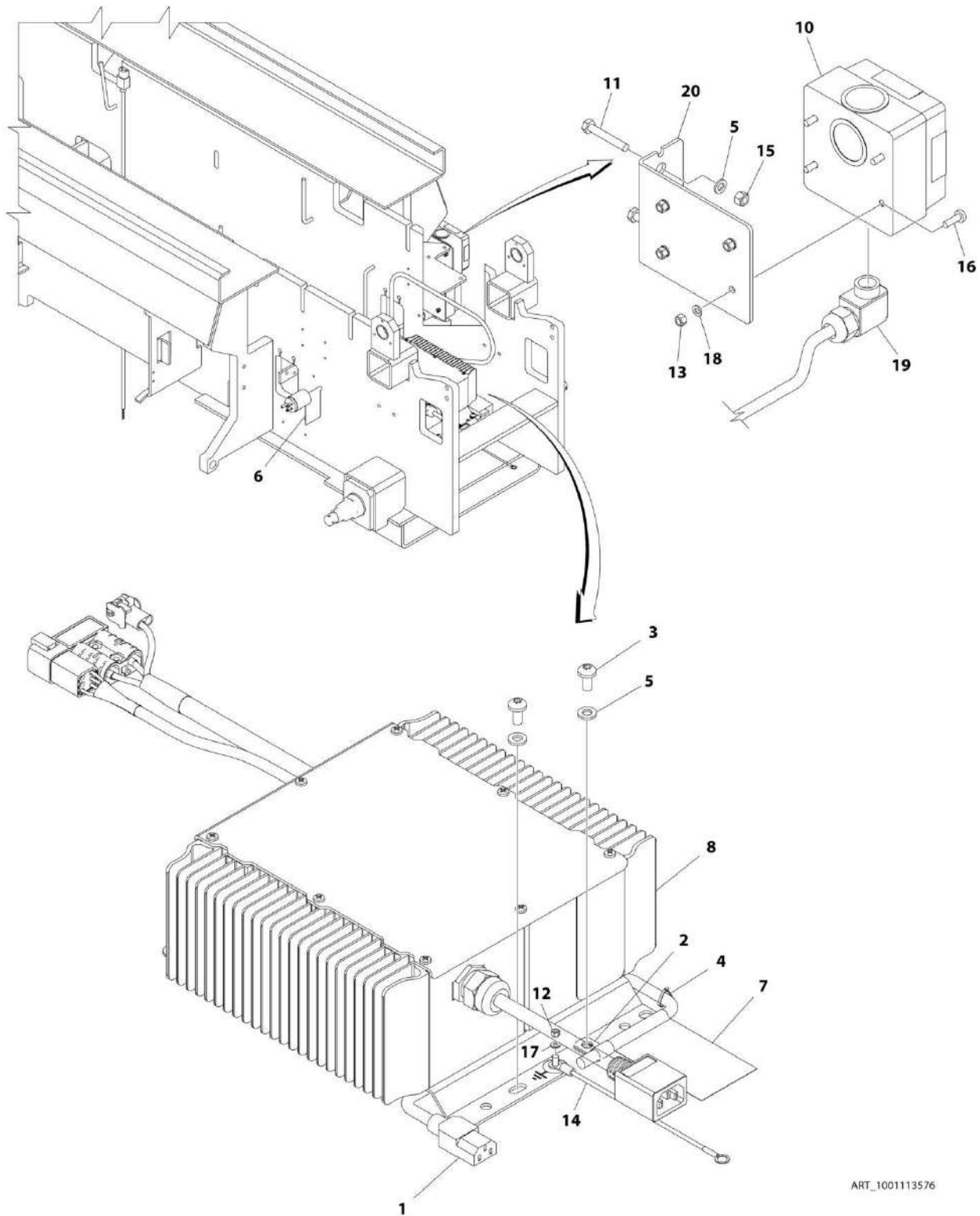
SECTION 1 - FRAME

FIGURE 1-13. BATTERY CHARGER INSTALLATION WITH LOCALLY SUPPLIED PLUG AND EAGLE PERFORMANCE CHARGER (ANSI AND CSA SPECS)

ITEM	PART NUMBER	QTY	DESCRIPTION	REV
	1001180312	Ref	BATTERY CHARGER INSTALLATION WITH LOCALLY SUPPLIED PLUG AND EAGLE PERFORMANCE CHARGER (ANSI AND CSA SPECS)	A
1	1320136	1	Clamp	
2	4191707	2	Screw M6 x 16	
3	4811700	2	Washer M6	
4	1001102258	1	Decal - AC to Platform	
5	1001102489	1	Decal - Charger Plug	
6	1001103258	1	Cable, Charger (AC Input)	
7	1001177842	1	Battery Charger Assembly (See BATTERY CHARGER ASSEMBLY - EAGLE PERFORMANCE for Breakdown)	

SECTION 1 - FRAME

FIGURE 1-14. BATTERY CHARGER INSTALLATION WITH LOCALLY SUPPLIED PLUG (AUSTRALIAN SPEC)



ART_1001113576

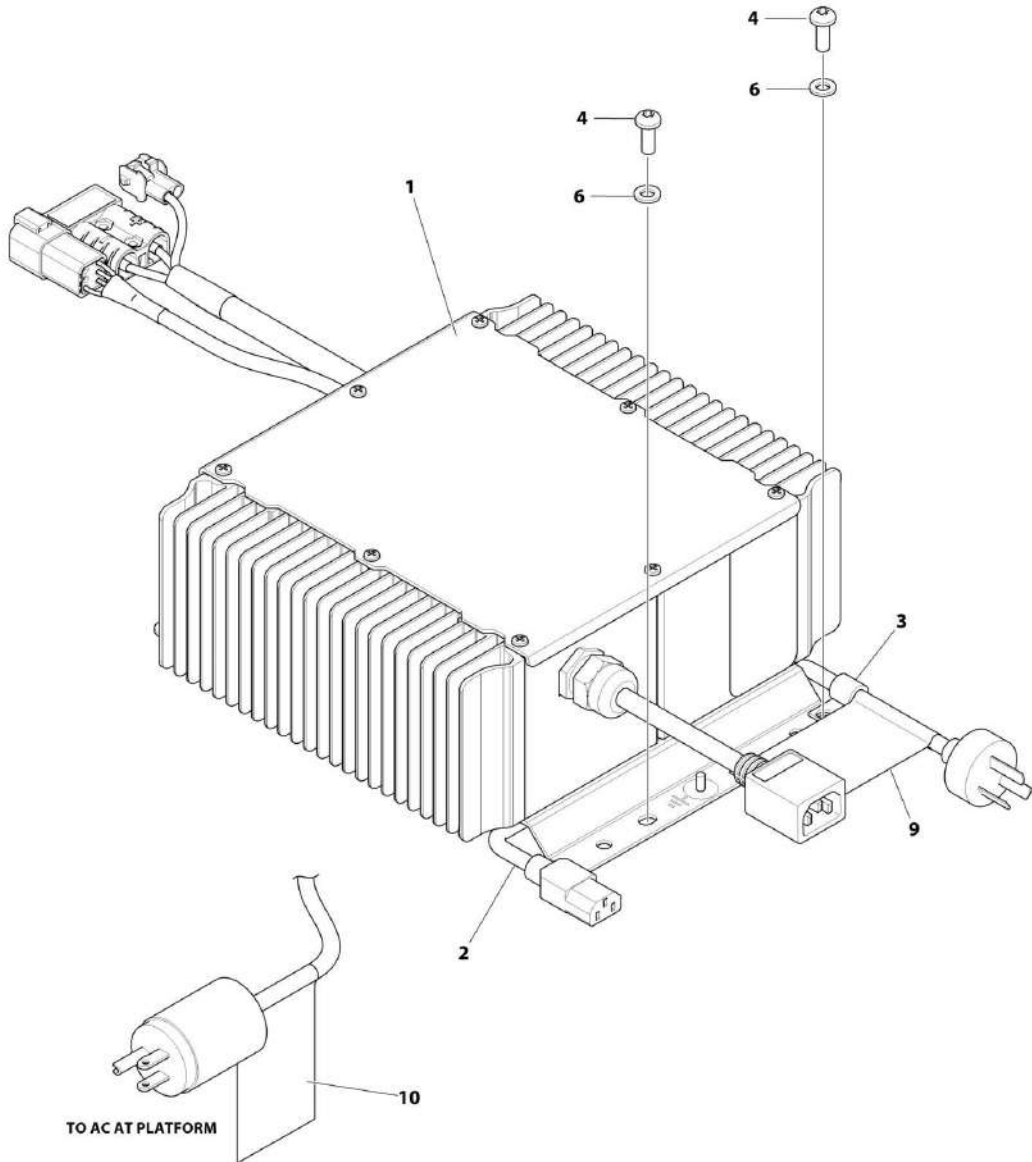
SECTION 1 - FRAME

FIGURE 1-14. BATTERY CHARGER INSTALLATION WITH LOCALLY SUPPLIED PLUG (AUSTRALIAN SPEC)

ITEM	PART NUMBER	QTY	DESCRIPTION	REV
	1001113576	Ref	BATTERY CHARGER INSTALLATION WITH LOCALLY SUPPLIED PLUG (AUSTRALIAN SPEC)	G
1	1060689	1	Cable, Charger (AC Input)	
2	1320136	1	Clamp (USA Built Machines)	
2	1321293	1	Clamp	
3	4191707	2	Screw M6 x 16	
4	4240033	2	Tie-Strap	
5	4811700	AR	Washer M6	
6	1001102258	1	Decal - AC to Platform	
7	1001102489	1	Decal - Charger Plug (Prior to SN 0200257823, Prior to SN B200037115, Prior to SN M200002935)	
7	1001215870	1	Decal - Charger Plug (SN 0200257823 to Present, SN B200037115 to Present, SN M200002935 to Present)	
8	1001112111	1	Battery Charger Assembly (See BATTERY CHARGER ASSEMBLY - DELTA-Q for Breakdown)	
9	1001112113	1	Sensor, Temperature (Not Shown - Located on Negative Battery Terminal) (SN 0200266434 to Present, SN B200045242 to Present, SN M200014371 to Present)	
10	1001227267	1	Electric Assembly (SN B200052310 to Present, SN M200022360 to Present)	
11	0700616	4	Bolt M6 x 40	
12	3290405	1	Nut M4	
13	3290505	8	Nut M5	
14	1001227219	1	Earth/Ground Harness (SN B200052310 to Present, SN M200022360 to Present)	
15	3290605	4	Nut M6	
16	3900381	8	Screw M5 x 16	
17	4811400	1	Washer M4	
18	4831600	8	Washer M5	
19	1001103471	1	Connector, Strain Relief (SN B200052310 to Present, SN M200022360 to Present)	
20	1001227213	1	Bracket (SN B200052310 to Present, SN M200022360 to Present)	

SECTION 1 - FRAME

FIGURE 1-15. BATTERY CHARGER INSTALLATION WITH CHINESE PLUG (CHINESE SPEC)



ART_1001172008

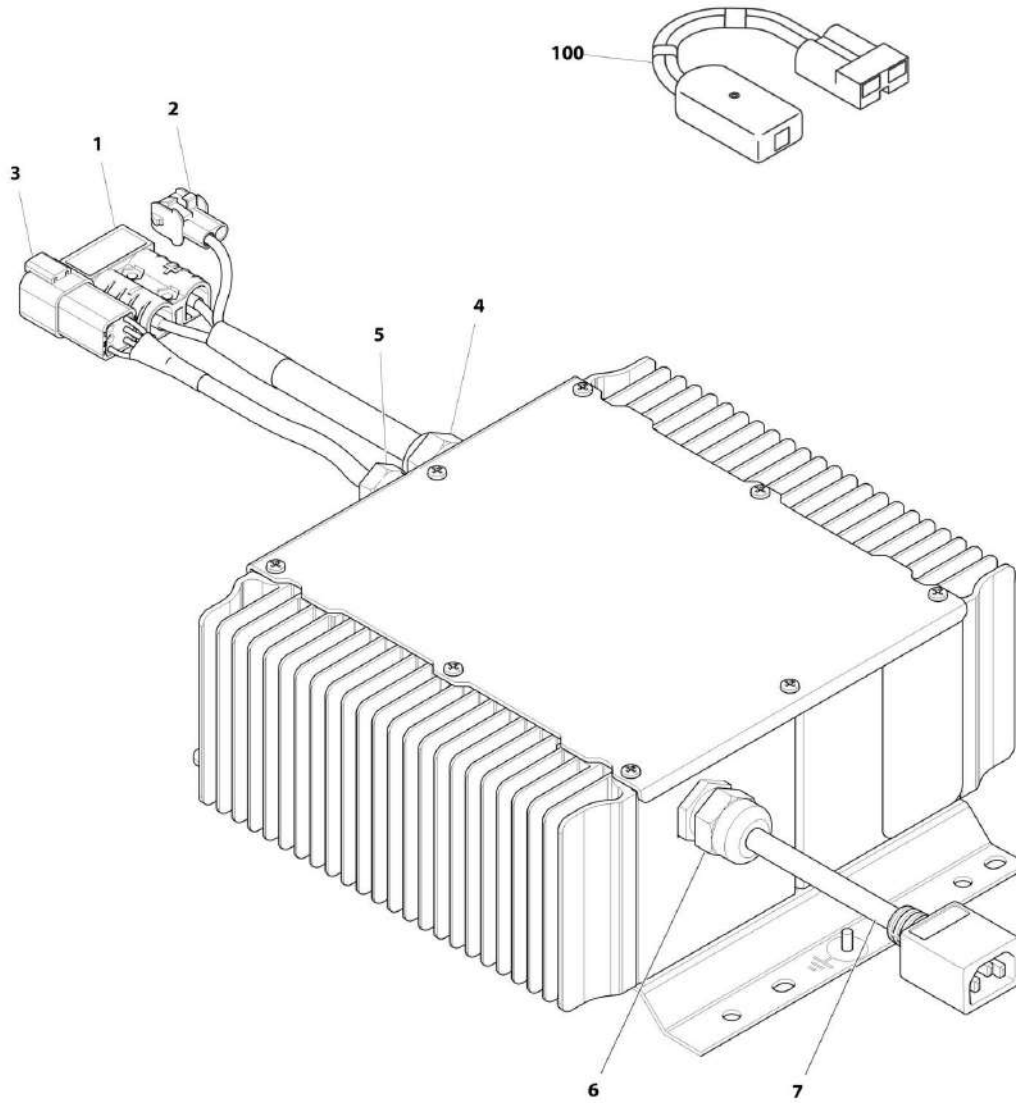
SECTION 1 - FRAME

FIGURE 1-15. BATTERY CHARGER INSTALLATION WITH CHINESE PLUG (CHINESE SPEC)

ITEM	PART NUMBER	QTY	DESCRIPTION	REV
	1001172008	Ref	BATTERY CHARGER INSTALLATION WITH CHINESE PLUG (CHINESE SPEC)	E
1	1001112111	1	Battery Charger Assembly (See BATTERY CHARGER ASSEMBLY - DELTA-Q for Breakdown)	
2	1001172010	1	Cable, Charger (AC Input)	
3	1321293	1	Clamp	
4	4191707	2	Screw M6 x 16	
6	4811700	2	Washer M6	
9	1001102489	1	Decal - Charger Plug (Prior to SN 0200257823, SN B200000100 to Present, Prior to SN M200002935)	
9	1001215870	1	Decal - Charger Plug (SN 0200257823 to Present, SN M200002935 to Present)	
10	1001102258	1	Decal - AC to Platform	
11	1001112113	1	Sensor, Temperature (Not Shown - Located on Negative Battery Terminal) (SN 0200266434 to Present, SN 1200027658 to Present, SN B200045242 to Present, SN M200014371 to Present)	

SECTION 1 - FRAME

FIGURE 1-16. BATTERY CHARGER ASSEMBLY - DELTA-Q



ART_100112111

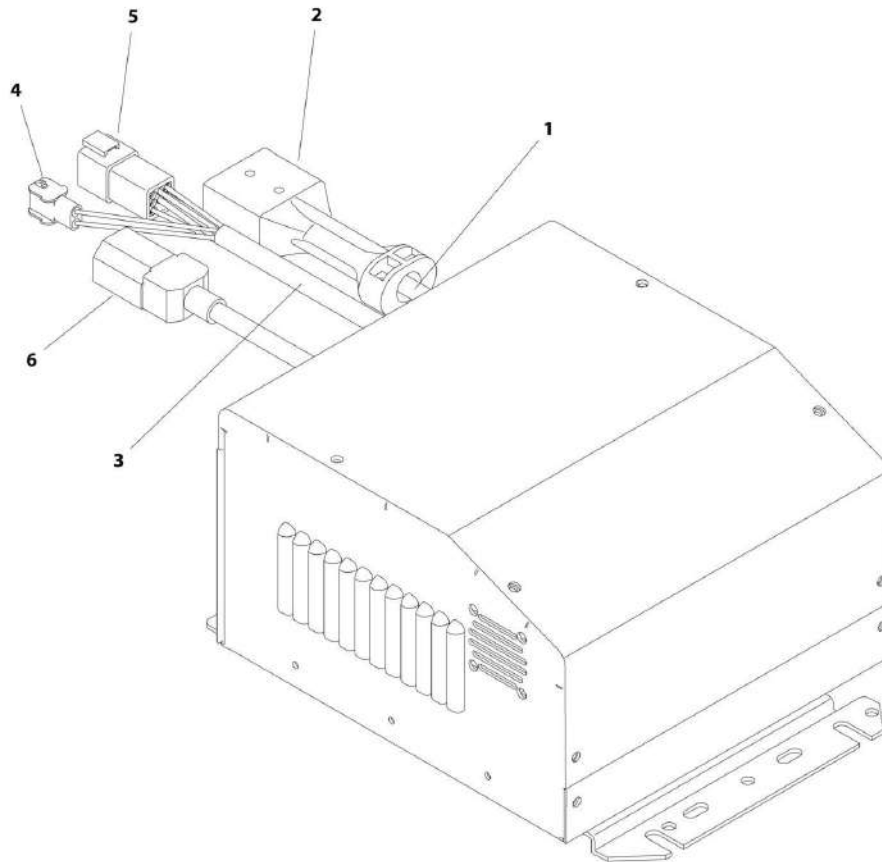
SECTION 1 - FRAME

FIGURE 1-16. BATTERY CHARGER ASSEMBLY - DELTA-Q

ITEM	PART NUMBER	QTY	DESCRIPTION	REV
	1001112111	Ref	BATTERY CHARGER ASSEMBLY - DELTA-Q	K
1	Not Available	1	Harness with Plug	
1	4460648	1	Plug, Anderson Battery Cable	
2	Not Available	1	Harness with Connector	
2	4460424	1	Connector, Female - 2 Position	
2	4460227	2	Pin, Male	
3	Not Available	1	Harness with Connector	
3	4460899	1	Connector, Female - 6 Position	
3	4460464	6	Pin, Male	
4	Not Available	1	Connector, Strain Relief	
5	Not Available	1	Connector, Strain Relief	
6	Not Available	1	Connector, Strain Relief	
7	Not Available	1	Harness with Connector	
100	2915230	1	BATTERY CHARGER REPROGRAM CONTROLLER KIT (Includes Controller, Software and Instructions)	

SECTION 1 - FRAME

FIGURE 1-17. BATTERY CHARGER ASSEMBLY - EAGLE PERFORMANCE



ART_100117842

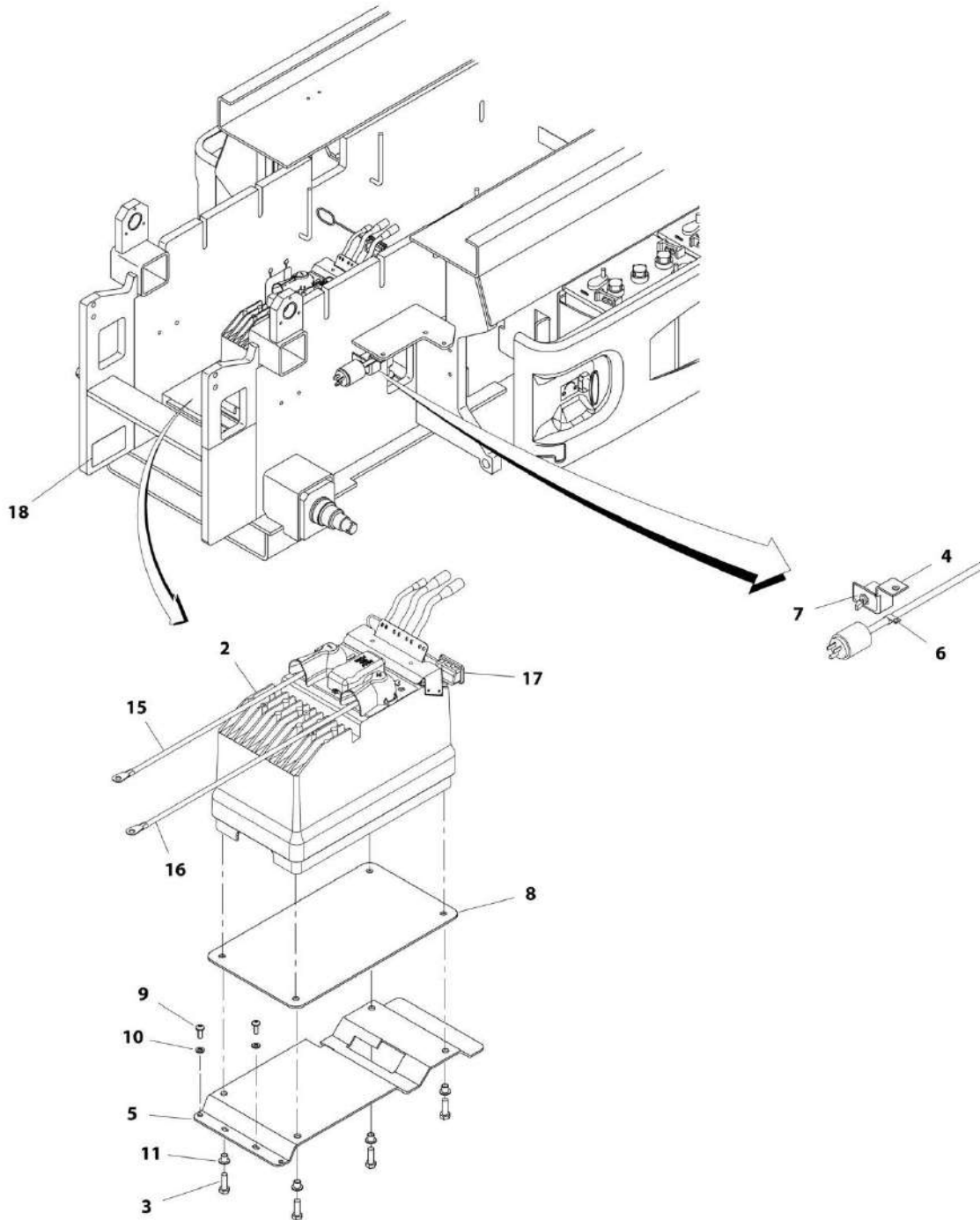
SECTION 1 - FRAME

FIGURE 1-17. BATTERY CHARGER ASSEMBLY - EAGLE PERFORMANCE

ITEM	PART NUMBER	QTY	DESCRIPTION	REV
	1001177842	Ref	BATTERY CHARGER ASSEMBLY - EAGLE PERFORMANCE	A
1	Not Available	1	Harness with Plug	
2	Not Available	1	Plug, Battery Cable	
3	Not Available	1	Harness	
4	4460424	1	Connector, Female - 2 Position	
4	4460227	2	Pin, Male	
5	4460899	1	Connector, Female - 6 Position	
5	4460464	6	Pin, Male	
6	Not Available	1	Harness with Connector	

SECTION 1 - FRAME

FIGURE 1-18. CHARGER (INVERTER) INSTALLATION (ANSI, ANSI EXPORT, CSA SPECS)



ART_0275104

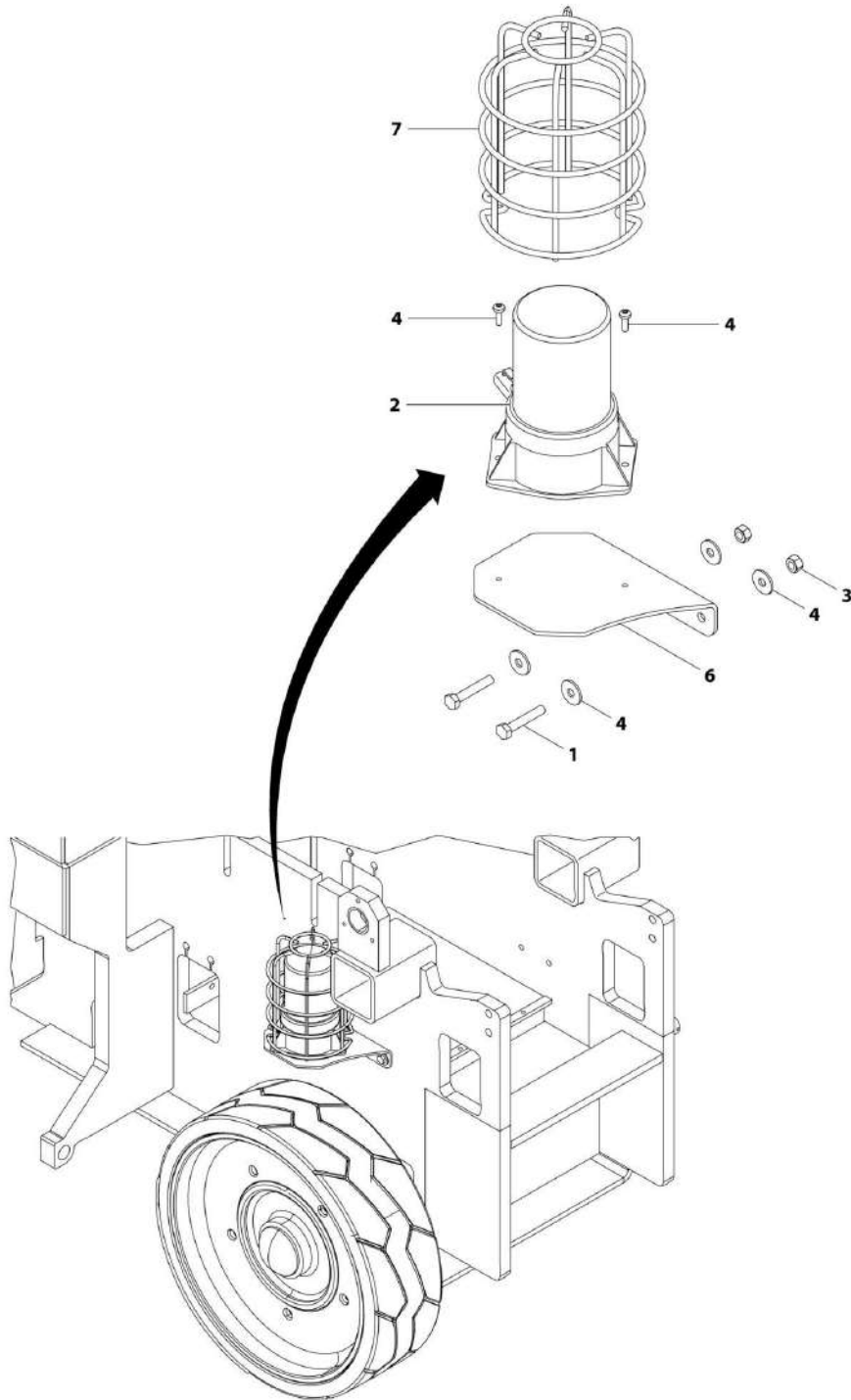
SECTION 1 - FRAME

FIGURE 1-18. CHARGER (INVERTER) INSTALLATION (ANSI, ANSI EXPORT, CSA SPECS)

ITEM	PART NUMBER	QTY	DESCRIPTION	REV
	0275104	Ref	CHARGER (INVERTER) INSTALLATION (ANSI, ANSI EXPORT, CSA SPECS)	G
1	0100011	AR	Compound, Locking	
2	1001093839	1	Charger, Inverter	
3	0760812	4	Screw M8 x 25	
4	0902780	1	Bracket, Remote Switch	
5	0903319	1	Bracket, Inverter Mounting	
6	1320043	1	Clamp	
7	1705052	1	Decal - Inverter On-Off	
8	2820239	1	Insulation	
9	4191707	2	Screw M6 x 16	
10	4811700	2	Washer M6	
11	4740562	4	Washer Special	
12	1001091479	1	Harness, AC Input (Not Shown)	
13	4923390	1	Harness, AC Output (Not Shown)	
14	4923391	1	Harness Data Interface (Not Shown)	
15	4923392	1	Cable, Inverter Positive	
16	4923393	1	Cable, Inverter Negative	
17	1671266	1	Cover	
18	1706749	1	Decal - Inverter	

SECTION 1 - FRAME

FIGURE 1-19. BEACON (AMBER) LIGHT INSTALLATION (OPTIONAL)



ART_1001175198

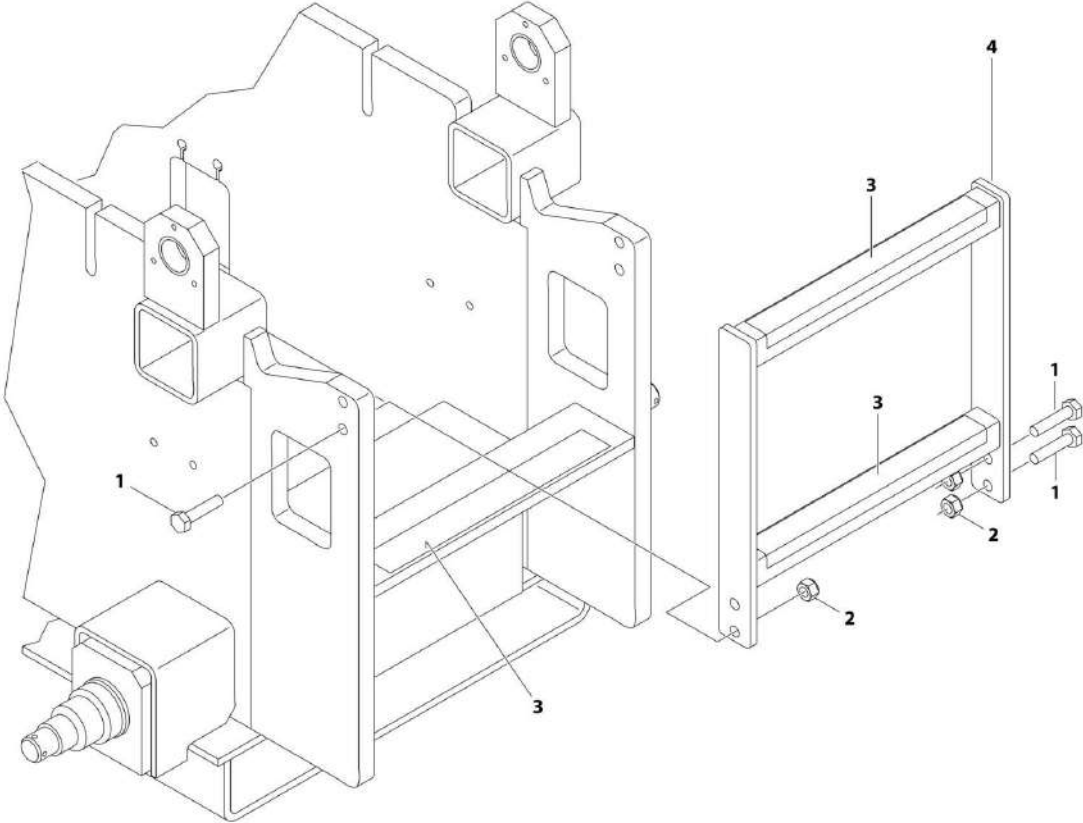
SECTION 1 - FRAME

FIGURE 1-19. BEACON (AMBER) LIGHT INSTALLATION (OPTIONAL)

ITEM	PART NUMBER	QTY	DESCRIPTION	REV
	1001175198	Ref	BEACON (AMBER) LIGHT INSTALLATION (OPTIONAL)	A
		Ref	Note: See SPECIAL OPTIONS SECTION for Machines with 2 Beacon Lights.	
1	0700615	2	Bolt M6 x 35	
2	2920161	1	Light, Beacon	
2	7016319	1	Bulb	
2	7016372	1	Lens	
3	3290605	2	Nut M6	
4	4191406	2	Screw M4 x 12	
5	4811702	4	Washer M6	
6	1001175598	1	Mount	
7	4060865	1	Guard	

SECTION 1 - FRAME

FIGURE 1-20. LADDER INSTALLATION - 2032ES



ART_1001177415

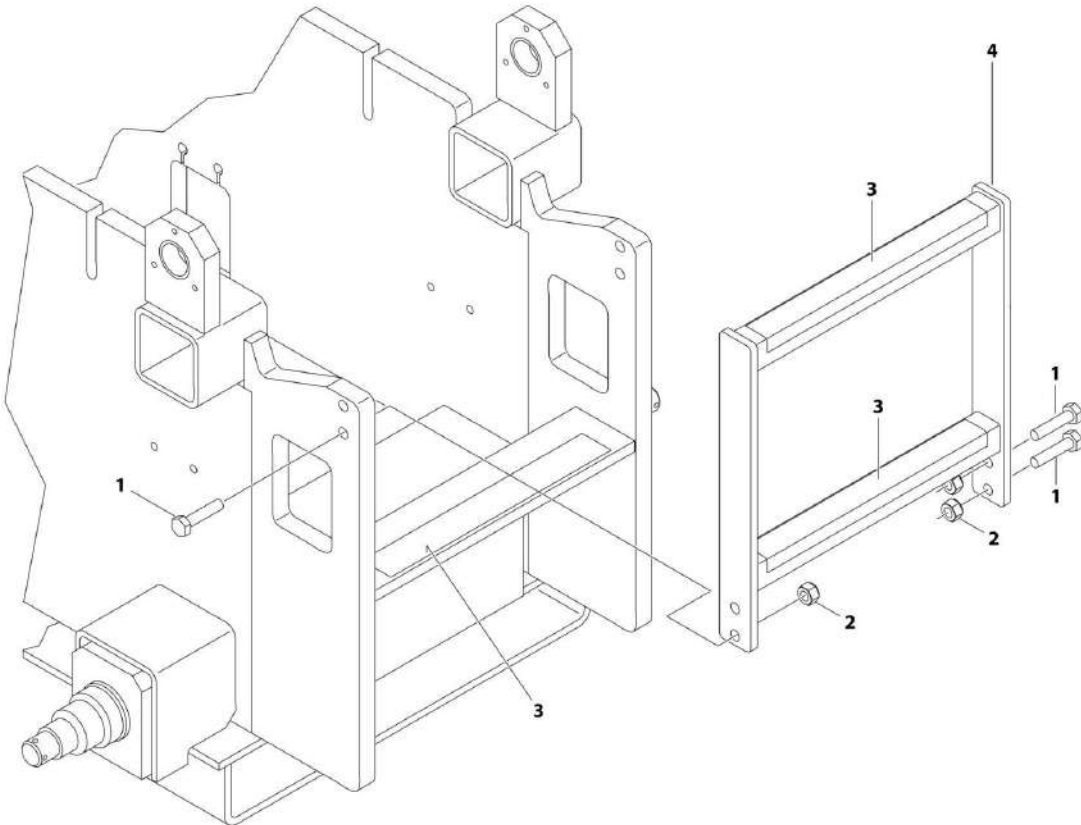
SECTION 1 - FRAME

FIGURE 1-20. LADDER INSTALLATION - 2032ES

ITEM	PART NUMBER	QTY	DESCRIPTION	REV
	1001177415	Ref	LADDER INSTALLATION - 2032ES	D
1	0701017	4	Bolt M10 x 45	
2	3291005	4	Nut M10	
3	4420070	AR	Tape, Anti-Skid (Prior to SN 0200252837, Prior to SN B200027898, Prior to SN M200000819)	
3	1001206758	3	Tape, Anti-Skid (SN 0200252837 to Present, SN 1200025021 to Present, SN B200027898 to Present, SN M200000819 to Present)	
4	1001177465	1	Ladder	

SECTION 1 - FRAME

FIGURE 1-21. LADDER INSTALLATION - 2632ES



ART_1001178028

SECTION 1 - FRAME

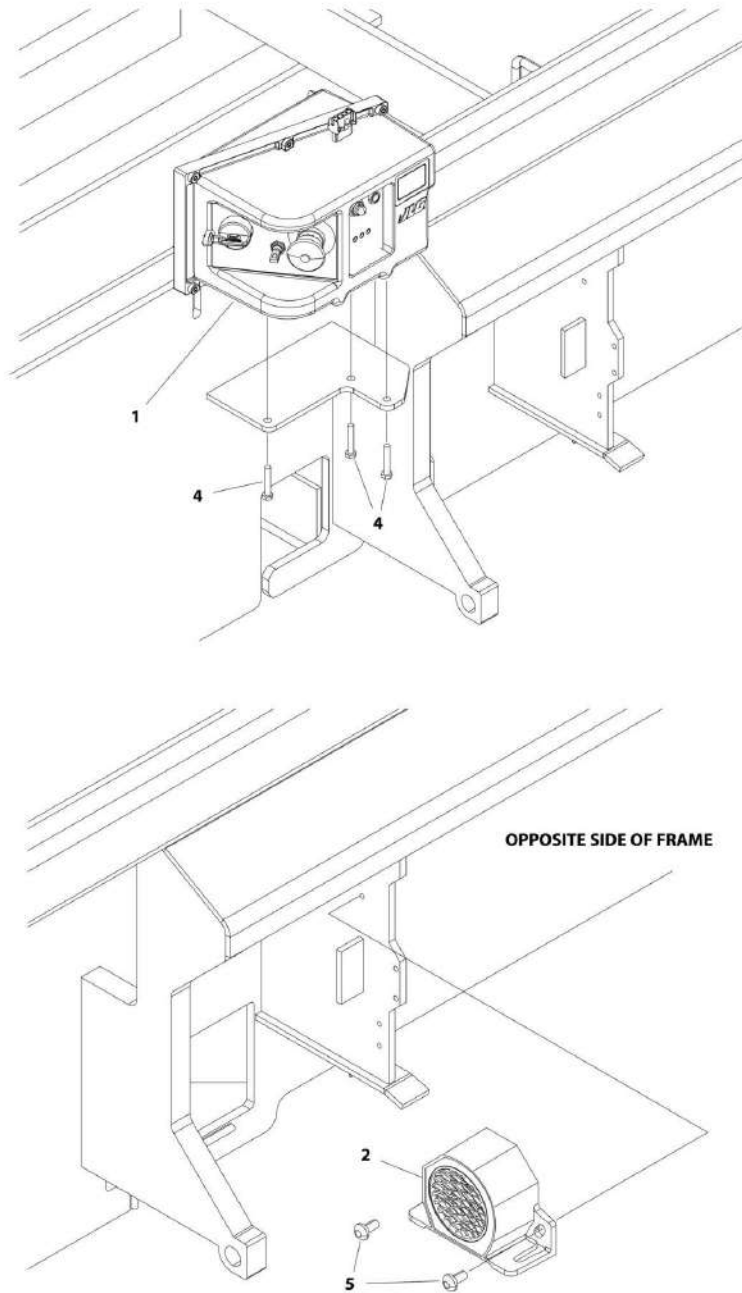
FIGURE 1-21. LADDER INSTALLATION - 2632ES

ITEM	PART NUMBER	QTY	DESCRIPTION	REV
	1001178028	Ref	LADDER INSTALLATION - 2632ES	D
1	0701017	4	Bolt M10 x 45	
2	3291005	4	Nut M10	
3	4420070	AR	Tape, Anti-Skid (Prior to SN 0200252837, Prior to SN B200027898, Prior to SN M200000819)	
3	1001206758	3	Tape, Anti-Skid (SN 0200252837 to Present, SN 1200025021 to Present, SN B200027898 to Present, SN M200000819 to Present)	
4	1001178026	1	Ladder	

SECTION 2 - GROUND COMPONENTS

SECTION 2 - GROUND COMPONENTS

FIGURE 2-1. GROUND CONTROL BOX/ALARM INSTALLATION - NO LSS (SN 020000001 to Present, SN B200023312 to Present, SN M200000100 to Present)



ART_1001166823

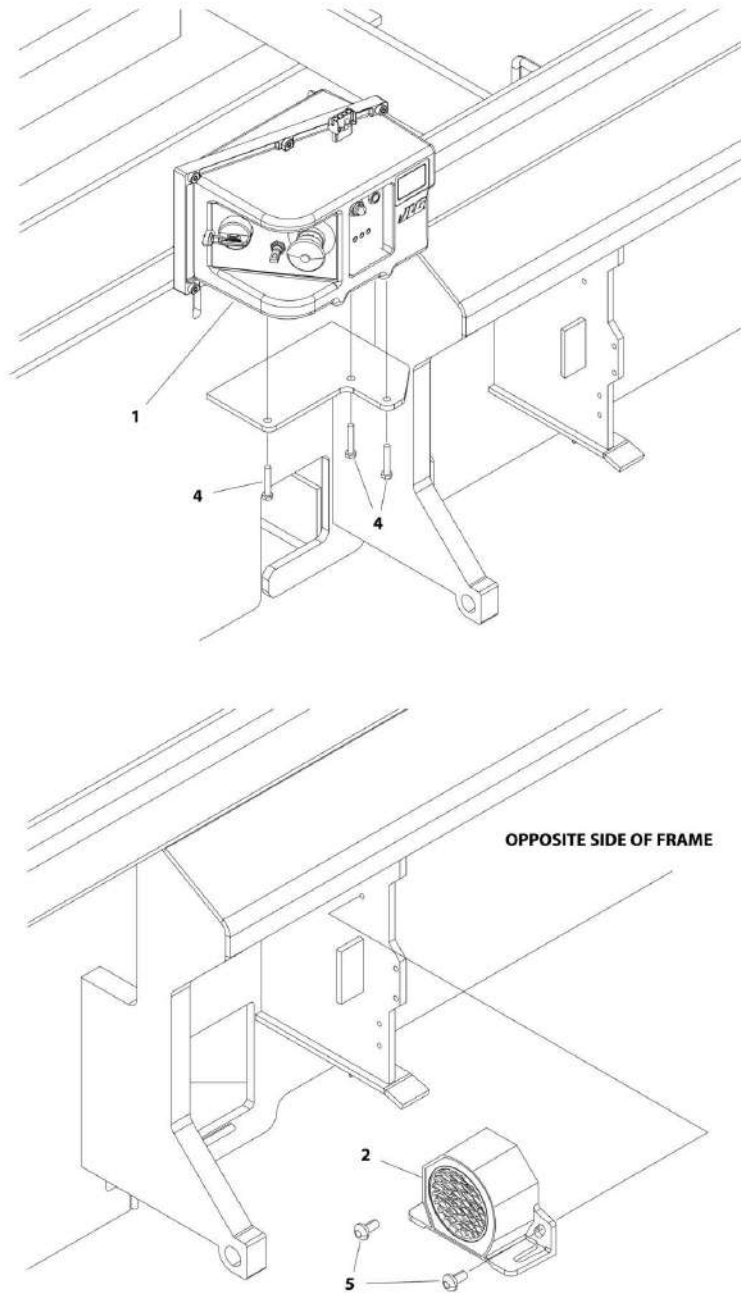
SECTION 2 - GROUND COMPONENTS

FIGURE 2-1. GROUND CONTROL BOX/ALARM INSTALLATION - NO LSS (SN 020000001 to Present, SN B200023312 to Present, SN M200000100 to Present)

ITEM	PART NUMBER	QTY	DESCRIPTION	REV
	1001166823	Ref	GROUND CONTROL BOX/ALARM INSTALLATION - NO LSS (SN 020000001 to Present, SN B200023312 to Present, SN M200000100 to Present)	B
		Ref	Note: Standard Alarm located on LH side of operators position on machine. Optional Alarms are located on the RH side of operators position on machines. For optional alarm components, See SPECIAL OPTIONS Section.	
1	1001166194	1	Ground Control Box Assembly (See GROUND CONTROL BOX ASSEMBLY - NO LSS for Breakdown)	
2	0140043	1	Alarm	
2	4460536	1	Receptacle, Female - 3 Position	
2	4460464	3	Pin, Male	
4	0700615	3	Bolt M6 x 35	
5	4191706	2	Screw M6 x 12	

SECTION 2 - GROUND COMPONENTS

FIGURE 2-2. GROUND CONTROL BOX/ALARM INSTALLATION - NO LSS (SN B200000100 through B200023311)



ART_100114885

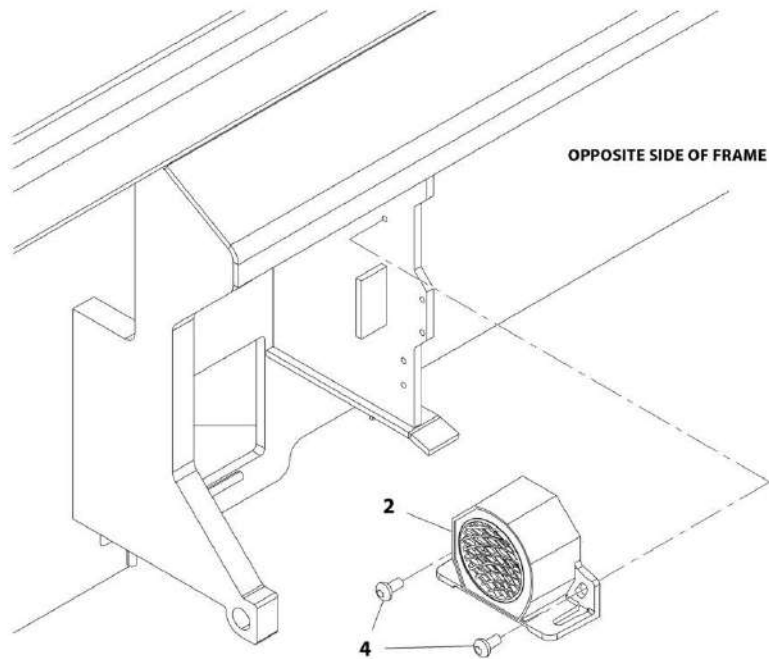
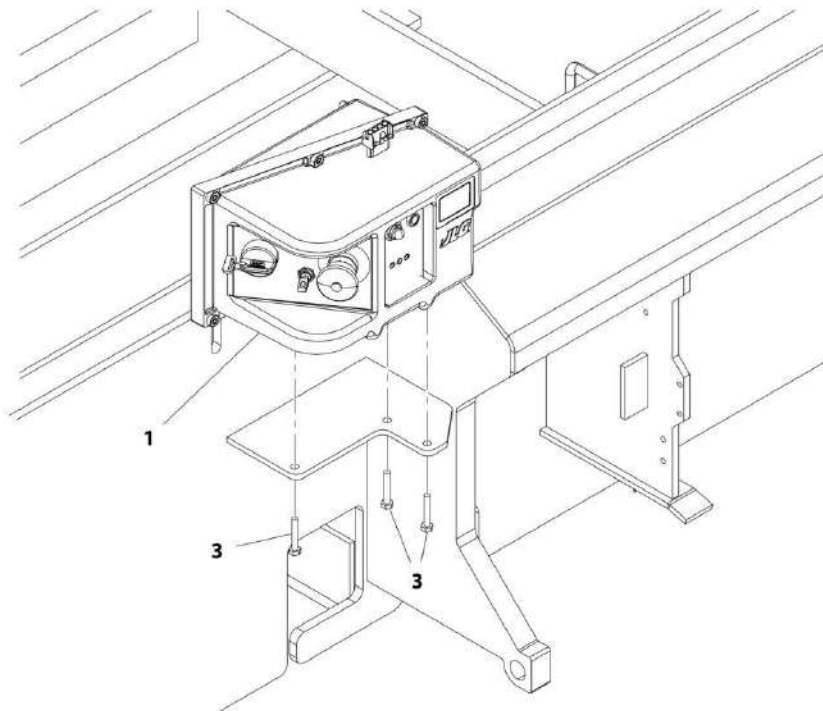
SECTION 2 - GROUND COMPONENTS

FIGURE 2-2. GROUND CONTROL BOX/ALARM INSTALLATION - NO LSS (SN B200000100 through B200023311)

ITEM	PART NUMBER	QTY	DESCRIPTION	REV
	1001114885	Ref	GROUND CONTROL BOX/ALARM INSTALLATION - NO LSS (SN B200000100 through B200023311) Note: Standard Alarm located on LH side of operators position on machine. Optional Alarms are located on the RH side of operators position on machines. For optional alarm components, See SPECIAL OPTIONS Section.	A
		Ref		
1	1001114929	1	Ground Control Box Assembly (See GROUND CONTROL BOX ASSEMBLY - NO LSS for Breakdown)	
2	0140043	1	Alarm	
2	4460536	1	Receptacle, Female - 3 Position	
2	4460464	3	Pin, Male	
4	0700615	3	Bolt M6 x 35	
5	4191706	2	Screw M6 x 12	

SECTION 2 - GROUND COMPONENTS

FIGURE 2-3. GROUND CONTROL BOX/ALARM INSTALLATION - LSS (ALL SPECS EXCEPT CE SPEC) (SN 020000001 to Present, SN B200023312 to Present, SN M200000100 to Present)



ART_1001166828

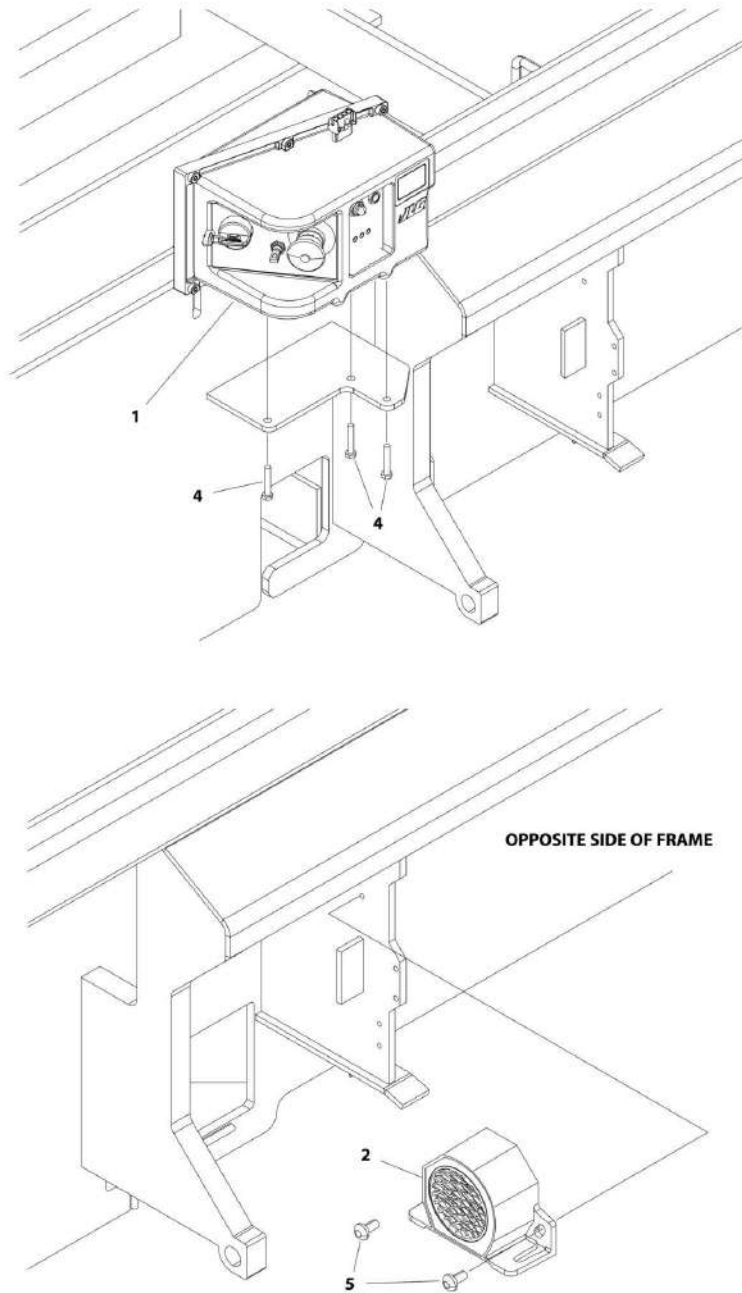
SECTION 2 - GROUND COMPONENTS

FIGURE 2-3. GROUND CONTROL BOX/ALARM INSTALLATION - LSS (ALL SPECS EXCEPT CE SPEC) (SN 0200000001 to Present, SN B200023312 to Present, SN M200000100 to Present)

ITEM	PART NUMBER	QTY	DESCRIPTION	REV
	1001166828	Ref	GROUND CONTROL BOX/ALARM INSTALLATION - LSS (ALL SPECS EXCEPT CE SPEC) (SN 0200000001 to Present, SN B200023312 to Present, SN M200000100 to Present) Note: Standard Alarm located on LH side of operators position on machine. Optional Alarms are located on the RH side of operators position on machines. For optional alarm components, See SPECIAL OPTIONS Section.	B
		Ref		
1	1001166197	1	Ground Control Box Assembly (See GROUND CONTROL BOX ASSEMBLY - LSS (ALL SPECS EXCEPT CE SPEC) for Breakdown)	
2	0140043	1	Alarm	
2	4460536	1	Receptacle - Female - 3 Position	
2	4460464	3	Pin, Male	
3	0700615	3	Bolt M6 x 35	
4	4191706	2	Screw M6 x 12	

SECTION 2 - GROUND COMPONENTS

FIGURE 2-4. GROUND CONTROL BOX/ALARM INSTALLATION - LSS (ALL SPECS EXCEPT CE SPEC) (SN B200000100 through B200023311)



ART_100114886

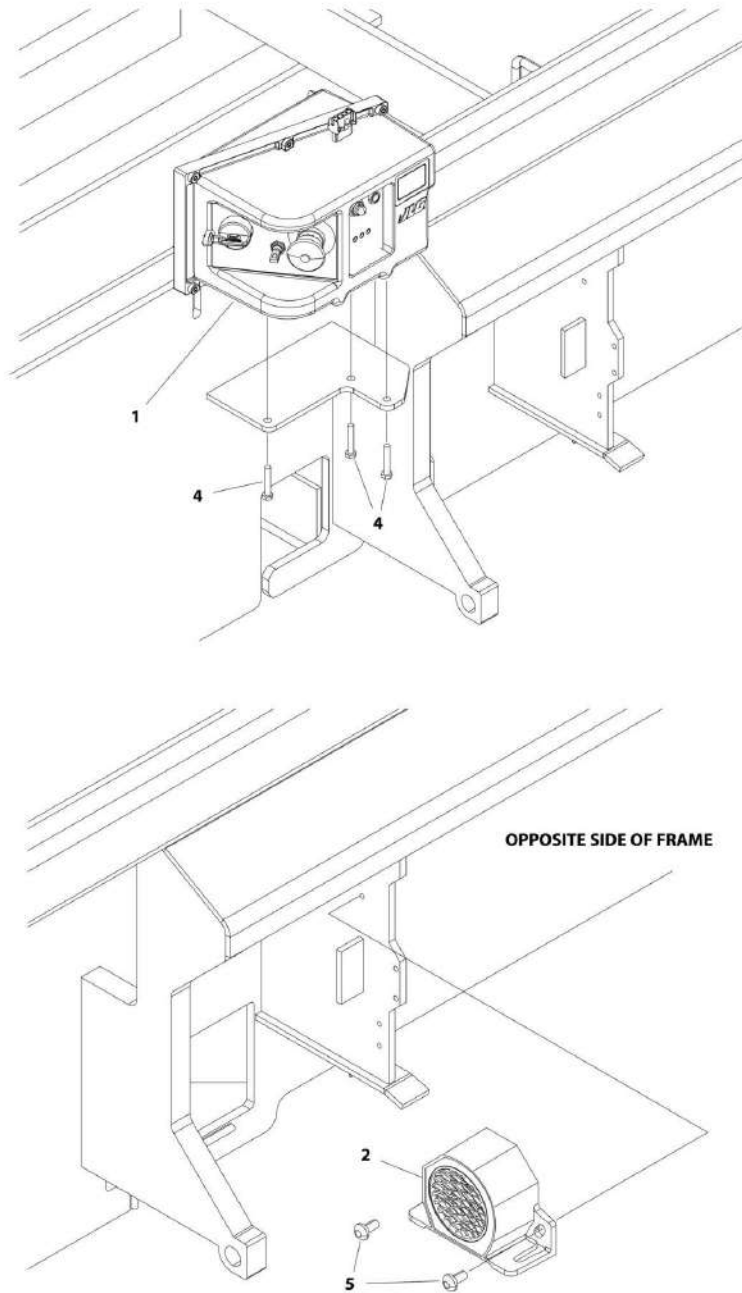
SECTION 2 - GROUND COMPONENTS

FIGURE 2-4. GROUND CONTROL BOX/ALARM INSTALLATION - LSS (ALL SPECS EXCEPT CE SPEC) (SN B200000100 through B200023311)

ITEM	PART NUMBER	QTY	DESCRIPTION	REV
	1001114886	Ref	GROUND CONTROL BOX/ALARM INSTALLATION - LSS (ALL SPECS EXCEPT CE SPEC) (SN B200000100 through B200023311)	A
		Ref	Note: Standard Alarm located on LH side of operators position on machine. Optional Alarms are located on the RH side of operators position on machines. For optional alarm components, See SPECIAL OPTIONS Section.	
1	1001114932	1	Ground Control Box Assembly (See GROUND CONTROL BOX ASSEMBLY - LSS (ALL SPECS EXCEPT CE SPEC) for Breakdown)	
2	0140043	1	Alarm	
2	4460536	1	Receptacle, Female - 3 Position	
2	4460464	3	Pin, Male	
4	0700615	3	Bolt M6 x 35	
5	4191706	2	Screw M6 x 12	

SECTION 2 - GROUND COMPONENTS

FIGURE 2-5. GROUND CONTROL BOX/ALARM INSTALLATION - LSS (CE SPEC) (SN 020000001 through 0200241828)



ART_1001166825

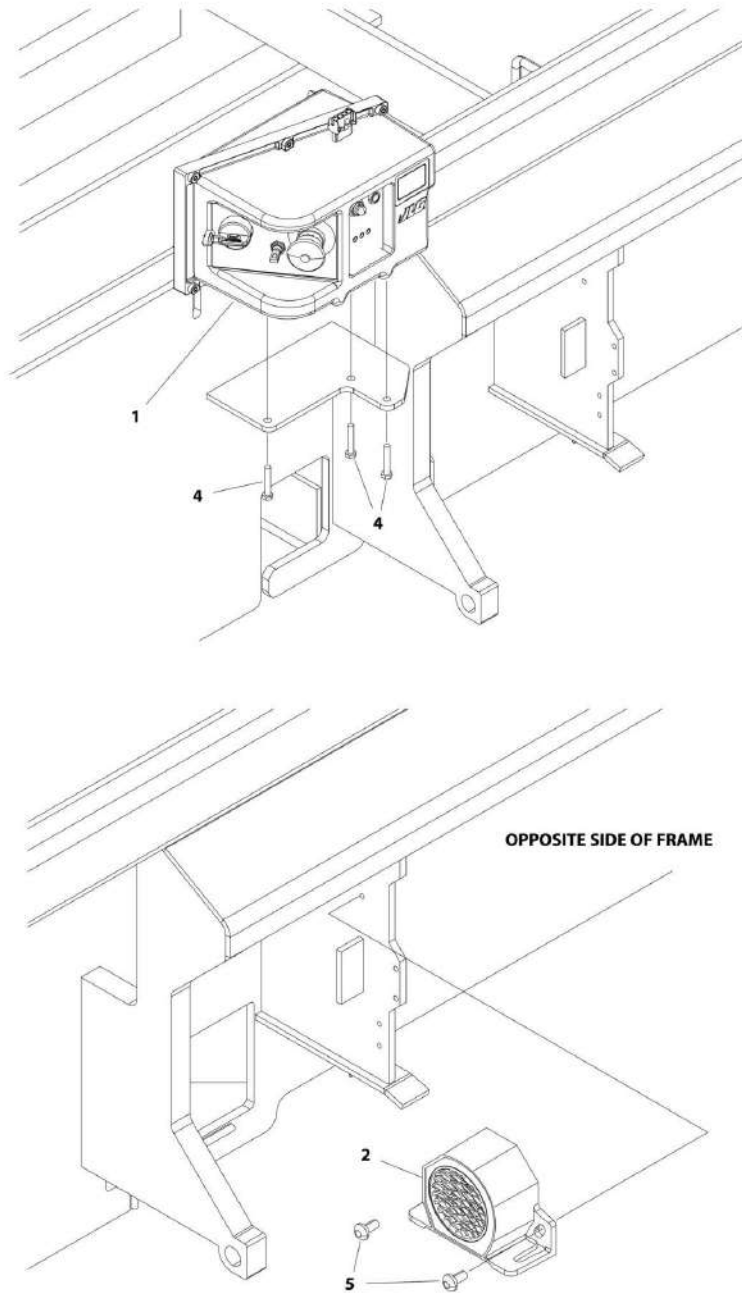
SECTION 2 - GROUND COMPONENTS

FIGURE 2-5. GROUND CONTROL BOX/ALARM INSTALLATION - LSS (CE SPEC) (SN 0200000001 through 0200241828)

ITEM	PART NUMBER	QTY	DESCRIPTION	REV
	1001166825	Ref	GROUND CONTROL BOX/ALARM INSTALLATION - LSS (CE SPEC) (SN 0200000001 through 0200241828)	B
		Ref	Note: Standard Alarm located on LH side of operators position on machine. Optional Alarms are located on the RH side of operators position on machines. For optional alarm components, See SPECIAL OPTIONS Section.	
1	1001166195	1	Ground Control Box Assembly (See GROUND CONTROL BOX ASSEMBLY - LSS (CE SPECS) for Breakdown)	
2	0140043	1	Alarm	
2	4460536	1	Receptacle, Female - 3 Position	
2	4460464	3	Pin, Male	
4	0700615	3	Bolt M6 x 35	
5	4191706	2	Screw M6 x 12	

SECTION 2 - GROUND COMPONENTS

FIGURE 2-6. GROUND CONTROL BOX/ALARM INSTALLATION - LSS (CE SPEC) (SN B200000100 through B200021650)



ART_100114925

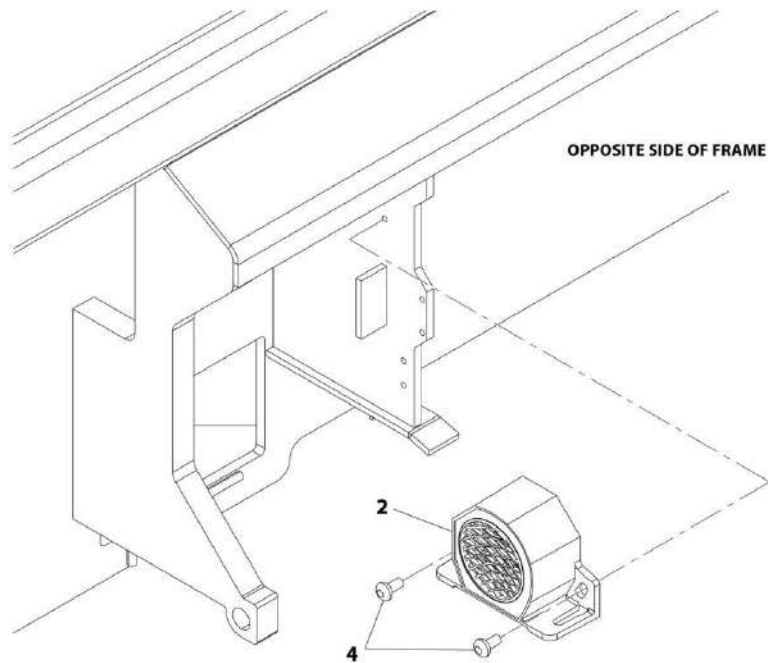
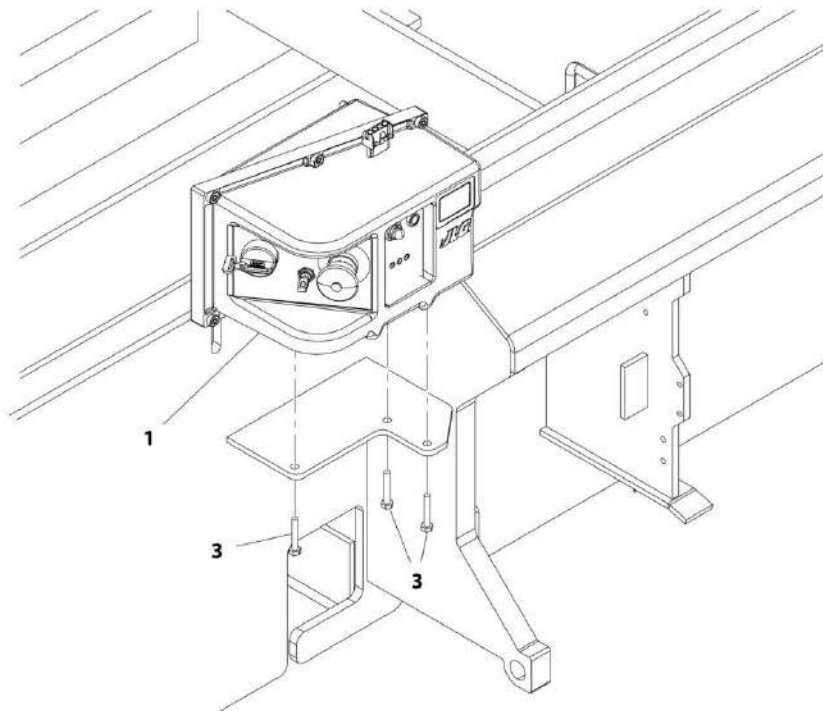
SECTION 2 - GROUND COMPONENTS

FIGURE 2-6. GROUND CONTROL BOX/ALARM INSTALLATION - LSS (CE SPEC) (SN B200000100 through B200021650)

ITEM	PART NUMBER	QTY	DESCRIPTION	REV
	1001114925	Ref	GROUND CONTROL BOX/ALARM INSTALLATION - LSS (CE SPEC) (SN B200000100 through B200021650)	A
		Ref	Note: Standard Alarm located on LH side of operators position on machine. Optional Alarms are located on the RH side of operators position on machines. For optional alarm components, See SPECIAL OPTIONS Section.	
1	1001114930	1	Ground Control Box Assembly (See GROUND CONTROL BOX ASSEMBLY - LSS (CE SPECS) for Breakdown)	
2	0140043	1	Alarm	
2	4460536	1	Receptacle, Female - 3 Position	
2	4460464	3	Pin, Male	
4	0700615	3	Bolt M6 x 35	
5	4191706	2	Screw M6 x 12	

SECTION 2 - GROUND COMPONENTS

FIGURE 2-7. GROUND CONTROL BOX/ALARM INSTALLATION - LSS (CE SPECS) (SN 0200241829 to Present, SN B200021651 to Present, SN M200000100 to Present)



ART_1001166828

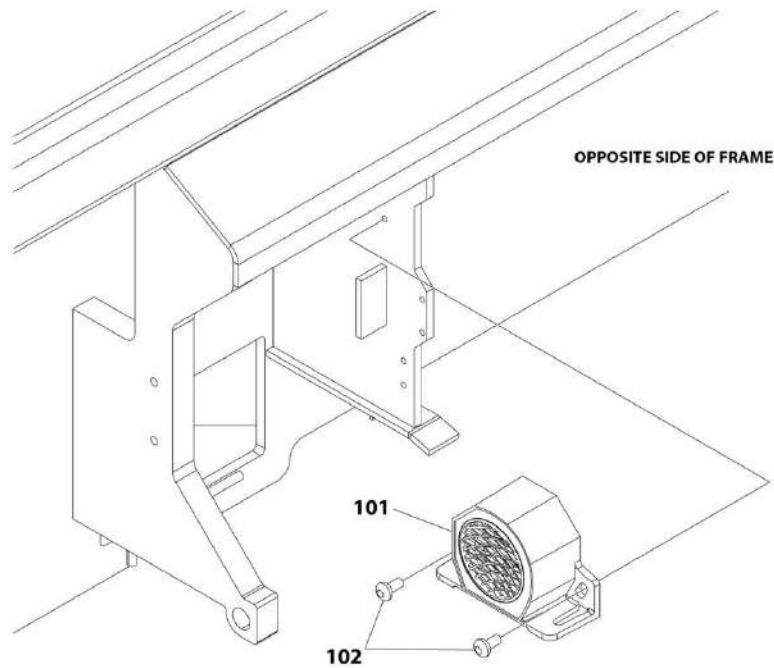
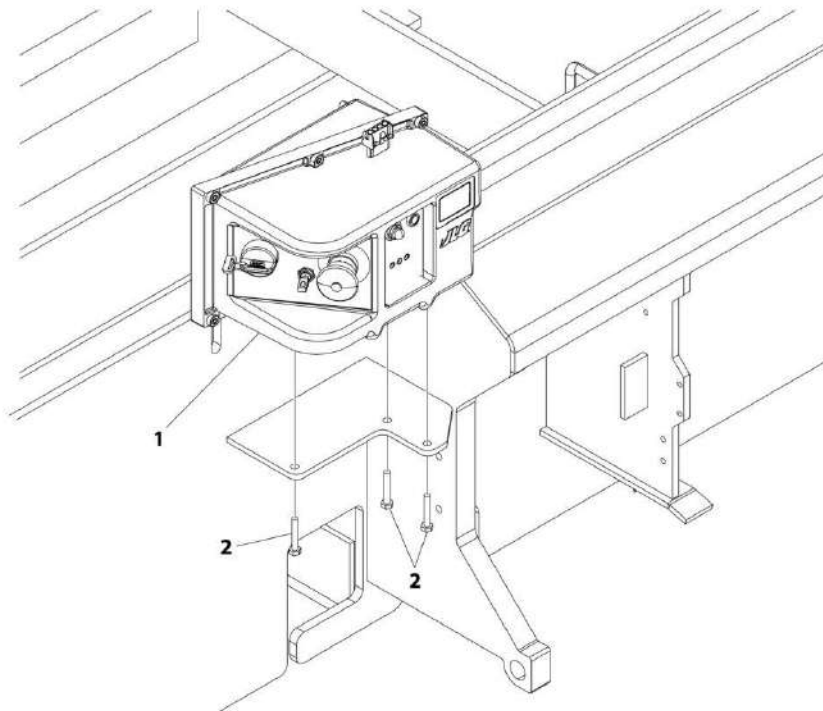
SECTION 2 - GROUND COMPONENTS

FIGURE 2-7. GROUND CONTROL BOX/ALARM INSTALLATION - LSS (CE SPECS) (SN 0200241829 to Present, SN B200021651 to Present, SN M200000100 to Present)

ITEM	PART NUMBER	QTY	DESCRIPTION	REV
	1001166828	Ref	GROUND CONTROL BOX/ALARM INSTALLATION - LSS (CE SPECS) (SN 0200241829 to Present, SN B200021651 to Present, SN M200000100 to Present)	B
		Ref	Note: Standard Alarm located on LH side of operators position on machine. Optional Alarms are located on the RH side of operators position on machines. For optional alarm components, See SPECIAL OPTIONS Section.	
1	1001166197	1	Ground Control Box Assembly (See GROUND CONTROL BOX ASSEMBLY - LSS (CE SPECS) for Breakdown)	
2	0140043	1	Alarm	
2	4460536	1	Receptacle, Female - 3 Position	
2	4460464	3	Pin, Male	
3	0700615	3	Bolt M6 x 35	
4	4191706	2	Screw M6 x 12	

SECTION 2 - GROUND COMPONENTS

FIGURE 2-8. GROUND CONTROL BOX/ALARM INSTALLATION - LSS (CE SPECS) (SN 1200025021 to Present)



ART_1001215247

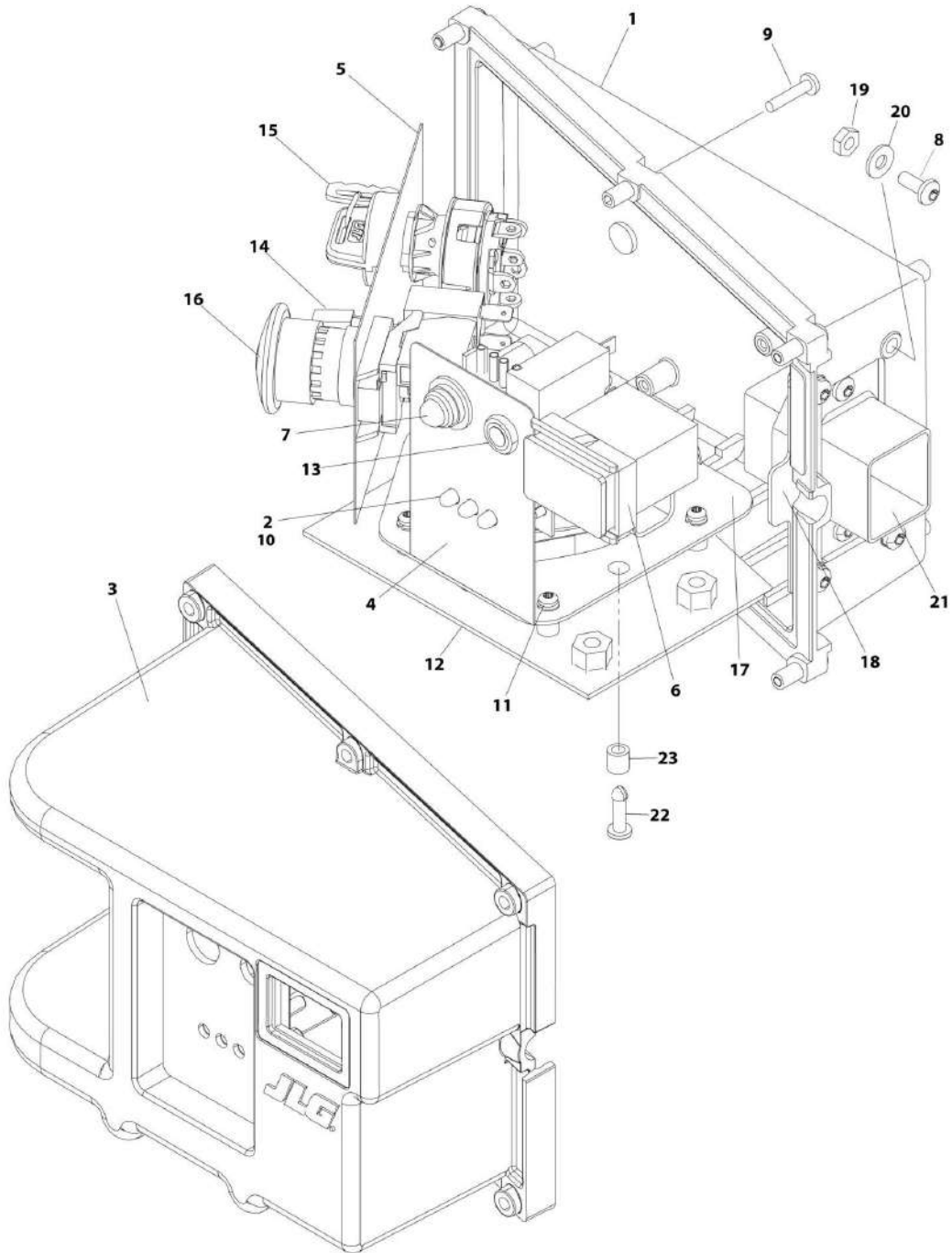
SECTION 2 - GROUND COMPONENTS

FIGURE 2-8. GROUND CONTROL BOX/ALARM INSTALLATION - LSS (CE SPECS) (SN 1200025021 to Present)

ITEM	PART NUMBER	QTY	DESCRIPTION	REV
	1001215247	Ref	GROUND CONTROL BOX/ALARM INSTALLATION - LSS (CE SPECS) (SN 1200025021 to Present)	A
1	1001166197	1	Ground Control Box Assembly (See GROUND CONTROL BOX ASSEMBLY - LSS (CE SPECS) for Breakdown)	
2	0700615	3	Bolt M6 x 35	
	1001215248	Ref	Alarm Installation (SN 1200025021 to Present)	A
101	0140043	1	Alarm	
101	4460536	1	Receptacle, Female - 3 Position	
101	4460464	3	Pin, Male	
102	4191706	2	Screw M6 x 12	

SECTION 2 - GROUND COMPONENTS

FIGURE 2-9. GROUND CONTROL BOX ASSEMBLY - NO LSS (SN 020000001 to Present, SN B200023312 to Present, SN M200000100 to Present)



ART_1001166194

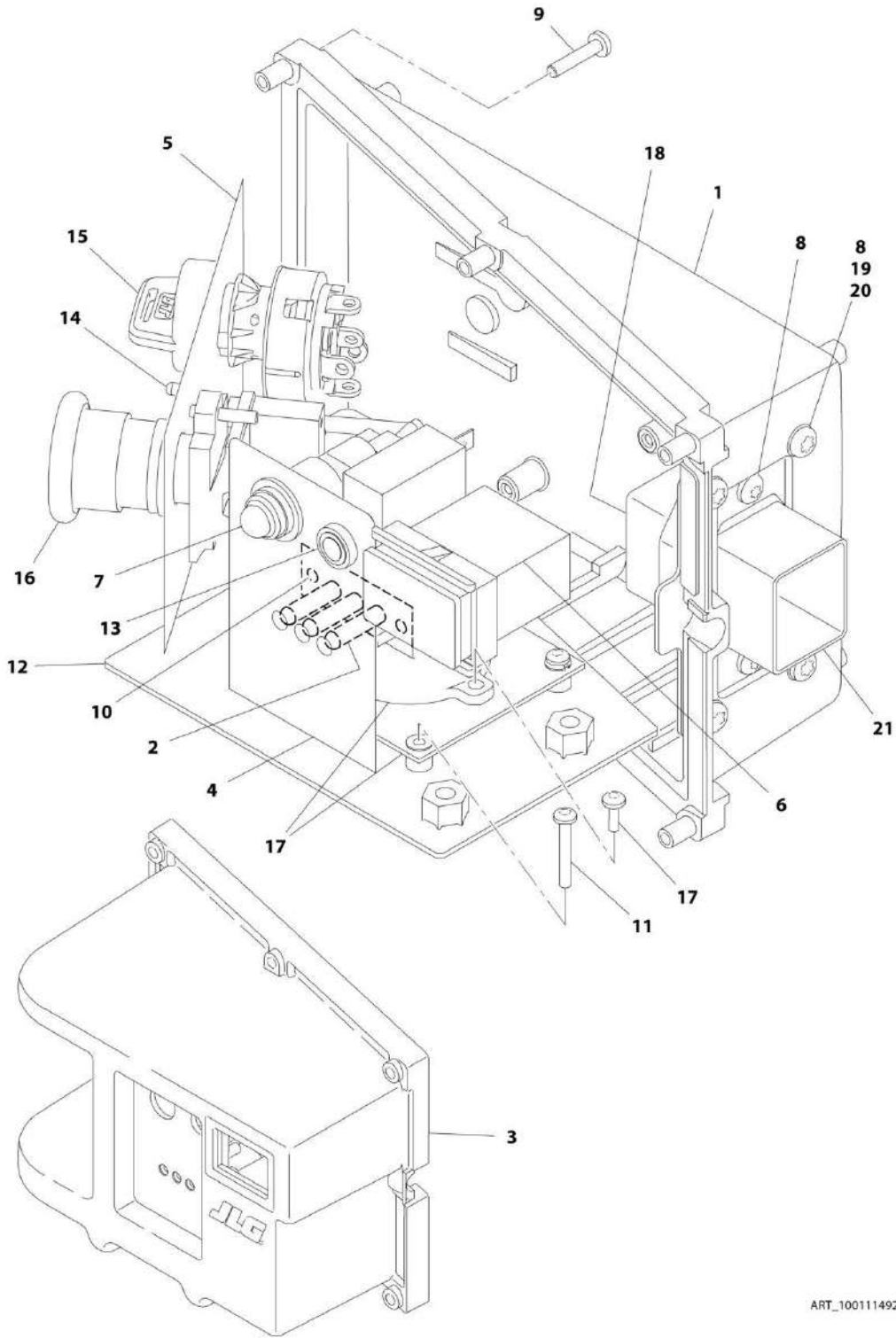
SECTION 2 - GROUND COMPONENTS

FIGURE 2-9. GROUND CONTROL BOX ASSEMBLY - NO LSS (SN 020000001 to Present, SN B200023312 to Present, SN M200000100 to Present)

ITEM	PART NUMBER	QTY	DESCRIPTION	REV
	1001166194	Ref	GROUND CONTROL BOX ASSEMBLY - NO LSS (SN 020000001 to Present, SN B200023312 to Present, SN M200000100 to Present)	I
1	0380025	1	Base, Box	
2	0610161	1	PC Board, Charger LED	
2	4460321	1	Plug, Male - 4 Position	
2	4460268	3	Socket, Female	
3	1671105	1	Cover	
4	1705696	1	Decal	
5	1705698	1	Decal	
6	2420172	1	Hourmeter	
7	3520193	1	Plug	
8	3900336	6	Screw	
9	3900338	6	Screw	
10	3900339	2	Screw	
11	1001180090	4	Screw M3.5 x 20	
12	1001165315	1	Support	
13	4360069	1	Breaker, Circuit 10A	
14	4360328	1	Switch, Toggle	
15	4360469	1	Switch, Key	
15	2860030	1	Key, Replacement	
16	4360475	1	Switch, Emergency Stop	
16	7020175	1	Cap	
16	7020176	1	Block, Contact	
17	1001166255	1	Sensor, Tilt (Includes Sensor, Mounting Plate and Hardware)	
17	3931412	3	Screw 1/4 x 3/4	
17	1001163095	1	Sensor	
17	1001165316	1	Mount, Sensor	
17	1001166776	4	Mount, Standoff	
18	1001114937	1	Mount, Harness	
19	3321005	4	Nut #10-32	
20	4751000	4	Washer #10	
21	1001167256	1	Harness, Ground Control Box (See ELECTRICAL SECTION for Breakdown) (SN 0200239382 through 0200266379, SN B200020297 through B200042924, SN M200000100 through M200012164)	
21	1001208641	1	Harness, Ground Control Box (See ELECTRICAL SECTION for Breakdown) (SN 0200266380 to Present, SN B200042925 to Present, SN M200012165 to Present)	
22	1001165284	1	Fastener	
23	1001165286	1	Spacer	

SECTION 2 - GROUND COMPONENTS

FIGURE 2-10. GROUND CONTROL BOX ASSEMBLY - NO LSS (SN B20000100 through B200023311)



ART_1001114929

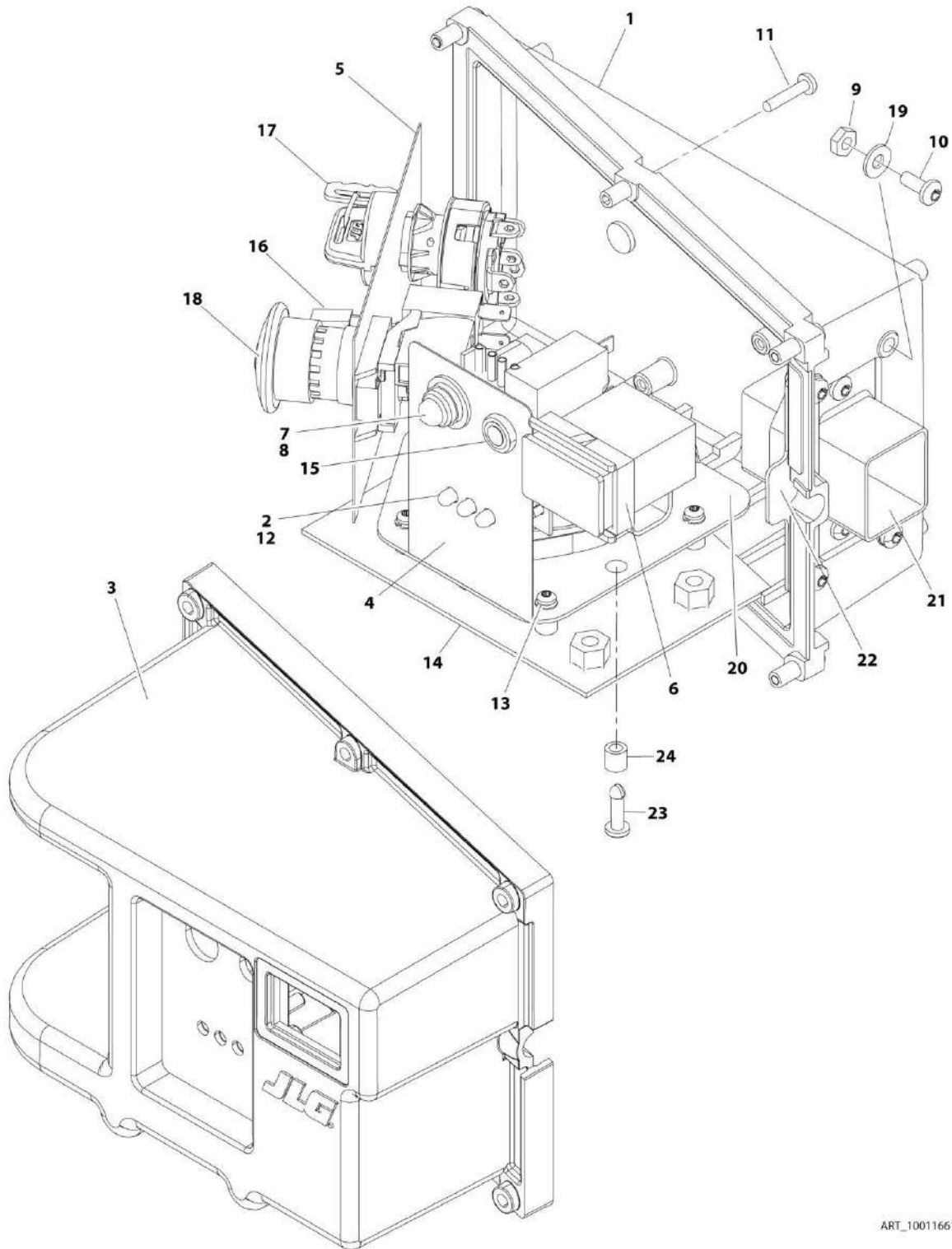
SECTION 2 - GROUND COMPONENTS

FIGURE 2-10. GROUND CONTROL BOX ASSEMBLY - NO LSS (SN B200000100 through B200023311)

ITEM	PART NUMBER	QTY	DESCRIPTION	REV
	1001114929	Ref	GROUND CONTROL BOX ASSEMBLY - NO LSS (SN B200000100 through B200023311)	A
1	0380025	1	Box, Ground Control	
2	0610161	1	Board, PC (Battery Charger LED)	
3	1671105	1	Cover, Front	
4	1705696	1	Decal - LED	
5	1705698	1	Decal - Function	
6	2420172	1	Hourmeter	
7	3520193	1	Plug	
8	3900336	6	Screw #10-32 x 1/2	
9	3900338	6	Screw M4 x 20	
10	3900339	2	Screw #6 x 1/2	
11	3900356	4	Screw M3.5 x 16	
12	4340739	1	Plate, Mounting	
13	4360069	1	Breaker, Circuit - 10Amp	
14	4360328	1	Switch, Toggle	
15	4360469	1	Switch, Key	
15	2860030	1	Key, Replacement (Fits All Specs)	
16	4360475	1	Switch, Emergency Stop	
16	7020175	1	Cap	
16	7020176	1	Block, Contact	
17	1001114933	NLA	Module, Tilt (Includes Module, Mounting Plate and Hardware) (Use p/n 1001169392)	
18	1001114937	1	Mount, Harness Bulkhead (Ground Control)	
19	3321005	4	Nut #10-32	
20	4751000	4	Washer #10	
21	1001114935	1	Harness, Control Box (See ELECTRICAL SECTION for Breakdown)	

SECTION 2 - GROUND COMPONENTS

FIGURE 2-11. GROUND CONTROL BOX ASSEMBLY - LSS (ALL SPECS EXCEPT CE SPEC) (SN 020000001 to Present, SN B200023312 to Present, SN M200000100 to Present)



ART_1001166197

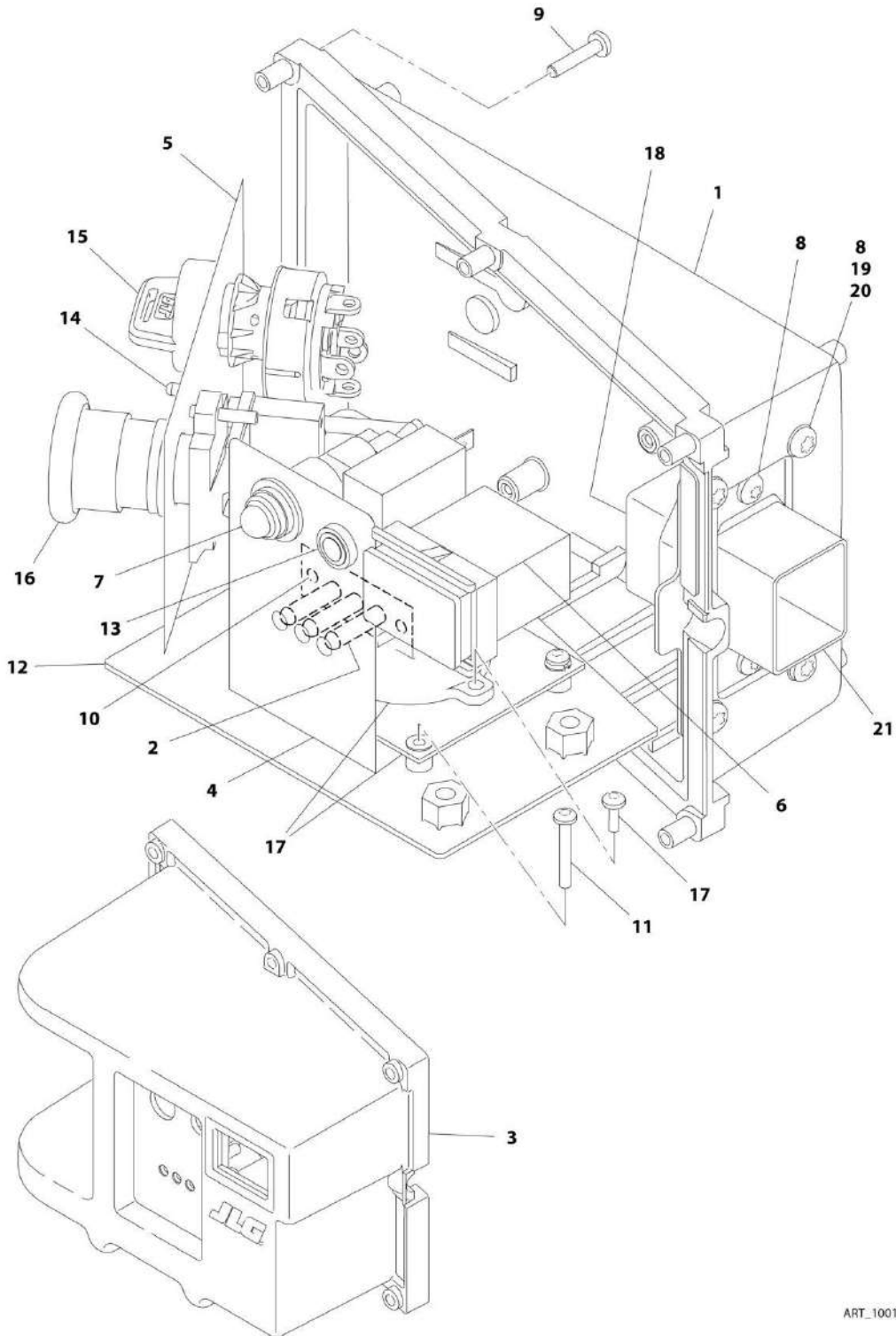
SECTION 2 - GROUND COMPONENTS

FIGURE 2-11. GROUND CONTROL BOX ASSEMBLY - LSS (ALL SPECS EXCEPT CE SPEC) (SN 020000001 to Present, SN B200023312 to Present, SN M200000100 to Present)

ITEM	PART NUMBER	QTY	DESCRIPTION	REV
	1001166197	Ref	GROUND CONTROL BOX ASSEMBLY - LSS (CE SPEC) (SN 0200241829 to Present, SN 1200025021 to Present, SN B200021651 to Present, SN M200000100 to Present)	F
1	0380025	1	Base, Box	
2	0610161	1	PC Board, Charger LED	
2	4460321	1	Plug, Male - 4 Position	
2	4460268	3	Socket, Female	
3	1671105	1	Cover	
4	1705697	1	Decal	
5	1705698	1	Decal	
6	2420172	1	Hourmeter	
7	2920026	1	Lamp	
8	2920094	1	Bulb	
9	3321005	4	Nut #10-32	
10	3900336	6	Screw	
11	3900338	6	Screw	
12	3900339	2	Screw	
13	1001180090	4	Screw M3.5 x 20	
14	1001165315	1	Support	
15	4360069	1	Breaker, Circuit 10Amp	
16	4360328	1	Switch, Toggle	
17	4360469	1	Switch, Key	
17	2860030	1	Key, Replacement	
18	4360475	1	Switch, Emergency Stop	
18	7020175	1	Cap	
18	7020176	1	Block, Contact	
19	4751000	4	Washer #10	
20	1001166255	1	Sensor, Tilt (Includes Sensor, Mounting Plate and Hardware)	
20	3931412	3	Screw 1/4 x 3/4	
20	1001163095	1	Sensor	
20	1001165316	1	Mount, Sensor	
20	1001166776	4	Mount, Standoff	
21	1001167256	1	Harness, Ground Control Box (See ELECTRICAL SECTION for Breakdown)	
22	1001114937	1	Mount, Harness	
23	1001165284	1	Fastener	
24	1001165286	1	Spacer	

SECTION 2 - GROUND COMPONENTS

FIGURE 2-12. GROUND CONTROL BOX ASSEMBLY - LSS (ALL SPECS EXCEPT CE SPEC) (SN B200000100 through B200023311)



ART_1001114932

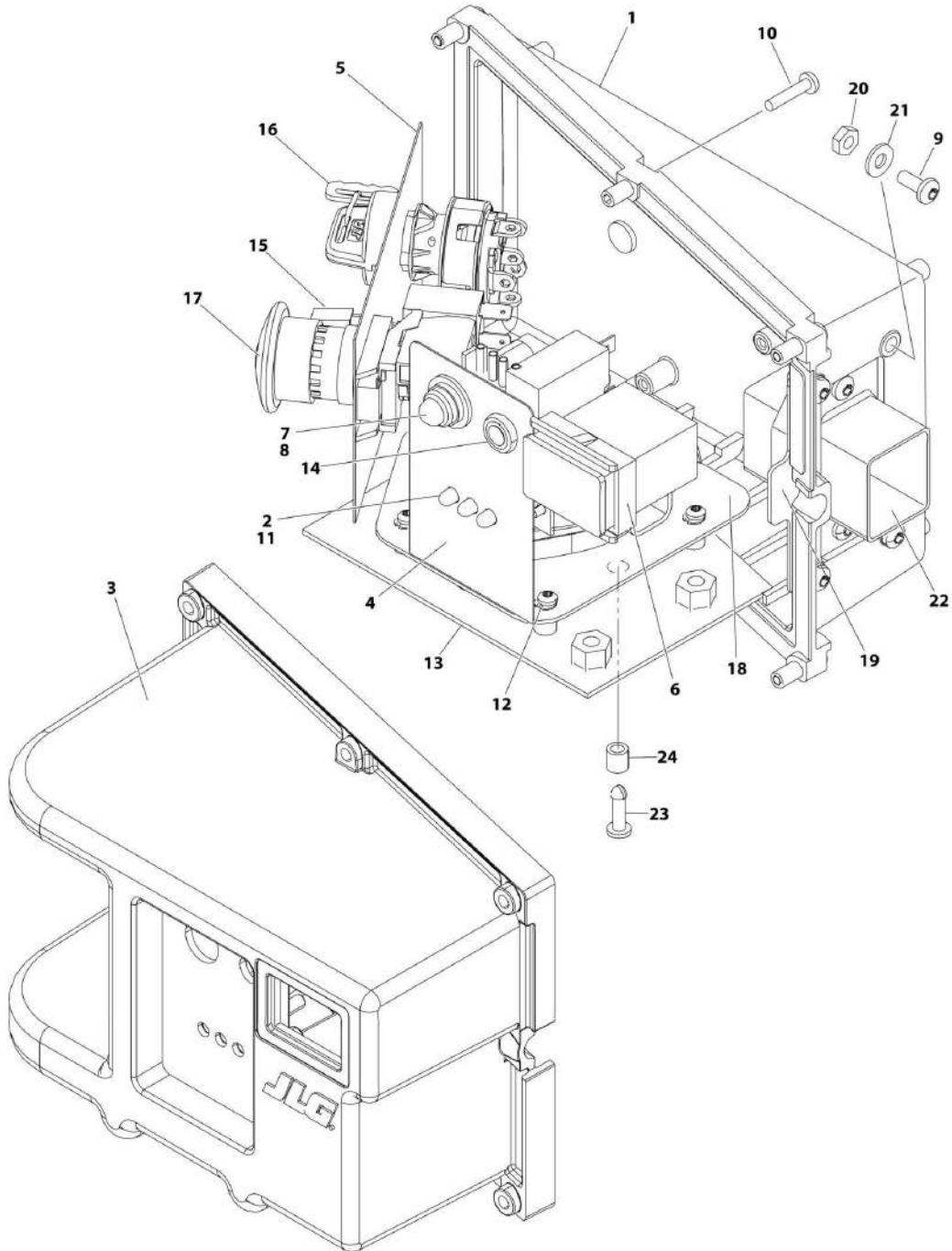
SECTION 2 - GROUND COMPONENTS

FIGURE 2-12. GROUND CONTROL BOX ASSEMBLY - LSS (ALL SPECS EXCEPT CE SPEC) (SN B200000100 through B200023311)

ITEM	PART NUMBER	QTY	DESCRIPTION	REV
	1001114932	Ref	GROUND CONTROL BOX ASSEMBLY - LSS (ALL SPECS EXCEPT CE SPEC) (SN B200000100 through B200023311)	B
1	0380025	1	Box, Ground Control	
2	0610161	1	Board, PC (Battery Charger LED)	
3	1671105	1	Cover, Front	
4	1705697	1	Decal - LED	
5	1705698	1	Decal - Function	
6	2420172	1	Hourmeter	
7	2920026	1	Lamp	
7	2920094	AR	Bulb	
8	3900336	6	Screw #10-32NF x 1/2	
9	3900338	6	Screw M4 x 20	
10	3900339	2	Screw #6 x 1/2	
11	3900356	4	Screw M3.5 x 16	
12	4340739	1	Plate, Mounting	
13	4360069	1	Breaker, Circuit - 10Amp	
14	4360328	1	Switch, Toggle	
15	4360469	1	Switch, Key	
15	2860030	1	Key, Replacement (Fits All Specs)	
16	4360475	1	Switch, Emergency Stop	
16	7020175	1	Cap	
16	7020176	1	Block, Contact	
17	1001114933	NLA	Module, Tilt (Includes Module, Mounting Plate and Hardware) (Use p/n 1001169392)	
18	1001114937	1	Mount, Harness Bulkhead (Ground Control)	
19	3321005	4	Nut #10-32NF	
20	4751000	4	Washer #10	
21	1001114935	1	Harness, Control Box (See ELECTRICAL SECTION for Breakdown)	

SECTION 2 - GROUND COMPONENTS

FIGURE 2-13. GROUND CONTROL BOX ASSEMBLY - LSS (CE SPECS) (SN 020000001 through 0200241828)



ART_1001166195

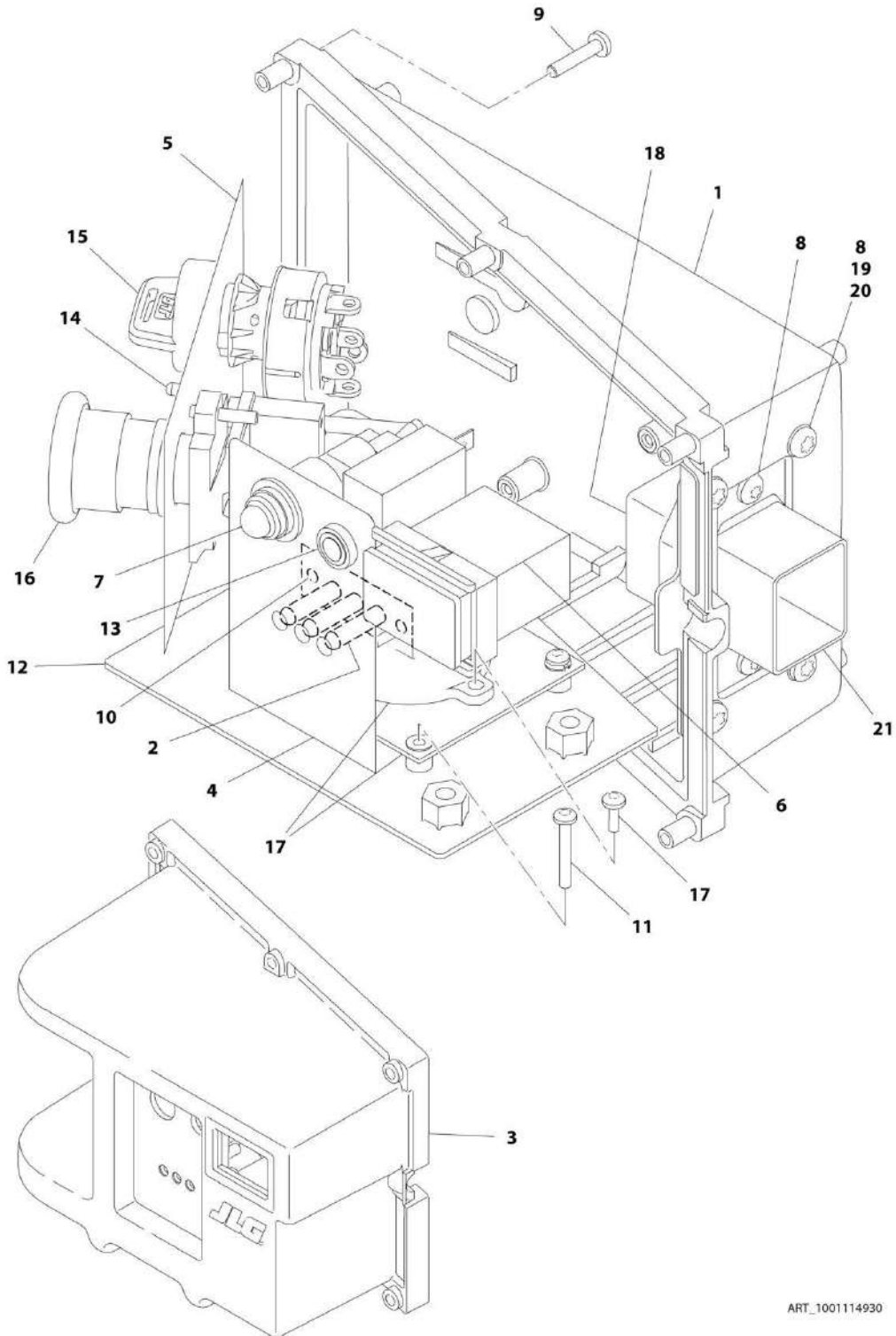
SECTION 2 - GROUND COMPONENTS

FIGURE 2-13. GROUND CONTROL BOX ASSEMBLY - LSS (CE SPECS) (SN 0200000001 through 0200241828)

ITEM	PART NUMBER	QTY	DESCRIPTION	REV
	1001166195	Ref	GROUND CONTROL BOX ASSEMBLY - LSS (CE SPECS) (SN 0200000001 through 0200241828)	G
1	0380025	1	Base, Box	
2	0610161	1	PC Board, Charger LED	
2	4460321	1	Plug, Male - 4 Position	
2	4460268	3	Socket, Female	
3	1671105	1	Cover	
4	1705697	1	Decal	
5	1705698	1	Decal	
6	2420172	1	Hourmeter	
7	2920026	1	Lamp	
8	2920094	1	Bulb	
9	3900336	6	Screw	
10	3900338	6	Screw	
11	3900339	2	Screw	
12	1001180090	4	Screw M3.5 x 20	
13	1001165315	1	Support	
14	4360069	1	Breaker, Circuit 10Amp	
15	4360328	1	Switch, Toggle	
16	4360470	1	Switch, Key	
16	2860030	1	Key, Replacement	
17	4360475	1	Switch, Emergency Stop	
17	7020175	1	Cap	
17	7020176	1	Block, Contact	
18	1001166255	1	Sensor, Tilt (Includes Sensor, Mounting Plate and Hardware)	
18	3931412	3	Screw 1/4 x 3/4	
18	1001163095	1	Sensor	
18	1001165316	1	Mount, Sensor	
18	1001166776	4	Mount, Standoff	
19	1001114937	1	Mount, Harness	
20	3321005	4	Nut #10-32	
21	4751000	4	Washer #10	
22	1001167256	1	Harness, Ground Control Box (See ELECTRICAL SECTION for Breakdown)	
23	1001165284	1	Fastener	
24	1001165286	1	Spacer	

SECTION 2 - GROUND COMPONENTS

FIGURE 2-14. GROUND CONTROL BOX ASSEMBLY - LSS (CE SPECS) (SN B20000100 through B200021650)



ART_1001114930

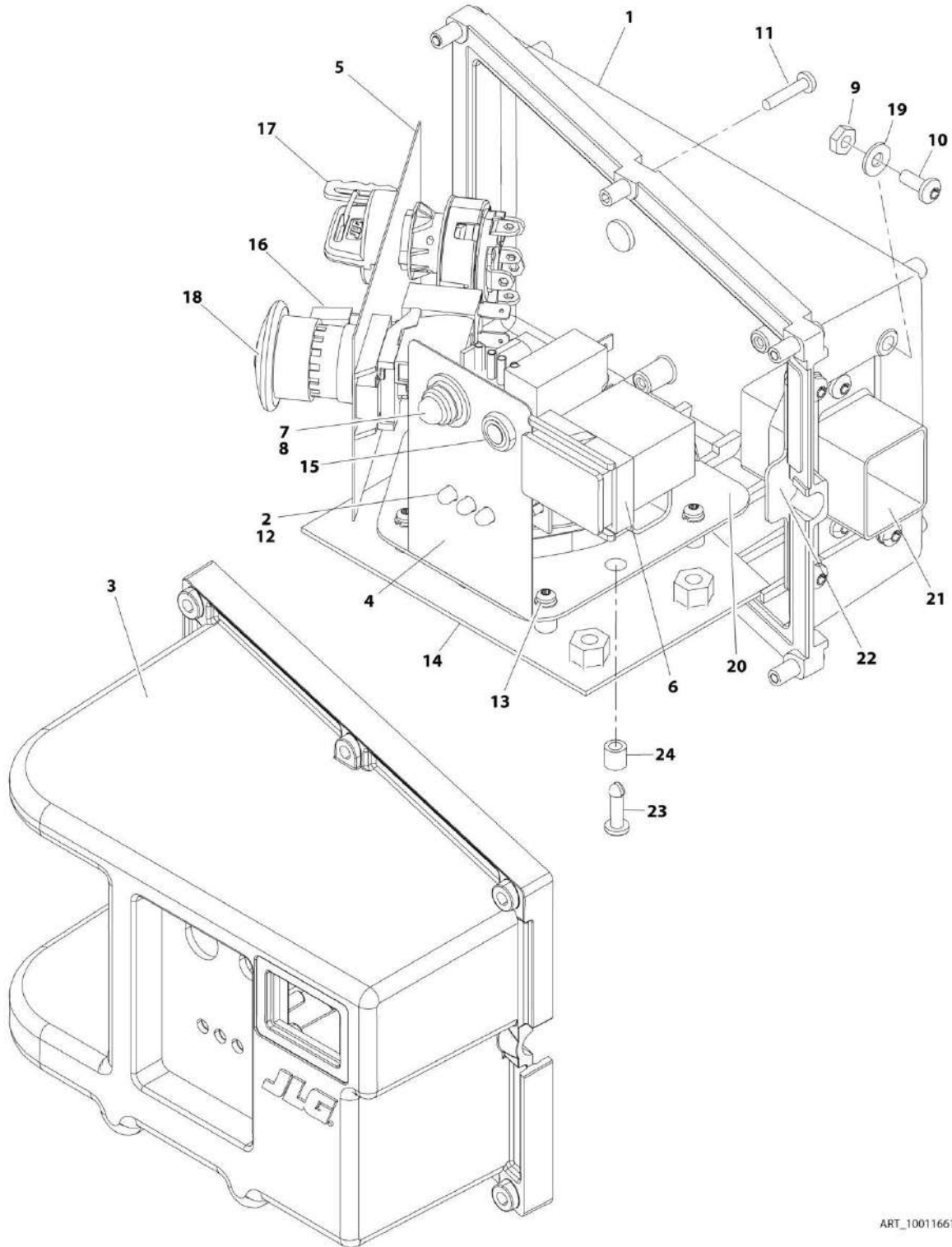
SECTION 2 - GROUND COMPONENTS

FIGURE 2-14. GROUND CONTROL BOX ASSEMBLY - LSS (CE SPECS) (SN B200000100 through B200021650)

ITEM	PART NUMBER	QTY	DESCRIPTION	REV
	1001114930	Ref	GROUND CONTROL BOX ASSEMBLY - LSS (CE SPECS) (SN B200000100 through B200021650)	B
1	0380025	1	Box, Ground Control	
2	0610161	1	Board, PC (Battery Charger LED)	
3	1671105	1	Cover, Front	
4	1705697	1	Decal - LED	
5	1705698	1	Decal - Function	
6	2420172	1	Hourmeter	
7	2920026	1	Lamp	
7	2920094	AR	Bulb	
8	3900336	6	Screw #10-32 x 1/2	
9	3900338	6	Screw M4 x 20	
10	3900339	2	Screw #6 x 1/2	
11	3900356	4	Screw M3.5 x 16	
12	4340739	1	Plate, Mounting	
13	4360069	1	Breaker, Circuit - 10Amp	
14	4360328	1	Switch, Toggle	
15	4360470	1	Switch, Key	
15	2860030	1	Key, Replacement (Fits All Specs)	
16	4360475	1	Switch, Emergency Stop	
16	7020175	1	Cap	
16	7020176	1	Block, Contact	
17	1001114933	NLA	Module, Tilt (Includes Module, Mounting Plate and Hardware) (Use p/n 1001169392)	
18	1001114937	1	Mount, Harness Bulkhead (Ground Control)	
19	3321005	4	Nut #10-32	
20	4751000	4	Washer #10	
21	1001114935	1	Harness, Control Box (See ELECTRICAL SECTION for Breakdown)	

SECTION 2 - GROUND COMPONENTS

FIGURE 2-15. GROUND CONTROL BOX ASSEMBLY - LSS (CE SPECS) (SN 0200241829 to Present, SN B200021651 to Present, SN M200000100 to Present)



ART_1001166197

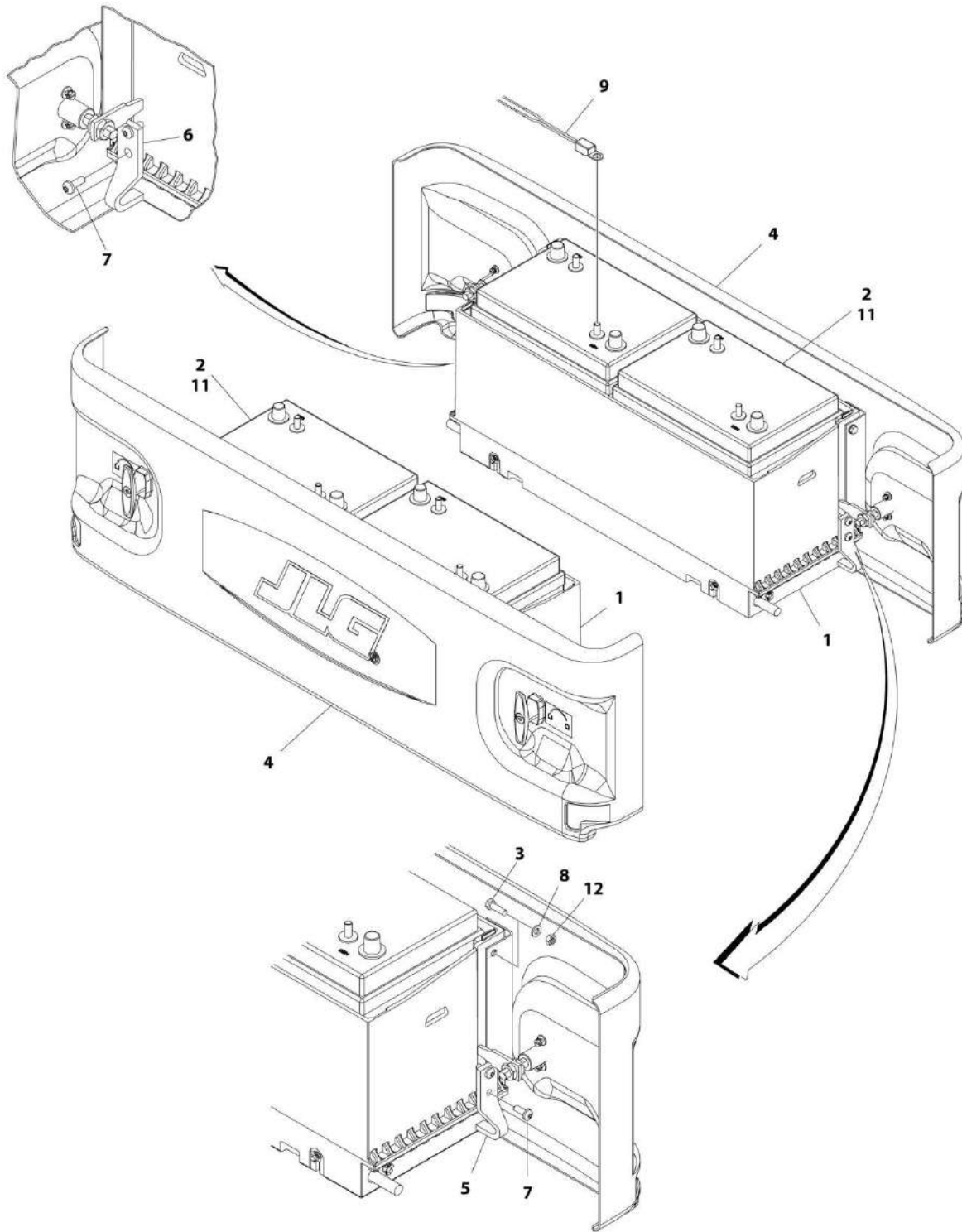
SECTION 2 - GROUND COMPONENTS

FIGURE 2-15. GROUND CONTROL BOX ASSEMBLY - LSS (CE SPECS) (SN 0200241829 to Present, SN B200021651 to Present, SN M200000100 to Present)

ITEM	PART NUMBER	QTY	DESCRIPTION	REV
	1001166197	Ref	GROUND CONTROL BOX ASSEMBLY - LSS (CE SPECS) (SN 0200241829 to Present, SN B200021651 to Present, SN M200000100 to Present)	F
1	0380025	1	Base, Box	
2	0610161	1	PC Board, Charger LED	
2	4460321	1	Plug, Male - 4 Position	
2	4460268	3	Socket, Female	
3	1671105	1	Cover	
4	1705697	1	Decal	
5	1705698	1	Decal	
6	2420172	1	Hourmeter	
7	2920026	1	Lamp	
8	2920094	1	Bulb	
9	3321005	4	Nut #10-32	
10	3900336	6	Screw	
11	3900338	6	Screw	
12	3900339	2	Screw	
13	1001180090	4	Screw M3.5 x 20	
14	1001165315	1	Support	
15	4360069	1	Breaker, Circuit 10Amp	
16	4360328	1	Switch, Toggle	
17	4360469	1	Switch, Key	
17	2860030	1	Key, Replacement	
18	4360475	1	Switch, Emergency Stop	
18	7020175	1	Cap	
18	7020176	1	Block, Contact	
19	4751000	4	Washer #10	
20	1001166255	1	Sensor, Tilt (Includes Sensor, Mounting Plate and Hardware)	
20	3931412	3	Screw 1/4 x 3/4	
20	1001163095	1	Sensor	
20	1001165316	1	Mount, Sensor	
20	1001166776	4	Mount, Standoff	
21	1001167256	1	Harness, Ground Control Box (See ELECTRICAL SECTION for Breakdown)	
22	1001114937	1	Mount, Harness	
23	1001165284	1	Fastener	
24	1001165286	1	Spacer	

SECTION 2 - GROUND COMPONENTS

FIGURE 2-16. BATTERIES INSTALLATION - AGM AND EVG TYPE - 225 AH RATING (NON-LOCKING COVERS)



ART_0275401

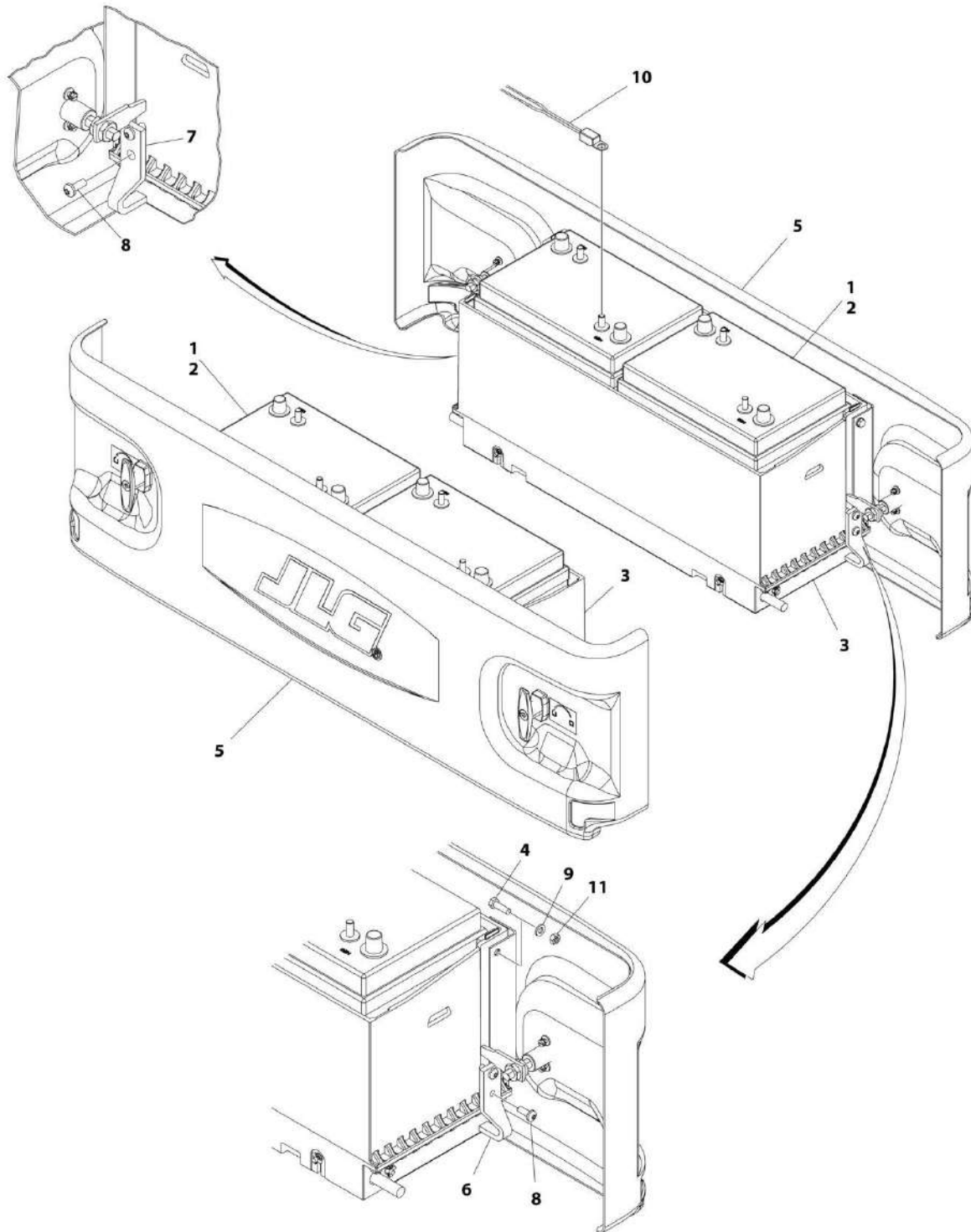
SECTION 2 - GROUND COMPONENTS

FIGURE 2-16. BATTERIES INSTALLATION - AGM AND EVG TYPE - 225 AH RATING (NON-LOCKING COVERS)

ITEM	PART NUMBER	QTY	DESCRIPTION	REV
	0275401	Ref	BATTERIES INSTALLATION - AGM AND EVG TYPE - 225 AH RATING (NON-LOCKING COVERS)	F
1	0273698	2	Tray Assembly (See BATTERY TRAY ASSEMBLY - NON UL for Breakdown)	
2	1001112112	4	Battery Type EVGC6A-A	
3	0760610	8	Bolt M6 x 20	
3	1001100451	8	Bolt M6 x 20	
4	1671202	2	Cover Assembly (See BATTERY COVER ASSEMBLY - NON-LOCKING for Breakdown)	
5	3574981	2	Plate, Slide Stop (LH)	
6	3574984	2	Plate, Slide Stop (RH)	
7	4191707	8	Screw M6 x 16	
8	4811700	8	Washer M6	
9	1001112113	1	Sensor, Temperature (Prior to SN 0200266434, Prior to SN 1200027658, Prior to SN B200045242, Prior to SN M200014371)	
11	0100051	AR	Grease, Terminal	
12	3290605	8	Nut M6	

SECTION 2 - GROUND COMPONENTS

FIGURE 2-17. BATTERIES INSTALLATION - AGM AND EVG TYPE - 225 AH RATING (NON-UL LOCKING COVERS)



ART_1001132233

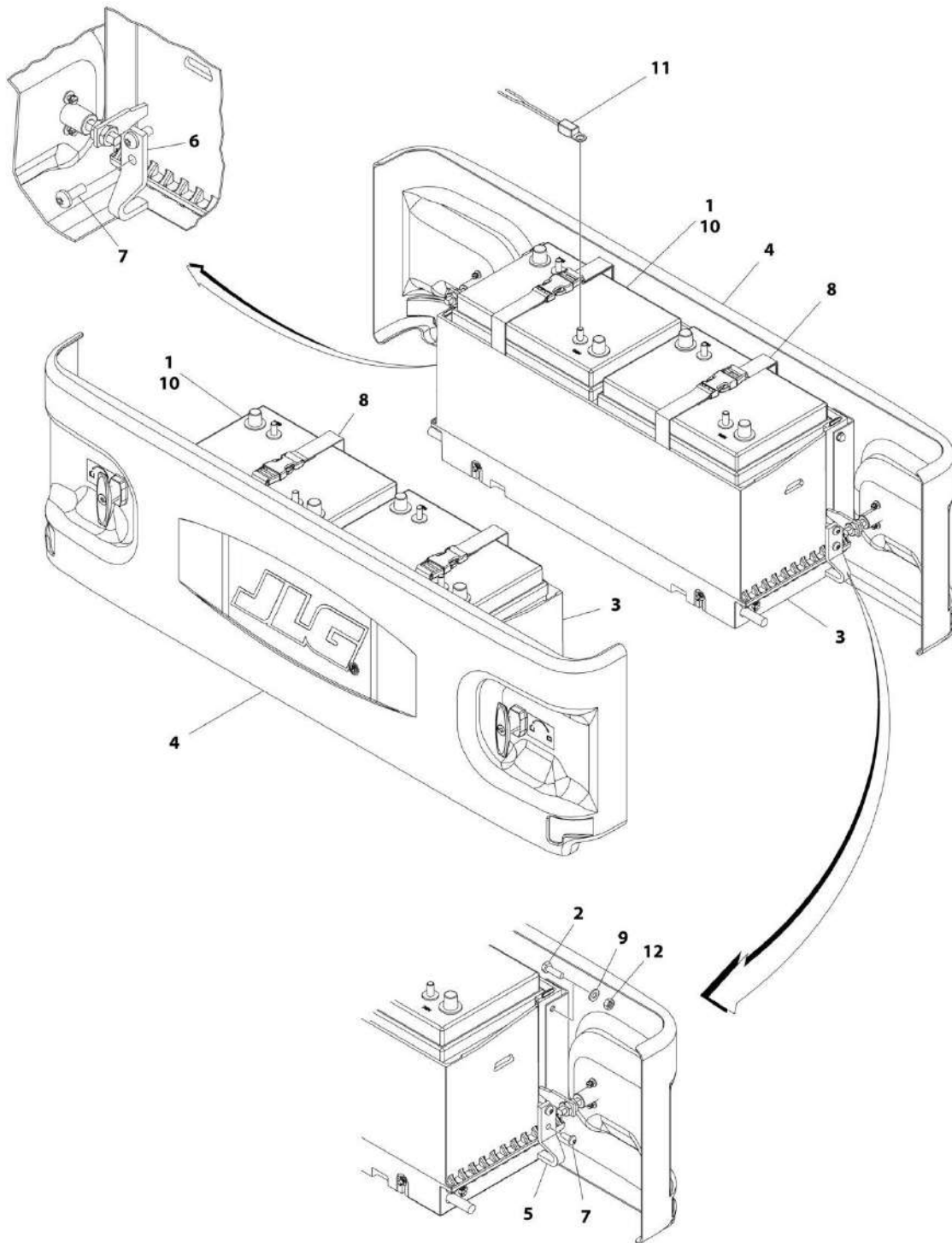
SECTION 2 - GROUND COMPONENTS

FIGURE 2-17. BATTERIES INSTALLATION - AGM AND EVG TYPE - 225 AH RATING (NON-UL LOCKING COVERS)

ITEM	PART NUMBER	QTY	DESCRIPTION	REV
	1001132233	Ref	BATTERIES INSTALLATION - AGM AND EVG TYPE - 225 AH RATING (NON-UL LOCKING COVERS)	D
1	0100051	AR	Grease, Terminal	
2	1001112112	4	Battery Type EVGC6A-A	
3	0273698	2	Tray Assembly (See BATTERY TRAY ASSEMBLY - NON UL for Breakdown)	
4	0760610	8	Bolt M6 x 20	
4	1001100451	8	Bolt M6 x 20	
5	1671204	2	Cover Assembly (See BATTERY COVER ASSEMBLY - LOCKING for Breakdown)	
6	3574981	2	Plate, Slide Stop (LH)	
7	3574984	2	Plate, Slide Stop (RH)	
8	4191707	8	Screw M6 x 16	
9	4811700	8	Washer M6	
10	1001112113	1	Sensor, Temperature (Prior to SN 0200266434, Prior to SN 1200027658, Prior to SN B200045242, Prior to SN M200014371)	
11	3290605	8	Nut M6	

SECTION 2 - GROUND COMPONENTS

FIGURE 2-18. BATTERIES INSTALLATION - AGM AND EVG TYPE - 225 AH RATING (UL LOCKING COVERS)



ART_1001159192

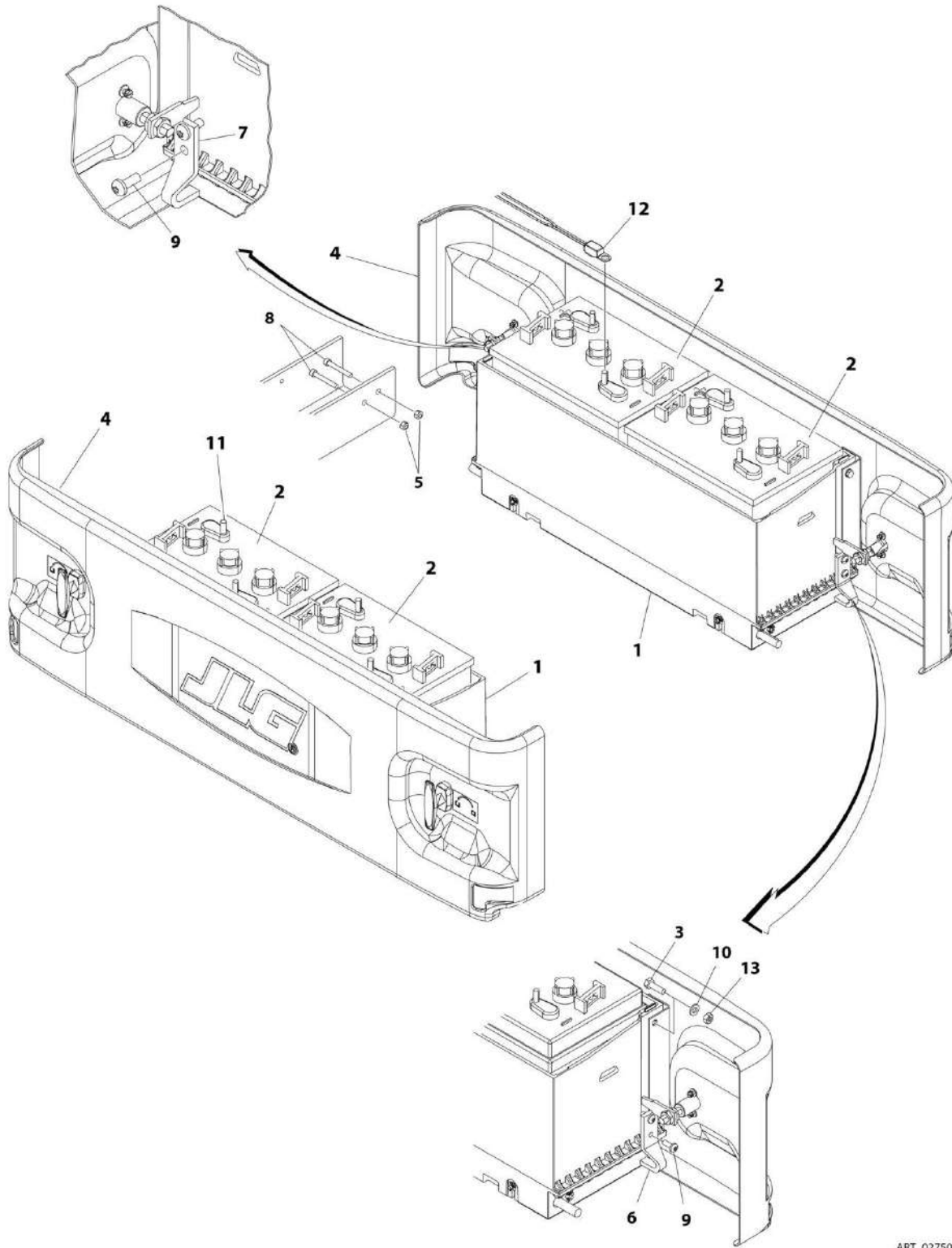
SECTION 2 - GROUND COMPONENTS

FIGURE 2-18. BATTERIES INSTALLATION - AGM AND EVG TYPE - 225 AH RATING (UL LOCKING COVERS)

ITEM	PART NUMBER	QTY	DESCRIPTION	REV
	1001159192	Ref	BATTERIES INSTALLATION - AGM AND EVG TYPE - 225 AH RATING (UL LOCKING COVERS)	D
1	0100051	AR	Grease, Terminal	
2	0760610	8	Bolt M6 x 20	
2	1001100451	1	Bolt M6 x 20	
3	0861678	2	Tray Assembly (See BATTERY TRAY ASSEMBLY - UL for Breakdown)	
4	1671204	2	Cover Assembly (See BATTERY COVER ASSEMBLY - LOCKING for Breakdown)	
5	3574981	2	Plate, Slide Stop (LH)	
6	3574984	2	Plate, Slide Stop (RH)	
7	4191707	8	Screw M6 x 16	
8	4240172	4	Strap, Battery	
9	4811700	8	Washer M6	
10	1001112112	4	Battery Type EVGC6A-A	
11	1001112113	1	Sensor, Temperature (Prior to SN 0200266434, Prior to SN B200045242, Prior to SN M200014371)	
12	3290605	8	Nut M6	

SECTION 2 - GROUND COMPONENTS

FIGURE 2-19. BATTERIES INSTALLATION - EV TYPE - 244 AH RATING (NON-LOCKING COVERS)



ART_0275042

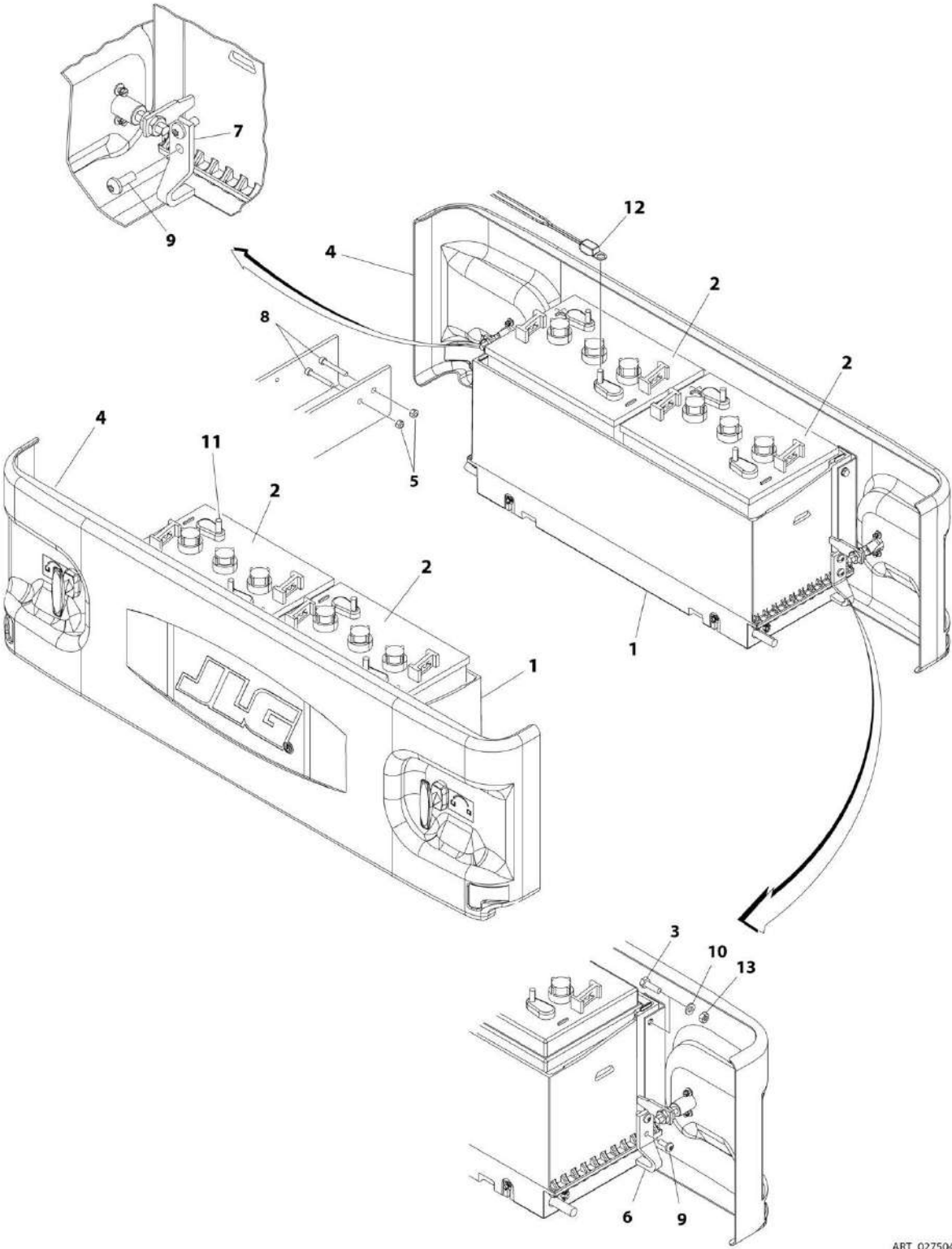
SECTION 2 - GROUND COMPONENTS

FIGURE 2-19. BATTERIES INSTALLATION - EV TYPE - 244 AH RATING (NON-LOCKING COVERS)

ITEM	PART NUMBER	QTY	DESCRIPTION	REV
	0275042	Ref	BATTERIES INSTALLATION - EV TYPE - 244 AH RATING (NON-LOCKING COVERS)	F
1	0273698	2	Tray Assembly (See BATTERY TRAY ASSEMBLY - NON UL for Breakdown)	
2	0400216	4	Battery Type EV-145-WNL	
3	0760610	8	Bolt M6 x 20	
3	1001100451	8	Bolt M6 x 20	
4	1671202	2	Cover Assembly (See BATTERY COVER ASSEMBLY - NON-LOCKING for Breakdown)	
5	3290605	2	Nut M6	
6	3574981	2	Plate, Slide Stop (LH)	
7	3574984	2	Plate, Slide Stop (RH)	
8	4031713	2	Capscrew M6 x 45	
9	4191707	8	Screw M6 x 16	
10	4811700	8	Washer M6	
11	0100051	AR	Grease, Terminal	
12	1001112113	1	Sensor, Temperature (Prior to SN 0200266434, Prior to SN 1200027658, Prior to SN B200045242, Prior to SN M200014371)	
13	3290605	8	Nut M6	

SECTION 2 - GROUND COMPONENTS

FIGURE 2-20. BATTERIES INSTALLATION - EV TYPE - 244 AH RATING (NON-UL LOCKING COVERS)



ART_0275044

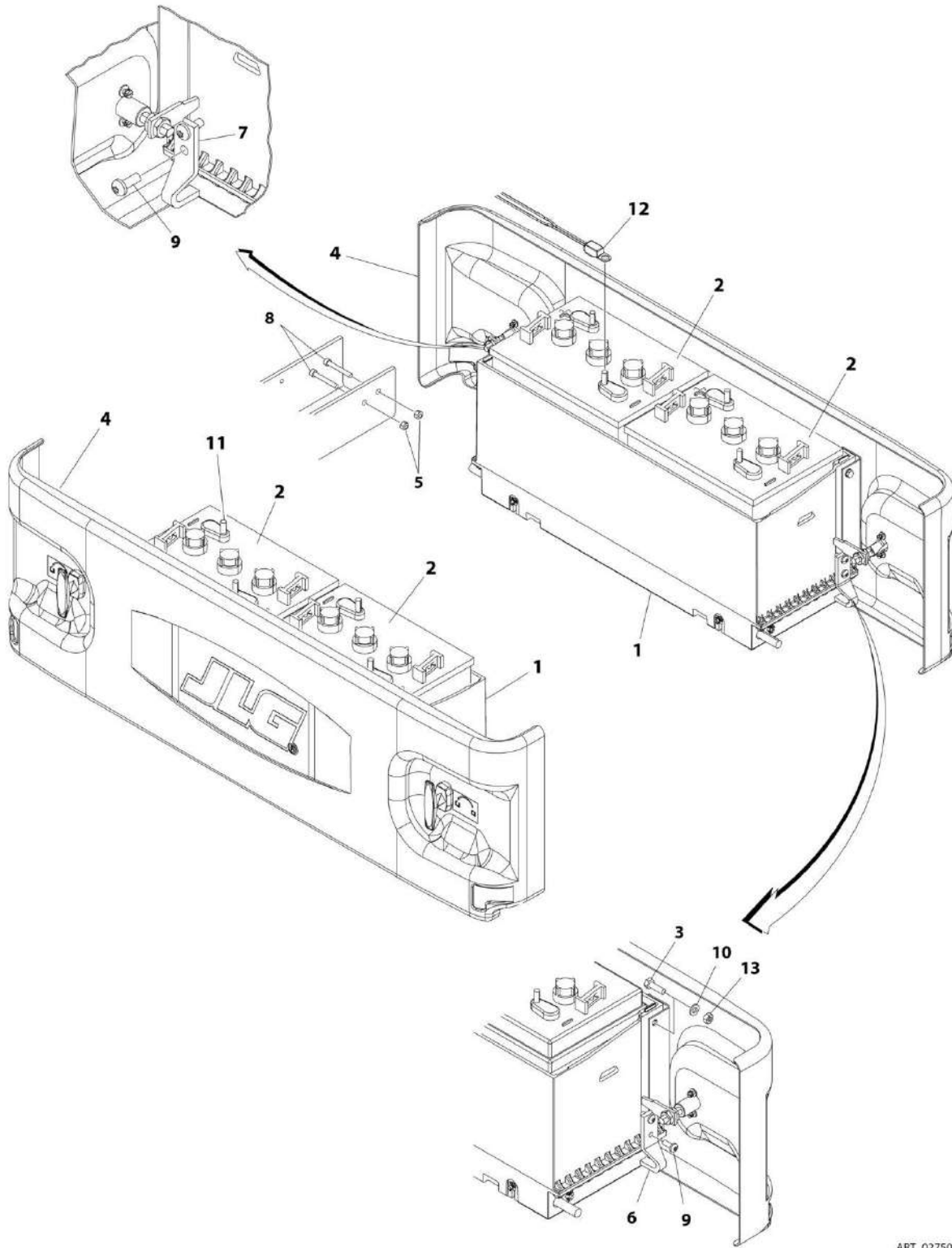
SECTION 2 - GROUND COMPONENTS

FIGURE 2-20. BATTERIES INSTALLATION - EV TYPE - 244 AH RATING (NON-UL LOCKING COVERS)

ITEM	PART NUMBER	QTY	DESCRIPTION	REV
	0275044	Ref	BATTERIES INSTALLATION - EV TYPE - 244 AH RATING (NON-UL LOCKING COVERS)	F
1	0273698	2	Tray Assembly (See BATTERY TRAY ASSEMBLY - NON UL for Breakdown)	
2	0400216	4	Battery Type EV-145-WNL	
3	0760610	8	Bolt M6 x 20	
3	1001100451	1	Bolt M6 x 20	
4	1671204	2	Cover Assembly (See BATTERY COVER ASSEMBLY - LOCKING for Breakdown)	
5	3290605	2	Nut M6	
6	3574981	2	Plate, Slide Stop (LH)	
7	3574984	2	Plate, Slide Stop (RH)	
8	4031713	2	Capscrew M6 x 45	
9	4191707	8	Screw M6 x 16	
10	4811700	8	Washer M6	
11	0100051	AR	Grease, Terminal	
12	1001112113	1	Sensor, Temperature (Prior to SN 0200266434, Prior to SN 1200027658, Prior to SN B200045242, Prior to SN M200014371)	
13	3290605	8	Nut M6	

SECTION 2 - GROUND COMPONENTS

FIGURE 2-21. BATTERIES INSTALLATION - EV TYPE - 244 AH RATING (UL LOCKING COVERS)



ART_0275043

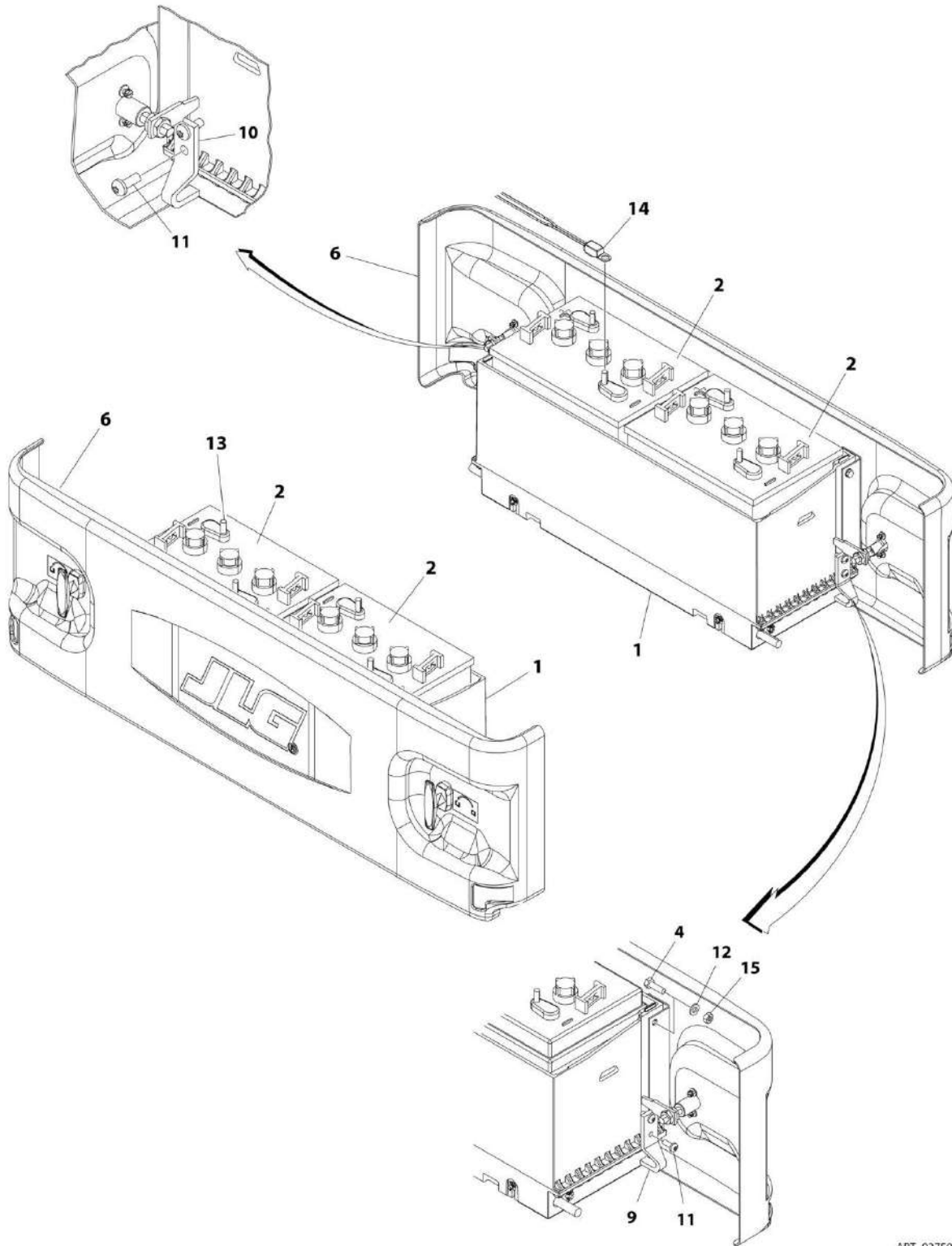
SECTION 2 - GROUND COMPONENTS

FIGURE 2-21. BATTERIES INSTALLATION - EV TYPE - 244 AH RATING (UL LOCKING COVERS)

ITEM	PART NUMBER	QTY	DESCRIPTION	REV
	0275043	Ref	BATTERIES INSTALLATION - EV TYPE - 244 AH RATING (UL LOCKING COVERS)	F
1	0861678	2	Tray Assembly (See BATTERY TRAY ASSEMBLY - UL for Breakdown)	
2	0400216	4	Battery Type EV-145-WNL	
3	0760610	8	Bolt M6 x 20	
3	1001100451	8	Bolt M6 x 20	
4	1671204	2	Cover Assembly (See BATTERY COVER ASSEMBLY - LOCKING for Breakdown)	
5	3290605	2	Nut M6	
6	3574981	2	Plate, Slide Stop (LH)	
7	3574984	2	Plate, Slide Stop (RH)	
8	4031713	2	Capscrew M6 x 45	
9	4191707	8	Screw M6 x 16	
10	4811700	8	Washer M6	
11	0100051	AR	Grease, Terminal	
12	1001112113	1	Sensor, Temperature (Prior to SN 0200266434, Prior to SN B200045242, Prior to SN M200014371)	
13	3290605	1	Nut M6	

SECTION 2 - GROUND COMPONENTS

FIGURE 2-22. BATTERIES INSTALLATION - GC TYPE - 225 AH RATING (NON-LOCKING COVERS)



ART_0275020

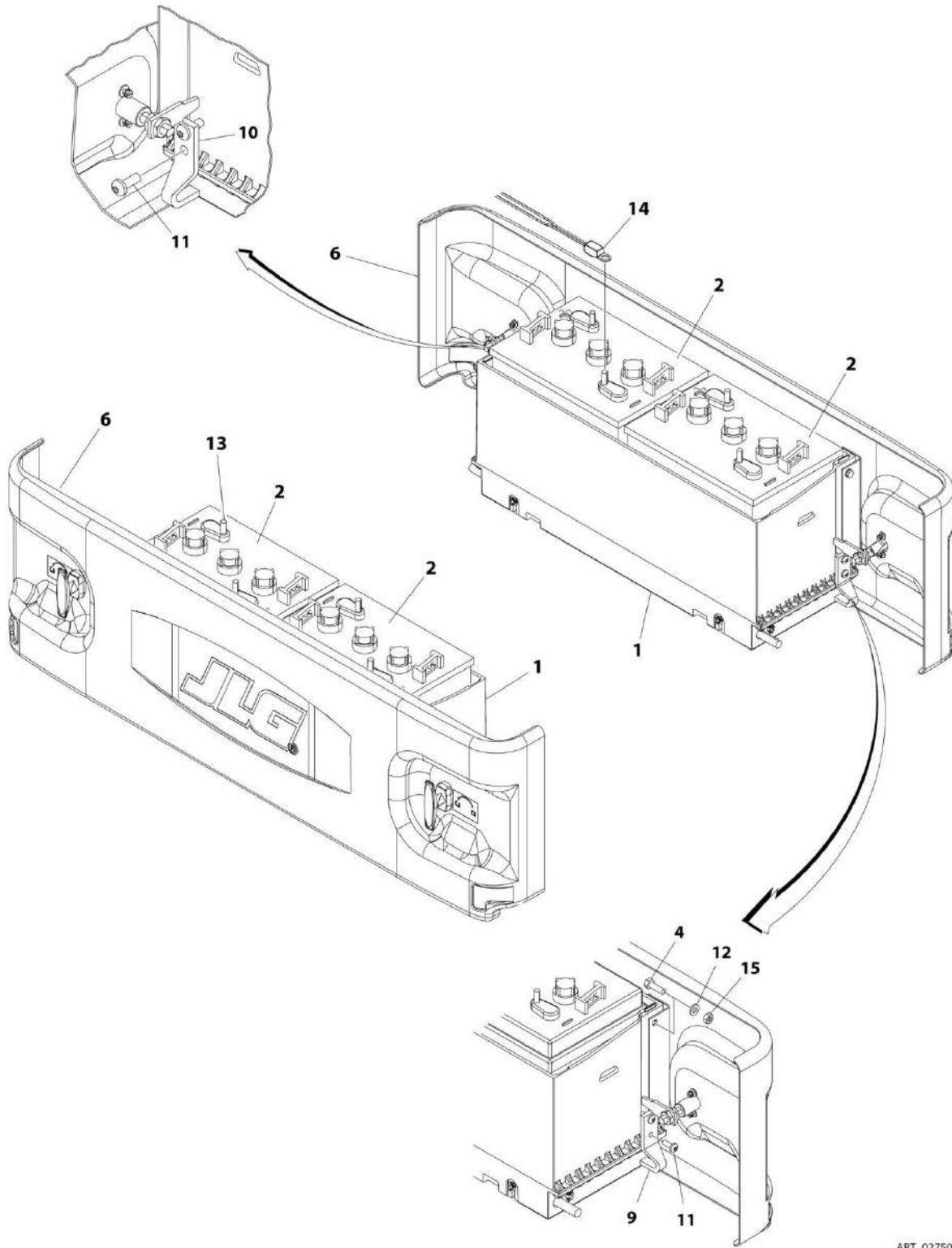
SECTION 2 - GROUND COMPONENTS

FIGURE 2-22. BATTERIES INSTALLATION - GC TYPE - 225 AH RATING (NON-LOCKING COVERS)

ITEM	PART NUMBER	QTY	DESCRIPTION	REV
	0275020	Ref	BATTERIES INSTALLATION - GC TYPE - 225 AH RATING (NON LOCKING COVERS)	G
1	0273698	2	Tray Assembly (See BATTERY TRAY ASSEMBLY - NON UL for Breakdown)	
2	0400215	4	Battery Type GC-110-WNL	
4	0760610	8	Bolt M6 x 20	
4	1001100451	8	Bolt M6 x 20	
6	1671202	2	Cover Assembly (See BATTERY COVER ASSEMBLY - NON-LOCKING for Breakdown)	
9	3574981	2	Plate, Slide Stop (LH)	
10	3574984	2	Plate, Slide Stop (RH)	
11	4191707	8	Screw M6 x 16	
12	4811700	8	Washer M6	
13	0100051	AR	Grease, Terminal	
14	1001112113	1	Sensor, Temperature (Prior to SN 0200266434, Prior to SN 1200027658, Prior to SN B200045242, Prior to SN M200014371)	
15	3290605	8	Nut M6	

SECTION 2 - GROUND COMPONENTS

FIGURE 2-23. BATTERIES INSTALLATION - GC TYPE - 225 AH RATING (NON-UL LOCKING COVERS)



ART_0275022

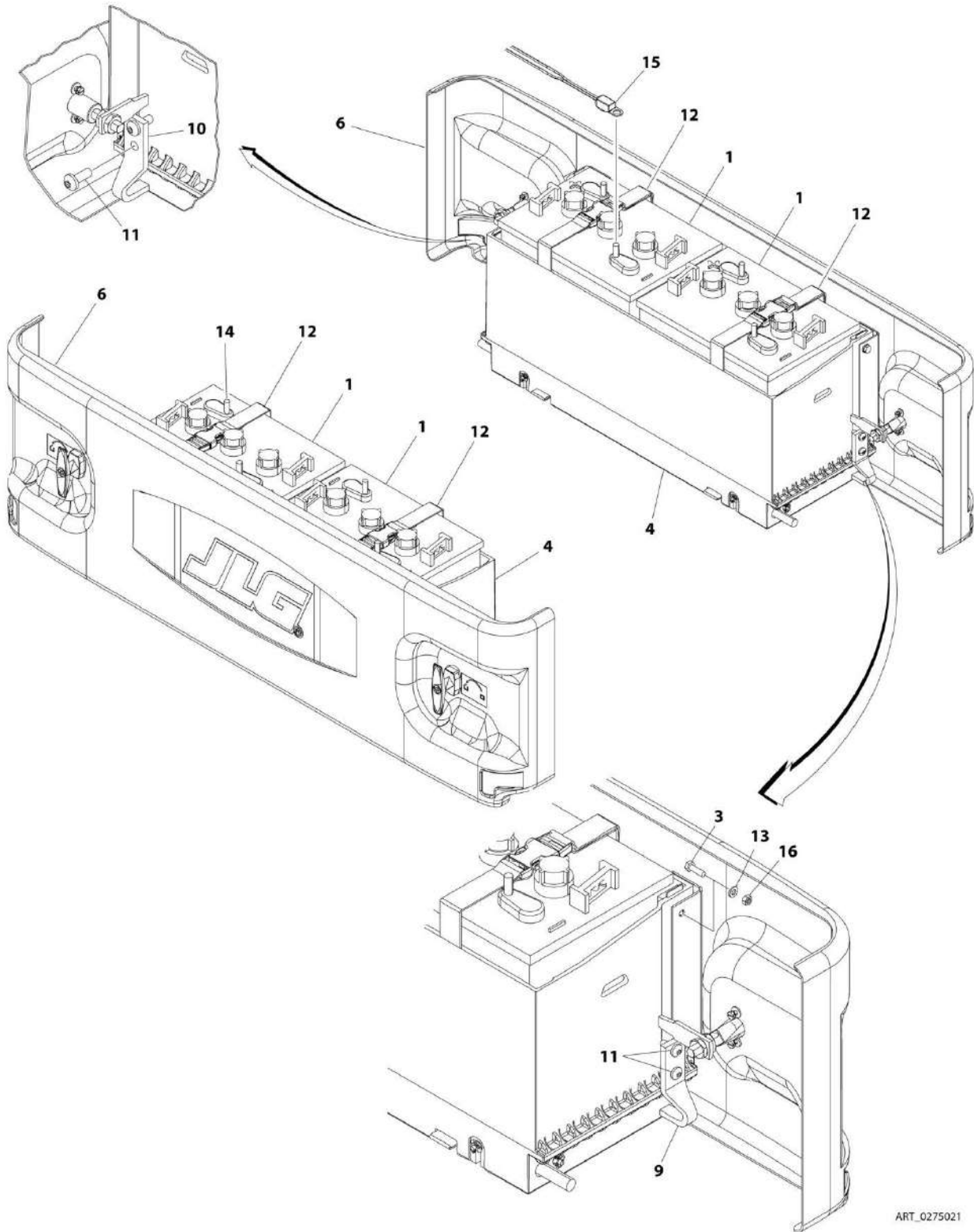
SECTION 2 - GROUND COMPONENTS

FIGURE 2-23. BATTERIES INSTALLATION - GC TYPE - 225 AH RATING (NON-UL LOCKING COVERS)

ITEM	PART NUMBER	QTY	DESCRIPTION	REV
	0275022	Ref	BATTERIES INSTALLATION - GC TYPE - 225 AH RATING (NON-UL LOCKING COVERS)	G
1	0273698	2	Tray Assembly (See BATTERY TRAY ASSEMBLY - NON UL for Breakdown)	
2	0400215	4	Battery Type GC-110-WNL	
4	0760610	8	Bolt M6 x 20	
4	1001100451	8	Bolt M6 x 20	
6	1671204	2	Cover Assembly (See BATTERY COVER ASSEMBLY - LOCKING for Breakdown)	
9	3574981	2	Plate, Slide Stop (LH)	
10	3574984	2	Plate, Slide Stop (RH)	
11	4191707	8	Screw M6 x 16	
12	4811700	8	Washer M6	
13	0100051	AR	Grease, Terminal	
14	1001112113	1	Sensor, Temperature (Prior to SN 0300266434, Prior to SN 1200027658, Prior to SN B200045242, Prior to SN M200014371)	
15	3290605	8	Nut M6	

SECTION 2 - GROUND COMPONENTS

FIGURE 2-24. BATTERIES INSTALLATION - GC TYPE - 225 AH RATING (UL LOCKING COVERS)



ART_0275021

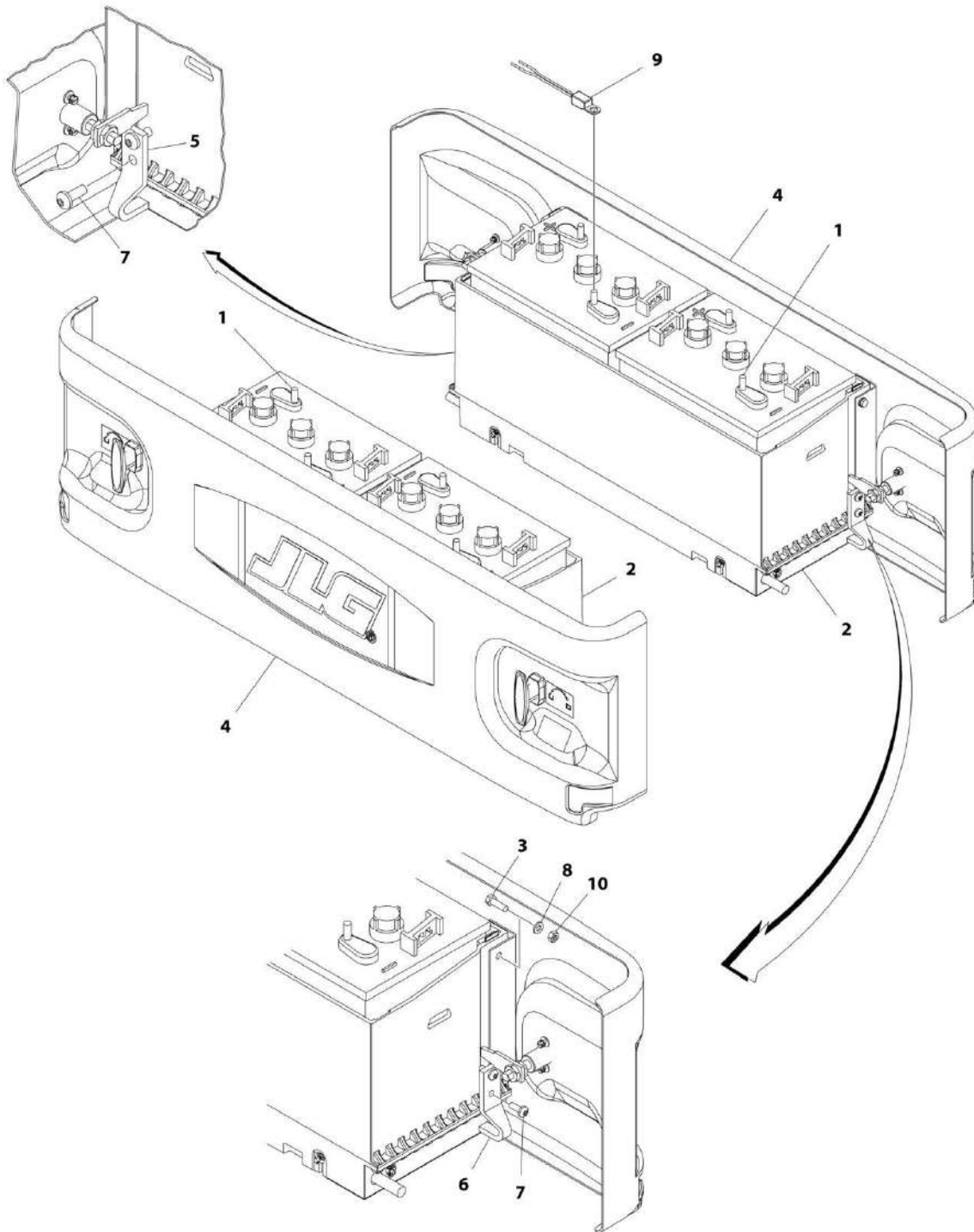
SECTION 2 - GROUND COMPONENTS

FIGURE 2-24. BATTERIES INSTALLATION - GC TYPE - 225 AH RATING (UL LOCKING COVERS)

ITEM	PART NUMBER	QTY	DESCRIPTION	REV
	0275021	Ref	BATTERIES INSTALLATION - GC TYPE - 225 AH RATING (UL LOCKING COVERS)	G
1	0400215	4	Battery Type GC-110-WNL	
3	0760610	8	Bolt M6 x 20	
3	1001100451	8	Bolt M6 x 20	
4	0861678	2	Tray Assembly (See BATTERY TRAY ASSEMBLY - UL for Breakdown)	
6	1671204	2	Cover Assembly (See BATTERY COVER ASSEMBLY - LOCKING for Breakdown)	
9	3574981	2	Plate, Slide Stop (LH)	
10	3574984	2	Plate, Slide Stop (RH)	
11	4191707	8	Screw M6 x 16	
12	4240172	2	Strap	
13	4811700	8	Washer M6	
14	0100051	AR	Grease, Terminal	
15	1001112113	1	Sensor, Temperature (Prior to SN 0200266434, Prior to SN B200045242, Prior to SN M200014371)	
16	3290605	8	Nut M6	

SECTION 2 - GROUND COMPONENTS

FIGURE 2-25. BATTERIES INSTALLATION - 220 AH RATING WITHOUT BATTERIES (NON LOCKING COVERS)



ART_1001209104

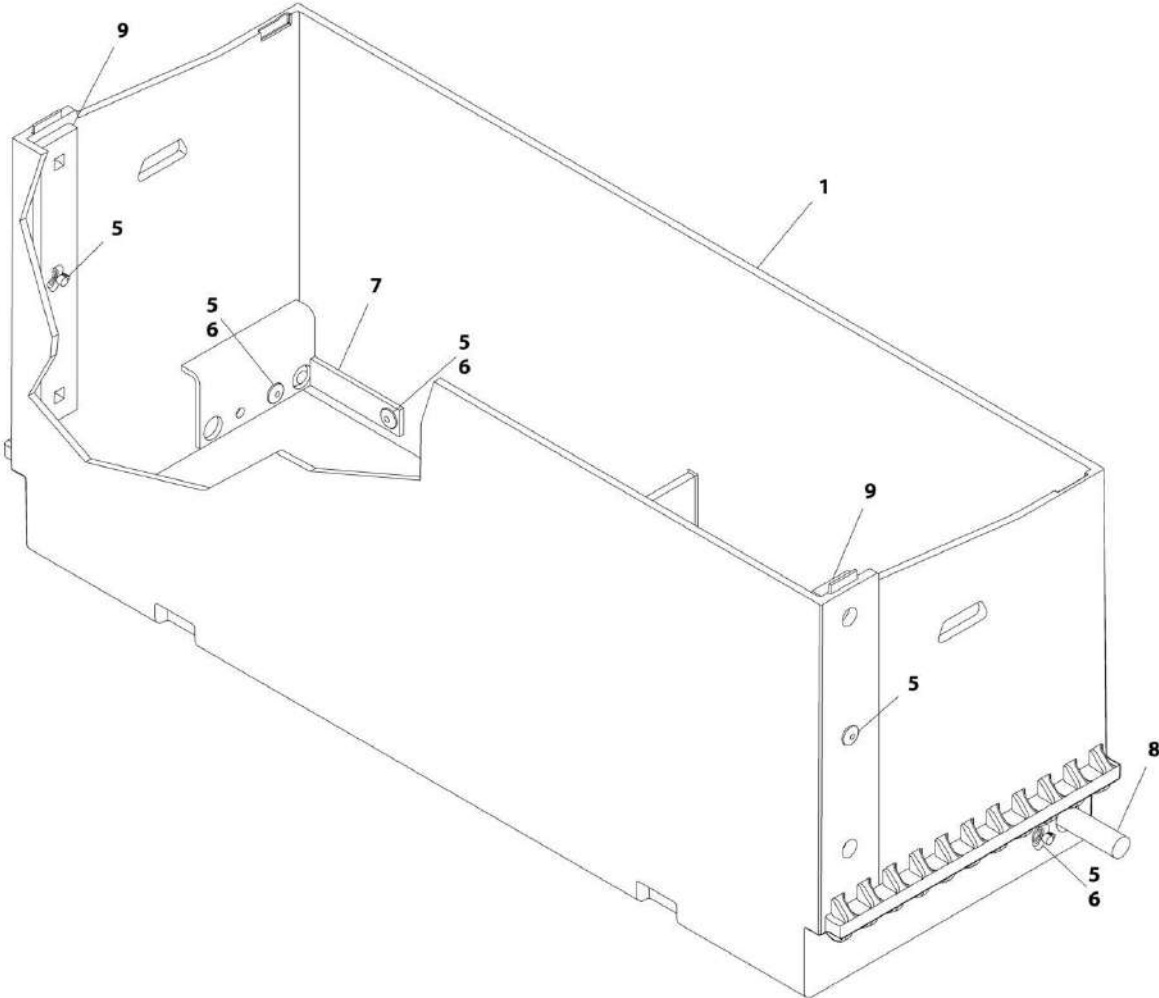
SECTION 2 - GROUND COMPONENTS

FIGURE 2-25. BATTERIES INSTALLATION - 220 AH RATING WITHOUT BATTERIES (NON LOCKING COVERS)

ITEM	PART NUMBER	QTY	DESCRIPTION	REV
	1001209104	Ref	BATTERIES INSTALLATION - 220 AH RATING WITHOUT BATTERIES (NON LOCKING COVERS)	C
1	0100051	AR	Grease, Terminal	
2	0273698	2	Tray Assembly (See BATTERY TRAY ASSEMBLY - NON UL for Breakdown)	
3	0760610	8	Bolt M6 x 20	
3	1001100451	8	Bolt M6 x 20	
4	1671202	1	Cover Assembly (See BATTERY COVER ASSEMBLY - NON-LOCKING for Breakdown)	
5	3574981	2	Plate, Slide Stop (LH)	
6	3574984	2	Plate, Slide Stop (RH)	
7	4191707	8	Screw M6 x 16	
8	4811700	8	Washer M6	
9	1001112113	1	Sensor, Temperature (Prior to SN B200045242)	
10	3290605	8	Nut M6	

SECTION 2 - GROUND COMPONENTS

FIGURE 2-26. BATTERY TRAY ASSEMBLY - NON-UL



ART_0273698

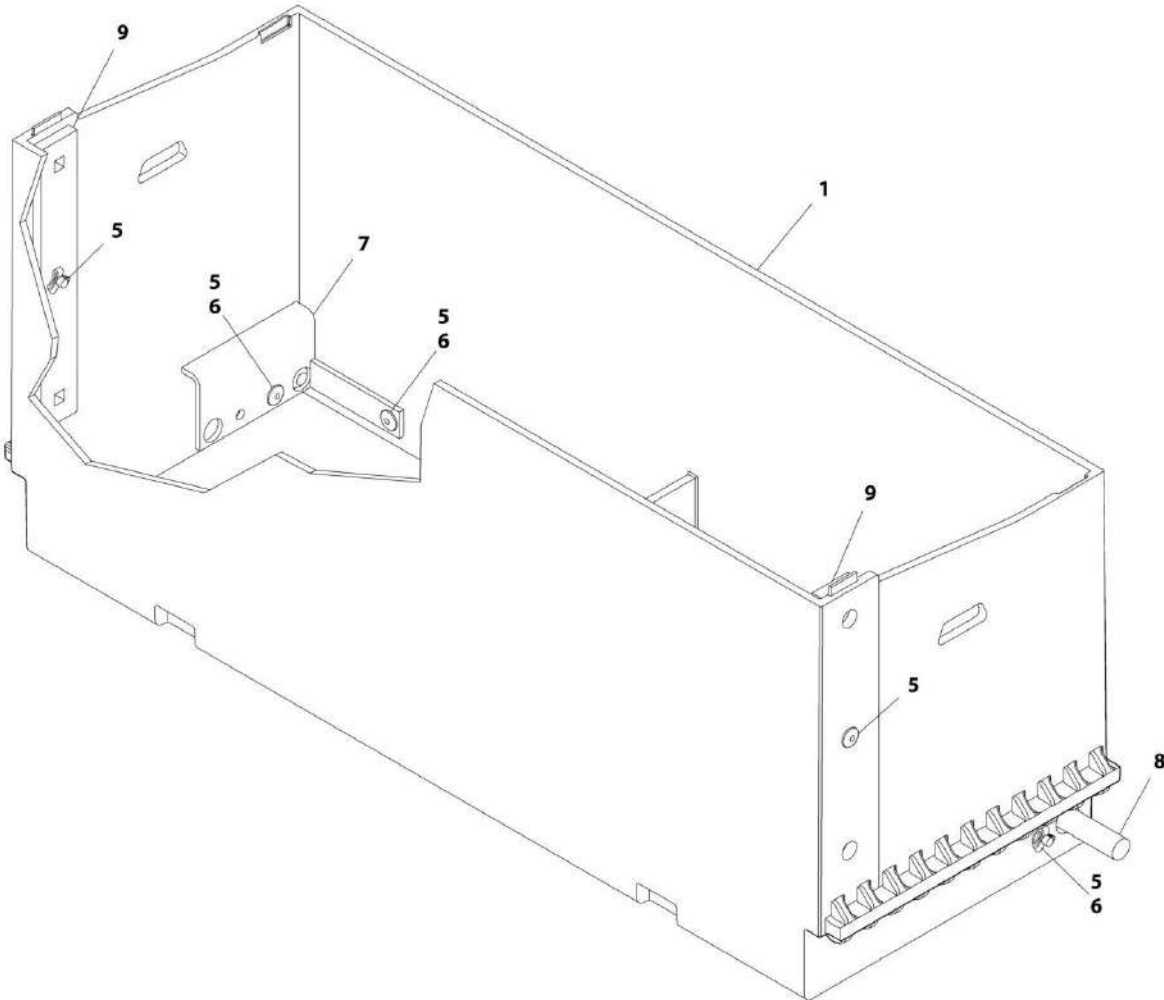
SECTION 2 - GROUND COMPONENTS

FIGURE 2-26. BATTERY TRAY ASSEMBLY - NON-UL

ITEM	PART NUMBER	QTY	DESCRIPTION	REV
	0273698	Ref	BATTERY TRAY ASSEMBLY - NON-UL	J
1	0861650	1	Tray, Battery	
5	3820032	6	Rivet	
6	4811600	4	Washer M5	
7	4220252	1	Stop (LH)	
8	4220253	1	Stop (RH)	
9	3577076	2	Bar (Prior to SN 0200266382, SN 1200025021 to Present, Prior to SN B200049128, Prior to SN M200026307)	
9	1001233888	2	Bar (SN 0200266382 to Present, SN B200049128 to Present, SN M200026307 to Present)	

SECTION 2 - GROUND COMPONENTS

FIGURE 2-27. BATTERY TRAY ASSEMBLY - UL



ART_0861678

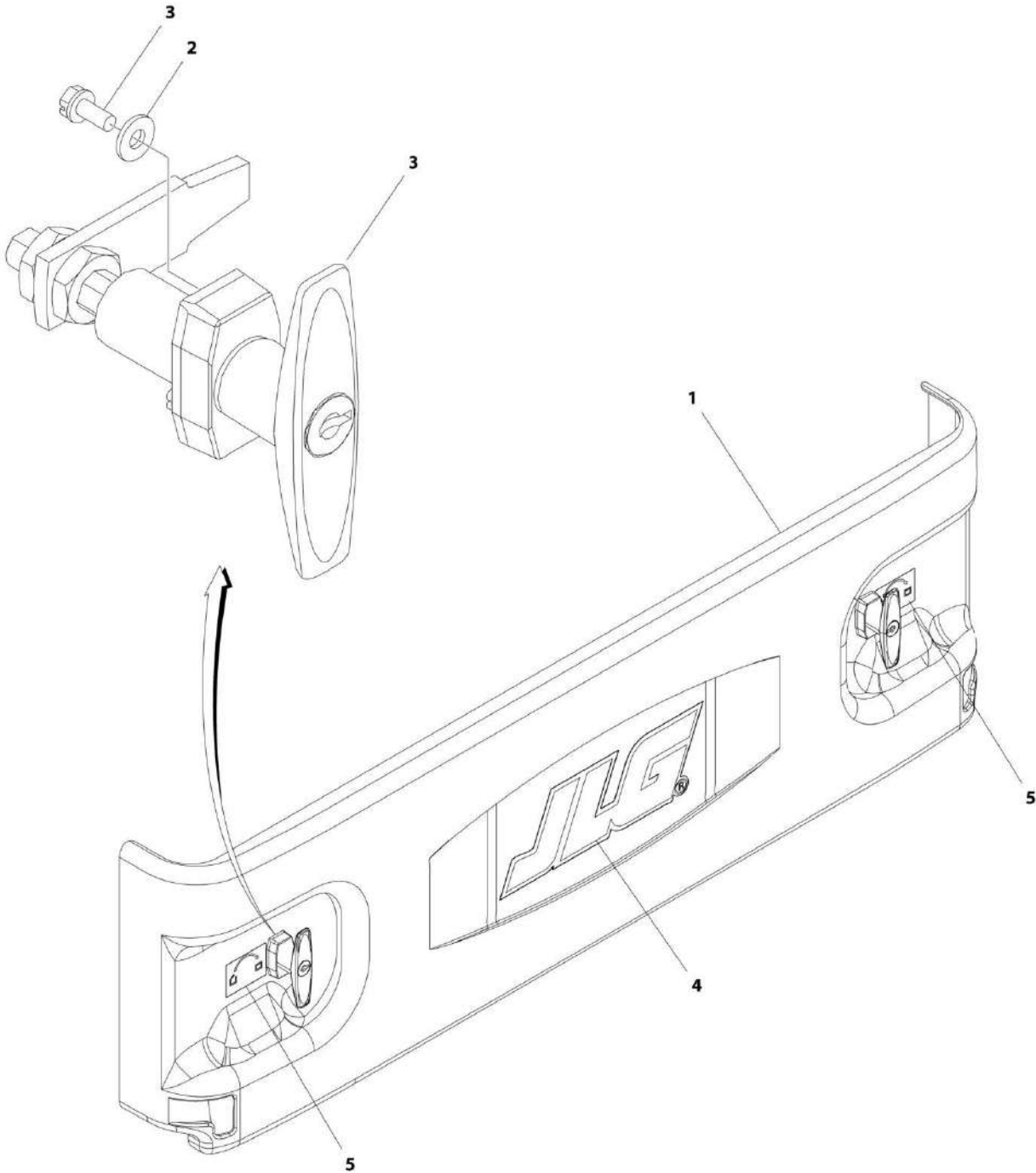
SECTION 2 - GROUND COMPONENTS

FIGURE 2-27. BATTERY TRAY ASSEMBLY - UL

ITEM	PART NUMBER	QTY	DESCRIPTION	REV
	0861678	Ref	BATTERY TRAY ASSEMBLY - UL	H
1	0861677	1	Tray, Battery	
5	3820032	6	Rivet	
6	4811600	4	Washer M5	
7	4220252	1	Stop (LH)	
8	4220253	1	Stop (RH)	
9	3577076	2	Bar (Prior to SN 0200266382, SN 1200025021 to Present, Prior to SN B200049128, Prior to SN M200026307)	
9	1001233888	2	Bar (SN 0200266382 to Present, SN B200049128 to Present, SN M200026307 to Present)	

SECTION 2 - GROUND COMPONENTS

FIGURE 2-28. BATTERY COVER ASSEMBLY - NON-LOCKING



ART_1671202

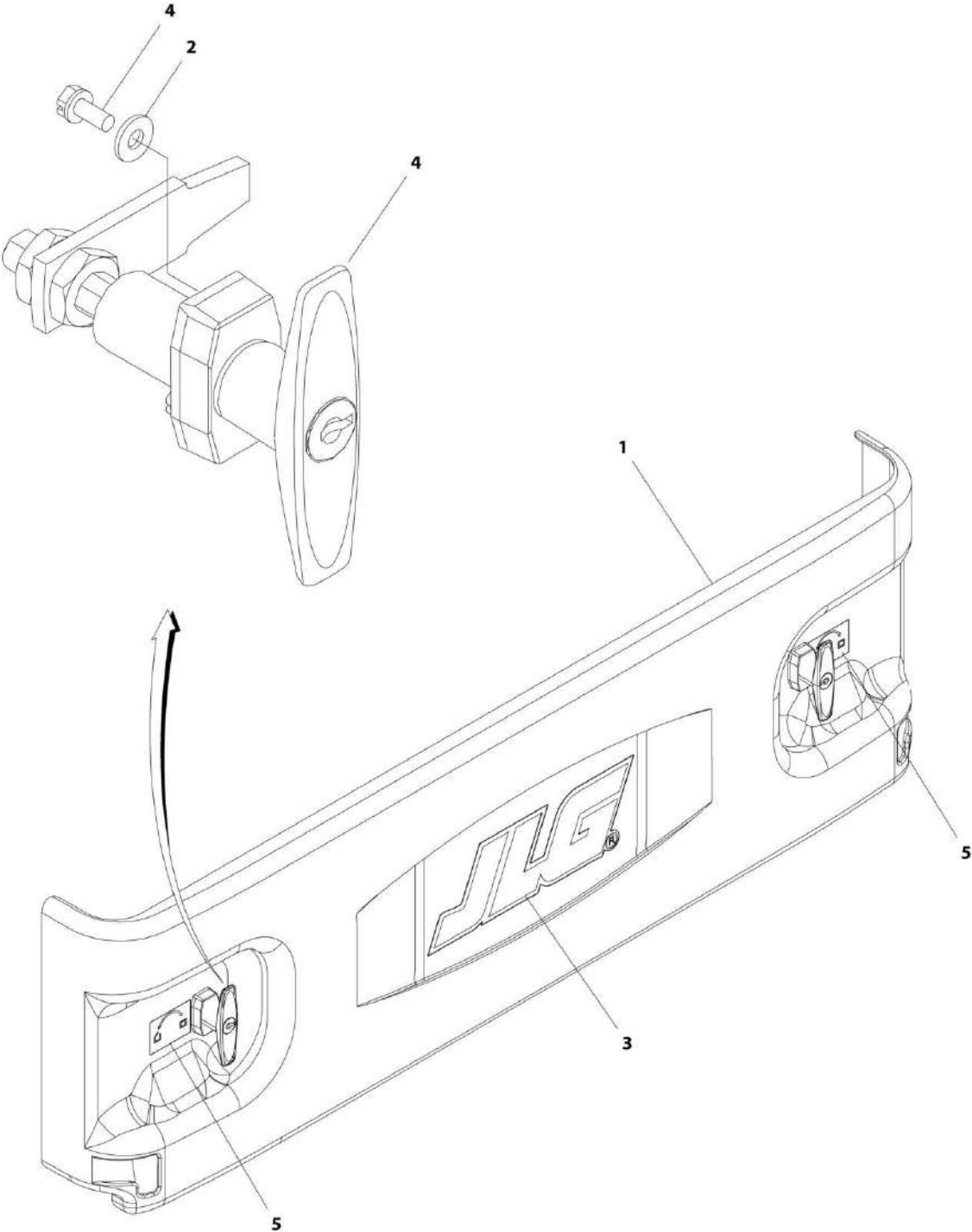
SECTION 2 - GROUND COMPONENTS

FIGURE 2-28. BATTERY COVER ASSEMBLY - NON-LOCKING

ITEM	PART NUMBER	QTY	DESCRIPTION	REV
	1671202	Ref	BATTERY COVER ASSEMBLY - NON-LOCKING	I
1	1671203	1	Cover, Battery Less Decals and Latches	
2	4750800	4	Washer #8	
3	2940174	2	Latch, T-Handle	
4	1705754	1	Decal - JLG (Prior to SN 0200262223, Prior to SN B200038735, Prior to SN M200007891)	
5	1706350	2	Decal - Cover	

SECTION 2 - GROUND COMPONENTS

FIGURE 2-29. BATTERY COVER ASSEMBLY - LOCKING



ART_1671204

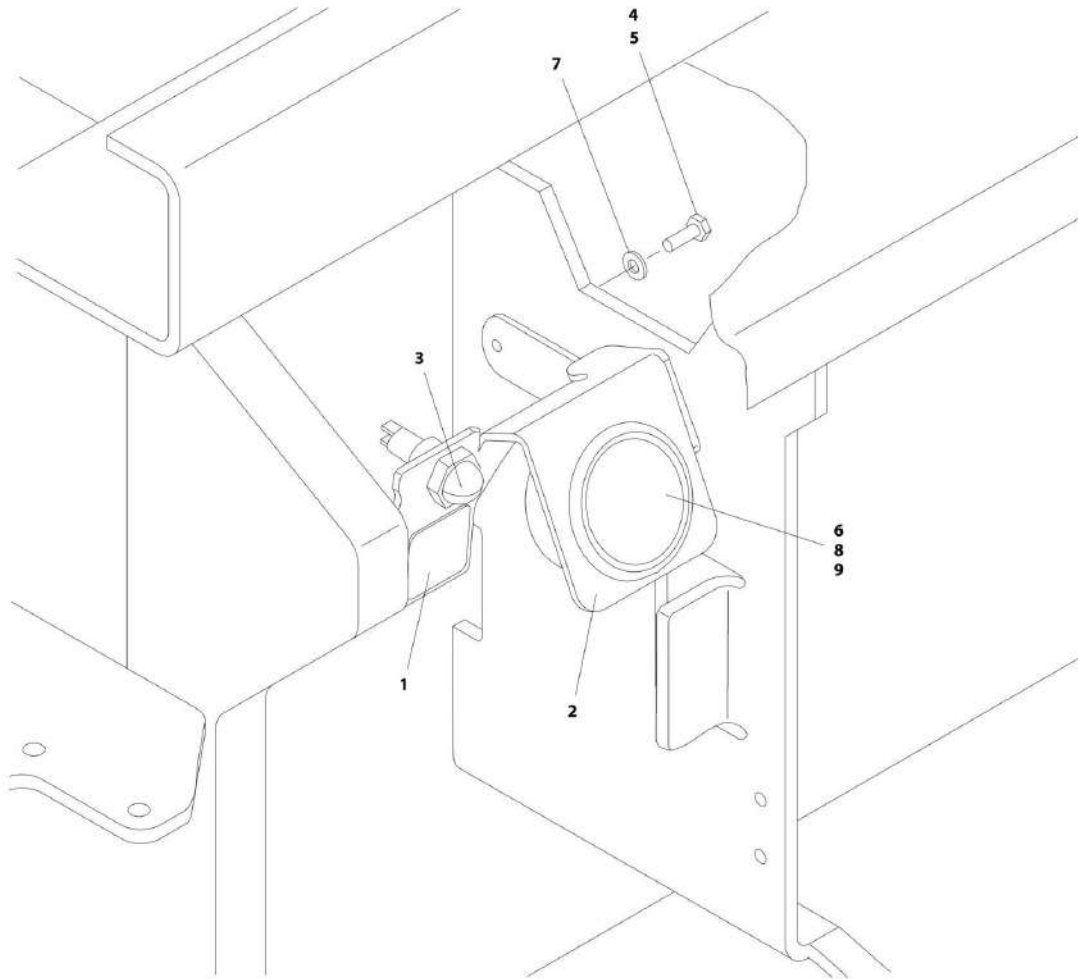
SECTION 2 - GROUND COMPONENTS

FIGURE 2-29. BATTERY COVER ASSEMBLY - LOCKING

ITEM	PART NUMBER	QTY	DESCRIPTION	REV
	1671204	Ref	BATTERY COVER ASSEMBLY - LOCKING	I
1	1671203	1	Cover, Battery Less Decals and Latches	
2	4750800	4	Washer #8	
3	1705754	1	Decal - JLG	
4	2940175	2	Locking	
4	7027863	2	Key	
5	1706350	2	Decal - Cover	

SECTION 2 - GROUND COMPONENTS

FIGURE 2-30. BRAKE DISCONNECT AND MDI (MULTIFUNCTION DIGITAL INDICATOR) GAUGE INSTALLATION



ART_0275530

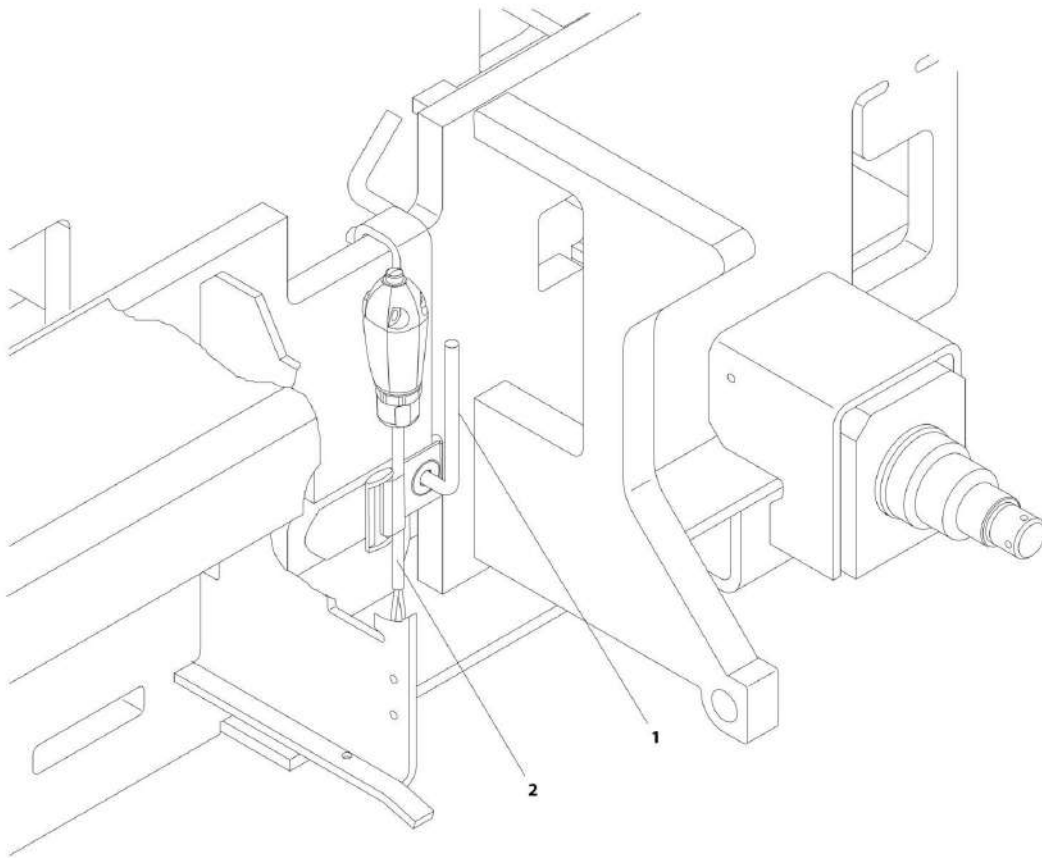
SECTION 2 - GROUND COMPONENTS

FIGURE 2-30. BRAKE DISCONNECT AND MDI (MULTIFUNCTION DIGITAL INDICATOR) GAUGE INSTALLATION

ITEM	PART NUMBER	QTY	DESCRIPTION	REV
	0275530	Ref	BRAKE DISCONNECT AND MDI (MULTIFUNCTION DIGITAL INDICATOR) GAUGE INSTALLATION	D
1	1706679	1	Decal - Brake Release	
2	1001094203	1	Bracket	
3	4360387	1	Switch, Push Button	
4	4031607	2	Capscrew M5 x 16	
5	0100011	AR	Compound, Locking	
6	0100048	AR	Grease, Dielectric	
7	4811600	2	Washer M5	
8	1001092454	1	Gauge, MDI (Multifunction Digital Indicator)	
9	1001093556	1	MDI Harness (Not Shown - See ELECTRICAL SECTION for Breakdown)	

SECTION 2 - GROUND COMPONENTS

FIGURE 2-31. BRAKE CABLE INSTALLATION (OPTIONAL)



ART_0275432

SECTION 2 - GROUND COMPONENTS

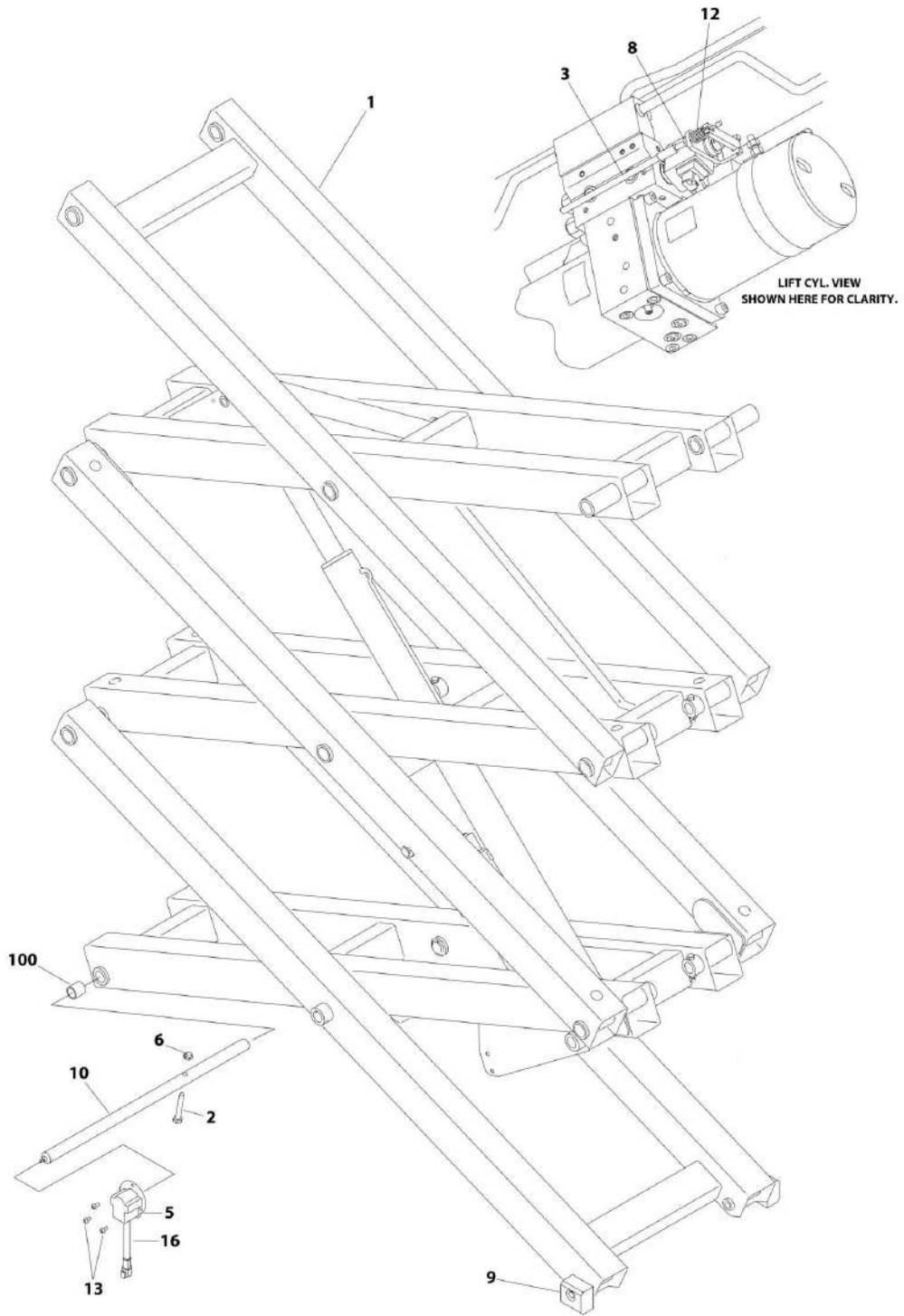
FIGURE 2-31. BRAKE CABLE INSTALLATION (OPTIONAL)

ITEM	PART NUMBER	QTY	DESCRIPTION	REV
	0275432	Ref	BRAKE CABLE INSTALLATION (OPTIONAL)	B
1	2902331	1	Brake Release Mount Kit (Includes Mounting Bracket and Setscrew)	
1	3951608	1	Setscrew 3/8 x 1	
2	4922944	1	Brake Disconnect Harness (See ELECTRICAL SECTION for Breakdown)	

SECTION 3 - SCISSORS ARMS

SECTION 3 - SCISSORS ARMS

FIGURE 3-1. SCISSORS ARMS INSTALLATION - 2032ES STANDARD HYDRAULIC OIL (USA AND MEXICO BUILT MACHINES)



ART_1001157322

SECTION 3 - SCISSORS ARMS

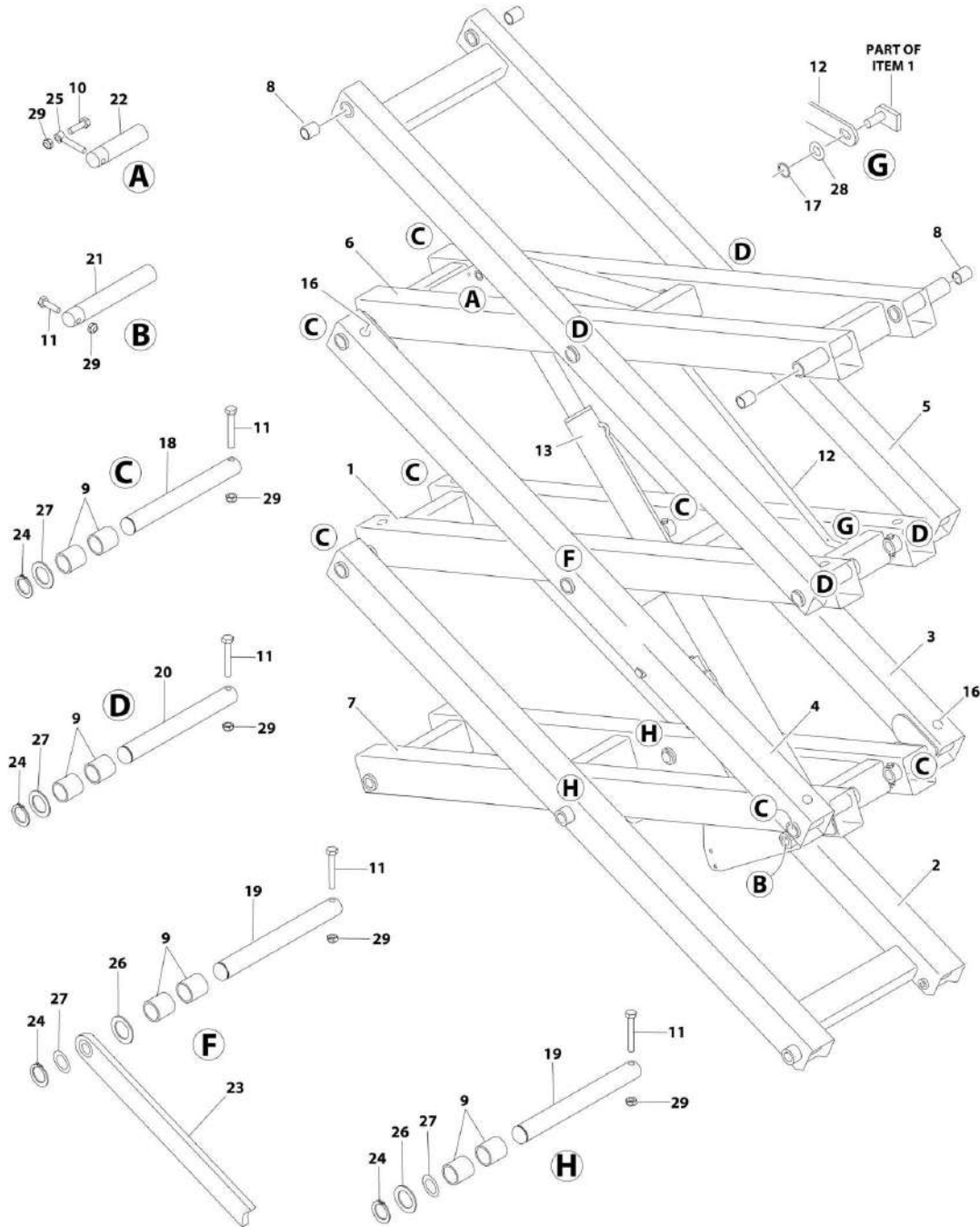
FIGURE 3-1. SCISSORS ARMS INSTALLATION - 2032ES STANDARD HYDRAULIC OIL (USA AND MEXICO BUILT MACHINES)

ITEM	PART NUMBER	QTY	DESCRIPTION	REV
	1001157322	Ref	SCISSORS ARMS INSTALLATION - 2032ES STANDARD HYDRAULIC OIL (USA AND MEXICO BUILT MACHINES)	A
1	1001157316	1	Arms Assembly (See SCISSORS ARMS ASSEMBLY - 2032ES STANDARD HYDRAULIC OIL (USA AND MEXICO BUILT MACHINES) for Breakdown)	
2	0701022	1	Bolt M10 x 70	
3	1061034	1	Cable, Manual Descent	
3	7020218	1	T-Handle (With 1/4-20 Threads)	
3	70001878	1	T-Handle (With 5mm Threads)	
5	3200454	1	Mount, Switch	
6	3291005	1	Nut M10	
8	3321402	1	Nut 1/4-28	
9	3340957	2	Pad, Slide	
10	3423259	1	Pin, Sensor	
12	4160078	1	Spring, Compression	
13	4191706	3	Screw M6 x 12	
16	1001092354	1	Switch, Rotary Angle Sensor	
16	4460536	1	Receptacle, Female - 3 Position	
16	4460464	3	Pin, Male	
100	0440265	2	Bushing (Part of Frame Weldment)	

SECTION 3 - SCISSORS ARMS

FIGURE 3-2. SCISSORS ARMS ASSEMBLY - 2032ES STANDARD HYDRAULIC OIL (USA AND MEXICO BUILT MACHINES)

NOTE: IDENTIFY THE PART NUMBER STAMPED ON CYLINDER BEFORE ORDERING PARTS.



ART_1001157316

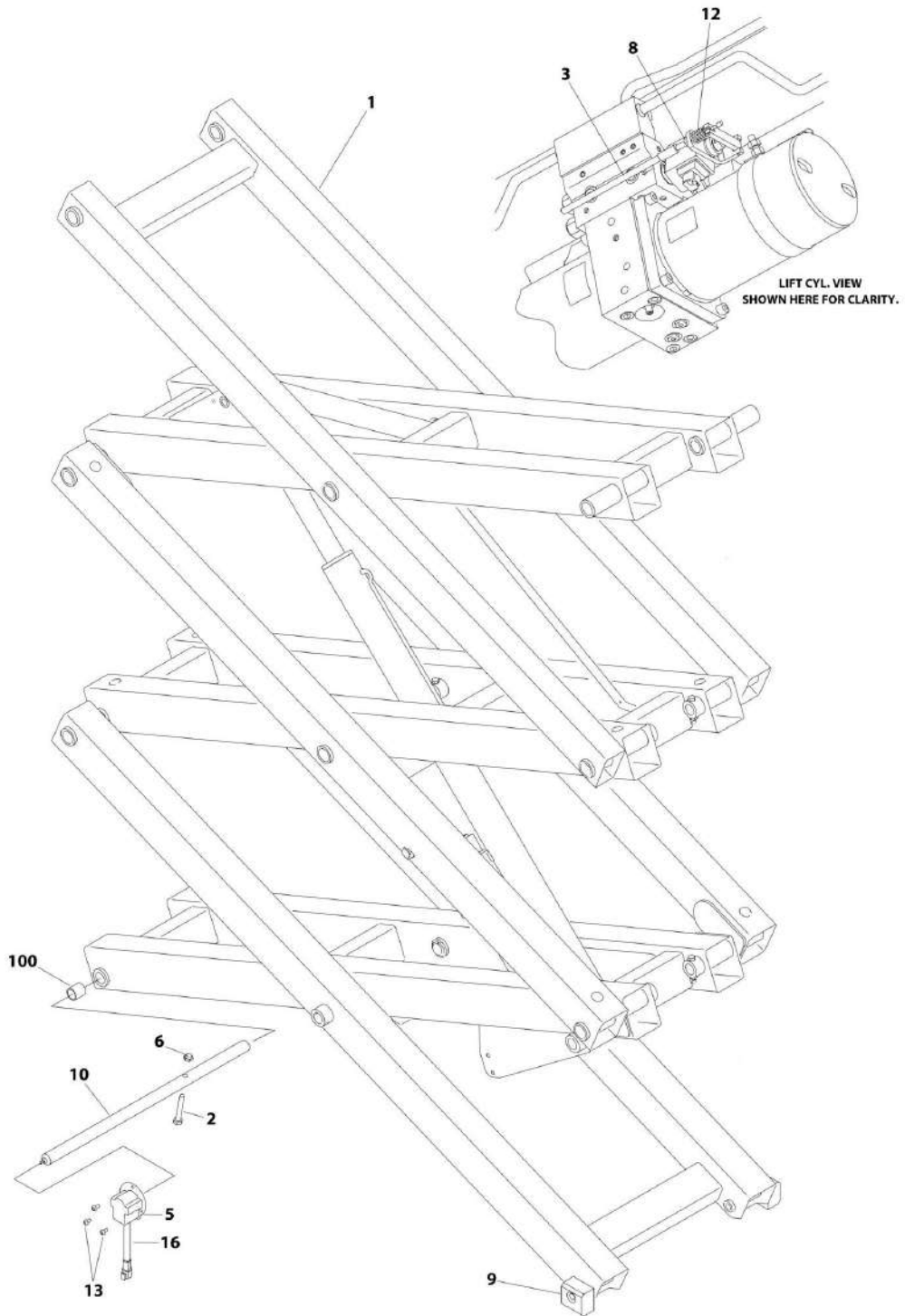
SECTION 3 - SCISSORS ARMS

FIGURE 3-2. SCISSORS ARMS ASSEMBLY - 2032ES STANDARD HYDRAULIC OIL (USA AND MEXICO BUILT MACHINES)

ITEM	PART NUMBER	QTY	DESCRIPTION	REV
	1001157316	Ref	SCISSORS ARMS ASSEMBLY - 2032ES STANDARD HYDRAULIC OIL (USA AND MEXICO BUILT MACHINES)	A
1	0200799	1	Arm - Mid Inboard	
2	0200802	1	Arm - Lower Outboard	
3	0200803	1	Arm - Mid Outboard (Left Side)	
4	0200804	1	Arm - Mid Outboard (Right Side)	
5	0200807	1	Arm - Upper Outboard	
6	0200816	1	Arm - Upper Inboard	
7	0200834	1	Arm - Lower Inboard	
8	0440266	4	Bearing	
9	0440267	28	Bearing	
10	0701015	1	Bolt M10 x 35	
11	0701022	15	Bolt M10 x 70	
12	1180382	1	Carrier, Cable	
13	1001155841	1	Lift Cylinder Assembly - Standard Hydraulic Oil (See CYLINDER SECTION for Breakdown)	
16	3340962	16	Pad, Arm	
17	3760170	2	Ring, Split	
18	3422997	7	Pin	
19	3423014	3	Pin	
20	3423036	4	Pin	
21	3423038	1	Pin	
22	3423067	1	Pin	
23	3574161	1	Bar, Prop Attach	
24	3760387	14	Ring, Retaining	
25	3841143	1	Keeper, Pin	
26	4071094	AR	Shim, Spacer	
27	4740438	14	Washer	
28	4812000	2	Washer M10	
29	3291007	16	Nut M10	

SECTION 3 - SCISSORS ARMS

FIGURE 3-3. SCISSORS ARMS INSTALLATION - 2032ES STANDARD HYDRAULIC OIL (BELGIUM AND CHINA BUILT MACHINES)



ART_1001131005

SECTION 3 - SCISSORS ARMS

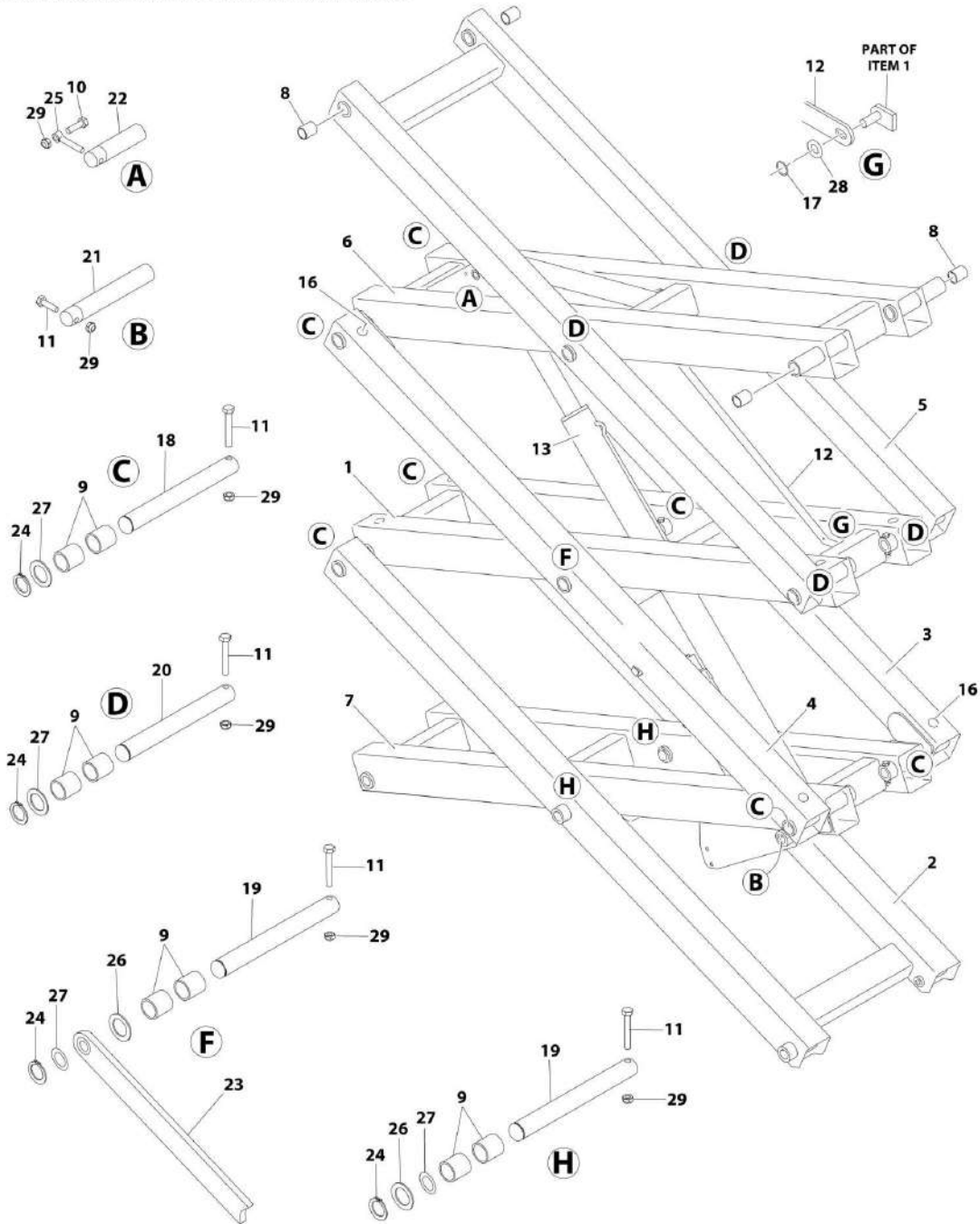
FIGURE 3-3. SCISSORS ARMS INSTALLATION - 2032ES STANDARD HYDRAULIC OIL (BELGIUM AND CHINA BUILT MACHINES)

ITEM	PART NUMBER	QTY	DESCRIPTION	REV
	1001131005	Ref	SCISSORS ARMS INSTALLATION - 2032ES STANDARD HYDRAULIC OIL (BELGIUM AND CHINA BUILT MACHINES)	D
1	1001131020	1	Arms Assembly (See SCISSORS ARMS ASSEMBLY - 2032ES STANDARD HYDRAULIC OIL (BELGIUM AND CHINA BUILT MACHINES) for Breakdown)	
2	0701022	1	Bolt M10 x 70	
3	1061034	1	Cable, Manual Descent	
3	7020218	1	T-Handle (With 1/4-20 Threads)	
3	70001878	1	T-Handle (With 5mm Threads)	
5	3200454	1	Mount, Switch	
6	3291005	1	Nut M10	
8	3321402	1	Nut 1/4-28	
9	3340957	2	Pad, Slide	
10	3423259	1	Pin, Sensor	
12	4160078	1	Spring, Compression	
13	4191706	3	Screw M6 x 12	
16	1001092354	1	Switch, Rotary Angle Sensor	
16	4460536	1	Receptacle, Female - 3 Position	
16	4460464	3	Pin, Male	
100	0440265	2	Bushing (Part of Frame Weldment)	

SECTION 3 - SCISSORS ARMS

FIGURE 3-4. SCISSORS ARMS ASSEMBLY - 2032ES STANDARD HYDRAULIC OIL (BELGIUM AND CHINA BUILT MACHINES)

NOTE: IDENTIFY THE PART NUMBER STAMPED ON CYLINDER BEFORE ORDERING PARTS.



ART_1001131020

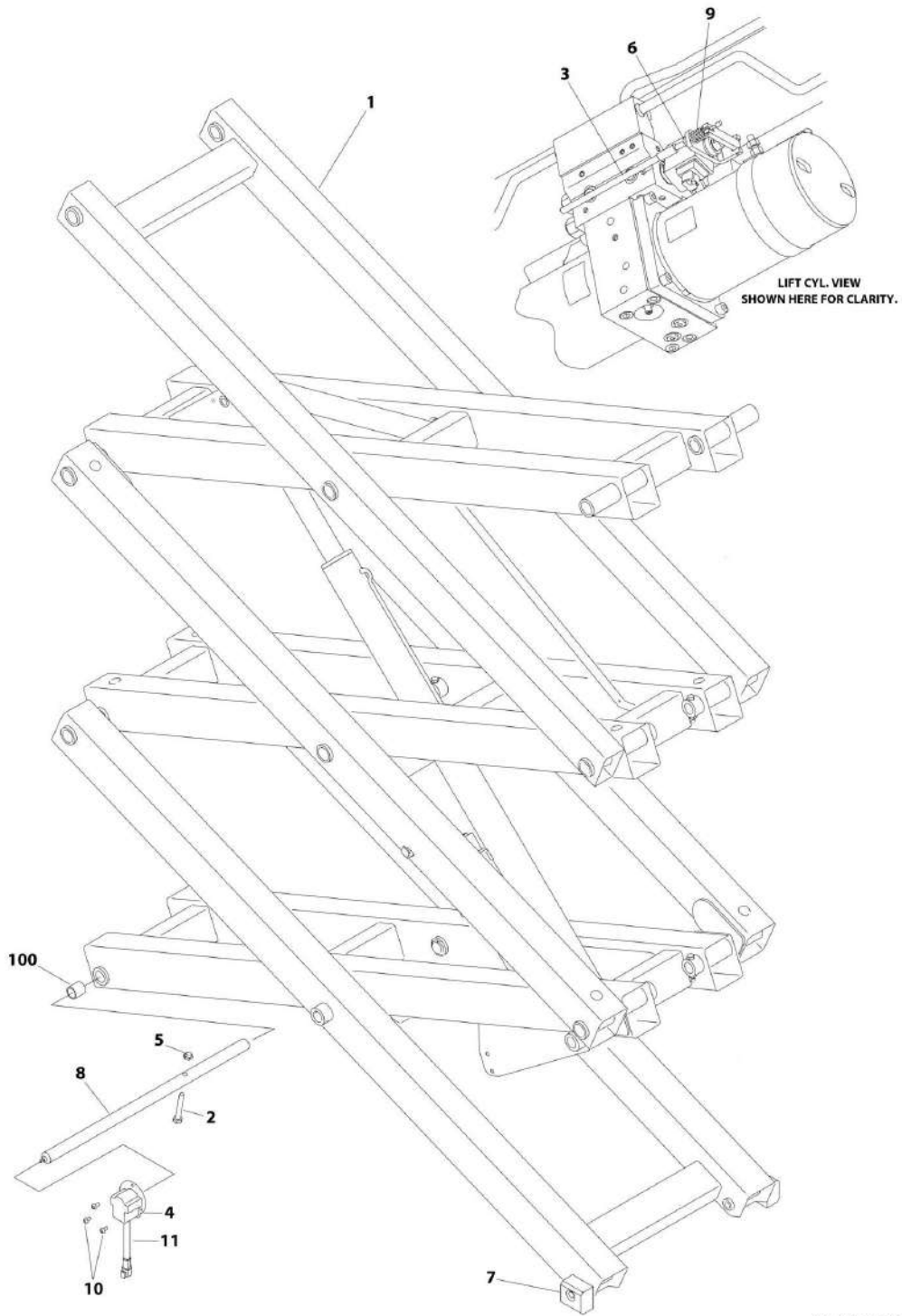
SECTION 3 - SCISSORS ARMS

FIGURE 3-4. SCISSORS ARMS ASSEMBLY - 2032ES STANDARD HYDRAULIC OIL (BELGIUM AND CHINA BUILT MACHINES)

ITEM	PART NUMBER	QTY	DESCRIPTION	REV
	1001131020	Ref	SCISSORS ARMS ASSEMBLY - 2032ES STANDARD HYDRAULIC OIL (BELGIUM AND CHINA BUILT MACHINES)	D
1	0200799	1	Arm - Mid Inboard	
2	0200802	1	Arm - Lower Outboard	
3	0200803	1	Arm - Mid Outboard (Left Side)	
4	0200804	1	Arm - Mid Outboard (Right Side)	
5	0200807	1	Arm - Upper Outboard	
6	0200816	1	Arm - Upper Inboard	
7	0200834	1	Arm - Lower Inboard	
8	0440266	4	Bearing	
9	0440267	28	Bearing	
10	0701015	1	Bolt M10 x 35	
11	0701022	15	Bolt M10 x 70	
12	1180382	1	Carrier, Cable	
13	1001129289	1	Lift Cylinder Assembly - Standard Hydraulic Oil (See CYLINDER SECTION for Breakdown)	
16	3340962	16	Pad, Arm	
17	3760170	2	Ring, Split	
18	3422997	7	Pin	
19	3423014	3	Pin	
20	3423036	4	Pin	
21	3423038	1	Pin	
22	3423067	1	Pin	
23	3574161	1	Bar, Prop Attach	
24	3760387	14	Ring, Retaining	
25	3841143	1	Keeper, Pin	
26	4071094	AR	Shim, Spacer	
27	4740438	14	Washer	
28	4812000	2	Washer M10	
29	3291007	16	Nut M10	

SECTION 3 - SCISSORS ARMS

FIGURE 3-5. SCISSORS ARMS INSTALLATION - 2032ES BIODEGRADABLE HYDRAULIC OIL (USA AND MEXICO BUILT MACHINES)



ART_1001157340

SECTION 3 - SCISSORS ARMS

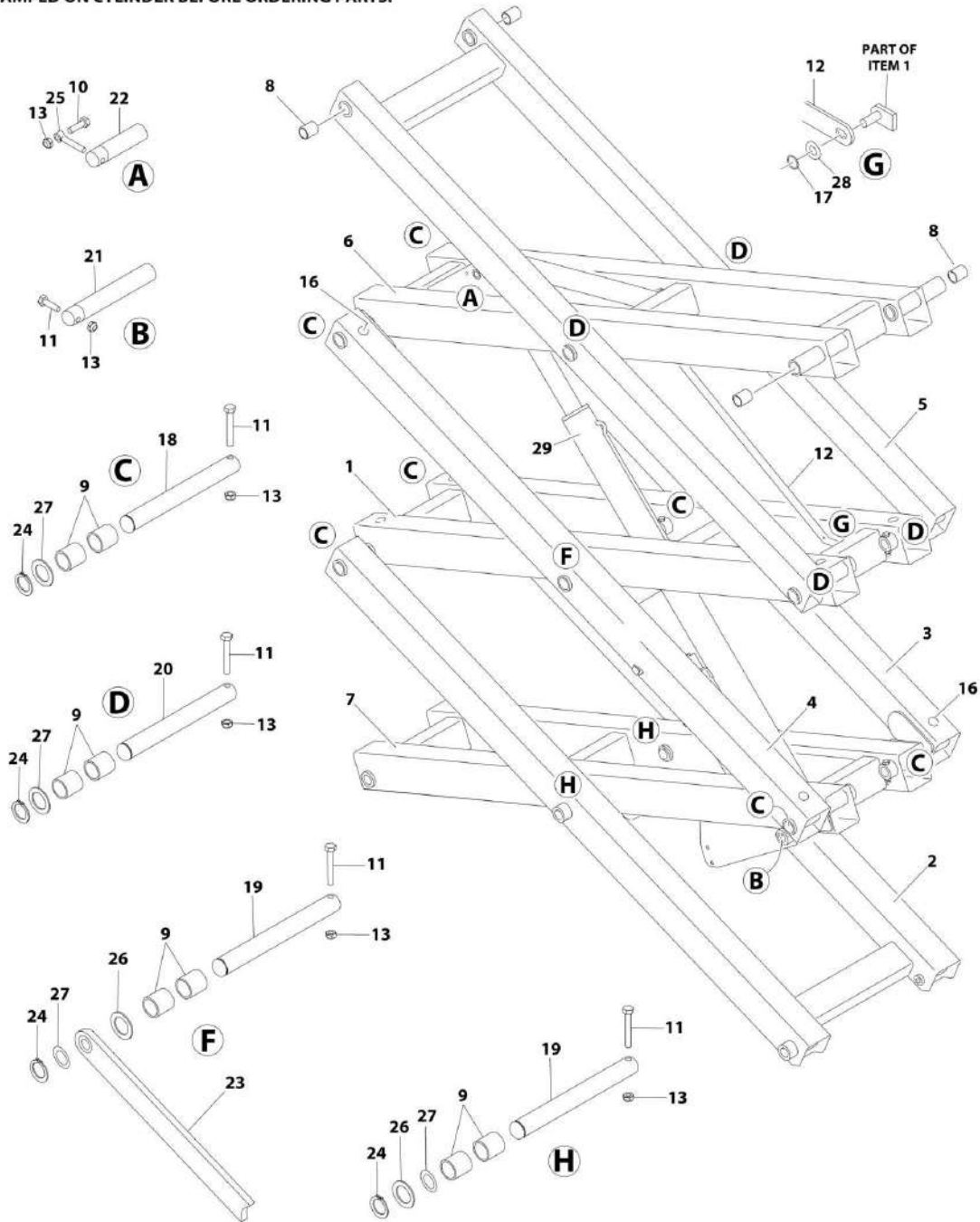
FIGURE 3-5. SCISSORS ARMS INSTALLATION - 2032ES BIODEGRADEABLE HYDRAULIC OIL (USA AND MEXICO BUILT MACHINES)

ITEM	PART NUMBER	QTY	DESCRIPTION	REV
	1001157340	Ref	SCISSORS ARMS INSTALLATION - 2032ES BIODEGRADEABLE HYDRAULIC OIL (USA AND MEXICO BUILT MACHINES)	A
1	1001157335	1	Arms Assembly (See SCISSORS ARMS ASSEMBLY - 2032ES BIODEGRADEABLE HYDRAULIC OIL (USA AND MEXICO BUILT MACHINES) for Breakdown)	
2	0701022	1	Bolt M10 x 70	
3	1061034	1	Cable, Manual Descent	
3	7020218	1	T-Handle (With 1/4-20 Threads)	
3	70001878	1	T-Handle (With 5mm Threads)	
4	3200454	1	Mount, Switch	
5	3291005	1	Nut M10	
6	3321402	1	Nut 1/4-28	
7	3340957	2	Pad, Slide	
8	3423259	1	Pin, Sensor	
9	4160078	1	Spring, Compression	
10	4191706	3	Screw M6 x 12	
11	1001092354	1	Switch, Rotary Angle Sensor	
11	4460536	1	Receptacle, Female - 3 Position	
11	4460464	3	Pin, Male	
100	0440265	2	Bushing (Part of Frame Weldment)	

SECTION 3 - SCISSORS ARMS

FIGURE 3-6. SCISSORS ARMS ASSEMBLY - 2032ES BIODEGRADABLE HYDRAULIC OIL (USA AND MEXICO BUILT MACHINES)

NOTE: IDENTIFY THE PART NUMBER STAMPED ON CYLINDER BEFORE ORDERING PARTS.



ART_1001157335

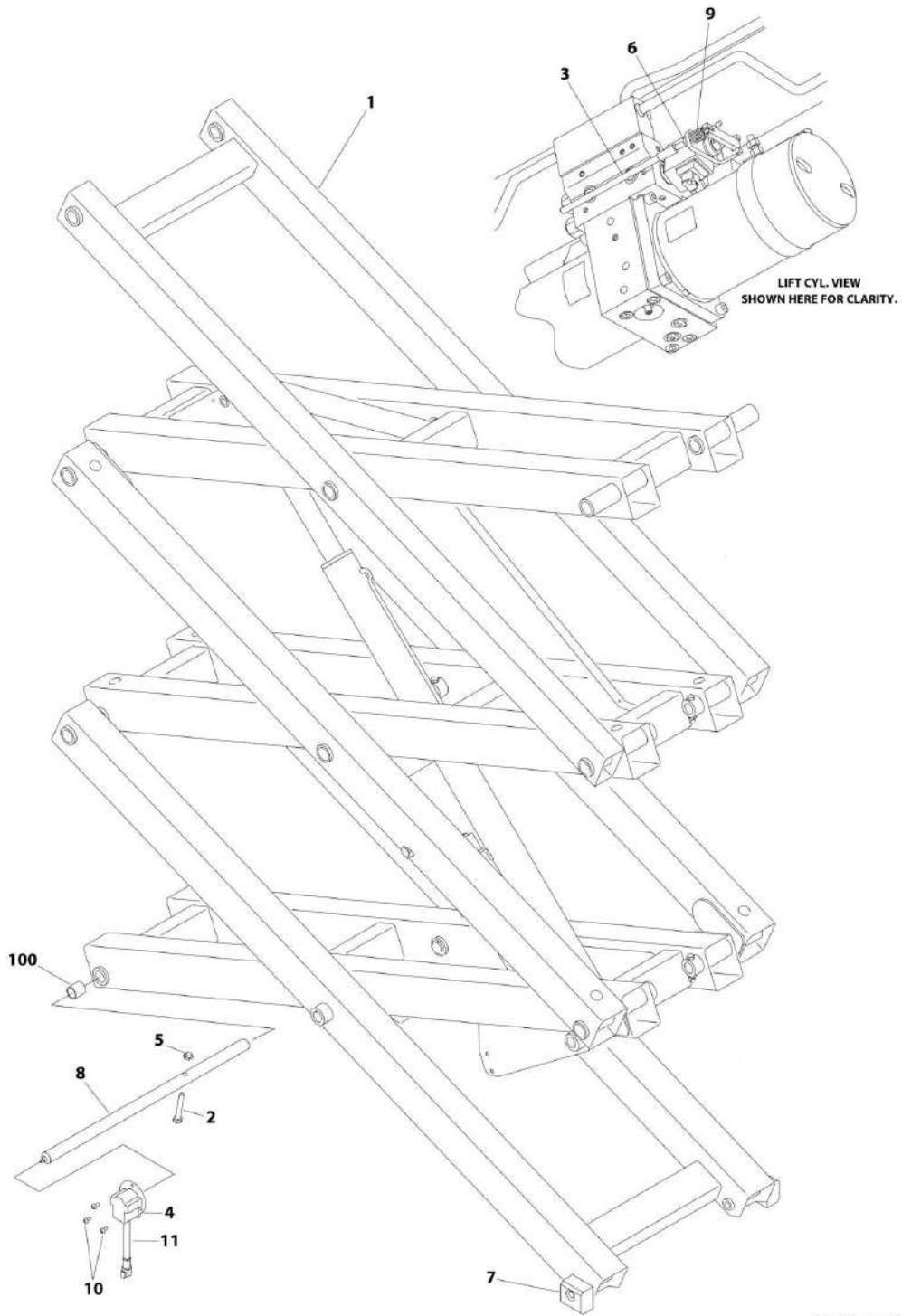
SECTION 3 - SCISSORS ARMS

FIGURE 3-6. SCISSORS ARMS ASSEMBLY - 2032ES BIODEGRADABLE HYDRAULIC OIL (USA AND MEXICO BUILT MACHINES)

ITEM	PART NUMBER	QTY	DESCRIPTION	REV
	1001157335	Ref	SCISSORS ARMS ASSEMBLY - 2032ES BIODEGRADABLE HYDRAULIC OIL (USA AND MEXICO BUILT MACHINES)	A
1	0200799	1	Arm - Mid Inboard	
2	0200802	1	Arm - Lower Outboard	
3	0200803	1	Arm - Mid Outboard (Left Side)	
4	0200804	1	Arm - Mid Outboard (Right Side)	
5	0200807	1	Arm - Upper Outboard	
6	0200816	1	Arm - Upper Inboard	
7	0200834	1	Arm - Lower Inboard	
8	0440266	4	Bearing	
9	0440267	28	Bearing	
10	0701015	1	Bolt M10 x 35	
11	0701022	15	Bolt M10 x 70	
12	1180382	1	Carrier, Cable	
13	3291007	16	Nut M10	
16	3340962	16	Pad, Arm	
17	3760170	2	Ring, Split	
18	3422997	7	Pin	
19	3423014	3	Pin	
20	3423036	4	Pin	
21	3423038	1	Pin	
22	3423067	1	Pin	
23	3574161	1	Bar, Prop Attach	
24	3760387	14	Ring, Retaining	
25	3841143	1	Keeper, Pin	
26	4071094	AR	Shim, Spacer	
27	4740438	14	Washer	
28	4812000	2	Washer M10	
29	1001157330	1	Lift Cylinder Assembly - Biodegradeable Hydraulic Oil (See CYLINDER SECTION for Breakdown)	

SECTION 3 - SCISSORS ARMS

FIGURE 3-7. SCISSORS ARMS INSTALLATION - 2032ES BIODEGRADABLE HYDRAULIC OIL (CHINA BUILT MACHINES)



ART_1001131010

SECTION 3 - SCISSORS ARMS

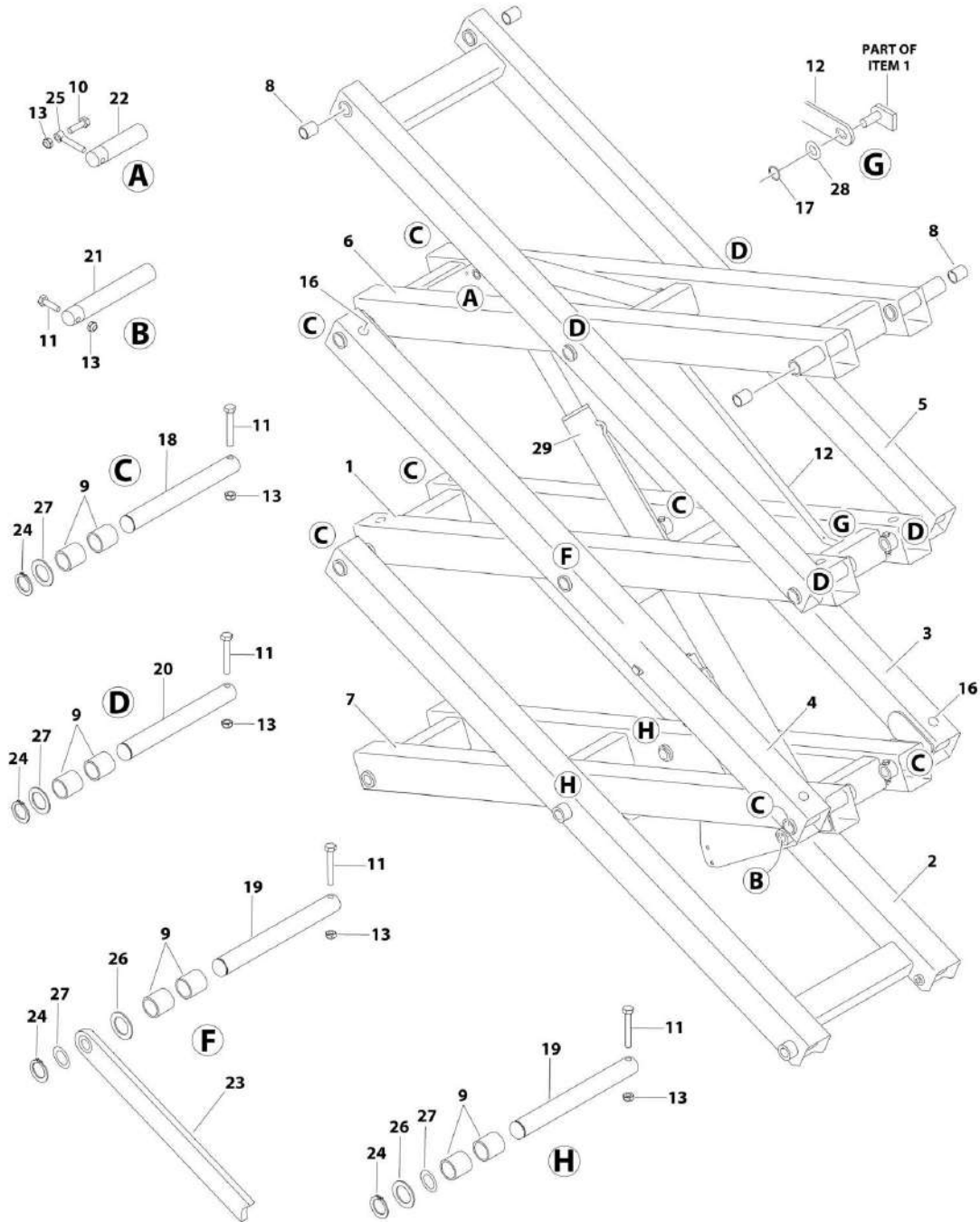
**FIGURE 3-7. SCISSORS ARMS INSTALLATION - 2032ES BIODEGRADEABLE HYDRAULIC OIL
(CHINA BUILT MACHINES)**

ITEM	PART NUMBER	QTY	DESCRIPTION	REV
	1001131010	Ref	SCISSORS ARMS INSTALLATION - 2032ES BIODEGRADEABLE HYDRAULIC OIL (CHINA BUILT MACHINES)	C
1	1001131028	1	Arms Assembly (See SCISSORS ARMS ASSEMBLY - 2032ES BIODEGRADEABLE HYDRAULIC OIL (CHINA BUILT MACHINES) for Breakdown)	
2	0701022	1	Bolt M10 x 70	
3	1061034	1	Cable, Manual Descent	
3	7020218	1	T-Handle (With 1/4-20 Threads)	
3	70001878	1	T-Handle (With 5mm Threads)	
4	3200454	1	Mount, Switch	
5	3291005	1	Nut M10	
6	3321402	1	Nut 1/4-28	
7	3340957	2	Pad, Slide	
8	3423259	1	Pin, Sensor	
9	4160078	1	Spring, Compression	
10	4191706	3	Screw M6 x 12	
11	1001092354	1	Switch, Rotary Angle Sensor	
11	4460536	1	Receptacle, Female - 3 Position	
11	4460464	3	Pin, Male	
100	0440265	2	Bushing (Part of Frame Weldment)	

SECTION 3 - SCISSORS ARMS

FIGURE 3-8. SCISSORS ARMS ASSEMBLY - 2032ES BIODEGRADABLE HYDRAULIC OIL (CHINA BUILT MACHINES)

NOTE: IDENTIFY THE PART NUMBER STAMPED ON CYLINDER BEFORE ORDERING PARTS.



ART_1001131028

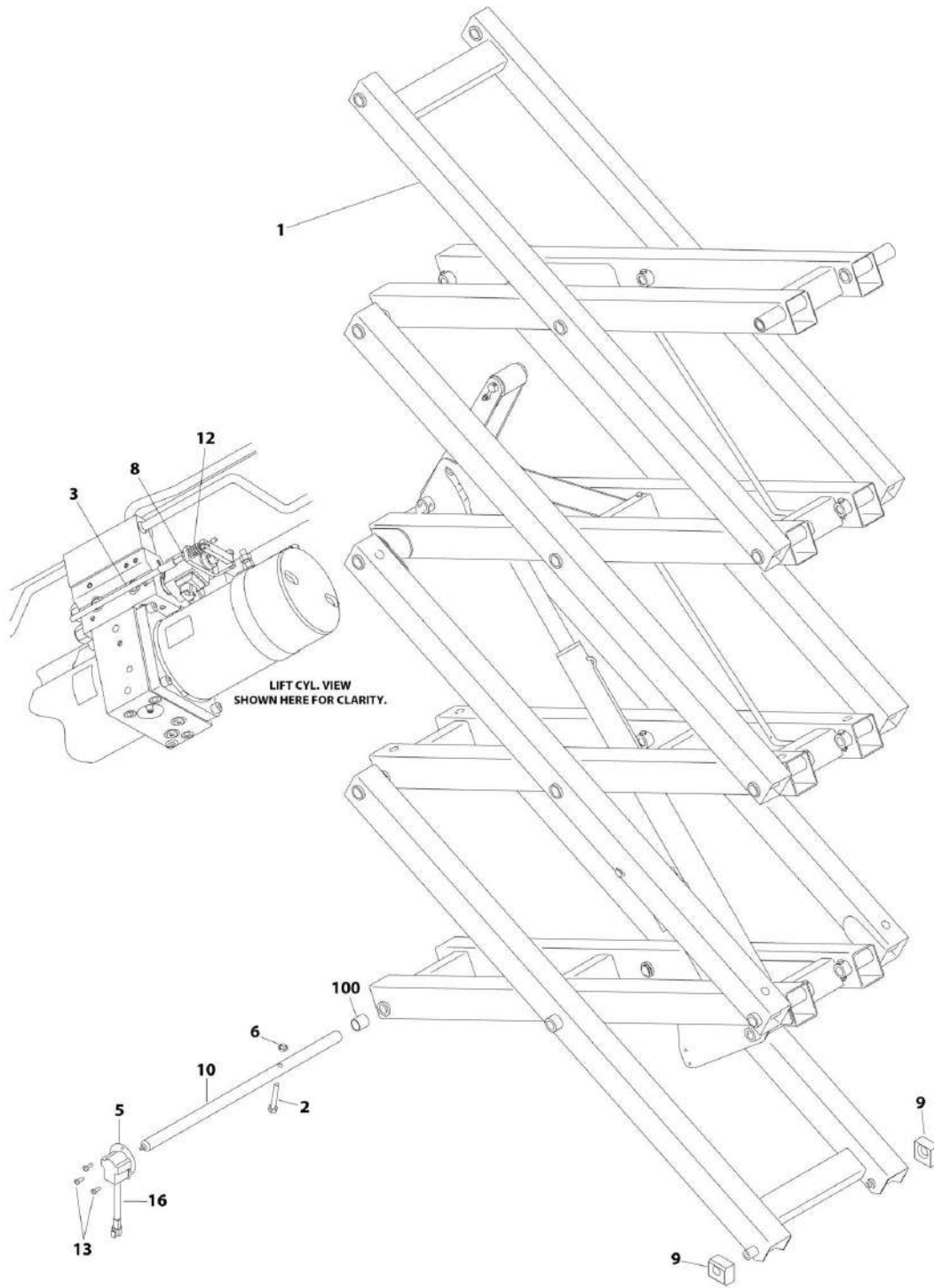
SECTION 3 - SCISSORS ARMS

FIGURE 3-8. SCISSORS ARMS ASSEMBLY - 2032ES BIODEGRADABLE HYDRAULIC OIL (CHINA BUILT MACHINES)

ITEM	PART NUMBER	QTY	DESCRIPTION	REV
	1001131028	Ref	SCISSORS ARMS ASSEMBLY - 2032ES BIODEGRADABLE HYDRAULIC OIL (CHINA BUILT MACHINES)	D
1	0200799	1	Arm - Mid Inboard	
2	0200802	1	Arm - Lower Outboard	
3	0200803	1	Arm - Mid Outboard (Left Side)	
4	0200804	1	Arm - Mid Outboard (Right Side)	
5	0200807	1	Arm - Upper Outboard	
6	0200816	1	Arm - Upper Inboard	
7	0200834	1	Arm - Lower Inboard	
8	0440266	4	Bearing	
9	0440267	28	Bearing	
10	0701015	1	Bolt M10 x 35	
11	0701022	15	Bolt M10 x 70	
12	1180382	1	Carrier, Cable	
13	3291007	16	Nut M10	
16	3340962	16	Pad, Arm	
17	3760170	2	Ring, Split	
18	3422997	7	Pin	
19	3423014	3	Pin	
20	3423036	4	Pin	
21	3423038	1	Pin	
22	3423067	1	Pin	
23	3574161	1	Bar, Prop Attach	
24	3760387	14	Ring, Retaining	
25	3841143	1	Keeper, Pin	
26	4071094	AR	Shim, Spacer	
27	4740438	14	Washer	
28	4812000	2	Washer M10	
29	1001131034	1	Lift Cylinder Assembly - Biodegradable Hydraulic Oil (See CYLINDER SECTION for Breakdown)	

SECTION 3 - SCISSORS ARMS

FIGURE 3-9. SCISSORS ARMS INSTALLATION - 2632ES STANDARD HYDRAULIC OIL (USA BUILT MACHINES) (SN 020000001 through 0200241220)



ART_1001157323

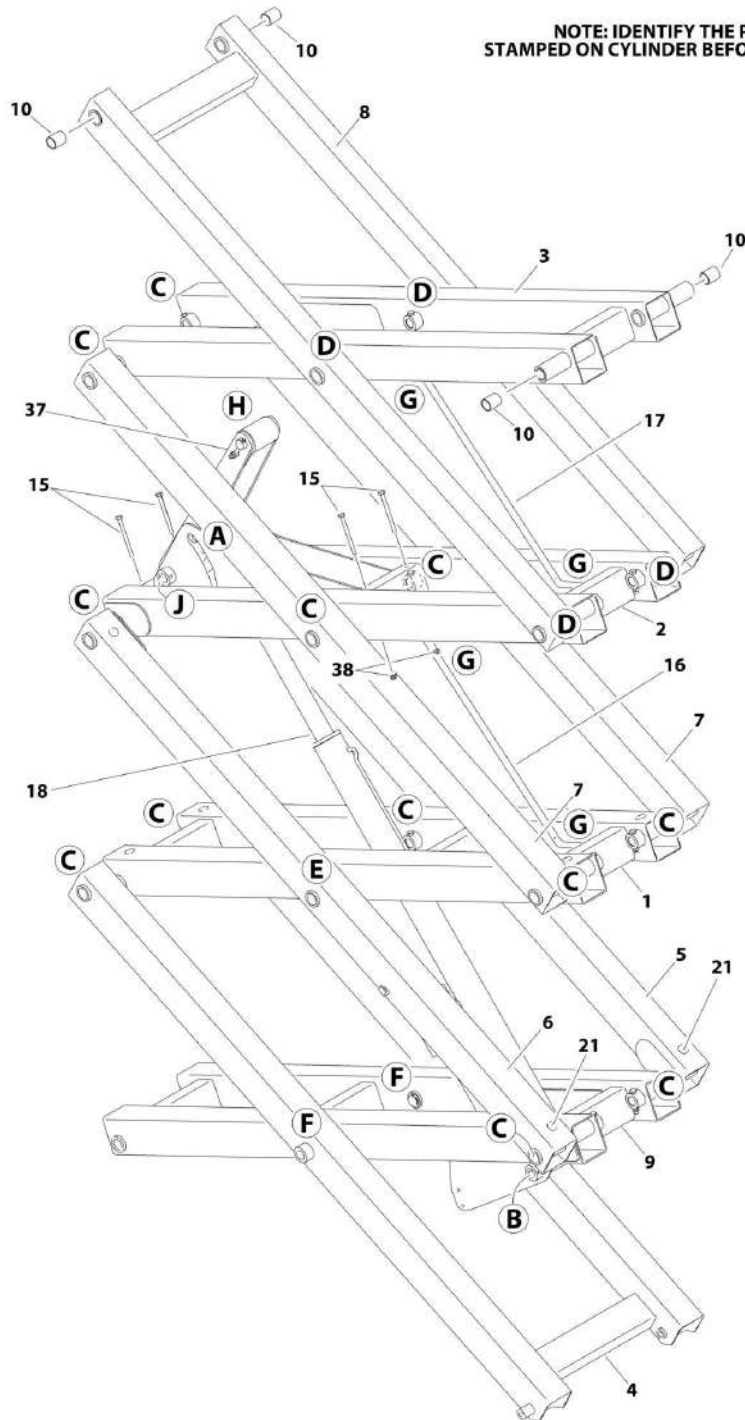
SECTION 3 - SCISSORS ARMS

FIGURE 3-9. SCISSORS ARMS INSTALLATION - 2632ES STANDARD HYDRAULIC OIL (USA BUILT MACHINES) (SN 0200000001 through 0200241220)

ITEM	PART NUMBER	QTY	DESCRIPTION	REV
	1001157323	Ref	SCISSORS ARMS INSTALLATION - 2632ES STANDARD HYDRAULIC OIL (USA BUILT MACHINES) (SN 0200000001 through 0200241220)	B
1	1001157317	1	Arms Assembly (See SCISSORS ARMS ASSEMBLY - 2632ES STANDARD HYDRAULIC OIL (USA BUILT MACHINES) for Breakdown)	
2	0701022	1	Bolt M10 x 70	
3	1061034	1	Cable, Manual Descent	
3	7020218	1	T-Handle (With 1/4-20 Threads)	
3	70001878	1	T-Handle (With M5 Threads)	
5	3200454	1	Mount, Switch	
6	3291005	1	Nut M10	
8	3321402	1	Nut 1/4-28	
9	3340957	2	Pad, Slide	
10	3423259	1	Pin, Sensor	
12	4160078	1	Spring, Compression	
13	4191706	3	Screw M6 x 12	
16	1001092354	1	Switch, Rotary Angle Sensor	
16	4460536	1	Receptacle, Female - 3 Position	
16	4460464	3	Pin, Male	
100	0440265	1	Bushing (Part of Frame Weldment)	

SECTION 3 - SCISSORS ARMS

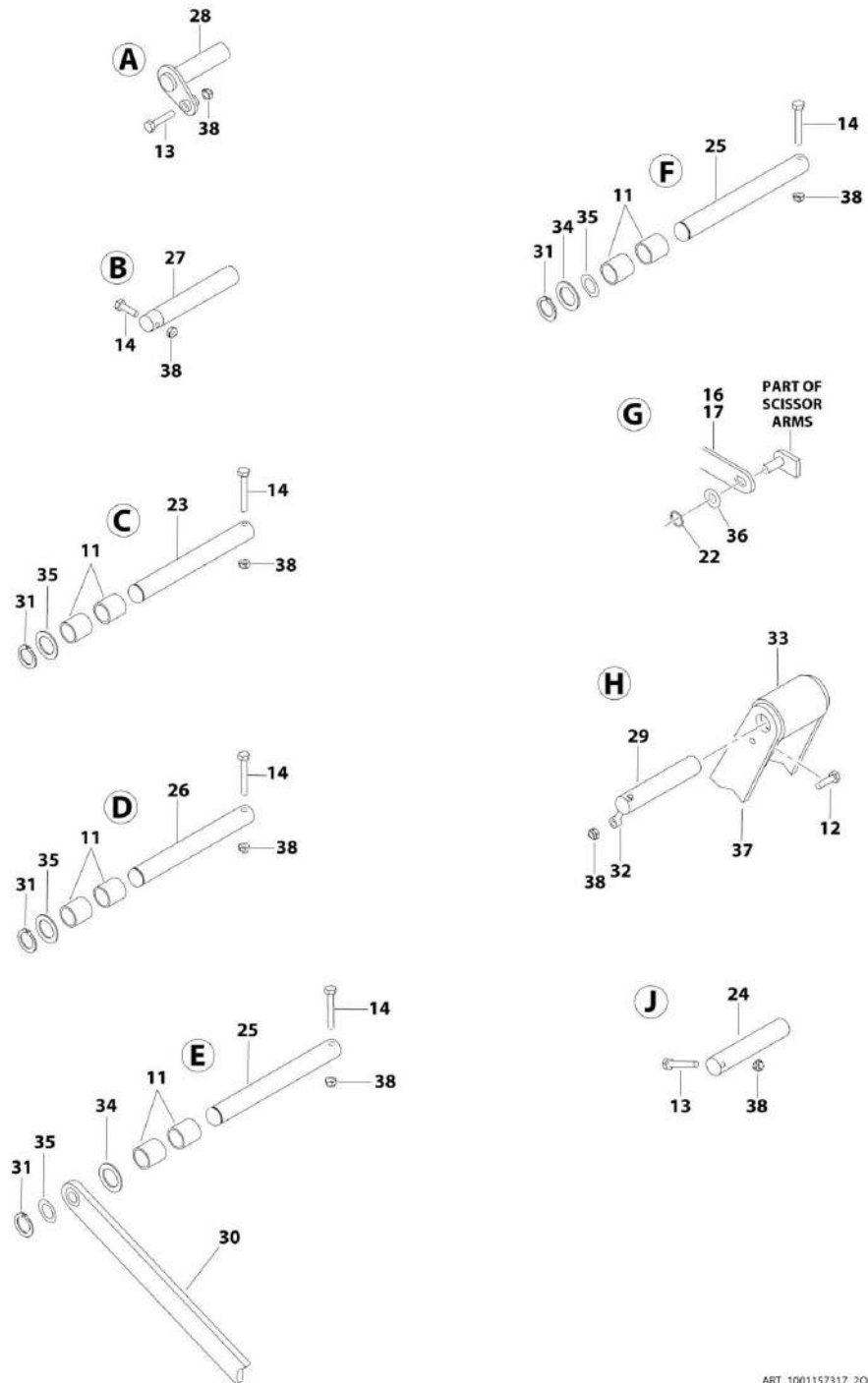
FIGURE 3-10. SCISSORS ARMS ASSEMBLY - 2632ES STANDARD HYDRAULIC OIL (USA BUILT MACHINES) (SN 020000001 through 0200241220)



NOTE: IDENTIFY THE PART NUMBER STAMPED ON CYLINDER BEFORE ORDERING PARTS.

ART_1001157317_10F2

SECTION 3 - SCISSORS ARMS



ART_1001157317_20F2

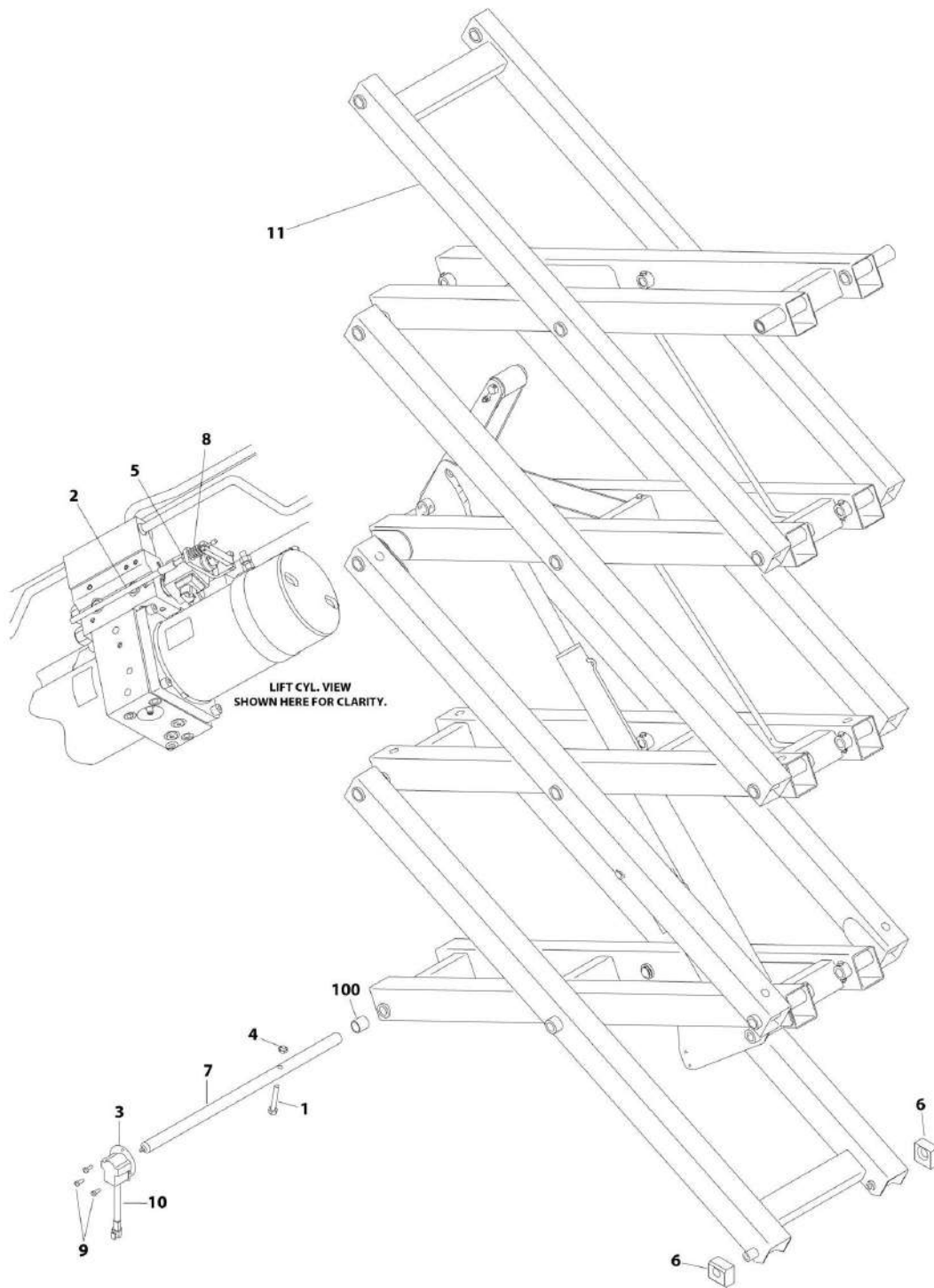
SECTION 3 - SCISSORS ARMS

FIGURE 3-10. SCISSORS ARMS ASSEMBLY - 2632ES STANDARD HYDRAULIC OIL (USA BUILT MACHINES) (SN 0200000001 through 0200241220)

ITEM	PART NUMBER	QTY	DESCRIPTION	REV
	1001157317	Ref	SCISSORS ARMS ASSEMBLY - 2632ES STANDARD HYDRAULIC OIL (USA BUILT MACHINES) (SN 0200000001 through 0200241220)	B
1	0200799	1	Arm - Lower Mid Inboard	
2	0200800	1	Arm - Upper Mid Inboard	
3	0200801	1	Arm - Upper Inboard	
4	0200802	1	Arm - Lower Outboard	
5	0200803	1	Arm - Lower Mid Outboard (Left Side)	
6	0200804	1	Arm - Lower Mid Outboard (Right Side)	
7	0200805	2	Arm - Upper Mid Out board	
8	0200807	1	Arm - Upper Outboard	
9	0200834	1	Arm - Lower Inboard	
10	0440266	4	Bearing	
11	0440267	42	Bearing	
12	0701015	1	Bolt M10 x 35	
13	0701017	1	Bolt M10 x 45	
14	0701022	18	Bolt M10 x 70	
15	0701029	4	Bolt M10 x 120	
16	1180382	1	Carrier, Cable	
17	1180383	1	Carrier, Cable	
18	1001155842	1	Lift Cylinder Assembly - Standard Hydraulic Oil (See CYLINDER SECTION for Breakdown)	
21	3340962	24	Pad, Arm	
22	3760170	2	Ring, Split	
23	3422997	13	Pin	
24	3422998	1	Pin	
25	3423014	3	Pin	
26	3423036	4	Pin	
27	3423038	1	Pin	
28	3423039	1	Pin	
29	3423067	1	Pin	
30	3574161	1	Bar, Prop Attach	
31	3760387	20	Ring, Retaining	
32	3841143	1	Keeper, Pin	
33	3860107	1	Roller	
34	4071094	AR	Shim, Spacer	
35	4740438	20	Washer	
36	4812000	2	Washer M10	
37	4846752	1	Kicker, Arm	
38	3291007	24	Nut M10	

SECTION 3 - SCISSORS ARMS

FIGURE 3-11. SCISSORS ARMS INSTALLATION - 2632ES STANDARD HYDRAULIC OIL (USA AND MEXICO BUILT MACHINES) (SN 0200241221 to Present, SN M200000100 through M200022019)



ART_1001190908

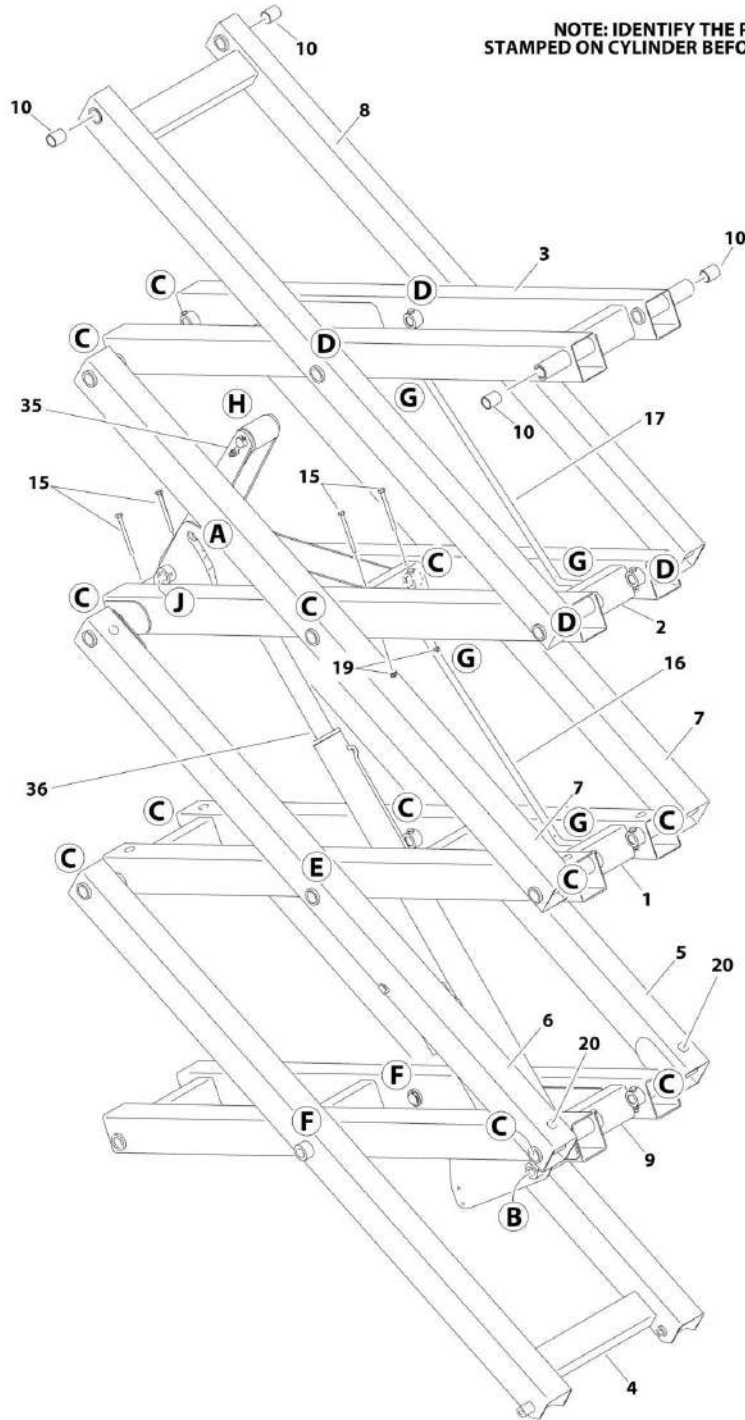
SECTION 3 - SCISSORS ARMS

FIGURE 3-11. SCISSORS ARMS INSTALLATION - 2632ES STANDARD HYDRAULIC OIL (USA AND MEXICO BUILT MACHINES) (SN 0200241221 to Present, SN M200000100 through M200022019)

ITEM	PART NUMBER	QTY	DESCRIPTION	REV
	1001190908	Ref	SCISSORS ARMS INSTALLATION - 2632ES STANDARD HYDRAULIC OIL (USA AND MEXICO BUILT MACHINES) (SN 0200241221 to Present, SN M200000100 through M200022019)	A
1	0701022	1	Bolt M10 x 70	
2	1061034	1	Cable, Manual Descent	
2	7020218	1	T-Handle (With 1/4-20 Threads)	
2	70001878	1	T-Handle (With M5 Threads)	
3	3200454	1	Mount, Switch	
4	3291005	1	Nut M10	
5	3321402	1	Nut 1/4-28	
6	3340957	2	Pad, Slide	
7	3423259	1	Pin, Sensor	
8	4160078	1	Spring, Compression	
9	4191706	3	Screw M6 x 12	
10	1001092354	1	Switch, Rotary Angle Sensor	
10	4460536	1	Receptacle, Female - 3 Position	
10	4460464	3	Pin, Male	
11	1001190907	1	Arms Assembly (See SCISSORS ARMS ASSEMBLY - 2632ES STANDARD HYDRAULIC OIL (USA AND MEXICO BUILT MACHINES) for Breakdown)	
100	0440265	1	Bushing (Part of Frame Weldment)	

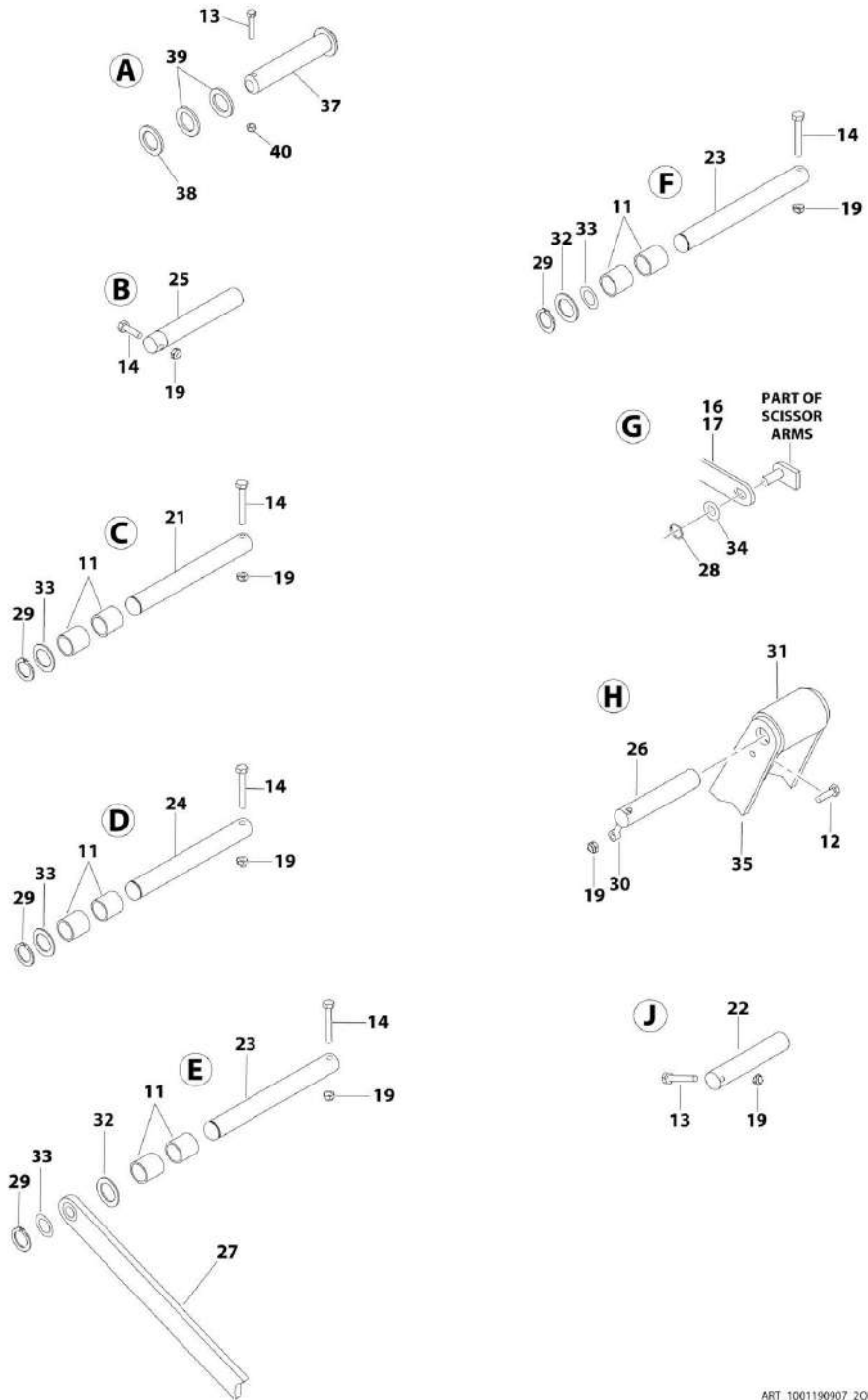
SECTION 3 - SCISSORS ARMS

FIGURE 3-12. SCISSORS ARMS ASSEMBLY - 2632ES STANDARD HYDRAULIC OIL (USA AND MEXICO BUILT MACHINES) (SN 0200241221 to Present, SN M200000100 to Present)



ART_1001190907_10F2

SECTION 3 - SCISSORS ARMS



ART_1001190907_ZOF2

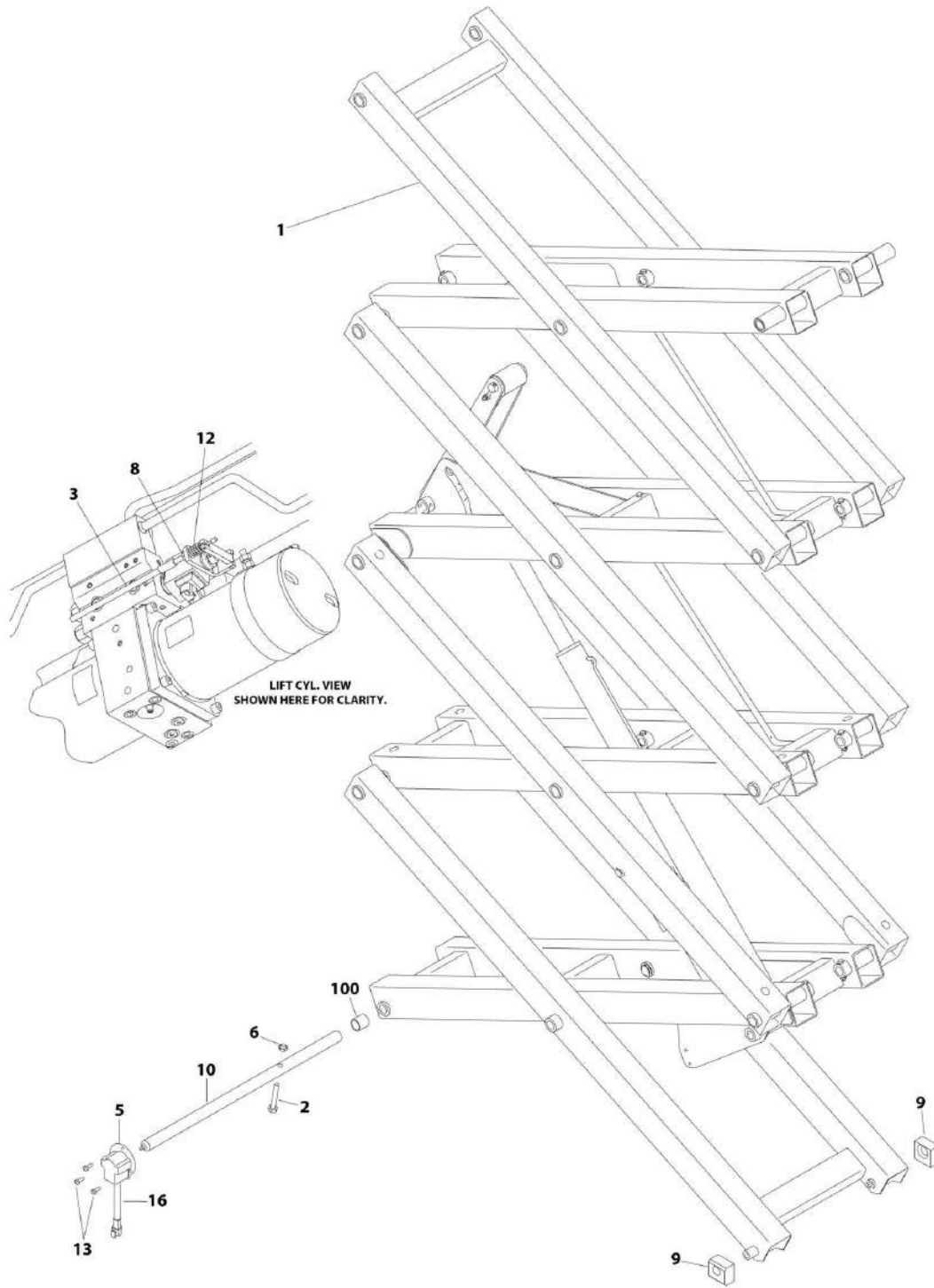
SECTION 3 - SCISSORS ARMS

FIGURE 3-12. SCISSORS ARMS ASSEMBLY - 2632ES STANDARD HYDRAULIC OIL (USA AND MEXICO BUILT MACHINES) (SN 0200241221 to Present, SN M200000100 to Present)

ITEM	PART NUMBER	QTY	DESCRIPTION	REV
	1001190907	Ref	SCISSORS ARMS ASSEMBLY - 2632ES STANDARD HYDRAULIC OIL (USA AND MEXICO BUILT MACHINES) (SN 0200241221 to Present, SN M200000100 to Present)	B
1	0200799	1	Arm - Lower Mid Inboard	
2	0200800	1	Arm - Upper Mid Inboard	
3	0200801	1	Arm - Upper Inboard	
4	0200802	1	Arm - Lower Outboard	
5	0200803	1	Arm - Lower Mid Outboard (Left Side)	
6	0200804	1	Arm - Lower Mid Outboard (Right Side)	
7	0200805	2	Arm - Upper Mid Outboard	
8	0200807	1	Arm - Upper Outboard	
9	0200834	1	Arm - Lower Inboard	
10	0440266	4	Bearing	
11	0440267	42	Bearing	
12	0701015	1	Bolt M10 x 35	
13	0700817	1	Bolt M8 x 45	
14	0701022	18	Bolt M10 x 70	
15	0701029	4	Bolt M10 x 120	
16	1180382	1	Carrier, Cable	
17	1180383	1	Carrier, Cable	
19	3291007	23	Nut M10	
20	3340962	24	Pad, Arm	
21	3422997	13	Pin	
22	3422998	1	Pin	
23	3423014	3	Pin	
24	3423036	4	Pin	
25	3423038	1	Pin	
26	3423067	1	Pin	
27	3574161	1	Bar, Prop Attach	
28	3760170	4	Ring, Split	
29	3760387	20	Ring, Retaining	
30	3841143	1	Keeper, Pin	
31	3860107	1	Roller	
32	4071094	AR	Shim, Spacer	
33	4740438	20	Washer	
34	4812000	4	Washer M10	
35	4846752	1	Kicker, Arm	
36	1001155842	1	Lift Cylinder Assembly - Standard Hydraulic Oil (See CYLINDER SECTION for Breakdown)	
37	1001177911	1	Pin	
38	1001177913	1	Plate	
39	1001177914	2	Washer	
40	3290807	1	Nut M8	

SECTION 3 - SCISSORS ARMS

FIGURE 3-13. SCISSORS ARMS INSTALLATION - 2632ES STANDARD HYDRAULIC OIL (CHINA BUILT MACHINES) (SN B200000100 through B200020981)



ART_1001131006

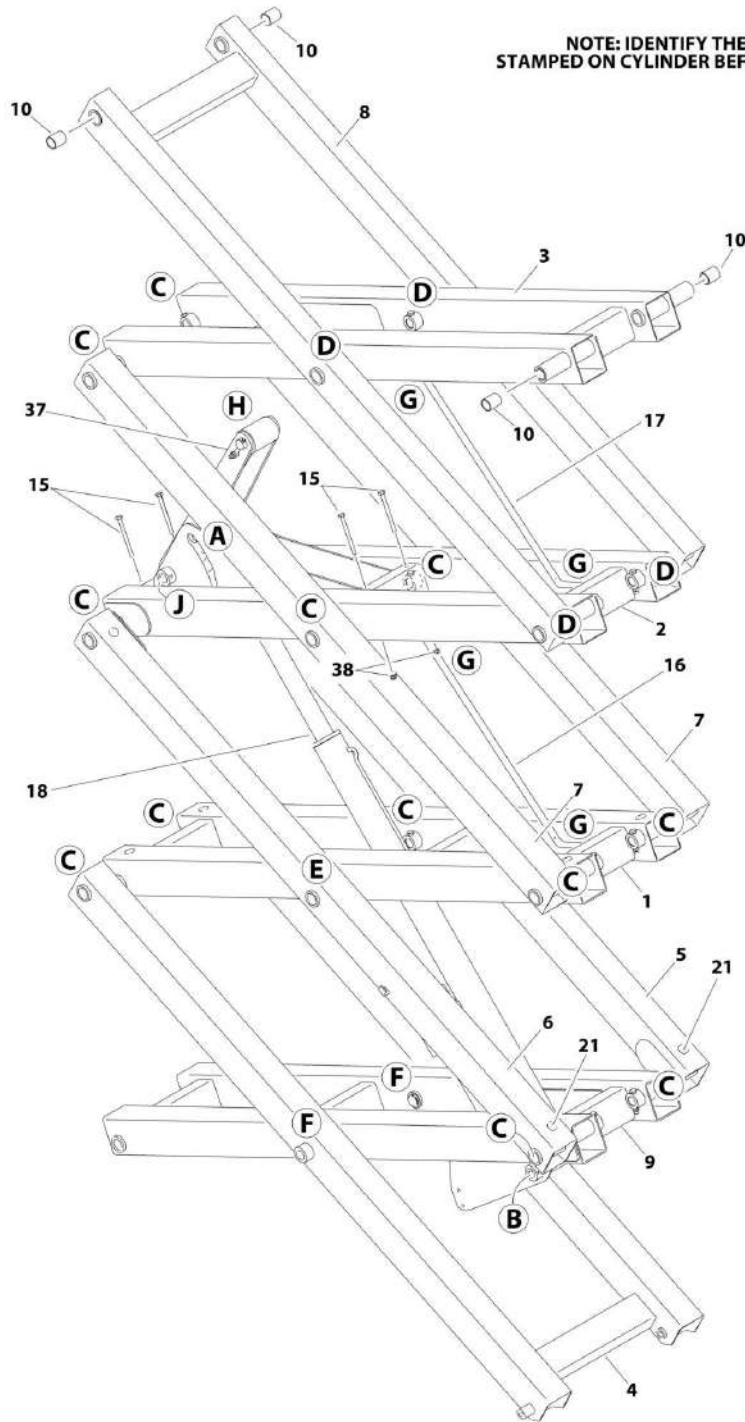
SECTION 3 - SCISSORS ARMS

FIGURE 3-13. SCISSORS ARMS INSTALLATION - 2632ES STANDARD HYDRAULIC OIL (CHINA BUILT MACHINES) (SN B200000100 through B200020981)

ITEM	PART NUMBER	QTY	DESCRIPTION	REV
	1001131006	Ref	SCISSORS ARMS INSTALLATION - 2632ES STANDARD HYDRAULIC OIL (CHINA BUILT MACHINES) (SN B200000100 through B200020981)	D
1	1001131021	1	Arms Assembly (See SCISSORS ARMS ASSEMBLY - 2632ES STANDARD HYDRAULIC OIL for Breakdown)	
2	0701022	1	Bolt M10 x 70	
3	1061034	1	Cable, Manual Descent	
3	7020218	1	T-Handle (With 1/4-20 Threads)	
3	70001878	1	T-Handle (With M5 Threads)	
5	3200454	1	Mount, Switch	
6	3291005	1	Nut M10	
8	3321402	1	Nut 1/4-28	
9	3340957	2	Pad, Slide	
10	3423259	1	Pin, Sensor	
12	4160078	1	Spring, Compression	
13	4191706	3	Screw M6 x 12	
16	1001092354	1	Switch, Rotary Angle Sensor	
16	4460536	1	Receptacle, Female - 3 Position	
16	4460464	3	Pin, Male	
100	0440265	1	Bushing (Part of Frame Weldment)	

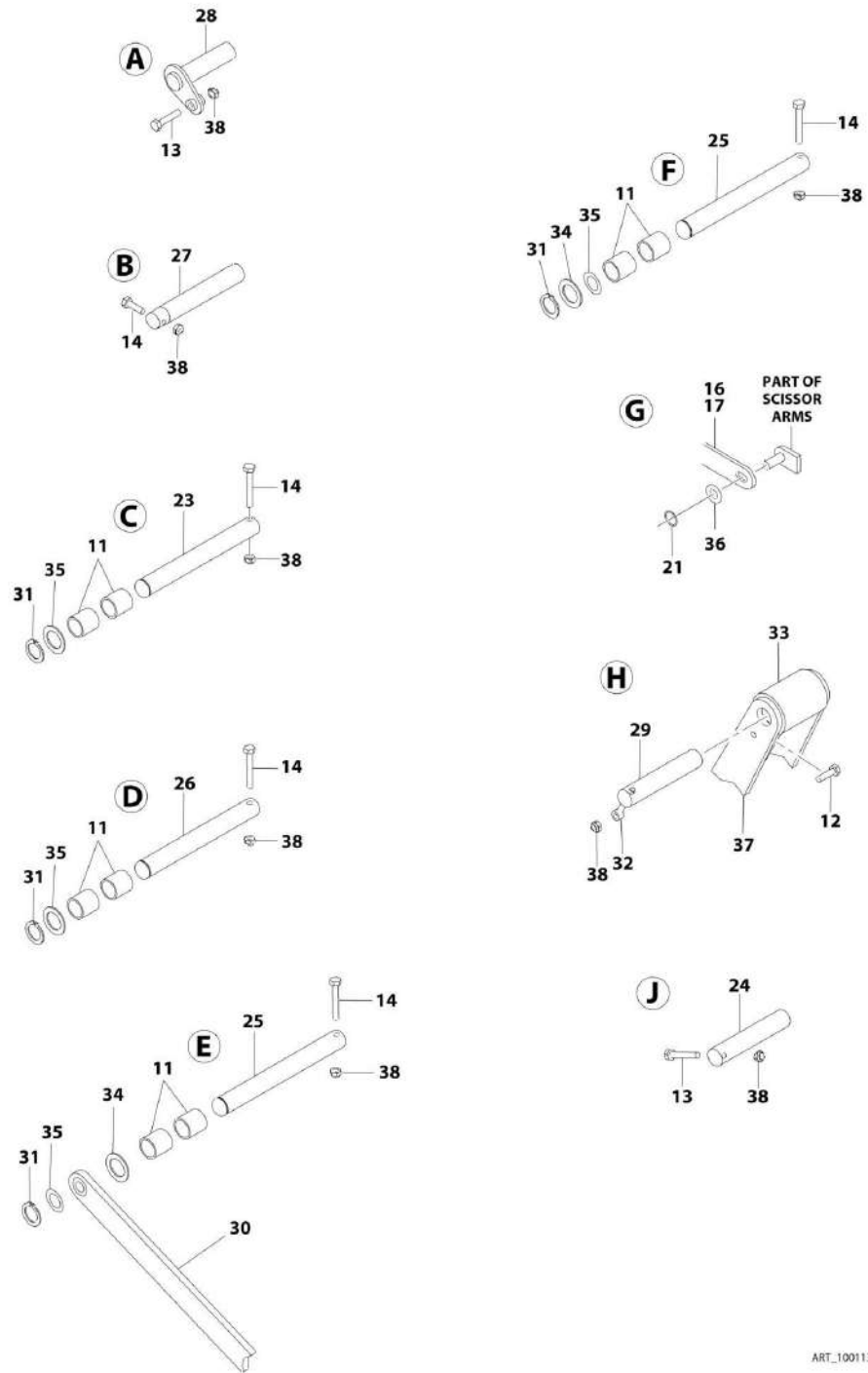
SECTION 3 - SCISSORS ARMS

FIGURE 3-14. SCISSORS ARMS ASSEMBLY - 2632ES STANDARD HYDRAULIC OIL (CHINA BUILT MACHINES) (SN B200000100 through B200020981)



ART_1001131021_10F2

SECTION 3 - SCISSORS ARMS



ART_1001131021_20F2

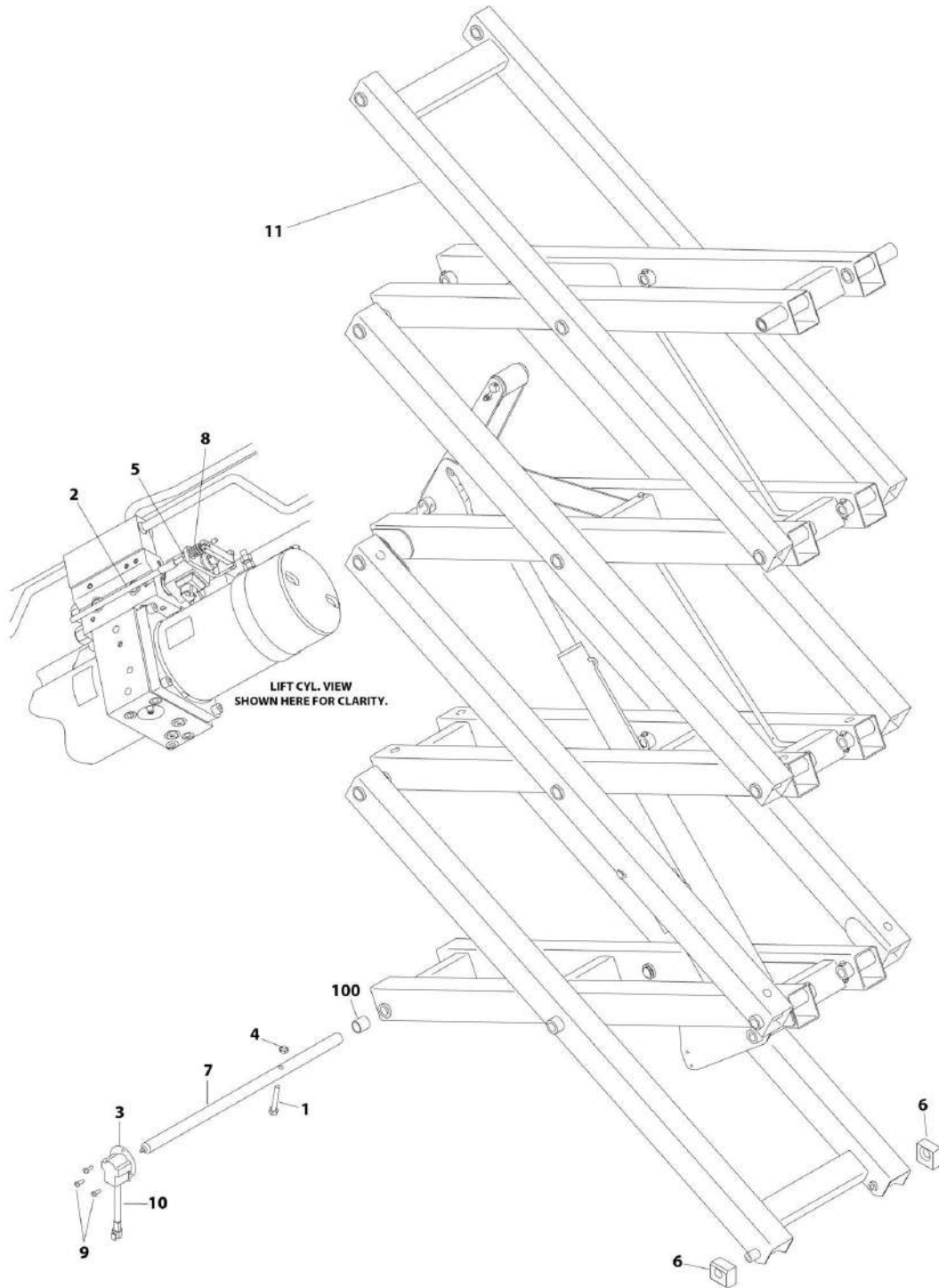
SECTION 3 - SCISSORS ARMS

FIGURE 3-14. SCISSORS ARMS ASSEMBLY - 2632ES STANDARD HYDRAULIC OIL (CHINA BUILT MACHINES) (SN B200000100 through B200020981)

ITEM	PART NUMBER	QTY	DESCRIPTION	REV
	1001131021	Ref	SCISSORS ARMS ASSEMBLY - 2632ES STANDARD HYDRAULIC OIL (CHINA BUILT MACHINES) (SN B200000100 through B200020981)	E
1	0200799	1	Arm - Lower Mid Inboard	
2	0200800	1	Arm - Upper Mid Inboard	
3	0200801	1	Arm - Upper Inboard	
4	0200802	1	Arm - Lower Outboard	
5	0200803	1	Arm - Lower Mid Outboard (Left Side)	
6	0200804	1	Arm - Lower Mid Outboard (Right Side)	
7	0200805	2	Arm - Upper Mid Out board	
8	0200807	1	Arm - Upper Outboard	
9	0200834	1	Arm - Lower Inboard	
10	0440266	4	Bearing	
11	0440267	42	Bearing	
12	0701015	1	Bolt M10 x 35	
13	0701017	1	Bolt M10 x 45	
14	0701022	18	Bolt M10 x 70	
15	0701029	4	Bolt M10 x 120	
16	1180382	1	Carrier, Cable	
17	1180383	1	Carrier, Cable	
18	1001129290	1	Lift Cylinder Assembly - Standard Hydraulic Oil (See CYLINDER SECTION for Breakdown)	
21	3340962	24	Pad, Arm	
22	3760170	2	Ring, Split	
23	3422997	13	Pin	
24	3422998	1	Pin	
25	3423014	3	Pin	
26	3423036	4	Pin	
27	3423038	1	Pin	
28	3423039	1	Pin	
29	3423067	1	Pin	
30	3574161	1	Bar, Prop Attach	
31	3760387	20	Ring, Retaining	
32	3841143	1	Keeper, Pin	
33	3860107	1	Roller	
34	4071094	AR	Shim, Spacer	
35	4740438	20	Washer	
36	4812000	2	Washer M10	
37	4846752	1	Kicker, Arm	
38	3291007	24	Nut M10	

SECTION 3 - SCISSORS ARMS

FIGURE 3-15. SCISSORS ARMS INSTALLATION - 2632ES STANDARD HYDRAULIC OIL (BELGIUM, CHINA AND MEXICO BUILT MACHINES) (SN 1200025021 to Present, SN B200020982 to Present, SN M200022020 to Present)



ART_1001190904

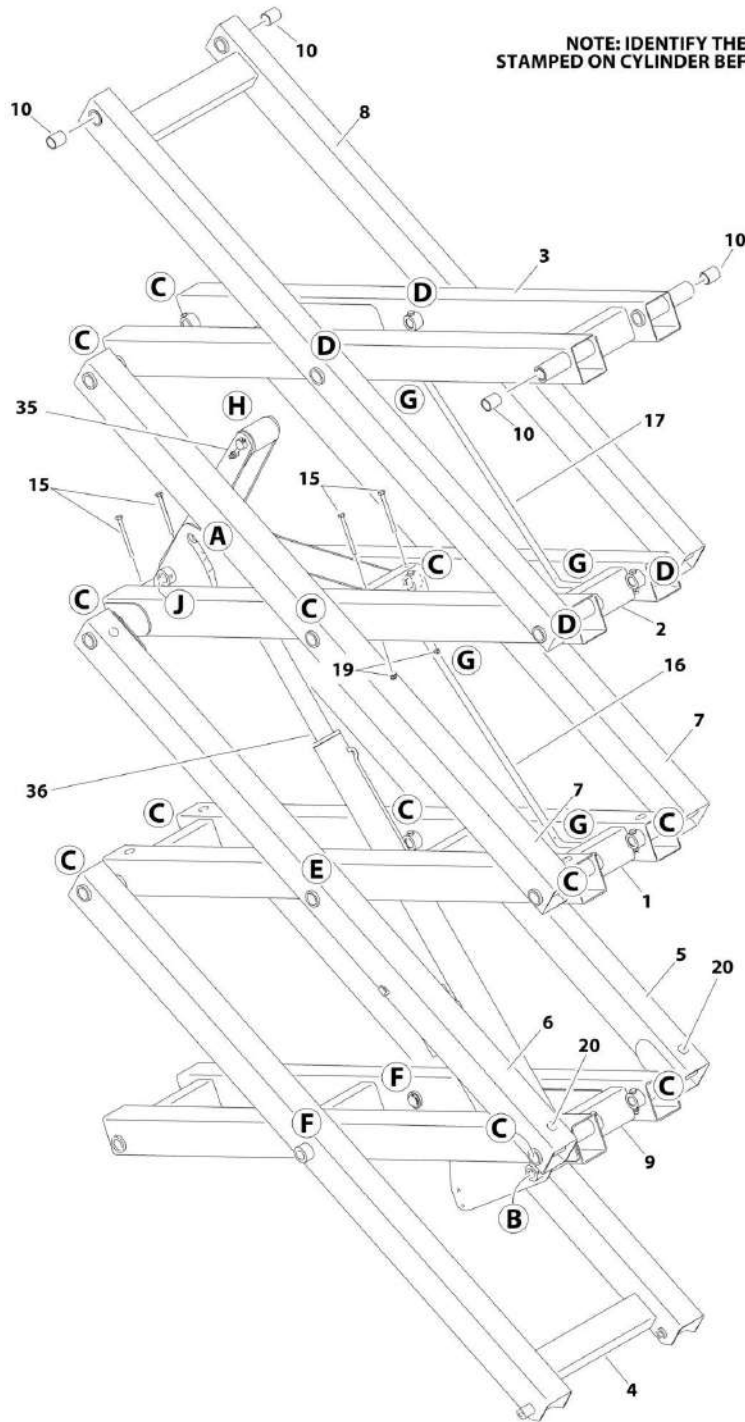
SECTION 3 - SCISSORS ARMS

FIGURE 3-15. SCISSORS ARMS INSTALLATION - 2632ES STANDARD HYDRAULIC OIL (BELGIUM, CHINA AND MEXICO BUILT MACHINES) (SN 1200025021 to Present, SN B200020982 to Present, SN M200022020 to Present)

ITEM	PART NUMBER	QTY	DESCRIPTION	REV
	1001190904	Ref	SCISSORS ARMS INSTALLATION - 2632ES STANDARD HYDRAULIC OIL (BELGIUM, CHINA AND MEXICO BUILT MACHINES) (SN 1200025021 to Present, SN B200020982 to Present, SN M200022020 to Present)	A
1	0701022	1	Bolt M10 x 70	
2	1061034	1	Cable, Manual Descent	
2	7020218	1	T-Handle (With 1/4-20 Threads)	
2	70001878	1	T-Handle (With M5 Threads)	
3	3200454	1	Mount, Switch	
4	3291005	1	Nut M10	
5	3321402	1	Nut 1/4-28	
6	3340957	2	Pad, Slide	
7	3423259	1	Pin, Sensor	
8	4160078	1	Spring, Compression	
9	4191706	3	Screw M6 x 12	
10	1001092354	1	Switch, Rotary Angle Sensor	
10	4460536	1	Receptacle, Female - 3 Position	
10	4460464	3	Pin, Male	
11	1001190902	1	Arms Assembly (See SCISSORS ARMS ASSEMBLY - 2632ES STANDARD HYDRAULIC OIL for Breakdown)	
100	0440265	1	Bushing (Part of Frame Weldment)	

SECTION 3 - SCISSORS ARMS

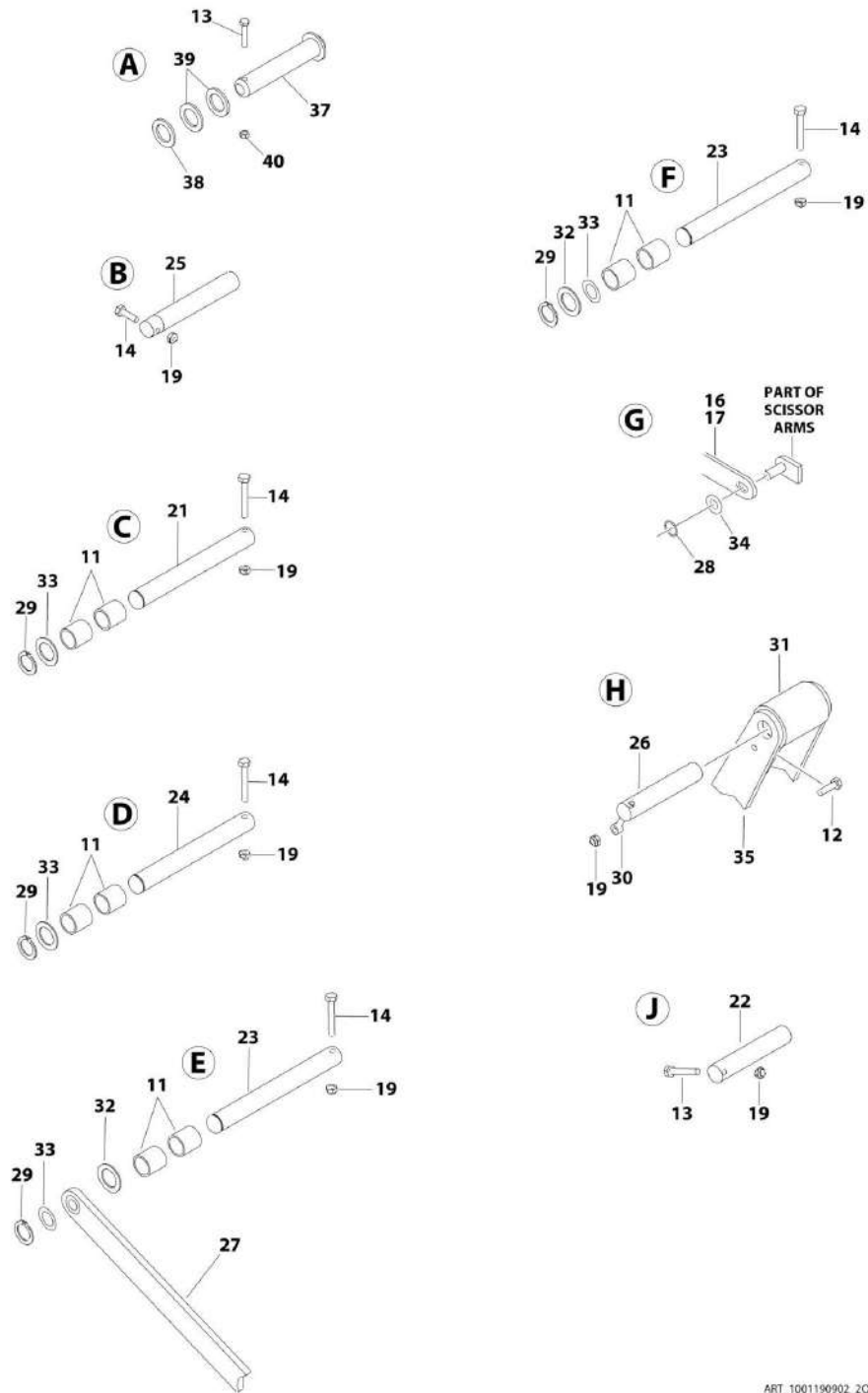
FIGURE 3-16. SCISSORS ARMS ASSEMBLY - 2632ES STANDARD HYDRAULIC OIL (BELGIUM AND CHINA BUILT MACHINES) (SN 1200025021 to Present, SN B200020982 to Present)



NOTE: IDENTIFY THE PART NUMBER STAMPED ON CYLINDER BEFORE ORDERING PARTS.

ART_1001190902_1OF2

SECTION 3 - SCISSORS ARMS



ART_1001190902_ZOF2

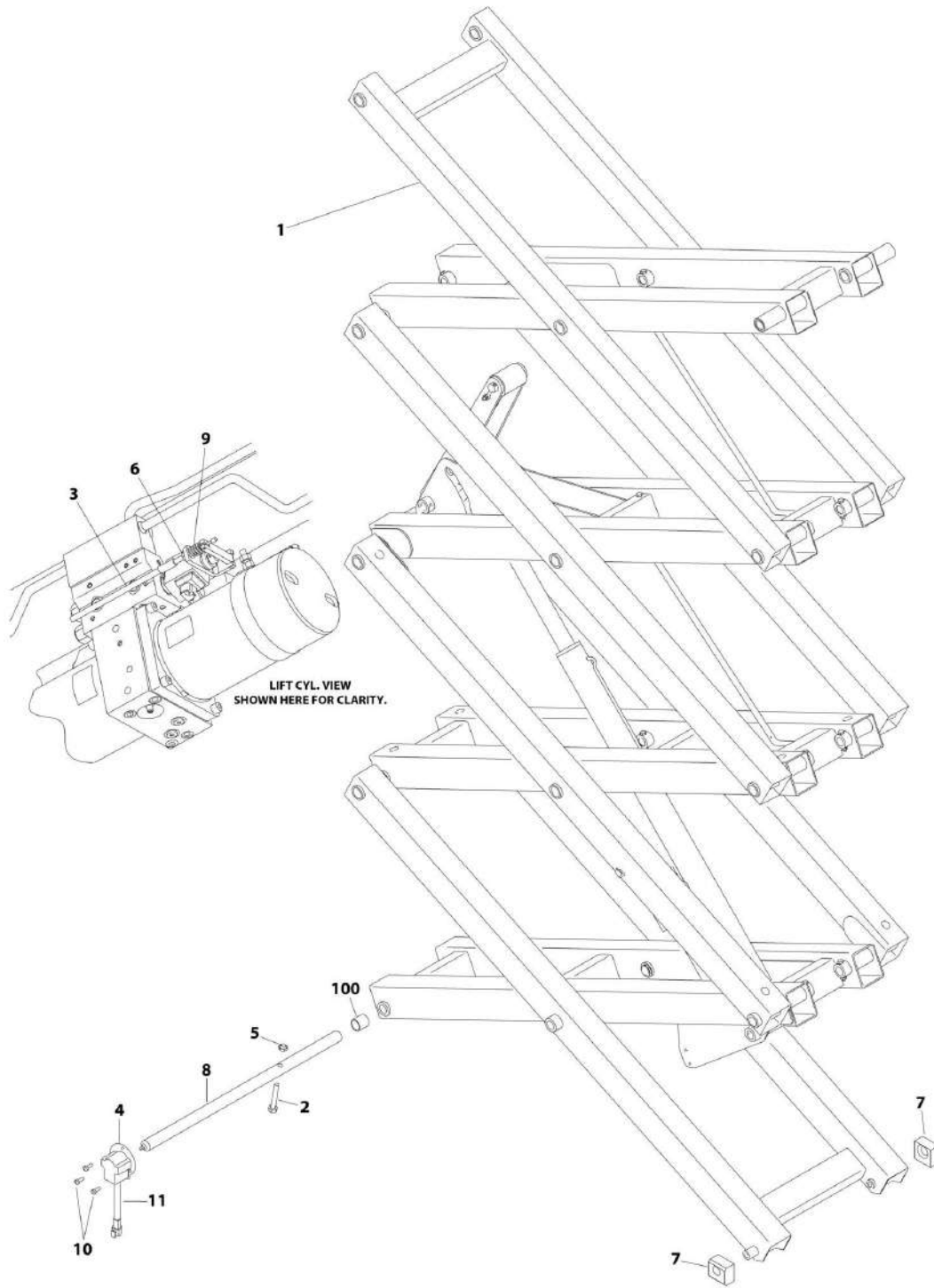
SECTION 3 - SCISSORS ARMS

FIGURE 3-16. SCISSORS ARMS ASSEMBLY - 2632ES STANDARD HYDRAULIC OIL (BELGIUM AND CHINA BUILT MACHINES) (SN 1200025021 to Present, SN B200020982 to Present)

ITEM	PART NUMBER	QTY	DESCRIPTION	REV
	1001190902	Ref	SCISSORS ARMS ASSEMBLY - 2632ES STANDARD HYDRAULIC OIL (BELGIUM AND CHINA BUILT MACHINES) (SN 1200025021 to Present, SN B200020982 to Present)	B
1	0200799	1	Arm - Lower Mid Inboard	
2	0200800	1	Arm - Upper Mid Inboard	
3	0200801	1	Arm - Upper Inboard	
4	0200802	1	Arm - Lower Outboard	
5	0200803	1	Arm - Lower Mid Outboard (Left Side)	
6	0200804	1	Arm - Lower Mid Outboard (Right Side)	
7	0200805	2	Arm - Upper Mid Outboard	
8	0200807	1	Arm - Upper Outboard	
9	0200834	1	Arm - Lower Inboard	
10	0440266	4	Bearing	
11	0440267	42	Bearing	
12	0701015	1	Bolt M10 x 35	
13	0700817	1	Bolt M8 x 45	
14	0701022	18	Bolt M10 x 70	
15	0701029	4	Bolt M10 x 120	
16	1180382	1	Carrier, Cable	
17	1180383	1	Carrier, Cable	
19	3291007	23	Nut M8	
20	3340962	24	Pad, Arm	
21	3422997	13	Pin	
22	3422998	1	Pin	
23	3423014	3	Pin	
24	3423036	4	Pin	
25	3423038	1	Pin	
26	3423067	1	Pin	
27	3574161	1	Bar, Prop Attach	
28	3760170	4	Ring, Split	
29	3760387	20	Ring, Retaining	
30	3841143	1	Keeper, Pin	
31	3860107	1	Roller	
32	4071094	AR	Shim, Spacer	
33	4740438	20	Washer	
34	4812000	2	Washer M10	
35	4846752	1	Kicker, Arm	
36	1001129290	1	Lift Cylinder Assembly - Standard Hydraulic Oil (See CYLINDER SECTION for Breakdown)	
37	1001177911	1	Pin	
38	1001177913	1	Plate	
39	1001177914	2	Washer	
40	3290807	1	Nut M8	

SECTION 3 - SCISSORS ARMS

FIGURE 3-17. SCISSORS ARMS INSTALLATION - 2632ES BIODEGRADABLE HYDRAULIC OIL (USA BUILT MACHINES) (SN 020000001 through 0200241220)



ART_1001157341

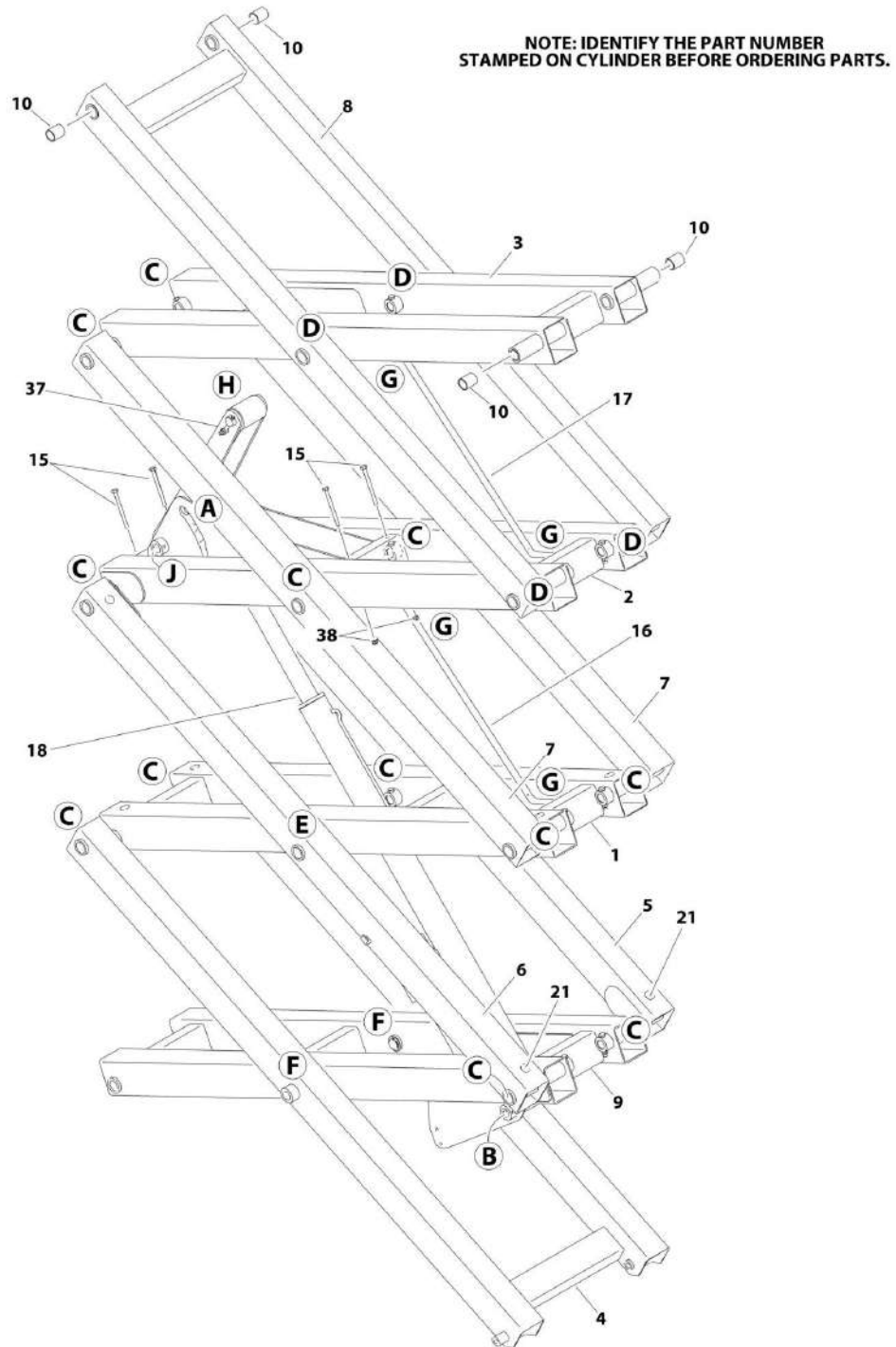
SECTION 3 - SCISSORS ARMS

FIGURE 3-17. SCISSORS ARMS INSTALLATION - 2632ES BIODEGRADEABLE HYDRAULIC OIL (USA BUILT MACHINES) (SN 0200000001 through 0200241220)

ITEM	PART NUMBER	QTY	DESCRIPTION	REV
	1001157341	Ref	SCISSORS ARMS INSTALLATION - 2632ES BIODEGRADEABLE HYDRAULIC OIL (USA BUILT MACHINES) (SN 0200000001 through 0200241220)	B
1	1001157336	1	Arms Assembly (See SCISSORS ARMS ASSEMBLY - 2632ES BIODEGRADEABLE HYDRAULIC OIL (USA BUILT MACHINES) for Breakdown)	
2	0701022	1	Bolt M10 x 70	
3	1061034	1	Cable, Manual Descent	
3	7020218	1	T-Handle (With 1/4-20 Threads)	
3	70001878	1	T-Handle (With M5 Threads)	
4	3200454	1	Mount, Switch	
5	3291005	1	Nut M10	
6	3321402	1	Nut 1/4-28	
7	3340957	2	Pad, Slide	
8	3423259	1	Pin, Sensor	
9	4160078	1	Spring, Compression	
10	4191706	3	Screw M6 x 12	
11	1001092354	1	Switch, Rotary Angle Sensor	
11	4460536	1	Receptacle, Female - 3 Position	
11	4460464	3	Pin, Male	
100	0440265	1	Bushing (Part of Frame Weldment)	

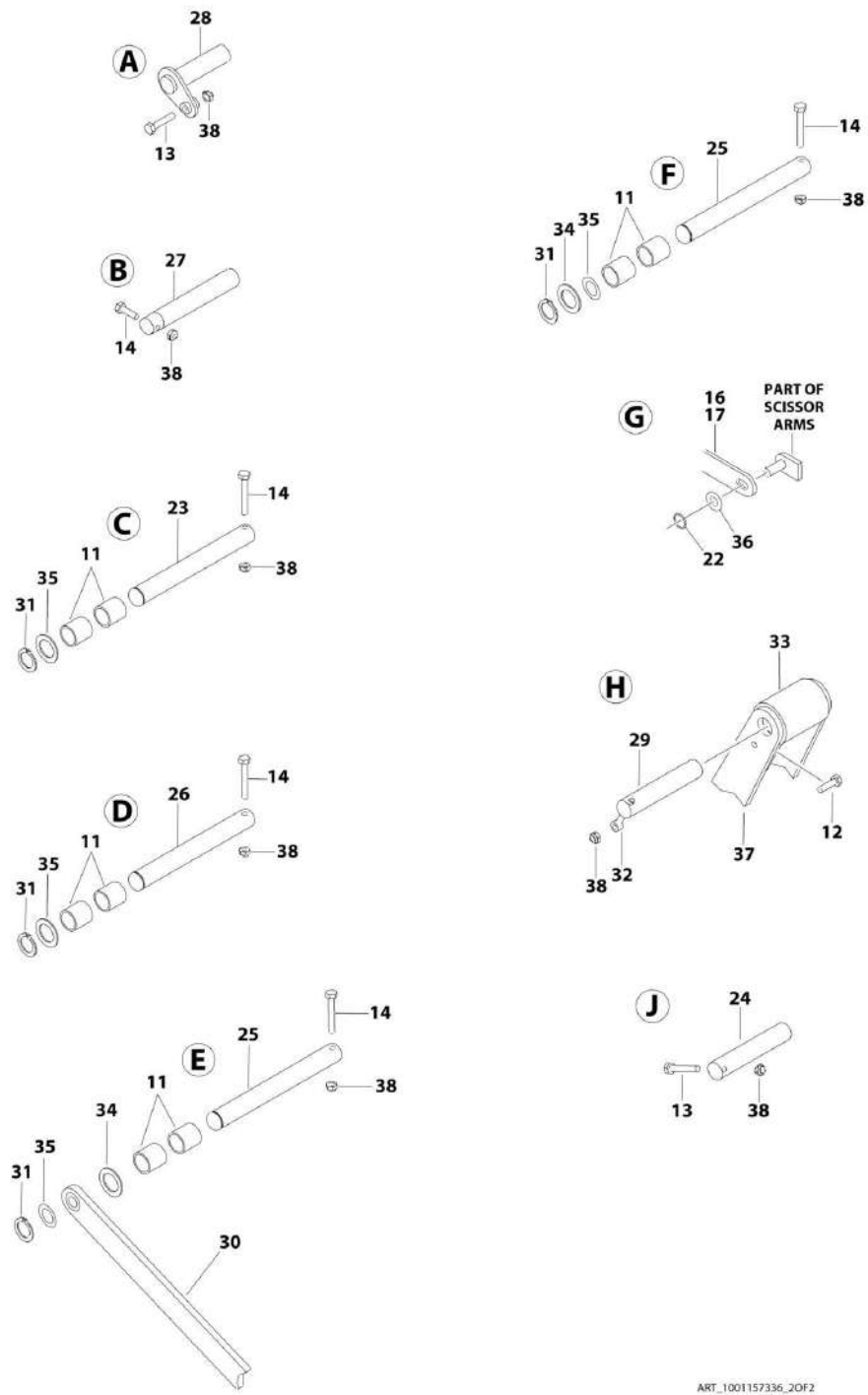
SECTION 3 - SCISSORS ARMS

FIGURE 3-18. SCISSORS ARMS ASSEMBLY - 2632ES BIODEGRADABLE HYDRAULIC OIL (USA BUILT MACHINES) (SN 020000001 through 0200241220)



ART_1001157336_10F2

SECTION 3 - SCISSORS ARMS



ART_1001157336_20F2

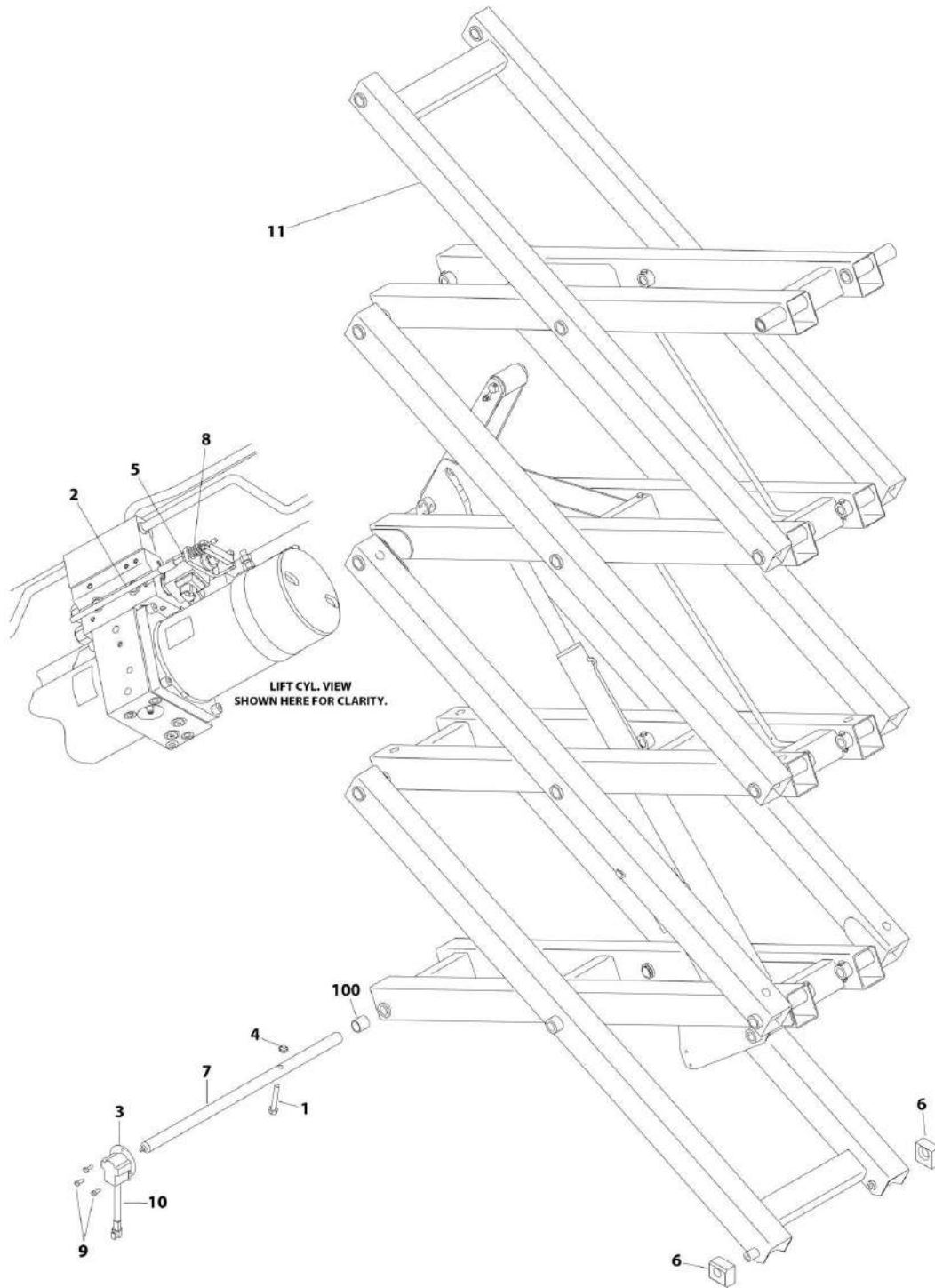
SECTION 3 - SCISSORS ARMS

FIGURE 3-18. SCISSORS ARMS ASSEMBLY - 2632ES BIODEGRADABLE HYDRAULIC OIL (USA BUILT MACHINES) (SN 020000001 through 0200241220)

ITEM	PART NUMBER	QTY	DESCRIPTION	REV
	1001157336	Ref	SCISSORS ARMS ASSEMBLY - 2632ES BIODEGRADABLE HYDRAULIC OIL (USA BUILT MACHINES) (SN 020000001 through 0200241220)	B
1	0200799	1	Arm - Lower Mid Inboard	
2	0200800	1	Arm - Upper Mid Inboard	
3	0200801	1	Arm - Upper Inboard	
4	0200802	1	Arm - Lower Outboard	
5	0200803	1	Arm - Lower Mid Outboard (Left Side)	
6	0200804	1	Arm - Lower Mid Outboard (Right Side)	
7	0200805	2	Arm - Upper Mid Out board	
8	0200807	1	Arm - Upper Outboard	
9	0200834	1	Arm - Lower Inboard	
10	0440266	4	Bearing	
11	0440267	42	Bearing	
12	0701015	1	Bolt M10 x 35	
13	0701017	1	Bolt M10 x 45	
14	0701022	18	Bolt M10 x 70	
15	0701029	4	Bolt M10 x 120	
16	1180382	1	Carrier, Cable	
17	1180383	1	Carrier, Cable	
18	1001157331	1	Lift Cylinder Assembly - Biodegradeable Hydraulic Oil (See CYLINDER SECTION for Breakdown)	
21	3340962	24	Pad, Arm	
22	3760170	2	Ring, Split	
23	3422997	13	Pin	
24	3422998	1	Pin	
25	3423014	3	Pin	
26	3423036	4	Pin	
27	3423038	1	Pin	
28	3423039	1	Pin	
29	3423067	1	Pin	
30	3574161	1	Bar, Prop Attach	
31	3760387	20	Ring, Retaining	
32	3841143	1	Keeper, Pin	
33	3860107	1	Roller	
34	4071094	AR	Shim, Spacer	
35	4740438	20	Washer	
36	4812000	2	Washer M10	
37	4846752	1	Kicker, Arm	
38	3291007	24	Nut M10	

SECTION 3 - SCISSORS ARMS

FIGURE 3-19. SCISSORS ARMS INSTALLATION - 2632ES BIODEGRADABLE HYDRAULIC OIL (USA AND MEXICO BUILT MACHINES) (SN 0200241221 to Present, SN M200000100 to Present)



ART_1001190910

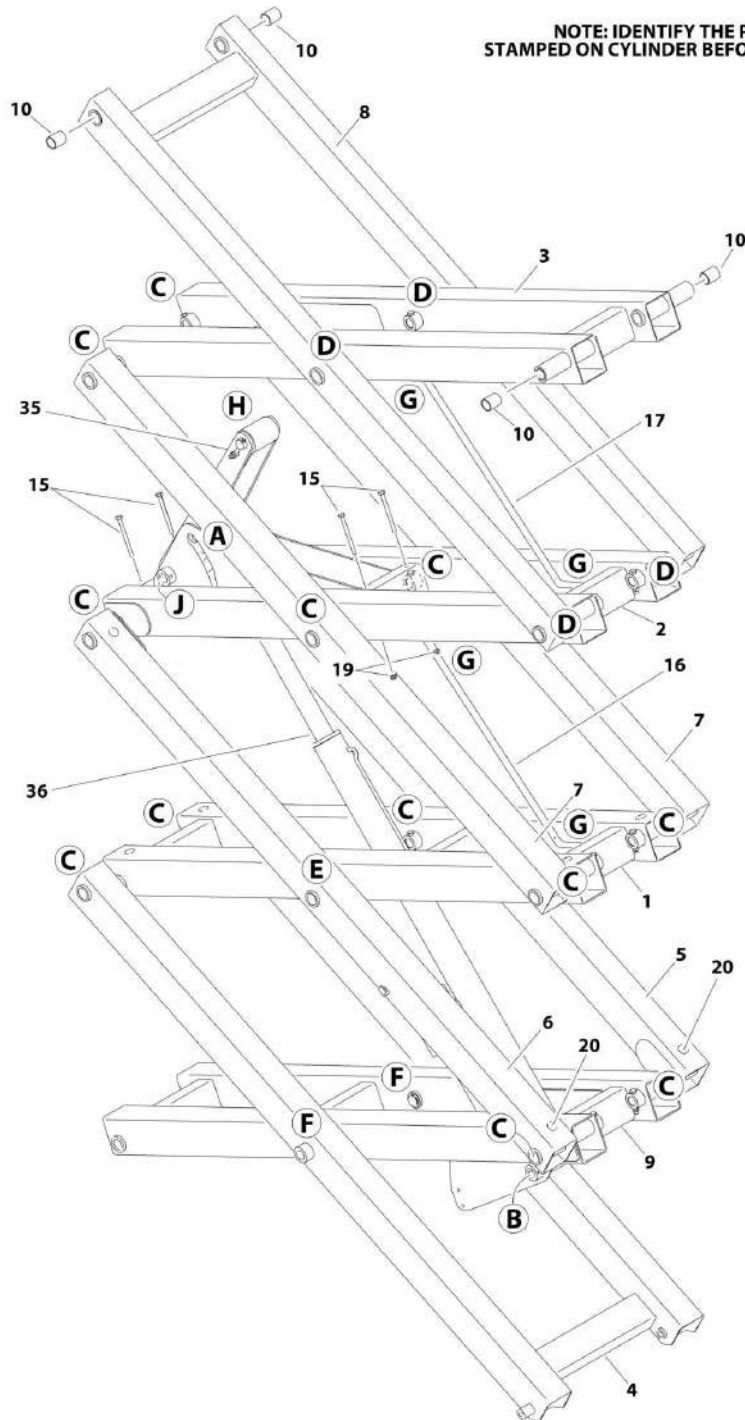
SECTION 3 - SCISSORS ARMS

FIGURE 3-19. SCISSORS ARMS INSTALLATION - 2632ES BIODEGRADEABLE HYDRAULIC OIL (USA AND MEXICO BUILT MACHINES) (SN 0200241221 to Present, SN M200000100 to Present)

ITEM	PART NUMBER	QTY	DESCRIPTION	REV
	1001190910	Ref	SCISSORS ARMS INSTALLATION - 2632ES BIODEGRADEABLE HYDRAULIC OIL (USA AND MEXICO BUILT MACHINES) (SN 0200241221 to Present, SN M200000100 to Present)	A
1	0701022	1	Bolt M10 x 70	
2	1061034	1	Cable, Manual Descent	
2	7020218	1	T-Handle (With 1/4-20 Threads)	
2	70001878	1	T-Handle (With M5 Threads)	
3	3200454	1	Mount, Switch	
4	3291005	1	Nut M10	
5	3321402	1	Nut 1/4-28	
6	3340957	2	Pad, Slide	
7	3423259	1	Pin, Sensor	
8	4160078	1	Spring, Compression	
9	4191706	3	Screw M6 x 12	
10	1001092354	1	Switch, Rotary Angle Sensor	
10	4460536	1	Receptacle, Female - 3 Position	
10	4460464	3	Pin, Male	
11	1001190909	1	Arms Assembly (See SCISSORS ARMS ASSEMBLY - 2632ES BIODEGRADEABLE HYDRAULIC OIL (USA AND MEXICO BUILT MACHINES) for Breakdown)	
100	0440265	1	Bushing (Part of Frame Weldment)	

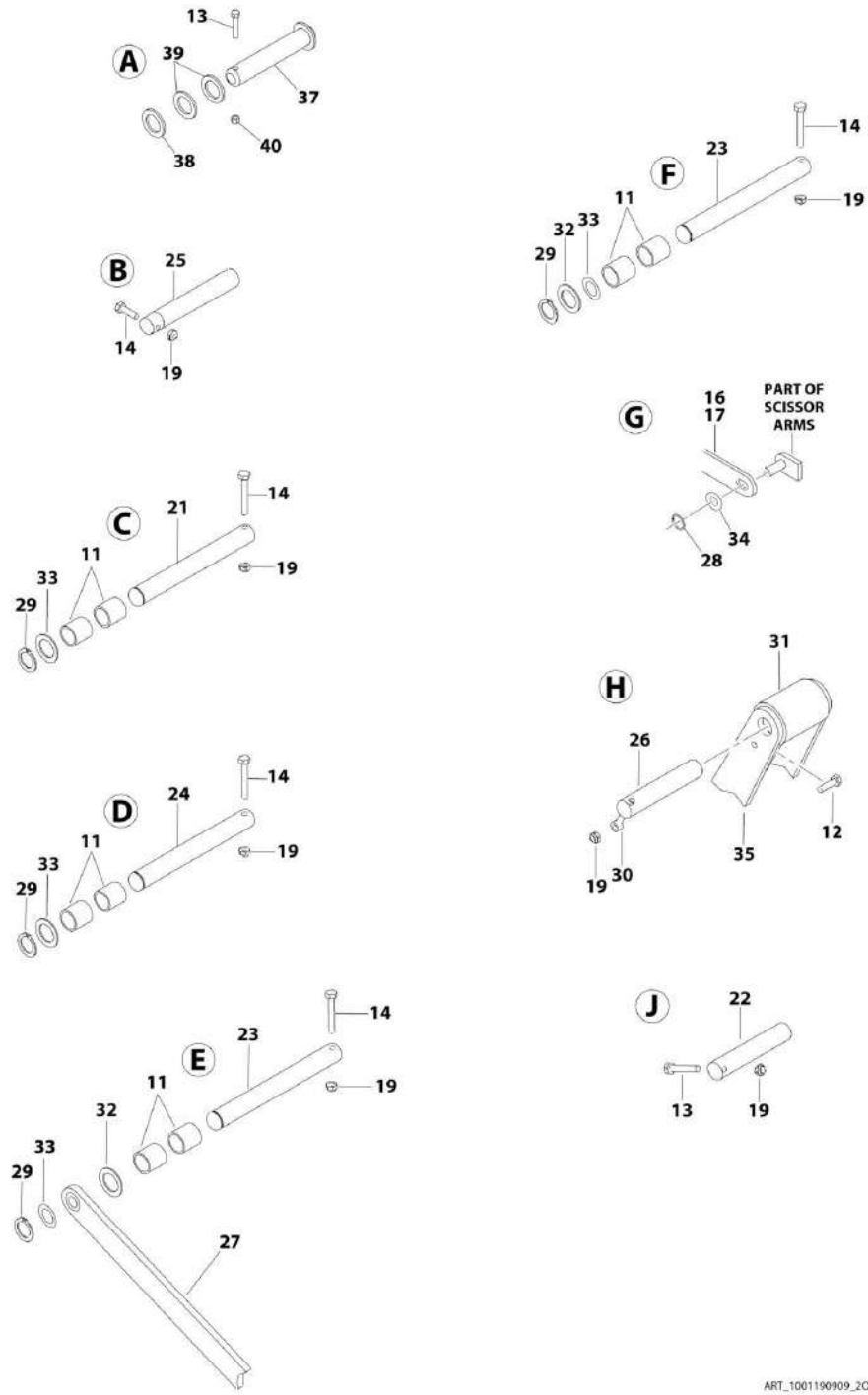
SECTION 3 - SCISSORS ARMS

FIGURE 3-20. SCISSORS ARMS ASSEMBLY - 2632ES BIODEGRADABLE HYDRAULIC OIL (USA AND MEXICO BUILT MACHINES) (SN 0200241221 to Present, SN M200000100 to Present)



ART_1001190909_10F2

SECTION 3 - SCISSORS ARMS



ART_1001190909_2OF2

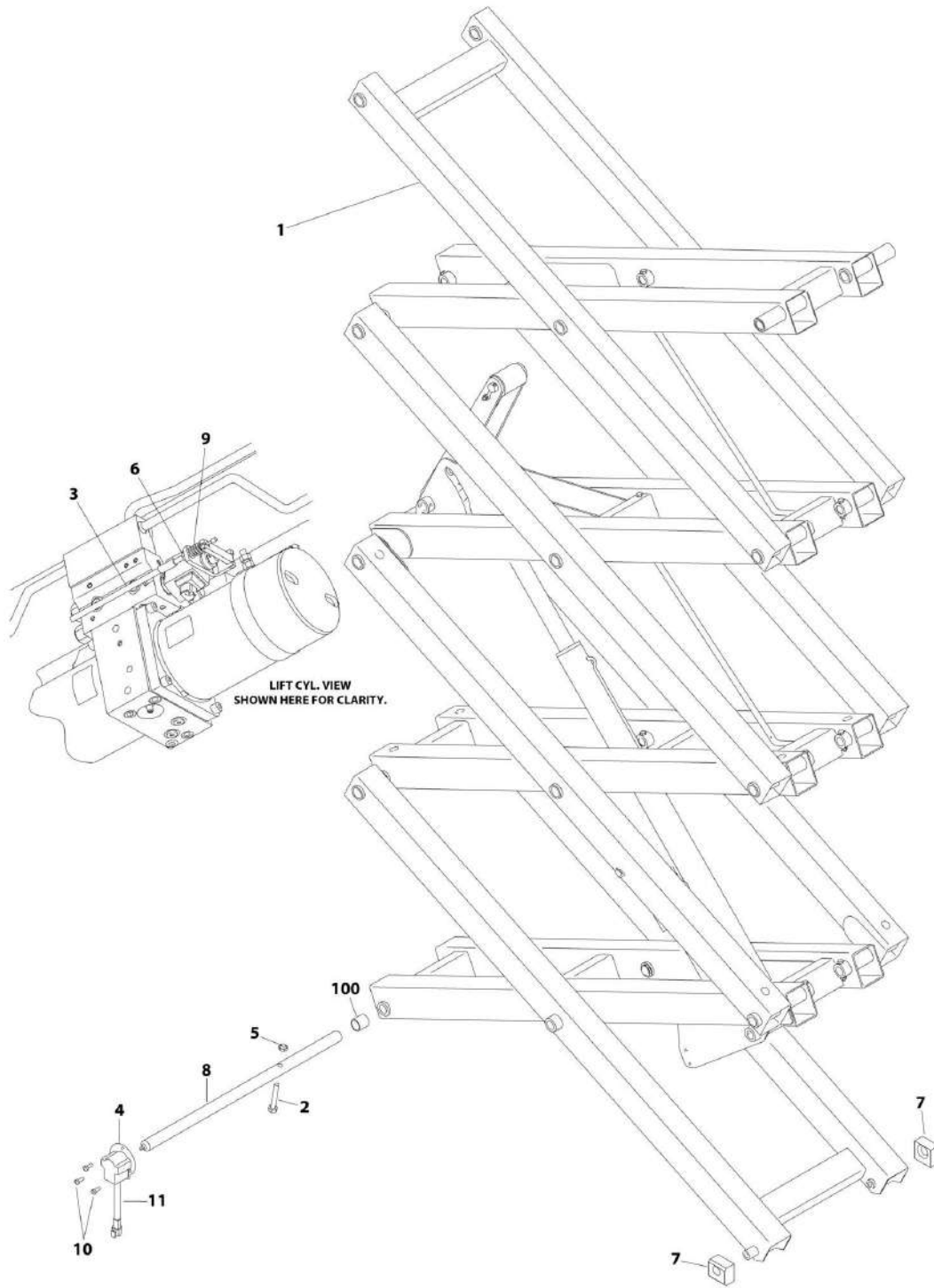
SECTION 3 - SCISSORS ARMS

FIGURE 3-20. SCISSORS ARMS ASSEMBLY - 2632ES BIODEGRADEABLE HYDRAULIC OIL (USA AND MEXICO BUILT MACHINES) (SN 0200241221 to Present, SN M200000100 to Present)

ITEM	PART NUMBER	QTY	DESCRIPTION	REV
	1001190909	Ref	SCISSORS ARMS ASSEMBLY - 2632ES BIODEGRADEABLE HYDRAULIC OIL (USA AND MEXICO BUILT MACHINES) (SN 0200241221 to Present, SN M200000100 to Present)	B
1	0200799	1	Arm - Lower Mid Inboard	
2	0200800	1	Arm - Upper Mid Inboard	
3	0200801	1	Arm - Upper Inboard	
4	0200802	1	Arm - Lower Outboard	
5	0200803	1	Arm - Lower Mid Outboard (Left Side)	
6	0200804	1	Arm - Lower Mid Outboard (Right Side)	
7	0200805	2	Arm - Upper Mid Out board	
8	0200807	1	Arm - Upper Outboard	
9	0200834	1	Arm - Lower Inboard	
10	0440266	4	Bearing	
11	0440267	42	Bearing	
12	0701015	1	Bolt M10 x 35	
13	0700817	1	Bolt M8 x 45	
14	0701022	18	Bolt M10 x 70	
15	0701029	4	Bolt M10 x 120	
16	1180382	1	Carrier, Cable	
17	1180383	1	Carrier, Cable	
19	3291007	23	Nut M10	
20	3340962	24	Pad, Arm	
21	3422997	13	Pin	
22	3422998	1	Pin	
23	3423014	3	Pin	
24	3423036	4	Pin	
25	3423038	1	Pin	
26	3423067	1	Pin	
27	3574161	1	Bar, Prop Attach	
28	3760170	4	Ring, Split	
29	3760387	20	Ring, Retaining	
30	3841143	1	Keeper, Pin	
31	3860107	1	Roller	
32	4071094	AR	Shim, Spacer	
33	4740438	20	Washer	
34	4812000	4	Washer M10	
35	4846752	1	Kicker, Arm	
36	1001157331	1	Lift Cylinder Assembly - Biodegradeable Hydraulic Oil (See CYLINDER SECTION for Breakdown)	
37	1001177911	1	Pin	
38	1001177913	1	Plate	
39	1001177914	2	Washer	
40	3290807	1	Nut M8	

SECTION 3 - SCISSORS ARMS

FIGURE 3-21. SCISSORS ARMS INSTALLATION - 2632ES BIODEGRADABLE HYDRAULIC OIL (CHINA BUILT MACHINES) (SN B200000100 through B200020891)



ART_1001131011

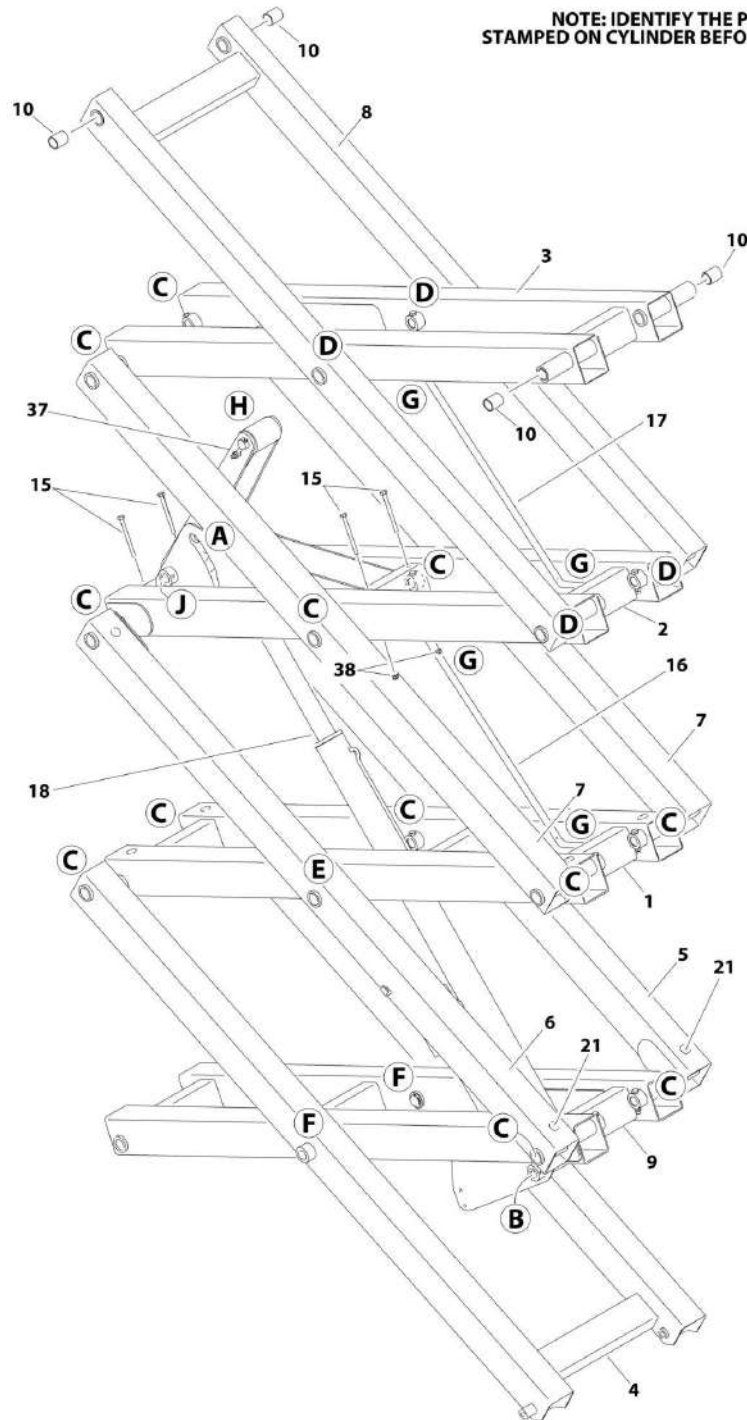
SECTION 3 - SCISSORS ARMS

**FIGURE 3-21. SCISSORS ARMS INSTALLATION - 2632ES BIODEGRADEABLE HYDRAULIC OIL
(CHINA BUILT MACHINES) (SN B200000100 through B200020891)**

ITEM	PART NUMBER	QTY	DESCRIPTION	REV
	1001131011	Ref	SCISSORS ARMS INSTALLATION - 2632ES BIODEGRADEABLE HYDRAULIC OIL (CHINA BUILT MACHINES) (SN B200000100 through B200020891)	D
1	1001131029	1	Arms Assembly (See SCISSORS ARMS ASSEMBLY - 2632ES BIODEGRADEABLE HYDRAULIC OIL for Breakdown)	
2	0701022	1	Bolt M10 x 70	
3	1061034	1	Cable, Manual Descent	
3	7020218	1	T-Handle (With 1/4-20 Threads)	
3	70001878	1	T-Handle (With M5 Threads)	
4	3200454	1	Mount, Switch	
5	3291005	1	Nut M10	
6	3321402	1	Nut 1/4-28	
7	3340957	2	Pad, Slide	
8	3423259	1	Pin, Sensor	
9	4160078	1	Spring, Compression	
10	4191706	3	Screw M6 x 12	
11	1001092354	1	Switch, Rotary Angle Sensor	
11	4460536	1	Receptacle, Female - 3 Position	
11	4460464	3	Pin, Male	
100	0440265	1	Bushing (Part of Frame Weldment)	

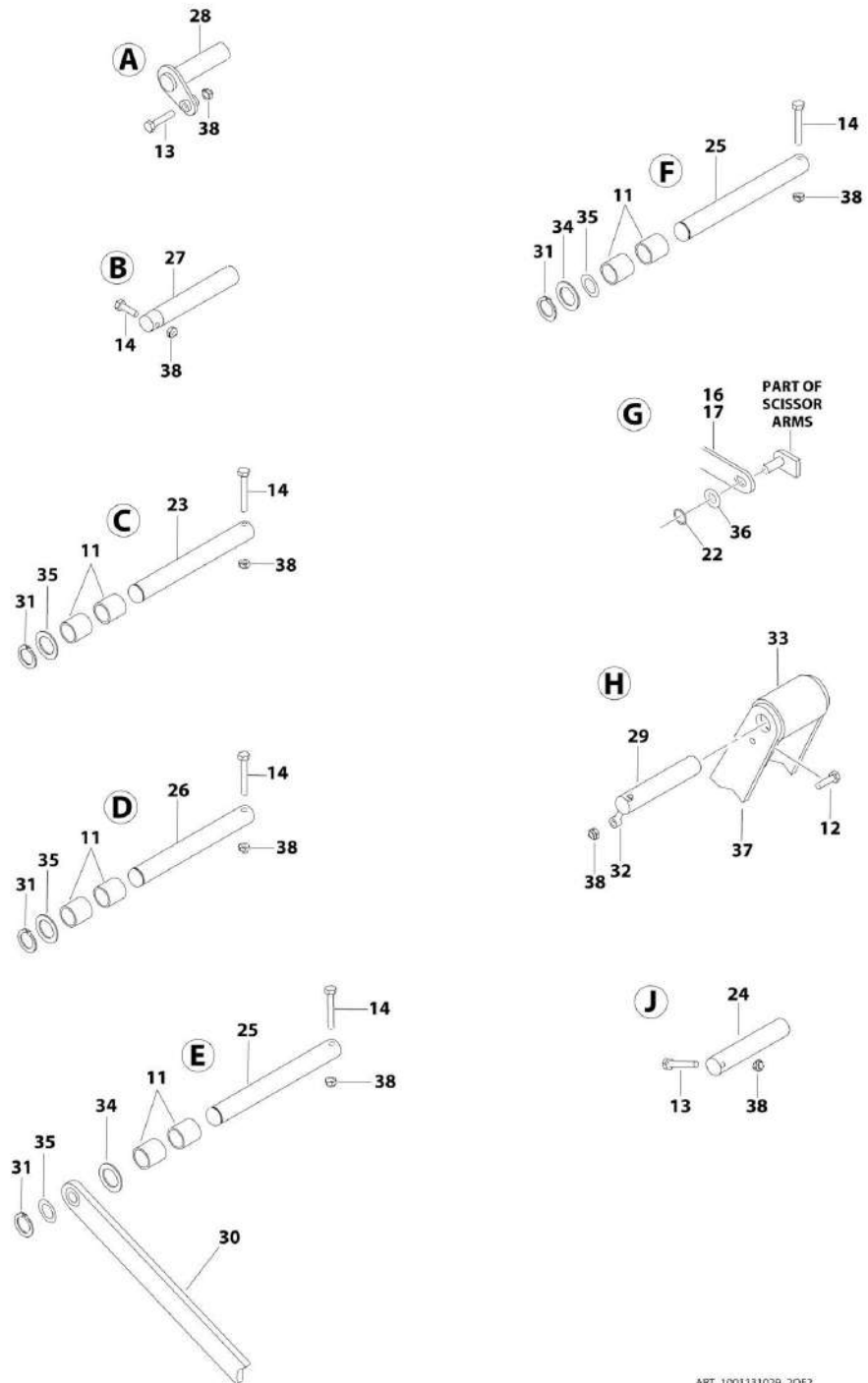
SECTION 3 - SCISSORS ARMS

FIGURE 3-22. SCISSORS ARMS ASSEMBLY - 2632ES BIODEGRADABLE HYDRAULIC OIL (CHINA BUILT MACHINES) (SN B200000100 through B200020891)



ART_1001131029_10F2

SECTION 3 - SCISSORS ARMS



ART_1001131029_20F2

SECTION 3 - SCISSORS ARMS

FIGURE 3-22. SCISSORS ARMS ASSEMBLY - 2632ES BIODEGRADABLE HYDRAULIC OIL (CHINA BUILT MACHINES) (SN B200000100 through B200020891)

ITEM	PART NUMBER	QTY	DESCRIPTION	REV
	1001131029	Ref	SCISSORS ARMS ASSEMBLY - 2632ES BIODEGRADABLE HYDRAULIC OIL (CHINA BUILT MACHINES) (SN B200000100 through B200020891)	D
1	0200799	1	Arm - Lower Mid Inboard	
2	0200800	1	Arm - Upper Mid Inboard	
3	0200801	1	Arm - Upper Inboard	
4	0200802	1	Arm - Lower Outboard	
5	0200803	1	Arm - Lower Mid Outboard (Left Side)	
6	0200804	1	Arm - Lower Mid Outboard (Right Side)	
7	0200805	2	Arm - Upper Mid Out board	
8	0200807	1	Arm - Upper Outboard	
9	0200834	1	Arm - Lower Inboard	
10	0440266	4	Bearing	
11	0440267	42	Bearing	
12	0701015	1	Bolt M10 x 35	
13	0701017	1	Bolt M10 x 45	
14	0701022	18	Bolt M10 x 70	
15	0701029	4	Bolt M10 x 120	
16	1180382	1	Carrier, Cable	
17	1180383	1	Carrier, Cable	
18	1001131035	1	Lift Cylinder Assembly - Biodegradeable Hydraulic Oil (See CYLINDER SECTION for Breakdown)	
21	3340962	24	Pad, Arm	
22	3760170	2	Ring, Split	
23	3422997	13	Pin	
24	3422998	1	Pin	
25	3423014	3	Pin	
26	3423036	4	Pin	
27	3423038	1	Pin	
28	3423039	1	Pin	
29	3423067	1	Pin	
30	3574161	1	Bar, Prop Attach	
31	3760387	20	Ring, Retaining	
32	3841143	1	Keeper, Pin	
33	3860107	1	Roller	
34	4071094	AR	Shim, Spacer	
35	4740438	20	Washer	
36	4812000	2	Washer M10	
37	4846752	1	Kicker, Arm	
38	3291007	24	Nut M10	

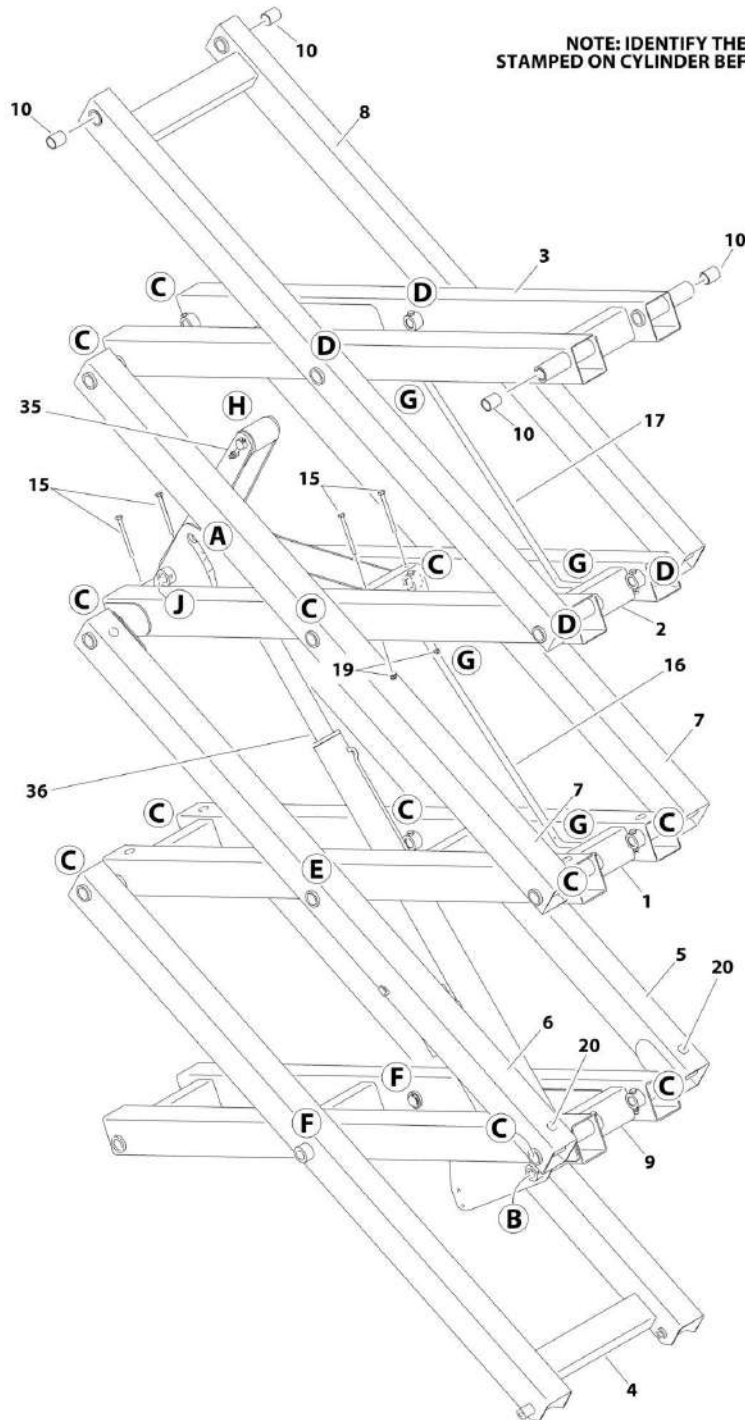
SECTION 3 - SCISSORS ARMS

**FIGURE 3-23. SCISSORS ARMS INSTALLATION - 2632ES BIODEGRADEABLE HYDRAULIC OIL
(CHINA BUILT MACHINES) (SN B200020982 to Present)**

ITEM	PART NUMBER	QTY	DESCRIPTION	REV
	1001190906	Ref	SCISSORS ARMS INSTALLATION - 2632ES BIODEGRADEABLE HYDRAULIC OIL (CHINA BUILT MACHINES) (SN B200020982 to Present)	A
1	0701022	1	Bolt M10 x 70	
2	1061034	1	Cable, Manual Descent	
2	7020218	1	T-Handle (With 1/4-20 Threads)	
2	70001878	1	T-Handle (With M5 Threads)	
3	3200454	1	Mount, Switch	
4	3291005	1	Nut M10	
5	3321402	1	Nut 1/4-28	
6	3340957	2	Pad, Slide	
7	3423259	1	Pin, Sensor	
8	4160078	1	Spring, Compression	
9	4191706	3	Screw M6 x 12	
10	1001092354	1	Switch, Rotary Angle Sensor	
10	4460536	1	Receptacle, Female - 3 Position	
10	4460464	3	Pin, Male	
11	1001190905	1	Arms Assembly (See SCISSORS ARMS ASSEMBLY - 2632ES BIODEGRADEABLE HYDRAULIC OIL for Breakdown)	
100	0440265	1	Bushing (Part of Frame Weldment)	

SECTION 3 - SCISSORS ARMS

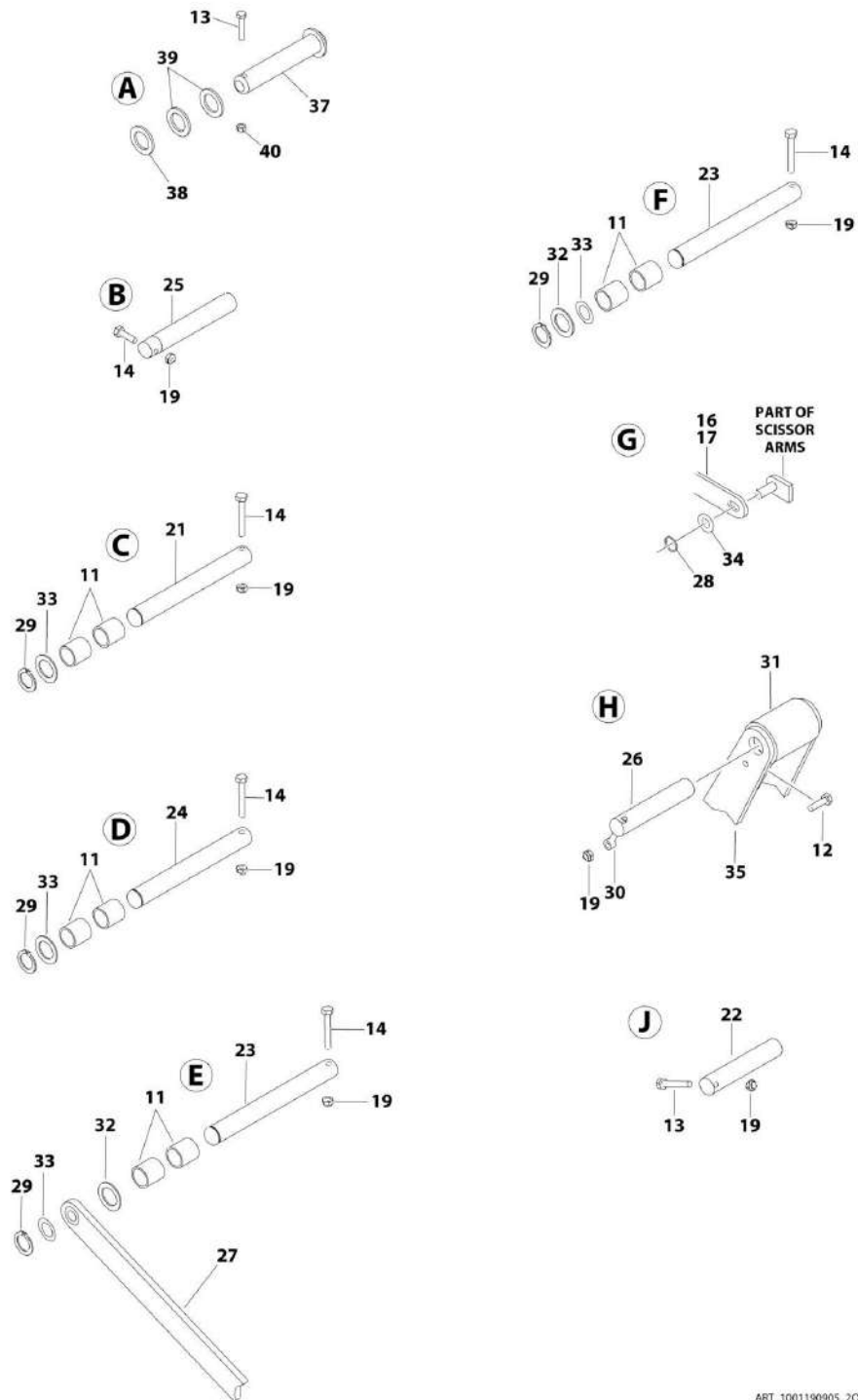
FIGURE 3-24. SCISSORS ARMS ASSEMBLY - 2632ES BIODEGRADABLE HYDRAULIC OIL (CHINA BUILT MACHINES) (SN B200020982 to Present)



NOTE: IDENTIFY THE PART NUMBER STAMPED ON CYLINDER BEFORE ORDERING PARTS.

ART_1001190905_10F2

SECTION 3 - SCISSORS ARMS



ART_1001190905_2OF2

SECTION 3 - SCISSORS ARMS

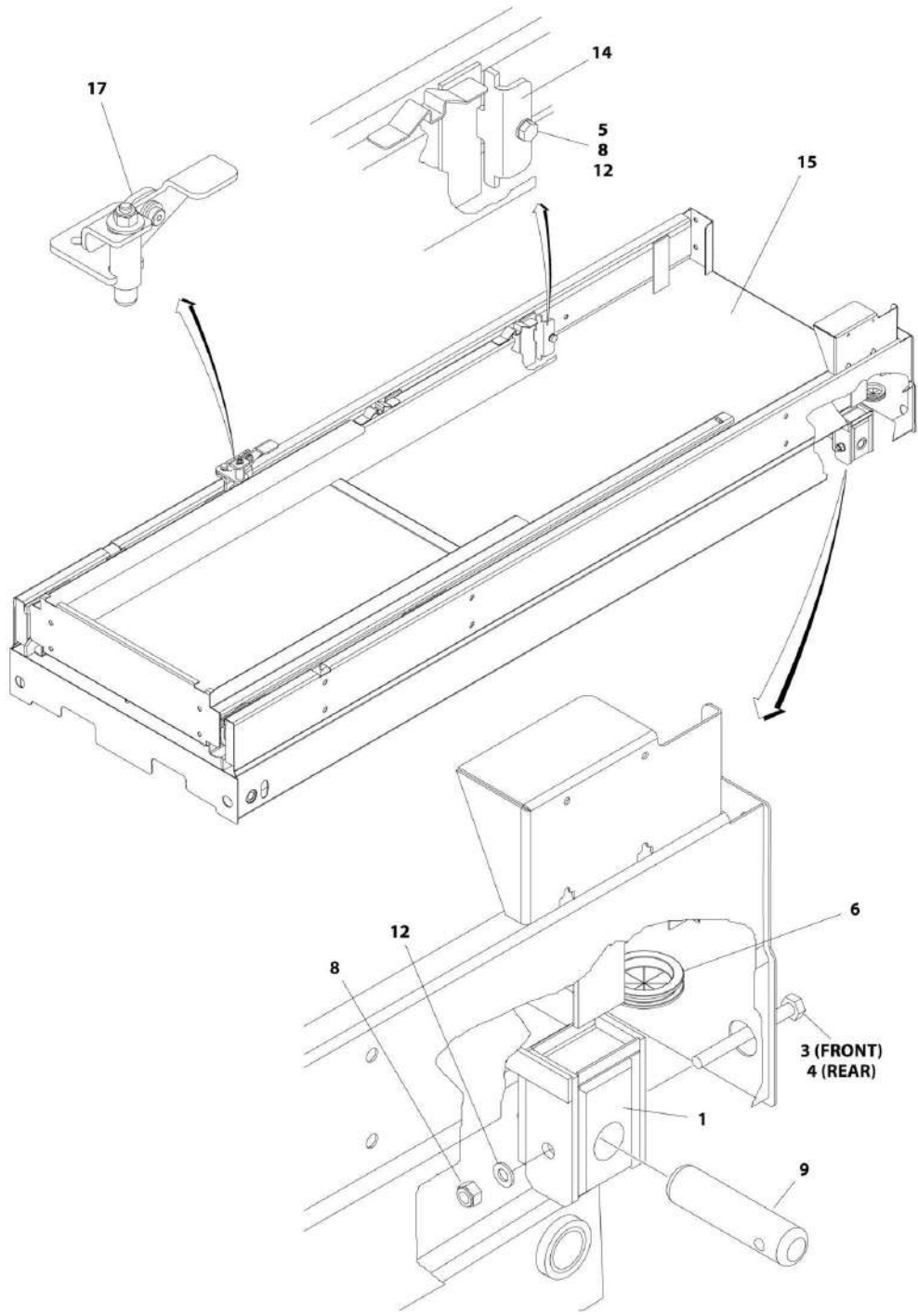
FIGURE 3-24. SCISSORS ARMS ASSEMBLY - 2632ES BIODEGRADEABLE HYDRAULIC OIL (CHINA BUILT MACHINES) (SN B200020982 to Present)

ITEM	PART NUMBER	QTY	DESCRIPTION	REV
	1001190905	Ref	SCISSORS ARMS ASSEMBLY - 2632ES BIODEGRADEABLE HYDRAULIC OIL (CHINA BUILT MACHINES) (SN B200020982 to Present)	B
1	0200799	1	Arm - Lower Mid Inboard	
2	0200800	1	Arm - Upper Mid Inboard	
3	0200801	1	Arm - Upper Inboard	
4	0200802	1	Arm - Lower Outboard	
5	0200803	1	Arm - Lower Mid Outboard (Left Side)	
6	0200804	1	Arm - Lower Mid Outboard (Right Side)	
7	0200805	2	Arm - Upper Mid Out board	
8	0200807	1	Arm - Upper Outboard	
9	0200834	1	Arm - Lower Inboard	
10	0440266	4	Bearing	
11	0440267	42	Bearing	
12	0701015	1	Bolt M10 x 35	
13	0700817	1	Bolt M8 x 45	
14	0701022	18	Bolt M10 x 70	
15	0701029	4	Bolt M10 x 120	
16	1180382	1	Carrier, Cable	
17	1180383	1	Carrier, Cable	
19	3291007	23	Nut M8	
20	3340962	24	Pad, Arm	
21	3422997	13	Pin	
22	3422998	1	Pin	
23	3423014	3	Pin	
24	3423036	4	Pin	
25	3423038	1	Pin	
26	3423067	1	Pin	
27	3574161	1	Bar, Prop Attach	
28	3760170	4	Ring, Split	
29	3760387	20	Ring, Retaining	
30	3841143	1	Keeper, Pin	
31	3860107	1	Roller	
32	4071094	AR	Shim, Spacer	
33	4740438	20	Washer	
34	4812000	2	Washer M10	
35	4846752	1	Kicker, Arm	
36	1001131035	1	Lift Cylinder Assembly - Biodegradeable Hydraulic Oil (See CYLINDER SECTION for Breakdown)	
37	1001177911	1	Pin	
38	1001177913	1	Plate	
39	1001177914	2	Washer	
40	3290807	1	Nut M8	

SECTION 4 - PLATFORM

SECTION 4 - PLATFORM

FIGURE 4-1. PLATFORM INSTALLATION - WITH INSIDE EXTENSION RAILS AND WITHOUT LSS



ART_1001177177

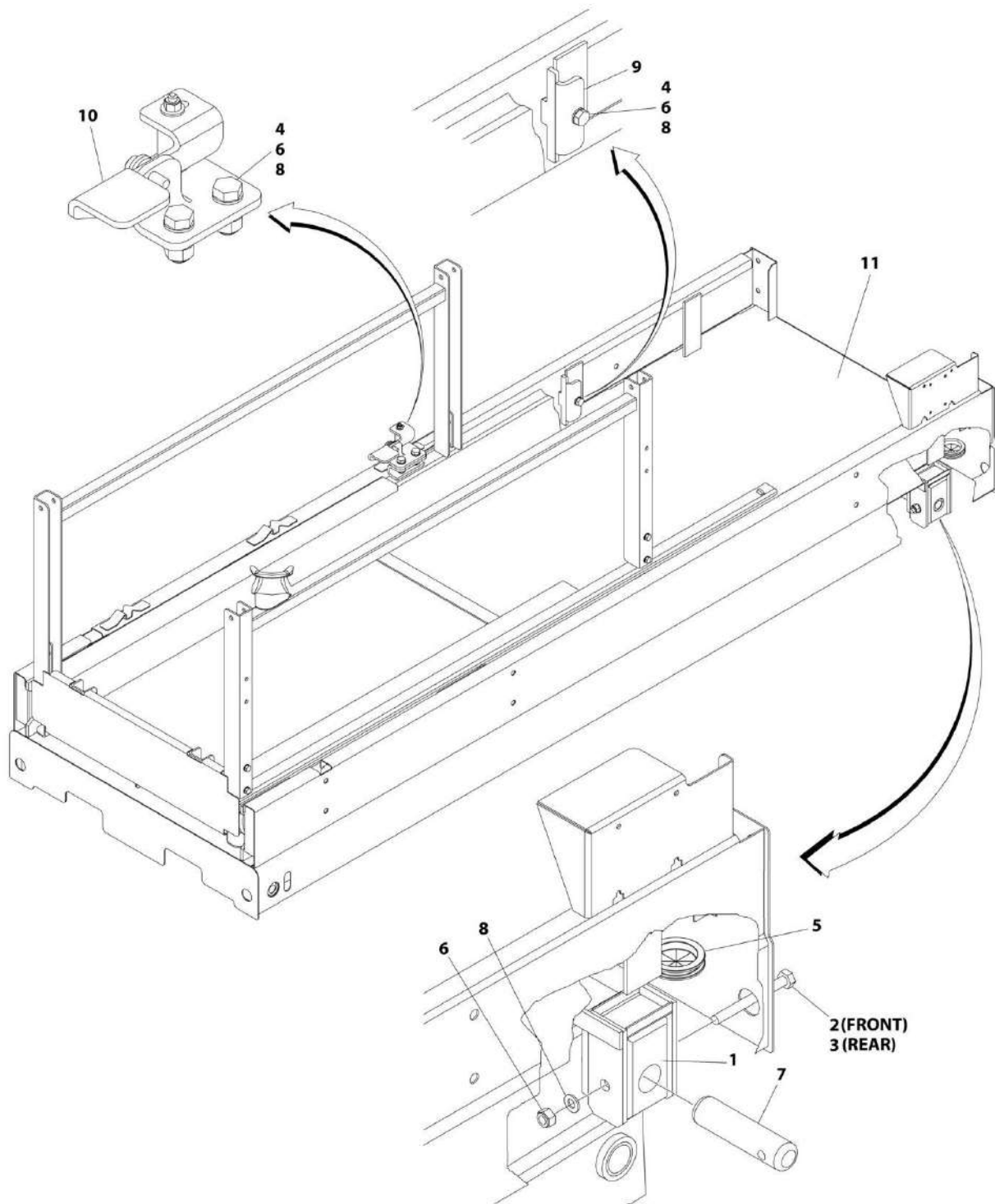
SECTION 4 - PLATFORM

FIGURE 4-1. PLATFORM INSTALLATION - WITH INSIDE EXTENSION RAILS AND WITHOUT LSS

ITEM	PART NUMBER	QTY	DESCRIPTION	REV
	1001177177	Ref	PLATFORM INSTALLATION - WITH INSIDE EXTENSION RAILS AND WITHOUT LSS	F
1	0561520	4	Block, Slide	
3	0701024	2	Bolt M10 x 80	
4	0701027	2	Bolt M10 x 100	
5	0761014	4	Bolt M10 x 30	
6	2540045	1	Grommet	
8	3291005	8	Nut M10	
9	3423049	4	Pin, Latch	
12	4812000	10	Washer M10	
14	1001175188	2	Bracket, Stop	
15	1001175462	1	Platform and Extension Assembly - With Inside Extension Rails (See PLATFORM AND EXTENSION ASSEMBLY - WITH INSIDE EXTENSION RAILS for Breakdown)	
17	1001182302	1	Latch Assembly - With Inside Extension Rails (See LATCH ASSEMBLY - WITH INSIDE EXTENSION RAILS for Breakdown) (SN 0200249260 to Present, SN 1200025023 through 1200030229, SN B200024834 through B200051215, Prior to SN M200021509)	
17	1001234398	1	Latch Assembly - With Inside Extension Rails (See LATCH ASSEMBLY - WITH INSIDE EXTENSION RAILS for Breakdown) (SN 1200030230 to Present, SN B200051216 to Present, SN M200021509 to Present)	

SECTION 4 - PLATFORM

FIGURE 4-2. PLATFORM INSTALLATION - WITH OUTSIDE EXTENSION RAILS AND WITHOUT LSS



ART_1001216837

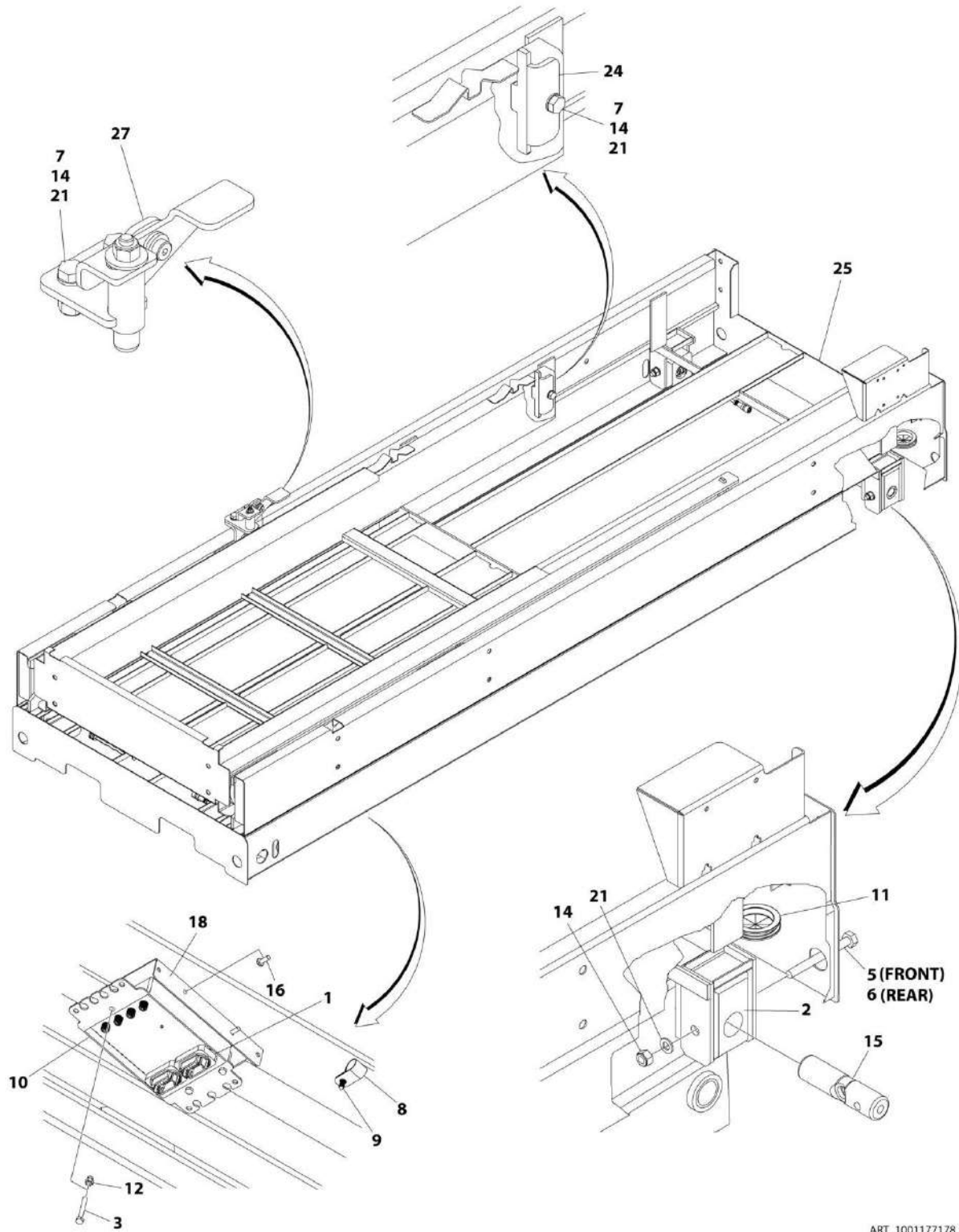
SECTION 4 - PLATFORM

FIGURE 4-2. PLATFORM INSTALLATION - WITH OUTSIDE EXTENSION RAILS AND WITHOUT LSS

ITEM	PART NUMBER	QTY	DESCRIPTION	REV
	1001216837	Ref	PLATFORM INSTALLATION - WITH OUTSIDE EXTENSION RAILS AND WITHOUT LSS	A
1	0561520	4	Block, Slide	
2	0701024	2	Bolt M10 x 80	
3	0701027	2	Bolt M10 x 100	
4	0761014	4	Bolt M10 x 30	
5	2540045	1	Grommet	
6	3291005	8	Nut M10	
7	3423049	4	Pin, Latch	
8	4812000	10	Washer M10	
9	1001175188	2	Bracket, Stop	
10	1001209256	1	Latch Assembly - With Outside Extension Rails (See LATCH ASSEMBLY - WITH OUTSIDE EXTENSION RAILS for Breakdown)	
11	1001215165	1	Platform and Extension Assembly - With Outside Extension Rails (See PLATFORM AND EXTENSION ASSEMBLY - WITH OUTSIDE EXTENSION RAILS for Breakdown)	

SECTION 4 - PLATFORM

FIGURE 4-3. PLATFORM INSTALLATION - WITH INSIDE EXTENSION RAILS AND WITH LSS



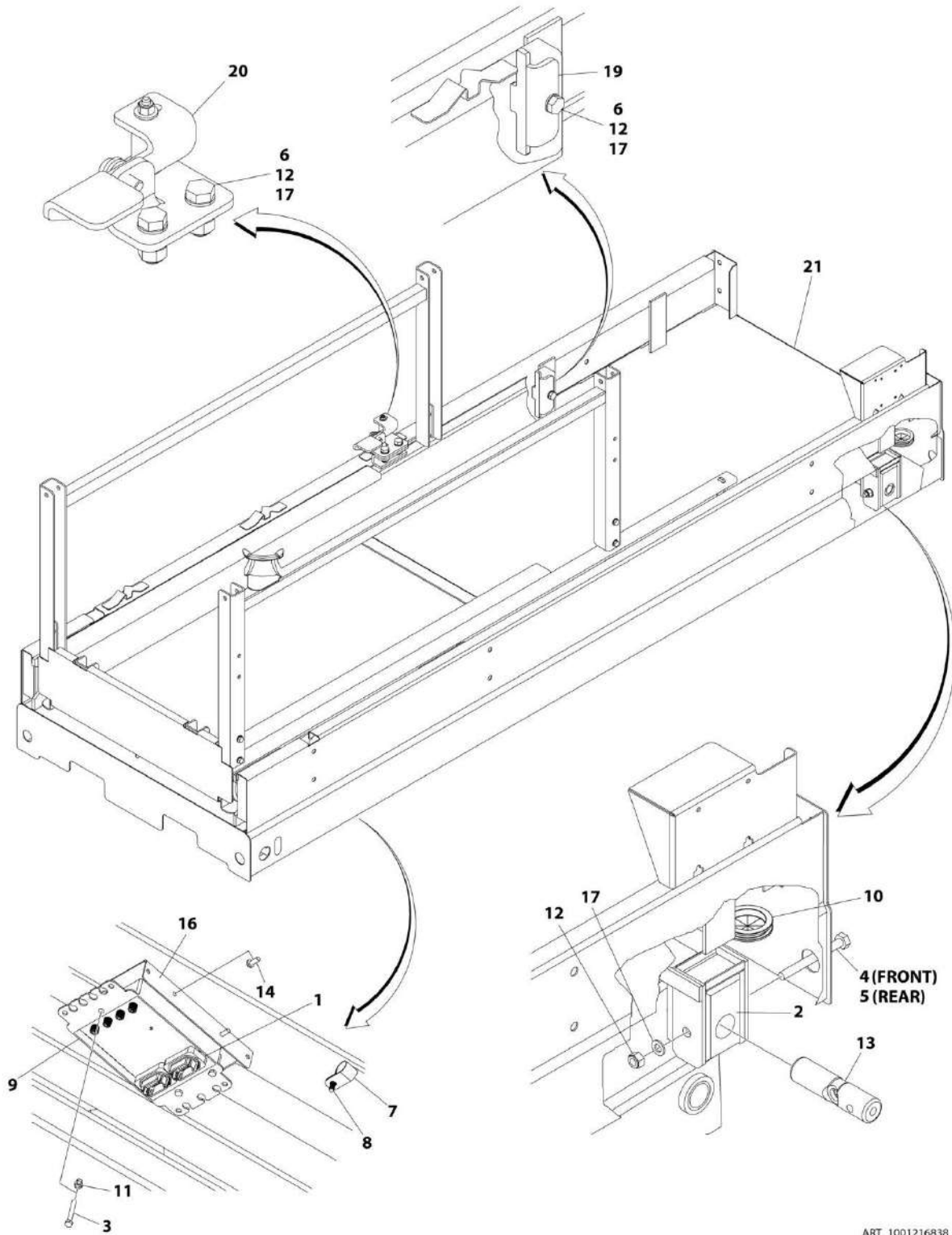
SECTION 4 - PLATFORM

FIGURE 4-3. PLATFORM INSTALLATION - WITH INSIDE EXTENSION RAILS AND WITH LSS

ITEM	PART NUMBER	QTY	DESCRIPTION	REV
	1001177178	Ref	PLATFORM INSTALLATION - WITH INSIDE EXTENSION RAILS AND WITH LSS	E
1	0100048	AR	Grease, Dielectric	
2	0561520	4	Block, Slide	
3	0700617	3	Bolt M6 x 45	
5	0701024	2	Bolt M10 x 80	
6	0701027	2	Bolt M10 x 100	
7	0761014	4	Bolt M10 x 30	
8	1320318	2	Clamp	
9	1380158	2	Clip, Retainer	
10	1600387	1	Controller, Load Sense	
11	2540045	1	Grommet	
12	3290606	3	Nut M6	
14	3291005	8	Nut M10	
15	3422938	4	Pin	
16	4191707	2	Screw M6 x 16	
17	4240033	AR	Tie-Strap (Not Shown)	
18	4340931	1	Mount, LSS Module	
21	4812000	10	Washer M10	
22	4923228	1	Harness, Load Sense (Not Shown - See ELECTRICAL SECTION for Breakdown)	
24	1001175188	2	Bracket, Stop	
25	1001175462	1	Platform and Extension Assembly - With Inside Extension Rails (See PLATFORM AND EXTENSION ASSEMBLY - WITH INSIDE EXTENSION RAILS for Breakdown)	
27	1001182302	1	Latch Assembly - With Inside Extension Rails (See LATCH ASSEMBLY - WITH INSIDE EXTENSION RAILS for Breakdown) (SN 0200249260 to Present, SN 1200025023 through 1200030229, SN B200024834 through B200051215, Prior to SN M200021509)	
27	1001234398	1	Latch Assembly - With Inside Extension Rails (See LATCH ASSEMBLY - WITH INSIDE EXTENSION RAILS for Breakdown) (SN 1200030230 to Present, SN B200051216 to Present, SN M200021509 to Present)	

SECTION 4 - PLATFORM

FIGURE 4-4. PLATFORM INSTALLATION - WITH OUTSIDE EXTENSION RAILS AND WITH LSS



ART_1001216838

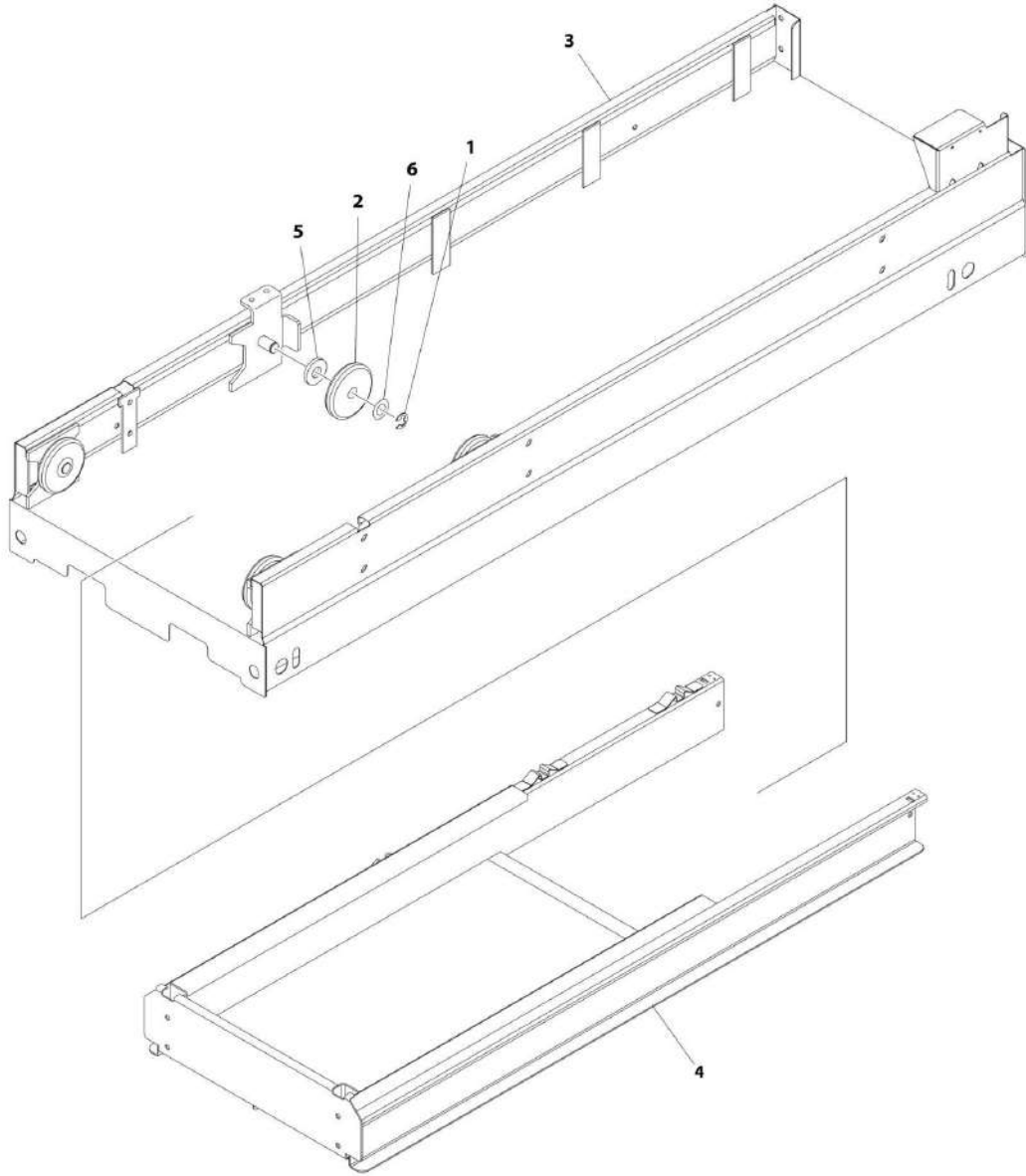
SECTION 4 - PLATFORM

FIGURE 4-4. PLATFORM INSTALLATION - WITH OUTSIDE EXTENSION RAILS AND WITH LSS

ITEM	PART NUMBER	QTY	DESCRIPTION	REV
	1001216838	Ref	PLATFORM INSTALLATION - WITH OUTSIDE EXTENSION RAILS AND WITH LSS	A
1	0100048	AR	Grease, Dielectric	
2	0561520	4	Block, Slide	
3	0700617	3	Bolt M6 x 45	
4	0701024	2	Bolt M10 x 80	
5	0701027	2	Bolt M10 x 100	
6	0761014	4	Bolt M10 x 30	
7	1320318	2	Clamp	
8	1380158	2	Clip, Retainer	
9	1600387	1	Controller, Load Sense	
10	2540045	1	Grommet	
11	3290606	3	Nut M6	
12	3291005	8	Nut M10	
13	3422938	4	Pin	
14	4191707	2	Screw M6 x 16	
15	4240033	AR	Tie-Strap (Not Shown)	
16	4340931	1	Mount, LSS Module	
17	4812000	10	Washer M10	
18	4923228	1	Harness, Load Sense (Not Shown - See ELECTRICAL SECTION for Breakdown)	
19	1001175188	2	Bracket, Stop	
20	1001209256	1	Latch Assembly - With Outside Extension Rails (See LATCH ASSEMBLY - WITH OUTSIDE EXTENSION RAILS for Breakdown)	
21	1001215165	1	Platform and Extension Assembly - With Outside Extension Rails (See PLATFORM AND EXTENSION ASSEMBLY - WITH IUTSIDE EXTENSION RAILS for Breakdown)	

SECTION 4 - PLATFORM

FIGURE 4-5. PLATFORM AND EXTENSION ASSEMBLY - WITH INSIDE EXTENSION RAILS



ART_1001175462

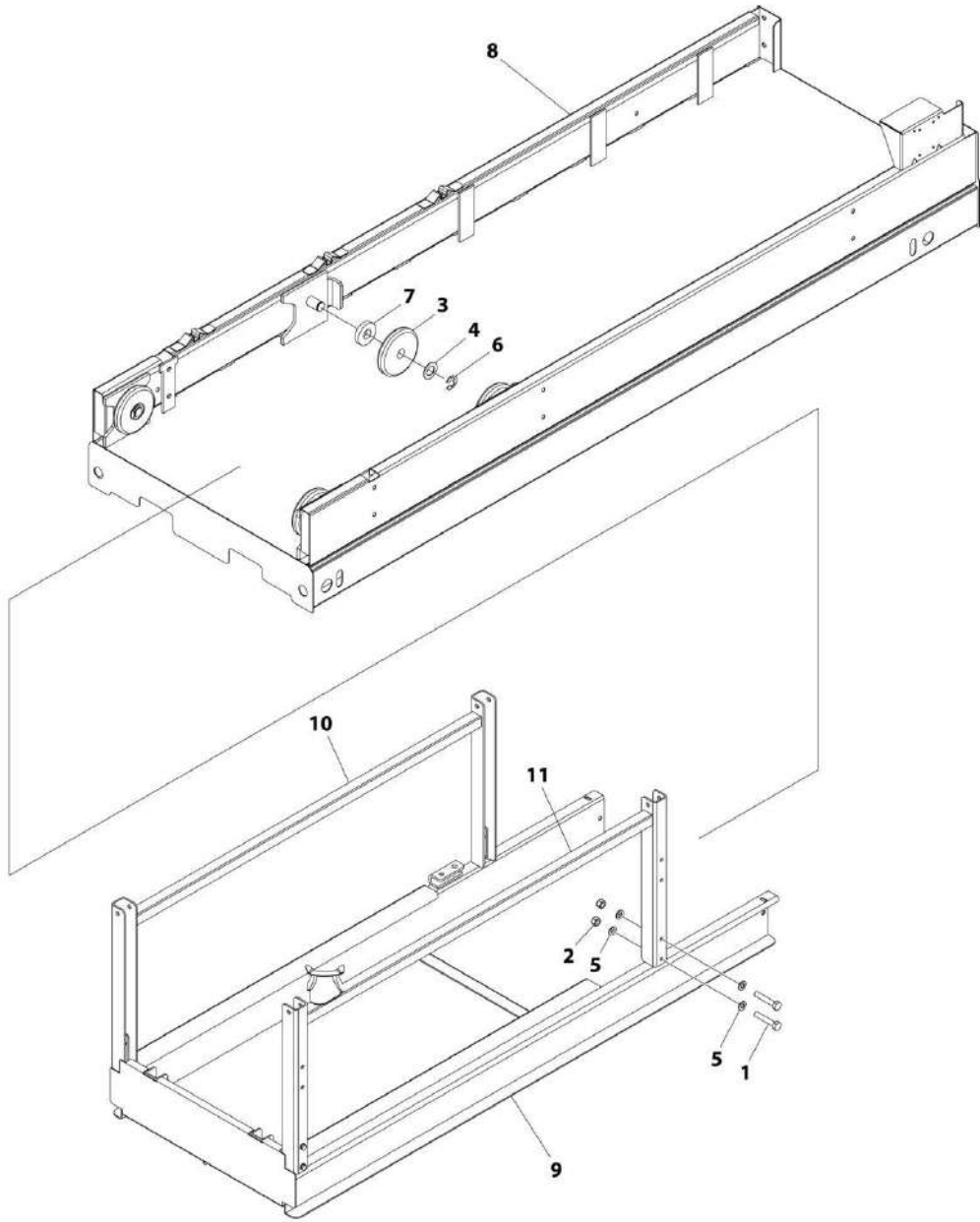
SECTION 4 - PLATFORM

FIGURE 4-5. PLATFORM AND EXTENSION ASSEMBLY - WITH INSIDE EXTENSION RAILS

ITEM	PART NUMBER	QTY	DESCRIPTION	REV
	1001175462	Ref	PLATFORM AND EXTENSION ASSEMBLY - WITH INSIDE EXTENSION RAILS	L
1	1001182339	4	Clip	
2	3860118	4	Roller	
3	1001175274	1	Platform	
4	1001175290	1	Extension, Platform (SN 1200000100 through 1200030131, SN B200000100 through B200051215, Prior to SN M200019914)	
4	1001232145	1	Extension, Platform (SN 1200030132 to Present, SN B200051216 to Present, SN M200019914 to Present)	
5	1001182062	4	Tube, Spacer	
6	4740446	4	Washer, Thrust	

SECTION 4 - PLATFORM

FIGURE 4-6. PLATFORM AND EXTENSION ASSEMBLY - WITH OUTSIDE EXTENSION RAILS



ART_1001215165

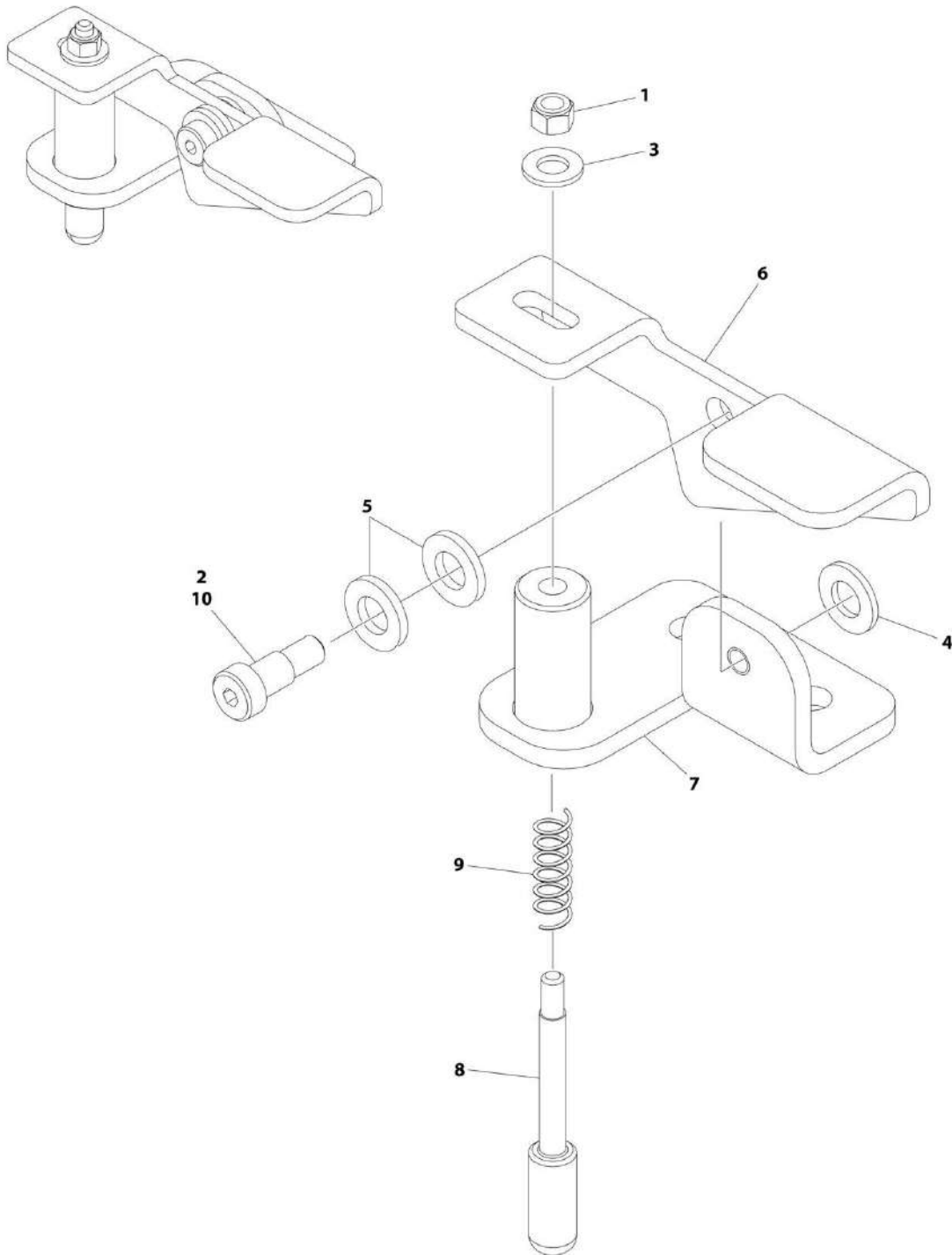
SECTION 4 - PLATFORM

FIGURE 4-6. PLATFORM AND EXTENSION ASSEMBLY - WITH OUTSIDE EXTENSION RAILS

ITEM	PART NUMBER	QTY	DESCRIPTION	REV
	1001215165	Ref	PLATFORM AND EXTENSION ASSEMBLY - WITH OUTSIDE EXTENSION RAILS	B
1	0700814	8	Bolt M8 x 30	
1	0700817	8	Bolt M8 x 45	
2	3290805	8	Nut M8	
3	3860118	4	Roller	
4	4740446	4	Washer, Thrust	
5	4811900	16	Washer M8	
6	1001182339	4	Clip	
7	1001211892	4	Tube, Spacer	
8	1001217729	1	Platform	
9	1001217730	1	Extension, Platform	
10	1001217923	1	Rail, Mid	
11	1001217924	1	Rail, Mid	

SECTION 4 - PLATFORM

FIGURE 4-7. LATCH ASSEMBLY - WITH INSIDE EXTENSION RAILS (SN 0200249260 to Present, SN 1200025023 through 1200030229, SN B200024834 through B200051215, Prior to SN M200021509)



ART_1001182302

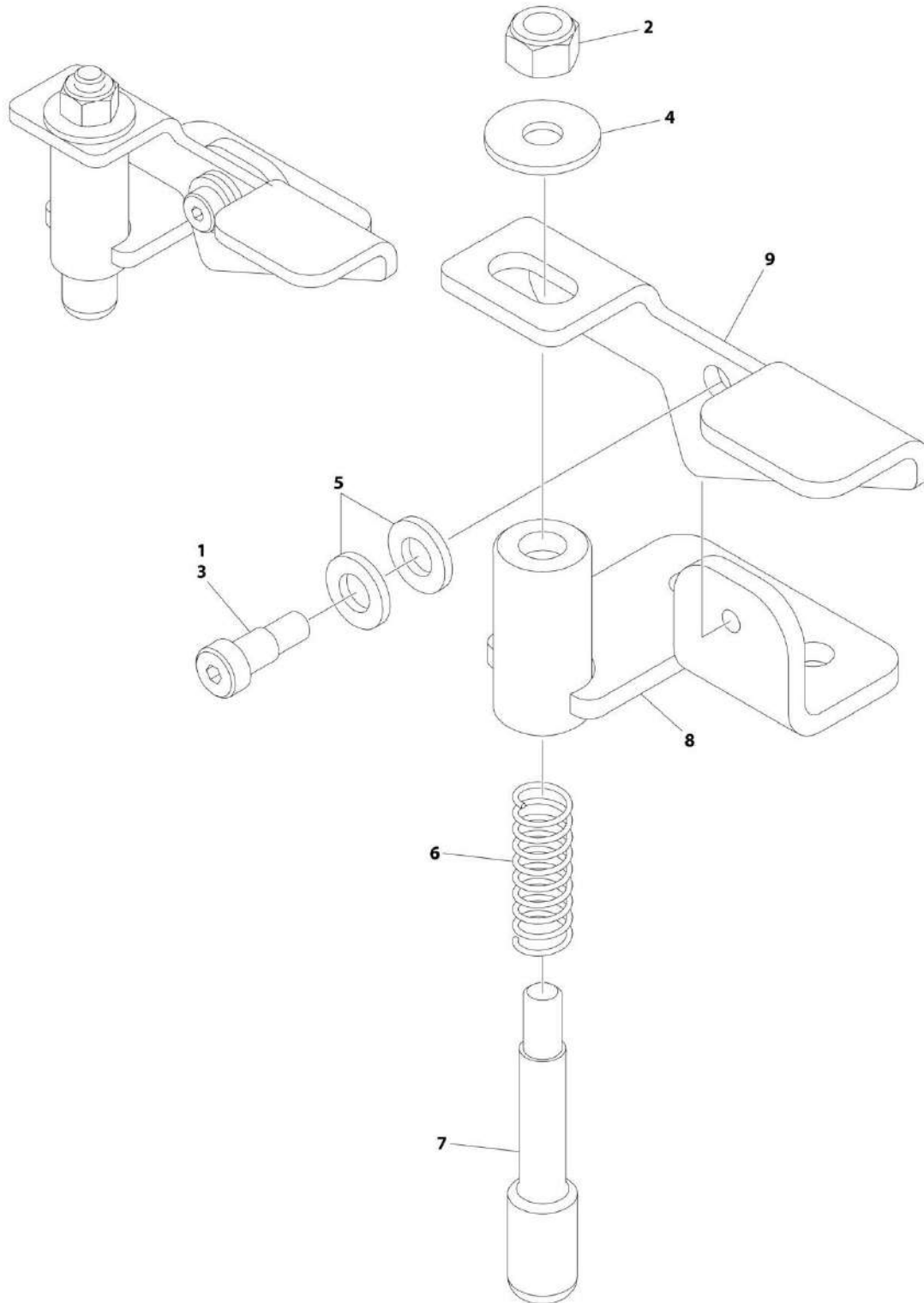
SECTION 4 - PLATFORM

FIGURE 4-7. LATCH ASSEMBLY - WITH INSIDE EXTENSION RAILS (SN 0200249260 to Present, SN 1200025023 through 1200030229, SN B200024834 through B200051215, Prior to SN M200021509)

ITEM	PART NUMBER	QTY	DESCRIPTION	REV
	1001182302	Ref	LATCH ASSEMBLY - WITH INSIDE EXTENSION RAILS	G
1	3290605	1	Nut M6	
2	3900190	1	Screw	
3	4811900	1	Washer M8	
4	4812000	1	Washer M10	
5	5241000	2	Washer M10	
6	1001178323	1	Latch	
7	1001182304	1	Bracket	
8	1001182305	1	Rod, Threaded	
9	1001182338	1	Spring	
10	0100011	AR	Compound, Locking	

SECTION 4 - PLATFORM

FIGURE 4-8. LATCH ASSEMBLY - WITH INSIDE EXTENSION RAILS (SN 1200030230 to Present, SN B200051216 to Present, SN M200021509 to Present)



ART_1001234398

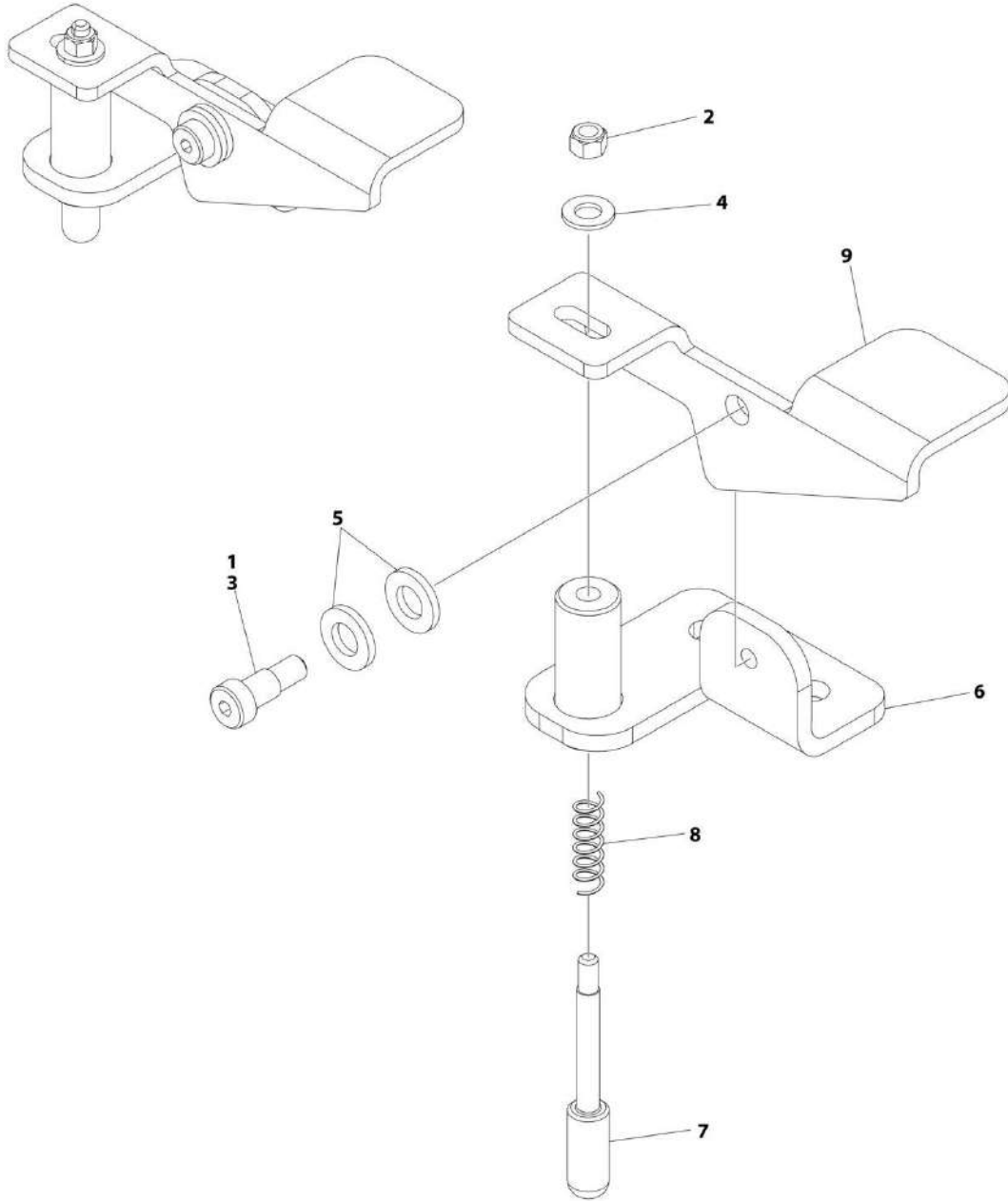
SECTION 4 - PLATFORM

FIGURE 4-8. LATCH ASSEMBLY - WITH INSIDE EXTENSION RAILS (SN 1200030230 to Present, SN B200051216 to Present, SN M200021509 to Present)

ITEM	PART NUMBER	QTY	DESCRIPTION	REV
	1001234398	Ref	LATCH ASSEMBLY - WITH INSIDE EXTENSION RAILS	B
1	0100011	AR	Compound, Locking	
2	3291005	1	Nut M10	
3	3900190	1	Screw	
4	4812002	1	Washer M10	
5	5241000	2	Washer M10	
6	1001221475	1	Spring	
7	1001221476	1	Rod, Threaded	
8	1001234399	1	Bracket	
9	1001234401	1	Latch	

SECTION 4 - PLATFORM

FIGURE 4-9. LATCH ASSEMBLY - WITH OUTSIDE EXTENSION RAILS



ART_1001209256

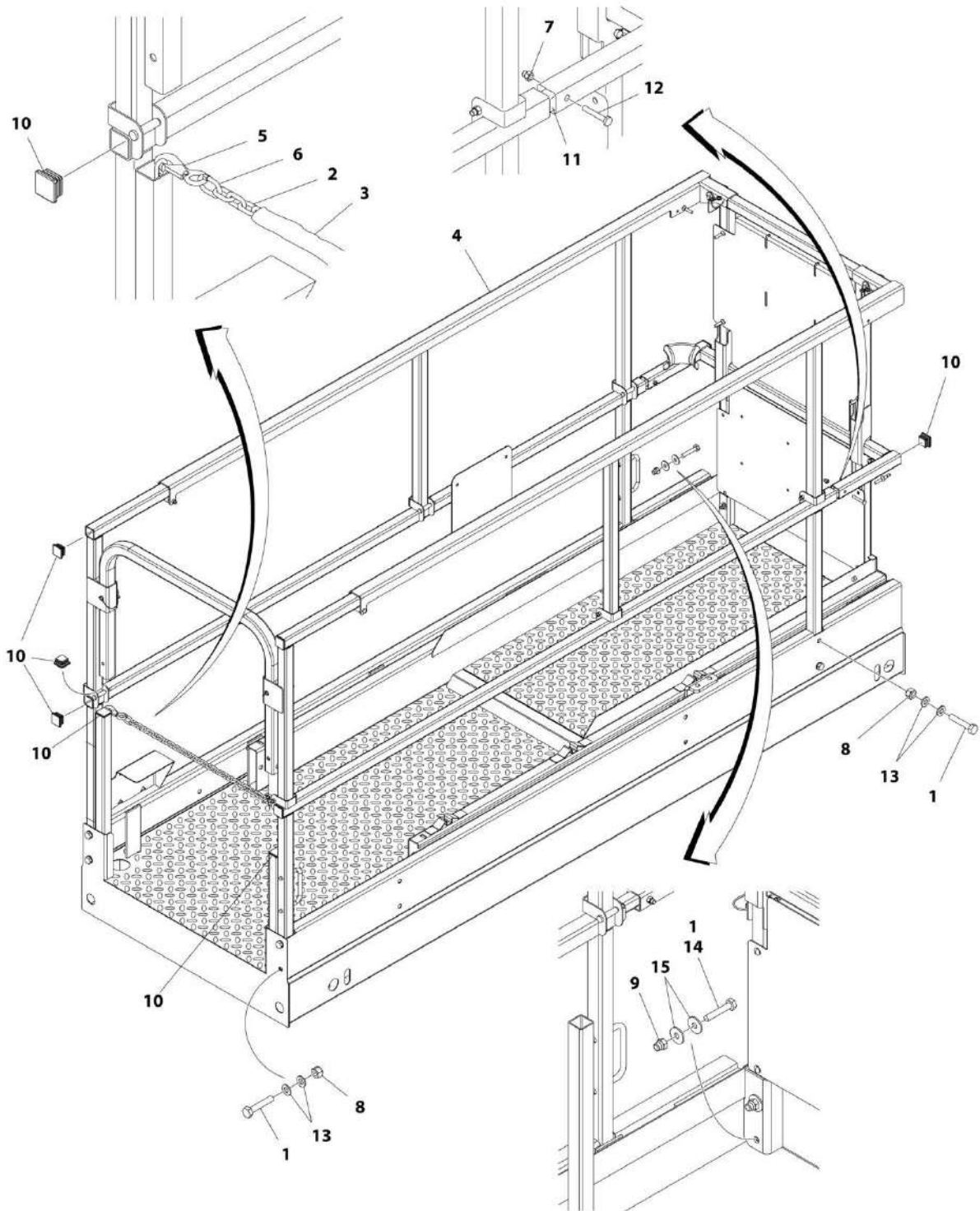
SECTION 4 - PLATFORM

FIGURE 4-9. LATCH ASSEMBLY - WITH OUTSIDE EXTENSION RAILS

ITEM	PART NUMBER	QTY	DESCRIPTION	REV
	1001209256	Ref	LATCH ASSEMBLY - WITH OUTSIDE EXTENSION RAILS	E
1	0100011	AR	Compound, Locking	
2	3290605	1	Nut M6	
2	3291005	1	Nut M10	
3	3900190	1	Screw	
4	4811900	1	Washer M8	
4	4812000	1	Washer M10	
4	4812002	1	Washer M10	
5	5241000	2	Washer M10	
6	1001182304	1	Bracket (Prior to SN 0200260931, Prior to SN 1200026932, SN B200024834 to Present, SN M200000100 through M200021508)	
6	1001234399	1	Bracket (SN 0200260931 to Present, SN 1200026932 to Present, SN M200021509 to Present)	
7	1001182305	1	Rod, Threaded (Prior to SN 0200260931, Prior to SN 1200026932, SN B200024834 to Present, SN M200000100 through M200021508)	
7	1001221476	1	Rod, Threaded (SN 0200260931 to Present, SN 1200026932 to Present, SN M200021509 to Present)	
8	1001182338	1	Spring (Prior to SN 0200260931, Prior to SN 1200026932, SN B200024834 to Present, SN M200000100 through M200021508)	
8	1001221475	1	Spring (SN 0200260931 to Present, SN 1200026932 to Present, SN M200021509 to Present)	
9	1001209280	1	Latch	

SECTION 4 - PLATFORM

FIGURE 4-10. RAILS INSTALLATION - WITH INSIDE EXTENSION RAILS AND CHAIN GATE



ART_1001176741

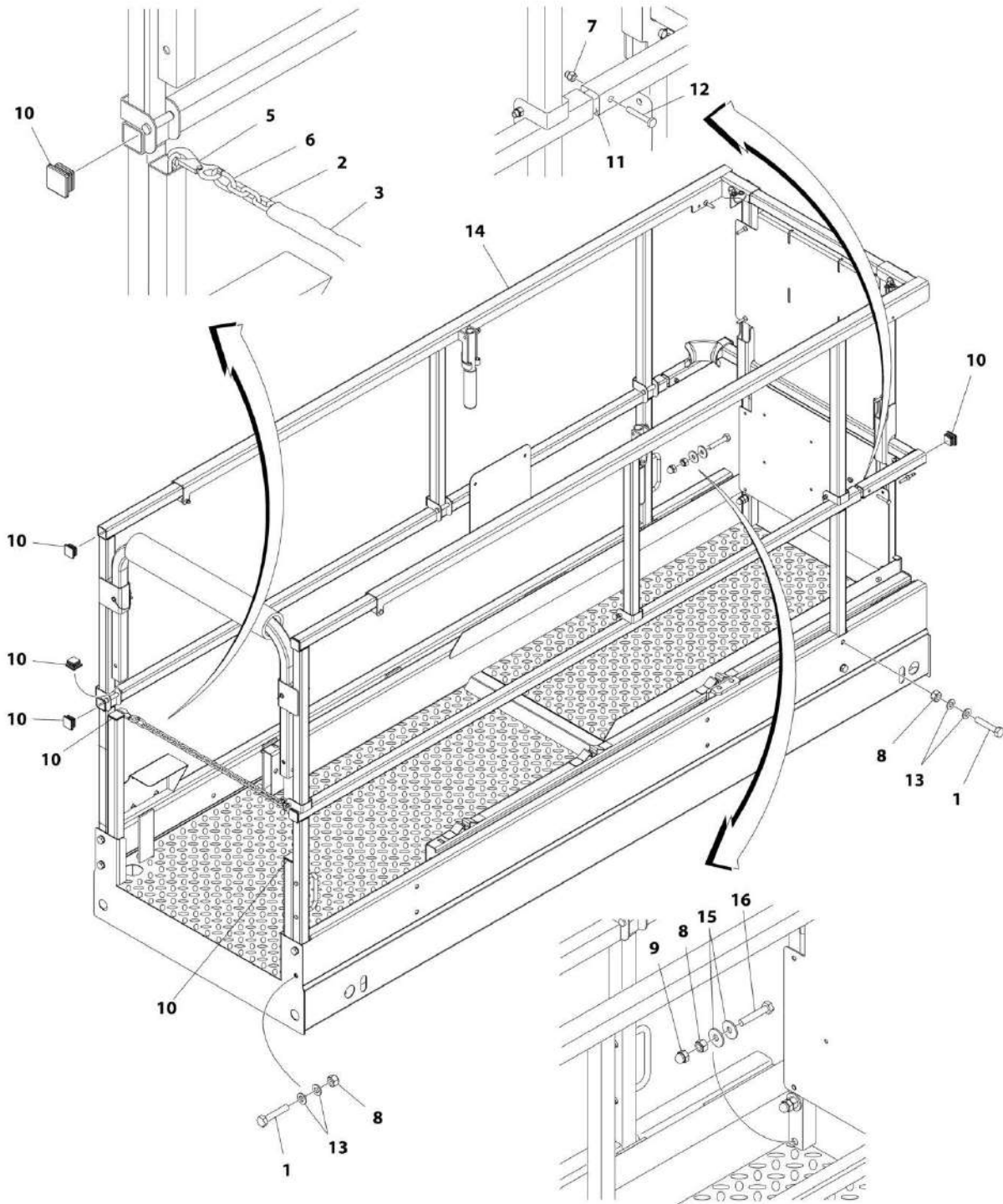
SECTION 4 - PLATFORM

FIGURE 4-10. RAILS INSTALLATION - WITH INSIDE EXTENSION RAILS AND CHAIN GATE

ITEM	PART NUMBER	QTY	DESCRIPTION	REV
	1001176741	Ref	RAILS INSTALLATION - WITH INSIDE EXTENSION RAILS AND CHAIN GATE	F
1	0701019	AR	Bolt M10 x 55	
2	1260136	20 in/ .5m	Chain	
3	2820097	19 in/ .48m	Cover, Chain	
4	1001179839	1	Rail Kit - With Inside Extension Rails and Chain Gate (See RAIL KIT - WITH INSIDE EXTENSION RAILS AND CHAIN GATE for Breakdown)	
5	2940064	1	Latch, Snap	
6	3010088	2	Link	
7	3290606	2	Nut M6	
8	3291005	AR	Nut M10	
9	3300477	4	Nut	
9	3291006	4	Nut M10	
10	3520072	8	Plug	
11	3841716	2	Rod, Fiberglass	
12	4010616	2	Screw M6 x 40	
13	4812000	AR	Washer M10	
14	0701019	4	Bolt M10 x 55	
14	0701018	4	Bolt M10 x 50	
15	4812000	8	Washer M10	
15	4812002	8	Washer M10	

SECTION 4 - PLATFORM

FIGURE 4-11. RAILS INSTALLATION - WITH INSIDE EXTENSION RAILS, HANDLE AND CHAIN GATE



ART_1001212851

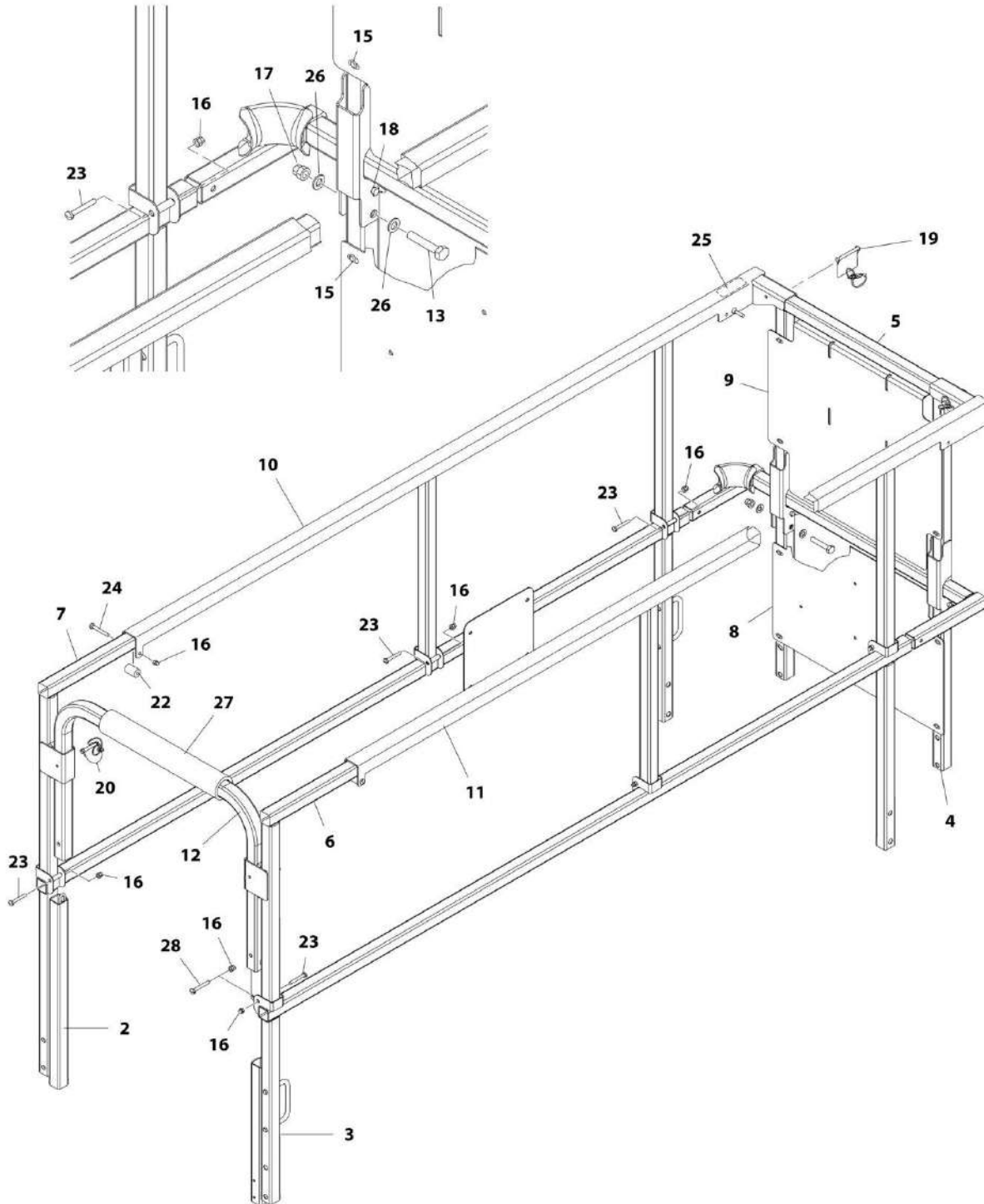
SECTION 4 - PLATFORM

FIGURE 4-11. RAILS INSTALLATION - WITH INSIDE EXTENSION RAILS, HANDLE AND CHAIN GATE

ITEM	PART NUMBER	QTY	DESCRIPTION	REV
	1001212851	Ref	RAILS INSTALLATION - WITH INSIDE EXTENSION RAILS, HANDLE AND CHAIN GATE	B
1	0701019	AR	Bolt M10 x 55	
2	1260136	20 in/ .5m	Chain	
3	2820097	19 in/ .48m	Cover, Chain	
5	2940064	1	Latch, Snap	
6	3010088	2	Link	
7	3290606	2	Nut M6	
8	3291005	12	Nut M10	
9	3300477	4	Nut	
10	3520072	8	Plug	
11	3841716	2	Rod, Fiberglass	
12	4010616	2	Screw M6 x 40	
13	4812000	AR	Washer M10	
14	1001212872	1	Rail Kit - With Inside Extension Rails, Handle and Chain Gate (See RAIL KIT - WITH INSIDE EXTENSION RAILS, HANDLE AND CHAIN GATE for Breakdown)	
15	4812000	8	Washer M10	
15	4812002	8	Washer M10	
16	0701019	4	Bolt M10 x 55	
16	0701021	4	Bolt M10 x 65	

SECTION 4 - PLATFORM

FIGURE 4-12. RAIL KIT - WITH INSIDE EXTENSION RAILS AND CHAIN GATE



ART_1001179839

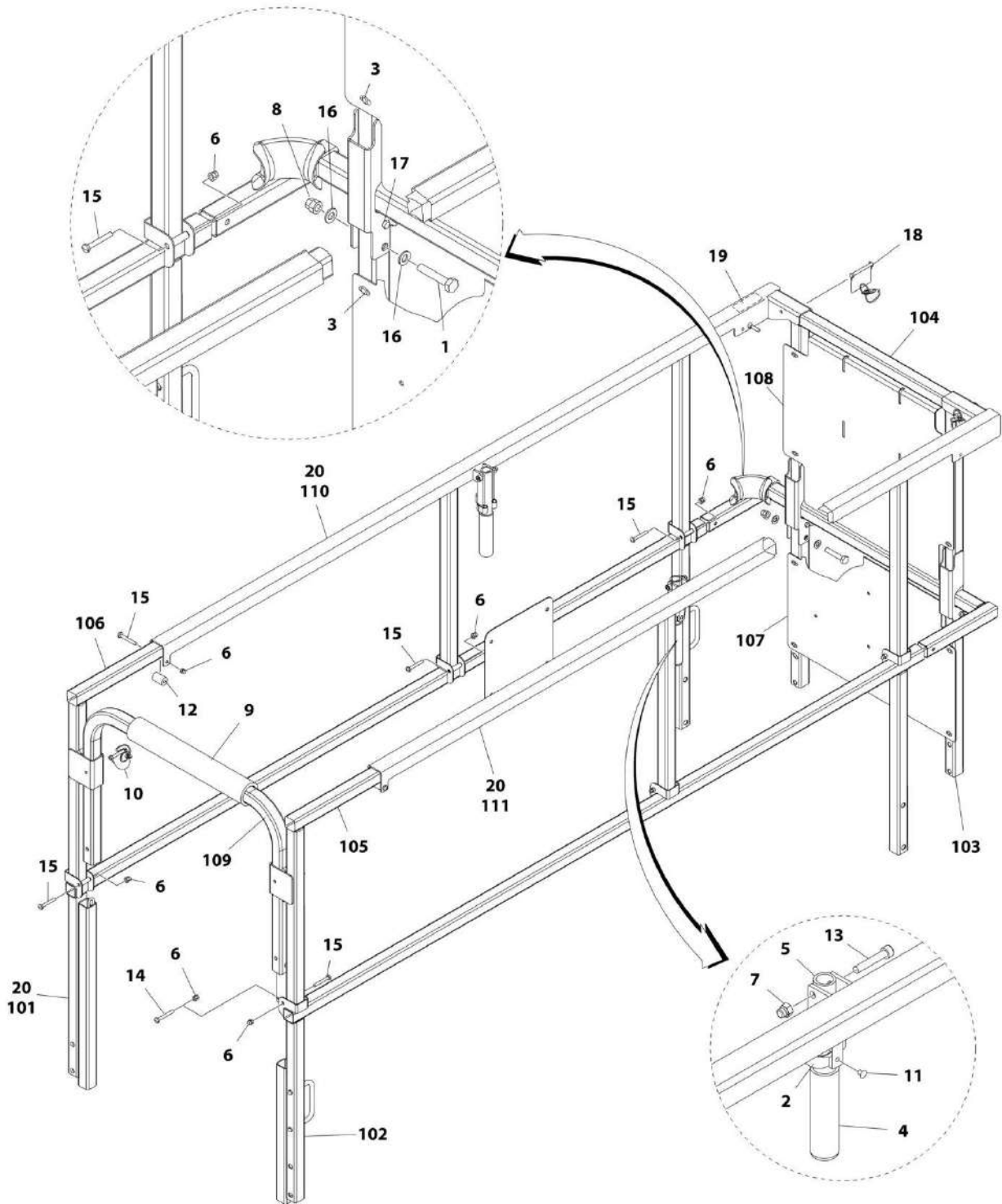
SECTION 4 - PLATFORM

FIGURE 4-12. RAIL KIT - WITH INSIDE EXTENSION RAILS AND CHAIN GATE

ITEM	PART NUMBER	QTY	DESCRIPTION	REV
	1001179839	Ref	RAIL KIT - WITH INSIDE EXTENSION RAILS AND CHAIN GATE	I
1	1001179273	1	Rail Kit Less Hardware (Not Shown - Includes Items 2-12)	
2	1001179275	1	Rail, Bottom Rear LH	
3	1001179276	1	Rail, Bottom Rear RH	
4	1001179277	1	Rail, Bottom Front	
5	1001179287	1	Rail, Top Front	
6	1001179288	1	Rail, Top RH	
7	1001179296	1	Rail, Top LH	
8	1001179298	1	Billboard, Bottom	
9	1001179299	1	Billboard, Top	
10	1001179301	1	Rail, Top LH Slide	
11	1001179304	1	Rail, Top RH Slide	
12	1001179332	1	Rail, Top Rear Entry	
13	0701019	2	Bolt M10 x 55	
14	1060379	2	Lanyard	
15	2080040	12	Fastener, Huck	
16	3290606	9	Nut M6	
17	3291006	2	Nut M10 Grade 8	
18	1001187587	2	Pin, Snap	
19	1001187585	2	Pin, Snap	
20	3423278	2	Pin, Snap	
21	3760170	2	Ring	
22	3860111	2	Roller	
23	4010617	6	Screw M6 x 45	
23	4010618	6	Screw M6 x 50	
24	4010618	2	Screw M6 x 50	
25	1001189762	AR	Tape	
26	4812000	4	Washer M10	
27	3340612	18 in /45cm	Pad, Cover	
28	4010616	1	Screw M6 x 40	

SECTION 4 - PLATFORM

FIGURE 4-13. RAIL KIT - WITH INSIDE EXTENSION RAILS, HANDLE AND CHAIN GATE



ART_1001212872

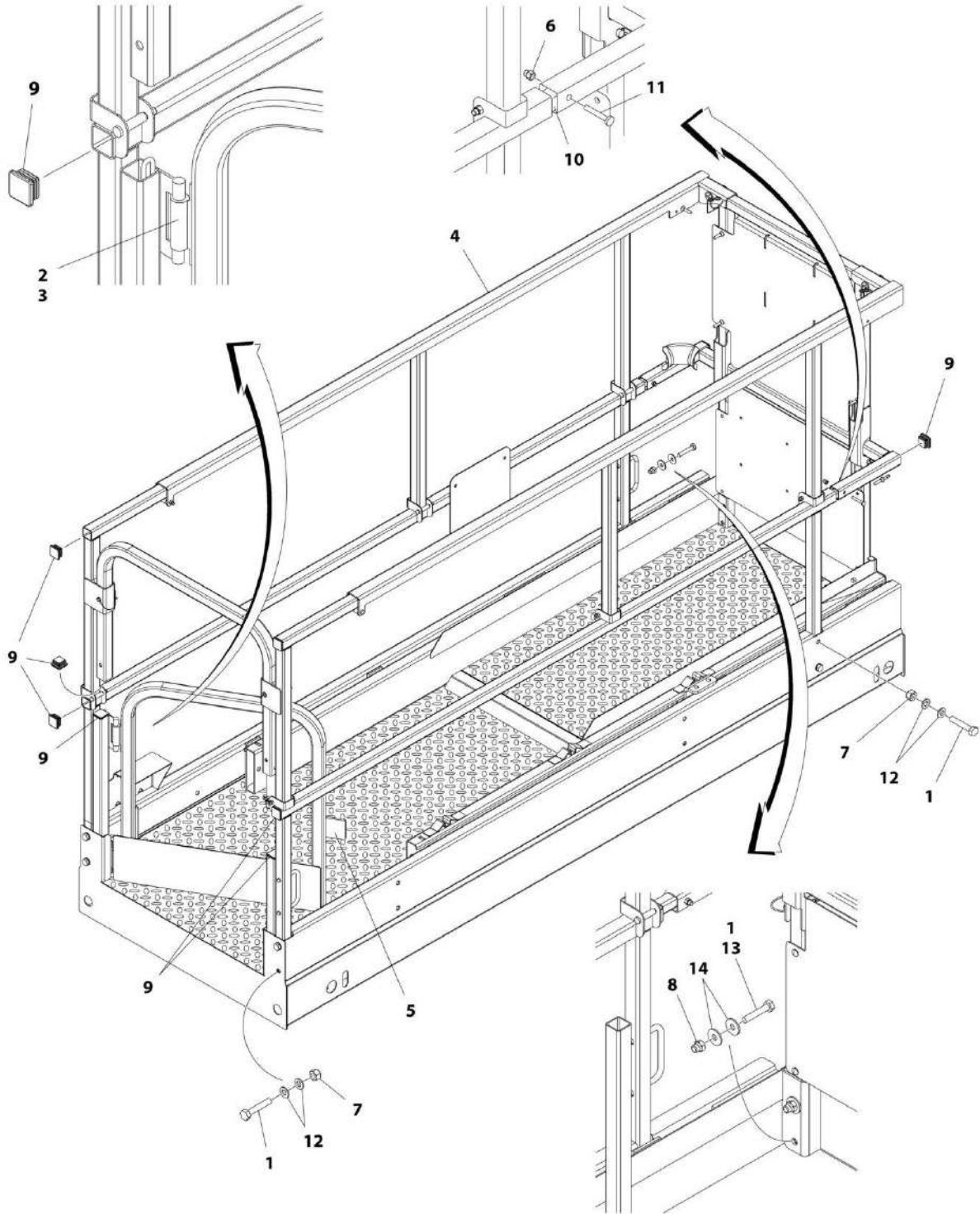
SECTION 4 - PLATFORM

FIGURE 4-13. RAIL KIT - WITH INSIDE EXTENSION RAILS, HANDLE AND CHAIN GATE

ITEM	PART NUMBER	QTY	DESCRIPTION	REV
	1001212872	Ref	RAIL KIT - WITH INSIDE EXTENSION RAILS, HANDLE AND CHAIN GATE	A
1	0701019	2	Bolt M10 x 55	
2	1380132	2	Clip, Gripper	
3	2080040	12	Fastener, Huck	
4	2560088	2	Handle	
5	2560190	2	Handle, Platform	
6	3290606	9	Nut M6	
7	3290806	2	Nut M8	
8	3291006	2	Nut M10 Grade 8	
9	3340612	18 in /45cm	Pad, Cover	
10	3423278	2	Pin, Snap	
11	3820019	2	Rivet	
12	3860111	2	Roller	
13	3900345	2	Screw	
14	4010616	1	Screw M6 x 40	
15	4010618	8	Screw M6 x 50	
16	4812000	4	Washer M10	
17	1001187585	2	Pin, Snap	
18	1001187587	2	Pin, Snap	
19	1001189762	AR	Tape	
20	1001212869	1	Rail Kit (See 101-111 for Breakdown)	
	1001212869	Ref	RAIL KIT	A
101	1001179275	1	Rail, Bottom Rear LH	
102	1001179276	1	Rail, Bottom Rear RH	
103	1001179277	1	Rail, Bottom Front	
104	1001179287	1	Rail, Top Front	
105	1001179288	1	Rail, Top RH	
106	1001179296	1	Rail, Top LH	
107	1001179298	1	Billboard, Bottom	
108	1001179299	1	Billboard, Top	
109	1001179332	1	Rail, Top Rear Entry	
110	1001212870	1	Rail, Top LH Slide	
111	1001212871	1	Rail, Top RH Slide	

SECTION 4 - PLATFORM

FIGURE 4-14. RAILS INSTALLATION - WITH INSIDE EXTENSION RAILS AND SELF CLOSING GATE



ART_1001176738

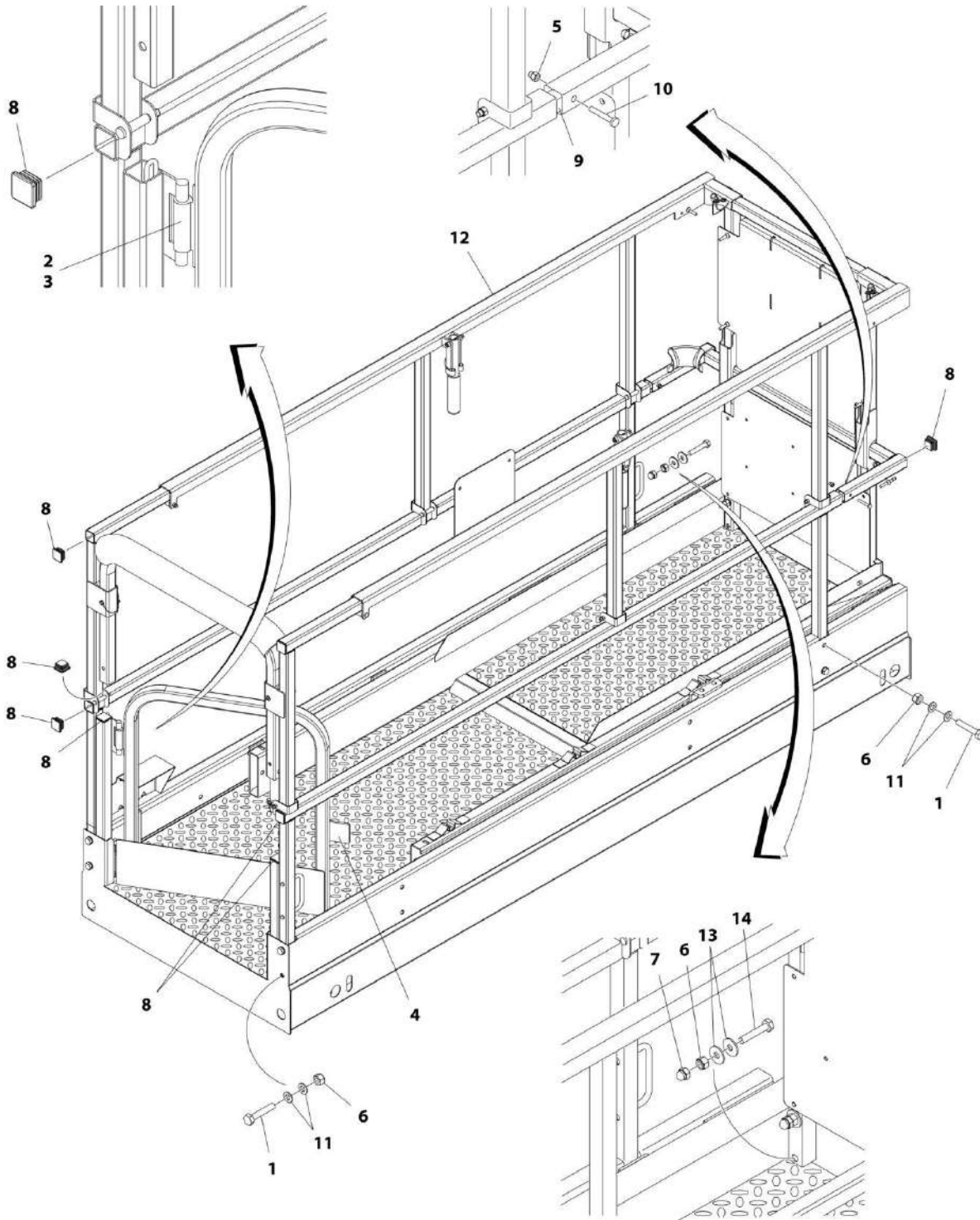
SECTION 4 - PLATFORM

FIGURE 4-14. RAILS INSTALLATION - WITH INSIDE EXTENSION RAILS AND SELF CLOSING GATE

ITEM	PART NUMBER	QTY	DESCRIPTION	REV
	1001176738	Ref	RAILS INSTALLATION - WITH INSIDE EXTENSION RAILS AND SELF CLOSING GATE	G
1	0701019	AR	Bolt M10 x 55	
2	2080040	8	Fastener, Huck	
3	2600281	2	Hinge	
4	1001179272	1	Rail Kit - With Inside Extension Rails and Self Closing Gate (See RAIL KIT - WITH INSIDE EXTENSION RAILS AND SELF CLOSING GATE for Breakdown)	
5	3080007	1	Magnet	
6	3290606	2	Nut M6	
7	3291005	AR	Nut M10	
8	3300477	4	Nut	
8	3291006	4	Nut M10	
9	3520072	8	Plug	
10	3841716	2	Rod, Fiberglass	
11	4010616	2	Screw M6 x 40	
12	4812000	AR	Washer M10	
13	0701019	4	Bolt M10 x 55	
13	0701018	4	Bolt M10 x 50	
14	4812000	8	Washer M10	
14	4812002	8	Washer M10	

SECTION 4 - PLATFORM

FIGURE 4-15. RAILS INSTALLATION - WITH INSIDE EXTENSION RAILS, HANDLE AND SELF CLOSING GATE



ART_1001212701

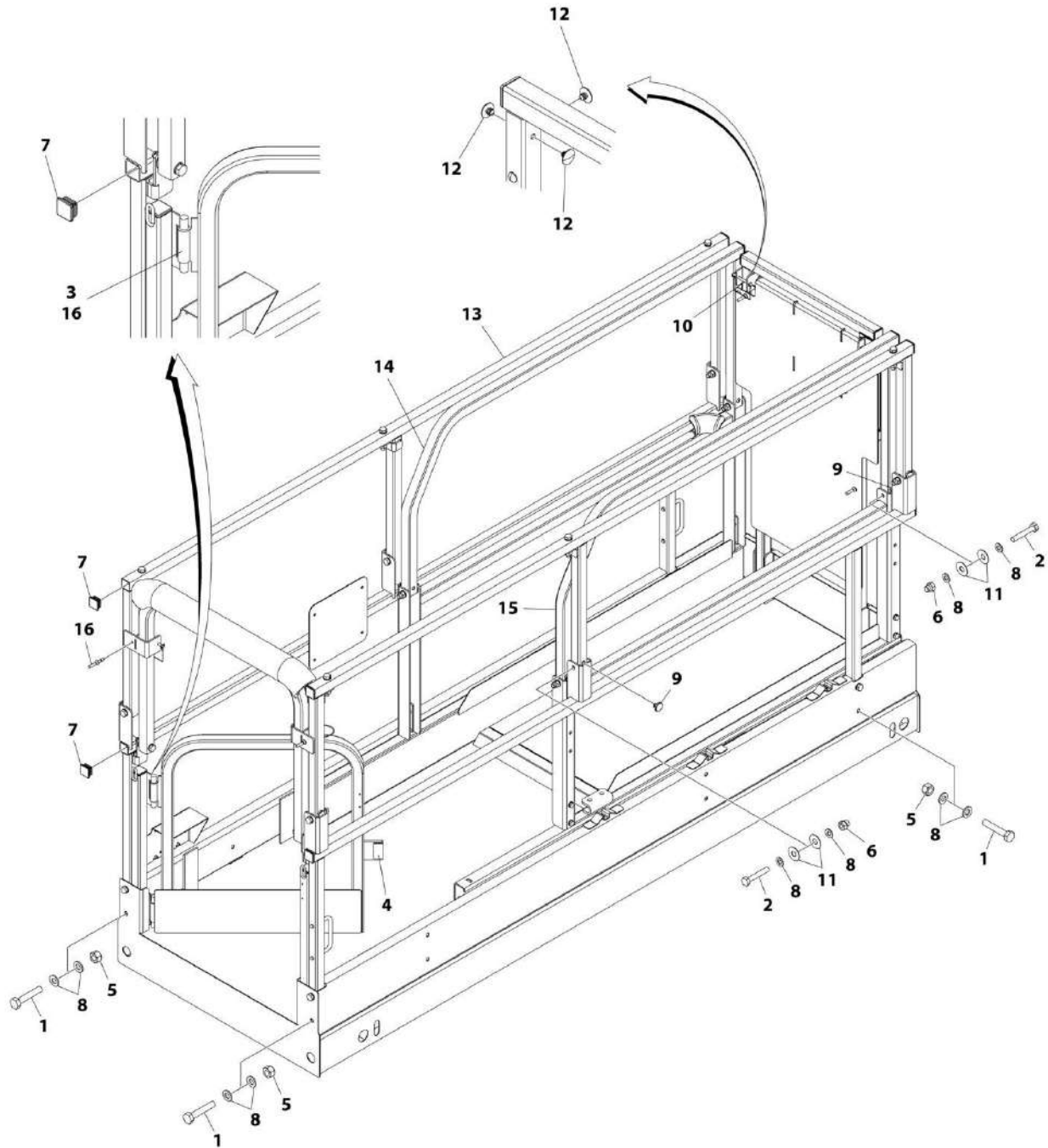
SECTION 4 - PLATFORM

FIGURE 4-15. RAILS INSTALLATION - WITH INSIDE EXTENSION RAILS, HANDLE AND SELF CLOSING GATE

ITEM	PART NUMBER	QTY	DESCRIPTION	REV
	1001212701	Ref	RAILS INSTALLATION - WITH INSIDE EXTENSION RAILS, HANDLE AND SELF CLOSING GATE	B
1	0701019	AR	Bolt M10 x 55	
2	2080040	8	Fastener, Huck	
3	2600281	2	Hinge	
4	3080007	1	Magnet	
5	3290606	2	Nut M6	
6	3291005	12	Nut M10	
7	3300477	4	Nut	
8	3520072	8	Plug	
9	3841716	2	Rod, Fiberglass	
10	4010616	2	Screw M6 x 40	
11	4812000	AR	Washer M10	
12	1001212868	1	Rail Kit - With Inside Extension Rails, Handle and Self Closing Gate (See RAIL KIT - WITH INSIDE EXTENSION RAILS, HANDLE AND SELF CLOSING GATE for Breakdown)	
13	4812000	8	Washer M10	
13	4812002	8	Washer M10	
14	0701019	AR	Bolt M10 x 55	
14	0701021	AR	Bolt M10 x 65	

SECTION 4 - PLATFORM

FIGURE 4-16. RAILS INSTALLATION - WITH OUTSIDE EXTENSION RAILS AND SELF CLOSING GATE



ART_10011215164

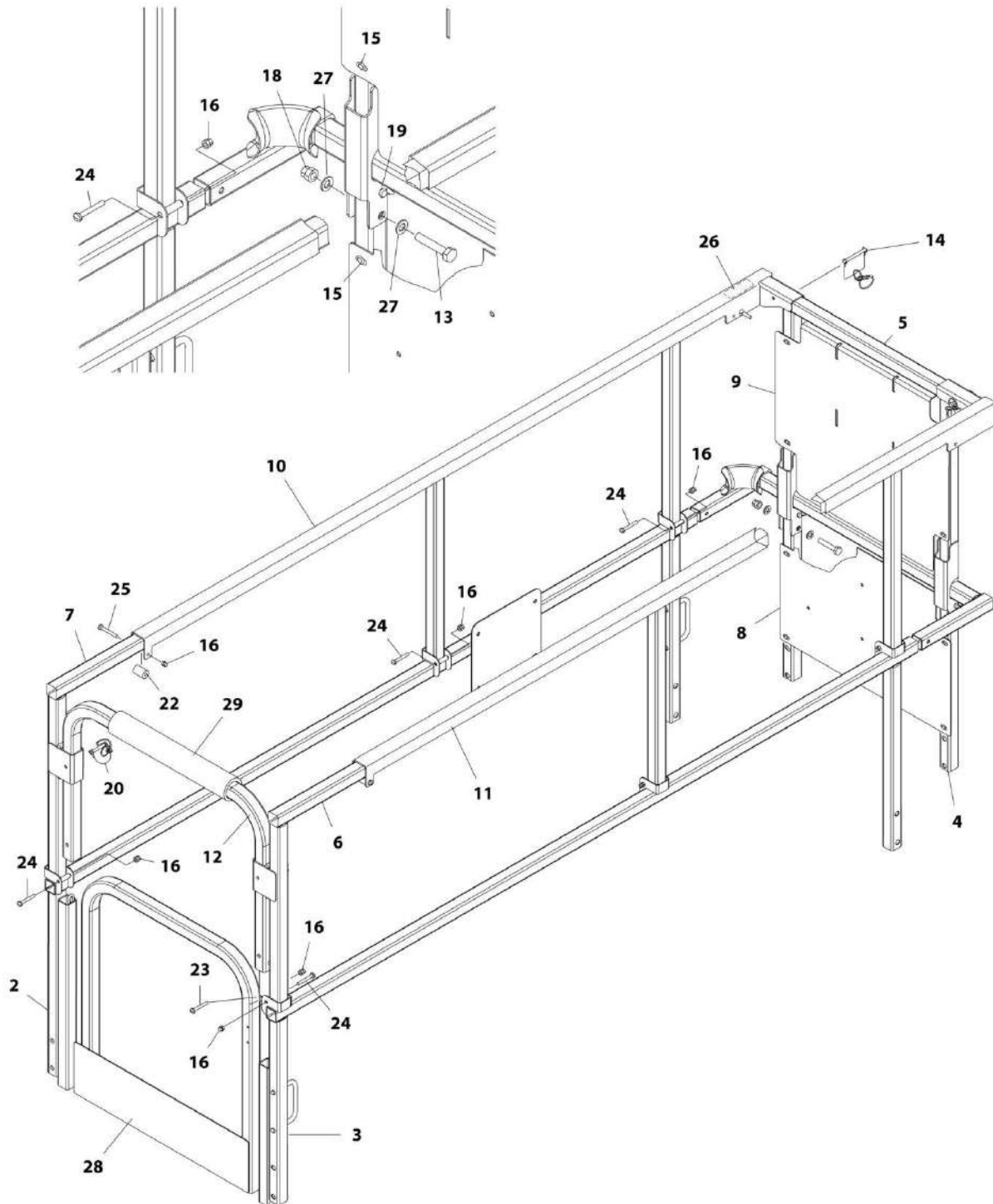
SECTION 4 - PLATFORM

FIGURE 4-16. RAILS INSTALLATION - WITH OUTSIDE EXTENSION RAILS AND SELF CLOSING GATE

ITEM	PART NUMBER	QTY	DESCRIPTION	REV
	1001215164	Ref	RAILS INSTALLATION - WITH OUTSIDE EXTENSION RAILS AND SELF CLOSING GATE	A
1	0701019	8	Bolt M10 x 55	
2	0701020	6	Bolt M10 x 60	
3	2600281	2	Hinge	
4	3080007	1	Magnet	
5	3291005	8	Nut M10	
6	3291006	6	Nut M10	
7	3520072	16	Plug	
8	4812000	28	Washer M10	
9	1001137675	4	Bumper	
10	1001187587	2	Pin	
11	1001211895	12	Plate, Washer	
12	1001211896	6	Bumper	
13	1001217731	1	Rail Kit - With Outside Extension Rails and Self Closing Gate (See RAIL KIT - WITH OUTSIDE EXTENSION RAILS AND SELF CLOSING GATE for Breakdown)	
14	1001217739	1	Rail, Left	
15	1001217740	1	Rail, Right	
16	2080040	10	Fastener, Huck	

SECTION 4 - PLATFORM

FIGURE 4-17. RAIL KIT - WITH INSIDE EXTENSION RAILS AND SELF CLOSING GATE



ART_1001179272

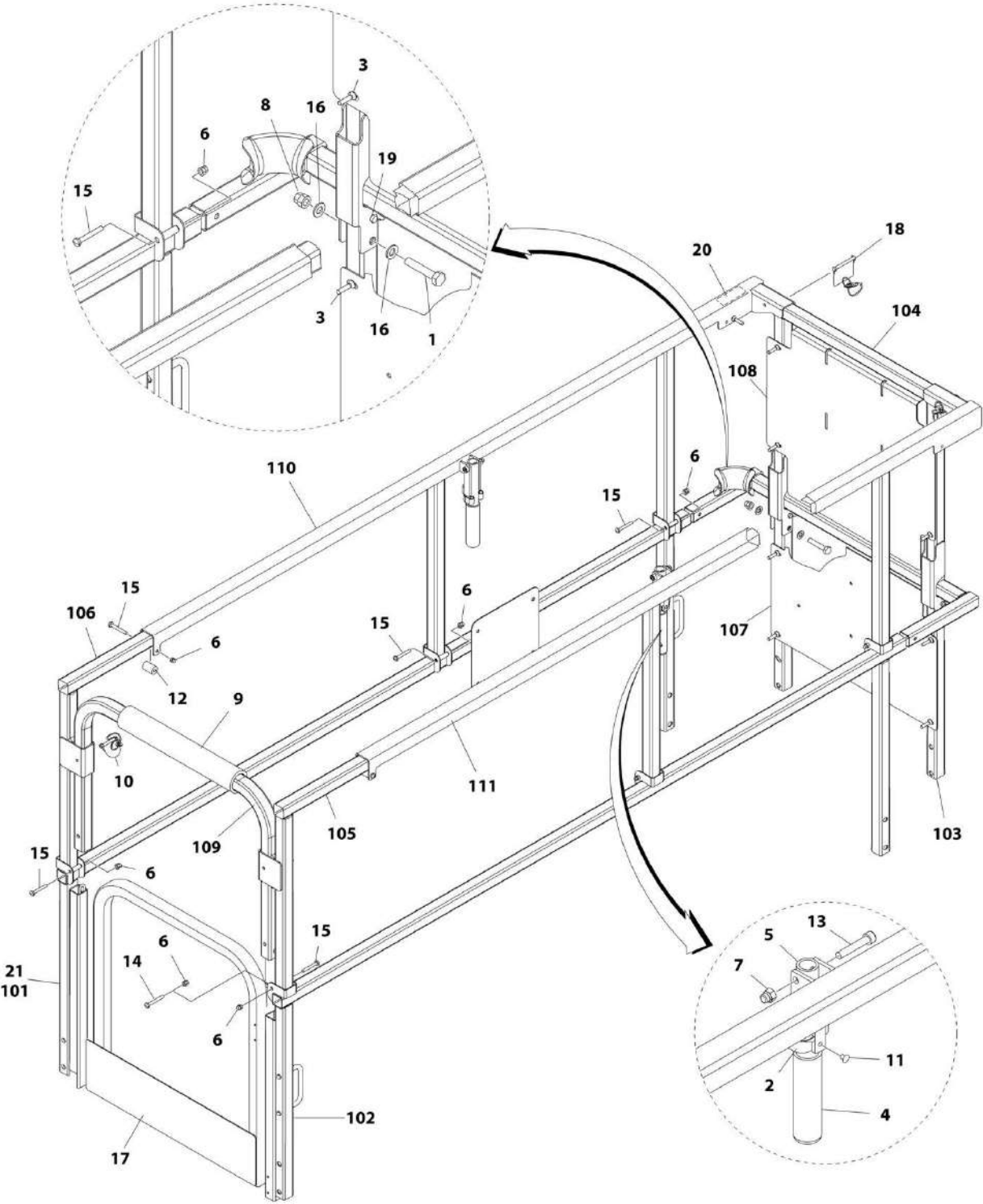
SECTION 4 - PLATFORM

FIGURE 4-17. RAIL KIT - WITH INSIDE EXTENSION RAILS AND SELF CLOSING GATE

ITEM	PART NUMBER	QTY	DESCRIPTION	REV
	1001179272	Ref	RAIL KIT - WITH INSIDE EXTENSION RAILS AND SELF CLOSING GATE	H
1	1001179273	1	Rail Kit Less Hardware (Not Shown - Includes Items 2-12)	
2	1001179275	1	Rail, Bottom Rear LH	
3	1001179276	1	Rail, Bottom Rear RH	
4	1001179277	1	Rail, Bottom Front	
5	1001179287	1	Rail, Top Front	
6	1001179288	1	Rail, Top RH	
7	1001179296	1	Rail, Top LH	
8	1001179298	1	Billboard, Bottom	
9	1001179299	1	Billboard, Top	
10	1001179301	1	Rail, Top LH Slide	
11	1001179304	1	Rail, Top RH Slide	
12	1001179332	1	Rail, Top Rear Entry	
13	0701019	2	Bolt M10 x 55	
14	1001187585	2	Lanyard	
15	2080040	12	Fastener, Huck	
16	3290606	8	Nut M6	
18	3291006	2	Nut M10 Grade 8	
19	1001187587	2	Pin, Snap	
20	3423278	2	Pin, Snap	
22	3860111	2	Roller	
23	4010616	1	Screw M6 x 40	
24	4010617	6	Screw M6 x 45	
24	4010618	6	Screw M6 x 50	
25	4010618	2	Screw M6 x 50	
26	1001189762	AR	Tape	
27	4812000	4	Washer M10	
28	4846723	1	Gate	
29	3340612	18 in /45cm	Pad, Cover	

SECTION 4 - PLATFORM

FIGURE 4-18. RAIL KIT - WITH INSIDE EXTENSION RAILS, HANDLE AND SELF CLOSING GATE



ART_1001212868

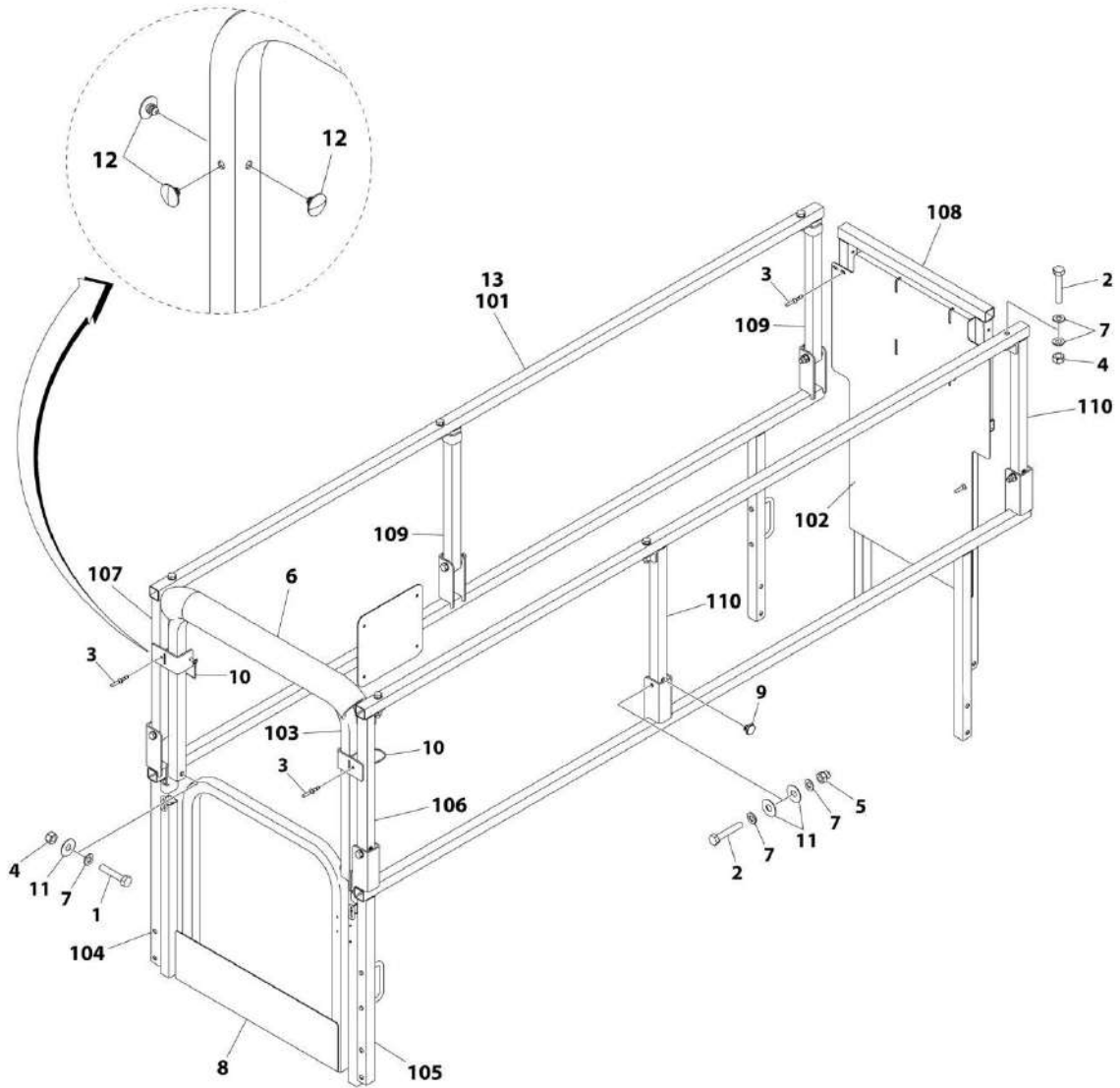
SECTION 4 - PLATFORM

FIGURE 4-18. RAIL KIT - WITH INSIDE EXTENSION RAILS, HANDLE AND SELF CLOSING GATE

ITEM	PART NUMBER	QTY	DESCRIPTION	REV
	1001212868	Ref	RAIL KIT - WITH INSIDE EXTENSION RAILS, HANDLE AND SELF CLOSING GATE	A
1	0701019	2	Bolt M10 x 55	
2	1380132	2	Clip, Gripper	
3	2080040	12	Fastener, Huck	
4	2560088	2	Handle	
5	2560190	2	Handle, Platform	
6	3290606	9	Nut M6	
7	3290806	2	Nut M8	
8	3291006	2	Nut M10	
9	3340612	18 in /45cm	Pad, Cover	
10	3423278	2	Pin	
11	3820019	2	Rivet	
12	3860111	2	Roller	
13	3900345	2	Screw	
14	4010616	1	Screw M6 x 40	
15	4010618	8	Screw M6 x 50	
16	4812000	4	Washer	
17	4846723	1	Gate	
18	1001187585	2	Pin	
19	1001187587	2	Pin	
20	1001189762	AR	Tape	
21	1001212869	1	Rail Kit (See Items 101-111 for Breakdown)	
	1001212869	Ref	RAIL KIT	A
101	1001179275	1	Rail, Bottom Rear LH	
102	1001179276	1	Rail, Bottom Rear RH	
103	1001179277	1	Rail, Bottom Front	
104	1001179287	1	Rail, Top Front	
105	1001179288	1	Rail, Top RH	
106	1001179296	1	Rail, Top LH	
107	1001179298	1	Billboard, Bottom	
108	1001179299	1	Billboard, Top	
109	1001179332	1	Tube, Drywall Gate	
110	1001212870	1	Rail, Top LH Slide	
111	1001212871	1	Rail, Top RH Slide	

SECTION 4 - PLATFORM

FIGURE 4-19. RAIL KIT - WITH OUTSIDE EXTENSION RAILS AND SELF CLOSING GATE



ART_1001217731

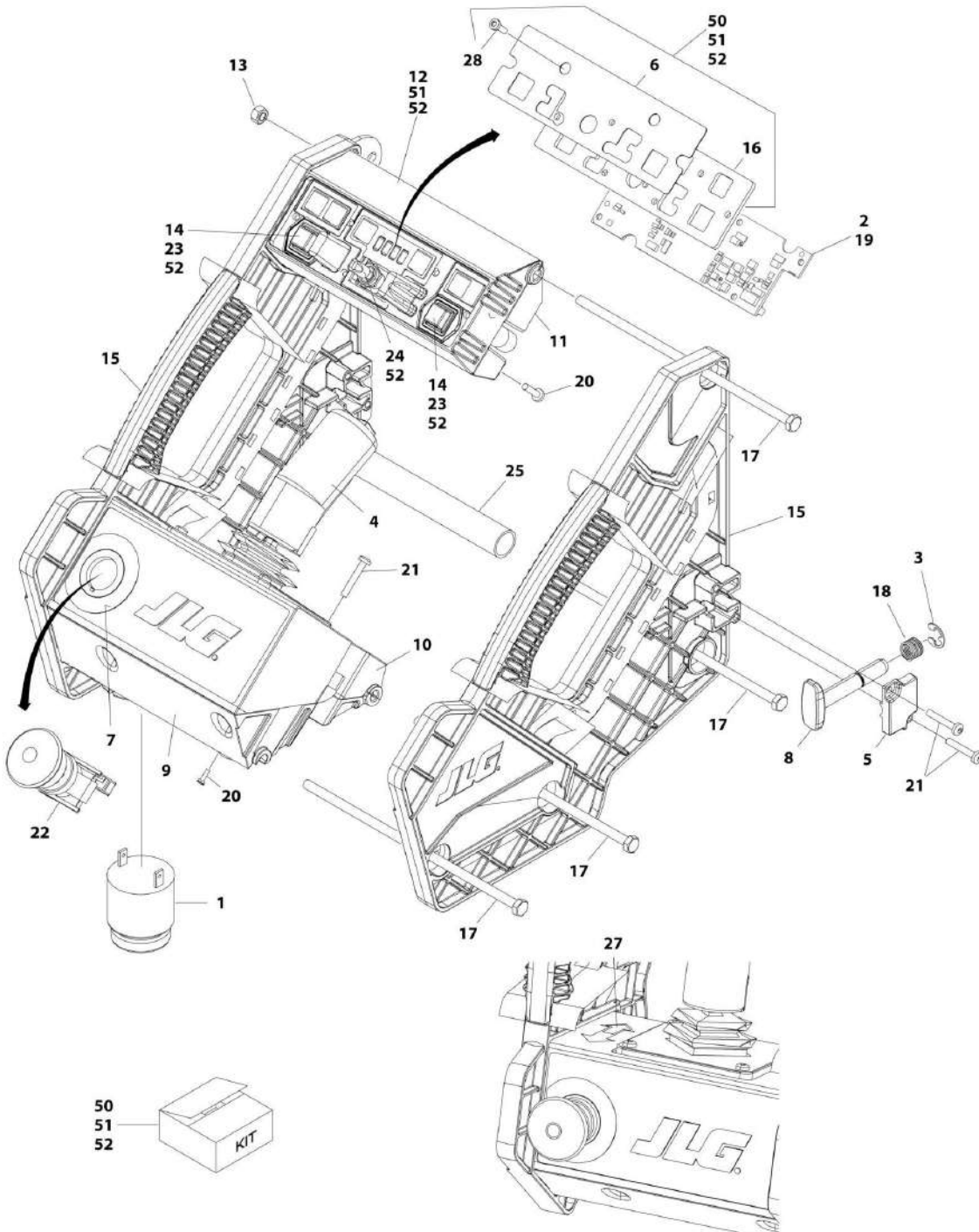
SECTION 4 - PLATFORM

FIGURE 4-19. RAIL KIT - WITH OUTSIDE EXTENSION RAILS AND SELF CLOSING GATE

ITEM	PART NUMBER	QTY	DESCRIPTION	REV
	1001217731	Ref	RAIL KIT - WITH OUTSIDE EXTENSION RAILS AND SELF CLOSING GATE	B
1	0701019	2	Bolt M10 x 55	
2	0701020	12	Bolt M10 x 60	
3	2080040	6	Fastener, Huck	
4	3291005	8	Nut M10	
5	3291006	6	Nut M10	
6	3340612	18 in/ 45cm	Pad, Cover	
7	4812000	26	Washer	
8	4846723	1	Gate	
9	1001137675	6	Bumper	
10	1001187587	2	Pin	
11	1001211895	14	Plate, Washer	
12	1001211896	6	Bumper	
13	1001217732	1	Rail Kit (See Items 101 to 110 for Breakdown)	
	1001217732	Ref	RAIL KIT	A
101	1001215179	2	Rail, Top	
102	1001217118	1	Plate, Billboard	
103	1001217173	1	Gate	
104	1001217733	1	Rail, Bottom LH	
105	1001217734	1	Rail, Bottom RH	
106	1001217735	1	Rail, Right Entrance	
107	1001217736	1	Rail, Left Entrance	
108	1001217737	1	Rail, Front	
109	1001217746	2	Rail, Support	
110	1001217747	2	Rail, Support	

SECTION 4 - PLATFORM

FIGURE 4-20. PLATFORM CONSOLE ASSEMBLY



NOTE: SEE USAGE CHART ON PARTS LIST BEFORE ORDERING PARTS.

ART_1001091153

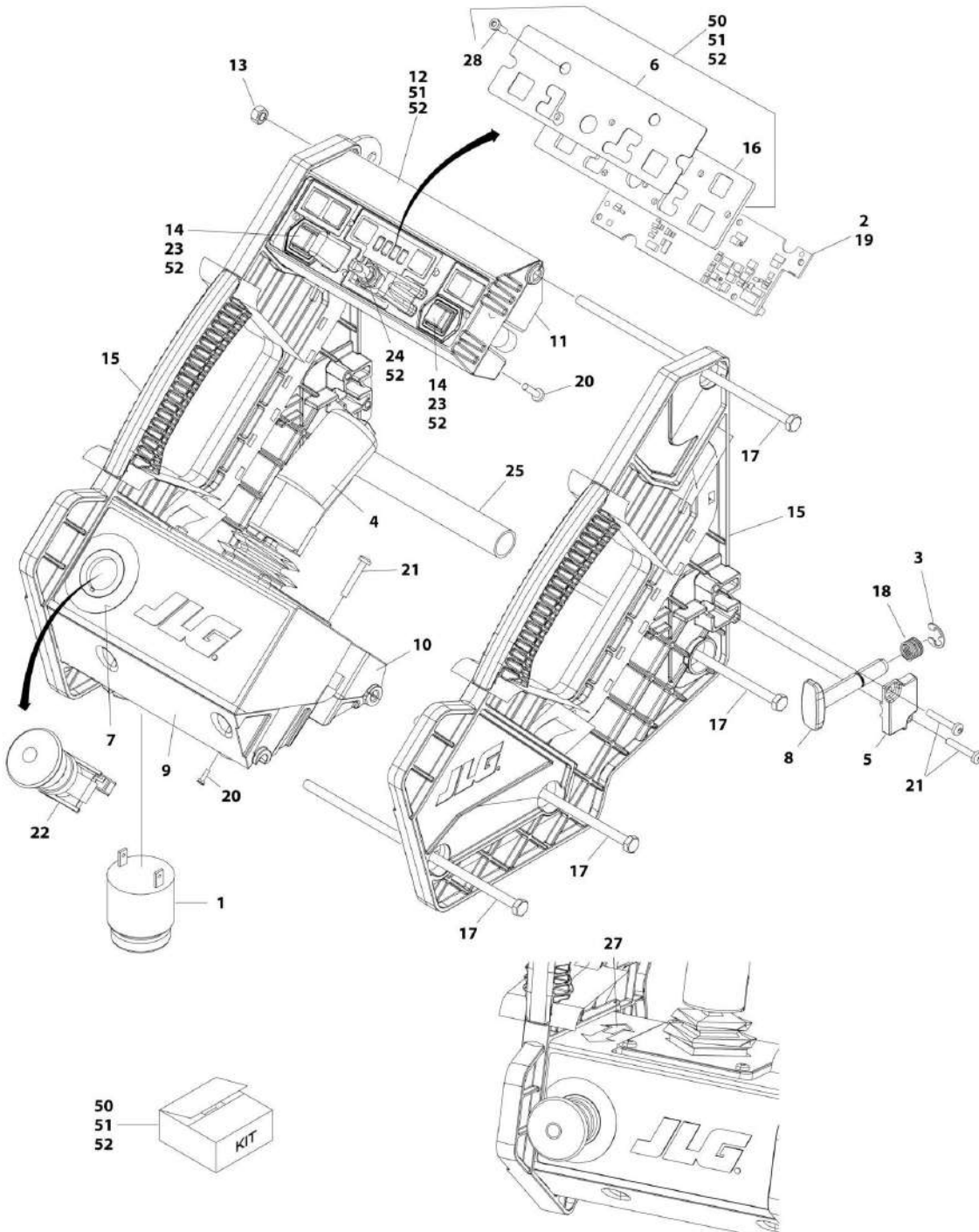
SECTION 4 - PLATFORM

FIGURE 4-20. PLATFORM CONSOLE ASSEMBLY

ITEM	PART NUMBER	QTY	DESCRIPTION	REV
	1001091153	Ref	PLATFORM CONSOLE ASSEMBLY	J
		Ref	Usage Chart	
		Ref	All Specs Except CE and Australian Specs	
		Ref	China Specs (Prior to SN B200028902)	
1	0140011	1	Alarm	
2	1600439	1	PC Board	
3	1380156	1	E-Clip	
4	1600402	1	Drive/Steer Controller Assembly (See DRIVE/STEER CONTROLLER ASSEMBLY for Breakdown)	
5	1671098	1	Latch	
6	1001091272	1	Decal - Icon	
7	1705676	1	Decal - Emergency Stop Ring	
8	2560179	1	Handle, Latch	
9	1001091277	1	Housing, Joystick (Lower)	
10	1001091278	1	Mount, Joystick	
11	1001091279	1	Housing, Module Mounting (Lower)	
12	1001091280	1	Housing, Module Mounting (Upper)	
13	3300473	4	Nut M6	
14	3340968	2	Button (Includes Black Button Only)	
15	3380475	2	Panel, Side	
16	1001091283	1	Plate, Decal	
17	3900333	4	Screw M6 x 190	
18	4160203	1	Spring, Compression	
19	4191306	5	Screw M3.5 x 12	
20	4191407	8	Screw M4 x 16	
21	4191409	6	Screw M4 x 25	
22	4360475	1	Switch, Emergency Stop	
22	7020175	1	Cap	
22	7020176	1	Block, Contact	
23	4360538	2	Strip, Switch and Membrane	
24	4360539	1	Switch, Toggle	
25	4568738	1	Tube, Spacer	
26	4922870	1	Harness, Platform Box (Not Shown - See ELECTRICAL SECTION for Breakdown)	
27	1703819	1	Decal - Directional Arrow	
28	1001091396	6	Screw M3.5 x 12	
29	See Note	NSS	Decal - Control Module (Not Shown) (Note: Not Available for Purchase) (SN 1200030132 to Present, SN B200051216 to Present, SN M200023869 to Present)	
50	1001091968	1	Decal Kit (Includes Items 6, 16 & 28) (Note: Two Item 6's are included in the kit - 1 for All Specs except CE/Australian Specs and 1 for CE/Australian Specs. Use decal required for applicable spec. Dispose of the decal not used)	A
51	1001091393	1	Decal and Housing Kit (Includes Items 6, 12, 16 & 28) (Note: Two Item 6's are included in the kit - 1 for All Specs except CE/Australian Specs and 1 for CE/Australian Specs. Use decal required for applicable spec. Dispose of the decal not used)	C
52	1001091965	1	Decal, Housing and PC Board Kit (Includes Items 2, 6, 12, 14, 16, 19, 23, 24 & 28) (Note: Two Item 6's are included in the kit - 1 for All Specs except CE/Australian Specs and 1 for CE/Australian Specs. Use decal required for applicable spec. Dispose of the decal not used)	C

SECTION 4 - PLATFORM

FIGURE 4-21. PLATFORM CONSOLE ASSEMBLY



NOTE: SEE USAGE CHART ON PARTS LIST BEFORE ORDERING PARTS.

ART_1001091154

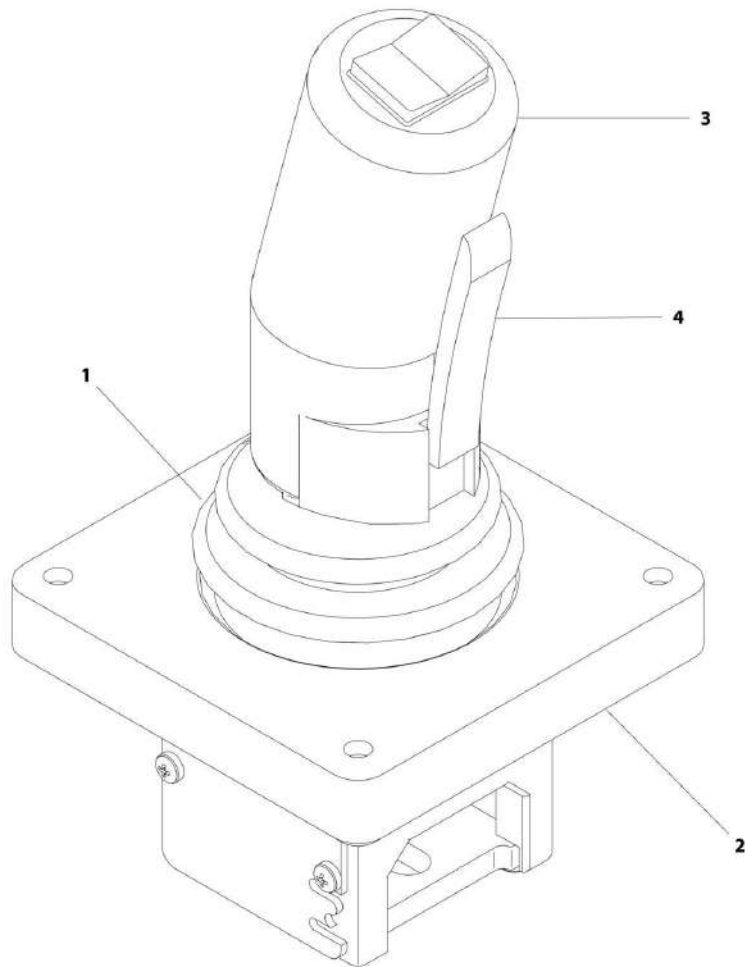
SECTION 4 - PLATFORM

FIGURE 4-21. PLATFORM CONSOLE ASSEMBLY

ITEM	PART NUMBER	QTY	DESCRIPTION	REV
	1001091154	Ref	PLATFORM CONSOLE ASSEMBLY	H
		Ref	Usage Chart	
		Ref	Australian Specs	
		Ref	CE Specs	
		Ref	China Specs (SN B200028902 to Present)	
1	0140011	1	Alarm	
2	1600439	1	PC Board	
3	1380156	1	E-Clip	
4	1600402	1	Drive/Steer Controller Assembly (See DRIVE/STEER CONTROLLER ASSEMBLY for Breakdown)	
5	1671098	1	Latch	
6	1001091275	1	Decal - Icon	
7	1705676	1	Decal - Emergency Stop Ring	
8	2560179	1	Handle, Latch	
9	1001091277	1	Housing, Joystick (Lower)	
10	1001091278	1	Mount, Joystick	
11	1001091279	1	Housing, Module Mounting (Lower)	
12	1001091280	1	Housing, Module Mounting (Upper)	
13	3300473	4	Nut M6	
14	3340968	2	Button (Includes Black Button Only)	
15	3380475	2	Panel, Side	
16	1001091283	1	Plate, Decal	
17	3900333	4	Screw M6 x 190	
18	4160203	1	Spring, Compression	
19	4191306	5	Screw M3.5 x 12	
20	4191407	8	Screw M4 x 16	
21	4191409	6	Screw M4 x 25	
22	4360475	1	Switch, Emergency Stop	
22	7020175	1	Cap	
22	7020176	1	Block, Contact	
23	4360538	2	Strip, Switch and Membrane	
24	4360539	1	Switch, Toggle	
25	4568738	1	Tube, Spacer	
26	4922870	1	Harness, Platform Box (Not Shown - See ELECTRICAL SECTION for Breakdown)	
27	1703819	1	Decal - Directional Arrow	
28	1001091396	6	Screw M3.5 x 12	
29	See Note	NSS	Decal - Control Module (Not Shown) (Note: Not Available for Purchase) (SN 1200030132 to Present, SN B200051216 to Present, SN M200023869 to Present)	
50	1001091968	1	Decal Kit (Includes Items 6, 16 & 28) (Note: Two Item 6's are included in the kit - 1 for All Specs except CE/Australian Specs and 1 for CE/Australian Specs. Use decal required for applicable spec. Dispose of the decal not used)	A
51	1001091393	1	Decal and Housing Kit (Includes Items 6, 12, 16 & 28) (Note: Two Item 6's are included in the kit - 1 for All Specs except CE/Australian Specs and 1 for CE/Australian Specs. Use decal required for applicable spec. Dispose of the decal not used)	C
52	1001091965	1	Decal, Housing and PC Board Kit (Includes Items 2, 6, 12, 14, 16, 19, 23, 24 & 28) (Note: Two Item 6's are included in the kit - 1 for All Specs except CE/Australian Specs and 1 for CE/Australian Specs. Use decal required for applicable spec. Dispose of the decal not used)	C

SECTION 4 - PLATFORM

FIGURE 4-22. DRIVE/STEER CONTROLLER ASSEMBLY



ART_1600402

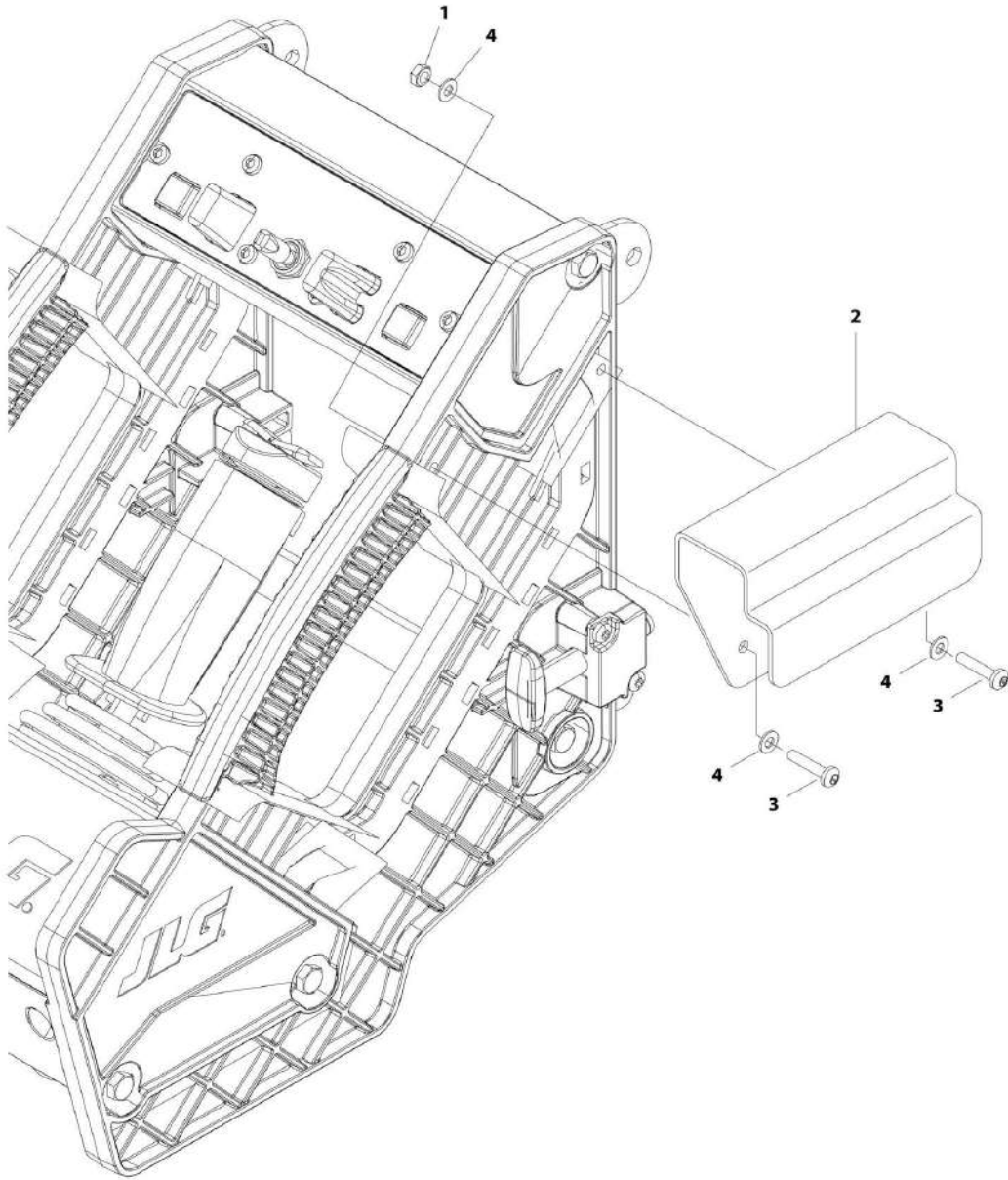
SECTION 4 - PLATFORM

FIGURE 4-22. DRIVE/STEER CONTROLLER ASSEMBLY

ITEM	PART NUMBER	QTY	DESCRIPTION	REV
	1600402	Ref	DRIVE/STEER CONTROLLER ASSEMBLY	A
1	70001250	1	Boot, Panel	
2	70001252	1	Gasket, Mounting	
2	70001251	1	Bezel, Mounting	
3	70003650	1	Handle Repair Kit (Includes handle gasket, item#4 push button and item#4 lever installed in front handle half, back handle half, top actuator, boot and hardware)	
3	70000084	1	Cap, Rubber	
3	70000082	1	Microswitch	
3	7027766	1	Ring, Retaining	
3	7027365	1	Actuator, Handle	
3	70001253	1	Gasket, Handle	
3	70000683	4	Washer, Neoprene	
3	70000685	2	Spacer, Plastic	
3	70000686	2	Screw (Top)	
3	70000684	2	Screw (Bottom)	
4	7027367	1	Switch, Push Button	
4	7027765	1	Lever, Enable	

SECTION 4 - PLATFORM

FIGURE 4-23. PLATFORM CONSOLE HANGER INSTALLATION (OPTIONAL)



ART_0274386

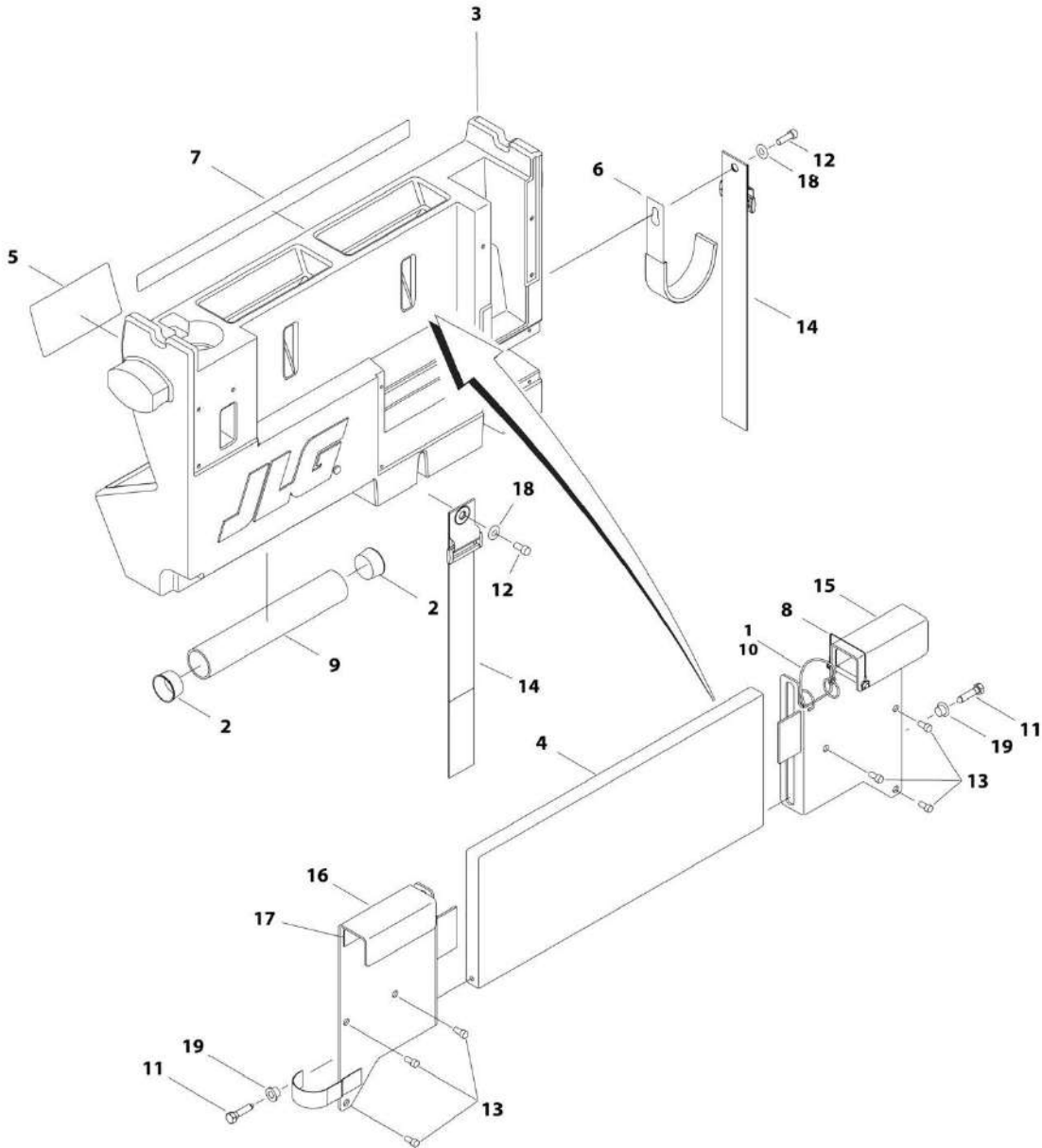
SECTION 4 - PLATFORM

FIGURE 4-23. PLATFORM CONSOLE HANGER INSTALLATION (OPTIONAL)

ITEM	PART NUMBER	QTY	DESCRIPTION	REV
	0274386	Ref	PLATFORM CONSOLE HANGER INSTALLATION (OPTIONAL)	B
1	3290405	2	Nut M4	
2	3575794	1	Plate, Bracket	
3	3900338	2	Screw M4 x 20	
4	4811400	4	Washer M4	

SECTION 4 - PLATFORM

FIGURE 4-24. WORKSTATION WITHOUT DC CONVERTER INSTALLATION - 2032ES/2632ES



ART_0240087

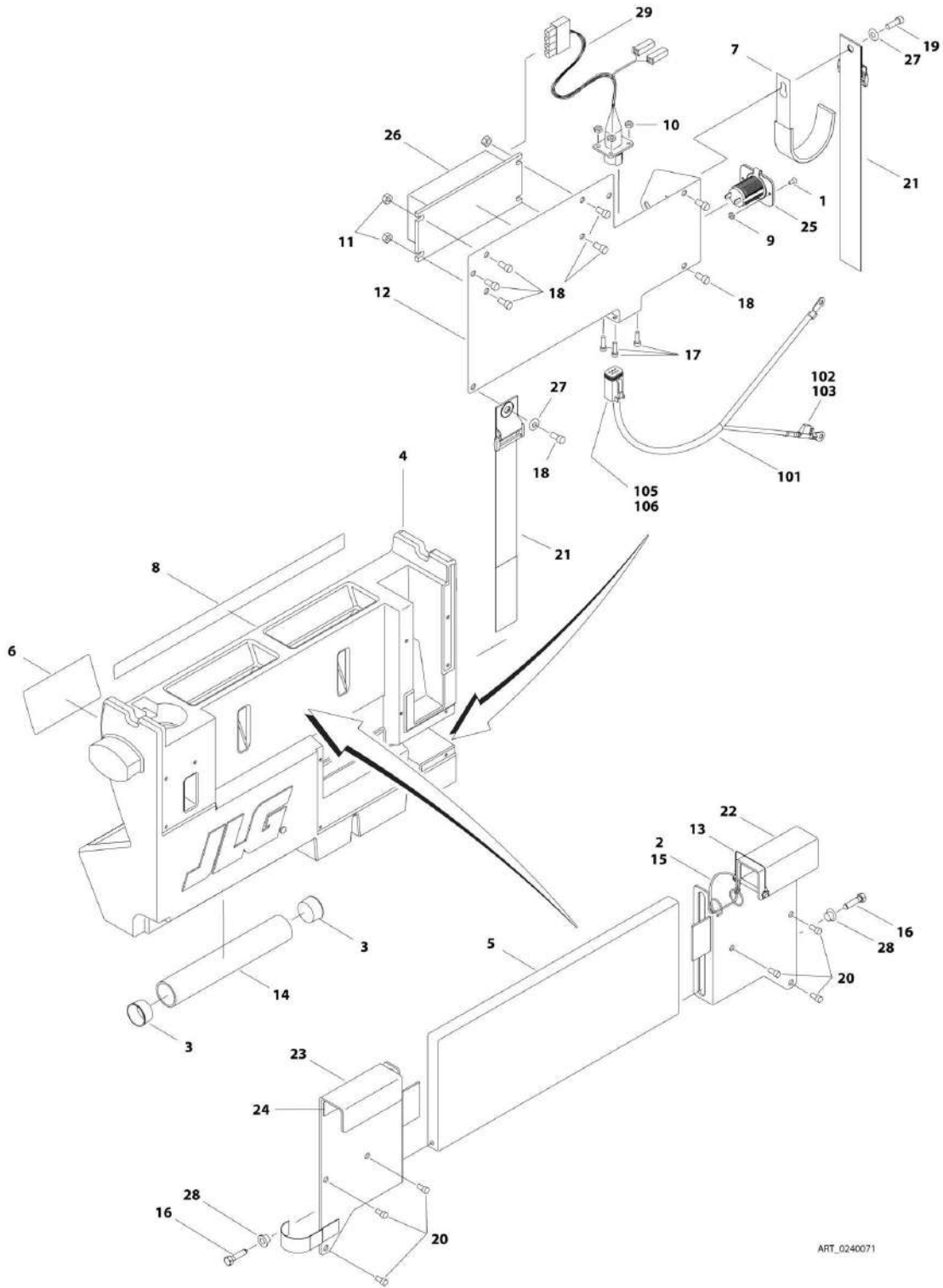
SECTION 4 - PLATFORM

FIGURE 4-24. WORKSTATION WITHOUT DC CONVERTER INSTALLATION - 2032ES/2632ES

ITEM	PART NUMBER	QTY	DESCRIPTION	REV
	0273965	Ref	WORKSTATION INSTALLATION – REFERENCE CHART	B
	0240087	Ref	WORKSTATION WITHOUT DC CONVERTER INSTALLATION	C
1	1060379	1	Cable, Lanyard	
2	1120555	2	Cap, Manual Storage	
3	1580023	1	Container	
4	1580024	1	Tray	
5	1705997	1	Decal - Workstation	
6	2700100	1	Hook, Hanger	
7	2902348	1	Decal - Workstation Kit	
8	3422219	1	Pin	
9	3460334	1	PVC Pipe	
10	3760170	2	Ring	
11	3900355	2	Screw 5/16-9 x 1-1/2	
12	3931412	2	Bolt 1/4-20 x 3/4	
13	3931508	6	Bolt 5/16-18 x 1/2	
14	4240003	2	Strap	
15	4340853	1	Mount, RH Channel	
16	4340854	1	Mount, LH Channel	
17	4420062	3 ft/ 0.9m	Tape	
18	4711400	2	Washer 1/4	
19	4740480	2	Insert, Plastic	

SECTION 4 - PLATFORM

FIGURE 4-25. WORKSTATION WITH DC CONVERTER INSTALLATION - 2032ES ONLY



ART_0240071

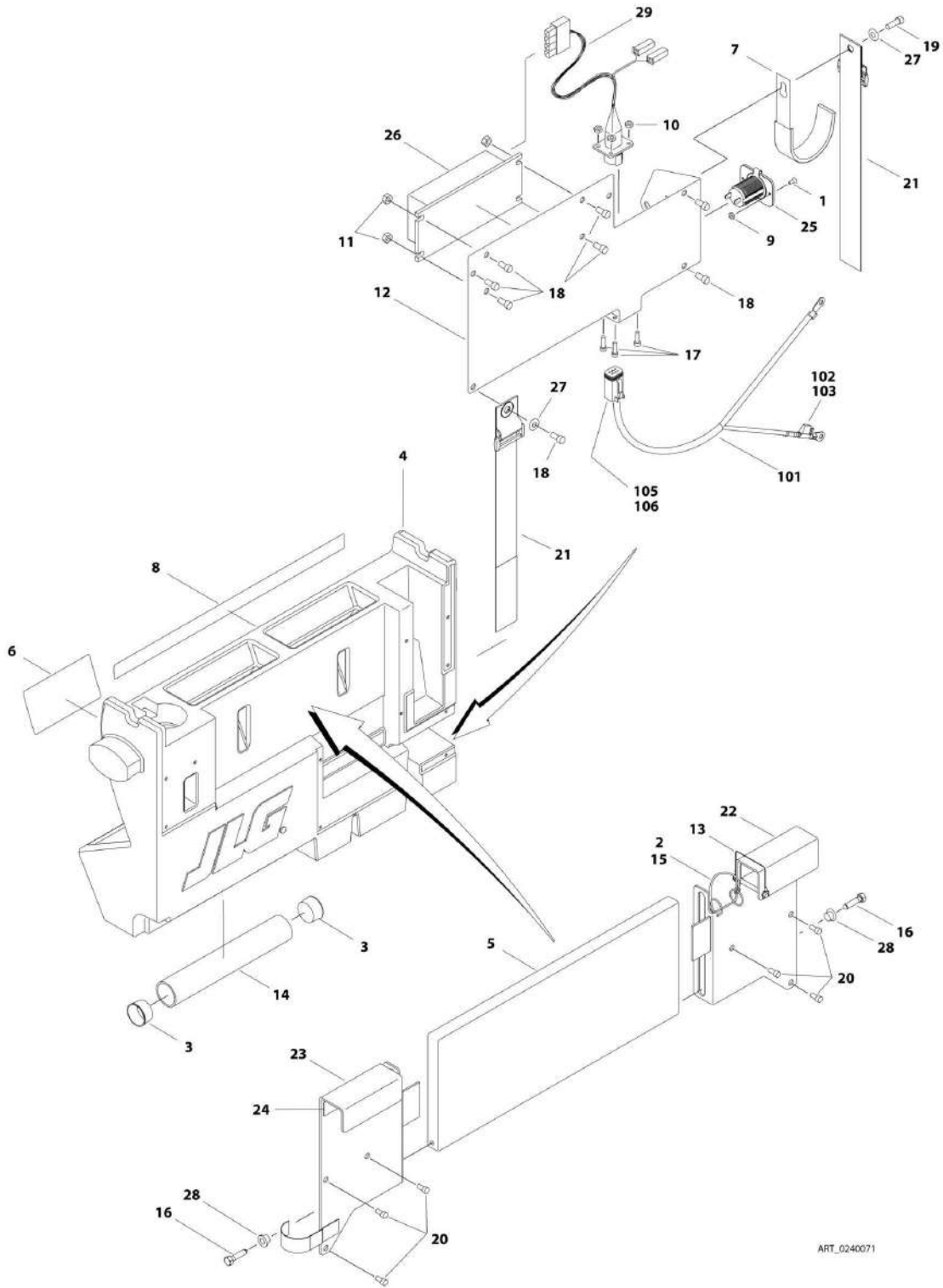
SECTION 4 - PLATFORM

FIGURE 4-25. WORKSTATION WITH DC CONVERTER INSTALLATION - 2032ES ONLY

ITEM	PART NUMBER	QTY	DESCRIPTION	REV
	0273955	Ref	WORKSTATION POWERED INSTALLATION – REFERENCE CHART	B
	0240071	Ref	WORKSTATION WITH DC CONVERTER INSTALLATION	D
1	0740603	2	Screw #6-32 x 3/4	
2	1060379	1	Cable, Lanyard	
3	1120555	2	Cap, Manual Storage	
4	1580023	1	Container	
5	1580024	1	Tray	
6	1705997	1	Decal - Workstation	
7	2700100	1	Hook, Hanger	
8	2902348	1	Decal – Workstation Kit	
9	3310601	2	Nut #6-32	
10	3311005	4	Nut #10-24	
11	3311405	4	Nut 1/4-20	
12	3380527	1	Panel, Converter/Receptacle	
13	3422219	1	Pin	
14	3460334	1	PVC Pipe	
15	3760170	2	Ring	
16	3900355	2	Screw 5/16-9 x 1-1/2	
17	3931010	4	Bolt #10-24 x 5/8	
18	3931408	9	Bolt 1/4-20 x 1/2	
19	3931412	1	Bolt 1/4-20 x 3/4	
20	3931508	6	Bolt 5/16-18 x 1/2	
21	4240003	2	Strap	
22	4340853	1	Mount, RH Channel	
23	4340854	1	Mount, LH Channel	
24	4420062	3 ft/0.9m	Tape	
25	4461012	1	Receptacle	
26	4530026	1	Transformer	
27	4711400	2	Washer 1/4	
28	4740480	2	Insert, Plastic	
29	4923121	1	Harness, Workstation Power (See ELECTRICAL SECTION for Breakdown)	
		Ref	WORKSTATION POWER CABLE INSTALLATIONS	
	4923114	Ref	2030ES	B
	4923115	1	2632ES	B
101	1060331	60 ft /18.3m	Cable, 16/4 (2030ES)	
101	1060331	70 ft /21.3m	Cable, 16/4 (2632ES)	
102	2400061	1	Fuse - 10 Amp	
103	2400066	1	Holder, Fuse	
105	4460465	1	Socket, Female	
106	4460884	1	Connector - 4 Position	

SECTION 4 - PLATFORM

FIGURE 4-26. WORKSTATION WITH DC CONVERTER INSTALLATION - 2632ES ONLY



ART_0240071

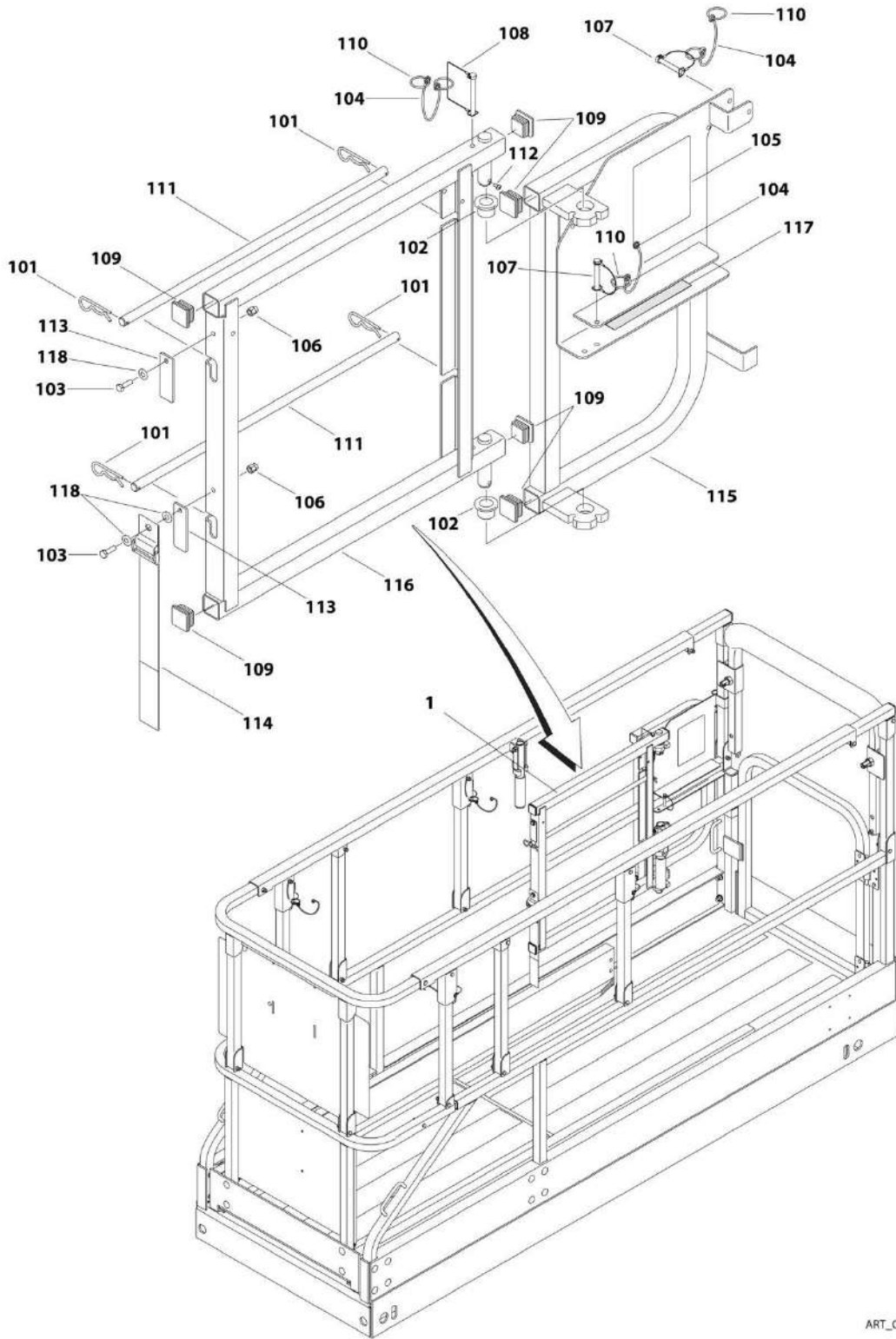
SECTION 4 - PLATFORM

FIGURE 4-26. WORKSTATION WITH DC CONVERTER INSTALLATION - 2632ES ONLY

ITEM	PART NUMBER	QTY	DESCRIPTION	REV
	0273956	Ref	WORKSTATION POWERED INSTALLATION - REFERENCE CHART	B
	0240071	Ref	WORKSTATION WITH DC CONVERTER INSTALLATION	D
1	0740603	2	Screw #6-32 x 3/4	
2	1060379	1	Cable, Lanyard	
3	1120555	2	Cap, Manual Storage	
4	1580023	1	Container	
5	1580024	1	Tray	
6	1705997	1	Decal - Workstation	
7	2700100	1	Hook, Hanger	
8	2902348	1	Decal - Workstation Kit	
9	3310601	2	Nut #6-32	
10	3311005	4	Nut #10-24	
11	3311405	4	Nut 1/4-20	
12	3380527	1	Panel, Converter/Receptacle	
13	3422219	1	Pin	
14	3460334	1	PVC Pipe	
15	3760170	2	Ring	
16	3900355	2	Screw 5/16-9 x 1-1/2	
17	3931010	4	Bolt #10-24 x 5/8	
18	3931408	9	Bolt 1/4-20 x 1/2	
19	3931412	1	Bolt 1/4-20 x 3/4	
20	3931508	6	Bolt 5/16-18 x 1/2	
21	4240003	2	Strap	
22	4340853	1	Mount, RH Channel	
23	4340854	1	Mount, LH Channel	
24	4420062	3 ft/0.9m	Tape	
25	4461012	1	Receptacle	
26	4530026	1	Transformer	
27	4711400	2	Washer 1/4	
28	4740480	2	Insert, Plastic	
29	4923121	1	Harness, Workstation Power (See ELECTRICAL SECTION for Breakdown)	
	4923115	1	WORKSTATION POWER CABLE INSTALLATIONS	B
101	1060331	70 ft/ 21.3m	Cable, 16/4	
102	2400061	1	Fuse - 10 Amp	
103	2400066	1	Holder, Fuse	
105	4460465	1	Socket, Female	
106	4460884	1	Connector - 4 Position	

SECTION 4 - PLATFORM

FIGURE 4-27. ELECTRICIAN'S TREE INSTALLATION



ART_0274153

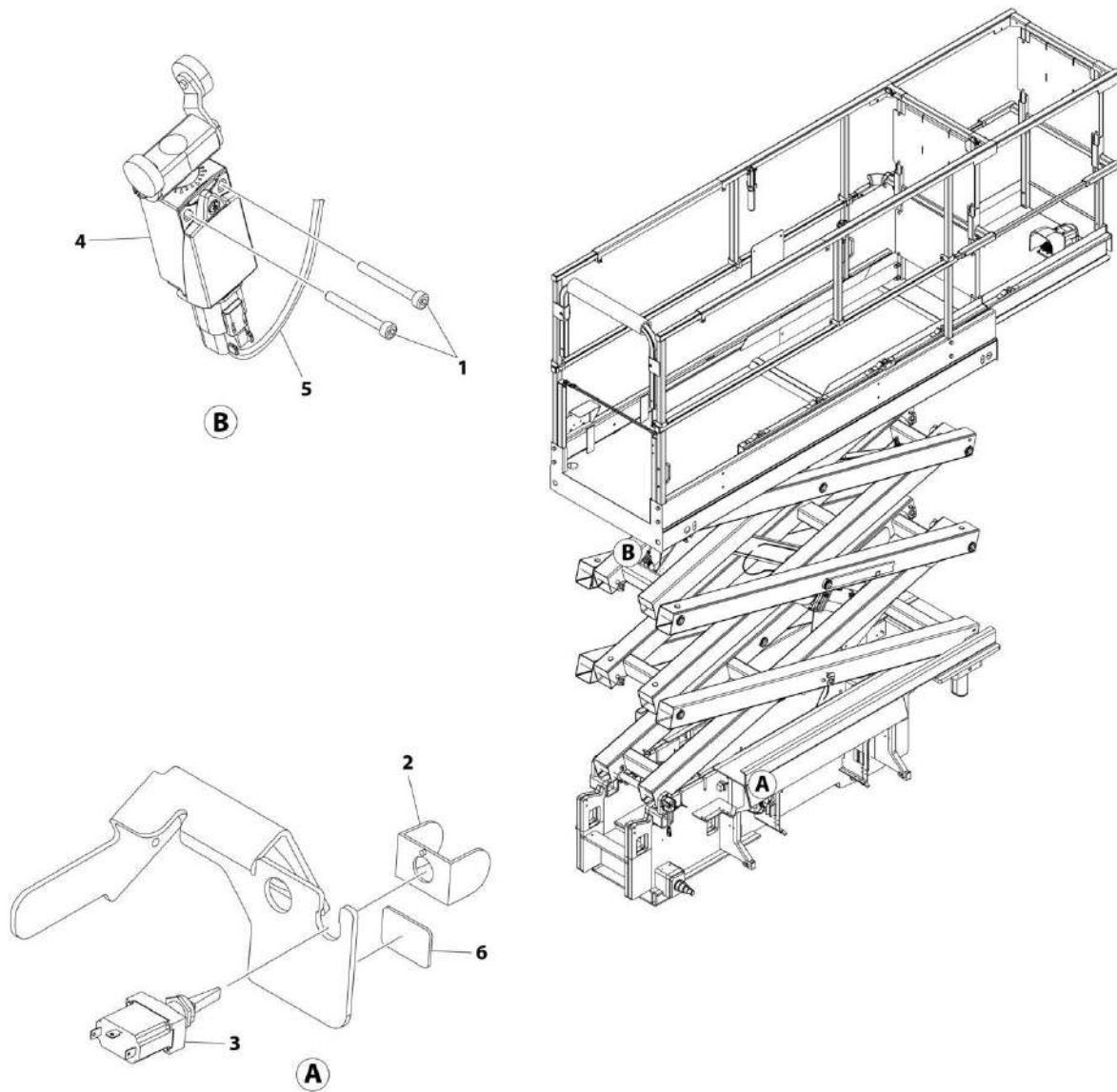
SECTION 4 - PLATFORM

FIGURE 4-27. ELECTRICIAN'S TREE INSTALLATION

ITEM	PART NUMBER	QTY	DESCRIPTION	REV
	0274153	Ref	ELECTRICIAN'S TREE INSTALLATION	B
1	0240102	NLA	Electrician's Tree (Use p/n 1001234783) (See Items 101-118 for Breakdown)	
	0240102	Ref	ELECTRICIAN'S TREE	C
101	80325	4	Hairpin, Cotter	
102	0440223	2	Bushing	
103	0700610	3	Bolt M6 x 20	
104	1060379	3	Cable, Lanyard	
105	2902386	1	Decal – Electrician's Tree Kit	
106	3290606	3	Nut M6	
107	3421453	2	Pin	
108	3422219	1	Pin	
109	3520072	6	Plug	
110	3760170	5	Ring	
111	3841675	2	Rod, Spool	
112	4191706	1	Screw M6 x 12	
113	4220227	2	Stop, Spool Rod	
114	4240003	1	Strap	
115	4340946	1	Mount, Base Pivot	
116	4340947	1	Mount, Spool Rack	
117	4420062	AR	Tape, UHMW	
118	4711400	3	Washer 1/4	
200	1001234783	1	Electrician's Tree Kit (Not Shown - Includes Items 101-108)	

SECTION 4 - PLATFORM

FIGURE 4-28. LOW HEIGHT DRIVE CUTOUT - 2032ES (JAPANESE SPECS ONLY)



ART_1001230754

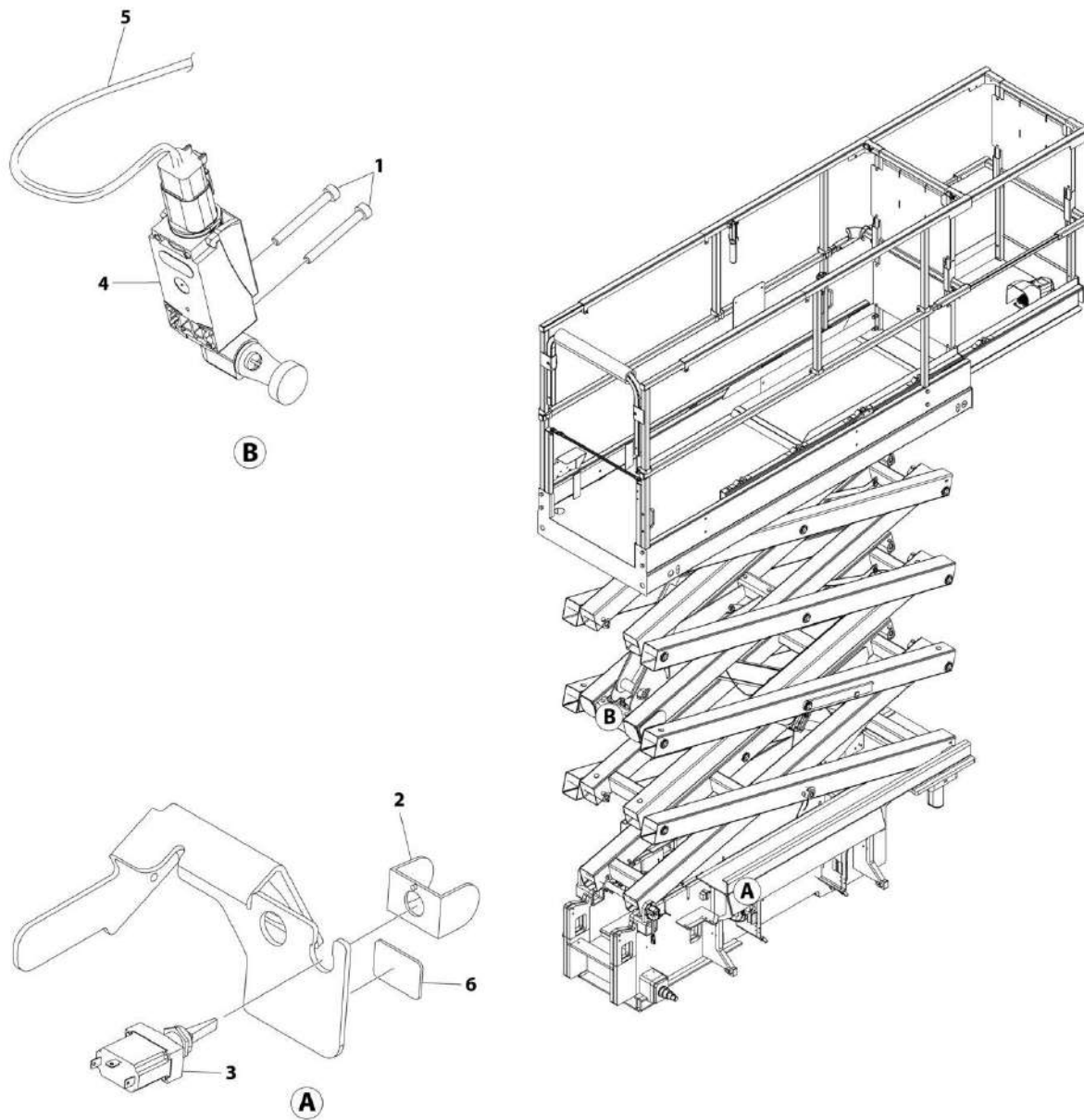
SECTION 4 - PLATFORM

FIGURE 4-28. LOW HEIGHT DRIVE CUTOUT - 2032ES (JAPANESE SPECS ONLY)

ITEM	PART NUMBER	QTY	DESCRIPTION	REV
	1001230754	Ref	LOW HEIGHT DRIVE CUTOUT - 2032ES (JAPANESE SPECS ONLY)	A
1	4031511	2	Capscrew M4 x 35	
2	4060906	1	Guard, Switch	
3	4360345	1	Switch	
4	1001130614	1	Switch, Limit	
5	1001214384	1	Harness, Low Height	
5	4460884	3	Connector - 4 Position	
5	4460465	6	Socket, Female	
5	4460466	6	Seal	
5	4460932	2	Connector - 4 Position	
5	4460464	3	Pin, Male	
5	4460466	5	Seal	
5	4460418	1	Connector - 6 Position	
5	4460419	3	Terminal	
6	1001214409	1	Decal - Low Drive Cutout	

SECTION 4 - PLATFORM

FIGURE 4-29. LOW HEIGHT DRIVE CUTOUT - 2632ES (JAPANESE SPECS ONLY)



ART_1001230755

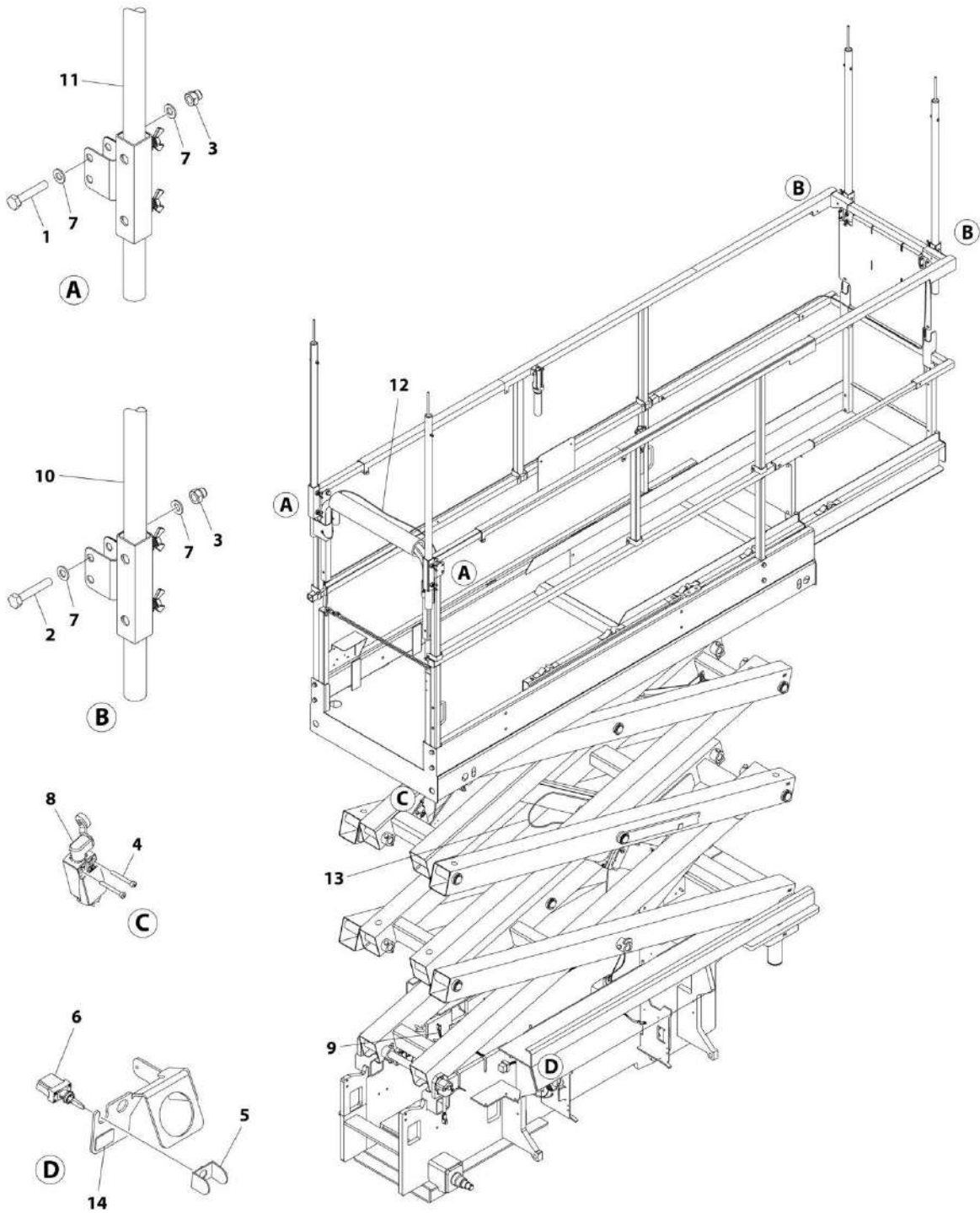
SECTION 4 - PLATFORM

FIGURE 4-29. LOW HEIGHT DRIVE CUTOUT - 2632ES (JAPANESE SPECS ONLY)

ITEM	PART NUMBER	QTY	DESCRIPTION	REV
	1001230755	Ref	LOW HEIGHT DRIVE CUTOUT - 2632ES (JAPANESE SPECS ONLY)	A
1	4031511	2	Capscrew M4 x 35	
2	4060906	1	Guard, Switch	
3	4360345	1	Switch	
4	1001130614	1	Switch, Limit	
5	1001214338	1	Harness, Low Height	
5	4460884	3	Connector - 4 Position	
5	4460465	6	Socket, Female	
5	4460466	6	Seal	
5	4460932	2	Connector - 4 Position	
5	4460464	3	Pin, Male	
5	4460466	5	Seal	
5	4460418	1	Connector - 6 Position	
5	4460419	3	Terminal	
5	1001214341	1	Cable, Overhead Switches	
5	4460891	4	Connector - 2 Position	
5	4460465	8	Socket, Female	
6	1001214409	1	Decal - Low Drive Cutout	

SECTION 4 - PLATFORM

FIGURE 4-30. OVERHEAD PROTECTION AND LOW HEIGHT DRIVE CUTOUT - 2032ES (KOREAN SPECS ONLY)



ART_1001214383

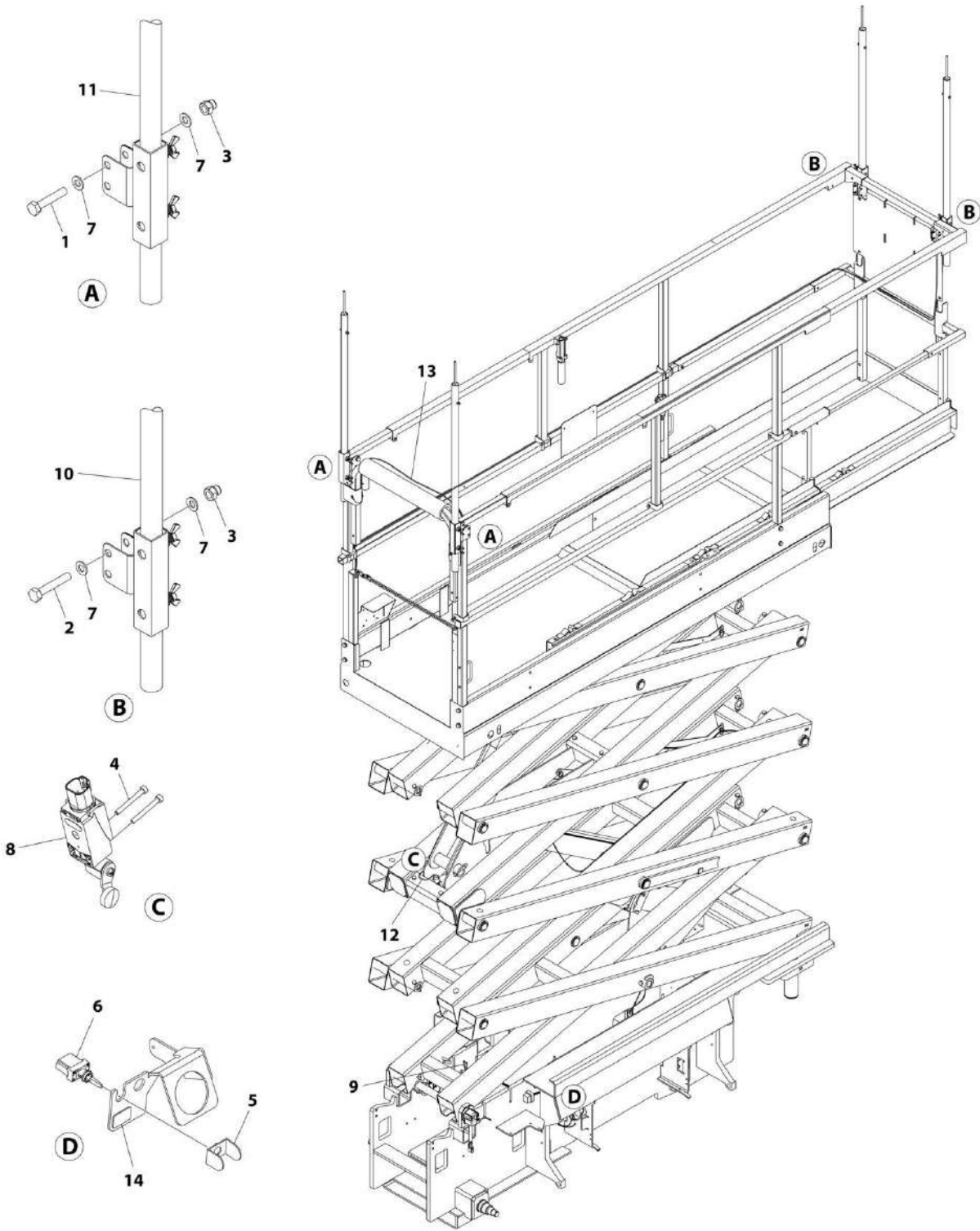
SECTION 4 - PLATFORM

FIGURE 4-30. OVERHEAD PROTECTION AND LOW HEIGHT DRIVE CUTOUT - 2032ES (KOREAN SPECS ONLY)

ITEM	PART NUMBER	QTY	DESCRIPTION	REV
	1001214383	Ref	OVERHEAD PROTECTION AND LOW HEIGHT DRIVE CUTOUT - 2032ES (KOREAN SPECS ONLY)	B
1	0701019	4	Bolt M10 x 55	
2	0701020	4	Bolt M10 x 60	
2	0701019	4	Bolt M10 x 55	
3	3291006	8	Nut M10	
4	4031511	2	Capscrew M4 x 35	
5	4060906	1	Guard, Switch	
6	4360345	1	Switch	
7	4812000	16	Washer #10	
8	1001130614	1	Switch, Limit	
9	1001213660	1	Harness, Overhead	
9	4460424	1	Connector, Female - 2 Position	
9	4460227	1	Pin, Male	
9	4460320	1	Plug, Male - 2 Position	
9	4460226	1	Socket, Female	
10	1001213818	2	Overhead Switch Kit (Front) (See OVERHEAD SWITCH KIT (FRONT) for Breakdown) (Prior to SN B200047512)	
10	1001214311	2	Overhead Switch Kit (Front/Rear) (See OVERHEAD SWITCH KIT (FRONT/REAR) for Breakdown) (SN B200047512 to Present)	
11	1001213858	1	Overhead Switch Kit (Rear) (See OVERHEAD SWITCH KIT (REAR) for Breakdown) (Prior to SN B200047512)	
11	1001214311	2	Overhead Switch Kit (Front/Rear) (See OVERHEAD SWITCH KIT (FRONT/REAR) for Breakdown) (SN B200047512 to Present)	
12	1001214341	1	Cable, Overhead Switches	
12	4460891	4	Connector - 2 Position	
12	4460465	8	Socket, Female	
13	1001214384	1	Harness, Low Height	
13	4460884	3	Connector - 4 Position	
13	4460465	6	Socket, Female	
13	4460466	6	Seal	
13	4460932	2	Connector - 4 Position	
13	4460464	3	Pin, Male	
13	4460466	5	Seal	
13	4460418	1	Connector - 6 Position	
13	4460419	3	Terminal	
14	1001214409	1	Decal - Low Drive Cutout	

SECTION 4 - PLATFORM

FIGURE 4-31. OVERHEAD PROTECTION AND LOW HEIGHT DRIVE CUTOUT - 2632ES (KOREAN SPECS ONLY)



ART_1001214120

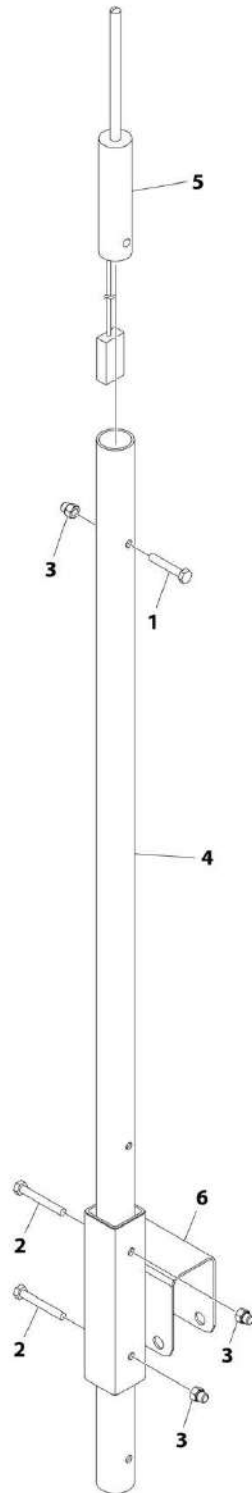
SECTION 4 - PLATFORM

FIGURE 4-31. OVERHEAD PROTECTION AND LOW HEIGHT DRIVE CUTOUT - 2632ES (KOREAN SPECS ONLY)

ITEM	PART NUMBER	QTY	DESCRIPTION	REV
	1001214120	Ref	OVERHEAD PROTECTION AND LOW HEIGHT DRIVE CUTOUT - 2632ES (KOREAN SPECS ONLY)	B
1	0701019	4	Bolt M10 x 55	
2	0701020	4	Bolt M10 x 60	
2	0701019	4	Bolt M10 x 55	
3	3291006	8	Nut M10	
4	4031511	2	Capscrew M4 x 35	
5	4060906	1	Guard, Switch	
6	4360345	1	Switch	
7	4812000	16	Washer #10	
8	1001130614	1	Switch, Limit	
9	1001213660	1	Harness, Overhead	
9	4460424	1	Connector, Female - 2 Position	
9	4460227	1	Pin, Male	
9	4460320	1	Plug, Male - 2 Position	
9	4460226	1	Socket, Female	
10	1001213818	2	Overhead Switch Kit (Front) (See OVERHEAD SWITCH KIT (FRONT) for Breakdown) (Prior to SN B200046827)	
10	1001214311	2	Overhead Switch Kit (Front/Rear) (See OVERHEAD SWITCH KIT (FRONT/REAR) for Breakdown) (SN B200046827 to Present)	
11	1001213858	1	Overhead Switch Kit (Rear) (See OVERHEAD SWITCH KIT (REAR) for Breakdown) (Prior to SN B200046827)	
11	1001214311	2	Overhead Switch Kit (Front/Rear) (See OVERHEAD SWITCH KIT (FRONT/REAR) for Breakdown) (SN B200046827 to Present)	
12	1001214338	1	Harness, Low Height	
12	4460884	3	Connector - 4 Position	
12	4460465	6	Socket, Female	
12	4460466	6	Seal	
12	4460932	2	Connector - 4 Position	
12	4460464	3	Pin, Male	
12	4460466	5	Seal	
12	4460418	1	Connector - 6 Position	
12	4460419	3	Terminal	
13	1001214341	1	Cable, Overhead Switches	
13	4460891	4	Connector - 2 Position	
13	4460465	8	Socket, Female	
14	1001214409	1	Decal - Low Drive Cutout	

SECTION 4 - PLATFORM

FIGURE 4-32. OVERHEAD SWITCH KIT (FRONT) (Prior to SN B200046827)



ART_1001213818

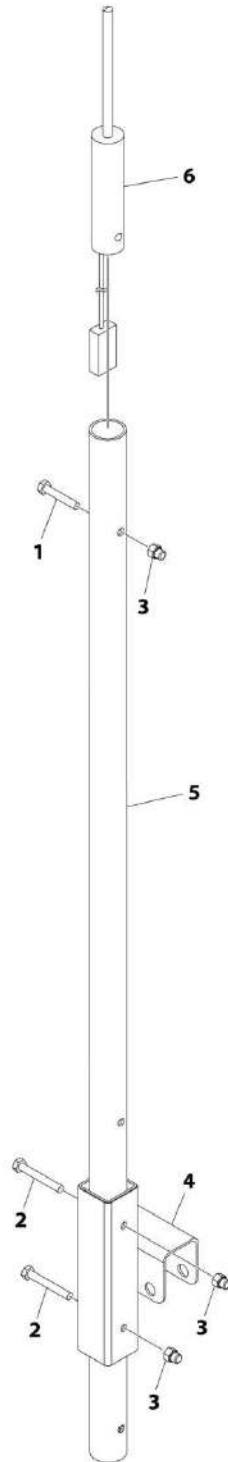
SECTION 4 - PLATFORM

FIGURE 4-32. OVERHEAD SWITCH KIT (FRONT) (Prior to SN B200046827)

ITEM	PART NUMBER	QTY	DESCRIPTION	REV
	1001213818	Ref	OVERHEAD SWITCH KIT (FRONT)	A
1	0700615	1	Bolt M6 x 35	
2	0710617	2	Bolt M6 x 45	
3	3290606	3	Nut M6	
4	1001213821	1	Tube	
5	1001213822	1	Switch	
5	7028909	1	Connector - 2 Position	
5	77363228	2	Terminal	
6	1001213857	1	Bracket	

SECTION 4 - PLATFORM

FIGURE 4-33. OVERHEAD SWITCH KIT (REAR) (Prior to SN B200046827)



ART_1001213858

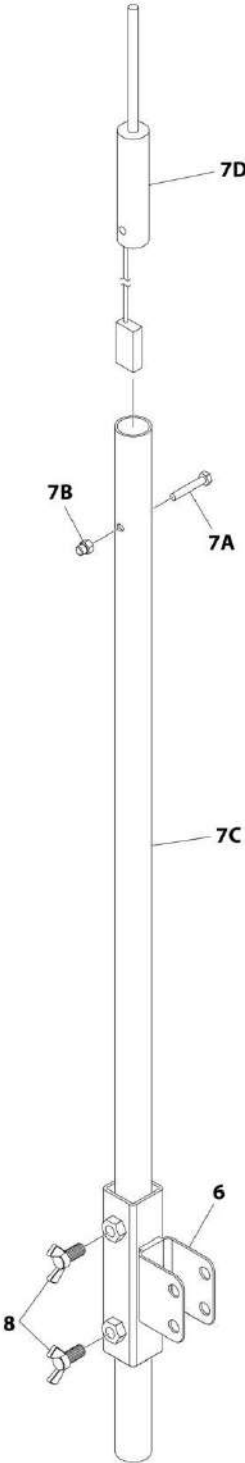
SECTION 4 - PLATFORM

FIGURE 4-33. OVERHEAD SWITCH KIT (REAR) (Prior to SN B200046827)

ITEM	PART NUMBER	QTY	DESCRIPTION	REV
	1001213858	Ref	OVERHEAD SWITCH KIT (REAR)	A
1	0700615	1	Bolt M6 x 35	
2	0710617	2	Bolt M6 x 45	
3	3290606	3	Nut M6	
4	1001213820	1	Bracket	
5	1001213821	1	Tube	
6	1001213822	1	Switch	
6	7028909	1	Connector - 2 Position	
6	77363228	2	Terminal	

SECTION 4 - PLATFORM

FIGURE 4-34. OVERHEAD SWITCH KIT (FRONT/REAR) (SN B200046827 to Present)



ART_1001214311

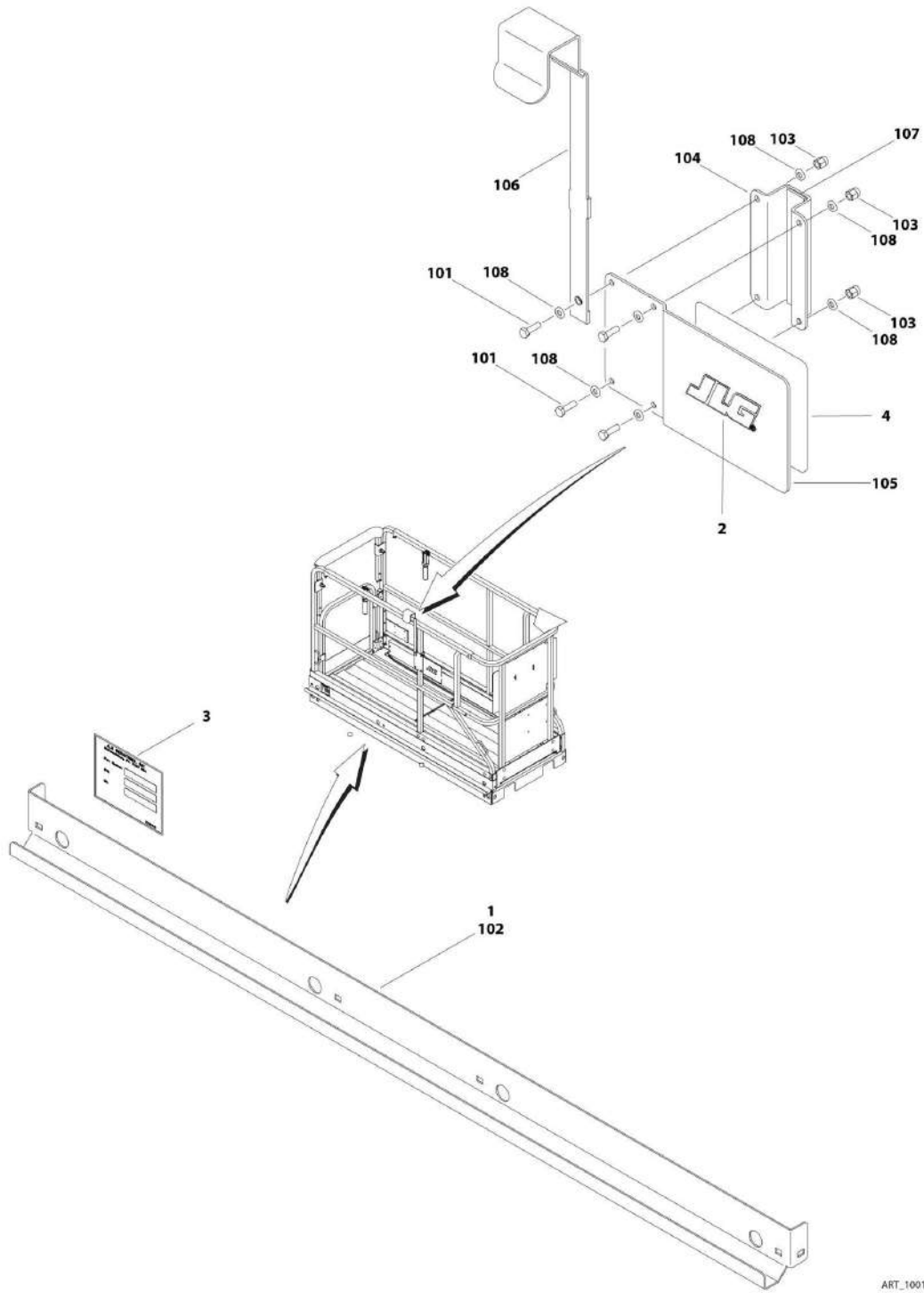
SECTION 4 - PLATFORM

FIGURE 4-34. OVERHEAD SWITCH KIT (FRONT/REAR) (SN B200046827 to Present)

ITEM	PART NUMBER	QTY	DESCRIPTION	REV
	1001214311	Ref	OVERHEAD SWITCH KIT (FRONT/REAR)	C
6	1001214310	1	Bracket	
7	1001217666	1	Switch Kit (Includes Items 7A-7D)	
7A	0700615	1	Bolt M6 x 35	
7B	3290606	1	Nut M6	
7C	1001213821	1	Tube	
7D	1001213822	1	Switch	
7D	7028909	1	Connector - 2 Position	
7D	77363228	2	Terminal	
8	1001222914	2	Screw, Thumb	

SECTION 4 - PLATFORM

FIGURE 4-35. PANEL INSTALLATION (ANSI, ANSI EXPORT, CHINESE, CSA AND KOREA SPECS)



ART_1001178163

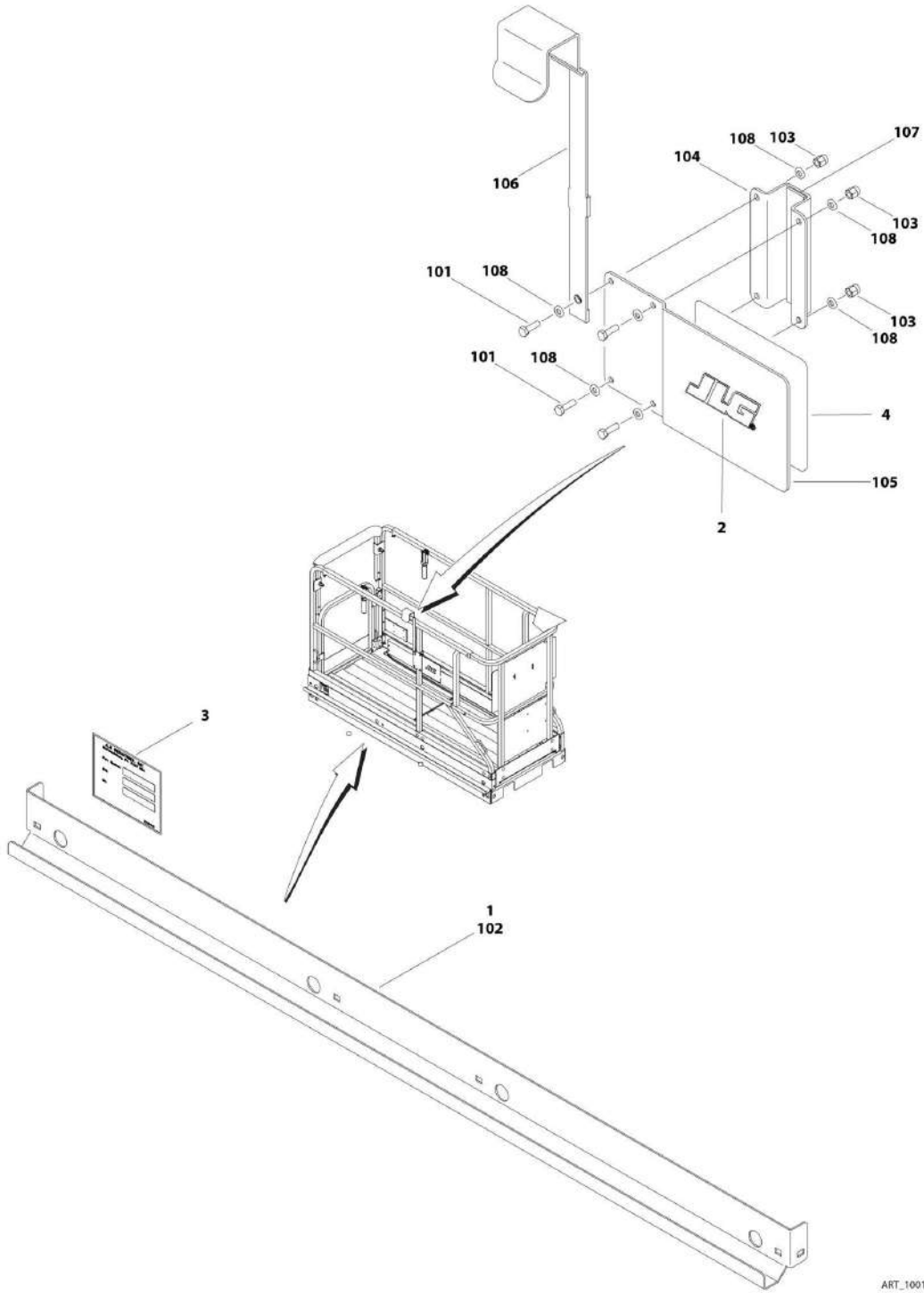
SECTION 4 - PLATFORM

FIGURE 4-35. PANEL INSTALLATION (ANSI, ANSI EXPORT, CHINESE, CSA AND KOREA SPECS)

ITEM	PART NUMBER	QTY	DESCRIPTION	REV
	1001178163	Ref	PANEL INSTALLATION (ANSI, ANSI EXPORT, CHINESE, CSA AND KOREA SPECS)	C
1	0240144	1	Attach, Panel Carrier (See Item 101-108 for Breakdown)	
2	1702010	1	Decal - JLG	
3	See Note	NSS	Nameplate (Note: Not Available for Purchase)	
4	1001182848	1	Decal - Capacity	
	0240144	Ref	PANEL CARRIER ATTACHMENT	C
101	0760610	4	Bolt M6 x 20	
102	1271631	1	Channel	
103	3290606	4	Nut M6	
104	3574505	1	Plate, Bracket	
105	3574506	1	Plate, Billboard	
106	4240165	1	Strap, Tie Down	
107	4420037	6	Tape, Insulation	
		in/15.2cm		
108	4811700	8	Washer M6	

SECTION 4 - PLATFORM

FIGURE 4-36. PANEL INSTALLATION (AUSTRALIAN, CE AND JAPANESE SPECS)



ART_1001176755

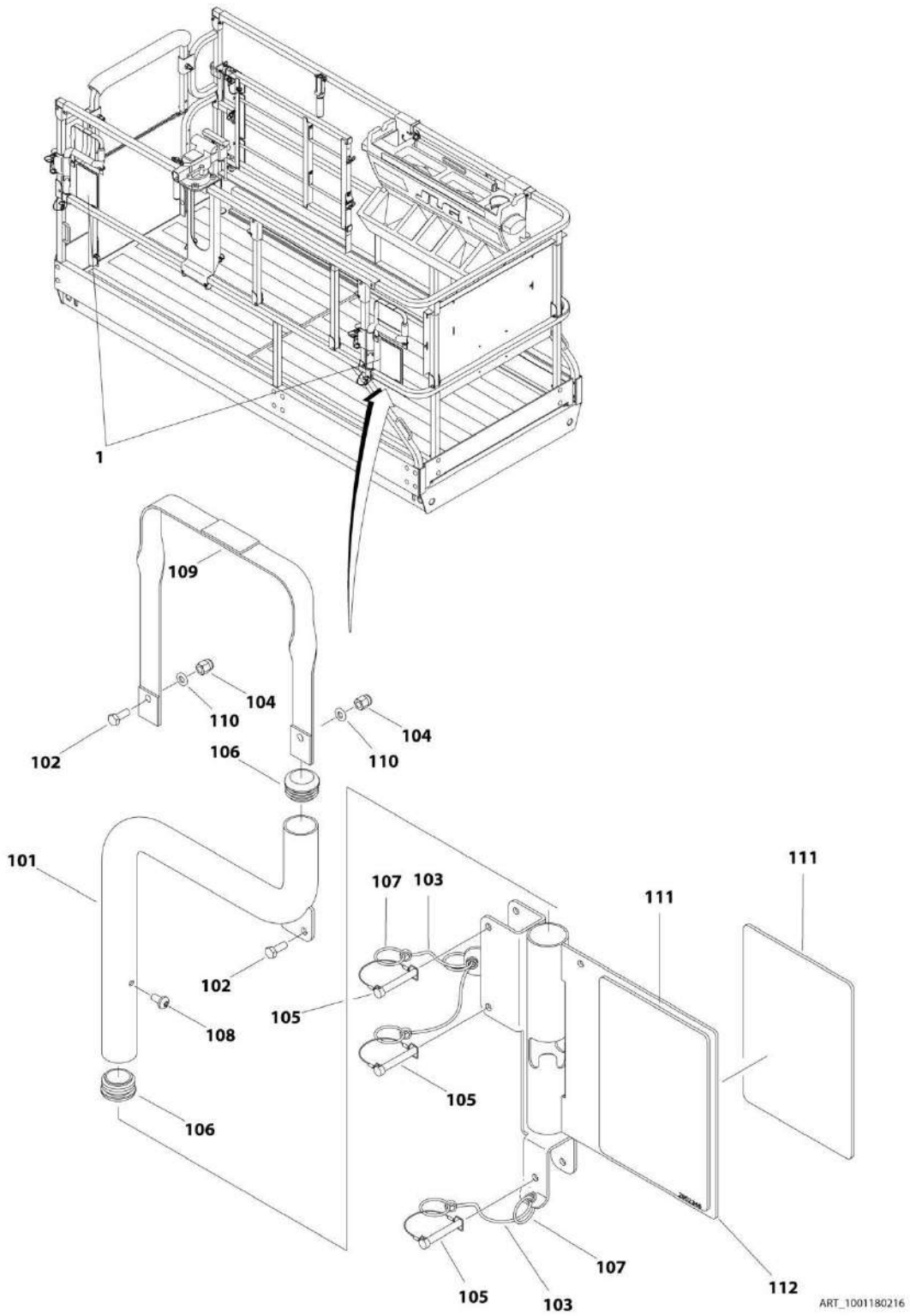
SECTION 4 - PLATFORM

FIGURE 4-36. PANEL INSTALLATION (AUSTRALIAN, CE AND JAPANESES SPECS)

ITEM	PART NUMBER	QTY	DESCRIPTION	REV
	1001176755	Ref	PANEL INSTALLATION (AUSTRALIAN, CE AND JAPANESES SPECS)	C
1	0240144	1	Attach, Panel Carrier (See Item 101-108 for Breakdown)	
2	1702010	1	Decal - JLG	
3	See Note	NSS	Nameplate (Note: Not Available for Purchase)	
4	1001182849	1	Decal - Capacity	
	0240144	Ref	PANEL CARRIER ATTACHMENT	C
101	0760610	4	Bolt M6 x 20	
102	1271631	1	Channel	
103	3290606	4	Nut M6	
104	3574505	1	Plate, Bracket	
105	3574506	1	Plate, Billboard	
106	4240165	1	Strap, Tie Down	
107	4420037	6	Tape, Insulation	
		in/15.2cm		
108	4811700	8	Washer M6	

SECTION 4 - PLATFORM

FIGURE 4-37. PIPE RACKS INSTALLATION (FACTORY INSTALLED)



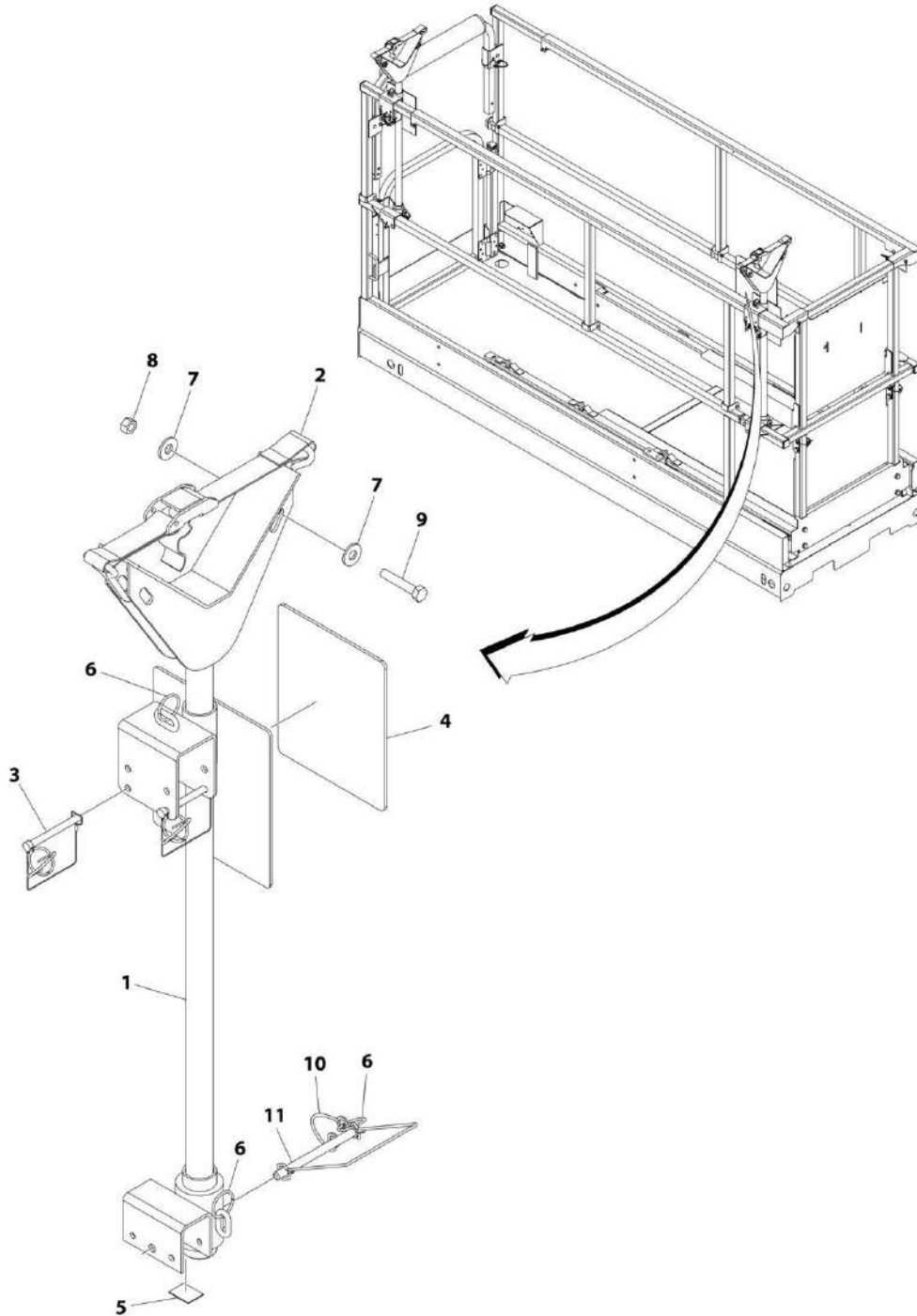
SECTION 4 - PLATFORM

FIGURE 4-37. PIPE RACKS INSTALLATION (FACTORY INSTALLED)

ITEM	PART NUMBER	QTY	DESCRIPTION	REV
1	1001180216	Ref	PIPE RACKS INSTALLATION (FACTORY INSTALLED)	B
	1001180197	2	Pipe Racks Assembly (See Items 101-112 for Breakdown)	
	1001180197	Ref	PIPE RACKS ASSEMBLY	D
101	0240054	1	Pipe Rack Tube	
102	0700608	2	Bolt M6 x 16	
103	1060379	3	Cable, Lanyard	
104	3290606	2	Nut M6	
105	3421453	3	Pin	
106	3520176	2	Plug	
107	3760170	5	Ring	
108	4191706	1	Screw M6 x 12	
109	4240164	1	Strap	
110	4811700	4	Washer M6	
111	1001182847	2	Decal - Capacity Pipe Rack Kit	
112	1001180205	1	Pipe Rack	

SECTION 4 - PLATFORM

FIGURE 4-38. PIPE RACK INSTALLATION (FACTORY INSTALLED)



ART_1001229469

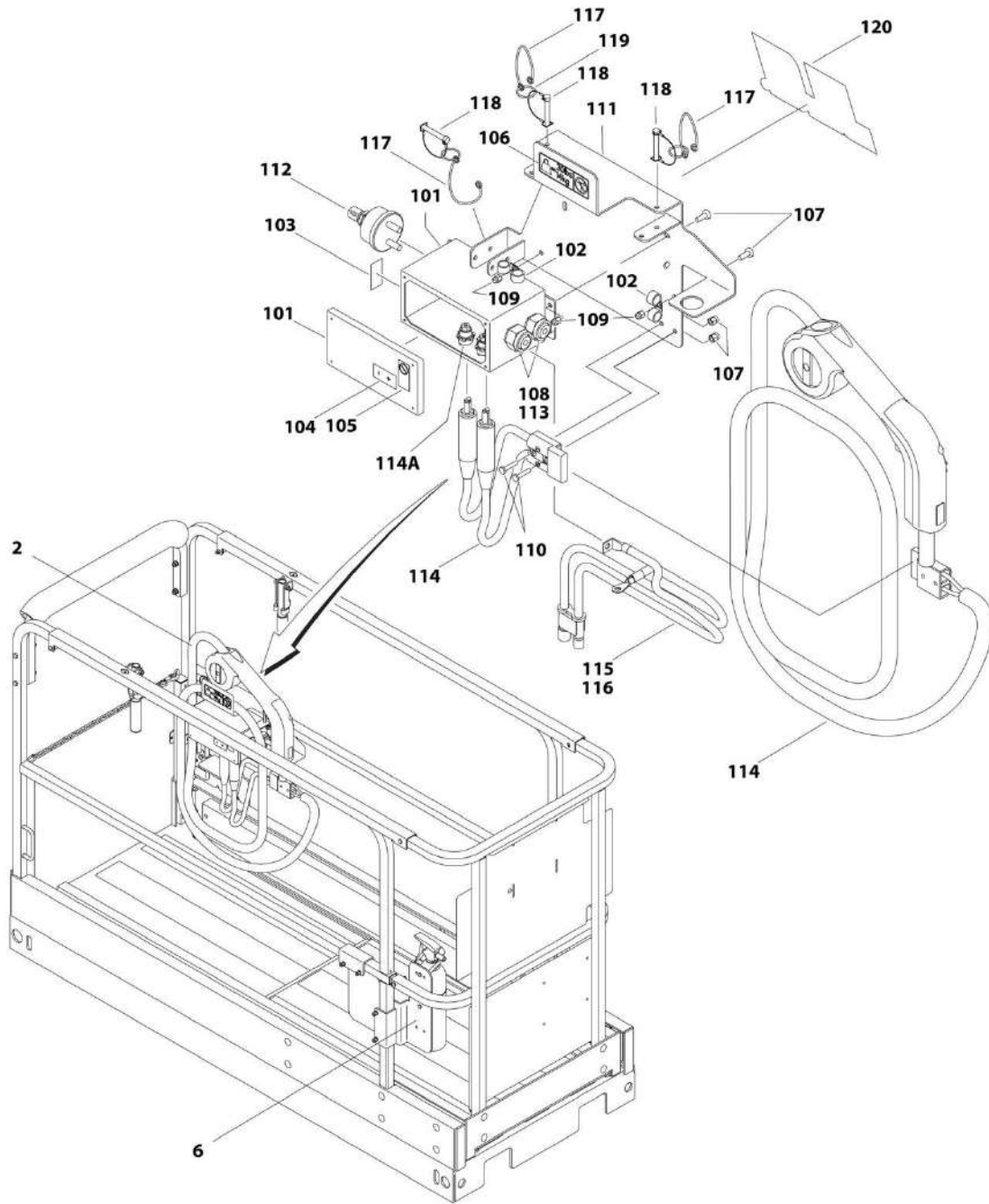
SECTION 4 - PLATFORM

FIGURE 4-38. PIPE RACK INSTALLATION (FACTORY INSTALLED)

ITEM	PART NUMBER	QTY	DESCRIPTION	REV
	1001229469	Ref	PIPE RACK INSTALLATION	A
1	1001199189	2	Rack, Pipe	
2	0480100	2	Tie-Down	
3	1001187587	4	Pin, Lanyard	
4	1001229441	2	Decal - Capacity	
5	4420062	AR	Tape	
6	3760170	6	Ring	
7	4751500	8	Washer 5/16	
8	3311505	4	Nut 5/16	
9	0641514	4	Bolt 5/16 x 1-3/4	
10	1060379	2	Lanyard	
11	3421854	2	Pin	

SECTION 4 - PLATFORM

FIGURE 4-39. QUIK WELDER INSTALLATION (2032ES)



ART_0272880

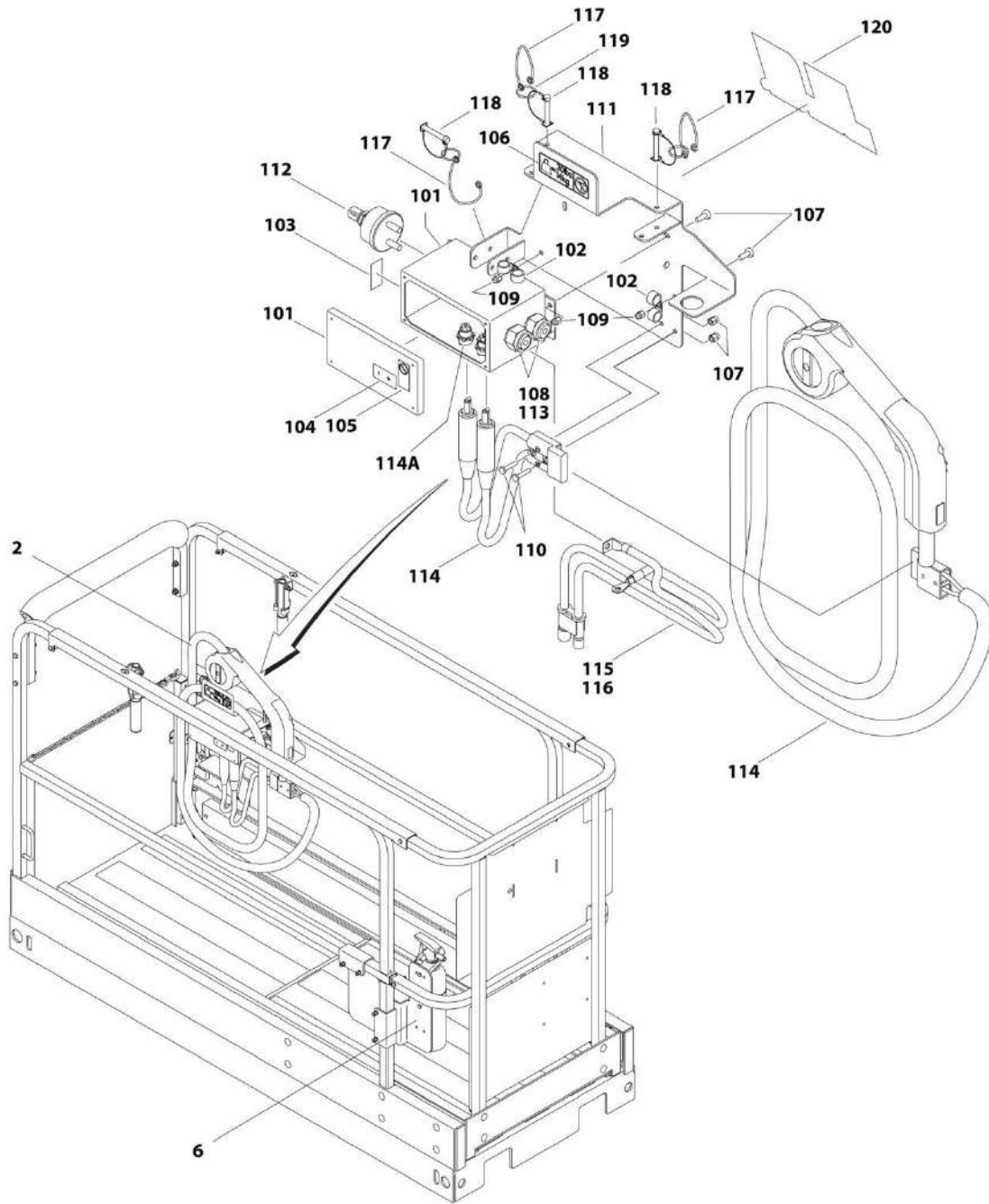
SECTION 4 - PLATFORM

FIGURE 4-39. QUIK WELDER INSTALLATION (2032ES)

ITEM	PART NUMBER	QTY	DESCRIPTION	REV
	0272880	Ref	QUIK WELDER INSTALLATION	D
2	2902334	1	Kit, Quik Welder (See Items 101-120 for Breakdown)	
6	0275073	1	Quik Welder Ready (See QUIK WELDER READY for Breakdown)	
	2902334	Ref	QUIK WELDER KIT	C
101	0861527	1	Box, Welder Disconnect	
102	1320224	4	Clamp	
103	1705213	1	Decal - On/Off	
104	1705214	1	Decal - Plus/ Minus	
105	1705305	1	Decal - Weld Lead	
106	1705953	1	Decal - Weight	
107	3290606	8	Bolt M6 x 1	
108	3300048	2	Nut 3/4	
109	4010608	6	Screw M6 x 16	
110	4010614	2	Screw M6 x 30	
111	4340938	1	Mount, Quik Welder	
112	4360155	1	Switch, Master Disconnect	
113	4460328	2	Terminal, Connector	
114	4530021	1	Welder	
114A	7027303	2	Connector, Female	
115	4923048	1	Cable, Quik Welder Assembly	
116	1060957	1	Cable, Welder	
117	1060379	3	Cable, Lanyard	
118	3421453	3	Pin	
119	3760170	3	Ring	
120	1705754	1	Decal - JLG	

SECTION 4 - PLATFORM

FIGURE 4-40. QUIK WELDER INSTALLATION (2632ES)



ART_0272881

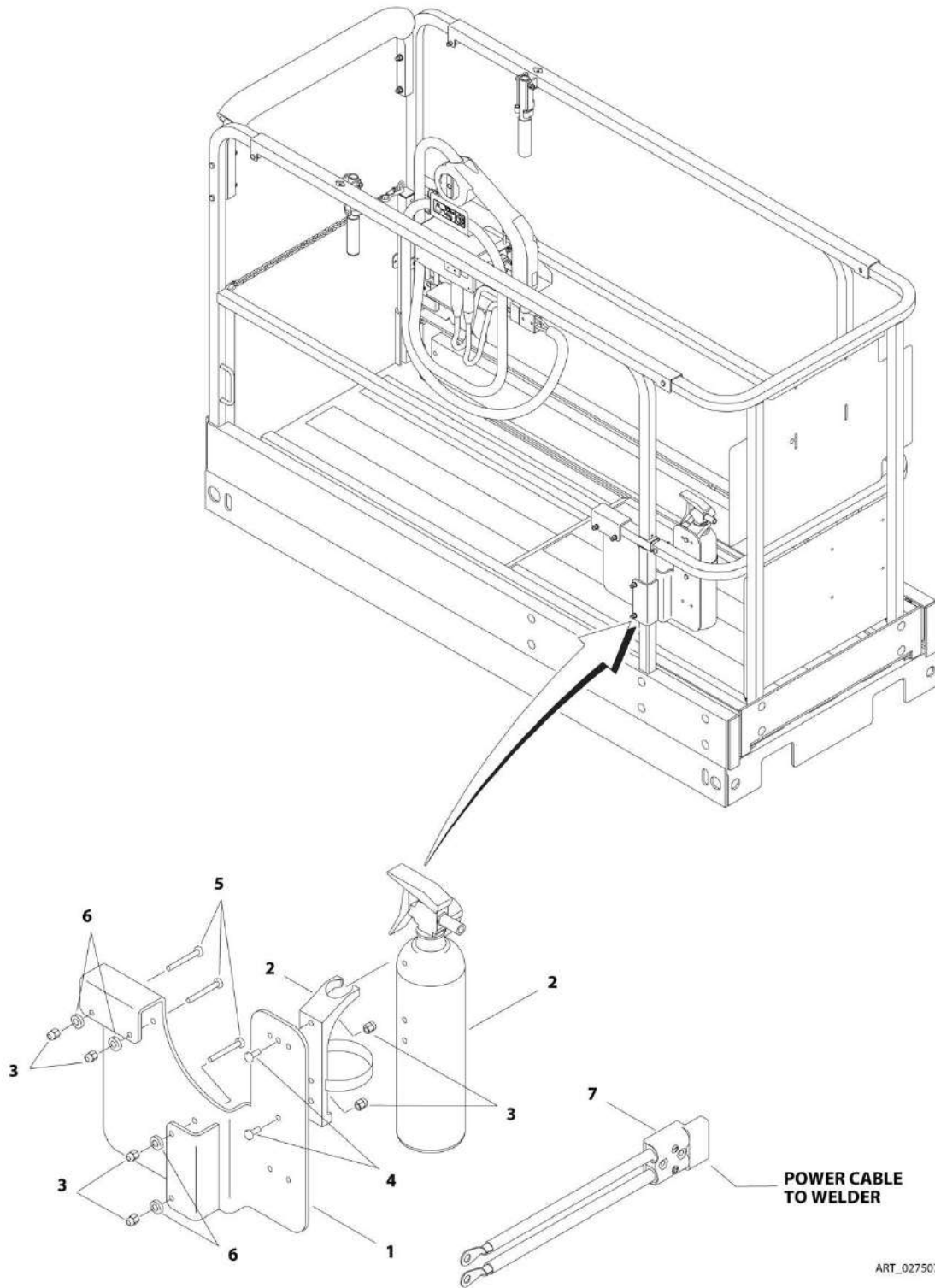
SECTION 4 - PLATFORM

FIGURE 4-40. QUIK WELDER INSTALLATION (2632ES)

ITEM	PART NUMBER	QTY	DESCRIPTION	REV
	0272881	Ref	QUIK WELDER INSTALLATION	D
2	2902334	1	Kit, Quik Welder (See Items 101-120 for Breakdown)	
6	0275074	1	Quik Welder Ready (See QUIK WELDER READY for Breakdown)	
	2902334	Ref	QUIK WELDER KIT	C
101	0861527	1	Box, Welder Disconnect	
102	1320224	4	Clamp	
103	1705213	1	Decal - On/Off	
104	1705214	1	Decal - Plus/ Minus	
105	1705305	1	Decal - Weld Lead	
106	1705953	1	Decal - Weight	
107	3290606	8	Bolt M6 x 1	
108	3300048	2	Nut 3/4	
109	4010608	6	Screw M6 x 16	
110	4010614	2	Screw M6 x 30	
111	4340938	1	Mount, Quik Welder	
112	4360155	1	Switch, Master Disconnect	
113	4460328	2	Terminal, Connector	
114	4530021	1	Welder	
114A	7027303	2	Connector, Female	
115	4923048	1	Cable, Quik Welder Assembly	
116	1060957	1	Cable, Welder	
117	1060379	3	Cable, Lanyard	
118	3421453	3	Pin	
119	3760170	3	Ring	
120	1705754	1	Decal - JLG	

SECTION 4 - PLATFORM

FIGURE 4-41. QUIK WELDER READY INSTALLATION (2032ES)



ART_0275073

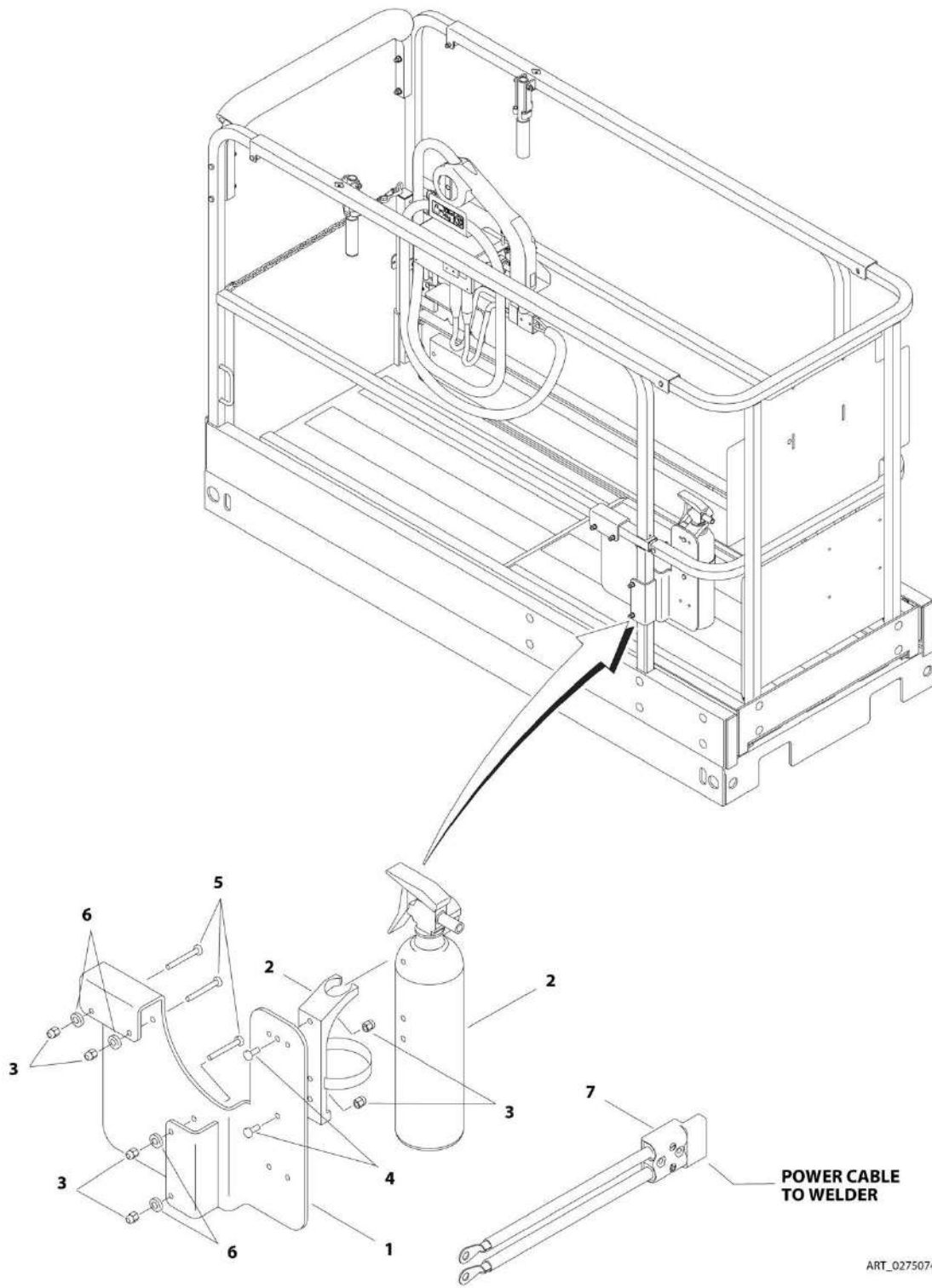
SECTION 4 - PLATFORM

FIGURE 4-41. QUIK WELDER READY INSTALLATION (2032ES)

ITEM	PART NUMBER	QTY	DESCRIPTION	REV
	0275073	Ref	QUIK WELDER READY INSTALLATION (2032ES)	B
1	0903416	1	Bracket, Fire Extinguisher Mount	
2	2030010	1	Extinguisher, Fire	
3	3290606	6	Nut M6 x 1	
4	4010608	2	Screw M6 x 16	
5	4010618	4	Screw M6 x 50	
6	4811700	4	Washer M6	
7	4923050	1	Cable, Quik Welder Power	

SECTION 4 - PLATFORM

FIGURE 4-42. QUIK WELDER READY INSTALLATION (2632ES)



ART_0275074

SECTION 4 - PLATFORM

FIGURE 4-42. QUIK WELDER READY INSTALLATION (2632ES)

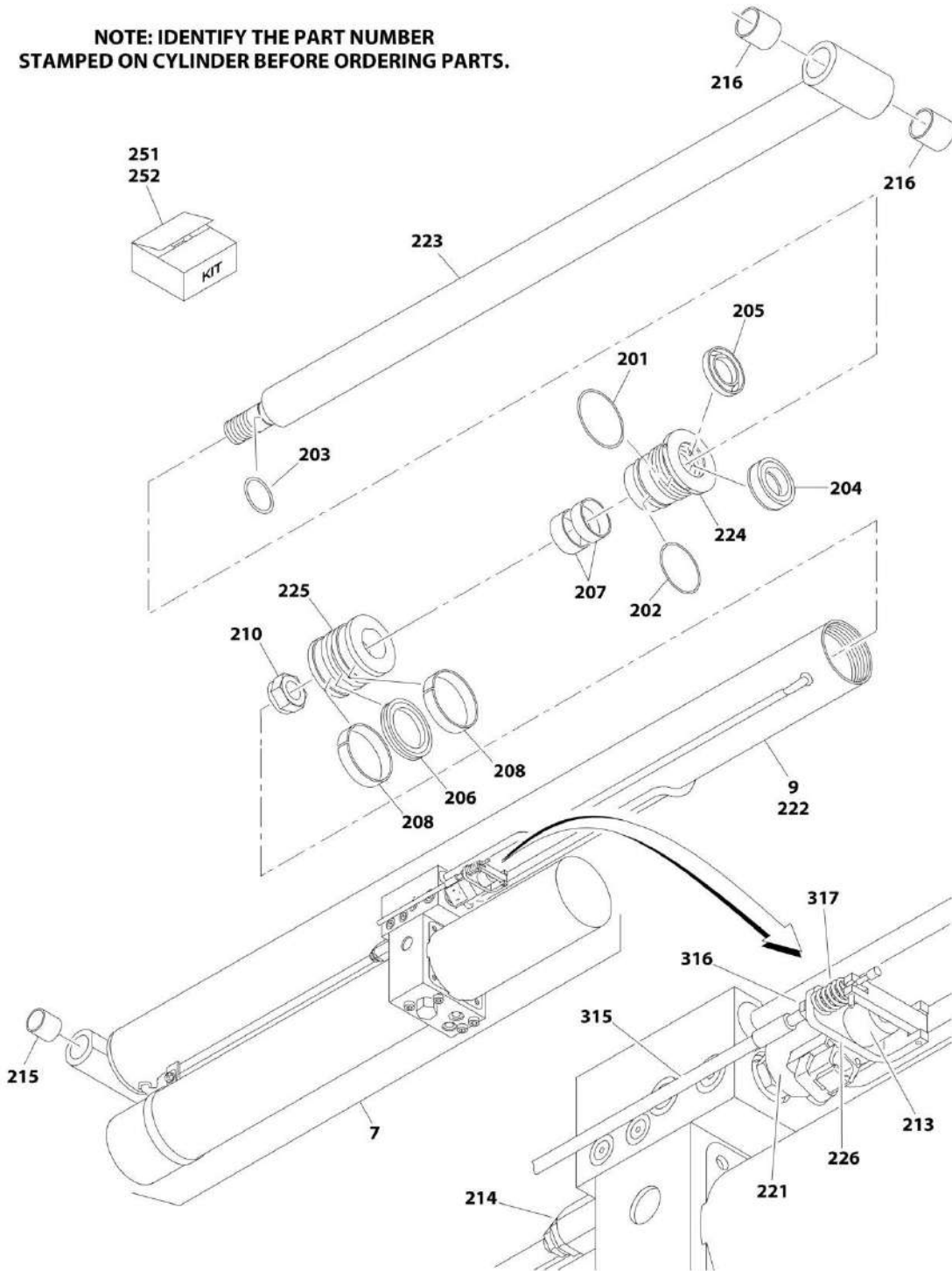
ITEM	PART NUMBER	QTY	DESCRIPTION	REV
	0275074	Ref	QUIK WELDER READY INSTALLATION (2632ES)	B
1	0903416	1	Bracket, Fire Extinguisher Mount	
2	2030010	1	Extinguisher, Fire	
3	3290606	6	Nut M6 x 1	
4	4010608	2	Screw M6 x 16	
5	4010618	4	Screw M6 x 50	
6	4811700	4	Washer M6	
7	4923051	1	Cable, Quik Welder Power	

SECTION 5 - CYLINDER

SECTION 5 - CYLINDER

FIGURE 5-1. LIFT CYLINDER ASSEMBLY - 2032ES (TEXAS HYDRAULICS)

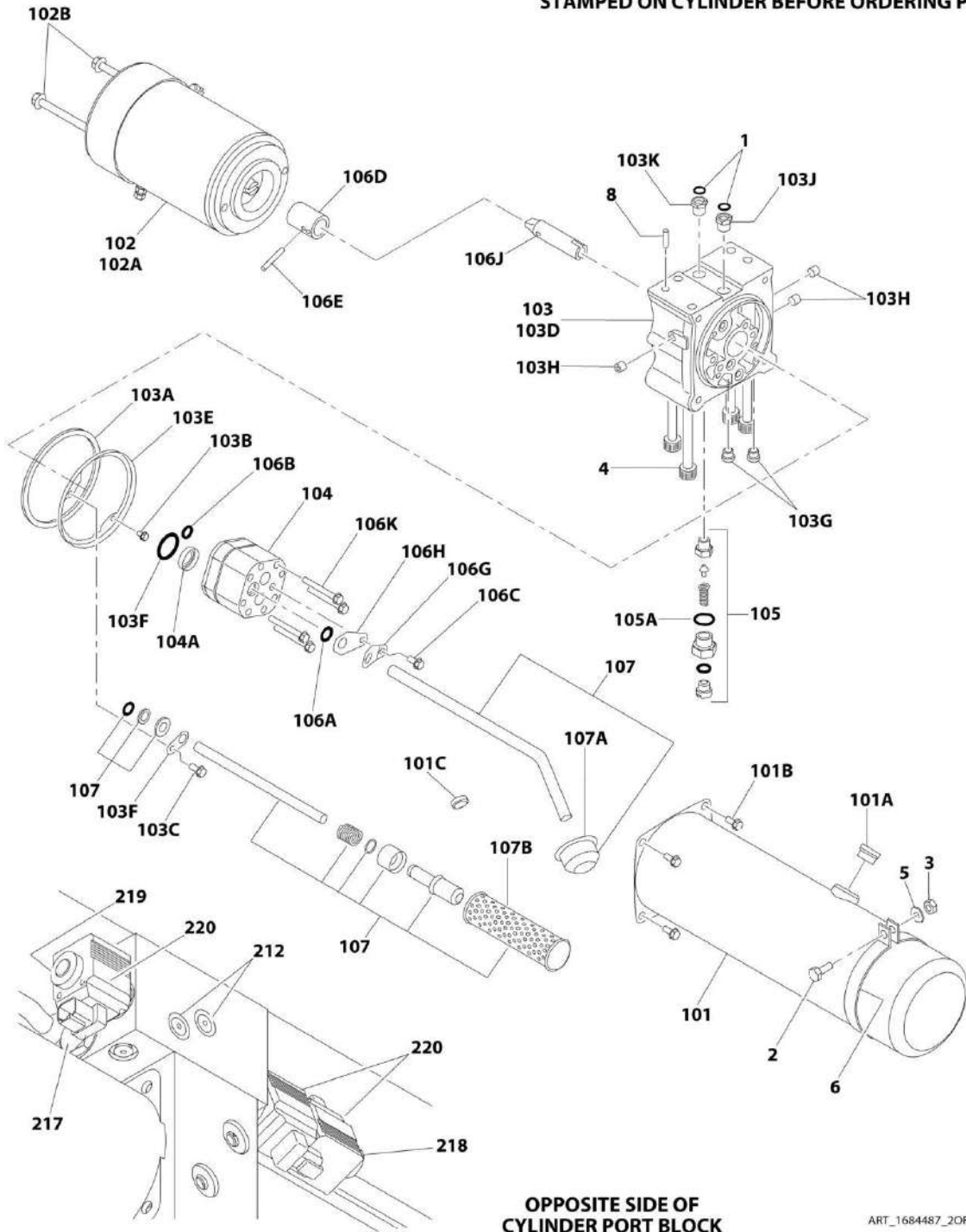
NOTE: IDENTIFY THE PART NUMBER STAMPED ON CYLINDER BEFORE ORDERING PARTS.



ART_1684487_10F2

SECTION 5 - CYLINDER

NOTE: IDENTIFY THE PART NUMBER
STAMPED ON CYLINDER BEFORE ORDERING PARTS.



OPPOSITE SIDE OF
CYLINDER PORT BLOCK

ART_1684487_20F2

SECTION 5 - CYLINDER

FIGURE 5-1. LIFT CYLINDER ASSEMBLY - 2032ES (TEXAS HYDRAULICS)

ITEM	PART NUMBER	QTY	DESCRIPTION	REV
		Ref	LIFT CYLINDER ASSEMBLY - 2032ES (TEXAS HYDRAULIC)	
	1684487	Ref	Lift Cylinder Assembly 2032ES with Standard Hydraulic Oil	H
	1684527	Ref	Lift Cylinder Assembly 2032ES with Biodegradeable Hydraulic Oil	G
		Ref	Note: Original Cylinder May Have Been Replaced with Service Replacement. Identify PN Stamped on Cylinder Before Ordering Parts.	
1	7023577	2	O-Ring	
2	See Note	NSS	Capscrew (Note: Purchase Locally)	
3	See Note	NSS	Locknut (Note: Purchase Locally)	
4	7023589	4	Capscrew	
5	See Note	NSS	Flatwasher (Note: Purchase Locally)	
6	7023539	1	Clamp	
7	7023549	1	Power Pack Assembly - Complete (See Items 101-107B for Breakdown)	
8	70003646	2	Pin, Dowel	
8	70003645	2	Roll Pin	
9	See Note	NSS	Cylinder Assembly Only (Note: See Items 201-227 for Breakdown)	
	7023549	Ref	POWER PACK ASSEMBLY - COMPLETE	
101	7023587	1	Tank Kit (Note: Includes Tank and Items 101A-101C)	
101A	7023593	1	Plug, Fill	
101B	See Note	NSS	Screw (Note: Use Item 101)	
101C	See Note	NSS	Magnet (Note: Use Item 101)	
102	7023570	1	Motor	
102A	70000658	1	Brush Kit - 7023570 Motor	
102B	See Note	NSS	Screw (Note: Purchase Locally)	
103	7023571	1	Adapter Kit	
103A	70000335	1	O-Ring	
103B	See Note	NSS	Screw (Note: Use Item 103)	
103C	See Note	NSS	Screw (Note: Use Item 103)	
103D	See Note	NSS	Adapter (Note: Use Item 103)	
103E	See Note	NSS	Seal (Note: Use Item 252A or 252B)	
103F	See Note	NSS	Retainer (Note: Use Item 103)	
103G	2220883	2	Plug	
103H	See Note	NSS	Plug (Note: Use Item 103)	
103J	See Note	NSS	Breather 9/16in-12UNC (Note: Use Item 103)	
103K	See Note	NSS	Breather 9/16in-18SAE (Note: Use Item 103)	
104	7023588	1	Pump Options: (Note: Shaft Seal is only Repair Part Available. No Other Service Parts Available - Replace Complete Pump)	
104A	See Note	1	Seal, Shaft (Note: Use Item 252)	
105	7023573	1	Relief Valve Assembly	
105A	7023591	1	Sealing Washer	
106		Ref	Power Pack Miscellaneous Service Parts	
106A	See Note	NSS	Seal (Note: Use Item 7)	
106B	See Note	NSS	Seal (Note: Use Item 252A or 252B)	
106C	See Note	NSS	Screw (Note: Use Item 7)	
106D	See Note	NSS	Sleeve (Note: Use Item 106J)	
106E	See Note	NSS	Roll Pin (Note: Use Item 106J)	
106F	See Note	NSS	Seal (Note: Use Item 252)	
106G	See Note	NSS	Tab, Locking (Note: Use Item 7)	
106H	See Note	NSS	Retainer, Tube (Note: Use Item 7)	

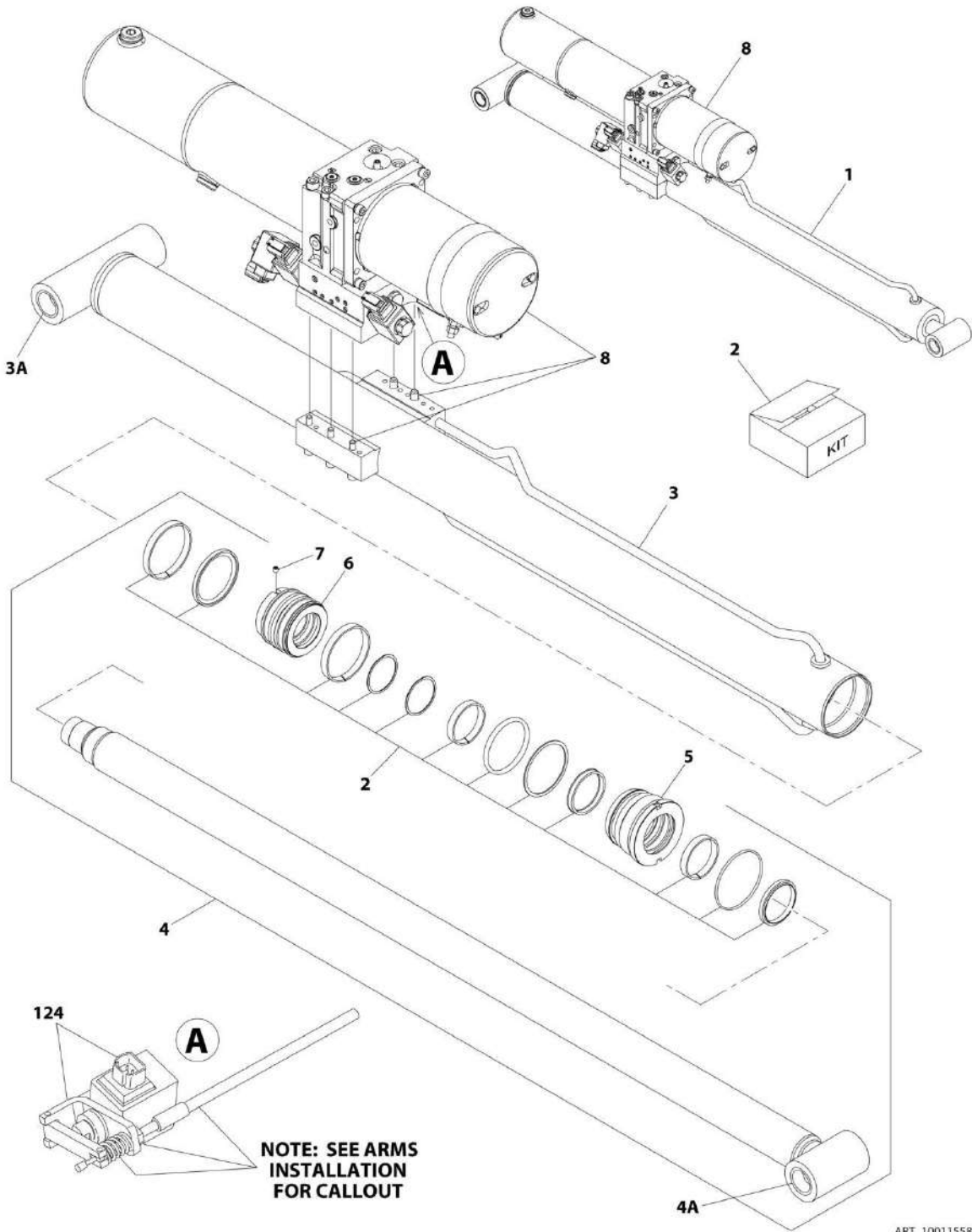
SECTION 5 - CYLINDER

ITEM	PART NUMBER	QTY	DESCRIPTION	REV
106J	7023574	1	Coupler Kit (Includes Items 106D & 106E)	
106K	See Note	NSS	Screw (Note: Use Item 7)	
107	7023586	1	Tube Kit	
107A	See Note	NSS	Strainer (Note: Use Item 107)	
107B	7023576	1	Filter Element (Includes Seal)	
		Ref	CYLINDER ASSEMBLY ONLY COMPONENTS	
201	See Note	NSS	O-Ring (Note: Use Item 251)	
202	See Note	NSS	O-Ring (Note: Use Item 251)	
203	See Note	NSS	O-Ring (Note: Use Item 251)	
204	See Note	NSS	Seal (Note: Use Item 251)	
205	See Note	NSS	Wiper (Note: Use Item 251)	
206	See Note	NSS	Seal (Note: Use Item 251) (Note: This is a 3 piece seal. Assembly may be required)	
207	See Note	NSS	Ring, Wear (Note: Use Item 251)	
208	See Note	NSS	Ring, Wear (Note: Use Item 251)	
210	See Note	NSS	Locknut (Note: Purchase Complete Assembly)	
211	2220883	4	Plug, Steel (SAE #4) (Not Shown)	
212	2220882	8	Plug, Steel (SAE #3)	
213	7023543	1	Valve, Proportional (Lift Down)	
214	7023542	1	Valve, Relief (Steer)	
215	0962257	2	Bushing	
216	0962257	2	Bushing	
217	7023538	1	Valve, Check	
218	7023537	1	Directional Control Valve (Steer)	
219	7023536	1	Directional Control Valve (Lift Up)	
220	70000798	3	Coil (Steer and Lift Up)	
221	70000799	1	Coil (Lift Down)	
222	7023548	1	Barrel	
223	7023547	1	Rod	
224	7023546	1	Head	
225	7023545	Ref	Piston	
226	7023530	1	Emergency Release Assembly	
		Ref	SEAL KIT OPTIONS	
251	7023544	1	Seal Kit - Cylinder (Includes Items 201-208)	
252	70001709	1	Seal Kit - Reservoir/Pump (Includes 103A, 103E, 104A, 106B & 106F)	
		Ref	MANUAL DESCENT COMPONENTS	
315	1061034	Ref	Cable, Pull	
315	7020218	1	T-Handle (With 1/4-20 Threads)	
315	70001878	1	T-Handle (With 5mm Threads)	
316	3321402	1	Nut, Jam 1/4-18	
317	4160078	1	Spring	

SECTION 5 - CYLINDER

FIGURE 5-2. LIFT CYLINDER ASSEMBLY - 2032ES WITH STANDARD HYDRAULIC OIL (SERTA)

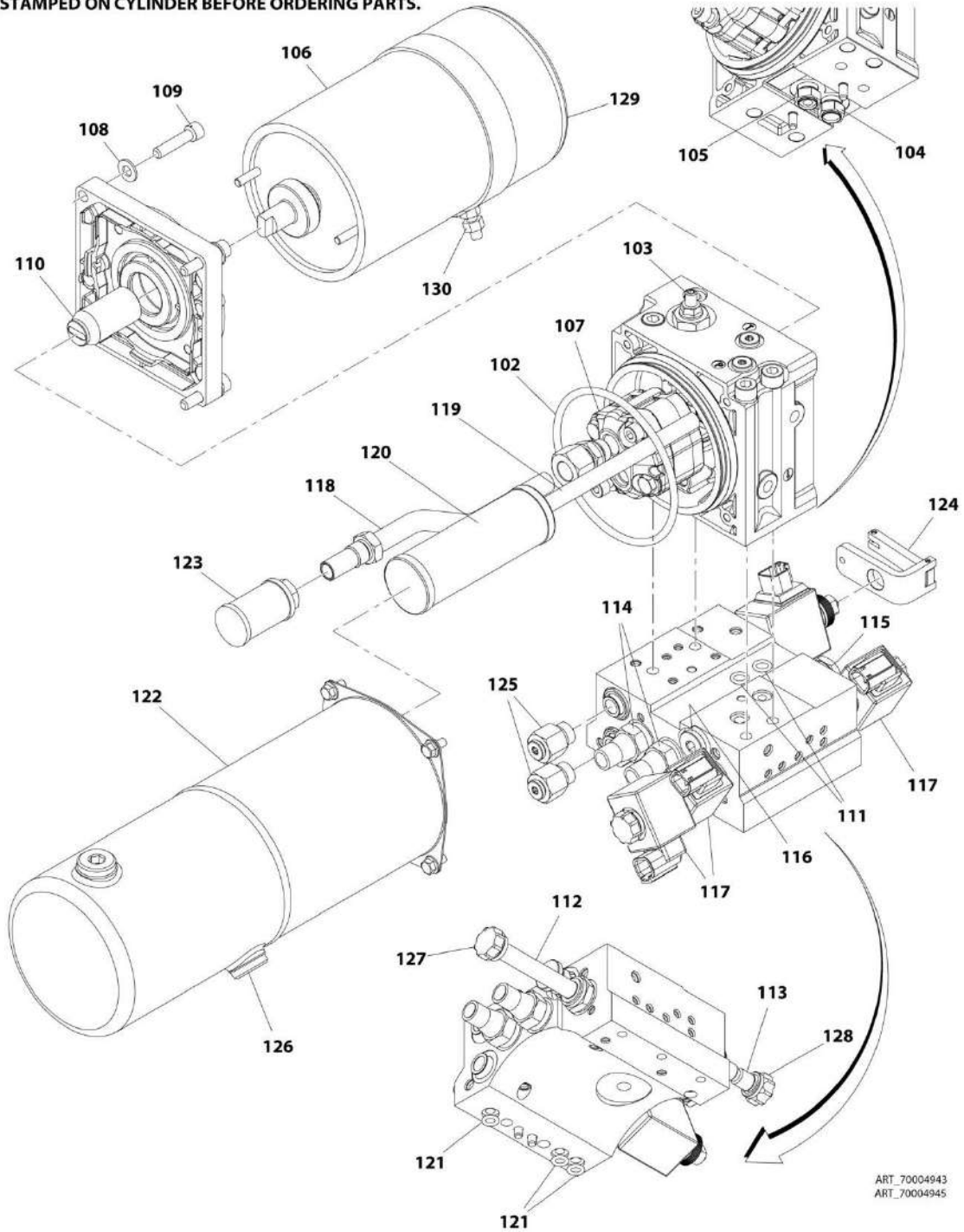
**NOTE: IDENTIFY THE PART NUMBER
STAMPED ON CYLINDER BEFORE ORDERING PARTS.**



ART_1001155841

SECTION 5 - CYLINDER

NOTE: IDENTIFY THE PART NUMBER
STAMPED ON CYLINDER BEFORE ORDERING PARTS.



SECTION 5 - CYLINDER

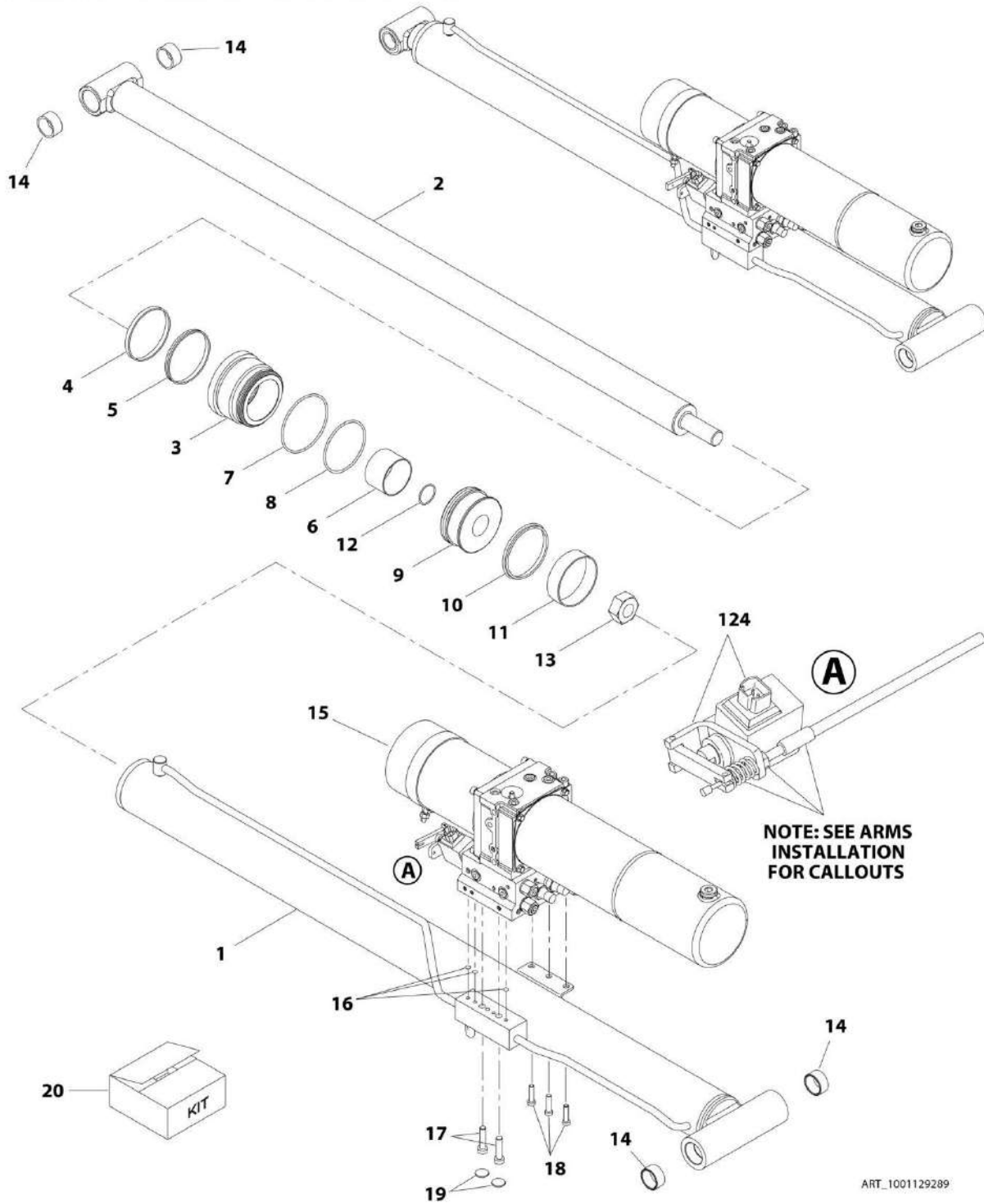
FIGURE 5-2. LIFT CYLINDER ASSEMBLY - 2032ES WITH STANDARD HYDRAULIC OIL (SERTA)

ITEM	PART NUMBER	QTY	DESCRIPTION	REV
	1001155841	Ref	LIFT CYLINDER ASSEMBLY - 2032ES WITH STANDARD HYDRAULIC OIL (SERTA)	D
		Ref	Note: Original Cylinder May Have Been Replaced with Service Replacement. Identify PN Stamped on Cylinder Before Ordering Parts.	
1	70004725	1	Cylinder Assembly Less Powerpack	
2	70004728	1	Seal Kit	
3	70004723	1	Barrel	
3A	0962257	2	Bushing	
4	70004722	1	Rod Assembly (Includes Items 2, 4A, 5, 6 & 7)	
4A	0962257	1	Bushing	
5	70006090	1	Head, Cylinder	
6	70025323	1	Piston	
7	70023915	1	Screw	
8	70004943	1	Motor/Pump/Tank Assembly (Includes Items 102-121)	
		Ref	MOTOR/PUMP/TANK ASSEMBLY	
	70004943	1	Motor/Pump/Tank Assembly	
102	70004914	1	O-Ring	
103	70004915	1	Cartridge, Valve (Main Relief)	
104	70004916	1	Cartridge, Valve (Breather Vacuum Check)	
105	70004917	1	Cartridge, Valve (Breather Pressure Check)	
106	70004970	1	Kit, Motor (Includes motor, flange and ring)	
107	70005233	1	Kit, Pump (Includes pump and hardware)	
108	70004974	4	Washer M8	
109	70004975	4	Capscrew M8 x 60	
110	70004973	1	Shaft Coupling	
111	70004925	2	O-Ring	
112	70003028	1	Cartridge, Solenoid Valve Less Coil (Steer)	
113	70004926	1	Cartridge, Solenoid Valve Less Coil (Lift)	
114	70004927	2	Cartridge, Valve (Steer Relief)	
115	70004585	1	Cartridge, Valve (Lift Check)	
116	70004928	1	Filter 300 micron	
117	70003707	3	Coil	
118	70004941	1	Pipe, Suction	
119	70004942	1	Pipe, Return	
120	70004935	1	Filter, Bypass	
121	70004936	3	O-Ring	
122	70005239	1	Kit, Tank (Includes tank, plug, "o"-ring and screws)	
123	70005235	1	Kit, Filter (Includes strainer and seal ring)	
124	70005236	1	Kit, Solenoid Valve (Includes solenoid, coil and lever)	
125	70005237	2	Kit, Fitting (Includes adapter, seal washer and plug)	
126	70004921	1	Plug	
127	70004654	1	Nut, Coil (for Item #112)	
128	70005238	1	Nut, Retaining (for Item #113)	
129	70004971	1	Kit, Brush	
130	70004972	1	Nut M8	

SECTION 5 - CYLINDER

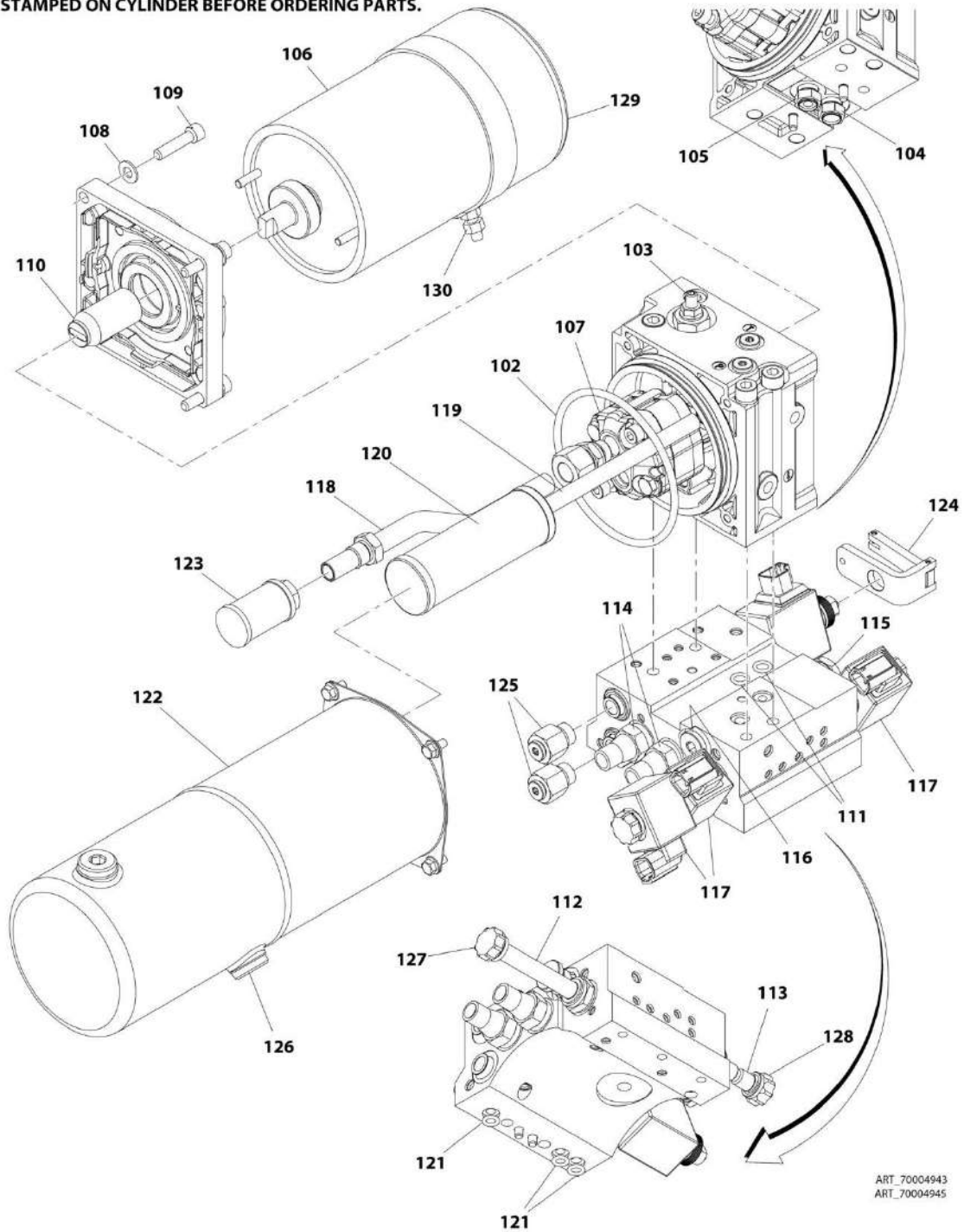
FIGURE 5-3. LIFT CYLINDER ASSEMBLY - 2032ES WITH STANDARD HYDRAULIC OIL (SH-PAC)

NOTE: IDENTIFY THE PART NUMBER STAMPED ON CYLINDER BEFORE ORDERING PARTS.



SECTION 5 - CYLINDER

NOTE: IDENTIFY THE PART NUMBER
STAMPED ON CYLINDER BEFORE ORDERING PARTS.



SECTION 5 - CYLINDER

FIGURE 5-3. LIFT CYLINDER ASSEMBLY - 2032ES WITH STANDARD HYDRAULIC OIL (SH-PAC)

ITEM	PART NUMBER	QTY	DESCRIPTION	REV
	1001129289	Ref	LIFT CYLINDER ASSEMBLY - 2032ES WITH STANDARD HYDRAULIC OIL (SH-PAC)	E
		Ref	Note: Original Cylinder May Have Been Replaced with Service Replacement. Identify PN Stamped on Cylinder Before Ordering Parts.	
1	70004628	1	Barrel	
2	70004629	1	Rod	
3	70004630	1	Head, Cylinder	
4	See Note	NSS	Seal, Dust (Note: Use Item 20)	
5	See Note	NSS	Seal (Note: Use Item 20)	
6	70004631	1	Bearing	
7	See Note	NSS	O-Ring (Note: Use Item 20)	
8	See Note	NSS	O-Ring (Note: Use Item 20)	
9	70004632	1	Piston	
10	See Note	NSS	Seal (Note: Use Item 20)	
11	See Note	NSS	Ring, Wear (Note: Use Item 20)	
12	See Note	NSS	O-Ring (Note: Use Item 20)	
13	70003663	1	Nut	
14	0962257	4	Bushing	
15	70004943	1	Motor/Pump/Tank Assembly (See Items 102-121 for Breakdown)	
16	See Note	NSS	O-Ring (Note: Use Item 20)	
17	70004624	2	Capscrew M10 x 40	
18	70004625	3	Capscrew M8 x 20	
19	70004626	2	Plug, Extension	
20	70004633	1	Seal Kit - Cylinder (Includes Items 4, 5, 7, 8, 10, 11, 12 & 16)	
		Ref	MOTOR/PUMP/TANK ASSEMBLY	
	70004943	1	Motor/Pump/Tank Assembly	
102	70004914	1	O-Ring	
103	70004915	1	Cartridge, Valve (Main Relief)	
104	70004916	1	Cartridge, Valve (Breather Vacuum Check)	
105	70004917	1	Cartridge, Valve (Breather Pressure Check)	
106	70004970	1	Kit, Motor (Includes motor, flange and ring)	
107	70005233	1	Kit, Pump (Includes pump and hardware)	
108	70004974	4	Washer M8	
109	70004975	4	Capscrew M8 x 60	
110	70004973	1	Shaft Coupling	
111	70004925	2	O-Ring	
112	70003028	1	Cartridge, Solenoid Valve Less Coil (Steer)	
113	70004926	1	Cartridge, Solenoid Valve Less Coil (Lift)	
114	70004927	2	Cartridge, Valve (Steer Relief)	
115	70004585	1	Cartridge, Valve (Lift Check)	
116	70004928	1	Filter 300 micron	
117	70003707	3	Coil	
118	70004941	1	Pipe, Suction	
119	70004942	1	Pipe, Return	
120	70004935	1	Filter, Bypass	
121	70004936	3	O-Ring	
122	70005239	1	Kit, Tank (Includes tank, plug, "o"-ring and screws)	
123	70005235	1	Kit, Filter (Includes strainer and seal ring)	
124	70005236	1	Kit, Solenoid Valve (Includes solenoid, coil and lever)	

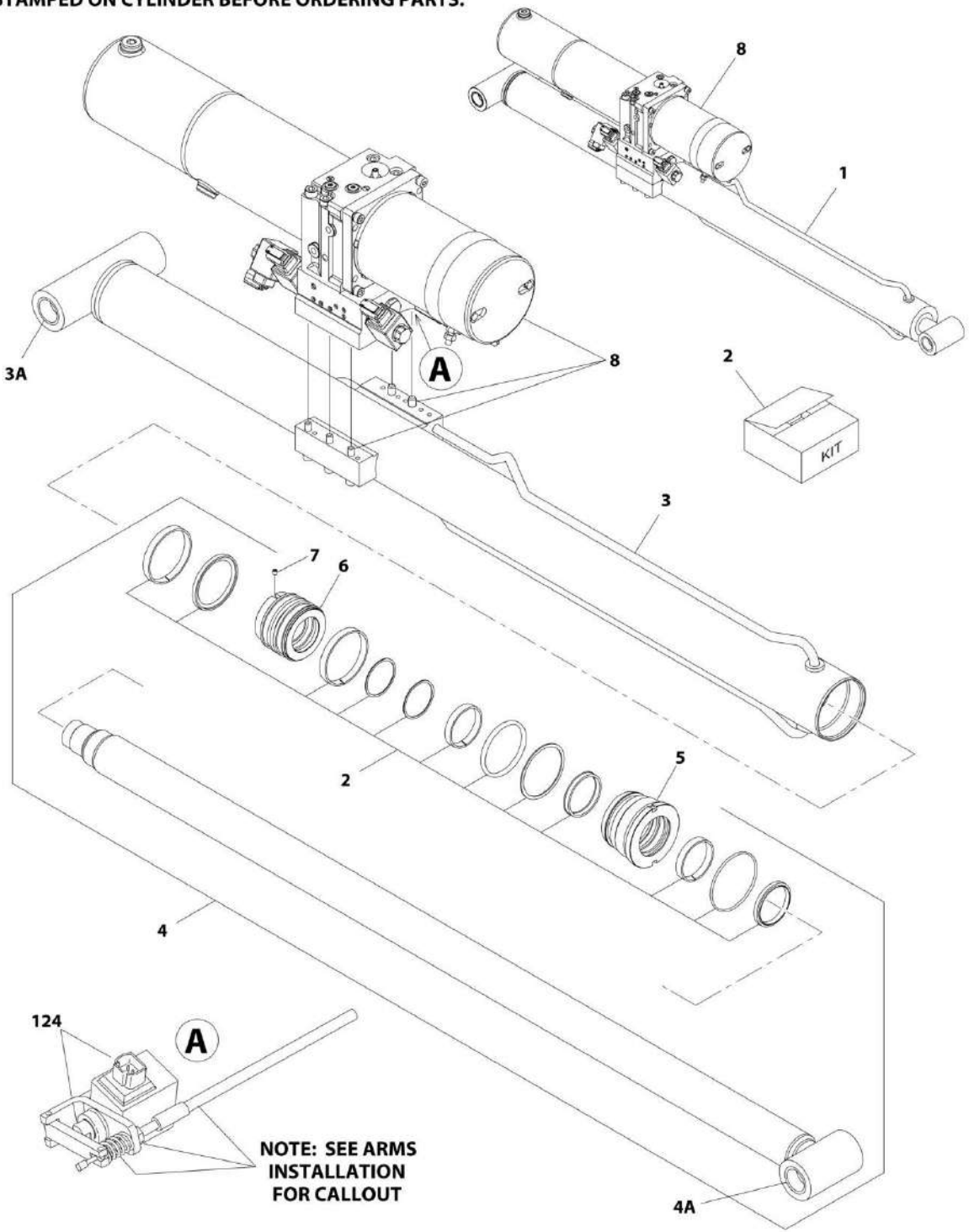
SECTION 5 - CYLINDER

ITEM	PART NUMBER	QTY	DESCRIPTION	REV
125	70005237	2	Kit, Fitting (Includes adapter, seal washer and plug)	
126	70004921	1	Plug	
127	70004654	1	Nut, Coil (for Item #112)	
128	70005238	1	Nut, Retaining (for Item #113)	
129	70004971	1	Kit, Brush	
130	70004972	1	Nut M8	

SECTION 5 - CYLINDER

FIGURE 5-4. LIFT CYLINDER ASSEMBLY - 2032ES WITH BIODEGRADABLE HYDRAULIC OIL (SERTA)

NOTE: IDENTIFY THE PART NUMBER STAMPED ON CYLINDER BEFORE ORDERING PARTS.

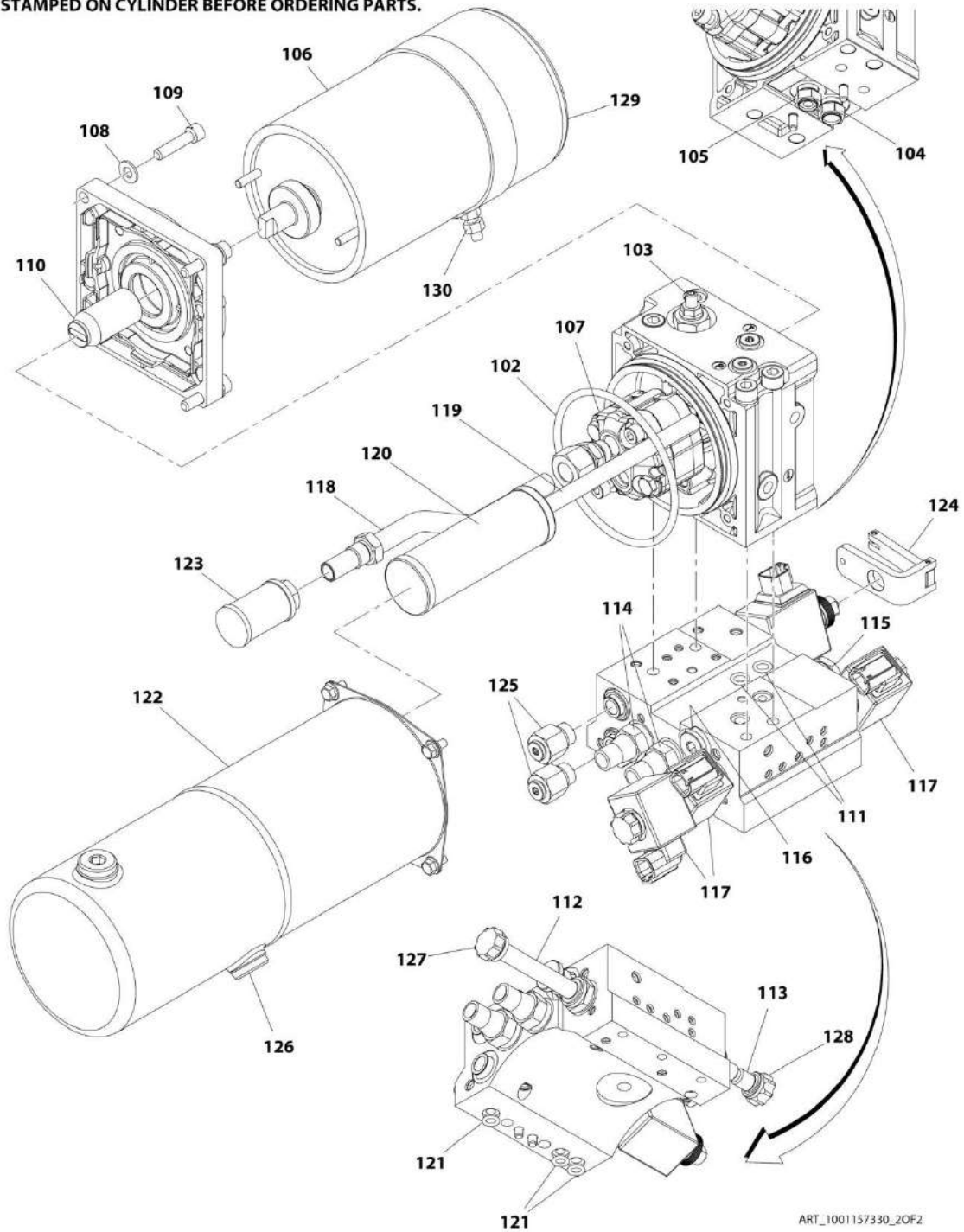


NOTE: SEE ARMS INSTALLATION FOR CALLOUT

ART_1001157330_10F2

SECTION 5 - CYLINDER

NOTE: IDENTIFY THE PART NUMBER
STAMPED ON CYLINDER BEFORE ORDERING PARTS.



SECTION 5 - CYLINDER

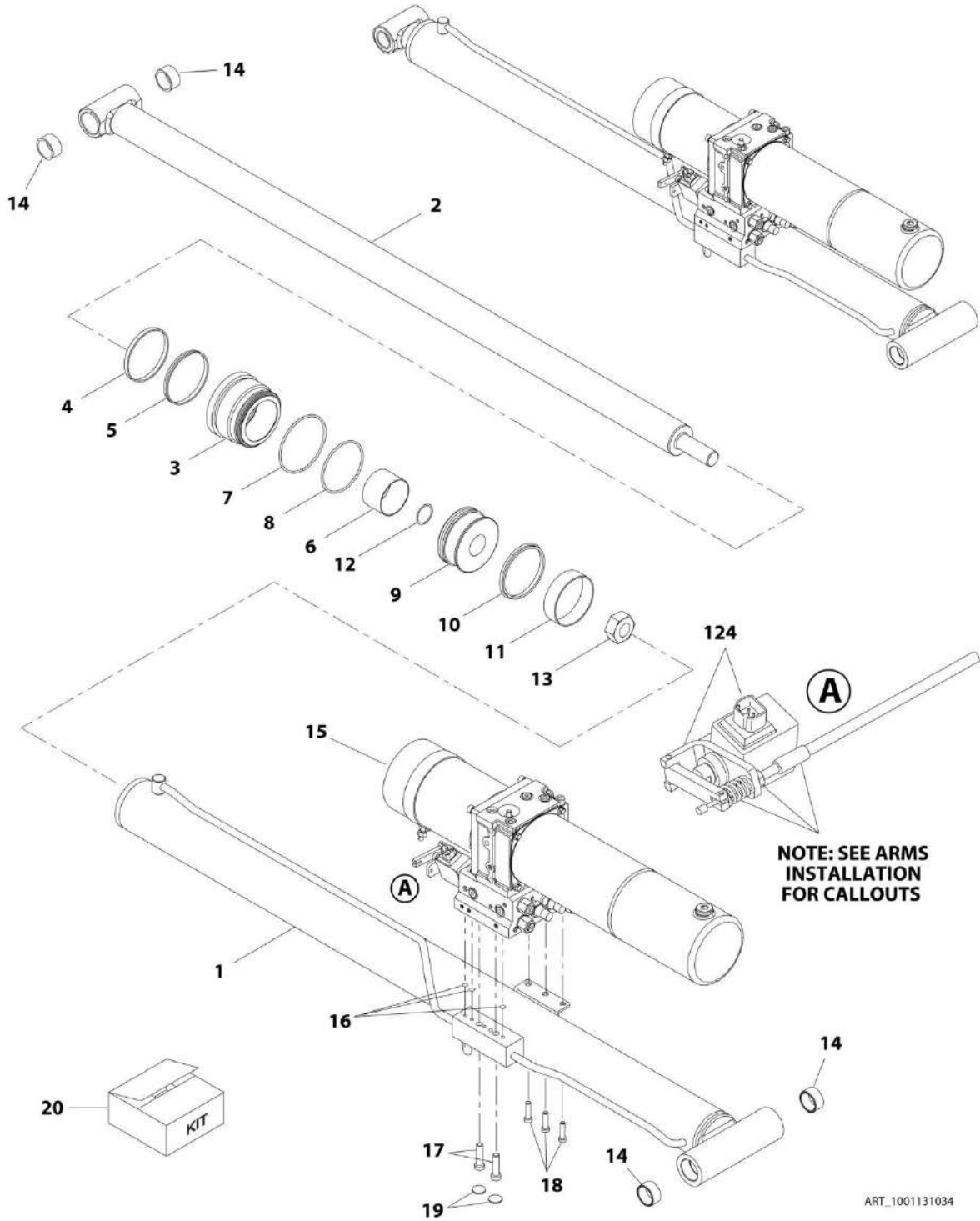
FIGURE 5-4. LIFT CYLINDER ASSEMBLY - 2032ES WITH BIODEGRADEABLE HYDRAULIC OIL (SERTA)

ITEM	PART NUMBER	QTY	DESCRIPTION	REV
	1001157330	Ref	LIFT CYLINDER ASSEMBLY - 2032ES WITH BIODEGRADEABLE HYDRAULIC OIL (SERTA)	C
		Ref	Note: Original Cylinder May Have Been Replaced with Service Replacement. Identify PN Stamped on Cylinder Before Ordering Parts.	
1	70004725	1	Cylinder Assembly Less Powerpack	
2	70004728	1	Seal Kit	
3	70004723	1	Barrel	
3A	0962257	2	Bushing	
4	70004722	1	Rod Assembly (Includes Items 2, 4A, 5, 6 & 7)	
4A	0962257	1	Bushing	
5	70006090	1	Head, Cylinder	
6	70025323	1	Piston	
7	70023915	1	Screw	
8	70004943	1	Motor/Pump/Tank Assembly (Includes Items 102-121)	
		Ref	MOTOR/PUMP/TANK ASSEMBLY	
	70004943	1	Motor/Pump/Tank Assembly	
102	70004914	1	O-Ring	
103	70004915	1	Cartridge, Valve (Main Relief)	
104	70004916	1	Cartridge, Valve (Breather Vacuum Check)	
105	70004917	1	Cartridge, Valve (Breather Pressure Check)	
106	70004970	1	Kit, Motor (Includes motor, flange and ring)	
107	70005233	1	Kit, Pump (Includes pump and hardware)	
108	70004974	4	Washer M8	
109	70004975	4	Capscrew M8 x 60	
110	70004973	1	Shaft Coupling	
111	70004925	2	O-Ring	
112	70003028	1	Cartridge, Solenoid Valve Less Coil (Steer)	
113	70004926	1	Cartridge, Solenoid Valve Less Coil (Lift)	
114	70004927	2	Cartridge, Valve (Steer Relief)	
115	70004585	1	Cartridge, Valve (Lift Check)	
116	70004928	1	Filter 300 micron	
117	70003707	3	Coil	
118	70004941	1	Pipe, Suction	
119	70004942	1	Pipe, Return	
120	70004935	1	Filter, Bypass	
121	70004936	3	O-Ring	
122	70005239	1	Kit, Tank (Includes tank, plug, "o"-ring and screws)	
123	70005235	1	Kit, Filter (Includes strainer and seal ring)	
124	70005236	1	Kit, Solenoid Valve (Includes solenoid, coil and lever)	
125	70005237	2	Kit, Fitting (Includes adapter, seal washer and plug)	
126	70004921	1	Plug	
127	70004654	1	Nut, Coil (for Item #112)	
128	70005238	1	Nut, Retaining (for Item #113)	
129	70004971	1	Kit, Brush	
130	70004972	1	Nut M8	

SECTION 5 - CYLINDER

FIGURE 5-5. LIFT CYLINDER ASSEMBLY - 2032ES WITH BIODEGRADABLE HYDRAULIC OIL (SH-PAC)

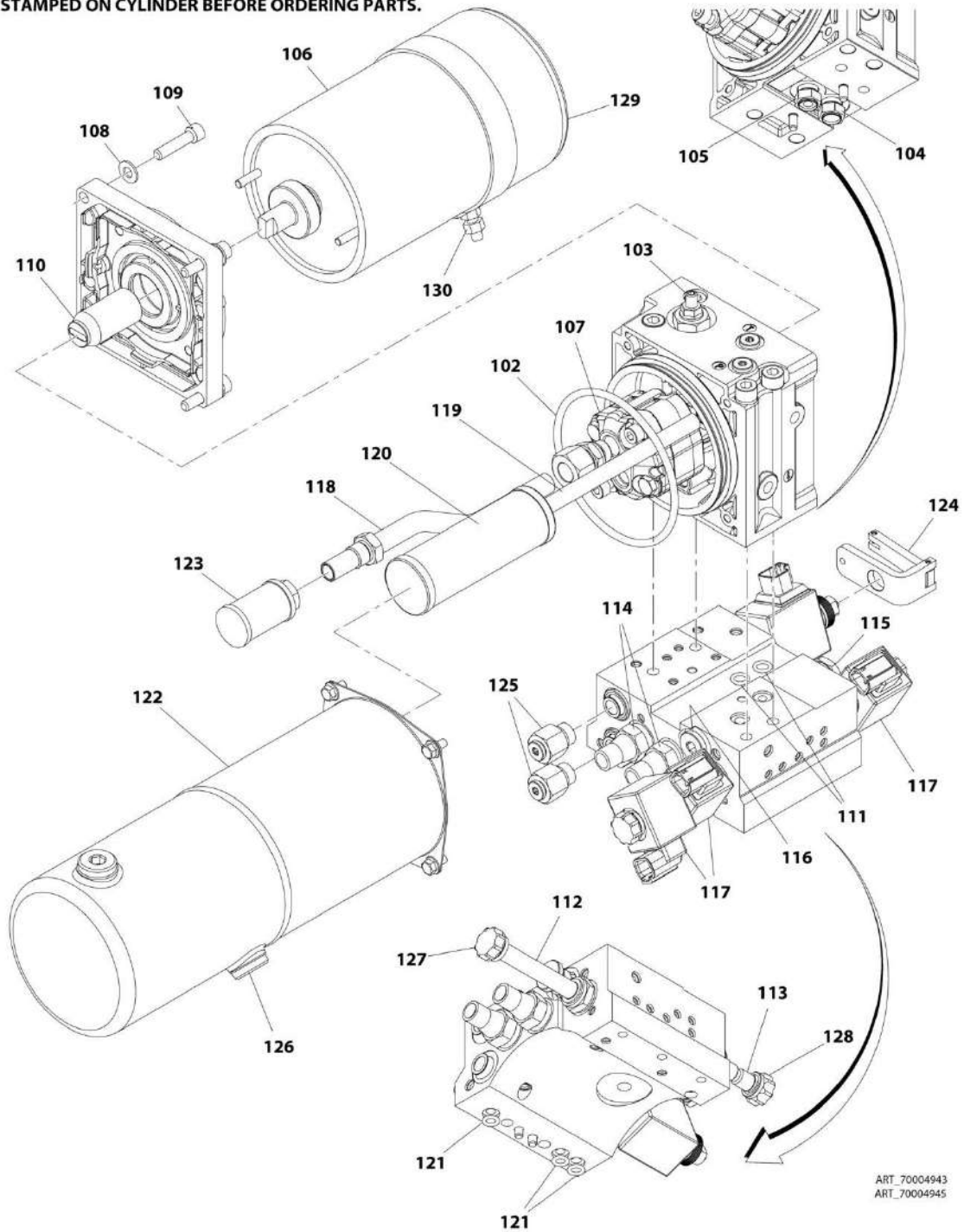
NOTE: IDENTIFY THE PART NUMBER STAMPED ON CYLINDER BEFORE ORDERING PARTS.



ART_1001131034

SECTION 5 - CYLINDER

NOTE: IDENTIFY THE PART NUMBER
STAMPED ON CYLINDER BEFORE ORDERING PARTS.



SECTION 5 - CYLINDER

FIGURE 5-5. LIFT CYLINDER ASSEMBLY - 2032ES WITH BIODEGRADABLE HYDRAULIC OIL (SH-PAC)

ITEM	PART NUMBER	QTY	DESCRIPTION	REV
	1001131034	Ref	LIFT CYLINDER ASSEMBLY - 2032ES WITH BIODEGRADABLE HYDRAULIC OIL (SH-PAC)	E
		Ref	Note: Original Cylinder May Have Been Replaced with Service Replacement. Identify PN Stamped on Cylinder Before Ordering Parts.	
1	70004628	1	Barrel	
2	70004629	1	Rod	
3	70004630	1	Head, Cylinder	
4	See Note	NSS	Seal, Dust (Note: Use Item 20)	
5	See Note	NSS	Seal (Note: Use Item 20)	
6	70004631	1	Bearing	
7	See Note	NSS	O-Ring (Note: Use Item 20)	
8	See Note	NSS	O-Ring (Note: Use Item 20)	
9	70004632	1	Piston	
10	See Note	NSS	Seal (Note: Use Item 20)	
11	See Note	NSS	Ring, Wear (Note: Use Item 20)	
12	See Note	NSS	O-Ring (Note: Use Item 20)	
13	70003663	1	Nut	
14	0962257	4	Bushing	
15	70004943	1	Motor/Pump/Tank Assembly (See Items 102-121 for Breakdown)	
16	See Note	NSS	O-Ring (Note: Use Item 20)	
17	70004624	2	Capscrew M10 x 40	
18	70004625	3	Capscrew M8 x 20	
19	70004626	2	Plug, Extension	
20	70004633	1	Seal Kit - Cylinder (Includes Items 4, 5, 7, 8, 10, 11, 12 & 16)	
		Ref	MOTOR/PUMP/TANK ASSEMBLY	
	70004943	1	Motor/Pump/Tank Assembly	
102	70004914	1	O-Ring	
103	70004915	1	Cartridge, Valve (Main Relief)	
104	70004916	1	Cartridge, Valve (Breather Vacuum Check)	
105	70004917	1	Cartridge, Valve (Breather Pressure Check)	
106	70004970	1	Kit, Motor (Includes motor, flange and ring)	
107	70005233	1	Kit, Pump (Includes pump and hardware)	
108	70004974	4	Washer M8	
109	70004975	4	Capscrew M8 x 60	
110	70004973	1	Shaft Coupling	
111	70004925	2	O-Ring	
112	70003028	1	Cartridge, Solenoid Valve Less Coil (Steer)	
113	70004926	1	Cartridge, Solenoid Valve Less Coil (Lift)	
114	70004927	2	Cartridge, Valve (Steer Relief)	
115	70004585	1	Cartridge, Valve (Lift Check)	
116	70004928	1	Filter 300 micron	
117	70003707	3	Coil	
118	70004941	1	Pipe, Suction	
119	70004942	1	Pipe, Return	
120	70004935	1	Filter, Bypass	
121	70004936	3	O-Ring	
122	70005239	1	Kit, Tank (Includes tank, plug, "o"-ring and screws)	
123	70005235	1	Kit, Filter (Includes strainer and seal ring)	

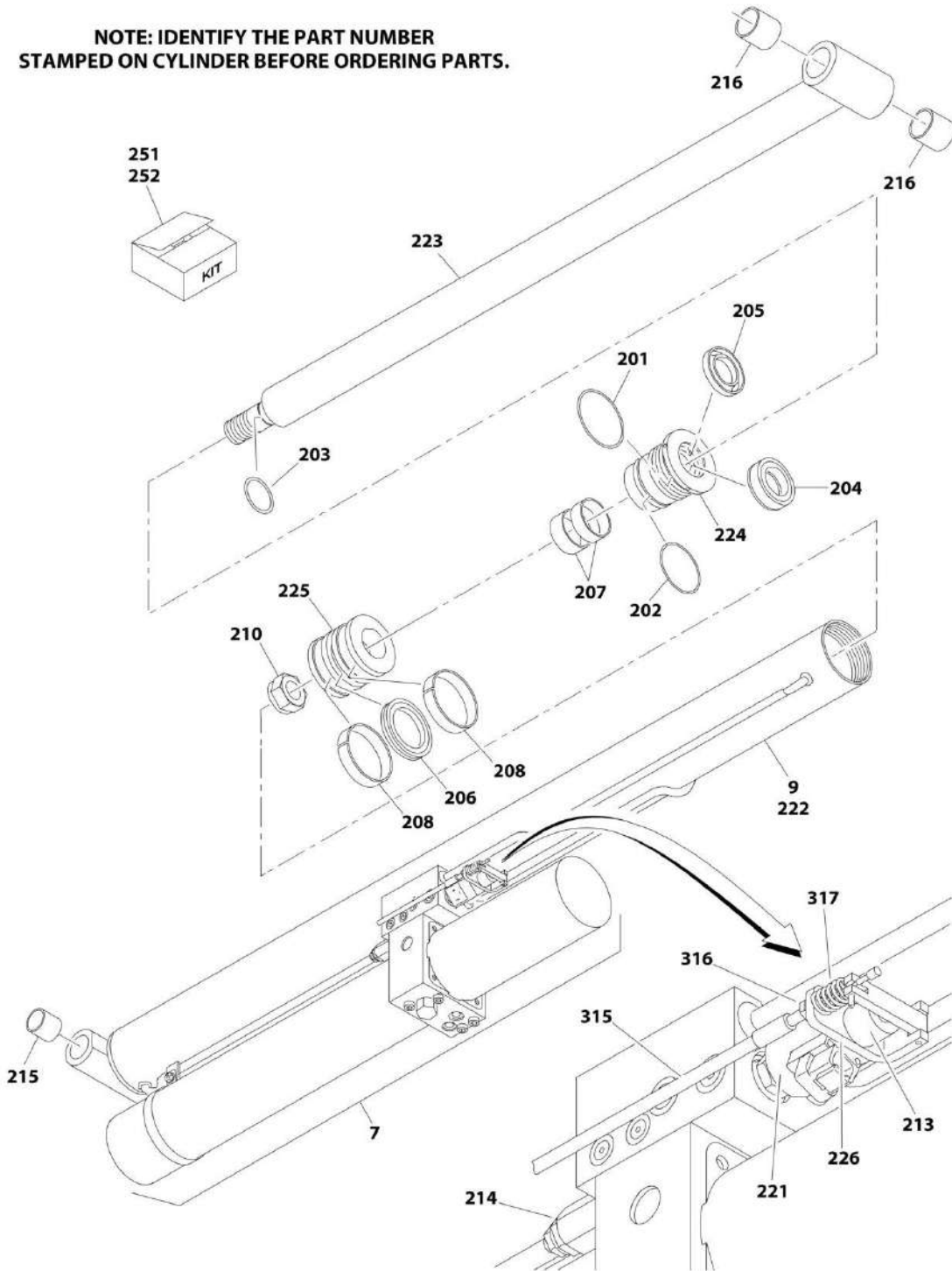
SECTION 5 - CYLINDER

ITEM	PART NUMBER	QTY	DESCRIPTION	REV
124	70005236	1	Kit, Solenoid Valve (Includes solenoid, coil and lever)	
125	70005237	2	Kit, Fitting (Includes adapter, seal washer and plug)	
126	70004921	1	Plug	
127	70004654	1	Nut, Coil (for Item #112)	
128	70005238	1	Nut, Retaining (for Item #113)	
129	70004971	1	Kit, Brush	
130	70004972	1	Nut M8	

SECTION 5 - CYLINDER

FIGURE 5-6. LIFT CYLINDER ASSEMBLY - 2632ES (TEXAS HYDRAULICS)

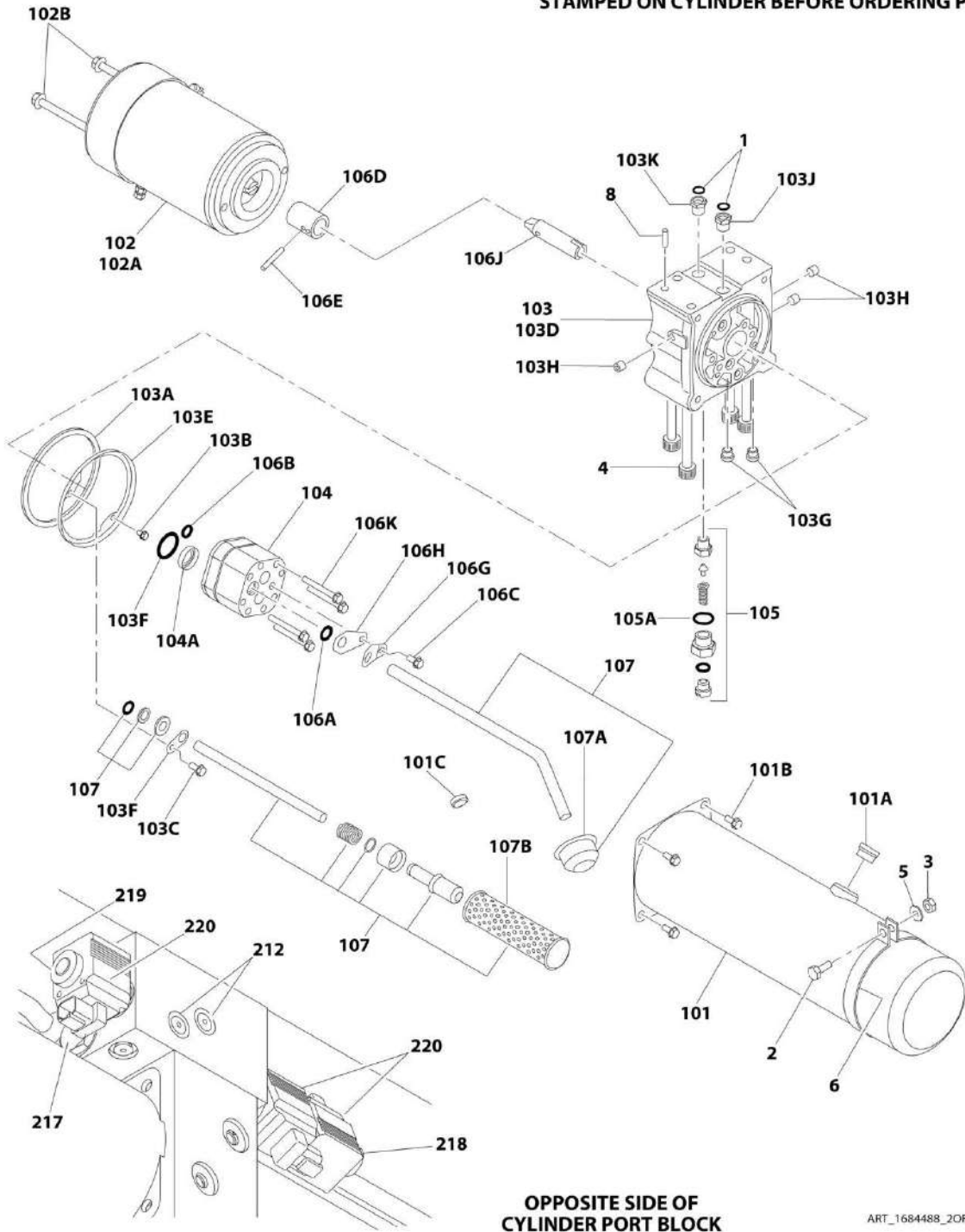
NOTE: IDENTIFY THE PART NUMBER STAMPED ON CYLINDER BEFORE ORDERING PARTS.



ART_1684488_10F2

SECTION 5 - CYLINDER

NOTE: IDENTIFY THE PART NUMBER
STAMPED ON CYLINDER BEFORE ORDERING PARTS.



SECTION 5 - CYLINDER

FIGURE 5-6. LIFT CYLINDER ASSEMBLY - 2632ES (TEXAS HYDRAULICS)

ITEM	PART NUMBER	QTY	DESCRIPTION	REV
		Ref	LIFT CYLINDER ASSEMBLY - 2632ES (TEXAS HYDRAULICS)	
	1684488	Ref	Lift Cylinder Assembly 2632ES with Standard Hydraulic Oil	H
	1684528	Ref	Lift Cylinder Assembly 2632ES with Biodegradeable Hydraulic Oil	G
		Ref	Note: Original Cylinder May Have Been Replaced with Service Replacement. Identify PN Stamped on Cylinder Before Ordering Parts.	
1	7023577	2	O-Ring	
2	See Note	NSS	Capscrew (Note: Purchase Locally)	
3	See Note	NSS	Locknut (Note: Purchase Locally)	
4	7023589	4	Capscrew	
5	See Note	NSS	Flatwasher (Note: Purchase Locally)	
6	7023539	1	Clamp	
7	7023568	1	Power Pack Assembly - Complete (See Items 101-107B for Breakdown)	
8	70003646	2	Pin, Dowel	
8	70003645	2	Roll Pin	
9	See Note	NSS	Cylinder Assembly Only (Note: See Items 201-227 for Breakdown)	
	7023568	Ref	POWER PACK ASSEMBLY - COMPLETE	
101	7023585	1	Tank Kit (Note: Includes Tank and Items 101A-101C)	
101A	7023593	1	Plug, Fill	
101B	See Note	NSS	Screw (Note: Use Item 101)	
101C	See Note	NSS	Magnet (Note: Use Item 101)	
102	7023570	1	Motor	
102A	70000658	1	Brush Kit - 7023570 Motor	
102B	See Note	NSS	Screw (Note: Purchase Locally)	
103	7023571	1	Adapter Kit	
103A	70000335	1	O-Ring	
103B	See Note	NSS	Screw (Note: Use Item 103)	
103C	See Note	NSS	Screw (Note: Use Item 103)	
103D	See Note	NSS	Adapter (Note: Use Item 103)	
103E	See Note	NSS	Seal (Note: Use Item 252A or 252B)	
103F	See Note	NSS	Retainer (Note: Use Item 103)	
103G	2220883	2	Plug	
103H	See Note	NSS	Plug (Note: Use Item 103)	
103J	See Note	NSS	Breather 9/16-12UNC (Note: Use Item 103)	
103K	See Note	NSS	Breather 9/16-18SAE (Note: Use Item 103)	
104	7023580	1	Pump (Note: Shaft Seal is only Repair Part Available. No Other Service Parts Available - Replace Complete Pump.)	
104A	See Note	NSS	Seal, Shaft (Note: Use Item 252)	
105	7023573	1	Relief Valve Assembly	
105A	7023591	1	Sealing Washer	
106		Ref	Power Pack Miscellaneous Service Parts	
106A	See Note	NSS	Seal (Note: Use Item 7)	
106B	See Note	NSS	Seal (Note: Use Item 252)	
106C	See Note	NSS	Screw (Note: Use Item 7)	
106D	See Note	NSS	Sleeve (Note: Use Item 106J)	
106E	See Note	NSS	Roll Pin (Note: Use Item 106J)	
106F	See Note	NSS	Seal (Note: Use Item 252)	
106G	See Note	NSS	Tab, Locking (Note: Use Item 7)	
106H	See Note	NSS	Retainer, Tube (Note: Use Item 7)	

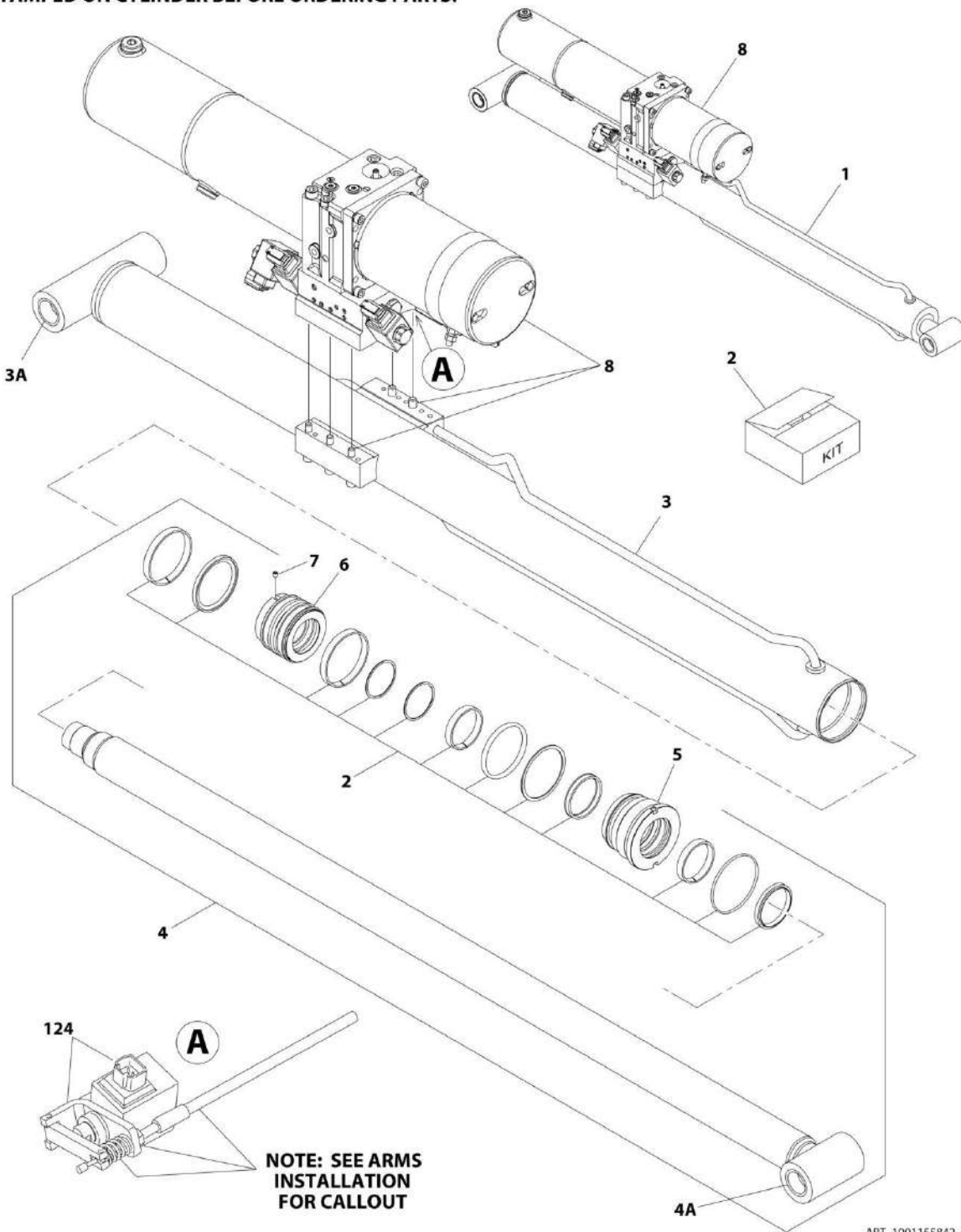
SECTION 5 - CYLINDER

ITEM	PART NUMBER	QTY	DESCRIPTION	REV
106J	7023574	1	Coupler Kit (Includes Items 106D & 106E)	
106K	See Note	NSS	Screw (Note: Use Item 7)	
107	7023586	1	Tube Kit Options	
107A	See Note	NSS	Strainer (Note: Use Item 107)	
107B	7023576	1	Filter Element (Includes Seal)	
		Ref	CYLINDER ASSEMBLY ONLY COMPONENTS	
201	See Note	NSS	O-Ring (Note: Use Item 251)	
202	See Note	NSS	O-Ring (Note: Use Item 251)	
203	See Note	NSS	O-Ring (Note: Use Item 251)	
204	See Note	NSS	Seal (Note: Use Item 251)	
205	See Note	NSS	Wiper (Note: Use Item 251)	
206	See Note	NSS	Seal (Note: Use Item 251) (Note: This is a 3 piece seal. Assembly may be required)	
207	See Note	NSS	Ring, Wear (Note: Use Item 251)	
208	See Note	NSS	Ring, Wear (Note: Use Item 251)	
210	See Note	NSS	Locknut (Note: Purchase Complete Assembly)	
211	2220883	4	Plug, Steel (SAE #4) (Not Shown)	
212	2220882	8	Plug, Steel (SAE #3)	
213	7023543	1	Valve, Proportional (Lift Down)	
214	7023542	1	Valve, Relief (Steer)	
215	0962257	2	Bushing	
216	0962257	2	Bushing	
217	7023538	1	Valve, Check	
218	7023537	1	Directional Control Valve (Steer)	
219	7023536	1	Directional Control Valve (Lift Up)	
220	70000798	3	Coil (Steer and Lift Up)	
221	70000799	1	Coil (Lift Down)	
222	7023548	1	Barrel	
223	7023547	1	Rod	
224	7023546	1	Head	
225	7023545	1	Piston	
226	7023530		Emergency Release Assembly	
		Ref	SEAL KIT OPTIONS	
251	7023544	1	Seal Kit - Cylinder (Includes Items 201-208)	
252	70001709	1	Seal Kit - Reservoir/Pump (Includes 103A, 103E, 104A, 106B & 106F)	
		Ref	MANUAL DESCENT COMPONENTS	
315	1061034	1	Cable, Pull	
315	7020218	1	T-Handle (With 1/4-20 Threads)	
315	70001878	1	T-Handle (With 5mm Threads)	
316	3321402	1	Nut, Jam 1/4-18NF	
317	4160078	1	Spring	

SECTION 5 - CYLINDER

FIGURE 5-7. LIFT CYLINDER ASSEMBLY - 2632ES WITH STANDARD HYDRAULIC OIL (SERTA)

NOTE: IDENTIFY THE PART NUMBER STAMPED ON CYLINDER BEFORE ORDERING PARTS.

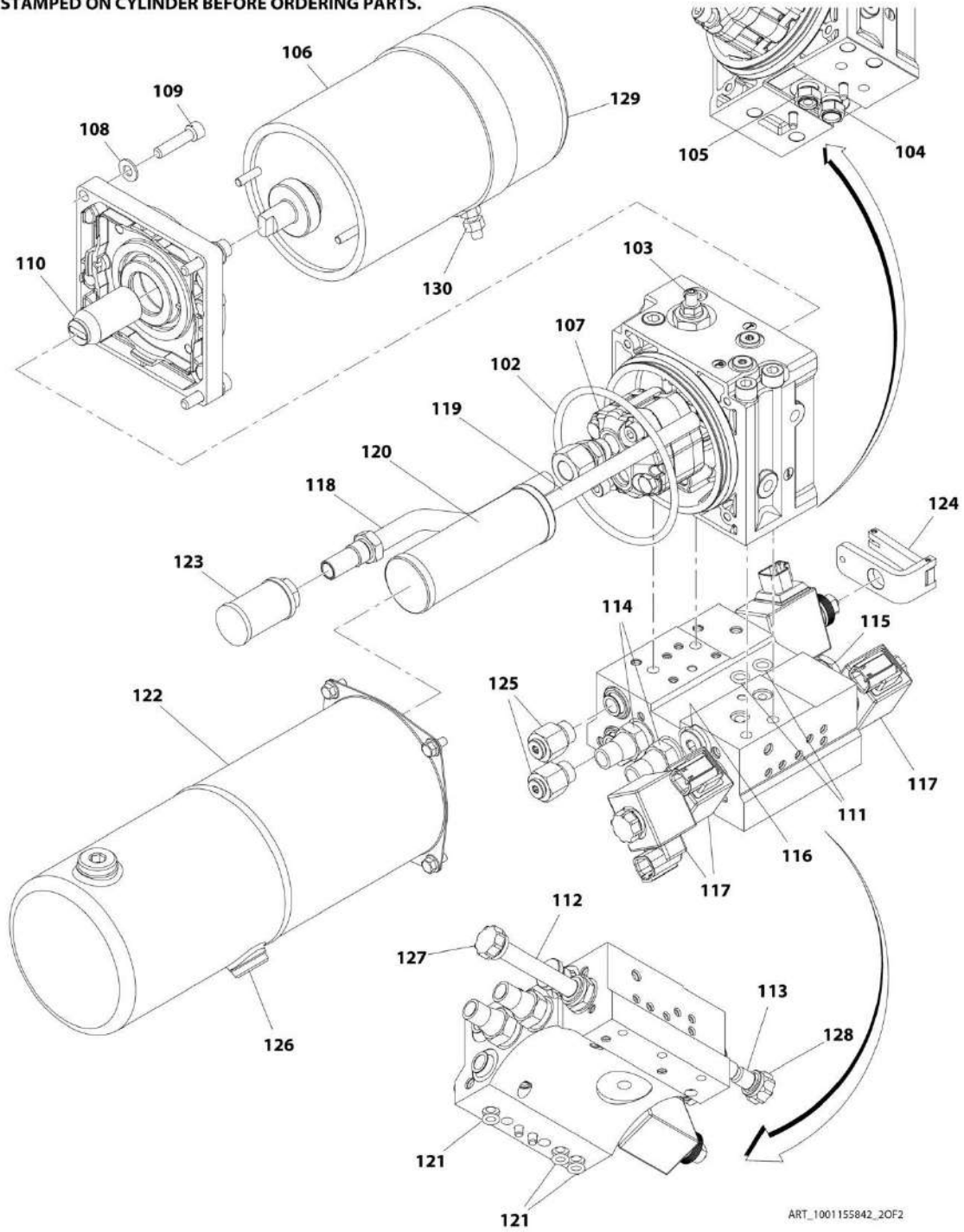


**NOTE: SEE ARMS
INSTALLATION
FOR CALLOUT**

ART_1001155842_10F2

SECTION 5 - CYLINDER

NOTE: IDENTIFY THE PART NUMBER
STAMPED ON CYLINDER BEFORE ORDERING PARTS.



SECTION 5 - CYLINDER

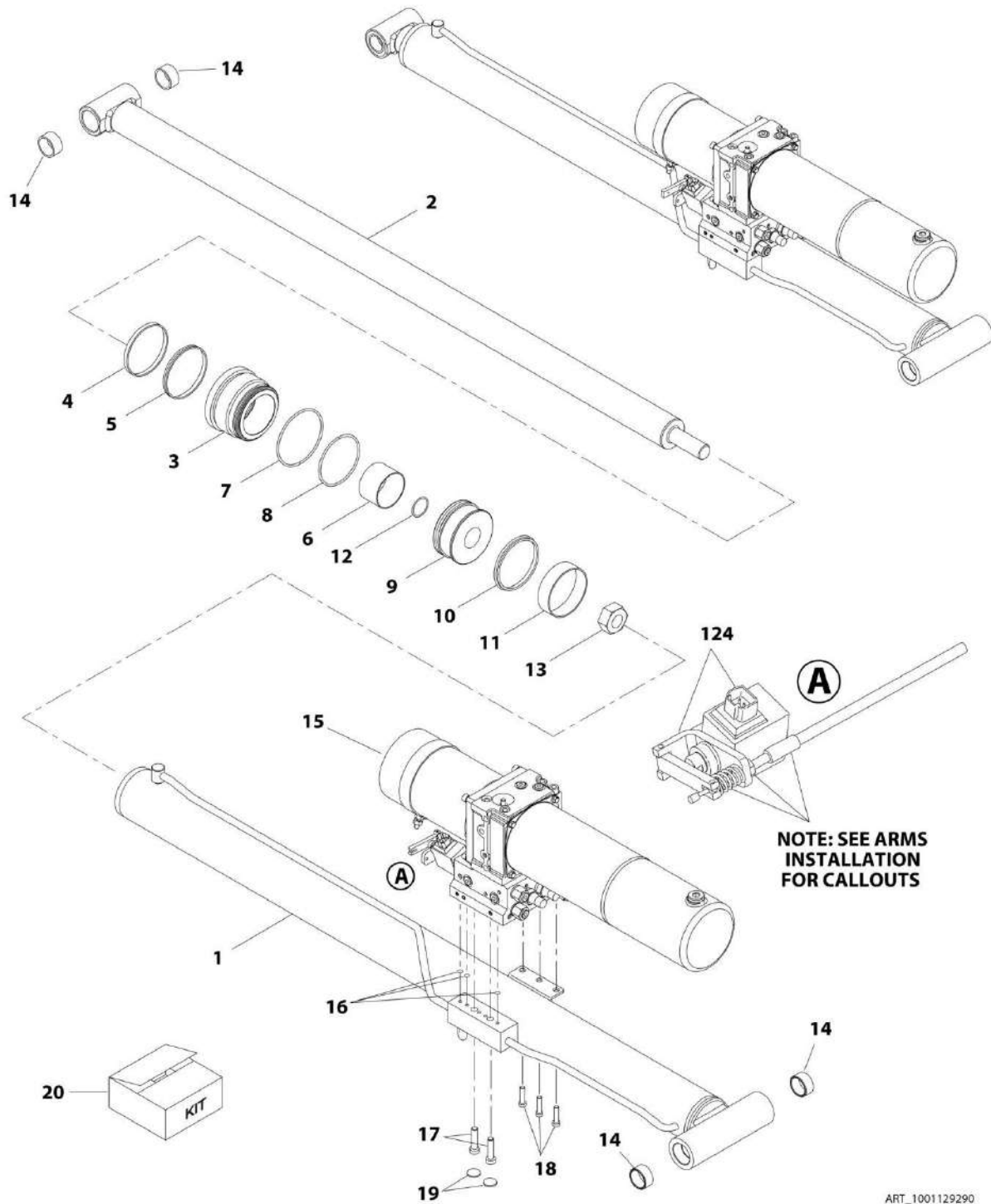
FIGURE 5-7. LIFT CYLINDER ASSEMBLY - 2632ES WITH STANDARD HYDRAULIC OIL (SERTA)

ITEM	PART NUMBER	QTY	DESCRIPTION	REV
	1001155842	Ref	LIFT CYLINDER ASSEMBLY - 2632ES WITH STANDARD HYDRAULIC OIL (SERTA)	D
		Ref	Note: Original Cylinder May Have Been Replaced with Service Replacement. Identify PN Stamped on Cylinder Before Ordering Parts.	
1	70004729	1	Cylinder Assembly Less Powerpack	
2	70004728	1	Seal Kit	
3	70004727	1	Barrel	
3A	0962257	2	Bushing	
4	70004722	1	Rod Assembly (Includes Items 2, 4A, 5, 6 & 7)	
4A	0962257	1	Bushing	
5	70006090	1	Head, Cylinder	
6	7005323	1	Piston	
7	70023915	1	Screw	
8	70004945	1	Motor/Pump/Tank Assembly (Includes Items 102-121)	
		Ref	MOTOR/PUMP/TANK ASSEMBLY	
	70004945	1	Motor/Pump/Tank Assembly	
102	70004914	1	O-Ring	
103	70004915	1	Cartridge, Valve (Main Relief)	
104	70004916	1	Cartridge, Valve (Breather Vacuum Check)	
105	70004917	1	Cartridge, Valve (Breather Pressure Check)	
106	70004970	1	Kit, Motor (Includes motor, flange and ring)	
107	70005233	1	Kit, Pump (Includes pump and hardware)	
108	70004974	4	Washer M8	
109	70004975	4	Capscrew M8 x 60	
110	70004973	1	Shaft Coupling	
111	70004925	2	O-Ring	
112	70003028	1	Cartridge, Solenoid Valve Less Coil (Steer)	
113	70004926	1	Cartridge, Solenoid Valve Less Coil (Lift)	
114	70004927	2	Cartridge, Valve (Steer Relief)	
115	70004585	1	Cartridge, Valve (Lift Check)	
116	70004928	1	Filter 300 micron	
117	70003707	3	Coil	
118	70004941	1	Pipe, Suction	
119	70004942	1	Pipe, Return	
120	70004935	1	Filter, Bypass	
121	70004936	3	O-Ring	
122	70005240	1	Kit, Tank (Includes tank, plug, "o"-ring and screws)	
123	70005235	1	Kit, Filter (Includes strainer and seal ring)	
124	70005236	1	Kit, Solenoid Valve (Includes solenoid, coil and lever)	
125	70005237	2	Kit, Fitting (Includes adapter, seal washer and plug)	
126	70004921	1	Plug	
127	70004654	1	Nut, Coil (for Item #112)	
128	70005238	1	Nut, Retaining (for Item #113)	
129	70004971	1	Kit, Brush	
130	70004972	1	Nut M8	

SECTION 5 - CYLINDER

FIGURE 5-8. LIFT CYLINDER ASSEMBLY - 2632ES WITH STANDARD HYDRAULIC OIL (SH-PAC)

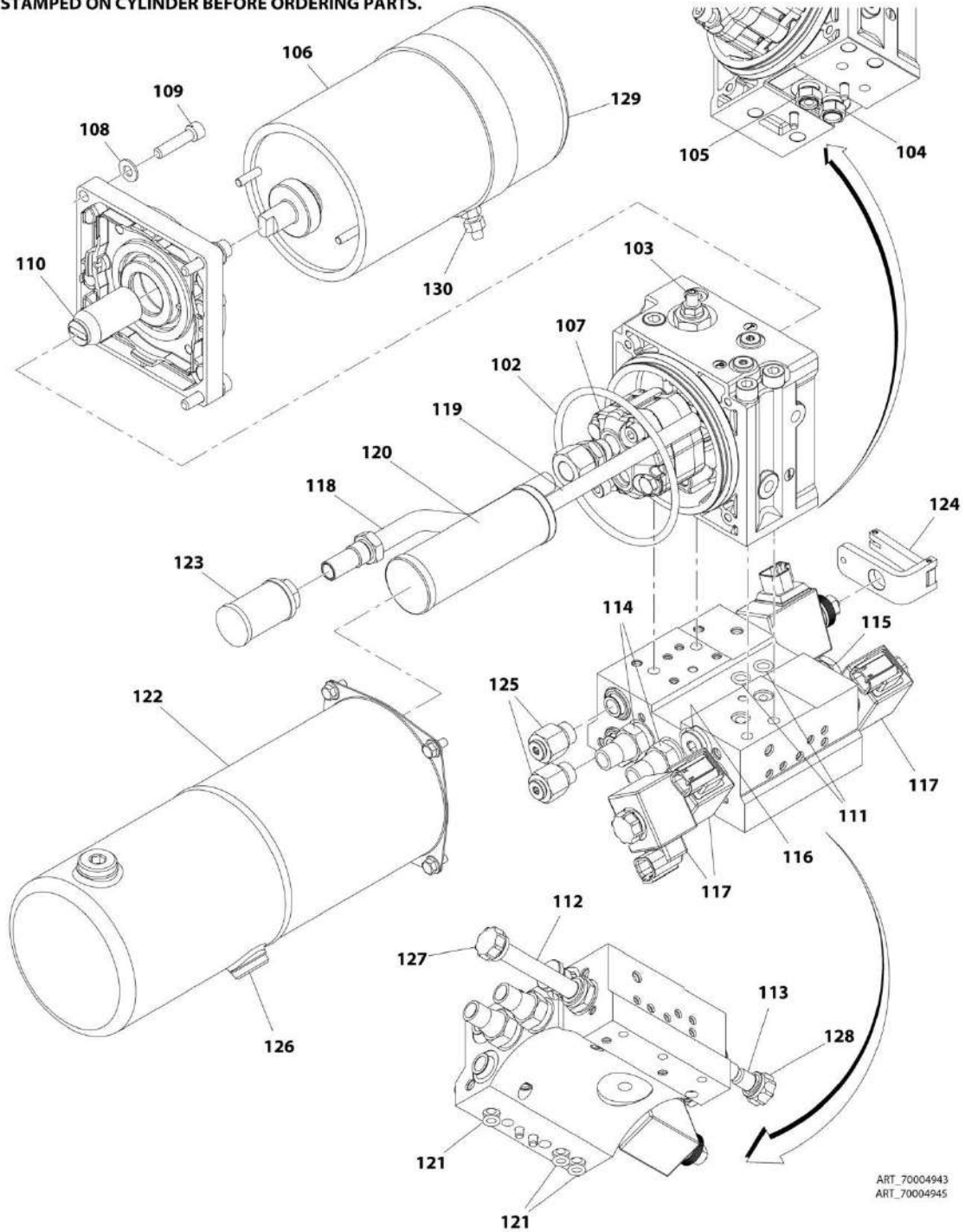
NOTE: IDENTIFY THE PART NUMBER STAMPED ON CYLINDER BEFORE ORDERING PARTS.



ART_1001129290

SECTION 5 - CYLINDER

NOTE: IDENTIFY THE PART NUMBER
STAMPED ON CYLINDER BEFORE ORDERING PARTS.



SECTION 5 - CYLINDER

FIGURE 5-8. LIFT CYLINDER ASSEMBLY - 2632ES WITH STANDARD HYDRAULIC OIL (SH-PAC)

ITEM	PART NUMBER	QTY	DESCRIPTION	REV
	1001129290	Ref	LIFT CYLINDER ASSEMBLY - 2632ES WITH STANDARD HYDRAULIC OIL (SH-PAC)	E
		Ref	Note: Original Cylinder May Have Been Replaced with Service Replacement. Identify PN Stamped on Cylinder Before Ordering Parts.	
1	70004628	1	Barrel	
2	70004629	1	Rod	
3	70004630	1	Head, Cylinder	
4	See Note	NSS	Seal, Dust (Note: Use Item 20)	
5	See Note	NSS	Seal (Note: Use Item 20)	
6	70004631	1	Bearing	
7	See Note	NSS	O-Ring (Note: Use Item 20)	
8	See Note	NSS	O-Ring (Note: Use Item 20)	
9	70004632	1	Piston	
10	See Note	NSS	Seal (Note: Use Item 20)	
11	See Note	NSS	Ring, Wear (Note: Use Item 20)	
12	See Note	NSS	O-Ring (Note: Use Item 20)	
13	70003663	1	Nut	
14	0962257	4	Bushing	
15	70004945	1	Motor/Pump/Tank Assembly (See Items 102-121 for Breakdown)	
16	See Note	NSS	O-Ring (Note: Use Item 20)	
17	70004624	2	Capscrew M10 x 40	
18	70004625	3	Capscrew M8 x 20	
19	70004626	2	Plug, Extension	
20	70004633	1	Seal Kit - Cylinder (Includes Items 4, 5, 7, 8, 10, 11, 12 & 16)	
		Ref	MOTOR/PUMP/TANK ASSEMBLY	
	70004945	1	Motor/Pump/Tank Assembly	
102	70004914	1	O-Ring	
103	70004915	1	Cartridge, Valve (Main Relief)	
104	70004916	1	Cartridge, Valve (Breather Vacuum Check)	
105	70004917	1	Cartridge, Valve (Breather Pressure Check)	
106	70004970	1	Kit, Motor (Includes motor, flange and ring)	
107	70005233	1	Kit, Pump (Includes pump and hardware)	
108	70004974	4	Washer M8	
109	70004975	4	Capscrew M8 x 60	
110	70004973	1	Shaft Coupling	
111	70004925	2	O-Ring	
112	70003028	1	Cartridge, Solenoid Valve Less Coil (Steer)	
113	70004926	1	Cartridge, Solenoid Valve Less Coil (Lift)	
114	70004927	2	Cartridge, Valve (Steer Relief)	
115	70004585	1	Cartridge, Valve (Lift Check)	
116	70004928	1	Filter 300 micron	
117	70003707	3	Coil	
118	70004941	1	Pipe, Suction	
119	70004942	1	Pipe, Return	
120	70004935	1	Filter, Bypass	
121	70004936	3	O-Ring	
122	70005240	1	Kit, Tank (Includes tank, plug, "o"-ring and screws)	
123	70005235	1	Kit, Filter (Includes strainer and seal ring)	
124	70005236	1	Kit, Solenoid Valve (Includes solenoid, coil and lever)	

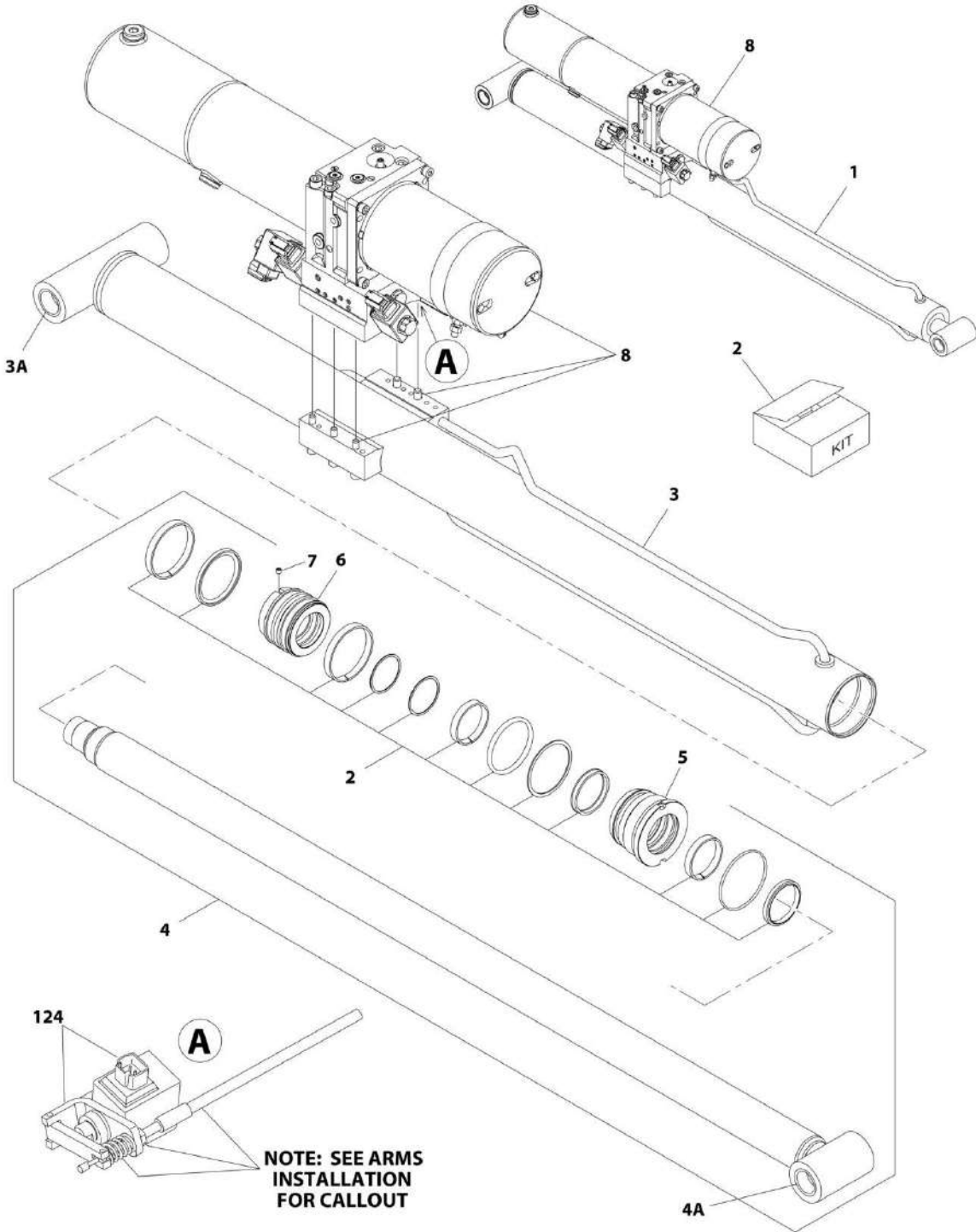
SECTION 5 - CYLINDER

ITEM	PART NUMBER	QTY	DESCRIPTION	REV
125	70005237	1	Kit, Fitting (Includes adapter, seal washer and plug)	
126	70004921	1	Plug	
127	70004654	1	Nut, Coil (for Item #112)	
128	70005238	1	Nut, Retaining (for Item #113)	
129	70004971	1	Kit, Brush	
130	70004972	1	Nut M8	

SECTION 5 - CYLINDER

FIGURE 5-9. LIFT CYLINDER ASSEMBLY - 2632ES WITH BIODEGRADABLE HYDRAULIC OIL (SERTA)

NOTE: IDENTIFY THE PART NUMBER STAMPED ON CYLINDER BEFORE ORDERING PARTS.

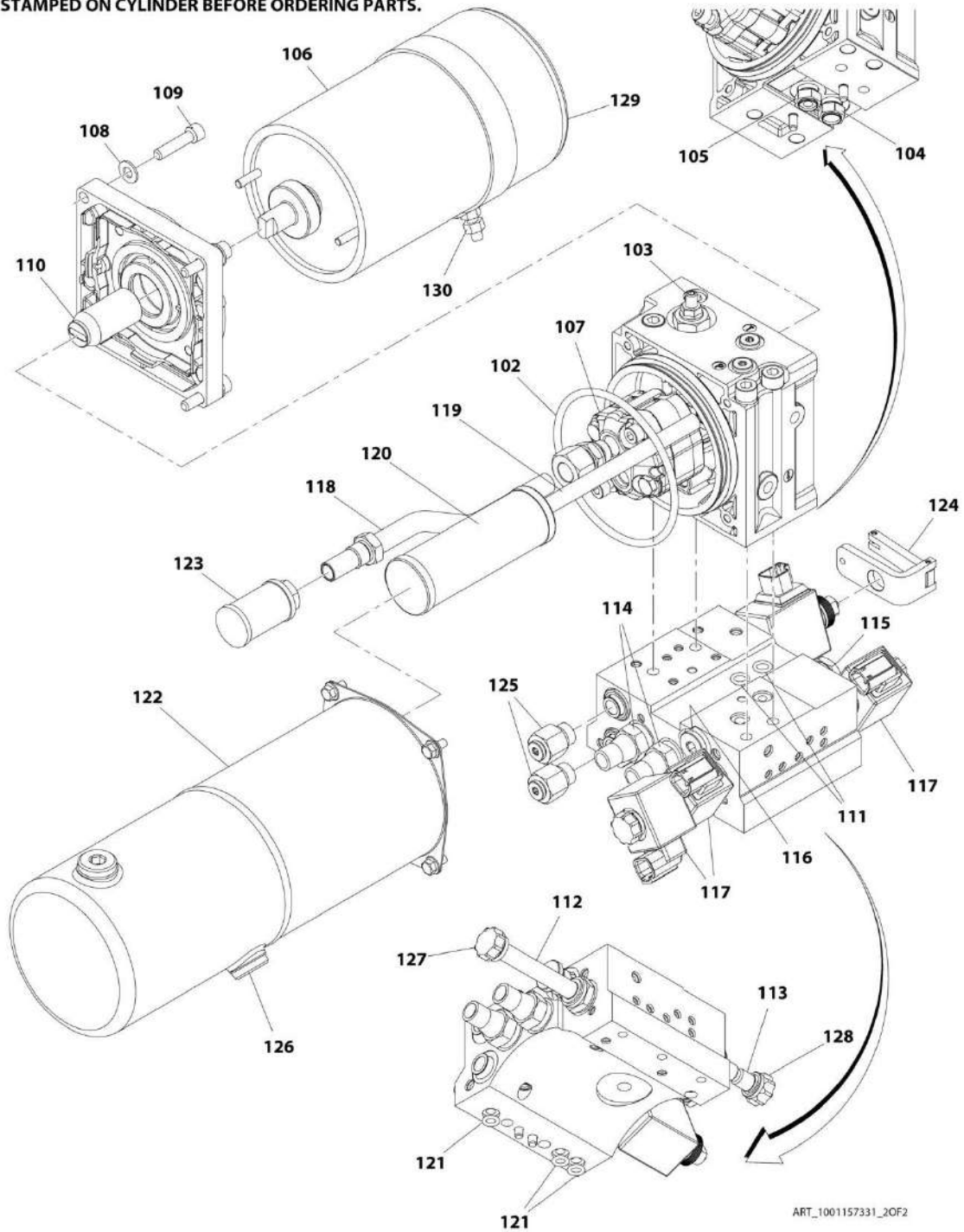


NOTE: SEE ARMS INSTALLATION FOR CALLOUT

ART_1001157331_10F2

SECTION 5 - CYLINDER

NOTE: IDENTIFY THE PART NUMBER
STAMPED ON CYLINDER BEFORE ORDERING PARTS.



ART_1001157331_2OF2

SECTION 5 - CYLINDER

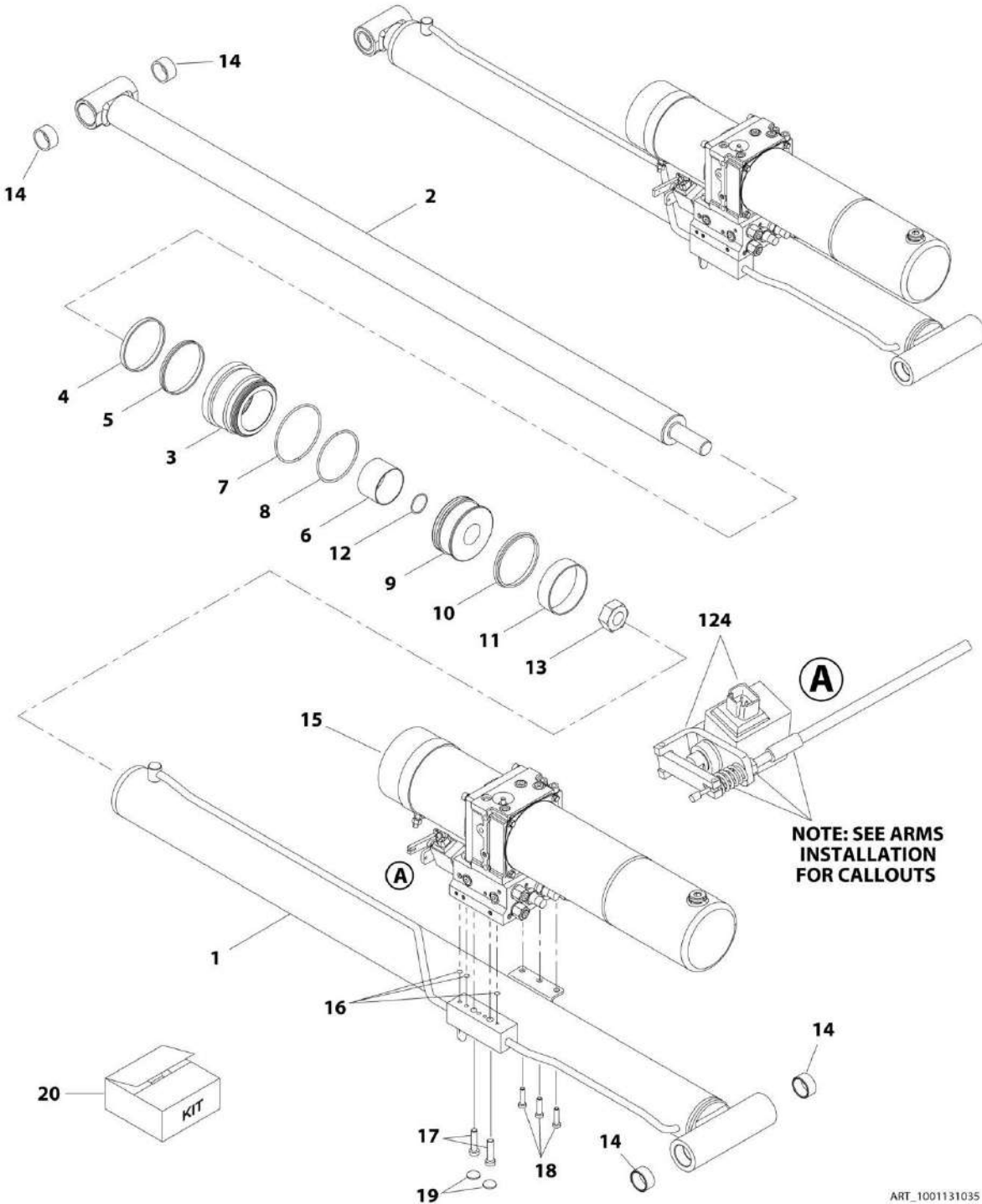
FIGURE 5-9. LIFT CYLINDER ASSEMBLY - 2632ES WITH BIODEGRADABLE HYDRAULIC OIL (SERTA)

ITEM	PART NUMBER	QTY	DESCRIPTION	REV
	1001157331	Ref	LIFT CYLINDER ASSEMBLY - 2632ES WITH BIODEGRADABLE HYDRAULIC OIL (SERTA)	C
		Ref	Note: Original Cylinder May Have Been Replaced with Service Replacement. Identify PN Stamped on Cylinder Before Ordering Parts.	
1	70004729	1	Cylinder Assembly Less Powerpack	
2	70004728	1	Seal Kit	
3	70004727	1	Barrel	
3A	0962257	2	Bushing	
4	70004722	1	Rod Assembly (Includes Items 2, 4A, 5, 6 & 7)	
4A	0962257	1	Bushing	
5	70006090	1	Head, Cylinder	
6	70025323	1	Piston	
7	70023915	1	Screw	
8	70004945	1	Motor/Pump/Tank Assembly (Includes Items 102-121)	
		Ref	MOTOR/PUMP/TANK ASSEMBLY	
	70004945	1	Motor/Pump/Tank Assembly	
102	70004914	1	O-Ring	
103	70004915	1	Cartridge, Valve (Main Relief)	
104	70004916	1	Cartridge, Valve (Breather Vacuum Check)	
105	70004917	1	Cartridge, Valve (Breather Pressure Check)	
106	70004970	1	Kit, Motor (Includes motor, flange and ring)	
107	70005233	1	Kit, Pump (Includes pump and hardware)	
108	70004974	4	Washer M8	
109	70004975	4	Capscrew M8 x 60	
110	70004973	1	Shaft Coupling	
111	70004925	2	O-Ring	
112	70003028	1	Cartridge, Solenoid Valve Less Coil (Steer)	
113	70004926	1	Cartridge, Solenoid Valve Less Coil (Lift)	
114	70004927	2	Cartridge, Valve (Steer Relief)	
115	70004585	1	Cartridge, Valve (Lift Check)	
116	70004928	1	Filter 300 micron	
117	70003707	3	Coil	
118	70004941	1	Pipe, Suction	
119	70004942	1	Pipe, Return	
120	70004935	1	Filter, Bypass	
121	70004936	3	O-Ring	
122	70005240	1	Kit, Tank (Includes tank, plug, "o"-ring and screws)	
123	70005235	1	Kit, Filter (Includes strainer and seal ring)	
124	70005236	1	Kit, Solenoid Valve (Includes solenoid, coil and lever)	
125	70005237	2	Kit, Fitting (Includes adapter, seal washer and plug)	
126	70004921	1	Plug	
127	70004654	1	Nut, Coil (for Item #112)	
128	70005238	1	Nut, Retaining (for Item #113)	
129	70004971	1	Kit, Brush	
130	70004972	1	Nut M8	

SECTION 5 - CYLINDER

FIGURE 5-10. LIFT CYLINDER ASSEMBLY - 2632ES WITH BIODEGRADEABLE HYDRAULIC OIL (SH-PAC)

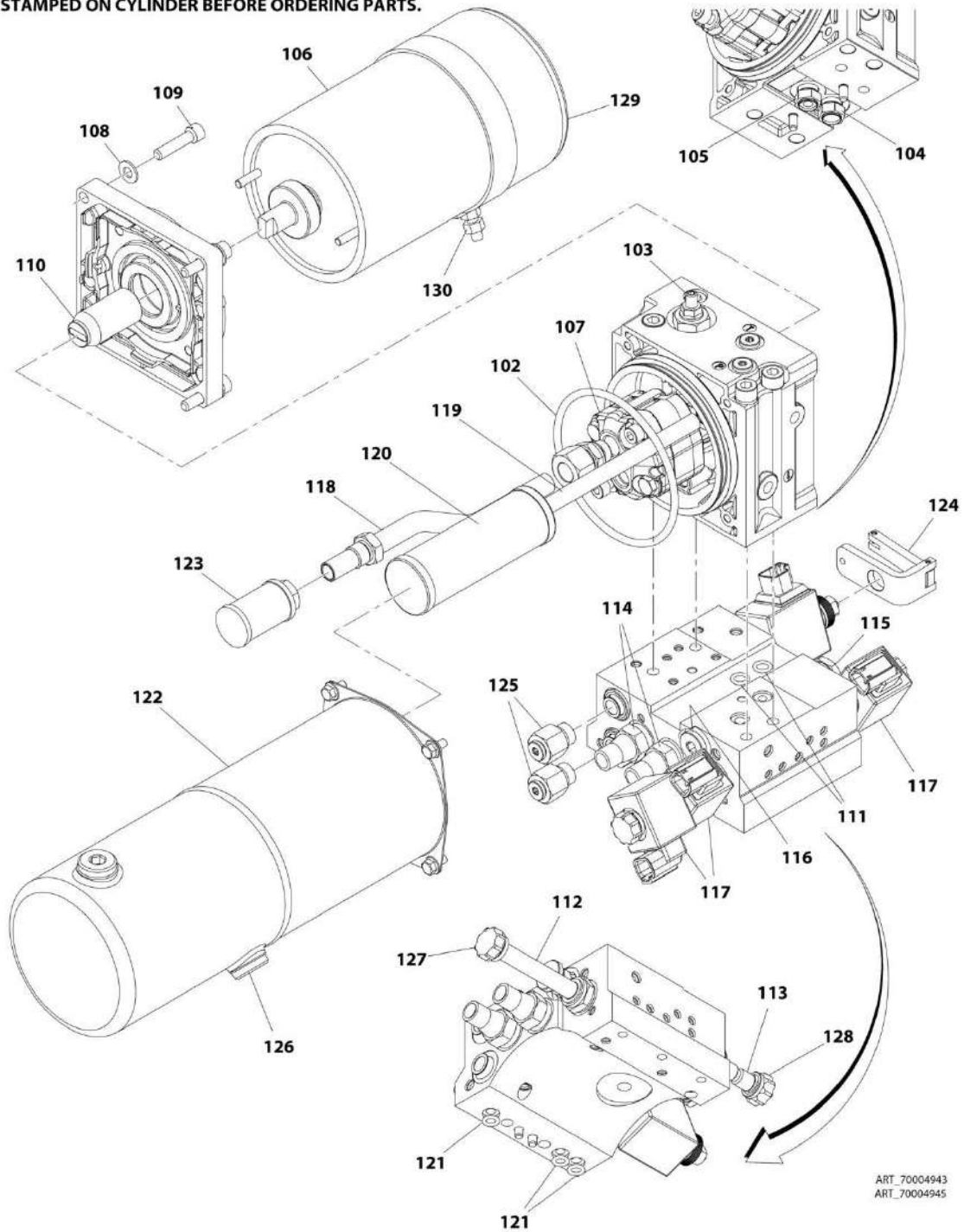
NOTE: IDENTIFY THE PART NUMBER STAMPED ON CYLINDER BEFORE ORDERING PARTS.



ART_1001131035

SECTION 5 - CYLINDER

NOTE: IDENTIFY THE PART NUMBER
STAMPED ON CYLINDER BEFORE ORDERING PARTS.



SECTION 5 - CYLINDER

FIGURE 5-10. LIFT CYLINDER ASSEMBLY - 2632ES WITH BIODEGRADEABLE HYDRAULIC OIL (SH-PAC)

ITEM	PART NUMBER	QTY	DESCRIPTION	REV
	1001131035	Ref	LIFT CYLINDER ASSEMBLY - 2632ES WITH BIODEGRADEABLE HYDRAULIC OIL (SH-PAC)	E
		Ref	Note: Original Cylinder May Have Been Replaced with Service Replacement. Identify PN Stamped on Cylinder Before Ordering Parts.	
1	70004628	1	Barrel	
2	70004629	1	Rod	
3	70004630	1	Head, Cylinder	
4	See Note	NSS	Seal, Dust (Note: Use Item 20)	
5	See Note	NSS	Seal (Note: Use Item 20)	
6	70004631	1	Bearing	
7	See Note	NSS	O-Ring (Note: Use Item 20)	
8	See Note	NSS	O-Ring (Note: Use Item 20)	
9	70004632	1	Piston	
10	See Note	NSS	Seal (Note: Use Item 20)	
11	See Note	NSS	Ring, Wear (Note: Use Item 20)	
12	See Note	NSS	O-Ring (Note: Use Item 20)	
13	70003663	1	Nut	
14	0962257	4	Bushing	
15	70004945	1	Motor/Pump/Tank Assembly (See Items 102-121 for Breakdown)	
16	See Note	NSS	O-Ring (Note: Use Item 20)	
17	70004624	2	Capscrew M10 x 40	
18	70004625	3	Capscrew M8 x 20	
19	70004626	2	Plug, Extension	
20	70004633	1	Seal Kit - Cylinder (Includes Items 4, 5, 7, 8, 10, 11, 12 & 16)	
		Ref	MOTOR/PUMP/TANK ASSEMBLY	
	70004945	1	Motor/Pump/Tank Assembly	
102	70004914	1	O-Ring	
103	70004915	1	Cartridge, Valve (Main Relief)	
104	70004916	1	Cartridge, Valve (Breather Vacuum Check)	
105	70004917	1	Cartridge, Valve (Breather Pressure Check)	
106	70004970	1	Kit, Motor (Includes motor, flange and ring)	
107	70005233	1	Kit, Pump (Includes pump and hardware)	
108	70004974	4	Washer M8	
109	70004975	4	Capscrew M8 x 60	
110	70004973	1	Shaft Coupling	
111	70004925	2	O-Ring	
112	70003028	1	Cartridge, Solenoid Valve Less Coil (Steer)	
113	70004926	1	Cartridge, Solenoid Valve Less Coil (Lift)	
114	70004927	2	Cartridge, Valve (Steer Relief)	
115	70004585	1	Cartridge, Valve (Lift Check)	
116	70004928	1	Filter 300 micron	
117	70003707	3	Coil	
118	70004941	1	Pipe, Suction	
119	70004942	1	Pipe, Return	
120	70004935	1	Filter, Bypass	
121	70004936	3	O-Ring	
122	70005240	1	Kit, Tank (Includes tank, plug, "o"-ring and screws)	
123	70005235	1	Kit, Filter (Includes strainer and seal ring)	

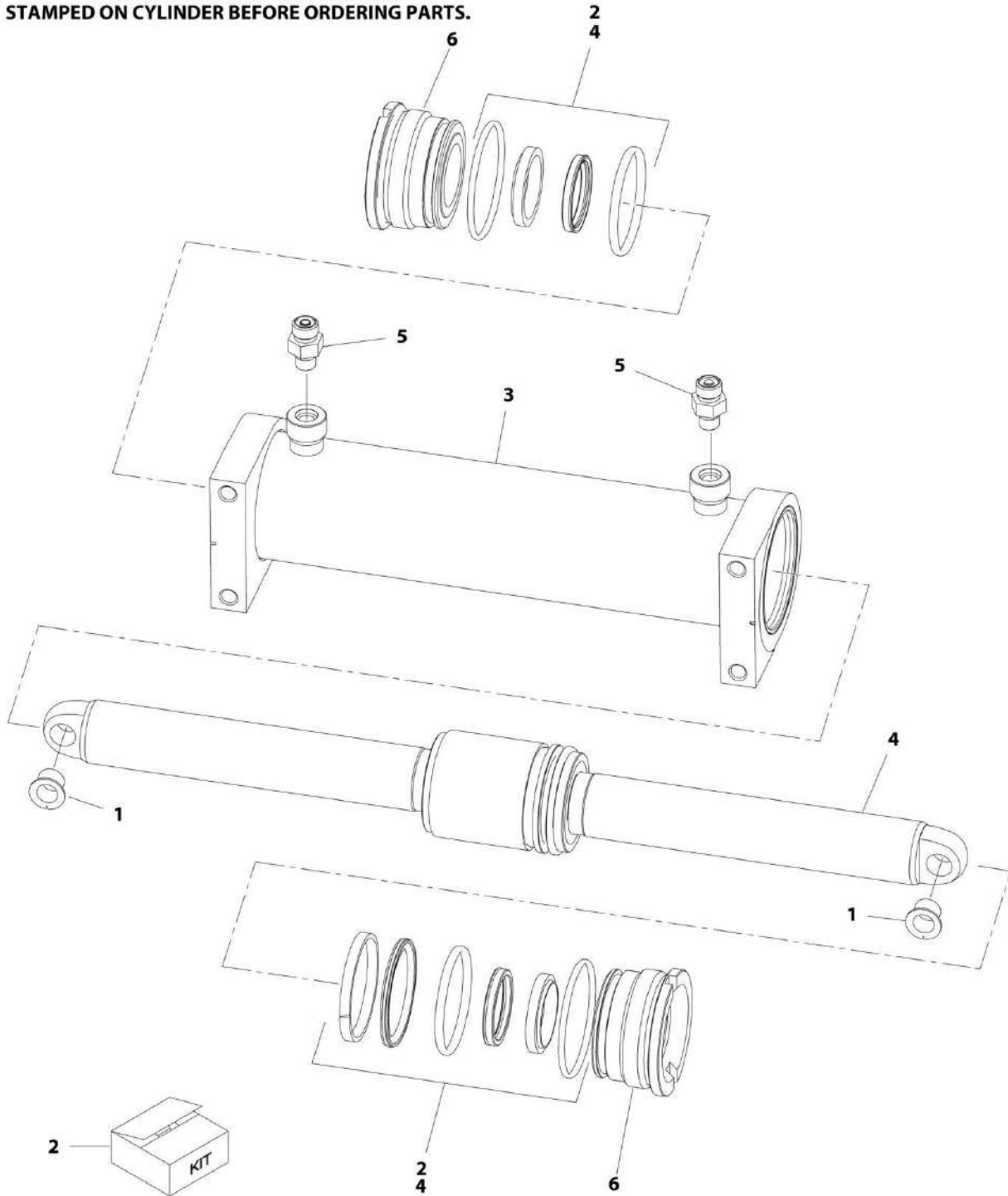
SECTION 5 - CYLINDER

ITEM	PART NUMBER	QTY	DESCRIPTION	REV
124	70005236	1	Kit, Solenoid Valve (Includes solenoid, coil and lever)	
125	70005237	2	Kit, Fitting (Includes adapter, seal washer and plug)	
126	70004921	1	Plug	
127	70004654	1	Nut, Coil (for Item #112)	
128	70005238	1	Nut, Retaining (for Item #113)	
129	70004971	1	Kit, Brush	
130	70004972	1	Nut M8	

SECTION 5 - CYLINDER

FIGURE 5-11. STEER CYLINDER ASSEMBLY (SERTA)

**NOTE: IDENTIFY THE PART NUMBER
STAMPED ON CYLINDER BEFORE ORDERING PARTS.**



ART_1001177435

SECTION 5 - CYLINDER

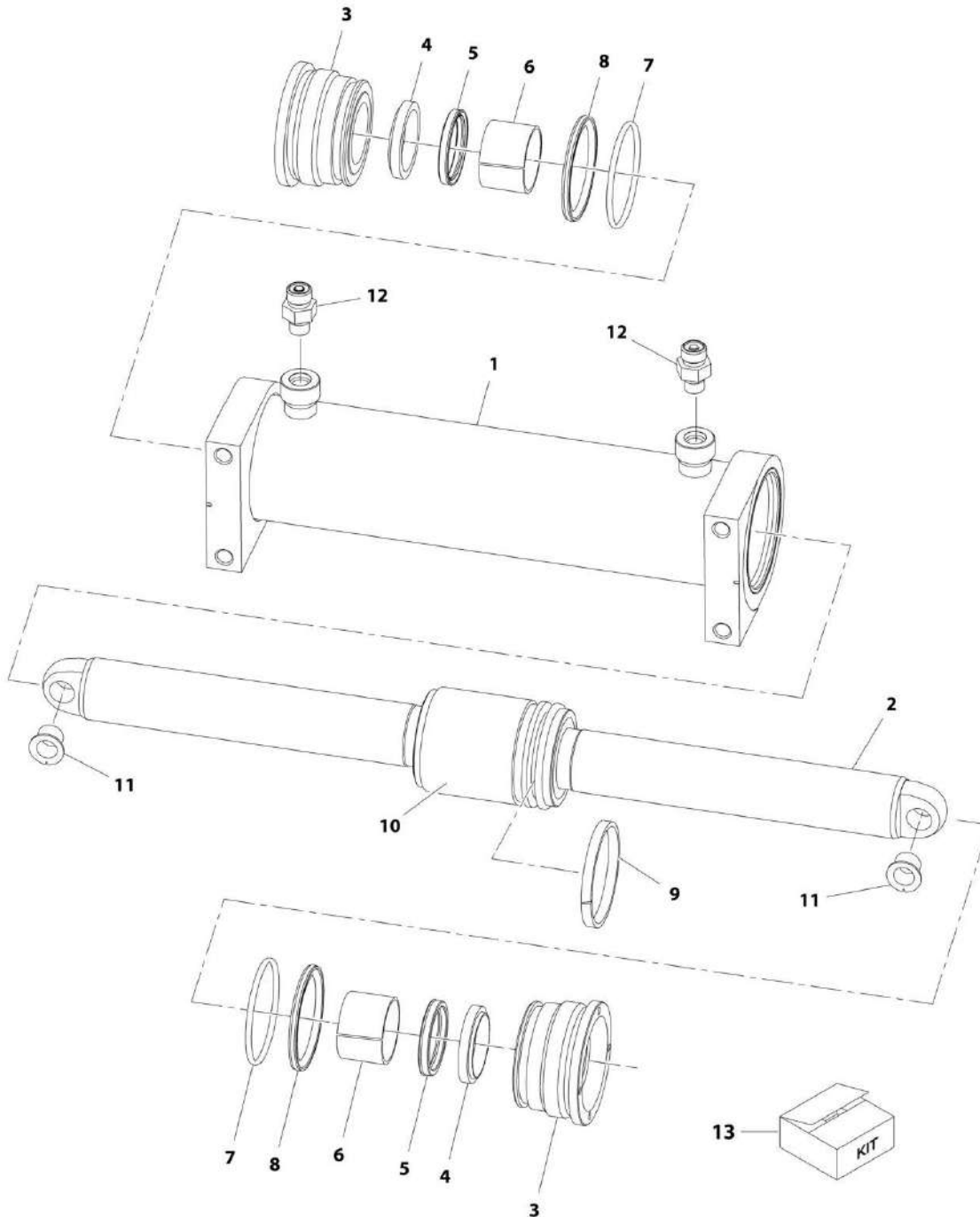
FIGURE 5-11. STEER CYLINDER ASSEMBLY (SERTA)

ITEM	PART NUMBER	QTY	DESCRIPTION	REV
	1001177435	Ref	STEER CYLINDER ASSEMBLY (SERTA)	B
		Ref	Note: Original Cylinder May Have Been Replaced with Service Replacement. Identify PN Stamped on Cylinder Before Ordering Parts.	
1	0440259	2	Bearing, Flange	
2	70004779	1	Seal Kit - Cylinder	
3	70004778	1	Barrel, Cylinder	
4	70004777	1	Rod, Cylinder	
5	2110404	2	Fitting, Straight ORFS/ORB	
6	70006342	2	Head	

SECTION 5 - CYLINDER

FIGURE 5-12. STEER CYLINDER ASSEMBLY (SH-PAC)

NOTE: IDENTIFY THE PART NUMBER STAMPED ON CYLINDER BEFORE ORDERING PARTS.



ART_1001179447

SECTION 5 - CYLINDER

FIGURE 5-12. STEER CYLINDER ASSEMBLY (SH-PAC)

ITEM	PART NUMBER	QTY	DESCRIPTION	REV
	1001179447	Ref	STEER CYLINDER ASSEMBLY (SH-PAC)	A
		Ref	Note: Original Cylinder May Have Been Replaced with Service Replacement. Identify PN Stamped on Cylinder Before Ordering Parts.	
1	70005421	1	Barrel	
2	70005420	1	Rod	
3	70004241	2	Head	
4	See Note	NSS	Wiper (Note: Use Item 13)	
5	See Note	NSS	Seal, Rod (Note: Use Item 13)	
6	See Note	NSS	Ring, Wear (Note: Use Item 13)	
7	See Note	NSS	O-Ring (Note: Use Item 13)	
8	See Note	NSS	Ring, Back-up (Note: Use Item 13)	
9	See Note	NSS	Seal, Piston (Note: Use Item 13)	
10	70005419	1	Spacer	
11	0440259	2	Bearing, Flange	
12	2110404	2	Fitting, Straight ORFS/ORB	
13	70004239	1	Seal Kit - 1001179447 Cylinder (Includes Items 4-9)	

SECTION 6 - HYDRAULIC

SECTION 6 - HYDRAULIC

FIGURE 6-1. HYDRAULIC DIAGRAM LIST

ITEM	PART NUMBER	QTY	DESCRIPTION	REV
		Ref	HYDRAULIC DIAGRAM LIST	
		Ref	Note: For hoses and fittings associated with steering, see Steering Installation.	
	2792599	Ref	Hydraulic Schematic - USA Built Machines (Not Shown - See Service Manual)	
	1001143663	Ref	Hydraulic Schematic - China Built Machines (Not Shown - See Service Manual)	

SECTION 7 - ELECTRICAL

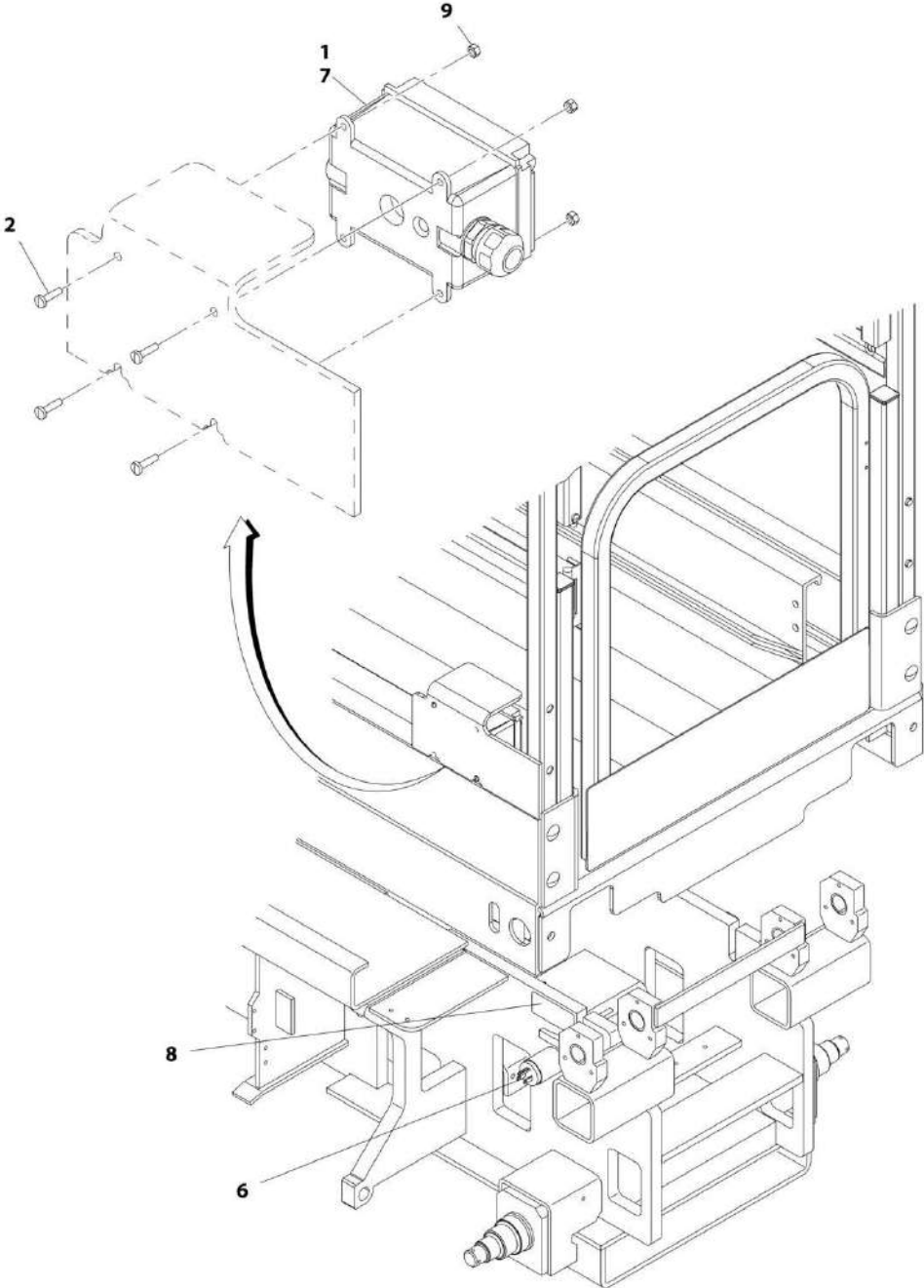
SECTION 7 - ELECTRICAL

FIGURE 7-1. ELECTRICAL DIAGRAM LIST

ITEM	PART NUMBER	QTY	DESCRIPTION	REV
		Ref	ELECTRICAL DIAGRAM LIST	
		Ref	Note: See Service Manual for schematic. For information on diagrams, contact JLG Service Parts Department.	
	0275487	Ref	AC to Platform Electrical Diagram - 110 IEC Yellow (CE Spec Only)	
	0275488	Ref	AC to Platform Electrical Diagram - 220V IEC Blue (CE Spec Only)	
	0275486	Ref	AC to Platform Electrical Diagram - 220V AFSINT107 (CE Spec Only)	
	1001162447	Ref	AC to Platform Electrical Diagram - 220V CEE7 Side Ground (CE Spec Only)	
	1001162449	Ref	AC to Platform Electrical Diagram - 220V CEE7 Post Ground (CE Spec Only)	
	1001115126	Ref	Chassis Harness Electrical Diagram	
	1001166759	Ref	Electrical Schematic (Not Shown - See Service Manual)	

SECTION 7 - ELECTRICAL

FIGURE 7-2. AC BOX AT PLATFORM INSTALLATION - 110V GFI



ART_0272839

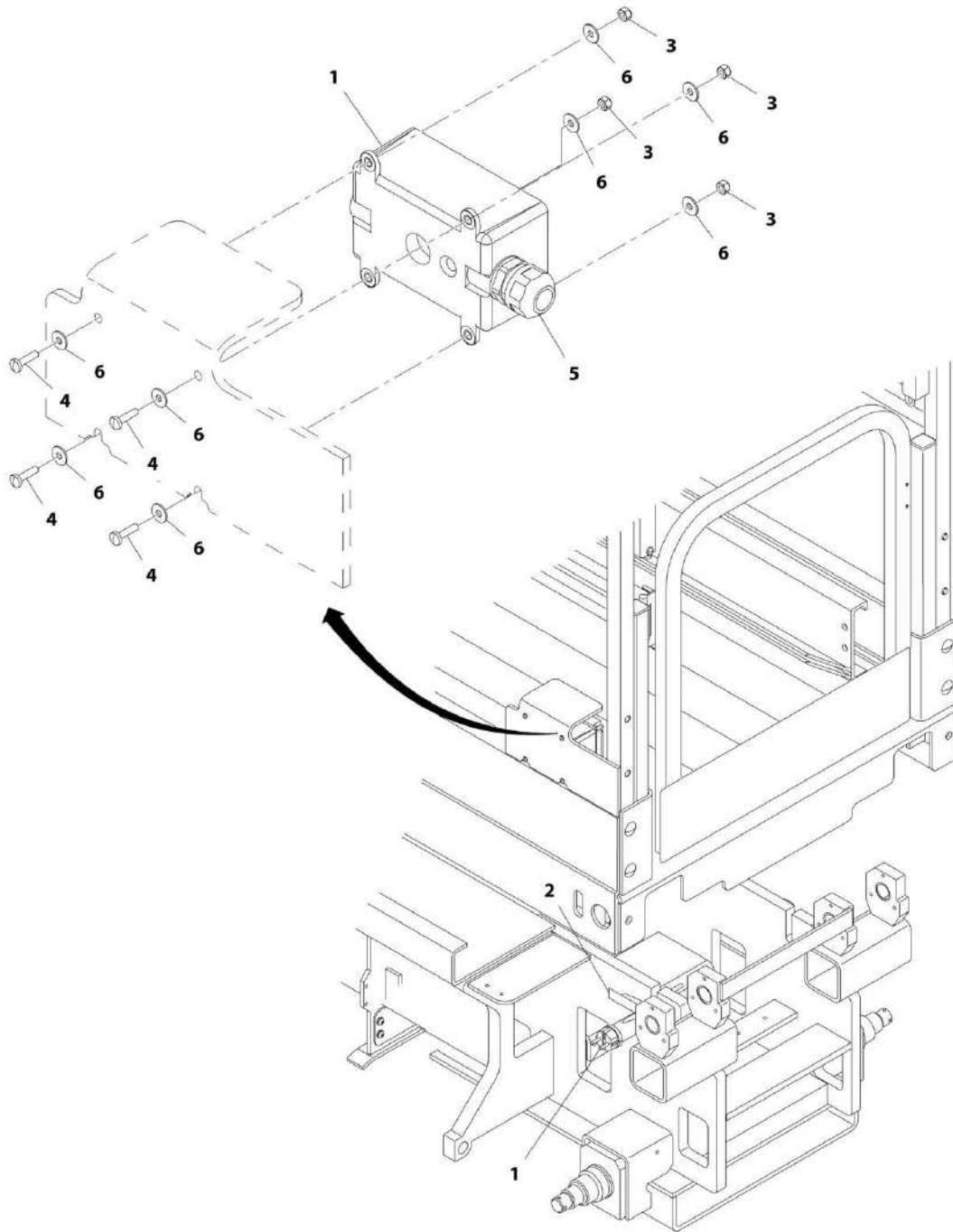
SECTION 7 - ELECTRICAL

FIGURE 7-2. AC BOX AT PLATFORM INSTALLATION - 110V GFI

ITEM	PART NUMBER	QTY	DESCRIPTION	REV
	0272839	Ref	AC BOX AT PLATFORM INSTALLATION - 110V GFI	I
1	2902431	1	Receptacle Box Kit - 110V GFI (See RECEPTACLE BOX KIT - 110V GFI for Breakdown)	
2	4010408	4	Screw M4 x 16	
6	4460138	1	Plug, Male	
7	4460315	3	Terminal	
8	1703464	1	Decal - 120V-60Hz AC Power to Platform	
9	3290405	4	Nut M4	

SECTION 7 - ELECTRICAL

FIGURE 7-3. AC BOX AT PLATFORM INSTALLATION - 220V CEE7 SIDE GRD (ANSI EXPORT SPEC ONLY)



ART_1001162447

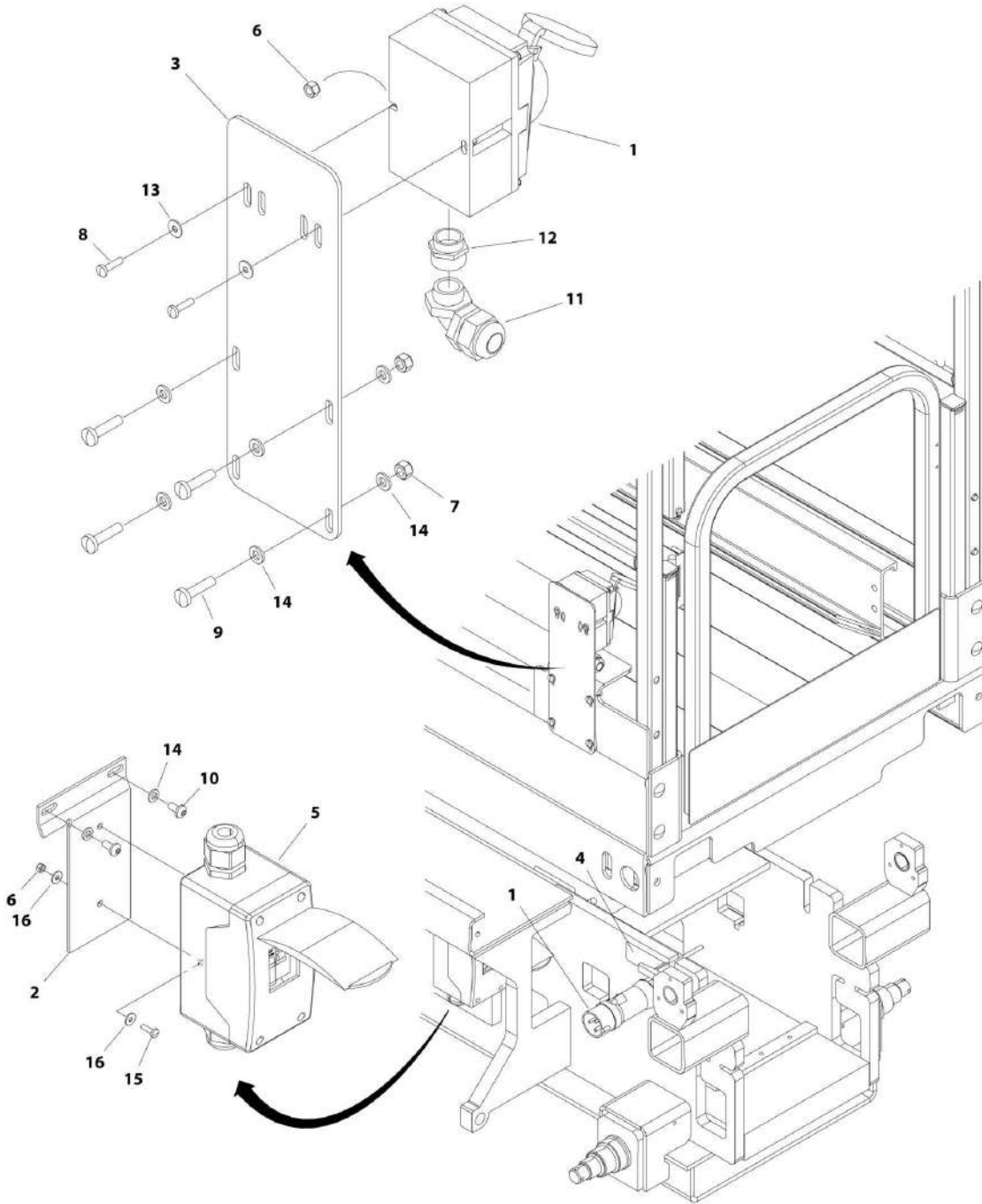
SECTION 7 - ELECTRICAL

FIGURE 7-3. AC BOX AT PLATFORM INSTALLATION - 220V CEE7 SIDE GRD (ANSI EXPORT SPEC ONLY)

ITEM	PART NUMBER	QTY	DESCRIPTION	REV
	1001211593	Ref	AC BOX AT PLATFORM INSTALLATION - 220V CEE7 SIDE GRD (ANSI EXPORT SPEC ONLY)	A
1	0275453	1	Receptacle Box Kit - 220V CEE7 Side Ground (See RECEPTACLE BOX KIT - 220V CEE7 SIDE GROUND for Breakdown)	
2	3252507	1	Decal - 220V-50/60Hz	
3	3290405	4	Nut M4	
4	4010408	4	Screw M4 x 16	
5	4460662	1	Connector, Strain Relief	
6	1001091102	8	Washer M4	

SECTION 7 - ELECTRICAL

FIGURE 7-4. AC BOX AT PLATFORM INSTALLATION - 110V IEC YELLOW (CE SPEC ONLY)



ART_0275487

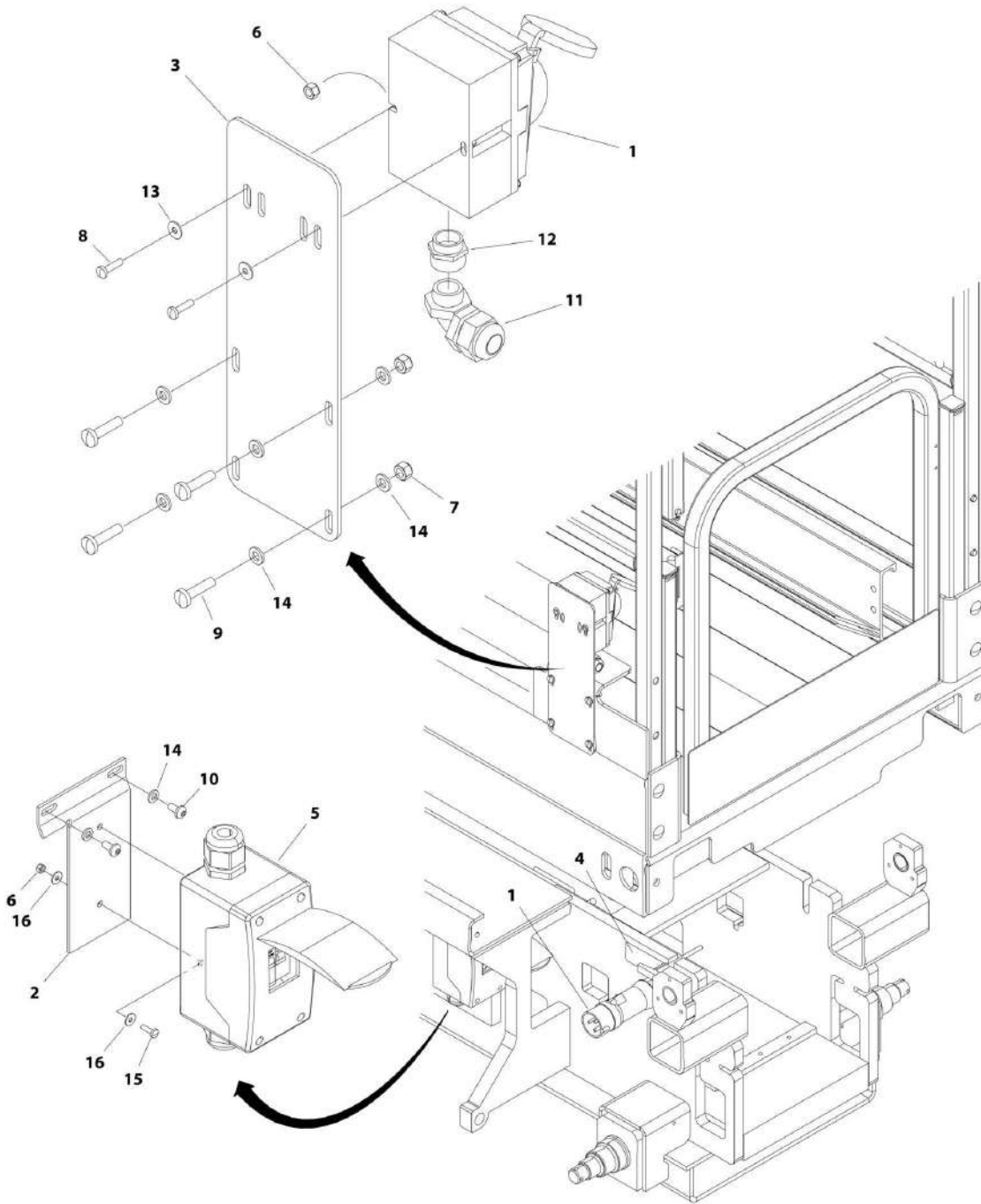
SECTION 7 - ELECTRICAL

FIGURE 7-4. AC BOX AT PLATFORM INSTALLATION - 110V IEC YELLOW (CE SPEC ONLY)

ITEM	PART NUMBER	QTY	DESCRIPTION	REV
	0275487	Ref	AC BOX AT PLATFORM INSTALLATION - 110V IEC YELLOW (CE SPEC ONLY)	E
1	0275216	1	Receptacle Box Kit - 110V IEC Yellow (See RECEPTACLE BOX KIT - 110V IEC YELLOW for Breakdown)	
2	0903566	1	Bracket	
3	0903569	1	Bracket	
4	1703464	1	Decal - 120V-60Hz	
5	2902541	1	Breaker Box Kit (See BREAKER BOX KIT WITH TWO BREAKERS - CE SPEC ONLY for Breakdown)	
6	3290405	4	Nut M4	
7	3290605	4	Nut M6	
8	4010408	2	Screw M4 x 16	
9	4010612	4	Screw M6 x 25	
10	4191706	2	Screw M6 x 12	
11	4461257	1	Connector, Strain Relief	
12	4461258	1	Adapter	
13	4811400	2	Washer M4	
14	4811700	10	Washer M6	
15	1001101540	2	Screw M4 x 14	
16	1001091102	4	Washer M4	

SECTION 7 - ELECTRICAL

FIGURE 7-5. AC BOX AT PLATFORM INSTALLATION - 220V IEC BLUE (CE SPEC ONLY)



ART_0275488

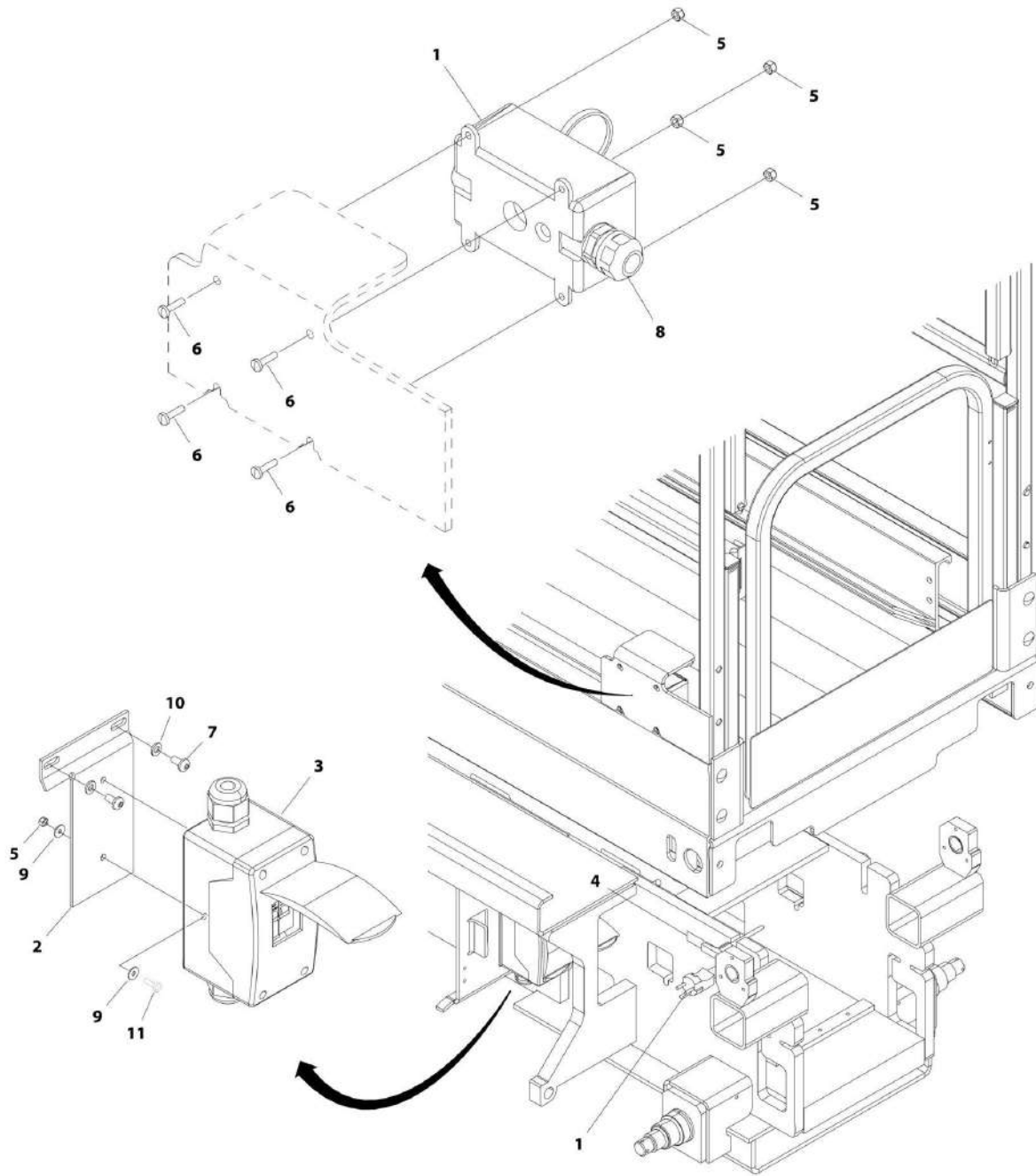
SECTION 7 - ELECTRICAL

FIGURE 7-5. AC BOX AT PLATFORM INSTALLATION - 220V IEC BLUE (CE SPEC ONLY)

ITEM	PART NUMBER	QTY	DESCRIPTION	REV
	0275488	Ref	AC BOX AT PLATFORM INSTALLATION - 220V IEC BLUE (CE SPEC ONLY)	E
1	0275217	1	Receptacle Box Kit - 220V IEC Blue (See RECEPTACLE BOX KIT - 220V IEC BLUE for Breakdown)	
2	0903566	1	Bracket	
3	0903569	1	Bracket	
4	3252507	1	Decal - 220V-50/60Hz	
5	2902541	1	Breaker Box Kit (See BREAKER BOX KIT WITH TWO BREAKERS - CE SPEC ONLY for Breakdown)	
6	3290405	4	Nut M4	
7	3290605	4	Nut M6	
8	4010408	2	Screw M4 x 16	
9	4010612	4	Screw M6 x 25	
10	4191706	2	Screw M6 x 12	
11	4461257	1	Connector, Strain Relief	
12	4461258	1	Adapter	
13	4811400	2	Washer M4	
14	4811700	10	Washer M6	
15	1001101540	2	Screw M4 x 14	
16	1001091102	4	Washer M4	

SECTION 7 - ELECTRICAL

FIGURE 7-6. AC BOX AT PLATFORM INSTALLATION - 220V AFSINT107 (CE SPEC ONLY)



ART_0275486

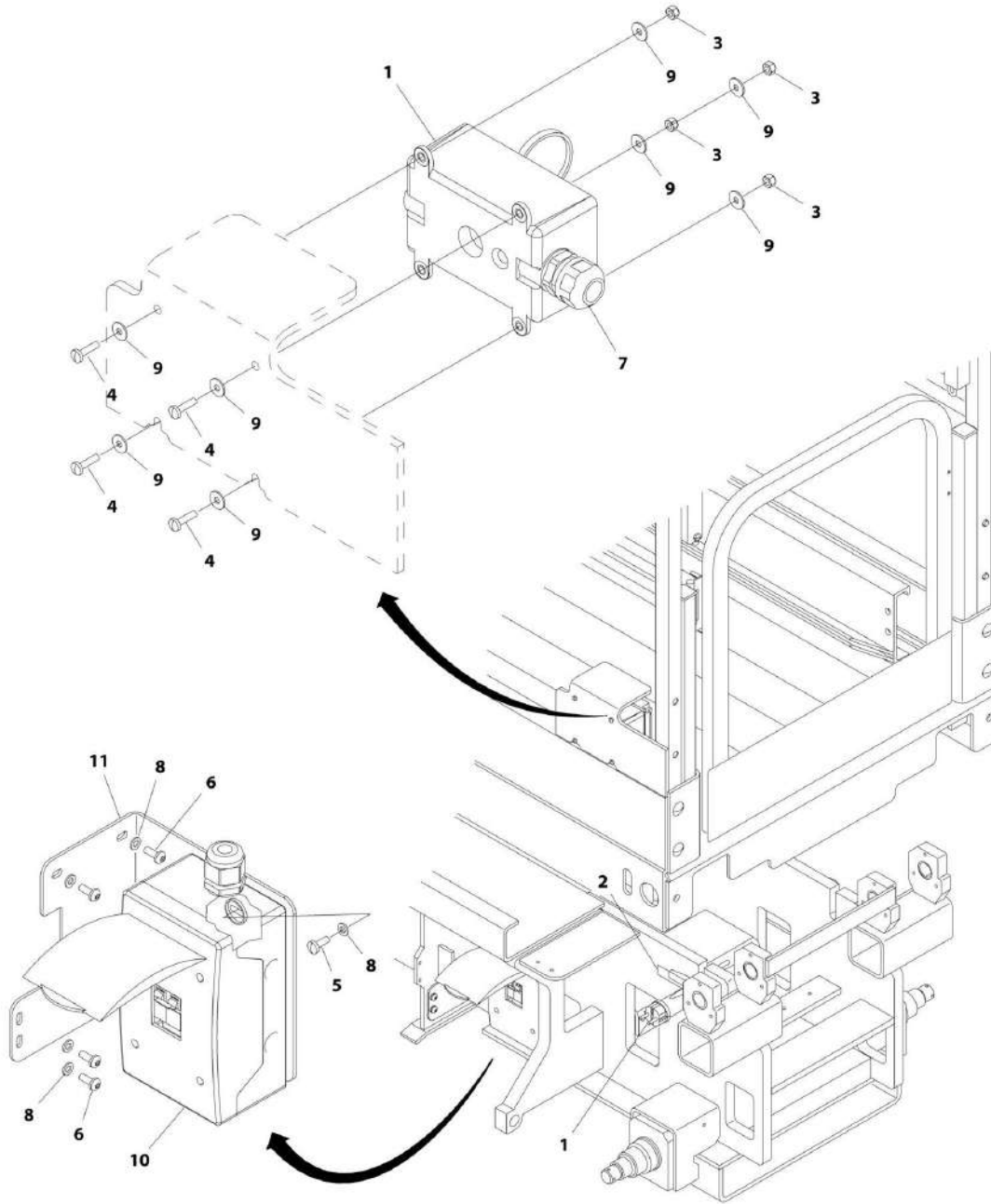
SECTION 7 - ELECTRICAL

FIGURE 7-6. AC BOX AT PLATFORM INSTALLATION - 220V AFSINT107 (CE SPEC ONLY)

ITEM	PART NUMBER	QTY	DESCRIPTION	REV
	0275486	Ref	AC BOX AT PLATFORM INSTALLATION - 220V AFSINT107 (CE SPEC ONLY)	E
1	0275454	1	Receptacle Box Kit - 220V AFSINT107 (See RECEPTACLE BOX KIT - 220V AFSINT (CE SPEC) for Breakdown)	
2	0903566	1	Bracket	
3	2902541	1	Breaker Box Kit (See BREAKER BOX KIT WITH TWO BREAKERS - CE SPEC ONLY for Breakdown)	
4	3252507	1	Decal - 220V/50-60Hz	
5	3290405	6	Nut M4	
6	4010408	4	Screw M4 x 16	
7	4191706	2	Screw M6 x 12	
8	4460662	1	Connector, Strain Relief	
9	1001091102	2	Washer M4	
10	4811700	2	Washer M6	
11	1001101540	2	Screw M4 x 14	

SECTION 7 - ELECTRICAL

FIGURE 7-7. AC BOX AT PLATFORM INSTALLATION - 220V CEE7 SIDE GRD (CE SPEC ONLY)



ART_1001162447

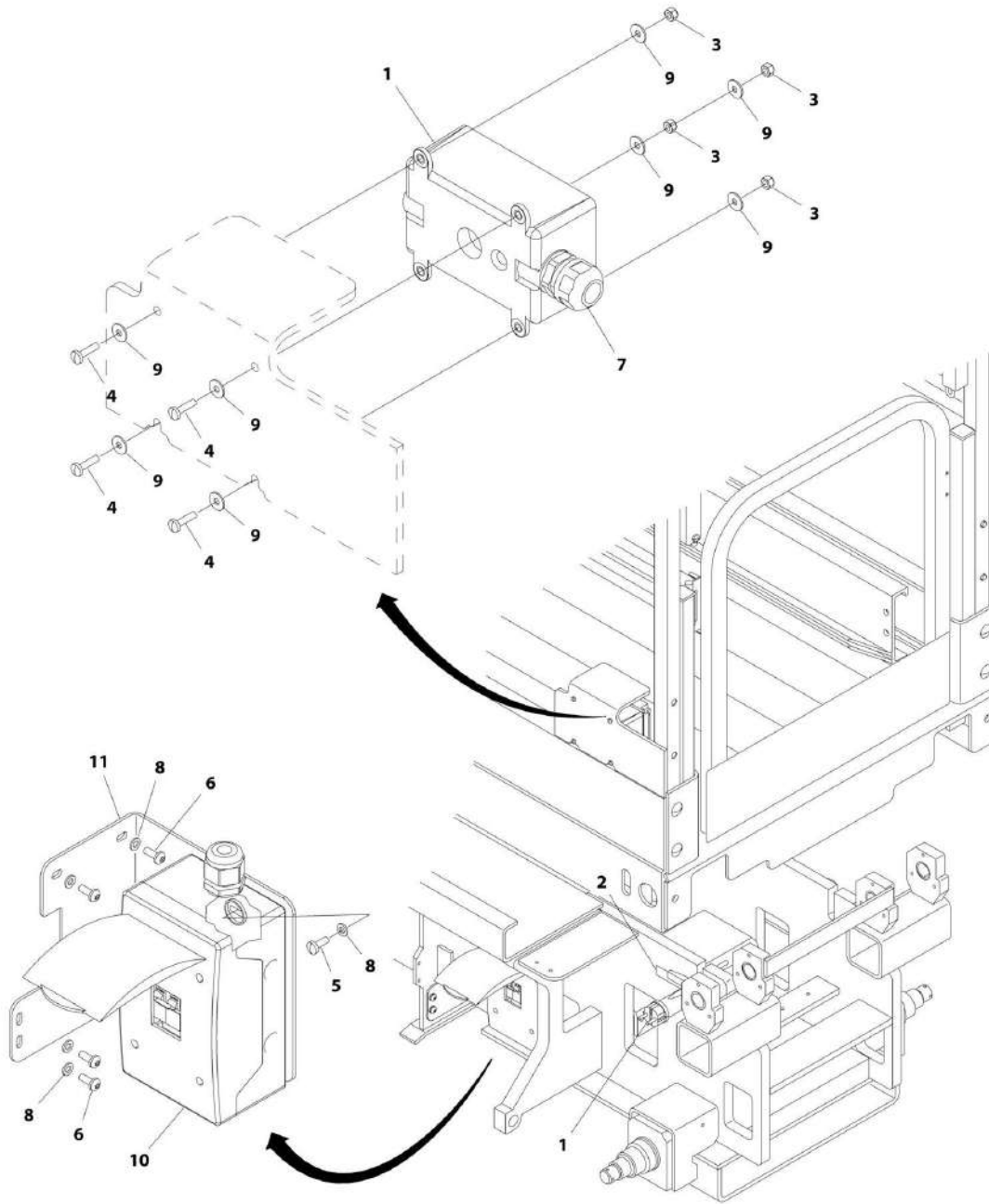
SECTION 7 - ELECTRICAL

FIGURE 7-7. AC BOX AT PLATFORM INSTALLATION - 220V CEE7 SIDE GRD (CE SPEC ONLY)

ITEM	PART NUMBER	QTY	DESCRIPTION	REV
	1001162447	Ref	AC BOX AT PLATFORM INSTALLATION - 220V CEE7 SIDE GRD (CE SPEC ONLY)	A
1	0275453	1	Receptacle Box Kit - 220V CEE7 Side Ground (See RECEPTACLE BOX KIT - 220V CEE7 SIDE GROUND for Breakdown)	
2	3252507	1	Decal - 220V - 50/60Hz	
3	3290405	4	Nut M4	
4	4010408	4	Screw M4 x 16	
5	4010608	2	Screw M6 x 16	
6	4191707	4	Screw M6 x 16	
7	4460662	1	Connector, Strain Relief	
8	4811700	10	Washer M6	
9	1001091102	8	Washer M4	
10	1001152485	1	Breaker Box Kit (See BREAKER BOX KIT WITH THREE BREAKERS - CE SPEC ONLY for Breakdown)	
11	1001162362	1	Bracket	

SECTION 7 - ELECTRICAL

FIGURE 7-8. AC BOX AT PLATFORM INSTALLATION - 220V CEE7 POST GRD (CE SPEC ONLY)



ART_1001162449

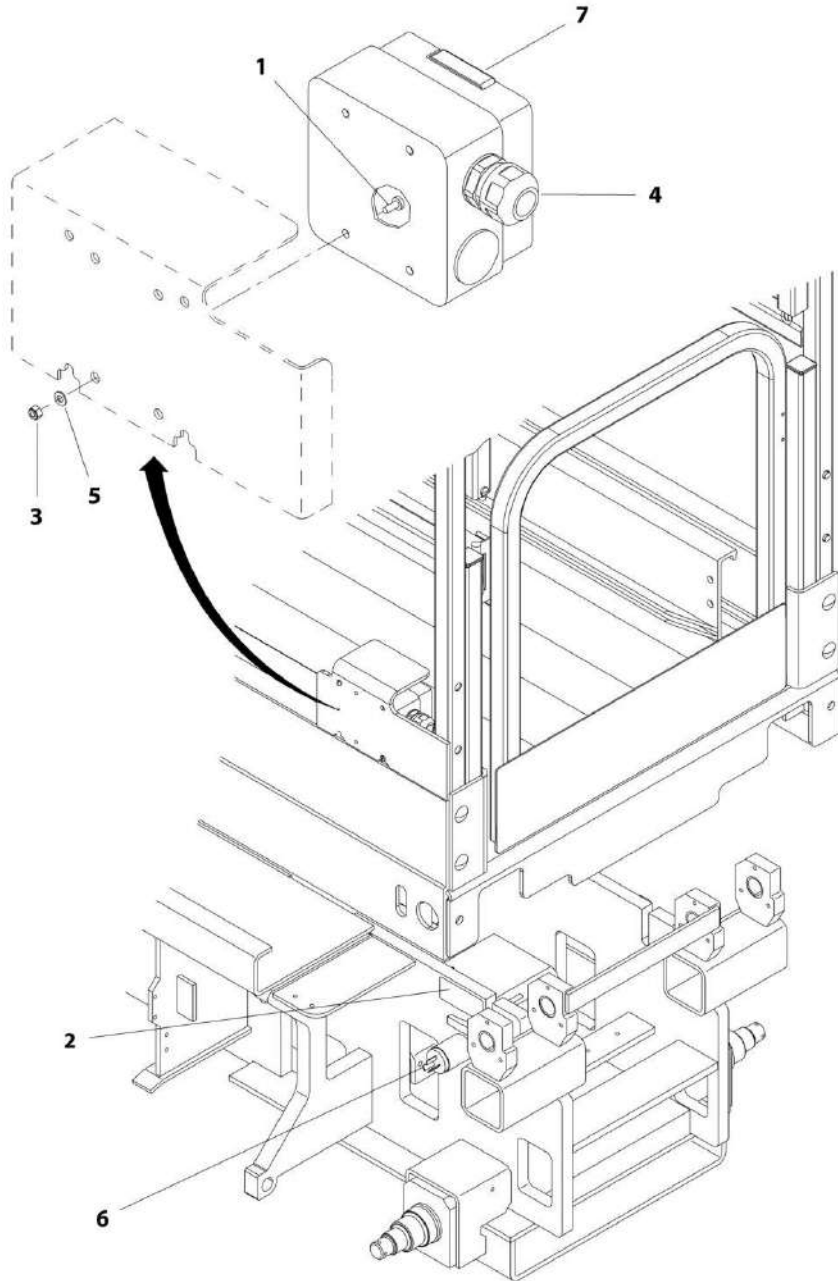
SECTION 7 - ELECTRICAL

FIGURE 7-8. AC BOX AT PLATFORM INSTALLATION - 220V CEE7 POST GRD (CE SPEC ONLY)

ITEM	PART NUMBER	QTY	DESCRIPTION	REV
	1001162449	Ref	AC BOX AT PLATFORM INSTALLATION - 220V CEE7 POST GRD (CE SPEC ONLY)	A
1	0275452	1	Receptacle Box Kit - 220V CEE7 Post Ground (See RECEPTACLE BOX KIT - 220V CEE7 POST GROUND for Breakdown)	
2	3252507	1	Decal - 220V - 50/60Hz	
3	3290405	4	Nut M4	
4	4010408	4	Screw M4 x 16	
5	4010608	2	Screw M6 x 16	
6	4191706	4	Screw M6 x 12	
7	4460662	1	Connector, Strain Relief	
8	4811700	6	Washer M6	
9	1001091102	8	Washer M4	
10	1001152485	1	Breaker Box Kit (See BREAKER BOX KIT WITH THREE BREAKERS - CE SPEC ONLY for Breakdown)	
11	1001162362	1	Bracket	

SECTION 7 - ELECTRICAL

FIGURE 7-9. AC BOX AT PLATFORM INSTALLATION - 220V (ANSI EXPORT AND CHINESE SPEC ONLY)



ART_1001198711

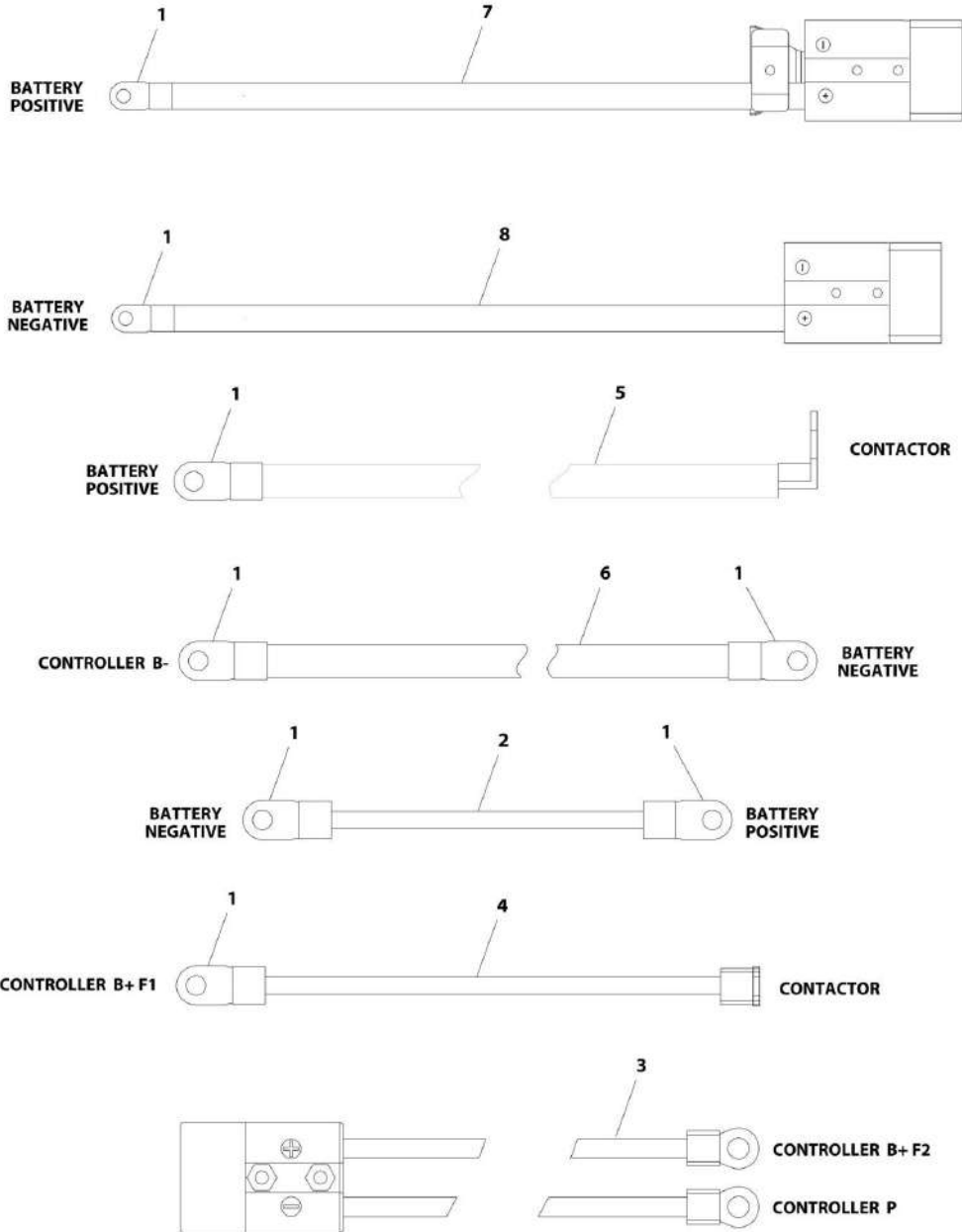
SECTION 7 - ELECTRICAL

FIGURE 7-9. AC BOX AT PLATFORM INSTALLATION - 220V (ANSI EXPORT AND CHINESE SPEC ONLY)

ITEM	PART NUMBER	QTY	DESCRIPTION	REV
	1001198711	Ref	AC BOX AT PLATFORM INSTALLATION - 220V (ANSI EXPORT AND CHINESE SPECS ONLY)	A
1	4010405	4	Screw M4 X 10	
2	3252507	1	Decal - 220V-50/60Hz	
3	3290405	4	Nut M4	
4	4460968	1	Connector, Strain Relief	
5	4811400	4	Washer M4	
6	1001187816	1	Plug	
7	1001188116	1	Box, Receptacle	

SECTION 7 - ELECTRICAL

FIGURE 7-10. BATTERY CABLE KIT



ART_1001178317

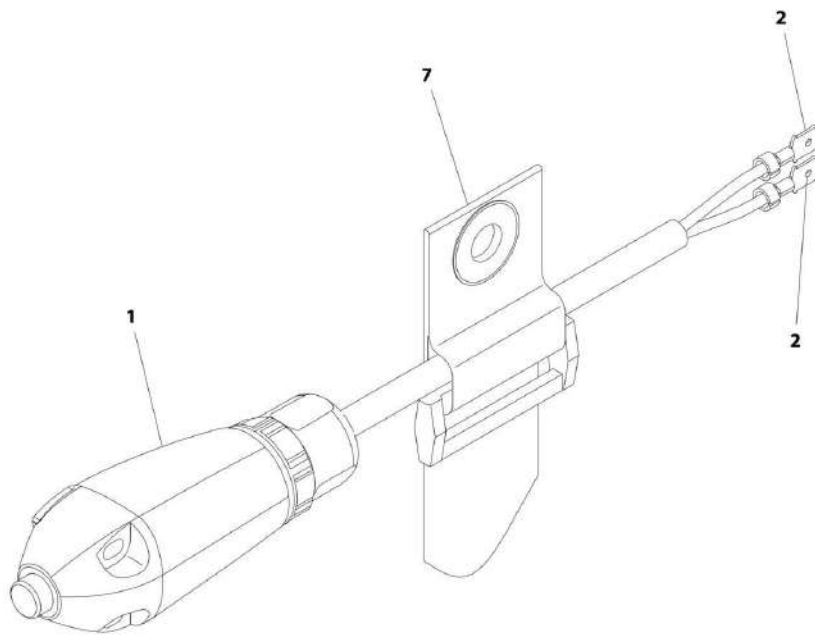
SECTION 7 - ELECTRICAL

FIGURE 7-10. BATTERY CABLE KIT

ITEM	PART NUMBER	QTY	DESCRIPTION	REV
	1001178317	Ref	BATTERY CABLE KIT	D
1	0840060	8	Boot, Terminal	
2	1060998	2	Cable, Battery	
3	1001096795	1	Cable, Pump to Controller	
3	4460618	1	Connector, Anderson	
4	1001114992	1	Cable, Battery	
5	1001178315	1	Cable, Battery	
6	1001178316	1	Cable, Battery	
7	1001178493	1	Cable, Battery	
7	4460618	1	Connector, Anderson	
8	1001178528	1	Cable, Battery	
8	4460618	1	Connector, Anderson	

SECTION 7 - ELECTRICAL

FIGURE 7-11. BRAKE DISCONNECT HARNESS



ART_4922944

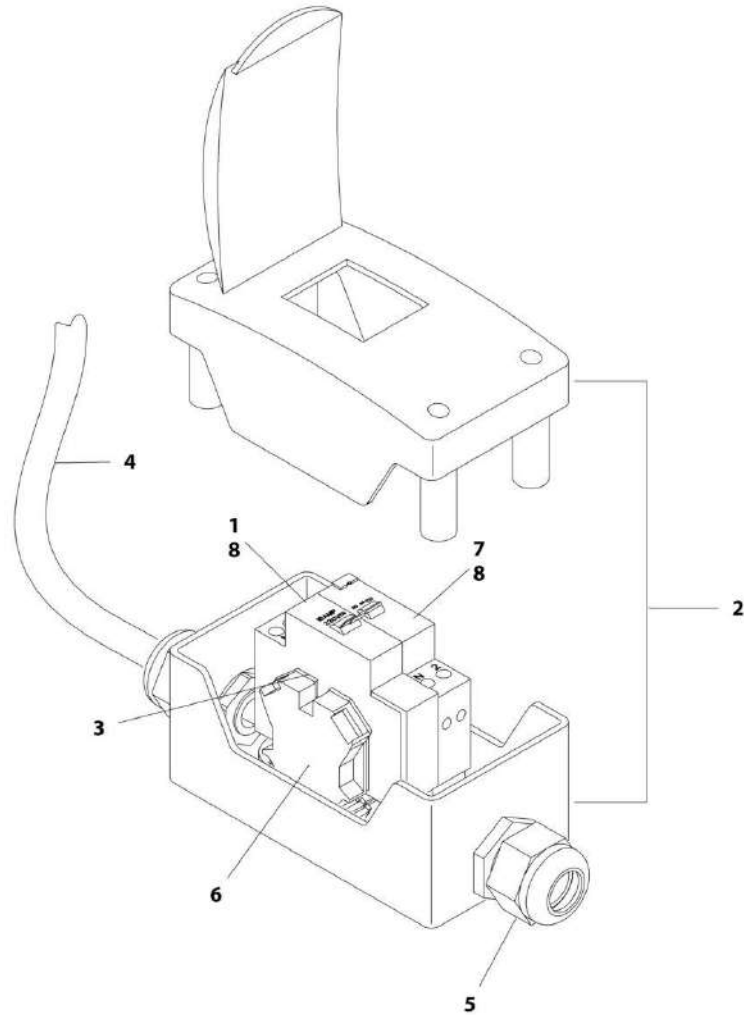
SECTION 7 - ELECTRICAL

FIGURE 7-11. BRAKE DISCONNECT HARNESS

ITEM	PART NUMBER	QTY	DESCRIPTION	REV
	4922944	Ref	BRAKE DISCONNECT HARNESS	F
1	4360613	1	Switch, Push Button Limit	
2	4461002	2	Terminal	
7	4240003	1	Strap, Cinch	

SECTION 7 - ELECTRICAL

FIGURE 7-12. BREAKER BOX KIT WITH TWO BREAKERS (CE SPEC ONLY)



ART_2902541

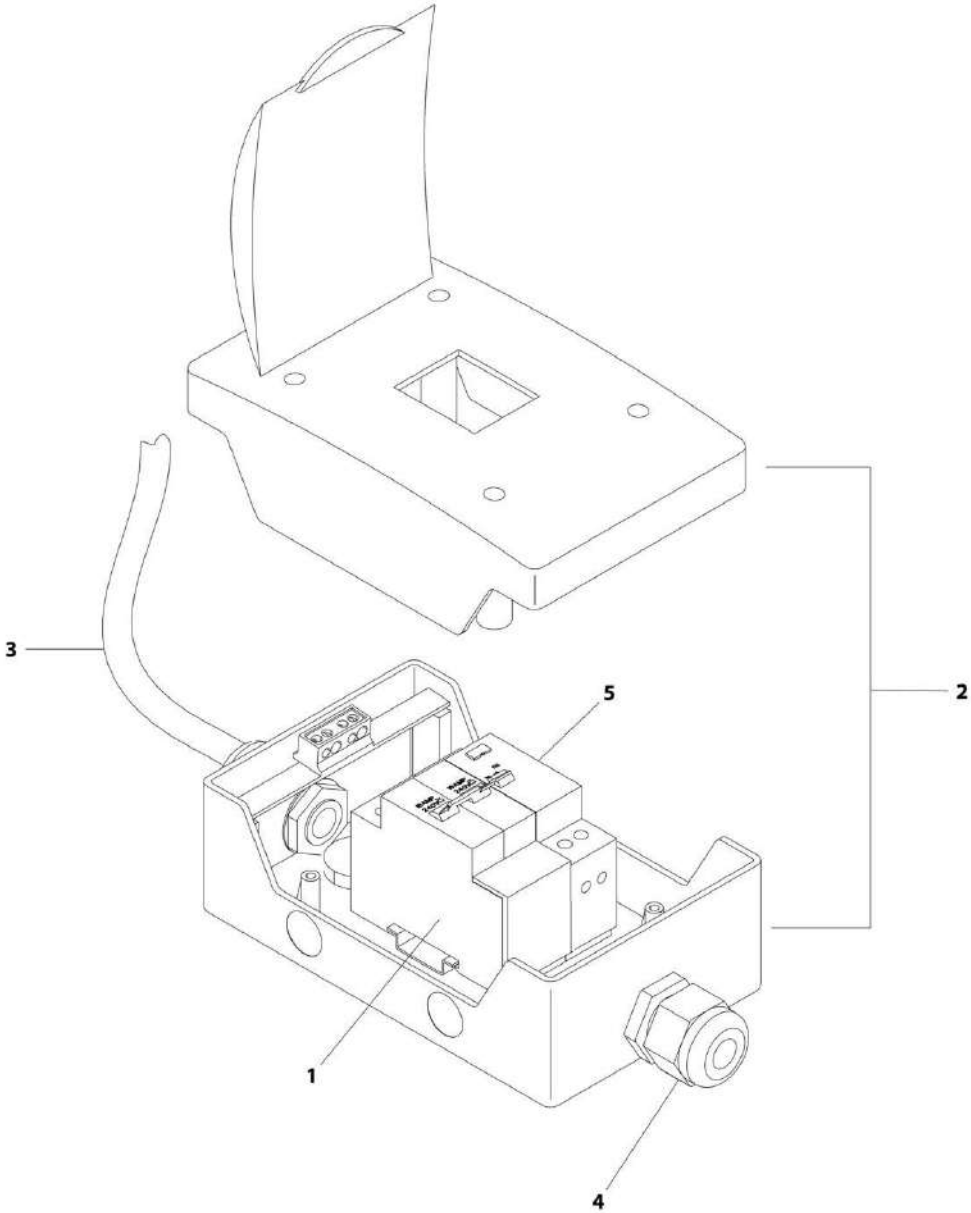
SECTION 7 - ELECTRICAL

FIGURE 7-12. BREAKER BOX KIT WITH TWO BREAKERS (CE SPEC ONLY)

ITEM	PART NUMBER	QTY	DESCRIPTION	REV
1	2902541 1001109475	Ref NLA	BREAKER BOX KIT WITH TWO BREAKERS - (CE SPEC ONLY) Breaker, 16Amp (Use p/n 1001181045) (SN 0200239382 through 0200245768, SN B200020297 through B200022928)	G
2	0861880	1	Box	
3	4460956	1	Barrier, Terminal	
4	1060908	4.6 ft /1.4m	Cable, 12/3	
5	1001097150	2	Connector, Strain Relief	
6	4460957	1	Block, Terminal	
7	1001109482	NLA	Breaker, 30mA (Use p/n 1001181045) (SN 0200239382 through 0200245768, SN B200020297 through B200022928)	
8	1001181045	1	Breaker, 16A/30mAmp Combination (SN 0200245769 to Present, SN B200022929 to Present, SN M200000100 to Present)	

SECTION 7 - ELECTRICAL

FIGURE 7-13. BREAKER BOX KIT WITH THREE BREAKERS (CE SPEC ONLY)



ART_1001152485

SECTION 7 - ELECTRICAL

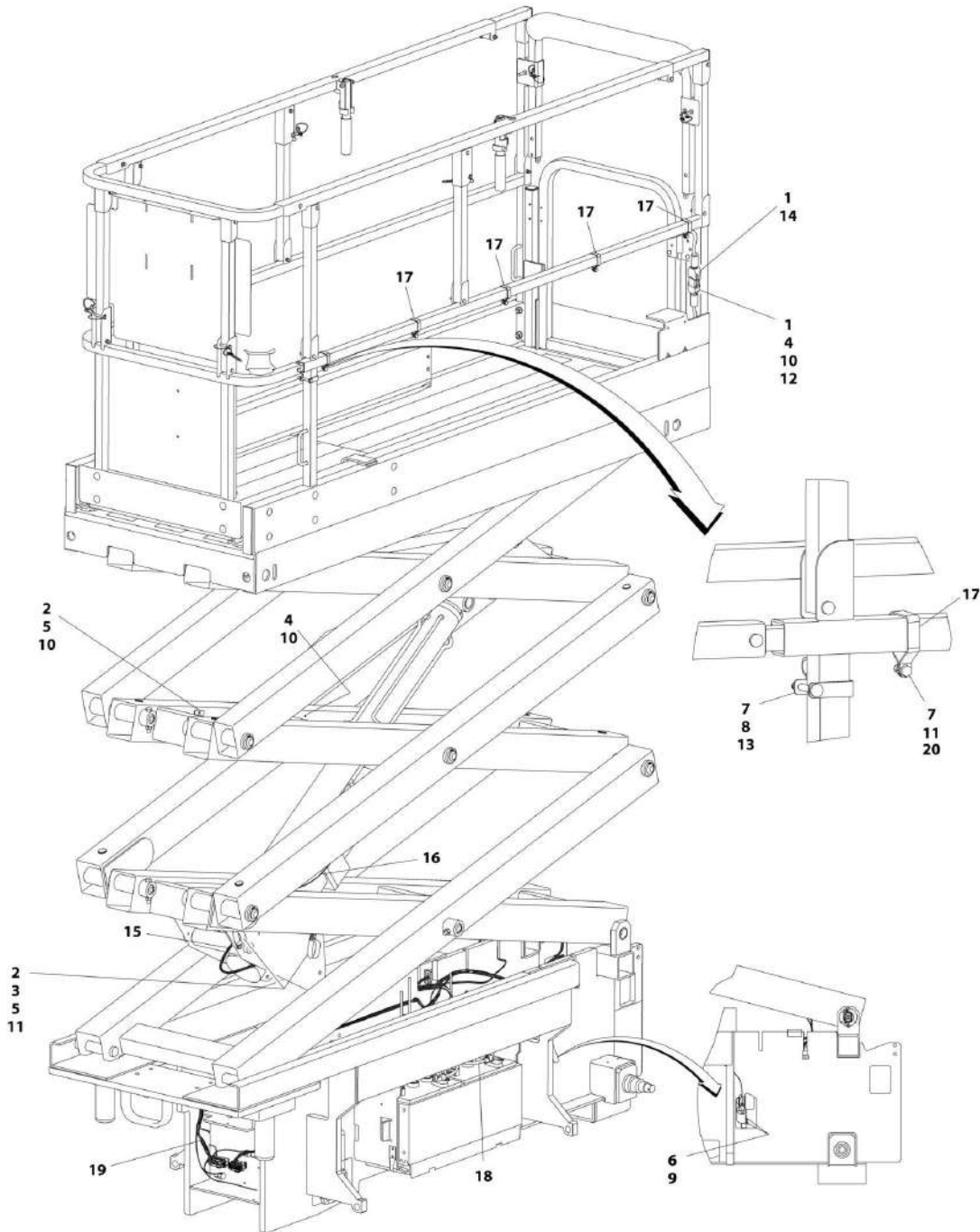
FIGURE 7-13. BREAKER BOX KIT WITH THREE BREAKERS (CE SPEC ONLY)

ITEM	PART NUMBER	QTY	DESCRIPTION	REV
1	1001152485	Ref	BREAKER BOX KIT WITH THREE BREAKERS - (CE SPEC ONLY) Breaker, 16Amp Double (Use p/n 1001189172) (SN 0200239382 through 0200248240, SN B200020297 through B200024236, SN M200000100 through M200000139)	D
	1001152479	NLA		
1	1001189172	1	Breaker, 16Amp Double (SN 0200248241 to Present, SN 1200025021 to Present, SN B200024237 to Present, SN M200000140 to Present)	
2	1001152483	1	Box	
3	1060908	6 ft/1.8m	Cable, 12/3	
4	1001097150	2	Connector, Strain Relief	
5	1001152482	NLA	Breaker, 30mA (Use p/n 1001189171) (SN 0200239382 through 0200248240, SN B200020297 through B200024236, SN M200000100 through M200000139)	
5	1001189171	1		Breaker, 30mA (SN 0200248241 to Present, SN 1200025021 to Present, SN B200024237 to Present, SN M200000140 to Present)

SECTION 7 - ELECTRICAL

FIGURE 7-14. CABLES INSTALLATION - 2032ES

NOTE: SEE USAGE CHART ON PARTS LIST BEFORE ORDERING PARTS.



ART_1001178318

SECTION 7 - ELECTRICAL

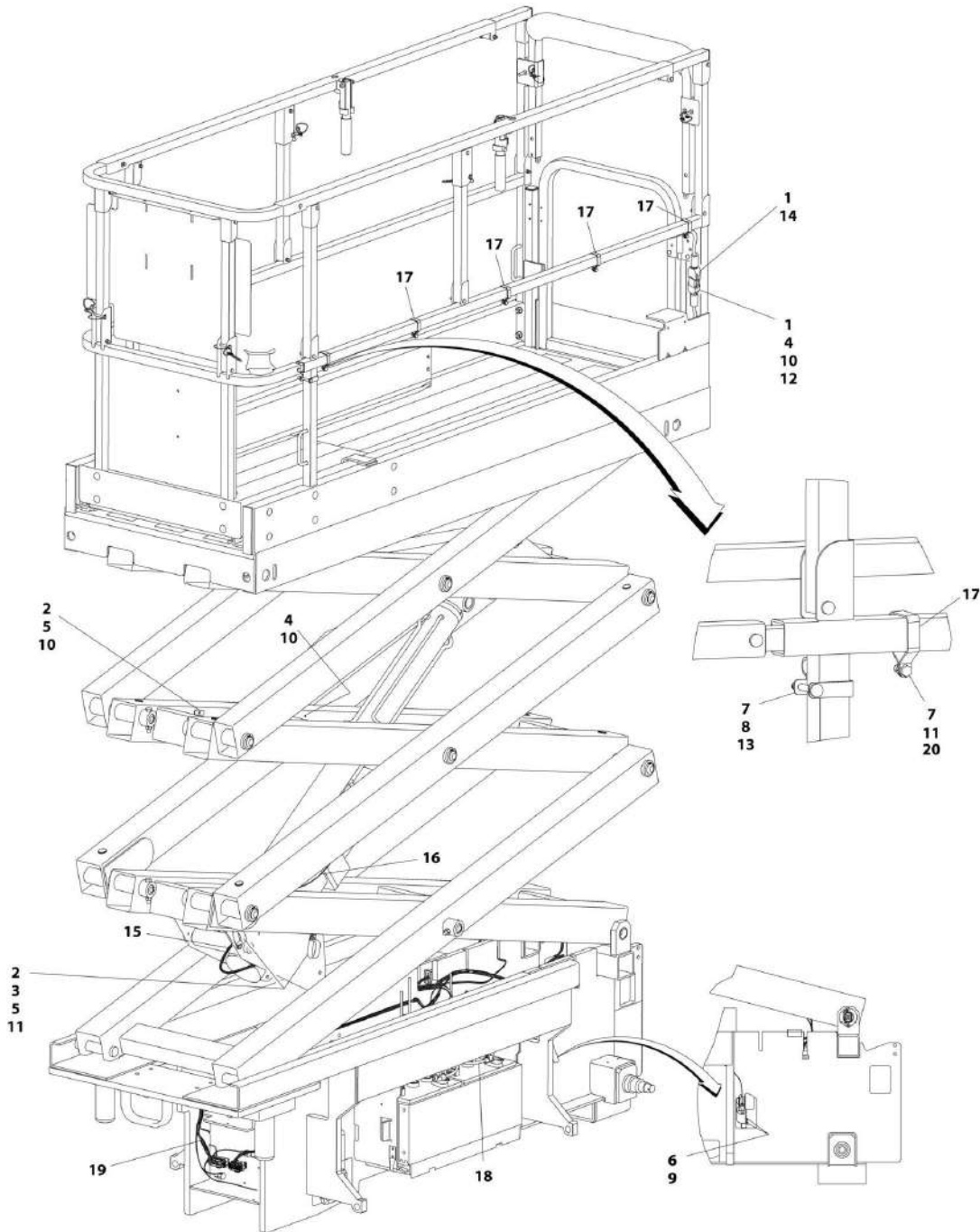
FIGURE 7-14. CABLES INSTALLATION - 2032ES

ITEM	PART NUMBER	QTY	DESCRIPTION	REV
	1001178318	Ref	CABLES INSTALLATION - 2032ES	F
		Ref	Usage Chart	
		Ref	China Built Machines (Prior to SN B200035089)	
		Ref	Mexico Built Machines	
		Ref	USA Built Machines	
		Ref	ANSI and CSA Specs (All Machines)	
		Ref	Japanese Specs (Prior to SN 0200258070)	
		Ref	ANSI Export and China Specs (SN 0200239382 through 0200248240)	
1	0100048	AR	Compound, Sealing	
2	0760610	2	Bolt M6 x 20	
3	1321716	2	Clamp	
4	1380158	13	Clip, Retainer	
5	3290601	2	Nut M6	
6	3290605	2	Nut M6	
7	3290606	6	Nut M6	
8	4010616	1	Screw M6 x 40	
9	4031713	2	Capscrew M6 x 45	
10	4740545	5	Washer	
11	4751400	4	Washer 1/4	
12	1001178687	1	Ground to Platform Harness (See GROUND TO PLATFORM HARNESS - 2032ES for Breakdown)	
13	1001094175	1	Clamp	
14	1001096706	1	Platform Harness (Includes Item 17) (See PLATFORM HARNESS for Breakdown) (Prior to SN 0200262519, Prior to SN B200035089, Prior to SN M200010205)	
14	1001201243	1	Platform Harness (Includes Item 17) (See PLATFORM HARNESS for Breakdown) (SN 0200262519 to Present, SN M200010205 to Present)	
15	1001096794	1	Pump Power Harness (See PUMP POWER HARNESS for Breakdown)	
16	1001115002	1	Cylinder Harness (See CYLINDER HARNESS for Breakdown)	
17	1001094180	NLA	Clamp (Use p/n 1001210760) (Prior to SN 0200257626, Prior to SN B200035089, Prior to SN M200002833)	
17	1001210433	NLA	Clamp (Use p/n 1001210760) (SN 0200257626 to Present, SN M200002833 to Present)	
18	1001178317	1	Battery Cable Kit (See BATTERY CABLE KIT for Breakdown)	
19	1001187198	1	Chassis Harness (See CHASSIS HARNESS for Breakdown)	
20	0760606	5	Bolt M6 x 12	

SECTION 7 - ELECTRICAL

FIGURE 7-15. CABLES INSTALLATION - 2032ES

NOTE: SEE USAGE CHART ON PARTS LIST BEFORE ORDERING PARTS.



ART_1001219349

SECTION 7 - ELECTRICAL

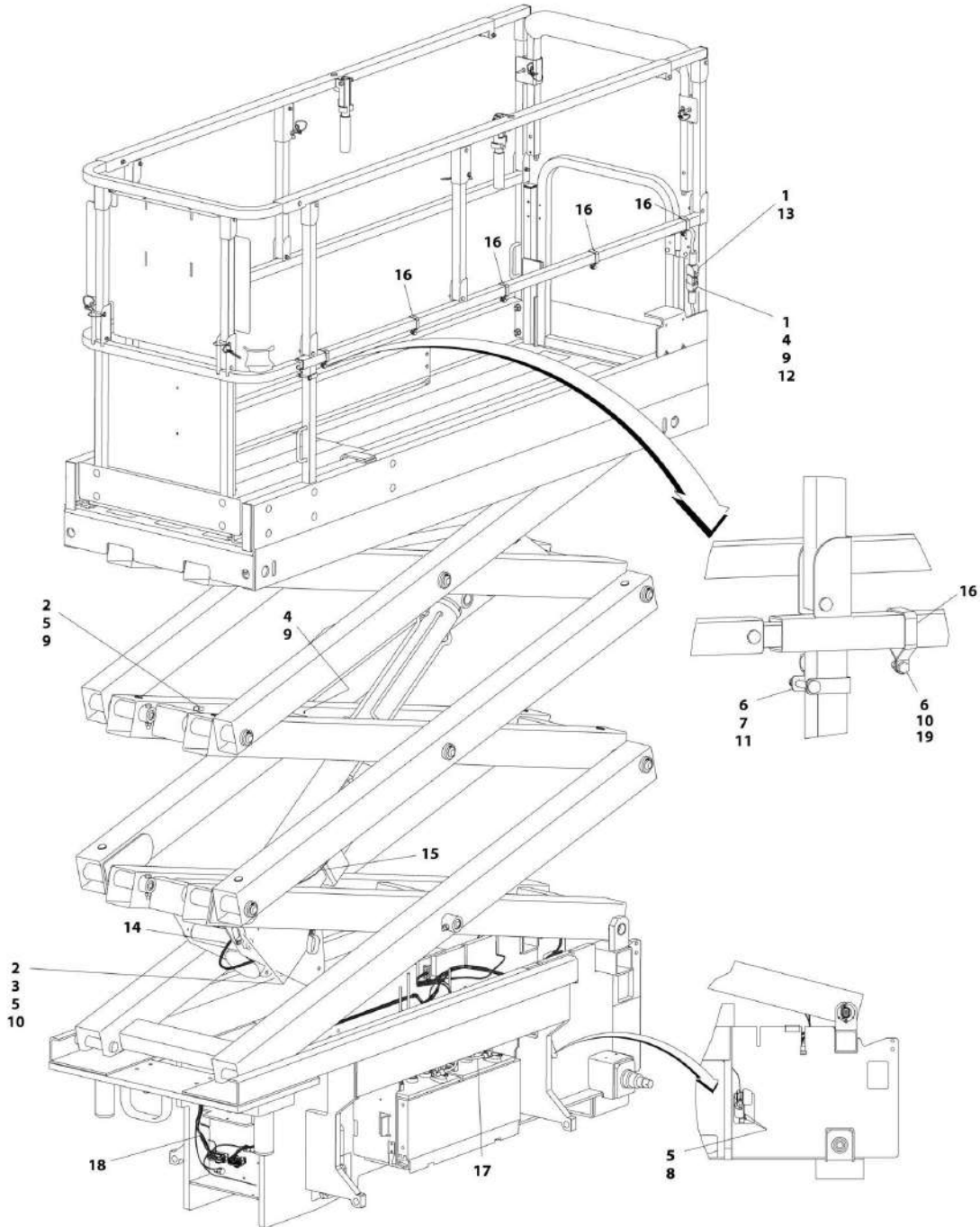
FIGURE 7-15. CABLES INSTALLATION - 2032ES

ITEM	PART NUMBER	QTY	DESCRIPTION	REV
	1001219349	Ref	CABLES INSTALLATION - 2032ES	B
		Ref	Usage Chart	
		Ref	China Built Machines (SN B200035089 to Present)	
		Ref	ANSI and CSA Specs	
1	0100048	AR	Compound, Sealing	
2	0760610	2	Bolt M6 x 20	
3	1321716	2	Clamp	
4	1380158	13	Clip, Retainer	
5	3290601	2	Nut M6	
6	3290605	2	Nut M6	
7	3290606	6	Nut M6	
8	4010616	1	Screw M6 x 40	
9	4031713	2	Capscrew M6 x 45	
10	4740545	5	Washer	
11	4751400	4	Washer 1/4	
12	1001178687	1	Ground to Platform Harness (See GROUND TO PLATFORM HARNESS - 2032ES for Breakdown)	
13	1001094175	1	Clamp	
14	1001096706	1	Platform Harness (Includes Item 17) (See PLATFORM HARNESS for Breakdown)	
15	1001096794	1	Pump Power Harness (See PUMP POWER HARNESS for Breakdown)	
16	1001115002	1	Cylinder Harness (See CYLINDER HARNESS for Breakdown)	
17	1001220668	5	Clamp	
18	1001178317	1	Battery Cable Kit (See BATTERY CABLE KIT for Breakdown)	
19	1001187198	1	Chassis Harness (See CHASSIS HARNESS for Breakdown)	
20	0760606	5	Bolt M6 x 12	
20	0760605	5	Bolt M6 x 10	

SECTION 7 - ELECTRICAL

FIGURE 7-16. CABLES INSTALLATION - 2032ES

NOTE: SEE USAGE CHART ON PARTS LIST BEFORE ORDERING PARTS.



ART_1001178320

SECTION 7 - ELECTRICAL

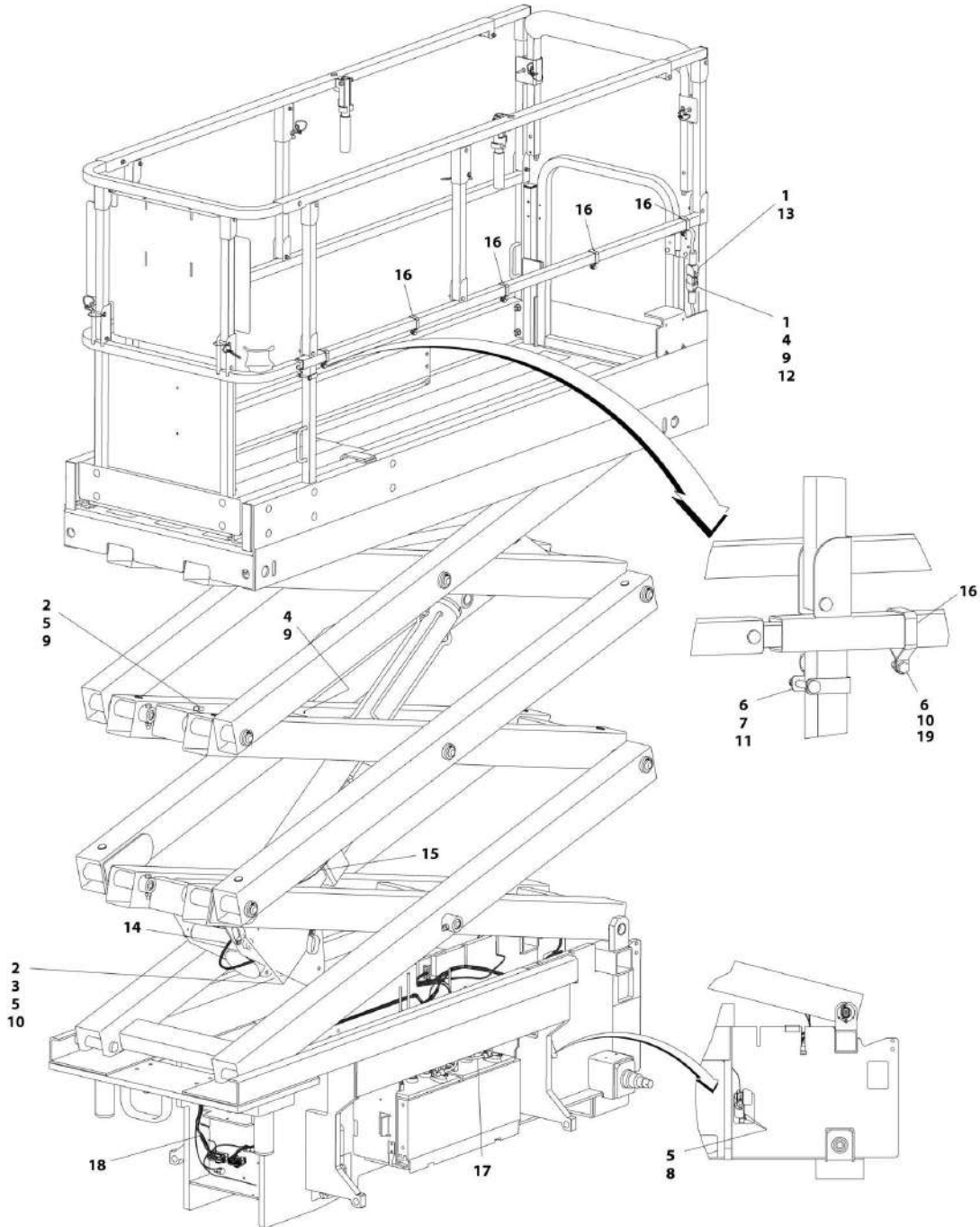
FIGURE 7-16. CABLES INSTALLATION - 2032ES

ITEM	PART NUMBER	QTY	DESCRIPTION	REV
	1001178320	Ref	CABLES INSTALLATION - 2032ES	F
		Ref	Usage Chart	
		Ref	Belgium Built Machines (Prior to SN 1200025120)	
		Ref	China Built Machines (Prior to SN B200035089)	
		Ref	Mexico Built Machines	
		Ref	Korea Specs (SN M200017852 to Present)	
		Ref	USA Built Machines	
		Ref	ANSI Export and China Spec (SN 0200248241 to Present)	
		Ref	Japanese Specs (SN 0200258070 to Present)	
		Ref	Australian and CE Spec (All Machines)	
1	0100048	AR	Compound, Sealing	
2	0760610	4	Bolt M6 x 20	
3	1321716	2	Clamp	
4	1380158	13	Clip, Retainer	
5	3290605	6	Nut M6	
6	3290606	6	Nut M6	
7	4010616	1	Screw M6 x 40	
8	4031713	2	Capscrew M6 x 45	
9	4740545	5	Washer	
10	4751400	4	Washer 1/4	
11	1001094175	1	Clamp	
12	1001178690	1	Ground to Platform Harness (See GROUND TO PLATFORM HARNESS - 2032ES for Breakdown)	
13	1001096706	1	Platform Harness (Includes Item 16) (See PLATFORM HARNESS for Breakdown) (Prior to SN 0200262519, Prior to SN 1200025120, Prior to SN B200035089, Prior to SN M200010205)	
13	1001201243	1	Platform Harness (Includes Item 16) (See PLATFORM HARNESS for Breakdown) (SN 0200262519 to Present, SN M200010205 to Present)	
14	1001096794	1	Pump Power Harness (See PUMP POWER HARNESS for Breakdown)	
15	1001115002	1	Cylinder Harness (See CYLINDER HARNESS for Breakdown)	
16	1001094180	NLA	Clamp (Use p/n 1001210760) (Prior to SN 0200257626, Prior to SN 1200025120, Prior to SN B200035089, Prior to SN M200002833)	
16	1001210433	NLA	Clamp (Use p/n 1001210760) (SN 0200257626 to Present, SN M200002833 to Present)	
17	1001178317	1	Battery Cable Kit (See BATTERY CABLE KIT for Breakdown)	
18	1001187198	1	Chassis Harness (See CHASSIS HARNESS for Breakdown)	
19	0760606	5	Bolt M6 x 12	

SECTION 7 - ELECTRICAL

FIGURE 7-17. CABLES INSTALLATION - 2032ES

NOTE: SEE USAGE CHART ON PARTS LIST BEFORE ORDERING PARTS.



ART_1001219351

SECTION 7 - ELECTRICAL

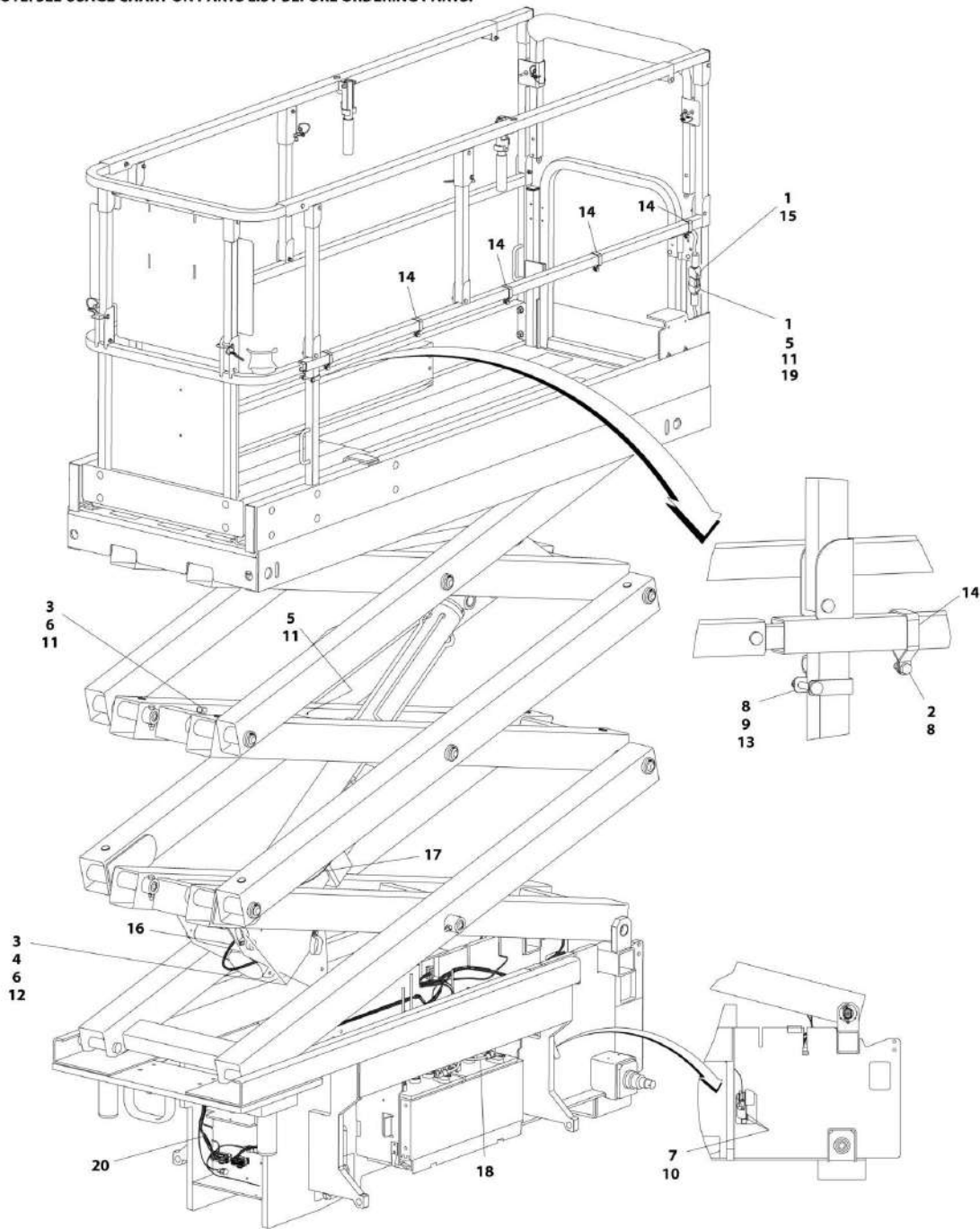
FIGURE 7-17. CABLES INSTALLATION - 2032ES

ITEM	PART NUMBER	QTY	DESCRIPTION	REV
	1001219351	Ref	CABLES INSTALLATION - 2032ES	B
		Ref	Usage Chart	
		Ref	Belgium Built Machines (SN 1200025121 to Present)	
		Ref	China Built Machines (SN B200035089 to Present)	
		Ref	ANSI Export, Australian, CE, Japanese, Korea and China Specs	
1	0100048	AR	Compound, Sealing	
2	0760610	4	Bolt M6 x 20	
3	1321716	2	Clamp	
4	1380158	13	Clip, Retainer	
5	3290605	6	Nut M6	
6	3290606	6	Nut M6	
7	4010616	1	Screw M6 x 40	
8	4031713	2	Capscrew M6 x 45	
9	4740545	5	Washer	
10	4751400	4	Washer 1/4	
11	1001094175	1	Clamp	
12	1001178690	1	Ground to Platform Harness (See GROUND TO PLATFORM HARNESS - 2032ES for Breakdown)	
13	1001096706	1	Platform Harness (Includes Item 16) (See PLATFORM HARNESS for Breakdown)	
14	1001096794	1	Pump Power Harness (See PUMP POWER HARNESS for Breakdown)	
15	1001115002	1	Cylinder Harness (See CYLINDER HARNESS for Breakdown)	
16	1001220668	5	Clamp	
17	1001178317	1	Battery Cable Kit (See BATTERY CABLE KIT for Breakdown)	
18	1001187198	1	Chassis Harness (See CHASSIS HARNESS for Breakdown)	
19	0760606	5	Bolt M6 x 12	
19	0760605	5	Bolt M6 x 10	

SECTION 7 - ELECTRICAL

FIGURE 7-18. CABLES INSTALLATION - 2032ES

NOTE: SEE USAGE CHART ON PARTS LIST BEFORE ORDERING PARTS.



ART_1001196864

SECTION 7 - ELECTRICAL

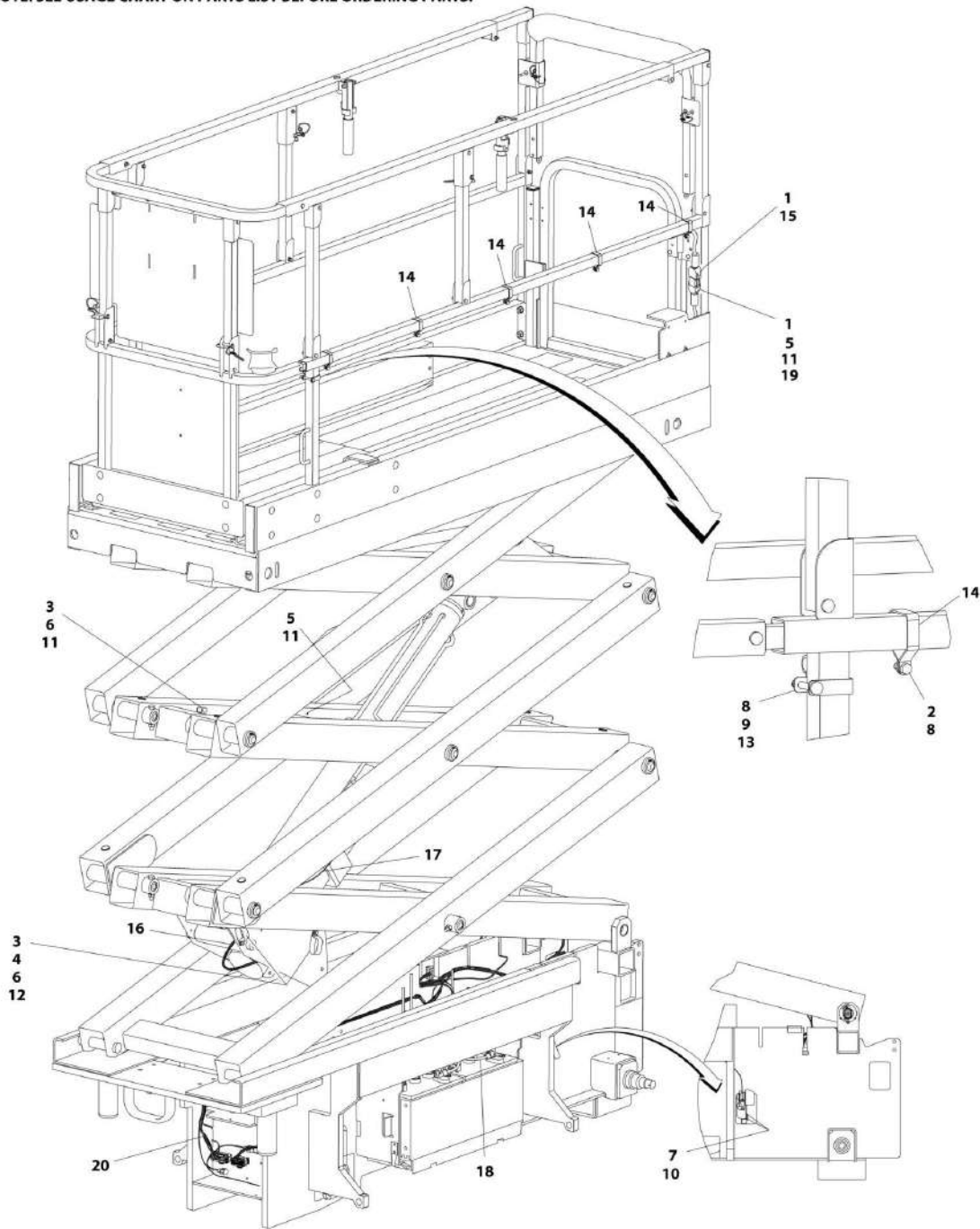
FIGURE 7-18. CABLES INSTALLATION - 2032ES

ITEM	PART NUMBER	QTY	DESCRIPTION	REV
	1001196864	Ref	CABLES INSTALLATION - 2032ES	B
		Ref	Usage Chart	
		Ref	China Built Machines (Prior to SN B200035089)	
		Ref	Mexico Built Machines	
		Ref	USA Built Machines	
		Ref	UL Machines (All Machines)	
1	0100048	AR	Compound, Sealing	
2	0760606	5	Bolt M6 x 12	
3	0760610	2	Bolt M6 x 20	
4	1321716	2	Clamp	
5	1380158	13	Clip, Retainer	
6	3290601	2	Nut M6	
7	3290605	2	Nut M6	
8	3290606	1	Nut M6	
9	4010616	1	Screw M6 x 40	
10	4031713	2	Capscrew M6 x 45	
11	4740545	5	Washer	
12	4751400	2	Washer 1/4	
13	1001094175	1	Clamp	
14	1001094180	NLA	Clamp (Use p/n 1001210760) (Prior to SN 0200257626, Prior to SN B200035089, Prior to SN M200002833)	
14	1001210433	NLA	Clamp (Use p/n 1001210760) (SN 0200257626 to Present, SN M200002833 to Present)	
15	1001096706	1	Platform Harness (Includes Item 14) (See PLATFORM HARNESS for Breakdown) (Prior to SN 0200262519, Prior to SN B200035089, Prior to SN M200010205)	
15	1001201243	1	Platform Harness (Includes Item 14) (See PLATFORM HARNESS for Breakdown) (SN 0200262519 to Present, SN M200010205 to Present)	
16	1001096794	1	Pump Power Harness (See PUMP POWER HARNESS for Breakdown)	
17	1001115002	1	Cylinder Harness (See CYLINDER HARNESS for Breakdown)	
18	1001178317	1	Battery Cable Kit (See BATTERY CABLE KIT for Breakdown)	
19	1001178687	1	Ground to Platform Harness (See GROUND TO PLATFORM HARNESS - 2032ES for Breakdown)	
20	1001196835	1	Chassis Harness (See CHASSIS HARNESS for Breakdown)	

SECTION 7 - ELECTRICAL

FIGURE 7-19. CABLES INSTALLATION - 2032ES

NOTE: SEE USAGE CHART ON PARTS LIST BEFORE ORDERING PARTS.



ART_1001219358

SECTION 7 - ELECTRICAL

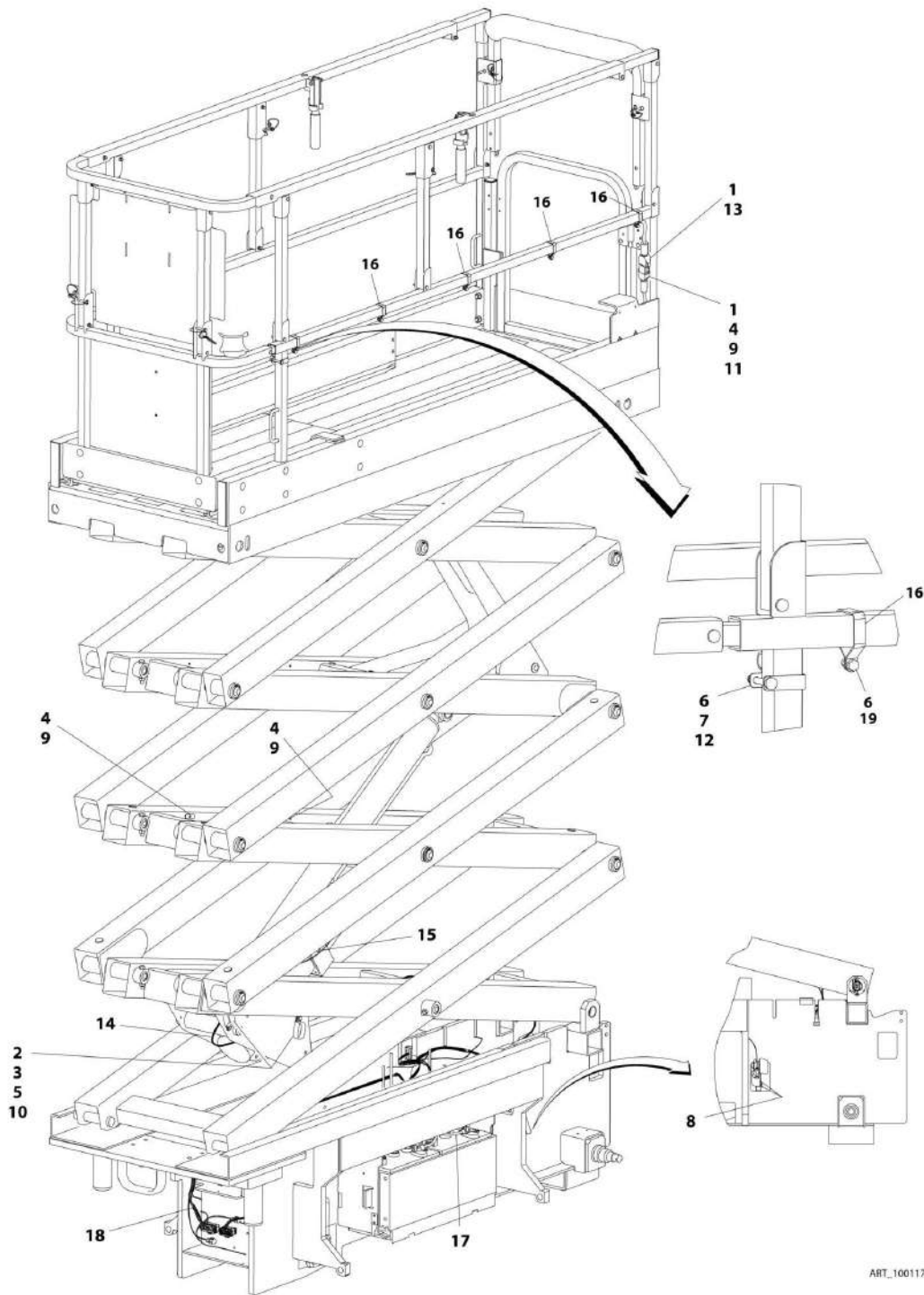
FIGURE 7-19. CABLES INSTALLATION - 2032ES

ITEM	PART NUMBER	QTY	DESCRIPTION	REV
	1001219358	Ref	CABLES INSTALLATION - 2032ES	B
		Ref	Usage Chart	
		Ref	China Built Machines (SN B200035089 to Present)	
		Ref	UL Machines	
1	0100048	AR	Compound, Sealing	
2	0760606	5	Bolt M6 x 12	
2	0760605	5	Bolt M6 x 10	
3	0760610	2	Bolt M6 x 20	
4	1321716	2	Clamp	
5	1380158	13	Clip, Retainer	
6	3290601	2	Nut M6	
7	3290605	2	Nut M6	
8	3290606	6	Nut M6	
9	4010616	1	Screw M6 x 40	
10	4031713	2	Capscrew M6 x 45	
11	4740545	5	Washer	
12	4751400	4	Washer 1/4	
13	1001094175	1	Clamp	
14	1001220668	5	Clamp	
15	1001096706	1	Platform Harness (Includes Item 14) (See PLATFORM HARNESS for Breakdown)	
16	1001096794	1	Pump Power Harness (See PUMP POWER HARNESS for Breakdown)	
17	1001115002	1	Cylinder Harness (See CYLINDER HARNESS for Breakdown)	
18	1001178317	1	Battery Cable Kit (See BATTERY CABLE KIT for Breakdown)	
19	1001178687	1	Ground to Platform Harness (See GROUND TO PLATFORM HARNESS - 2032ES for Breakdown)	
20	1001196835	1	Chassis Harness (See CHASSIS HARNESS for Breakdown)	

SECTION 7 - ELECTRICAL

FIGURE 7-20. CABLES INSTALLATION - 2632ES

NOTE: SEE USAGE CHART ON PARTS LIST BEFORE ORDERING PARTS.



ART_1001178322

SECTION 7 - ELECTRICAL

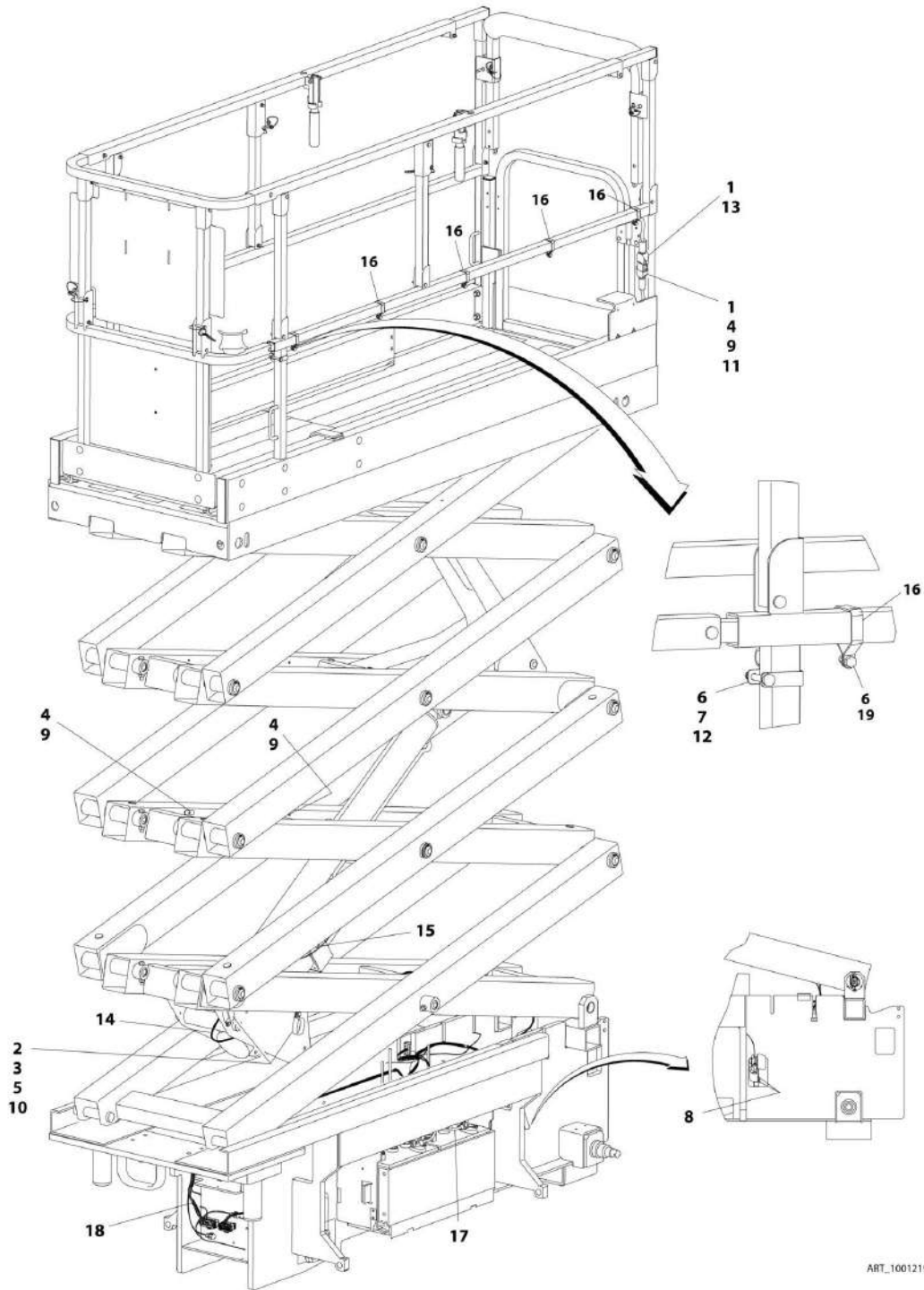
FIGURE 7-20. CABLES INSTALLATION - 2632ES

ITEM	PART NUMBER	QTY	DESCRIPTION	REV
	1001178322	Ref	CABLES INSTALLATION - 2632ES	F
		Ref	Usage Chart	
		Ref	China Built Machines (Prior to SN B200035089)	
		Ref	Mexico Built Machines	
		Ref	USA Built Machines	
		Ref	ANSI and CSA Specs (All Machines)	
		Ref	Japanese Specs (Prior to SN 0200258070)	
		Ref	ANSI Export and China Spec (SN 0200239382 through 0200248240)	
1	0100048	AR	Compound, Sealing	
2	0760610	2	Bolt M6 x 20	
3	1321716	2	Clamp	
4	1380158	20	Clip, Retainer	
5	3290601	2	Nut M6	
6	3290606	6	Nut M6	
7	4010616	1	Screw M6 x 40	
8	4031713	2	Capscrew M6 x 45	
9	4740545	11	Washer	
10	4751400	4	Washer 1/4	
11	1001178688	1	Ground to Platform Harness (See GROUND TO PLATFORM HARNESS - 2632ES for Breakdown)	
12	1001094175	1	Clamp	
13	1001096706	1	Platform Harness (Includes Item 16) (See PLATFORM HARNESS for Breakdown) (Prior to SN 0200262519, Prior to SN B200035089, Prior to SN M200010205)	
13	1001201243	1	Platform Harness (Includes Item 16) (See PLATFORM HARNESS for Breakdown) (SN 0200262519 to Present, SN M200010205 to Present)	
14	1001096794	1	Pump Power Harness (See PUMP POWER HARNESS for Breakdown)	
15	1001115002	1	Cylinder Harness (See CYLINDER HARNESS for Breakdown)	
16	1001094180	NLA	Clamp (Use p/n 1001210760) (Prior to SN 0200257626, Prior to SN B200035089, Prior to SN M200002833)	
16	1001210433	NLA	Clamp (Use p/n 1001210760) (SN 0200257626 to Present, SN M200002833 to Present)	
17	1001178317	1	Battery Cable Kit (See BATTERY CABLE KIT for Breakdown)	
18	1001187198	1	Chassis Harness (See CHASSIS HARNESS for Breakdown)	
19	0760606	5	Bolt M6 x 12	

SECTION 7 - ELECTRICAL

FIGURE 7-21. CABLES INSTALLATION - 2632ES

NOTE: SEE USAGE CHART ON PARTS LIST BEFORE ORDERING PARTS.



ART_1001219350

SECTION 7 - ELECTRICAL

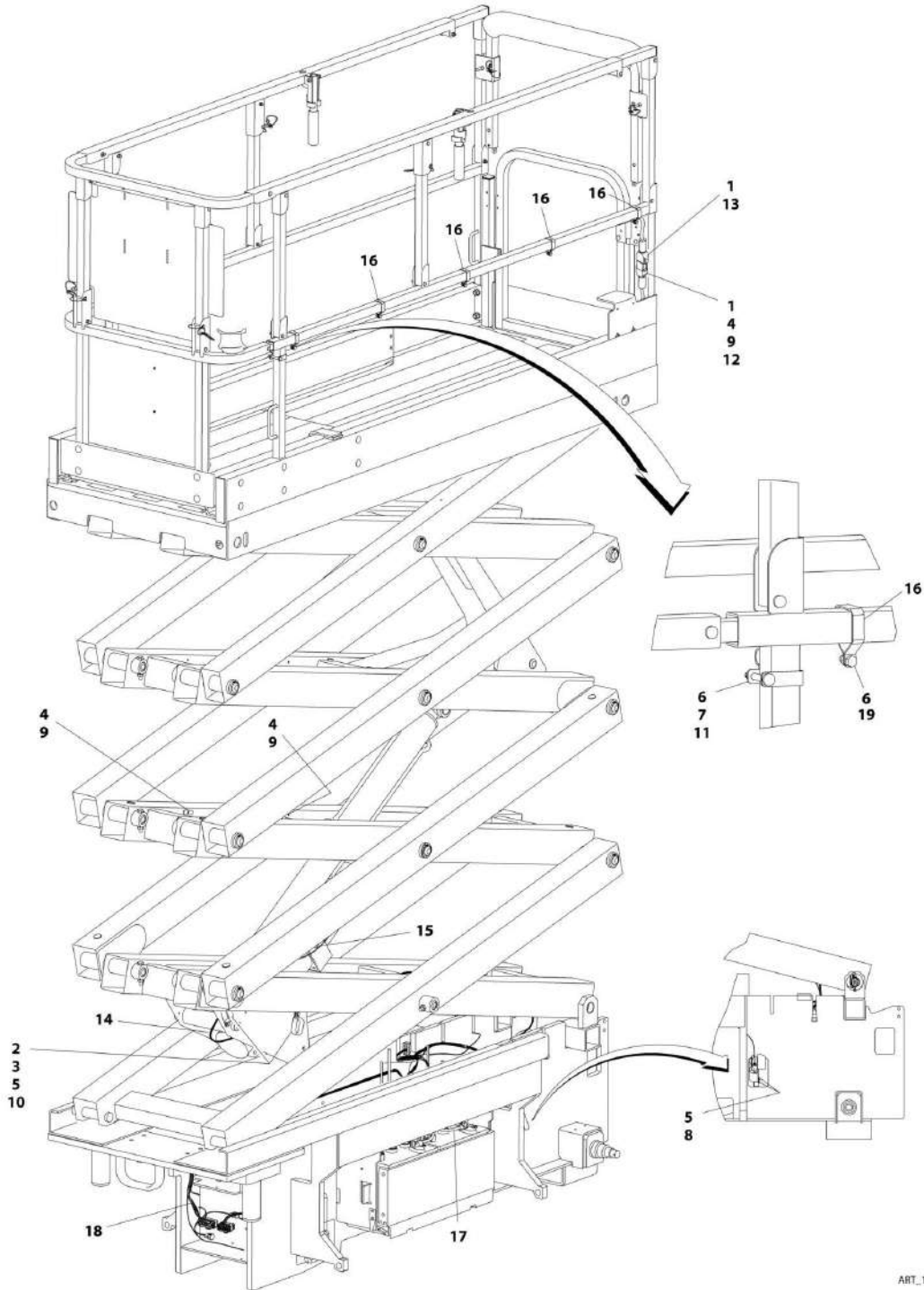
FIGURE 7-21. CABLES INSTALLATION - 2632ES

ITEM	PART NUMBER	QTY	DESCRIPTION	REV
	1001219350	Ref	CABLES INSTALLATION - 2632ES	B
		Ref	Usage Chart	
		Ref	China Built Machines (SN B200035089 to Present)	
		Ref	ANSI and CSA Specs	
1	0100048	AR	Compound, Sealing	
2	0760610	2	Bolt M6 x 20	
3	1321716	2	Clamp	
4	1380158	20	Clip, Retainer	
5	3290601	2	Nut M6	
6	3290606	6	Nut M6	
7	4010616	1	Screw M6 x 40	
8	4031713	2	Capscrew M6 x 45	
9	4740545	11	Washer	
10	4751400	4	Washer 1/4	
11	1001178688	1	Ground to Platform Harness (See GROUND TO PLATFORM HARNESS - 2632ES for Breakdown)	
12	1001094175	1	Clamp	
13	1001096706	1	Platform Harness (Includes Item 16) (See PLATFORM HARNESS for Breakdown)	
14	1001096794	1	Pump Power Harness (See PUMP POWER HARNESS for Breakdown)	
15	1001115002	1	Cylinder Harness (See CYLINDER HARNESS for Breakdown)	
16	1001220668	5	Clamp	
17	1001178317	1	Battery Cable Kit (See BATTERY CABLE KIT for Breakdown)	
18	1001187198	1	Chassis Harness (See CHASSIS HARNESS for Breakdown)	
19	0760606	5	Bolt M6 x 12	
19	0760605	5	Bolt M6 x 10	

SECTION 7 - ELECTRICAL

FIGURE 7-22. CABLES INSTALLATION - 2632ES

NOTE: SEE USAGE CHART ON PARTS LIST BEFORE ORDERING PARTS.



ART_1001178321

SECTION 7 - ELECTRICAL

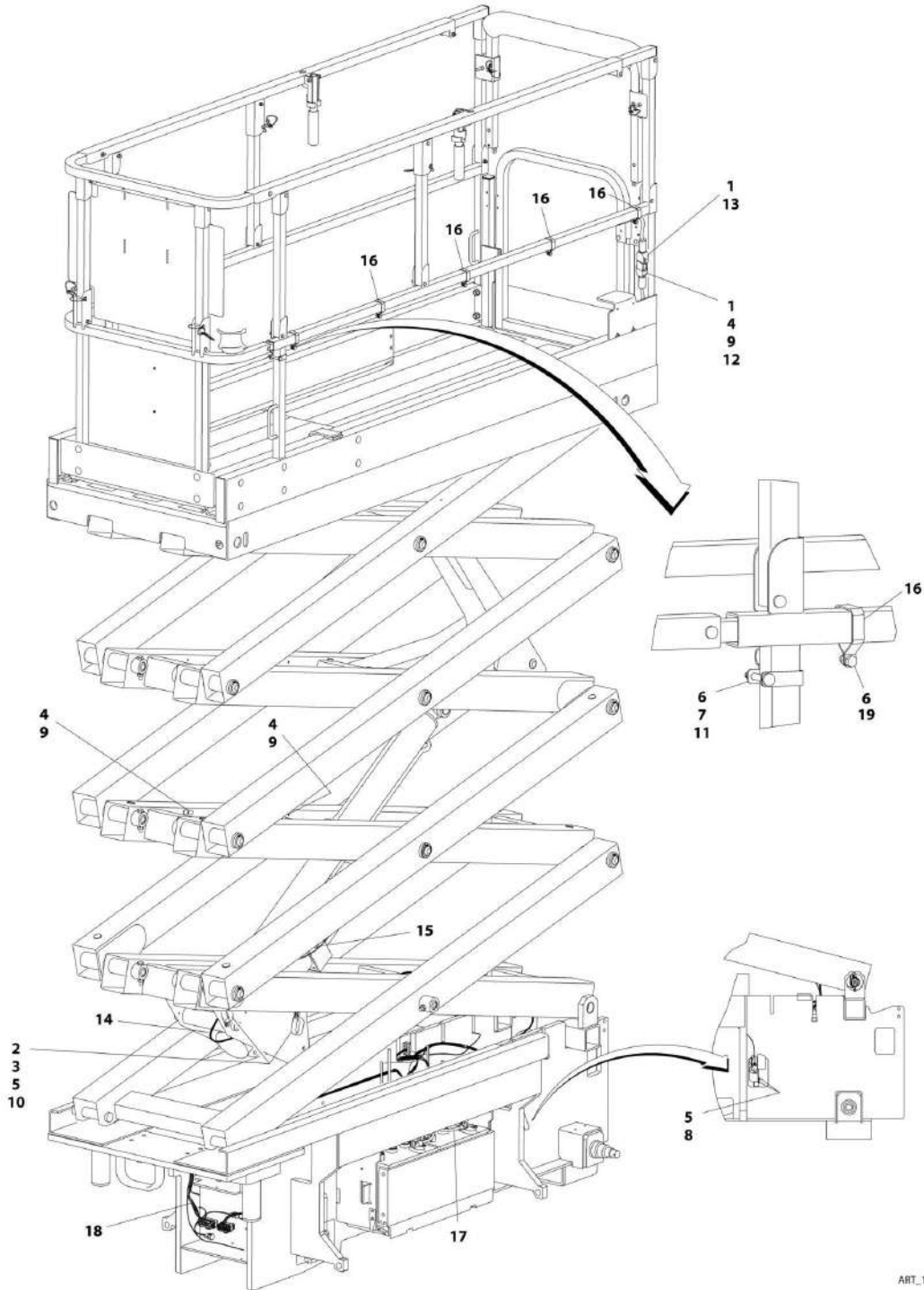
FIGURE 7-22. CABLES INSTALLATION - 2632ES

ITEM	PART NUMBER	QTY	DESCRIPTION	REV
	1001178321	Ref	CABLES INSTALLATION - 2632ES	F
		Ref	Usage Chart	
		Ref	Belgium Built Machines (Prior to SN 1200025121)	
		Ref	China Built Machines (Prior to SN B200035089)	
		Ref	Mexico Built Machines	
		Ref	Korea Specs (SN M200017738 to Present)	
		Ref	USA Built Machines	
		Ref	ANSI Export and China Spec (SN 0200248241 to Present)	
		Ref	Japanese Specs (SN 0200258070 to Present)	
		Ref	Australian and CE Spec (All Machines)	
1	0100048	AR	Compound, Sealing	
2	0760610	4	Bolt M6 x 20	
3	1321716	2	Clamp	
4	1380158	20	Clip, Retainer	
5	3290605	6	Nut M6	
6	3290606	6	Nut M6	
7	4010616	1	Screw M6 x 40	
8	4031713	2	Capscrew M6 x 45	
9	4740545	11	Washer	
10	4751400	4	Washer 1/4	
11	1001094175	1	Clamp	
12	1001178689	1	Ground to Platform Harness (See GROUND TO PLATFORM HARNESS - 2632ES for Breakdown)	
13	1001096706	1	Platform Harness (Includes Item 16) (See PLATFORM HARNESS for Breakdown) (Prior to SN 0200262519, Prior to SN 1200025121, Prior to SN B200035089, Prior to SN M200010205)	
13	1001201243	1	Platform Harness (Includes Item 16) (See PLATFORM HARNESS for Breakdown) (SN 0200262519 to Present, SN M200010205 to Present)	
14	1001096794	1	Pump Power Harness (See PUMP POWER HARNESS for Breakdown)	
15	1001115002	1	Cylinder Harness (See CYLINDER HARNESS for Breakdown)	
16	1001094180	NLA	Clamp (Use p/n 1001210760) (Prior to SN 0200257626, Prior to SN 1200025121, Prior to SN B200035089, Prior to SN M200002833)	
16	1001210433	NLA	Clamp (Use p/n 1001210760) (SN 0200257626 to Present, SN M200002833 to Present)	
17	1001178317	1	Battery Cable Kit (See BATTERY CABLE KIT for Breakdown)	
18	1001187198	1	Chassis Harness (See CHASSIS HARNESS for Breakdown)	
19	0760606	5	Bolt M6 x 12	

SECTION 7 - ELECTRICAL

FIGURE 7-23. CABLES INSTALLATION - 2632ES

NOTE: SEE USAGE CHART ON PARTS LIST BEFORE ORDERING PARTS.



ART_1001219352

SECTION 7 - ELECTRICAL

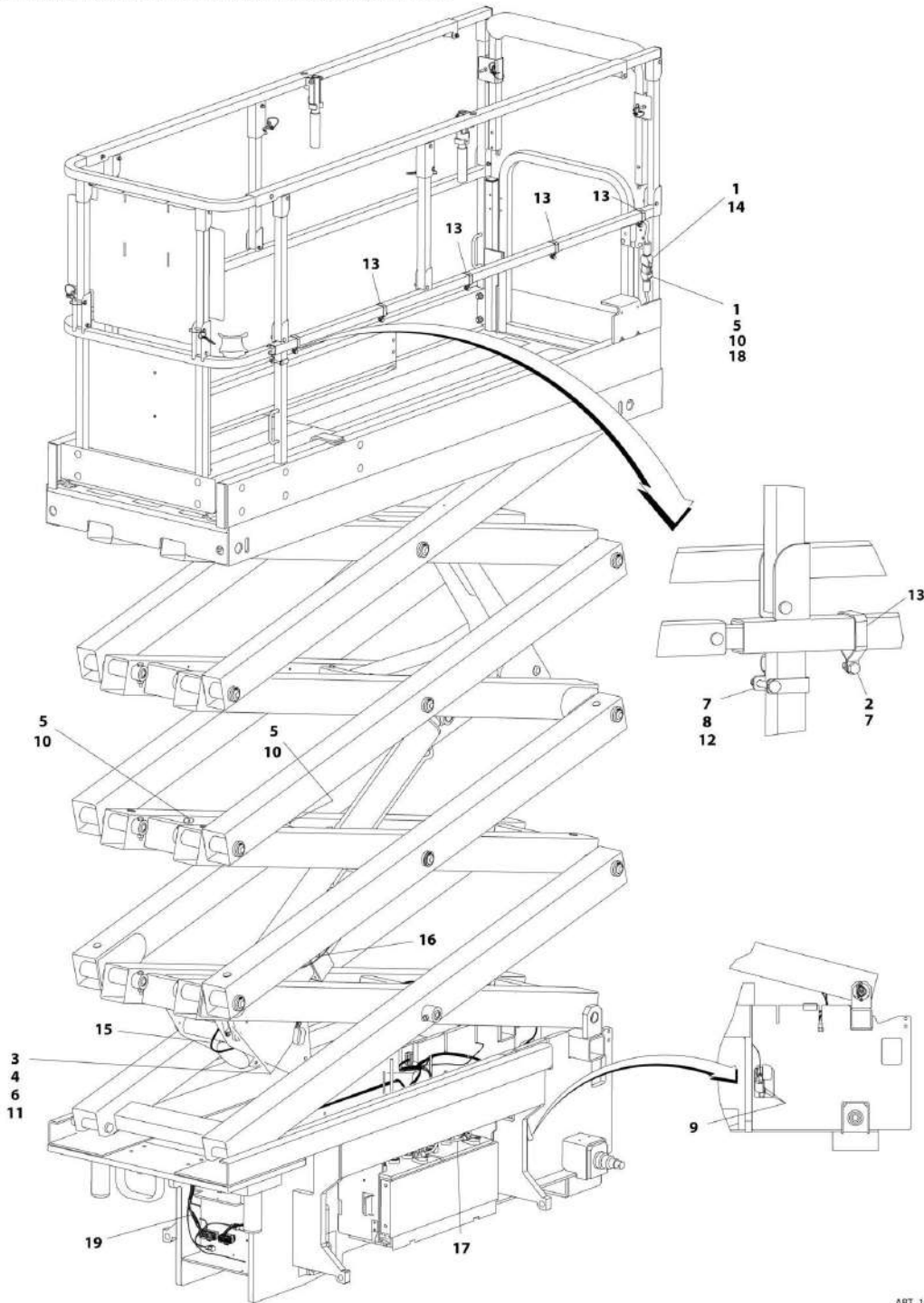
FIGURE 7-23. CABLES INSTALLATION - 2632ES

ITEM	PART NUMBER	QTY	DESCRIPTION	REV
	1001219352	Ref	CABLES INSTALLATION - 2632ES	B
		Ref	Usage Chart	
		Ref	Belgium Built Machines (SN 1200025121 to Present)	
		Ref	China Built Machines (SN B200035089 to Present)	
		Ref	ANSI Export, Australian, CE, Japanese, Korea and China Specs	
1	0100048	AR	Compound, Sealing	
2	0760610	4	Bolt M6 x 20	
3	1321716	2	Clamp	
4	1380158	20	Clip, Retainer	
5	3290605	6	Nut M6	
6	3290606	6	Nut M6	
7	4010616	1	Screw M6 x 40	
8	4031713	2	Capscrew M6 x 45	
9	4740545	11	Washer	
10	4751400	4	Washer 1/4	
11	1001094175	1	Clamp	
12	1001178689	1	Ground to Platform Harness (See GROUND TO PLATFORM HARNESS - 2632ES for Breakdown)	
13	1001096706	1	Platform Harness (Includes Item 16) (See PLATFORM HARNESS for Breakdown)	
14	1001096794	1	Pump Power Harness (See PUMP POWER HARNESS for Breakdown)	
15	1001115002	1	Cylinder Harness (See CYLINDER HARNESS for Breakdown)	
16	1001220668	5	Clamp	
17	1001178317	1	Battery Cable Kit (See BATTERY CABLE KIT for Breakdown)	
18	1001187198	1	Chassis Harness (See CHASSIS HARNESS for Breakdown)	
19	0760606	5	Bolt M6 x 12	
19	0760605	5	Bolt M6 x 10	

SECTION 7 - ELECTRICAL

FIGURE 7-24. CABLES INSTALLATION - 2632ES

NOTE: SEE USAGE CHART ON PARTS LIST BEFORE ORDERING PARTS.



ART_1001196866

SECTION 7 - ELECTRICAL

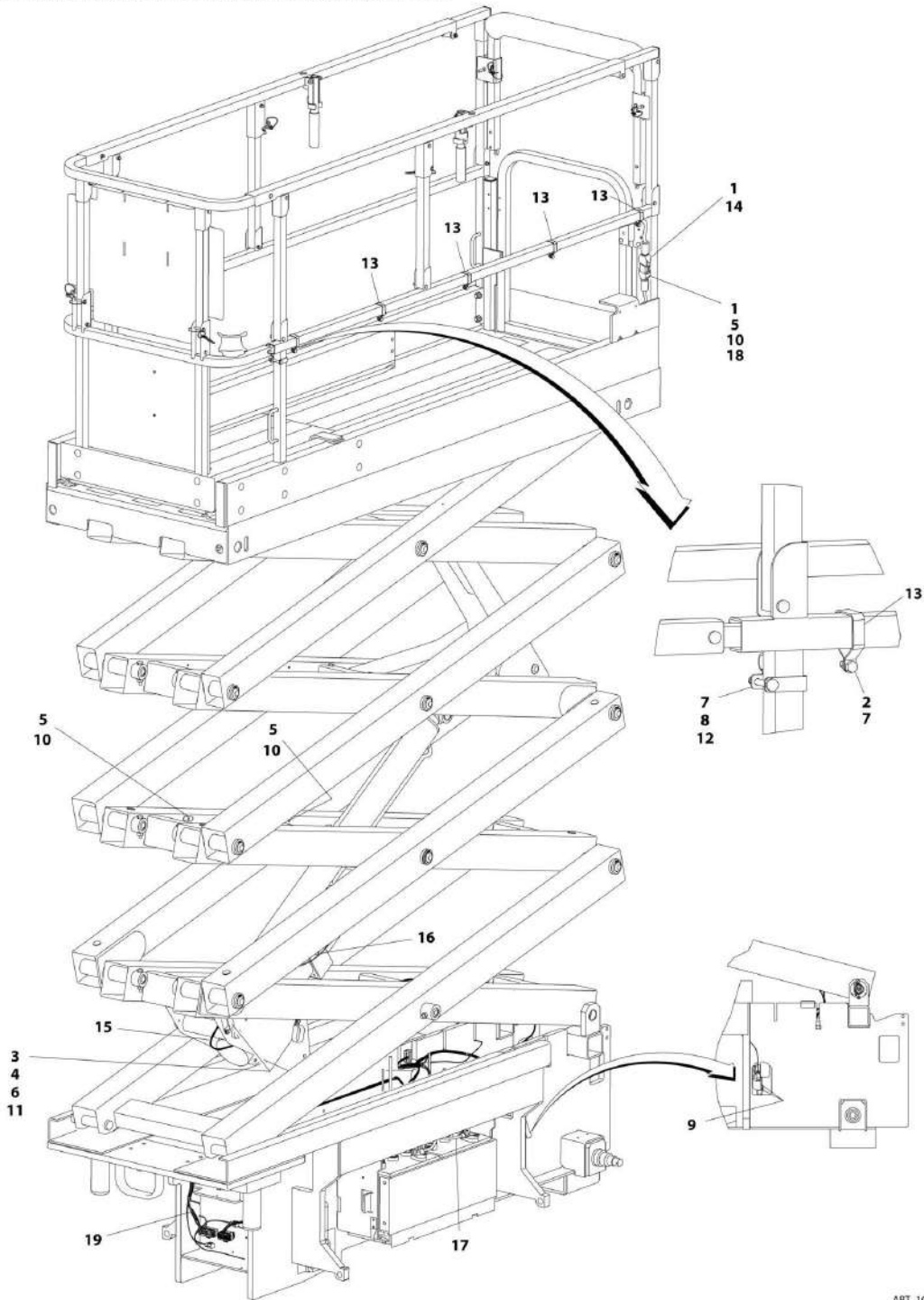
FIGURE 7-24. CABLES INSTALLATION - 2632ES

ITEM	PART NUMBER	QTY	DESCRIPTION	REV
	1001196866	Ref	CABLES INSTALLATION - 2632ES	B
		Ref	Usage Chart	
		Ref	China Built Machines (Prior to SN B200035089)	
		Ref	Mexico Built Machines	
		Ref	USA Built Machines	
		Ref	UL Machines (All Machines)	
1	0100048	AR	Compound, Sealing	
2	0760606	5	Bolt M6 x 12	
3	0760610	2	Bolt M6 x 20	
4	1321716	2	Clamp	
5	1380158	20	Clip, Retainer	
6	3290601	2	Nut M6	
7	3290606	1	Nut M6	
8	4010616	1	Screw M6 x 40	
9	4031713	2	Capscrew M6 x 45	
10	4740545	11	Washer	
11	4751400	2	Washer 1/4	
12	1001094175	1	Clamp	
13	1001094180	NLA	Clamp (Use p/n 1001210760) (Prior to SN 0200257626, Prior to SN B200035089, Prior to SN M200002833)	
13	1001210433	NLA	Clamp (Use p/n 1001210760) (SN 0200257626 to Present, SN M200002833 to Present)	
14	1001096706	1	Platform Harness (Includes Item 13) (See PLATFORM HARNESS for Breakdown) (Prior to SN 0200262519, Prior to SN B200035089, Prior to SN M200010205)	
14	1001201243	1	Platform Harness (Includes Item 13) (See PLATFORM HARNESS for Breakdown) (SN 0200262519 to Present, SN M200010205 to Present)	
15	1001096794	1	Pump Power Harness (See PUMP POWER HARNESS for Breakdown)	
16	1001115002	1	Cylinder Harness (See CYLINDER HARNESS for Breakdown)	
17	1001178317	1	Battery Cable Kit (See BATTERY CABLE KIT for Breakdown)	
18	1001178688	1	Ground to Platform Harness (See GROUND TO PLATFORM HARNESS - 2632ES for Breakdown)	
19	1001196835	1	Chassis Harness (See CHASSIS HARNESS for Breakdown)	

SECTION 7 - ELECTRICAL

FIGURE 7-25. CABLES INSTALLATION - 2632ES

NOTE: SEE USAGE CHART ON PARTS LIST BEFORE ORDERING PARTS.



ART_1001219359

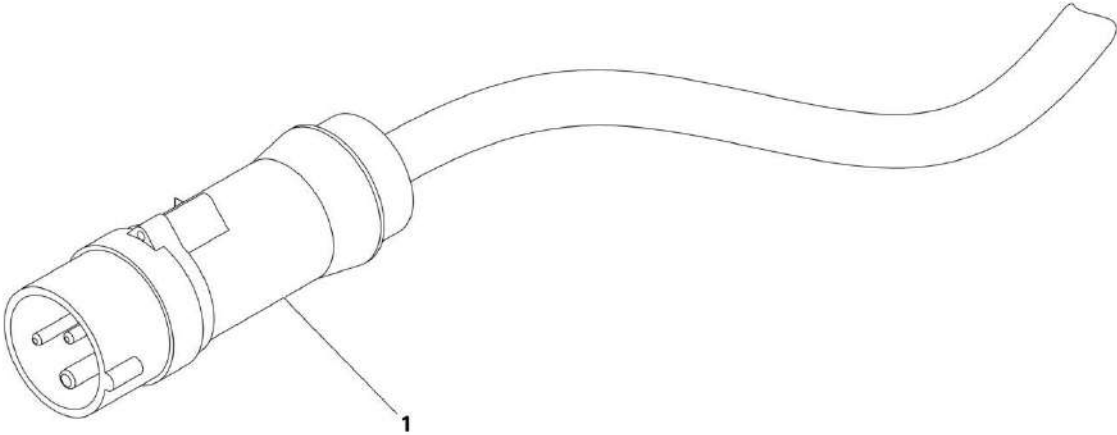
SECTION 7 - ELECTRICAL

FIGURE 7-25. CABLES INSTALLATION - 2632ES

ITEM	PART NUMBER	QTY	DESCRIPTION	REV
	1001219359	Ref	CABLES INSTALLATION - 2632ES	B
		Ref	Usage Chart	
		Ref	China Built Machines (SN B200035089 to Present)	
		Ref	UL Machines	
1	0100048	AR	Compound, Sealing	
2	0760606	5	Bolt M6 x 12	
2	0760605	5	Bolt M6 x 10	
3	0760610	2	Bolt M6 x 20	
4	1321716	1	Clamp	
5	1380158	20	Clip, Retainer	
6	3290601	2	Nut M6	
7	3290606	6	Nut M6	
8	4010616	1	Screw M6 x 40	
9	4031713	2	Capscrew M6 x 45	
10	4740545	11	Washer	
11	4751400	4	Washer 1/4	
12	1001094175	1	Clamp	
13	1001220668	5	Clamp	
14	1001096706	1	Platform Harness (Includes Item 13) (See PLATFORM HARNESS for Breakdown)	
15	1001096794	1	Pump Power Harness (See PUMP POWER HARNESS for Breakdown)	
16	1001115002	1	Cylinder Harness (See CYLINDER HARNESS for Breakdown)	
17	1001178317	1	Battery Cable Kit (See BATTERY CABLE KIT for Breakdown)	
18	1001178688	1	Ground to Platform Harness (See GROUND TO PLATFORM HARNESS - 2632ES for Breakdown)	
19	1001196835	1	Chassis Harness (See CHASSIS HARNESS for Breakdown)	

SECTION 7 - ELECTRICAL

FIGURE 7-26. CHARGER CORD PLUG INSTALLATION - 110V IEC YELLOW (CE SPEC ONLY)



ART_0275666

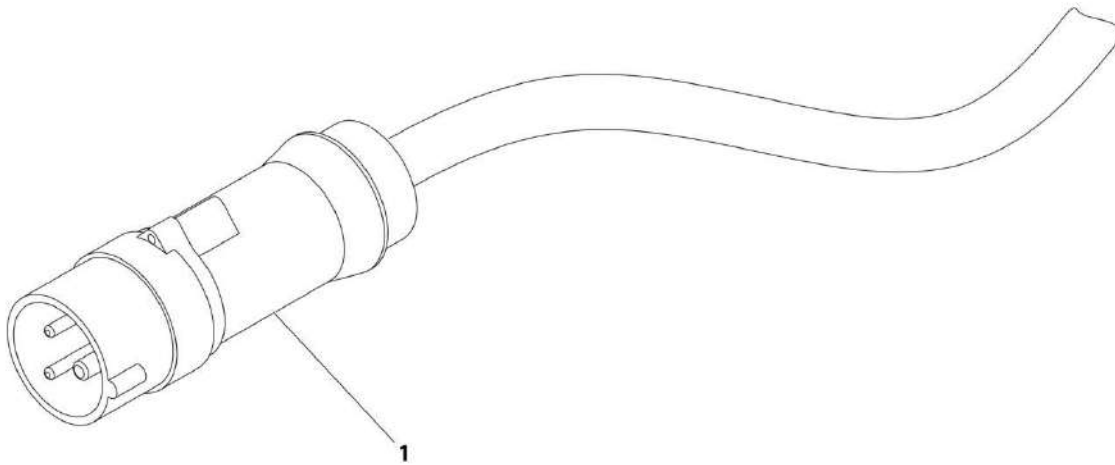
SECTION 7 - ELECTRICAL

FIGURE 7-26. CHARGER CORD PLUG INSTALLATION - 110V IEC YELLOW (CE SPEC ONLY)

ITEM	PART NUMBER	QTY	DESCRIPTION	REV
	0275666	Ref	CHARGER CORD PLUG INSTALLATION - 110V IEC YELLOW (CE SPEC ONLY)	A
1	4461196	1	Plug	

SECTION 7 - ELECTRICAL

FIGURE 7-27. CHARGER CORD PLUG INSTALLATION - 220V IEC BLUE (CE SPEC)



ART_0275667

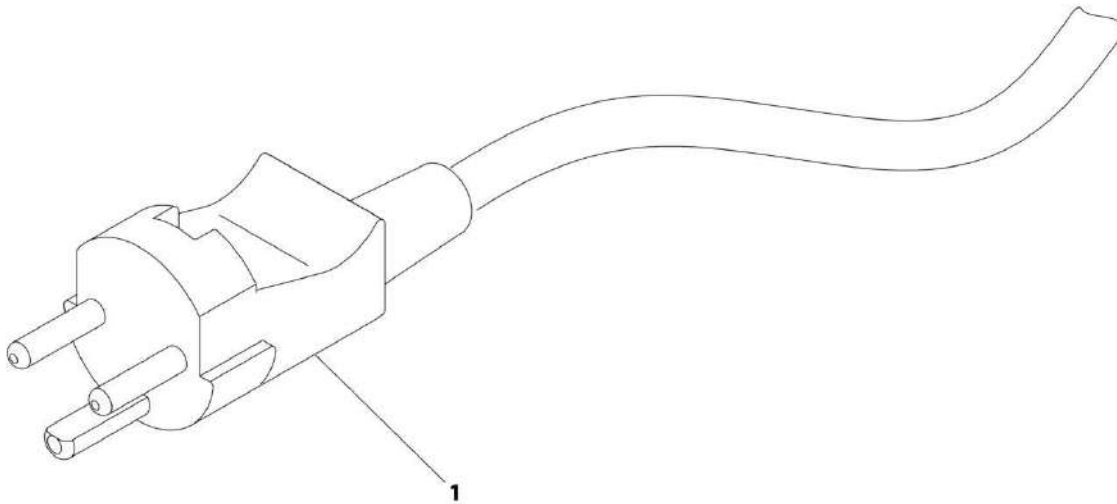
SECTION 7 - ELECTRICAL

FIGURE 7-27. CHARGER CORD PLUG INSTALLATION - 220V IEC BLUE (CE SPEC)

ITEM	PART NUMBER	QTY	DESCRIPTION	REV
	0275667	Ref	CHARGER CORD PLUG INSTALLATION - 220V IEC BLUE (CE SPEC)	A
1	4461199	1	Plug	

SECTION 7 - ELECTRICAL

FIGURE 7-28. CHARGER CORD PLUG INSTALLATION - 220V AFSINT 107 (CE SPEC)



ART. 0275665

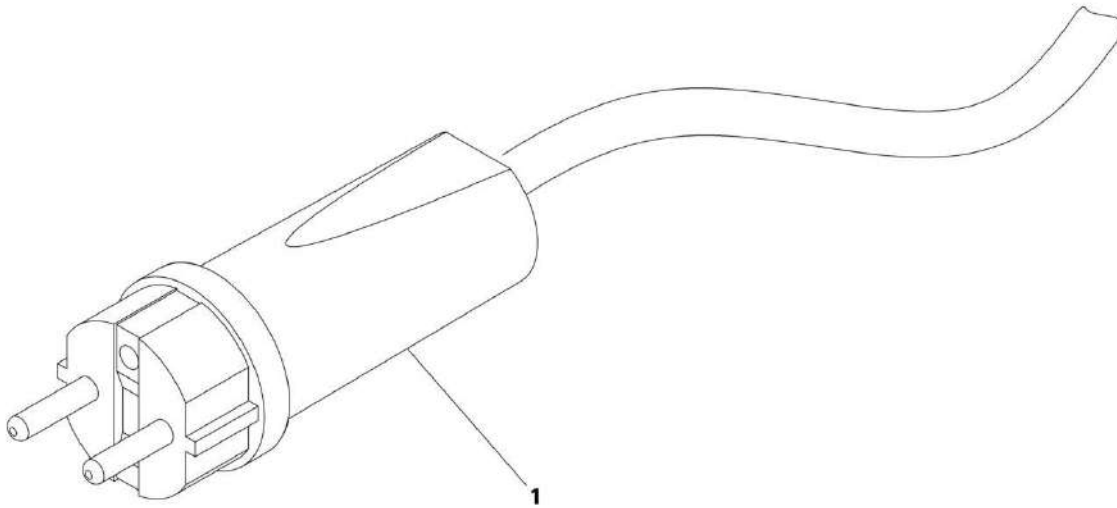
SECTION 7 - ELECTRICAL

FIGURE 7-28. CHARGER CORD PLUG INSTALLATION - 220V AFSINT 107 (CE SPEC)

ITEM	PART NUMBER	QTY	DESCRIPTION	REV
	0275665	Ref	CHARGER CORD PLUG INSTALLATION - 220V AFSINT 107 (CE SPEC)	A
1	4461249	1	Plug	

SECTION 7 - ELECTRICAL

FIGURE 7-29. CHARGER CORD PLUG INSTALLATION - 220V CEE7 SIDE GROUND (CE SPEC)



ART_0275664

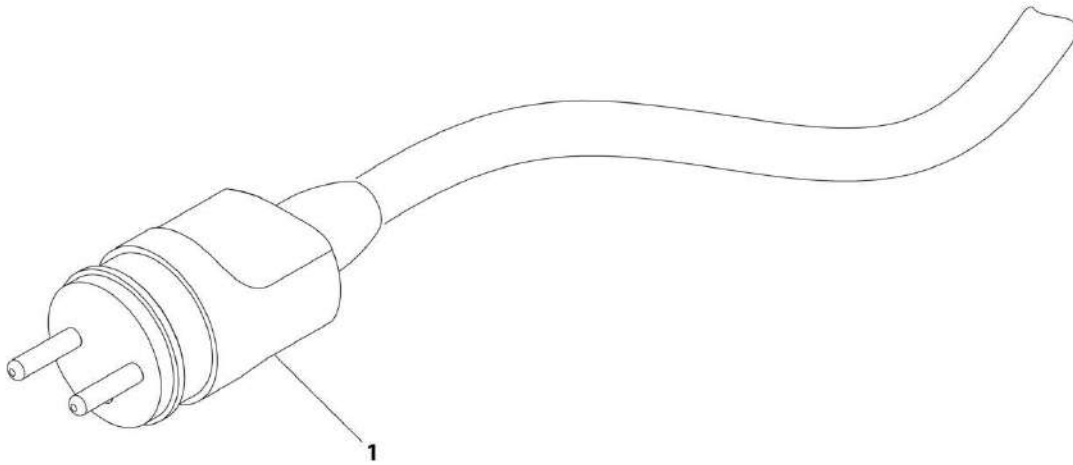
SECTION 7 - ELECTRICAL

FIGURE 7-29. CHARGER CORD PLUG INSTALLATION - 220V CEE7 SIDE GROUND (CE SPEC)

ITEM	PART NUMBER	QTY	DESCRIPTION	REV
	0275664	Ref	CHARGER CORD PLUG INSTALLATION - 220V CEE7 SIDE GROUND (CE SPEC)	A
1	4461205	1	Plug	

SECTION 7 - ELECTRICAL

FIGURE 7-30. CHARGER CORD PLUG INSTALLATION - 220V POST GROUND (CE SPEC)



ART_0275663

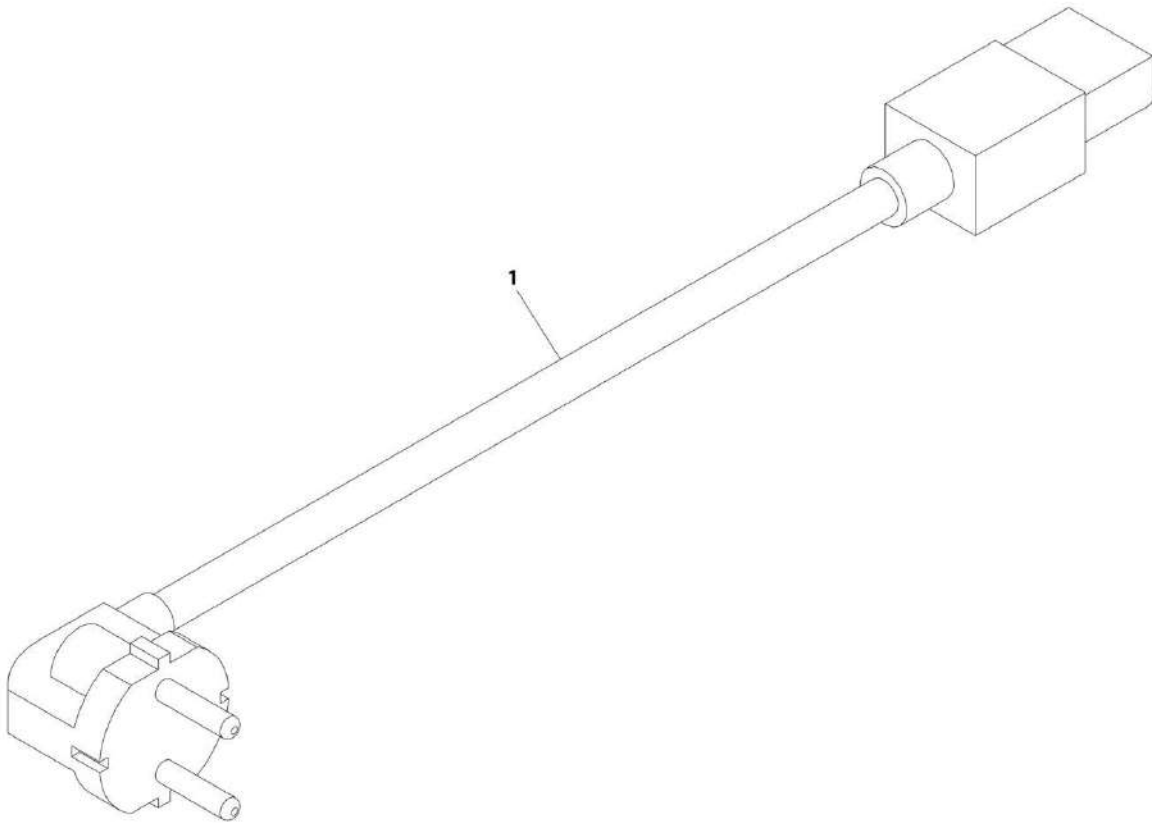
SECTION 7 - ELECTRICAL

FIGURE 7-30. CHARGER CORD PLUG INSTALLATION - 220V POST GROUND (CE SPEC)

ITEM	PART NUMBER	QTY	DESCRIPTION	REV
	0275663	Ref	CHARGER CORD PLUG INSTALLATION - 220V POST GROUND (CE SPEC)	C
1	4461202	NLA	Plug (Use p/n 4461205) (SN 0200239382 through 0200256617, SN B200020297 through B200037114, SN M200000100 through M200002249)	
1	4461205	1	Plug (SN 0200256618 to Present, SN B200037115 to Present, SN M200002250 to Present)	

SECTION 7 - ELECTRICAL

FIGURE 7-31. CHARGER CORD PLUG INSTALLATION (KOREA SPEC)



ART_1001221984

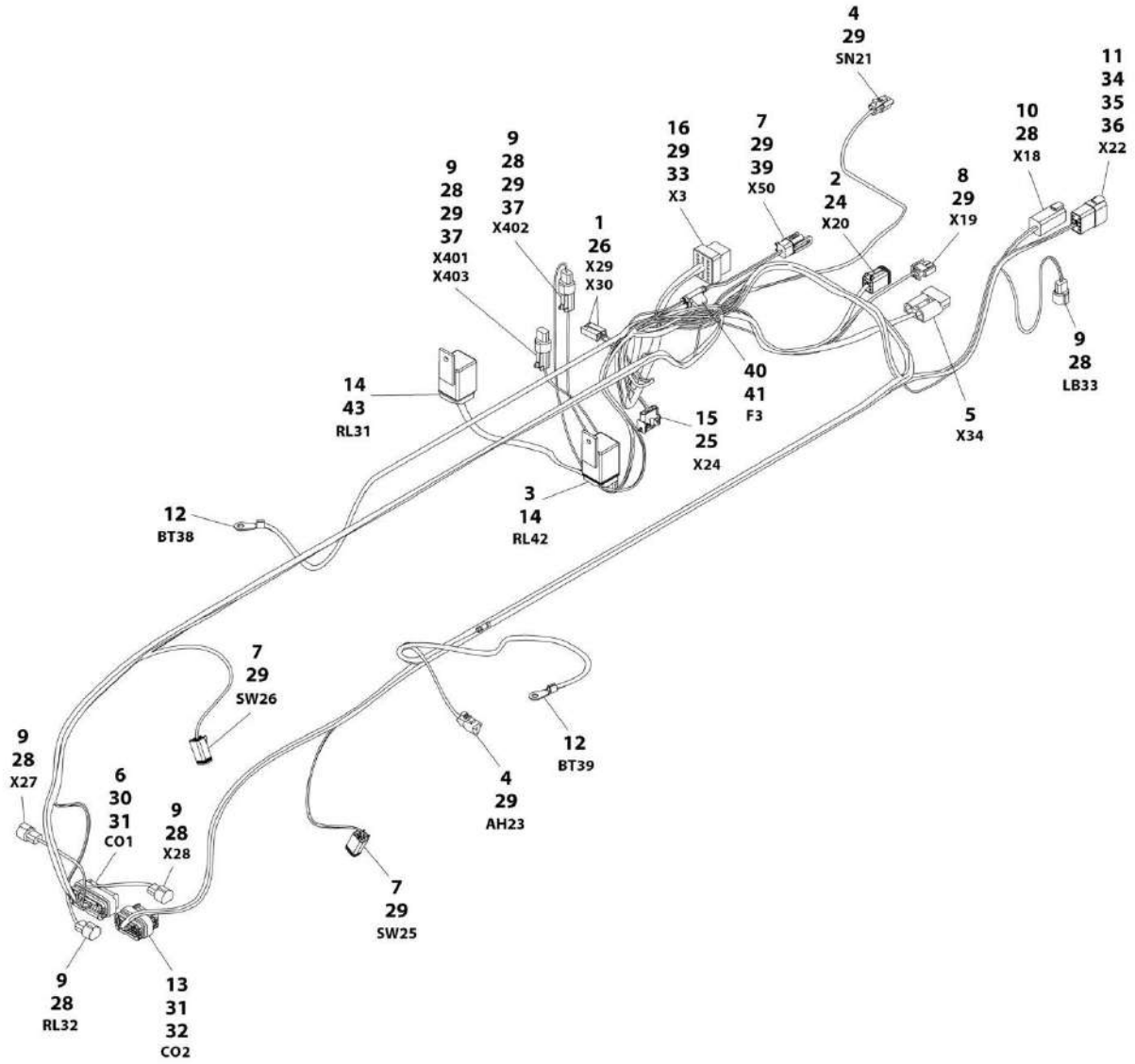
SECTION 7 - ELECTRICAL

FIGURE 7-31. CHARGER CORD PLUG INSTALLATION (KOREA SPEC)

ITEM	PART NUMBER	QTY	DESCRIPTION	REV
1	1001221984 1001221949	Ref 1	CHARGER CORD PLUG INSTALLATION (KOREA SPEC) AC Input Cord and Plug	A

SECTION 7 - ELECTRICAL

FIGURE 7-32. CHASSIS HARNESS



ART_1001187198

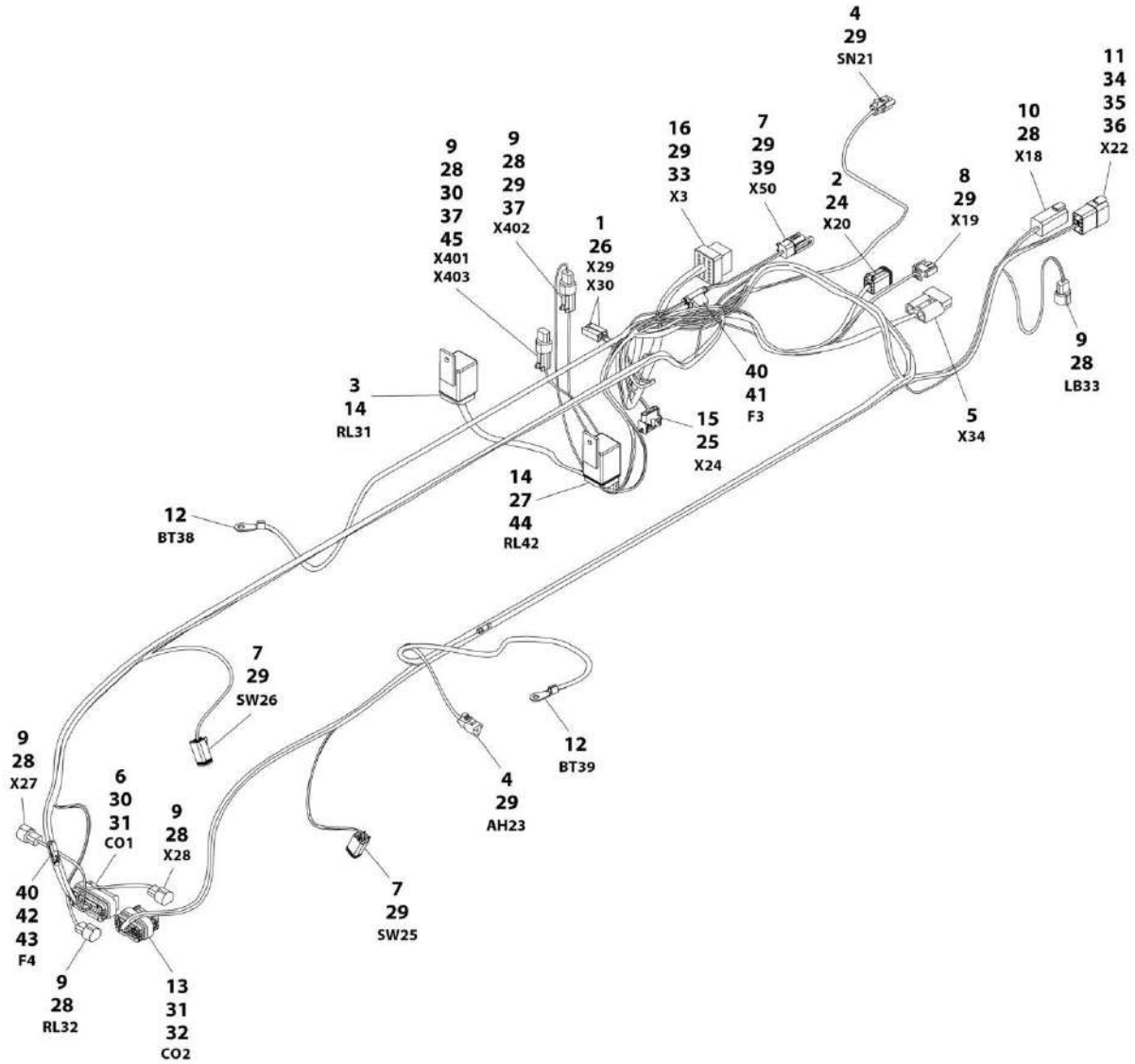
SECTION 7 - ELECTRICAL

FIGURE 7-32. CHASSIS HARNESS

ITEM	PART NUMBER	QTY	DESCRIPTION	REV
	1001187198	Ref	CHASSIS HARNESS	E
1	4460260	2	Housing, Terminal	
2	4460320	1	Plug, Male - 2 Position	
3	4460374	1	Plug, Relay	
4	4460539	2	Plug, Male - 3 Position	
5	4460648	1	Connector, Anderson	
6	4460873	1	Connector - 35 Position (Black)	
7	4460884	3	Plug, Male - 4 Position	
8	4460894	1	Plug, Male - 6 Position	
9	4460897	6	Receptacle, Female - 2 Position	
10	4460899	1	Receptacle, Female - 6 Position	
11	4460931	1	Receptacle, Female - 8 Position	
12	4460986	2	Terminal, Ring	
13	1001096138	1	Connector - 23 Position	
14	1001097347	1	Relay	
15	4460761	1	Receptacle, Female - 4 Position	
16	1001115076	1	Connector - 18 Position	
24	4460226	2	Socket, Female	
25	4460227	4	Pin, Male	
26	4460259	2	Terminal	
27	4460375	8	Terminal	
28	4460464	18	Pin, Male	
29	4460465	32	Socket, Female	
30	4460466	9	Seal	
31	4460871	39	Socket, Female	
32	4460905	20	Seal	
33	4460942	2	Socket, Female	
34	4460943	3	Pin, Male	
35	0840058	1	Boot	
36	2820028	AR	Heat Shrink	
37	4460891	2	Plug, Male - 2 Position	
39	1001192401	1	Cap, Dust	
40	2400060	1	Fuseholder with Cover	
41	8229242	1	Fuse 5Amp	
43	1001117057	1	Connector - 4 Position	

SECTION 7 - ELECTRICAL

FIGURE 7-33. CHASSIS HARNESS - UL SPEC



ART_1001196835

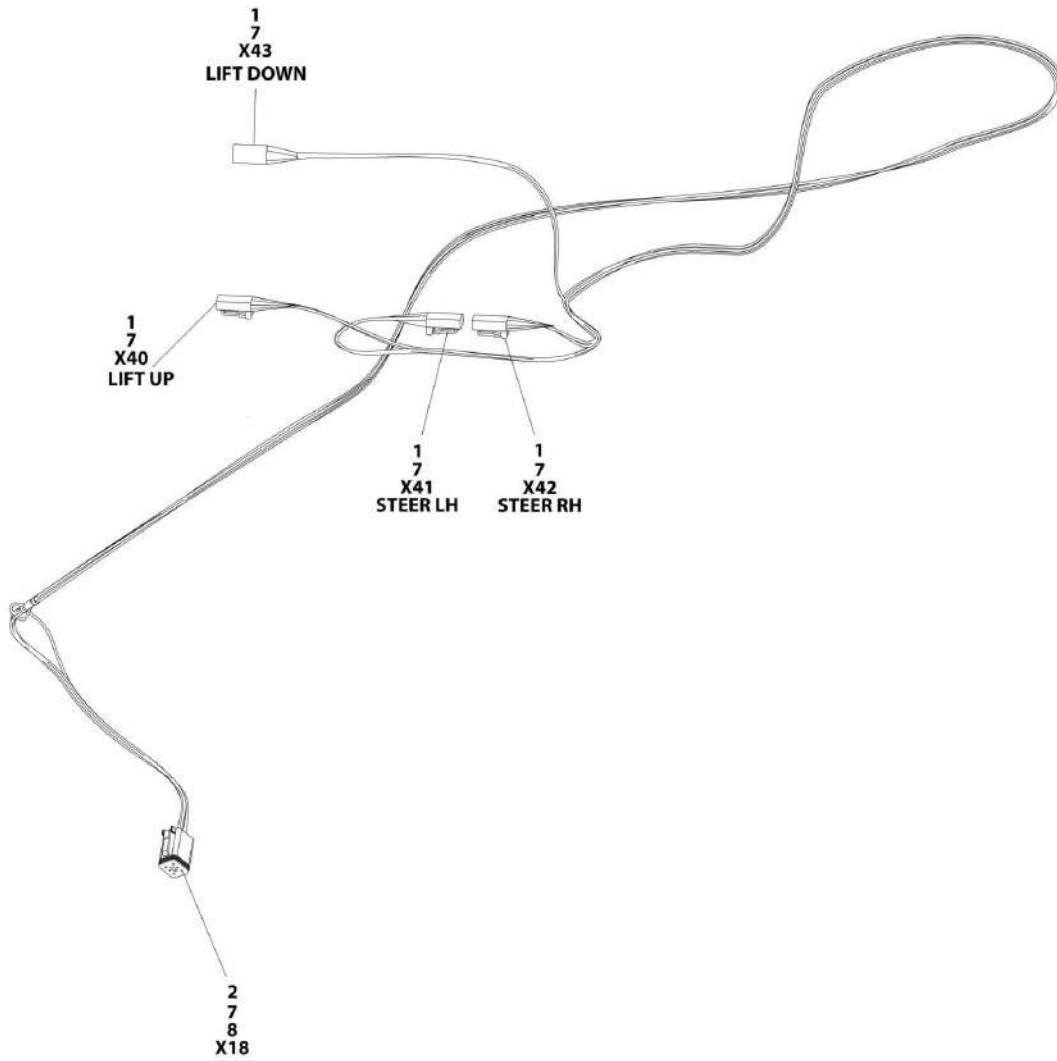
SECTION 7 - ELECTRICAL

FIGURE 7-33. CHASSIS HARNESS - UL SPEC

ITEM	PART NUMBER	QTY	DESCRIPTION	REV
	1001196835	Ref	CHASSIS HARNESS - UL SPEC	D
1	4460260	2	Housing, Terminal	
2	4460320	1	Plug, Male - 2 Position	
3	4460374	1	Plug, Relay	
4	4460539	2	Plug, Male - 3 Position	
5	4460648	1	Connector, Anderson	
6	4460873	1	Connector - 35 Position (Black)	
7	4460884	3	Plug, Male - 4 Position	
8	4460894	1	Plug, Male - 6 Position	
9	4460897	6	Receptacle, Female - 2 Position	
10	4460899	1	Receptacle, Female - 6 Position	
11	4460931	1	Receptacle, Female - 8 Position	
12	4460986	2	Terminal, Ring	
13	1001096138	1	Connector - 23 Position	
14	1001097347	1	Relay	
15	4460761	1	Receptacle, Female - 4 Position	
16	1001116076	1	Connector - 18 Position	
24	4460226	2	Socket, Female	
25	4460227	4	Pin, Male	
26	4460259	2	Terminal	
27	4460375	AR	Terminal	
28	4460464	AR	Pin, Male	
29	4460465	AR	Socket, Female	
30	4460466	AR	Seal	
31	4460871	39	Socket, Female	
32	4460905	AR	Seal	
33	4460942	2	Socket, Female	
34	4460943	3	Pin, Male	
35	0840058	1	Boot	
36	2820028	AR	Heat Shrink	
37	4460891	2	Plug, Male - 2 Position	
39	1001192401	1	Cap, Dust	
40	2400060	2	Fuseholder with Cover	
41	8229242	1	Fuse 5Amp	
42	1001196838	1	Fuse 3Amp	
43	2820152	AR	Heat Shrink	
44	4460374	1	Plug, Relay (Prior to SN 0200260033, Prior to SN B200034850, Prior to SN M200005829)	
44	1001117057	1	Plug, Relay (SN 0200260033 to Present, SN B200034850 to Present, SN M200005829 to Present)	
45	1001157890	1	Terminal (SN 0200260033 to Present, SN B200034850 to Present, SN M200005829 to Present)	

SECTION 7 - ELECTRICAL

FIGURE 7-34. CYLINDER HARNESS



ART_100115002

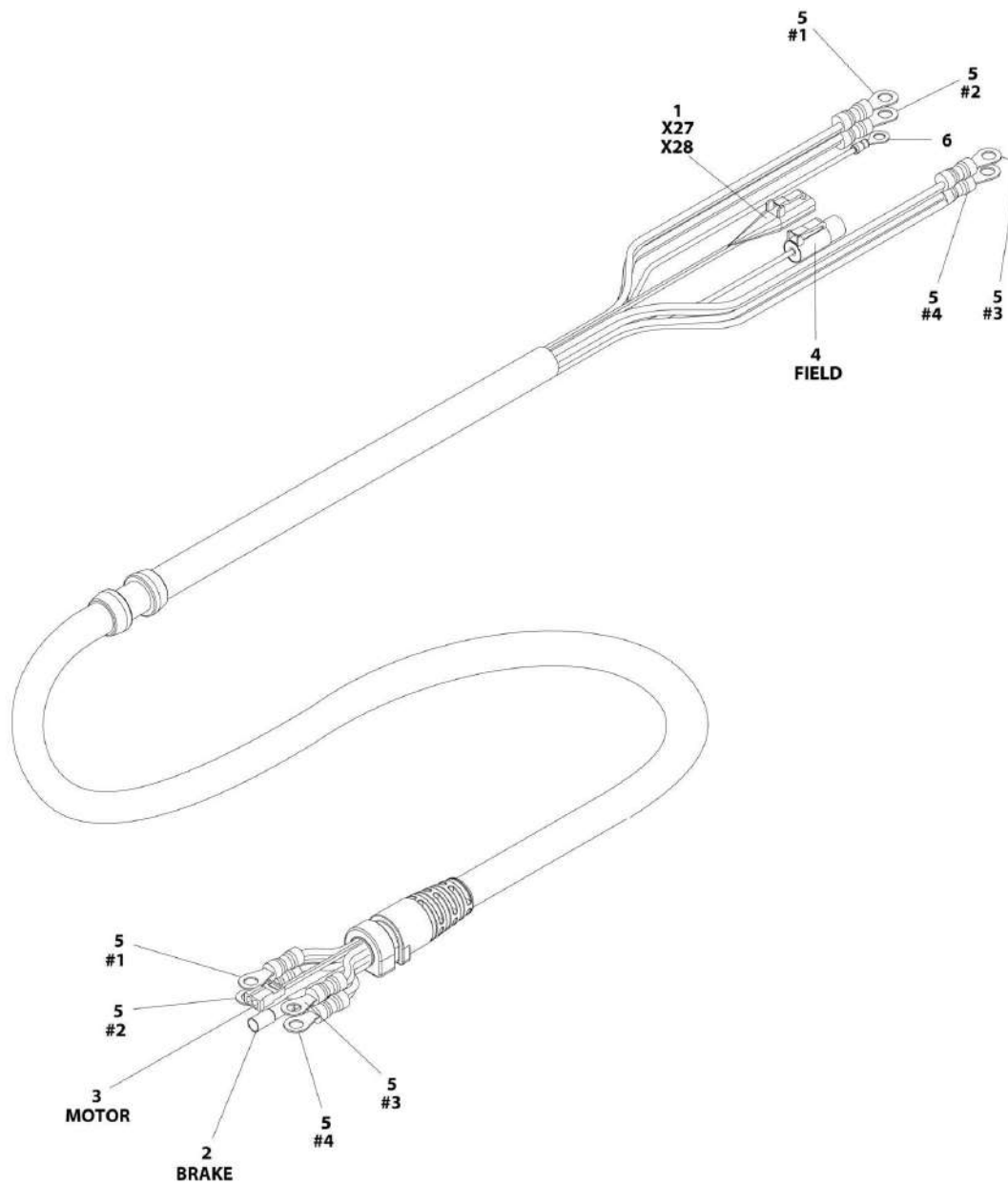
SECTION 7 - ELECTRICAL

FIGURE 7-34. CYLINDER HARNESS

ITEM	PART NUMBER	QTY	DESCRIPTION	REV
	1001115002	Ref	CYLINDER HARNESS	C
1	4460891	4	Plug, Male - 2 Position	
2	4460894	1	Plug, Male - 6 Position	
7	4460465	14	Socket, Female	
8	0840059	1	Boot	

SECTION 7 - ELECTRICAL

FIGURE 7-35. DRIVE CABLE ASSEMBLY



ART_1001132439

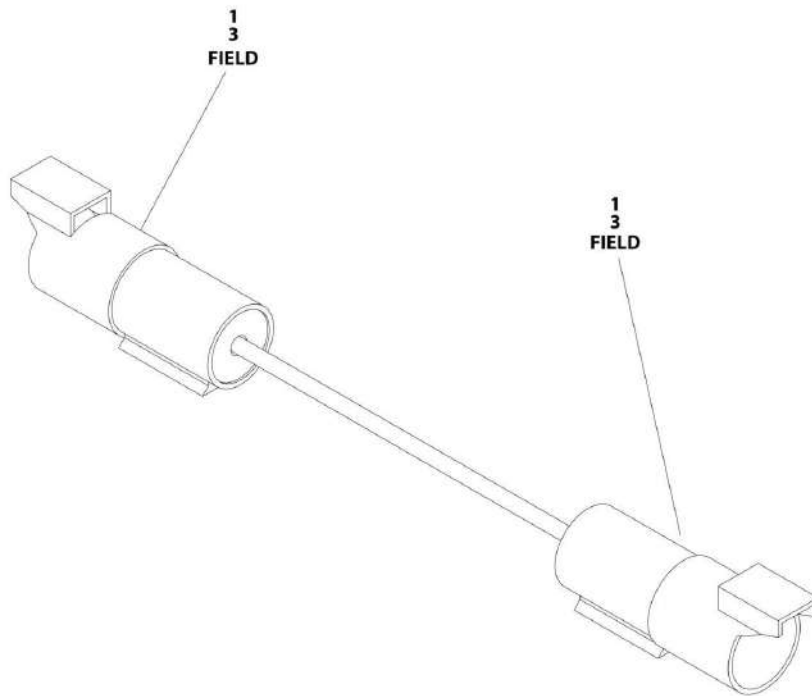
SECTION 7 - ELECTRICAL

FIGURE 7-35. DRIVE CABLE ASSEMBLY

ITEM	PART NUMBER	QTY	DESCRIPTION	REV
	1001132439	Ref	DRIVE CABLE ASSEMBLY	B
1	4460891	1	Plug, Male - 2 Position	
1	4460465	2	Socket, Female	
2	70001442	1	Plug, Male - 2 Position	
2	See Note	NSS	Socket, Female (Note: Not Available for Purchase)	
3	70001443	1	Plug, Male - 2 Position	
3	70001444	2	Socket, Female	
4	4461261	1	Plug, Male - 1 Position	
4	4460509	1	Terminal	
5	See Note	NSS	Terminal, Ring (Note: Not Available for Purchase)	
6	See Note	NSS	Terminal, Ring (Note: Not Available for Purchase)	

SECTION 7 - ELECTRICAL

FIGURE 7-36. DRIVE FIELD CONNECTION HARNESS



ART_4923602

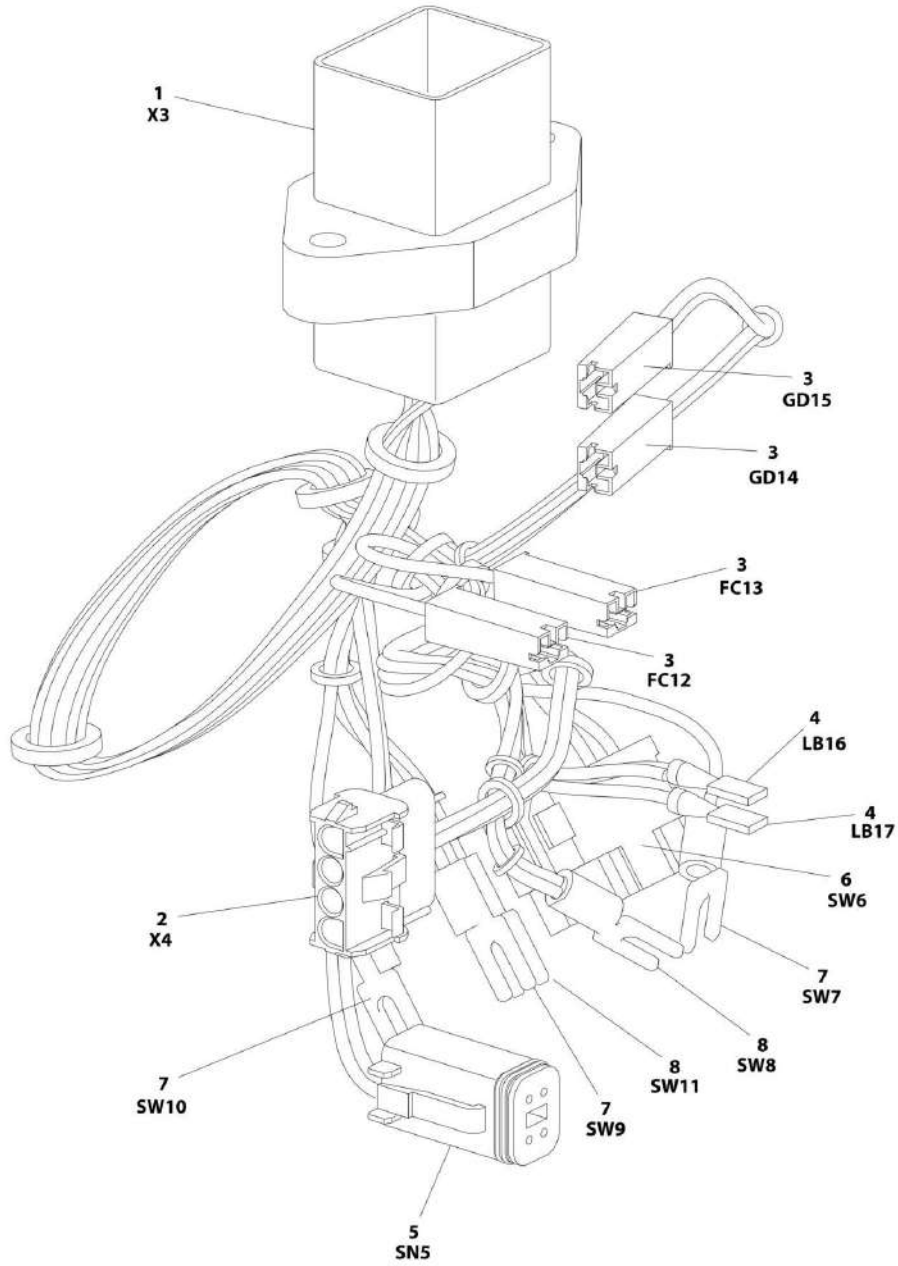
SECTION 7 - ELECTRICAL

FIGURE 7-36. DRIVE FIELD CONNECTION HARNESS

ITEM	PART NUMBER	QTY	DESCRIPTION	REV
	4923602	Ref	DRIVE FIELD CONNECTION HARNESS	C
1	4461260	2	Receptacle, Female - 1 Position	
3	4460508	2	Pin, Male	

SECTION 7 - ELECTRICAL

FIGURE 7-37. GROUND CONTROL BOX HARNESS (SN B200000100 through B200023311)



ART_1001114935

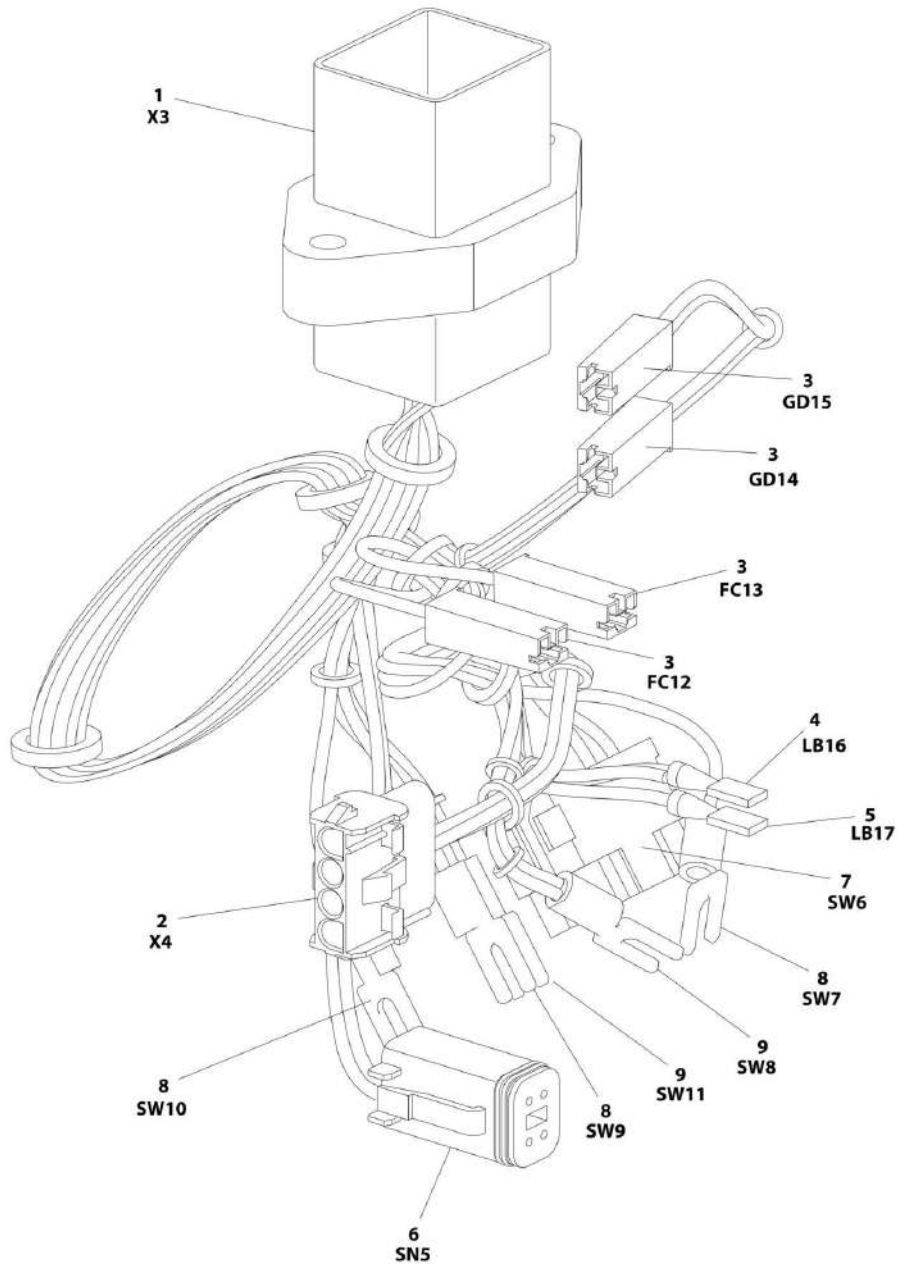
SECTION 7 - ELECTRICAL

FIGURE 7-37. GROUND CONTROL BOX HARNESS (SN B200000100 through B200023311)

ITEM	PART NUMBER	QTY	DESCRIPTION	REV
	1001114935	Ref	GROUND CONTROL BOX HARNESS (SN B200000100 through B200023311)	B
1	See Note	NSS	Connector - 18 Position (Note: Not Available for Purchase)	
1	See Note	NSS	Terminal (Note: Not Available for Purchase)	
2	4460961	1	Receptacle, Female - 4 Position	
2	4460267	4	Pin, Male	
3	4460260	4	Housing, Terminal	
3	4460259	4	Terminal	
4	See Note	NSS	Terminal	
5	4461077	1	Plug, Male - 4 Position	
5	4460944	4	Socket, Female	
6	4460418	1	Connector - 6 Position	
6	4460419	3	Terminal	
7	See Note	NSS	Terminal, Fork (Note: Not Available for Purchase)	
8	See Note	NSS	Terminal, Fork (Note: Not Available for Purchase)	

SECTION 7 - ELECTRICAL

FIGURE 7-38. GROUND CONTROL BOX HARNESS (SN 020000001 to Present, SN 1200025021 to Present, SN B200023312 to Present, SN M200000100 to Present)



ART_1001167256

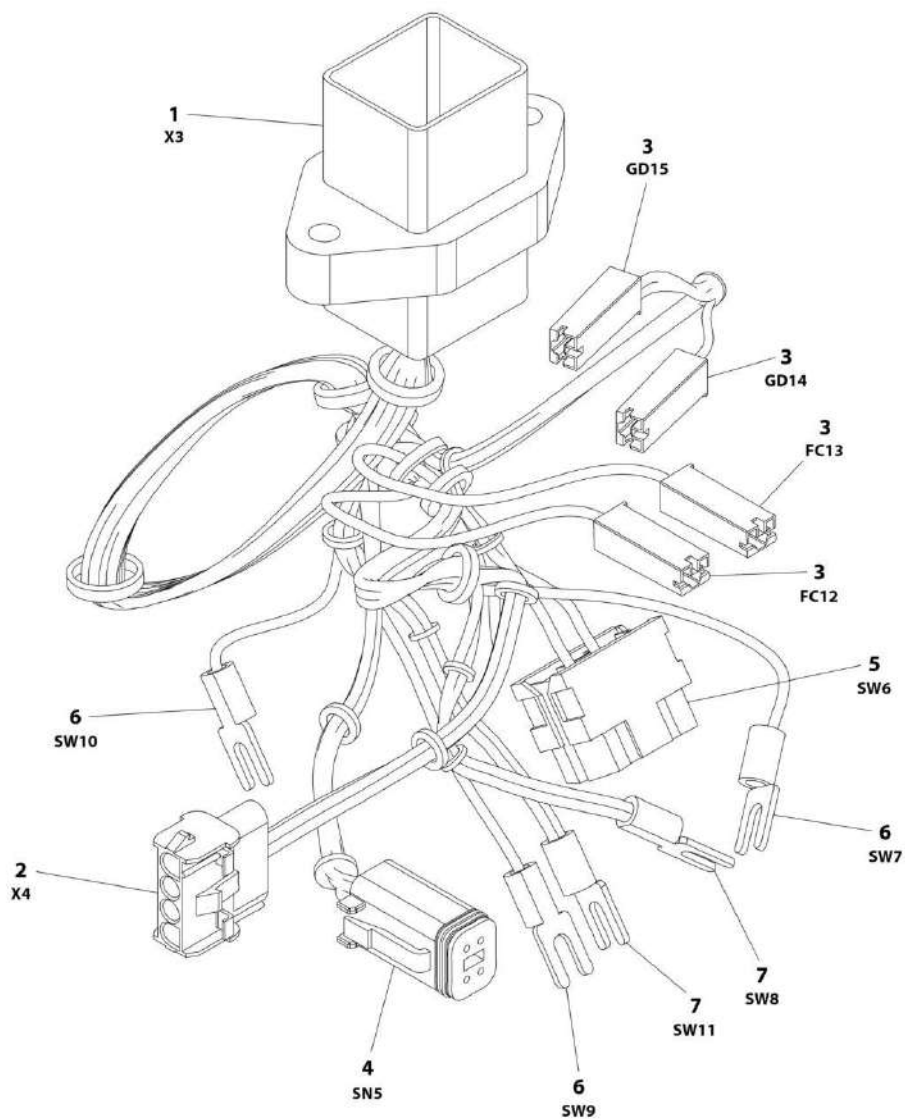
SECTION 7 - ELECTRICAL

FIGURE 7-38. GROUND CONTROL BOX HARNESS (SN 0200000001 to Present, SN 1200025021 to Present, SN B200023312 to Present, SN M200000100 to Present)

ITEM	PART NUMBER	QTY	DESCRIPTION	REV
	1001167256	Ref	GROUND CONTROL BOX HARNESS (SN 0200000001 to Present, SN 1200025021 to Present, SN B200023312 to Present, SN M200000100 to Present)	E
1	1001115077	1	Connector - 18 Position	
1	4460464	14	Pin, Male	
1	4460943	2	Pin, Male	
1	4460466	2	Seal	
2	1001119032	1	Connector - 4 Position	
2	4460268	4	Socket, Female	
3	4460260	4	Housing, Terminal	
3	4460259	4	Terminal	
4	1001202618	1	Terminal	
5	1001202619	1	Terminal	
6	4461077	1	Connector - 4 Position (SN 0200000001 through 0200261519, SN B200023312 through B200037637, SN M200000100 through M200007496)	
6	4460884	1	Connector - 4 Position (SN 0200261520 to Present, SN 1200025021 to Present, SN B200037638 to Present, SN M200007497 to Present)	
6	4460918	4	Socket, Female	
7	4460418	1	Connector - 6 Position	
7	1001159186	3	Terminal	
8	4460183	3	Terminal, Fork	
9	4460115	2	Terminal, Fork	

SECTION 7 - ELECTRICAL

FIGURE 7-39. GROUND CONTROL BOX HARNESS - NO LSS (SN 0200266380 to Present, SN B200042925 to Present, SN M200012165 to Present)



ART_1001208641

SECTION 7 - ELECTRICAL

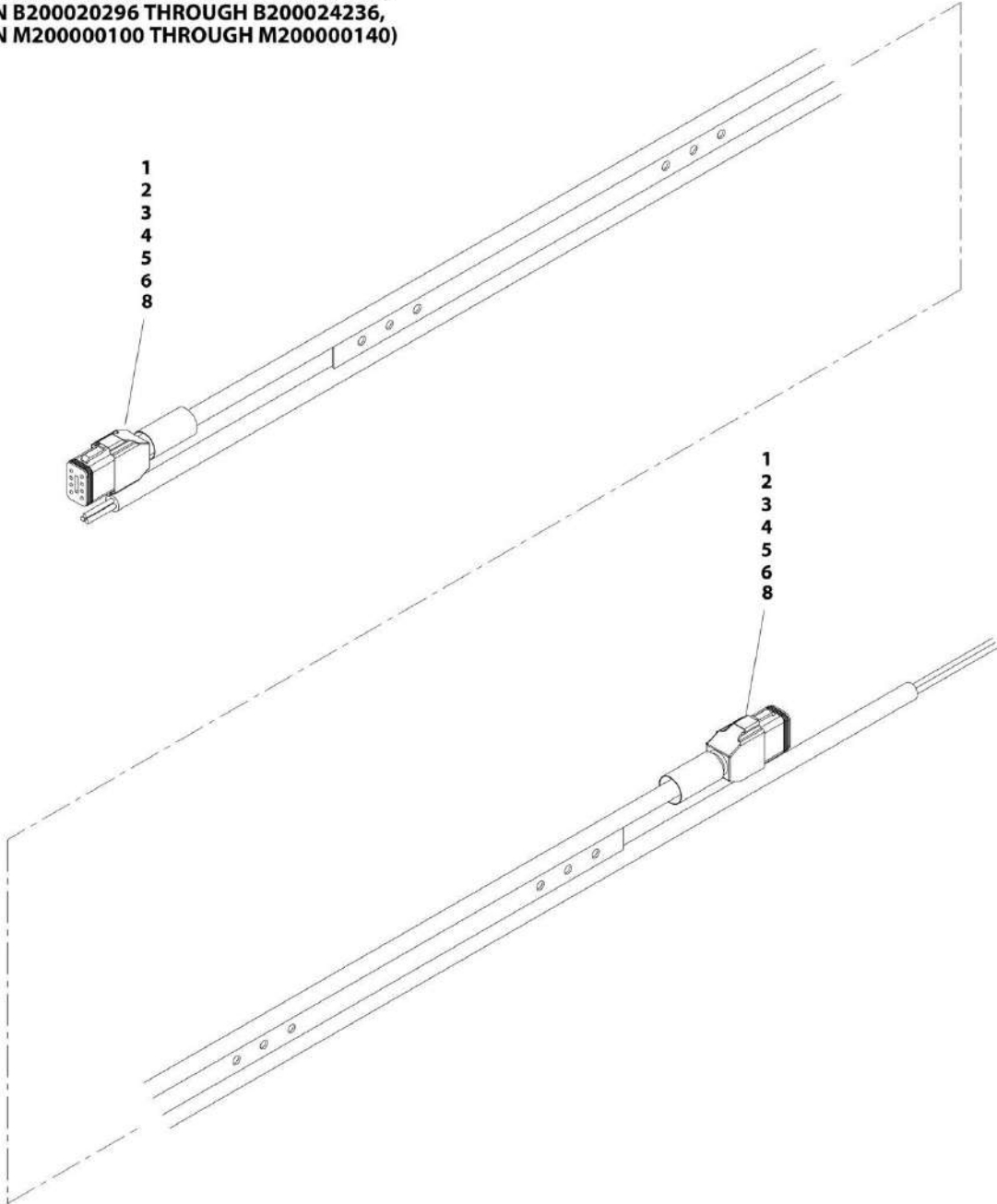
FIGURE 7-39. GROUND CONTROL BOX HARNESS - NO LSS (SN 0200266380 to Present, SN B200042925 to Present, SN M200012165 to Present)

ITEM	PART NUMBER	QTY	DESCRIPTION	REV
	1001208641	Ref	GROUND CONTROL BOX HARNESS - NO LSS (SN 0200266380 to Present, SN B200042925 to Present, SN M200012165 to Present)	A
1	1001115077	1	Connector - 18 Position	
1	4460464	13	Pin, Male	
1	4460943	2	Pin, Male	
1	4460466	3	Seal	
2	1001119032	1	Connector - 4 Position	
2	4460268	4	Socket, Female	
3	4460260	4	Housing, Terminal	
3	4460259	4	Terminal	
4	4460884	1	Connector - 4 Position	
4	4460918	4	Socket, Female	
5	4460418	1	Connector - 6 Position	
5	1001159186	3	Terminal	
6	4460183	3	Terminal, Fork	
7	4460115	2	Terminal, Fork	

SECTION 7 - ELECTRICAL

FIGURE 7-40. GROUND TO PLATFORM HARNESS - 2032ES

USAGE CHART :
ANSI, CSA, JAPANESE AND UL SPECS (ALL MACHINES)
ANSI EXPORT AND CHINA SPECS
(SN 0200239382 THROUGH 0200248240,
SN B200020296 THROUGH B200024236,
SN M200000100 THROUGH M200000140)



ART_1001178687

SECTION 7 - ELECTRICAL

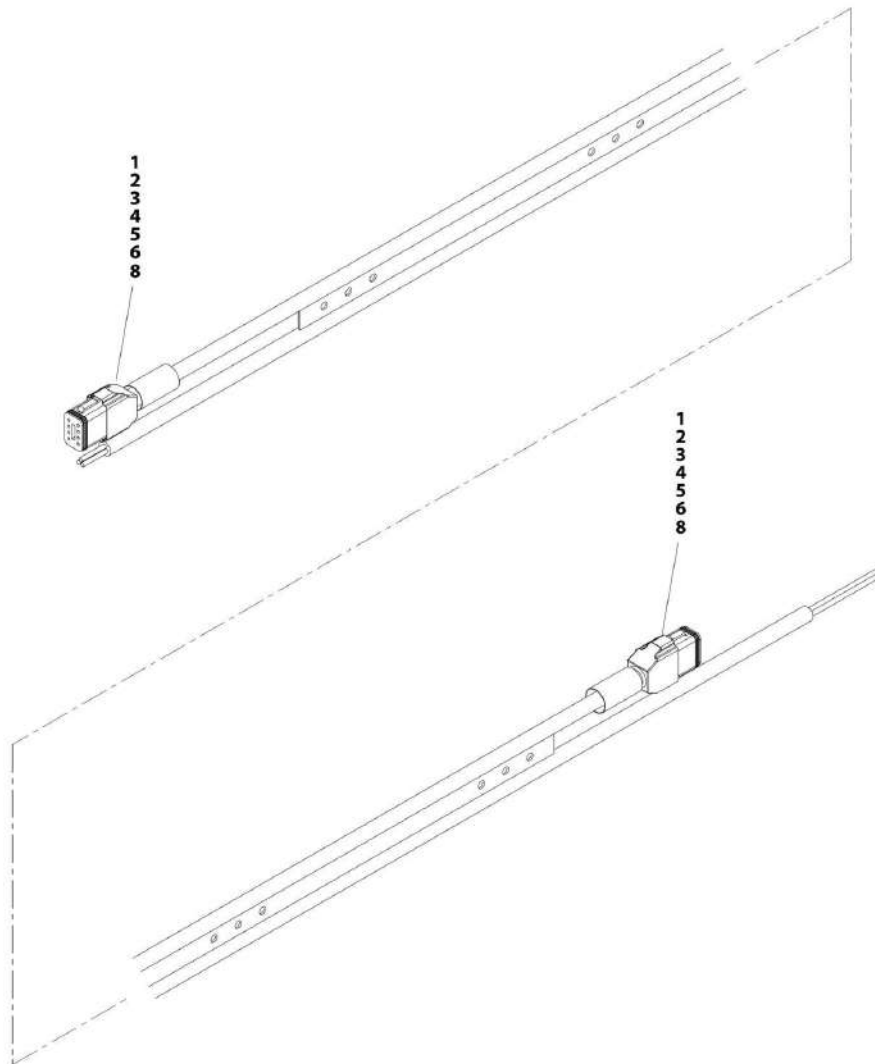
FIGURE 7-40. GROUND TO PLATFORM HARNESS - 2032ES

ITEM	PART NUMBER	QTY	DESCRIPTION	REV
	1001178687	Ref	GROUND TO PLATFORM HARNESS - 2032ES	D
		Ref	Usage Chart	
		Ref	ANSI, CSA, Japanese and UL Specs (All Machines)	
		Ref	ANSI Export and China Spec (SN 0200239382 through 0200248240, SN B200020296 through B200024236, SN M200000100 through M200000140)	
1	0840061	2	Boot	
2	2820026	AR	Insulator, Clear Tubing	
3	2820028	AR	Heat Shrink	
4	4460465	8	Socket, Female	
5	4460466	2	Plug, Terminal	
6	4460930	2	Plug, Male - 8 Position	
7	4460943	3	Pin, Male (Not Shown)	
8	4460944	6	Socket, Female (Gold)	

SECTION 7 - ELECTRICAL

FIGURE 7-41. GROUND TO PLATFORM HARNESS - 2032ES

USAGE CHART:
ANSI EXPORT AND CHINA SPEC
(SN 0200248241 TO PRESENT,
SN 1200025023 TO PRESENT,
SN B200024237 TO PRESENT,
SN M200000141 TO PRESENT)
AUSTRALIAN AND CE SPEC (ALL MACHINES)



ART_1001178690

SECTION 7 - ELECTRICAL

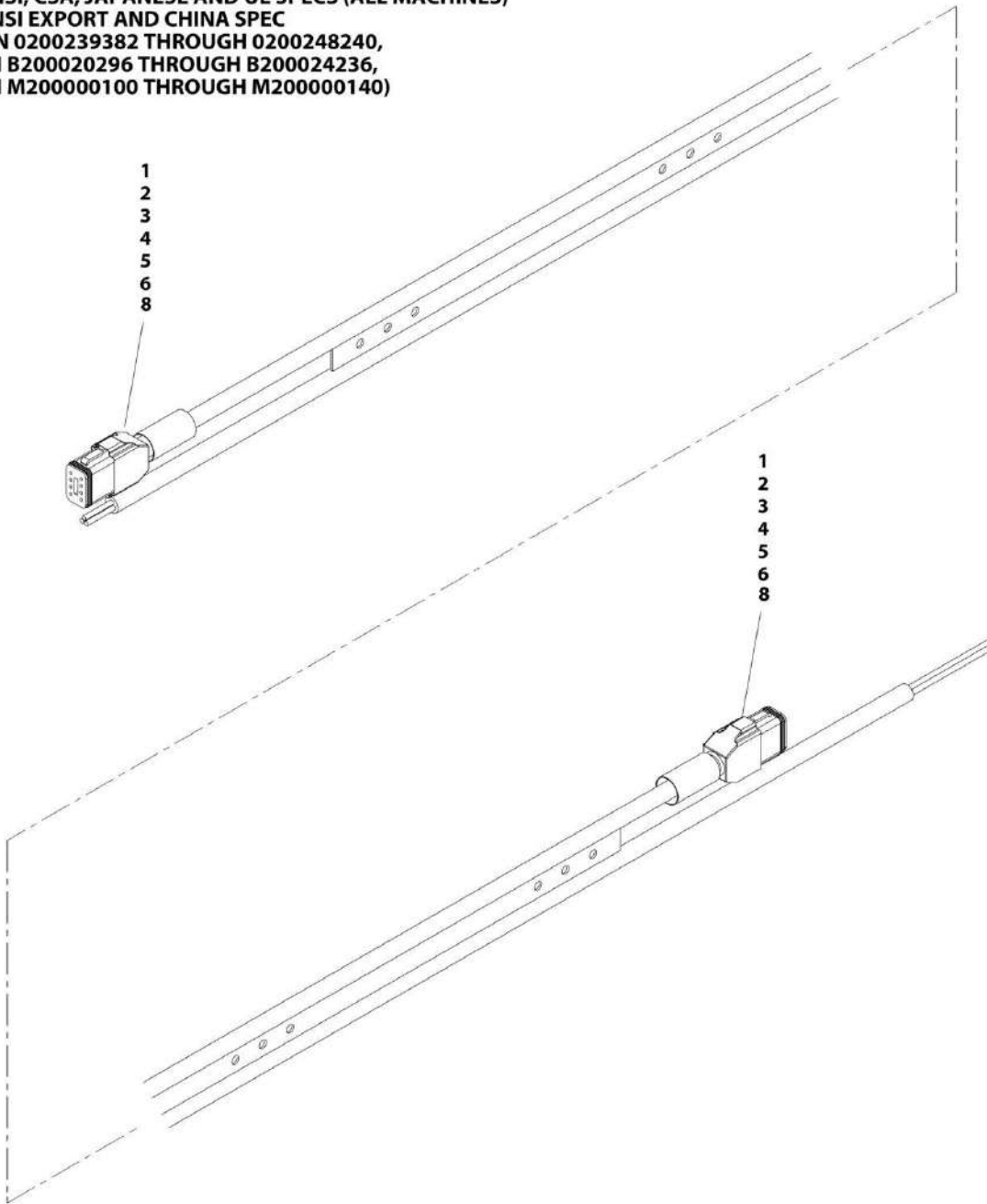
FIGURE 7-41. GROUND TO PLATFORM HARNESS - 2032ES

ITEM	PART NUMBER	QTY	DESCRIPTION	REV
	1001178690	Ref	GROUND TO PLATFORM HARNESS - 2032ES	D
		Ref	Usage Chart	
		Ref	ANSI Export and China Spec (SN 0200248241 to Present, SN 1200025021 to Present, SN B200024237 to Present, SN M200000141 to Present)	
		Ref	Australian and CE Spec (All Machines)	
1	0840061	2	Boot	
2	2820026	AR	Insulator, Clear Tubing	
3	2820028	AR	Heat Shrink	
4	4460465	8	Socket, Female	
5	4460466	2	Plug, Terminal	
6	4460930	2	Plug, Male - 8 Position	
7	4460943	3	Pin, Male (Not Shown)	
8	4460944	6	Socket, Female (Gold)	

SECTION 7 - ELECTRICAL

FIGURE 7-42. GROUND TO PLATFORM HARNESS - 2632ES

USAGE CHART :
ANSI, CSA, JAPANESE AND UL SPECS (ALL MACHINES)
ANSI EXPORT AND CHINA SPEC
(SN 0200239382 THROUGH 0200248240,
SN B200020296 THROUGH B200024236,
SN M200000100 THROUGH M200000140)



ART_1001178688

SECTION 7 - ELECTRICAL

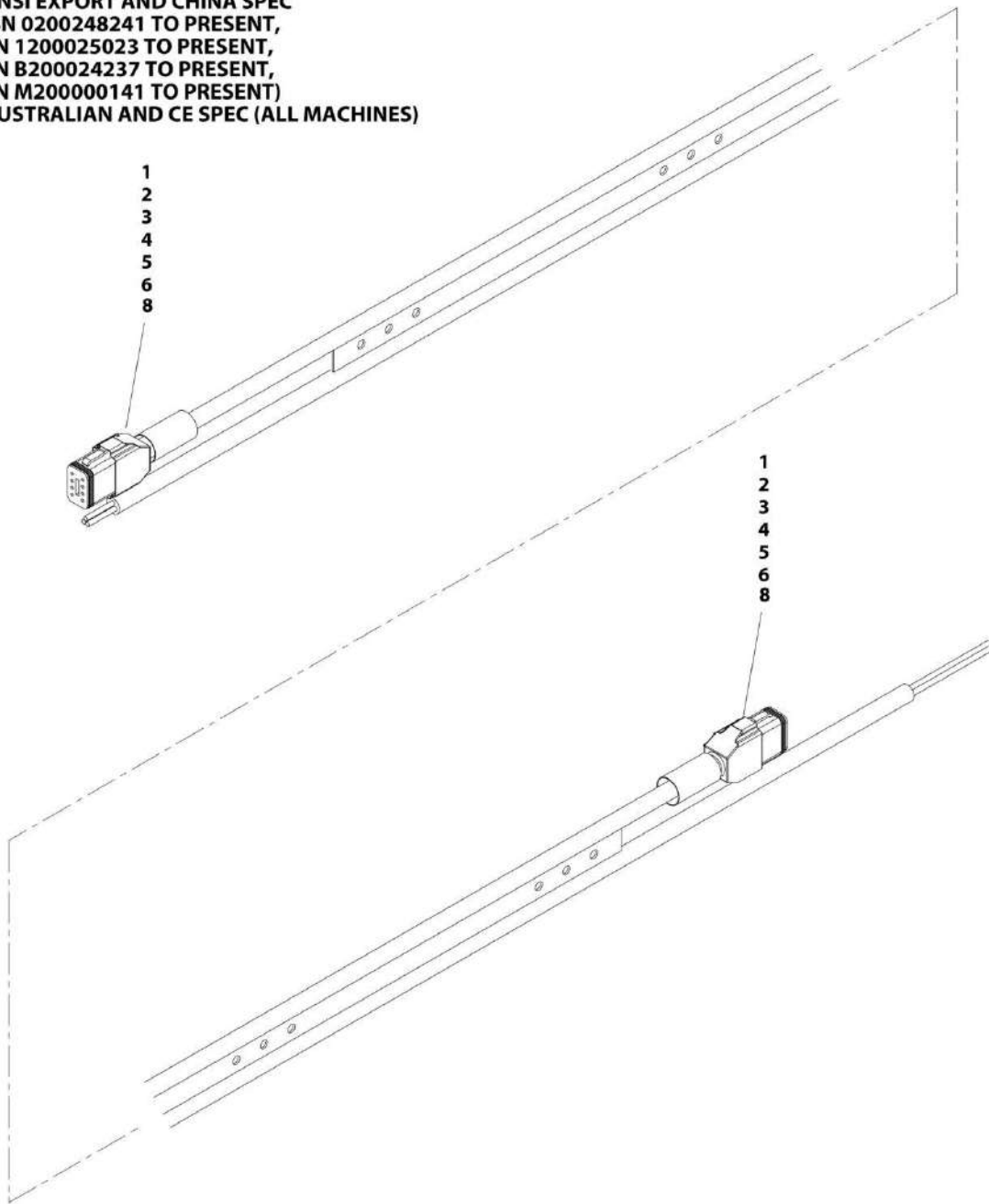
FIGURE 7-42. GROUND TO PLATFORM HARNESS - 2632ES

ITEM	PART NUMBER	QTY	DESCRIPTION	REV
	1001178688	Ref	GROUND TO PLATFORM HARNESS - 2632ES	D
		Ref	Usage Chart	
		Ref	ANSI, CSA, Japanese and UL Specs (All Machines)	
		Ref	ANSI Export and China Spec (SN 0200239382 through 0200248240, SN B200020296 through B200024236, SN M200000100 through M200000140)	
1	0840061	2	Boot	
2	2820026	AR	Insulator, Clear Tubing	
3	2820028	AR	Heat Shrink	
4	4460465	8	Socket, Female	
5	4460466	2	Plug, Terminal	
6	4460930	2	Plug, Male - 8 Position	
7	4460943	3	Pin, Male (Not Shown)	
8	4460944	6	Socket, Female (Gold)	

SECTION 7 - ELECTRICAL

FIGURE 7-43. GROUND TO PLATFORM HARNESS - 2632ES

USAGE CHART :
ANSI EXPORT AND CHINA SPEC
(SN 0200248241 TO PRESENT,
SN 1200025023 TO PRESENT,
SN B200024237 TO PRESENT,
SN M200000141 TO PRESENT)
AUSTRALIAN AND CE SPEC (ALL MACHINES)



ART_1001178689

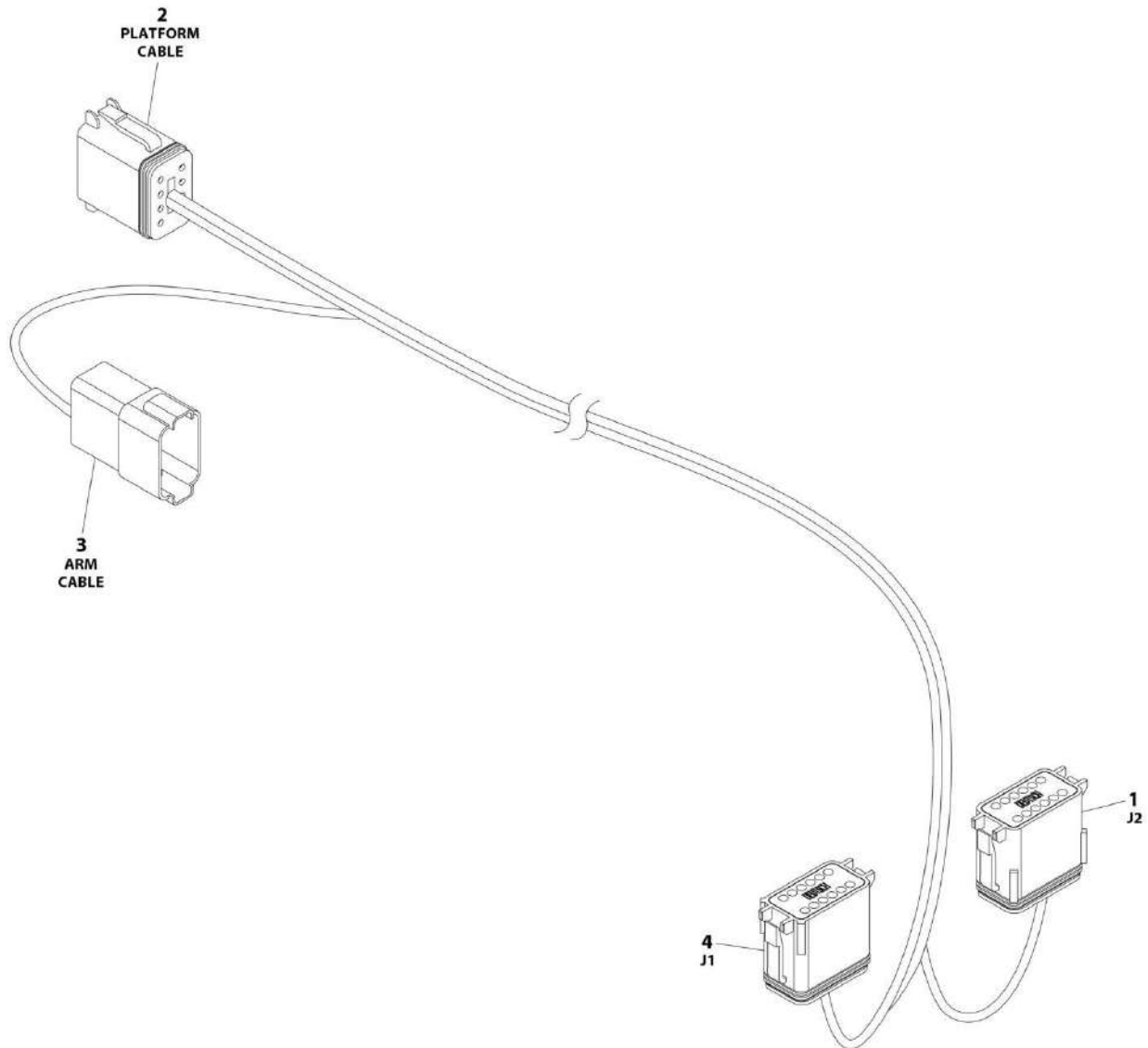
SECTION 7 - ELECTRICAL

FIGURE 7-43. GROUND TO PLATFORM HARNESS - 2632ES

ITEM	PART NUMBER	QTY	DESCRIPTION	REV
	1001178689	Ref	GROUND TO PLATFORM HARNESS - 2632ES	D
		Ref	Usage Chart	
		Ref	ANSI Export and China Spec (SN 0200248241 to Present, SN 1200025021 to Present, SN B200024237 to Present, SN M200000141 to Present)	
		Ref	Australian and CE Spec (All Machines)	
1	0840061	2	Boot	
2	2820026	AR	Insulator, Clear Tubing	
3	2820028	AR	Heat Shrink	
4	4460465	8	Socket, Female	
5	4460466	2	Plug, Terminal	
6	4460930	2	Plug, Male - 8 Position	
7	4460943	3	Pin, Male (Not Shown)	
8	4460944	6	Socket, Female (Gold)	

SECTION 7 - ELECTRICAL

FIGURE 7-44. LOAD SENSE HARNESS



ART_4923228

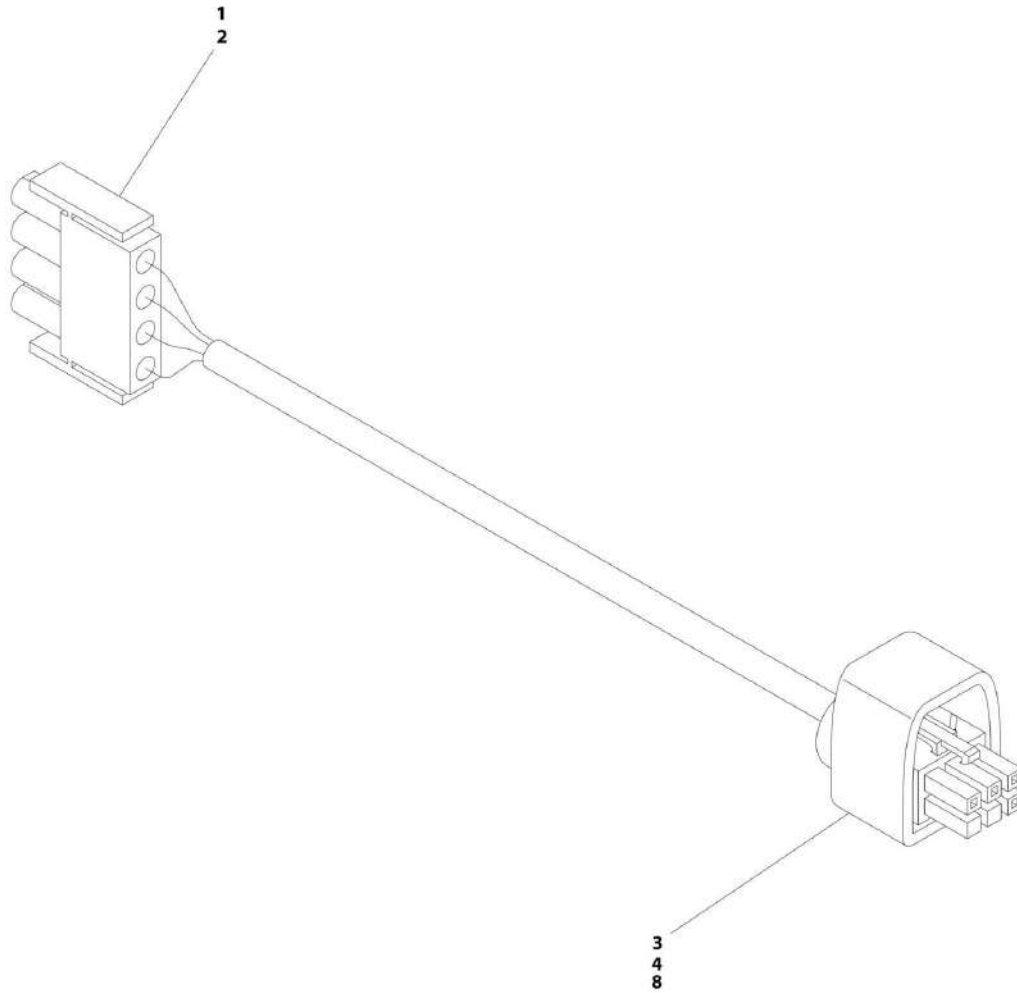
SECTION 7 - ELECTRICAL

FIGURE 7-44. LOAD SENSE HARNESS

ITEM	PART NUMBER	QTY	DESCRIPTION	REV
	4923228	Ref	LOAD SENSE HARNESS	D
1	4460836	1	Connector - 12 Position	
1	4460466	6	Plug, Sealing	
1	4460944	6	Socket, Female (Gold)	
1	0840055	1	Boot	
2	4460930	1	Connector - 8 Position	
2	4460465	4	Socket, Female	
2	4460466	1	Plug, Sealing	
2	4460944	3	Socket, Female (Gold)	
2	0840061	1	Boot	
3	4460931	1	Connector - 8 Position	
3	4460464	4	Pin, Male	
3	4460466	1	Plug, Sealing	
3	4460943	3	Pin, Male	
3	0840058	1	Boot	
4	4460933	1	Connector - 12 Position	
4	4460465	4	Socket, Female	
4	4460466	8	Plug, Sealing	
4	0840055	1	Boot	

SECTION 7 - ELECTRICAL

FIGURE 7-45. MDI (MULTIFUNCTION DIGITAL INDICATOR) HARNESS



ART_1001093556

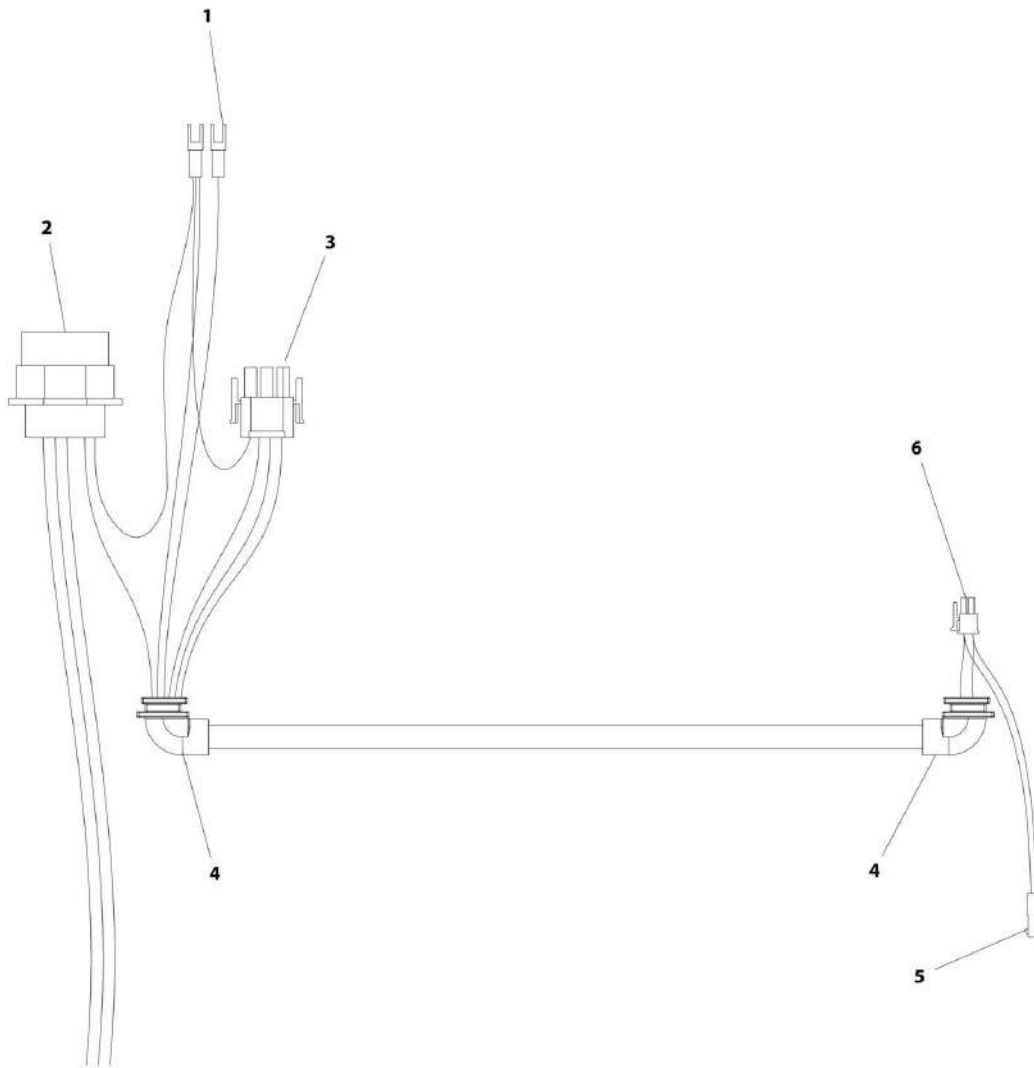
SECTION 7 - ELECTRICAL

FIGURE 7-45. MDI (MULTIFUNCTION DIGITAL INDICATOR) HARNESS

ITEM	PART NUMBER	QTY	DESCRIPTION	REV
	1001093556	Ref	MDI (MULTIFUNCTION DIGITAL INDICATOR) HARNESS	C
1	4460226	4	Socket, Female	
2	4460321	1	Plug, Male - 4 Position	
3	4460868	1	Plug, Male - 6 Position	
4	4460877	4	Terminal	
8	1001094105	1	Boot	

SECTION 7 - ELECTRICAL

FIGURE 7-46. PLATFORM BOX HARNESS



ART_4922870

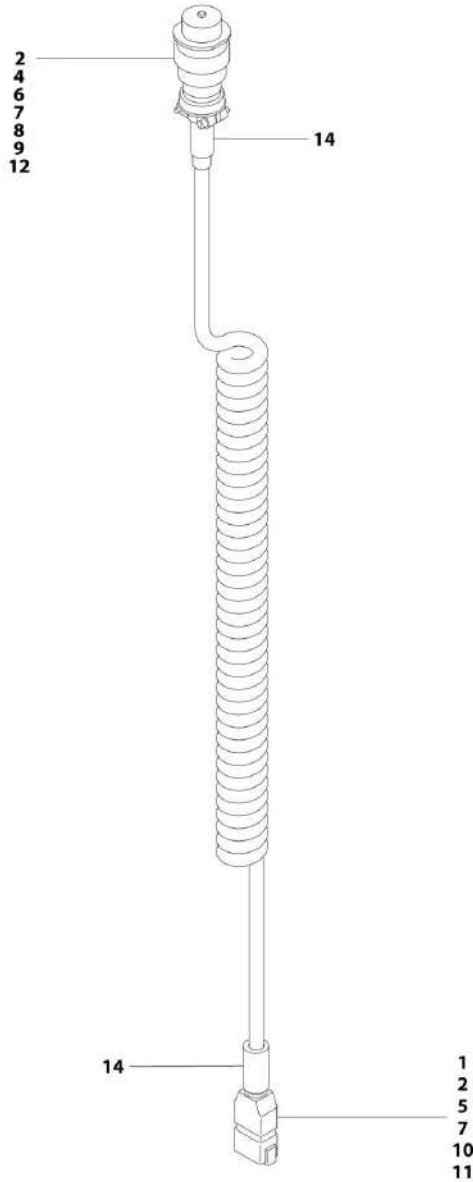
SECTION 7 - ELECTRICAL

FIGURE 7-46. PLATFORM BOX HARNESS

ITEM	PART NUMBER	QTY	DESCRIPTION	REV
1	4922870	Ref	PLATFORM BOX HARNESS	D
2	4461016	1	Connector - 14 Position	
2	4460464	6	Pin, Male	
2	4460466	8	Plug, Sealing	
2	4460496	1	Lockwasher	
2	4460497	1	Nut, Panel	
3	4460265	1	Plug, Male - 9 Position	
3	4460267	8	Pin, Male	
4	2540042	2	Grommet 90	
5	See Note	NSS	Receptacle, Female - 3 Position (Note: Not Available for Purchase)	
6	4461057	1	Plug, Male - 16 Position	

SECTION 7 - ELECTRICAL

FIGURE 7-47. PLATFORM CABLE ASSEMBLY (Prior to SN 0200262519, SN 1200025021 to Present, SN B200000100 to Present, Prior to SN M200010205)



ART_1001096706

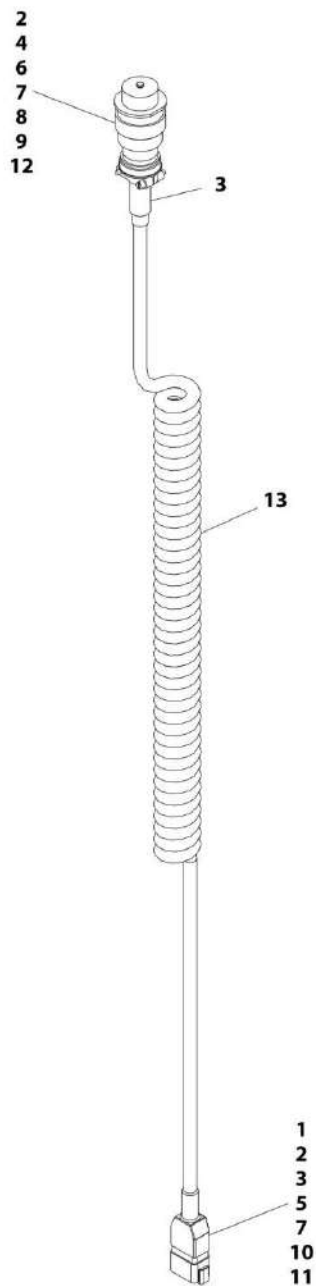
SECTION 7 - ELECTRICAL

FIGURE 7-47. PLATFORM CABLE ASSEMBLY (Prior to SN 0200262519, SN 1200025021 to Present, SN B200000100 to Present, Prior to SN M200010205)

ITEM	PART NUMBER	QTY	DESCRIPTION	REV
	1001096706	Ref	PLATFORM CABLE ASSEMBLY (Prior to SN 0200262519, SN 1200025021 to Present, SN B200000100 to Present, Prior to SN M200010205)	G
1	0840058	1	Boot, 8 Position Receptacle	
2	2820026	AR	Insulation, Clear Tubing	
4	3730119	1	Resistor	
5	4460464	4	Pin, Male	
6	4460465	4	Socket, Female	
7	4460466	8	Plug, Sealing	
8	4460493	1	Cap, Dust	
9	4460754	1	Connector -14 Position	
10	4460931	1	Receptacle, Female - 8 Position	
11	4460943	3	Pin, Male (Gold)	
12	4460944	3	Socket, Female	
14	2820028	AR	Heat Shrink	

SECTION 7 - ELECTRICAL

FIGURE 7-48. PLATFORM CABLE ASSEMBLY (SN 0200262519 to Present, SN M20010205 to Present)



ART_1001201243

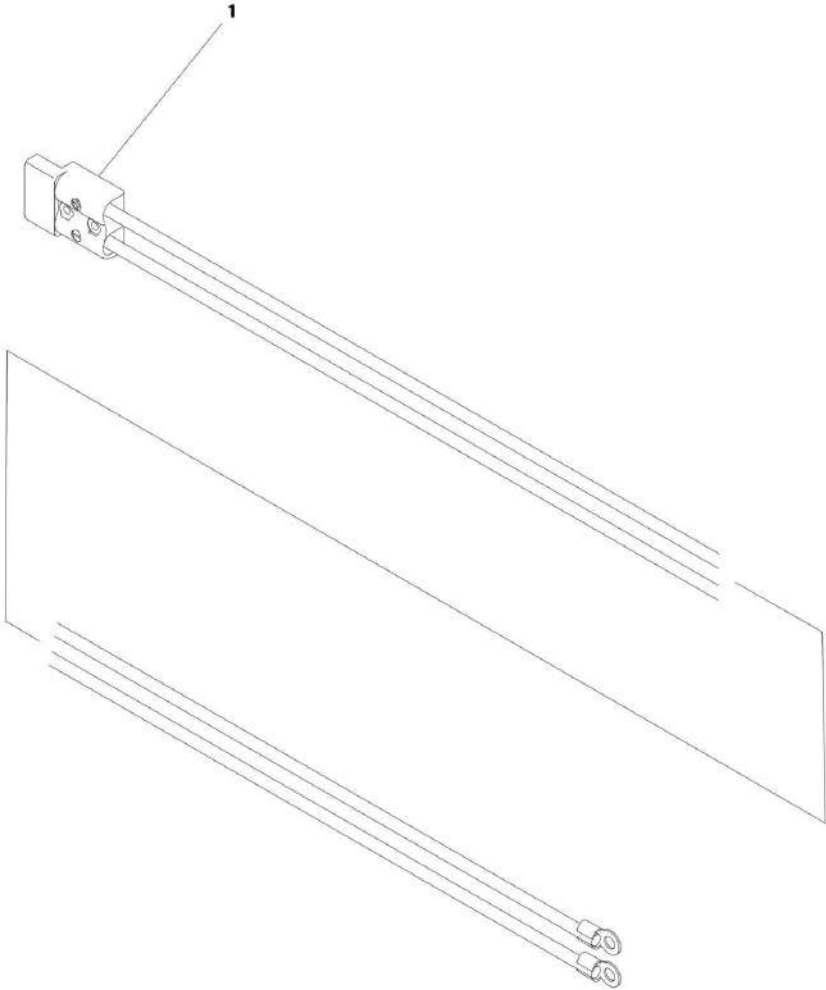
SECTION 7 - ELECTRICAL

FIGURE 7-48. PLATFORM CABLE ASSEMBLY (SN 0200262519 to Present, SN M20010205 to Present)

ITEM	PART NUMBER	QTY	DESCRIPTION	REV
	1001201243	Ref	PLATFORM CABLE ASSEMBLY (SN 0200262519 to Present, SN M200010205 to Present)	B
1	0840058	1	Boot, 8 Position Receptacle	
2	2820026	AR	Insulation, Clear Tubing	
3	2820028	AR	Heat Shrink	
4	3730119	1	Resistor	
5	4460464	4	Pin, Male	
6	4460465	4	Socket, Female	
7	4460466	8	Plug, Sealing	
8	4460493	1	Cap, Dust	
9	4460754	1	Connector -14 Position	
10	4460931	1	Receptacle, Female - 8 Position	
11	4460943	3	Pin, Male (Gold)	
12	4460944	3	Socket, Female	
13	1001201240	1	Cable, Platform Coil	

SECTION 7 - ELECTRICAL

FIGURE 7-49. PUMP POWER CABLE ASSEMBLY



ART_1001096794

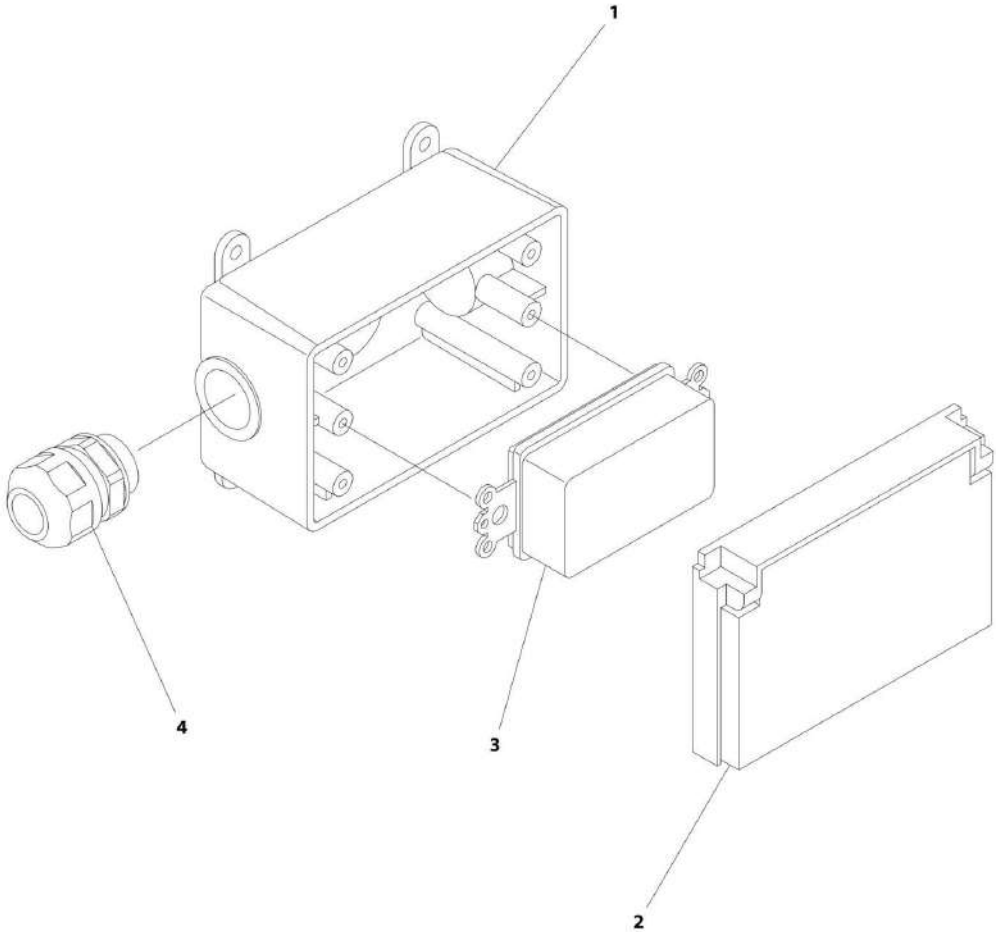
SECTION 7 - ELECTRICAL

FIGURE 7-49. PUMP POWER CABLE ASSEMBLY

ITEM	PART NUMBER	QTY	DESCRIPTION	REV
1	1001096794 4460778	Ref 1	PUMP POWER CABLE ASSEMBLY Connector, Anderson	C

SECTION 7 - ELECTRICAL

FIGURE 7-50. RECEPTACLE BOX KIT - 110V GFI



ART_2902431

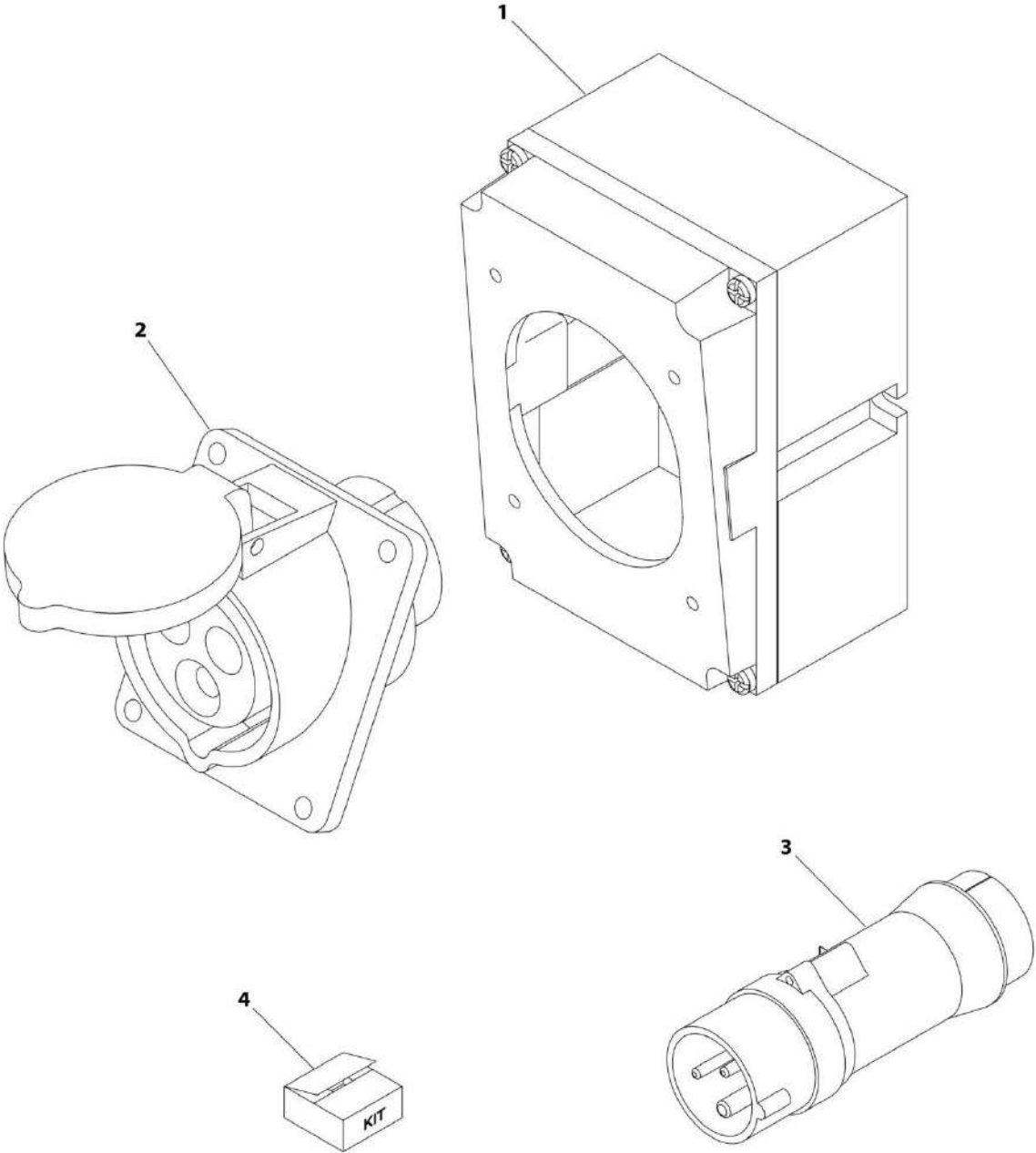
SECTION 7 - ELECTRICAL

FIGURE 7-50. RECEPTACLE BOX KIT - 110V GFI

ITEM	PART NUMBER	QTY	DESCRIPTION	REV
	2902431	Ref	RECEPTACLE BOX KIT - 110V GFI	C
1	0861731	1	Box, Receptacle	
2	1671207	1	Cover, Receptacle	
3	4460346	1	Receptacle	
4	4460662	1	Connector, Strain Relief	

SECTION 7 - ELECTRICAL

FIGURE 7-51. RECEPTACLE BOX KIT - 110V IEC YELLOW (CE SPEC)



ART_0275216

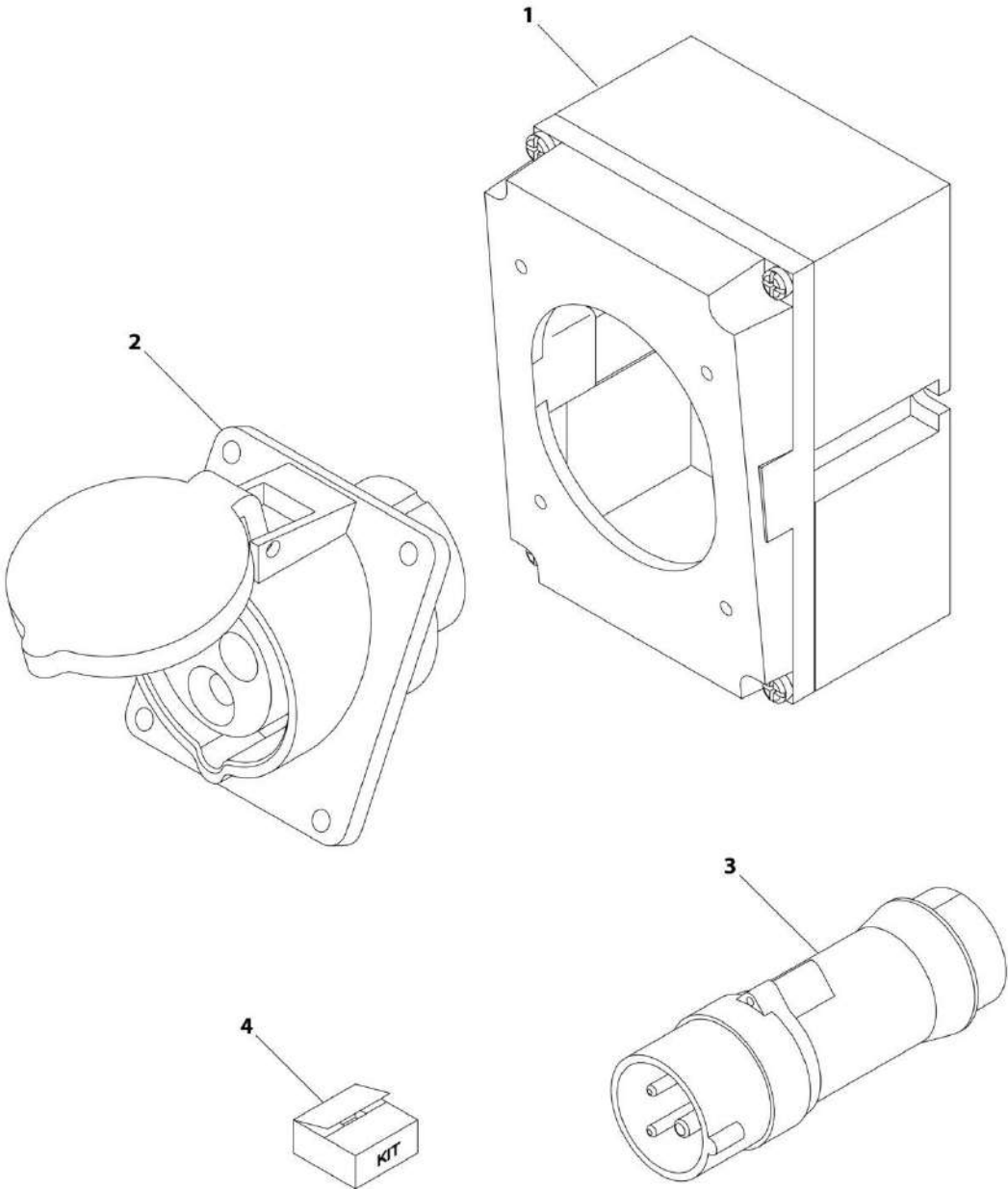
SECTION 7 - ELECTRICAL

FIGURE 7-51. RECEPTACLE BOX KIT - 110V IEC YELLOW (CE SPEC)

ITEM	PART NUMBER	QTY	DESCRIPTION	REV
	0275216	Ref	RECEPTACLE BOX KIT - 110V IEC YELLOW (CE SPEC)	1
1	0861781	1	Box, Switch	
2	4461198	1	Receptacle	
3	4461196	1	Plug, Male	
4	1001100341	1	Plug and Socket Kit (Includes Items 1-3 and Female Plug p/n 4461197)	

SECTION 7 - ELECTRICAL

FIGURE 7-52. RECEPTACLE BOX KIT - 220V IEC BLUE (CE SPEC)



ART. 0275217

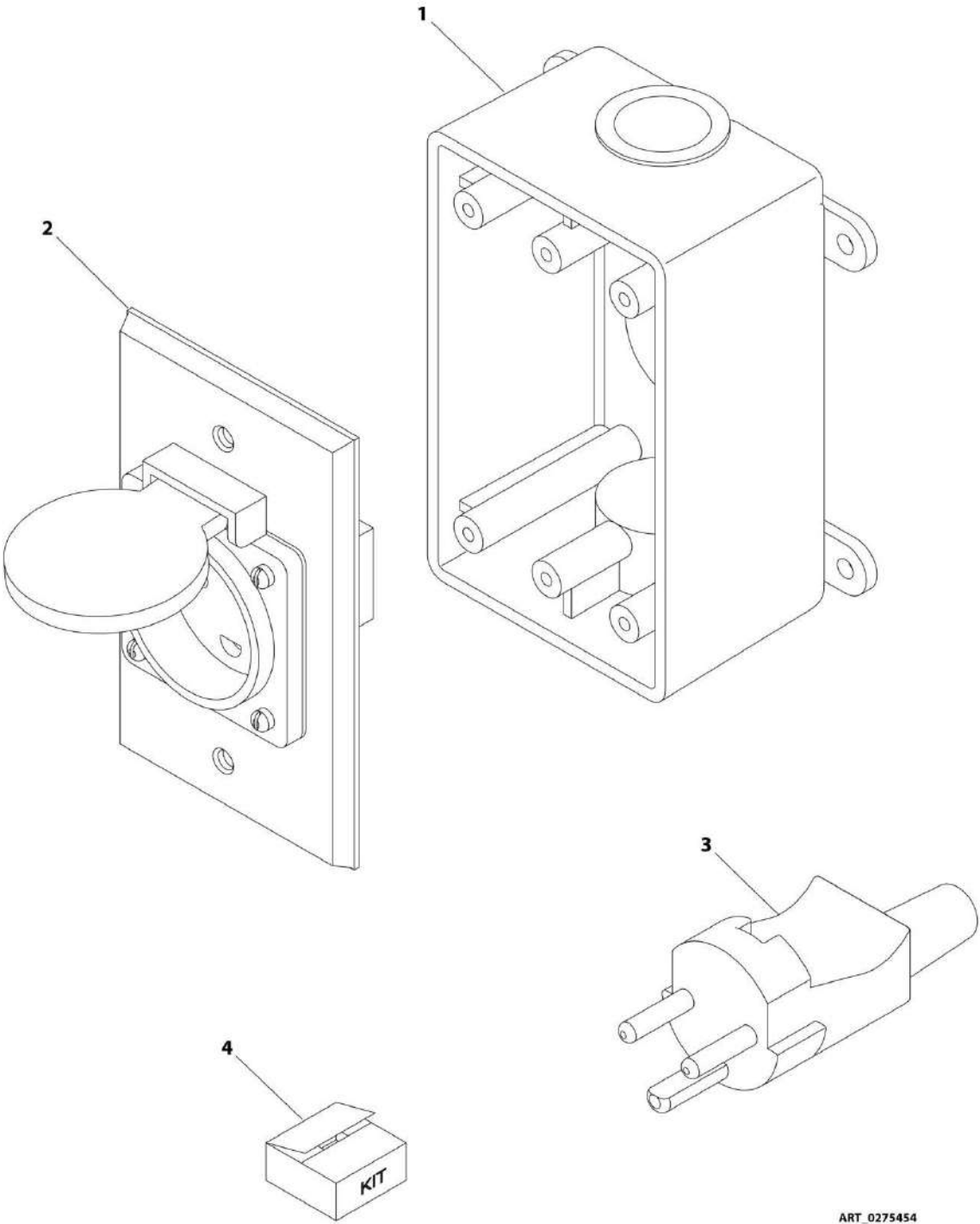
SECTION 7 - ELECTRICAL

FIGURE 7-52. RECEPTACLE BOX KIT - 220V IEC BLUE (CE SPEC)

ITEM	PART NUMBER	QTY	DESCRIPTION	REV
	0275217	Ref	RECEPTACLE BOX KIT - 220V IEC BLUE (CE SPEC)	1
1	0861781	1	Box, Switch	
2	4461201	1	Receptacle	
3	4461199	1	Plug, Male	
4	1001100342	1	Plug and Socket Kit (Includes Items 1-3 and Female Plug p/n 4461200)	

SECTION 7 - ELECTRICAL

FIGURE 7-53. RECEPTACLE BOX KIT - 220V AFSINT 107 (CE SPEC)



ART_0275454

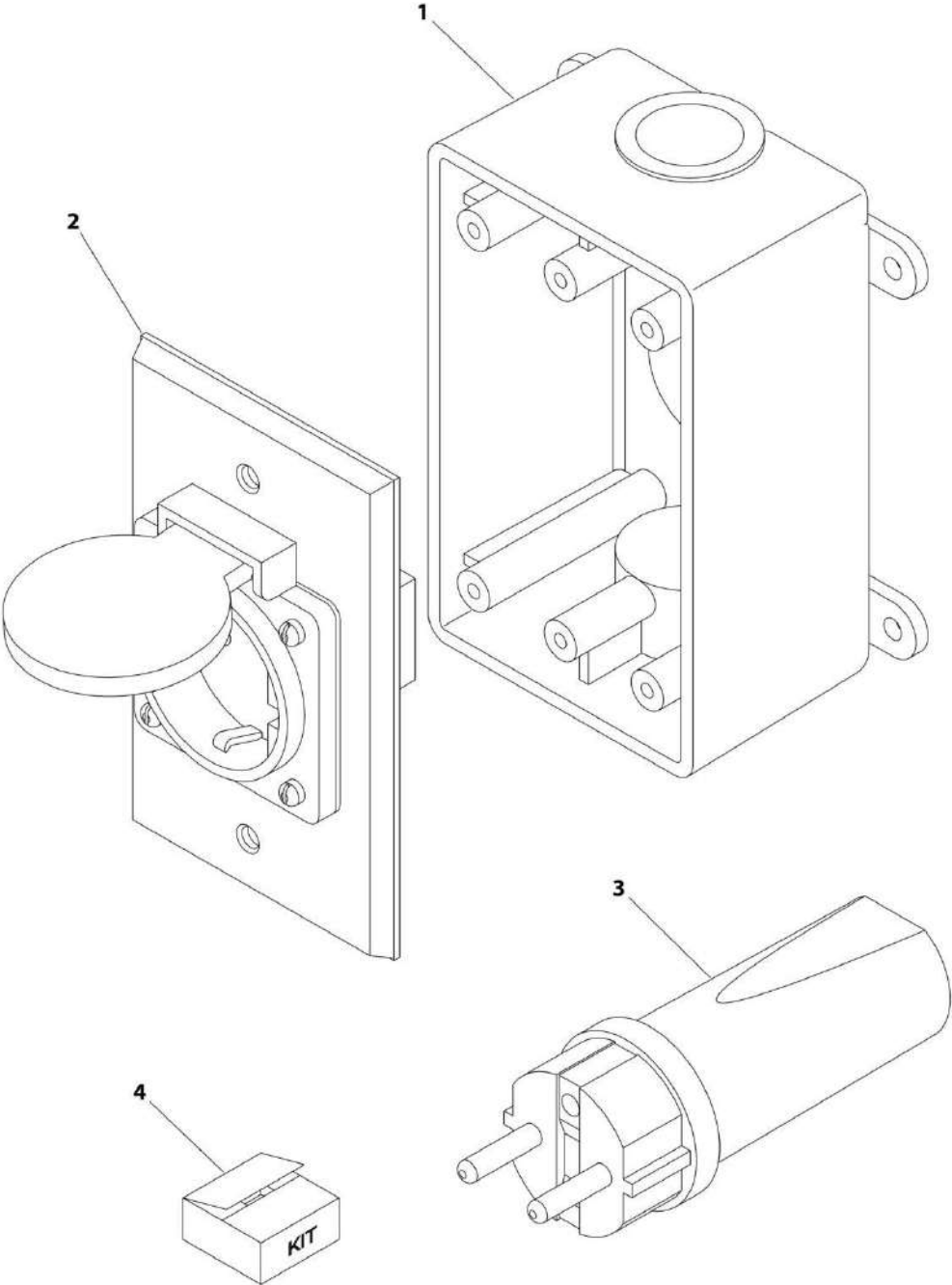
SECTION 7 - ELECTRICAL

FIGURE 7-53. RECEPTACLE BOX KIT - 220V AFSINT 107 (CE SPEC)

ITEM	PART NUMBER	QTY	DESCRIPTION	REV
	0275454	Ref	RECEPTACLE BOX KIT - 220V AFSINT 107 (CE SPEC)	1
1	0861731	1	Box, Switch	
2	4461246	1	Receptacle	
3	4461249	1	Plug, Male	
4	1001100346	1	Plug and Socket Kit (Includes Items 1-3 and Female Plug p/n 4461250)	

SECTION 7 - ELECTRICAL

FIGURE 7-54. RECEPTACLE BOX KIT - 220V CEE7 SIDE GROUND (CE SPEC)



ART_0275453

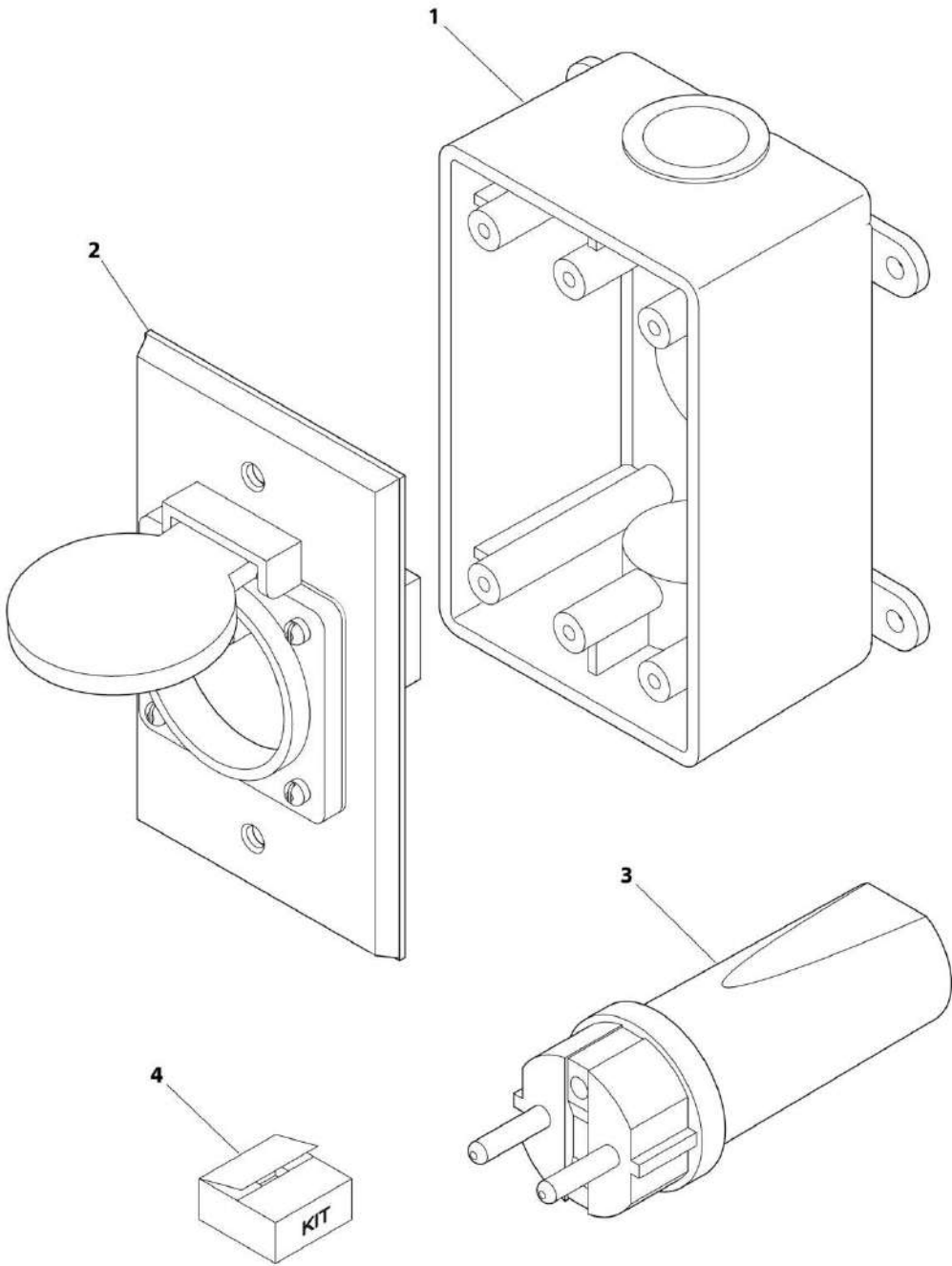
SECTION 7 - ELECTRICAL

FIGURE 7-54. RECEPTACLE BOX KIT - 220V CEE7 SIDE GROUND (CE SPEC)

ITEM	PART NUMBER	QTY	DESCRIPTION	REV
	0275453	Ref	RECEPTACLE BOX KIT - 220V CEE7 SIDE GROUND (CE SPEC)	1
1	0861731	1	Box, Switch	
2	4461245	1	Receptacle	
3	4461205	1	Plug, Male	
4	1001100347	1	Plug and Socket Kit (Includes Items 1-3 and Female Plug p/n 4461206)	

SECTION 7 - ELECTRICAL

FIGURE 7-55. RECEPTACLE BOX KIT - 220V CEE7 POST GROUND (CE SPEC)



ART_0275452

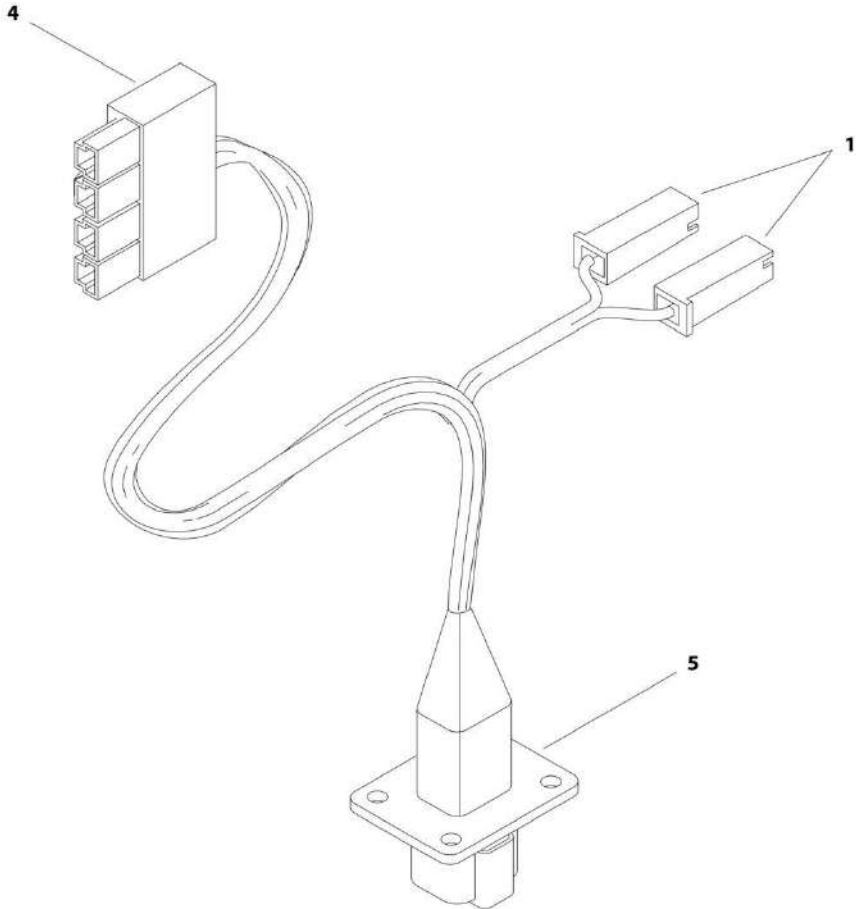
SECTION 7 - ELECTRICAL

FIGURE 7-55. RECEPTACLE BOX KIT - 220V CEE7 POST GROUND (CE SPEC)

ITEM	PART NUMBER	QTY	DESCRIPTION	REV
	0275452	Ref	RECEPTACLE BOX KIT - 220V CEE7 POST GROUND (CE SPEC)	C
1	0861731	1	Box, Switch	
2	4461244	1	Receptacle	
3	4461202	NLA	Plug, Male (Use p/n 4461205) (SN 0200239382 through 0200256617, SN B200020297 through B200037114, SN M200000100 through M200002249)	
3	4461205	1	Plug, Male (SN 0200256618 to Present, SN B200037115 to Present, SN M200002250 to Present)	
4	1001100345	1	Plug and Socket Kit (Includes Items 1-3 and Female Plug p/n 4461206)	

SECTION 7 - ELECTRICAL

FIGURE 7-56. WORKSTATION POWER HARNESS



ART_4923121

SECTION 7 - ELECTRICAL

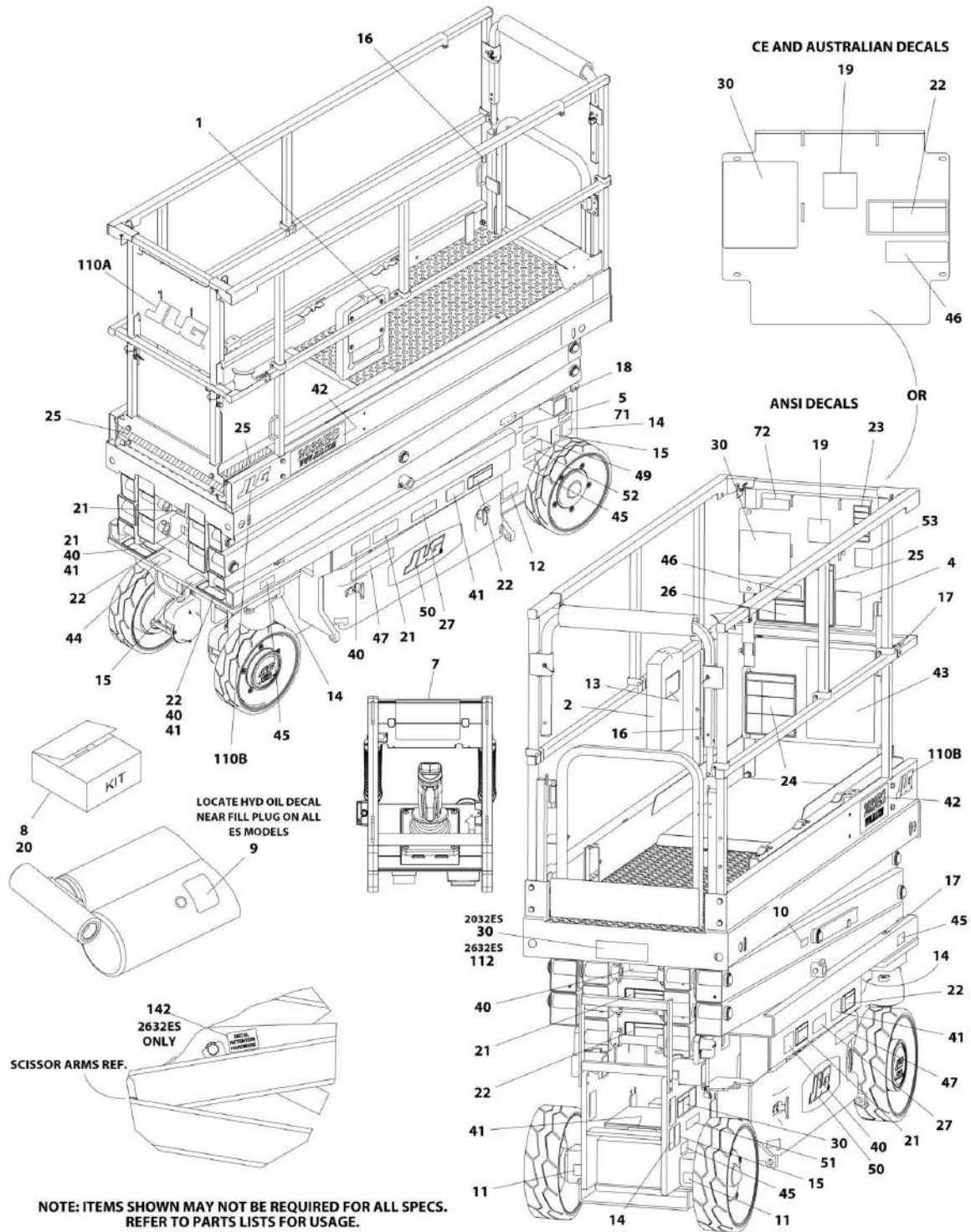
FIGURE 7-56. WORKSTATION POWER HARNESS

ITEM	PART NUMBER	QTY	DESCRIPTION	REV
	4923121	Ref	WORKSTATION POWER HARNESS	B
1	4460260	2	Housing, Terminal	
1	4460297	2	Terminal	
4	4460878	1	Connector - 4 Position	
4	4460887	4	Terminal	
5	4460885	1	Connector - 4 Position	
5	4460464	4	Pin, Male	

SECTION 8 - DECALS

SECTION 8 - DECALS

FIGURE 8-1. DECAL INSTALLATION - ANSI SPEC (ENGLISH)



ART_1001181268

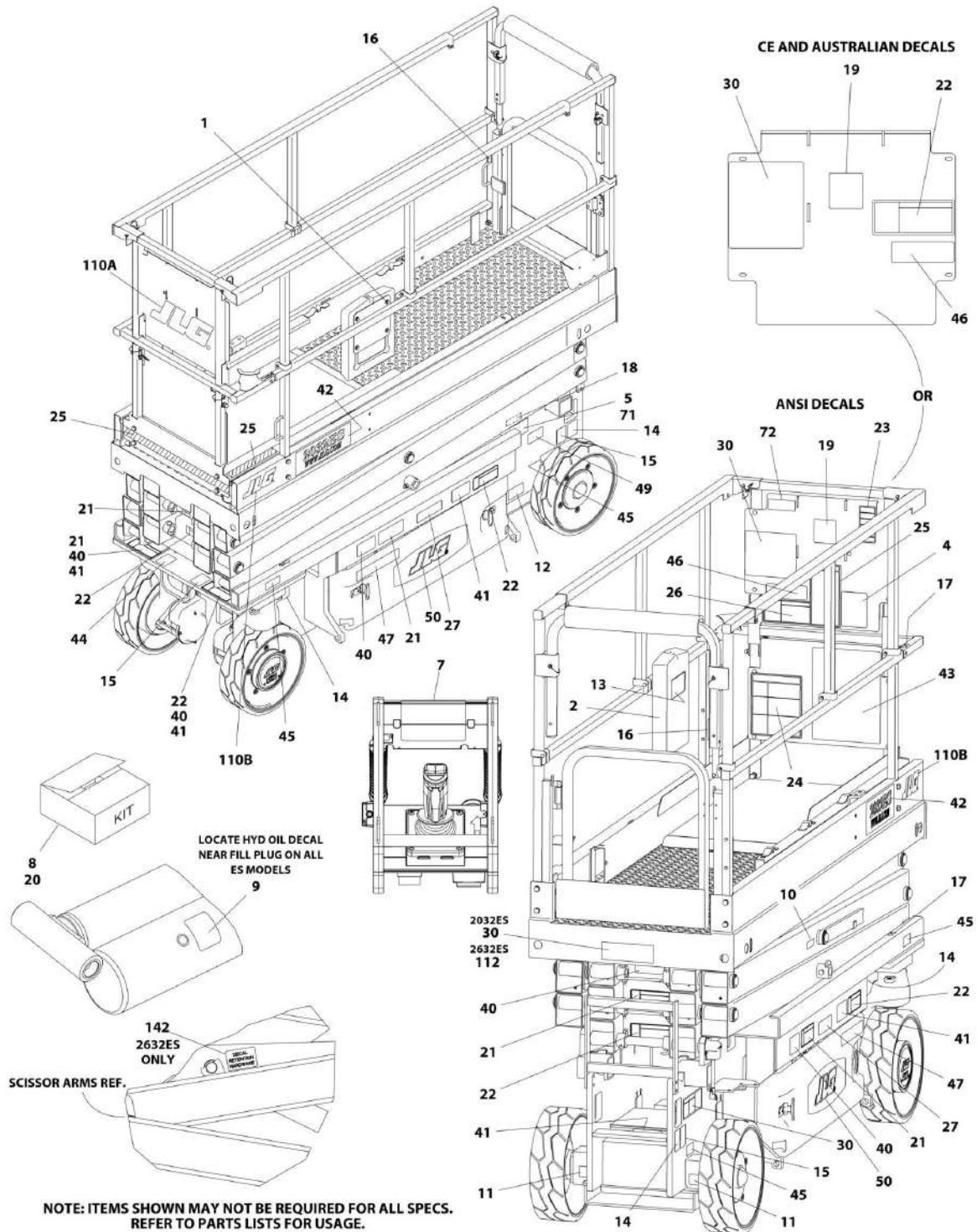
SECTION 8 - DECALS

FIGURE 8-1. DECAL INSTALLATION - ANSI SPEC (ENGLISH)

ITEM	PART NUMBER	QTY	DESCRIPTION	REV
	1001181268	Ref	DECAL INSTALLATION - ANSI SPEC (ENGLISH)	G
		Ref	Note: See DECAL INSTALLATION - OPTIONS for additional decals.	
1	2080040	4	Fastener	
2	0860520	1	Box, Manual Storage	
4	1001131270	1	Decal - Patent	
5	2080057	4	Fastener	
7	See Note	1	Decal - Bar Code (Note: Not Available for Purchase)	
8	2902267	1	Decal Kit - Master (Standard Decals) (Includes Items 9-19 & 44)	B
9	1704412	1	Decal - Hydraulic Oil	
10	1705693	1	Decal - Safety Prop	
11	1704016	2	Decal - Forklift	
12	1702155	1	Decal - Battery Disconnect	
13	1701509	1	Decal - Manual Reference	
14	1703811	4	Decal - Lifting Lugs	
15	1703814	3	Decal - Tie Down	
16	1704277	3	Decal - Lanyard Attach	
17	1703819	4	Decal - Directional Arrow	
18	1703822	1	Decal - Manual Descent Instructions	
19	1705692	1	Decal - Control Box Location	
20	2902522	1	Decal Kit - ANSI Spec (Includes Items 21-27)	B
21	1705694	4	Decal - Crushing	
22	1705695	4	Decal - Danger Electrocution	
23	1705686	1	Decal - Legend	
24	1705680	1	Decal - Danger/Warning	
25	1705679	1	Decal - Inspection	
26	1705681	1	Decal - Electrocution	
27	1703813	2	Decal - Warning Battery Ventilation	
44	1701499	1	Decal - No Lift (Part of Item 8)	
46	1001094359	1	Decal - Troubleshooting	
47	1001146794	2	Decal - See Manual	
49	1001216313	1	Decal - 24 Volts (SN 0200257823 to Present, SN B200037115 to Present, SN M200002935 to Present)	
50	1705754	2	Decal - JLG (SN 0200262223 to Present, SN B200038735 to Present, SN M200007881 to Present)	
51	1001223055	1	Decal - Yearly Inspection (SN B200045810 to Present, SN M200015222 to Present)	
52	1001228370	1	Decal - CSA Ices (SN B200045810 to Present, SN M200015222 to Present)	
53	1001231801	1	Decal - Prop 65 (SN B200051661 to Present, SN M200025381 to Present)	

SECTION 8 - DECALS

FIGURE 8-2. DECAL INSTALLATION - AUSTRALIAN SPEC (ENGLISH)



ART_1001181270

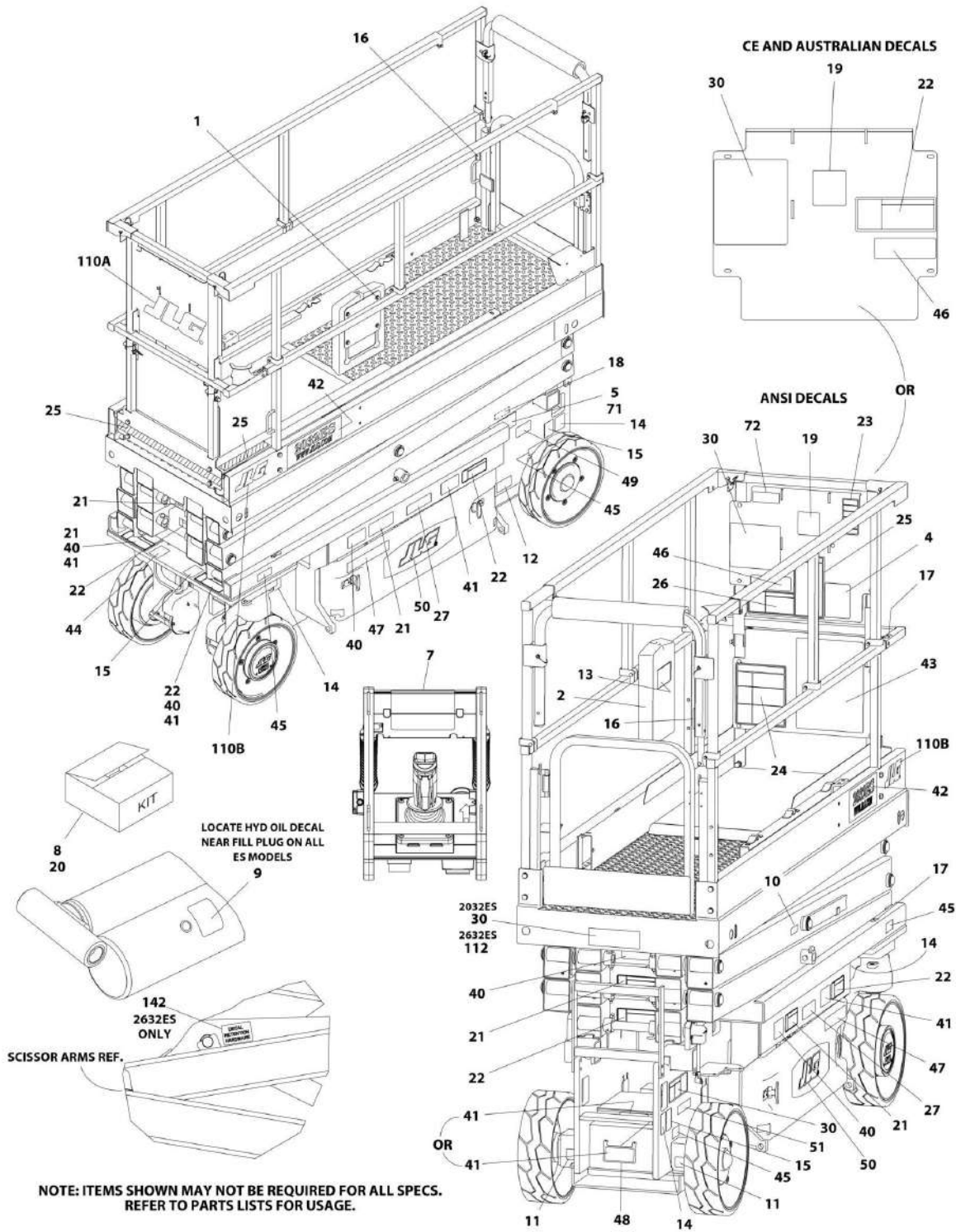
SECTION 8 - DECALS

FIGURE 8-2. DECAL INSTALLATION - AUSTRALIAN SPEC (ENGLISH)

ITEM	PART NUMBER	QTY	DESCRIPTION	REV
	1001181270	Ref	DECAL INSTALLATION - AUSTRALIAN SPEC (ENGLISH)	H
		Ref	Note: See DECAL INSTALLATION - OPTIONS for additional decals	
1	2080040	4	Fastener	
2	0860520	1	Box, Manual Storage	
5	2080057	4	Fastener	
7	See Note	1	Decal - Bar Code (Note: Not Available for Purchase)	
8	2902267	1	Decal Kit - Master (Standard Decals) (Includes Items 9-19 & 44)	B
9	1704412	1	Decal - Hydraulic Oil	
10	1705693	1	Decal - Safety Prop	
11	1704016	2	Decal - Forklift	
12	1702155	1	Decal - Battery Disconnect	
13	1701509	1	Decal - Manual Reference	
14	1703811	4	Decal - Lifting Lugs	
15	1703814	3	Decal - Tie Down	
16	1704277	3	Decal - Lanyard Attach	
17	1703819	4	Decal - Directional Arrow	
18	1703822	1	Decal - Manual Descent Instructions	
19	1705692	1	Decal - Control Box Location	
20	2902523	1	Decal Kit - Australian Spec (Includes Items 21, 22 & 27)	2
21	1705673	4	Decal - Crushing	
22	1705671	5	Decal - Electrocution	
27	1705670	2	Decal - Warning Battery Ventilation/Fire Hazard	
44	1701499	1	Decal - No Lift (Part of Item 8)	
46	1001094359	1	Decal - Troubleshooting	
47	1001146794	2	Decal - See Manual	
49	1001216313	1	Decal - 24 Volts (SN 0200257823 to Present, SN B200037115 to Present, SN M200002935 to Present)	
50	1705754	2	Decal - JLG (SN 0200262223 to Present, SN B200038735 to Present, SN M200007981 to Present)	

SECTION 8 - DECALS

FIGURE 8-3. DECAL INSTALLATION - BRAZIL SPEC (PORTUGUESE/SPANISH)



ART_1001181273

SECTION 8 - DECALS

FIGURE 8-3. DECAL INSTALLATION - BRAZIL SPEC (PORTUGUESE/SPANISH)

ITEM	PART NUMBER	QTY	DESCRIPTION	REV
	1001181273	Ref	DECAL INSTALLATION - BRAZIL SPEC (PORTUGUESE/SPANISH)	H
		Ref	Note: See DECAL INSTALLATION - OPTIONS for additional decals.	
1	2080040	4	Fastener	
2	0860520	1	Box, Manual Storage	
5	2080057	4	Fastener	
7	See Note	1	Decal - Bar Code (Note: Not Available for Purchase)	
8	2902267	1	Decal Kit - Master (Standard Decals) (Includes Items 9-19 & 44)	B
9	1704412	1	Decal - Hydraulic Oil	
10	1705693	1	Decal - Safety Prop	
11	1704016	2	Decal - Forklift	
12	1702155	1	Decal - Battery Disconnect	
13	1701509	1	Decal - Manual Reference	
14	1703811	4	Decal - Lifting Lugs	
15	1703814	3	Decal - Tie Down	
16	1704277	3	Decal - Lanyard Attach	
17	1703819	4	Decal - Directional Arrow	
18	1703822	1	Decal - Manual Descent Instructions	
19	1705692	1	Decal - Control Box Location	
20	2902526	1	Decal Kit - Brazil Spec (Includes Items 21-27, 40 & 41)	B
21	1705722	5	Decal - Warning Crushing Hazard	
22	1703834	4	Decal - Warning/Danger	
23	1705726	1	Decal - Legend	
24	1705894	1	Decal - Danger/Warning	
25	1705727	1	Decal - Inspection	
26	1705721	1	Decal - Electrocutation	
27	1704341	2	Decal - Warning Battery Ventilation	
40	1705725	4	Decal - Crushing Hazard	
41	1705724	4	Decal - Electrocutation	
43	1705719	1	Decal - Danger/Warning	
44	1701499	1	Decal - No Lift (Part of Item 8)	
46	1001094359	1	Decal - Troubleshooting	
47	1001146794	2	Decal - See Manual	
48	1001210849	1	Bracket, Decal (SN 0200253961 to Present, SN B200031076 to Present, SN M200001405 to Present)	
49	1001216313	1	Decal - 24 Volts (SN 0200257823 to Present, SN B200037115 to Present, SN M200002935 to Present)	
50	1705754	2	Decal - JLG (SN 0200262223 to Present, SN B200038735 to Present, SN M200007981 to Present)	
51	1001224052	1	Decal - Yearly Inspection (SN B200045810 to Present, SN M200015222 to Present)	

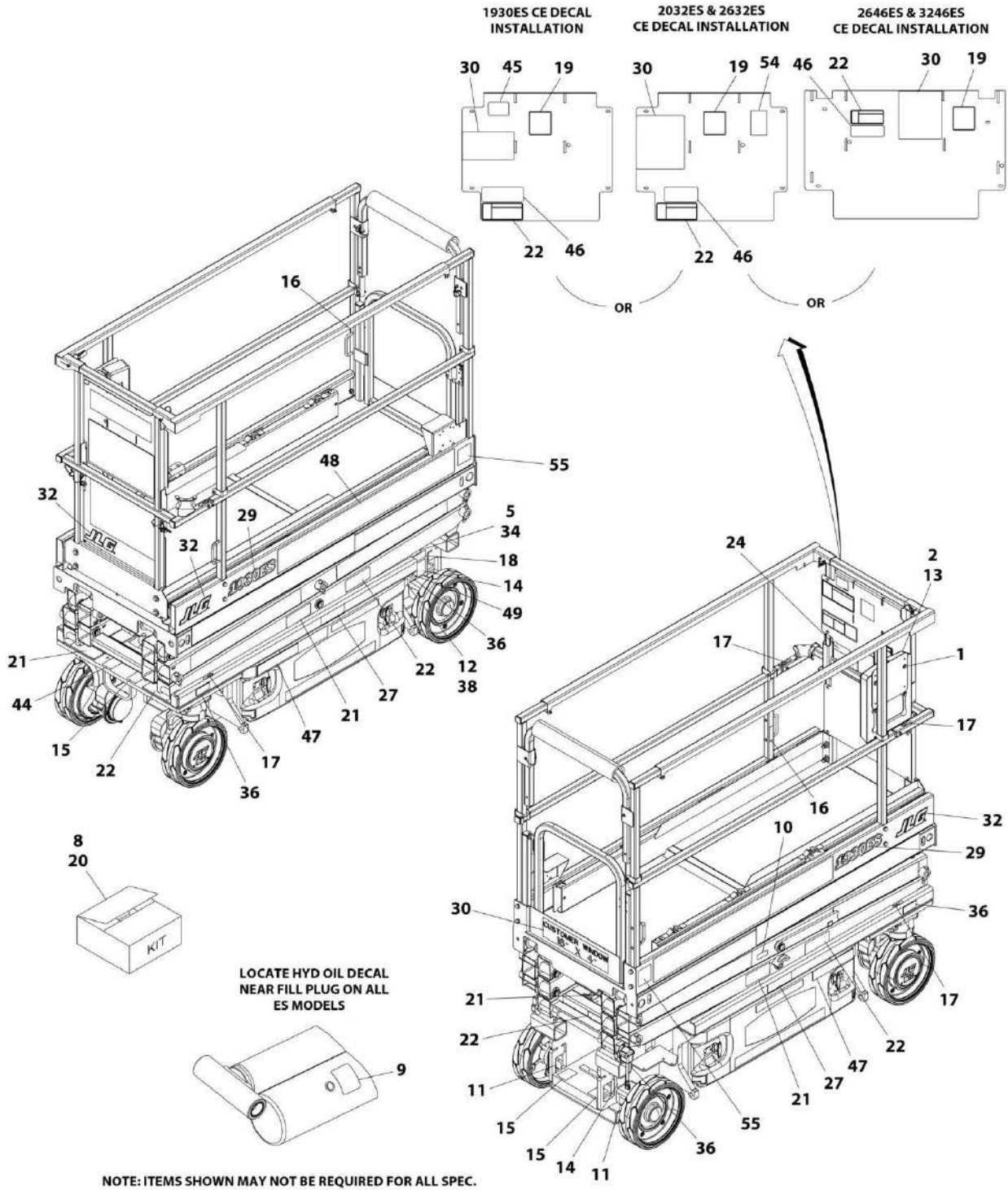
SECTION 8 - DECALS

FIGURE 8-4. DECAL INSTALLATION - CE SPEC (ENGLISH)

ITEM	PART NUMBER	QTY	DESCRIPTION	REV
	1001181267	Ref	DECAL INSTALLATION - REFERENCE CHART (Prior to SN 0200262223 , Prior to SN B200038735 , Prior to SN M200007981)	H
	1001217327	Ref	DECAL INSTALLATION - REFERENCE CHART (SN 0200262223 to Present, SN 1200025021 to Present, SN B200038735 to Present, SN M200007981 to Present)	B
	1001181269	Ref	DECAL INSTALLATION - CE SPEC (ENGLISH)	G
		Ref	Note: See DECAL INSTALLATION - OPTIONS for additional decals.	
1	2080040	4	Fastener	
2	0860520	1	Box, Manual Storage	
5	2080057	4	Fastener	
7	See Note	1	Decal - Bar Code (Note: Not Available for Purchase)	
8	2902267	1	Decal Kit - Master (Standard Decals) (Includes Items 9-19 & 44)	B
9	1704412	1	Decal - Hydraulic Oil	
10	1705693	1	Decal - Safety Prop	
11	1704016	2	Decal - Forklift	
12	1702155	1	Decal - Battery Disconnect	
13	1701509	1	Decal - Manual Reference	
14	1703811	4	Decal - Lifting Lugs	
15	1703814	3	Decal - Tie Down	
16	1704277	3	Decal - Lanyard Attach	
17	1703819	4	Decal - Directional Arrow	
18	1703822	1	Decal - Manual Descent Instructions	
19	1705692	1	Decal - Control Box Location	
20	2902523	1	Decal Kit - CE Spec (Includes Items 21, 22 & 27)	2
21	1705673	4	Decal - Crushing	
22	1705671	5	Decal - Electrocutation	
27	1705670	2	Decal - Warning Battery Ventilation/Fire Hazard	
32	1705781	3	Decal - JLG (SN 0200262223 to Present, SN 1200025021 to Present, SN B200038735 to Present, SN M200007981 to Present)	
44	1701499	1	Decal - No Lift (Part of Item 8)	
46	1001094359	1	Decal - Troubleshooting	
47	1001146795	2	Decal - See Manual	
49	1001216313	1	Decal - 24 Volts (SN 0200257823 to Present, SN 1200025021 to Present, SN B200037115 to Present, SN M200002935 to Present)	

SECTION 8 - DECALS

FIGURE 8-5. DECAL INSTALLATION - CHINA SPEC (GB)



ART_1001232541

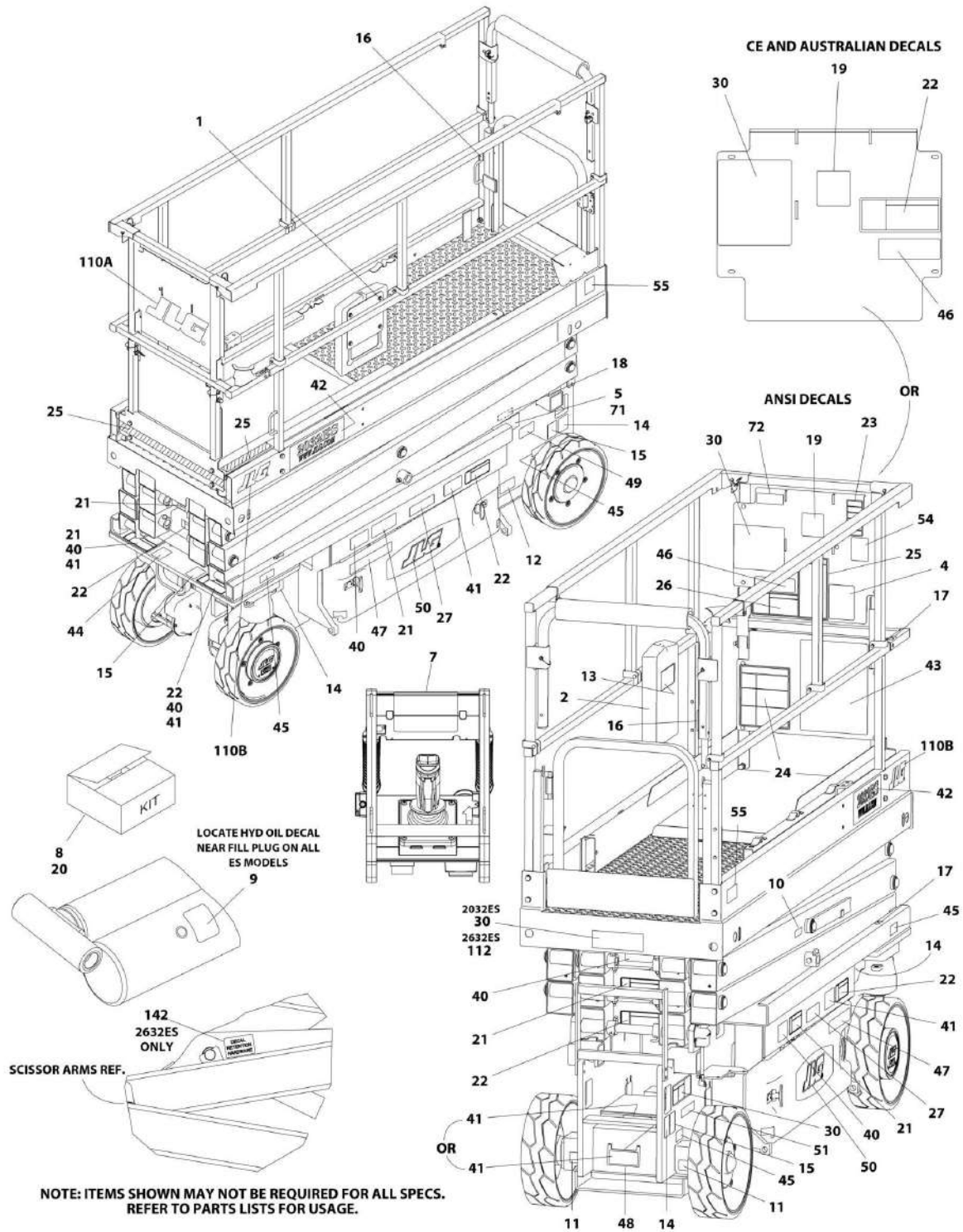
SECTION 8 - DECALS

FIGURE 8-5. DECAL INSTALLATION - CHINA SPEC (GB)

ITEM	PART NUMBER	QTY	DESCRIPTION	REV
	1001232541	Ref	DECAL INSTALLATION - CHINA SPEC (GB)	B
		Ref	Note: See DECAL INSTALLATION - OPTIONS for additional decals.	
1	2080040	4	Fastener	
2	0860520	1	Box, Manual Storage	
5	2080057	4	Fastener	
8	2902267	1	Decal Kit - Master (Standard Decals) (Includes Items 9-19 & 44)	B
9	1704412	1	Decal - Hydraulic Oil	
10	1705693	1	Decal - Safety Prop	
11	1704016	2	Decal - Forklift	
12	1702155	1	Decal - Battery Disconnect	
13	1701509	1	Decal - Manual Reference	
14	1703811	4	Decal - Lifting Lugs	
15	1703814	3	Decal - Tie Down	
16	1704277	3	Decal - Lanyard Attach	
17	1703819	4	Decal - Directional Arrow	
18	1703822	1	Decal - Manual Descent Instructions	
19	1705692	1	Decal - Control Box Location	
20	2902523	1	Decal Kit - CE Spec (Includes Items 21, 22 & 27)	2
21	1705673	4	Decal - Crushing	
22	1705671	5	Decal - Electrocution	
27	1705670	2	Decal - Warning Battery Ventilation/Fire Hazard	
32	1705781	3	Decal - JLG	
44	1701499	1	Decal - No Lift (Part of Item 8)	
46	1001094359	1	Decal - Troubleshooting	
47	1001146794	2	Decal - See Manual	
49	1001216313	1	Decal - 24 Volts	
54	1001244301	1	Decal - No Over the Rail to Ground (SN B200051661 to Present, SN M200025381 to Present)	
55	1001244298	1	Decal - Wechat (SN B200051661 to Present, SN M200025381 to Present)	

SECTION 8 - DECALS

FIGURE 8-6. DECAL INSTALLATION - CHINESE SPEC (CHINESE/ENGLISH)



ART_1001181274

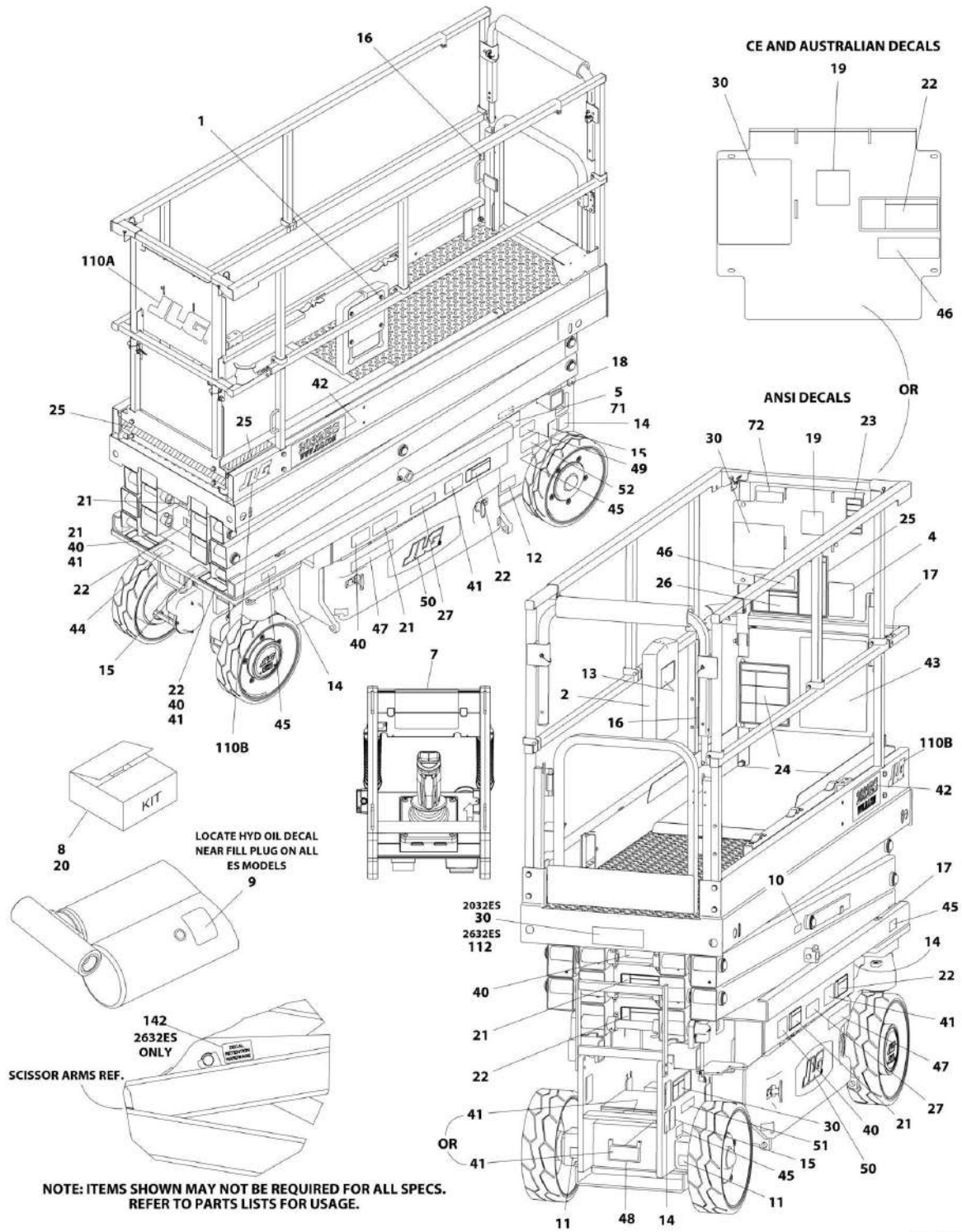
SECTION 8 - DECALS

FIGURE 8-6. DECAL INSTALLATION - CHINESE SPEC (CHINESE/ENGLISH)

ITEM	PART NUMBER	QTY	DESCRIPTION	REV
	1001181274	Ref	DECAL INSTALLATION - CHINESE SPEC (CHINESE/ENGLISH)	H
		Ref	Note: See DECAL INSTALLATION - OPTIONS for additional decals.	
1	2080040	4	Fastener	
2	0860520	1	Box, Manual Storage	
5	2080057	4	Fastener	
7	See Note	1	Decal - Bar Code (Note: Not Available for Purchase)	
8	2902267	1	Decal Kit - Master (Standard Decals) (Includes Items 9-19 & 44)	B
9	1704412	1	Decal - Hydraulic Oil	
10	1705693	1	Decal - Safety Prop	
11	1704016	2	Decal - Forklift	
12	1702155	1	Decal - Battery Disconnect	
13	1701509	1	Decal - Manual Reference	
14	1703811	4	Decal - Lifting Lugs	
15	1703814	3	Decal - Tie Down	
16	1704277	3	Decal - Lanyard Attach	
17	1703819	4	Decal - Directional Arrow	
18	1703822	1	Decal - Manual Descent Instructions	
19	1705692	1	Decal - Control Box Location	
20	2902528	1	Decal Kit - Chinese Spec (Includes Items 21-27, 40 & 41)	B
21	1705694	4	Decal - Crushing	
22	1705695	4	Decal - Danger	
23	1705946	1	Decal - Legend	
24	1705680	1	Decal - Danger/Warning	
25	1705679	1	Decal - Inspection	
26	1705681	1	Decal - Electrocution	
27	1704344	2	Decal - Warning Battery Ventilation	
40	1705943	4	Decal - Crushing	
41	1705944	4	Decal - Electrocution	
43	1705945	1	Decal - Danger/Warning	
44	1701499	1	Decal - No Lift (Part of Item 8)	
46	1001094359	1	Decal - Troubleshooting	
47	1001146794	2	Decal - See Manual	
48	1001210849	1	Bracket, Decal (SN 0200253961 to Present, SN B200031076 to Present, SN M200001405 to Present)	
49	1001216313	1	Decal - 24 Volts (SN 0200257823 to Present, SN B200037115 to Present, SN M200002935 to Present)	
50	1705754	2	Decal - JLG (SN 0200262223 to Present, SN B200038735 to Present, SN M200007981 to Present)	
51	1001224050	1	Decal - Yearly Inspection (SN B200045810 to Present, SN M200015222 to Present)	
54	1001244301	1	Decal - No Over the Rail to Ground (SN B200051661 to Present, SN M200025381 to Present)	
55	1001244298	1	Decal - Wechat (SN B200051661 to Present, SN M200025381 to Present)	

SECTION 8 - DECALS

FIGURE 8-7. DECAL INSTALLATION - CSA SPEC (ENGLISH/FRENCH)



ART_1001181271

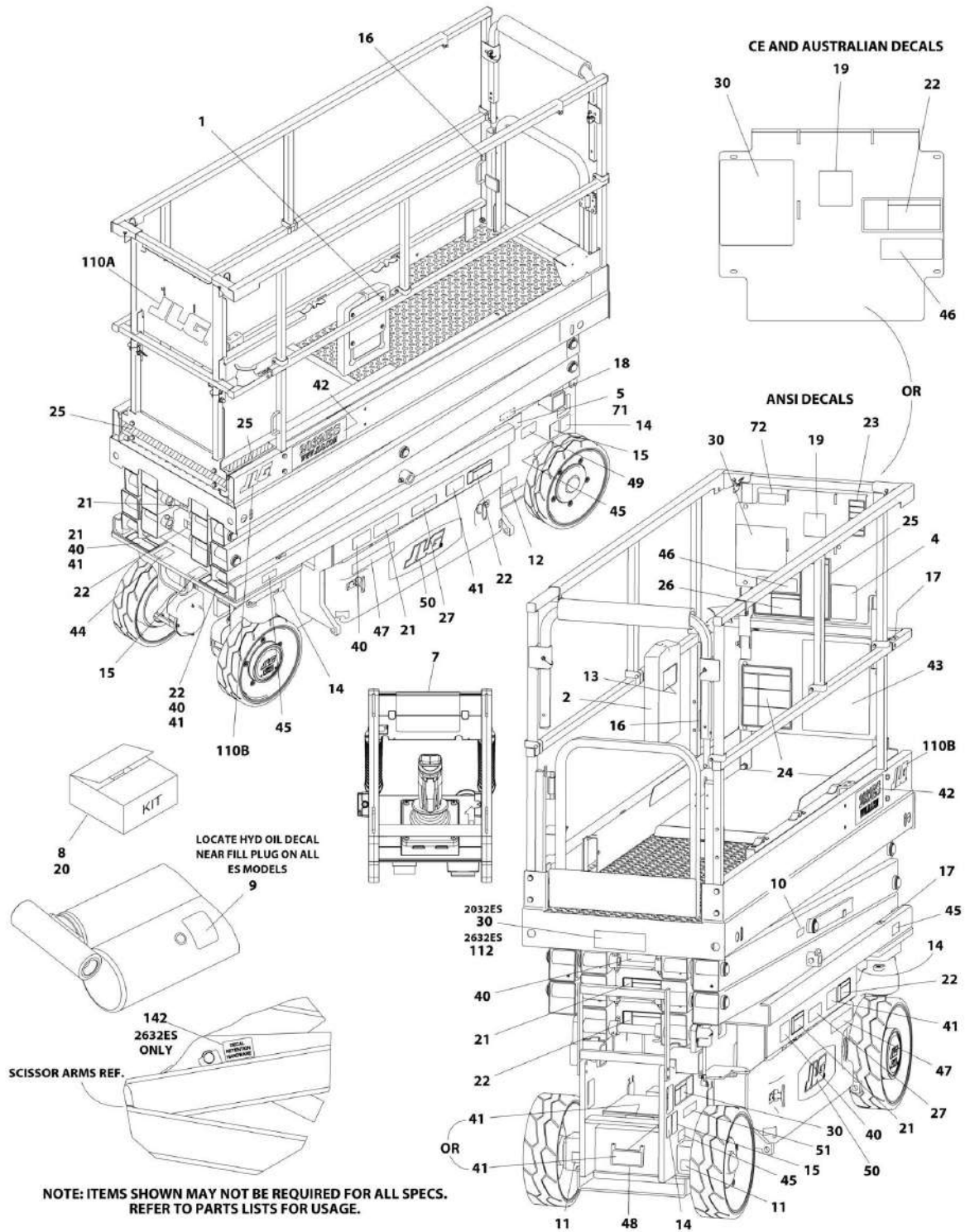
SECTION 8 - DECALS

FIGURE 8-7. DECAL INSTALLATION - CSA SPEC (ENGLISH/FRENCH)

ITEM	PART NUMBER	QTY	DESCRIPTION	REV
	1001181271	Ref	DECAL INSTALLATION - CSA SPEC (ENGLISH/FRENCH)	H
		Ref	Note: See DECAL INSTALLATION - OPTIONS for additional decals.	
1	2080040	4	Fastener	
2	0860520	1	Box, Manual Storage	
4	1001131270	1	Decal - Patent	
5	2080057	4	Fastener	
7	See Note	1	Decal - Bar Code (Note: Not Available for Purchase)	
8	2902267	1	Decal Kit - Master (Standard Decals) (Includes Items 9-19 & 44)	B
9	1704412	1	Decal - Hydraulic Oil	
10	1705693	1	Decal - Safety Prop	
11	1704016	2	Decal - Forklift	
12	1702155	1	Decal - Battery Disconnect	
13	1701509	1	Decal - Manual Reference	
14	1703811	4	Decal - Lifting Lugs	
15	1703814	3	Decal - Tie Down	
16	1704277	3	Decal - Lanyard Attach	
17	1703819	4	Decal - Directional Arrow	
18	1703822	1	Decal - Manual Descent Instructions	
19	1705692	1	Decal - Control Box Location	
20	2902524	1	Decal Kit - CSA Spec (Includes Items 21-27, 40 & 41)	B
21	1705694	4	Decal - Crushing	
22	1705695	4	Decal - Warning/Danger	
23	1705723	1	Decal - Legend	
24	1705680	1	Decal - Danger/Warning	
25	1705679	1	Decal - Inspection	
26	1705681	1	Decal - Electrocutation	
27	1704340	2	Decal - Warning Battery Ventilation	
40	1705717	4	Decal - Crushing	
41	1705718	4	Decal - Electrocutation	
43	3252098	1	Nameplate - Warning/Danger	
44	1701499	1	Decal - No Lift (Part of Item 8)	
46	1001094359	1	Decal - Troubleshooting	
47	1001146794	2	Decal - See Manual	
48	1001210849	1	Bracket, Decal (SN 0200253961 to Present, SN B200031076 to Present, SN M200001405 to Present)	
49	1001216313	1	Decal - 24 Volts (SN 0200257823 to Present, SN B200037115 to Present, SN M200002935 to Present)	
50	1705754	2	Decal - JLG (SN 0200262223 to Present, SN B200038735 to Present, SN M200007981 to Present)	
51	1001223971	1	Decal - Yearly Inspection (SN B200045810 to Present, SN M200015222 to Present)	
52	1001228370	1	Decal - CSA Ices (SN B200045810 to Present, SN M200015222 to Present)	

SECTION 8 - DECALS

FIGURE 8-8. DECAL INSTALLATION - KOREAN SPEC (KOREAN/ENGLISH)



ART_1001181275

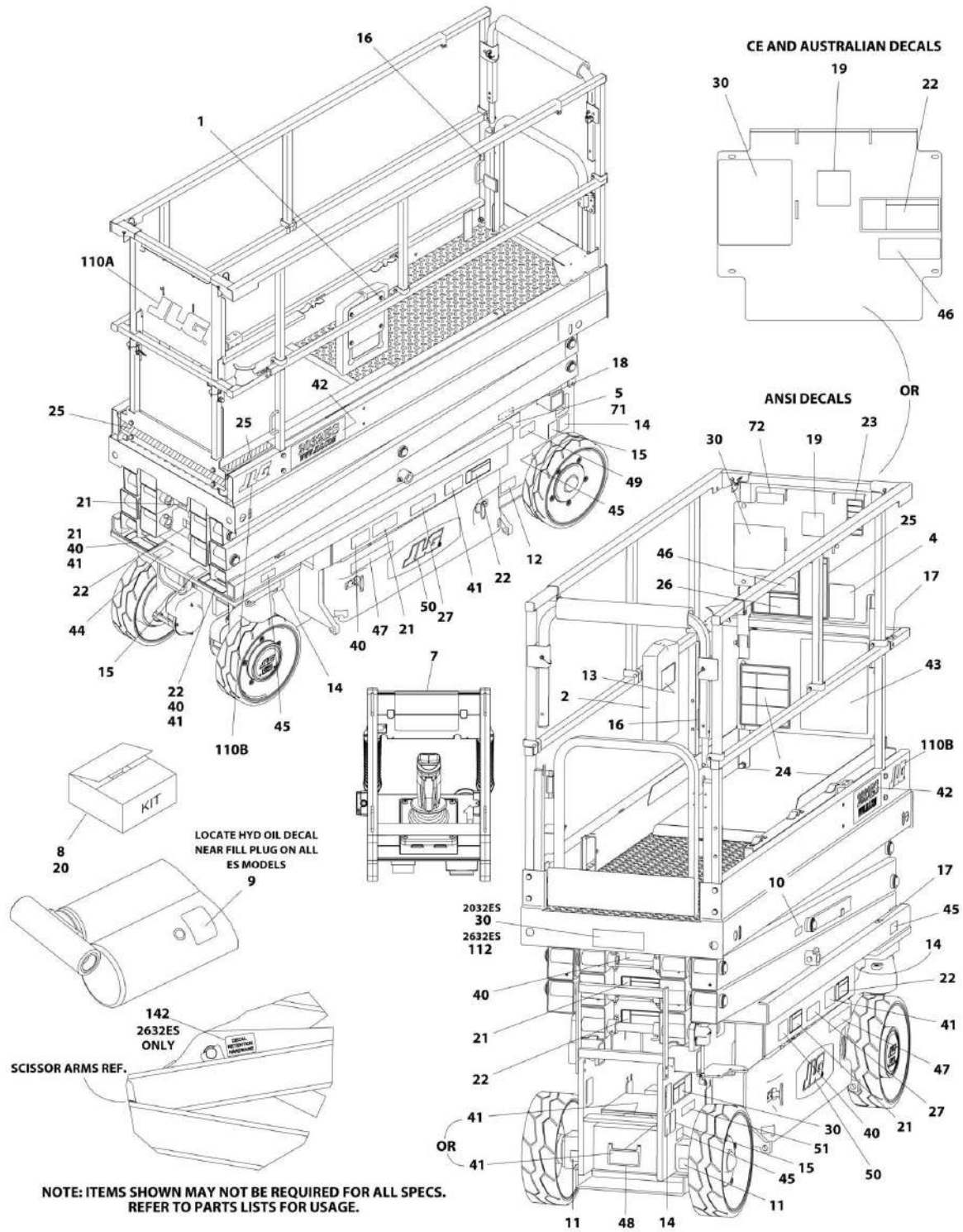
SECTION 8 - DECALS

FIGURE 8-8. DECAL INSTALLATION - KOREAN SPEC (KOREAN/ENGLISH)

ITEM	PART NUMBER	QTY	DESCRIPTION	REV
	1001181275	Ref	DECAL INSTALLATION - KOREAN SPEC (KOREAN/ENGLISH)	H
		Ref	Note: See DECAL INSTALLATION - OPTIONS for additional decals.	
1	2080040	4	Fastener	
2	0860520	1	Box, Manual Storage	
5	2080057	4	Fastener	
7	See Note	1	Decal - Bar Code (Note: Not Available for Purchase)	
8	2902267	1	Decal Kit - Master (Standard Decals) (Includes Items 9-19 & 44)	B
9	1704412	1	Decal - Hydraulic Oil	
10	1705693	1	Decal - Safety Prop	
11	1704016	2	Decal - Forklift	
12	1702155	1	Decal - Battery Disconnect	
13	1701509	1	Decal - Manual Reference	
14	1703811	4	Decal - Lifting Lugs	
15	1703814	3	Decal - Tie Down	
16	1704277	3	Decal - Lanyard Attach	
17	1703819	4	Decal - Directional Arrow	
18	1703822	1	Decal - Manual Descent Instructions	
19	1705692	1	Decal - Control Box Location	
20	2902532	1	Decal Kit - Korean Spec (Includes Items 21-27, 40 & 41)	2
21	1705694	4	Decal - Crushing	
22	1705695	4	Decal - Danger Electrocution	
23	1706057	1	Decal - Legend	
24	1705680	1	Decal - Danger/Warning	
25	1705679	1	Decal - Inspection	
26	1705681	1	Decal - Electrocution	
27	1707022	2	Decal - Warning Battery Ventilation	
40	1706052	4	Decal - Crushing Hazard	
41	1706056	4	Decal - Danger Electrocution	
43	1706053	1	Decal - Danger/Warning	
44	1701499	1	Decal - No Lift (Part of Item 8)	
46	1001094359	1	Decal - Troubleshooting	
47	1001146794	2	Decal - See Manual	
48	1001210849	1	Bracket, Decal (SN 0200253961 to Present, SN B200031076 to Present, SN M200001405 to Present)	
49	1001216313	1	Decal - 24 Volts (SN 0200257823 to Present, SN B200037115 to Present, SN M200002935 to Present)	
50	1705754	2	Decal - JLG (SN 0200262223 to Present, SN B200038735 to Present, SN M200007981 to Present)	
51	1001224048	1	Decal - Yearly Inspection (SN B200045810 to Present, SN M200015222 to Present)	

SECTION 8 - DECALS

FIGURE 8-9. DECAL INSTALLATION - LATIN AMERICAN SPEC (ENGLISH/SPANISH)



ART_1001181272

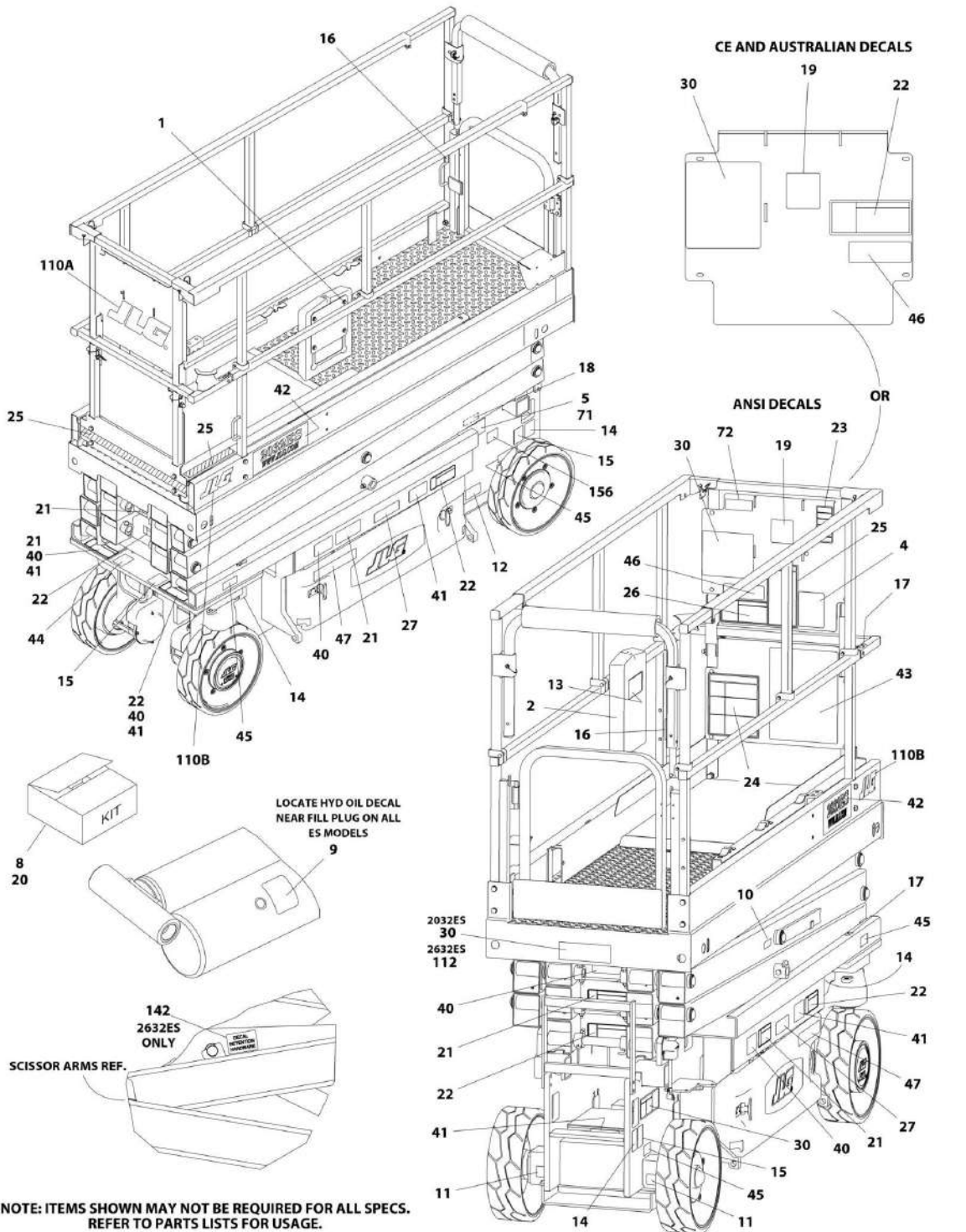
SECTION 8 - DECALS

FIGURE 8-9. DECAL INSTALLATION - LATIN AMERICAN SPEC (ENGLISH/SPANISH)

ITEM	PART NUMBER	QTY	DESCRIPTION	REV
	1001181272	Ref	DECAL INSTALLATION - LATIN AMERICAN SPEC (ENGLISH/SPANISH)	H
		Ref	Note: See DECAL INSTALLATION - OPTIONS for additional decals.	
1	2080040	4	Fastener	
2	0860520	1	Box, Manual Storage	
5	2080057	4	Fastener	
7	See Note	1	Decal - Bar Code (Note: Not Available for Purchase)	
8	2902267	1	Decal Kit - Master (Standard Decals) (Includes Items 9-19 & 44)	B
9	1704412	1	Decal - Hydraulic Oil	
10	1705693	1	Decal - Safety Prop	
11	1704016	2	Decal - Forklift	
12	1702155	1	Decal - Battery Disconnect	
13	1701509	1	Decal - Manual Reference	
14	1703811	4	Decal - Lifting Lugs	
15	1703814	3	Decal - Tie Down	
16	1704277	3	Decal - Lanyard Attach	
17	1703819	4	Decal - Directional Arrow	
18	1703822	1	Decal - Manual Descent Instructions	
19	1705692	1	Decal - Control Box Location	
20	2902525	1	Decal Kit - Latin American Spec (English/Spanish) (Includes Items 21-27, 40 & 41)	B
21	1705694	4	Decal - Crushing	
22	1705695	4	Decal - Danger Electrocution	
23	1705720	1	Decal - Legend	
24	1705680	1	Decal - Danger/Warning	
25	1705679	1	Decal - Inspection	
26	1705681	1	Decal - Electrocution	
27	1704339	2	Decal - Warning Battery Ventilation	
40	1705725	4	Decal - Crushing Hazard	
41	1705724	1	Decal - Danger Electrocution	
43	1705719	1	Decal - Danger/Warning	
44	1701499	1	Decal - No Lift (Part of Item 8)	
46	1001094359	1	Decal - Troubleshooting	
47	1001146794	2	Decal - See Manual	
48	1001210849	1	Bracket, Decal (SN 0200253961 to Present, SN B200031076 to Present, SN M200001405 to Present)	
49	1001216313	1	Decal - 24 Volts (SN 0200257823 to Present, SN B200037115 to Present, SN M200002935 to Present)	
50	1705754	2	Decal - JLG (SN 0200262223 to Present, SN B200038735 to Present, SN M200007981 to Present)	
51	1001224049	1	Decal - Yearly Inspection (SN B200045810 to Present, SN M200015222 to Present)	

SECTION 8 - DECALS

FIGURE 8-10. DECAL INSTALLATION - OPTIONS



ART_OPTIONAL DECALS

SECTION 8 - DECALS

FIGURE 8-10. DECAL INSTALLATION - OPTIONS

ITEM	PART NUMBER	QTY	DESCRIPTION	REV
		Ref	DECAL INSTALLATION - OPTIONS	
25	0272721	Ref	Corner Safety Stripes Installation	C
25	4420051	51 in /1.3m	Tape, Safety	
30	1705639	3	Decal - 500LB Capacity (2032ES All Specs except Australian/CE Specs)	
30	1705667	1	Decal - 360KG (2032ES Australian/CE Specs)	
30	1705941	2	Decal - 500LB/227KG - 800LB/360KG Capacity (2632ES All Specs except Australian/CE Specs)	
30	1705942	1	Decal - 230KG/360KG Capacity (2632ES Australian/CE Specs)	
42	1001178302	2	Decal - 2032ES Model Designation	
42	1001216998	1	Decal - 2032ES Model Designation (Dual Language)	
42	1001178304	2	Decal - 2632ES Model Designation	
42	1001216999	1	Decal - 2632ES Model Designation (Dual Language)	
45	1704134	4	Decal - Maximum Tire Load (2032ES All Specs except Australian/CE Specs)	
45	1706310	4	Decal - Maximum Tire Load (2032ES Australian, CE and China Specs)	
45	1706310	4	Decal - Maximum Tire Load (2632ES)	
71	See Note	1	Decal - Serial Number (Note: Not Available for Purchase)	
72	1705303	1	Decal - CSA (CSA Spec Only)	
74	3251813	1	Decal - USA (Not Shown) (SN 0200239382 through 0200243057)	
110	0272870	Ref	JLG Logo Installation (All Specs Except China Specs)	2
110	1001228965	Ref	JLG Logo Installation (China Specs)	A
110A	1702773	1	Decal - JLG (5 inch) (All Specs Except China Specs)	
110A	1705754	1	Decal - JLG (3.5 inch) (China Specs)	
110B	1705781	2	Decal - JLG (2.75 inch) (All Specs)	
112	1705880	1	Decal - 800LB/500LB Capacity (2632ES All Specs except Australian/CE Specs)	
142	1001116928	Ref	Hardware Retention Decal Installation (2632ES Only)	A
142	1001116915	1	Decal, Hardware Retention	
156	1001214029	1	Decal Installation - EAC (Russian/CIS Specs)	A
156	1001173703	1	Decal - EAC (Russian/CIS Specs)	

SECTION 9 - RECOMMENDED SERVICE PARTS STOCK

SECTION 9 - RECOMMENDED SERVICE PARTS STOCK

SECTION 9 - RECOMMENDED SERVICE PARTS STOCK

FIGURE 9-1. RECOMMENDED SERVICE PARTS STOCK

ITEM	PART NUMBER	QTY	DESCRIPTION	REV
		Ref	Note: The following list will service one machine (built to current production per date on the front cover) with emergency repair parts which can be installed in the field. Parts from the list should be replaced when inventory is depleted to keep service parts stock supplied. For further information, contact your JLG dealer or the JLG Industries Parts Department.	
		Ref	STANDARD PARTS	
	4360069	1	Breaker, Circuit - 10Amp	
	4360328	1	Switch, Toggle	
	2860030	1	Key, Replacement	
	4360475	1	Switch, Mushroom	
	4360387	1	Switch, Push Button	
	1001092354	1	Switch, Rotary Angle Sensor	
	1600402	1	Controller, Drive/Steer	
	4360538	1	Switch and Membrane	
	4360539	1	Switch, Toggle	
	1001097347	1	Relay	
	70004928	1	Filter - 300 Micron	
	70003706	1	Filter - 300 Micron	
	70003707	1	Coil	
		Ref	VARIABLE PARTS	
	1001092456	1	Module, Drive Control	
	1001109088	1	Switch, Limit (Non-UL Machines)	
	1001126905	1	Switch, Limit (UL Machines)	
	1001130614	1	Switch, Limit (Machines with Overhead Protection and Low Height Drive Cutout)	
	0610161	1	PC Board - Charger	
	4360469	1	Switch, Key (All Specs except CE Specs)	
	4360470	1	Switch, Key (CE Specs)	
	1001163095	1	Sensor, Tilt (USA Built Machines)	
	1001169392	1	Sensor, Tilt (China Built Machines)	
	2940064	1	Latch, Snap (Machines with Chain Gate)	
	1600439	1	PC Board, Console Box	
	4360613	1	Switch, Limit (Brake Disconnect)	
	1001109475	1	Breaker, Circuit - 16Amp (CE Spec Only)	
	1001109482	1	Breaker, Circuit - 30mA (CE Spec Only)	
	1001152479	1	Breaker, Circuit - Double 16Amp (CE Spec Only)	

SECTION 10 - SPECIAL OPTIONS

SECTION 10 - SPECIAL OPTIONS

FIGURE 10-1. SPECIAL OPTIONS

ITEM	PART NUMBER	QTY	DESCRIPTION	REV
		Ref	Note: This list is to accommodate machines ordered with special equipment. Options may not be applicable to all models. For more specific parts information contact the JLG Parts Department.	
		Ref	SPECIAL OPTIONS	
	0272843	Ref	AC Plug and Receptacle Installation (Customer Supplied Plug and Receptacle)	
	0274370	Ref	Airline Installation (2032ES)	
	0274517	Ref	Airline Installation (2632ES)	
	1001183458	Ref	Alarm Installation - Ambient Adjusting (Available on All Specs except UL Spec)	
	0272913	Ref	Alarm Installation - Motion (See Ground Control Box /Alarm installation for Components)	
	1001185053	Ref	Alarm Installation - White Noise (Available on All Specs except UL Spec)	
	1001183458	Ref	Ambient Adjusting Motion Alarm Kit	
	0272878	Ref	Antivandalism Package (ANSI Export, CE, Australian, UL, China and Korea Specs Only)	
	1001213525	Ref	Antivandalism Package (ANSI Export, China and Korea Specs)	
	1001230525	Ref	Arm Spacer Kit	
	1001190011	Ref	Beacon Light Installation with 2 Lights	
	1001229107	Ref	ClearSky Telematics (Factory Installed) (ANSI and CSA Specs)	
	1001233237	Ref	ClearSky Telematics (Factory Installed) (ANSI Export, CE and Korea Specs)	
	1001229696	Ref	Decals - ClearSky (ANSI, ANSI Export, CE, CSA and Korea Specs)	
	1706765	Ref	Decal - Hazardous Voltage (English Language) (Used with Inverter Installation) (ANSI and CSA Specs)	
	1001136847	Ref	Decal - Hazardous Voltage (English/Spanish Language) (Used with Inverter Installation) (ANSI Export, Chinese and Korea Specs)	
	1001230981	Ref	Decal - Quick Start Reference (Dutch Spec)	
	1001226419	Ref	Decal - Quick Start Reference (English Spec)	
	1001230979	Ref	Decal - Quick Start Reference (French Spec)	
	1001230975	Ref	Decal - Quick Start Reference (German Spec)	
	1001230980	Ref	Decal - Quick Start Reference (Italian Spec)	
	1001230983	Ref	Decal - Quick Start Reference (Russian Spec)	
	1001230982	Ref	Decal - Quick Start Reference (Spanish Spec)	
	1001230984	Ref	Decal - Quick Start Reference (Swedish Spec)	
	1706922	Ref	Decal - Service Support (24HR) (ANSI and CSA Specs)	
	1705304	Ref	Decal - Service Support (CSG Machines Only)	
	1001126013	Ref	Decals - UL (China Built Machines) (UL Specs)	
	1001200363	Ref	Decals - UL (Mexico Built Machines) (UL Specs)	
	0274126	Ref	Decals - UL (USA Built Machines) (UL Specs)	
		Ref	Decal Kits	
	2902522	Ref	Decal Kit - Country Spec (ANSI)	
	2902523	Ref	Decal Kit - Country Spec (Australian/CE)	
	2902526	Ref	Decal Kit - Country Spec (Brazil)	
	2902528	Ref	Decal Kit - Country Spec (Chinese)	
	2902524	Ref	Decal Kit - Country Spec (CSA)	
	2902532	Ref	Decal Kit - Country Spec (Korean)	
	2902525	Ref	Decal Kit - Country Spec (Latin American)	
	2902267	Ref	Decal Kit - Master	
	1001091968	Ref	Decal Kit - Platform Box	

SECTION 10 - SPECIAL OPTIONS

ITEM	PART NUMBER	QTY	DESCRIPTION	REV
	1001091393	Ref	Decal and Housing Kit - Platform Box	
	1001091965	Ref	Decal, Housing and PC Board Kit - Platform Box	
	1001212665	Ref	Decal Kit - 2032ES	
	1001212666	Ref	Decal Kit - 2632ES	
	1001233087	Ref	Drive Motor Covers	
		Ref	Electrical Connector Kits	
	1001148902	Ref	Amp/Tyco Electrical Connector Kit	
	1001148903	Ref	Deutsch DT Electrical Connector Kit	
	1001148904	Ref	Deutsch HD Electrical Connector Kit	
	1001148905	Ref	Packard Electrical Connector Kit	
	1001148906	Ref	Various Electrical Connectors Kit	
	1001232485	Ref	ES Lift Pin Kit (2632ES)	
	1001109345	Ref	ES Pothole Protection Switch Kit	
	0274849	Ref	Fire Extinguisher Installation (ANSI Spec Only) (SN 0200239382 through 0200245234)	
	1001189484	Ref	Fire Extinguisher Installation (ANSI Spec Only) (SN 0200245235 to Present)	
	0273762	Ref	Footswitch Installation with LSS (ANSI Export, Japanese and Korea Specs)	
	1001185666	Ref	Footswitch Installation without LSS (Factory Installed) (Japanese Spec Only) (2032ES)	
	1001192498	Ref	Footswitch Installation without LSS (Add-on Kit) (Japanese Spec Only) (2032ES)	
	1001185668	Ref	Footswitch Installation without LSS (Factory Installed) (Japanese Spec Only) (2632ES)	
	1001192499	Ref	Footswitch Installation without LSS (Add-on Kit) (Japanese Spec Only) (2632ES)	
	1001219424	Ref	Frame Protective Cover (All Specs Except CE Specs)	
	2300028	Ref	Hydraulic Fluid - Mobil DTE 10 Excel 15 (Machines with Standard Oil)	
	2300042	Ref	Hydraulic Fluid - Mobil EAL H 32 (Machines with Biodegradeable Oil)	
	0273859	Ref	Hydraulic Pressure Checks Installation (All Specs except Australian and CE Specs)	
	1001154516	Ref	Inverter/Battery Charger (900W-60Hz) Installation (2032ES ANSI Spec Only)	
	1001228900	Ref	Inverter/Battery Charger (900W-60Hz) Installation (2632ES ANSI Spec Only)	
	1001140336	Ref	Latch, Magnetic Gate (ANSI, ANSI Export, Australian, Chinese, Japanese and Korea Specs)	
	0273454	Ref	Lifting Lugs Installation (Factory Installed) (All Specs except Australian Specs)	
	1001229207	Ref	Lifting Lug Add-On Kit (Customer Installed) (All Specs except Australian Specs)	
	1001135753	Ref	Lifting Lugs Installation (Australian Specs Only)	
	1001215518	Ref	Machine Kit	C
	1001215520	1	2032ES Machine Sub-Assembly	C
	1001215521	1	2632ES Machine Sub-Assembly	C
	1001219125	1	Controller (ES System Module)	
	1001215241	1	Batteries Installation (220 A-HR) (Standard)	
	1001215242	1	Batteries Installation (245 A-HR) (No Lock)	
	1001215243	1	Batteries AGM Installation (220 A-HR) (No Lock)	
	2940175	1	Battery Cover Latch (Locking)	
	1001214383	Ref	Overhead Protection and Low Height Drive Cutout - 2032ES (Korea Specs Only)	

SECTION 10 - SPECIAL OPTIONS

ITEM	PART NUMBER	QTY	DESCRIPTION	REV
	1001214120	Ref	Overhead Protection and Low Height Drive Cutout - 2632ES (Korea Specs Only)	
	1001199182	Ref	Pipe Rack Installation Kit (Customer Installed)	
	1001238849	Ref	Platform Chain Entry Kit	
	1001118216	Ref	Platform Control Box Cover Installation (ANSI Export, CE, Chinese, Japanese, Korea and UL Specs)	
	1001231786	Ref	Platform Extension Block Installation	
	1001214536	Ref	Platform Extension Lock Replacement Kit	
	1001213818	Ref	Platform Overhead Switch Kit	
	1001213858	Ref	Platform Overhead Switch Kit	
	1001176746	Ref	Platform Rail Padding Installation (Available on All Spec)	
	1001176751	Ref	Platform Rail Padding with Limit Switches (ANSI and UL Specs)	
	1001176747	Ref	Platform Rail Padding with Limit Switches (ANSI, ANSI Export, Chinese and Korea Specs)	
	1001232563	Ref	Platform Soft Touch Kit (ANSI, ANSI Export and China Specs)	
	1001180072	Ref	Platform Worklights Installation (Note: Not Available on UL Machines)	
	1001220689	Ref	Platform Worklights Installation 24 Volt (Dual) (ANSI Export, China and Korea Specs Only)	
	1001171015	Ref	RCD Box Installation (Brazil Spec Only)	
	3125053	Ref	Video, Operators (ANSI, ANSI Export and UL Specs)	
	1001212459	Ref	Voltage Guard Installation (ANSI Export and Korea Specs)	
	1001186498	Ref	Voltage Guard Installation (Green Power) (Chinese Spec)	
	1001186498	Ref	Voltage Guard Installation (Green Power) (ANSI Export Specs) (Prior to SN 0200261035, Prior to SN B200036484, Prior to SN M200007339)	
	1001221857	Ref	Voltage Guard Installation (ANSI Export and Korea Specs)	
	1001221857	Ref	Voltage Guard Installation (Chinese Specs) (Prior to SN B200046727)	
	1001185053	Ref	White Noise Motion Alarm Kit	
	1001193039	Ref	ZAPI Programming Harness	

PART NUMBER INDEX

PART NUMBER INDEX

0060091.....27, 29	0274517 456	0701018 203, 211	1001091275.....225
0100011..11, 13, 47, 115, 197, 199, 201	0274849 457	0701019 ... 203, 205, 207, 209, 211, 213, 215, 217, 219, 221, 243, 245	1001091277.....223, 225
0100048....115, 189, 191, 345, 347, 349, 351, 353, 355, 357, 359, 361, 363, 365, 367	0275020 99	0701020 11, 13, 215, 221, 243, 245	1001091278.....223, 225
0100051....87, 89, 91, 93, 95, 97, 99, 101, 103, 105	0275021 103	0701021 205, 213	1001091279.....223, 225
0140011223, 225	0275022 101	0701022 ... 121, 123, 125, 127, 129, 131, 133, 135, 137, 140, 143, 146, 149, 152, 155, 158, 161, 164, 167, 170, 173, 176, 179, 182	1001091280.....223, 225
0140043....57, 59, 61, 63, 65, 67, 69, 71	0275042 93	0701024 ... 185, 187, 189, 191	1001091283.....223, 225
0200799....123, 127, 131, 135, 140, 146, 152, 158, 164, 170, 176, 182	0275043 97	0701027 ... 185, 187, 189, 191	1001091285.....223, 225, 457
0200800....140, 146, 152, 158, 164, 170, 176, 182	0275044 95	0701029 ... 140, 146, 152, 158, 164, 170, 176, 182	1001091396.....223, 225
0200801....140, 146, 152, 158, 164, 170, 176, 182	0275073 261, 265	0710617 247, 249	1001091479.....47
0200802....123, 127, 131, 135, 140, 146, 152, 158, 164, 170, 176, 182	0275074 263, 267	0740603 233, 235	1001091965.....223, 225, 457
0200803....123, 127, 131, 135, 140, 146, 152, 158, 164, 170, 176, 182	0275104 47	0760605 ... 347, 351, 355, 359, 363, 367	1001091968.....223, 225, 456
0200804....123, 127, 131, 135, 140, 146, 152, 158, 164, 170, 176, 182	0275216 325, 419	0760606 ... 345, 347, 349, 351, 353, 355, 357, 359, 361, 363, 365, 367	1001092354.....121, 125, 129, 133, 137, 143, 149, 155, 161, 167, 173, 179, 454
0200805....140, 146, 152, 158, 164, 170, 176, 182	0275217 327, 421	0760610 ... 87, 89, 91, 93, 95, 97, 99, 101, 103, 105, 253, 255, 345, 347, 349, 351, 353, 355, 357, 359, 361, 363, 365, 367	1001092454.....115
0200807....123, 127, 131, 135, 140, 146, 152, 158, 164, 170, 176, 182	0275401 87	0760812 47	1001092456...15, 17, 454
0200816....123, 127, 131, 135	0275432 117	0761014 ... 185, 187, 189, 191	1001092738.....15, 17, 20
0200834....123, 127, 131, 135, 140, 146, 152, 158, 164, 170, 176, 182	0275452 333, 427	0840055 405	1001093556.....115, 407
0240054257	0275453 ... 323, 331, 425	0840058 ... 381, 383, 405, 411, 413	1001093839.....47
0240071233, 235	0275454 329, 423	0840059 385	1001094105.....407
0240087231	0275486 318, 329	0840060 337	1001094175.....345, 347, 349, 351, 353, 355, 357, 359, 361, 363,
0240102237	0275487 318, 325	0840061 ... 397, 399, 401, 403, 405	1001096794.....345, 347, 349, 351, 353, 355, 357, 359, 361, 363, 365, 367, 411
0240144253, 255	0275488 318, 327	0860520 ... 433, 435, 437, 439, 441, 443, 445, 447, 449	1001096795.....337
0272721451	0275530 115	0861527 261, 263	1001097150.....341, 343
0272839321	0275663 377	0861650 107	1001097347.....381, 383, 454
0272843456	0275664 375	0861677 109	1001100341.....419
0272870451	0275665 373	0861678 91, 97, 103, 109	1001100342.....421
027287431	0275666 369	0861731 ... 417, 423, 425, 427	1001100345.....427
027287535	0275667 371	0861781 419, 421	1001100346.....423
0272878456	0380025 ... 73, 75, 77, 79, 81, 83, 85	0861880 341	1001100347.....425
0272880261	0400215 99, 101, 103	0902780 47	1001100451....87, 89, 91, 93, 95, 97, 99, 101, 103, 105
0272881263	0400216 93, 95, 97	0903319 47	1001101540.....325, 327, 329
0272913456	0440223 237	0903416 265, 267	1001102258....31, 33, 35, 37, 39, 41
0273454457	0440259.11, 13, 311, 313	0903566 325, 327, 329	1001102349.....23
0273698....87, 89, 93, 95, 99, 101, 105, 107	0440265... 121, 125, 129, 133, 137, 143, 149, 155, 161, 167, 173, 179	0903569 325, 327	1001102351.....23
0273762457	0440266 ... 123, 127, 131, 135, 140, 146, 152, 158, 164, 170, 176, 182	0962257 ... 273, 276, 280, 284, 288, 293, 296, 300, 304, 308	1001102353.....23
0273859457	0480100 259	1001091102 323, 325, 327, 329, 331, 333	1001102354.....23
0273955233	0561520 ... 185, 187, 189, 191	1001091153 223	1001102489....31, 33, 35, 37, 39, 41
0273956235	0610161 ... 73, 75, 77, 79, 81, 83, 85, 454	1001091154 225	
0273965231	0630580 15, 17	1001091272 223	
0274126456	0641514 259		
0274153237	0700608 257		
0274370456	0700610 237		
0274386229	0700614 27, 29		
	0700615 ... 49, 57, 59, 61, 63, 65, 67, 69, 71, 247, 249, 251		
	0700616 39		
	0700617 189, 191		
	0700619 15, 17		
	0700814 195		
	0700817 ... 146, 158, 170, 182, 195		
	0701015 ... 123, 127, 131, 135, 140, 146, 152, 158, 164, 170, 176, 182		
	070101751, 53, 140, 152, 164, 176		

PART NUMBER INDEX

1001103257 31, 33	1001136847.....456	1001173703.....451	1001179287 207, 209, 217, 219
1001103258 35, 37	1001137675.....215, 221	1001175188.....185, 187, 189, 191	1001179288 207, 209, 217, 219
1001103471 39	1001140336.....457	1001175198.....49	1001179296 207, 209, 217, 219
1001109088 27, 454	1001143663.....316	1001175274.....193	1001179298 207, 209, 217, 219
1001109232 27, 29	1001146794.....433, 435, 437, 441, 443, 445, 447, 449	1001175290.....193	1001179299 207, 209, 217, 219
1001109233 27, 29	1001146795.....439	1001175462.....185, 189, 193	1001179301 207, 217
1001109345 457	1001148902.....457	1001175598.....49	1001179304 207, 217
1001109475 341, 454	1001148903.....457	1001176738.....211	1001179332 207, 209, 217, 219
1001109482 341, 454	1001148904.....457	1001176741.....203	1001179428 33
1001112111 ... 31, 35, 39, 41, 43	1001148905.....457	1001176746.....458	1001179447 13, 313
1001112112 87, 89, 91	1001148906.....457	1001176747458	1001179448 13
1001112113 ... 31, 35, 39, 41, 87, 89, 91, 93, 95, 97, 99, 101, 103, 105	1001152479.....343, 454	1001176751.....458	1001179839 203, 207
1001113576 39	1001152482.....343	1001176755.....255	1001180072 458
1001113888 11, 13	1001152483.....343	1001177177.....185	1001180090 ... 73, 77, 81, 85
1001114466 25	1001152485.....331, 333, 343	1001177178.....189	1001180197 257
1001114882 15	1001154516.....457	1001177415.....51	1001180205 257
1001114885 59	1001155841.....123, 276	1001177435.....11, 311	1001180216 257
1001114886 63	1001155842.....140, 146, 296	1001177465.....51	1001180312 37
1001114925 67	1001157316.....121, 123	1001177842.....33, 37, 45	1001181045 341
1001114929 59, 75	1001157317.....137, 140	1001177911.....146, 158, 170, 182	1001181267 439
1001114930 67, 83	1001157322.....121	1001177913.....146, 158, 170, 182	1001181268 433
1001114932 63, 79	1001157323.....137	1001177914.....146, 158, 170, 182	1001181269 439
1001114933 75, 79, 83	1001157330.....131, 284	1001177966.....11	1001181270 435
1001114935 ... 75, 79, 83, 391	1001157331.....164, 170, 304	1001178026.....53	1001181271 445
1001114937 ... 73, 75, 77, 79, 81, 83, 85	1001157335.....129, 131	1001178028.....53	1001181272 449
1001114992 337	1001157336.....161, 164	1001178146.....27, 29	1001181273 437
1001115002 345, 347, 349, 351, 353, 355, 357, 359, 361, 363, 365, 367, 385	1001157340.....129	1001178147.....27, 29	1001181274 443
1001115076 381	1001157341.....161	1001178163.....253	1001181275 447
1001115077 393, 395	1001157890.....383	1001178234.....27	1001182062 193
1001115126 318	1001159186.....393, 395	1001178239.....27, 29	1001182302 185, 189, 197
1001115170 15, 17	1001159192.....91	1001178302.....451	1001182304 197, 201
1001116076 383	1001162362.....331, 333	1001178304.....451	1001182305 197, 201
1001116915 451	1001162447 318, 331	1001178315.....337	1001182338 197, 201
1001116928 451	1001162449.....318, 333	1001178316.....337	1001182339 193, 195
1001117057 381, 383	1001163095....73, 77, 81, 85, 454	1001178317.....337, 345, 347, 349, 351, 353, 355, 357, 359, 361, 363, 365, 367	1001182847 257
1001118216 458	1001165284....73, 77, 81, 85	1001178318.....345	1001182848 253
1001118216 458	1001165286....73, 77, 81, 85	1001178320.....349	1001182849 255
1001119032 393, 395	1001165315....73, 77, 81, 85	1001178321.....361	1001183458 456
1001126013 456	1001165316....73, 77, 81, 85	1001178322.....357	1001185053 456, 458
1001126905 29, 454	1001166194.....57, 73	1001178323.....197	1001185666 457
1001129289 127, 280	1001166195.....65, 81	1001178357.....29	1001185668 457
1001129290 152, 158, 300	1001166197....61, 69, 71, 77, 85	1001178493.....337	1001186498 458
1001130614 239, 241, 243, 245, 454	1001166255....73, 77, 81, 85	1001178528.....337	1001187198 345, 347, 349, 351, 357, 359, 361, 363, 381
1001131005 125	1001166759.....318	1001178687345, 347, 353, 355, 397	1001187585 207, 209, 217, 219
1001131006 149	1001166776....73, 77, 81, 85	1001178688.....357, 359, 365, 367, 401	1001187587 207, 209, 215, 217, 219, 221, 259
1001131010 133	1001166823.....57	1001178689.....361, 363, 403	1001187816 335
1001131011 173	1001166825.....65	1001178690.....349, 351, 399	1001188116 335
1001131020 125, 127	1001166828.....61, 69	1001179272.....211, 217	1001189171 343
1001131021 149, 152	1001167256....73, 77, 81, 85, 393	1001179273.....207, 217	1001189172 343
1001131028 133, 135	1001169392.....454	1001179275.....207, 209, 217, 219	1001189484 457
1001131029 173, 176	1001171015.....458	1001179276.....207, 209, 217, 219	1001189762 207, 209, 217, 219
1001131034 135, 288	1001172008.....41	1001179277.....207, 209, 217, 219	1001190011 456
1001131035 176, 182, 308	1001172010.....41		1001190902 155, 158
1001131270 433, 445			1001190904 155
1001132233 89			
1001132439 20, 387			
1001135753 457			

PART NUMBER INDEX

1001190905.....179, 182	1001214341 241, 243, 245	1001224048 447	1321293..... 31, 33, 35, 39, 41
1001190906.....179	1001214383 243, 457	1001224049 449	1321716....345, 347, 349, 351, 353, 355, 357, 359, 361, 363, 365, 367
1001190907143, 146	1001214384 239, 243	1001224050 443	1380132.....209, 219
1001190908.....143	1001214409 239, 241, 243, 245	1001224052 437	1380153..... 11, 13
1001190909.....167, 170	1001214536 458	1001226419 456	1380156.....223, 225
1001190910.....167	1001215164 215	1001227213 39	1380158....189, 191, 345, 347, 349, 351, 353, 355, 357, 359, 361, 363, 365, 367
1001192401.....381, 383	1001215165 187, 191, 195	1001227219 39	1580023.....231, 233, 235
1001192498.....457	1001215179 221	1001227267 39	1580024....231, 233, 235
1001192499.....457	1001215241 457	1001228370 433, 445	1600387..... 189, 191
1001193039.....458	1001215242 457	1001228900 457	1600402....223, 225, 227, 454
1001196835.....353, 355, 365, 367, 383	1001215243 457	1001228965 451	1600439....223, 225, 454
1001196838.....383	1001215247 71	1001229107 456	1671098.....223, 225
1001196864.....353	1001215248 71	1001229207 457	1671105....73, 75, 77, 79, 81, 83, 85
1001196866.....365	1001215518 457	1001229441 259	1671202...87, 93, 99, 105, 111
1001198711.....335	1001215520 457	1001229469 259	1671203.....111, 113
1001199182.....458	1001215521 457	1001229696 456	1671204....89, 91, 95, 97, 101, 103, 113
1001199189.....259	1001215870 ... 31, 35, 39, 41	1001230525 456	1671207.....417
1001200363.....456	1001216313 433, 435, 437, 439, 441, 443, 445, 447, 449	1001230754 239	1671266.....47
1001201240.....413	1001216837 187	1001230755 241	1684487.....272
1001201243.....345, 349, 353, 357, 361, 365, 413	1001216838 191	1001230975 456	1684488.....292
1001202618.....393	1001216998 451	1001230980 456	1684527.....272
1001202619.....393	1001216999 451	1001230981 456	1684528.....292
1001206758.....51, 53	1001217118 221	1001230982 456	1701499....433, 435, 437, 439, 441, 443, 445, 447, 449
100120864173, 395	1001217173 221	1001230983 456	1701509....433, 435, 437, 439, 441, 443, 445, 447, 449
1001209104.....105	1001217327 439	1001230984 456	1702010.....253, 255
1001209256.....187, 191, 201	1001217666 251	1001231786 458	1702155....433, 435, 437, 439, 441, 443, 445, 447, 449
1001209280.....201	1001217729 195	1001231801 433	1702773.....451
1001210433.....345, 349, 353, 357, 361, 365	1001217730 195	1001232145 193	1703464.....321, 325
1001210849.....437, 443, 445, 447, 449	1001217731 215, 221	1001232485 457	1703811....433, 435, 437, 439, 441, 443, 445, 447, 449
1001211593.....323	1001217732 221	1001232541 441	1703813.....433
1001211892.....195	1001217733 221	1001232563 458	1703814....433, 435, 437, 439, 441, 443, 445, 447, 449
1001211895.....215, 221	1001217734 221	1001233087 457	1703819....223, 225, 433, 435, 437, 439, 441, 443, 445, 447, 449
1001211896.....215, 221	1001217735 221	1001233237 456	1703822....433, 435, 437, 439, 441, 443, 445, 447, 449
1001212459.....458	1001217736 221	1001233888 107, 109	1703834.....437
1001212665.....457	1001217737 221	1001234398 185, 189, 199	1704016....433, 435, 437, 439, 441, 443, 445, 447, 449
1001212666.....457	1001217739 215	1001234399 199, 201	1704134.....451
1001212701.....213	1001217740 215	1001234401 199	1704277....433, 435, 437, 439, 441, 443, 445, 447, 449
1001212851.....205	1001217746 221	1001234783 237	1704339.....449
1001212868.....213, 219	1001217747 221	1001238849 458	1704340.....445
1001212869.....209, 219	1001217748 221	1001244298 441, 443	
1001212870.....209, 219	1001217749 215	1001244301 441, 443	
1001212871.....209, 219	1001217750 215	1060331 233, 235	
1001212872.....205, 209	1001217751 215	1060379 ... 207, 231, 233, 235, 237, 257, 259, 261, 263	
1001213525.....456	1001217752 221	1060689 39	
1001213660.....243, 245	1001217753 221	1060908 341, 343	
1001213818.....243, 245, 247, 458	1001217754 221	1060957 261, 263	
1001213820.....249	1001217755 221	1060998 337	
1001213821247, 249, 251	1001217756 221	1061034 ... 121, 125, 129, 133, 137, 143, 149, 155, 161, 167, 173, 179, 273, 293	
1001213822.....247, 249, 251	1001217757 221	1120555 231, 233, 235	
1001213857.....247	1001217759 215	1180382 ... 123, 127, 131, 135, 140, 146, 152, 158, 164, 170, 176, 182	
1001213858.....243, 245, 249, 458	1001217760 215	1180383 ... 140, 146, 152, 158, 164, 170, 176, 182	
1001214029.....451	1001217761 215	1260136 203, 205	
1001214120.....245, 458	1001217762 215	1271631 253, 255	
1001214310.....251	1001217763 215	1320043 47	
1001214311243, 245, 251	1001217764 221	1320136 35, 37, 39	
1001214338.....241, 245	1001217765 221	1320224 261, 263	
	1001219123 17	1320318 189, 191	
	1001219125 457		
	1001219349 347		
	1001219350 359		
	1001219351 351		
	1001219352 363		
	1001219358 355		
	1001219359 367		
	1001219424 457		
	1001220668 347, 351, 355, 359, 363, 367		
	1001220689 458		
	1001221475 199, 201		
	1001221476 199, 201		
	1001221857 458		
	1001221949 379		
	1001221984 379		
	1001222914 251		
	1001223055 433		
	1001223971 445		

PART NUMBER INDEX

1704341 437	1706057 447	2920026....77, 79, 81, 83, 85	3321005... 73, 75, 77, 79, 81, 83, 85
1704344 443	1706310 451	2920094....77, 79, 81, 83, 85	3321402... 121, 125, 129, 133, 137, 143, 149, 155, 161, 167, 173, 179, 273, 293
1704412 ... 433, 435, 437, 439, 441, 443, 445, 447, 449	1706350 111, 113	2920161.....49	3340612... 207, 209, 217, 219, 221
1705052 47	1706679 115	2940064....203, 205, 454	3340957... 121, 125, 129, 133, 137, 143, 149, 155, 161, 167, 173, 179
1705213 261, 263	1706749 47	2940174.....111	3340962... 123, 127, 131, 135, 140, 146, 152, 158, 164, 170, 176, 182
1705214 261, 263	1706765 456	2940175.....113, 457	3340968 223, 225
1705303 451	1706922 456	3010088.....203, 205	3380475 223, 225
1705304 456	1707022 447	3010158.....27, 29	3380527 233, 235
1705305 261, 263	2030010 265, 267	3080007....211, 213, 215	3421453... 237, 257, 261, 263
1705639 451	2080040 ... 207, 209, 211, 213, 215, 217, 219, 221, 433, 435, 437, 439, 441, 443, 445, 447, 449	3125053.....458	3421854 259
1705667 451	2080057 ... 433, 435, 437, 439, 441, 443, 445, 447, 449	3200454....121, 125, 129, 133, 137, 143, 149, 155, 161, 167, 173, 179	3422219... 231, 233, 235, 237
1705670 ... 435, 439, 441	2110404 11, 13, 311, 313	3251813.....451	3422938 189, 191
1705671 ... 435, 439, 441	2220882 273, 293	3252098.....445	3422997 ... 123, 127, 131, 135, 140, 146, 152, 158, 164, 170, 176, 182
1705673 ... 435, 439, 441	2220883 ... 272, 273, 292, 293	3252507....323, 327, 329, 331, 333, 335	3422998... 140, 146, 152, 158, 164, 170, 176, 182
1705676 223, 225	2300028 457	3290405..27, 29, 39, 229, 321, 323, 325, 327, 329, 331, 333, 335	3423014... 123, 127, 131, 135, 140, 146, 152, 158, 164, 170, 176, 182
1705679 ... 433, 443, 445, 447, 449	2300042 457	3290505.....39	3423014... 123, 127, 131, 135, 140, 146, 152, 158, 164, 170, 176, 182
1705680 ... 433, 443, 445, 447, 449	2400060 381, 383	3290601....345, 347, 353, 355, 357, 359, 365, 367	3423036... 123, 127, 131, 135, 140, 146, 152, 158, 164, 170, 176, 182
1705681 ... 433, 443, 445, 447, 449	2400061 233, 235	3290605....15, 17, 27, 29, 39, 49, 87, 89, 91, 93, 95, 97, 99, 101, 103, 105, 197, 201, 325, 327, 345, 347, 349, 351, 353, 355, 361, 363	3423037 11, 13
1705686 433	2400066 233, 235	3290606....189, 191, 203, 205, 207, 209, 211, 213, 217, 219, 237, 247, 249, 251, 253, 255, 257, 261, 263, 265, 267, 345, 347, 349, 351, 353, 355, 357, 359, 361, 363, 365, 367	3423038... 123, 127, 131, 135, 140, 146, 152, 158, 164, 170, 176, 182
1705692 ... 433, 435, 437, 439, 441, 443, 445, 447, 449	2420172 ... 73, 75, 77, 79, 81, 83, 85	3290805.....195	3423039... 140, 152, 164, 176
1705693 ... 433, 435, 437, 439, 441, 443, 445, 447, 449	2540042 409	3290806.....209, 219	3423045 27, 29
1705694 ... 433, 443, 445, 447, 449	2540045 ... 185, 187, 189, 191	3290807....146, 158, 170, 182	3423049 185, 187
1705695 ... 433, 443, 445, 447, 449	2560088 209, 219	3291005....27, 29, 51, 53, 121, 125, 129, 133, 137, 143, 149, 155, 161, 167, 173, 179, 185, 187, 189, 191, 199, 201, 203, 205, 211, 213, 215, 221	3423067 ... 123, 127, 131, 135, 140, 146, 152, 158, 164, 170, 176, 182
1705696 73, 75	2560179 223, 225	3291006....203, 207, 209, 211, 215, 217, 219, 221, 243, 245	3423189 27, 29
1705697 ... 77, 79, 81, 83, 85	2560190 209, 219	3291007....123, 127, 131, 135, 140, 146, 152, 158, 164, 170, 176, 182	3423259... 121, 125, 129, 133, 137, 143, 149, 155, 161, 167, 173, 179
1705698 ... 73, 75, 77, 79, 81, 83, 85	2600281 ... 211, 213, 215	3300048.....261, 263	3423267 27, 29
1705717 445	2700100 231, 233, 235	3300423.....23	3423278... 207, 209, 217, 219
1705718 445	2780266 15, 17, 23	3300473.....223, 225	3450406 23
1705719 437, 449	2792599 316	3300477....203, 205, 211, 213	3460334.... 231, 233, 235
1705720 449	2820026 ... 397, 399, 401, 403, 411, 413	3300477....203, 205, 211, 213	3520072... 203, 205, 211, 213, 215, 237
1705721 437	2820028 ... 381, 383, 397, 399, 401, 403, 411, 413	3310601.....233, 235	3520176 257
1705722 437	2820097 203, 205	3311005.....233, 235	3520193 73, 75
1705723 445	2820152 383	3311405.....233, 235	3574161... 123, 127, 131, 135, 140, 146, 152, 158, 164, 170, 176, 182
1705724 437, 449	2820239 47	3311505.....259	3574176 27, 29
1705725 437, 449	2860030 ... 73, 75, 77, 79, 81, 83, 85, 454		3574505 253, 255
1705726 437	2902267 ... 433, 435, 437, 439, 441, 443, 445, 447, 449, 456		3574506 253, 255
1705727 437	2902331 117		3574981... 87, 89, 91, 93, 95, 97, 99, 101, 103, 105
1705754 ... 111, 113, 261, 263, 433, 435, 437, 443, 445, 447, 449, 451	2902334 261, 263		
1705781 ... 439, 441, 451	2902348 231, 233, 235		
1705880 451	2902386 237		
1705894 437	2902431 321, 417		
1705941 451	2902522 433, 456		
1705942 451	2902523 ... 435, 439, 441, 456		
1705943 443	2902524 445, 456		
1705944 443	2902525 449, 456		
1705945 443	2902526 437, 456		
1705946 443	2902528 443, 456		
1705953 261, 263	2902532 447, 456		
1705997 ... 231, 233, 235	2902541 ... 325, 327, 329, 341		
1706052 447	2915013 25		
1706053 447	2915230 43		
1706056 447			

PART NUMBER INDEX

3574984.....87, 89, 91, 93, 95, 97, 99, 101, 103, 105	4031511 ... 239, 241, 243, 245	4360538 223, 225, 454	4460618.....337
3575794.....229	4031512 27, 29	4360539 223, 225, 454	4460648..... 43, 381, 383
3577076.....107, 109	4031607 115	4360613 339, 454	4460662....323, 329, 331, 333, 417
3730119.....411, 413	4031713. 93, 95, 97, 345, 347, 349, 351, 353, 355, 357, 359, 361, 363, 365, 367	4420037 253, 255	4460754.....411, 413
3740150.....15, 17	4060865 49	4420051 451	4460761.....381, 383
3760115.....27, 29	4060906 ... 239, 241, 243, 245	4420062 ... 231, 233, 235, 237, 259	4460778.....415
3760170....123, 127, 131, 135, 140, 146, 152, 158, 164, 170, 176, 182, 207, 231, 233, 235, 237, 257, 259, 261, 263	4071094 ... 123, 127, 131, 135, 140, 146, 152, 158, 164, 170, 176, 182	4420070 51, 53	4460836.....405
3760348.....27, 29	4160078 ... 121, 125, 129, 133, 137, 143, 149, 155, 161, 167, 173, 179, 273, 293	4460115 393, 395	4460868.....407
3760387....123, 127, 131, 135, 140, 146, 152, 158, 164, 170, 176, 182	4160202 27, 29	4460138 321	4460871.....381, 383
3760463.....15, 17	4160203 223, 225	4460183 393, 395	4460873.....381, 383
3820019.....209, 219	4191306 223, 225	4460226 ... 243, 245, 381, 383, 407	4460877.....407
3820032.....107, 109	4191406 49	4460227 43, 45, 243, 245, 381, 383	4460878.....429
3841143....123, 127, 131, 135, 140, 146, 152, 158, 164, 170, 176, 182	4191407 223, 225	4460259 ... 381, 383, 391, 393, 395	4460884....233, 235, 239, 241, 243, 245, 381, 383, 393, 395
3841675.....237	4191409 223, 225	4460260 ... 381, 383, 391, 393, 395, 429	4460885.....429
3841716....203, 205, 211, 213	4191706 ... 57, 59, 61, 63, 65, 67, 69, 71, 121, 125, 129, 133, 137, 143, 149, 155, 161, 167, 173, 179, 237, 257, 325, 327, 329, 333	4460265 409	4460887.....429
3860107....140, 146, 152, 158, 164, 170, 176, 182	4191707 ... 31, 33, 35, 37, 39, 41, 47, 87, 89, 91, 93, 95, 97, 99, 101, 103, 105, 189, 191, 331	4460267 391, 409	4460891....241, 243, 245, 381, 383, 385, 387
3860111....207, 209, 217, 219	4191708 15, 17	4460268 ... 73, 77, 81, 85, 393, 395	4460894....381, 383, 385
3860118.....193, 195	4191709 15, 17	4460297 429	4460897.....381, 383
3900190....197, 199, 201	4220227 237	4460315 321	4460899.43, 45, 381, 383
3900333.....223, 225	4220252 107, 109	4460320 ... 243, 245, 381, 383	4460905.....381, 383
3900336....73, 75, 77, 79, 81, 83, 85	4220253 107, 109	4460321 ... 73, 77, 81, 85, 407	4460918.....393, 395
3900338....73, 75, 77, 79, 81, 83, 85, 229	4240003 ... 231, 233, 235, 237, 339	4460328 261, 263	4460930....397, 399, 401, 403, 405
3900339....73, 75, 77, 79, 81, 83, 85	4240033 39, 189, 191	4460346 417	4460931....381, 383, 405, 411, 413
3900345.....209, 219	4240147 15, 17	4460374 381, 383	4460932....239, 241, 243, 245
3900355....231, 233, 235	4240164 257	4460375 381, 383	4460933.....405
3900356.....75, 79, 83	4240165 253, 255	4460418 ... 239, 241, 243, 245, 391, 393, 395	4460942.....381, 383
3900357.....27	4240172 91, 103	4460419 ... 239, 241, 243, 245, 391	4460943....381, 383, 393, 395, 397, 399, 401, 403, 405, 411, 413
3900381.....39	4340739 75, 79, 83	4460424 43, 45, 243, 245	4460944....391, 397, 399, 401, 403, 405, 411, 413
3931010.....233, 235	4340853 231, 233, 235	4460464 ... 29, 43, 45, 57, 59, 61, 63, 65, 67, 69, 71, 121, 125, 129, 133, 137, 143, 149, 155, 161, 167, 173, 179, 239, 241, 243, 245, 381, 383, 393, 395, 405, 409, 411, 413, 429	4460956.....341
3931408.....233, 235	4340854 231, 233, 235	4460465 ... 233, 235, 239, 241, 243, 245, 381, 383, 385, 387, 397, 399, 401, 403, 405, 411, 413	4460957.....341
3931412....73, 77, 81, 85, 231, 233, 235	4340931 189, 191	4460466 ... 239, 241, 243, 245, 381, 383, 393, 395, 397, 399, 401, 403, 405, 409, 411, 413	4460961.....391
3931508....231, 233, 235	4340938 261, 263	4460493 411, 413	4460968.....335
3951608.....117	4340946 237	4460496 409	4460986.....381, 383
4010405.....335	4340947 237	4460497 409	4461002.....339
4010408....321, 323, 325, 327, 329, 331, 333	4360069 ... 73, 75, 77, 79, 81, 83, 85, 454	4460508 389	4461012.....233, 235
4010608....261, 263, 265, 267, 331, 333	4360155 261, 263	4460509 387	4461016.....409
4010612.....325, 327	4360328 ... 73, 75, 77, 79, 81, 83, 85, 454	4460535 29	4461057.....409
4010614.....261, 263	4360345 ... 239, 241, 243, 245	4460536 ... 57, 59, 61, 63, 65, 67, 69, 71, 121, 125, 129, 133, 137, 143, 149, 155, 161, 167, 173, 179	4461077.....391, 393
4010616....203, 205, 207, 209, 211, 213, 217, 219, 245, 347, 349, 351, 353, 355, 357, 359, 361, 363, 365, 367	4360387 115, 454	4460539 381, 383	4461196.....369, 419
4010617.....207, 217	4360469 ... 73, 75, 77, 79, 85, 454		4461198.....419
4010618....207, 209, 217, 219, 265, 267	4360470 81, 83, 454		4461199.....371, 421
	4360475 ... 73, 75, 77, 79, 81, 83, 85, 223, 225, 454		4461201.....421
			4461202.....377, 427
			4461205....375, 377, 425, 427
			4461244.....427
			4461245.....425
			4461246.....423
			4461249.....373, 423
			4461257.....325, 327
			4461258.....325, 327
			4461260.....389
			4461261.....387
			4530021.....261, 263
			4530026.....233, 235
			4568738.....223, 225

PART NUMBER INDEX

4711400 ... 231, 233, 235, 237	5241000 197, 199, 201	70004722..276, 284, 296, 304	70005240 . 296, 300, 304, 308
4740086 27, 29	5272012 27, 29	70004723.....276, 284	70005419..... 313
4740438 ... 123, 127, 131, 135, 140, 146, 152, 158, 164, 170, 176, 182	70000082 227	70004725.....276, 284	70005420..... 313
4740446 193, 195	70000084 227	70004727.....296, 304	70005421..... 313
4740468 23	70000191 20	70004728..276, 284, 296, 304	70006090 . 276, 284, 296, 304
4740480 231, 233, 235	70000335 272, 292	70004729.....296, 304	70006342..... 311
4740524 15, 17	70000658 272, 292	70004777.....311	70006426..... 20
4740545 ... 345, 347, 349, 351, 353, 355, 357, 359, 361, 363, 365, 367	70000683 227	70004778.....311	70023915 . 276, 284, 296, 304
4740562 47	70000684 227	70004779.....311	70025323 .. 276, 284, 304
4740564 15, 17	70000685 227	70004914..276, 280, 284, 288, 296, 300, 304, 308	7005323 296
4750800 111, 113	70000686 227	70004915..276, 280, 284, 288, 296, 300, 304, 308	7016319 49
4751000 ... 73, 75, 77, 79, 81, 83, 85	70000790 20	70004916..276, 280, 284, 288, 296, 300, 304, 308	7016372 49
4751400 15, 17, 345, 347, 349, 351, 353, 355, 357, 359, 361, 363, 365, 367	70000791 20	70004917..276, 280, 284, 288, 296, 300, 304, 308	7020175 ... 73, 75, 77, 79, 81, 83, 85, 223, 225
4751500 259	70000792 20	70004921..276, 281, 284, 289, 296, 301, 304, 309	7020176 ... 73, 75, 77, 79, 81, 83, 85, 223, 225
4811400 39, 229, 325, 327, 335	70000798 273, 293	70004922..276, 280, 284, 288, 296, 300, 304, 308	7020218 ... 121, 125, 129, 133, 137, 143, 149, 155, 161, 167, 173, 179, 273, 293
4811600 107, 109, 115	70000799 273, 293	70004923..276, 280, 284, 288, 296, 300, 304, 308	7023530 273, 293
4811700 ... 15, 17, 27, 29, 31, 33, 35, 37, 39, 41, 47, 87, 89, 91, 93, 95, 97, 99, 101, 103, 105, 253, 255, 257, 265, 267, 325, 327, 329, 331, 333	70001250 227	70004924..276, 280, 284, 288, 296, 300, 304, 308	7023536 273, 293
4811702 49	70001251 227	70004925..276, 280, 284, 288, 296, 300, 304, 308	7023537 273, 293
4811900 195, 197, 201	70001252 227	70004926..276, 280, 284, 288, 296, 300, 304, 308	7023538 273, 293
4812000 ... 11, 13, 27, 29, 123, 127, 131, 135, 140, 146, 152, 158, 164, 170, 176, 182, 185, 187, 189, 191, 197, 201, 203, 205, 207, 209, 211, 213, 215, 217, 219, 221, 243, 245	70001253 227	70004927..276, 280, 284, 288, 296, 300, 304, 308	7023539 272, 292
4812002 ... 199, 201, 203, 205, 211, 213	70001265 21	70004928..276, 280, 284, 288, 296, 300, 304, 308, 454	7023542 273, 293
4831600 39	70001345 21	70004935..276, 280, 284, 288, 296, 300, 304, 308	7023543 273, 293
4846723 217, 219, 221	70001442 387	70004936..276, 280, 284, 288, 296, 300, 304, 308	7023544 273, 293
4846752 ... 140, 146, 152, 158, 164, 170, 176, 182	70001443 387	70004937..276, 280, 284, 288, 296, 300, 304, 308	7023545 273, 293
4846757 11, 13	70001444 387	70004938..276, 280, 284, 288, 296, 300, 304, 308	7023546 273, 293
4846816 27, 29	70001709 273, 293	70004939..276, 280, 284, 288, 296, 300, 304, 308	7023547 273, 293
4846863 27, 29	70001739 20	70004941..276, 280, 284, 288, 296, 300, 304, 308	7023548 273, 293
4922870 223, 225, 409	70001878 . 121, 125, 129, 133, 137, 143, 149, 155, 161, 167, 173, 179, 273, 293	70004942..276, 280, 284, 288, 296, 300, 304, 308	7023549 272
4922944 117, 339	70001949 20	70004943..276, 280, 284, 288	7023550 292
4923048 261, 263	70003028 . 276, 280, 284, 288, 296, 300, 304, 308	70004945..296, 300, 304, 308	7023571 272, 292
4923050 265	70003645 272, 292	70004970..276, 280, 284, 288, 296, 300, 304, 308	7023573 272, 292
4923051 267	70003646 272, 292	70004971..276, 281, 284, 289, 296, 301, 304, 309	7023574 273, 293
4923114 233	70003650 227	70004972..276, 281, 284, 289, 296, 301, 304, 309	7023576 273, 293
4923115 233, 235	70003663 . 280, 288, 300, 308	70004973..276, 280, 284, 288, 296, 300, 304, 308	7023577 272, 292
4923121 233, 235, 429	70003706 454	70004974..276, 280, 284, 288, 296, 300, 304, 308	7023580 292
4923228 189, 191, 405	70003707 . 276, 280, 284, 288, 296, 300, 304, 308, 454	70004975..276, 280, 284, 288, 296, 300, 304, 308	7023585 292
4923390 47	70004239 313	70004976..276, 280, 284, 288, 296, 300, 304, 308	7023586 273, 293
4923391 47	70004241 313	70005233..276, 280, 284, 288, 296, 300, 304, 308	7023587 272
4923392 47	70004585 . 276, 280, 284, 288, 296, 300, 304, 308	70005235..276, 280, 284, 288, 296, 300, 304, 308	7023588 272
4923393 47	70004624 . 280, 288, 300, 308	70005236..276, 280, 284, 289, 296, 300, 304, 309	7023589 272, 292
4923602 15, 17, 389	70004625 . 280, 288, 300, 308	70005237..276, 281, 284, 289, 296, 301, 304, 309	7023591 272, 292
	70004626 . 280, 288, 300, 308	70005238..276, 281, 284, 289, 296, 301, 304, 309	7023593 272, 292
	70004628 . 280, 288, 300, 308	70005239..276, 280, 284, 288	7024747 21
	70004629 . 280, 288, 300, 308		7024748 21
	70004630 . 280, 288, 300, 308		7024749 21
	70004631 . 280, 288, 300, 308		7024750 21
	70004632 . 280, 288, 300, 308		7024756 21
	70004633 . 280, 288, 300, 308		7024757 20
	70004654 . 276, 281, 284, 289, 296, 301, 304, 309		7024758 21
			7024771 21
			7024772 21
			7024785 20
			7024786 20
			7027303 261, 263
			7027365 227
			7027367 227
			7027765 227
			7027766 227

PART NUMBER INDEX

7027863.....113
7028909.....247, 249, 251

77363228.. 247, 249, 251
80325..... 237

8229242 381, 383



3121682



An Oshkosh Corporation Company

Corporate Office
JLG Industries, Inc.
1 JLG Drive
McConnellsburg, PA 17233-9533 USA
☎ (717) 485-5161 (Corporate)
☎ (877) 554-5438 (Customer Support)
☎ (717) 485-6417

Visit our website for JLG Worldwide Locations.
www.jlg.com