



# *Illustrated Parts Manual*

*Model  
R10*

P/N  
3121689

November 8, 2018 - Rev P





## REVISION LOG

### NOTES:

**NOTE: Country of Assembly - The R Scissors Lifts are assembled by JLG Industries in the following countries: Mexico or China. Refer to the Serial Number Tag to identify the country of assembly. R Scissors assembled in the Mexico will have a serial number prefix of M2 (i.e. M2XXXXXXXX) and R Scissors manufactured in the China will have a serial number prefix of B2 (i.e. B2XXXXXXXX).**

### REVISION LOG:

**February 1, 2015 - A - Original Issue Of Manual (Edit to B/M 1001130044 Revision AA)**

**May 1, 2015 - B - Revised Manual (Edit to B/M 1001130044 Revision AA)**

**August 31, 2015 - C - Revised Manual (Edit to B/M 1001130044 Revision AF)**

**November 6, 2015 - D - Revised Manual (Edit to B/M 1001130044 Revision AF)**

**February 5, 2016 - E - Revised Manual (Edit to B/M 1001130044 Revision AF)**

**May 20, 2016 - F - Revised Manual (Edit to B/M 1001130044 Revision AN)**

**August 31, 2016 - G - Revised Manual (Edit to B/M 1001130044 Revision AQ)**

**November 21, 2016 - H - Revised Manual (Edited to B/M 1001130044 Rev AS)**

**February 10, 2017 - I - Revised Manual (Edit to B/M 1001130044 Revision AW)**

**May 31, 2017 - J - Revised Manual (Edited to B/M 1001130044 Rev AX)**

**August 3, 2017 - K - Revised Manual (Edited to B/M 1001130044 Rev AY)**

**November 30, 2017 - L - Revised Manual (Edited to B/M 1001130044 Rev AY)**

**February 3, 2018 - M - Revised Manual (Edited to B/M 1001130044 Rev BB)**

**May 15, 2018 - N - Revised Manual (Edited to B/M 1001130044 Rev BC)**

**August 1, 2018 - O - Revised Manual (Edited to B/M 1001130044 Rev BC)**

**November 8, 2018 - P - Revised Manual (Edited to B/M 1001130044 Rev BD)**



## GENERAL INFORMATION

### 6) NON-SERVICED PARTS

In some instances, it is necessary to display non-serviced parts, assemblies or installations. In the case of assemblies and installations there will be a Ref in the Qty column. In case of parts that are not available for service within assemblies or components, there will be a NSS (Not Sold Separately) or NLA (No Longer Available) listed in the Qty. column of the manual.

### 7) PARTS LIST ITEM NUMBERS

Numbers shown in the item# column correspond to numbers used in the associated illustration (s). Item numbers which are missing from the sequence in the parts list are not used on that page

### 8) INDENTED PARTS DESCRIPTION

An indented part description is included in the item under which it is indented.

### 9) ABBREVIATION AND SYMBOLS

AC.....	.. Alternating Current	LCD.....	.. Liquid Crystal Display
ADE.....	..Advanced Design Electronics	LED.....	.. Light Emitting Diodes
ANSI.....	..American National Standards Institute	LH.....	.. Left Hand
AR.....	..As Required	LSS.....	..Load Sensing System
ASSY.....	.. Assembly	M(m).....	.. Metric/Meter
AUX.....	..Auxiliary	MM (mm).....	..Milimeter
AWG.....	..American Wire Gauge	mA.....	.. Milliamps
B/M.....	..Bill of Material	NLA.....	.....No Longer Available
CE.....	..European Conformity	NPT.....	.. National Pipe Threads
CCW.....	..Counter Clockwise	NSS.....	.....Not Sold Separately
cm.....	..Centimeter	OD.....	..Outside Diameter
CW.....	..Clockwise	ORB.....	.. O-Ring Boss
CSA.....	..Canadian Standards Association	ORFS.....	.. O-Ring Face Seal
CYL.....	..Cylinder	OZ (oz).....	..Ounces
DIA.....	..Diameter	PG.....	..Page
DC.....	..Direct Current	P/N.....	..Part Number
EMS.....	..Emergency Stop	qt.....	..Quarts
ENG.....	..Engine	QTY.....	..Quantity
FT (ft).....	..Feet	REF.....	..Reference
G A(Ga).....	..Gauge	REV.....	..Revision Level
HYD.....	..Hydraulic	RH.....	.. Right Hand
HZ.....	..Hertz	SAE.....	.. Society of Automotive Engineers
ID.....	..Inside Diameter	SN.....	..Serial Number
in.....	..inches	SPEC(S).....	.....Specifications
ISO.....	..International Organization for Standards	T/T.....	..Turntable
JIC.....	..Joint Industry Council	UGM.....	..Universal Ground Module
KG.....	..Kilogram	V.....	..Volts
L.....	..Liter	W.....	..Watts
LB.....	..Pounds	#.....	..Number

### 10) ILLUSTRATION REFERENCE LETTERS

When necessary, illustrations may contain reference letters that are intended to track information (i. e. hoses, harnesses) from one point to another or to track visual enlargement of components to show details that may be located in another area on the illustration.

*Note: Due to continuous product improvements, JLG Industries, Inc. reserves the right to make specification changes without prior notification. Contact JLG Industries, Inc. for updated information.*



# TABLE OF CONTENTS

SECTION 1 - FRAME.....	9
FIGURE 1-1. FRONT AXLE COMPONENTS .....	10
FIGURE 1-2. DRIVE AND ELECTRICAL COMPONENTS -FRAME MOUNTED .....	12
FIGURE 1-3. WHEEL DRIVE INSTALLATION.....	16
FIGURE 1-4. VOLTAGE GUARD ASSEMBLY (CHINESE SPEC).....	20
FIGURE 1-5. LADDER AND COVERS INSTALLATION - FRAME MOUNTED.....	22
FIGURE 1-6. POTHOLE PROTECTION SYSTEM INSTALLATION .....	24
FIGURE 1-7. VOLTAGE GUARD ASSEMBLY AND INSTALLATION (ANSI EXPORT SPEC) (SN B200029114 to Present) .....	26
SECTION 2 - GROUND CONTROLS .....	29
FIGURE 2-1. BATTERIES AND COVERS INSTALLATION .....	30
FIGURE 2-2. PUMP/MOTOR/TANK AND TILT SENSOR INSTALLATION .....	32
FIGURE 2-3. PUMP/MOTOR/TANK ASSEMBLY.....	34
FIGURE 2-4. GROUND CONTROL ASSEMBLY AND INSTALLATION .....	36
SECTION 3 - SCISSORS ARMS .....	39
FIGURE 3-1. SCISSORS ARMS INSTALLATION.....	40
SECTION 4 - PLATFORM.....	45
FIGURE 4-1. PLATFORM AND EXTENSION DECK INSTALLATION (INSIDE RAILS) .....	46
FIGURE 4-2. PLATFORM AND EXTENSION DECK INSTALLATION (OUTSIDE RAILS) .....	48
FIGURE 4-3. RAILS INSTALLATION (INSIDE RAILS).....	50
FIGURE 4-4. RAILS INSTALLATION (OUTSIDE RAILS).....	52
FIGURE 4-5. RAILS INSTALLATION WITH HANDLES .....	54
FIGURE 4-6. PLATFORM CONSOLE BOX ASSEMBLY .....	56
FIGURE 4-7. DRIVE/STEER CONTROLLER ASSEMBLY .....	60
FIGURE 4-8. PIPE RACK INSTALLATION .....	62
SECTION 5 - CYLINDERS.....	65
FIGURE 5-1. LIFT CYLINDER ASSEMBLY .....	66
FIGURE 5-2. STEER CYLINDER ASSEMBLY.....	70
SECTION 6 - HYDRAULIC .....	73
FIGURE 6-1. HYDRAULIC COMPONENTS.....	74
SECTION 7 - ELECTRICAL .....	77
FIGURE 7-1. ELECTRICAL DIAGRAM LIST.....	78
FIGURE 7-2. ELECTRICAL COMPONENTS INSTALLATION.....	80
SECTION 8 - DECALS.....	89
FIGURE 8-1. DECAL INSTALLATION - ANSI SPEC .....	90
FIGURE 8-2. DECAL INSTALLATION - ANSI EXPORT SPEC.....	92
FIGURE 8-3. DECALS INSTALLATION (CE SPEC).....	96
SECTION 9 - RECOMMENDED SERVICE PARTS STOCK .....	99
FIGURE 9-1. RECOMMENDED SERVICE PARTS STOCK .....	100
SECTION 10 - SPECIAL OPTIONS.....	101
FIGURE 10-1. SPECIAL OPTIONS LIST .....	102
PART NUMBER INDEX .....	105

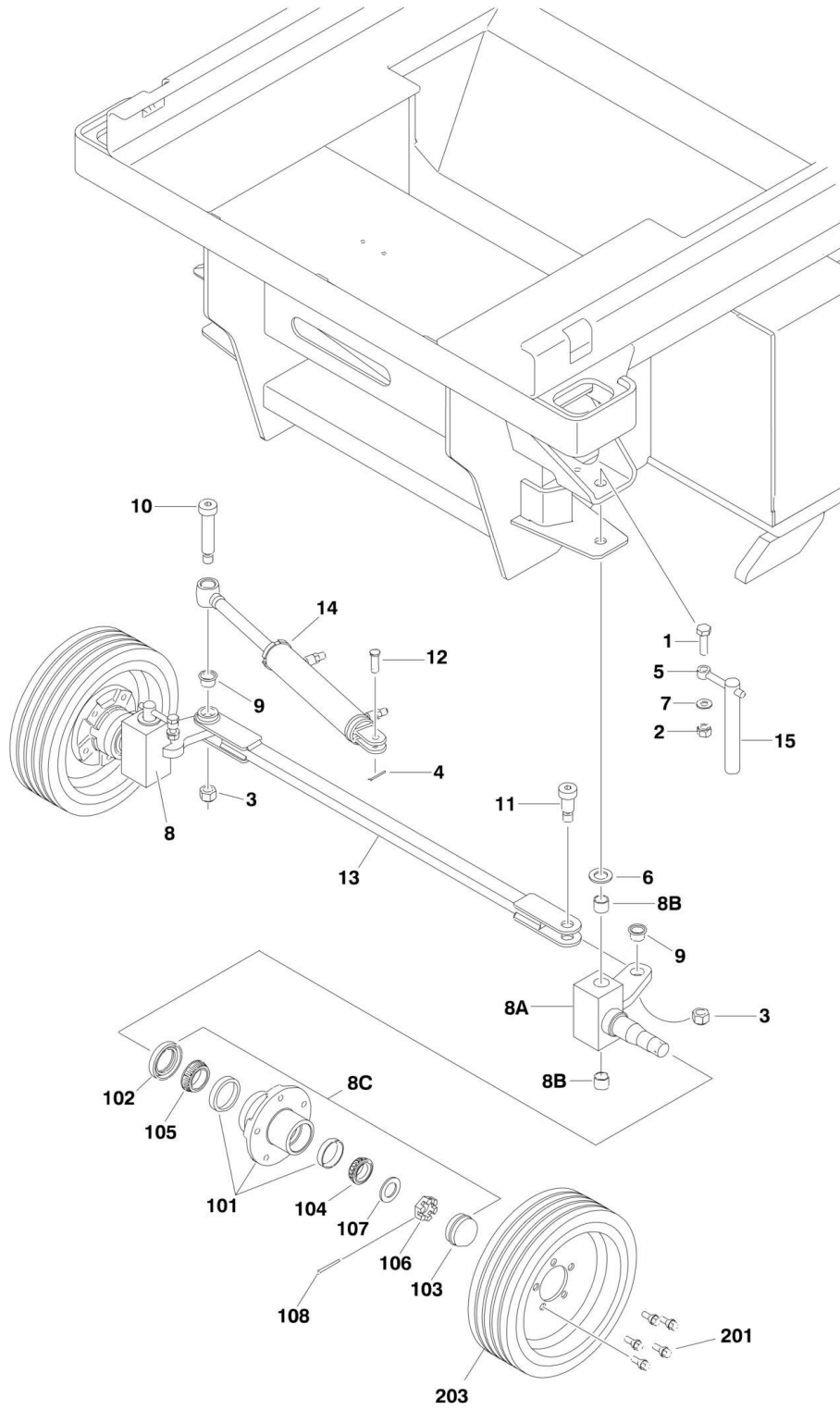




**SECTION 1 - FRAME**

# SECTION 1 - FRAME

## FIGURE 1-1. FRONT AXLE COMPONENTS



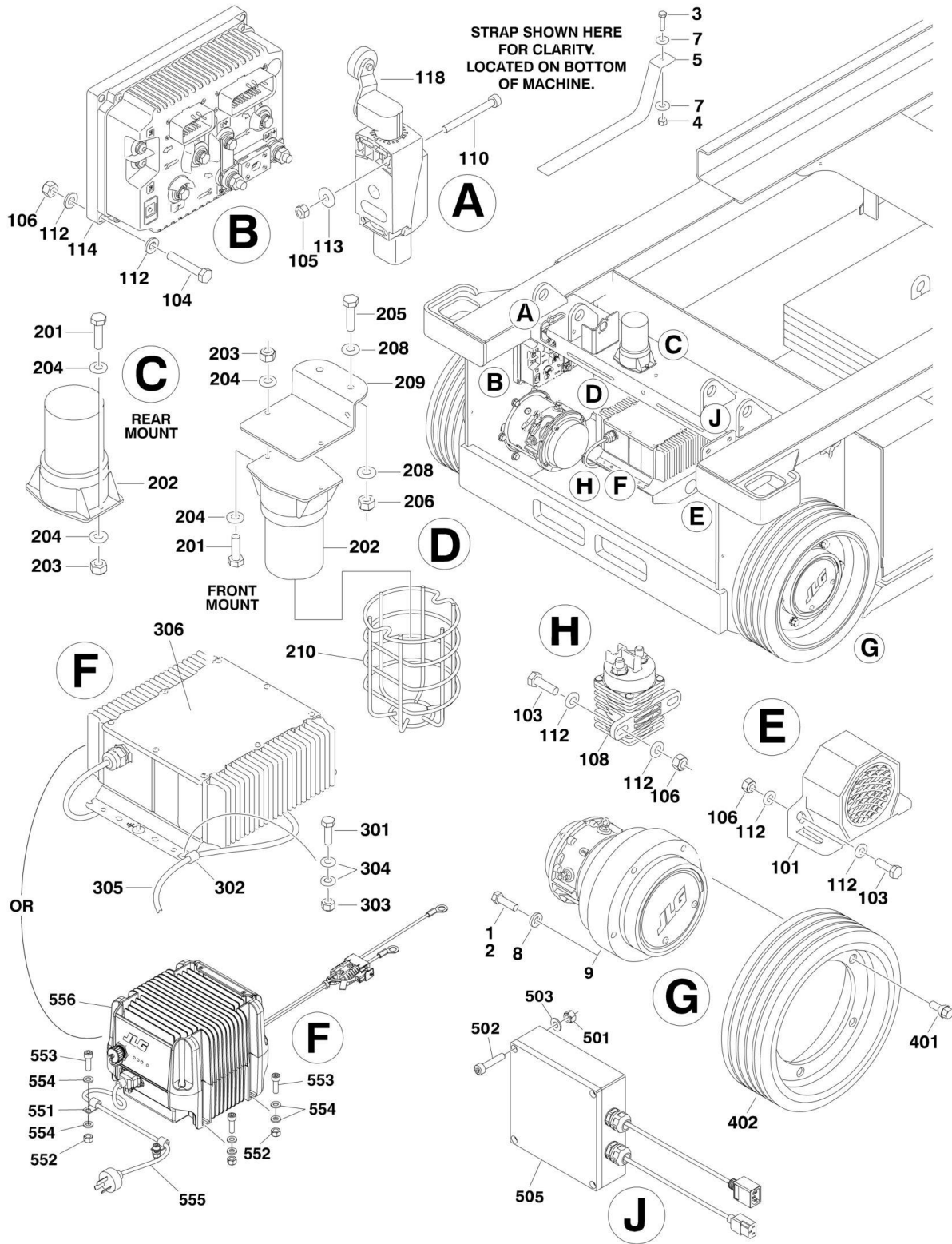
# SECTION 1 - FRAME

## FIGURE 1-1. FRONT AXLE COMPONENTS

ITEM	PART NUMBER	QTY	DESCRIPTION	REV
	1001129400	Ref	<b>STEERING INSTALLATION</b>	C
1	07601015	2	Bolt M10 x 35	
2	3291005	2	Nut M10	
3	3291605	2	Nut M16	
4	3391210	1	Pin, Cotter	
5	3841143	2	Keeper, Pin	
6	4740217	2	Bearing, Thrust	
7	4812000	2	Washer M10	
8	1001129302	2	Spindle Assembly	D
8A	1001129301	2	Spindle (1 per Assembly)	
8B	1001129368	4	Bearing (2 per Assembly)	
8C	1001129381	2	Hub Assembly (1 Per Assembly (See Items 301-308 for Breakdown))	
9	1001129367	2	Bearing, Flanged	
10	1001129742	1	Bolt M20 x 80	
11	1001129743	1	Bolt M20 x 30	
12	1001129754	1	Pin, Clevis	
13	1001129940	1	Tie-Rod	
14	1001130103	1	Steer Cylinder Assembly (See CYLINDER SECTION for Breakdown)	
15	1001130160	2	Kingpin	
	1001129381	Ref	<b>HUB ASSEMBLY</b>	A
		Ref	<b>Note: Qtys shown for 1 Assembly. Two Assemblies required per machine.</b>	
101	See Note	NSS	Hub (Includes Bearing Cups (Use p/n 1001129381))	
102	7010649	1	Seal	
103	7010648	1	Cap, Dust	
104	7010646	1	Bearing, Cone - Outer	
105	7010647	1	Bearing, Cone - Inner	
106	7010641	1	Nut, Slotted	
107	7019697	1	Washer	
108	7010642	1	Pin, Cotter 2 x 3/16	
	1001130486	Ref	<b>TIRE AND WHEEL INSTALLATION</b>	B
		Ref	<b>Note: Must replace Tire and Wheel Assemblies in pairs per axle.</b>	
201	0630580	22	Bolt, Wheel	
202	1001127628	2	Tire and Wheel Assembly (Rear) (Not Shown)	
203	1001129621	2	Tire and Wheel Assembly (Front)	

# SECTION 1 - FRAME

## FIGURE 1-2. DRIVE AND ELECTRICAL COMPONENTS -FRAME MOUNTED



# SECTION 1 - FRAME

**FIGURE 1-2. DRIVE AND ELECTRICAL COMPONENTS -FRAME MOUNTED**

ITEM	PART NUMBER	QTY	DESCRIPTION	REV
	1001129627	Ref	<b>DRIVE MOTOR AND ANTI-STATIC STRAP INSTALLATION</b>	E
1	0100011	AR	Compound, Locking	
2	0641609	12	Bolt 3/8-16 x 1-1/8	
3	0760610	1	Bolt M6 x 20	
4	3290605	1	Nut M6	
5	4240147	1	Strap, Anti-Static	
7	4751400	2	Washer 1/4	
8	4891600	12	Washer 3/8	
9	1001127879	2	Wheel Drive Assembly (See WHEEL DRIVE ASSEMBLY for Breakdown)	
		Ref	<b>ELECTRICAL COMPONENTS</b>	
	1001187995	Ref	<b>Electrical Components without LSS</b>	B
	1001188073	Ref	<b>Electrical Components with LSS</b>	B
101	0140043	1	Alarm	
103	0700610	9	Bolt M6 x 20	
104	0760615	4	Bolt M6 x 35	
105	3290405	2	Nut M4	
106	3290605	9	Nut M6	
108	3740150	1	Relay	
110	4031512	2	Capscrew M4 x 40mm	
112	4811700	18	Washer M6	
113	1001091102	2	Washer M4	
114	1001129845	1	Module, Drive	
118	1001130614	1	Switch, Limit	
	1001130489	Ref	<b>BEACON LIGHT INSTALLATION - WITHOUT GUARD (OPTIONAL)</b>	D
	1001180961	Ref	<b>BEACON LIGHT INSTALLATION - WITH GUARD (OPTIONAL)</b>	A
201	0760408	4	Bolt M4 x 16	
202	2920161	2	Beacon Light Assembly	
202	7016319	2	Replacement Bulb (1 Per Assembly)	
202	7016372	2	Replacement Len (1 Per Assembly)	
202	4460891	2	Plug, Male - 2 Position (1 Per Assembly)	
202	4460465	4	Socket, Female (2 Per Assembly)	
203	3290405	4	Nut M4	
204	4811400	8	Washer M4	
205	0760608	2	Bolt M6 x 16	
206	3290605	2	Nut M6	
207	4240099	AR	Tie-Strap (Not Shown)	
208	4811700	4	Washer M6	
209	1001135043	1	Bracket (Beacon Without Guard)	
209	1001187890	1	Bracket (Beacon With Guard)	
210	1001184389	1	Guard	
		Ref	<b>BATTERY CHARGER INSTALLATIONS - DELTA-Q</b>	
	1001130029	Ref	<b>Charger with 110V Plug</b>	D
	1001131963	Ref	<b>Charger with No Plug (Note: See ELECTRICAL SECTION for Plug Options)</b>	D
	1001172009	Ref	<b>Charger with 420V Plug</b>	C
301	0760610	2	Bolt M6 x 20	
302	1321293	1	Clamp	
303	3290605	2	Nut M6	

## SECTION 1 - FRAME

ITEM	PART NUMBER	QTY	DESCRIPTION	REV
304	4811700	4	Washer M6	
305		Ref	AC Cable Options:	
305	1001103257	1	Cable with 110V Plug	
305	1001172010	1	Cable with 420V Plug	
305	1001103258	1	Cable with No Plug (Note: See ELECTRICAL SECTION for Plug Options)	
306	1001129847	1	Battery Charger Assembly (See ELECTRICAL SECTION for Breakdown)	
	1001130486	Ref	<b>TIRE AND WHEEL INSTALLATION</b>	A
		Ref	<b>Note: Must replace Tire and Wheel Assemblies in pairs per axle.</b>	
401	0630580	22	Bolt, Wheel (5 Per Front Wheel / 6 Per Rear Wheel)	
402	1001127628	2	Tire and Wheel Assembly (Rear)	
403	1001129621	2	Tire and Wheel Assembly (Front) (Not Shown)	
	1001186499	Ref	<b>BATTERY CHARGER INSTALLATION - DELTA-Q &amp; VOLTAGE GUARD (CHINESE SPEC) (Prior to SN B200034310)</b>	C
	1001221779	Ref	<b>BATTERY CHARGER INSTALLATION - DELTA-Q &amp; VOLTAGE GUARD (CHINESE SPEC) (SN B2200036854 to Present)</b>	A
501	3290405	4	Nut M4	
502	4031510	4	Capscrew M4 x 30	
503	4811400	4	Washer M4	
504	1001172009	1	Battery Charger Installation (See Items 301-306 for Breakdown)	
505	1001185306	1	Voltage Guard Assembly (See VOLTAGE GUARD ASSEMBLY For Breakdown)	
506	4240017	2	Tie-Strap (Not Shown)	
507	1001215326	1	Support (Not Shown)	
	1001186499	Ref	<b>BATTERY CHARGER INSTALLATION - GREEN POWER (CHINESE SPEC) (SN B200034310 to Present)</b>	D
551	1321293	2	Clamp	
552	3290605	6	Nut M6	
553	4031708	6	Capscrew M6 x 20	
554	4811700	12	Washer M6	
555	1001172010	1	Cable, AC Input (China Plug)	
556	1001218596	1	Charger, Battery - Green Power	



# SECTION 1 - FRAME

## FIGURE 1-3. WHEEL DRIVE INSTALLATION

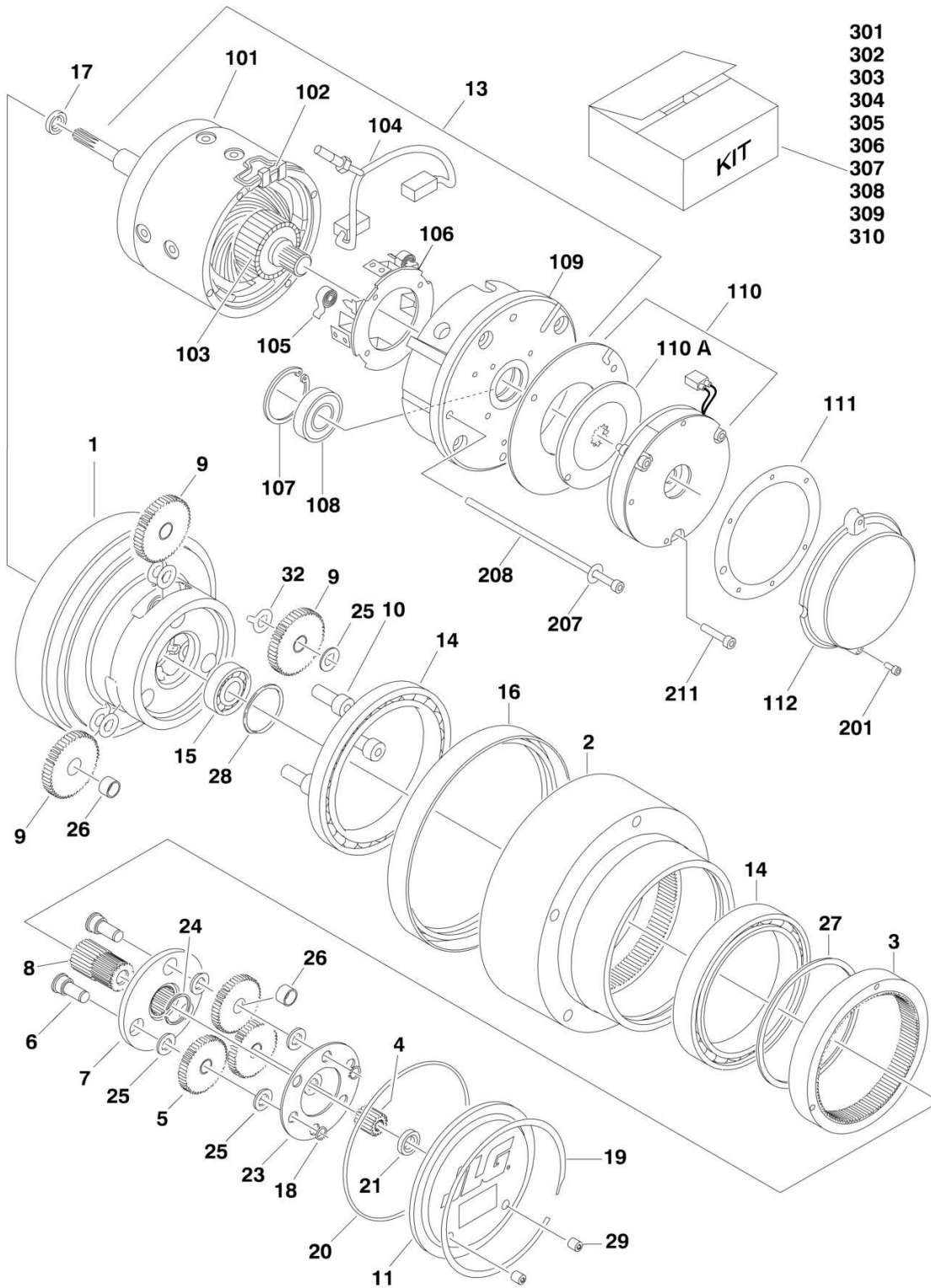




FIGURE 1-3. WHEEL DRIVE INSTALLATION

ITEM	PART NUMBER	QTY	DESCRIPTION	REV
		Ref	<b>WHEEL DRIVE ASSEMBLY</b>	
	1001127879	Ref	<b>Wheel Drive Assembly</b>	D
1	See Note	1	Spindle (Note: Replace Complete Wheel Drive Assembly)	
2	See Note	1	Hub (Note: Use Item 305)	
3	See Note	1	Gear, Ring (Note: Use Item 304)	
4	See Note	1	Gear, Sun (Note: Use Item 303)	
5	See Note	3	Gear, Planet (Note: Use Item 303)	
6	See Note	3	Shaft, Planet (Note: Use Item 303)	
7	See Note	1	Carrier, Input (Note: Use Item 303)	
8	See Note	1	Gear, Output Sun (Note: Use Item 303)	
9	See Note	3	Gear, Planet (Note: Use Item 306)	
10	See Note	3	Shaft, Output Planet (Note: Use Item 306)	
11	See Note	1	Cover (Note: Use Item 301)	
13	See Note	1	Motor Assembly (See Items 101 -109 for Breakdown) (Note: Use Item 310 for Complete Replacement)	
14	See Note	2	Bearing, Main (Note: Use Item 302, 304, 305 or 306)	
15	See Note	1	Bearing, Ball (Note: Use Item 306)	
16	See Note	1	Seal, Lip (Note: Use Item 302 or 305)	
17	7024786	1	Seal, Shaft	
18	See Note	3	Ring, Retaining (Note: Use Item 303)	
19	See Note	1	Ring, Retaining (Note: Use Item 301)	
20	70000191	1	O-Ring	
21	See Note	1	Washer, Thrust (Note: Use Item 301)	
23	See Note	1	Plate, Thrust (Note: Use Item 303)	
24	See Note	1	Ring, Retaining (Note: Use Item 303)	
25	See Note	9	Thrustwasher (Note: Use Item 303 or 306)	
26	See Note	6	Bushing (Note: Use Item 303 or 306)	
27	See Note	1	Ring, Retaining (Note: Use Items 304 or 305 or 306)	
28	See Note	1	Ring, Retaining (Note: Use Item 306)	
29	See Note	2	Plug, Oil Drain (Note: Use Item 301 or 302)	
32	See Note	3	Washer, Tanged (Note: Use Item 306)	
		Ref	<b>Motor and Brake Components</b>	
101	See Note	1	Case, Motor (Note: Use Item 310)	
102	See Note	1	Windings and Harness (Note: Use Item 310)	
103	See Note	1	Armature (Note: Use Item 310)	
104	See Note	1	Brush & Terminal Assembly (Note: Use Item 308)	
105	70000790	2	Spring, Brush	
106	70000791	1	Box, Brush	
107	See Note	1	Ring, Retaining (Note: Use Item 308)	
108	See Note	1	Bearing (Note: Use Item 308)	
109	70000792	1	Commutator	
110	See Note	1	Brake Assembly (Includes Brake, Reaction Disc & Friction Disc) (Note: Use Item 307)	
110A	7024785	1	Disc, Friction	
111	See Note	1	Gasket, Brake Cover (Note: Use Item 307 or 311)	
112	See Note	1	Cover, Brake (Note: Use Item 311)	
		Ref	<b>Hardware Components</b>	
201	See Note	2	Bolt, Cover (M5 x 20mm) (Note: Not Available from JLG. Purchase Locally)	
207	See Note	2	Bolt, Motor (Note: Use Item 309)	

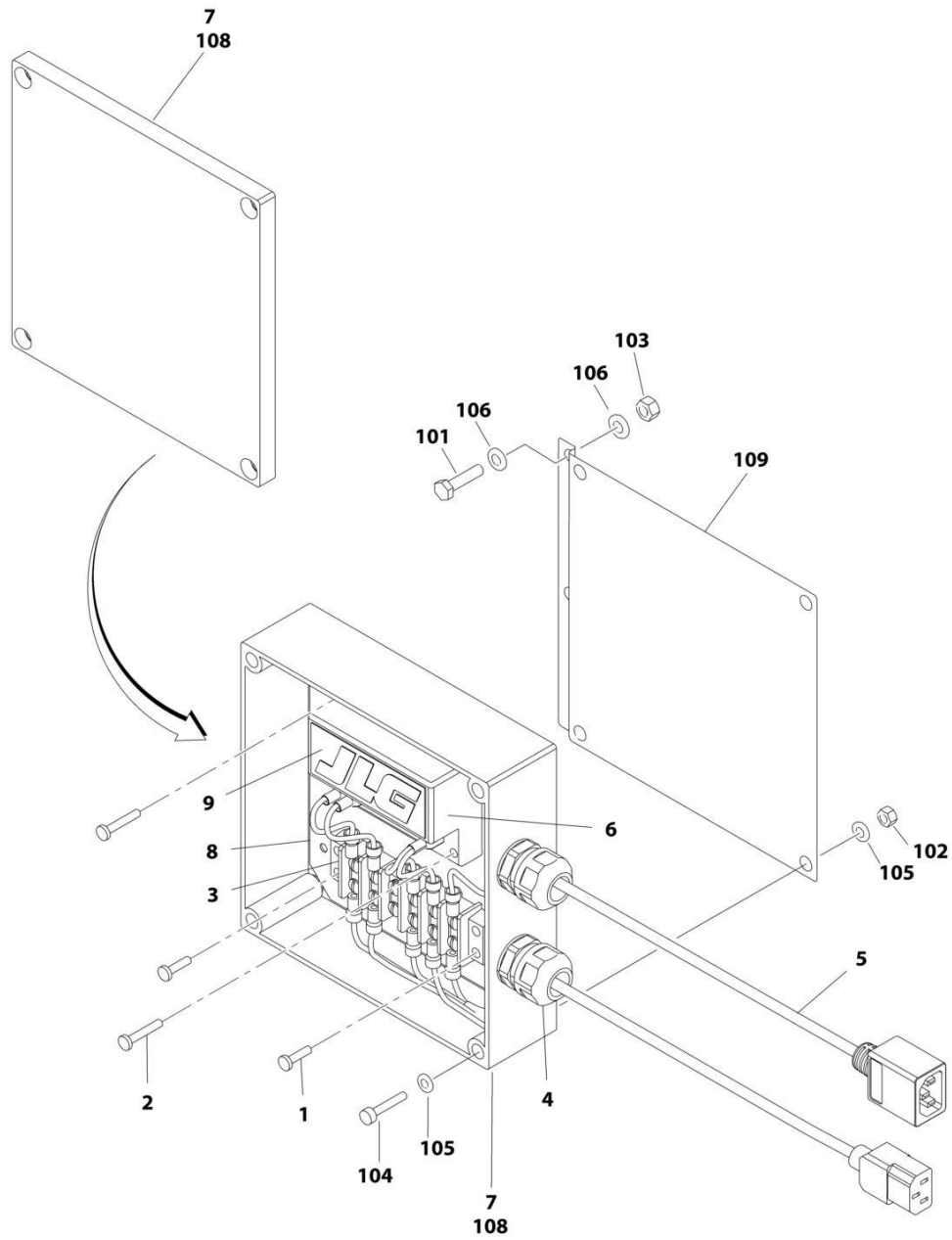
## SECTION 1 - FRAME

ITEM	PART NUMBER	QTY	DESCRIPTION	REV
208	See Note	2	Lockwasher (Note: Use Item 309)	
211	See Note	1	Bolt, Brake (Note: Use Item 307)	
		Ref	<b>Kit Options</b>	
301	7024747	1	Gear box Cover Kit (Includes 11, 19, 20, 21 & 29)	
302	7024748	1	Gearbox Main Seal Kit (Includes Qty 1 of Items 14, 16 & 20)	
303	7024749	1	Input Carrier Kit (Includes Items 4-8, 18, 20 & 23-26)	
304	7024758	1	Input Ring Kit (Includes Qty 1 of Items 3, 14, 20 & 27)	
305	70003677	1	Gearbox Hub Kit (Include Items 2, 14, 16, 20 & 27)	
306	7024750	1	Gearbox Output Planet Kit (Includes Items 9, 10, 14, 15, 20, 25-28 & 32)	
307	70003678	1	Brake Kit (Includes Item 110, 111 & 211)	
308	7024771	1	Motor Brush and Bearing Kit (Includes Items 104, 107 & 108)	
309	70003679	1	Motor Mounting Kit (Include Items 107 & 108)	
310	70003680	1	Motor Kit (Include Items 13 & 17)	
311	70001265	1	Cover Kit (Includes Items 111 & 112)	



# SECTION 1 - FRAME

## FIGURE 1-4. VOLTAGE GUARD ASSEMBLY (CHINESE SPEC)



ART\_1001201491  
ART\_1001185306

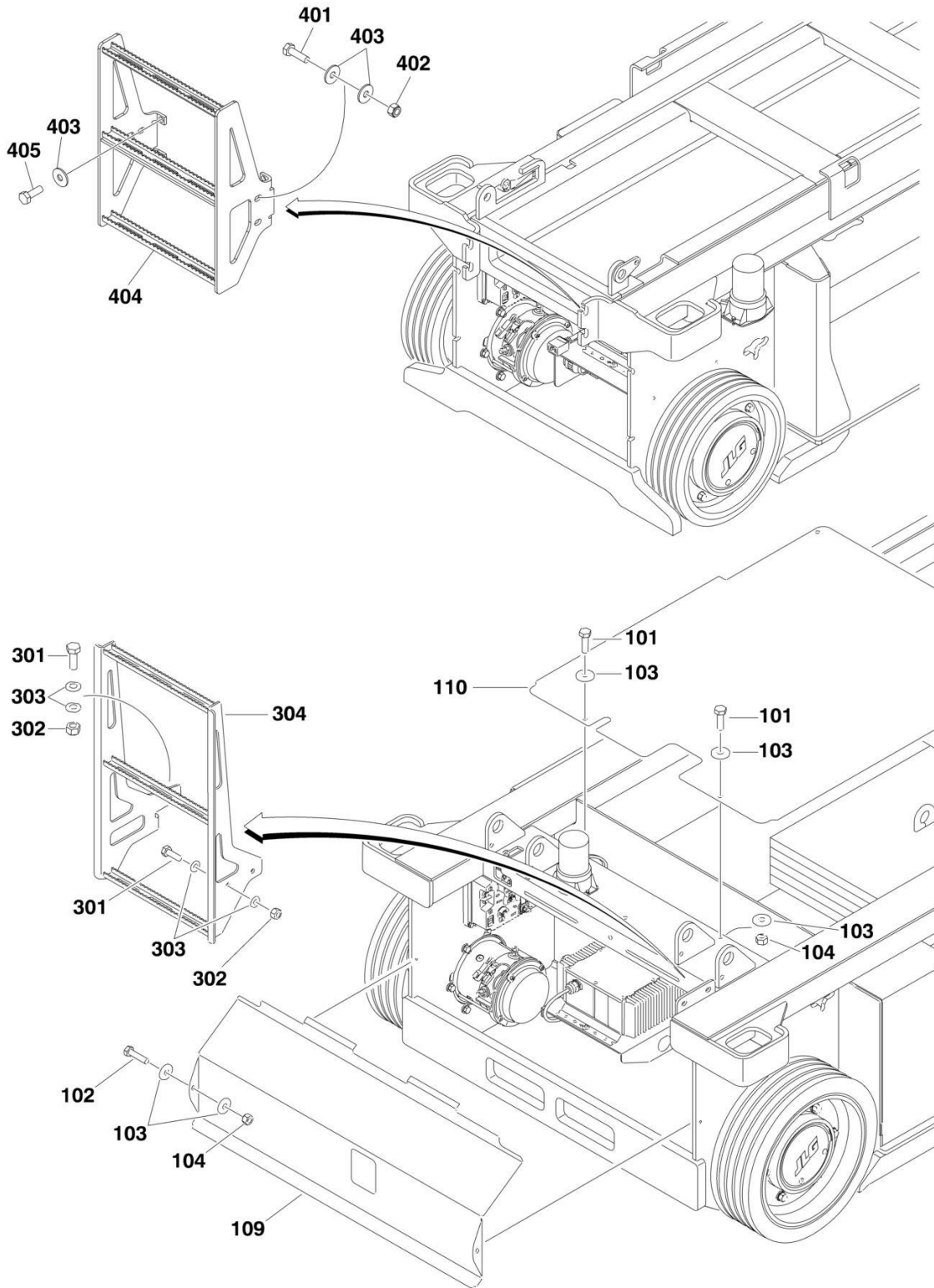
## SECTION 1 - FRAME

### FIGURE 1-4. VOLTAGE GUARD ASSEMBLY (CHINESE SPEC)

ITEM	PART NUMBER	QTY	DESCRIPTION	REV
	1001185306	Ref	<b>VOLTAGE GUARD ASSEMBLY (CHINESE SPEC)</b>	B
1	4010408	2	Screw, M4 X 16	
2	4010412	2	Screw, M4 X 24	
3	4460007	1	Buss Bar	
4	4460968	2	Connector, Strain Relief	
5	1001184947	1	Harness, OVP Cable Kit	
6	1001185156	1	Module, Voltage Guard	
7	1001186497	1	Box	
8	1001187101	1	Plate	
9	1001187530	1	Decal JLG	

# SECTION 1 - FRAME

## FIGURE 1-5. LADDER AND COVERS INSTALLATION - FRAME MOUNTED



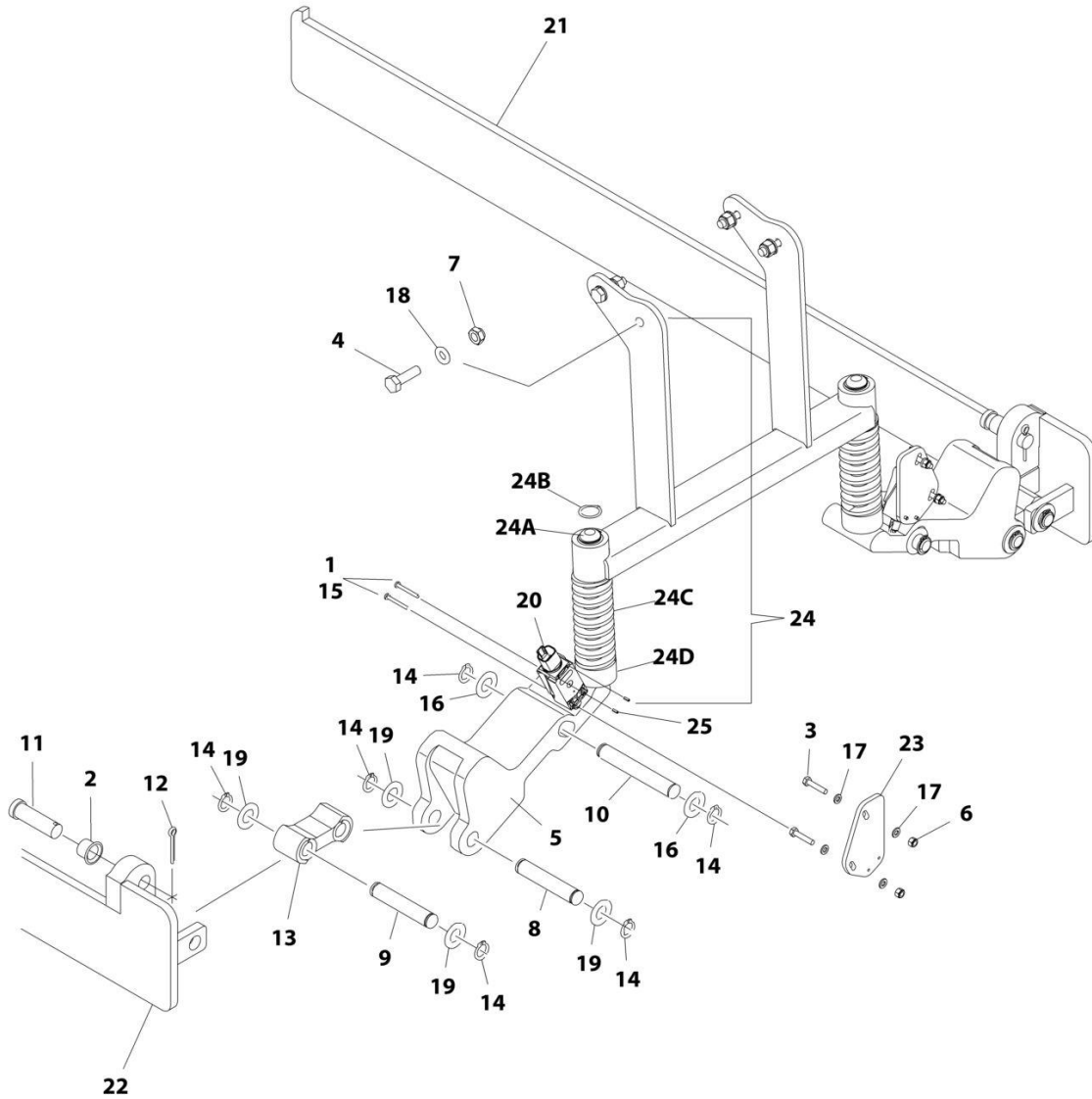
## SECTION 1 - FRAME

**FIGURE 1-5. LADDER AND COVERS INSTALLATION - FRAME MOUNTED**

ITEM	PART NUMBER	QTY	DESCRIPTION	REV
	1001187097	Ref	<b>COVERS INSTALLATION - FRAME MOUNTED (STANDARD)</b>	A
	1001188286	Ref	<b>COVERS INSTALLATION - FRAME MOUNTED (HEAVY DUTY)</b>	A
101	0760610	4	Bolt M6 x 20	
102	0760612	2	Bolt M6 x 25	
103	4811702	12	Washer M6	
104	3290605	6	Nut M6	
109	1001187159	1	Cover, Rear	
110	1001130474	1	Cover, Frame	
	1001130964	Ref	<b>LADDER INSTALLATION</b>	B
301	0761014	4	Bolt M10 x 30	
302	3291005	4	Nut M10	
303	4812000	AR	Washer M10	
304	1001130532	1	Ladder	
305	1001151845	1	Decal - Shipping/installation Instructions (Not Shown)	
	1001145913	Ref	<b>LADDER INSTALLATION (CE SPEC ONLY)</b>	C
401	0761015	4	Bolt M10 x 35	
402	3291005	4	Nut M10	
403	4812002	12	Washer M10	
404	1001145914	1	Ladder	
405	0761014	4	Bolt M10 x 30 <b>(SN B200031001 to Present)</b>	

# SECTION 1 - FRAME

## FIGURE 1-6. POTHOLE PROTECTION SYSTEM INSTALLATION





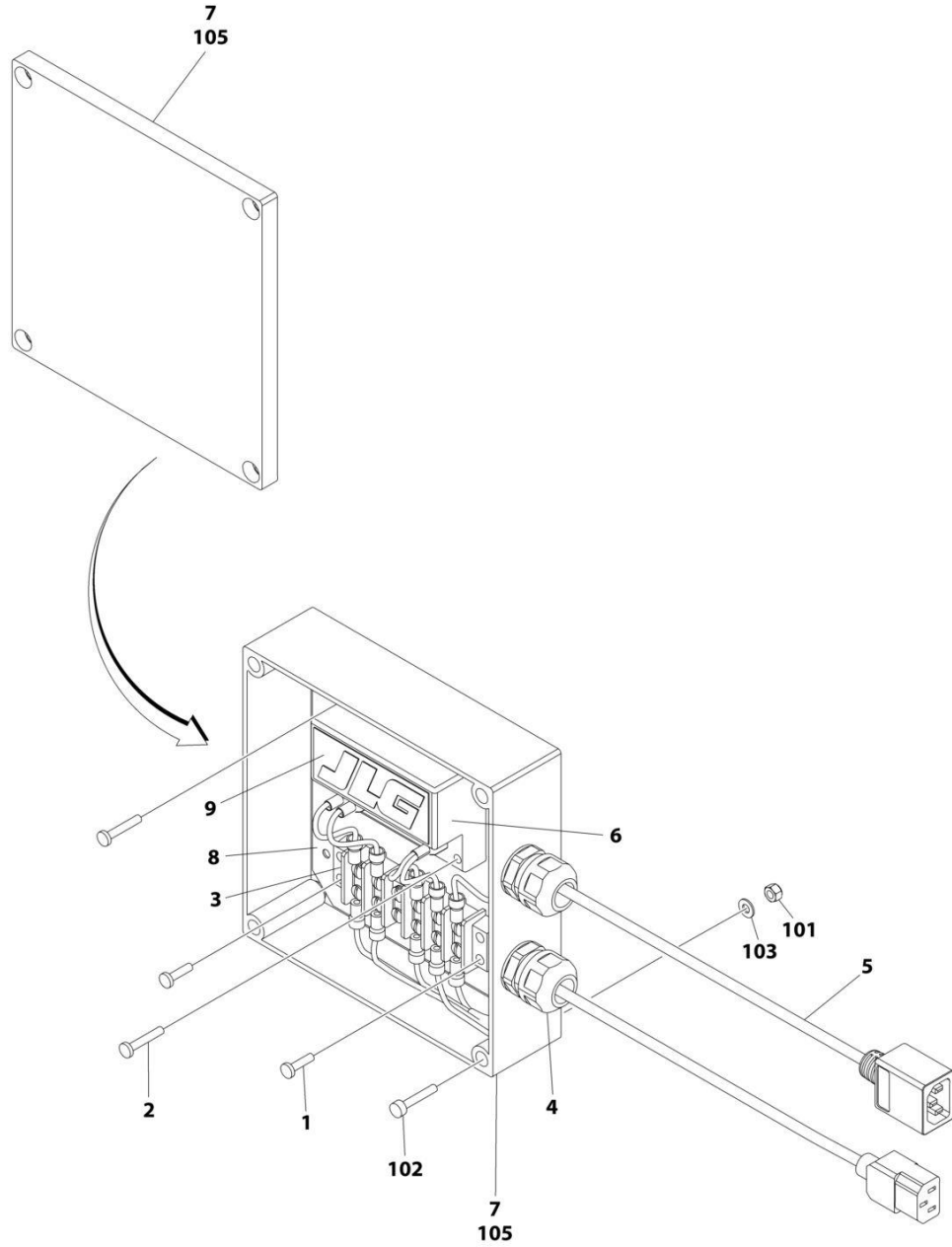
# SECTION 1 - FRAME

## FIGURE 1-6. POTHOLE PROTECTION SYSTEM INSTALLATION

ITEM	PART NUMBER	QTY	DESCRIPTION	REV
	1001187135	Ref	<b>POTHOLE PROTECTION SYSTEM INSTALLATION</b>	C
1	0100035	AR	Compound, Locking	
2	0440263	4	Bearing	
3	0760614	4	Bolt M6 X 30	
4	0761016	4	Bolt M10 X 40	
5	3010158	2	Link	
6	3290605	4	Nut M6	
7	3291005	4	Nut M10	
8	3423045	2	Pin	
9	3423189	2	Pin	
10	3423267	2	Pin <b>(Prior to SN B200023831)</b>	
10	1001197086	2	Pin <b>(SN B200023831 to Present)</b>	
11	3431220	4	Pin	
12	3450505	4	Pin, Cotter	
13	3574176	2	Link	
13	0440263	8	Bearing (4 per Link)	
14	3760348	10	Ring, Retaining	
15	4031511	4	Capscrew M4 X 35	
16	4740086	4	Washer	
17	4811700	8	Washer M6	
18	4812000	8	Washer M10	
19	4812500	4	Washer M20	
20	1001109088	2	Switch, Limit	
21	1001187160	1	Bar, Pothole (LH)	
22	1001187162	1	Bar, Pothole (RH)	
23	1001187163	2	Plate	
24	1001187190	1	Actuator Assembly	
24A	3423289	2	Pin	
24B	3760115	2	Ring, Retaining	
24C	4160202	2	Spring	
24D	4220293	2	Pad	
25	3371004	4	Pin, Roll <b>(SN B200024558 to Present)</b>	

# SECTION 1 - FRAME

FIGURE 1-7. VOLTAGE GUARD ASSEMBLY AND INSTALLATION (ANSI EXPORT SPEC) (SN B200029114 to Present)



ART\_1001212458  
ART\_1001185306

## SECTION 1 - FRAME

**FIGURE 1-7. VOLTAGE GUARD ASSEMBLY AND INSTALLATION (ANSI EXPORT SPEC) (SN B200029114 to Present)**

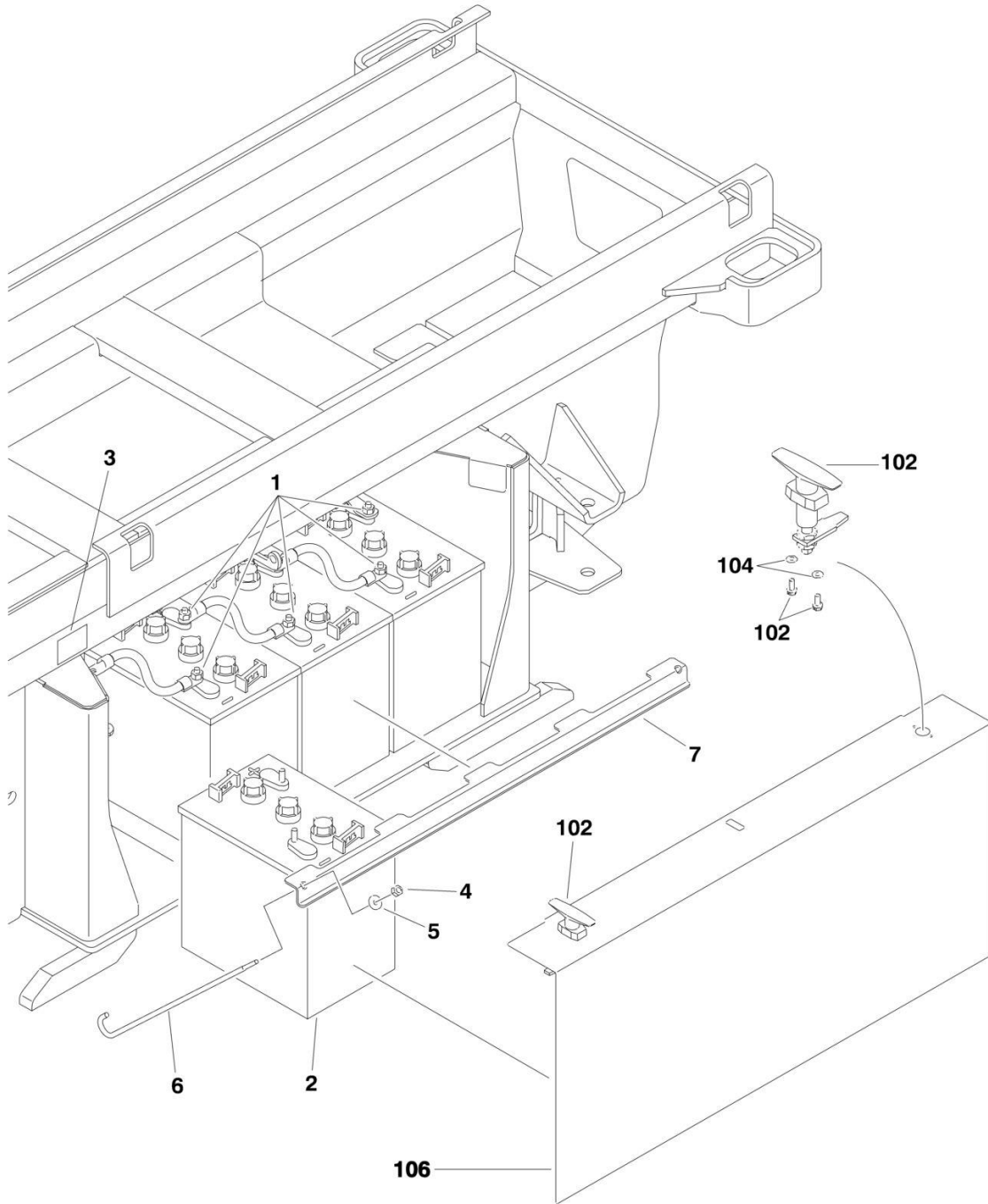
ITEM	PART NUMBER	QTY	DESCRIPTION	REV
	1001185306	Ref	<b>VOLTAGE GUARD ASSEMBLY (ANSI EXPORT SPEC)</b>	B
1	4010408	2	Screw M4 x 16	
2	4010412	2	Screw M4 x 24	
3	4460007	1	Buss Bar	
4	4460968	2	Connector, Strain Relief	
5	1001184947	1	Harness, OVP Cable Kit	
6	1001185156	1	Module, Voltage Guard	
7	1001186497	1	Box	
8	1001187101	1	Plate	
9	1001187530	1	Decal - JLG	
	1001212458	Ref	<b>VOLTAGE GUARD INSTALLATION (ANSI EXPORT SPEC)</b>	B
101	3290405	4	Nut M4	
102	4031510	4	Capscrew M4 x 30	
103	4811400	4	Washer M4	
104	1001131963	1	Battery Charger Installation (Not Shown - See DRIVE AND ELECTRICAL COMPONENTS for Breakdown)	
105	1001185306	1	Voltage Guard Assembly (See Items 1-9 for Breakdown)	
106	1001215326	1	Support (Not Shown)	
107	4240017	2	Tie-Strap (Not Shown)	



**SECTION 2 - GROUND CONTROLS**

# SECTION 2 - GROUND CONTROLS

## FIGURE 2-1. BATTERIES AND COVERS INSTALLATION



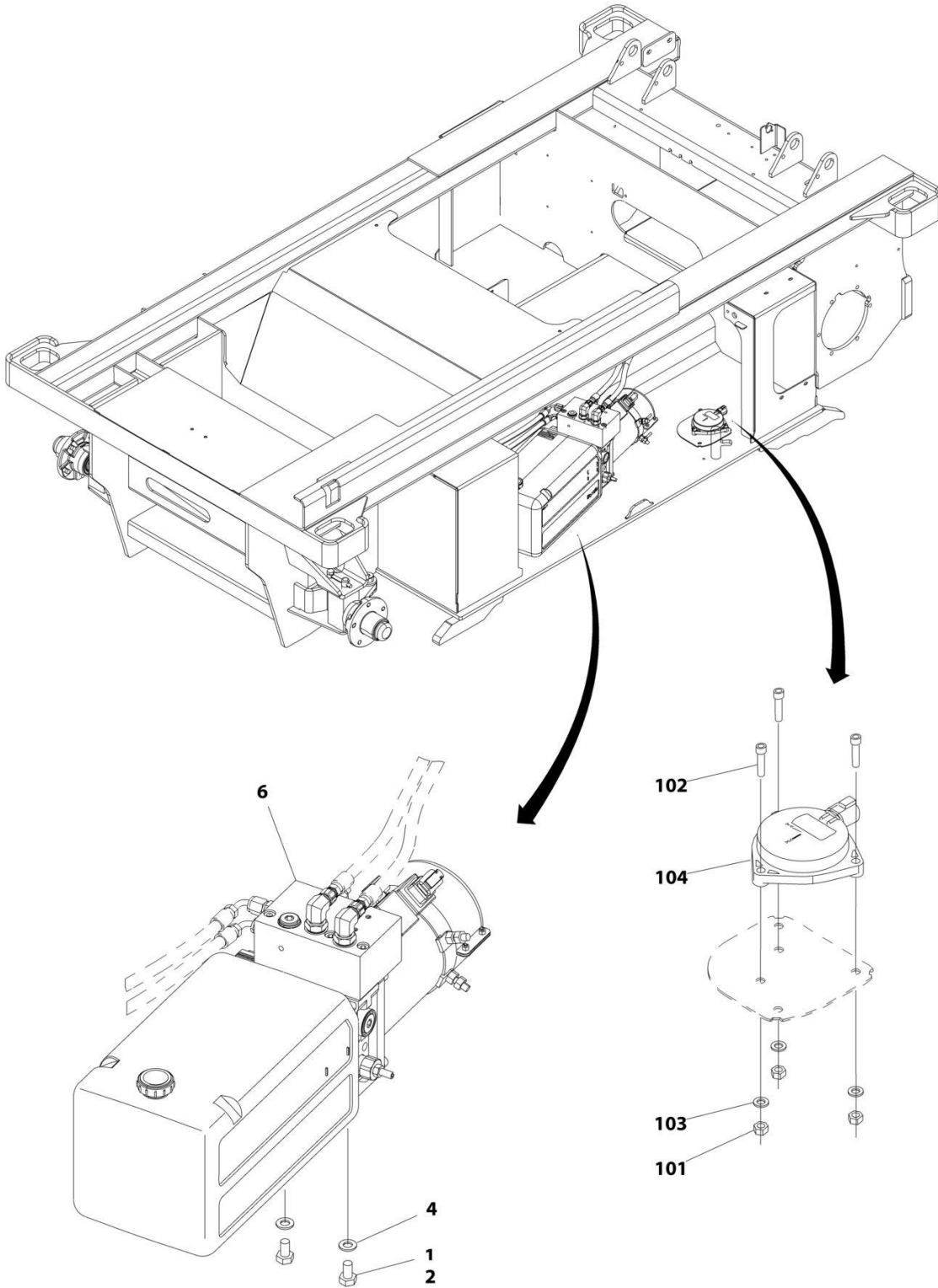
## SECTION 2 - GROUND CONTROLS

### FIGURE 2-1. BATTERIES AND COVERS INSTALLATION

ITEM	PART NUMBER	QTY	DESCRIPTION	REV
		Ref	<b>Note: Replacement Decals Must Be Ordered Separately - See DECALS SECTION.</b>	
		Ref	<b>BATTERIES INSTALLATION</b>	
	1001130028	Ref	<b>Batteries Installation - Standard without Disconnect</b>	E
	1001151269	Ref	<b>Batteries Installation - AGM without Disconnect</b>	B
	1001147261	Ref	<b>Batteries Installation - Standard with Disconnect</b>	C
	1001142744	Ref	<b>Batteries Installation - AGM with Disconnect</b>	C
1	0100051	AR	Grease, Battery Terminal	
2		Ref	Battery Options:	
2	0400215	4	Standard Battery	
2	1001112112	4	AGM Battery	
3	1706740	AR	Decal - Battery Disconnect	
4	3290605	2	Nut M6	
5	4811702	2	Washer M6	
6	1001129945	NLA	Tie-Rod (Use p/n 1001151272)	
7	1001129947	NLA	Clamp (Use p/n 1001151271)	
		Ref	<b>SIDE COVERS INSTALLATION</b>	
	1001187097	Ref	<b>Side Covers Installation - Standard</b>	A
	1001188286	Ref	<b>Side Covers Installation - Heavy Duty</b>	A
102	2940174	4	Latch, T-Handle	
104	4811400	8	Washer M4	
106		Ref	Cover Options:	
106	1001187161	1	Cover - Standard	
106	1001188296	1	Cover - Heavy Duty	

## SECTION 2 - GROUND CONTROLS

FIGURE 2-2. PUMP/MOTOR/TANK AND TILT SENSOR INSTALLATION





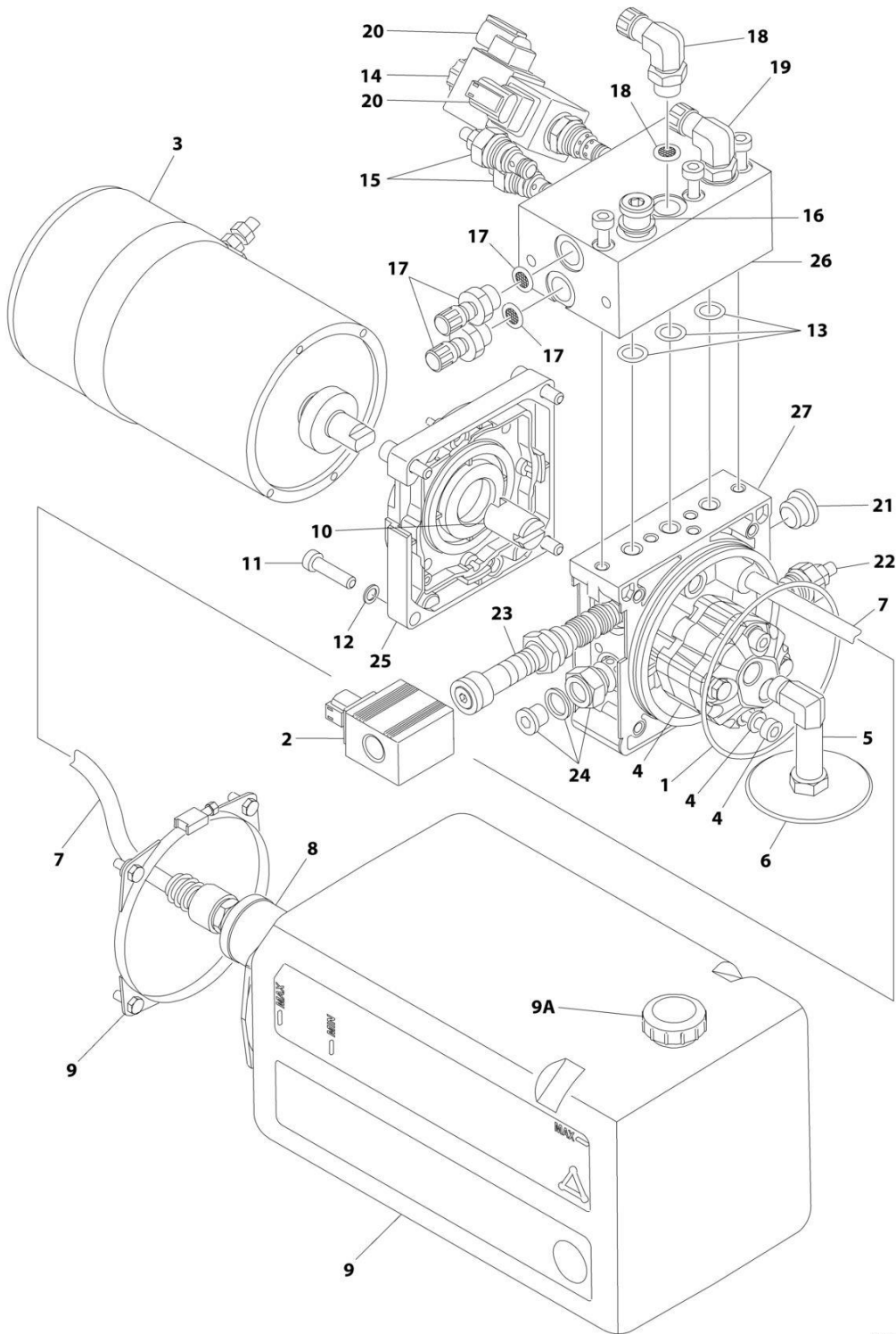
## SECTION 2 - GROUND CONTROLS

**FIGURE 2-2. PUMP/MOTOR/TANK AND TILT SENSOR INSTALLATION**

ITEM	PART NUMBER	QTY	DESCRIPTION	REV
	1001130669	Ref	<b>PUMP/MOTOR/TANK INSTALLATION</b>	G
1	0100011	AR	Compound, Locking	
2	0761009	2	Bolt M10 x 18	
4	4812000	2	Washer M10	
6	1001130541	1	Pump/Motor/Tank Assembly (See PUMP/MOTOR/TANK ASSEMBLY for Breakdown)	
	1001190298	Ref	<b>TILT SENSOR INSTALLATION</b>	A
101	3290605	3	Nut M6	
102	4031709	3	Capscrew M6 x 25	
103	4811700	3	Washer M6	
104	1001163095	1	Sensor, Tilt	

# SECTION 2 - GROUND CONTROLS

## FIGURE 2-3. PUMP/MOTOR/TANK ASSEMBLY



ART\_1001130541

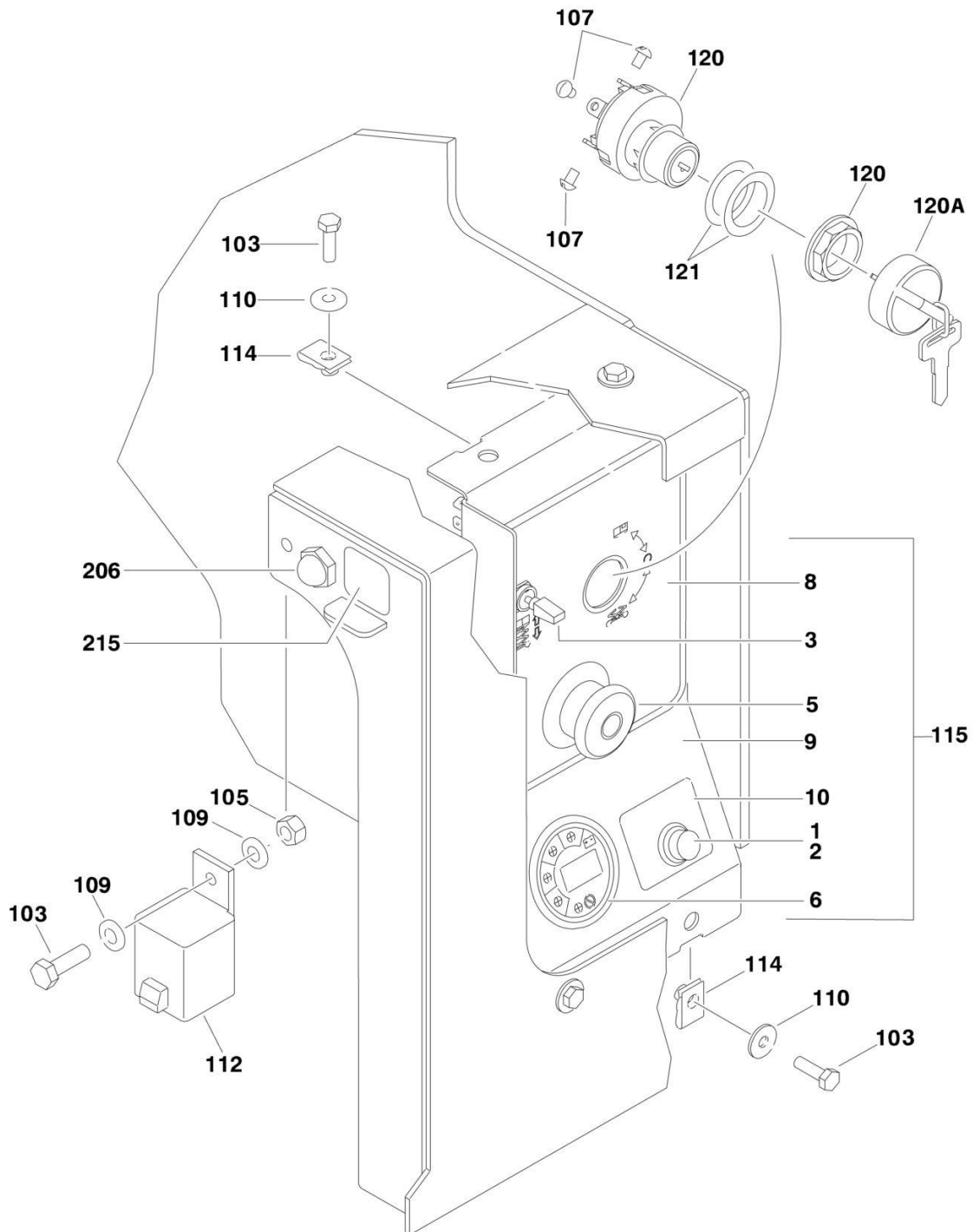
## SECTION 2 - GROUND CONTROLS

### FIGURE 2-3. PUMP/MOTOR/TANK ASSEMBLY

ITEM	PART NUMBER	QTY	DESCRIPTION	REV
	1001130541	Ref	<b>PUMP/MOTOR/TANK ASSEMBLY</b>	E
1	70003690	1	O-Ring	
2	70003686	1	Coil	
3	70005630	1	Motor Assembly	
3	70003727	1	Brush and Spring Kit	
4	70005233	1	Pump, Gear Assembly	
5	70003695	1	Pipe, Suction	
6	70003696	1	Filter, Suction	
7	70003697	1	Pipe	
8	70004935	1	Filter, Return	
9	70005631	1	Tank Assembly	
9A	70003700	1	Cap, Oil Fill	
10	70003728	1	Coupling	
11	70005638	4	Bolt M8 x 30	
12	70005639	4	Washer, M8	
13	70003702	3	O-Ring	
14	70003028	1	Cartridge, Solenoid Valve	
14	70004654	1	Nut, Coil	
15	70005637	2	Cartridge, Valve	
16	70005632	1	Plug Kit (Includes Plug and Seal)	
17	70005633	2	Fitting, Straight	
18	70005634	1	Fitting, 90	
19	70005635	1	Fitting, 90	
20	70003707	2	Coil	
21	70003683	1	Plug	
22	70003684	1	Cartridge, Relief Valve	
23	70003685	1	Cartridge, Solenoid Valve	
23	70003729	1	Nut, Coil	
24	70005636	1	Plug Assembly Kit	
25	See Note	NSS	Junction Kit (Note: Not Available for Purchase)	
26	See Note	NSS	Block, Valve Change (Note: Not Available - Purchase Complete Assembly)	
27	See Note	NSS	Adapter (Note: Not Available - Purchase Complete Assembly)	

# SECTION 2 - GROUND CONTROLS

## FIGURE 2-4. GROUND CONTROL ASSEMBLY AND INSTALLATION



## SECTION 2 - GROUND CONTROLS

**FIGURE 2-4. GROUND CONTROL ASSEMBLY AND INSTALLATION**

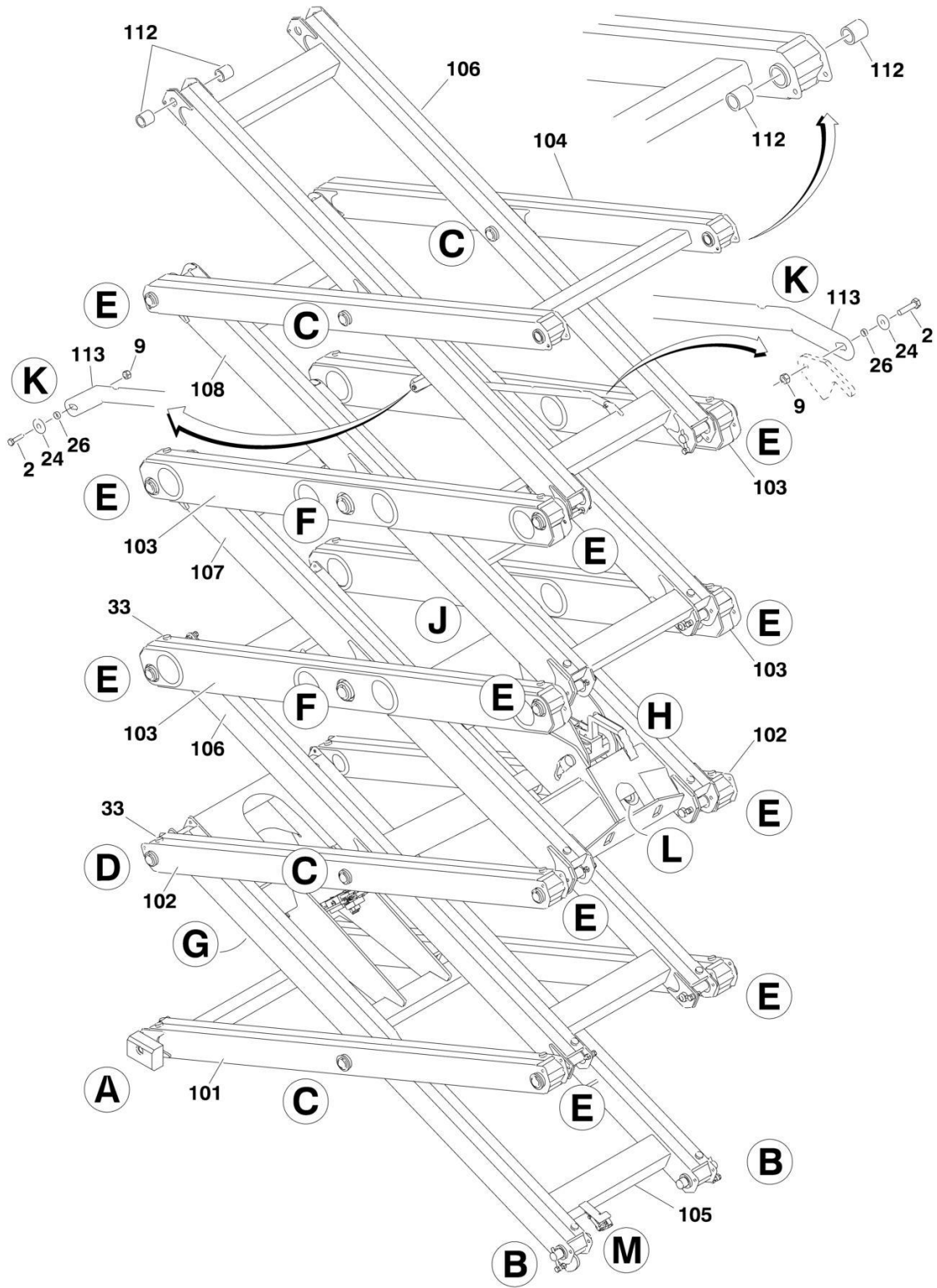
ITEM	PART NUMBER	QTY	DESCRIPTION	REV
		Ref	<b>GROUND CONTROL ASSEMBLY</b>	
	1001130303	Ref	<b>Ground Control Assembly without LSS</b>	D
	1001156546	Ref	<b>Ground Control Assembly with LSS</b>	D
1	2920026	1	Lamp (LSS Only)	
2	2920094	1	Bulb, Light (LSS Only)	
3	4360328	1	Switch, Toggle	
5	4360475	1	Switch, Emergency Stop	
5	7020175	1	Cap	
5	7020176	1	Block, Contact	
6	1001092454	1	Gauge, MDI	
8		Ref	Decal - Ground Control Options:	
8	1001132360	1	Decal (without LSS)	
8	1001143008	1	Decal (with LSS)	
9		Ref	Plate Options:	
9	1001146144	1	Plate (without LSS)	
9	1001146980	1	Plate (with LSS)	
10	1001146979	1	Decal - LSS (LSS Only)	
	1001187995	Ref	<b>GROUND CONTROL INSTALLATION WITHOUT LSS</b>	B
	1001188073	Ref	<b>GROUND CONTROL INSTALLATION WITH LSS</b>	B
103	0760610	5	Bolt M6 x 20mm	
106	3290605	1	Locknut M6	
107	3910804	3	Screw #8-32 x 1/4in	
109	4811700	2	Flatwasher M6	
110	4811702	4	Flatwasher, Special M6	
112	1001097347	2	Relay	
114	1001130220	4	Nut, Tinnerman	
115		Ref	Ground Control Assembly Options (Includes Items 1-10):	
115	1001130303	1	Ground Control Panel Assembly without LSS	
115	1001156546	1	Ground Control Panel Assembly with LSS	
120	4360469	1	Switch, Key	
120A	2860030	1	Key, Replacement (Fits All Specs)	
121	1001130590	1	Shim	
	1001129627	Ref	<b>BRAKE RELEASE SWITCH INSTALLATION</b>	E
206	4360387	1	Switch, Push Button	
215	1706679	1	Decal - Brake Release	



**SECTION 3 - SCISSORS ARMS**

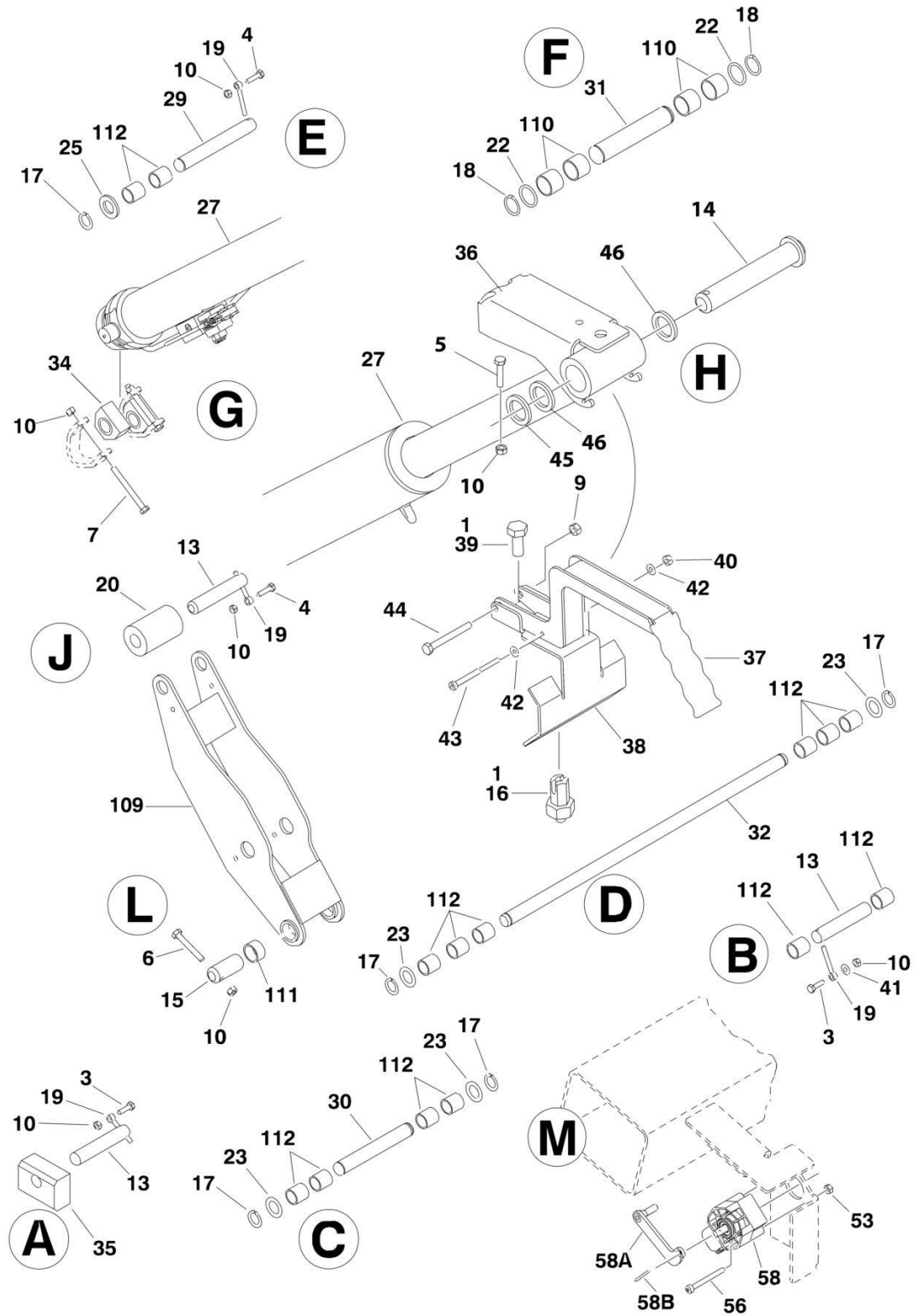
# SECTION 3 - SCISSORS ARMS

## FIGURE 3-1. SCISSORS ARMS INSTALLATION





# SECTION 3 - SCISSORS ARMS



# SECTION 3 - SCISSORS ARMS

## FIGURE 3-1. SCISSORS ARMS INSTALLATION

ITEM	PART NUMBER	QTY	DESCRIPTION	REV
		Ref	<b>SCISSOR ARMS ASSEMBLY</b>	
	1001188432	Ref	<b>Scissors Arms Installation without LSS</b>	B
	1001147251	Ref	<b>Scissors Arms Installation with LSS</b>	G
1	0100011	AR	Compound, Locking	
2	0700612	6	Bolt M6 x 25	
3	0701015	4	Bolt M10 x 35	
4	0701016	15	Bolt M10 x 40	
5	0701018	1	Bolt M10 x 50	
6	0701022	2	Bolt M10 x 70	
7	0701029	2	Bolt M10 x 120	
9	3290607	AR	Nut M6	
10	3291007	24	Nut M10	
13	3422998	5	Pin	
14	1001139003	1	Pin	
15	3423011	2	Pin	
16	3423151	1	Pin	
17	3760387	28	Ring, Retaining	
18	3760420	8	Ring, Retaining	
19	3841143	19	Keeper, Pin	
20	3860104	1	Roller, Arm Kicker	
22	4740332	8	Washer	
23	4740438	22	Washer	
24	4711702	6	Washer M6	
25	4893000	6	Washer 1-1/4	
26	1001128888	6	Washer	
27		Ref	Lift Cylinder Assembly with Fittings Options (See CYLINDER SECTION for Breakdown):	
27	1001130995	1	Lift Cylinder Assembly with Fittings (Use p/n 1001146518) (Machines without LSS) <b>(Prior to SN B200052191)</b>	
27	1001146518	1	Lift Cylinder Assembly with Fittings (Machines without LSS) <b>(SN B200052191 to Present)</b>	
27	1001146518	1	Lift Cylinder Assembly with Fittings (Machines with LSS)	
29	1001130647	14	Pin	
30	1001130648	6	Pin	
31	1001130649	4	Pin	
32	1001130650	1	Pin	
33	1001137675	32	Pad, Arm Rest	
34	1001130912	2	Block, Trunnion	
34	0961948	2	Bearing (1 per Block)	
35	1001130963	2	Pad, Slide	
36	1001132009	1	Stop, Cylinder	
37	1001133947	1	Lever, Stop	
38	1001132100	1	Plate, Retainer	
39	0761012	1	Bolt M10 x 25	
40	3290305	1	Nut M3	
41	4812000	2	Washer M10	
42	1001110544	2	Washer M3	
43	1001134833	1	Capscrew M3 x 40	
44	0760619	1	Bolt M6 x 55	
45	1001139000	1	Plate	

## SECTION 3 - SCISSORS ARMS

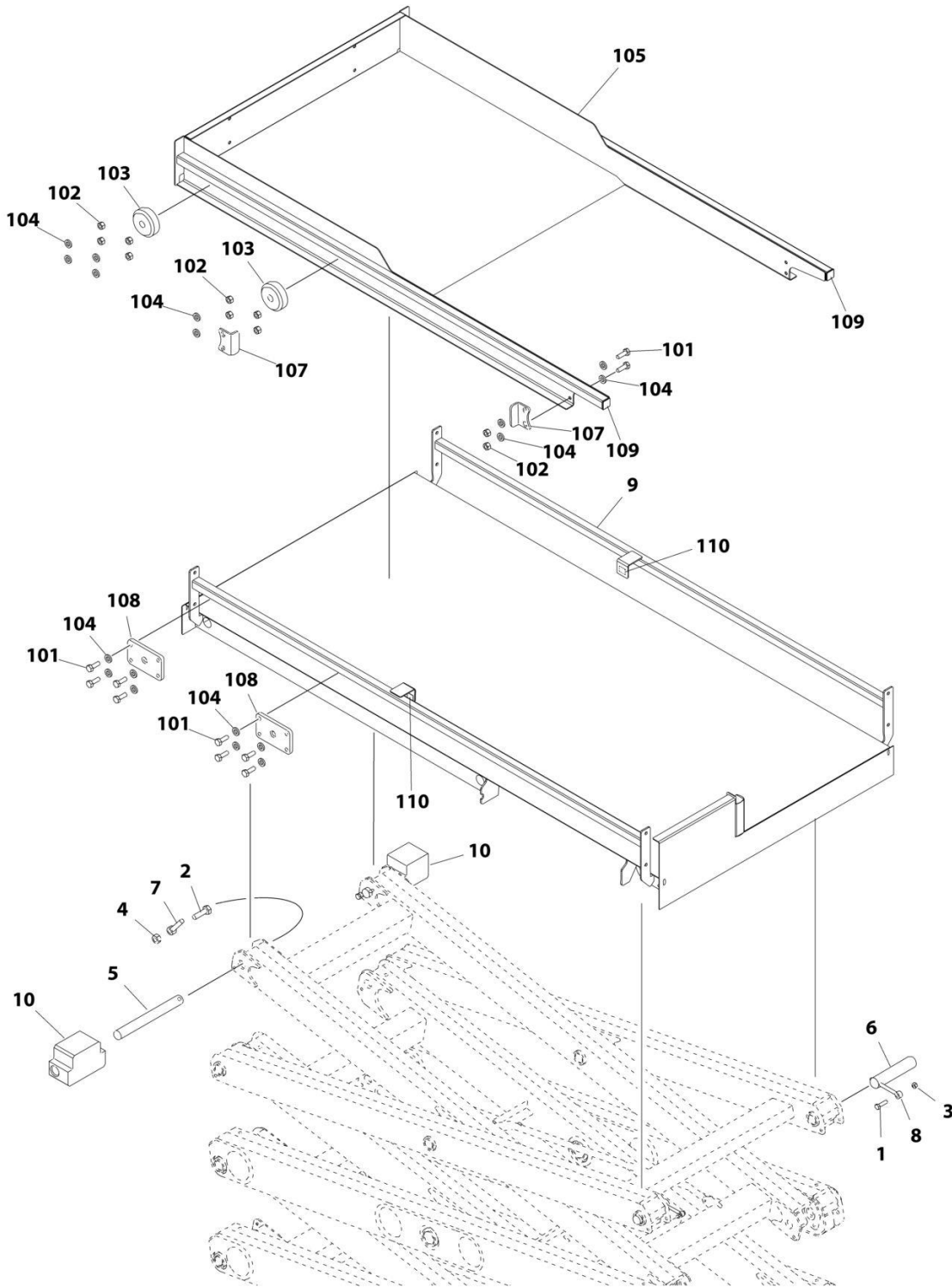
ITEM	PART NUMBER	QTY	DESCRIPTION	REV
46	1001139002	2	Pad	
47	4240017	4	Tie-Strap (Not Shown - Attaches Item 48)	
48	1001130656	1	Harness, Lift Down (Machines without LSS) (Not Shown - See ELECTRICAL SECTION for Breakdown)	
48	1001156226	1	Harness, Lift Down (Machines with LSS) (Not Shown - See ELECTRICAL SECTION for Breakdown)	
48	1001153879	1	Harness, Lift Down Jumper (Machines with LSS) (Not Shown - See ELECTRICAL SECTION for Breakdown)	
53	3290405	2	Locknut M4	
56	4031512	2	Capscrew M4 x 40	
58	1001151800	1	Sensor, Angle	
58A	70004167	1	Arm	
58B	70004168	1	Pin, Dowel	
	1001130622	Ref	<b>SCISSOR ARMS KIT</b>	Q
101	1001130623	1	Arm, Lower Outboard	
102	1001130624	2	Arm, Lower Mid Outboard	
103	1001130625	4	Arm, Mid and Upper Mid Outboard	
104	1001130626	1	Arm, Upper Outboard	
105	1001130627	1	Arm, Lower Inboard	
106	1001130628	2	Arm, Lower Mid and Upper Inboard	
107	1001130629	1	Arm, Mid Inboard	
108	1001130630	1	Arm, Upper Mid Inboard	
109	1001129281	1	Kicker, Arm	
110	0440236	16	Bearing	
111	0440257	2	Bearing	
112	0440267	66	Bearing	
113	1001130642	3	Carrier, Cable	



**SECTION 4 - PLATFORM**

# SECTION 4 - PLATFORM

FIGURE 4-1. PLATFORM AND EXTENSION DECK INSTALLATION (INSIDE RAILS)



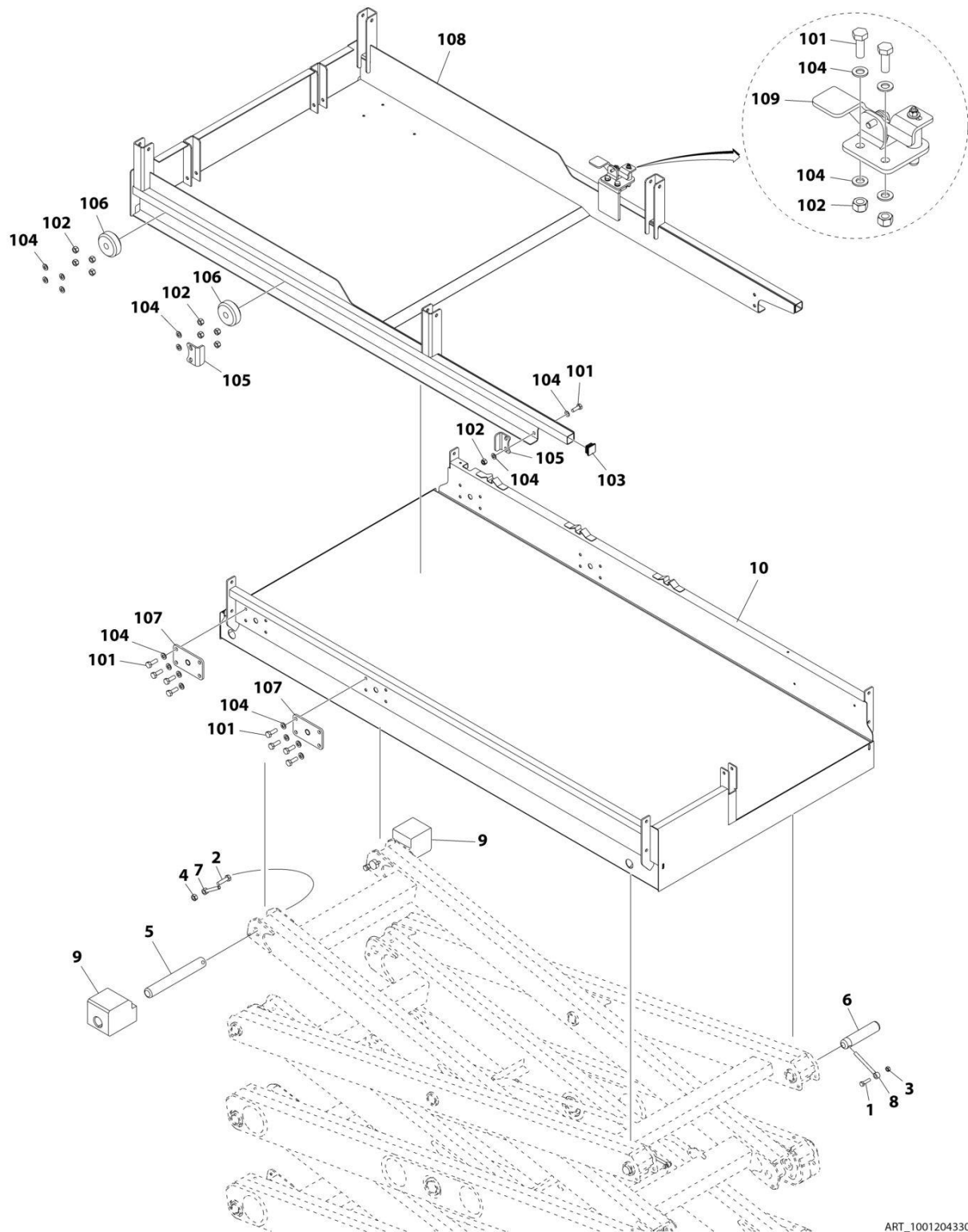
## SECTION 4 - PLATFORM

**FIGURE 4-1. PLATFORM AND EXTENSION DECK INSTALLATION (INSIDE RAILS)**

ITEM	PART NUMBER	QTY	DESCRIPTION	REV
		Ref	<b>Note: Replacement Decals Must Be Ordered Separately - See DECALS SECTION.</b>	
	1001142772	Ref	<b>PLATFORM INSTALLATION</b>	D
1	0700814	2	Bolt M8 x 30	
2	0761016	2	Bolt M10 x 40	
3	3290807	2	Nut M8	
4	3291007	2	Nut M10	
5	3422561	2	Pin	
6	3423067	2	Pin	
7	3841143	2	Keeper, Pin	
8	3841147	2	Keeper, Pin	
9	1001142773	1	Platform	
10	1001173698	2	Block, Slide	
	1001142774	Ref	<b>EXTENSION DECK INSTALLATION</b>	D
101	0761014	20	Bolt M10 x 30	
102	3291005	20	Nut M10	
103	1001134648	4	Roller	
104	4812000	36	Washer M10	
105	1001142775	1	Extension, Deck	
107	1001129549	4	Bracket, Stop	
108	1001145779	4	Mount, Roller	
109	3520072	2	Cap-Plug	
110	4420062	AR	Tape	

# SECTION 4 - PLATFORM

## FIGURE 4-2. PLATFORM AND EXTENSION DECK INSTALLATION (OUTSIDE RAILS)



ART\_1001204330



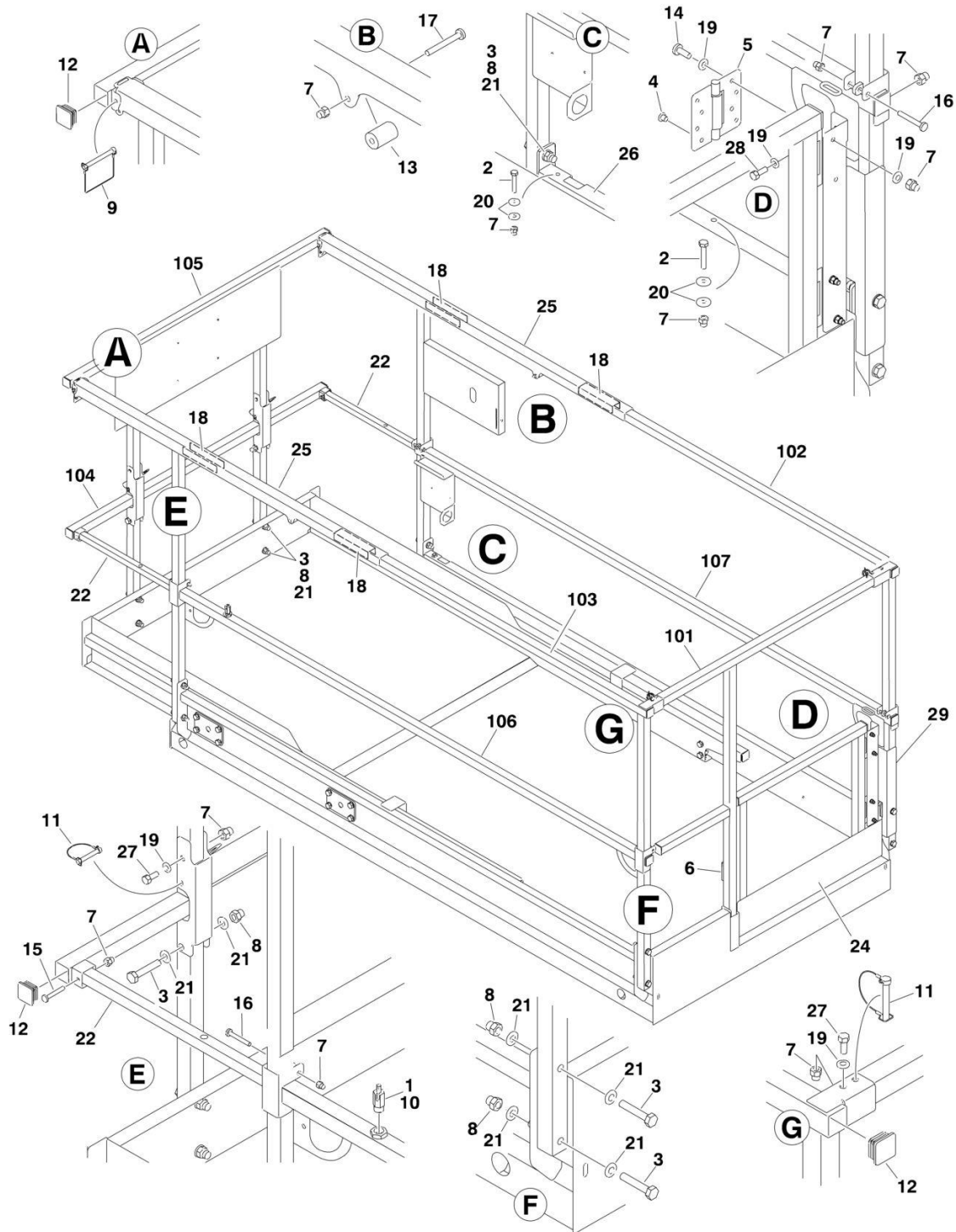
## SECTION 4 - PLATFORM

**FIGURE 4-2. PLATFORM AND EXTENSION DECK INSTALLATION (OUTSIDE RAILS)**

ITEM	PART NUMBER	QTY	DESCRIPTION	REV
		Ref	<b>Note: Replacement Decals Must Be Ordered Separately - See DECALS SECTION.</b>	
	1001204330	Ref	<b>PLATFORM INSTALLATION</b>	A
1	0700814	2	Bolt M8 x 30	
2	0761016	2	Bolt M10 x 40	
3	3290807	2	Nut M8	
4	3291007	2	Nut M10	
5	3422561	2	Pin	
6	3423067	2	Pin	
7	3841143	2	Keeper, Pin	
8	3841147	2	Keeper, Pin	
9	1001173698	2	Block, Slide	
10	1001204328	1	Platform	
	1001204331	Ref	<b>EXTENSION DECK INSTALLATION</b>	D
101	0761014	22	Bolt M10 x 30	
102	3291005	22	Nut M10	
103	3520072	2	Cap-Plug	
104	4812000	44	Washer M10	
105	1001129549	4	Bracket, Stop	
106	1001134648	4	Roller	
107	1001145779	4	Mount, Roller	
108	1001204329	1	Extension, Deck	
109	1001209256	1	Bracket <b>(Prior to SN B200051754)</b>	
109	1001234407	1	Bracket <b>(SN B200051754 to Present)</b>	

# SECTION 4 - PLATFORM

## FIGURE 4-3. RAILS INSTALLATION (INSIDE RAILS)



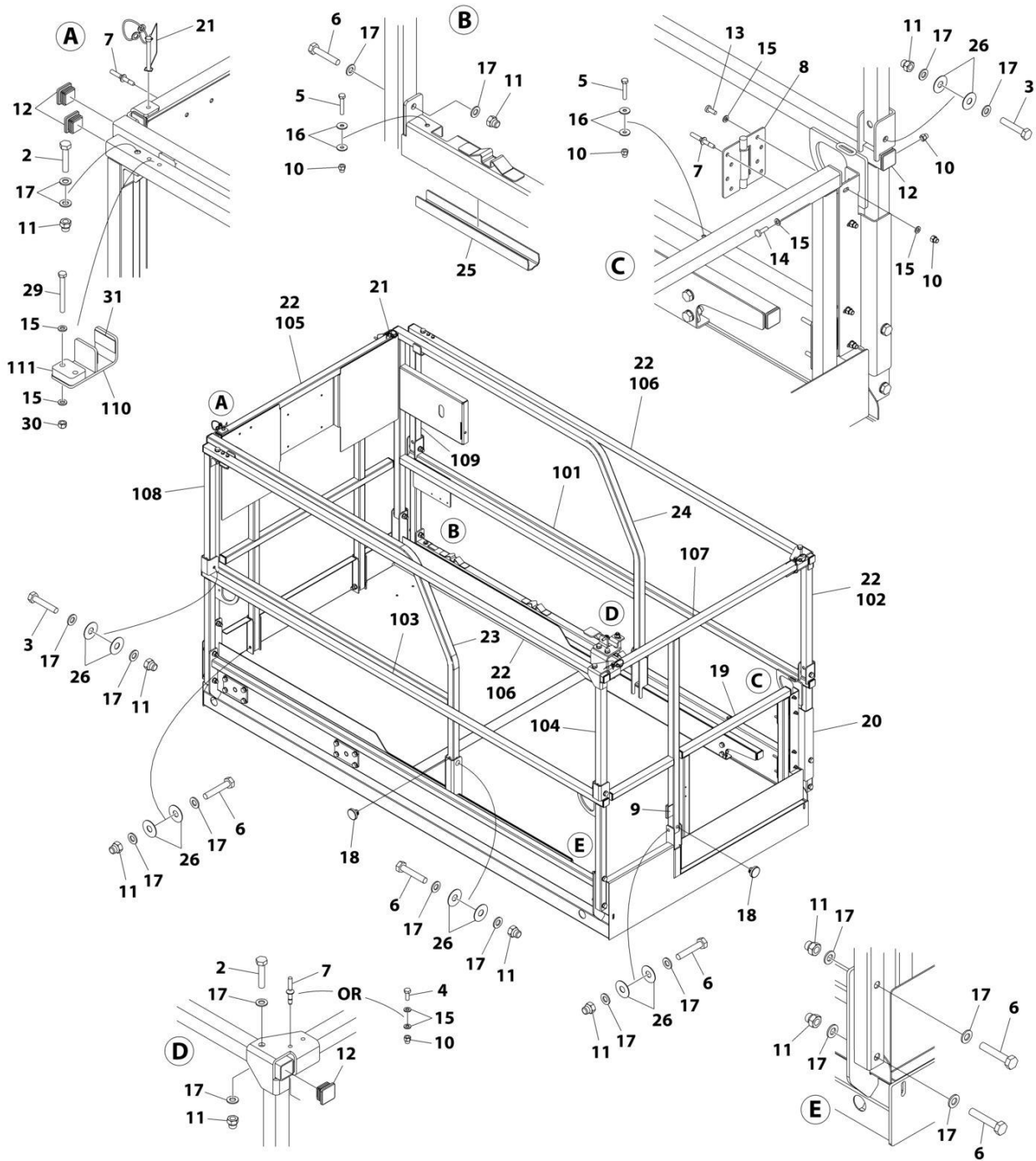
## SECTION 4 - PLATFORM

**FIGURE 4-3. RAILS INSTALLATION (INSIDE RAILS)**

ITEM	PART NUMBER	QTY	DESCRIPTION	REV
		Ref	<b>Note: Replacement Decals Must Be Ordered Separately - See DECALS SECTION.</b>	
	1001142776	Ref	<b>RAIL INSTALLATION (INSIDE RAILS)</b>	D
1	0100011	AR	Compound, Locking	
2	0760615	2	Bolt M6 x 35	
3	0761019	14	Bolt M10 x 55	
4	2080040	4	Fastener, Huck	
5	2600281	2	Hinge	
6	3080007	1	Magnet, Gate	
7	3290606	21	Nut M6	
8	3291006	14	Nut M10	
9	3422219	2	Pin, Snap	
10	3423151	1	Pin, Plunger	
11	3423278	4	Pin, Snap with Lanyard	
12	3520072	11	Cap-Plug	
13	3860111	2	Roller	
14	4010608	AR	Bolt M6 x 16	
15	4010616	2	Screw M6 x 40	
16	4010617	4	Screw M6 x 45	
17	4010618	3	Screw M6 x 50	
18	4420062	AR	Tape	
19	4811700	14	Washer M6	
20	4811702	4	Washer M6	
21	4812000	28	Washer M10	
22	1001154588	2	Rod, Extension	
24	1001159592	1	Gate	
25	1001145880	4	Rail, Slide	
26	1001146856	1	Support, Rail	
27	0760608	2	Bolt M6 x 16	
28	4010610	1	Screw, M6 x 20	
29	1001159623	1	Gate Hinge	
	1001142779	Ref	<b>RAIL KIT</b>	I
101	1001142799	1	Rail (Rear)	
102	1001142800	1	Rail (RH Side Top)	
103	1001142801	1	Rail (LH Side Top)	
104	1001142802	1	Rail (Front/Extension Bottom)	
105	1001142803	1	Rail (Front/Extension Top)	
106	1001142982	1	Rail (LH Side Bottom)	
107	1001142983	1	Rail (RH Side Bottom)	

# SECTION 4 - PLATFORM

## FIGURE 4-4. RAILS INSTALLATION (OUTSIDE RAILS)



ART\_1001204326

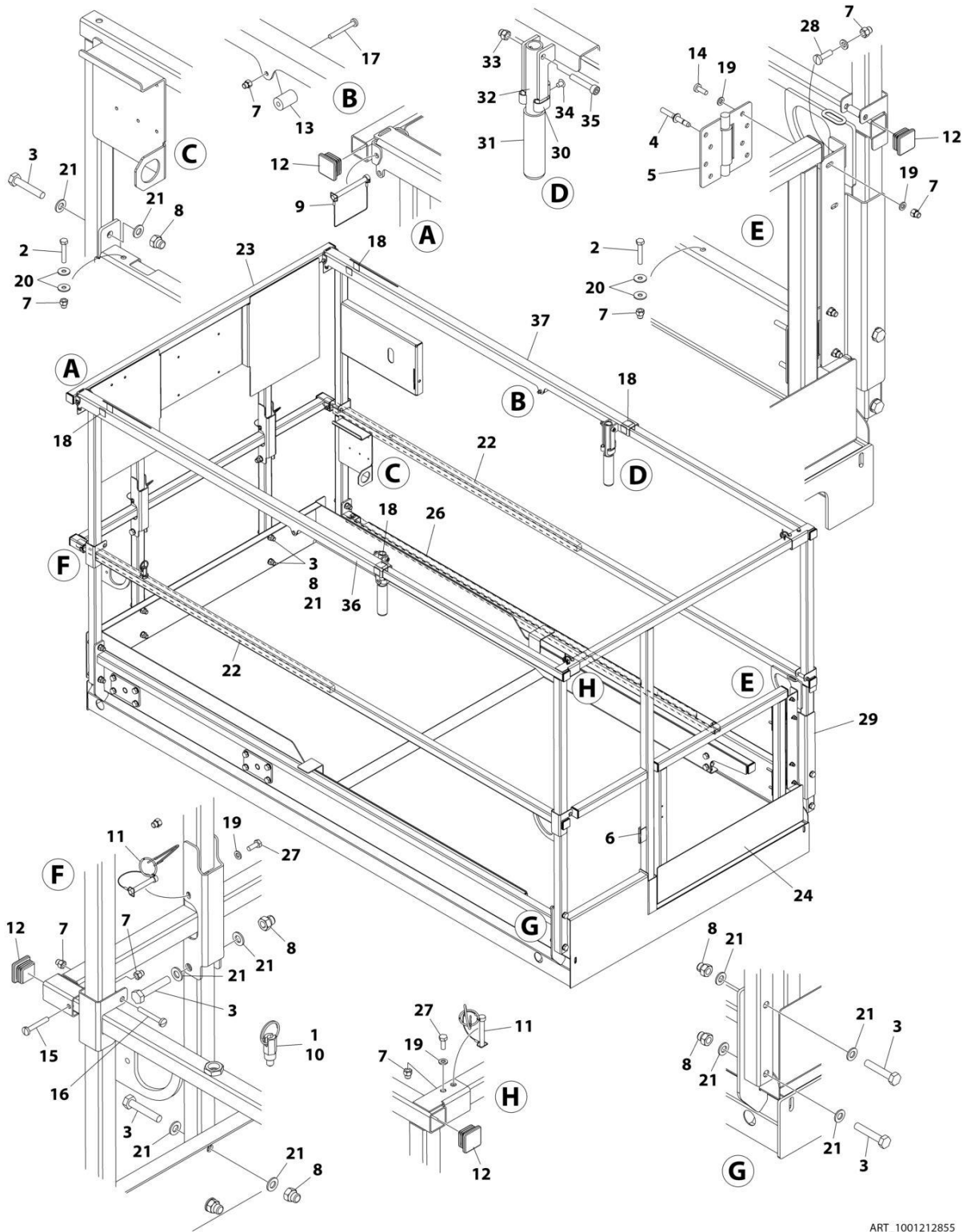
## SECTION 4 - PLATFORM

### FIGURE 4-4. RAILS INSTALLATION (OUTSIDE RAILS)

ITEM	PART NUMBER	QTY	DESCRIPTION	REV
		Ref	<b>Note: Replacement Decals Must Be Ordered Separately - See DECALS SECTION.</b>	
	1001204326	Ref	<b>RAIL INSTALLATION (OUTSIDE RAILS)</b>	C
1	0100011	AR	Compound, Locking (Not Shown)	
2	0701018	4	Bolt M10 x 50	
2	0701020	4	Bolt M10 x 60	
3	0701019	8	Bolt M10 x 55	
3	0701020	8	Bolt M10 x 60	
4	0760608	2	Bolt M6 x 16	
5	0760615	2	Bolt M6 x 35	
6	0761019	11	Bolt M10 x 55	
6	0701020	11	Bolt M10 x 60	
7	2080040	AR	Fastener, Huck	
8	2600281	2	Hinge	
9	3080007	1	Magnet, Gate	
10	3290606	AR	Nut M6	
11	3291006	AR	Nut M10	
11	3291005	AR	Nut M10	
12	3520072	19	Cap-Plug	
13	4010608	5	Bolt M6 x 16	
14	4010610	1	Screw, M6 x 20	
15	4811700	AR	Washer M6	
16	4811702	4	Washer M6	
17	4812000	48	Washer M10	
18	1001137675	AR	Pad, Arm Rest	
19	1001159592	1	Gate	
20	1001159623	1	Gate Hinge	
21	1001187587	4	Pin, Snap	
22	1001204327	1	Rail Kit (See Items 101-109 for Breakdown)	
23	1001204338	1	Rail, Left	
24	1001204339	1	Rail, Right	
25	1001205697	1	Support	
26	1001211895	22	Plate, Washer	
29	0700620	4	Bolt M6 x 60 <b>(SN B200040780 to Present)</b>	
30	3290605	4	Nut M6 <b>(SN B200040780 to Present)</b>	
31	4420062	6.5 in/ 16.5cm	Tape, UHMW <b>(SN B200040780 to Present)</b>	
	1001204327	Ref	<b>RAIL KIT</b>	C
101	1001204332	1	Rail (RH Side Bottom)	
102	1001204333	1	Rail (RH Rear Top Corner)	
103	1001204334	1	Rail (LH Side Bottom)	
104	1001204335	1	Rail (LH Rear Top Corner)	
105	1001204336	1	Rail (Front/Extension Bottom)	
106	1001205929	2	Tube	
107	1001205936	1	Rail (Rear)	
108	1001206087	1	Rail (LH Front Top Corner)	
109	1001206088	1	Rail (RH Front Top Corner)	
110	1001221778	2	Bracket <b>(SN B200040780 to Present)</b>	
111	1001221780	2	Support <b>(SN B200040780 to Present)</b>	

# SECTION 4 - PLATFORM

## FIGURE 4-5. RAILS INSTALLATION WITH HANDLES



ART\_1001212855

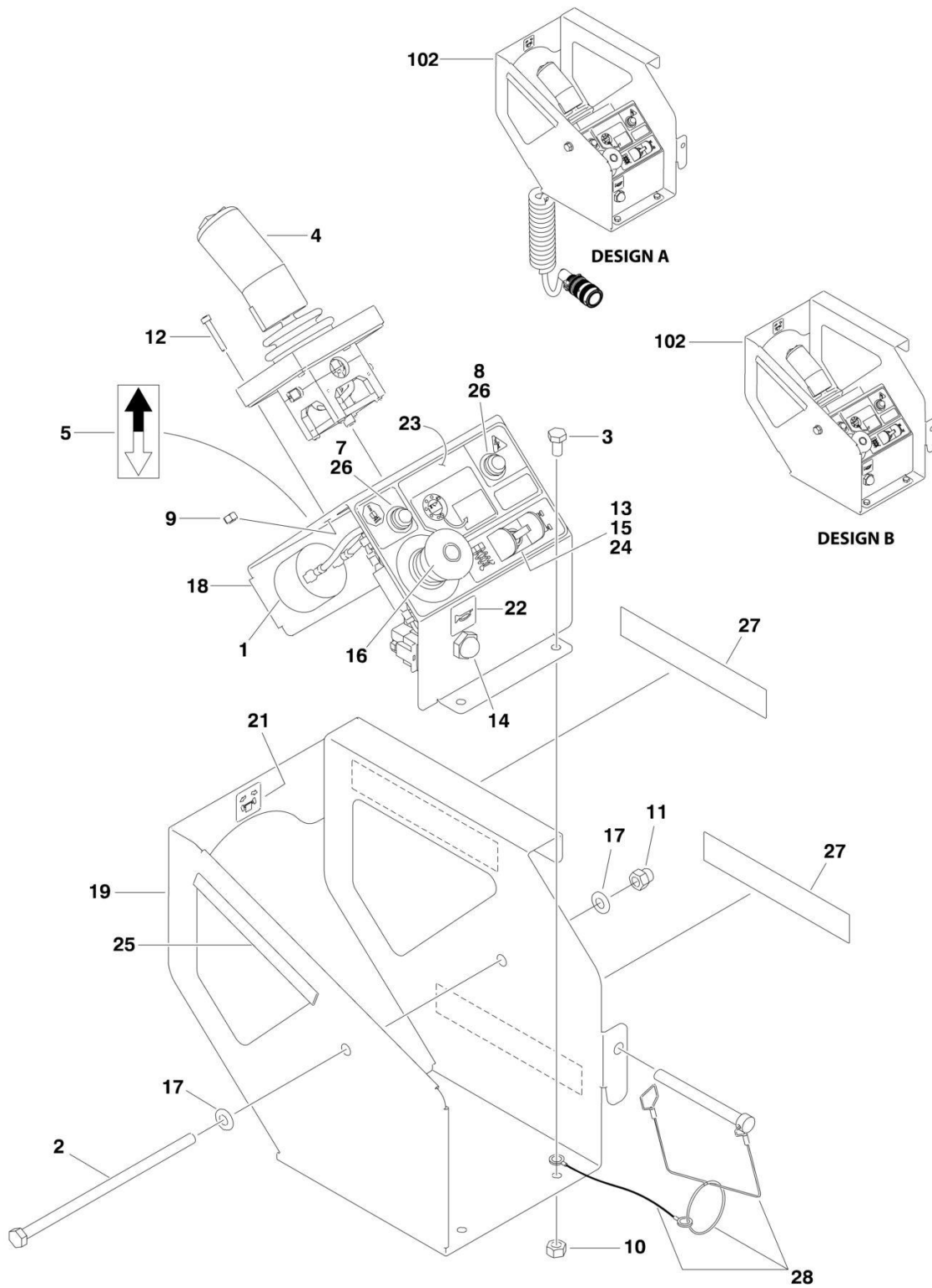
## SECTION 4 - PLATFORM

**FIGURE 4-5. RAILS INSTALLATION WITH HANDLES**

ITEM	PART NUMBER	QTY	DESCRIPTION	REV
	1001212855	Ref	<b>RAILS INSTALLATION WITH HANDLES</b>	A
1	0100011	AR	Compound, Locking	
2	0760615	2	Bolt M6 x 35	
3	0761019	14	Bolt M10 x 55	
4	2080040	4	Fastener, Huck	
5	2600281	2	Hinge	
6	3080007	1	Magnet, Gate Hold	
7	3290606	21	Nut M6	
8	3291006	14	Nut M10	
9	3422219	2	Pin, Snapper	
10	3423151	1	Pin, Plunger	
11	3423278	4	Pin, Snapper	
12	3520072	11	Cap-Plug	
13	3860111	2	Roller	
14	4010608	5	Screw M6 x 16	
15	4010616	2	Screw M6 x 40	
16	4010617	4	Screw M6 x 45	
17	4010618	3	Screw M6 x 50	
18	4420062	10 in /25cm	Tape	
19	4811700	14	Washer M6	
20	4811702	4	Washer M6	
21	4812000	28	Washer M10	
22	1001154588	2	Rod, Extension	
23	1001142779	1	Rail Kit	
24	1001159592	1	Gate	
26	1001146856	1	Support, Cable	
27	0760608	4	Bolt M6 x 16	
28	4010610	1	Bolt M8 x 20	
29	1001159623	1	Bracket, Gate Hinge	
30	1380132	2	Clip, Gripper	
31	2560088	2	Handle	
32	2560190	2	Handle, Platform	
33	3290806	2	Nut M8	
34	3820019	2	Rivet	
35	3900345	2	Screw M8 x 45	
36	1001212882	1	Rail, Top Slide	
37	1001212883	1	Rail, Top Slide	

# SECTION 4 - PLATFORM

## FIGURE 4-6. PLATFORM CONSOLE BOX ASSEMBLY





## SECTION 4 - PLATFORM

**FIGURE 4-6. PLATFORM CONSOLE BOX ASSEMBLY**

ITEM	PART NUMBER	QTY	DESCRIPTION	REV
		Ref	<b>CONSOLE BOX ASSEMBLY</b>	
	1001128685	Ref	<b>Console Assembly with HDP Connector (Without LSS) (Design A)</b>	G
	1001146985	Ref	<b>Console Assembly with HDP Connector (With LSS) (Design A)</b>	B
	1001173556	Ref	<b>Console Assembly with HD Connector (Without LSS) (Design A)</b>	B
	1001173559	Ref	<b>Console Assembly with HD Connector (With LSS) (Design A)</b>	B
	1001195563	Ref	<b>Console Assembly with HD Connector (Without LSS) (Design B)</b>	A
	1001195568	Ref	<b>Console Assembly with HD Connector (With LSS) (Design B)</b>	A
1	0140030	1	Alarm	
2	0700835	1	Bolt M8 x 180	
3	0760606	2	Bolt M6 x 12	
4	1600402	NLA	Drive/Steer Controller Assembly (Use p/n 1001134438) (See DRIVE/STEER CONTROLLER ASSEMBLY for Breakdown)	
5	1703819	1	Decal - Direction Arrow	
7	2920026	AR	Lamp, Indicator (Red)	
8	2920028	1	Lamp, Indicator (Yellow)	
9	3290405	4	Nut M4	
10	3290605	2	Nut M6	
11	3290805	1	Nut M8	
12	4031509	4	Screw M4 x 25	
13	4060906	1	Guard, Switch	
14	4360274	1	Switch, Push Button	
15	4360345	1	Switch, Toggle	
16	4360475	1	Switch, Emergency Stop	
16	7020175	1	Cap	
16	7020176	1	Block, Contact	
17	4811900	2	Washer M8	
18		Ref	Plate, Inside Console Options:	
18	1001128686	1	Plate (With 2 Indicator Lamps) (Without LSS) (Design A)	
18	1001195564	1	Plate (With 2 Indicator Lamps) (Without LSS) (Design B)	
18	1001146983	1	Plate (With 3 Indicator Lamps) (With LSS) (Design A)	
18	1001195569	1	Plate (With 3 Indicator Lamps) (With LSS) (Design B)	
19	1001128687	1	Plate, Outside Console (Design A)	
19	1001195566	1	Plate, Outside Console (Design B)	
21	1001132358	1	Decal - Steer	
22	1001132361	1	Decal - Horn	
23		Ref	Decal - Light Function Options:	
23	1001132362	1	Decal - Light Function (With 2 Indicator Lamps) (Without LSS)	
23	1001146984	1	Decal - Light Function (With 3 Indicator Lamps) (With LSS) (Not Shown)	
24	4711700	2	Washer 7/16	
25	4060803	5.3 in /13.5cm	Flex Trim	
26	2920094	AR	Bulb, Light	
27	4420076	1 ft /30.5cm	Tape	
28	3423278	1	Pin with Lanyard	
		Ref	<b>CONSOLE BOX INSTALLATION</b>	
	1001131059	Ref	<b>Console Box Installation with HDP Connector (Without LSS)</b>	B

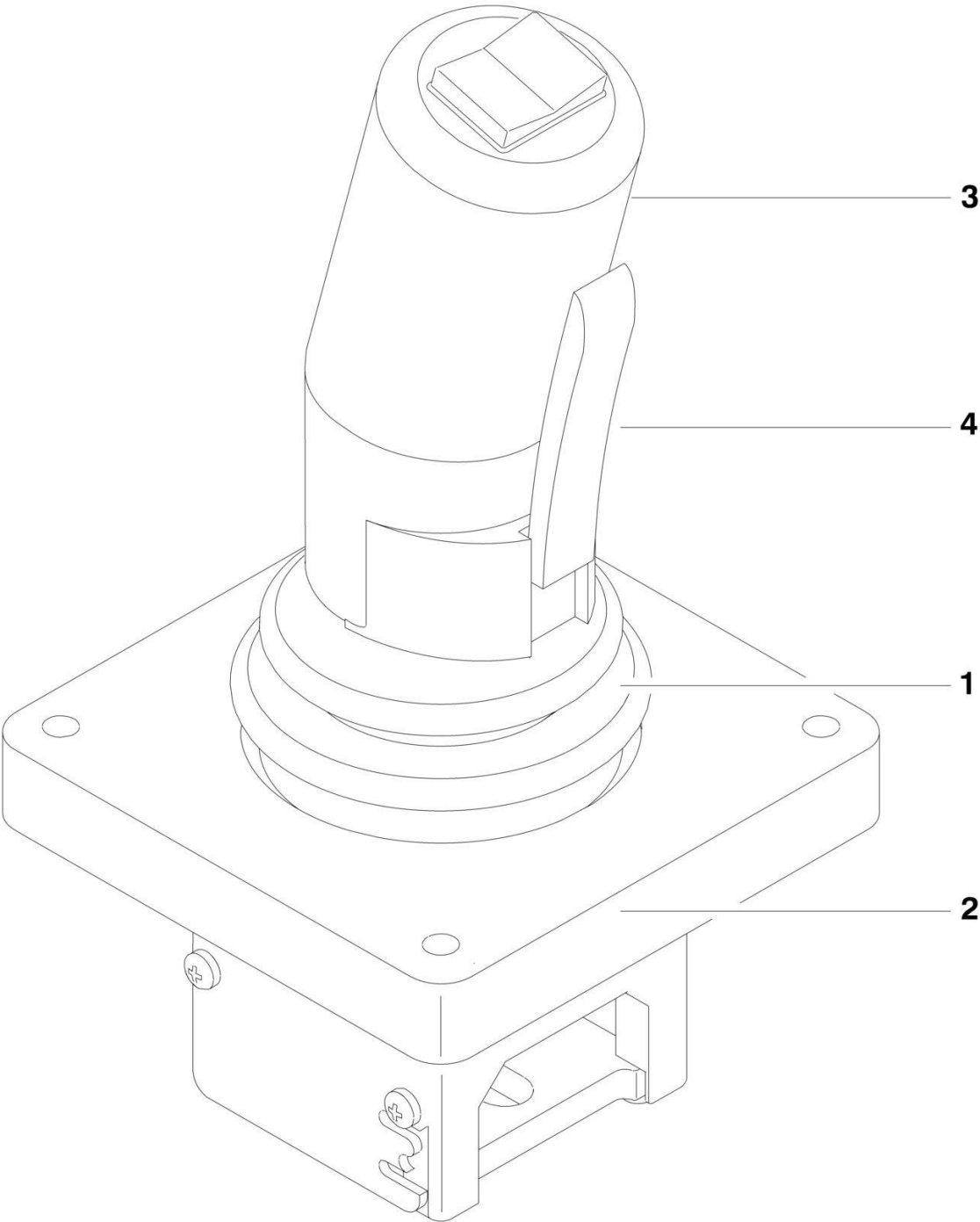
## SECTION 4 - PLATFORM

ITEM	PART NUMBER	QTY	DESCRIPTION	REV
	1001143051	Ref	<b>(Design A)</b> <b>Console Box Installation with HDP Connector (With LSS)</b> <b>(Design A)</b>	B
	1001173557	Ref	<b>Console Box Installation with HD Connector (Without LSS)</b> <b>(Design A)</b>	B
	1001173560	Ref	<b>Console Box Installation with HD Connector (With LSS)</b> <b>(Design A)</b>	A
	1001195962	Ref	<b>Console Box Installation with HD Connector (Without LSS)</b> <b>(Design B)</b>	A
	1001195963	Ref	<b>Console Box Installation with HD Connector (With LSS)</b> <b>(Design B)</b>	A
102		Ref	Console Box Assembly Options (Includes Items 1-28):	
102	1001128685	1	Console Assembly with HDP Connector (Without LSS) (Design A)	
102	1001146985	1	Console Assembly with HDP Connector (With LSS) (Design A)	
102	1001173556	1	Console Assembly with HD Connector (Without LSS) (Design A)	
102	1001173559	1	Console Assembly with HD Connector (With LSS) (Design A)	
102	1001195563	1	Console Assembly with HD Connector (Without LSS) (Design B)	
102	1001195568	1	Console Assembly with HD Connector (With LSS) (Design B)	



**SECTION 4 - PLATFORM**

**FIGURE 4-7. DRIVE/STEER CONTROLLER ASSEMBLY**



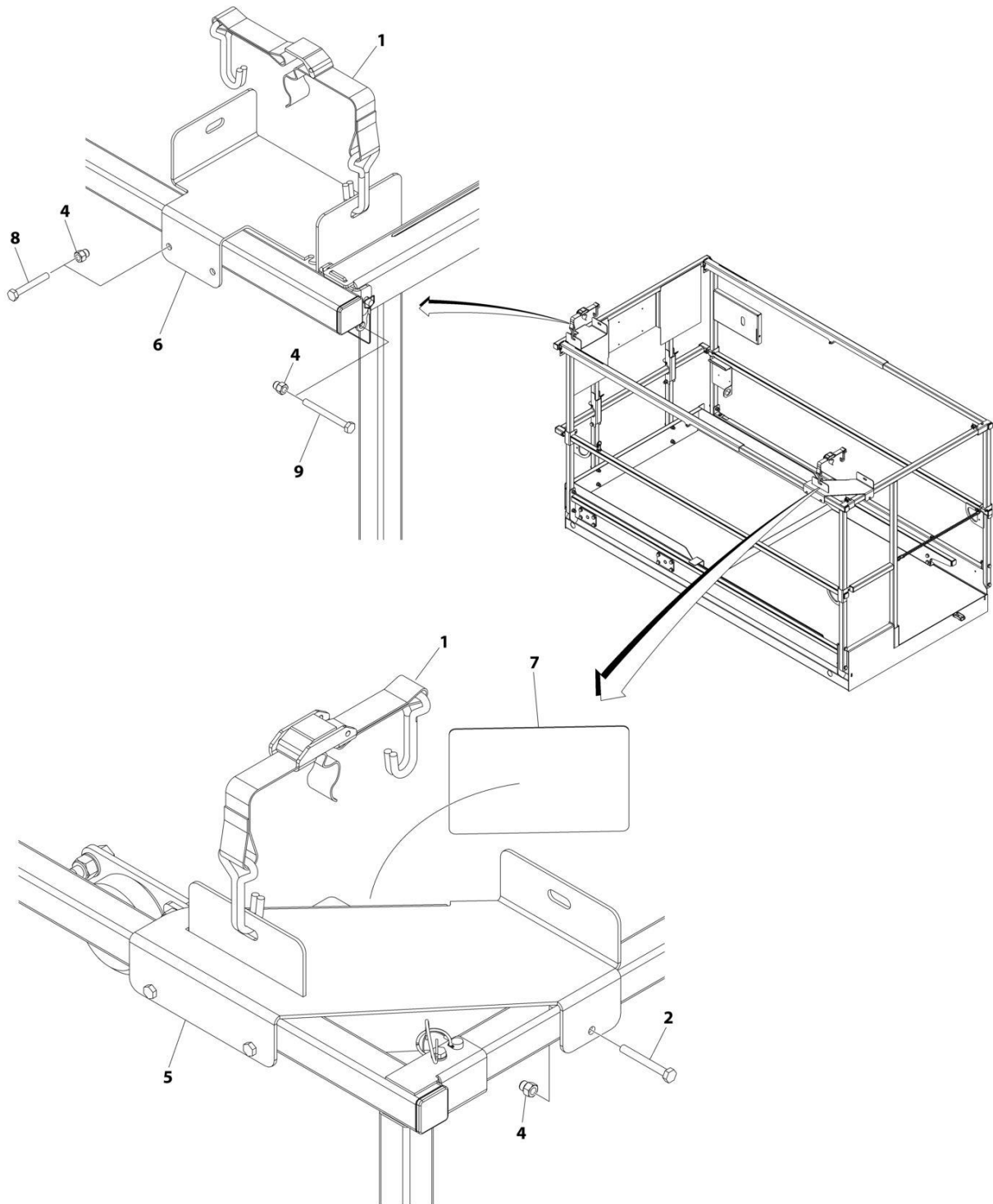
## SECTION 4 - PLATFORM

**FIGURE 4-7. DRIVE/STEER CONTROLLER ASSEMBLY**

ITEM	PART NUMBER	QTY	DESCRIPTION	REV
	1600402	Ref	<b>DRIVE/STEER CONTROLLER ASSEMBLY</b>	B
		Ref	<b>Note: When replacing complete assembly use p/n 1001134438.</b>	
1	70001250	1	Boot, Panel	
2	70001252	1	Gasket, Mounting	
2	70001251	1	Bezel, Mounting	
3	70000084	1	Cap, Rubber	
3	70000082	1	Microswitch	
3	7027766	1	Ring, Retaining	
3	7027365	1	Actuator, Handle	
3	70001253	1	Gasket, Handle	
3	70000683	4	Washer, Neoprene	
3	70000685	2	Spacer, Plastic	
3	70000686	2	Screw (Top)	
3	70000684	2	Screw (Bottom)	
4	7027765	1	Lever, Enable	
4	7027367	1	Switch, Push Button (Not Shown - Located Behind Lever)	

# SECTION 4 - PLATFORM

## FIGURE 4-8. PIPE RACK INSTALLATION



ART\_1001131379

## SECTION 4 - PLATFORM

### FIGURE 4-8. PIPE RACK INSTALLATION

ITEM	PART NUMBER	QTY	DESCRIPTION	REV
	1001131379	Ref	<b>PIPE RACK INSTALLATION</b>	B
1	0480100	2	Belt, Tie Down	
2	0700618	3	Bolt M6 x 50	
4	3290606	6	Nut M6	
5	1001130334	1	Bracket	
6	1001131404	1	Bracket	
7	1001131705	1	Decal - Pipe Rack	
8	0700617	2	Bolt M6 x 45	
9	0700620	1	Bolt M6 x 60	

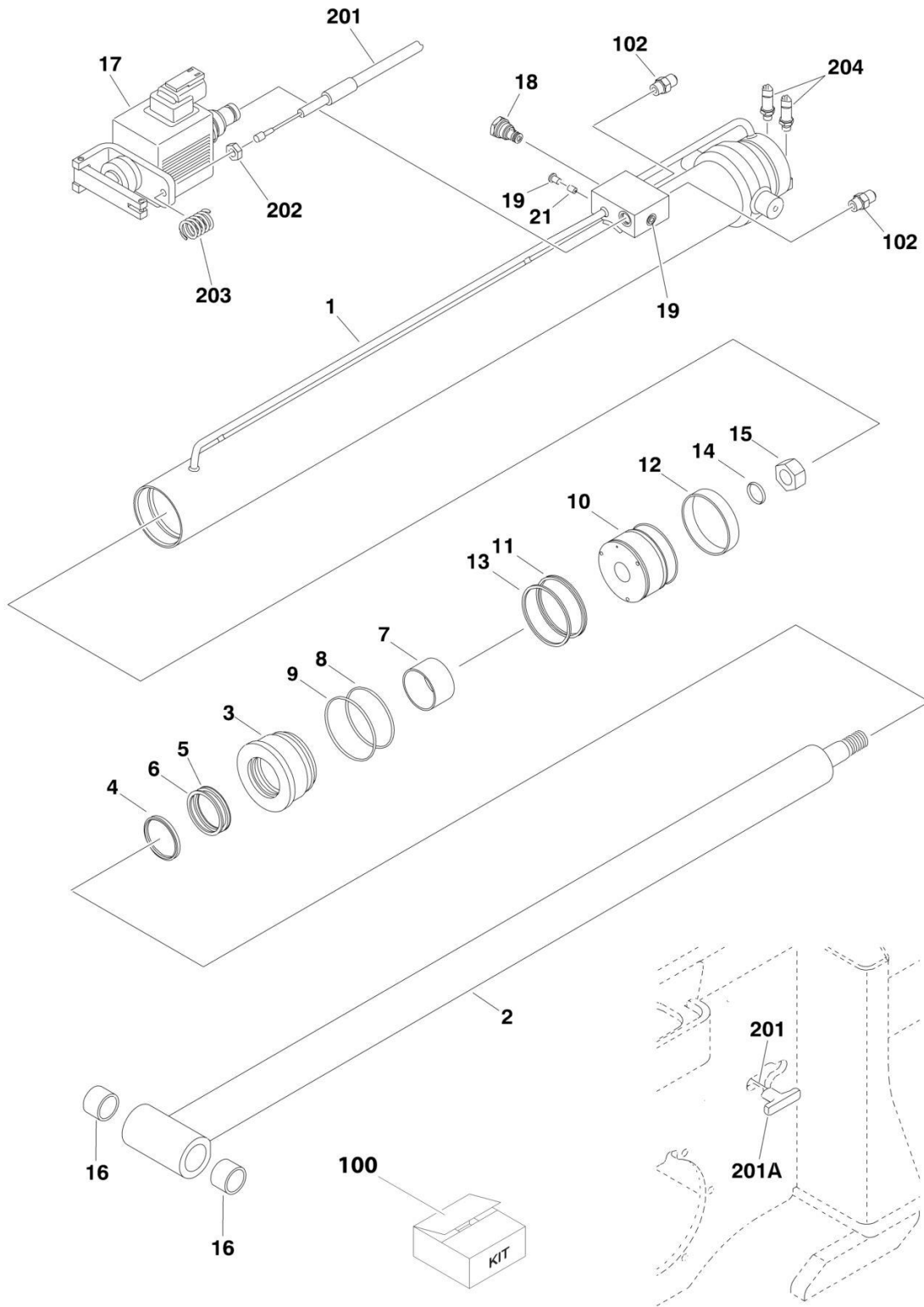




**SECTION 5 - CYLINDERS**

# SECTION 5 - CYLINDERS

## FIGURE 5-1. LIFT CYLINDER ASSEMBLY



# SECTION 5 - CYLINDERS

## FIGURE 5-1. LIFT CYLINDER ASSEMBLY

ITEM	PART NUMBER	QTY	DESCRIPTION	REV
		Ref	<b>LIFT CYLINDER ASSEMBLY</b>	
	1001130995	Ref	<b>Lift Cylinder Assembly with Fittings (Without LSS) (Prior to SN B200052191)</b>	G
	1001129788	NLA	<b>Lift Cylinder Assembly without Fittings (Without LSS) (Prior to SN B200052191)</b>	H
	1001146518	Ref	<b>Lift Cylinder Assembly (Without LSS) (SN B200052191 to Present)</b>	E
	1001146518	Ref	<b>Lift Cylinder Assembly (With LSS)</b>	E
1	70003669	1	Barrel - 1001130995/1001129788 Cylinders (Without Port for Item 204)	
1	70004235	1	Barrel - 1001146518 Cylinders (With Port for Item 204)	
2	70003668	1	Rod	
3	70003667	1	Head	
4	See Note	1	Wiper (Note: Use Item 100)	
5	See Note	1	Seal (Note: Use Item 100)	
6	See Note	1	Ring, Back-Up (Note: Use Item 100)	
7	70003666	1	Bearing, Dry - 1001130995/1001129788 Cylinders	
7	70004234	1	Bearing, Dry - 1001146518 Cylinders	
8	See Note	1	O-Ring (Note: Use Item 100)	
9	See Note	1	O-Ring (Note: Use Item 100)	
10	70003665	1	Piston	
11	See Note	1	Seal (Note: Use Item 100)	
12	See Note	1	Ring, Wear (Note: Use Item 100)	
13	70003664	1	Ring, Piston	
14	See Note	1	O-Ring (Note: Use Item 100)	
15	70003663	1	Nut	
16	0961948	2	Bearing	
17	70003656	NLA	Cartridge, Solenoid Valve - 1001130995/1001129788 (Use p/n 70004233) (Note: No Service Parts Available - Purchase Valve Assembly)	
17	70004233	1	Cartridge, Solenoid Valve - 1001146518 (Note: No Service Parts Available - Purchase Valve Assembly)	
18	70003655	1	Cartridge, Check Valve - 1001130995/1001129788 (Note: No Service Parts Available - Purchase Valve Assembly)	
18	70004232	1	Cartridge, Check Valve - 1001146518 (Note: No Service Parts Available - Purchase Valve Assembly)	
19	70023370	2	Plug	
21	70004231	1	Orifice (1.6mm)	
100	70003662	1	Seal Kit - 1001130995/1001129788 Cylinders (Includes Items 4, 5, 6, 8, 9, 11, 12, 14)	
100	70004230	1	Seal Kit - 1001146518 Cylinders (Includes Items 4, 5, 6, 8, 9, 11, 12, 14)	
		Ref	<b>LIFT CYLINDER SUB-ASSEMBLY</b>	
	1001130995	Ref	<b>Lift Cylinder Sub-Assembly (Without LSS)</b>	G
	1001146518	Ref	<b>Lift Cylinder Sub-Assembly (With LSS)</b>	D
102	2220371	2	Fitting, Straight JIC/ORB	
		Ref	<b>MANUAL DESCENT COMPONENTS</b>	
	1001188432	Ref	<b>Manual Descent Components (Without LSS)</b>	B
	1001147251	Ref	<b>Manual Descent Components (With LSS)</b>	G
201	1061034	1	Cable, Pull	
201A		Ref	T-Handle Options:	
201A	7020218	1	T-Handle (with 1/4-20 Threads)	

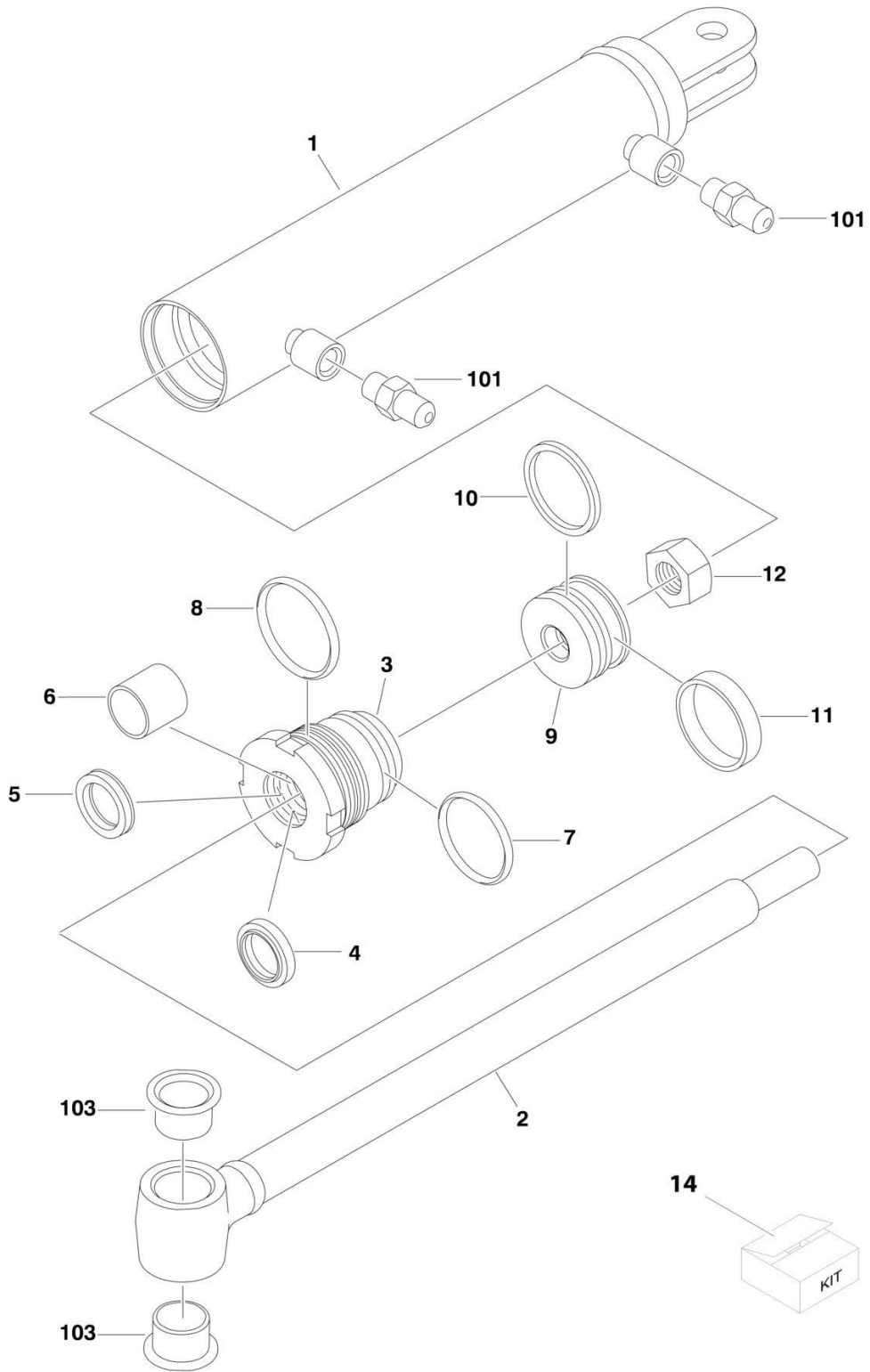
## SECTION 5 - CYLINDERS

ITEM	PART NUMBER	QTY	DESCRIPTION	REV
201A	70001878	1	T-Handle (with M5 Threads)	
202	3321402	1	Nut 1/4-18	
203	4160078	1	Spring	
204	1001147340	2	Sensor, Pressure (Machines with LSS Only) <b>(Prior to SN B200042546)</b>	
204	1001227516	2	Sensor, Pressure (Machines with LSS Only) <b>(SN B200042546 to Present)</b>	



# SECTION 5 - CYLINDERS

## FIGURE 5-2. STEER CYLINDER ASSEMBLY



## SECTION 5 - CYLINDERS

**FIGURE 5-2. STEER CYLINDER ASSEMBLY**

ITEM	PART NUMBER	QTY	DESCRIPTION	REV
	1001130103	Ref	<b>STEER CYLINDER ASSEMBLY</b>	B
	1001129242	NSS	<b>Steer Cylinder Sub-Assembly (without Fittings/Bearing) (Use p/n 1001130103)</b>	B
1	70003675	1	Barrel	
2	70003674	1	Rod	
3	70003673	1	Head	
4	See Note	1	Wiper (Use p/n 70003670)	
5	See Note	1	Seal (Use p/n 70003670)	
6	See Note	1	Bearing, Dry (Use p/n 70003670)	
7	See Note	1	O-Ring (Use p/n 70003670)	
8	See Note	1	O-Ring (Use p/n 70003670)	
9	70003672	1	Piston	
10	See Note	1	Seal (Use p/n 70003670)	
11	See Note	1	Ring, Wear (Use p/n 70003670)	
12	70003671	1	Nut	
14	70003670	1	Seal Kit - Cylinder (Includes Items 4-8, 10 & 11)	
101	2220415	2	Fitting, Straight JIC/ORB	
103	1001129367	2	Bearing	

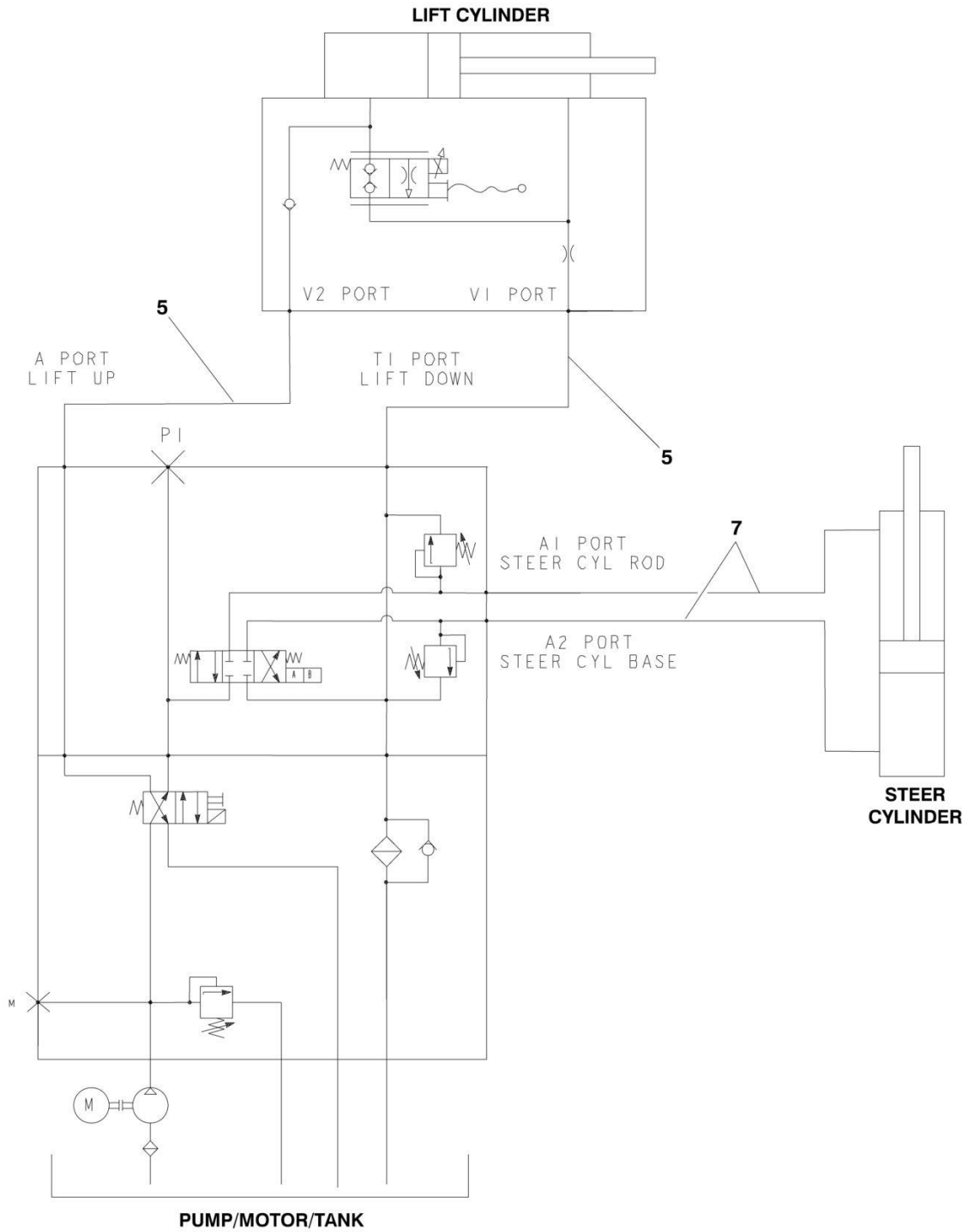




**SECTION 6 - HYDRAULIC**

# SECTION 6 - HYDRAULIC

## FIGURE 6-1. HYDRAULIC COMPONENTS



## SECTION 6 - HYDRAULIC

### FIGURE 6-1. HYDRAULIC COMPONENTS

ITEM	PART NUMBER	QTY	DESCRIPTION	REV
	1001130669	Ref	<b>HYDRAULIC COMPONENTS</b>	G
5	1001131132	2	Hose (Lift)	
7	1001130527	2	Hose (Steer)	



**SECTION 7 - ELECTRICAL**

## SECTION 7 - ELECTRICAL

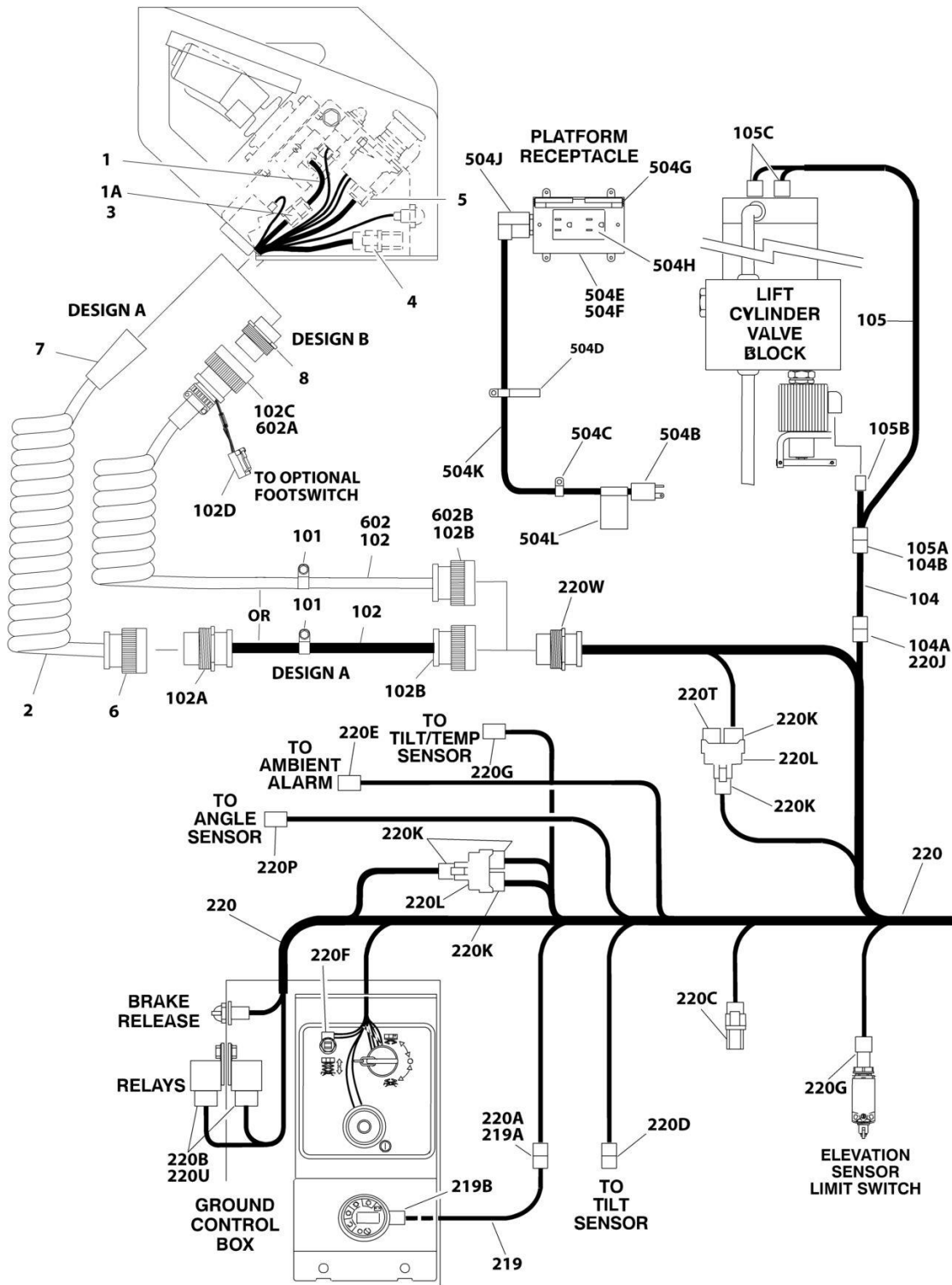
FIGURE 7-1. ELECTRICAL DIAGRAM LIST

ITEM	PART NUMBER	QTY	DESCRIPTION	REV
		Ref	<b>ELECTRICAL DIAGRAM LIST</b>	
		Ref	<b>Note: See Service Manual for Schematics. Contact JLG Service/Parts Department for information on Diagrams.</b>	
	1001189894	Ref	Electrical Schematic without LSS (See Service Manual) <b>(Prior to SN B200024135)</b>	
	1001194584	Ref	Electrical Schematic without LSS (See Service Manual) <b>(SN B200024135 to Present)</b>	
	1001129844	Ref	Electrical Schematic with LSS (See Service Manual) <b>(Prior to SN B200024135)</b>	
	1001194585	Ref	Electrical Schematic with LSS (See Service Manual) <b>(SN B200024135 to Present)</b>	



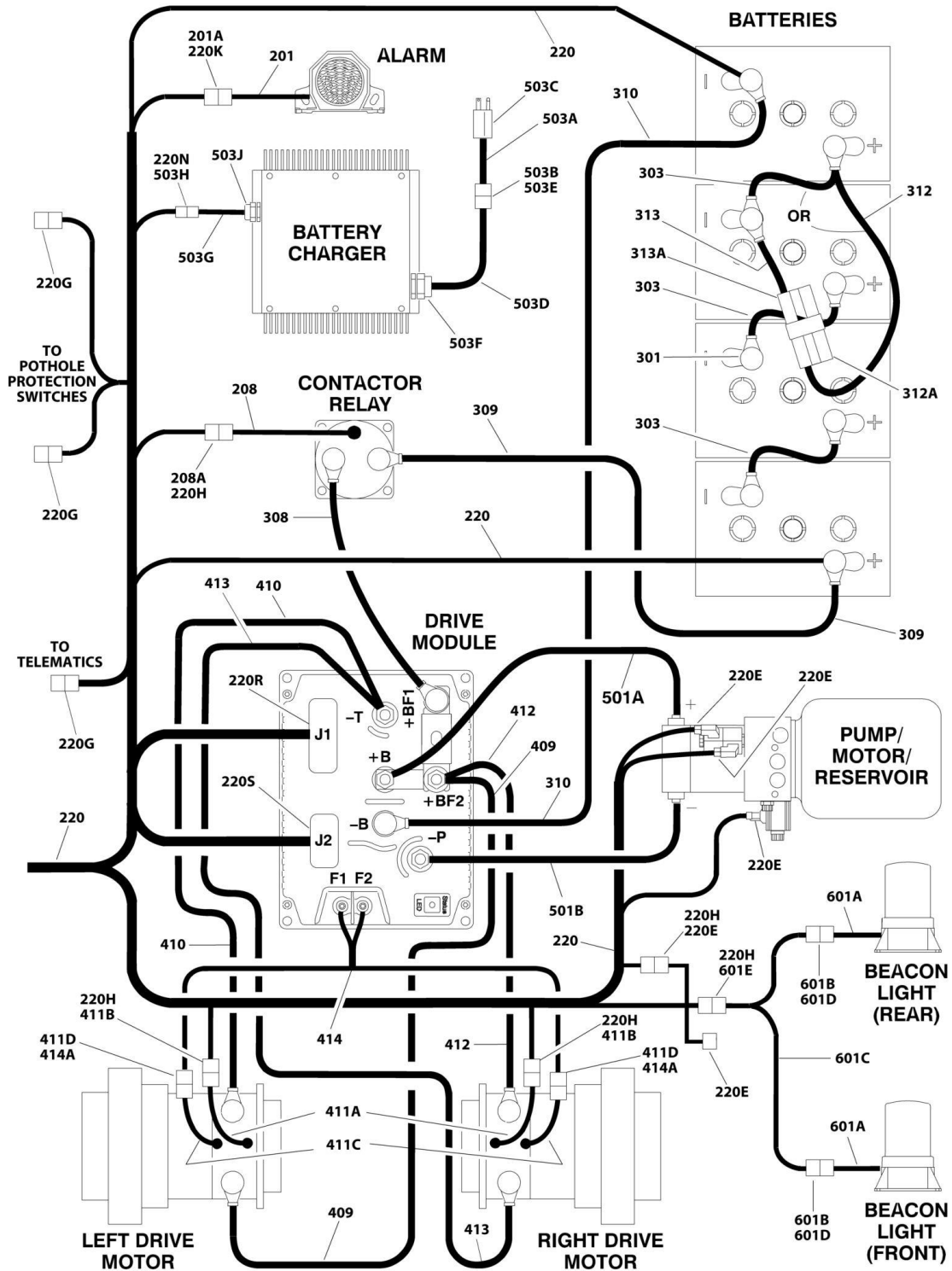
# SECTION 7 - ELECTRICAL

## FIGURE 7-2. ELECTRICAL COMPONENTS INSTALLATION





# SECTION 7 - ELECTRICAL



## SECTION 7 - ELECTRICAL

FIGURE 7-2. ELECTRICAL COMPONENTS INSTALLATION

ITEM	PART NUMBER	QTY	DESCRIPTION	REV
		Ref	<b>CONSOLE BOX COMPONENTS</b>	
	1001128685	Ref	Console Box with HDP Connector Components (Without LSS) (Design A)	G
	1001146985	Ref	Console Box with HDP Connector Components (With LSS) (Design A)	B
	1001173556	Ref	Console Box with HD Connector Components (Without LSS) (Design A)	B
	1001173559	Ref	Console Box with HD Connector Components (With LSS) (Design A)	B
	1001195563	Ref	Console Box with HD Connector Components (Without LSS) (Design B)	A
	1001195568	Ref	Console Box with HD Connector Components (With LSS) (Design B)	A
1	See Note	1	Joystick Harness (Note: Not Available As individual part. Purchase complete Controller - See PLATFORM SECTION)	
1A	4460266	1	Receptacle, Female - 9 Position	
1A	4460226	8	Socket, Female	
2		Ref	Platform Box Harness Options:	
2	1001129910	1	Console Harness (Box with HDP Connector & with 2 Indicator Lights) (Without LSS) (Design A)	E
2	1001147174	1	Console Harness (Box with HDP Connector & with 3 Indicator Lights) (With LSS) (Design A)	C
2	1001173555	1	Console Harness (Box with HD Connector & with 2 Indicator Lights) (Without LSS) (Design A)	B
2	1001173558	1	Console Harness (Box with HD Connector & with 3 Indicator Lights) (With LSS) (Design A)	B
2	1001195344	1	Console Harness (Box with HD Connector & with 2 Indicator Lights) (Without LSS) (Design B)	A
2	1001195352	1	Console Harness (Box with HD Connector & with 3 Indicator Lights) (With LSS) (Design B)	A
3	4460265	1	Plug, Male - 9 Position	
3	4460267	7	Pin, Male	
4	4460851	1	Plug, Bussbar - 8 Position	
4	4460852	1	Receptacle, Female - 8 Position	
4	4460465	7	Socket, Female	
4	4460466	1	Plug, Sealing	
5	4460418	1	Receptacle, Female - 6 Position	
5	4460419	3	Terminal	
6	1001136999	1	Connector - 21 Position (HDP) (Design A)	
6	1001173553	1	Connector - 21 Position (HD) (Design A)	
6	1001126010	15	Pin, Male (Gold)	
6	4460518	6	Plug, Sealing	
7	See Note	1	Connector, Strain Relief (Note: Not Available for Purchase) (Design A)	
8	1001116936	1	Connector - 23 Position (HD) (Design B)	
8	4460464	15	Pin, Male	
8	4460466	8	Plug, Sealing	
		Ref	<b>PLATFORM TO GROUND CABLES INSTALLATION</b>	
	1001147249	Ref	Platform To Ground Cables Installation (Console Box with HDP Connector) (Design A) (ANSI Export Specs)	E
	1001173563	Ref	Platform To Ground Cables Installation (Console Box with HD Connector) (Design A) (ANSI Export Specs)	C
	1001196746	Ref	Platform To Ground Cables Installation (Console Box with HD	B

## SECTION 7 - ELECTRICAL

ITEM	PART NUMBER	QTY	DESCRIPTION	REV
	1001196745	Ref	<b>Connector) (Design B) (ANSI Export Specs and China Specs) Platform To Ground Cables Installation (Console Box with HD Connector) (Design B) (ANSI Export Specs and Japanese Specs)</b>	B
	1001147251	Ref	<b>SCISSOR ARMS HARNESES</b>	G
101	1321385	1	Clamp (Located on Side of Platform)	
102		Ref	Platform to Ground Harness Options:	
102	1001146532	1	Platform to Ground Harness (Console Box with HDP Connector) (Design A) (ANSI Export Specs)	D
102	1001173561	1	Platform to Ground Harness (Console Box with HD Connector) (Design A) (ANSI Export Specs)	C
102	1001195391	1	Platform to Ground Harness (Console Box with HD Connector) (Design B) (ANSI Export Specs and China Specs)	B
102	1001195412	1	Platform to Ground Harness (Console Box with HD Connector) (Design B) (ANSI Export Specs and Japanese Specs)	B
102A	1001137000	1	Connector - 21 Position (Console Box with HDP Connector) (Design A) (ANSI Export Specs)	
102A	1001173554	1	Connector - 21 Position (Console Box with HD Connector) (Design A) (ANSI Export Specs)	
102A	1001126008	AR	Socket, Female (Gold)	
102A	4460518	AR	Plug, Sealing	
102A	4460497	1	Nut, Panel	
102A	4460496	1	Lockwasher	
102B	1001136999	1	Connector - 21 Position (Design A and Design B)	
102B	1001126010	AR	Pin, Male (Gold)	
102B	4460518	AR	Plug, Sealing	
102C	4460462	1	Connector - 23 Position (Console Box with HD Connector) (Design B) (ANSI Export Specs, China Specs & Japanese Specs)	
102C	4460465	16	Socket, Female	
102C	4460466	7	Plug, Sealing	
102C	4460473	1	Clamp, Cable	
102D	4460891	1	Plug, Male - 2 Position (Design B) (ANSI Export Specs and Japanese Specs Only)	
102D	4460465	2	Socket, Female (ANSI Export Specs and Japanese Specs Only)	
104	1001153879	1	Lift Cylinder Jumper Harness	A
104A	4460899	1	Receptacle, Female - 6 Position	
104A	4460464	6	Pin, Male	
104B	4460894	1	Plug, Male - 6 Position	
104B	4460465	AR	Socket, Female	
105	1001156226	1	Lift Cylinder Harness	A
105A	4460899	1	Receptacle, Female - 6 Position	
105A	4460464	6	Pin, Male	
105B	4460891	1	Plug, Male - 2 Position	
105B	4460465	2	Socket, Female	
105C	4460539	2	Plug, Male - 2 Position	
105C	4460465	6	Socket, Female	
		Ref	<b>GROUND CONTROL INSTALLATION</b>	
	1001187995	Ref	<b>Ground Control Installation without LSS</b>	A
	1001188073	Ref	<b>Ground Control Installation with LSS</b>	A
201	0140043	1	Alarm Harness (Includes Alarm)	
201A	4460536	1	Receptacle, Female - 3 Position	
201A	4460464	2	Pin, Male	

## SECTION 7 - ELECTRICAL

ITEM	PART NUMBER	QTY	DESCRIPTION	REV
208	3740150	1	Contactora/Relay Harness (Includes Contactora/Relay)	
208A	4460891	1	Plug, Male - 2 Position	
208A	4460465	2	Socket, Female	
219	1001130619	1	MDI Jumper Harness	B
219A	4460321	1	Plug, Male - 4 Position	
219A	4460226	4	Socket, Female	
219B	4460868	1	Plug, Male - 6 Position	
219B	4460877	4	Terminal	
219B	1001094105	1	Boot	
220		Ref	Chassis Harness Options:	
220	1001188823	1	Chassis Harness without LSS	C
220	1001188849	1	Chassis Harness with LSS	E
220A	4460761	1	Receptacle, Female - 4 Position	
220A	4460227	4	Pin, Male	
220B	1001117057	1	Plug, Relay (Power Relay)	
220B	4460375	4	Terminal <b>(Prior to SN B200028323)</b>	
220B	1001116732	4	Terminal <b>(SN B200028323 to Present)</b>	
220C	4460851	1	Plug, Bussbar - 8 Position	
220C	4460852	1	Receptacle, Female - 8 Position	
220C	4460465	3	Socket, Female	
220C	4460466	5	Plug, Terminal	
220D	4460539	1	Plug, Male - 3 Position	
220D	4460465	3	Socket, Female	
220E	4460891	6	Plug, Male - 2 Position	
220E	4460465	10	Socket, Female	
220E	4460466	2	Plug, Terminal	
220F	4460418	1	Receptacle, Female - 6 Position	
220F	4460419	3	Terminal	
220G	4460884	5	Plug, Male - 4 Position	
220G	4460465	16	Socket, Female	
220G	4460466	4	Plug, Terminal	
220H	4460897	4	Receptacle, Female - 2 Position	
220H	4460464	8	Pin, Male	
220J	4460891	1	Plug, Male - 2 Position (Without LSS)	
220J	4460894	1	Plug, Male - 6 Position (With LSS)	
220J	4460465	AR	Socket, Female	
220K	4460539	AR	Plug, Male - 3 Position (Orange Wedge Lock)	
220K	1001116812	AR	Plug, Male - 3 Position (Blue Wedge Lock)	
220K	4460944	AR	Socket, Female	
220L	4460945	2	Bulkhead - 3 Way	
220N	4460320	1	Plug, Male - 2 Position	
220N	4460226	1	Socket, Female	
220P	4460894	1	Plug, Male - 6 Position	
220P	4460465	5	Socket, Female	
220P	4460466	1	Plug, Terminal	
220R	4460873	1	Plug, Male - 35 Position	
220R	4460871	AR	Socket, Female	
220R	4460905	AR	Plug, Sealing	
220S	1001096138	1	Plug, Male - 23 Position	
220S	4460871	AR	Socket, Female	
220S	4460905	AR	Plug, Sealing	

## SECTION 7 - ELECTRICAL

ITEM	PART NUMBER	QTY	DESCRIPTION	REV
220T	1001130615	NLA	Plug, Male - 3 Position (Includes Wedge Lock) (Use p/n 1001129408)	
220U	1001117057	1	Plug, Relay (Beacon Relay) <b>(Prior to SN B200028323)</b>	
220U	4460375	4	Terminal <b>(Prior to SN B200028323)</b>	
220U	4460374	1	Plug, Relay (Beacon Relay) <b>(SN B200028323 to Present)</b>	
220U	1001116734	2	Terminal <b>(SN B200028323 to Present)</b>	
220U	4460375	3	Terminal <b>(SN B200028323 to Present)</b>	
220W	1001137000	1	Connector - 21 Position	
220W	1001126008	AR	Socket, Female (Gold)	
220W	4460518	AR	Plug, Sealing	
220W	4460497	1	Nut, Panel	
220W	4460496	1	Lockwasher	
		Ref	<b>BATTERY CABLES INSTALLATION</b>	
	1001130028	Ref	<b>Batteries - Standard without Disconnect</b>	E
	1001151269	Ref	<b>Batteries - AGM without Disconnect</b>	B
	1001147261	Ref	<b>Batteries - Standard with Disconnect</b>	C
	1001142744	Ref	<b>Batteries - AGM with Disconnect</b>	C
301	0100051	AR	Grease, Terminal	
303	1060998	AR	Cable, Battery	
303	See Note	AR	Boot (Red) (1 per Cable) (Note: Not Available for Purchase)	
303	See Note	AR	Boot (Black) (1 per Cable) (Note: Not Available for Purchase)	
308	1001130595	1	Cable, Battery (Contactor to Module +BF1)	
309	1001130592	1	Cable, Battery	
309	See Note	2	Boot (Red) (Note: Not Available for Purchase)	
310	1001130593	1	Cable, Battery	
310	See Note	2	Boot (Black) (Note: Not Available for Purchase)	
312	1001146703	1	Cable, Disconnect (+)	A
312A	4460490	1	Connector, Anderson	
313	1001146704	1	Cable, Disconnect (-)	A
313A	4460490	1	Connector, Anderson	
	1001129627	Ref	<b>DRIVE CABLES INSTALLATION</b>	E
409	1001130602	1	Cable (LH Motor Armature + to Module +BF2)	
409	See Note	1	Boot (Red) (Note: Not Available for Purchase)	
410	1001130603	1	Cable (LH Motor Armature - to Module -T)	
410	See Note	1	Boot (Black) (Note: Not Available for Purchase)	
411		Ref	Motor Harness Options:	
411A	See Note	2	Brake Harness (Note: Not Available for Purchase)	
411B	4460891	2	Plug, Male - 2 Position (1 Per Harness)	
411B	4460465	4	Socket, Female (2 Per Harness)	
411C	See Note	2	Field Harness (Note: Not Available for Purchase)	
411D	4461017	2	Receptacle, Female - 2 Position (1 per Harness)	
411D	4460508	4	Pin, Male (2 per Harness)	
412	1001130600	1	Cable (RH Motor Armature + to Module +BF2)	
412	See Note	1	Boot (Red) (Note: Not Available for Purchase)	
413	1001130601	1	Cable (RH Motor Armature + to Module -T)	
413	See Note	1	Boot (Black) (Note: Not Available for Purchase)	
414	1001130591	1	Cable (LH/RH Motors to Module F1/F2)	
414A	4461018	2	Plug, Male - 2 Position	
414A	4460509	4	Socket, Female	
		Ref	<b>STANDARD HARNESS COMPONENTS</b>	
501		Ref	Pump Motor Cable Components	
501A	1001130596	1	Motor Cable (Pump Motor + to Module +B)	

## SECTION 7 - ELECTRICAL

ITEM	PART NUMBER	QTY	DESCRIPTION	REV
501B	1001130598	1	Motor Cable (Pump Motor - to Module -P)	
503		Ref	Battery Charger Harness Components	
503A		Ref	AC Input Cable Options:	
503A	1001133258	1	Cable with Dealer/Customer Installed Plug	
503A	1001172010	1	Cable with Factory Installed 420V Plug (China Specs)	
503A	1001133257	1	Cable with Factory Installed 110V Plug (Japanese Specs)	
503A	1001221984	1	Cable with Factory Installed Korean Plug (Korean Specs)	
503A	0275664	1	Cable with Factory Installed CEE7 Side Ground Plug (ANSI Export Specs)	
503B	See Note	1	Plug, Male (Note: Use Item 503A)	
503C		Ref	Plug Options:	
503C	See Note	1	Cable with Factory Installed 110V Plug (Note: Use Item 503A)	
503C	See Note	1	Cable with Dealer/Customer Installed Plug (Note: Not Available form JLG - Purchase Locally)	
503D	See Note	1	Battery Charger AC Input Cable (Note: Not Available for Purchase)	
503E	See Note	1	Receptacle, Female (Note: Not Available for Purchase)	
503F	See Note	1	Connector, Strain Relief (Note: Not Available for Purchase)	
503G	See Note	1	Battery Charger DC Output Cable (Note: Not Available for Purchase)	
503H	4460424	1	Receptacle, Female - 2 Position	
503H	4460227	2	Pin, Male	
503J	See Note	1	Connector, Strain Relief (Note: Not Available for Purchase)	
504		Ref	AC Box at Platform Installations:	
504	1001131017	Ref	AC Box at Platform with 110V Factory Installed Plug	G
504	1001131018	Ref	AC Box at Platform with Dealer/Customer Installed Plug	H
504	1001188179	Ref	AC Box at Platform with 220V Factory Installed China Plug	A
504A		Ref	Decal - AC Power (Not Shown - Located near Item 504B)	
504A	1703464	1	110V/120V	
504A	3252507	1	220V	
504B		Ref	Plug Options:	
504B	4460138	1	Plug, Factory Installed 110V	
504B	See Note	1	Plug, Dealer/Customer (Note: Not Available from JLG - Purchase Locally)	
504B	1001187816	1	Plug, Factory Installed 220V China Plug	
504C	85941016	AR	Clamp	
504D	1001094180	1	Clamp	
504E	1001130219	1	110V GFI Receptacle Box Kit (Note: Only used on installations with 110V factory installed plug. Consult your dealer for all other installations)	
504E	1001188116	1	220V China Receptacle Box	
504F	0861731	1	Box, Receptacle (110V)	
504F	See Note	NSS	Box, Receptacle (220V China Box) (Note: Use p/n 1001188116)	
504G	1671207	1	Cover, Box	
504G	See Note	NSS	Cover, Box (220V China Box) (Note: Use p/n 1001188116)	
504H	4460346	1	Receptacle	
504H	See Note	NSS	Receptacle (220V China Box) (Note: Use p/n 1001188116)	
504J	1001131497	1	Connector, Strain Relief	
504K	1001131126	1	AC Cable (AC Power to Platform)	
504L	1001102258	1	Decal - AC Power to Platform	
		Ref	<b>OPTIONAL HARNESSSES</b>	

## SECTION 7 - ELECTRICAL

ITEM	PART NUMBER	QTY	DESCRIPTION	REV
601		Ref	Beacon Light Harness Components	
601A	2920161	2	Beacon Light Harness (Includes Beacon Light)	
601B	4460891	2	Plug, Male - 2 Position (1 Per Harness)	
601B	4460465	4	Socket, Female (2 Per Harness)	
601C	1001134846	1	Beacon Light Jumper Harness	
601D	4460897	2	Receptacle, Female - 2 Position (1 Per Harness)	
601D	4460464	4	Pin, Male (2 Per Harness)	
601E	4460891	2	Plug, Male - 2 Position	
601E	4460465	4	Socket, Female	
602	1001195414	1	PLATFORM JUMPER HARNESS (23 PIN CONNECTOR TO 21 PIN CONNECTOR)	
602A	4460462	1	Connector - 23 Position	
602A	4460465	16	Socket, Female	
602A	4460466	7	Plug, Sealing	
602A	4460473	1	Clamp, Cable	
602B	1001136999	1	Connector - 21 Position	
602B	1001126010	16	Pin, Male (Gold)	
602B	4460518	5	Plug, Sealing	
		Ref	<b>TOOLS FOR SERVICE (NOT SHOWN)</b>	
	7002821	1	Crimper, Wire (Not Shown)	
	7002823	1	Extractor, Pin - Universal (Not Shown)	
	4460467	AR	Extractor, Pin #16 Gauge (Not Shown)	
	4460510	AR	Extractor, Pin #12 Gauge (Not Shown)	
	7002828	1	Stripper, Wire (Not Shown)	
	2901443	1	Analyzer Kit (Not Shown)	
	1600244	1	Analyzer	
	1060633	1	Cable, Analyzer	
	4460321	2	Plug, Male - 4 Position	
	4460226	8	Socket, Female	
	1001137005	1	Software Cable Kit	

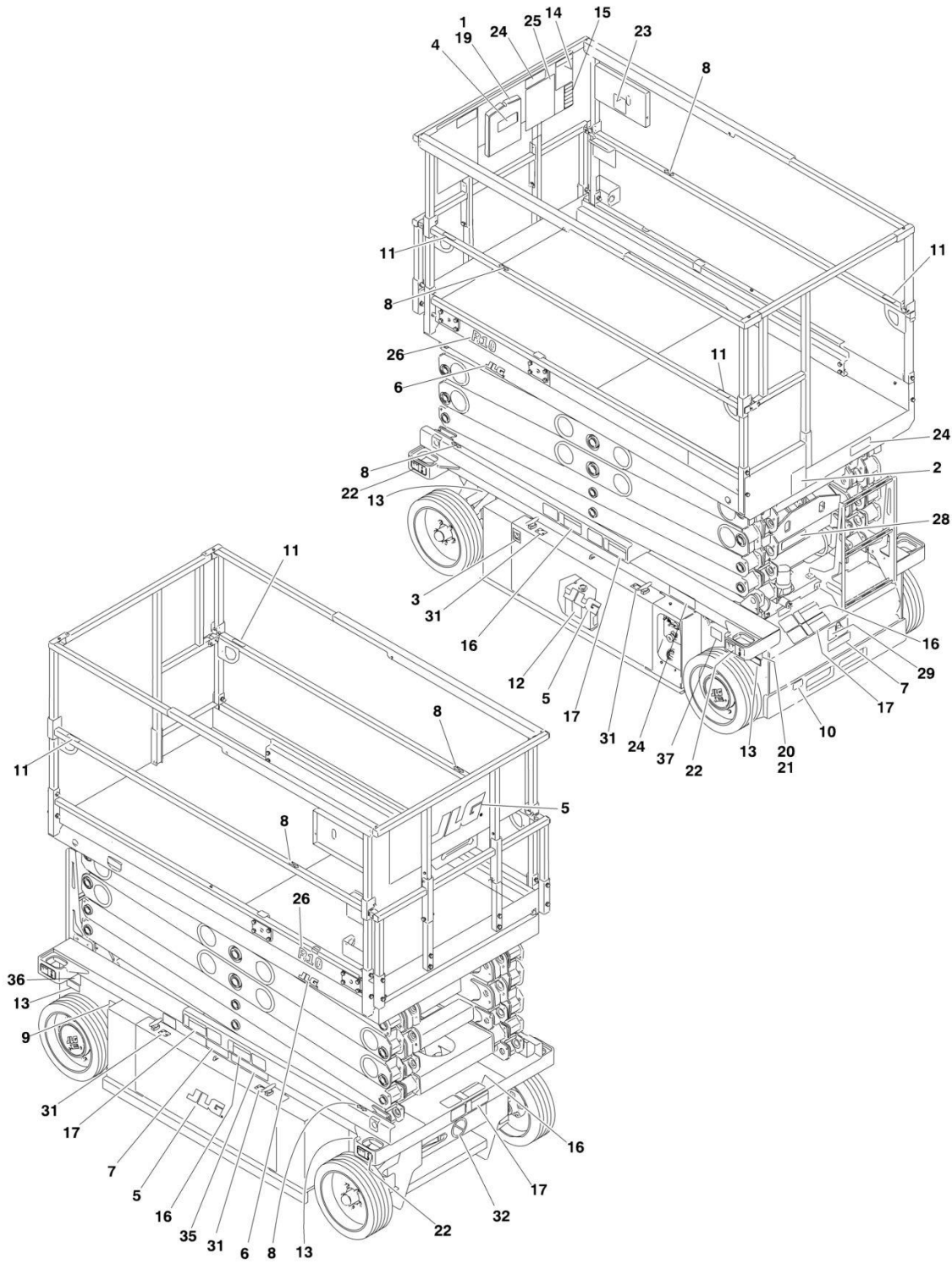




**SECTION 8 - DECALS**

# SECTION 8 - DECALS

## FIGURE 8-1. DECAL INSTALLATION - ANSI SPEC



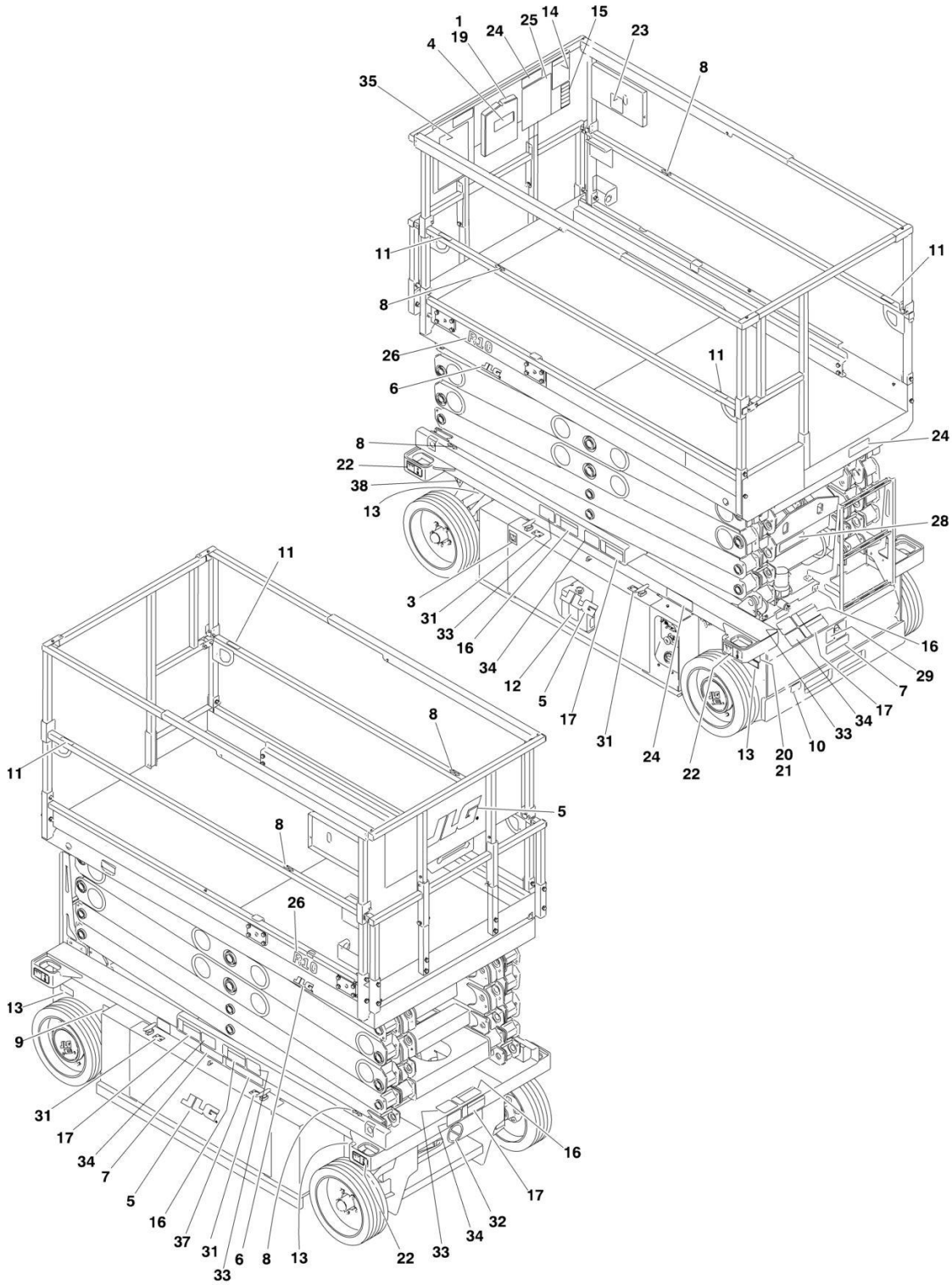
## SECTION 8 - DECALS

**FIGURE 8-1. DECAL INSTALLATION - ANSI SPEC**

ITEM	PART NUMBER	QTY	DESCRIPTION	REV
		Ref	<b>Decals Installation</b>	
	1001133555	Ref	<b>JLG Decals</b>	B
	1001132946	Ref	<b>ANSI Decals</b>	M
	1001130044	Ref	<b>Optional Decals</b>	
1	0860520	1	Box, Manual Storage	
2	1001131270	1	Decal - Patent	
3	1701504	1	Decal - Hydraulic Oil	
4	1701509	1	Decal - Manual Reference	
5		Ref	Decal - JLG Options:	
5	1702773	3	5in/12.7cm Height	
5	1705754	3	3.5in/9cm Height	
6	1703177	2	Decal - JLG	
7	1703813	2	Decal - Warning Battery Vent	
8	1703819	4	Decal - Directional Arrow	
9	1703822	1	Decal - Manual Descent	
10	1704016	1	Decal - Forklift	
11	1704277	3	Decal - Attach Lanyard Here	
12	1704412	1	Decal - Hydraulic Oil	
13	1706311	4	Decal - Max Tire Load (2070LBS/939KG)	
14	1705679	1	Decal - Inspection	
15	1705686	1	Decal - Legend	
16	1705694	4	Decal - Crushing Hazard	
17	1705695	4	Decal - Danger Electrocution	
19	2080040	4	Fastener	
20	2080057	4	Fastener	
21	See Note	NSS	Nameplate, Serial Number (Note: Not Available for Purchase)	
22	1001162864	4	Decal - Lift Point/Tie Down	
23	1001132359	1	Decal - Control Box Location	
24	1001132364	3	Decal - Capacity (Without Pipe Racks)	
24	1001144908	1	Decal - Capacity (With Pipe Racks)	
25	1001132376	1	Decal - Danger/Warning	
26	1001187759	2	Decal - Model Designation	
28	1001133159	1	Decal - Safety Prop	
29	1001134280	1	Decal - Charger Label	
31	1706350	4	Decal - Cover	
32	1703072	1	Decal - No Forklift	
35	1001146794	1	Decal - Battery Maintenance	
36	1001223055	1	Decal - Yearly Inspection	
37	1001228370	1	Decal - ICES	

# SECTION 8 - DECALS

## FIGURE 8-2. DECAL INSTALLATION - ANSI EXPORT SPEC



## SECTION 8 - DECALS

**FIGURE 8-2. DECAL INSTALLATION - ANSI EXPORT SPEC**

ITEM	PART NUMBER	QTY	DESCRIPTION	REV
		Ref	<b>DECALS INSTALLATION - ANSI EXPORT SPECS</b>	
	1001133555	Ref	<b>JLG Decals</b>	B
	1001147421	Ref	<b>JLG Decals (Dual Rails)</b>	A
	1001132949	Ref	<b>Brazilian Spec Decals (Dual Language - Portuguese and Spanish)</b>	J
	1001132948	Ref	<b>Chinese Spec Decals (Dual Language - Chinese and English)</b>	J
	1001132947	Ref	<b>Korean Spec Decals (Dual Language - Korean and English)</b>	J
	1001132950	Ref	<b>Latin American Spec Decals (Dual Language - Spanish and English)</b>	J
	1001130044	Ref	<b>Optional Decals</b>	
1	0860520	1	Box, Manual Storage	
3	1701504	1	Decal - Hydraulic Oil	
4	1701509	1	Decal - Manual Reference	
5		Ref	Decal - JLG Options:	
5	1702773	3	5in/12.7cm Height	
5	1705754	AR	3.5in/9cm Height	
6	1703177	AR	Decal - JLG	
7		Ref	Decal - Warning Battery Vent Options:	
7	1704341	2	Brazilian Spec	
7	1704344	2	Chinese Spec	
7	1703856	2	Korean Spec	
7	1704339	2	Latin American Spec	
8	1703819	4	Decal - Directional Arrow	
9	1703822	1	Decal - Manual Descent	
10	1704016	1	Decal - Forklift	
11	1704277	3	Decal - Attach Lanyard Here	
12	1704412	1	Decal - Hydraulic Oil	
13	1706311	4	Decal - Max Tire Load	
14		Ref	Decal - Inspection Options:	
14	1705679	1	All Specs Except Brazilian Spec	
14	1705727	1	Brazilian Spec Only	
15		Ref	Decal - Legend Options:	
15	1705726	1	Brazilian Spec	
15	1705946	1	Chinese Spec	
15	1706057	1	Korean Spec	
15	1705720	1	Latin American Spec	
16		Ref	Decal - Crushing Hazard Options:	
16	1705694	4	All Specs Except Brazilian Spec	
16	1705722	4	Brazilian Spec Only	
17		Ref	Decal - Danger Electrocution Options:	
17	1705695	4	All Specs Except Brazilian Spec	
17	1703834	4	Brazilian Spec Only	
19	2080040	4	Fastener	
20	2080057	4	Fastener	
21	See Note	NSS	Nameplate, Serial Number (Note: Not Available for Purchase)	
22	1001162864	4	Decal - Lift Point/Tie Down	
23	1001132359	1	Decal - Control Box Location	
24		Ref	Decal - Capacity Options:	
24	1001132364	3	Decal - Capacity without Pipe Racks	
24	1001146903	1	Decal - Capacity without Pipe Racks	

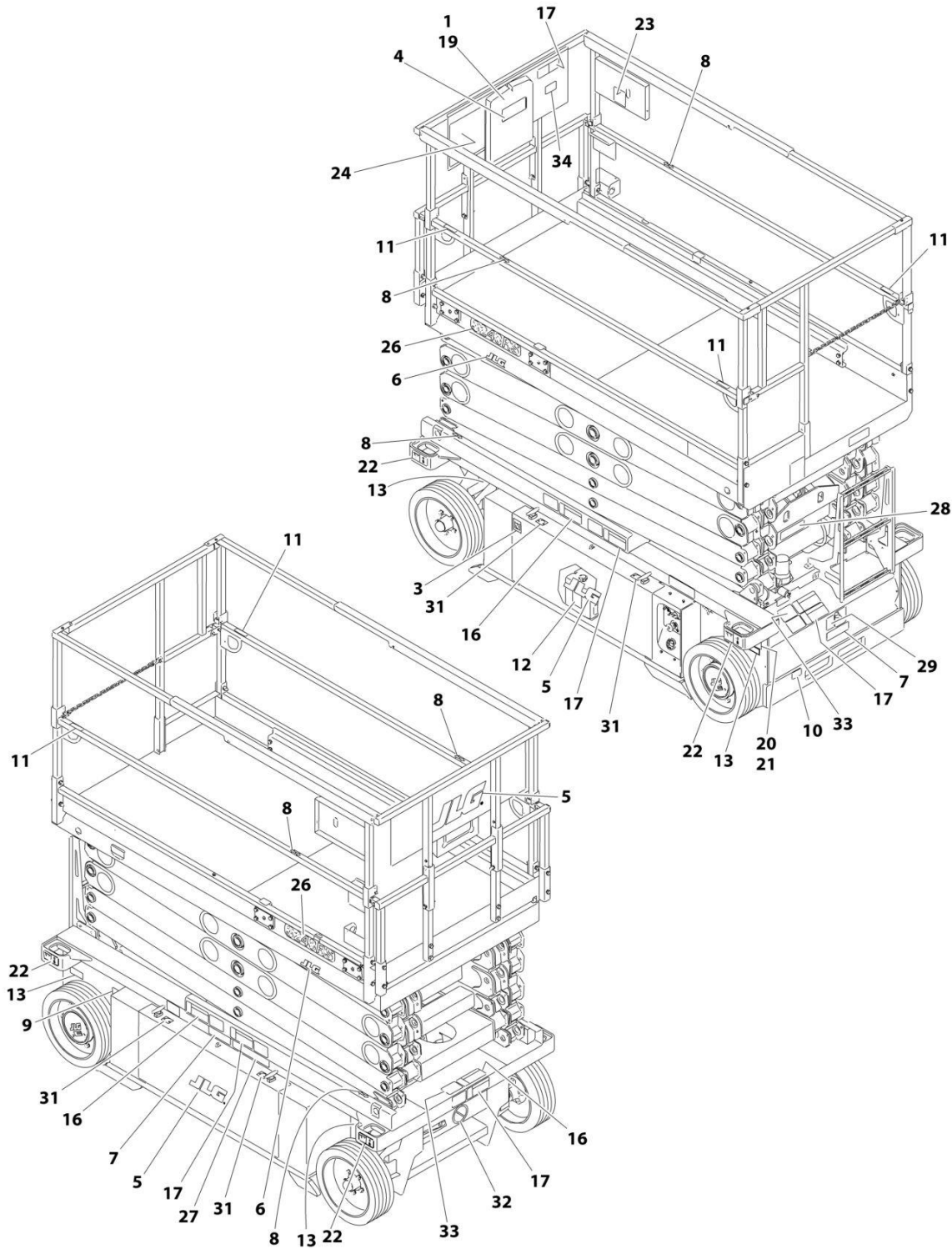
## SECTION 8 - DECALS

ITEM	PART NUMBER	QTY	DESCRIPTION	REV
24	1001144908	3	Decal - Capacity with Pipe Racks	
25		Ref	Decal - Danger/Warning Options:	
25	1001132376	1	All Specs except Brazilian Spec	
25	1001132396	1	Brazilian Spec Only	
26	1001187759	1	Decal - Model Designation	
28	1001133159	1	Decal - Safety Prop	
29	1001134280	1	Decal - Charger Label	
31	1706350	4	Decal - Cover	
32	1703072	1	Decal - No Forklift	
33		Ref	Decal - Crushing Options:	
33	1705725	4	Brazilian Spec	
33	1705943	4	Chinese Spec	
33	1706052	4	Korean Spec	
33	1705725	4	Latin American Spec	
34		Ref	Decal - Danger Electrocutation Options:	
34	1705724	4	Brazilian Spec	
34	1705944	4	Chinese Spec	
34	1706056	4	Korean Spec	
34	1705724	4	Latin American Spec	
35		Ref	Decal - Danger/Warning Options:	
35	1705719	1	Brazilian Spec	
35	1705945	1	Chinese Spec	
35	1706053	1	Korean Spec	
35	1705719	1	Latin American Spec	
37	1001146794	1	Decal - Battery Maintenance	
38		Ref	Decal - Yearly Inspection	
38	1001224052	1	Brazilian Spec	
38	1001224050	1	Chinese Spec	
38	1001228370	1	CSA Spec	
38	1001224048	1	Korean Spec	
38	1001224049	1	Latin American Spec	



# SECTION 8 - DECALS

FIGURE 8-3. DECALS INSTALLATION (CE SPEC)





## SECTION 8 - DECALS

**FIGURE 8-3. DECALS INSTALLATION (CE SPEC)**

ITEM	PART NUMBER	QTY	DESCRIPTION	REV
		Ref	<b>DECALS INSTALLATION (CE SPECS)</b>	
	1001142923	Ref	<b>CE Spec Decals</b>	G
	1001133555	Ref	<b>JLG Decals</b>	B
	1001130044	Ref	<b>Optional Decals</b>	
1	0860520	1	Box, Manual Storage	
3	1701504	1	Decal - Hydraulic oil	
4	1701509	1	Decal - Manual Reference	
5		Ref	Decal - JLG Options:	
5	1702773	3	5in/12.7cm Height	
5	1705754	3	3.5in/9cm Height	
6	1703177	2	Decal - JLG	
7	1705670	2	Decal - Warning Battery Vent	
8	1703819	4	Decal - Directional Arrow	
9	1703822	1	Decal - Manual Descent	
10	1704016	1	Decal - Forklift	
11	1704277	3	Decal - Attach Lanyard Here	
12	1704412	1	Decal - Hydraulic Oil	
13	1706311	4	Decal - Max Tire Load	
16	1705673	4	Decal - Crushing Hazard	
17	1705671	5	Decal - Danger Electrocution	
19	2080040	4	Fastener	
20	2080057	4	Fastener	
21	See Note	NSS	Nameplate, Serial Number (Note: Not Available for Purchase)	
22	1001162864	4	Decal - Lift Point/Tie Down	
23	1001132359	1	Decal - Control Box Location	
24		Ref	Decal - Capacity Options:	
24	1001132364	1	Decal - Capacity Without Pipe Racks	
24	1001144908	1	Decal - Capacity With Pipe Racks	
26	1001187759	2	Decal - Model Designation	
27	1001146795	1	Decal - CE	
28	1001133159	1	Decal - Safety Prop	
29	1001134280	1	Decal - Charger Label	
31	1706350	4	Decal - Cover	
32	1703072	1	Decal - No Forklift	



## **SECTION 9 - RECOMMENDED SERVICE PARTS STOCK**

## **SECTION 9 - RECOMMENDED SERVICE PARTS STOCK**

## SECTION 9 - RECOMMENDED SERVICE PARTS STOCK

FIGURE 9-1. RECOMMENDED SERVICE PARTS STOCK

ITEM	PART NUMBER	QTY	DESCRIPTION	REV
		Ref	<b>Note: The following list will service one machine (built to current production per date on the front cover) with emergency repair parts which can be installed in the field. Parts from the list should be replaced when inventory is depleted to keep service parts stock supplied. For further information, contact your JLG dealer or the JLG Industries Parts Department.</b>	
		Ref	<b>STANDARD PARTS</b>	
	3740150	1	Relay	
	70003686	1	Coil	
	70003707	1	Coil	
	70003696	1	Filter	
	70003706	3	Filter	
	70003700	1	Plug, Fill	
	4360328	1	Switch, Toggle	
	4360475	1	Switch, Mushroom	
	1001097347	1	Relay	
	4360469	1	Switch, Key	
	2860030	1	Key, Replacement	
	4360387	1	Switch, Push Button	
	3080007	1	Magnet, Gate	
	4360274	1	Switch, Push Button	
	4360345	1	Switch, Toggle	
	1600402	1	Controller, Drive/Steer	
		Ref	<b>VARIABLE PARTS</b>	
	1001129845	1	Module, Drive	
	1001109088	1	Switch, Limit	
	1001163095	1	Sensor, Tilt	
	1001151800	1	Sensor, Angle	
	1001225716	1	Sensor, Pressure (Machines With LSS)	

**SECTION 10 - SPECIAL OPTIONS**

# SECTION 10 - SPECIAL OPTIONS

## FIGURE 10-1. SPECIAL OPTIONS LIST

ITEM	PART NUMBER	QTY	DESCRIPTION	REV
		Ref	<b>SPECIAL OPTIONS LIST</b>	
		Ref	<b>Note: This list is to accommodate machines ordered with special equipment. Options may not be applicable to all models. For more specific parts information contact JLG Parts Department.</b>	
	1001233237	Ref	<b>ClearSky Telematics 3 Wire Connection (ANSI Export Specs) (Factory Installed)</b>	
		Ref	<b>Decal Options:</b>	
	1001229697	Ref	<b>Decal - ClearSky</b>	
	1001215071	Ref	<b>Decal - Control Box Film</b>	
	1001142967	Ref	<b>Decal - Corner Safety Stripes</b>	
	1001135787	Ref	<b>Decal - Head and Engquist Equipment</b>	
	1001222007	Ref	<b>Decal - Herc</b>	
	1001135782	Ref	<b>Decal - Hertz (Prior to SN B200034249)</b>	
	1001222334	Ref	<b>Decal - Hertz (Canada)</b>	
	1001135785	Ref	<b>Decal - Nations Equipment Services</b>	
	1001197862	Ref	<b>Decal - Sunbelt Rental</b>	
	1001135783	Ref	<b>Decal - United Rentals</b>	
		Ref	<b>Electrical Connector Kits</b>	
	1001148902	Ref	<b>Amp Connector Kit</b>	
	1001148903	Ref	<b>Deutsch DT Connector Kit</b>	
	1001148904	Ref	<b>Deutsch HD Connector Kit</b>	
	1001148905	Ref	<b>Packard Connector Kit</b>	
	1001148906	Ref	<b>Various Connector Kit</b>	
		Ref	<b>Fluids</b>	
	2300028	Ref	<b>Fluid, Hydraulic - Mobil DTE 10 Excel 15 (Bulk)</b>	
	70010346	Ref	<b>Fluid, Hydraulic - Mobil DTE 10 Excel 15 (1 Gallon)</b>	
	1001158030	Ref	<b>Footswitch Installation (Japanese Spec Only)</b>	
	1001202544	Ref	<b>GPS Tracking Installations</b>	
	1001202545	Ref	<b>GPS Tracking (Mainland China)</b>	
	1001201667	NLA	<b>GPS Tracking (Mainland China) (Use p/n 1001202544)</b>	
	1001238838	Ref	<b>Platform Chain Entry Add-on Kit</b>	
	1001147254	Ref	<b>Pressure Checks Installation</b>	
	1001211077	Ref	<b>Scissor Arm Guard</b>	
	1001200304	Ref	<b>Telematics Installation (Customer Supplied)</b>	
	1001210089	Ref	<b>Telematics (CAT Productlink)</b>	
	1001209282	Ref	<b>Telematics (Loxam Scombox)</b>	
	1001210090	Ref	<b>Telematics (Riwal Trackunit)</b>	
	1001195610	Ref	<b>Telematics (United Rentals)</b>	
		Ref	<b>Tools for Service</b>	
	7002821	1	Crimper, Wire	
	7002823	1	Extractor, Pin - Universal	
	4460467	AR	Extractor, Pin #16 Gauge	
	4460510	AR	Extractor, Pin #12 Gauge	
	7004275	1	Installer, Cylinder Seal - 1in	
	7004276	1	Installer, Cylinder Seal - 1-1/2in	
	7002826	1	Installer, Cylinder Seal - 2in	
	7016654	1	Screwdriver, Magnetic	
	7002822	1	Screwdriver, Potentiometer	

## SECTION 10 - SPECIAL OPTIONS

ITEM	PART NUMBER	QTY	DESCRIPTION	REV
	7002828	1	Stripper, Wire	
	2901443	1	Analyzer Kit	
	2915230	1	Battery Charger Reprogram Controller Kit	
	1001137005	1	Software Cable Kit	
	1001193039	1	Zapi Module Programming Harness	





**PART NUMBER INDEX**

# PART NUMBER INDEX

0100011.....13, 33, 42, 51, 53, 55	1001127628..... 11, 14	1001130642.....43	1001142800.....51
0100035.....25	1001127879..... 13, 17	1001130647.....42	1001142801.....51
0100051.....31, 85	1001128685.... 57, 58, 82	1001130648.....42	1001142802.....51
0140030.....57	1001128686..... 57	1001130649.....42	1001142803.....51
0140043..... 13, 83	1001128687..... 57	1001130650.....42	1001142923.....97
0275664.....86	1001128888.....42	1001130656.....43	1001142967.....102
0400215.....31	1001129242..... 71	1001130669..... 33, 75	1001142982.....51
0440236.....43	1001129281.....43	1001130912.....42	1001142983.....51
0440257.....43	1001129301..... 11	1001130963.....42	1001143008.....37
0440263.....25	1001129302..... 11	1001130964.....23	1001143051.....58
0440267.....43	1001129367..... 11, 71	1001130995..... 42, 67	1001144908.... 91, 94, 97
0480100.....63	1001129368..... 11	1001131017.....86	1001145779.....47, 49
0630580..... 11, 14	1001129381..... 11	1001131018.....86	1001145880.....51
0641609..... 13	1001129400..... 11	1001131059.....57	1001145913.....23
0700610..... 13	1001129549..... 47, 49	1001131126.....86	1001145914.....23
0700612.....42	1001129621..... 11, 14	1001131132.....75	1001146144.....37
0700617.....63	1001129627.... 13, 37, 85	1001131270.....91	1001146518.....42, 67
0700618.....63	1001129742..... 11	1001131379.....63	1001146532.....83
0700620.....53, 63	1001129743..... 11	1001131404.....63	1001146703.....85
0700814.....47, 49	1001129754..... 11	1001131497.....86	1001146704.....85
0700835.....57	1001129788..... 67	1001131705.....63	1001146794..... 91, 94
0701015.....42	1001129844..... 78	1001131963..... 13, 27	1001146795.....97
0701016.....42	1001129845..... 13, 100	1001132009.....42	1001146856.....51, 55
0701018.....42, 53	1001129847..... 14	1001132100.....42	1001146903.....93
0701019.....53	1001129910..... 82	1001132358.....57	1001146979.....37
0701020.....53	1001129940..... 11	1001132359..... 91, 93, 97	1001146980.....37
0701022.....42	1001129945..... 31	1001132360.....37	1001146983.....57
0701029.....42	1001129947..... 31	1001132361.....57	1001146984.....57
07601015..... 11	1001130028..... 31, 85	1001132362.....57	1001146985.... 57, 58, 82
0760408..... 13	1001130029..... 13	1001132364.... 91, 93, 97	1001147174.....82
0760606.....57	1001130044.... 91, 93, 97	1001132376..... 91, 94	1001147249.....82
0760608.... 13, 51, 53, 55	1001130103..... 11, 71	1001132396.....94	1001147251.... 42, 67, 83
0760610..... 13, 23, 37	1001130160..... 11	1001132946.....91	1001147254.....102
0760612.....23	1001130219.....86	1001132947.....93	1001147261.....31, 85
0760614.....25	1001130220.....37	1001132948.....93	1001147340.....68
0760615.... 13, 51, 53, 55	1001130303.....37	1001132949.....93	1001147421.....93
0760619.....42	1001130334.....63	1001132950.....93	1001148902.....102
0761009.....33	1001130474.....23	1001133159.... 91, 94, 97	1001148903.....102
0761012.....42	1001130486..... 11, 14	1001133257.....86	1001148904.....102
0761014.....23, 47, 49	1001130489..... 13	1001133258.....86	1001148905.....102
0761015.....23	1001130527.....75	1001133555.... 91, 93, 97	1001148906.....102
0761016.....25, 47, 49	1001130532.....23	1001133947.....42	1001151269.....31, 85
0761019.....51, 53, 55	1001130541..... 33, 35	1001134280.... 91, 94, 97	1001151800.....43, 100
0860520.....91, 93, 97	1001130590.....37	1001134648..... 47, 49	1001151845.....23
0861731.....86	1001130591.....85	1001134833.....42	1001153879.....43, 83
0961948.....42, 67	1001130592.....85	1001134846.....87	1001154588.....51, 55
1001091102..... 13	1001130593.....85	1001135043..... 13	1001156226.....43, 83
1001092454.....37	1001130595.....85	1001135782.....102	1001156546.....37
1001094105.....84	1001130596.....85	1001135783.....102	1001158030.....102
1001094180.....86	1001130598.....86	1001135785.....102	1001159592.... 51, 53, 55
1001096138.....84	1001130600.....85	1001135787.....102	1001159623.... 51, 53, 55
1001097347.....37, 100	1001130601.....85	1001136999.... 82, 83, 87	1001162864.... 91, 93, 97
1001102258.....86	1001130602.....85	1001137000.....83, 85	1001163095.....33, 100
1001103257..... 14	1001130603.....85	1001137005..... 87, 103	1001172009..... 13, 14
1001103258..... 14	1001130614..... 13	1001137675..... 42, 53	1001172010..... 14, 86
1001109088.....25, 100	1001130615.....85	1001139000.....42	1001173553.....82
1001110544.....42	1001130619.....84	1001139002.....43	1001173554.....83
1001112112.....31	1001130622.....43	1001139003.....42	1001173555.....82
1001116732.....84	1001130623.....43	1001142744..... 31, 85	1001173556.... 57, 58, 82
1001116734.....85	1001130624.....43	1001142772.....47	1001173557.....58
1001116812.....84	1001130625.....43	1001142773.....47	1001173558.....82
1001116936.....82	1001130626.....43	1001142774.....47	1001173559.... 57, 58, 82
1001117057.....84, 85	1001130627.....43	1001142775.....47	1001173560.....58
1001126008.....83, 85	1001130628.....43	1001142776.....51	1001173561.....83
1001126010....82, 83, 87	1001130629.....43	1001142779..... 51, 55	1001173563.....82
	1001130630.....43	1001142799.....51	1001173698.....47, 49

## PART NUMBER INDEX

1001180961 .....	13	1001204338.....	53	1705679.....	91, 93	3423067.....	47, 49	
1001184389 .....	13	1001204339.....	53	1705686.....	91	3423151.....	42, 51, 55	
1001184947 .....	21, 27	1001205697.....	53	1705694.....	91, 93	3423189.....	25	
1001185156 .....	21, 27	1001205929.....	53	1705695.....	91, 93	3423267.....	25	
1001185306 ....	14, 21, 27	1001205936.....	53	1705719.....	94	3423278.....	51, 55, 57	
1001186497 .....	21, 27	1001206087.....	53	1705720.....	93	3423289.....	25	
1001186499 .....	14	1001206088.....	53	1705722.....	93	3431220.....	25	
1001187097 .....	23, 31	1001209256.....	49	1705724.....	94	3450505.....	25	
1001187101 .....	21, 27	1001209282.....	102	1705725.....	94	3520072 ...	47, 49, 51, 53,	
1001187135 .....	25	1001210089.....	102	1705726.....	93	55		
1001187159 .....	23	1001210090.....	102	1705727.....	93	3574176.....	25	
1001187160 .....	25	1001211077.....	102	1705754.....	91, 93, 97	3740150.....	13, 84, 100	
1001187161 .....	31	1001211895.....	53	1705943.....	94	3760115.....	25	
1001187162 .....	25	1001212458.....	27	1705944.....	94	3760348.....	25	
1001187163 .....	25	1001212855.....	55	1705945.....	94	3760387.....	42	
1001187190 .....	25	1001212882.....	55	1705946.....	93	3760420.....	42	
1001187530 .....	21, 27	1001212883.....	55	1706052.....	94	3820019.....	55	
1001187587 .....	53	1001215071.....	102	1706053.....	94	3841143 ...	11, 42, 47, 49	
1001187759 ....	91, 94, 97	1001215326.....	14, 27	1706056.....	94	3841147.....	47, 49	
1001187816 .....	86	1001218596.....	14	1706057.....	93	3860104.....	42	
1001187890 .....	13	1001221778.....	53	1706311.....	91, 93, 97	3860111.....	51, 55	
1001187995 ....	13, 37, 83	1001221779.....	14	1706350.....	91, 94, 97	3900345.....	55	
1001188073 ....	13, 37, 83	1001221780.....	53	1706679.....	37	3910804.....	37	
1001188116 .....	86	1001221984.....	86	1706740.....	31	4010408.....	21, 27	
1001188179 .....	86	1001222007.....	102	2080040....	51, 53, 55, 91,	4010412.....	21, 27	
1001188286 .....	23, 31	1001222334.....	102	93, 97	2080057.....	91, 93, 97	4010608.....	51, 53, 55
1001188296 .....	31	1001223055.....	91	2220371.....	67	4010610.....	51, 53, 55	
1001188432 .....	42, 67	1001224048.....	94	2220415.....	71	4010616.....	51, 55	
1001188823 .....	84	1001224049.....	94	2300028.....	102	4010617.....	51, 55	
1001188849 .....	84	1001224050.....	94	2560088.....	55	4010618.....	51, 55	
1001189894 .....	78	1001224052.....	94	2560190.....	55	4031509.....	57	
1001190298 .....	33	1001225716.....	100	2600281.....	51, 53, 55	4031510.....	14, 27	
1001193039 .....	103	1001227516.....	68	2860030.....	37, 100	4031511.....	25	
1001194584 .....	78	1001228370.....	91, 94	2901443.....	87, 103	4031512.....	13, 43	
1001194585 .....	78	1001229697.....	102	2915230.....	103	4031708.....	14	
1001195344 .....	82	1001233237.....	102	2920026.....	37, 57	4031709.....	33	
1001195352 .....	82	1001234407.....	49	2920028.....	57	4060803.....	57	
1001195391 .....	83	1001238838.....	102	2920094.....	37, 57	4060906.....	57	
1001195412 .....	83	1060633 .....	87	2920161.....	13, 87	4160078.....	68	
1001195414 .....	87	1060998 .....	85	2940174.....	31	4160202.....	25	
1001195563 ....	57, 58, 82	1061034 .....	67	3010158.....	25	4220293.....	25	
1001195564 .....	57	1321293 .....	13, 14	3080007 ...	51, 53, 55, 100	4240017.....	14, 27, 43	
1001195566 .....	57	1321385 .....	83	3252507.....	86	4240099.....	13	
1001195568 ....	57, 58, 82	1380132 .....	55	3290305.....	42	4240147.....	13	
1001195569 .....	57	1600244 .....	87	3290405....	13, 14, 27, 43,	4360274.....	57, 100	
1001195610 .....	102	1600402 .....	57, 61, 100	57	3290605....	13, 14, 23, 25,		
1001195962 .....	58	1671207 .....	86	31, 33, 37, 53, 57	3290606....	51, 53, 55, 63		
1001195963 .....	58	1701504 .....	91, 93, 97	3290607.....	42	3290805.....	57	
1001196745 .....	83	1701509 .....	91, 93, 97	3290806.....	55	3290807.....	47, 49	
1001196746 .....	82	1702773 .....	91, 93, 97	3291005....	11, 23, 25, 47,	3291006.....	51, 53, 55	
1001197086 .....	25	1703072 .....	91, 94, 97	49, 53	3291007.....	42, 47, 49		
1001197862 .....	102	1703177 .....	91, 93, 97	3291605.....	11	3321402.....	68	
1001200304 .....	102	1703464 .....	86	3371004.....	25	3391210.....	11	
1001201667 .....	102	1703813 .....	91	3422219.....	51, 55	3422561.....	47, 49	
1001202544 .....	102	1703819 ....	57, 91, 93, 97	3422998.....	42	3423011.....	42	
1001202545 .....	102	1703822 .....	91, 93, 97	3423045.....	25			
1001204326 .....	53	1703834 .....	93					
1001204327 .....	53	1703856 .....	93					
1001204328 .....	49	1704016 .....	91, 93, 97					
1001204329 .....	49	1704277 .....	91, 93, 97					
1001204330 .....	49	1704339 .....	93					
1001204331 .....	49	1704341 .....	93					
1001204332 .....	53	1704344 .....	93					
1001204333 .....	53	1704412 .....	91, 93, 97					
1001204334 .....	53	1705670 .....	97					
1001204335 .....	53	1705671 .....	97					
1001204336 .....	53	1705673 .....	97					

## PART NUMBER INDEX

4460462.....83, 87	4751400..... 13	70003671 ..... 71	70005636.....35
4460464.....82, 83, 84, 87	4811400 ... 13, 14, 27, 31	70003672 ..... 71	70005637.....35
4460465.... 13, 82, 83, 84, 85, 87	4811700 ... 13, 14, 25, 33, 37, 51, 53, 55	70003673 ..... 71	70005638.....35
4460466.....82, 83, 84, 87	4811702 ... 23, 31, 37, 51, 53, 55	70003674 ..... 71	70005639.....35
4460467.....87, 102	4811900 ..... 57	70003675 ..... 71	70010346.....102
4460473.....83, 87	4812000 ... 11, 23, 25, 33, 42, 47, 49, 51, 53, 55	70003677 ..... 18	70023370.....67
4460490.....85	4812002 ..... 23	70003678 ..... 18	7002821.....87, 102
4460496.....83, 85	4812500 ..... 25	70003679 ..... 18	7002822.....102
4460497.....83, 85	4891600 ..... 13	70003680 ..... 18	7002823.....87, 102
4460508.....85	4893000 ..... 42	70003683 ..... 35	7002826.....102
4460509.....85	70000082 ..... 61	70003684 ..... 35	7002828.....87, 103
4460510.....87, 102	70000084 ..... 61	70003685 ..... 35	7004275.....102
4460518....82, 83, 85, 87	70000191 ..... 17	70003686 ..... 35, 100	7004276.....102
4460536.....83	70000683 ..... 61	70003690 ..... 35	7010641.....11
4460539.....83, 84	70000684 ..... 61	70003695 ..... 35	7010642.....11
4460761.....84	70000685 ..... 61	70003696 ..... 35, 100	7010646.....11
4460851.....82, 84	70000686 ..... 61	70003697 ..... 35	7010647.....11
4460852.....82, 84	70000790 ..... 17	70003700 ..... 35, 100	7010648.....11
4460868.....84	70000791 ..... 17	70003702 ..... 35	7010649.....11
4460871.....84	70000792 ..... 17	70003706 ..... 100	7016319.....13
4460873.....84	70001250 ..... 61	70003707 ..... 35, 100	7016372.....13
4460877.....84	70001251 ..... 61	70003727 ..... 35	7016654.....102
4460884.....84	70001252 ..... 61	70003728 ..... 35	7019697.....11
4460891.... 13, 83, 84, 85, 87	70001253 ..... 61	70003729 ..... 35	7020175.....37, 57
4460894.....83, 84	70001265 ..... 18	70004167 ..... 43	7020176.....37, 57
4460897.....84, 87	70001878 ..... 68	70004168 ..... 43	7020218.....67
4460899.....83	70003028 ..... 35	70004230 ..... 67	7024747.....18
4460905.....84	70003655 ..... 67	70004231 ..... 67	7024748.....18
4460944.....84	70003656 ..... 67	70004232 ..... 67	7024749.....18
4460945.....84	70003662 ..... 67	70004233 ..... 67	7024750.....18
4460968.....21, 27	70003663 ..... 67	70004234 ..... 67	7024758.....18
4461017.....85	70003664 ..... 67	70004235 ..... 67	7024771.....18
4461018.....85	70003665 ..... 67	70004654 ..... 35	7024785.....17
4711700.....57	70003666 ..... 67	70004935 ..... 35	7024786.....17
4711702.....42	70003667 ..... 67	70005233 ..... 35	7027365.....61
4740086.....25	70003668 ..... 67	70005630 ..... 35	7027367.....61
4740217.....11	70003669 ..... 67	70005631 ..... 35	7027765.....61
4740332.....42	70003670 ..... 71	70005632 ..... 35	7027766.....61
4740438.....42		70005633 ..... 35	85941016.....86
		70005634 ..... 35	
		70005635 ..... 35	





3121689



An Oshkosh Corporation Company

**Corporate Office**  
**JLG Industries, Inc.**  
**1 JLG Drive**  
**McConnellsburg, PA 17233-9533 USA**  
☎ **(717) 485-5161 (Corporate)**  
☎ **(877) 554-5438 (Customer Support)**  
📠 **(717) 485-6417**

**Visit our website for JLG Worldwide Locations.**  
**[www.jlg.com](http://www.jlg.com)**