



---

# Illustrated Parts Manual

*Model*  
**400SC**  
**460SJC**

P/N  
3121706

August 10, 2018 - Rev L

**ANSI**

**CE**



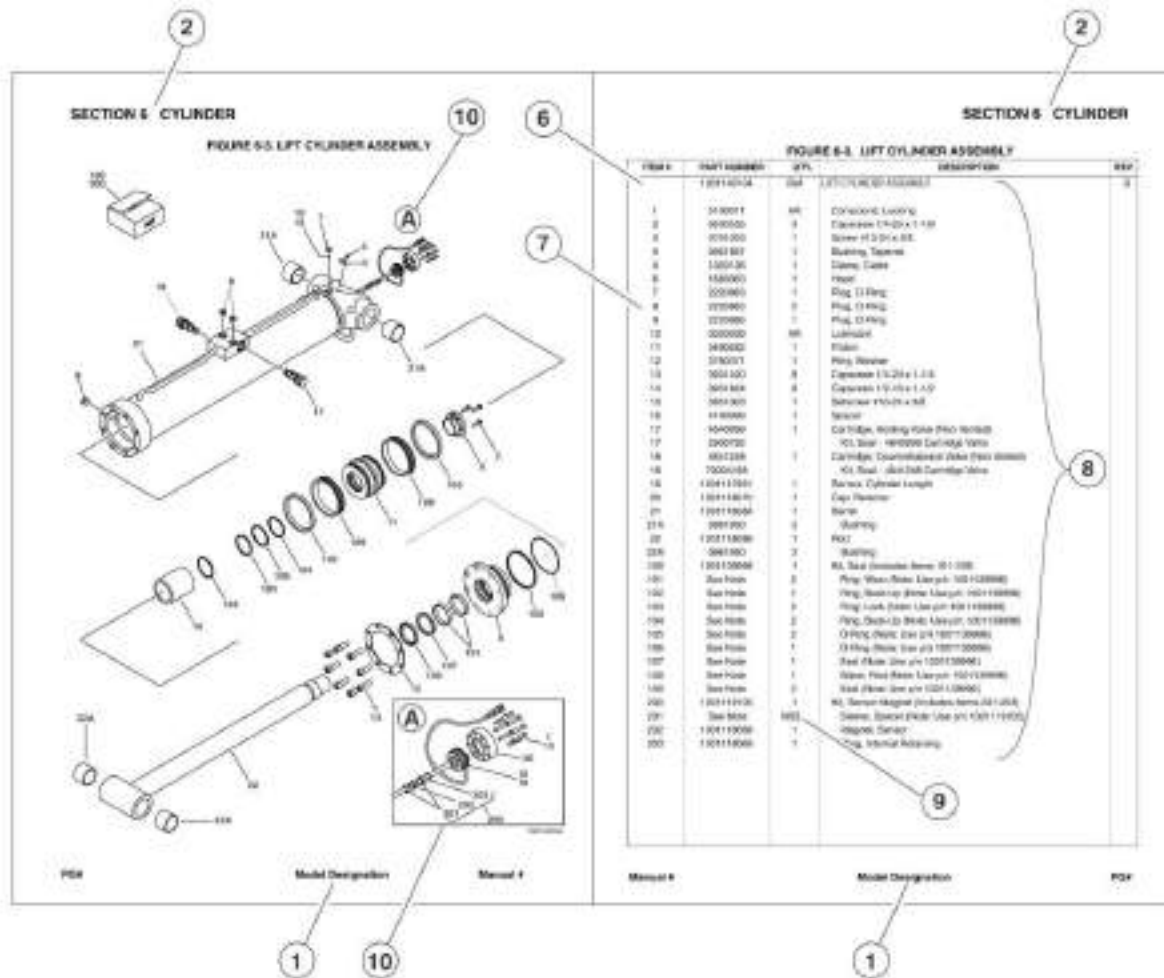
An Daikosh Corporation Company



## REVISION LOG

June 29, 2015 - A - Original Issue Of Manual (Edit to B/M 1001192020 Revision G) (Revision 5)  
February 19, 2016 - B - Revised Manual (Edit to B/M 1001192020 Revision H) (Revision 3)  
May 16, 2016 - C - Revised Manual (Edit to B/M 1001192020 Revision H) (Revision 1)  
August 1, 2016 - D - Revised Manual (Edit to B/M 1001192020 Revision P) (Revision 1)  
October 15, 2016 - E - Revised Manual (Edit to B/M 1001192020 Revision R) (Revision 2)  
January 20, 2017 - F - Revised Manual (Edit to B/M 1001192020 Revision T) (Revision 2)  
April 14, 2017 - G - Revised Manual (Edit to B/M 1001192020 Revision T) (Revision 2)  
July 26, 2017 - H - Revised Manual (Edit to B/M 1001192020 Revision W) (Revision 1)  
October 31, 2017 - I - Revised Manual (Edit to B/M 1001192020 Revision X)  
February 1, 2018 - J - Revised Manual (Edit to B/M 1001192020 Revision AB)  
May 31, 2018 - K - Revised Manual (Edited to B/M 1001192020 Revision AB)  
August 10, 2018 - L - Revised Manual (Edited to B/M 1001192020 Revision AI)

# GENERAL INFORMATION



## 1) MACHINE IDENTIFICATION

Machines are identified by model and in some cases a combination of models, serial number (SN) or regional standard (i.e. ANSI, CE, CSA). Components may also be identified by SN or manufacturer. Common components that may be identified by these characteristics are engines and hydraulic components.

## 2) PARTS MANUAL ORGANIZATION

Product information in this manual is organized under section titles. Frame, Cylinder, Hydraulic and Electrical are a few examples. Each section is organized by figure and page number. The information within the figure is then organized by item number, part number, description and corresponding illustration(s).

## 3) TABLE OF CONTENTS

A table of contents is found toward the beginning of the manual. Figure number, description and page number are provided for quick reference to the page containing the related information.

## 4) RECOMMENDED SPARE PARTS

The Recommended Spare Parts, located near the end of the manual, reference most frequently used maintenance parts.

## 5) PART NUMBER INDEX

A numerical index listing all part numbers and the corresponding page number(s) appears at the back of the manual.

## GENERAL INFORMATION

### 6) NON-SERVICED PARTS

In some instances, it is necessary to display non-serviced parts, assemblies or installations. In the case of assemblies and installations there will be a Ref in the Qty column. In case of parts that are not available for service within assemblies or components, there will be a NSS (Not Sold Separately) or NLA (No Longer Available) listed in the Qty. column of the manual.

### 7) PARTS LIST ITEM NUMBERS

Numbers shown in the Item# column correspond to numbers used in the associated illustration (s). Item numbers which are missing from the sequence in the parts list are not used on that page

### 8) INDENTED PARTS DESCRIPTION

An indented part description is included in the item under which it is indented.

### 9) ABBREVIATION AND SYMBOLS

AC.....	.. Alternating Current	LCD.....	.. Liquid Crystal Display
ADE.....	..Advanced Design Electronics	LED.....	.. Light Emitting Diodes
ANSI.....	..American National Standards Institute	LH.....	.. Left Hand
AR.....	..As Required	LSS.....	.. Load Sensing System
ASSY.....	.. Assembly	M(m).....	.. Metric/Meter
AUX.....	..Auxiliary	MM (mm).....	..Millimeter
AWG.....	..American Wire Gauge	mA.....	.. Milliamps
B/M.....	.. Bill of Material	NLA.....	..No Longer Available
CE.....	..European Conformity	NPT.....	.. National Pipe Threads
CCW.....	..Counter Clockwise	NSS.....	..Not Sold Separately
cm.....	.. Centimeter	OD.....	..Outside Diameter
CW.....	..Clockwise	ORB.....	.. O-Ring Boss
CSA.....	..Canadian Standards Association	ORFS.....	.. O-Ring Face Seal
CYL.....	..Cylinder	OZ (oz).....	..Ounces
DIA.....	..Diameter	PG.....	..Page
DC.....	..Direct Current	P/N.....	..Part Number
EMS.....	.. Emergency Stop	qt.....	..Quarts
ENG.....	..Engine	QTY.....	..Quantity
FT (ft).....	..Feet	REF.....	..Reference
GA(Ga).....	..Gauge	REV.....	..Revision Level
HYD.....	..Hydraulic	RH.....	..Right Hand
Hz.....	..Hertz	SAE.....	.. Society of Automotive Engineers
ID.....	..Inside Diameter	SN.....	..Serial Number
in.....	..Inches	SPEC(S).....	..Specifications
ISO.....	..International Organization for Standards	T/T.....	..Turntable
JIC.....	..Joint Industry Council	UGM.....	..Universal Ground Module
KG.....	..Kilogram	V.....	..Volts
L.....	..Liter	W.....	..Watts
LB.....	..Pounds	#.....	..Number

### 10) ILLUSTRATION REFERENCE LETTERS

When necessary, illustrations may contain reference letters that are intended to track information (i. e. hoses, harnesses) from one point to another or to track visual enlargement of components to show details that may be located in another area on the illustration.

*Note: Due to continuous product improvements, JLG Industries, Inc. reserves the right to make specification changes without prior notification. Contact JLG Industries, Inc. for updated information.*



# TABLE OF CONTENTS

SECTION 1 - FRAME.....	11
FIGURE 1-1. FRAME UNDERCARRIAGE WITH CARRIER TRACKS .....	12
FIGURE 1-2. UNDERCARRIAGE ASSEMBLY .....	14
FIGURE 1-3. TRACK ASSEMBLY - RUBBER (BRIDGESTONE POLAND) .....	16
FIGURE 1-4. FRAME UNDERCARRIAGE WITH EXCAVATOR TRACKS .....	18
FIGURE 1-5. TRACK ASSEMBLY - RUBBER (BRIDGESTONE JAPAN).....	20
FIGURE 1-6. FRAME UNDERCARRIAGE WITH NON-MARKING TRACKS.....	22
FIGURE 1-7. TRACK ASSEMBLY - RUBBER .....	24
FIGURE 1-8. FRAME UNDERCARRIAGE WITH STEEL TRACKS .....	26
FIGURE 1-9. TRACK ASSEMBLY - STEEL .....	28
FIGURE 1-10. FRAME UNDERCARRIAGE STEEL TRACKS WITH PADS .....	30
FIGURE 1-11. IDLER ASSEMBLY .....	32
FIGURE 1-12. DRIVE HUB ASSEMBLY .....	34
FIGURE 1-13. DRIVE MOTOR ASSEMBLY .....	36
SECTION 2 - TURNTABLE .....	39
FIGURE 2-1. CONTROL VALVES INSTALLATION - 400SC .....	40
FIGURE 2-2. CONTROL VALVES INSTALLATION - 460SJC .....	42
FIGURE 2-3. MAIN VALVE ASSEMBLY - 400SC .....	44
FIGURE 2-4. MAIN VALVE ASSEMBLY - 460SJC .....	48
FIGURE 2-5. 2 SPEED/BRAKE RELEASE VALVE ASSEMBLY .....	52
FIGURE 2-6. SWING DRIVE INSTALLATION .....	54
FIGURE 2-7. SWING HUB/MOTOR ASSEMBLY.....	56
FIGURE 2-8. TURNTABLE BEARING INSTALLATION (WITHOUT TURNTABLE BEARING SPACER) .....	60
FIGURE 2-9. TURNTABLE BEARING INSTALLATION (WITH TURNTABLE BEARING SPACER).....	62
FIGURE 2-10. BEARING LUBE INSTALLATION .....	64
FIGURE 2-11. TURNTABLE LOCK INSTALLATION.....	66
FIGURE 2-12. ROTARY COUPLING INSTALLATION (WITHOUT TURNTABLE BEARING SPACER) .....	68
FIGURE 2-13. ROTARY COUPLING INSTALLATION (WITH TURNTABLE BEARING SPACER).....	70
FIGURE 2-14. TANKS INSTALLATION.....	72
FIGURE 2-15. AUXILIARY PUMP AND BATTERY INSTALLATION.....	74
FIGURE 2-16. AUXILIARY PUMP ASSEMBLY.....	76
FIGURE 2-17. ELECTRICAL INSTALLATION - 400SC .....	78
FIGURE 2-18. ELECTRICAL INSTALLATION - 460SJC.....	80
FIGURE 2-19. TURNTABLE COVERS INSTALLATION (SN 0300227267 to Present).....	82
FIGURE 2-20. ELECTRICAL PANEL ASSEMBLY .....	84
FIGURE 2-21. GROUND CONTROL ASSEMBLY .....	86
FIGURE 2-22. GROUND CONTROL DECAL AND KEY SWITCH INSTALLATION - 400SC (CE SPECS).....	88
FIGURE 2-23. GROUND CONTROL DECAL AND KEY SWITCH INSTALLATION - 400SC (ANSI EXPORT SPECS) (SN 0300224020 to Present) .....	90
FIGURE 2-24. GROUND CONTROL DECAL AND KEY SWITCH INSTALLATION - 460SJC (CE SPECS) .....	92
FIGURE 2-25. GROUND CONTROL DECAL AND KEY SWITCH INSTALLATION - 460SJC (ANSI EXPORT SPECS) (SN 0300224020 to Present) .....	94
FIGURE 2-26. BEACON LIGHT INSTALLATION - AMBER .....	96
FIGURE 2-27. BEACON LIGHT INSTALLATION - BLUE (Prior to SN 0300217319).....	98
FIGURE 2-28. BEACON LIGHT INSTALLATION - BLUE (SN 0300217319 to Present).....	100
FIGURE 2-29. BEACON LIGHT INSTALLATION - RED (Prior to SN 0300217319).....	102
FIGURE 2-30. BEACON LIGHT INSTALLATION - RED (SN 0300217319 to Present).....	104
FIGURE 2-31. HOOD INSTALLATION.....	106
FIGURE 2-32. HOOD ASSEMBLY - ENGINE SIDE.....	110
FIGURE 2-33. HOOD ASSEMBLY - TANK SIDE .....	112
FIGURE 2-34. STEEL HOOD INSTALLATION (ANSI EXPORT SPECS) (SN 0300224020 to Present).....	114
FIGURE 2-35. STEEL HOOD ASSEMBLY - ENGINE SIDE (ANSI EXPORT SPECS) (SN 0300224020 to Present).....	118
FIGURE 2-36. STEEL HOOD ASSEMBLY - TANK SIDE (ANSI EXPORT SPECS) (SN 0300224020 to Present).....	120
FIGURE 2-37. SOUND REDUCTION INSTALLATION - WITH STEEL HOODS (OPTIONAL) .....	122
SECTION 3 - ENGINE .....	125
FIGURE 3-1. ENGINE INSTALLATION (DEUTZ 2011L03) (T4I) (CE SPECS).....	126
FIGURE 3-2. ENGINE AND PUMP SUB-ASSEMBLY (DEUTZ 2011L03) (T4I) (CE SPECS) .....	130
FIGURE 3-3. ENGINE ASSEMBLY (DEUTZ 2011L03) (T4I) (CE SPECS).....	132
FIGURE 3-4. ENGINE COMPONENTS - DEUTZ D2.3L3 (CE SPECS).....	136
FIGURE 3-5. ENGINE INSTALLATION - DEUTZ D2.9L4 (T4F) (WITH ARCTIC PACKAGE) (ANSI AND CSA SPECS) (SN 0300234013 to Present) .....	140

# TABLE OF CONTENTS

FIGURE 3-6. ENGINE AND PUMP SUB-ASSEMBLY - DEUTZ D2.9L4 (T4F) (WITH ARCTIC PACKAGE) (ANSI AND CSA SPECS) (SN 0300234013 to Present) .....	146
FIGURE 3-7. ENGINE ASSEMBLY - DEUTZ D2.9L4 ENGINE (T4F) (WITH ARCTIC PACKAGE) (ANSI AND CSA SPECS) (SN 0300234013 to Present).....	148
FIGURE 3-8. ENGINE INSTALLATION - DEUTZ D2.3L3 (T4I) (WITH ARCTIC PACKAGE) (ANSI EXPORT SPECS) (SN 0300234013 to Present).....	154
FIGURE 3-9. ENGINE AND PUMP SUB-ASSEMBLY - DEUTZ D2.3L3 (T4I) (WITH ARCTIC PACKAGE) (ANSI EXPORT SPECS) (SN 0300234013 to Present) .....	160
FIGURE 3-10. ENGINE ASSEMBLY - DEUTZ D2.3L3 ENGINE (T4I) (WITH ARCTIC PACKAGE) (ANSI EXPORT SPEC) (SN 0300234013 to Present).....	162
FIGURE 3-11. ENGINE INSTALLATION (DEUTZ D2.9L) (T4F) (ANSI, CSA AND ANSI EXPORT SPECS) (SN 0300224020 to Present).....	166
FIGURE 3-12. ENGINE AND PUMP SUB-ASSEMBLY (DEUTZ D2.9L) (T4F) (ANSI, CSA AND ANSI EXPORT SPECS) (SN 0300224020 to Present).....	172
FIGURE 3-13. ENGINE ASSEMBLY - (DEUTZ D2.9L) (T4F) (ANSI, CSA AND ANSI EXPORT SPECS) (SN 0300224020 to Present).....	174
FIGURE 3-14. BREATHER HEATER INSTALLATION - DEUTZ D2.9L4 ENGINE WITH ARCTIC PACKAGE .....	180
FIGURE 3-15. ENGINE COMPONENTS - (DEUTZ D2.9L) (T4F) (ANSI EXPORT SPECS) (SN 0300224020 to Present).....	182
FIGURE 3-16. ENGINE INSTALLATION - DEUTZ T4I ENGINE (STAGE V) (WITHOUT ARCTIC PACKAGE) (CE SPECS).....	186
FIGURE 3-17. ENGINE AND PUMP SUB-ASSEMBLY - DEUTZ T4I (STAGE V) (WITHOUT ARCTIC PACKAGE) (CE SPECS) .....	190
FIGURE 3-18. ENGINE ASSEMBLY - DEUTZ T4I ENGINE (STAGE V) (WITHOUT ARCTIC PACKAGE) (CE SPECS).....	192
FIGURE 3-19. ENGINE COMPONENTS - DEUTZ D2011 (STAGE V).....	196
FIGURE 3-20. PUMP COUPLING KIT .....	200
FIGURE 3-21. PISTON PUMP ASSEMBLY (FRONT) .....	202
FIGURE 3-22. PISTON PUMP ASSEMBLY (REAR) .....	206
FIGURE 3-23. GEAR PUMP ASSEMBLY .....	210
FIGURE 3-24. CATALYTIC SPARK ARRESTOR INSTALLATION - ANSI EXPORT AND CE SPECS .....	212
FIGURE 3-25. SPARK ARRESTOR INSTALLATION - ANSI AND ANSI EXPORT SPECS (SN 0300234013 to Present).....	214
FIGURE 3-26. SPARK ARRESTOR INSTALLATION - ANSI EXPORT AND CE SPECS .....	216
FIGURE 3-27. ENGINE BAFFLE INSTALLATION .....	218
FIGURE 3-28. ENGINE BAFFLE INSTALLATION - STEEL (SN 0300227267 to Present) .....	220
FIGURE 3-29. ENGINE TRAY JACK .....	222
FIGURE 3-30. OIL COOLER INSTALLATION (CE SPECS).....	224
FIGURE 3-31. OIL COOLER INSTALLATION (ANSI EXPORT SPECS) (SN 0300224020 to Present) .....	226
FIGURE 3-32. GENERATOR INSTALLATION - 4000W/60HZ (DEUTZ D2.3L3 ENGINE) (ANSI EXPORT SEPC) (SN 0300234013 to Present).....	228
FIGURE 3-33. GENERATOR INSTALLATION - 2500W/60HZ (DEUTZ D2.9L4 ENGINE) (ANSI, ANSI EXPORT AND CSA SPECS) (SN 0300224020 to Present) .....	232
FIGURE 3-34. GENERATOR INSTALLATION - 4000W/50HZ (DEUTZ D2.3L3 ENGINE) (ANSI EXPORT AND CE SPECS) (Prior to SN 0300237337) .....	236
FIGURE 3-35. GENERATOR INSTALLATION - 4000W/50HZ (DEUTZ D2.3L3 ENGINE) (ANSI EXPORT AND CE SPECS) (SN 0300237337 to Present).....	240
FIGURE 3-36. GENERATOR INSTALLATION - 4000W/60HZ (DEUTZ D2.9L4 ENGINE) (ANSI, ANSI EXPORT AND CSA SPECS) (SN 0300224020 to Present) .....	244
FIGURE 3-37. GENERATOR INSTALLATION - 7500W/50HZ (DEUTZ D2.3L3 ENGINE) (ANSI EXPORT AND CE SPECS)....	248
FIGURE 3-38. GENERATOR INSTALLATION - 7500W/60HZ (DEUTZ D2.9L4) (ANSI, ANSI EXPORT AND CSA SPECS) (SN 0300224020 to Present).....	252
FIGURE 3-39. GENERATOR INSTALLATION - 7500W/60HZ (DEUTZ D2.3L3 ENGINE) (ANSI EXPORT SPECS) (SN 0300234013 to Present).....	256
FIGURE 3-40. GENERATOR INSTALLATION - 2500W/60HZ (DEUTZ D2.3L3 ENGINE) (ANSI EXPORT SPEC) (SN 0300234013 to Present).....	260
SECTION 4 - BOOM.....	263
FIGURE 4-1. BOOM AND CYLINDER INSTALLATION - 400SC .....	264
FIGURE 4-2. BOOM AND CYLINDERS INSTALLATION - 460SJC .....	266
FIGURE 4-3. MAIN BOOM ASSEMBLY - 400SC .....	268
FIGURE 4-4. MAIN BOOM ASSEMBLY - 460SJC .....	270
FIGURE 4-5. JIB BOOM ASSEMBLY - 460SJC .....	272
FIGURE 4-6. ROTATOR ASSEMBLY - 400SC (Prior to SN 0300244379) .....	274
FIGURE 4-7. ROTATOR ASSEMBLY - 400SC (SN 0300244379 to Present) .....	276
FIGURE 4-8. ROTATOR ASSEMBLY - 460SJC.....	278
FIGURE 4-9. POWER TRACK INSTALLATION .....	280
FIGURE 4-10. CAPACITY SWITCH INSTALLATION .....	282
FIGURE 4-11. TRANSPORT SWITCHES INSTALLATION .....	284
FIGURE 4-12. PLATFORM SUPPORT INSTALLATION - WITHOUT LSS .....	286



# TABLE OF CONTENTS

FIGURE 4-13. PLATFORM SUPPORT INSTALLATION - WITH 4 CELL LSS .....	288
FIGURE 4-14. PLATFORM SUPPORT INSTALLATION - WITH 1 CELL LSS .....	290
FIGURE 4-15. CABLES AND CLAMPS INSTALLATION - 400SC .....	292
FIGURE 4-16. CABLES AND CLAMPS INSTALLATION - 4000W GENRATOR - 400SC (Prior to SN 0300214184).....	294
FIGURE 4-17. CABLES AND CLAMPS INSTALLATION - 4000W-50HZ GENRATOR - 400SC - ANSI EXPORT AND CE SPECS (SN 0300214184 to Present) .....	296
FIGURE 4-18. CABLES AND CLAMPS INSTALLATION - 4000W-60HZ GENRATOR - 400SC - ANSI EXPORT SPECS (SN 0300224020 to Present) .....	298
FIGURE 4-19. CABLES AND CLAMPS INSTALLATION - 460SJC - CE SPECS .....	300
FIGURE 4-20. CABLES AND CLAMPS INSTALLATION - 460SJC - ANSI EXPORT SPECS .....	302
FIGURE 4-21. BOOM REST INSTALLATION .....	304
FIGURE 4-22. DRIVE DISABLE SWITCH INSTALLATION (SN 0300239462 through 0300250672) .....	306
SECTION 5 - PLATFORM.....	309
FIGURE 5-1. PLATFORM ASSEMBLY - 30IN X 3FT (76CM X .91M) - DROP BAR ENTRY.....	310
FIGURE 5-2. PLATFORM ASSEMBLY - 30IN X 5FT (76.2CM X 1.5M) WITH SWING GATE .....	312
FIGURE 5-3. PLATFORM ASSEMBLY - 36IN X 6FT (91.5CM X 1.83M) WITH SWING GATE.....	314
FIGURE 5-4. PLATFORM ASSEMBLY - 36IN X 8FT (91.5CM X 2.44M) WITH SWING GATE.....	316
FIGURE 5-5. PLATFORM ASSEMBLY - 30IN X 5FT (76.2CM X 1.5M) WITH DROP BAR .....	318
FIGURE 5-6. PLATFORM ASSEMBLY - 36IN X 6FT (91.5CM X 1.83M) WITH DROP BAR .....	320
FIGURE 5-7. PLATFORM ASSEMBLY - 36IN X 8FT (91.5CM X 2.44M) WITH DROP BAR .....	322
FIGURE 5-8. PLATFORM ASSEMBLY - 36IN X 6FT (91.5CM X 1.83M) TRI-ENTRY WITH SWING GATE.....	324
FIGURE 5-9. PLATFORM ASSEMBLY - 36IN X 6FT (91.5CM X 1.83M) TRI-ENTRY WITH DROPBAR .....	326
FIGURE 5-10. CONSOLE BOX INSTALLATION.....	328
FIGURE 5-11. CONSOLE BOX ASSEMBLY (Prior to SN 0300220076) .....	330
FIGURE 5-12. CONSOLE BOX ASSEMBLY (SN 0300220076 to Present) .....	334
FIGURE 5-13. CONTROLLER ASSEMBLY (DRIVE AND STEER).....	338
FIGURE 5-14. CONTROLLER ASSEMBLY (LIFT AND SWING) .....	340
FIGURE 5-15. FOOTSWITCH ASSEMBLY.....	342
FIGURE 5-16. LIGHT PANEL INSTALLATION - 400SC (ANSI, ANSI EXPORT AND CSA SPECS) (SN 0300234013 to Present) .....	344
FIGURE 5-17. LIGHT PANEL INSTALLATION - 400SC (CE SPEC) .....	346
FIGURE 5-18. LIGHT PANEL INSTALLATION - 460SJC .....	348
FIGURE 5-19. TRAY INSTALLATION.....	350
FIGURE 5-20. SOFT TOUCH INSTALLATION - 36IN X 8FT (91.5CM X 2.44M) PLATFORM (OPTIONAL).....	352
FIGURE 5-21. SKYGUARD SYSTEM INSTALLATION.....	354
FIGURE 5-22. CROSS RAIL INSTALLATION.....	356
FIGURE 5-23. SKYGLAZIER INSTALLATION .....	358
FIGURE 5-24. SKYWELDER INSTALLATION (50HZ) .....	362
FIGURE 5-25. SKYWELDER INSTALLATION (60HZ) (ANSI EXPORT SPECS) (SN 0300224020 to Present) .....	364
FIGURE 5-26. SKYWELDER PREP PACKAGE (60HZ) (ANSI EXPORT SPECS) (SN 0300224020 to Present) .....	366
FIGURE 5-27. WELDER ASSEMBLY .....	368
SECTION 6 - CYLINDER .....	371
FIGURE 6-1. LEVEL (PLATFORM SLAVE) CYLINDER ASSEMBLY .....	372
FIGURE 6-2. LIFT CYLINDER ASSEMBLY - MAIN BOOM - 400SC (Prior to SN 0300205271) .....	374
FIGURE 6-3. LIFT CYLINDER ASSEMBLY - MAIN BOOM - 400SC (SN 0300205271 through 0300226923) .....	376
FIGURE 6-4. LIFT CYLINDER ASSEMBLY - MAIN BOOM (400SC SN 0300226923 through 0300239153; 460SJC Prior to SN 0300239154) .....	378
FIGURE 6-5. LIFT CYLINDER ASSEMBLY - MAIN BOOM (SN 0300239154 to Present).....	380
FIGURE 6-6. LIFT CYLINDER ASSEMBLY - JIB - 460SJC (Prior to SN 0300245226) .....	382
FIGURE 6-7. LIFT CYLINDER ASSEMBLY - JIB - 460SJC (USAGE MAY VARY) (SN 0300245226 through 0300245251).....	384
FIGURE 6-8. LIFT CYLINDER ASSEMBLY - JIB - 460SJC (USAGE MAY VARY) (SN 0300245252 to Present) .....	386
FIGURE 6-9. MASTER CYLINDER ASSEMBLY .....	388
FIGURE 6-10. TELESCOPE CYLINDER ASSEMBLY .....	390
SECTION 7 - HYDRAULIC .....	393
FIGURE 7-1. HYDRAULIC DIAGRAM - 400SC .....	394
FIGURE 7-2. HYDRAULIC DIAGRAM - 460SJC.....	402
FIGURE 7-3. HYDRAULIC DIAGRAM LIST .....	410
SECTION 8 - ELECTRICAL .....	411
FIGURE 8-1. ELECTRICAL DIAGRAM LIST.....	412

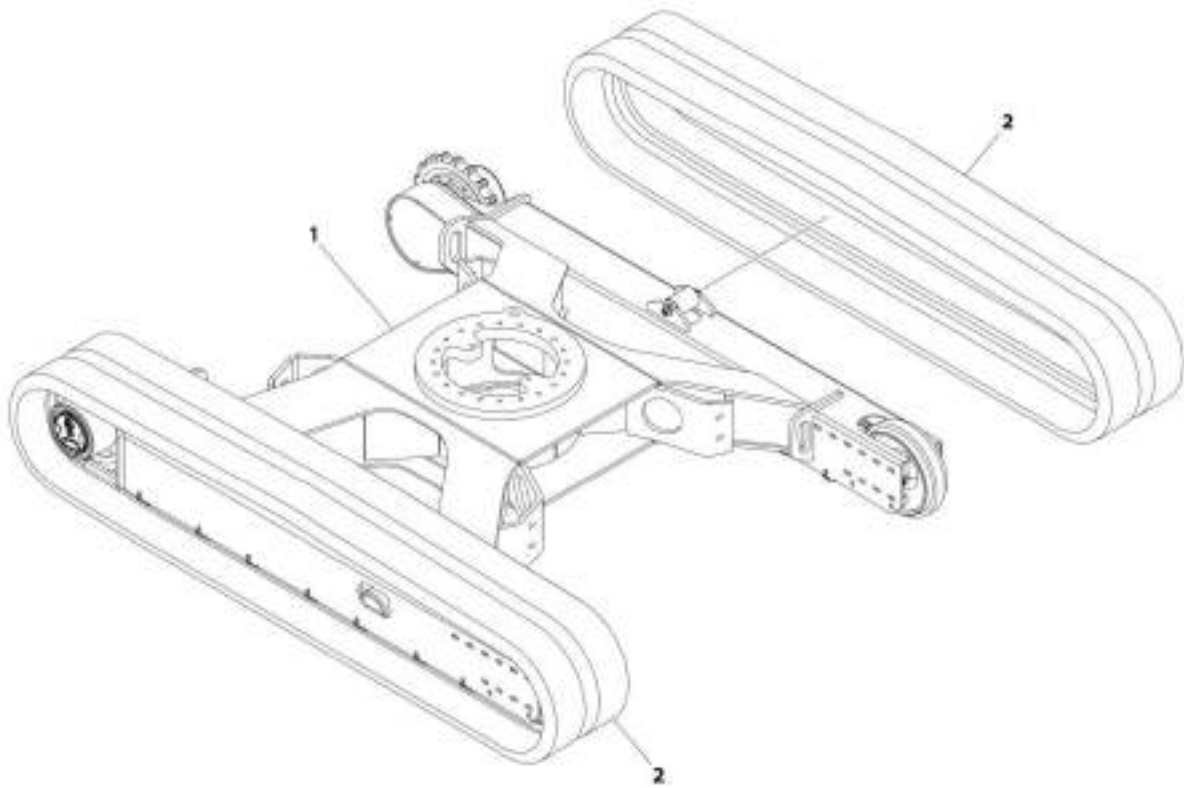
# TABLE OF CONTENTS

FIGURE 8-2. AC BOX AT PLATFORM - 110V IEC YELLOW (CE SPEC).....	414
FIGURE 8-3. AC BOX AT PLATFORM - 220V IEC BLUE (CE SPEC) .....	416
FIGURE 8-4. AC BOX AT PLATFORM - 220V CEE7 70MM X 70MM POST GROUND (CE SPEC) (Prior to SN 0300214184) ..	418
FIGURE 8-5. AC BOX AT PLATFORM - 220V CEE7 70MM X 70MM SIDE GROUND (CE SPEC) (Prior to SN 0300214184) ...	420
FIGURE 8-6. AC BOX AT PLATFORM - 220V CEE7 2IN X 4IN POST GROUND (CE SPEC) .....	422
FIGURE 8-7. AC BOX AT PLATFORM - 220V CEE7 2IN X 4IN SIDE GROUND (CE SPEC) .....	424
FIGURE 8-8. AC BOX AT PLATFORM - 220V AFSINT107 (CE SPEC).....	426
FIGURE 8-9. AC BOX AT PLATFORM INSTALLATION - 110V (ANSI, ANSI EXPORT, AND CSA SPECS) (SN 0300234013 to Present).....	428
FIGURE 8-10. AC CABLE INSTALLATION - WITH THREE BREAKERS (CE SPECS) .....	430
FIGURE 8-11. BEACON HARNESS (Prior to SN 0300217319) .....	432
FIGURE 8-12. BEACON HARNESS (SN 0300217319 to Present).....	434
FIGURE 8-13. BOOM HARNESS - 400SC .....	436
FIGURE 8-14. BOOM HARNESS - 460SJC .....	438
FIGURE 8-15. BOOM CAPACITY PROXIMITY SWITCH HARNESS.....	440
FIGURE 8-16. BOOM TELE IN PROXIMITY SWITCH HARNESS/BEACON HARNESS (BLUE BEACON LIGHT ONLY) BEACON HARNESS (BLUE BEACON LIGHT ONLY).....	442
FIGURE 8-17. BREAKER BOX INSTALLATION - 16AMP BREAKER (CE SPEC) (Prior to SN 0300237337).....	444
FIGURE 8-18. BREAKER BOX INSTALLATION - 16AMP BREAKER (CE SPEC) (SN 0300237337 to Present) .....	446
FIGURE 8-19. BREAKER BOX INSTALLATION - 10AMP BREAKER (Prior to SN 0300214184).....	448
FIGURE 8-20. BREAKER BOX KIT - 16AMP BREAKER .....	450
FIGURE 8-21. BREAKER BOX KIT - 10AMP BREAKER .....	452
FIGURE 8-22. BREAKER BOX KIT - 30MA/16 AMP .....	454
FIGURE 8-23. BREAKER BOX KIT WITH THREE BREAKERS.....	456
FIGURE 8-24. ENGINE HARNESS - DEUTZ D2.3L3 .....	458
FIGURE 8-25. ENGINE HARNESS - DEUTZ D2.9L4 .....	460
FIGURE 8-26. FUEL HARNESS - DEUTZ D2.9L4 ENGINE .....	464
FIGURE 8-27. GROUND CONTROL BOX HARNESS .....	466
FIGURE 8-28. GENERATOR HARNESS - 4000W GENERATOR .....	468
FIGURE 8-29. GENERATOR HARNESS - 2500W GENERATOR (60HZ) .....	470
FIGURE 8-30. LSS HARNESS .....	472
FIGURE 8-31. PLATFORM CONSOLE BOX HARNESS.....	474
FIGURE 8-32. RECEPTACLE BOX KIT - 110V IEC YELLOW (CE SPEC) .....	476
FIGURE 8-33. RECEPTACLE BOX KIT - 220V IEC BLUE (CE SPEC).....	478
FIGURE 8-34. RECEPTACLE BOX KIT - 220V CEE7 POST GROUND 70MM X 70MM (CE SPEC) .....	480
FIGURE 8-35. RECEPTACLE BOX KIT - 220V CEE7 SIDE GROUND 70MM X 70MM (CE SPEC) .....	482
FIGURE 8-36. RECEPTACLE BOX KIT - 220V CEE7 POST GROUND 2IN X 4IN (CE SPEC).....	484
FIGURE 8-37. RECEPTACLE BOX KIT - 220V CEE7 SIDE GROUND 2IN X 4IN (CE SPEC) .....	486
FIGURE 8-38. RECEPTACLE BOX KIT - 220V AFSINT 107 (CE SPEC) .....	488
FIGURE 8-39. SKYGUARD HARNESS .....	490
FIGURE 8-40. TURNTABLE HARNESS.....	492
FIGURE 8-41. VALVE HARNESS - MAIN VALVE .....	496
SECTION 9 - DECALS .....	499
FIGURE 9-1. DECAL INSTALLATION - CE SPEC - 400SC .....	500
FIGURE 9-2. DECAL INSTALLATION - ANSI EXPORT - 400SC (SN 0300224020 to Present) .....	502
FIGURE 9-3. DECAL INSTALLATION - CE SPEC - 460SJC .....	504
FIGURE 9-4. DECAL INSTALLATION - ANSI EXPORT - 460SJC (SN 0300224020 to Present).....	506
FIGURE 9-5. DECAL INSTALLATION - ANSI AND ANSI EXPORT SPECS - 400SC (SN 0300234013 to Present) .....	508
FIGURE 9-6. DECAL INSTALLATION - ANSI AND ANSI EXPORT SPECS - 460SJC (SN 0300234013 to Present).....	510
FIGURE 9-7. DECAL INSTALLATION - CSA SPEC - 400SC (SN 0300234013 to Present) .....	512
FIGURE 9-8. DECAL INSTALLATION - CSA SPEC - 460SJC (SN 0300234013 to Present).....	514
FIGURE 9-9. DECAL INSTALLATION - ANSI EXPORT SPEC - 400SC (SN 0300234013 to Present).....	516
FIGURE 9-10. DECAL INSTALLATION - ANSI EXPORT SPEC - 460SJC (SN 0300234013 to Present).....	518
FIGURE 9-11. DECAL INSTALLATION - OPTIONS .....	520
SECTION 10 - RECOMMENDED SERVICE PARTS STOCK .....	523
FIGURE 10-1. RECOMMENDED SERVICE PARTS STOCK.....	524
SECTION 11 - SPECIAL OPTIONS .....	525
FIGURE 11-1. SPECIAL OPTIONS .....	526
PART NUMBER INDEX.....	529

**SECTION 1 - FRAME**

# SECTION 1 - FRAME

FIGURE 1-1. FRAME UNDERCARRIAGE WITH CARRIER TRACKS



ART\_1801215887

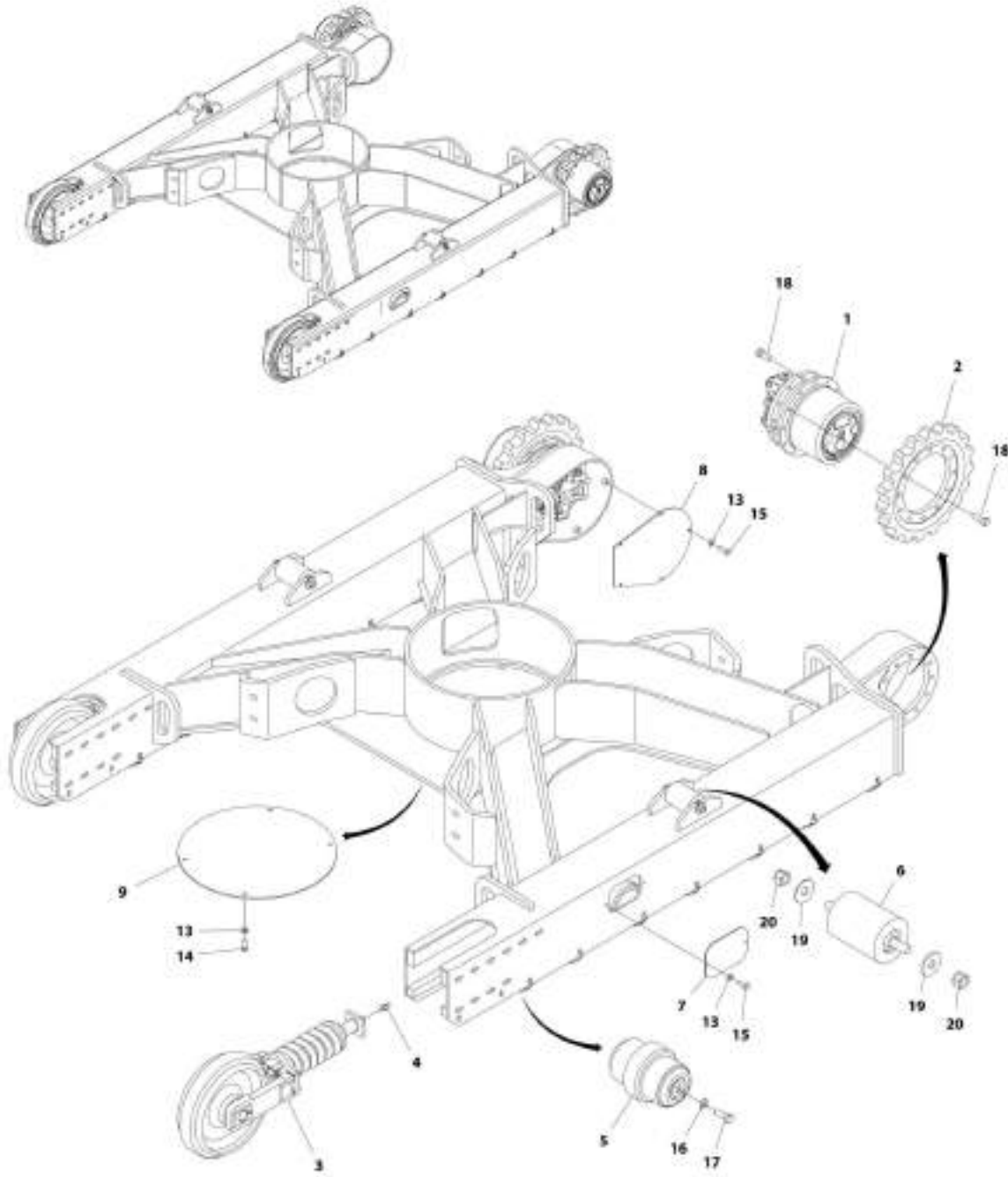
**SECTION 1 - FRAME**

**FIGURE 1-1. FRAME UNDERCARRIAGE WITH CARRIER TRACKS**

<b>ITEM</b>	<b>PART NUMBER</b>	<b>QTY</b>	<b>DESCRIPTION</b>	<b>REV</b>
1	1001219897	Ref	FRAME UNDERCARRIAGE WITH CARRIER TRACKS	A
	1001189804	1	Undercarriage Assembly (See UNDERCARRIAGE ASSEMBLY for Breakdown)	
2	1001190968	2	Track Assembly - Rubber (Bridgestone Poland) (See TRACK ASSEMBLY - RUBBER (BRIDGESTONE POLAND) for Breakdown)	

# SECTION 1 - FRAME

## FIGURE 1-2. UNDERCARRIAGE ASSEMBLY



ARC 100100004

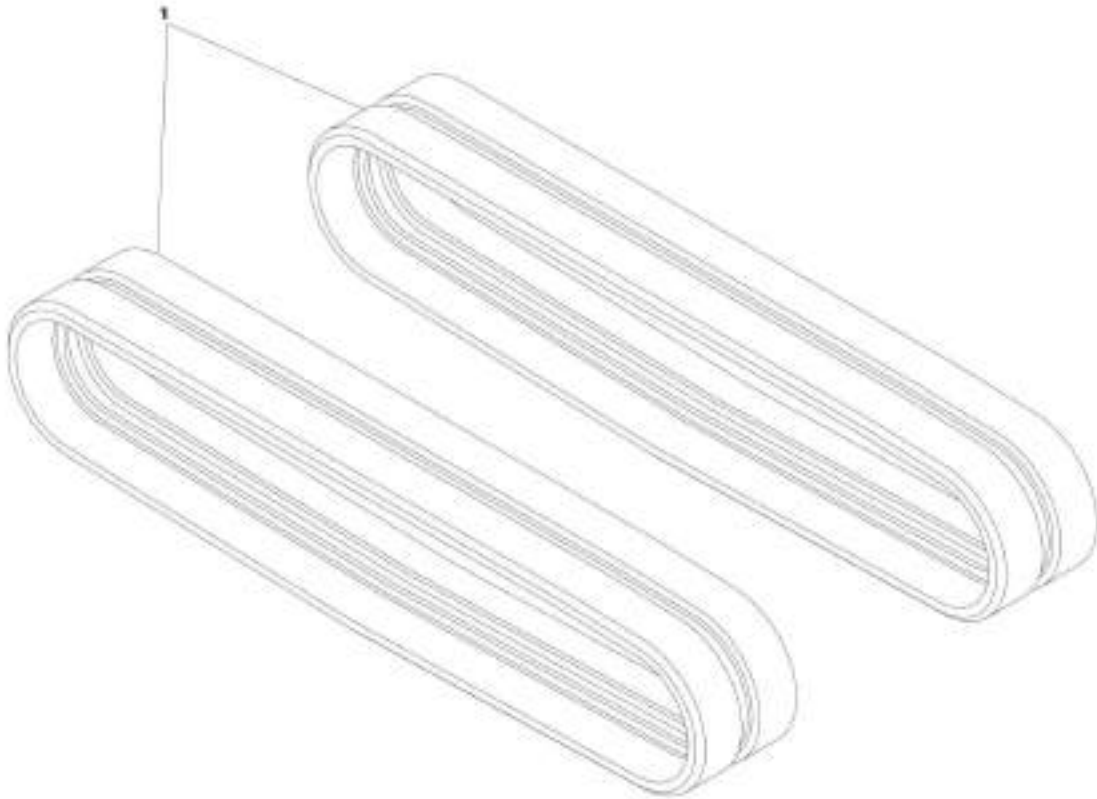
## SECTION 1 - FRAME

**FIGURE 1-2. UNDERCARRIAGE ASSEMBLY**

ITEM	PART NUMBER	QTY	DESCRIPTION	REV
	1001189804	Ref	UNDERCARRIAGE ASSEMBLY	E
1	70005275	2	Drive Hub Assembly (See DRIVE HUB ASSEMBLY for Breakdown)	
2	70005276	2	Sprocket, Drive	
3	70005277	2	Idler, Assembly (See IDLER ASSEMBLY for Breakdown)	
4	70005278	2	Fitting, Grease	
5	70005279	14	Track Roller Assembly - Lower	
6	70005280	2	Track Roller Assembly - Upper	
7	70005281	2	Plate, Cover - Frame Side	
8	70005282	2	Plate, Cover - Drive Motor	
9	70005283	1	Plate, Cover - Frame Bottom	
13	70005284	18	Washer M8	
14	70005285	4	Bolt M8 x 20	
15	70005286	12	Bolt M8 x 16	
16	70005287	28	Washer M16	
17	70005288	28	Bolt M16 x 35	
18	70005289	48	Bolt M14 x 40	
19	70005290	4	Washer M14	
20	70005291	4	Nut M8	

## SECTION 1 - FRAME

FIGURE 1-3. TRACK ASSEMBLY - RUBBER (BRIDGESTONE POLAND)



ART. 1801 100000



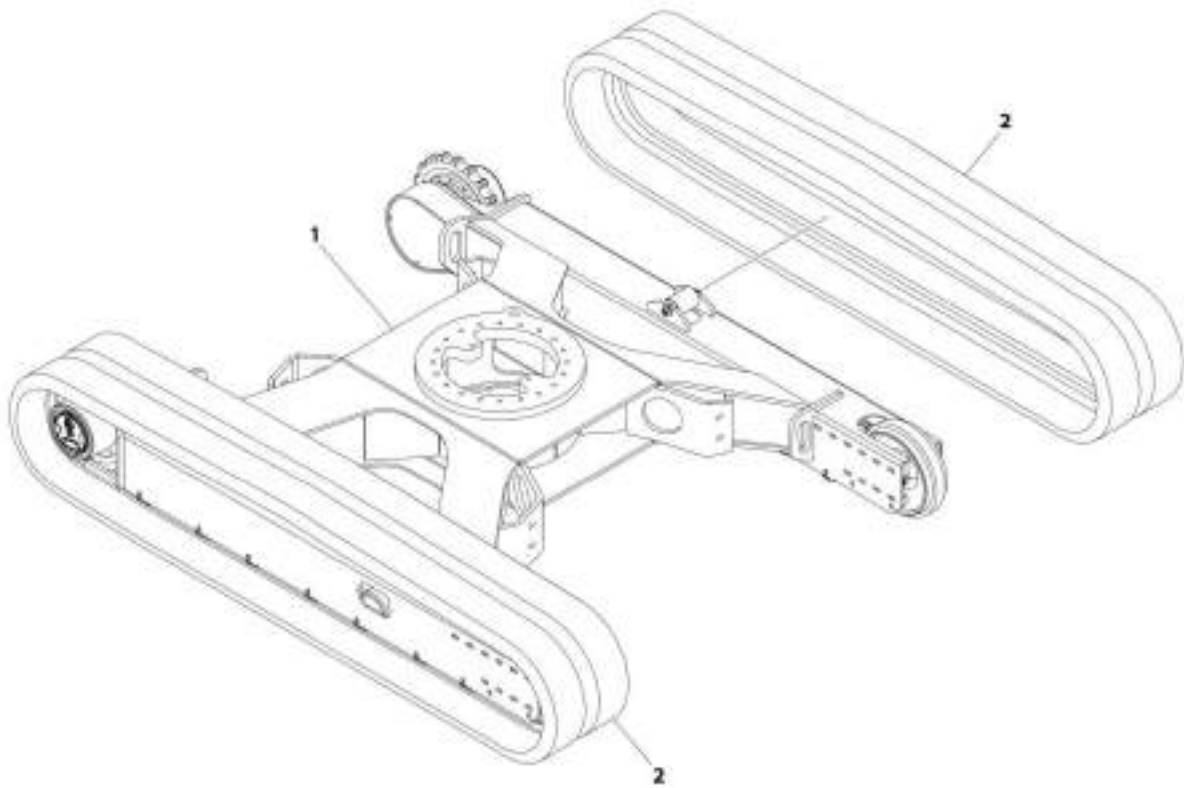
## SECTION 1 - FRAME

**FIGURE 1-3. TRACK ASSEMBLY - RUBBER (BRIDGESTONE POLAND)**

ITEM	PART NUMBER	QTY	DESCRIPTION	REV
1	1001190968 See Note	Ref 2	TRACK ASSEMBLY - RUBBER (BRIDGESTONE POLAND) Track, Rubber (Note: Purchase p/n 1001190968)	C

# SECTION 1 - FRAME

FIGURE 1-4. FRAME UNDERCARRIAGE WITH EXCAVATOR TRACKS



ART\_1001219890

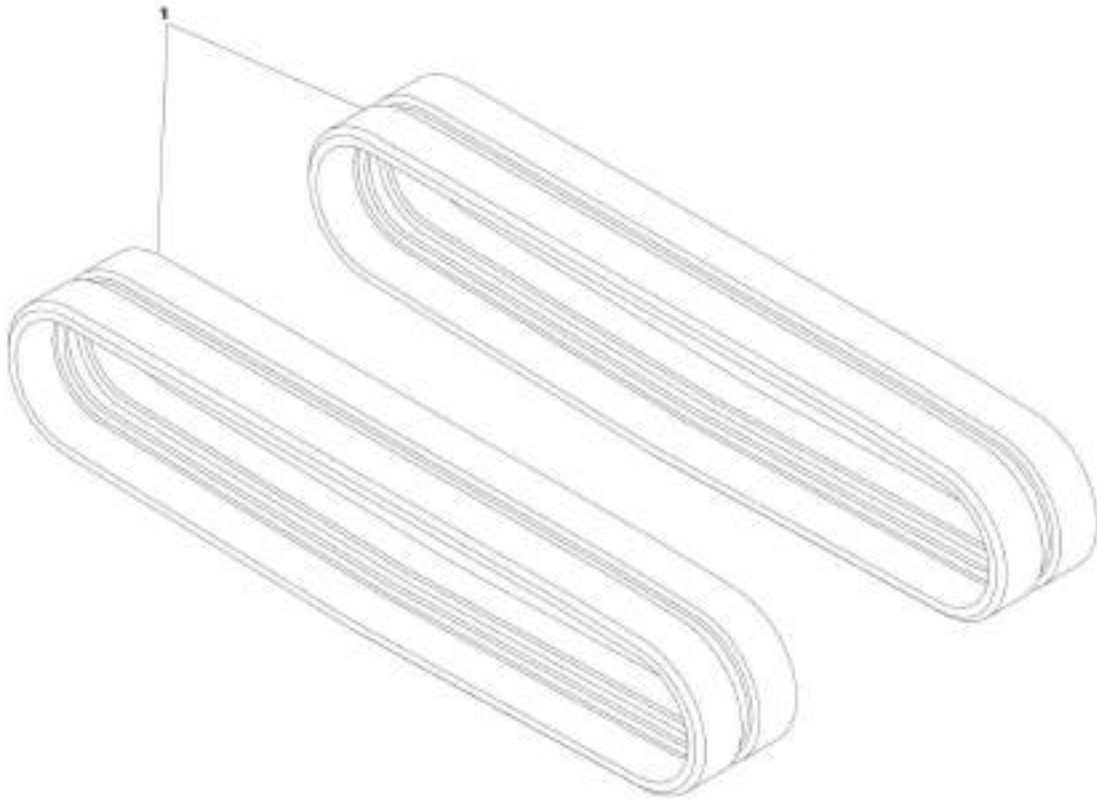
**SECTION 1 - FRAME**

**FIGURE 1-4. FRAME UNDERCARRIAGE WITH EXCAVATOR TRACKS**

<b>ITEM</b>	<b>PART NUMBER</b>	<b>QTY</b>	<b>DESCRIPTION</b>	<b>REV</b>
1	1001219896	Ref	FRAME UNDERCARRIAGE WITH EXCAVATOR TRACKS	A
	1001189804	1	Undercarriage Assembly (See UNDERCARRIAGE ASSEMBLY for Breakdown)	
2	1001189807	2	Track Assembly - Rubber (Bridgestone Japan) (See TRACK ASSEMBLY - RUBBER (BRIDGESTONE JAPAN) for Breakdown)	

## SECTION 1 - FRAME

FIGURE 1-5. TRACK ASSEMBLY - RUBBER (BRIDGESTONE JAPAN)



ART. 104 00007

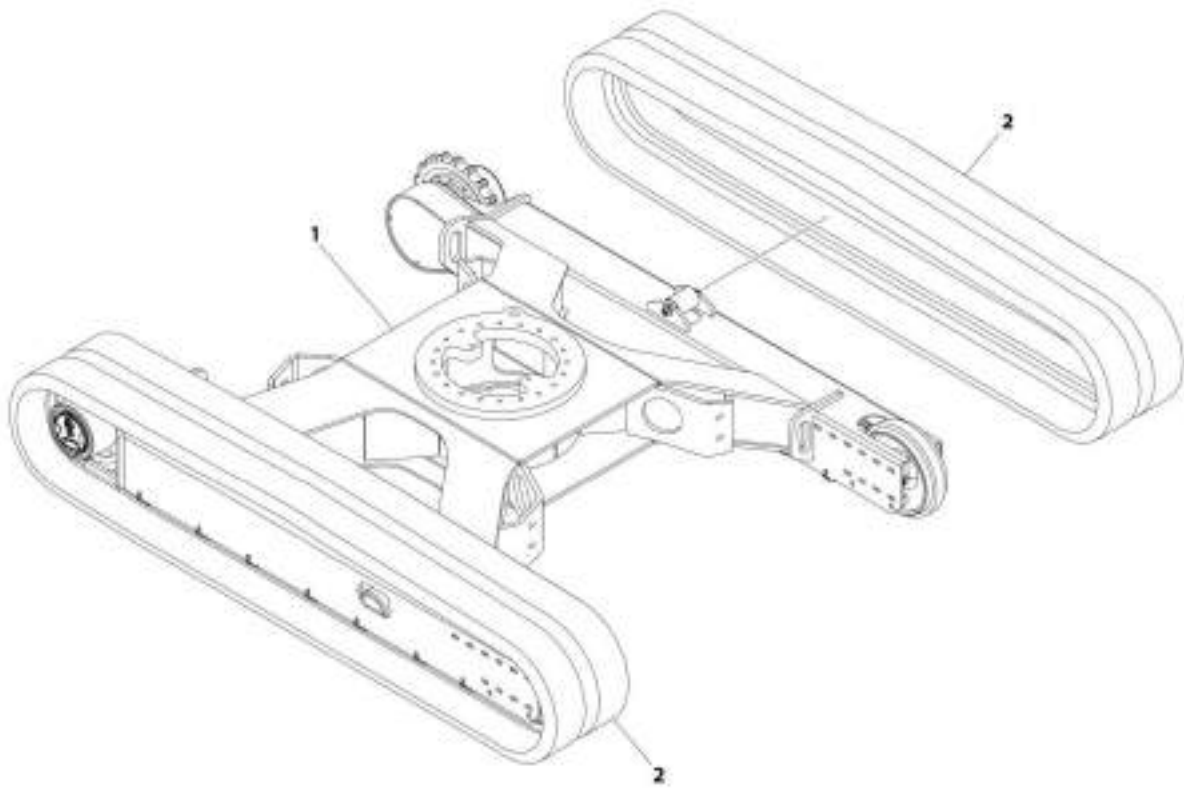
**SECTION 1 - FRAME**

**FIGURE 1-5. TRACK ASSEMBLY - RUBBER (BRIDGESTONE JAPAN)**

ITEM	PART NUMBER	QTY	DESCRIPTION	REV
1	1001189807 See Note	Ref 2	TRACK ASSEMBLY - RUBBER (BRIDGESTONE JAPAN) Track, Rubber (Note: Purchase p/n 1001189807)	C

# SECTION 1 - FRAME

FIGURE 1-6. FRAME UNDERCARRIAGE WITH NON-MARKING TRACKS



ART\_0001218886

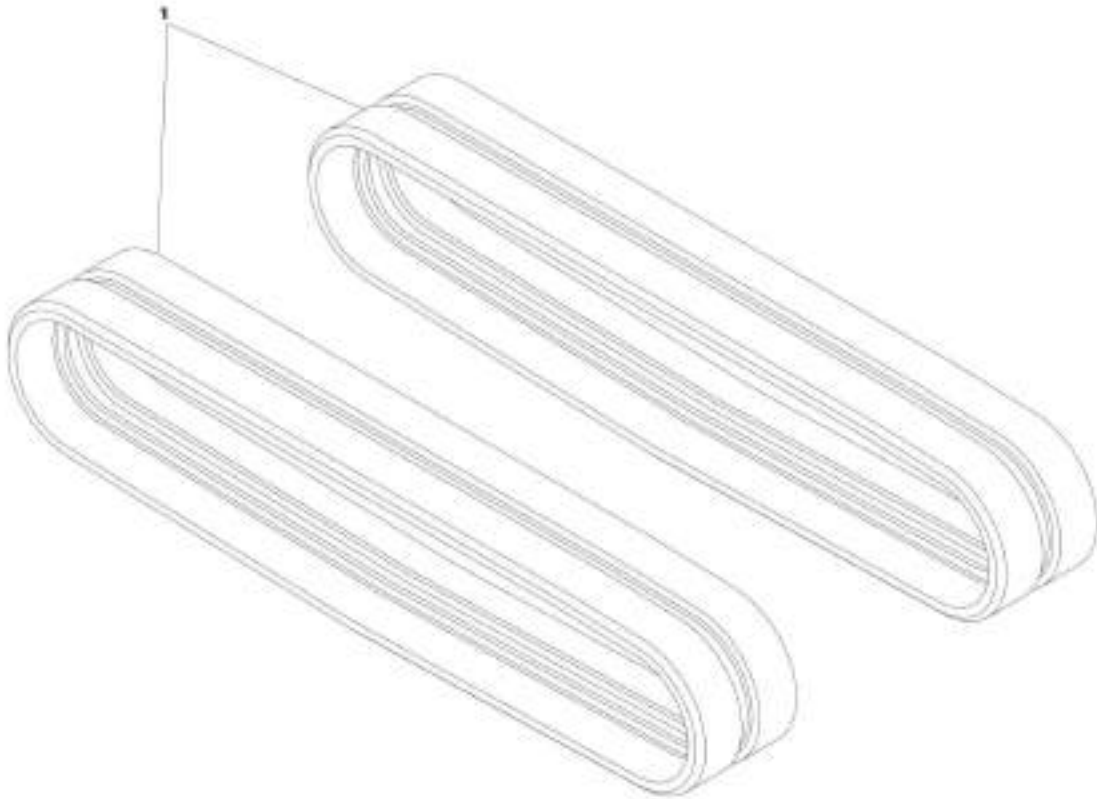
## SECTION 1 - FRAME

**FIGURE 1-6. FRAME UNDERCARRIAGE WITH NON-MARKING TRACKS**

ITEM	PART NUMBER	QTY	DESCRIPTION	REV
1	1001219898	Ref	FRAME UNDERCARRIAGE WITH NON-MARKING TRACKS	A
	1001189804	1	Undercarriage Assembly (See UNDERCARRIAGE ASSEMBLY for Breakdown)	
2	1001216550	2	Track Assembly - Rubber (See TRACK ASSEMBLY - RUBBER for Breakdown)	

# SECTION 1 - FRAME

FIGURE 1-7. TRACK ASSEMBLY - RUBBER



ART. 100 00000

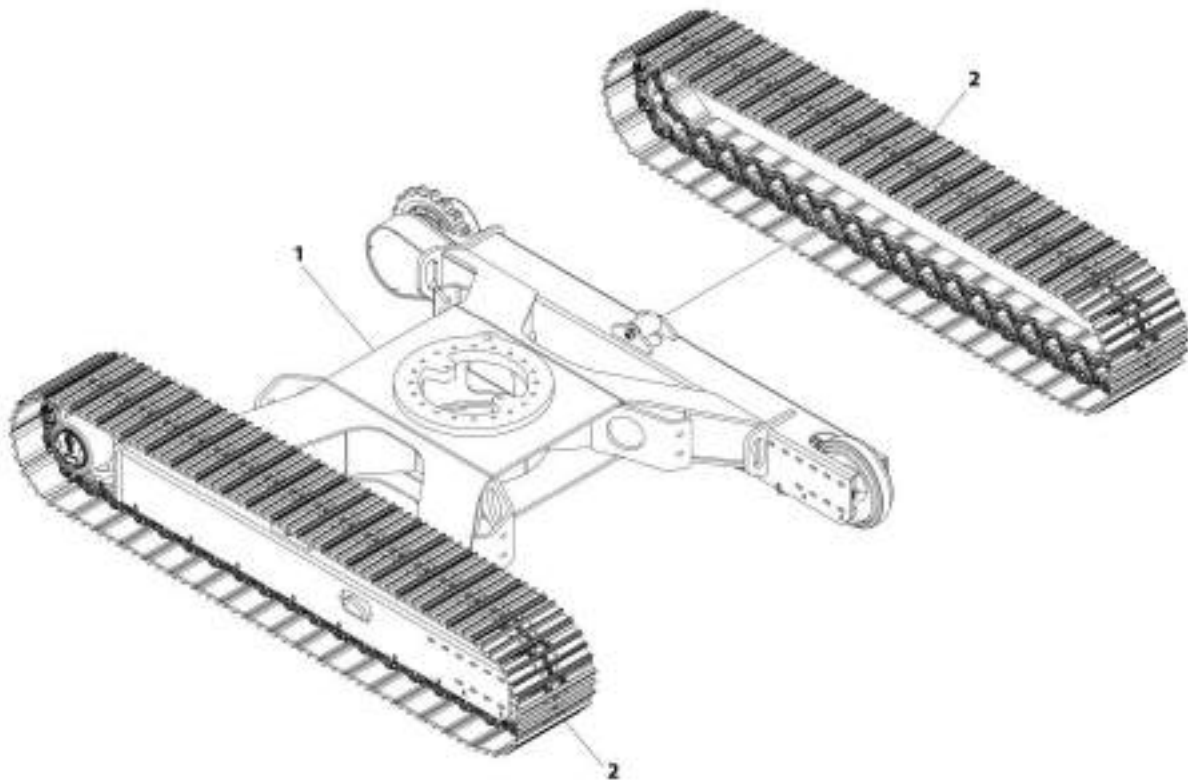


**FIGURE 1-7. TRACK ASSEMBLY - RUBBER**

<b>ITEM</b>	<b>PART NUMBER</b>	<b>QTY</b>	<b>DESCRIPTION</b>	<b>REV</b>
1	1001216550 See Note	Ref 2	TRACK ASSEMBLY - RUBBER Track, Rubber (Note: Purchase p/n 1001216550)	A

# SECTION 1 - FRAME

FIGURE 1-8. FRAME UNDERCARRIAGE WITH STEEL TRACKS



ART\_1001210609

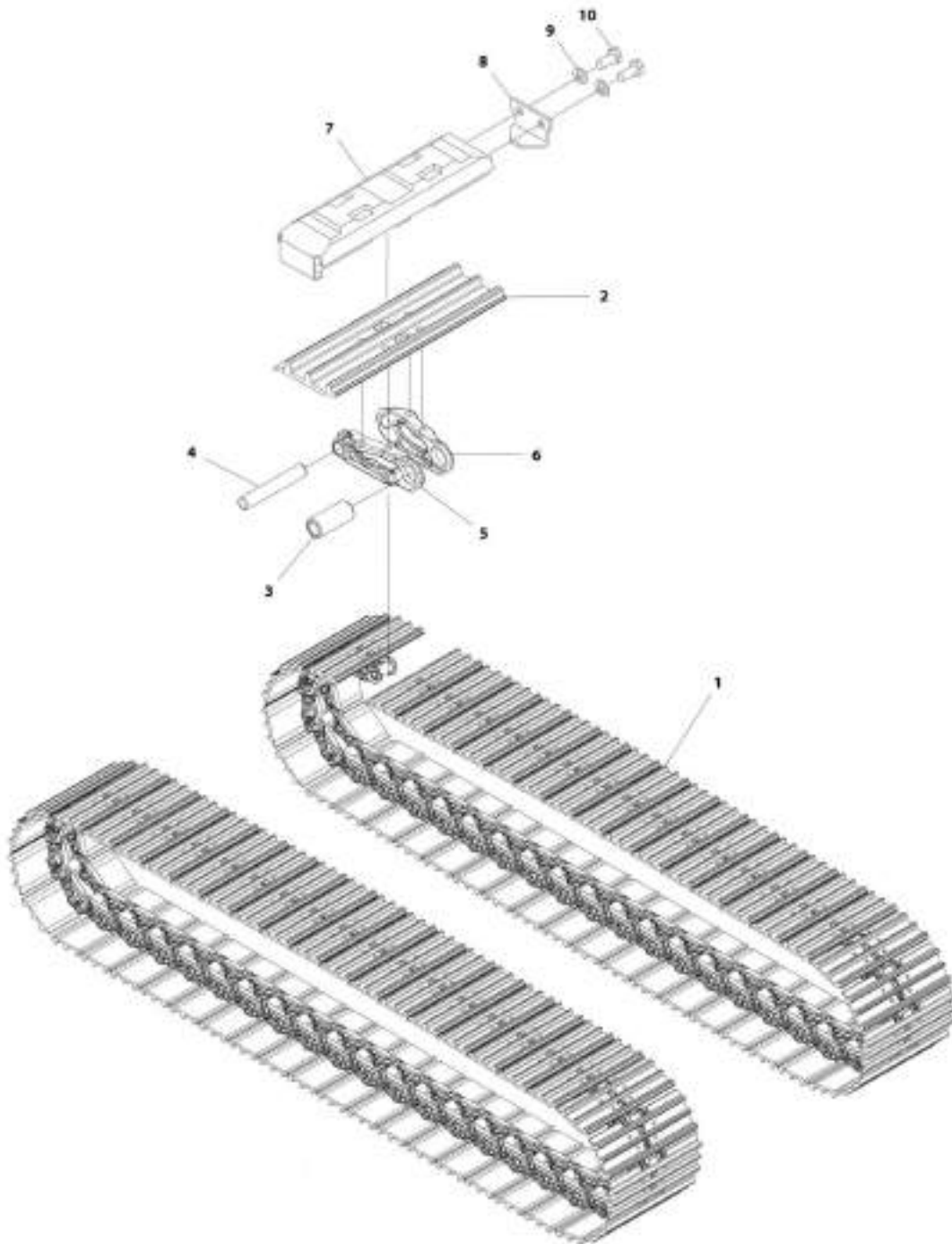
## SECTION 1 - FRAME

**FIGURE 1-8. FRAME UNDERCARRIAGE WITH STEEL TRACKS**

ITEM	PART NUMBER	QTY	DESCRIPTION	REV
1	1001219899	Ref	FRAME UNDERCARRIAGE WITH STEEL TRACKS	A
	1001189804	1	Undercarriage Assembly (See UNDERCARRIAGE ASSEMBLY for Breakdown)	
2	1001189805	2	Track Assembly - Steel (See TRACK ASSEMBLY - STEEL for Breakdown)	

# SECTION 1 - FRAME

## FIGURE 1-9. TRACK ASSEMBLY - STEEL



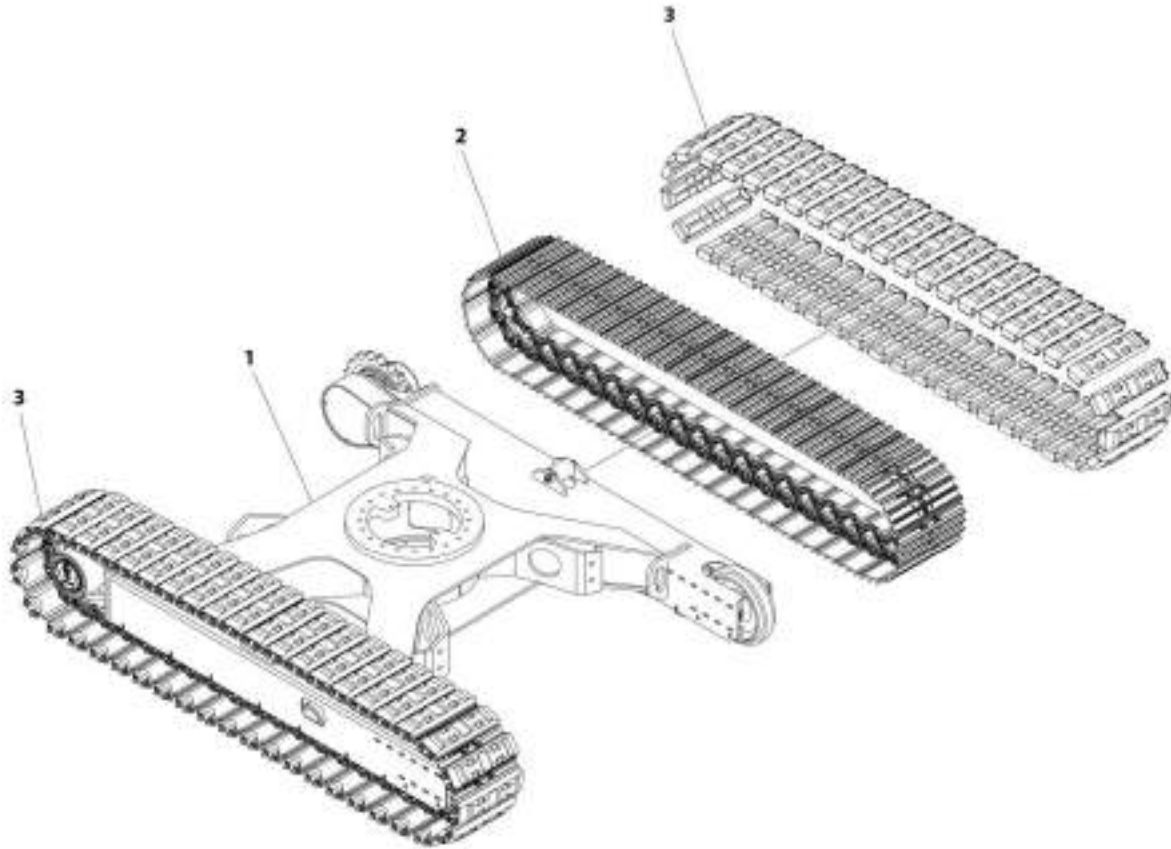
REF. 301100000

FIGURE 1-9. TRACK ASSEMBLY - STEEL

ITEM	PART NUMBER	QTY	DESCRIPTION	REV
	1001189805	Ref	TRACK ASSEMBLY - STEEL	D
1	See Note	2	Track, Steel (Note: Purchase p/n 1001189805)	
2	See Note	NSS	Cleat, Track (Note: Not Available for Purchase)	
3	See Note	NSS	Bearing (Note: Not Available for Purchase)	
4	See Note	NSS	Pin, Hinge (Note: Not Available for Purchase)	
5	See Note	NSS	Link, Right (Note: Not Available for Purchase)	
6	See Note	NSS	Link, Left (Note: Not Available for Purchase)	
7	70005368	1	Pads, Rubber	
8	70005369	1	Plate, Mounting	
9	70005370	2	Washer M14	
10	70005371	2	Bolt M14 x 35	
11	70005367	1	Pad, Rubber (Not Shown)	

# SECTION 1 - FRAME

FIGURE 1-10. FRAME UNDERCARRIAGE STEEL TRACKS WITH PADS



ART. 30121990

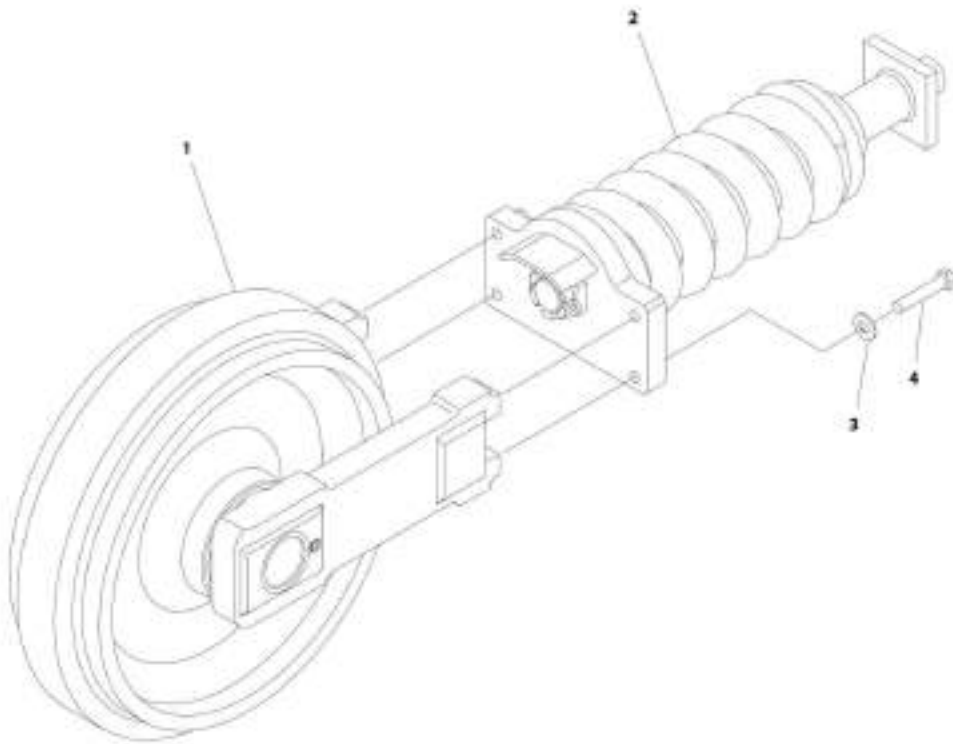
## SECTION 1 - FRAME

**FIGURE 1-10. FRAME UNDERCARRIAGE STEEL TRACKS WITH PADS**

ITEM	PART NUMBER	QTY	DESCRIPTION	REV
1	1001219900	Ref	FRAME UNDERCARRIAGE STEEL TRACKS WITH PADS	A
	1001189804	1	Undercarriage Assembly (See UNDERCARRIAGE ASSEMBLY for Breakdown)	
2	1001189805	2	Track Assembly - Steel (See TRACK ASSEMBLY - STEEL for Breakdown)	
3	1001219904	86	Pad, Track	

# SECTION 1 - FRAME

## FIGURE 1-11. IDLER ASSEMBLY



481\_7800517

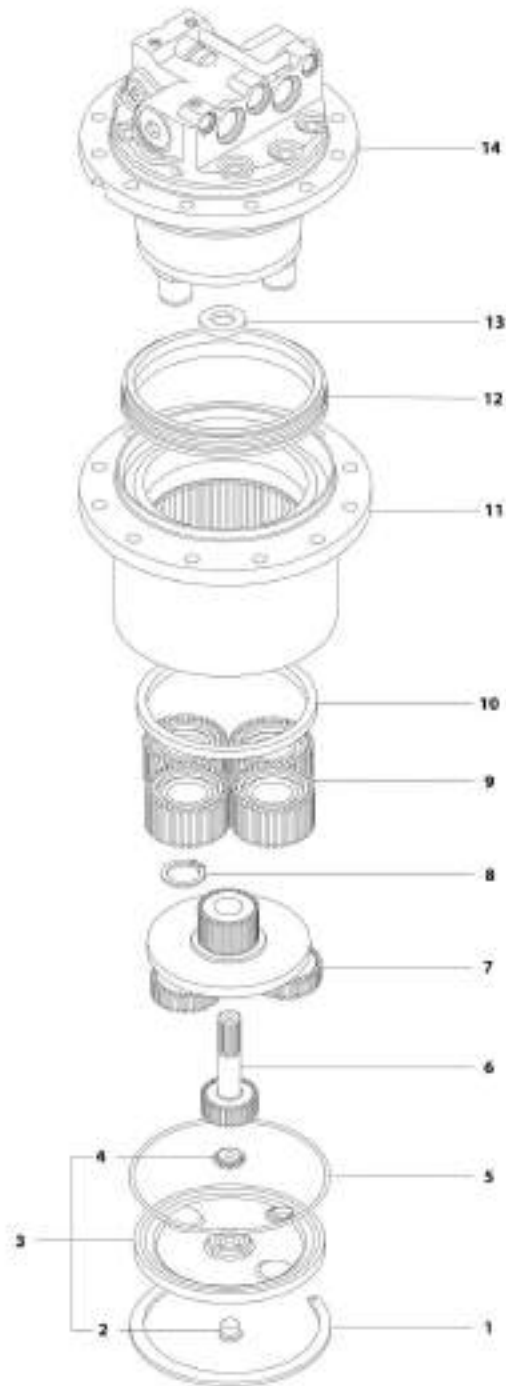


**FIGURE 1-11. IDLER ASSEMBLY**

<b>ITEM</b>	<b>PART NUMBER</b>	<b>QTY</b>	<b>DESCRIPTION</b>	<b>REV</b>
	70005277	Ref	IDLER ASSEMBLY	
1	70005339	1	Idler Wheel w/Support	
2	70005340	1	Tensioner Shock Absorber	
3	70005341	4	Washer M12	
4	70005342	4	Bolt M12 x 45 Grade 10.9	

# SECTION 1 - FRAME

## FIGURE 1-12. DRIVE HUB ASSEMBLY



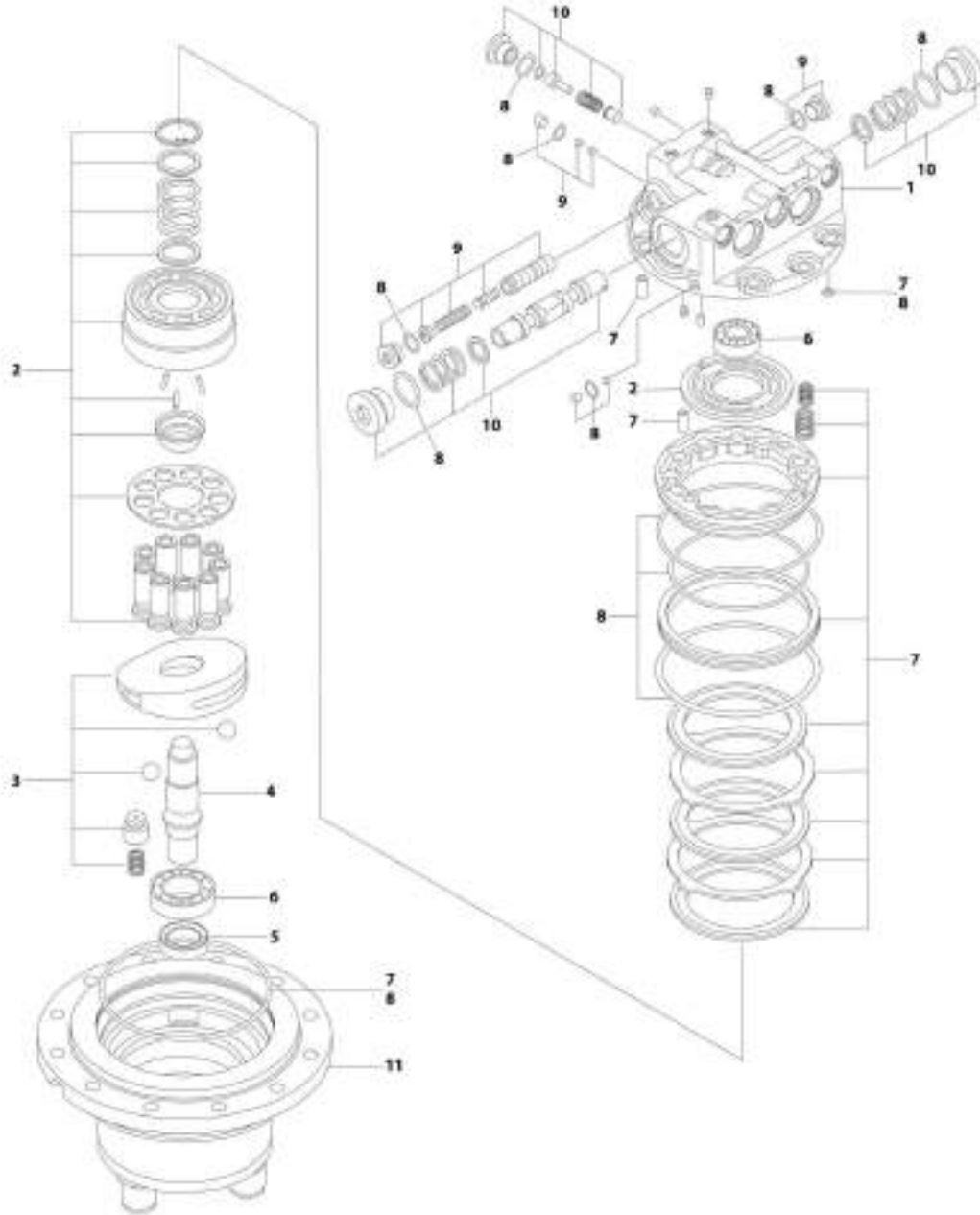
ART\_70082175

FIGURE 1-12. DRIVE HUB ASSEMBLY

ITEM	PART NUMBER	QTY	DESCRIPTION	REV
	70005275	Ref	DRIVE HUB ASSEMBLY	
1	70005343	1	Retainer	
2	70005344	2	Plug	
3	70005345	1	Cover (Includes Items 2 & 4)	
4	70005346	1	Pad	
5	70005347	1	O-Ring	
6	70005348	1	Gear, Sun	
7	70005349	1	Gear, Reduction Assembly	
8	70005350	4	Retainer	
9	70005351	4	Gear, Planetary Assembly	
10	70005352	1	Nut	
11	70005353	1	Housing w/Bearing	
12	70005354	1	Gasket	
13	70005355	1	Ring, Centering	
14	70005356	1	Drive Motor Assembly (See DRIVE MOTOR ASSEMBLY for Breakdown)	

# SECTION 1 - FRAME

## FIGURE 1-13. DRIVE MOTOR ASSEMBLY



ART\_70005150

FIGURE 1-13. DRIVE MOTOR ASSEMBLY

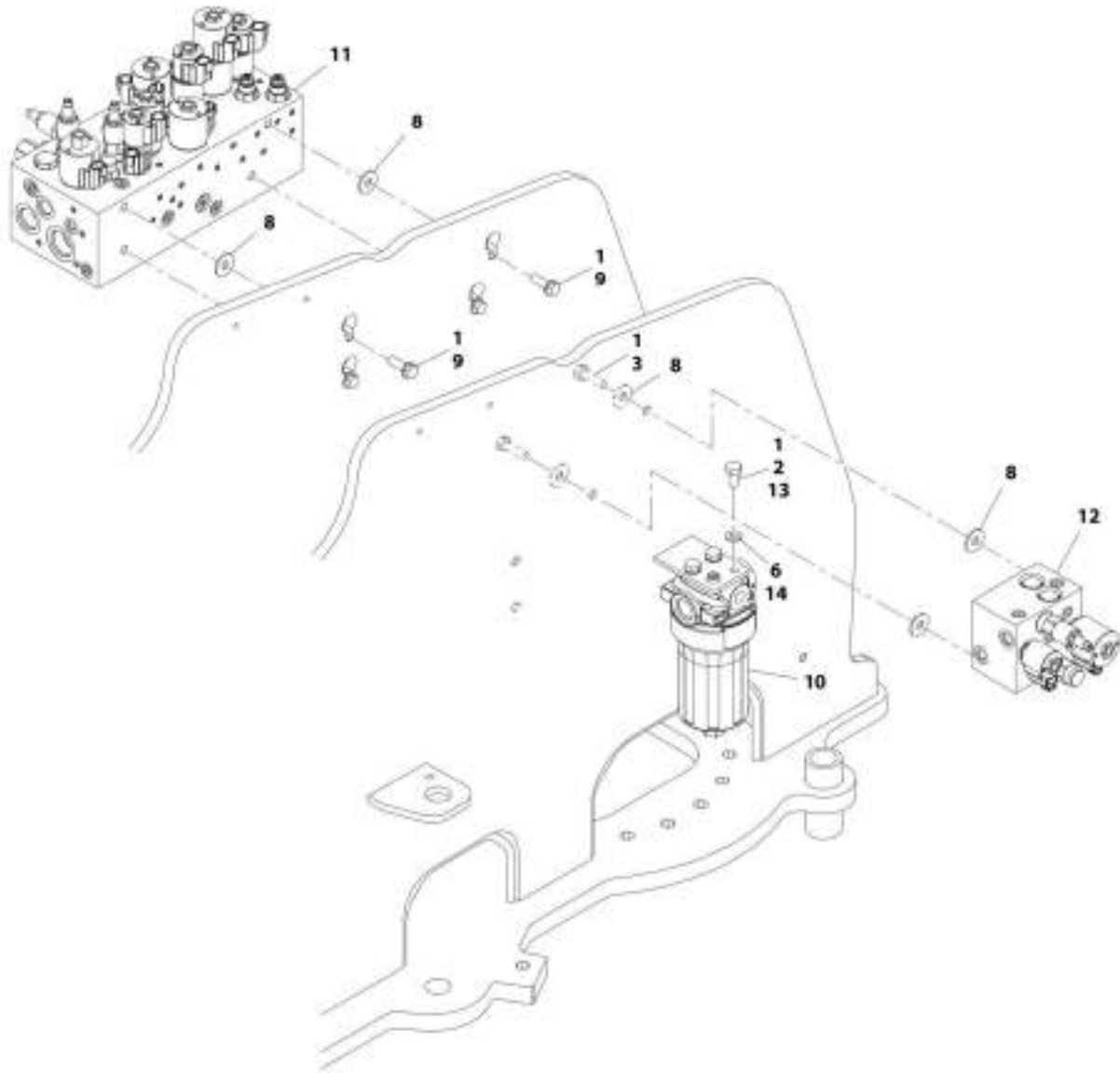
ITEM	PART NUMBER	QTY	DESCRIPTION	REV
	70005356	1	DRIVE MOTOR ASSEMBLY	
1	70005357	1	Base Plate Assembly	
2	70005358	1	Block, Cylinder	
3	70005359	1	Plate, Swash	
4	70005360	1	Shaft	
5	70005361	1	Seal Kit - Motor	
6	70005362	1	Bearing Kit	
7	70005363	1	Brake Kit	
8	70005364	1	Seals	
9	70005365	1	Speed Spool Kit	
10	70005366	1	Flushing Kit	
11	See Note	NSS	Housing (Note: Not Available for Purchase)	



**SECTION 2 - TURNTABLE**

# SECTION 2 - TURNTABLE

## FIGURE 2-1. CONTROL VALVES INSTALLATION - 400SC



ART\_0001198679



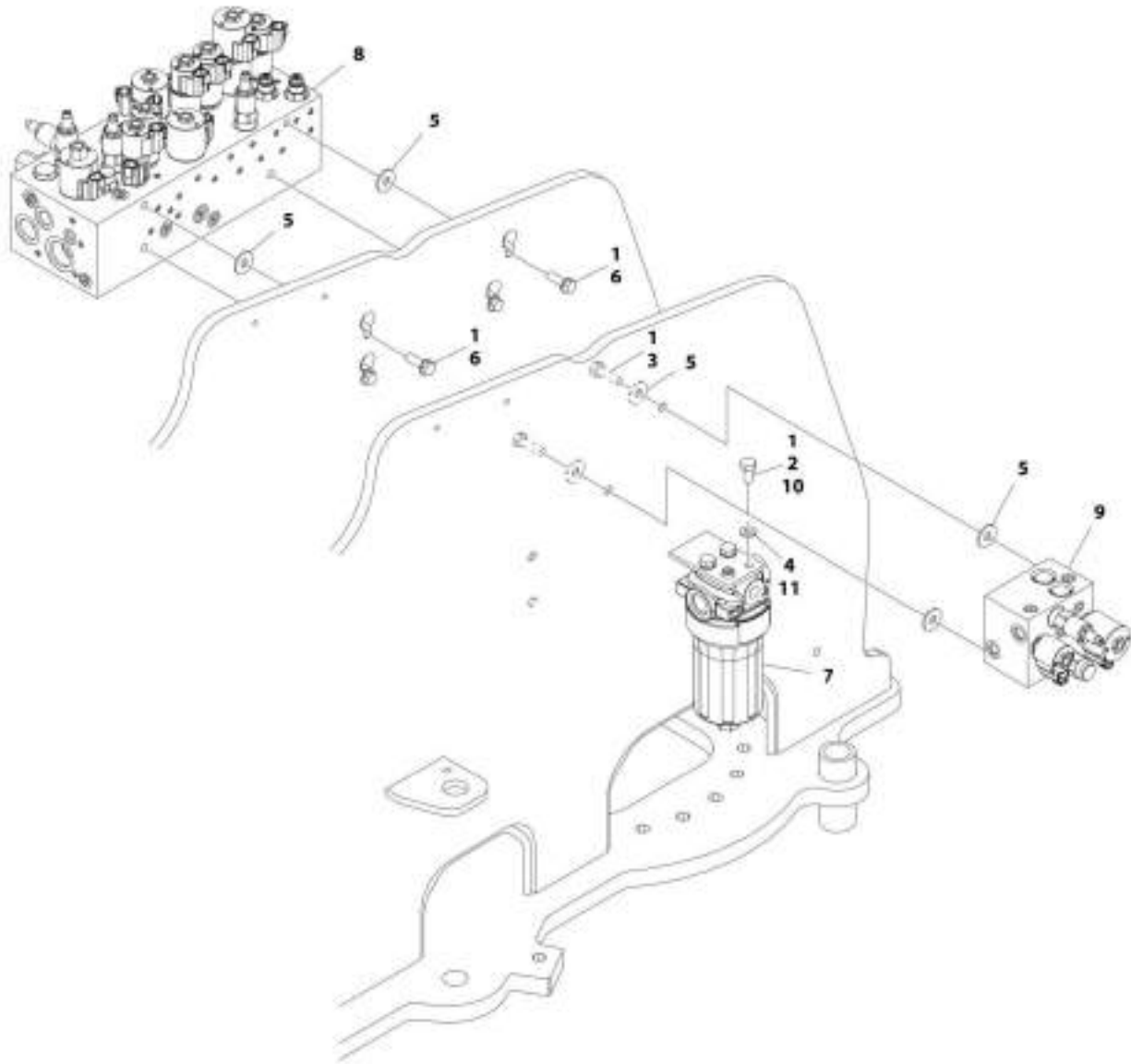
# SECTION 2 - TURNTABLE

**FIGURE 2-1. CONTROL VALVES INSTALLATION - 400SC**

ITEM	PART NUMBER	QTY	DESCRIPTION	REV
	1001190878	Ref	CONTROL VALVES INSTALLATION - 400SC	F
1	0100011	AR	Compound, Locking	
2	0641606	4	Bolt 3/8 x 3/4 <b>(Prior to SN 0300237337)</b>	
3	0761015	2	Bolt M10 x 35	
6	4711600	4	Washer 3/8 <b>(Prior to SN 0300237337)</b>	
8	4812002	8	Washer M10	
9	5251014	4	Bolt M10 x 30	
10	1001102987	1	Filter, Charge Pump <b>(Prior to SN 0300237337)</b>	
10	70010383	1	Element, Filter (Includes O-Ring)	
10	1001208874	1	Filter, Charge Pump <b>(SN 0300237337 to Present)</b>	
11	1001162531	1	Main Valve Assembly - 400SC (See MAIN VALVE ASSEMBLY - 400SC for Breakdown)	
12	1001200148	1	Valve Assembly, 2 Speed (See 2 SPEED VALVE ASSEMBLY for Breakdown)	
13	0761010	3	Bolt M10 x 20	
14	4812000	3	Washer M10	

## SECTION 2 - TURNTABLE

FIGURE 2-2. CONTROL VALVES INSTALLATION - 460SJC



ART\_0001218140

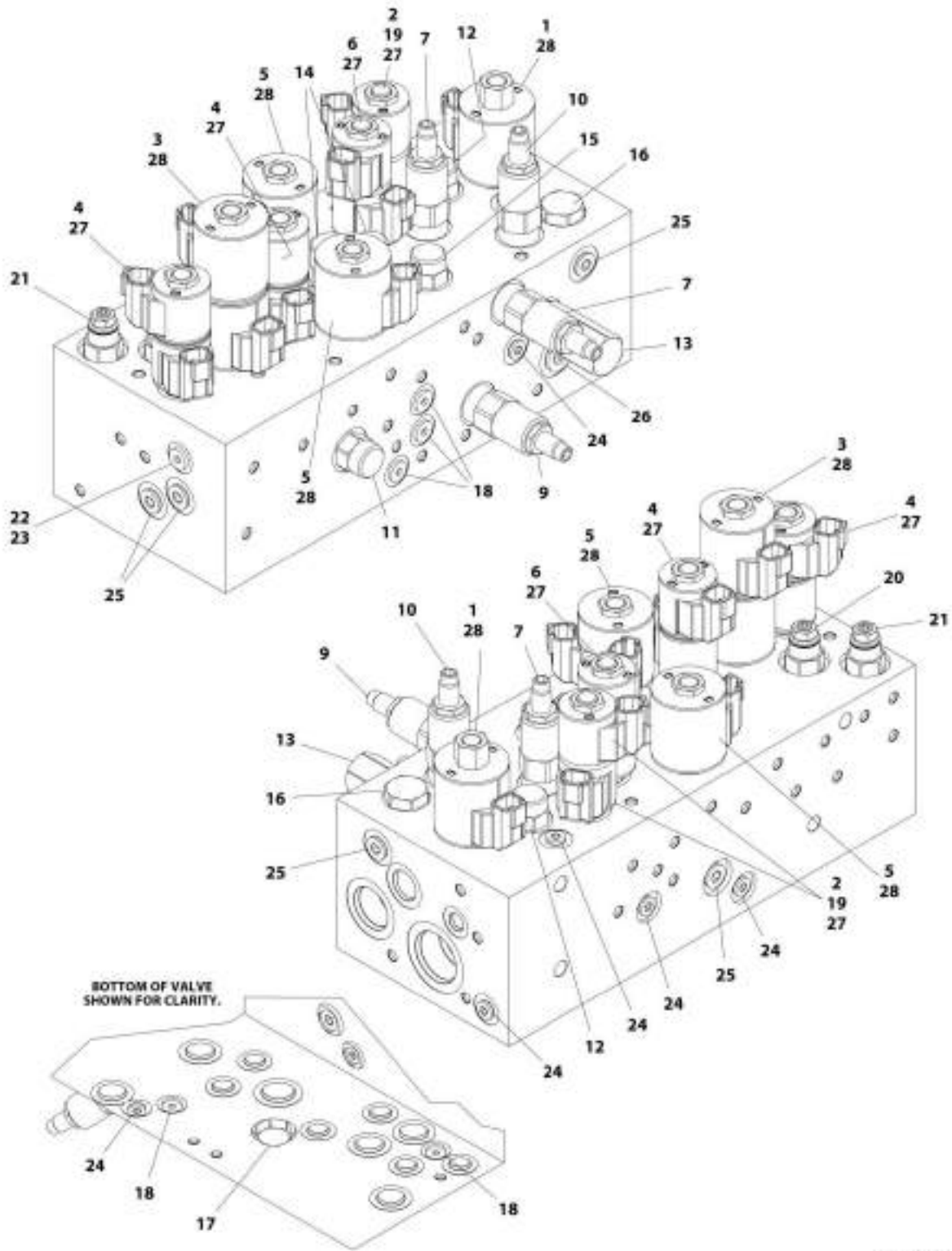
# SECTION 2 - TURNTABLE

## FIGURE 2-2. CONTROL VALVES INSTALLATION - 460SJC

ITEM	PART NUMBER	QTY	DESCRIPTION	REV
	1001218140	Ref	CONTROL VALVES INSTALLATION - 460SJC	B
1	0100011	AR	Compound, Locking	
2	0641606	4	Bolt 3/8 x 3/4 <b>(Prior to SN 0300237337)</b>	
3	0761015	2	Bolt M10 x 35	
4	4711600	4	Washer 3/8 <b>(Prior to SN 0300237337)</b>	
5	4812002	8	Washer M10	
6	5251014	4	Bolt M10 x 30	
7	1001102987	1	Filter, Charge Pump <b>(Prior to SN 0300237337)</b>	
7	70010383	1	Element, Filter (Includes O-Ring)	
7	1001208874	1	Filter, Charge Pump <b>(SN 0300237337 to Present)</b>	
8	1001162532	1	Main Valve Assembly - 460SJC (See MAIN VALVE ASSEMBLY - 460SJC for Breakdown)	
9	1001200148	1	Valve Assembly, 2 Speed (See 2 SPEED VALVE ASSEMBLY for Breakdown)	
10	0761010	3	Bolt M10 x 20	
11	4812000	3	Washer M10	

# SECTION 2 - TURNTABLE

## FIGURE 2-3. MAIN VALVE ASSEMBLY - 400SC



ART\_1001162521

**SECTION 2 - TURNTABLE**

**FIGURE 2-3. MAIN VALVE ASSEMBLY - 400SC**

ITEM	PART NUMBER	QTY	DESCRIPTION	REV
	1001162531	Ref	MAIN VALVE ASSEMBLY - 400SC	E
1	70005069	1	Cartridge, Solenoid Less Coil (Main Dump)	
1	7022399	1	Seal Kit - 70005069 Valve	
1	70003977	1	Nut, Coil	
2	70005217	1	Cartridge, Solenoid Less Coil (Steer)	
2	70005071	1	Seal Kit - 70005217 Valve	
2	7022390	1	Nut, Coil	
3	70005072	1	Cartridge, Solenoid Less Coil (Tele)	
3	70005073	1	Seal Kit - 70005072 Valve	
3	7022390	1	Nut, Coil	
3	70003024	1	Spacer, Coil	
4	70005074	2	Cartridge, Solenoid Valve Less Coil (Platform Level and Rotate)	
4	70005075	2	Seal Kit - 70005074 Valve	
4	7022390	2	Nut, Coil	
4	70003023	2	Spacer, Coil	
5	70005076	2	Cartridge, Solenoid Less Coil (Lift Up and Flow Control)	
5	7022399	2	Seal Kit - 70005076 Valve	
5	7022390	2	Nut, Coil	
6	70005077	1	Cartridge, Solenoid Valve Less Coil (Swing)	
6	70005071	1	Seal Kit - 70005077 Valve	
6	7022390	1	Nut, Coil	
6	70003023	1	Spacer, Coil	
7	70005078	2	Cartridge, Relief Valve	
7	7023936	2	Seal kit - 70005078 Valve	
9	70005079	1	Cartridge, Relief Valve	
9	7023936	1	Seal Kit - 70005079 Valve	
10	70005080	1	Cartridge, Relief Valve	
10	7022399	1	Seal Kit - 70005080 Valve	
11	70005081	1	Cartridge, Valve	
11	70005082	1	Seal Kit - 70005081 Valve	
12	70005218	1	Cartridge, Valve	
12	70005082	1	Seal Kit - 70005218 Valve	
13	70005084	1	Cartridge, Valve	
13	70005085	1	Seal Kit - 70005084 Valve	
14	70005086	2	Cartridge, Valve	
14	70005087	2	Seal Kit - 70005086 Valve	
15	70005088	1	Cartridge, Valve	
15	7023900	1	Seal Kit - 70005088 Valve	
16	70003408	1	Cartridge, Valve	
16	7022399	1	Seal Kit - 70005100 Valve	
17	70005089	1	Cartridge, Check Valve	
17	7023936	1	Seal Kit - 70005089 Valve	
18	70005090	5	Cartridge, Check Valve	
18	70005092	5	Seal Kit - 70005090 Valve	
19	70002974	1	Disc, Check Valve	
20	70005108	1	Cartridge, Valve	
20	2900770	1	Seal Kit - 70005108 Valve	
21	70005109	1	Cartridge, Valve	
21	2900770	1	Seal Kit - 70005109 Valve	
22	70005091	1	Orifice	

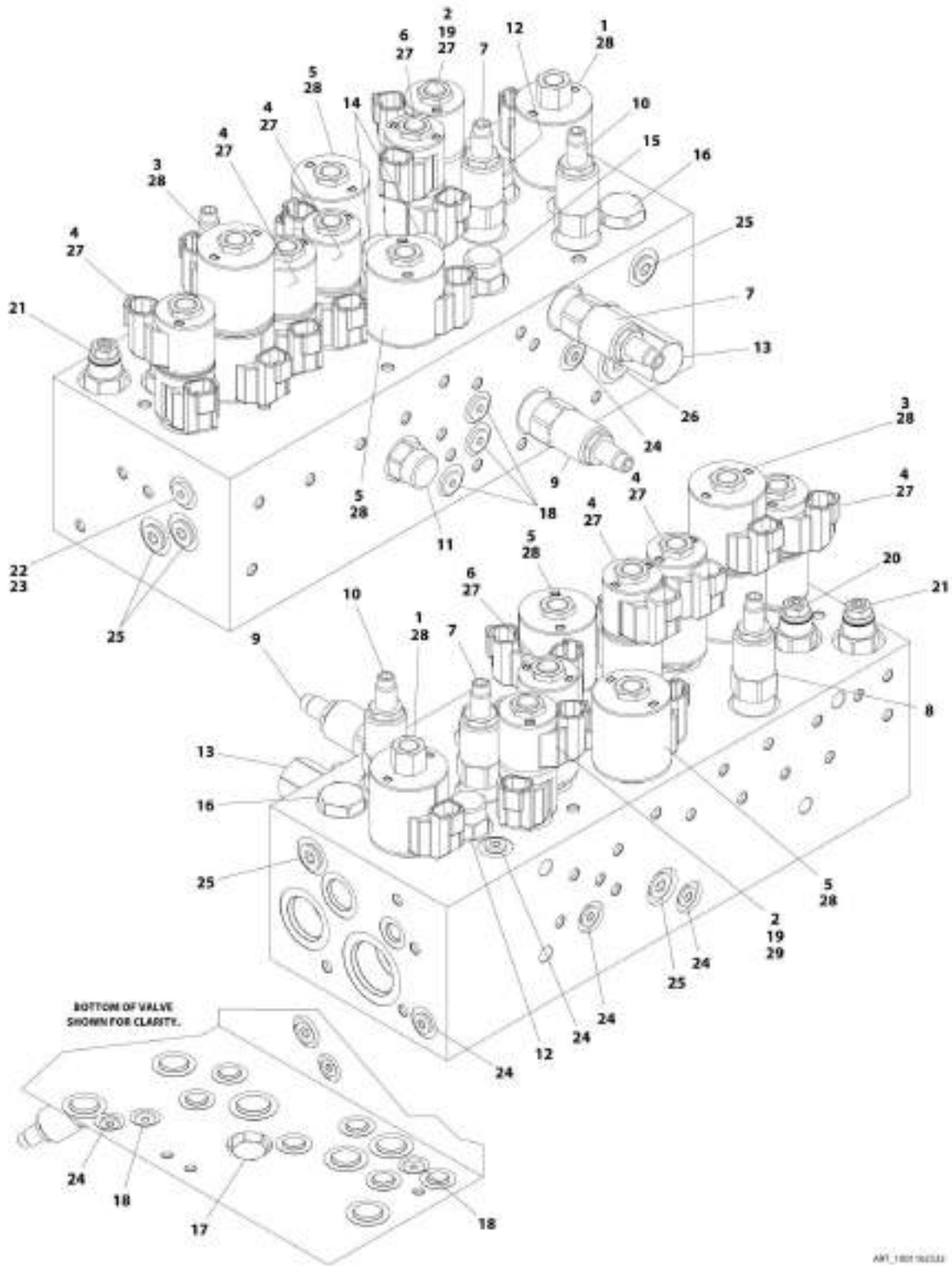
## SECTION 2 - TURNTABLE

ITEM	PART NUMBER	QTY	DESCRIPTION	REV
23	2220883	1	Plug, O-Ring #4	
24	91164059	6	Plug	
25	91164079	6	Plug	
26	91164057	1	Plug	
27	70002386	6	Coil	
28	70003788	5	Coil	
29	70005219	2	Coil	



# SECTION 2 - TURNTABLE

## FIGURE 2-4. MAIN VALVE ASSEMBLY - 460SJC





**SECTION 2 - TURNTABLE**

**FIGURE 2-4. MAIN VALVE ASSEMBLY - 460SJC**

ITEM	PART NUMBER	QTY	DESCRIPTION	REV
	1001162532	Ref	MAIN VALVE ASSEMBLY - 460SJC	E
1	70005069	1	Cartridge, Solenoid Less Coil (Main Dump)	
1	7022399	1	Seal Kit - 70005069 Valve	
1	70003977	1	Nut, Coil	
2	70005217	1	Cartridge, Solenoid Less Coil (Steer)	
2	70005071	1	Seal Kit - 70005217 Valve	
2	7022390	1	Nut, Coil	
3	70005072	1	Cartridge, Solenoid Less Coil (Tele)	
3	70005073	1	Seal Kit - 70005072 Valve	
3	7022390	1	Nut, Coil	
3	70003024	1	Spacer, Coil	
4	70005074	3	Cartridge, Solenoid Valve Less Coil (Platform Level, Platform Rotate and Jib Lift)	
4	70005075	3	Seal Kit - 70005074 Valve	
4	7022390	3	Nut, Coil	
4	70003023	3	Spacer, Coil	
5	70005076	2	Cartridge, Solenoid Less Coil (Lift Up and Flow Control)	
5	7022399	2	Seal Kit - 70005076 Valve	
5	7022390	2	Nut, Coil	
6	70005077	1	Cartridge, Solenoid Valve Less Coil (Swing)	
6	70005071	1	Seal Kit - 70005077 Valve	
6	7022390	1	Nut, Coil	
6	70003023	1	Spacer, Coil	
7	70005078	2	Cartridge, Relief Valve	
7	7023936	2	Seal Kit - 70005078 Valve	
8	70005093	1	Cartridge, Valve	
8	7023936	1	Seal Kit - 70005093 Valve	
9	70005079	1	Cartridge, Relief Valve	
9	7023936	1	Seal Kit - 70005079 Valve	
10	70005080	1	Cartridge, Relief Valve	
10	7022399	1	Seal Kit - 70005080 Valve	
11	70005081	1	Cartridge, Valve	
11	70005082	1	Seal Kit - 70005081 Valve	
12	70005218	1	Cartridge, Valve	
12	70005082	1	Seal Kit - 70005218 Valve	
13	70005084	1	Cartridge, Valve	
13	70005085	1	Seal Kit - 70005084 Valve	
14	70005086	2	Cartridge, Valve	
14	70005087	2	Seal Kit - 70005086 Valve	
15	70005088	1	Cartridge, Valve	
15	7023900	1	Seal Kit - 70005088 Valve	
16	70003408	1	Cartridge, Valve	
16	7022399	1	Seal Kit - 70003408 Valve	
17	70005089	1	Cartridge, Check Valve	
17	7023936	1	Seal Kit - 70005089 Valve	
18	70005090	5	Cartridge, Check Valve	
18	70005092	5	Seal Kit - 70005090 Valve	
19	70002974	1	Disc, Check Valve	
20	70005108	1	Cartridge, Valve	
20	2900770	1	Seal Kit - 70005108 Valve	

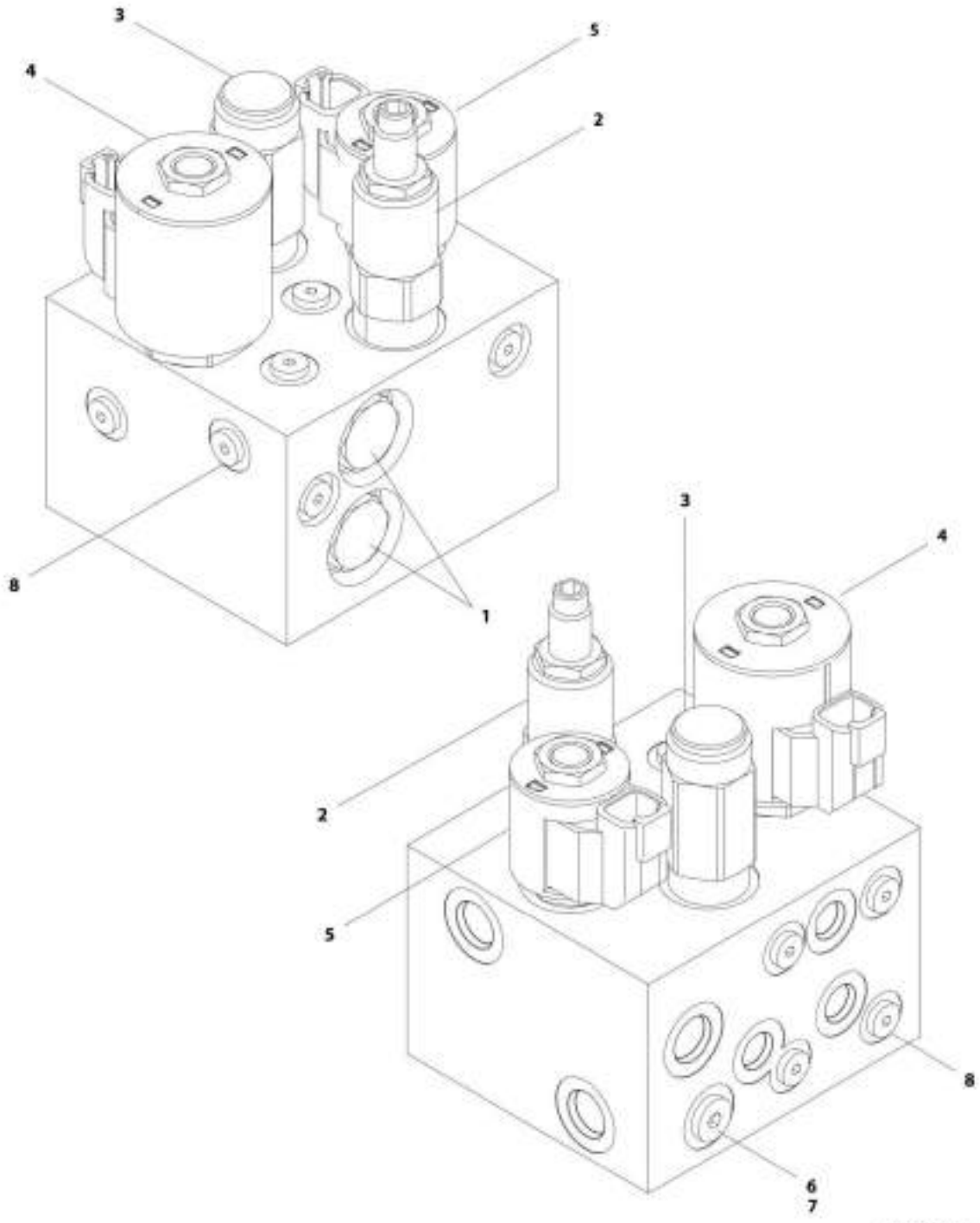
## SECTION 2 - TURNTABLE

ITEM	PART NUMBER	QTY	DESCRIPTION	REV
21	70005109	1	Cartridge, Valve	
21	2900770	1	Seal Kit - 70005109 Valve	
22	70005091	1	Orifice	
23	2220883	1	Plug, O-Ring #4	
24	91164059	6	Plug	
25	91164079	6	Plug	
26	91164057	1	Plug	
27	70002386	8	Coil	
28	70003788	5	Coil	
29	70005219	2	Coil	



# SECTION 2 - TURNTABLE

## FIGURE 2-5. 2 SPEED/BRAKE RELEASE VALVE ASSEMBLY



ART\_1001200148

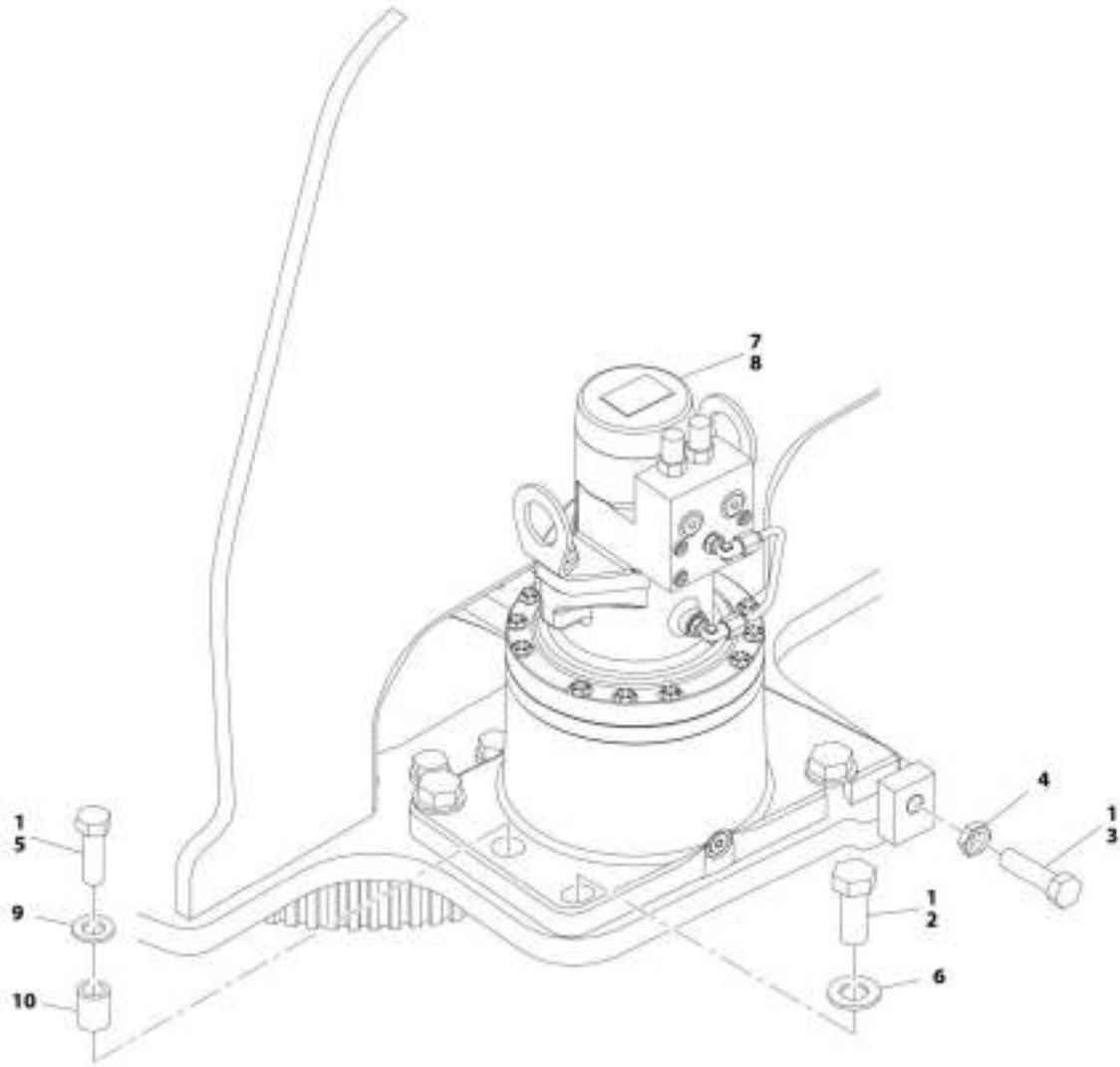
**SECTION 2 - TURNTABLE**

**FIGURE 2-5. 2 SPEED/BRAKE RELEASE VALVE ASSEMBLY**

ITEM	PART NUMBER	QTY	DESCRIPTION	REV
	1001200148	Ref	2 SPEED/BRAKE RELEASE VALVE ASSEMBLY	B
1	70005331	2	Cartridge, Valve	
1	7012972	2	Seal Kit - 70005331 Valve	
2	70005332	1	Cartridge, Valve	
2	7012998	1	Seal Kit - 70005332 Valve	
3	70005333	1	Cartridge, Valve	
3	70005334	1	Seal Kit - 70005333 Valve	
4	7017480	1	Cartridge, Valve	
4	7012973	1	Seal Kit - 7017480 Valve	
4	70003788	1	Coil	
5	7012941	1	Cartridge, Valve	
5	7010543	1	Seal Kit - 7012941 Valve	
5	70002386	1	Coil	
6	70004883	1	Orifice	
7	2220883	1	Plug	
8	2220881	10	Plug	

## SECTION 2 - TURNTABLE

FIGURE 2-6. SWING DRIVE INSTALLATION



ART\_1001140386

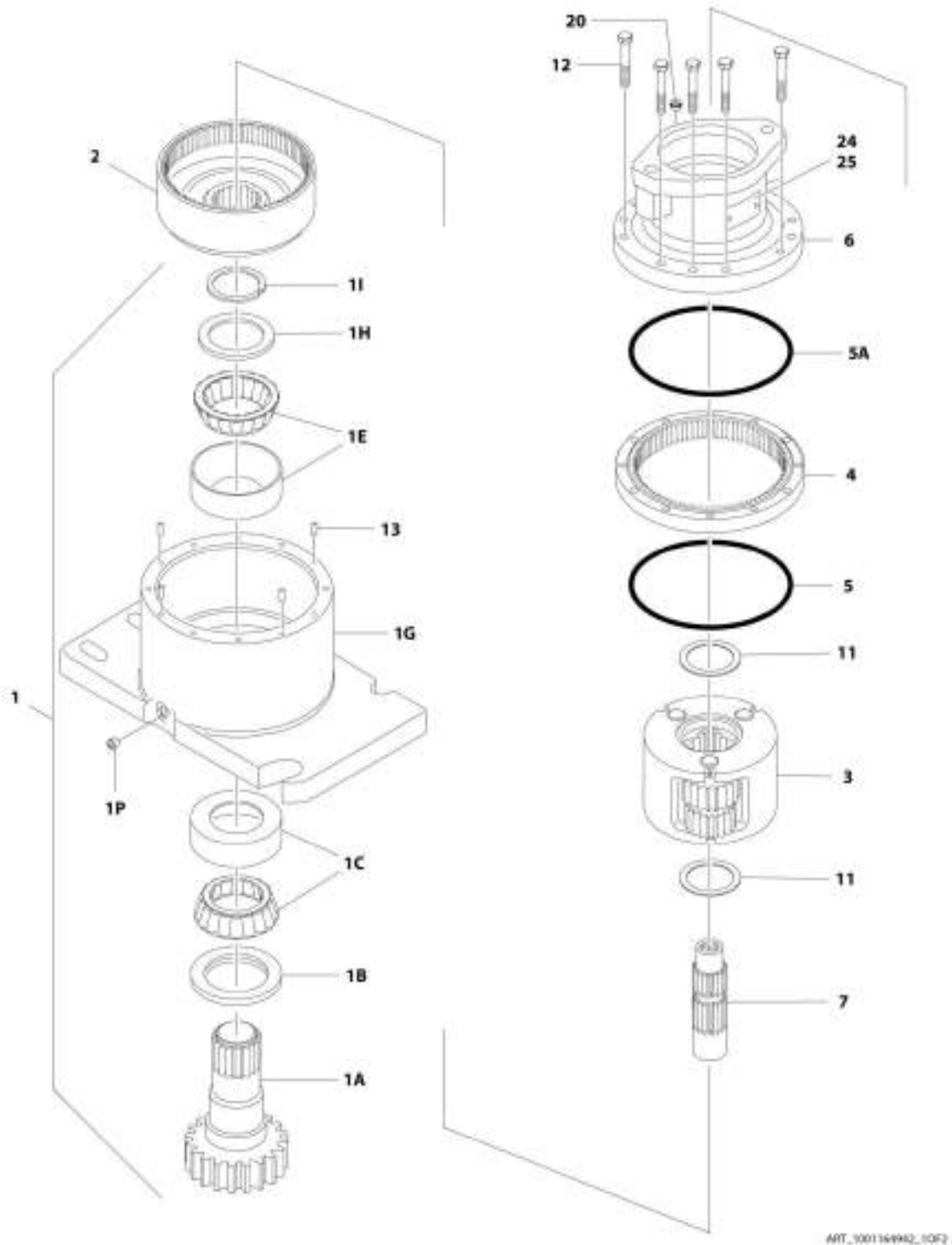
**SECTION 2 - TURNTABLE**

**FIGURE 2-6. SWING DRIVE INSTALLATION**

<b>ITEM</b>	<b>PART NUMBER</b>	<b>QTY</b>	<b>DESCRIPTION</b>	<b>REV</b>
	1001169386	Ref	SWING DRIVE INSTALLATION	D
1	0100019	AR	Compound, Locking	
2	0772018	4	Bolt M20 x 50 (Grade 10.9)	
3	0761620	1	Bolt M16 x 60	
4	3291602	1	Nut M16	
5	0701618	1	Bolt M16 x 50	
6	5242000	4	Washer M20	
7	1001190964	1	Shim	
8	1001164942	1	Swing Hub/Motor Assembly (See SWING HUB/MOTOR ASSEMBLY for Breakdown)	
9	5241600	1	Washer M16	
10	1001134543	1	Sleeve, Spacer	

# SECTION 2 - TURNTABLE

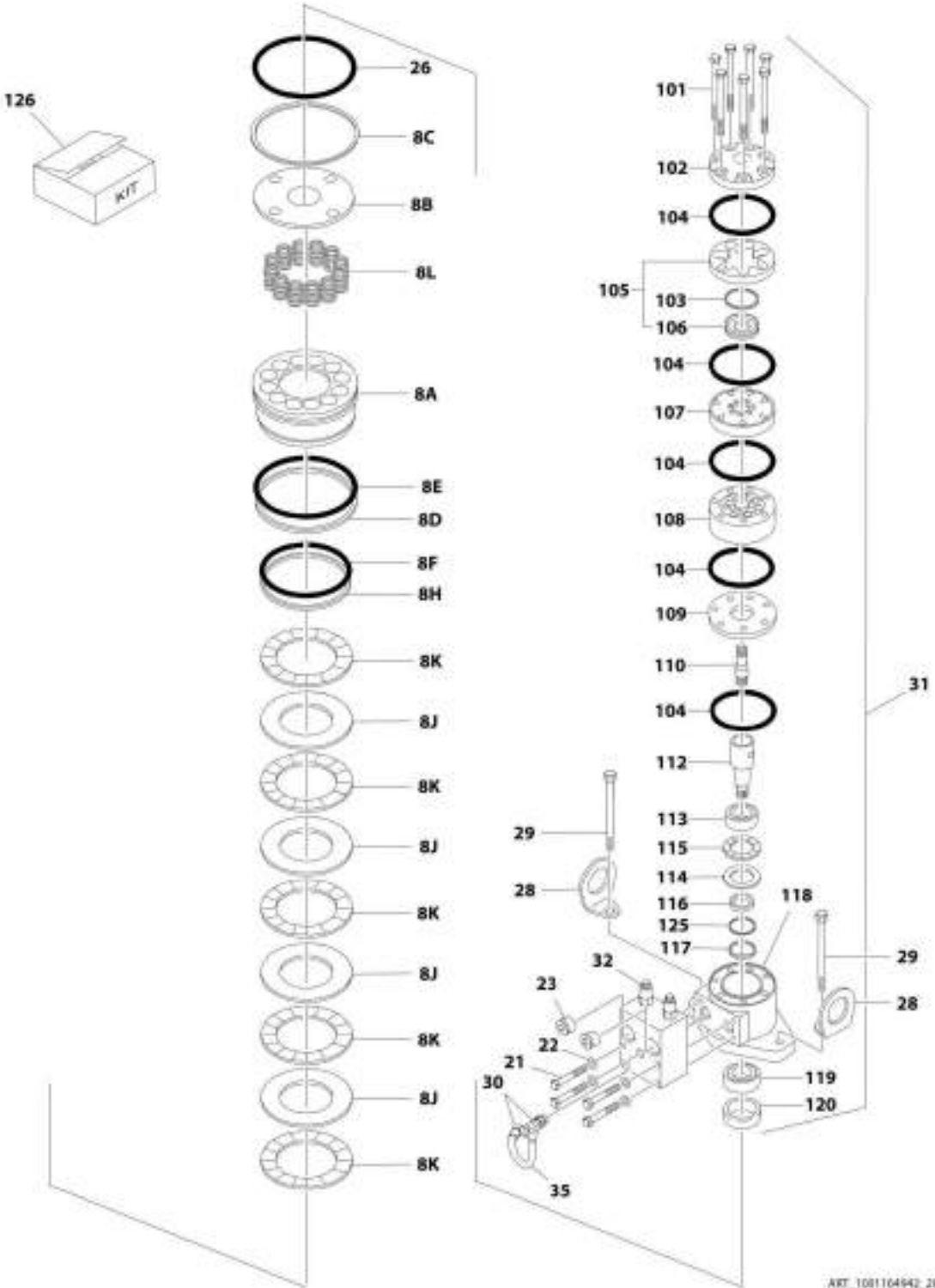
## FIGURE 2-7. SWING HUB/MOTOR ASSEMBLY



ART\_9001144992\_10F2



SECTION 2 - TURNTABLE



ART\_1081164942\_2DF3

## SECTION 2 - TURNTABLE

**FIGURE 2-7. SWING HUB/MOTOR ASSEMBLY**

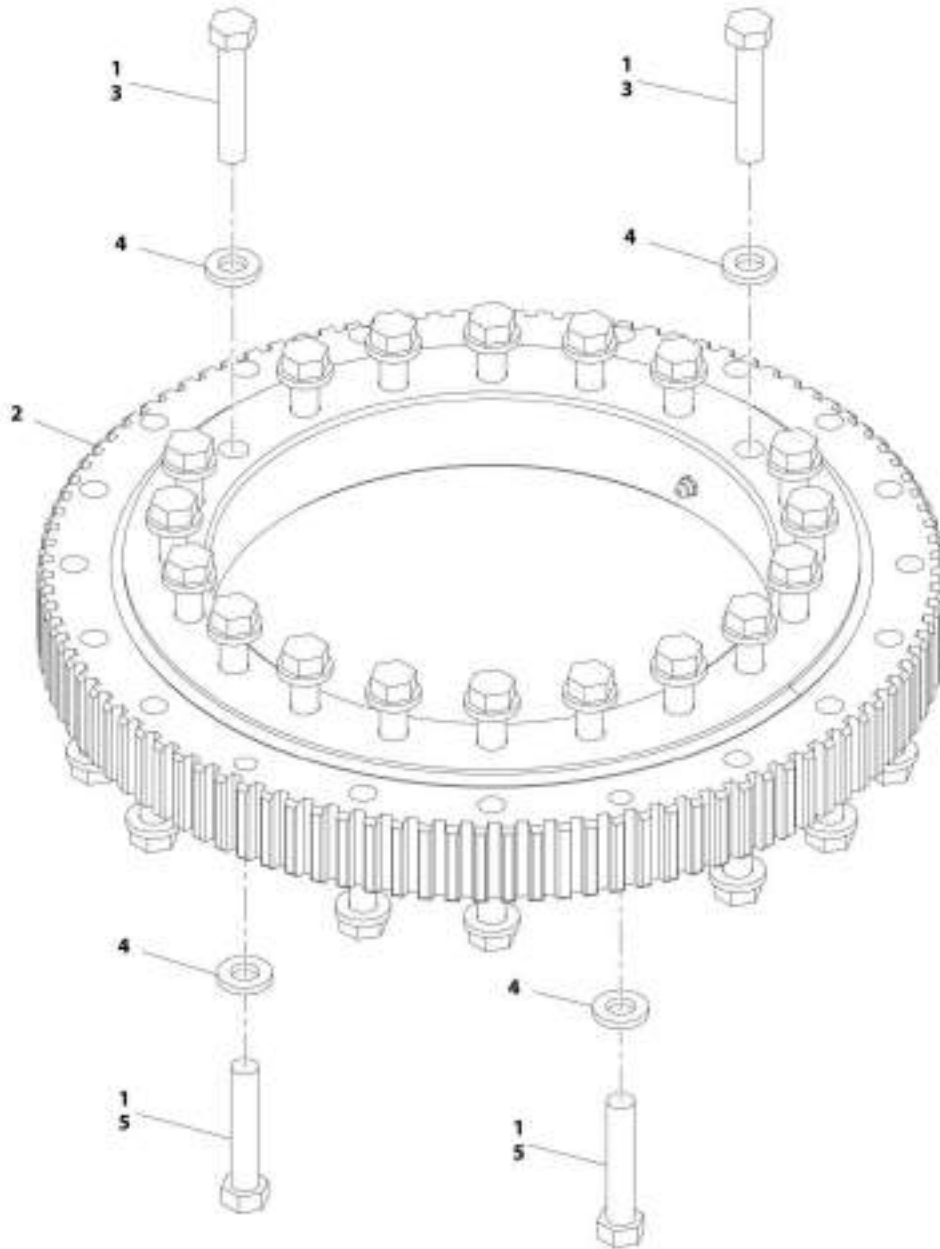
ITEM	PART NUMBER	QTY	DESCRIPTION	REV
	1001164942	Ref	SWING HUB/MOTOR ASSEMBLY	B
1	See Note	NSS	Housing/Shaft Assembly (Note: Not Available - Purchase Complete Swing Motor/Hub Assembly)	
1A	70005204	1	Shaft, Output	
1B	7000228	1	Seal, Lip	
1C	7000255	1	Bearing Kit (Includes Cup and Cone)	
1E	7000257	1	Bearing Kit (Includes Cup and Cone)	
1G	See Note	NSS	Housing (Note: Not Available for Purchase)	
1H	7007633	1	Thrustwasher	
1I	7000229	1	Ring, Retaining	
1P	7017072	1	Plug, Pipe	
2	7000246	1	Gear, Internal	
3	7000247	1	Carrier Assembly	
3A	7001931	1	Carrier	
3B	7001985	6	Washer, Tanged	
3C	7001909	96	Bearing, Needle	
3D	7000263	3	Thrustwasher	
3E	7001911	3	Shaft, Planet	
3F	7001912	3	Gear, Cluster	
3G	7010474	3	Roll Pin	
4	7000248	1	Gear, Ring	
5	7000230	1	O-Ring (Black)	
5A	7017070	1	O-Ring (White)	
6	See Note	NSS	Housing, Brake (Note: Not Available for Purchase)	
7	70005203	1	Gear, Sun	
8		Ref	Brake Components	
8A	70004037	1	Piston, Brake	
8B	7024743	1	Plate, Pressure	
8C	70004039	1	Ring, Retaining	
8D	70004041	1	O-Ring	
8E	70004044	1	Ring, Back-up	
8F	70004042	1	O-Ring	
8H	70004043	1	Ring, Back-up	
8J	See Note	NSS	Rotor, Brake (Note: Purchase p/n 70002085)	
8K	See Note	NSS	Stator, Brake (Note: Purchase p/n 70002085)	
8L	70002066	7	Spring, Brake	
11	7000253	2	Thrustwasher	
12	7000217	12	Bolt 5/16 x 2-1/4 (Grade 8)	
13	7017080	4	Pin, Dowel	
20	7017072	1	Plug, Pipe	
21	7024704	4	Bolt 5/16 x 2 (Grade 8)	
22	70004045	4	Washer, Lock	
23	7017023	2	Plug, Pipe	
24	See Note	NSS	Plate, ID (Note: Not Available for Purchase)	
25	See Note	NSS	Rivet	
26	7024763	1	O-Ring	
28	See Note	NSS	Lug, Lifting (Note: Not Available for Purchase)	
29	70004040	2	Bolt 1/2 x 1-1/2 (Grade 8)	
30	7017085	2	Elbow	
31	70004048	1	Motor Assembly (See Items 101-126 for Breakdown)	

## SECTION 2 - TURNTABLE

ITEM	PART NUMBER	QTY	DESCRIPTION	REV
32	7024784	1	Valve (No Serviceable Parts)	
33	7017082	1	Plug, Pipe (Not Shown)	
35	70004047	1	Tube	
	70004048	Ref	Motor Assembly	
101	See Note	NSS	Bolt (Note: Not Available for Purchase)	
102	See Note	NSS	Cover, End (Note: Not Available for Purchase)	
103	See Note	1	Seal, Commutator (Note: Use p/n 7024389)	
104	See Note	5	Seal, Ring (Note: Use p/n 7024389)	
105	7024453	1	Commutator and Ring Assembly	
106	See Note	1	Ring (Note: Use p/n 7024453)	
107	7024379	1	Manifold	
108	See Note	NSS	Rotor Set (Note: Not Available for Purchase)	
109	7024380	1	Plate, Wear	
110	See Note	NSS	Link, Drive (Note: Not Available for Purchase)	
112	7024458	1	Shaft, Coupling	
113	7024381	1	Bushing, Bronze	
114	70004043	1	Thrustwasher	
115	70004044	1	Bearing, Thrust	
116	See Note	1	Seal, Inner (Note: Use p/n 7024389)	
117	See Note	1	Washer, Back-up (Note: Use p/n 7024389)	
118	See Note	NSS	Housing (Note: Not Available for Purchase)	
119	7024390	1	Bearing	
120	See Note	1	Seal (Note: Use p/n 7024389)	
125	See Note	1	Washer, Back-up (Note: Use p/n 7024389)	
126	7024389	1	Seal Kit, Motor (Includes Items 103, 104, 116, 117, 120 & 125)	

## SECTION 2 - TURNTABLE

FIGURE 2-8. TURNTABLE BEARING INSTALLATION (WITHOUT TURNTABLE BEARING SPACER)



ART. 1001202894

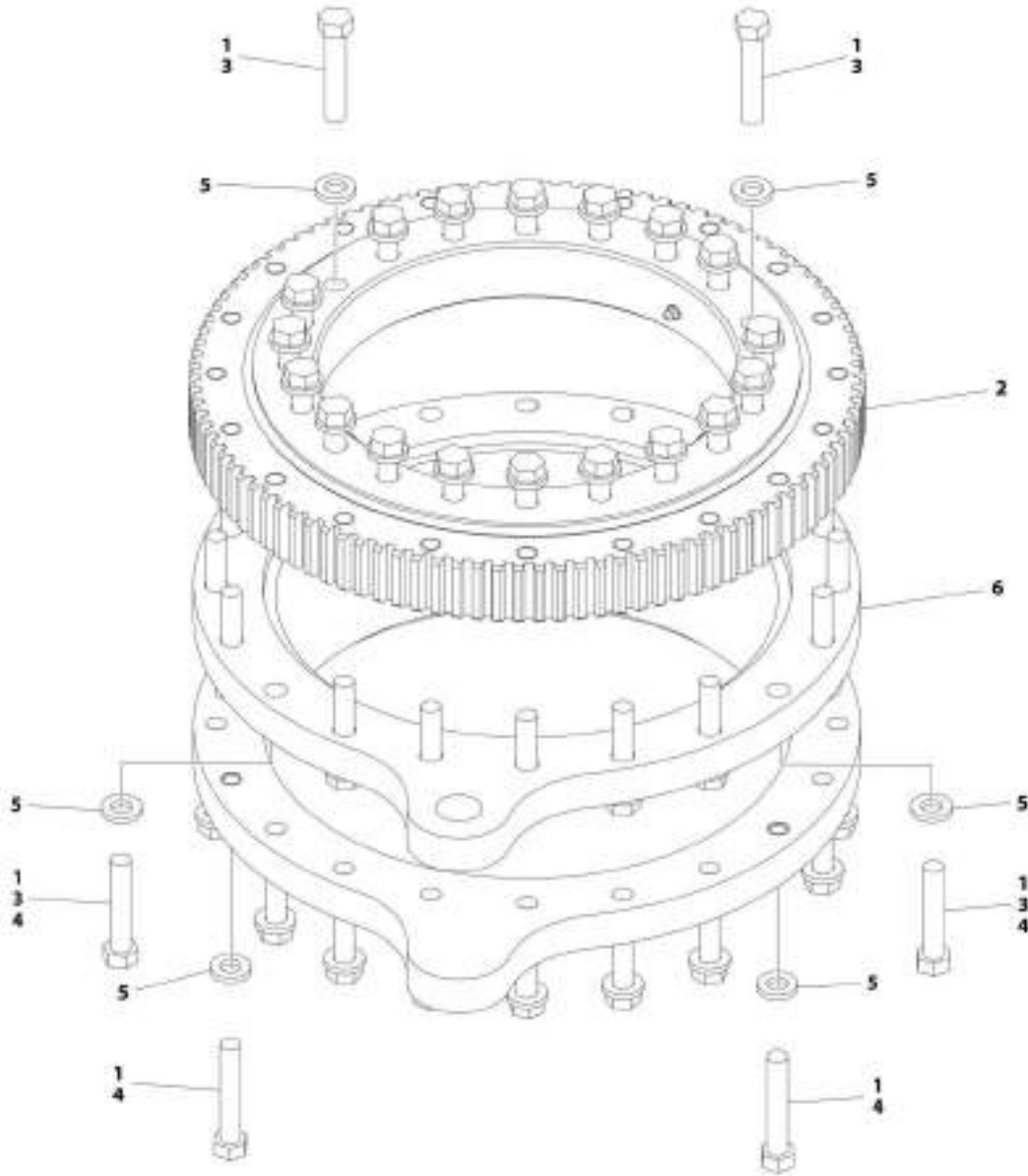
**SECTION 2 - TURNTABLE**

**FIGURE 2-8. TURNTABLE BEARING INSTALLATION (WITHOUT TURNTABLE BEARING SPACER)**

ITEM	PART NUMBER	QTY	DESCRIPTION	REV
	1001202494	Ref	TURNTABLE BEARING INSTALLATION (WITHOUT TURNTABLE BEARING SPACER)	A
1	0100019	AR	Compound, Locking	
2	0440240	1	Bearing, Turntable	
3	0682026	20	Bolt 5/8 x 3-1/4 (Grade 8)	
4	4892000	40	Washer 5/8	
5	0682034	20	Bolt 5/8 x 4-1/4	

## SECTION 2 - TURNTABLE

FIGURE 2-9. TURNTABLE BEARING INSTALLATION (WITH TURNTABLE BEARING SPACER)



AWT\_1001191251

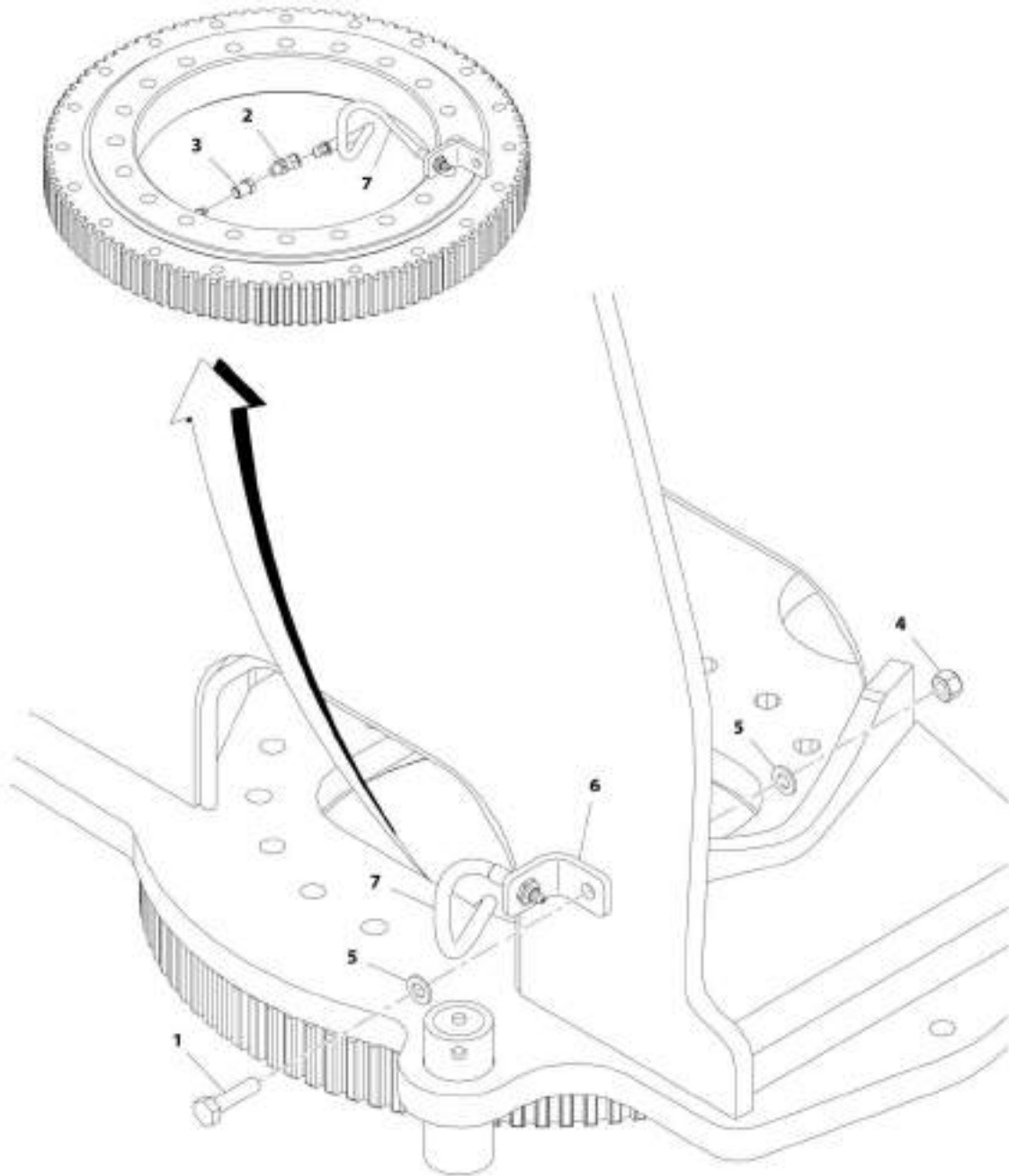
**SECTION 2 - TURNTABLE**

**FIGURE 2-9. TURNTABLE BEARING INSTALLATION (WITH TURNTABLE BEARING SPACER)**

ITEM	PART NUMBER	QTY	DESCRIPTION	REV
	1001197251	Ref	TURNTABLE BEARING INSTALLATION (WITH TURNTABLE BEARING SPACER)	B
1	0100019	AR	Compound, Locking	
2	0440240	1	Bearing, Turntable	
3	0682026	AR	Bolt 5/8 x 3-1/4 (Grade 8)	
4	0682028	AR	Bolt 5/8 x 3-1/2 (Grade 8)	
5	4892000	60	Washer 5/8	
6	1001197252	1	Spacer, Bearing	

## SECTION 2 - TURNTABLE

FIGURE 2-10. BEARING LUBE INSTALLATION



ART\_1001169101



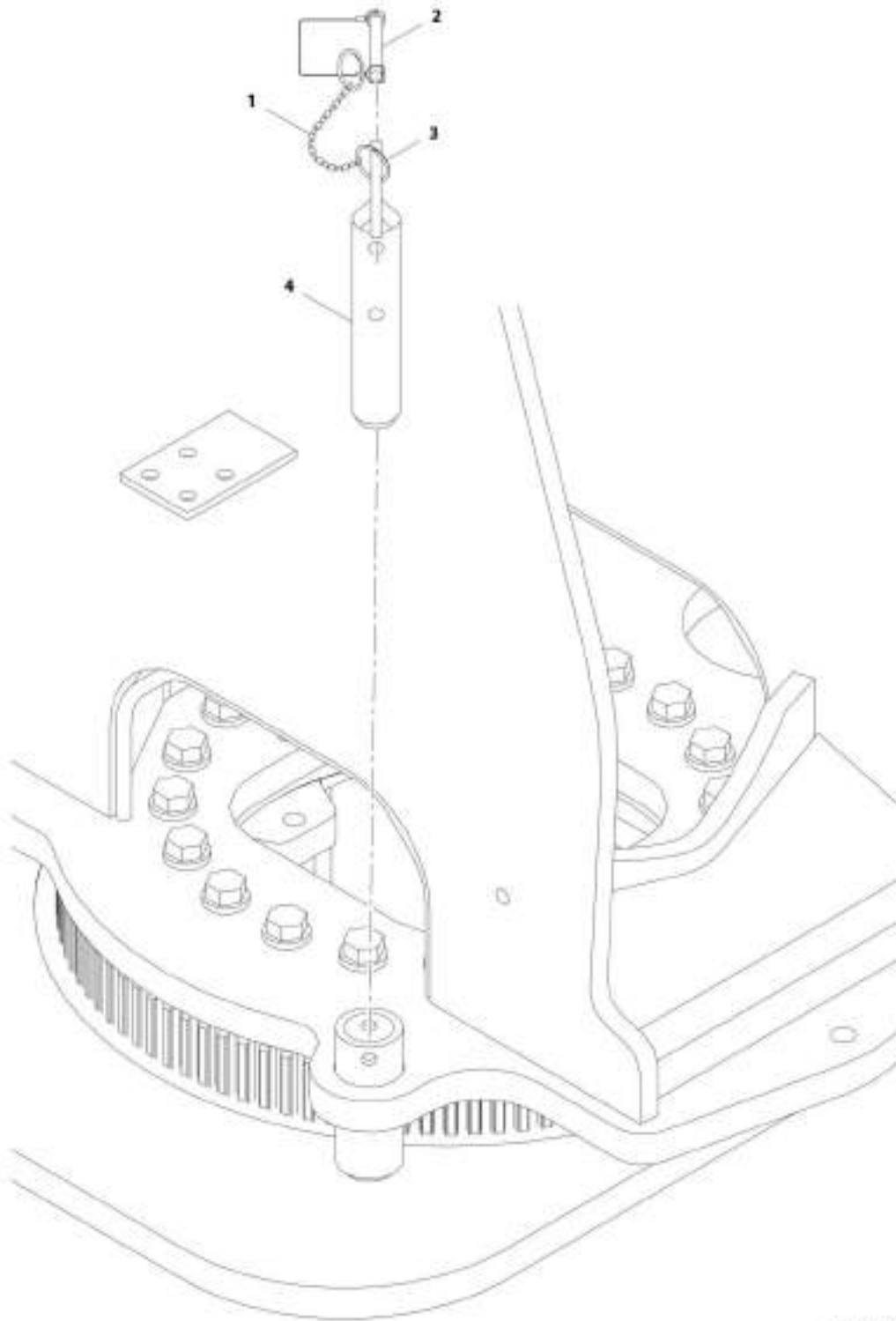
**SECTION 2 - TURNTABLE**

**FIGURE 2-10. BEARING LUBE INSTALLATION**

<b>ITEM</b>	<b>PART NUMBER</b>	<b>QTY</b>	<b>DESCRIPTION</b>	<b>REV</b>
	1001169191	Ref	BEARING LUBE INSTALLATION	A
1	0761016	1	Bolt M10 x 40	
2	2220124	1	Fitting, 45 1/8NPT	
3	2220273	1	Fitting, Straight FNPTF/NPTF	
4	3291005	1	Nut M10	
5	4812000	2	Washer M10	
6	1001169192	1	Mount, Bulkhead	
7	1001169193	1	Hose	

## SECTION 2 - TURNTABLE

FIGURE 2-11. TURNTABLE LOCK INSTALLATION



REF\_1001169406

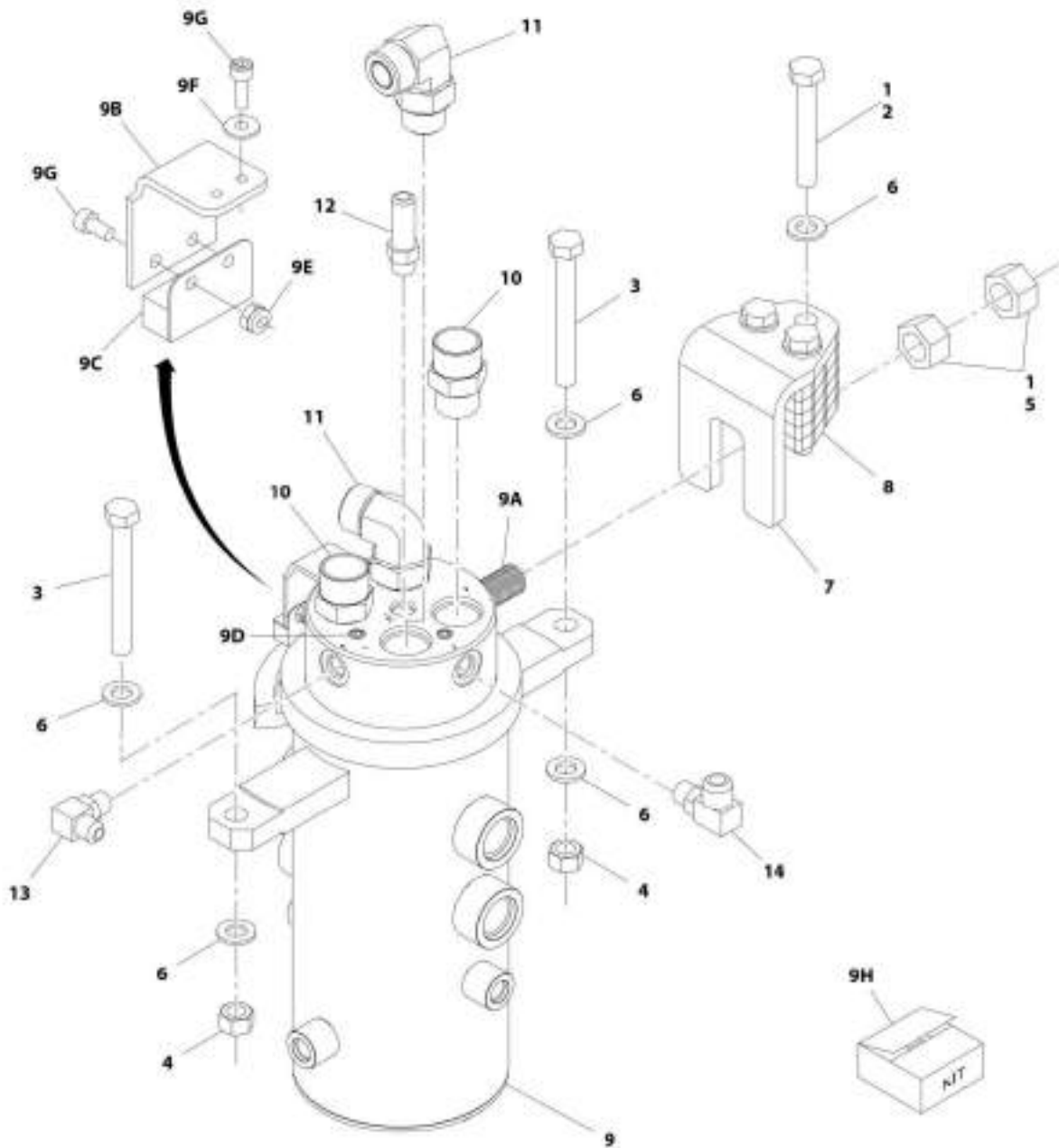
**SECTION 2 - TURNTABLE**

**FIGURE 2-11. TURNTABLE LOCK INSTALLATION**

<b>ITEM</b>	<b>PART NUMBER</b>	<b>QTY</b>	<b>DESCRIPTION</b>	<b>REV</b>
	1001169496	Ref	TURNTABLE LOCK INSTALLATION	B
1	1260017	1	Chain	
2	3421565	1	Pin, Snap	
3	3760170	2	Ring, Split	
4	1001169582	1	Pin	

# SECTION 2 - TURNTABLE

FIGURE 2-12. ROTARY COUPLING INSTALLATION (WITHOUT TURNTABLE BEARING SPACER)



AIT\_1001188521

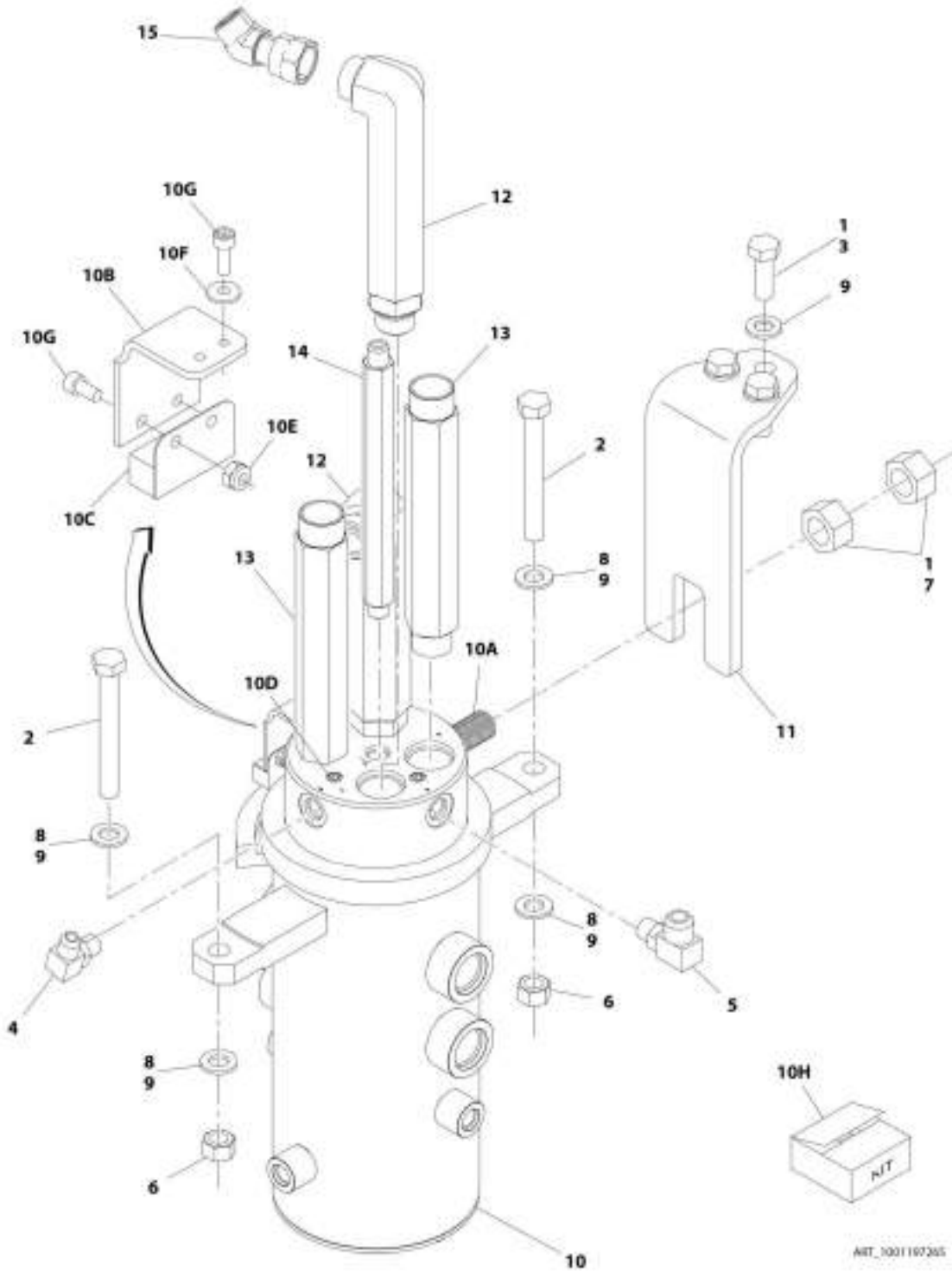
## SECTION 2 - TURNTABLE

**FIGURE 2-12. ROTARY COUPLING INSTALLATION (WITHOUT TURNTABLE BEARING SPACER)**

ITEM	PART NUMBER	QTY	DESCRIPTION	REV
	1001189521	Ref	ROTARY COUPLING INSTALLATION (WITHOUT TURNTABLE BEARING SPACER)	G
1	0100011	AR	Compound, Locking	
2	0701224	3	Bolt M12 x 80	
3	0761227	2	Bolt M12 x 100 <b>(Prior to SN 0300210279)</b>	
3	0701225	2	Bolt M12 x 85 <b>(SN 0300210279 to Present)</b>	
4	3291207	2	Nut M12	
5	3322201	2	Nut 3/4	
6	4812100	7	Washer M12	
7	1001106837	1	Mount, Swivel	
8	1001189522	5	Shim, Swivel Mount	
9	1001189523	1	Coupling, Swivel 7 Port	
9A	70005244	1	Lug	
9B	70003454	1	Bracket, Switch Mounting	
9C	4360517	1	Switch, Proximity	
9D	2200221	2	Plug	
9E	3311005	2	Nut, Lock #10	
9F	4711000	2	Washer #10	
9G	3931008	2	Screw #10 x 1/2	
9H	70005322	1	Seal Kit - 1001189523 Coupling	
10	2111212	2	Adapter	
11	2131212	2	Fitting, 90 ORFS/ORB	
12	2220998	1	Fitting, 90 JIC/ORB	
13	2220473	1	Fitting, 90 JIC/ORB	
14	2220726	1	Fitting, 90 JIC/ORB	

## SECTION 2 - TURNTABLE

FIGURE 2-13. ROTARY COUPLING INSTALLATION (WITH TURNTABLE BEARING SPACER)



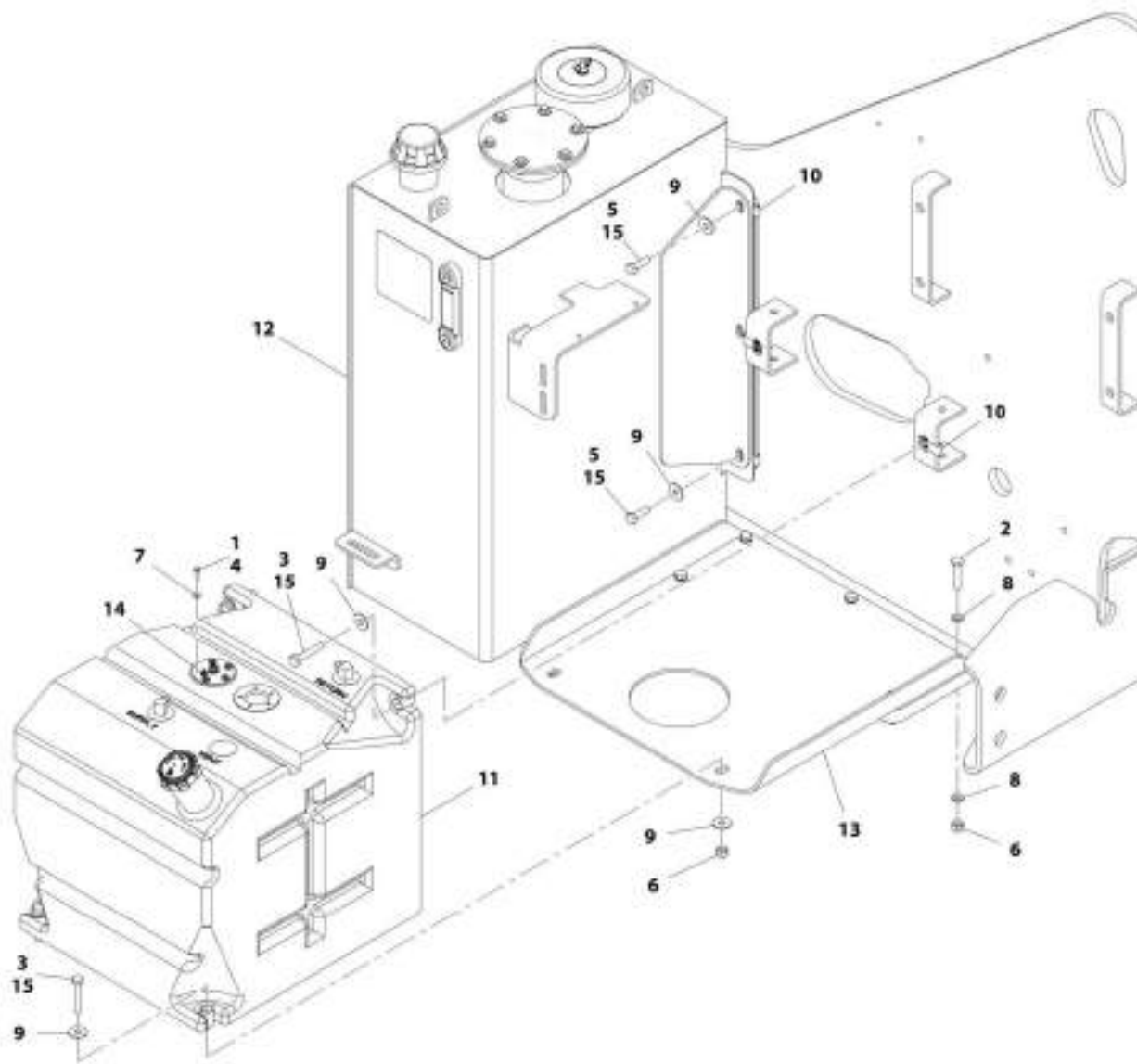
## SECTION 2 - TURNTABLE

**FIGURE 2-13. ROTARY COUPLING INSTALLATION (WITH TURNTABLE BEARING SPACER)**

ITEM	PART NUMBER	QTY	DESCRIPTION	REV
	1001197265	Ref	ROTARY COUPLING INSTALLATION (WITH TURNTABLE BEARING SPACER)	F
1	0100011	AR	Compound, Locking	
2	0641830	2	Bolt 1/2 x 3-3/4 <b>(Prior to SN 0300209808)</b>	
2	0701225	2	Bolt 1/2 x 85 <b>(SN 0300209808 to Present)</b>	
3	0761215	3	Bolt M12 x 35	
4	2220473	1	Fitting, 90 JIC/ORB	
5	2220726	1	Fitting, 90 JIC/ORB	
6	3311805	2	Nut, 1/2 <b>(Prior to SN 0300209808)</b>	
6	3291207	2	Nut, M12 <b>(SN 0300209808 to Present)</b>	
7	3322201	2	Nut 3/4	
8	4711800	4	Washer 1/2 <b>(Prior to SN 0300209808)</b>	
9	4812100	7	Washer M12 <b>(SN 0300209808 to Present)</b>	
10	1001189523	1	Coupling, Rotary	
10A	70005244	1	Lug	
10B	70003454	1	Bracket, Switch Mounting	
10C	4360517	1	Switch, Proximity	
10D	2200221	2	Plug	
10E	3311005	2	Nut, Lock #10	
10F	4711000	2	Washer #10	
10G	3931008	4	Screw #10 x 1/2	
10H	70005322	1	Seal Kit - 1001189523 Coupling	
11	1001197255	1	Bracket, Mounting <b>(Prior to SN 0300224020)</b>	
11	1001211784	1	Bracket, Mounting <b>(SN 0300224020 to Present)</b>	
12	1001197256	2	Fitting, 90 ORFS/ORB	
13	1001197257	2	Fitting, Straight ORFS/ORB	
14	1001203089	1	Fitting, Straight JIC/ORB	
15	2172312	1	Nut, Swivel Elbow <b>(SN 0300224020 to Present)</b>	

# SECTION 2 - TURNTABLE

## FIGURE 2-14. TANKS INSTALLATION



ART\_1001163923



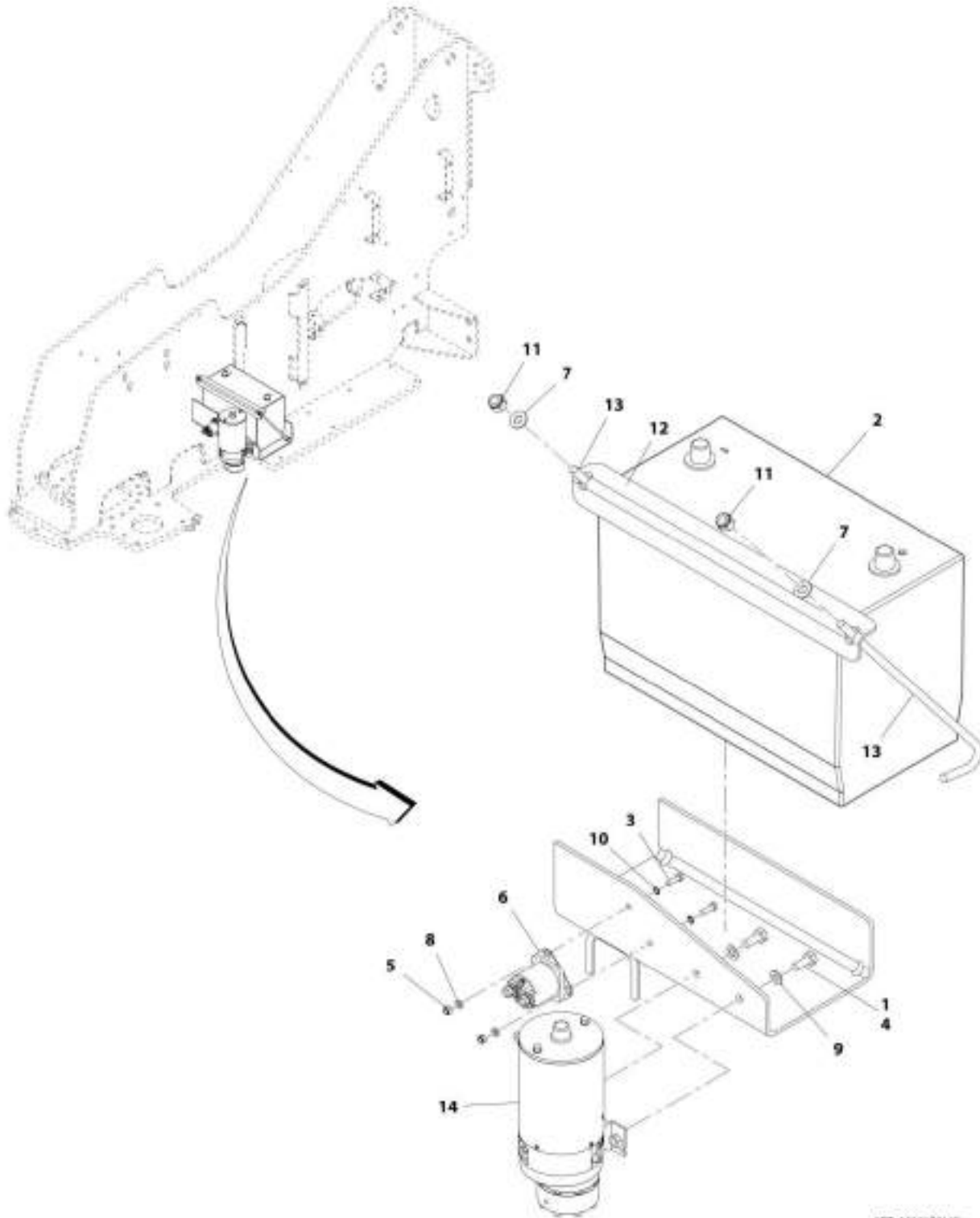
**SECTION 2 - TURNTABLE**

**FIGURE 2-14. TANKS INSTALLATION**

ITEM	PART NUMBER	QTY	DESCRIPTION	REV
	1001163939	Ref	TANKS INSTALLATION	G
1	0100035	AR	Compound, Locking	
2	0701018	5	Bolt M10 x 50	
3	0701020	4	Bolt M10 x 60	
4	0731005	5	Screw #10 x .625	
5	0761015	4	Bolt M10 x 35	
6	3291005	7	Nut M10	
7	4751000	5	Washer #10	
8	4812000	10	Washer M10	
9	4812002	10	Washer M10 <b>(Prior to SN 0300215837)</b>	
9	4812002	12	Washer M10 <b>(SN 0300215837 to Present)</b>	
10	1001118972	6	Nut M10	
11	1001163418	1	Tank, Fuel	
11	1001193336	1	Cap, Fill with Chain and Stop Spring	
11	70004794	1	Tube, Pick-up	
12	1001166031	1	Tank, Hydraulic	
12	70003614	1	Filter Kit (Includes Hydraulic Filter Element, Breather Element and Gasket)	
12	70002838	1	Cap, Fill (Includes Cap, Chain and Fill Basket)	
12	7024441	1	Gauge, Sight	
13	1001166710	1	Plate	
14	1001168762	1	Sensor, Fuel Level <b>(Prior to SN 0300232895)</b>	
14	1001231195	1	Sensor, Fuel Level <b>(SN 0300232895 to Present)</b>	
15	0100011	AR	Compound, Locking	

## SECTION 2 - TURNTABLE

FIGURE 2-15. AUXILIARY PUMP AND BATTERY INSTALLATION



ART\_1001120145

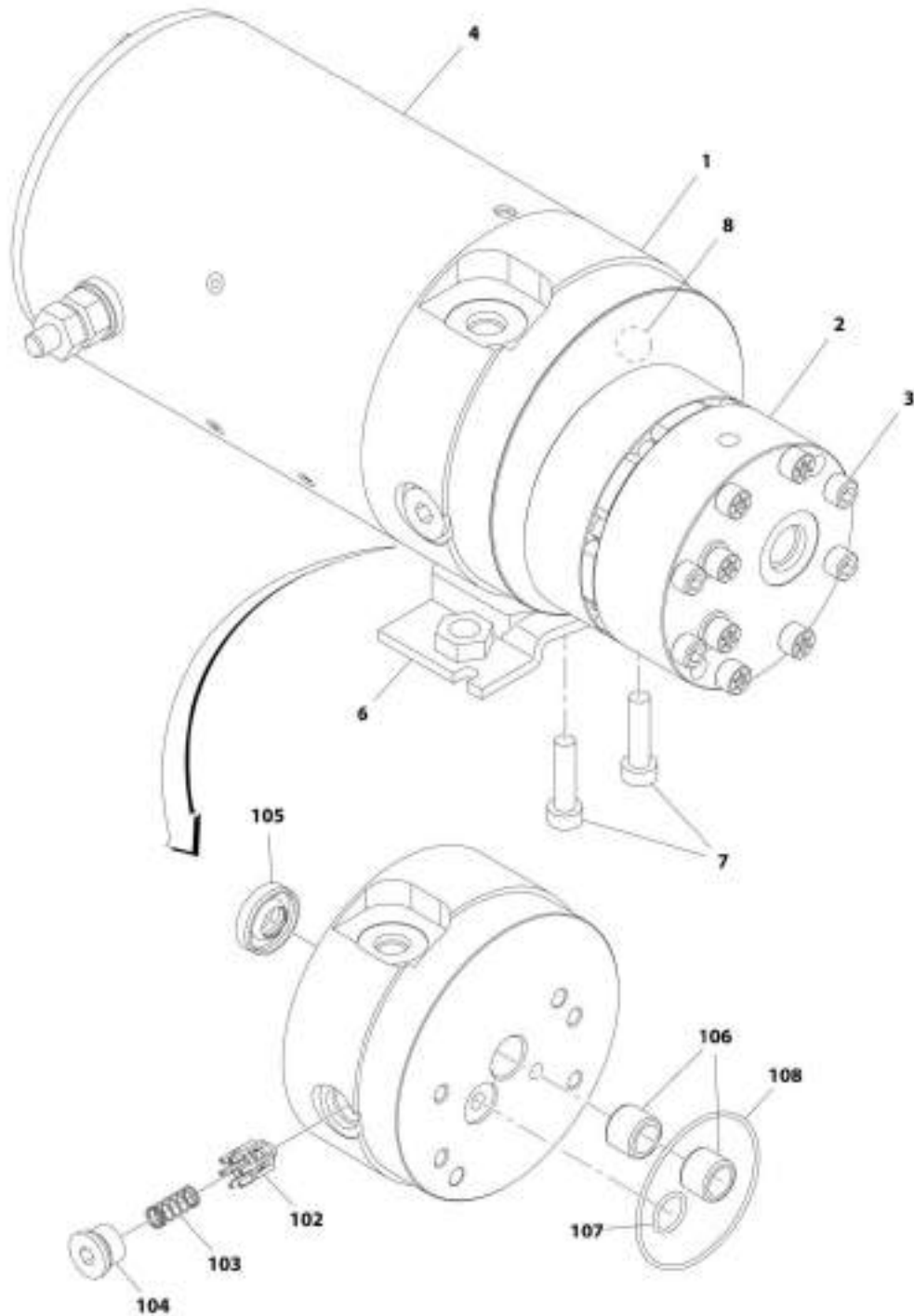
**SECTION 2 - TURNTABLE**

**FIGURE 2-15. AUXILIARY PUMP AND BATTERY INSTALLATION**

ITEM	PART NUMBER	QTY	DESCRIPTION	REV
	1001170145	Ref	AUXILIARY PUMP AND BATTERY INSTALLATION	C
1	0100011	AR	Compound, Locking	
2	0400075	1	Battery	
3	0760610	2	Bolt M6 x 20	
4	0761012	2	Bolt M10 x 25	
5	3290605	2	Nut M6	
6	3740067	1	Relay	
6	3300220	2	Nut 3/8	
6	3321001	1	Nut #10	
6	4761000	1	Washer #10	
6	1001111424	2	Washer 3/8	
7	4711500	2	Washer 5/16	
8	4811700	2	Washer M6	
9	4812000	2	Washer M10	
10	4871700	2	Washer M6	
11	88521205	2	Nut 5/16	
12	91401281	1	Bracket	
13	1001093382	2	J-Bolt	
14	1001185821	1	Auxiliary Pump Assembly (See AUXILIARY PUMP ASSEMBLY for Breakdown)	

# SECTION 2 - TURNTABLE

## FIGURE 2-16. AUXILIARY PUMP ASSEMBLY



ART\_100185621

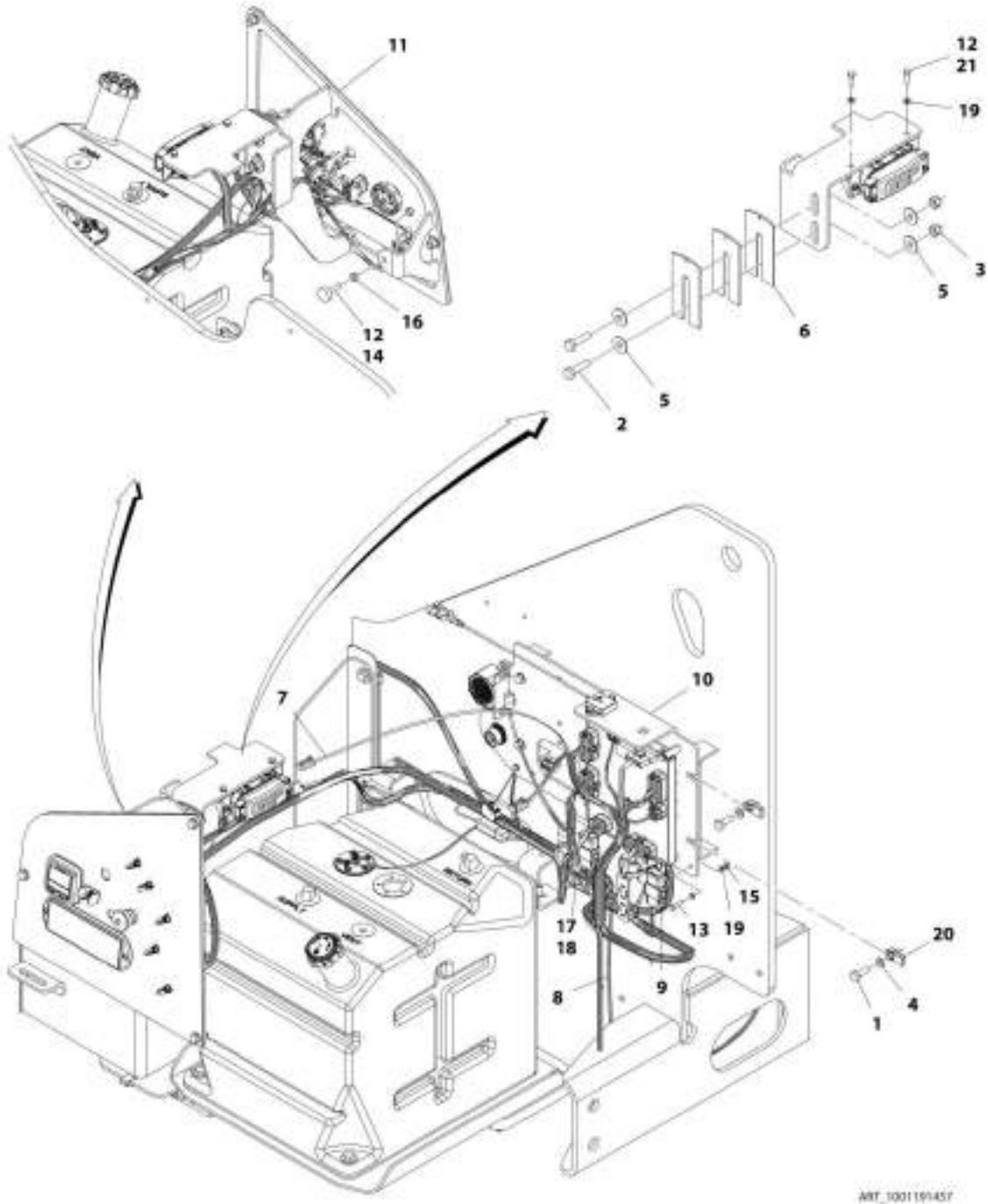
**SECTION 2 - TURNTABLE**

**FIGURE 2-16. AUXILIARY PUMP ASSEMBLY**

ITEM	PART NUMBER	QTY	DESCRIPTION	REV
	1001185821	Ref	AUXILIARY PUMP ASSEMBLY	B
1	70005065	1	Base Assembly (See Items 102-108 for Breakdown)	
2	70005066	1	Pump Assembly (Note: No Seal Kit or Internal Components are Available - Purchase Complete Pump Assembly)	
3	70005067	4	Capscrew 1/4 x 2-3/4	
4	70004013	1	Motor Assembly (Note: No Internal Components are Available - Purchase Complete Motor Assembly)	
6	70004014	1	Bracket	
7	70004000	2	Capscrew 3/8 x 1	
8	70005068	1	Relief Valve Assembly	
	70005065	Ref	BASE ASSEMBLY	
102	See Note	NSS	Poppet, Check (Note: Not Available - Purchase p/n 70005065)	
103	See Note	NSS	Spring (Note: Not Available - Purchase p/n 70005065)	
104	See Note	NSS	Plug (Note: Not Available - Purchase p/n 70005065)	
105	7026330	1	Seal, Shaft	
106	70005139	2	Bearing	
107	70003612	1	O-Ring	
108	70004267	1	O-Ring	

# SECTION 2 - TURNTABLE

## FIGURE 2-17. ELECTRICAL INSTALLATION - 400SC



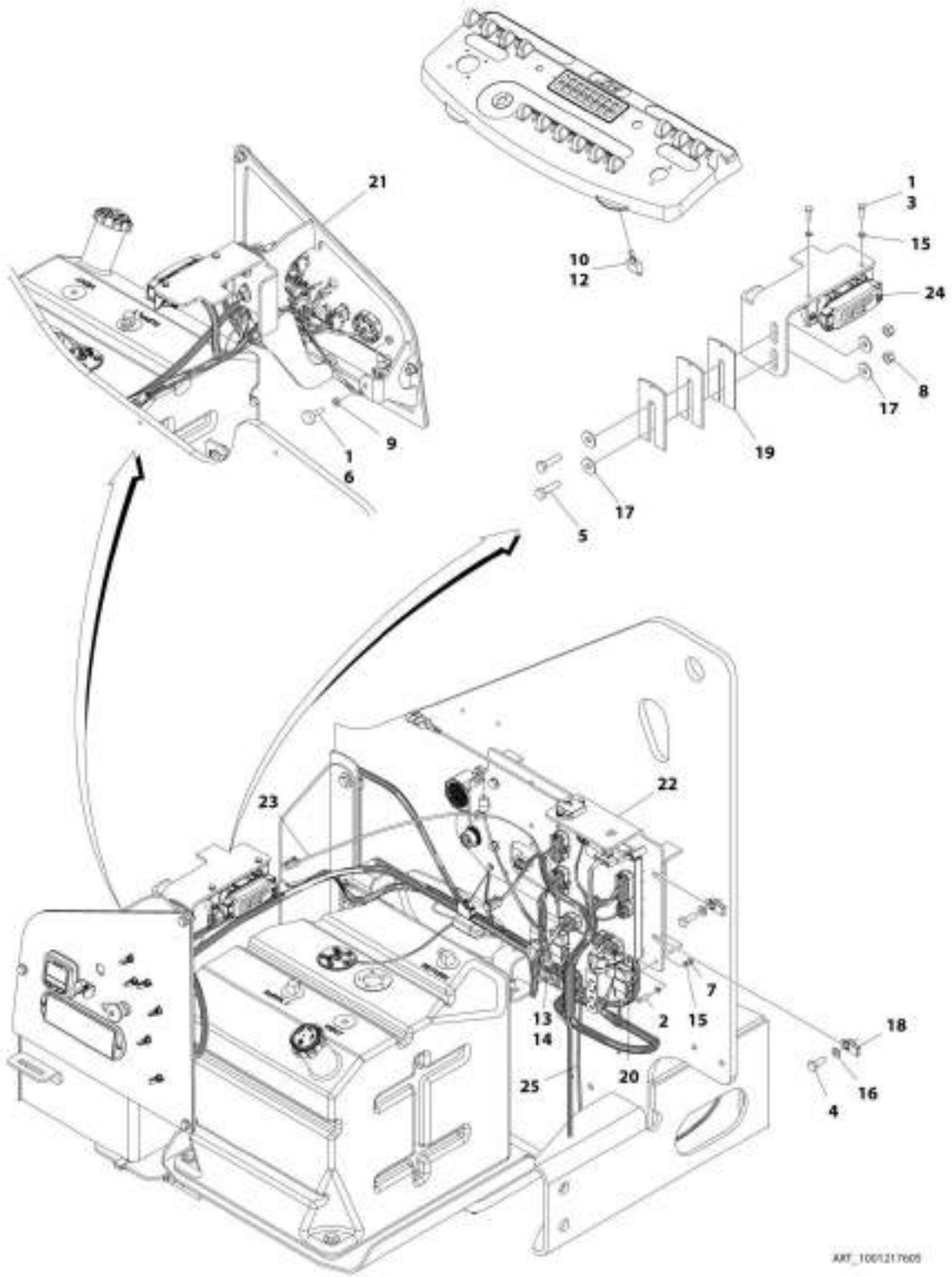
## SECTION 2 - TURNTABLE

**FIGURE 2-17. ELECTRICAL INSTALLATION - 400SC**

ITEM	PART NUMBER	QTY	DESCRIPTION	REV
	1001191457	Ref	ELECTRICAL INSTALLATION - 400SC	C
1	0761014	4	Bolt M10 x 30	
2	0761016	2	Bolt M10 x 40	
3	3291005	2	Nut M10	
4	4812000	4	Washer M10	
5	4812002	4	Washer M10	
6	1001150324	3	Shim 3	
7	1001191274	1	Harness, Turntable (See ELECTRICAL SECTION for Breakdown)	
8	1001196678	1	Harness, Main Valve (See ELECTRICAL SECTION for Breakdown)	
9	1001166964	1	Ground Control Box Harness (See ELECTRICAL SECTION for Breakdown)	
10	1001172757	1	Electrical Panel Assembly (See ELECTRICAL PANEL ASSEMBLY for Breakdown)	
11	1001173645	1	Ground Control Assembly (See GROUND CONTROL ASSEMBLY for Breakdown)	
12	0100011	AR	Compound, Locking	
13	0700612	1	Bolt M6 x 25	
14	0940049	1	Stopper, Hood	
15	3290605	1	Nut M6	
16	3311501	2	Nut 5/16	
17	4460470	1	Nut, Terminal	
18	4460471	1	Washer, Terminal	
19	4811700	4	Washer M6	
20	1001118972	4	Nut M10	
21	0760610	2	Bolt M6 x 20	
22	1001196637	1	Decal, Fuse Box <b>(SN 0300224020 to Present)</b>	

# SECTION 2 - TURNTABLE

## FIGURE 2-18. ELECTRICAL INSTALLATION - 460SJC



ARF\_1001217005



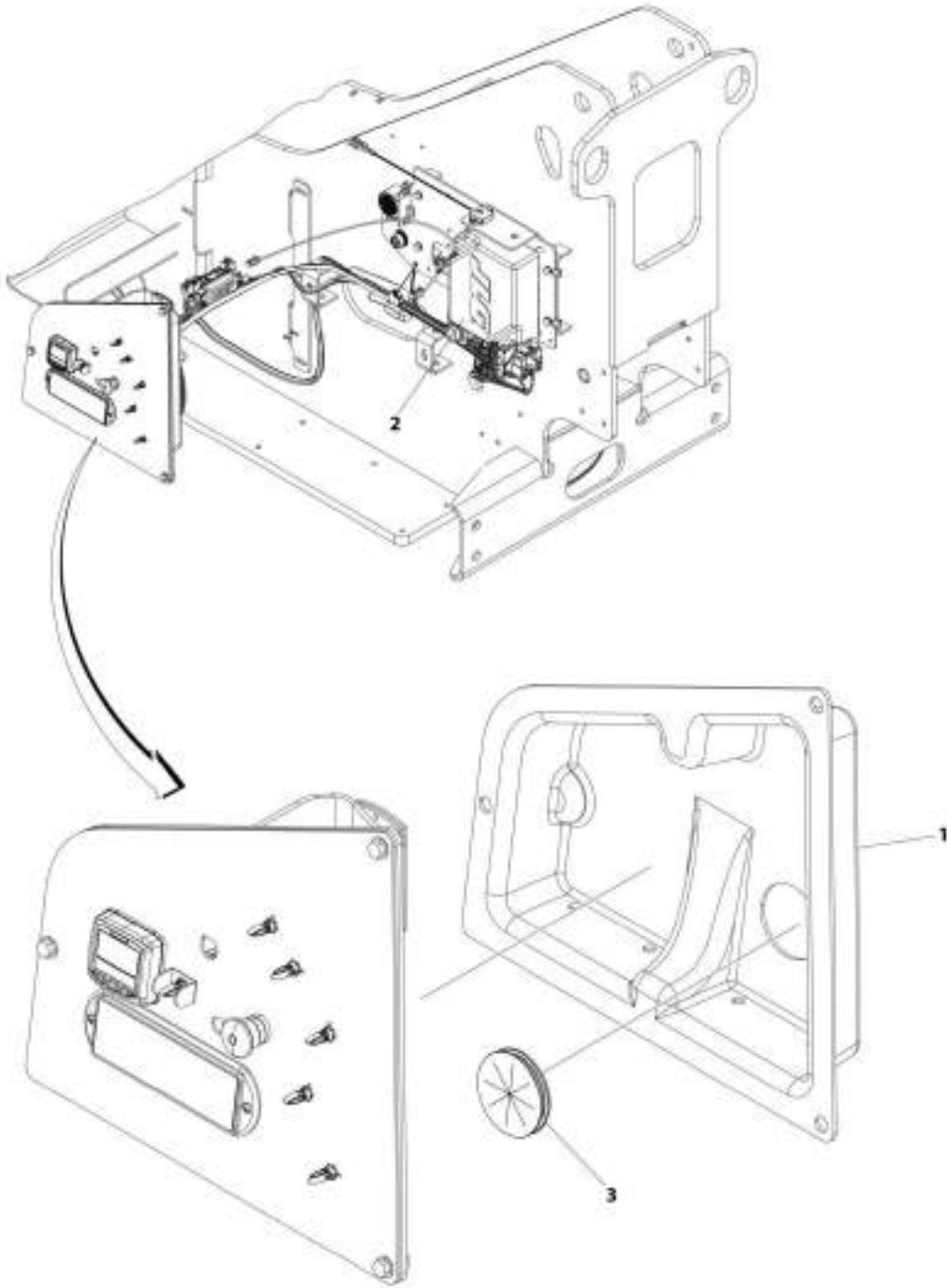
## SECTION 2 - TURNTABLE

**FIGURE 2-18. ELECTRICAL INSTALLATION - 460SJC**

ITEM	PART NUMBER	QTY	DESCRIPTION	REV
	1001217605	Ref	ELECTRICAL INSTALLATION - 460SJC	A
1	0100011	AR	Compound, Locking	
2	0700612	1	Bolt M6 x 25	
3	0760610	2	Bolt M6 x 20	
4	0761014	4	Bolt M10 x 30	
5	0761016	2	Bolt M10 x 40	
6	0940049	1	Stopper, Hood	
7	3290605	1	Nut M6	
8	3291005	2	Nut M10	
9	3311501	2	Nut 5/16	
10	3790012	1	O-Ring	
11	4240099	AR	Tie-Strap (Not Shown)	
12	4360328	1	Switch, Toggle	
13	4460470	1	Nut, Terminal	
14	4460471	1	Washer, Lock	
15	4811700	4	Washer M6	
16	4812000	4	Washer M10	
17	4812002	4	Washer M10	
18	1001118972	4	Nut M10	
19	1001150324	3	Shim 3	
20	1001166964	1	Ground Control Box Harness (See ELECTRICAL SECTION for Breakdown)	
21	1001169164	1	Mount, Ground Control	
22	1001172757	1	Electrical Panel Assembly (See ELECTRICAL PANEL ASSEMBLY for Breakdown)	
23	1001191274	1	Harness, Turntable (See ELECTRICAL SECTION for Breakdown)	
24	1001196637	1	Decal, Fuse Box	
25	1001196678	1	Harness, Main Valve (See ELECTRICAL SECTION for Breakdown)	

## SECTION 2 - TURNTABLE

FIGURE 2-19. TURNTABLE COVERS INSTALLATION (SN 0300227267 to Present)



ART\_1001219130

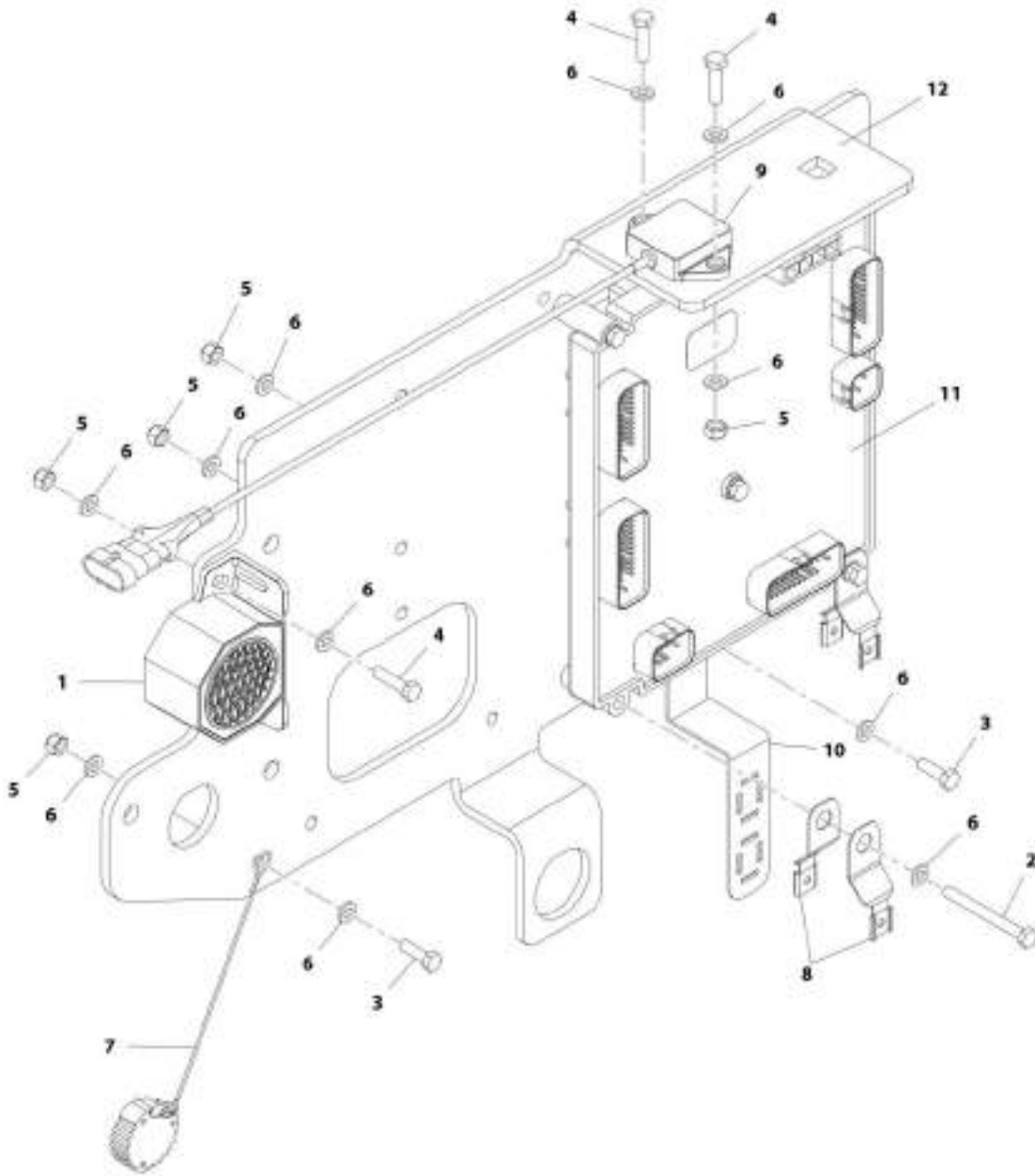
**SECTION 2 - TURNTABLE**

**FIGURE 2-19. TURNTABLE COVERS INSTALLATION (SN 0300227267 to Present)**

ITEM	PART NUMBER	QTY	DESCRIPTION	REV
	1001219130	Ref	<b>TURNTABLE COVERS INSTALLATION (SN 0300227267 to Present)</b>	A
1	1001218534	1	Cover, Control Panel	
2	1001218538	1	Cover, Controller	
3	1001218676	1	Grommet	

# SECTION 2 - TURNTABLE

## FIGURE 2-20. ELECTRICAL PANEL ASSEMBLY



AWT\_1001172757

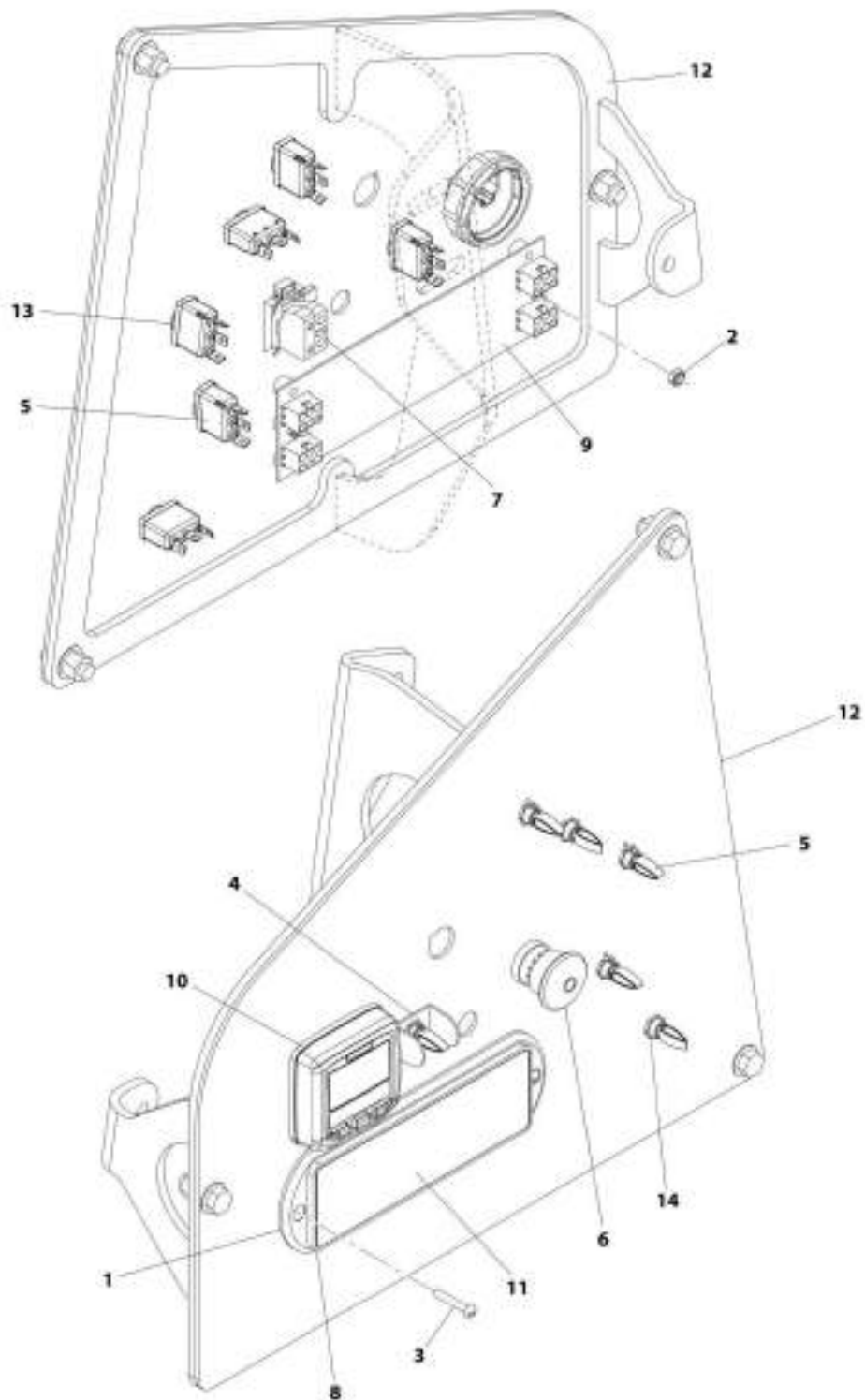
**SECTION 2 - TURNTABLE**

**FIGURE 2-20. ELECTRICAL PANEL ASSEMBLY**

ITEM	PART NUMBER	QTY	DESCRIPTION	REV
	1001172757	Ref	ELECTRICAL PANEL ASSEMBLY	E
1	0140043	1	Alarm	
1	4460536	1	Plug, Male - 3 Position	
1	4460943	3	Terminal	
2	0700620	5	Bolt M6 x 60	
3	0760610	2	Bolt M6 x 20	
4	0760612	4	Bolt M6 x 25	
5	3290605	11	Nut M6	
6	4811700	22	Washer M6	
7	1001106736	1	Cap, Dust	
8	1001120328	2	Clip, Mounting <b>(Prior to SN 0300220076)</b>	
8	1001120328	4	Clip, Mounting <b>(SN 0300220076 to Present)</b>	
9	1001181325	1	Sensor <b>(Prior to SN 0300239154)</b>	
9	1001219601	1	Sensor <b>(SN 0300239154 to Present)</b>	
9	See Note	1	Receptacle, Female - 4 Position	
9	See Note	4	Pin, Male	
10	1001159162	1	Bracket	
11	1001170094	1	Module, Ground Control	
		Ref	Note: Re-calibration Required when Replaced.	
12	1001172756	1	Plate <b>(Prior to SN 0300220076)</b>	
12	1001215373	1	Plate <b>(SN 0300220076 to Present)</b>	

## SECTION 2 - TURNTABLE

FIGURE 2-21. GROUND CONTROL ASSEMBLY



ART\_100173645

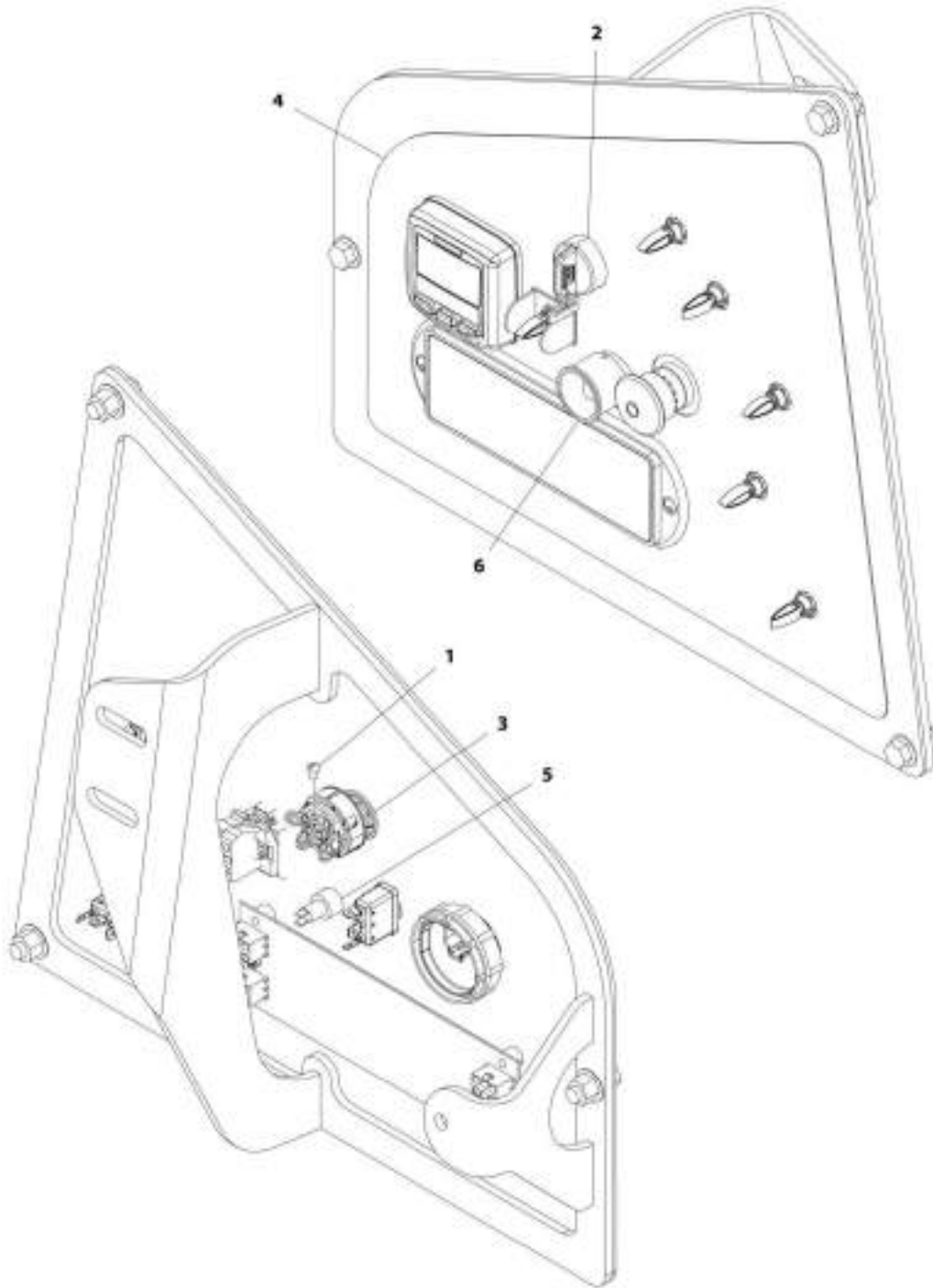
**SECTION 2 - TURNTABLE**

**FIGURE 2-21. GROUND CONTROL ASSEMBLY**

ITEM	PART NUMBER	QTY	DESCRIPTION	REV
	1001173645	Ref	GROUND CONTROL ASSEMBLY	C
1	1671176	1	Cover (Prior to SN 0300211862)	
1	1670829	1	Cover (SN 0300211862 to Present)	
2	3300408	2	Nut	
3	3911018	2	Screw #10 x 1-1/8	
4	4060906	1	Guard, Switch	
5	1001155045	6	Switch, Toggle	
6	4360475	1	Switch, Emergency Stop	
6	7020175	1	Cap	
6	7020176	1	Block, Contact	
7	4360476	1	Block, Contact	
8	1001146220	1	Housing, Display	
9	1001170838	1	Panel, LED	
10	1001171482	1	Gauge	
11	1001173529	1	Panel, Display	
12	1001173644	1	Panel, Ground Control	
13	1001155043	6	Washer	
14	1001155044	6	Nut 15/32	

## SECTION 2 - TURNTABLE

FIGURE 2-22. GROUND CONTROL DECAL AND KEY SWITCH INSTALLATION - 400SC (CE SPECS)



ART\_001161634



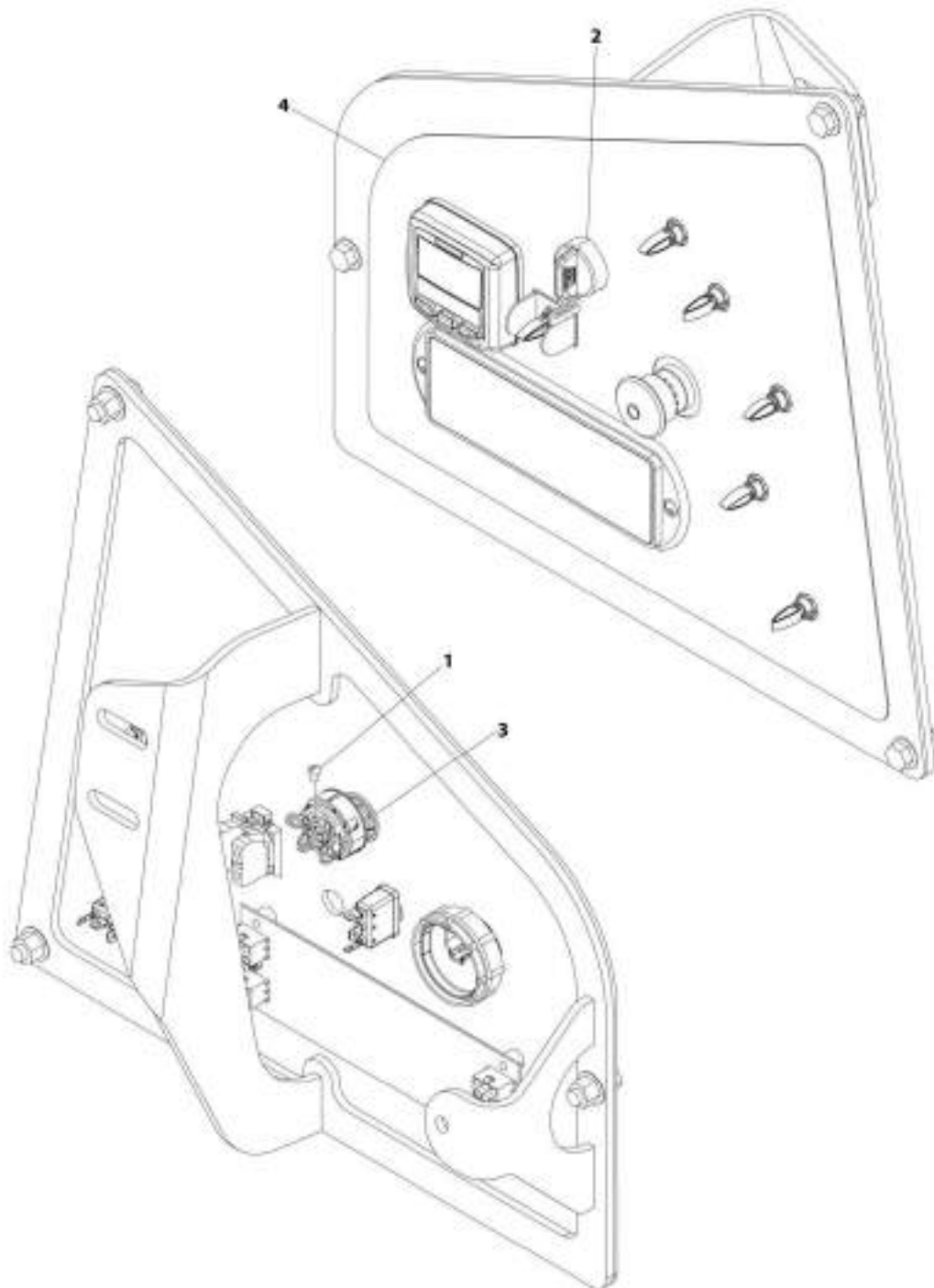
**SECTION 2 - TURNTABLE**

**FIGURE 2-22. GROUND CONTROL DECAL AND KEY SWITCH INSTALLATION - 400SC (CE SPECS)**

ITEM	PART NUMBER	QTY	DESCRIPTION	REV
	1001191934	Ref	GROUND CONTROL DECAL AND KEY SWITCH INSTALLATION - 400SC (CE SPECS)	A
1	3910804	6	Screw #8 x 1/4	
2	4360469	1	Switch, Key	
2	2860030	1	Key, Replacement	
3	1001151393	1	Shim .063	
4	1001182516	1	Decal - Ground Control	
5	4360387	1	Switch, Push Button	
6	1001176469	1	Shroud, Switch	

## SECTION 2 - TURNTABLE

FIGURE 2-23. GROUND CONTROL DECAL AND KEY SWITCH INSTALLATION - 400SC (ANSI EXPORT SPECS) (SN 0300224020 to Present)



ART\_1001215384

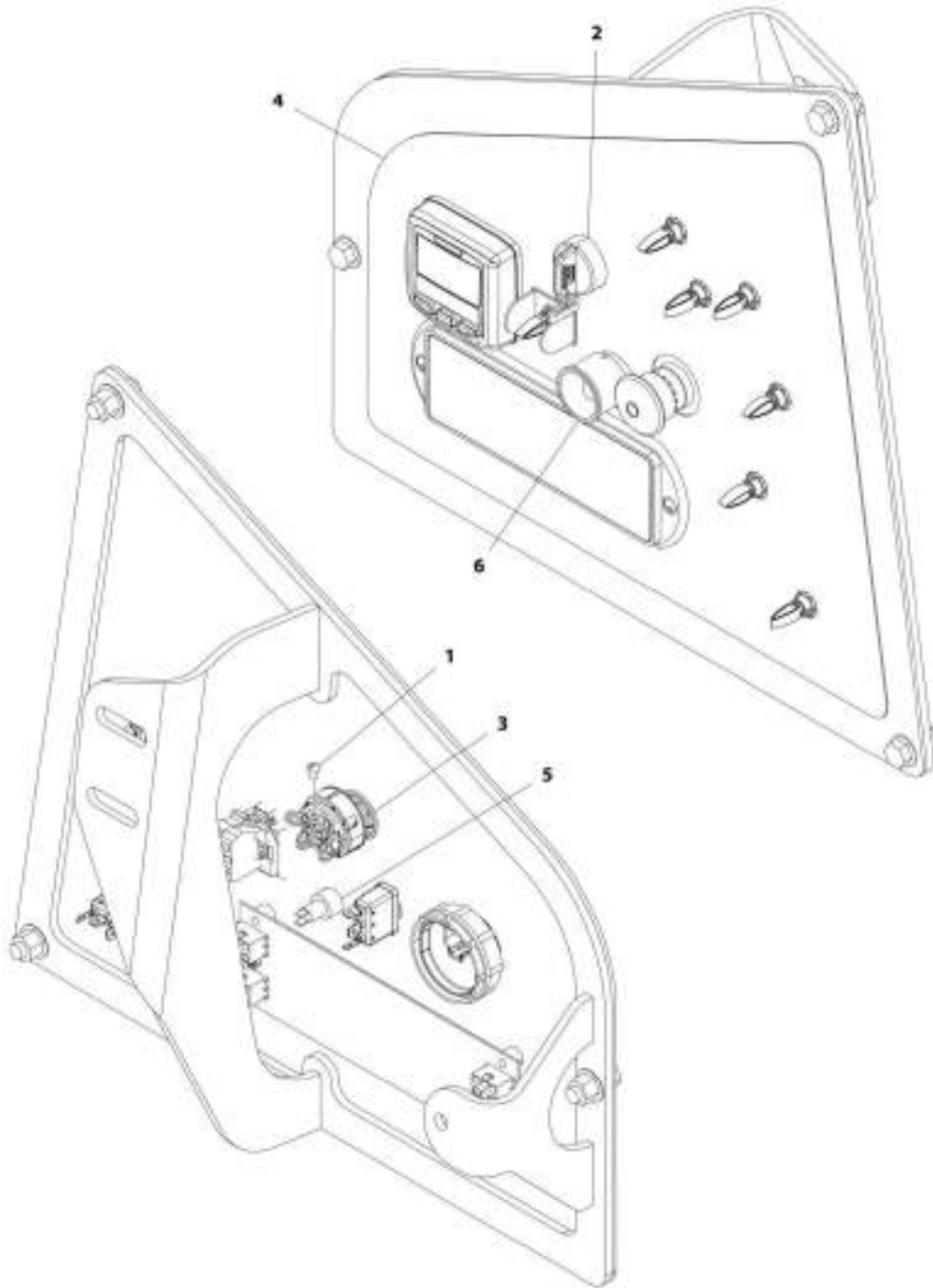
**SECTION 2 - TURNTABLE**

**FIGURE 2-23. GROUND CONTROL DECAL AND KEY SWITCH INSTALLATION - 400SC (ANSI EXPORT SPECS) (SN 0300224020 to Present)**

ITEM	PART NUMBER	QTY	DESCRIPTION	REV
	1001215594	Ref	GROUND CONTROL DECAL AND KEY SWITCH INSTALLATION - 400SC (ANSI EXPORT SPECS) (SN 0300224020 to Present)	A
1	3910804	6	Screw #8 x 1/4	
2	4360469	1	Switch, Key	
2	2860030	1	Key, Replacement	
3	1001151393	1	Shim .063	
4	1001215595	1	Decal - Ground Control	

## SECTION 2 - TURNTABLE

FIGURE 2-24. GROUND CONTROL DECAL AND KEY SWITCH INSTALLATION - 460SJC (CE SPECS)



ART\_00121592

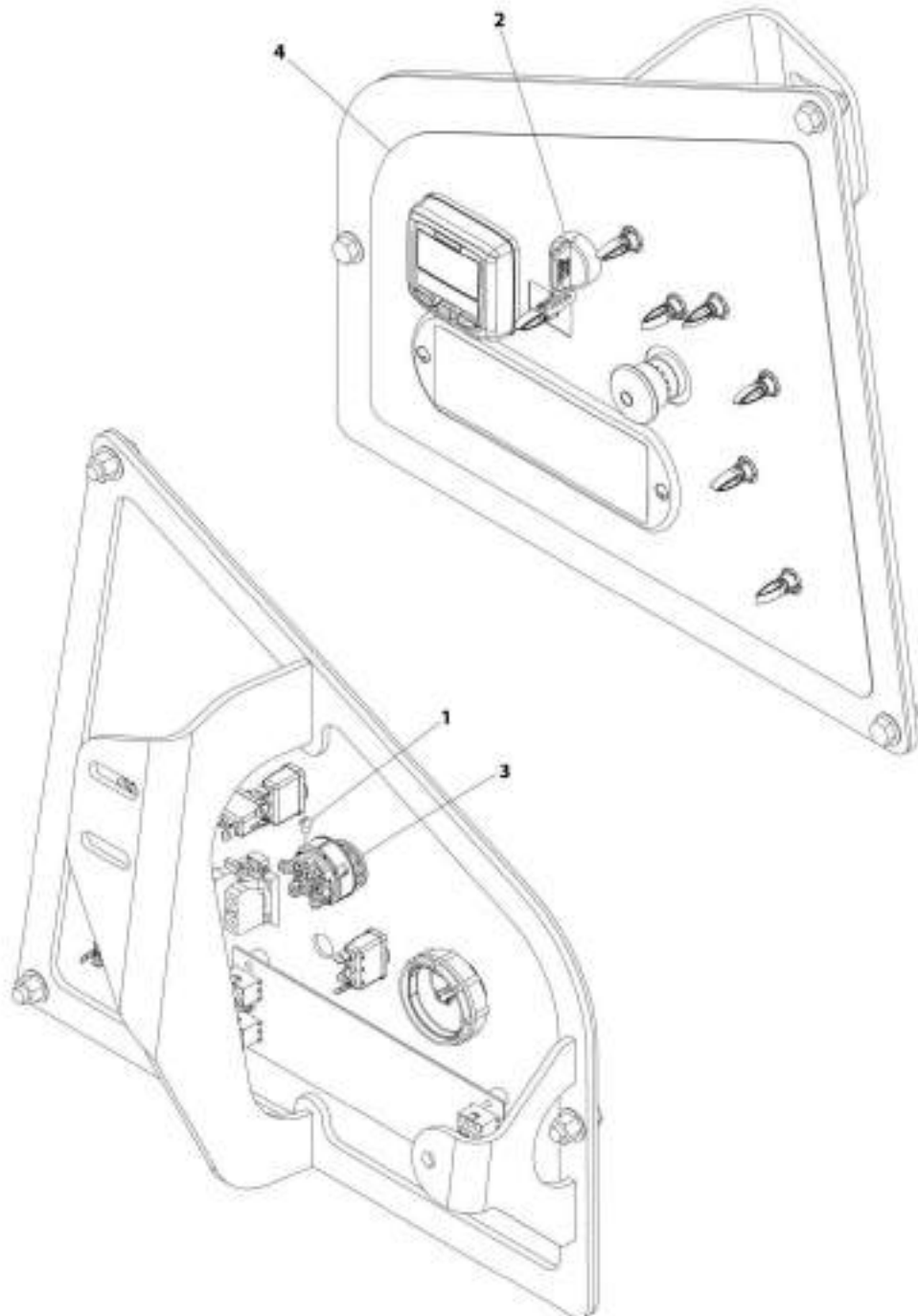
**SECTION 2 - TURNTABLE**

**FIGURE 2-24. GROUND CONTROL DECAL AND KEY SWITCH INSTALLATION - 460SJC (CE SPECS)**

ITEM	PART NUMBER	QTY	DESCRIPTION	REV
	1001215592	Ref	GROUND CONTROL DECAL AND KEY SWITCH INSTALLATION - 460SJC (CE SPECS)	A
1	3910804	6	Screw #8 x 1/4	
2	4360469	1	Switch, Key	
2	2860030	1	Key, Replacement	
3	1001151393	1	Shim .063	
4	1001215597	1	Decal - Ground Control	
5	4360387	1	Switch, Push Button	
6	1001176469	1	Shroud, Switch	

## SECTION 2 - TURNTABLE

FIGURE 2-25. GROUND CONTROL DECAL AND KEY SWITCH INSTALLATION - 460SJC (ANSI EXPORT SPECS) (SN 0300224020 to Present)



ART\_1001215593

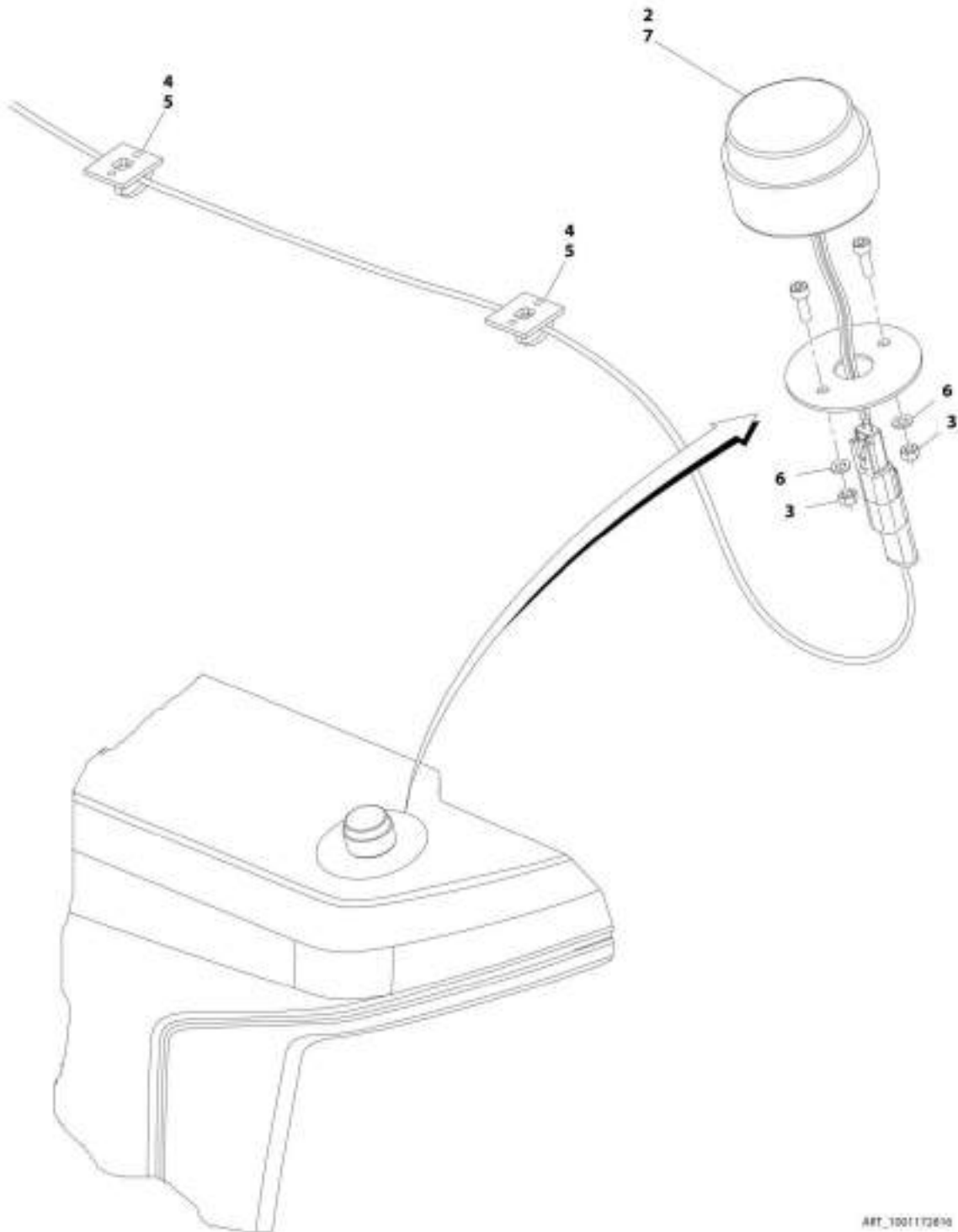
**SECTION 2 - TURNTABLE**

**FIGURE 2-25. GROUND CONTROL DECAL AND KEY SWITCH INSTALLATION - 460SJC (ANSI EXPORT SPECS) (SN 0300224020 to Present)**

ITEM	PART NUMBER	QTY	DESCRIPTION	REV
	1001215593	Ref	GROUND CONTROL DECAL AND KEY SWITCH INSTALLATION - 460SJC (ANSI EXPORT SPECS) (SN 0300224020 to Present)	A
1	3910804	6	Screw #8 x 1/4	
2	4360469	1	Switch, Key	
2	2860030	1	Key, Replacement	
3	1001151393	1	Shim .063	
4	1001215596	1	Decal - Ground Control	

## SECTION 2 - TURNTABLE

FIGURE 2-26. BEACON LIGHT INSTALLATION - AMBER



ART\_1001172610



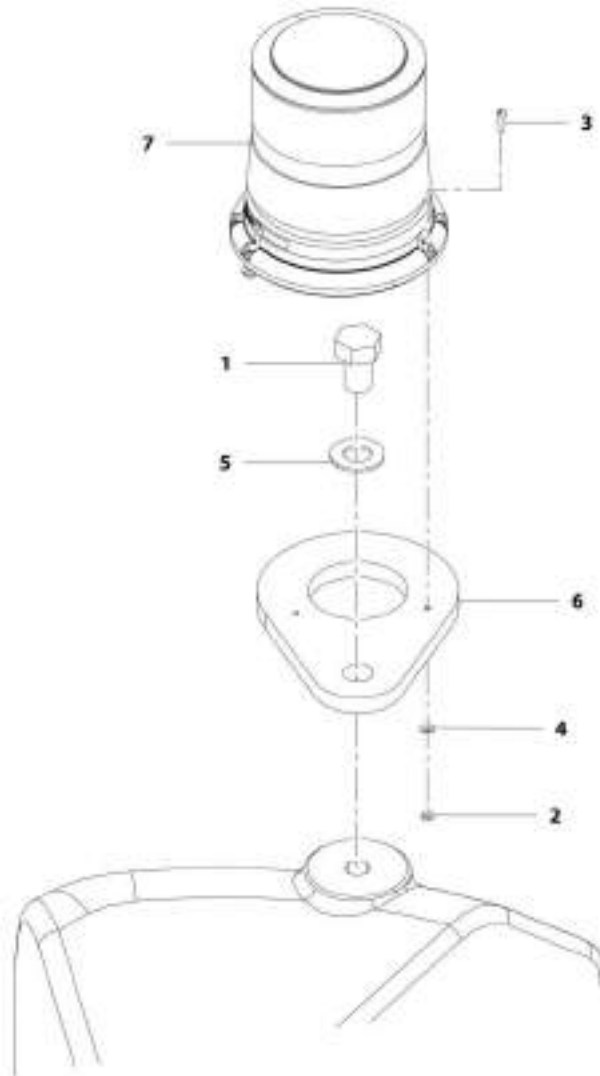
**SECTION 2 - TURNTABLE**

**FIGURE 2-26. BEACON LIGHT INSTALLATION - AMBER**

ITEM	PART NUMBER	QTY	DESCRIPTION	REV
	1001172816	Ref	BEACON LIGHT INSTALLATION - AMBER	C
1	0760408	2	Bolt M4 x 16 (Not Shown) <b>(Prior to SN 0300215837)</b>	
2	2920161	1	Light, Beacon <b>(Prior to SN 0300215837)</b>	
2	7016319	1	Bulb <b>(Prior to SN 0300215837)</b>	
2	7016372	1	Lens <b>(Prior to SN 0300215837)</b>	
2	4460891	1	Plug, Male - 2 Position <b>(Prior to SN 0300215837)</b>	
2	4460465	2	Socket, Female <b>(Prior to SN 0300215837)</b>	
2	1001181405	1	Light, Beacon <b>(SN 0300215837 to Present)</b>	
3	3290405	2	Nut M4 <b>(Prior to SN 0300215837)</b>	
3	3290505	2	Nut M5 <b>(SN 0300215837 to Present)</b>	
4	4240032	2	Tie-Strap	
5	4460234	2	Mount, Tie-Strap	
6	1001091102	2	Washer M4 <b>(Prior to SN 0300215837)</b>	
6	4811600	2	Washer M5 <b>(SN 0300215837 to Present)</b>	
7	0100048	1	Silicon, Compound <b>(SN 0300215837 to Present)</b>	

## SECTION 2 - TURNTABLE

FIGURE 2-27. BEACON LIGHT INSTALLATION - BLUE (Prior to SN 0300217319)



ART\_300189184

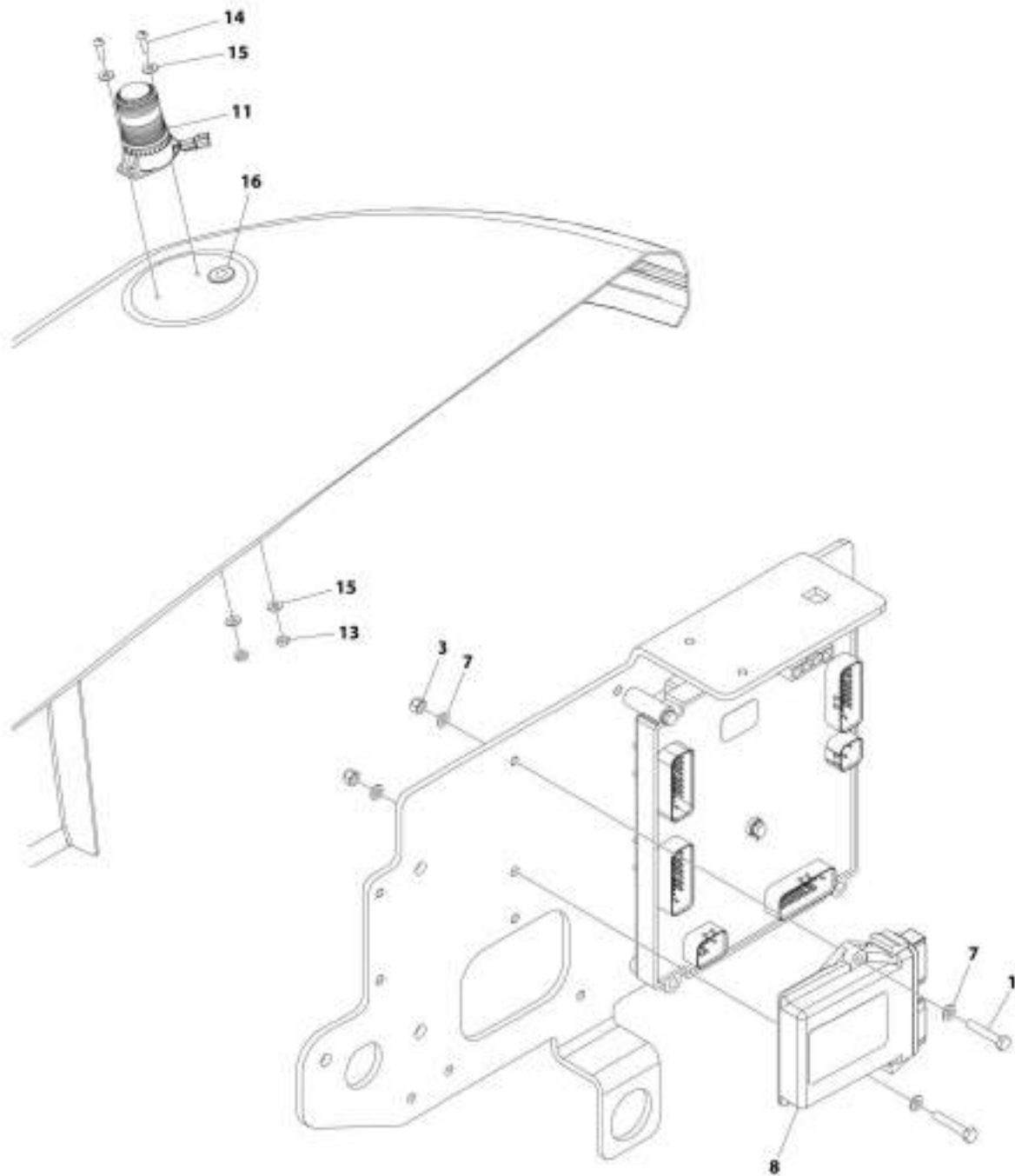
**SECTION 2 - TURNTABLE**

**FIGURE 2-27. BEACON LIGHT INSTALLATION - BLUE (Prior to SN 0300217319)**

ITEM	PART NUMBER	QTY	DESCRIPTION	REV
	1001189194	Ref	BEACON LIGHT INSTALLATION - BLUE (Prior to SN <b>0300217319</b> )	A
1	0642612	1	Bolt 1 x 1-1/2	
2	3311005	3	Nut #10	
3	3911012	3	Screw #10 x 3/4	
4	4711000	3	Washer #10	
5	4712600	1	Washer 1	
6	1001142694	1	Bracket, Mounting	
7	1001143431	1	Light, Beacon	
7	4460897	1	Receptacle, Female - 2 Position	
7	4460943	2	Pin, Male	
8	1001149570	1	Beacon Harness (Not Shown - See ELECTRICAL SECTION for Breakdown)	

## SECTION 2 - TURNTABLE

FIGURE 2-28. BEACON LIGHT INSTALLATION - BLUE (SN 0300217319 to Present)



AWF\_1001107424

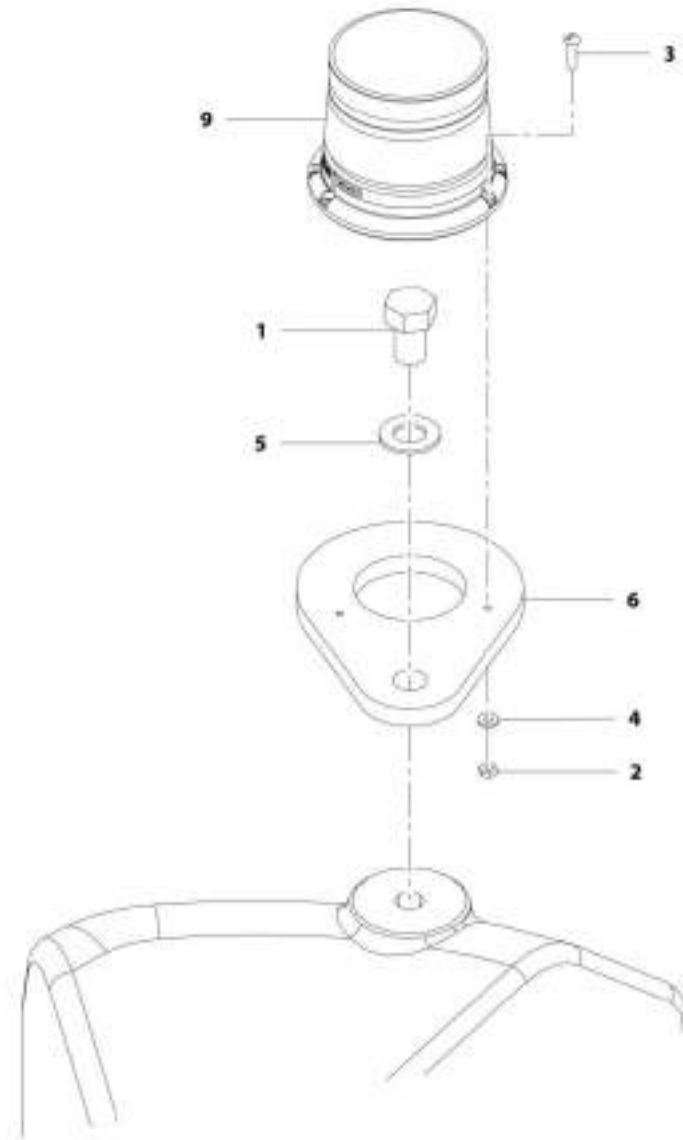
## SECTION 2 - TURNTABLE

**FIGURE 2-28. BEACON LIGHT INSTALLATION - BLUE (SN 0300217319 to Present)**

ITEM	PART NUMBER	QTY	DESCRIPTION	REV
	1001197424	Ref	BEACON LIGHT INSTALLATION - BLUE (SN 0300217319 to Present)	E
1	0760615	2	Bolt M6 x 35	
3	3290605	2	Nut M6	
5	4240099	AR	Tie-Strap (Not Shown)	
7	4811700	4	Washer M6	
8	1001142683	1	Control Module (Note: Re-calibration Required when Replaced)	
9	1001142736	1	Beacon Harness (Not Shown - See ELECTRICAL SECTION for Breakdown)	
11	1001200910	1	Light, Beacon	
11	4460897	1	Receptacle, Female - 2 Position	
11	4460943	2	Pin, Male	
13	3311005	2	Nut #10	
14	3911010	2	Screw #10 x 5/8	
15	4711000	4	Washer #10	
16	2540020	1	Grommet, Insulation	

## SECTION 2 - TURNTABLE

FIGURE 2-29. BEACON LIGHT INSTALLATION - RED (Prior to SN 0300217319)



ART\_106120711

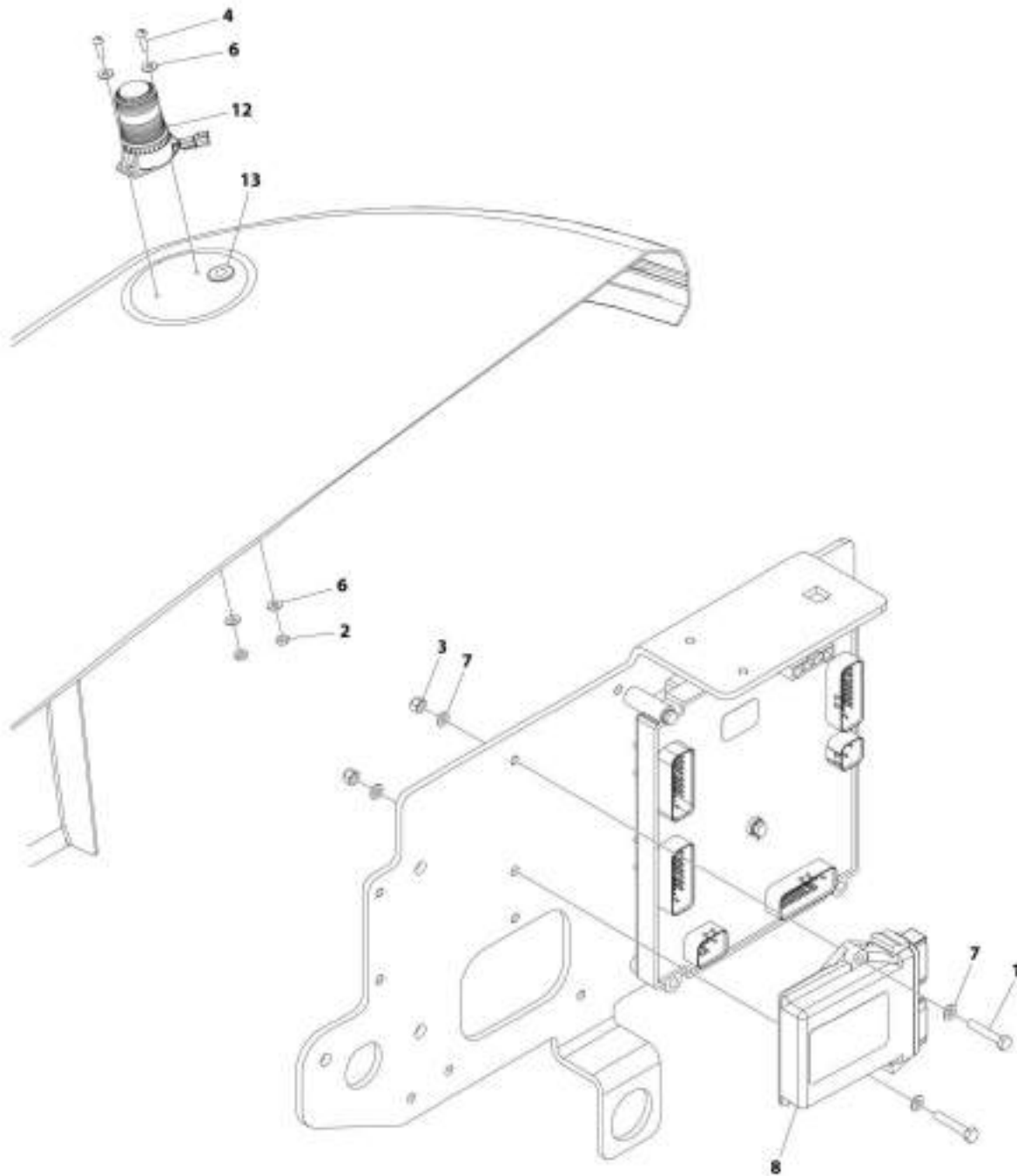
**SECTION 2 - TURNTABLE**

**FIGURE 2-29. BEACON LIGHT INSTALLATION - RED (Prior to SN 0300217319)**

<b>ITEM</b>	<b>PART NUMBER</b>	<b>QTY</b>	<b>DESCRIPTION</b>	<b>REV</b>
	1001207311	Ref	BEACON LIGHT INSTALLATION - RED (Prior to SN 0300217319)	A
1	0642612	1	Bolt 1 x 1-1/2	
2	3311005	3	Nut #10	
3	3911012	3	Screw #10 x 3/4	
4	4711000	3	Washer #10	
5	4712600	1	Washer 1	
6	1001142694	1	Bracket, Mounting	
7	1001149570	1	Beacon Harness (Not Shown - See ELECTRICAL SECTION for Breakdown)	
8	1001187508	1	SkyGuard System Installation (Not Shown - See SKYGUARD SYSTEM INSTALLATION for Breakdown)	
9	1001197067	1	Lamp, Beacon	

## SECTION 2 - TURNTABLE

FIGURE 2-30. BEACON LIGHT INSTALLATION - RED (SN 0300217319 to Present)



AMP\_1065207316



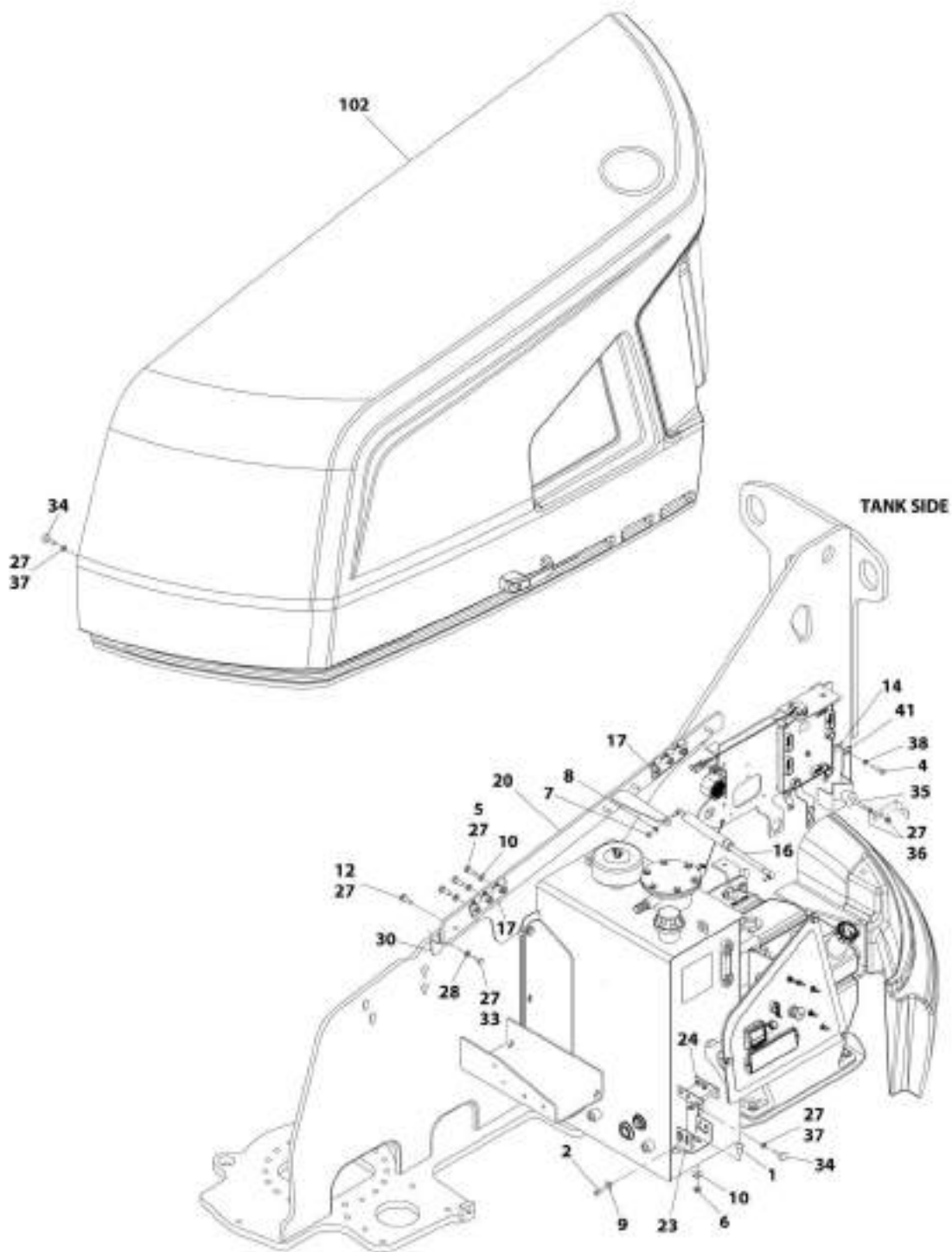
## SECTION 2 - TURNTABLE

**FIGURE 2-30. BEACON LIGHT INSTALLATION - RED (SN 0300217319 to Present)**

ITEM	PART NUMBER	QTY	DESCRIPTION	REV
	1001207316	Ref	<b>BEACON LIGHT INSTALLATION - RED (SN 0300217319 to Present)</b>	D
1	0760615	2	Bolt M6 x 35	
2	3311505	2	Nut #10	
3	3290605	2	Nut M6	
4	3911010	2	Screw #10 x 5/8	
5	4240099	AR	Tie-Strap (Not Shown)	
6	4711000	4	Washer #10	
7	4811700	4	Washer M6	
8	1001142683	1	Control Module (Note: Re-calibration Required when Replaced)	
9	1001142736	1	Beacon Harness (Not Shown - See ELECTRICAL SECTION for Breakdown)	
12	1001207004	1	Light, Red Beacon	
12	4460897	1	Receptacle, Female - 2 Position	
12	4460943	2	Pin, Male	
13	2540020	1	Grommet, Insulation	

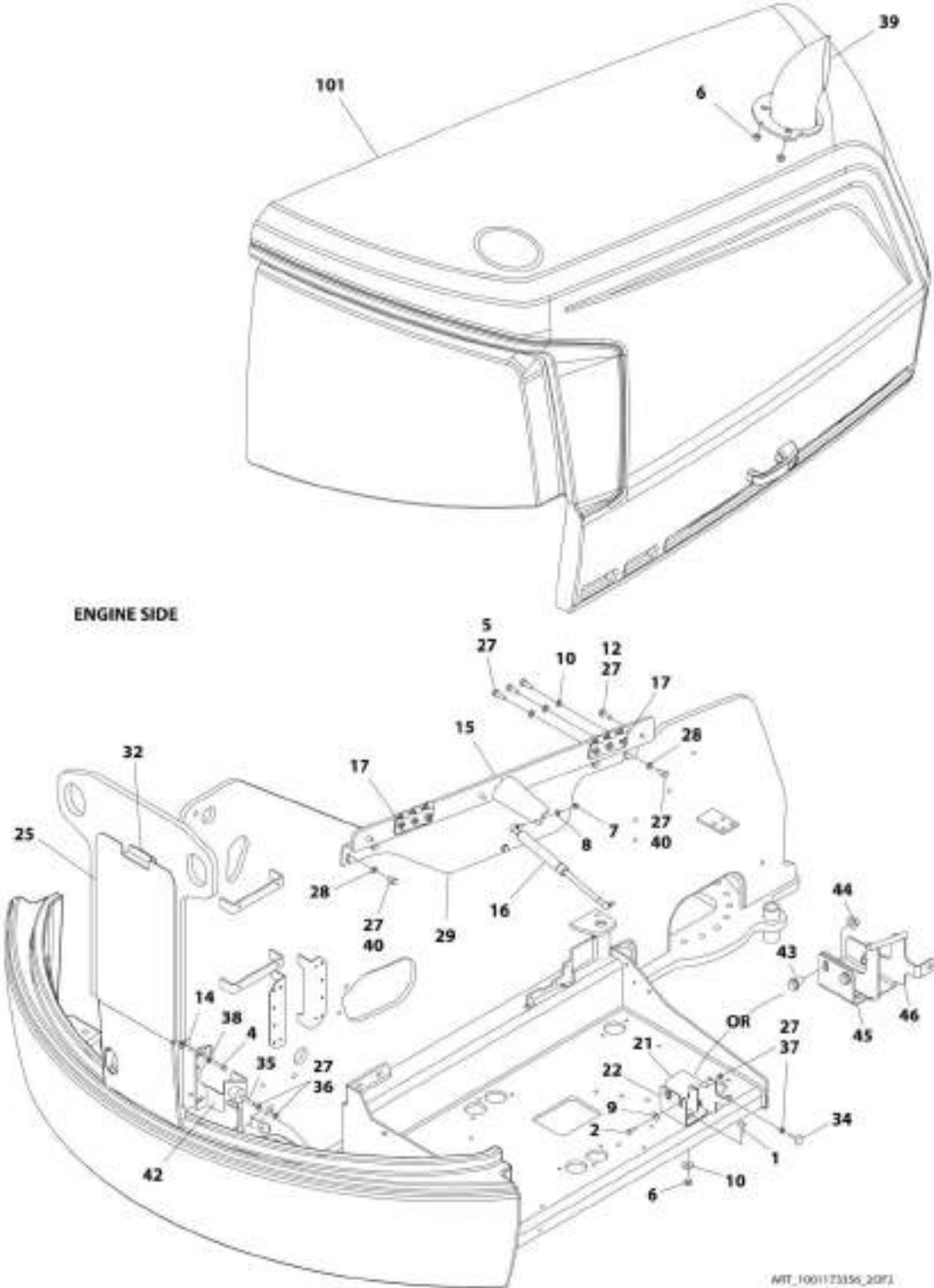
# SECTION 2 - TURNTABLE

## FIGURE 2-31. HOOD INSTALLATION



ART\_1001173316\_10F2

SECTION 2 - TURNTABLE



MIT\_100173156\_20F1

## SECTION 2 - TURNTABLE

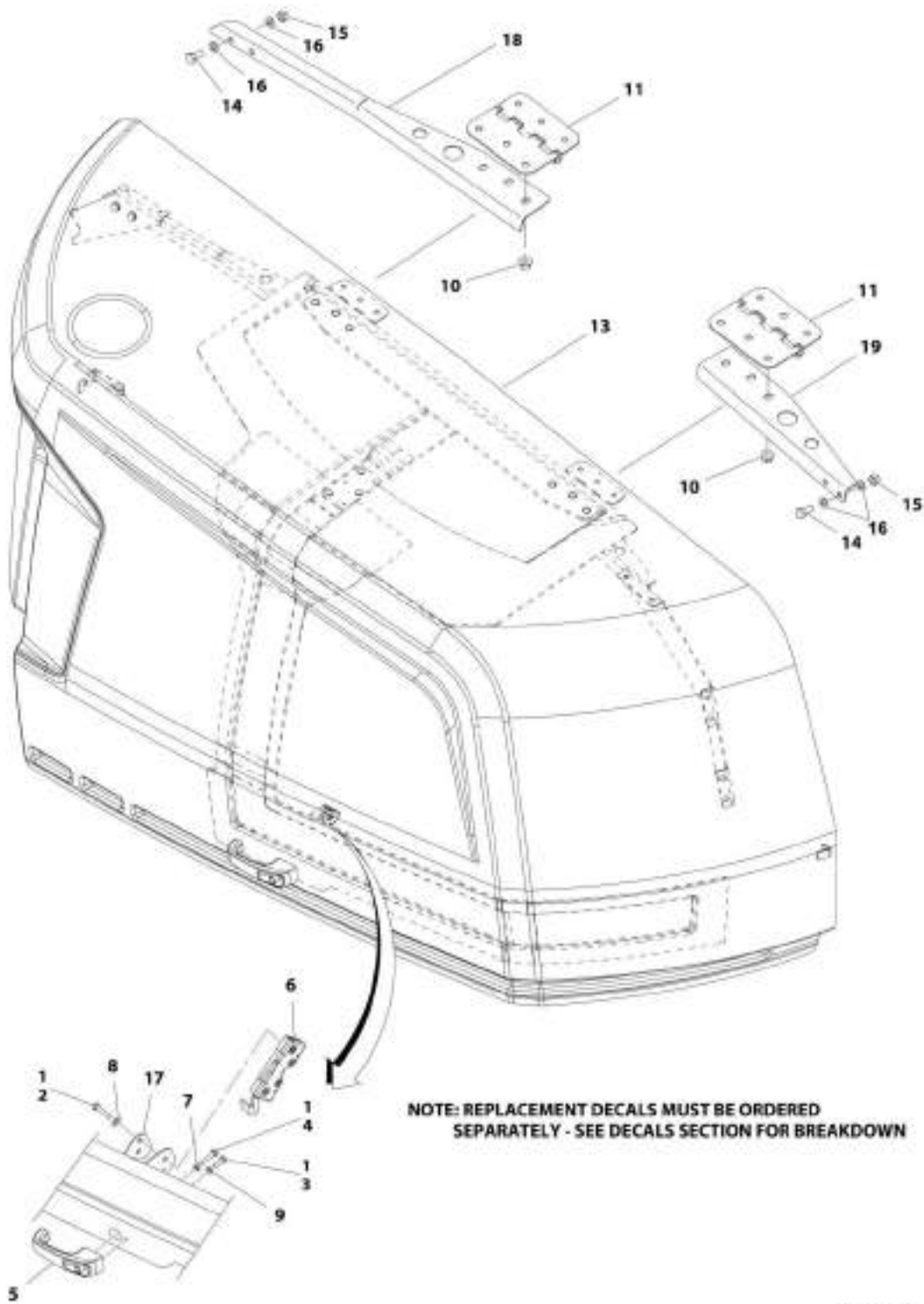
### FIGURE 2-31. HOOD INSTALLATION

ITEM	PART NUMBER	QTY	DESCRIPTION	REV
	1001173356	Ref	HOOD INSTALLATION	J
1	0630613	4	Bolt M10 x 30	
2	0760810	8	Bolt M8 x 20	
4	0760816	4	Bolt M8 x 40	
5	0761014	12	Bolt M10 x 30	
6	3291005	7	Nut M10	
7	3311505	2	Nut 5/16	
8	4711500	2	Washer 5/16	
9	4811902	AR	Washer M8	
10	4812002	16	Washer M10	
12	5251014	8	Bolt M10 x 30	
14	1001149160	4	Nut, Tinnerman M8	
15	1001167159	1	Mount, Adjustment	
16	4160182	2	Spring, Gas	
17	1001169046	4	Nut	
20	1001170850	1	Mount, Adjustment	
21	1001172613	1	Support <b>(Prior to SN 0300227266)</b>	
22	1001172614	1	Mount, Latch <b>(Prior to SN 0300227266)</b>	
23	1001172615	1	Mount, Latch	
24	1001172617	1	Support	
25	1001173354	1	Cover	
27	0100011	AR	Compound, Locking	
28	4812000	10	Washer M10	
29	1001165060	1	Plate	
30	1001168173	1	Mount, Hinge	
32	90200755	AR	Tape, Gasket	
34	0940049	4	Stopper	
35	0940071	2	Bumper <b>(Prior to SN 0300214985)</b>	
35	1001206314	2	Bumper <b>(SN 0300214985 to Present)</b>	
36	3271601	4	Nut 3/8	
37	3311501	8	Nut 5/16	
38	4811900	4	Washer M8	
38	4811902	4	Washer M8	
39	1001174098	1	Outlet, Exhaust	
40	0761012	10	Bolt M10 x 25	
41	1001199207	1	Bracket, Bumper	
42	1001199901	1	Bracket, Bumper	
43	5251009	3	Bolt M10 x 18 <b>(SN 0300227266 to Present)</b>	
44	5261000	3	Nut M10 <b>(SN 0300227266 to Present)</b>	
45	1001223078	1	Mount, Latch <b>(SN 0300227266 to Present)</b>	
46	1001223161	1	Support <b>(SN 0300227266 to Present)</b>	
100	1001202298	1	Hood Kit (Not Shown) (Includes Items 101-102)	
101	1001170551	1	Hood Assembly - Engine Side (See HOOD ASSEMBLY - ENGINE SIDE for Breakdown)	
102	1001170552	1	Hood Assembly - Tank Side (See HOOD ASSEMBLY - TANK SIDE for Breakdown)	



## SECTION 2 - TURNTABLE

FIGURE 2-32. HOOD ASSEMBLY - ENGINE SIDE



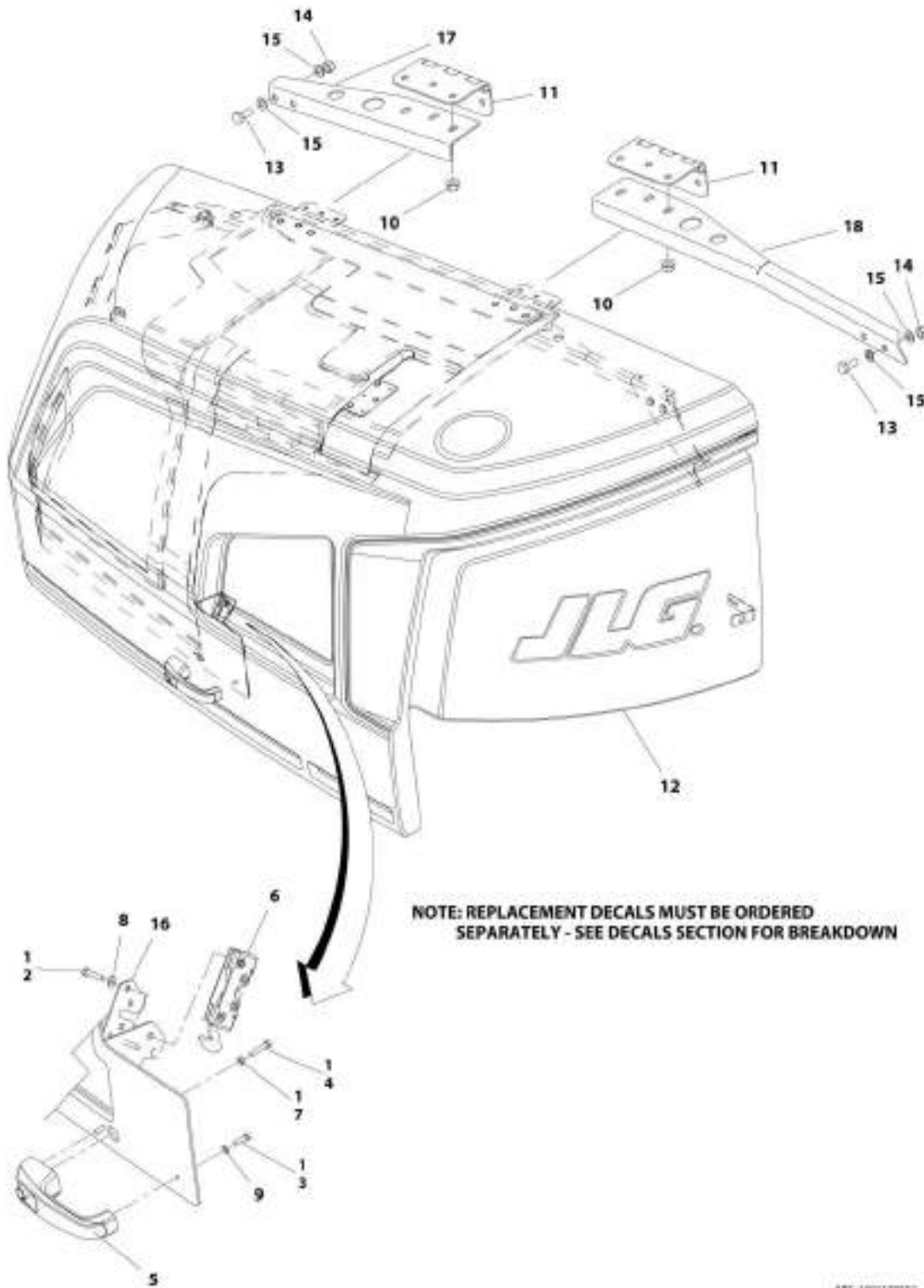
**SECTION 2 - TURNTABLE**

**FIGURE 2-32. HOOD ASSEMBLY - ENGINE SIDE**

ITEM	PART NUMBER	QTY	DESCRIPTION	REV
	1001170551	Ref	HOOD ASSEMBLY - ENGINE SIDE	F
1	0100011	AR	Compound, Locking	
2	0641410	4	Bolt 1/4 x 1-1/4	
3	0760610	2	Bolt M6 x 20	
4	0760614	1	Bolt M6 x 30	
5	2560187	1	Handle, Push Button	
6	2940173	1	Latch, Rotary	
7	3290601	1	Nut M6	
8	4711400	4	Washer 1/4	
9	4811700	2	Washer M6	
10	5261018	6	Nut M10 (Grade 10.9)	
11	1001139384	2	Hinge	
13	1001173461	1	Hood, Engine Side, Bonded Assembly	
14	0761012	4	Bolt M10 x 25	
15	3291005	4	Nut, Lock M10	
16	4812000	8	Washer M10	
17	1001200458	1	Plate	
18	1001201636	1	Bracket, Support	
19	1001201635	1	Bracket, Support	

## SECTION 2 - TURNTABLE

FIGURE 2-33. HOOD ASSEMBLY - TANK SIDE





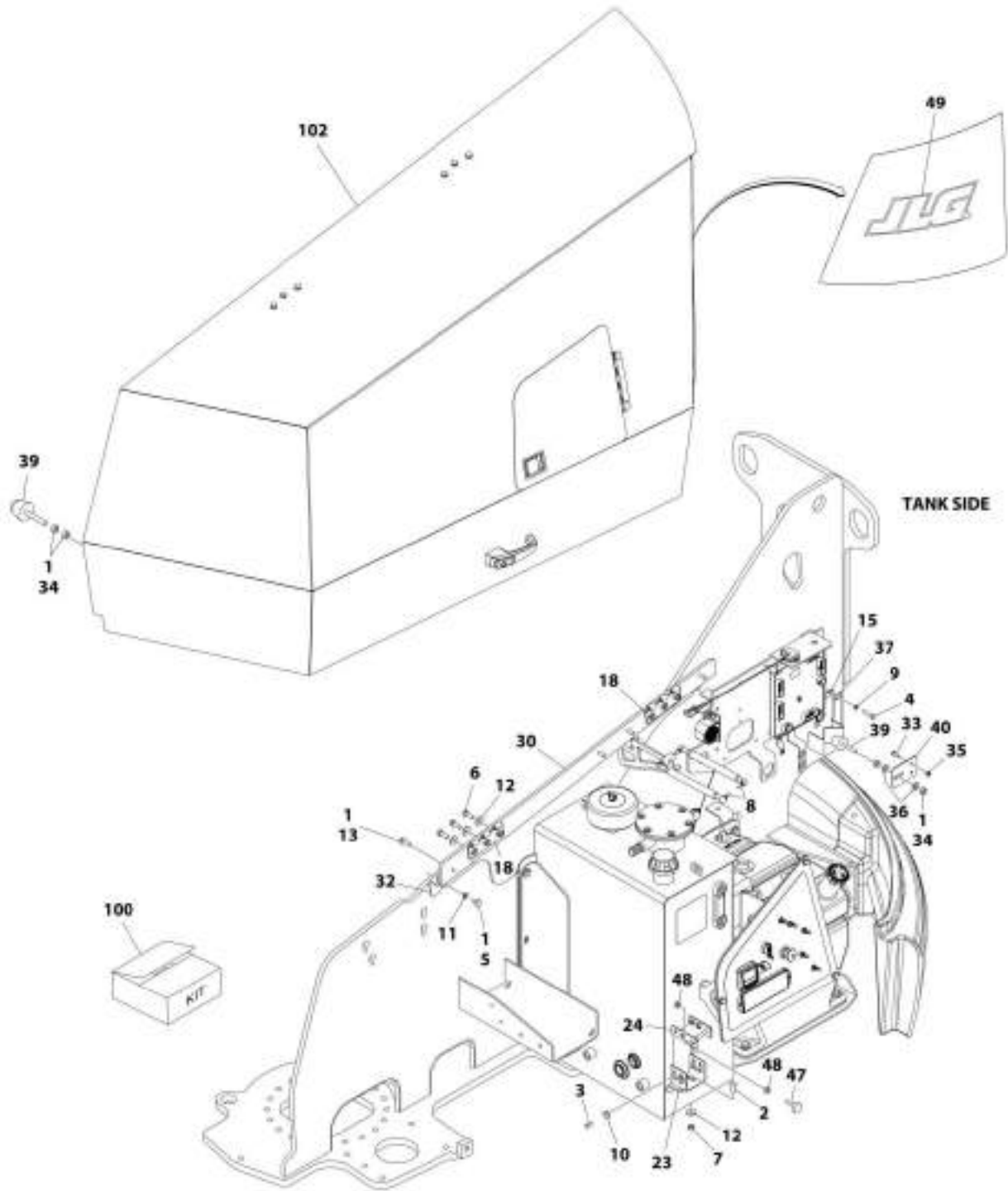
**SECTION 2 - TURNTABLE**

**FIGURE 2-33. HOOD ASSEMBLY - TANK SIDE**

ITEM	PART NUMBER	QTY	DESCRIPTION	REV
	1001170552	Ref	HOOD ASSEMBLY - TANK SIDE	D
1	0100011	AR	Compound, Locking	
2	0641410	4	Bolt 1/4 x 1-1/4	
3	0760610	2	Bolt M6 x 20	
4	0760614	1	Bolt M6 x 30	
5	2560187	1	Handle, Push Button	
6	2940173	1	Latch, Rotary	
7	3290601	1	Nut M6	
8	4711400	4	Washer 1/4	
9	4811700	2	Washer M6	
10	5261018	6	Nut M10 (Grade 10.9)	
11	1001139384	2	Hinge	
12	1001173466	1	Hood, Tank Side, Bonded Assembly	
13	0761012	4	Bolt M10 x 25	
14	3291005	4	Nut, Lock M10	
15	4812000	8	Washer M10	
16	1001200458	1	Plate	
17	1001201633	1	Bracket, Support	
18	1001201634	1	Bracket, Support	

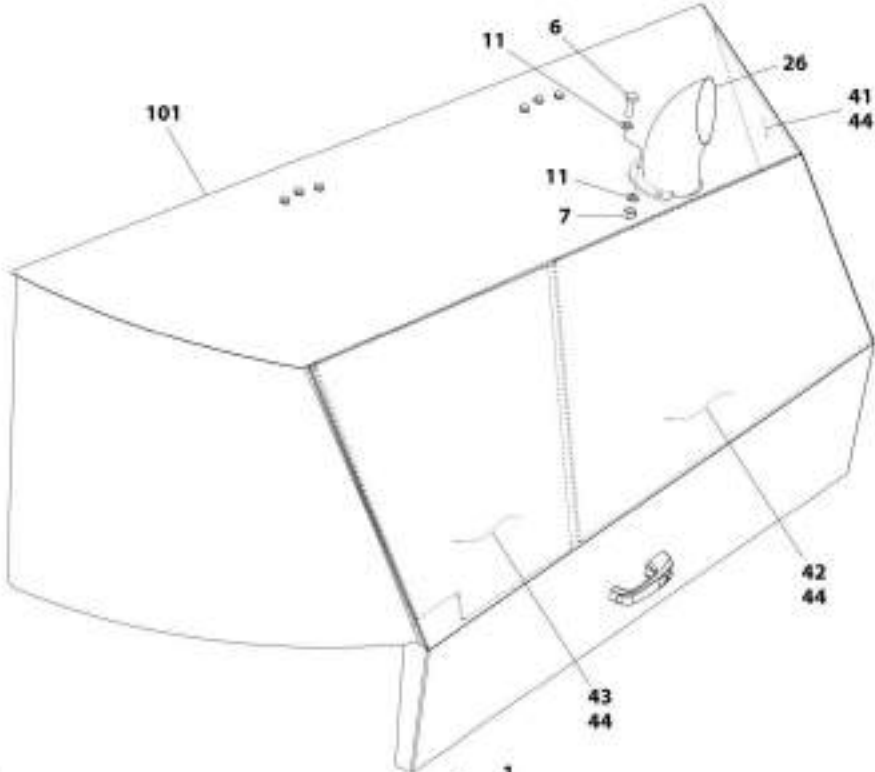
## SECTION 2 - TURNTABLE

FIGURE 2-34. STEEL HOOD INSTALLATION (ANSI EXPORT SPECS) (SN 0300224020 to Present)

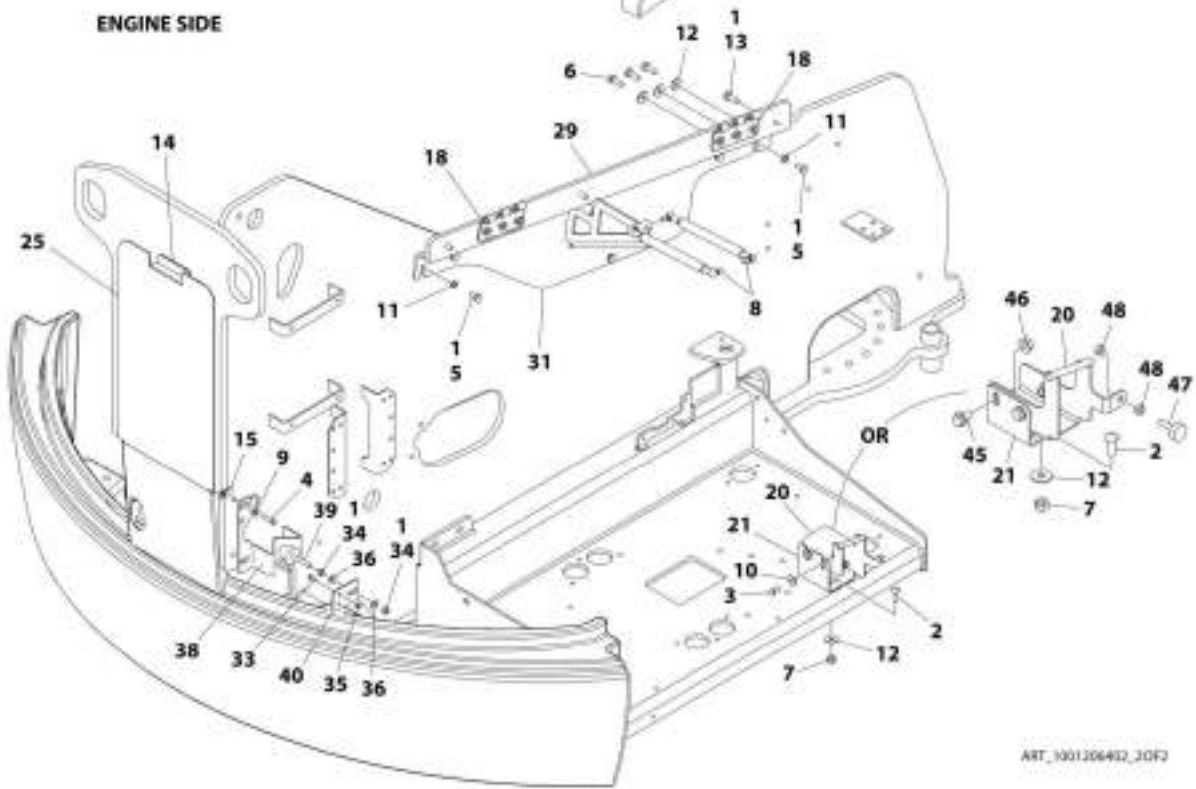


ART\_1001206402\_10F2

**SECTION 2 - TURNTABLE**



**ENGINE SIDE**



ART\_1001206402\_30F2

## SECTION 2 - TURNTABLE

FIGURE 2-34. STEEL HOOD INSTALLATION (ANSI EXPORT SPECS) (SN 0300224020 to Present)

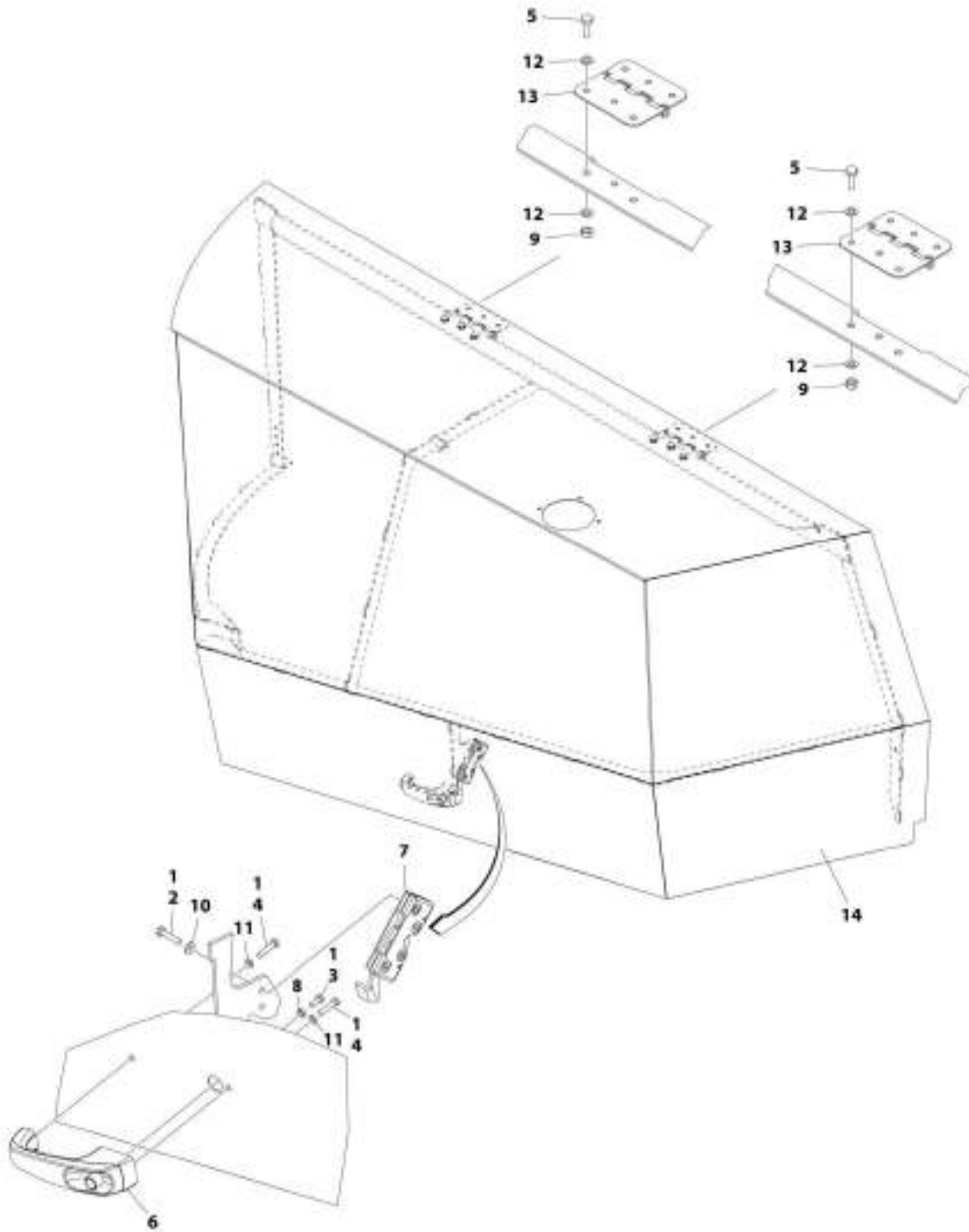
ITEM	PART NUMBER	QTY	DESCRIPTION	REV
	1001206402	Ref	STEEL HOOD INSTALLATION (ANSI EXPORT SPECS) (SN 0300224020 to Present)	G
1	0100011	AR	Compound, Locking	
2	0630613	4	Bolt M10 x 30	
3	0760810	8	Bolt M8 x 20 (SN 0300224020 through 0300227266)	
3	0760810	4	Bolt M8 x 20 (SN 0300227267 to Present)	
4	0760816	4	Bolt M8 x 40	
5	0761012	10	Bolt M10 x 25	
6	0761014	15	Bolt M10 x 30	
7	3291005	7	Nut M10	
8	4160182	4	Spring, Gas (SN 0300224020 through 0300227353)	
8	1001167918	4	Spring, Gas (SN 0300227354 to Present)	
9	4811900	4	Washer M8	
10	4811902	8	Washer M8 (SN 0300224020 through 0300227266)	
10	4811902	4	Washer M8 (SN 0300227267 to Present)	
11	4812000	16	Washer M10	
12	4812002	16	Washer M10	
13	5251012	8	Bolt M10 x 25	
14	90200755	AR	Tape, Gasket	
15	1001149160	4	Nut, Tinnerman M8	
18	1001169046	4	Nut	
20	1001172613	1	Support (SN 0300224020 through 0300227266)	
20	1001223161	1	Support (SN 0300227267 to Present)	
21	1001172614	1	Mount, Latch (SN 0300224020 through 0300227266)	
21	1001223078	1	Mount, Latch (SN 0300227267 to Present)	
23	1001172615	1	Mount, Latch	
24	1001172617	1	Support	
25	1001173354	1	Cover	
26	1001174098	1	Outlet, Exhaust	
29	1001211633	1	Plate	
30	1001211636	1	Plate	
31	1001212819	1	Mount, Hinge	
32	1001212822	1	Mount, Hinge	
33	0760608	4	Bolt M6 x 16	
34	3271601	8	Nut 3/8	
35	3290605	4	Nut M6	
36	4711600	4	Washer 3/8	
37	1001199207	1	Bracket, Bumper	
38	1001199901	1	Bracket, Bumper	
39	1001206314	4	Bumper	
40	1001219134	2	Plate, Bumper Mount	
41	1001222043	1	Insulate, Heat Shield	
42	1001222044	1	Insulate, Heat Shield	
43	1001223387	1	Insulate, Heat Shield	
44	1001117140	AR	Tape	
45	5251009	3	Bolt M10 x 18 (SN 0300227267 to Present)	
46	5261000	3	Nut M10 (SN 0300227267 to Present)	
47	0940049	2	Stopper (SN 0300227267 to Present)	
48	3311501	4	Nut (SN 0300227267 to Present)	
49	1001159323	1	Decal - JLG (SN 0300227267 to Present)	

**SECTION 2 - TURNTABLE**

<b>ITEM</b>	<b>PART NUMBER</b>	<b>QTY</b>	<b>DESCRIPTION</b>	<b>REV</b>
50	1001113047	AR	Adhesive (Not Shown) <b>(SN 0300227267 to Present)</b>	
100	1001206403	1	Hood, Kit 400S/460SJ	
101	1001206404	1	Steel Hood Assembly - Engine Side (See STEEL HOOD ASSEMBLY - ENGINE SIDE for Breakdown)	
102	1001206418	1	Steel Hood Assembly - Tank Side (See STEEL HOOD ASSEMBLY - TANK SIDE for Breakdown)	

## SECTION 2 - TURNTABLE

FIGURE 2-35. STEEL HOOD ASSEMBLY - ENGINE SIDE (ANSI EXPORT SPECS) (SN 0300224020 to Present)



ART\_1001206404

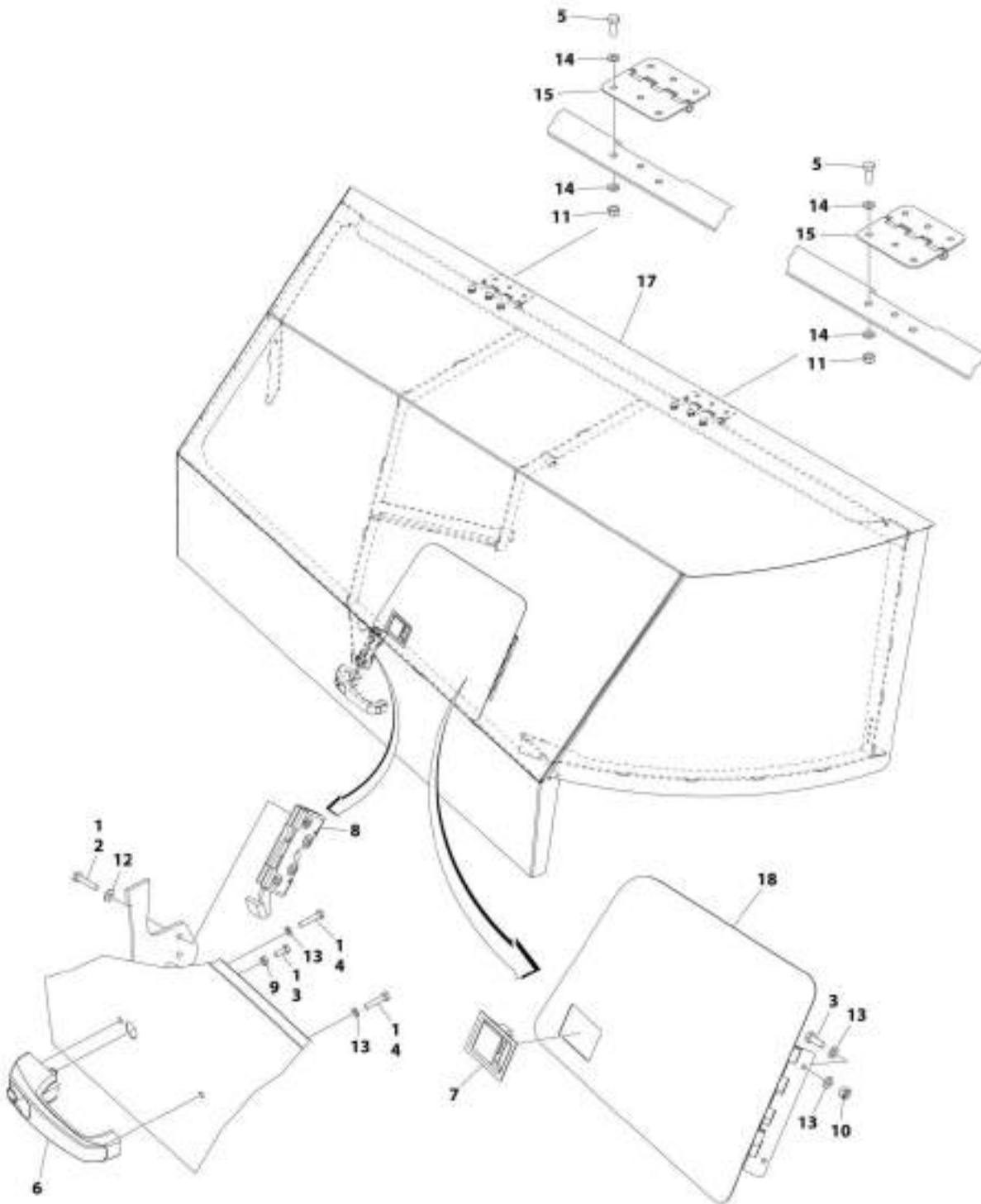
**SECTION 2 - TURNTABLE**

**FIGURE 2-35. STEEL HOOD ASSEMBLY - ENGINE SIDE (ANSI EXPORT SPECS) (SN 0300224020 to Present)**

ITEM	PART NUMBER	QTY	DESCRIPTION	REV
	1001206404	Ref	STEEL HOOD ASSEMBLY - ENGINE SIDE (ANSI EXPORT SPECS) (SN 0300224020 to Present)	C
1	0100011	AR	Compound, Locking	
2	0641410	4	Bolt 1/4 x 1-1/4	
3	0760608	1	Bolt M6 x 16	
4	0760614	2	Bolt M6 x 30	
5	0761014	6	Bolt M10 x 30	
6	2560187	1	Handle, Push Button	
7	2940173	1	Latch, Rotary	
8	3290601	1	Nut M6	
9	3291005	6	Nut M10	
10	4711400	4	Washer 1/4	
11	4811700	2	Washer M6	
12	4812000	12	Washer M10	
13	1001139384	2	Hinge	
14	1001206405	1	Hood, Engine Side Weldment	

## SECTION 2 - TURNTABLE

FIGURE 2-36. STEEL HOOD ASSEMBLY - TANK SIDE (ANSI EXPORT SPECS) (SN 0300224020 to Present)



AWT\_1001200418



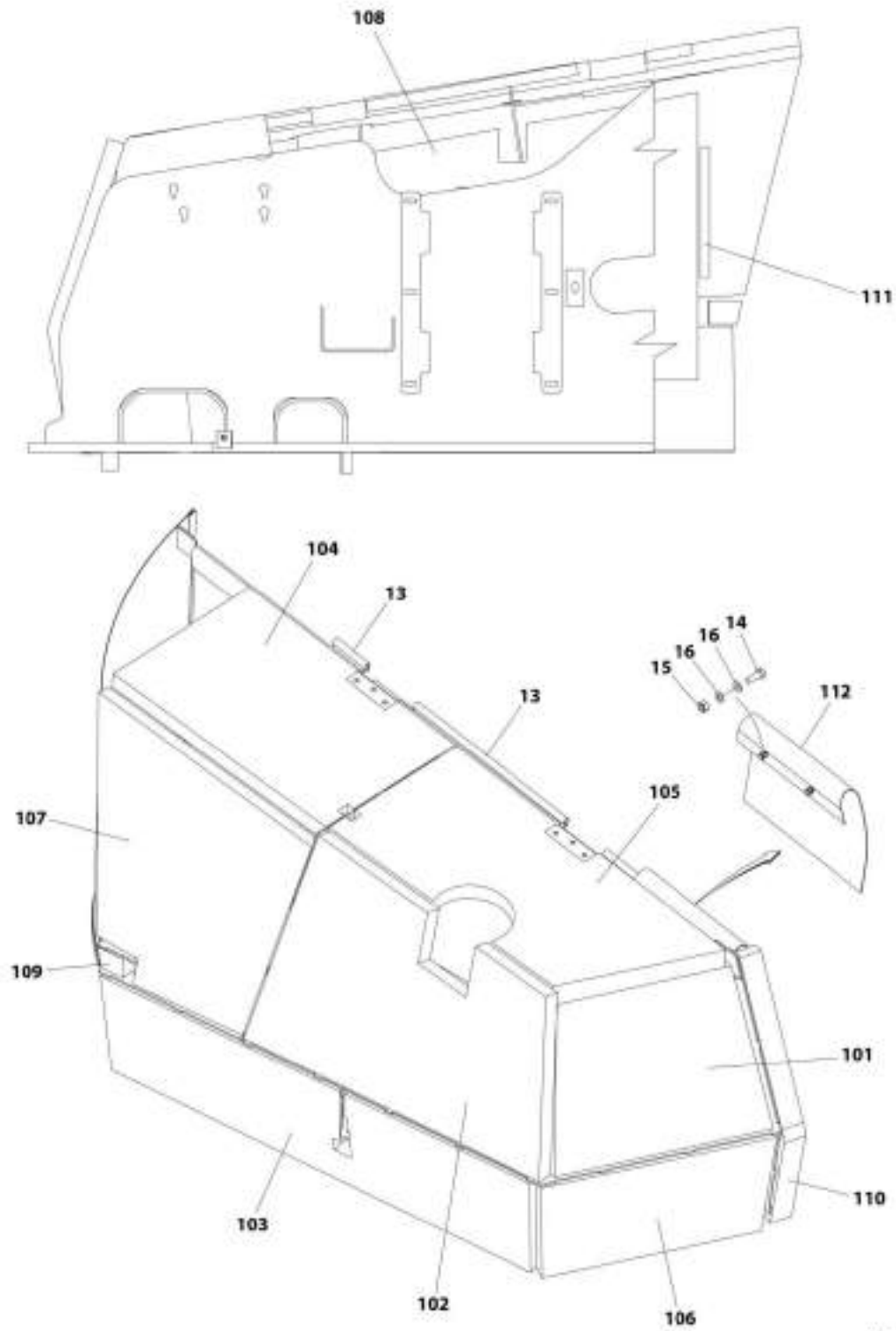
**SECTION 2 - TURNTABLE**

**FIGURE 2-36. STEEL HOOD ASSEMBLY - TANK SIDE (ANSI EXPORT SPECS) (SN 0300224020 to Present)**

ITEM	PART NUMBER	QTY	DESCRIPTION	REV
	1001206418	Ref	STEEL HOOD ASSEMBLY - TANK SIDE (ANSI EXPORT SPECS) <b>(SN 0300224020 to Present)</b>	C
1	0100011	AR	Compound, Locking	
2	0641410	4	Bolt 1/4 x 1-1/4	
3	0760608	3	Bolt M6 x 16	
4	0760614	2	Bolt M6 x 30	
5	0761014	6	Bolt M10 x 30	
6	2560187	1	Handle, Push Button	
7	2940045	1	Latch, Paddle	
8	2940173	1	Latch, Rotary	
9	3290601	1	Nut M6	
10	3290605	2	Nut M6	
11	3291005	6	Nut M10	
12	4711400	4	Washer 1/4	
13	4811700	6	Washer M6	
14	4812000	12	Washer M10	
15	1001139384	2	Hinge	
17	1001206419	1	Hood, Tank Side Weldment	
18	1001207726	1	Door, Ground Control Panel	

## SECTION 2 - TURNTABLE

FIGURE 2-37. SOUND REDUCTION INSTALLATION - WITH STEEL HOODS (OPTIONAL)



AWT\_1001233948

## SECTION 2 - TURNTABLE

**FIGURE 2-37. SOUND REDUCTION INSTALLATION - WITH STEEL HOODS (OPTIONAL)**

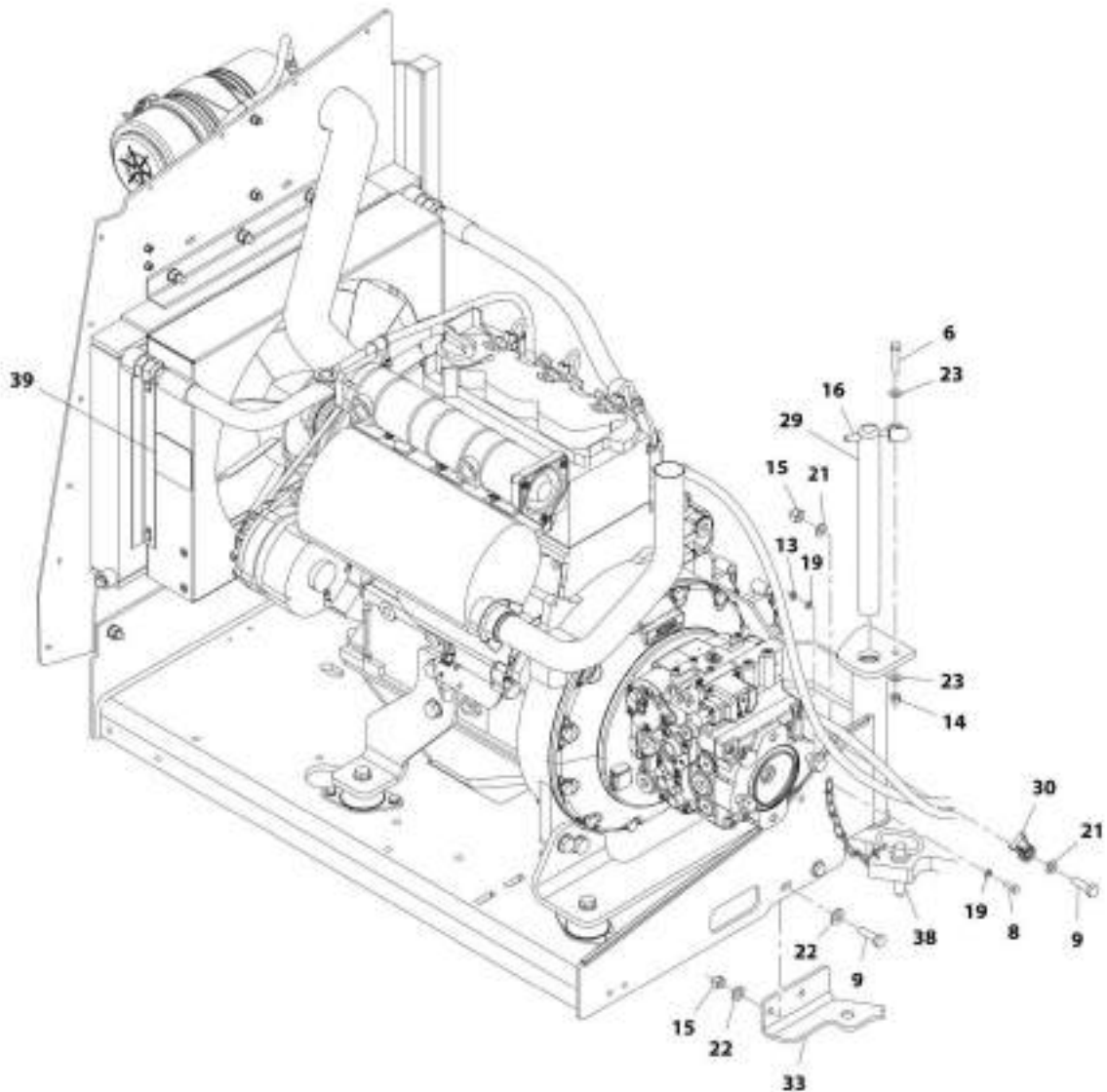
ITEM	PART NUMBER	QTY	DESCRIPTION	REV
	1001233048	Ref	SOUND REDUCTION INSTALLATION	B
13	3960389	11 ft/ 3.4m	Flex-Trim	
14	0761014	2	Bolt M10 x 30	
15	3291005	2	Nut M10	
16	4812000	4	Washer M10	
100	1001237549	Ref	Sound Insulation Kit (Includes Item 101-112)	
101	1001232907	1	Shield, Sound	
102	1001232908	1	Shield, Sound	
103	1001232913	1	Shield, Sound	
104	1001232915	1	Shield, Sound	
105	1001232916	1	Shield, Sound	
106	1001232917	1	Shield, Sound	
107	1001233075	1	Shield, Sound	
108	1001233076	1	Shield, Sound	
109	1001233077	1	Shield, Sound	
110	1001233412	1	Shield, Sound	
111	1001233413	2	Shield, Sound	
112	1001233436	1	Baffle Rubber	



**SECTION 3 - ENGINE**

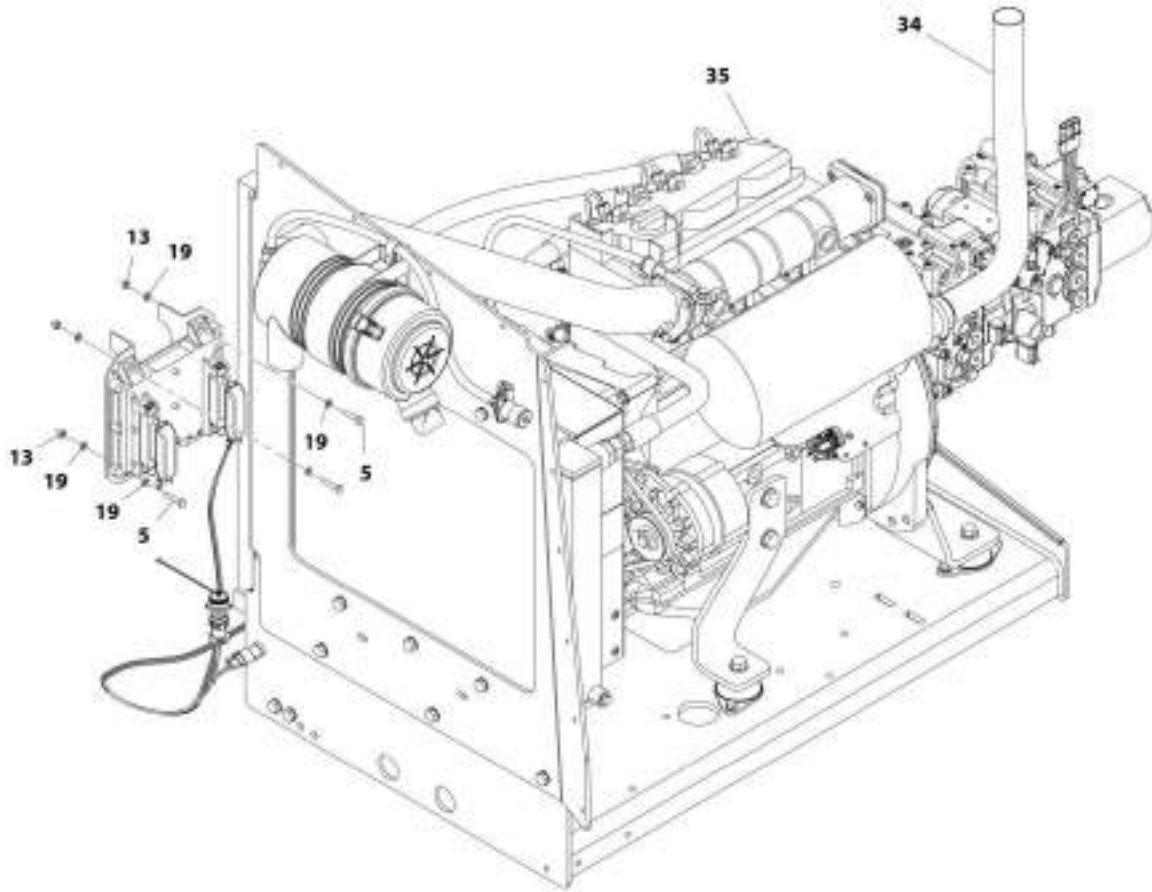
# SECTION 3 - ENGINE

FIGURE 3-1. ENGINE INSTALLATION (DEUTZ 2011L03) (T4I) (CE SPECS)



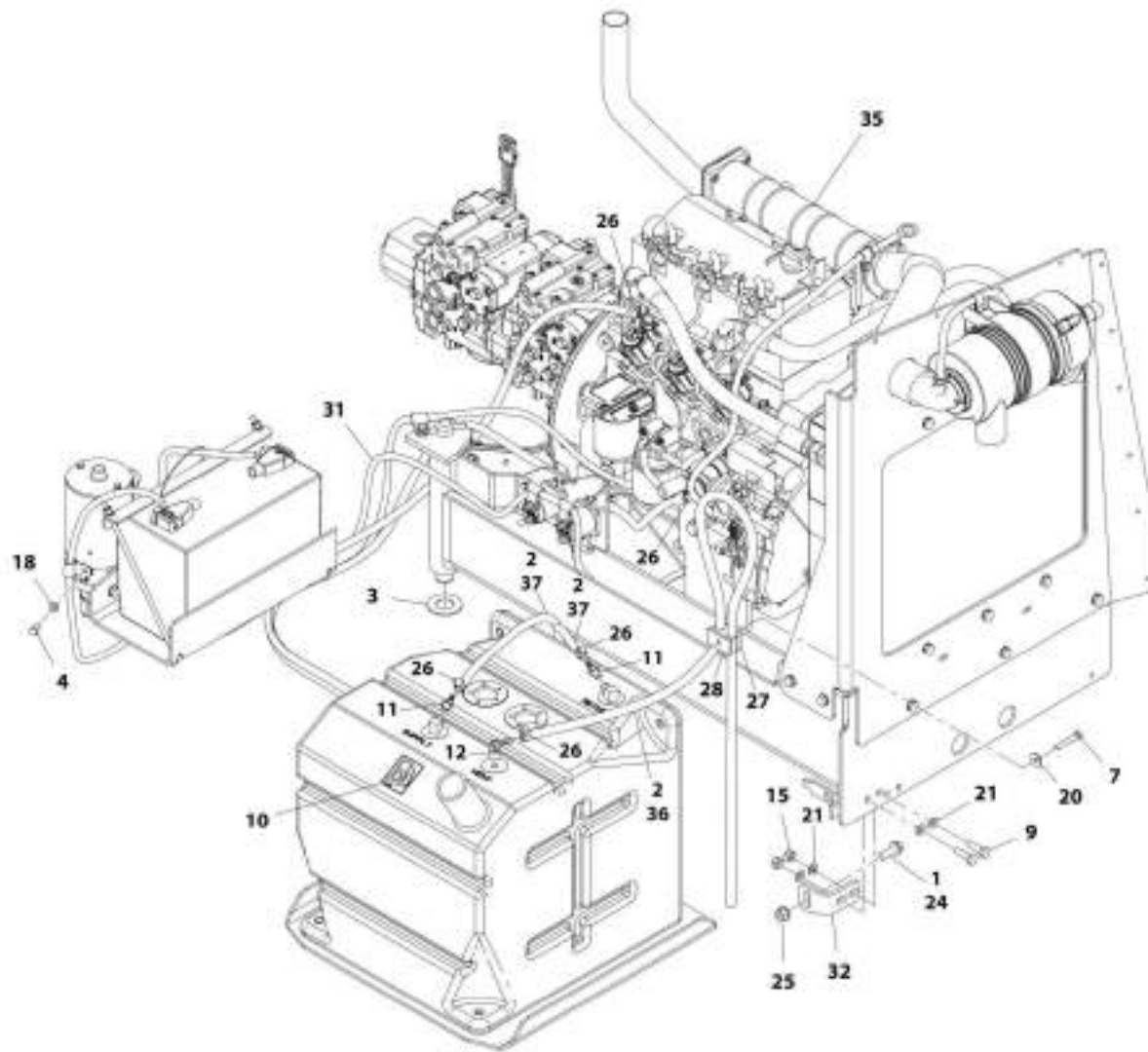
ART\_3301190869\_SCF1

# SECTION 3 - ENGINE



ARE\_10019066\_20F1

# SECTION 3 - ENGINE



ART\_1001100669\_30F1



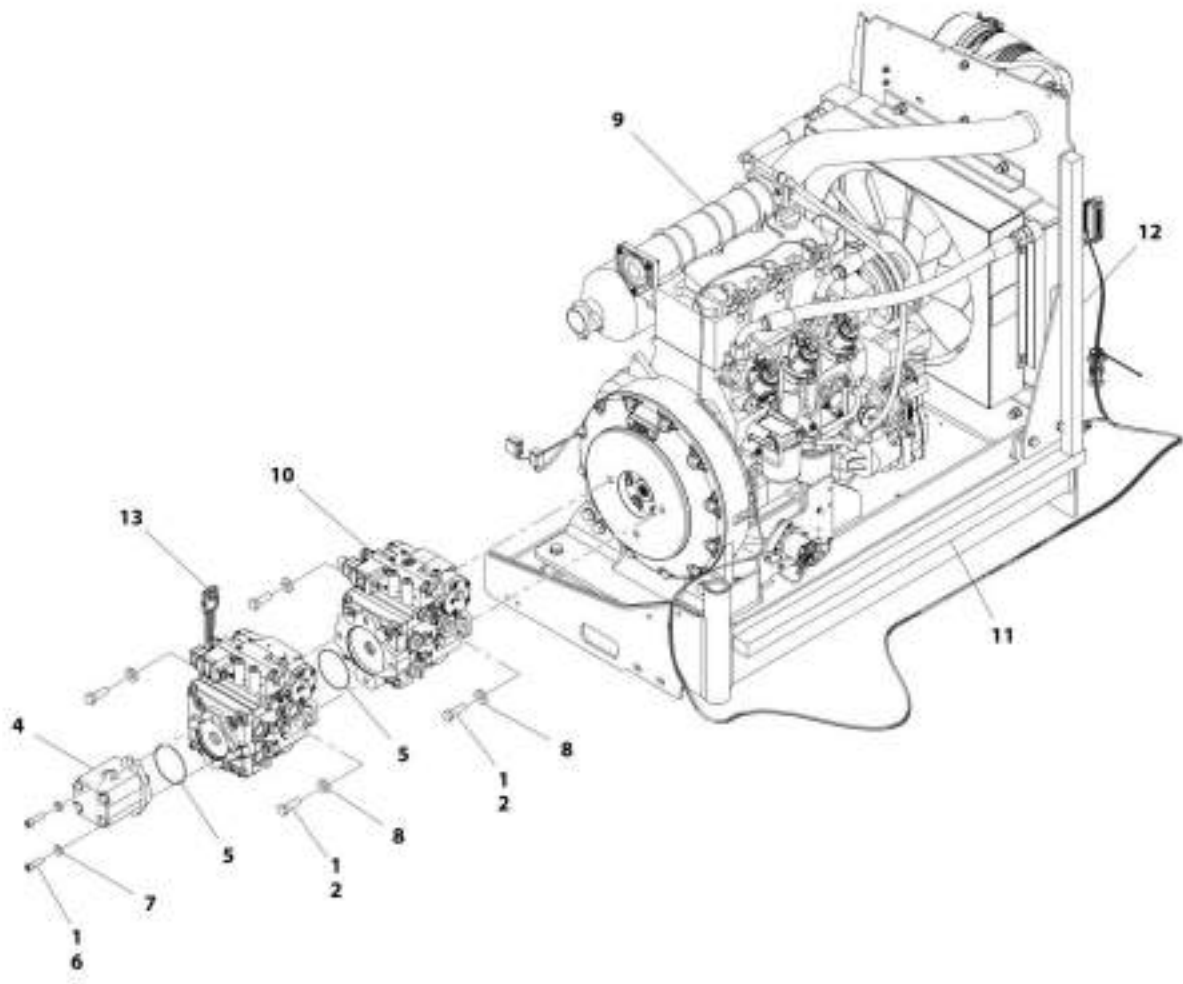
## SECTION 3 - ENGINE

**FIGURE 3-1. ENGINE INSTALLATION (DEUTZ 2011L03) (T4i) (CE SPECS)**

ITEM	PART NUMBER	QTY	DESCRIPTION	REV
	1001190869	Ref	ENGINE INSTALLATION (DEUTZ 2011L03) (T4i) (CE SPECS)	F
1	0100011	AR	Compound, Locking	
2	0100020	AR	Sealant, Pipe	
3	0440162	1	Bearing	
4	0641504	1	Bolt 5/16 x 1/2	
5	0700614	4	Bolt M6 x 30	
6	0700817	1	Bolt M8 x 45	
7	0700818	1	Bolt M8 x 50	
8	0760610	1	Bolt M6 x 20	
9	0761015	5	Bolt M10 x 35	
10	1701505	1	Decal - Diesel Fuel	
11	2180348	2	Fitting, Barbed	
12	2220313	1	Fitting, Barbed 90	
13	3290605	5	Nut, Lock M6 x 1	
14	3290805	1	Nut, Lock M8 x 1.25	
15	3291005	5	Nut, Lock M10 x 1.5	
16	3841143	1	Pin	
17	4240099	AR	Tie-Strap (Not Shown)	
18	4711500	1	Washer 5/16	
19	4811700	10	Washer M6	
20	4811902	1	Washer M8	
21	4812000	6	Washer M10	
22	4812100	4	Washer M12	
23	5240800	2	Washer M8 Hardened	
24	5251215	1	Bolt M12 x 35	
25	5261200	1	Nut, Flange M12 (Class 10)	
26	8405009	5	Clamp	
27	8750014	1	Clamp	
28	8750031	1	Clamp	
29	1001135196	1	Pin	
30	1001156107	1	Holder, Cable	
31	1001167038	1	Battery Cable Kit	
32	1001167512	1	Bracket, Engine	
33	1001169823	1	Plate, Engine Lock	
34	1001172195	1	Pipe, Exhaust	
35	1001190868	1	Engine, Deutz T4i D2.3L3 W/ Pumps	
36	1001165035	6 ft/1.83m	Hose <b>(Prior to SN 0300218550)</b>	
36	2750532	5.5 ft /1.7m	Hose <b>(SN 0300218550 to Present)</b>	
37	2720058	17 ft /5.18m	Hose	
38	3422532	1	Pin	
39	1704972	1	Decal - Warning Explosion/Fire <b>(Prior to SN 0300220386)</b>	

# SECTION 3 - ENGINE

FIGURE 3-2. ENGINE AND PUMP SUB-ASSEMBLY (DEUTZ 2011L03) (T4I) (CE SPECS)



WIT\_1001190868

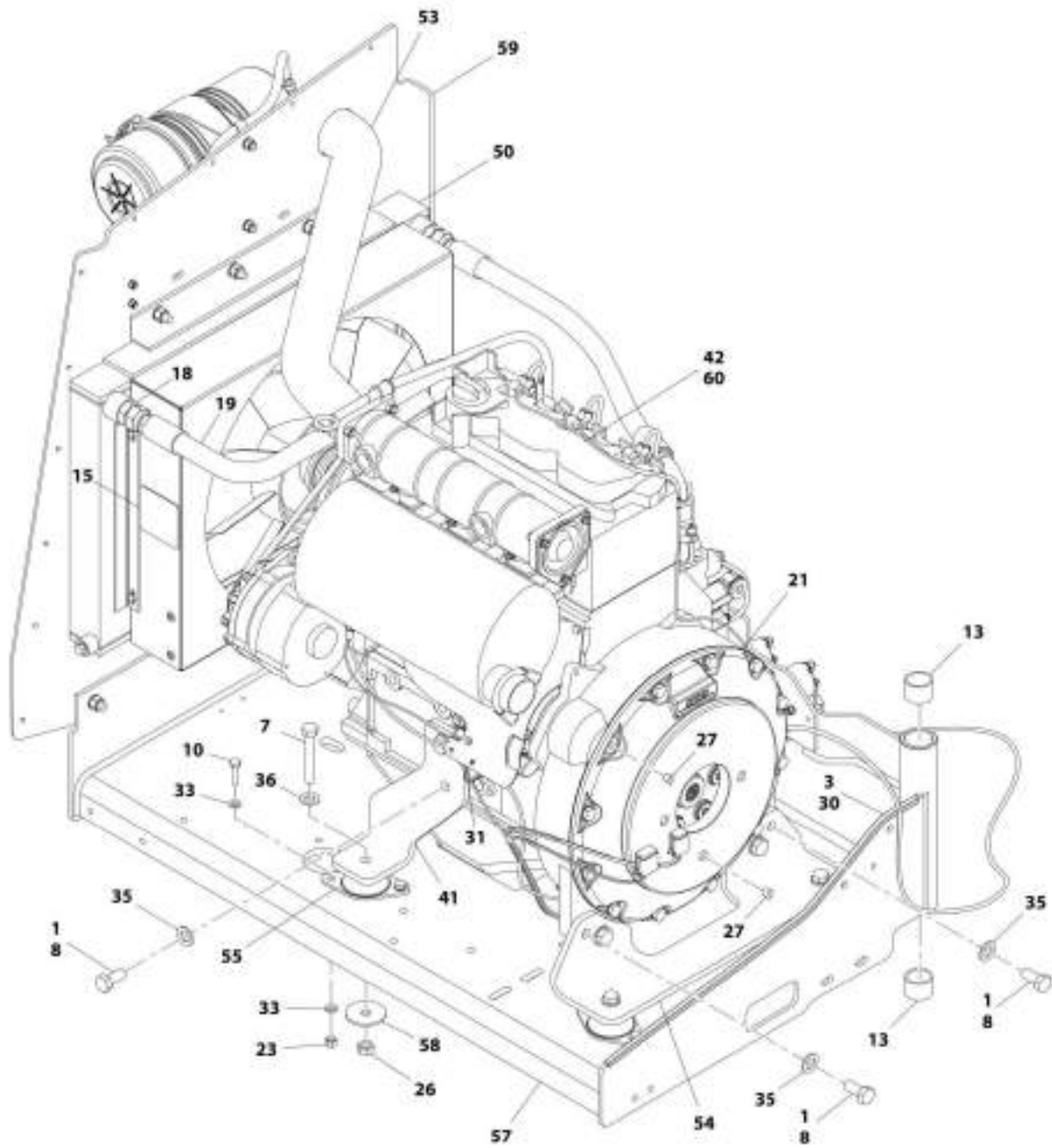
## SECTION 3 - ENGINE

**FIGURE 3-2. ENGINE AND PUMP SUB-ASSEMBLY (DEUTZ 2011L03) (T4I) (CE SPECS)**

ITEM	PART NUMBER	QTY	DESCRIPTION	REV
	1001190868	Ref	ENGINE AND PUMP SUB-ASSEMBLY (DEUTZ 2011L03) (T4I) (CE SPECS)	D
1	0100011	AR	Compound, Locking	
2	0641812	4	Bolt 1/2 x 1-1/2	
3	3020037	AR	Lube	
4	3600242	1	Gear Pump Assembly (See GEAR PUMP ASSEMBLY for Breakdown)	
5	3790045	2	O-Ring	
6	3931620	2	Capscrew 3/8 x 1-1/4	
7	4891600	2	Washer 3/8 Hardened	
8	4891800	4	Washer 1/2 Hardened	
9	1001166020	1	Engine Assembly - Deutz D2.3L3 Engine (See ENGINE ASSEMBLY DEUTZ D2.3L3 ENGINE for Breakdown)	
10	1001189237	1	Piston Pump Assembly (Front) (See PISTON PUMP ASSEMBLY (FRONT) for Breakdown)	
11	1001171953	1	Seal	
12	1001171954	1	Seal	
13	1001189236	1	Piston Pump Assembly (Rear) (See PISTON PUMP ASSEMBLY (REAR) for Breakdown)	

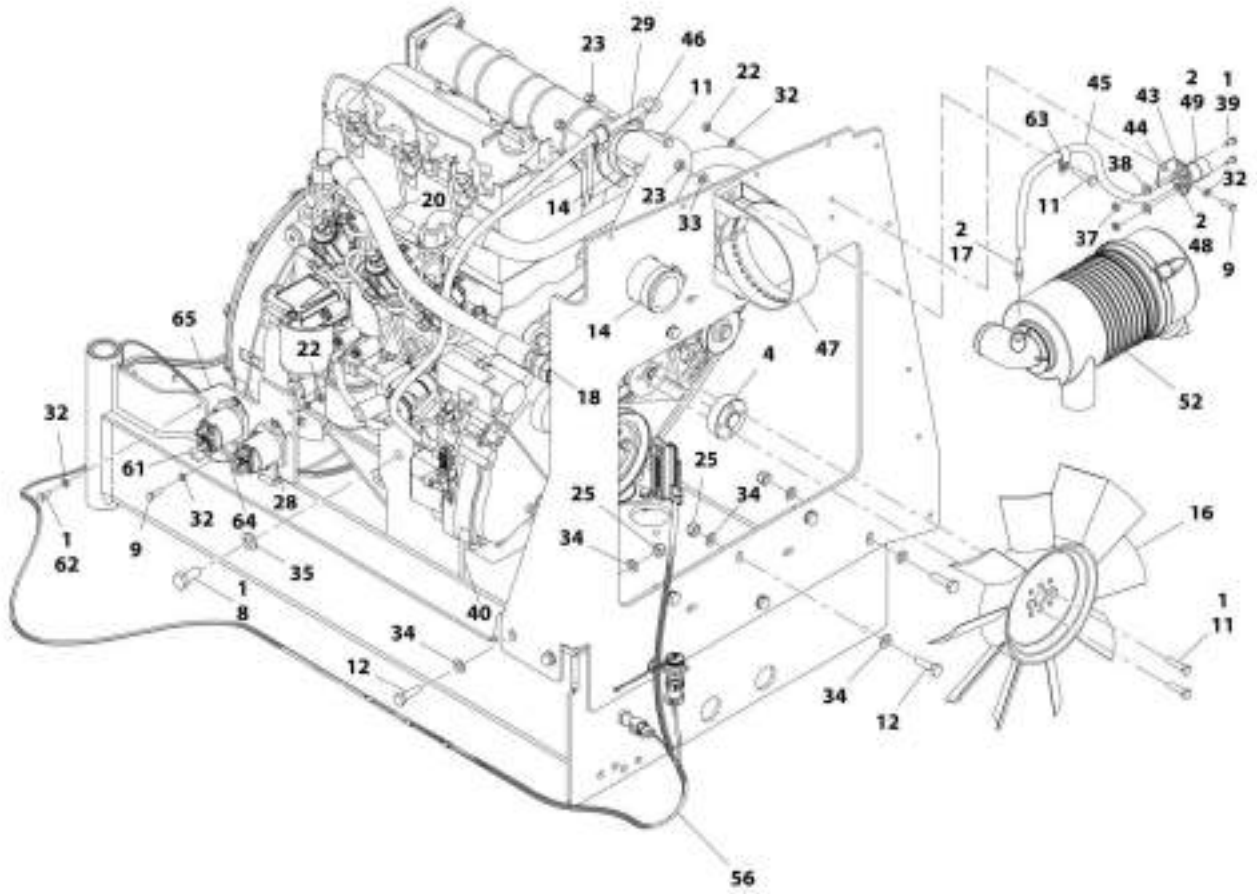
# SECTION 3 - ENGINE

FIGURE 3-3. ENGINE ASSEMBLY (DEUTZ 2011L03) (T4I) (CE SPECS)



ART\_100116620\_10F2

# SECTION 3 - ENGINE



AWT\_1001166020\_20P2

## SECTION 3 - ENGINE

**FIGURE 3-3. ENGINE ASSEMBLY (DEUTZ 2011L03) (T4I) (CE SPECS)**

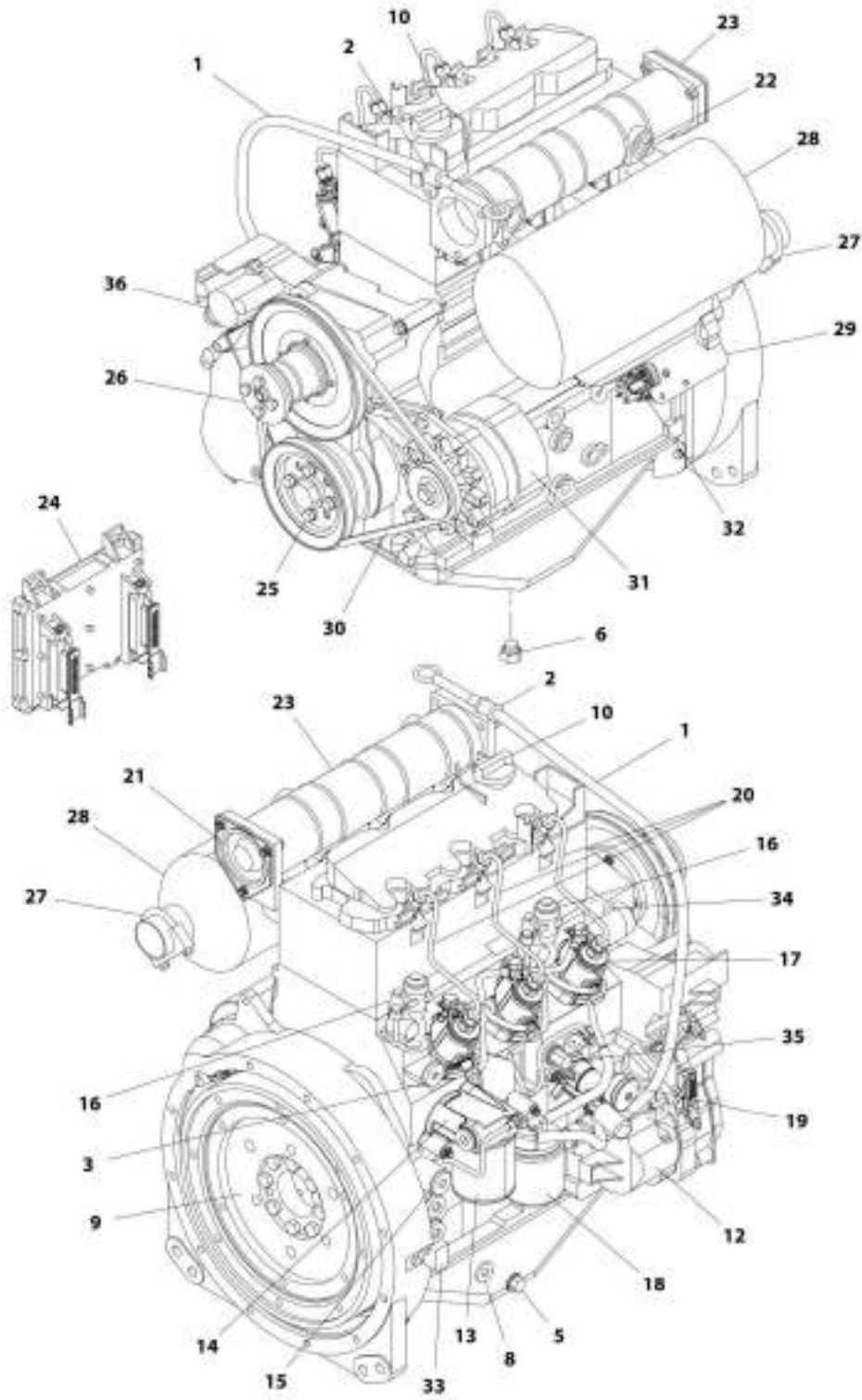
ITEM	PART NUMBER	QTY	DESCRIPTION	REV
	1001166020	Ref	ENGINE ASSEMBLY (DEUTZ 2011L03) (T4I) (CE SPECS)	I
1	0100011	AR	Compound, Locking	
2	0100020	AR	Sealant, Pipe	
3	0100081	AR	Adhesive	
4	0080231	1	Spacer, Fan	
7	0711224	4	Bolt M12 x 80 (Grade 10.9)	
8	0771414	8	Bolt M14 x 30	
9	0760610	6	Bolt M6 x 20	
10	0760814	8	Bolt M8 x 30	
11	0760815	9	Bolt M8 x 35	
12	0761015	11	Bolt M10 x 35	
13	0961951	2	Bushing	
14	1320016	2	Clamp	
15	1703162	2	Decal - Caution Fan	
16	2060025	1	Fan	
17	2220315	1	Fitting, Barbed	
18	2220451	2	Fitting, Straight JIC/ORB	
19	2720398	1	Hose	
20	2720447	1	Hose	
21	2902065	1	Pump Coupling Kit (See PUMP COUPLING KIT for Breakdown)	
22	3290605	6	Nut, Lock M6 x 1	
23	3290805	13	Nut, Lock M8 x 1.25	
25	3291005	11	Nut, Lock M10 x 1.5	
26	3331215	4	Nut, Lock M12 x 1.75	
27	3520054	2	Plug	
28	3740067	2	Relay Assembly	
28	3300220	2	Nut	
28	3321001	1	Nut #10	
28	3740140	1	Relay	
28	4761000	1	Washer, Lock #10	
28	1001111424	2	Washer	
29	3960407	1	Gasket	
30	4060805	2.25 ft /0.69m	Trim, Flex Shield	
31	4240099	AR	Tie-Strap	
32	4811700	15	Washer M6	
33	4811900	20	Washer M8	
34	4812000	22	Washer M10	
35	4812200	8	Washer M14	
36	5241200	4	Washer M12 Hardened	
37	8305401	2	Nut, Jam .250	
38	8307109	2	Washer .250	
39	8310548	2	Screw 1/4 x 1/2	
40	1001132195	1	Bracket, Engine Mount	
41	1001132196	1	Bracket, Engine Mount	
42	1001136079	2.8gal /10.5L	Oil, Motor	
43	1001138173	1	Support, Service Indicator	
44	1001138175	1	Bracket, Service Indicator	
45	1001138248	2 ft/0.61m	Tube	

## SECTION 3 - ENGINE

ITEM	PART NUMBER	QTY	DESCRIPTION	REV
46	1001139819	1	Adapter, Air Intake	
47	1001141694	1	Clamp, Air Cleaner	
48	1001141995	1	Fitting, Barbed	
49	1001143390	1	Indicator	
50	1001150998	1	Radiator	
52	1001165388	1	Air Cleaner Assembly	
52	70003783	1	Element, Air Cleaner	
53	1001165389	1	Hose	
54	1001166717	1	Bracket, Engine Mount	
55	1001166718	4	Isolator, Engine Mount	
56	1001167111	1	Harness Engine - Deutz D2.3L3 (See ELECTRICAL SECTION for Breakdown)	
57	1001167520	1	Tray, Engine	
58	1001168018	4	Washer, Snubbing	
59	1001168059	1	Plate, Radiator Mounting	
60	1001170693	1	Engine, Deutz D2.3L3 (See ENGINE COMPONENTS - DEUTZ D2.3L3 ENGINE for Breakdown)	
61	4923451	1	Harness, Glow Plugs	
62	0760607	3	Bolt M6 x 14 <b>(Prior to SN 0300216991)</b>	
62	0760614	3	Bolt M6 x 30 <b>(SN 0300216991 to Present)</b>	
63	8406109	1	Clip	
64	1001178859	1	Cable, Alternator	
65	1001179903	1	Bracket <b>(Prior to SN 0300216991)</b>	
65	1001214975	1	Bracket <b>(SN 0300216991 to Present)</b>	

# SECTION 3 - ENGINE

## FIGURE 3-4. ENGINE COMPONENTS - DEUTZ D2.3L3 (CE SPECS)



AMF\_1001170293



## SECTION 3 - ENGINE

**FIGURE 3-4. ENGINE COMPONENTS - DEUTZ D2.3L3 (CE SPECS)**

ITEM	PART NUMBER	QTY	DESCRIPTION	REV
	1001170693	Ref	ENGINE COMPONENTS - DEUTZ D2.3L3 (CE SPECS)	C
1	70001002	1	Tube, Dipstick	
1	7020403	1	Seal, Tube	
1	7020026	1	Dipstick	
2	70001654	1	Clamp	
2	70001655	1	Bolt	
3	70003475	1	Thermostat	
3	7020460	1	Spring	
4		Ref	Seal and Gasket Options (Not Shown):	
4	70002718	1	Seal, Rear Main	
4	7020430	1	Gasket, Valve Cover	
4	70003479	1	Gasket, Head- 1 Notch	
4	70003480	1	Gasket, Head- 2 Notch	
4	70003481	1	Gasket, Head- 3 Notch	
5	70025088	1	Plug	
6	70025667	1	Plug	
7	70025123	22	Bolt, Torx (Oil Pan Bolts) (Not Shown)	
8	7020492	1	Seal	
8	70025084	1	Plug	
9	70001870	1	Flywheel	
9	7024579	1	Ring Gear (Part of Flywheel)	
9	70025139	8	Bolt	
10	7020465	1	Cap, Oil Fill	
11	70000800	1	Timing Belt/Idler Kit (Includes Timing Belt, Tensioner and Tensioner Bolt) (Not Shown)	
12	70001850	1	Pump, Lubricating	
12	7020468	1	Seal, Pump to Engine Block (Not Shown)	
13	7016331	1	Filter, Oil	
14	70003472	1	Bracket, Oil Filter (Includes Plug with Seal, Temperature Sensor, Control Valve and Compression Spring)	
14	7027236	1	Sender, Temperature	
14	70025082	1	Seal, Plug	
14	70025091	1	Plug	
14	70003473	1	Gasket, Bracket to Engine Block (Not Shown)	
15	70001181	1	Valve	
15	70025091	1	Plug	
15	70025082	1	Seal, Plug	
16	70004268	2	Connector, Radiator Neck	
16	70004269	2	Seal, Radiator Neck to Engine Block	
17	70000912	3	Pump, Fuel Injector - A Spec	
17	70000913	3	Pump, Fuel Injector - B Spec	
17	70000914	3	Pump, Fuel Injector - C Spec	
17	70000915	3	Pump, Fuel Injector - D Spec	
17	70003464	3	O-Ring, Pump to Engine Block	
18	7020023	1	Filter, Fuel	
18	70003463	1	Filter, Fuel-RME Resistant	
18	70001423	1	Bracket, Fuel Filter	
19	70000916	1	Pump Fuel Supply	
19	70000917	1	O-Seal Between Fuel Pump and Engine Block	
19	70000918	1	Sealing Ring Between Hand Pump and Supply Pump	

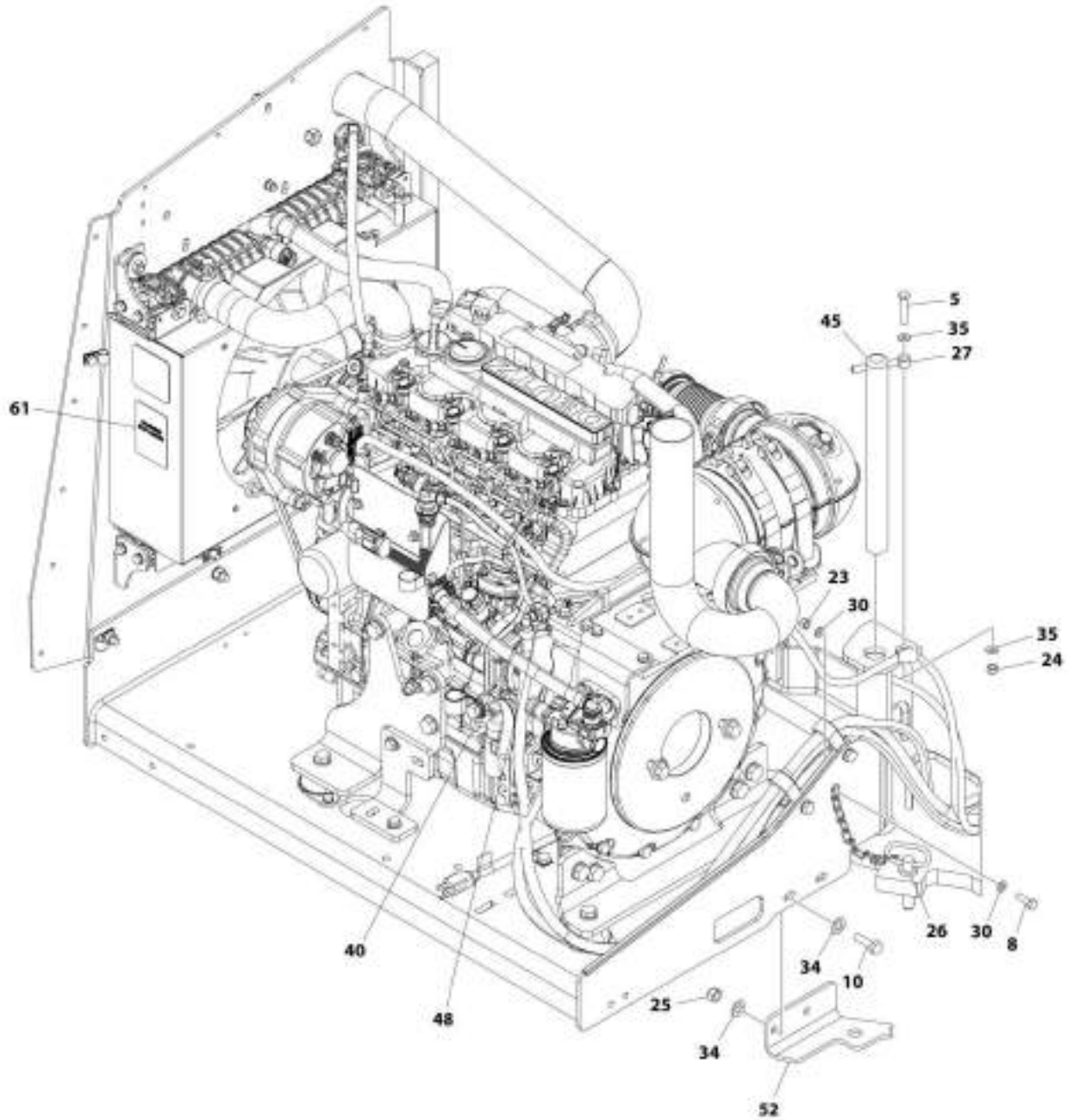
## SECTION 3 - ENGINE

ITEM	PART NUMBER	QTY	DESCRIPTION	REV
19	70000919	1	Pump, Hand	
19	70001435	1	Repair Kit	
19	70025694	2	Bolt, Torx	
20	70000931	3	Pipe, High Pressure	
21	70003469	1	Flange, Intake	
21	70003468	1	Seal	
22	70025084	1	Plug	
22	7020492	1	Seal, Plug	
23	7027903	1	Manifold, Air Intake	
23	70001871	3	Gasket Between Manifold and Engine Block	
24	See Note	1	Module, Engine Control (Note: Not Currently Available)	
24	7027796	1	Cable, Electrical Between Module and Engine Harness (Not Shown)	
24	70001872	1	Harness, Engine (Connects to p/n 70004060) (Not Shown)	
24	70004060	1	Plug, Connector Located on Cable Near Module (Not Shown)	
24	70004059	1	Plug, Analyzer (Not Shown)	
25	70025123	4	Bolt, Torx	
26	70000787	1	Support, Fan (Includes Support, Internal Shaft, Bearings and Circlip)	
27	70001844	1	Clamp	
28	See Note	1	Muffler (Note: See ENGINE ASSEMBLY)	
28	7020471	3	Gasket, Exhaust Between Muffler and Engine Block	
28	70004270	6	Stud, Muffler	
29	70001498	1	Shield, Starter	
29	70025693	3	Bolt	
30	70004102	1	V-Belt	
31	70004056	1	Alternator (Includes Voltage Regulator and Gaskets, Fan and Fan Mounting Hardware)	
31	70001868	1	Regulator, Voltage	
31	70001866	1	Gasket Set, Voltage Regulator	
31	70025131	1	Fan	
31	70025086	1	Nut, Fan	
31	70000851	1	Bracket, Alternator Mounting	
31	70002234	1	Bracket, Alternator Adjustment	
31	70004103	1	Harness, Alternator (Not Shown)	
32	7020479	1	Starter	
32	70025121	2	Bolt, Starter Mounting	
32	70004058	1	Relay	
32	70004062	1	Harness, Starter (Not Shown)	
33	7024565	1	Sensor, Speed	
33	70003931	1	Bolt	
33	70003932	1	Spacer, Sleeve	
34	7027791	1	Sender, Temperature	
35	7027790	1	Sensor, Oil Pressure	
36	7027792	1	Actuator	
37	70000345	3	Plug, Glow (Not Shown)	



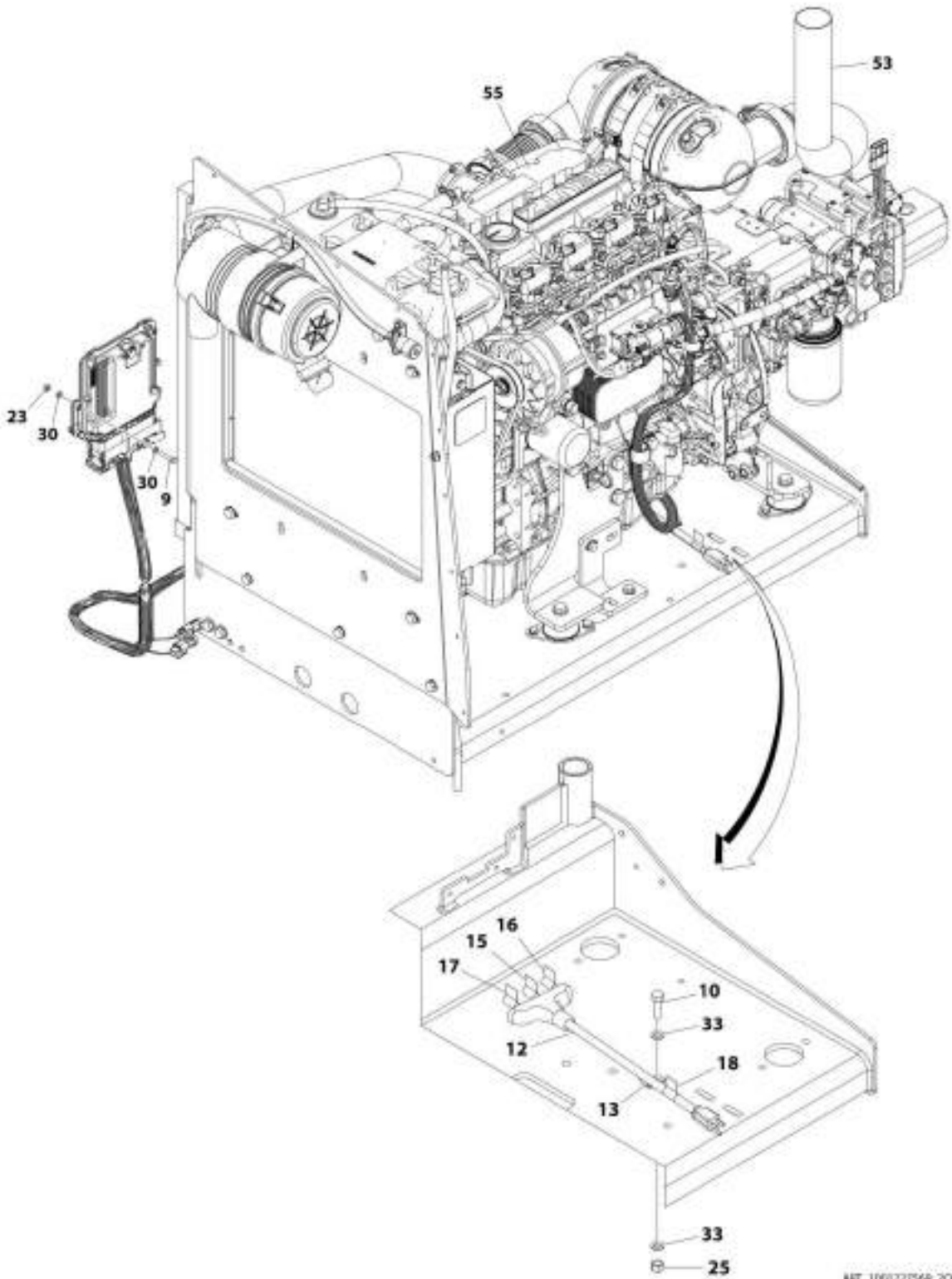
# SECTION 3 - ENGINE

FIGURE 3-5. ENGINE INSTALLATION - DEUTZ D2.9L4 (T4F) (WITH ARCTIC PACKAGE) (ANSI AND CSA SPECS) (SN 0300234013 to Present)



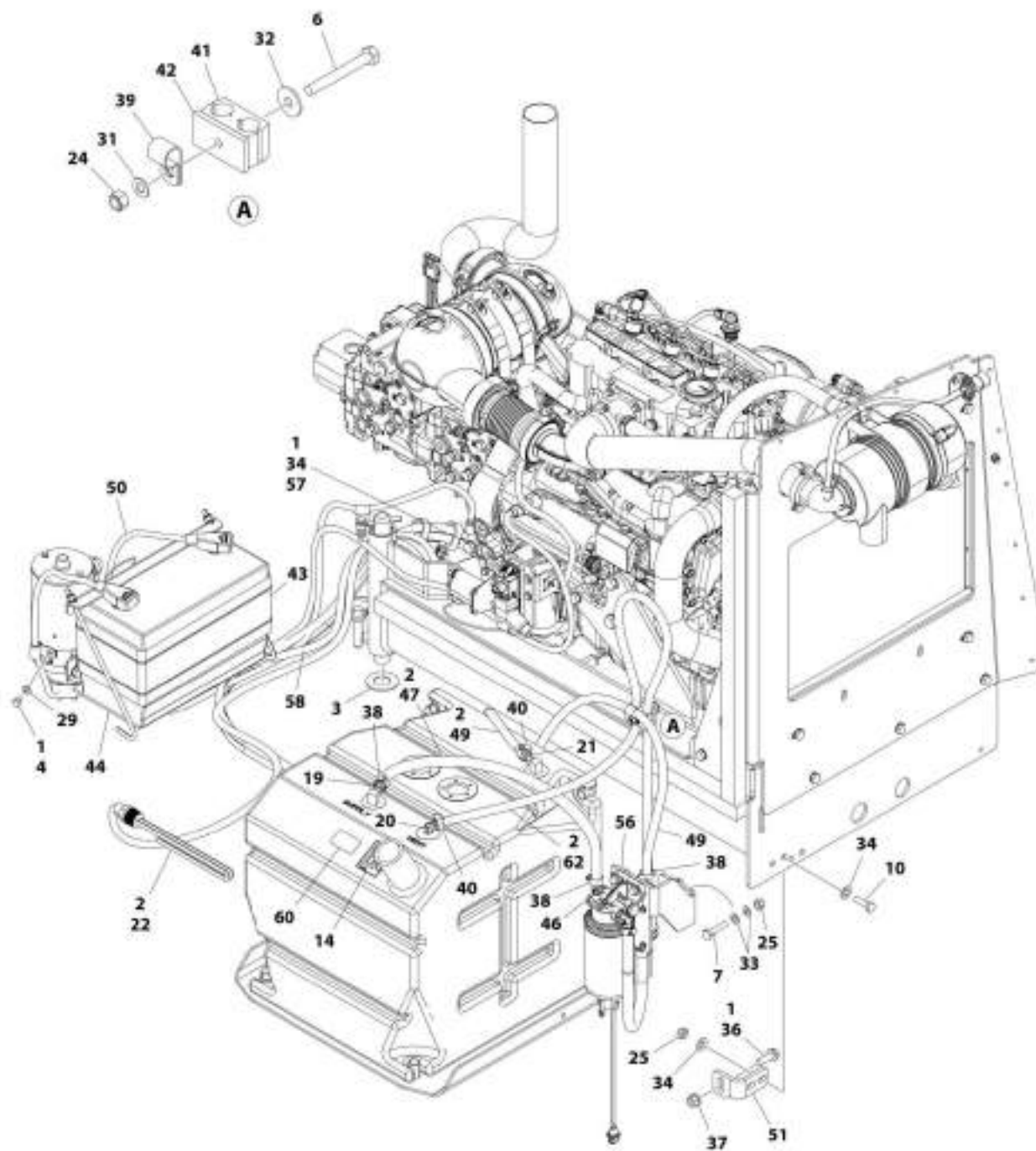
ARF\_1001227568\_10F3

# SECTION 3 - ENGINE



ART\_1001221568\_20F3

# SECTION 3 - ENGINE



ART\_100122569\_30F3

## SECTION 3 - ENGINE

**FIGURE 3-5. ENGINE INSTALLATION - DEUTZ D2.9L4 (T4F) (WITH ARCTIC PACKAGE) (ANSI AND CSA SPECS) (SN 0300234013 to Present)**

ITEM	PART NUMBER	QTY	DESCRIPTION	REV
	1001227569	Ref	ENGINE INSTALLATION - DEUTZ D2.9L4 (T4F) (WITH ARCTIC PACKAGE) (ANSI AND CSA SPECS) (SN 0300234013 to Present)	B
1	0100011	AR	Compound, Locking	
2	0100020	AR	Sealant, Pipe	
3	0440162	1	Bearing	
4	0641504	1	Bolt 5/16 x 1/2	
5	0700817	1	Bolt M8 x 45	
6	0700821	1	Bolt M8 x 65	
7	0701017	2	Bolt M10 x 45	
8	0760610	1	Bolt M6 x 20	
9	0760613	4	Bolt M6 x 28	
10	0761015	5	Bolt M10 x 35	
12	1060626	1	Plug, 3 Way	
13	1320223	1	Clip	
14	1701505	2	Decal - Diesel Fuel	
15	1702941	1	Decal - Battery Heater	
16	1702942	1	Decal - Engine Block Heater	
17	1702943	1	Decal - Hydraulic Tank Heater	
18	1702944	1	Decal - Heater Cord	
19	2180832	1	Fitting, Barbed	
20	2220313	1	Fitting, Barbed 90	
21	2220767	1	Fitting, Barbed	
22	1001188972	1	Heater, Hydraulic Tank	
23	3290605	5	Nut M6	
24	3290805	2	Nut M8	
25	3291005	7	Nut M10	
26	3422532	1	Pin	
27	3841143	1	Pin	
28	4240099	AR	Tie-Strap (Not Shown)	
29	4711500	1	Washer 5/16	
30	4811700	10	Washer M6	
31	4811900	1	Washer M8	
32	4811902	1	Washer M8	
33	4812000	6	Washer M10	
34	4812100	9	Washer M12	
35	5240800	2	Washer M8	
36	5251215	1	Bolt M12 x 35	
37	5261200	1	Nut, Flange M12 (Class 10)	
38	8405006	3	Gear Clamp	
39	8406101	1	Clip Tube	
40	8410013	4	Gear Clamp	
41	8750014	1	Clamp	
42	8750031	1	Plate	
43	2580024	1	Heater, Battery	
44	1001119278	1	Insulate	
45	1001135196	1	Pin	
46	1001142501	1	Fitting, Barbed 90	
47	1001154405	2.2 ft/ 0.7m	Hose	

## SECTION 3 - ENGINE

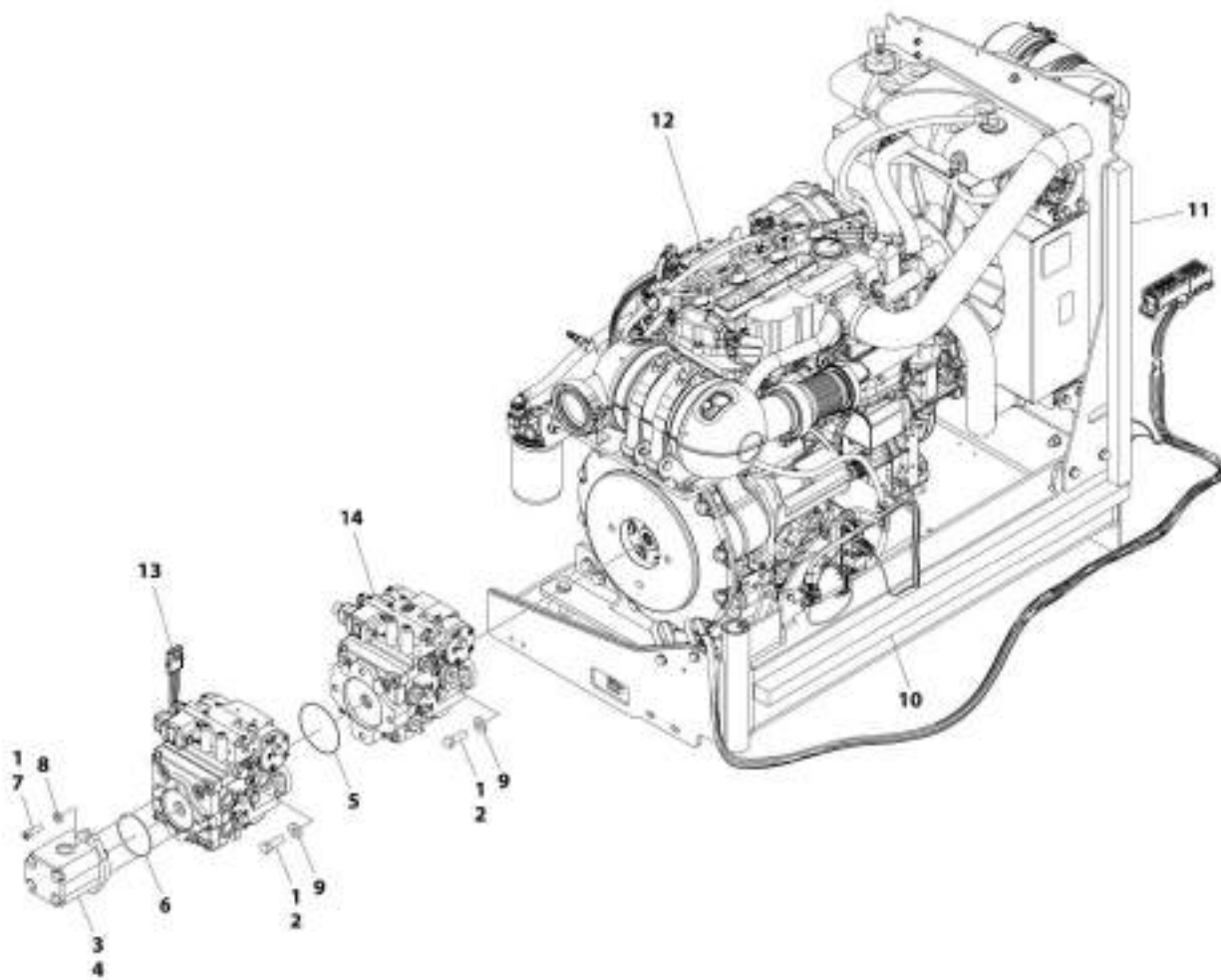
ITEM	PART NUMBER	QTY	DESCRIPTION	REV
48	1001155823	1	Coupling, Quick Disconnect 90	
49	1001165035	21 ft/ 6.4m	Hose	
50	1001166970	1	Cable, Batt and Aux Pump Cables	
51	1001167512	1	Bracket, Engine Tray	
52	1001169823	1	Plate, Engine Lock	
53	1001223802	1	Pipe, Exhaust	
54	1001173342	1	Harness, Deutz Fuel (Not Shown - See Separate Breakdown in ELECTRICAL SECTION)	
55	1001227571	1	Engine and Pump Sub-Assembly (See Separate Breakdown in this Section)	
56	1001162335	1	Bracket, Fuel Pump/Filter Assembly	
57	0771212	1	Bolt M12 x 25	
58	1001150918	1	Cable, Extension Cord	
60	1001125387	1	Decal, Ultra Low Sulfur Fuel	
61	1704972	1	Decal - Warning Explosion/Fire	
62	2750532	5.5 ft/ 1.7m	Hose	
63	1001233763	1	Breather Heater Installation (Not Shown - See Separate Breakdown in this Section) <b>(SN 0300245777 to Present)</b>	





## SECTION 3 - ENGINE

FIGURE 3-6. ENGINE AND PUMP SUB-ASSEMBLY - DEUTZ D2.9L4 (T4F) (WITH ARCTIC PACKAGE)  
(ANSI AND CSA SPECS) (SN 0300234013 to Present)



AW\_1001227571

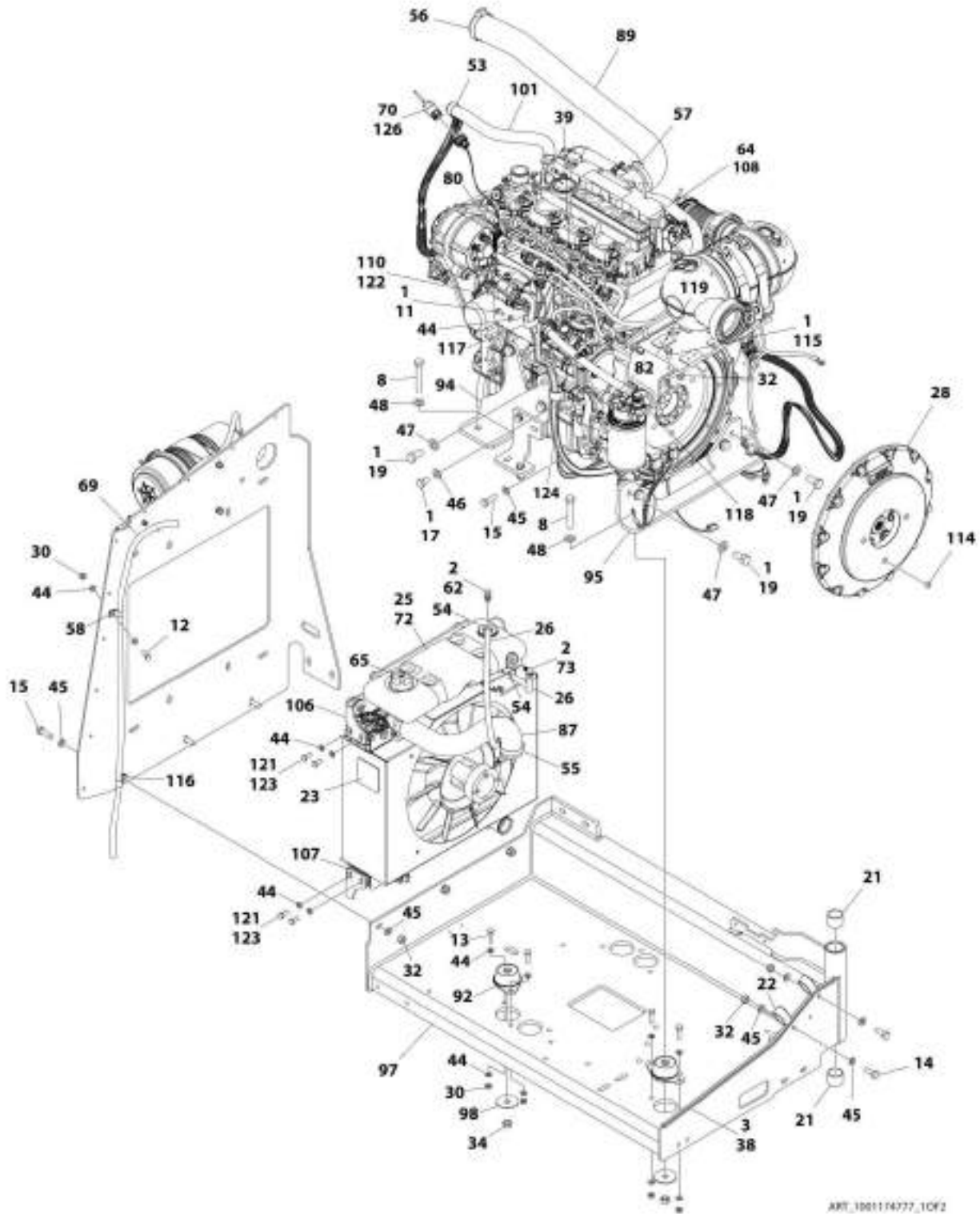
## SECTION 3 - ENGINE

**FIGURE 3-6. ENGINE AND PUMP SUB-ASSEMBLY - DEUTZ D2.9L4 (T4F) (WITH ARCTIC PACKAGE)  
(ANSI AND CSA SPECS) (SN 0300234013 to Present)**

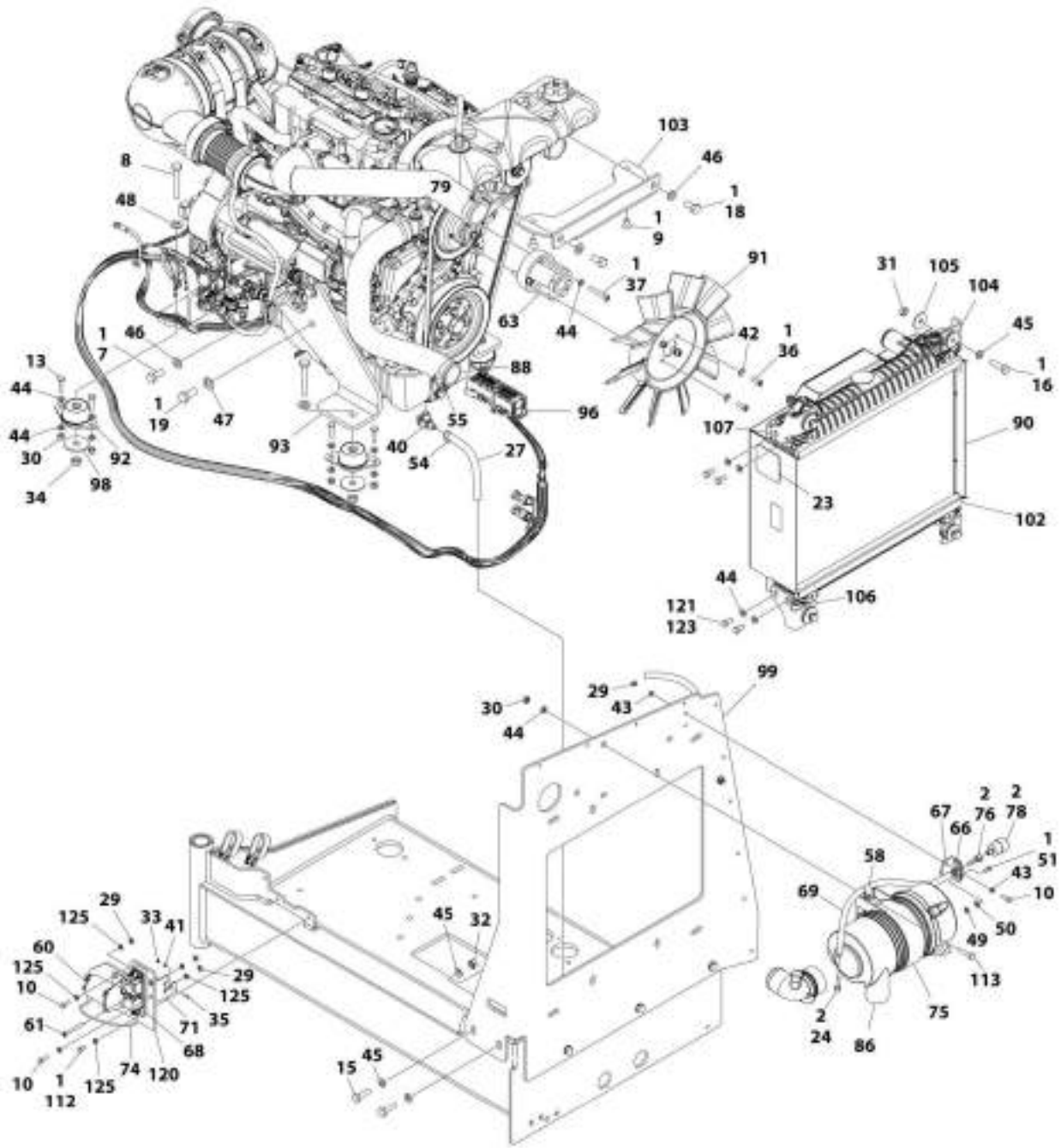
ITEM	PART NUMBER	QTY	DESCRIPTION	REV
	1001227571	Ref	ENGINE AND PUMP SUB-ASSEMBLY - DEUTZ D2.9L4 (T4F) (WITH ARCTIC PACKAGE) (ANSI AND CSA SPECS) (SN <b>0300234013 to Present</b> )	A
1	0100011	AR	Compound, Locking	
2	0641812	4	Bolt 1/2 x 1-1/2	
3	3020037	AR	Lube	
4	3600242	1	Gear Pump Assembly (See GEAR PUMP ASSEMBLY for Breakdown)	
5	3790045	1	O-Ring	
6	3790152	1	O-Ring	
7	3931620	2	Capscrew 3/8 x 1-1/4	
8	4891600	2	Washer 3/8 Hardened	
9	4891800	4	Washer 1/2 Hardened	
10	1001171953	1	Seal	
11	1001171954	1	Seal	
12	1001174777	1	Engine Assembly - Deutz D2.9L4 (See Separate Breakdown in this Section)	
13	1001189236	1	Piston Pump Assembly (Rear) (See Separate Breakdown in this Section)	
14	1001189237	1	Piston Pump Assembly (Front) (See Separate in this Section)	

# SECTION 3 - ENGINE

FIGURE 3-7. ENGINE ASSEMBLY - DEUTZ D2.9L4 ENGINE (T4F) (WITH ARCTIC PACKAGE) (ANSI AND CSA SPECS) (SN 0300234013 to Present)



# SECTION 3 - ENGINE



ART\_1001174777\_20F2

## SECTION 3 - ENGINE

**FIGURE 3-7. ENGINE ASSEMBLY - DEUTZ D2.9L4 ENGINE (T4F) (WITH ARCTIC PACKAGE) (ANSI AND CSA SPECS) (SN 0300234013 to Present)**

ITEM	PART NUMBER	QTY	DESCRIPTION	REV
	1001174777	Ref	ENGINE ASSEMBLY - DEUTZ D2.9L4 ENGINE (T4F) (WITH ARCTIC PACKAGE) (ANSI AND CSA SPECS) (SN 0300234013 to Present)	P
1	0100011	AR	Compound, Locking	
2	0100020	AR	Sealant, Pipe	
3	0100081	AR	Adhesive	
7	0711214	1	Bolt M12 x 30	
8	0711224	4	Bolt M12 x 80	
9	0741606	2	Screw 3/8 x .75	
10	0760610	3	Bolt M6 x 20	
11	0760808	1	Bolt M8 x 16	
12	0760812	1	Bolt M8 x 25	
13	0760814	8	Bolt M8 x 30	
14	0761014	2	Bolt M10 x 30	
15	0761015	7	Bolt M10 x 35	
16	0761016	4	Bolt M10 x 40	
17	0761210	1	Bolt M12 x 20	
18	0761212	2	Bolt M12 x 25	
19	0771414	9	Bolt M14 x 30	
21	0961951	2	Bushing	
22	1321716	2	Clamp	
23	1703162	2	Decal - Caution Fan	
24	2220315	1	Fitting, Barbed	
25	2300041	3 gl/ 11.3L	Coolant	
26	2720015	2 ft/0.61m	Hose	
27	2720340	8 in/0.2m	Hose	
28	2902065	1	Pump Coupling Kit (See PUMP COUPLING KIT for Breakdown)	
29	3290605	7	Nut, Lock M6 x 1	
30	3290805	11	Nut, Lock M8 x 1.25	
31	3291001	4	Nut, M10 x 1.5	
32	3291005	9	Nut, Lock M10 x 1.5	
33	3310401	3	Nut #4	
34	3331215	4	Nut, M12 x 1.75	
35	3910408	3	Screw 4 x 1/2	
36	3931512	4	Capscrew 5/16 x 3/4	
37	4031914	4	Bolt M8 x 50	
38	4060805	2.25 ft/ 0.7m	Trim, Flex Shield	
39	4240099	AR	Tie-Strap	
40	4640751	1	Valve, Oil Drain	
41	4710400	3	Washer #4	
42	4711500	4	Washer, 5/16	
43	4811700	4	Washer, M6	
44	4811900	35	Washer, M8	
45	4812000	22	Washer, M10	
46	4812100	4	Washer, M12	
47	4812200	9	Washer, M14	
48	5241200	4	Washer, M12 Hardened	
49	8305401	2	Nut, Jam .250-20	

## SECTION 3 - ENGINE

ITEM	PART NUMBER	QTY	DESCRIPTION	REV
50	8307109	2	Washer, .250	
51	8310548	2	Screw 1/4 x 1/2	
53	8405007	2	Clamp	
54	8405009	5	Clamp	
55	8405104	4	Clamp	
56	8405202	1	Clamp	
57	8405204	1	Clamp	
58	8406109	2	Clip	
60	1001117308	1	Relay, 200Amp	
60	3300220	2	Nut	
60	3321001	2	Nut #10	
60	4761000	2	Washer #10	
60	1001111424	2	Washer	
61	1001118878	1	Bolt M6 x 55	
62	1001134488	1	Fitting, Barbed 90 (SN 0300234013 through 0300239153)	
63	1001144116	1	Spacer, Fan	
64	1001136172	2.4 gal/9L	Oil, Motor	
65	1001136834	1	Cap, Tank	
66	1001138173	1	Support, Service Indicator	
67	1001138175	1	Bracket, Service Indicator	
68	1001138228	1	Relay, Power Module	
68	70023592	1	Fuse 20Amp	
68	70023593	1	Fuse 30Amp	
69	1001138248	5.25 ft/ 1.6m	Tube	
70	1001138827	1	Sensor, Coolant Level (SN 0300234013 through 0300239153)	
71	1001139240	1	Bracket	
72	1001140535	NLA	Tank, Surge (Use p/n 1001233635) (SN 0300234013 through 0300239153)	
72	1001230635	1	Tank, Surge (Includes Items 62, 70, & 73) (SN 0300239154 to Present)	
73	1001140564	1	Fitting, Barbed 90 (SN 0300234013 through 0300239153)	
74	1001141304	1	Harness, Glow Plug	
75	1001141694	1	Clamp, Air Cleaner	
76	1001141995	1	Fitting, Barbed	
78	1001143390	1	Indicator	
79	1001143797	1	Fitting, Barbed	
80	1001178788	1	Cable, Alternator	
82	1001152489	1	Fitting, Barbed 90	
86	1001165388	1	Air Cleaner Assembly	
86	70003783	1	Element, Air Cleaner	
87	1001165405	1	Hose, Upper Radiator	
88	1001165406	1	Hose, Lower Radiator	
89	1001165721	1	Hose, Air Intake	
90	1001165722	1	Radiator	
91	1001165849	1	Fan	
92	1001166718	4	Mount, Motor	
93	1001166921	1	Plate, Engine Mount	
94	1001166922	1	Plate, Engine Mount	
95	1001166924	1	Plate, Engine Mount	
96	1001167108	1	Harness Engine - Deutz D2.9L4 (See ELECTRICAL SECTION for Breakdown)	

## SECTION 3 - ENGINE

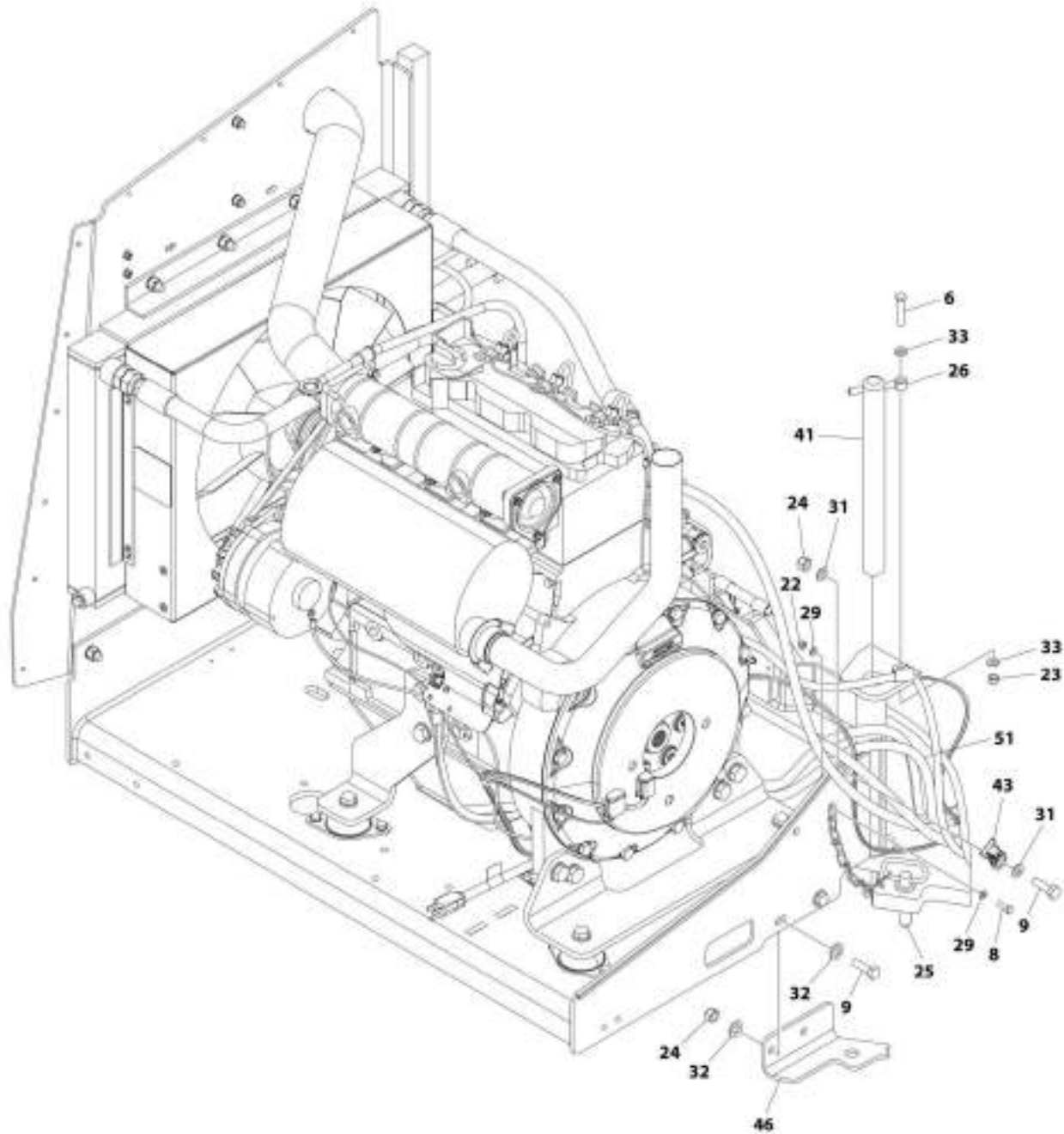
ITEM	PART NUMBER	QTY	DESCRIPTION	REV
97	1001167520	1	Tray, Engine	
98	1001168018	4	Washer, Special	
99	1001168026	1	Plate, Radiator Mounting	
101	1001168099	1	Hose	
102	1001168166	2	Seal	
103	1001168950	1	Bracket	
104	1001169054	4	Isolator	
105	1001169138	4	Washer, Snubbing	
106	1001169967	2	Bracket	
107	1001170035	2	Bracket	
108	1001170617	1	Engine, Deutz D2.9L4 (See ENGINE COMPONENTS - DEUTZ D2.9L4 ENGINE for Breakdown)	
110	1001140312	1	Heater, Engine Block	
112	0760607	3	Bolt M6 x 14	
113	0760815	2	Bolt M8 x 35	
114	3520054	1	Plug	
115	5250810	2	Bolt M8 x 20	
116	8406110	1	Clip	
117	8406201	1	Clip	
118	1001177359	1	Hose	
119	1001178876	1	Mount, Fuel Filter	
120	1001179903	1	Bracket	
121	1001180620	AR	Adhesive	
122	1001181895	AR	Adhesive	
123	0760810	8	Bolt M8 x 20	
124	1001191620	1	Clamp	
125	4811702	12	Washer M6	
126	1001182997	1	Adhesive (SN 0300234013 through 0300239153)	





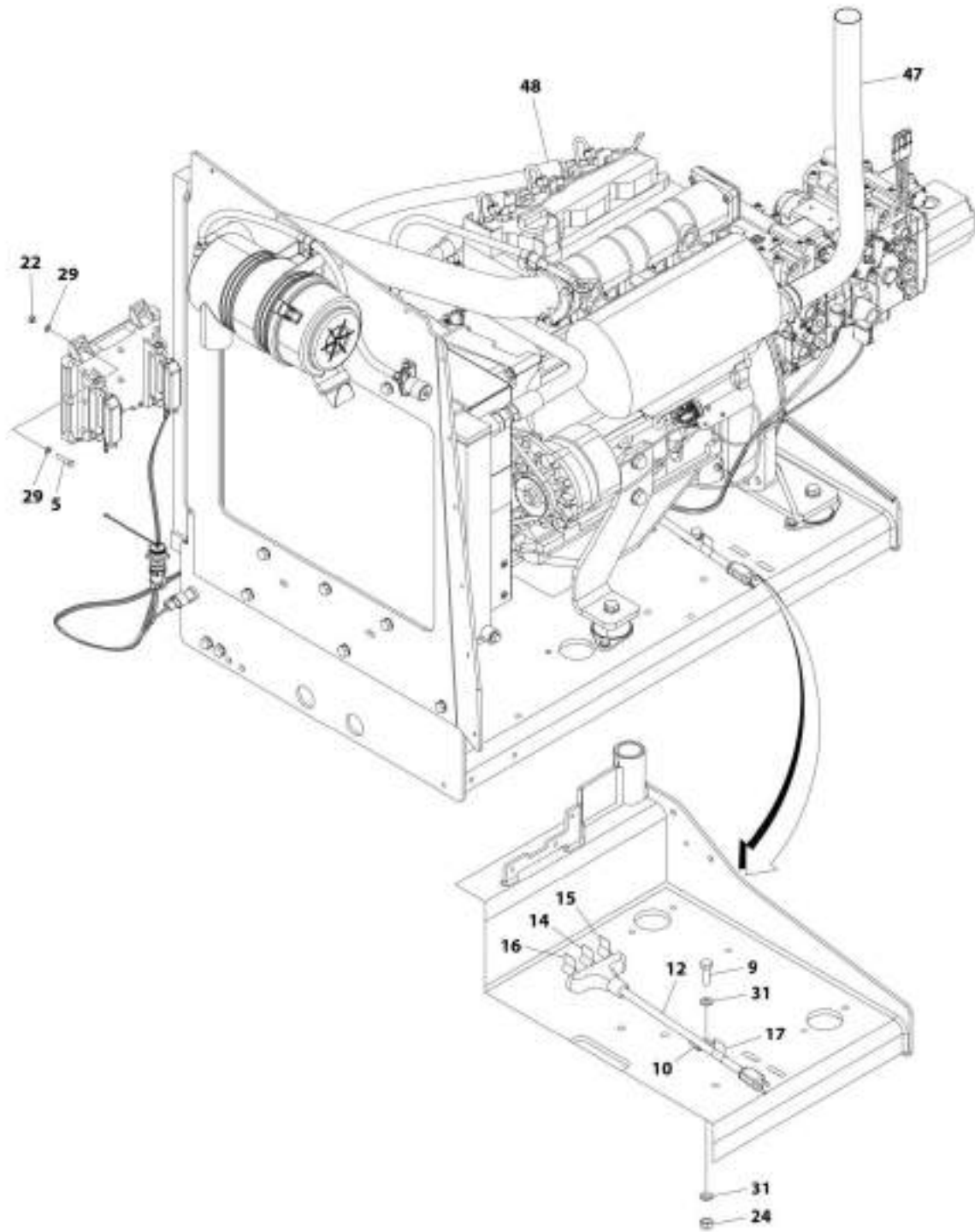
## SECTION 3 - ENGINE

FIGURE 3-8. ENGINE INSTALLATION - DEUTZ D2.3L3 (T4I) (WITH ARCTIC PACKAGE) (ANSI EXPORT SPECS) (SN 0300234013 to Present)



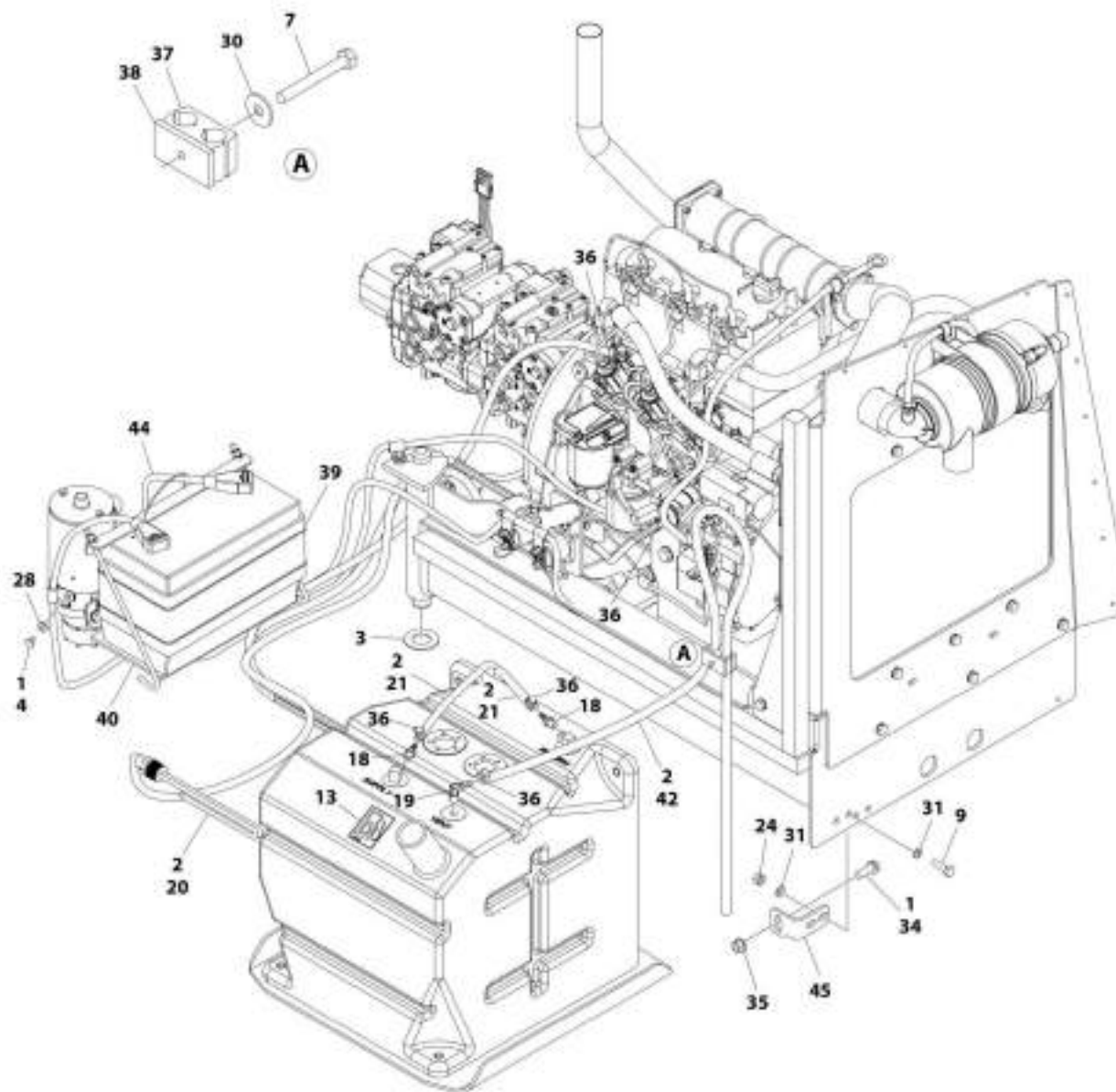
ART\_1001227568\_10F3

# SECTION 3 - ENGINE



AWT\_1001227568\_20F3

# SECTION 3 - ENGINE



ART\_1001227568\_30F3

## SECTION 3 - ENGINE

**FIGURE 3-8. ENGINE INSTALLATION - DEUTZ D2.3L3 (T4I) (WITH ARCTIC PACKAGE) (ANSI EXPORT SPECS) (SN 0300234013 to Present)**

ITEM	PART NUMBER	QTY	DESCRIPTION	REV
	1001227568	Ref	ENGINE INSTALLATION - DEUTZ D2.3L3 (T4I) (WITH ARCTIC PACKAGE) (ANSI EXPORT SPECS) (SN 0300234013 to Present)	A
1	0100011	AR	Compound, Locking	
2	0100020	AR	Sealant, Pipe	
3	0440162	1	Bearing	
4	0641504	1	Bolt 5/16 x 1/2	
5	0700614	4	Bolt M6 x 30	
6	0700817	1	Bolt M8 x 45	
7	0700818	1	Bolt M8 x 50	
8	0760610	1	Bolt M6 x 20	
9	0761015	6	Bolt M10 x 35	
10	1320223	1	Clip	
12	1060626	1	Plug, 3 Way	
13	1701505	1	Decal - Diesel Fuel	
14	1702941	1	Decal - Battery Heater	
15	1702942	1	Decal - Engine Block Heater	
16	1702943	1	Decal - Hydraulic Tank Heater	
17	1702944	1	Decal - Heater Cord	
18	2180348	2	Fitting, Barbed	
19	2220313	1	Fitting, Barbed 90	
20	1001188972	1	Heater, Hydraulic Tank	
21	2720058	16.9 ft/ 5.2m	Hose	
22	3290605	5	Nut M6	
23	3290805	1	Nut M8	
24	3291005	6	Nut M10	
25	3422532	1	Pin	
26	3841143	1	Pin	
27	4240099	AR	Tie-Strap (Not Shown)	
28	4711500	1	Washer 5/16	
29	4811700	10	Washer M6	
30	4811902	1	Washer M8	
31	4812000	8	Washer M10	
32	4812100	4	Washer M12	
33	5240800	2	Washer M8	
34	5251215	1	Bolt M12 x 35	
35	5261200	1	Nut, Flange M12 (Class 10)	
36	8405009	5	Clamp	
37	8750014	1	Clamp	
38	8750031	1	Plate	
39	2580024	1	Heater, Battery	
40	1001119278	1	Insulate	
41	1001135196	1	Pin	
42	2750532	5.5 ft/ 1.7m	Hose	
43	1001156107	1	Holder, Cable	
44	1001167038	1	Battery Cable Kit	
44	70009004	1	Cable, Battery (Black) (Battery Negative, Auxiliary Power Pump, Turntable Ground to Engine Ground)	
44	70009005	1	Cable, Battery (Red) (Battery Positive, Auxiliary Power Relay,	

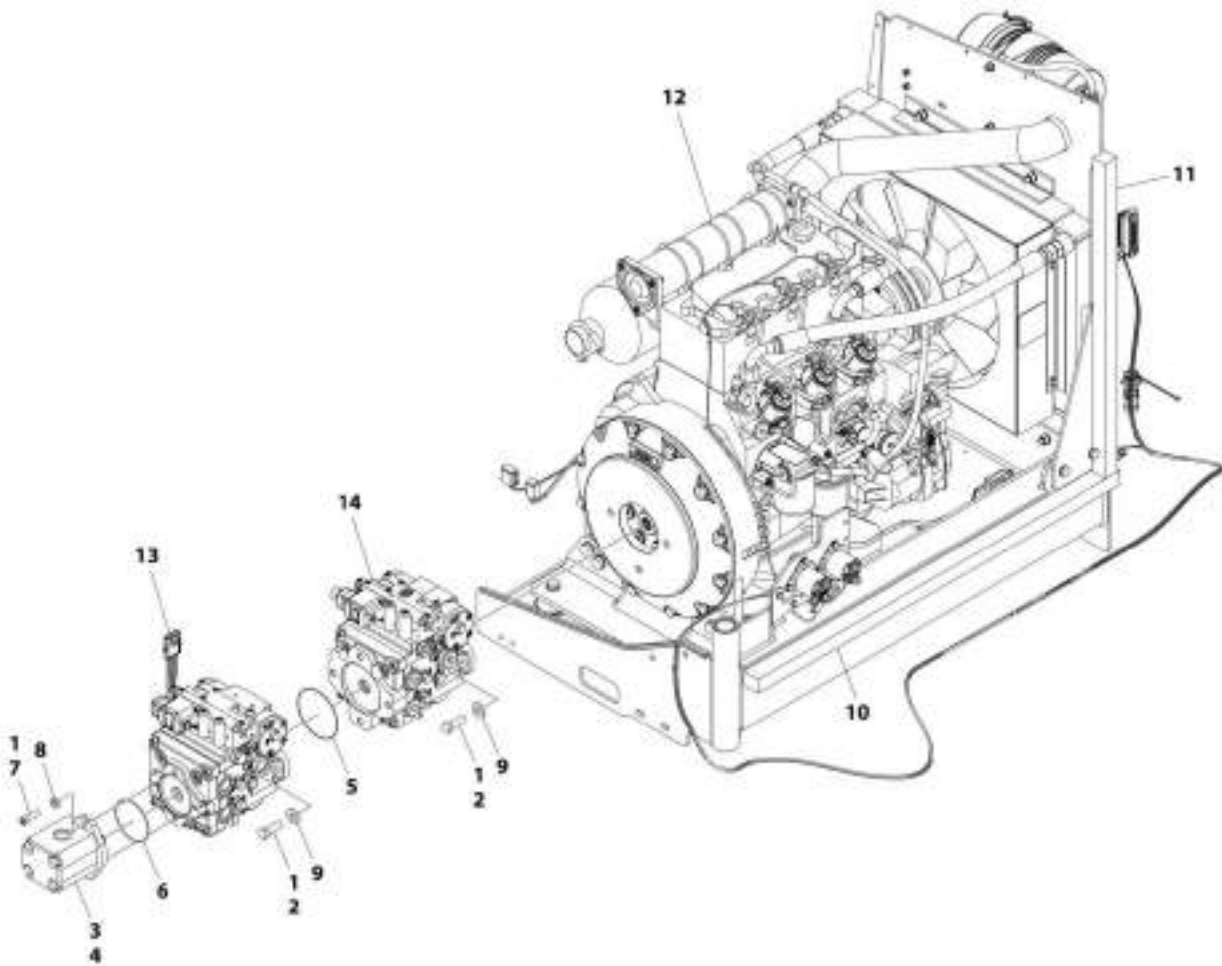
## SECTION 3 - ENGINE

ITEM	PART NUMBER	QTY	DESCRIPTION	REV
44	70009002	1	Starter Relay to Starter) Cable, Battery (Red) (Auxiliary Power Relay to Auxiliary Power Pump)	
45	1001167512	1	Bracket, Engine	
46	1001169823	1	Plate, Engine Lock	
47	1001227576	1	Pipe, Exhaust	
48	1001227570	1	Engine and Pump Sub-Assembly (See Separate Breakdown in this Section)	
51	1001150918	1	Cable, Extension Cord	



## SECTION 3 - ENGINE

FIGURE 3-9. ENGINE AND PUMP SUB-ASSEMBLY - DEUTZ D2.3L3 (T4I) (WITH ARCTIC PACKAGE)  
(ANSI EXPORT SPECS) (SN 0300234013 to Present)



AR0\_1001227570



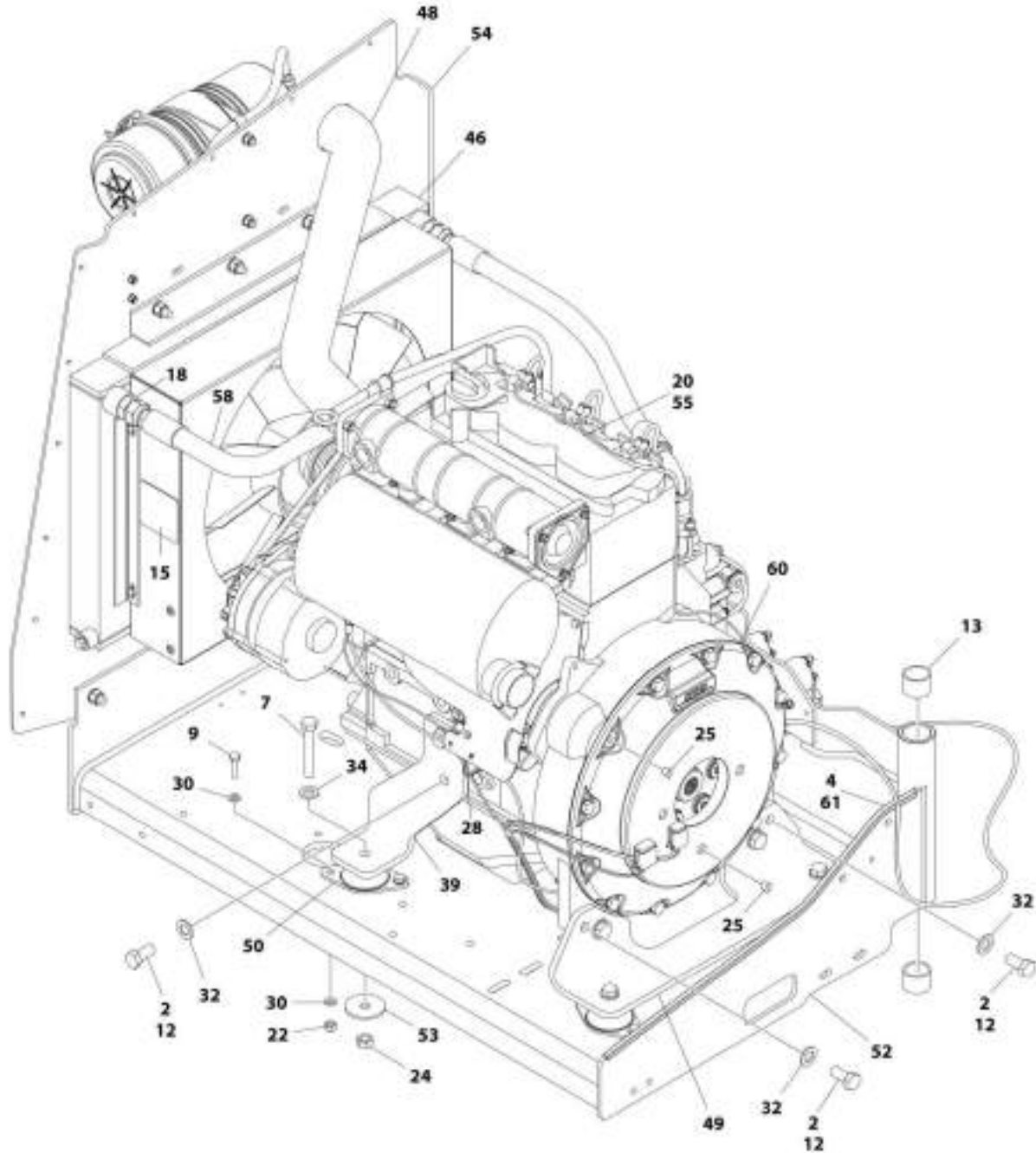
## SECTION 3 - ENGINE

**FIGURE 3-9. ENGINE AND PUMP SUB-ASSEMBLY - DEUTZ D2.3L3 (T4I) (WITH ARCTIC PACKAGE)  
(ANSI EXPORT SPECS) (SN 0300234013 to Present)**

ITEM	PART NUMBER	QTY	DESCRIPTION	REV
	1001227570	Ref	ENGINE AND PUMP SUB-ASSEMBLY - DEUTZ D2.3L3 (T4I) (WITH ARCTIC PACKAGE) (ANSI EXPORT SPECS) <b>(SN 0300234013 to Present)</b>	A
1	0100011	AR	Compound, Locking	
2	0641812	4	Bolt 1/2 x 1-1/2	
3	3020037	AR	Lube	
4	3600242	1	Gear Pump Assembly (See GEAR PUMP ASSEMBLY for Breakdown)	
5	3790045	1	O-Ring	
6	3790152	1	O-Ring	
7	3931620	2	Capscrew 3/8 x 1-1/4	
8	4891600	2	Washer 3/8 Hardened	
9	4891800	4	Washer 1/2 Hardened	
10	1001171953	1	Seal	
11	1001171954	1	Seal	
12	1001174783	1	Engine Assembly - Deutz D2.3L3 (See Separate Breakdown in this Section)	
13	1001189236	1	Piston Pump Assembly (Rear) (See Separate Breakdown in this Section)	
14	1001189237	1	Piston Pump Assembly (Front) (See Separate Breakdown in this Section)	

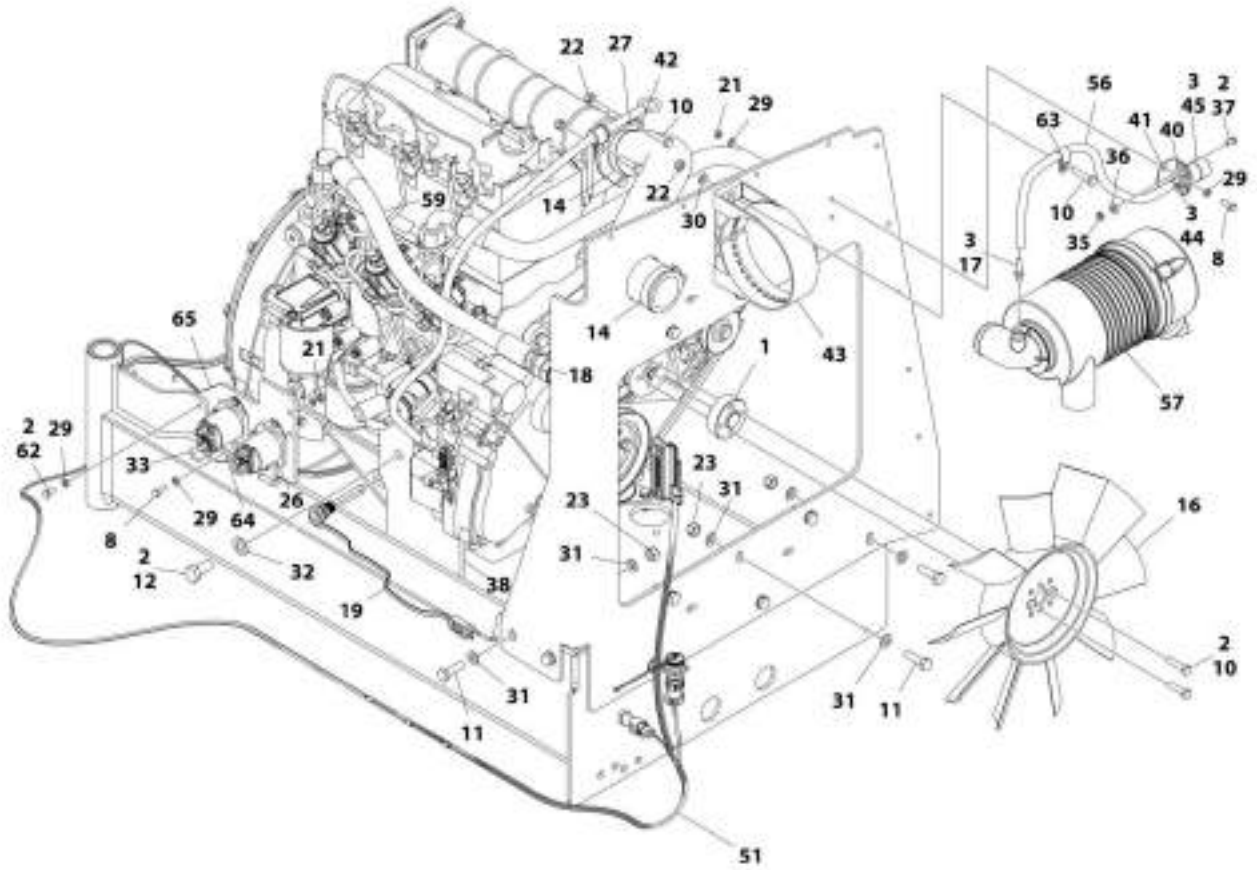
## SECTION 3 - ENGINE

FIGURE 3-10. ENGINE ASSEMBLY - DEUTZ D2.3L3 ENGINE (T4I) (WITH ARCTIC PACKAGE) (ANSI EXPORT SPEC) (SN 0300234013 to Present)



ART\_1001174/53\_10F2

# SECTION 3 - ENGINE



WIT\_1001174785\_20F2

## SECTION 3 - ENGINE

**FIGURE 3-10. ENGINE ASSEMBLY - DEUTZ D2.3L3 ENGINE (T4I) (WITH ARCTIC PACKAGE) (ANSI EXPORT SPEC) (SN 0300234013 to Present)**

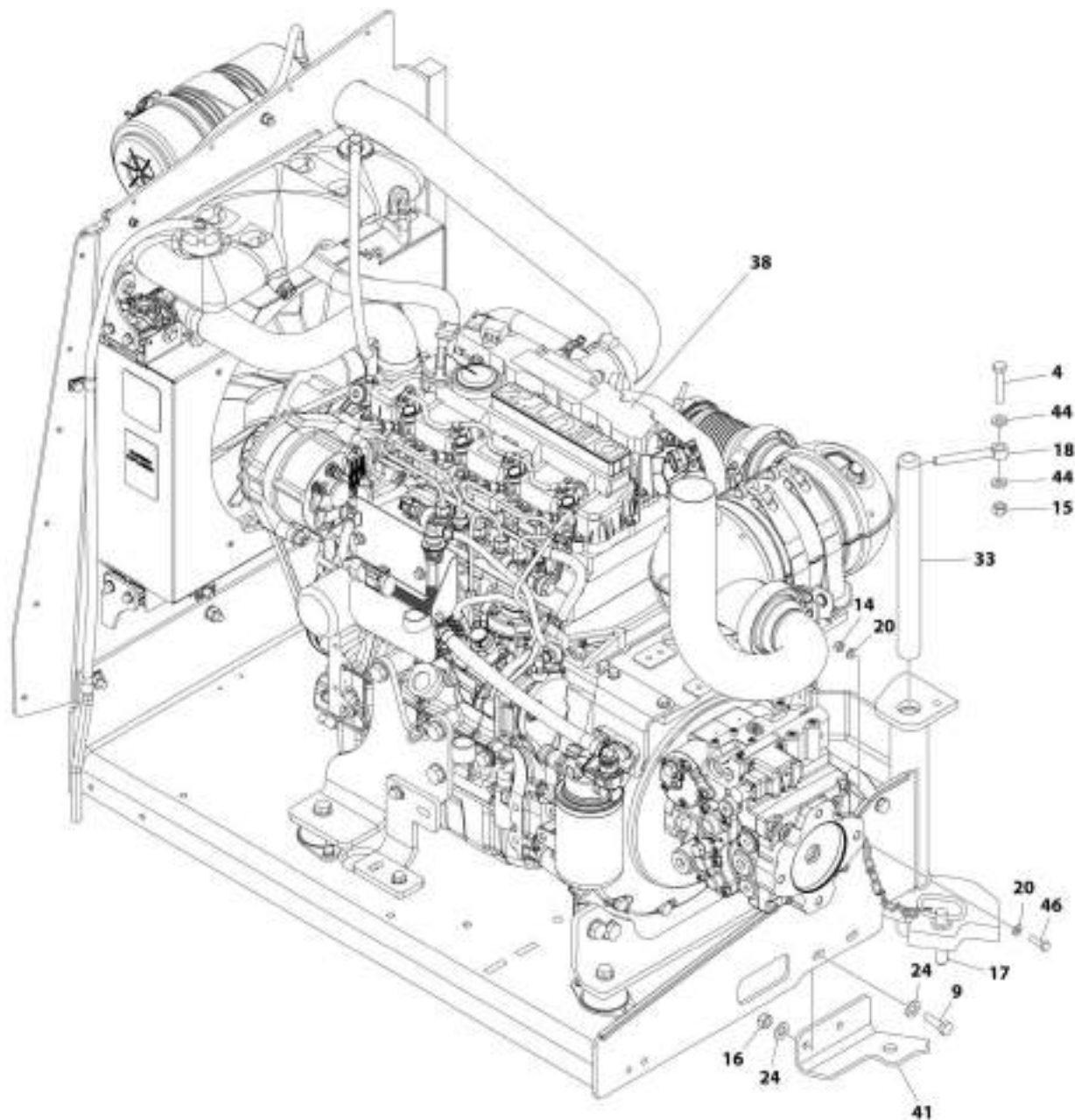
ITEM	PART NUMBER	QTY	DESCRIPTION	REV
	1001174783	Ref	ENGINE ASSEMBLY - DEUTZ D2.3L3 ENGINE (T4I) (WITH ARCTIC PACKAGE) (ANSI EXPORT SPEC) (SN 0300234013 to Present)	H
1	0080231	1	Spacer, Fan	
2	0100011	AR	Compound, Locking	
3	0100020	AR	Sealant, Pipe	
4	0100081	AR	Adhesive	
7	0711224	4	Bolt M12 x 80 Grade 10.9	
8	0760610	6	Bolt M6 x 20	
9	0760814	8	Bolt M8 x 30	
10	0760815	9	Bolt M8 x 35	
11	0761015	11	Bolt M10 x 35	
12	0771414	8	Bolt M14 x 30	
13	0961951	2	Bushing	
14	1320016	2	Clamp	
15	1703162	2	Decal - Caution Fan	
16	2060025	1	Fan	
17	2220315	1	Fitting, Barbed	
18	2220451	2	Fitting, Straight JIC/ORB	
19	2580062	1	Heater, Engine Block	
20	3020044	2.8 gal/ 10.5L	Oil, Motor	
21	3290605	6	Nut, Lock M6 x 1	
22	3290805	13	Nut, Lock M8 x 1.25	
23	3291005	11	Nut, Lock M10 x 1.5	
24	3331215	4	Nut, M12 x 1.75	
25	3520054	2	Plug	
26	3740067	2	Relay Assembly	
26	3300220	2	Nut	
26	3321001	1	Nut #10	
26	3740140	1	Relay	
26	4761000	1	Washer, Lock #10	
26	1001111424	2	Washer	
27	3960407	1	Gasket	
28	4240099	AR	Tie-Strap (Not Shown)	
29	4811700	15	Washer, M6	
30	4811900	20	Washer, M8	
31	4812000	22	Washer, M10	
32	4812200	8	Washer, M14	
33	4923451	1	Harness, Glow Plugs	
34	5241200	4	Washer, M12 Hardened	
35	8305401	2	Nut, Jam .250	
36	8307109	2	Washer, .250	
37	8310548	2	Screw, 1/4 x 1/2	
38	1001132195	1	Bracket, Engine Mount	
39	1001132196	1	Bracket, Engine Mount	
40	1001138173	1	Support, Service Indicator	
41	1001138175	1	Bracket, Service Indicator	
42	1001139819	1	Adapter, Air Intake	

## SECTION 3 - ENGINE

ITEM	PART NUMBER	QTY	DESCRIPTION	REV
43	1001141694	1	Clamp, Air Cleaner	
44	1001141995	1	Fitting, Barbed	
45	1001143390	1	Indicator	
46	1001150998	1	Radiator	
48	1001165389	1	Hose	
49	1001166717	1	Bracket, Engine Mount	
50	1001166718	4	Isolator, Engine Mount	
51	1001167111	1	Harness Engine - Deutz D2.3L3 (See ELECTRICAL SECTION for Breakdown)	
52	1001167520	1	Tray, Engine	
53	1001168018	4	Washer, Snubbing	
54	1001168059	1	Plate, Radiator Mounting	
55	1001170693	1	Engine, Deutz D2.3L3 (See ENGINE COMPONENTS - DEUTZ D2.3L3 for Breakdown)	
56	1001138248	2 ft/ 0.6m	Tube	
57	1001165388	1	Air Cleaner Assembly	
57	70003783	1	Element, Air Cleaner	
58	2720398	1	Hose	
59	2720447	1	Hose	
60	2902065	1	Pump Coupling Kit (See PUMP COUPLING KIT for Breakdown)	
61	4060805	2.25 ft/ 0.7m	Trim, Flex Shield	
62	0760614	3	Bolt, M6 x 30	
63	8406109	1	Clip	
64	1001178859	1	Cable, Alternator	
65	1001179903	1	Bracket	
65	1001214975	1	Bracket	

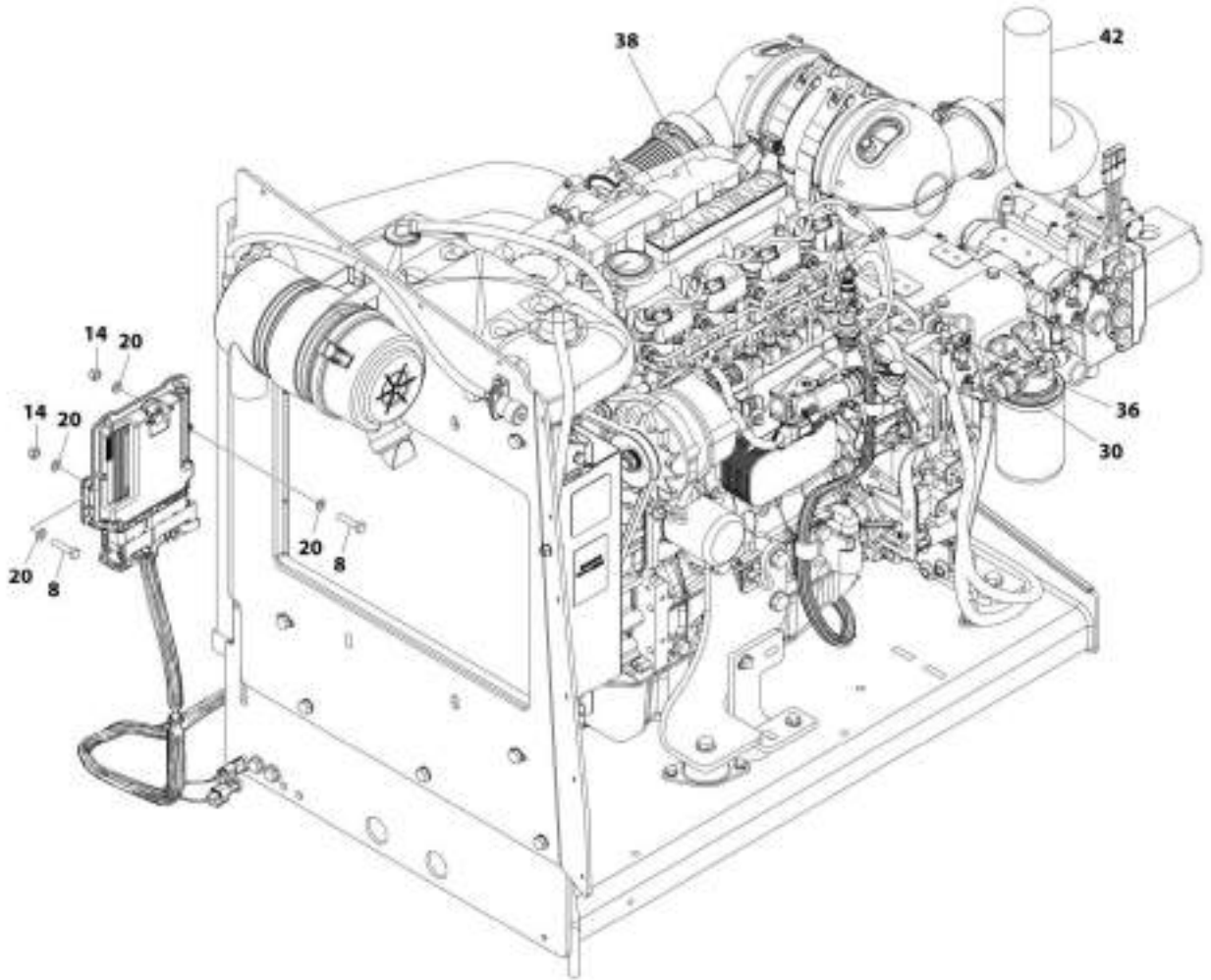
## SECTION 3 - ENGINE

FIGURE 3-11. ENGINE INSTALLATION (DEUTZ D2.9L) (T4F) (ANSI, CSA AND ANSI EXPORT SPECS)  
(SN 0300224020 to Present)



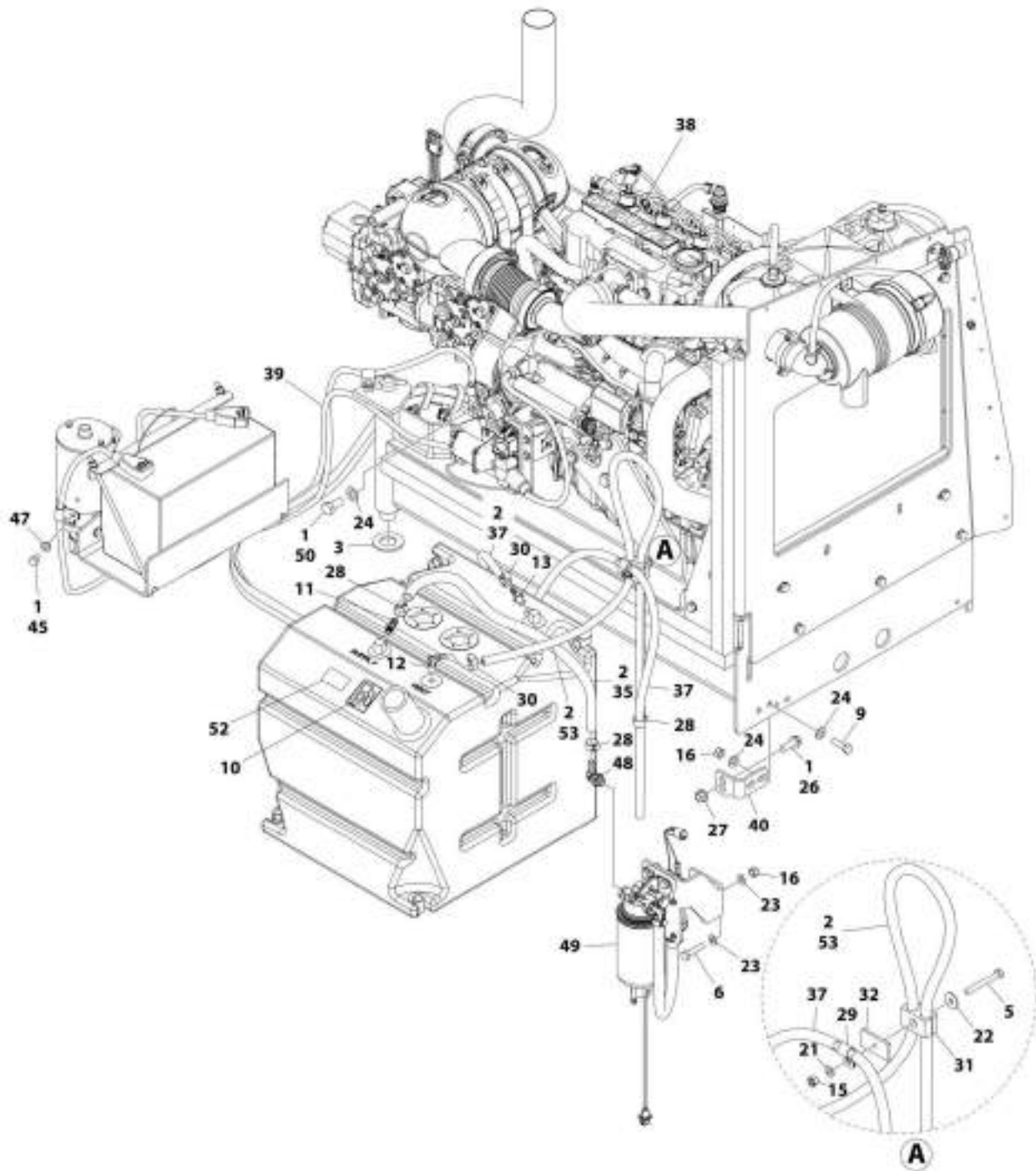
AWT\_1001214480\_10F3

# SECTION 3 - ENGINE



MT\_100121460\_20FS

# SECTION 3 - ENGINE



ART\_1001214480\_30F3



## SECTION 3 - ENGINE

**FIGURE 3-11. ENGINE INSTALLATION (DEUTZ D2.9L) (T4F) (ANSI, CSA AND ANSI EXPORT SPECS)  
(SN 0300224020 to Present)**

ITEM	PART NUMBER	QTY	DESCRIPTION	REV
	1001214460	Ref	ENGINE INSTALLATION (DEUTZ D2.9L) (T4F) (ANSI, CSA AND ANSI EXPORT SPECS) <b>(SN 0300224020 to Present)</b>	B
1	0100011	AR	Compound, Locking	
2	0100020	AR	Sealant, Pipe	
3	0440162	1	Bearing	
4	0700817	1	Bolt M8 x 45	
5	0700821	1	Bolt M8 x 65	
6	0701017	2	Bolt M10 x 45	
8	0760613	4	Bolt M6 x 28	
9	0761015	4	Bolt M10 x 35	
10	1701505	2	Decal - Diesel Fuel	
11	2180832	1	Fitting, Barbed	
12	2220313	1	Fitting, Barbed 90	
13	2220767	1	Fitting, Barbed	
14	3290605	5	Nut M6	
15	3290805	2	Nut M8	
16	3291005	6	Nut M10	
17	3422532	1	Pin	
18	3841143	1	Pin	
19	4240099	AR	Tie-Strap (Not Shown)	
20	4811700	10	Washer M6	
21	4811900	1	Washer M8	
22	4811902	1	Washer M8	
23	4812000	4	Washer M10	
24	4812100	9	Washer M12	
26	5251215	1	Bolt M12 x 35	
27	5261200	1	Nut, Flange M12 (Class 10)	
28	8405006	3	Gear Clamp	
29	8406101	1	Clip Tube	
30	8410013	4	Gear Clamp	
31	8750014	1	Clamp	
32	8750031	1	Plate	
33	1001135196	1	Pin	
35	1001154405	2.2 ft/ 0.7m	Hose	
36	1001155823	1	Coupling	
37	1001165035	21 ft/ 6.4m	Hose	
38	1001214459	1	Engine and Pump Sub-Assembly (See ENGINE AND PUMP SUB-ASSEMBLY (DEUTZ D2.9L) (T4F) for Breakdown)	
39	1001166970	1	Cable, Batt and Aux Pump Cables 400S/460SJ	
40	1001167512	1	Bracket, Engine	
41	1001169823	1	Plate, Engine Lock	
42	1001172594	1	Pipe, Exhaust <b>(Prior to SN 0300226418)</b>	
42	1001223802	1	Pipe, Exhaust <b>(SN 0300226418 to Present)</b>	
43	1001173342	1	Harness, Deutz Fuel (Not Shown - See ELECTRICAL SECTION for Breakdown)	
44	5240800	2	Washer M8 Hardened	
45	0641504	1	Bolt 5/16 x 1/2	
46	0760610	1	Bolt M6 x 20	

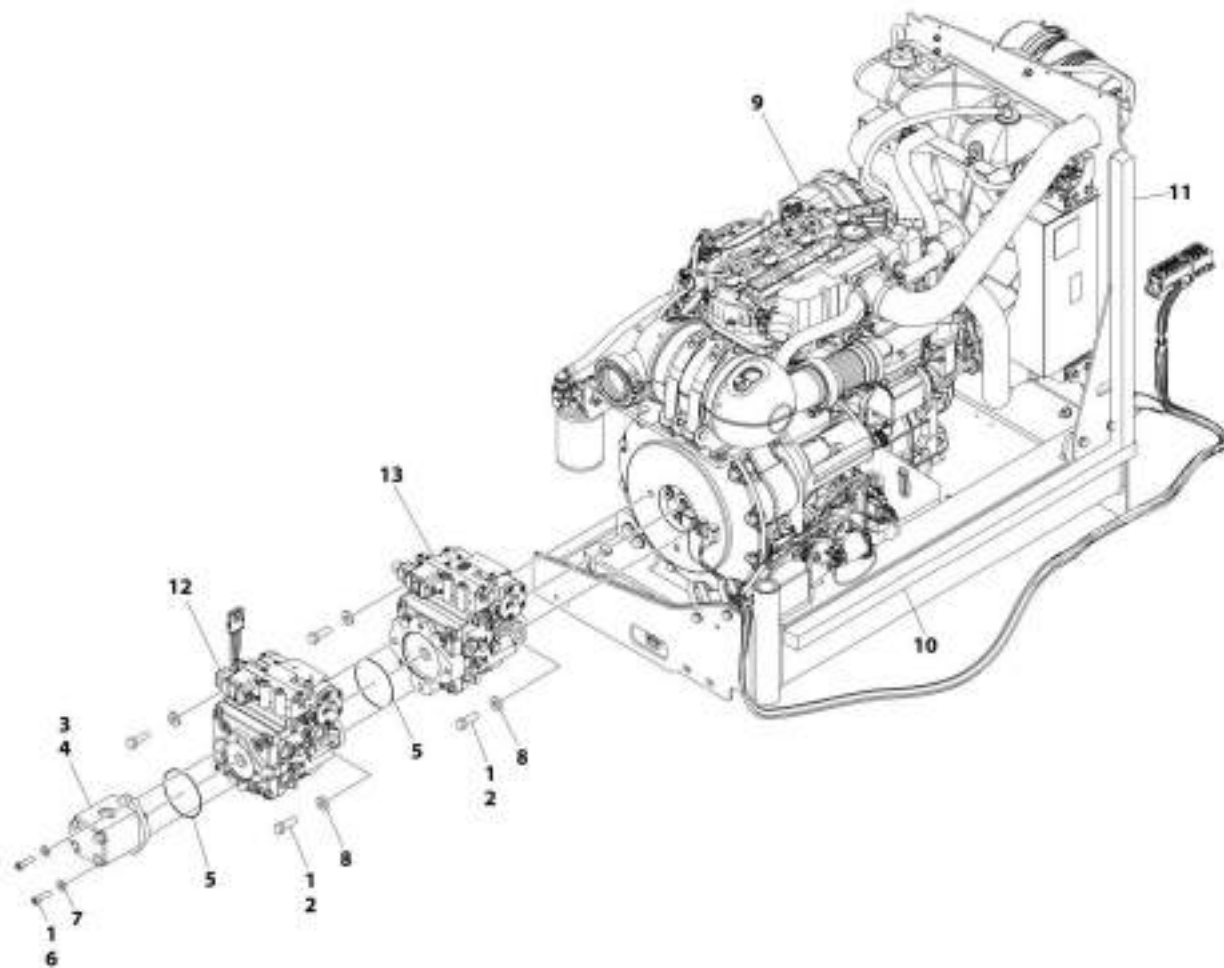
## SECTION 3 - ENGINE

ITEM	PART NUMBER	QTY	DESCRIPTION	REV
47	4711500	1	Washer 5/16	
48	1001142501	1	Fitting, Barbed 90	
49	1001162335	1	Bracket, Fuel Pump/Filter Assembly	
50	0771212	1	Bolt M12 x 25	
52	1001125387	1	Decal, Ultra Low Sulfur Fuel	
53	2750532	5.5 ft/ 1.7m	Hose	



## SECTION 3 - ENGINE

FIGURE 3-12. ENGINE AND PUMP SUB-ASSEMBLY (DEUTZ D2.9L) (T4F) (ANSI, CSA AND ANSI EXPORT SPECS) (SN 0300224020 to Present)



ART\_1001214439

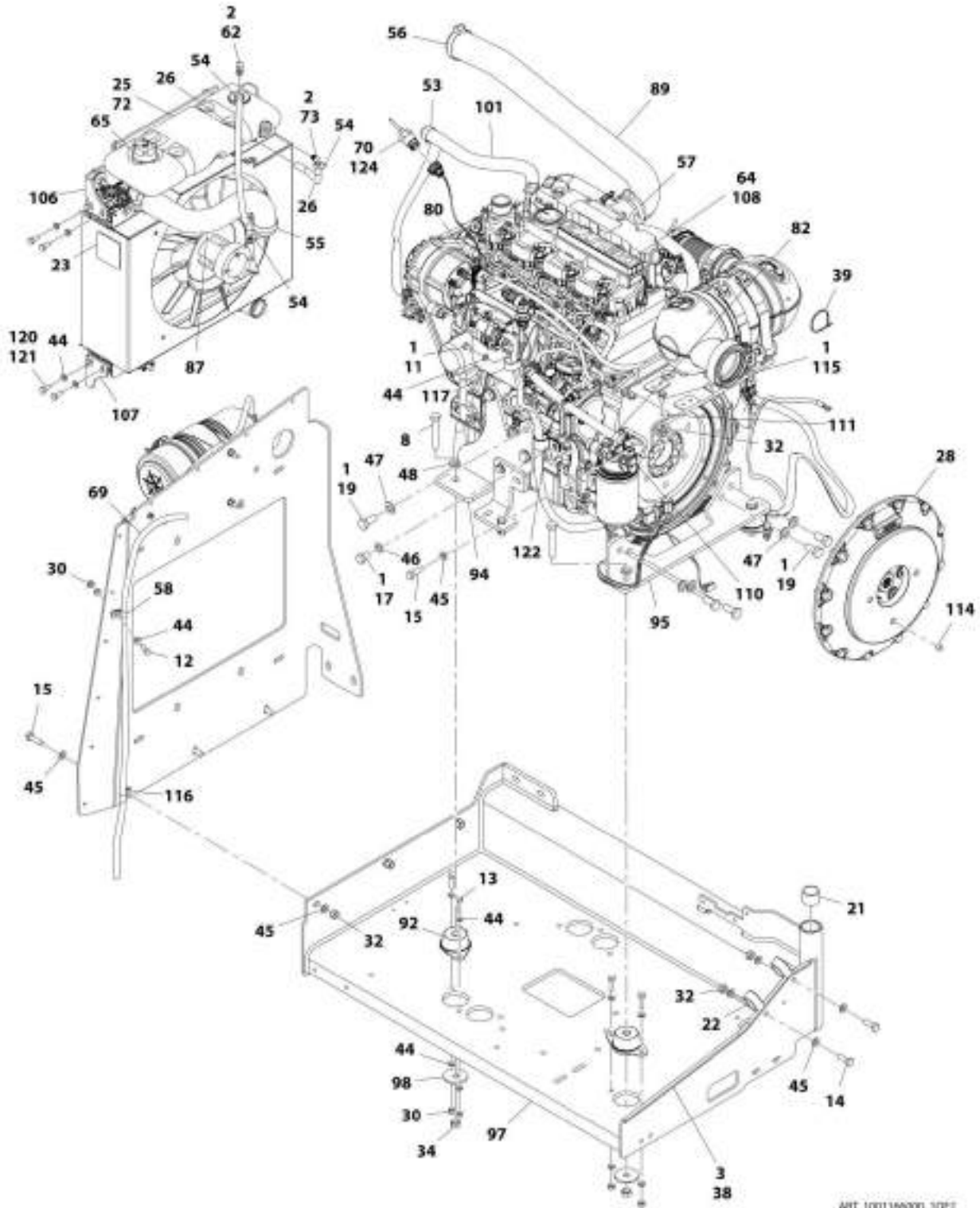
## SECTION 3 - ENGINE

**FIGURE 3-12. ENGINE AND PUMP SUB-ASSEMBLY (DEUTZ D2.9L) (T4F) (ANSI, CSA AND ANSI EXPORT SPECS) (SN 0300224020 to Present)**

ITEM	PART NUMBER	QTY	DESCRIPTION	REV
	1001214459	Ref	ENGINE AND PUMP SUB-ASSEMBLY (DEUTZ D2.9L) (T4F) (ANSI, CSA AND ANSI EXPORT SPECS) (SN 0300224020 to Present)	A
1	0100011	AR	Compound, Locking	
2	0641812	4	Bolt 1/2 x 1-1/2	
3	3020037	AR	Lube	
4	3600242	1	Gear Pump Assembly (See GEAR PUMP ASSEMBLY for Breakdown)	
5	3790045	2	O-Ring	
6	3931620	2	Capscrew 3/8 x 1-1/4	
7	4891600	2	Washer 3/8 Hardened	
8	4891800	4	Washer 1/2 Hardened	
9	1001166000	1	Engine Assembly - Deutz D2.9L4 Engine (See ENGINE ASSEMBLY (DEUTZ D2.9L) (T4F) for Breakdown)	
10	1001171953	1	Seal	
11	1001171954	1	Seal	
12	1001189236	1	Piston Pump Assembly (Rear) (See PISTON PUMP ASSEMBLY (REAR) for Breakdown)	
13	1001189237	1	Piston Pump Assembly (Front) (See PISTON PUMP ASSEMBLY (FRONT) for Breakdown)	

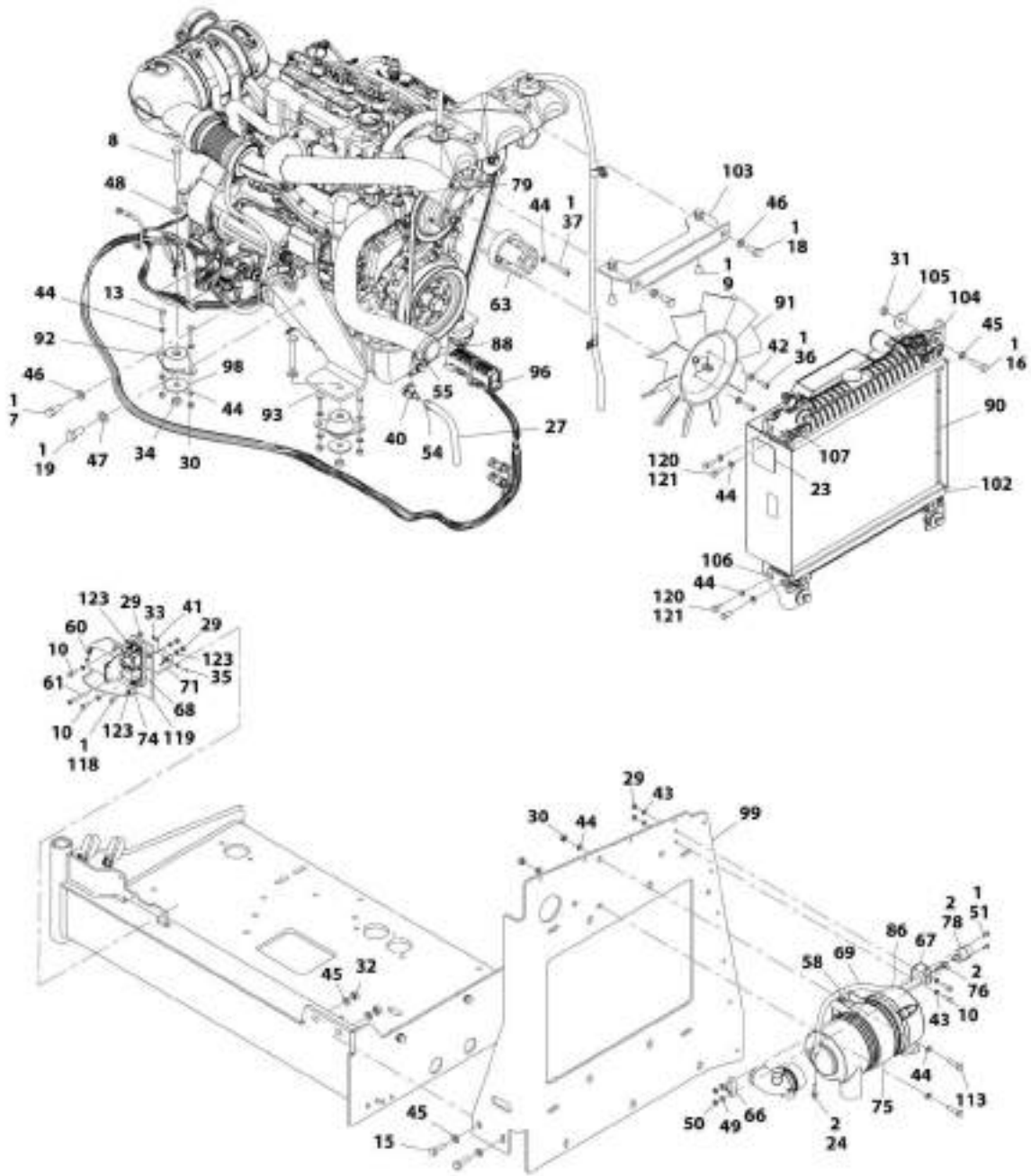
# SECTION 3 - ENGINE

FIGURE 3-13. ENGINE ASSEMBLY - (DEUTZ D2.9L) (T4F) (ANSI, CSA AND ANSI EXPORT SPECS)  
(SN 0300224020 to Present)



ART\_1001160000\_10P2

# SECTION 3 - ENGINE



AFI\_140116808\_30F2

## SECTION 3 - ENGINE

**FIGURE 3-13. ENGINE ASSEMBLY - (DEUTZ D2.9L) (T4F) (ANSI, CSA AND ANSI EXPORT SPECS)  
(SN 0300224020 to Present)**

ITEM	PART NUMBER	QTY	DESCRIPTION	REV
	1001166000	Ref	ENGINE ASSEMBLY - (DEUTZ D2.9L) (T4F) (ANSI, CSA AND ANSI EXPORT SPECS) (SN 0300224020 to Present)	Q
1	0100011	AR	Compound, Locking	
2	0100020	AR	Sealant, Pipe	
3	0100081	AR	Adhesive	
7	0711214	1	Bolt M12 x 30	
8	0711224	4	Bolt M12 x 80 Grade 10.9	
9	0741606	2	Screw 3/8 x .75	
10	0760610	6	Bolt M6 x 20	
11	0760808	1	Bolt M8 x 16	
12	0760812	1	Bolt M8 x 25	
13	0760814	8	Bolt M8 x 30	
14	0761014	2	Bolt M10 x 30	
15	0761015	7	Bolt M10 x 35	
16	0761016	4	Bolt M10 x 40	
17	0761210	1	Bolt M12 x 20	
18	0761212	2	Bolt M12 x 25	
19	0771414	9	Bolt M14 x 30	
21	0961951	2	Bushing	
22	1321716	2	Clamp	
23	1703162	2	Decal - Caution Fan	
24	2220315	1	Fitting, Straight Barbed	
25	2300004	3 gal/ 11.3L	Coolant	
26	2720015	2 ft/0.6m	Hose	
27	2720340	8 in/ 20.3cm	Hose	
28	2902065	1	Pump Coupling Kit (See PUMP COUPLING KIT for Breakdown)	
29	3290605	7	Nut M6	
30	3290805	11	Nut M8	
31	3291001	4	Nut M10	
32	3291005	9	Nut M10	
33	3310401	3	Nut #4	
34	3331215	4	Nut, M12 x 1.75	
35	3910408	3	Screw 4 x 1/2	
36	3931512	4	Capscrew 5/16 x 3/4	
37	4031914	4	Bolt M8 x 50	
38	4060805	2.3 ft/ 0.7m	Trim, Flex Shield	
39	4240099	AR	Tie-Strap	
40	4640751	1	Valve, Oil Drain	
41	4710400	3	Washer #4	
42	4711500	4	Washer 5/16	
43	4811700	4	Washer M6	
44	4811900	35	Washer M8	
45	4812000	22	Washer M10	
46	4812100	4	Washer M12	
47	4812200	9	Washer M14	
48	5241200	4	Washer M12 Hardened	
49	8305401	2	Nut Jam .250	



## SECTION 3 - ENGINE

ITEM	PART NUMBER	QTY	DESCRIPTION	REV
50	8307109	2	Washer .250	
51	8310548	2	Screw 1/4 x 1/2	
53	8405007	2	Clamp	
54	8405009	5	Clamp	
55	8405104	4	Clamp	
56	8405202	1	Clamp	
57	8405204	1	Clamp	
58	8406109	2	Clip	
60	1001117308	1	Relay, 200Amp	
60	3300220	2	Nut 3/8	
60	3321001	2	Nut #10	
60	4761000	2	Washer #10	
60	1001111424	2	Washer 3/8	
61	1001118878	1	Bolt M6 x 55	
62	1001134488	1	Fitting, Barbed <b>(SN 0300224020 through 0300239153)</b>	
63	1001144116	1	Spacer, Fan	
64	1001136079	2.4 gal/ 9L	Oil Motor	
65	1001136834	1	Cap, Tank	
66	1001138173	1	Support, Service Indicator	
67	1001138175	1	Bracket, Service Indicator	
68	1001138228	1	Relay, Power Module	
68	70023592	1	Fuse 20Amp	
68	70023593	1	Fuse 30Amp	
69	1001138248	5.3 ft/ 1.6m	Tube	
70	1001138827	1	Sensor, Coolant Level <b>(SN 0300224020 through 0300239153)</b>	
71	1001139240	1	Bracket	
72	1001140535	NLA	Tank, Surge (Use p/n 1001233635) <b>(SN 0300224020 through 0300239153)</b>	
72	1001233635	1	Tank, Surge (Includes Items 62, 70, & 73) <b>(SN 0300239154 to Present)</b>	
73	1001140564	1	Fitting, Barbed 90 <b>(SN 0300224020 through 0300239153)</b>	
74	1001141304	1	Harness, Glow Plug	
75	1001141694	1	Clamp, Air Cleaner	
76	1001141995	1	Fitting, Barbed	
78	1001143390	1	Indicator	
79	1001143797	1	Fitting, Barbed	
80	1001178788	1	Cable, Alternator	
82	1001152489	1	Fitting, Barbed 90	
86	1001165388	1	Air Cleaner Assembly	
86	70003783	1	Element, Air Cleaner	
87	1001165405	1	Hose, Upper Radiator	
88	1001165406	1	Hose, Lower Radiator	
89	1001165721	1	Hose, Air Intake	
90	1001165722	1	Radiator	
91	1001165849	1	Fan	
92	1001166718	4	Mount, Motor	
93	1001166921	1	Plate, Engine Mount	
94	1001166922	1	Plate, Engine Mount	
95	1001166924	1	Plate, Engine Mount	
96	1001167108	1	Harness Engine - Deutz D2.9L4 (See ELECTRICAL SECTION for	

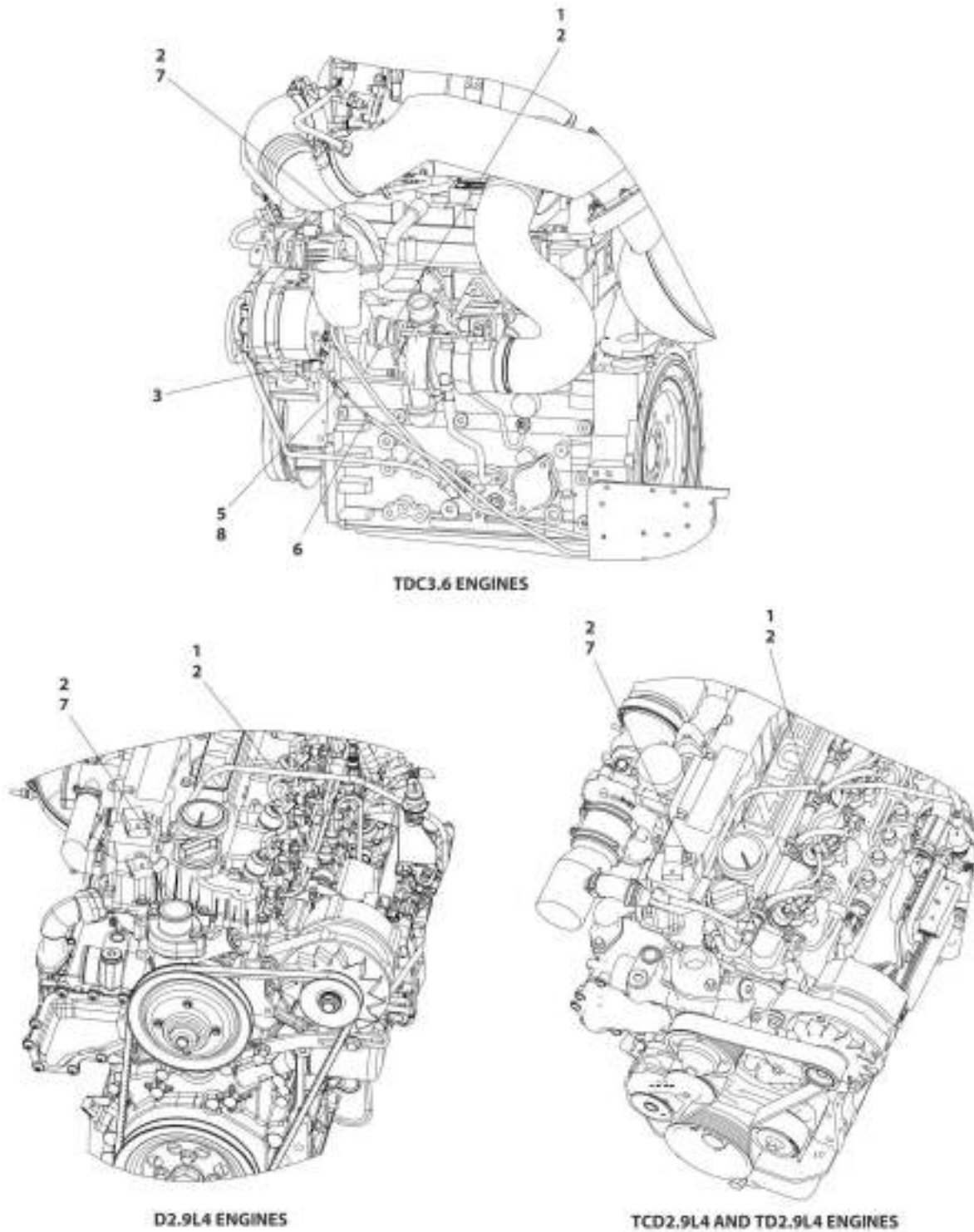
## SECTION 3 - ENGINE

ITEM	PART NUMBER	QTY	DESCRIPTION	REV
			Breakdown)	
97	1001167520	1	Tray, Engine	
98	1001168018	4	Washer, Special	
99	1001168026	1	Plate, Radiator Mounting	
101	1001168099	1	Hose	
102	1001168166	2	Seal	
103	1001168950	1	Bracket	
104	1001169054	4	Isolator	
105	1001169138	4	Washer, Snubbing	
106	1001169967	2	Bracket	
107	1001170035	2	Bracket	
108	1001170617	1	Engine, Deutz D2.9L4 (See ENGINE COMPONENTS - DEUTZ D2.9L4 ENGINE for Breakdown)	
110	1001177359	1	Hose	
111	1001178876	1	Mount, Fuel Filter	
113	0760815	2	Bolt M8 x 35	
114	3520054	1	Plug	
115	5250810	2	Bolt M8 x 20	
116	8406110	1	Clip	
117	8406201	1	Clip	
118	0760607	3	Bolt M6 x 14	
119	1001179903	1	Bracket	
120	1001180620	AR	Adhesive	
121	0760810	8	Bolt M8 x 20	
122	1001191620	1	Clamp	
123	4811702	12	Washer M6	
124	1001182997	AR	Adhesive (SN 0300224020 through 0300239153)	



## SECTION 3 - ENGINE

FIGURE 3-14. BREATHER HEATER INSTALLATION - DEUTZ D2.9L4 ENGINE WITH ARCTIC PACKAGE



AWT\_1001233763

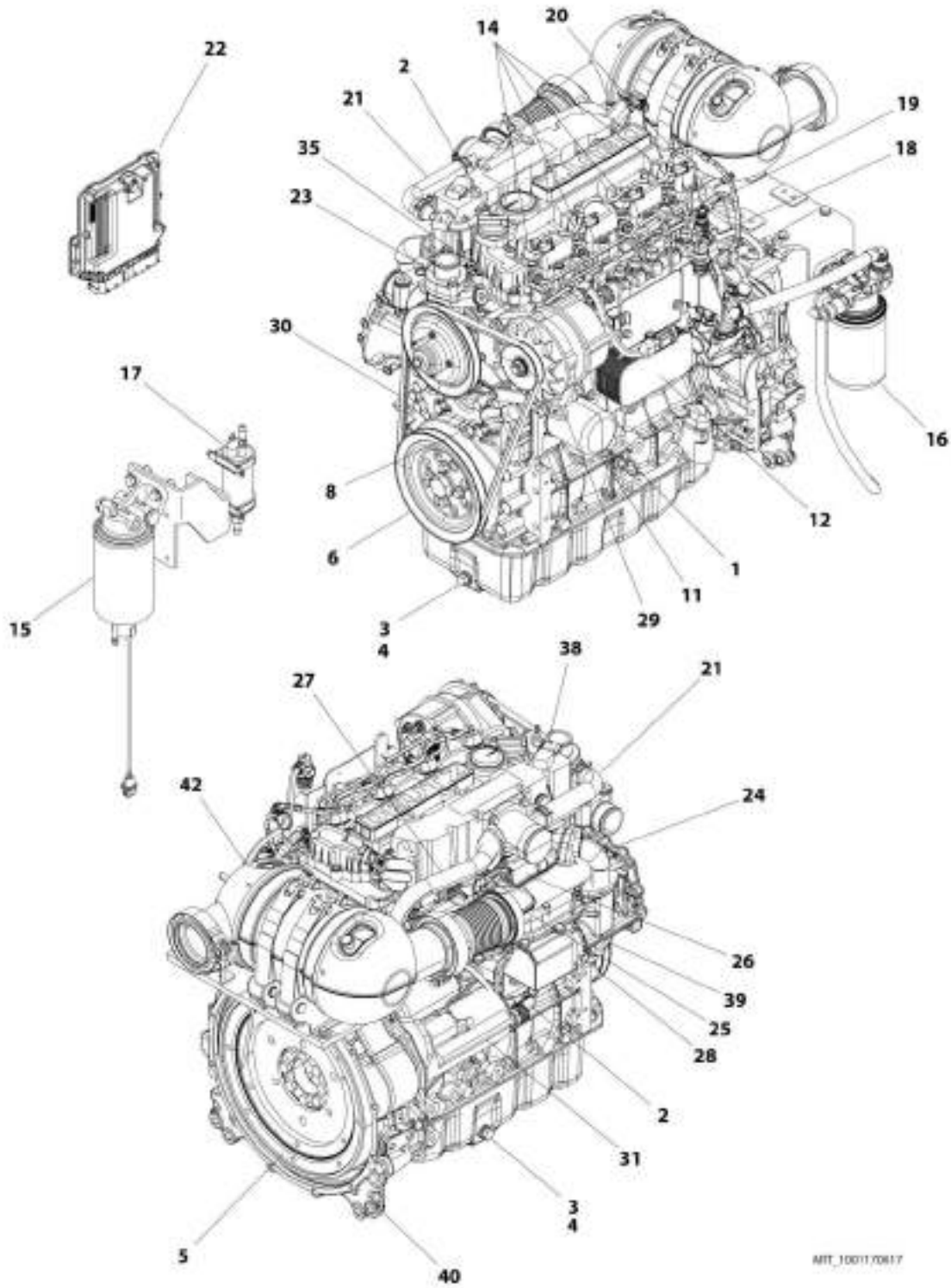
## SECTION 3 - ENGINE

**FIGURE 3-14. BREATHER HEATER INSTALLATION - DEUTZ D2.9L4 ENGINE WITH ARCTIC PACKAGE**

ITEM	PART NUMBER	QTY	DESCRIPTION	REV
	1001233763	Ref	BREATHER HEATER INSTALLATION - DEUTZ ENGINES	A
1	2820035	10 ft/ 3m	Insulation	
2	4240099	AR	Tie-Strap	
3	4460043	1	Terminal, Ring	
4	4460722	1	Terminal, Ring (Not Shown)	
5	1001196634	1	Fuse - 2 Amp	
6	1001201994	1	Connector	
7	1001232842	1	Breather Heater Kit	
8	2400060	1	Fuseholder with Cover	

# SECTION 3 - ENGINE

FIGURE 3-15. ENGINE COMPONENTS - (DEUTZ D2.9L) (T4F) (ANSI EXPORT SPECS) (SN 0300224020 to Present)



MIT\_1001170817

## SECTION 3 - ENGINE

**FIGURE 3-15. ENGINE COMPONENTS - (DEUTZ D2.9L) (T4F) (ANSI EXPORT SPECS) (SN 0300224020 to Present)**

ITEM	PART NUMBER	QTY	DESCRIPTION	REV
	1001170617	Ref	ENGINE COMPONENTS - DEUTZ D2.9L4 ENGINE (ANSI EXPORT SPECS) (SN 0300224020 to Present)	D
1	70024904	1	Dipstick	
1	70024905	1	O-Ring	
2	7020465	2	Cap, Filler	
3	70025088	2	Plug, Oil	
4	7020404	2	Ring, Sealing	
5	70001870	1	Flywheel	
5	7024579	1	Ring, Gear	
6	70025198	1	Pulley, Crank	
7	70024906	1	Gasket, Head (Not Shown)	
7	70025195	1	Gasket, Valve Cover (Not Shown)	
7	70005171	1	Gasket, Valve Cover (Not Shown)	
8	70025076	1	Valve	
8	70025091	1	Plug	
8	70025176	1	Spring	
8	70025082	1	Seal	
9	70004280	1	Seal, Crankshaft (Front) (Not Shown)	
9	70002718	1	Seal, Crankshaft (Rear) (Not Shown)	
10	70005172	1	Pump, Oil Lube (Not Shown)	
10	70025135	1	O-Ring (Not Shown)	
10	70005173	1	Gasket (Not Shown)	
11	7016331	1	Filter, Oil	
12	70004275	1	Cooler, Oil	
12	70024925	1	Gasket	
13	70025171	1	Pipe, Oil Suction (Not Shown)	
14	70004281	4	Injector, Fuel	
14	70025140	4	Washer, Sealing	
14	70025146	4	Clamp (Top of Injector)	
14	70025145	4	O-Ring	
14	70025154	4	Shoe, Clamping	
15	70024961	1	Bracket, Fuel Filter	
15	70025153	1	Filter, Fuel	
15	70024513	1	Cable, Sensor	
15	70025239	1	Seal	
16	70025160	1	Bracket, Fuel Filter	
16	70025161	1	Filter, Fuel	
16	70024504	1	Sensor, Pressure	
16	70024920	1	O-Ring	
16	70004513	2	Ring, Sealing	
17	70005174	NLA	Pump, Fuel (Use p/n 1001226098)	
17	70025144	2	Clamp	
18	70025151	1	Rail, Fuel	
18	70025235	1	Repair Kit	
18	70025240	1	O-Ring	
19	70025182	1	Line, Fuel (Cylinder 1 + 2)	
19	70025183	1	Line, Fuel (Cylinder 3 + 4)	
19	70025184	1	Line, Fuel (Fuel Rail to Pump)	
20	70024502	1	Fuel Return Pipe	

## SECTION 3 - ENGINE

ITEM	PART NUMBER	QTY	DESCRIPTION	REV
20	70025185	1	Hose, Fuel	
20	70025101	2	Clamp	
20	70025109	2	Clamp	
20	70025115	1	Clamp, Pipe	
20	70025133	1	Hose	
20	70025148	1	Connector, Plug-in	
21	70005182	1	Elbow, Air Charger	
21	70005176	1	O-Ring	
21	70005177	1	Gasket	
21	70005180	1	Line, Breather	
21	70005181	1	O-Ring	
21	70005183	1	Line, Breather	
21	70025111	2	Clamp	
22	70025210	1	Module, ECU	
23	70024910	1	Pump, Water	
23	70025084	1	Plug	
23	7020492	1	O-Ring	
23	70025200	1	Seal	
23	70024473	1	Thermostat	
23	70005184	1	O-Ring (Thermostat)	
23	70025142	1	Cover, Thermostat	
23	70025159	1	Pulley, Water Pump	
24	70025177	1	Pipe	
24	70025179	1	Gasket	
25	70005185	1	Manifold	
25	70024912	1	Gasket	
26	70004282	1	Manifold, Exhaust	
26	70025164	1	Gasket, Exhaust Manifold	
27	70005186	1	Pipe	
27	70025179	1	Gasket (Two Hole)	
27	70025180	1	Gasket (Three Hole)	
28	70004283	1	Module, ERG	
28	70005188	1	Valve, Control	
28	70005189	1	Parts, Service	
29	70024914	1	Alternator	
29	70025149	1	Regulator	
29	70025131	1	Fan	
29	70025150	1	Pulley	
29	70025191	1	Plate, Retaining	
29	70025201	1	Bracket, Alternator	
30	70024913	1	V-Belt	
31	70024915	1	Starter	
32	70025231	1	Harness, Glow Plug (Not Shown)	
32	70025233	1	Connector (Not Shown)	
33	70025221	1	Connector, Plug-In (Not Shown)	
33	70025781	1	Connector, Plug-In (Not Shown)	
33	70025779	1	Ring, Fastening (Not Shown)	
34	70004284	1	Harness, Engine (Not Shown)	
34	70025165	1	Plate, Retaining (Not Shown)	
34	70025216	1	Adapter (Not Shown)	
34	70025215	1	Bracket, Fixing (Not Shown)	

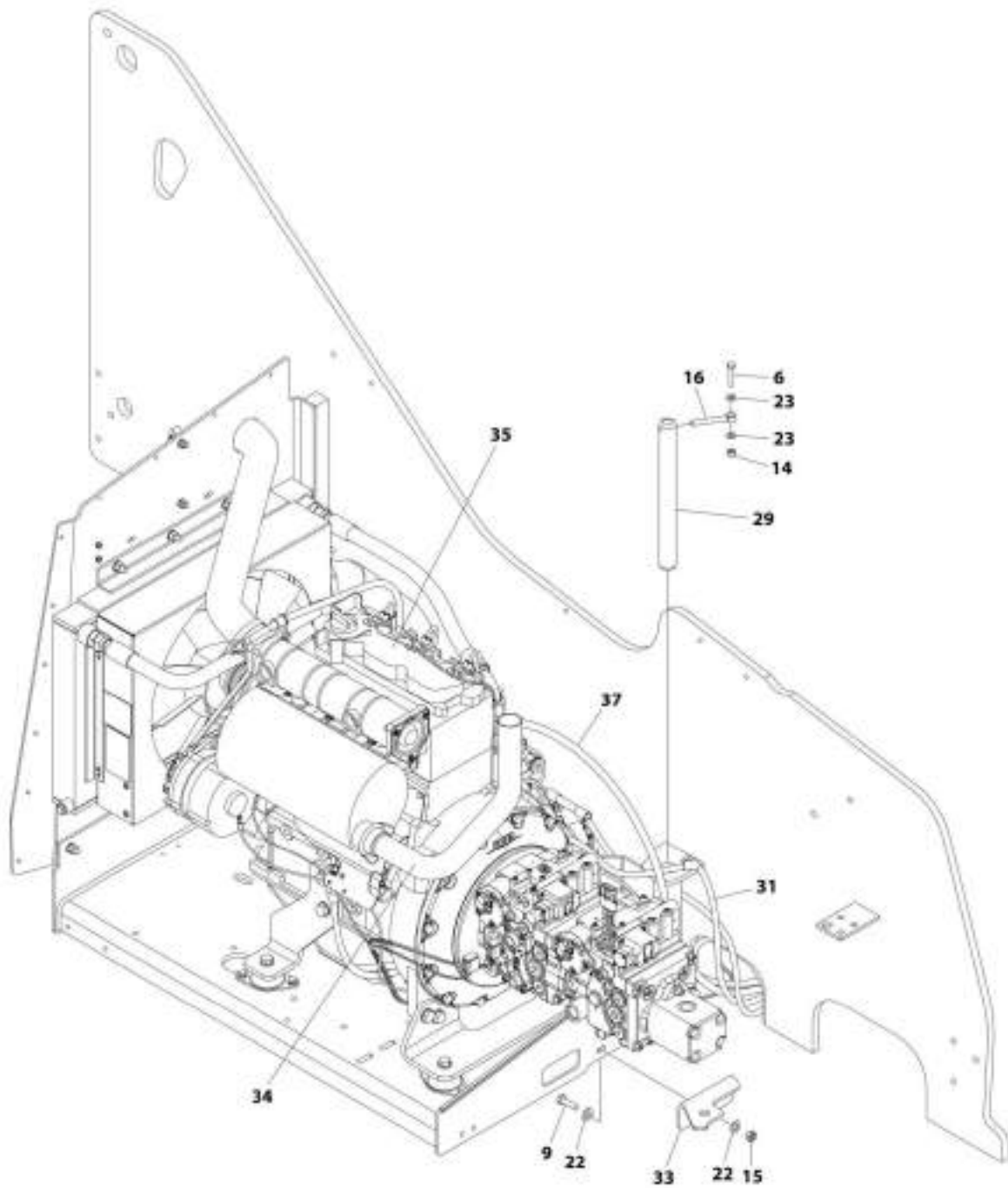


## SECTION 3 - ENGINE

ITEM	PART NUMBER	QTY	DESCRIPTION	REV
34	70025228	2	Bracket (Not Shown)	
34	70025226	1	Connector, Plug-In (Not Shown)	
34	70025220	5	Connector, Plug-In (Not Shown)	
34	70025222	3	Connector, Plug-In (Not Shown)	
34	70025223	1	Connector, Plug-In (Not Shown)	
34	70025219	1	Connector, Plug-In (Not Shown)	
34	70025238	1	Connector, Plug-In (Not Shown)	
34	70025221	2	Connector, Plug-In (Not Shown)	
34	70025217	8	Clamp (Not Shown)	
34	70025213	2	Clip (Not Shown)	
34	70025209	1	Bracket (Not Shown)	
34	70025225	1	Support (Not Shown)	
34	70025218	3	Clamp (Not Shown)	
34	70025237	1	Connector, Plug-In (Not Shown)	
34	70025214	1	Cap (Not Shown)	
34	70025224	2	Clamp (Not Shown)	
34	70025166	1	Support, Harness (Not Shown)	
34	70025211	1	Plate, Retaining (Not Shown)	
34	70025189	1	Plate, Retaining (Not Shown)	
34	70025236	1	Support, Harness (Not Shown)	
35	70024918	1	Sender, Temperature	
36	70024504	1	Sensor, Pressure (Not Shown - Located Left Side Front)	
36	70024920	1	O-Ring (Not Shown)	
37	70024503	1	Sensor, Speed (Not Shown)	
37	70005191	1	O-Ring	
38	70024507	1	Sensor, Pressure	
38	70025120	1	Seal	
39	70024503	1	Sensor, Speed	
39	70024917	1	Seal	
40	70025192	1	Housing	
40	70025113	2	Pin	
41	70000345	4	Plug, Glow (Not Shown)	
42	70004285	1	Outlet, Muffler	
42	70025241	1	Clip	
42	04600004	2	Gasket	
42	70004504	1	Compensator	
42	70024512	1	Clamp	
42	04603585	1	Clamp	

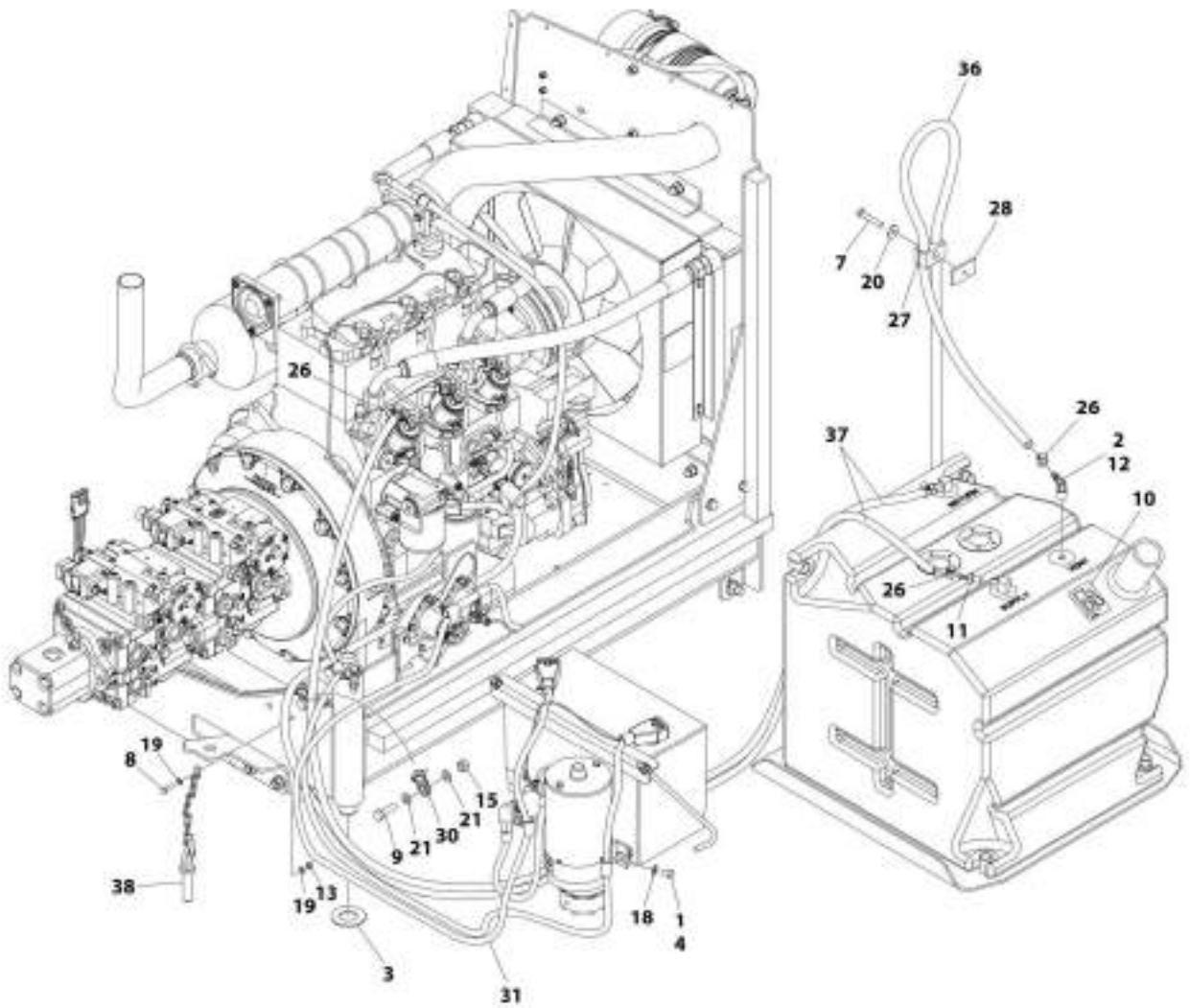
# SECTION 3 - ENGINE

FIGURE 3-16. ENGINE INSTALLATION - DEUTZ T41 ENGINE (STAGE V) (WITHOUT ARCTIC PACKAGE) (CE SPECS)



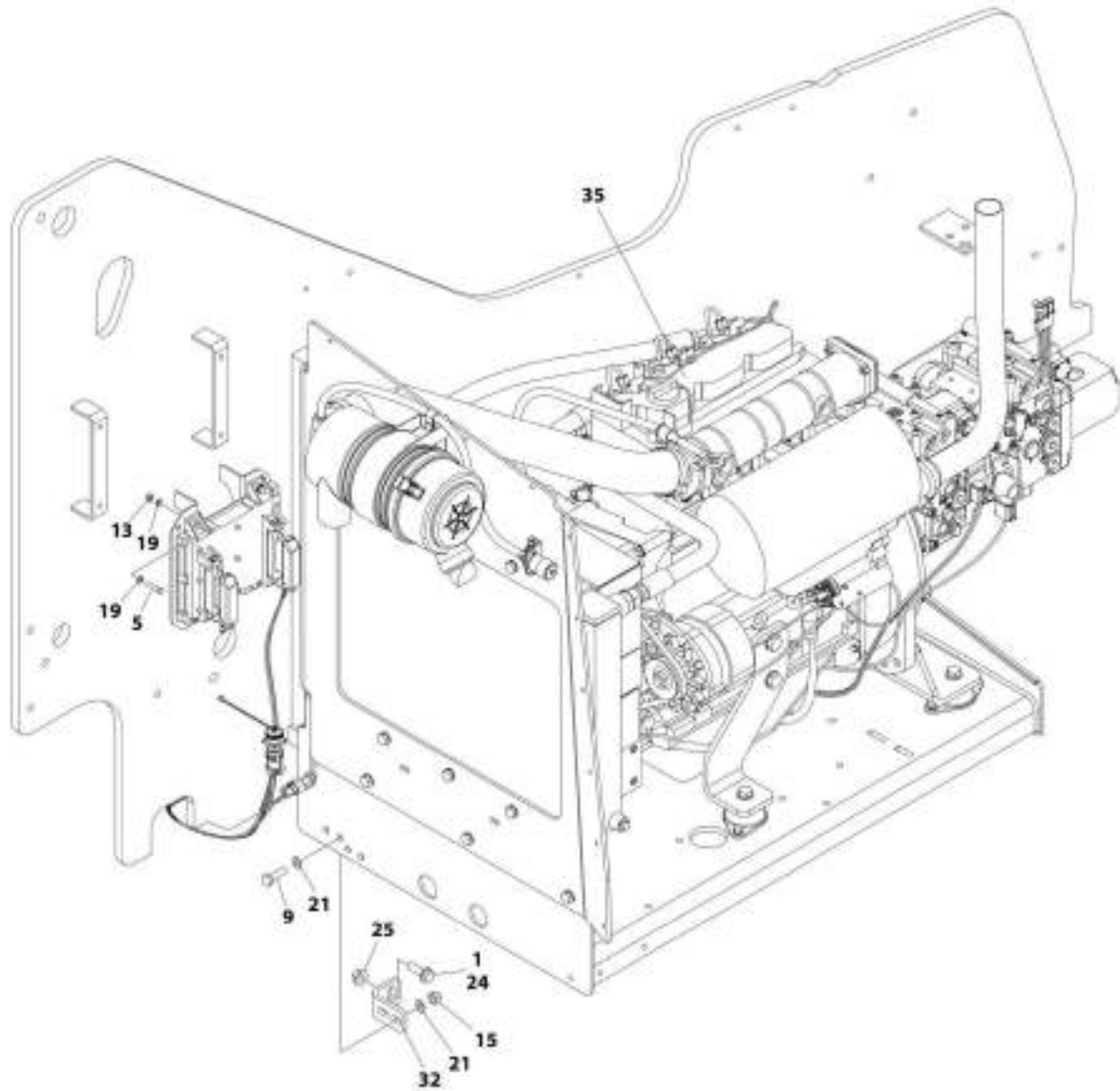
ART\_1001235463\_10F3

# SECTION 3 - ENGINE



REF. 1001235463\_20F3

# SECTION 3 - ENGINE



ART\_1001235463\_30F3

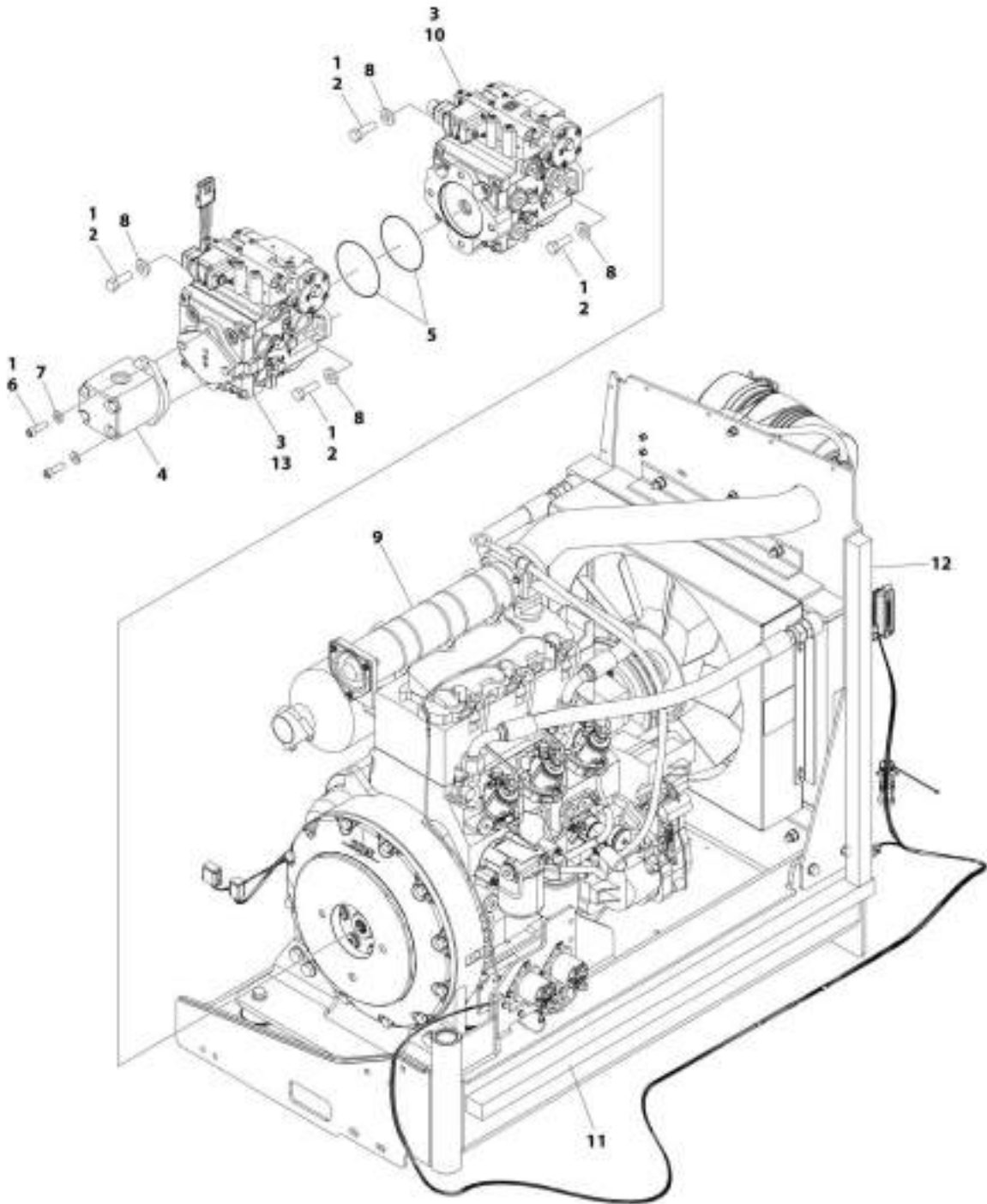
## SECTION 3 - ENGINE

**FIGURE 3-16. ENGINE INSTALLATION - DEUTZ T4I ENGINE (STAGE V) (WITHOUT ARCTIC PACKAGE) (CE SPECS)**

ITEM	PART NUMBER	QTY	DESCRIPTION	REV
	1001235463	Ref	ENGINE INSTALLATION - DEUTZ T4I ENGINE (STAGE V) (WITHOUT ARCTIC PACKAGE)	B
1	0100011	AR	Compound, Locking	
2	0100020	AR	Sealant, Pipe	
3	0440162	1	Bearing	
4	0641504	1	Bolt 5/16 x 1/2	
5	0700614	4	Bolt M6 x 30	
6	0700817	1	Bolt M8 x 45	
7	0700818	1	Bolt M8 x 50	
8	0760610	1	Bolt M6 x 20	
9	0761015	5	Bolt M10 x 35	
10	1701505	1	Decal - Diesel Fuel	
11	2180348	2	Fitting, Barbed	
12	2220313	1	Fitting, Barbed 90	
13	3290605	5	Nut, Lock M6 x 1	
14	3290805	1	Nut, Lock M8 x 1.25	
15	3291005	5	Nut, Lock M10 x 1.5	
16	3841143	1	Pin	
17	4240099	AR	Tie-Strap (Not Shown)	
18	4711500	1	Washer 5/16	
19	4811700	10	Washer M6	
20	4811902	1	Washer M8	
21	4812000	6	Washer M10	
22	4812100	4	Washer M12	
23	5240800	2	Washer M8 Hardened	
24	5251215	1	Bolt M12 x 35	
25	5261200	1	Nut, Flange M12 (Class 10)	
26	8405009	5	Clamp	
27	8750014	1	Clamp	
28	8750031	1	Clamp	
29	1001135196	1	Pin	
30	1001156107	1	Holder, Cable	
31	1001167038	1	Battery Cable Kit	
32	1001167512	1	Bracket, Engine	
33	1001169823	1	Plate, Engine Lock	
34	1001172195	1	Pipe, Exhaust	
35	1001235464	1	Engine and Pump Sub-Assembly (See Separate Breakdown in this Section)	
36	2750532	5.5 ft/ 1.7m	Hose	
37	2720058	17 ft/ 5.18m	Hose	
38	3422532	1	Pin	
40	1001241835	0.184 l	Fluid, Diesel Fuel Additive (Not Shown)	

# SECTION 3 - ENGINE

FIGURE 3-17. ENGINE AND PUMP SUB-ASSEMBLY - DEUTZ T4I (STAGE V) (WITHOUT ARCTIC PACKAGE) (CE SPECS)



ART\_1001235464

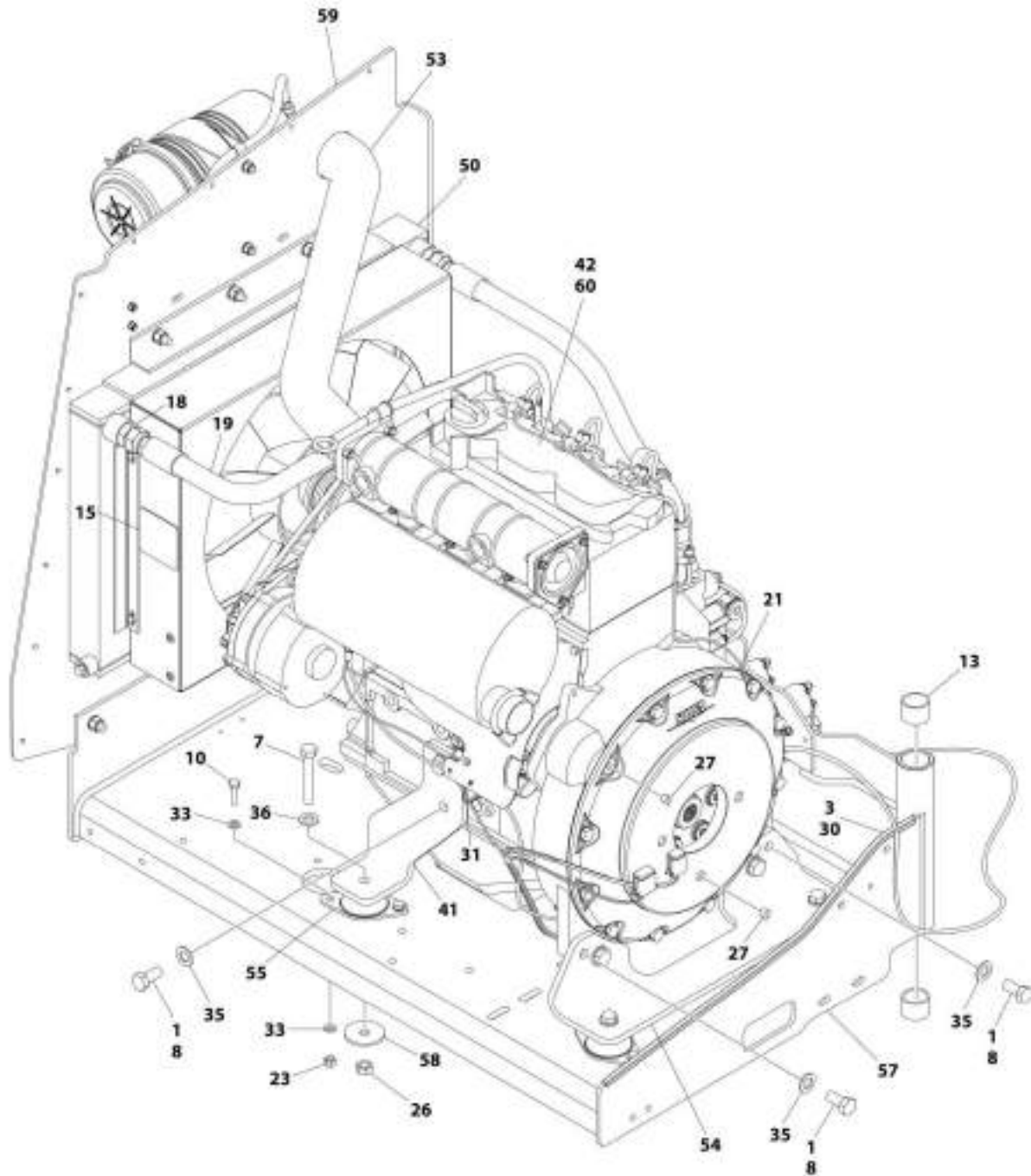
## SECTION 3 - ENGINE

**FIGURE 3-17. ENGINE AND PUMP SUB-ASSEMBLY - DEUTZ T4I (STAGE V) (WITHOUT ARCTIC PACKAGE) (CE SPECS)**

ITEM	PART NUMBER	QTY	DESCRIPTION	REV
	1001235464	Ref	ENGINE AND PUMP SUB-ASSEMBLY - DEUTZ T4i (STAGE V) (WITHOUT ARCTIC PACKAGE)	A
1	0100011	AR	Compound, Locking	
2	0641812	4	Bolt 1/2 x 1-1/2	
3	3020037	AR	Lube	
4	3600242	1	Gear Pump Assembly (See Separate Breakdown in this Section)	
5	3790045	2	O-Ring	
6	3931620	2	Capscrew 3/8 x 1-1/4	
7	4891600	2	Washer 3/8 Hardened	
8	4891800	4	Washer 1/2 Hardened	
9	1001235462	1	Engine Assembly - Deutz T4i Engine (See Separate Breakdown in this Section)	
10	1001189237	1	Piston Pump Assembly (Front) (See Separate Breakdown in this Section)	
11	1001171953	1	Seal	
12	1001171954	1	Seal	
13	1001189236	1	Piston Pump Assembly (Rear) (See Separate Breakdown in this Section)	

# SECTION 3 - ENGINE

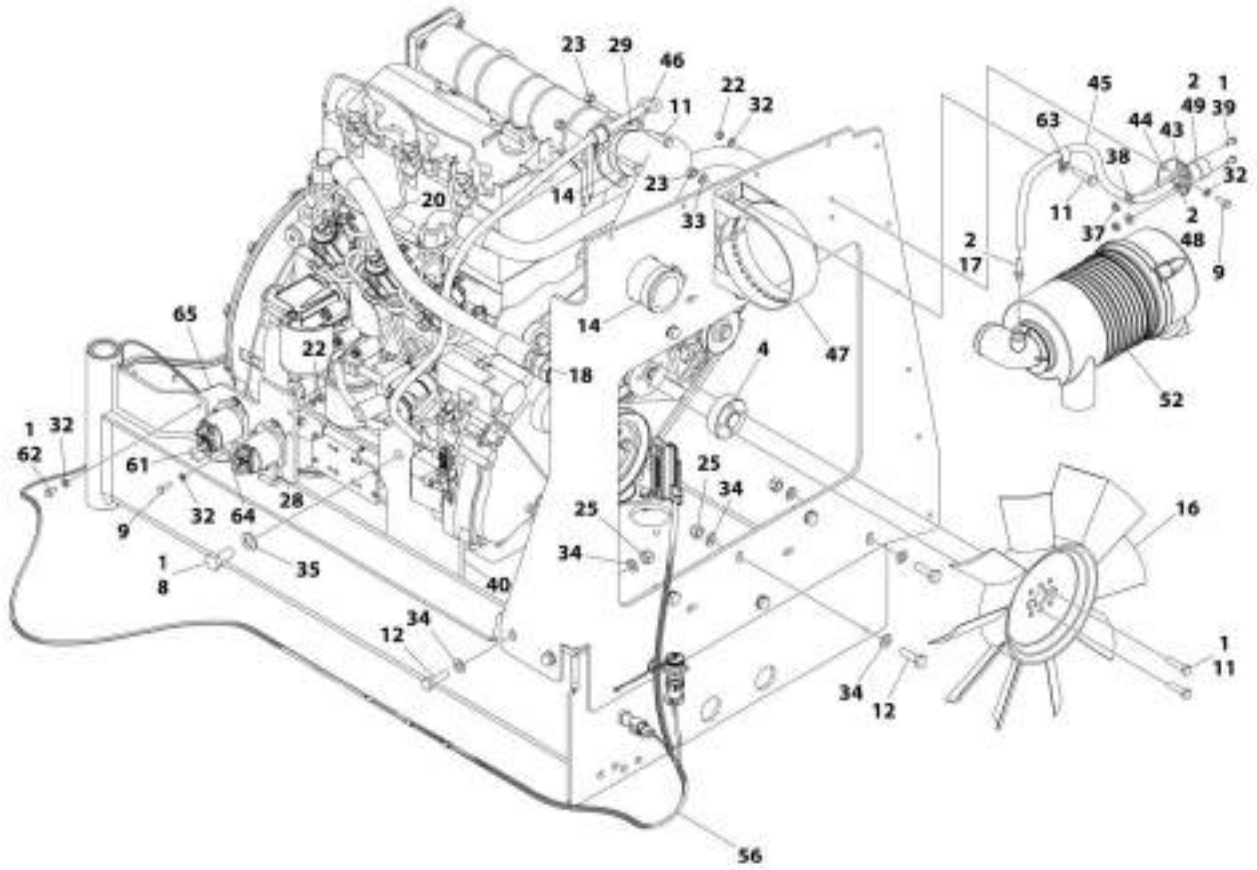
FIGURE 3-18. ENGINE ASSEMBLY - DEUTZ T41 ENGINE (STAGE V) (WITHOUT ARCTIC PACKAGE) (CE SPECS)



ART\_1001230462\_10P2



# SECTION 3 - ENGINE



ART\_1001205462\_D0F2

## SECTION 3 - ENGINE

**FIGURE 3-18. ENGINE ASSEMBLY - DEUTZ T4I ENGINE (STAGE V) (WITHOUT ARCTIC PACKAGE)  
(CE SPECS)**

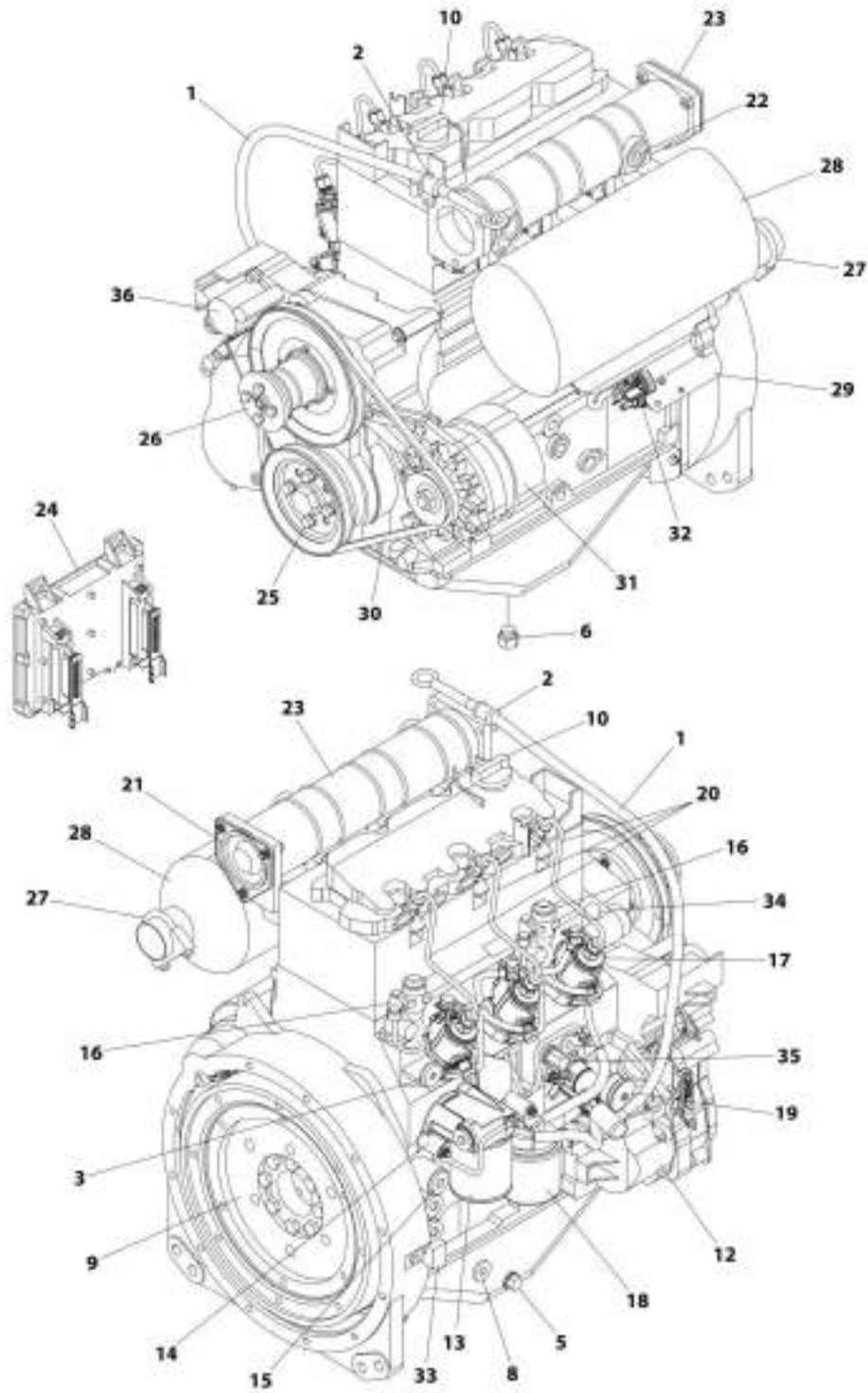
ITEM	PART NUMBER	QTY	DESCRIPTION	REV
	1001235462	Ref	ENGINE ASSEMBLY - DEUTZ D2011 ENGINE (STAGE V) (WITHOUT ARCTIC PACKAGE)	B
1	0100011	AR	Compound, Locking	
2	0100020	AR	Sealant, Pipe	
3	0100081	AR	Adhesive	
4	0080231	1	Spacer, Fan	
7	0711224	4	Bolt M12 x 80	
8	0771414	8	Bolt M14 x 30	
9	0760610	6	Bolt M6 x 20	
10	0760814	8	Bolt M8 x 30	
11	0760815	9	Bolt M8 x 35	
12	0761015	11	Bolt M10 x 35	
13	0961951	2	Bushing	
14	1320016	2	Clamp	
15	1703162	2	Decal - Caution Fan	
16	2060025	1	Fan	
17	2220315	1	Fitting, Barbed	
18	2220451	2	Fitting, Straight JIC/ORB	
19	2720398	1	Hose	
20	2720447	1	Hose	
21	2902065	1	Pump Coupling Kit (See PUMP COUPLING KIT for Breakdown)	
22	3290605	6	Nut M6	
23	3290805	13	Nut M8	
25	3291005	11	Nut M10	
26	3331215	4	Nut M12	
27	3520054	2	Plug	
28	3740067	2	Relay Assembly	
28	3300220	2	Nut	
28	3321001	1	Nut #10-32	
28	3740140	1	Relay	
28	4761000	1	Washer #10	
28	1001111424	2	Washer	
29	3960407	1	Gasket	
30	4060805	2.25 ft / 0.69m	Trim, Flex Shield	
31	4240099	AR	Tie-Strap	
32	4811700	15	Washer M6	
33	4811900	20	Washer M8	
34	4812000	22	Washer M10	
35	4812200	8	Washer M14	
36	5241200	4	Washer M12 Hardened	
37	8305401	2	Nut Jam .250-20	
38	8307109	2	Washer .250	
39	8310548	2	Screw 1/4 NC x 1/2	
40	1001132195	1	Bracket, Engine Mount	
41	1001132196	1	Bracket, Engine Mount	
42	1001136079	3 gal/ 11.3L	Oil, Motor	
43	1001138173	1	Support, Service Indicator	

## SECTION 3 - ENGINE

ITEM	PART NUMBER	QTY	DESCRIPTION	REV
44	1001138175	1	Bracket, Service Indicator	
45	1001138248	2 ft /0.61m	Tube	
46	1001139819	1	Adapter, Air Intake	
47	1001141694	1	Clamp, Air Cleaner	
48	1001141995	1	Fitting, Barbed	
49	1001143390	1	Indicator	
50	1001150998	1	Radiator	
52	1001165388	1	Air Cleaner Assembly	
52	70003783	1	Element, Air Cleaner	
53	1001165389	1	Hose	
54	1001166717	1	Bracket, Engine Mount	
55	1001166718	4	Isolator, Engine Mount	
56	1001167111	1	Harness Engine - Deutz D2011 (See ELECTRICAL SECTION for Breakdown)	
57	1001167520	1	Tray, Engine	
58	1001168018	4	Washer, Snubbing	
59	1001168059	1	Plate, Radiator Mounting	
60	1001235455	1	Engine, Deutz D2011 (Stage V) (See ENGINE COMPONENTS - DEUTZ D2011 ENGINE (STAGE V) for Breakdown)	
61	4923451	1	Harness, Glow Plugs	
62	0760614	3	Bolt M6 x 30	
63	8406109	1	Clip	
64	1001178859	1	Cable, Alternator	
65	1001214975	1	Bracket	

# SECTION 3 - ENGINE

FIGURE 3-19. ENGINE COMPONENTS - DEUTZ D2011 (STAGE V)



ART\_1001205455

## SECTION 3 - ENGINE

**FIGURE 3-19. ENGINE COMPONENTS - DEUTZ D2011 (STAGE V)**

ITEM	PART NUMBER	QTY	DESCRIPTION	REV
	1001235455	Ref	ENGINE COMPONENTS - DEUTZ D2011 (STAGE V)	B
1	70001002	1	Tube, Dipstick	
1	7020403	1	Seal, Tube	
1	7020026	1	Dipstick	
2	70001654	1	Clamp	
2	70001655	1	Bolt	
3	70003475	1	Thermostat	
3	7020460	1	Spring	
4		Ref	Seal and Gasket Options (Not Shown):	
4	70002718	1	Seal, Rear Main	
4	7020430	1	Gasket, Valve Cover	
4	70003479	1	Gasket, Head - 1 Notch	
4	70003480	1	Gasket, Head - 2 Notch	
4	70003481	1	Gasket, Head - 3 Notch	
5	70025088	1	Plug	
6	70025667	1	Plug	
7	70025123	22	Bolt, Torx (Oil Pan Bolts) (Not Shown)	
8	7020492	1	Seal	
8	70025084	1	Plug	
9	70001870	1	Flywheel	
9	7024579	1	Ring Gear (Part of Flywheel)	
9	70025139	8	Bolt	
10	7020465	1	Cap, Oil Fill	
11	70000800	1	Timing Belt/Idler Kit (Includes Timing Belt, Tensioner and Tensioner Bolt) (Not Shown)	
12	70001850	1	Pump, Lubricating	
12	7020468	1	Seal, Pump to Engine Block (Not Shown)	
13	7016331	1	Filter, Oil	
14	70003472	1	Bracket, Oil Filter (Includes Plug with Seal, Temperature Sensor, Control Valve and Compression Spring)	
14	7027236	1	Sender, Temperature	
14	70025082	1	Seal, Plug	
14	70025091	1	Plug	
14	70003473	1	Gasket, Bracket to Engine Block (Not Shown)	
15	70001181	1	Valve	
15	70025091	1	Plug	
15	70025082	1	Seal, Plug	
16	70004268	2	Connector, Radiator Neck	
16	70004269	2	Seal, Radiator Neck to Engine Block	
17	70000912	3	Pump, Fuel Injector - A Spec	
17	70000913	3	Pump, Fuel Injector - B Spec	
17	70000914	3	Pump, Fuel Injector - C Spec	
17	70000915	3	Pump, Fuel Injector - D Spec	
17	70003464	3	O-Ring, Pump to Engine Block	
18	7020023	1	Filter, Fuel	
18	70003463	1	Filter, Fuel - RME Resistant	
18	70001423	1	Bracket, Fuel Filter	
19	70000916	1	Pump Fuel Supply	
19	70000917	1	O-Seal Between Fuel Pump and Engine Block	
19	70000918	1	Sealing Ring Between Hand Pump and Supply Pump	

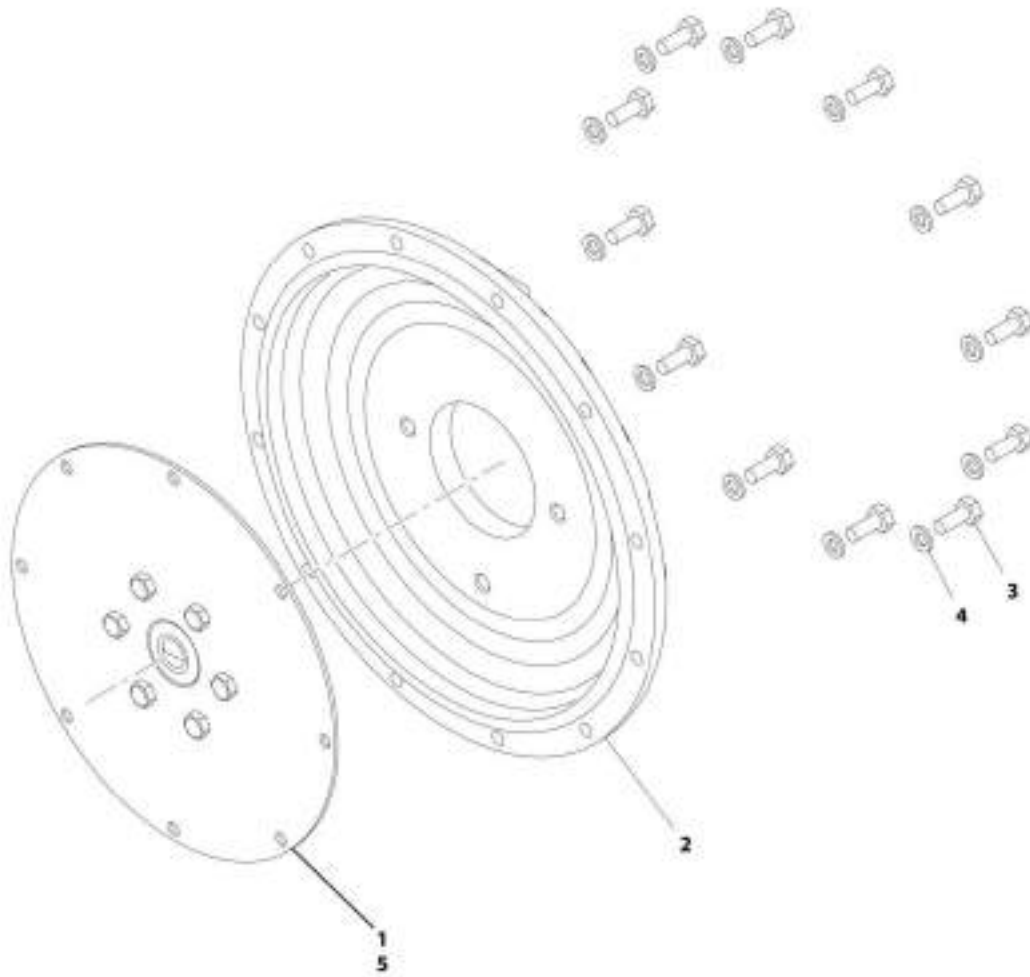
## SECTION 3 - ENGINE

ITEM	PART NUMBER	QTY	DESCRIPTION	REV
19	70000919	1	Pump, Hand	
19	70001435	1	Repair Kit	
19	70025694	2	Bolt, Torx	
20	70000931	3	Pipe, High Pressure	
21	70003469	1	Flange, Intake	
21	70003468	1	Seal	
22	70025084	1	Plug	
22	7020492	1	Seal, Plug	
23	7027903	1	Manifold, Air Intake	
23	70001871	3	Gasket Between Manifold and Engine Block	
24	See Note	1	Module, Engine Control (Note: Not Currently Available)	
24	7027796	1	Cable, Electrical Between Module and Engine Harness (Not Shown)	
24	70001872	1	Harness, Engine (Connects to p/n 70004060) (Not Shown)	
24	70004060	1	Plug, Connector Located on Cable Near Module (Not Shown)	
24	70004059	1	Plug, Analyzer (Not Shown)	
25	70025123	4	Bolt, Torx	
26	70000787	1	Support, Fan (Includes Support, Internal Shaft, Bearings and Circlip)	
27	70001844	1	Clamp	
28	See Note	1	Muffler (Note: See ENGINE ASSEMBLY)	
28	7020471	3	Gasket, Exhaust Between Muffler and Engine Block	
28	70004270	6	Stud, Muffler	
29	70001498	1	Shield, Starter	
29	70025693	3	Bolt	
30	70004102	1	V-Belt	
31	70004056	1	Alternator (Includes Voltage Regulator and Gaskets, Fan and Fan Mounting Hardware)	
31	70001868	1	Regulator, Voltage	
31	70001866	1	Gasket Set, Voltage Regulator	
31	70025131	1	Fan	
31	70025086	1	Nut, Fan	
31	70000851	1	Bracket, Alternator Mounting	
31	70002234	1	Bracket, Alternator Adjustment	
31	70004103	1	Harness, Alternator (Not Shown)	
32	7020479	1	Starter	
32	70025121	2	Bolt, Starter Mounting	
32	70004058	1	Relay	
32	70004062	1	Harness, Starter (Not Shown)	
33	7024565	1	Sensor, Speed	
33	70003931	1	Bolt	
33	70003932	1	Spacer, Sleeve	
34	7027791	1	Sender, Temperature	
35	7027790	1	Sensor, Oil Pressure	
36	7027792	1	Actuator	
37	70000345	3	Plug, Glow (Not Shown)	



# SECTION 3 - ENGINE

## FIGURE 3-20. PUMP COUPLING KIT



ART\_290265

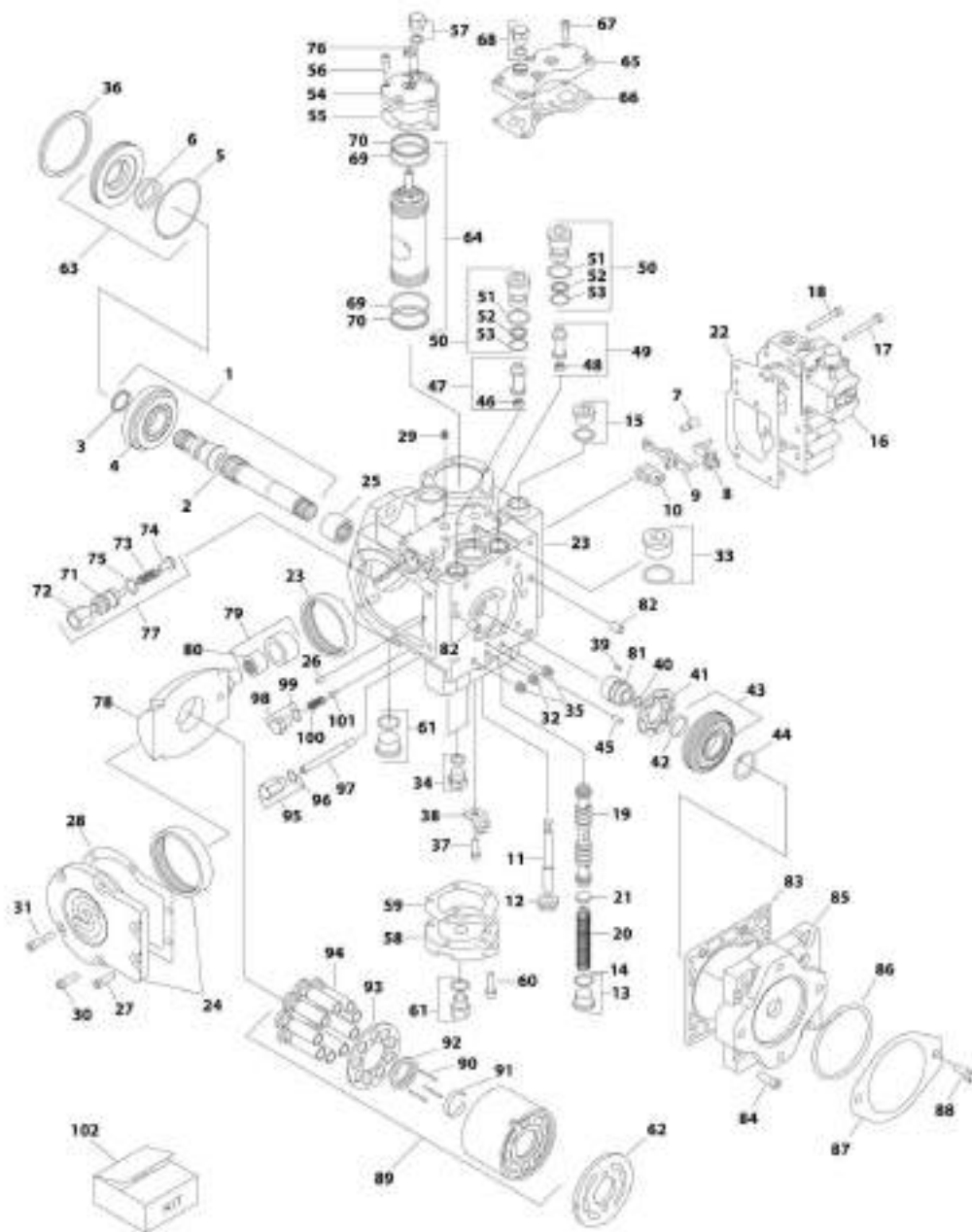


FIGURE 3-20. PUMP COUPLING KIT

ITEM	PART NUMBER	QTY	DESCRIPTION	REV
	2902065	Ref	PUMP COUPLING KIT	K
1	70000793	1	Coupling, Hayes	
2	See Note	NSS	Plate, Pump Adapter (Note: Purchase p/n 2902065)	
3	See Note	NSS	Bolt M10 (Grade 10.9) (Note: Purchase p/n 2902065)	
4	See Note	NSS	Washer M10 (Note: Purchase p/n 2902065)	
5	3020021	AR	Grease, Coupling	

# SECTION 3 - ENGINE

## FIGURE 3-21. PISTON PUMP ASSEMBLY (FRONT)



ART. 164 96037

## SECTION 3 - ENGINE

### FIGURE 3-21. PISTON PUMP ASSEMBLY (FRONT)

ITEM	PART NUMBER	QTY	DESCRIPTION	REV
	1001189237	Ref	PISTON PUMP ASSEMBLY (FRONT)	B
1	7021240	1	Shaft Assembly (Includes Items 2-4)	
2	7021237	1	Shaft	
3	7021238	1	Ring, Retaining	
4	7021239	1	Bearing, Roller	
5	See Note	NSS	O-Ring (Use Item 102)	
6	See Note	NSS	Seal, Lip (Use Item 102)	
7	70005245	1	Screw	
8	7022331	1	Link, Control Summing	
9	7022332	1	Link, Control Feedback	
10	7022333	1	Link, Neutral Adjust	
11	70005246	1	Screw, Neutral Adjust	
12	See Note	NSS	Nut, Seal (Use Item 102)	
13	70005247	1	Plug (Includes Item 14)	
14	7022322	1	O-Ring	
15	7022321	1	Plug Assembly	
16	70005248	1	Controller, Electrical	
17	70005249	4	Screw M6 x 50	
18	70005250	3	Screw M6 x 60	
19	7022336	1	Spool Assembly	
20	70005251	1	Spring	
21	70005252	1	Adapter	
22	7022338	1	Gasket, Control	
23	7023999	1	Housing Assembly (Includes Items 25, 29, 32 & 35)	
24	7021248	1	Side Cover Assembly	
25	7021249	1	Bearing, Needle	
26	70005253	1	Pin	
27	70004890	2	Screw M6 x 20	
28	See Note	NSS	Gasket, Side Cover (Use Item 102)	
29	70005254	1	Screen, Filter	
30	70004892	2	Screw M6 x 30	
31	70004892	2	Screw M6 x 30	
32	70005255	1	Plug	
33	7007419	2	Plug Assembly	
34	7007420	2	Plug	
35	70005255	2	Plug	
36	7021257	1	Ring, Retaining	
37	70004890	1	Screw	
38	7022340	1	Bracket, Lifting	
39	70004893	1	Key	
40	7022341	1	Ring, Retaining	
41	7022343	1	Gerotor Assembly	
42	7021259	1	Bearing, Journal	
43	70004894	1	Gerotor Cover Assembly (Includes Item 42)	
44	7021262	1	O-Ring	
45	70005257	1	Pin	
46	7024800	1	Spring	
47	70005258	1	Valve, SCR (Includes Item 46)	
48	7024800	1	Spring	
49	70005259	1	Valve, SCR (Includes Item 48)	

## SECTION 3 - ENGINE

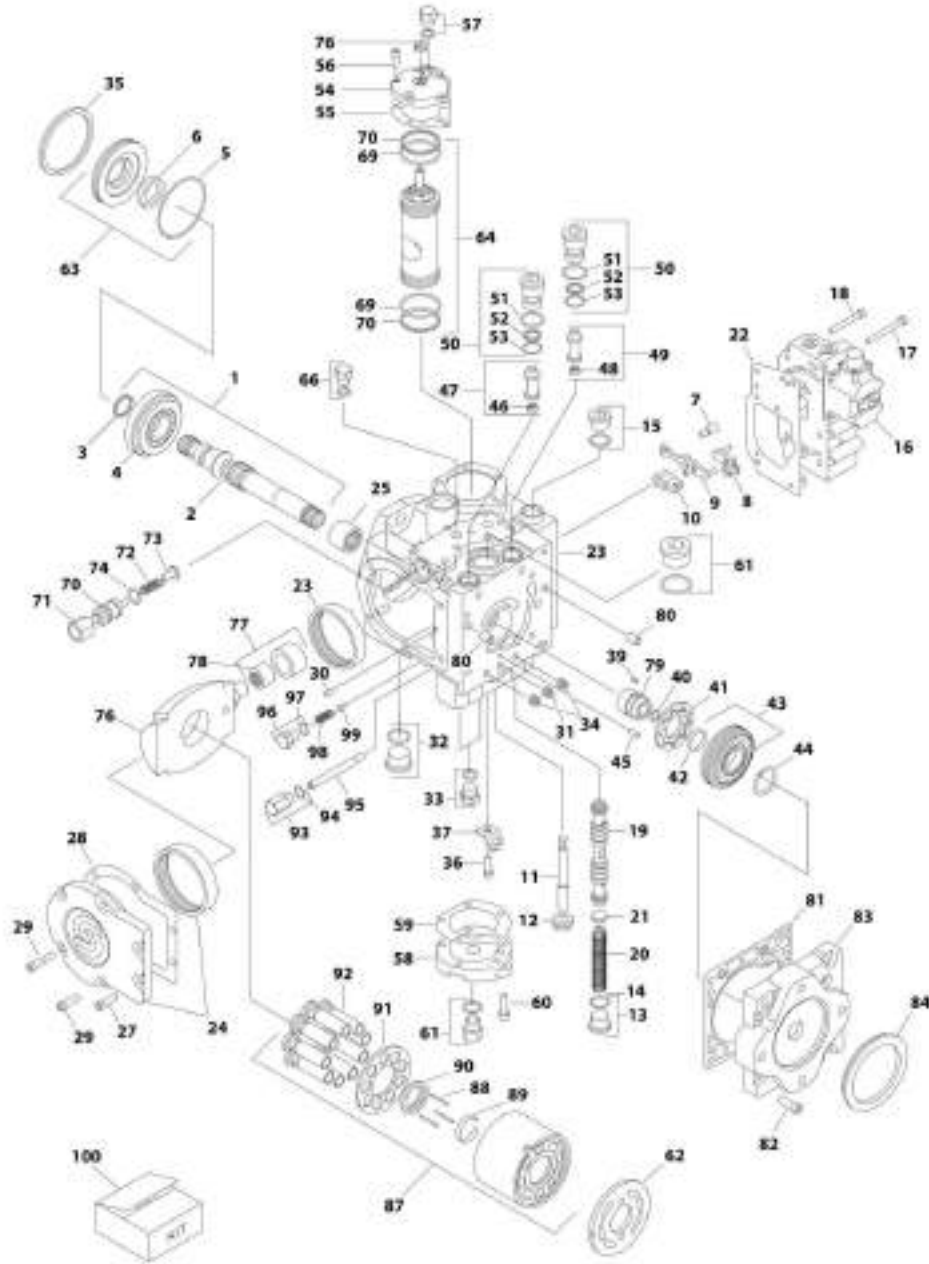
ITEM	PART NUMBER	QTY	DESCRIPTION	REV
50	See Note	NSS	Bypass Valve Assembly (Use Item 102)	
51	See Note	NSS	O-Ring (Use Item 102)	
52	See Note	NSS	Ring, Back-up (Use Item 102)	
53	See Note	NSS	O-Ring (Use Item 102)	
54	70005260	1	Cover, Servo	
55	See Note	NSS	Gasket, Servo Cover (Use Item 102)	
56	70004892	5	Screw	
57	7007420	1	Plug Assembly	
58	7021268	1	Cover, Servo	
59	See Note	NSS	Gasket, Servo Cover (Use Item 102)	
60	70004892	5	Screw	
61	7007420	2	Plug Assembly	
62	7021281	1	Plate, Valve	
63	70004896	1	Seal Kit - Shaft (Includes Items 5 & 6)	
64	7022351	1	Servo Piston Kit (Includes Items 69 & 70)	
65	7021285	1	Adapter, Remote Filter	
66	See Note	NSS	Gasket, Filter Adapter (Use Item 102)	
67	70004892	7	Screw	
68	7007420	1	Plug Assembly	
69	See Note	NSS	O-Ring (Use Item 102)	
70	See Note	NSS	Ring, Piston (Use Item 102)	
71	7022346	1	Adjuster	
72	7021290	1	Nut	
73	7022347	1	Spring	
74	70004901	1	Poppet	
75	See Note	NSS	O-Ring (Use Item 102)	
76	See Note	NSS	Nut, Seal (Use Item 102)	
77	70005261	1	Relief Valve, Charge (Includes Items 71-75)	
78	70005262	1	Swash Plate	
79	7021234	1	Cam Follower Bearing Assembly (Includes Item 80)	
80	70005263	1	Bearing, Needle	
81	70005264	1	Coupling	
82	7001481	2	Pin	
83	See Note	NSS	Gasket, Charge Pump (Use Item 102)	
84	70004906	8	Screw	
85	70005265	1	Cover, Charge Pump	
86	See Note	NSS	Seal (Use Item 102)	
87	7021229	1	Cover, Flange	
88	7024806	2	Screw	
89	70004909	1	Cylinder Block Kit (Includes Items 90-94)	
90	7021275	3	Pin, Slipper Hold Down	
91	7021276	1	Retainer, Pin	
92	7021277	1	Guide, Retainer	
93	7021278	1	Retainer, Slipper	
94	70004911	9	Piston Assembly	
95	70005266	1	Plug (Includes Item 96)	
96	See Note	NSS	O-Ring (Use Item 102)	
97	70005267	1	Spool, Loop Flushing	
98	70005268	1	Plug (Includes Item 99)	
99	See Note	NSS	O-Ring (Use Item 102)	
100	70005269	1	Spring	

## SECTION 3 - ENGINE

ITEM	PART NUMBER	QTY	DESCRIPTION	REV
101	70005270	1	Poppet	
102	70004899	1	Seal Kit - Complete (Includes Items 5, 6, 12, 28, 50, 51, 52, 53, 55, 59, 66, 70, 75, 76, 83, 86, 96 & 99)	

# SECTION 3 - ENGINE

## FIGURE 3-22. PISTON PUMP ASSEMBLY (REAR)



ART. 184 96036

## SECTION 3 - ENGINE

**FIGURE 3-22. PISTON PUMP ASSEMBLY (REAR)**

ITEM	PART NUMBER	QTY	DESCRIPTION	REV
	1001189236	Ref	PISTON PUMP ASSEMBLY (REAR)	D
1	7022355	1	Shaft Assembly (Includes Items 2-4)	
2	70005271	1	Shaft	
3	7021238	1	Ring, Retaining	
4	7021239	1	Bearing, Roller	
5	See Note	NSS	O-Ring (Use Item 100)	
6	See Note	NSS	Seal, Lip (Use Item 100)	
7	70005245	1	Screw	
8	7022331	1	Link, Control Summing	
9	7022332	1	Link, Control Feedback	
10	7022333	1	Link, Neutral Adjust	
11	70005246	1	Screw, Neutral Adjust	
12	See Note	NSS	Nut, Seal (Use Item 100)	
13	70005247	1	Plug (Includes Item 14)	
14	7022322	1	O-Ring	
15	7022321	1	Plug Assembly	
16	70005248	1	Controller, Electrical	
17	70005249	4	Screw M6 x 50	
18	70005250	3	Screw M6 x 60	
19	7022336	1	Spool Assembly	
20	70005251	1	Spring	
21	70005252	1	Adapter	
22	7022338	1	Gasket, Control	
23	See Note	1	Housing Assembly (Note: Not Available - Purchase Complete Rear Pump Assembly)	
24	7021248	1	Side Cover Assembly	
25	7021249	1	Bearing, Needle	
26	70005253	1	Pin	
27	70004890	2	Screw M6 x 20	
28	See Note	NSS	Gasket, Side Cover (Use Item 100)	
29	70004892	4	Screw M6 x 30	
30	70005254	1	Screen, Filter	
31	70005255	1	Plug	
32	7007419	2	Plug Assembly	
33	7007420	2	Plug	
34	70005255	2	Plug	
35	7021257	1	Ring, Retaining	
36	70004890	1	Screw	
37	7022340	1	Bracket, Lifting	
38	7007419	2	Plug Assembly (Not Shown)	
39	70004893	1	Key	
40	7022341	1	Ring, Retaining	
41	7022357	1	Spacer	
42	7021259	1	Bearing, Journal	
43	70004894	1	Gerotor Cover Assembly (Includes Item 42)	
44	7021262	1	O-Ring	
45	70005257	1	Pin	
46	7024800	1	Spring	
47	70005258	1	Valve, SCR (Includes Item 46)	
48	7024800	1	Spring	

## SECTION 3 - ENGINE

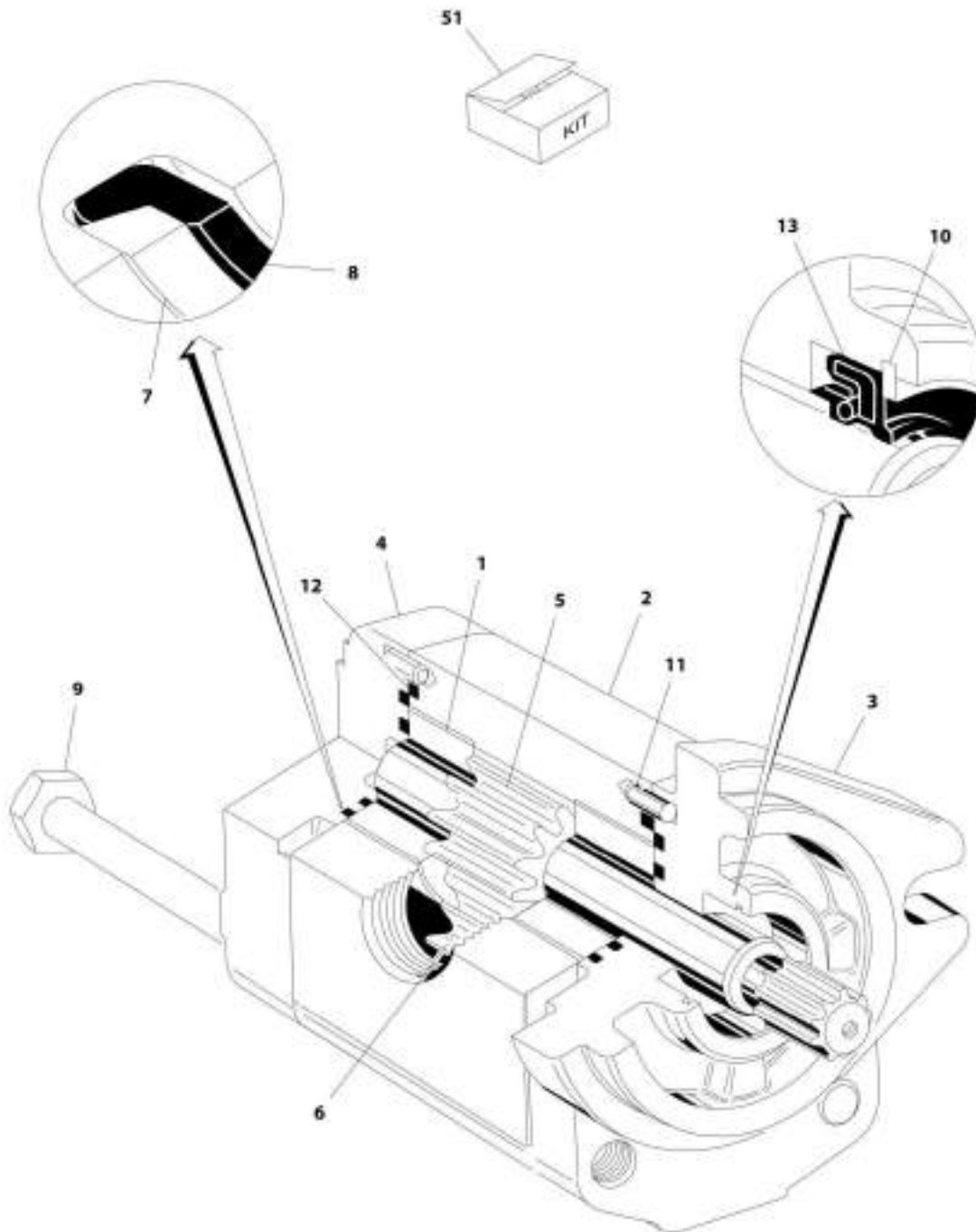
ITEM	PART NUMBER	QTY	DESCRIPTION	REV
49	70005259	1	Valve, SCR (Includes Item 48)	
50	See Note	NSS	Bypass Valve Assembly (Use Item 100)	
51	See Note	NSS	O-Ring (Use Item 100)	
52	See Note	NSS	Ring, Back-up (Use Item 100)	
53	See Note	NSS	O-Ring (Use Item 100)	
54	70005260	1	Cover, Servo	
55	See Note	NSS	Gasket, Servo Cover (Use Item 100)	
56	70004892	5	Screw	
57	7007420	1	Plug Assembly	
58	7021268	1	Cover, Servo	
59	See Note	NSS	Gasket, Servo Cover (Use Item 100)	
60	70004892	5	Screw	
61	7007420	1	Plug Assembly	
62	7021281	1	Plate, Valve	
63	See Note	1	Seal Kit - Shaft (Use Item 100)	
64	See Note	1	Servo Piston Kit (Use Item 100)	
65	7022358	1	Plug Assembly (Not Shown)	
66	7007420	1	Plug Assembly	
67	7007420	1	Plug Assembly (Not Shown)	
68	See Note	NSS	O-Ring (Use Item 100)	
69	See Note	NSS	Ring, Piston (Use Item 100)	
70	7022346	1	Adjuster	
71	7021290	1	Nut	
72	7022347	1	Spring	
73	70004901	1	Poppet	
74	See Note	NSS	O-Ring (Use Item 100)	
75	See Note	NSS	Nut, Seal (Use Item 100)	
76	70005262	1	Swash Plate	
77	7021234	1	Cam Follower Bearing Assembly (Includes Item 78)	
78	70005263	1	Bearing, Needle	
79	70004905	1	Coupling	
80	7001481	2	Pin	
81	See Note	NSS	Gasket, Charge Pump (Use Item 100)	
82	70004906	8	Screw	
83	70004907	1	Cover, Charge Pump	
84	See Note	NSS	Seal (Use Item 100)	
87	70004909	1	Cylinder Block Kit (Includes Items 88-92)	
88	70004910	3	Pin, Slipper Hold Down	
89	7021276	1	Retainer, Pin	
90	7021277	1	Guide, Retainer	
91	7021278	1	Retainer, Slipper	
92	70004911	9	Piston Assembly	
93	70005266	1	Plug (Includes Item 94)	
94	See Note	NSS	O-Ring (Use Item 100)	
95	70005267	1	Spool, Loop Flushing	
96	70005268	1	Plug (Includes Item 97)	
97	See Note	NSS	O-Ring (Use Item 100)	
98	70005269	1	Spring	
99	70005270	1	Poppet	
100	70004899	1	Seal Kit - Complete (Includes Items 5, 6, 12, 28, 50, 52, 53, 55, 59, 63, 64, 68, 69, 74, 75, 81, 84, 94 & 97)	





# SECTION 3 - ENGINE

## FIGURE 3-23. GEAR PUMP ASSEMBLY



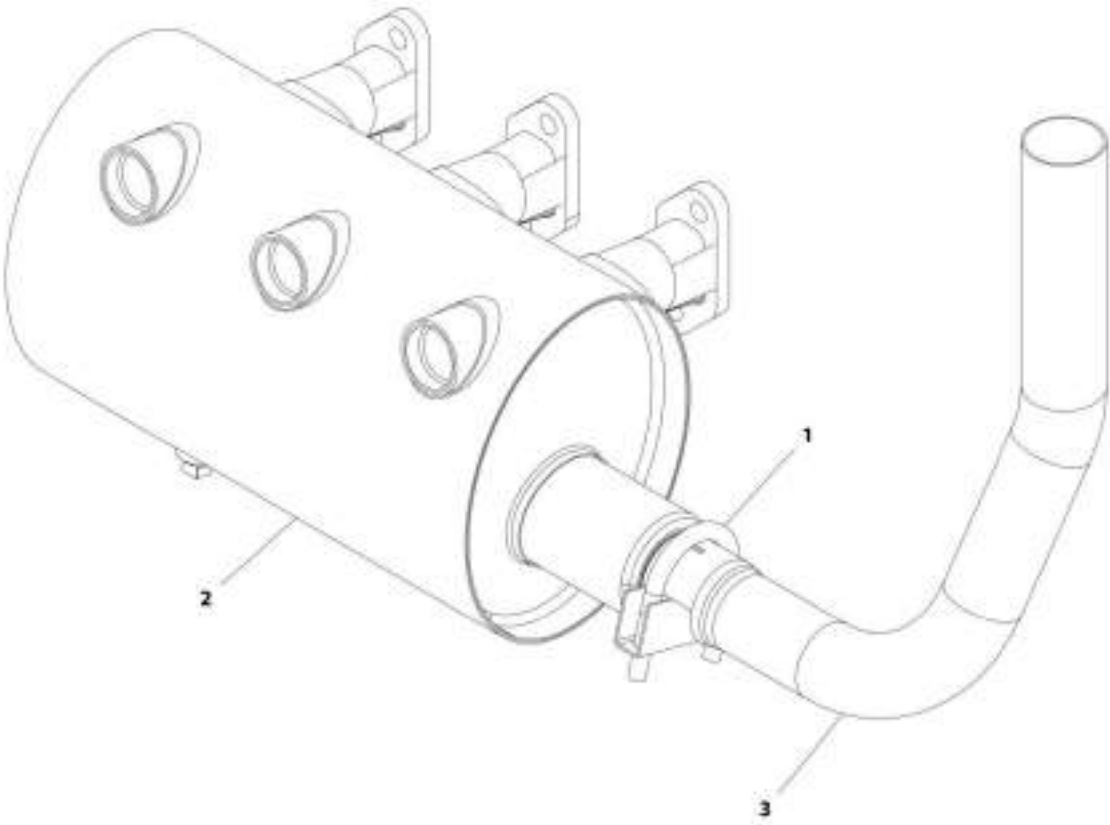
ART\_3900242

**FIGURE 3-23. GEAR PUMP ASSEMBLY**

ITEM	PART NUMBER	QTY	DESCRIPTION	REV
	3600242	Ref	GEAR PUMP ASSEMBLY	
1	7010105	2	Bearing/Bushing	
2	See Note	NSS	Housing (Note: Not Available - Purchase Complete Assembly)	
3	See Note	NSS	Flange (Note: Not Available - Purchase Complete Assembly)	
4	7010103	1	Cover	
5	7012987	1	Gear, Drive	
6	7012988	1	Gear, Idler	
7	7007489	2	Ring, Anti-Extrusion	
8	7007489	2	Seal	
9	See Note	4	Bolt (Note: Not Available for Purchase)	
10	7010104	1	Ring, Retaining	
11	See Note	4	Pin, Dowel (Note: Not Available for Purchase)	
12	7007489	2	Seal, O-Ring	
13	7007489	1	Seal, Shaft	
51	7007489	1	Seal Kit (Includes Items 7, 8, 12 & 13)	

**SECTION 3 - ENGINE**

**FIGURE 3-24. CATALYTIC SPARK ARRESTOR INSTALLATION - ANSI EXPORT AND CE SPECS**



AWT\_7001175010

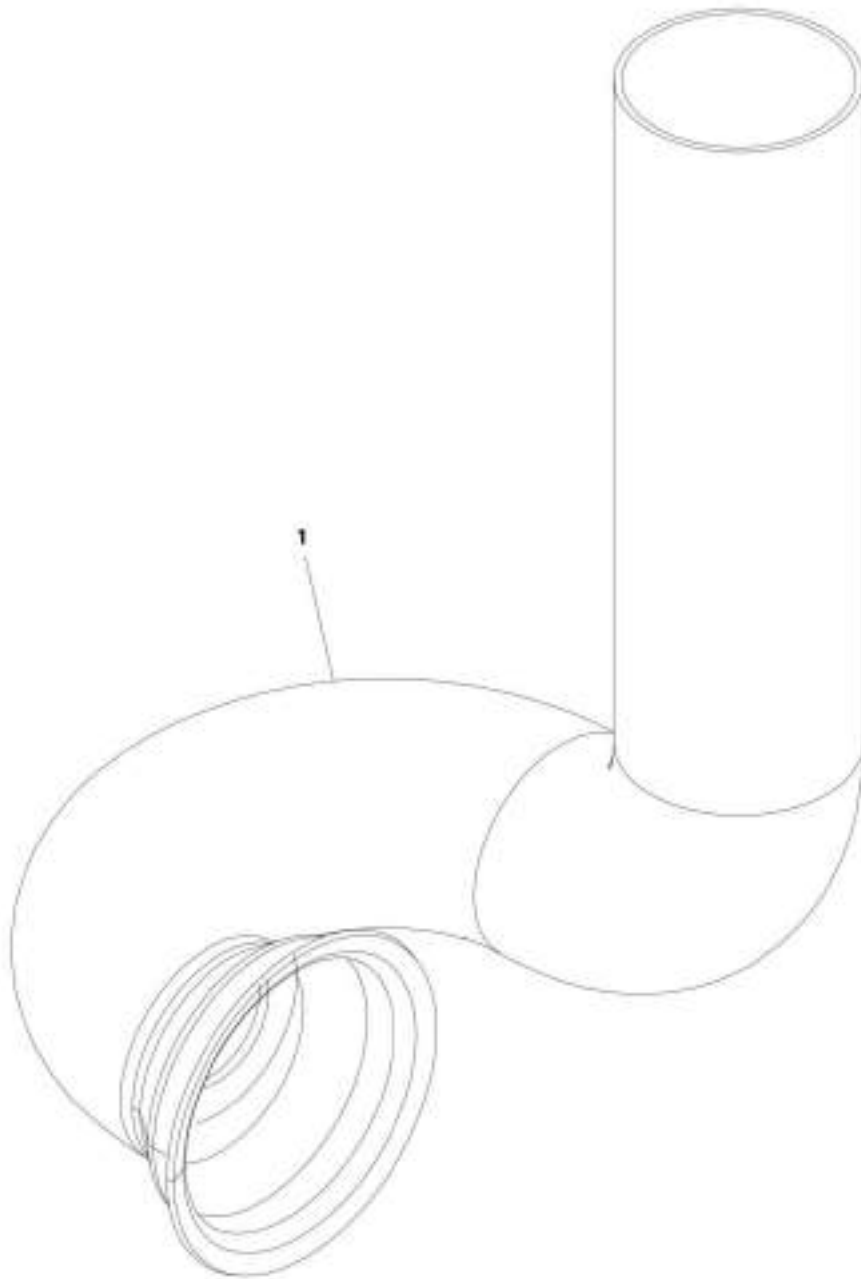
## SECTION 3 - ENGINE

**FIGURE 3-24. CATALYTIC SPARK ARRESTOR INSTALLATION - ANSI EXPORT AND CE SPECS**

ITEM	PART NUMBER	QTY	DESCRIPTION	REV
	1001175070	Ref	CATALYTIC SPARK ARRESTOR INSTALLATION - ANSI EXPORT AND CE SPECS	A
1	1320176	1	Clamp	
2	1001170225	1	Muffler, Catalytic Spark Arresting	
3	1001175068	1	Pipe, Exhaust	

## SECTION 3 - ENGINE

FIGURE 3-25. SPARK ARRESTOR INSTALLATION - ANSI AND ANSI EXPORT SPECS (SN 0300234013 to Present)



ART\_101132750

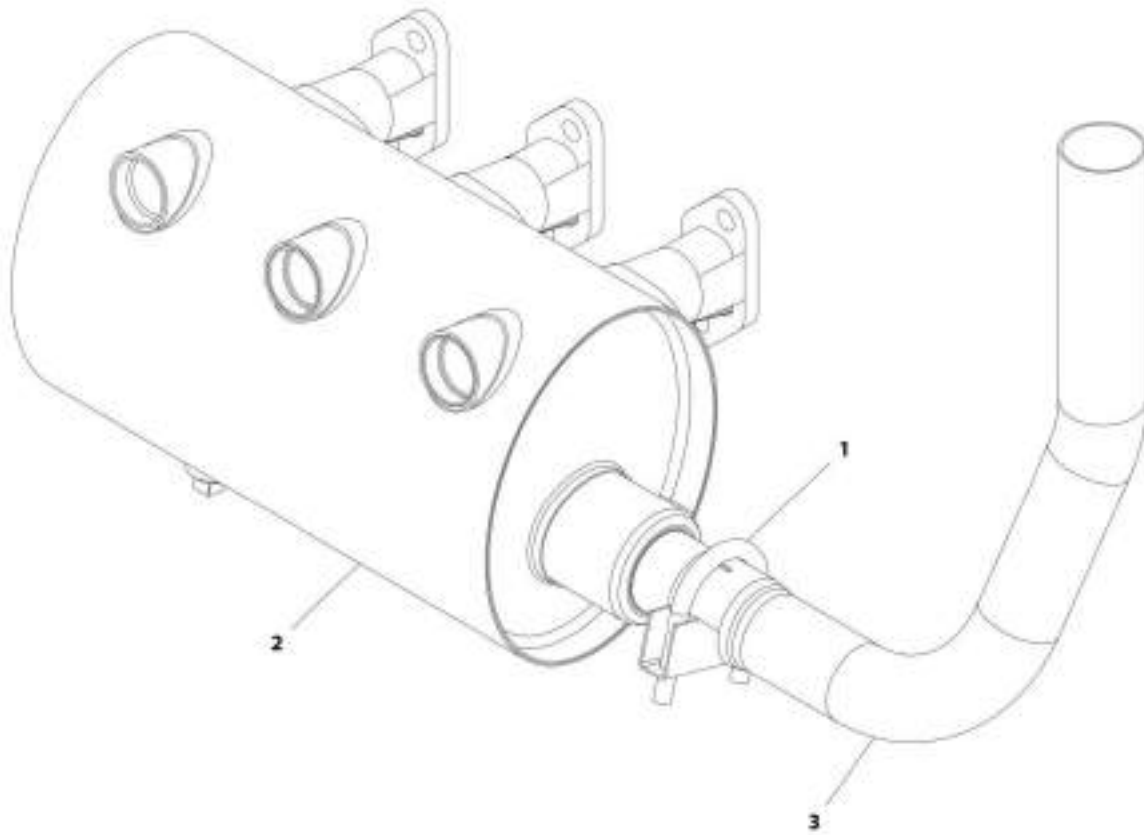
## SECTION 3 - ENGINE

**FIGURE 3-25. SPARK ARRESTOR INSTALLATION - ANSI AND ANSI EXPORT SPECS (SN 0300234013 to Present)**

ITEM	PART NUMBER	QTY	DESCRIPTION	REV
	1001172750	Ref	SPARK ARRESTOR INSTALLATION - ANSI AND ANSI EXPORT SPECS (SN 0300234013 to Present)	A
1	1001172595	1	Muffler, Spark Arrestor	

## SECTION 3 - ENGINE

FIGURE 3-26. SPARK ARRESTOR INSTALLATION - ANSI EXPORT AND CE SPECS



MIT\_3001175071



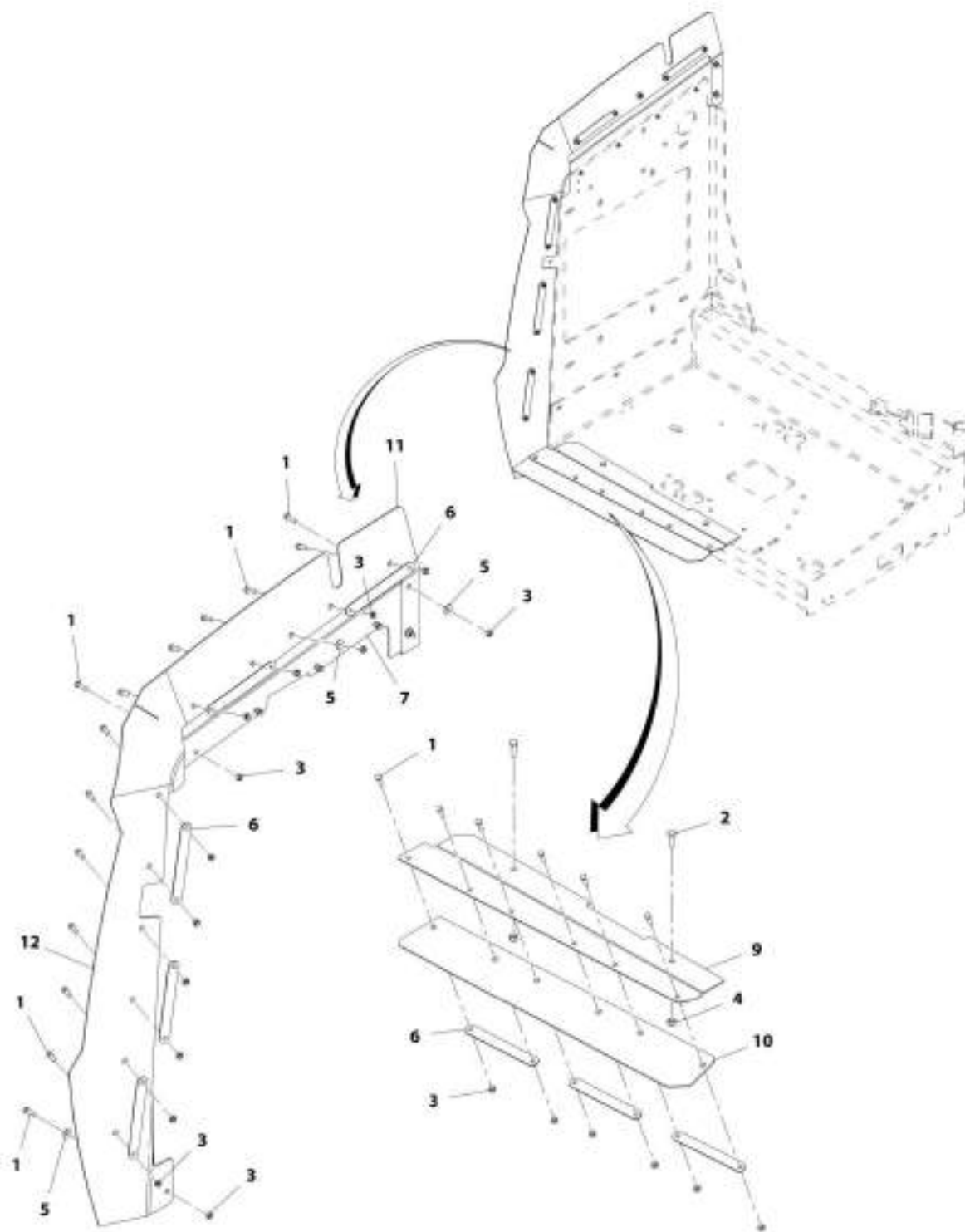
## SECTION 3 - ENGINE

**FIGURE 3-26. SPARK ARRESTOR INSTALLATION - ANSI EXPORT AND CE SPECS**

ITEM	PART NUMBER	QTY	DESCRIPTION	REV
	1001175071	Ref	SPARK ARRESTOR INSTALLATION - ANSI EXPORT AND CE SPECS	A
1	1320176	1	Clamp	
2	1001170224	1	Muffler, Spark Arresting	
3	1001175068	1	Pipe, Exhaust	

# SECTION 3 - ENGINE

## FIGURE 3-27. ENGINE Baffle INSTALLATION



ART\_1001170662

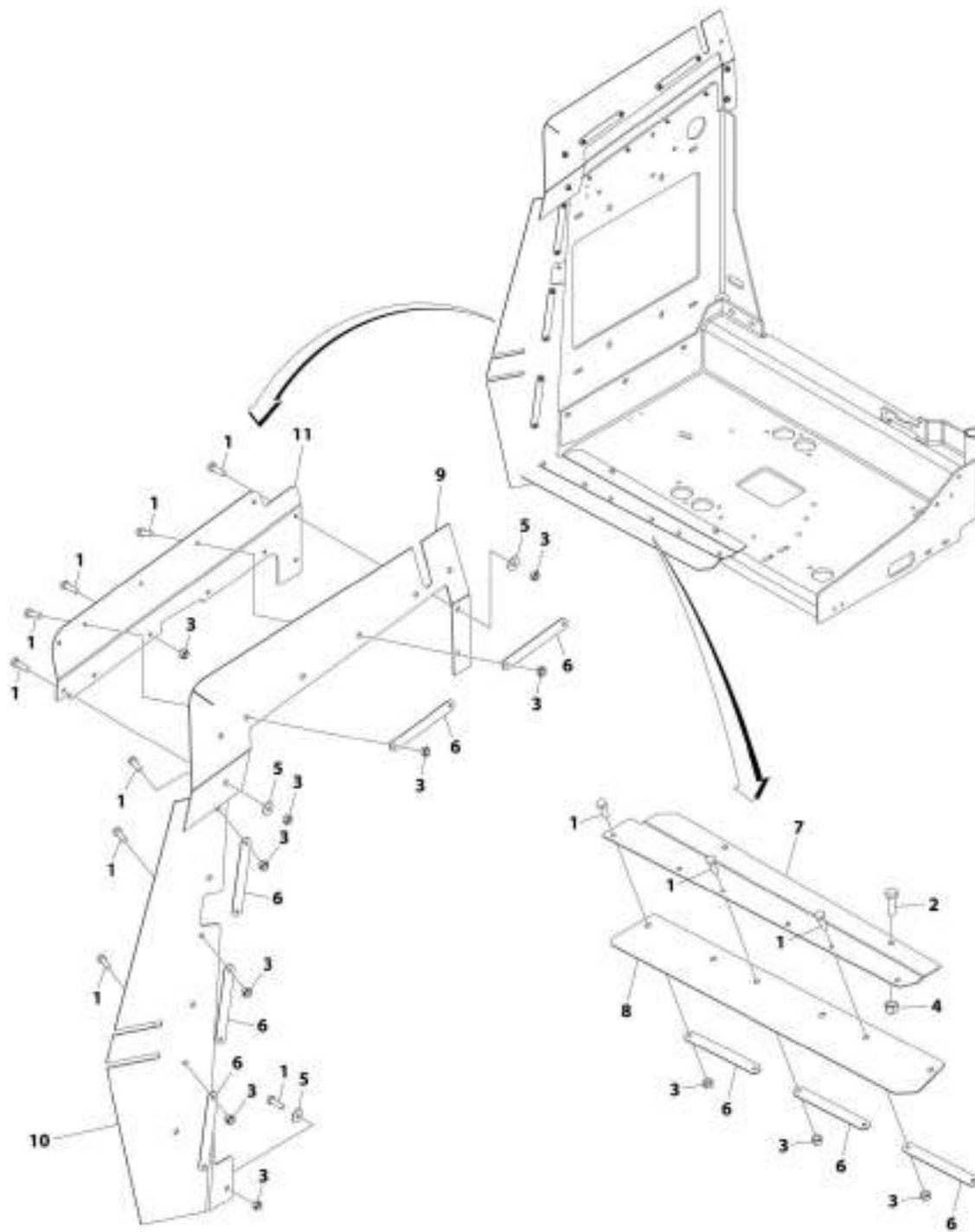
## SECTION 3 - ENGINE

**FIGURE 3-27. ENGINE BAFFLE INSTALLATION**

ITEM	PART NUMBER	QTY	DESCRIPTION	REV
	1001170662	Ref	ENGINE BAFFLE INSTALLATION	F
1	0760610	24	Bolt M6 x 20	
2	0760812	2	Bolt M8 x 25	
3	3290605	24	Nut, Lock M6 x 1	
4	3290805	2	Nut, Lock M8 x 1.25	
5	4811702	4	Washer M6	
6	1001167164	8	Plate, Support	
7	1001170650	1	Bracket	
8	1001170651	1	Seal (Not Shown) <b>(Prior to SN 0300220297)</b>	
9	1001170663	1	Bracket	
10	1001170664	1	Seal	
11	1001211877	1	Seal <b>(SN 0300220297 to Present)</b>	
12	1001211878	1	Seal <b>(SN 0300220297 to Present)</b>	

# SECTION 3 - ENGINE

FIGURE 3-28. ENGINE Baffle Installation - Steel (SN 0300227267 to Present)



ART\_1001223454

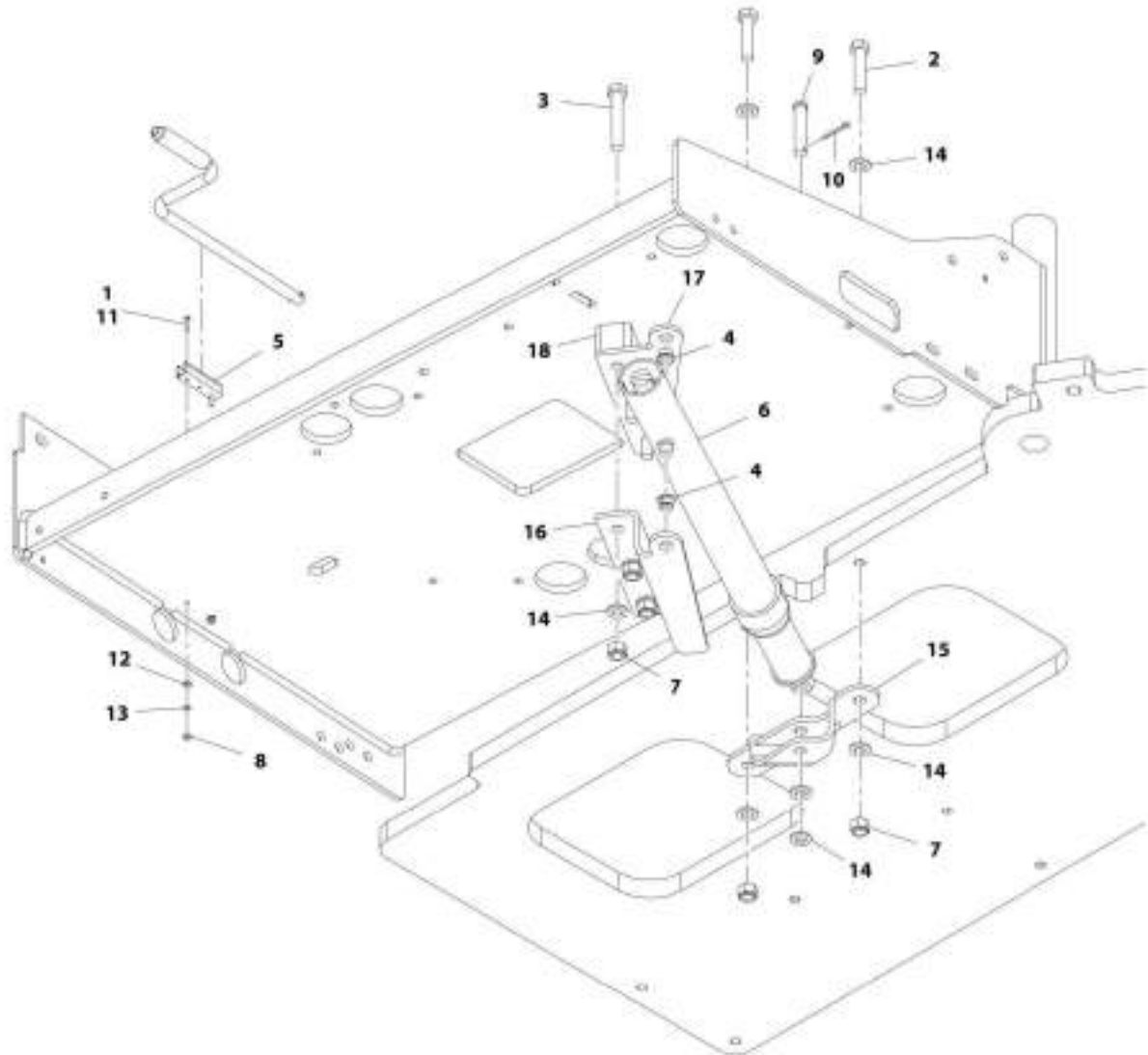
## SECTION 3 - ENGINE

**FIGURE 3-28. ENGINE BAFFLE INSTALLATION - STEEL (SN 0300227267 to Present)**

ITEM	PART NUMBER	QTY	DESCRIPTION	REV
	1001223454	Ref	ENGINE BAFFLE INSTALLATION - STEEL (SN 0300227267 to Present)	A
1	0760610	25	Bolt M6 x 20	
2	0760812	2	Bolt M8 x 25	
3	3290605	25	Nut, Lock M6 x 1	
4	3290805	2	Nut, Lock M8 x 1.25	
5	4811702	5	Washer M6	
6	1001167164	8	Plate, Support	
7	1001170663	1	Bracket	
8	1001170664	1	Seal	
9	1001223309	1	Seal	
10	1001223310	1	Seal	
11	1001223328	1	Bracket	

# SECTION 3 - ENGINE

## FIGURE 3-29. ENGINE TRAY JACK



ART\_3001164302

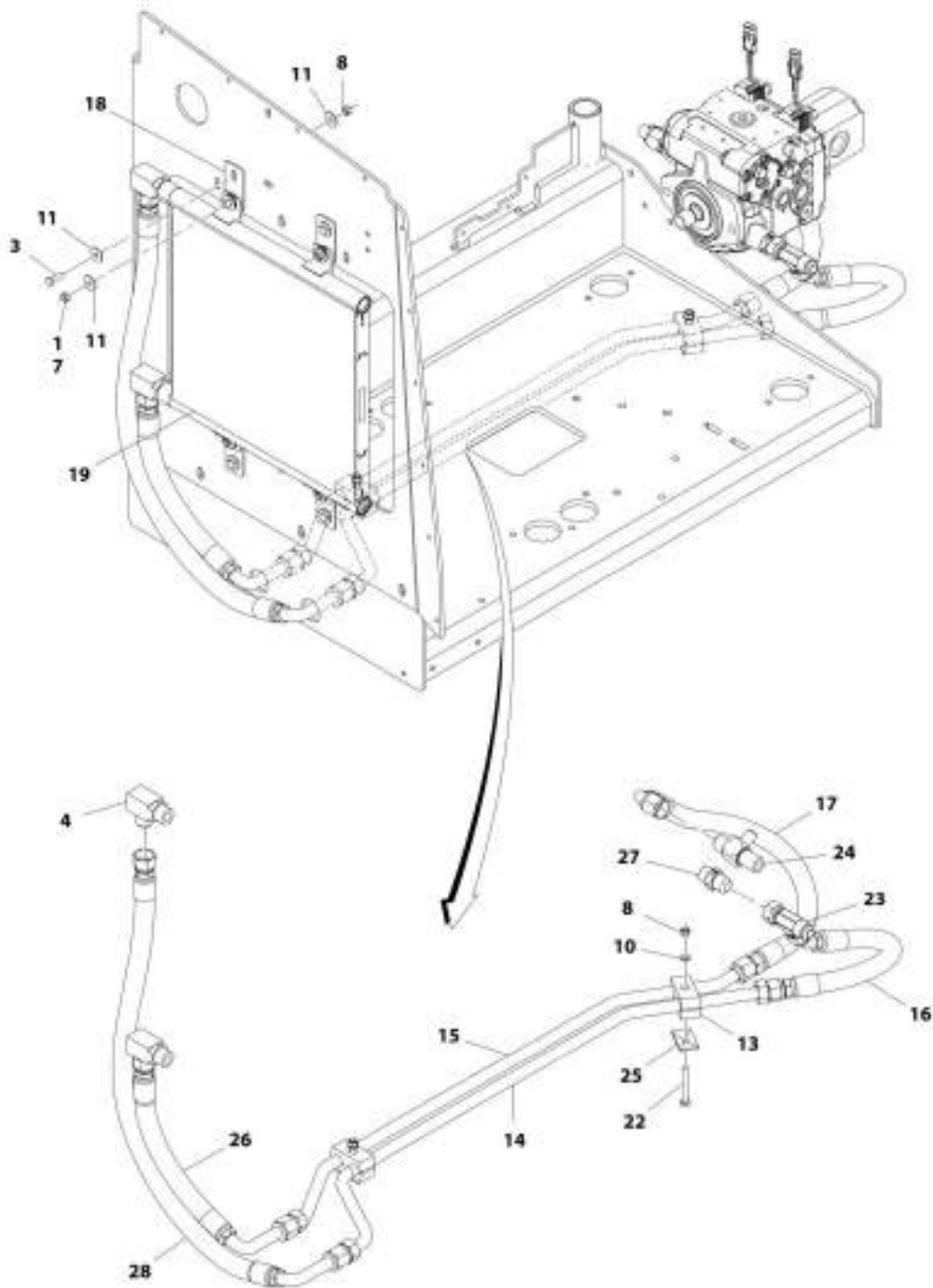
## SECTION 3 - ENGINE

### FIGURE 3-29. ENGINE TRAY JACK

ITEM	PART NUMBER	QTY	DESCRIPTION	REV
	1001164202	Ref	ENGINE TRAY JACK	C
1	0100011	AR	Compound, Locking	
2	0701219	2	Bolt M12 x 55	
3	0701223	3	Bolt	
4	0962051	2	Bearing	
5	1380147	1	Clip	
6	2840016	1	Screw Jack Assembly	
6	7024598	1	Handle	
6	7016322	1	Wiper	
7	3291205	5	Nut, Lock M12 x 1.75	
8	3310601	2	Nut #6	
9	3430820	1	Pin, Clevis	
10	3450404	1	Pin, Cotter	
11	3910610	2	Screw 6 x 5/8	
12	4750600	2	Washer #6	
13	4770600	2	Washer, Star #6	
14	4812100	9	Washer M12	
15	1001166894	1	Support, Engine Tray Jack	
16	1001175073	1	Support, Engine Tray Jack	
17	1001175074	1	Support, Engine Tray Jack	
18	1001175075	1	Shim	

# SECTION 3 - ENGINE

## FIGURE 3-30. OIL COOLER INSTALLATION (CE SPECS)



ART\_3001173664



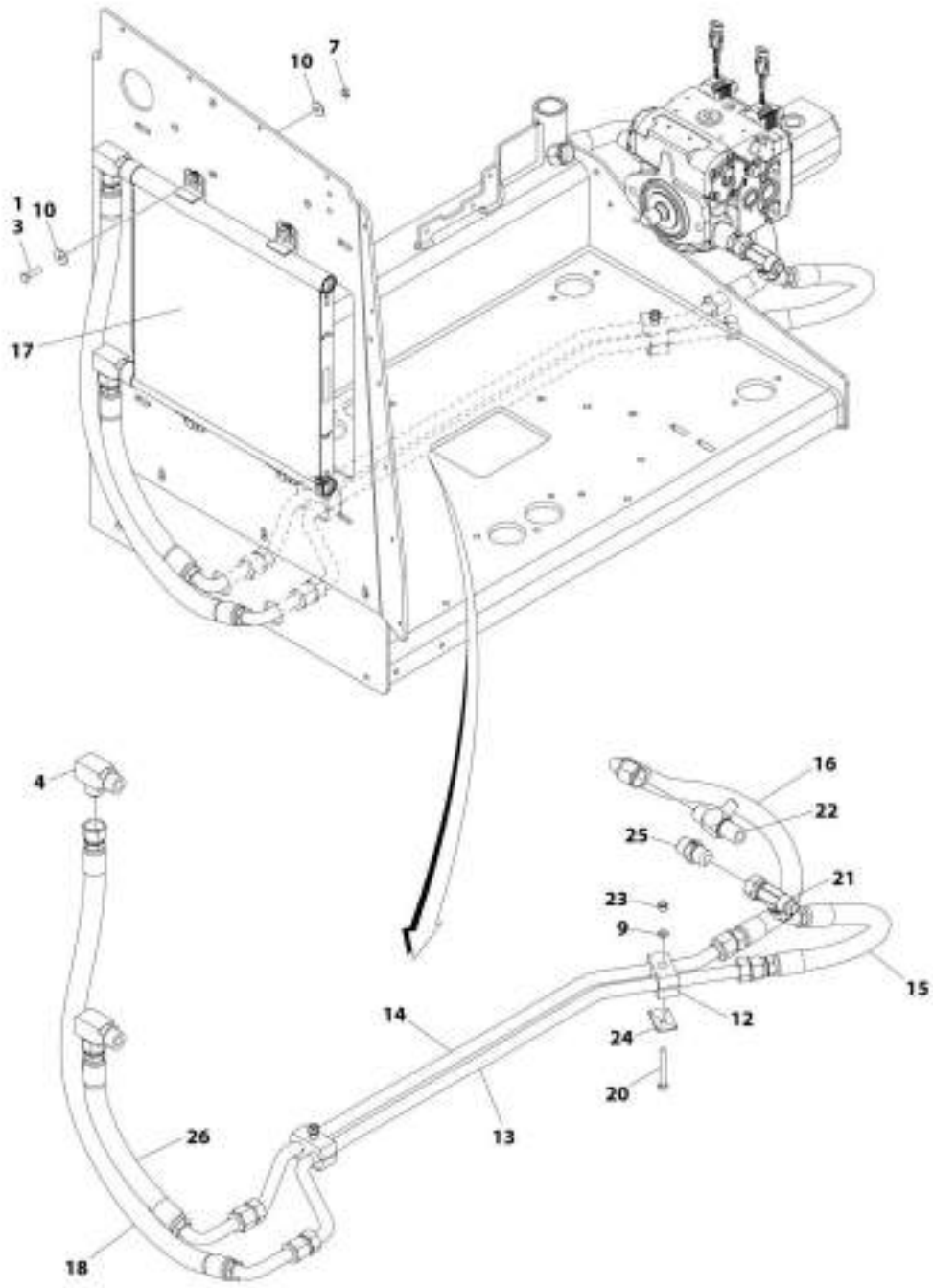
## SECTION 3 - ENGINE

**FIGURE 3-30. OIL COOLER INSTALLATION (CE SPECS)**

ITEM	PART NUMBER	QTY	DESCRIPTION	REV
	1001173664	Ref	OIL COOLER INSTALLATION (CE SPECS)	D
1	0100011	AR	Compound, Locking	
3	0760812	4	Bolt M8 x 25	
4	2220578	2	Fitting, 90 JIC/ORB	
7	3290801	4	Nut M8 x 1.25	
8	3290805	6	Nut, Lock M8 x 1.25	
10	4811900	2	Washer M8	
11	4811902	12	Washer M8	
13	8769139	2	Clamp Set	
14	1001164487	1	Tube, Hydraulic Oil Cooler	
15	1001164489	1	Tube, Hydraulic Oil Cooler	
16	1001164491	1	Hose	
17	1001164492	1	Hose	
18	1001166338	4	Bracket, Mount	
19	1001177523	1	Radiator, Hyd Oil Cooler	
22	0700821	2	Bolt M8 x 65	
23	2220700	1	Fitting, Tee JIC/FSJIC/JIC	
24	2221063	1	Fitting, Tee JIC/ORB/JIC	
25	8769128	2	Cover Plate, Twin	
26	1001173657	1	Hose	
27	1001179156	1	Valve, Check	
28	1001179440	1	Hose	

# SECTION 3 - ENGINE

FIGURE 3-31. OIL COOLER INSTALLATION (ANSI EXPORT SPECS) (SN 0300224020 to Present)



ART\_1001194405

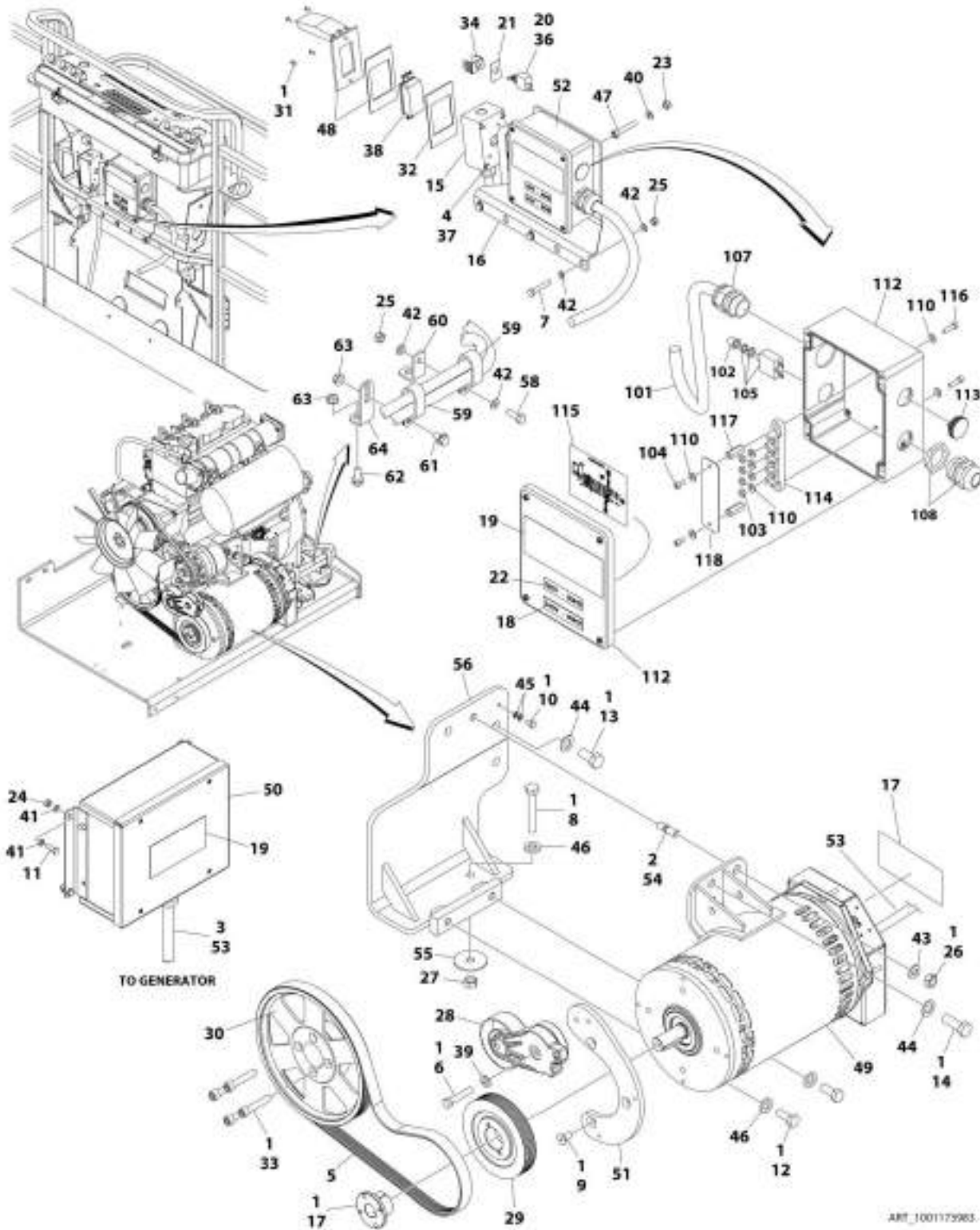
## SECTION 3 - ENGINE

**FIGURE 3-31. OIL COOLER INSTALLATION (ANSI EXPORT SPECS) (SN 0300224020 to Present)**

ITEM	PART NUMBER	QTY	DESCRIPTION	REV
	1001164493	Ref	OIL COOLER INSTALLATION (ANSI EXPORT SPECS) (SN <b>0300224020 to Present</b> )	D
1	0100011	AR	Compound, Locking	
3	0760814	4	Bolt M8 x 30	
4	2220578	2	Fitting, 90 JIC/ORB	
7	3290801	4	Nut M8 x 1.25	
9	4811900	2	Washer M8	
10	4811902	8	Washer M8	
12	8769139	2	Clamp Set	
13	1001164487	1	Tube, Hydraulic Oil Cooler	
14	1001164489	1	Tube, Hydraulic Oil Cooler	
15	1001164491	1	Hose	
16	1001164492	1	Hose	
17	1001167040	1	Radiator, Hydraulic Oil Cooler ( <b>Prior to SN 0300205271</b> )	
17	1001177523	1	Radiator, Hydraulic Oil Cooler ( <b>SN 0300205271 to Present</b> )	
18	1001173656	1	Hose	
20	0700821	2	Bolt M8 x 65	
21	2220700	1	Fitting, Tee JIC/FSJIC/JIC	
22	2221063	1	Fitting, Tee JIC/ORB/JIC	
23	3290805	2	Nut M8	
24	8769128	2	Cover Plate, Twin	
25	1001179156	1	Valve, Check	
26	1001179426	1	Hose	

# SECTION 3 - ENGINE

FIGURE 3-32. GENERATOR INSTALLATION - 4000W/60HZ (DEUTZ D2.3L3 ENGINE) (ANSI EXPORT SEPC) (SN 0300234013 to Present)



## SECTION 3 - ENGINE

**FIGURE 3-32. GENERATOR INSTALLATION - 4000W/60HZ (DEUTZ D2.3L3 ENGINE) (ANSI EXPORT SEPC) (SN 0300234013 to Present)**

ITEM	PART NUMBER	QTY	DESCRIPTION	REV
	1001173983	Ref	GENERATOR INSTALLATION - 4000W/60HZ (DEUTZ D2.3L3 ENGINE) ANSI EXPORT SPECS (SN 0300234013 to Present)	E
1	0100011	AR	Compound, Locking	
2	0100019	AR	Compound, Locking	
3	0100048	AR	Grease, Dielectric	
4	0100079	AR	Sealant	
5	0480128	1	Belt	
6	0641616	1	Bolt 3/8 x 2	
7	0700818	3	Bolt M8 x 50	
8	0711224	1	Bolt M12 x 80 Grade 10.9	
9	0741607	3	Screw 3/8 x 7/8	
10	0760606	1	Bolt M6 x 12	
11	0760610	4	Bolt M6 x 20	
12	0761214	2	Bolt M12 x 30	
13	0771414	2	Bolt M14 x 30 Grade 10.9	
14	0771416	1	Bolt M14 x 40	
15	0860038	1	Box, Switch	
16	0902888	1	Bracket	
17	0962520	1	Bushing	
18	1705374	1	Decal - 240V-60Hz	
19	1705387	3	Decal - Hazardous Voltage	
20	2820031	AR	Heat Shrink	
21	See Note	1	Nameplate (Note: Not Available for Purchase)	
22	3251243	1	Nameplate 120V-60Hz	
23	3290505	4	Nut M5	
24	3290605	4	Nut M6	
25	3290805	4	Nut M8	
26	3291201	2	Nut M12	
27	3331211	1	Nut M12	
28	3580317	1	Pulley	
29	3580318	1	Pulley	
30	3580320	1	Pulley	
31	3910606	4	Screw #6 x 3/8	
32	3960422	1	Gasket	
33	4032015	4	Bolt M10 x 55	
34	4060802	1	Guard, Switch	
35	4240099	AR	Tie-Strap (Not Shown)	
36	4360336	1	Switch, Toggle	
37	4460071	1	Connector, Strain Relief	
38	4460346	1	Receptacle	
39	4711600	1	Washer 3/8	
40	4811600	4	Washer M5	
41	4811700	8	Washer M6	
42	4811900	8	Washer M8	
43	4812100	1	Washer M12	
44	4812200	3	Washer M14	
45	4871700	2	Washer M6	
46	5241200	3	Washer M12 Hardened	
47	1001104029	4	Screw M5 x 30	

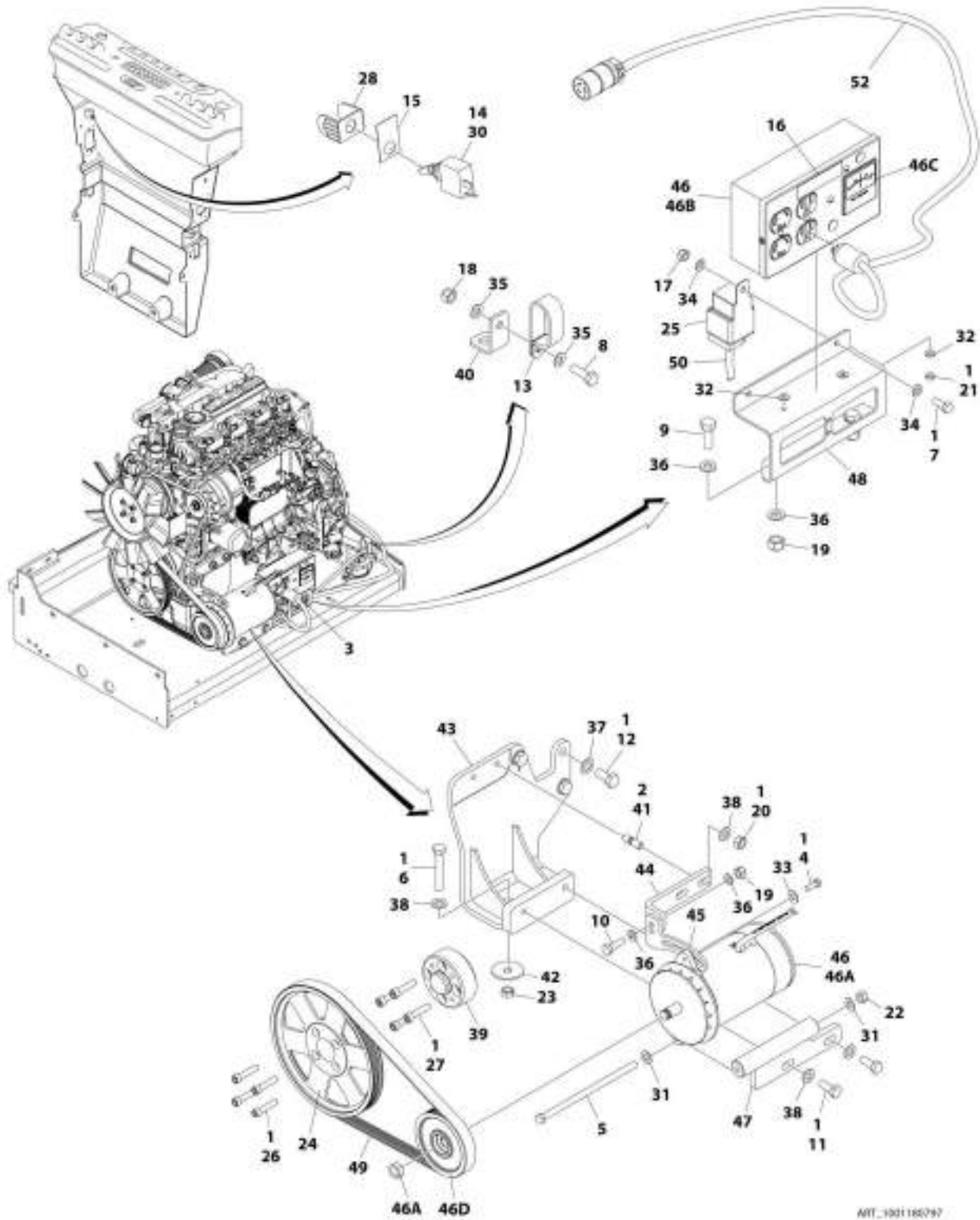
## SECTION 3 - ENGINE

ITEM	PART NUMBER	QTY	DESCRIPTION	REV
48	1001110873	1	Shield, Cover	
49	1001129858	1	Generator	
49	70003709	1	Ring, Retaining (External)	
49	70003708	1	Ring, Retaining (Internal)	
49	70001966	1	Bearing	
49	70004092	1	Endbell (Shaft End)	
49	70004171	1	Key	
49	70004676	1	Rotor	
49	70004684	1	Stator	
49	70004678	1	Endbell (Rear)	
49	70004679	1	Cover, Endbell (Rear)	
49	70004680	1	Enclosure, Wiring	
49	70004685	1	Cover, Enclosure	
49	70004682	1	Switch, Reset (Located on Enclosure Cover)	
49	70004098	1	Connector, Strain Relief (Located on Enclosure Cover)	
50	1001138566	1	Box, Control	
51	1001139357	1	Mount, Tensioner	
52	1001152457	1	Generator Junction Box Assembly (See Items 101-118 for Breakdown)	
53	1001152532	1	Harness, Generator (See ELECTRICAL SECTION for Breakdown)	
54	1001196382	1	Stud	
55	1001168018	1	Washer, Snubbing	
56	1001173925	1	Mount	
57	1001175631	1	Wiring Diagram (See ELECTRICAL SECTION for Breakdown)	
58	0760812	1	Bolt M8 x 25	
59	1321716	2	Clamp	
60	1001148641	1	Bracket	
61	5250808	1	Bolt M8 x 16	
62	5250810	1	Bolt M8 x 20	
63	5260800	2	Nut M8	
64	1001223122	1	Support	
	1001152457	Ref	GENERATOR JUNCTION BOX COMPONENTS	
101	1001179154	2.5 ft/ 0.8m	Cable, Electrical - 12/3	
102	3300396	1	Cover, Breaker	
103	3311001	4	Nut #10	
104	3900300	2	Screw	
105	4360070	1	Breaker, Circuit - 15Amp	
107	4460425	1	Connector, Strain Relief (LH Side)	
108	4460426	1	Connector, Strain Relief (RH Side)	
110	4711000	8	Washer #10	
112	1001152456	1	Box, Junction	
113	1001152525	1	Plug	
114	1001152530	1	Terminal, Block	
115	1001153260	1	Decal - Wiring Diagram	
116	3900267	2	Screw	
117	1001158008	2	Stand-Off	
118	1001158363	1	Cover, Terminal Block	



# SECTION 3 - ENGINE

FIGURE 3-33. GENERATOR INSTALLATION - 2500W/60HZ (DEUTZ D2.9L4 ENGINE) (ANSI, ANSI EXPORT AND CSA SPECS) (SN 0300224020 to Present)



MIT\_1001180797



## SECTION 3 - ENGINE

**FIGURE 3-33. GENERATOR INSTALLATION - 2500W/60HZ (DEUTZ D2.9L4 ENGINE) (ANSI, ANSI EXPORT AND CSA SPECS) (SN 0300224020 to Present)**

ITEM	PART NUMBER	QTY	DESCRIPTION	REV
	1001180797	Ref	GENERATOR INSTALLATION - 2500W/60HZ (DEUTZ D2.9L4 ENGINE) (ANSI, ANSI EXPORT AND CSA SPECS) (SN <b>0300224020 to Present</b> )	D
1	0100011	AR	Compound, Locking	
2	0100019	AR	Compound, Locking	
3	0100048	AR	Grease, Dielectric	
4	0641507	1	Bolt 5/16 x 7/8	
5	0641772	1	Bolt 7/16 x 9	
6	0711224	1	Bolt M12 x 80 Grade 10.9	
7	0760608	1	Bolt M6 x 16	
8	0760812	1	Bolt M8 x 25	
9	0761014	2	Bolt M10 x 30	
10	0761015	1	Bolt M10 x 35	
11	0761214	2	Bolt M12 x 30	
12	0771414	3	Bolt M14 x 30 Grade 10.9	
13	1321716	1	Clamp	
14	2820031	AR	Heat Shrink	
15	See Note	1	Nameplate (Note: Not Available for Purchase)	
16	3251243	1	Nameplate 120V-60Hz	
17	3290605	1	Nut M6	
18	3290805	1	Nut M8	
19	3291005	3	Nut M10	
20	3291201	2	Nut M12	
21	3311001	2	Nut #10	
22	3311705	1	Nut 7/16	
23	3331211	1	Nut M12	
24	3580320	1	Pulley	
25	3740080	1	Relay	
26	3931628	4	Capscrew 3/8 x 1-3/4	
27	4032014	4	Bolt M10 x 50	
28	4060802	1	Guard, Switch	
29	4240099	AR	Tie-Strap (Not Shown)	
30	4360336	1	Switch, Toggle	
31	4711700	2	Washer 7/16	
32	4751000	4	Washer #10	
33	4751500	1	Washer 5/16	
34	4811700	2	Washer M6	
35	4811900	2	Washer M8	
36	4812000	AR	Washer M10	
37	4812200	3	Washer M14	
38	5241200	5	Washer M12 Hardened	
39	1001135679	1	Adapter	
40	1001148641	1	Bracket	
41	1001155041	2	Stud	
42	1001168018	1	Washer, Snubbing	
43	1001168207	1	Support	
44	1001179836	1	Mount, Upper Generator	
45	1001179837	1	Arm Adjustment	
46	1001180001	1	Generator	

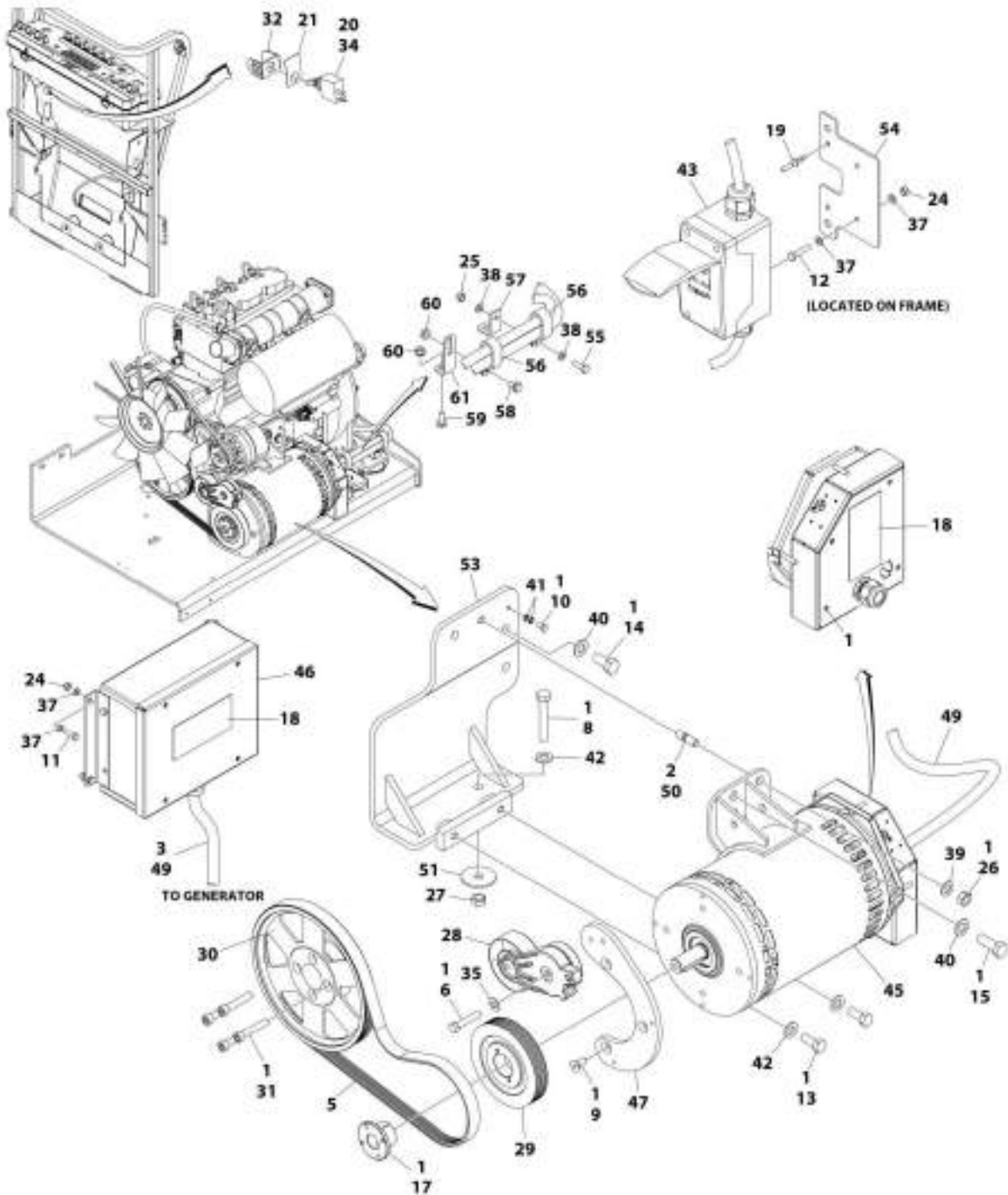
## SECTION 3 - ENGINE

ITEM	PART NUMBER	QTY	DESCRIPTION	REV
46A	7026199	1	Armature with Slip Rings	
46A	7012513	3	Cap, Brush Holder	
46A	7020108	4	Brush	
46A	7020109	4	Holder, Brush	
46A	7012514	1	Fan	
46A	7020110	1	Bell, Front	
46A	7020111	1	Bell, Rear	
46A	7020190	1	Bearing	
46B	7019680	1	Box, Control	
46B	4460190	1	Receptacle, Standard	
46B	4460027	1	Receptacle, Twistlock	
46B	4360542	1	Breaker, Circuit	
46B	3520028	1	Plug, Hole	
46B	4460961	1	Connector - 4 Position	
46B	4460705	4	Pin, Male	
46B	4460321	1	Connector - 4 Position (Note: Mate to p/n 4460961 Purchase Separately)	
46B	4460268	3	Socket, Female (Note: Mate to p/n 4460705 Purchase Separately)	
46C	2420203	1	Voltmeter	
46D	1001179893	1	Pulley	
46D	7027887	1	Key, Woodruff	
47	1001181243	1	Mount, Lower Generator	
48	1001183477	1	Support	
49	1001148138	1	Belt	
50	1001187522	1	Harness, Generator (See ELECTRICAL SECTION for Breakdown)	
51	1001188731	1	Wiring Diagram (Not Shown - See ELECTRICAL SECTION for Breakdown)	
52	1001182296	1	Harness, Inverter	
52	1060494	10 ft/3.5m	Cable, Electrical - 12/3	
52	4460134	1	Receptacle, Female	
52	4460138	1	Plug, Male	
		Ref	ELECTRICAL DIAGRAM COMPONENTS	
101	4922641	1	Generator Switch Harness (Not Shown)	



# SECTION 3 - ENGINE

FIGURE 3-34. GENERATOR INSTALLATION - 4000W/50HZ (DEUTZ D2.3L3 ENGINE) (ANSI EXPORT AND CE SPECS) (Prior to SN 0300237337)



ART\_3001173884

## SECTION 3 - ENGINE

**FIGURE 3-34. GENERATOR INSTALLATION - 4000W/50HZ (DEUTZ D2.3L3 ENGINE) (ANSI EXPORT AND CE SPECS) (Prior to SN 0300237337)**

ITEM	PART NUMBER	QTY	DESCRIPTION	REV
	1001173984	Ref	GENERATOR INSTALLATION - 4000W/50HZ (DEUTZ D2.3L3 ENGINE) (ANSI EXPORT AND CE SPECS) <b>(Prior to SN 0300237337)</b>	H
1	0100011	AR	Compound, Locking	
2	0100019	AR	Compound, Locking	
3	0100048	AR	Grease, Dielectric	
4	0100079	AR	Sealant (Not Shown)	
5	0480126	1	Belt	
6	0641616	1	Bolt 3/8 x 2	
8	0711224	1	Bolt M12 x 80 Grade 10.9	
9	0741607	3	Screw 3/8 x 7/8	
10	0760606	1	Bolt M6 x 12	
11	0760610	4	Bolt M6 x 20	
12	0760614	2	Bolt M6 x 30	
13	0761214	2	Bolt M12 x 30	
14	0771414	2	Bolt M14 x 30 Grade 10.9	
15	0771416	1	Bolt M14 x 40	
17	0962520	1	Bushing	
18	1705489	AR	Decal - Hazardous Voltage	
19	2080040	2	Fastener, Huck	
20	2820031	AR	Heat Shrink	
21	See Note	1	Nameplate (Note: Not Available for Purchase)	
24	3290605	6	Nut M6	
25	3290805	AR	Nut M8	
26	3291201	1	Nut M12	
27	3331211	1	Nut M12	
28	3580317	1	Pulley	
29	3580319	1	Pulley	
30	3580320	1	Pulley	
31	4032015	4	Bolt M10 x 55	
32	4060802	1	Guard, Switch	
33	4240099	AR	Tie-Strap (Not Shown)	
34	4360336	1	Switch, Toggle	
35	4711600	1	Washer 3/8	
37	4811700	12	Washer M6	
38	4811900	AR	Washer M8	
39	4812100	1	Washer M12	
40	4812200	3	Washer M14	
41	4871700	2	Washer M6	
42	5241200	3	Washer M12 Hardened	
43	1001096070	1	Breaker Box Kit (50Hz) (See ELECTRICAL SECTION for Breakdown)	
45	1001138565	1	Generator Assembly	
45	70003709	1	Ring, Retaining (External)	
45	70003708	1	Ring, Retaining (Internal)	
45	70001966	1	Bearing	
45	70004092	1	Endbell (Shaft End)	
45	70004171	1	Key	
45	70004676	1	Rotor	

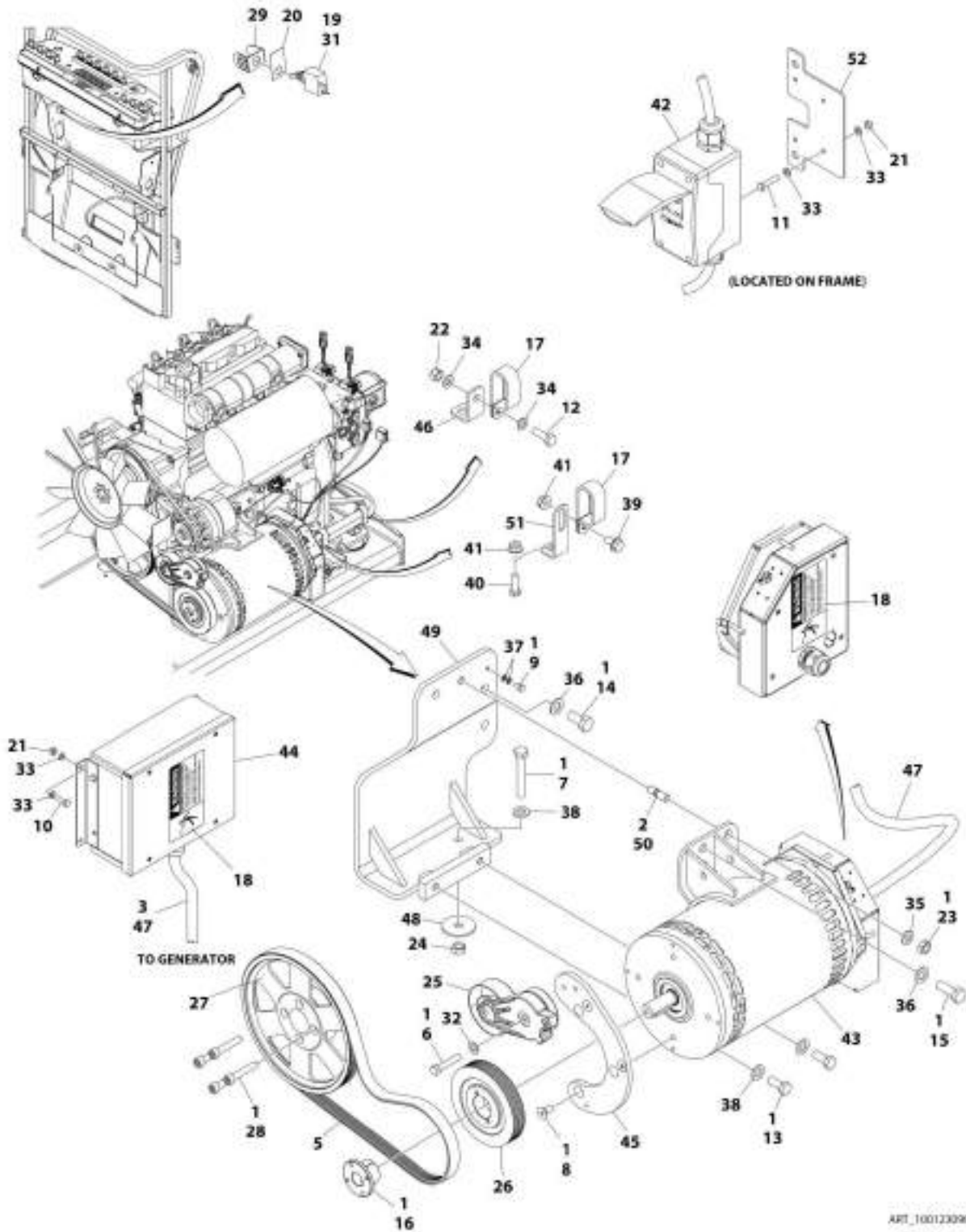
## SECTION 3 - ENGINE

ITEM	PART NUMBER	QTY	DESCRIPTION	REV
45	70004677	1	Stator	
45	70004678	1	Endbell (Rear)	
45	70004679	1	Cover, Endbell (Rear)	
45	70004680	1	Enclosure, Wiring	
45	70004681	1	Cover, Enclosure	
45	70004682	1	Switch, Reset (Located on Enclosure Cover)	
45	70004683	1	Connector, Strain Relief (Located on Enclosure Cover)	
46	1001138566	1	Box, Control	
47	1001139357	1	Mount, Tensioner	
49	1001152532	1	Harness, Generator (See ELECTRICAL SECTION for Breakdown)	
50	1001196382	1	Stud	
51	1001168018	1	Washer, Snubbing	
53	1001173925	1	Mount	
54	1001174158	1	Mount	
55	0760812	1	Bolt M8 x 25	
56	1321716	1	Clamp <b>(Prior to SN 0300227266)</b>	
56	1321716	2	Clamp <b>(SN 0300227266 to Present)</b>	
57	1001148641	1	Bracket	
58	5250808	1	Bolt M8 x 16 <b>(SN 0300227266 to Present)</b>	
59	5250810	1	Bolt M8 x 20 <b>(SN 0300227266 to Present)</b>	
60	5260800	2	Flange Nut M8 <b>(SN 0300227266 to Present)</b>	
61	1001223122	1	Support, P-Clamp <b>(SN 0300227266 to Present)</b>	
		Ref	ELECTRICAL DIAGRAM COMPONENTS	
101	4922641	1	Generator Switch Harness (Not Shown)	



# SECTION 3 - ENGINE

FIGURE 3-35. GENERATOR INSTALLATION - 4000W/50HZ (DEUTZ D2.3L3 ENGINE) (ANSI EXPORT AND CE SPECS) (SN 0300237337 to Present)





## SECTION 3 - ENGINE

**FIGURE 3-35. GENERATOR INSTALLATION - 4000W/50HZ (DEUTZ D2.3L3 ENGINE) (ANSI EXPORT AND CE SPECS) (SN 0300237337 to Present)**

ITEM	PART NUMBER	QTY	DESCRIPTION	REV
	1001230908	Ref	GENERATOR INSTALLATION - 4000W/50HZ (DEUTZ D2.3L3 ENGINE) (ANSI EXPORT AND CE SPECS) (SN 0300237337 to Present)	A
1	0100011	AR	Compound, Locking	
2	0100019	AR	Compound, Locking	
3	0100048	AR	Grease, Dielectric	
4	0100079	AR	Sealant (Not Shown)	
5	0480126	1	Belt	
6	0641616	1	Bolt 3/8 x 2	
7	0711224	1	Bolt M12 x 80 Grade 10.9	
8	0741607	3	Screw 3/8 x 7/8	
9	0760606	1	Bolt M6 x 12	
10	0760610	4	Bolt M6 x 20	
11	0760614	2	Bolt M6 x 30	
12	0760812	1	Bolt M8 x 25	
13	0761214	2	Bolt M12 x 30	
14	0771414	2	Bolt M14 x 30 Grade 10.9	
15	0771416	1	Bolt M14 x 40	
16	0962520	1	Bushing	
17	1321716	2	Clamp	
18	1705489	2	Decal - Hazardous Voltage	
19	2820031	100 mm	Heat Shrink	
20	3251102	1	Nameplate, Generator	
21	3290605	6	Nut M6	
22	3290805	1	Nut M8	
23	3291201	1	Nut M12	
24	3331211	1	Nut M12	
25	3580317	1	Pulley	
26	3580319	1	Pulley	
27	3580320	1	Pulley	
28	4032015	4	Bolt M10 x 55	
29	4060802	1	Guard, Switch	
30	4240099	AR	Tie-Strap (Not Shown)	
31	4360336	1	Switch, Toggle	
32	4711600	1	Washer 3/8	
33	4811700	12	Washer M6	
34	4811900	2	Washer M8	
35	4812100	1	Washer M12	
36	4812200	3	Washer M14	
37	4871700	2	Washer M6	
38	5241200	3	Washer M12 Hardened	
39	5250808	1	Bolt M8 x 16	
40	5250810	1	Bolt M8 x 20	
41	5260800	2	Flange Nut M8	
42	1001096070	1	Breaker Box Kit (50Hz) (See ELECTRICAL SECTION for Breakdown)	
43	1001138565	1	Generator Assembly	
43	70003709	1	Ring, Retaining (External)	
43	70003708	1	Ring, Retaining (Internal)	

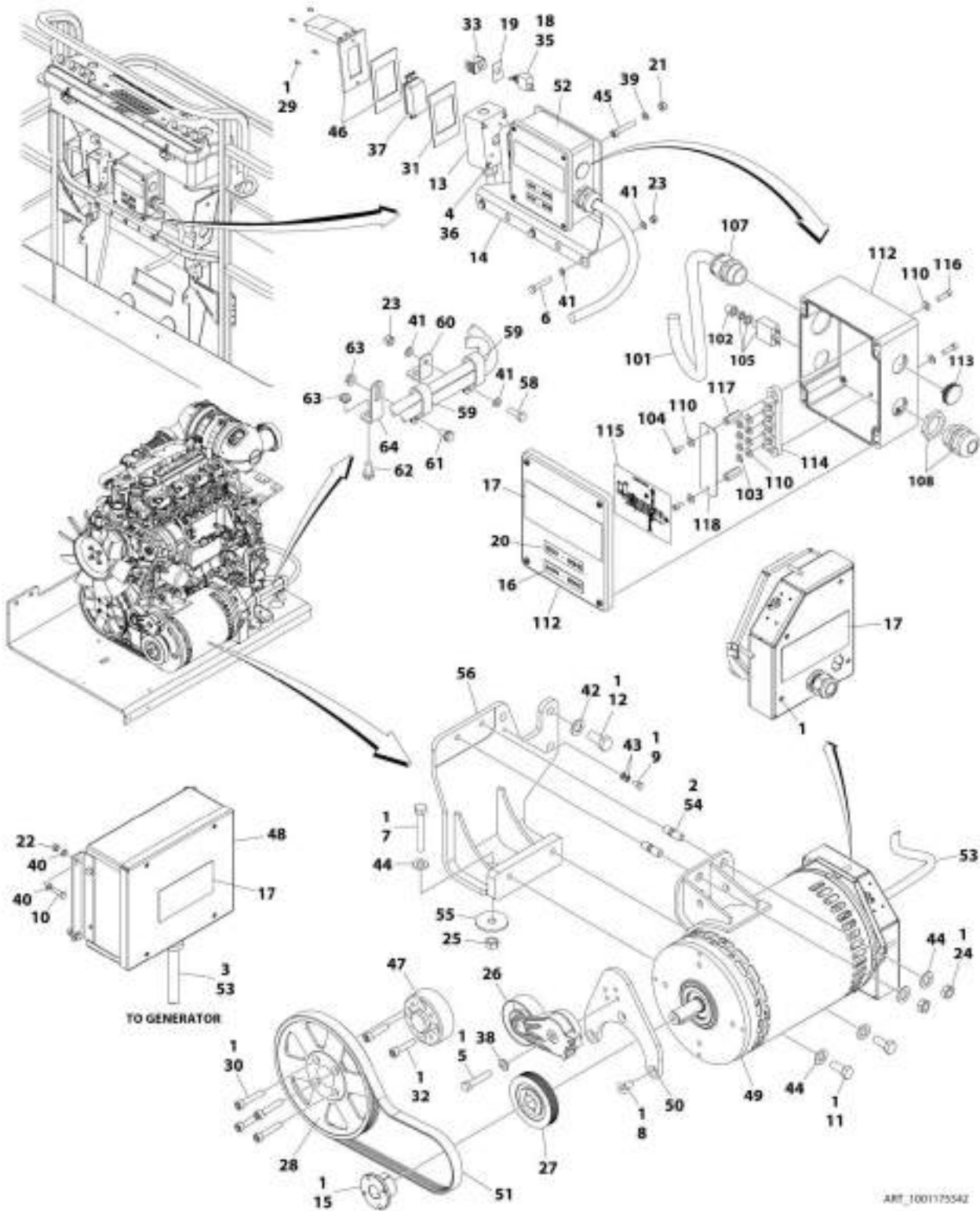
## SECTION 3 - ENGINE

ITEM	PART NUMBER	QTY	DESCRIPTION	REV
43	70001966	1	Bearing	
43	70004092	1	Endbell (Shaft End)	
43	70004171	1	Key	
43	70004676	1	Rotor	
43	70004677	1	Stator	
43	70004678	1	Endbell (Rear)	
43	70004679	1	Cover, Endbell (Rear)	
43	70004680	1	Enclosure, Wiring	
43	70004681	1	Cover, Enclosure	
43	70004682	1	Switch, Reset (Located on Enclosure Cover)	
43	70004683	1	Connector, Strain Relief (Located on Enclosure Cover)	
44	1001138566	1	Box, Control	
45	1001139357	1	Mount, Tensioner	
46	1001148641	1	Bracket	
47	1001152532	1	Harness, Generator (See ELECTRICAL SECTION for Breakdown)	
48	1001168018	1	Washer, Snubbing	
49	1001173925	1	Mount	
50	1001196382	1	Stud	
51	1001223122	1	Support, P-Clamp	
52	1001230784	1	Bracket	



# SECTION 3 - ENGINE

FIGURE 3-36. GENERATOR INSTALLATION - 4000W/60HZ (DEUTZ D2.9L4 ENGINE) (ANSI, ANSI EXPORT AND CSA SPECS) (SN 0300224020 to Present)



## SECTION 3 - ENGINE

**FIGURE 3-36. GENERATOR INSTALLATION - 4000W/60HZ (DEUTZ D2.9L4 ENGINE) (ANSI, ANSI EXPORT AND CSA SPECS) (SN 0300224020 to Present)**

ITEM	PART NUMBER	QTY	DESCRIPTION	REV
	1001175542	Ref	GENERATOR INSTALLATION - 4000W/60HZ (DEUTZ D2.9L4 ENGINE) (ANSI, ANSI EXPORT AND CSA SPECS) (SN 0300224020 to Present)	H
1	0100011	AR	Compound, Locking	
2	0100019	AR	Compound, Locking	
3	0100048	AR	Grease, Dielectric	
4	0100079	AR	Sealant	
5	0641616	1	Bolt 3/8 x 2	
6	0700818	3	Bolt M8 x 50	
7	0711224	1	Bolt M12 x 80 Grade 10.9	
8	0741607	3	Screw 3/8 x 7/8	
9	0760606	1	Bolt M6 x 12	
10	0760610	4	Bolt M6 x 20	
11	0761212	2	Bolt M12 x 25	
12	0771414	3	Bolt M14 x 30 Grade 10.9	
13	0860038	1	Box, Switch	
14	0902888	1	Bracket	
15	0962520	1	Bushing	
16	1705374	1	Decal - 240V-60Hz	
17	1705387	3	Decal - Hazardous Voltage	
18	2820031	AR	Heat Shrink	
19	See Note	1	Nameplate (Note: Not Available for Purchase)	
20	3251243	1	Nameplate 120V-60Hz	
21	3290505	4	Nut M5	
22	3290605	4	Nut M6	
23	3290805	4	Nut M8	
24	3291201	2	Nut M12	
25	3331211	1	Nut M12	
26	3580317	1	Pulley	
27	3580318	1	Pulley	
28	3580320	1	Pulley	
29	3910606	4	Screw #6 x 3/8	
30	3931628	4	Capscrew 3/8 x 1-3/4	
31	3960422	1	Gasket	
32	4032014	4	Capscrew M10 x 50	
33	4060802	1	Guard, Switch	
34	4240099	AR	Tie-Strap (Not Shown)	
35	4360336	1	Switch, Toggle	
36	4460071	1	Connector, Strain Relief	
37	4460346	1	Receptacle	
38	4711600	1	Washer 3/8	
39	4811600	4	Washer M5	
40	4811700	8	Washer M6	
41	4811900	8	Washer M8	
42	4812200	3	Washer M14	
43	4871700	2	Washer M6	
44	5241200	5	Washer M12 Hardened	
45	1001104029	4	Screw M5 x 30	
46	1001110873	1	Shield, Cover	

## SECTION 3 - ENGINE

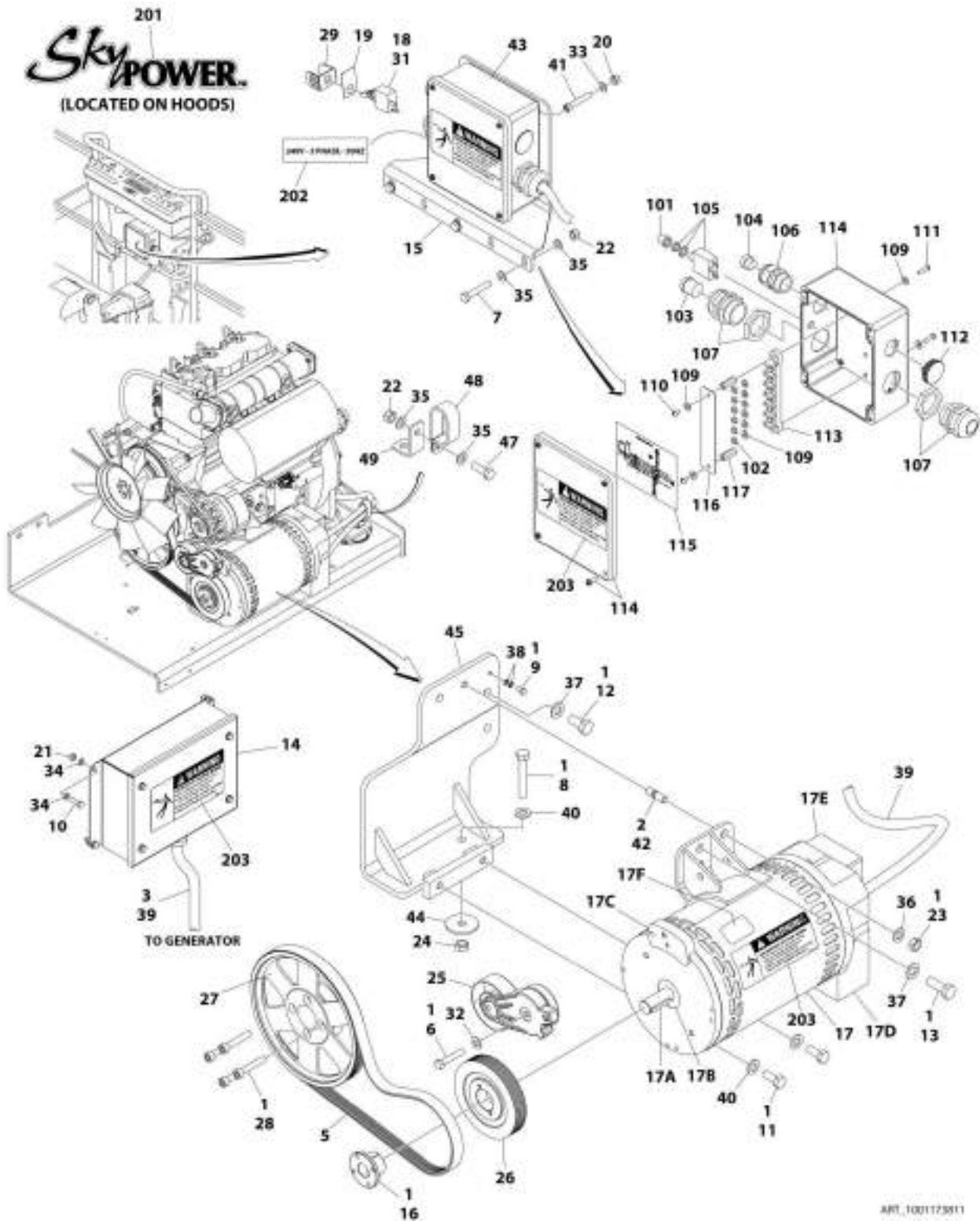
ITEM	PART NUMBER	QTY	DESCRIPTION	REV
47	1001135679	1	Adapter	
48	1001138566	1	Box, Control	
49	1001140346	1	Generator Assembly	
49	70003709	1	Ring, Retaining (External)	
49	70003708	1	Ring, Retaining (Internal)	
49	70001966	1	Bearing	
49	70004092	1	Endbell (Shaft End)	
49	70004099	1	Key	
49	70004676	1	Rotor	
49	70004687	1	Stator	
49	70004678	1	Endbell (Rear)	
49	70004679	1	Cover, Endbell (Rear)	
49	70004680	1	Enclosure, Wiring	
49	70004685	1	Cover, Enclosure	
49	70004682	1	Switch, Reset (Located on Enclosure Cover)	
49	70004098	1	Connector, Strain Relief (Located on Enclosure Cover)	
50	1001142643	1	Support	
51	1001142646	1	Belt	
52	1001152457	1	Generator Junction Box Assembly (See Items 101-118 for Breakdown)	
53	1001152532	1	Harness, Generator (See ELECTRICAL SECTION for Breakdown)	
54	1001196382	2	Stud	
55	1001168018	1	Washer, Snubbing	
56	1001168207	1	Support	
57	1001175631	1	Wiring Diagram (Not Shown - See ELECTRICAL SECTION for Breakdown)	
58	0760812	1	Bolt M8 x 25	
59	1321716	1	Clamp <b>(Prior to SN 0300227267)</b>	
59	1321716	2	Clamp <b>(SN 0300227267 to Present)</b>	
60	1001148641	1	Bracket	
61	5250808	1	Bolt M8 x 16 <b>(SN 0300227267 to Present)</b>	
62	5250810	1	Bolt M8 x 20 <b>(SN 0300227267 to Present)</b>	
63	5260800	2	Nut M8 <b>(SN 0300227267 to Present)</b>	
64	1001223122	1	Support <b>(SN 0300227267 to Present)</b>	
65	4812000	AR	Washer M10 <b>(SN 0300227267 to Present)</b>	
	1001152457	Ref	GENERATOR JUNCTION BOX COMPONENTS	
101	1001179154	2.5 ft/ 0.8m	Cable, Electrical - 12/3	
102	3300396	1	Cover, Breaker	
103	3311001	4	Nut #10	
104	3900300	2	Screw	
105	4360070	1	Breaker, Circuit - 15Amp	
107	4460425	1	Connector, Strain Relief (LH Side)	
108	4460426	1	Connector, Strain Relief (RH Side)	
110	4711000	8	Washer #10	
112	1001152456	1	Box, Junction	
113	1001152525	1	Plug	
114	1001152530	1	Terminal, Block	
115	1001153260	1	Decal - Wiring Diagram	
116	3900267	2	Screw	
117	1001158008	2	Stand-Off	
118	1001158363	1	Cover, Terminal Block	

## SECTION 3 - ENGINE

ITEM	PART NUMBER	QTY	DESCRIPTION	REV
201	4922641	Ref 1	ELECTRICAL DIAGRAM COMPONENTS Generator Switch Harness (Not Shown)	

# SECTION 3 - ENGINE

FIGURE 3-37. GENERATOR INSTALLATION - 7500W/50HZ (DEUTZ D2.3L3 ENGINE) (ANSI EXPORT AND CE SPECS)





## SECTION 3 - ENGINE

**FIGURE 3-37. GENERATOR INSTALLATION - 7500W/50HZ (DEUTZ D2.3L3 ENGINE) (ANSI EXPORT AND CE SPECS)**

ITEM	PART NUMBER	QTY	DESCRIPTION	REV
	1001173811	Ref	GENERATOR INSTALLATION - 7500W/50HZ (DEUTZ D2.3L3 ENGINE) (ANSI EXPORT AND CE SPECS)	D
1	0100011	AR	Compound, Locking	
2	0100019	AR	Compound, Locking	
3	0100048	AR	Grease, Dielectric	
4	0100079	AR	Sealant (Not Shown)	
5	0480126	1	Belt	
6	0641616	1	Bolt 3/8 x 2	
7	0700818	3	Bolt M8 x 50	
8	0711224	1	Bolt M12 x 80 Grade 10.9	
9	0760606	1	Bolt M6 x 12	
10	0760610	4	Bolt M6 x 20	
11	0761214	2	Bolt M12 x 30	
12	0771414	2	Bolt M14 x 30 Grade 10.9	
13	0771416	1	Bolt M14 x 40	
14	0861572	1	Control Box Assembly	
14	7024488	1	Card, Circuit - Generator Power	
14	See Note	NSS	Fuse (Note: Not Available - Purchase Locally)	
14	7024489	1	Card, Circuit - Control	
14	70000619	1	Harness, Control Box (Internal)	
15	0902888	1	Bracket	
16	0962520	1	Bushing	
17	2460048	1	Generator Assembly	
17	70001100	1	Rotor (Includes p/n 70001384 & 70000863) (Not Shown)	
17	70001384	1	Bearing, Ball Radial (Not Shown)	
17	70000863	1	Fan (Not Shown)	
17	70002088	1	Stator (Not Shown)	
17	70002297	1	Stud	
17	70003631	1	Brushholder Assembly (Not Shown)	
17A	70004171	1	Key	
17B	70001966	1	Bearing, Ball Radial (Located in Belt Tensioner Endbell)	
17B	70003708	1	Ring, Internal Retaining (Located in Belt Tensioner Endbell)	
17B	70003709	1	Ring, External Retaining (Located in Belt Tensioner Endbell)	
17C	70001953	1	Endbell, Belt Tensioner	
17D	70004169	1	Endbell, Brush Block	
17E	70004169	1	Shroud	
17E	See Note	NSS	Insulator, Endbell (Note: Not Available for Purchase)	
17E	7027799	1	Block, Connector 6 Position (Not Shown)	
17E	70002460	1	Nut, Brass (Attaches p/n 7027799 to Cover) (Not Shown)	
17E	7024485	1	Breaker, Circuit 30Amp (Not Shown)	
17E	70001696	1	Boot, Breaker (Not Shown)	
17E	7026626	1	Connector, 6 Position (Includes Seal) (Not Shown - Plugs into Item 39)	
17E	7026597	1	Connector, with Leads (Not Shown)	
17E	7026188	1	Clamp, Cable (Not Shown)	
17E	70004169	1	Plate, End Panel	
17E	70001974	1	Decal - Terminal Connections	
17F	70001973	1	Decal - Warning Moving Parts	
18	2820031	AR	Heat Shrink	

## SECTION 3 - ENGINE

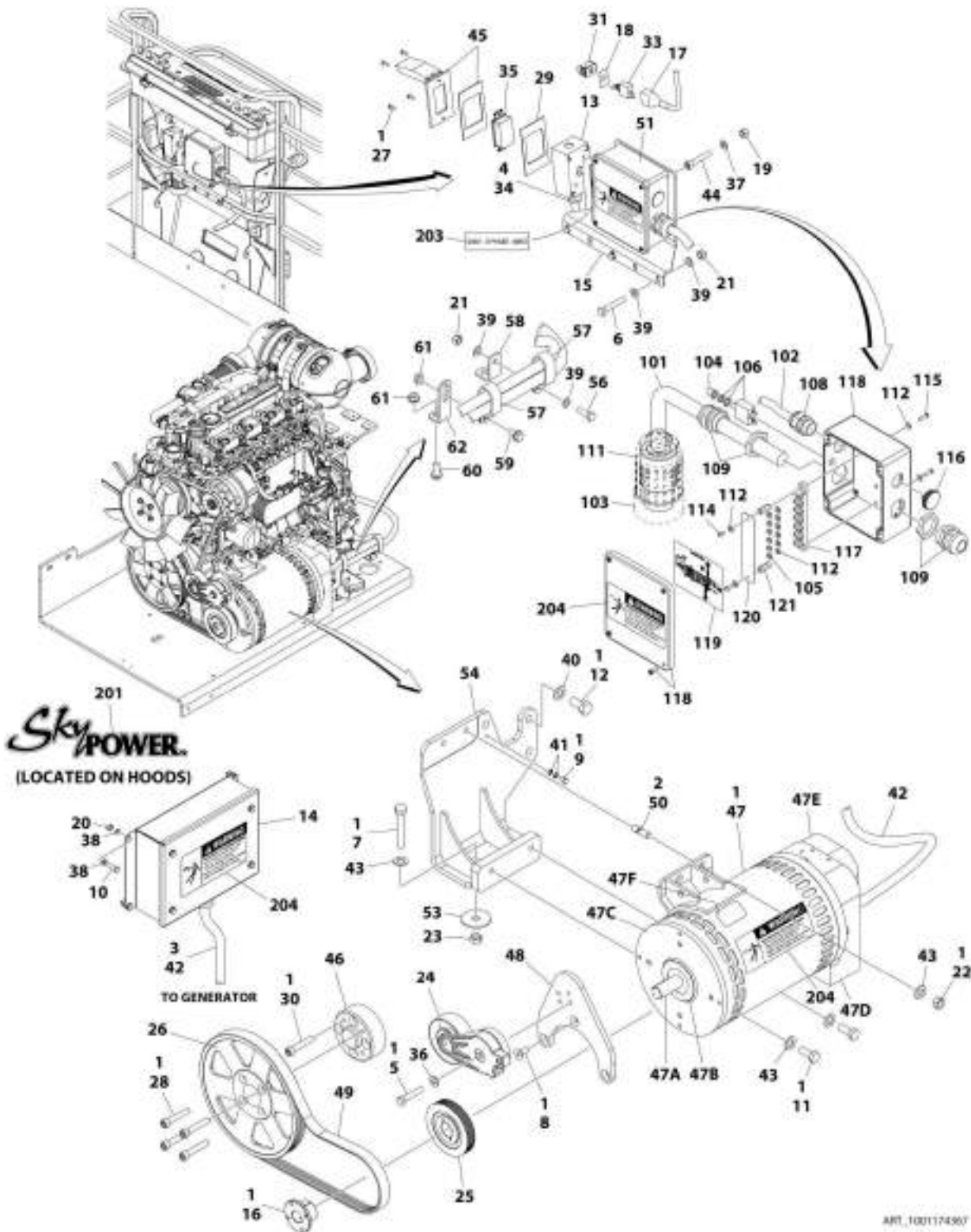
ITEM	PART NUMBER	QTY	DESCRIPTION	REV
19	3252764	1	Nameplate	
20	3290505	4	Nut M5	
21	3290605	4	Nut M6	
22	3290805	4	Nut M8	
23	3291201	1	Nut M12	
24	3331211	1	Nut M12	
25	3580317	1	Pulley	
26	3580319	1	Pulley	
27	3580320	1	Pulley	
28	4032015	4	Bolt M10 x 55	
29	4060802	1	Guard, Switch	
30	4240099	AR	Tie-Strap (Not Shown)	
31	4360336	1	Switch, Toggle	
32	4711600	1	Washer 3/8	
33	4811600	4	Washer M5	
34	4811700	8	Washer M6	
35	4811900	8	Washer M8	
36	4812100	1	Washer M12	
37	4812200	3	Washer M14	
38	4871700	2	Washer M6	
39	4922925	1	Harness, Generator (See ELECTRICAL SECTION for Breakdown)	
39	4460225	1	Plug, Male 6 Position (Plugs into Generator)	
39	See Note	NSS	Socket, Female (Use with 4460225)	
39	See Note	NSS	Seal, Plug (Use with 4460225)	
39	See Note	NSS	Seal, Interface (Use with 4460225)	
40	5241200	3	Washer M12 Hardened	
41	1001104029	4	Screw M5 x 30	
42	1001196382	1	Stud	
43	1001157525	1	Junction Box Assembly (See Items 101-117 for Breakdown)	
44	1001168018	1	Washer, Snubbing	
45	1001173925	1	Mount	
46	1001174675	1	Wiring Diagram (Not Shown - See ELECTRICAL SECTION for Breakdown)	
47	0760812	1	Bolt M8 x 25	
48	1321716	1	Clamp	
49	1001148641	1	Bracket	
	1001157525	Ref	JUNCTION BOX ASSEMBLY	B
101	3300396	1	Cover, Fuse	
102	3311001	6	Nut #10	
103	3520189	1	Plug	
104	3520192	1	Plug	
105	4360070	1	Circuit Breaker - 15Amp	
106	4460425	1	Connector, Strain Relief	
107	4460426	2	Connector, Strain Relief	
109	4711000	10	Flatwasher, #10 Thin	
110	10702077	2	Screw #10 x 3/8	
111	10702082	2	Screw #10 x 3/4	
112	1001152525	1	Plug	
113	1001157520	1	Block, Terminal	
114	1001157521	1	Box, Junction	
115	1001157528	1	Decal - Wiring Schematic	
116	1001158007	1	Cover, PVC	

## SECTION 3 - ENGINE

ITEM	PART NUMBER	QTY	DESCRIPTION	REV
117	1001158008	2	Stand-Off	A
	0272589	Ref	DECAL INSTALLATION	
201	1705460	2	Decal - SkyPower	
202	1705461	1	Decal - 240V - 3 Phase - 50Hz	
203	1705489	3	Decal - Hazardous Voltage	
		Ref	ELECTRICAL DIAGRAM COMPONENTS	
301	4922641	1	Generator Switch Harness (Not Shown)	

# SECTION 3 - ENGINE

FIGURE 3-38. GENERATOR INSTALLATION - 7500W/60HZ (DEUTZ D2.9L4) (ANSI, ANSI EXPORT AND CSA SPECS) (SN 0300224020 to Present)



## SECTION 3 - ENGINE

**FIGURE 3-38. GENERATOR INSTALLATION - 7500W/60HZ (DEUTZ D2.9L4) (ANSI, ANSI EXPORT AND CSA SPECS) (SN 0300224020 to Present)**

ITEM	PART NUMBER	QTY	DESCRIPTION	REV
	1001174367	Ref	GENERATOR INSTALLATION - 7500W/60HZ (DEUTZ D2.9L4) (ANSI, ANSI EXPORT AND CSA SPECS) (SN 0300224020 to Present)	H
1	0100011	AR	Compound, Locking	
2	0100019	AR	Compound, Locking	
3	0100048	AR	Grease, Dielectric	
4	0100079	AR	Sealant	
5	0641616	1	Bolt 3/8 x 2	
6	0700818	3	Bolt M8 x 50	
7	0711224	1	Bolt M12 x 80 Grade 10.9	
8	0741607	3	Screw 3/8 x 7/8	
9	0760606	1	Bolt M6 x 12	
10	0760610	4	Bolt M6 x 20	
11	0761212	2	Bolt M12 x 25	
12	0771414	3	Bolt M14 x 30 Grade 10.9	
13	0860038	1	Box, Switch	
14	0861538	1	Control Box Assembly	
14	7024488	1	Card, Circuit - Generator Power	
14	See Note	NSS	Fuse (Note: Not Available - Purchase Locally)	
14	7024489	1	Card, Circuit - Control	
14	70000619	1	Harness, Control Box (Internal)	
15	0902888	1	Bracket	
16	0962520	1	Bushing	
17	2820031	AR	Heat Shrink	
18	3252764	1	Nameplate	
19	3290505	4	Nut M5	
20	3290605	4	Nut M6	
21	3290805	4	Nut M8	
22	3291201	2	Nut M12	
23	3331211	1	Nut M12	
24	3580317	1	Pulley	
25	3580318	1	Pulley	
26	3580320	1	Pulley	
27	3910606	4	Screw #6 x 3/8	
28	3931628	4	Capscrew 3/8 x 1-3/4	
29	3960422	1	Gasket	
30	4032014	4	Bolt M10 x 50	
31	4060802	1	Guard, Switch	
32	4240099	AR	Tie-Strap (Not Shown)	
33	4360336	1	Switch, Toggle	
34	4460071	1	Connector, Strain Relief	
35	4460346	1	Receptacle	
36	4711600	1	Washer 3/8	
37	4811600	4	Washer M5	
38	4811700	8	Washer M6	
39	4811900	8	Washer M8	
40	4812200	3	Washer M14	
41	4871700	2	Washer M6	
42	4922925	1	Harness, Generator (See ELECTRICAL SECTION for Breakdown)	

## SECTION 3 - ENGINE

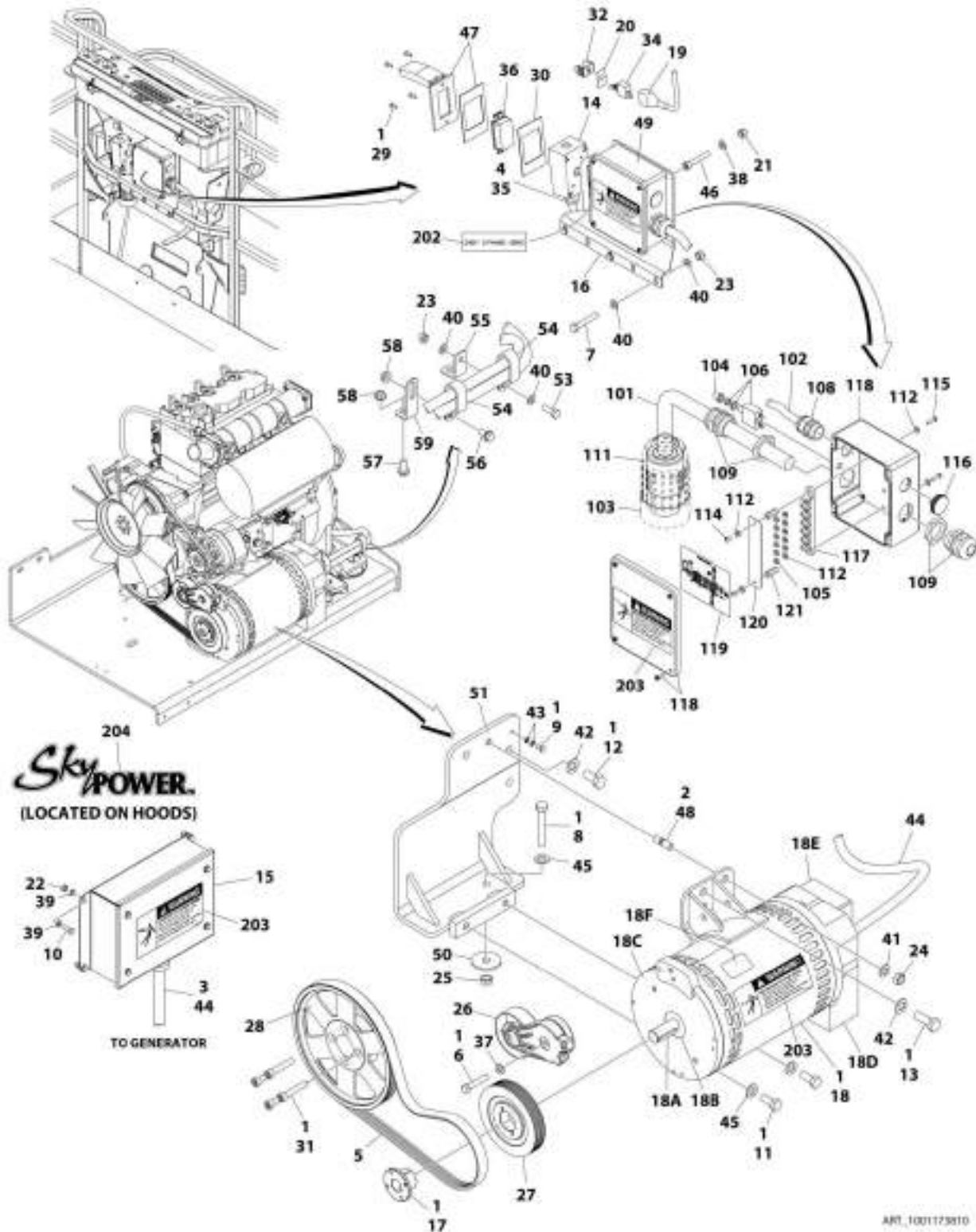
ITEM	PART NUMBER	QTY	DESCRIPTION	REV
42	4460225	1	Plug, Male 6 Position (Plugs into Generator)	
42	See Note	NSS	Socket, Female (Use with 4460225)	
42	See Note	NSS	Seal, Plug (Use with 4460225)	
42	See Note	NSS	Seal, Interface (Use with 4460225)	
43	5241200	5	Washer M12 Hardened	
44	1001104029	4	Screw M5 x 30	
45	1001110873	1	Shield, Cover	
46	1001135679	1	Adapter	
47	1001136988	NLA	Generator Assembly (Use p/n 1001212223) <b>(Prior to SN 0300226251)</b>	
47	1001212223	1	Generator Assembly <b>(SN 0300226251 to Present)</b>	
47	70001100	1	Rotor (Includes p/n 70001384 & 70000863) (Not Shown)	
47	70001384	1	Bearing, Ball Radial (Not Shown)	
47	70000863	1	Fan (Not Shown)	
47	70004093	1	Stator (Not Shown)	
47	70002297	1	Stud	
47	70003631	1	Brushholder Assembly (Not Shown)	
47A	70004099	1	Key	
47B	70001966	1	Bearing, Ball Radial (Located in Belt Tensioner Endbell)	
47B	70003708	1	Ring, Internal Retaining (Located in Belt Tensioner Endbell)	
47B	70003709	1	Ring, External Retaining (Located in Belt Tensioner Endbell)	
47C	70004092	1	Endbell, Belt Tensioner	
47D	70004094	1	Endbell, Brush Block	
47E	70004096	1	Shroud	
47E	70004097	1	Insulator, Endbell	
47E	7027799	1	Block, Connector 6 Position (Not Shown)	
47E	70002460	1	Nut, Brass (Attaches p/n 7027799 to Cover) (Not Shown)	
47E	7024485	1	Breaker, Circuit 30Amp (Not Shown)	
47E	70001696	1	Boot, Breaker (Not Shown)	
47E	7026626	1	Connector, 6 Position (Includes Seal) (Not Shown - Plugs into Item 36)	
47E	7026597	1	Connector, with Leads (Not Shown)	
47E	70004098	1	Clamp, Cable (Not Shown)	
47E	70004095	1	Plate, End Panel	
47E	70001974	1	Decal - Terminal Connections	
47F	70001973	1	Decal - Warning Moving Parts	
48	1001142643	1	Support	
49	1001142646	1	Belt	
50	1001155041	2	Stud	
51	1001157592	1	Junction Box Assembly Options (See Items 101-121 for Breakdown)	
53	1001168018	1	Washer, Snubbing	
54	1001168207	1	Support	
55	1001174675	1	Wiring Diagram (Not Shown - See ELECTRICAL SECTION for Breakdown)	
56	0760812	1	Bolt M8 x 25	
57	1321716	1	Clamp	
58	1001148641	1	Bracket	
59	5250808	1	Bolt M8 x 16 <b>(SN 0300227267 to Present)</b>	
60	5250810	1	Bolt M8 x 20 <b>(SN 0300227267 to Present)</b>	
61	5260800	2	Nut M8 <b>(SN 0300227267 to Present)</b>	
62	1001223122	1	Support <b>(SN 0300227267 to Present)</b>	

## SECTION 3 - ENGINE

ITEM	PART NUMBER	QTY	DESCRIPTION	REV
63	4812000	AR	Washer M10	C
	1001157592	Ref	JUNCTION BOX ASSEMBLY	
101	1060343	1.5 ft/ 0.5m	Cable, Electrical 10/4	
102	1001179154	2.5 ft/ 0.8m	Cable, Electrical 12/3	
103	1671092	1	Cover	
104	3300396	1	Cover, Fuse	
105	3311001	6	Nut #10	
106	4360070	1	Circuit Breaker - 15Amp	
108	4460425	1	Connector, Strain Relief	
109	4460426	2	Connector, Strain Relief	
111	4460963	1	Connector	
112	4711000	10	Washer #10	
114	10702077	2	Screw #10 x 3/8	
115	10702082	2	Screw #10 x 3/4	
116	1001152525	1	Plug	
117	1001157520	1	Block, Terminal	
118	1001157521	1	Box, Junction	
119	1001157528	1	Decal - Wiring Schematic	
120	1001158007	1	Cover, PVC	
121	1001158008	2	Stand-Off	
	0272435	Ref	DECAL INSTALLATION	
201	1705460	2	Decal - SkyPower	
202	1705374	1	Decal - 240V - 60Hz (Not Shown)	
203	1705375	1	Decal - 240V - 3 Phase - 60Hz	
204	1705387	3	Decal - Hazardous Voltage	
		Ref	ELECTRICAL DIAGRAM COMPONENTS	
301	4922641	1	Generator Switch Harness (Not Shown)	

# SECTION 3 - ENGINE

FIGURE 3-39. GENERATOR INSTALLATION - 7500W/60HZ (DEUTZ D2.3L3 ENGINE) (ANSI EXPORT SPECS) (SN 0300234013 to Present)



ART\_1001175810



## SECTION 3 - ENGINE

**FIGURE 3-39. GENERATOR INSTALLATION - 7500W/60HZ (DEUTZ D2.3L3 ENGINE) (ANSI EXPORT SPECS) (SN 0300234013 to Present)**

ITEM	PART NUMBER	QTY	DESCRIPTION	REV
	1001173810	Ref	GENERATOR INSTALLATION - 7500W/60Hz (DEUTZ D2.3L3 ENGINE) (ANSI EXPORT SPECS) (SN 0300234013 to Present)	E
1	0100011	AR	Compound, Locking	
2	0100019	AR	Compound, Locking	
3	0100048	AR	Grease, Dielectric	
4	0100079	AR	Sealant	
5	0480128	1	Belt	
6	0641616	1	Bolt 3/8 x 2	
7	0700818	3	Bolt M8 x 50	
8	0711224	1	Bolt M12 x 80 Grade 10.9	
9	0760606	1	Bolt M6 x 12	
10	0760610	4	Bolt M6 x 20	
11	0761214	2	Bolt M12 x 30	
12	0771414	2	Bolt M14 x 30 Grade 10.9	
13	0771416	1	Bolt M14 x 40	
14	0860038	1	Box, Switch	
15	0861538	1	Control Box Assembly	
15	7024488	1	Card, Circuit - Generator Power	
15	See Note	NSS	Fuse (Note: Not Available - Purchase Locally)	
15	7024489	1	Card, Circuit - Control	
15	70000619	1	Harness, Control Box (Internal)	
16	0902888	1	Bracket	
17	0962520	1	Bushing	
18	2460048	1	Generator Assembly	
18	70001100	1	Rotor (Includes p/n 70001384 & 70000863) (Not Shown)	
18	70001384	1	Bearing, Ball Radial (Not Shown)	
18	70000863	1	Fan (Not Shown)	
18	70002088	1	Stator (Not Shown)	
18	70002297	1	Stud	
18	70003631	1	Brushholder Assembly (Not Shown)	
18A	70004171	1	Key	
18B	70001966	1	Bearing, Ball Radial (Located in Belt Tensioner Endbell)	
18B	70003708	1	Ring, Internal Retaining (Located in Belt Tensioner Endbell)	
18B	70003709	1	Ring, External Retaining (Located in Belt Tensioner Endbell)	
18C	70001953	1	Endbell, Belt Tensioner	
18D	70004169	1	Endbell, Brush Block	
18E	70004169	1	Shroud	
18E	See Note	NSS	Insulator, Endbell (Note: Not Available for Purchase)	
18E	7027799	1	Block, Connector 6 Position (Not Shown)	
18E	70002460	1	Nut, Brass (Attaches p/n 7027799 to Cover) (Not Shown)	
18E	7024485	1	Breaker, Circuit 30Amp (Not Shown)	
18E	70001696	1	Boot, Breaker (Not Shown)	
18E	7026626	1	Connector, 6 Position (Includes Seal) (Not Shown - Plugs into Item 39)	
18E	7026597	1	Connector, with Leads (Not Shown)	
18E	7026188	1	Clamp, Cable Options (Not Shown)	
18E	70004169	1	Plate, End Panel	
18E	70001974	1	Decal - Terminal Connections	
18F	70001973	1	Decal - Warning Moving Parts	

## SECTION 3 - ENGINE

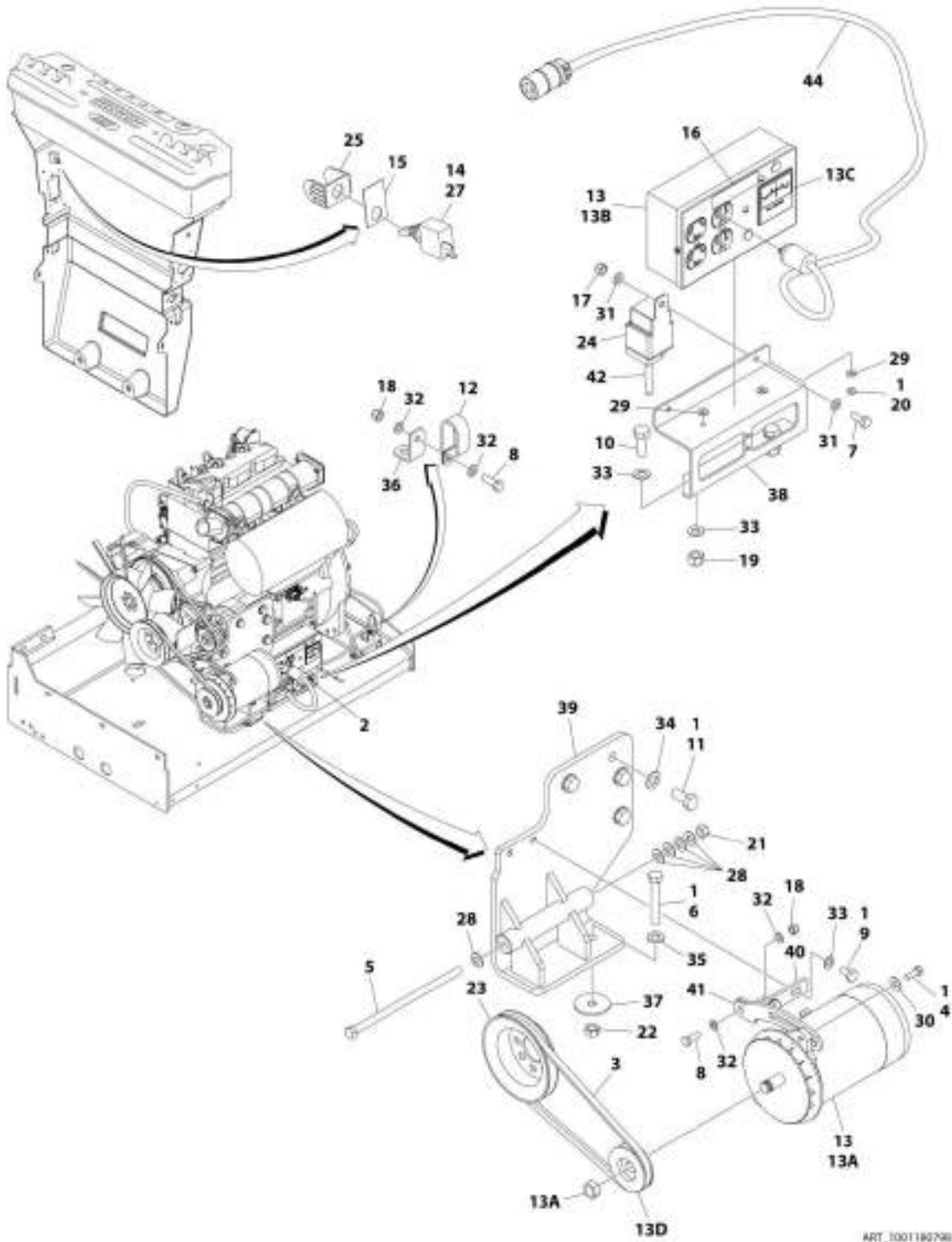
ITEM	PART NUMBER	QTY	DESCRIPTION	REV
19	2820031	AR	Heat Shrink	
20	3252764	1	Nameplate	
21	3290505	4	Nut M5	
22	3290605	4	Nut M6	
23	3290805	4	Nut M8	
24	3291201	1	Nut M12	
25	3331211	1	Nut M12	
26	3580317	1	Pulley	
27	3580318	1	Pulley	
28	3580320	1	Pulley	
29	3910606	4	Screw #6 x 3/8	
30	3960422	1	Gasket	
31	4032015	4	Bolt M10 x 55	
32	4060802	1	Guard, Switch	
33	4240099	AR	Tie-Strap (Not Shown)	
34	4360336	1	Switch, Toggle	
35	4460071	1	Connector, Strain Relief	
36	4460346	1	Receptacle	
37	4711600	1	Washer 3/8	
38	4811600	4	Washer M5	
39	4811700	8	Washer M6	
40	4811900	8	Washer M8	
41	4812100	1	Washer M12	
42	4812200	3	Washer M14	
43	4871700	2	Washer M6	
44	4922925	1	Harness, Generator (See ELECTRICAL SECTION for Breakdown)	
44	4460225	1	Plug, Male - 6 Position	
44	See Note	NSS	Socket, Female (Use with 4460225)	
44	See Note	NSS	Seal, Plug (Use with 4460225)	
44	See Note	NSS	Seal, Interface (Use with 4460225)	
45	5241200	3	Washer M12 Hardened	
46	1001104029	4	Screw M5 x 30	
47	1001110873	1	Shield, Cover	
48	1001196382	1	Stud	
49	1001157592	1	Junction Box Assembly Options (See Items 101-121 for Breakdown)	
50	1001168018	1	Washer, Snubbing	
51	1001173925	1	Mount	
52	1001174675	1	Wiring Diagram (Not Shown - See ELECTRICAL SECTION for Breakdown)	
53	0760812	1	Bolt M8 x 25	
54	1321716	2	Clamp	
55	1001148641	1	Bracket	
56	5250808	1	Bolt M8 x 16	
57	5250810	1	Bolt M8 x 20	
58	5260800	2	Nut M8	
59	1001223122	1	Support	
	1001157592	Ref	JUNCTION BOX ASSEMBLY	C
101	1060343	1.5 ft/ 0.5m	Cable, Electrical 10/4	
102	1001179154	2.5 ft/ 0.8m	Cable, Electrical 12/3	

## SECTION 3 - ENGINE

ITEM	PART NUMBER	QTY	DESCRIPTION	REV
103	1671092	1	Cover	
104	3300396	1	Cover, Fuse	
105	3311001	6	Nut #10	
106	4360070	1	Circuit Breaker - 15Amp	
108	4460425	1	Connector, Strain Relief	
109	4460426	2	Connector, Strain Relief	
111	4460963	1	Connector	
112	4711000	10	Washer #10	
114	10702077	2	Screw #10 x 3/8	
115	10702082	2	Screw #10 x 3/4	
116	1001152525	1	Plug	
117	1001157520	1	Block, Terminal	
118	1001157521	1	Box, Junction	
119	1001157528	1	Decal - Wiring Schematic	
120	1001158007	1	Cover, PVC	
121	1001158008	2	Stand-Off	
	0273380	Ref	DECAL INSTALLATION	B
202	1705375	1	Decal - 240V - 3 Phase - 60Hz	
203	1705387	3	Decal - Hazardous Voltage	
204	1705460	2	Decal - SkyPower	

# SECTION 3 - ENGINE

FIGURE 3-40. GENERATOR INSTALLATION - 2500W/60HZ (DEUTZ D2.3L3 ENGINE) (ANSI EXPORT SPEC) (SN 0300234013 to Present)



ART\_1001180798

## SECTION 3 - ENGINE

**FIGURE 3-40. GENERATOR INSTALLATION - 2500W/60HZ (DEUTZ D2.3L3 ENGINE) (ANSI EXPORT SPEC) (SN 0300234013 to Present)**

ITEM	PART NUMBER	QTY	DESCRIPTION	REV
	1001180798	Ref	GENERATOR INSTALLATION - 2500W/60HZ (DEUTZ D2.3L3 ENGINE) (ANSI EXPORT SPEC) (SN 0300234013 to Present)	B
1	0100011	AR	Compound, Locking	
2	0100048	AR	Grease, Dielectric	
3	0480122	1	Belt	
4	0641507	1	Bolt 5/16 x 7/8	
5	0641772	1	Bolt 7/16 x 9	
6	0711224	1	Bolt M12 x 80 Grade 10.9	
7	0760608	1	Bolt M6 x 16	
8	0760812	2	Bolt M8 x 25	
9	0761009	2	Bolt M10 x 18	
10	0761014	2	Bolt M10 x 30	
11	0771414	4	Bolt M14 x 30 Grade 10.9	
12	1321716	1	Clamp	
13	2460055	1	Generator and Control Box Assembly	
13A	7012558	1	Generator	
	See Note	Ref	Note: Replacement Generators come standard with p/n 3580134 pulley. This pulley may not be correct for all applications. Refer to pulley options below.	
13A	7026199	1	Armature with Slip Rings	
13A	7012513	3	Cap, Brush Holder	
13A	7020108	4	Brush	
13A	7020109	4	Holder, Brush	
13A	7012514	1	Fan	
13A	7020110	1	Bell, Front	
13A	7020111	1	Bell, Rear	
13A	7020190	1	Bearing	
13B	7019680	1	Box, Control	
13B	4460190	1	Receptacle, Standard	
13B	4460027	1	Receptacle, Twistlock	
13B	4360542	1	Breaker, Circuit	
13B	3520028	1	Plug, Hole	
13B	4460961	1	Connector - 4 Position	
13B	4460705	4	Pin, Male	
13B	4460321	1	Connector - 4 Position (Note: Mate to p/n 4460961 Purchase Separately)	
13B	4460268	3	Socket, Female (Note: Mate to p/n 4460705 Purchase Separately)	
13C	2420203	1	Voltmeter	
13D	3580276	1	Pulley	
13D	7027887	1	Key, Woodruff	
14	2820031	AR	Heat Shrink	
15	See Note	1	Nameplate (Note: Not Available for Purchase)	
16	3251243	1	Nameplate 120V-60Hz	
17	3290605	1	Nut M6	
18	3290805	2	Nut M8	
19	3291005	2	Nut M10	
20	3311001	2	Nut #10	
21	3311705	1	Nut 7/16	
22	3331211	1	Nut M12	
23	3580158	1	Pulley	

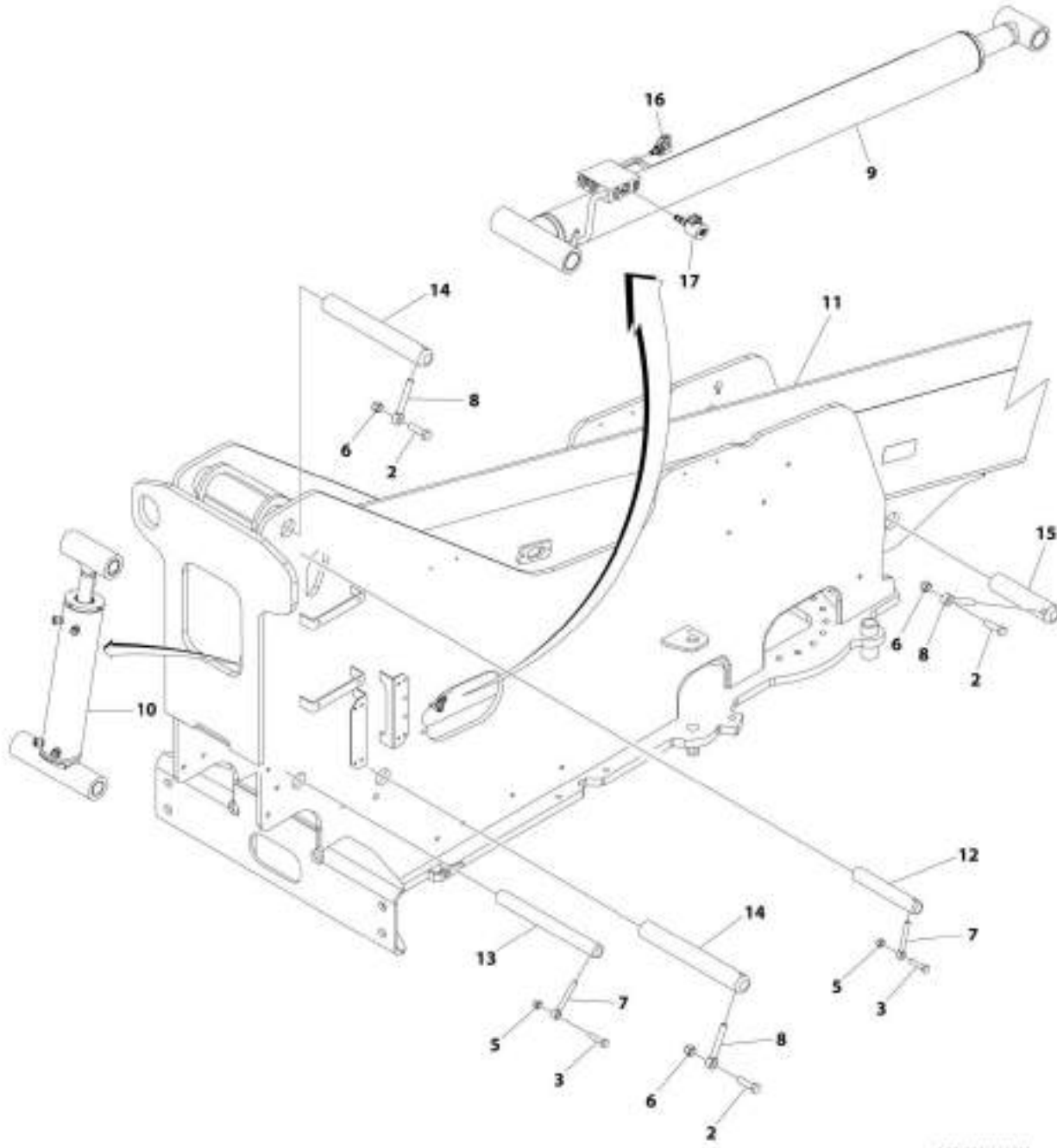
## SECTION 3 - ENGINE

ITEM	PART NUMBER	QTY	DESCRIPTION	REV
24	3740080	1	Relay	
25	4060802	1	Guard, Switch	
26	4240099	AR	Tie-Strap (Not Shown)	
27	4360336	1	Switch, Toggle	
28	4711700	5	Washer 7/16	
29	4751000	4	Washer #10	
30	4751500	1	Washer 5/16	
31	4811700	2	Washer M6	
32	4811900	4	Washer M8	
33	4812000	6	Washer M10	
34	4812200	4	Washer M14	
35	5241200	1	Washer M12 Hardened	
36	1001148641	1	Bracket	
37	1001168018	1	Washer, Snubbing	
38	1001183477	1	Support	
39	1001184637	1	Mount, Engine	
40	1001184644	1	Support	
41	1001184645	1	Bracket	
42	1001187522	1	Harness, Generator (See ELECTRICAL SECTION for Breakdown)	
43	1001188731	1	Wiring Diagram (Not Shown - See ELECTRICAL SECTION for Breakdown)	
44	1001182296	1	Harness, Inverter	
44	1060494	10 ft/3.5m	Cable, Electrical - 12/3	
44	4460134	1	Receptacle, Female	
44	4460138	1	Plug, Male	

**SECTION 4 - BOOM**

# SECTION 4 - BOOM

FIGURE 4-1. BOOM AND CYLINDER INSTALLATION - 400SC



ART 100160648



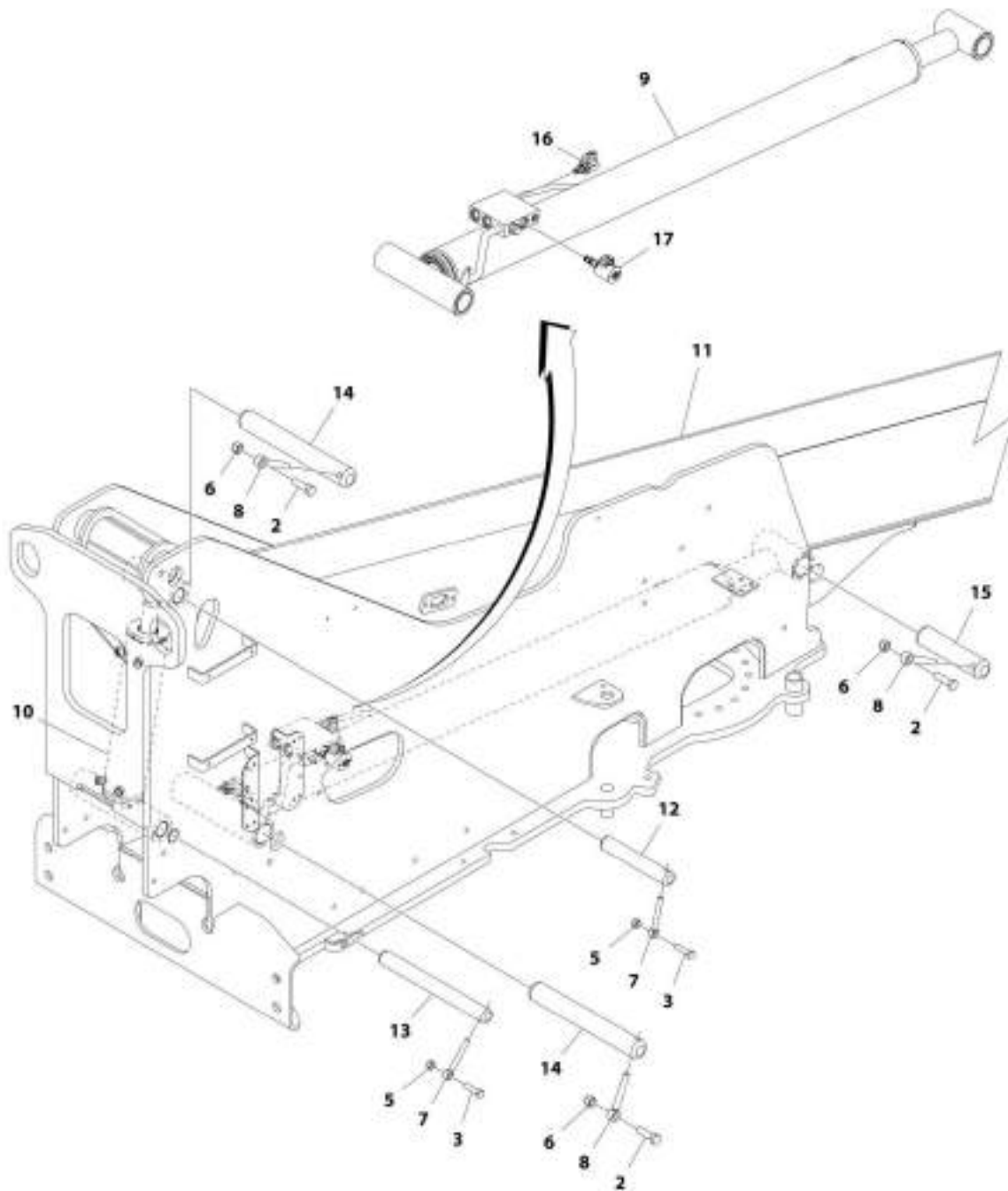
## SECTION 4 - BOOM

**FIGURE 4-1. BOOM AND CYLINDER INSTALLATION - 400SC**

ITEM	PART NUMBER	QTY	DESCRIPTION	REV
	1001169668	Ref	BOOM AND CYLINDERS INSTALLATION - 400SC	G
2	0701619	3	Bolt M16 x 55	
3	0761218	2	Bolt M12 x 50	
5	3291205	2	Nut Lock M12 x 1.75	
6	3291605	3	Nut Lock M16 x 2	
7	3841203	2	Keeper, Pin	
8	3841258	3	Keeper, Pin	
9	1001163384	NLA	Lift Cylinder Assembly (Use p/n 1001198885) (See CYLINDER SECTION for Breakdown) <b>(Prior to SN 0300205271)</b>	
9	1001198885	1	Lift Cylinder Assembly (See CYLINDER SECTION for Breakdown) <b>(SN 0300205271 through 0300226923)</b>	
9	1001206321	NLA	Lift Cylinder Assembly (Use p/n 1001228092) (See CYLINDER SECTION for Breakdown) <b>(SN 0300226924 through 0300239153)</b>	
9	1001228092	1	Lift Cylinder Assembly (See CYLINDER SECTION for Breakdown) <b>(SN 0300239154 to Present)</b>	
10	1001163385	1	Master Cylinder Assembly (See CYLINDER SECTION for Breakdown)	
11	1001163458	1	Main Boom Assembly (See MAIN BOOM ASSEMBLY for Breakdown)	
12	1001168843	1	Pin	
13	1001168844	1	Pin	
14	1001168845	2	Pin	
15	1001168854	1	Pin	
16	1001148972	1	Valve, Poppet <b>(Prior to SN 0300226924)</b>	
16	70002401	1	Cartridge, Solenoid Valve	
16	7017496	1	Seal Kit - 70002401 Valve	
16	70003788	1	Coil	
16	1001206625	1	Valve, Poppet <b>(SN 0300226924 through 0300239153)</b>	
16	70006104	1	Cartridge, Solenoid Valve	
16	70006105	1	Seal Kit - 70002401 Valve	
16	70003788	1	Coil	
16	7022390	1	Coil Nut	
17	1001164709	1	Valve, Poppet (Normally Closed) <b>(Prior to SN 0300239154)</b>	
17	7017467	1	Cartridge, Solenoid Valve	
17	7012967	1	Seal Kit - 7017467 Valve	
17	70002386	1	Coil	

# SECTION 4 - BOOM

FIGURE 4-2. BOOM AND CYLINDERS INSTALLATION - 460SJC



ART\_100110W60

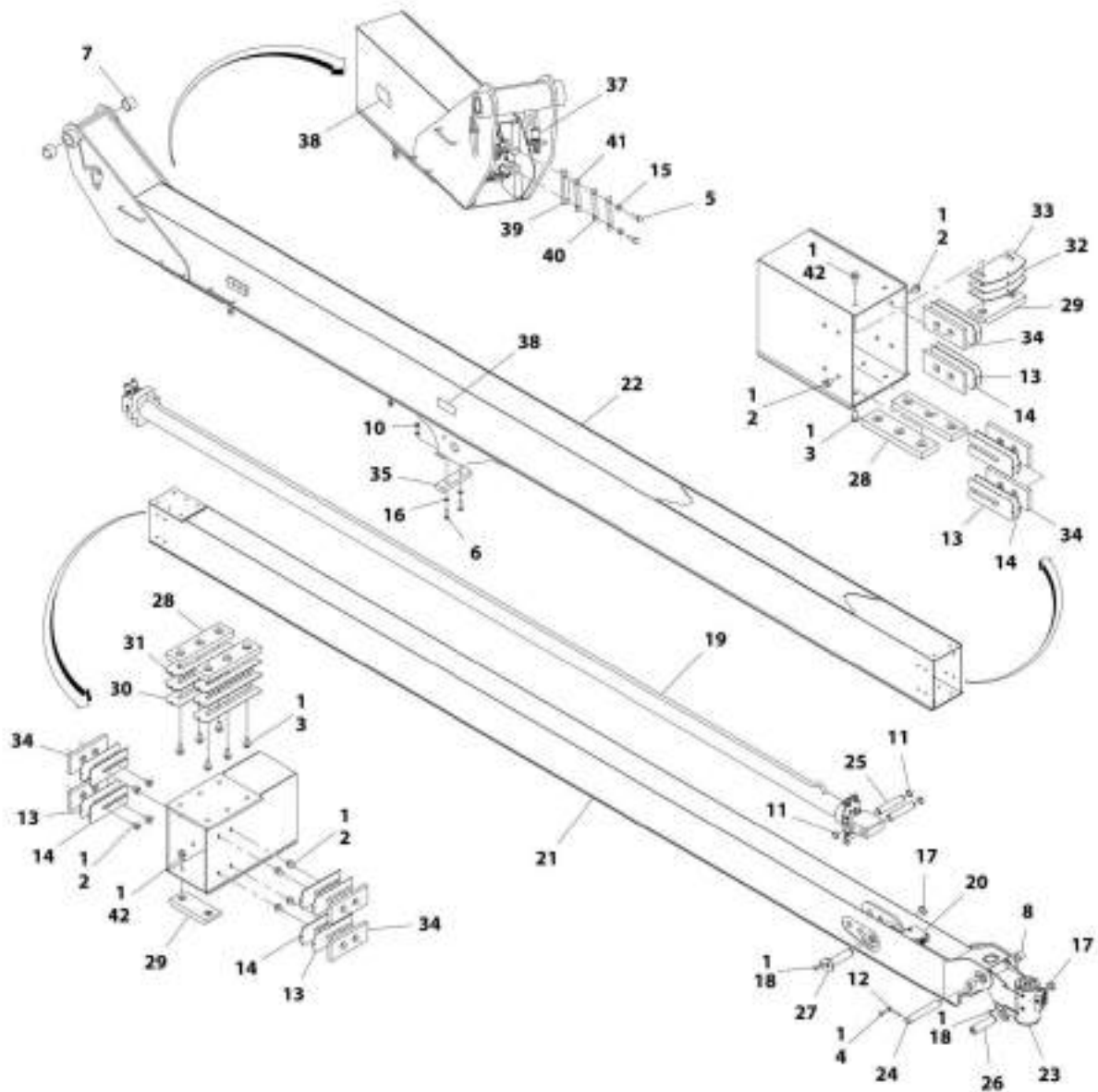
## SECTION 4 - BOOM

**FIGURE 4-2. BOOM AND CYLINDERS INSTALLATION - 460SJC**

ITEM	PART NUMBER	QTY	DESCRIPTION	REV
	1001169669	Ref	BOOM AND CYLINDERS INSTALLATION - 460SJC	G
2	0701619	3	Bolt M16 x 55	
3	0761218	2	Bolt M12 x 50	
5	3291205	2	Nut M12	
6	3291605	3	Nut M16	
7	3841203	2	Keeper, Pin	
8	3841258	3	Keeper, Pin	
9	1001206321	NLA	Lift Cylinder Assembly (Use p/n 1001228092) (See CYLINDER SECTION for Breakdown) <b>(Prior to SN 0300239154)</b>	
9	1001228092	1	Lift Cylinder Assembly (See CYLINDER SECTION for Breakdown) <b>(SN 0300239154 to Present)</b>	
10	1001163385	1	Master Cylinder Assembly (See CYLINDER SECTION for Breakdown)	
11	1001163482	1	Main Boom Assembly - 460SJC (See MAIN BOOM ASSEMBLY - 460SJC for Breakdown)	
12	1001168843	1	Pin	
13	1001168844	1	Pin	
14	1001168845	2	Pin	
15	1001168854	1	Pin	
16	1001148972	1	Valve, Poppet <b>(Prior to SN 0300226924)</b>	
16	70002401	1	Cartridge, Solenoid Valve	
16	7017496	1	Seal Kit - 70002401 Valve	
16	70003788	1	Coil	
16	1001206625	1	Valve, Poppet <b>(SN 0300226924 through 0300239153)</b>	
16	70006104	1	Cartridge, Solenoid Valve	
16	70006105	1	Seal Kit - 70006104 Valve	
16	70003788	1	Coil	
16	7022390	1	Coil Nut	
17	1001164709	1	Valve, Poppet (Normally Closed) <b>(Prior to SN 0300239154)</b>	
17	7017467	1	Cartridge, Solenoid Valve	
17	7012967	1	Seal Kit - 7017467 Valve	
17	70002386	1	Coil	

# SECTION 4 - BOOM

## FIGURE 4-3. MAIN BOOM ASSEMBLY - 400SC



ART\_1001163458

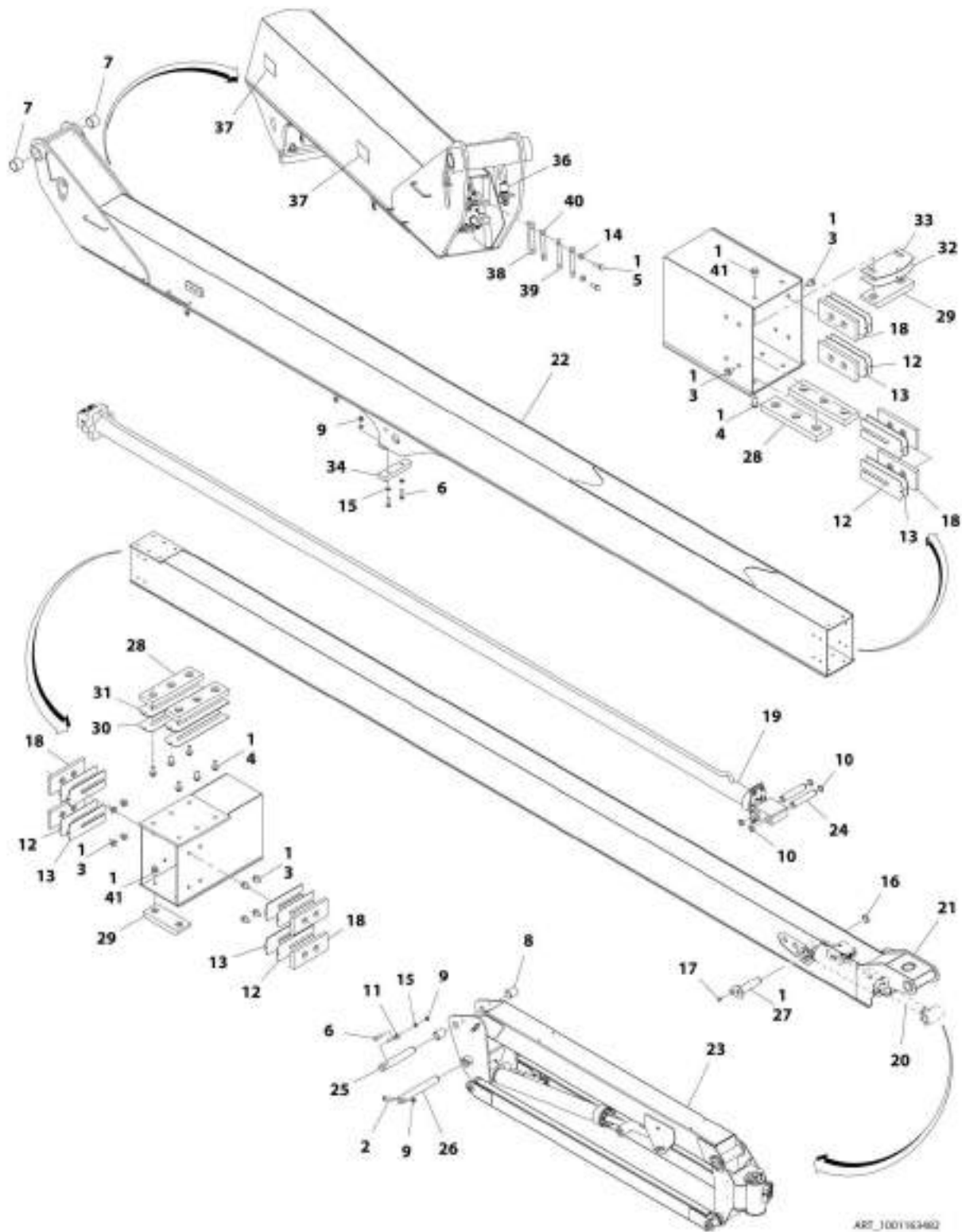
## SECTION 4 - BOOM

**FIGURE 4-3. MAIN BOOM ASSEMBLY - 400SC**

ITEM	PART NUMBER	QTY	DESCRIPTION	REV
	1001163458	Ref	MAIN BOOM ASSEMBLY - 400SC	H
1	0100011	AR	Compound, Locking	
2	5251008	16	Bolt M10 x 16	
3	5251011	12	Bolt M10 x 22	
4	0761012	1	Bolt M10 x 55	
5	0761019	4	Bolt M10 x 55	
6	0761217	2	Bolt M12 x 45	
7	0961950	2	Bearing	
8	0961951	2	Bushing	
10	3291205	2	Nut M12	
11	3760133	4	Ring	
12	3841143	1	Keeper, Pin	
13	4070897	AR	Shim 18Ga	
14	4070898	AR	Shim 11Ga	
15	4812000	4	Washer M10	
16	4812100	4	Washer M12	
17	1001099560	2	Ring, Retaining	
18	1001137032	2	Screw M10 x 16	
19	1001163383	1	Telescope Cylinder Assembly (See CYLINDER SECTION for Breakdown)	
20	1001163386	1	Level (Platform Slave) Cylinder Assembly (See CYLINDER SECTION for Breakdown)	
21	1001163459	1	Fly, Boom	
22	1001163470	1	Base, Boom	
23	1001168278	NLA	Platform Rotator Assembly (Use p/n 1001221927) (See PLATFORM ROTATOR ASSEMBLY for Breakdown) <b>(Prior to SN 0300244379)</b>	
23	1001221927	1	Platform Rotator Assembly (See PLATFORM ROTATOR ASSEMBLY for Breakdown) <b>(SN 0300244379 to Present)</b>	
24	1001168841	1	Pin	
25	1001168842	2	Pin	
26	1001168848	1	Pin	
27	1001168849	1	Pin	
28	1001169284	4	Pad	
29	1001169285	2	Pad	
30	1001169286	AR	Shim 1	
31	1001169287	AR	Shim 3	
32	1001169288	AR	Shim 1	
33	1001169289	AR	Shim 3	
34	1001169380	8	Pad	
35	1001171067	1	Pad	
37	1001171112	2	Hose	
38	1001171324	2	Cover	
39	1001171667	2	Bar	
40	1001171966	AR	Shim 20Ga	
41	1001171967	AR	Shim 16Ga	
42	5251009	4	Bolt M10 x 18	

# SECTION 4 - BOOM

## FIGURE 4-4. MAIN BOOM ASSEMBLY - 460SJC



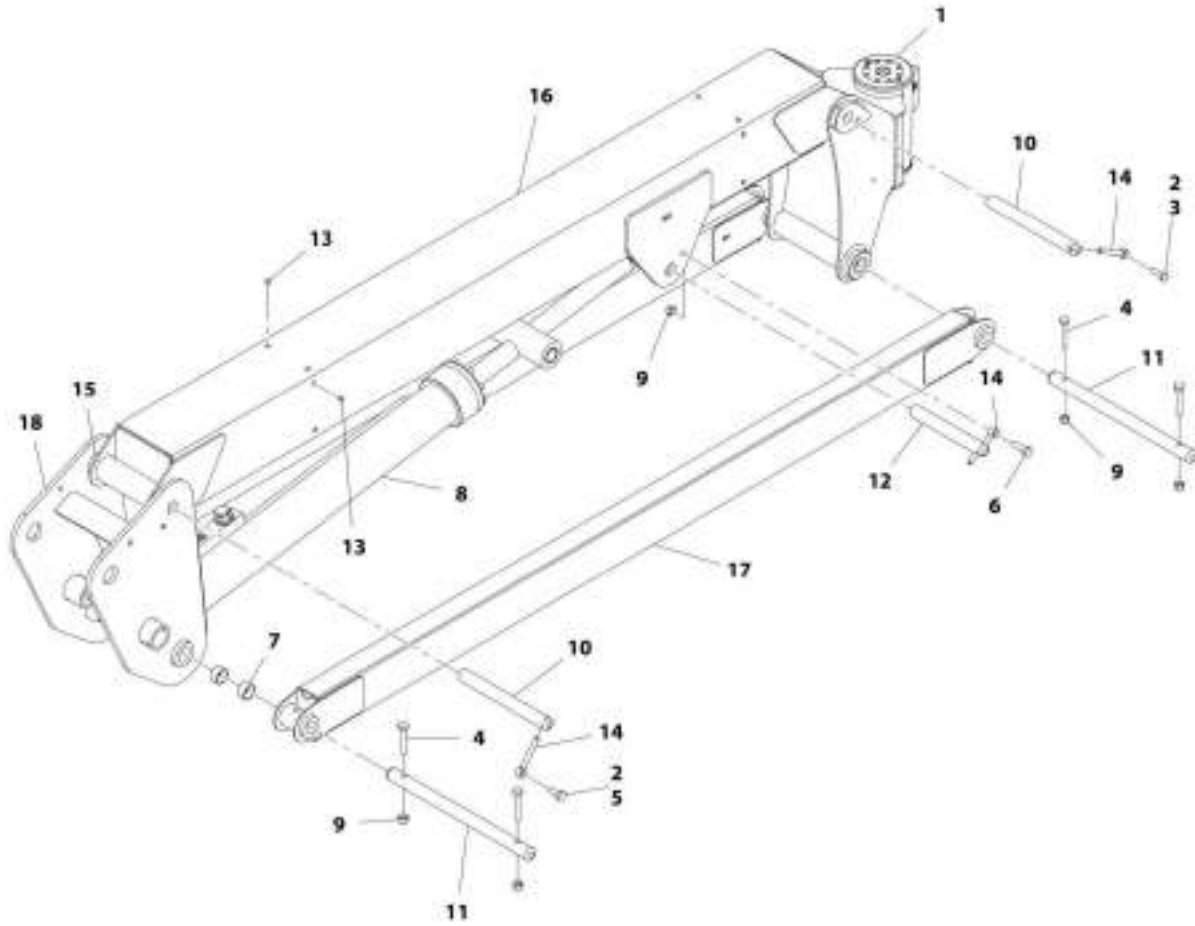
## SECTION 4 - BOOM

**FIGURE 4-4. MAIN BOOM ASSEMBLY - 460SJC**

ITEM	PART NUMBER	QTY	DESCRIPTION	REV
	1001163482	Ref	MAIN BOOM ASSEMBLY - 460SJC	F
1	0100011	AR	Compound, Locking	
2	0701222	1	Bolt M12 x 70	
3	5251008	16	Bolt M10 x 16	
4	5251011	12	Bolt M10 x 22	
5	0761019	4	Bolt M10 x 55	
6	0761217	3	Bolt M12 x 45	
7	0961950	2	Bearing	
8	0962348	2	Bearing	
9	3291205	4	Nut M12	
10	3760133	4	Ring, Retaining	
11	3841203	1	Keeper, Pin	
12	4070897	AR	Shim, 18Ga	
13	4070898	AR	Shim, 11Ga	
14	4812000	4	Washer M10	
15	4812100	5	Washer M12	
16	1001099560	1	Ring, Retaining	
17	1001137032	1	Screw M10 x 16	
18	1001169380	8	Pad	
19	1001163383	1	Telescope Cylinder Assembly (See CYLINDER SECTION for Breakdown)	
20	1001163386	1	Level (Platform Slave) Cylinder Assembly (See CYLINDER SECTION for Breakdown)	
21	1001163483	1	Fly, Boom	
22	1001163492	1	Base, Boom	
23	1001167605	1	Jib Boom Assembly - 460SJC (See JIB BOOM ASSEMBLY - 460SJC for Breakdown)	
24	1001168842	2	Pin	
25	3422793	1	Pin	
26	1001168847	1	Pin	
27	1001168849	1	Pin	
28	1001169284	4	Pad	
29	1001169285	2	Pad	
30	1001169286	AR	Shim	
31	1001169287	AR	Shim	
32	1001169288	AR	Shim	
33	1001169289	AR	Shim	
34	1001171067	1	Pad	
36	1001171112	2	Hose	
37	1001171324	2	Cover	
38	1001171667	2	Bar	
39	1001171966	AR	Shim, 20Ga	
40	1001171967	AR	Shim, 16Ga	
41	5251009	4	Bolt M10 x 18	

# SECTION 4 - BOOM

FIGURE 4-5. JIB BOOM ASSEMBLY - 460SJC



AWT\_3001167905



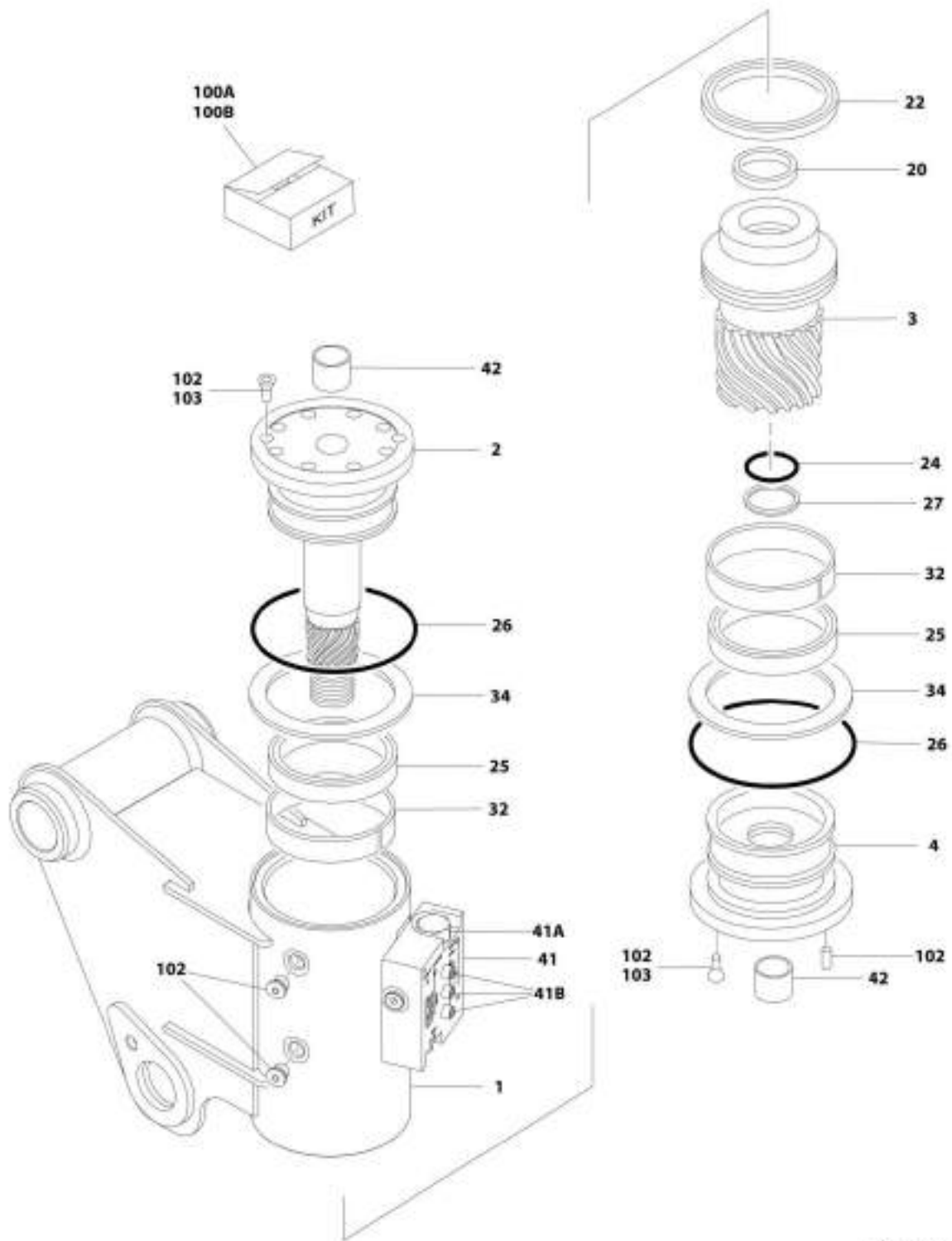
## SECTION 4 - BOOM

### FIGURE 4-5. JIB BOOM ASSEMBLY - 460SJC

ITEM	PART NUMBER	QTY	DESCRIPTION	REV
	1001167605	Ref	JIB BOOM ASSEMBLY - 460SJC	H
1	1001181051	1	Rotator Assembly (See ROTATOR ASSEMBLY - 460SJ for Breakdown)	
2	0100011	AR	Compound, Locking	
3	0641608	1	Bolt 3/8 x 1	
4	0701020	4	Bolt M10 x 60	
5	0761012	1	Bolt M10 x 25	
6	0761015	1	Bolt M10 x 35	
7	0961947	4	Bearing	
8	1683609	NLA	Lift Cylinder Assembly - Jib - 460SJC (Use p/n 1001248012) (See CYLINDER SECTION for Breakdown) <b>(Prior to SN 0300245226)</b>	
8	1001228012	NLA	Lift Cylinder Assembly - Jib - 460SJC (Usage May Vary) (Use p/n 1001248012) (See CYLINDER SECTION for Breakdown) <b>(SN 0300245226 through 0300245251)</b>	
8	1001248012	1	Lift Cylinder Assembly - Jib - 460SJC (Usage May Vary) (See CYLINDER SECTION for Breakdown) <b>(SN 0300245252 to Present)</b>	
9	3291005	5	Nut M10	
10	3422860	2	Pin	
11	3422861	2	Pin	
12	3422867	1	Pin	
13	3520034	8	Plug <b>(Prior to SN 0300230010)</b>	
13	1001223899	8	Fastener <b>(SN 0300230010 to Present)</b>	
14	3841143	3	Keeper, Pin	
15	4740439	2	Washer, Thrust	
16	4844816	1	Tube (Upper)	
16	0962335	4	Bushing	
17	4844817	2	Tube, Lower	
18	1001165567	1	Pivot	

# SECTION 4 - BOOM

FIGURE 4-6. ROTATOR ASSEMBLY - 400SC (Prior to SN 0300244379)



ART\_1001168278

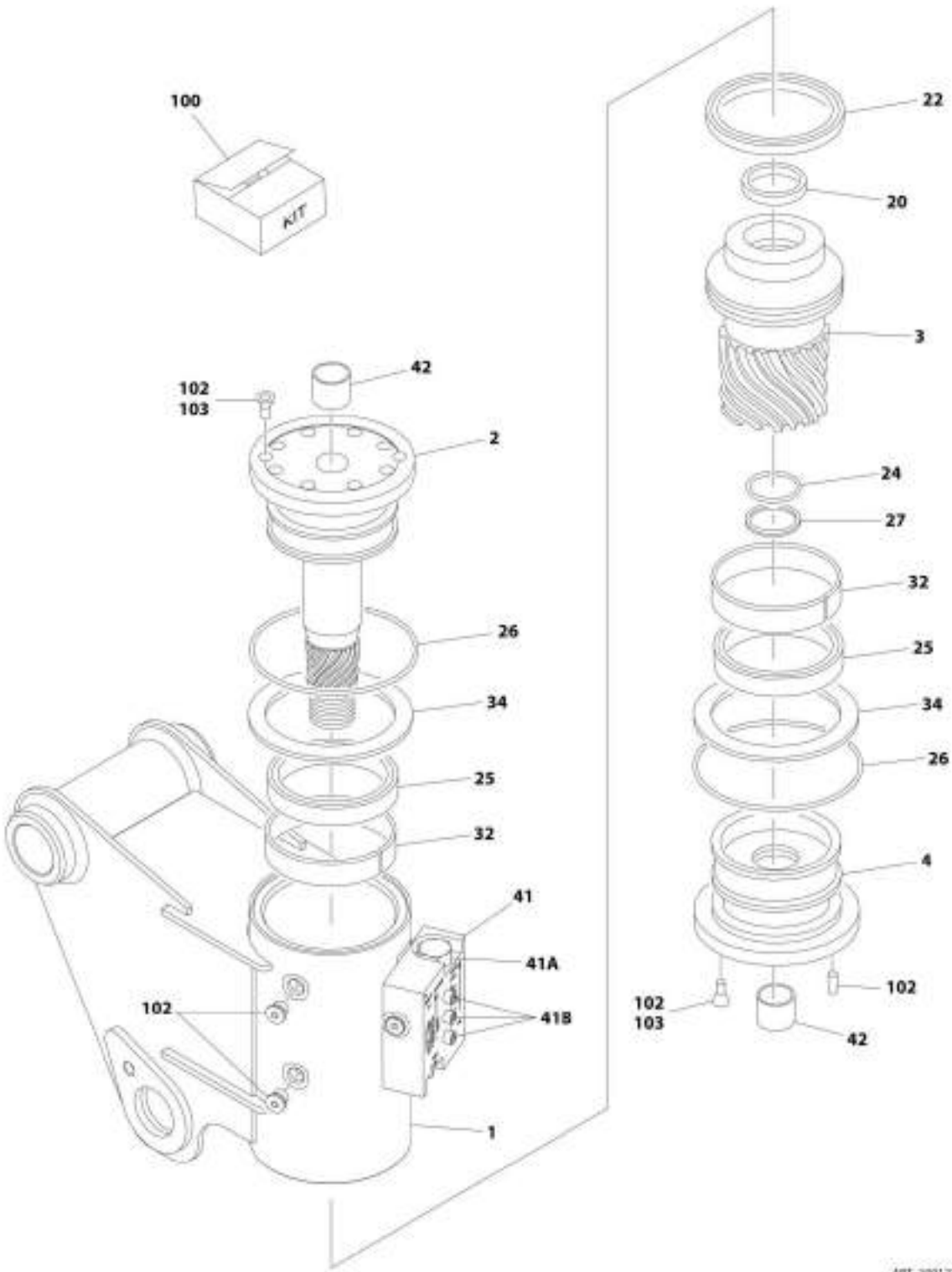
## SECTION 4 - BOOM

**FIGURE 4-6. ROTATOR ASSEMBLY - 400SC (Prior to SN 0300244379)**

ITEM	PART NUMBER	QTY	DESCRIPTION	REV
	1001168278	Ref	ROTATOR ASSEMBLY - 400SC (Prior to SN 0300244379)	D
1	See Note	NSS	Housing/Ring Gear Assembly (Note: Not Available - Purchase Complete Rotator Assembly)	
2	7017162	1	Shaft Weldment	
3	7017163	1	Piston/Sleeve Assembly	
4	7017164	1	Cap, End	
20	See Note	NSS	T-Seal (Note: Use Item 100A or 100B)	
22	See Note	NSS	T-Seal (Note: Use Item 100A or 100B)	
24	See Note	NSS	O-Ring (Note: Use Item 100A or 100B)	
25	See Note	NSS	Seal (Note: Use Item 100A or 100B)	
26	See Note	NSS	O-Ring (Note: Use Item 100A or 100B)	
27	See Note	NSS	Ring, Back-up (Note: Use Item 100A or 100B)	
32	7017159	2	Ring, Wear	
34	7017159	2	Thrustwasher	
41	7017172	AR	Valve Assembly	
41A	7017192	2	Cartridge, Valve	
41A	See Note	NSS	Seal Kit - 7017192 Valve (Note: Not Available for Purchase)	
41B	See Note	3	Bolt 1/4 (Grade 8) (Note: Not Available - Purchase Locally)	
42	7017195	2	Bushing	
100A	7017158	1	Seal Kit - Standard (Includes Items 20, 22, 24, 25, 27 & 33)	
100B	70000342	1	Seal Kit - Low Temperature (Includes Items 20, 22, 24, 25, 27 & 33)	
101	7017159	1	Bearing Kit (Includes Items 32 & 34)	
102	7017142	1	Hardware Kit	
103	70001697	4	Screw, Countersunk 1/4 x 3/8 (Grade 8)	

# SECTION 4 - BOOM

FIGURE 4-7. ROTATOR ASSEMBLY - 400SC (SN 0300244379 to Present)



ART\_1001221927

## SECTION 4 - BOOM

**FIGURE 4-7. ROTATOR ASSEMBLY - 400SC (SN 0300244379 to Present)**

ITEM	PART NUMBER	QTY	DESCRIPTION	REV
	1001221927	Ref	ROTATOR ASSEMBLY - 400SC (SN 0300244379 to Present)	A
1	See Note	NSS	Housing/Ring Gear Assembly (Note: Not Available - Purchase Complete Rotator Assembly)	
2	7017162	1	Shaft Weldment	
3	7017163	1	Piston/Sleeve Assembly	
4	7017164	1	Cap, End	
20	See Note	NSS	T-Seal (Note: Use Item 100)	
22	See Note	NSS	T-Seal (Note: Use Item 100)	
24	See Note	NSS	O-Ring (Note: Use Item 100)	
25	See Note	NSS	Seal (Note: Use Item 100)	
26	See Note	NSS	O-Ring (Note: Use Item 100)	
27	See Note	NSS	Ring, Back-up (Note: Use Item 100)	
32	See Note	NSS	Ring, Wear (Note: Use Item 101)	
34	See Note	NSS	Washer, Thrust (Note: Use Item 101)	
40	70006580	1	Tube, Stop (Not Shown)	
41	7017172	AR	Valve Assembly	
41A	7017192	2	Cartridge, Valve	
41A	See Note	NSS	Seal Kit - 7017192 Valve (Note: Not Available for Purchase)	
41B	See Note	3	Bolt 1/4 x 1-1/2 (Grade 8) (Note: Not Available - Purchase Locally)	
42	7017195	2	Bushing	
100	70000342	1	Seal Kit (Includes Items 20, 22, 24, 25, 27)	
101	7017159	1	Bearing Kit (Includes Items 32 & 34)	
102	7017142	1	Hardware Kit	
103	70001697	4	Screw, Countersunk 1/4 x 3/8 Grade 8	

# SECTION 4 - BOOM

## FIGURE 4-8. ROTATOR ASSEMBLY - 460SJC

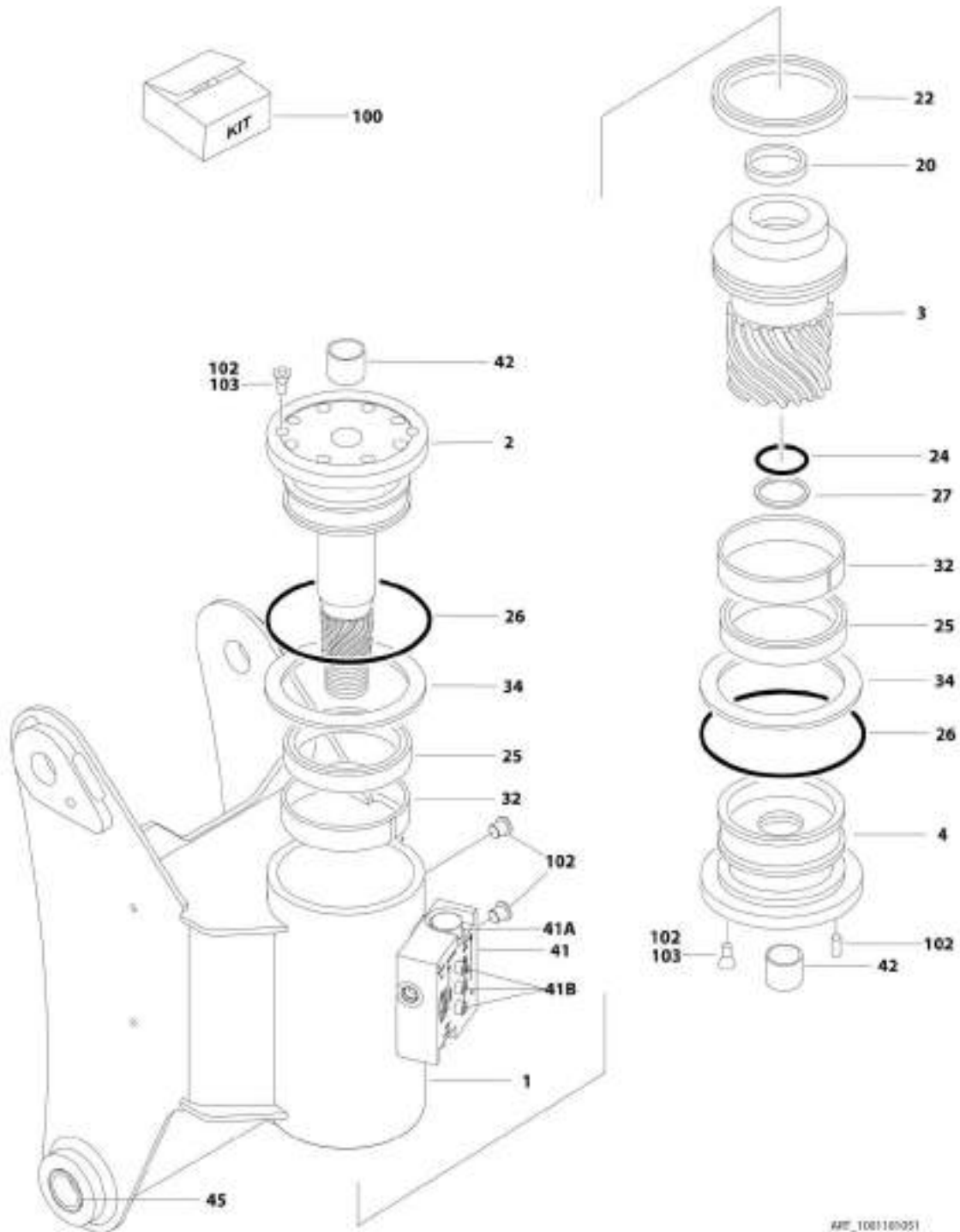
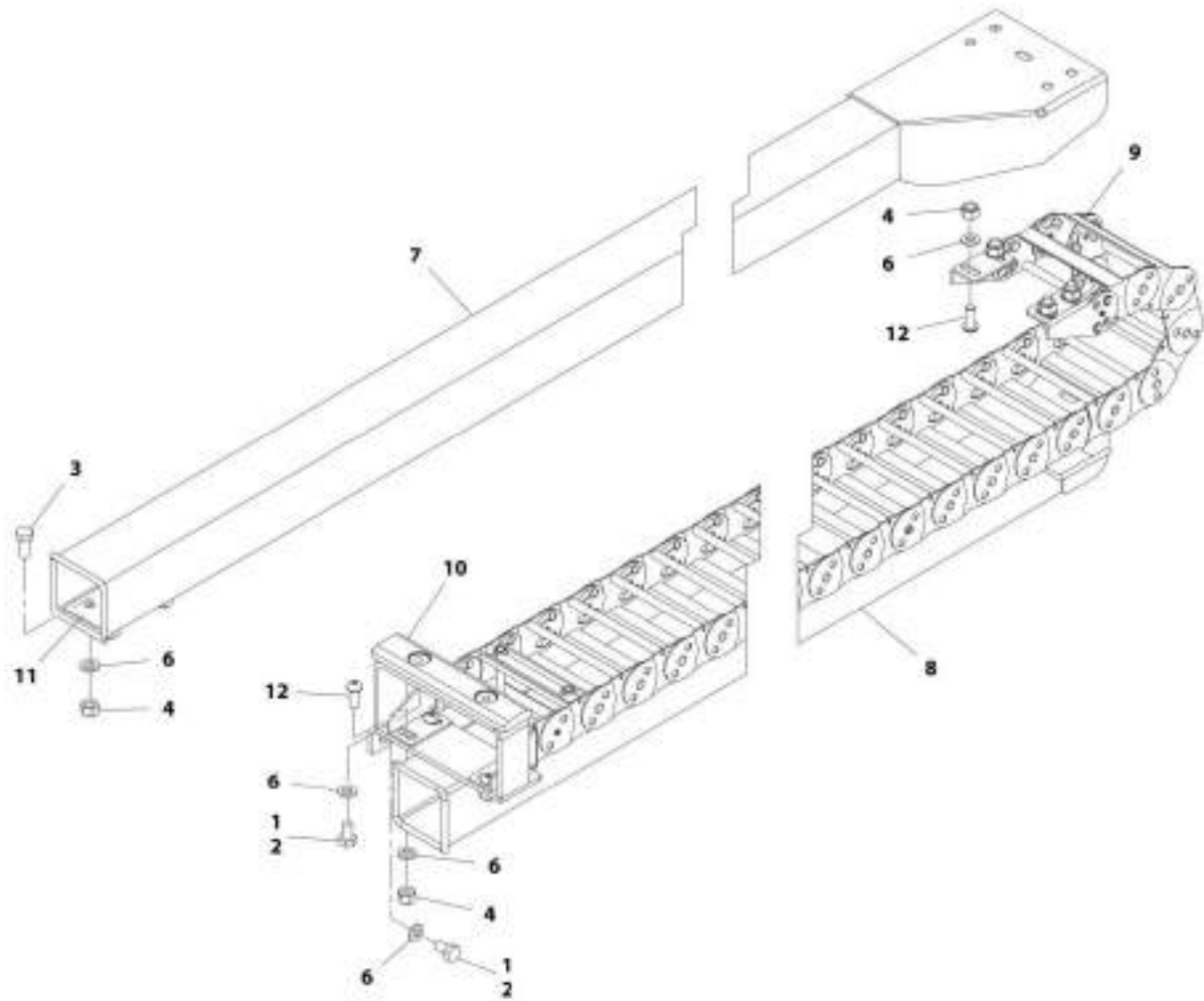


FIGURE 4-8. ROTATOR ASSEMBLY - 460SJC

ITEM	PART NUMBER	QTY	DESCRIPTION	REV
	1001181051	Ref	ROTATOR ASSEMBLY - 460SJC	A
1	See Note	NSS	Housing/Ring Gear Assembly (Note: Not Available - Purchase Complete Rotator Assembly)	
2	7017162	1	Shaft Weldment	
3	7017163	1	Piston/Sleeve Assembly	
4	7017164	1	Cap, End	
20	See Note	NSS	T-Seal (Note: Use Item 100)	
22	See Note	NSS	T-Seal (Note: Use Item 100)	
24	See Note	NSS	O-Ring (Note: Use Item 100)	
25	See Note	NSS	Seal (Note: Use Item 100)	
26	See Note	NSS	O-Ring (Note: Use Item 100)	
27	See Note	NSS	Ring, Back-up (Note: Use Item 100)	
32	See Note	NSS	Ring, Wear (Note: Use Item 101)	
34	See Note	NSS	Washer, Thrust (Note: Use Item 101)	
41	7017172	AR	Valve Assembly	
41A	7017192	2	Cartridge, Valve	
41A	See Note	NSS	Seal Kit - 7017192 Valve (Note: Not Available for Purchase)	
41B	See Note	3	Bolt 1/4-20NC x 1-1/2 Grade 8 (Note: Not Available - Purchase Locally)	
42	7017195	2	Bushing	
45	7017150	2	Bushing	
100	70000342	1	Seal Kit (Includes Items 20, 22, 24, 25, 27 & 33)	
101	7017159	1	Bearing Kit (Includes Items 32 & 34)	
102	7017142	1	Hardware Kit	
103	70001697	4	Screw, Countersunk 1/4 x 3/8 Grade 8	

# SECTION 4 - BOOM

## FIGURE 4-9. POWER TRACK INSTALLATION



ART\_100198558

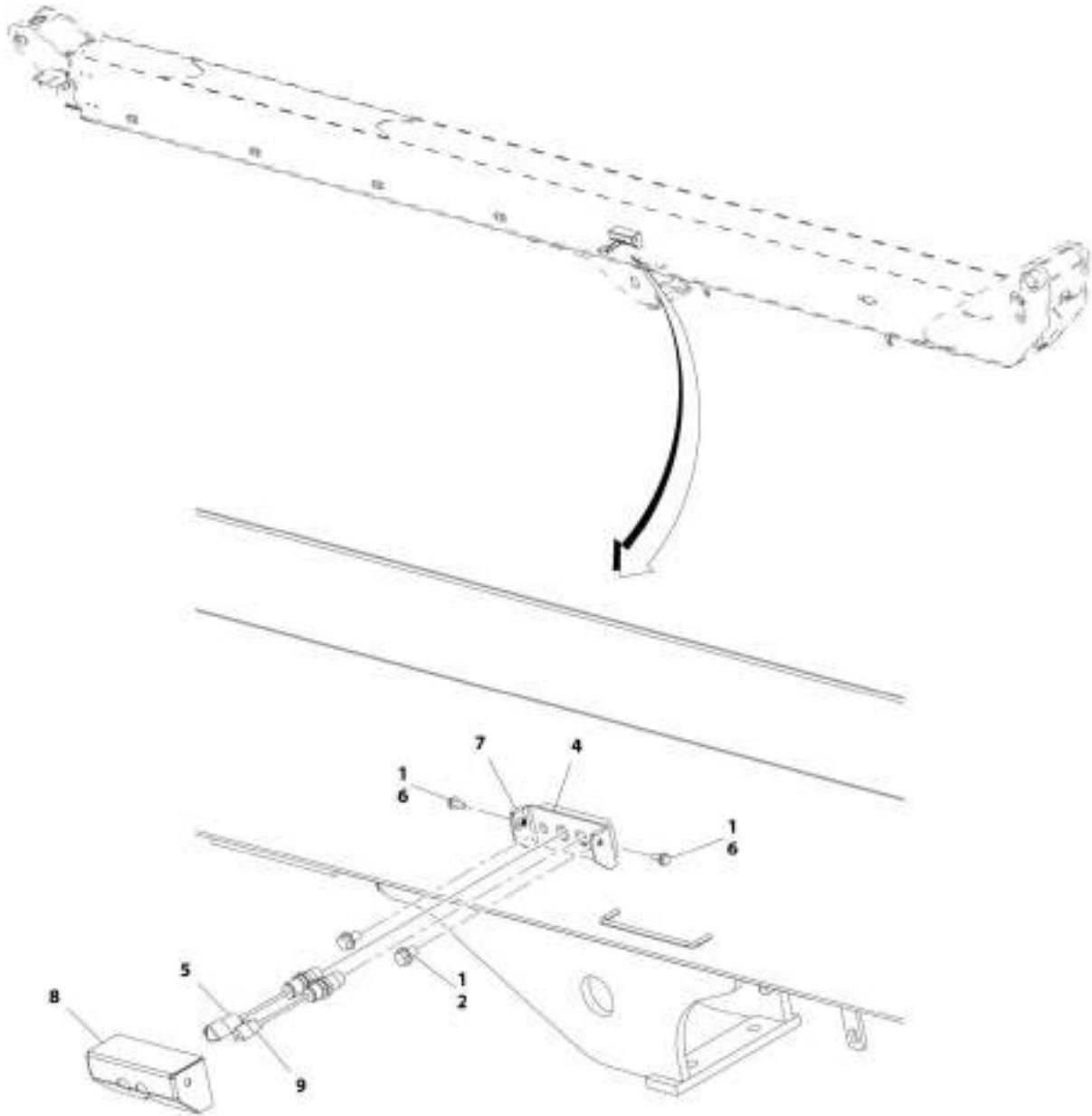


FIGURE 4-9. POWER TRACK INSTALLATION

ITEM	PART NUMBER	QTY	DESCRIPTION	REV
	1001165538	Ref	POWER TRACK INSTALLATION	D
1	0100011	AR	Compound, Locking	
2	0761009	10	Bolt M10 x 18	
3	0761012	4	Bolt M10 x 25	
4	3291005	12	Nut, Lock M10 x 1.5	
6	4812000	22	Washer M10	
7	1001165531	1	Tube, Push	
8	1001165534	1	Tube, Carrier	
9	1001165537	1	Power Track, Hose and Cables, 40 Link <b>(Prior to SN 0300229722)</b>	
9	1001224888	1	Power Track, Hoses and Cable, 40 Links <b>(SN 0300229722 to Present)</b>	
9	70002011	1	Repair Section without Clamp -10 Links	
9	70005106	1	Repair Section with Clamp -10 Links	
9	70005107	1	Feet, Mounting (Includes 1 each Left and Right Mounting Feet)	
10	1001169611	1	Pad, Wear	
11	1001176899	1	Plate, Support	
12	1001173763	8	Screw M10 x 1.5 x 25	

# SECTION 4 - BOOM

## FIGURE 4-10. CAPACITY SWITCH INSTALLATION



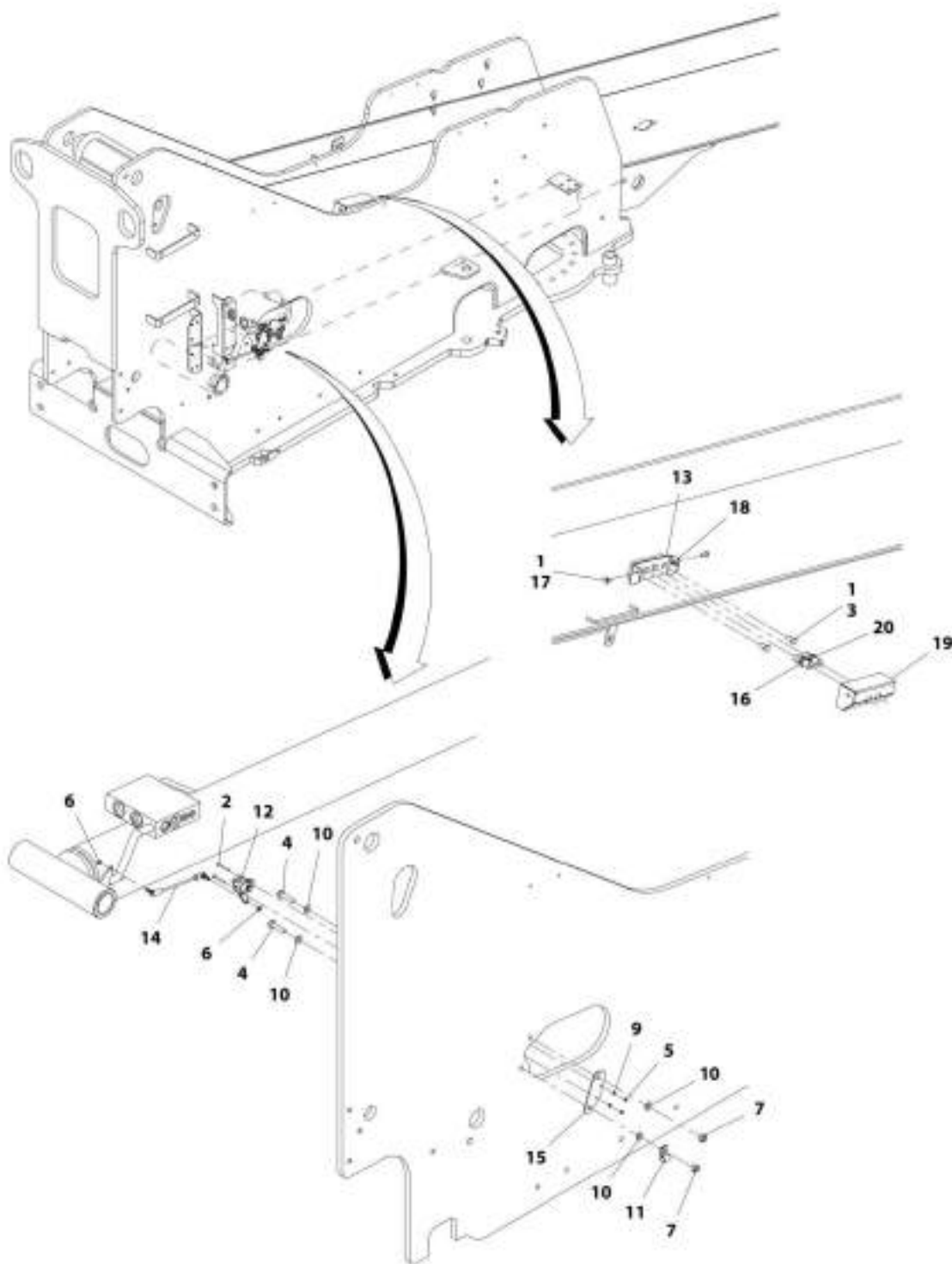
ART\_100173223

FIGURE 4-10. CAPACITY SWITCH INSTALLATION

ITEM	PART NUMBER	QTY	DESCRIPTION	REV
	1001173233	Ref	CAPACITY SWITCH INSTALLATION	D
1	0100011	AR	Compound, Locking	
2	5251008	2	Bolt M10 x 16	
4	1001165540	1	Plate, Mounting <b>(Prior to SN 0300213500)</b>	
5	1001170847	1	Sensor, Proximity	
5	4460536	1	Connector - 3 Position	
5	4460464	3	Pin, Male	
6	5250608	2	Bolt M6 x 16 <b>(Prior to SN 0300213500)</b>	
7	1001130220	2	Nut M6 Tinnerman <b>(Prior to SN 0300213500)</b>	
8	1001180608	1	Bracket, Cover <b>(Prior to SN 0300213500)</b>	
8	1001204715	1	Bracket, Cover <b>(SN 0300213500 to Present)</b>	
9	1001182570	1	Sensor, Proximity	
9	4460539	1	Connector 3 Position	
9	4460465	3	Socket, Female	

# SECTION 4 - BOOM

## FIGURE 4-11. TRANSPORT SWITCHES INSTALLATION



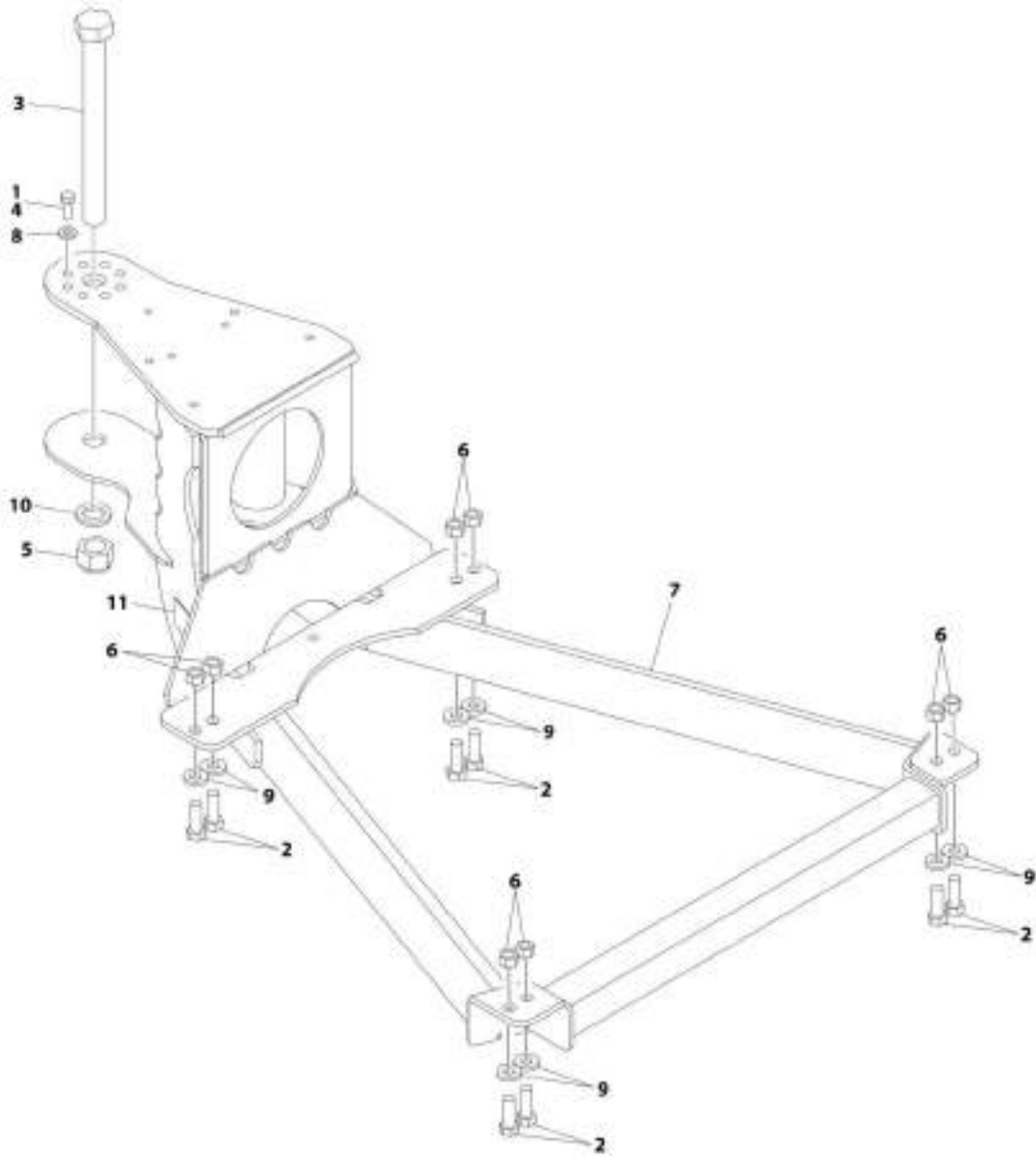
ART\_1001170642

FIGURE 4-11. TRANSPORT SWITCHES INSTALLATION

ITEM	PART NUMBER	QTY	DESCRIPTION	REV
	1001170642	Ref	TRANSPORT SWITCHES INSTALLATION	F
1	0100011	AR	Compound, Locking	
2	0760415	2	Bolt M4 x 35	
3	5251008	2	Bolt M10 x 16	
4	0761016	2	Bolt M10 x 40	
5	3290405	2	Nut, Lock M4 x 0.7	
6	3290605	2	Nut, Lock M6 x 1	
7	3291005	2	Nut, Lock M10 x 1.5	
9	4811400	2	Washer M4	
10	4812000	4	Washer M10	
11	8406110	1	Clip	
12	1001118971	1	Angle, Sensor	
13	1001165540	1	Plate, Mounting <b>(Prior to SN 0300213500)</b>	
14	1001170564	1	Link, Sensor	
15	1001170565	1	Bracket	
16	1001170847	1	Sensor, Proximity	
16	4460536	1	Connector - 3 Position	
16	4460464	3	Pin, Male	
17	5250608	2	Bolt M6 x 16 <b>(Prior to SN 0300213500)</b>	
18	1001130220	2	Nut, Tinnerman M6 <b>(Prior to SN 0300213500)</b>	
19	1001180608	1	Bracket, Switch Cover <b>(Prior to SN 0300213500)</b>	
19	1001204715	1	Bracket, Switch Cover <b>(SN 0300213500 to Present)</b>	
20	1001182570	1	Sensor, Proximity	
20	4460539	1	Connector - 3 Position	
20	4460465	3	Socket, Female	

# SECTION 4 - BOOM

FIGURE 4-12. PLATFORM SUPPORT INSTALLATION - WITHOUT LSS



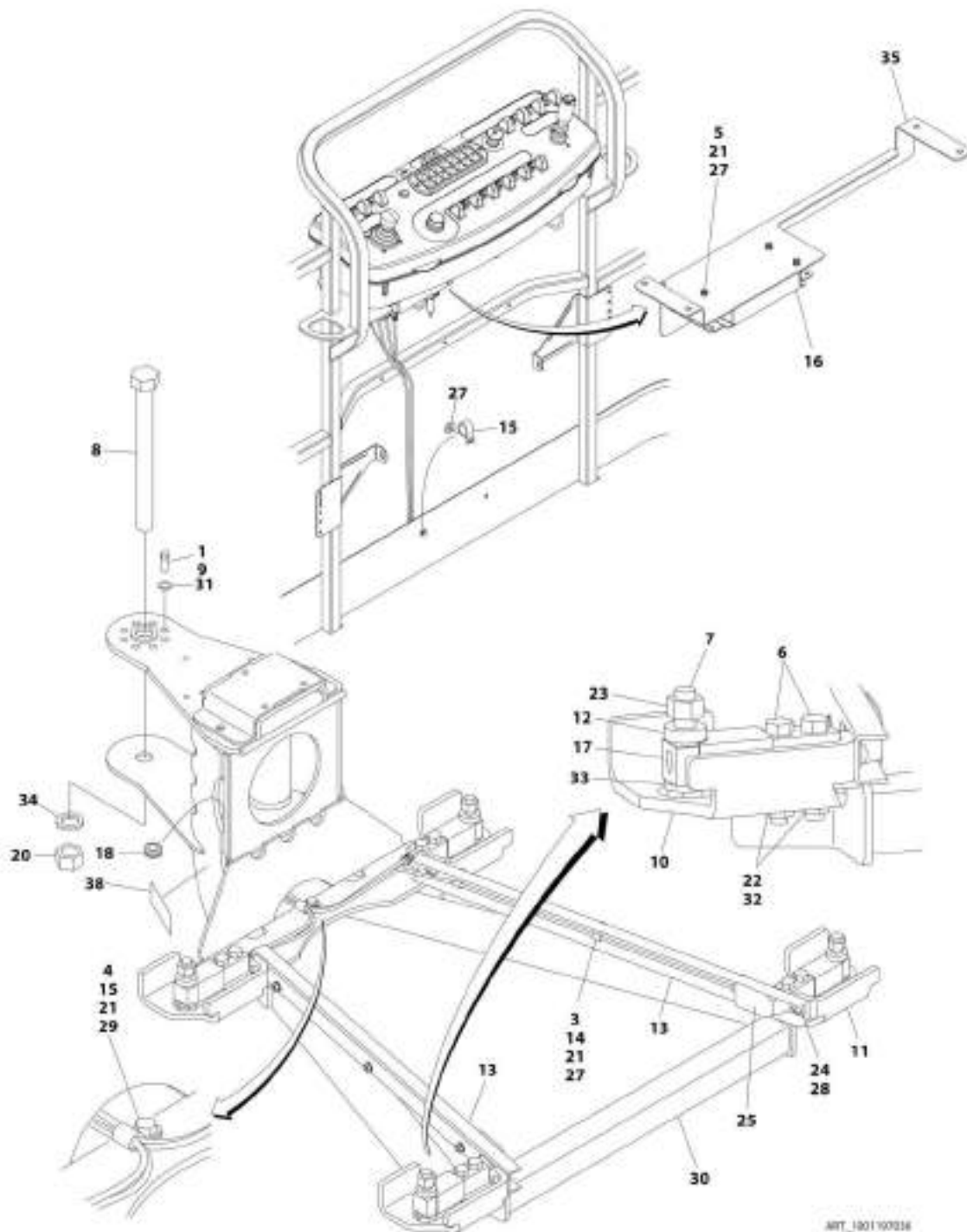
ART. 8172600

**FIGURE 4-12. PLATFORM SUPPORT INSTALLATION - WITHOUT LSS**

ITEM	PART NUMBER	QTY	DESCRIPTION	REV
	0272070	Ref	PLATFORM SUPPORT INSTALLATION - WITHOUT LSS	I
1	0100011	AR	Compound, Locking	
2	0641812	8	Bolt 1/2 x 1-1/2	
2	0761216	8	Bolt M12 x 40	
3	0642684	1	Bolt 1 x 10-1/2	
4	0681608	8	Bolt 3/8 x 1	
5	3300243	1	Nut 1	
6	3311805	8	Nut 1/2	
6	3291205	8	Nut M12	
7	4846573	1	Support	
8	4891600	8	Washer 3/8	
9	4891800	8	Washer 1/2	
9	5241200	8	Washer M12	
10	4892600	1	Washer 1	
11	1001216630	2	Decal - Tie Down/No Lift	

# SECTION 4 - BOOM

FIGURE 4-13. PLATFORM SUPPORT INSTALLATION - WITH 4 CELL LSS



MIT\_1801100318



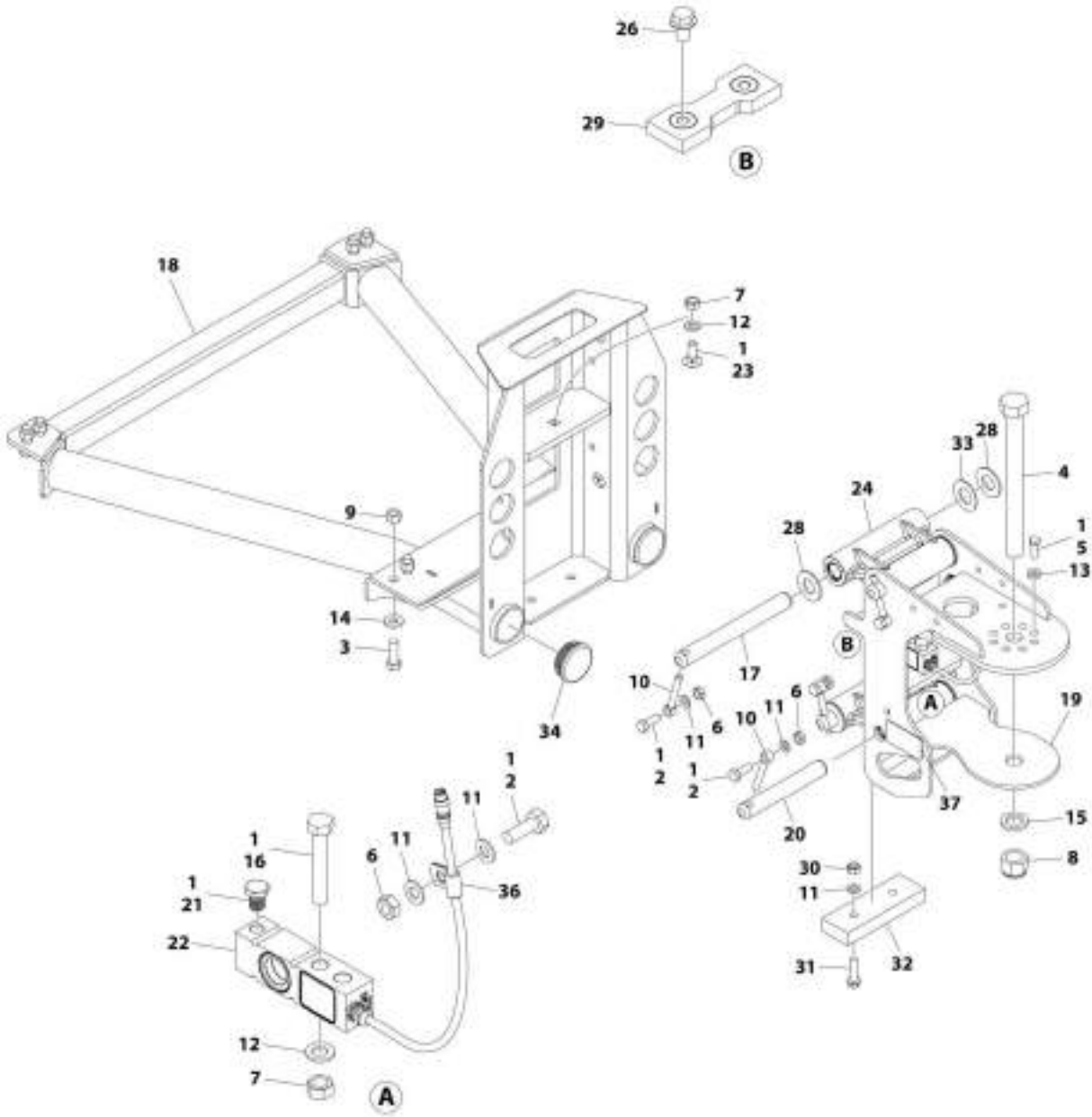
## SECTION 4 - BOOM

**FIGURE 4-13. PLATFORM SUPPORT INSTALLATION - WITH 4 CELL LSS**

ITEM	PART NUMBER	QTY	DESCRIPTION	REV
	1001197036	Ref	PLATFORM SUPPORT INSTALLATION - WITH 4 CELL LSS	F
1	0100011	AR	Compound, Locking	
2	0100048	AR	Silicon, Compound (Not Shown)	
3	0641405	6	Bolt 1/4 x 5/8	
4	0641407	1	Bolt 1/4 x 7/8	
5	0641416	3	Bolt 1/4 x 2	
6	0641822	8	Bolt 1/2 x 2-3/4	
7	0642024	4	Bolt 5/8 x 3	
8	0642684	1	Bolt 1/8 x 10-1/2	
9	0681608	8	Bolt 3/8 x 1	
10	0902919	2	Bracket, LH	
11	0902920	2	Bracket, RH	
12	0962450	4	Bushing, Spacer	
13	1271538	2	Channel, Load Cell Wire	
14	1320136	6	Clamp, Cable	
15	1320224	2	Clamp, Cable	
16	1600387	1	Controller, Load Sense	
17	2420202	4	Gauge	
18	2540038	1	Grommet	
20	3272605	1	Nut 1	
21	3311405	10	Nut 1/4	
22	3311805	8	Nut 1/2	
23	3312005	4	Nut 5/8	
24	3900283	4	Screw 3/8 x 3/4	
25	4061054	2	Shield	
26	4240033	AR	Tie-Strap (Not Shown)	
27	4711400	13	Washer 1/4	
28	4711600	4	Washer 3/8	
29	4751400	1	Washer 1/4	
30	4846573	1	Weldment	
31	4891600	8	Washer 3/8	
32	4891800	8	Washer 1/2	
33	4892000	4	Washer 5/8	
34	4892600	1	Washer 1	
35	1001113483	1	Bracket	
36	1001120371	1	LSS Harness (Not Shown - See ELECTRICAL SECTION for Breakdown)	
37	4460428	1	Connector, Strain Relief (Not Shown)	
38	1001216630	2	Decal - Tie Down/No Lift	

# SECTION 4 - BOOM

FIGURE 4-14. PLATFORM SUPPORT INSTALLATION - WITH 1 CELL LSS



ART\_100167596

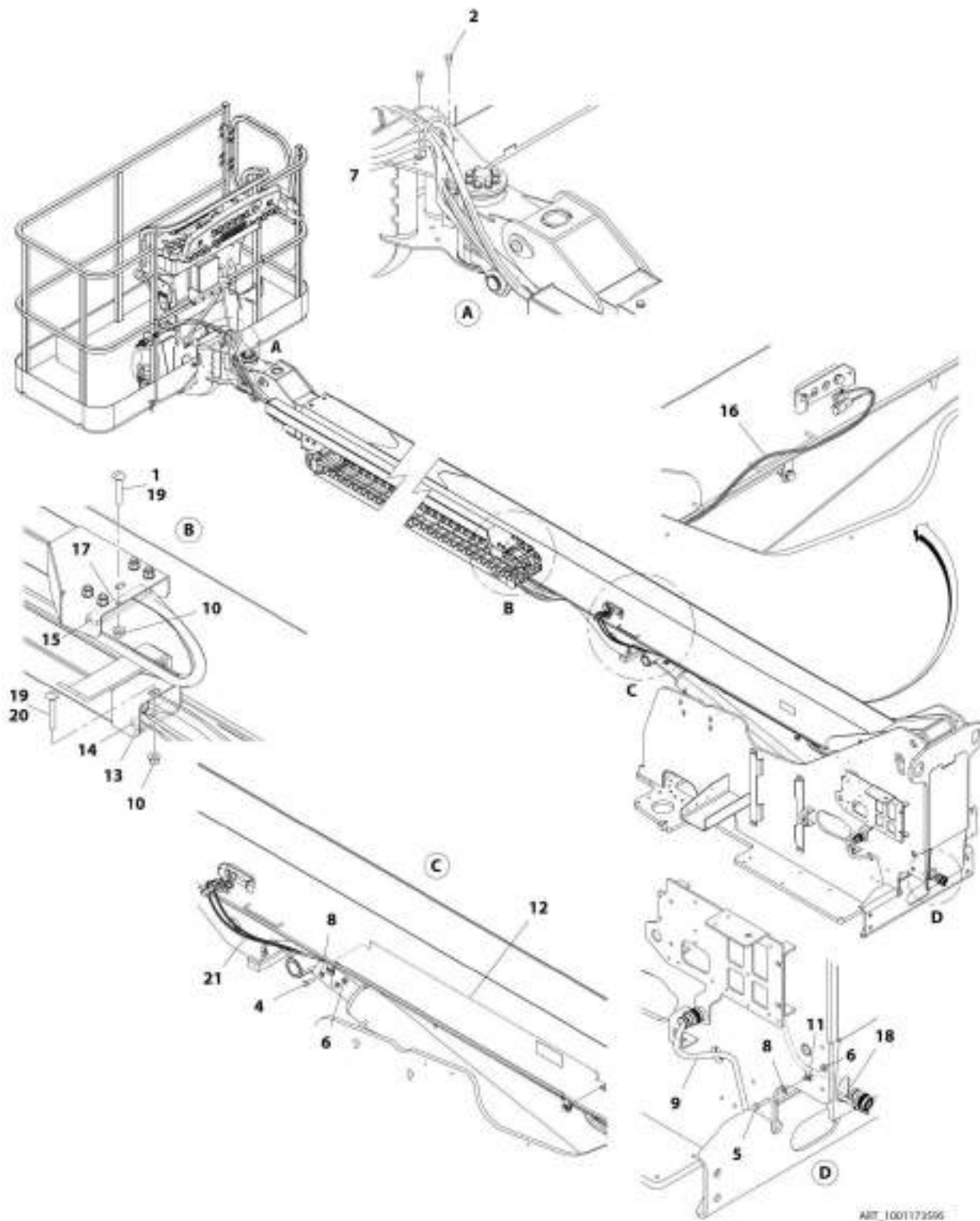
## SECTION 4 - BOOM

**FIGURE 4-14. PLATFORM SUPPORT INSTALLATION - WITH 1 CELL LSS**

ITEM	PART NUMBER	QTY	DESCRIPTION	REV
	1001167596	Ref	PLATFORM SUPPORT INSTALLATION - WITH 1 CELL LSS	I
1	0100011	AR	Compound, Locking	
2	0761014	5	Bolt M10 x 30	
3	0761216	8	Bolt M12 x 40	
4	0642684	1	Bolt 1 x 10-1/2	
5	0681608	8	Bolt 3/8 x 1	
6	3291001	5	Nut M10	
7	3291201	3	Nut M12	
8	3300243	1	Nut 1	
9	3291205	8	Nut, Lock M12 x 1.75	
10	3841143	4	Keeper, Pin	
11	4812000	8	Washer M10	
12	4812100	3	Washer M12	
13	4891600	8	Washer 3/8	
14	5241200	8	Washer M12 Hardened	
15	4892600	1	Washer 1	
16	1001098828	2	Bolt M12 x 70 Grade 10.9	
17	1001167565	2	Pin	
18	1001200494	1	Support, Platform	
19	1001167567	1	Support, Rotator	
20	1001168402	2	Pin	
21	1001188622	1	Screw	
22	1001172663	1	Gauge, Load Sensing	
23	1001188844	1	Bolt M12 x 35	
24	1001201351	2	Link, LSS Assembly	
26	5251008	2	Bolt M10 x 16	
28	1001189002	8	Bearing	
29	1001190985	1	Pad, Wear	
30	3291005	2	Nut M10	
31	5251016	2	Bolt M10 x 40	
32	1001200491	1	Pad, Wear	
33	1001189001	4	Bearing	
34	1001204725	2	Plug	
36	91203039	1	Clamp	
37	1001216630	2	Decal - Tie Down/No Lift	

# SECTION 4 - BOOM

## FIGURE 4-15. CABLES AND CLAMPS INSTALLATION - 400SC



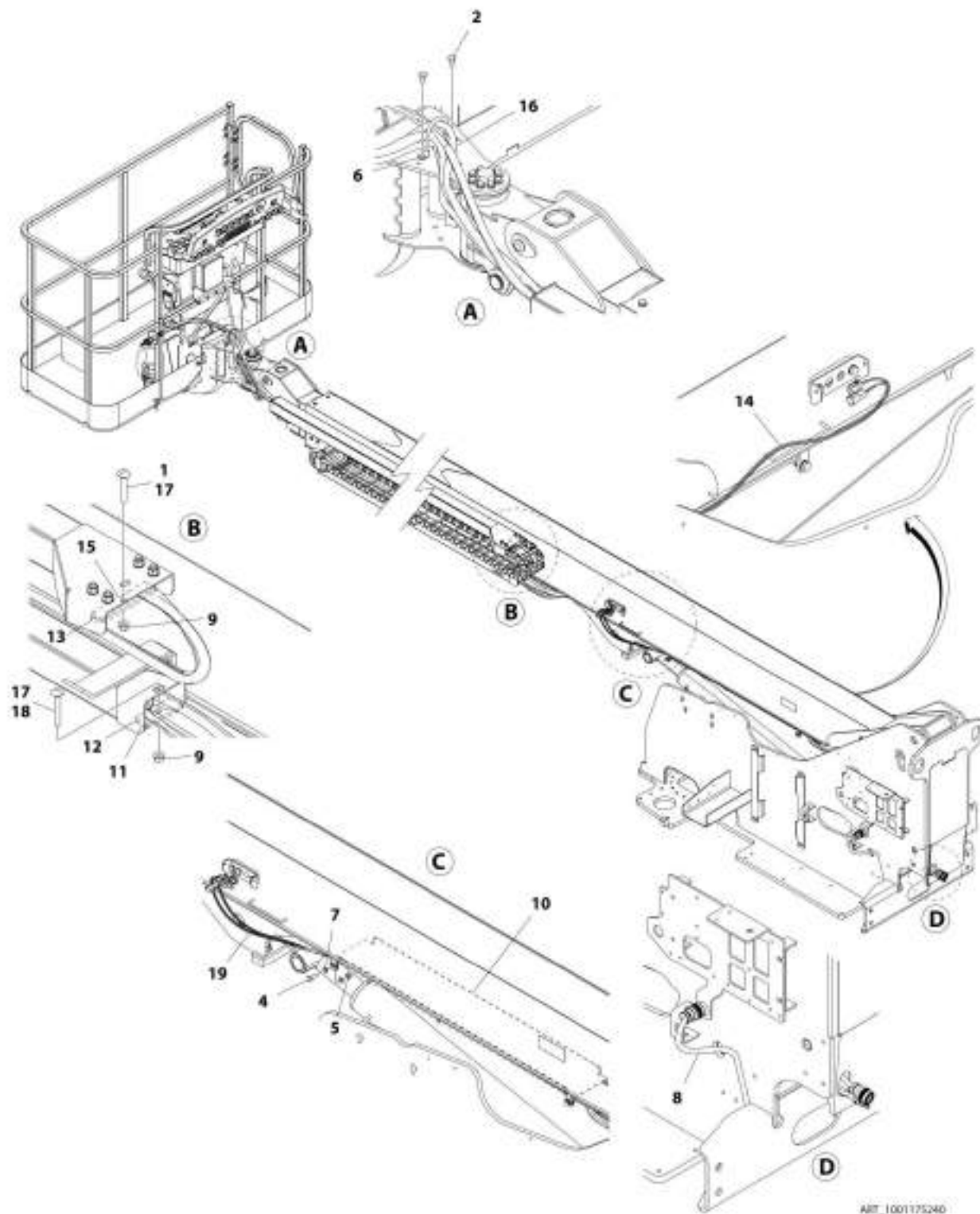
## SECTION 4 - BOOM

**FIGURE 4-15. CABLES AND CLAMPS INSTALLATION - 400SC**

ITEM	PART NUMBER	QTY	DESCRIPTION	REV
	1001173595	Ref	CABLES AND CLAMPS INSTALLATION - 400SC	D
1	0630563	1	Bolt, Carriage M10 x 60	
2	0641605	2	Bolt 3/8 x 5/8	
4	0761014	4	Bolt M10 x 30	
5	0761018	1	Bolt M10 x 50	
6	3291005	5	Nut, Lock M10 x 1.5	
7	3841340	1	Hose Loop	
8	4812000	10	Washer M10	
9	1001176952	1	Harness, Main Boom Cable - 400SC (See ELECTRICAL SECTION for Breakdown)	
10	5261018	2	Nut, M10	
11	8406110	1	Clip	
12	1001172128	1	Bracket, Hose Cover	
13	1001173456	1	Clamp	
14	1001173665	1	Clamp	
15	1001173761	1	Bracket	
16	1001173808	1	Harness, Telescope In Proximity Sensors (See ELECTRICAL SECTION for Breakdown)	
17	1001173927	1	Clamp	
18	1060986	1	Cable, Electrical 12/3	
19	0100081	AR	Adhesive	
20	1001181329	1	Bolt, Carriage M10 x 70	
21	1001173807	1	Harness, Capacity Switch (See ELECTRICAL SECTION for Breakdown)	

## SECTION 4 - BOOM

FIGURE 4-16. CABLES AND CLAMPS INSTALLATION - 4000W GENRATOR - 400SC (Prior to SN 0300214184)



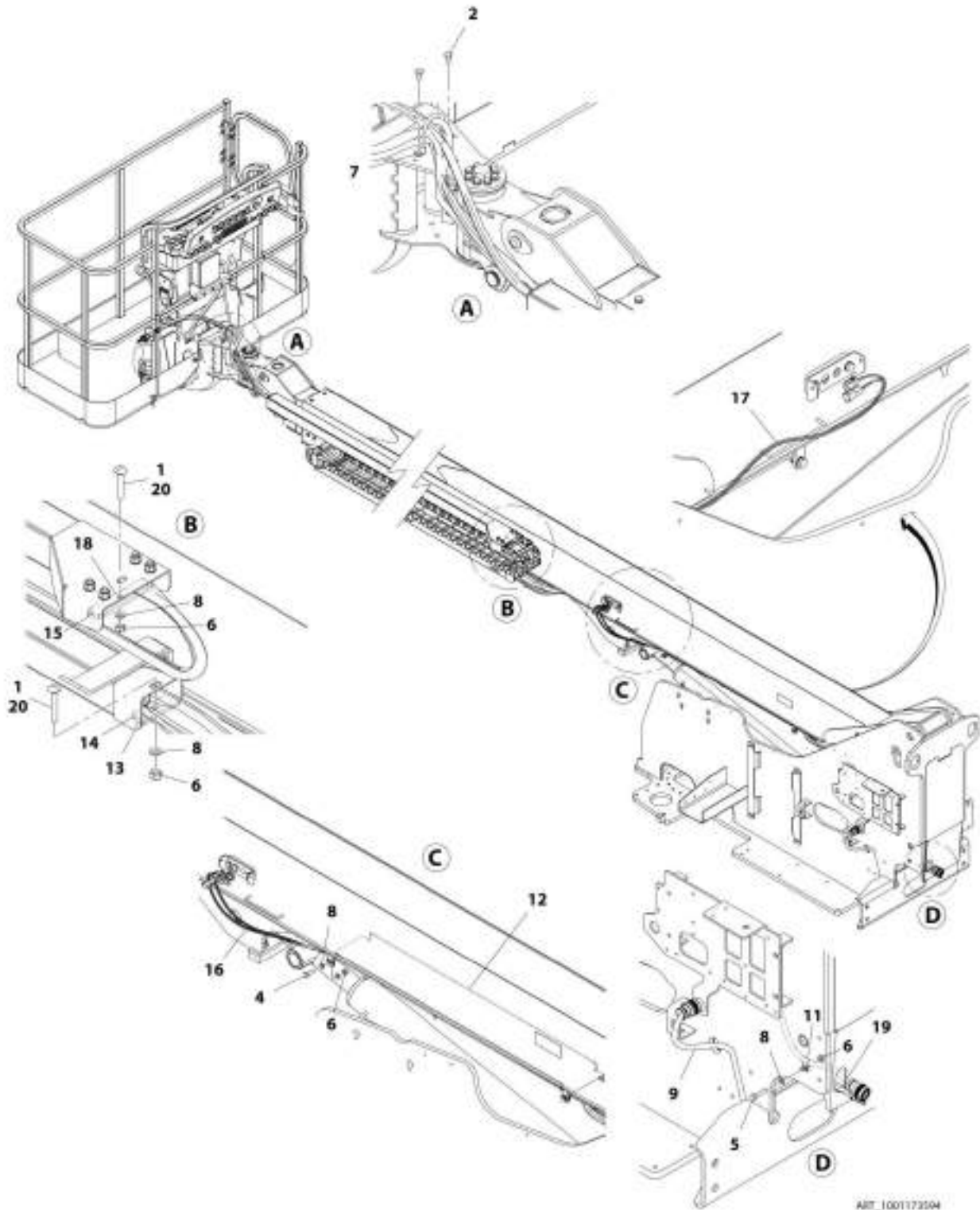
## SECTION 4 - BOOM

**FIGURE 4-16. CABLES AND CLAMPS INSTALLATION - 4000W GENRATOR - 400SC (Prior to SN 0300214184)**

ITEM	PART NUMBER	QTY	DESCRIPTION	REV
	1001175240	Ref	CABLES AND CLAMPS INSTALLATION - 4000W GENRATOR - 400SC (Prior to SN 0300214184)	
1	0630563	1	Bolt, Carriage M10 x 60	
2	0641605	2	Bolt 5/16 x 1/2	
4	0761014	4	Bolt M10 x 30	
5	3291005	4	Nut M10 x 1.5	
6	3841340	1	Hose Loop	
7	4812000	8	Washer M10	
8	1001176952	1	Harness, Main Boom Cable - 400SC (See ELECTRICAL SECTION for Breakdown)	
9	5261018	2	Nut M10	
10	1001172128	1	Bracket, Hose Cover	
11	1001173456	1	Clamp	
12	1001173665	1	Clamp	
13	1001173761	1	Bracket	
14	1001173808	1	Harness, Telescope In Proximity Sensors (See ELECTRICAL SECTION for Breakdown)	
15	1001173927	1	Clamp	
16	1001175170	1	Cable, Electrical 12/3	
17	0100081	1	Adhesive	
18	1001181329	1	Bolt M10 x 70	
19	1001173807	1	Harness, Capacity Switch (See ELECTRICAL SECTION for Breakdown)	

## SECTION 4 - BOOM

FIGURE 4-17. CABLES AND CLAMPS INSTALLATION - 4000W-50HZ GENRATOR - 400SC - ANSI EXPORT AND CE SPECS (SN 0300214184 to Present)



ARB\_100117204



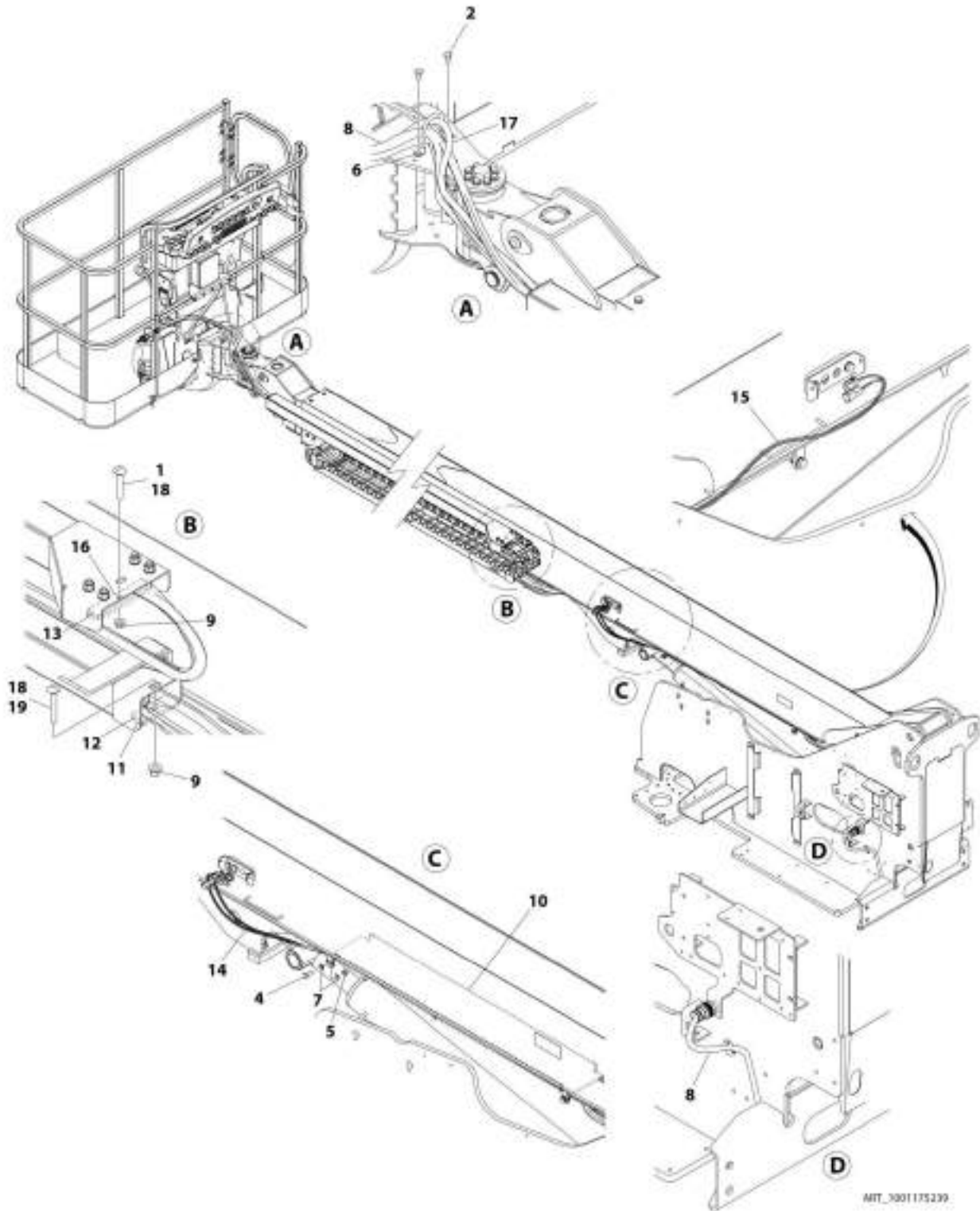
## SECTION 4 - BOOM

**FIGURE 4-17. CABLES AND CLAMPS INSTALLATION - 4000W-50HZ GENERATOR - 400SC - ANSI EXPORT AND CE SPECS (SN 0300214184 to Present)**

ITEM	PART NUMBER	QTY	DESCRIPTION	REV
	1001173594	Ref	CABLES AND CLAMPS INSTALLATION - 4000W-50HZ GENERATOR - 400SC - ANSI EXPORT AND CE SPECS (SN <b>0300214184 to Present</b> )	D
1	0630563	2	Bolt, Carriage M10 x 60	
2	0641504	2	Bolt 5/16 x 1/2	
4	0761014	4	Bolt M10 x 30	
5	0761018	1	Bolt M10 x 50	
6	3291005	7	Nut M10 x 1.5	
7	3841340	1	Hose Loop	
8	4812000	12	Washer M10	
9	1001176952	1	Harness, Main Boom Cable - 400SC (See ELECTRICAL SECTION for Breakdown)	
11	8406110	1	Clip	
12	1001172128	1	Bracket, Hose Cover	
13	1001173456	1	Clamp	
14	1001173665	1	Clamp	
15	1001173761	1	Bracket	
16	1001173807	1	Harness, Capacity Switch (See ELECTRICAL SECTION for Breakdown)	
17	1001173808	1	Harness, Telescope In Proximity Sensors (See ELECTRICAL SECTION for Breakdown)	
18	1001173927	1	Clamp	
19	1001203434	1	Cable, Electrical 12/3	
20	0100081	AR	Adhesive	

# SECTION 4 - BOOM

FIGURE 4-18. CABLES AND CLAMPS INSTALLATION - 4000W-60HZ GENERATOR - 400SC - ANSI EXPORT SPECS (SN 0300224020 to Present)



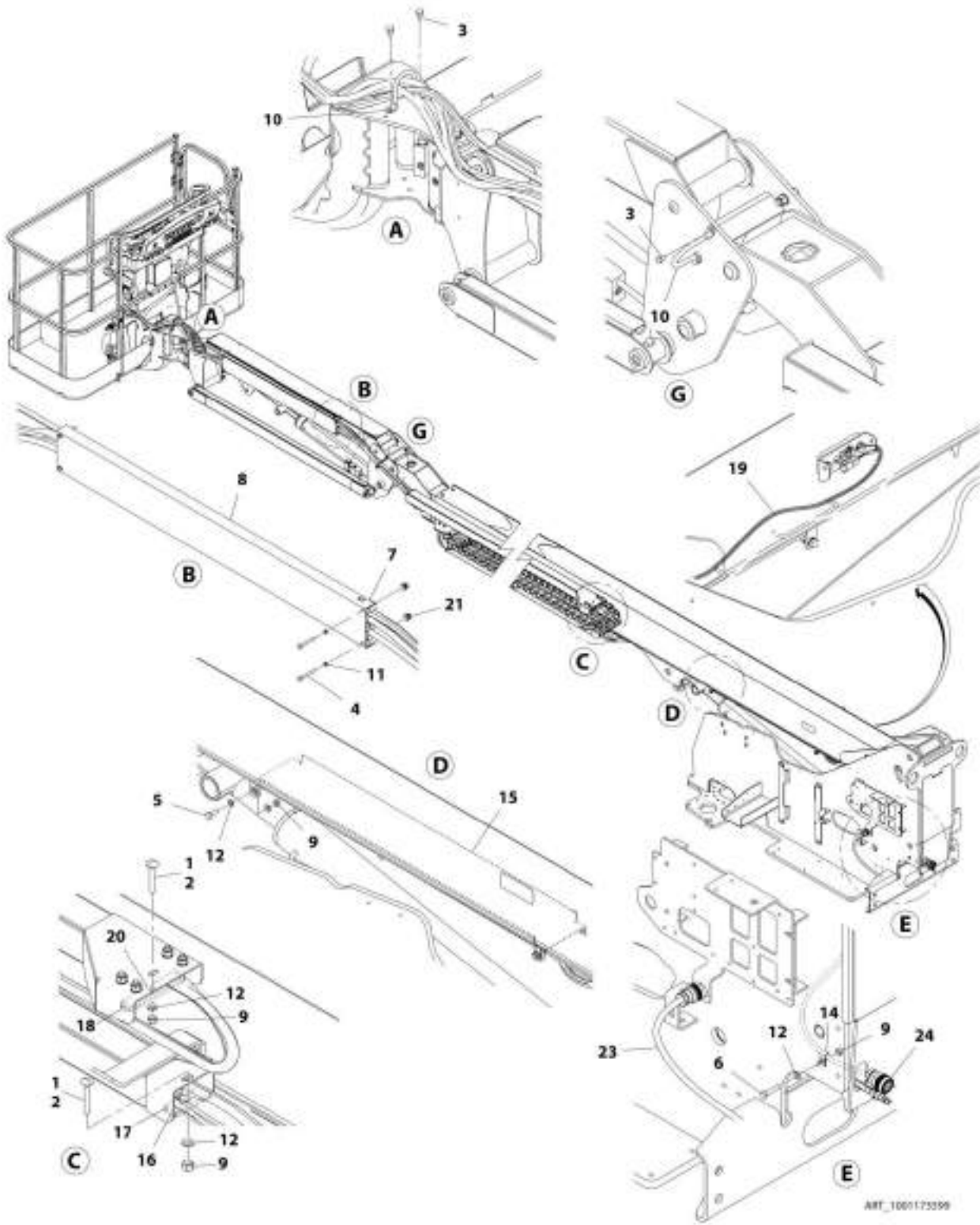
## SECTION 4 - BOOM

**FIGURE 4-18. CABLES AND CLAMPS INSTALLATION - 4000W-60HZ GENERATOR - 400SC - ANSI EXPORT SPECS (SN 0300224020 to Present)**

ITEM	PART NUMBER	QTY	DESCRIPTION	REV
	1001175239	Ref	CABLES AND CLAMPS INSTALLATION - 4000W-60HZ GENERATOR - 400SC - ANSI EXPORT SPECS (SN 0300224020 to Present)	C
1	0630563	1	Bolt, Carriage M10 x 60	
2	0641605	2	Bolt 3/8 x 5/8	
4	0761014	4	Bolt M10 x 30	
5	3291005	4	Nut M10	
6	3841340	1	Hose Loop	
7	4812000	8	Washer M10	
8	1001176952	1	Harness, Main Boom Cable - 400SC (See ELECTRICAL SECTION for Breakdown)	
9	5261018	2	Nut M10	
10	1001172128	1	Bracket, Hose Cover	
11	1001173456	1	Clamp	
12	1001173665	1	Clamp	
13	1001173761	1	Bracket	
14	1001173807	1	Harness, Capacity Switch (See ELECTRICAL SECTION for Breakdown)	
15	1001173808	1	Harness, Telescope In Proximity Sensors (See ELECTRICAL SECTION for Breakdown)	
16	1001173927	1	Clamp	
17	1001175170	1	Cable, Electrical 12/3	
18	0100081	1	Adhesive	
19	1001181329	1	Bolt, Carriage M10 x 70	

# SECTION 4 - BOOM

## FIGURE 4-19. CABLES AND CLAMPS INSTALLATION - 460SJC - CE SPECS



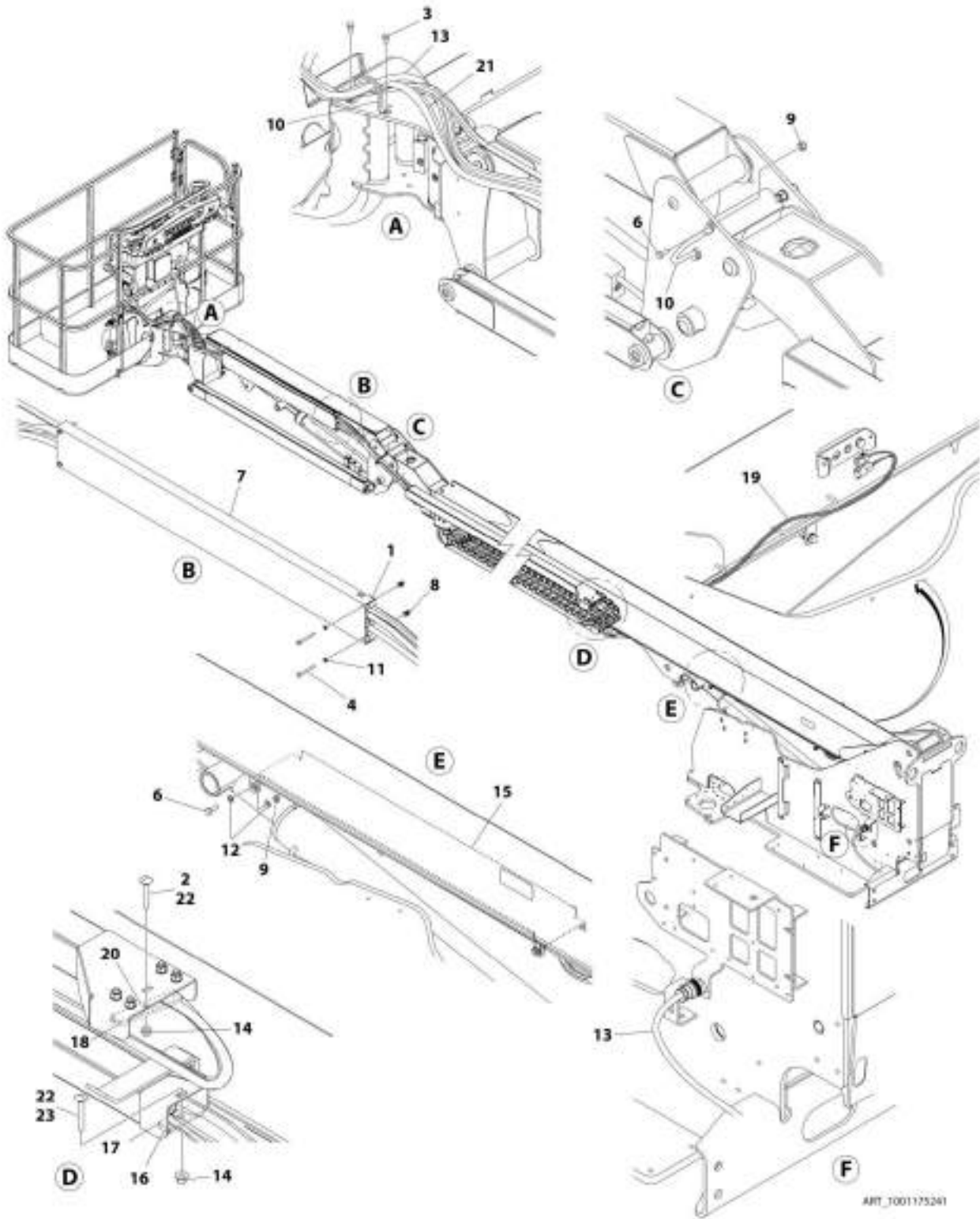
## SECTION 4 - BOOM

**FIGURE 4-19. CABLES AND CLAMPS INSTALLATION - 460SJC - CE SPECS**

ITEM	PART NUMBER	QTY	DESCRIPTION	REV
	1001173599	Ref	CABLES AND CLAMPS INSTALLATION - 460SJC - CE SPECS	D
1	0100081	1	Adhesive	
2	0630563	2	Bolt, Carriage M10 x 60	
3	0641504	4	Bolt 5/16 x 1/2	
4	0641418	4	Bolt 1/4 x 2-1/4	
5	0761014	4	Bolt M10 x 30	
6	0761018	1	Bolt M10 x 50	
7	1001203459	2	Block, Clamp	
8	1670769	1	Cover	
9	3291005	7	Nut M10	
10	3841340	2	Hose Loop	
11	4811700	4	Washer M6	
12	4812000	12	Washer M10	
14	8406110	1	Clip	
15	1001172128	1	Bracket, Hose Cover	
16	1001173456	1	Clamp	
17	1001173665	1	Clamp	
18	1001173761	1	Bracket	
19	1001173808	1	Harness, Telescope In Proximity Sensors (See ELECTRICAL SECTION for Breakdown)	
20	1001173927	1	Clamp	
21	2080044	4	Nut 1/4	
23	1001176953	1	Harness, Main Boom Cable - 460SJC (See ELECTRICAL SECTION for Breakdown)	
24	1001203435	1	Cable, Electrical 12/3	

# SECTION 4 - BOOM

FIGURE 4-20. CABLES AND CLAMPS INSTALLATION - 460SJC - ANSI EXPORT SPECS



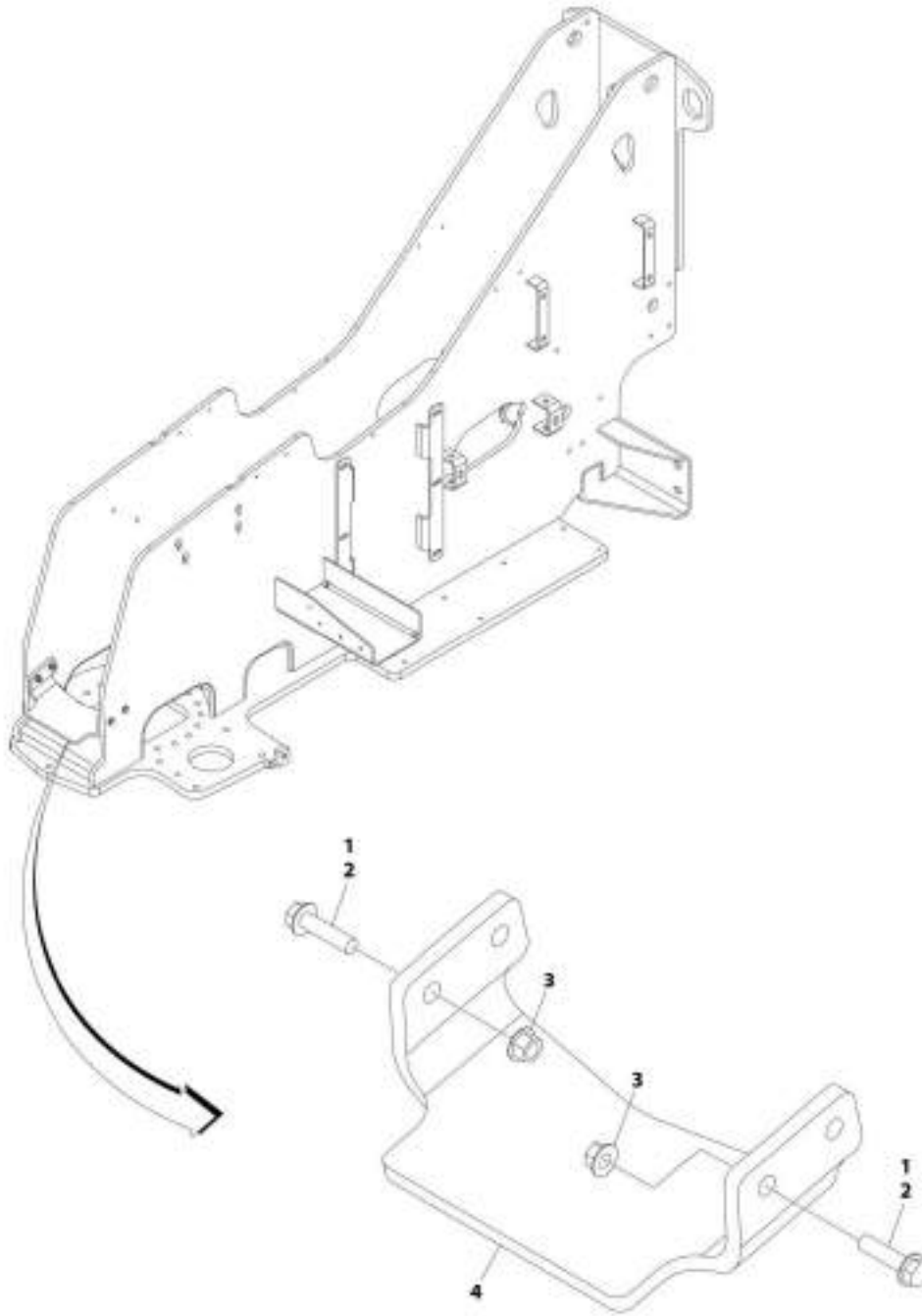
## SECTION 4 - BOOM

**FIGURE 4-20. CABLES AND CLAMPS INSTALLATION - 460SJC - ANSI EXPORT SPECS**

ITEM	PART NUMBER	QTY	DESCRIPTION	REV
	1001175241	Ref	CABLES AND CLAMPS INSTALLATION - 460SJC - ANSI EXPORT SPECS	B
1	0561237	2	Block, Clamp	
2	0630563	1	Bolt, Carriage M10 x 60	
3	0641605	2	Bolt 3/8 x 5/8	
4	0700620	4	Bolt M6 x 60	
6	0761014	6	Bolt M10 x 30	
7	1670769	1	Cover	
8	1001176636	4	Nut M6	
9	3291005	6	Nut M10	
10	3841340	2	Hose Loop	
11	4811700	4	Washer M6	
12	4812000	8	Washer M10	
13	1001176953	1	Harness, Main Boom Cable - 460SJC (See ELECTRICAL SECTION for Breakdown)	
14	5261018	2	Nut M10	
15	1001172128	1	Bracket, Hose Cover	
16	1001173456	1	Clamp	
17	1001173665	1	Clamp	
18	1001173761	1	Bracket	
19	1001173808	1	Harness, Telescope in Proximity Sensors (See ELECTRICAL SECTION for Breakdown)	
20	1001173927	1	Clamp	
21	1001175171	1	Cable, Electrical 12/3	
22	0100081	1	Adhesive	
23	1001181329	1	Bolt, Carriage M10 x 70	

# SECTION 4 - BOOM

## FIGURE 4-21. BOOM REST INSTALLATION



ART\_100128108

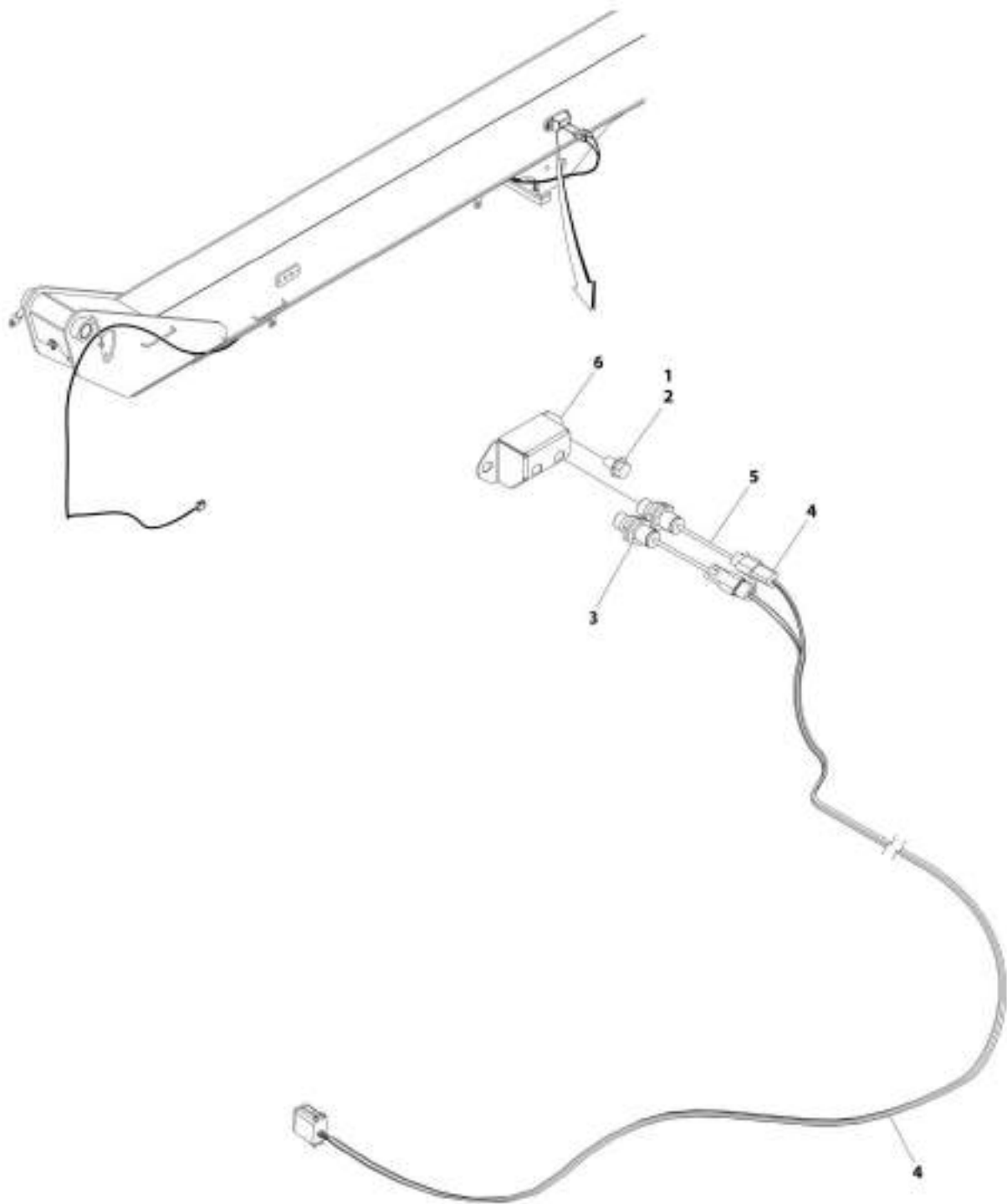


FIGURE 4-21. BOOM REST INSTALLATION

ITEM	PART NUMBER	QTY	DESCRIPTION	REV
	1001209100	Ref	Boom Rest Installation	A
1	0100011	AR	Loctite 242	
2	5251016	4	Bolt M10 x 40	
3	5261000	4	Nut M10	
4	1001209099	1	Support, Boom Rest	

## SECTION 4 - BOOM

FIGURE 4-22. DRIVE DISABLE SWITCH INSTALLATION (SN 0300239462 through 0300250672)



40T\_1001231324

## SECTION 4 - BOOM

**FIGURE 4-22. DRIVE DISABLE SWITCH INSTALLATION (SN 0300239462 through 0300250672)**

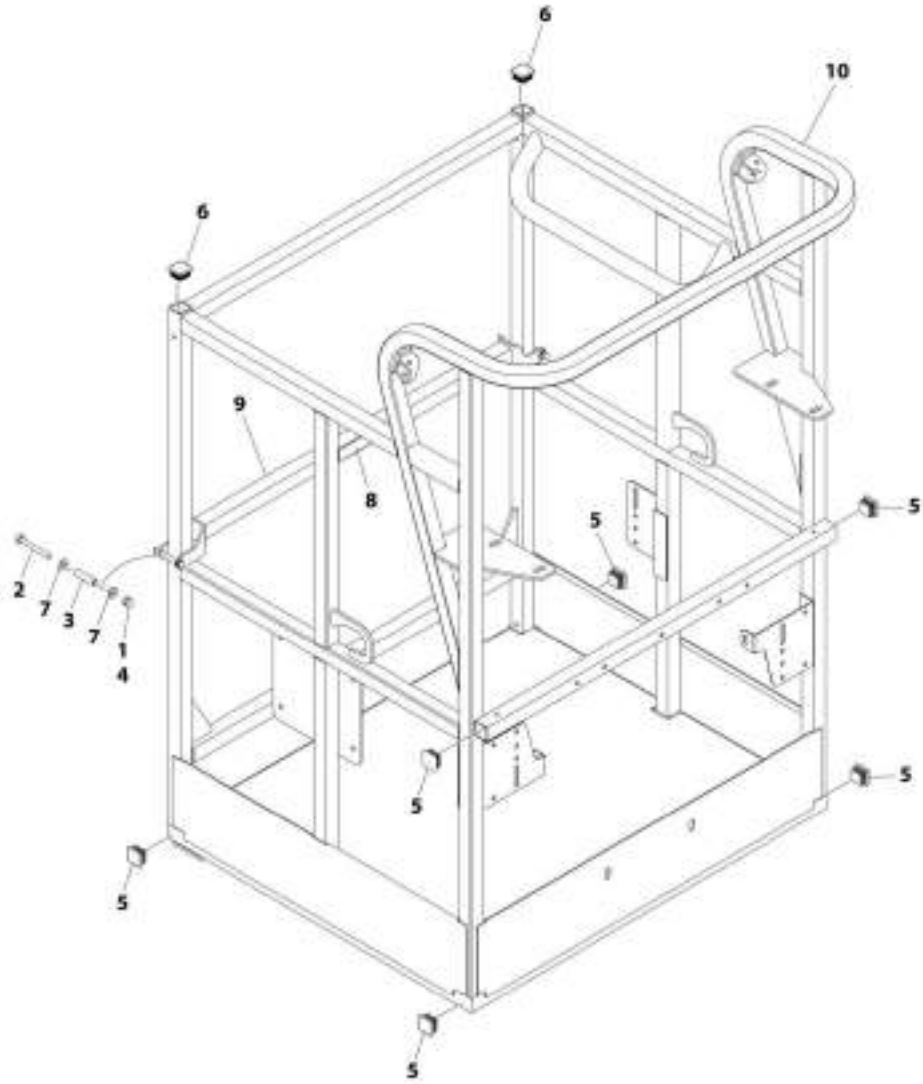
ITEM	PART NUMBER	QTY	DESCRIPTION	REV
	1001231324	Ref	DRIVE DISABLE SWITCH INSTALLATION (SN 0300239462 through 0300250672)	A
1	0100011	AR	Loctite	
2	5251008	2	Bolt M10 x 16	
3	1001170847	1	Sensor, Proximity	
4	1001173807	1	Harness, Capacity Switch (See ELECTRICAL SECTION for Breakdown)	
5	1001182570	1	Sensor, Proximity	
6	1001204715	1	Bracket, Switch Cover	



**SECTION 5 - PLATFORM**

# SECTION 5 - PLATFORM

FIGURE 5-1. PLATFORM ASSEMBLY - 30IN X 3FT (76CM X .91M) - DROP BAR ENTRY



ART\_1001228215

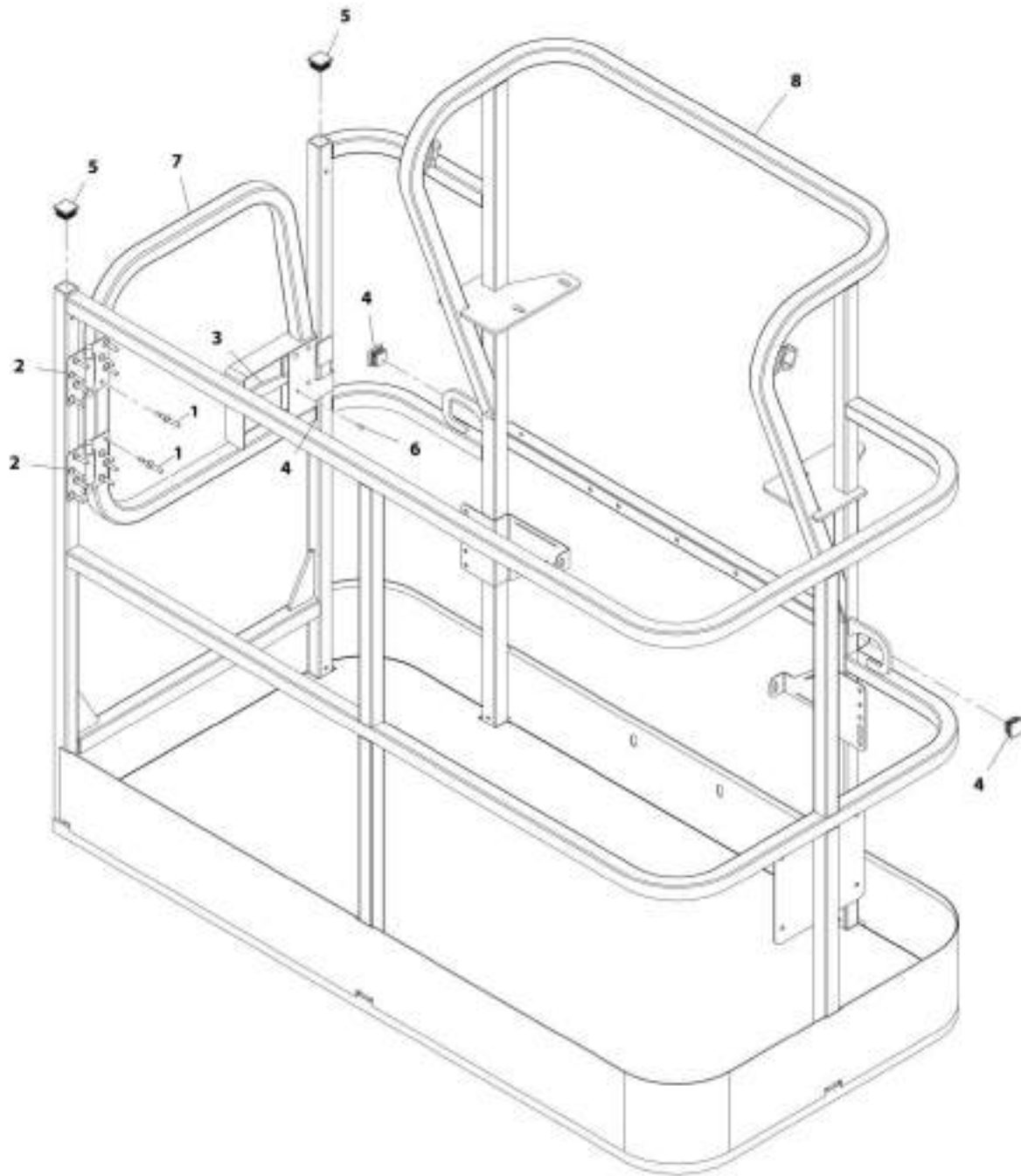
## SECTION 5 - PLATFORM

**FIGURE 5-1. PLATFORM ASSEMBLY - 30IN X 3FT (76CM X .91M) - DROP BAR ENTRY**

ITEM	PART NUMBER	QTY	DESCRIPTION	REV
	1001228215	Ref	PLATFORM ASSEMBLY - 30IN X 3FT (76CM X .91M) - DROP BAR ENTRY	A
	See Note	Ref	Note: Platform and Mesh must be ordered separately for Platforms with Mesh. See SPECIAL OPTIONS SECTION for Mesh Installations.	
	See Note	Ref	Note: Replacement Decals Must be Ordered Separately - See DECAL SECTION.	
1	0100011	AR	Compound, Locking	
2	0641418	2	Bolt 1/4 x 2-1/4	
3	0961845	2	Bushing	
4	3300151	2	Nut 1/4	
5	3520072	6	Cap, Plug	
6	3520198	2	Cap, Plug	
7	4711400	4	Washer 1/4	
8	1001140429	1	Decal - Drop Bar	
9	1001226872	1	Bar, Drop	
10	See Note	NSS	Platform, Weldment (Note: Not Available - Purchase Platform Assembly)	

# SECTION 5 - PLATFORM

FIGURE 5-2. PLATFORM ASSEMBLY - 30IN X 5FT (76.2CM X 1.5M) WITH SWING GATE



ART\_300186330



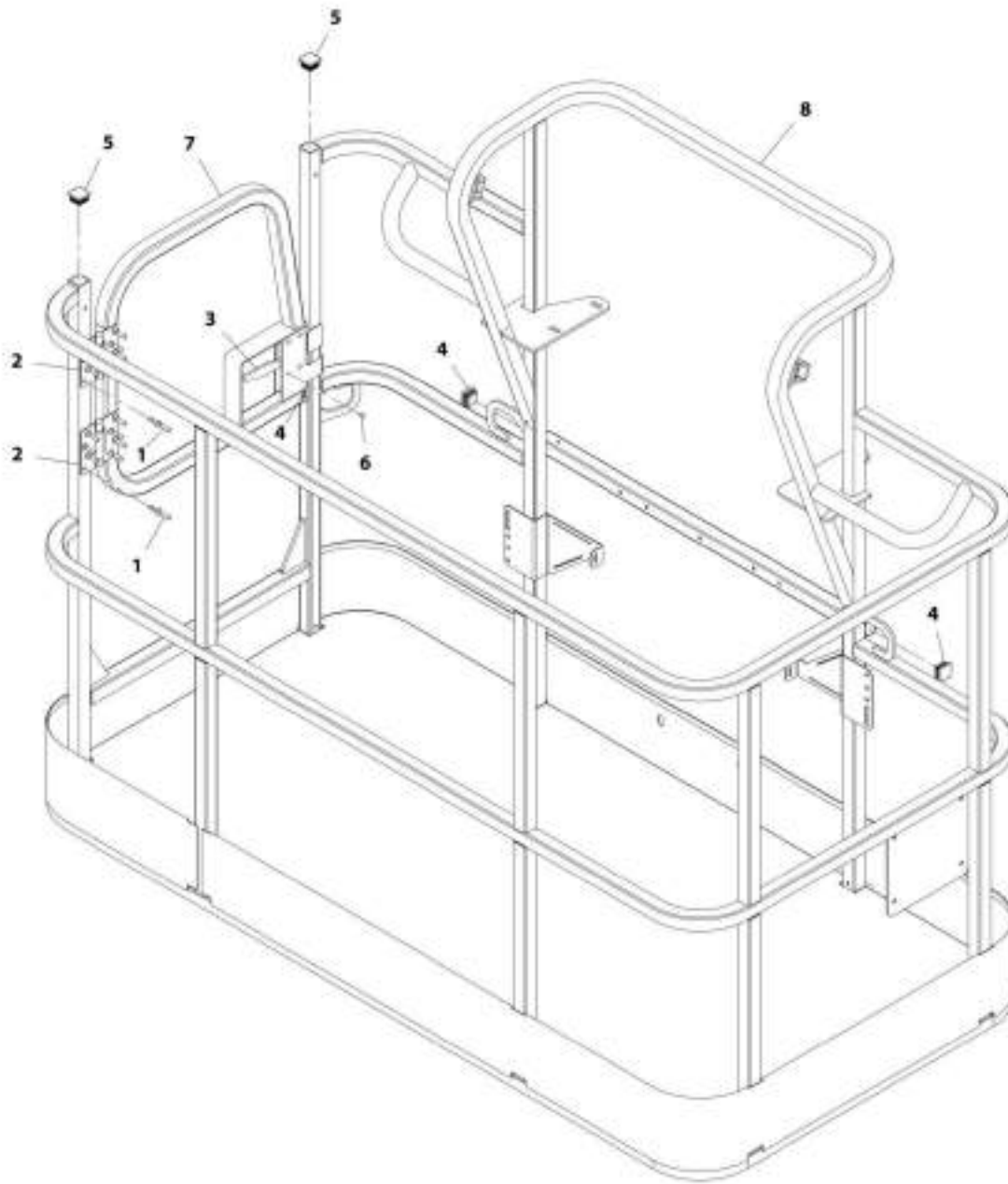
## SECTION 5 - PLATFORM

**FIGURE 5-2. PLATFORM ASSEMBLY - 30IN X 5FT (76.2CM X 1.5M) WITH SWING GATE**

ITEM	PART NUMBER	QTY	DESCRIPTION	REV
	1001186386	Ref	PLATFORM ASSEMBLY - 30IN X 5FT (76.2CM X 1.5M) WITH SWING GATE	C
	See Note	Ref	Note: Platform and Mesh must be ordered separately for Platforms with Mesh. See SPECIAL OPTIONS SECTION for Mesh Installations.	
	See Note	Ref	Note: Replacement Decals Must be Ordered Separately - See DECALS SECTION.	
1	2080040	16	Fastener, Huck	
2	2600281	2	Hinge	
3	2940074	1	Latch	
4	3520072	3	Plug	
5	3520198	2	Plug	
6	3820020	4	Rivet	
7	1001144629	1	Gate	
8	See Note	NSS	Platform (Note: Use p/n 1001186386)	

## SECTION 5 - PLATFORM

FIGURE 5-3. PLATFORM ASSEMBLY - 36IN X 6FT (91.5CM X 1.83M) WITH SWING GATE



ART. 001186294

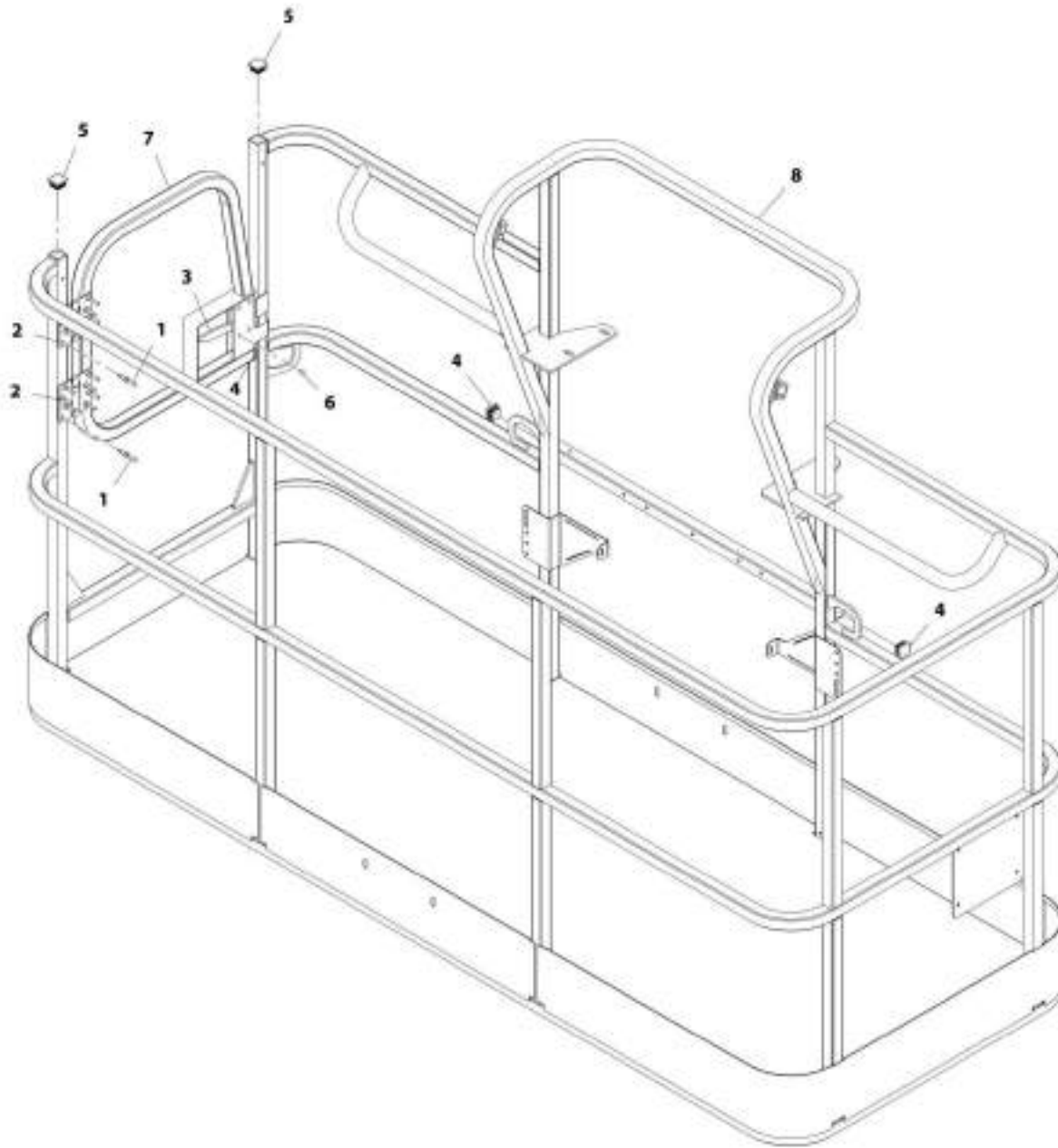
## SECTION 5 - PLATFORM

**FIGURE 5-3. PLATFORM ASSEMBLY - 36IN X 6FT (91.5CM X 1.83M) WITH SWING GATE**

ITEM	PART NUMBER	QTY	DESCRIPTION	REV
	1001186384	Ref	PLATFORM ASSEMBLY - 36IN X 6FT (91.5CM X 1.83M) WITH SWING GATE	C
	See Note	Ref	Note: Platform and Mesh must be ordered separately for Platforms with Mesh. See SPECIAL OPTIONS SECTION for Mesh Installations.	
	See Note	Ref	Note: Replacement Decals Must be Ordered Separately - See DECALS SECTION.	
1	2080040	16	Fastener, Huck	
2	2600281	2	Hinge	
3	2940074	1	Latch	
4	3520072	3	Plug	
5	3520198	2	Plug	
6	3820020	4	Rivet	
7	1001144629	1	Gate	
8	See Note	NSS	Platform (Note: Not Available - Purchase Platform Assembly)	

## SECTION 5 - PLATFORM

FIGURE 5-4. PLATFORM ASSEMBLY - 36IN X 8FT (91.5CM X 2.44M) WITH SWING GATE



ART\_1001186393

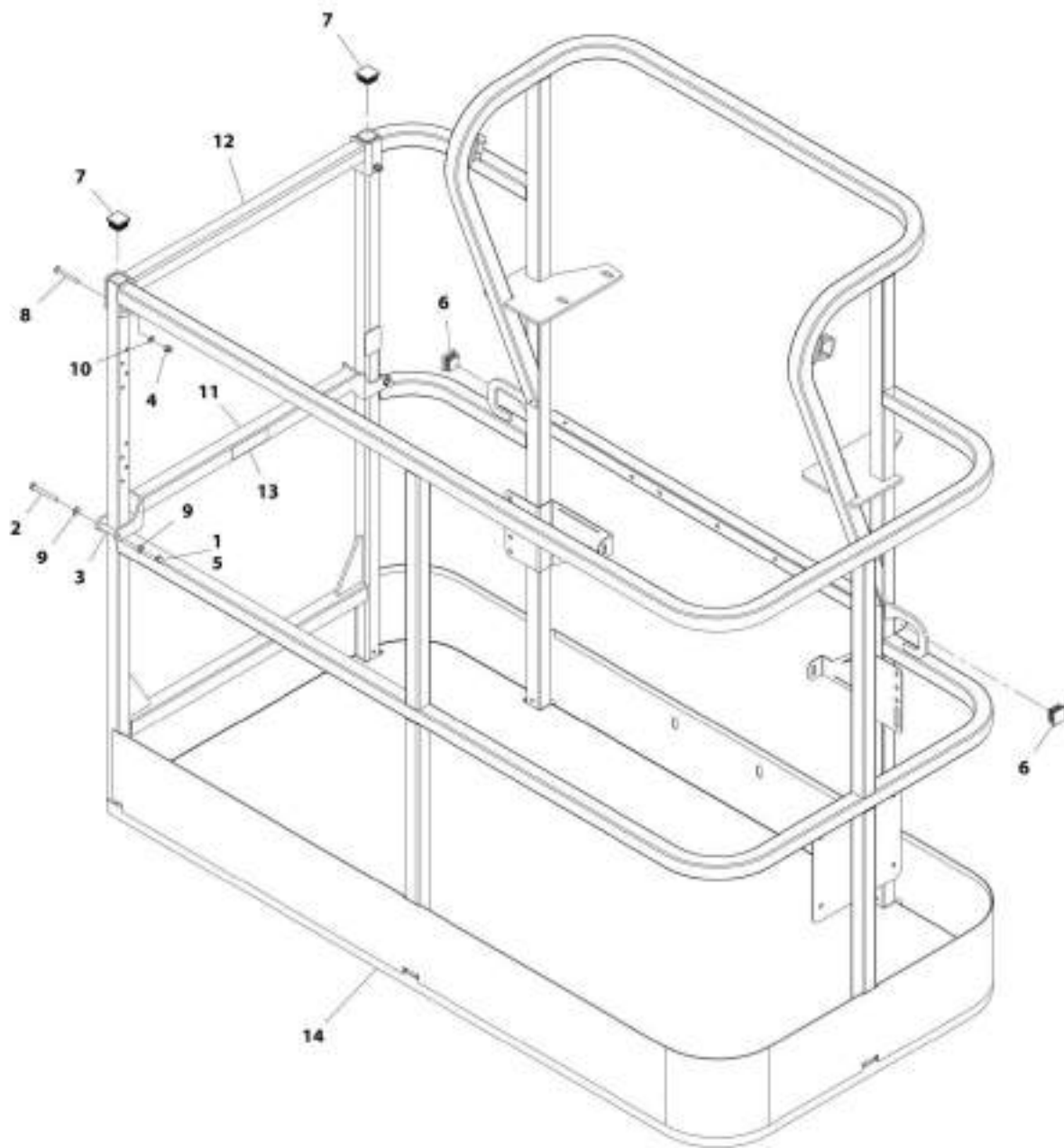
## SECTION 5 - PLATFORM

**FIGURE 5-4. PLATFORM ASSEMBLY - 36IN X 8FT (91.5CM X 2.44M) WITH SWING GATE**

ITEM	PART NUMBER	QTY	DESCRIPTION	REV
	1001186383	Ref	PLATFORM ASSEMBLY - 36IN X 8FT (91.5CM X 2.44M) WITH SWING GATE	D
	See Note	Ref	Note: Platform and Mesh must be ordered separately for Platforms with Mesh. See SPECIAL OPTIONS SECTION for Mesh Installations.	
	See Note	Ref	Note: Replacement Decals Must be Ordered Separately - See DECALS SECTION.	
1	2080040	16	Fastener, Huck	
2	2600281	2	Hinge	
3	2940074	1	Latch	
4	3520072	3	Plug	
5	3520198	2	Plug	
6	3820020	4	Rivet	
7	1001144629	1	Gate	
8	See Note	NSS	Platform (Note: Not Available - Purchase Platform Assembly)	

# SECTION 5 - PLATFORM

FIGURE 5-5. PLATFORM ASSEMBLY - 30IN X 5FT (76.2CM X 1.5M) WITH DROP BAR



ART\_1001196377

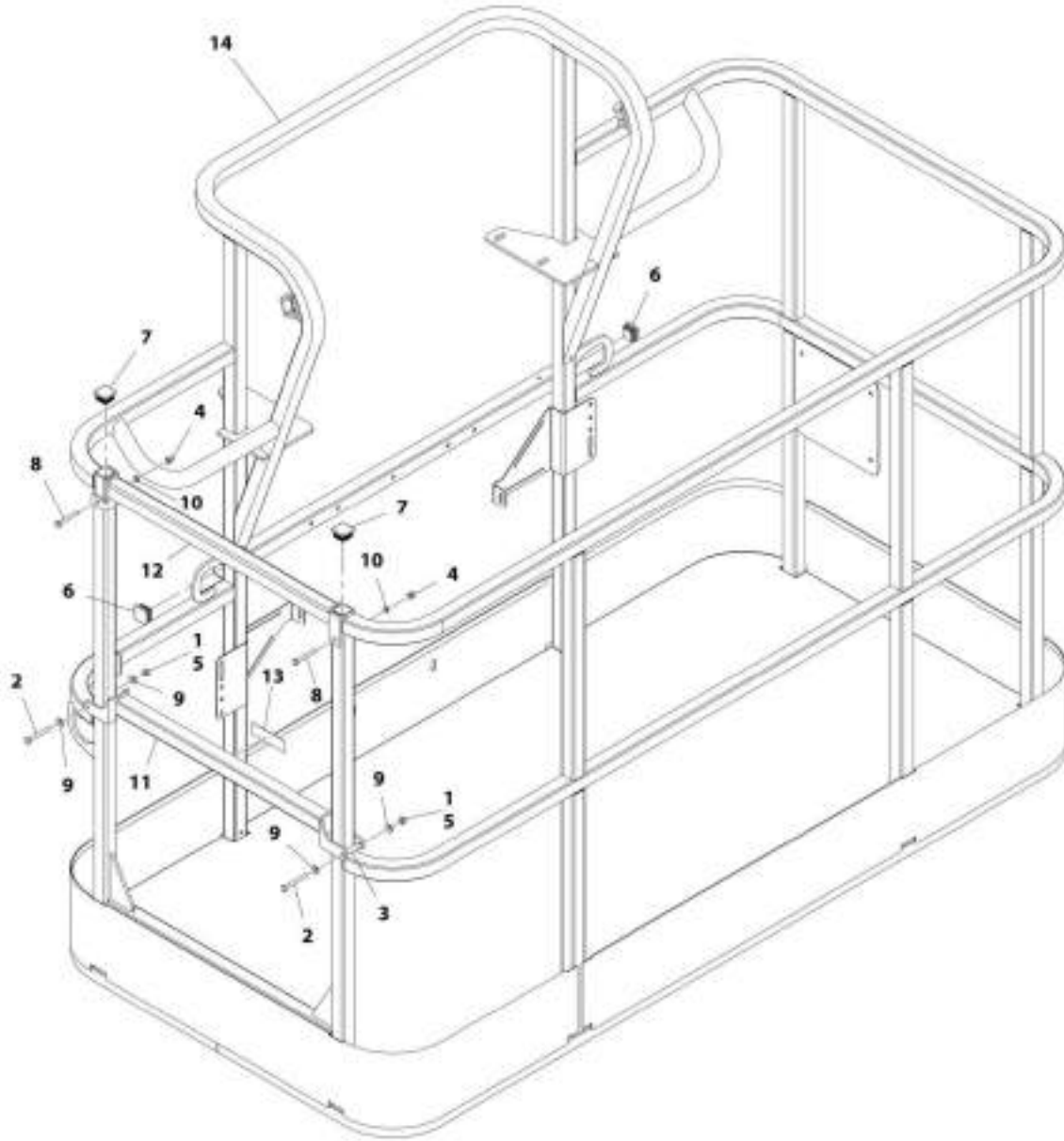
## SECTION 5 - PLATFORM

**FIGURE 5-5. PLATFORM ASSEMBLY - 30IN X 5FT (76.2CM X 1.5M) WITH DROP BAR**

ITEM	PART NUMBER	QTY	DESCRIPTION	REV
	1001186377	Ref	PLATFORM ASSEMBLY - 30IN X 5FT (76.2 X 1.5M) WITH DROP BAR	C
	See Note	Ref	Note: Platform and Mesh must be ordered separately for Platforms with Mesh. See SPECIAL OPTIONS SECTION for Mesh Installations.	
	See Note	Ref	Note: Replacement Decals Must be Ordered Separately - See DECALS SECTION.	
1	0100011	AR	Compound, Locking	
2	0641420	2	Bolt 1/4 x 2-1/2	
3	0961845	2	Bushing	
4	3290606	2	Nut M6 x 1	
5	3300151	2	Nut 1/4	
6	3520072	2	Plug	
7	3520198	2	Plug	
8	4010618	2	Screw M6 x 50	
9	4711400	4	Washer 1/4	
10	4811700	2	Washer M6	
11	1001138494	1	Bar, Drop	
12	1001138514	1	Rail (Top)	
13	1001140429	1	Decal - Drop Bar	
14	See Note	NSS	Platform (Use p/n 1001186377)	

# SECTION 5 - PLATFORM

FIGURE 5-6. PLATFORM ASSEMBLY - 36IN X 6FT (91.5CM X 1.83M) WITH DROP BAR



ART\_100196379



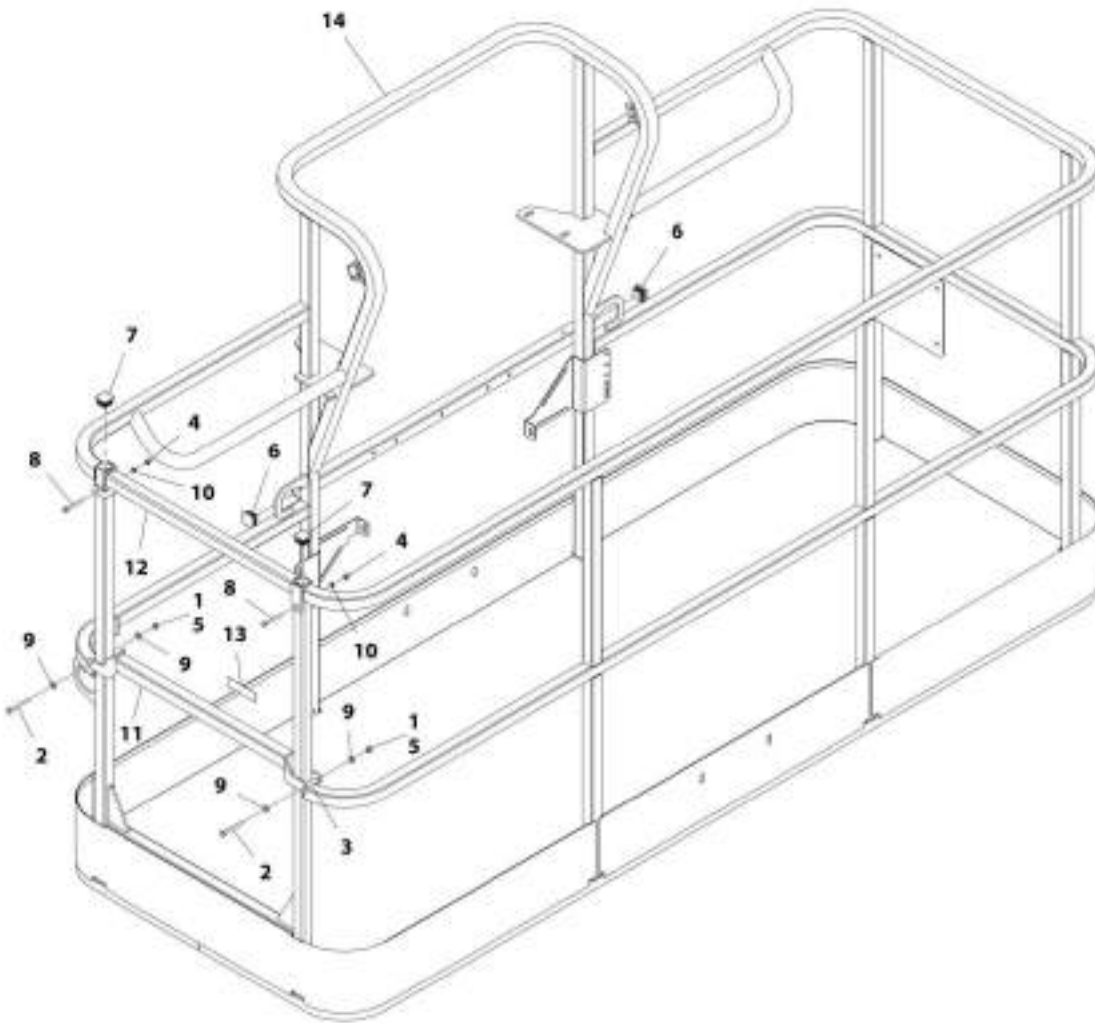
## SECTION 5 - PLATFORM

**FIGURE 5-6. PLATFORM ASSEMBLY - 36IN X 6FT (91.5CM X 1.83M) WITH DROP BAR**

ITEM	PART NUMBER	QTY	DESCRIPTION	REV
	1001186379	Ref	PLATFORM ASSEMBLY - 36IN X 6FT (91.5CM X 1.83M) WITH DROP BAR	B
	See Note	Ref	Note: Platform and Mesh must be ordered separately for Platforms with Mesh. See SPECIAL OPTIONS SECTION for Mesh Installations.	
	See Note	Ref	Note: Replacement Decals Must be Ordered Separately - See DECALS SECTION.	
1	0100011	AR	Compound, Locking	
2	0641418	2	Bolt 1/4 x 2-1/4	
3	0961845	2	Bushing	
4	3290606	2	Nut M6 x 1	
5	3300151	2	Nut 1/4	
6	3520072	2	Plug	
7	3520198	2	Plug	
8	4010618	2	Screw M6 x 50	
9	4711400	4	Washer 1/4	
10	4811700	2	Washer M6	
11	1001138494	1	Bar, Drop	
12	1001138514	1	Rail (Top)	
13	1001140429	1	Decal - Drop Bar	
14	See Note	NSS	Platform (Note: Not Available - Purchase Platform Assembly)	

# SECTION 5 - PLATFORM

FIGURE 5-7. PLATFORM ASSEMBLY - 36IN X 8FT (91.5CM X 2.44M) WITH DROP BAR



ART\_1001194/92

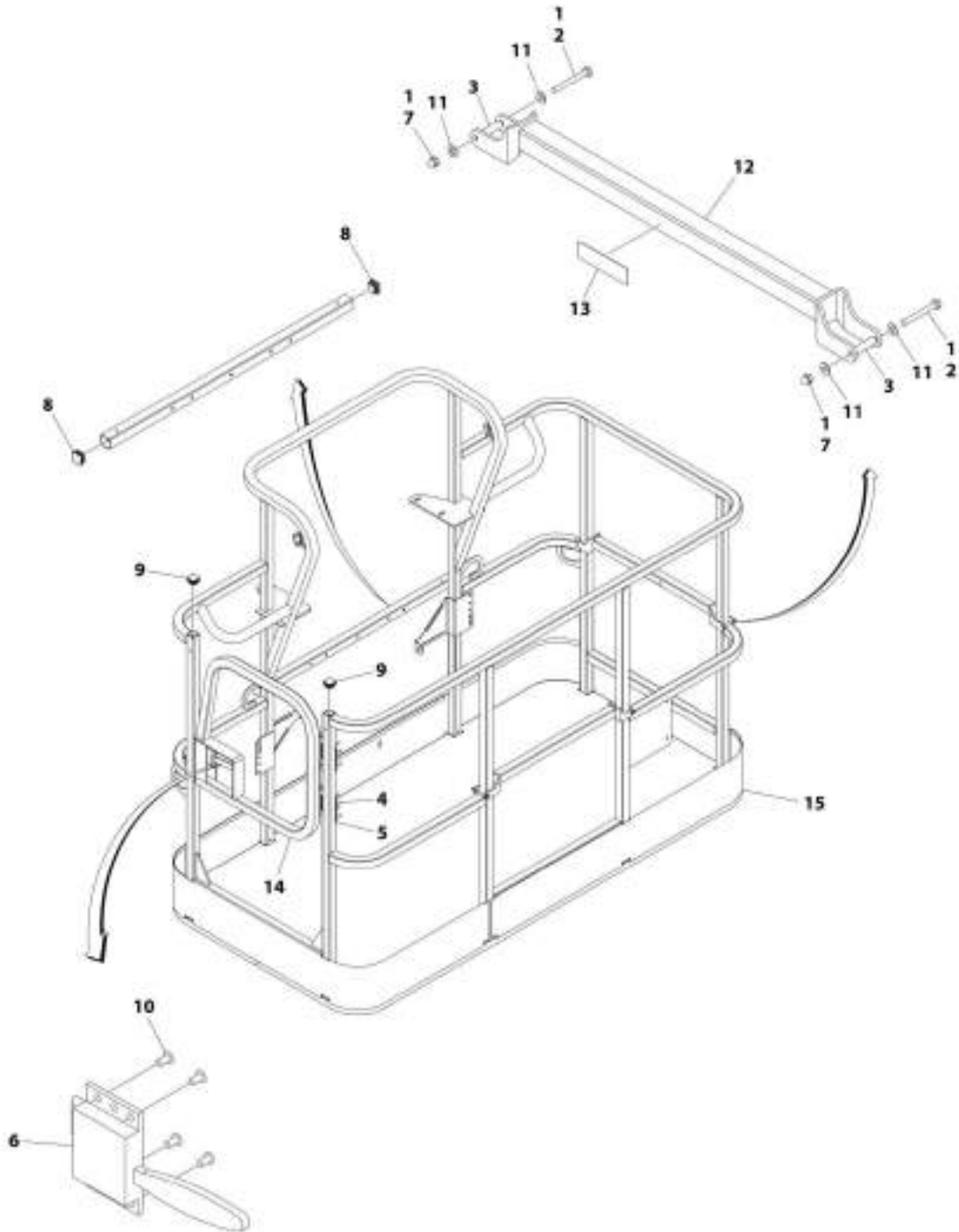
## SECTION 5 - PLATFORM

**FIGURE 5-7. PLATFORM ASSEMBLY - 36IN X 8FT (91.5CM X 2.44M) WITH DROP BAR**

ITEM	PART NUMBER	QTY	DESCRIPTION	REV
	1001186382	Ref	PLATFORM ASSEMBLY - 36IN X 8FT (91.5CM X 2.44M) WITH DROP BAR	C
	See Note	Ref	Note: Platform and Mesh must be ordered separately for Platforms with Mesh. See SPECIAL OPTIONS SECTION for Mesh Installations.	
	See Note	Ref	Note: Replacement Decals Must be Ordered Separately - See DECALS SECTION.	
1	0100011	AR	Compound, Locking	
2	0641418	2	Bolt 1/4 x 2-1/4	
3	0961845	2	Bushing	
4	3290606	2	Nut M6 x 1	
5	3300151	2	Nut 1/4	
6	3520072	2	Plug	
7	3520198	2	Plug	
8	4010618	2	Screw M6 x 50	
9	4711400	4	Washer 1/4	
10	4811700	2	Washer M6	
11	1001138494	1	Bar, Drop	
12	1001138514	1	Rail (Top)	
13	1001140429	1	Decal - Drop Bar	
14	See Note	NSS	Platform (Note: Not Available - Purchase Platform Assembly)	

# SECTION 5 - PLATFORM

FIGURE 5-8. PLATFORM ASSEMBLY - 36IN X 6FT (91.5CM X 1.83M) TRI-ENTRY WITH SWING GATE



AHT\_1001228176

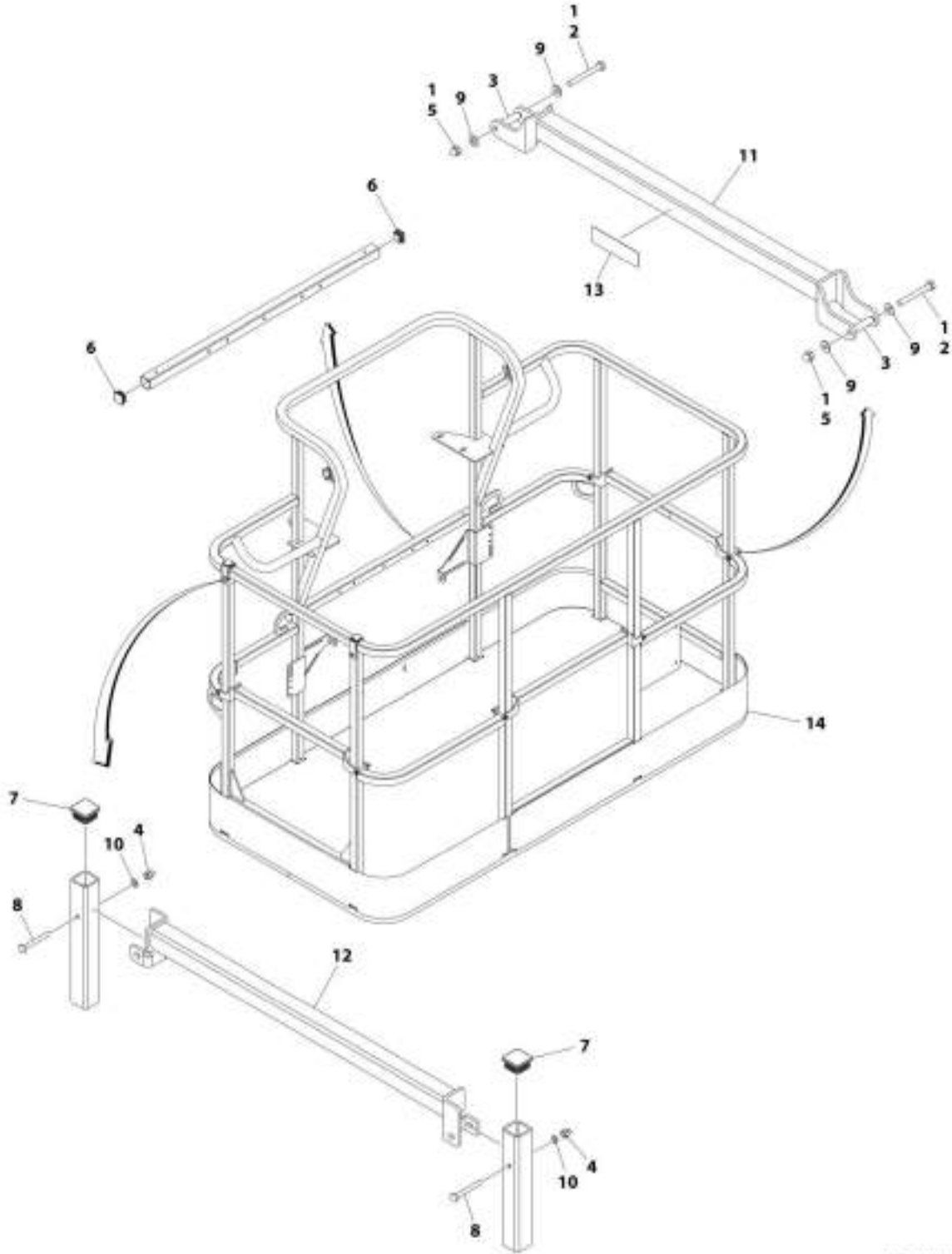
## SECTION 5 - PLATFORM

**FIGURE 5-8. PLATFORM ASSEMBLY - 36IN X 6FT (91.5CM X 1.83M) TRI-ENTRY WITH SWING GATE**

ITEM	PART NUMBER	QTY	DESCRIPTION	REV
	1001228376	Ref	PLATFORM ASSEMBLY - 36IN x 6FT (91.5CM x 1.83M)	A
		Ref	Note: Platform and Mesh must be ordered separately for Platforms with Mesh. See SPECIAL OPTIONS SECTION for Mesh Installations.	
		Ref	Note: Replacement Decals Must be Ordered Separately - See DECAL SECTION.	
1	0100011	AR	Compound, Locking	
2	0641418	4	Bolt 1/4 x 2-1/4	
3	0961845	4	Bushing	
4	2080040	16	Fastener	
5	2600281	2	Hinge	
6	2940074	1	Latch	
7	3300151	4	Nut 1/4	
8	3520072	3	Plug	
9	3520198	2	Plug	
10	3820020	4	Rivet	
11	4711400	8	Washer 1/4	
12	1001138494	2	Bar, Drop	
13	1001140429	2	Decal - Drop Bar	
14	1001144629	1	Gate	
15	See Note	NSS	Platform (Note: Not Available - Purchase Platform Assembly)	

# SECTION 5 - PLATFORM

FIGURE 5-9. PLATFORM ASSEMBLY - 36IN X 6FT (91.5CM X 1.83M) TRI-ENTRY WITH DROPBAR



AWT\_1001226377

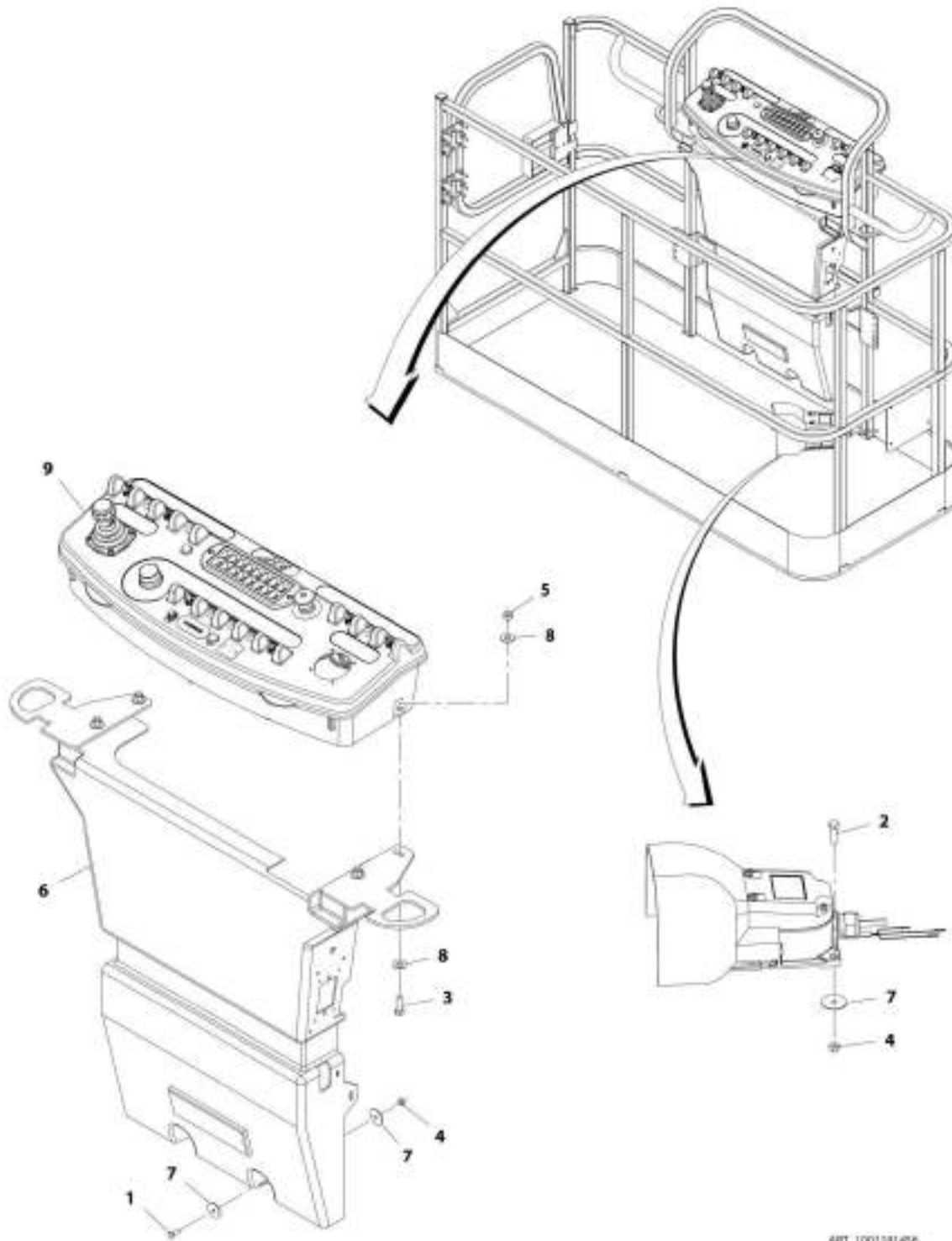
## SECTION 5 - PLATFORM

**FIGURE 5-9. PLATFORM ASSEMBLY - 36IN X 6FT (91.5CM X 1.83M) TRI-ENTRY WITH DROPBAR**

ITEM	PART NUMBER	QTY	DESCRIPTION	REV
	1001228377	Ref	PLATFORM ASSEMBLY - 36IN x 6FT (91.5CM x 1.83M)	A
		Ref	Note: Platform and Mesh must be ordered separately for Platforms with Mesh. See SPECIAL OPTIONS SECTION for Mesh Installations.	
		Ref	Note: Replacement Decals Must be Ordered Separately - See DECAL SECTION.	
1	0100011	1	Compound, Locking	
2	0641418	6	Bolt 1/4 x 2-1/4	
3	0961845	6	Bushing	
4	3290606	2	Nut M6	
5	3300151	6	Nut 1/4	
6	3520072	2	Plug	
7	3520198	2	Plug	
8	4010618	2	Screw M6 x 50	
9	4711400	12	Washer 1/4	
10	4811700	2	Washer M6	
11	1001138494	3	Bar, Drop	
12	1001138514	1	Rail (Top)	
13	1001140429	3	Decal - Drop Bar	
14	See Note	NSS	Platform, Weldment (Note: Not Available - Purchase Platform Assembly)	

# SECTION 5 - PLATFORM

## FIGURE 5-10. CONSOLE BOX INSTALLATION



ART\_1001191-056



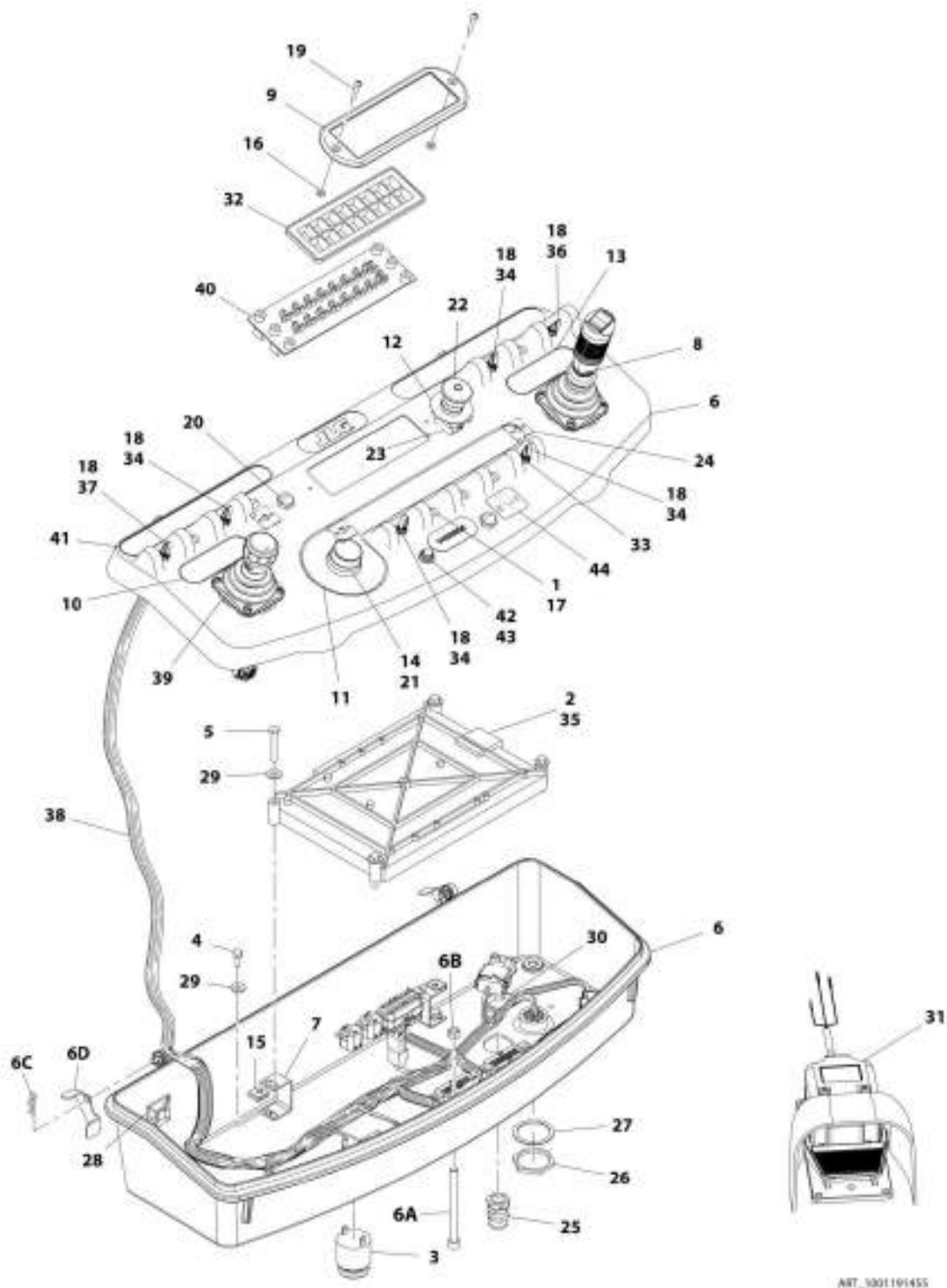
## SECTION 5 - PLATFORM

**FIGURE 5-10. CONSOLE BOX INSTALLATION**

ITEM	PART NUMBER	QTY	DESCRIPTION	REV
	1001191456	Ref	CONSOLE BOX INSTALLATION	B
1	0641406	2	Bolt 1/4 x 3/4	
2	0641408	3	Bolt 1/4 x 1	
3	0641610	4	Bolt 3/8 x 1-1/4	
4	3311405	5	Nut, Lock 1/4	
5	3311605	4	Nut, Lock 3/8	
6	3380434	1	Panel, Decal Mount	
7	4740362	7	Washer 1/4	
8	4751600	8	Washer 3/8	
9	1001191455	1	Platform Console Box Assembly (See PLATFORM CONSOLE BOX ASSEMBLY for Breakdown) <b>(Prior to SN 0300220076)</b>	
9	1001202594	1	Platform Console Box Assembly (See PLATFORM CONSOLE BOX ASSEMBLY for Breakdown) <b>(SN 0300220076 to Present)</b>	

# SECTION 5 - PLATFORM

FIGURE 5-11. CONSOLE BOX ASSEMBLY (Prior to SN 0300220076)



ART\_3001191455

## SECTION 5 - PLATFORM

**FIGURE 5-11. CONSOLE BOX ASSEMBLY (Prior to SN 0300220076)**

ITEM	PART NUMBER	QTY	DESCRIPTION	REV
	1001191455	Ref	CONSOLE BOX ASSEMBLY (Prior to SN 0300220076)	B
1	0100009	AR	Sealant	
2	0100081	AR	Adhesive	
3	0140011	1	Alarm	
4	0641405	4	Bolt 1/4 x 5/8	
5	0641414	4	Bolt 1/4 x 1-3/4	
6	1001190107	1	Platform Console Box	
6A	0630568	1	Capscrew 3/8 x 4-1/2	
6B	3311601	1	Nut 3/8	
6C	3470003	2	Hairpin	
6D	1001200575	2	Bracket, Stop	
7	0902751	4	Bracket	
8	1600359	1	Controller Assembly (Drive and Steer) (See CONTROLLER ASSEMBLY (DRIVE AND STEER) for Breakdown)	
9	1670829	1	Bezel	
10	1702566	1	Decal - Lift and Swing	
11	1702567	1	Decal - Function Speed	
12	1704260	1	Decal - EMS	
13	1704460	1	Decal - Drive and Steer	
14	2560136	1	Handle, Knob	
15	3300353	4	Nut, Tinnerman	
16	3300408	2	Nut, Lock	
17	3520054	6	Plug	
18	3790012	6	O-Ring	
19	3911018	2	Screw 10 x 1-1/8	
20	4360387	2	Switch, Pushbutton	
21	4360407	1	Switch, Potentiometer	
22	4360475	1	Switch, Emergency	
23	4360476	1	Block, Contact	
24	4460234	3	Terminal	
25	4460428	2	Connector, Strain Relief	
26	4460470	1	Nut, Terminal	
27	4460471	1	Washer, Lock	
28	4460488	1	Terminal, Mounting Base	
29	4751400	8	Washer 1/4	
30	1001110434	1	Plug	
31	1001117174	1	Footswitch Assembly (See FOOTSWITCH ASSEMBLY for Breakdown)	
32	1001146220	1	Housing, Display Light	
33	1001155044	6	Nut, Special 15/32	
34	1001155045	4	Switch, Toggle	
35	1001157196	1	Controller, Module (Note: Re-calibration Required when Replaced)	
36	1001159256	1	Switch, Toggle	
37	1001161709	1	Switch, Toggle DPDT	
38	1001164353	1	Harness, Platform Console Box (See ELECTRICAL SECTION for Breakdown)	
39	1001166539	1	Controller Assembly (Lift and Swing) (See CONTROLLER ASSEMBLY (LIFT AND SWING) for Breakdown)	
40	1001170838	1	Gauge, Led Panel	
41	1001184626	1	Decal, Horn	

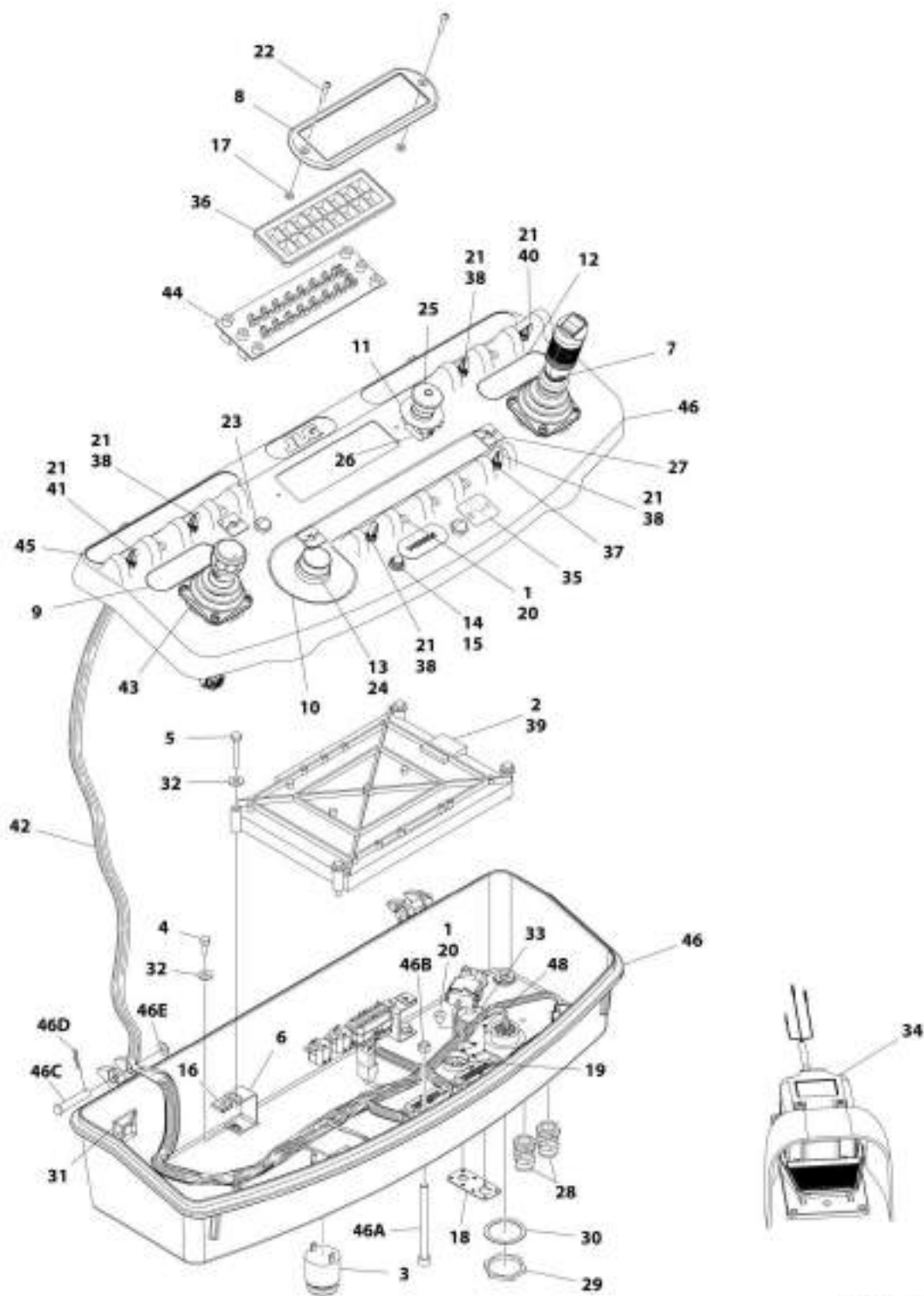
## SECTION 5 - PLATFORM

ITEM	PART NUMBER	QTY	DESCRIPTION	REV
42	2920028	1	Light, Indicator	
43	2920029	1	Lamp, Bulb	
44	1001144433	1	Decal, No Weight SkyGuard	



# SECTION 5 - PLATFORM

## FIGURE 5-12. CONSOLE BOX ASSEMBLY (SN 0300220076 to Present)



AHT\_1001202594

## SECTION 5 - PLATFORM

**FIGURE 5-12. CONSOLE BOX ASSEMBLY (SN 0300220076 to Present)**

ITEM	PART NUMBER	QTY	DESCRIPTION	REV
	1001202594	Ref	CONSOLE BOX ASSEMBLY (SN 0300220076 to Present)	D
1	0100009	AR	Sealant	
2	0100081	AR	Adhesive	
3	0140011	1	Alarm	
4	0641405	4	Bolt 1/4 x 5/8	
5	0641414	4	Bolt 1/4 x 1-3/4	
6	0902751	4	Bracket (Prior to SN 0300242297)	
6	1001172760	4	Bracket (SN 0300242297 to Present)	
7	1600359	1	Controller Assembly (Drive and Steer) (See CONTROLLER ASSEMBLY (DRIVE AND STEER) for Breakdown)	
8	1670829	1	Bezel	
9	1702566	1	Decal - Lift and Swing	
10	1702567	1	Decal - Function Speed	
11	1704260	1	Decal - EMS	
12	1704460	1	Decal - Drive and Steer	
13	2560136	1	Handle, Knob	
14	2920028	1	Light, Indicator	
15	2920029	1	Lamp, Bulb	
16	3300353	4	Nut, Tinnerman	
17	3300408	2	Nut	
18	3520033	2	Hole, Plug (SN 0300220076 through 0300223249)	
18	1001213882	1	Connector Mount (SN 0300223250 to Present)	
19	3520035	1	Plug, Cap	
20	3520054	6	Plug (SN 0300220076 through 0300223249)	
20	3520054	7	Plug (SN 0300223250 to Present)	
21	3790012	6	O-Ring	
22	3911018	2	Screw 10 x 1-1/8	
23	4360387	2	Switch, Pushbutton	
24	4360407	1	Switch, Potentiometer	
25	4360475	1	Switch, Emergency	
26	4360476	1	Block, Contact	
27	4460234	3	Terminal	
28	4460428	2	Connector, Strain Relief	
29	4460470	1	Nut, Terminal	
30	4460471	1	Washer	
31	4460488	1	Terminal, Mounting Base	
32	4751400	8	Washer 1/4	
33	1001110434	1	Plug	
34	1001117174	1	Footswitch Assembly (See FOOTSWITCH ASSEMBLY for Breakdown)	
35	1001144433	1	Decal - No Weight SkyGuard	
36	1001146220	1	Housing, Display Light	
37	1001155044	6	Nut 15/32	
38	1001155045	4	Switch, Toggle	
39	1001157196	1	Controller, Module (Note: Re-calibration Required when Replaced)	
40	1001159256	1	Switch, Toggle	
41	1001161709	1	Switch, Toggle DPDT	
42	1001164353	1	Harness, Platform Console Box (See ELECTRICAL SECTION for Breakdown)	
43	1001166539	1	Controller Assembly (Lift and Swing) (See CONTROLLER	

## SECTION 5 - PLATFORM

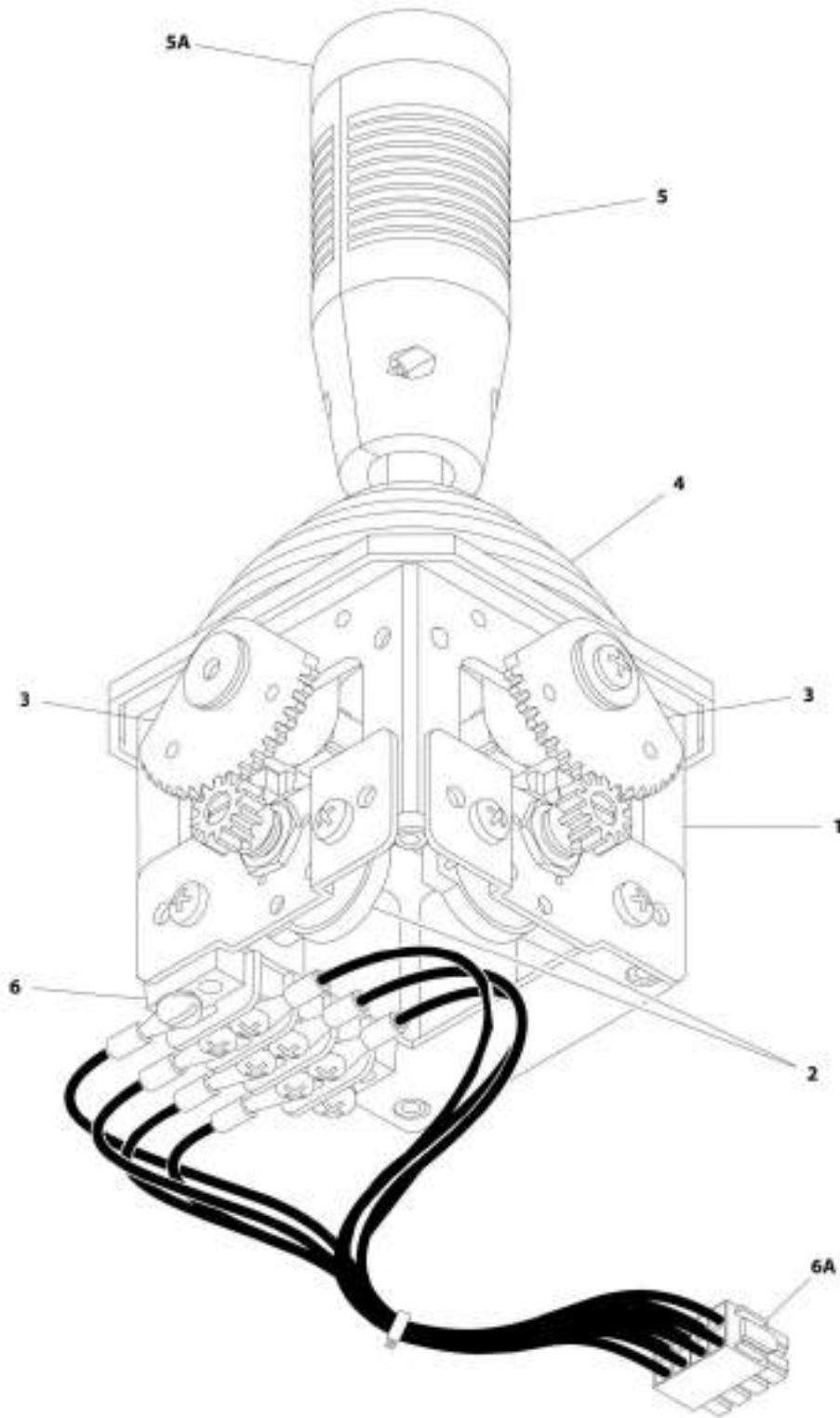
ITEM	PART NUMBER	QTY	DESCRIPTION	REV
			ASSEMBLY (LIFT AND SWING) for Breakdown)	
44	1001170838	1	Gauge, Led Panel	
45	1001184626	1	Decal - Horn	
46	1001201894	1	Platform Console Box <b>(SN 0300220076 through 0300223249)</b>	
46	1001215229	1	Platform Console Box <b>(SN 0300223250 to Present)</b>	
46A	0630568	1	Capscrew 3/8 x 4-1/2	
46B	3311601	1	Nut 3/8	
46C	3430616	2	Pin	
46D	3470003	2	Hairpin	
46E	4711600	2	Washer 3/8	
47	1001192292	1	Harness, SkyGuard (Not Shown - See ELECTRICAL SECTION for Breakdown) <b>(SN 0300223250 to Present)</b>	
48	3900349	1	Screw M2.5 <b>(SN 0300223250 to Present)</b>	





# SECTION 5 - PLATFORM

FIGURE 5-13. CONTROLLER ASSEMBLY (DRIVE AND STEER)



ART\_1000129

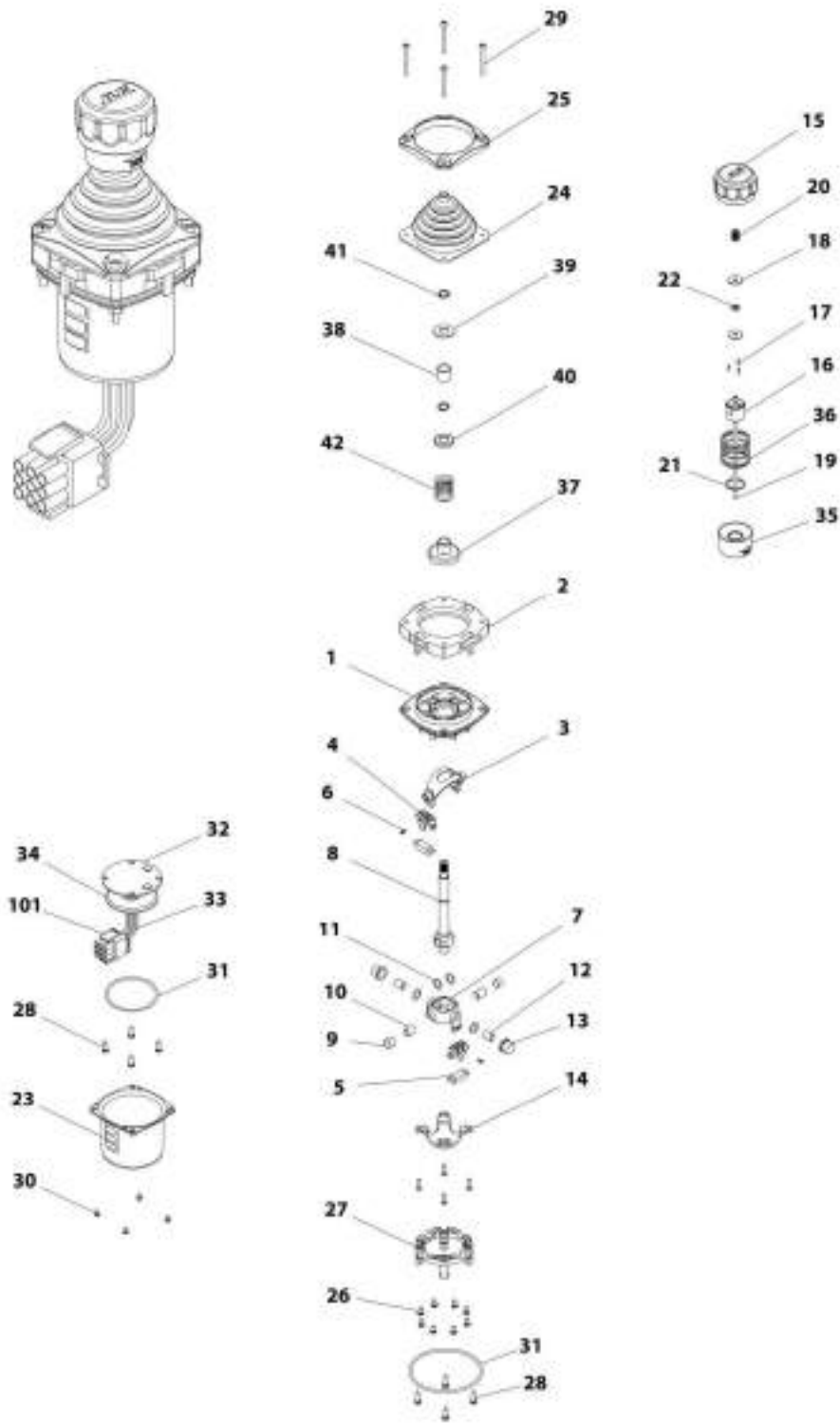
## SECTION 5 - PLATFORM

**FIGURE 5-13. CONTROLLER ASSEMBLY (DRIVE AND STEER)**

ITEM	PART NUMBER	QTY	DESCRIPTION	REV
	1600359	Ref	CONTROLLER ASSEMBLY	A
1	7022832	1	Housing Assembly (Includes Casting, Gimbles, etc)	
2	7022833	2	Potentiometer Plate	
2	7003974	2	Potentiometer	
3	7022834	2	Drive Gear Assembly	
4	7022835	1	Boot Assembly	
5	7022836	1	Handle Assembly	
5A	7022839	1	Cap, Rubber	
5A	7022838	1	Switch, Push Button	
6	7022837	1	Terminal Block/PC Board Assembly	
6A	See Note	1	Plug, Male 8 Position (Note: Not Available for Purchase)	
6A	4460871	6	Socket, Female	

# SECTION 5 - PLATFORM

## FIGURE 5-14. CONTROLLER ASSEMBLY (LIFT AND SWING)



ART\_1001166539

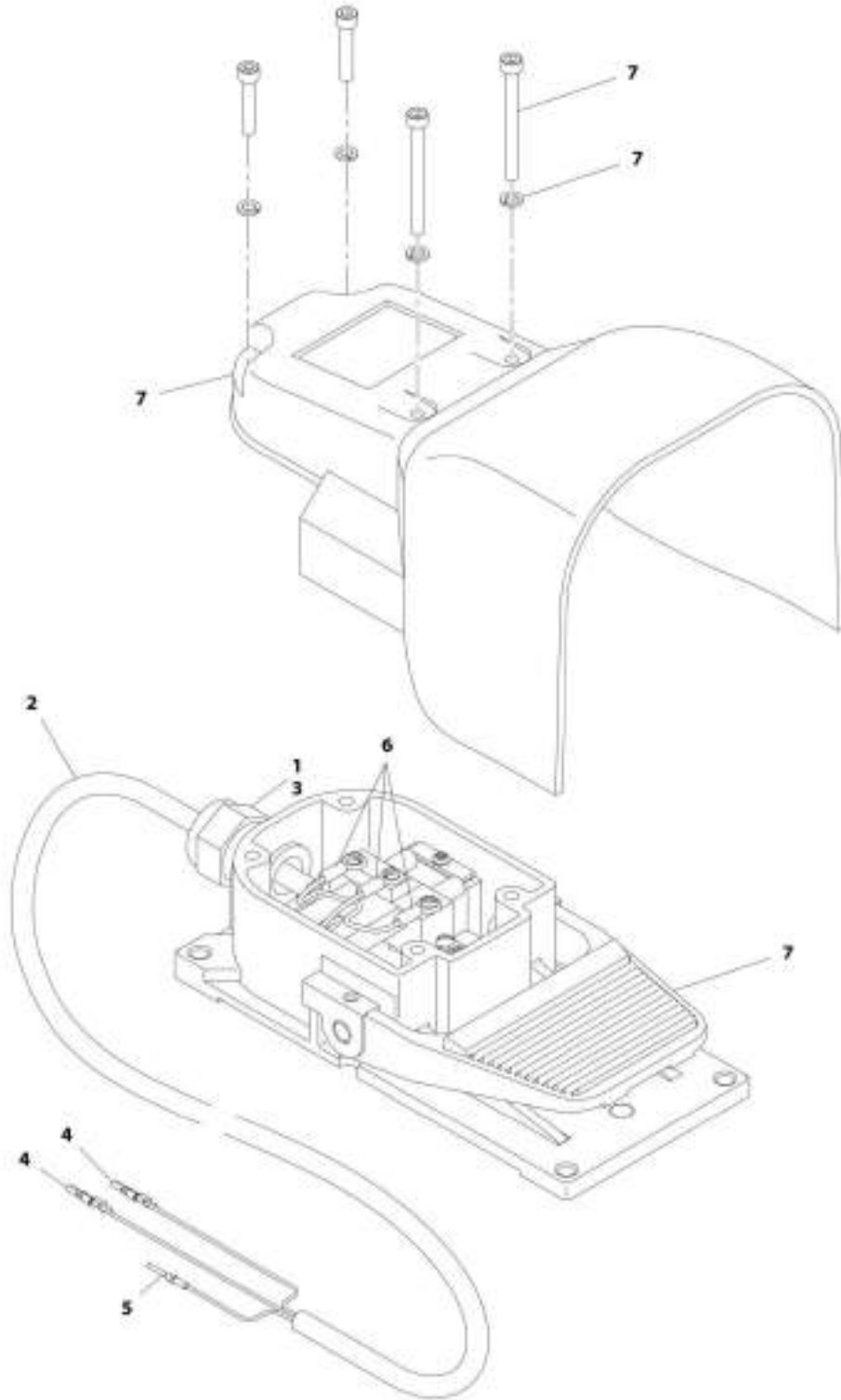
## SECTION 5 - PLATFORM

**FIGURE 5-14. CONTROLLER ASSEMBLY (LIFT AND SWING)**

ITEM	PART NUMBER	QTY	DESCRIPTION	REV
	1001166539	Ref	CONTROLLER ASSEMBLY - LIFT AND SWING	D
1	See Note	NSS	Main Cast Body (Note: Not Available - Purchase Complete Assembly)	
2	70004752	1	Adapter	
3	See Note	NSS	Pivot Arm, Plastic (Note: Not Available - Purchase Complete Assembly)	
4	See Note	NSS	Holder, Magnet (Note: Not Available - Purchase Complete Assembly)	
5	See Note	NSS	Arc, Magnet (Note: Not Available - Purchase Complete Assembly)	
6	See Note	NSS	Screw (Note: Not Available for Purchase)	
7	See Note	NSS	Pivot Arm, Cast (Note: Not Available - Purchase Complete Assembly)	
8	See Note	NSS	Shaft, Main (Note: Not Available - Purchase Complete Assembly)	
9	See Note	NSS	Bearing (Note: Not Available - Purchase Complete Assembly)	
10	See Note	NSS	Pin (Note: Not Available - Purchase Complete Assembly)	
11	See Note	NSS	Shim (Note: Not Available - Purchase Complete Assembly)	
12	See Note	NSS	Pin (Note: Not Available - Purchase Complete Assembly)	
13	See Note	NSS	Bearing (Note: Not Available - Purchase Complete Assembly)	
14	See Note	NSS	Dome, Centering (Note: Not Available - Purchase Complete Assembly)	
15	70004753	1	Cap	
16	70004754	1	Insert, Cap	
17	70004755	3	Pin	
18	70004756	2	Washer	
19	70004757	1	Pin, Centering	
20	70004758	1	Spring	
21	70004759	1	Ring, Retaining	
22	70004760	1	E-Ring	
23	70004761	1	Can, Enclosure	
24	70004762	1	Boot	
25	70004763	1	Bezel	
26	See Note	8	Screw (Note: Not Available for Purchase)	
27	See Note	NSS	Base Mounting (Note: Not Available - Purchase Complete Assembly)	
28	See Note	4	Screw (Note: Not Available for Purchase)	
29	70004764	4	Screw	
30	70004765	4	Screw	
31	70004766	1	O-Ring	
32	See Note	NSS	Plate (Note: Not Available - Purchase Complete Assembly)	
33	See Note	NSS	Harness (Note: Not Available - Purchase Complete Assembly)	
34	70004767	1	Grommet, Rubber	
35	70004768	1	Housing	
36	70004769	1	Spring	
37	70004770	1	Stopper	
38	70004771	1	Spacer	
39	70004772	1	Washer	
40	70004773	1	Disc	
41	70004774	2	Ring, Retaining	
42	70004775	1	Spring	
101	4460265	1	Connector - 9 Position	
101	4460226	6	Socket, Female	

# SECTION 5 - PLATFORM

## FIGURE 5-15. FOOTSWITCH ASSEMBLY



ARL 1001157124

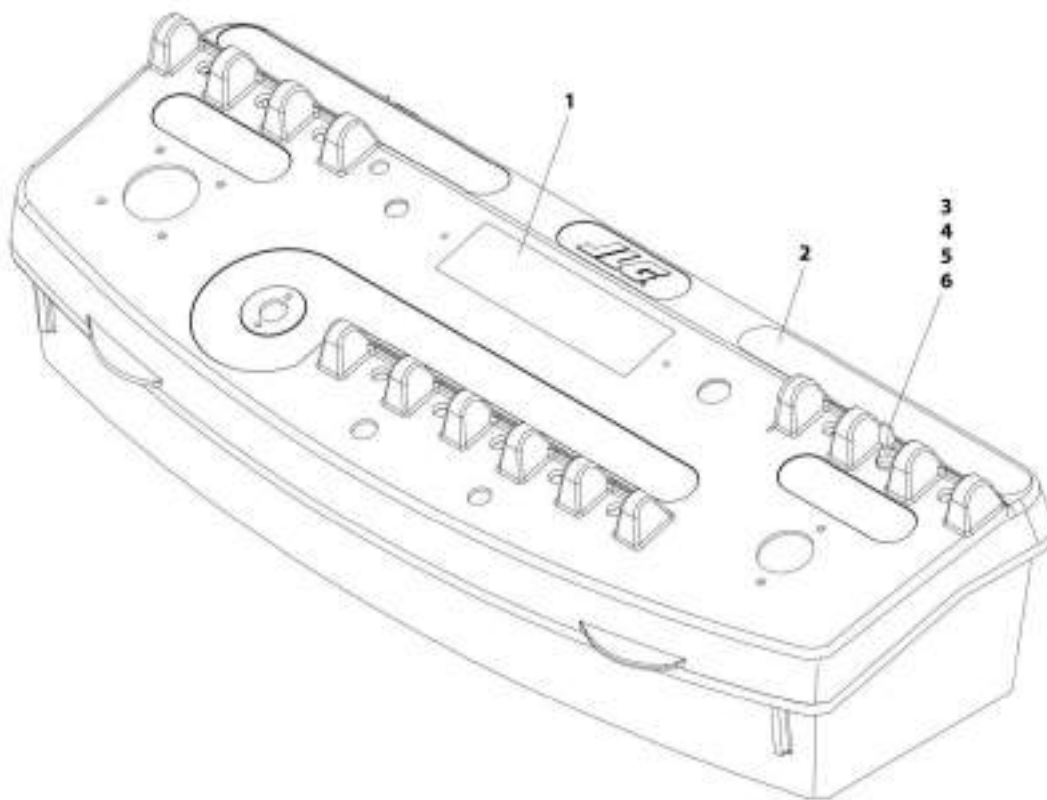
## SECTION 5 - PLATFORM

### FIGURE 5-15. FOOTSWITCH ASSEMBLY

ITEM	PART NUMBER	QTY	DESCRIPTION	REV
	1001117174	Ref	FOOTSWITCH ASSEMBLY	B
1	0100020	AR	Sealant	
2	1060918	7.5 ft /2.29m	Cable, Electrical - 18/3	
3	4460071	1	Connector, Strain Relief	
4	4460226	2	Socket, Female	
5	4460464	1	Pin, Male	
6	1001098122	3	Terminal	
7	1001117172	1	Footswitch	
7	70002902	1	Switch, 20Amp	
7	70002903	1	Gasket	
7	70002905	1	Cover	
7	70002904	1	Kit, Replacement Bolt	

## SECTION 5 - PLATFORM

FIGURE 5-16. LIGHT PANEL INSTALLATION - 400SC (ANSI, ANSI EXPORT AND CSA SPECS) (SN 0300234013 to Present)



ART\_100167561



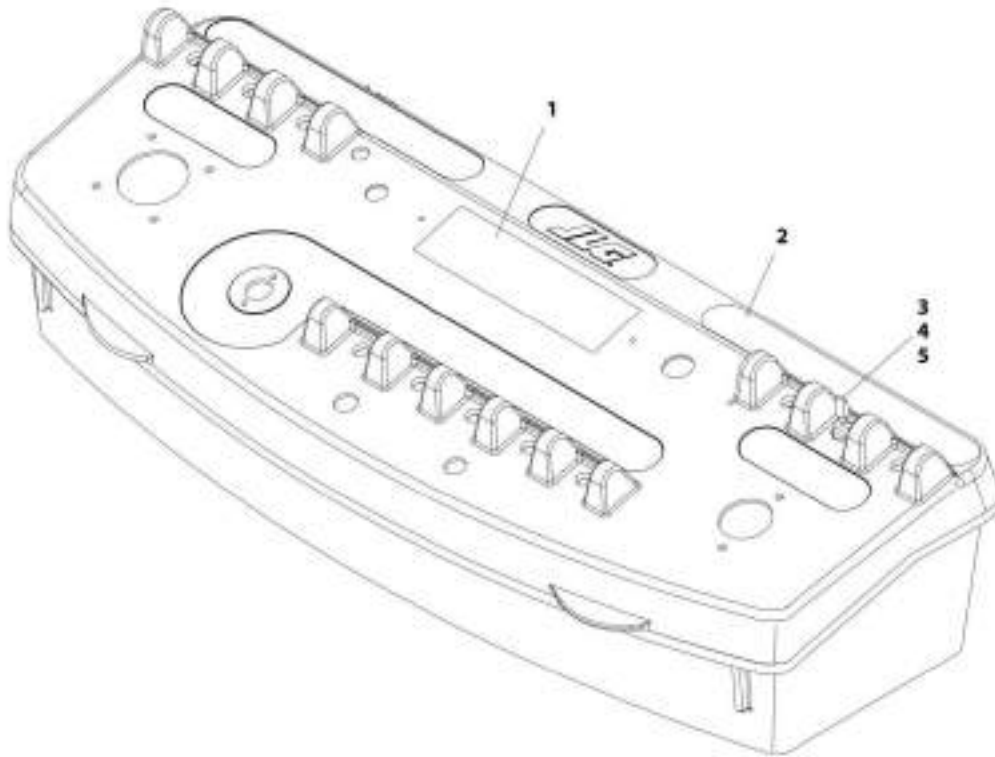
## SECTION 5 - PLATFORM

**FIGURE 5-16. LIGHT PANEL INSTALLATION - 400SC (ANSI, ANSI EXPORT AND CSA SPECS) (SN 0300234013 to Present)**

ITEM	PART NUMBER	QTY	DESCRIPTION	REV
	1001167963	Ref	LIGHT PANEL INSTALLATION - 400SC (ANSI, ANSI EXPORT AND CSA SPECS) (SN 0300234013 to Present)	C
1	1001167962	1	Decal - Platform Display	
2	1001195947	1	Decal - Stop and Auxiliary Power	
3	3790012	1	O-Ring	
4	1001155044	1	Nut 15/32	
5	1001161710	1	Switch, Toggle	

# SECTION 5 - PLATFORM

FIGURE 5-17. LIGHT PANEL INSTALLATION - 400SC (CE SPEC)



ART\_1001184620

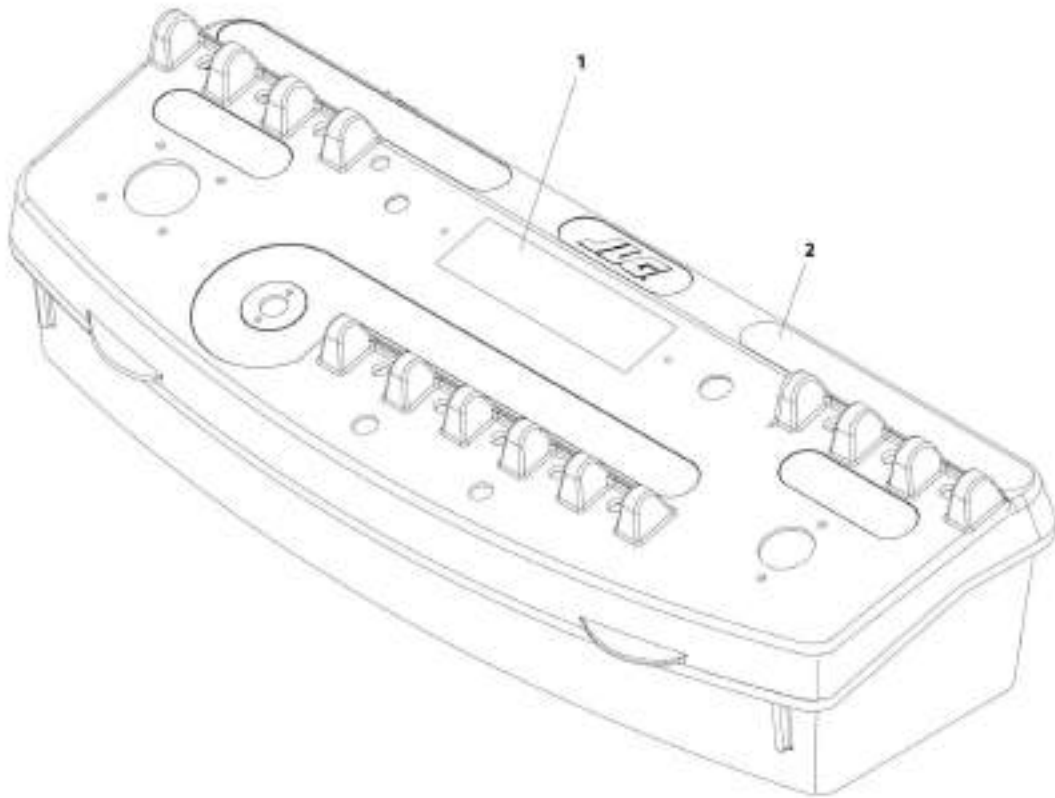
## SECTION 5 - PLATFORM

**FIGURE 5-17. LIGHT PANEL INSTALLATION - 400SC (CE SPEC)**

ITEM	PART NUMBER	QTY	DESCRIPTION	REV
	1001184620	Ref	LIGHT PANEL INSTALLATION - 400SC (CE SPEC)	A
1	1001184621	1	Decal - Platform Display	
2	1001184619	1	Decal - Stop and Auxiliary Power	
3	3790012	1	O-Ring	
4	1001155044	2	Nut, Special 15/32	
5	1001161710	1	Switch, Toggle	

## SECTION 5 - PLATFORM

FIGURE 5-18. LIGHT PANEL INSTALLATION - 460SJC



ART. 1004 (1/0004)

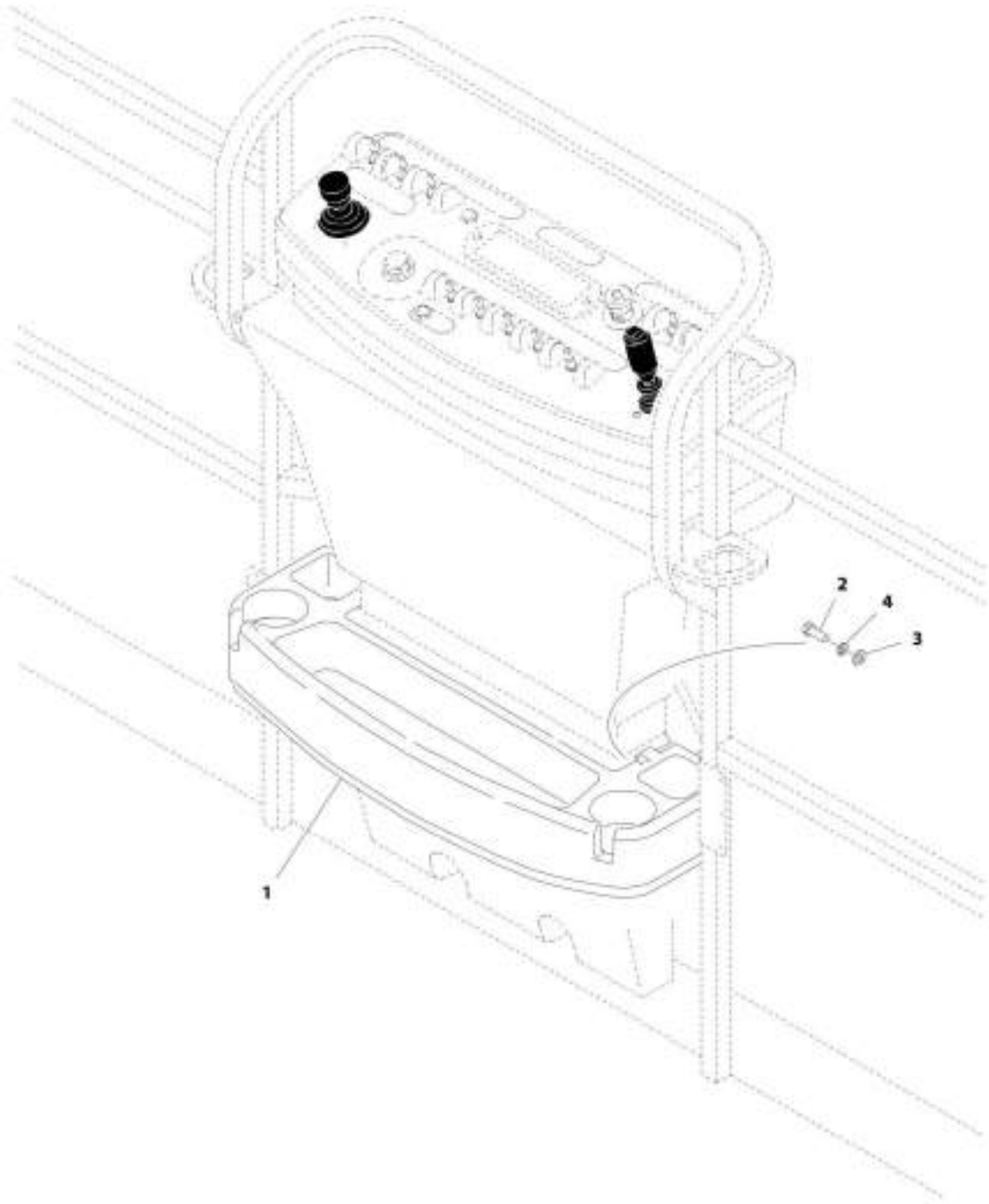
## SECTION 5 - PLATFORM

**FIGURE 5-18. LIGHT PANEL INSTALLATION - 460SJC**

ITEM	PART NUMBER	QTY	DESCRIPTION	REV
	1001170084	Ref	LIGHT PANEL INSTALLATION - 460SJC	B
1	1001170083	1	Decal - Platform Display	
2	1001184618	1	Decal - Stop and Auxiliary Power	

**SECTION 5 - PLATFORM**

**FIGURE 5-19. TRAY INSTALLATION**



ART\_15R0002

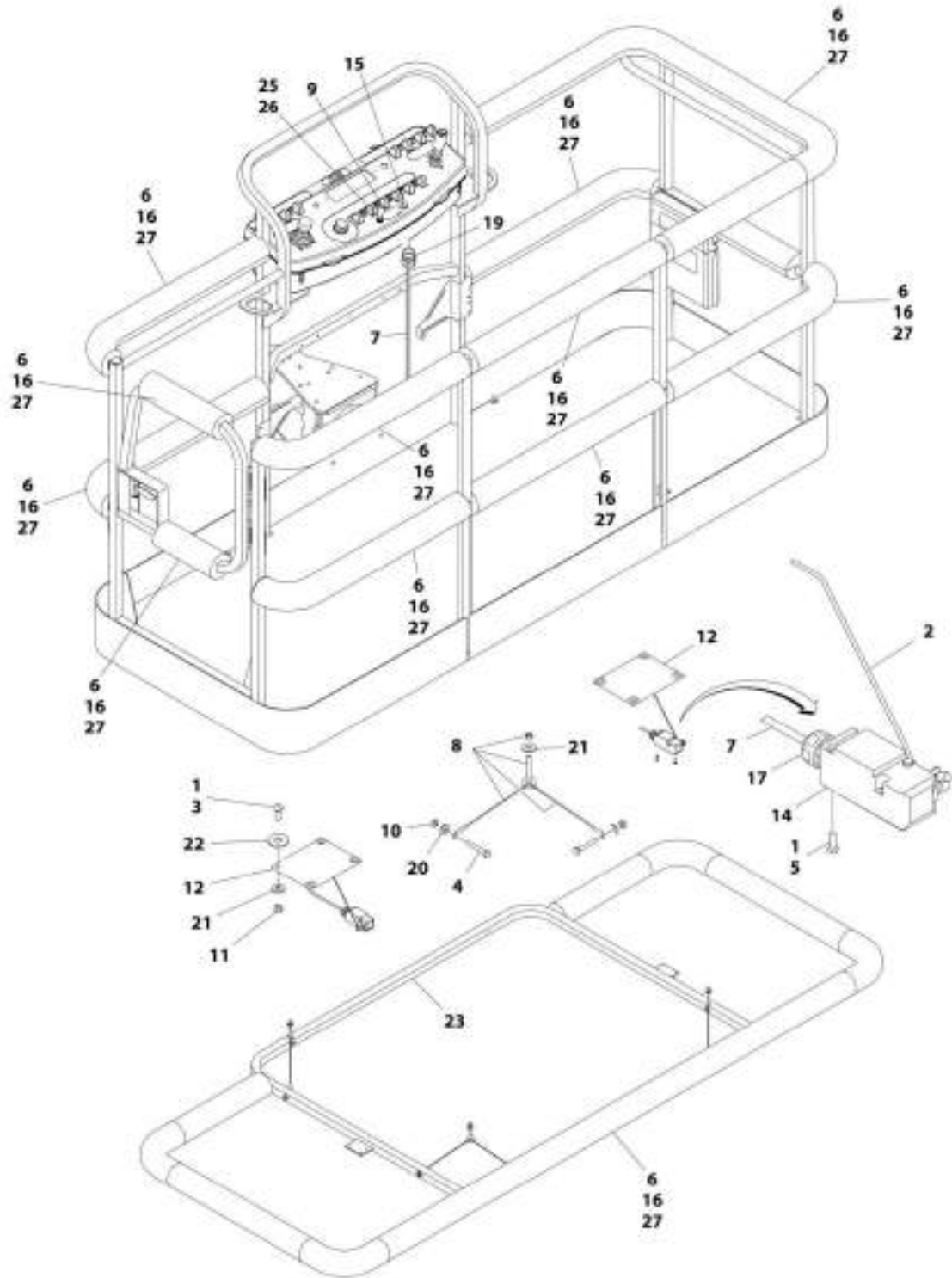
## SECTION 5 - PLATFORM

### FIGURE 5-19. TRAY INSTALLATION

ITEM	PART NUMBER	QTY	DESCRIPTION	REV
		Ref	TRAY INSTALLATION	
1	1580012	1	Tray, Storage (Center)	
2	0641406	2	Bolt 1/4 x 3/4	
3	4751400	2	Washer 1/4	
4	4761400	2	Washer 1/4	

# SECTION 5 - PLATFORM

FIGURE 5-20. SOFT TOUCH INSTALLATION - 36IN X 8FT (91.5CM X 2.44M) PLATFORM (OPTIONAL)



AWT\_8072437



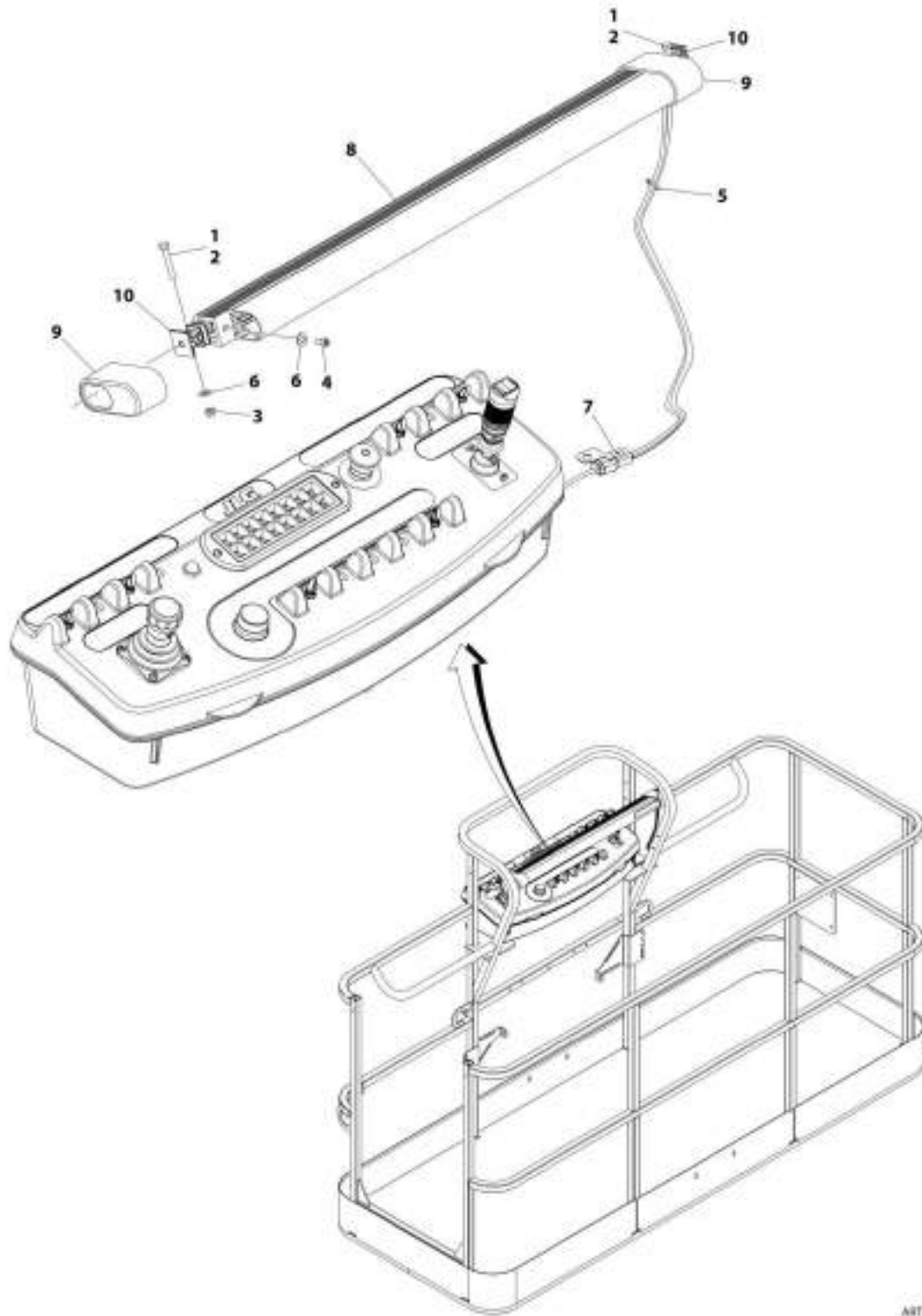
## SECTION 5 - PLATFORM

**FIGURE 5-20. SOFT TOUCH INSTALLATION - 36IN X 8FT (91.5CM X 2.44M) PLATFORM (OPTIONAL)**

ITEM	PART NUMBER	QTY	DESCRIPTION	REV
	0272427	Ref	SOFT TOUCH INSTALLATION - 36IN X 8FT (91.5CM X 2.44M) PLATFORM (OPTIONAL)	G
1	0100011	AR	Compound, Locking	
2	0200048	2	Arm, Switch Activator	
3	0630462	8	Bolt, Carriage	
4	0641414	8	Bolt 1/4 x 1-3/4	
5	0731005	4	Screw, Machine #10 x 5/8	
6	0940103	1	Bumper Kit	
7	1060341	23 ft/7m	Cable, Electrical - 16/2	
8	1060903	4	Wire Rope and Eyebolt Assembly	
9	1702938	1	Decal - Soft Touch Override	
10	3311401	8	Nut 1/4	
11	3311501	8	Nut 5/16	
12	3574091	2	Plate, Striker	
13	4240099	7	Tie-Strap (Not Shown)	
14	4360057	2	Switch, Limit	
15	4360387	1	Switch, Push Button	
16	4420068	1	Tape, Yellow Adhesive <b>(Prior to SN 0300234972)</b>	
17	4460049	2	Connector, Strain Relief	
18	4460234	7	Base, Tie-Strap Mounting (Not Shown)	
19	4460425	1	Connector, Strain Relief (Not Shown - Located on Bottom of Platform)	
20	4751400	8	Washer 1/4	
21	4751500	12	Washer 5/16	
22	4751800	8	Washer 1/2	
23	4846673	1	Rail, Soft-Touch	
24	4933218	1	Soft Touch Wiring Diagram (Not Shown - See ELECTRICAL SECTION for Breakdown)	
25	2920028	1	Light, Indicator	
26	2920029	1	Bulb	
27	1001197017	AR	Tie Strap (Yellow)	

# SECTION 5 - PLATFORM

## FIGURE 5-21. SKYGUARD SYSTEM INSTALLATION



ART\_100197508

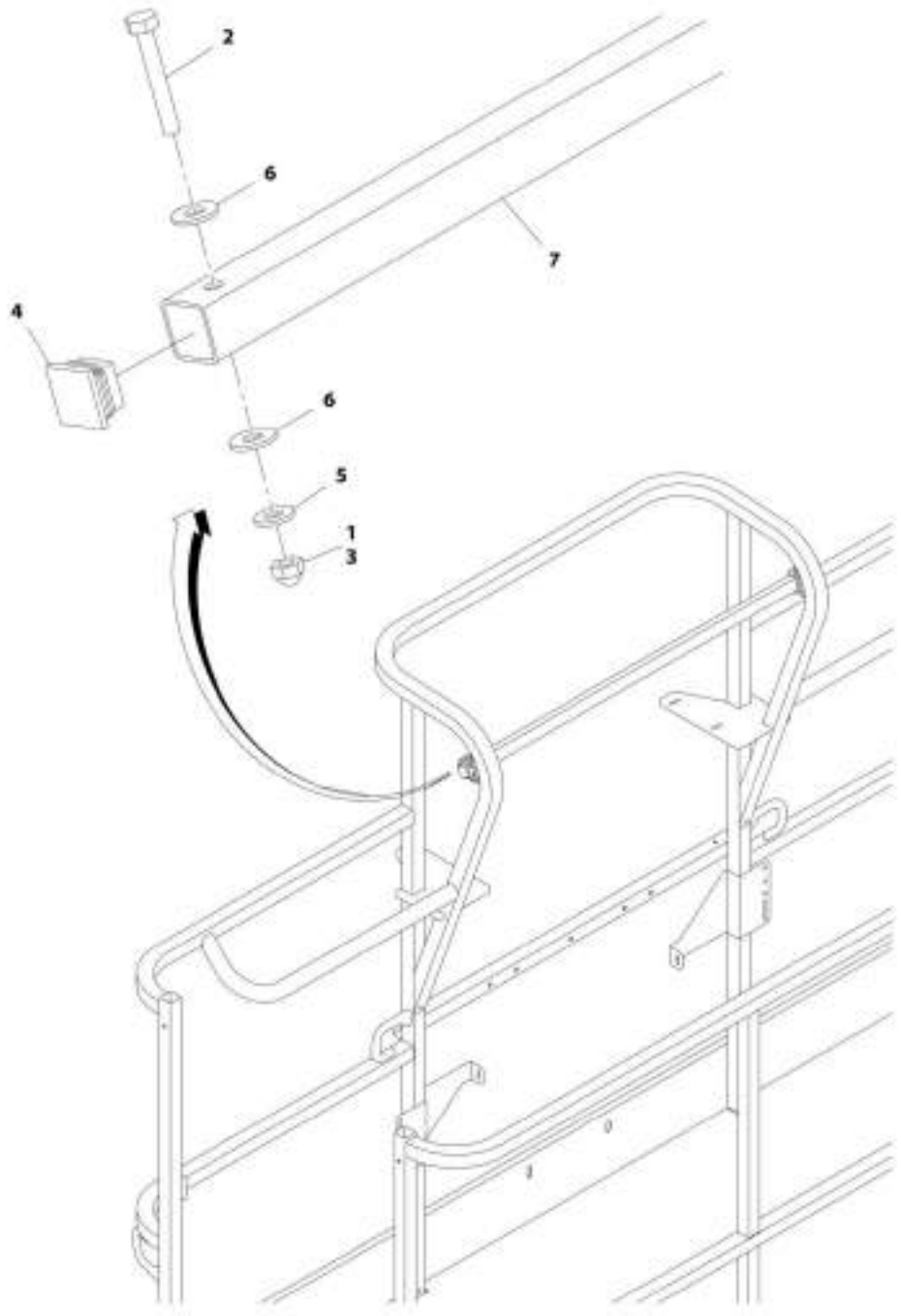
## SECTION 5 - PLATFORM

**FIGURE 5-21. SKYGUARD SYSTEM INSTALLATION**

ITEM	PART NUMBER	QTY	DESCRIPTION	REV
	1001187508	Ref	SKYGUARD SYSTEM INSTALLATION	C
1	0100011	AR	Compound, Locking	
2	0641414	2	Bolt 1/4 x 1-3/4	
3	3300430	2	Nut, Acorn 1/4	
4	3931424	2	Capscrew 1/4 x 1-1/2	
4	3931408	2	Capscrew 1/4 x 1/2	
5	4240033	AR	Tie-Strap	
6	4711400	AR	Washer 1/4	
7	1001120328	1	Mount	
8	1001137673	1	Switch, SkyGuard Assembly	
9	1001186517	2	Cover, Platform Sensor	
10	1001188889	2	Support, Block <b>(Prior to SN 0300246703)</b>	
10	1001209664	2	Support, Block <b>(SN 0300246703 to Present)</b>	

# SECTION 5 - PLATFORM

## FIGURE 5-22. CROSS RAIL INSTALLATION



AWF\_1001182138

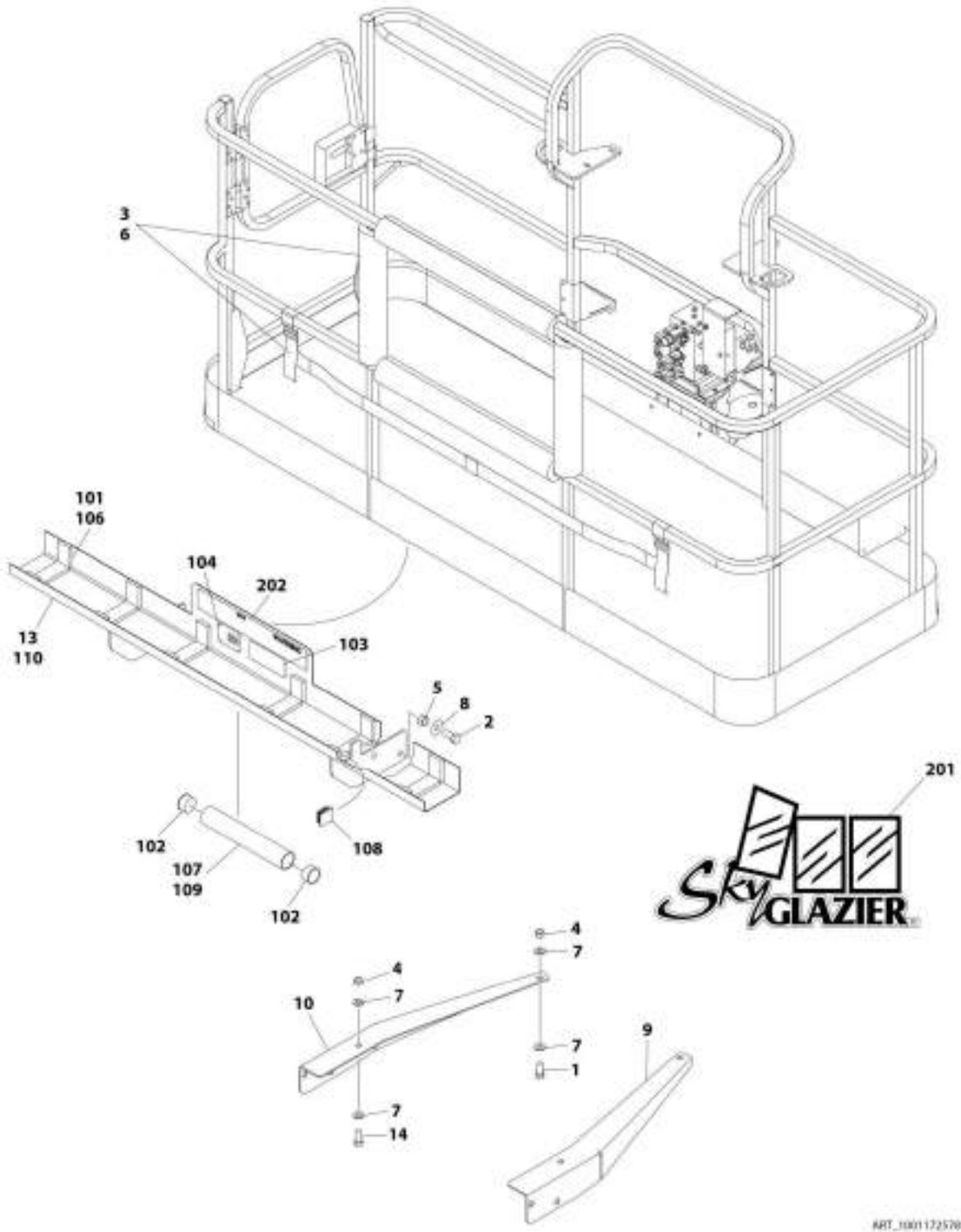
## SECTION 5 - PLATFORM

**FIGURE 5-22. CROSS RAIL INSTALLATION**

ITEM	PART NUMBER	QTY	DESCRIPTION	REV
		Ref	CROSS RAIL INSTALLATION	
	1001182138	Ref	CROSS RAIL INSTALLATION - 400SC - CE SPECS <b>(Prior to SN 0300221183)</b>	A
	1001182138	Ref	CROSS RAIL INSTALLATION - 460SJC - ANSI EXPORT SPECS <b>(SN 0300224020 to Present)</b>	A
1	0100071	AR	Compound, Locking	
2	0641414	2	Bolt 1/4 x 1-3/4	
3	3300430	2	Nut 1/4	
4	3520182	2	Plug	
5	4711400	2	Washer 1/4	
6	4751400	4	Washer 1/4	
7	1001191708	1	Bar	

# SECTION 5 - PLATFORM

## FIGURE 5-23. SKYGLAZIER INSTALLATION



ART\_1001122570

## SECTION 5 - PLATFORM

**FIGURE 5-23. SKYGLAZIER INSTALLATION**

ITEM	PART NUMBER	QTY	DESCRIPTION	REV
	1001172578	Ref	SKYGLAZIER INSTALLATION (ANSI, ANSI EXPORT, CE AND CSA SPECS) (400SC ONLY)	C
	1001172578	Ref	SKYGLAZIER INSTALLATION (ANSI AND CSA SPECS) (460SJC ONLY)	C
1	0642012	2	Bolt 5/8 x 1-1/2	
2	0642212	4	Bolt 3/4 x 1-1/2	
3	2902212	1	Bumpers and Strap Kit	
3	0940102	1	Bumper Only	
3	4240149	1	Strap Only	
4	3312005	4	Nut 5/8	
5	3312205	4	Nut 3/4	
6	4420014	AR	Tape	
7	4712000	6	Washer 5/8	
8	4712200	8	Washer 3/4	
9	1001099366	1	Support	
10	1001099367	1	Support	
13	1001172577	1	Tray Assembly (See Items 101-110 for Breakdown)	
14	8310129	2	Bolt 5/8 x 2-1/2	
	1001172577	Ref	TRAY ASSEMBLY	B
101	0100081	AR	Adhesive	
102	1120555	2	Cap, Tube	
103	1701509	2	Decal - Manual	
104	See Note	NSS	Nameplate - Serial Number (Note: Not Available for Purchase)	
106	3340956	1	Pad Kit	
107	3460334	1	Tube	
108	3520071	2	Plug	
109	4420066	AR	Tape, Double Sided	
110	4846562	1	Weldment	
	1001172571	Ref	SKYGLAZIER DECAL INSTALLATION (SPANISH DECALS) ( <b>Prior to SN 0300224020</b> )	B
	1001193135	Ref	SKYGLAZIER DECAL INSTALLATION (SPANISH DECALS) ( <b>SN 0300224020 to Present</b> )	B
	1001172572	Ref	SKYGLAZIER DECAL INSTALLATION (PORTUGUESE DECALS) ( <b>Prior to SN 0300224020</b> )	B
	1001193136	Ref	SKYGLAZIER DECAL INSTALLATION (PORTUGUESE DECALS) ( <b>SN 0300224020 to Present</b> )	B
	1001172573	Ref	SKYGLAZIER DECAL INSTALLATION (FRENCH DECALS)	B
	1001172574	Ref	SKYGLAZIER DECAL INSTALLATION (GERMAN DECALS)	B
	1001172575	Ref	SKYGLAZIER DECAL INSTALLATION (ITALIAN DECALS)	B
	1001172576	Ref	SKYGLAZIER DECAL INSTALLATION (UK DECALS)	B
	1001172570	Ref	SKYGLAZIER DECAL INSTALLATION (ANSI, ANSI EXPORT AND CSA SPECS) (ENGLISH DECALS) ( <b>SN 0300234013 to Present</b> )	C
201	1705358	1	Decal - SkyGlazier Capacity	
202	1001172564	1	Decal - SkyGlazier Capacity (Spanish) ( <b>Prior to SN 0300224020</b> )	
202	1001193133	1	Decal - SkyGlazier Capacity (Spanish) ( <b>SN 0300224020 to Present</b> )	
202	1001172565	1	Decal - SkyGlazier Capacity (Portuguese) ( <b>Prior to SN 0300224020</b> )	
202	1001193134	1	Decal - SkyGlazier Capacity (Portuguese) ( <b>SN 0300224020 to Present</b> )	
202	1001172566	1	Decal - SkyGlazier Capacity (French)	
202	1001172567	1	Decal - SkyGlazier Capacity (German)	

## SECTION 5 - PLATFORM

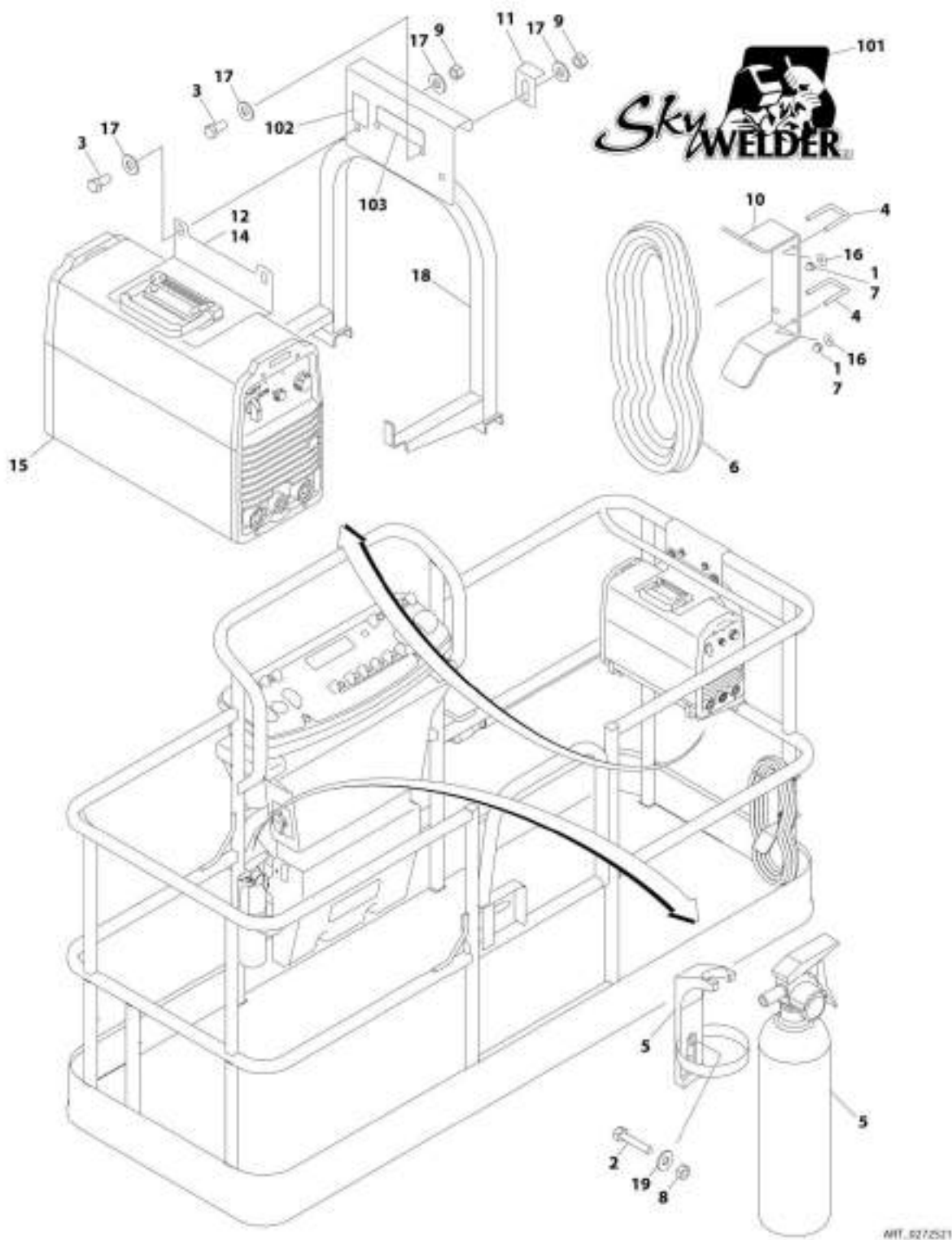
ITEM	PART NUMBER	QTY	DESCRIPTION	REV
202	1001172568	1	Decal - SkyGlazier Capacity (Italian)	
202	1001172569	1	Decal - SkyGlazier Capacity (UK)	
202	1001199035	2	Decal - SkyGlazier Capacity (ANSI, ANSI Export and CSA Specs) (English Decals) <b>(SN 0300234013 to Present)</b>	





# SECTION 5 - PLATFORM

## FIGURE 5-24. SKYWELDER INSTALLATION (50HZ)



WIT\_5272521

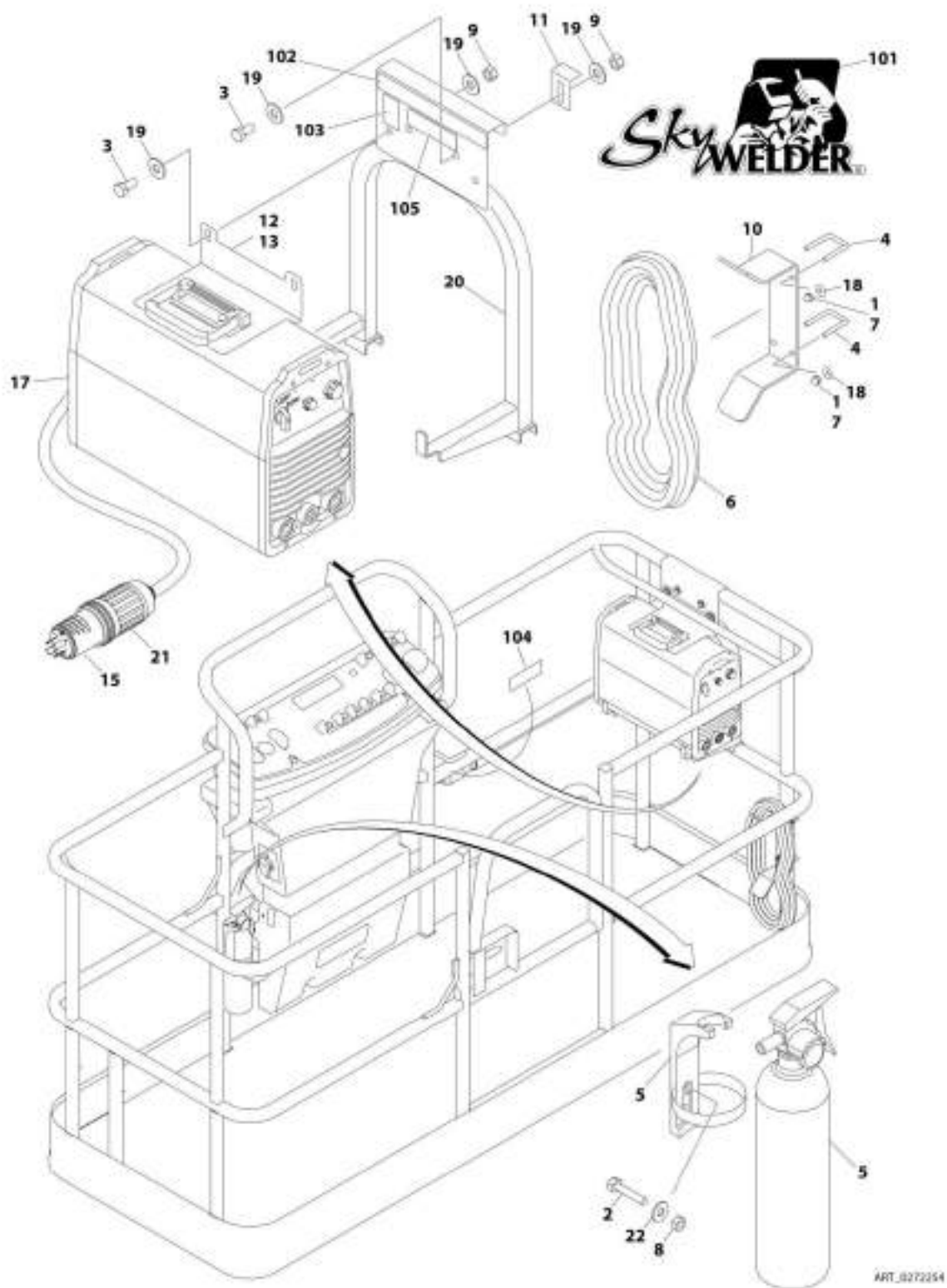
## SECTION 5 - PLATFORM

**FIGURE 5-24. SKYWELDER INSTALLATION (50HZ)**

ITEM	PART NUMBER	QTY	DESCRIPTION	REV
	0272521	Ref	SKYWELDER INSTALLATION (50HZ)	F
1	0100011	AR	Compound, Locking	
2	0630518	2	Screw #10 x 3/4	
3	0641606	4	Bolt 3/8 x 3/4	
4	1320302	2	U-Clamp	
5	2030010	1	Extinguisher, Fire	
6	2902217	1	Weld Leads Kit	
7	3300151	4	Nut 1/4	
8	3311005	2	Nut #10	
9	3311605	4	Nut 3/8	
10	3573400	1	Bracket	
11	3577121	2	Angle	
12	3573642	1	Plate	
13	4240099	AR	Tie-Strap (Not Shown)	
14	4420037	AR	Tape	
15	4530028	1	Welder Assembly (See WELDER ASSEMBLY for Breakdown)	
16	4751400	4	Washer 1/4	
17	4751600	8	Washer 3/8	
18	4846627	1	Support	
19	4751000	2	Washer #10	
	0272588	Ref	SKYWELDER DECAL INSTALLATION	B
101	1705355	2	Decal - SkyWelder	
102	1705305	1	Decal - Weld Lead	
103	1705466	1	Decal - Weight <b>(Prior to SN 0300234013)</b>	
103	1001228988	1	Decal - Weight <b>(SN 0300234013 to Present)</b>	

# SECTION 5 - PLATFORM

FIGURE 5-25. SKYWELDER INSTALLATION (60HZ) (ANSI EXPORT SPECS) (SN 0300224020 to Present)



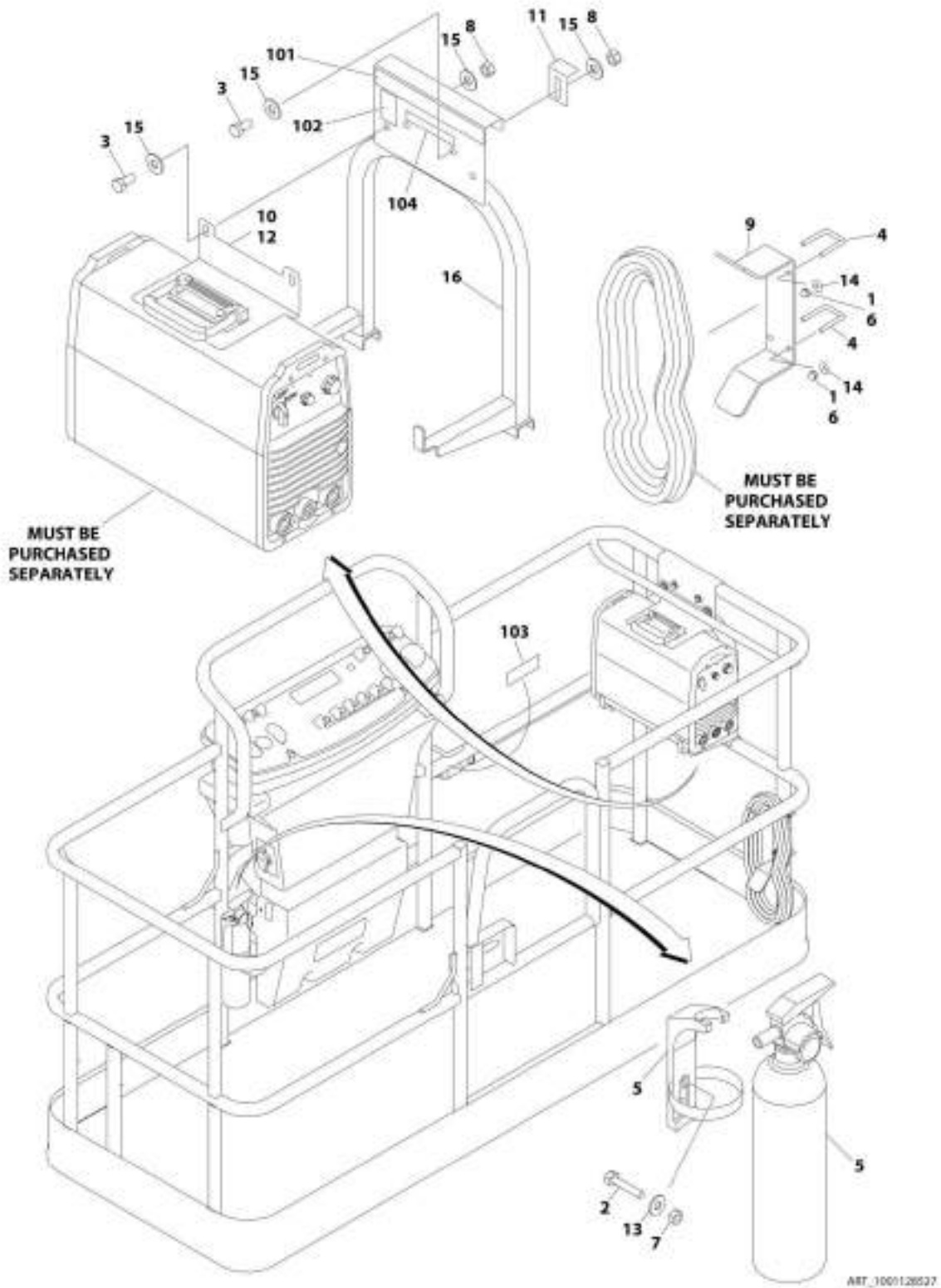
## SECTION 5 - PLATFORM

**FIGURE 5-25. SKYWELDER INSTALLATION (60HZ) (ANSI EXPORT SPECS) (SN 0300224020 to Present)**

ITEM	PART NUMBER	QTY	DESCRIPTION	REV
	0272254	Ref	SKYWELDER INSTALLATION (60HZ) (ANSI EXPORT SPECS) <b>(SN 0300224020 to Present)</b>	I
1	0100011	AR	Compound, Locking	
2	0630518	2	Screw #10 x 3/4	
3	0641606	4	Bolt 3/8 x 3/4	
4	1320302	2	U-Clamp	
5	2030010	1	Extinguisher, Fire	
6	2902217	1	Weld Leads Kit	
7	3300151	4	Nut 1/4	
8	3311005	2	Nut #10	
9	3311605	4	Nut 3/8	
10	3573400	1	Bracket	
11	3577121	2	Angle	
12	3573642	1	Plate	
13	4420037	AR	Tape	
14	4240099	AR	Tie-Strap (Not Shown)	
15	4460962	1	Plug, Male Twistlock	
17	4530028	1	Welder Assembly (See WELDER ASSEMBLY for Breakdown)	
18	4751400	4	Washer 1/4	
19	4751600	8	Washer 3/8	
20	4846627	1	Support	
21	1671093	1	Cover, Plug	
22	4751000	2	Washer #10	
	0272448	Ref	SKYWELDER DECAL INSTALLATION	B
101	1705355	2	Decal - SkyWelder	
102	1702868	1	Decal - No Hands	
103	1705305	1	Decal - Weld Lead	
104	1705375	1	Decal - 240V - 3 Phase - 60Hz	
105	1705466	1	Decal - Weight <b>(SN 0300224020 through 0300234013)</b>	
105	1001228988	1	Decal - Weight <b>(SN 0300234013 to Present)</b>	

# SECTION 5 - PLATFORM

FIGURE 5-26. SKYWELDER PREP PACKAGE (60HZ) (ANSI EXPORT SPECS) (SN 0300224020 to Present)



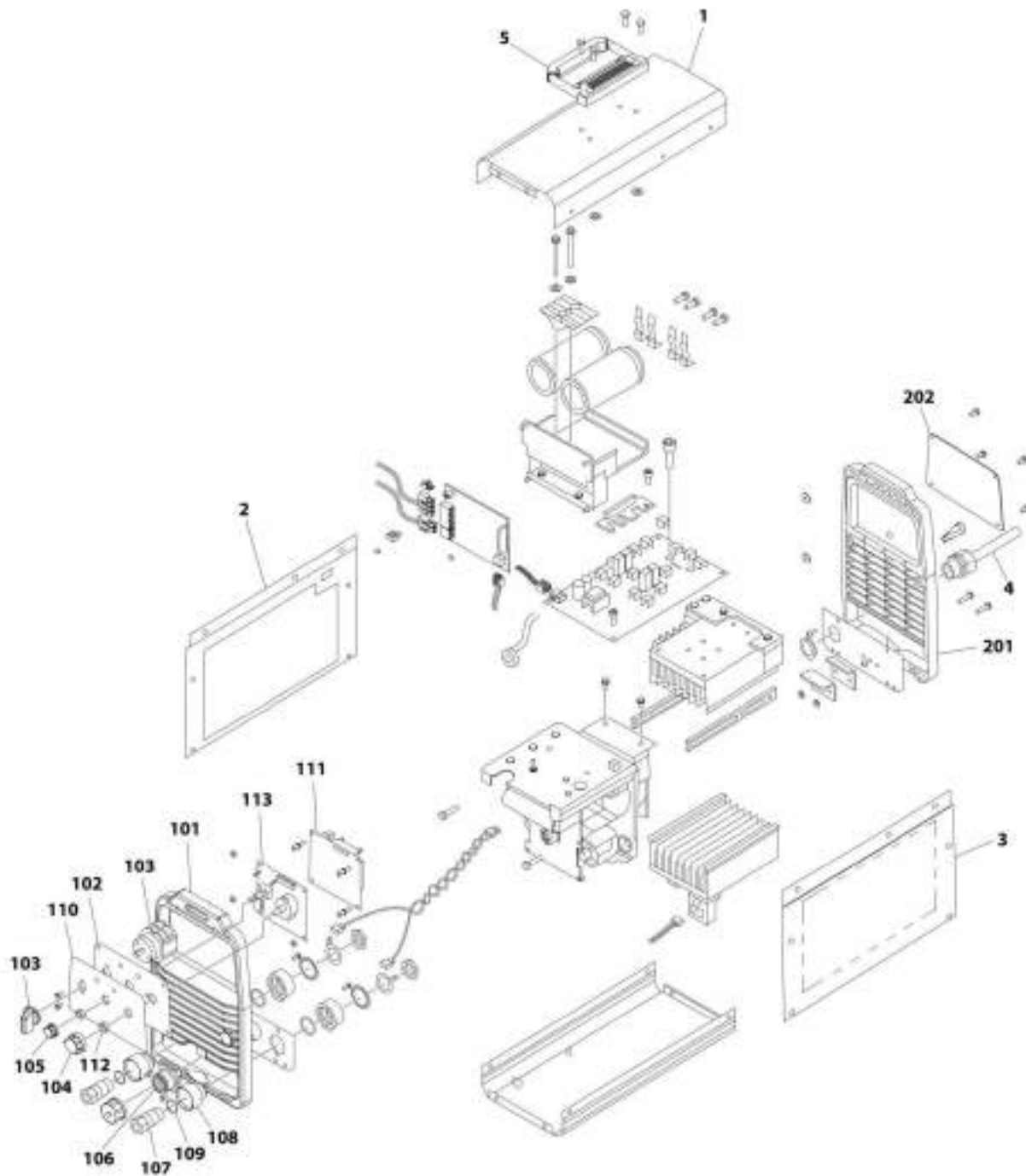
## SECTION 5 - PLATFORM

**FIGURE 5-26. SKYWELDER PREP PACKAGE (60HZ) (ANSI EXPORT SPECS) (SN 0300224020 to Present)**

ITEM	PART NUMBER	QTY	DESCRIPTION	REV
	1001128527	Ref	SKYWELDER PREP PACKAGE (60HZ) (ANSI EXPORT SPECS) <b>(SN 0300224020 to Present)</b>	B
		Ref	Note: ANSI, ANSI Export and CSA Specs Only.	
1	0100011	AR	Compound, Locking	
2	0630518	2	Screw #10 x 3/4	
3	0641606	4	Bolt 3/8 x 3/4	
4	1320302	2	U-Clamp	
5	2030010	1	Extinguisher, Fire	
6	3300151	4	Nut 1/4	
7	3311005	2	Nut #10	
8	3311605	4	Nut 3/8	
9	3573400	1	Bracket	
10	3573642	1	Plate	
11	3577121	2	Angle	
12	4420037	AR	Tape	
13	4751000	2	Washer #10	
14	4751400	4	Washer 1/4	
15	4751600	8	Washer 3/8	
16	4846627	1	Support	
	1001128556	Ref	SKYWELDER DECAL INSTALLATION	A
101	1702868	1	Decal - No Hands	
102	1705305	1	Decal - Weld Lead	
103	1705375	1	Decal - 240V - 3 Phase - 60Hz	
104	1705466	1	Decal - Weight	

# SECTION 5 - PLATFORM

## FIGURE 5-27. WELDER ASSEMBLY



A0T\_453002B



## SECTION 5 - PLATFORM

### FIGURE 5-27. WELDER ASSEMBLY

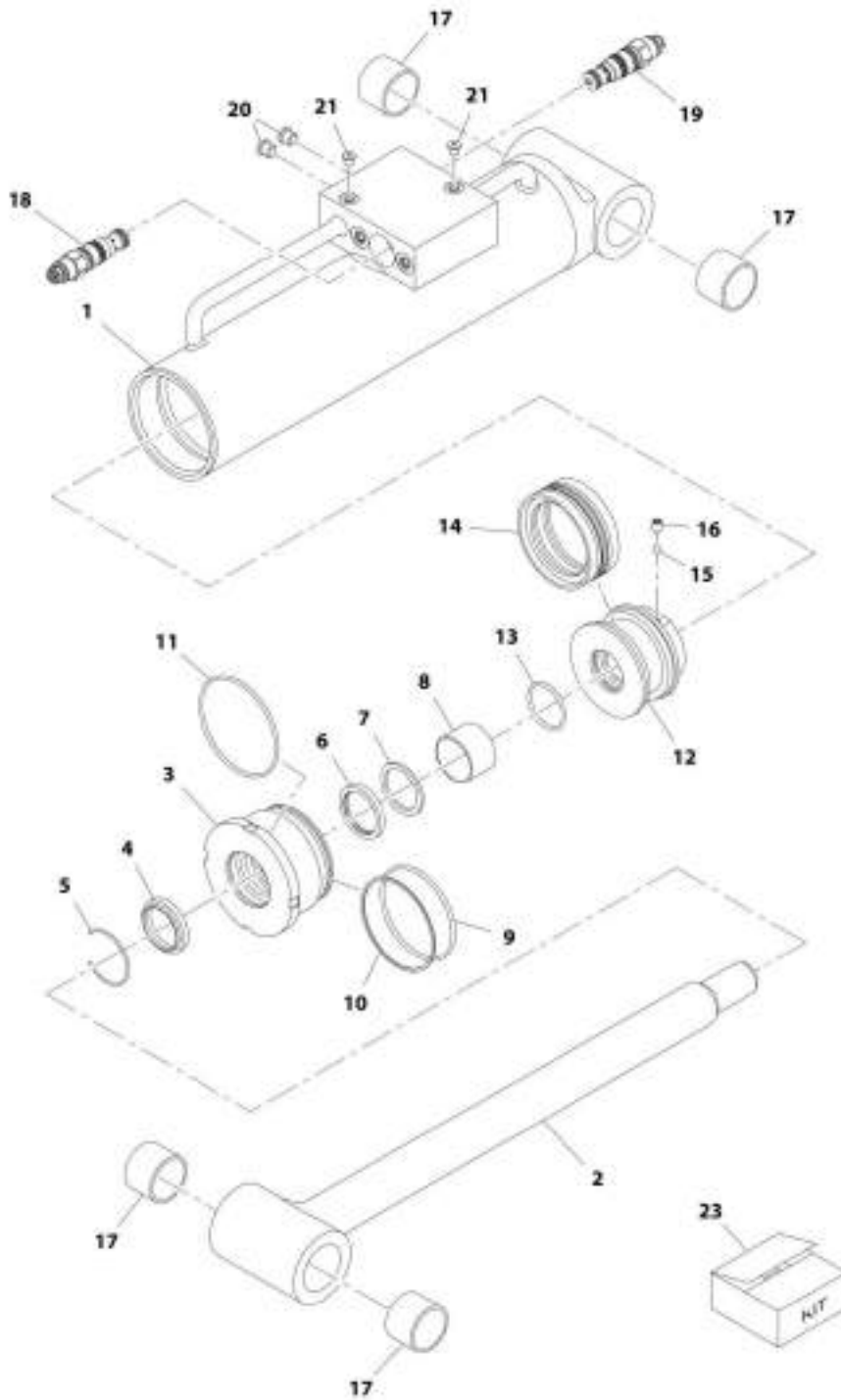
ITEM	PART NUMBER	QTY	DESCRIPTION	REV
	4530028	Ref	WELDER ASSEMBLY	B
		Ref	Note: For Other Components, contact your Miller Welder Dealer.	
1	7027773	1	Cover, Top	
1	7027774	1	Decal - Static Precautionary Warning	
2	See Note	NSS	Panel, LH Side (Note: Part of Item 1. Purchase Item 1)	
3	See Note	NSS	Panel, RH Side (Note: Part of Item 1. Purchase Item 1)	
4	7024467	1	Cable, Power	
4	7027775	1	Decal - Electrical Shock Warning (Not Shown)	
5	7027776	1	Handle, Carrying	
101	7024462	1	Panel, Front	
102	7024463	1	Panel, Console	
103	7024469	1	Switch with Lead	
104	7024470	1	Knob	
105	7024471	1	Knob	
106	7024472	1	Receptacle with Leads and Plugs	
107	7024473	2	Receptacle, Twistlock Female	
108	7024474	2	Insulator	
109	7024475	2	O-Ring	
110	7027777	1	Nameplate	
111	7027779	1	Circuit Card Assembly (Process Control)	
112	7024478	2	Nut	
113	7027778	1	Circuit Card Assembly (Operator Interface)	
201	7024462	1	Panel, Rear	
202	7027780	1	Panel, Cover	



**SECTION 6 - CYLINDER**

# SECTION 6 - CYLINDER

FIGURE 6-1. LEVEL (PLATFORM SLAVE) CYLINDER ASSEMBLY



ART\_1001163306

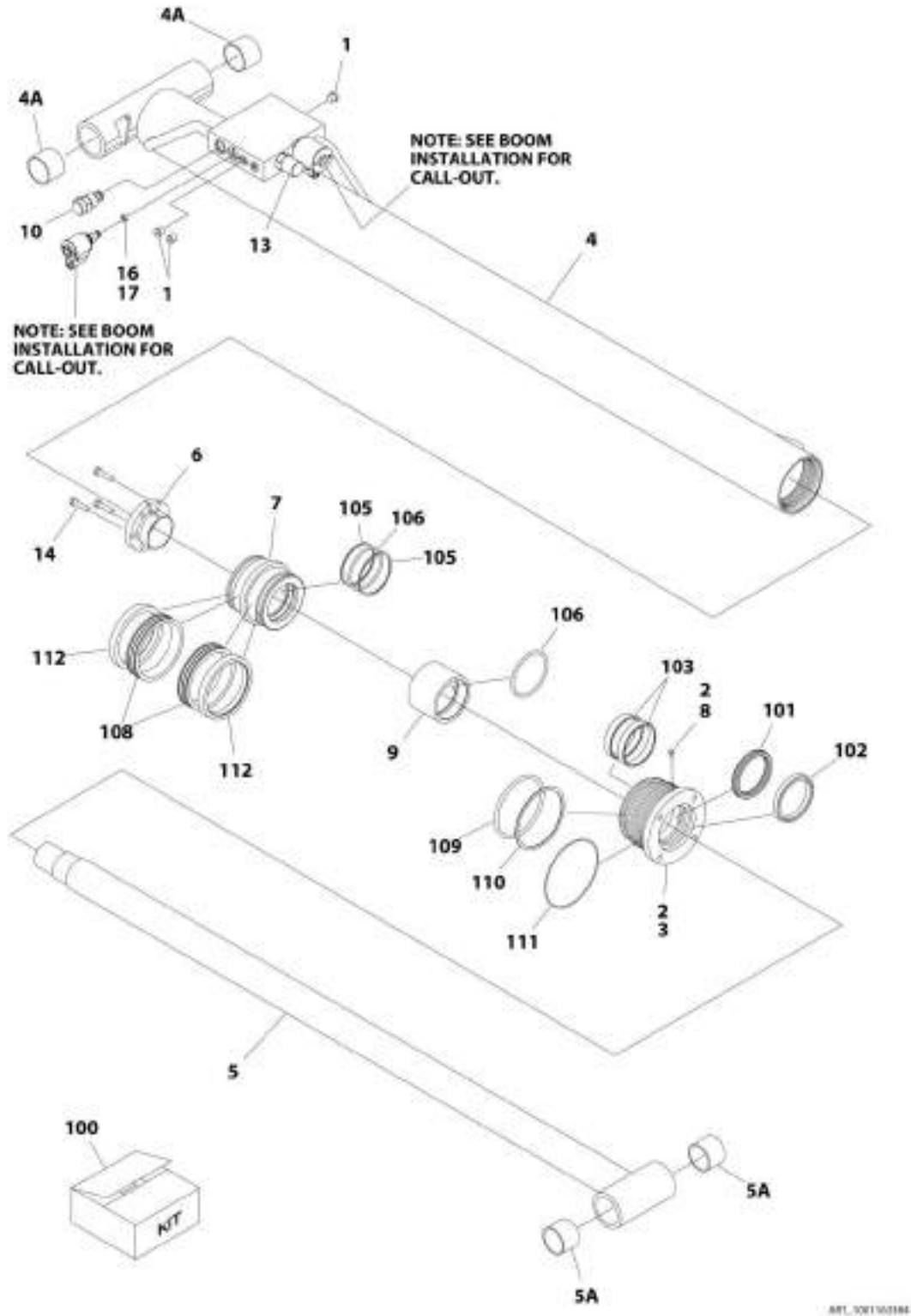
## SECTION 6 - CYLINDER

**FIGURE 6-1. LEVEL (PLATFORM SLAVE) CYLINDER ASSEMBLY**

ITEM	PART NUMBER	QTY	DESCRIPTION	REV
	1001163386	Ref	LEVEL (PLATFORM SLAVE) CYLINDER ASSEMBLY	G
1	70005147	1	Barrel	
2	70005148	1	Rod	
3	70005142	1	Head	
4	See Note	NSS	Wiper (Note: Use Item 23)	
5	70002373	1	Ring, Retaining	
6	See Note	NSS	Seal, Rod (Note: Use Item 23)	
7	See Note	NSS	Ring, Back-up (Note: Use Item 23)	
8	70005143	1	Bearing, Dry	
9	See Note	NSS	O-Ring (Note: Use Item 23)	
10	See Note	NSS	Ring, Back-up (Note: Use Item 23)	
11	See Note	NSS	O-Ring (Note: Use Item 23)	
12	70005144	1	Piston	
13	See Note	NSS	O-Ring (Note: Use Item 23)	
14	See Note	NSS	Seal, Piston (Note: Use Item 23)	
15	70022564	1	Ball	
16	70023369	1	Setscrew	
17	70005145	4	Bearing	
18	1001168209	1	Cartridge, Valve	
18	2900770	1	Seal Kit - 1001168209 Valve	
19	1001168210	1	Cartridge, Valve	
19	2900770	1	Seal Kit - 1001168210 Valve	
20	70023370	1	Plug 7/16	
21	2220881	1	Plug, O-Ring 5/16	
23	70005149	1	Seal Kit - 1001163386 Cylinder (Includes Items 4, 6, 7, 9, 10, 11, 13 & 14)	

# SECTION 6 - CYLINDER

FIGURE 6-2. LIFT CYLINDER ASSEMBLY - MAIN BOOM - 400SC (Prior to SN 0300205271)



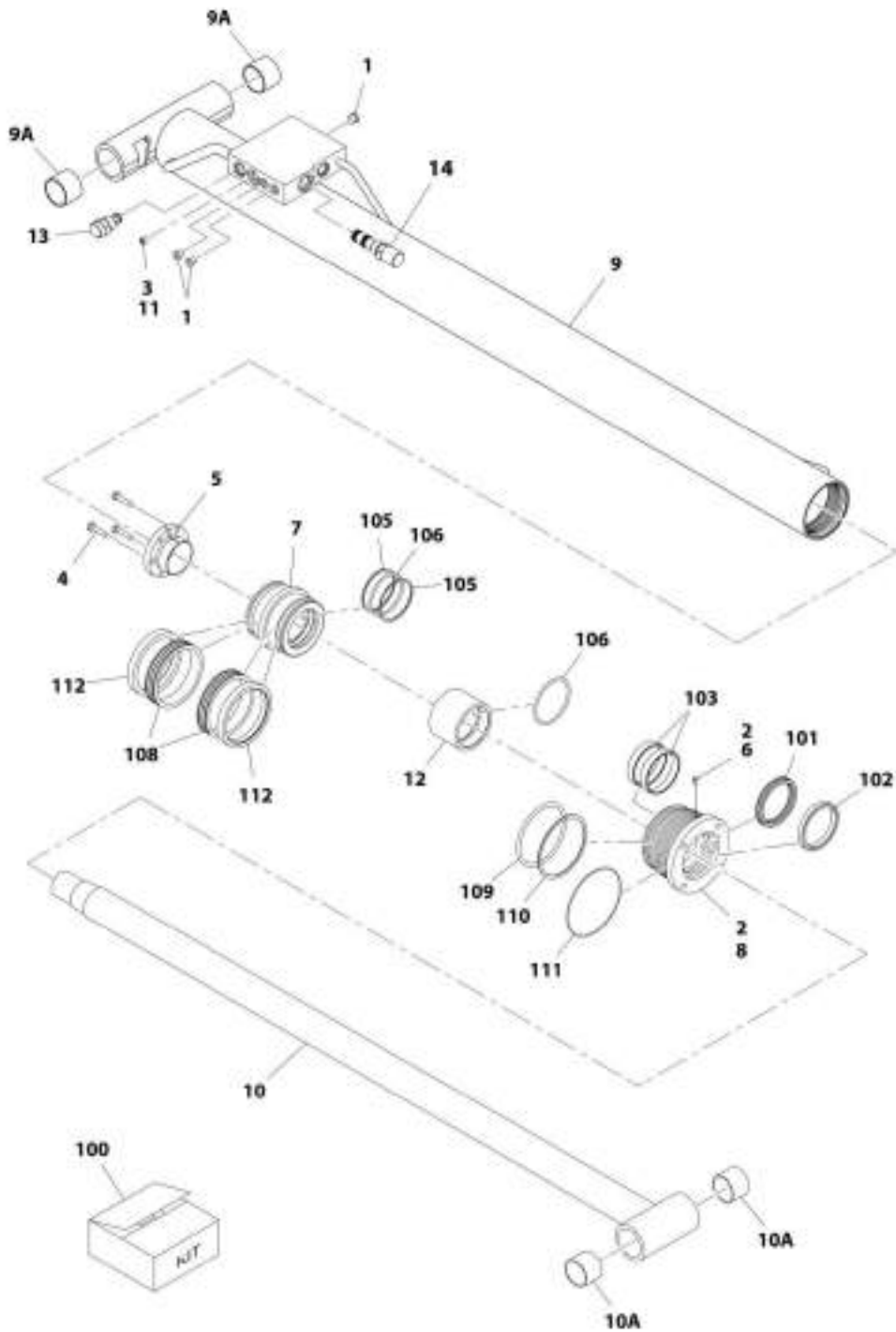
## SECTION 6 - CYLINDER

**FIGURE 6-2. LIFT CYLINDER ASSEMBLY - MAIN BOOM - 400SC (Prior to SN 0300205271)**

ITEM	PART NUMBER	QTY	DESCRIPTION	REV
	1001163384	Ref	LIFT CYLINDER ASSEMBLY - MAIN BOOM - 400SC (Prior to SN <b>0300205271</b> )	F
		Ref	Note: Original Cylinder May Have Been Replaced with Service Replacement. Identify PN Stamped on Cylinder Before Ordering Parts.	
1	2220883	3	Plug #4	
2	3020043	AR	Lubricant, Anti-Seize	
3	1001164582	1	Head, Cylinder	
4	1001164578	1	Barrel	
4A	0961950	2	Bearing	
5	1001164583	1	Rod	
5A	0961950	2	Bearing	
6	0961897	1	Bushing	
7	3480211	1	Piston	
8	1001125137	1	Screw #8	
9	1001164596	1	Spacer	
10	4641390	1	Cartridge, Check Valve	
10	7017496	1	Seal Kit - 4641390 Valve	
13	1001165131	1	Cartridge, Valve	
13	7012925	1	Seal Kit - 1001165131 Valve	
14	0641409	3	Bolt 1/4 x 1-1/8	
16	0100035	1	Compound, Locking	
17	1001170759	1	Orifice 0.047	
100	1001164585	1	Seal Kit - 1001163384 Cylinder (Includes Items 101-112)	
101	See Note	NSS	Seal, Rod (Note: Use Item 100)	
102	See Note	NSS	Wiper (Note: Use Item 100)	
103	See Note	NSS	Ring, Wear (Note: Use Item 100)	
105	See Note	NSS	Ring, Back-up (Note: Use Item 100)	
106	See Note	NSS	Seal (Note: Use Item 100)	
108	See Note	NSS	Ring, Lock (Note: Use Item 100)	
109	See Note	NSS	O-Ring (Note: Use Item 100)	
110	See Note	NSS	Ring, Back-up (Note: Use Item 100)	
111	See Note	NSS	O-Ring (Note: Use Item 100)	
112	See Note	NSS	Ring, Lock (Note: Use Item 100)	

# SECTION 6 - CYLINDER

FIGURE 6-3. LIFT CYLINDER ASSEMBLY - MAIN BOOM - 400SC (SN 0300205271 through 0300226923)



ART\_300198805



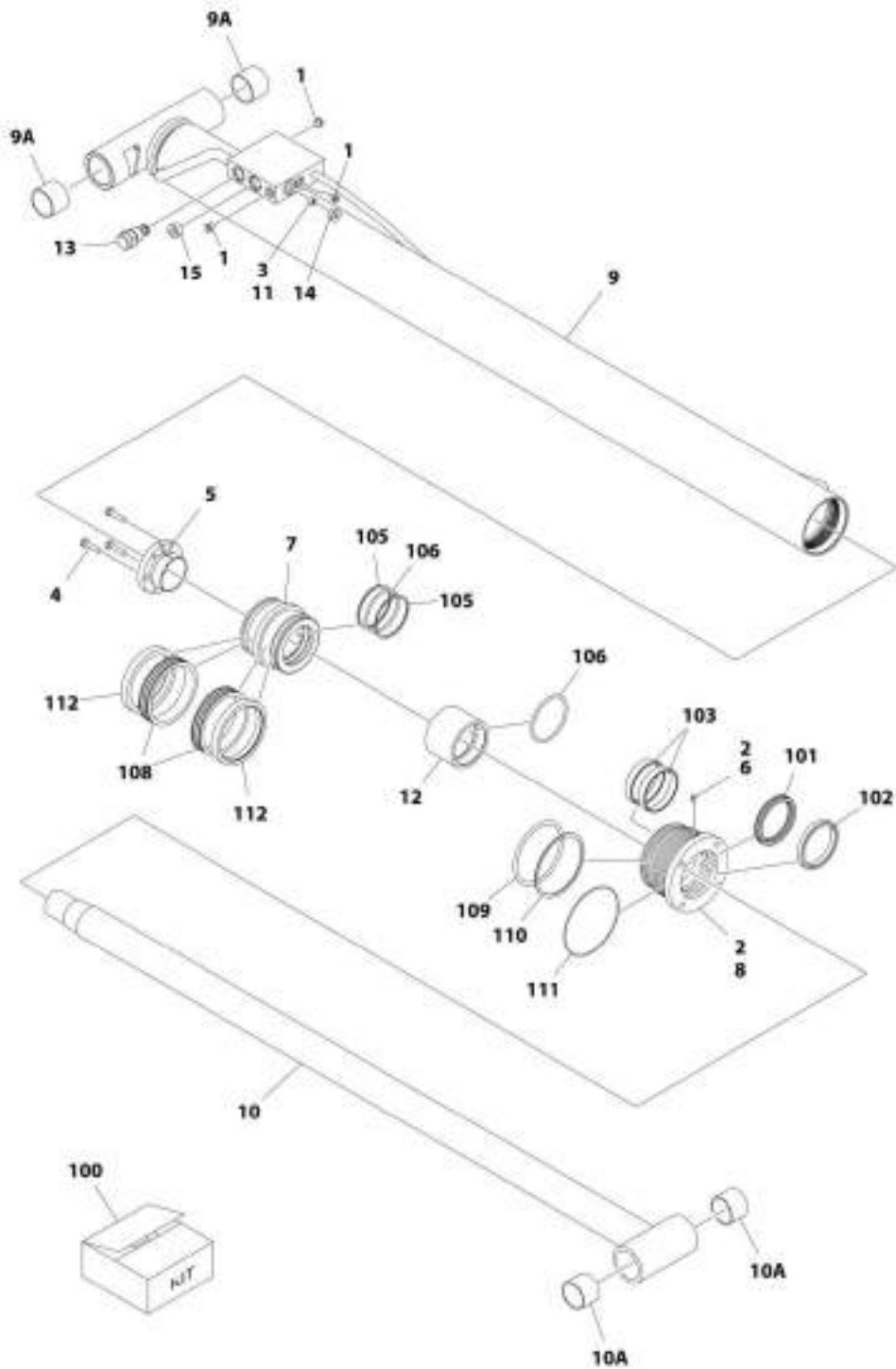
## SECTION 6 - CYLINDER

**FIGURE 6-3. LIFT CYLINDER ASSEMBLY - MAIN BOOM - 400SC (SN 0300205271 through 0300226923)**

ITEM	PART NUMBER	QTY	DESCRIPTION	REV
	1001198885	Ref	LIFT CYLINDER ASSEMBLY - MAIN BOOM - 400SC (SN 0300205271 through 0300226923)	E
1	2220883	3	Plug #4	
2	3020043	AR	Lubricant, Anti-Seize	
3	0100035	1	Compound, Locking	
4	0641409	3	Bolt 1/4 x 1-1/8	
5	0961897	1	Bushing	
6	1001125137	1	Screw #8	
7	3480211	1	Piston	
8	1001164582	1	Head, Cylinder	
9	1001164578	1	Barrel	
9A	0961950	2	Bearing	
10	1001164583	1	Rod	
10A	0961950	2	Bearing	
11	1001170759	1	Orifice 0.047	
12	1001198886	1	Spacer	
13	4641390	1	Cartridge, Check Valve	
13	7017496	1	Seal Kit - 4641390 Valve	
14	1001165131	1	Cartridge, Valve (Prior to SN 0300210552)	
14	7012925	1	Seal Kit - 1001165131 Valve (Prior to SN 0300210552)	
14	1001203628	1	Cartridge, Valve (SN 0300210552 to Present)	
14	7012925	1	Seal Kit - 1001203628 Valve (SN 0300210552 to Present)	
100	1001164585	1	Seal Kit - 1001198885 Cylinder (Includes Item 101-112)	
101	See Note	NSS	Seal, Rod (Note: Use Item 100)	
102	See Note	NSS	Wiper (Note: Use Item 100)	
103	See Note	NSS	Ring, Wear (Note: Use Item 100)	
105	See Note	NSS	Ring, Back-up (Note: Use Item 100)	
106	See Note	NSS	Seal (Note: Use Item 100)	
108	See Note	NSS	Ring, Lock (Note: Use Item 100)	
109	See Note	NSS	O-Ring (Note: Use Item 100)	
110	See Note	NSS	Ring, Back-up (Note: Use Item 100)	
111	See Note	NSS	O-Ring (Note: Use Item 100)	
112	See Note	NSS	Ring, Lock (Note: Use Item 100)	

# SECTION 6 - CYLINDER

FIGURE 6-4. LIFT CYLINDER ASSEMBLY - MAIN BOOM (400SC SN 0300226923 through 0300239153; 460SJC Prior to SN 0300239154)



ARF\_1001206321

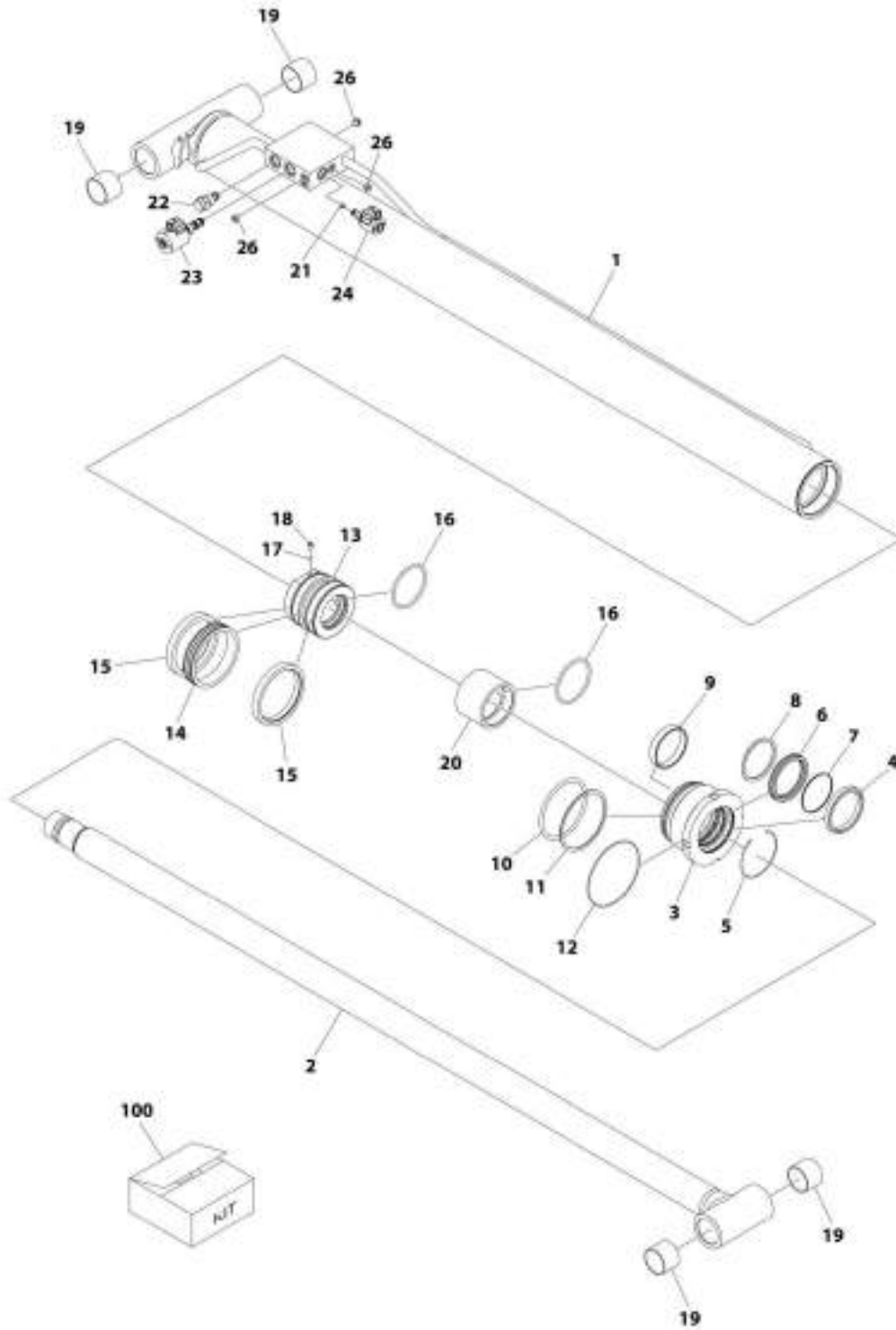
## SECTION 6 - CYLINDER

**FIGURE 6-4. LIFT CYLINDER ASSEMBLY - MAIN BOOM (400SC SN 0300226923 through 0300239153;  
460SJC Prior to SN 0300239154)**

ITEM	PART NUMBER	QTY	DESCRIPTION	REV
	1001206321	Ref	LIFT CYLINDER ASSEMBLY - MAIN BOOM	C
1	2220883	3	Plug #4	
2	3020043	AR	Lubricant, Anti-Seize	
3	0100035	1	Compound, Locking	
4	0641409	3	Bolt 1/4 x 1-1/8	
5	0961897	1	Bushing	
6	1001125137	1	Screw #8	
7	3480211	1	Piston	
8	1001164582	1	Head, Cylinder	
9	1001206442	1	Barrel	
9A	0961950	2	Bearing	
10	1001164583	1	Rod	
10A	0961950	2	Bearing	
11	2180380	1	Orifice 0.06 <b>(Prior to SN 0300234647)</b>	
11	1001170759	1	Orifice 0.047 <b>(SN 0300234647 to Present)</b>	
12	1001198886	1	Spacer	
13	4641390	1	Cartridge, Check Valve	
13	7017496	1	Seal Kit - 4641390 Valve	
14	2220886	1	Plug	
15	2220887	1	Adapter	
100	1001164585	1	Seal Kit - 1001206321 Cylinder (Includes Item 101-112)	
101	See Note	NSS	Seal, Rod (Note: Use Item 100)	
102	See Note	NSS	Wiper (Note: Use Item 100)	
103	See Note	NSS	Ring, Wear (Note: Use Item 100)	
105	See Note	NSS	Ring, Back-up (Note: Use Item 100)	
106	See Note	NSS	Seal (Note: Use Item 100)	
108	See Note	NSS	Ring, Lock (Note: Use Item 100)	
109	See Note	NSS	O-Ring (Note: Use Item 100)	
110	See Note	NSS	Ring, Back-up (Note: Use Item 100)	
111	See Note	NSS	O-Ring (Note: Use Item 100)	
112	See Note	NSS	Ring, Lock (Note: Use Item 100)	

# SECTION 6 - CYLINDER

FIGURE 6-5. LIFT CYLINDER ASSEMBLY - MAIN BOOM (SN 0300239154 to Present)



ART\_1001228002

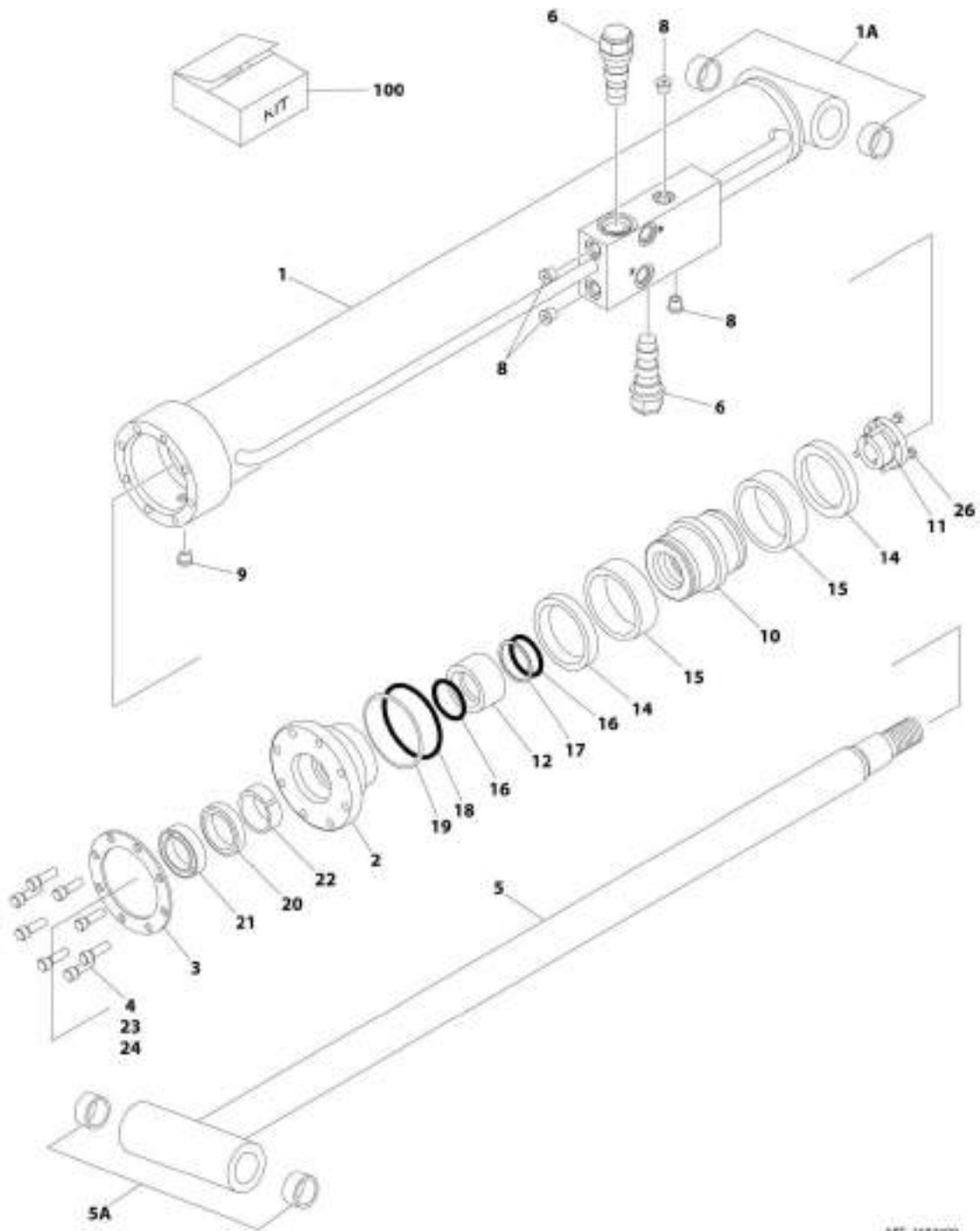
## SECTION 6 - CYLINDER

**FIGURE 6-5. LIFT CYLINDER ASSEMBLY - MAIN BOOM (SN 0300239154 to Present)**

ITEM	PART NUMBER	QTY	DESCRIPTION	REV
	1001228092	Ref	LIFT CYLINDER ASSEMBLY - MAIN BOOM	A
		Ref	Note: Original Cylinder May Have Been Replaced with Service Replacement. Identify PN Stamped on Cylinder Before Ordering Parts.	
1	See Note	NSS	Barrel (Use p/n 1001228092)	
2	70006702	1	Rod	
3	70006703	1	Head	
4	See Note	NSS	Wiper (Note: Use Item 100)	
5	70050795	1	Ring, Retainer	
6	See Note	NSS	Seal, Rod (Note: Use Item 100)	
7	See Note	NSS	O-Ring (Note: Use Item 100)	
8	See Note	NSS	Ring (Note: Use Item 100)	
9	70006636	1	Ring, Wear	
10	See Note	NSS	O-Ring (Note: Use Item 100)	
11	See Note	NSS	Ring, Back-up (Note: Use Item 100)	
12	See Note	NSS	O-Ring (Note: Use Item 100)	
13	70006704	1	Piston	
14	See Note	NSS	Seal (Note: Use Item 100)	
15	See Note	NSS	Ring, Wear (Note: Use Item 100)	
16	See Note	NSS	Seal (Note: Use Item 100)	
17	70022564	1	Ball	
18	70023369	1	Setscrew M8 x 10	
19	0961950	4	Bearing	
20	70006705	1	Spacer	
21	70004231	1	Orifice	
22	4641390	1	Cartridge, Check Valve	
22	7017496	1	Seal Kit - 4641390 Valve	
23	1001206625	1	Cartridge, Valve (Includes Coil)	
23	70006104	1	Cartridge, Less Coil	
23	70006105	1	Seal Kit - 70006104 & 1001206625 Cartridges	
23	70003788	1	Coil	
23	7022390	1	Nut, Coil	
24	1001164709	1	Cartridge, Valve (Includes Coil)	
24	7017467	1	Cartridge, Less Coil	
24	7012998	1	Seal Kit - 7017467 & 1001164709 Cartridges	
24	70002386	1	Coil	
26	2220883	3	Plug #4	
100	70006706	1	Seal Kit - 1001228092 Cylinder (Includes Item 4, 6-8, 10-12 & 14-16)	

# SECTION 6 - CYLINDER

FIGURE 6-6. LIFT CYLINDER ASSEMBLY - JIB - 460SJC (Prior to SN 0300245226)



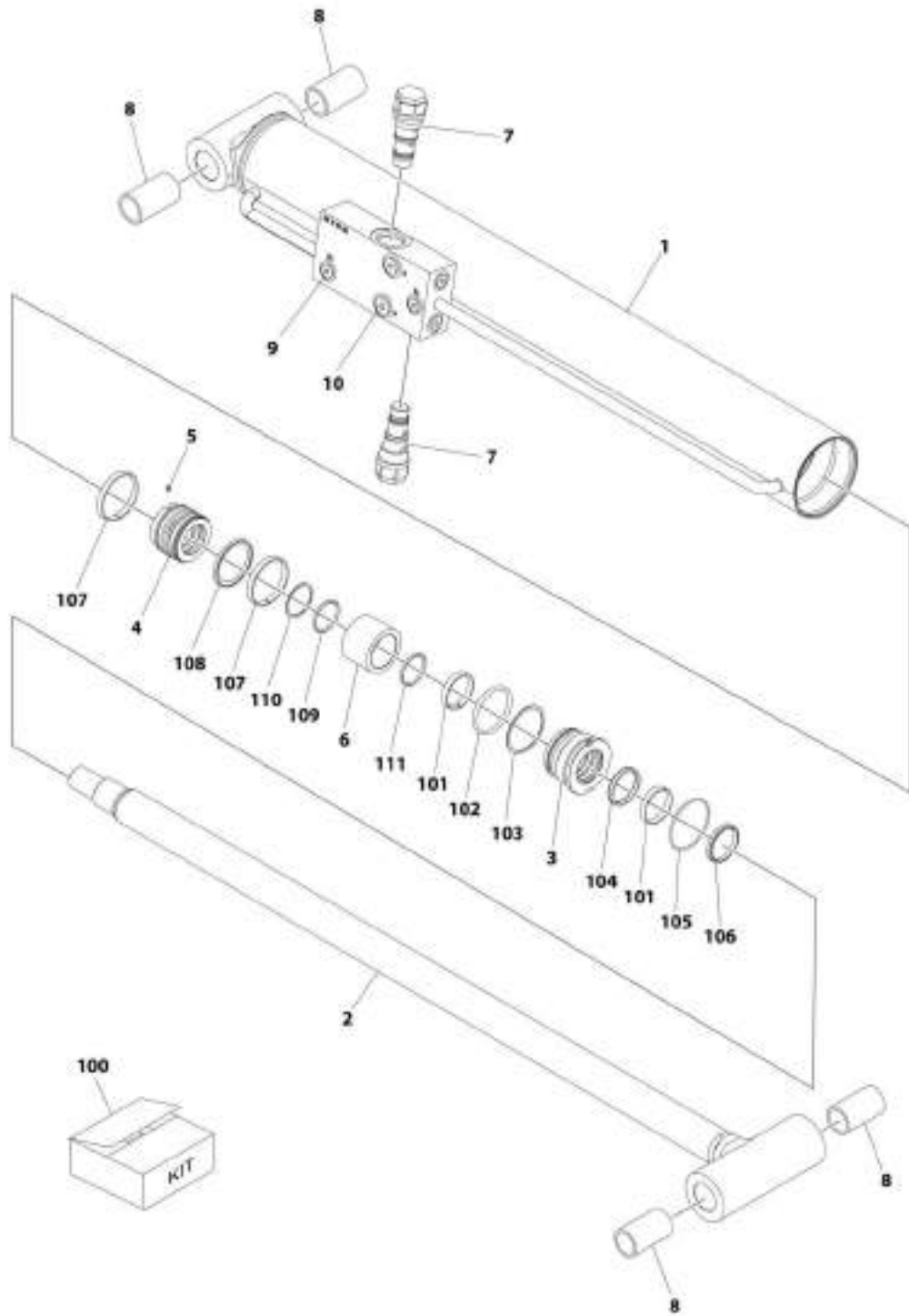
## SECTION 6 - CYLINDER

**FIGURE 6-6. LIFT CYLINDER ASSEMBLY - JIB - 460SJC (Prior to SN 0300245226)**

ITEM	PART NUMBER	QTY	DESCRIPTION	REV
	1683609	Ref	LIFT CYLINDER ASSEMBLY - JIB - 460SJC	L
1	1683687	1	Barrel	
1A	0962336	2	Bushing	
2	1683053	1	Head	
3	3760368	1	Washer, Ring	
4	3931516	8	Capscrew 5/16 x 2	
5	1683261	1	Rod	
5A	0962336	2	Bushing	
6	4640509	2	Cartridge, Valve (Counterbalance Non-Vented)	
6	2900792	2	Seal Kit - 4640509 Valve	
8	2220883	4	Plug, O-Ring #4	
9	2220885	1	Plug, O-Ring	
10	3480210	1	Piston	
11	0961893	1	Bushing, Tapered	
12	4100100	1	Spacer	
14	See Note	NSS	Ring, Lock (Note: Use Item 100)	
15	See Note	NSS	Seal (Note: Use Item 100)	
16	See Note	NSS	O-Ring (Note: Use Item 100)	
17	See Note	NSS	Ring, Back-up (Note: Use Item 100)	
18	See Note	NSS	O-Ring (Note: Use Item 100)	
19	See Note	NSS	Ring, Back-up (Note: Use Item 100)	
20	See Note	NSS	Seal (Note: Use Item 100)	
21	See Note	NSS	Wiper (Note: Use Item 100)	
22	See Note	NSS	Ring, Wear (Note: Use Item 100)	
23	0100011	AR	Locking, Compound	
24	0100038	AR	Primer, Locking	
26	0630534	3	Capscrew #10 x 1	
100	2901303	1	Seal Kit -1683609 Cylinder (Includes Items 14-22)	

# SECTION 6 - CYLINDER

FIGURE 6-7. LIFT CYLINDER ASSEMBLY - JIB - 460SJC (USAGE MAY VARY) (SN 0300245226 through 0300245251)



APR1\_1001228012



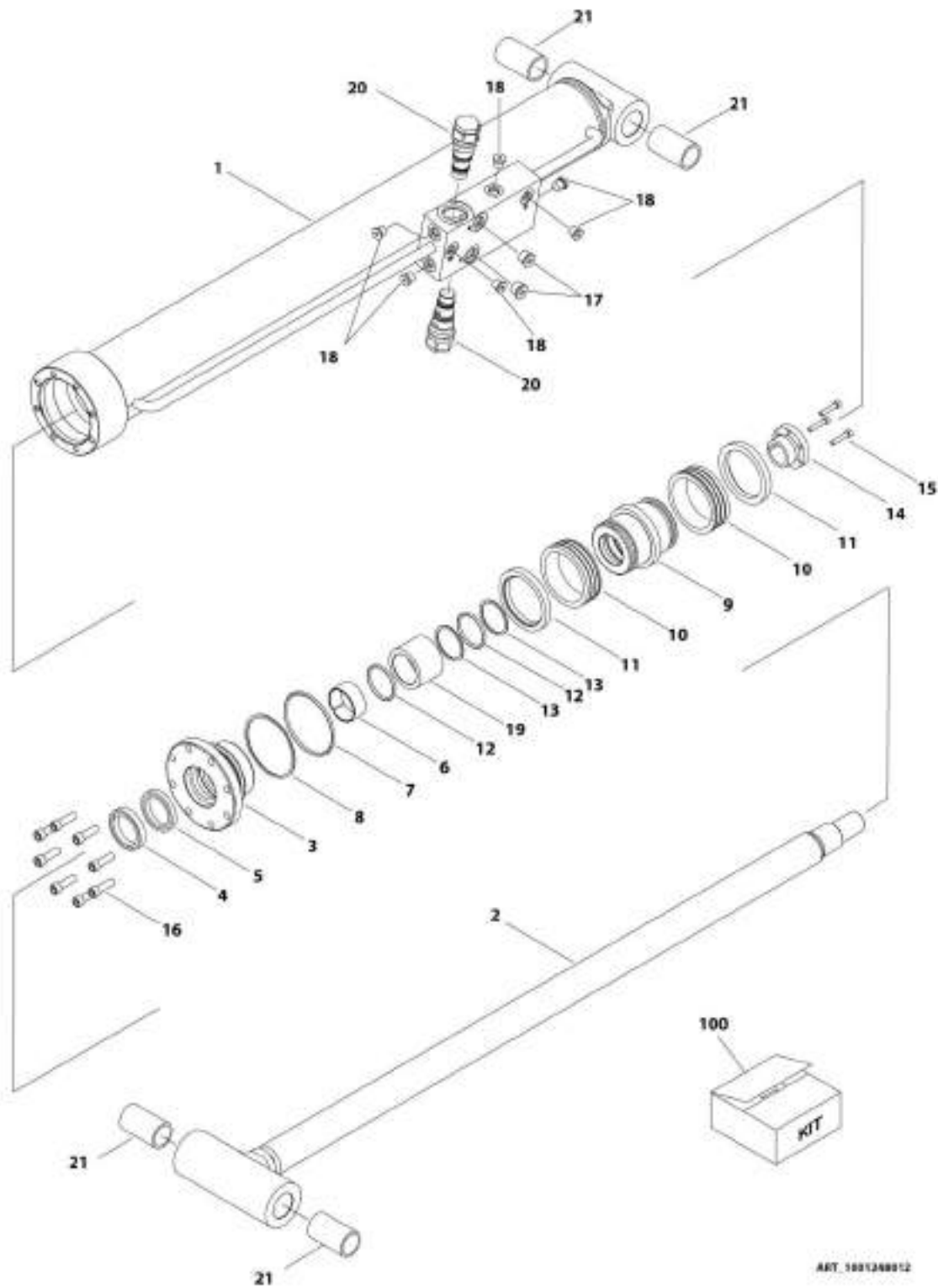
## SECTION 6 - CYLINDER

**FIGURE 6-7. LIFT CYLINDER ASSEMBLY - JIB - 460SJC (USAGE MAY VARY) (SN 0300245226 through 0300245251)**

ITEM	PART NUMBER	QTY	DESCRIPTION	REV
	1001228012	Ref	LIFT CYLINDER ASSEMBLY - JIB	C
		Ref	Note: Original Cylinder May Have Been Replaced with Service Replacement. Identify PN Stamped on Cylinder Before Ordering Parts.	
1	See Note	NSS	Barrel (Note: Not Available for Purchase)	
2	70006572	1	Rod	
3	70006571	1	Head	
4	70006570	1	Piston	
5	70023915	1	Screw	
6	70006569	1	Spacer	
7	4640509	2	Cartridge, Valve	
7	2900792	2	Seal Kit - 4640509 Valve	
8	0962336	4	Bushing	
9	2220883	6	Plug, O-Ring	
10	2220885	2	Plug, O-Ring	
100	70006568	1	Seal Kit (Includes Items 101-111)	
101	See Note	NSS	Ring, Wear (Note: Use Item 100)	
102	See Note	NSS	O-Ring (Note: Use Item 100)	
103	See Note	NSS	Ring, Back-up (Note: Use Item 100)	
104	See Note	NSS	Seal, Rod (Note: Use Item 100)	
105	See Note	NSS	O-Ring (Note: Use Item 100)	
106	See Note	NSS	Wiper (Note: Use Item 100)	
107	See Note	NSS	Ring, Wear (Note: Use Item 100)	
108	See Note	NSS	Seal (Note: Use Item 100)	
109	See Note	NSS	O-Ring (Note: Use Item 100)	
110	See Note	NSS	Ring, Back-up (Note: Use Item 100)	
111	See Note	NSS	O-Ring (Note: Use Item 100)	

# SECTION 6 - CYLINDER

FIGURE 6-8. LIFT CYLINDER ASSEMBLY - JIB - 460SJC (USAGE MAY VARY) (SN 0300245252 to Present)



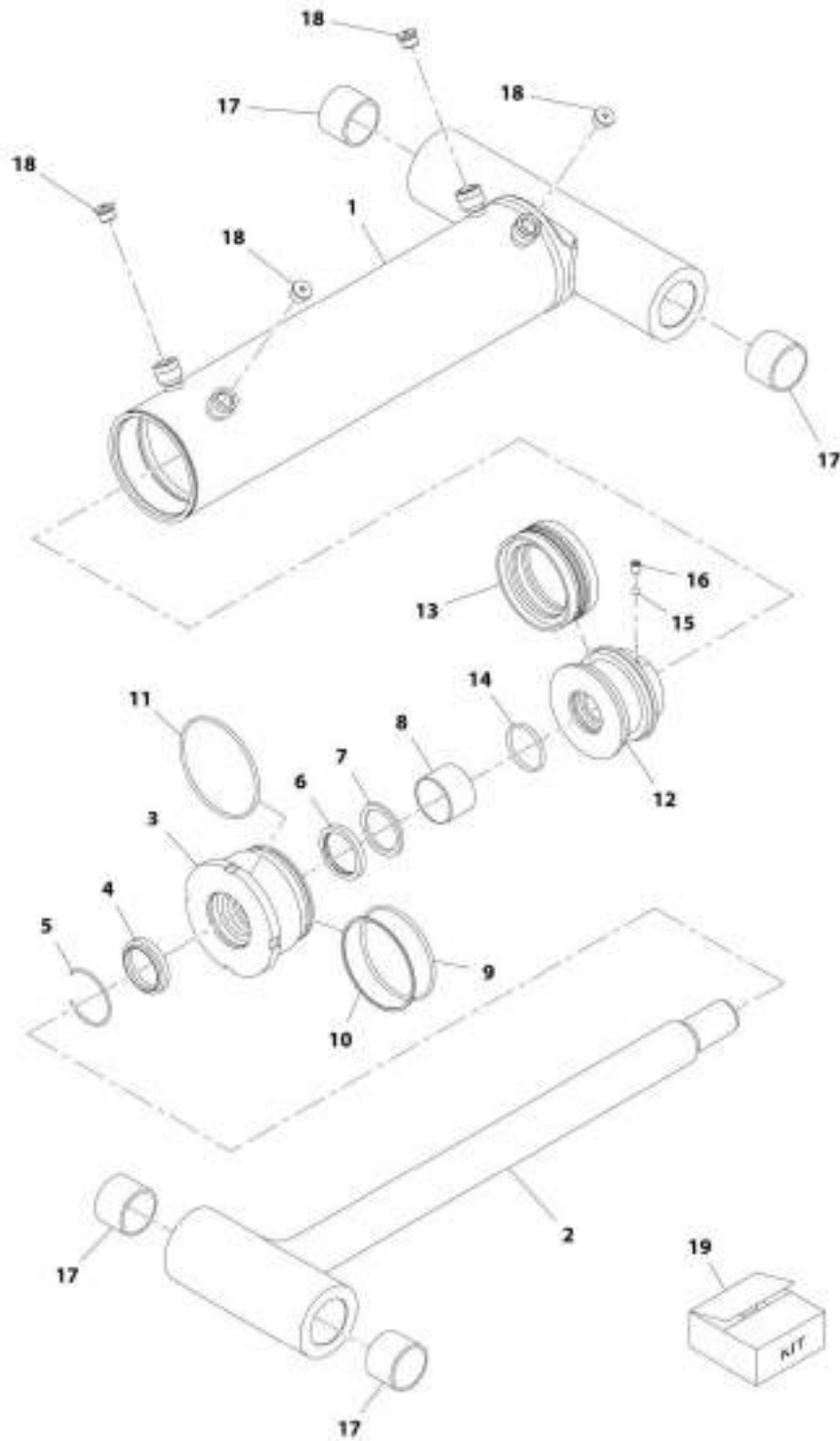
## SECTION 6 - CYLINDER

**FIGURE 6-8. LIFT CYLINDER ASSEMBLY - JIB - 460SJC (USAGE MAY VARY) (SN 0300245252 to Present)**

ITEM	PART NUMBER	QTY	DESCRIPTION	REV
	1001248012	Ref	LIFT CYLINDER ASSEMBLY - JIB	A
		Ref	Note: Original Cylinder May Have Been Replaced with Service Replacement. Identify PN Stamped on Cylinder Before Ordering Parts.	
1	See Note	NSS	Barrel (Note: Not Available for Purchase)	
2	70006734	1	Rod	
3	70006649	1	Head	
4	See Note	NSS	Wiper (Note: Use Item 100)	
5	See Note	NSS	Seal, Rod (Note: Use Item 100)	
6	See Note	NSS	Ring, Wear (Note: Use Item 100)	
7	See Note	NSS	O-Ring (Note: Use Item 100)	
8	See Note	NSS	Ring, Back-up (Note: Use Item 100)	
9	70006650	1	Piston	
10	See Note	NSS	Seal (Note: Use Item 100)	
11	See Note	NSS	Ring, Lock (Note: Use Item 100)	
12	See Note	NSS	O-Ring (Note: Use Item 100)	
13	See Note	NSS	Ring, Back-up (Note: Use Item 100)	
14	0961893	1	Bushing, Tapered	
15	0630534	3	Capscrew, Socket Head #10 x 1	
16	70006735	8	Capscrew 5/16	
17	2220885	2	Plug, O-Ring	
18	2220883	6	Plug, O-Ring	
19	70006736	1	Spacer	
20	4640509	2	Cartridge, Valve	
20	2900792	2	Seal Kit - 4640509 Valve	
21	0962336	4	Bushing	
100	1001138795	1	Seal Kit (Includes Items 4-8 & 10-13)	

# SECTION 6 - CYLINDER

## FIGURE 6-9. MASTER CYLINDER ASSEMBLY



ART\_1001163385

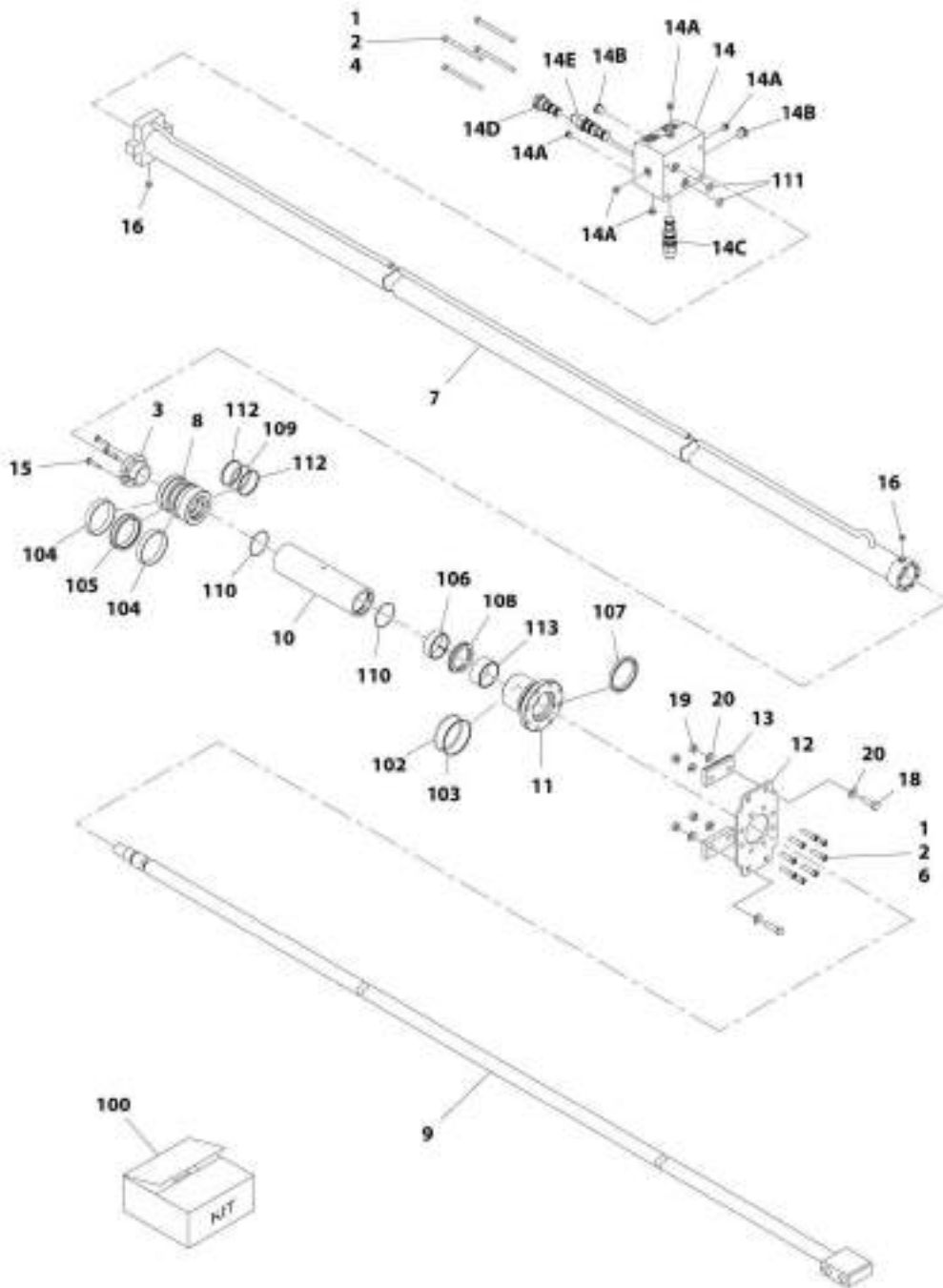
## SECTION 6 - CYLINDER

### FIGURE 6-9. MASTER CYLINDER ASSEMBLY

ITEM	PART NUMBER	QTY	DESCRIPTION	REV
	1001163385	Ref	MASTER CYLINDER ASSEMBLY	F
1	70005140	1	Barrel	
2	70005141	1	Rod	
3	70005142	1	Head, Cylinder	
4	See Note	NSS	Wiper (Note: Use Item 19)	
5	70002373	1	Ring, Retaining	
6	See Note	NSS	Seal, Rod (Note: Use Item 19)	
7	See Note	NSS	Ring, Back-up (Note: Use Item 19)	
8	70005143	1	Bearing, Dry	
9	See Note	NSS	O-Ring (Note: Use Item 19)	
10	See Note	NSS	Ring, Back-up (Note: Use Item 19)	
11	See Note	NSS	O-Ring (Note: Use Item 19)	
12	70005144	1	Piston	
13	See Note	NSS	Seal, Piston	
14	See Note	NSS	O-Ring (Note: Use Item 19)	
15	70022564	1	Ball	
16	70023369	1	Setscrew M8 x 31.75	
17	70005145	4	Bearing	
18	700023371	4	Plug 9/16	
19	70005146	1	Seal Kit - 1001163385 Cylinder (Includes Items 4, 6, 7, 9, 10, 11, 13 & 14)	

# SECTION 6 - CYLINDER

FIGURE 6-10. TELESCOPE CYLINDER ASSEMBLY



ART\_1001163383

## SECTION 6 - CYLINDER

### FIGURE 6-10. TELESCOPE CYLINDER ASSEMBLY

ITEM	PART NUMBER	QTY	DESCRIPTION	REV
	1001163383	Ref	TELESCOPE CYLINDER ASSEMBLY	J
1	0100011	AR	Compound, Locking	
2	0100038	AR	Primer, Locking	
3	0961896	1	Bushing	
4	3931456	4	Capscrew 1/4 x 3-1/2	
6	3931520	8	Capscrew 5/16 x 1-1/4	
7	1001164302	1	Barrel	
8	3480274	1	Piston	
9	1001164311	1	Rod	
10	1001164555	1	Spacer	
11	1001195206	1	Head	
12	1001165282	1	Plate	
13	1001165737	2	Pad, Wear	
14	1001166997	1	Valve Block Assembly	
14A	2220881	5	Plug, O-Ring	
14B	2220885	2	Plug, O-Ring #6	
14C	4640452	1	Cartridge, Counterbalance Valve	
14C	2900770	1	Seal Kit - 4640452 Valve	
14D	1001165363	1	Cartridge, Shuttle Valve	
14D	7012518	1	Seal Kit - 1001165363 Valve	
14E	1001168209	1	Cartridge, Counterbalance Valve	
14E	2900770	1	Seal Kit - 1001168209 Valve	
15	0630535	3	Bolt 1/4 x 1-1/8	
16	2220885	2	Plug, O-Ring #6	
18	0641611	4	Bolt 3/8 x 1-3/8	
19	3271605	4	Nut 3/8 Grade 8	
20	4711600	8	Washer 3/8	
100	1001164313	1	Seal Kit - 1001163383 Cylinder (Includes Items 102-113)	
102	See Note	NSS	O-Ring (Note: Use Item 100)	
103	See Note	NSS	Seal (Note: Use Item 100)	
104	See Note	NSS	Ring, Wear (Note: Use Item 100)	
105	See Note	NSS	Seal (Note: Use Item 100)	
106	See Note	NSS	Ring, Wear (Note: Use Item 100)	
107	See Note	NSS	Wiper (Note: Use Item 100)	
108	See Note	NSS	Seal (Note: Use Item 100)	
109	See Note	NSS	O-Ring (Note: Use Item 100)	
110	See Note	NSS	O-Ring (Note: Use Item 100)	
111	See Note	NSS	O-Ring (Note: Use Item 100)	
112	See Note	NSS	Ring, Back-up (Note: Use Item 100)	
113	See Note	NSS	Ring, Wear (Note: Use Item 100)	

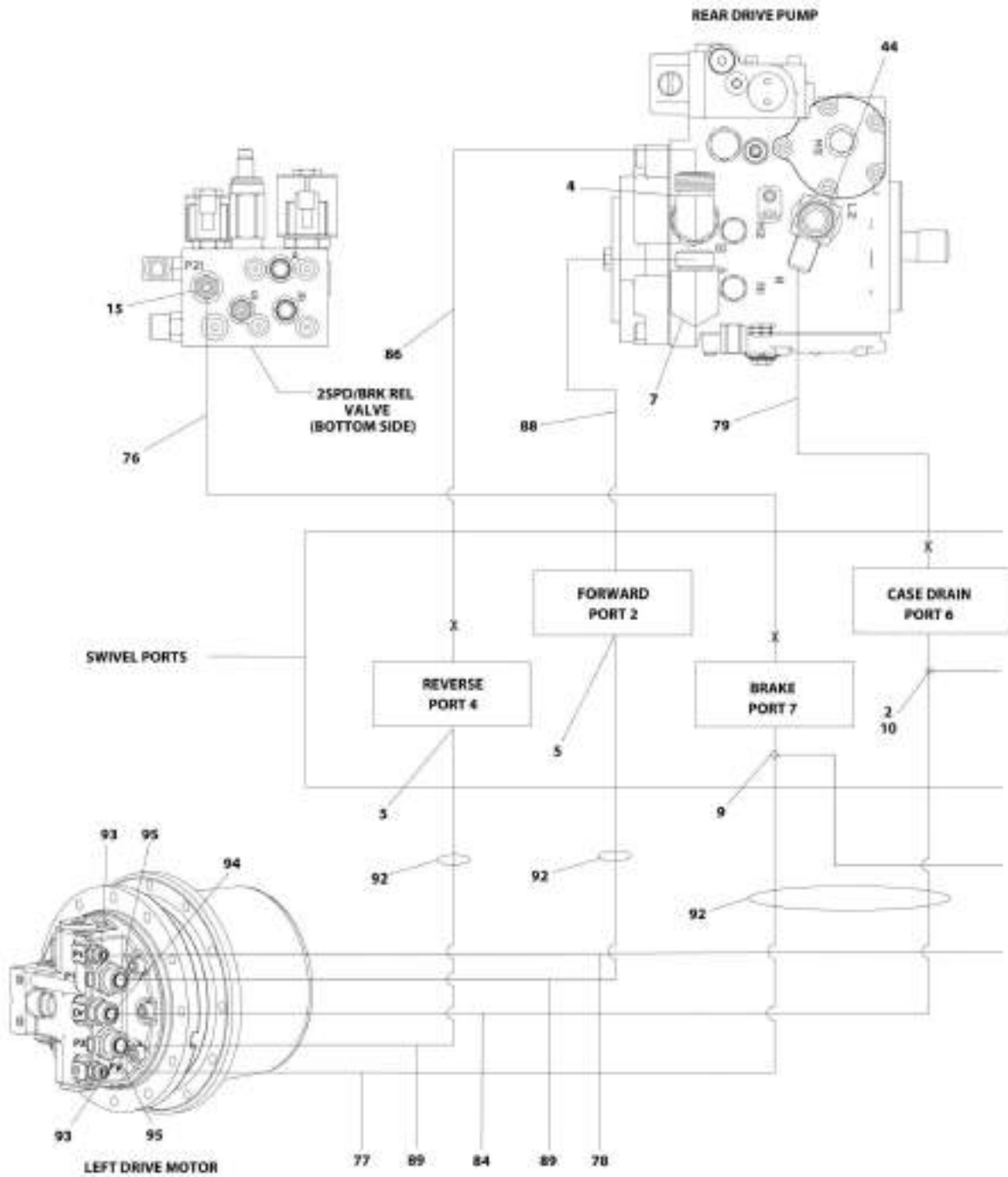




**SECTION 7 - HYDRAULIC**

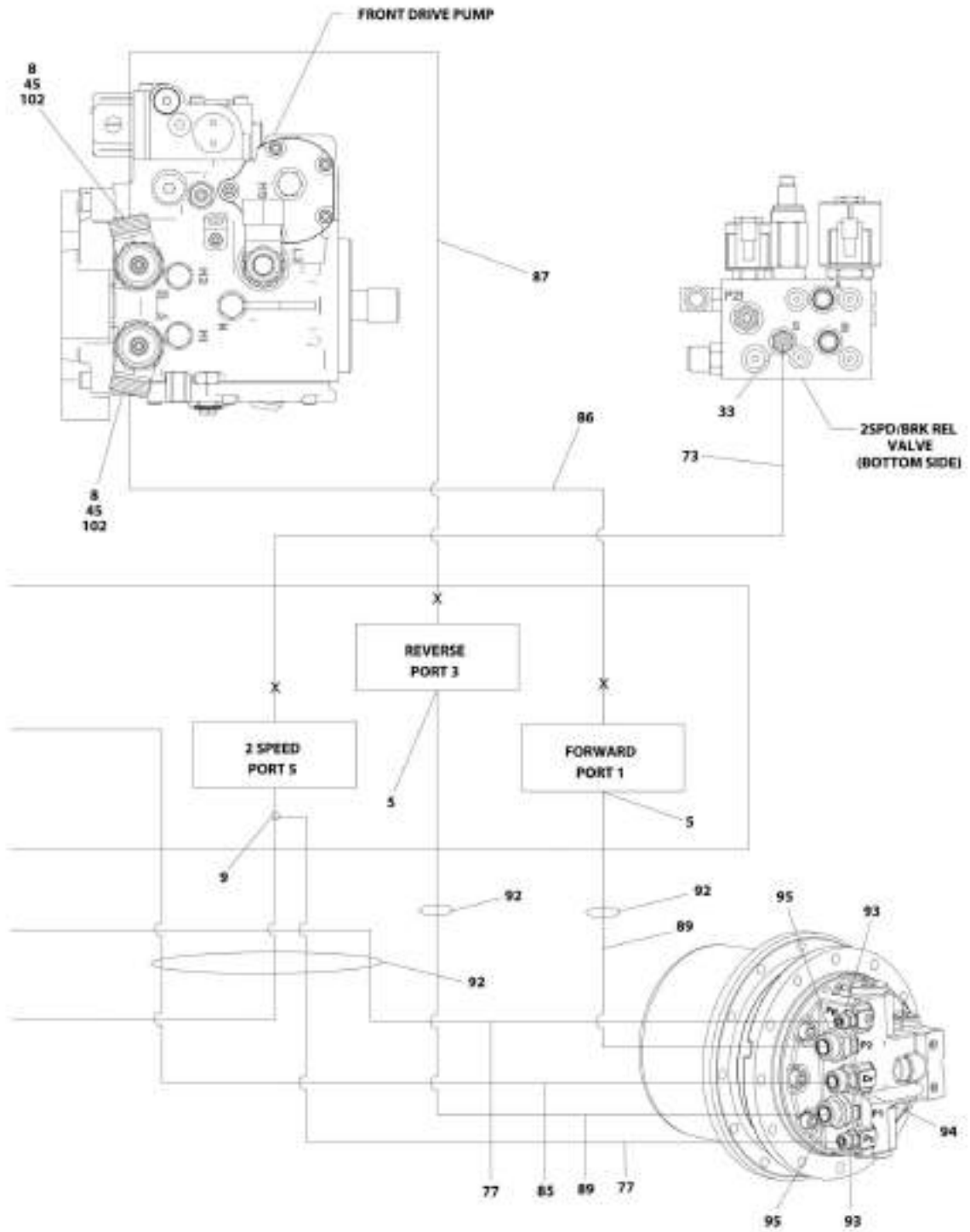
# SECTION 7 - HYDRAULIC

## FIGURE 7-1. HYDRAULIC DIAGRAM - 400SC



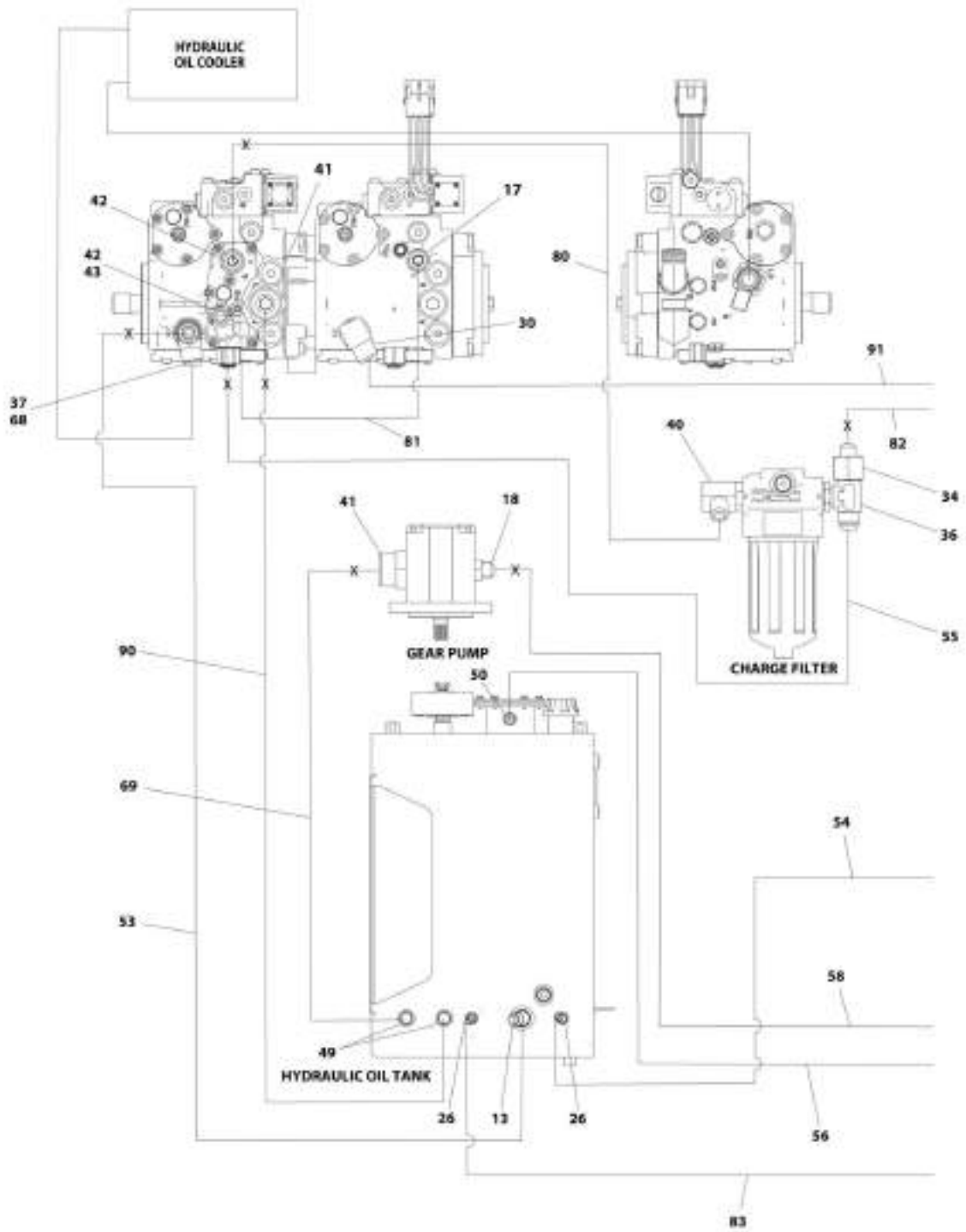
ART. 18019108\_1394

# SECTION 7 - HYDRAULIC



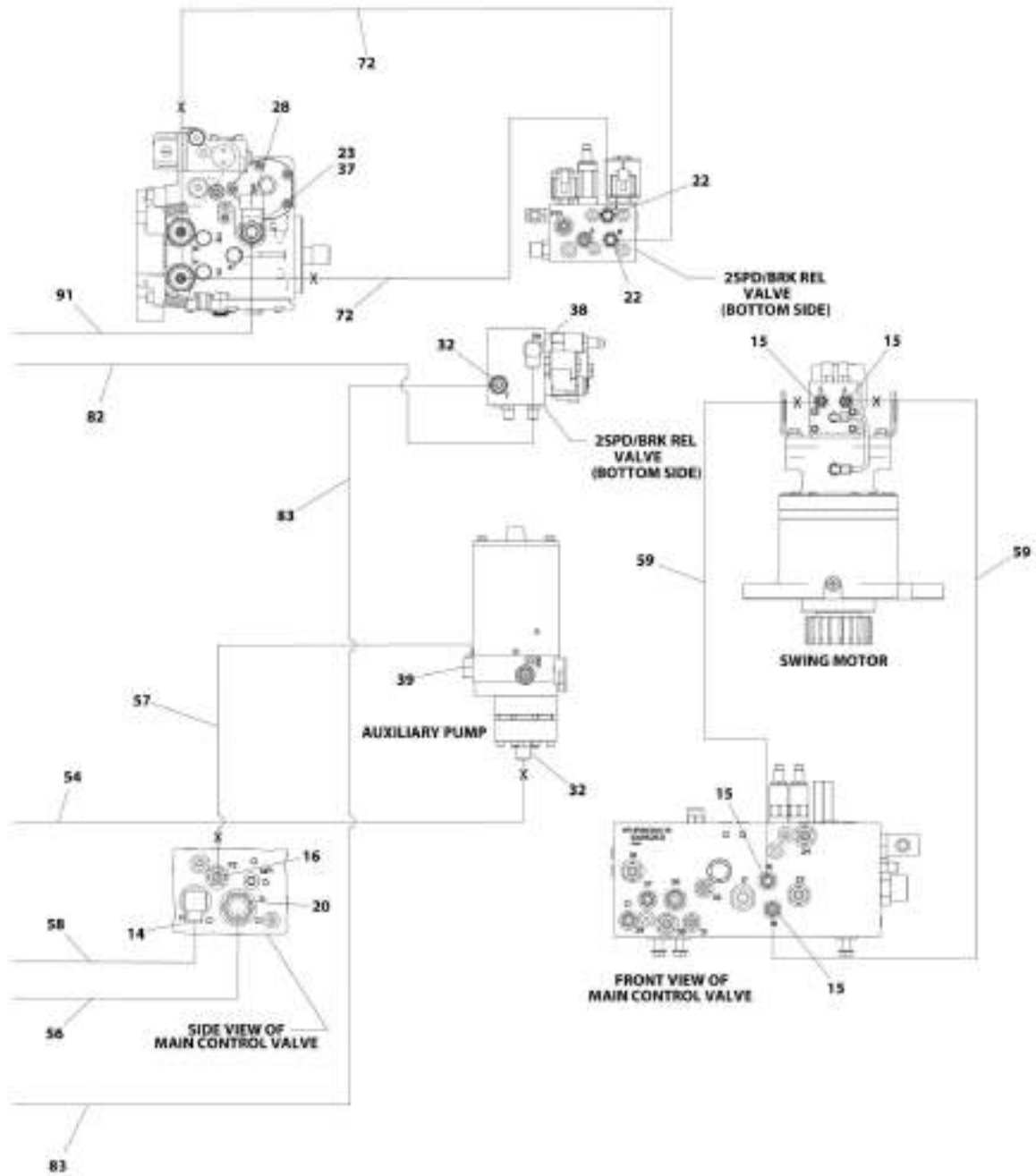
APR\_10011P1008\_3256

# SECTION 7 - HYDRAULIC



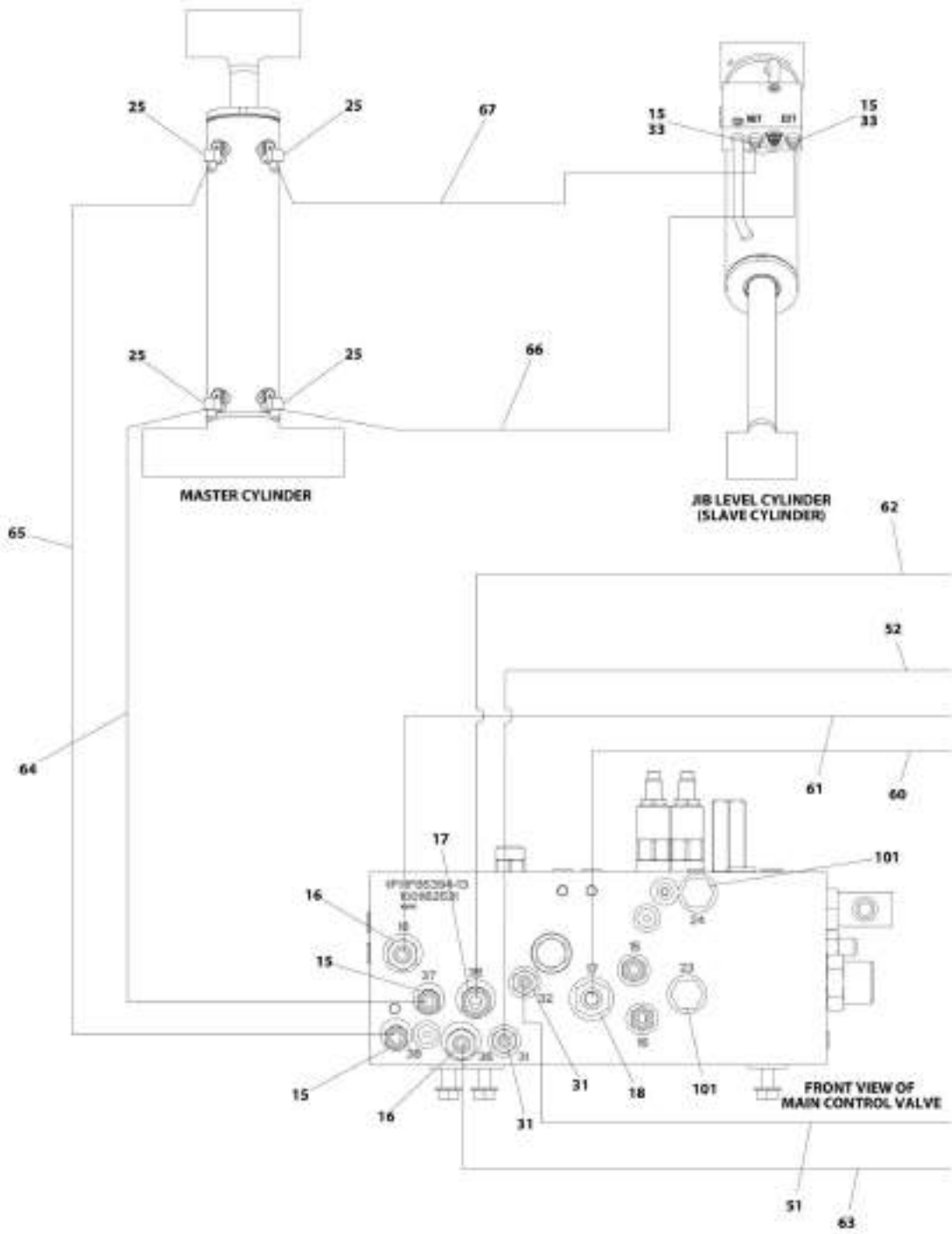
ARC\_10119188\_0204

# SECTION 7 - HYDRAULIC



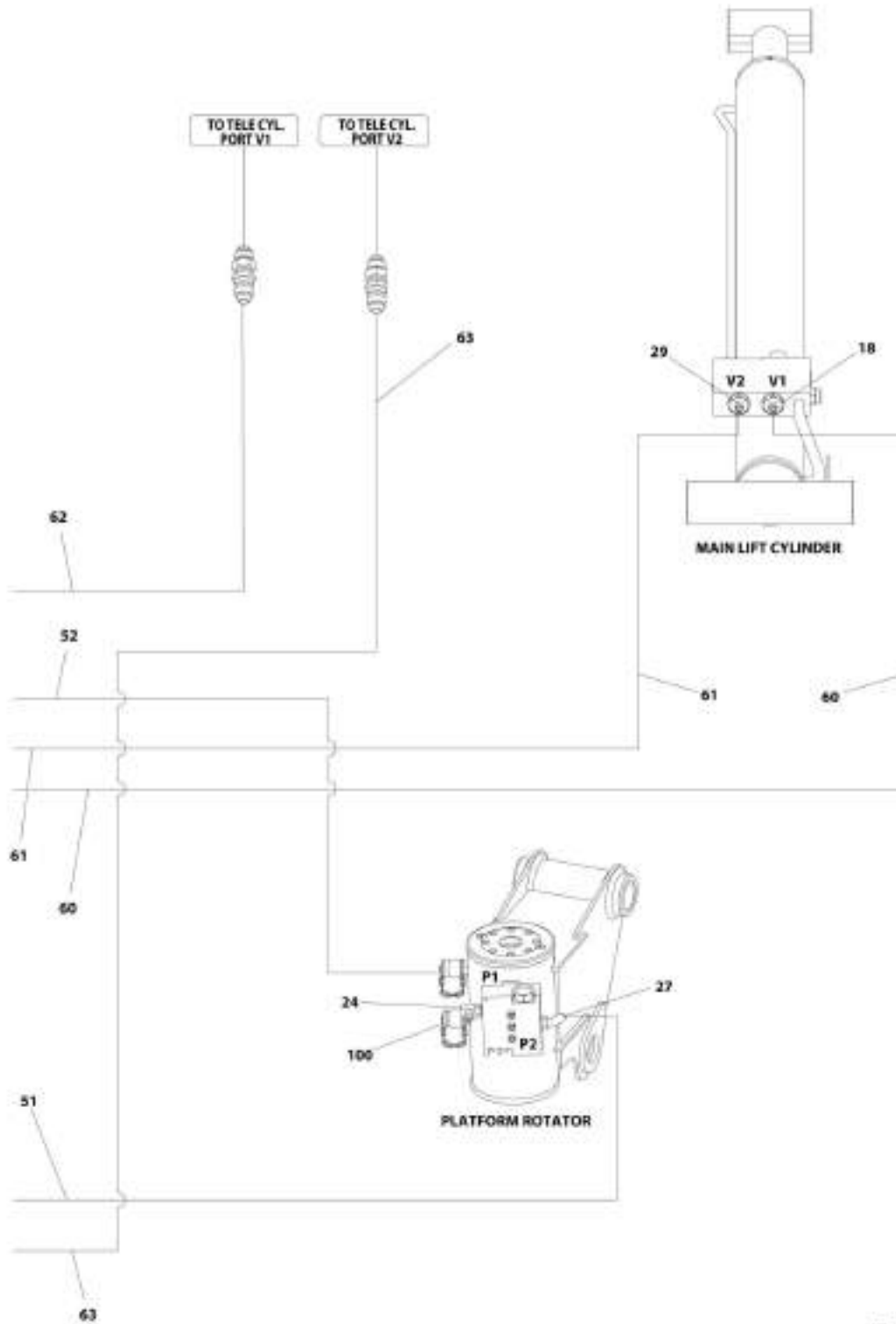
MT\_10117148\_A014

# SECTION 7 - HYDRAULIC



ART. 1401 101 985 3070

# SECTION 7 - HYDRAULIC



ART\_10011133\_A016

# SECTION 7 - HYDRAULIC

## FIGURE 7-1. HYDRAULIC DIAGRAM - 400SC

ITEM	PART NUMBER	QTY	DESCRIPTION	REV
	1001191588	Ref	HYDRAULIC DIAGRAM - 400SC	L
1	0760619	2	Bolt M6 x 55	
2	2110806	1	Fitting, Straight ORFS/ORB	
4	2131212	1	Fitting, 90 ORFS/ORB	
5	2151212	4	Fitting, 45 ORFS/ORB	
7	2170212	1	Fitting, 90 ORFS/ORB	
8	2170312	2	Fitting, Tee ORFS/ORB/ORFS (Prior to SN 0300211022)	
8	2111212	2	Fitting, Straight ORFS/ORB (SN 0300211022 to Present)	
9	2170406	2	Fitting, Tee ORFS/ORB/ORFS	
10	2170808	1	Fitting, Tee ORFS/FSORFS/FORFS	
13	2220365	1	Fitting, 45 JIC/ORB	
14	2220366	1	Fitting, 90 JIC/ORB	
15	2220371	9	Fitting, Straight JIC/ORB (Prior to SN 0300248163)	
15	2220371	7	Fitting, Straight JIC/ORB (SN 0300248163 to Present)	
16	2220372	3	Fitting, Straight JIC/ORB	
17	2220373	2	Fitting, Straight JIC/ORB	
18	2220374	2	Fitting, Straight JIC/ORB (Prior to SN 0300226924)	
18	2220374	3	Fitting, Straight JIC/ORB (SN 0300226924 to Present)	
19	2220375	1	Fitting, Straight JIC/ORB (Prior to SN 0300226924)	
20	2220377	1	Fitting, Straight JIC/ORB	
22	2110404	2	Fitting, Straight ORFS/ORB	
23	2220451	1	Fitting, Straight JIC/ORB	
24	2220466	1	Fitting, 90 JIC/ORB	
25	2220473	4	Fitting, 90 JIC/ORB	
26	2220500	2	Fitting, 45 JIC/ORB	
27	2220502	1	Fitting, 45 JIC/ORB	
28	2220518	1	Fitting, Cap FJIC	
29	2220577	NLA	Fitting, Straight JIC/ORB (Prior to SN 0300226924)	
29	2220497	1	Fitting, Straight JIC/ORB (SN 0300226924 to Present)	
30	2220578	1	Fitting, 90 JIC/ORB	
31	2220582	2	Fitting, Straight JIC/ORB	
32	2220600	2	Fitting, Straight JIC/ORB	
33	2220603	1	Fitting, Straight JIC/ORB (Prior to SN 0300248163)	
33	2220603	3	Fitting, Straight JIC/ORB (SN 0300248163 to Present)	
34	2220622	1	Fitting, Straight JIC/FSJIC	
35	2220635	1	Fitting, Tee JIC/FSJIC/JIC	
36	2220695	1	Fitting, Tee JIC/ORB/JIC	
37	2220700	2	Fitting, Tee JIC/FSJIC/JIC	
38	2220726	1	Fitting, 90 JIC/ORB	
39	2220775	1	Fitting, 90 JIC/ORB	
40	2220906	1	Fitting, 90 JIC/ORB	
41	2220946	2	Fitting, Straight JIC/ORB	
42	2220947	2	Fitting, Straight JIC/ORB	
43	2220948	1	Fitting, Tee JIC/FSJIC/JIC	
44	2221063	1	Fitting, Tee JIC/ORB/JIC	
45	2221221	2	Fitting, Straight ORFS/FSORFS	
46	3290601	2	Nut M6	
47	4240018	AR	Tie-Strap	
48	4811700	4	Washer M6	
49	80633030	2	Clamp	

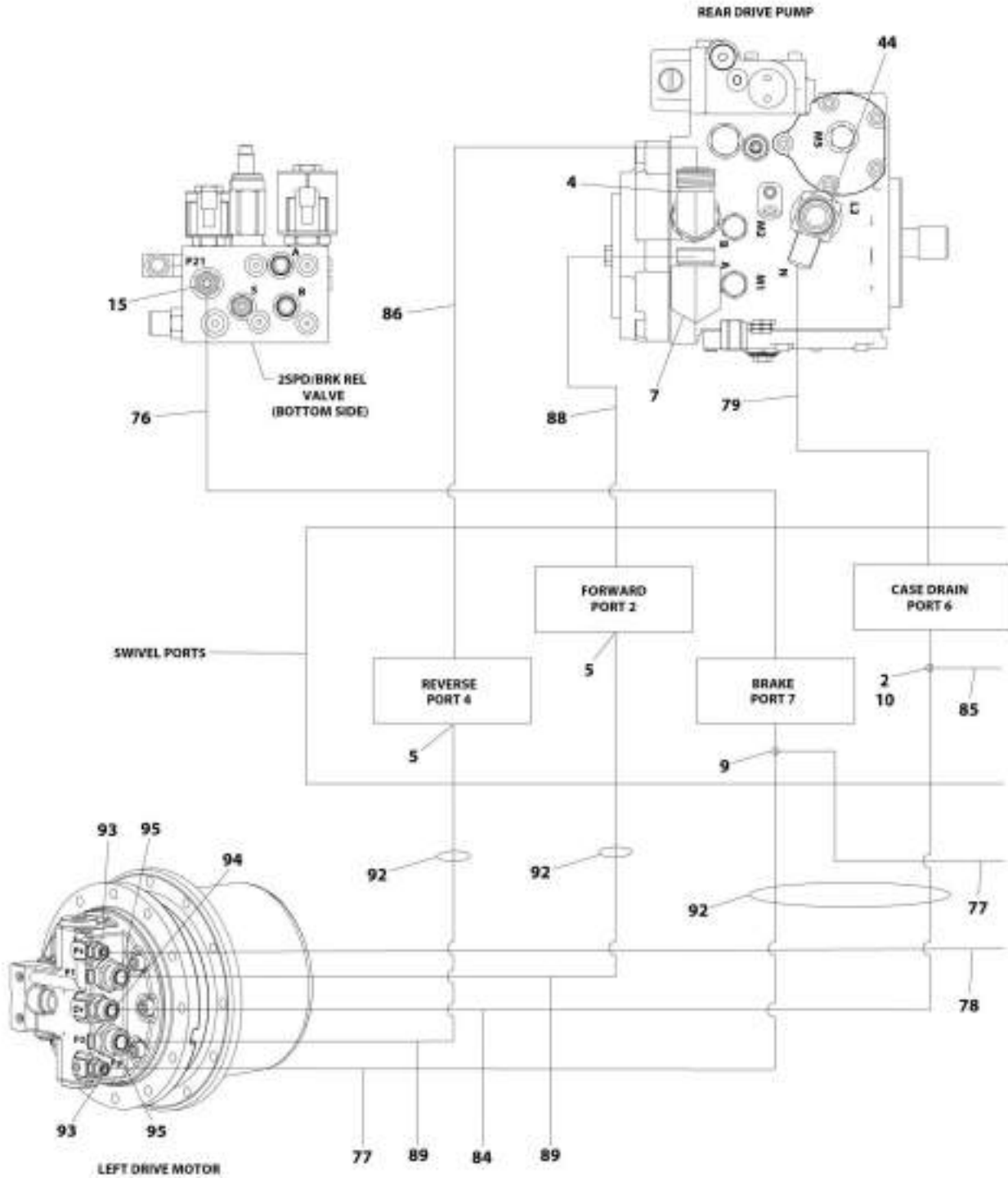


## SECTION 7 - HYDRAULIC

ITEM	PART NUMBER	QTY	DESCRIPTION	REV
50	1001098928	1	Clamp	
51	1001172694	1	Hose	
52	1001172696	1	Hose	
53	1001172715	1	Hose	
54	1001172716	1	Hose	
55	1001172719	1	Hose	
56	1001172720	1	Hose	
57	1001172721	1	Hose	
58	1001173899	1	Hose	
59	1001173900	2	Hose	
60	1001173901	1	Hose	
61	1001173902	1	Hose	
62	1001173903	1	Hose	
63	1001173904	1	Hose	
64	1001173907	1	Hose	
65	1001173908	1	Hose	
66	1001173909	1	Hose	
67	1001173937	1	Hose	
68	1001179156	1	Valve, Check	
69	1001193661	1	Hose	
70	1001191275	1	Clamp	
71	1001191276	1	Clamp	
72	1001193002	2	Hose	
73	1001193003	1	Hose	
76	1001193006	1	Hose	
77	1001193007	3	Hose	
78	1001193008	1	Hose	
79	1001193009	1	Hose	
80	1001193010	1	Hose	
81	1001193011	1	Hose	
82	1001193653	1	Hose	
83	1001193654	1	Hose	
84	1001193655	1	Hose	
85	1001193656	1	Hose	
86	1001193657	2	Hose	
87	1001193658	1	Hose	
88	1001193659	1	Hose	
89	1001193660	4	Hose	
90	1001172713	1	Hose	
91	1001110092	1	Hose	
92	4100026	24 ft /7.32m	Sleeve, Hose Protection	
93	1001191362	4	Fitting, Straight ORFS/ORB	
94	1001191364	2	Fitting, Straight ORFS/ORB	
95	1001191365	4	Fitting, Straight ORFS/ORB	
100	2221086	3	Fitting, Diagnostic Test Port <b>(SN 0300211022 to Present)</b>	
101	2220238	2	Plug <b>(SN 0300211022 to Present)</b>	
102	2170712	2	Fitting, Tee ORFS/FSORFS/ORFS <b>(SN 0300211022 to Present)</b>	

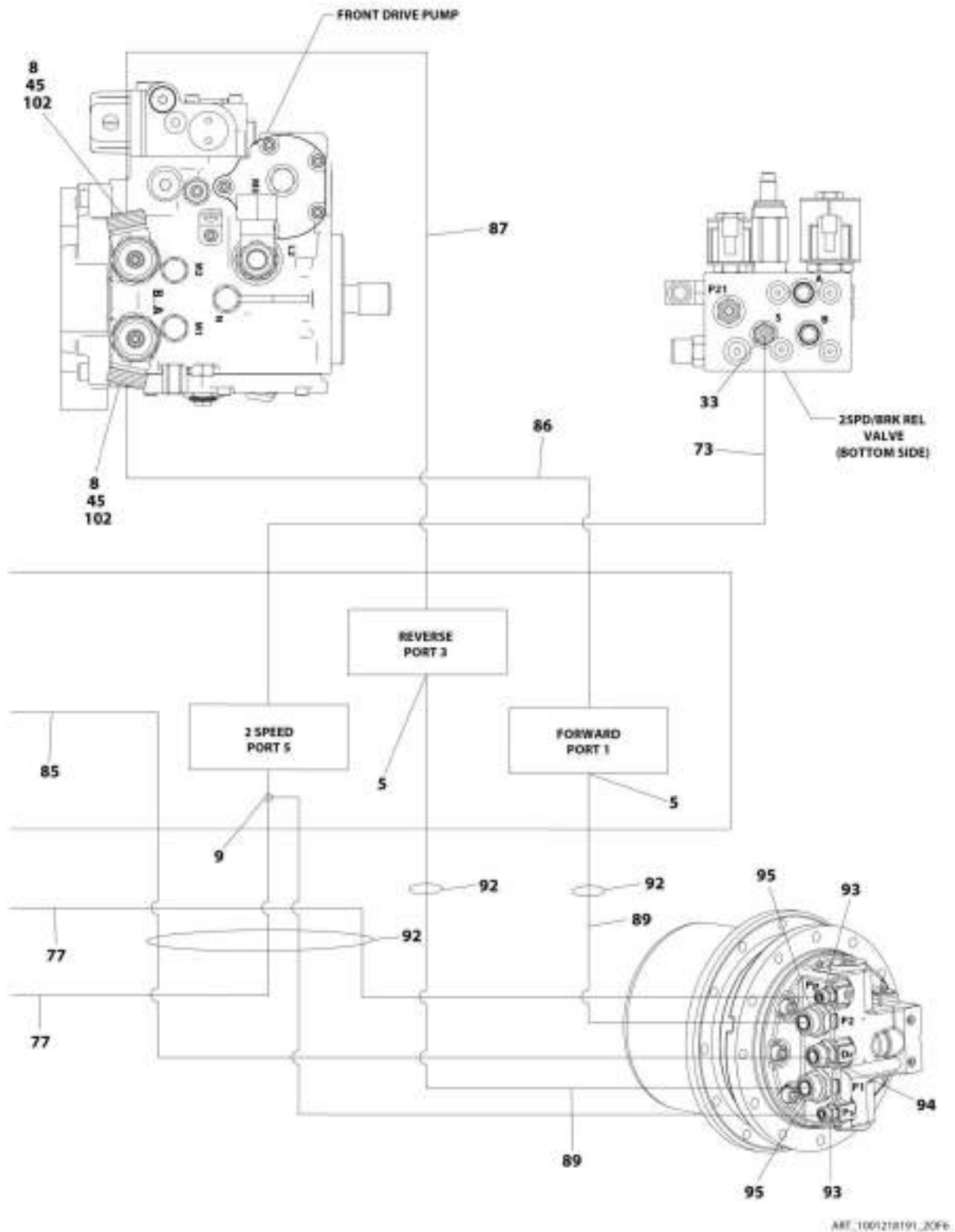
# SECTION 7 - HYDRAULIC

## FIGURE 7-2. HYDRAULIC DIAGRAM - 460SJC

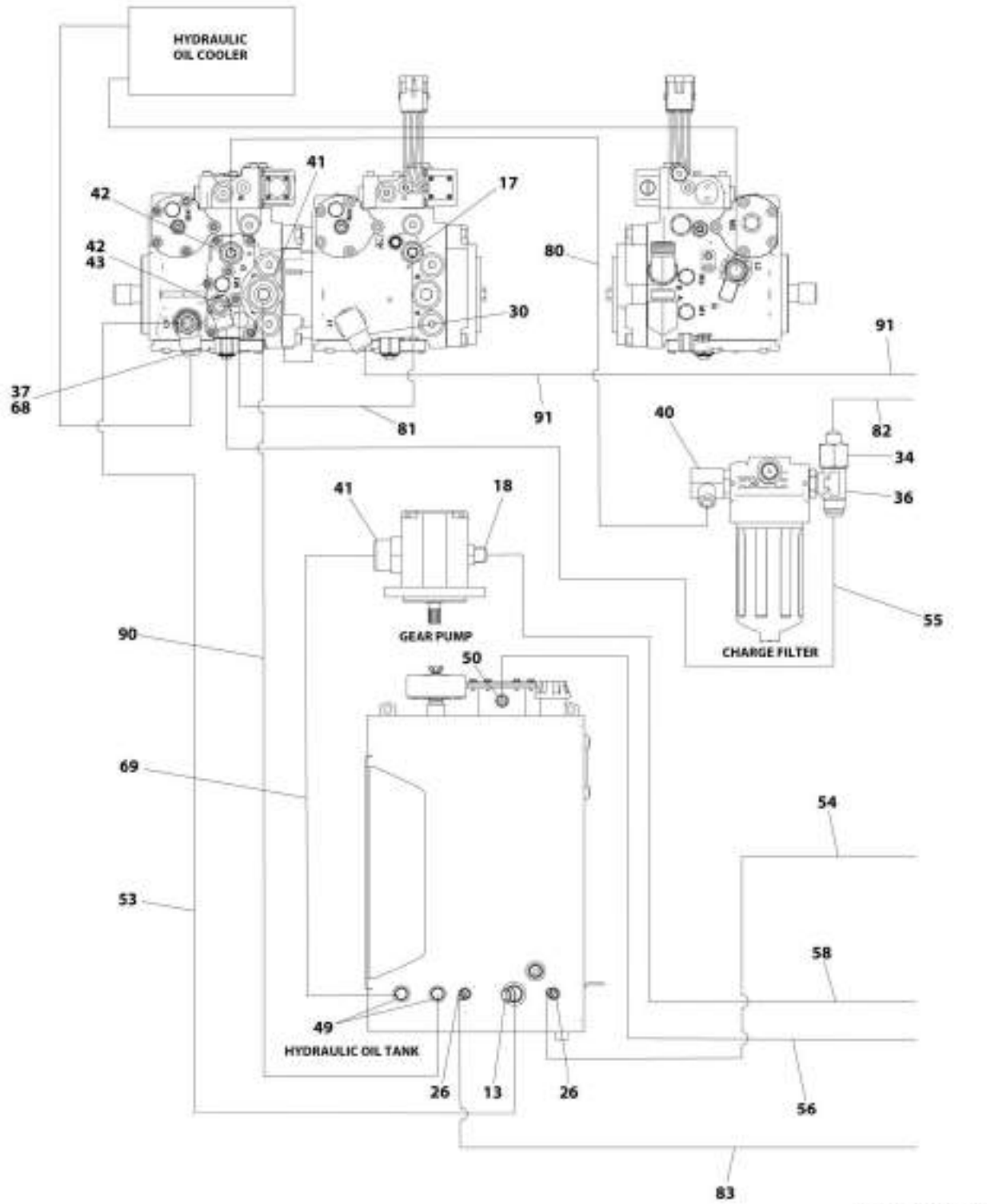


ART\_1001318101\_10PG

# SECTION 7 - HYDRAULIC

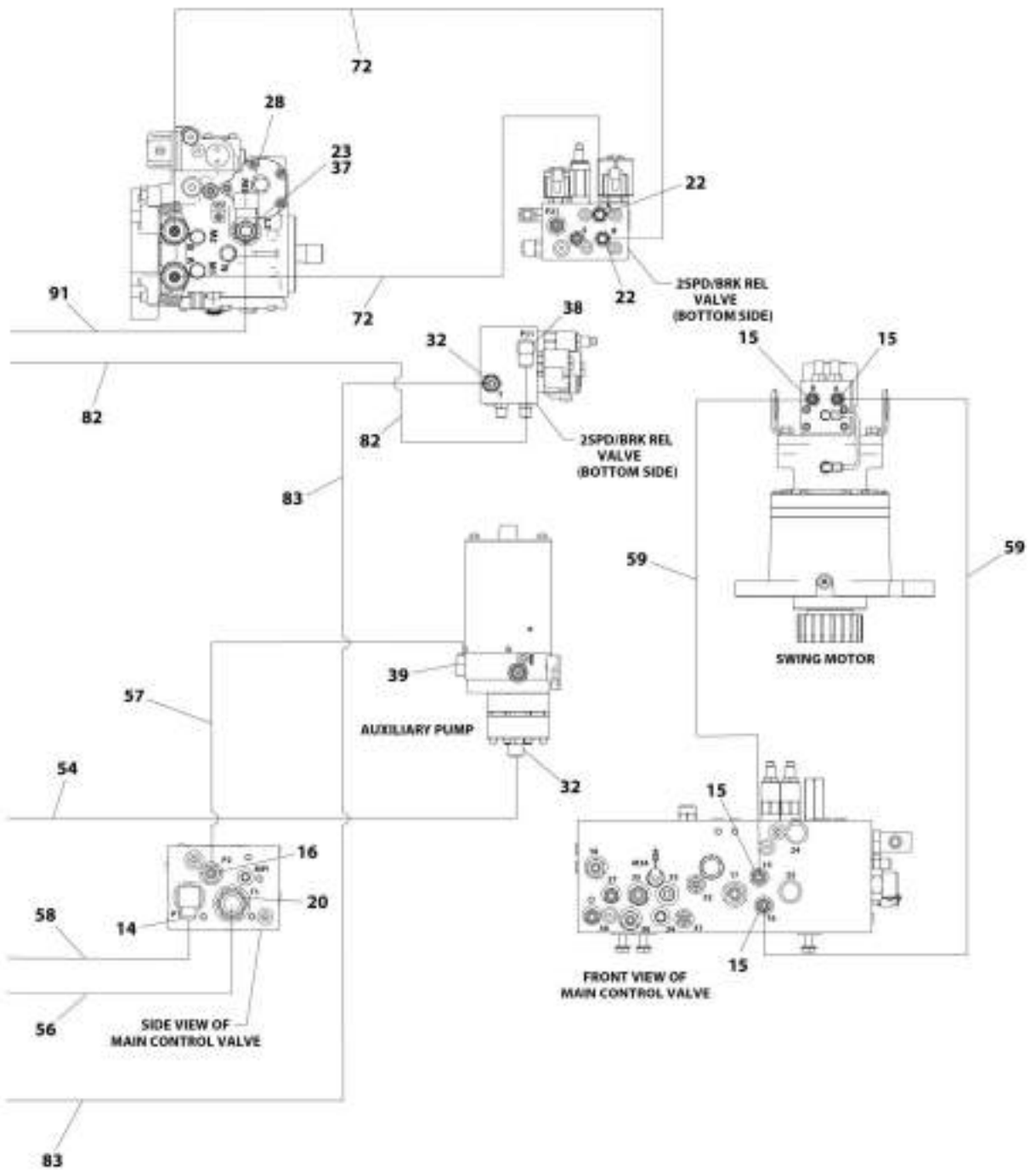


# SECTION 7 - HYDRAULIC



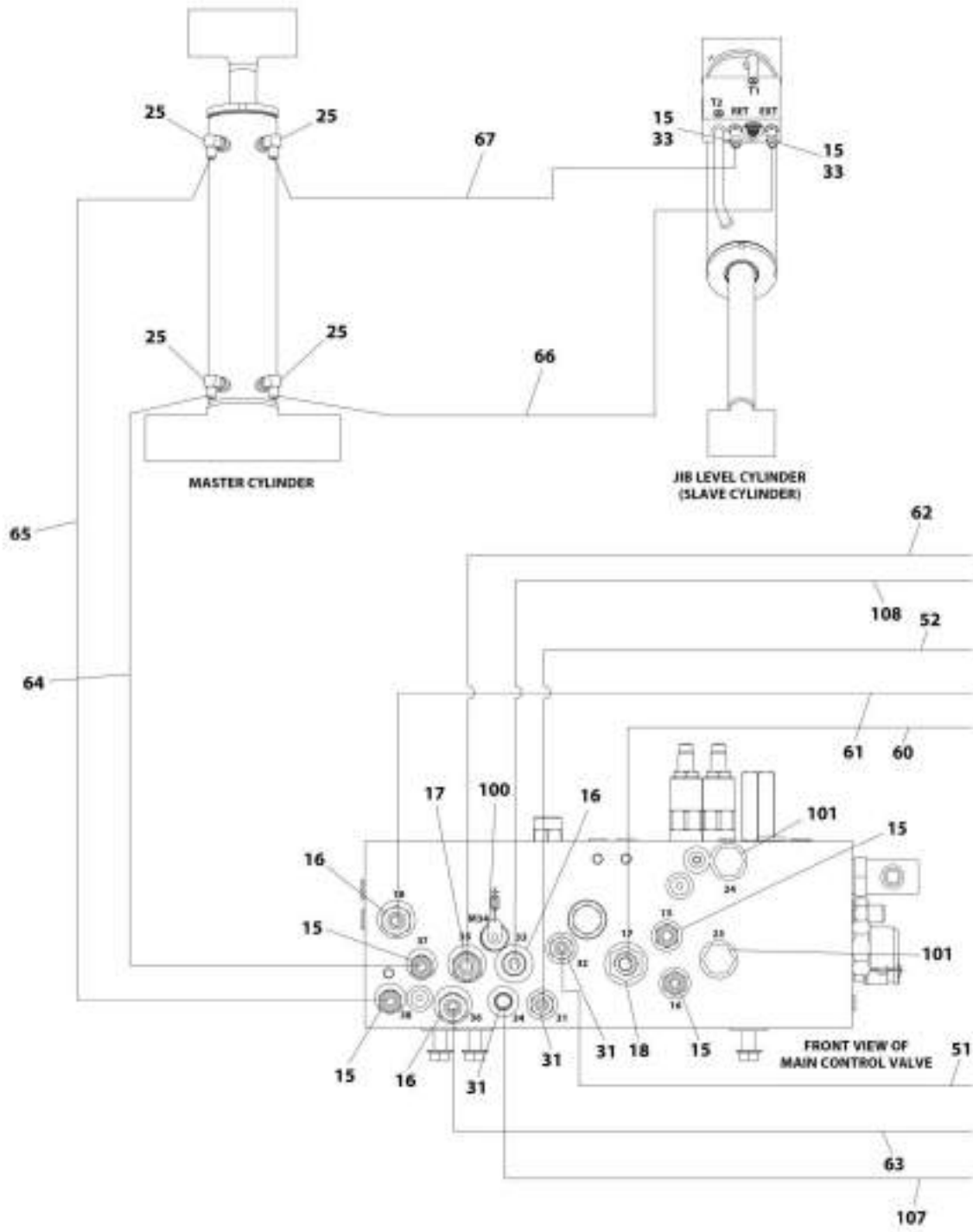
ART\_1001218191\_30P6

# SECTION 7 - HYDRAULIC



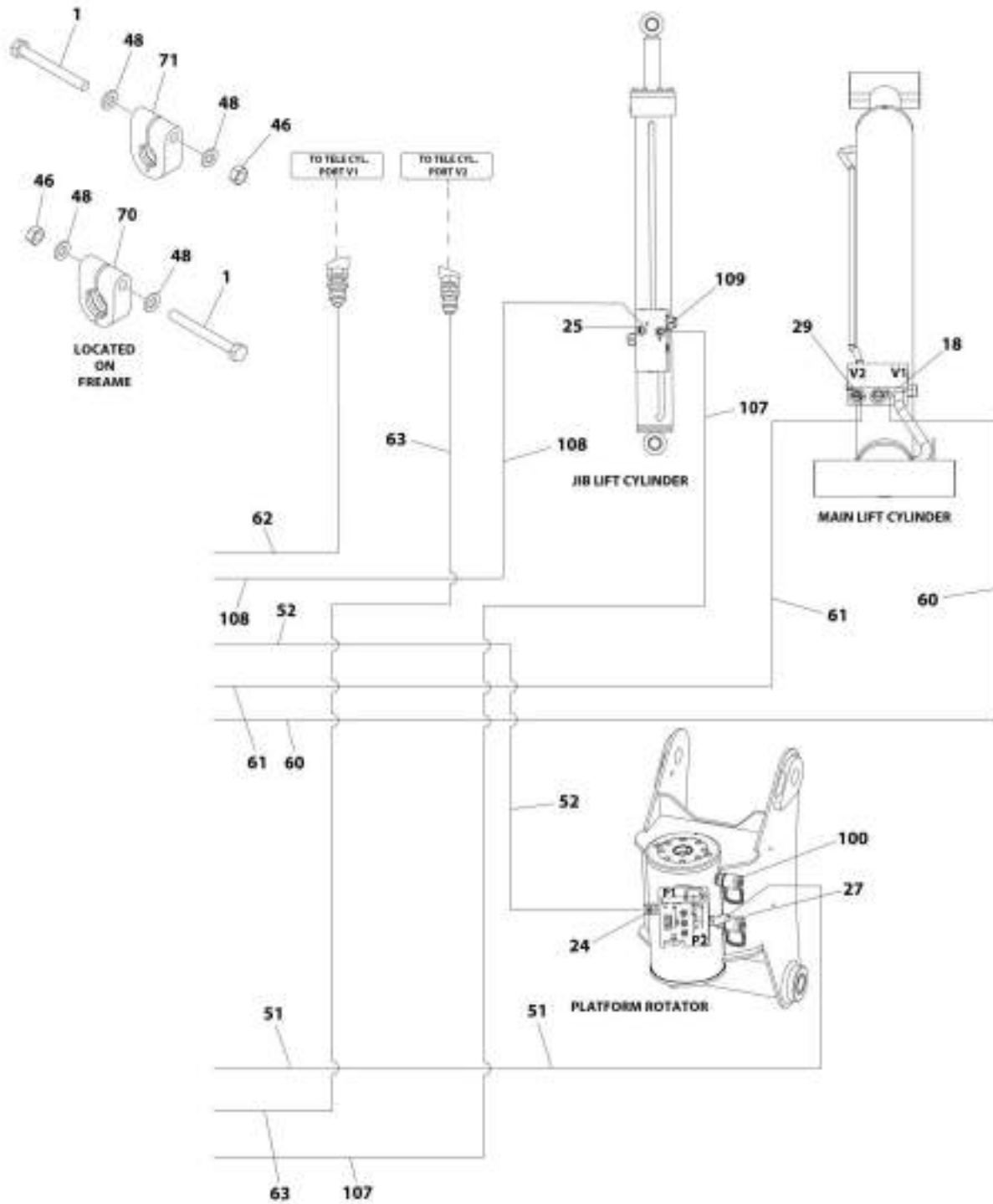
ART\_1001218191\_40F6

# SECTION 7 - HYDRAULIC



ARE\_1001216191\_30F6

# SECTION 7 - HYDRAULIC



ART\_1000218191\_00P6

# SECTION 7 - HYDRAULIC

## FIGURE 7-2. HYDRAULIC DIAGRAM - 460SJC

ITEM	PART NUMBER	QTY	DESCRIPTION	REV
	1001218191	Ref	HYDRAULIC DAIGRAM - 460SJC	D
1	0760619	2	Bolt M6 x 55	
2	2110806	1	Fitting, Straight ORFS/ORB	
4	2131212	1	Fitting, 90 ORFS/ORB	
5	2151212	4	Fitting, 45 ORFS/ORB	
7	2170212	1	Fitting, 90 ORFS/ORB	
8	2111212	2	Fitting, Straight ORFS/ORB	
9	2170406	2	Fitting, Tee ORFS/ORB/ORFS	
10	2170808	1	Fitting, Tee ORFS/FSORFS/FORFS	
13	2220365	1	Fitting, 45 JIC/ORB	
14	2220366	1	Fitting, 90 JIC/ORB	
15	2220371	9	Fitting, Straight JIC/ORB <b>(Prior to SN 0300248163)</b>	
15	2220371	7	Fitting, Straight JIC/ORB <b>(SN 0300248163 to Present)</b>	
16	2220372	4	Fitting, Straight JIC/ORB	
17	2220373	2	Fitting, Straight JIC/ORB	
18	2220374	2	Fitting, Straight JIC/ORB <b>(Prior to SN 0300237337)</b>	
18	2220374	3	Fitting, Straight JIC/ORB <b>(SN 0300237337 to Present)</b>	
19	2220375	1	Fitting, Straight JIC/ORB, (Not Shown) <b>(Prior to SN 0300237337)</b>	
20	2220377	1	Fitting, Straight JIC/ORB	
22	2110404	2	Fitting, Straight ORFS/ORB	
23	2220451	1	Fitting, Straight JIC/ORB	
24	2220466	1	Fitting, 90 JIC/ORB	
25	2220473	5	Fitting, 90 JIC/ORB	
26	2220500	2	Fitting, 45 JIC/ORB	
27	2220502	1	Fitting, 45 JIC/ORB	
28	2220518	1	Fitting, Cap FJIC	
29	2220577	1	Fitting, Straight JIC/ORB <b>(Prior to SN 0300237337)</b>	
29	2220497	1	Fitting, Straight JIC/ORB <b>(SN 0300237337 to Present)</b>	
30	2220578	1	Fitting, 90 JIC/ORB	
31	2220582	3	Fitting, Straight JIC/ORB	
32	2220600	2	Fitting, Straight JIC/ORB	
33	2220603	1	Fitting, Straight JIC/ORB <b>(Prior to SN 0300248163)</b>	
33	2220603	3	Fitting, Straight JIC/ORB <b>(SN 0300248163 to Present)</b>	
34	2220622	1	Fitting, Straight JIC/FSJIC	
36	2220695	1	Fitting, Tee JIC/ORB/JIC	
37	2220700	2	Fitting, Tee JIC/FSJIC/JIC	
38	2220726	1	Fitting, 90 JIC/ORB	
39	2220775	1	Fitting, 90 JIC/ORB	
40	2220906	1	Fitting, 90 JIC/ORB	
41	2220946	2	Fitting, Straight JIC/ORB	
42	2220947	2	Fitting, Straight JIC/ORB	
43	2220948	1	Fitting, Tee JIC/FSJIC/JIC	
44	2221063	1	Fitting, Tee JIC/ORB/JIC	
45	2221221	2	Fitting, Straight ORFS/FSORFS	
46	3290601	2	Nut M6	
48	4811700	4	Washer M6	
49	80633030	2	Clamp	
50	1001098928	1	Clamp	
51	1001173905	1	Hose	
52	1001181077	1	Hose	



## SECTION 7 - HYDRAULIC

ITEM	PART NUMBER	QTY	DESCRIPTION	REV
53	1001172715	1	Hose	
54	1001172716	1	Hose	
55	1001172719	1	Hose	
56	1001172720	1	Hose	
57	1001172721	1	Hose	
58	1001173899	1	Hose	
59	1001173900	2	Hose	
60	1001173901	1	Hose	
61	1001173902	1	Hose	
62	1001173903	1	Hose	
63	1001173904	1	Hose	
64	1001173907	1	Hose	
65	1001173908	1	Hose	
66	1001173909	1	Hose	
67	1001173937	1	Hose	
68	1001179156	1	Valve, Check	
69	1001193661	1	Hose	
70	1001191275	1	Clamp	
71	1001191276	1	Clamp	
72	1001193002	2	Hose	
73	1001193003	1	Hose	
76	1001193006	1	Hose	
77	1001193007	3	Hose	
78	1001193008	1	Hose	
79	1001193009	1	Hose	
80	1001193010	1	Hose	
81	1001193011	1	Hose	
82	1001193653	1	Hose	
83	1001193654	1	Hose	
84	1001193655	1	Hose	
85	1001193656	1	Hose	
86	1001193657	2	Hose	
87	1001193658	1	Hose	
88	1001193659	1	Hose	
89	1001193660	4	Hose	
90	1001172713	1	Hose	
91	1001110092	1	Hose	
92	4100026	24 ft /7.3m	Sleeve, Hose Protection	
93	1001191362	4	Fitting, Straight ORFS/ORB	
94	1001191364	2	Fitting, Straight ORFS/ORB	
95	1001191365	4	Fitting, Straight ORFS/ORB	
100	2221086	4	Fitting, Diagnostic Test Port	
101	2220238	2	Plug	
102	2170712	2	Fitting, Tee ORFS/FSORFS/ORFS	
107	1001173906	1	Hose	
108	1001181076	1	Hose	
109	2220472	1	Fitting, 90 JIC/ORB	

## SECTION 7 - HYDRAULIC

FIGURE 7-3. HYDRAULIC DIAGRAM LIST

ITEM	PART NUMBER	QTY	DESCRIPTION	REV
	1001178276	Ref Ref	Note: Diagrams are available from JLG Service/Parts Department. HYDRAULIC SCHEMATIC (Not Shown - See Service Manual)	

**SECTION 8 - ELECTRICAL**

## SECTION 8 - ELECTRICAL

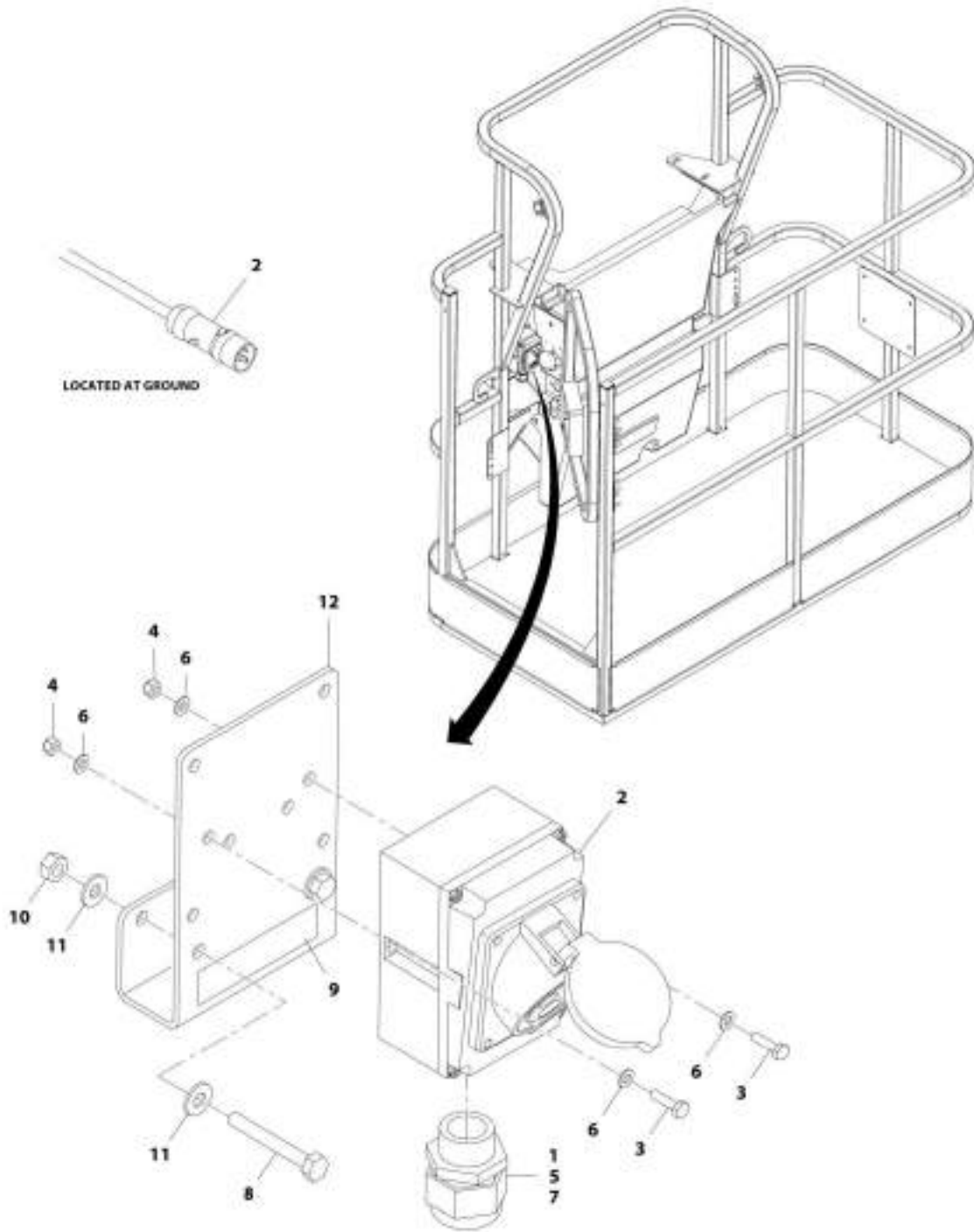
FIGURE 8-1. ELECTRICAL DIAGRAM LIST

ITEM	PART NUMBER	QTY	DESCRIPTION	REV
		Ref	Note: For Information, Refer to Service Manual or Contact JLG Customer Service Department.	
	1001165354	Ref	Electrical Schematic	
	4933218	Ref	Wiring Diagram - Soft Touch	
	1001188731	Ref	Generator Electrical Diagram - 2500W Generator - 60Hz (ANSI Export Specs) <b>(SN 0300224020 to Present)</b>	
	1001175631	Ref	Generator Electrical Diagram - 4000W Generator - 60Hz (ANSI Export Specs) <b>(SN 0300224020 to Present)</b>	
	1001175632	Ref	Generator Electrical Diagram - 4000W Generator - 50Hz (CE Specs)	
	1001175633	Ref	Generator Electrical Diagram - 4000W Generator - 50Hz (CE Specs)	
	1001174675	Ref	Generator Electrical Diagram - 7500W SkyPower Generator	



# SECTION 8 - ELECTRICAL

FIGURE 8-2. AC BOX AT PLATFORM - 110V IEC YELLOW (CE SPEC)



ART\_1001091568

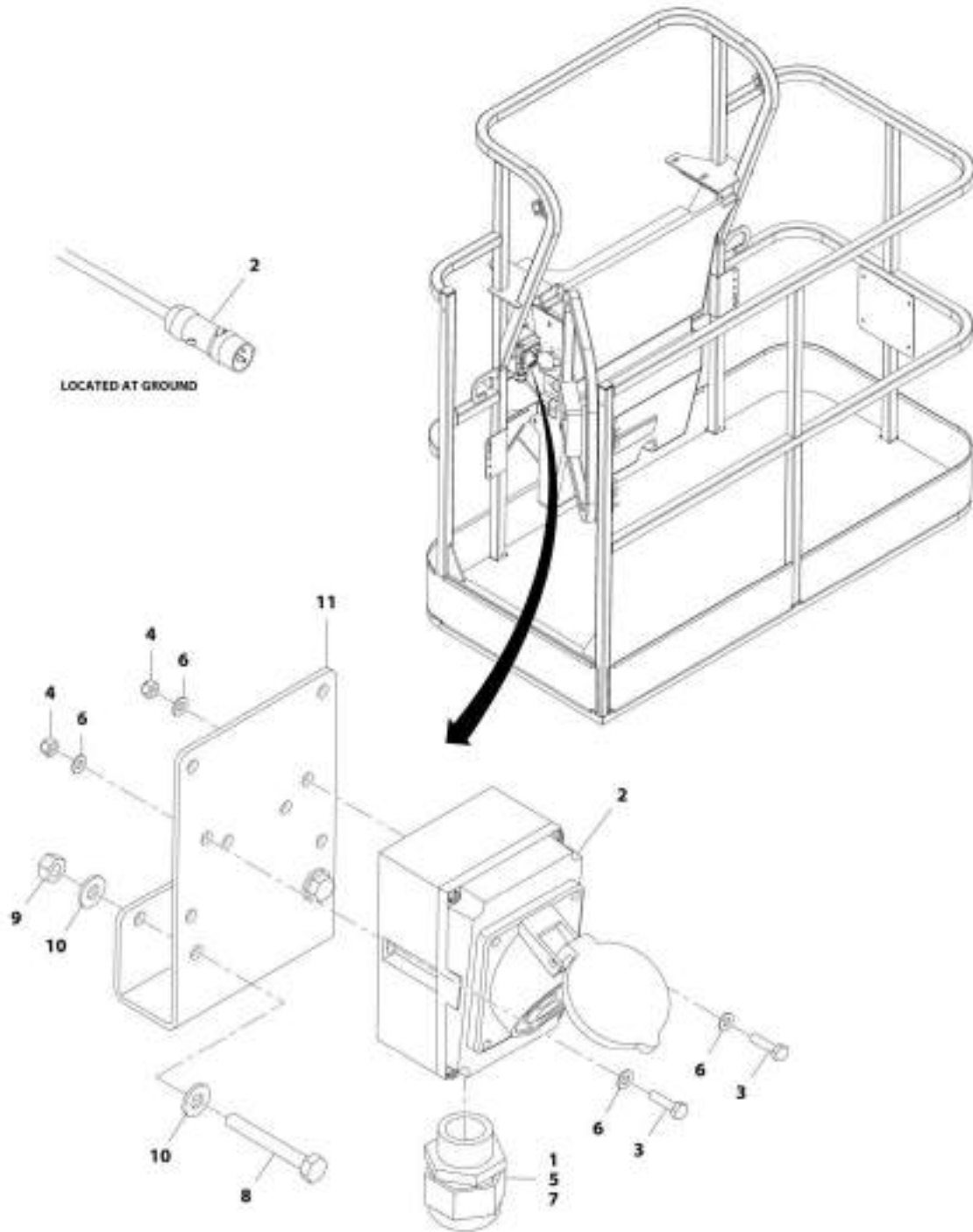
## SECTION 8 - ELECTRICAL

**FIGURE 8-2. AC BOX AT PLATFORM - 110V IEC YELLOW (CE SPEC)**

ITEM	PART NUMBER	QTY	DESCRIPTION	REV
	1001091969	Ref	AC BOX AT PLATFORM - 110V IEC YELLOW (CE SPEC)	C
1	0100020	AR	Sealant	
2	0275216	1	Receptacle Box Kit (See RECEPTACLE BOX KIT - 110V IEC YELLOW (CE SPEC) for Breakdown)	
3	0700408	2	Bolt M4 x 16	
4	3290405	2	Nut M4	
5	1001101196	1	Adapter	
6	4811400	4	Washer M4	
7	1001101191	1	Connector, Strain Relief	
8	0641416	2	Bolt 1/4 x 2	
9	1705325	1	Decal - 110V	
10	3311405	2	Nut 1/4	
11	4711400	4	Washer 1/4	
12	1001193018	1	Bracket	

# SECTION 8 - ELECTRICAL

FIGURE 8-3. AC BOX AT PLATFORM - 220V IEC BLUE (CE SPEC)



ART. 100201970



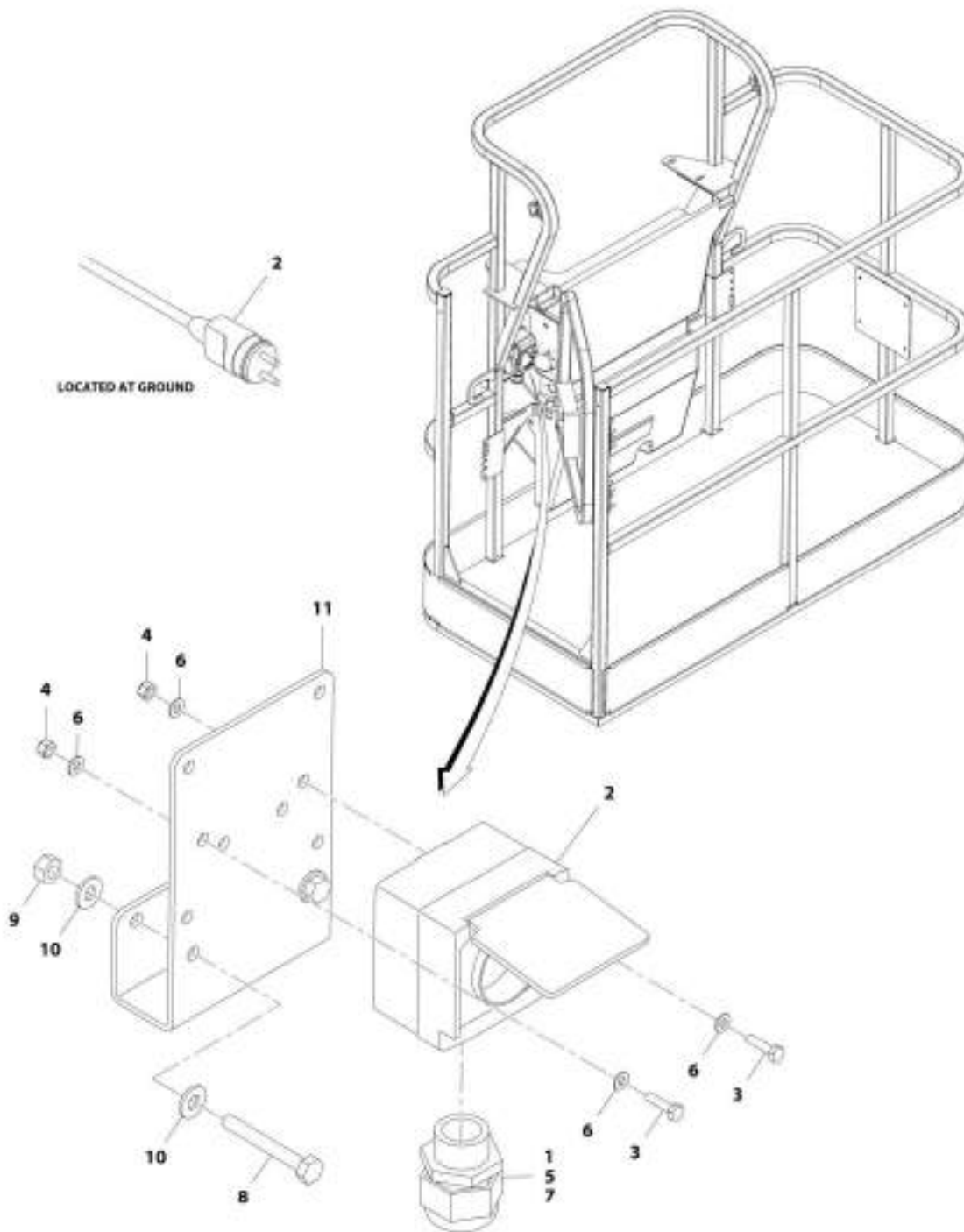
## SECTION 8 - ELECTRICAL

**FIGURE 8-3. AC BOX AT PLATFORM - 220V IEC BLUE (CE SPEC)**

ITEM	PART NUMBER	QTY	DESCRIPTION	REV
	1001091970	Ref	AC BOX AT PLATFORM - 220V IEC BLUE (CE SPEC)	C
1	0100020	AR	Sealant	
2	0275217	1	Receptacle Box Kit (See RECEPTACLE BOX KIT - 220V IEC BLUE (CE SPEC) for Breakdown)	
3	0700408	2	Bolt M4 x 16	
4	3290405	2	Nut M4	
5	1001101196	1	Adapter	
6	4811400	4	Washer M4	
7	1001101191	1	Connector, Strain Relief	
8	0641416	2	Bolt 1/4 x 2	
9	3311405	2	Nut 1/4	
10	4711400	4	Washer 1/4	
11	1001193018	1	Bracket	

# SECTION 8 - ELECTRICAL

FIGURE 8-4. AC BOX AT PLATFORM - 220V CEE7 70MM X 70MM POST GROUND (CE SPEC) (Prior to SN 0300214184)



ART\_1001091971

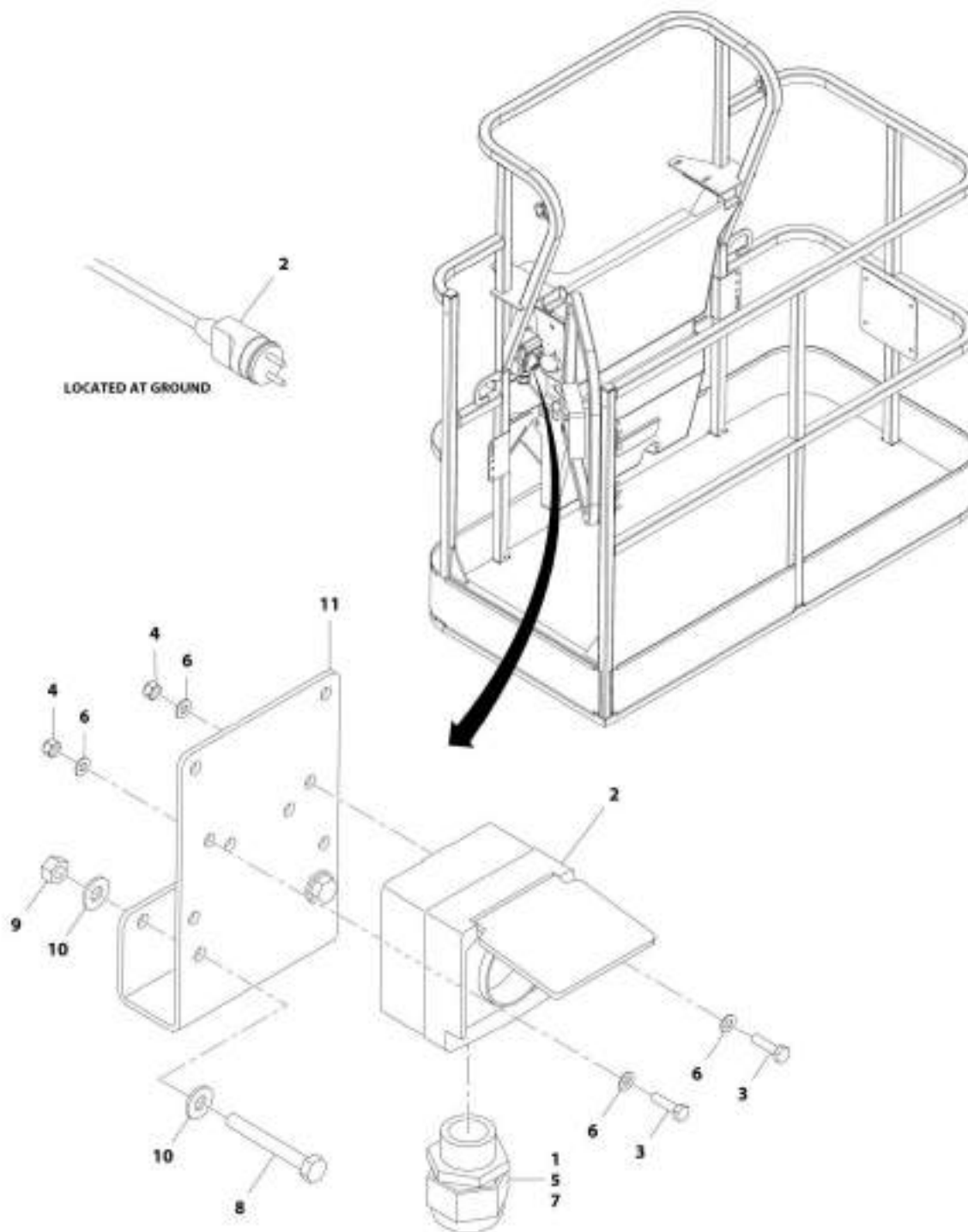
## SECTION 8 - ELECTRICAL

**FIGURE 8-4. AC BOX AT PLATFORM - 220V CEE7 70MM X 70MM POST GROUND (CE SPEC) (Prior to SN 0300214184)**

ITEM	PART NUMBER	QTY	DESCRIPTION	REV
	1001091971	Ref	AC BOX AT PLATFORM - 220V CEE7 70MM X 70MM POST GROUND (CE SPEC) (Prior to SN 0300214184)	C
1	0100020	AR	Sealant	
2	0275218	1	Receptacle Box Kit (See RECEPTACLE BOX KIT - 220V CEE7 70MM X 70MM POST GROUND (CE SPEC) for Breakdown)	
3	0700408	2	Bolt M4 x 16	
4	3290405	2	Nut M4	
5	1001101196	1	Adapter	
6	4811400	4	Washer M4	
7	1001101191	1	Connector, Strain Relief	
8	0641416	2	Bolt 1/4 x 2	
9	3311405	2	Nut 1/4	
10	4711400	4	Washer 1/4	
11	1001193018	1	Bracket	

## SECTION 8 - ELECTRICAL

FIGURE 8-5. AC BOX AT PLATFORM - 220V CEE7 70MM X 70MM SIDE GROUND (CE SPEC) (Prior to SN 0300214184)



ART\_1001091972

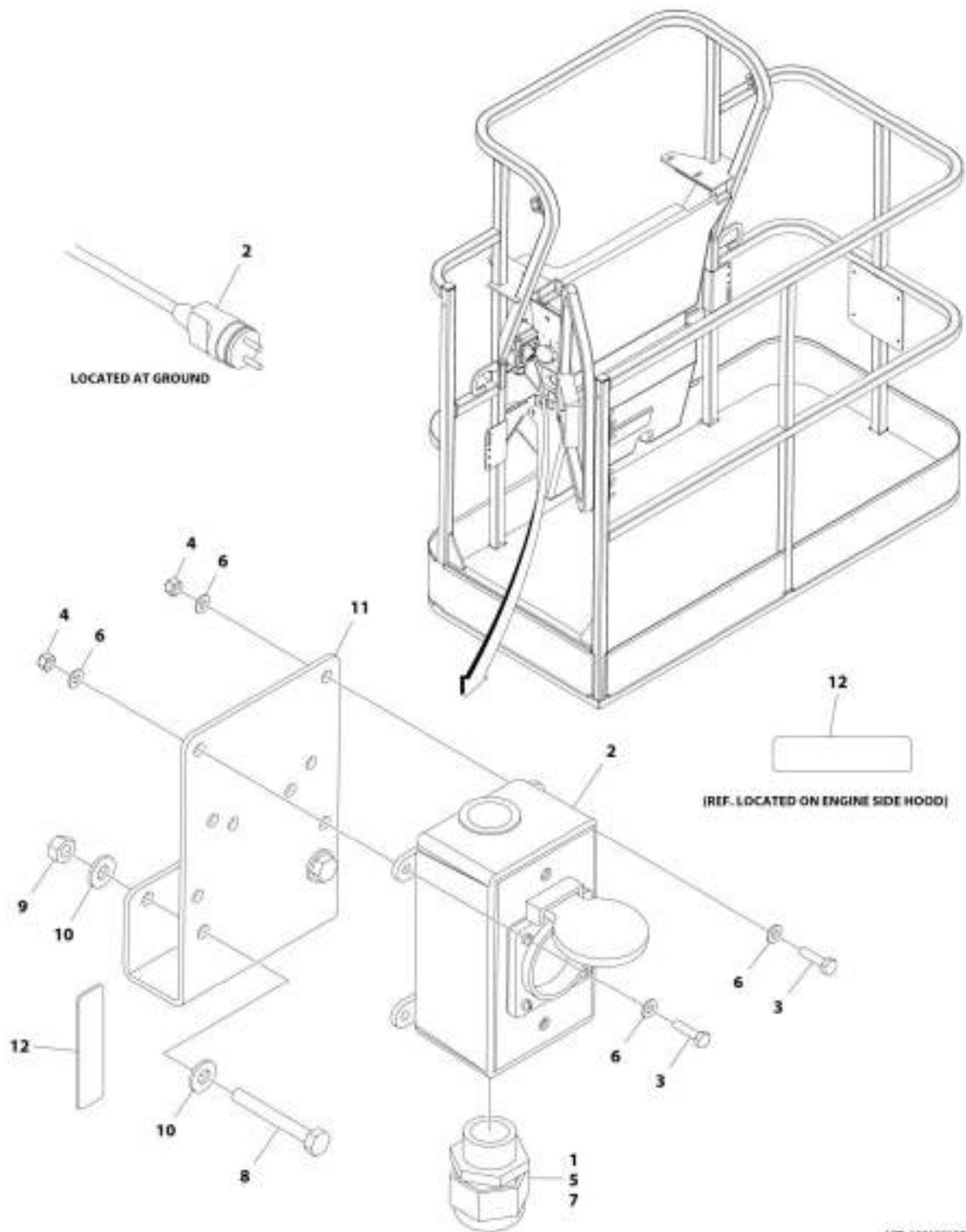
## SECTION 8 - ELECTRICAL

**FIGURE 8-5. AC BOX AT PLATFORM - 220V CEE7 70MM X 70MM SIDE GROUND (CE SPEC) (Prior to SN 0300214184)**

ITEM	PART NUMBER	QTY	DESCRIPTION	REV
	1001091972	Ref	AC BOX AT PLATFORM - 220V CEE7 70MMX70MM SIDE GROUND (CE SPEC) (Prior to SN 0300214184)	C
1	0100020	AR	Sealant	
2	0275219	1	Receptacle Box Kit (See RECEPTACLE BOX KIT - 220V CEE7 70MM X 70MM SIDE GROUND (CE SPEC) for Breakdown)	
3	0700408	2	Bolt M4 x 16	
4	3290405	2	Nut M4	
5	1001101196	1	Adapter	
6	4811400	4	Washer M4	
7	1001101191	1	Connector, Strain Relief	
8	0641416	2	Bolt 1/4 x 2	
9	3311405	2	Nut 1/4	
10	4711400	4	Washer 1/4	
11	1001193018	1	Bracket	

# SECTION 8 - ELECTRICAL

FIGURE 8-6. AC BOX AT PLATFORM - 220V CEE7 2IN X 4IN POST GROUND (CE SPEC)



AUT\_3001001673

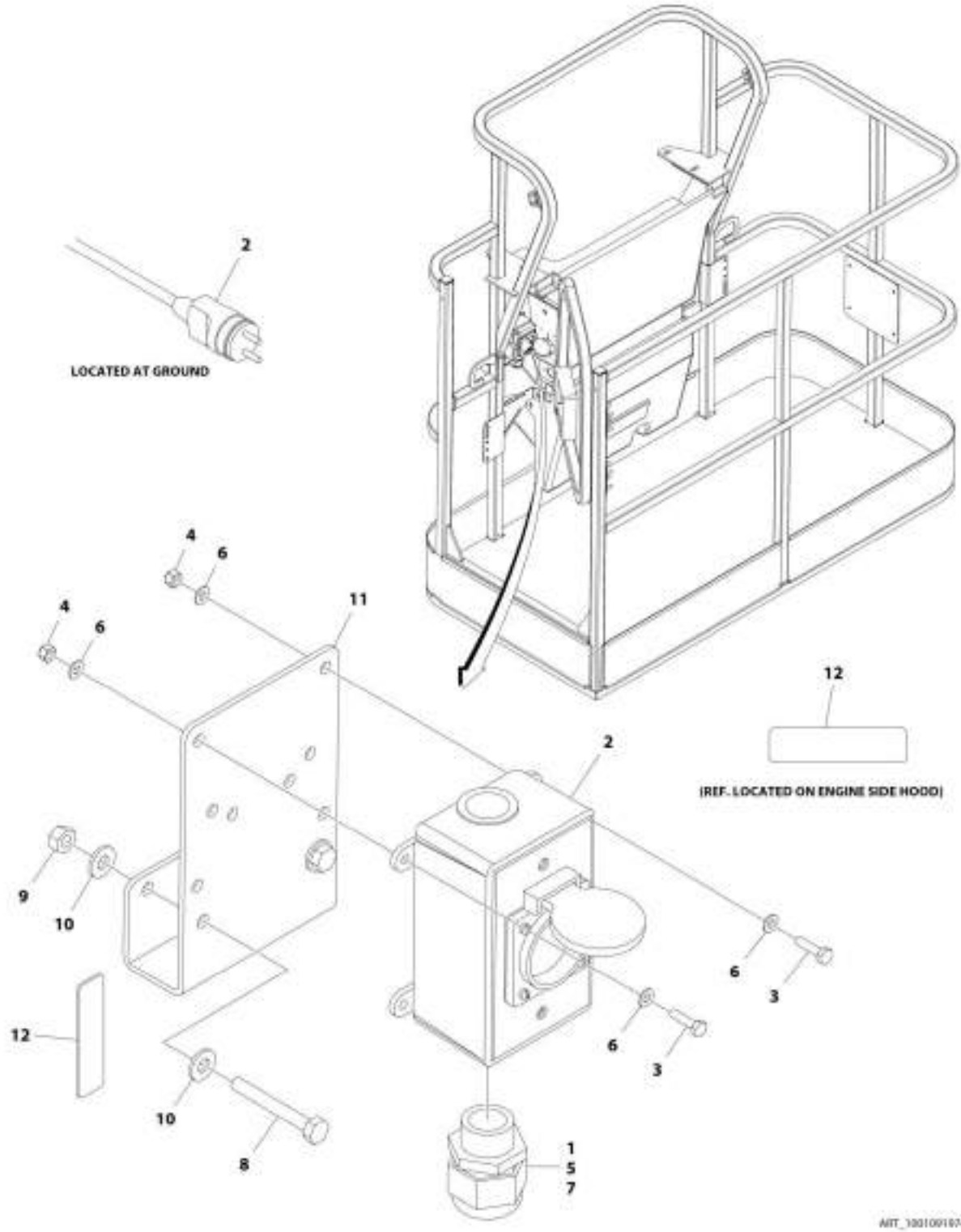
## SECTION 8 - ELECTRICAL

**FIGURE 8-6. AC BOX AT PLATFORM - 220V CEE7 2IN X 4IN POST GROUND (CE SPEC)**

ITEM	PART NUMBER	QTY	DESCRIPTION	REV
	1001091973	Ref	AC BOX AT PLATFORM - 220V CEE7 2IN X 4IN POST GROUND (CE SPEC)	F
1	0100020	AR	Sealant	
2	0275452	1	Receptacle Box Kit (See RECEPTACLE BOX KIT - 220V CEE7 2IN X 4IN POST GROUND (CE SPEC) for Breakdown)	
3	0700408	4	Bolt M4 x 16	
4	3290405	4	Nut M4	
5	1001101196	1	Adapter	
6	4811400	8	Washer M4	
7	1001101191	1	Connector, Strain Relief	
8	0641416	2	Bolt 1/4 x 2	
9	3311405	2	Nut 1/4	
10	4711400	4	Washer 1/4	
11	1001193018	1	Bracket	
12	3251242	2	Decal, 240V / 50Hz <b>(SN 0300240648 to Present)</b>	
13	4460806	2	Terminal, Fork (Not Shown) <b>(SN 0300240648 to Present)</b>	
14	1001205958	1	Terminal, Wire Pin (Not Shown) <b>(SN 0300240648 to Present)</b>	

# SECTION 8 - ELECTRICAL

FIGURE 8-7. AC BOX AT PLATFORM - 220V CEE7 2IN X 4IN SIDE GROUND (CE SPEC)





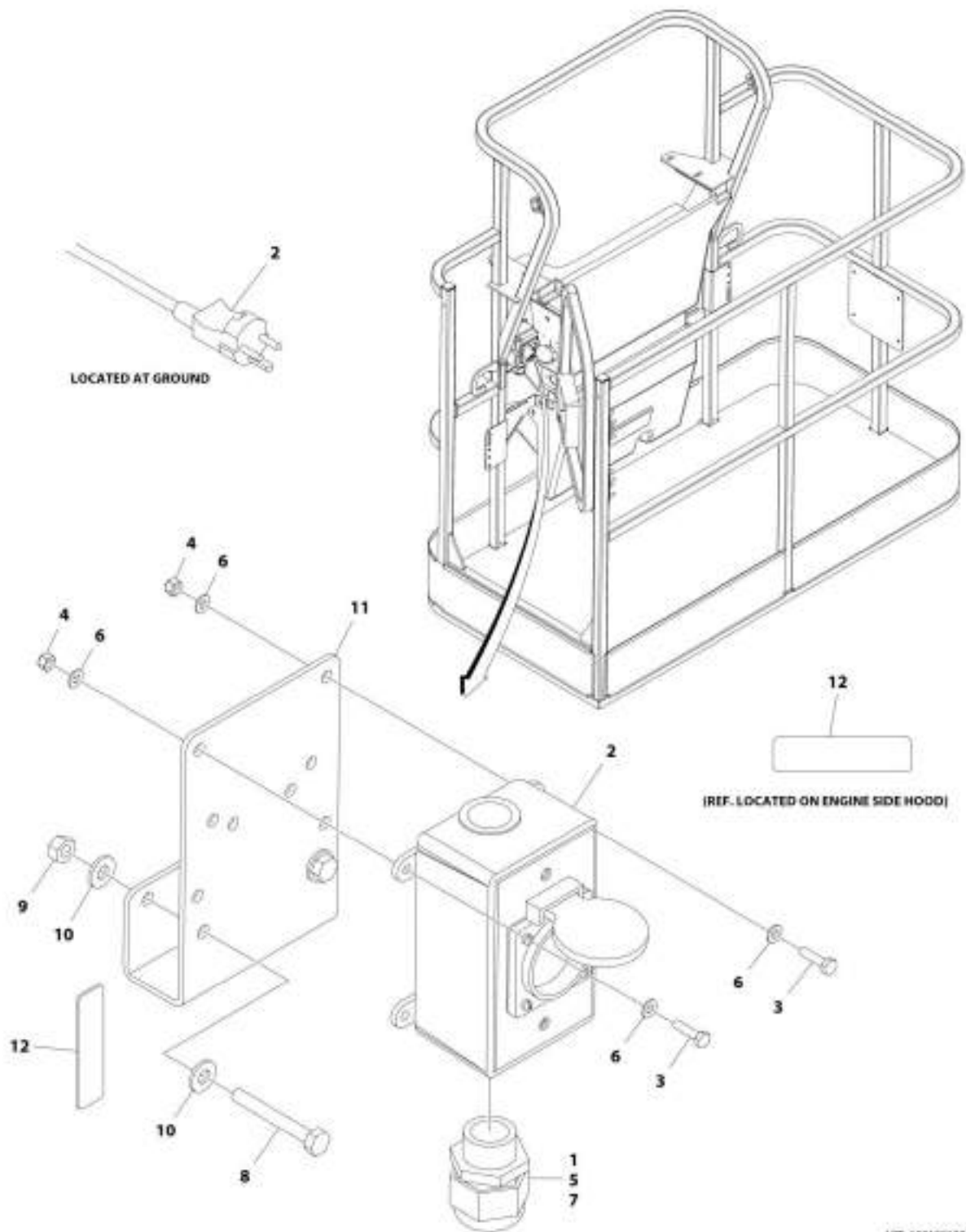
## SECTION 8 - ELECTRICAL

**FIGURE 8-7. AC BOX AT PLATFORM - 220V CEE7 2IN X 4IN SIDE GROUND (CE SPEC)**

ITEM	PART NUMBER	QTY	DESCRIPTION	REV
	1001091974	Ref	AC BOX AT PLATFORM - 220V CEE7 2IN X 4IN SIDE GROUND (CE SPEC)	F
1	0100020	AR	Sealant	
2	0275453	1	Receptacle Box Kit (See RECEPTACLE BOX KIT - 220V CEE7 2IN X 4IN SIDE GROUND (CE SPEC) for Breakdown)	
3	0700408	4	Bolt M4 x 16	
4	3290405	4	Nut M4	
5	1001101196	1	Adapter	
6	4811400	8	Washer M4	
7	1001101191	1	Connector, Strain Relief	
8	0641416	2	Bolt 1/4 x 2	
9	3311405	2	Nut 1/4	
10	4711400	4	Washer 1/4	
11	1001193018	1	Bracket	
12	3251242	2	Decal, 240V / 50Hz <b>(SN 0300240648 to Present)</b>	
13	4460806	2	Terminal, Fork (Not Shown) <b>(SN 0300240648 to Present)</b>	
14	1001205958	1	Terminal, Wire Pin (Not Shown) <b>(SN 0300240648 to Present)</b>	

# SECTION 8 - ELECTRICAL

## FIGURE 8-8. AC BOX AT PLATFORM - 220V AFSINT107 (CE SPEC)



AUT\_3001001625

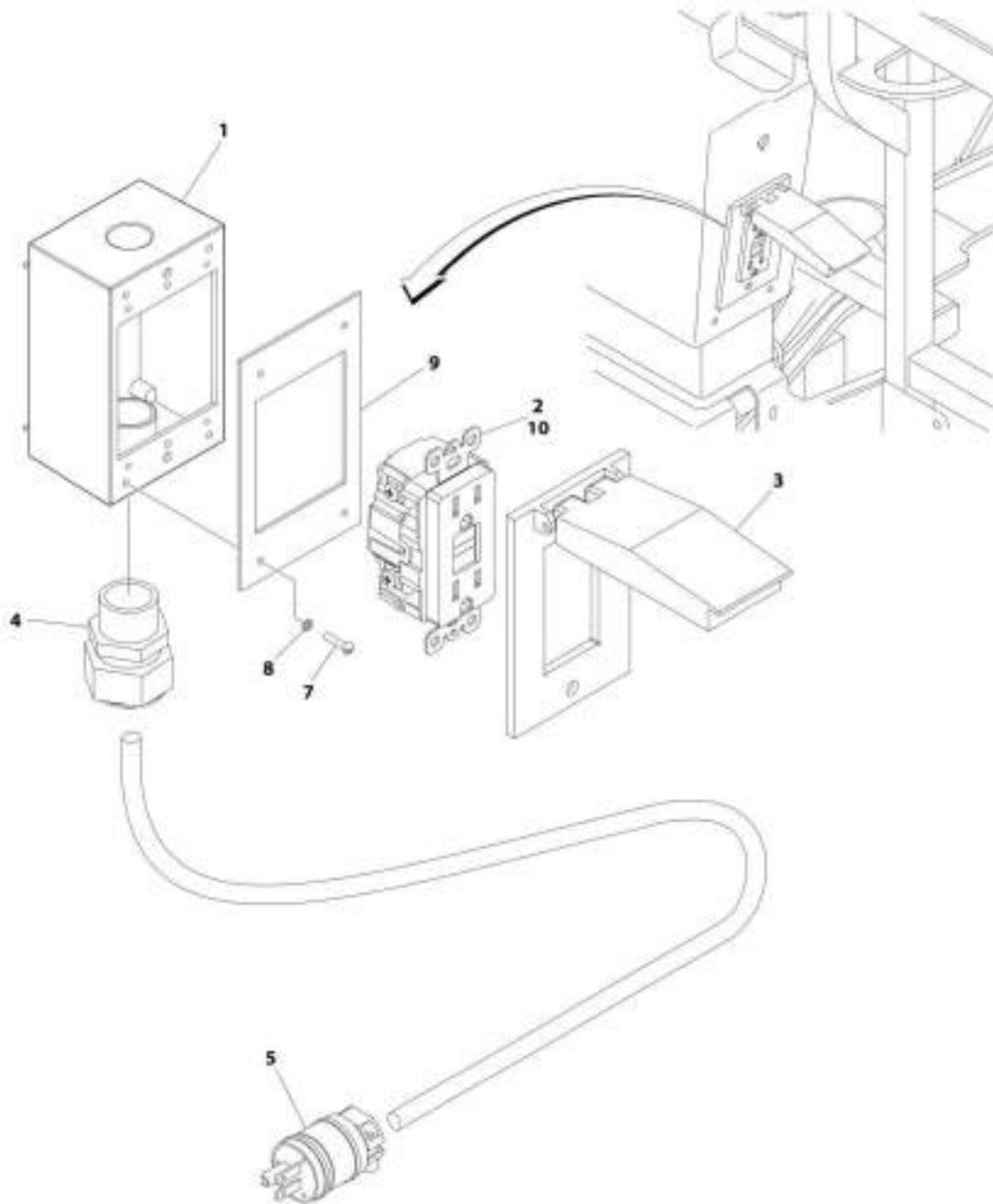
## SECTION 8 - ELECTRICAL

**FIGURE 8-8. AC BOX AT PLATFORM - 220V AFSINT107 (CE SPEC)**

ITEM	PART NUMBER	QTY	DESCRIPTION	REV
	1001091975	1	AC BOX AT PLATFORM - 220V AFSINT107 KEYED GROUND (CE SPEC)	F
1	0100020	AR	Sealant	
2	0275454	1	Receptacle Box Kit (See RECEPTACLE BOX KIT - 220V AFSINT107 (CE SPEC) for Breakdown)	
3	0700408	4	Bolt M4 x 16	
4	3290405	4	Nut M4	
5	1001101196	1	Adapter	
6	4811400	8	Washer M4	
7	1001101191	1	Connector, Strain Relief	
8	0641416	2	Bolt 1/4 x 2	
9	3311405	2	Nut 1/4	
10	4711400	4	Washer 1/4	
11	1001193018	1	Bracket	
12	3251242	2	Decal, 240V / 50Hz <b>(SN 0300240648 to Present)</b>	
13	1001205958	3	Terminal, Wire Pin (Not Shown) <b>(SN 0300240648 to Present)</b>	

## SECTION 8 - ELECTRICAL

FIGURE 8-9. AC BOX AT PLATFORM INSTALLATION - 110V (ANSI, ANSI EXPORT, AND CSA SPECS)  
(SN 0300234013 to Present)



ART\_027002

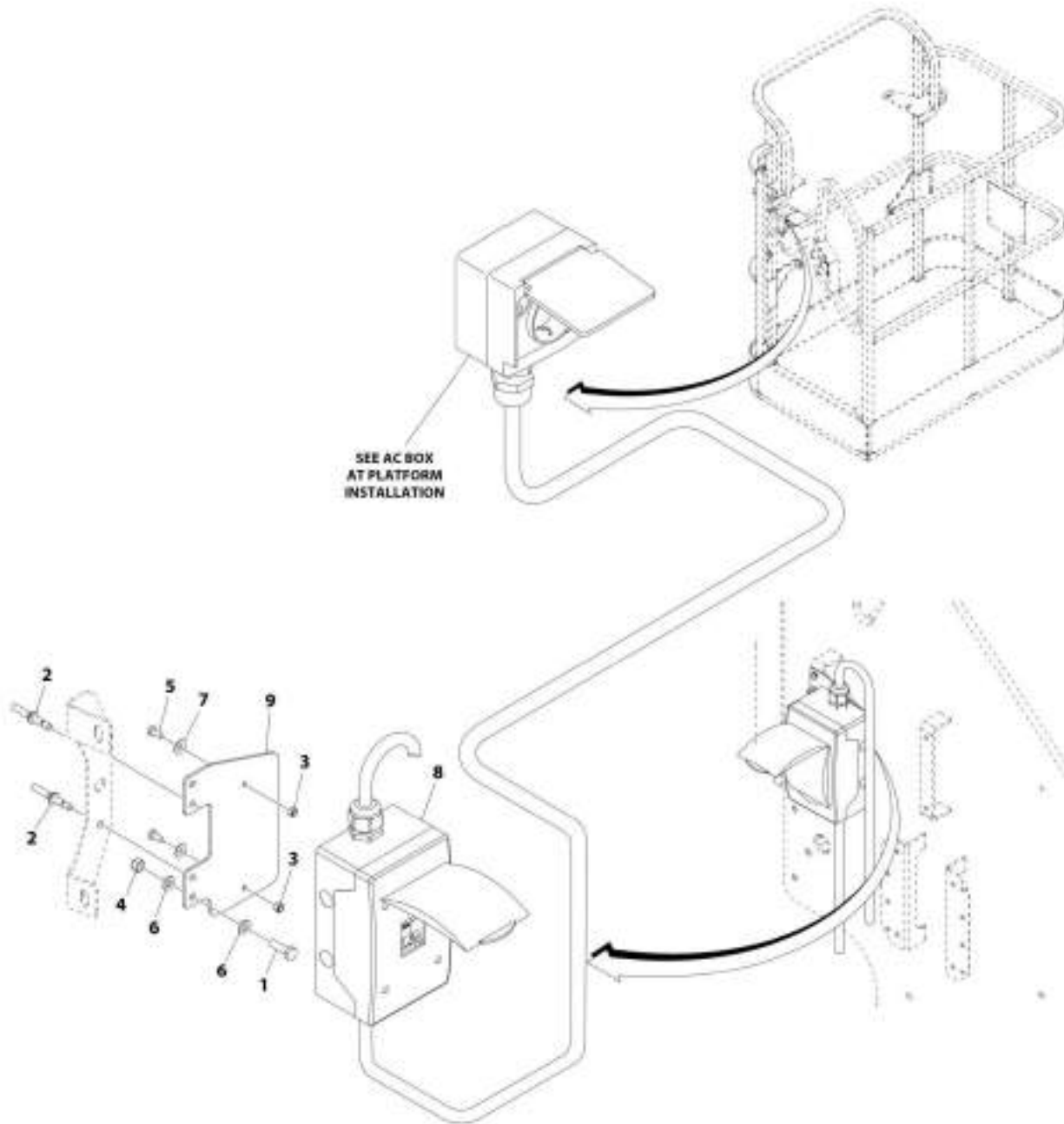
## SECTION 8 - ELECTRICAL

**FIGURE 8-9. AC BOX AT PLATFORM INSTALLATION - 110V (ANSI, ANSI EXPORT, AND CSA SPECS)  
(SN 0300234013 to Present)**

ITEM	PART NUMBER	QTY	DESCRIPTION	REV
	0270022	Ref	AC BOX AT PLATFORM INSTALLATION - 110V (ANSI, ANSI EXPORT, AND CSA SPECS) <b>(SN 0300234013 to Present)</b>	4-B
1	0860038	1	Box, Switch	
2	4460346	1	Receptacle	
3	1001110873	1	Shield, Cover	
4	4460071	1	Connector, Strain Relief	
5	4460205	1	Plug, Male	
7	3910610	4	Screw #6 x 5/8	
8	4760600	4	Washer #6	
9	3960422	1	Gasket	
10	4460315	1	Terminal, Spade	

# SECTION 8 - ELECTRICAL

FIGURE 8-10. AC CABLE INSTALLATION - WITH THREE BREAKERS (CE SPECS)



ART\_3001209677

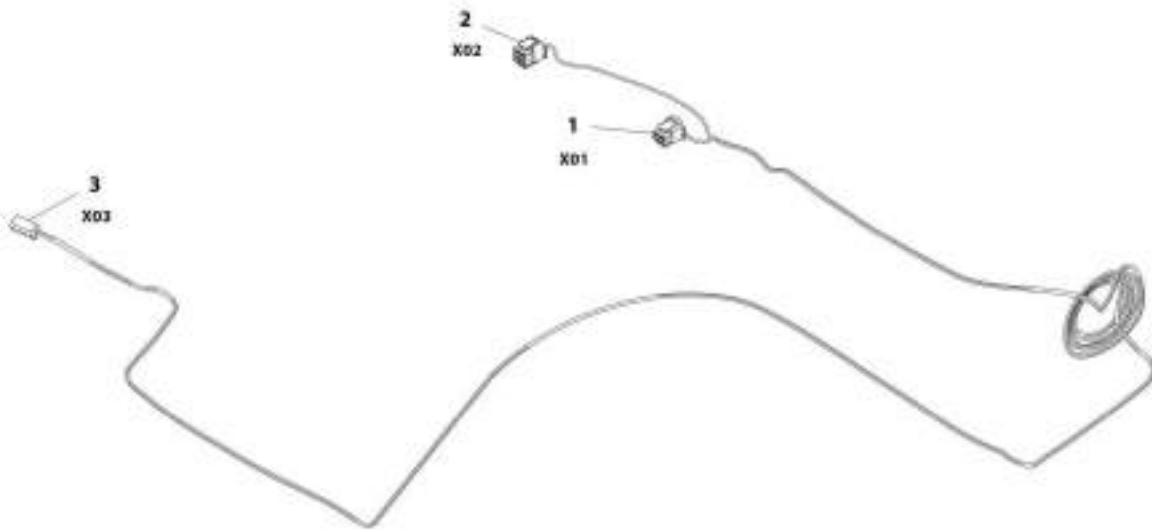
## SECTION 8 - ELECTRICAL

**FIGURE 8-10. AC CABLE INSTALLATION - WITH THREE BREAKERS (CE SPECS)**

ITEM	PART NUMBER	QTY	DESCRIPTION	REV
	1001209677	Ref	AC CABLE INSTALLATION - WITH THREE BREAKERS (CE SPECS)	A
1	0760610	2	Bolt M6 x 20	
2	2080040	2	Fastener, Huck	
3	3290405	2	Nut M4	
4	3290605	2	Nut M6	
5	4010405	2	Screw M4 x 10	
6	4811700	4	Washer M6	
7	1001091102	2	Washer M4	
8	1001152485	1	Breaker Box Kit - CE Spec (See BREAKER BOX KIT WITH THREE BREAKERS - CE SPEC for Breakdown)	
9	1001209832	1	Bracket	

# SECTION 8 - ELECTRICAL

FIGURE 8-11. BEACON HARNES (Prior to SN 0300217319)



ART\_100149576



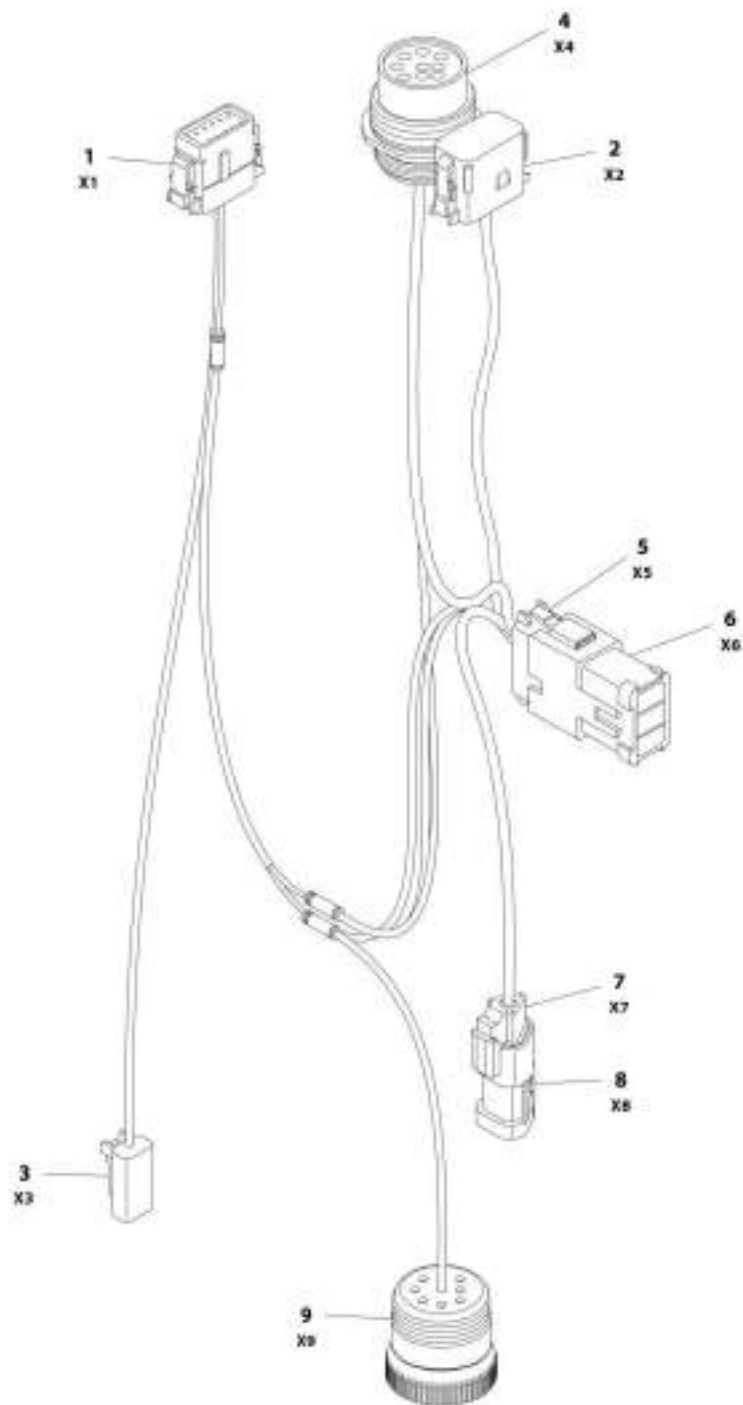
## SECTION 8 - ELECTRICAL

### FIGURE 8-11. BEACON HARNESS (Prior to SN 0300217319)

ITEM	PART NUMBER	QTY	DESCRIPTION	REV
	1001149570	Ref	BEACON HARNESS (Prior to SN 0300217319)	C
1	4460225	1	Plug, Male - 6 Position	
1	4460268	1	Socket, Female	
2	4460265	1	Plug, Male - 9 Position	
2	4460267	1	Pin, Male	
3	4460891	1	Plug, Male - 2 Position	
3	4460465	2	Socket, Female	

# SECTION 8 - ELECTRICAL

## FIGURE 8-12. BEACON HARNESS (SN 0300217319 to Present)



ART\_300142790

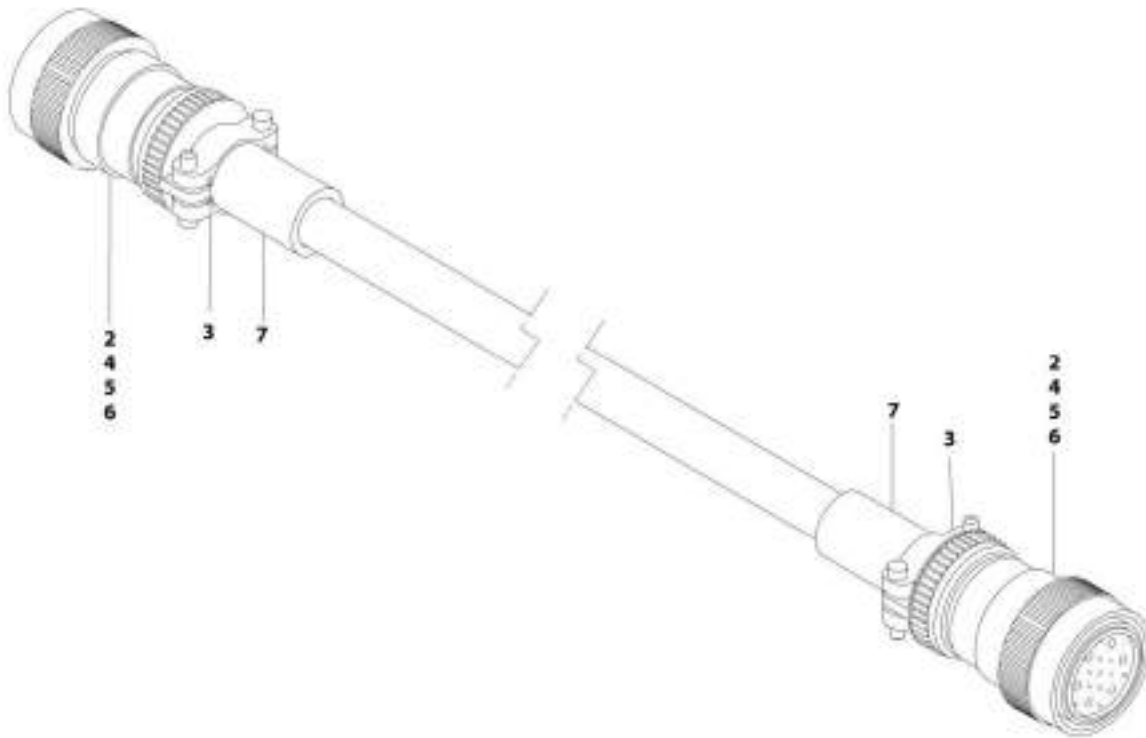
## SECTION 8 - ELECTRICAL

**FIGURE 8-12. BEACON HARNESS (SN 0300217319 to Present)**

ITEM	PART NUMBER	QTY	DESCRIPTION	REV
	1001142736	Ref	BEACON HARNESS (SN 0300217319 to Present)	F
1	1001116808	1	Plug, Male - 12 Position	
1	4460928	3	Socket, Female	
1	4460518	9	Plug, Terminal	
2	1001116774	1	Plug, Male - 12 Position	
2	4460928	3	Socket, Female	
2	4460518	9	Plug, Terminal	
3	4460891	1	Plug, Male - 2 Position	
3	4460465	2	Socket, Female	
4	1001112612	1	Connector - 9 Position	
4	4460464	6	Pin, Male	
4	4460466	3	Plug, Terminal	
5	4460933	1	Plug, Male - 12 Position	
5	4460465	12	Socket, Female	
6	1001119020	1	Bussbar - 12 Position	
7	4461095	1	Plug, Male - 3 Position	
7	4460465	3	Socket, Female	
8	4461070	1	Bussbar - 3 Position	
9	1001112796	1	Connector - 9 Position	
9	4460465	6	Socket, Female	
9	4460466	3	Plug, Terminal	

# SECTION 8 - ELECTRICAL

## FIGURE 8-13. BOOM HARNESS - 400SC



ART\_1001176963

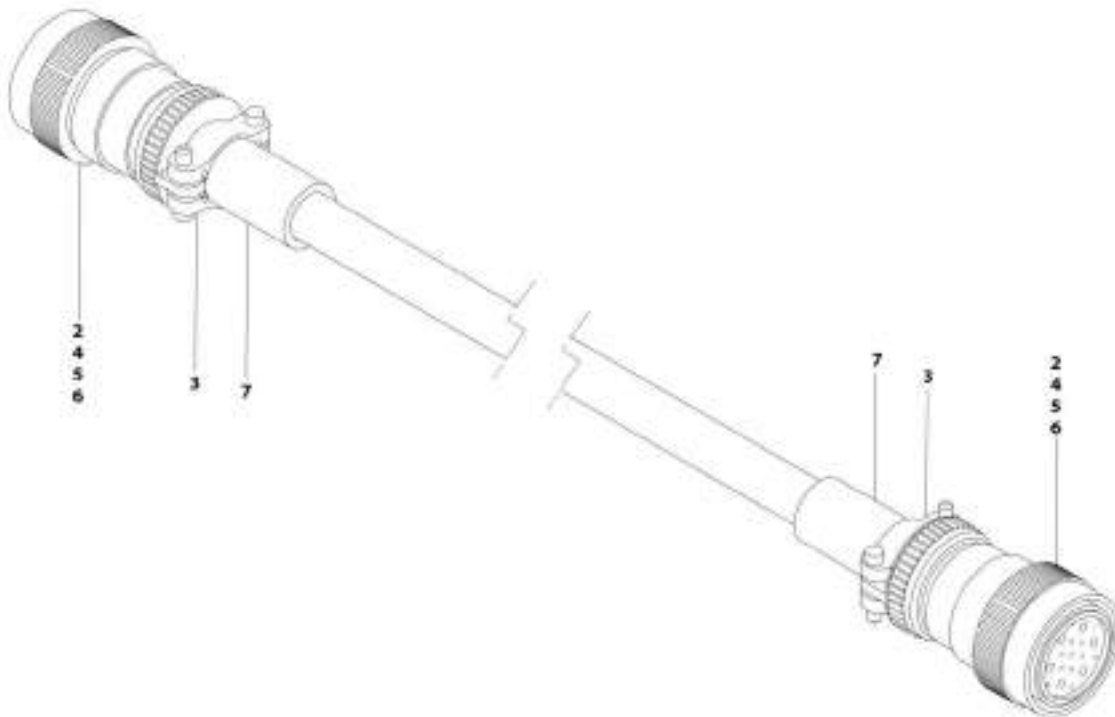
## SECTION 8 - ELECTRICAL

### FIGURE 8-13. BOOM HARNESS - 400SC

ITEM	PART NUMBER	QTY	DESCRIPTION	REV
	1001176952	Ref	BOOM HARNESS - 400SC	C
2	4460865	2	Connector - 19 Position	
3	4460473	2	Clamp	
4	4460465	20	Socket, Female	
5	4460509	8	Socket, Female	
6	4460466	10	Plug, Socket	
7	1001226400	2	Insulate, Heat Shrink	

# SECTION 8 - ELECTRICAL

## FIGURE 8-14. BOOM HARNESS - 460SJC



AW\_00110953

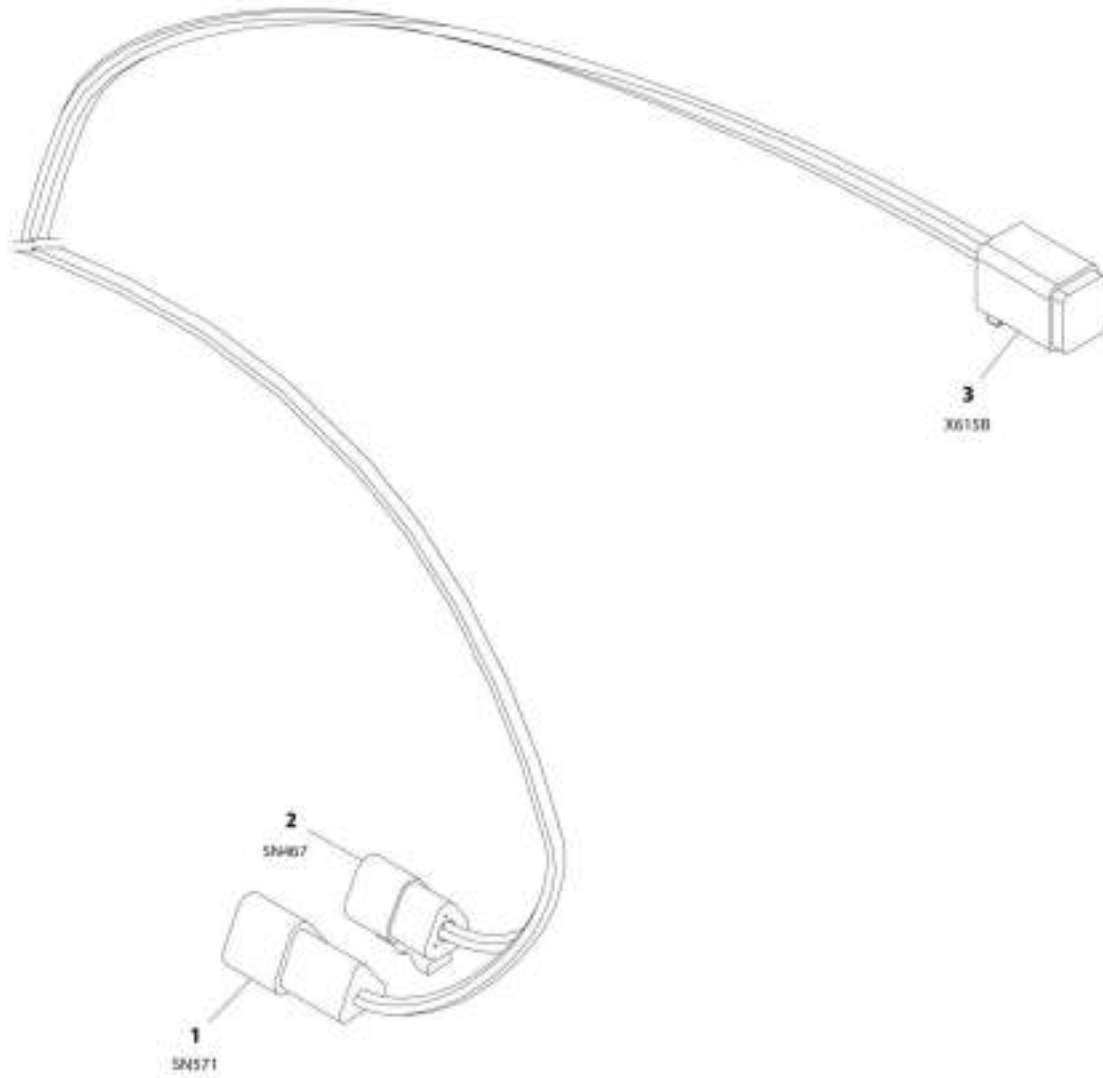
## SECTION 8 - ELECTRICAL

### FIGURE 8-14. BOOM HARNESS - 460SJC

ITEM	PART NUMBER	QTY	DESCRIPTION	REV
	1001176953	Ref	BOOM HARNESS - 460SJC	C
2	4460865	2	Connector - 19 Position	
3	4460473	2	Clamp	
4	4460465	20	Socket, Female	
5	4460509	8	Socket, Female	
6	4460466	10	Plug, Socket	
7	1001226400	2	Insulate, Heat Shrink	

# SECTION 8 - ELECTRICAL

## FIGURE 8-15. BOOM CAPACITY PROXIMITY SWITCH HARNESS



ART\_1061173802



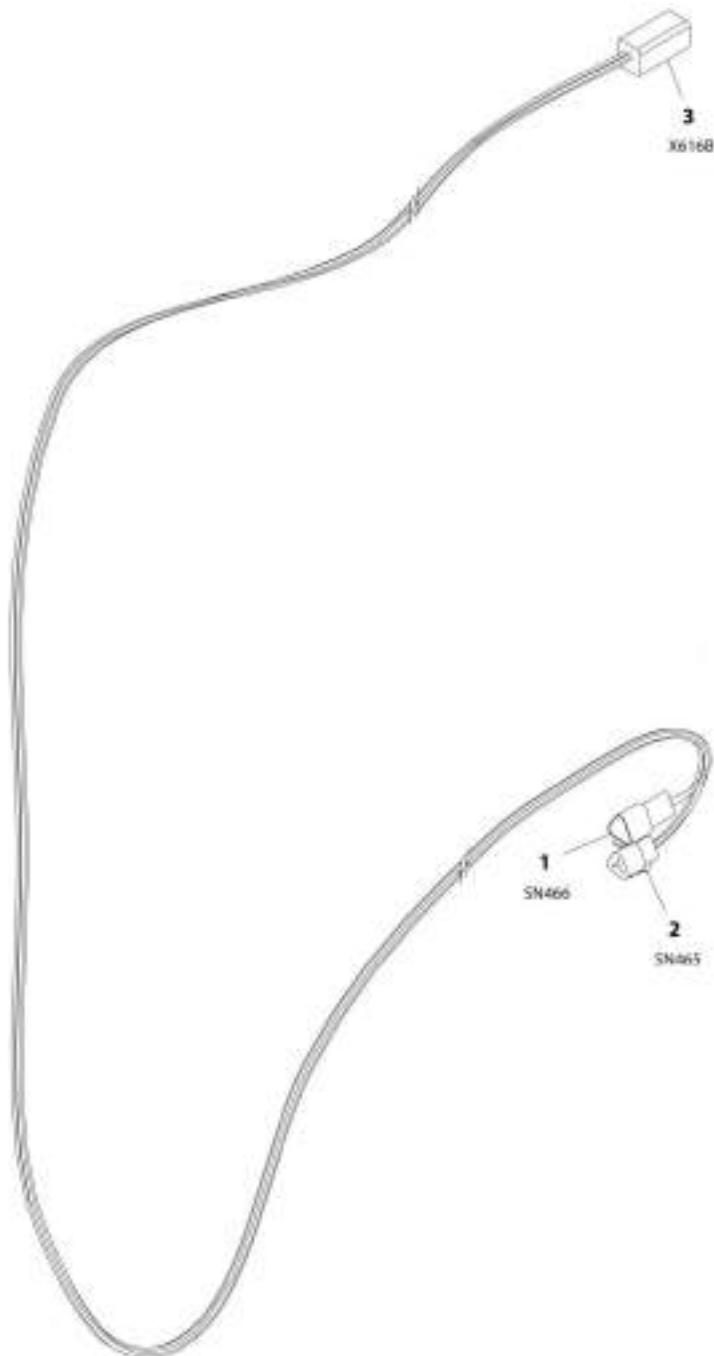
## SECTION 8 - ELECTRICAL

### FIGURE 8-15. BOOM CAPACITY PROXIMITY SWITCH HARNESS

ITEM	PART NUMBER	QTY	DESCRIPTION	REV
	1001173807	Ref	BOOM CAPACITY PROXIMITY SWITCH HARNESS	C
1	4460536	1	Receptacle, Female - 3 Position	
1	4460464	3	Pin, Male	
2	4460539	1	Plug, Male - 3 Position	
2	4460465	1	Socket, Female	
3	4460930	1	Plug, Male - 8 Position	
3	4460465	6	Socket, Female	

## SECTION 8 - ELECTRICAL

FIGURE 8-16. BOOM TELE IN PROXIMITY SWITCH HARNESS BEACON HARNESS (BLUE BEACON LIGHT ONLY) BEACON HARNESS (BLUE BEACON LIGHT ONLY)



ART\_1001173808

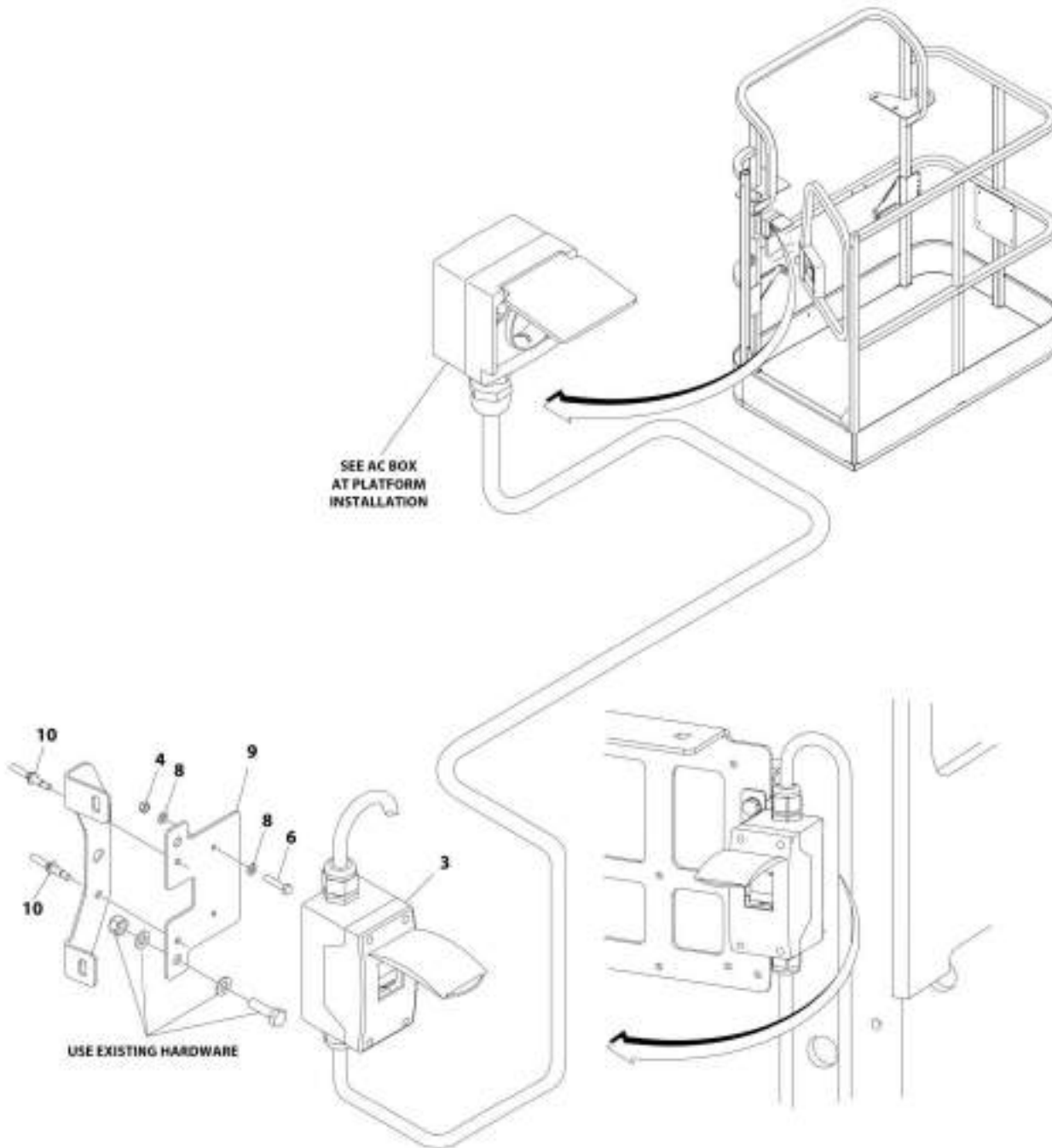
## SECTION 8 - ELECTRICAL

**FIGURE 8-16. BOOM TELE IN PROXIMITY SWITCH HARNESS BEACON HARNESS (BLUE BEACON LIGHT ONLY) BEACON HARNESS (BLUE BEACON LIGHT ONLY)**

ITEM	PART NUMBER	QTY	DESCRIPTION	REV
	1001173808	Ref	BOOM TELE IN PROXIMITY SWITCH HARNESS	C
1	4460536	1	Receptacle, Female - 3 Position	
1	4460464	3	Pin, Male	
2	4460539	1	Plug, Male - 3 Position	
2	4460465	1	Socket, Female	
3	4460899	1	Receptacle, Female - 6 Position	
3	4460464	1	Pin, Male	

# SECTION 8 - ELECTRICAL

FIGURE 8-17. BREAKER BOX INSTALLATION - 16AMP BREAKER (CE SPEC) (Prior to SN 0300237337)



ART\_1001167312

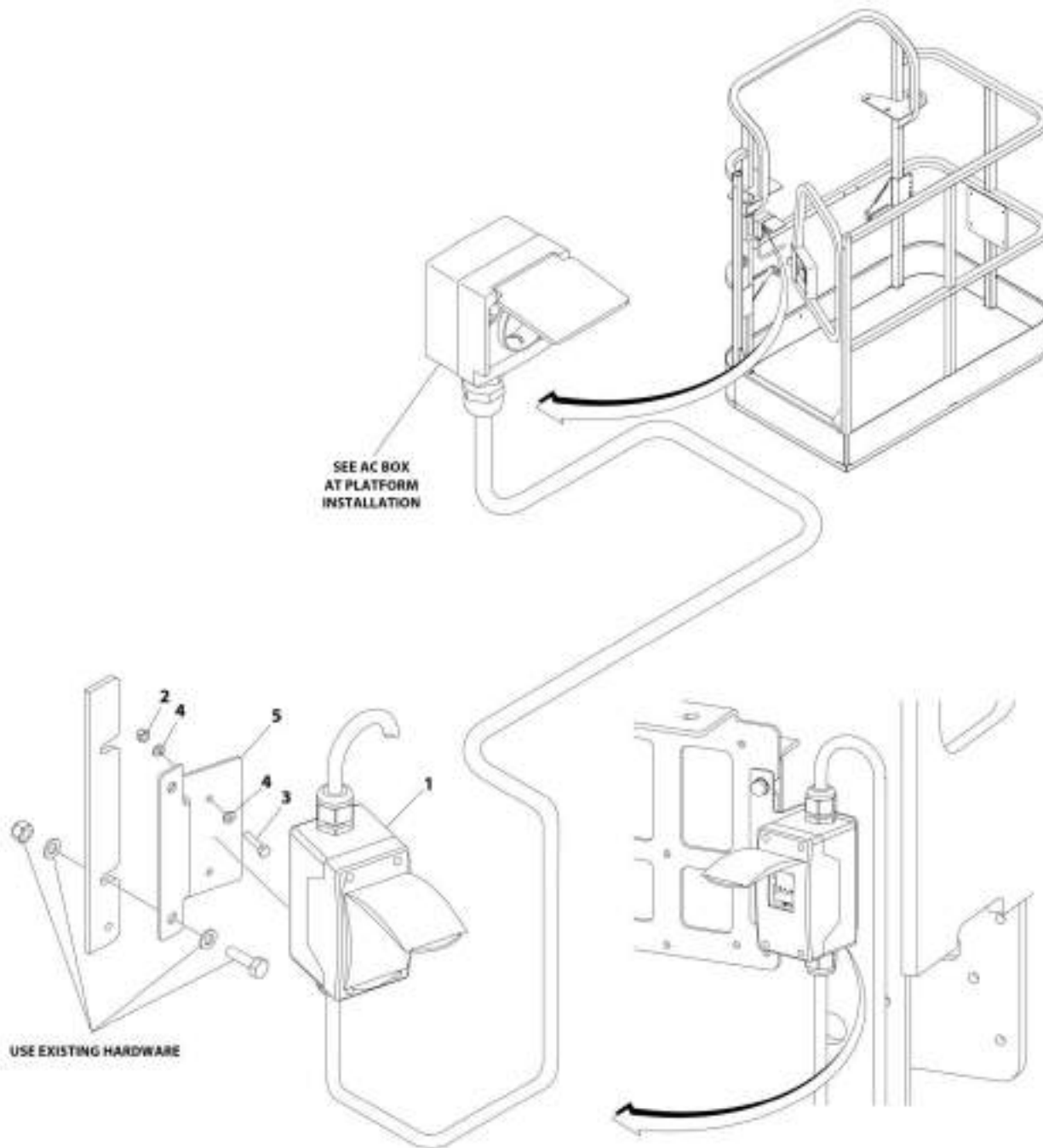
## SECTION 8 - ELECTRICAL

**FIGURE 8-17. BREAKER BOX INSTALLATION - 16AMP BREAKER (CE SPEC) (Prior to SN 0300237337)**

ITEM	PART NUMBER	QTY	DESCRIPTION	REV
	1001167312	Ref	BREAKER BOX INSTALLATION - 16AMP BREAKER (CE SPEC) <b>(Prior to SN 0300237337)</b>	F
3	2902549	1	Breaker Box Kit (See BREAKER BOX KIT - 16AMP BREAKER for Breakdown)	
4	3290405	2	Nut M4	
4	3290605	2	Nut M6	
6	4010405	2	Screw M4	
6	0760614	2	Screw M6 x 30	
8	1001091102	2	Washer	
8	4811700	4	Washer M6	
9	1001174158	1	Bracket	
10	2080040	2	Fastener, Blind <b>(SN 0300220699 to Present)</b>	

## SECTION 8 - ELECTRICAL

FIGURE 8-18. BREAKER BOX INSTALLATION - 16AMP BREAKER (CE SPEC) (SN 0300237337 to Present)



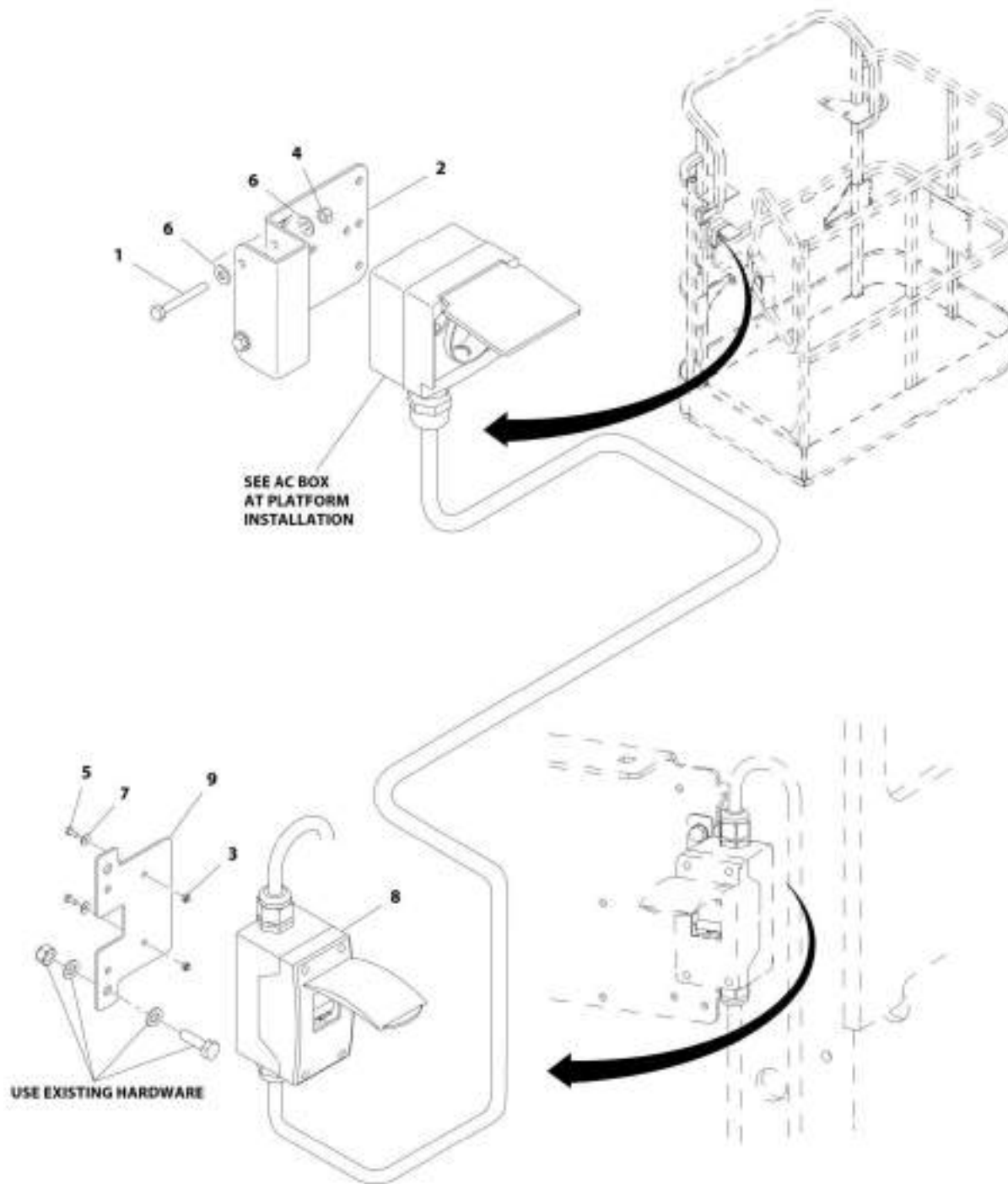
## SECTION 8 - ELECTRICAL

**FIGURE 8-18. BREAKER BOX INSTALLATION - 16AMP BREAKER (CE SPEC) (SN 0300237337 to Present)**

ITEM	PART NUMBER	QTY	DESCRIPTION	REV
	1001230907	Ref	BREAKER BOX INSTALLATION - 16AMP BREAKER (CE SPEC) <b>(SN 0300237337 to Present)</b>	B
1	2902549	1	Breaker Box Kit (See BREAKER BOX KIT - 16AMP BREAKER for Breakdown)	
2	3290405	2	Nut M4	
2	3290605	2	Nut M6	
3	4010405	2	Screw M4	
3	0760614	2	Screw M6 x 30	
4	1001091102	2	Washer	
4	4811700	4	Washer M6	
5	1001230784	1	Bracket	

## SECTION 8 - ELECTRICAL

FIGURE 8-19. BREAKER BOX INSTALLATION - 10AMP BREAKER (Prior to SN 0300214184)



AWT\_3001176963



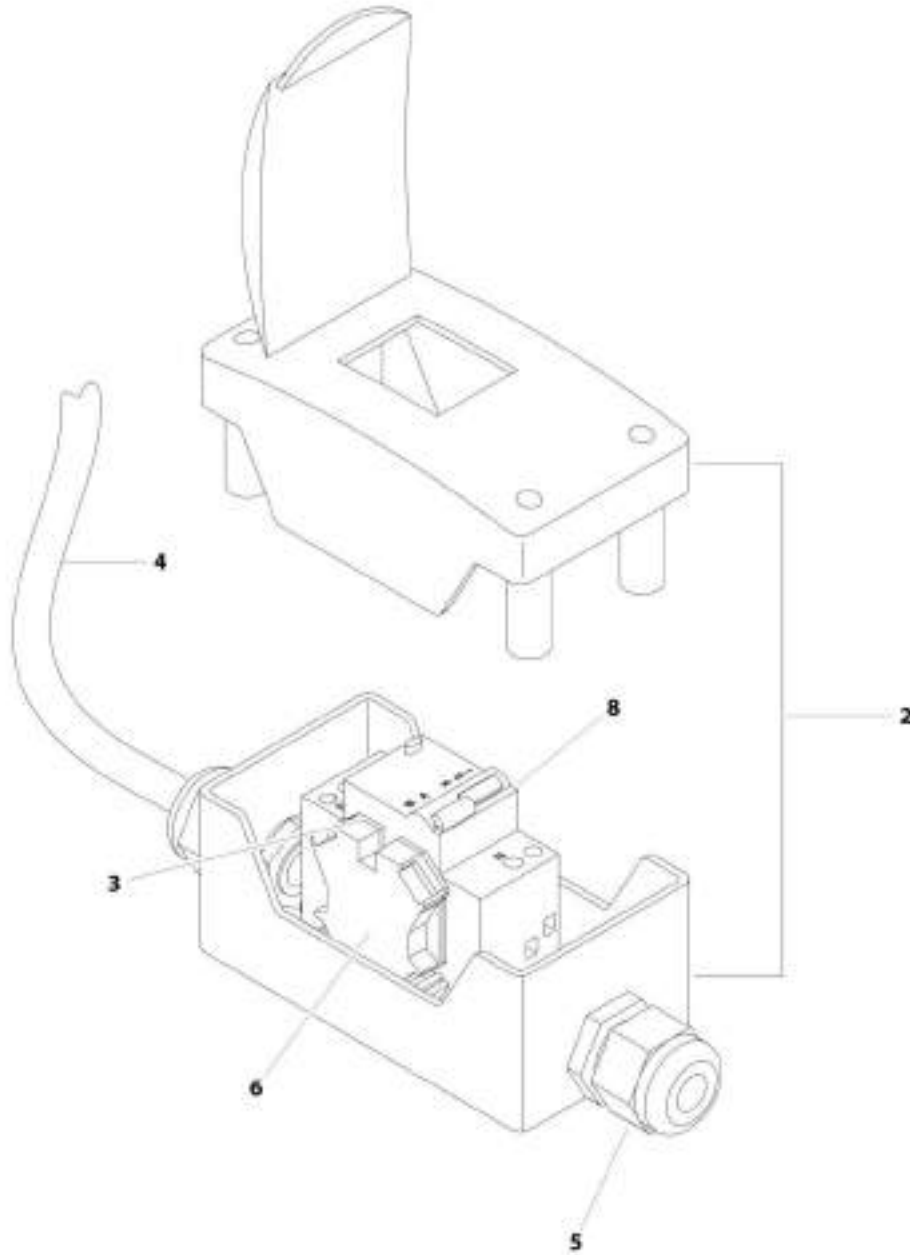
## SECTION 8 - ELECTRICAL

**FIGURE 8-19. BREAKER BOX INSTALLATION - 10AMP BREAKER (Prior to SN 0300214184)**

ITEM	PART NUMBER	QTY	DESCRIPTION	REV
	1001176963	Ref	BREAKER BOX INSTALLATION - 10AMP BREAKER (Prior to SN <b>0300214184</b> )	A
1	0641416	2	Bolt 1/4 x 2	
2	0903484	1	Bracket	
3	3290405	2	Nut M4	
4	3311405	2	Nut, Lock 1/4	
5	4010405	2	Screw M4	
6	4711400	4	Washer 1/4	
7	1001091102	2	Washer	
8	1001109864	1	Breaker Box Kit (See BREAKER BOX KIT - 10AMP BREAKER for Breakdown)	
9	1001174158	1	Bracket	

## SECTION 8 - ELECTRICAL

FIGURE 8-20. BREAKER BOX KIT - 16AMP BREAKER



ART\_2002549

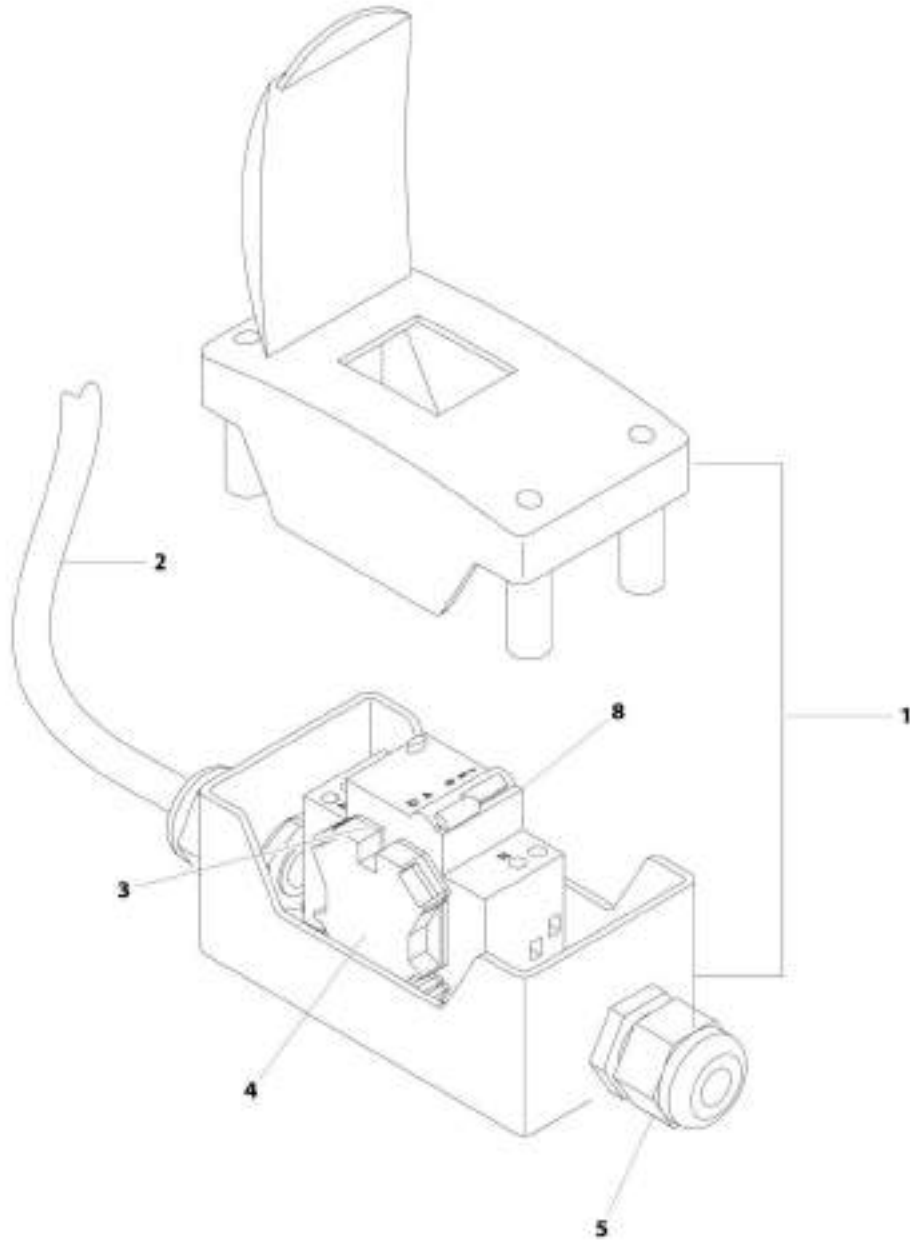
## SECTION 8 - ELECTRICAL

### FIGURE 8-20. BREAKER BOX KIT - 16AMP BREAKER

ITEM	PART NUMBER	QTY	DESCRIPTION	REV
	2902549	Ref	BREAKER BOX KIT - 16AMP BREAKER	F
2	0861880	1	Box	
3	4460956	1	Barrier, Terminal	
4	1060908	6 ft/1.8m	Cable, 12/3	
5	1001097150	2	Connector, Strain Relief	
6	4460957	1	Block, Terminal	
8	1001181045	1	Breaker, Double 30mAmp/16Amp	

## SECTION 8 - ELECTRICAL

FIGURE 8-21. BREAKER BOX KIT - 10AMP BREAKER



ART\_1001103004

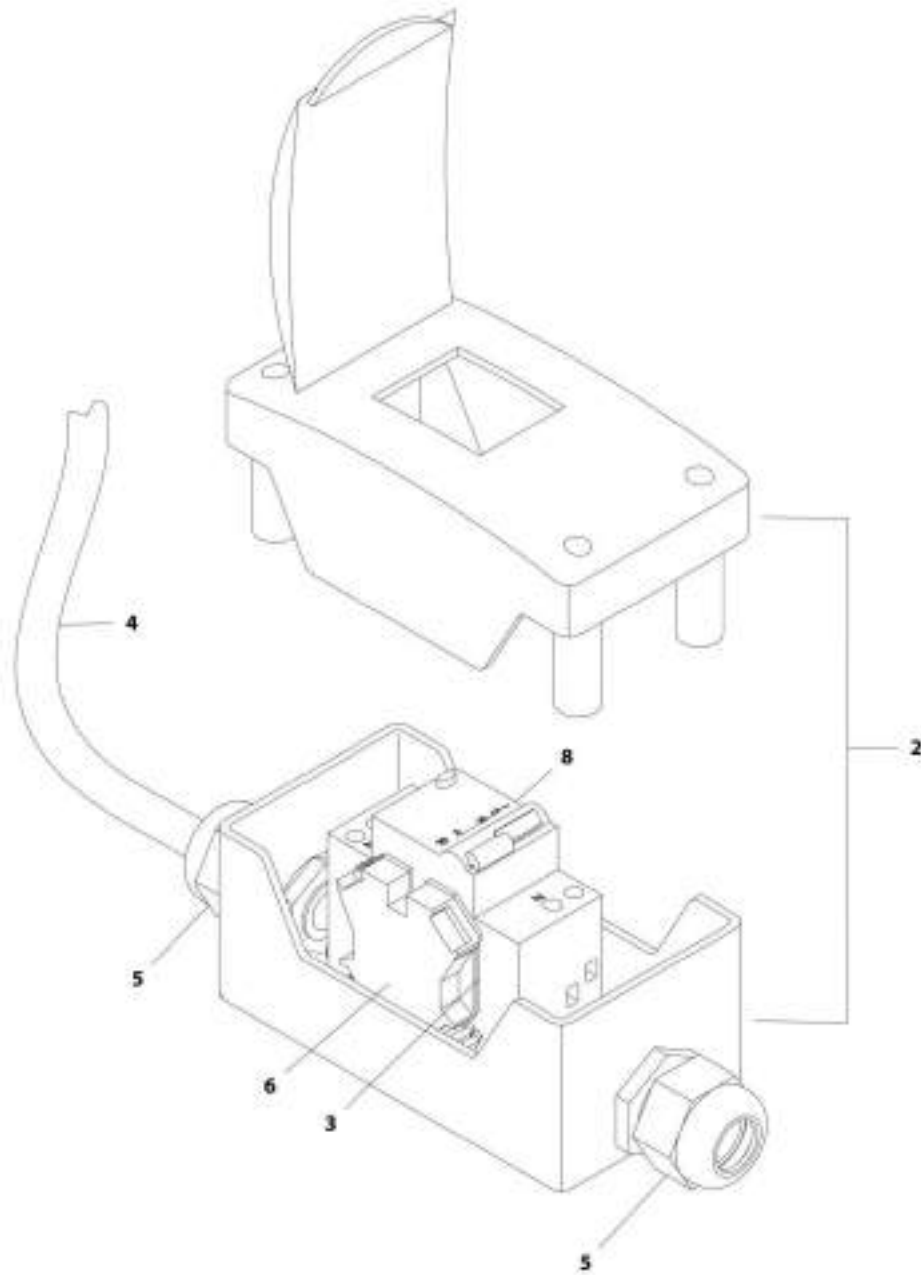
## SECTION 8 - ELECTRICAL

### FIGURE 8-21. BREAKER BOX KIT - 10AMP BREAKER

ITEM	PART NUMBER	QTY	DESCRIPTION	REV
	1001109864	Ref	BREAKER BOX KIT - 10AMP BREAKER	B
1	0861880	1	Box	
2	1060908	6 ft/1.8m	Cable, 12/3	
3	4460956	1	Barrier, Terminal	
4	4460957	1	Block, Terminal	
5	1001097150	2	Connector, Strain Relief	
8	1001181046	1	Breaker, Double 30mAmp/10Amp	

# SECTION 8 - ELECTRICAL

## FIGURE 8-22. BREAKER BOX KIT - 30MA/16 AMP



AWT\_1001096278

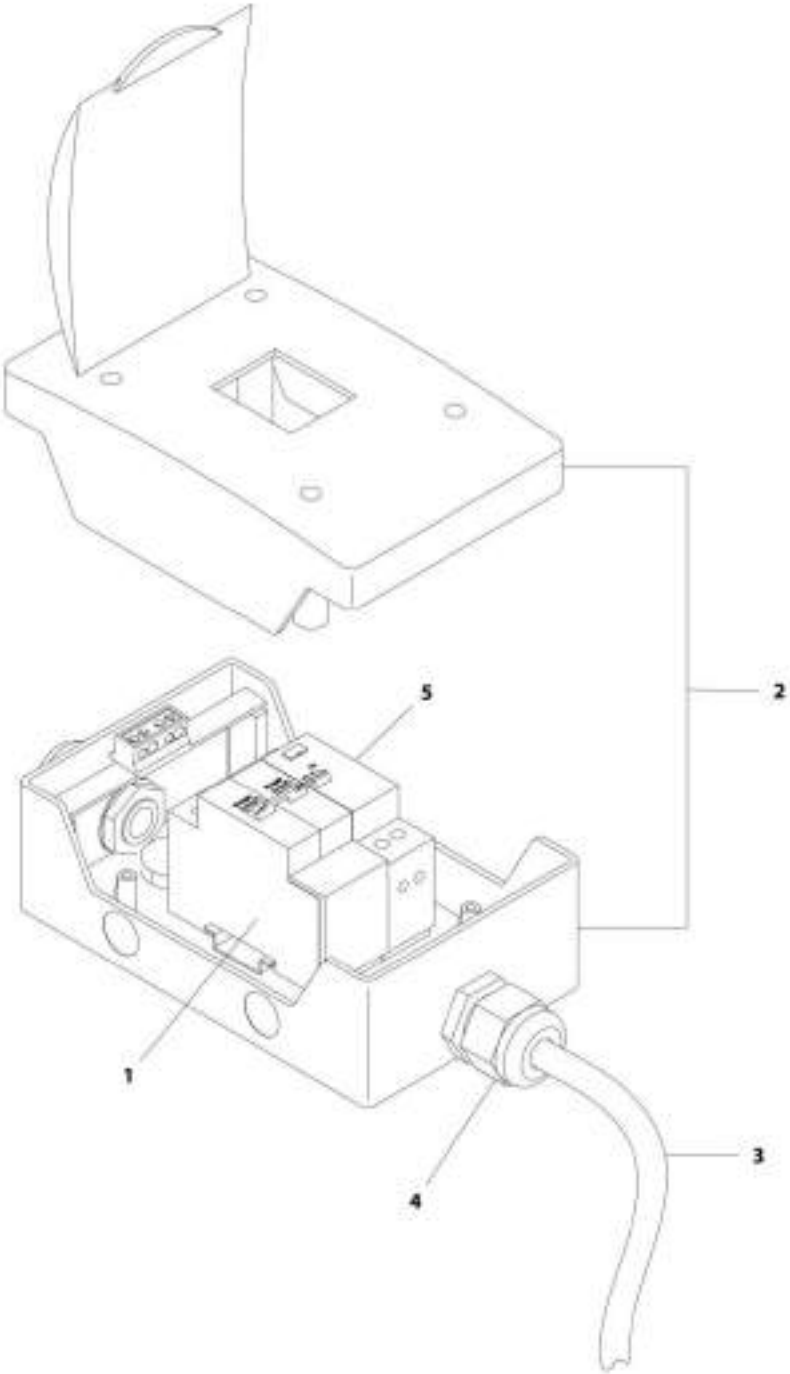
## SECTION 8 - ELECTRICAL

### FIGURE 8-22. BREAKER BOX KIT - 30MA/16 AMP

ITEM	PART NUMBER	QTY	DESCRIPTION	REV
	1001096070	Ref	BREAKER BOX KIT - 30mA/16 AMP	E
2	0861880	1	Box, Breaker	
3	4460956	1	Barrier, Terminal Block End	
4	1060908	12 ft/3.6m	Cable, Electrical 12/3	
5	1001097150	2	Connector, Strain Relief	
6	4460957	1	Block, Terminal	
8	1001181045	1	Breaker, Double 30mA/16Amp	

**SECTION 8 - ELECTRICAL**

**FIGURE 8-23. BREAKER BOX KIT WITH THREE BREAKERS**



ART\_1060152485



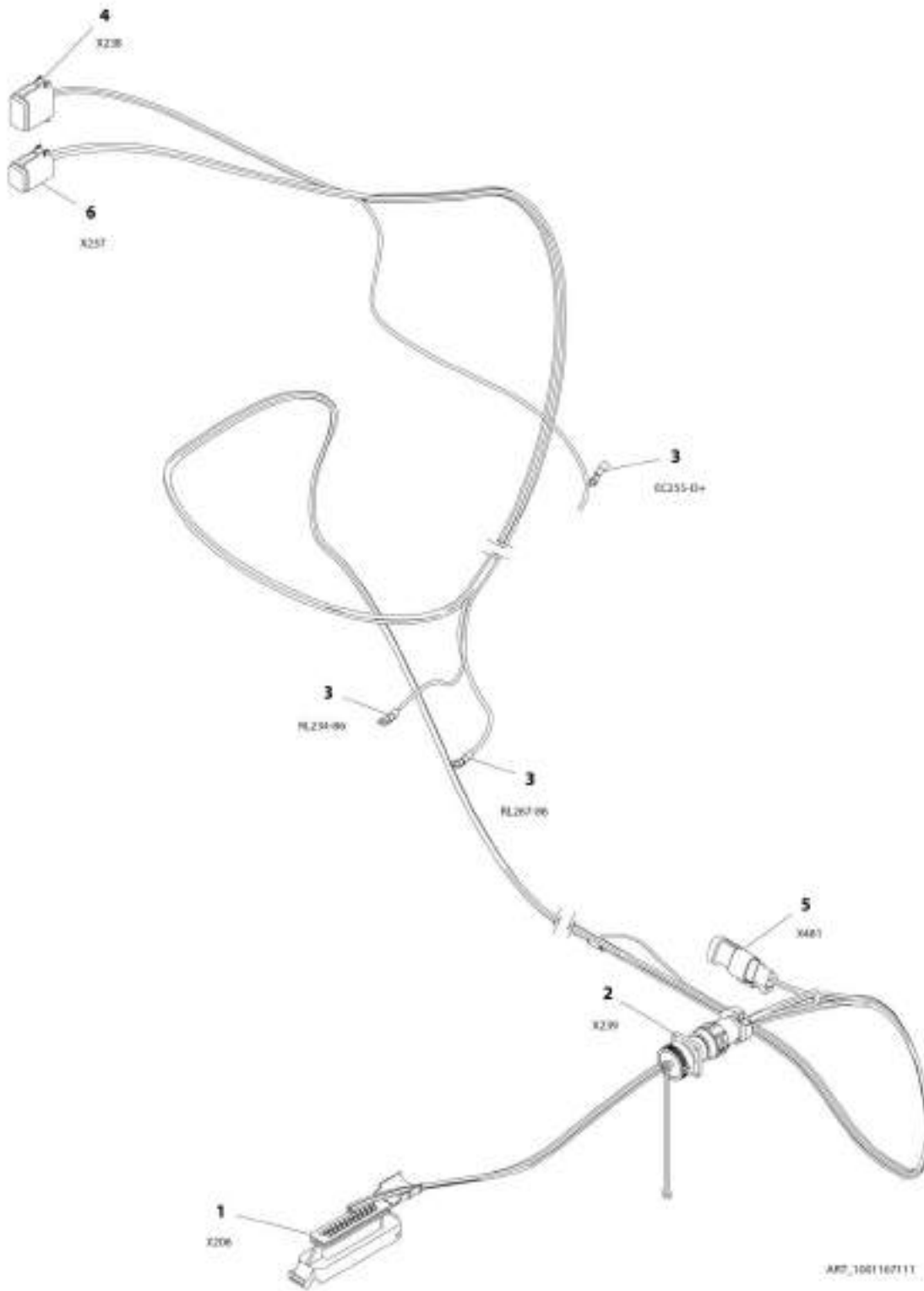
## SECTION 8 - ELECTRICAL

**FIGURE 8-23. BREAKER BOX KIT WITH THREE BREAKERS**

ITEM	PART NUMBER	QTY	DESCRIPTION	REV
	1001152485	Ref	BREAKER BOX KIT WITH THREE BREAKERS	A
1	1001152479	1	Breaker, 16 Amp, (Double)	
2	1001152483	1	Box	
3	1060908	6 ft/1.8m	Cable, 12/3	
4	1001097150	1	Connector, Strain Relief	
5	1001152482	1	Breaker, 30mA	

# SECTION 8 - ELECTRICAL

## FIGURE 8-24. ENGINE HARNESS - DEUTZ D2.3L3



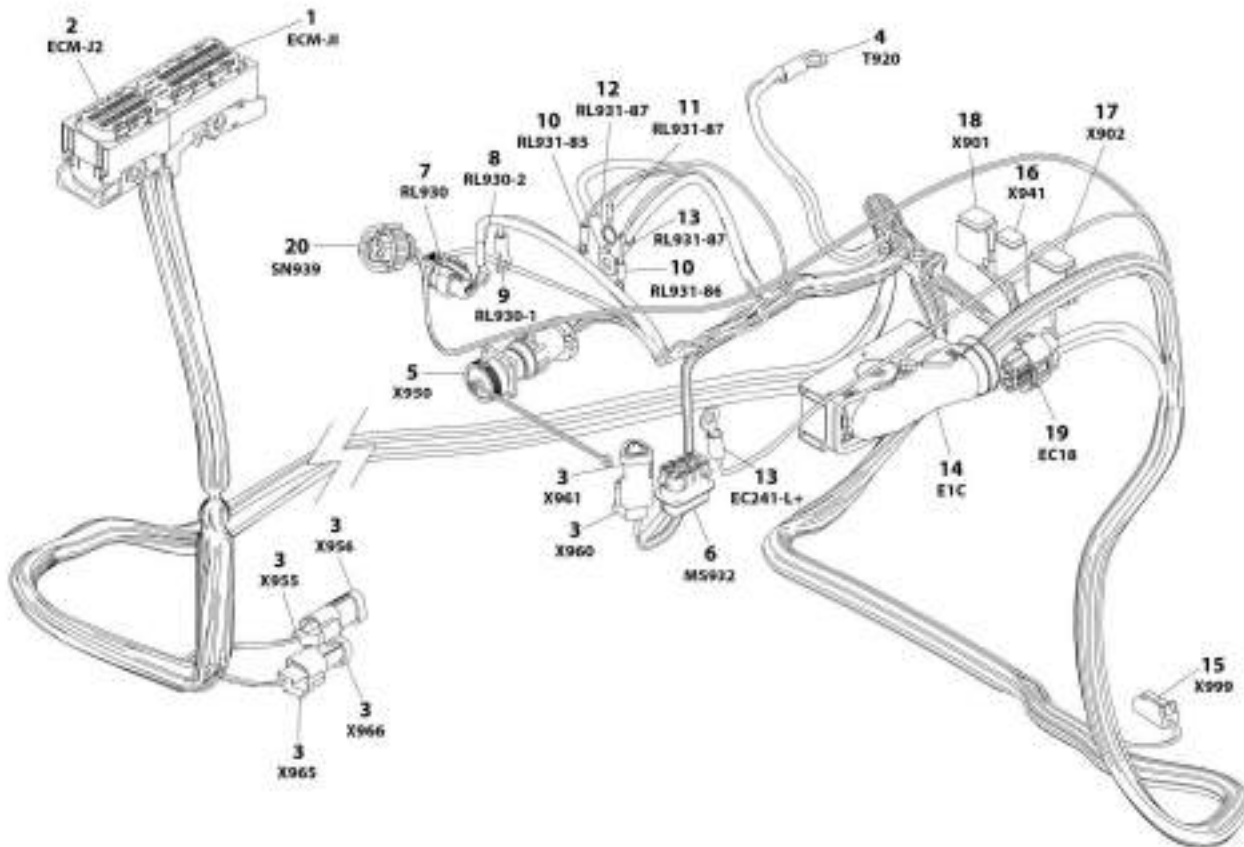
## SECTION 8 - ELECTRICAL

**FIGURE 8-24. ENGINE HARNESS - DEUTZ D2.3L3**

ITEM	PART NUMBER	QTY	DESCRIPTION	REV
	1001167111	Ref	ENGINE HARNESS - DEUTZ D2.3L3	B
1	4461052	1	Connector - 25 Position	
1	4461005	7	Terminal	
1	4461008	18	Plug, Terminal	
2	2902443	1	Receptacle Kit	
2	4461071	8	Socket, Female	
2	4461072	1	Receptacle with Flange - 8 Position	
2	4461073	1	Cap, Dust	
2	4461074	1	Shell, Black	
3	4460313	3	Terminal, Ring	
4	4460930	1	Plug, Male - 8 Position	
4	4460465	2	Socket, Female	
4	4460466	6	Seal, Terminal	
5	4461095	1	Plug, Male - 3 Position	
5	4460465	3	Socket, Female	
6	4460894	1	Plug, Male - 6 Position	
6	4460465	6	Socket, Female	

# SECTION 8 - ELECTRICAL

## FIGURE 8-25. ENGINE HARNESS - DEUTZ D2.9L4



ART\_100167128

## SECTION 8 - ELECTRICAL

**FIGURE 8-25. ENGINE HARNESS - DEUTZ D2.9L4**

ITEM	PART NUMBER	QTY	DESCRIPTION	REV
	1001167108	Ref	ENGINE HARNESS - DEUTZ D2.9L4	I
1	1001133956	1	Connector, 94 Position	
1	1001126352	6	Terminal	
1	1001126357	2	Seal, Terminal	
1	1001126356	63	Seal, Terminal	
1	1001126384	21	Terminal	
1	1001126351	2	Terminal	
2	1001133957	1	Connector - 60 Position	
2	1001126357	11	Seal, Terminal	
2	1001126351	13	Terminal	
2	1001126356	19	Seal, Terminal	
2	1001126384	17	Terminal	
3	4461095	3	Plug, Male - 3 Position	
3	4460944	6	Socket, Female	
3	4460466	3	Plug, Terminal	
3	4461070	3	Connector, Female with Resistor 3 Position	
4	8220115	1	Terminal, Ring	
5	2902443	1	Receptacle Kit	
5	4461071	8	Socket, Female	
5	4461072	1	Receptacle with Flange - 8 Position	
5	4461073	1	Cap, Dust	
5	4461074	1	Shell, Black	
6	80484084	1	Connector - 8 Position	
6	1001116727	4	Plug, Terminal	
6	1001116728	4	Terminal	
6	8229242	1	Fuse - 5Amp	
6	80983191	1	Fuse - 10Amp	
6	1001147264	1	Cap	
7	1001116952	1	Plug, Male - 2 Position	
7	4460465	2	Socket, Female	
8	1001117106	1	Terminal, Ring	
9	4460043	1	Terminal, Ring	
10	4460247	2	Terminal, Ring	
11	4460703	1	Terminal, Ring	
12	8220164	1	Terminal, Ring	
13	1001117107	2	Terminal, Ring	
14	1001126362	1	Connector - 62 Position	
14	1001126363	33	Terminal	
14	1001126391	23	Seal, Terminal	
14	4461008	4	Seal, Terminal	
14	1001126365	2	Terminal	
15	4460891	1	Plug, Male - 2 Position	
15	4460465	2	Socket, Female	
16	4460884	1	Plug, Male - 4 Position	
16	4460465	4	Socket, Female	
17	4460930	1	Plug, Male - 8 Position	
17	4460465	1	Socket, Female	
17	4460466	7	Seal, Terminal	
18	4460894	1	Plug, Male - 6 Position	
18	4460465	6	Socket, Female	

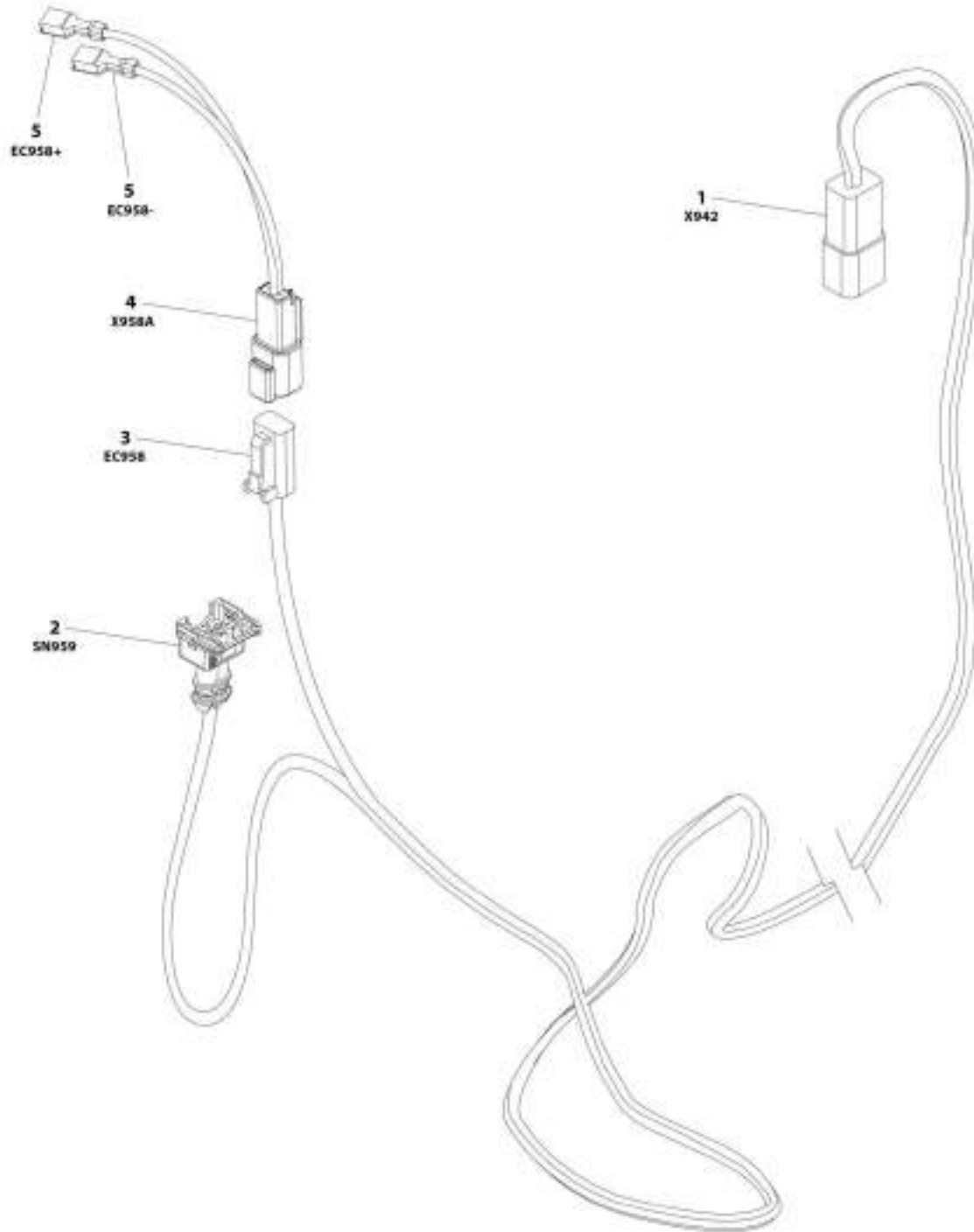
## SECTION 8 - ELECTRICAL

ITEM	PART NUMBER	QTY	DESCRIPTION	REV
19	1001142938	1	Connector - 2 Position	
19	1001142940	2	Terminal	
20	1001133714	1	Plug, Male - 4 Position	
20	1001133715	3	Terminal	
20	1001135651	1	Plug, Terminal	



# SECTION 8 - ELECTRICAL

## FIGURE 8-26. FUEL HARNESS - DEUTZ D2.9L4 ENGINE



ART\_1001173343



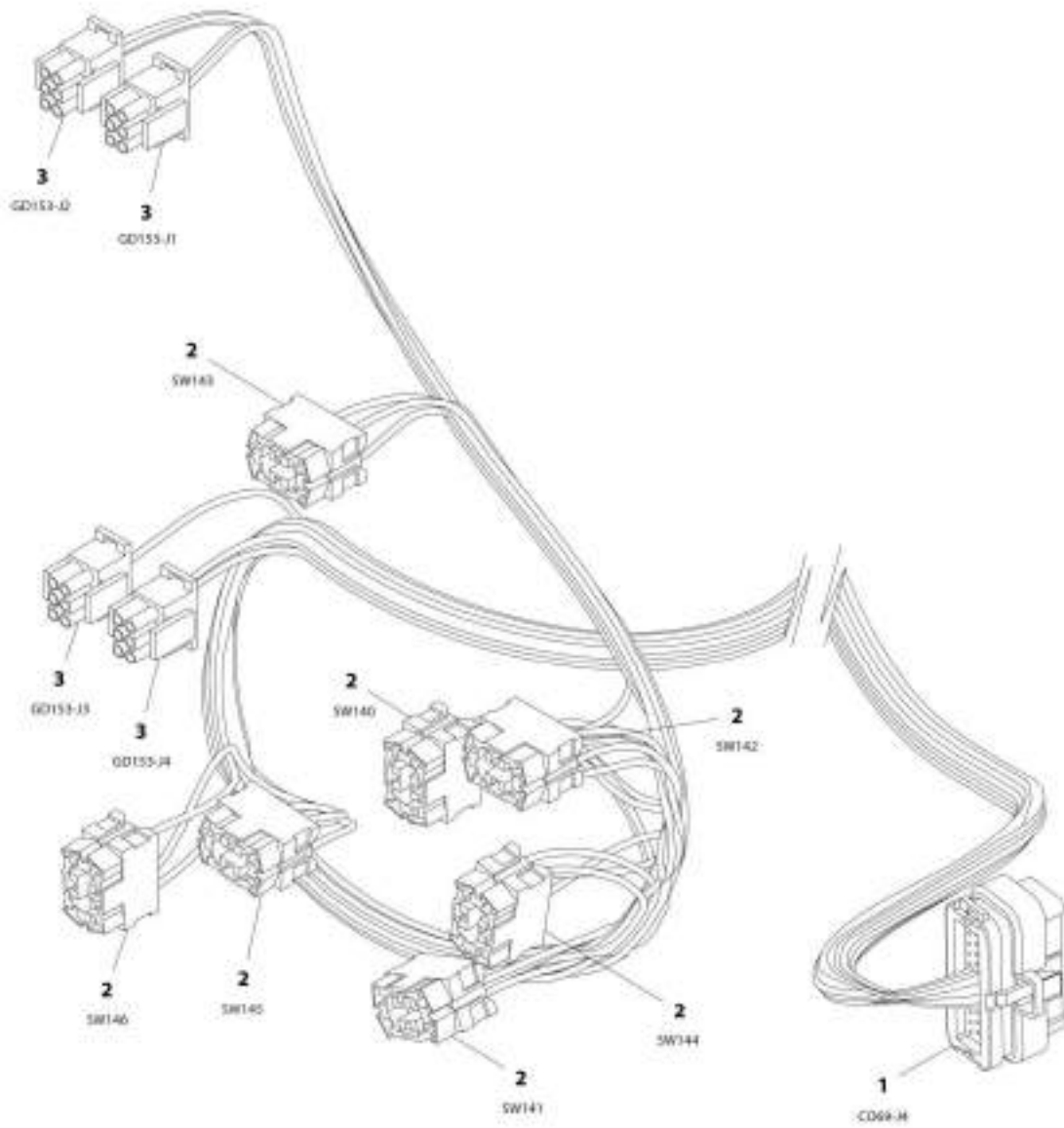
## SECTION 8 - ELECTRICAL

**FIGURE 8-26. FUEL HARNESS - DEUTZ D2.9L4 ENGINE**

ITEM	PART NUMBER	QTY	DESCRIPTION	REV
	1001173342	Ref	FUEL HARNESS - DEUTZ D2.9L4 ENGINE	C
1	4460932	1	Receptacle, Female - 4 Position	
1	4460464	2	Pin, Male	
1	4460941	2	Pin, Male	
2	1001116983	1	Plug, Male - 2 Position	
2	1001116710	2	Socket, Female	
3	4460891	1	Plug, Male - 2 Position	
3	4460942	2	Socket, Female	
4	4460897	1	Receptacle, Female - 2 Position	
4	4460941	2	Pin, Male	
5	4460042	2	Terminal, Ring <b>(Prior to SN 0300234647)</b>	
5	8220051	2	Coupler, Female <b>(SN 0300234647 to Present)</b>	

# SECTION 8 - ELECTRICAL

## FIGURE 8-27. GROUND CONTROL BOX HARNESS



AWT\_1001166964

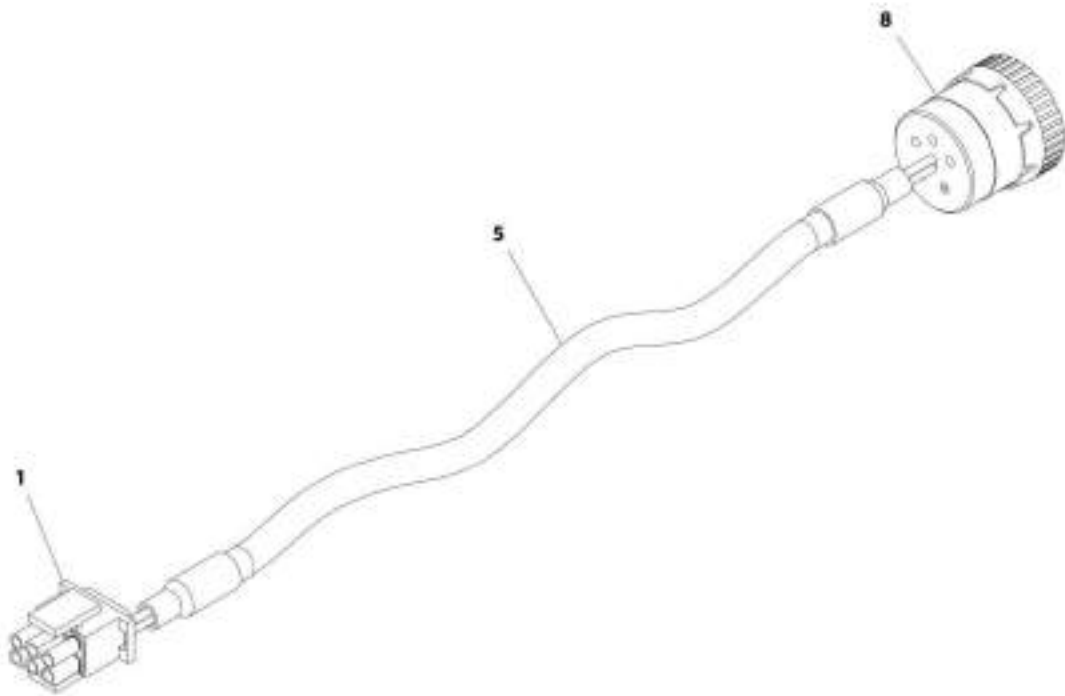
## SECTION 8 - ELECTRICAL

### FIGURE 8-27. GROUND CONTROL BOX HARNESS

ITEM	PART NUMBER	QTY	DESCRIPTION	REV
	1001166964	Ref	GROUND CONTROL BOX HARNESS	C
1	4460876	1	Connector - 35 Position	
1	4460871	1	Socket, Female	
1	4460905	1	Plug, Terminal	
2	4460418	7	Connector - 6 Position	
2	4460419	27	Terminal	
3	4460225	4	Plug, Male - 6 Position	
3	4460268	9	Socket, Female	

## SECTION 8 - ELECTRICAL

FIGURE 8-28. GENERATOR HARNESS - 4000W GENERATOR



REF\_1000152832

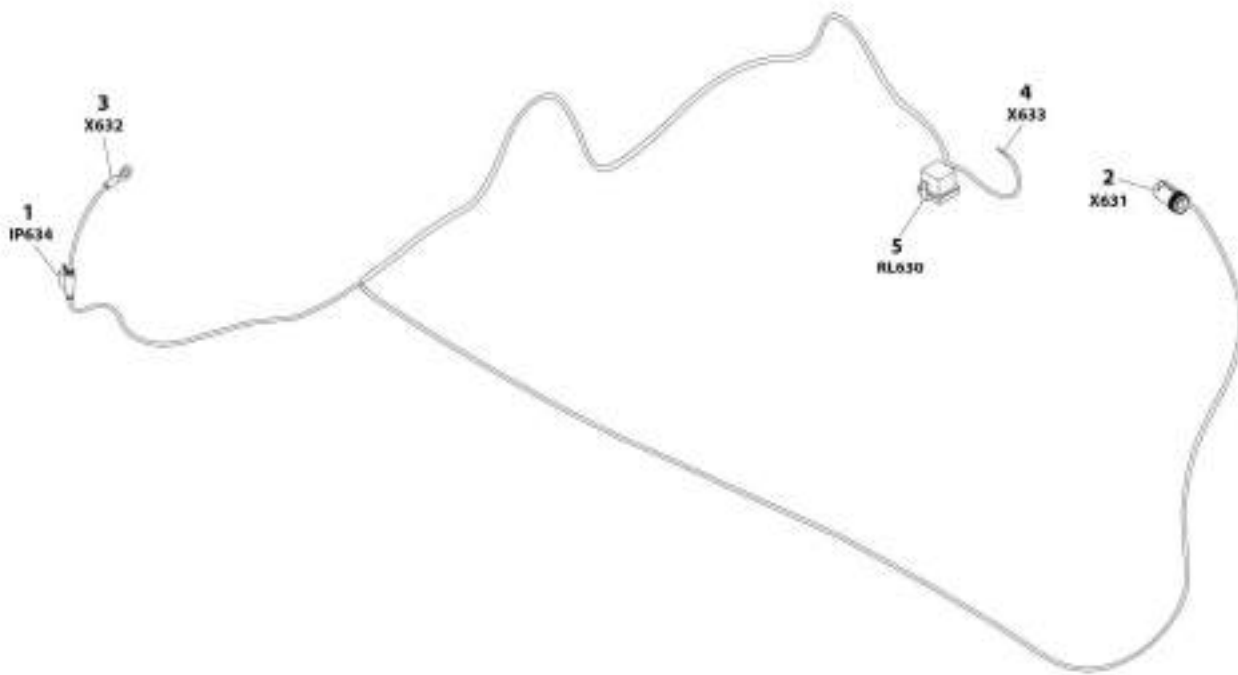
## SECTION 8 - ELECTRICAL

### FIGURE 8-28. GENERATOR HARNESS - 4000W GENERATOR

ITEM	PART NUMBER	QTY	DESCRIPTION	REV
	1001152532	Ref	GENERATOR HARNESS - 4000W GENERATOR	A
1	4460225	1	Connector - 6 Position	
1	4460268	2	Socket, Female	
1	4460807	1	Seal, Plug	
1	4460808	1	Seal, Plug	
5	1060341	13 ft/4m	Cable, 16/2	
8	77363233	1	Connector - 6 Position	
8	4460465	2	Socket, Female	

# SECTION 8 - ELECTRICAL

FIGURE 8-29. GENERATOR HARNESS - 2500W GENERATOR (60HZ)



AMT\_1001187522

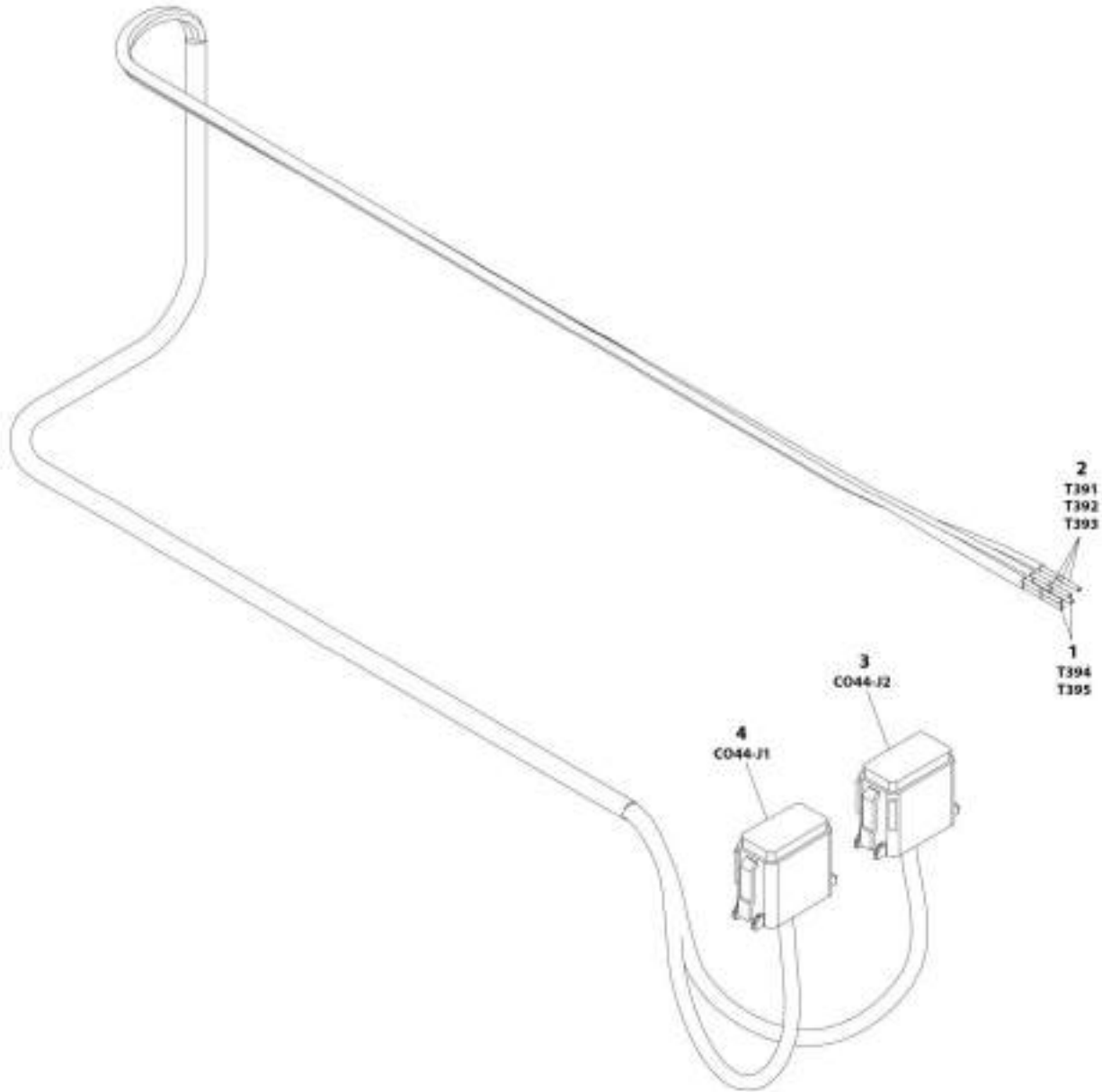
## SECTION 8 - ELECTRICAL

**FIGURE 8-29. GENERATOR HARNESS - 2500W GENERATOR (60HZ)**

ITEM	PART NUMBER	QTY	DESCRIPTION	REV
	1001187522	Ref	GENERATOR HARNESS - 2500W GENERATOR (60HZ)	B
1	2400060	1	Holder, Fuse - 30Amp (Includes Cover) <b>(Prior to SN 0300239154)</b>	
1	2400066	1	Holder, Fuse - 30Amp (Includes Cover) <b>(SN 0300239154 to Present)</b>	
1	8229245	1	Fuse 30Amp	
2	1001154726	1	Connector - 3 Position	
2	4460464	2	Pin, Male	
2	4460466	1	Plug, Terminal	
3	8220045	1	Terminal, Ring	
4	4460906	1	Socket, Female	
5	1001117057	1	Plug, Relay	
5	1001116734	2	Terminal	
5	1001116732	2	Terminal	

# SECTION 8 - ELECTRICAL

## FIGURE 8-30. LSS HARNESS



ART\_1001120371



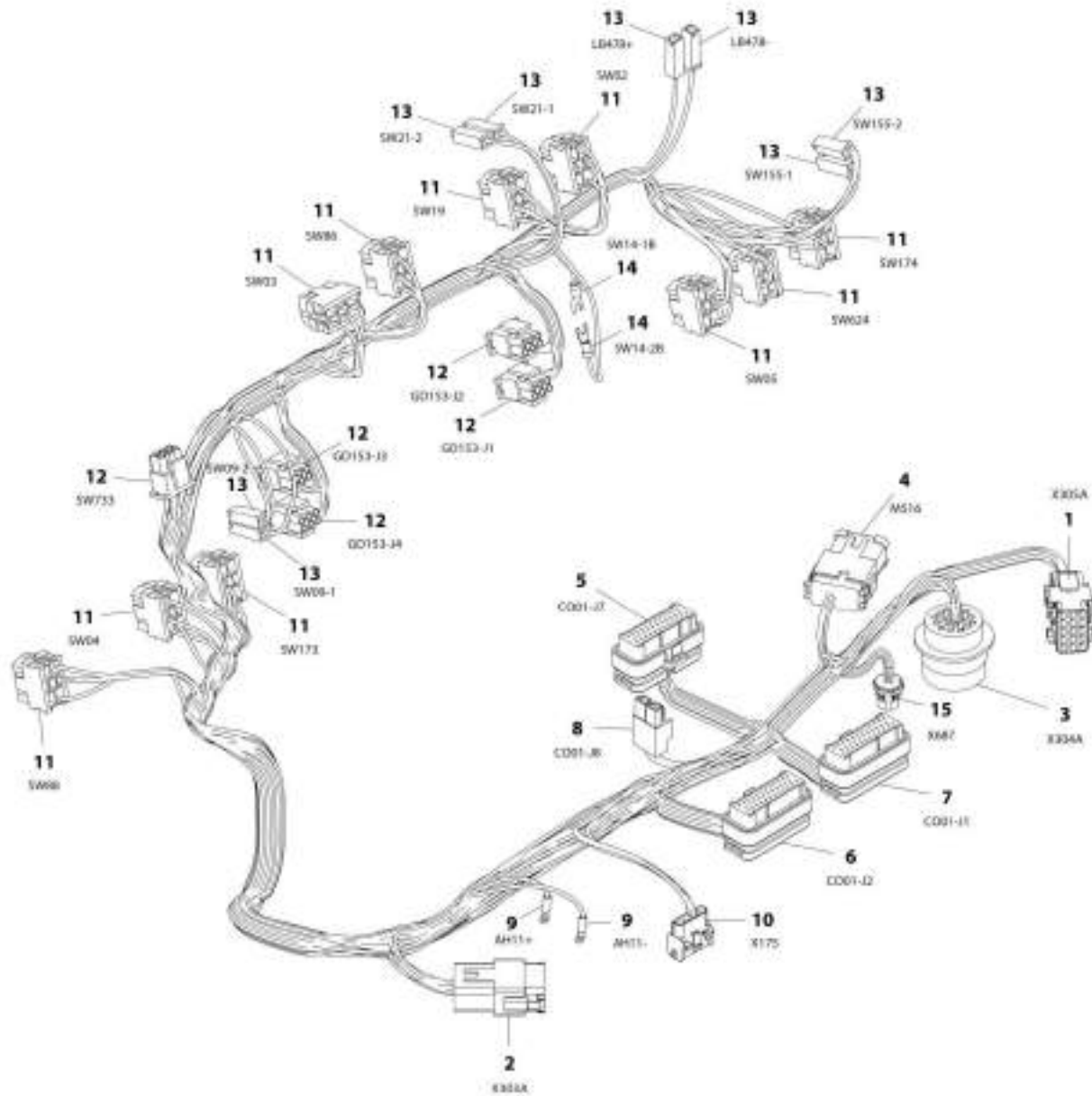
## SECTION 8 - ELECTRICAL

### FIGURE 8-30. LSS HARNESS

ITEM	PART NUMBER	QTY	DESCRIPTION	REV
	1001120371	Ref	LSS HARNESS	B
1	4460465	2	Socket, Female	
2	4460944	3	Socket, Female	
3	4460836	1	Plug, Male - 12 Position	
3	4460466	9	Plug, Terminal	
3	4460944	3	Socket, Female	
3	0840055	1	Boot	
4	4460933	1	Plug, Male - 12 Position	
4	4460466	10	Plug, Terminal	
4	4460465	2	Socket, Female	
4	0840055	1	Boot	

# SECTION 8 - ELECTRICAL

## FIGURE 8-31. PLATFORM CONSOLE BOX HARNESS



ART\_100164353

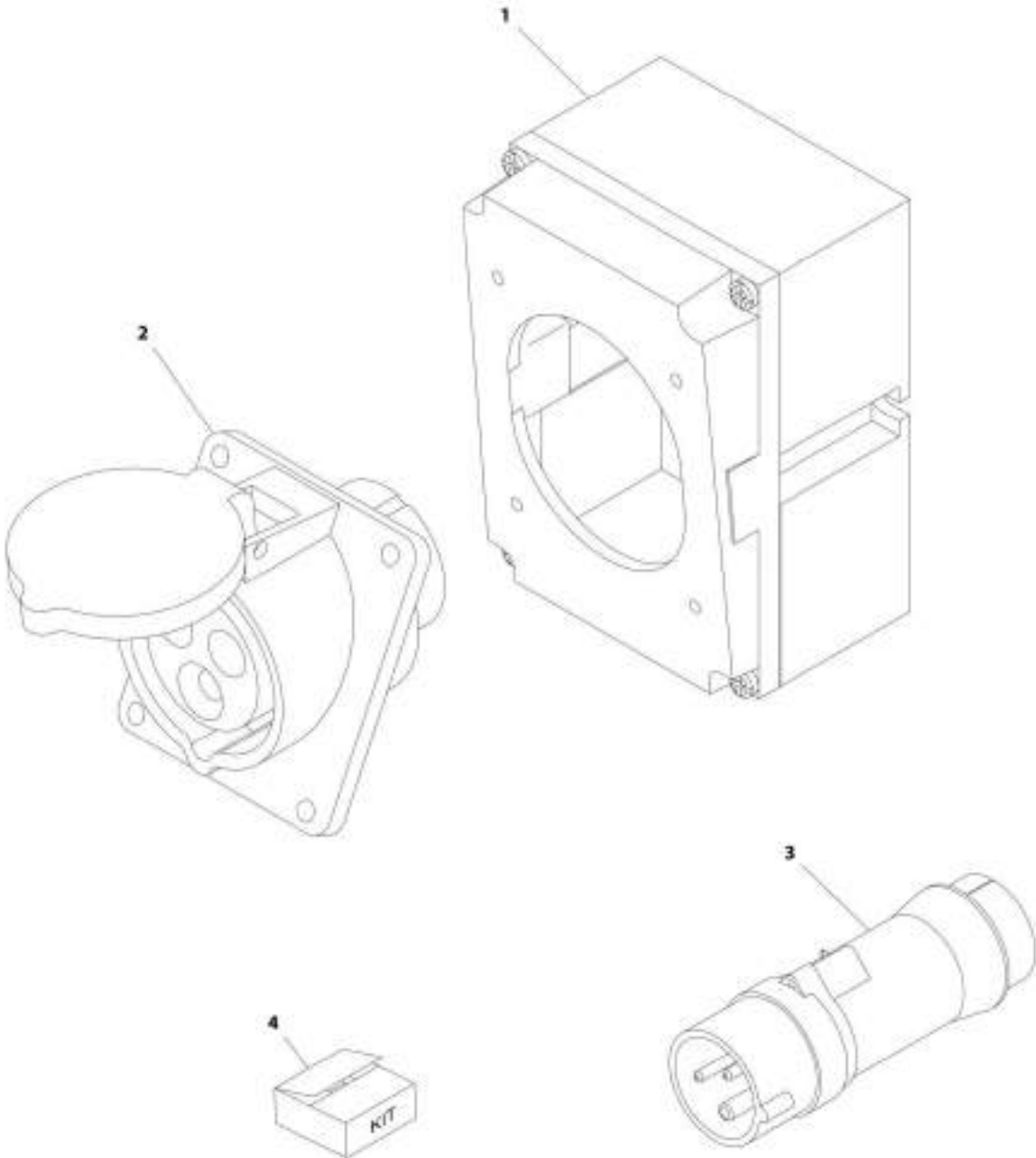
## SECTION 8 - ELECTRICAL

### FIGURE 8-31. PLATFORM CONSOLE BOX HARNESS

ITEM	PART NUMBER	QTY	DESCRIPTION	REV
	1001164353	Ref	PLATFORM CONSOLE BOX HARNESS	I
1	4460434	1	Connector - 15 Position	
1	4460267	12	Pin, Male	
2	4460970	1	Receptacle, Female - 12 Position	
2	1001116693	11	Pin, Male	
2	4460466	1	Plug, Terminal	
2	4460933	1	Plug, Male - 12 Position	
3	4460866	1	Connector - 19 Position	
3	4460464	7	Pin, Male	
3	4460466	12	Plug, Terminal	
4	4460933	1	Plug, Male - 12 Position	
4	4460465	6	Socket, Female	
4	4460466	6	Plug, Terminal	
4	1001119020	1	Bussbar - 12 Position	
5	4460873	1	Connector - 35 Position	
5	4460871	21	Socket, Female	
5	4460905	14	Plug, Terminal	
6	4460875	1	Connector - 35 Position	
6	4460871	23	Socket, Female	
6	4460905	8	Plug, Terminal	
7	4460874	1	Connector - 35 Position	
7	4460871	25	Socket, Female	
7	4460905	10	Plug, Terminal	
8	4460879	1	Plug, Male - 2 Position	
8	4460887	2	Terminal	
9	1001098122	2	Terminal, Ring	
10	4460761	1	Receptacle, Female - 4 Position	
10	4460267	4	Pin, Male	
11	4460418	10	Connector - 6 Position	
11	4460419	35	Terminal	
11	4460259	6	Terminal (Note: Used only on Fuel Select)	
12	4460225	1	Plug, Male - 6 Position	
12	4460227	5	Pin, Male (Note: Used on Pump Potentiometer Connection Only)	
12	4460226	19	Socket, Female	
13	4460260	8	Housing, Terminal ( <b>Prior to SN 0300223250</b> )	
13	4460259	8	Terminal ( <b>Prior to SN 0300223250</b> )	
13	4460016	2	Housing, Terminal ( <b>SN 0300223250 to Present</b> )	
13	See Note	NSS	Terminal (Note: Purchase p/n 4460016) ( <b>SN 0300223250 to Present</b> )	
14	4460183	2	Terminal, Fork	
15	1001213447	1	Connector - 4 Position ( <b>SN 0300223250 to Present</b> )	
15	See Note	NSS	Terminal (Note: Purchase p/n 1001213447) ( <b>SN 0300223250 to Present</b> )	

**SECTION 8 - ELECTRICAL**

**FIGURE 8-32. RECEPTACLE BOX KIT - 110V IEC YELLOW (CE SPEC)**



AWF\_0275216

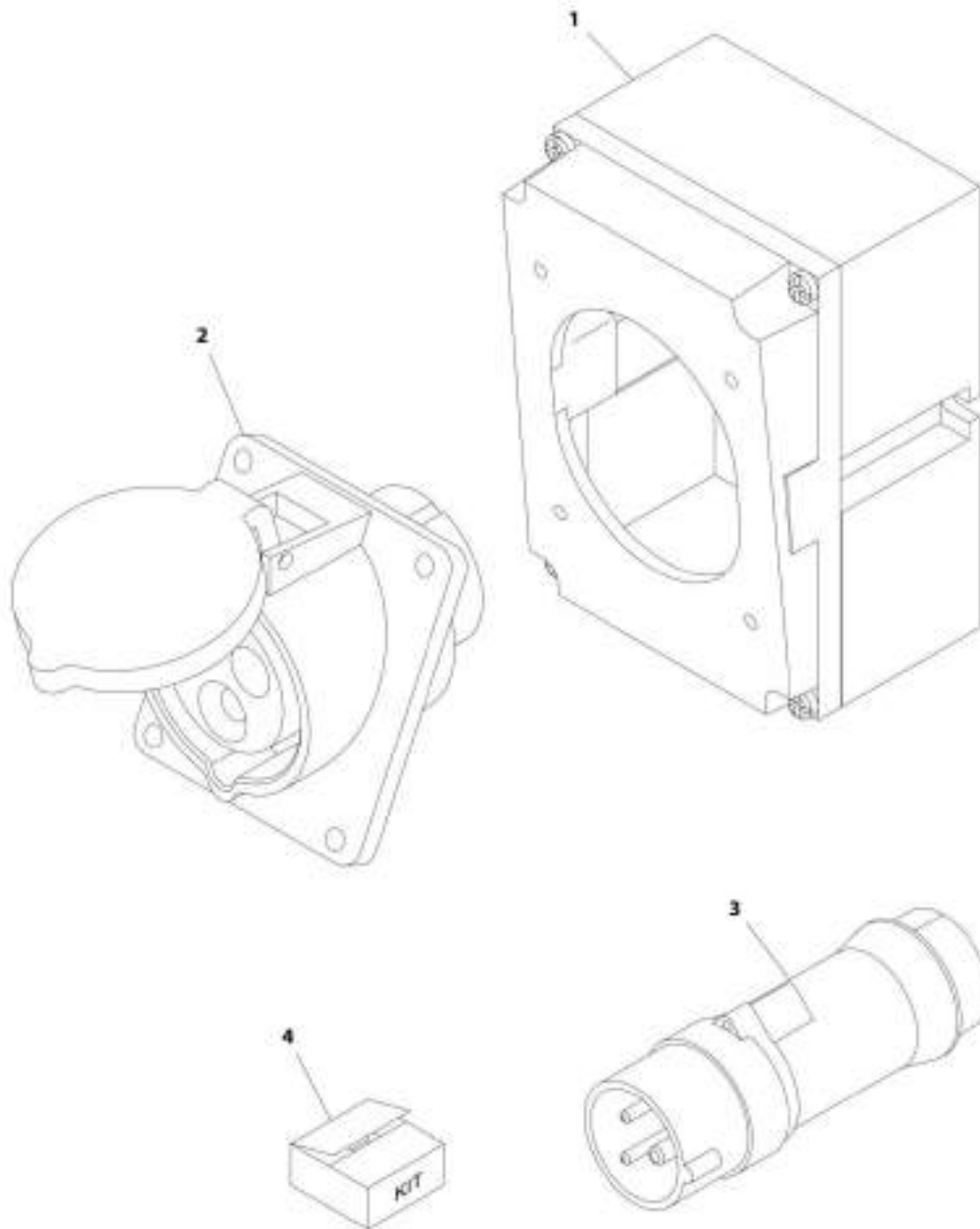
## SECTION 8 - ELECTRICAL

**FIGURE 8-32. RECEPTACLE BOX KIT - 110V IEC YELLOW (CE SPEC)**

ITEM	PART NUMBER	QTY	DESCRIPTION	REV
	0275216	Ref	RECEPTACLE BOX KIT - 110V IEC YELLOW (CE SPEC)	1
1	0861781	1	Box, Switch	
2	4461198	1	Receptacle	
3	4461196	1	Plug, Male	
4	1001100341	1	Plug and Socket Kit (Includes Items 1-3 and Female Plug p/n 4461197)	

## SECTION 8 - ELECTRICAL

FIGURE 8-33. RECEPTACLE BOX KIT - 220V IEC BLUE (CE SPEC)



WRT\_0275217

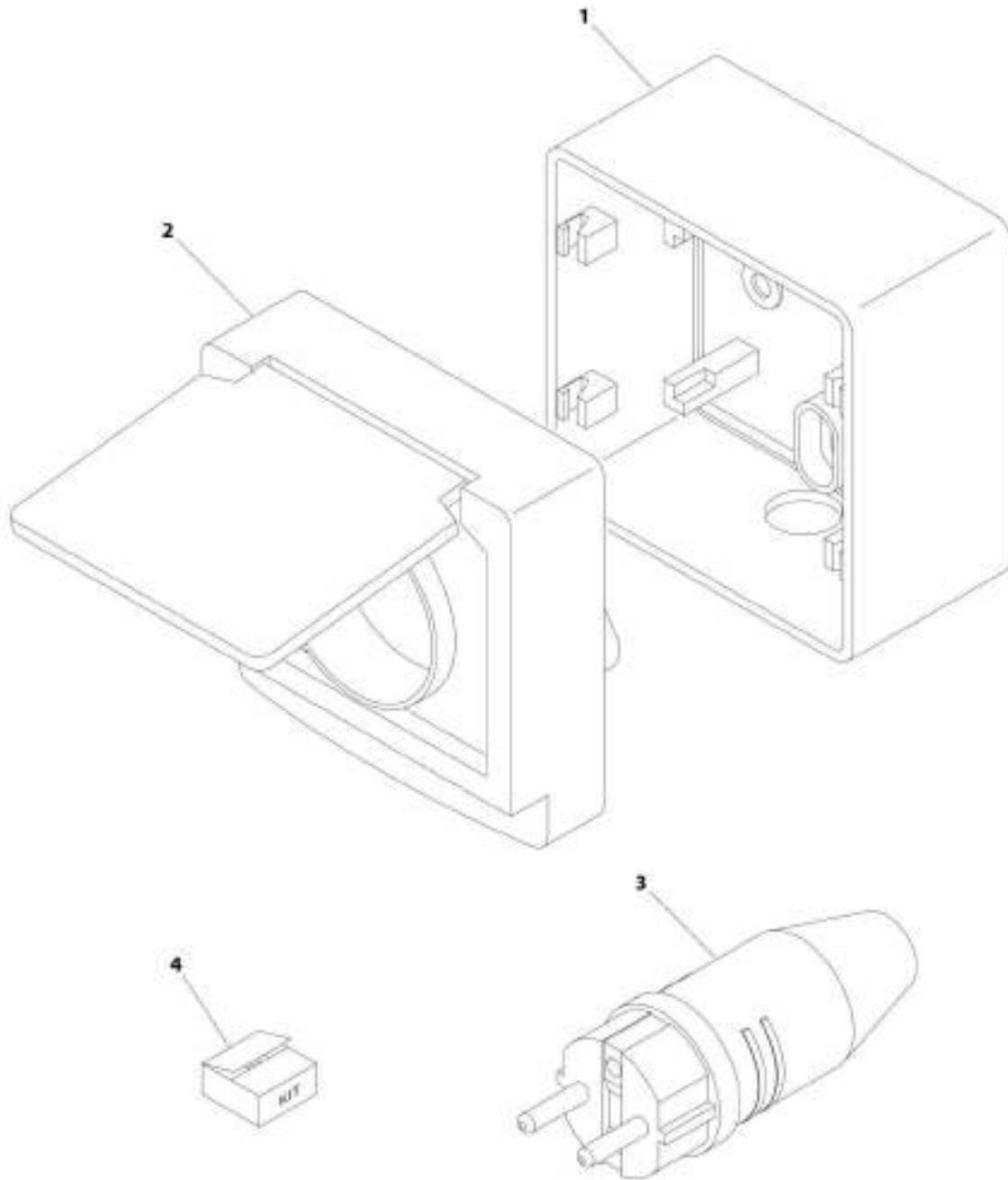
## SECTION 8 - ELECTRICAL

**FIGURE 8-33. RECEPTACLE BOX KIT - 220V IEC BLUE (CE SPEC)**

ITEM	PART NUMBER	QTY	DESCRIPTION	REV
	0275217	Ref	RECEPTACLE BOX KIT - 220V IEC BLUE (CE SPEC)	1
1	0861781	1	Box, Switch	
2	4461201	1	Receptacle	
3	4461199	1	Plug, Male	
4	1001100342	1	Plug and Socket Kit (Includes Items 1-3 and Female Plug p/n 4461200)	

## SECTION 8 - ELECTRICAL

FIGURE 8-34. RECEPTACLE BOX KIT - 220V CEE7 POST GROUND 70MM X 70MM (CE SPEC)



KRT\_0275318



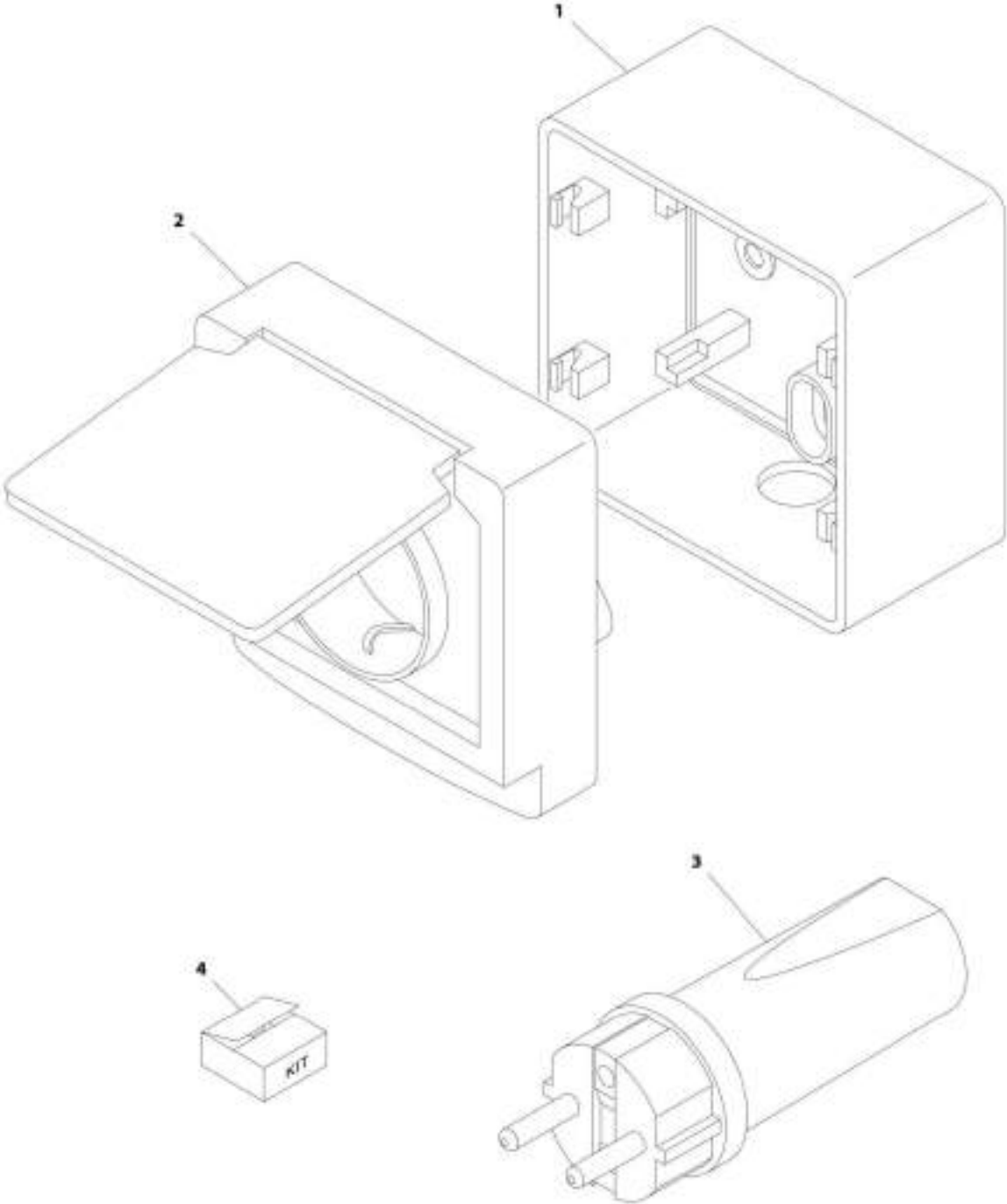
## SECTION 8 - ELECTRICAL

**FIGURE 8-34. RECEPTACLE BOX KIT - 220V CEE7 POST GROUND 70MM X 70MM (CE SPEC)**

ITEM	PART NUMBER	QTY	DESCRIPTION	REV
	0275218	Ref	RECEPTACLE BOX KIT - 220V CEE7 POST GROUND 70MM X 70MM BOX (CE SPEC)	C
1	1001141967	1	Box, Switch	
2	1001141968	1	Receptacle	
3	4461202	1	Plug, Male ( <b>Prior to SN 0300218550</b> )	
3	4461205	1	Plug, Male ( <b>SN 0300218550 to Present</b> )	
4	1001141971	1	Plug and Socket Kit (Includes Items 1-3 and Female Plug p/n 4461206)	

**SECTION 8 - ELECTRICAL**

**FIGURE 8-35. RECEPTACLE BOX KIT - 220V CEE7 SIDE GROUND 70MM X 70MM (CE SPEC)**



AWT\_3275219

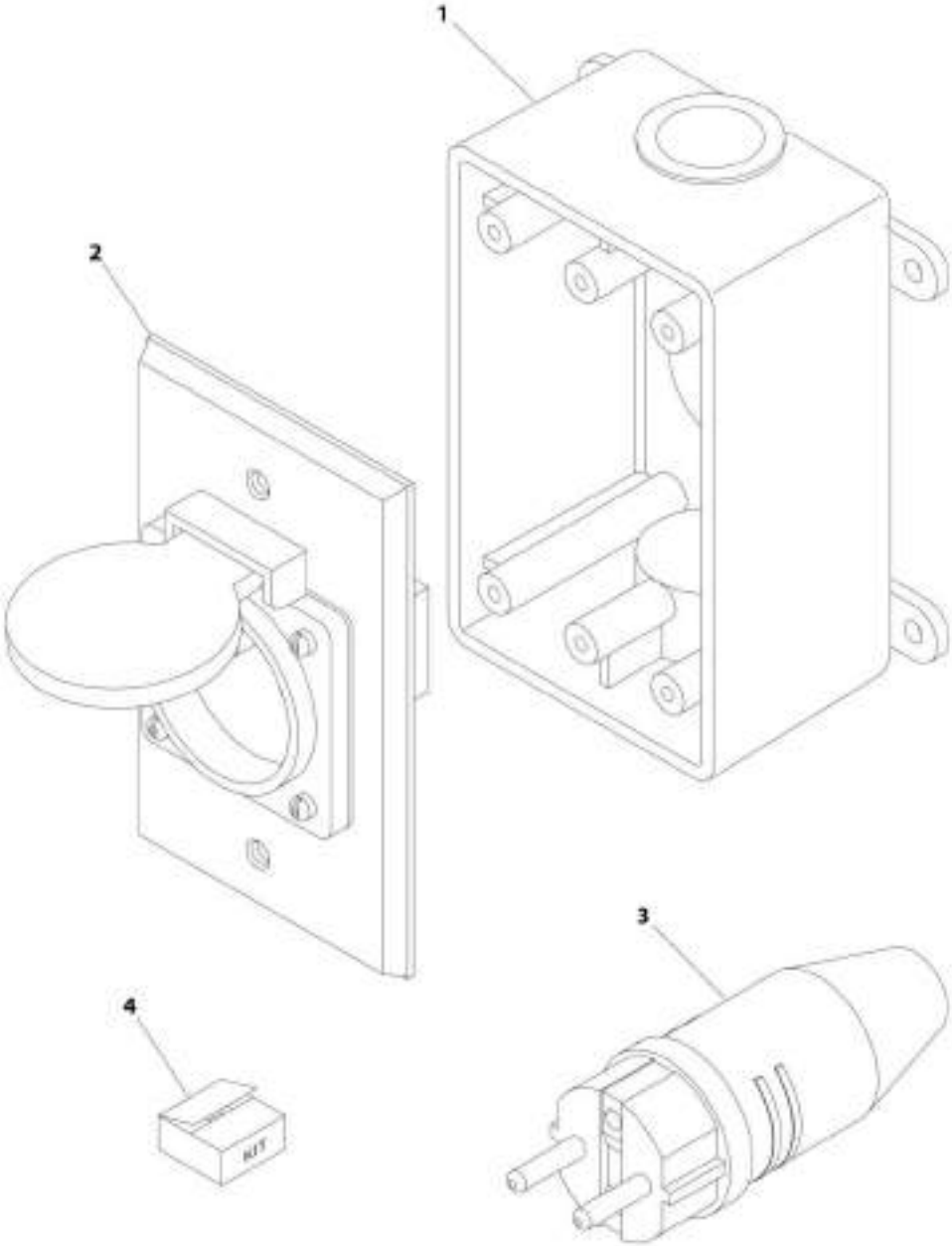
## SECTION 8 - ELECTRICAL

**FIGURE 8-35. RECEPTACLE BOX KIT - 220V CEE7 SIDE GROUND 70MM X 70MM (CE SPEC)**

ITEM	PART NUMBER	QTY	DESCRIPTION	REV
	0275219	Ref	RECEPTACLE BOX KIT - 220V CEE7 SIDE GROUND 70MM X 70MM BOX (CE SPEC)	B
1	1001141967	1	Box, Switch	
2	1001141969	1	Receptacle	
3	4461205	1	Plug, Male	
4	1001141970	1	Plug and Socket Kit (Includes Items 1-3 and Female Plug p/n 4461206)	

**SECTION 8 - ELECTRICAL**

**FIGURE 8-36. RECEPTACLE BOX KIT - 220V CEE7 POST GROUND 2IN X 4IN (CE SPEC)**



ART\_0079452

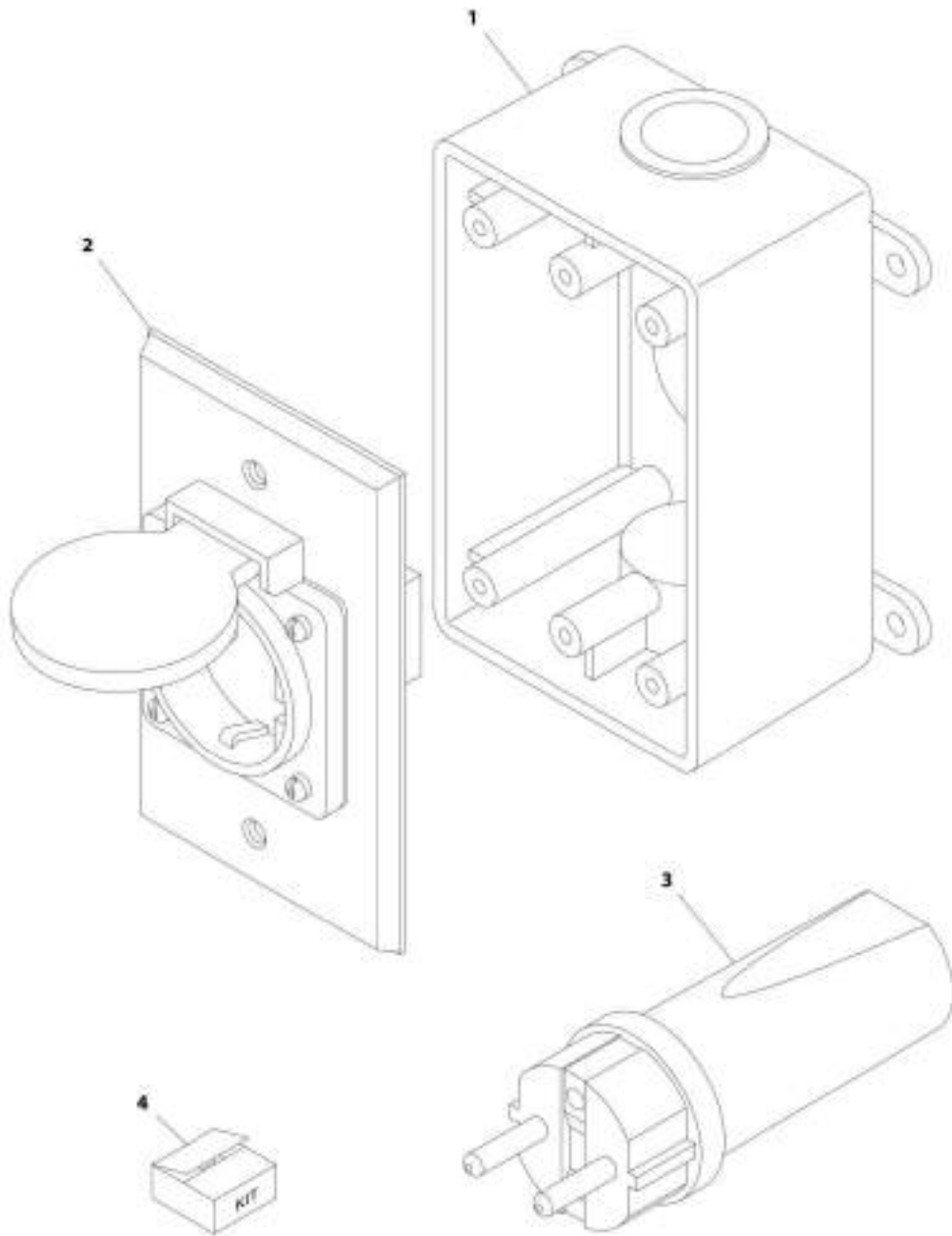
## SECTION 8 - ELECTRICAL

**FIGURE 8-36. RECEPTACLE BOX KIT - 220V CEE7 POST GROUND 2IN X 4IN (CE SPEC)**

ITEM	PART NUMBER	QTY	DESCRIPTION	REV
	0275452	Ref	RECEPTACLE BOX KIT - 220V CEE7 POST GROUND 2IN X 4IN, BOX (CE SPEC)	C
1	0861731	1	Box, Switch	
2	4461244	1	Receptacle	
3	4461202	1	Plug, Male ( <b>Prior to SN 0300218550</b> )	
3	4461205	1	Plug, Male ( <b>SN 0300218550 to Present</b> )	
4	1001100345	1	Plug and Socket Kit (Includes Items 1-3 and Female Plug p/n 4461206)	

## SECTION 8 - ELECTRICAL

FIGURE 8-37. RECEPTACLE BOX KIT - 220V CEE7 SIDE GROUND 2IN X 4IN (CE SPEC)



WIT\_0275433

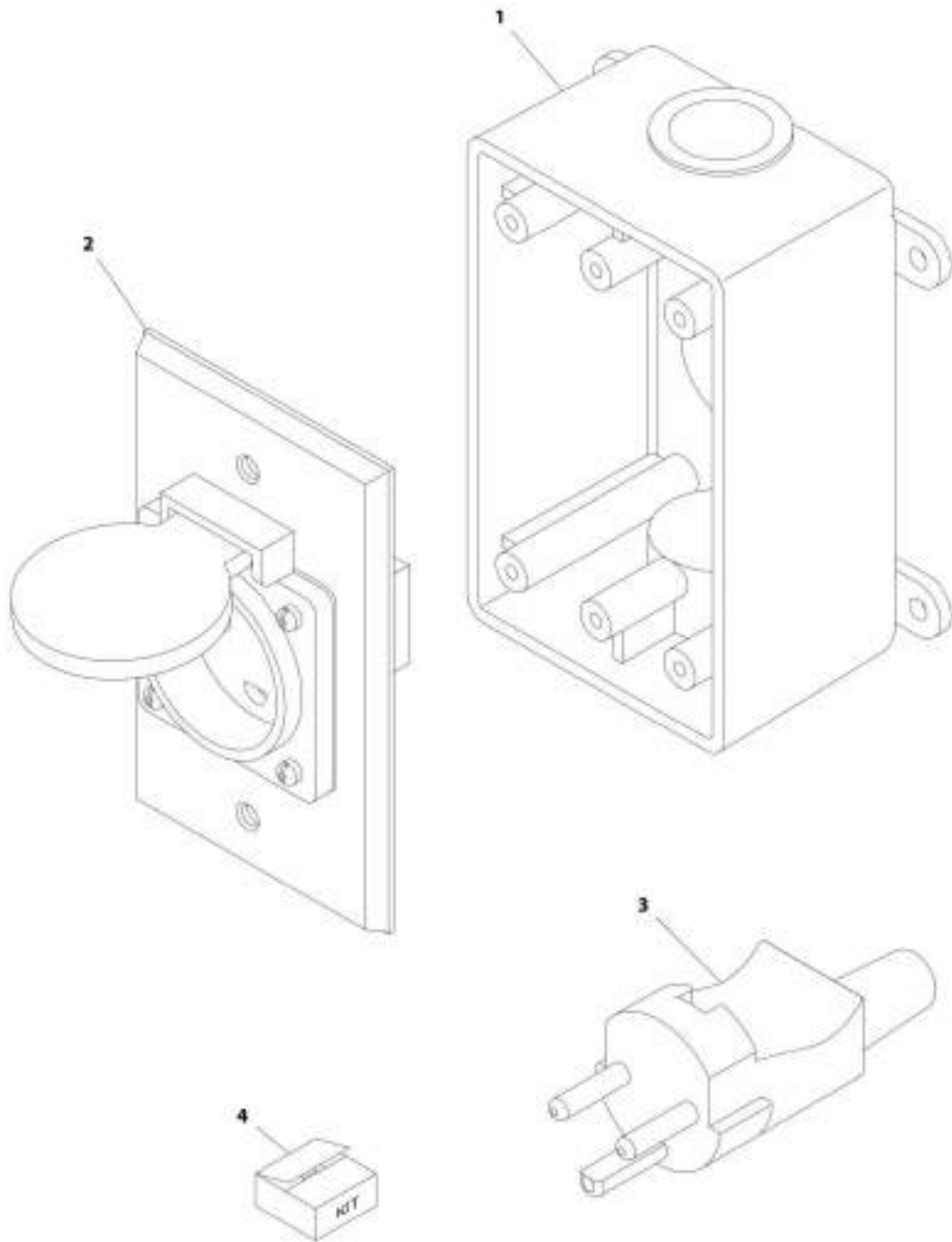
## SECTION 8 - ELECTRICAL

**FIGURE 8-37. RECEPTACLE BOX KIT - 220V CEE7 SIDE GROUND 2IN X 4IN (CE SPEC)**

ITEM	PART NUMBER	QTY	DESCRIPTION	REV
	0275453	Ref	RECEPTACLE BOX KIT - 220V CEE7 SIDE GROUND 2IN X 4IN BOX (CE SPEC)	1
1	0861731	1	Box, Switch	
2	4461245	1	Receptacle	
3	4461205	1	Plug, Male	
4	1001100347	1	Plug and Socket Kit (Includes Items 1-3 and Female Plug p/n 4461206)	

# SECTION 8 - ELECTRICAL

FIGURE 8-38. RECEPTACLE BOX KIT - 220V AFSINT 107 (CE SPEC)



AHT\_0075404



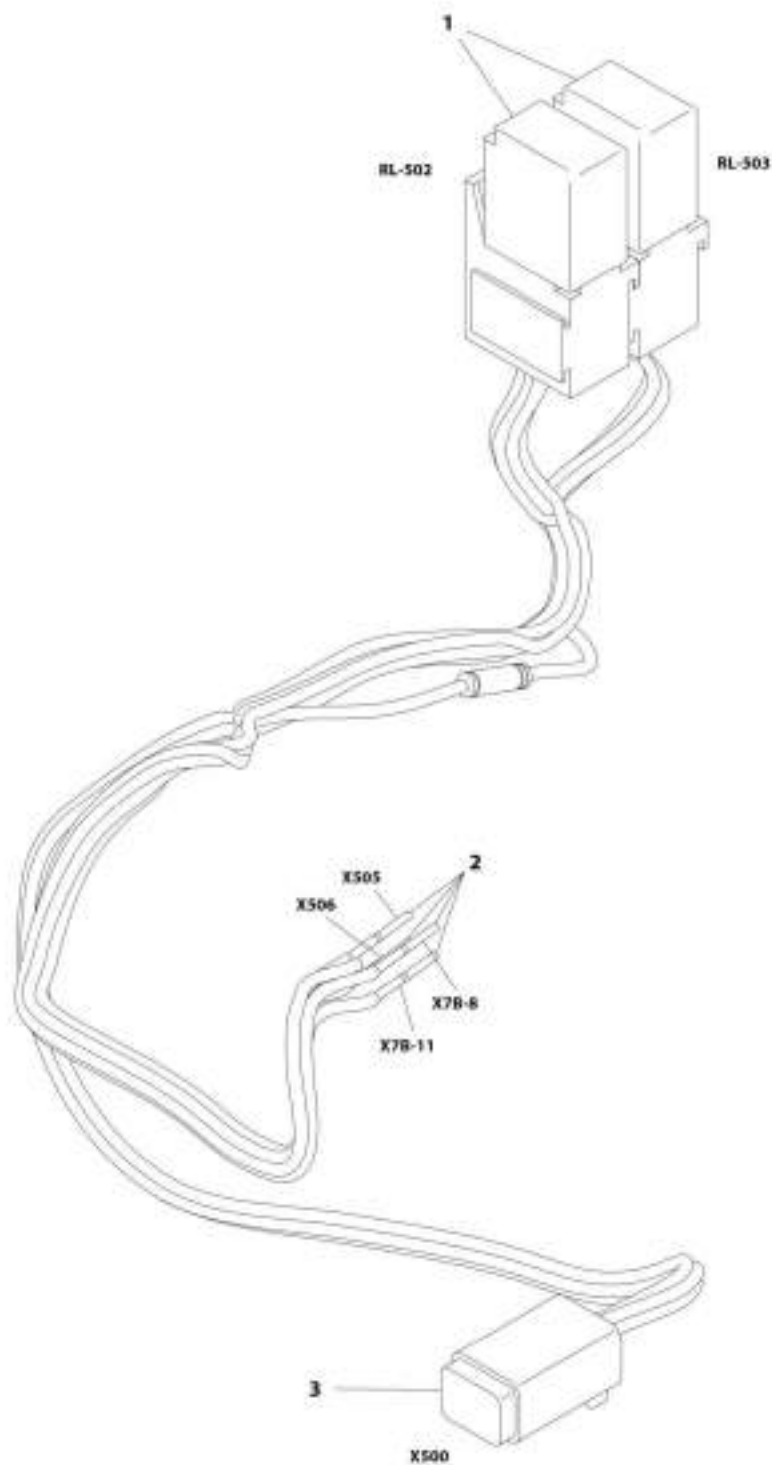
## SECTION 8 - ELECTRICAL

**FIGURE 8-38. RECEPTACLE BOX KIT - 220V AFSINT 107 (CE SPEC)**

ITEM	PART NUMBER	QTY	DESCRIPTION	REV
	0275454	Ref	RECEPTACLE BOX KIT - 220V AFSINT 107 (CE SPEC),	1
1	0861731	1	Box, Switch	
2	4461246	1	Receptacle	
3	4461249	1	Plug, Male	
4	1001100346	1	Plug and Socket Kit (Includes Items 1-3 and Female Plug p/n 4461250)	

# SECTION 8 - ELECTRICAL

## FIGURE 8-39. SKYGUARD HARNESS



AWT\_1001192292

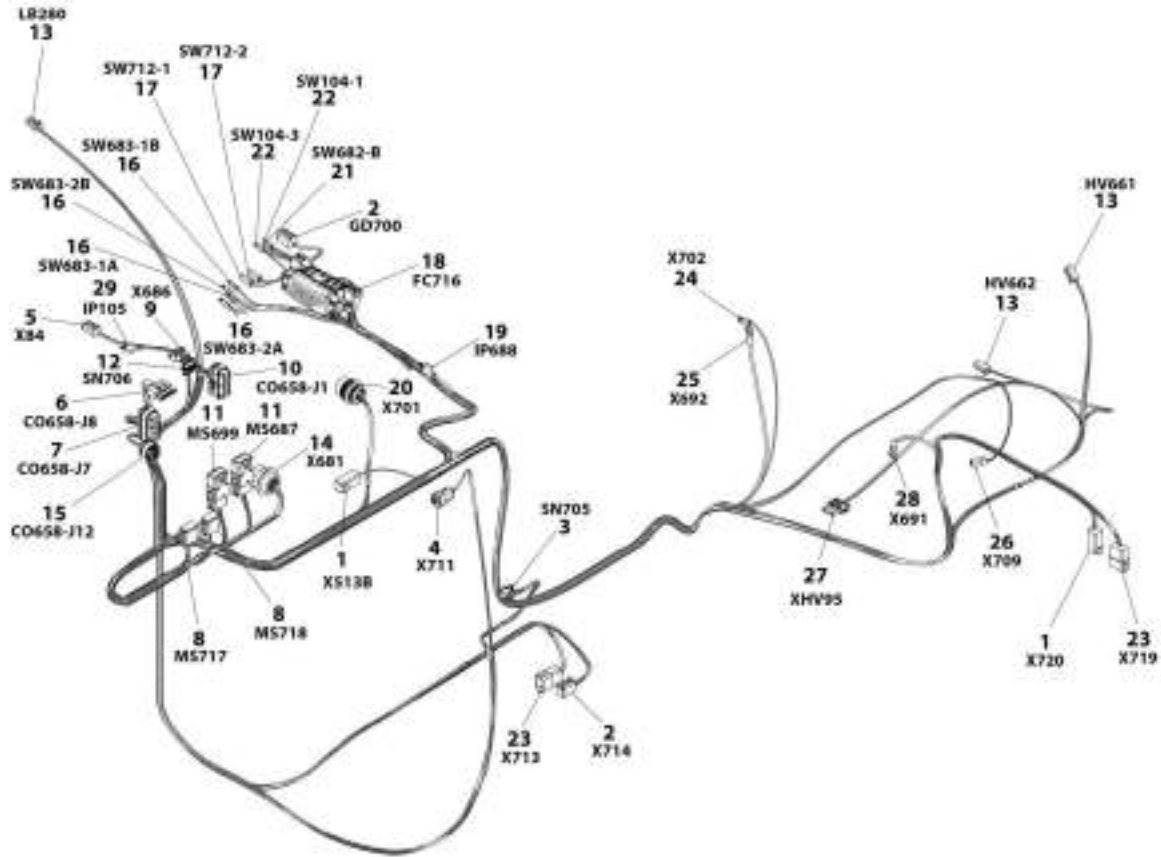
## SECTION 8 - ELECTRICAL

### FIGURE 8-39. SKYGUARD HARNESS

ITEM	PART NUMBER	QTY	DESCRIPTION	REV
	1001192292	Ref	SKYGUARD HARNESS	B
1	1001186432	2	Holder, Micro Relay	
1	1001186431	2	Relay, Micro 35 Amp	
1	1001116720	11	Terminal	
2	4460226	4	Socket, Female	
3	4460884	1	Plug, Male - 4 Position	
3	4460465	4	Socket, Female	

# SECTION 8 - ELECTRICAL

## FIGURE 8-40. TURNTABLE HARNESS



ARJ\_1001091234

## SECTION 8 - ELECTRICAL

### FIGURE 8-40. TURNTABLE HARNESS

ITEM	PART NUMBER	QTY	DESCRIPTION	REV
	1001191274	Ref	TURNTABLE HARNESS	G
1	4460899	2	Receptacle, Female - 6 Position	
1	4460464	6	Pin, Male	
1	4460466	6	Plug, Terminal	
2	4460894	2	Plug, Male - 6 Position	
2	4460465	10	Socket, Female	
2	4460466	2	Plug, Terminal	
3	1001117064	1	Plug, Male - 6 Position <b>(Prior to SN 0300232895)</b>	
3	1001230931	1	Plug, Male - 6 Position <b>(SN 0300232895 to Present)</b>	
3	91554014	6	Terminal, Female <b>(Prior to SN 0300232895)</b>	
3	1001116748	6	Terminal, Female <b>(SN 0300232895 to Present)</b>	
3	4460608	6	Seal, Terminal	
4	4460967	1	Connector -3 Position	
4	4460465	3	Socket, Female	
5	4460884	1	Plug, Male - 4 Position	
5	4460465	4	Socket, Female	
5	1001192401	1	Cap, Dust	
6	4460878	1	Plug, Male - 4 Position	
6	1001196590	2	Terminal	
6	4460887	2	Terminal	
6	4461271	1	Terminal	
7	4460873	1	Connector - 35 Position	
7	4460871	24	Socket, Female	
7	4460905	11	Plug, Terminal	
8	4460836	2	Plug, Male - 12 Position	
8	4460465	12	Socket, Female	
8	4460466	5	Plug, Terminal	
8	4460837	2	Bussbar - 12 Position	
9	1001119032	1	Receptacle, Female - 4 Position	
9	1001118378	4	Pin, Male	
10	4460874	1	Connector - 35 Position	
10	4460871	18	Socket, Female	
10	4460905	17	Plug, Terminal	
11	4460933	2	Plug, Male - 12 Position	
11	4460465	14	Socket, Female	
11	4460466	10	Plug, Terminal	
11	1001119020	2	Bussbar - 12 Position	
12	1001103012	1	Plug, Male - 4 Position	
12	1001107854	2	Socket, Female	
12	1001196589	2	Terminal	
12	1001116763	2	Seal, Red	
12	1001104498	2	Seal, Yellow	
13	4460891	1	Plug, Male - 2 Position	
13	4460465	2	Socket, Female	
14	4460866	1	Connector - 19 Position	
14	4460464	6	Pin, Male	
14	4460508	2	Pin, Male	
14	4460466	11	Plug, Terminal	
15	1001113961	1	Plug, Male - 8 Position	
15	4460871	5	Socket, Female	

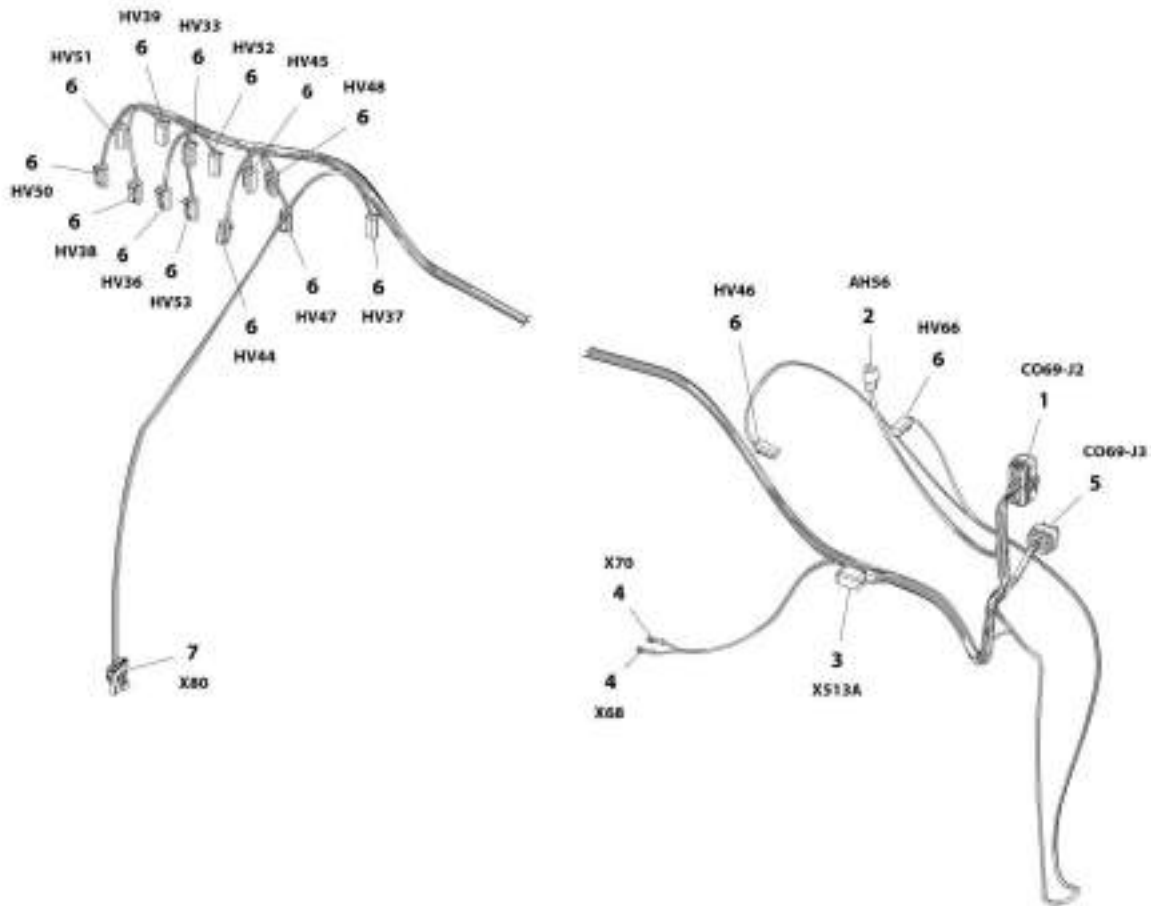
## SECTION 8 - ELECTRICAL

ITEM	PART NUMBER	QTY	DESCRIPTION	REV
15	4460905	3	Plug, Terminal	
16	4460806	4	Terminal, Fork	
17	4460260	2	Housing, Terminal	
17	4460259	2	Terminal	
18	1001185964	1	Fuse Box Assembly	
18	1001116728	14	Terminal , Female	
18	8220125	8	Terminal , Female	
18	1001116747	1	Terminal , Female	
18	4460748	25	Plug, Terminal	
18	4460458	14	Seal, Terminal	
18	80963067	9	Seal, Terminal	
18	1001116816	1	Connector - 2 Position with Diode	
18	8229244	2	Fuse 15Amp	
18	8229242	4	Fuse 5Amp	
18	1001196635	1	Fuse 3Amp	
18	1001129285	4	Diode	
18	1001095704	1	Relay 35Amp	
19	2400060	1	Fuseholder with Cover and 30Amp Fuse	
19	8229245	1	Fuse 30Amp	
20	1001112612	1	Connector - 9 Position	
20	4460464	5	Pin, Male	
20	4460466	4	Plug, Terminal	
21	4460142	1	Terminal, Ring	
22	4460142	2	Terminal, Ring	
23	4460931	2	Receptacle, Female - 8 Position	
23	4460464	9	Pin, Male	
23	4460466	5	Plug, Terminal	
24	4460043	1	Terminal, Ring	
25	8220045	1	Terminal, Ring	
26	4460424	1	Plug, Male - 2 Position	
26	4460226	2	Socket, Female	
27	4460460	1	Terminal , Female	
27	4460475	4	Pin, Male	
27	4460458	4	Seal, Terminal	
28	1001117107	1	Terminal, Ring	
29	2400060	1	Fuseholder with Cover and 5Amp Fuse	
29	8229245	1	Fuse 5Amp	



# SECTION 8 - ELECTRICAL

## FIGURE 8-41. VALVE HARNESS - MAIN VALVE



ART\_1001196670



## SECTION 8 - ELECTRICAL

**FIGURE 8-41. VALVE HARNESS - MAIN VALVE**

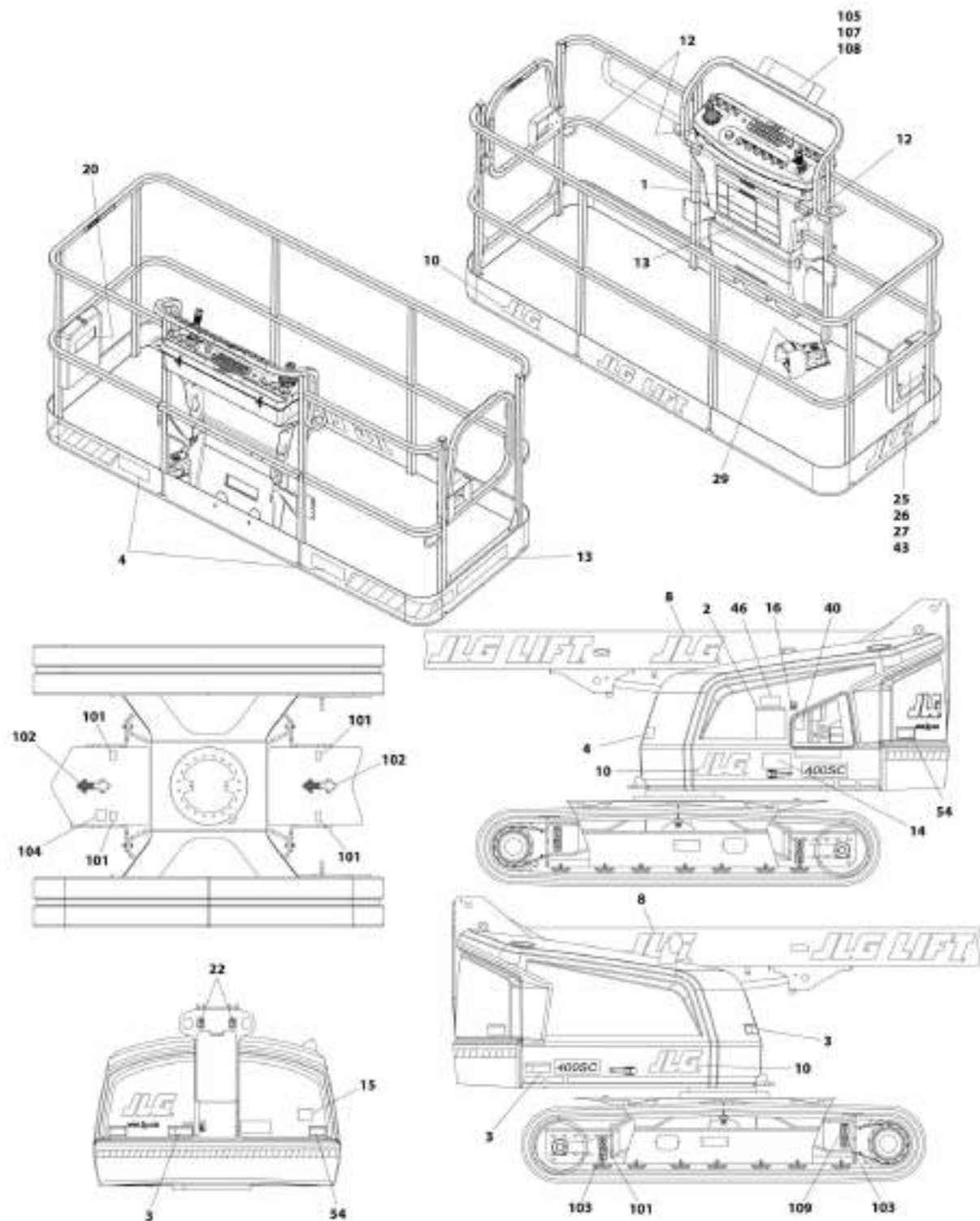
ITEM	PART NUMBER	QTY	DESCRIPTION	REV
	1001196678	Ref	VALVE HARNESS-MAIN VALVE	B
1	4460875	1	Connector-35 Position	
1	4460871	25	Socket, Female	
1	4460905	10	Plug, Terminal	
2	4460539	1	Plug, Male-3 Position	
2	4460465	3	Socket, Female	
3	4460894	1	Plug, Male-6 Position	
3	4460465	3	Socket, Female	
3	4460466	3	Plug, Terminal	
4	4460313	2	Terminal, Ring	
5	4460872	1	Connector-14 Position	
5	4460871	8	Socket, Female	
5	4460905	6	Plug, Terminal	
6	4460891	15	Plug, Male-2 Position	
6	4460465	30	Socket, Female	
7	4460460	1	Terminal, Connector	
7	4460457	4	Socket, Female	
7	4460458	4	Terminal, Seal	



**SECTION 9 - DECALS**

# SECTION 9 - DECALS

## FIGURE 9-1. DECAL INSTALLATION - CE SPEC - 400SC



ART 100115200

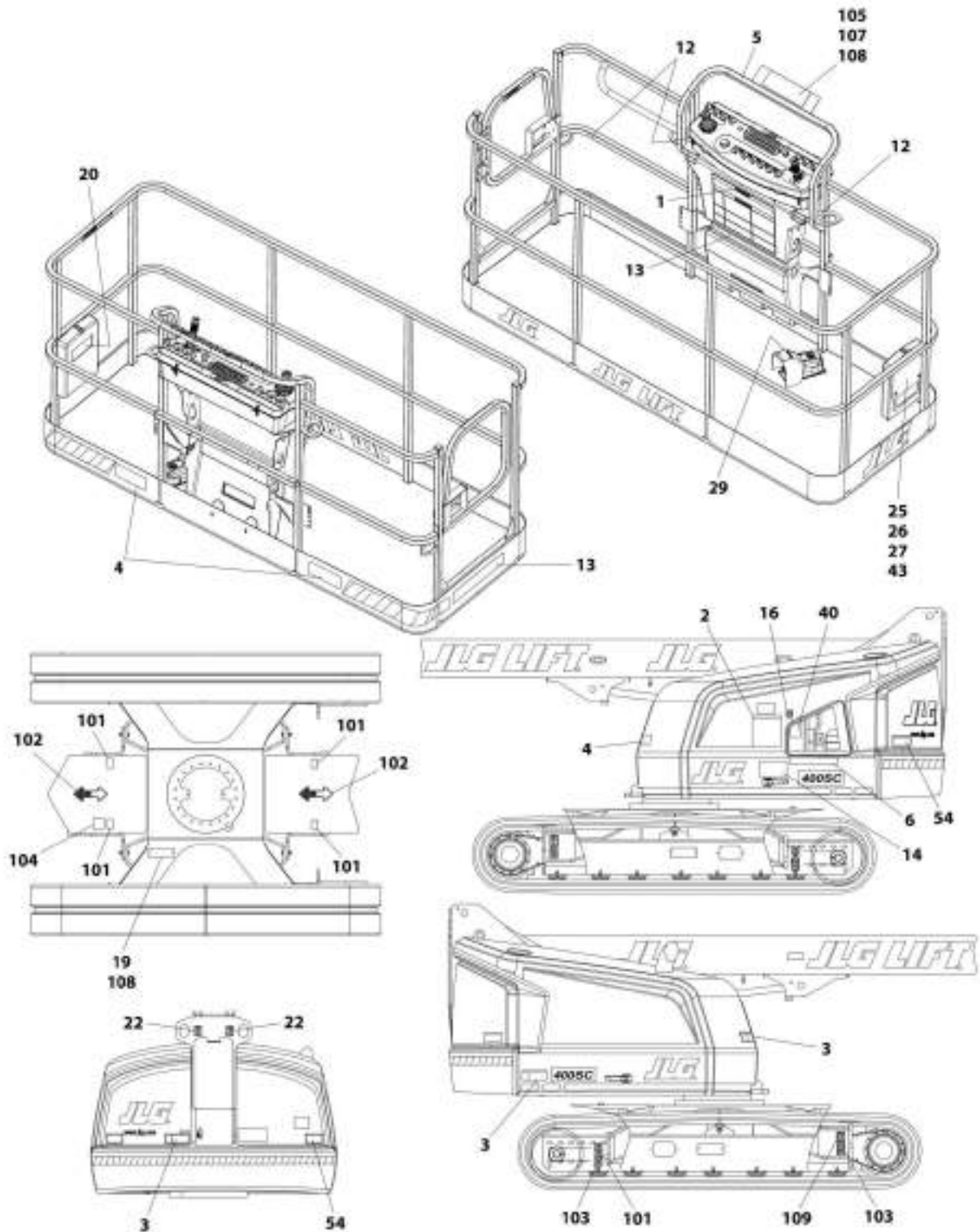
## SECTION 9 - DECALS

### FIGURE 9-1. DECAL INSTALLATION - CE SPEC - 400SC

ITEM	PART NUMBER	QTY	DESCRIPTION	REV
	1001192070	Ref	DECAL INSTALLATION - REFERENCE CHART	B
	1001171545	Ref	DECAL INSTALLATION - REFERENCE CHART (TURNTABLE) <b>(Prior to SN 0300221466)</b>	G
	1001217488	Ref	DECAL INSTALLATION - REFERENCE CHART (TURNTABLE) <b>(SN 0300221466 to Present)</b>	A
	1001190877	Ref	DECAL INSTALLATION - TURNTABLE	H
1	1705921	1	Decal - Tipping/Electrocution (Platform)	
2	1705822	1	Decal - Electrocution/Safety Manual	
3	1705961	3	Decal - Electrocution	
4	1701518	3	Decal - Warning Crushing	
8	1001159323	2	Decal - JLG 8 Black <b>(SN 0300221466 to Present)</b>	
10	1702773	3	Decal - JLG 5 <b>(SN 0300221466 to Present)</b>	
12	1704277	3	Decal - Attach Lanyard Here	
13	1001185237	2	Decal - Capacity (Platform)	
14	1001185237	1	Decal - Capacity (Ground Control)	
15	1705084	1	Decal - Sound Power Level <b>(Prior to SN 0300221466)</b>	
15	1001204510	1	Decal - Sound Power Level <b>(SN 0300221466 to Present)</b>	
16	1701504	1	Decal - Hydraulic Oil	
20	1701509	1	Decal - Manual	
22	1701500	2	Decal - Lift	
25	0860520	1	Box, Manual Storage	
26	4751400	4	Washer 1/4	
27	3311405	4	Nut, Lock 1/4	
29	1705828	1	Decal - Footswitch	
40	1704412	1	Decal - Hydraulic Oil Chart	
43	0641406	4	Bolt 1/4 x 3/4	
46	1001197408	1	Decal - MSSO	
54	1701518	2	Decal - Warning Crushing	
	1001190872	Ref	DECAL INSTALLATION - REFERENCE CHART (FRAME)	H
	1001191076	Ref	DECAL INSTALLATION - FRAME	E
101	1701499	6	Decal - No Lift	
102	1701529	2	Decal - Arrow	
103	1702300	4	Decal - Tie Down	
104	See Note	NSS	Decal - Bar Code (Note: Not Available for Purchase)	
105	1001202228	1	Decal - Machine Motion Hazard	
107	3572044	1	Plate, Decal Mounting <b>(Prior to SN 0300227267)</b>	
107	1001093553	1	Plate, Decal Mounting <b>(SN 0300227267 to Present)</b>	
108	3820001	5	Rivet	
109	1701500	2	Decal - Lift	

# SECTION 9 - DECALS

FIGURE 9-2. DECAL INSTALLATION - ANSI EXPORT - 400SC (SN 0300224020 to Present)



481T\_1001215297

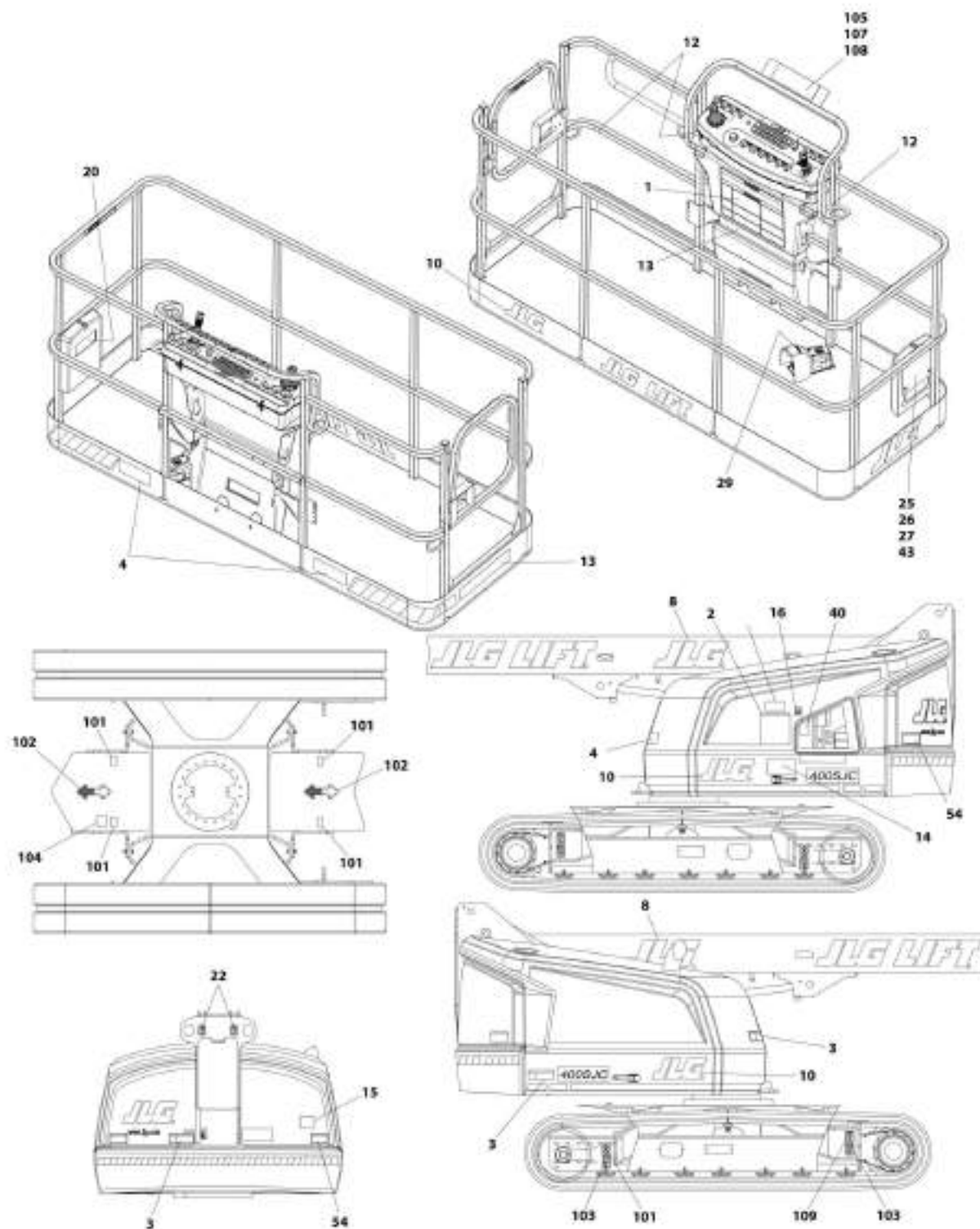
## SECTION 9 - DECALS

**FIGURE 9-2. DECAL INSTALLATION - ANSI EXPORT - 400SC (SN 0300224020 to Present)**

ITEM	PART NUMBER	QTY	DESCRIPTION	REV
	1001215297	Ref	DECAL INSTALLATION - REFERENCE CHART	A
	1001171545	Ref	DECAL INSTALLATION - REFERENCE CHART (TURNTABLE)	M
	1001215292	Ref	DECAL INSTALLATION - TURNTABLE	C
1	1703926	1	Decal - Danger/ Warning (Platform)	
2	1703932	1	Decal - Danger/ Warning (MTB)	
3	1703938	3	Decal - Electrocutation	
4	1703950	3	Decal - Crushing	
5	1001173262	1	Decal - Legend (Platform) <b>(SN 0300224020 through 0300230009)</b>	
5	1001225647	1	Decal - Legend (Platform) <b>(SN 0300230010 to Present)</b>	
6	1001174313	1	Decal - Legend (MTB)	
12	1704277	3	Decal - Attach Lanyard Here	
13	1001171341	2	Decal - Warning Dual Cap	
14	1001171342	1	Decal - Warning Dual Cap	
16	1701504	1	Decal - Hydraulic Oil	
19	1706948	1	Decal - Nameplate Manufacturers	
20	1701509	1	Decal - Manual	
22	1701500	2	Decal - Lift	
25	0860520	1	Box, Manual Storage	
26	4751400	4	Washer 1/4	
27	3311405	4	Nut 1/4	
29	1703980	1	Decal - Footswitch	
40	1704412	1	Decal - Hydraulic Oil Chart	
43	0641406	4	Bolt 1/4 x 3/4	
54	1703944	2	Decal - Warning Crushing	
	1001190872	Ref	DECAL INSTALLATION - REFERENCE CHART (FRAME)	H
	1001215290	Ref	DECAL INSTALLATION - FRAME	B
101	1701499	6	Decal - No Lift	
102	1701529	2	Decal - Arrow	
103	1702300	4	Decal - Tie Down	
104	See Note	NSS	Decal - Bar Code (Note: Not Available for Purchase)	
105	1001215285	1	Decal - Machine Motion Hazard	
107	3572044	1	Plate, Decal Mounting <b>(Prior to SN 0300227267)</b>	
107	1001093553	1	Plate, Decal Mounting <b>(SN 0300227267 to Present)</b>	
108	3820001	5	Rivet	
109	1701500	2	Decal - Lift	

# SECTION 9 - DECALS

## FIGURE 9-3. DECAL INSTALLATION - CE SPEC - 460SJC



ART 100217016



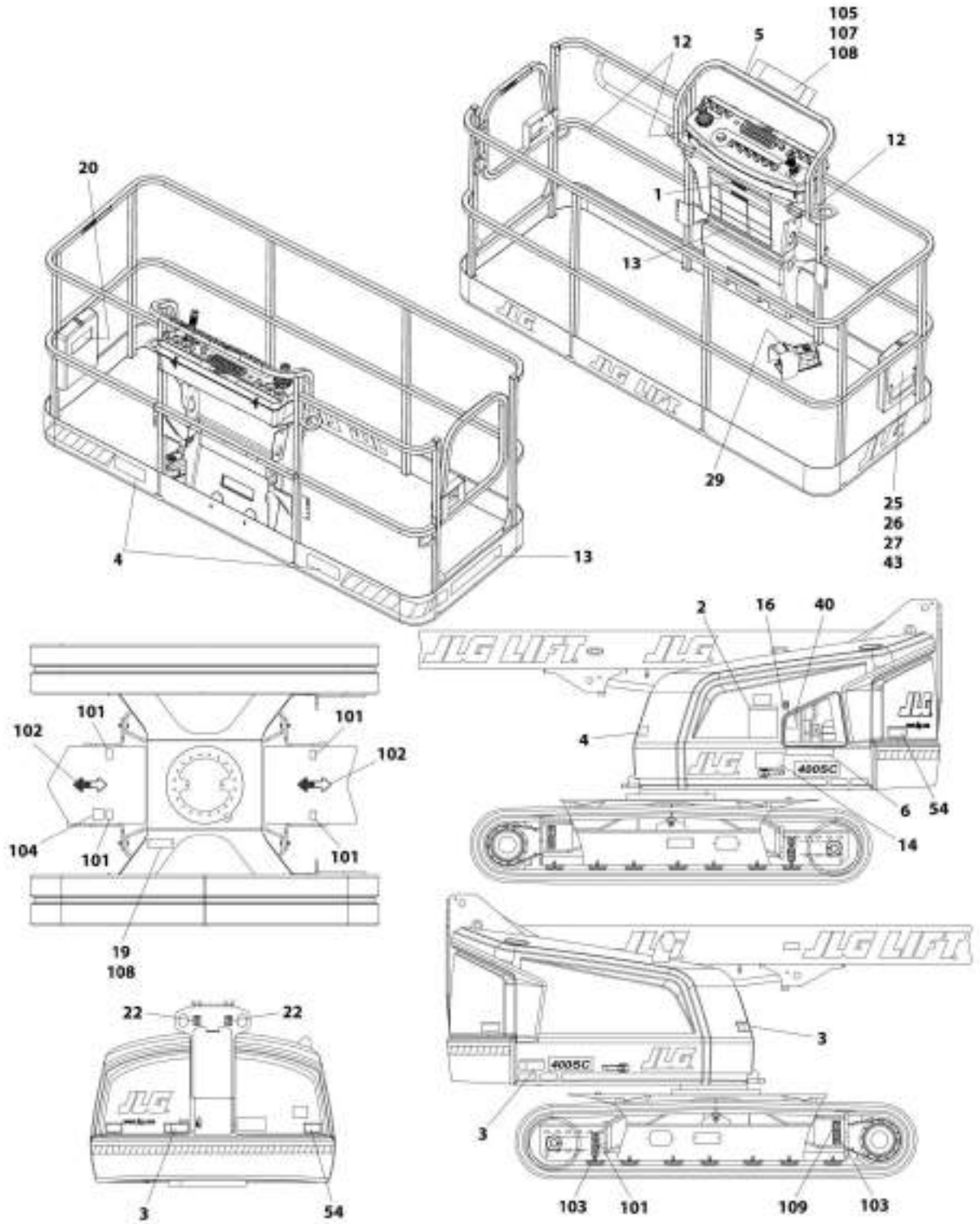
## SECTION 9 - DECALS

**FIGURE 9-3. DECAL INSTALLATION - CE SPEC - 460SJC**

ITEM	PART NUMBER	QTY	DESCRIPTION	REV
	1001217213	Ref	DECAL INSTALLATION - REFERENCE CHART	A
	1001217488	Ref	DECAL INSTALLATION - REFERENCE CHART (TURNTABLE)	A
	1001217214	Ref	DECAL INSTALLATION - TURNTABLE	A
1	1705921	1	Decal - Tipping/Electrocution (Platform)	
2	1705822	1	Decal - Electrocution/Safety Manual	
3	1705961	3	Decal - Electrocution	
4	1701518	3	Decal - Warning Crushing	
8	1001159323	2	Decal - JLG 8 Black	
10	1702773	2	Decal - JLG 5	
12	1704277	3	Decal - Attach Lanyard Here	
13	1001171339	2	Decal - Capacity (Platform)	
14	1001171339	1	Decal - Capacity (Ground Control)	
15	1705084	1	Decal - Sound Power Level	
15	1001204510	1	Decal - Sound Power Level	
16	1701504	1	Decal - Hydraulic Oil	
20	1701509	1	Decal - Manual	
22	1701500	2	Decal - Lift	
25	0860520	1	Box, Manual Storage	
26	4751400	4	Washer 1/4	
27	3311405	4	Nut 1/4	
29	1705828	1	Decal - Footswitch	
40	1704412	1	Decal - Hydraulic Oil Chart	
43	0641406	4	Bolt 1/4 x 3/4	
46	1001197408	1	Decal - MSSO	
54	1701518	2	Decal - Warning Crushing	
	1001190872	Ref	DECAL INSTALLATION - REFERENCE CHART (FRAME)	H
	1001191076	Ref	DECAL INSTALLATION - FRAME	E
101	1701499	6	Decal - No Lift	
102	1701529	2	Decal - Arrow	
103	1702300	4	Decal - Tie Down	
104	See Note	NSS	Decal - Bar Code (Note: Not Available for Purchase)	
105	1001202228	1	Decal - Machine Motion Hazard	
107	3572044	1	Plate, Decal Mounting ( <b>Prior to SN 0300227267</b> )	
107	1001093553	1	Plate, Decal Mounting ( <b>SN 0300227267 to Present</b> )	
108	3820001	5	Rivet	
109	1701500	2	Decal - Lift	

# SECTION 9 - DECALS

FIGURE 9-4. DECAL INSTALLATION - ANSI EXPORT - 460SJC (SN 0300224020 to Present)



481T\_1001217201

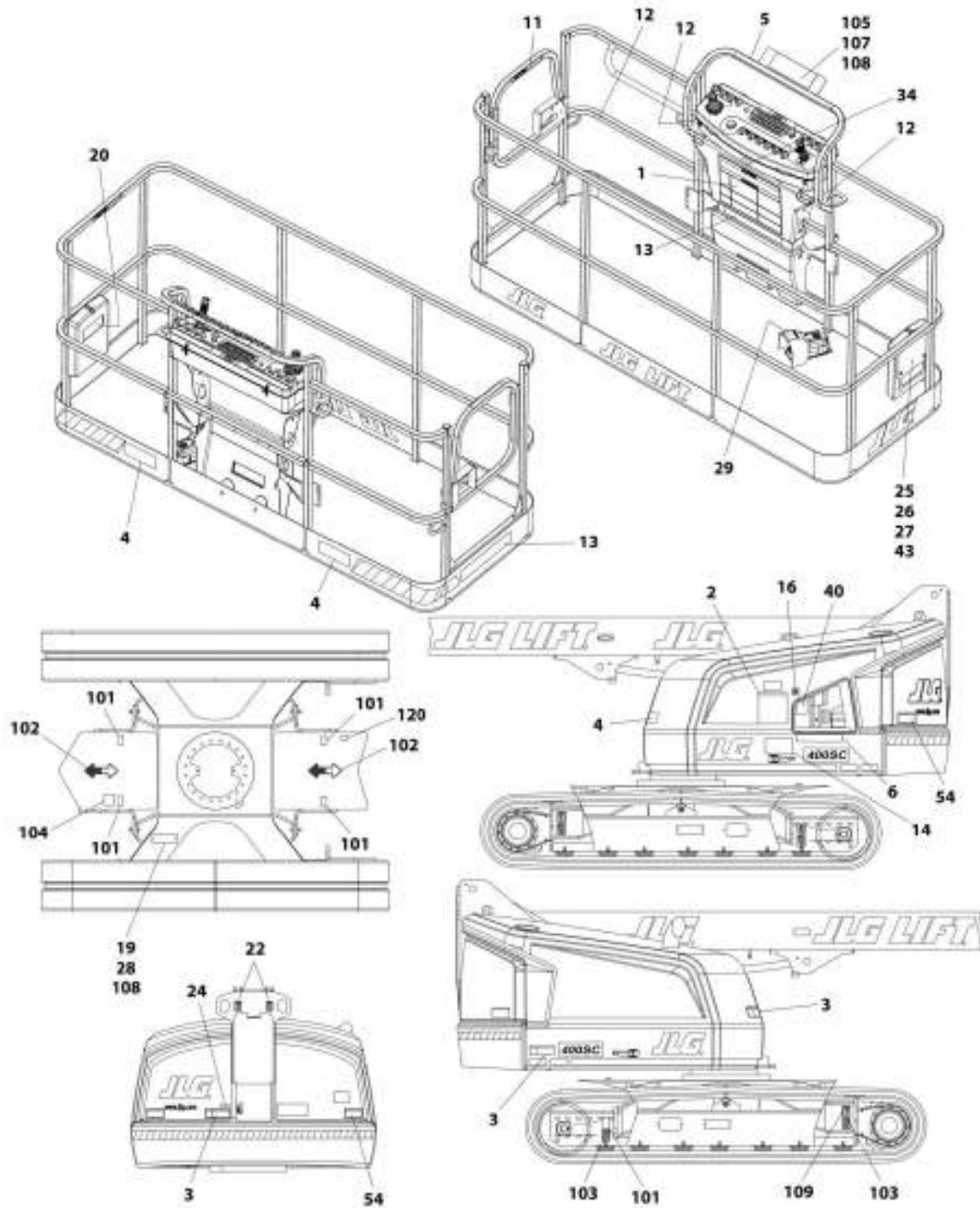
## SECTION 9 - DECALS

**FIGURE 9-4. DECAL INSTALLATION - ANSI EXPORT - 460SJC (SN 0300224020 to Present)**

ITEM	PART NUMBER	QTY	DESCRIPTION	REV
	1001217201	Ref	DECAL INSTALLATION - REFERENCE CHART	A
	1001171545	Ref	DECAL INSTALLATION - REFERENCE CHART (TURNTABLE)	M
	1001217202	Ref	DECAL INSTALLATION - TURNTABLE	C
1	1703926	1	Decal - Danger/ Warning (Platform)	
2	1703932	1	Decal - Danger/ Warning (MTB)	
3	1703938	3	Decal - Electrocutation	
4	1703950	3	Decal - Crushing	
5	1001173262	1	Decal - Legend (Platform) <b>(SN 0300224020 through 0300230009)</b>	
5	1001225647	1	Decal - Legend (Platform) <b>(SN 0300230010 to Present)</b>	
6	1001174313	1	Decal - Legend (MTB)	
12	1704277	3	Decal - Attach Lanyard Here	
13	1001171343	2	Decal - Warning Dual Cap	
14	1001171343	1	Decal - Warning Dual Cap	
16	1701504	1	Decal - Hydraulic Oil	
19	1706948	1	Decal - Nameplate Manufacturers	
20	1701509	1	Decal - Manual	
22	1701500	2	Decal - Lift	
25	0860520	1	Box, Manual Storage	
26	4751400	4	Washer 1/4	
27	3311405	4	Nut 1/4	
29	1703980	1	Decal - Footswitch	
40	1704412	1	Decal - Hydraulic Oil Chart	
43	0641406	4	Bolt 1/4 x 3/4	
54	1703944	2	Decal - Warning Crushing	
	1001190872	Ref	DECAL INSTALLATION - REFERENCE CHART (FRAME)	H
	1001215290	Ref	DECAL INSTALLATION - FRAME	B
101	1701499	6	Decal - No Lift	
102	1701529	2	Decal - Arrow	
103	1702300	4	Decal - Tie Down	
104	See Note	NSS	Decal - Bar Code (Note: Not Available for Purchase)	
105	1001215285	1	Decal - Machine Motion Hazard	
107	3572044	1	Plate, Decal Mounting <b>(Prior to SN 0300227267)</b>	
107	1001093553	1	Plate, Decal Mounting <b>(SN 0300227267 to Present)</b>	
108	3820001	5	Rivet	
109	1701500	2	Decal - Lift	

# SECTION 9 - DECALS

FIGURE 9-5. DECAL INSTALLATION - ANSI AND ANSI EXPORT SPECS - 400SC (SN 0300234013 to Present)



ART\_1001227660

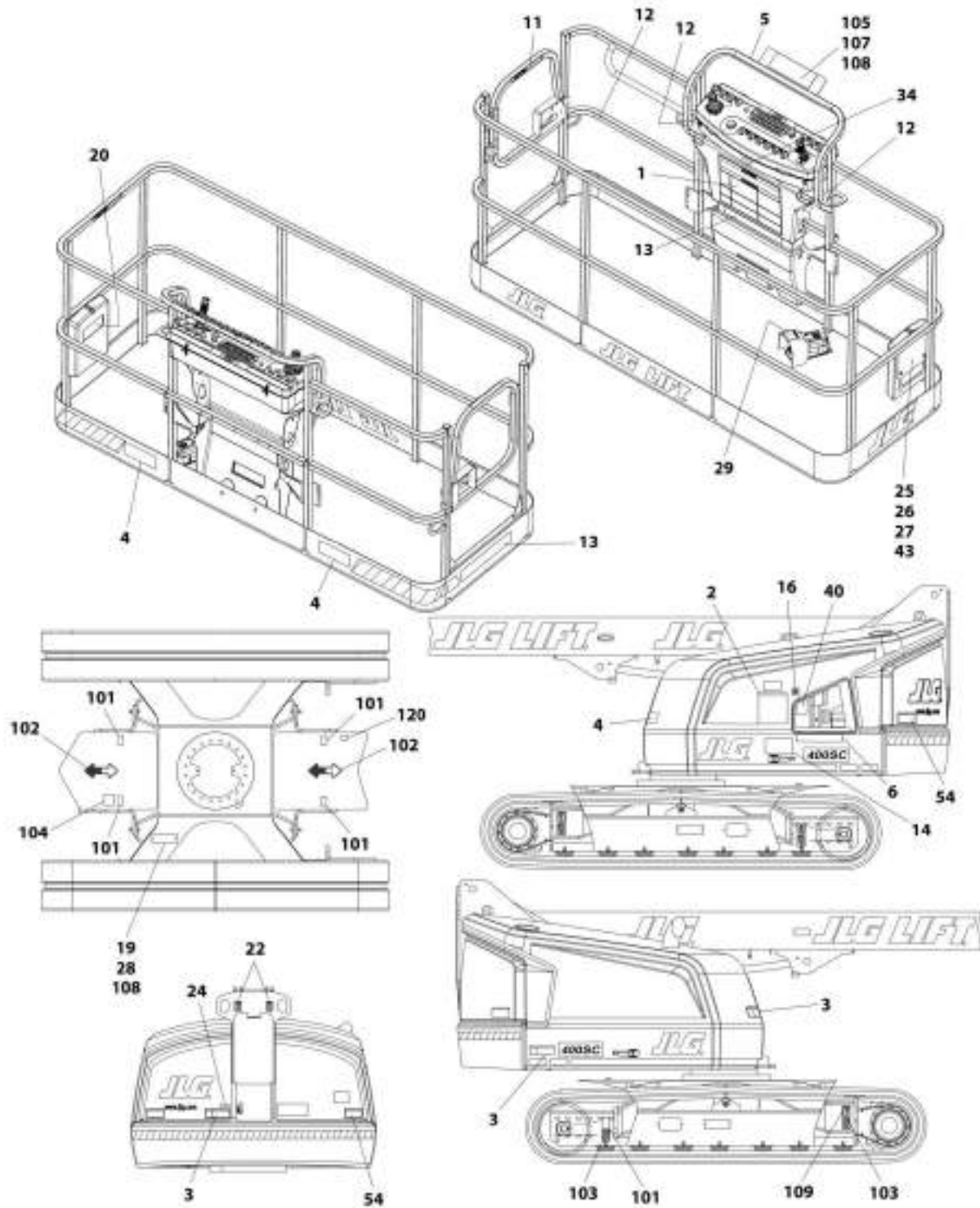
## SECTION 9 - DECALS

**FIGURE 9-5. DECAL INSTALLATION - ANSI AND ANSI EXPORT SPECS - 400SC (SN 0300234013 to Present)**

ITEM	PART NUMBER	QTY	DESCRIPTION	REV
	1001227660	Ref	DECAL INSTALLATION - REFERENCE CHART	A
	1001171545	Ref	DECAL INSTALLATION - REFERENCE CHART (TURNTABLE)	M
	1001227663	Ref	DECAL INSTALLATION - TURNTABLE	A
1	1703797	1	Decal - Danger/Warning (Platform)	
2	1703798	1	Decal - Danger/Warning (MTB)	
3	1703805	3	Decal - Electrocutation	
4	1703804	3	Decal - Crushing	
5	1001225647	1	Decal - Legend (Platform)	
6	1001174313	1	Decal - Legend (MTB)	
11	1702868	2	Decal - No Hands	
12	1704277	3	Decal - Attach Lanyard Here	
13	1001171335	2	Decal - Capacity (Platform)	
14	1001171336	1	Decal - Capacity (Ground Control)	
16	1701504	1	Decal - Hydraulic Oil	
19	1706948	1	Decal - Nameplate Manufacturers	
20	1701509	1	Decal - Manual	
22	1701500	2	Decal - Lift	
24	3251243	1	Nameplate - 120V-60Hz	
25	0860520	1	Box, Manual Storage	
26	4751400	4	Washer 1/4	
27	3311405	4	Nut 1/4	
28	3820001	2	Rivet	
29	3252347	1	Decal - Footswitch	
34	1705514	1	CSA Spec Decals (English/French)	
40	1704412	1	Decal - Hydraulic Oil Chart	
43	0641406	4	Bolt 1/4 x 3/4	
54	1703953	2	Decal - Warning Crushing	
	1001190872	Ref	DECAL INSTALLATION - REFERENCE CHART (FRAME)	H
	1001227662	Ref	DECAL INSTALLATION - FRAME	B
101	1701499	6	Decal - No Lift	
102	1701529	2	Decal - Arrow	
103	1702300	4	Decal - Tie Down	
104	See Note	NSS	Decal - Bar Code (Note: Not Available for Purchase)	
105	1704468	1	Decal - Motion Hazard	
107	1001093553	1	Plate, Decal Mounting	
108	3820001	5	Rivet	
109	1701500	2	Decal - Lift	
120	1001223453	1	Decal - ICES (SN 0300239154 to Present)	

# SECTION 9 - DECALS

FIGURE 9-6. DECAL INSTALLATION - ANSI AND ANSI EXPORT SPECS - 460SJC (SN 0300234013 to Present)



ART\_1001227661

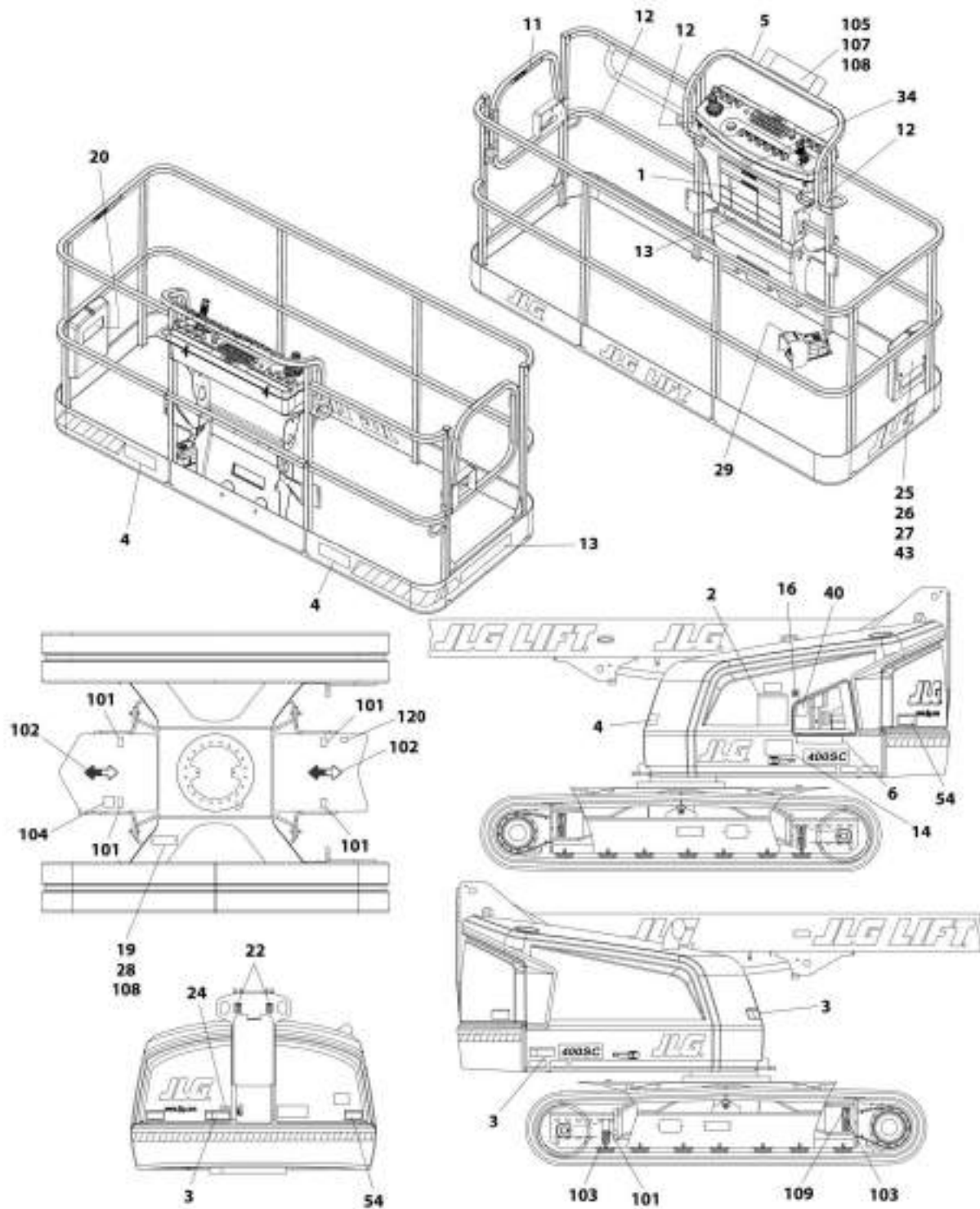
## SECTION 9 - DECALS

**FIGURE 9-6. DECAL INSTALLATION - ANSI AND ANSI EXPORT SPECS - 460SJC (SN 0300234013 to Present)**

ITEM	PART NUMBER	QTY	DESCRIPTION	REV
	1001227661	Ref	DECAL INSTALLATION - REFERENCE CHART	A
	1001171545	Ref	DECAL INSTALLATION - REFERENCE CHART (TURNTABLE)	M
	1001227664	Ref	DECAL INSTALLATION - TURNTABLE	A
1	1703797	1	Decal - Danger/Warning (Platform)	
2	1703798	1	Decal - Danger/Warning (MTB)	
3	1703805	3	Decal - Electrocutation	
4	1703804	3	Decal - Crushing	
5	1001225647	1	Decal - Legend (Platform)	
6	1001174313	1	Decal - Legend (MTB)	
11	1702868	2	Decal - No Hands	
12	1704277	3	Decal - Attach Lanyard Here	
13	1001171337	2	Decal - Capacity (Platform)	
14	1001171337	1	Decal - Capacity (Ground Control)	
16	1705104	1	Decal - Hydraulic Oil	
19	1706948	1	Decal - Nameplate Manufacturers	
20	1701509	1	Decal - Manual	
22	1701500	2	Decal - Lift	
24	3251243	1	Nameplate - 120V-60Hz	
25	0860520	1	Box, Manual Storage	
26	4751400	4	Washer 1/4	
27	3311405	4	Nut 1/4	
28	3820001	2	Rivet	
29	3252347	1	Decal - Footswitch	
34	1705514	1	CSA Spec Decals (English/French)	
40	1704412	1	Decal - Hydraulic Oil Chart	
43	0641406	4	Bolt 1/4 x 3/4	
54	1703953	2	Decal - Warning Crushing	
	1001190872	Ref	DECAL INSTALLATION - REFERENCE CHART (FRAME)	H
	1001227662	Ref	DECAL INSTALLATION - FRAME	B
101	1701499	6	Decal - No Lift	
102	1701529	2	Decal - Arrow	
103	1702300	4	Decal - Tie Down	
104	See Note	NSS	Decal - Bar Code (Note: Not Available for Purchase)	
105	1704468	1	Decal - Motion Hazard	
107	1001093553	1	Plate, Decal Mounting	
108	3820001	5	Rivet	
109	1701500	2	Decal - Lift	
120	1001223453	1	Decal - ICES (SN 0300239154 to Present)	

# SECTION 9 - DECALS

FIGURE 9-7. DECAL INSTALLATION - CSA SPEC - 400SC (SN 0300234013 to Present)



ART.1001227691



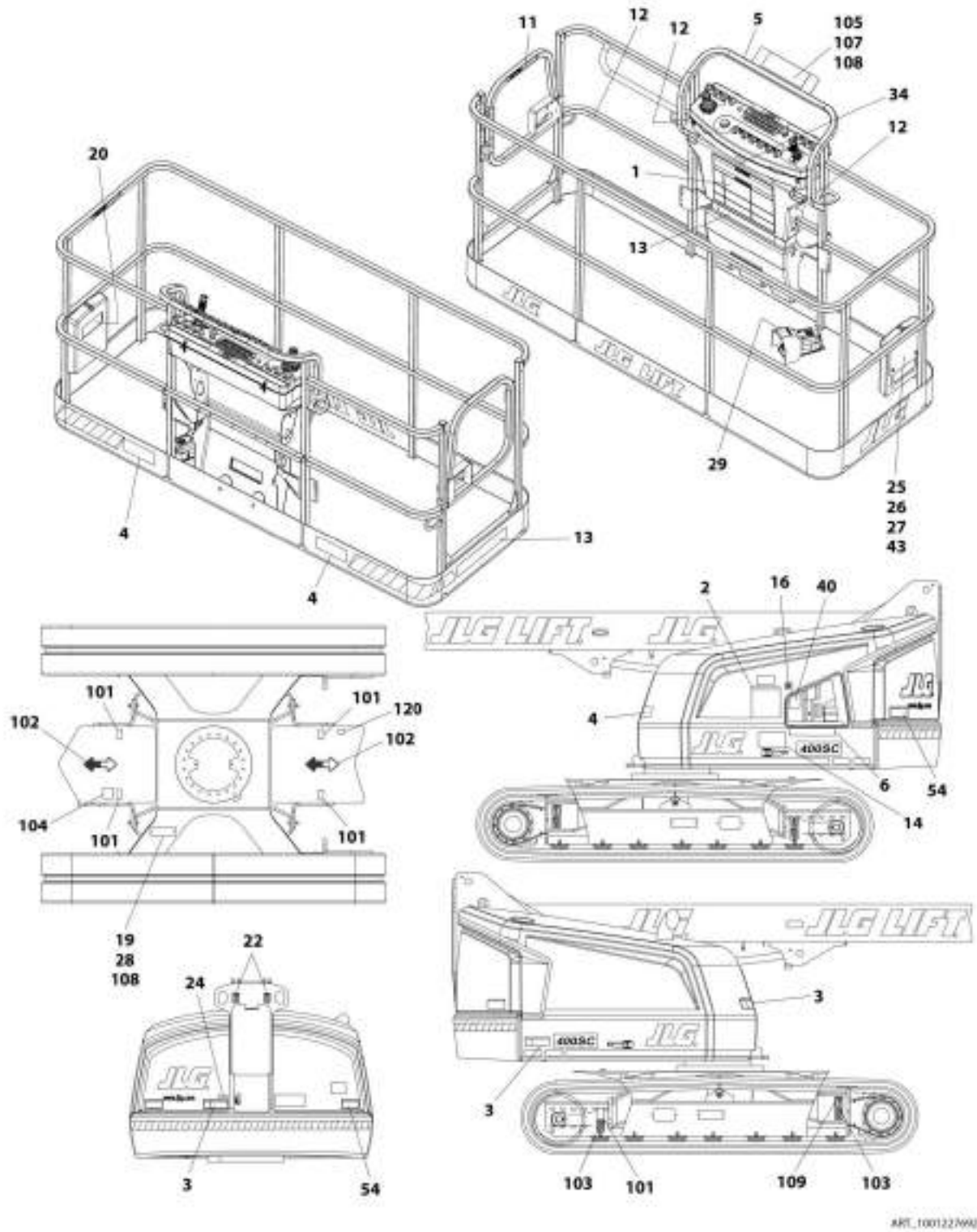
## SECTION 9 - DECALS

**FIGURE 9-7. DECAL INSTALLATION - CSA SPEC - 400SC (SN 0300234013 to Present)**

ITEM	PART NUMBER	QTY	DESCRIPTION	REV
	1001227691	Ref	DECAL INSTALLATION - REFERENCE CHART	A
	1001171545	Ref	DECAL INSTALLATION - REFERENCE CHART (TURNTABLE)	M
	1001227696	Ref	DECAL INSTALLATION - TURNTABLE	A
1	1703924	1	Decal - Danger/Warning (Platform)	
2	1703930	1	Decal - Danger/Warning (MTB)	
3	1703936	3	Decal - Electrocutation	
4	1703948	3	Decal - Warning Crushing	
5	1001225647	1	Decal - Legend (Platform)	
6	1001174313	1	Decal - Legend (MTB)	
11	1704000	2	Decal - No Hands	
12	1704277	3	Decal - Attach Lanyard Here	
13	1001171351	2	Decal - Capacity (Platform)	
14	1001171352	2	Decal - Capacity (Ground Control)	
16	1701504	1	Decal - Hydraulic Oil	
19	1706948	1	Decal - Nameplate Manufacturers	
20	1701509	1	Decal - Manual	
22	1701500	2	Decal - Lift	
24	3251243	1	Nameplate - 120V-60Hz	
25	0860520	1	Box, Manual Storage	
26	4751400	4	Washer 1/4	
27	3311405	4	Nut 1/4	
28	3820001	2	Rivet	
29	1703984	1	Decal - Footswitch	
34	1705514	1	Decal - CSA	
40	1704412	1	Decal - Hydraulic Oil Chart	
43	0641406	4	Bolt 1/4 x 3/4	
54	1703942	2	Decal - Warning Crushing	
	1001190872	Ref	DECAL INSTALLATION - REFERENCE CHART (FRAME)	H
	1001227695	Ref	DECAL INSTALLATION - FRAME	B
101	1701499	6	Decal - No Lift	
102	1701529	2	Decal - Arrow	
103	1702300	4	Decal - Tie Down	
104	See Note	NSS	Decal - Bar Code (Note: Not Available for Purchase)	
105	1001093684	1	Decal - Machine Motion Hazard	
107	1001093553	1	Plate, Decal Mounting	
108	3820001	5	Rivet	
109	1701500	2	Decal - Lift	
120	1001223453	1	Decal - ICES (SN 0300239154 to Present)	

# SECTION 9 - DECALS

FIGURE 9-8. DECAL INSTALLATION - CSA SPEC - 460SJC (SN 0300234013 to Present)



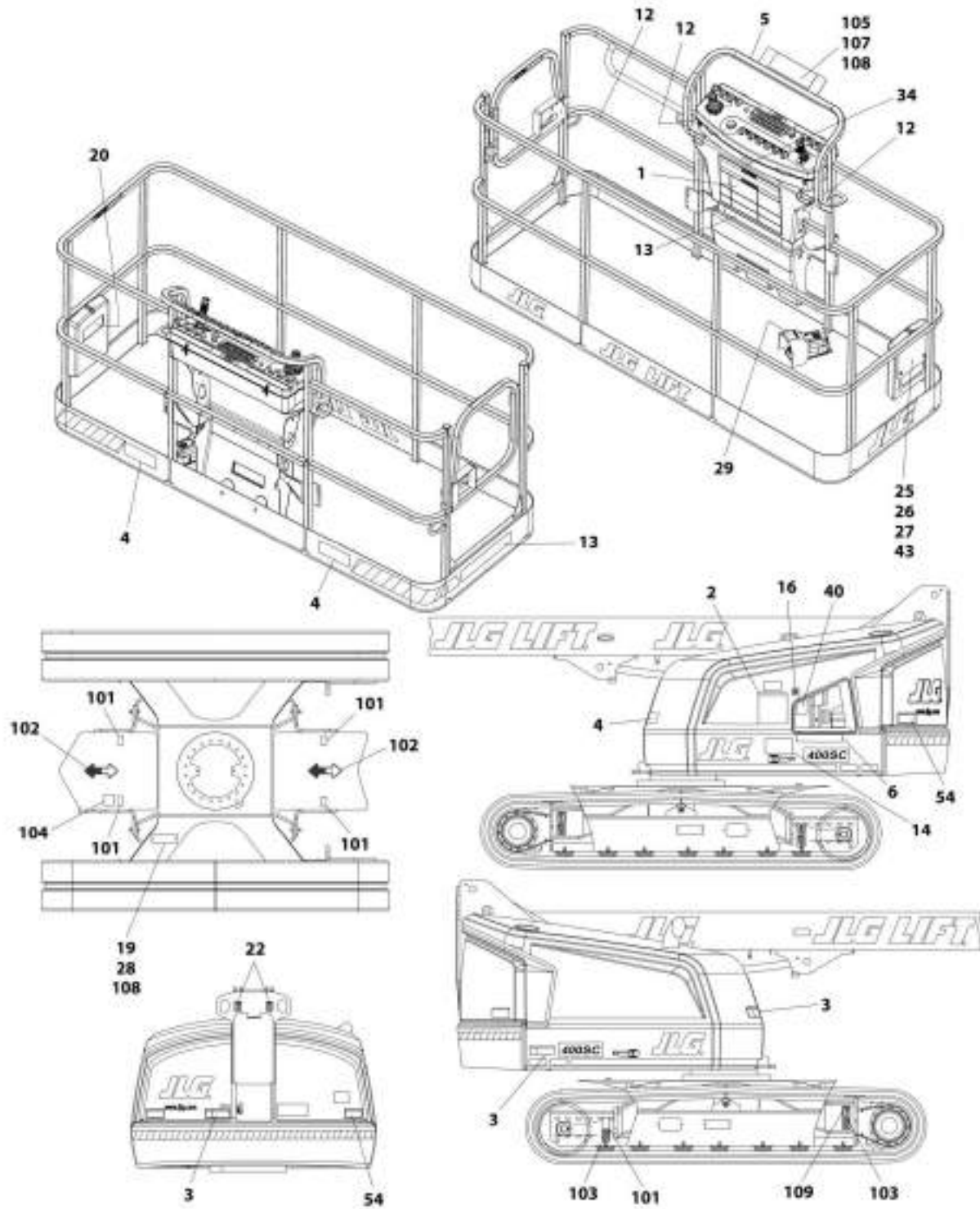
## SECTION 9 - DECALS

**FIGURE 9-8. DECAL INSTALLATION - CSA SPEC - 460SJC (SN 0300234013 to Present)**

ITEM	PART NUMBER	QTY	DESCRIPTION	REV
	1001227692	Ref	DECAL INSTALLATION - REFERENCE CHART	A
	1001171545	Ref	DECAL INSTALLATION - REFERENCE CHART (TURNTABLE)	M
	1001227697	Ref	DECAL INSTALLATION - TURNTABLE	A
1	1703924	1	Decal - Danger/Warning (Platform)	
2	1703930	1	Decal - Danger/Warning (MTB)	
3	1703936	3	Decal - Electrocutation	
4	1703948	3	Decal - Warning Crushing	
5	1001225647	1	Decal - Legend (Platform)	
6	1001174313	1	Decal - Legend (MTB)	
11	1704000	2	Decal - No Hands	
12	1704277	3	Decal - Attach Lanyard Here	
13	1001171353	2	Decal - Capacity (Platform)	
14	1001171353	1	Decal - Capacity (Ground Control)	
16	1701504	1	Decal - Hydraulic Oil	
19	1706948	1	Decal - Nameplate Manufacturers	
20	1701509	1	Decal - Manual	
22	1701500	2	Decal - Lift	
24	3251243	1	Nameplate - 120V-60Hz	
25	0860520	1	Box, Manual Storage	
26	4751400	4	Washer 1/4	
27	3311405	4	Nut 1/4	
28	3820001	2	Rivet	
29	1703984	1	Decal - Nameplate Manufacturers	
34	1705514	1	Decal - CSA	
40	1704412	1	Decal - Hydraulic Oil Chart	
43	0641406	4	Bolt 1/4 x 3/4	
54	1703942	2	Decal - Warning Crushing	
	1001190872	Ref	DECAL INSTALLATION - REFERENCE CHART (FRAME)	H
	1001227695	Ref	DECAL INSTALLATION - FRAME	B
101	1701499	6	Decal - No Lift	
102	1701529	2	Decal - Arrow	
103	1702300	4	Decal - Tie Down	
104	See Note	NSS	Decal - Bar Code (Note: Not Available for Purchase)	
105	1001093684	1	Decal - Machine Motion Hazard	
107	1001093553	1	Plate, Decal Mounting	
108	3820001	5	Rivet	
109	1701500	2	Decal - Lift	
120	1001223453	1	Decal - ICES (SN 0300239154 to Present)	

# SECTION 9 - DECALS

FIGURE 9-9. DECAL INSTALLATION - ANSI EXPORT SPEC - 400SC (SN 0300234013 to Present)



ART\_1001227695

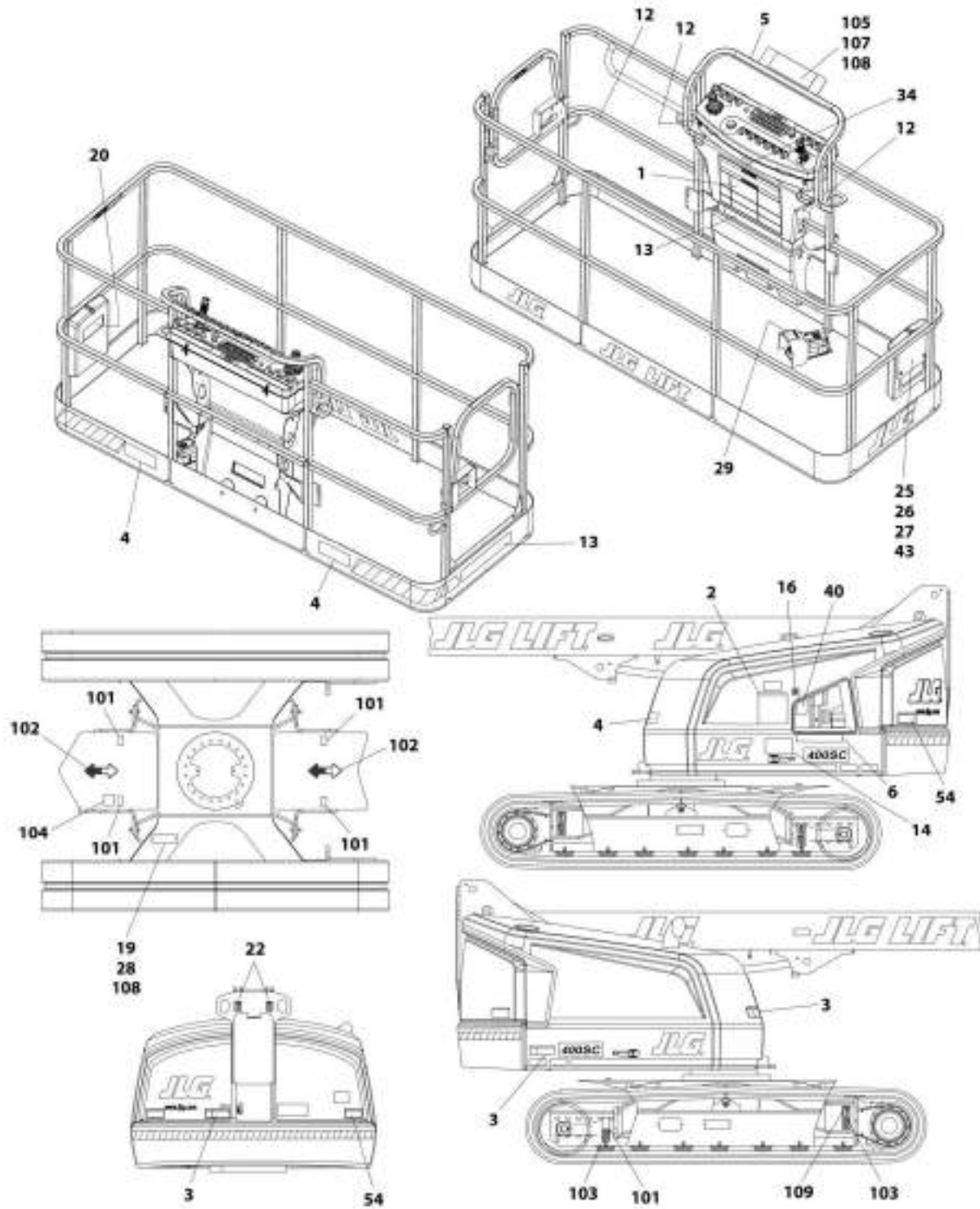
## SECTION 9 - DECALS

**FIGURE 9-9. DECAL INSTALLATION - ANSI EXPORT SPEC - 400SC (SN 0300234013 to Present)**

ITEM	PART NUMBER	QTY	DESCRIPTION	REV
	1001227693	Ref	DECAL INSTALLATION - REFERENCE CHART	A
	1001171545	Ref	DECAL INSTALLATION - REFERENCE CHART (TURNTABLE)	M
	1001227699	Ref	DECAL INSTALLATION - TURNTABLE	A
1	1703927	1	Decal - Danger/Warning (Platform)	
2	1703933	1	Decal - Danger/Warning (MTB)	
3	1703939	3	Decal - Danger/Electrocution	
4	1703951	3	Decal - Warning Crushing	
5	1001225647	1	Decal - Legend (Platform)	
6	1001174313	1	Decal - Legend (MTB)	
12	1704277	3	Decal - Attach Lanyard Here	
13	1001171345	2	Decal - Capacity (Platform)	
14	1001171346	1	Decal - Capacity (Ground Control)	
16	1701504	1	Decal - Hydraulic Oil	
19	1706948	1	Decal - Nameplate Manufacturers	
20	1701509	1	Decal - Manual	
22	1701500	2	Decal - Lift	
25	0860520	1	Box, Manual Storage	
26	4751400	4	Washer 1/4	
27	3311405	4	Nut 1/4	
28	3820001	2	Rivet	
29	1703981	1	Decal - Footswitch	
34	1705514	1	CSA Spec Decals (English/French)	
40	1704412	1	Decal - Hydraulic Oil Chart	
43	0641406	4	Bolt 1/4 x 3/4	
54	1703945	2	Korean Spec Decals (Korean/English)	
	1001190872	Ref	DECAL INSTALLATION - REFERENCE CHART (FRAME)	H
	1001227698	Ref	DECAL INSTALLATION - FRAME	A
101	1701499	6	Decal - No Lift	
102	1701529	2	Decal - Arrow	
103	1702300	4	Decal - Tie Down	
104	See Note	NSS	Decal - Bar Code (Note: Not Available for Purchase)	
105	1001215286	1	Decal - Machine Motion Hazard	
107	1001093553	1	Plate, Decal Mounting	
108	3820001	5	Rivet	
109	1701500	2	Decal - Lift	

# SECTION 9 - DECALS

FIGURE 9-10. DECAL INSTALLATION - ANSI EXPORT SPEC - 460SJC (SN 0300234013 to Present)



ART 1001227694

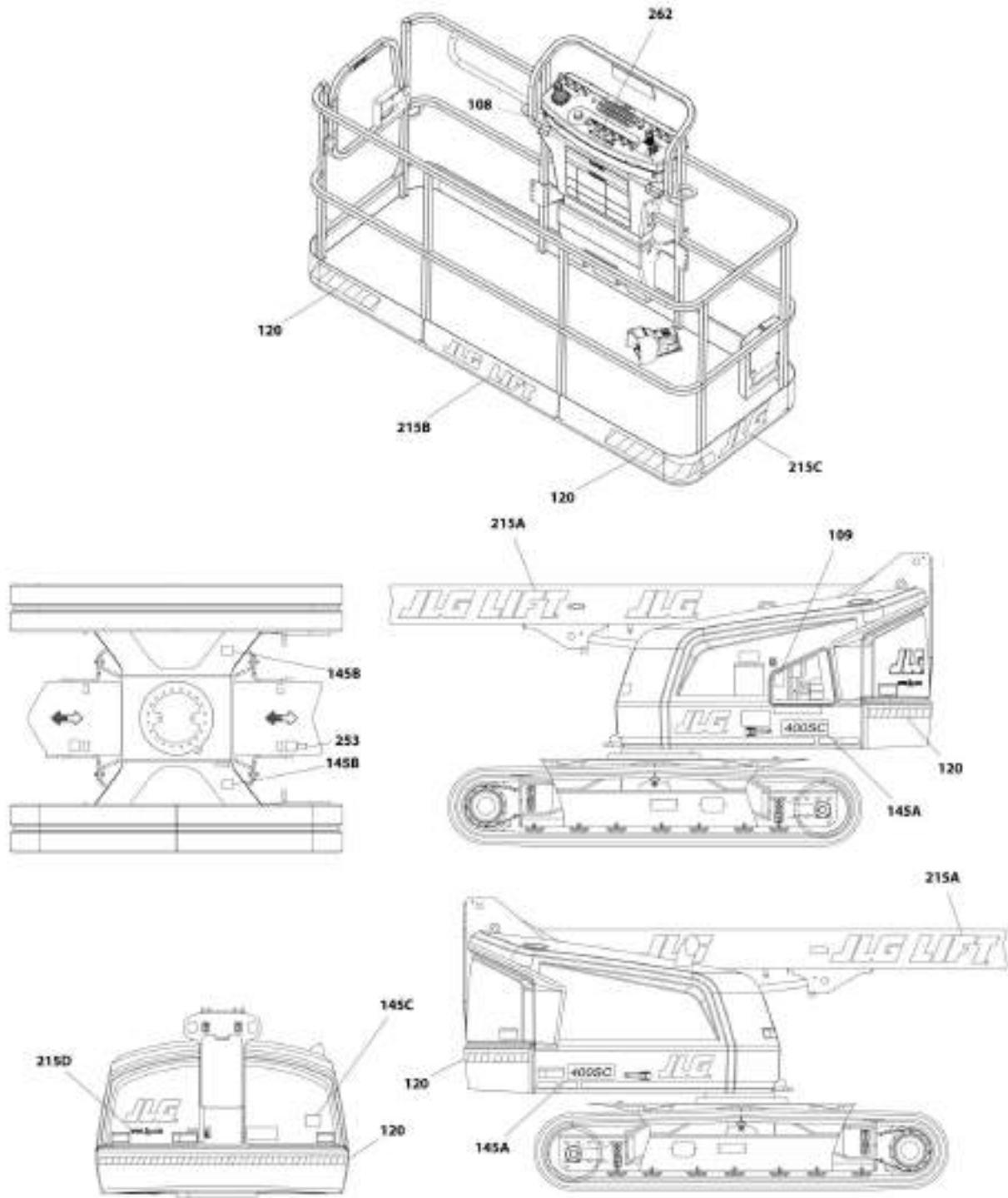
## SECTION 9 - DECALS

**FIGURE 9-10. DECAL INSTALLATION - ANSI EXPORT SPEC - 460SJC (SN 0300234013 to Present)**

ITEM	PART NUMBER	QTY	DESCRIPTION	REV
	1001227694	Ref	DECAL INSTALLATION - REFERENCE CHART	A
	1001171545	Ref	DECAL INSTALLATION - REFERENCE CHART (TURNTABLE)	M
	1001227700	Ref	DECAL INSTALLATION - TURNTABLE	A
1	1703927	1	Decal - Danger/Warning (Platform)	
2	1703933	1	Decal - Danger/Warning (MTB)	
3	1703939	3	Decal - Danger/Electrocution	
4	1703951	3	Decal - Warning Crushing	
5	1001225647	1	Decal - Legend (Platform)	
6	1001174313	1	Decal - Legend (MTB)	
12	1704277	3	Decal - Attach Lanyard Here	
13	1001171347	2	Decal - Capacity (Platform)	
14	1001171347	1	Decal - Capacity (Ground Control)	
16	1701504	1	Decal - Hydraulic Oil	
19	1706948	1	Decal - Nameplate Manufacturers	
20	1701509	1	Decal - Manual	
22	1701500	2	Decal - Lift	
25	0860520	1	Box, Manual Storage	
26	4751400	4	Washer 1/4	
27	3311405	4	Nut 1/4	
28	3820001	2	Rivet	
29	1703981	1	Decal - Footswitch	
34	1705514	1	CSA Spec Decals (English/French)	
40	1704412	1	Decal - Hydraulic Oil Chart	
43	0641406	4	Bolt 1/4 x 3/4	
54	1703945	2	Korean Spec Decals (Korean/English)	
	1001190872	Ref	DECAL INSTALLATION - REFERENCE CHART (FRAME)	H
	1001227698	Ref	DECAL INSTALLATION - FRAME	A
101	1701499	6	Decal - No Lift	
102	1701529	2	Decal - Arrow	
103	1702300	4	Decal - Tie Down	
104	See Note	NSS	Decal - Bar Code (Note: Not Available for Purchase)	
105	1001215286	1	Decal - Machine Motion Hazard	
107	1001093553	1	Plate, Decal Mounting	
108	3820001	5	Rivet	
109	1701500	2	Decal - Lift	

# SECTION 9 - DECALS

## FIGURE 9-11. DECAL INSTALLATION - OPTIONS



ART\_DECAL\_OPTIONS



## SECTION 9 - DECALS

### FIGURE 9-11. DECAL INSTALLATION - OPTIONS

ITEM	PART NUMBER	QTY	DESCRIPTION	REV
	1001171545	Ref	DECAL INSTALLATION - REFERENCE CHART (TURNTABLE) (CE Specs Only) <b>(Prior to SN 0300221466)</b>	G
	1001217488	Ref	DECAL INSTALLATION - REFERENCE CHART (TURNTABLE) (CE Specs Only) <b>(SN 0300221466 to Present)</b>	A
	1001171545	Ref	DECAL INSTALLATION - REFERENCE CHART (TURNTABLE)	M
	1001190872	Ref	DECAL INSTALLATION - REFERENCE CHART (FRAME)	H
	1001192020	1	DECAL INSTALLATION - OPTIONS	
108	1001231801	1	Decal - Proposition 65 (Diesel Machines) <b>(SN 0300246703 to Present)</b>	
108	1001236338	1	Decal - Proposition 65 (Gas Machines) <b>(SN 0300246703 to Present)</b>	
109	1702788	1	Decal - Biodegradable Hydraulic Fluid	
109	1703479	1	Decal - Biodegradable Hydraulic Fluid	
109	1704174	1	Decal - SYN Biodegradable Hydraulic Fluid	
109	1704175	1	Decal - SYN Biodegradable Hydraulic Fluid (German Spec)	
120	1001178415	Ref	Warning Strip Installation (CE Specs)	A
120	4420051	14.5 ft /4.42m	Tape, Safety	
145	1001190871	Ref	Decal - Model Designation - 400SC (Not Shown)	B
145	1001217211	Ref	Decal - Model Designation - 460SJC (Not Shown)	A
145A	1001190874	2	Decal - 400SC	
145A	1001217208	2	Decal - 460SJC	
145B	1001201127	2	Decal - Max Track Load - 400SC	
145B	1001217210	2	Decal - Max Track Load - 460SJC	
145C	1001190876	1	Decal - Lift Diagram - 400SC	
145C	1001217209	1	Decal - Lift Diagram - 460SJC	
205	See Note	1	Nameplate - Serial Number (Not Shown) (Note: Not Available for Purchase)	
215	1001178433	Ref	Decal Installation - JLG Logo (Not Shown) <b>(Prior to SN 0300223710)</b>	A
215A	1702861	2	Decal - JLG Lift	
215B	1702774	1	Decal - JLG Lift	
215C	1702773	1	Decal - JLG	
215D	1704885	1	Decal - Website	
226	1706098	1	Decal - Warning Explosion/Fire (CE Specs) (Not Shown)	
226	1706062	1	Decal - Warning Explosion/Fire (ANSI Export Specs) (Not Shown) <b>(SN 0300224020 to Present)</b>	
253	1001143852	1	Decal - Emission Compliance	
262	1001141300	1	Decal - SkyGuard Override	
262	1001141302	1	Decal - SkyGuard/Soft Touch Override	



## **SECTION 10 - RECOMMENDED SERVICE PARTS STOCK**

## **SECTION 10 - RECOMMENDED SERVICE PARTS STOCK**

## SECTION 10 - RECOMMENDED SERVICE PARTS STOCK

FIGURE 10-1. RECOMMENDED SERVICE PARTS STOCK

ITEM	PART NUMBER	QTY	DESCRIPTION	REV
		Ref	Note: The following list will service one machine (built to current production per date on the front cover) with emergency repair parts which can be installed in the field. Parts from the list should be replaced when inventory is depleted to keep service parts stock supplied. For further information, contact your JLG dealer or the JLG Industries Parts Department.	
		Ref	STANDARD PARTS	
	70002386	1	Coil	
	70003788	1	Coil	
	70005219	1	Coil	
	70001977	1	Coil	
	1600359	1	Controller Assembly (Drive and Steer)	
	1001166539	1	Controller Assembly (Lift and Swing)	
	70010383	1	Element, Filter Charge Pump (Includes O-Ring)	
	70002838	1	Fill Cap Assembly (Includes Cap, Chain and Fill Basket)	
	70003614	1	Filter Kit (Includes Hydraulic Element, Breather Element and Gasket)	
	3740067	1	Relay	
	3740140	1	Relay	
	2860030	1	Key, Replacement	
	4360328	1	Switch, Toggle	
	4360387	1	Switch, Push Button	
	4360475	1	Switch, Emergency Stop	
	4360476	1	Switch, Contact Block	
	4360407	1	Switch, Potentiometer	
	1001155045	1	Switch, Toggle	
	1001159256	1	Switch, Toggle	
	1001161709	1	Switch, Toggle	
	1001161710	1	Switch, Toggle	
		Ref	VARIABLE PARTS	
	1001181045	1	Breaker, 30mA/16Amp	
	70003783	12	Element, Air Cleaner (Deutz 2.3L3 Engines)	
	7016331	12	Filter, Oil (Deutz Engines)	
	7020023	12	Filter, Fuel (Deutz 2.3L3 Engines)	
	70003463	12	Filter, Fuel - RME Resistant (Deutz 2.3L3 Engines)	
	2940074	1	Latch (Machines with Gate)	
	1001170094	1	Module, Ground Control	
	1001157196	1	Module, Platform Control	
	1001186431	1	Relay, Micro 35Amp (Machines with SkyGuard)	
	4360057	1	Switch, Limit (Soft Touch Option)	
	4360387	1	Switch, Toggle (Soft Touch Option)	
	1001137673	1	Switch, SkyGuard Assembly	

**SECTION 11 - SPECIAL OPTIONS**

# SECTION 11 - SPECIAL OPTIONS

## FIGURE 11-1. SPECIAL OPTIONS

ITEM	PART NUMBER	QTY	DESCRIPTION	REV
		Ref	Note: This list is to accommodate machines ordered with special equipment. Options may not be applicable to all models. For more specific parts information contact JLG Parts Department.	
		Ref	MISCELLANEOUS SPECIAL OPTIONS	
	1001173606	Ref	Airline Installation - 400SC ( <b>Prior to SN 0300223710</b> )	
	1001174347	Ref	Airline Installation - 400SC ( <b>SN 0300223710 to Present</b> )	
	1001174348	Ref	Airline Installation - 460SJC	
	1001204996	Ref	Arctic Package with SkyPower Installation Kit	
	1001204997	Ref	Arctic Package without SkyPower Installation Kit	
	1001209618	Ref	Alarm White Noise Installation	
	1001171499	Ref	Boom and Chassis Bellows Installation (400SC only) ( <b>Prior to SN 0300246703</b> )	
	1001236541	Ref	Boom and Chassis Bellows Installation (400SC Only) ( <b>SN 0300246703 to Present</b> )	
	1001171500	Ref	Boom and Chassis Bellows Installation (460SJC Only) ( <b>Prior to SN 0300246703</b> )	
	1001236540	Ref	Boom and Chassis Bellows Installation (460SJC Only) ( <b>SN 0300246703 to Present</b> )	
	1001234099	Ref	Boom Kit - Telematics (CE Specs)	
	1001206437	Ref	Boom Wear Pad Kit	
	1001172630	Ref	Boom Wiper Installation	
	1001173600	Ref	Cables and Clamps Installation - SkyPower (400SC Only)	
	1001173605	Ref	Cables and Clamps Installation - SkyPower (460SJC Only)	
	1001183206	Ref	Cold Weather Package (Deutz T4F Engine) (ANSI, ANSI Export and CSA Specs) ( <b>SN 0300224020 to Present</b> )	
	1001183207	Ref	Cold Weather Package (Deutz T4i Engine) (ANSI Export Spec)	
	1001227453	Ref	ClearSky Installation Canbus (ANSI and CSA Specs)	
	1001228955	Ref	ClearSky Installation Canbus (ANSI Export and CE Specs) ( <b>SN 0300237337 to Present</b> )	
	1001229107	Ref	ClearSky Installation 3-Wire (ANSI and CSA Specs)	
	1001233237	Ref	ClearSky Installation 3-Wire (ANSI Export and CE Specs) ( <b>SN 0300237337 to Present</b> )	
	1001178435	Ref	Decal - ClearSky	
	1704000	Ref	Decal - No Hands (English and French Dual Language) (Used with Mesh to Top Rail Platform)	
	1001199862	Ref	Decal - Sunbelt Rentals Installation	
	1001178419	Ref	Decal - United Rentals Installation	
	1001231177	Ref	Decal - Herc Rentals Installation	
	1001178420	Ref	Decal - Hertz Rentals Installation	
	1001231178	Ref	Decal - Hertz Rentals Installation (Canada)	
	1001178421	Ref	Decal - National Equipment Services (NES)	
	1001178424	Ref	Decal - Head and Engquist Equipment L.L.C (H&E)	
	1001178426	Ref	Decal - Leavitt Installation	
	1001178428	Ref	Decal - Hewitt The Rental Store Installation (English Spec)	
	1001178429	Ref	Decal - Hewitt The Rental Store Installation (French Spec)	
	1001178430	Ref	Decal - Titan Rentals Installation	
	1001196717	Ref	Decal - Blueline Rentals Installation	
	1001196610	Ref	Decal - Ahern Rentals Installation	
	1001178431	Ref	Decal - Boels Rentals Installation	
	1001218717	Ref	Decal - Riwal Installation	
	0272589	Ref	Decal - SkyPower (50Hz)	

## SECTION 11 - SPECIAL OPTIONS

ITEM	PART NUMBER	QTY	DESCRIPTION	REV
	1001148902	Ref	Electrical Connector Kit - Amp/Tyco Electrical Connectors	
	1001148903	Ref	Electrical Connector Kit - Deutsch DT Electrical Connectors	
	1001148904	Ref	Electrical Connector Kit - Deutsch HD Electrical Connectors	
	1001148905	Ref	Electrical Connector Kit - Packard Electrical Connectors	
	1001148906	Ref	Electrical Connector Kit - Various Electrical Connectors	
	1001172751	Ref	Fan Cover Installation - Deutz D2.9L4 Engines (ANSI Export Specs) <b>(SN 0300224020 to Present)</b>	
	1001204482	Ref	Filter Kit - Combined (Hydraulic Oil/Air & Engine Air/Fuel Oil) (Deutz)	
	1001117294	Ref	Footswitch Shield Installation	
	1001173984	Ref	Generator Installation - 4000W/50Hz	
	1001219794	Ref	Hose / Cable Protection	
	1001202941	Ref	Hose Kit - Boom <b>(Prior to SN 0300248163)</b>	
	1001202942	Ref	Hose Kit - Boom <b>(SN 0300248163 to Present)</b>	
	1001202940	Ref	Hose Kit - Boom (Upper)	
	1001210251	Ref	Hose Kit - Chassis	
	1001206439	Ref	Hose Kit - Power Track (Upper)	
	1001210254	Ref	Hose Kit - SC Engine	
	1001210253	Ref	Hose Kit - SC Swivel	
	1001210252	Ref	Hose Kit - SC Tank	
	1001202946	Ref	Hose Kit - Turntable	
	2300014	Ref	Hydraulic Fluid - Mobil #424	
	2300016	Ref	Hydraulic Fluid - Mobil DTE 13	
	2300021	Ref	Hydraulic Fluid - Union Carbide Ucon Hydrolube HP-5046D (Fire Resistant)	
	2300027	Ref	Hydraulic Fluid - Mobil EAL 224H Bio	
	2300029	Ref	Hydraulic Fluid - Mobil EAL Envirosyn H46 Bio	
	1001174925	Ref	Lights Installation - Headlights and Taillights	
	1001174926	Ref	Light Installation - Illumination	
	1001120466	Ref	Lights Installation - Platform Worklights	
	1001202749	Ref	Lockable Fuel Cap Cover - Black <b>(SN 0300234013 to Present)</b>	
	1001191395	Ref	Lockable Fuel Cap Cover - Green (ANSI, ANSI Export and CSA Specs) <b>(SN 0300234013 to Present)</b>	
	1001183407	Ref	Low Temperature Cutout Installation (Russian Specs)	
	0257728	Ref	Pipe Racks Installation	
	1001110974	Ref	Platform Cover Installation - Steel	
	1001195304	Ref	Platform Cover Installation - Steel	
	1580013	Ref	Platform Corner Storage Tray	
	0272733	Ref	Platform Rail Extension Installation - 36in x 72in Platforms	
	0272725	Ref	Platform Rail Extension Installation - 36in x 96in Platforms	
	1001194203	Ref	Receptacle Box Installation - 110V IEC Yellow (CE Spec)	
	1001194200	Ref	Receptacle Box Installation - 220V AFSINT 107 (CE Spec)	
	1001194197	Ref	Receptacle Box Installation - 220V CEE7 Post Ground (CE Spec)	
	1001194198	Ref	Receptacle Box Installation - 220V CEE7 Side Ground (CE Spec)	
	1001194204	Ref	Receptacle Box Installation - 220V IEC Blue (CE Spec)	
	1001194365	Ref	Receptacle Box with Cover Installation - 220V (ANSI Export Specs) <b>(SN 0300224020 to Present)</b>	
	1001171131	Ref	Receptacle with 240V GFI Installation - 4000W Generator	
	1001159121	Ref	Receptacle with 240V GFI Installation - 7500W Generator	
	1001213812	Ref	Rubber Carrier Track Installation Kit	
	1001213811	Ref	Rubber Excavator Track Installation Kit	
	1001205673	Ref	Steel Track Installation	

## SECTION 11 - SPECIAL OPTIONS

ITEM	PART NUMBER	QTY	DESCRIPTION	REV
	1001231235	Ref	Sky Welder Locking Bracket	
	1001200271	Ref	Telematics Installations (Customer Supplied)	
	1001210089	Ref	Telematics - Cat	
	1001228363	Ref	Telematics - Herc	
	1001209282	Ref	Telematics - Loxam	
	1001210090	Ref	Telematics - Riwal	
	1001195610	Ref	Telematics - United Rentals (M6)	
	1001210090	Ref	Telematics - United Rentals (M8)	
	1001228587	Ref	Telematics Installation - Canbus (Customer Supplied)	
	2901443	Ref	Tools - Analyzer Kit	
	1001137005	Ref	Tools - Cable Kit, Software	
	7002821	Ref	Tools - Crimper, Wire	
	7002823	Ref	Tools - Pin Extractor - Universal (For Electrical Connectors with Pins and Sockets)	
	4460510	Ref	Tools - Pin Extractor - 12-14 Gauge (For Removal of Pin/Sockets from Deutsch Connectors)	
	4460467	Ref	Tools - Pin Extractor - 16-18 Gauge (For Removal of Pin/Sockets from Deutsch Connectors)	
	7016654	Ref	Tools - Screwdriver, Magnetic	
	7002822	Ref	Tools - Screwdriver, Potentiometer	
	7004275	Ref	Tools - Seal Tool 1in (For Cylinders)	
	7004276	Ref	Tools - Seal Tool 1-1/2in (For Cylinders)	
	7002828	Ref	Tools - Stripper, Wire	
	1001204397	Ref	Turntable Spacer Installation Kit	
	1001209059	Ref	Work Surface Installation <b>(SN 0300234013 to Present)</b>	



**PART NUMBER INDEX**

# PART NUMBER INDEX

0080231.....134, 164, 194	04600004.....185	0700821 ... 143, 169, 225, 227	164, 169, 176, 189, 194, 233, 273
0100009.....331, 335	04603585.....185	0701017 ..... 143, 169	0761016...65, 79, 81, 150, 176, 285
0100011....41, 43, 69, 71, 73, 75, 79, 81, 108, 111, 113, 116, 119, 121, 129, 131, 134, 143, 147, 150, 157, 161, 164, 169, 173, 176, 189, 191, 194, 223, 225, 227, 229, 233, 237, 241, 245, 249, 253, 257, 261, 269, 271, 273, 281, 283, 285, 287, 289, 291, 305, 307, 311, 319, 321, 323, 325, 327, 353, 355, 363, 365, 367, 383, 391	0480122 ..... 261	0701018 ..... 73	0761018.....293, 297, 301
0100019...55, 61, 63, 229, 233, 237, 241, 245, 249, 253, 257	0480126 .... 237, 241, 249	0701020 ..... 73, 273	0761019.....269, 271
0100020....129, 134, 143, 150, 157, 164, 169, 176, 189, 194, 343, 415, 417, 419, 421, 423, 425, 427	0480128 ..... 229, 257	0701219 ..... 223	0761210.....150, 176
0100035.....73, 375, 377, 379	0561237 ..... 303	0701222 ..... 271	0761212....150, 176, 245, 253
0100038.....383, 391	0630462 ..... 353	0701223 ..... 223	0761214....229, 233, 237, 241, 249, 257
0100048.....97, 229, 233, 237, 241, 245, 249, 253, 257, 261, 289	0630518 .... 363, 365, 367	0701224 ..... 69	0761215.....71
0100071 .....357	0630534 ..... 383, 387	0701225 ..... 69, 71	0761216.....287, 291
0100079....229, 237, 241, 245, 249, 253, 257	0630535 ..... 391	0701618 ..... 55	0761217.....269, 271
0100081 .... 134, 150, 164, 176, 194, 293, 295, 297, 299, 301, 303, 331, 335, 359	0630563 ... 293, 295, 297, 299, 301, 303	0701619 ..... 265, 267	0761218.....265, 267
0140011 .....331, 335	0630568 ..... 331, 336	0711214 ..... 150, 176	0761227.....69
0140043.....85	0630613 ..... 108, 116	0711224 ... 134, 150, 164, 176, 194, 229, 233, 237, 241, 245, 249, 253, 257, 261	0761620.....55
0200048.....353	0641405 .... 289, 331, 335	0731005 ..... 73, 353	0771212.....144, 170
0257728.....527	0641406... 329, 351, 501, 503, 505, 507, 509, 511, 513, 515, 517, 519	0741606 ..... 150, 176	0771414....134, 150, 164, 176, 194, 229, 233, 237, 241, 245, 249, 253, 257, 261
0270022.....429	0641407 ..... 289	0741607 ... 229, 237, 241, 245, 253	0772018.....55
0272070.....287	0641408 ..... 329	0760408 ..... 97	0840055.....473
0272254.....365	0641409 .... 375, 377, 379	0760415 ..... 285	0860038....229, 245, 253, 257, 429
0272427 .....353	0641410 ... 111, 113, 119, 121	0760606 ... 229, 237, 241, 245, 249, 253, 257	0860520....501, 503, 505, 507, 509, 511, 513, 515, 517, 519
0272435 .....255	0641414 ... 331, 335, 353, 355, 357	0760607 .... 135, 152, 178	0861538.....253, 257
0272448 .....365	0641416 ... 289, 415, 417, 419, 421, 423, 425, 427, 449	0760608 ... 116, 119, 121, 233, 261	0861572.....249
0272521 .....363	0641418 ... 301, 311, 321, 323, 325, 327	0760610 ... 75, 79, 81, 85, 111, 113, 129, 134, 143, 150, 157, 164, 169, 176, 189, 194, 219, 221, 229, 237, 241, 245, 249, 253, 257, 431	0861731....485, 487, 489
0272588 .....363	0641420 ..... 319	0760612 ..... 85	0861781.....477, 479
0272589 .....251, 526	0641504 ... 129, 143, 157, 169, 189, 297, 301	0760613 ..... 143, 169	0861880....451, 453, 455
0272725 .....527	0641507 ..... 233, 261	0760614 ... 111, 113, 119, 121, 135, 165, 195, 237, 241, 445, 447	0902751.....331, 335
0272733 .....527	0641605 ... 293, 295, 299, 303	0760615 ..... 101, 105	0902888....229, 245, 249, 253, 257
0273380 .....259	0641606 41, 43, 363, 365, 367	0760619 ..... 400, 408	0902919.....289
0275216 .....415, 477	0641608 ..... 273	0760808 ..... 150, 176	0902920.....289
0275217 .....417, 479	0641610 ..... 329	0760810 ... 108, 116, 152, 178	0903484.....449
0275219 .....421, 483	0641611 ..... 391	0760812 ... 150, 176, 219, 221, 225, 230, 233, 238, 241, 246, 250, 254, 258, 261	0940049.79, 81, 108, 116
0275452 .....423, 485	0641616 ... 229, 237, 241, 245, 249, 253, 257	0760814 ... 134, 150, 164, 176, 194, 227	0940071.....108
0275453 .....425, 487	0641772 ..... 233, 261	0760815 ... 134, 152, 164, 178, 194	0940102.....359
0275454 .....427, 489	0641812 ... 131, 147, 161, 173, 191, 287	0760816 ..... 108, 116	0940103.....353
0400075 .....75	0641822 ..... 289	0761009 ..... 261, 281	0961845....311, 319, 321, 323, 325, 327
0440162....129, 143, 157, 169, 189	0641830 ..... 71	0761010 ..... 41, 43	0961893.....383, 387
0440240.....61, 63	0642012 ..... 359	0761012 .... 75, 108, 111, 113, 116, 269, 273, 281	0961896.....391
	0642024 ..... 289	0761014 79, 81, 108, 116, 119, 121, 123, 150, 176, 233, 261, 291, 293, 295, 297, 299, 301, 303	0961897.....375, 377, 379
	0642212 ..... 359	0761015 .41, 43, 73, 129, 134, 143, 150, 157,	0961947.....273
	0642612 ..... 99, 103		0961950....269, 271, 375, 377, 379, 381
	0642684 .... 287, 289, 291		0961951....134, 150, 164, 176, 194, 269
	0681608 .... 287, 289, 291		0962051.....223
	0682026 ..... 61, 63		0962335.....273
	0682028 ..... 63		0962336....383, 385, 387
	0682034 ..... 61		0962348.....271
	0700408 ... 415, 417, 419, 421, 423, 425, 427		0962450.....289
	0700612 ..... 79, 81		0962520....229, 237, 241, 245, 249, 253, 257
	0700614 .... 129, 157, 189		100109110297, 431, 445, 447, 449
	0700620 ..... 85, 303		1001091969.....415
	0700817 ... 129, 143, 157, 169, 189		
	0700818 ... 129, 157, 189, 229, 245, 249, 253, 257		

## PART NUMBER INDEX

1001091970..... 417	1001117057..... 471	1001138248..... 134, 151, 165, 177, 195	1001149570 99, 103, 433
1001091971..... 419	1001117064..... 493	1001138494..... 319, 321, 323, 325, 327	1001150324..... 79, 81
1001091972..... 421	1001117106..... 461	1001138514..... 319, 321, 323, 327	1001150918..... 144, 158
1001091973..... 423	1001117140..... 116	1001138565..... 237, 241	1001150998..... 135, 165, 195
1001091974..... 425	1001117172..... 343	1001138566..... 230, 238, 242, 246	1001151393... 89, 91, 93, 95
1001091975..... 427	1001117174..... 331, 335, 343	1001138795..... 387	1001152456..... 230, 246
1001093382..... 75	1001117294..... 527	1001138827..... 151, 177	1001152457..... 230, 246
1001093553..... 501, 503, 505, 507, 509, 511, 513, 515, 517, 519	1001117308..... 151, 177	1001139240..... 151, 177	1001152479..... 457
1001093684..... 513, 515	1001118378..... 493	1001139357..... 230, 238, 242	1001152482..... 457
1001095704..... 494	1001118878..... 151, 177	1001139384..... 111, 113, 119, 121	1001152483..... 457
1001096070..... 237, 241, 455	1001118971..... 285	1001139819..... 135, 164, 195	1001152485..... 431, 457
1001097150..... 451, 453, 455, 457	1001118972..... 73, 79, 81	1001140312..... 152	1001152489..... 151, 177
1001098122..... 343, 475	1001119020..... 435, 475, 493	1001140346..... 246	1001152525..... 230, 246, 250, 255, 259
1001098828..... 291	1001119032..... 493	1001140429..... 311, 319, 321, 323, 325, 327	1001152530..... 230, 246
1001098928..... 401, 408	1001119278..... 143, 157	1001140535..... 151, 177	1001152532..... 230, 238, 242, 246, 469
1001099366..... 359	1001120328..... 85, 355	1001140564..... 151, 177	1001153260..... 230, 246
1001099367..... 359	1001120371..... 289, 473	1001141300..... 521	1001154405..... 143, 169
1001099560..... 269, 271	1001120466..... 527	1001141302..... 521	1001154726..... 471
1001100341..... 477	1001125137..... 375, 377, 379	1001141304..... 151, 177	1001155041..... 233, 254
1001100342..... 479	1001125387..... 144, 170	1001141694..... 135, 151, 165, 177, 195	1001155043..... 87
1001100345..... 485	1001126351..... 461	1001141967..... 481, 483	1001155044 87, 331, 335, 345, 347
1001100346..... 489	1001126352..... 461	1001141968..... 481	1001155045 87, 331, 335, 524
1001100347..... 487	1001126356..... 461	1001141969..... 483	1001155823..... 144, 169
1001101191..... 415, 417, 419, 421, 423, 425, 427	1001126357..... 461	1001141970..... 483	1001156107..... 129, 157, 189
1001101196..... 415, 417, 419, 421, 423, 425, 427	1001126362..... 461	1001141971..... 481	1001157196..... 331, 335, 524
1001102987..... 41, 43	1001126365..... 461	1001141995..... 135, 151, 165, 177, 195	1001157520..... 250, 255, 259
1001103012..... 493	1001126384..... 461	1001142501..... 143, 170	1001157521..... 250, 255, 259
1001104029..... 229, 245, 250, 254, 258	1001126391..... 461	1001142643..... 246, 254	1001157525..... 250
1001104498..... 493	1001128527..... 367	1001142646..... 246, 254	1001157528..... 250, 255, 259
1001106736..... 85	1001128556..... 367	1001142683..... 101, 105	1001157592..... 254, 255, 258
1001106837..... 69	1001129285..... 494	1001142694..... 99, 103	1001158007..... 250, 255, 259
1001107854..... 493	1001129858..... 230	1001142736..... 101, 105, 435	1001158008..... 230, 246, 251, 255, 259
1001109864..... 449, 453	1001130220..... 283, 285	1001142938..... 462	1001158363..... 230, 246
1001110092..... 401, 409	1001132195..... 134, 164, 194	1001142940..... 462	1001159121..... 527
1001110434..... 331, 335	1001132196..... 134, 164, 194	1001143390..... 135, 151, 165, 177, 195	1001159162..... 85
1001110873..... 230, 245, 254, 258, 429	1001133714..... 462	1001143431..... 99	1001159256..... 331, 335, 524
1001110974..... 527	1001133715..... 462	1001143797..... 151, 177	1001159323..... 116, 501, 505
1001111424 75, 134, 151, 164, 177, 194	1001133956..... 461	1001143852..... 521	1001161709..... 331, 335, 524
1001112612..... 435, 494	1001133957..... 461	1001144116..... 151, 177	1001161710..... 345, 347, 524
1001112796..... 435	1001134488..... 151, 177	1001144433..... 332, 335	1001162335..... 144, 170
1001113047..... 117	1001134543..... 55	1001144629..... 313, 315, 317, 325	1001162531..... 41, 45
1001113483..... 289	1001135196..... 129, 143, 157, 169, 189	1001146220..... 87, 331, 335	1001162532..... 43, 49
1001113961..... 493	1001135651..... 462	1001147264..... 461	1001163383..... 269, 271, 391
1001116693..... 475	1001135679..... 233, 246, 254	1001148138..... 234	1001163384..... 265, 375
1001116710..... 465	1001136079..... 134, 177, 194	1001148641..... 230, 233, 238, 242, 246, 250, 254, 258, 262	1001163385..... 265, 267, 389
1001116720..... 491	1001136172..... 151	1001148902..... 527	1001163386..... 269, 271, 373
1001116727..... 461	1001136834..... 151, 177	1001148903..... 527	
1001116728..... 461, 494	1001136988..... 254	1001148904..... 527	
1001116732..... 471	1001137005..... 528	1001148905..... 527	
1001116734..... 471	1001137032..... 269, 271	1001148906..... 527	
1001116747..... 494	1001137673..... 355, 524	1001148972..... 265, 267	
1001116748..... 493	1001138173..... 134, 151, 164, 177, 194	1001149160..... 108, 116	
1001116763..... 493	1001138175..... 134, 151, 164, 177, 195		
1001116774..... 435	1001138228..... 151, 177		
1001116808..... 435			
1001116816..... 494			
1001116952..... 461			
1001116983..... 465			

# PART NUMBER INDEX

1001163418.....73	1001166922..... 151, 177	1001169386 .....55	1001172128.....293, 295,
1001163458.....265, 269	1001166924..... 151, 177	1001169496 ..... 67	297, 299, 301, 303
1001163459.....269	1001166964.. 79, 81, 467	1001169582 ..... 67	1001172195..... 129, 189
1001163470.....269	1001166970..... 144, 169	1001169611 ..... 281	1001172564.....359
1001163482.....267, 271	1001166997 ..... 391	1001169668 ..... 265	1001172565.....359
1001163483.....271	1001167038..... 129, 157,	1001169669 ..... 267	1001172566.....359
1001163492.....271	189	1001169823..... 129, 144,	1001172567.....359
1001163939.....73	1001167040 ..... 227	158, 169, 189	1001172568.....360
1001164202.....223	1001167108..... 151, 177,	1001169967 ..... 152, 178	1001172569.....360
1001164302.....391	461	1001170035..... 152, 178	1001172570.....359
1001164311.....391	1001167111..... 135, 165,	1001170083 ..... 349	1001172571.....359
1001164313.....391	195, 459	1001170084 ..... 349	1001172572.....359
1001164353.....331, 335,	1001167159 ..... 108	1001170094 ..... 85, 524	1001172573.....359
475	1001167164..... 219, 221	1001170145 ..... 75	1001172574.....359
1001164487.....225, 227	1001167312 ..... 445	1001170224 ..... 217	1001172575.....359
1001164489.....225, 227	1001167512..... 129, 144,	1001170225 ..... 213	1001172576.....359
1001164491.....225, 227	158, 169, 189	1001170551..... 108, 111	1001172577.....359
1001164492.....225, 227	1001167520..... 135, 152,	1001170552..... 108, 113	1001172578.....359
1001164493.....227	165, 178, 195	1001170564 ..... 285	1001172594.....169
1001164555.....391	1001167565 ..... 291	1001170565 ..... 285	1001172595.....215
1001164578.....375, 377	1001167567 ..... 291	1001170617..... 152, 178,	1001172613..... 108, 116
1001164582.....375, 377,	1001167596 ..... 291	183	1001172614..... 108, 116
379	1001167605..... 271, 273	1001170642 ..... 285	1001172615..... 108, 116
1001164583.....375, 377,	1001167918 ..... 116	1001170650 ..... 219	1001172617..... 108, 116
379	1001167962 ..... 345	1001170651 ..... 219	1001172630.....526
1001164585.....375, 377,	1001167963 ..... 345	1001170662 ..... 219	1001172663.....291
379	1001168018..... 135, 152,	1001170663 ..... 219, 221	1001172694.....401
1001164596.....375	165, 178, 195, 230,	1001170664 ..... 219, 221	1001172696.....401
1001164709.....265, 267,	233, 238, 242, 246,	1001170693..... 135, 137,	1001172713..... 401, 409
381	250, 254, 258, 262	165	1001172715..... 401, 409
1001164942.....55, 58	1001168026..... 152, 178	1001170759..... 375, 377,	1001172716..... 401, 409
1001165035..... 129, 144,	1001168059..... 135, 165,	379	1001172719..... 401, 409
169	195	1001170838 87, 331, 336	1001172720..... 401, 409
1001165060..... 108	1001168099..... 152, 178	1001170847..... 283, 285,	1001172721..... 401, 409
1001165131.....375, 377	1001168166..... 152, 178	307	1001172750.....215
1001165282.....391	1001168173..... 108	1001170850 ..... 108	1001172751.....527
1001165354.....412	1001168207..... 233, 246,	1001171067..... 269, 271	1001172756..... 85
1001165363.....391	254	1001171112..... 269, 271	1001172757..... 79, 81, 85
1001165388..... 135, 151,	1001168209..... 373, 391	1001171131 ..... 527	1001172760.....335
165, 177, 195	1001168210 ..... 373	1001171324..... 269, 271	1001172816.....97
1001165389..... 135, 165,	1001168278..... 269, 275	1001171335 ..... 509	1001173233.....283
195	1001168402 ..... 291	1001171336 ..... 509	1001173262.....503, 507
1001165405..... 151, 177	1001168762 ..... 73	1001171337 ..... 511	1001173342..... 144, 169,
1001165406..... 151, 177	1001168841 ..... 269	1001171339 ..... 505	465
1001165531.....281	1001168842..... 269, 271	1001171341 ..... 503	1001173354..... 108, 116
1001165534.....281	1001168843..... 265, 267	1001171342 ..... 503	1001173356..... 108
1001165537.....281	1001168844..... 265, 267	1001171343 ..... 507	1001173456.....293, 295,
1001165538.....281	1001168845..... 265, 267	1001171345 ..... 517	297, 299, 301, 303
1001165540.....283, 285	1001168847 ..... 271	1001171346 ..... 517	1001173461.....111
1001165567 .....273	1001168848 ..... 269	1001171347 ..... 519	1001173466..... 113
1001165721..... 151, 177	1001168849..... 269, 271	1001171351 ..... 513	1001173529..... 87
1001165722..... 151, 177	1001168854..... 265, 267	1001171352 ..... 513	1001173594.....297
1001165737 .....391	1001168950..... 152, 178	1001171353 ..... 515	1001173595.....293
1001165849..... 151, 177	1001169046..... 108, 116	1001171482 ..... 87	1001173599.....301
1001166000..... 173, 176	1001169054..... 152, 178	1001171499 ..... 526	1001173600.....526
1001166020..... 131, 134	1001169138..... 152, 178	1001171500 ..... 526	1001173605.....526
1001166031 .....73	1001169164 ..... 81	1001171545..... 501, 503,	1001173606.....526
1001166338.....225	1001169191 ..... 65	507, 509, 511, 513,	1001173644..... 87
1001166539.....331, 335,	1001169192 ..... 65	515, 517, 519, 521	1001173645..... 79, 87
341, 524	1001169193 ..... 65	1001171667..... 269, 271	1001173656.....227
1001166710.....73	1001169284..... 269, 271	1001171953..... 131, 147,	1001173657.....225
1001166717..... 135, 165,	1001169285..... 269, 271	161, 173, 191	1001173664.....225
195	1001169286..... 269, 271	1001171954..... 131, 147,	1001173665.....293, 295,
1001166718..... 135, 151,	1001169287..... 269, 271	161, 173, 191	297, 299, 301, 303
165, 177, 195	1001169288..... 269, 271	1001171966..... 269, 271	1001173761.....293, 295,
1001166894.....223	1001169289..... 269, 271	1001171967..... 269, 271	297, 299, 301, 303
1001166921..... 151, 177	1001169380..... 269, 271		1001173763.....281

## PART NUMBER INDEX

1001173807 ..... 293, 295, 297, 299, 307, 441	1001178419..... 526	1001186383..... 317	1001193009 ..... 401, 409
1001173808 ..... 293, 295, 297, 299, 301, 303, 443	1001178420..... 526	1001186384..... 315	1001193010 ..... 401, 409
1001173810 ..... 257	1001178421..... 526	1001186386..... 313	1001193011 ..... 401, 409
1001173811 ..... 249	1001178424..... 526	1001186431..... 491, 524	1001193018 ..... 415, 417, 419, 421, 423, 425, 427
1001173899 ..... 401, 409	1001178426..... 526	1001186432..... 491	1001193133 ..... 359
1001173900 ..... 401, 409	1001178428..... 526	1001186517 ..... 355	1001193134 ..... 359
1001173901 ..... 401, 409	1001178429..... 526	1001187508..... 103, 355	1001193135 ..... 359
1001173902 ..... 401, 409	1001178430..... 526	1001187522..... 234, 262, 471	1001193136 ..... 359
1001173903 ..... 401, 409	1001178431..... 526	1001188622..... 291	1001193336 ..... 73
1001173904 ..... 401, 409	1001178433..... 521	1001188731..... 234, 262, 412	1001193653 ..... 401, 409
1001173905 ..... 408	1001178435..... 526	1001188844 ..... 291	1001193654 ..... 401, 409
1001173906 ..... 409	1001178788..... 151, 177	1001188889..... 355	1001193655 ..... 401, 409
1001173907 ..... 401, 409	1001178859..... 135, 165, 195	1001188972..... 143, 157	1001193656 ..... 401, 409
1001173908 ..... 401, 409	1001178876..... 152, 178	1001189001..... 291	1001193657 ..... 401, 409
1001173909 ..... 401, 409	1001179154..... 230, 246, 255, 258	1001189002..... 291	1001193658 ..... 401, 409
1001173925 ..... 230, 238, 242, 250, 258	1001179156..... 225, 227, 401, 409	1001189194..... 99	1001193659 ..... 401, 409
1001173927 ..... 293, 295, 297, 299, 301, 303	1001179426..... 227	1001189236..... 131, 147, 161, 173, 191, 207	1001193660 ..... 401, 409
1001173937 ..... 401, 409	1001179440..... 225	1001189237..... 131, 147, 161, 173, 191, 203	1001193661 ..... 401, 409
1001173983 ..... 229	1001179836..... 233	1001189521..... 69	1001194197 ..... 527
1001173984 ..... 237, 527	1001179837..... 233	1001189522..... 69	1001194198 ..... 527
1001174098 ..... 108, 116	1001179893..... 234	1001189523..... 69, 71	1001194200 ..... 527
1001174158 ..... 238, 445, 449	1001179903..... 135, 152, 165, 178	1001189804..... 13, 15, 19, 23, 27, 31	1001194203 ..... 527
1001174313 ..... 503, 507, 509, 511, 513, 515, 517, 519	1001180001..... 233	1001189805..... 27, 29, 31	1001194204 ..... 527
1001174347 ..... 526	1001180608..... 283, 285	1001189807..... 19, 21	1001194365 ..... 527
1001174348 ..... 526	1001180620..... 152, 178	1001190107..... 331	1001195206 ..... 391
1001174367 ..... 253	1001180797..... 233	1001190868..... 129, 131	1001195304 ..... 527
1001174675 ..... 250, 254, 258, 412	1001180798..... 261	1001190869..... 129	1001195610 ..... 528
1001174777 ..... 147, 150	1001181045..... 451, 455, 524	1001190871..... 521	1001195947 ..... 345
1001174783 ..... 161, 164	1001181046..... 453	1001190872..... 501, 503, 505, 507, 509, 511, 513, 515, 517, 519, 521	1001196382 ..... 230, 238, 242, 246, 250, 258
1001174925 ..... 527	1001181051..... 273, 279	1001190874..... 521	1001196589 ..... 493
1001174926 ..... 527	1001181076..... 409	1001190876..... 521	1001196590 ..... 493
1001175068 ..... 213, 217	1001181077..... 408	1001190877..... 501	1001196610 ..... 526
1001175070 ..... 213	1001181243..... 234	1001190878..... 41	1001196634 ..... 181
1001175071 ..... 217	1001181325..... 85	1001190964..... 55	1001196635 ..... 494
1001175073 ..... 223	1001181329..... 293, 295, 299, 303	1001190968..... 13, 17	1001196637 ..... 79, 81
1001175074 ..... 223	1001181405..... 97	1001190985..... 291	1001196678 .. 79, 81, 497
1001175075 ..... 223	1001181895..... 152	1001190988..... 501, 505	1001196717 ..... 526
1001175170 ..... 295, 299	1001182138..... 357	1001191076..... 501, 505	1001197017 ..... 353
1001175171 ..... 303	1001182296..... 234, 262	1001191274..... 79, 81, 493	1001197036 ..... 289
1001175239 ..... 299	1001182516..... 89	1001191275..... 401, 409	1001197067 ..... 103
1001175240 ..... 295	1001182570..... 283, 285, 307	1001191276..... 401, 409	1001197251 ..... 63
1001175241 ..... 303	1001182997..... 152, 178	1001191362..... 401, 409	1001197252 ..... 63
1001175542 ..... 245	1001183206..... 526	1001191364..... 401, 409	1001197255 ..... 71
1001175631 ..... 230, 246, 412	1001183207..... 526	1001191365..... 401, 409	1001197256 ..... 71
1001175632 ..... 412	1001183407..... 527	1001191395..... 527	1001197257 ..... 71
1001175633 ..... 412	1001183477..... 234, 262	1001191455..... 329, 331	1001197265 ..... 71
1001176469 ..... 89, 93	1001184618..... 349	1001191456..... 329	1001197408 ..... 501, 505
1001176636 ..... 303	1001184619..... 347	1001191457..... 79	1001197424 ..... 101
1001176899 ..... 281	1001184620..... 347	1001191588..... 400	1001198885 ..... 265, 377
1001176952 ..... 293, 295, 297, 299, 437	1001184621..... 347	1001191620..... 152, 178	1001198886 ..... 377, 379
1001176953 ..... 301, 303, 439	1001184622..... 347	1001191708..... 357	1001199035 ..... 360
1001176963 ..... 449	1001184626..... 331, 336	1001191934..... 89	1001199207 ..... 108, 116
1001177359 ..... 152, 178	1001184637..... 262	1001191936..... 401, 409	1001199862 ..... 526
1001177523 ..... 225, 227	1001184644..... 262	1001191937..... 401, 409	1001199901 ..... 108, 116
1001178276 ..... 410	1001184645..... 262	1001192020..... 521	1001200148 ..... 41, 43, 53
1001178415 ..... 521	1001185237..... 501	1001192070..... 501	1001200271 ..... 528
	1001185821..... 75, 77	1001192292..... 336, 491	1001200458 ..... 111, 113
	1001185964..... 494	1001192401..... 493	1001200491 ..... 291
	1001186377..... 319	1001193002..... 401, 409	1001200494 ..... 291
	1001186379..... 321	1001193003..... 401, 409	1001200575 ..... 331
	1001186382..... 323	1001193006..... 401, 409	1001200910 ..... 101
		1001193007..... 401, 409	1001201127 ..... 521
		1001193008..... 401, 409	1001201351 ..... 291
			1001201633 ..... 113
			1001201634 ..... 113

# PART NUMBER INDEX

1001201635..... 111	1001212223..... 254	1001223454..... 221	1001233635..... 177
1001201636..... 111	1001212819..... 116	1001223802..... 144, 169	1001233763..... 144, 181
1001201894..... 336	1001212822..... 116	1001223899..... 273	1001234099..... 526
1001201994..... 181	1001213447..... 475	1001224888..... 281	1001235455..... 195, 197
1001202228..... 501, 505	1001213811..... 527	1001225647..... 503, 507,	1001235462..... 191, 194
1001202298..... 108	1001213812..... 527	509, 511, 513, 515,	1001235463..... 189
1001202494..... 61	1001213882..... 335	517, 519	1001235464..... 189, 191
1001202594..... 329, 335	1001214459..... 169, 173	1001226400..... 437, 439	1001236338..... 521
1001202749..... 527	1001214460..... 169	1001226872..... 311	1001236540..... 526
1001202940..... 527	1001214975..... 135, 165,	1001227453..... 526	1001236541..... 526
1001202941..... 527	195	1001227568..... 157	1001237549..... 123
1001202942..... 527	1001215229..... 336	1001227569..... 143	1001241835..... 189
1001202946..... 527	1001215285..... 503, 507	1001227570..... 158, 161	1001248012..... 273, 387
1001203089..... 71	1001215286..... 517, 519	1001227571..... 144, 147	1060341..... 353, 469
1001203434..... 297	1001215290..... 503, 507	1001227576..... 158	1060343..... 255, 258
1001203435..... 301	1001215292..... 503	1001227660..... 509	1060494..... 234, 262
1001203459..... 301	1001215297..... 503	1001227661..... 511	1060626..... 143, 157
1001203628..... 377	1001215373..... 85	1001227662..... 509, 511	1060903..... 353
1001204397..... 528	1001215592..... 93	1001227663..... 509	1060908..... 451, 453, 455,
1001204482..... 527	1001215593..... 95	1001227664..... 511	457
1001204510..... 501, 505	1001215594..... 91	1001227691..... 513	1060918..... 343
1001204715..... 283, 285,	1001215595..... 91	1001227692..... 515	1060986..... 293
307	1001215596..... 95	1001227693..... 517	10702077... 250, 255, 259
1001204725..... 291	1001215597..... 93	1001227694..... 519	10702082... 250, 255, 259
1001204996..... 526	1001216550..... 23, 25	1001227695..... 513, 515	1120555..... 359
1001204997..... 526	1001216630..... 287, 289,	1001227696..... 513	1260017..... 67
1001205673..... 527	291	1001227697..... 515	1271538..... 289
1001205958..... 423, 425,	1001217201..... 507	1001227698..... 517, 519	1320016..... 134, 164, 194
427	1001217202..... 507	1001227699..... 517	1320136..... 289
1001206314..... 108, 116	1001217208..... 521	1001227700..... 519	1320176..... 213, 217
1001206321..... 265, 267,	1001217209..... 521	1001228012..... 273, 385	1320223..... 143, 157
379	1001217210..... 521	1001228092..... 265, 267,	1320224..... 289
1001206402..... 116	1001217211..... 521	381	1320302..... 363, 365, 367
1001206403..... 117	1001217213..... 505	1001228215..... 311	1321716..... 150, 176, 230,
1001206404..... 117, 119	1001217214..... 505	1001228363..... 528	233, 238, 241, 246,
1001206405..... 119	1001217488..... 501, 505,	1001228376..... 325	250, 254, 258, 261
1001206418..... 117, 121	521	1001228377..... 327	1380147..... 223
1001206419..... 121	1001217605..... 81	1001228587..... 528	1580012..... 351
1001206437..... 526	1001218140..... 43	1001228955..... 526	1580013..... 527
1001206439..... 527	1001218191..... 408	1001228988..... 363, 365	1600359..... 331, 335, 339,
1001206442..... 379	1001218534..... 83	1001229107..... 526	524
1001206625..... 265, 267,	1001218538..... 83	1001230635..... 151	1600387..... 289
381	1001218676..... 83	1001230784..... 242, 447	1670769..... 301, 303
1001207004..... 105	1001218717..... 526	1001230907..... 447	1670829..... 87, 331, 335
1001207311..... 103	1001219130..... 83	1001230908..... 241	1671092..... 255, 259
1001207316..... 105	1001219134..... 116	1001230931..... 493	1671093..... 365
1001207726..... 121	1001219601..... 85	1001231177..... 526	1671176..... 87
1001208874..... 41, 43	1001219794..... 527	1001231178..... 526	1683053..... 383
1001209059..... 528	1001219896..... 19	1001231195..... 73	1683261..... 383
1001209099..... 305	1001219897..... 13	1001231235..... 528	1683609..... 273, 383
1001209100..... 305	1001219898..... 23	1001231324..... 307	1683687..... 383
1001209282..... 528	1001219899..... 27	1001231801..... 521	1701499..... 501, 503, 505,
1001209618..... 526	1001219900..... 31	1001232842..... 181	507, 509, 511, 513,
1001209664..... 355	1001219904..... 31	1001232907..... 123	515, 517, 519
1001209677..... 431	1001221927..... 269, 277	1001232908..... 123	1701500..... 501, 503, 505,
1001209832..... 431	1001222043..... 116	1001232913..... 123	507, 509, 511, 513,
1001210089..... 528	1001222044..... 116	1001232915..... 123	515, 517, 519
1001210090..... 528	10012223078..... 108, 116	1001232916..... 123	1701504..... 501, 503, 505,
1001210251..... 527	1001223122..... 230, 238,	1001232917..... 123	507, 509, 513, 515,
1001210252..... 527	242, 246, 254, 258	1001233048..... 123	517, 519
1001210253..... 527	1001223161..... 108, 116	1001233075..... 123	1701505..... 129, 143, 157,
1001210254..... 527	1001223309..... 221	1001233076..... 123	169, 189
1001211633..... 116	1001223310..... 221	1001233077..... 123	1701509..... 359, 501, 503,
1001211636..... 116	1001223328..... 221	1001233237..... 526	505, 507, 509, 511,
1001211784..... 71	1001223387..... 116	1001233412..... 123	513, 515, 517, 519
1001211877..... 219	1001223453..... 509, 511,	1001233413..... 123	1701518..... 501, 505
1001211878..... 219	513, 515	1001233436..... 123	

## PART NUMBER INDEX

1701529 ... 501, 503, 505, 507, 509, 511, 513, 515, 517, 519	1705375 ... 255, 259, 365, 367	2220603.....400, 408	2902065 ... 134, 150, 165, 176, 194, 201
1702300 ... 501, 503, 505, 507, 509, 511, 513, 515, 517, 519	1705387 ... 229, 245, 255, 259	2220622.....400, 408	2902212 ..... 359
1702566 ..... 331, 335	1705460 .... 251, 255, 259	2220635.....400	2902217 ..... 363, 365
1702567 ..... 331, 335	1705461 ..... 251	2220695.....400, 408	2902443 ..... 459, 461
1702773 .... 501, 505, 521	1705466 .... 363, 365, 367	2220700....225, 227, 400, 408	2902549 .... 445, 447, 451
1702774 ..... 521	1705489 .... 237, 241, 251	2220726.69, 71, 400, 408	2920028 .... 332, 335, 353
1702788 ..... 521	1705514 ... 509, 511, 513, 515, 517, 519	2220767.....143, 169	2920029 .... 332, 335, 353
1702861 ..... 521	1705822 ..... 501, 505	2220775.....400, 408	2920161 ..... 97
1702868 ... 365, 367, 509, 511	1705828 ..... 501, 505	2220881.....53, 373, 391	2940045 ..... 121
1702938 ..... 353	1705921 ..... 501, 505	2220883..46, 50, 53, 375, 377, 379, 381, 383, 385, 387	2940074... 313, 315, 317, 325, 524
1702941 ..... 143, 157	1705961 ..... 501, 505	2220885....383, 385, 387, 391	2940173... 111, 113, 119, 121
1702942 ..... 143, 157	1706062 ..... 521	2220886.....379	3020021 ..... 201
1702943 ..... 143, 157	1706098 ..... 521	2220887.....379	3020037 ... 131, 147, 161, 173, 191
1702944 ..... 143, 157	1706948 ... 503, 507, 509, 511, 513, 515, 517, 519	2220906.....400, 408	3020043 .... 375, 377, 379
1703162 ... 134, 150, 164, 176, 194	2030010 .... 363, 365, 367	2220946.....400, 408	3020044 ..... 164
1703479 ..... 521	2060025 .... 134, 164, 194	2220947.....400, 408	3251102 ..... 241
1703797 ..... 509, 511	2080040 ... 237, 313, 315, 317, 325, 431, 445	2220948.....400, 408	3251242 .... 423, 425, 427
1703798 ..... 509, 511	2080044 ..... 301	2220998.....69	3251243... 229, 233, 245, 261, 509, 511, 513, 515
1703804 ..... 509, 511	2110404 ..... 400, 408	2221063....225, 227, 400, 408	3252347 ..... 509, 511
1703805 ..... 509, 511	2110806 ..... 400, 408	2221086.....401, 409	3252764 .... 250, 253, 258
1703924 ..... 513, 515	2111212 ..... 69, 400, 408	2221221.....400, 408	3271601 ..... 108, 116
1703926 ..... 503, 507	2131212 ..... 69, 400, 408	2300004.....176	3271605 ..... 391
1703927 ..... 517, 519	2151212 ..... 400, 408	2300014.....527	3272605 ..... 289
1703930 ..... 513, 515	2170212 ..... 400, 408	2300016.....527	3290405 .... 97, 285, 415, 417, 419, 421, 423, 425, 427, 431, 445, 447, 449
1703932 ..... 503, 507	2170312 ..... 400	2300021.....527	3290505 .... 97, 229, 245, 250, 253, 258
1703933 ..... 517, 519	2170406 ..... 400, 408	2300027.....527	3290601 ... 111, 113, 119, 121, 400, 408
1703936 ..... 513, 515	2170712 ..... 401, 409	2300029.....527	3290605 ... 75, 79, 81, 85, 101, 105, 116, 121, 129, 134, 143, 150, 157, 164, 169, 176, 189, 194, 219, 221, 229, 233, 237, 241, 245, 250, 253, 258, 261, 285, 431, 445, 447
1703938 ..... 503, 507	2170808 ..... 400, 408	2300041.....150	3290606 ... 319, 321, 323, 327
1703939 ..... 517, 519	2172312 ..... 71	2400060.... 181, 471, 494	3290801 ..... 225, 227
1703942 ..... 513, 515	2180348 ... 129, 157, 189	2400066.....471	3290805 ... 129, 134, 143, 150, 157, 164, 169, 176, 189, 194, 219, 221, 225, 227, 229, 233, 237, 241, 245, 250, 253, 258, 261
1703944 ..... 503, 507	2180380 ..... 379	2420202.....289	3291001 .... 150, 176, 291
1703945 ..... 517, 519	2180832 ..... 143, 169	2420203.....234, 261	3291005 ... 65, 73, 79, 81, 108, 111, 113, 116, 119, 121, 123, 129, 134, 143, 150, 157, 164, 169, 176, 189, 194, 233, 261, 273, 281, 285, 291, 293, 295, 297, 299, 301, 303
1703948 ..... 513, 515	2200221 ..... 69, 71	2460048.....249, 257	3291201 ... 229, 233, 237, 241, 245, 250, 253, 258, 291
1703950 ..... 503, 507	2220124 ..... 65	2460055.....261	3291205 ... 223, 265, 267, 269, 271, 287, 291
1703951 ..... 517, 519	2220238 ..... 401, 409	2540020.....101, 105	
1703953 ..... 509, 511	2220273 ..... 65	2540038.....289	
1703980 ..... 503, 507	2220313 ... 129, 143, 157, 169, 189	2560136.....331, 335	
1703981 ..... 517, 519	2220315 ... 134, 150, 164, 176, 194	2560187.... 111, 113, 119, 121	
1703984 ..... 513, 515	2220365 ..... 400, 408	2580024.....143, 157	
1704000 .... 513, 515, 526	2220366 ..... 400, 408	2580062.....164	
1704174 ..... 521	2220371 ..... 400, 408	2600281....313, 315, 317, 325	
1704175 ..... 521	2220372 ..... 400, 408	2720015.....150, 176	
1704260 ..... 331, 335	2220373 ..... 400, 408	2720058.... 129, 157, 189	
1704277 ... 501, 503, 505, 507, 509, 511, 513, 515, 517, 519	2220374 ..... 400, 408	2720340.....150, 176	
1704412 ... 501, 503, 505, 507, 509, 511, 513, 515, 517, 519	2220375 ..... 400, 408	2720398.... 134, 165, 194	
1704460 ..... 331, 335	2220377 ..... 400, 408	2720447 .... 134, 165, 194	
1704468 ..... 509, 511	2220451 ... 134, 164, 194, 400, 408	2750532.... 129, 144, 157, 170, 189	
1704885 ..... 521	2220466 ..... 400, 408	2820031....229, 233, 237, 241, 245, 249, 253, 258, 261	
1704972 ..... 129, 144	2220472 ..... 409	2820035.....181	
1705084 ..... 501, 505	2220473 69, 71, 400, 408	2840016.....223	
1705104 ..... 511	2220497 ..... 400, 408	2860030....89, 91, 93, 95, 524	
1705305 .... 363, 365, 367	2220500 ..... 400, 408	2900770..45, 49, 50, 373, 391	
1705325 ..... 415	2220502 ..... 400, 408	2900792....383, 385, 387	
1705355 ..... 363, 365	2220518 ..... 400, 408	2901303.....383	
1705358 ..... 359	2220577 ..... 400, 408	2901443.....528	
1705374 .... 229, 245, 255	2220578 ... 225, 227, 400, 408		
	2220582 ..... 400, 408		
	2220600 ..... 400, 408		

# PART NUMBER INDEX

3291207.....69, 71	3520071 ..... 359	3931512 ..... 150, 176	4460049.....353
3291602.....55	3520072 ... 311, 313, 315, 317, 319, 321, 323, 325, 327	3931516 ..... 383	4460071....229, 245, 253, 258, 343, 429
3291605.....265, 267	3520182 ..... 357	3931520 ..... 391	4460134.....234, 262
3300151....311, 319, 321, 323, 325, 327, 363, 365, 367	3520189 ..... 250	3931620 ... 131, 147, 161, 173, 191	4460138.....234, 262
3300220.....75, 134, 151, 164, 177, 194	3520192 ..... 250	3931628 .... 233, 245, 253	4460142.....494
3300243.....287, 291	3520198 ... 311, 313, 315, 317, 319, 321, 323, 325, 327	3960389 ..... 123	4460183.....475
3300353.....331, 335	3572044 ... 501, 503, 505, 507	3960407 .... 134, 164, 194	4460190.....234, 261
3300396....230, 246, 250, 255, 259	3573400 .... 363, 365, 367	3960422 ... 229, 245, 253, 258, 429	4460205.....429
3300408.....87, 331, 335	3573642 .... 363, 365, 367	4010405 ... 431, 445, 447, 449	4460225....250, 254, 258, 433, 467, 469, 475
3300430.....355, 357	3574091 ..... 353	4010618 ... 319, 321, 323, 327	4460226....341, 343, 475, 491, 494
3310401.....150, 176	3577121 .... 363, 365, 367	4031914 ..... 150, 176	4460227.....475
3310601.....223	3580158 ..... 261	4032014 .... 233, 245, 253	4460234.....97, 331, 335, 353
3311001....230, 233, 246, 250, 255, 259, 261	3580276 ..... 261	4032015 ... 229, 237, 241, 250, 258	4460247.....461
3311005..69, 71, 99, 101, 103, 363, 365, 367	3580317 ... 229, 237, 241, 245, 250, 253, 258	4060802 ... 229, 233, 237, 241, 245, 250, 253, 258, 262	4460259.....475, 494
3311401 .....353	3580318 ... 229, 245, 253, 258	4060805 ... 134, 150, 165, 176, 194	4460260.....475, 494
3311405....289, 329, 415, 417, 419, 421, 423, 425, 427, 449, 501, 503, 505, 507, 509, 511, 513, 515, 517, 519	3580319 .... 237, 241, 250	4060906 ..... 87	4460265.....341, 433
331150179, 81, 108, 116, 353	3580320 ... 229, 233, 237, 241, 245, 250, 253, 258	4061054 ..... 289	4460267.....433, 475
3311505.....105, 108	3600242 ... 131, 147, 161, 173, 191, 211	4070897 ..... 269, 271	4460268....234, 261, 433, 467, 469
3311601.....331, 336	3740067 ..... 75, 134, 164, 194, 524	4070898 ..... 269, 271	4460313.....459, 497
3311605....329, 363, 365, 367	3740080 ..... 233, 262	4100026 ..... 401, 409	4460315.....429
3311705.....233, 261	3740140 ... 134, 164, 194, 524	4100100 ..... 383	4460321.....234, 261
3311805.....71, 287, 289	3760133 ..... 269, 271	4160182 ..... 108, 116	4460346....229, 245, 253, 258, 429
3312005.....289, 359	3760170 ..... 67	4240018 ..... 400	4460418.....467, 475
3312205.....359	3760368 ..... 383	4240032 ..... 97	4460419.....467, 475
3321001....75, 134, 151, 164, 177, 194	3790012 .... 81, 331, 335, 345, 347	4240033 ..... 289, 355	4460424.....494
3322201 .....69, 71	3790045 ... 131, 147, 161, 173, 191	4240099 .... 81, 101, 105, 129, 134, 143, 150, 157, 164, 169, 176, 181, 189, 194, 229, 233, 237, 241, 245, 250, 253, 258, 262, 353, 363, 365	4460425....230, 246, 250, 255, 259, 353
3331211....229, 233, 237, 241, 245, 250, 253, 258, 261	3790152 ..... 147, 161	4240149 ..... 359	4460426....230, 246, 250, 255, 259
3331215....134, 150, 164, 176, 194	3820001 ... 501, 503, 505, 507, 509, 511, 513, 515, 517, 519	4360057 ..... 353, 524	4460428....289, 331, 335
3340956.....359	3820020 ... 313, 315, 317, 325	4360070 ... 230, 246, 250, 255, 259	4460434.....475
3380434.....329	3841143 ... 129, 143, 157, 169, 189, 269, 273, 291	4360328 ..... 81, 524	4460457.....497
3421565.....67	3841203 .... 265, 267, 271	4360336 ... 229, 233, 237, 241, 245, 250, 253, 258, 262	4460458.....494, 497
3422532....129, 143, 157, 169, 189	3841258 ..... 265, 267	4360387 89, 93, 331, 335, 353, 524	4460460.....494, 497
3422793.....271	3841340 ... 293, 295, 297, 299, 301, 303	4360407 .... 331, 335, 524	4460464....283, 285, 343, 435, 441, 443, 465, 471, 475, 493, 494
3422860.....273	3900267 ..... 230, 246	4360469 .... 89, 91, 93, 95	4460465.....97, 283, 285, 433, 435, 437, 439, 441, 443, 459, 461, 469, 473, 475, 491, 493, 497
3422861.....273	3900283 ..... 289	4360475 .... 87, 331, 335, 524	4460466....435, 437, 439, 459, 461, 471, 473, 475, 493, 494, 497
3422867.....273	3900300 ..... 230, 246	4360476 .... 87, 331, 335, 524	4460467.....528
3430616.....336	3900349 ..... 336	4360517 ..... 69, 71	4460470.79, 81, 331, 335
3430820.....223	3910408 ..... 150, 176	4360542 ..... 234, 261	4460471.79, 81, 331, 335
3450404.....223	3910606 ... 229, 245, 253, 258	4420014 ..... 359	4460473.....437, 439
3460334.....359	3910610 ..... 223, 429	4420037 .... 363, 365, 367	4460475.....494
3470003.....331, 336	3910804 .... 89, 91, 93, 95	4420051 ..... 521	4460488.....331, 335
3480210.....383	3911010 ..... 101, 105	4420066 ..... 359	4460508.....493
3480211....375, 377, 379	3911012 ..... 99, 103	4420068 ..... 353	4460509.....437, 439
3480274.....391	3911018 ..... 87, 331, 335	4460016 ..... 475	4460510.....528
3520028.....234, 261	3931008 ..... 69, 71	4460027 ..... 234, 261	4460518.....435
3520033.....335	3931408 ..... 355	4460042 ..... 465	4460536.....85, 283, 285, 441, 443
3520034.....273	3931424 ..... 355	4460043 .... 181, 461, 494	4460539....283, 285, 441, 443, 497
3520035.....335	3931456 ..... 391		4460608.....493
3520054....134, 152, 164, 178, 194, 331, 335			4460703.....461



# PART NUMBER INDEX

4460705 ..... 234, 261	4461246 ..... 489	176, 194, 225, 227,	5251215 ... 129, 143, 157,
4460722 ..... 181	4461249 ..... 489	229, 233, 237, 241,	169, 189
4460748 ..... 494	4461271 ..... 493	245, 250, 253, 258, 262	5260800 ... 230, 238, 241,
4460761 ..... 475	4530028 ... 363, 365, 369	4811902....108, 116, 129,	246, 254, 258
4460806 .... 423, 425, 494	4640452 ..... 391	143, 157, 169, 189,	5261000 .... 108, 116, 305
4460807 ..... 469	4640509 ... 383, 385, 387	225, 227	5261018 ... 111, 113, 293,
4460808 ..... 469	4640751 ..... 150, 176	4812000....41, 43, 65, 73,	295, 299, 303
4460836 ..... 473, 493	4641390 ... 375, 377, 379,	75, 79, 81, 108, 111,	5261200 ... 129, 143, 157,
4460837 ..... 493	381	113, 116, 119, 121,	169, 189
4460865 ..... 437, 439	4710400 ..... 150, 176	123, 129, 134, 143,	70000342.. 275, 277, 279
4460866 ..... 475, 493	4711000 .69, 71, 99, 101,	150, 157, 164, 169,	70000345.. 138, 185, 198
4460871 ... 339, 467, 475,	103, 105, 230, 246,	176, 189, 194, 233,	70000619.. 249, 253, 257
493, 497	250, 255, 259	246, 255, 262, 269,	70000787 ..... 138, 198
4460872 ..... 497	4711400 ... 111, 113, 119,	271, 281, 285, 291,	70000793 ..... 201
4460873 ..... 475, 493	121, 289, 311, 319,	293, 295, 297, 299,	70000800 ..... 137, 197
4460874 ..... 475, 493	321, 323, 325, 327,	301, 303	70000851 ..... 138, 198
4460875 ..... 475, 497	355, 357, 415, 417,	4812002....41, 43, 73, 79,	70000863 .. 249, 254, 257
4460876 ..... 467	419, 421, 423, 425,	81, 108, 116	70000912 ..... 137, 197
4460878 ..... 493	427, 449	481210069, 71, 129, 143,	70000913 ..... 137, 197
4460879 ..... 475	4711500 ..... 75, 108, 129,	150, 157, 169, 176,	70000914 ..... 137, 197
4460884 .... 461, 491, 493	143, 150, 157, 170,	189, 223, 229, 237,	70000915 ..... 137, 197
4460887 ..... 475, 493	176, 189	241, 250, 258, 269,	70000916 ..... 137, 197
4460891 .... 97, 433, 435,	471160041, 43, 116, 229,	271, 291	70000917 ..... 137, 197
461, 465, 493, 497	237, 241, 245, 250,	4812200....134, 150, 164,	70000918 ..... 137, 197
4460894 ... 459, 461, 493,	253, 258, 289, 336, 391	176, 194, 229, 233,	70000919 ..... 138, 198
497	4711700 ..... 233, 262	237, 241, 245, 250,	70000931 ..... 138, 198
4460897 ..... 99, 101, 105,	4711800 ..... 71	253, 258, 262	70001002 ..... 137, 197
465	4712000 ..... 359	4844816.....273	70001100 .. 249, 254, 257
4460899 ..... 443, 493	4712200 ..... 359	4844817.....273	70001181 ..... 137, 197
4460905 ... 467, 475, 493,	4712600 ..... 99, 103	4846562.....359	70001384 .. 249, 254, 257
494, 497	4740362 ..... 329	4846573.....287, 289	70001423 ..... 137, 197
4460906 ..... 471	4740439 ..... 273	4846627 ....363, 365, 367	70001435 ..... 138, 198
4460928 ..... 435	4750600 ..... 223	4846673.....353	70001498 ..... 138, 198
4460930 .... 441, 459, 461	4751000 ..... 73, 233, 262,	4871700.....75, 229, 237,	70001654 ..... 137, 197
4460931 ..... 494	363, 365, 367	241, 245, 250, 253, 258	70001655 ..... 137, 197
4460932 ..... 465	4751400 ... 289, 331, 335,	4891600....131, 147, 161,	70001696.. 249, 254, 257
4460933 ... 435, 473, 475,	351, 353, 357, 363,	173, 191, 287, 289, 291	70001697.. 275, 277, 279
493	365, 367, 501, 503,	4891800....131, 147, 161,	70001844 ..... 138, 198
4460941 ..... 465	505, 507, 509, 511,	173, 191, 287, 289	70001850 ..... 137, 197
4460942 ..... 465	513, 515, 517, 519	4892000.....61, 63, 289	70001866 ..... 138, 198
4460943 85, 99, 101, 105	4751500 .... 233, 262, 353	4892600.....287, 289, 291	70001868 ..... 138, 198
4460944 ..... 461, 473	4751600 ... 329, 363, 365,	4922641 ....234, 238, 247,	70001870 .. 137, 183, 197
4460956 .... 451, 453, 455	367	251, 255	70001871 ..... 138, 198
4460957 .... 451, 453, 455	4751800 ..... 353	4922925.....250, 253, 258	70001872 ..... 138, 198
4460961 ..... 234, 261	4760600 ..... 429	4923451....135, 164, 195	70001953 ..... 249, 257
4460962 ..... 365	4761000 ..... 75, 134, 151,	4933218.....353, 412	70001966 . 230, 237, 242,
4460963 ..... 255, 259	164, 177, 194	5240800....129, 143, 157,	246, 249, 254, 257
4460967 ..... 493	4761400 ..... 351	169, 189	70001973 .. 249, 254, 257
4460970 ..... 475	4770600 ..... 223	5241200....134, 150, 164,	70001974 .. 249, 254, 257
4461005 ..... 459	4811400 ... 285, 415, 417,	176, 194, 229, 233,	70001977 ..... 524
4461008 ..... 459, 461	419, 421, 423, 425, 427	237, 241, 245, 250,	70002011 ..... 281
4461052 ..... 459	4811600 ..... 97, 229, 245,	254, 258, 262, 287, 291	70002066 ..... 58
4461070 ..... 435, 461	250, 253, 258	5241600.....55	70002088 ..... 249, 257
4461071 ..... 459, 461	4811700 ... 75, 79, 81, 85,	5242000.....55	7000217 ..... 58
4461072 ..... 459, 461	101, 105, 111, 113,	5250608.....283, 285	70002234 ..... 138, 198
4461073 ..... 459, 461	119, 121, 129, 134,	5250808....230, 238, 241,	7000228 ..... 58
4461074 ..... 459, 461	143, 150, 157, 164,	246, 254, 258	7000229 ..... 58
4461095 .... 435, 459, 461	169, 176, 189, 194,	5250810....152, 178, 230,	70002297 .. 249, 254, 257
4461196 ..... 477	229, 233, 237, 241,	238, 241, 246, 254, 258	7000230 ..... 58
4461198 ..... 477	245, 250, 253, 258,	5251008....269, 271, 283,	700023371 ..... 389
4461199 ..... 479	262, 301, 303, 319,	285, 291, 307	70002373 ..... 373, 389
4461201 ..... 479	321, 323, 327, 400,	5251009....108, 116, 269,	7000238646, 50, 53, 265,
4461202 ..... 481, 485	408, 431, 445, 447	271	267, 381, 524
4461205 ... 481, 483, 485,	4811702 ... 152, 178, 219,	5251011.....269, 271	70002401 ..... 265, 267
487	221	5251012.....116	7000246 ..... 58
4461244 ..... 485	4811900 ... 108, 116, 134,	5251014.....41, 43, 108	70002460 .. 249, 254, 257
4461245 ..... 487	143, 150, 164, 169,	5251016.....291, 305	7000247 ..... 58

# PART NUMBER INDEX

7000248.....58	70004102..... 138, 198	70004899 ..... 205, 208	70005204..... 58
7000253.....58	70004103..... 138, 198	70004901 ..... 204, 208	70005217..... 45, 49
7000255.....58	70004169..... 249, 257	70004905 ..... 208	70005218..... 45, 49
7000257.....58	70004171 . 230, 237, 242, 249, 257	70004906 ..... 204, 208	70005219..... 46, 50, 524
7000263.....58	70004231 ..... 381	70004907 ..... 208	70005244..... 69, 71
70002718... 137, 183, 197	70004267 ..... 77	70004909 ..... 204, 208	70005245..... 203, 207
70002838..... 73, 524	70004268..... 137, 197	70004910 ..... 208	70005246..... 203, 207
70002902..... 343	70004269 ..... 137, 197	70004911 ..... 204, 208	70005247..... 203, 207
70002903..... 343	70004270 ..... 138, 198	70005065 ..... 77	70005248..... 203, 207
70002904..... 343	70004275 ..... 183	70005066 ..... 77	70005249..... 203, 207
70002905..... 343	70004280 ..... 183	70005067 ..... 77	70005250..... 203, 207
70002974..... 45, 49	70004281 ..... 183	70005068 ..... 77	70005251..... 203, 207
70003023..... 45, 49	70004282 ..... 184	70005069 ..... 45, 49	70005252..... 203, 207
70003024..... 45, 49	70004283 ..... 184	70005071 ..... 45, 49	70005253..... 203, 207
70003408..... 45, 49	70004284 ..... 184	70005072 ..... 45, 49	70005254..... 203, 207
70003454..... 69, 71	70004285 ..... 185	70005073 ..... 45, 49	70005255..... 203, 207
70003463... 137, 197, 524	70004504 ..... 185	70005074 ..... 45, 49	70005257..... 203, 207
70003464..... 137, 197	70004513 ..... 183	70005075 ..... 45, 49	70005258..... 203, 207
70003468..... 138, 198	70004676 . 230, 237, 242, 246	70005076 ..... 45, 49	70005259..... 203, 208
70003469..... 138, 198	70004677 ..... 238, 242	70005077 ..... 45, 49	70005260..... 204, 208
70003472..... 137, 197	70004678 . 230, 238, 242, 246	70005078 ..... 45, 49	70005261..... 204
70003473..... 137, 197	70004679 . 230, 238, 242, 246	70005079 ..... 45, 49	70005262..... 204, 208
70003475..... 137, 197	70004680 . 230, 238, 242, 246	70005080 ..... 45, 49	70005263..... 204, 208
70003479..... 137, 197	70004681 ..... 238, 242	70005081 ..... 45, 49	70005264..... 204
70003480..... 137, 197	70004682 . 230, 238, 242, 246	70005082 ..... 45, 49	70005265..... 204
70003481..... 137, 197	70004683 ..... 238, 242	70005084 ..... 45, 49	70005266..... 204, 208
70003612..... 77	70004684 ..... 230	70005085 ..... 45, 49	70005267..... 204, 208
70003614..... 73, 524	70004685 ..... 230, 246	70005086 ..... 45, 49	70005268..... 204, 208
70003631... 249, 254, 257	70004687 ..... 246	70005087 ..... 45, 49	70005269..... 204, 208
70003708.. 230, 237, 241, 246, 249, 254, 257	70004752 ..... 341	70005088 ..... 45, 49	70005270..... 205, 208
70003709.. 230, 237, 241, 246, 249, 254, 257	70004753 ..... 341	70005089 ..... 45, 49	70005271..... 207
70003783.. 135, 151, 165, 177, 195, 524	70004754 ..... 341	70005090 ..... 45, 49	70005275..... 15, 35
70003788 46, 50, 53, 265, 267, 381, 524	70004755 ..... 341	70005091 ..... 45, 50	70005276..... 15
70003931..... 138, 198	70004756 ..... 341	70005092 ..... 45, 49	70005277..... 15, 33
70003932..... 138, 198	70004757 ..... 341	70005093 ..... 49	70005278..... 15
70003977..... 45, 49	70004758 ..... 341	70005106 ..... 281	70005279..... 15
70004000..... 77	70004759 ..... 341	70005107 ..... 281	70005280..... 15
70004013..... 77	70004760 ..... 341	70005108 ..... 45, 49	70005281..... 15
70004014..... 77	70004761 ..... 341	70005109 ..... 45, 50	70005282..... 15
70004037..... 58	70004762 ..... 341	70005139 ..... 77	70005283..... 15
70004039..... 58	70004763 ..... 341	70005140 ..... 389	70005284..... 15
70004040..... 58	70004764 ..... 341	70005141 ..... 389	70005285..... 15
70004041..... 58	70004765 ..... 341	70005142 ..... 373, 389	70005286..... 15
70004042..... 58	70004766 ..... 341	70005143 ..... 373, 389	70005287..... 15
70004043..... 58, 59	70004767 ..... 341	70005144 ..... 373, 389	70005288..... 15
70004044..... 58, 59	70004768 ..... 341	70005145 ..... 373, 389	70005289..... 15
70004045..... 58	70004769 ..... 341	70005146 ..... 389	70005290..... 15
70004047..... 59	70004770 ..... 341	70005147 ..... 373	70005291..... 15
70004048..... 58, 59	70004771 ..... 341	70005148 ..... 373	70005322..... 69, 71
70004056..... 138, 198	70004772 ..... 341	70005149 ..... 373	70005331..... 53
70004058..... 138, 198	70004773 ..... 341	70005171 ..... 183	70005332..... 53
70004059..... 138, 198	70004774 ..... 341	70005172 ..... 183	70005333..... 53
70004060..... 138, 198	70004775 ..... 341	70005173 ..... 183	70005334..... 53
70004062..... 138, 198	70004794 ..... 73	70005174 ..... 183	70005339..... 33
70004092.. 230, 237, 242, 246, 254	70004883 ..... 53	70005176 ..... 184	70005340..... 33
70004093..... 254	70004890 ..... 203, 207	70005177 ..... 184	70005341..... 33
70004094..... 254	70004892 . 203, 204, 207, 208	70005180 ..... 184	70005342..... 33
70004095..... 254	70004893 ..... 203, 207	70005181 ..... 184	70005343..... 35
70004096..... 254	70004894 ..... 203, 207	70005182 ..... 184	70005344..... 35
70004097..... 254	70004896 ..... 204	70005183 ..... 184	70005345..... 35
70004098... 230, 246, 254		70005184 ..... 184	70005346..... 35
70004099..... 246, 254		70005185 ..... 184	70005347..... 35
		70005186 ..... 184	70005348..... 35
		70005188 ..... 184	70005349..... 35
		70005189 ..... 184	70005350..... 35
		70005191 ..... 185	70005351..... 35
		70005203 ..... 58	70005352..... 35

## PART NUMBER INDEX

70005353 ..... 35	70024914 ..... 184	70025217 ..... 185	7017142 .... 275, 277, 279
70005354 ..... 35	70024915 ..... 184	70025218 ..... 185	7017150 ..... 279
70005355 ..... 35	70024917 ..... 185	70025219 ..... 185	7017158 ..... 275
70005356 ..... 35, 37	70024918 ..... 185	70025220 ..... 185	7017159 .... 275, 277, 279
70005357 ..... 37	70024920 ..... 183, 185	70025221 ..... 184, 185	7017162 .... 275, 277, 279
70005358 ..... 37	70024925 ..... 183	70025222 ..... 185	7017163 .... 275, 277, 279
70005359 ..... 37	70024961 ..... 183	70025223 ..... 185	7017164 .... 275, 277, 279
70005360 ..... 37	70025076 ..... 183	70025224 ..... 185	7017172 .... 275, 277, 279
70005361 ..... 37	70025082 .. 137, 183, 197	70025225 ..... 185	7017192 .... 275, 277, 279
70005362 ..... 37	70025084 . 137, 138, 184, 197, 198	70025226 ..... 185	7017195 .... 275, 277, 279
70005363 ..... 37		70025228 ..... 185	7017467 .... 265, 267, 381
70005364 ..... 37	70025086 ..... 138, 198	70025231 ..... 184	7017480 ..... 53
70005365 ..... 37	70025088 .. 137, 183, 197	70025233 ..... 184	7017496 ... 265, 267, 375, 377, 379, 381
70005366 ..... 37	70025091 .. 137, 183, 197	70025235 ..... 183	7019680 ..... 234, 261
70005367 ..... 29	70025101 ..... 184	70025236 ..... 185	7020023 .... 137, 197, 524
70005368 ..... 29	70025109 ..... 184	70025237 ..... 185	7020026 ..... 137, 197
70005369 ..... 29	70025111 ..... 184	70025238 ..... 185	7020108 ..... 234, 261
70005370 ..... 29	70025113 ..... 185	70025239 ..... 183	7020109 ..... 234, 261
70005371 ..... 29	70025115 ..... 184	70025240 ..... 183	7020110 ..... 234, 261
70006104 .. 265, 267, 381	70025120 ..... 185	70025241 ..... 185	7020111 ..... 234, 261
70006105 .. 265, 267, 381	70025121 ..... 138, 198	70025667 ..... 137, 197	7020175 ..... 87
70006568 ..... 385	70025123 . 137, 138, 197, 198	70025693 ..... 138, 198	7020176 ..... 87
70006569 ..... 385		70025694 ..... 138, 198	7020190 ..... 234, 261
70006570 ..... 385	70025131 .. 138, 184, 198	70025779 ..... 184	7020403 ..... 137, 197
70006571 ..... 385	70025133 ..... 184	70025781 ..... 184	7020404 ..... 183
70006572 ..... 385	70025135 ..... 183	7002821 ..... 528	7020430 ..... 137, 197
70006580 ..... 277	70025139 ..... 137, 197	7002822 ..... 528	7020460 ..... 137, 197
70006636 ..... 381	70025140 ..... 183	7002823 ..... 528	7020465 .... 137, 183, 197
70006649 ..... 387	70025142 ..... 184	7002828 ..... 528	7020468 ..... 137, 197
70006650 ..... 387	70025144 ..... 183	7003974 ..... 339	7020471 ..... 138, 198
70006702 ..... 381	70025145 ..... 183	7004275 ..... 528	7020479 ..... 138, 198
70006703 ..... 381	70025146 ..... 183	7004276 ..... 528	7020492 ... 137, 138, 184, 197, 198
70006704 ..... 381	70025148 ..... 184	70050795 ..... 381	7021229 ..... 204
70006705 ..... 381	70025149 ..... 184	7007419 ..... 203, 207	7021234 ..... 204, 208
70006706 ..... 381	70025150 ..... 184	7007420 .... 203, 204, 207, 208	7021237 ..... 203
70006734 ..... 387	70025151 ..... 183	7007489 ..... 211	7021238 ..... 203, 207
70006735 ..... 387	70025153 ..... 183	7007633 ..... 58	7021239 ..... 203, 207
70006736 ..... 387	70025154 ..... 183	7010103 ..... 211	7021240 ..... 203
70009002 ..... 158	70025159 ..... 184	7010104 ..... 211	7021248 ..... 203, 207
70009004 ..... 157	70025160 ..... 183	7010105 ..... 211	7021249 ..... 203, 207
70009005 ..... 157	70025161 ..... 183	7010474 ..... 58	7021257 ..... 203, 207
70010383 ..... 41, 43, 524	70025164 ..... 184	7010543 ..... 53	7021259 ..... 203, 207
7001481 ..... 204, 208	70025165 ..... 184	7012513 ..... 234, 261	7021262 ..... 203, 207
7001909 ..... 58	70025166 ..... 185	7012514 ..... 234, 261	7021268 ..... 204, 208
7001911 ..... 58	70025171 ..... 183	7012518 ..... 391	7021275 ..... 204
7001912 ..... 58	70025176 ..... 183	7012558 ..... 261	7021276 ..... 204, 208
7001931 ..... 58	70025177 ..... 184	7012925 ..... 375, 377	7021277 ..... 204, 208
7001985 ..... 58	70025179 ..... 184	7012941 ..... 53	7021278 ..... 204, 208
70022564 .. 373, 381, 389	70025180 ..... 184	7012967 ..... 265, 267	7021281 ..... 204, 208
70023369 .. 373, 381, 389	70025182 ..... 183	7012972 ..... 53	7021285 ..... 204
70023370 ..... 373	70025183 ..... 183	7012973 ..... 53	7021290 ..... 204, 208
70023592 ..... 151, 177	70025184 ..... 183	7012987 ..... 211	7022321 ..... 203, 207
70023593 ..... 151, 177	70025185 ..... 184	7012988 ..... 211	7022322 ..... 203, 207
70023915 ..... 385	70025189 ..... 185	7012998 ..... 53, 381	7022331 ..... 203, 207
70024473 ..... 184	70025191 ..... 184	7016319 ..... 97	7022332 ..... 203, 207
70024502 ..... 183	70025192 ..... 185	7016322 ..... 223	7022333 ..... 203, 207
70024503 ..... 185	70025195 ..... 183	7016331 .... 137, 183, 197, 524	7022336 ..... 203, 207
70024504 ..... 183, 185	70025198 ..... 183	7016372 ..... 97	7022338 ..... 203, 207
70024507 ..... 185	70025200 ..... 184	7016654 ..... 528	7022340 ..... 203, 207
70024512 ..... 185	70025201 ..... 184	7017023 ..... 58	7022341 ..... 203, 207
70024513 ..... 183	70025209 ..... 185	7017070 ..... 58	7022343 ..... 203
70024904 ..... 183	70025210 ..... 184	7017072 ..... 58	7022346 ..... 204, 208
70024905 ..... 183	70025211 ..... 185	7017080 ..... 58	7022347 ..... 204, 208
70024906 ..... 183	70025213 ..... 185	7017082 ..... 59	7022351 ..... 204
70024910 ..... 184	70025214 ..... 185	7017085 ..... 58	7022355 ..... 207
70024912 ..... 184	70025215 ..... 184		
70024913 ..... 184	70025216 ..... 184		

## PART NUMBER INDEX

7022357.....	207	7024472.....	369	7027780.....	369	8405009....	129, 151, 157, 177, 189
7022358.....	208	7024473.....	369	7027790.....	138, 198	8405104.....	151, 177
7022390 45, 49, 265, 267, 381		7024474.....	369	7027791.....	138, 198	8405202.....	151, 177
7022399.....	45, 49	7024475.....	369	7027792.....	138, 198	8405204.....	151, 177
7022832.....	339	7024478.....	369	7027796.....	138, 198	8406101.....	143, 169
7022833.....	339	7024485 ....	249, 254, 257	7027799 ....	249, 254, 257	8406109....	135, 151, 165, 177, 195
7022834.....	339	7024488 ....	249, 253, 257	7027887 .....	234, 261	8406110....	152, 178, 285, 293, 297, 301
7022835.....	339	7024489 ....	249, 253, 257	7027903 .....	138, 198	8406201.....	152, 178
7022836.....	339	7024565 .....	138, 198	77363233 .....	469	8410013.....	143, 169
7022837.....	339	7024579 ....	137, 183, 197	80484084 .....	461	8750014....	129, 143, 157, 169, 189
7022838.....	339	7024598 .....	223	80633030 .....	400, 408	8750031....	129, 143, 157, 169, 189
7022839.....	339	7024704 .....	58	80963067 .....	494	8769128.....	225, 227
7023900.....	45, 49	7024743 .....	58	80983191 .....	461	8769139.....	225, 227
7023936.....	45, 49	7024763 .....	58	8220045 .....	471, 494	88521205.....	75
7023999.....	203	7024784 .....	59	8220051 .....	465	90200755.....	108, 116
7024379.....	59	7024800 .....	203, 207	8220115 .....	461	91164057.....	46, 50
7024380.....	59	7024806 .....	204	8220125 .....	494	91164059.....	46, 50
7024381.....	59	7026188 .....	249, 257	8220164 .....	461	91164079.....	46, 50
7024389.....	59	7026199 .....	234, 261	8229242 .....	461, 494	91203039.....	291
7024390.....	59	7026330 .....	77	8229244 .....	494	91401281.....	75
7024441.....	73	7026597 ....	249, 254, 257	8229245 .....	471, 494	91554014.....	493
7024453.....	59	7026626 ....	249, 254, 257	8305401 ...	134, 150, 164, 176, 194		
7024458.....	59	7027236 .....	137, 197	8307109 ...	134, 151, 164, 177, 194		
7024462.....	369	7027773 .....	369	8310129 .....	359		
7024463.....	369	7027774 .....	369	8310548 ...	134, 151, 164, 177, 194		
7024467.....	369	7027775 .....	369	8405006 .....	143, 169		
7024469.....	369	7027776 .....	369	8405007 .....	151, 177		
7024470.....	369	7027777 .....	369				
7024471.....	369	7027778 .....	369				
		7027779 .....	369				





3121706



An Oshkosh Corporation Company

**Corporate Office**  
**JLG Industries, Inc.**  
**1 JLG Drive**  
**McConnellsburg, PA 17233-9533 USA**  
☎ **(717) 485-5161 (Corporate)**  
☎ **(877) 554-5438 (Customer Support)**  
☎ **(717) 485-6417**

**Visit our website for JLG Worldwide Locations.**  
**[www.jlg.com](http://www.jlg.com)**