



# Illustrated Parts Manual

*Model*

**530LRT**

**Prior to SN E200000676  
SN 1200027648 Through 1200030222**

P/N  
3121709

*August 20, 2018 - Rev M*

**ANSI**

**CE**



**AS/NZS**



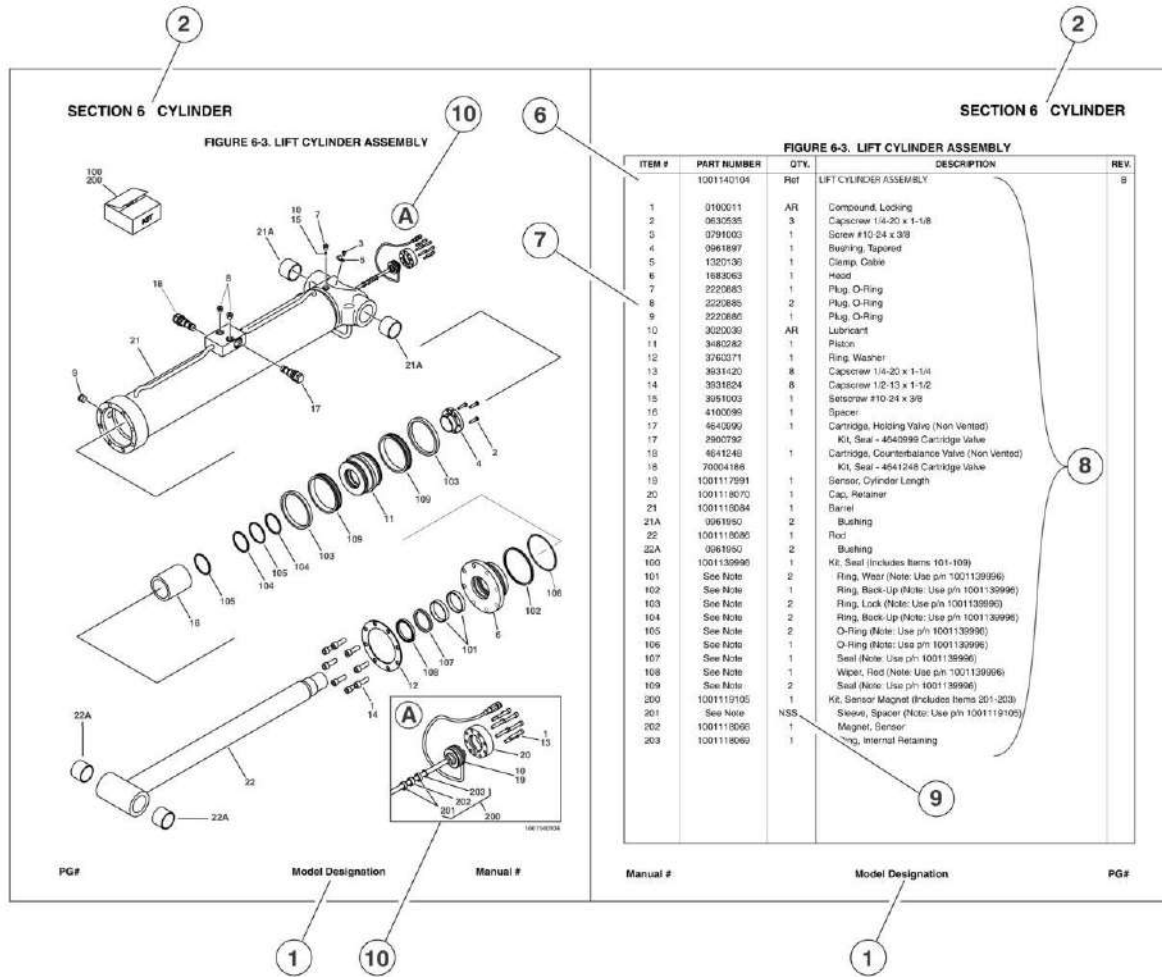
An Oshkosh Corporation Company



## **REVISION LOG**

**September 14, 2015 - A - Original Issue Of Manual (Edited to B/M 1001182000 Revision C) (Revision 1)**  
**December 21, 2015 - B - Revised Manual (Edited to B/M 1001182000 Revision D) (Revision 2)**  
**March 7, 2016 - C - Revised Manual (Edited to B/M 1001182000 Revision D) (Revision 3)**  
**June 24, 2016 - D - Revised Manual (Edited to B/M 1001182000 Revision G) (Revision 2)**  
**September 26, 2016 - E - Revised Manual (Edited to B/M 1001182000 Revision J) (Revision 2)**  
**January 31, 2017 - F - Revised Manual (Edited to B/M 1001182000 Revision K) (Revision 2)**  
**April 30, 2017 - G - Revised Manual (Edited to B/M 1001182000 Revision L)**  
**June 21, 2017 - H - Revised Manual (Edited to B/M 1001182000 Revision L)**  
**September 28, 2017 - I - Revised Manual (Edited to B/M 1001182000 Revision M)**  
**December 22, 2017 - J - Revised Manual (Edited to B/M 1001182000 Revision M)**  
**March 30, 2018 - K - Revised Manual (Edited to B/M 1001182000 Revision M)**  
**June 30, 2018 - L - Revised Manual (Edited to B/M 1001182000 Revision M)**  
**August 20, 2018 - M - Revised Manual (Edited to B/M 1001182000 Revision M) (Revision 1)**

# GENERAL INFORMATION



## 1) MACHINE IDENTIFICATION

Machines are identified by model and in some cases a combination of models, serial number (SN) or regional standard (i.e. ANSI, CE, CSA). Components may also be identified by SN or manufacturer. Common components that may be identified by these characteristics are engines and hydraulic components.

## 2) PARTS MANUAL ORGANIZATION

Product information in this manual is organized under section titles. Frame, Cylinder, Hydraulic and Electrical are a few examples. Each section is organized by figure and page number. The information within the Figure is then organized by item number, part number, description and corresponding illustration (s).

## 3) TABLE OF CONTENTS

A table of contents is found toward the beginning of the manual. Figure number, description and page number are provided for quick reference to the page containing the related information.

## 4) RECOMMENDED SPARE PARTS

The Recommended Spare Parts, located near the end of the manual, reference most frequently used maintenance parts.

## 5) PART NUMBER INDEX

A numerical index listing all part numbers and the corresponding page number(s) appears at the back of the manual.

## GENERAL INFORMATION

### 6) NON-SERVICED PARTS

In some instances, it is necessary to display non-serviced parts, assemblies or installations. In the case of assemblies and installations there will be a Ref in the Qty column. In case of parts that are not available for service within assemblies or components, there will be a NSS (Not Sold Separately) or NLA (No Longer Available) listed in the Qty. column of the manual.

### 7) PARTS LIST ITEM NUMBERS

Numbers shown in the item# column correspond to numbers used in the associated illustration (s). Item numbers which are missing from the sequence in the parts list are not used on that page

### 8) INDENTED PARTS DESCRIPTION

An indented part description is included in the item under which it is indented.

### 9) ABB REVIATION AND SYMBOLS

AC.....	.. Alternating Current	LCD.....	.. Liquid Crystal Display
ADE.....	..Advanced Design Electronics	LED.....	.. Light Emitting Diodes
ANSI.....	..American National Standards Institute	LH.....	.. Left Hand
AR.....	..As Required	LSS.....	..Load Sensing System
ASSY.....	..Assembly	M(m).....	..Metric/Meter
AUX.....	..Auxiliary	MM (mm).....	..Milimeter
AWG.....	..American WireGauge	mA.....	..Miliamps
B/M.....	..Bill of Material	NLA.....	.....No Longer Available
CE.....	..European Conformity	NPT.....	..National Pipe Threads
CCW.....	..Counter Clockwise	NSS.....	.....Not Sold Separately
cm.....	..Centimeter	OD.....	..Outside Diameter
CW.....	..Clockwise	ORB.....	..O-Ring Boss
CSA.....	..Canadian Standards Association	ORFS.....	..O-Ring Face Seal
CYL.....	..Cylinder	OZ (oz).....	..Ounces
DIA.....	..Diameter	PG.....	..Page
DC.....	..Direct Current	P/N.....	..Part Number
EMS.....	..Emergency Stop	qt.....	..Quarts
ENG.....	..Engine	QTY.....	..Quantity
FT (ft).....	..Feet	REF.....	..Reference
GA(Ga).....	..Gauge	REV.....	..Revision Level
HYD.....	..Hydraulic	RH.....	..Right Hand
HZ.....	..Hertz	SAE.....	..Society of Automotive Engineers
ID.....	..Inside Diameter	SN.....	..Serial Number
in.....	..inches	SPEC(S).....	..Specifications
ISO.....	..International Organization for Standards	T/T.....	..Turntable
JIC.....	..Joint Industry Council	UGM.....	..Universal Ground Module
KG.....	..Kilogram	V.....	..Volts
L.....	..Liter	W.....	..Watts
LB.....	..Pounds	#.....	..Number

### 10) ILLUSTRATION REFERENCE LETTERS

When necessary, illustrations may contain reference letters that are intended to track information (i. e. hoses, harnesses) from one point to another or to track visual enlargement of components to show details that may be located in another area on the illustration.

*Note: Due to continuous product improvements, JLG Industries, Inc. reserves the right to make specification changes without prior notification. Contact JLG Industries, Inc. for updated information.*



# TABLE OF CONTENTS

SECTION 1 - FRAME.....	11
FIGURE 1-1. AXLE INSTALLATION - FIXED.....	12
FIGURE 1-2. AXLE INSTALLATION - OSCILLATING.....	14
FIGURE 1-3. STEER INSTALLATION.....	16
FIGURE 1-4. WHEEL DRIVE INSTALLATION.....	18
FIGURE 1-5. DRIVE HUB ASSEMBLY - FRONT.....	20
FIGURE 1-6. DRIVE HUB AND BRAKE ASSEMBLY - REAR.....	22
FIGURE 1-7. DRIVE MOTOR ASSEMBLY.....	26
FIGURE 1-8. TIRE AND WHEEL INSTALLATION - 12 X 16.5 FOAM FILLED.....	28
FIGURE 1-9. TIRE AND WHEEL INSTALLATION - 12 X 16.5 FOAM FILLED NON-MARKING.....	30
FIGURE 1-10. TIRE AND WHEEL INSTALLATION - IN395/45/D20 FOAM FILLED.....	32
FIGURE 1-11. TIRE AND WHEEL INSTALLATION - IN395/45/D20 FOAM FILLED NON-MARKING.....	34
FIGURE 1-12. BEACON LIGHT INSTALLATION - OPTIONAL.....	36
FIGURE 1-13. LEVELING JACKS INSTALLATION.....	38
FIGURE 1-14. LEVELING JACKS ASSEMBLY.....	40
FIGURE 1-15. LEVELING JACK VALVE ASSEMBLY.....	42
SECTION 2 - GROUND CONTROLS.....	45
FIGURE 2-1. VALVE INSTALLATION.....	46
FIGURE 2-2. MAIN VALVE ASSEMBLY.....	48
FIGURE 2-3. FLOW DIVIDER VALVE ASSEMBLY.....	50
FIGURE 2-4. TANKS AND HORN INSTALLATION - DIESEL.....	52
FIGURE 2-5. TANKS AND HORN INSTALLATION - GASOLINE.....	54
FIGURE 2-6. HYDRAULIC TANK ASSEMBLY.....	56
FIGURE 2-7. ELECTRICAL COMPONENTS INSTALLATION - KUBOTA STAGE III DIESEL.....	58
FIGURE 2-8. ELECTRICAL COMPONENTS INSTALLATION - KUBOTA T4F DIESEL.....	60
FIGURE 2-9. ELECTRICAL COMPONENTS INSTALLATION - KUBOTA GASOLINE.....	62
FIGURE 2-10. GROUND CONTROL BOX ASSEMBLY - KUBOTA STAGE III DIESEL.....	64
FIGURE 2-11. GROUND CONTROL BOX ASSEMBLY - KUBOTA T4F DIESEL.....	66
FIGURE 2-12. GROUND CONTROL BOX ASSEMBLY - KUBOTA GASOLINE.....	68
FIGURE 2-13. MOTION ALARM INSTALLATION.....	70
FIGURE 2-14. WHITE NOISE ALARM INSTALLATION.....	72
FIGURE 2-15. HOODS INSTALLATION.....	74
SECTION 3 - ENGINE.....	77
FIGURE 3-1. ENGINE INSTALLATION - KUBOTA DIESEL STAGE III.....	78
FIGURE 3-2. ENGINE AND PUMP SUB-ASSEMBLY - KUBOTA DIESEL STAGE III.....	82
FIGURE 3-3. ENGINE ASSEMBLY - KUBOTA DIESEL STAGE III.....	84
FIGURE 3-4. ENGINE COMPONENTS - KUBOTA DIESEL STAGE III.....	88
FIGURE 3-5. ENGINE INSTALLATION - KUBOTA DIESEL T4F.....	92
FIGURE 3-6. ENGINE AND PUMP SUB-ASSEMBLY - KUBOTA DIESEL T4F.....	96
FIGURE 3-7. ENGINE ASSEMBLY - KUBOTA DIESEL T4F.....	98
FIGURE 3-8. ENGINE COMPONENTS - KUBOTA DIESEL T4F.....	102
FIGURE 3-9. ENGINE INSTALLATION - KUBOTA GASOLINE.....	106
FIGURE 3-10. ENGINE AND PUMP SUB-ASSEMBLY - KUBOTA GASOLINE.....	112
FIGURE 3-11. ENGINE ASSEMBLY - KUBOTA GASOLINE.....	114
FIGURE 3-12. ENGINE COMPONENTS - KUBOTA GASOLINE.....	118
FIGURE 3-13. FUEL/WATER SEPARATOR ASSEMBLY - DIESEL ENGINES.....	122
FIGURE 3-14. COUPLING KIT - DIESEL ENGINES.....	124
FIGURE 3-15. COUPLING KIT - GASOLINE ENGINES.....	126
FIGURE 3-16. PISTON PUMP ASSEMBLY.....	128
FIGURE 3-17. FAN GUARD INSTALLATION - KUBOTA (SN E20000404 through E20000675, SN 1200027648 through 1200030222).....	132
FIGURE 3-18. SPARK ARRESTOR MUFFLER - OPTIONAL (DIESEL ENGINES).....	134
FIGURE 3-19. SPARK ARRESTOR MUFFLER - OPTIONAL (GASOLINE ENGINES).....	136
FIGURE 3-20. GENERATOR INSTALLATION - 4000W (KUBOTA DIESEL STAGE III).....	138
FIGURE 3-21. GENERATOR INSTALLATION - 4000W (KUBOTA DIESEL T4F).....	142
FIGURE 3-22. GENERATOR INSTALLATION - 4000W (KUBOTA GASOLINE) (DUAL FUEL).....	146
FIGURE 3-23. GENERATOR INSTALLATION - 7500W (KUBOTA DIESEL STAGE III).....	150
FIGURE 3-24. GENERATOR INSTALLATION - 7500W (KUBOTA DIESEL T4F).....	154
FIGURE 3-25. GENERATOR INSTALLATION - 7500W (KUBOTA GASOLINE) (DUAL FUEL).....	158
FIGURE 3-26. JUNCTION BOX ASSEMBLY - 4000W GENERATOR (ALL SPECS EXCEPT AUSTRALIAN AND CE SPECS).....	162
FIGURE 3-27. JUNCTION BOX ASSEMBLY - 7500W GENERATOR (ALL SPECS EXCEPT AUSTRALIAN AND CE SPECS).....	164

# TABLE OF CONTENTS

FIGURE 3-28. JUNCTION BOX ASSEMBLY - 4000W/7500W GENERATOR (AUSTRALIAN AND CE SPECS).....	166
FIGURE 3-29. RECEPTACLE ASSEMBLY (ALL SPECS EXCEPT AUSTRALIAN AND CE SPEC).....	168
SECTION 4 - SCISSORS ARMS.....	171
FIGURE 4-1. SCISSORS ARMS ASSEMBLY.....	172
FIGURE 4-2. SCISSORS ARMS INSTALLATION WITH AC CABLE.....	178
FIGURE 4-3. SCISSORS ARMS INSTALLATION WITH GENERATOR.....	180
FIGURE 4-4. ARM GUARDS INSTALLATION.....	182
SECTION 5 - PLATFORM.....	185
FIGURE 5-1. PLATFORM AND SINGLE EXTENSION INSTALLATION - STANDARD.....	186
FIGURE 5-2. PLATFORM AND DUAL EXTENSION INSTALLATION - STANDARD.....	188
FIGURE 5-3. PLATFORM AND DUAL EXTENSION INSTALLATION - MEGADECK.....	190
FIGURE 5-4. RAILS INSTALLATION - STANDARD PLATFORM WITH SINGLE EXTENSION.....	192
FIGURE 5-5. RAILS INSTALLATION - STANDARD PLATFORM WITH DUAL EXTENSION.....	196
FIGURE 5-6. RAILS INSTALLATION - MEGADECK PLATFORM WITH DUAL EXTENSION.....	200
FIGURE 5-7. PLATFORM CONSOLE BOX INSTALLATION - DIESEL MACHINES.....	204
FIGURE 5-8. PLATFORM CONSOLE BOX INSTALLATION - GASOLINE MACHINES.....	206
FIGURE 5-9. CONTROLLER ASSEMBLY.....	208
FIGURE 5-10. PLATFORM MODULE INSTALLATION.....	210
FIGURE 5-11. PIPE RACK INSTALLATION.....	212
SECTION 6 - CYLINDER.....	215
FIGURE 6-1. AXLE LOCKOUT CYLINDER ASSEMBLY.....	216
FIGURE 6-2. LIFT CYLINDER ASSEMBLY - LOWER.....	218
FIGURE 6-3. LIFT CYLINDER ASSEMBLY - UPPER.....	220
FIGURE 6-4. LEVELING JACK CYLINDER ASSEMBLY.....	222
FIGURE 6-5. STEER CYLINDER ASSEMBLY.....	224
SECTION 7 - HYDRAULIC.....	227
FIGURE 7-1. HYDRAULIC DIAGRAM - FIXED AXLE.....	228
FIGURE 7-2. HYDRAULIC DIAGRAM - OSCILLATING AXLE.....	236
FIGURE 7-3. HYDRAULIC DIAGRAM - SCISSOR ARMS.....	246
FIGURE 7-4. HYDRAULIC DIAGRAM LIST.....	248
SECTION 8 - ELECTRICAL.....	249
FIGURE 8-1. ELECTRICAL DIAGRAM LIST.....	250
FIGURE 8-2. AC BOX AT PLATFORM INSTALLATION - 110V GFI (ANSI AND ANSI EXPORT SPECS) (Prior to SN E200000130).....	252
FIGURE 8-3. AC BOX AT PLATFORM INSTALLATION - 110V GFI (ANSI AND ANSI EXPORT SPECS) (SN E200000130 through E200000675, SN 1200027648 through 1200030222).....	254
FIGURE 8-4. AC BOX AT PLATFORM INSTALLATION - 220V (ANSI AND ANSI EXPORT SPECS) (Prior to SN E200000130).....	256
FIGURE 8-5. AC BOX AT PLATFORM INSTALLATION - 220V (ANSI AND ANSI EXPORT SPECS) (SN E200000130 through E200000675, SN 1200027648 through 1200030222).....	258
FIGURE 8-6. AC BOX AT PLATFORM INSTALLATION - 220V (CUSTOMER SUPPLIED COMPONENTS) (Prior to SN E200000130).....	260
FIGURE 8-7. AC BOX AT PLATFORM INSTALLATION - 110V IEC YELLOW (CE SPEC) (Prior to SN E200000130).....	262
FIGURE 8-8. AC BOX AT PLATFORM INSTALLATION - 110V IEC YELLOW (CE SPEC) (SN E200000130 through E200000675, SN 1200027648 through 1200030222).....	264
FIGURE 8-9. AC BOX AT PLATFORM INSTALLATION - 220V IEC BLUE (CE SPEC) (Prior to SN E200000130).....	266
FIGURE 8-10. AC BOX AT PLATFORM INSTALLATION - 220V IEC BLUE (CE SPEC) (SN E200000130 through E200000675, SN 1200027648 through 1200030222).....	268
FIGURE 8-11. AC BOX AT PLATFORM INSTALLATION - 220V AFSINT107 (CE SPEC) (Prior to SN E200000130).....	270
FIGURE 8-12. AC BOX AT PLATFORM INSTALLATION - 220V AFSINT107 (CE SPEC) (SN E200000130 through E200000675, SN 1200027648 through 1200030222).....	272
FIGURE 8-13. AC BOX AT PLATFORM INSTALLATION - 220V CEE7 POST GROUND WITH 2X4 BOX (CE SPEC) (Prior to SN E200000130).....	274
FIGURE 8-14. AC BOX AT PLATFORM INSTALLATION - 220V CEE7 POST GROUND WITH 2X4 BOX (CE SPEC) (SN E200000130 through E200000675, SN 1200027648 through 1200030222).....	276
FIGURE 8-15. AC BOX AT PLATFORM INSTALLATION - 220V CEE7 POST GROUND WITH 70X70 BOX (CE SPEC) (Prior to SN E200000130).....	278



# TABLE OF CONTENTS

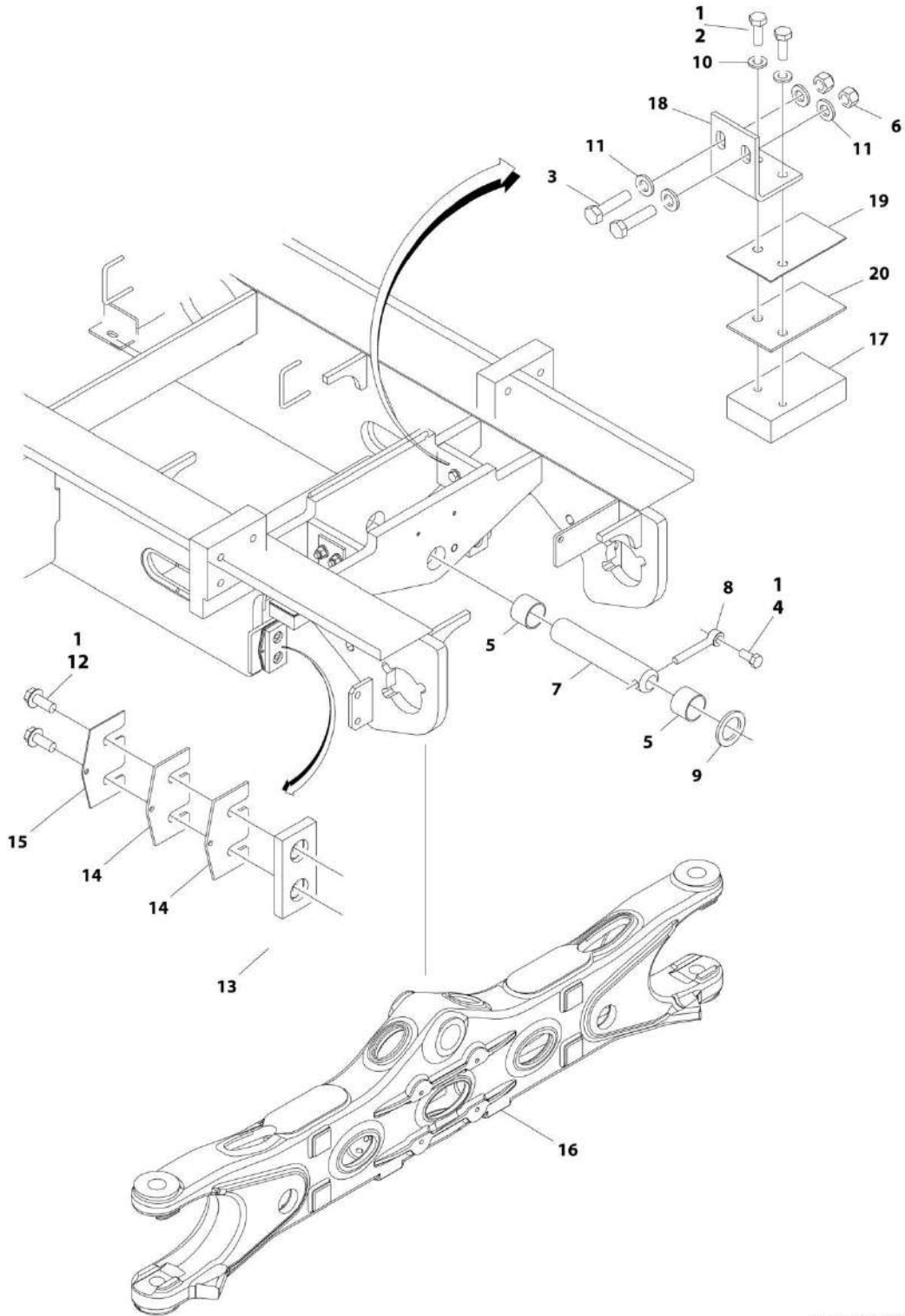
FIGURE 8-16. AC BOX AT PLATFORM INSTALLATION - 220V CEE7 POST GROUND WITH 70X70 BOX (CE SPEC) (SN E200000130 through E200000675, SN 1200027648 through 1200030222) .....	280
FIGURE 8-17. AC BOX AT PLATFORM INSTALLATION - 220V CEE7 SIDE GROUND WITH 2X4 BOX (CE SPEC) (Prior to SN E200000130) .....	282
FIGURE 8-18. AC BOX AT PLATFORM INSTALLATION - 220V CEE7 SIDE GROUND WITH 2X4 BOX (CE SPEC) (SN E200000130 through E200000675, SN 1200027648 through 1200030222) .....	284
FIGURE 8-19. AC BOX AT PLATFORM INSTALLATION - 220V CEE7 SIDE GROUND WITH 70X70 BOX (CE SPEC) (Prior to SN E200000130) .....	286
FIGURE 8-20. AC BOX AT PLATFORM INSTALLATION - 220V CEE7 SIDE GROUND WITH 70X70 BOX (CE SPEC) (SN E200000130 through E200000675, SN 1200027648 through 1200030222) .....	288
FIGURE 8-21. BATTERY CABLE KIT - DIESEL ENGINES .....	290
FIGURE 8-22. BATTERY CABLE KIT - GASOLINE ENGINES .....	292
FIGURE 8-23. BEACON HARNESS ASSEMBLY (OPTIONAL) .....	294
FIGURE 8-24. BREAKER BOX KIT .....	296
FIGURE 8-25. CHASSIS HARNESS .....	298
FIGURE 8-26. DUAL FUEL HARNESS .....	300
FIGURE 8-27. ENGINE HARNESS - KUBOTA DIESEL .....	304
FIGURE 8-28. ENGINE HARNESS - KUBOTA GASOLINE .....	308
FIGURE 8-29. GENERATOR CONTROL HARNESS - 4000W GENERATOR (GENERATOR TO CONTROL BOX) .....	312
FIGURE 8-30. GENERATOR CONTROL HARNESS - 4000W GENERATOR (CONTROL BOX TO GENERATOR CONTROL) .....	314
FIGURE 8-31. GENERATOR CONTROL HARNESS - 7500W GENERATOR (GENERATOR TO CONTROL BOX) .....	316
FIGURE 8-32. GENERATOR CONTROL HARNESS - 7500W GENERATOR (CONTROL BOX TO GENERATOR CONTROL) .....	318
FIGURE 8-33. GROUND CONTROL BOX HARNESS - LOWER .....	320
FIGURE 8-34. GROUND CONTROL BOX HARNESS - UPPER .....	322
FIGURE 8-35. GROUND TO LOWER LIFT CYLINDER HARNESS .....	324
FIGURE 8-36. GROUND TO UPPER LIFT CYLINDER HARNESS .....	326
FIGURE 8-37. GROUND TO PLATFORM HARNESS .....	328
FIGURE 8-38. HYDRAULIC COMPARTMENT HARNESS .....	330
FIGURE 8-39. LEVELING JACK HARNESS .....	332
FIGURE 8-40. LSS HARNESS TO X51 .....	334
FIGURE 8-41. LSS HARNESS TO X52 .....	336
FIGURE 8-42. OSCILLATING AXLE HARNESS .....	338
FIGURE 8-43. PLATFORM CONSOLE BOX HARNESS .....	340
FIGURE 8-44. PLATFORM MODULE TO CONSOLE BOX HARNESS .....	342
FIGURE 8-45. RECEPTACLE BOX KIT - 110V GFI .....	344
FIGURE 8-46. RECEPTACLE BOX KIT - 110V IEC YELLOW (CE SPEC) .....	346
FIGURE 8-47. RECEPTACLE BOX KIT - 220V IEC BLUE (CE SPEC) .....	348
FIGURE 8-48. RECEPTACLE BOX KIT - 220V AFSINT 107 (CE SPEC) .....	350
FIGURE 8-49. RECEPTACLE BOX KIT - 220V CEE7 SIDE GROUND (CE SPEC) .....	352
FIGURE 8-50. RECEPTACLE BOX KIT - 220V CEE7 POST GROUND (CE SPEC) .....	354
FIGURE 8-51. SCISSORS ARMS GUARD HARNESS .....	356
SECTION 9 - DECALS .....	359
FIGURE 9-1. DECAL INSTALLATION - ANSI AND ANSI EXPORT SPECS (ENGLISH) .....	360
FIGURE 9-2. DECAL INSTALLATION - AUSTRALIAN AND JAPANESE SPECS .....	362
FIGURE 9-3. DECAL INSTALLATION - BRAZIL SPECS (SPANISH/PORTUGUESE) .....	364
FIGURE 9-4. DECAL INSTALLATION - CE SPEC .....	366
FIGURE 9-5. DECAL INSTALLATION - CHINESE SPECS (ENGLISH/CHINESE) .....	368
FIGURE 9-6. DECAL INSTALLATION - CSA (ENGLISH/FRENCH) .....	370
FIGURE 9-7. DECAL INSTALLATION - KOREAN SPECS (ENGLISH/KOREAN) .....	372
FIGURE 9-8. DECAL INSTALLATION - LATIN AMERICAN SPECS (ENGLISH/SPANISH) .....	374
FIGURE 9-9. DECAL INSTALLATION - OPTIONS .....	376
SECTION 10 - RECOMMENDED SERVICE PARTS STOCK .....	379
FIGURE 10-1. RECOMMENDED SERVICE PARTS STOCK .....	380
SECTION 11 - SPECIAL OPTIONS .....	381
FIGURE 11-1. SPECIAL OPTIONS .....	382
PART NUMBER INDEX .....	385



**SECTION 1 - FRAME**

# SECTION 1 - FRAME

## FIGURE 1-1. AXLE INSTALLATION - FIXED



ART\_1001177745

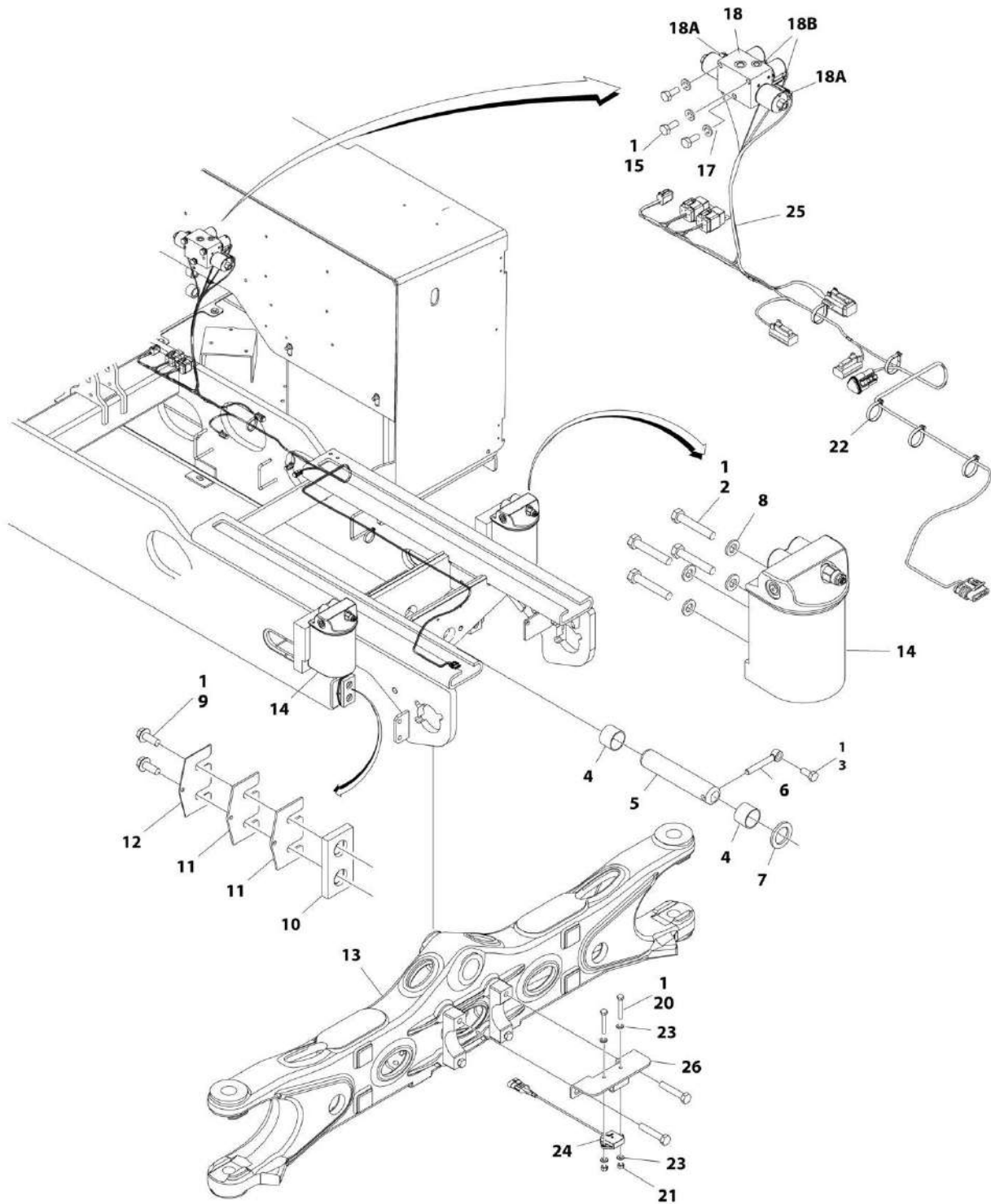
# SECTION 1 - FRAME

## FIGURE 1-1. AXLE INSTALLATION - FIXED

ITEM	PART NUMBER	QTY	DESCRIPTION	REV
	1001177745	Ref	AXLE INSTALLATION - FIXED	A
1	0100011	AR	Compound, Locking	
2	0701014	4	Bolt M10 x 30	
3	0701218	4	Bolt M12 x 50	
4	0761615	1	Bolt M16 x 35	
5	0961950	2	Bearing	
6	3291205	4	Nut M12	
7	3422592	1	Pin	
8	3841258	1	Keeper, Pin	
9	4740158	1	Washer	
10	5241000	4	Washer M10	
11	5241200	8	Washer M12	
12	5251012	4	Bolt M10 x 25	
13	1001118511	2	Pad, Wear	
14	1001118518	4	Shim 11Ga	
15	1001118519	2	Shim 16Ga	
16	1001162995	1	Axle	
17	1001180307	2	Block	
18	1001180309	2	Bracket	
19	1001180315	2	Shim .06	
20	1001180316	2	Shim .12	

# SECTION 1 - FRAME

## FIGURE 1-2. AXLE INSTALLATION - OSCILLATING



ART\_1001177749

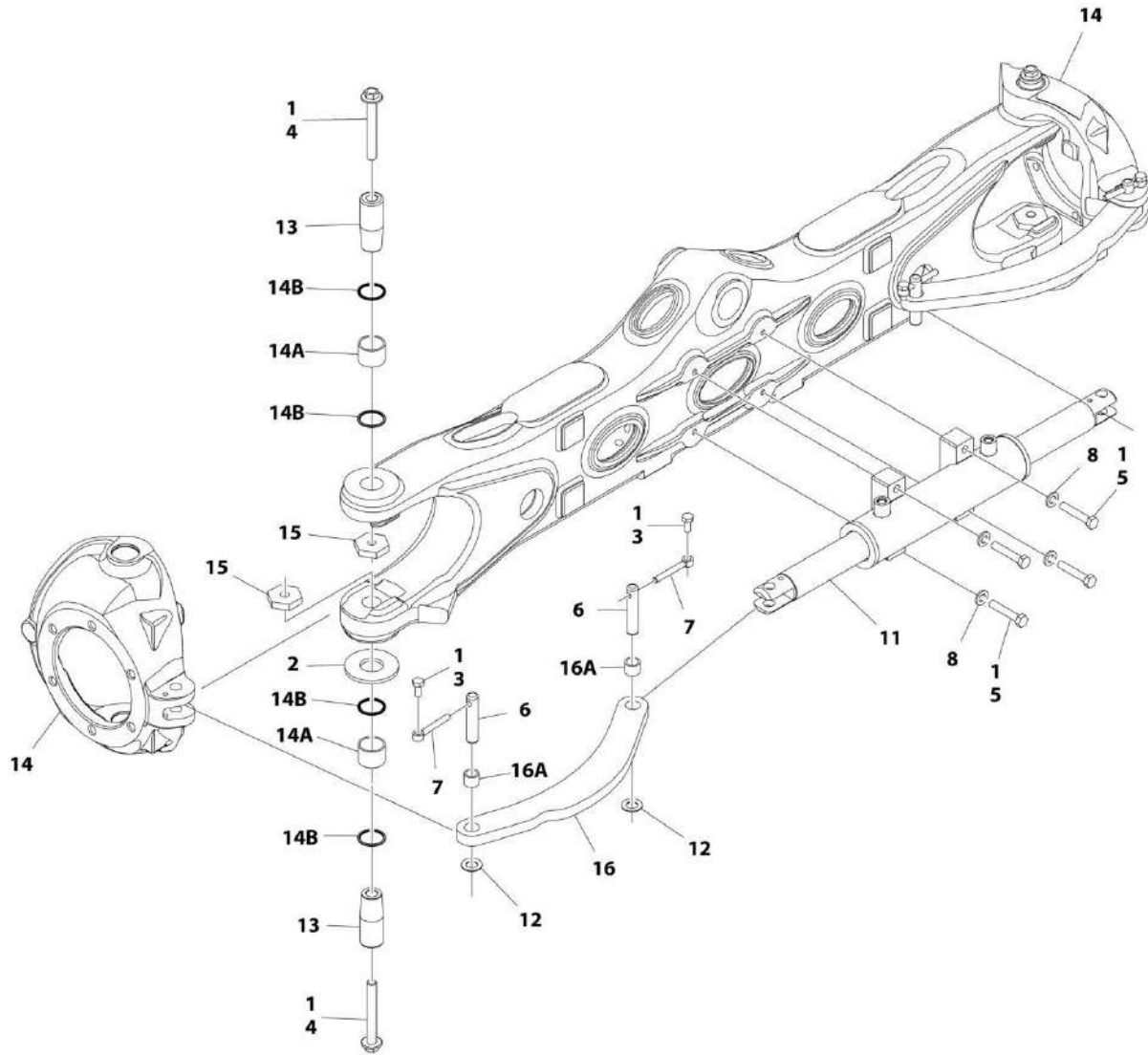
## SECTION 1 - FRAME

**FIGURE 1-2. AXLE INSTALLATION - OSCILLATING**

ITEM	PART NUMBER	QTY	DESCRIPTION	REV
	1001177749	Ref	AXLE INSTALLATION - OSCILLATING	F
1	0100011	AR	Compound, Locking	
2	0701222	8	Bolt M12 x 70	
3	0761615	1	Bolt M16 x 35	
4	0961950	2	Bearing	
5	3422592	1	Pin	
6	3841258	1	Keeper, Pin	
7	4740158	1	Washer	
8	5241200	8	Washer M12	
9	5251012	4	Bolt M10 x 25	
10	1001118511	2	Pad, Wear	
11	1001118518	4	Shim 11Ga	
12	1001118519	2	Shim 16Ga	
13	1001162995	1	Axle	
14	1001163580	2	Axle Lockout Cylinder Assembly (See CYLINDER SECTION for Breakdown)	
15	0701012	3	Bolt M10 x 25	
17	5241000	3	Washer M10	
18	1001191201	1	Axle Lockout Valve Assembly	
18A	7012910	2	Cartridge, Solenoid Less Coil	
18A	2900708	2	Seal Kit - 7012910 Valve	
18A	70003977	2	Nut, Coil	
18A	70050516	2	Coil	
18B	70005163	2	Cartridge, Solenoid Less Coil	
18B	70005164	2	Seat Kit - 70005163 Valve	
18B	7022390	2	Nut, Coil	
18B	70002963	2	Coil	
20	0700616	2	Bolt M6 x 40	
21	3290601	2	Nut M6	
22	4240018	5	Tie-Strap	
23	4811700	4	Washer M6	
24	1001186467	1	Sensor, Dual Axis	
25	1001187601	1	Oscillating Axle Harness (See ELECTRICAL SECTION for Breakdown)	
26	1001187695	1	Bracket	

# SECTION 1 - FRAME

## FIGURE 1-3. STEER INSTALLATION



ART\_1001177747

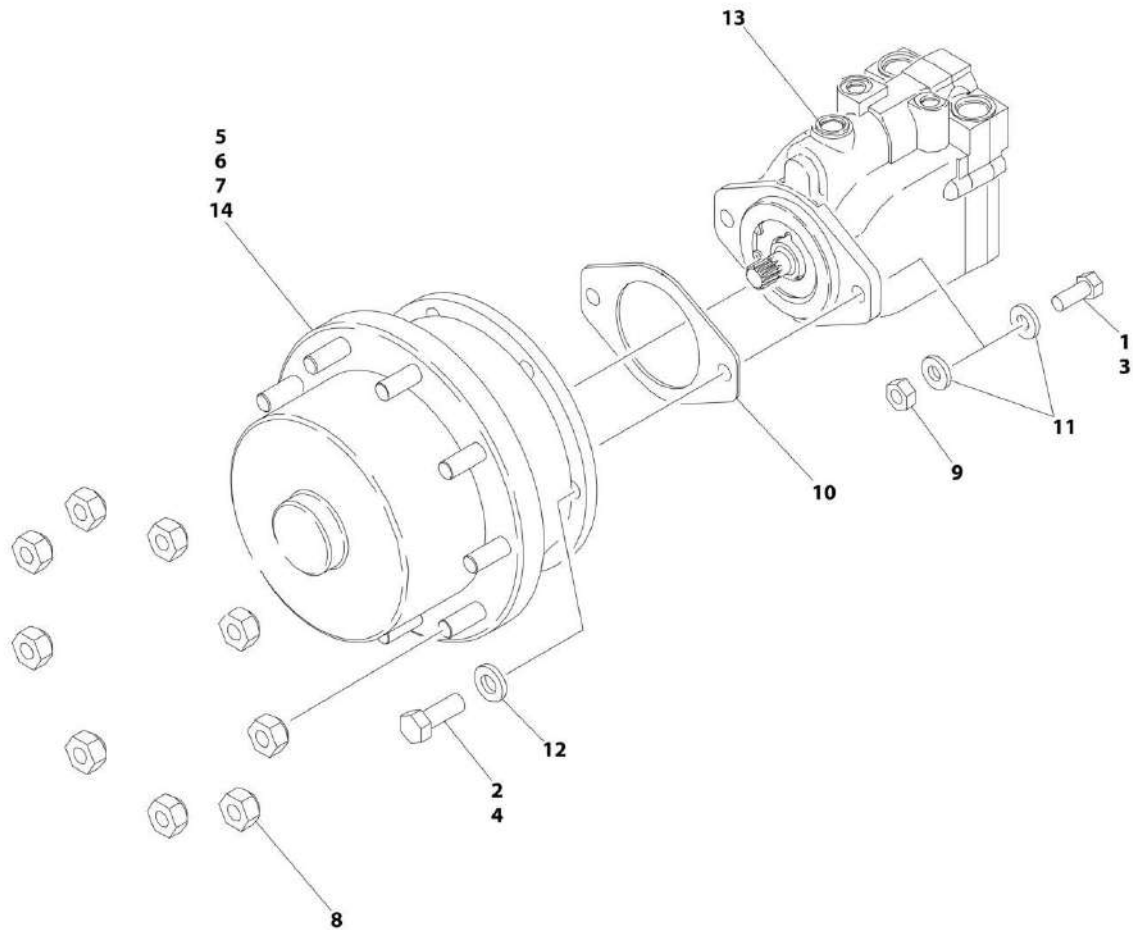


FIGURE 1-3. STEER INSTALLATION

ITEM	PART NUMBER	QTY	DESCRIPTION	REV
	1001177747	Ref	STEER INSTALLATION	D
1	0100011	AR	Compound, Locking	
2	0440271	2	Bearing, Thrust ( <b>Prior to SN E200000204</b> )	
2	1001233139	2	Washer, Thrust ( <b>SN E200000204 through E200000675, SN 1200027648 through 1200030222</b> )	
3	0761011	4	Bolt M10 x 22	
4	1001190368	4	Bolt M16 x 120	
5	0711221	4	Bolt M12 x 65	
6	3423304	4	Pin, Pivot	
7	3841143	4	Keeper, Pin	
8	5241200	4	Washer M12	
11	1001163178	1	Steer Cylinder Assembly (See CYLINDER SECTION for Breakdown)	
12	4740086	4	Washer	
13	1001163405	4	Kingpin	
14	1001163715	2	Spindle Assembly	
14A	0961948	2	Bearing	
14B	1001163716	4	Seal	
15	1001176848	4	Nut M16	
16	1001179256	2	Tie-Rod	
16A	1001164209	2	Bearing	

# SECTION 1 - FRAME

## FIGURE 1-4. WHEEL DRIVE INSTALLATION



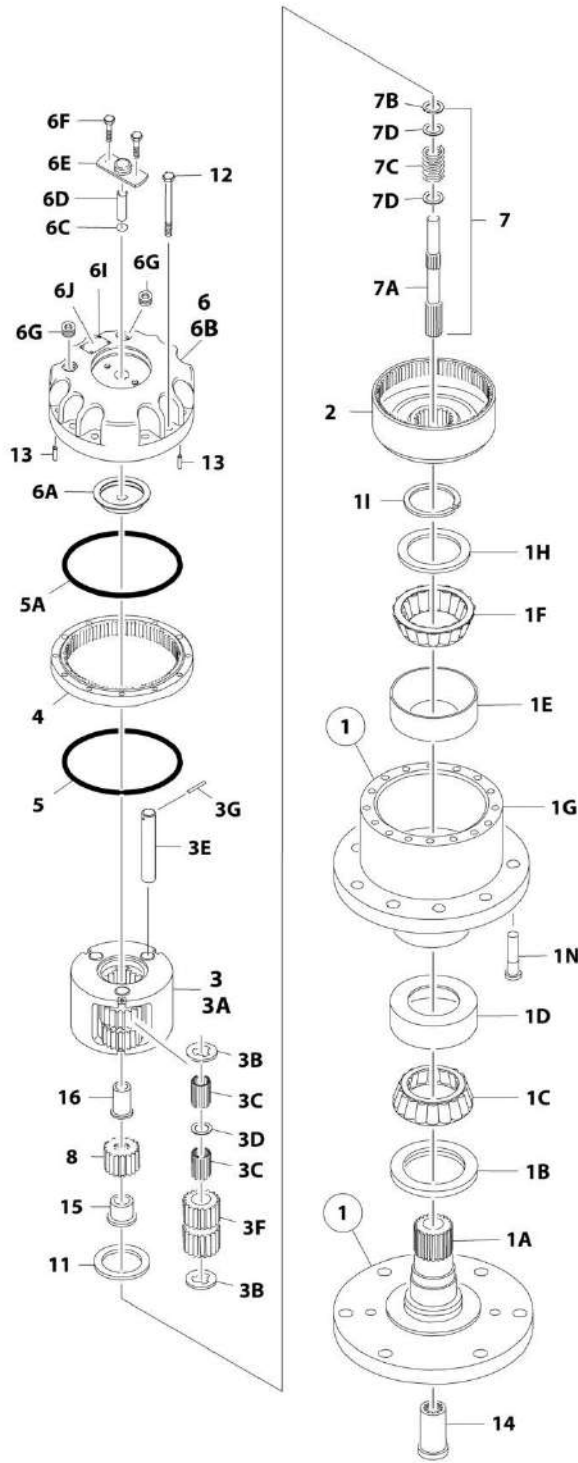
ART\_1001102804

FIGURE 1-4. WHEEL DRIVE INSTALLATION

ITEM	PART NUMBER	QTY	DESCRIPTION	REV
	1001102804	Ref	WHEEL DRIVE INSTALLATION	F
1	0100011	AR	Compound, Locking	
2	0100019	AR	Compound, Locking	
3	0681810	4	Bolt 1/2 x 1-1/4	
4	0682014	24	Bolt 5/8 x 1-3/4	
5	2300016	AR	Fluid, Hydraulic	
6	2780267	2	Drive Hub with Brake Assembly (Rear) (See DRIVE HUB ASSEMBLY - REAR for Breakdown)	
7	2780268	2	Drive Hub without Brake Assembly (Front) (See DRIVE HUB ASSEMBLIES - FRONT for Breakdown)	
8	3300106	36	Lugnut	
9	3311801	4	Nut 1/2	
10	3960526	4	Gasket	
11	4891800	8	Washer 1/2	
12	4892000	24	Washer 5/8	
13	1001102805	4	Drive Motor Assembly (See DRIVE MOTOR ASSEMBLY for Breakdown)	
14	3020008	AR	Lubricant HD 80W-90	

# SECTION 1 - FRAME

## FIGURE 1-5. DRIVE HUB ASSEMBLY - FRONT



ART\_2780268

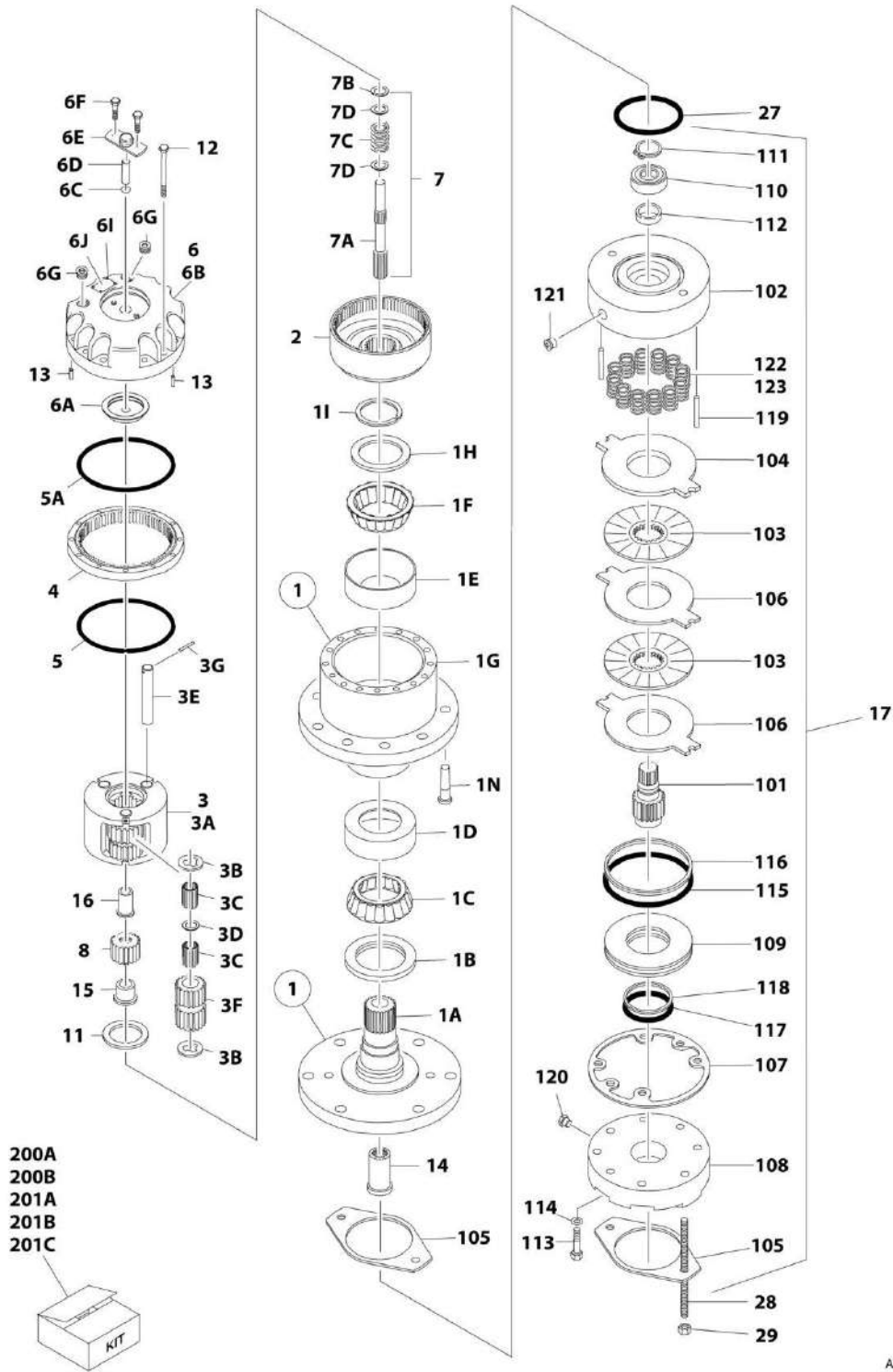
# SECTION 1 - FRAME

## FIGURE 1-5. DRIVE HUB ASSEMBLY - FRONT

ITEM	PART NUMBER	QTY	DESCRIPTION	REV
	2780268	Ref	DRIVE HUB ASSEMBLY - FRONT	A
1	See Note	1	Spindle/Housing Assembly (Note: Purchase Individual Components)	
1A	7027059	1	Spindle	
1B	7001998	1	Seal	
1C	7010429	1	Cone, Bearing (Includes Item 1D)	
1D	7010429	1	Cup, Bearing (Includes Item 1C)	
1E	7000257	1	Cup, Bearing	
1F	7000258	1	Cone, Bearing	
1G	7007601	1	Housing/Ring Gear	
1H	7000232	1	Washer, Thrust	
1I	7000229	1	Ring, Retaining	
1N	7007640	9	Stud, Wheel	
2	7000246	1	Gear, Internal	
3	7024712	1	Carrier Assembly	
3A	See Note	1	Carrier (Note: Use Item 3)	
3B	See Note	6	Ring, Retaining (Note: Use Item 3)	
3C	See Note	AR	Bearing, Needle (Note: Use Item 3)	
3D	See Note	3	Washer, Thrust (Note: Use Item 3)	
3E	See Note	3	Shaft, Planet (Note: Use Item 3)	
3F	See Note	3	Gear, Planet (Note: Use Item 3)	
3G	See Note	3	Roll Pin (Note: Use Item 3)	
4	7000248	1	Ring Gear	
5	7000230	1	O-Ring	
5A	7017070	1	O-Ring	
6	70001349	1	Cover Assembly Kit	
6A	See Note	1	Spacer, Thrust (Note: Use Item 6)	
6B	See Note	1	Plate, Cover (Note: Use Item 6)	
6C	See Note	1	O-Ring (Note: Use Item 6)	
6D	See Note	1	Rod, Disconnect (Note: Use Item 6)	
6E	See Note	1	Cap, Disengage (Note: Use Item 6)	
6F	See Note	2	Bolt (Note: Use Item 6)	
6G	See Note	1	Plug, Pipe (Note: Use Item 6)	
6I	See Note	4	Rivet (Note: Not Available for Purchase)	
6J	See Note	1	Plate, ID (Note: Not Available for Purchase)	
7		Ref	Input Shaft Assembly	
7A	7024714	1	Shaft	
7B	7000261	1	Ring, Retaining	
7C	7000262	1	Spring	
7D	7000263	2	Spacer, Thrust	
8	7024713	1	Gear, Sun	
11	7000253	1	Washer, Thrust	
12	7017067	12	Bolt	
13	7017080	4	Pin, Dowel	
14	7000206	1	Coupling	
15	7024715	1	Spacer, Input	
16	7024716	1	Spacer, Input	

# SECTION 1 - FRAME

## FIGURE 1-6. DRIVE HUB AND BRAKE ASSEMBLY - REAR



ART\_2780267

## SECTION 1 - FRAME

### FIGURE 1-6. DRIVE HUB AND BRAKE ASSEMBLY - REAR

ITEM	PART NUMBER	QTY	DESCRIPTION	REV
	2780267	Ref	DRIVE HUB AND BRAKE ASSEMBLY - REAR	H
1	See Note	1	Spindle/Housing Assembly (Note: Purchase Individual Components)	
1A	7027059	1	Spindle	
1B	7001998	1	Seal	
1C	7010429	1	Cone, Bearing (Includes Item 1D)	
1D	7010429	1	Cup, Bearing (Includes Item 1C)	
1E	7000257	1	Cup, Bearing	
1F	7000258	1	Cone, Bearing	
1G	7007601	1	Housing/Ring Gear	
1H	7000232	1	Washer, Thrust	
1I	7000229	1	Ring, Retaining	
1N	7007640	9	Stud, Wheel	
2	7000246	1	Gear, Internal	
3	7024712	1	Carrier Assembly	
3A	See Note	1	Carrier (Note: Use Item 3)	
3B	See Note	6	Ring, Retaining (Note: Use Item 3)	
3C	See Note	AR	Bearing, Needle (Note: Use Item 3)	
3D	See Note	3	Washer, Thrust (Note: Use Item 3)	
3E	See Note	3	Shaft, Planet (Note: Use Item 3)	
3F	See Note	3	Gear, Planet (Note: Use Item 3)	
3G	See Note	3	Roll Pin (Note: Use Item 3)	
4	7000248	1	Ring Gear	
5	7000230	1	O-Ring	
5A	7017070	1	O-Ring	
6	70001349	1	Cover Assembly Kit	
6A	See Note	1	Spacer, Thrust (Note: Use Item 6)	
6B	See Note	1	Plate, Cover (Note: Use Item 6)	
6C	See Note	1	O-Ring (Note: Use Item 6)	
6D	See Note	1	Rod, Disconnect (Note: Use Item 6)	
6E	See Note	1	Cap, Disengage (Note: Use Item 6)	
6F	See Note	2	Bolt (Note: Use Item 6)	
6G	See Note	1	Plug, Pipe (Note: Use Item 6)	
6I	See Note	4	Rivet (Note: Not Available for Purchase)	
6J	See Note	1	Plate, ID (Note: Not Available for Purchase)	
7		Ref	Input Shaft Assembly	
7A	7024714	1	Shaft	
7B	7000261	1	Ring, Retaining	
7C	7000262	1	Spring	
7D	7000263	2	Spacer, Thrust	
8	7024713	1	Gear, Sun	
11	7000253	1	Washer, Thrust	
12	7017067	12	Bolt	
13	7017080	4	Pin, Dowel	
14	7000206	1	Coupling	
15	7024715	1	Spacer, Input	
16	7024716	1	Spacer, Input	
17	7024182	1	Brake Assembly (See Items 101-123 for Breakdown)	
27	7024705	1	O-Ring	
28	7024717	2	Rod, Threaded	

## SECTION 1 - FRAME

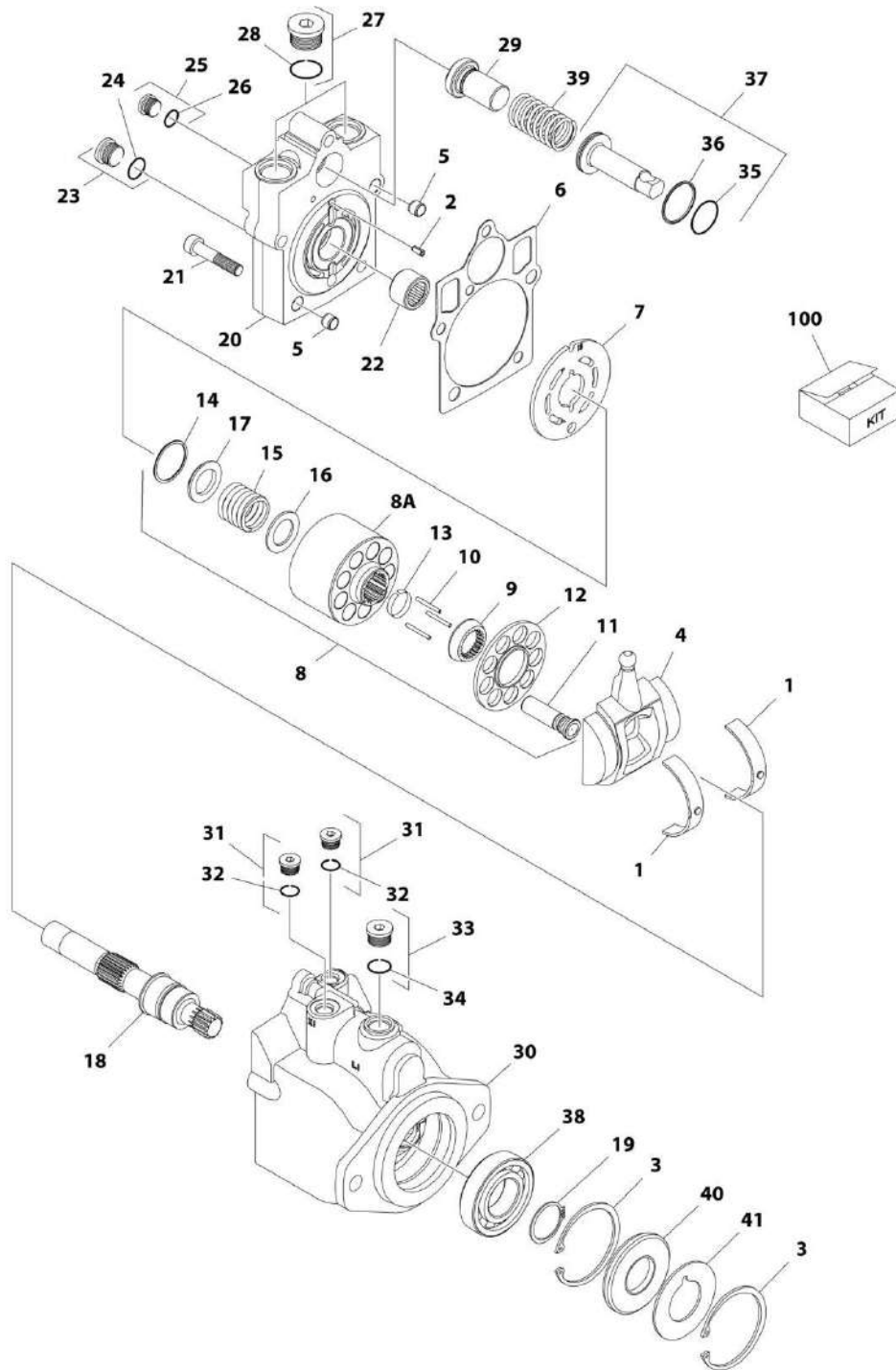
ITEM	PART NUMBER	QTY	DESCRIPTION	REV
29	7024718	2	Nut 1/2in-13NC	
	7024182	Ref	BRAKE ASSEMBLY	
101	7024189	1	Shaft	
102	See Note	1	Housing (Note: Use Item 17)	
103	See Note	2	Plate, Friction (Note: Use Item 201B)	
104	See Note	1	Plate, Pressure (Note: Use Item 201B)	
105	7000731	2	Gasket	
106	See Note	2	Plate, Outer (Note: Use Item 201B)	
107	See Note	1	Gasket (Note: Use Item 200A, 201B or 201C)	
108	7024191	1	Cylinder	
109	7024192	1	Piston	
110	See Note	1	Bearing, Ball (Note: Use Item 201C)	
111	See Note	1	Ring, Retaining (Note: Use Item 201C)	
112	See Note	1	Seal, Shaft (Note: Use Item 201C)	
113	See Note	6	Capscrew (Note: Use Item 17)	
114	See Note	6	Lockwasher (Note: Use Item 17)	
115	See Note	1	O-Ring (Note: Use Item 200B)	
116	See Note	1	Ring, Back-up (Note: Use Item 200B)	
117	See Note	1	O-Ring (Note: Use Item 200B)	
118	See Note	1	Ring, Back-up (Note: Use Item 200B)	
119	7024190	2	Pin, Dowel	
120	See Note	1	Plug (Note: Use Item 17)	
121	See Note	2	Plug (Note: Use Item 17)	
122	See Note	12	Spring Kit (Natural) (Note: Use Item 201A)	
123	See Note	2	Spring Kit (Blue) (Note: Use Item 201A)	
		Ref	Kit Options	
200		Ref	Seal Kit Options:	
200A	See Note	1	Hub Seal Kit (Note: Purchase Individual Components)	
200B	7024194	1	Brake Seal Kit (Includes Items 105, 107 & 115-118)	
201		Ref	Repair Kit Options:	
201A	7024196	1	Brake Spring Kit (Includes 12 Natural Colored and 2 Blue Colored Springs Items 122 & 123)	
201B	7024193	1	Brake Friction Disc Kit (Includes Items 103, 104, 106 & 107)	
201C	7024197	1	Brake Bearing Kit (Includes Items 107 & 110-112)	





# SECTION 1 - FRAME

## FIGURE 1-7. DRIVE MOTOR ASSEMBLY



ART\_1001102805

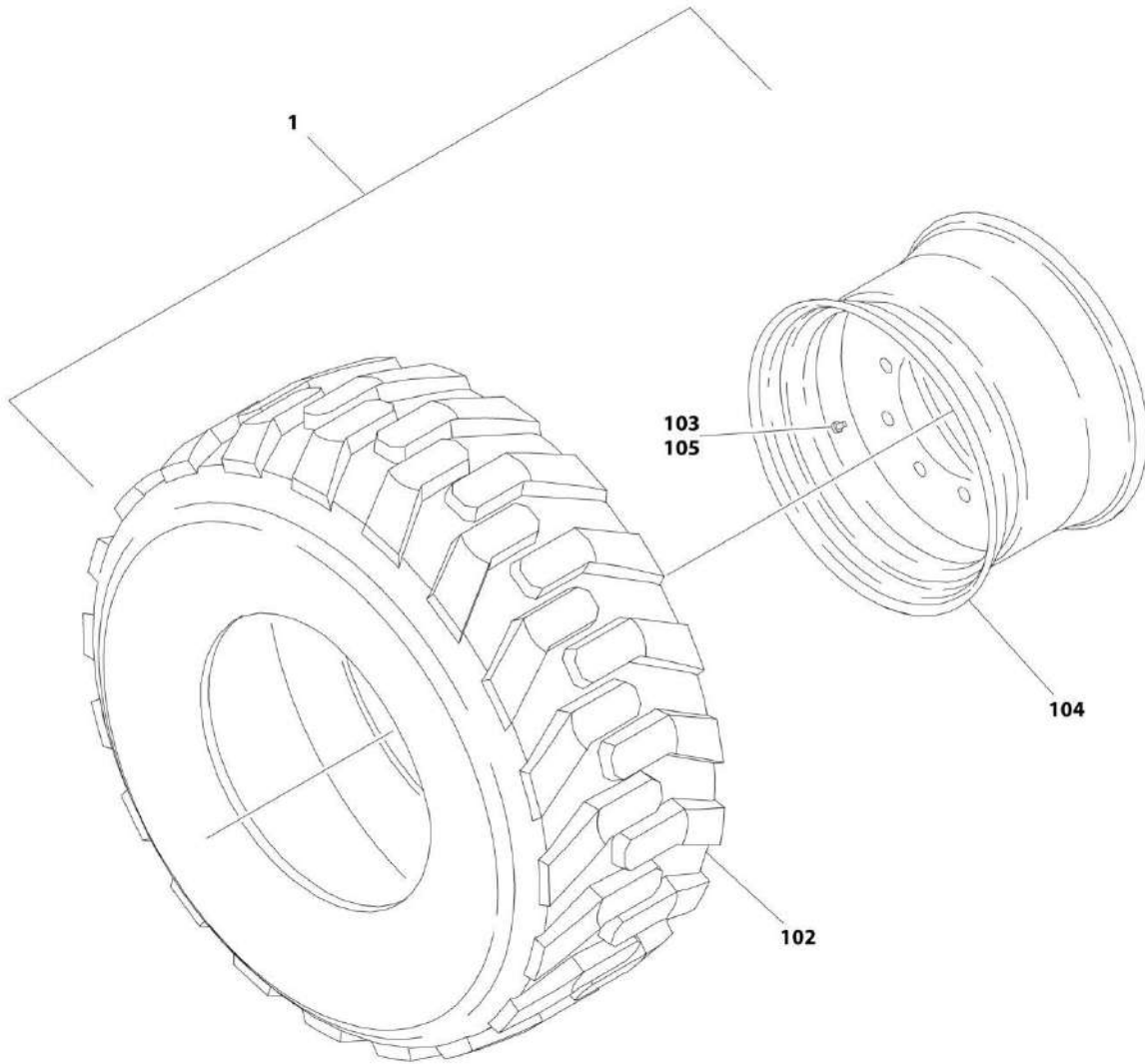
# SECTION 1 - FRAME

## FIGURE 1-7. DRIVE MOTOR ASSEMBLY

ITEM	PART NUMBER	QTY	DESCRIPTION	REV
	1001102805	Ref	DRIVE MOTOR ASSEMBLY	D
1	7022302	2	Bearing, Journal	
2	7007446	1	Pin	
3	7007438	2	Ring, Retaining	
4	7022305	1	Swash Plate	
5	See Note	2	Pin (Note: Not Available for Purchase)	
6	See Note	1	Gasket (Note: Use Item 100)	
7	7024862	1	Plate, Valve	
8	7023907	1	Cylinder Block Kit (Includes Items 8A & 9-17)	
8A	See Note	1	Block, Cylinder (Note: Use Item 8)	
9	7021277	1	Guide, Slipper Retainer	
10	7021275	3	Pin, Slipper Hold Down	
11	See Note	9	Piston Assembly (Note: Use Item 8)	
12	7021276	1	Retainer, Hold Down Pin	
13	7022310	1	Retainer, Slipper	
14	7022311	1	Ring, Retaining	
15	7022312	1	Spring	
16	7024868	1	Washer	
17	7022314	1	Retainer, Spring	
18	7023910	1	Shaft	
19	7007439	1	Ring, Retaining	
20	70000797	1	Cap, End - Axial	
21	7022368	5	Screw	
22	7021249	1	Bearing, Needle	
23	2220886	1	Plug (Includes Item 24)	
24	See Note	1	O-Ring (Note: Use Item 23 or 100)	
25	2220883	1	Plug (Includes Item 26)	
26	See Note	1	O-Ring (Note: Use Item 25 or 100)	
27	7027419	2	Plug (Includes Item 28)	
28	See Note	2	O-Ring (Note: Use Item 27 or 100)	
29	7022369	1	Seat, Spring	
30	70001932	1	Housing	
31	2220883	2	Plug (Includes Item 32)	
32	See Note	2	O-Ring (Note: Use Item 31 or 100)	
33	2220886	1	Plug (Includes Item 34)	
34	See Note	1	O-Ring (Note: Use Item 33 or 100)	
35	See Note	1	O-Ring (Note: Use Item 37 or 100)	
36	See Note	1	Ring, Seal (Note: Use Item 37 or 100)	
37	7024854	1	Piston, Servo (Includes Items 35 & 36)	
38	7007437	1	Bearing	
39	7022326	1	Spring	
40	See Note	1	Seal, Lip (Note: Use Item 100)	
41	7022371	1	Washer, Support	
100	7022328	1	Seal Kit (Includes Items 6, 24, 26, 28, 32, 34, 35, 36 & 40)	

# SECTION 1 - FRAME

FIGURE 1-8. TIRE AND WHEEL INSTALLATION - 12 X 16.5 FOAM FILLED



ART\_0270092

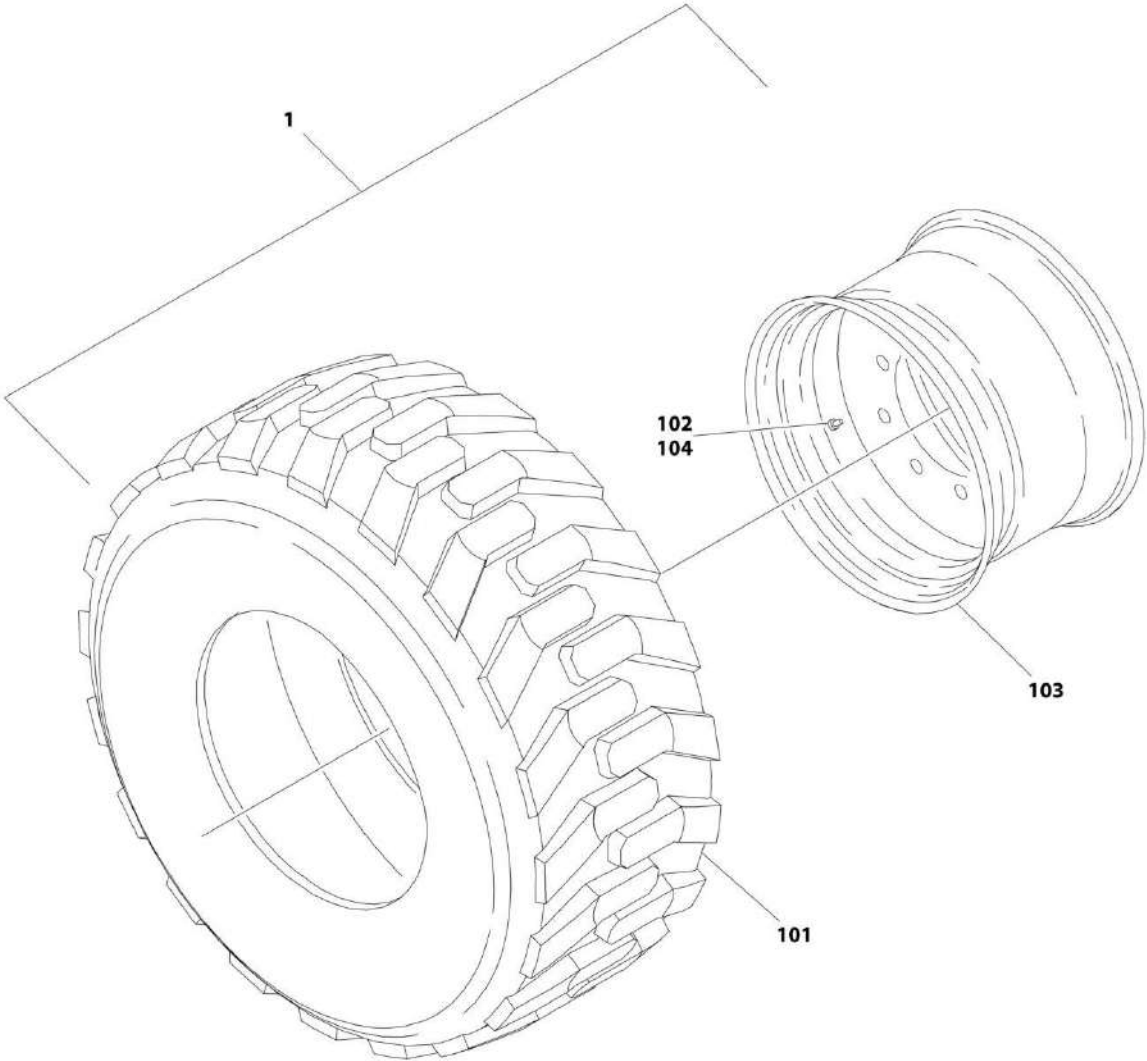
## SECTION 1 - FRAME

**FIGURE 1-8. TIRE AND WHEEL INSTALLATION - 12 X 16.5 FOAM FILLED**

ITEM	PART NUMBER	QTY	DESCRIPTION	REV
	0270092	Ref	TIRE AND WHEEL INSTALLATION - 12 X 16.5 FOAM FILLED (AVAILABLE ON ALL SPECS)	C
		Ref	Note: Assemblies may require ballast/foam filling to manufacturer's specifications prior to installing on a machine. Refer to Operation and Safety or Service and Maintenance Manuals. Purchase individual tire and/or rim only if able to foam fill tire and wheel assembly, otherwise, purchase complete assembly.	
1	1001148865	2	Tire and Wheel Assembly - 12 x 16.5 (RH Side)	G
1	1001148866	2	Tire and Wheel Assembly - 12 x 16.5 (LH Side)	G
102	4520216	4	Tire - 12 x 16.5	
103	4641122	4	Valve	
104	1001147274	4	Rim, Wheel	
105	1001149953	4	Cap, Valve Stem	

**SECTION 1 - FRAME**

**FIGURE 1-9. TIRE AND WHEEL INSTALLATION - 12 X 16.5 FOAM FILLED NON-MARKING**



ART\_0270653

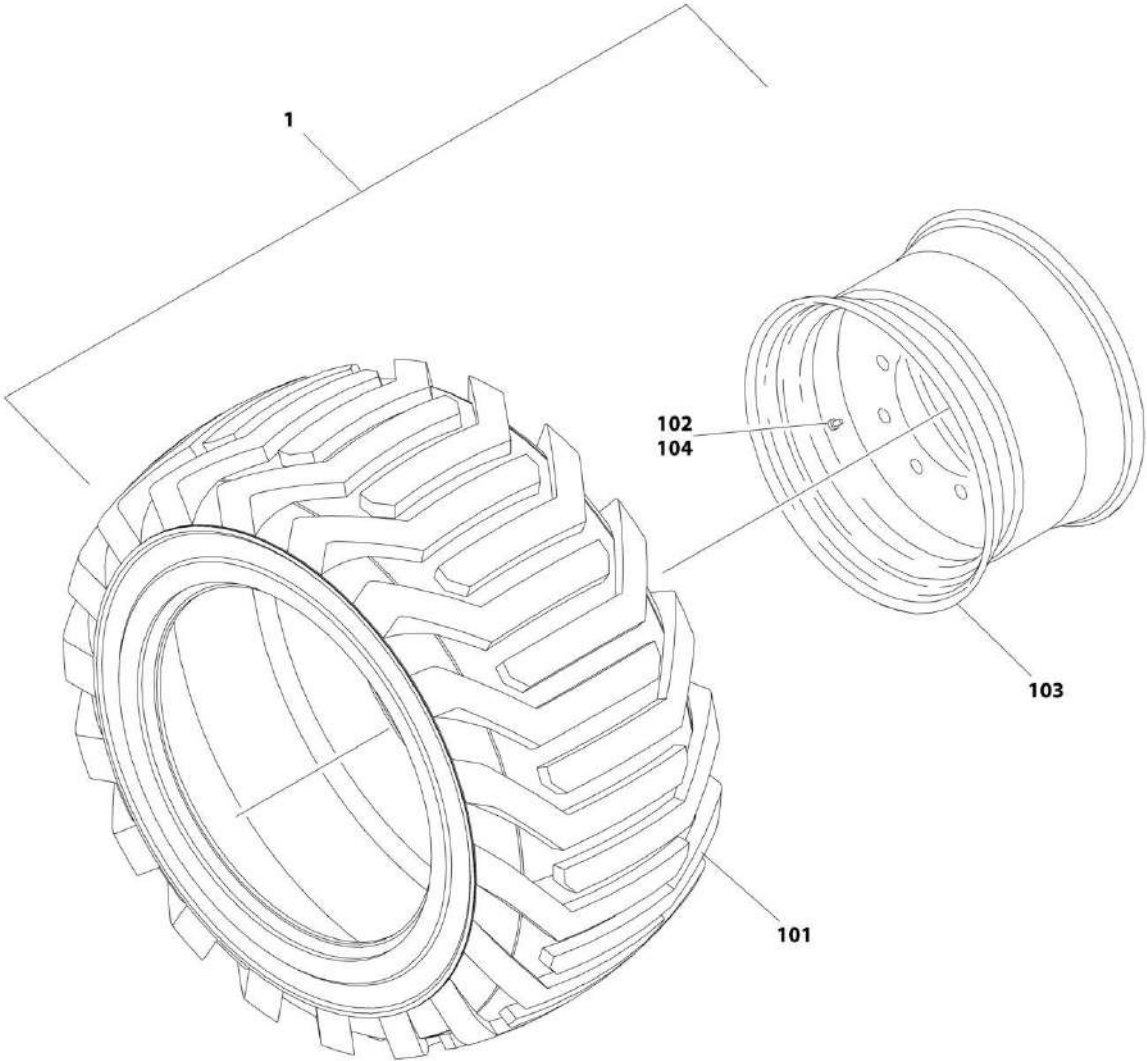
## SECTION 1 - FRAME

**FIGURE 1-9. TIRE AND WHEEL INSTALLATION - 12 X 16.5 FOAM FILLED NON-MARKING**

ITEM	PART NUMBER	QTY	DESCRIPTION	REV
	0270653	Ref	TIRE AND WHEEL INSTALLATION - 12 X 16.5 FOAM FILLED NON-MARKING (AVAILABLE ON ALL SPECS)	B
		Ref	Note: Assemblies may require ballast/foam filling to manufacturer's specifications prior to installing on a machine. Refer to Operation and Safety or Service and Maintenance Manuals. Purchase individual tire and/or rim only if able to foam fill tire and wheel assembly, otherwise, purchase complete assembly.	
1	1001148869	2	Tire and Wheel Assembly - 12 x 16.5 Non-Marking (RH Side)	H
1	1001148870	2	Tire and Wheel Assembly - 12 x 16.5 Non-Marking (LH Side)	H
101	4520240	4	Tire 12 x 16.5 Non-Marking	
102	4641122	4	Valve	
103	1001147274	4	Rim, Wheel	
104	1001149953	4	Cap, Valve Stem	

**SECTION 1 - FRAME**

**FIGURE 1-10. TIRE AND WHEEL INSTALLATION - IN395/45/D20 FOAM FILLED**



ART\_1001179171



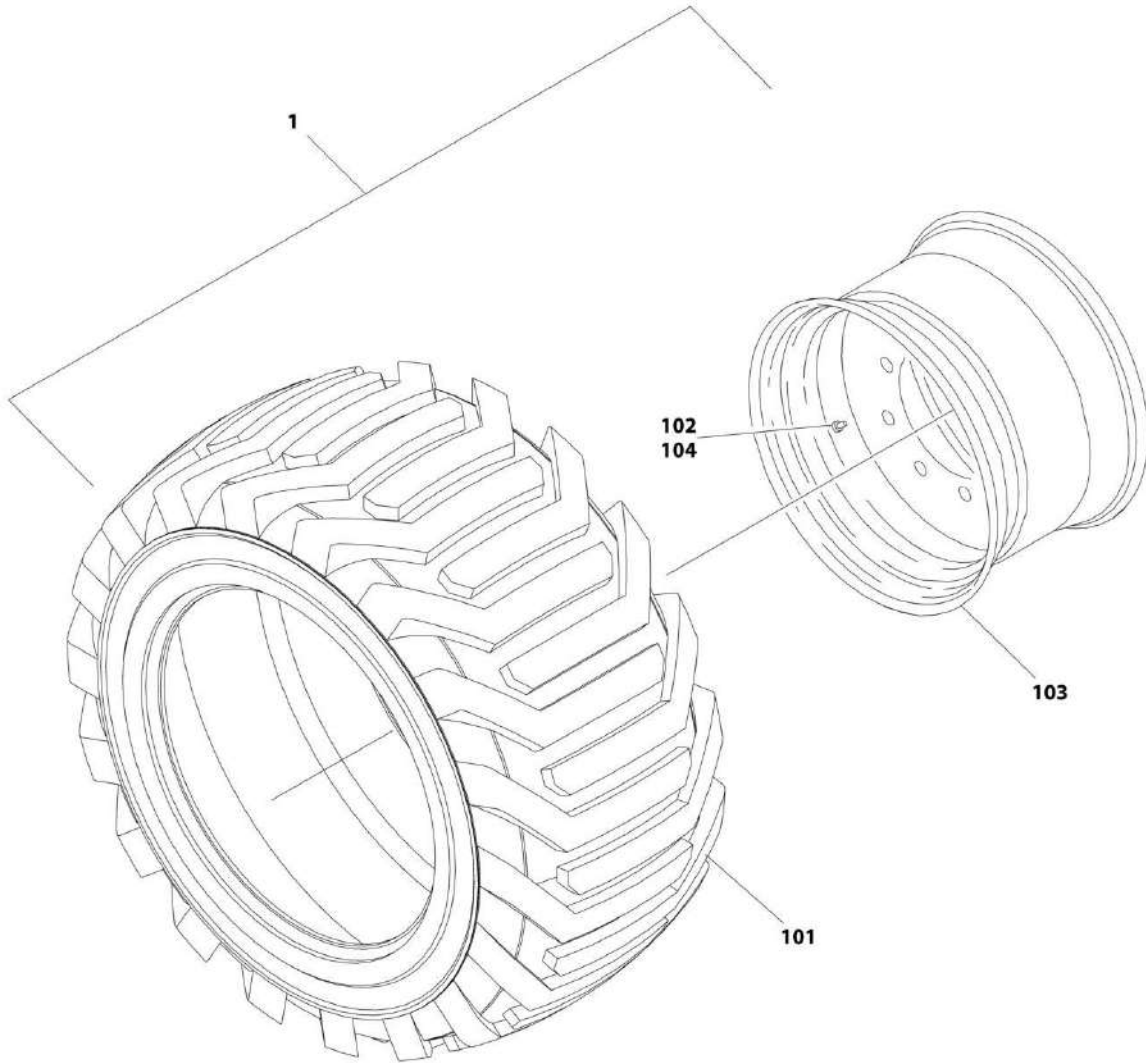
## SECTION 1 - FRAME

**FIGURE 1-10. TIRE AND WHEEL INSTALLATION - IN395/45/D20 FOAM FILLED**

ITEM	PART NUMBER	QTY	DESCRIPTION	REV
	1001179171	Ref	TIRE AND WHEEL INSTALLATION - IN395/45/D20 FOAM FILLED (AVAILABLE ON ALL SPECS)	A
		Ref	Note: Assemblies may require ballast/foam filling to manufacturer's specifications prior to installing on a machine. Refer to Operation and Safety or Service and Maintenance Manuals. Purchase individual tire and/or rim only if able to foam fill tire and wheel assembly, otherwise, purchase complete assembly.	
1	1001179173	2	Tire and Wheel Assembly - IN395/45/D20 Non-Marking (RH Side)	B
1	1001179172	2	Tire and Wheel Assembly - IN395/45/D20 Non-Marking (LH Side)	B
101	1001179175	4	Tire IN395/45/D20	
102	4641122	4	Valve	
103	1001179174	4	Rim, Wheel	
104	1001149953	4	Cap, Valve Stem	

# SECTION 1 - FRAME

FIGURE 1-11. TIRE AND WHEEL INSTALLATION - IN395/45/D20 FOAM FILLED NON-MARKING



ART\_1001179956

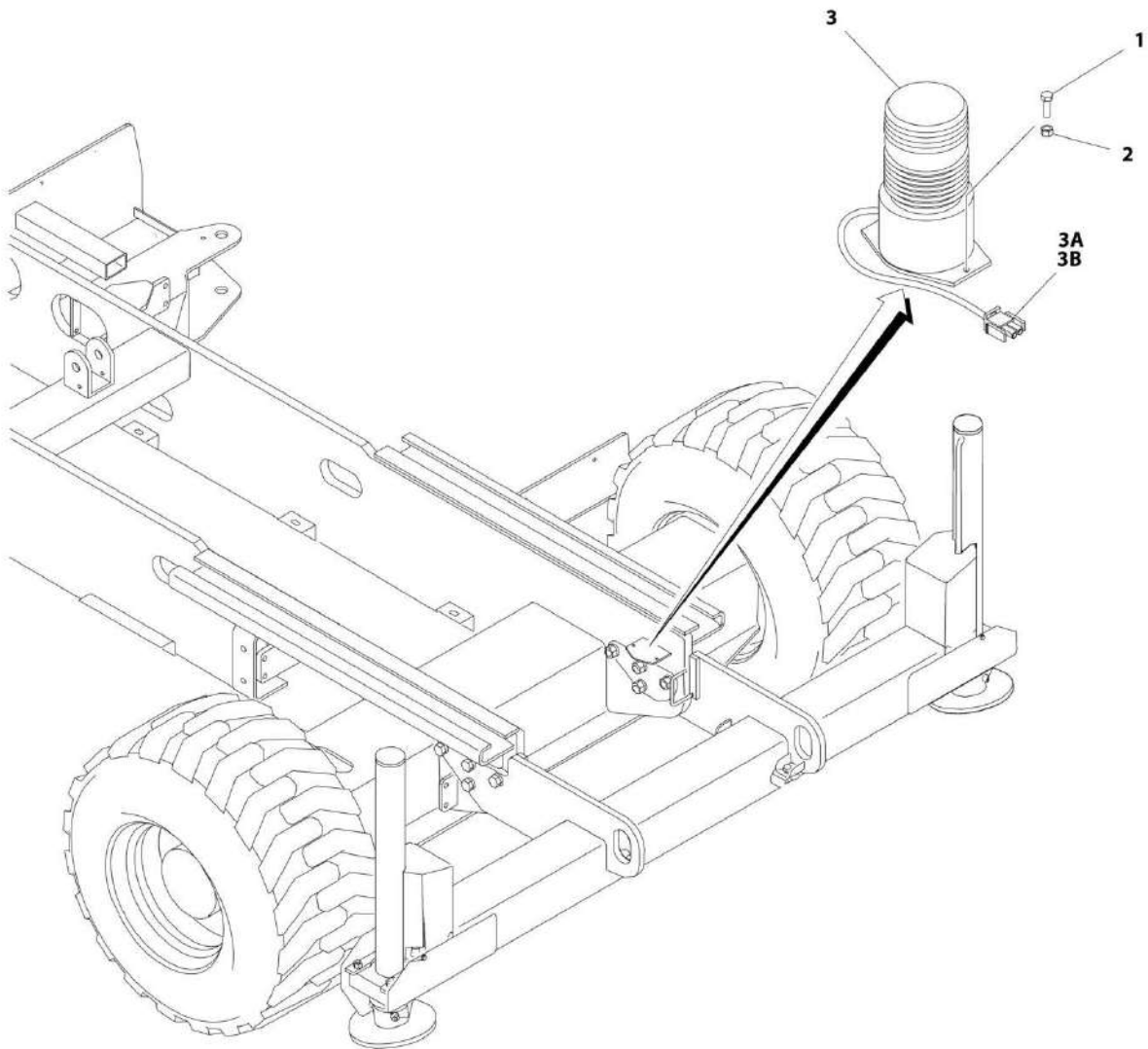
## SECTION 1 - FRAME

**FIGURE 1-11. TIRE AND WHEEL INSTALLATION - IN395/45/D20 FOAM FILLED NON-MARKING**

ITEM	PART NUMBER	QTY	DESCRIPTION	REV
	1001179956	Ref	TIRE AND WHEEL INSTALLATION - IN395/45/D20 FOAM FILLED NON-MARKING (AVAILABLE ON ALL SPECS)	A
		Ref	Note: Assemblies may require ballast/foam filling to manufacturer's specifications prior to installing on a machine. Refer to Operation and Safety or Service and Maintenance Manuals. Purchase individual tire and/or rim only if able to foam fill tire and wheel assembly, otherwise, purchase complete assembly.	
1	1001179958	2	Tire and Wheel Assembly - IN395/45/D20 Non-Marking (RH Side)	B
1	1001179957	2	Tire and Wheel Assembly - IN395/45/D20 Non-Marking (LH Side)	B
101	1001179959	4	Tire IN395/45/D20 Non-Marking	
102	4641122	4	Valve	
103	1001179194	4	Rim, Wheel	
104	1001149953	4	Cap, Valve Stem	

# SECTION 1 - FRAME

## FIGURE 1-12. BEACON LIGHT INSTALLATION - OPTIONAL



ART\_1001205340

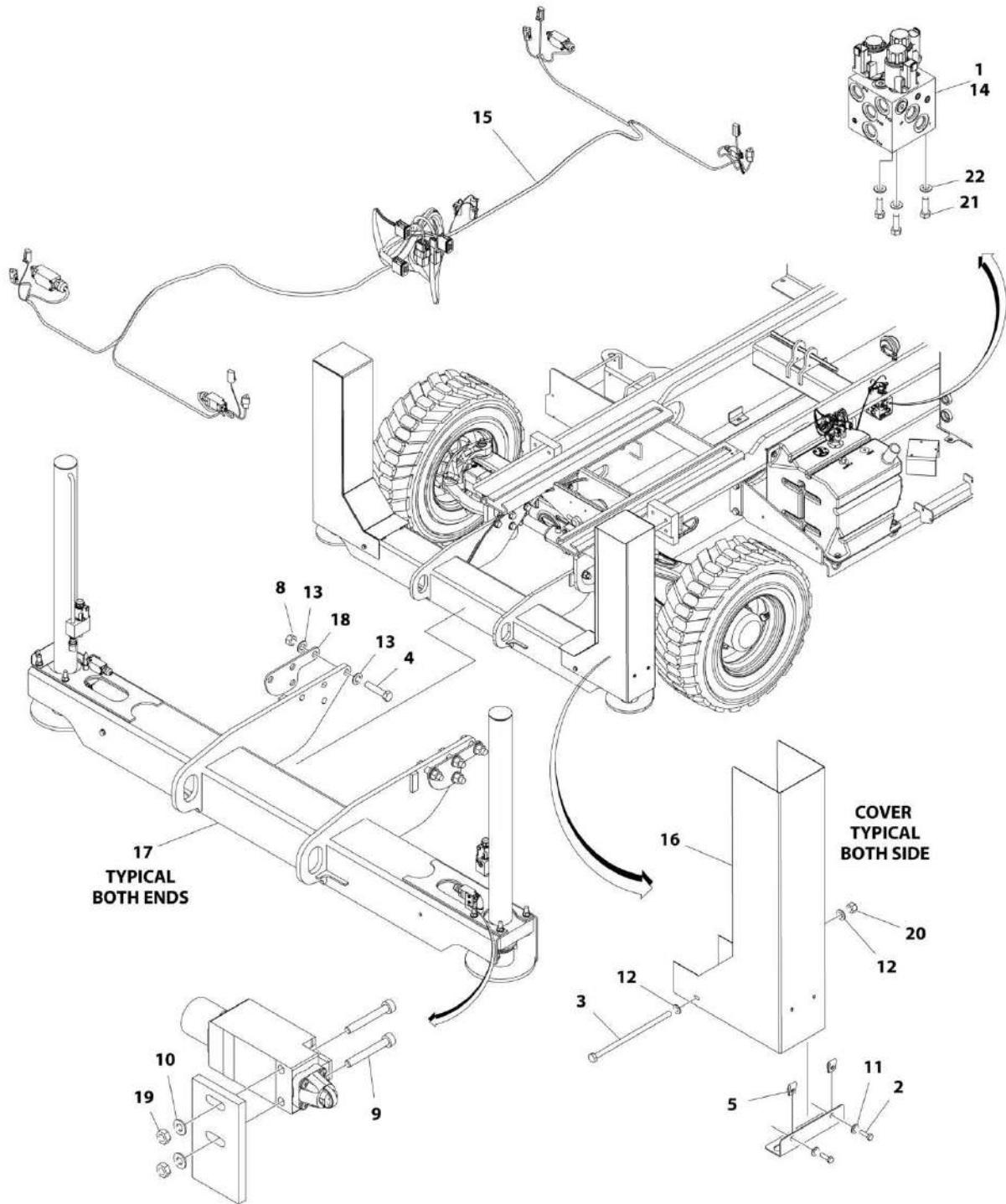
**SECTION 1 - FRAME**

**FIGURE 1-12. BEACON LIGHT INSTALLATION - OPTIONAL**

<b>ITEM</b>	<b>PART NUMBER</b>	<b>QTY</b>	<b>DESCRIPTION</b>	<b>REV</b>
	1001205340	Ref	BEACON LIGHT INSTALLATION - OPTIONAL	A
1	0760508	2	Bolt, M5 X 16	
2	3290505	2	Nut, Lock M5 X 0.8	
3	1001205343	1	Beacon Light Assembly	
3	2920146	1	Beacon Light (Amber)	
3	7016319	1	Bulb, Replacement	
3	7016372	1	Len, Replacement	
3A	4460320	1	Plug, Male - 2 Position	
3B	4460267	2	Terminal	

# SECTION 1 - FRAME

## FIGURE 1-13. LEVELING JACKS INSTALLATION



ART\_1001178866

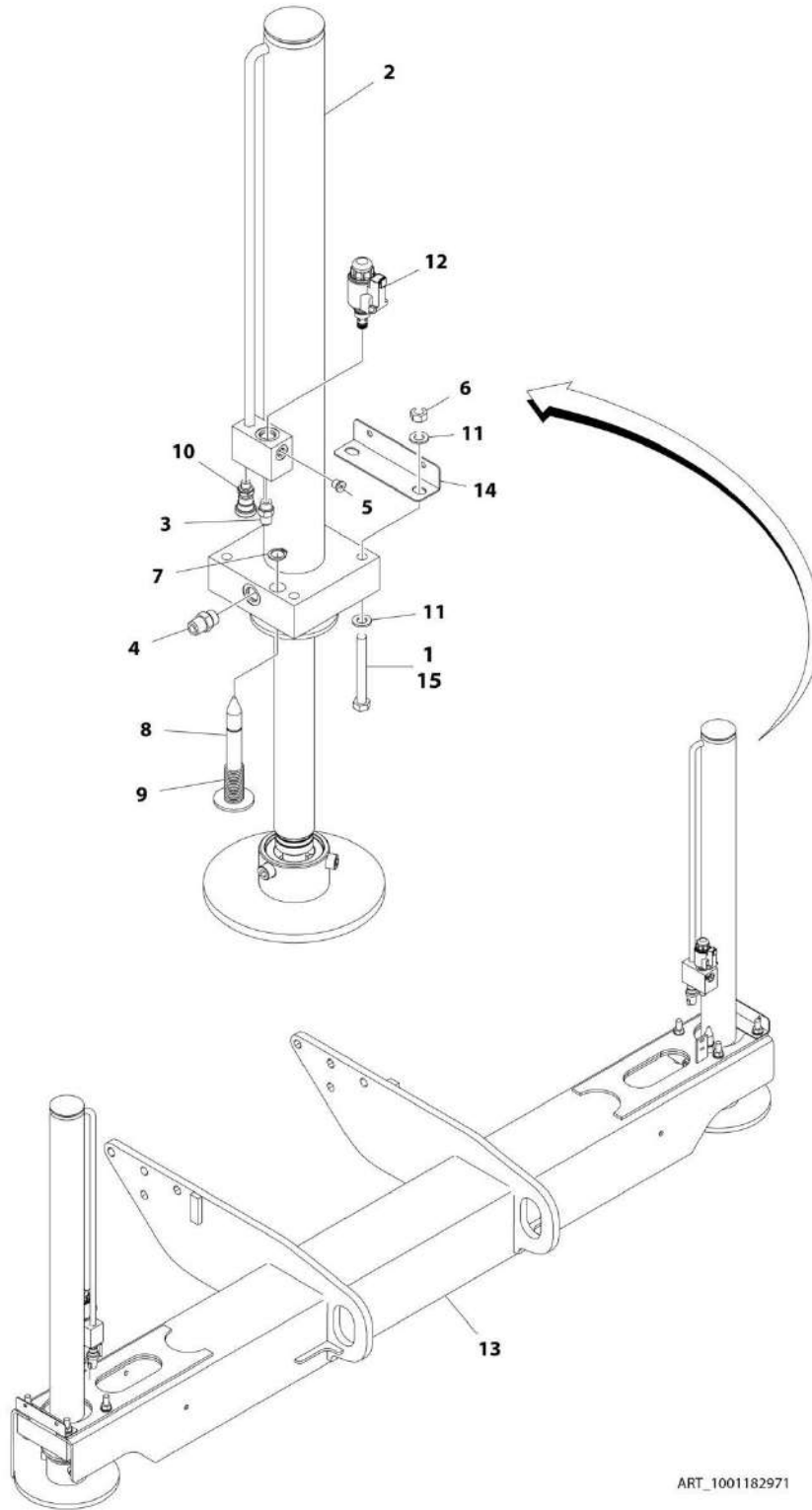
## SECTION 1 - FRAME

**FIGURE 1-13. LEVELING JACKS INSTALLATION**

ITEM	PART NUMBER	QTY	DESCRIPTION	REV
	1001178866	Ref	LEVELING JACKS INSTALLATION	H
1	0100011	AR	Compound, Locking	
2	0700610	8	Bolt M6 x 20	
3	0701039	4	Bolt M10 x 220	
4	0712026	16	Bolt M20 x 90	
5	1001130220	8	Nut, Tinnerman M6	
8	3332017	16	Nut M20	
9	4031510	8	Capscrew M4 x 30	
10	4811400	8	Washer M4	
11	4811900	AR	Washer M8	
11	4811702	AR	Washer M6	
12	4812000	8	Washer M10	
13	5242000	32	Washer M20	
14	1001193557	1	Leveling Jack Valve Assembly (See LEVELING JACK VALVE ASSEMBLY for Breakdown)	
15	1001103801	1	Leveling Jack Harness (See ELECTRICAL SECTION for Breakdown)	
16	1001179200	4	Cover	
17	1001182971	2	Leveling Jack Assembly (See LEVELING JACK ASSEMBLY for Breakdown)	
18	1001183328	4	Plate	
19	3290401	8	Nut M4	
20	3291005	4	Nut M10	
21	0641508	3	Bolt 5/16 x 1	
22	4711500	3	Washer 5/16	

# SECTION 1 - FRAME

## FIGURE 1-14. LEVELING JACKS ASSEMBLY



ART\_1001182971

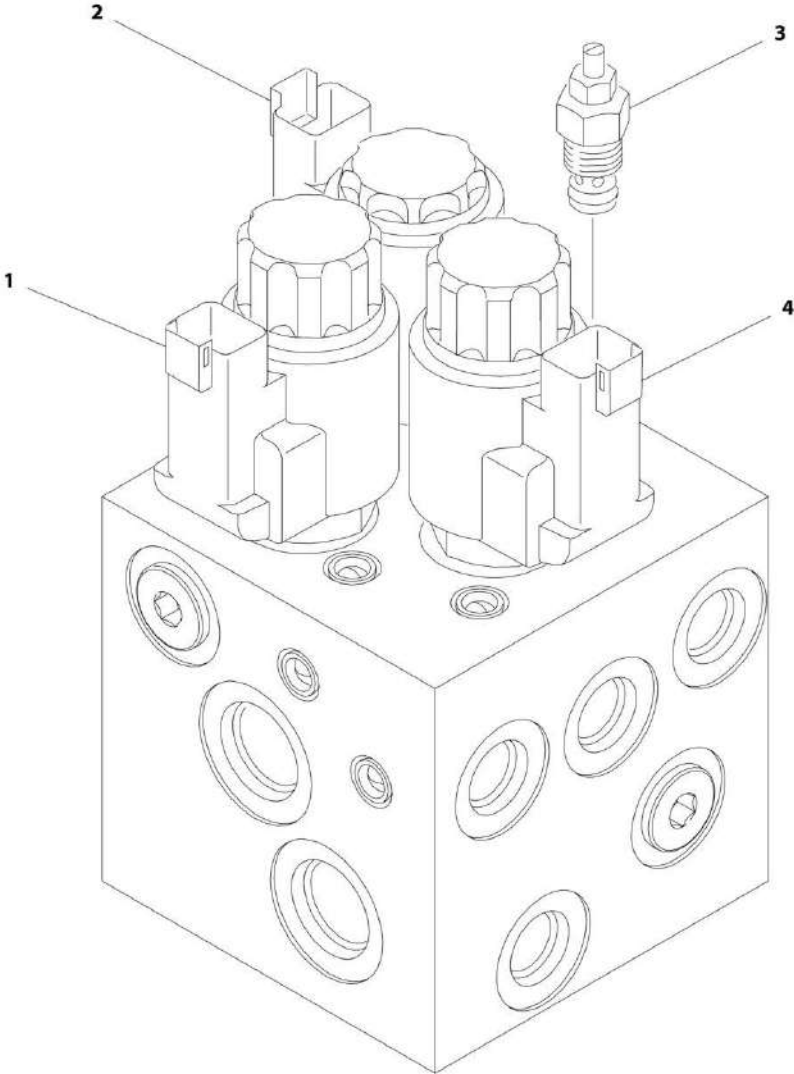


FIGURE 1-14. LEVELING JACKS ASSEMBLY

ITEM	PART NUMBER	QTY	DESCRIPTION	REV
	1001182971	Ref	LEVELING JACKS ASSEMBLY	D
1	0761227	8	Bolt M12 x 100	
2	1684406	2	Jack Cylinder Assembly (See CYLINDER SECTION for Breakdown)	
3	2220371	2	Fitting, Straight JIC/ORB	
4	2220373	2	Fitting, Straight JIC/ORB	
5	2220883	2	Plug	
6	3331211	8	Nut M12	
7	3760348	2	Ring, Retaining	
8	3841564	2	Rod	
9	4160116	2	Spring	
10	4360518	2	Transducer, Pressure	
11	4812100	16	Washer M12	
12	1001103761	2	Cartridge, Solenoid Valve	
12	7024502	2	Seal Kit - 1001103761 Valve (1 Per Cartridge)	
12	70001965	2	Coil (1 Per Cartridge)	
12	7024506	2	Coil Nut Kit (1 Per Cartridge)	
13	1001179911	1	Frame, Jack	
14	1001191325	2	Bracket	
15	0100011	AR	Compound, Locking	

**SECTION 1 - FRAME**

**FIGURE 1-15. LEVELING JACK VALVE ASSEMBLY**



ART\_1001193557

**FIGURE 1-15. LEVELING JACK VALVE ASSEMBLY**

ITEM	PART NUMBER	QTY	DESCRIPTION	REV
	1001193557	Ref	LEVELING JACK VALVE ASSEMBLY	C
1	7024497	1	Cartridge without Coil (Retract)	
1	7024502	1	Seal Kit - 7024497 Cartridge	
1	70001965	1	Coil	
1	7024506	1	Coil Nut Kit	
2	7024498	1	Cartridge without Coil (Extend)	
2	7024503	1	Seal Kit - 7024498 Cartridge	
2	70001965	1	Coil	
2	7024507	1	Coil Nut Kit	
3	7024499	1	Cartridge	
3	7024504	1	Seal Kit - 7024499 Cartridge	
4	7024500	1	Cartridge without Coil	
4	7024505	1	Seal Kit - 7024500 Cartridge	
4	70001965	1	Coil	
4	7024506	1	Coil Nut Kit	

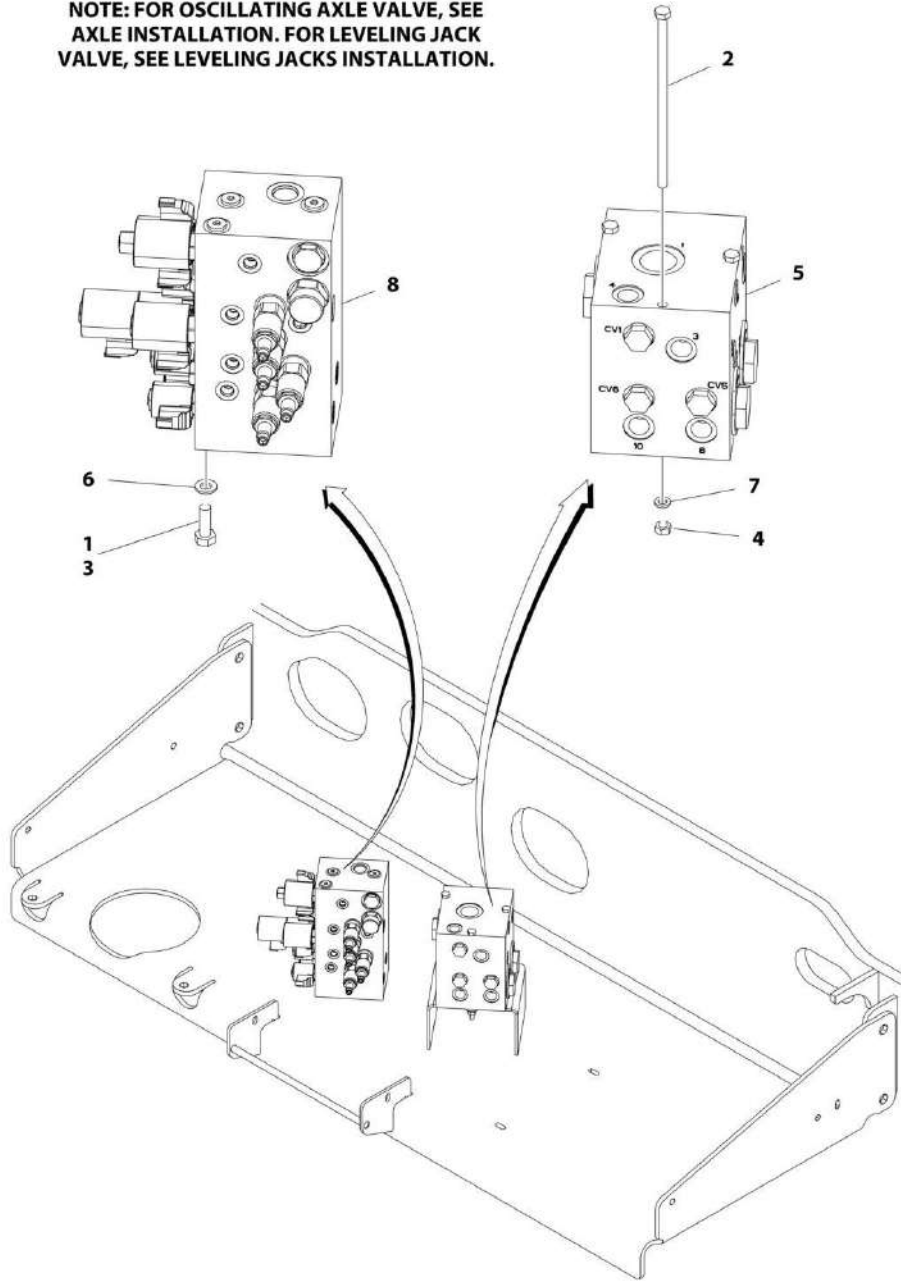


**SECTION 2 - GROUND CONTROLS**

# SECTION 2 - GROUND CONTROLS

## FIGURE 2-1. VALVE INSTALLATION

NOTE: FOR OSCILLATING AXLE VALVE, SEE AXLE INSTALLATION. FOR LEVELING JACK VALVE, SEE LEVELING JACKS INSTALLATION.



ART\_1001178489

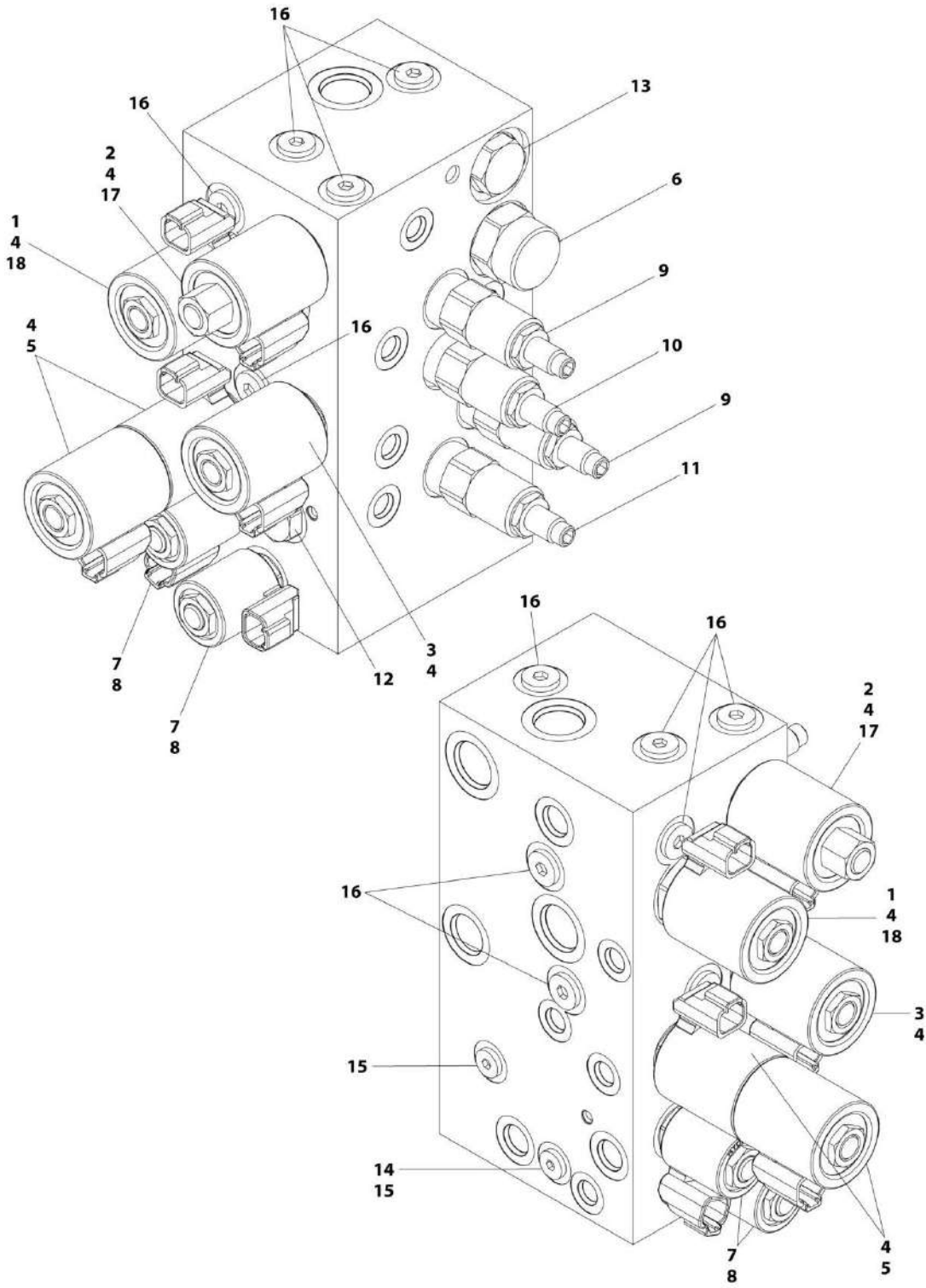
## SECTION 2 - GROUND CONTROLS

### FIGURE 2-1. VALVE INSTALLATION

ITEM	PART NUMBER	QTY	DESCRIPTION	REV
	1001178489	Ref	VALVE INSTALLATION	C
1	0100011	AR	Compound, Locking	
2	0700836	3	Bolt M8 x 190	
3	0771014	4	Bolt M10 x 30	
4	3290801	3	Nut M8	
5	4641303	1	Flow Divider Valve Assembly (See FLOW DIVIDER VALVE ASSEMBLY for Breakdown)	
6	4812000	4	Washer M10	
7	4831900	3	Washer M8	
8	1001200149	1	Main Valve Assembly (See MAIN VALVE ASSEMBLY for Breakdown)	

# SECTION 2 - GROUND CONTROLS

## FIGURE 2-2. MAIN VALVE ASSEMBLY



ART\_1001200149



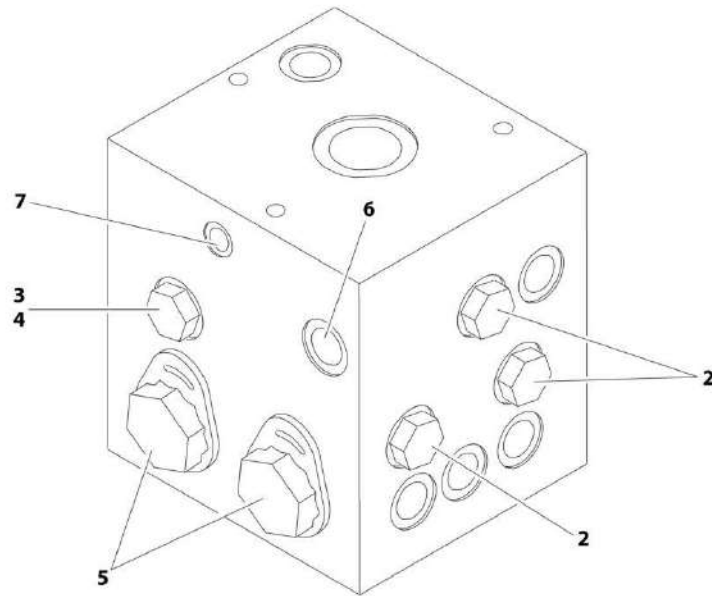
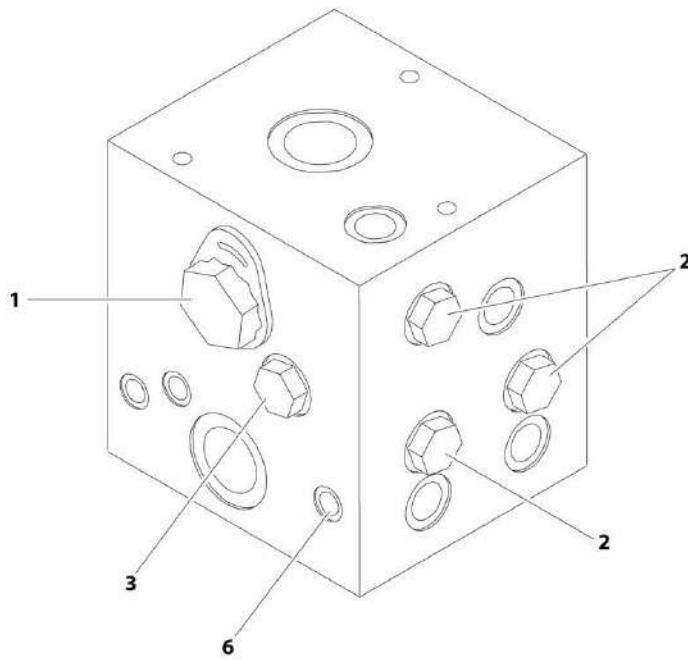
## SECTION 2 - GROUND CONTROLS

### FIGURE 2-2. MAIN VALVE ASSEMBLY

ITEM	PART NUMBER	QTY	DESCRIPTION	REV
	1001200149	Ref	MAIN VALVE ASSEMBLY	F
1	70005447	1	Cartridge, Solenoid Less Coil (Lift Down)	
1	70004571	1	Seal Kit - 70005447 Valve	
1	7022390	1	Nut, Coil	
2	70005069	1	Cartridge, Solenoid Less Coil (Main Dump)	
2	7022399	1	Seal Kit - 70005069 Valve	
2	70003977	1	Nut, Coil	
3	70005448	1	Cartridge, Solenoid Less Coil (Lift Up)	
3	70004580	1	Seal Kit - 70005448 Valve	
3	7022390	1	Nut, Coil	
4	70001967	5	Coil	
5	70005449	1	Cartridge, Solenoid Less Coil (Steer)	
5	70005073	1	Seal Kit - 70005449 Valve	
5	70003024	1	Spacer, Coil	
5	7022390	1	Nut, Coil	
6	70005450	1	Cartridge, Compensator Valve	
6	70005451	1	Seal Kit - 70005450 Valve	
7	70005167	2	Cartridge, Solenoid Less Coil	
7	7023900	2	Seal Kit - 70005167 Valve	
7	7022390	2	Nut, Coil	
8	70001977	2	Coil	
9	70005080	2	Cartridge, Relief Valve	
9	7022399	2	Seal Kit - 70005080 Valve	
10	70005165	1	Cartridge, Relief Valve	
10	7022399	1	Seal Kit - 70005165 Valve	
11	70005723	1	Cartridge, Relief Valve	
11	7023936	1	Seal Kit - 70005723 Valve	
12	7022398	1	Cartridge, Valve (Load Shuttle)	
12	7023900	1	Seal Kit - 7022398 Valve	
13	70005100	1	Cartridge, Check Valve	
13	7022399	1	Seal Kit - 70005100 Valve	
14	70004883	1	Orifice	
15	2220883	2	Plug	
16	2220885	9	Plug	
17	70005724	1	Lock Down Kit	
18	70005725	2	Lock Down Kit	

## SECTION 2 - GROUND CONTROLS

FIGURE 2-3. FLOW DIVIDER VALVE ASSEMBLY



ART\_4641303

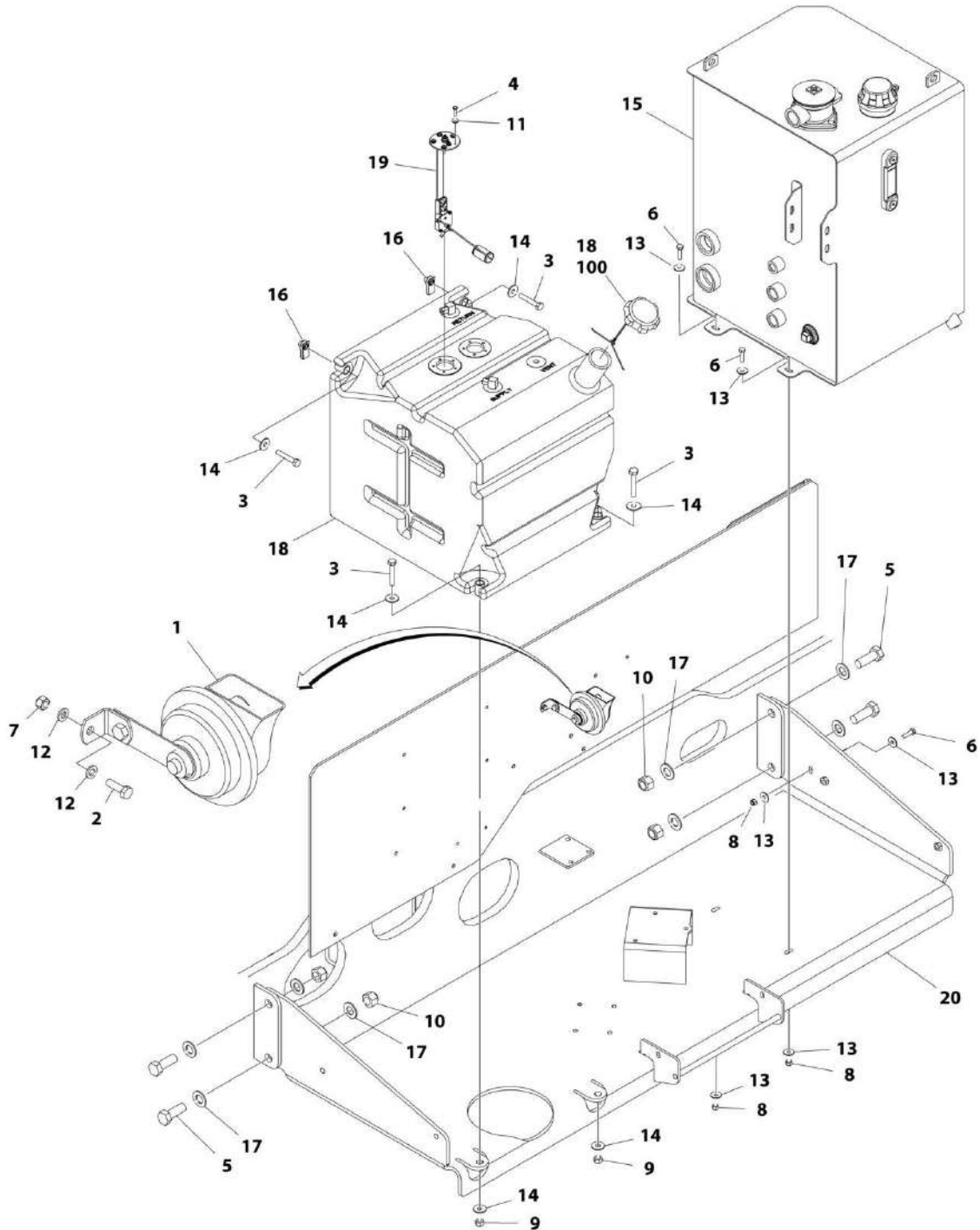
## SECTION 2 - GROUND CONTROLS

**FIGURE 2-3. FLOW DIVIDER VALVE ASSEMBLY**

ITEM	PART NUMBER	QTY	DESCRIPTION	REV
	4641303	Ref	FLOW DIVIDER VALVE ASSEMBLY	C
1	7023933	1	Cartridge, Flow Divider	
1	7021625	1	Seal Kit - 7023933 Cartridge	
2	7022397	6	Cartridge, Check	
2	7022399	6	Seal Kit - 7022397 Cartridge	
3	7021639	2	Cartridge, Check Valves	
3	2900756	2	Seal Kit - 7022398 Cartridge	
4	7024881	1	Piston, Pilot	
5	7023917	2	Cartridge, Flow Divider	
5	7021625	2	Seal Kit - 7023917 Cartridge	
6	70003935	2	Orifice	
7	70003936	1	Orifice	

# SECTION 2 - GROUND CONTROLS

## FIGURE 2-4. TANKS AND HORN INSTALLATION - DIESEL



ART\_1001177751

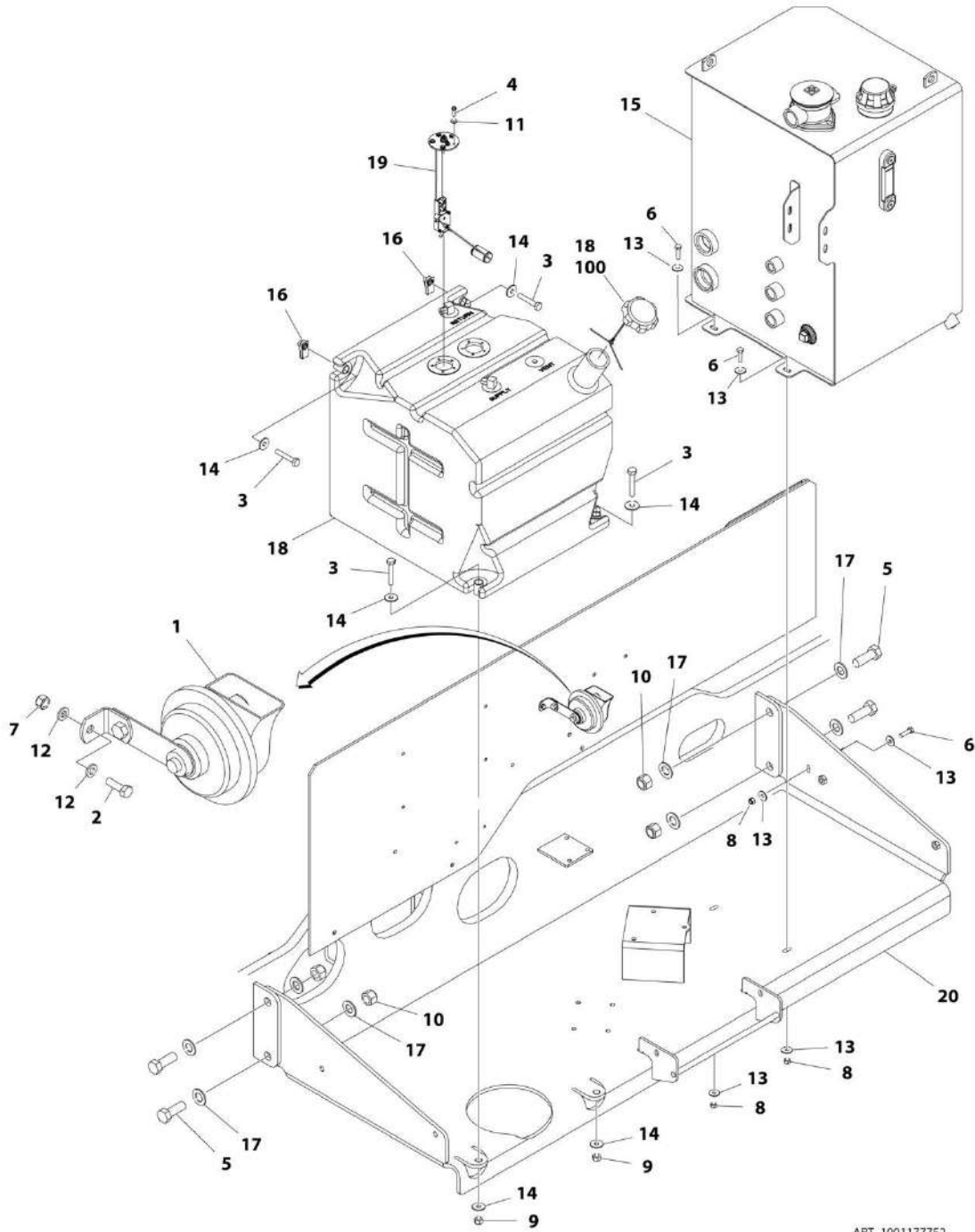
## SECTION 2 - GROUND CONTROLS

### FIGURE 2-4. TANKS AND HORN INSTALLATION - DIESEL

ITEM	PART NUMBER	QTY	DESCRIPTION	REV
	1001177751	Ref	TANKS AND HORN INSTALLATION - DIESEL	D
1	0140001	1	Horn	
2	0700610	1	Bolt M6 x 20	
3	0701020	4	Bolt M10 x 60	
4	0731005	5	Screw, #10 x 5/8	
5	0762019	4	Bolt M20 x 55	
6	0760814	3	Bolt M8 x 30	
7	3290605	1	Nut M6	
8	3290805	3	Nut M8	
9	3291005	2	Nut M10	
10	3292005	4	Nut M20	
11	4751000	5	Washer #10	
12	4811700	2	Washer M6	
13	4811902	6	Washer M8	
14	4812002	6	Washer M10	
15	1001102823	1	Hydraulic Tank Assembly (See HYDRAULIC TANK ASSEMBLY for Breakdown)	
16	1001118972	2	Nut M10	
17	5242000	8	Washer M20	
18	1001163418	1	Fuel Tank Assembly	
18	1001193336	1	Cap, Fuel	
18	70004794	1	Tube, Pick-up	
19	1001168762	1	Sensor, Fuel Level ( <b>Prior to SN E200000469, SN 1200027648 through 1200030222</b> )	
19	1001231195	1	Sensor, Fuel Level ( <b>SN E200000469 through E200000675</b> )	
20	1001181554	1	Tray	

# SECTION 2 - GROUND CONTROLS

## FIGURE 2-5. TANKS AND HORN INSTALLATION - GASOLINE



ART\_1001177752

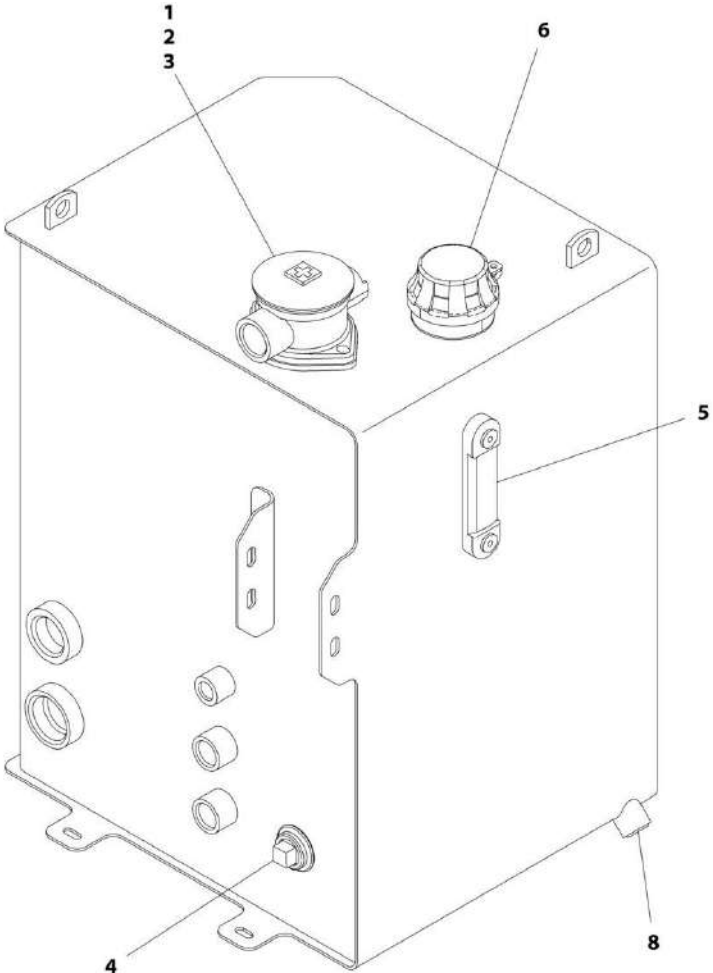
## SECTION 2 - GROUND CONTROLS

**FIGURE 2-5. TANKS AND HORN INSTALLATION - GASOLINE**

ITEM	PART NUMBER	QTY	DESCRIPTION	REV
	1001177752	Ref	TANKS AND HORN INSTALLATION - GASOLINE	E
1	0140001	1	Horn	
2	0700610	1	Bolt M6 x 20	
3	0701020	4	Bolt M10 x 60	
4	0731005	5	Screw, #10 x 5/8	
5	0762019	4	Bolt M20 x 55	
6	0760814	3	Bolt M8 x 30	
7	3290605	1	Nut M6	
8	3290805	3	Nut M8	
9	3291005	2	Nut M10	
10	3292005	4	Nut M20	
11	4751000	5	Washer #10	
12	4811700	2	Washer M6	
13	4811902	6	Washer M8	
14	4812002	6	Washer M10	
15	1001102823	1	Hydraulic Tank Assembly (See HYDRAULIC TANK ASSEMBLY for Breakdown)	
16	1001118972	2	Nut M10	
17	5242000	8	Washer M20	
18	1001163671	1	Fuel Tank Assembly ( <b>Prior to SN E200000451</b> )	
18	1001206896	1	Fuel Tank Assembly ( <b>SN E200000451 through E200000675, SN 1200027648 through 1200030222</b> )	
18	1001188197	1	Cap, Fuel ( <b>Prior to SN E200000451</b> )	
18	1001211336	1	Cap, Fuel ( <b>SN E200000451 through E200000675, SN 1200027648 through 1200030222</b> )	
18	70004794	1	Tube, Pick-up	
19	1001168762	1	Sensor, Fuel Level ( <b>Prior to SN E200000469, SN 1200027648 through 1200030222</b> )	
19	1001231195	1	Sensor, Fuel Level ( <b>SN E200000469 through E200000675</b> )	
20	1001181554	1	Tray	

**SECTION 2 - GROUND CONTROLS**

**FIGURE 2-6. HYDRAULIC TANK ASSEMBLY**



ART\_1001102823



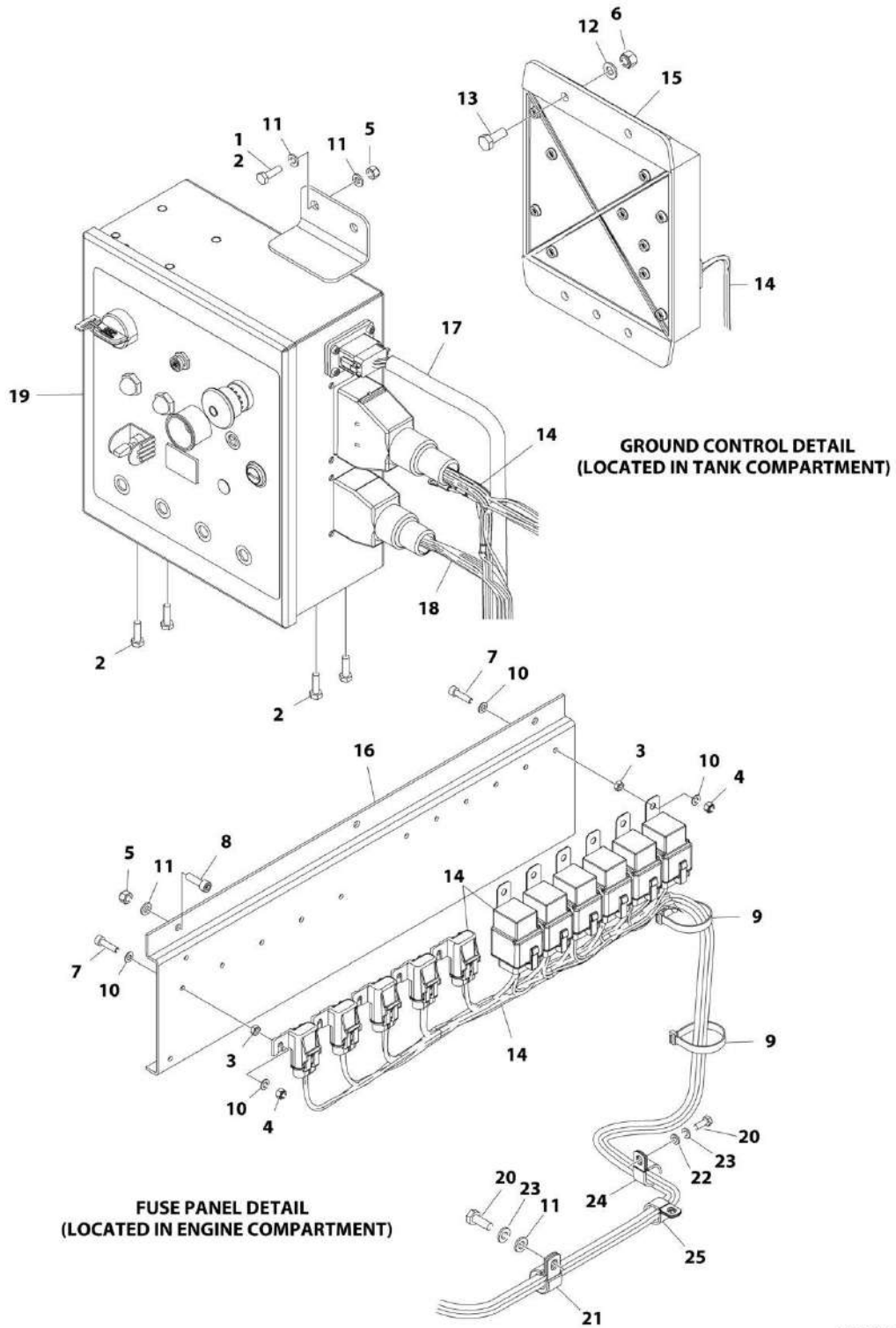
## SECTION 2 - GROUND CONTROLS

### FIGURE 2-6. HYDRAULIC TANK ASSEMBLY

ITEM	PART NUMBER	QTY	DESCRIPTION	REV
	1001102823	Ref	HYDRAULIC TANK ASSEMBLY	C
1	70001959	1	Filter, Return	
1	70001960	1	Element, Filter	
1	70002768	1	Spring, Return Filter Assembly	
2	7023306	1	Seal Between Filter Cover and Head	
3	7023347	1	Gasket Between Tank and Filter Flange	
4	7024446	1	Plug, Magnetic 1in NPT	
5	7024441	1	Gauge, Fluid Level	
6	70002113	1	Breather/Fill Cap	
7	See Note	2	Strainer (Note: Not a serviceable Item per Vendor) (Not Shown)	
8	70002112	1	Plug, Magnetic	

# SECTION 2 - GROUND CONTROLS

## FIGURE 2-7. ELECTRICAL COMPONENTS INSTALLATION - KUBOTA STAGE III DIESEL



ART\_1001181336

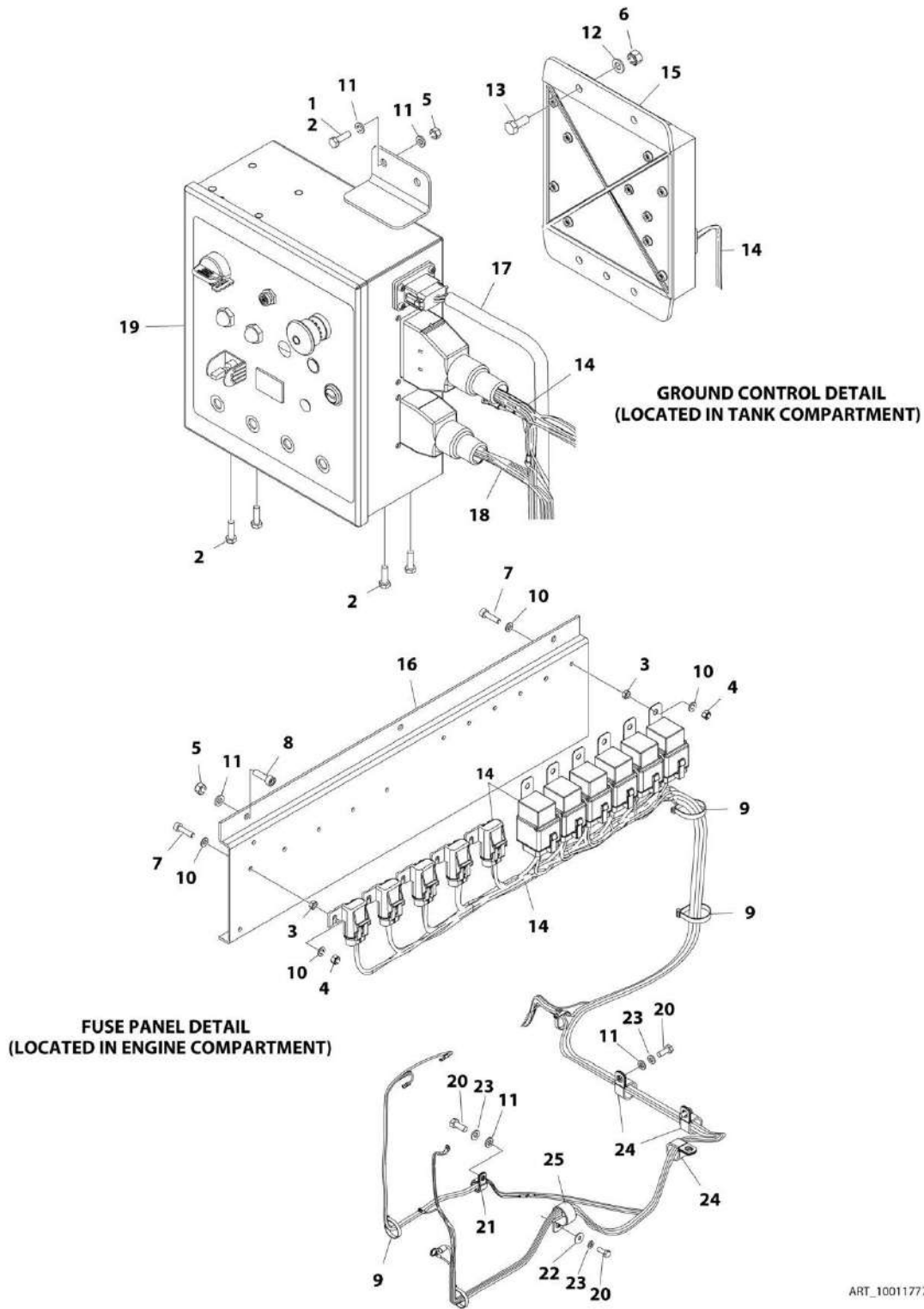
## SECTION 2 - GROUND CONTROLS

**FIGURE 2-7. ELECTRICAL COMPONENTS INSTALLATION - KUBOTA STAGE III DIESEL**

ITEM	PART NUMBER	QTY	DESCRIPTION	REV
	1001181336	Ref	ELECTRICAL COMPONENTS INSTALLATION - KUBOTA STAGE III DIESEL	F
1	0100011	AR	Compound, Locking	
2	0760610	6	Bolt M6 x 20	
3	3290501	11	Nut M5	
4	3290505	11	Nut M5	
5	3290605	5	Nut M6	
6	3290805	4	Nut M8	
7	4031608	11	Bolt M5 x 20	
8	4031708	3	Bolt M6 x 20	
9	4240018	23	Tie-Strap	
10	4811600	22	Washer M5	
11	4811700	8	Washer M6	
12	4811900	4	Washer M8	
13	0760810001	4	Capscrew M8 x 20	
14	1001180569	1	Engine Harness - Diesel (See ELECTRICAL SECTION for Breakdown)	
15	1001182481	1	Module, Control (Note: Re-calibration Required when Replaced)	
16	1001185125	1	Plate, Mounting	
17	1001192038	1	Hydraulic Compartment Harness (See ELECTRICAL SECTION for Breakdown)	
18	1001192591	1	Chassis Harness (See ELECTRICAL SECTION for Breakdown)	
19	1001181335	1	Ground Box Assembly (See GROUND CONTROL BOX ASSEMBLY - KUBOTA STAGE III DIESEL for Breakdown)	
20	0760608	2	Bolt M6 x 16	
21	1320041	1	Clamp 1/2	
22	4811702	1	Washer M6	
23	4831700	2	Washer M6	
24	1001100319	AR	Hose Clip M10	
25	1320095	AR	Clamp	

# SECTION 2 - GROUND CONTROLS

## FIGURE 2-8. ELECTRICAL COMPONENTS INSTALLATION - KUBOTA T4F DIESEL



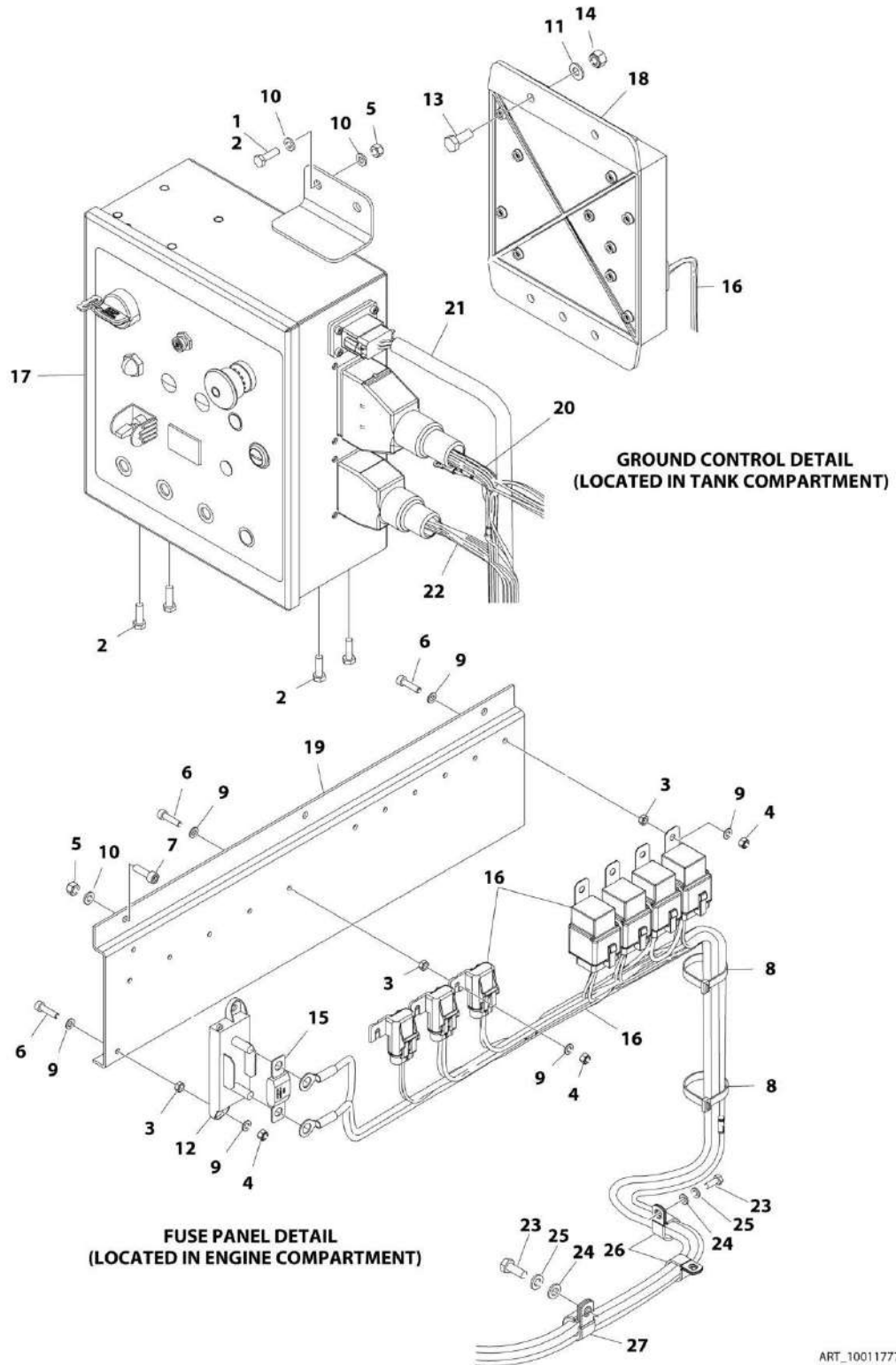
## SECTION 2 - GROUND CONTROLS

**FIGURE 2-8. ELECTRICAL COMPONENTS INSTALLATION - KUBOTA T4F DIESEL**

ITEM	PART NUMBER	QTY	DESCRIPTION	REV
	1001177761	Ref	ELECTRICAL COMPONENTS INSTALLATION - KUBOTA T4F DIESEL	F
1	0100011	AR	Compound, Locking	
2	0760610	6	Bolt M6 x 20	
3	3290501	11	Nut M5	
4	3290505	11	Nut M5	
5	3290605	5	Nut M6	
6	3290805	4	Nut M8	
7	4031608	11	Bolt M5 x 20	
8	4031708	3	Bolt M6 x 20	
9	4240018	AR	Tie-Strap	
10	4811600	22	Washer M5	
11	4811700	AR	Washer M6	
12	4811900	4	Washer M8	
13	0760810001	4	Capscrew M8 x 20	
14	1001180569	1	Engine Harness - Diesel (See ELECTRICAL SECTION for Breakdown)	
15	1001182481	1	Module, Control (Note: Re-calibration Required when Replaced)	
16	1001185125	1	Plate, Mounting	
17	1001192038	1	Hydraulic Compartment Harness (See ELECTRICAL SECTION for Breakdown)	
18	1001192591	1	Chassis Harness (See ELECTRICAL SECTION for Breakdown)	
19	1001181326	1	Ground Box Assembly (See GROUND CONTROL BOX ASSEMBLY - KUBOTA T4F DIESEL for Breakdown)	
20	0760608	AR	Bolt M6 x 16	
21	1320041	1	Clamp	
22	4811702	1	Washer M6	
23	4831700	AR	Washer M6	
24	1001100319	AR	Hose Clip M10	
25	1320095	AR	Clamp	

# SECTION 2 - GROUND CONTROLS

## FIGURE 2-9. ELECTRICAL COMPONENTS INSTALLATION - KUBOTA GASOLINE



ART\_100117775

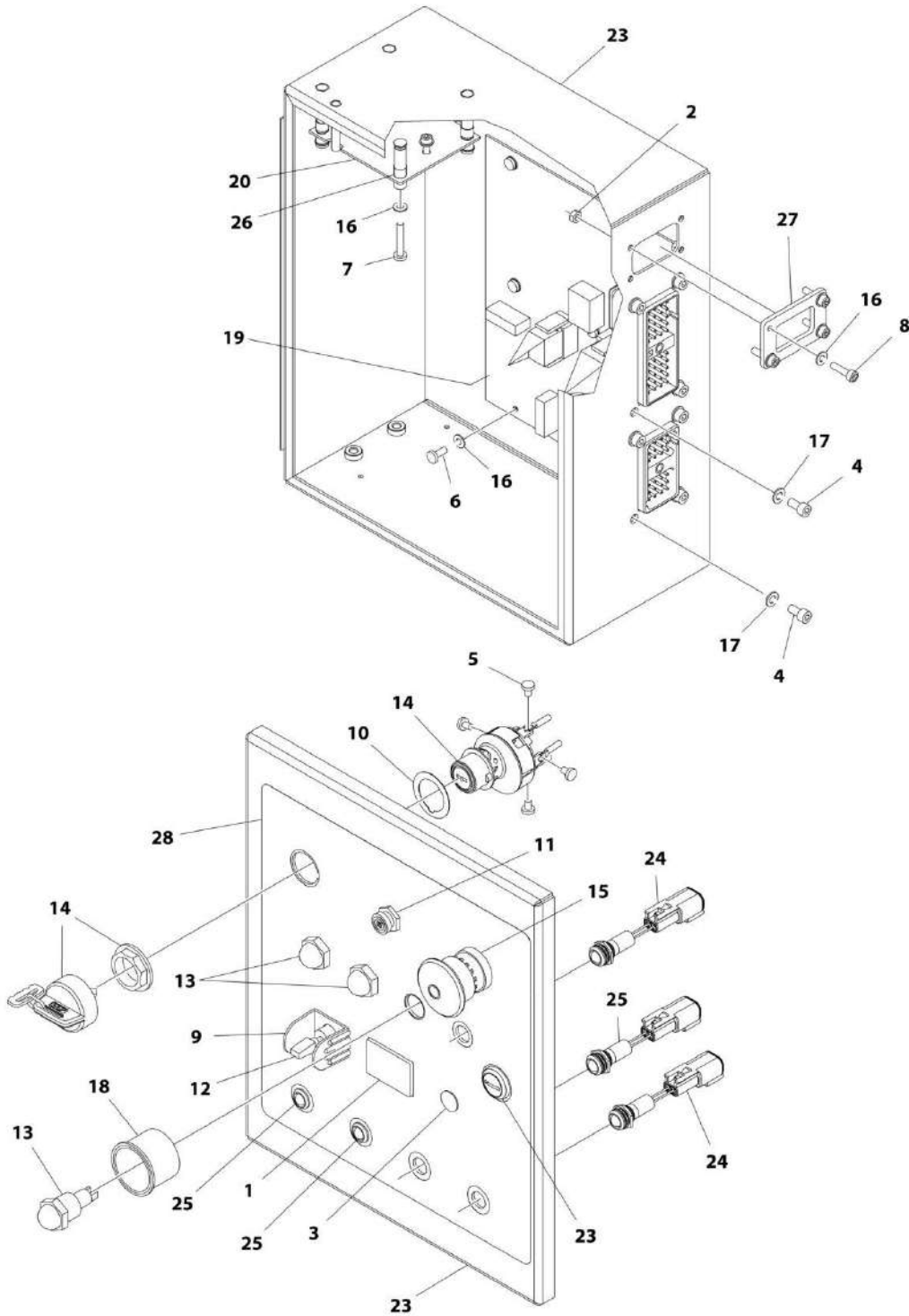
## SECTION 2 - GROUND CONTROLS

**FIGURE 2-9. ELECTRICAL COMPONENTS INSTALLATION - KUBOTA GASOLINE**

ITEM	PART NUMBER	QTY	DESCRIPTION	REV
	1001177775	Ref	ELECTRICAL COMPONENTS INSTALLATION - KUBOTA GASOLINE	D
1	0100011	AR	Compound, Locking	
2	0760610	6	Bolt M6 x 20	
3	3290501	11	Nut M5	
4	3290505	11	Nut M5	
5	3290605	5	Nut M6	
6	4031608	11	Capscrew M5 x 20	
7	4031708	3	Capscrew M6 x 20	
8	4240018	21	Tie-Strap	
9	4811600	22	Washer M5	
10	4811700	7	Washer M6	
11	4811900	4	Washer M8	
12	8229260	1	Fuseblock	
13	0760810001	4	Bolt M8 x 20	
14	1001102433	4	Nut M8	
15	1001119276	1	Fuse, 60 Amp	
16	1001180570	1	Engine Harness - Gasoline (See ELECTRICAL SECTION for Breakdown)	
17	1001181334	1	Ground Control Box Assembly (See GROUND CONTROL BOX ASSEMBLY - KUBOTA GASOLINE for Breakdown)	
18	1001182481	1	Module, Control (Note: Re-calibration Required when Replaced)	
19	1001185125	1	Plate, Mounting	
20	1001187557	1	Duel Fuel Harness (See ELECTRICAL SECTION for Breakdown)	
21	1001192038	1	Hydraulic Compartment Harness (See ELECTRICAL SECTION for Breakdown)	
22	1001192591	1	Chassis Harness (See ELECTRICAL SECTION for Breakdown)	
23	0760608	2	Bolt M6 x 16	
24	4811702	2	Washer M6	
25	4831700	2	Washer M6	
26	1001100319	3	Hose Clip M10 <b>(Prior to SN E200000146)</b>	
26	1001100319	2	Hose Clip M10 <b>(SN E200000146 to Present)</b>	
27	1320095	1	Clamp <b>(SN E200000146 to Present)</b>	

# SECTION 2 - GROUND CONTROLS

FIGURE 2-10. GROUND CONTROL BOX ASSEMBLY - KUBOTA STAGE III DIESEL



ART\_1001181335



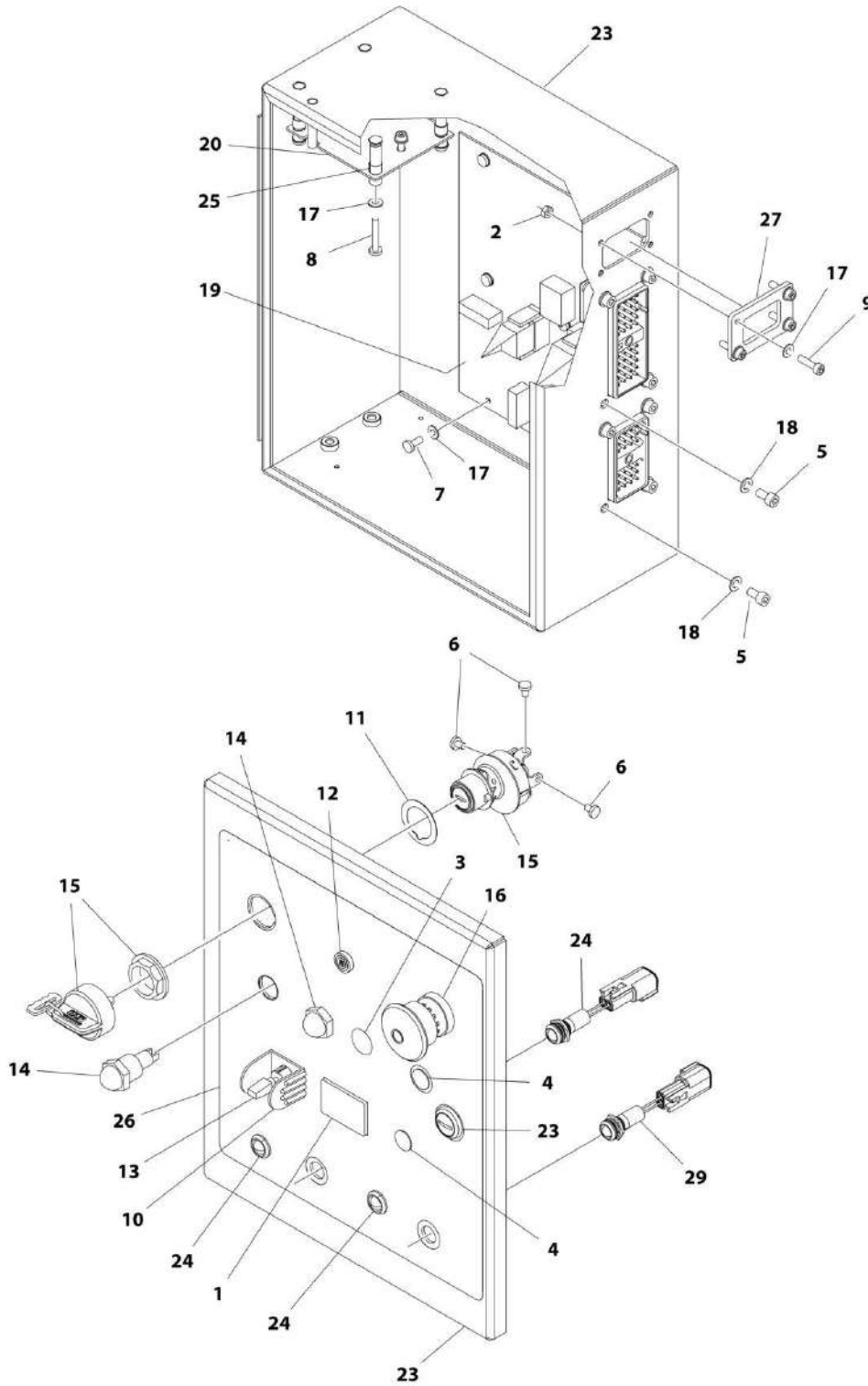
## SECTION 2 - GROUND CONTROLS

**FIGURE 2-10. GROUND CONTROL BOX ASSEMBLY - KUBOTA STAGE III DIESEL**

ITEM	PART NUMBER	QTY	DESCRIPTION	REV
	1001181335	Ref	GROUND CONTROL BOX ASSEMBLY - KUBOTA STAGE III DIESEL	I
1	2420172	1	Gauge	
2	3290405	4	Nut M4	
3	3520028	AR	Plug, Hole	
4	3900300	8	Capscrew	
5	4010403	4	Screw M4 x 6	
6	4010405	4	Screw M4 x 10	
7	4010412	4	Screw M4 x 24	
8	4031507	4	Capscrew M4 x 16	
9	4060802	1	Guard, Switch	
10	4070987	5	Shim, .015	
11	4360070	1	Breaker, Circuit 15Amp	
12	4360524	1	Switch, Toggle	
13	4360387	3	Switch, Push Button	
14	4360469	1	Switch, Key	
14	2860030	1 set	Key, Replacement	
15	4360475	1	Switch, Emergency Stop	
15	7020175	1	Cap	
15	7020176	1	Block, Contact	
16	4811400	12	Washer M4	
17	4811600	8	Washer M5	
18	1001176469	1	Shroud, Switch	
19	1001181314	1	Module, Ground Control (Note: Re-calibration Required when Replaced)	
20	1001181330	1	Sensor	
20	See Note	1	Connector - 4 Position (Note: Not Available for Purchase)	
20	See Note	4	Terminal (Note: Not Available for Purchase)	
21	1001181333	1	Ground Control Box Harness - Lower (Not Shown) (See ELECTRICAL SECTION for Breakdown)	
22	1001181337	1	Ground Control Box Harness - Upper (Not Shown) (See ELECTRICAL SECTION for Breakdown)	
23	1001181711	1	Box, Ground Control	
23	1001165791	1	Hinge	
23	1001166257	1	Latch	
24	1001182680	AR	LED Light with Connector (Red)	
25	1001182681	3	LED Light with Connector (Yellow)	
26	1001184730	4	Washer, Nylon	
27	1001190002	1	Seal, Connector	
28	1001195871	1	Decal - Ground Control	
29	4460234	8	Mount, Tie-Strap (Not Shown)	

# SECTION 2 - GROUND CONTROLS

## FIGURE 2-11. GROUND CONTROL BOX ASSEMBLY - KUBOTA T4F DIESEL



ART\_1001181326

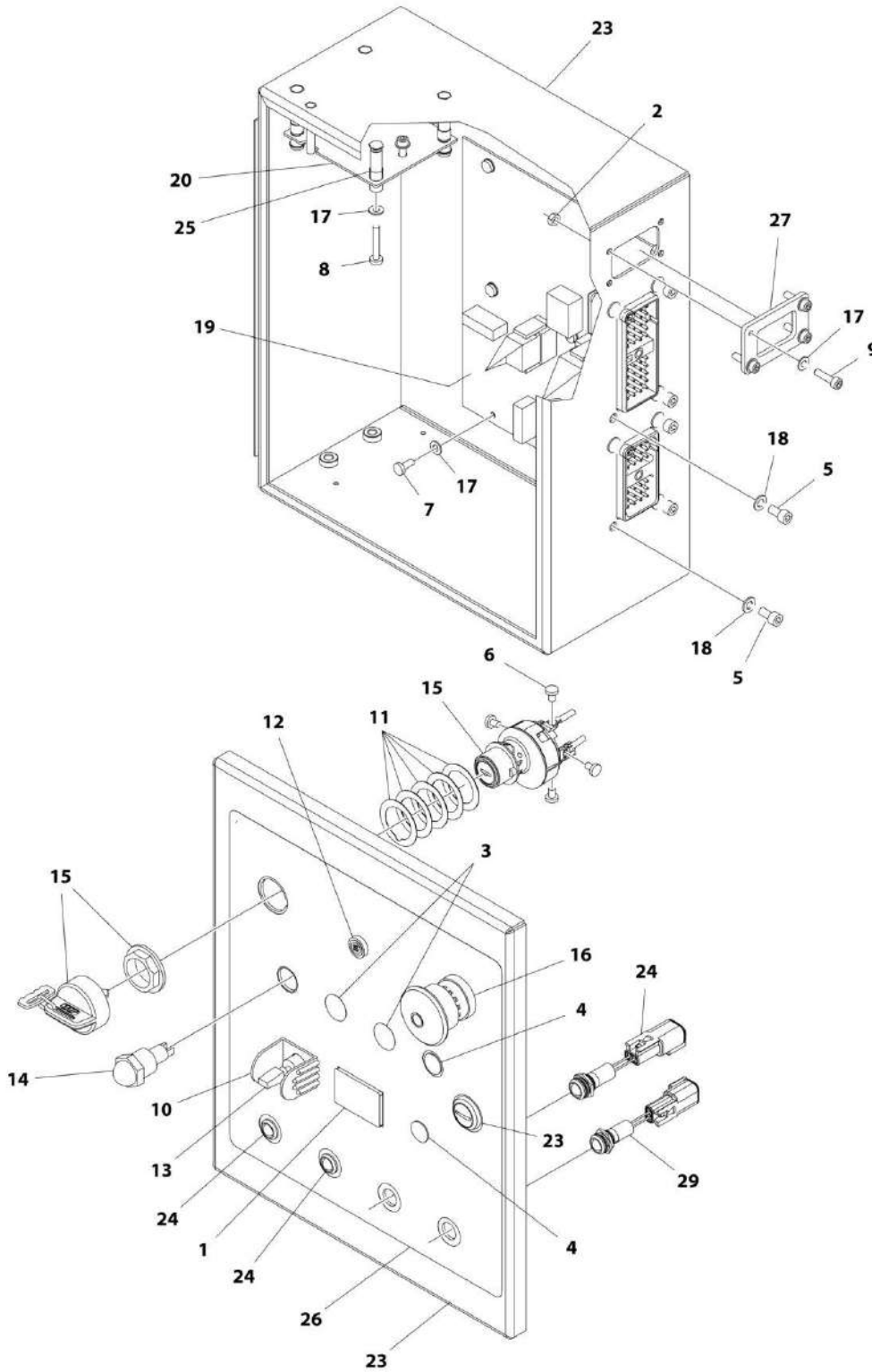
## SECTION 2 - GROUND CONTROLS

**FIGURE 2-11. GROUND CONTROL BOX ASSEMBLY - KUBOTA T4F DIESEL**

ITEM	PART NUMBER	QTY	DESCRIPTION	REV
	1001181326	Ref	GROUND CONTROL BOX ASSEMBLY - KUBOTA T4F DIESEL	K
1	2420172	1	Gauge	
2	3290401	4	Nut M4	
3	3520026	1	Plug, Hole	
4	3520028	AR	Plug, Hole	
5	3900300	8	Capscrew	
6	4010403	4	Screw M4 x 6	
7	4010405	4	Screw M4 x 10	
8	4010412	4	Screw M4 x 24	
9	4031507	4	Capscrew M4 x 16	
10	4060802	1	Guard, Switch	
11	4070987	5	Shim, .015	
12	4360070	1	Breaker, Circuit 15Amp	
13	4360524	1	Switch, Toggle	
14	4360387	2	Switch, Push Button	
15	4360469	1	Switch, Key	
15	2860030	1 set	Key, Replacement	
16	4360475	1	Switch, Emergency Stop	
16	7020175	1	Cap	
16	7020176	1	Block, Contact	
17	4811400	12	Washer M4	
18	4811600	8	Washer M5	
19	1001181314	1	Module, Ground Control (Note: Re-calibration Required when Replaced)	
20	1001181330	1	Sensor	
20	See Note	1	Connector - 4 Position (Note: Not Available for Purchase)	
20	See Note	4	Terminal (Note: Not Available for Purchase)	
21	1001181333	1	Ground Control Box Harness - Lower (Not Shown) (See ELECTRICAL SECTION for Breakdown)	
22	1001181337	1	Ground Control Box Harness - Upper (Not Shown) (See ELECTRICAL SECTION for Breakdown)	
23	1001181711	1	Box, Ground Control	
23	1001165791	1	Hinge	
23	1001166257	1	Latch	
24	1001182681	3	LED Light with Connector (Yellow)	
25	1001184730	4	Washer, Nylon	
26	1001189773	1	Decal, Ground Control	
27	1001190002	1	Seal, Connector	
28	4460234	8	Mount, Tie-Strap (Not Shown)	
29	1001182680	1	LED Light with Connector (Red) (SN E200000301 through E200000675, SN 1200027648 through 1200030222)	

# SECTION 2 - GROUND CONTROLS

FIGURE 2-12. GROUND CONTROL BOX ASSEMBLY - KUBOTA GASOLINE



ART\_1001181334

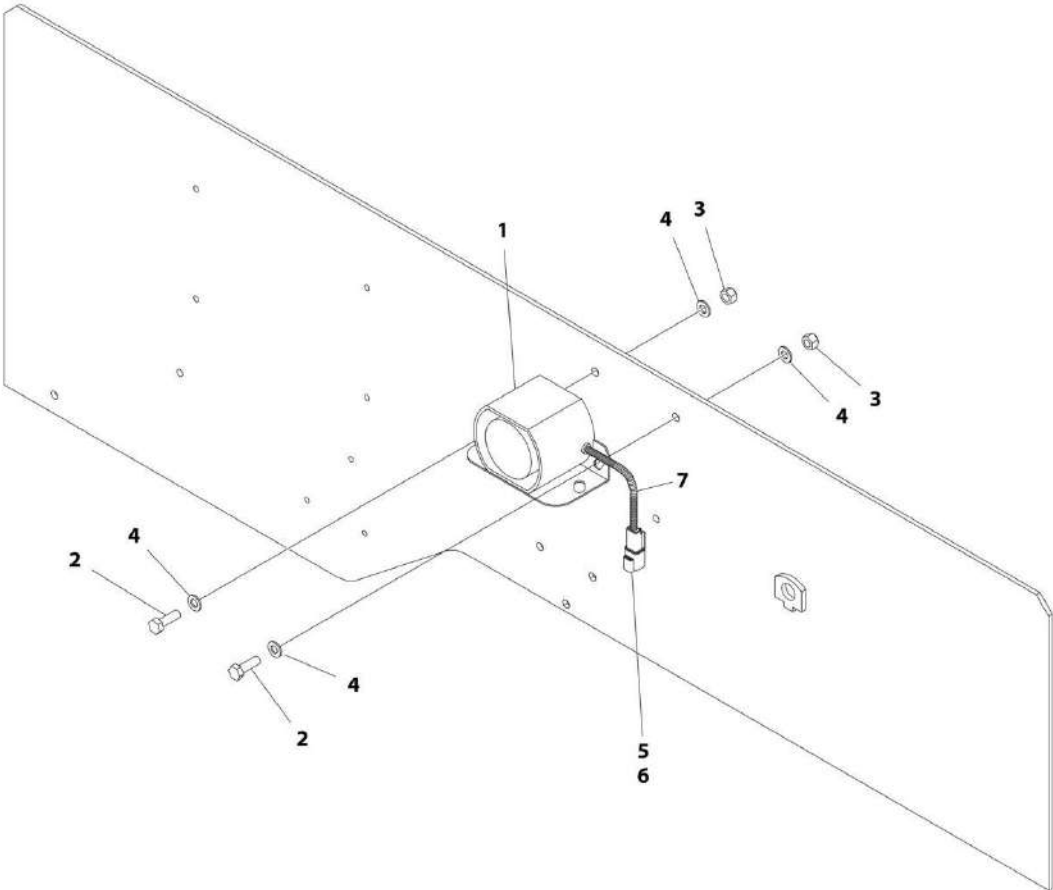
## SECTION 2 - GROUND CONTROLS

**FIGURE 2-12. GROUND CONTROL BOX ASSEMBLY - KUBOTA GASOLINE**

ITEM	PART NUMBER	QTY	DESCRIPTION	REV
	1001181334	Ref	GROUND CONTROL BOX ASSEMBLY - KUBOTA GASOLINE	I
1	2420172	1	Gauge	
2	3290401	AR	Nut M4	
2	3290405	AR	Nut M4	
3	3520026	2	Plug, Hole	
4	3520028	AR	Plug, Hole	
5	3900300	8	Capscrew	
6	4010403	4	Screw M4 x 6	
7	4010405	4	Screw M4 x 10	
8	4010412	4	Screw M4 x 24	
9	4031505	4	Capscrew M4 x 10	
10	4060802	1	Guard, Switch	
11	4070987	AR	Shim, .015	
12	4360070	1	Breaker, Circuit 15Amp	
13	4360524	1	Switch, Toggle	
14	4360387	1	Switch, Push Button	
15	4360469	1	Switch, Key	
15	2860030	1 set	Key, Replacement	
16	4360475	1	Switch, Emergency Stop	
16	7020175	1	Cap	
16	7020176	1	Block, Contact	
17	4811400	12	Washer M4	
18	4811600	8	Washer M5	
19	1001181314	1	Module, Ground Control (Note: Re-calibration Required when Replaced)	
20	1001181330	1	Sensor	
20	See Note	1	Connector - 4 Position (Note: Not Available for Purchase)	
20	See Note	4	Terminal (Note: Not Available for Purchase)	
21	1001181333	1	Ground Control Box Harness - Lower (Not Shown) (See ELECTRICAL SECTION for Breakdown)	
22	1001181337	1	Ground Control Box Harness - Upper (Not Shown) (See ELECTRICAL SECTION for Breakdown)	
23	1001181711	1	Box, Ground Control	
23	1001165791	1	Hinge	
23	1001166257	1	Latch	
24	1001182681	3	LED Light with Connector (Yellow)	
25	1001184730	4	Washer, Nylon	
26	1001189773	1	Decal - Ground Control	
27	1001190002	1	Seal, Connector	
28	4460234	AR	Mount, Tie-Strap (Not Shown)	
29	1001182680	1	LED Light with Connector (Red) (SN E20000301 through E20000675, SN 1200027648 through 1200030222)	

# SECTION 2 - GROUND CONTROLS

FIGURE 2-13. MOTION ALARM INSTALLATION



ART\_1001191641

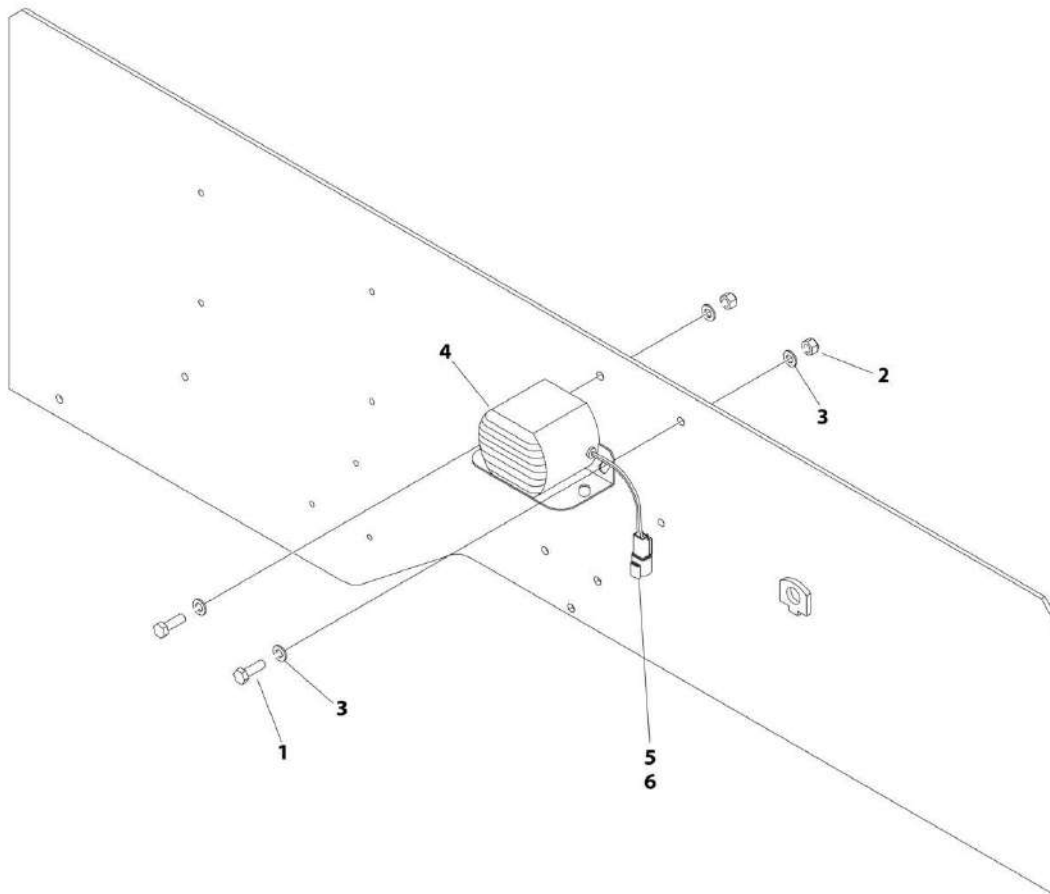
## SECTION 2 - GROUND CONTROLS

### FIGURE 2-13. MOTION ALARM INSTALLATION

ITEM	PART NUMBER	QTY	DESCRIPTION	REV
	1001191641	Ref	MOTION ALARM INSTALLATION	B
1	0140032	1	Alarm	
2	0770812	2	Bolt M8 x 25	
3	3290805	2	Nut M8	
4	4811900	4	Washer M8	
5	4460464	2	Pin, Male	
6	4460897	1	Connector - 2 Position	
7	1001175012	AR	Conduit	

## SECTION 2 - GROUND CONTROLS

FIGURE 2-14. WHITE NOISE ALARM INSTALLATION



ART\_1001219108



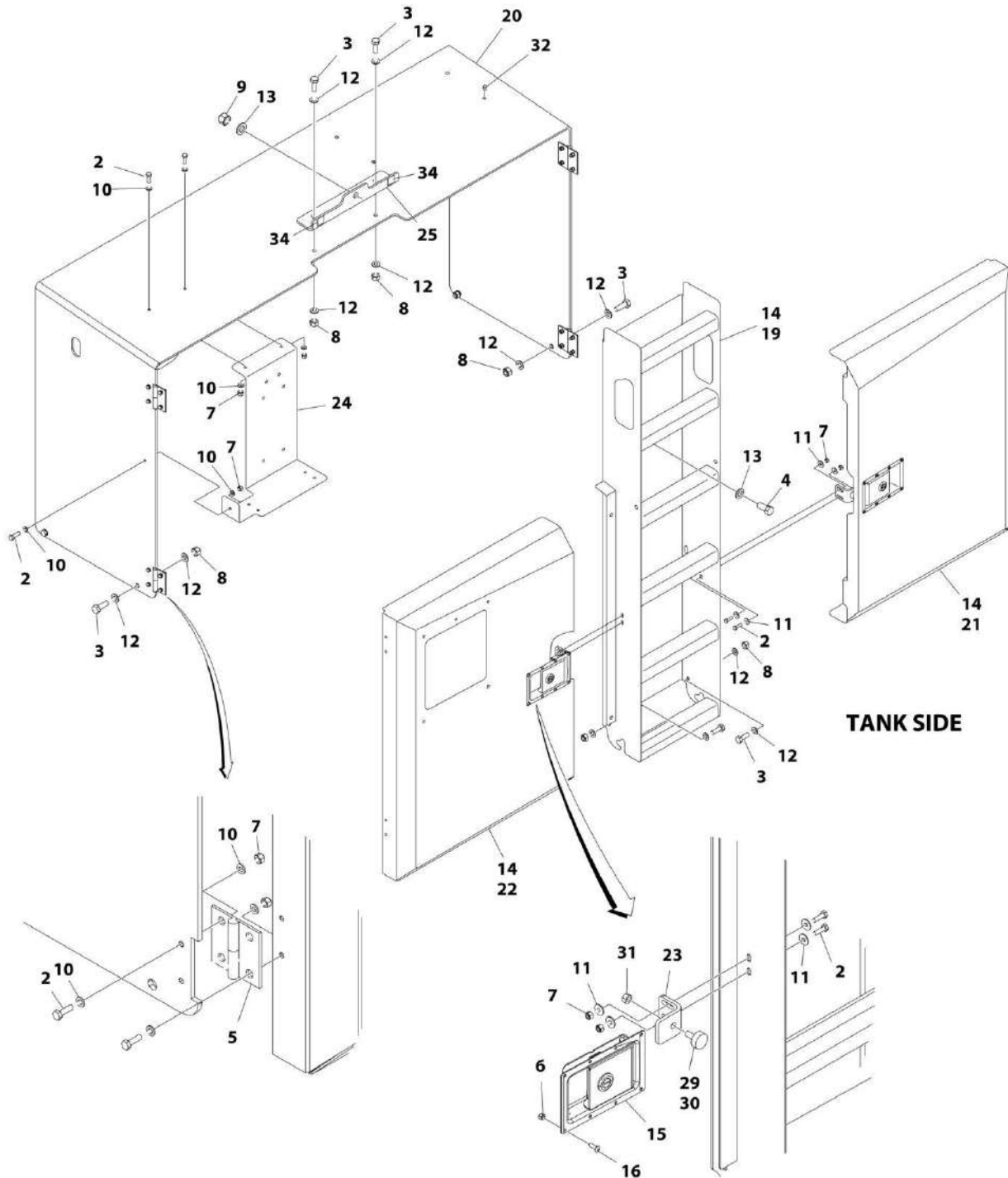
## SECTION 2 - GROUND CONTROLS

### FIGURE 2-14. WHITE NOISE ALARM INSTALLATION

ITEM	PART NUMBER	QTY	DESCRIPTION	REV
	1001219108	Ref	WHITE NOISE ALARM INSTALLATION	A
1	0760612	2	Bolt M6 x 25	
2	3290605	2	Nut M6	
3	4811702	4	Washer M6	
4	1001182806	1	Alarm, White Noise	
5	4460897	1	Connector - 2 Position	
6	4460464	2	Pin, Male	

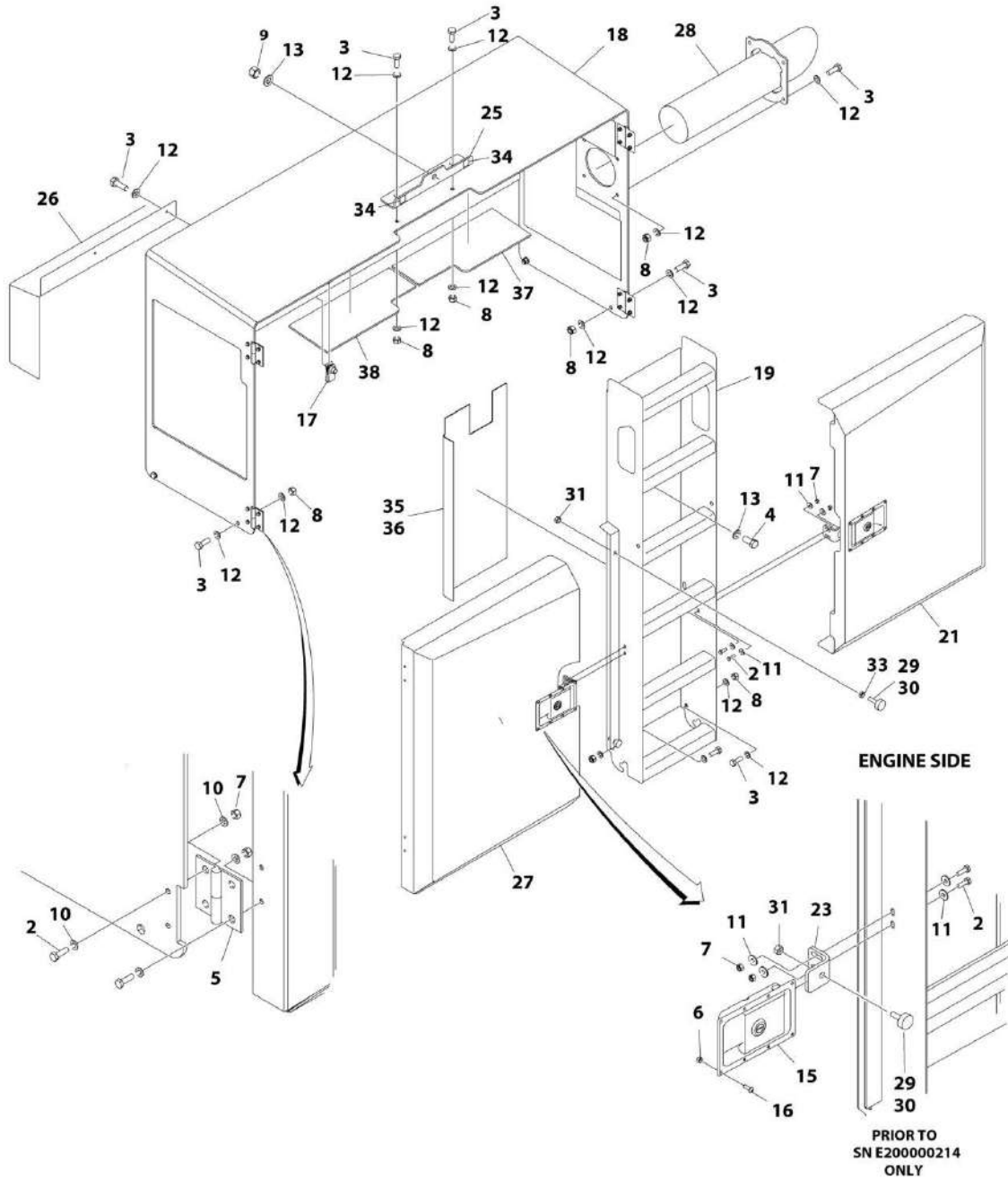
# SECTION 2 - GROUND CONTROLS

## FIGURE 2-15. HOODS INSTALLATION



ART\_100117708\_1OF2

# SECTION 2 - GROUND CONTROLS



ART\_1001177708\_20F2

## SECTION 2 - GROUND CONTROLS

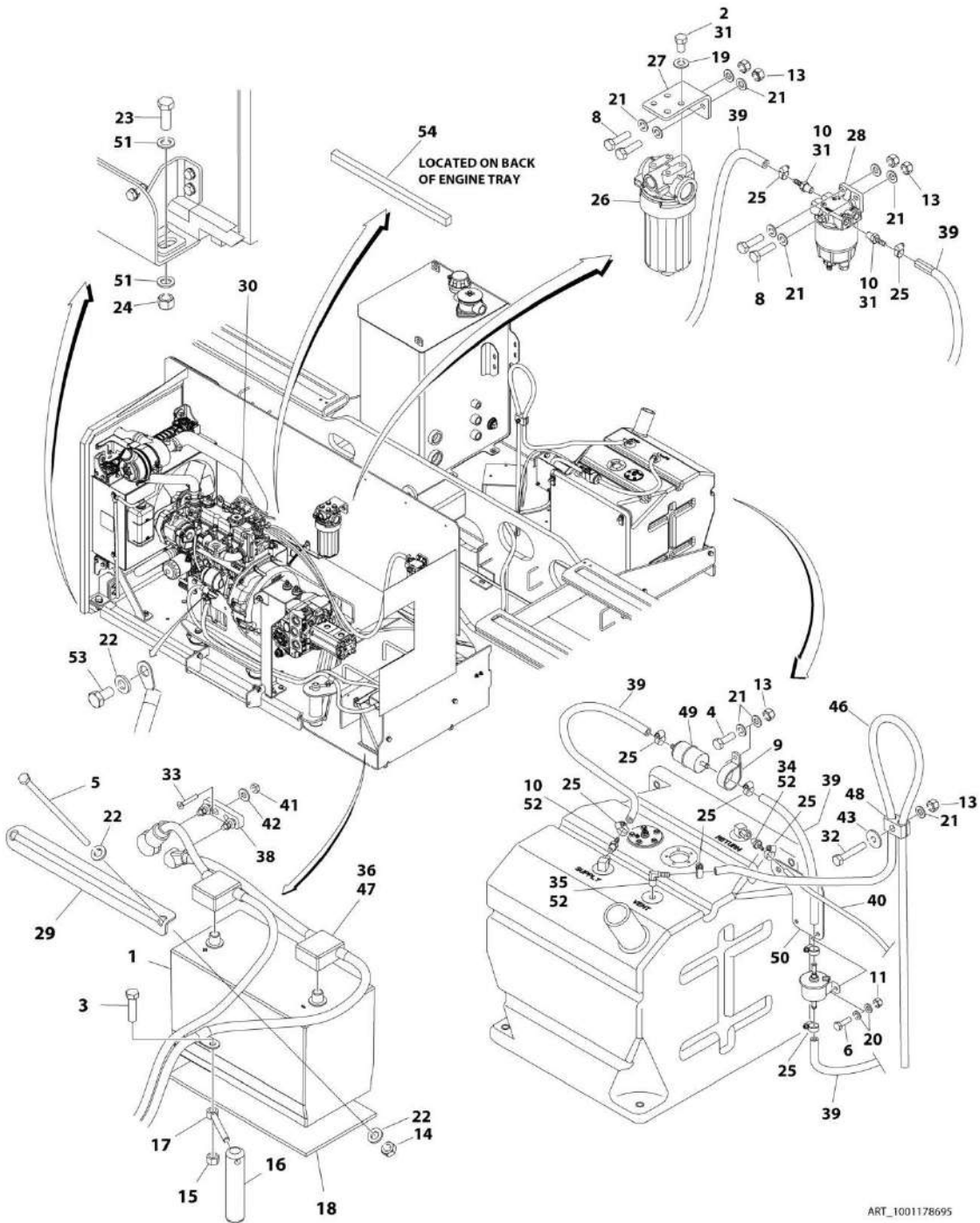
FIGURE 2-15. HOODS INSTALLATION

ITEM	PART NUMBER	QTY	DESCRIPTION	REV
	1001177708	Ref	HOODS INSTALLATION	L
2	0760610	43	Bolt M6 x 20	
3	0761014	22	Bolt M10 x 30	
4	0761615	2	Bolt M16 x 35	
5	2600216	8	Hinge	
6	3290505	32	Nut M5	
7	3290605	43	Nut M6	
8	3291005	20	Nut M10	
9	3291605	2	Nut M16	
10	4811700	70	Washer M6	
11	4811702	16	Washer M6	
12	4812000	42	Washer M10	
13	4812300	4	Washer M16	
14	4060803	20 ft/ 6.1m	Flex-Trim	
15	1001093383	4	Latch	
16	1001099125	32	Screw M5 x 16 (Grade 10.9)	
17	1001118972	2	Nut M10	
18	1001181103	1	Cover, Engine Side	
19	1001181106	2	Ladder	
20	1001181108	1	Cover, Tank Side	
21	1001181111	2	Door Less Latch	
22	1001181114	1	Door Less Latch	
23	1001181116	4	Bracket, Latch Striker	
24	1001181117	1	Mount	
25	1001181474	2	Bracket, Ladder Attach	
26	1001183727	1	Shield, Generator	
27	1001183729	1	Door Less Latch	
28	1001183416	1	Tube, Exhaust	
29	0100011	AR	Compound, Locking	
30	0940049	AR	Stop, Hood	
31	3311501	AR	Nut 5/16	
32	3520060	6	Plug 3/8	
33	3311502	8	Nut 5/16	
34	4420062	AR	Tape (SN E200000214 through E200000675, SN 1200027648 through 1200030222)	
35	1001181805	1	Insulator, Ladder (SN E200000214 through E200000390)	
36	1001225256	1	Insulator, Ladder (SN E200000391 through E200000675, SN 1200027648 through 1200030222)	
37	1001225257	1	Insulator, Underhood Left (SN E200000391 through E200000675)	
38	1001225258	1	Insulator, Underhood Right (SN E200000391 through E200000675, SN 1200027648 through 1200030222)	

**SECTION 3 - ENGINE**

# SECTION 3 - ENGINE

## FIGURE 3-1. ENGINE INSTALLATION - KUBOTA DIESEL STAGE III



ART\_1001178695

## SECTION 3 - ENGINE

**FIGURE 3-1. ENGINE INSTALLATION - KUBOTA DIESEL STAGE III**

ITEM	PART NUMBER	QTY	DESCRIPTION	REV
	1001178695	Ref	ENGINE INSTALLATION - KUBOTA DIESEL STAGE III	F
1	0400075	1	Battery	
2	0641605	4	Bolt 3/8 x 5/8	
3	0641612	1	Bolt 3/8 x 1-1/2	
4	0700812	1	Bolt M8 x 25	
5	0701047	2	Bolt M10 x 300	
6	0760610	2	Bolt M6 x 20	
8	0760814	4	Bolt M8 x 30	
9	1320265	1	Clamp	
10	2180348	3	Fitting, NPT Barb	
11	3290605	2	Nut M6	
13	3290805	6	Nut M8	
14	3291001	2	Nut M10	
15	3311605	1	Nut 3/8	
16	3422669	1	Pin	
17	3841143	1	Keeper, Pin	
18	3980007	1	Seat, Battery	
19	4711600	4	Washer 3/8	
20	4811700	4	Washer M6	
21	4811900	11	Washer M8	
22	5241000	5	Washer M10	
23	0761617	1	Bolt M16 x 45	
24	3291605	1	Nut M16	
25	8405009	11	Clamp	
26	1001102987	1	Filter, Charge Pump	
26	70010383	1	Element, Filter	
27	1001194836	1	Bracket	
28	1001190609	1	Fuel/Water Separator Assembly (See FUEL/WATER SEPARATOR ASSEMBLY - DIESEL ENGINES for Breakdown)	
29	1001184065	1	Bracket, Hold Down	
30	1001185041	1	Engine and Pump Sub-Assembly (See ENGINE AND PUMP SUB-ASSEMBLY - KUBOTA DIESEL STAGE III for Breakdown)	
31	0100011	AR	Compound, Locking	
32	0700817	1	Bolt M8 x 45	
33	0741010	2	Screw #10 x 1.25	
34	2180666	1	Fitting, NPT Barb	
35	2220313	1	Fitting, Barbed 90	
36	0100051	AR	Grease, Battery Terminal	
37	2300004	AR	Coolant (Not Shown)	
38	2400044	1	Fuse, Mounting Block	
39	2720058	14.5 ft /4.4m	Hose	
40	2720271	9.3 ft /2.8m	Hose	
41	3300408	2	Nut	
42	4711400	2	Washer 1/4	
43	4811902	1	Washer M8	
45	1001159301	AR	Oil, Engine (Not Shown)	
46	1001165035	5.5 ft /1.7m	Hose	
47	1001186428	1	Battery Cable Kit - Diesel (See ELECTRICAL SECTION for	

### SECTION 3 - ENGINE

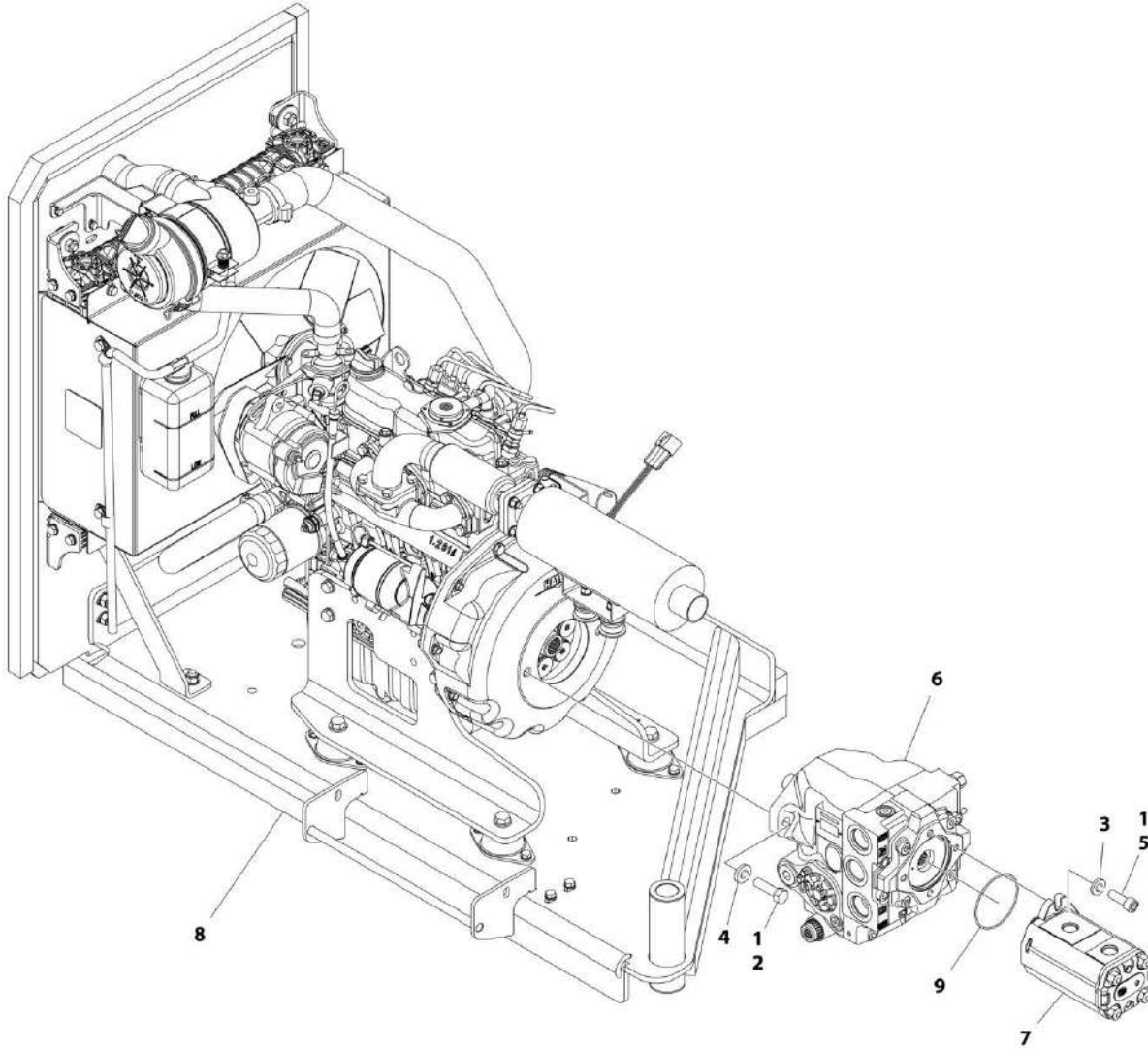
ITEM	PART NUMBER	QTY	DESCRIPTION	REV
			Breakdown)	
48	8750014	1	Hose	
49	1001190545	1	Strainer, Fuel	
50	1001191146	1	Bracket	
51	4812300	2	Washer M16	
52	0100020	AR	Sealant	
53	8303511	1	Capscrew M10	
54	1001183421	1	Foam, Baffle	





# SECTION 3 - ENGINE

FIGURE 3-2. ENGINE AND PUMP SUB-ASSEMBLY - KUBOTA DIESEL STAGE III



ART\_1001185041

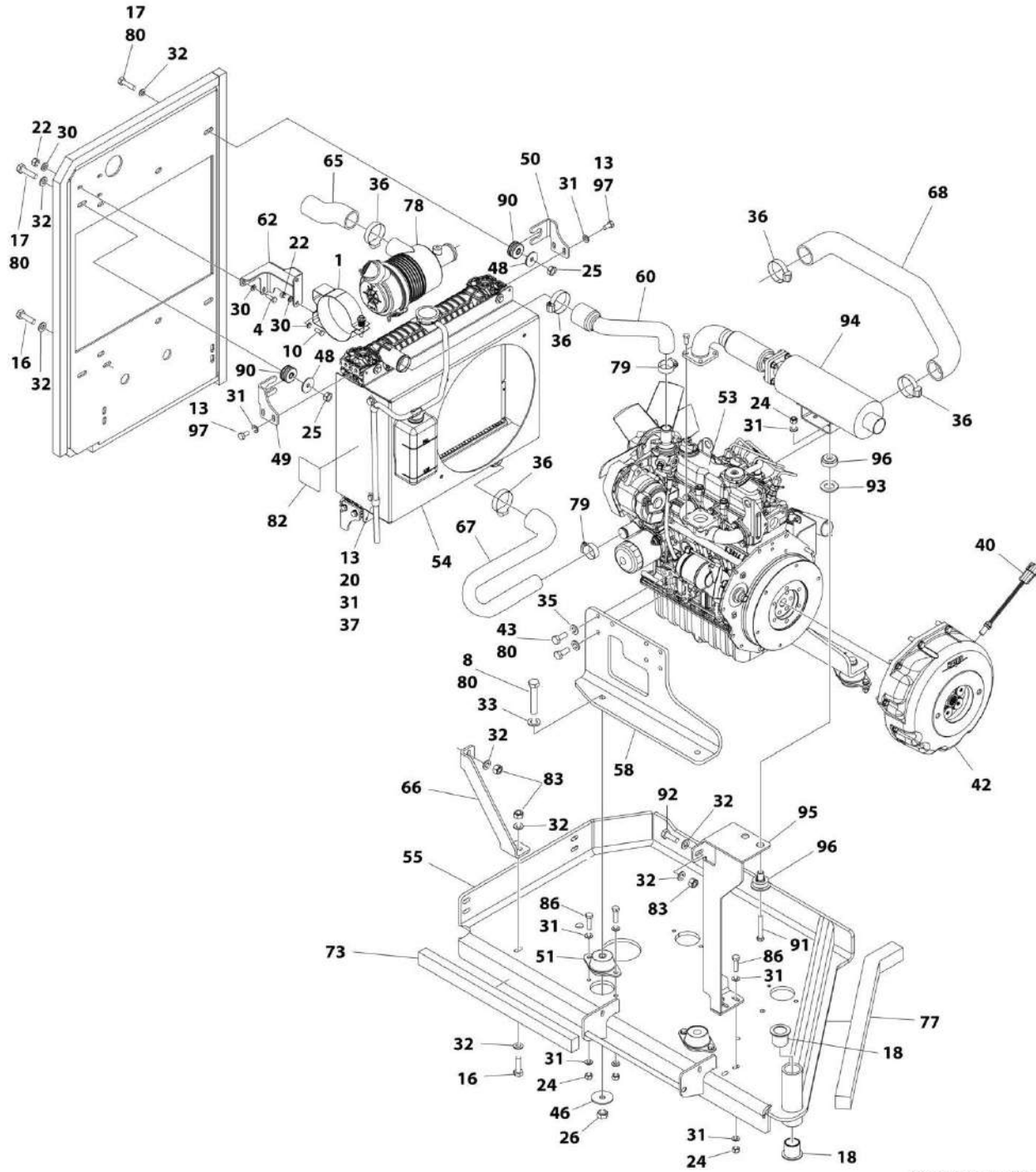
## SECTION 3 - ENGINE

**FIGURE 3-2. ENGINE AND PUMP SUB-ASSEMBLY - KUBOTA DIESEL STAGE III**

ITEM	PART NUMBER	QTY	DESCRIPTION	REV
	1001185041	Ref	ENGINE AND PUMP SUB-ASSEMBLY - KUBOTA DIESEL STAGE III	D
1	0100011	AR	Compound, Locking	
2	0641814	2	Bolt 1/2 x 1-3/4	
3	4891600	2	Washer 3/8	
4	4891800	2	Washer 1/2	
5	83191040	2	Capscrew M10 x 30	
6	1001101331	1	Piston Pump Assembly (See PISTON PUMP ASSEMBLY for Breakdown)	
7	1001181393	1	Gear Pump Assembly	
7	7023929	1	Seal Kit - 1001181393 Pump (Note: Seal Kit is only service component available)	
8	1001185042	1	Engine Assembly - Kubota Diesel Stage III (See ENGINE ASSEMBLY - KUBOTA DIESEL STAGE III for Breakdown)	
9	3790152	1	O-Ring	

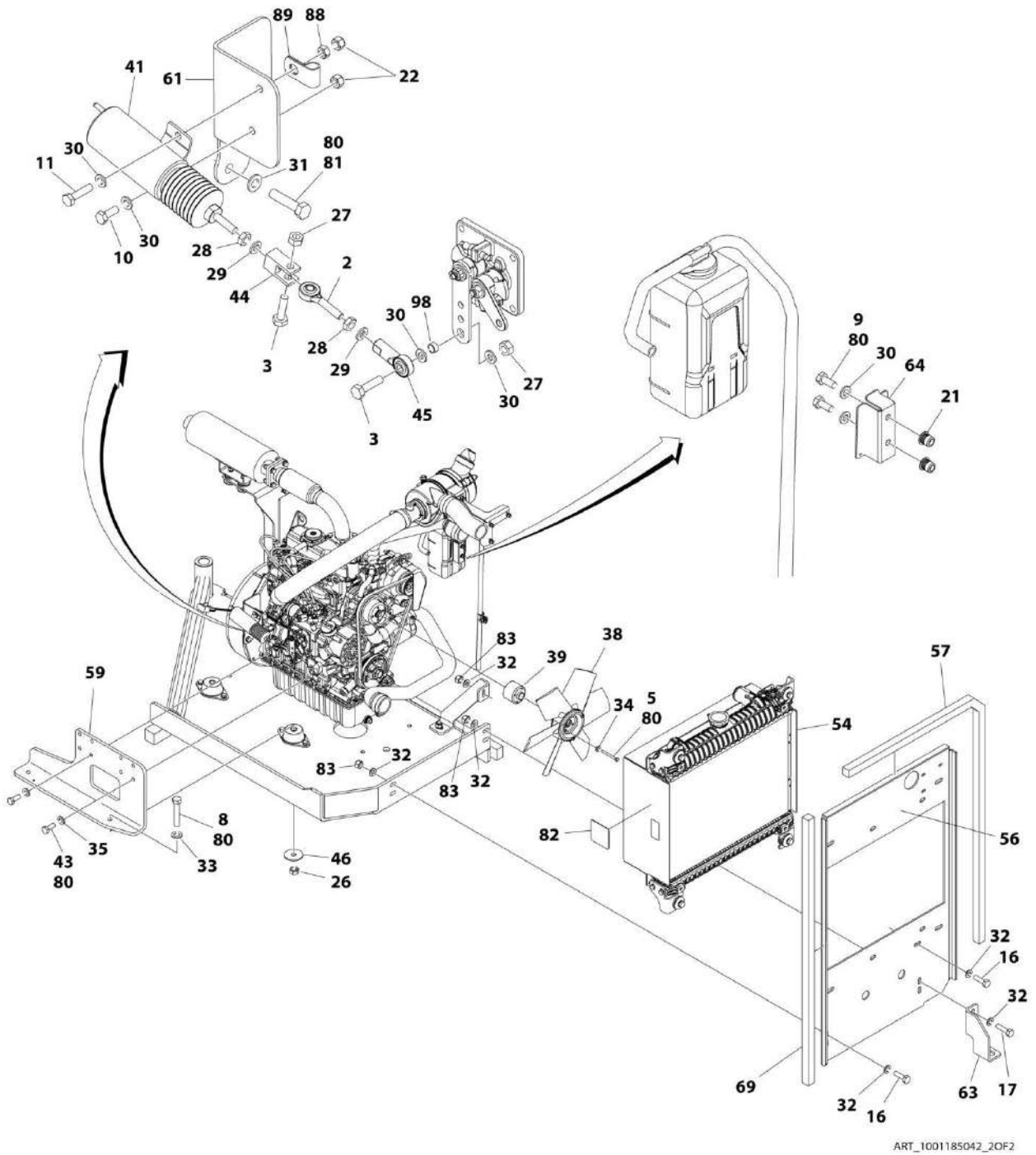
# SECTION 3 - ENGINE

## FIGURE 3-3. ENGINE ASSEMBLY - KUBOTA DIESEL STAGE III



ART\_1001185042\_10F2

# SECTION 3 - ENGINE



ART\_1001185042\_2OF2

## SECTION 3 - ENGINE

FIGURE 3-3. ENGINE ASSEMBLY - KUBOTA DIESEL STAGE III

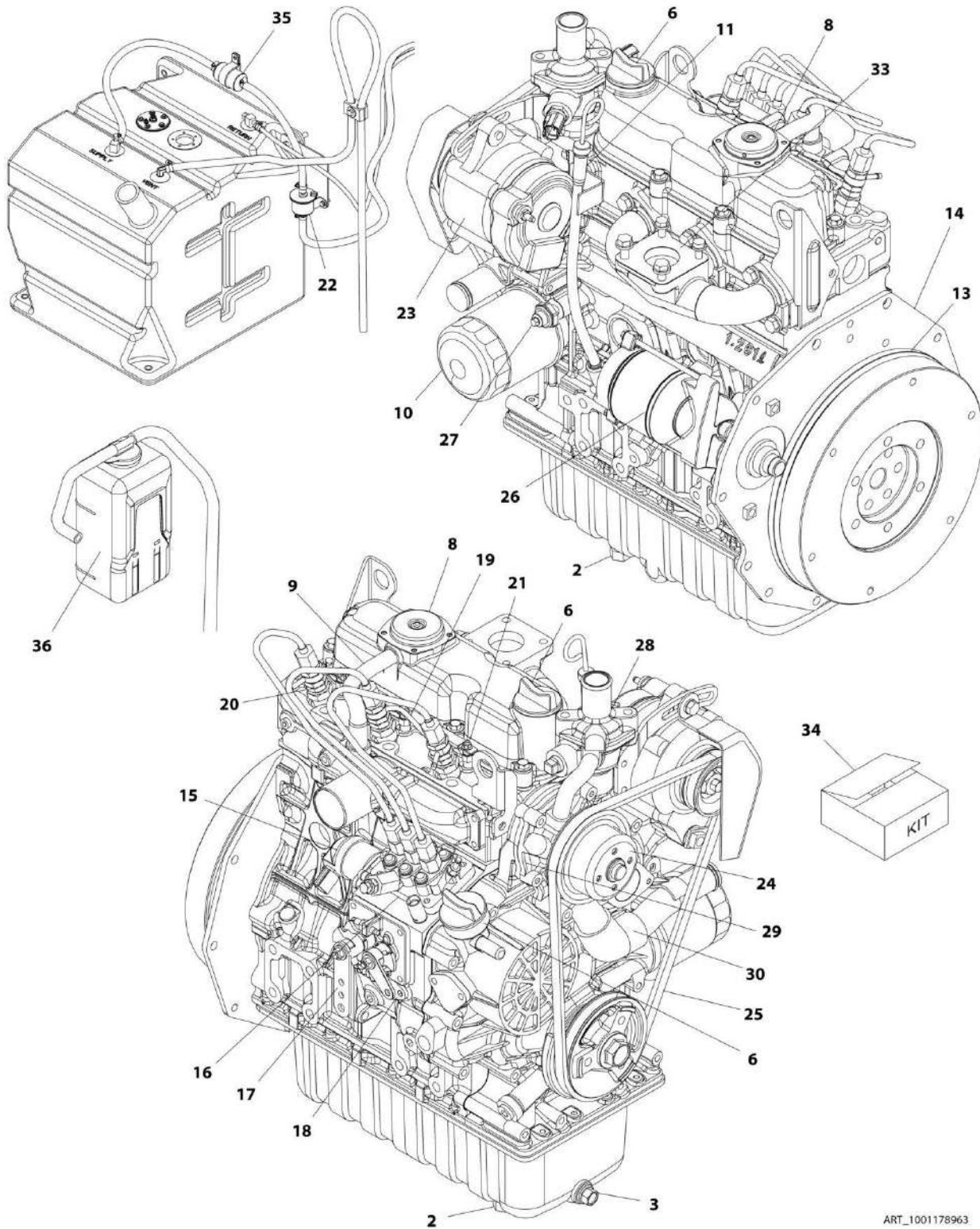
ITEM	PART NUMBER	QTY	DESCRIPTION	REV
	1001185042	Ref	ENGINE ASSEMBLY - KUBOTA DIESEL STAGE III	J
1	0340045	1	Band, Mounting	
2	0440334	1	Bearing	
3	0641408	2	Bolt 1/4 x 1	
4	0700610	AR	Bolt M6 x 20	
5	0700620	4	Bolt M6 x 60	
8	0701222	4	Bolt M12 x 70	
9	0760607	2	Bolt M6 x 14	
10	0760608	AR	Bolt M6 x 16	
10	0760610	AR	Bolt M6 x 20	
11	0760612	1	Bolt M6 x 25	
13	0760808	10	Bolt M8 x 16	
16	0761015	4	Bolt M10 x 35	
17	0761016	6	Bolt M10 x 40	
18	0961986	2	Bearing, Flange	
20	1001191832	AR	Nut M8	
21	1001176636	AR	Nut M6	
22	3290605	AR	Nut M6	
24	3290805	AR	Nut M8	
25	3291001	4	Nut M10	
26	3291201	4	Nut M12	
27	3311405	2	Nut 1/4	
28	3321402	2	Nut 1/4	
29	4761400	2	Washer 1/4	
30	4811700	AR	Washer M6	
31	4811900	AR	Washer M8	
32	4812000	18	Washer M10	
33	5241200	4	Washer M12	
34	5240600	4	Washer M6	
35	5241000	8	Washer M10	
36	8405104	5	Clamp	
37	85941016	2	Clamp	
38	1001118538	1	Fan	
39	1001118539	1	Spacer, Fan	
40	1001118580	1	Sensor, Speed	
41	1001118582	1	Actuator, Throttle	
42	1001118675	1	Coupling Kit (See COUPLING KIT - DIESEL ENGINES for Breakdown)	
43	1001118746	8	Bolt M10 x 25	
44	1001118881	1	Clevis, Linkage	
45	1001118925	1	Bearing	
46	1001168018	4	Washer	
48	1001169138	AR	Pad	
49	1001169967	2	Bracket, Radiator	
50	1001170035	2	Bracket, Radiator	
51	1001175509	NLA	Mount, Motor (use p/n 1001187235)	
53	1001178963	NLA	Engine Components - Kubota Diesel Stage III (use p/n 1001224201) (See ENGINE COMPONENTS - KUBOTA DIESEL STAGE III for Breakdown)	
54	1001181221	1	Radiator (Prior to SN E200000404)	

## SECTION 3 - ENGINE

ITEM	PART NUMBER	QTY	DESCRIPTION	REV
54	1001220957	1	Radiator (SN E200000404 through E200000675, SN 1200027648 through 1200030222)	
55	1001181649	1	Tray, Engine	
56	1001181658	1	Plate, Radiator Mounting	
57	1001181739	1	Seal	
58	1001182976	1	Mount, Engine (LH)	
59	1001182977	1	Mount, Engine (RH)	
60	1001182978	1	Tube, Inlet	
61	1001182979	1	Bracket, Throttle Cylinder	
62	1001182980	1	Bracket, Air Cleaner	
63	1001182981	1	Bracket, Tray	
64	1001182982	1	Mount	
65	1001182983	1	Tube, Intake	
66	1001182984	1	Bracket, Support	
67	1001182985	1	Tube, Outlet	
68	1001182987	1	Tube, Air Intake	
69	1001183420	1	Foam, Baffle	
73	1001183424	1	Foam, Baffle	
77	1001184066	1	Foam, Baffle	
78	1001118280	1	Air Filter Assembly	
78	7015004	2	Element	
78	7015005	1	Cover Assembly	
78	1340069	1	Valve, Vacuator	
79	8405102	2	Clamp (Prior to SN E200000404)	
79	8405101	2	Clamp (SN E200000404 through E200000675, SN 1200027648 through 1200030222)	
80	0100011	AR	Compound, Locking	
81	0700815	2	Bolt M8 x 35	
82	1703162	2	Decal - Fan Blade	
83	3291005	7	Nut M10	
86	0700814	10	Bolt M8	
88	3290601	AR	Nut M6	
89	90021705	1	Clamp, Support	
90	1001169054	4	Isolator, Radiator	
91	0700819	2	Bolt, M8 x 55	
92	0761014	1	Bolt M10 x 30	
93	4812500	2	Washer M20	
94	1001195594	1	Muffler	
95	1001195600	1	Bracket, Muffler	
96	1001125248	2	Mount, Engine	
97	1001180620	AR	Compound, Locking	
98	1001128888	AR	Washer	

# SECTION 3 - ENGINE

## FIGURE 3-4. ENGINE COMPONENTS - KUBOTA DIESEL STAGE III



ART\_1001178963



## SECTION 3 - ENGINE

**FIGURE 3-4. ENGINE COMPONENTS - KUBOTA DIESEL STAGE III**

ITEM	PART NUMBER	QTY	DESCRIPTION	REV
	1001178963	Ref	ENGINE COMPONENTS - KUBOTA DIESEL STAGE III	I
1	70004524	1	Drain (Not Shown)	
2	7023154	1	Plug, Drain	
2	70002315	1	Seal, Plug	
3	70004525	1	Plug, Drain	
3	70004526	1	Gasket	
4	70005220	1	Gasket, Cylinder Head (Not Shown)	
5	7023157	1	Seal, Front Main (Not Shown)	
6	70002318	2	Cap, Oil Fill	
6	70004311	2	O-Ring	
7	70005221	1	Gasket, Valve Cover (Not Shown)	
8	70003060	1	Comp Valve, Breather	
8	70003061	1	Cover, Breather	
8	7017934	4	Screw	
9	70002316	1	Pipe, Water Return	
9	70002317	1	Tube, Breather	
9	70004530	1	Clamp, Hose	
9	70004531	1	Band, Pipe	
10	70004395	1	Cartridge Oil Filter	
11	70005222	1	Dipstick	
11	70005223	1	Tube, Dipstick	
12	7017928	1	Seal, Rear Main (Not Shown)	
13	70005224	1	Gear, Ring	
14	70002419	1	Plate, Rear End	
15	7025479	1	Assembly Solenoid, Stop	
16	7023164	1	Pump, Injection	
16	70002319	1	Shim, Injection	
16	70002320	1	Shim, Injection	
16	70002321	1	Shim, Injection Pump	
16	70002322	1	Shim, Injection Pump	
16	70002323	1	Shim, Injection Pump	
16	7017945	1	Joint, Eye	
17	7023136	1	Spring, Governor	
17	70004396	1	Speed Control Assembly	
17	70004397	1	Gasket	
18	7023165	1	Gasket	
19	70004536	1	Pipe, Over Flow	
19	70004537	1	Screw, Air Bleeder	
19	70004538	1	Seal	
19	70004539	1	Pipe, Over Flow	
20	70004399	3	Holder, Nozzle	
20	70004540	3	Nut	
20	7023167	3	Gasket	
20	7023168	3	Seal, Heat	
21	70002324	3	Glow Plug	
21	70004544	1	Cord, Glow Plug	
22	70005228	1	Fuel Pump Assembly - Electric	
23	7017955	1	Alternator	
24	7023140	1	Pulley, Fan	
25	7023141	1	V-Belt	

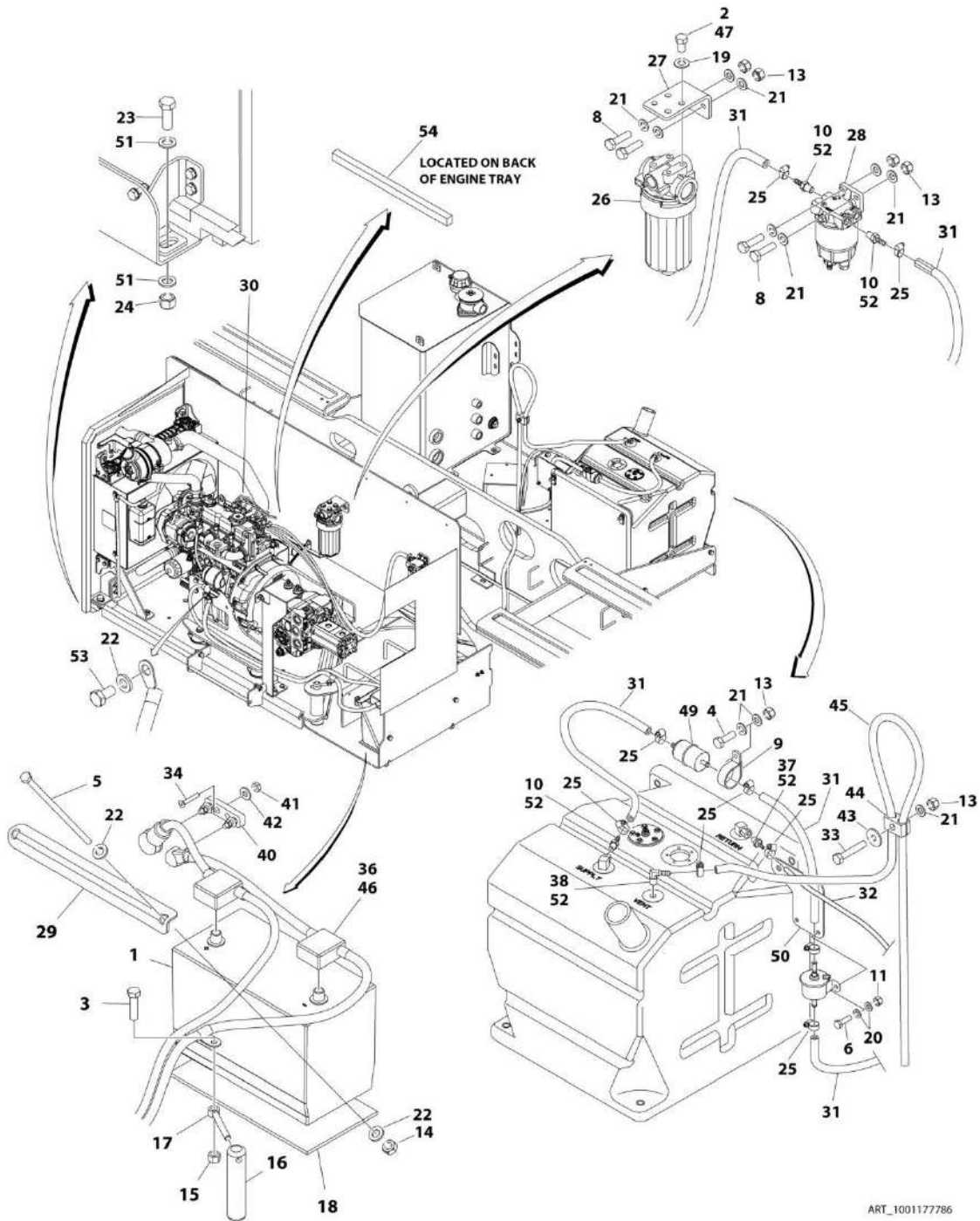
## SECTION 3 - ENGINE

ITEM	PART NUMBER	QTY	DESCRIPTION	REV
26	7023144	1	Starter	
27	7017901	1	Switch, Oil	
28	70003064	1	Sensor, Water Temperature	
28	70003063	1	Washer, Seal	
28	70004829	1	Pipe, Water Return	
28	7023145	1	Gasket, Water Flange	
28	7017958	1	Hose, Water Return	
28	7023170	1	Thermostat	
28	70002326	1	Gasket Thermostat	
29	70002327	1	Pump, Water	
29	70002328	1	Gasket, Water Pump	
30	7017963	1	Pipe, Water	
30	70002330	1	Pipe, Water	
31	7023149	1	Gasket, Inlet Manifold (Not Shown)	
32	7023148	1	Gasket, Exhaust Manifold (Not Shown)	
33	7023124	1	Gasket, Muffler	
33	70004415	4	Bolt	
34	70005226	1	Upper Gasket Kit	
34	70005227	1	Lower Gasket Kit	
35	7017992	1	Fuel, Filter	
36	70005229	1	Coolant Reserve Tank	



# SECTION 3 - ENGINE

## FIGURE 3-5. ENGINE INSTALLATION - KUBOTA DIESEL T4F



ART\_1001177786

## SECTION 3 - ENGINE

**FIGURE 3-5. ENGINE INSTALLATION - KUBOTA DIESEL T4F**

ITEM	PART NUMBER	QTY	DESCRIPTION	REV
	1001177786	Ref	ENGINE INSTALLATION - KUBOTA DIESEL T4F	H
1	0400075	1	Battery	
2	0641605	4	Bolt 3/8 x 5/8	
3	0641612	1	Bolt 3/8 x 1-1/2	
4	0700812	1	Bolt M8 x 25	
5	0701047	2	Bolt M10 x 300	
6	0760610	2	Bolt M8 x 20	
8	0760814	4	Bolt M8 x 30	
9	1320265	1	Clamp	
10	2180348	3	Fitting, Barbed	
11	3290605	2	Nut M6	
13	3290805	6	Nut M8	
14	3291001	2	Nut M10	
15	3311605	1	Nut 3/8	
16	3422669	1	Pin	
17	3841143	1	Keeper, Pin	
18	3980007	1	Seat, Battery	
19	4711600	4	Washer 3/8	
20	4811700	4	Washer M6	
21	4811900	11	Washer M8	
22	5241000	5	Washer M10	
23	0761617	1	Bolt M16 x 45	
24	3291605	1	Nut M16	
25	8405009	11	Clamp	
26	1001102987	1	Filter, Charge Pump	
26	70010383	1	Element, Filter	
27	1001194836	1	Bracket, Charge Pump	
28	1001190809	1	Fuel/Water Separator Assembly (See FUEL/WATER SEPARATOR ASSEMBLY - DIESEL ENGINES for Breakdown)	
29	1001184065	1	Bracket, Hold Down	
30	1001184498	1	Engine and Pump Sub-Assembly (See ENGINE AND PUMP SUB-ASSEMBLY - KUBOTA DIESEL T4F for Breakdown)	
31	2720058	14.5 ft / 4.4m	Hose	
32	2720271	9.3 ft / 2.8m	Hose	
33	0700817	1	Bolt M8 x 45	
34	0741010	2	Screw #10 x 1.25	
35	1001159301	AR	Oil, Engine (Not Shown)	
36	0100051	AR	Grease, Battery Terminal	
37	2180666	1	Fitting, Barbed	
38	2220313	1	Fitting, Barbed 90	
39	2300004	AR	Coolant (Not Shown)	
40	2400044	1	Fuse, Mounting Block	
41	3300408	2	Nut	
42	4711400	2	Washer 1/4	
43	4811902	1	Washer M8	
44	8750014	1	Clamp	
45	1001165035	5.5 ft / 1.7m	Hose	
46	1001186428	1	Battery Cable Kit - Diesel (See ELECTRIC SECTION for	

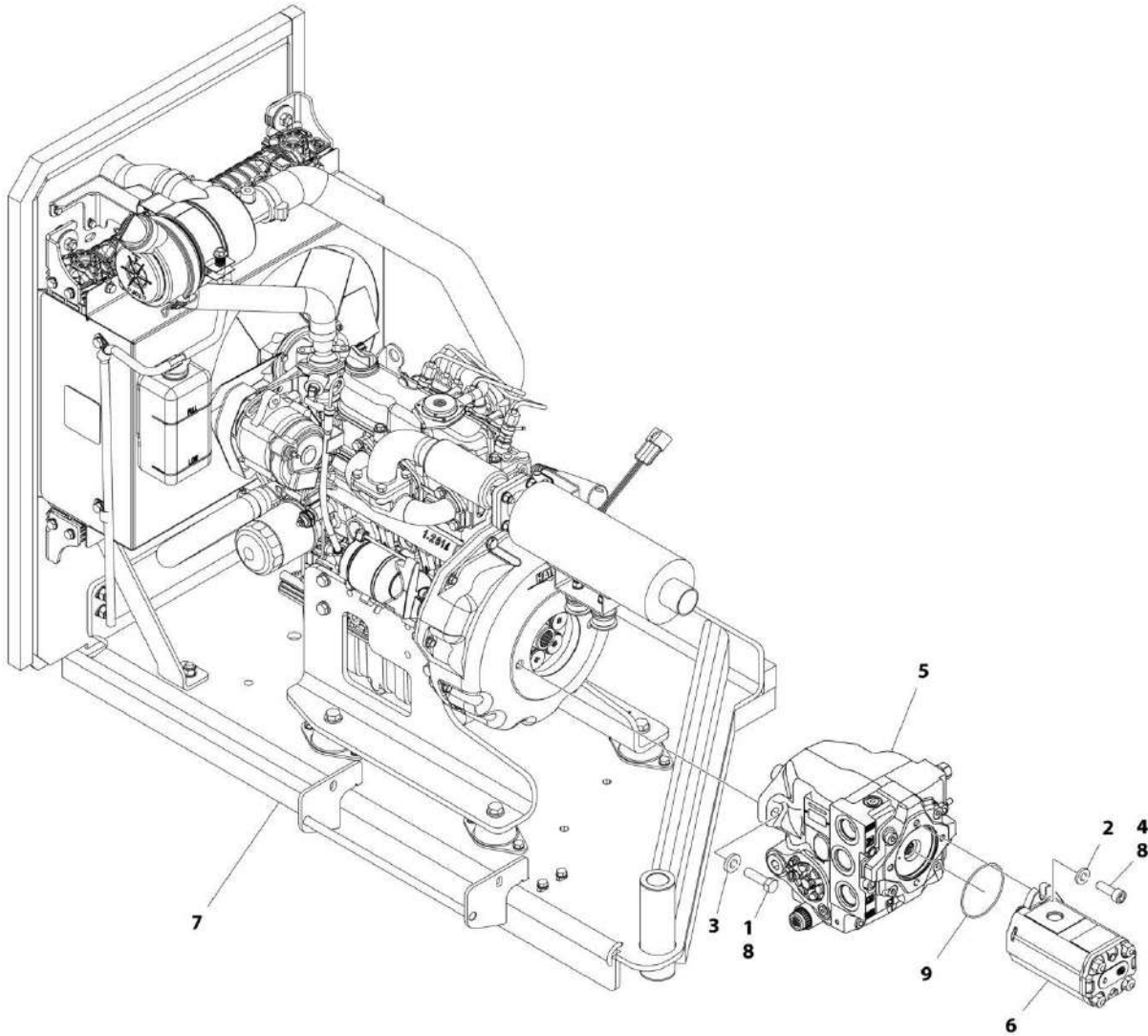
## SECTION 3 - ENGINE

ITEM	PART NUMBER	QTY	DESCRIPTION	REV
47	0100011	AR	Breakdown) Compound, Locking	
49	1001190545	1	Strainer, Fuel	
50	1001191146	1	Bracket	
51	4812300	2	Washer M6	
52	0100020	AR	Sealant	
53	8303511	1	Capscrew M10 x 20	
54	1001183421	1	Foam, Baffle	



# SECTION 3 - ENGINE

FIGURE 3-6. ENGINE AND PUMP SUB-ASSEMBLY - KUBOTA DIESEL T4F



ART\_1001184498



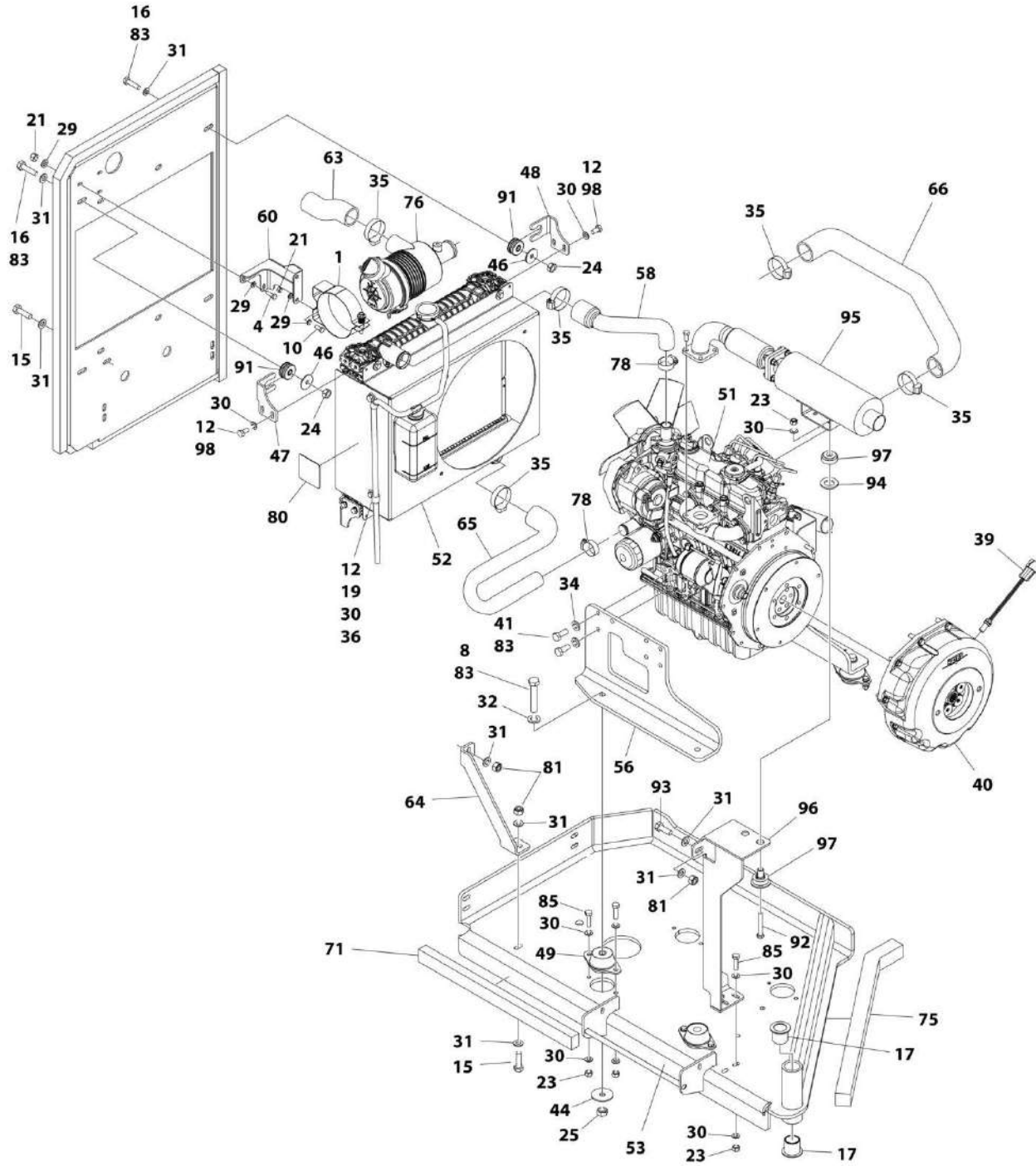
## SECTION 3 - ENGINE

**FIGURE 3-6. ENGINE AND PUMP SUB-ASSEMBLY - KUBOTA DIESEL T4F**

ITEM	PART NUMBER	QTY	DESCRIPTION	REV
	1001184498	Ref	ENGINE AND PUMP SUB-ASSEMBLY - KUBOTA DIESEL T4F	D
1	0641814	2	Bolt 1/2 x 1-3/4	
2	4891600	2	Washer 3/8	
3	4891800	2	Washer 1/2	
4	83191040	2	Capscrew M10 x 30	
5	1001101331	1	Piston Pump Assembly (See PISTON PUMP ASSEMBLY for Breakdown)	
6	1001181393	1	Gear Pump Assembly	
6	7023929	1	Seal Kit - 1001181393 Pump (Note: Seal Kit is only service component available)	
7	1001184392	1	Engine Assembly - Kubota Diesel T4F (See ENGINE ASSEMBLY - KUBOTA DIESEL T4F for Breakdown)	
8	0100011	AR	Compound, Locking	
9	3790152	1	O-Ring	

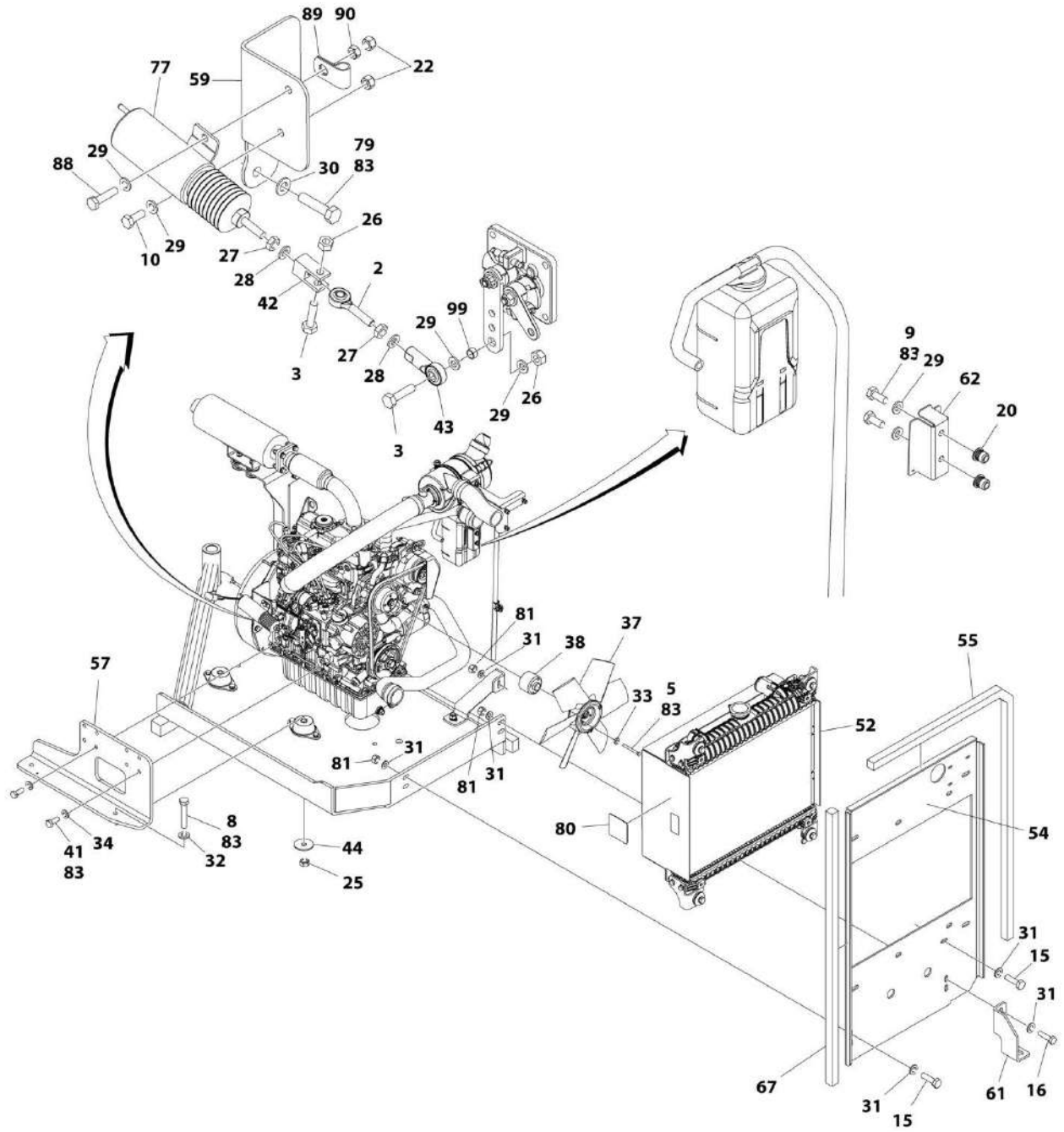
# SECTION 3 - ENGINE

## FIGURE 3-7. ENGINE ASSEMBLY - KUBOTA DIESEL T4F



ART\_1001184392\_10F2

# SECTION 3 - ENGINE



ART\_1001184392\_20F2

## SECTION 3 - ENGINE

FIGURE 3-7. ENGINE ASSEMBLY - KUBOTA DIESEL T4F

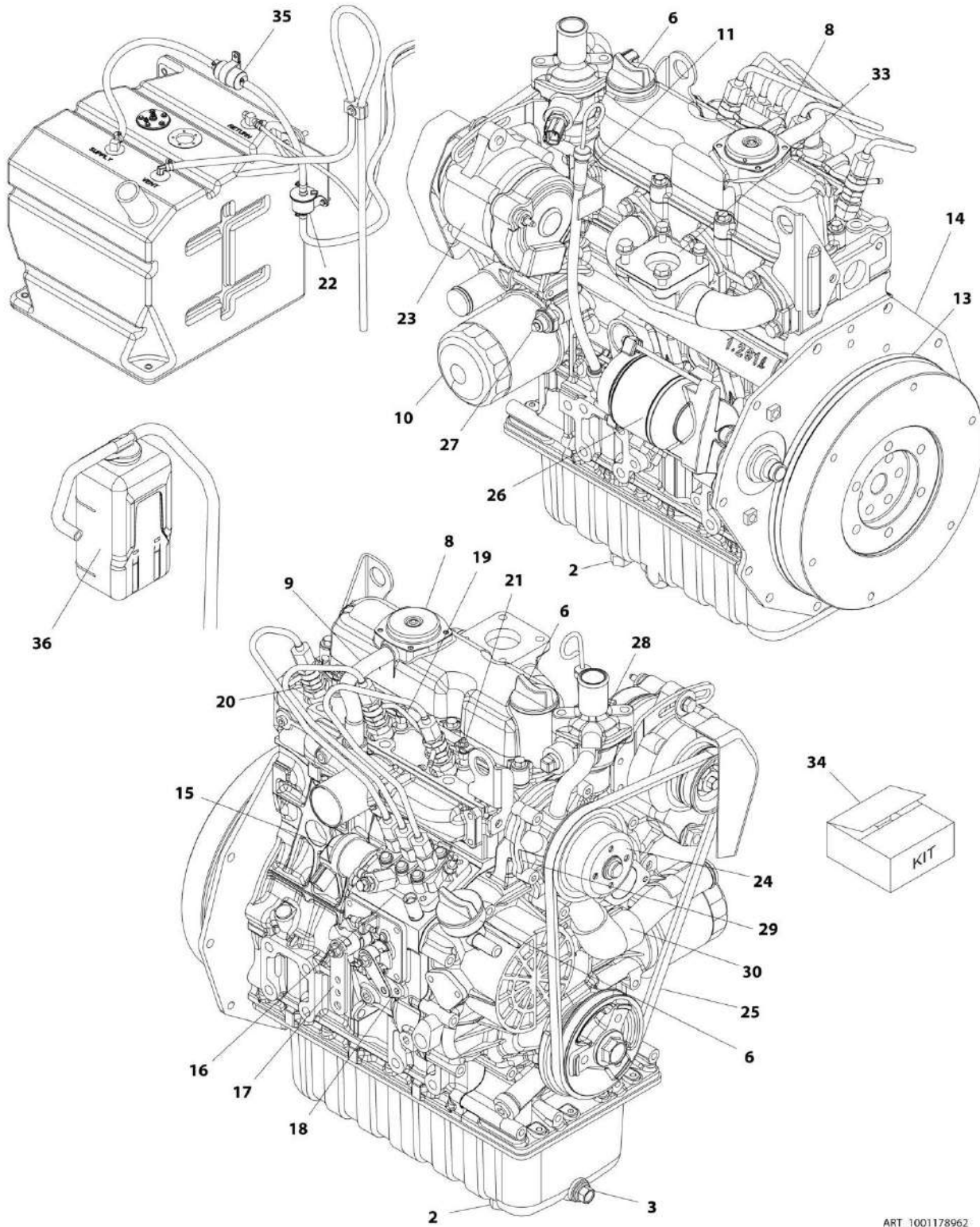
ITEM	PART NUMBER	QTY	DESCRIPTION	REV
	1001184392	Ref	ENGINE ASSEMBLY - KUBOTA DIESEL T4F	J
1	0340045	1	Band, Mounting	
2	0440334	1	Bearing	
3	0641408	2	Bolt 1/4 x 1	
4	0700610	AR	Bolt M6 x 20	
5	0700620	4	Bolt M6 x 60	
8	0701222	4	Bolt M12 x 70	
9	0760607	2	Bolt M6 x 14	
10	0760608	AR	Bolt M6 x 16	
10	0760610	AR	Bolt M6 x 20	
12	0760808	10	Bolt M8 x 16	
15	0761015	4	Bolt M10 x 35	
16	0761016	6	Bolt M10 x 40	
17	0961986	2	Bearing, Flange	
19	1001191832	AR	Nut M8	
20	1001176636	AR	Nut M6	
21	3290605	AR	Nut M6	
23	3290805	AR	Nut M8	
24	3291001	4	Nut M10	
25	3291201	4	Nut M12	
26	3311405	2	Nut 1/4	
27	3321402	2	Nut 1/4	
28	4761400	2	Washer 1/4	
29	4811700	AR	Washer M6	
30	4811900	AR	Washer M8	
31	4812000	18	Washer M10	
32	5241200	4	Washer M12	
33	5240600	4	Washer M6	
34	5241000	8	Washer M10	
35	8405104	5	Clamp	
36	85941016	2	Clamp	
37	1001118538	1	Fan	
38	1001118539	1	Fan, Spacer	
39	1001118580	1	Sensor, Speed	
40	1001118675	1	Housing, Coupling Kit (See COUPLING KIT - DIESEL ENGINES for Breakdown)	
41	1001118746	8	Bolt M10 x 25	
42	1001118881	1	Clevis, Linkage	
43	1001118925	1	Bearing	
44	1001168018	4	Washer	
46	1001169138	4	Pad	
47	1001169967	2	Bracket, Radiator	
48	1001170035	2	Bracket, Radiator	
49	1001175509	NLA	Mount, Motor (use p/n 1001187235)	
51	1001178962	NLA	Engine Components - Kubota Diesel T4F (use p/n 1001224430) (See ENGINE COMPONENTS - KUBOTA DIESEL T4F for Breakdown)	
52	1001181221	1	Radiator (Prior to SN E200000404)	
52	1001220957	1	Radiator (SN E200000404 through E200000675, SN 1200027648 through 1200030222)	

## SECTION 3 - ENGINE

ITEM	PART NUMBER	QTY	DESCRIPTION	REV
53	1001181649	1	Tray, Engine	
54	1001181658	1	Plate, Radiator Mounting	
55	1001181739	1	Seal	
56	1001182976	1	Mount, Engine (LH)	
57	1001182977	1	Mount, Engine (RH)	
58	1001182978	1	Tube, Inlet	
59	1001182979	1	Bracket, Throttle Cylinder	
60	1001182980	1	Bracket, Air Cleaner	
61	1001182981	1	Bracket, Tray	
62	1001182982	1	Mount	
63	1001182983	1	Tube, Intake	
64	1001182984	1	Bracket, Support	
65	1001182985	1	Tube, Outlet	
66	1001182987	1	Tube, Air Intake	
67	1001183420	1	Foam, Baffle	
71	1001183424	1	Foam, Baffle	
75	1001184066	1	Foam, Baffle	
76	1001118260	1	Air Filter Assembly	
76	7015004	2	Element	
76	7015005	1	Cover Assembly	
76	1340069	1	Valve, Vacuator	
77	1001118582	1	Actuator, Throttle	
78	8405102	2	Clamp <b>(Prior to SN E200000404)</b>	
78	8405101	2	Clamp <b>(SN E200000404 through E200000675, SN 1200027648 through 1200030222)</b>	
79	0700815	2	Bolt M8 x 35	
80	1703162	2	Decal - Fan Blade	
81	3291005	7	Nut M10	
83	0100011	AR	Compound, Locking	
85	0700814	10	Bolt M8 x 30	
88	0760612	AR	Bolt M6 x 25	
89	90021705	1	Clamp, Support	
90	3290601	AR	Nut M6	
91	1001169054	4	Isolator, Radiator	
92	0700819	2	Bolt M8 x 55	
93	0761014	1	Bolt M10 x 30	
94	4812500	2	Washer M20	
95	1001195594	1	Muffler	
96	1001195600	1	Bracket, Muffler	
97	1001125248	2	Mount, Engine	
98	1001180620	AR	Compound, Locking	
99	1001128888	AR	Washer	

# SECTION 3 - ENGINE

## FIGURE 3-8. ENGINE COMPONENTS - KUBOTA DIESEL T4F



ART\_1001178962

## SECTION 3 - ENGINE

**FIGURE 3-8. ENGINE COMPONENTS - KUBOTA DIESEL T4F**

ITEM	PART NUMBER	QTY	DESCRIPTION	REV
	1001178962	Ref	ENGINE COMPONENTS - KUBOTA DIESEL T4F	G
1	70004524	1	Drain (Not Shown)	
2	7023154	1	Plug, Drain	
2	70002315	1	Seal, Plug	
3	70004525	1	Plug, Drain	
3	70004526	1	Gasket	
4	70005220	1	Gasket, Cylinder Head (Not Shown)	
5	7017922	1	Seal, Front Main (Not Shown)	
6	70002318	2	Cap, Oil Fill	
6	70004311	2	O-Ring	
7	70005221	1	Gasket, Valve Cover (Not Shown)	
8	70003060	1	Comp Valve, Breather	
8	70003061	1	Cover, Breather	
8	7017934	4	Screw	
9	70002316	1	Pipe, Water Return	
9	70002317	1	Tube, Breather	
9	70004530	1	Clamp, Hose	
9	70004531	1	Band, Pipe	
10	70004395	1	Cartridge Oil Filter	
11	70005222	1	Dipstick	
11	70005223	1	Tube, Dipstick	
12	7017928	1	Seal, Rear Main (Not Shown)	
13	70005224	1	Gear, Ring	
14	70002419	1	Plate, Rear End	
15	7025479	1	Assembly Solenoid, Stop	
16	7023164	1	Pump, Injection	
16	70002319	1	Shim, Injection	
16	70002320	1	Shim, Injection	
16	70002321	1	Shim, Injection Pump	
16	70002322	1	Shim, Injection Pump	
16	70002323	1	Shim, Injection Pump	
16	7017945	1	Joint, Eye	
17	70004396	1	Speed Control Assembly	
17	70004397	1	Gasket	
18	7023165	1	Gasket	
19	70004536	1	Pipe, Over Flow	
19	70004537	1	Screw, Air Bleeder	
19	70004538	1	Gasket	
19	70004539	1	Pipe, Over Flow	
20	70004399	3	Holder, Nozzle	
20	70004540	3	Nut	
20	7023167	3	Gasket	
20	7023168	3	Seal, Heat	
21	70004398	3	Plug, Glow	
21	70004544	1	Cord, Glow Plug	
22	70005228	1	Electric Fuel Feed Pump	
23	7017955	1	Alternator	
24	7023140	1	Pulley, Fan	
25	7023141	1	V Belt	
26	7023144	1	Starter	

## SECTION 3 - ENGINE

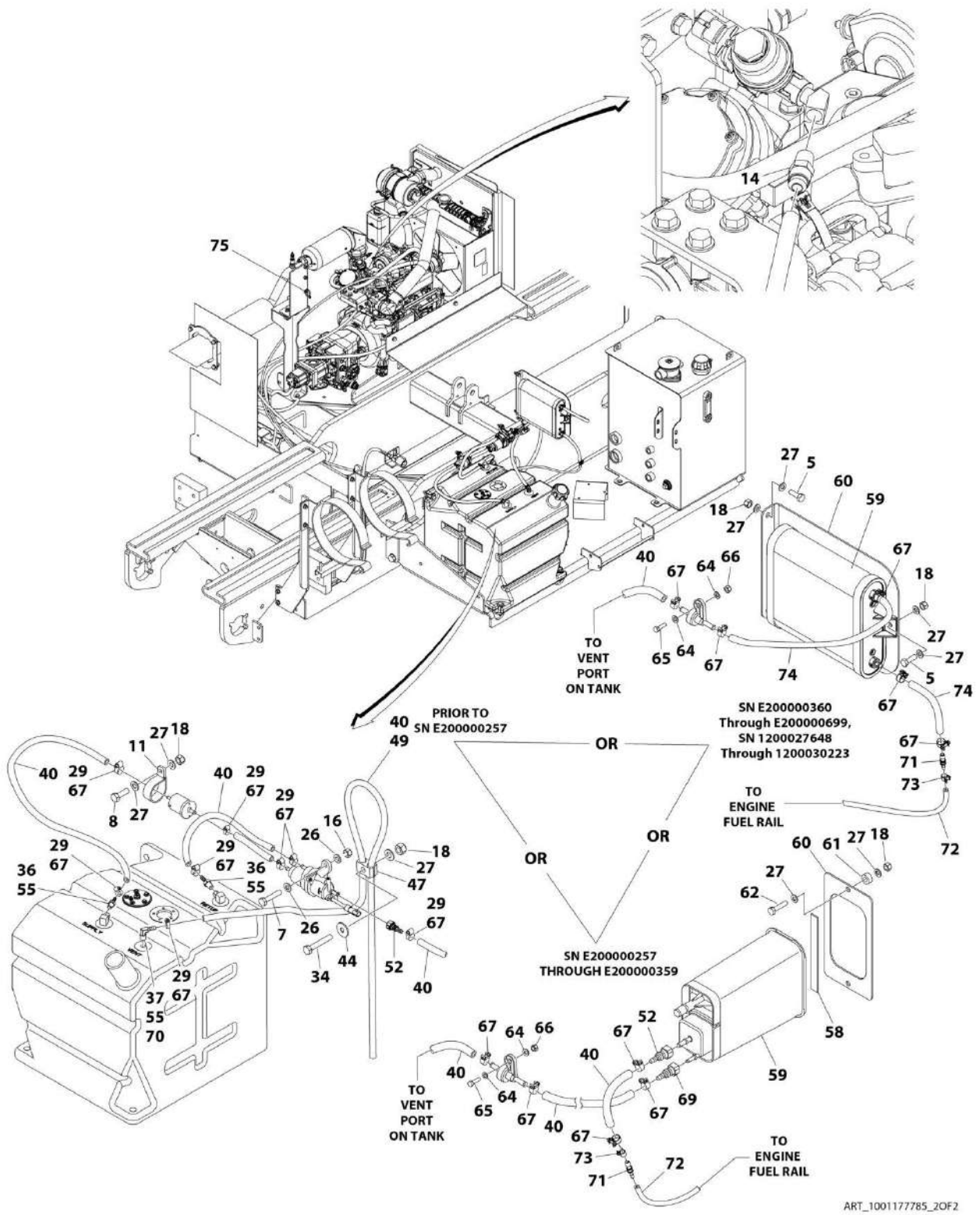
ITEM	PART NUMBER	QTY	DESCRIPTION	REV
27	7017901	1	Switch, Oil	
28	70004829	1	Pipe, Water Return	
28	7023145	1	Gasket, Flange	
28	7017958	1	Hose, Water Return	
28	7023170	1	Thermostat	
28	70002326	1	Gasket, Thermostat	
28	70003064	1	Sensor, Water Temperature	
28	70003063	1	Washer, Seal	
29	70002327	1	Pump, Water	
29	70002328	1	Gasket, Water Pump	
30	7017963	1	Pipe, Water	
30	70002330	1	Pipe, Water	
31	7023149	1	Gasket, Inlet Manifold (Not Shown)	
32	7023148	1	Gasket, Exhaust Manifold	
33	7023124	1	Gasket (Muffler)	
33	70004415	4	Bolt, Sems	
34	70005226	1	Upper Gasket Kit	
34	70005227	1	Lower Gasket Kit	
35	7017992	1	Fuel Filter	
36	70005229	1	Coolant Reverse Tank Assembly	







# SECTION 3 - ENGINE



ART\_100117785\_20F2

## SECTION 3 - ENGINE

FIGURE 3-9. ENGINE INSTALLATION - KUBOTA GASOLINE

ITEM	PART NUMBER	QTY	DESCRIPTION	REV
	1001177785	Ref	ENGINE INSTALLATION - KUBOTA GASOLINE	O
1	0400075	1	Battery	
2	0641605	AR	Bolt 3/8 x 5/8	
2	0761010	AR	Bolt M10 x 20	
3	0641610	9	Bolt 3/8 x 1-1/4	
4	0641612	1	Bolt 3/8 x 1-1/2	
5	0700812	AR	Bolt M8 x 25	
6	0701047	2	Bolt M10 x 300	
7	0760614	3	Bolt M6 x 30	
8	0760812	AR	Bolt M8 x 25	
9	1320061	1	Clamp	
10	1320220	1	LP Clamp Kit	
11	1320265	1	Clamp	
12	2180387	1	Fitting, Tank Connector	
13	2180389	1	Fitting, Relief Valve - LP	
14	2180418	2	Fitting	
15	2220290	1	Fitting, Tee	
16	3290605	3	Nut M6	
17	3290801	2	Nut M8	
18	3290805	AR	Nut M8	
19	3291001	2	Nut M10	
20	3311605	10	Nut 3/8	
21	3422669	1	Pin	
22	3573440	2	Plate, Mounting	
23	3841143	1	Keeper Pin	
24	3980007	1	Seat, Battery	
25	4711600	AR	Washer 3/8	
26	4811700	6	Washer M6	
27	4811900	AR	Washer M8	
28	5241000	5	Washer M10	
29	8405009	AR	Clamp	
30	1001102987	1	Filter, Charge Pump (Prior to SN E200000544, SN 1200027648 through 1200030222)	
30	1001208874	1	Filter, Charge Pump (SN E200000544 through E200000675)	
30	70010383	1	Element, Filter	
31	1001194836	1	Bracket	
32	1001184065	1	Bracket, Hold Down	
33	1001184653	1	Engine and Pump Sub-Assembly (See ENGINE AND PUMP SUB-ASSEMBLY - KUBOTA GASOLINE for Breakdown)	
34	0700818	AR	Bolt M8 x 50	
35	0741010	2	Screw #10 x 1.25	
36	2180348	2	Fitting, NPT Barb	
37	2220313	1	Fitting, Barb 90 (Prior to SN E200000257)	
38	2300004	AR	Coolant (Not Shown)	
39	2400044	1	Block, Fuse Mounting	
40	1001156819	28 ft / 8.4m	Hose (Prior to SN E200000254)	
40	1001156819	18.1 ft/ 5.5m	Hose (SN E200000254 through E200000359)	
40	1001156819	15.7 ft/ 4.8m	Hose (SN E200000360 through E200000675, SN 1200027648 through 1200030222)	

## SECTION 3 - ENGINE

ITEM	PART NUMBER	QTY	DESCRIPTION	REV
41	2720611	1	Hose	
42	3300408	2	Nut	
43	4711400	2	Washer 1/4	
44	4811902	AR	Washer M8	
45	0761617	1	Bolt M16 x 45	
46	3291605	1	Nut M16	
47	8750014	AR	Clamp	
48	1001190775	AR	Oil, Engine (Not Shown)	
49	1001165035	5.5 ft/ 1.7m	Hose <b>(Prior to SN E200000257)</b>	
50	0100051	AR	Grease, Battery Terminal	
51	0100011	1	Compound, Locking	
52	1001174093	AR	Coupling, Quick Connect	
53	1001186429	1	Battery Cable Kit (See ELECTRICAL SECTION for Breakdown)	
54	4812300	2	Washer M16	
55	0100020	AR	Sealant	
56	8303511	1	Capscrew M10 x 20	
57	1001183421	1	Foam, Baffle	
58	1001149021	1	Seal <b>(SN E200000257 through E200000359)</b>	
59	1001206745	1	Canister, Carbon <b>(SN E200000257 through E200000359)</b>	
59	1001225420	1	Canister, Carbon <b>(SN E200000360 through E200000675, SN 1200027648 through 1200030222)</b>	
60	1001206748	1	Bracket <b>(SN E200000257 through E200000359)</b>	
60	1001225421	1	Bracket <b>(SN E200000360 through E200000675, SN 1200027648 through 1200030222)</b>	
61	1001090107	AR	Washer	
62	0700815	AR	Bolt M8 x 35	
63	1001207289	NLA	Decal - EPA Evaporation Standards (use p/n 1001236559) <b>(SN E200000257 through E200000341)</b>	
63	1001227591	NLA	Decal - EPA Evaporation Standards (use p/n 1001236559) <b>(SN E200000342 through E200000543, SN 1200027648 through 1200027657)</b>	
63	1001236559	1	Decal - EPA Evaporation Standards <b>(SN E200000544 through E200000675, SN 1200027648 through 1200030222)</b>	
64	4811600	AR	Washer M5	
65	0760512	AR	Bolt M5 x 25	
66	3290505	AR	Nut M5	
67	1001174486	14	Clamp <b>(SN E200000257 through E200000675, SN 1200027648 through 1200030222)</b>	
69	1001208062	1	Coupling, Quick Connect <b>(SN E200000257 through E200000359)</b>	
70	1001208764	1	Fitting NPT x Barbed <b>(SN E200000257 through E200000262)</b>	
70	2221176	1	Fitting, 90 <b>(SN E200000263 through E200000675, SN 1200027648 through 1200030222)</b>	
71	1001216678	1	Coupling, Fuel Line <b>(SN E200000254 through E200000359)</b>	
71	1001131391	1	Coupling, Fuel Line <b>(SN E200000360 through E200000675, SN 1200027648 through 1200030222)</b>	
72	2720271	9.3 ft/ 2.8m	Hose <b>(SN E200000254 through E200000359)</b>	
72	1001129256	9.3 ft/ 2.8m	Hose <b>(SN E200000360 through E200000675, SN 1200027648 through 1200030222)</b>	
73	1001185585	2	Clamp, Hose <b>(SN E200000254 through E200000675, SN 1200027648 through 1200030222)</b>	
74	1001129255	2.5 ft/.8m	Hose <b>(SN E200000360 through E200000675, SN 1200027648 through 1200030222)</b>	

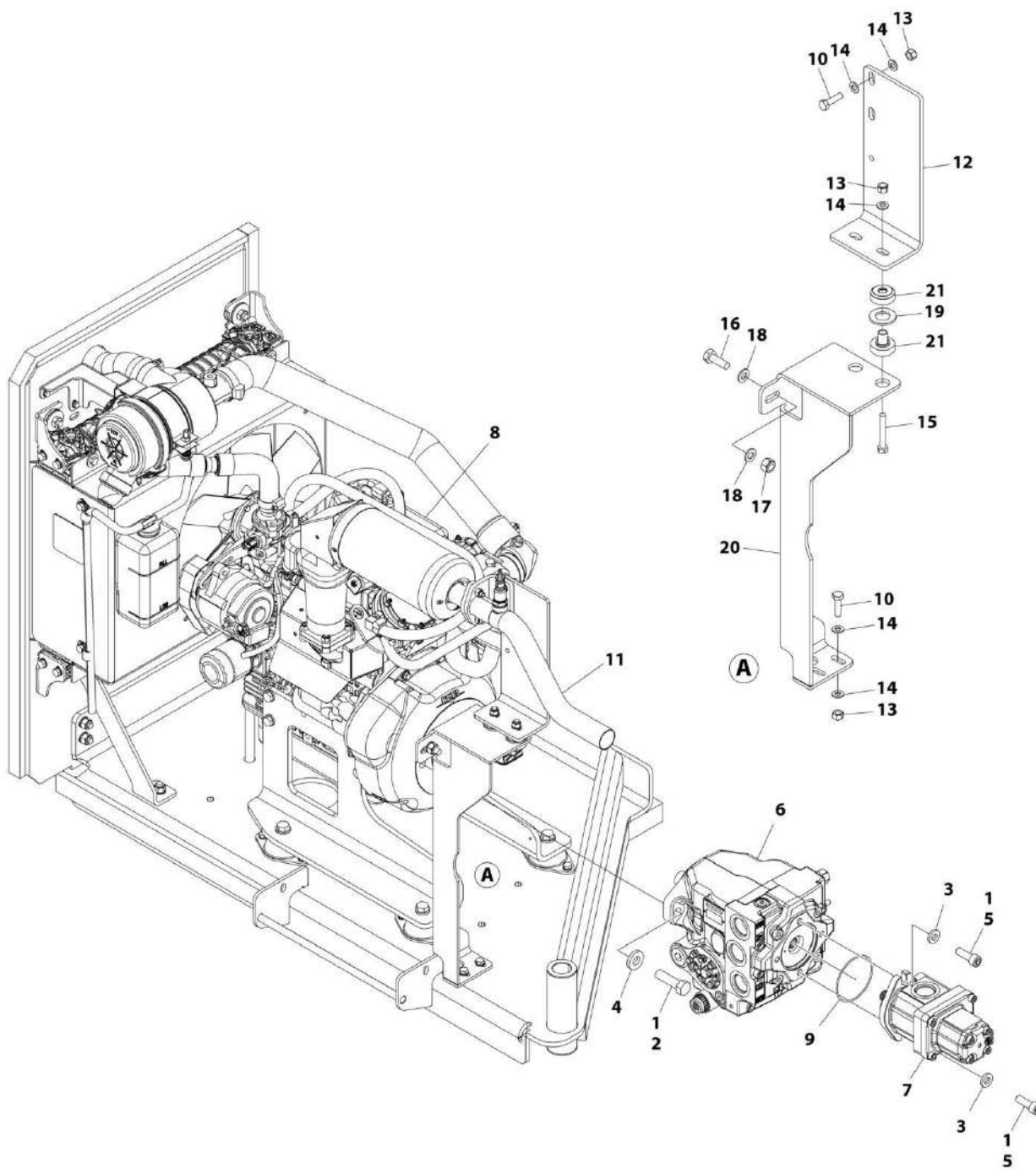
## SECTION 3 - ENGINE

ITEM	PART NUMBER	QTY	DESCRIPTION	REV
75	1001146588	AR	Tie-Strap	
76	4812000	AR	Washer M10	



# SECTION 3 - ENGINE

## FIGURE 3-10. ENGINE AND PUMP SUB-ASSEMBLY - KUBOTA GASOLINE



ART\_1001184653



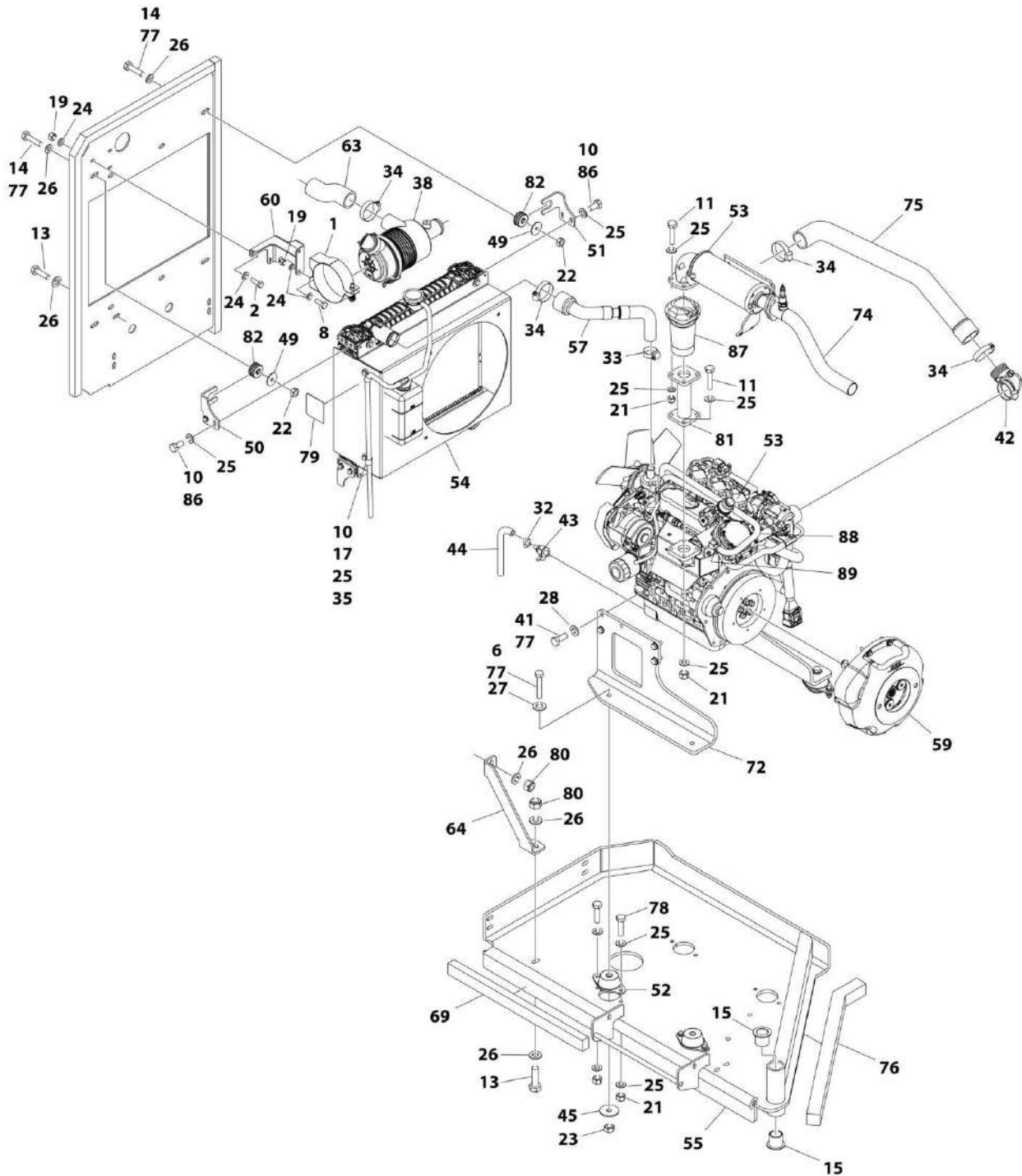
## SECTION 3 - ENGINE

**FIGURE 3-10. ENGINE AND PUMP SUB-ASSEMBLY - KUBOTA GASOLINE**

ITEM	PART NUMBER	QTY	DESCRIPTION	REV
	1001184653	Ref	ENGINE AND PUMP SUB-ASSEMBLY - KUBOTA GASOLINE	E
1	0100011	AR	Compound, Locking	
2	0641814	2	Bolt 1/2 x 1-8/4	
3	4891600	AR	Washer 3/8	
4	4891800	2	Washer 1/2	
5	83191040	2	Capscrew M10 x 30	
6	1001101331	1	Piston Pump Assembly (See PISTON PUMP ASSEMBLY for Breakdown)	
7	1001181393	1	Gear Pump Assembly ( <b>Prior to SN E200000368</b> )	
7	7023929	1	Seal Kit - 1001181393 Pump (Note: Seal Kit is only service component available)	
7	1001217291	1	Gear Pump Assembly ( <b>SN E200000368 through E200000675, SN 1200027648 through 1200030222</b> )	
7	70002861	1	Seal Kit - 1001217291 Pump (Note: Seal Kit is only service component available)	
8	1001184654	1	Engine Assembly - Kubota Gasoline (See ENGINE ASSEMBLY - KUBOTA GASOLINE for Breakdown)	
9	3790152	1	O-Ring	
10	0700814	AR	Bolt M8 x 30	
11	1001186833	1	Tube, Exhaust ( <b>SN E200000257 through E200000675, SN 1200027648 through 1200030222</b> )	
12	1001210243	1	Bracket, Exhaust ( <b>SN E200000257 through E200000367</b> )	
12	1001226420	1	Bracket, Exhaust ( <b>SN E200000368 through E200000675, SN 1200027648 through 1200030222</b> )	
13	3290805	AR	Nut M8	
14	4811900	AR	Washer M8	
15	0700819	AR	Bolt M8 x 55	
16	0761014	AR	Bolt M10 x 30	
17	3291005	AR	Nut M10	
18	4812000	AR	Washer M10	
19	4812500	AR	Washer M20	
20	1001195600	1	Bracket ( <b>SN E200000368 through E200000675, SN 1200027648 through 1200030222</b> )	
21	1001125248	1	Mount ( <b>SN E200000368 through E200000675, SN 1200027648 through 1200030222</b> )	

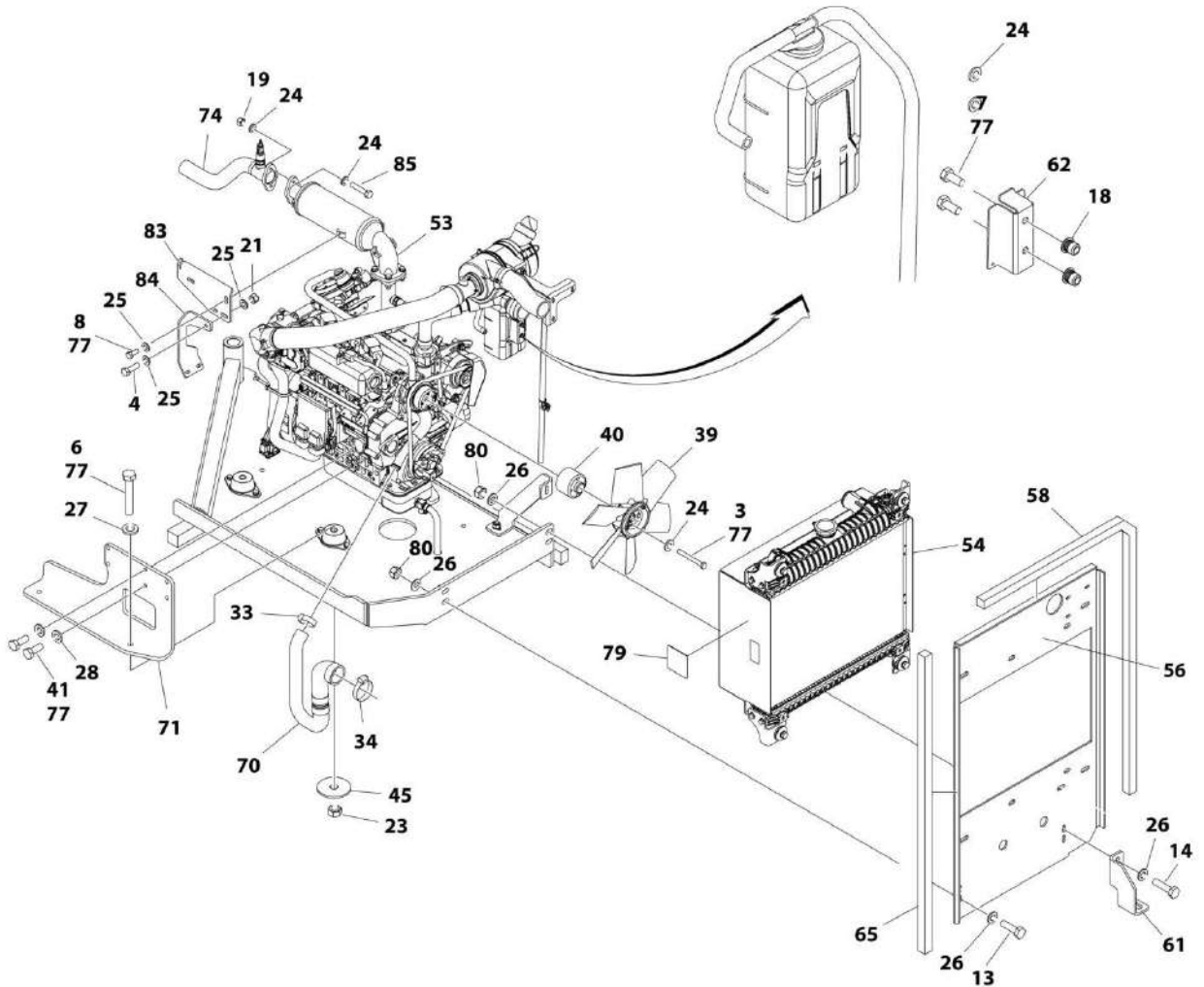
# SECTION 3 - ENGINE

## FIGURE 3-11. ENGINE ASSEMBLY - KUBOTA GASOLINE



ART\_1001184654\_10F2

# SECTION 3 - ENGINE



ART\_1001184654\_20F2

## SECTION 3 - ENGINE

FIGURE 3-11. ENGINE ASSEMBLY - KUBOTA GASOLINE

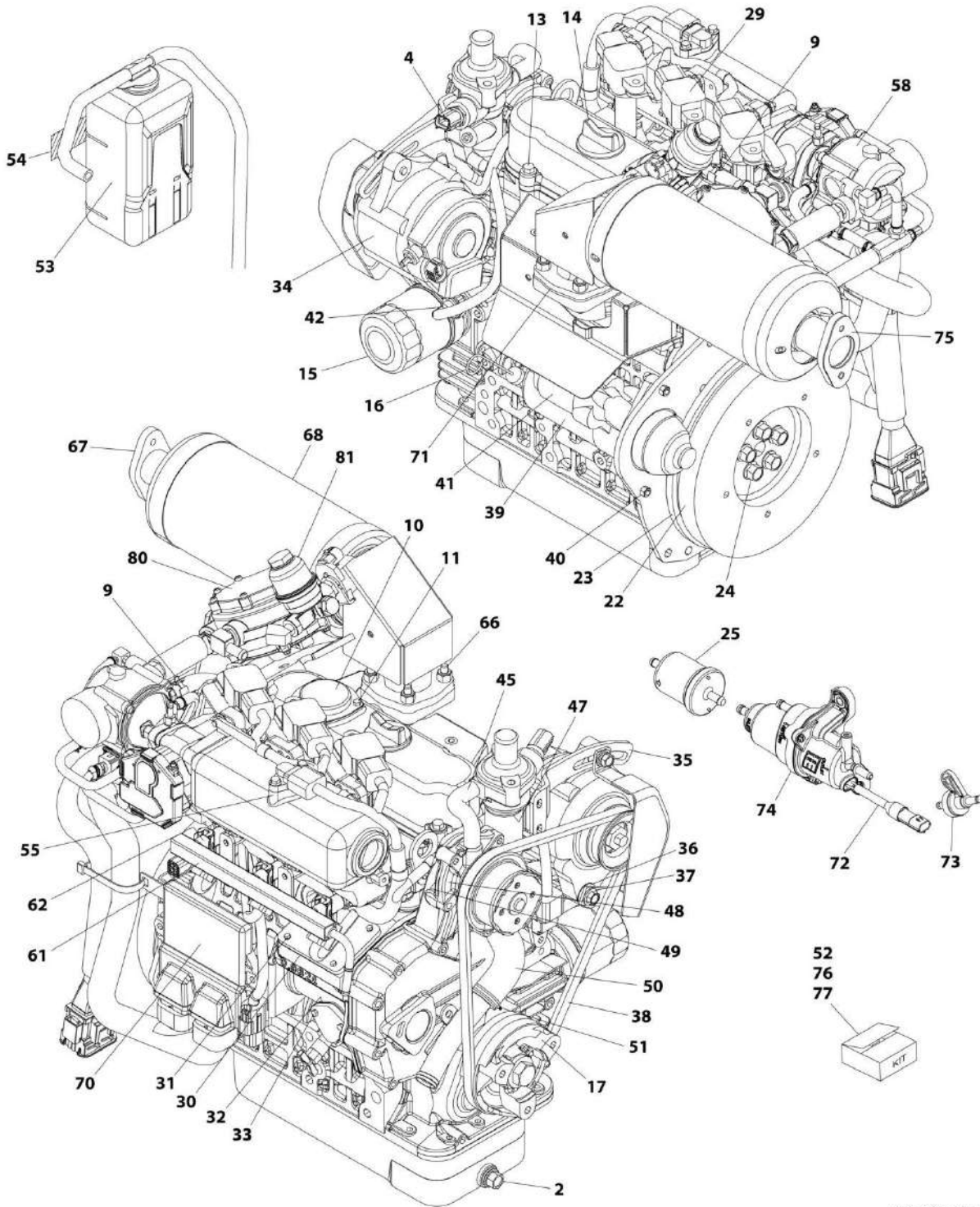
ITEM	PART NUMBER	QTY	DESCRIPTION	REV
	1001184654	Ref	ENGINE ASSEMBLY - KUBOTA GASOLINE	J
1	0340045	1	Band, Mounting	
2	0700610	3	Bolt M6 x 20	
3	0700619	4	Bolt M6 x 55	
4	0700812	AR	Bolt M8 x 25	
6	0701222	4	Bolt M12 x 70	
7	0760607	2	Bolt M6 x 14	
8	0760608	AR	Bolt M6 x 16	
10	0760808	10	Bolt M8 x 16	
11	0760815	AR	Bolt M8 x 35	
13	0761015	4	Bolt M10 x 35	
14	0761016	6	Bolt M10 x 40	
15	0961986	2	Bearing, Flange	
17	1001191832	AR	Nut M8	
18	1001178636	AR	Nut M6	
19	3290605	AR	Nut M6	
21	3290805	AR	Nut M8	
22	3291001	4	Nut M10	
23	3291201	4	Nut M12	
24	4811700	AR	Washer M6	
25	4811900	AR	Washer M8	
26	4812000	16	Washer M10	
27	5241200	4	Washer M12	
28	5241000	8	Washer M10	
32	8405009	1	Clamp	
33	8405102	2	Clamp (Prior to SN E200000404)	
33	8405101	2	Clamp (SN E200000404 through E200000675, SN 1200027648 through 1200030222)	
34	8405104	5	Clamp	
35	85941016	2	Clamp	
38	1001118280	1	Air Filter Assembly	
38	7015004	2	Element	
38	7015005	1	Cover Assembly	
38	1340069	1	Valve, Vacuator	
39	1001118538	1	Fan	
40	1001118539	1	Fan, Spacer	
41	1001118746	8	Bolt M10 x 25	
42	1001146043	1	Elbow	
43	1001161497	1	Valve Oil Drain	
44	1001165035	1	Hose	
45	1001168018	4	Washer	
49	1001169138	4	Pad	
50	1001169967	2	Bracket, Radiator	
51	1001170035	2	Bracket, Radiator	
52	1001175509	NLA	Mount, Motor (use p/n 1001187235)	
53	1001179072	NLA	Engine Components - Kubota Gasoline (use p/n 1001224493) (See ENGINE COMPONENTS - KUBOTA GASOLINE for Breakdown)	
54	1001181221	1	Radiator (Prior to SN E200000404)	
54	1001220957	1	Radiator (SN E200000404 through E200000675, SN 1200027648)	

## SECTION 3 - ENGINE

ITEM	PART NUMBER	QTY	DESCRIPTION	REV
			<b>through 1200030222)</b>	
55	1001181649	1	Tray, Engine	
56	1001181658	1	Plate, Radiator Mounting	
57	1001181659	1	Hose, Radiator (Upper)	
58	1001181739	1	Seal	
59	1001181829	1	Coupling Kit - Gasoline Engines (See COUPLING KIT - GASOLINE ENGINES for Breakdown))	
60	1001182980	1	Bracket, Air Cleaner	
61	1001182981	1	Bracket, Tray	
62	1001182982	1	Mount	
63	1001182983	1	Tube, Intake	
64	1001182984	1	Bracket, Support	
65	1001183420	1	Foam, Baffle	
69	1001183424	1	Foam, Baffle	
70	1001183427	1	Tube, Coolant	
71	1001183428	1	Mount, Engine (RH)	
72	1001183429	1	Mount, Engine (LH)	
74	1001186833	1	Tube, Exhaust ( <b>Prior to SN E200000257</b> )	
75	1001184064	1	Tube, Intake	
76	1001184066	1	Foam, Baffle	
77	0100011	AR	Compound, Locking	
78	0700814	8	Bolt, M8 x 30	
79	1703162	2	Decal - Fan Blade	
80	3291005	6	Nut M10	
81	1001166829	1	Tube, Exhaust ( <b>Prior to SN E200000257</b> )	
81	1001213847	1	Tube, Exhaust ( <b>SN E200000257 through E200000675, SN 1200027648 through 1200030222</b> )	
82	1001169054	4	Isolator, Radiator	
83	1001168232	1	Bracket, Muffler ( <b>Prior to SN E200000257</b> )	
84	1001186943	1	Bracket, Exhaust ( <b>Prior to SN E200000257</b> )	
85	0700614	AR	Bolt M6 x 30	
86	1001180620	AR	Compound, Locking	
87	1001210708	1	Sleeve, Insulation ( <b>SN E200000257 through E200000675, SN 1200027648 through 1200030222</b> )	
88	1001181625	50 in/ 127cm	Hose ( <b>SN E200000257 through E200000675, SN 1200027648 through 1200030222</b> )	
89	8410013	4	Clamp ( <b>SN E200000257 through E200000675, SN 1200027648 through 1200030222</b> )	

# SECTION 3 - ENGINE

## FIGURE 3-12. ENGINE COMPONENTS - KUBOTA GASOLINE



ART\_1001179072

## SECTION 3 - ENGINE

**FIGURE 3-12. ENGINE COMPONENTS - KUBOTA GASOLINE**

ITEM	PART NUMBER	QTY	DESCRIPTION	REV
	1001179072	Ref	ENGINE COMPONENTS - KUBOTA GASOLINE	F
1	70004524	1	Drain (Not Shown)	
2	70004525	1	Plug, Drain	
2	70004526	1	Gasket	
3	7017906	2	Bolt (Not Shown)	
4	70005726	1	Sensor, Water Temperature	
4	70005727	1	Gasket	
5	70005728	1	Gasket, Head (Not Shown)	
6	7017914	1	Joint, Pipe (Not Shown)	
7	70005729	1	Seal, Oil (Not Shown)	
8	70005730	1	Sensor, Revolution (Not Shown)	
9	7017959	2	Band, Pipe	
10	70005731	1	O-Ring, Breather	
10	70005732	1	Cover, Breather	
11	7017934	4	Screw	
12	70005733	1	Gasket, Head Cover (Not Shown)	
13	70004831	4	Bolt	
14	70002318	1	Plug, Oil Filler	
14	70004311	1	O-Ring	
15	7017980	1	Filter, Cartridge Oil	
16	70005734	1	Gauge, Oil	
17	70004294	1	Pump, Oil	
17	70004295	1	Gasket, Oil	
18	70004296	1	Key, Feather (Not Shown)	
19	7017982	1	Gasket, Bearing Case (Not Shown)	
20	7017983	1	Seal, Oil (Not Shown)	
21	7017984	1	Gasket, Case Cover (Not Shown)	
22	70005735	1	Gear, Ring	
23	70005736	1	Rotor	
24	70004834	5	Bolt Flywheel	
25	7017992	1	Fuel, Filter	
26	70005737	1	Sensor, Stick (Not Shown)	
27	70005738	1	Holder, Sensor (Not Shown)	
28	70005739	3	Spark Plug (Not Shown)	
29	70005740	3	Coil, Ignition	
30	7017986	1	Gasket	
31	70004538	2	Packing	
32	7017995	1	Gasket, Fuel Pump	
33	70004848	2	Bolt	
34	70005741	1	Alternator, Assembly	
35	70005742	1	Alternator, Stay	
36	70004557	1	Washer	
37	70004558	1	Washer, Spring Lock	
38	7023107	1	V-Belt	
39	70005743	1	Starter, Assembly	
40	70005329	5	Nut	
41	70005744	1	Magnetic, Switch	
42	70005745	1	Switch, Oil Pressure	
43	70004829	1	Pipe, Water Return (Not Shown)	
44	70004306	1	Gasket, Water Flange (Not Shown)	

## SECTION 3 - ENGINE

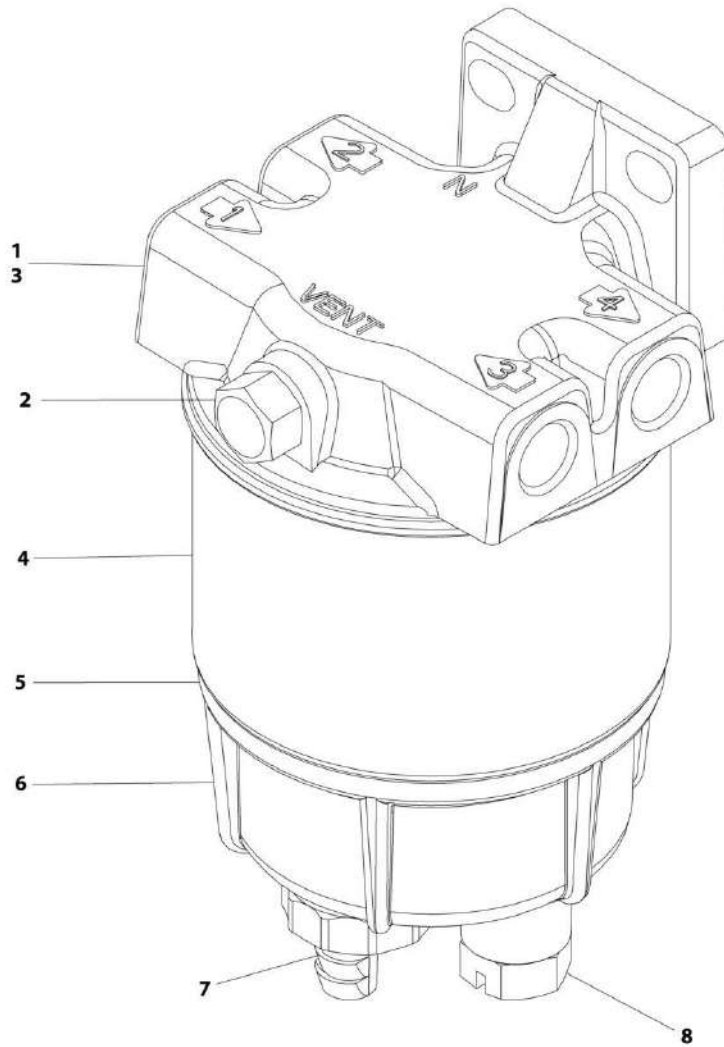
ITEM	PART NUMBER	QTY	DESCRIPTION	REV
45	70004851	1	Pipe, Water Return	
46	7023170	1	Thermostat (Not Shown)	
47	70002326	1	Gasket, Thermostat	
48	70004853	1	Pump, Water	
49	70004854	1	Gasket, Water Pump	
50	70004912	1	Hose, Water	
51	70004913	2	Band, Pipe	
52	70005229	1	Coolant Reserve Tank Kit	
53	4400498	1	Coolant Reserve Tank	
54	70004401	1	Decal - Instruction	
55	70005746	1	Sensor (TMAP)	
56	70005747	1	O-Ring (Not Shown)	
57	7017994	2	Gasket, Air Cleaner (Not Shown)	
58	70005748	1	Mixer, Assembly	
59	70004537	1	Screw, Air Bleeder (Not Shown)	
60	70005749	1	Gasket, In-Manifold (Not Shown)	
61	70005750	1	Rail, Fuel Ignition	
62	70005751	3	Injector	
63	70005752	1	Gasket, Ex-Manifold (Not Shown)	
64	70005753	3	Bolt, Stud (Not Shown)	
65	70005327	6	Nut (Not Shown)	
66	70005754	4	Bolt, Stud	
67	70005755	1	Muffler, Comp	
68	70005756	1	Muffler, Cover	
69	70005757	1	Harness, Wire (ECU) (Not Shown)	
70	70005758	1	ECU, Assembly	
71	70005759	2	Gasket, Muffler	
72	70005760	2	Sensor, O2	
73	70005761	1	Pump Assembly, Fuel	
74	70005762	1	Valve, 2 Way	
75	70005763	1	Gasket, Muffler	
76	70005764	1	Upper Gasket Kit	
77	70005765	1	Lower Gasket Kit	
78	70005766	1	Cable Assembly (ECOM) (Not Shown)	
79	70005767	1	Adapter (ECOM) (Not Shown)	
80	70005768	1	Regulator	
81	70005769	1	Valve, Lockoff	





## SECTION 3 - ENGINE

FIGURE 3-13. FUEL/WATER SEPARATOR ASSEMBLY - DIESEL ENGINES



ART\_1001190609

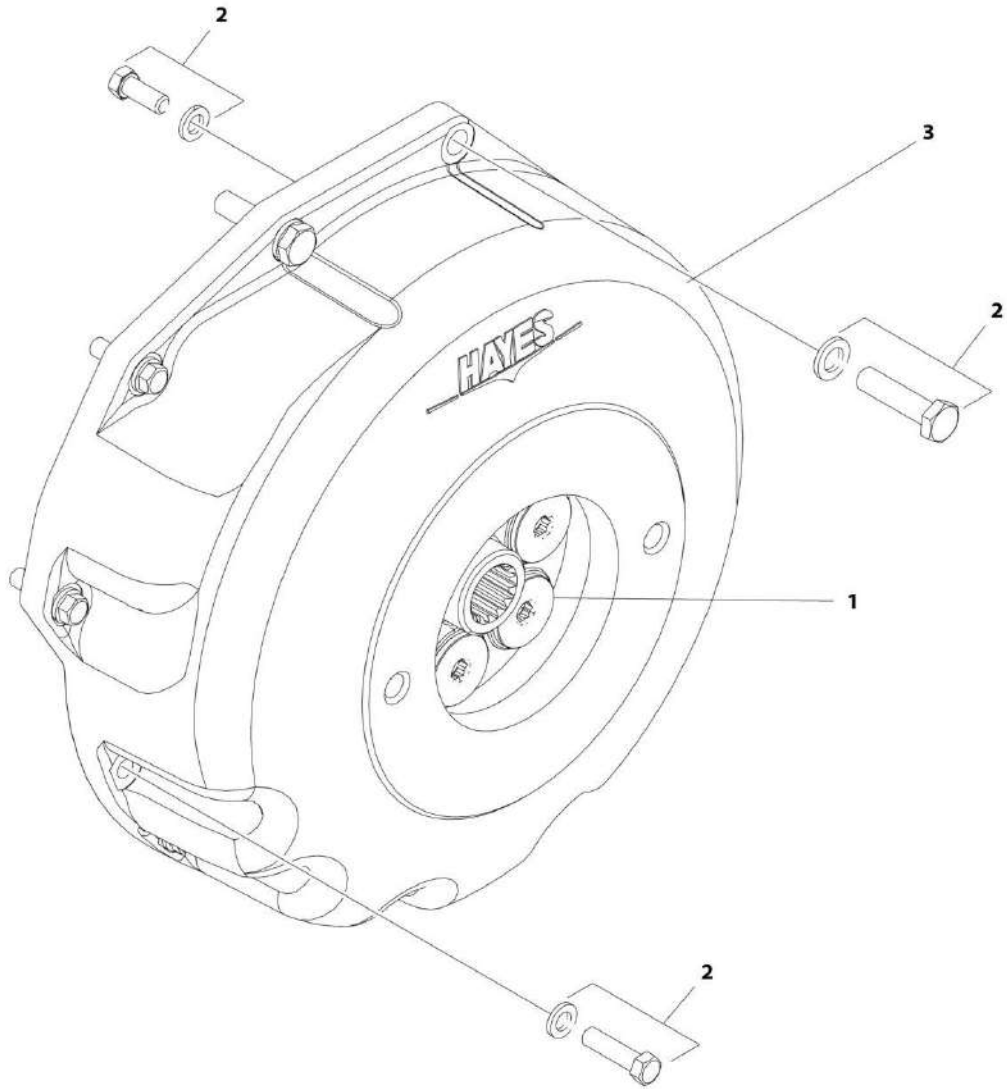
## SECTION 3 - ENGINE

**FIGURE 3-13. FUEL/WATER SEPARATOR ASSEMBLY - DIESEL ENGINES**

ITEM	PART NUMBER	QTY	DESCRIPTION	REV
	1001190609	Ref	FUEL/WATER SEPARATOR ASSEMBLY - DIESEL ENGINES	A
1	70005293	1	Head, Mounting	
2	70005294	1	Plug	
3	70005295	1	Gasket, Head	
4	70005296	1	Element	
5	70005297	1	O-Ring	
6	70002901	1	Bowl	
7	70004070	1	Drain, Self Venting	
8	70004069	1	Plug	

# SECTION 3 - ENGINE

## FIGURE 3-14. COUPLING KIT - DIESEL ENGINES



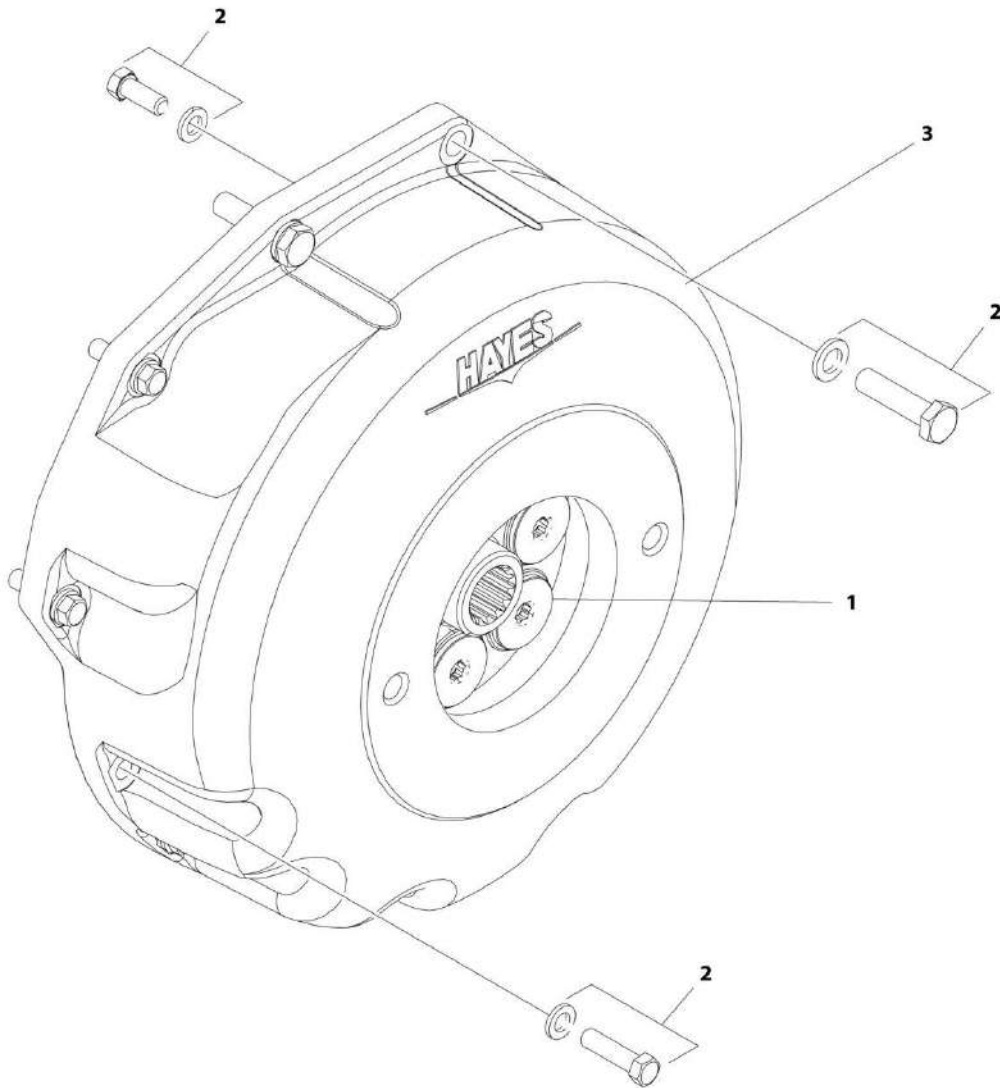
ART\_1001118675

**FIGURE 3-14. COUPLING KIT - DIESEL ENGINES**

<b>ITEM</b>	<b>PART NUMBER</b>	<b>QTY</b>	<b>DESCRIPTION</b>	<b>REV</b>
	1001118675	Ref	COUPLING KIT - DIESEL ENGINES	A
1	70001933	1	Coupling Assembly	
2	70005453	1	Bolt Kit	
3	See Note	NSS	Housing (Note: Use p/n 1001118675)	

# SECTION 3 - ENGINE

## FIGURE 3-15. COUPLING KIT - GASOLINE ENGINES



ART\_1001181829

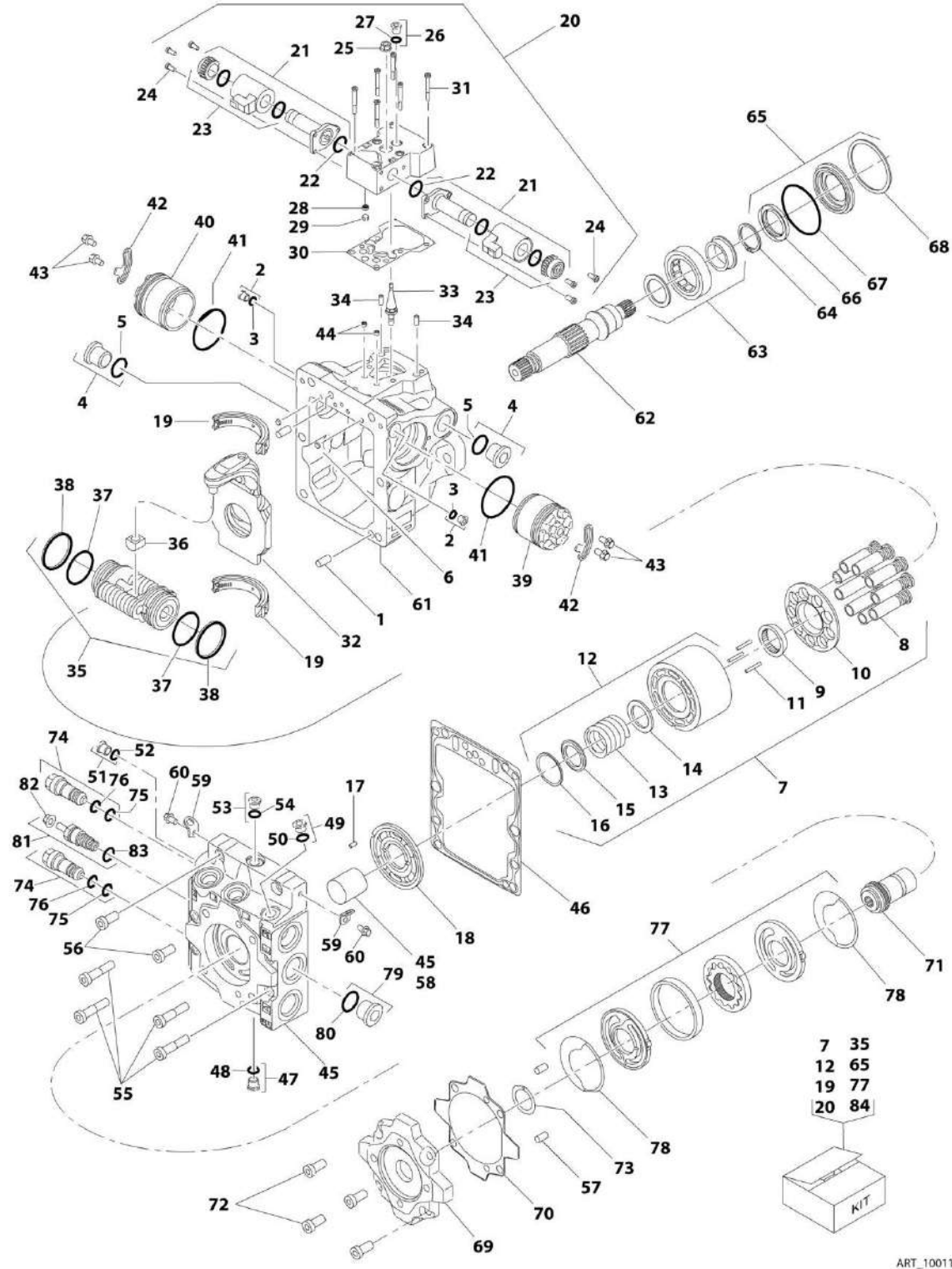
## SECTION 3 - ENGINE

### FIGURE 3-15. COUPLING KIT - GASOLINE ENGINES

ITEM	PART NUMBER	QTY	DESCRIPTION	REV
	1001181829	Ref	COUPLING KIT - GASOLINE ENGINES	B
1	70005455	1	Coupling Assembly	
2	70005454	1	Bolt Kit	
1	See Note	NSS	Housing (Note: Use p/n 1001181829)	

# SECTION 3 - ENGINE

## FIGURE 3-16. PISTON PUMP ASSEMBLY



ART\_1001101331



## SECTION 3 - ENGINE

### FIGURE 3-16. PISTON PUMP ASSEMBLY

ITEM	PART NUMBER	QTY	DESCRIPTION	REV
	1001101331	Ref	PISTON PUMP ASSEMBLY	E
1	70002132	2	Pin	
2	70002133	2	Plug Assembly (Includes Item 3)	
3	7007207	2	O-Ring (Part of Item 2)	
4	7007419	2	Plug Assembly (Includes Item 5)	
5	7007418	2	O-Ring (Part of Item 4)	
6	70002134	2	Screen	
7	70002135	1	Cylinder Block Kit (Includes Items 8-16)	
8	70002136	1	Piston Assembly Kit (Includes Qty 9 Piston Assemblies) (Part of Item 7)	
9	70002137	1	Guide, Slipper Retainer (Part of Item 7)	
10	70002138	1	Retainer, Slipper (Part of Item 7)	
11	7021275	3	Pin, Slipper Retainer Hold Down (Part of Item 7)	
12	70002143	1	Cylinder Block Assembly (Includes Items 13-16) (Part of Item 7)	
13	70002139	1	Spring (Part of Item 12)	
14	70002140	1	Washer (Part of Item 12)	
15	70002141	1	Washer (Part of Item 12)	
16	70002142	1	Ring, Retaining (Part of Item 12)	
17	7007446	1	Pin	
18	70002144	1	Plate, CW Valve	
19	70002145	1	Swash Plate Bearing Kit (Includes Qty 2 Bearings)	
20	70002146	1	EDC Kit (Includes Items 21-31)	
21	70002147	2	Solenoid Valve Assembly (Includes Item 22 & 23) (Part of Item 20)	
22	70002148	2	O-Ring (1 Per Valve Assembly) (Part of Item 21)	
23	70002149	2	Coil, Nut and Seals Kit (1 Per Valve Assembly) (Part of Item 21)	
24	70002150	6	Screw (Part of Item 20)	
25	7022301	1	Nut, Seal (Part of Item 20)	
26	70002151	1	Plug Assembly (Part of Item 20) (Includes Item 27)	
27	7007207	1	O-Ring (Part of Item 26)	
28	70002134	1	Screen (Part of Item 20)	
29	70002153	1	Ring, Locking (Part of Item 20)	
30	70002154	1	Gasket, Control (Part of Item 20)	
31	70002156	6	Capscrew (Part of Item 20)	
32	70002152	1	Swash Plate	
33	70002155	1	Link, Swash Plate	
34	70002157	2	Pin, Dowel	
35	70002158	1	Servo Piston Assembly (Includes Items 36-38)	
36	70002159	1	Block, Slider (Part of Item 35)	
37	70002160	2	O-Ring (Part of Item 35)	
38	70002161	2	Ring, Piston (Part of Item 35)	
39	70002162	1	Cylinder, Servo	
40	70002162	1	Cylinder, Servo	
41	70002163	2	O-Ring	
42	70002164	2	Plate, Locking	
43	70002165	4	Screw	
44	70002166	2	Orifice	
45	70002167	1	Cap, End (Includes Item 58)	
46	70002168	1	Gasket, End Cap	
47	70002158	1	Plug Assembly (Includes Item 48)	

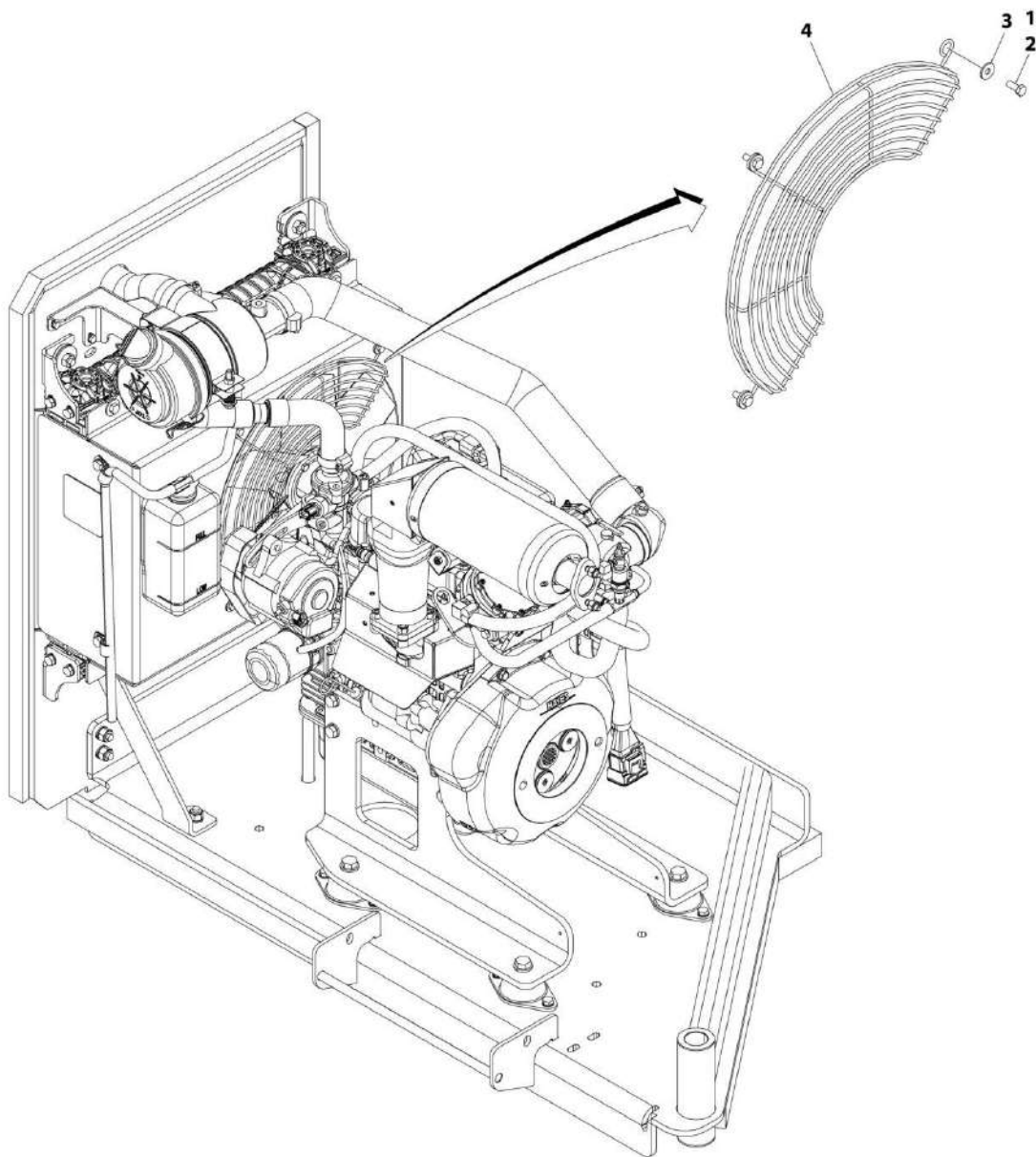
## SECTION 3 - ENGINE

ITEM	PART NUMBER	QTY	DESCRIPTION	REV
48	7021256	1	O-Ring (Part of Item 47)	
49	70001958	1	Plug Assembly (Includes Item 50)	
50	7021256	1	O-Ring (Part of Item 49)	
51	70001958	1	Plug Assembly (Includes Item 52)	
52	7021256	1	O-Ring (Part of Item 51)	
53	70001958	1	Plug Assembly (Includes Item 54)	
54	7021256	1	O-Ring (Part of Item 53)	
55	70002169	4	Capscrew	
56	70002170	2	Capscrew	
57	70002132	2	Pin	
58	70002172	1	Bearing, Journal (Part of Item 45)	
59	7022340	2	Bracket, Lifting	
60	70002165	2	Screw	
61	See Note	1	Housing (Note: Purchase p/n 1001101331)	
62	70002175	1	Shaft	
63	70002176	1	Ball Bearing Kit	
64	70007439	1	Ring, Retaining	
65	70002174	1	Shaft Seal Kit (Includes Items 66-68) (Note: This is a universal kit and will contain extra pieces that are not used on this pump assembly.)	
66	70002177	1	Seal, Lip	
67	70002178	1	O-Ring	
68	70002179	1	Ring, Retaining	
69	70002180	1	Adapter	
70	70002181	1	Seal, Adapter	
71	70002182	1	Coupling	
72	70002185	4	Capscrew	
73	70002186	1	Plate, Thrust	
74	70002188	2	High Pressure Relief Valve Cartridge Assembly (Includes Item 75 & 76)	
75	70002187	2	O-Ring (1 Per Cartridge) (Part of Item 74)	
76	7007415	2	O-Ring (1 Per Cartridge) (Part of Item 74)	
77	70002189	1	Charge Pump Kit (Includes Item 78)	
78	70002190	2	Ring, Seal (Part of Item 77)	
79	7023964	1	Plug Assembly (Includes Item 80)	
80	7007415	1	O-Ring (Part of Item 79)	
81	70002188	1	Charge Relief Valve Cartridge Assembly (Includes Item 82 & 83)	
82	70002187	1	Nut, Seal (Part of Item 81)	
83	7007415	1	O-Ring (Part of Item 81)	
84	70002192	1	Overhaul Seal Kit (Includes Items 3, 5, 22, 27, 30, 37, 38, 41, 48, 50, 52, 54, 66, 67, 70, 75, 76, 78, 82 & 83)	



## SECTION 3 - ENGINE

FIGURE 3-17. FAN GUARD INSTALLATION - KUBOTA (SN E20000404 through E20000675, SN 1200027648 through 1200030222)



ART\_1001220614

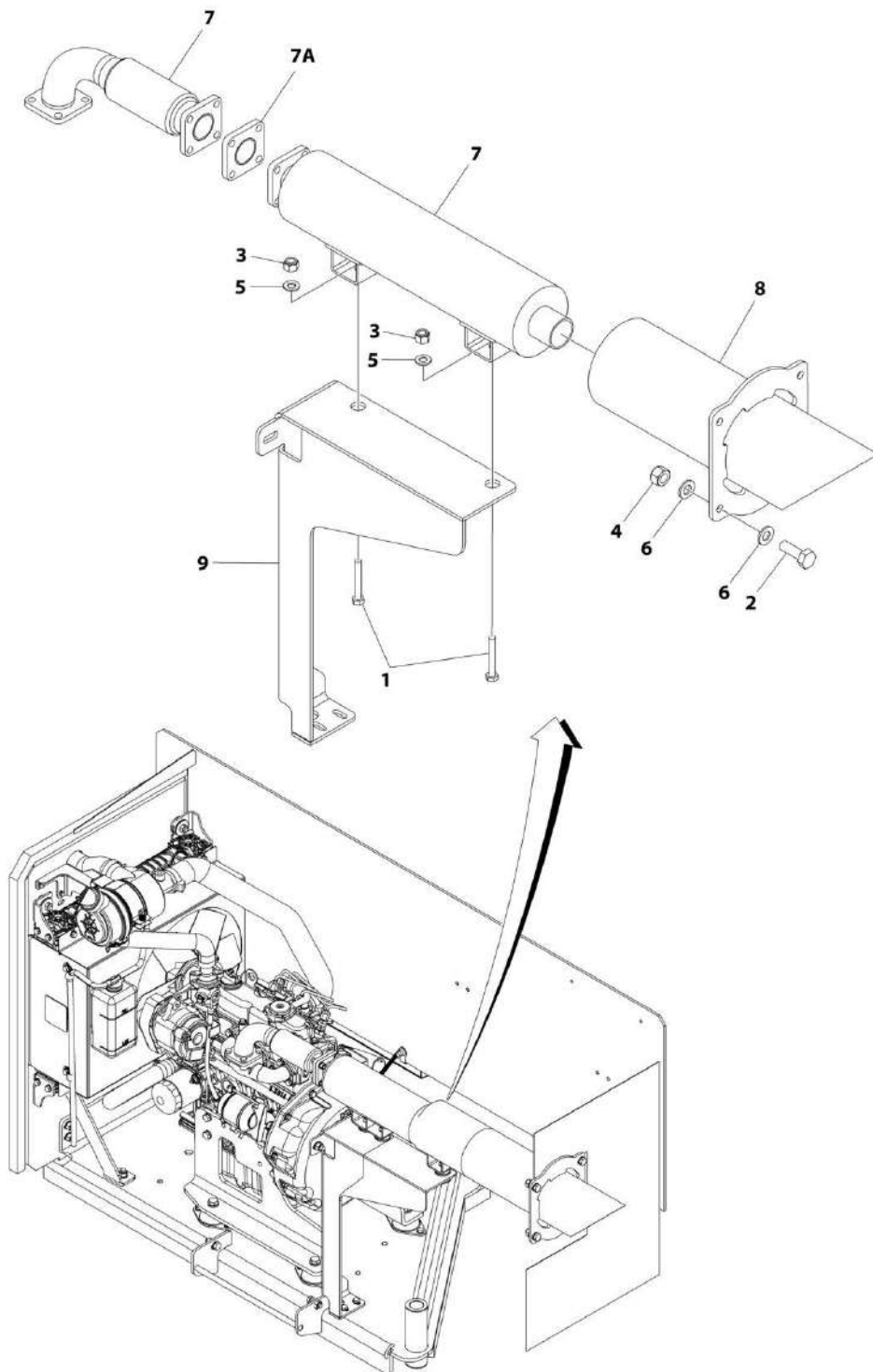
## SECTION 3 - ENGINE

**FIGURE 3-17. FAN GUARD INSTALLATION - KUBOTA (SN E200000404 through E200000675, SN 1200027648 through 1200030222)**

ITEM	PART NUMBER	QTY	DESCRIPTION	REV
	1001220614	Ref	FAN GUARD INSTALLATION - KUBOTA	A
1	0100011	AR	Compound, Locking	
2	0760608	3	Bolt M6 x 16	
3	4811702	3	Washer M6	
4	1001220613	1	Shroud, Fan Guard	

# SECTION 3 - ENGINE

## FIGURE 3-18. SPARK ARRESTOR MUFFLER - OPTIONAL (DIESEL ENGINES)



ART\_1001199438

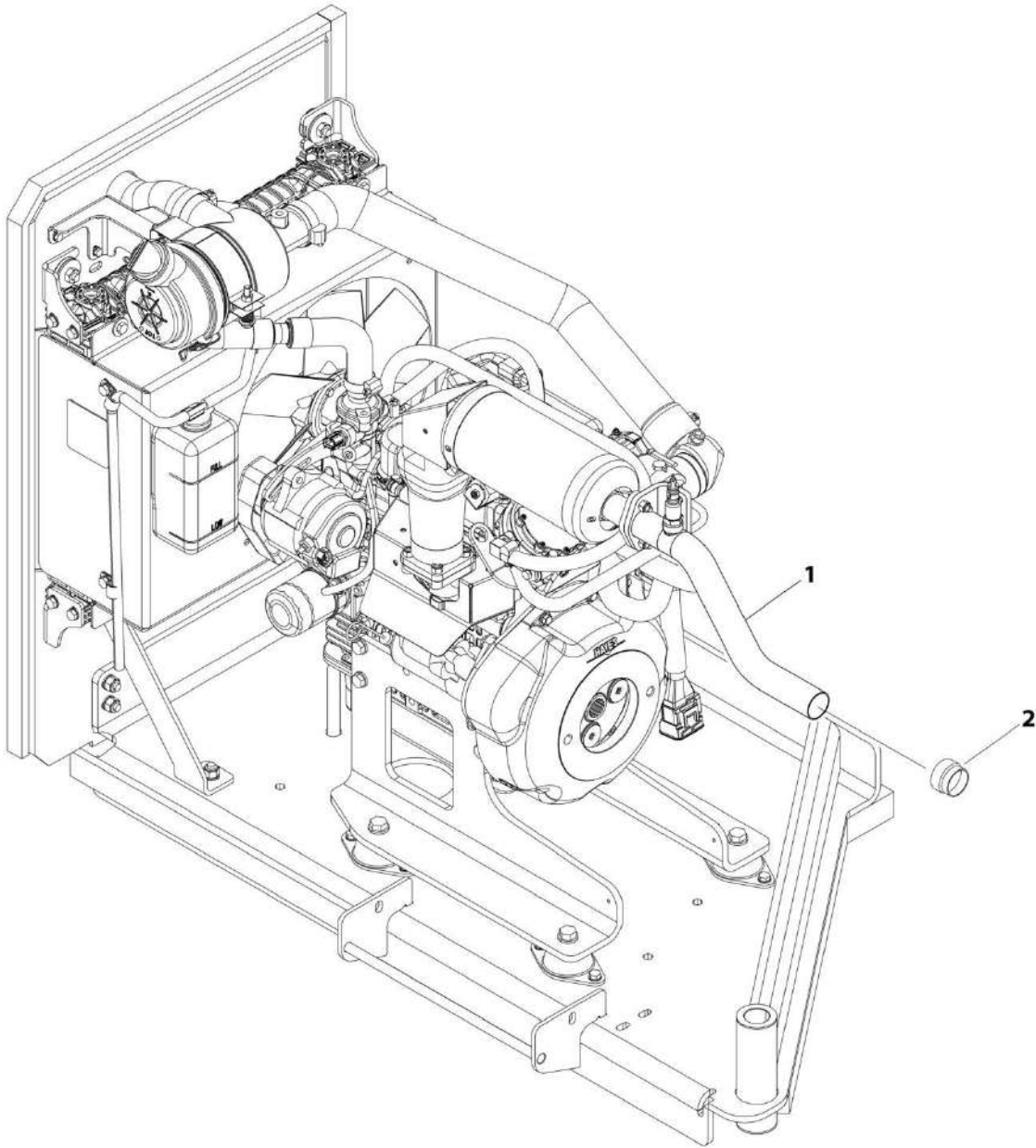
## SECTION 3 - ENGINE

**FIGURE 3-18. SPARK ARRESTOR MUFFLER - OPTIONAL (DIESEL ENGINES)**

ITEM	PART NUMBER	QTY	DESCRIPTION	REV
	1001199438	Ref	SPARK ARRESTOR MUFFLER - OPTIONAL (DIESEL ENGINES)	B
1	0700819	2	Bolt M8 x 55	
2	0761014	4	Bolt M10 x 30	
3	3290805	2	Nut M8	
4	3291005	4	Nut M10	
5	4811900	2	Washer M8	
6	4812000	8	Washer M10	
7	1001199943	1	Muffler, Spark Arresting with Pipe	
7A	70006293	1	Gasket	
8	1001199945	1	Pipe, Exhaust	
9	1001200927	1	Bracket, Muffler	

## SECTION 3 - ENGINE

FIGURE 3-19. SPARK ARRESTOR MUFFLER - OPTIONAL (GASOLINE ENGINES)



ART\_1001187703



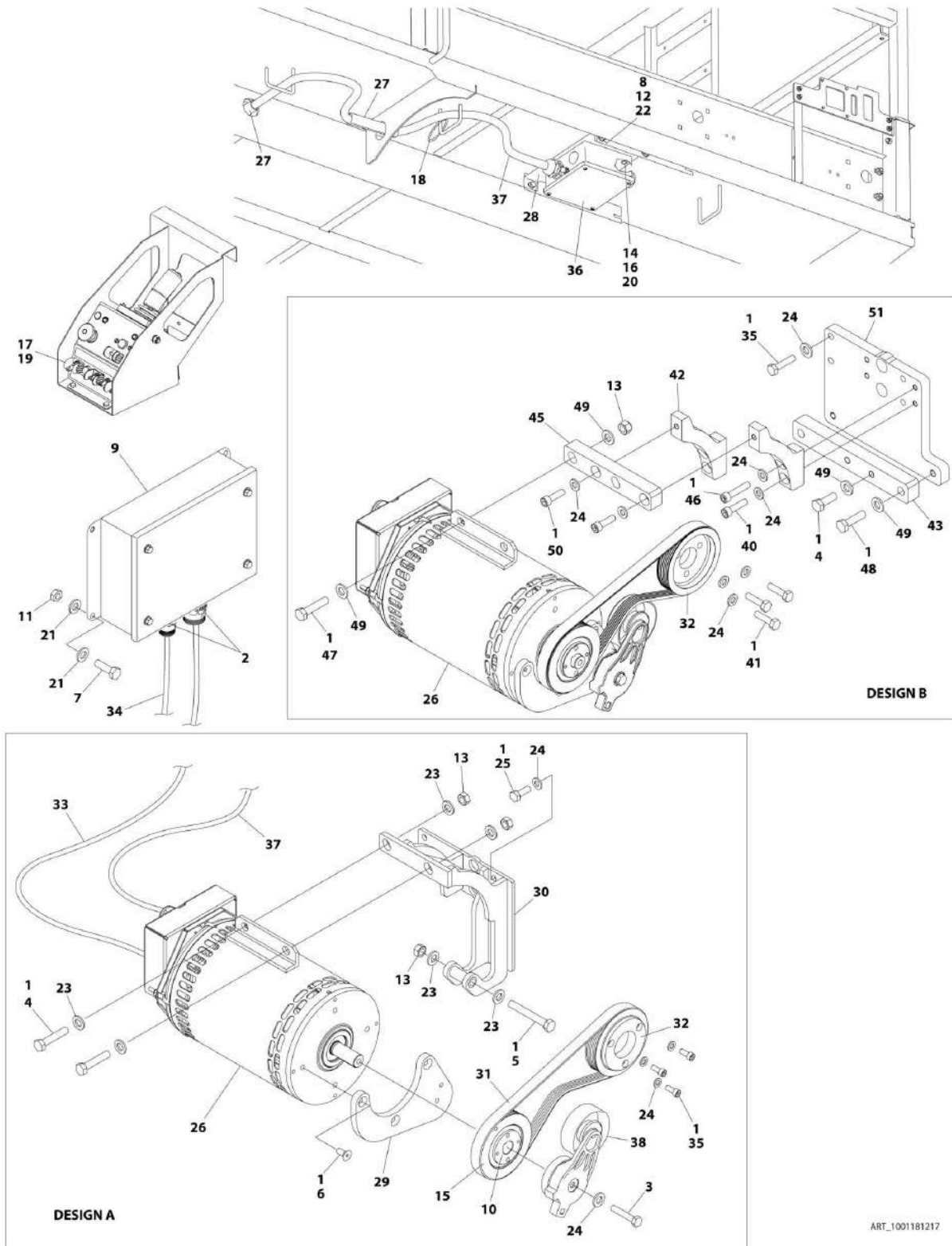
## SECTION 3 - ENGINE

**FIGURE 3-19. SPARK ARRESTOR MUFFLER - OPTIONAL (GASOLINE ENGINES)**

ITEM	PART NUMBER	QTY	DESCRIPTION	REV
	1001187703	Ref	SPARK ARRESTOR MUFFLER - OPTIONAL (GASOLINE ENGINES)	A
1	1001219775	1	Arrestor, Spark	
2	1001219826	1	Pipe, Exhaust	

# SECTION 3 - ENGINE

## FIGURE 3-20. GENERATOR INSTALLATION - 4000W (KUBOTA DIESEL STAGE III)



## SECTION 3 - ENGINE

**FIGURE 3-20. GENERATOR INSTALLATION - 4000W (KUBOTA DIESEL STAGE III)**

ITEM	PART NUMBER	QTY	DESCRIPTION	REV
	1001181217	Ref	GENERATOR INSTALLATION - 4000W (KUBOTA DIESEL STAGE III)	E
1	0100011	AR	Compound, Locking	
2	0100048	AR	Grease, Silicone (Apply to Contactor Connector)	
3	0701019	1	Bolt M10 x 55	
4	0701215	2	Bolt M12 x 35	
5	0701226	AR	Bolt M12 x 90	
6	0741607	3	Bolt 3/8-16 x .88	
7	0760610	4	Bolt M6 x 20	
8	0780810	4	Bolt M8 x 20	
10	0962520	1	Bushing, Taper	
11	3290605	4	Nut M6	
12	3290805	4	Nut M8	
13	3291205	AR	Nut M12	
13	3291201	AR	Nut M12	
14	3311005	4	Nut #10	
15	3580318	1	Pulley, Generator	
16	3931016	4	Screw #10 x 1	
17	4060802	1	Guard, Switch	
18	4240017	2	Tie Strap	
19	4360482	1	Switch, Toggle	
20	4751000	4	Washer #10	
21	4811700	8	Washer M6	
22	4811900	4	Washer M8	
23	4812100	AR	Washer M12	
24	5241000	AR	Washer M10	
25	8310422	AR	Bolt M10 x 1.25	
26	1001140347	1	Generator, 4000W	
27	1001151080	2	Conduit, Split Poly	
28	1001166732	1	Support	
29	1001184162	1	Bracket	
30	1001184402	1	Support, Mount ( <b>Prior to SN E200000156</b> )	
31	1001184163	1	Belt	
32	1001185510	1	Pulley	
33	1001186825	NLA	Harness, 4000W Generator Control - Generator to Control Box (use p/n 1001236444) (See ELECTRICAL SECTION for Breakdown) ( <b>Prior to SN E200000580, SN 1200027648 through 1200030222</b> )	
33	1001236444	1	Harness, 4000W Generator Control - Generator to Control Box (See ELECTRICAL SECTION for Breakdown) ( <b>SN E200000580 through E200000675</b> )	
34	1001186826	1	Harness, 4000W Generator Control - Control Box to Generator Control (See ELECTRICAL SECTION for Breakdown)	
35	1001186919	AR	Bolt M10 x 40	
35	1001207285	AR	Bolt M10 x 45	
36	1001187197	1	Junction Box Assembly - 4000W Generator(Australian and CE Specs) (See JUNCTION BOX ASSEMBLY - 4000W/7500W GENERATOR (AUSTRALIAN AND CE SPECS) for Breakdown)	
37	1001186827	NLA	Cable, Electrical 10/4 (use p/n 1001236445) ( <b>Prior to SN E200000580, SN 1200027648 through 1200030222</b> )	
37	1001236445	1	Cable, Electrical 10/4 ( <b>SN E200000580 through E200000675</b> )	
38	3580317	1	Pulley, Belt Tensioner	

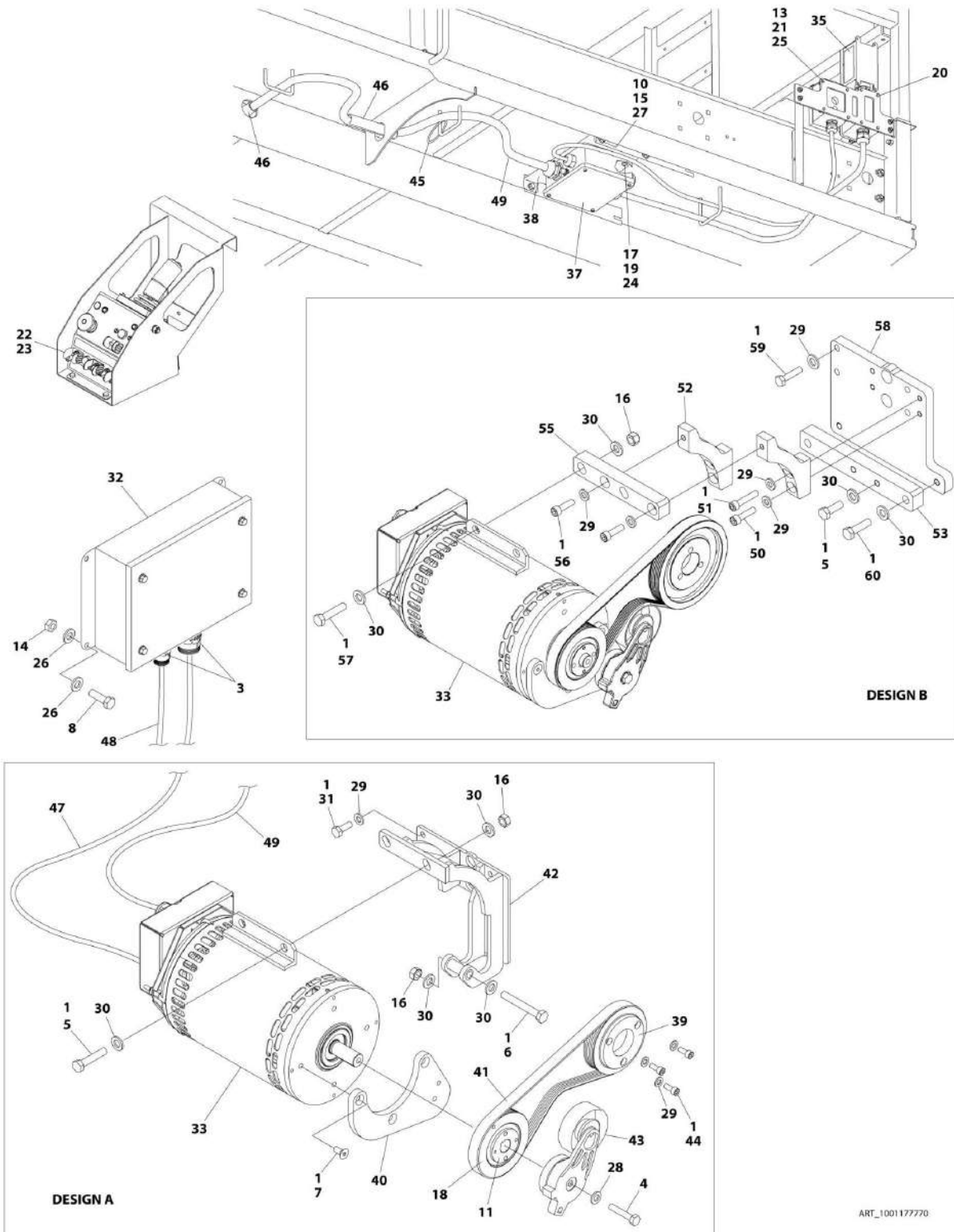
## SECTION 3 - ENGINE

ITEM	PART NUMBER	QTY	DESCRIPTION	REV
39	1001138566	1	Box, Generator Control 4000W Generator 50Hz	
39	70006552	1	Capacitor	
39	70006553	1	Relay	
40	5272012	AR	Bolt M10 x 40	
41	1001119929	AR	Bolt M10 x 35	
42	1001202532	2	Generator Arm Mount Bracket (SN E200000156 through E200000675, SN 1200027648 through 1200030222)	
43	1001208340	1	Generator Bracket (SN E200000156 through E200000675, SN 1200027648 through 1200030222)	
45	1001184401	1	Plate (SN E200000156 through E200000182)	
45	1001202536	1	Plate (SN E200000183 through E200000675, SN 1200027648 through 1200030222)	
46	4032014	AR	Bolt M10 x 50	
47	0701219	AR	Bolt M12 x 55	
48	0701217	AR	Bolt M12 x 45	
49	5241200	AR	Washer M12	
50	5272011	AR	Bolt M10 x 35	
51	1001208339	1	Generator Mount Bracket (SN E200000156 through E200000675, SN 1200027648 through 1200030222)	



# SECTION 3 - ENGINE

FIGURE 3-21. GENERATOR INSTALLATION - 4000W (KUBOTA DIESEL T4F)



## SECTION 3 - ENGINE

**FIGURE 3-21. GENERATOR INSTALLATION - 4000W (KUBOTA DIESEL T4F)**

ITEM	PART NUMBER	QTY	DESCRIPTION	REV
	1001177770	Ref	GENERATOR INSTALLATION - 4000W (KUBOTA DIESEL T4F)	H
1	0100011	AR	Compound, Locking	
3	0100048	AR	Grease, Silicone (Apply to Contactor Connector)	
4	0701019	1	Bolt M10 x 55	
5	0701215	2	Bolt M12 x 35	
6	0701226	AR	Bolt M12 x 90	
7	0741607	3	Bolt 3/8 x .88	
8	0760610	4	Bolt M6 x 20	
10	0780810	4	Bolt M8 x 20	
11	0962520	1	Bushing, Taper	
13	3290405	4	Nut M4	
14	3290605	4	Nut M6	
15	3290805	4	Nut M8	
16	3291201	AR	Nut M12	
17	3311005	4	Nut #10	
18	3580318	1	Pulley, Generator	
19	3931016	4	Screw #10 x 1	
20	3940804	4	Self, Tapping	
21	4010408	4	Screw M4 x 16	
22	4060802	1	Guard, Switch	
23	4360482	1	Switch, Toggle	
24	4751000	4	Washer #10	
25	4811400	4	Washer M4	
26	4811700	8	Washer M6	
27	4811900	4	Washer M8	
28	4812000	1	Washer M10	
29	5241000	AR	Washer M10	
30	5241200	AR	Washer M12	
31	8310422	AR	Bolt M10 x 30	
32	1001138566	1	Box, Generator Control (4000W Generator - 60Hz)	
32	70006552	1	Capacitor	
32	70006553	1	Relay	
33	1001140346	1	Generator, 4000W	
35	1001187092	1	Platform Receptacle Assembly (See PLATFORM RECEPTACLE ASSEMBLY for Breakdown)	
37	1001186828	1	Junction Box Assembly - 4000W Generator (All Specs Except Australian and CE Specs) (See JUNCTION BOX ASSEMBLY - 4000W GENERATOR (ALL SPECS EXCEPT AUSTRALIAN AND CE SPECS) for Breakdown)	
38	1001166732	1	Support	
39	1001183726	1	Pulley	
40	1001184162	1	Bracket	
41	1001184235	1	Belt	
42	1001184402	1	Support, Mount ( <b>Prior to SN E200000156</b> )	
43	3580317	1	Pulley, Belt Tensioner	
44	1001186919	3	Bolt M10 x 40	
45	4240017	2	Tie Strap	
46	1001151080	2	Conduit, Split Poly	
47	1001186825	NLA	Harness, 4000W Generator Control - Generator to Control Box (use p/n 1001236444) (See ELECTRICAL SECTION for Breakdown) ( <b>Prior to SN E200000580, SN 1200027648 through</b>	

## SECTION 3 - ENGINE

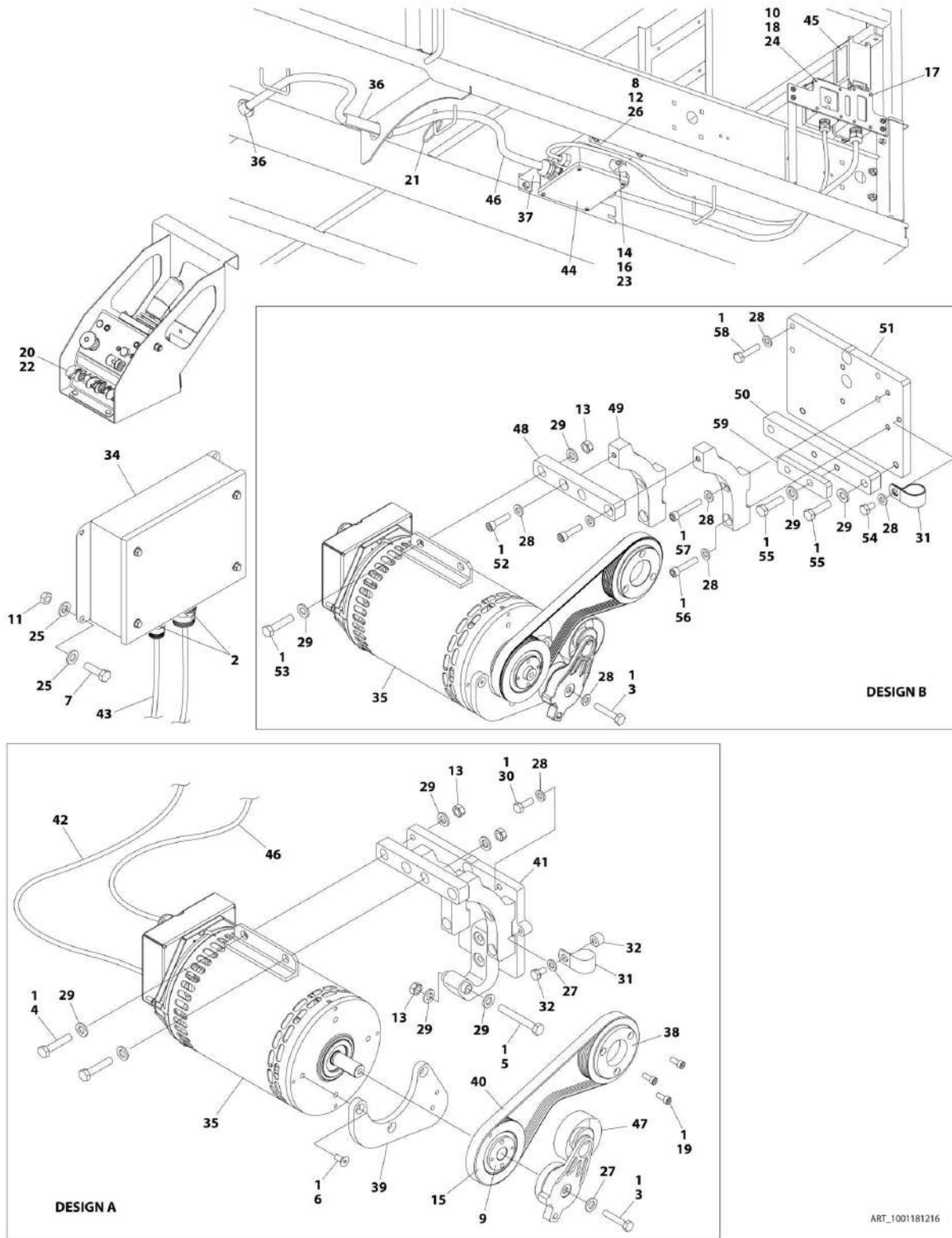
ITEM	PART NUMBER	QTY	DESCRIPTION	REV
47	1001236444	1	<b>1200030222)</b> Harness, 4000W Generator Control - Generator to Control Box (See ELECTRICAL SECTION for Breakdown) <b>(SN E200000580 through E200000675)</b>	
48	1001186826	1	Harness, 4000W Generator Control - Control Box to Generator Control (See ELECTRICAL SECTION for Breakdown)	
49	1001186827	NLA	Cable, Electrical 10/4 (use p/n 1001236445) <b>(Prior to SN E200000580, SN 1200027648 through 1200030222)</b>	
49	1001236445	1	Cable, Electrical 10/4 <b>(SN E200000580 through E200000675)</b>	
50	5272012	AR	Bolt M10 x 40	
51	4032014	AR	Bolt M10 x 50	
52	1001202532	2	Generator Arm Mount Bracket <b>(SN E200000156 through E200000675, SN 1200027648 through 1200030222)</b>	
53	1001208340	1	Generator Bracket <b>(SN E200000156 through E200000675, SN 1200027648 through 1200030222)</b>	
55	1001184401	1	Plate <b>(SN E200000156 through E200000182)</b>	
55	1001202536	1	Plate <b>(SN E200000183 through E200000675, SN 1200027648 through 1200030222)</b>	
56	5272011	AR	Bolt M10 x 35	
57	0701219	AR	Bolt M12 x 55	
58	1001208339	1	Generator Mount Bracket <b>(SN E200000156 through E200000675, SN 1200027648 through 1200030222)</b>	
59	1001207285	AR	Bolt M10 x 45 Grade 10.9	
60	0701217	AR	Bolt M12 x 45	





# SECTION 3 - ENGINE

## FIGURE 3-22. GENERATOR INSTALLATION - 4000W (KUBOTA GASOLINE) (DUAL FUEL)



## SECTION 3 - ENGINE

**FIGURE 3-22. GENERATOR INSTALLATION - 4000W (KUBOTA GASOLINE) (DUAL FUEL)**

ITEM	PART NUMBER	QTY	DESCRIPTION	REV
	1001181216	Ref	GENERATOR INSTALLATION - 4000W (KUBOTA GASOLINE) (DUAL FUEL)	G
1	0100011	AR	Compound, Locking	
2	0100048	AR	Grease, Silicone (Apply to Contactor Connector)	
3	0701019	1	Bolt M10 x 55	
4	0701215	AR	Bolt M12 x 35	
5	0701226	AR	Bolt M12 x 90	
6	0741607	3	Bolt 3/8 x .88	
7	0760610	4	Bolt M6 x 20	
8	0780810	4	Bolt M8 x 20	
9	0962520	1	Bushing, Taper	
10	3290405	4	Nut M4	
11	3290605	4	Nut M6	
12	3290805	4	Nut M8	
13	3291201	AR	Nut M12	
14	3311005	4	Nut #10	
15	3580318	1	Pulley, Generator	
16	3931016	4	Screw #10 x 1	
17	3940804	4	Self, Tapping	
18	4010408	4	Screw M4 x 16	
19	4031908	3	Bolt M8 x 20	
20	4060802	1	Guard, Switch	
21	4240017	2	Tie Strap	
22	4360482	1	Switch, Toggle	
23	4751000	4	Washer #10	
24	4811400	4	Washer M4	
25	4811700	8	Washer M6	
26	4811900	4	Washer M8	
27	4812000	AR	Washer M10	
28	5241000	AR	Washer M10	
29	5241200	AR	Washer M12	
30	8310422	AR	Bolt M10 x 1.25	
31	8406302	1	Clamp	
32	1001102555	AR	Spacer	
33	1001118746	AR	Bolt M10 x 1.25	
34	1001138566	1	Box, Generator Control (4000W Generator - 60Hz)	
34	70006552	1	Capacitor	
34	70006553	1	Relay	
35	1001140346	1	Generator, 4000W	
36	1001151080	2	Conduit, Split Poly	
37	1001166732	1	Support	
38	1001181211	1	Pulley	
39	1001184162	1	Bracket	
40	1001184163	1	Belt	
41	1001184411	1	Support, Mount ( <b>Prior to SN E200000156</b> )	
42	1001186825	NLA	Harness, 4000W Generator Control - Generator to Control Box (use p/n 1001236444) (See ELECTRICAL SECTION for Breakdown) ( <b>Prior to SN E200000580, SN 1200027648 through 1200030222</b> )	
42	1001236444	1	Harness, 4000W Generator Control - Generator to Control Box (See ELECTRICAL SECTION for Breakdown) ( <b>SN E200000580</b> )	

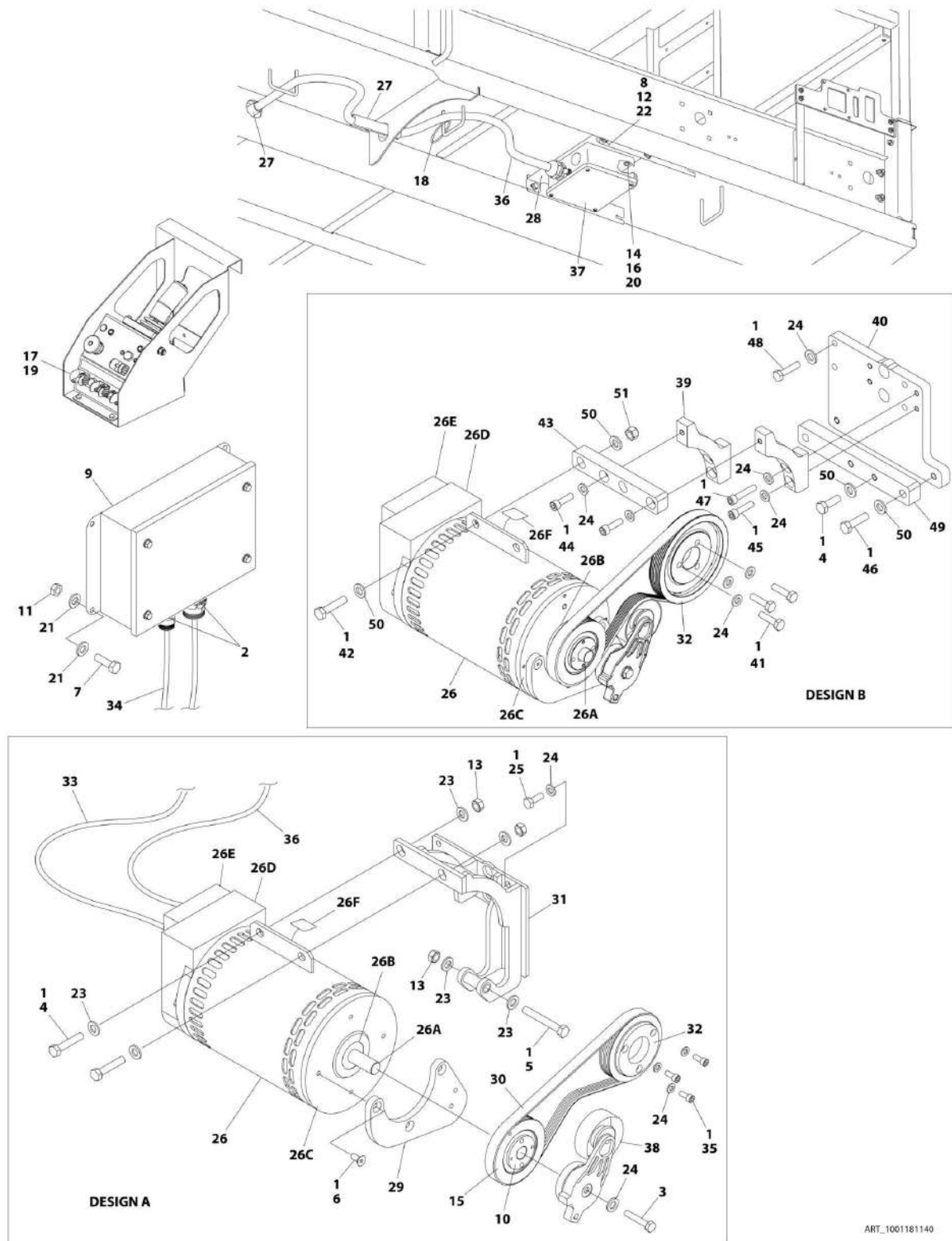
## SECTION 3 - ENGINE

ITEM	PART NUMBER	QTY	DESCRIPTION	REV
			<b>through E20000675)</b>	
43	1001186826	1	Harness, 4000W Generator Control - Control Box to Generator Control (See ELECTRICAL SECTION for Breakdown)	
44	1001186828	1	Junction Box Assembly - 4000W Generator (All Specs Except Australian and CE Specs) (See JUNCTION BOX ASSEMBLY - 4000W GENERATOR (ALL SPECS EXCEPT AUSTRALIAN AND CE SPECS) for Breakdown)	
45	1001187092	1	Platform Receptacle Assembly (See PLATFORM RECEPTACLE ASSEMBLY for Breakdown)	
46	1001186827	NLA	Cable, Electrical 10/4 (use p/n 1001236445) (Prior to SN <b>E200000580, SN 1200027648 through 1200030222)</b>	
46	1001236445	1	Cable, Electrical 10/4 (SN <b>E200000580 through E200000675)</b> )	
47	3580317	1	Belt	
48	1001184401	1	Plate (SN <b>E200000156 through E200000182)</b> )	
48	1001202759	1	Plate (SN <b>E200000183 through E200000675, SN 1200027648 through 1200030222)</b> )	
49	1001202760	2	Generator Arm Mount Bracket (SN <b>E200000156 through E200000675, SN 1200027648 through 1200030222)</b> )	
50	1001208340	1	Generator Bracket (SN <b>E200000156 through E200000675, SN 1200027648 through 1200030222)</b> )	
51	1001202764	1	Plate (SN <b>E200000156 through E200000675, SN 1200027648 through 1200030222)</b> )	
52	5272012	AR	Bolt M10 x 40	
53	0701219	AR	Bolt M12 x 55	
54	0761009	AR	Bolt M10 x 18	
55	0701217	AR	Bolt M12 x 45	
56	4032014	AR	Bolt M10 x 50	
57	4032016	AR	Bolt M10 x 60	
58	1001207285	AR	Bolt M10 x 45 Grade 10.9	
59	1001210645	1	Plate (SN <b>E200000156 through E200000675, SN 1200027648 through 1200030222)</b> )	



# SECTION 3 - ENGINE

FIGURE 3-23. GENERATOR INSTALLATION - 7500W (KUBOTA DIESEL STAGE III)



ART\_1001181140

## SECTION 3 - ENGINE

**FIGURE 3-23. GENERATOR INSTALLATION - 7500W (KUBOTA DIESEL STAGE III)**

ITEM	PART NUMBER	QTY	DESCRIPTION	REV
	1001181140	Ref	GENERATOR INSTALLATION - 7500W (KUBOTA DIESEL STAGE III)	F
1	0100011	AR	Compound, Locking	
2	0100048	AR	Grease, Silicone (Apply to Contactor Connector)	
3	0701019	1	Bolt M10 x 55	
4	0701215	2	Bolt M12 x 35	
5	0701226	AR	Bolt M12 x 90	
6	0741607	3	Bolt 3/8 x .88	
7	0760610	4	Bolt M6 x 20	
8	0780810	4	Bolt M8 x 20	
9	0861572	1	Box, Generator Control 7500W Generator 50Hz	
10	0962520	1	Bushing, Taper	
11	3290605	4	Nut M6	
12	3290805	4	Nut M8	
13	3291205	AR	Nut M12	
14	3311005	4	Nut #10	
15	3580318	1	Pulley, Generator	
16	3931016	4	Screw #10 x 1	
17	4060802	1	Guard, Switch	
18	4240017	2	Tie Strap	
19	4360482	1	Switch, Toggle	
20	4751000	4	Washer #10	
21	4811700	8	Washer M6	
22	4811900	4	Washer M8	
23	4812100	AR	Washer M12	
24	5241000	AR	Washer M10	
25	8310422	AR	Bolt M10 x 1.25	
26		Ref	Generator Assembly Options:	
26	1001136988	NLA	Deutz TD2.9L4 Engines (Use p/n 1001212223) <b>(Prior to SN E200000309)</b>	F
26	1001212223	1	Deutz TD2.9L4 Engines <b>(SN E200000309 through E200000675, SN 1200027648 through 1200030222)</b>	A
26	70001100	1	Rotor (Includes p/n 70001384 & 70000863) (Not Shown)	
26	70001384	1	Bearing, Ball Radial (Not Shown)	
26	70000863	1	Fan (Not Shown)	
26		Ref	Stator Options (Not Shown):	
26	70004093	1	1001136988 Generator	
26	70006093	1	1001212223 Generator	
26	70002297	1	Stud	
26	70003631	1	Brushholder Assembly (Not Shown) (was p/n 7024484)	
26A	70004099	1	Key	
26B	70001966	1	Bearing, Ball Radial (Located in Belt Tensioner Endbell)	
26B	70003708	1	Ring, Internal Retaining (Located in Belt Tensioner Endbell)	
26B	70003709	1	Ring, External Retaining (Located in Belt Tensioner Endbell)	
26C	70004092	1	Endbell, Belt Tensioner	
26D	70004094	1	Endbell, Brush Block	
26E		Ref	Shroud Options:	
26E	70004096	1	1001136988 Generator (was p/n 70002290)	
26E	70006094	1	1001212223 Generator	
26E		Ref	Insulator, Endbell Options:	

## SECTION 3 - ENGINE

ITEM	PART NUMBER	QTY	DESCRIPTION	REV
26E	70004097	1	1001136988 Generator	
26E	70002291	1	1001212223 Generator	
26E	7027799	1	Block, Connector 6 Position (Not Shown)	
26E	70002460	1	Nut, Brass (Attaches p/n 7027799 to Cover) (Not Shown)	
26E		Ref	Breaker, Circuit 30Amp Options (Not Shown):	
26E	7024485	1	1001136988 Generators	
26E	70006095	1	1001212223 Generator	
26E		Ref	Boot, Breaker Options (Not Shown):	
26E	70001696	1	1001136988 Generators (was p/n 7024486)	
26E	70006096	1	1001212223 Generator	
26E	7026626	1	Connector, 6 Position (Includes Seal) (Not Shown)	
26E	7026597	1	Connector, with Leads (Not Shown)	
26E	70004098	1	Clamp, Cable	
26E		Ref	Plate, End Panel Options:	
26E	70004095	1	1001136988 Generator	
26E	70006097	1	1001212223 Generator	
26E	70001974	1	Decal - Terminal Connections	
26F	70001973	1	Decal - Warning Moving Parts	
27	1001151080	2	Conduit, Split Poly	
28	1001166732	1	Support	
29	1001184162	1	Bracket	
30	1001184163	1	Belt	
31	1001184402	1	Support, Mount <b>(Prior to SN E200000156)</b>	
32	1001185510	1	Pulley	
33	1001186821	NLA	Harness, 7500W Generator Control - Generator to Generator Control Box (use p/n 1001236442) (See ELECTRICAL SECTION for Breakdown) <b>(Prior to SN E200000580, SN 1200027648 through 1200030222)</b>	
33	1001236442	1	Harness, 7500W Generator Control - Generator to Generator Control Box (See ELECTRICAL SECTION for Breakdown) <b>(SN E200000580 through E200000675)</b>	
34	1001186822	1	Harness, 7500W Generator Control - Generator Control Box to Generator Control (See ELECTRICAL SECTION for Breakdown)	
35	1001186919	AR	Bolt M10 x 40	
36	1001186823	NLA	Cable, Electrical 8/5 (use p/n 1001236443) <b>(Prior to SN E200000580, SN 1200027648 through 1200030222)</b>	
36	1001236443	1	Cable, Electrical 8/5 <b>(SN E200000580 through E200000675)</b>	
37	1001187197	1	Junction Box Assembly - 7500W Generator (Australian and CE Specs) (See JUNCTION BOX ASSEMBLY - 4000W/7500W GENERATOR (AUSTRALIAN AND CE SPECS) for Breakdown)	
38	3580317	1	Pulley, Belt Tensioner	
39	1001202532	2	Generator Arm Mount Bracket <b>(SN E200000156 through E200000675, SN 1200027648 through 1200030222)</b>	
40	1001208339	1	Generator Mount Bracket <b>(SN E200000156 through E200000675, SN 1200027648 through 1200030222)</b>	
41	1001119929	AR	Bolt M10 x 35	
42	0701219	AR	Bolt M12 x 55	
43	1001184401	1	Plate <b>(SN E200000156 through E200000182)</b>	
43	1001202536	1	Plate <b>(SN E200000183 through E200000675, SN 1200027648 through 1200030222)</b>	
44	5272011	AR	Bolt M10 x 35	
45	5272012	AR	Bolt M10 x 40	
46	0701217	AR	Bolt M12 x 45	
47	4032014	AR	Bolt M10 x 50	

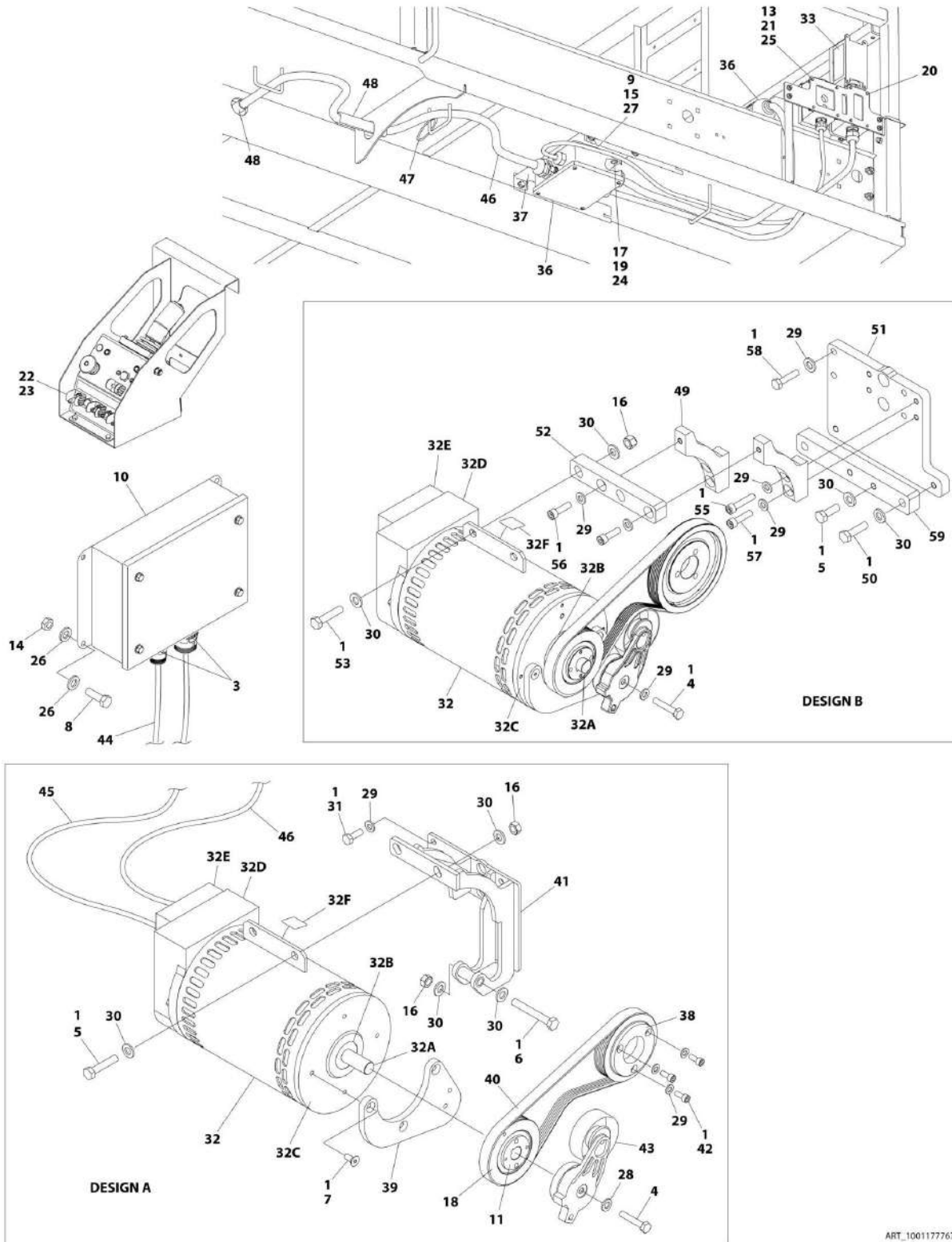


## SECTION 3 - ENGINE

ITEM	PART NUMBER	QTY	DESCRIPTION	REV
48	1001207285	AR	Bolt M10 x 45 Grade 10.9	
49	1001208340	1	Generator Bracket ( <b>SN E200000156 through E200000675, SN 1200027648 through 1200030222</b> )	
50	5241200	8	Washer M12 ( <b>SN E200000156 through E200000675, SN 1200027648 through 1200030222</b> )	
51	3291201	2	Nut M12 ( <b>SN E200000156 through E200000675, SN 1200027648 through 1200030222</b> )	
52	0760606	AR	Bolt M6 x 12 (Not Shown)	
53	4871700	AR	Washer M6 (Not Shown)	

# SECTION 3 - ENGINE

## FIGURE 3-24. GENERATOR INSTALLATION - 7500W (KUBOTA DIESEL T4F)



ART\_1001177767

## SECTION 3 - ENGINE

**FIGURE 3-24. GENERATOR INSTALLATION - 7500W (KUBOTA DIESEL T4F)**

ITEM	PART NUMBER	QTY	DESCRIPTION	REV
	1001177767	Ref	GENERATOR INSTALLATION - 7500W (KUBOTA DIESEL T4F)	H
1	0100011	AR	Compound, Locking	
3	0100048	AR	Grease, Silicone (Apply to Contactor Connector)	
4	0701019	1	Bolt M10 x 55	
5	0701215	2	Bolt M12 x 35	
6	0701226	AR	Bolt M12 x 90	
7	0741607	3	Bolt 3/8 x .88	
8	0760610	4	Bolt M6 x 20	
9	0780810	4	Bolt M8 x 20	
10	0861538	1	Box, Generator Control (7500W Generator - 60Hz)	
11	0962520	1	Bushing, Taper	
13	3290405	4	Nut M4	
14	3290605	4	Nut M6	
15	3290805	4	Nut M8	
16	3291201	AR	Nut M12	
17	3311005	4	Nut #10	
18	3580318	1	Pulley, Generator	
19	3931016	4	Screw #10 x 1	
20	3940804	4	Self, Tapping	
21	4010408	4	Screw M4 x 16	
22	4060802	1	Guard, Switch	
23	4360482	1	Switch, Toggle	
24	4751000	4	Washer #10	
25	4811400	4	Washer M4	
26	4811700	8	Washer M6	
27	4811900	4	Washer M8	
28	4812000	AR	Washer M10	
29	5241000	AR	Washer M10	
30	5241200	AR	Washer M12	
31	8310422	4	Bolt M10 x 30 ( <b>Prior to SN E200000156</b> )	
32		Ref	Generator Assembly Options:	
32	1001136988	NLA	Deutz TD2.9L4 Engines (Use p/n 1001212223) ( <b>Prior to SN E200000309</b> )	F
32	1001212223	1	Deutz TD2.9L4 Engines ( <b>SN E200000309 through E200000675, SN 1200027648 through 1200030222</b> )	A
32	70001100	1	Rotor (Includes p/n 70001384 & 70000863) (Not Shown)	
32	70001384	1	Bearing, Ball Radial (Not Shown)	
32	70000863	1	Fan (Not Shown)	
32		Ref	Stator Options (Not Shown):	
32	70004093	1	1001136988 Generator	
32	70006093	1	1001212223 Generator	
32	70002297	1	Stud	
32	70003631	1	Brushholder Assembly (Not Shown) (was p/n 7024484)	
32A	70004099	1	Key	
32B	70001966	1	Bearing, Ball Radial (Located in Belt Tensioner Endbell)	
32B	70003708	1	Ring, Internal Retaining (Located in Belt Tensioner Endbell)	
32B	70003709	1	Ring, External Retaining (Located in Belt Tensioner Endbell)	
32C	70004092	1	Endbell, Belt Tensioner	
32D	70004094	1	Endbell, Brush Block	
32E		Ref	Shroud Options:	

## SECTION 3 - ENGINE

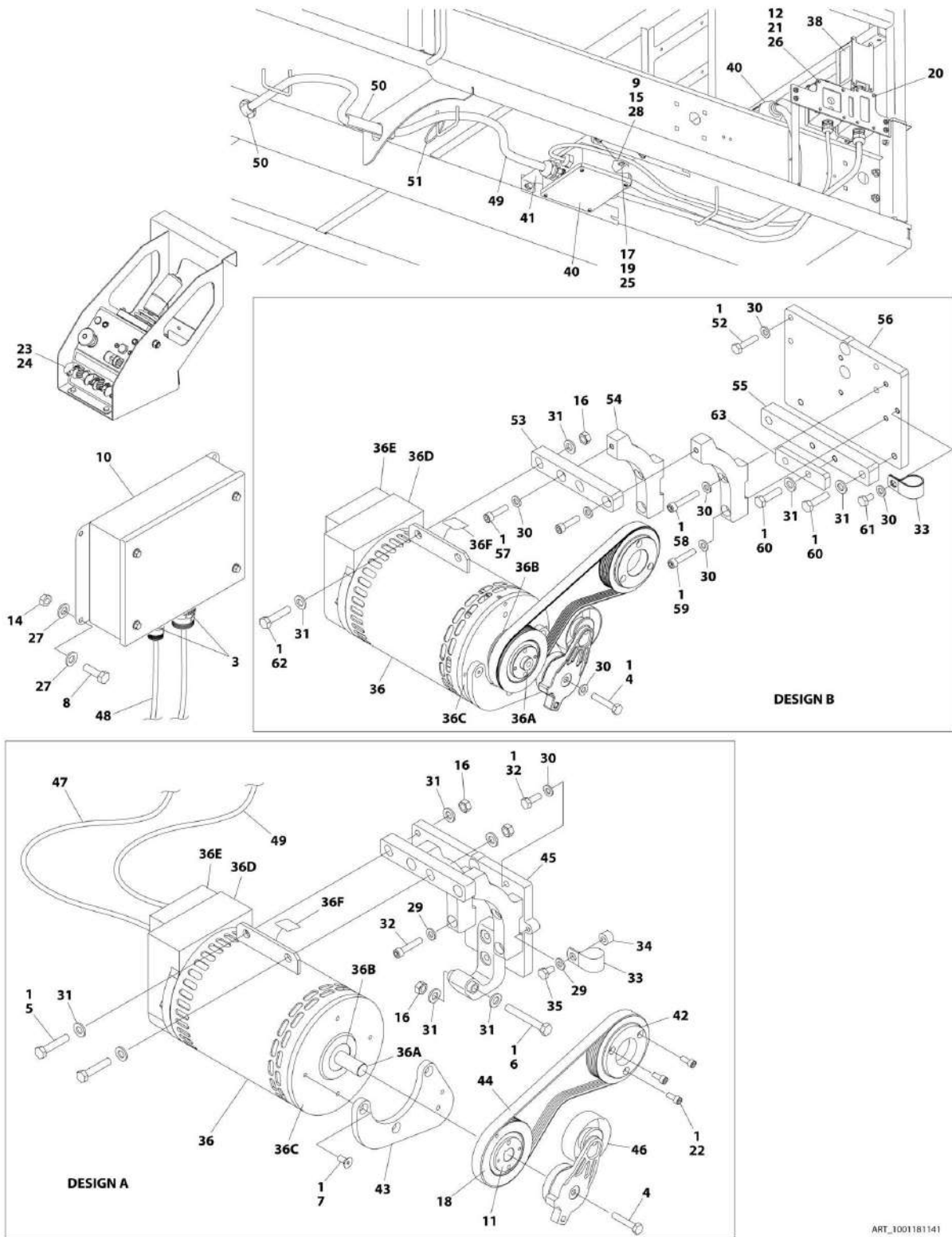
ITEM	PART NUMBER	QTY	DESCRIPTION	REV
32E	70004096	1	1001136988 Generator (was p/n 70002290)	
32E	70006094	1	1001212223 Generator	
32E		Ref	Insulator, Endbell Options:	
32E	70004097	1	1001136988 Generator	
32E	70002291	1	1001212223 Generator	
32E	7027799	1	Block, Connector 6 Position (Not Shown)	
32E	70002460	1	Nut, Brass (Attaches p/n 7027799 to Cover) (Not Shown)	
32E		Ref	Breaker, Circuit 30Amp Options (Not Shown):	
32E	7024485	1	1001136988 Generators	
32E	70006095	1	1001212223 Generator	
32E		Ref	Boot, Breaker Options (Not Shown):	
32E	70001696	1	1001136988 Generators (was p/n 7024486)	
32E	70006096	1	1001212223 Generator	
32E	7026626	1	Connector, 6 Position (Includes Seal) (Not Shown)	
32E	7026597	1	Connector, with Leads (Not Shown)	
32E	70004098	1	Clamp, Cable	
32E		Ref	Plate, End Panel Options:	
32E	70004095	1	1001136988 Generator	
32E	70006097	1	1001212223 Generator	
32E	70001974	1	Decal - Terminal Connections	
32F	70001973	1	Decal - Warning Moving Parts	
33	1001187092	1	Platform Receptacle Assembly (See PLATFORM RECEPTACLE ASSEMBLY for Breakdown)	
36	1001187228	1	Junction Box Assembly - 7500W Generator (All Specs Except Australian and CE Specs) (See JUNCTION BOX ASSEMBLY - 7500W GENERATOR (ALL SPECS EXCEPT AUSTRALIAN AND CE SPECS) for Breakdown)	
37	1001166732	1	Support	
38	1001183726	1	Pulley	
39	1001184162	1	Bracket	
40	1001184235	1	Belt	
41	1001184402	1	Support, Mount <b>(Prior to SN E200000156)</b>	
42	1001186919	3	Bolt M10 x 40	
43	3580317	1	Pulley, Belt Tensioner	
44	1001186822	1	Harness, 7500W Generator Control - Generator Control Box to Generator Control (See ELECTRICAL SECTION for Breakdown)	
45	1001186821	NLA	Harness, 7500W Generator Control - Generator to Generator Control Box (use p/n 1001236442) (See ELECTRICAL SECTION for Breakdown) <b>(Prior to SN E200000580, SN 1200027648 through 1200030222)</b>	
45	1001236442	1	Harness, 7500W Generator Control - Generator to Generator Control Box (See ELECTRICAL SECTION for Breakdown) <b>(SN E200000580 through E200000675)</b>	
46	1001186823	NLA	Cable, Electrical 8/5 (use p/n 1001236443) <b>(Prior to SN E200000580, SN 1200027648 through 1200030222)</b>	
46	1001236443	1	Cable, Electrical 8/5 <b>(SN E200000580 through E200000675)</b>	
47	4240017	2	Tie Strap	
48	1001151080	2	Conduit, Split Poly	
49	1001202532	2	Generator Arm Mount Bracket <b>(SN E200000156 through E200000675, SN 1200027648 through 1200027657)</b>	
50	0701217	AR	Bolt M12 x 45	
51	1001208339	1	Generator Mount Bracket <b>(SN E200000156 through E200000675, SN 1200027648 through 1200027657)</b>	
52	1001184401	1	Plate <b>(SN E200000156 through E200000182)</b>	

## SECTION 3 - ENGINE

ITEM	PART NUMBER	QTY	DESCRIPTION	REV
52	1001202536	1	Plate (SN E200000183 through E200000675, SN 1200027648 through 1200027657)	
53	0701219	AR	Bolt M12 x 55	
55	4032014	AR	Bolt M10 x 50	
56	5272011	AR	Bolt M10 x 35	
57	5272012	AR	Bolt M10 x 40	
58	1001207285	AR	Bolt M10 x 45 Grade 10.9	
59	1001208340	1	Generator Bracket (SN E200000156 through E200000675, SN 1200027648 through 1200030222)	
60	0760606	AR	Bolt M6 x 12 (Not Shown)	
61	4871700	AR	Washer M6 (Not Shown)	

# SECTION 3 - ENGINE

## FIGURE 3-25. GENERATOR INSTALLATION - 7500W (KUBOTA GASOLINE) (DUAL FUEL)



ART\_1001181141

## SECTION 3 - ENGINE

**FIGURE 3-25. GENERATOR INSTALLATION - 7500W (KUBOTA GASOLINE) (DUAL FUEL)**

ITEM	PART NUMBER	QTY	DESCRIPTION	REV
	1001181141	Ref	GENERATOR INSTALLATION - 7500W (KUBOTA GASOLINE) (DUAL FUEL)	I
1	0100011	AR	Compound, Locking	
3	0100048	AR	Grease, Silicone (Apply to Contactor Connector)	
4	0701019	1	Bolt M10 x 55	
5	0701215	AR	Bolt M12 x 35	
6	0701226	AR	Bolt M12 x 90	
7	0741607	3	Bolt 3/8 x .88	
8	0760610	4	Bolt M6 x 20	
9	0780810	4	Bolt M8 x 20	
10	0861538	1	Box, Generator Control (7500W Generator - 60Hz)	
11	0962520	1	Bushing, Taper	
13	3290405	4	Nut M4	
14	3290605	4	Nut M6	
15	3290805	4	Nut M8	
16	3291201	AR	Nut M12	
17	3311005	4	Nut #10	
18	3580318	1	Pulley, Generator	
19	3931016	4	Screw #10 x 1	
20	3940804	4	Self, Tapping	
21	4010408	4	Screw M4 x 16	
22	4031908	3	Bolt M8 x 20	
23	4060802	1	Guard, Switch	
24	4360482	1	Switch, Toggle	
25	4751000	4	Washer #10	
26	4811400	4	Washer M4	
27	4811700	8	Washer M6	
28	4811900	4	Washer M8	
29	4812000	AR	Washer M10	
30	5241000	AR	Washer M10	
31	5241200	AR	Washer M12	
32	8310422	AR	Bolt M10 x 1.25	
33	8406302	1	Clamp	
34	1001102555	AR	Spacer	
35	1001118746	AR	Bolt M10 x 1.25	
36		Ref	Generator Assembly Options:	
36	1001136988	NLA	Deutz TD2.9L4 Engines (Use p/n 1001212223) <b>(Prior to SN E200000309)</b>	F
36	1001212223	1	Deutz TD2.9L4 Engines <b>(SN E200000309 through E200000675, SN 1200027648 through 1200030222)</b>	A
36	70001100	1	Rotor (Includes p/n 70001384 & 70000863) (Not Shown)	
36	70001384	1	Bearing, Ball Radial (Not Shown)	
36	70000863	1	Fan (Not Shown)	
36		Ref	Stator Options (Not Shown):	
36	70004093	1	1001136988 Generator	
36	70006093	1	1001212223 Generator	
36	70002297	1	Stud	
36	70003631	1	Brushholder Assembly (Not Shown) (was p/n 7024484)	
36A	70004099	1	Key	
36B	70001966	1	Bearing, Ball Radial (Located in Belt Tensioner Endbell)	

## SECTION 3 - ENGINE

ITEM	PART NUMBER	QTY	DESCRIPTION	REV
36B	70003708	1	Ring, Internal Retaining (Located in Belt Tensioner Endbell)	
36B	70003709	1	Ring, External Retaining (Located in Belt Tensioner Endbell)	
36C	70004092	1	Endbell, Belt Tensioner	
36D	70004094	1	Endbell, Brush Block	
36E		Ref	Shroud Options:	
36E	70004096	1	1001136988 Generator (was p/n 70002290)	
36E	70006094	1	1001212223 Generator	
36E		Ref	Insulator, Endbell Options:	
36E	70004097	1	1001136988 Generator	
36E	70002291	1	1001212223 Generator	
36E	7027799	1	Block, Connector 6 Position (Not Shown)	
36E	70002460	1	Nut, Brass (Attaches p/n 7027799 to Cover) (Not Shown)	
36E		Ref	Breaker, Circuit 30Amp Options (Not Shown):	
36E	7024485	1	1001136988 Generators	
36E	70006095	1	1001212223 Generator	
36E		Ref	Boot, Breaker Options (Not Shown):	
36E	70001696	1	1001136988 Generators (was p/n 7024486)	
36E	70006096	1	1001212223 Generator	
36E	7026626	1	Connector, 6 Position (Includes Seal) (Not Shown)	
36E	7026597	1	Connector, with Leads (Not Shown)	
36E	70004098	1	Clamp, Cable	
36E		Ref	Plate, End Panel Options:	
36E	70004095	1	1001136988 Generator	
36E	70006097	1	1001212223 Generator	
36E	70001974	1	Decal - Terminal Connections	
36F	70001973	1	Decal - Warning Moving Parts	
38	1001187092	1	Platform Receptacle Assembly (See PLATFORM RECEPTACLE ASSEMBLY for Breakdown)	
40	1001187228	1	Junction Box Assembly - 7500W Generator (All Specs Except Australian and CE Specs) (See JUNCTION BOX ASSEMBLY - 7500W GENERATOR (ALL SPECS EXCEPT AUSTRALIAN AND CE SPECS) for Breakdown)	
41	1001166732	1	Support	
42	1001181211	1	Pulley	
43	1001184162	1	Bracket	
44	1001184163	1	Belt	
45	1001184411	1	Support, Mount (Prior to SN E200000156)	
46	3580317	1	Pulley, Belt Tensioner	
47	1001186821	NLA	Harness, 7500W Generator Control - Generator to Generator Control Box (See ELECTRICAL SECTION for Breakdown) (Prior to SN E200000580, SN 1200027648 through 1200030222)	
47	1001236442	1	Harness, 7500W Generator Control - Generator to Generator Control Box (use p/n 1001236442) (See ELECTRICAL SECTION for Breakdown) (SN E200000580 through E200000675)	
48	1001186822	1	Harness, 7500W Generator Control - Generator Control Box to Generator Control (See ELECTRICAL SECTION for Breakdown)	
49	1001186823	NLA	Cable, Electrical 8/5 (use p/n 1001236443) (Prior to SN E200000580, SN 1200027648 through 1200030222)	
49	1001236443	1	Cable, Electrical 8/5 (SN E200000580 through E200000675)	
50	1001151080	2	Conduit, Split Poly	
51	4240017	2	Tie Strap	
52	1001207285	AR	Bolt M10 x 45 Grade 10.9	
53	1001184401	1	Plate (SN E200000156 through E200000182)	
53	1001202759	1	Plate (SN E200000183 through E200000675, SN 1200027648)	

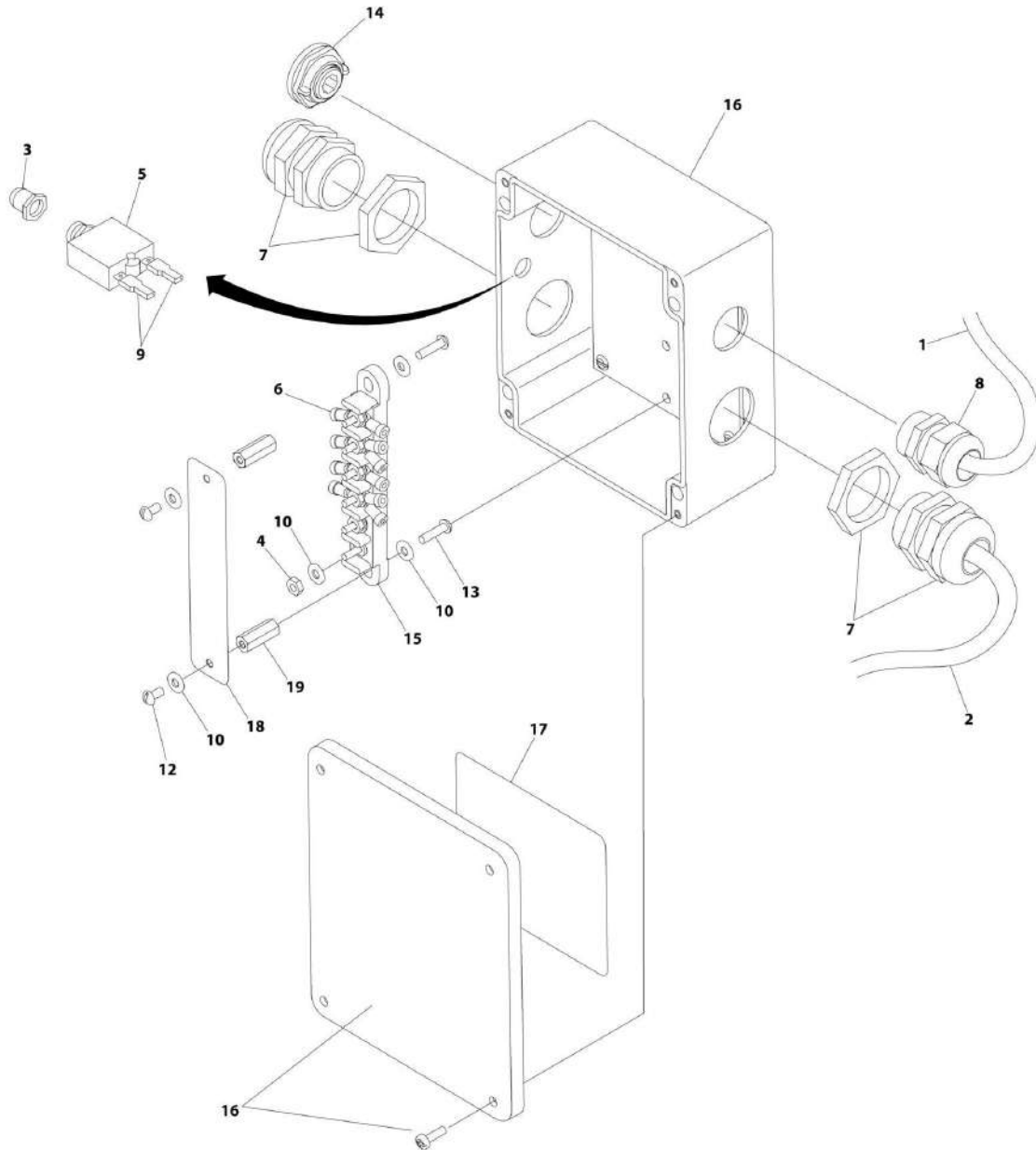


## SECTION 3 - ENGINE

ITEM	PART NUMBER	QTY	DESCRIPTION	REV
54	1001202760	2	<b>through 1200030222)</b> Generator Arm Mount Bracket (SN E200000156 through E200000675, SN 1200027648 through 1200030222)	
55	1001208340	1	Generator Bracket (SN E200000156 through E200000675, SN 1200027648 through 1200030222)	
56	1001202764	1	Plate (SN E200000156 through E200000675, SN 1200027648 through 1200030222)	
57	5272012	AR	Bolt M10 x 40	
58	4032016	AR	Bolt M10 x 60	
59	4032014	AR	Bolt M10 x 50	
60	0701217	AR	Bolt M12 x 45	
61	0761009	AR	Bolt M10 x 18	
62	0701219	AR	Bolt M12 x 55	
63	1001210645	1	Plate (SN E200000156 through E200000675, SN 1200027648 through 1200030222)	
64	0760606	AR	Bolt M6 x 12 (Not Shown)	
65	4871700	AR	Washer M6 (Not Shown)	

# SECTION 3 - ENGINE

FIGURE 3-26. JUNCTION BOX ASSEMBLY - 4000W GENERATOR (ALL SPECS EXCEPT AUSTRALIAN AND CE SPECS)



ART\_1001186828

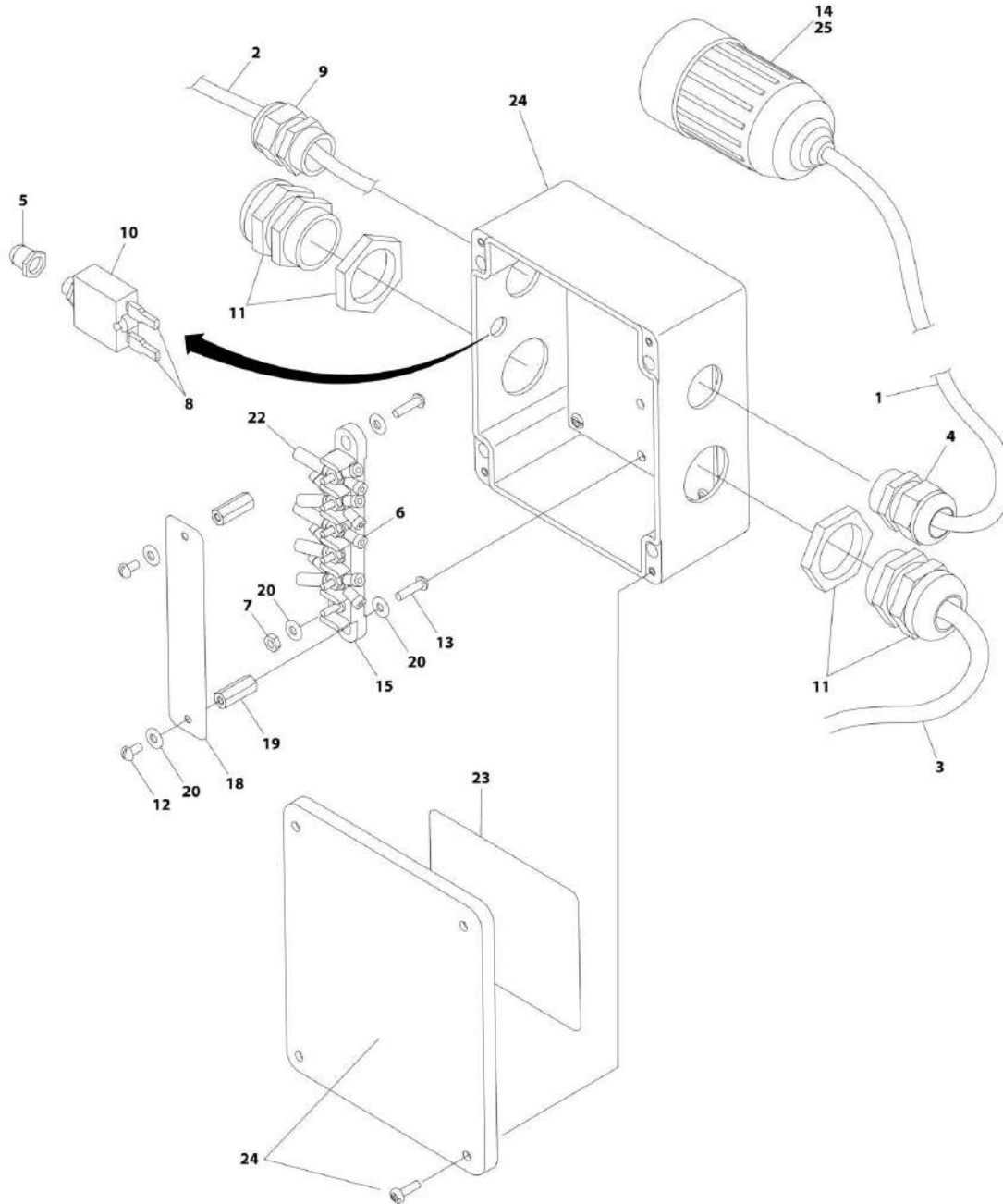
## SECTION 3 - ENGINE

**FIGURE 3-26. JUNCTION BOX ASSEMBLY - 4000W GENERATOR (ALL SPECS EXCEPT AUSTRALIAN AND CE SPECS)**

ITEM	PART NUMBER	QTY	DESCRIPTION	REV
	1001186828	Ref	JUNCTION BOX ASSEMBLY - 4000W GENERATOR (ALL SPECS EXCEPT AUSTRALIAN AND CE SPECS)	B
1	1060494	6.8 ft/2m	Cable, Electrical - 12/3	
2	1060708	6.8 ft/2m	Cable, Electrical - 10/3	
3	3300396	1	Cover, Fuse	
4	3311001	6	Nut, #10-24	
5	4360070	1	Circuit Breaker - 15Amp	
6	4460068	10	Terminal	
7	4460426	2	Connector, Strain Relief	
8	4460425	1	Strain Relief, Terminal	
9	4460483	2	Terminal	
10	4711000	10	Washer, #10	
12	10702077	2	Screw, #10-32 X 3/8	
13	10702082	2	Screw, #10-32 X 3/4	
14	1001152525	1	Plug	
15	1001157520	1	Block, Terminal - 6 Pole	
16	1001157521	1	Box, Junction	
17	1001195517	1	Decal - Wiring Schematic	
18	1001158007	1	Cover	
19	1001158008	2	Stand-Off	

# SECTION 3 - ENGINE

FIGURE 3-27. JUNCTION BOX ASSEMBLY - 7500W GENERATOR (ALL SPECS EXCEPT AUSTRALIAN AND CE SPECS)



ART\_1001187228

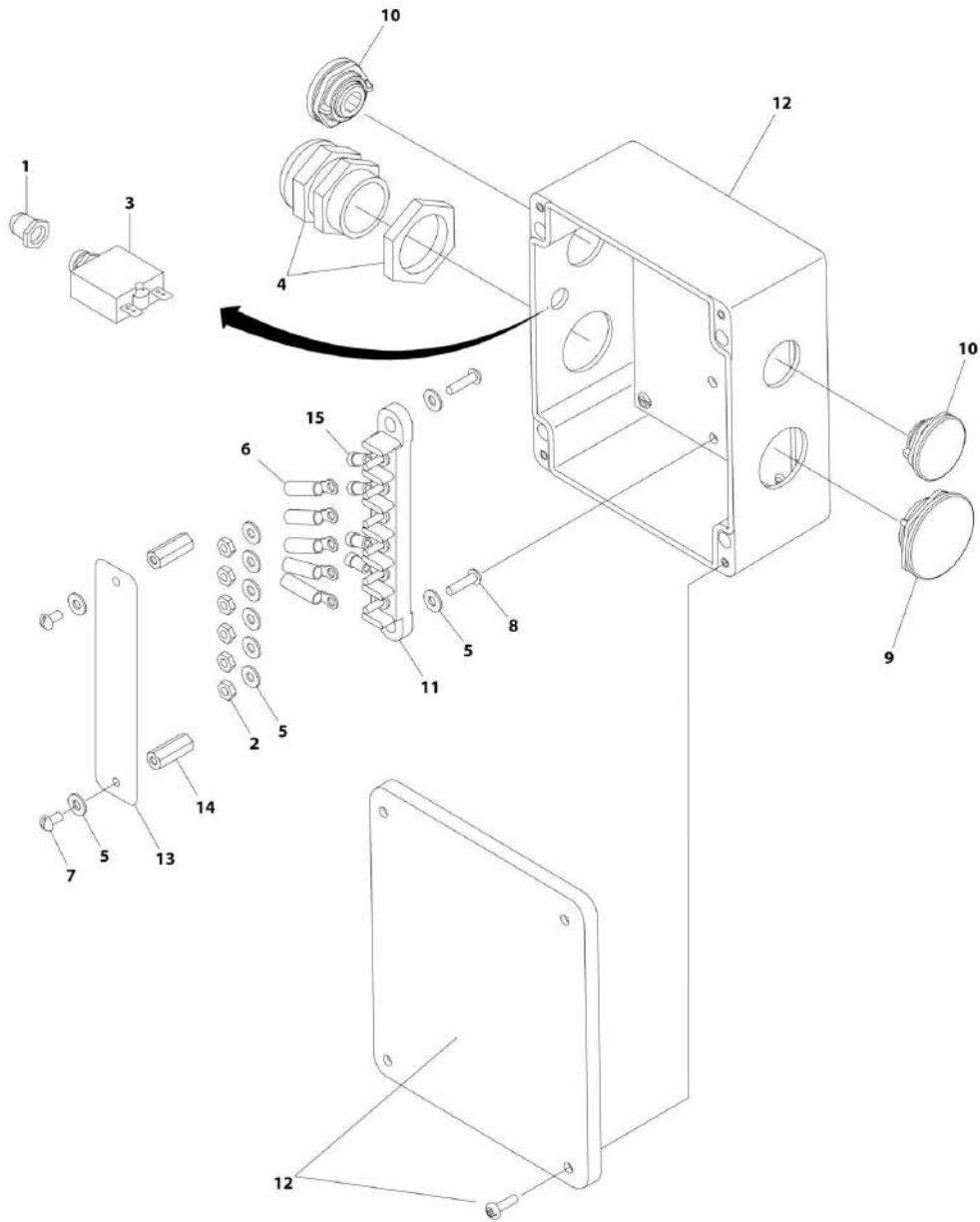
## SECTION 3 - ENGINE

**FIGURE 3-27. JUNCTION BOX ASSEMBLY - 7500W GENERATOR (ALL SPECS EXCEPT AUSTRALIAN AND CE SPECS)**

ITEM	PART NUMBER	QTY	DESCRIPTION	REV
	1001187228	Ref	JUNCTION BOX ASSEMBLY - 7500W GENERATOR (ALL SPECS EXCEPT AUSTRALIAN AND CE SPECS)	A
1	1060343	6.8 ft/2m	Cable, Electrical - 10/4	
2	1060494	6.8 ft/2m	Cable, Electrical - 12/3	
3	1060708	6.8 ft/2m	Cable, Electrical - 10/3	
4	1321692	1	Strain Relief, Terminal	
5	3300396	1	Cover, Fuse	
6	4460068	10	Terminal	
7	3311001	6	Nut, #10-24	
8	4460483	2	Terminal	
9	4460425	1	Strain Relief, Terminal	
10	4360070	1	Circuit Breaker - 15Amp	
11	4460426	2	Connector, Strain Relief	
12	10702077	2	Screw, #10-32 X 3/8	
13	10702082	2	Screw, #10-32 X 3/4	
14	4460963	1	Connector, Turnlock	
15	1001157520	1	Block, Terminal - 6 Pole	
18	1001158007	1	Cover	
19	1001158008	2	Stand-Off	
20	4711000	10	Washer, #10	
22	8220022	5	Terminal, #10 Stud	
23	1001157528	1	Decal - Wiring Schematic	
24	1001187232	1	Box, Junction	
25	1671092	1	Cover, Connector	

# SECTION 3 - ENGINE

FIGURE 3-28. JUNCTION BOX ASSEMBLY - 4000W/7500W GENERATOR (AUSTRALIAN AND CE SPECS)



ART\_1001187197

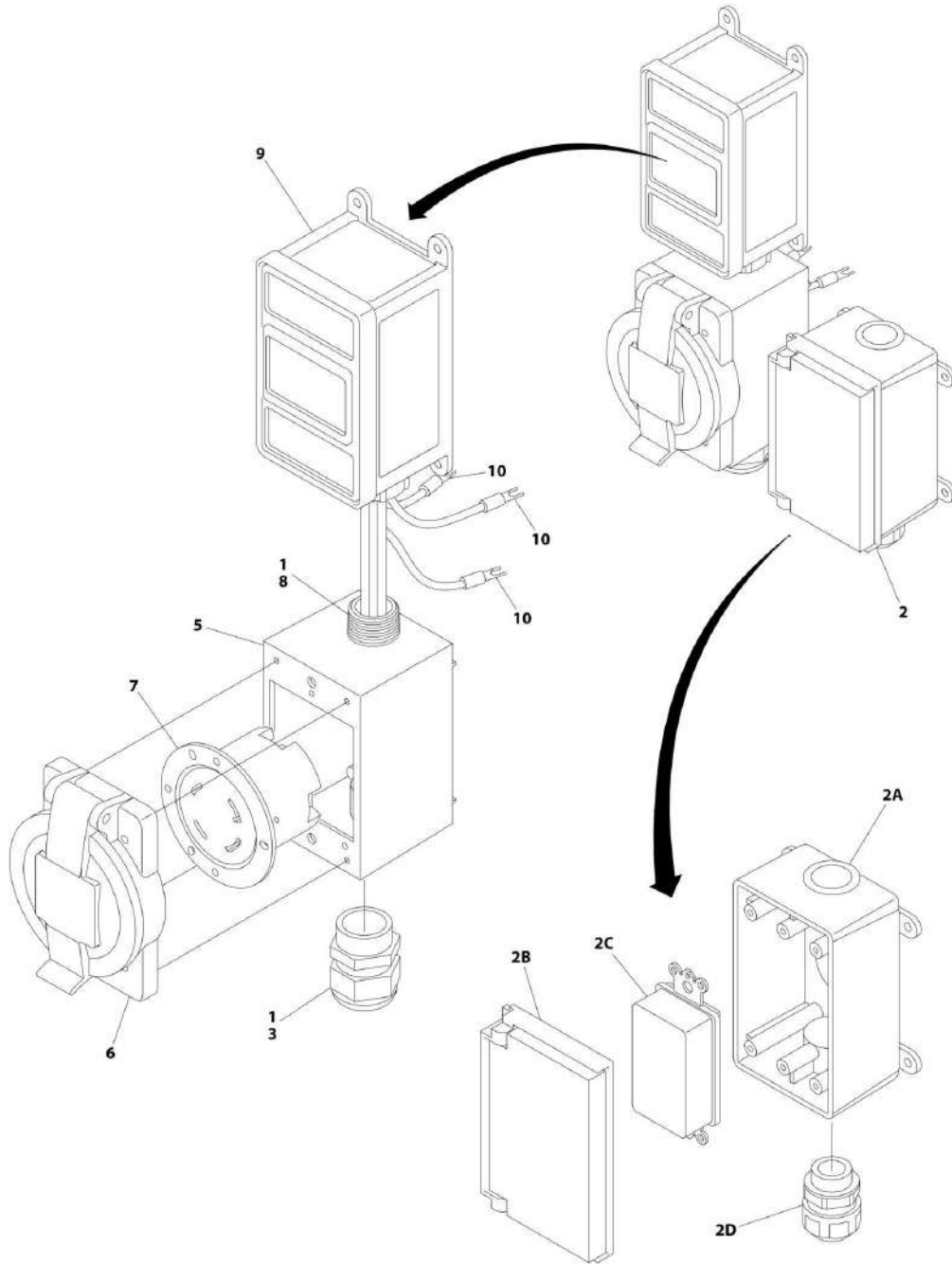
## SECTION 3 - ENGINE

**FIGURE 3-28. JUNCTION BOX ASSEMBLY - 4000W/7500W GENERATOR (AUSTRALIAN AND CE SPECS)**

ITEM	PART NUMBER	QTY	DESCRIPTION	REV
	1001187197	Ref	JUNCTION BOX ASSEMBLY - 4000W/7500W GENERATOR (AUSTRALIAN AND CE SPECS)	A
1	3300396	1	Cover, Fuse	
2	3311001	6	Nut, #10-24	
3	4360070	1	Circuit Breaker - 15Amp	
4	4460426	1	Connector, Strain Relief	
5	4711000	10	Washer, #10	
6	8220022	5	Terminal, #10 Stud	
7	10702077	2	Screw, #10-32 X 3/8	
8	10702082	2	Screw, #10-32 X 3/4	
9	1001148648	1	Plug	
10	1001152525	2	Plug	
11	1001157520	1	Block, Terminal - 6 Pole	
12	1001157521	1	Box, Junction	
13	1001158007	1	Cover	
14	1001158008	2	Stand-Off	
15	4460068	4	Terminal	

# SECTION 3 - ENGINE

FIGURE 3-29. RECEPTACLE ASSEMBLY (ALL SPECS EXCEPT AUSTRALIAN AND CE SPEC)



ART\_1001187092



## SECTION 3 - ENGINE

**FIGURE 3-29. RECEPTACLE ASSEMBLY (ALL SPECS EXCEPT AUSTRALIAN AND CE SPEC)**

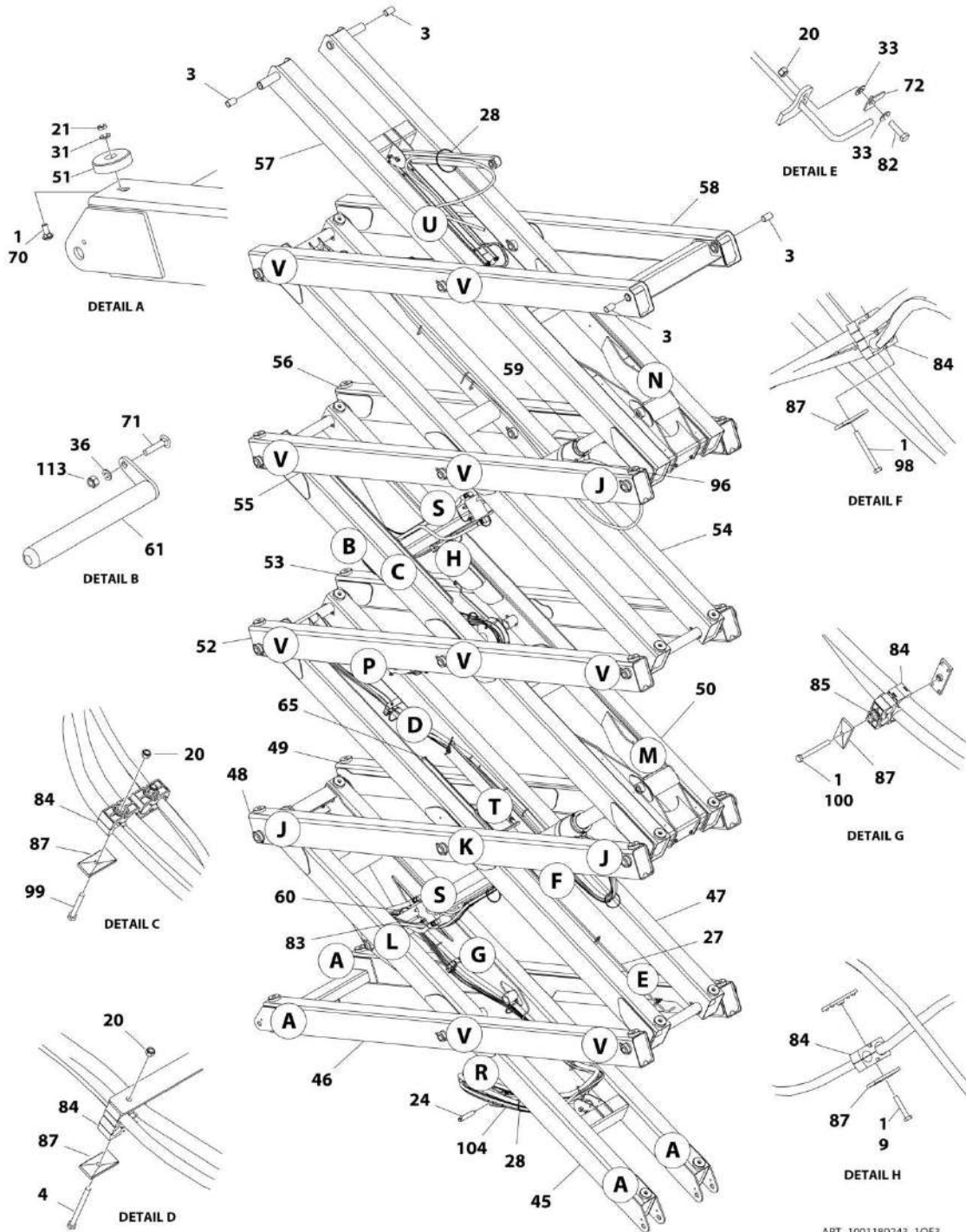
ITEM	PART NUMBER	QTY	DESCRIPTION	REV
	1001187092	Ref	RECEPTACLE ASSEMBLY (ALL SPECS EXCEPT AUSTRALIAN AND CE SPEC)	B
1	0100020	AR	Sealant, Pipe	
2	2902431	1	Receptacle Box Kit	
2A	0861731	1	Box	
2B	1671207	1	Cover	
2C	4460346	1	Receptacle	
2D	4460662	1	Connector, Strain Relief	
3	4460612	1	Connector, Strain Relief	
4	1001099670	3	Terminal (Not Shown)	
5	1001148675	1	Box	
6	1001148676	1	Cover, Receptacle	
7	1001148907	1	Connector, Receptacle - 240V	
8	1001159119	1	Conduit	
9	1001159118	1	Breaker, GFCI 30A - 240V	
10	4460315	3	Terminal	



**SECTION 4 - SCISSORS ARMS**

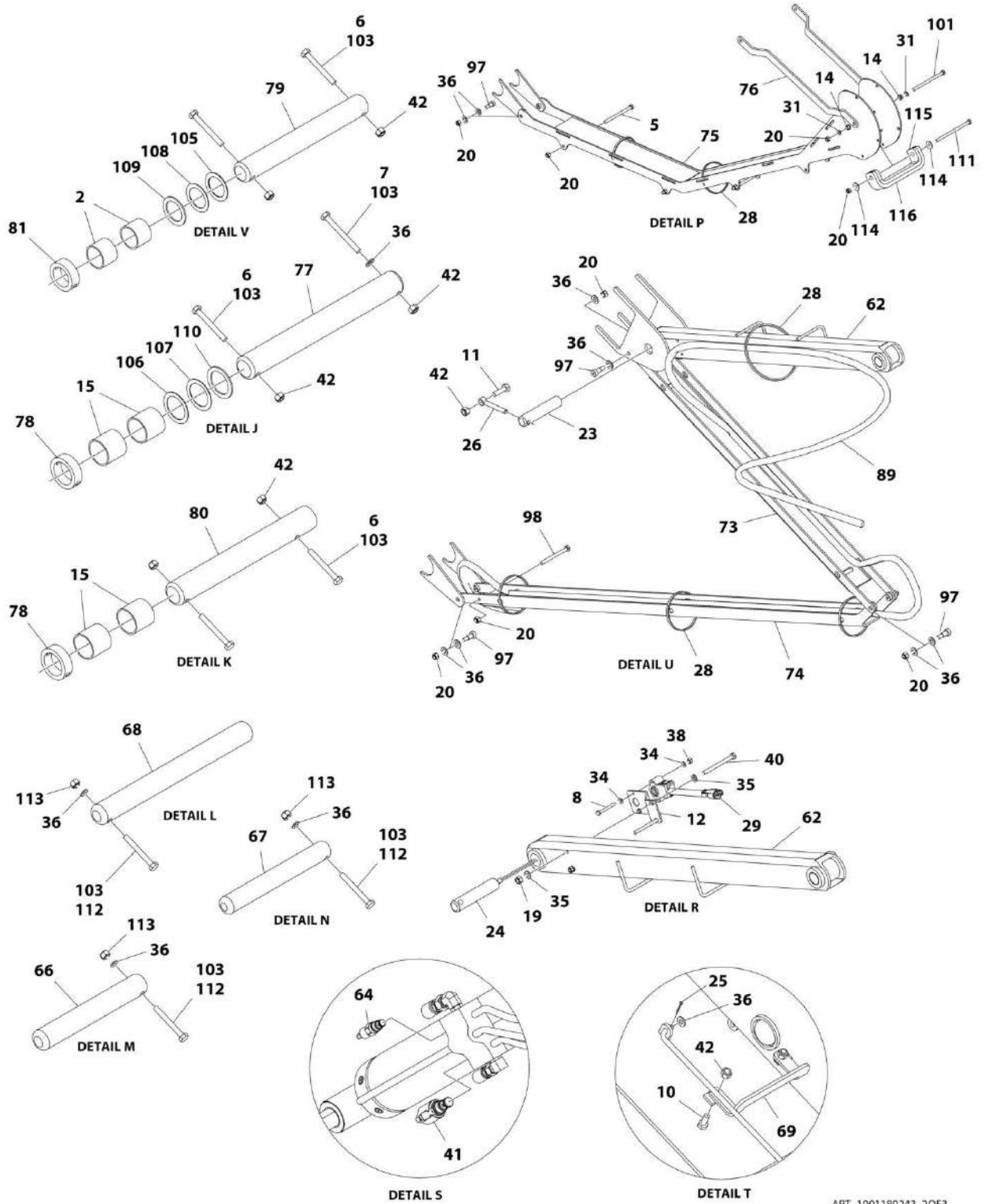
# SECTION 4 - SCISSORS ARMS

## FIGURE 4-1. SCISSORS ARMS ASSEMBLY



ART\_1001180243\_1OF3

# SECTION 4 - SCISSORS ARMS



ART\_1001180243\_20F3

# SECTION 4 - SCISSORS ARMS

## FIGURE 4-1. SCISSORS ARMS ASSEMBLY

ITEM	PART NUMBER	QTY	DESCRIPTION	REV
	1001180243	Ref	SCISSORS ARMS ASSEMBLY	K
1	0100011	AR	Compound, Locking	
2	1001118665	36	Bearing	
3	0440250	4	Bearing	
4	0700827	1	Bolt M8 x 100	
5	0700828	AR	Bolt M8 x 110	
6	0711025	AR	Bolt M10 x 85	
7	0711027	6	Bolt M10 x 100	
8	0760415	2	Bolt M4 x 35	
9	0700817	2	Bolt M8 x 45	
10	0761012	2	Bolt M10 x 25	
11	0771015	2	Bolt M10 x 35	
12	0902774	1	Bracket, Switch (Prior to SN E200000112)	
12	1001202520	1	Bracket, Switch (SN E200000112 through E200000675, SN 1200027648 through 1200030222)	
14	0962031	2	Bushing, Flange	
15	0962036	16	Bushing	
19	3290605	2	Nut M6	
20	3290805	23	Nut M8	
21	1001102433	32	Nut M8	
23	3422943	2	Pin, Link Pivot	
24	3422963	1	Pin, Link Attach	
25	3450304	1	Pin, Cotter 3/32 x 1	
26	3841143	2	Keeper, Pin	
27	1001193386	1	Rod, Prop Actuator	
28	4240018	36	Tie-Strap	
29	4360500	1	Switch, Rotary Angle Sensor	
31	1001108588	36	Washer M8	
33	4740455	2	Washer	
34	4811400	4	Washer M4	
35	4811700	4	Washer M6	
36	4812000	AR	Washer M10	
38	3290405	2	Nut M4	
40	1001096653	2	Bolt M6 x 70	
41	1001103760	2	Valve, Solenoid Cartridge	
41	7023923	2	Cartridge Less Coil	
41	7023919	2	Seal Kit - 1001103760 & 7023923 Valves	
41	70001967	2	Coil	
42	3291005	AR	Nut M10	
45	1001181295	1	Arm, Inner 1	
46	1001181313	1	Arm, Outer 1	
47	1001181375	1	Arm, Inner 2	
48	1001181384	1	Arm, Outer 2 (RH)	
49	1001181385	1	Arm, Outer 2 (LH)	
50	1001217222	1	Arm, Inner 3	
51	1001181436	32	Bumper	
52	1001181476	1	Arm, Outer 3 (RH)	
53	1001181477	1	Arm, Outer 3 (LH)	
54	1001181479	1	Arm, Inner 4	
55	1001181481	1	Arm, Outer 4 (RH)	

## SECTION 4 - SCISSORS ARMS

ITEM	PART NUMBER	QTY	DESCRIPTION	REV
56	1001181482	1	Arm, Outer 4 (LH)	
57	1001181485	1	Arm, Inner 5	
58	1001181486	1	Arm, Outer 5	
59	1001193669	1	Lift Cylinder Assembly - Upper (See CYLINDER SECTION for Breakdown)	
60	1001193670	1	Lift Cylinder Assembly - Lower (See CYLINDER SECTION for Breakdown)	
61	1001184019	1	Pin	
62	1001195209	2	Link	
62	0962474	4	Bushing	
64	1001217888	2	Valve, Cartridge (SN B200000184 through E200000675, SN 1200027648 through 1200030222)	
64	7024808	1	Seal Kit - 1001184630 & 1001217888 Valves	
65	1001185315	2	Prop, Safety	
65	0962224	2	Bearing (1 per Prop)	
66	1001185704	1	Pin	
67	1001185705	1	Pin	
68	1001185706	1	Pin	
69	1001193040	1	Bracket	
70	1001186235	32	Bolt M8 x 20	
71	1001186551	1	Bolt M10 x 50	
72	1001186900	1	Plate, Rod Keeper	
73	1001187185	1	Carrier, Cable	
74	1001187186	1	Channel, Cable Carrier	
75	1001191722	1	Plate, Cable Tray	
76	1001194393	2	Plate, Cable Tray	
77	1001188000	6	Pin	
78	1001188001	8	Collar	
79	1001188345	18	Pin	
80	1001188348	2	Pin	
81	1001188351	18	Collar	
82	0700814	1	Bolt M8 x 30	
83	1001190522	1	Ground to Lower Lift Cylinder Harness (See ELECTRICAL SECTION for Breakdown)	
84	1001191629	9	Clamp	
85	1001191838	1	Clamp	
87	1309435	7	Cover, Clamp	
89	1001190519	1	Ground to Platform Harness (See ELECTRICAL SECTION for Breakdown)	
96	4240156	2	Strap, Cinch (Prior to SN E200000112)	
96	1001143645	2	Strap, Cinch (SN E200000112 through E200000675, SN 1200027648 through 1200030222)	
97	1001193296	10	Bolt M8 x 14	
98	0700826	2	Bolt M8 x 90	
99	0700820	1	Bolt M8 x 60	
100	0700824	2	Bolt M8 x 80	
101	0700830	1	Bolt M8 x 130	
103	3020039	AR	Lubricant	
104	1001190524	1	Ground to Upper Lift Cylinder Harness (See ELECTRICAL SECTION for Breakdown)	
105	1001197395	AR	Washer	
106	1001197396	AR	Washer	
107	1001197397	AR	Washer	

## SECTION 4 - SCISSORS ARMS

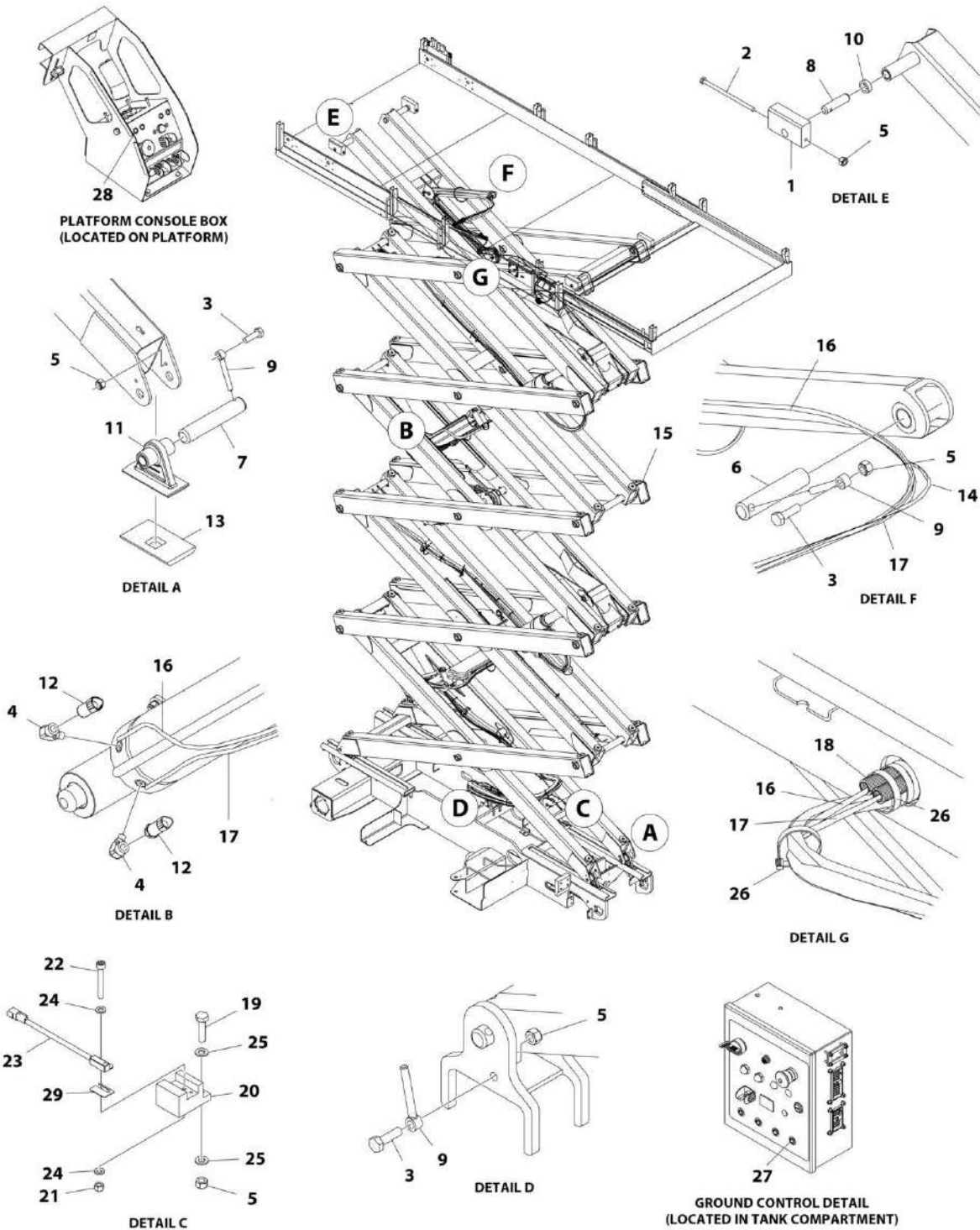
ITEM	PART NUMBER	QTY	DESCRIPTION	REV
108	1001197398	AR	Washer	
109	1001197404	AR	Washer	
110	1001197405	AR	Washer	
111	0700831	AR	Bolt M8 x 140	
112	0711026	AR	Bolt M10 x 90	
113	3331017	AR	Nut M10	
114	4811902	AR	Washer M8	
115	1001209406	1	Plate (SN E200000126 through E200000675, SN 1200027648 through 1200030222)	
116	1001209407	1	Bumper (SN E200000126 through E200000675, SN 1200027648 through 1200030222)	





# SECTION 4 - SCISSORS ARMS

## FIGURE 4-2. SCISSORS ARMS INSTALLATION WITH AC CABLE



ART\_1001181467

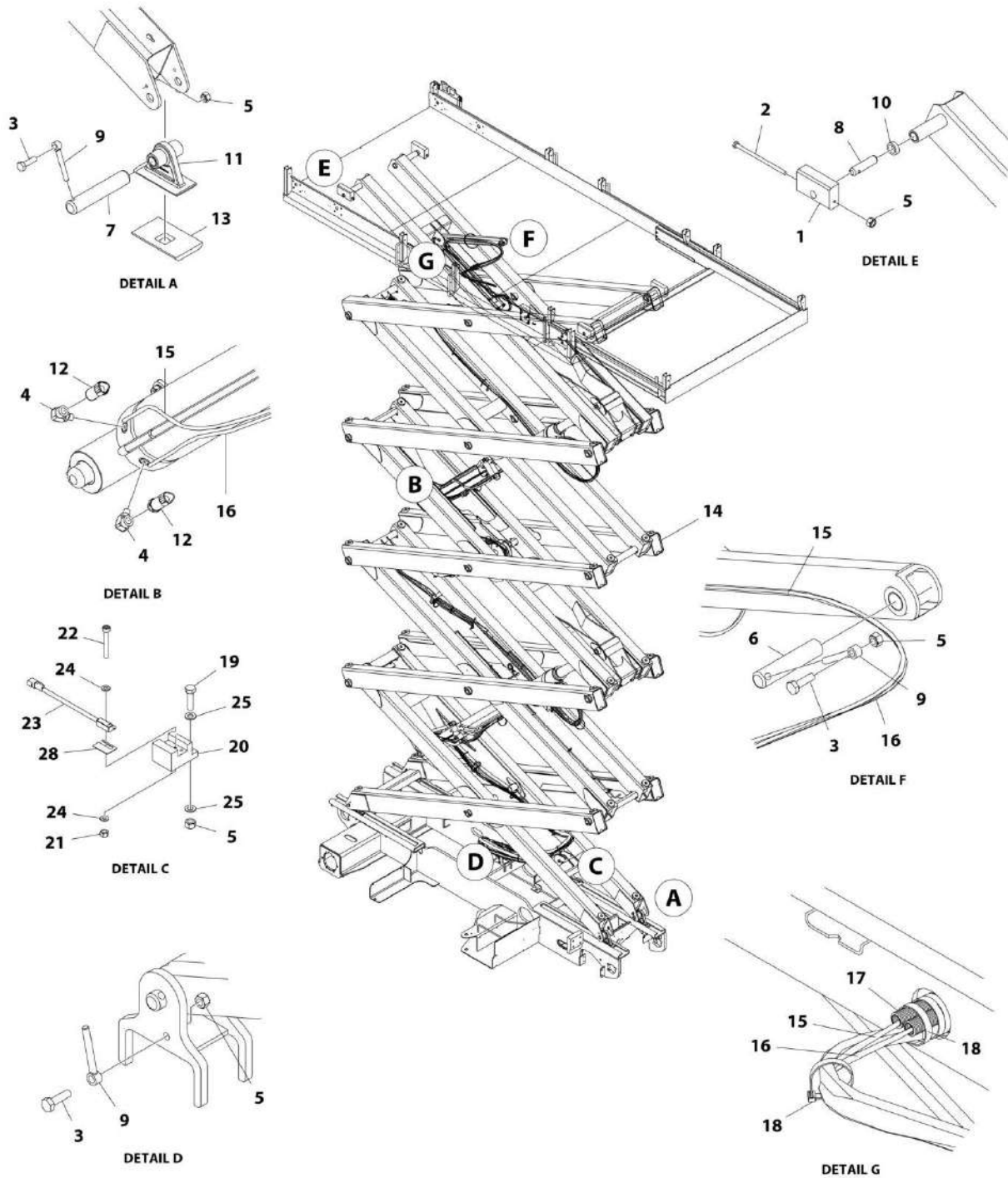
## SECTION 4 - SCISSORS ARMS

**FIGURE 4-2. SCISSORS ARMS INSTALLATION WITH AC CABLE**

ITEM	PART NUMBER	QTY	DESCRIPTION	REV
	1001181467	Ref	SCISSORS ARMS INSTALLATION WITH AC CABLE AND LSS	H
1	0561489	4	Block, Slide	
2	0701037	4	Bolt M10 x 200	
3	0771015	6	Bolt M10 x 35	
4	2221116	2	Fitting, 90 ORB/ORB	
5	3291005	12	Nut M10	
6	3422943	1	Pin	
7	3422961	4	Pin	
8	3423049	4	Pin	
9	3841143	6	Keeper, Pin	
10	4568295	4	Tube, Spacer	
11	1001099623	4	Slider	
11	0440234	8	Bearing (2 per Slider)	
12	1001147340	2	Sensor, Pressure Transducer	
13	1001181501	4	Pad, Slide	
14	1001178759	1	Cable, AC	
15	1001180243	1	Scissors Arms Assembly (See SCISSORS ARMS ASSEMBLY for Breakdown)	
16	1001190521	1	LSS Harness to X51 (See ELECTRICAL SECTION for Breakdown)	
17	1001190525	1	LSS Harness to X52 (See ELECTRICAL SECTION for Breakdown)	
18	1001130781	3	Conduit	
19	0701016	2	Bolt M10 x 40	
20	3200447	1	Mount, Switch	
21	3290605	2	Nut M6	
21	1001214893	2	Nut M5	
22	1001214395	2	Capscrew M6 x 45	
23	4360502	1	Switch, Proximity Sensor	
24	4811700	4	Washer M6	
24	1001214674	4	Washer M5	
25	4812000	4	Washer M10	
26	4240018	60	Tie-Strap	
27	1001182680	1	LED Connector (SN E200000130 through E200000300)	
28	1001190472	1	LED, Red (SN E200000130 through E200000300)	
29	1001230291	AR	Shim, Proximity Sensor (SN E200000463 through E200000675, SN 1200027648 through 1200030222)	

# SECTION 4 - SCISSORS ARMS

FIGURE 4-3. SCISSORS ARMS INSTALLATION WITH GENERATOR



ART\_1001181466

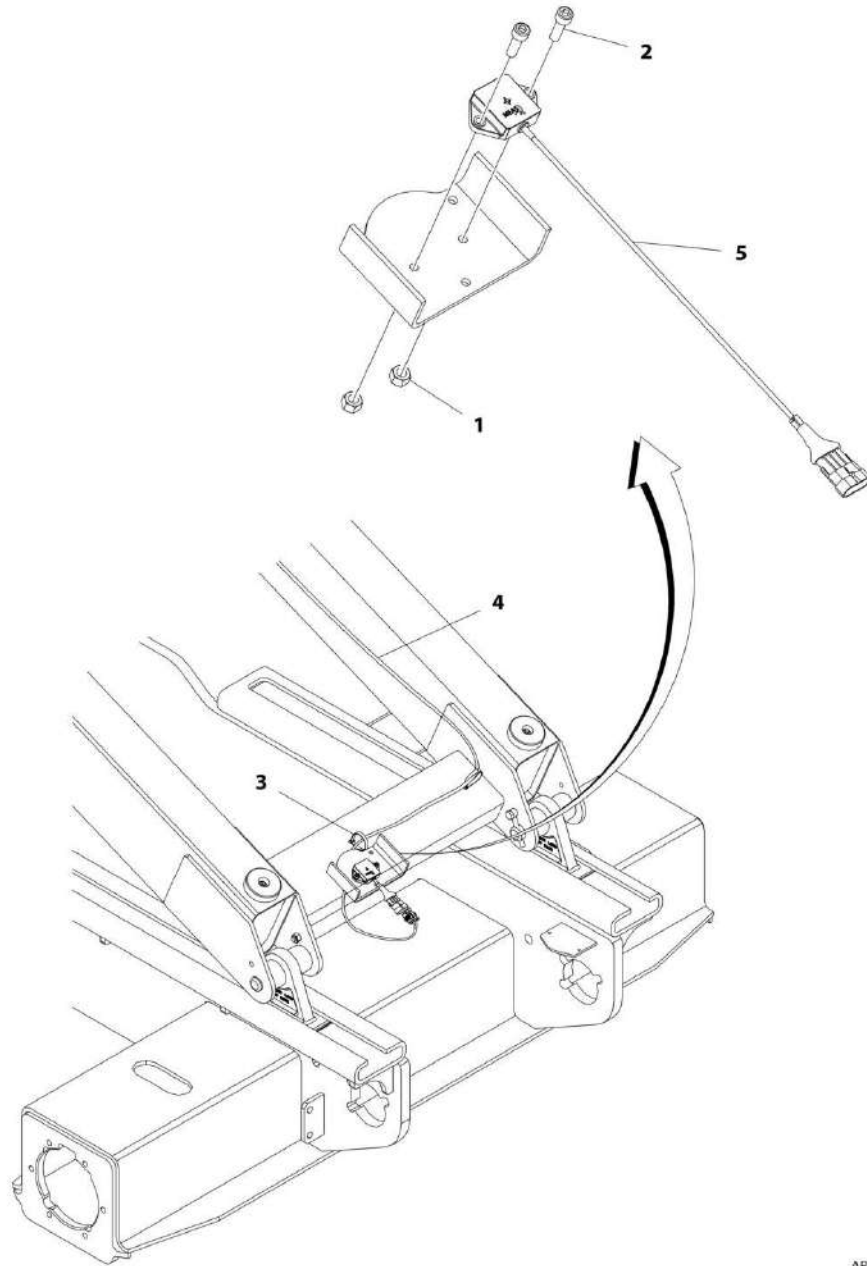
## SECTION 4 - SCISSORS ARMS

**FIGURE 4-3. SCISSORS ARMS INSTALLATION WITH GENERATOR**

ITEM	PART NUMBER	QTY	DESCRIPTION	REV
	1001181466	Ref	SCISSORS ARMS INSTALLATION WITH GENERATOR AND LSS	F
1	0561489	4	Block, Slide	
2	0701037	4	Bolt M10 x 200	
3	0771015	6	Bolt M10 x 35	
4	2221116	2	Fitting, 90 ORB/ORB	
5	3291005	12	Nut M10	
6	3422943	1	Pin	
7	3422961	4	Pin	
8	3423049	4	Pin	
9	3841143	6	Keeper, Pin	
10	4568295	4	Tube, Spacer	
11	1001099623	4	Slider	
11	0440234	8	Bearing (2 per Slider)	
12	1001147340	2	Sensor, Pressure Transducer	
13	1001181501	4	Pad, Slide	
14	1001180243	1	Scissors Arms Assembly (See SCISSORS ARMS ASSEMBLY for Breakdown)	
15	1001190521	1	LSS Harness to X51 (See ELECTRICAL SECTION for Breakdown)	
16	1001190525	1	LSS Harness to X52 (See ELECTRICAL SECTION for Breakdown)	
17	1001130781	2	Conduit	
18	4240018	9	Tie-Strap	
19	0701016	2	Bolt M10 x 40	
20	3200447	1	Mount, Switch	
21	3290605	2	Nut M6	
22	4031713	2	Capscrew M6 x 45	
23	4360502	1	Switch, Proximity Sensor	
24	4811700	4	Washer M6	
25	4812000	4	Washer M10	
26	1001182680	1	Electrical Assembly, Connector, LED (Not Shown) <b>(SN E200000246 through E200000300)</b>	
27	1001190472	1	Electrical Assembly, LED (Not Shown) <b>(SN E200000246 through E200000300)</b>	
28	1001230291	AR	Shim, Proximity Sensor <b>(SN E200000463 through E200000675, SN 1200027648 through 1200030222)</b>	

# SECTION 4 - SCISSORS ARMS

## FIGURE 4-4. ARM GUARDS INSTALLATION



ART\_1001187667

## SECTION 4 - SCISSORS ARMS

### FIGURE 4-4. ARM GUARDS INSTALLATION

ITEM	PART NUMBER	QTY	DESCRIPTION	REV
	1001187667	Ref	ARM GUARDS INSTALLATION	F
1	3290605	2	Nut M6	
2	4031708	2	Capscrew M6 x 20	
3	4240018	12	Tie-Strap	
4	1001187602	1	Scissors Arms Guard Harness (See ELECTRICAL SECTION for Breakdown)	
5	1001187857	1	Sensor, Dual Axis	

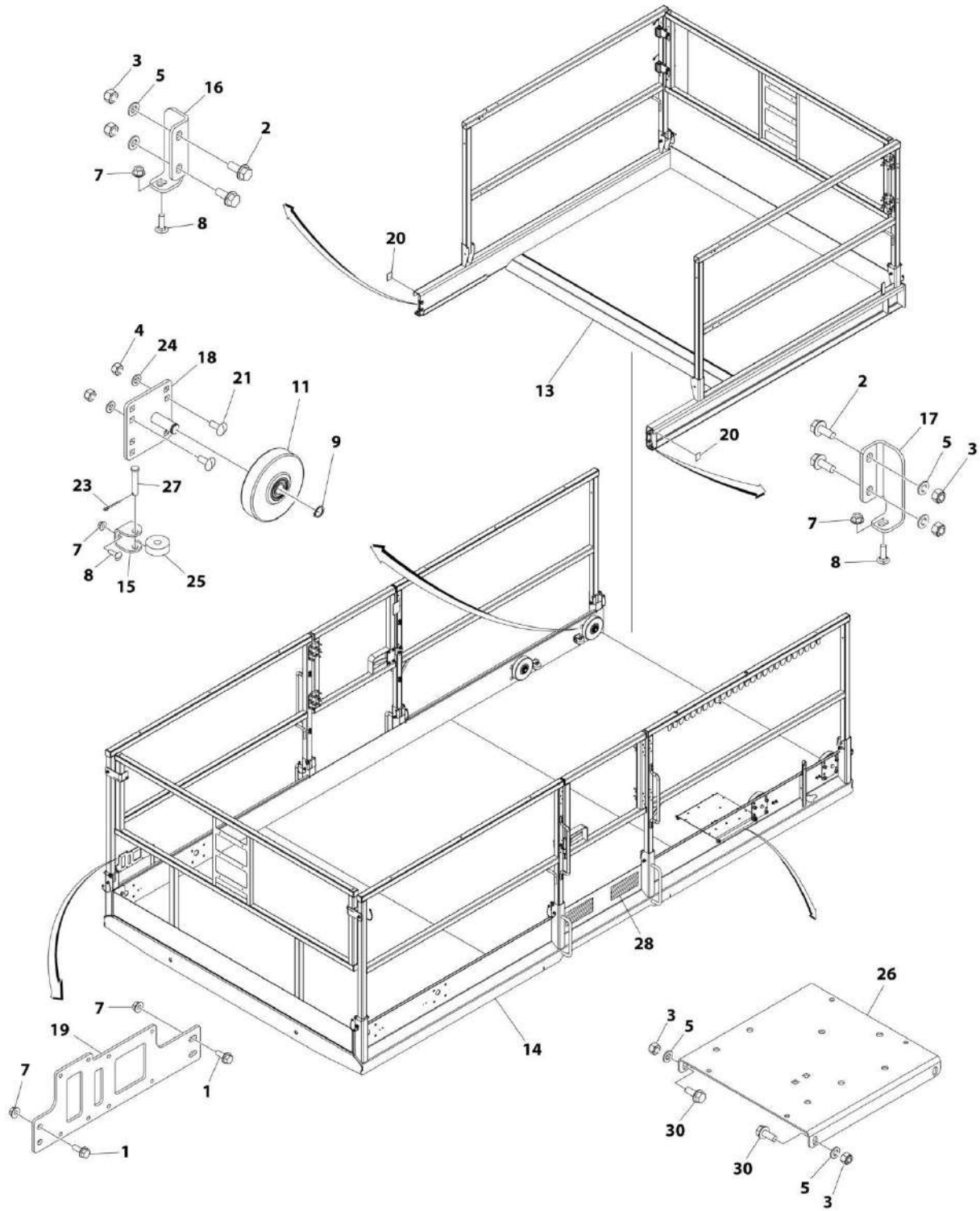




**SECTION 5 - PLATFORM**

# SECTION 5 - PLATFORM

## FIGURE 5-1. PLATFORM AND SINGLE EXTENSION INSTALLATION - STANDARD



ART\_1001177756

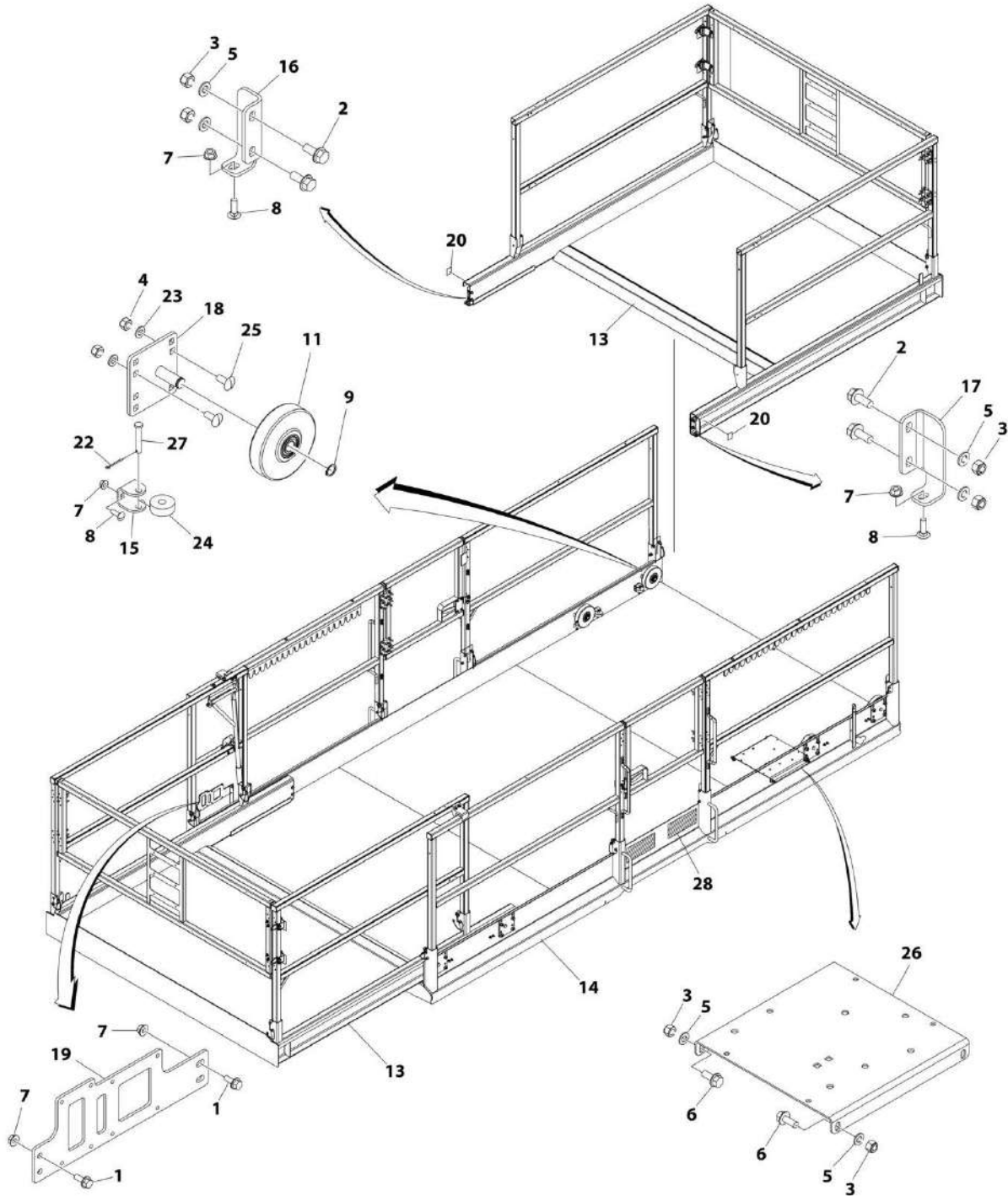
## SECTION 5 - PLATFORM

**FIGURE 5-1. PLATFORM AND SINGLE EXTENSION INSTALLATION - STANDARD**

ITEM	PART NUMBER	QTY	DESCRIPTION	REV
	1001177756	Ref	PLATFORM AND SINGLE EXTENSION INSTALLATION - STANDARD	H
1	0780608	4	Bolt M6 x 16	
2	0780810	AR	Bolt M8 x 20	
3	3290805	AR	Nut M8	
4	3291005	16	Nut M10	
5	4811900	AR	Washer M8	
7	5260600	14	Nut M6, Grade10	
8	1001100451	10	Bolt M6 x 20	
9	1001149581	4	Ring, Retaining	
11	1001167274	4	Roller	
13	1001179691	1	Extension, Platform	
14	1001179693	1	Platform	
15	1001179856	4	Bracket, Roller	
16	1001180981	1	Bracket, Stop (LH)	
17	1001180983	1	Bracket, Stop (RH)	
18	1001180990	4	Bracket, Roller	
19	1001182294	1	Bracket	
20	4420062	1.9 in/ 50mm	Tape	
21	0630564	16	Bolt M10 x 25	
23	3450304	4	Pin, Cotter 3/32 x 1	
24	4812000	16	Washer M10	
25	1001143898	4	Roller	
26	1001194115	1	Bracket, Module	
27	3430616	4	Pin, Clevis	
28	4420051	AR	Tape, Safety	
29	1001205831	4	Spacer	
30	0780812	AR	Bolt M8 x 25 <b>(SN E200000206 to Present)</b>	

# SECTION 5 - PLATFORM

## FIGURE 5-2. PLATFORM AND DUAL EXTENSION INSTALLATION - STANDARD



ART\_1001177755

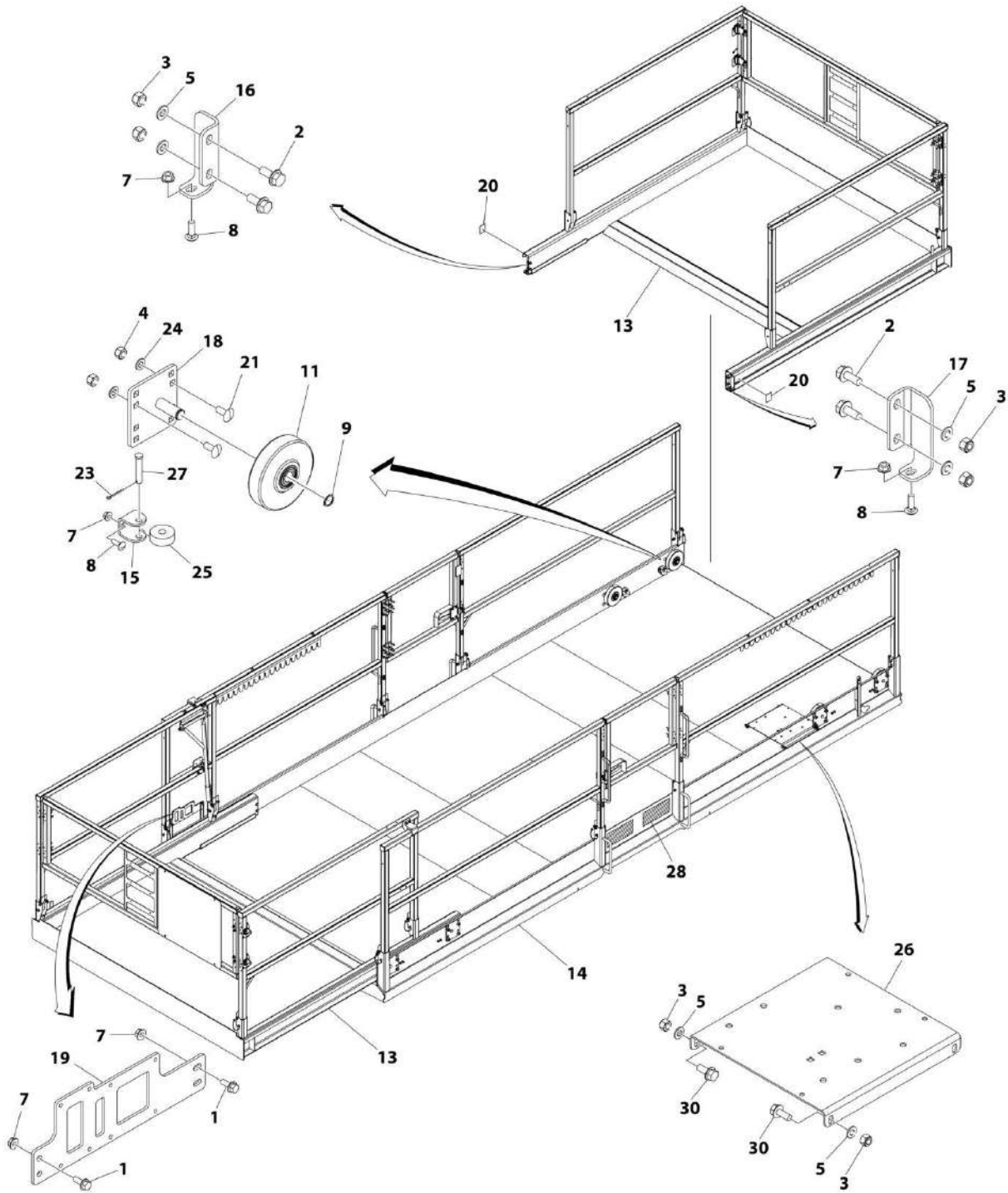
## SECTION 5 - PLATFORM

**FIGURE 5-2. PLATFORM AND DUAL EXTENSION INSTALLATION - STANDARD**

ITEM	PART NUMBER	QTY	DESCRIPTION	REV
	1001177755	Ref	PLATFORM AND DUAL EXTENSION INSTALLATION - STANDARD	H
1	0780608	4	Bolt M6 x 16	
2	0780810	AR	Bolt M8 x 20	
3	3290805	AR	Nut M8	
4	3291005	32	Nut M10	
5	4811900	AR	Washer M8	
6	0780812	AR	Bolt M8 x 25	
7	5260600	24	Nut M6, Grade 10	
8	1001100451	20	Bolt M6 x 20	
9	1001149581	8	Ring, Retaining	
11	1001167274	8	Roller	
13	1001179691	2	Extension, Platform	
14	1001179693	1	Platform	
15	1001179856	8	Bracket, Roller	
16	1001180981	2	Bracket, Stop (LH)	
17	1001180983	2	Bracket, Stop (RH)	
18	1001180990	8	Bracket, Roller	
19	1001182294	1	Bracket	
20	4420062	3.9 in/ 100mm	Tape	
22	3450304	8	Pin, Cotter 3/32 x 1	
23	4812000	32	Washer M10	
24	1001143898	8	Roller	
25	0630564	32	Bolt M10 x 25	
26	1001194115	1	Bracket, Module	
27	3430616	8	Pin, Clevis	
28	4420051	AR	Tape, Safety	
29	1001205831	8	Spacer	

# SECTION 5 - PLATFORM

## FIGURE 5-3. PLATFORM AND DUAL EXTENSION INSTALLATION - MEGADECK



ART\_1001177757

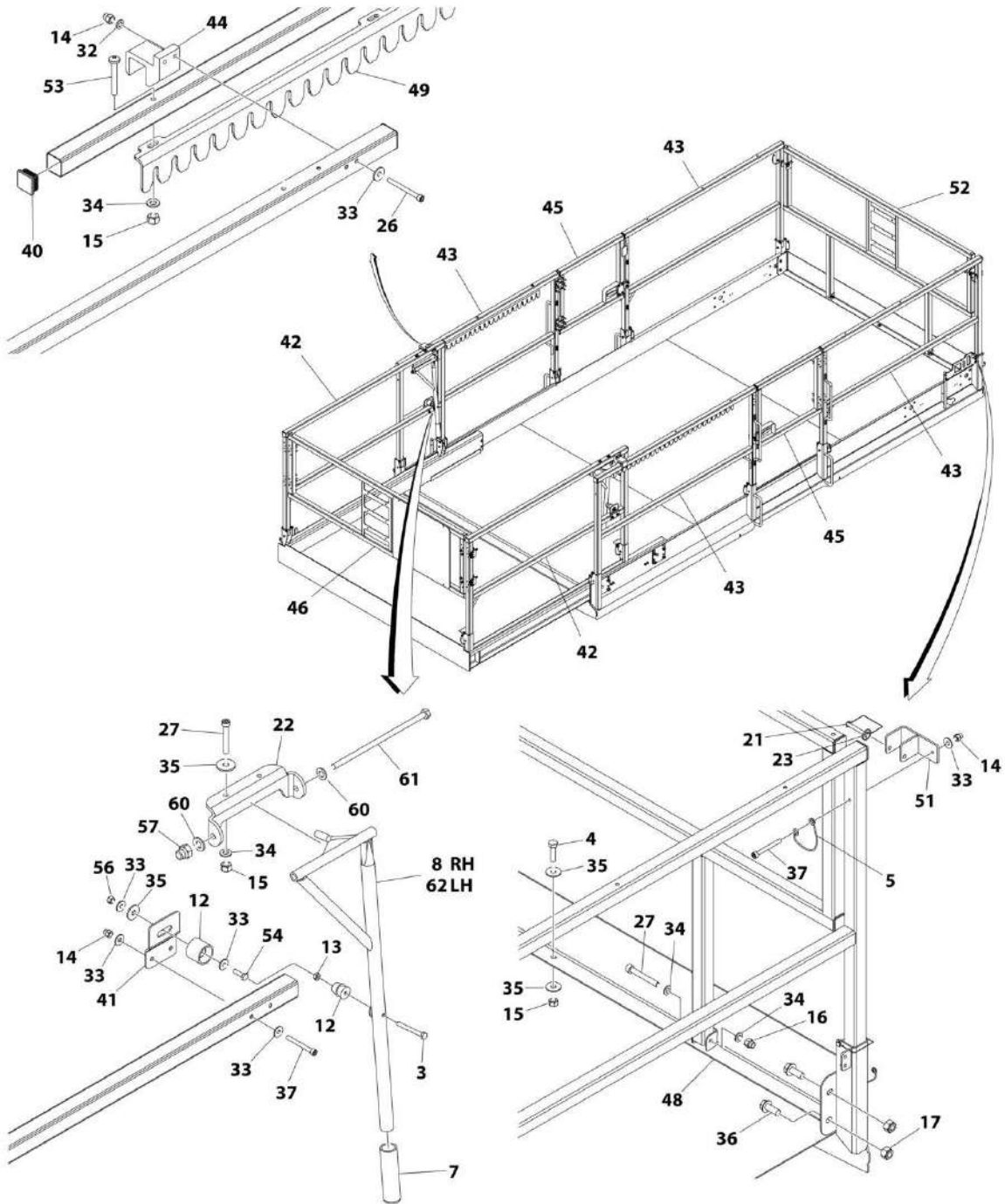
## SECTION 5 - PLATFORM

**FIGURE 5-3. PLATFORM AND DUAL EXTENSION INSTALLATION - MEGADECK**

ITEM	PART NUMBER	QTY	DESCRIPTION	REV
	1001177757	Ref	PLATFORM AND DUAL EXTENSION INSTALLATION - MEGADECK	H
1	0780608	4	Bolt M6 x 16	
2	0780810	AR	Bolt M8 x 20	
3	3290805	AR	Nut M8	
4	3291005	32	Nut M10	
5	4811900	AR	Washer M8	
7	5260600	24	Nut M6, Grade 10	
8	1001100451	20	Bolt M6 x 20	
9	1001149581	8	Ring, Retaining	
11	1001167274	8	Roller	
13	1001179691	2	Extension, Platform	
14	1001179696	1	Platform	
15	1001179856	8	Bracket, Roller	
16	1001180981	2	Bracket, Stop (LH)	
17	1001180983	2	Bracket, Stop (RH)	
18	1001180990	8	Bracket, Roller	
19	1001182294	1	Bracket	
20	4420062	3.9 in/ 100mm	Tape	
21	0630564	32	Bolt M10 x 25	
23	3450304	8	Pin, Cotter 3/32 x 1	
24	4812000	32	Washer M10	
25	1001143898	8	Roller	
26	1001194115	1	Bracket, Module	
27	3430616	8	Pin, Clevis	
28	4420051	AR	Tape, Safety	
29	1001205831	8	Spacer	
30	0780812	AR	Bolt M8 x 25	

# SECTION 5 - PLATFORM

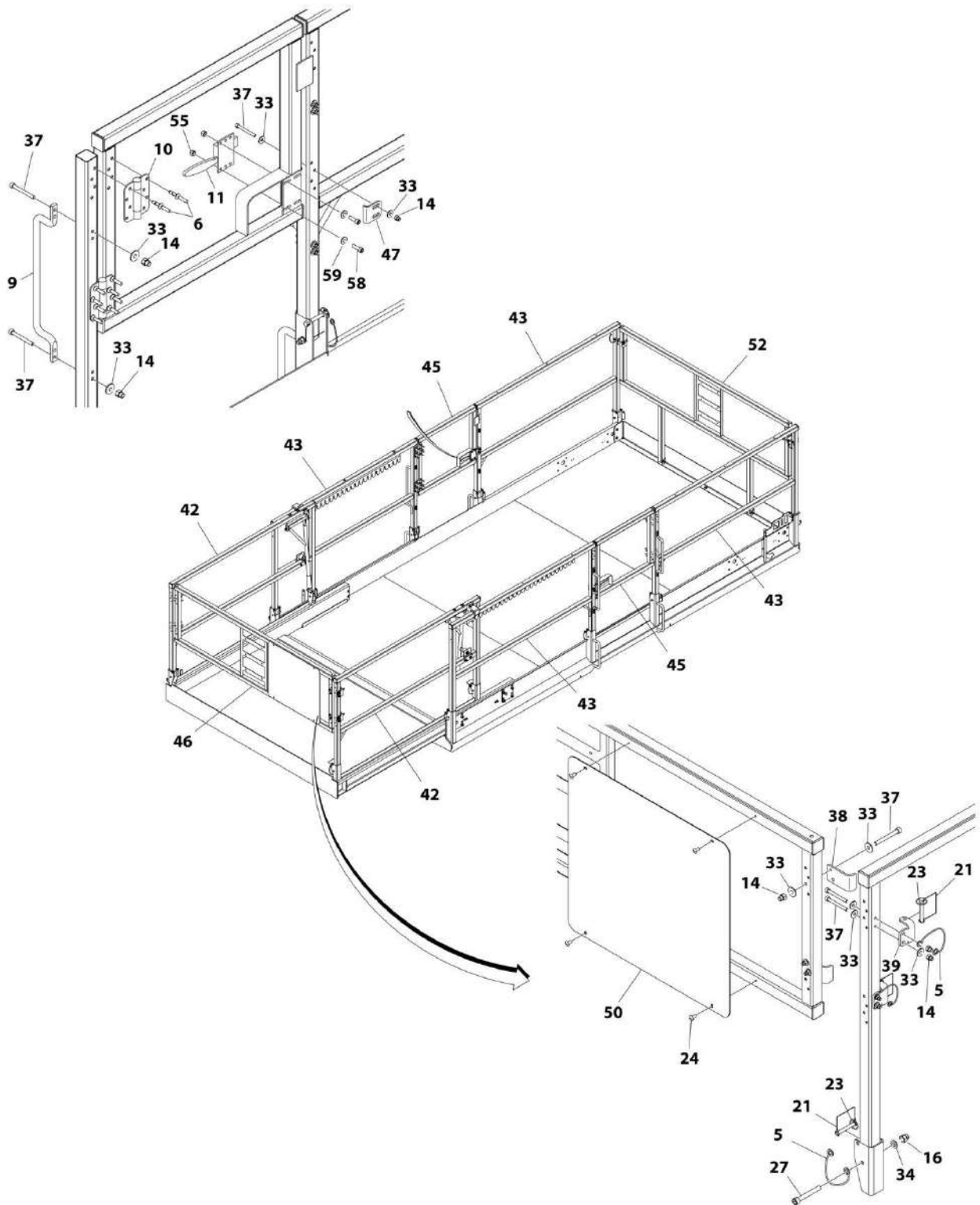
## FIGURE 5-4. RAILS INSTALLATION - STANDARD PLATFORM WITH SINGLE EXTENSION



ART\_1001177758\_10F2



# SECTION 5 - PLATFORM



ART\_100117758\_20F2

## SECTION 5 - PLATFORM

**FIGURE 5-4. RAILS INSTALLATION - STANDARD PLATFORM WITH SINGLE EXTENSION**

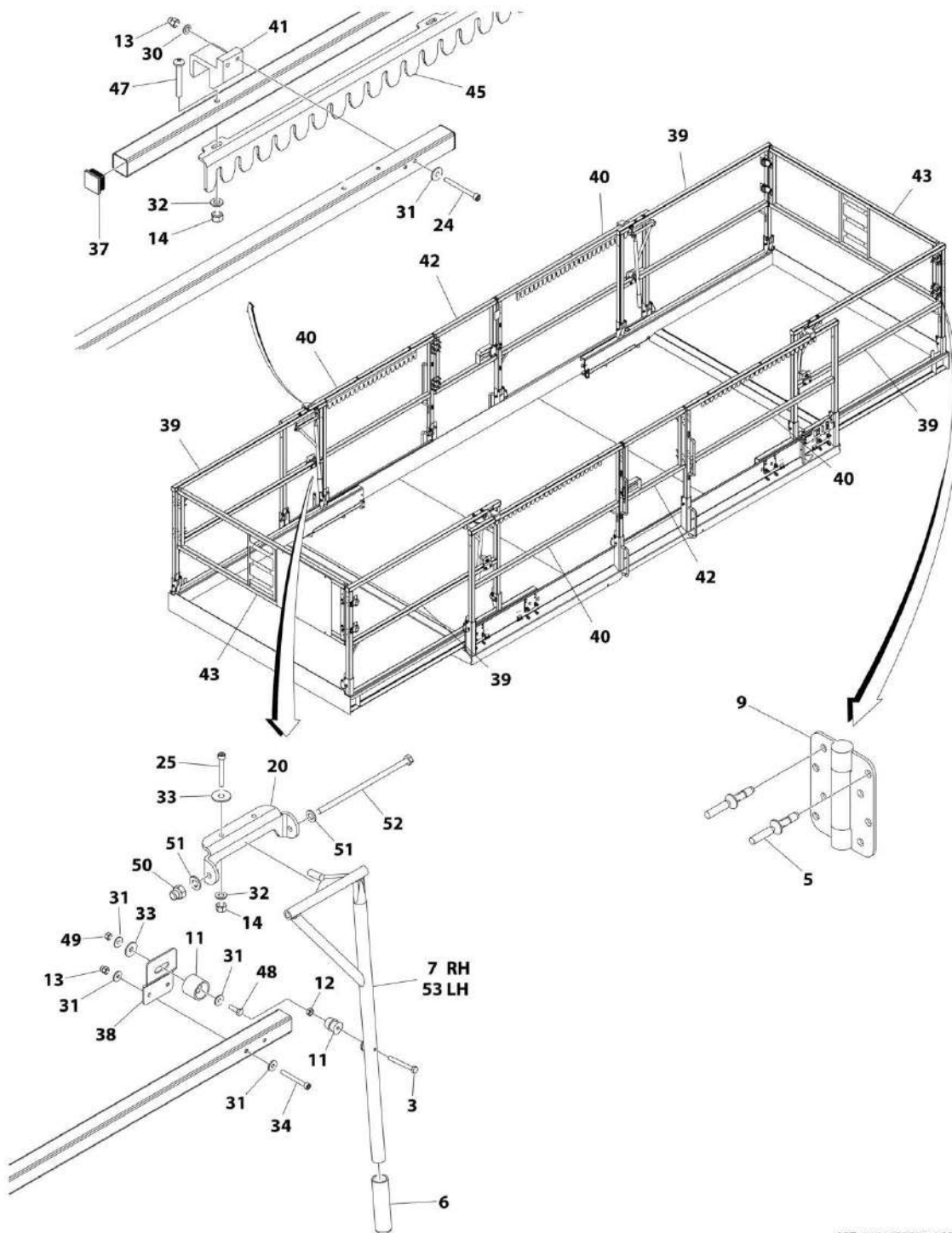
ITEM	PART NUMBER	QTY	DESCRIPTION	REV
	1001177758	Ref	RAILS INSTALLATION - STANDARD PLATFORM WITH SINGLE EXTENSION	G
3	0700619	AR	Bolt M6 x 55	
4	0760814	1	Bolt M8 x 30	
5	1060808	16	Lanyard	
6	2080040	48	Fastener, Blind	
7	2560088	AR	Grip, Handle	
8	2560172	1	Handle	
9	2560176	4	Handle, Grab	
10	2600285	6	Hinge, Self Closing	
11	2940074	2	Latch	
12	2940127	AR	Latch, Rubber Insert	
13	3290601	AR	Nut M6	
14	3290606	AR	Nut M6	
15	3290805	AR	Nut M8	
16	3290806	14	Nut M8	
17	3291005	4	Nut M10	
21	3421565	16	Pin	
22	3537609	AR	Plate, Pivot	
23	3760170	16	Ring, Split	
24	3820020	4	Rivet	
26	4031717	4	Capscrew M6 x 65	
27	4031916	AR	Capscrew M8 x 60	
32	4811700	4	Washer M6	
33	4811702	AR	Washer M6	
34	4811900	AR	Washer M8	
35	4811902	AR	Washer M8	
36	5251012	4	Bolt M10 x 25	
37	1001118878	AR	Capscrew M6 x 55	
38	1001179558	2	Bracket	
39	1001179559	2	Bracket	
40	1001179639	28	Plug	
41	1001179644	AR	Plate, Mounting	
42	1001179676	2	Rail, Extension Side	
43	1001179677	4	Rail, Platform Side	
44	1001179678	2	Pad	
45	1001179694	2	Gate	
46	1001179695	1	Rail, Extension end	
47	1001198325	2	Plate, Latch	
48	1001180986	1	Kickplate	
49	1001180987	AR	Bracket, Extension Stop	
50	1001180994	1	Plate, Billboard	
51	1001181001	2	Bracket, Latch	
52	1001181003	1	Rail, Platform End	
53	1001192382	AR	Screw	
54	0760610	AR	Bolt M6 x 20	
55	3290505	8	Nut M5	
56	3290605	AR	Nut M6	
57	3291006	AR	Nut M10	
58	4031607	8	Capscrew M5 x 16	

## SECTION 5 - PLATFORM

ITEM	PART NUMBER	QTY	DESCRIPTION	REV
59	4811602	8	Washer M5	
60	4812000	AR	Washer M10	
61	1001195137	AR	Bolt M10 x 240	
62	2560171	1	Handle (SN E200000230 through E200000675, SN 1200027648 through 1200030222)	

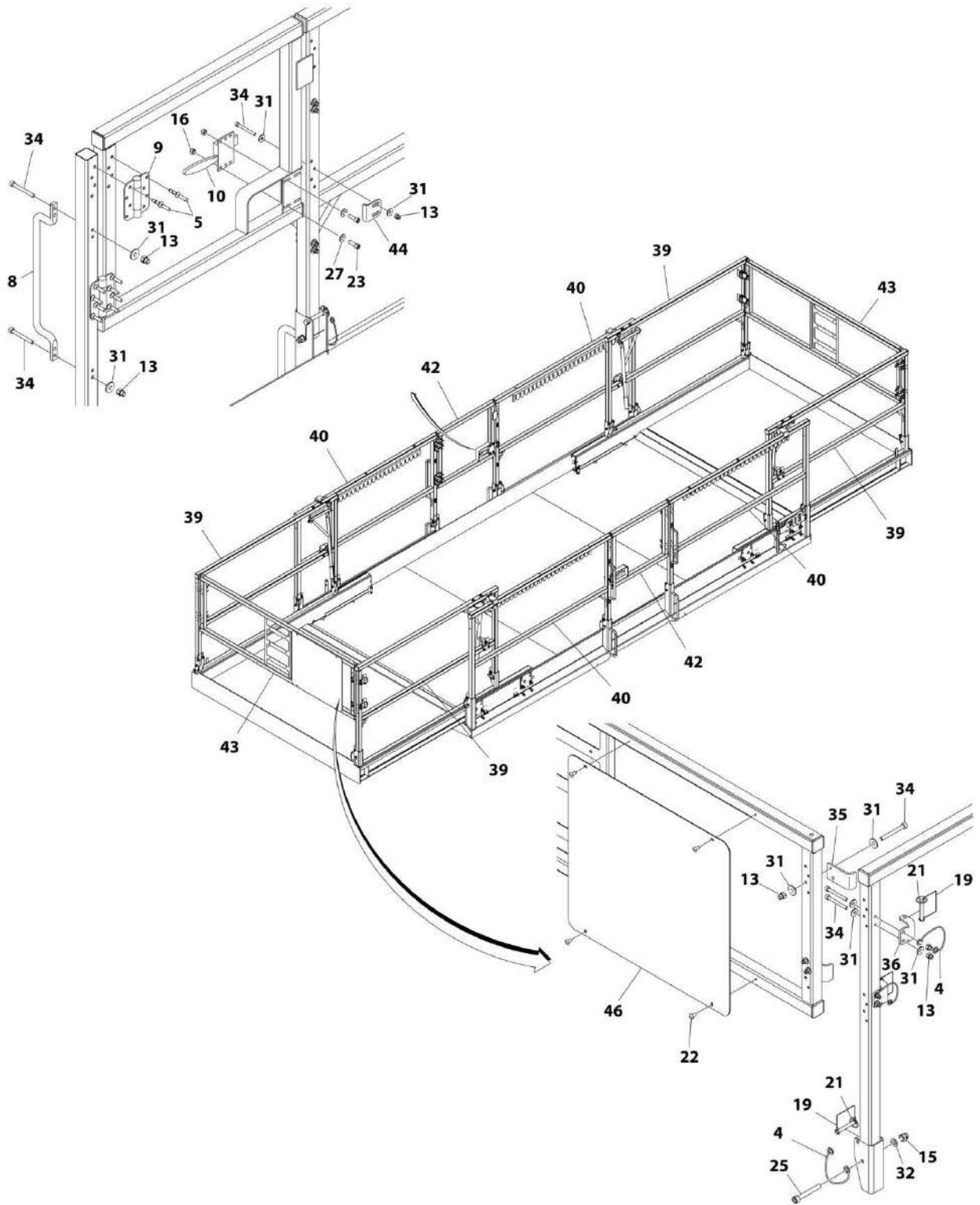
# SECTION 5 - PLATFORM

## FIGURE 5-5. RAILS INSTALLATION - STANDARD PLATFORM WITH DUAL EXTENSION



ART\_1001177759\_10F2

# SECTION 5 - PLATFORM



ART\_1001177759\_2OF2

## SECTION 5 - PLATFORM

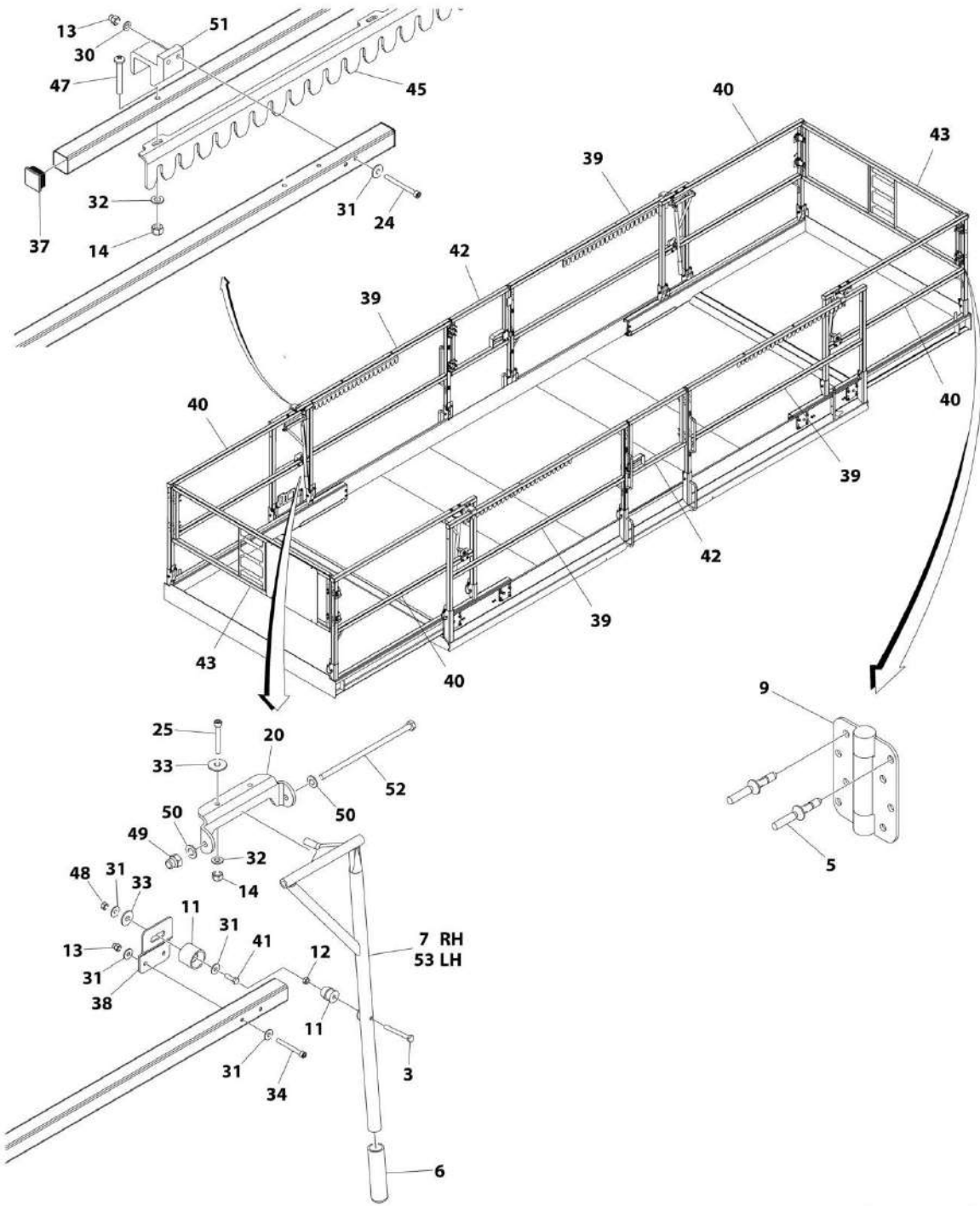
FIGURE 5-5. RAILS INSTALLATION - STANDARD PLATFORM WITH DUAL EXTENSION

ITEM	PART NUMBER	QTY	DESCRIPTION	REV
	1001177759	Ref	RAILS INSTALLATION - STANDARD PLATFORM WITH DUAL EXTENSION	F
3	0700619	AR	Bolt M6 x 55	
4	1060808	20	Lanyard	
5	2080040	64	Fastener, Blind	
6	2560088	AR	Grip, Handle	
7	2560172	2	Handle	
8	2560176	4	Handle, Grab	
9	2600285	8	Hinge, Self Closing	
10	2940074	2	Latch	
11	2940127	AR	Latch, Rubber Insert	
12	3290601	AR	Nut M6	
13	3290606	AR	Nut M6	
14	3290805	AR	Nut M8	
15	3290806	16	Nut M8	
16	3300432	8	Nut #10	
19	3421565	20	Pin	
20	3537609	AR	Plate, Pivot	
21	3760170	20	Ring, Split	
22	3820020	4	Rivet	
23	3931010	8	Capscrew #10 x 5/8	
24	4031717	8	Capscrew M6 x 65	
25	4031916	AR	Capscrew M8 x 60	
27	4751000	8	Washer #10	
30	4811700	8	Washer M6	
31	4811702	AR	Washer M6	
32	4811900	AR	Washer M8	
33	4811902	AR	Washer M8	
34	1001118878	AR	Capscrew M6 x 55	
35	1001179558	4	Bracket	
36	1001179559	4	Bracket	
37	1001179639	32	Plug	
38	1001179644	AR	Plate, Mounting	
39	1001179676	4	Rail, Extension Side	
40	1001179677	4	Rail, Platform Side	
41	1001179678	4	Pad	
42	1001179694	2	Gate	
43	1001179695	2	Rail, Extension End	
44	1001198325	2	Plate, Latch	
45	1001180987	AR	Bracket, Extension Stop	
46	1001180994	1	Plate, Billboard	
47	1001192382	AR	Screw	
48	0760610	AR	Bolt M6 x 20	
49	3290605	AR	Nut M6	
50	3291006	AR	Nut M10	
51	4812000	AR	Washer M10	
52	1001195137	AR	Bolt M10 x 240	
53	2560171	2	Handle (SN E200000230 through E200000675, SN 1200027648 through 1200030222)	



# SECTION 5 - PLATFORM

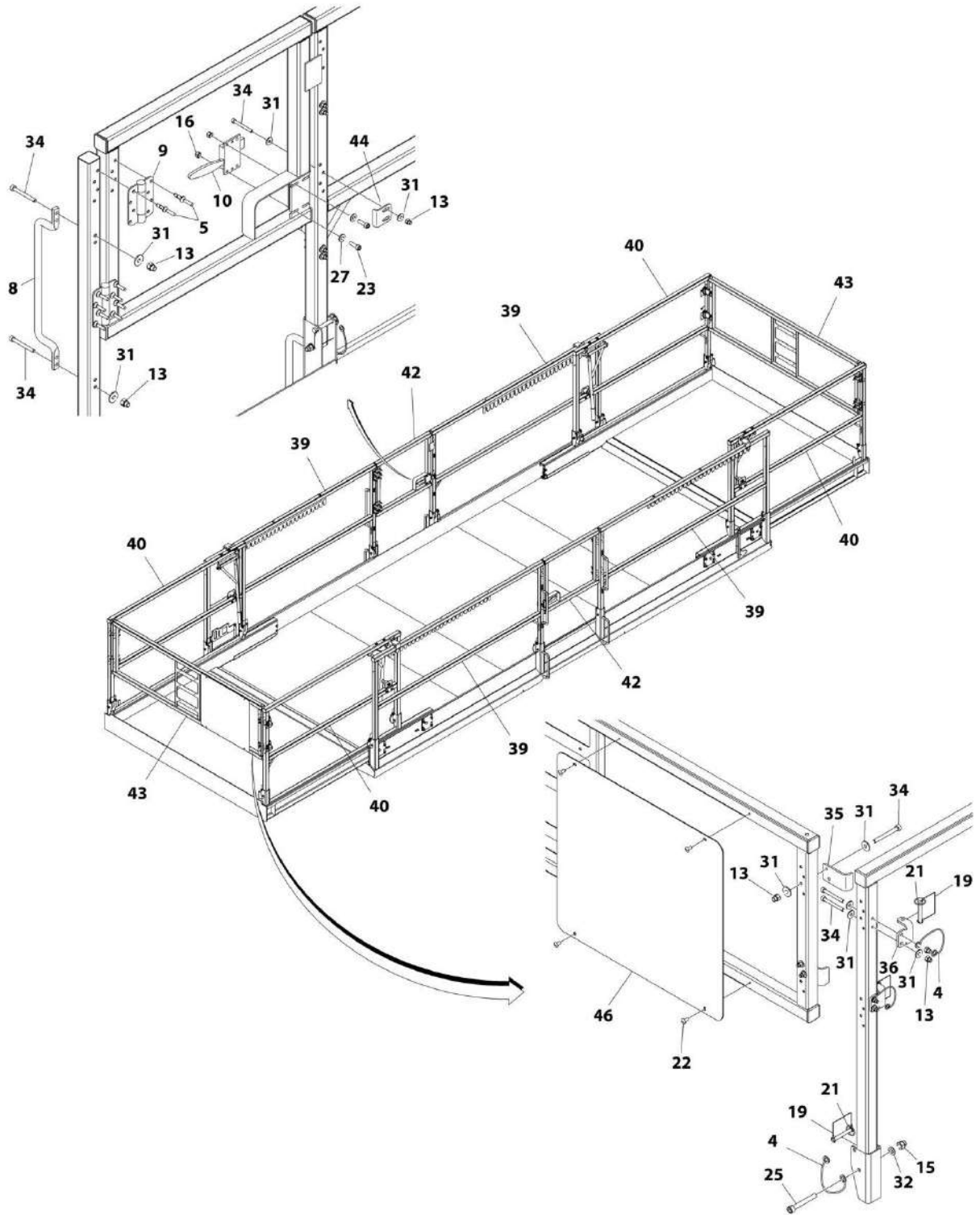
FIGURE 5-6. RAILS INSTALLATION - MEGADECK PLATFORM WITH DUAL EXTENSION



ART\_100117760\_10F2



# SECTION 5 - PLATFORM



ART\_100117760\_20F2

## SECTION 5 - PLATFORM

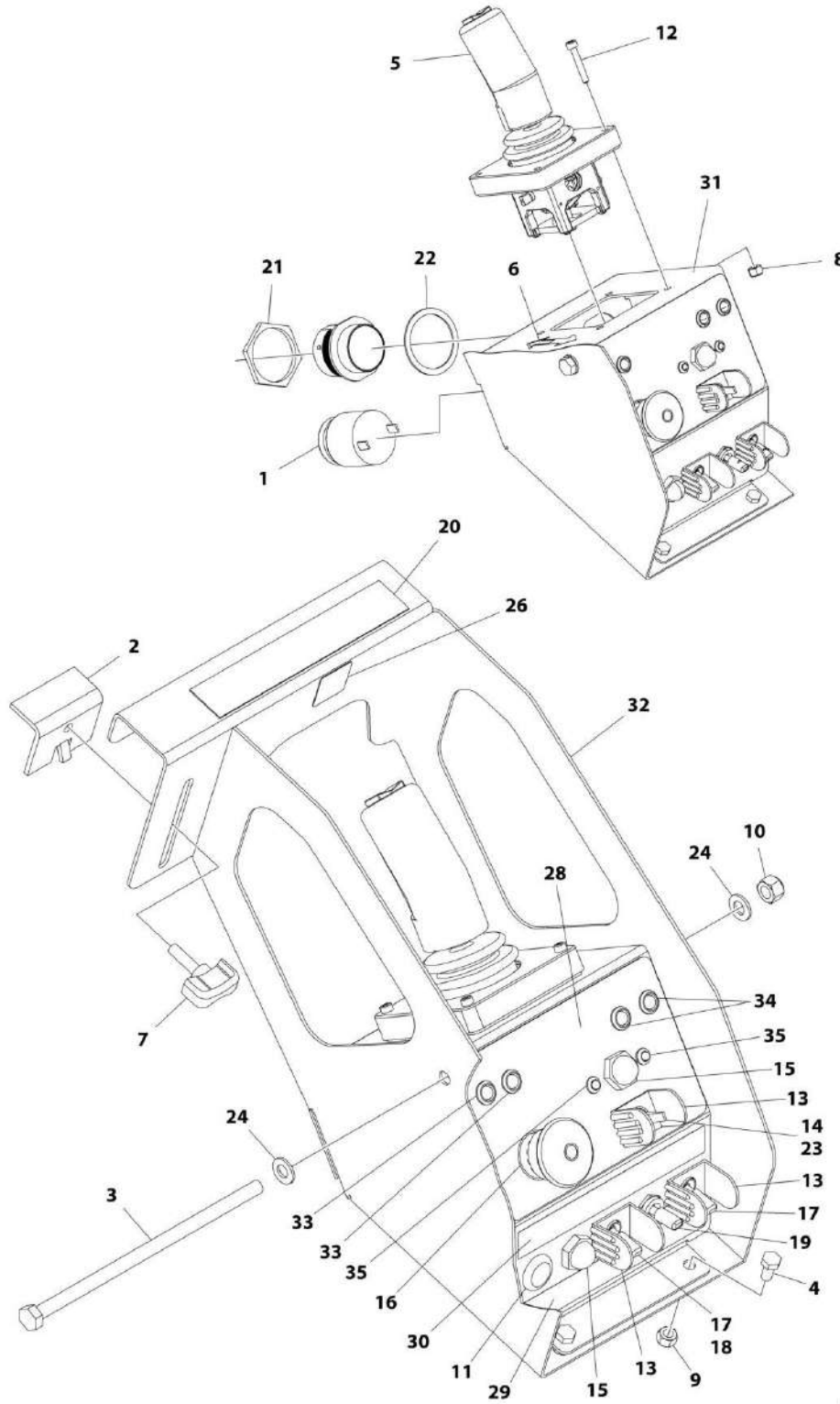
**FIGURE 5-6. RAILS INSTALLATION - MEGADECK PLATFORM WITH DUAL EXTENSION**

ITEM	PART NUMBER	QTY	DESCRIPTION	REV
	1001177760	Ref	RAILS INSTALLATION - MEGADECK PLATFORM WITH DUAL EXTENSION	F
3	0700619	AR	Bolt M6 x 55	
4	1060808	20	Lanyard	
5	2080040	64	Fastener, Blind	
6	2560088	AR	Grip, Handle	
7	2560172	2	Handle	
8	2560176	4	Handle, Grab	
9	2600285	8	Hinge, Self Closing	
10	2940074	2	Latch	
11	2940127	AR	Latch, Rubber Insert	
12	3290601	AR	Nut M6	
13	3290606	AR	Nut M6	
14	3290805	AR	Nut M8	
15	3290806	16	Nut M8	
16	3300432	8	Nut #10-24	
19	3421565	20	Pin	
20	3537609	AR	Plate, Pivot	
21	3760170	20	Ring, Split	
22	3820020	4	Rivet	
23	3931010	8	Capscrew #10 x 5/8	
24	4031717	8	Capscrew M6 x 65	
25	4031916	AR	Capscrew M8 x 60	
27	4751000	8	Washer #10	
30	4811700	8	Washer M6	
31	4811702	AR	Washer M6	
32	4811900	AR	Washer M8	
33	4811902	AR	Washer M8	
34	1001118878	AR	Capscrew M6 x 55	
35	1001179558	4	Bracket	
36	1001179559	4	Bracket	
37	1001179639	32	Plug	
38	1001179644	AR	Plate, Mounting	
39	1001179658	4	Rail, Platform Side	
40	1001179676	4	Rail, Extension Side	
41	0760610	2	Bolt M6 x 20	
42	1001179694	2	Gate	
43	1001179695	2	Rail, Extension End	
44	1001198325	2	Plate, Latch	
45	1001180987	AR	Bracket, Extension Stop	
46	1001180994	1	Plate, Billboard	
47	1001192382	AR	Screw	
48	3290605	AR	Nut M6	
49	3291006	AR	Nut M10	
50	4812000	AR	Washer M10	
51	1001179678	4	Pad	
52	1001195137	AR	Bolt M10 x 240	
53	2560171	2	Handle (SN E200000230 through E200000675, SN 1200027648 through 1200030222)	



# SECTION 5 - PLATFORM

## FIGURE 5-7. PLATFORM CONSOLE BOX INSTALLATION - DIESEL MACHINES



ART\_100117776

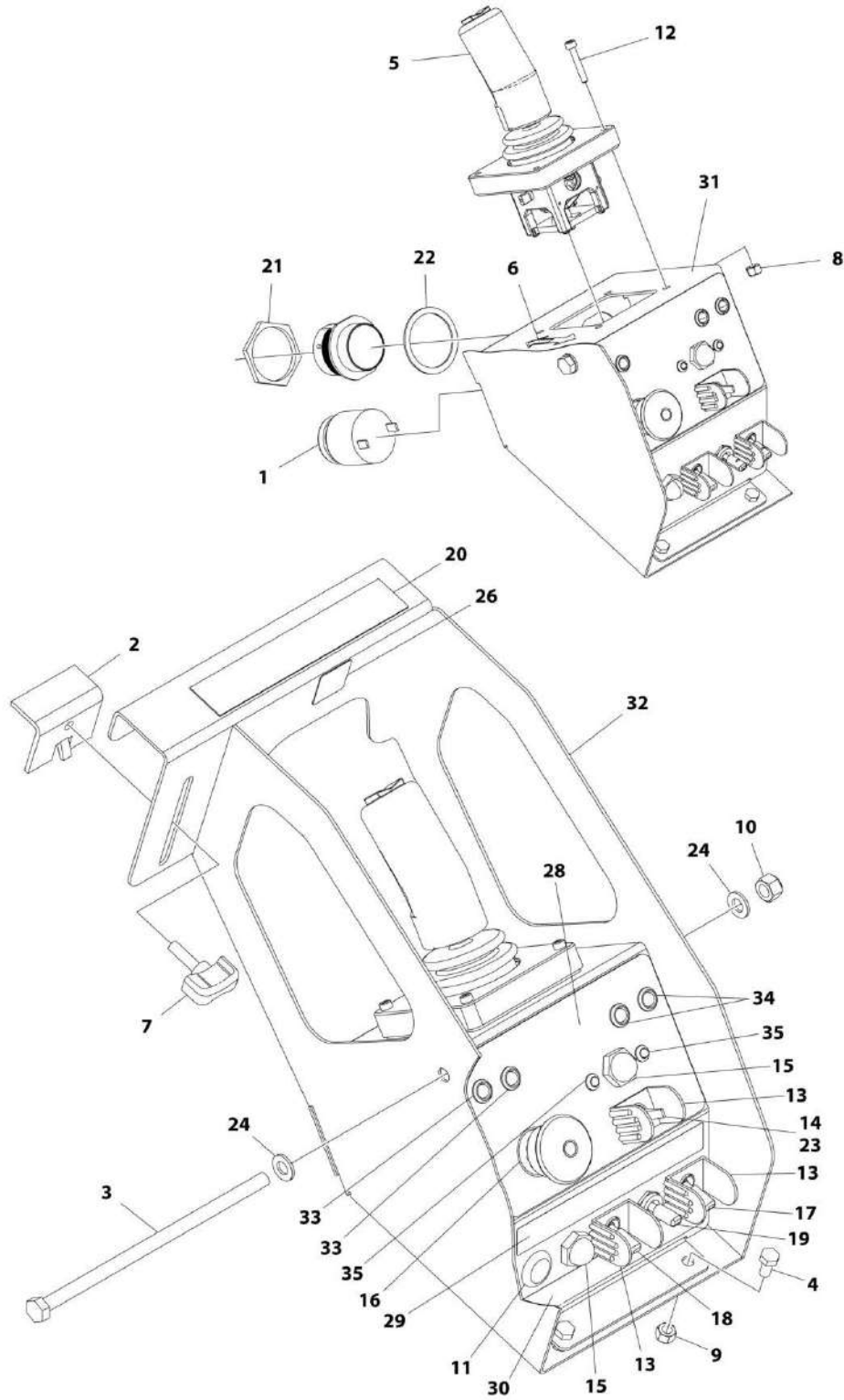
## SECTION 5 - PLATFORM

**FIGURE 5-7. PLATFORM CONSOLE BOX INSTALLATION - DIESEL MACHINES**

ITEM	PART NUMBER	QTY	DESCRIPTION	REV
	1001177776	Ref	PLATFORM CONSOLE BOX INSTALLATION - DIESEL	B
	1001181628	Ref	PLATFORM CONSOLE BOX ASSEMBLY - DIESEL	E
1	0140030	1	Alarm	
2	0181847	1	Angle	
3	0700835	1	Bolt M8 x 180	
4	0760606	AR	Bolt M6 x 12	
5	1600402	1	Controller Assembly (See CONTROLLER ASSEMBLY for Breakdown)	
6	1703819	1	Decal - Arrow	
7	2560141	1	Thumb Screw	
8	3290405	4	Nut M4	
9	3290605	AR	Nut M6	
10	3290805	1	Nut M8	
11	3520193	1	Plug	
12	4031509	4	Capscrew M4 x 25	
13	4060802	3	Guard, Switch	
14	4360345	1	Switch, Toggle	
15	4360387	2	Switch, Push Button	
16	4360475	1	Switch, Emergency Stop	
16	7020175	1	Cap	
16	7020176	1	Block, Contact	
17	4360483	AR	Switch, Toggle	
18	4360524	1	Switch, Toggle <b>(Prior to SN E200000480)</b>	
19	4360525	1	Switch, Toggle	
20	4420076	3	Tape	
21	4460470	1	Nut, Terminal	
22	4460471	1	Washer, Terminal	
23	4711700	2	Washer 7/16	
24	4811900	2	Washer M8	
25	1001100208	AR	Plug (Not Shown)	
26	1001132358	1	Decal - Steer	
27	1001176787	1	Platform Box Harness (Not Shown - See Electrical Section for Breakdown)	
28	1001178957	1	Decal - Function	
29	1001181622	1	Decal - Function	
30	1001181623	1	Decal - Function	
31	1001181630	1	Plate, Control Box <b>(Prior to SN E200000480, SN 1200027648 through 1200027657)</b>	
31	1001219371	1	Plate, Control Box <b>(SN E200000480 through E200000668, SN 1200027658 through 1200030222)</b>	
32	1001190270	1	Box, Control	
33	1001190472	AR	Light, LED (Red)	
34	1001190473	2	Light, LED (Yellow)	
35	1001190474	2	Light, LED (Red)	

# SECTION 5 - PLATFORM

## FIGURE 5-8. PLATFORM CONSOLE BOX INSTALLATION - GASOLINE MACHINES



ART\_1001177782

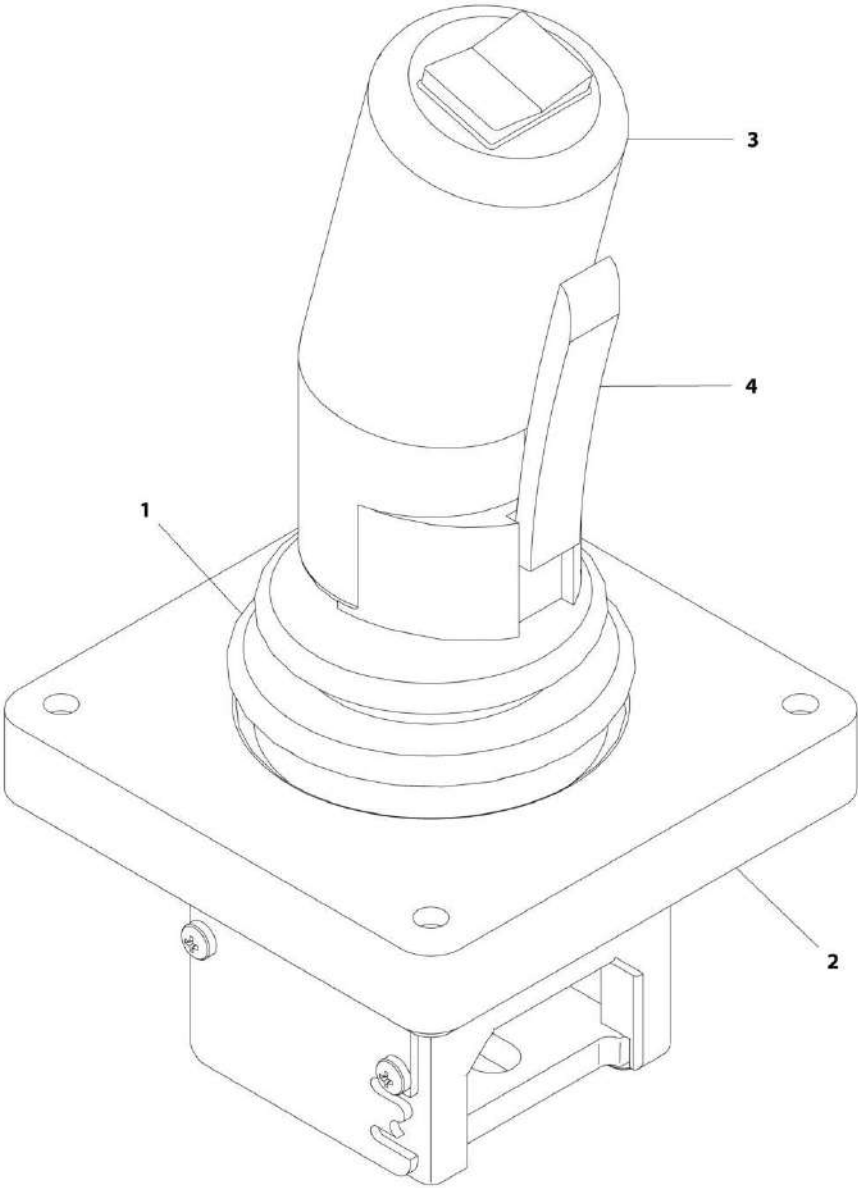
## SECTION 5 - PLATFORM

### FIGURE 5-8. PLATFORM CONSOLE BOX INSTALLATION - GASOLINE MACHINES

ITEM	PART NUMBER	QTY	DESCRIPTION	REV
	1001177782	Ref	PLATFORM CONSOLE BOX INSTALLATION - GASOLINE	B
	1001181629	Ref	PLATFORM CONSOLE BOX ASSEMBLY - GASOLINE	E
1	0140030	1	Alarm	
2	0181847	1	Angle	
3	0700835	1	Bolt M8 x 180	
4	0760606	AR	Bolt M6 x 12	
5	1600402	1	Controller Assembly (See CONTROLLER ASSEMBLY for Breakdown)	
6	1703819	1	Decal - Arrow	
7	2560141	1	Thumb Screw	
8	3290405	4	Nut M4	
9	3290605	AR	Nut M6	
10	3290805	1	Nut M8	
11	3520193	1	Plug	
12	4031509	4	Capscrew M4 x 25	
13	4060802	3	Guard, Switch	
14	4360345	1	Switch, Toggle	
15	4360387	2	Switch, Push Button	
16	4360475	1	Switch, Emergency Stop	
16	7020175	1	Cap	
16	7020176	1	Block, Contact	
17	4360482	1	Switch, Toggle	
18	4360524	1	Switch, Toggle <b>(Prior to SN E200000480, SN 1200027648 through 1200027657)</b>	
18	4360483	1	Switch, Toggle <b>(SN E200000480 through E200000675, SN 1200027658 through 1200030222)</b>	
19	4360525	1	Switch, Toggle	
20	4420076	3	Tape	
21	4460470	1	Nut, Terminal	
22	4460471	1	Washer, Terminal	
23	4711700	2	Washer 7/16	
24	4811900	2	Washer M8	
25	1001100208	AR	Plug (Not Shown)	
26	1001132358	1	Decal - Steer	
27	1001176787	1	Platform Box Harness (Not Shown - See ELECTRICAL SECTION for Breakdown)	
28	1001178957	1	Decal - Function	
29	1001181626	1	Decal - Function	
30	1001181627	1	Decal - Function	
31	1001181630	1	Plate, Control Box <b>(Prior to SN E200000480, SN 1200027648 through 1200027657)</b>	
31	1001219371	1	Plate, Control Box <b>(SN E200000480 through E200000675, SN 1200027658 through 1200030222)</b>	
32	1001190270	1	Box, Control	
33	1001190472	AR	Light, LED (Red)	
34	1001190473	2	Light, LED (Yellow)	
35	1001190474	2	Light, LED (Red)	

**SECTION 5 - PLATFORM**

**FIGURE 5-9. CONTROLLER ASSEMBLY**



ART\_1600402



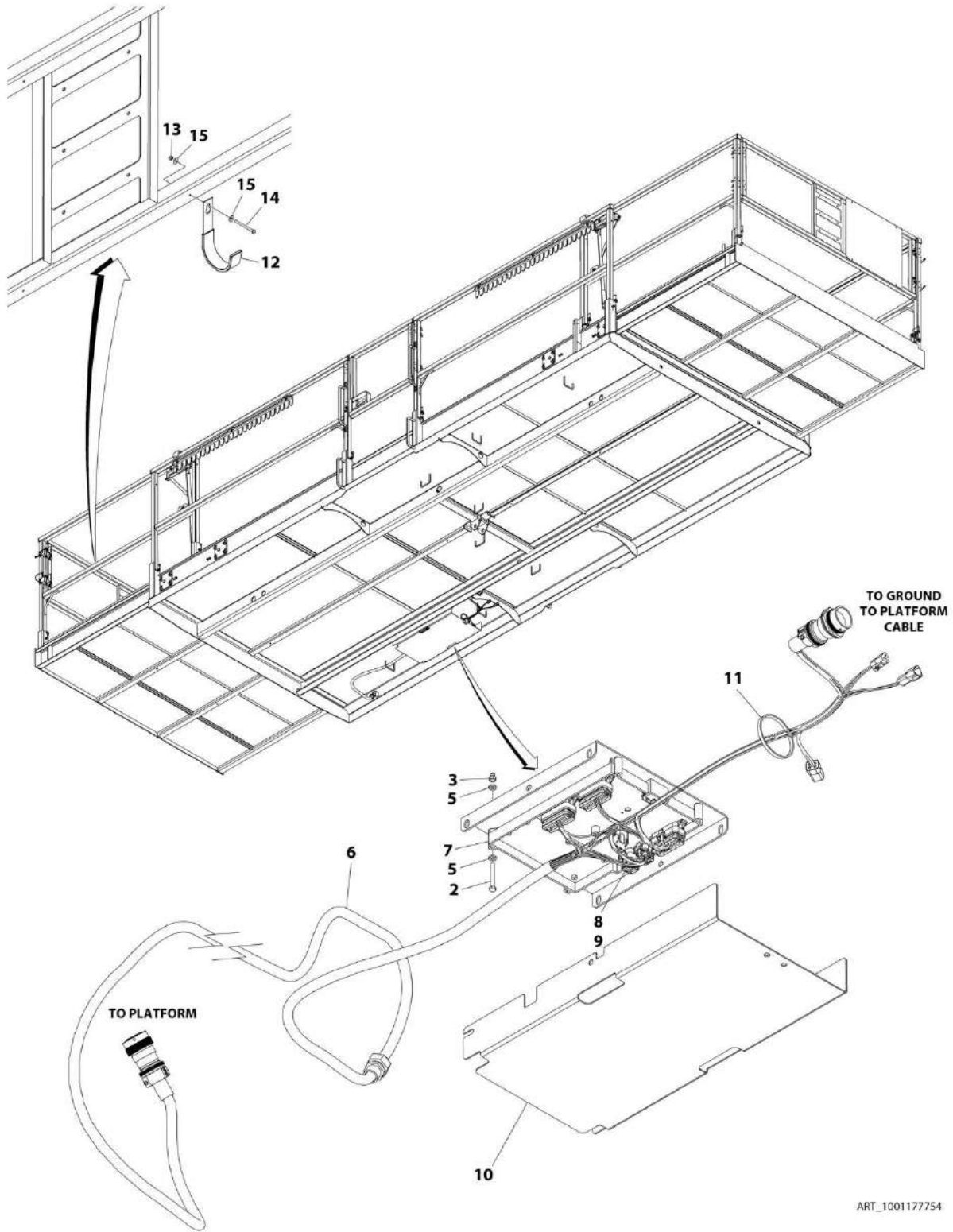
## SECTION 5 - PLATFORM

### FIGURE 5-9. CONTROLLER ASSEMBLY

ITEM	PART NUMBER	QTY	DESCRIPTION	REV
	1600402	Ref	CONTROLLER ASSEMBLY	A
1	70001250	1	Boot, Panel	
2	70001252	1	Gasket, Mounting	
2	70001251	1	Bezel, Mounting	
3	70003650	1	Handle Repair Kit (Includes handle gasket, item#4 push button and item #4 lever installed in front handle half, back handle half, top actuator, boot and hardware.)	
3	70000084	1	Cap, Rubber	
3	70000082	1	Microswitch	
3	7027766	1	Ring, Retaining	
3	7027365	1	Actuator, Handle	
3	70001253	1	Gasket, Handle	
3	70000683	4	Washer, Neoprene	
3	70000685	2	Spacer, Plastic	
3	70000686	2	Screw (Top)	
3	70000684	2	Screw (Bottom)	
4	7027367	1	Switch, Push Button)	
4	7027765	1	Lever, Enable	

# SECTION 5 - PLATFORM

## FIGURE 5-10. PLATFORM MODULE INSTALLATION



ART\_100117754

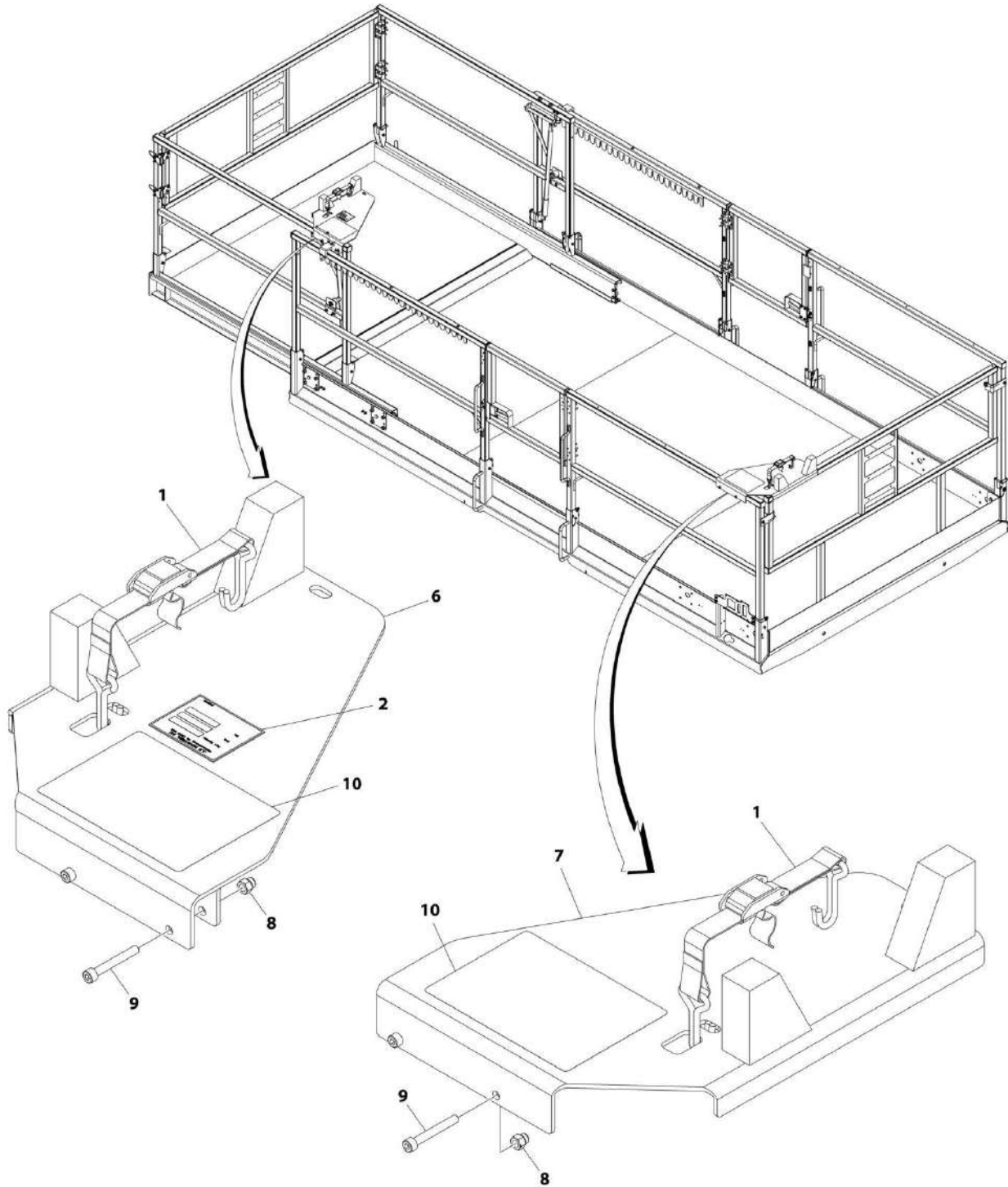
## SECTION 5 - PLATFORM

**FIGURE 5-10. PLATFORM MODULE INSTALLATION**

ITEM	PART NUMBER	QTY	DESCRIPTION	REV
	1001177754	Ref	PLATFORM MODULE INSTALLATION	D
1	0100011	AR	Compound, Locking (Not Shown)	
2	0760618	4	Bolt M6 x 50	
3	3290606	4	Nut M6	
4	4240033	10	Tie-Strap (Not Shown)	
5	5240600	8	Washer M6	
6	1001179954	1	Platform Module to Console Box Harness (See ELECTRICAL SECTION for Breakdown)	
7	1001181223	1	Module, Platform (Note: Re-calibration Required when Replaced)	
8	4460905	8	Plug, Terminal	
9	1001116946	1	Connector - 8 Position	
10	1001214477	1	Bracket (SN E200000206 through E200000675, SN 1200027648 through 1200030222)	
11	4240018	AR	Tie-Strap	
12	2700100	1	Hook (SN E200000306 through E200000675, SN 1200027648 through 1200030222)	
13	3290405	AR	Nut M4	
14	4010418	AR	Bolt M4 x 50	
15	1001091102	AR	Washer M4	

# SECTION 5 - PLATFORM

## FIGURE 5-11. PIPE RACK INSTALLATION



ART\_1001185492

## SECTION 5 - PLATFORM

### FIGURE 5-11. PIPE RACK INSTALLATION

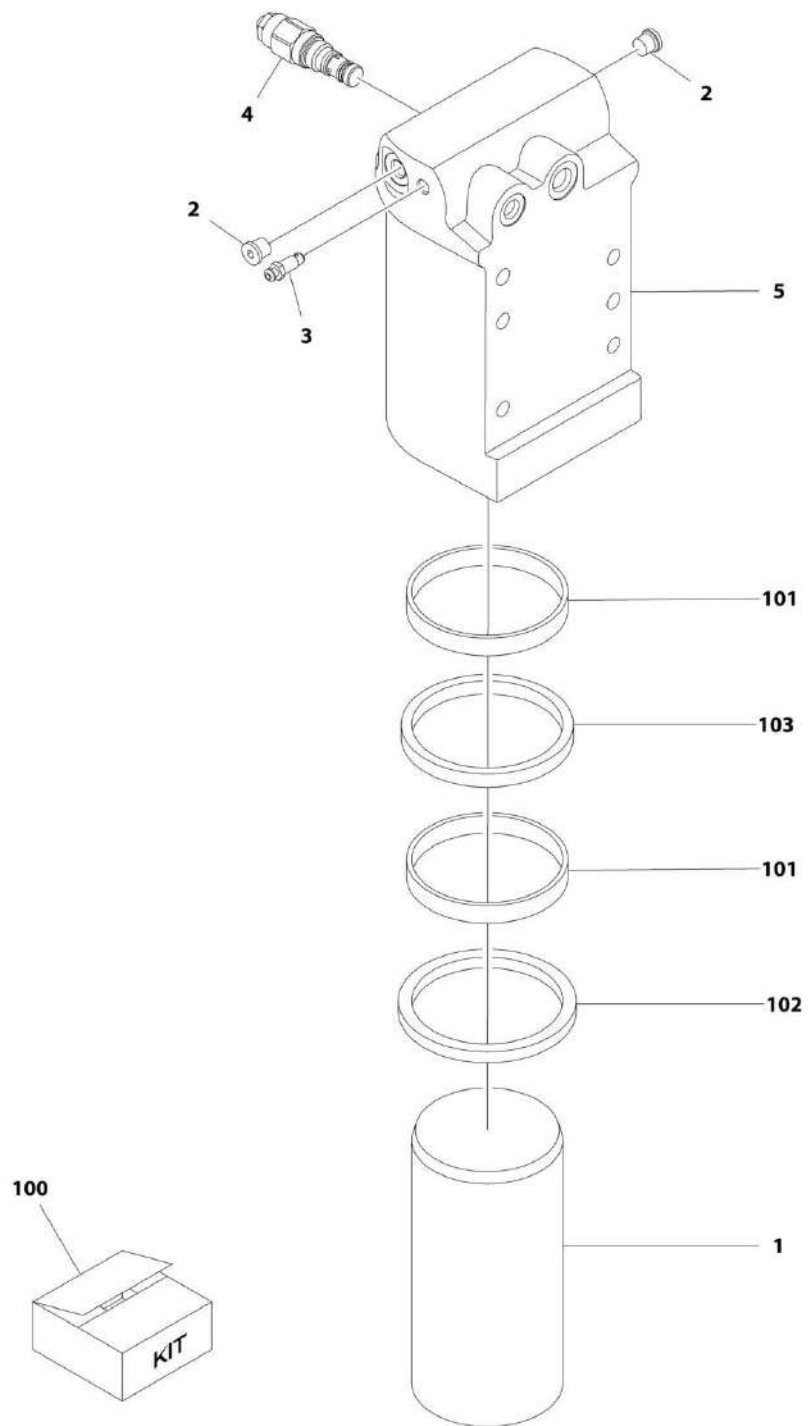
ITEM	PART NUMBER	QTY	DESCRIPTION	REV
	1001185492	Ref	PIPE RACK INSTALLATION	A
1	0480100	2	Belt, Tie Down	
2	See Note	1	Nameplate - Serial Number (Note: Not Available for Purchase)	
6	1001185503	1	Support, Pipe Rack	
7	1001185504	1	Support, Pipe Rack	
8	3290806	4	Nut M8	
9	4031916	4	Capscrew M8 x 60	
10	1001186127	2	Decal - Pipe Rack Capacity	



**SECTION 6 - CYLINDER**

# SECTION 6 - CYLINDER

## FIGURE 6-1. AXLE LOCKOUT CYLINDER ASSEMBLY



ART\_1001163580



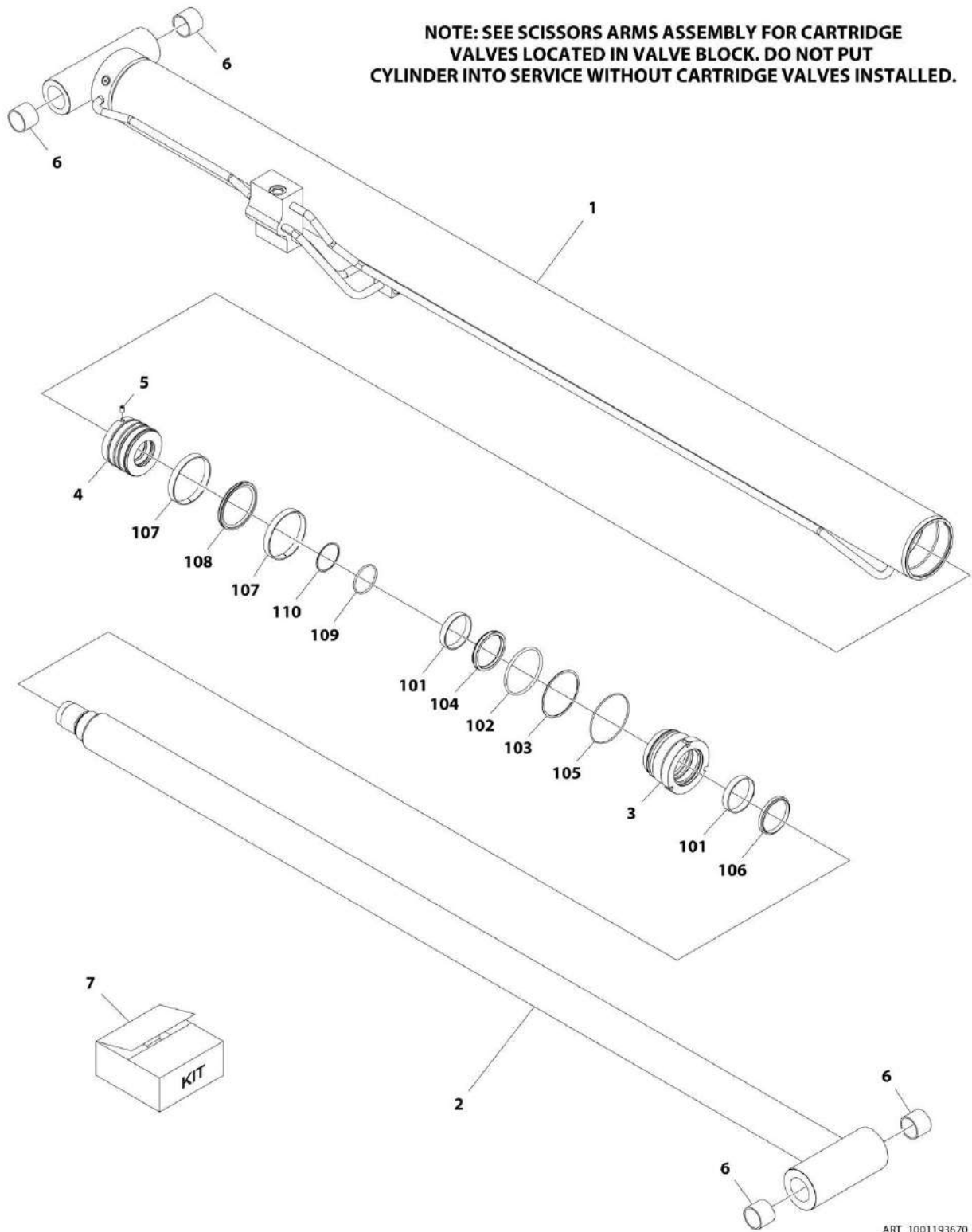
## SECTION 6 - CYLINDER

**FIGURE 6-1. AXLE LOCKOUT CYLINDER ASSEMBLY**

ITEM	PART NUMBER	QTY	DESCRIPTION	REV
	1001163580	Ref	AXLE LOCKOUT CYLINDER ASSEMBLY	G
		Ref	Note: Original Cylinder May Have Been Replaced with Service Replacement. Identify PN Stamped on Cylinder Before Ordering Parts.	
1	1684290	1	Rod	
2	2220883	2	Plug #4	
3	4640858	1	Valve, Bleeder	
4	1001117372	1	Cartridge, Valve	
4	70002842	1	Seal Kit - 1001117372 Valve	
5	1001164817	1	Barrel	
100	2902266	1	Seal Kit - 1001163590 Cylinder (Includes Items 101-103)	
101	See Note	NSS	Ring, Wear (Note: Use Item 100)	
102	See Note	NSS	Seal (Note: Use Item 100)	
103	See Note	NSS	Wiper (Note: Use Item 100)	

# SECTION 6 - CYLINDER

## FIGURE 6-2. LIFT CYLINDER ASSEMBLY - LOWER



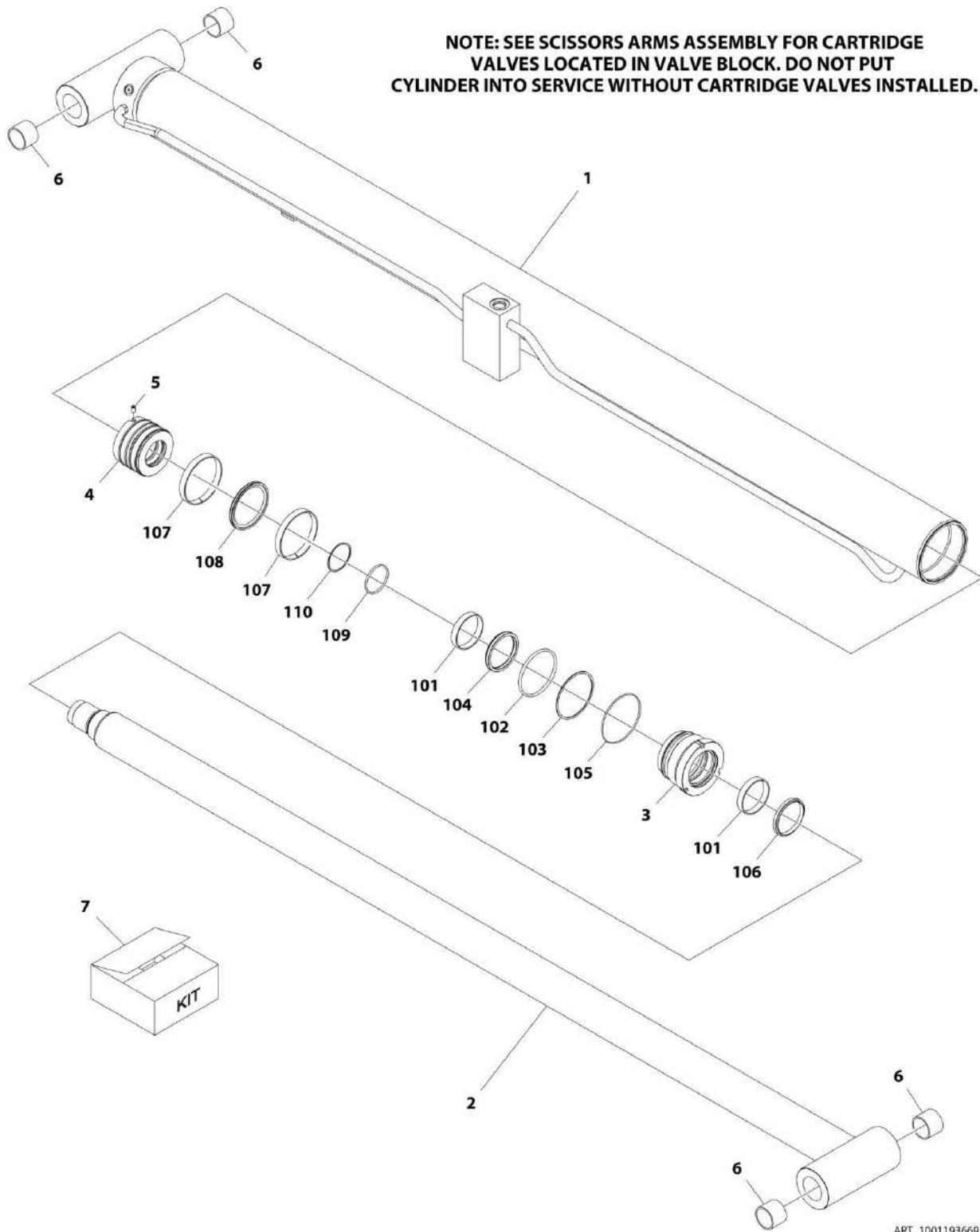
## SECTION 6 - CYLINDER

**FIGURE 6-2. LIFT CYLINDER ASSEMBLY - LOWER**

ITEM	PART NUMBER	QTY	DESCRIPTION	REV
	1001193670	Ref	LIFT CYLINDER ASSEMBLY - LOWER	E
		Ref	Note: Original Cylinder May Have Been Replaced with Service Replacement. Identify PN Stamped on Cylinder Before Ordering Parts.	
1	70005384	1	Barrel	
2	70005383	1	Rod	
3	70005382	1	Head	
4	70005381	1	Piston	
5	70020438	1	Screw	
6	0962272	4	Bearing	
7	70005380	1	Seal Kit - 1001193670 Cylinder (Includes Items 101-110)	
101	See Note	NSS	Ring, Wear (Note: Use Item 7)	
102	See Note	NSS	O-Ring (Note: Use Item 7)	
103	See Note	NSS	Ring, Back-up (Note: Use Item 7)	
104	See Note	NSS	Seal, Rod (Note: Use Item 7)	
105	See Note	NSS	O-Ring (Note: Use Item 7)	
106	See Note	NSS	Ring, Wiper (Note: Use Item 7)	
107	See Note	NSS	Ring, Wear (Note: Use Item 7)	
108	See Note	NSS	Seal, Piston (Note: Use Item 7)	
109	See Note	NSS	O-Ring (Note: Use Item 7)	
110	See Note	NSS	Ring, Back-up (Note: Use Item 7)	

# SECTION 6 - CYLINDER

## FIGURE 6-3. LIFT CYLINDER ASSEMBLY - UPPER



ART\_1001193669

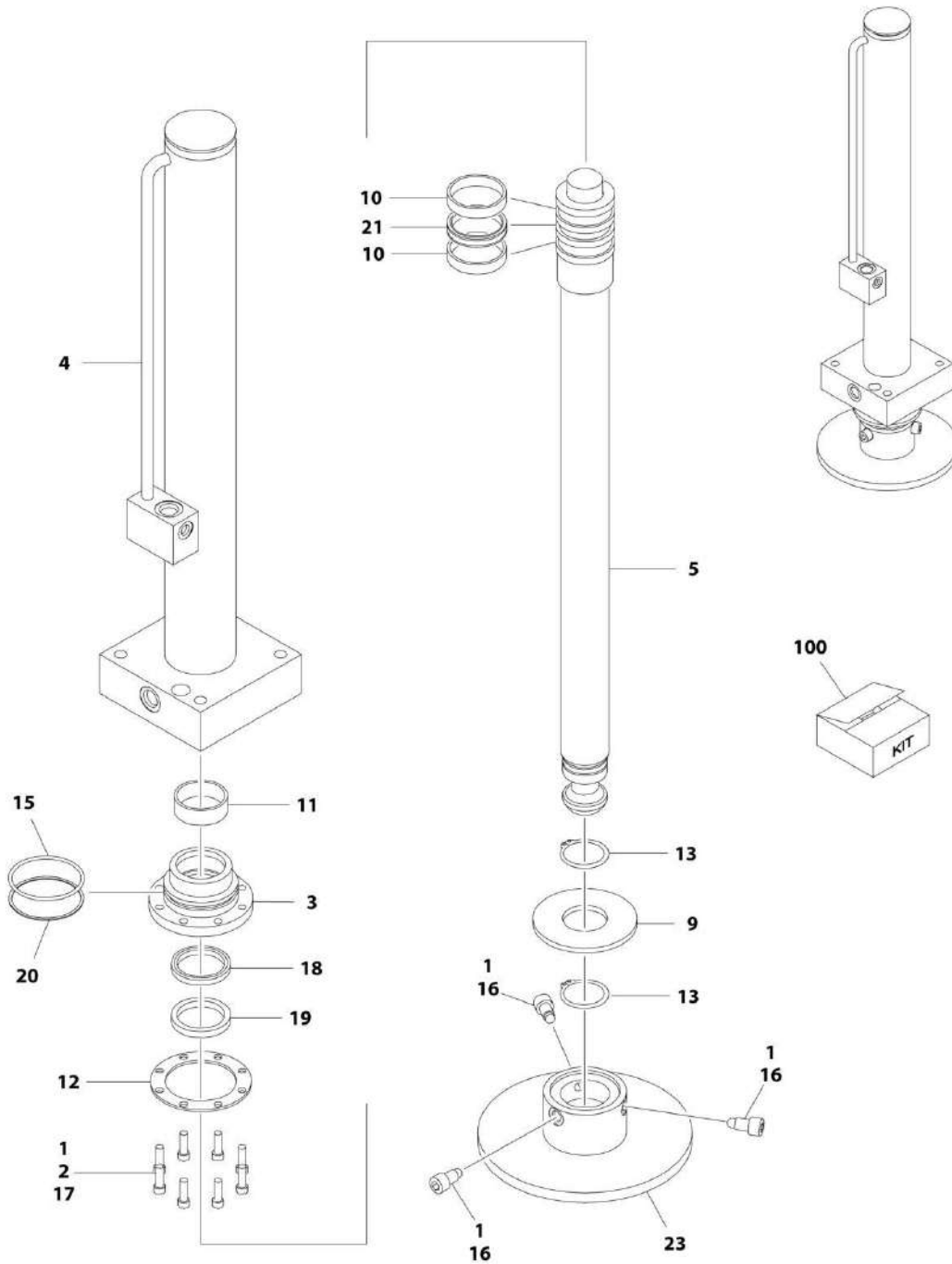
## SECTION 6 - CYLINDER

**FIGURE 6-3. LIFT CYLINDER ASSEMBLY - UPPER**

ITEM	PART NUMBER	QTY	DESCRIPTION	REV
	1001193669	Ref	LIFT CYLINDER ASSEMBLY - UPPER	E
		Ref	Note: Original Cylinder May Have Been Replaced with Service Replacement. Identify PN Stamped on Cylinder Before Ordering Parts.	
1	70005379	1	Barrel	
2	70005378	1	Rod	
3	70005377	1	Head	
4	70005376	1	Piston	
5	70023915	1	Screw	
6	1001118665	4	Bearing	
7	70005375	1	Seal Kit - 1001193669 Cylinder (Includes Items 101-110)	
101	See Note	NSS	Ring, Wear (Note: Use Item 7)	
102	See Note	NSS	O-Ring (Note: Use Item 7)	
103	See Note	NSS	Ring, Back-up (Note: Use Item 7)	
104	See Note	NSS	Seal, Rod (Note: Use Item 7)	
105	See Note	NSS	O-Ring (Note: Use Item 7)	
106	See Note	NSS	Ring, Wiper (Note: Use Item 7)	
107	See Note	NSS	Ring, Wear (Note: Use Item 7)	
108	See Note	NSS	Seal, Piston (Note: Use Item 7)	
109	See Note	NSS	O-Ring (Note: Use Item 7)	
110	See Note	NSS	Ring, Back-up (Note: Use Item 7)	

# SECTION 6 - CYLINDER

## FIGURE 6-4. LEVELING JACK CYLINDER ASSEMBLY



ART\_1684406

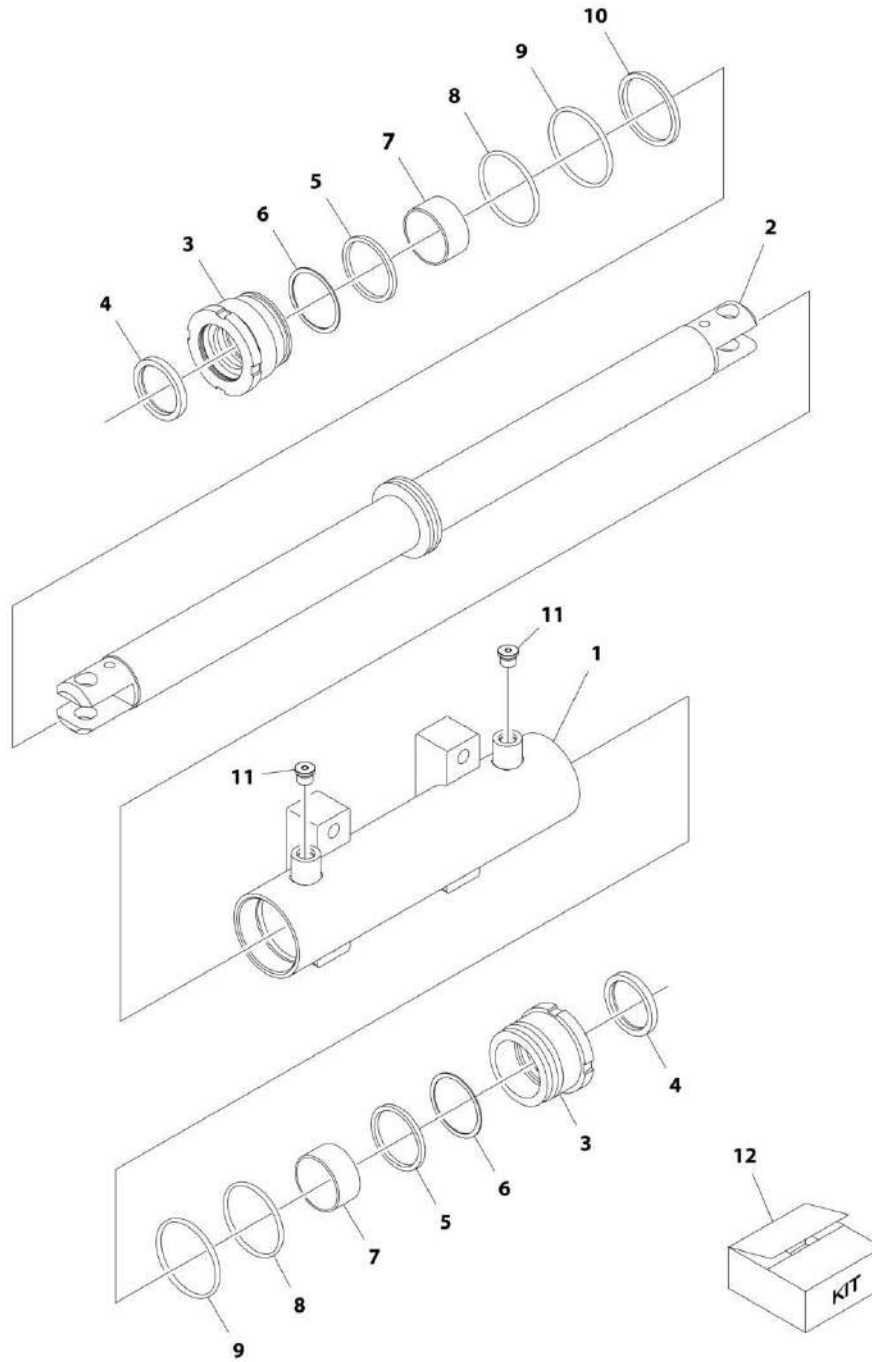
## SECTION 6 - CYLINDER

**FIGURE 6-4. LEVELING JACK CYLINDER ASSEMBLY**

ITEM	PART NUMBER	QTY	DESCRIPTION	REV
	1684406	Ref	LEVELING JACK CYLINDER ASSEMBLY	D
		Ref	Note: Original Cylinder May Have Been Replaced with Service Replacement. Identify PN Stamped on Cylinder Before Ordering Parts.	
1	0100011	AR	Compound, Locking	
2	0100038	AR	Primer, Locking	
3	1683054	1	Head	
4	0370018	1	Barrel	
5	3850013	1	Rod	
9	3573513	1	Plate, Jack	
10	See Note	NSS	Ring, Lock (Note: Use Item 100)	
11	See Note	NSS	Ring, Wear (Note: Use Item 100)	
12	3760368	1	Ring, Washer	
13	3760460	2	Ring, Retaining	
15	See Note	NSS	O-Ring (Note: Use Item 100)	
16	3900321	3	Screw, 1/2 x 1-1/4	
17	3931516	8	Capscrew, 5/16 x 1	
18	See Note	NSS	Seal (Note: Use Item 100)	
19	See Note	NSS	Wiper (Note: Use Item 100)	
20	See Note	NSS	Ring, Back-up (Note: Use Item 100)	
21	See Note	NSS	T-Seal (Note: Use Item 100)	
23	4846584	1	Pad, Jack	
100	2902182	1	Seal Kit - 1684406 Cylinder (Includes Items 10, 11, 15 & 18-21)	

# SECTION 6 - CYLINDER

## FIGURE 6-5. STEER CYLINDER ASSEMBLY



ART\_1001163178



## SECTION 6 - CYLINDER

**FIGURE 6-5. STEER CYLINDER ASSEMBLY**

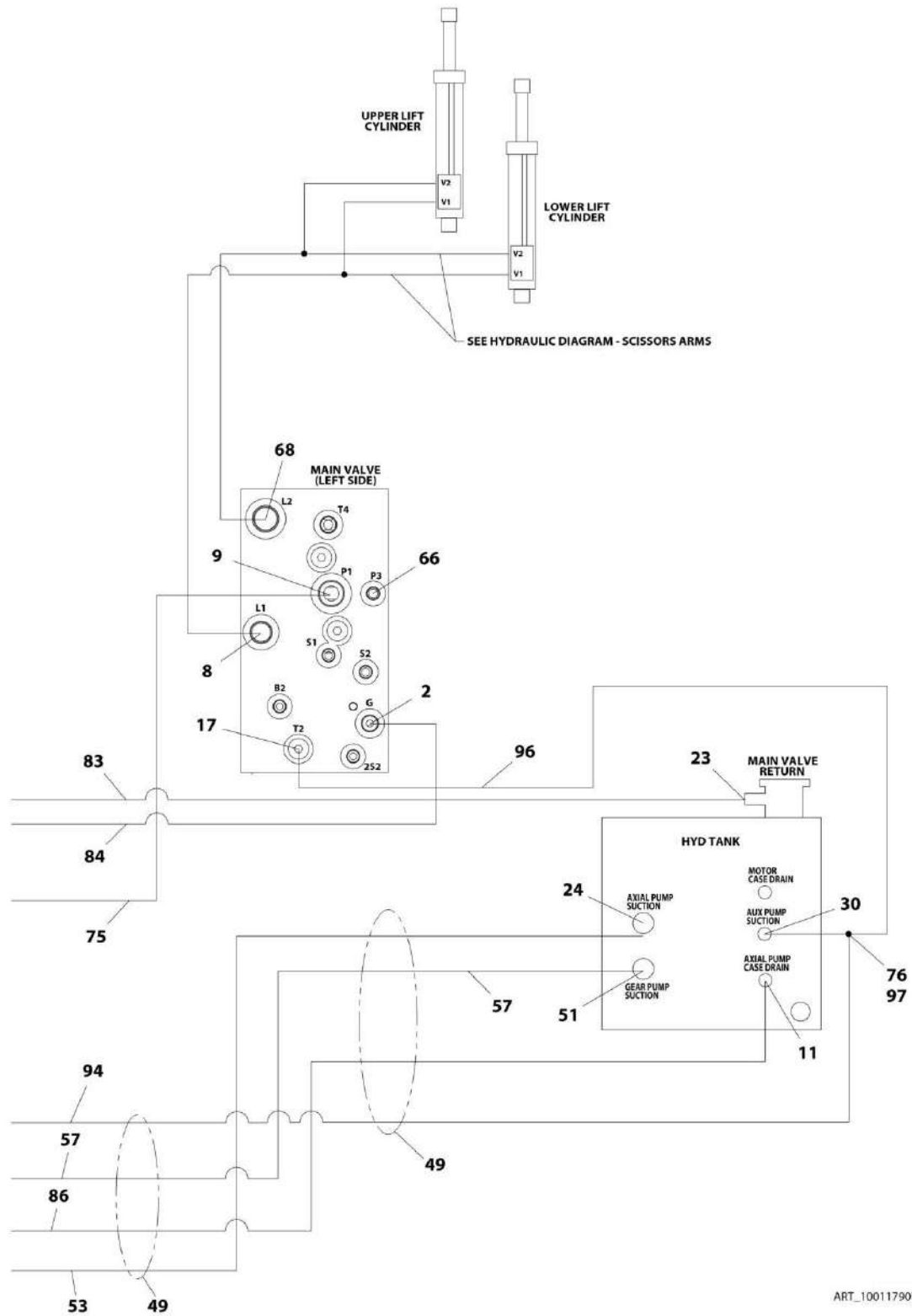
ITEM	PART NUMBER	QTY	DESCRIPTION	REV
	1001163178	Ref	STEER CYLINDER ASSEMBLY	D
		Ref	Note: Original Cylinder May Have Been Replaced with Service Replacement. Identify PN Stamped on Cylinder Before Ordering Parts.	
1	70005150	1	Barrel	
2	70005151	1	Rod	
3	70005152	2	Head	
4	See Note	NSS	Wiper (Note: Use Item 12)	
5	See Note	NSS	Seal, Rod (Note: Use Item 12)	
6	See Note	NSS	Ring, Back-up (Note: Use Item 12)	
7	70005153	2	Bearing, Dry	
8	See Note	NSS	O-Ring (Note: Use Item 12)	
9	See Note	NSS	O-Ring (Note: Use Item 12)	
10	See Note	NSS	Seal, Piston (Note: Use Item 12)	
11	See Note	2	Plug 9/16 (Note: Not Available for Purchase)	
12	70005154	1	Seal Kit - 1001163178 Cylinder (Includes Items 4-6 & 8-10)	



**SECTION 7 - HYDRAULIC**

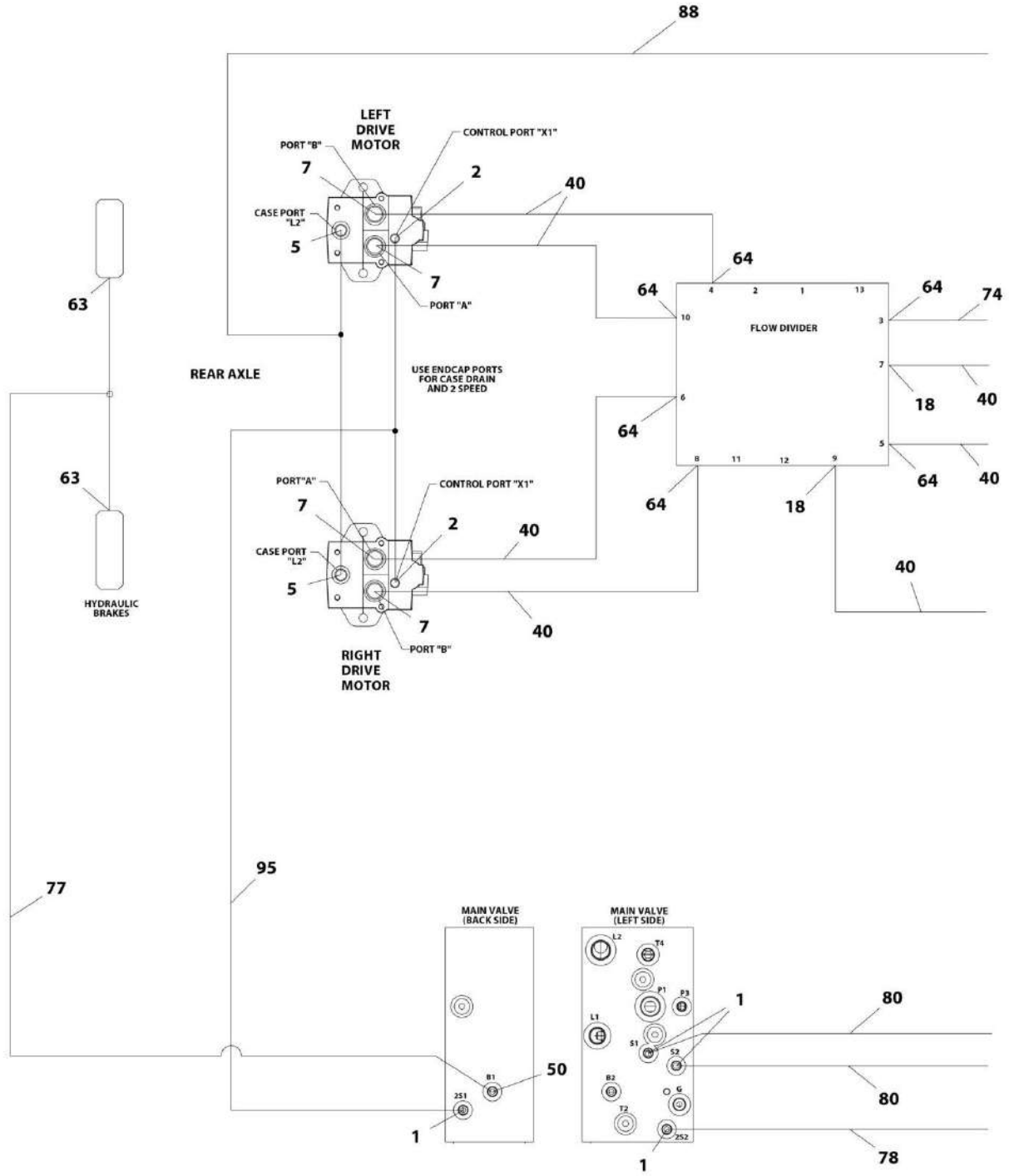


# SECTION 7 - HYDRAULIC



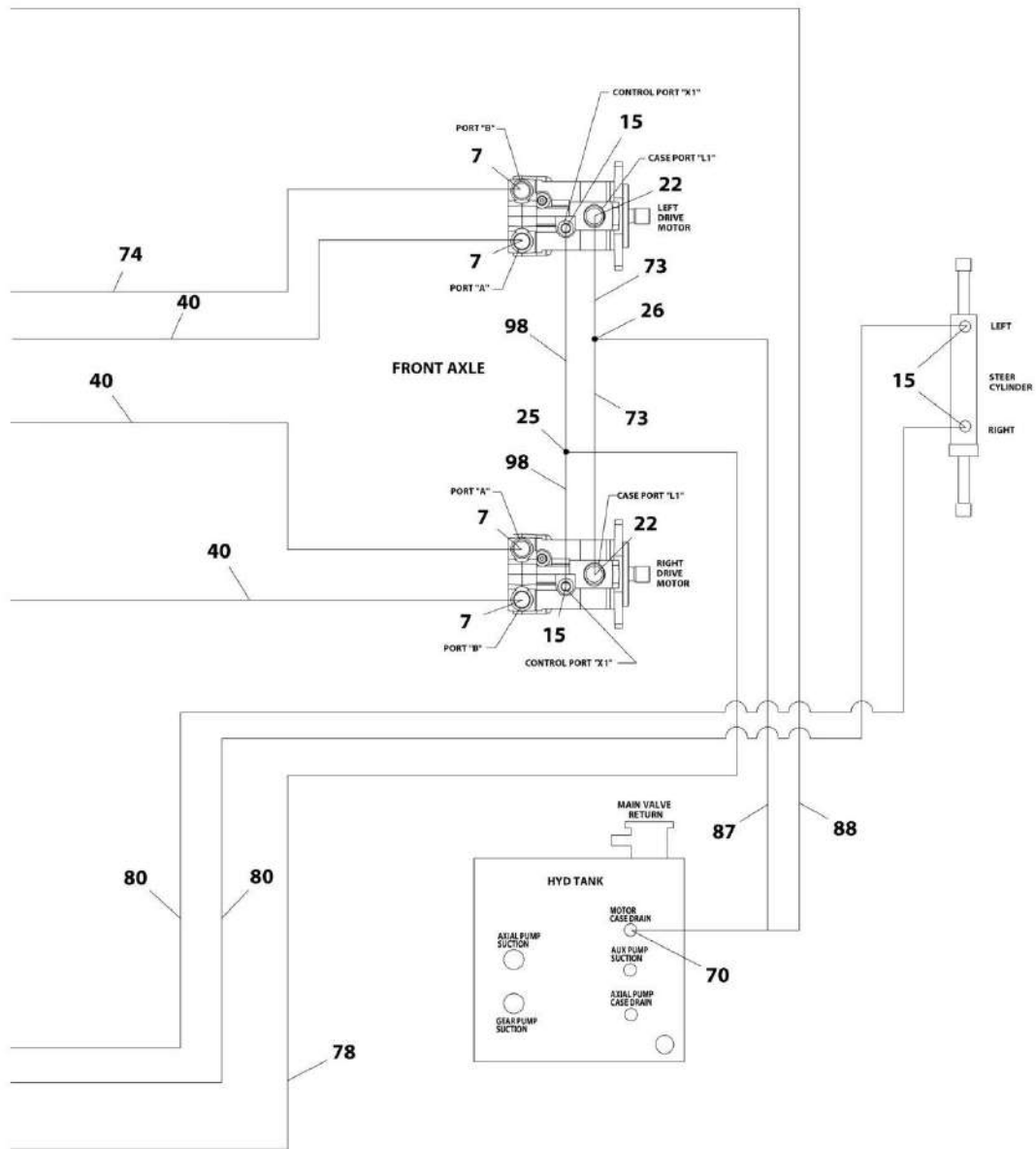
ART\_1001179071\_20F5

# SECTION 7 - HYDRAULIC



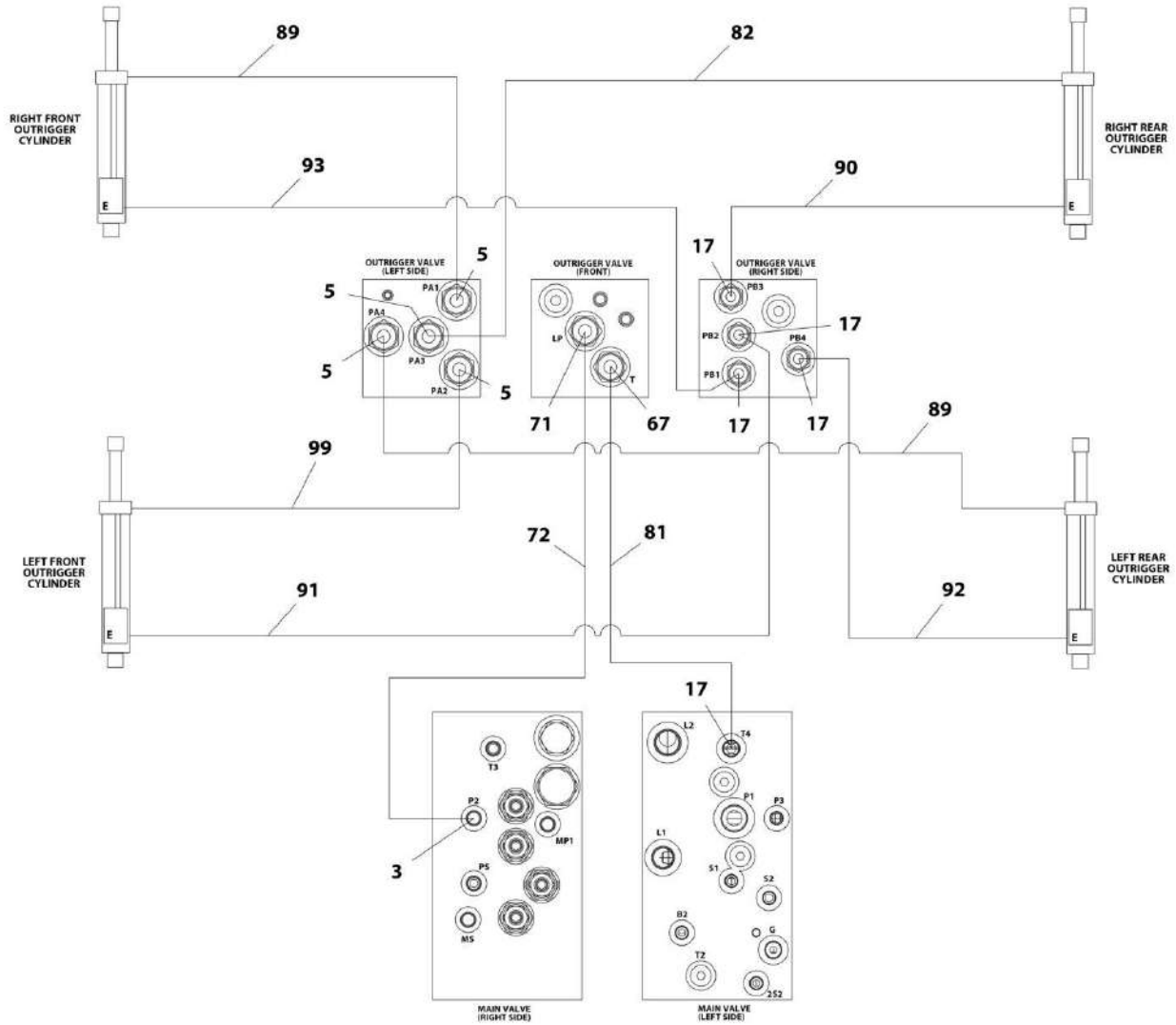
ART\_1001179071\_30F5

# SECTION 7 - HYDRAULIC



ART\_1001179071\_40F5

# SECTION 7 - HYDRAULIC



ART\_1001179071\_SOF5



## SECTION 7 - HYDRAULIC

### FIGURE 7-1. HYDRAULIC DIAGRAM - FIXED AXLE

ITEM	PART NUMBER	QTY	DESCRIPTION	REV
	1001179071	Ref	HYDRAULIC DIAGRAM - FIXED AXLE	G
1	2220415	5	Fitting, Straight JIC/ORB	
2	2220582	3	Fitting, Straight JIC/ORB	
3	2220603	1	Fitting, Straight JIC/ORB	
4	2220497	1	Fitting, Straight JIC/ORB	
5	2220373	6	Fitting, Straight JIC/ORB	
6	2110810	2	Fitting, Straight ORFS/ORB	
7	2110812	9	Fitting, Straight ORFS/ORB	
8	2220852	1	Fitting, Straight JIC/ORB	
9	2111010	1	Fitting, Straight ORFS/ORB	
11	2220578	1	Fitting, 90 JIC/ORB	
12	2111216	2	Fitting, Straight ORFS/ORB	
13	2112016	1	Fitting, Straight ORFS/ORB	
14	2220466	2	Fitting, 90 JIC/ORB	
15	2221040	4	Fitting, 45 JIC/ORB	
16	2220775	1	Fitting, 90 JIC/ORB	
17	2220371	6	Fitting, Straight JIC/ORB	
18	2110808	2	Fitting, Straight ORFS/ORB	
19	2130812	1	Fitting, 90 ORFS/ORB	
20	2131216	2	Fitting, 90 ORFS/ORB	
21	2220472	1	Fitting, 90 JIC/ORB	
22	2220500	2	Fitting, 45 JIC/ORB	
23	2220435	1	Fitting, Straight JIC/ORB	
24	2152020	1	Fitting, 45 ORFS/ORB	
25	2220504	1	Fitting, Tee JIC/JIC/JIC	
26	2220362	1	Fitting, Tee FL/FL/FL	
27	2220237	1	Plug ORB	
28	2220238	1	Plug ORB	
29	2220479	1	Fitting, Straight JIC/ORB	
30	2220577	1	Fitting, Straight JIC/ORB	
31	2221086	2	Fitting, Test	
40	2753791	7	Hose	
47	2754244	2	Hose	
49	4061032	3	Shield (Prior to SN E200000138)	
49	4061032	5	Shield (SN E200000138 to Present)	
50	2110404	1	Fitting, Straight ORFS/ORB	
51	8760351	1	Fitting, 45 JIC/ORB	
53	1001104581	1	Hose	
56	1001107924	2	Hose	
57	1001108128	1	Hose	
63	2130404	2	Fitting, 90 ORFS/ORB	
64	2130808	6	Fitting, 90 ORFS/ORB	
65	2131010	1	Fitting, 90 ORFS/ORB	
66	2220235	1	Fitting	
67	2220372	1	Fitting, Straight JIC/ORB	
68	2220408	2	Fitting, Straight JIC/ORB	
69	2220451	1	Fitting, Straight JIC/ORB	
70	2220602	1	Fitting, Tee JIC/ORB/JIC	
71	2220628	1	Fitting, 90 JIC/ORB	
72	2716703	1	Hose	

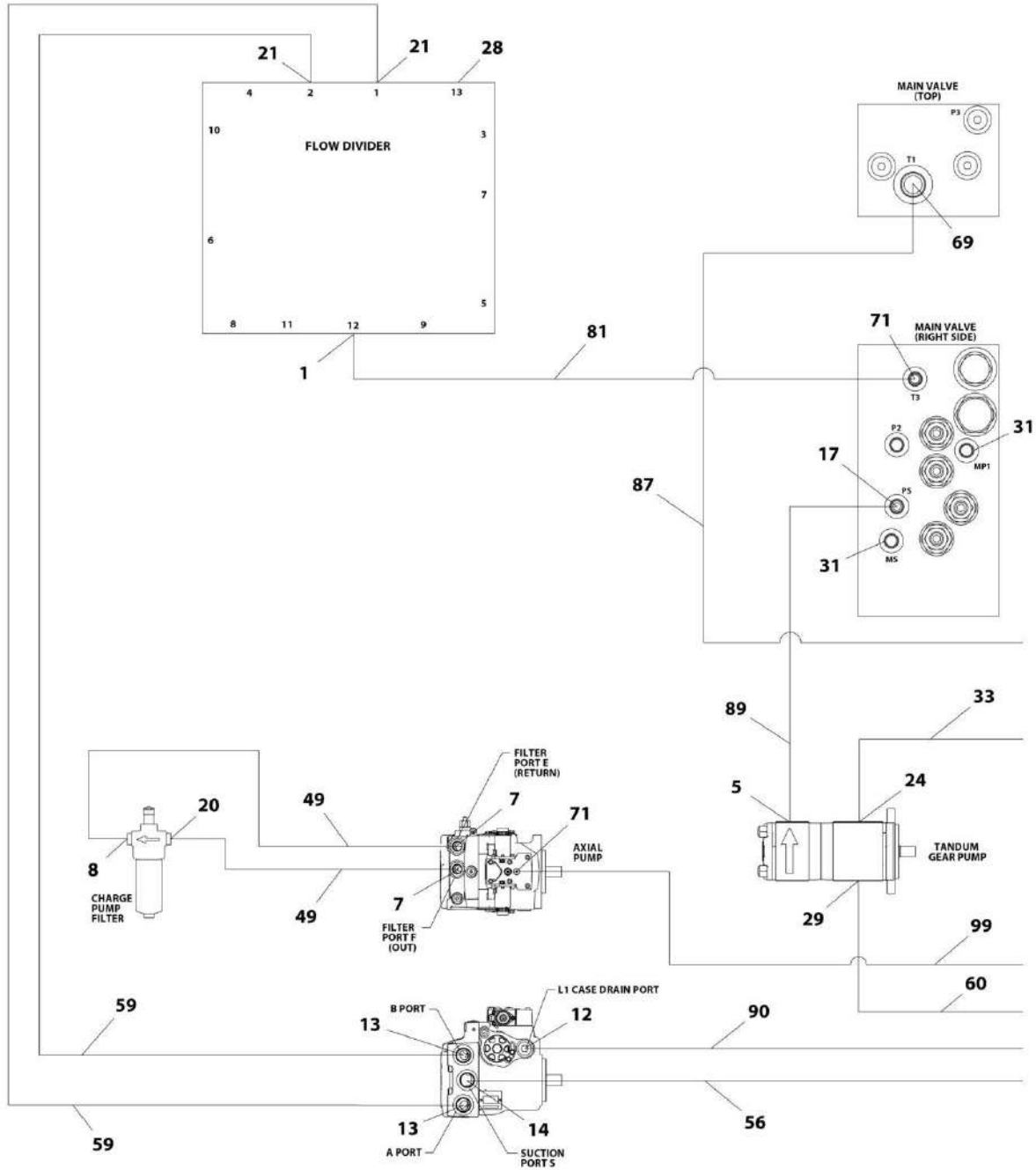
## SECTION 7 - HYDRAULIC

ITEM	PART NUMBER	QTY	DESCRIPTION	REV
73	2716705	2	Hose	
74	2753970	1	Hose	
75	2753798	1	Hose	
76	8760268	1	Fitting, 90 JIC/FSJIC	
77	1001104589	1	Hose	
78	1001108477	1	Hose	
79	1001151351	1	Hose	
80	1001158199	2	Hose	
81	1001158246	1	Hose	
82	1001182051	1	Hose	
83	1001194378	1	Hose	
84	1001194379	1	Hose	
85	1001194380	1	Hose	
86	1001194381	1	Hose	
87	1001194382	1	Hose	
88	1001194383	1	Hose	
89	1001194384	2	Hose	
90	1001194385	1	Hose	
91	1001194386	1	Hose	
92	1001194387	1	Hose	
93	1001194388	1	Hose	
94	1001194390	1	Hose	
95	1001194391	1	Hose	
96	2752485	1	Hose	
97	2220635	1	Fitting, Tee JIC/JIC/JIC	
98	1001151354	2	Hose	
99	1001205920	1	Hose	



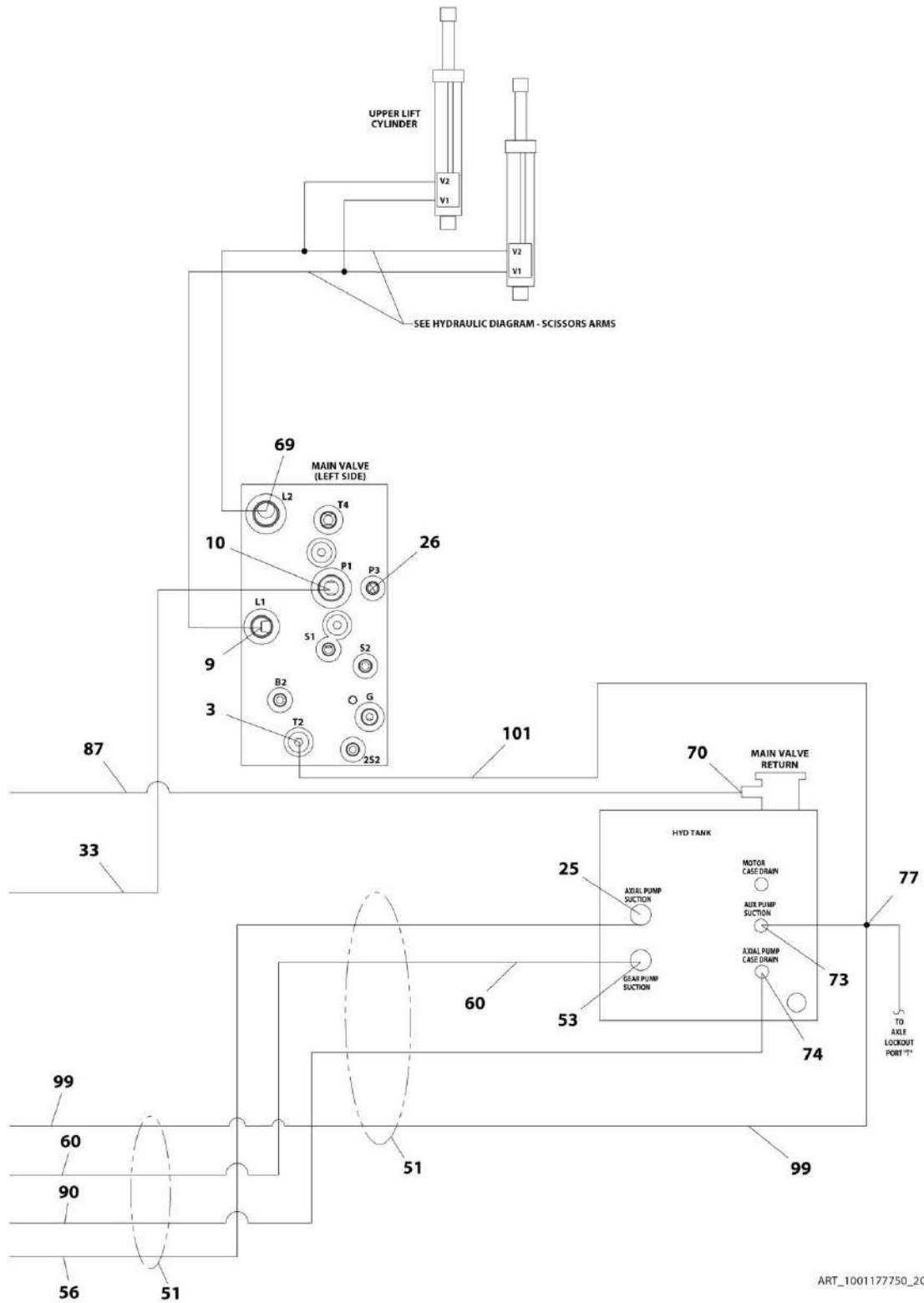
# SECTION 7 - HYDRAULIC

## FIGURE 7-2. HYDRAULIC DIAGRAM - OSCILLATING AXLE

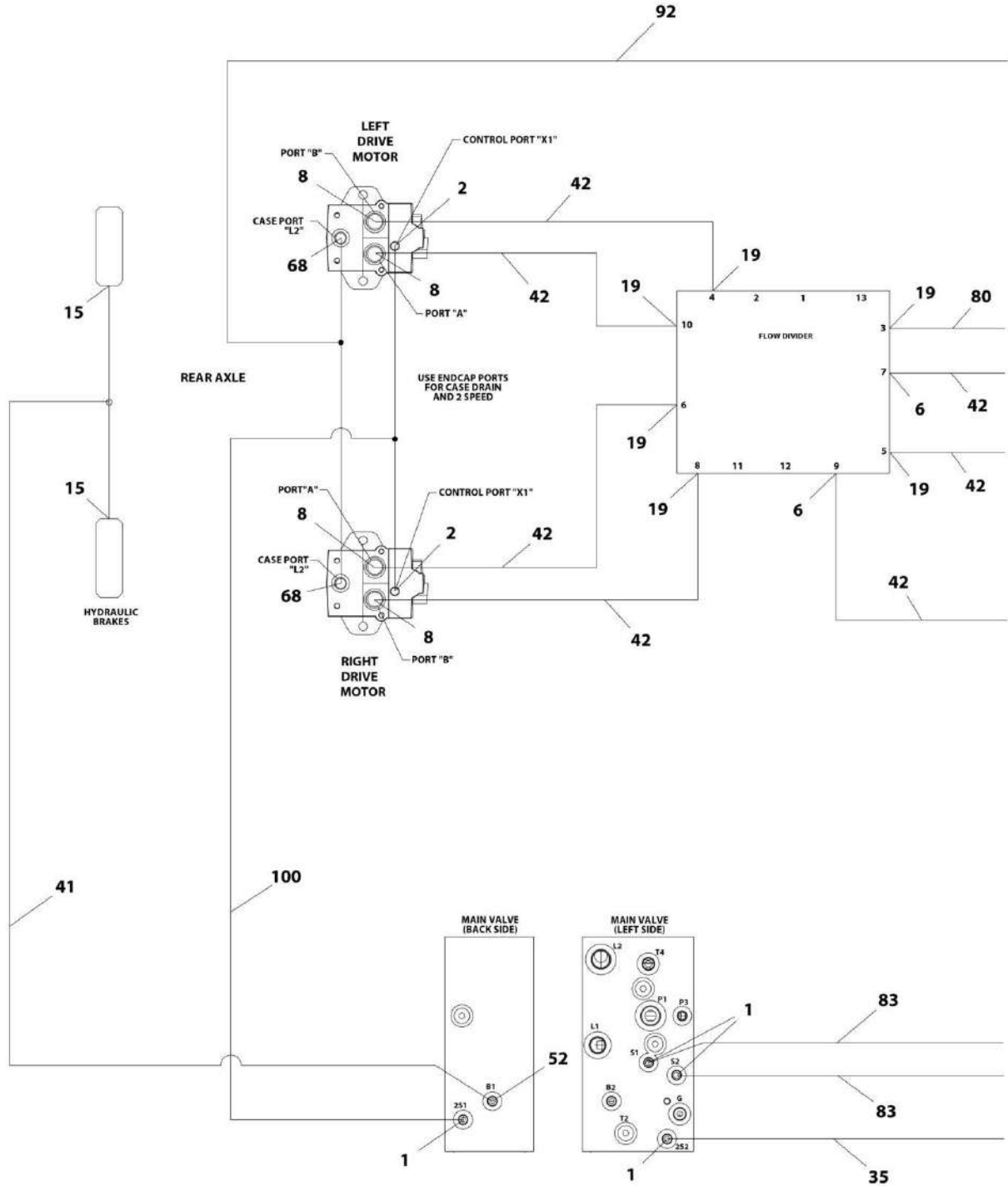


ART\_1001177750\_10F7

# SECTION 7 - HYDRAULIC

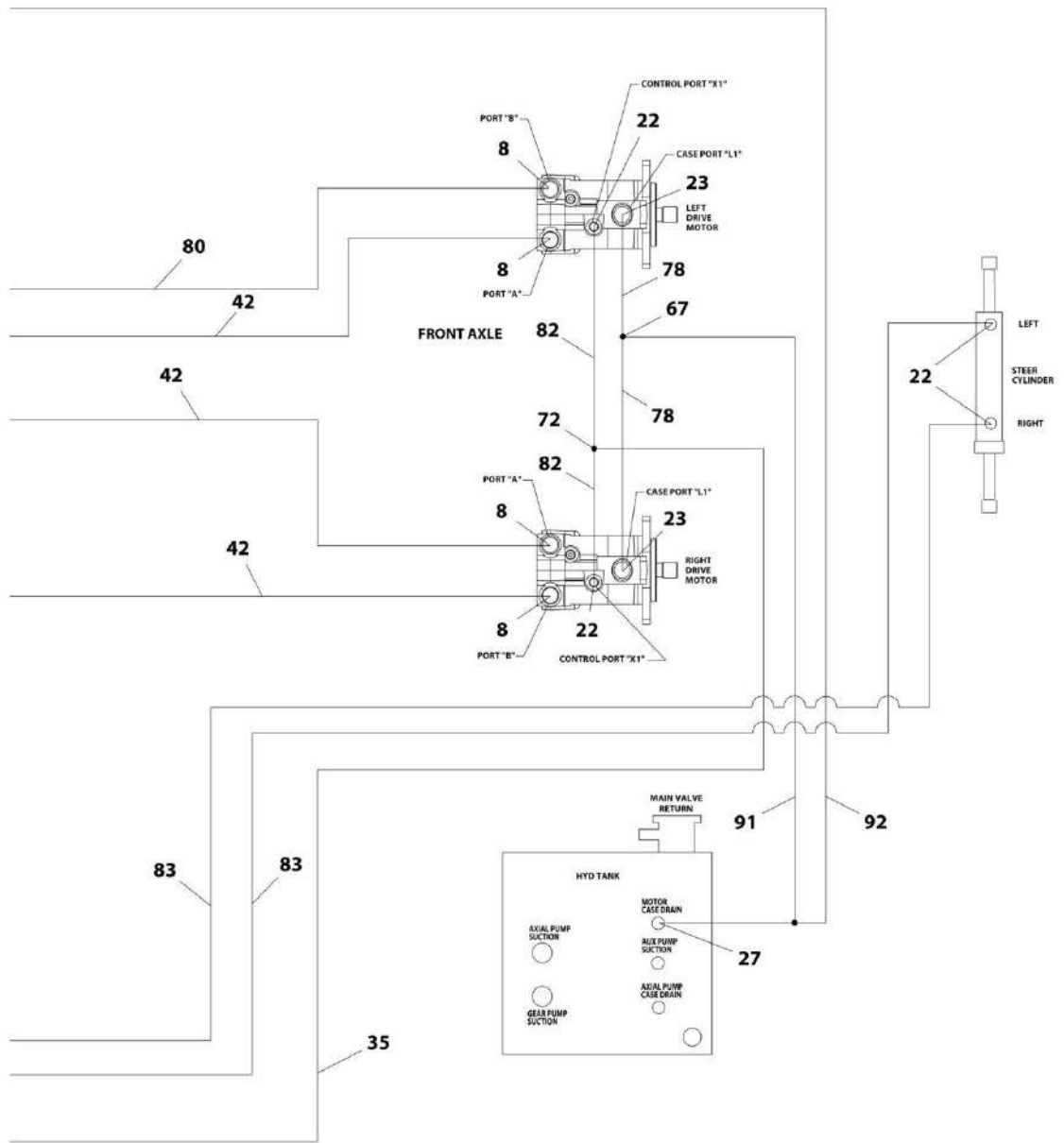


SECTION 7 - HYDRAULIC



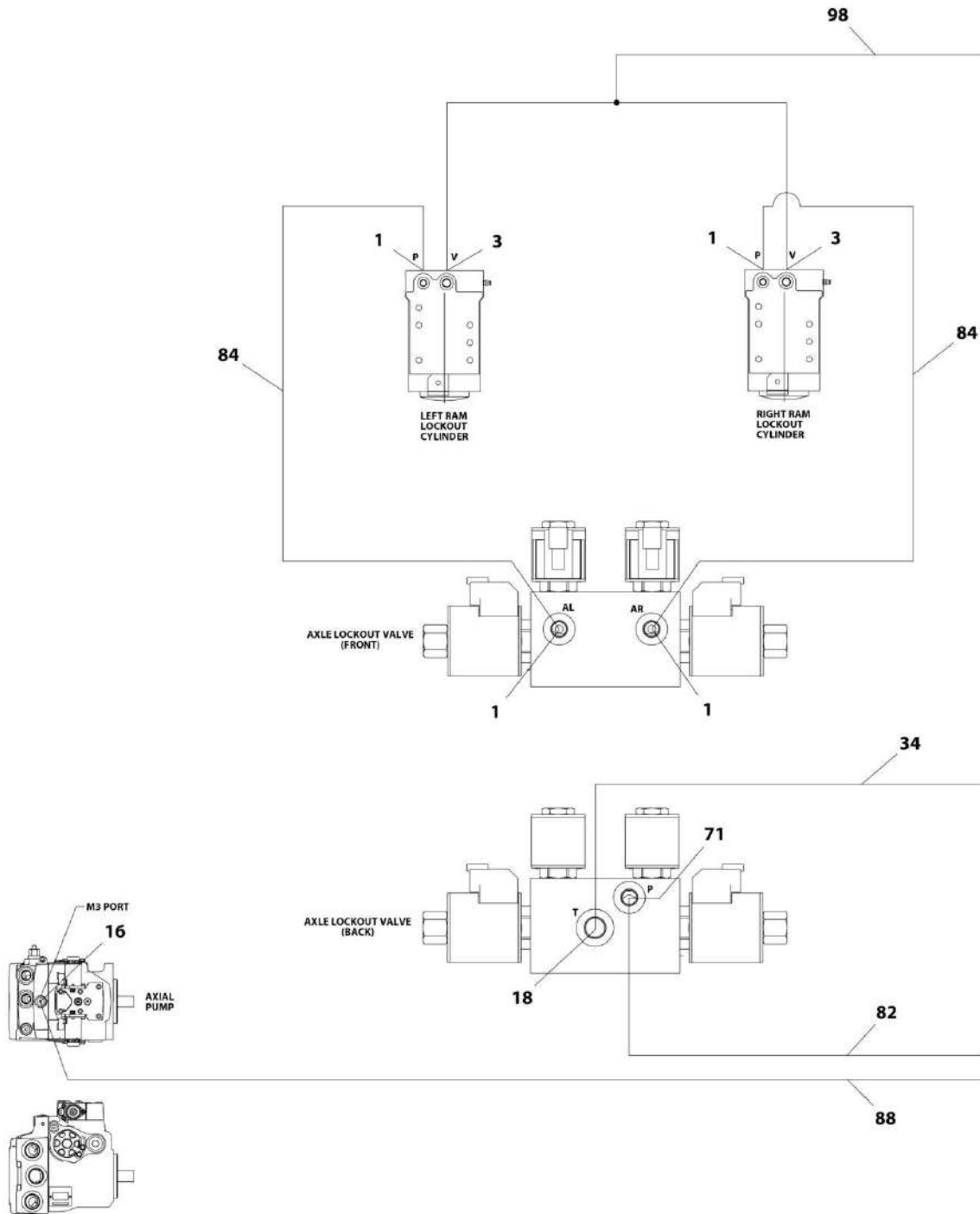
ART\_1001177750\_30F7

# SECTION 7 - HYDRAULIC



ART\_100117750\_4OF7

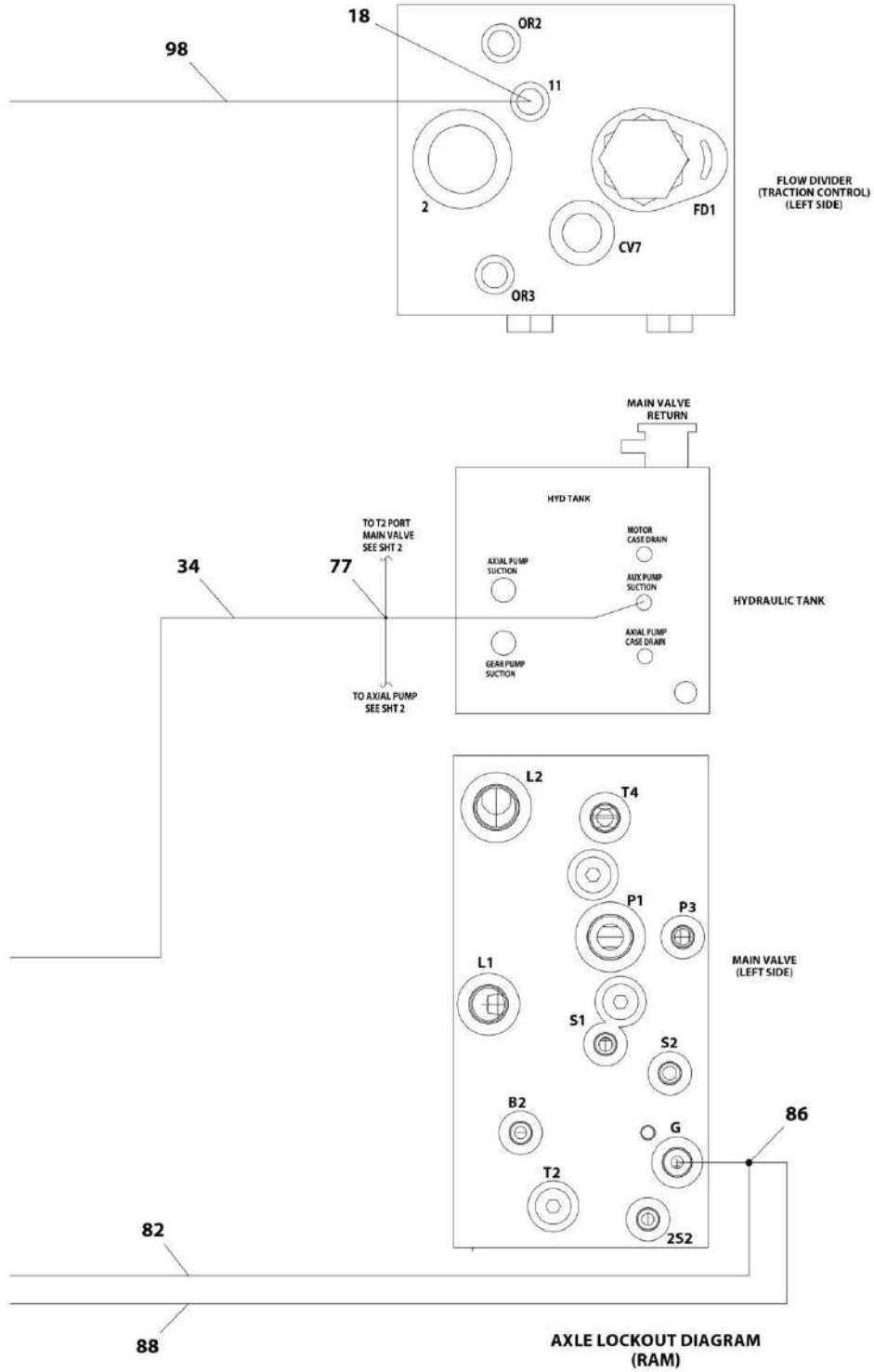
# SECTION 7 - HYDRAULIC



ART\_100117750\_SOF7

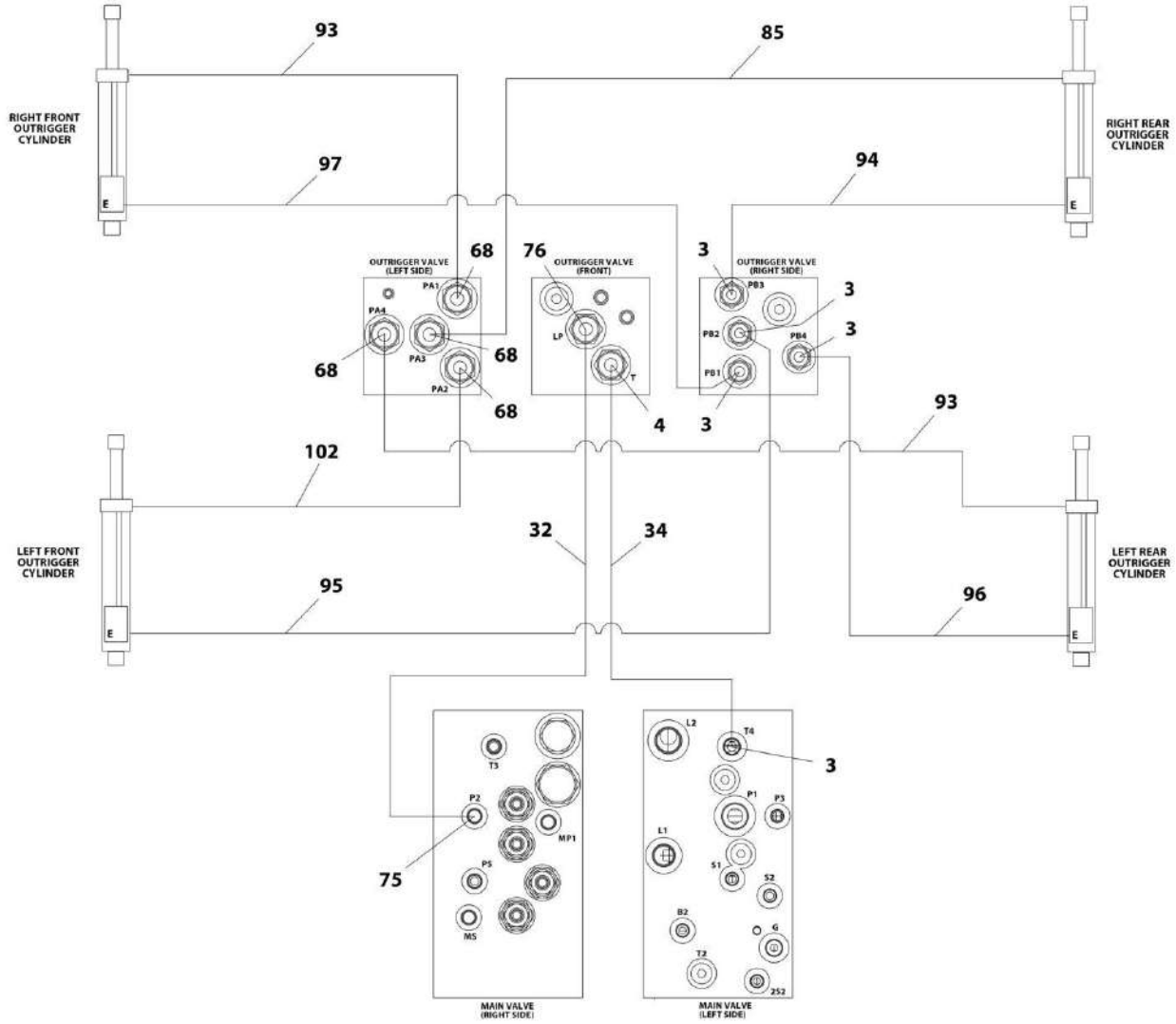


# SECTION 7 - HYDRAULIC



ART\_1001177750\_GOF7

# SECTION 7 - HYDRAULIC



ART\_1001177750\_7OF7

## SECTION 7 - HYDRAULIC

### FIGURE 7-2. HYDRAULIC DIAGRAM - OSCILLATING AXLE

ITEM	PART NUMBER	QTY	DESCRIPTION	REV
	1001177750	Ref	HYDRAULIC DIAGRAM - OSCILLATING AXLE	G
1	2220415	9	Fitting, Straight JIC/ORB	
2	2220582	2	Fitting, Straight JIC/ORB	
3	2220371	8	Fitting, Straight JIC/ORB	
4	2220372	1	Fitting, Straight JIC/ORB	
5	2220497	1	Fitting, Straight JIC/ORB	
6	2110808	2	Fitting, Straight ORFS/ORB	
7	2110810	2	Fitting, Straight ORFS/ORB	
8	2110812	9	Fitting, Straight ORFS/ORB	
9	2220852	1	Fitting, Straight JIC/ORB	
10	2111010	1	Fitting, Straight ORFS/ORB	
12	2220451	1	Fitting, Straight JIC/ORB	
13	2111216	2	Fitting, Straight ORFS/ORB	
14	2112016	1	Fitting, Straight ORFS/ORB	
15	2130404	2	Fitting, 90 ORFS/ORB	
16	2220472	1	Fitting, 90 JIC/ORB	
17	2220775	1	Fitting, 90 JIC/ORB	
18	2220473	2	Fitting, 90 JIC/ORB	
19	2130808	6	Fitting, 90 ORFS/ORB	
20	2130812	1	Fitting, 90 ORFS/ORB	
21	2131216	2	Fitting, 90 ORFS/ORB	
22	2221040	4	Fitting, 45 JIC/ORB	
23	2220500	2	Fitting, 45 JIC/ORB	
24	2131010	1	Fitting, 90 ORFS/ORB	
25	2152020	1	Fitting, 45 ORFS/ORB	
26	2220235	1	Fitting	
27	2220602	1	Fitting, Tee JIC/ORB/JIC	
28	2220238	1	Plug ORB	
29	2220479	1	Fitting, Straight JIC/ORB	
31	2221086	2	Fitting, Test	
32	2716703	1	Hose	
33	2753798	1	Hose	
34	1001158246	2	Hose	
35	1001108477	1	Hose	
41	1001104589	1	Hose	
42	2753791	7	Hose	
49	2754244	2	Hose	
51	4061032	3	Shield ( <b>Prior to SN E200000138</b> )	
51	4061032	5	Shield ( <b>SN E200000138 to Present</b> )	
52	2110404	1	Fitting, Straight ORFS/ORB	
53	8760351	1	Fitting, 45 ORFS/ORB	
56	1001104581	1	Hose	
59	1001107924	2	Hose	
60	1001108128	1	Hose	
67	2220362	1	Fitting, Tee FL/FL/FL	
68	2220373	6	Fitting, Straight JIC/ORB	
69	2220408	2	Fitting, Straight JIC/ORB	
70	2220435	1	Fitting, Straight JIC/ORB	
71	2220466	3	Fitting, 90 JIC/ORB	
72	2220504	1	Fitting, Tee JIC/JIC/JIC	

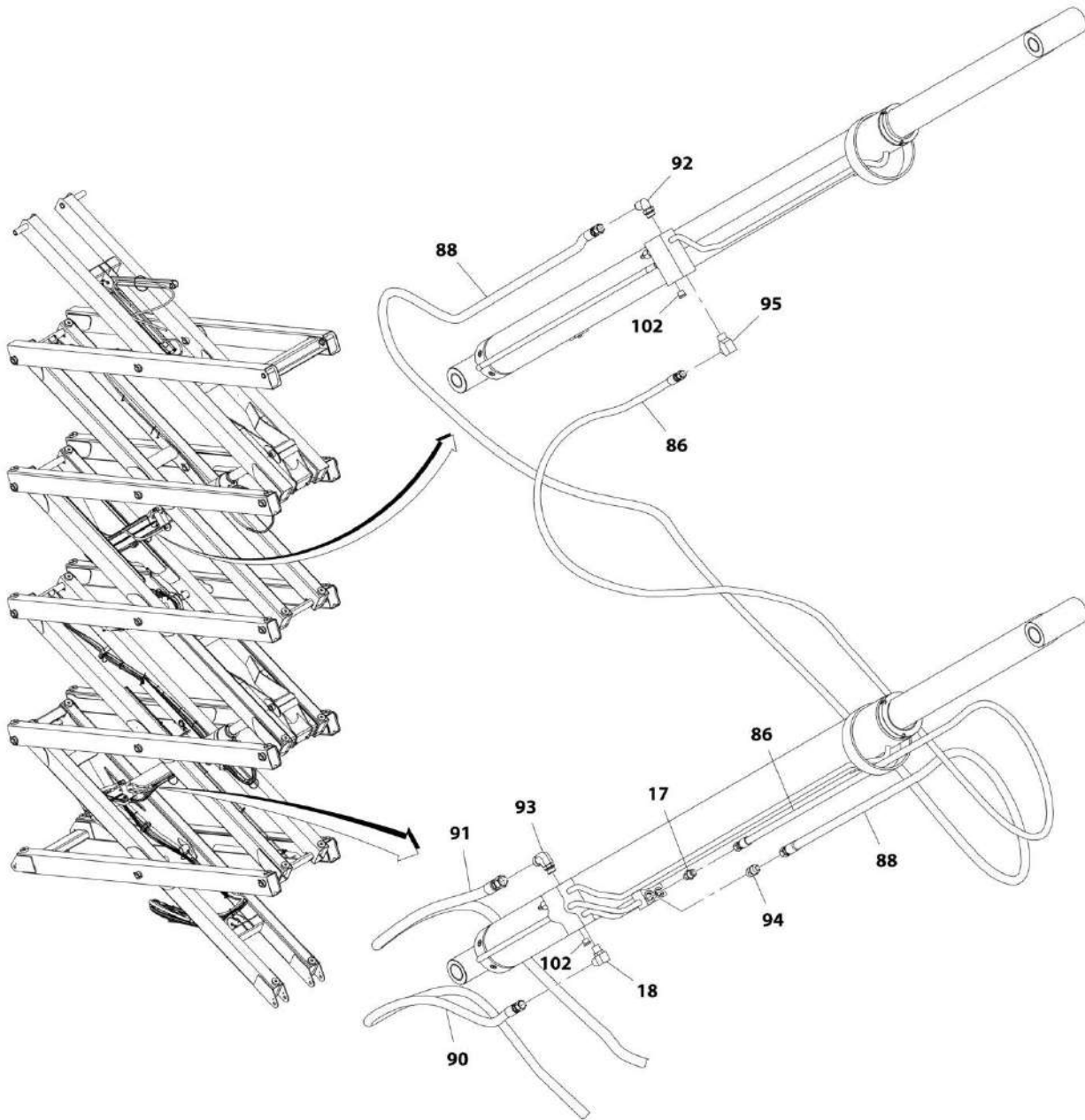
## SECTION 7 - HYDRAULIC

ITEM	PART NUMBER	QTY	DESCRIPTION	REV
73	2220577	1	Fitting, Straight JIC/ORB	
74	2220578	1	Fitting, 90 JIC/ORB	
75	2220603	1	Fitting, Straight JIC/ORB	
76	2220628	1	Fitting, 90 JIC/ORB	
77	2220635	2	Fitting, Tee JIC/JIC/JIC	
78	2716705	2	Hose	
80	2753970	1	Hose	
81	1001151351	1	Hose	
82	1001151354	3	Hose	
83	1001158199	2	Hose	
84	1001173043	2	Hose	
85	1001182051	1	Hose	
86	1001193988	1	Fitting, Tee JIC/ORB/JIC	
87	1001194378	1	Hose	
88	1001194379	1	Hose	
89	1001194380	1	Hose	
90	1001194381	1	Hose	
91	1001194382	1	Hose	
92	1001194383	1	Hose	
93	1001194384	2	Hose	
94	1001194385	1	Hose	
95	1001194386	1	Hose	
96	1001194387	1	Hose	
97	1001194388	1	Hose	
98	1001194389	1	Hose	
99	1001194390	1	Hose	
100	1001194391	1	Hose	
101	2752485	1	Hose	
102	1001205920	1	Hose	



# SECTION 7 - HYDRAULIC

## FIGURE 7-3. HYDRAULIC DIAGRAM - SCISSOR ARMS



ART\_1001180243\_30F3

## SECTION 7 - HYDRAULIC

### FIGURE 7-3. HYDRAULIC DIAGRAM - SCISSOR ARMS

ITEM	PART NUMBER	QTY	DESCRIPTION	REV
	1001180243	Ref	HYDRAULIC DIAGRAM - SCISSOR ARMS	K
17	2220373	1	Fitting, Straight JIC/ORB	
18	2221042	1	Fitting, 90 JIC/ORB (Prior to SN E200000112)	
18	2221036	1	Fitting, 90 JIC/ORB (SN E200000112 through E200000675, SN 1200027648 through 1200030222)	
86	1001193180	1	Hose	
88	1001193181	1	Hose	
90	1001193174	1	Hose	
91	1001193179	1	Hose	
92	2221036	1	Fitting, 90 JIC/ORB (Prior to SN E200000112)	
92	2220906	1	Fitting, 90 JIC/ORB (SN E200000112 through E200000675, SN 1200027648 through 1200030222)	
93	2220567	1	Fitting, 90 JIC/ORB (Prior to SN E200000112)	
93	2220578	1	Fitting, 90 JIC/ORB (SN E200000112 through E200000675, SN 1200027648 through 1200030222)	
94	2220947	1	Fitting, Straight JIC/ORB	
95	2220671	1	Fitting, 90 JIC/ORB	
102	2220883	2	Plug	

## SECTION 7 - HYDRAULIC

FIGURE 7-4. HYDRAULIC DIAGRAM LIST

ITEM	PART NUMBER	QTY	DESCRIPTION	REV
		Ref	Note: Diagrams are available from JLG Service/Parts Department.	
		Ref	HYDRAULIC DIAGRAM LIST	
	1001179071	Ref	HYDRAULIC DIAGRAM - FIXED AXLE	
	1001177750	Ref	HYDRAULIC DIAGRAM - OSCILLATING AXLE	
	1001180243	Ref	HYDRAULIC DIAGRAM - SCISSOR ARMS	
	1001181764	Ref	HYDRAULIC SCHEMATIC (Not Shown - See Service Manual)	



**SECTION 8 - ELECTRICAL**

## SECTION 8 - ELECTRICAL

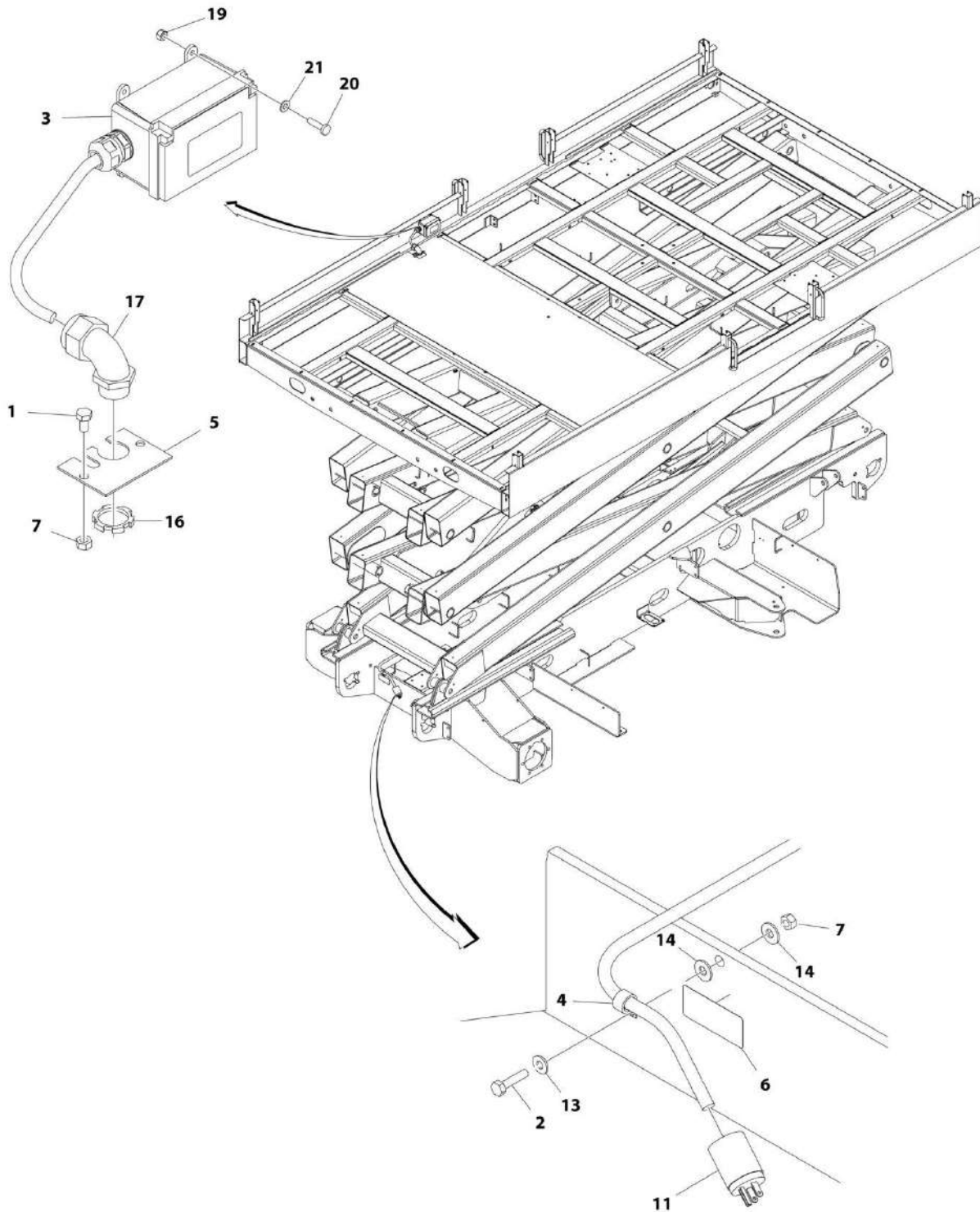
**FIGURE 8-1. ELECTRICAL DIAGRAM LIST**

ITEM	PART NUMBER	QTY	DESCRIPTION	REV
		Ref	Note: For information, refer to Service Manual or contact JLG Customer Service Department.	
		Ref	ELECTRICAL DIAGRAM LIST	
	1001191631	Ref	Electrical Schematic (Not Shown - See Service Manual)	
	1001181217	Ref	4000W Generator Electrical Diagram - Kubota Diesel Stage III	
	1001177770	Ref	4000W Generator Electrical Diagram - Kubota Diesel T4F	
	1001181216	Ref	4000W Generator Electrical Diagram - Kubota Gasoline	
	1001181140	Ref	7500W Generator Electrical Diagram - Kubota Diesel Stage III	
	1001177767	Ref	7500W Generator Electrical Diagram - Kubota Diesel T4F	
	1001181141	Ref	7500W Generator Electrical Diagram - Kubota Gasoline	



# SECTION 8 - ELECTRICAL

FIGURE 8-2. AC BOX AT PLATFORM INSTALLATION - 110V GFI (ANSI AND ANSI EXPORT SPECS)  
(Prior to SN E200000130)



ART\_0271735

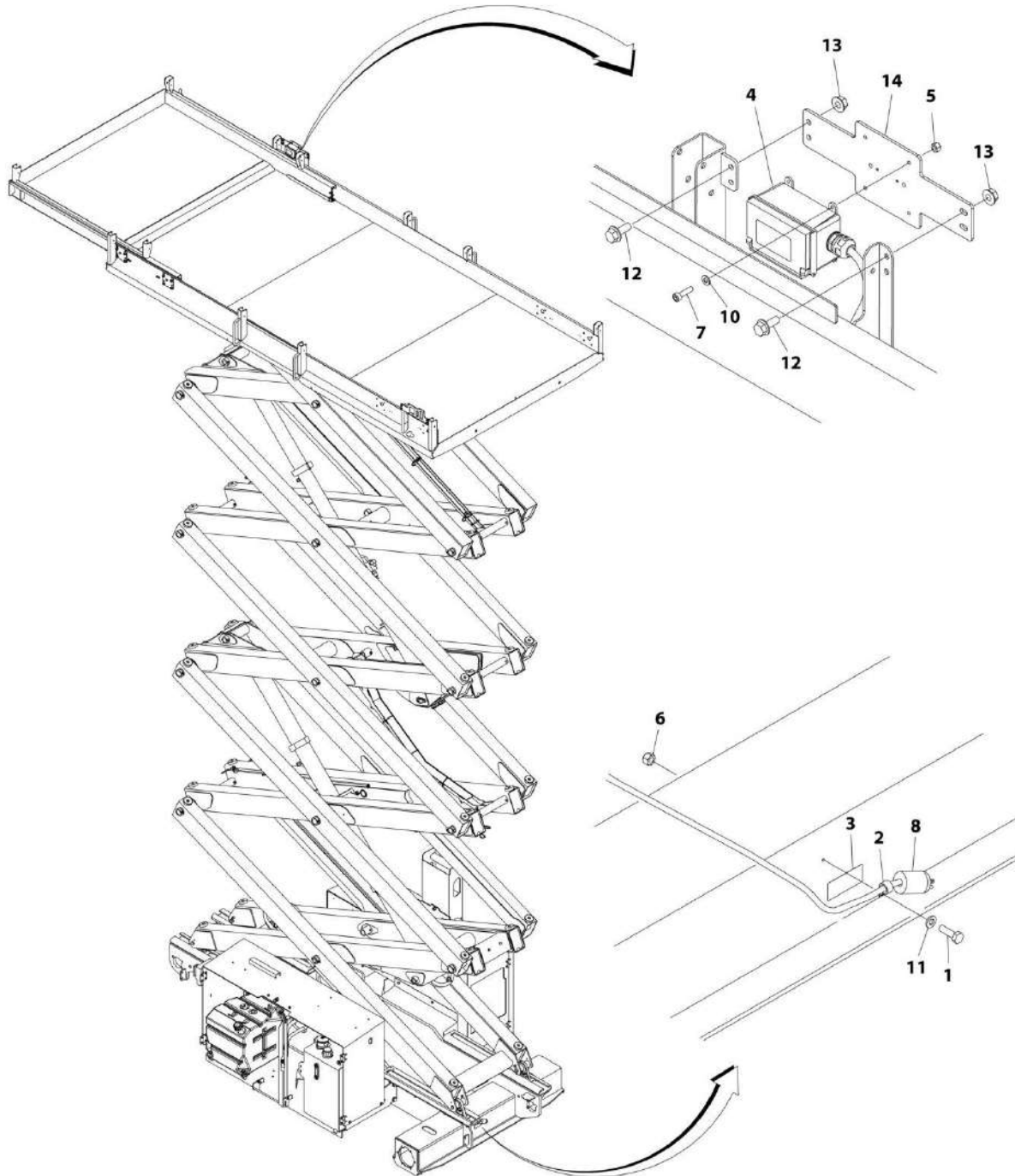
## SECTION 8 - ELECTRICAL

**FIGURE 8-2. AC BOX AT PLATFORM INSTALLATION - 110V GFI (ANSI AND ANSI EXPORT SPECS)  
(Prior to SN E20000130)**

ITEM	PART NUMBER	QTY	DESCRIPTION	REV
	0271735	Ref	AC BOX AT PLATFORM INSTALLATION - 110V GFI (ANSI AND ANSI EXPORT SPECS)	H
1	0641404	2	Bolt 1/4 x 1/2	
2	0641409	1	Bolt 1/4 x 1-1/8	
3	2902431	1	Receptacle Box Kit (See RECEPTACLE BOX KIT - 110V GFI for Breakdown)	
4	1320224	1	Clamp	
5	1670988	1	Cover, Access	
6	1703464	1	Decal - AC Power	
7	3311405	3	Nut 1/4	
11	4460138	1	Plug	
13	4711400	1	Washer 1/4	
14	4751400	2	Washer 1/4	
16	3300048	1	Nut 3/4 NPT	
17	4460422	1	Connector, Strain Relief	
19	3290405	4	Nut M4	
20	4010408	4	Screw M4 x 16	
21	4811400	4	Washer M4	

# SECTION 8 - ELECTRICAL

**FIGURE 8-3. AC BOX AT PLATFORM INSTALLATION - 110V GFI (ANSI AND ANSI EXPORT SPECS)  
(SN E200000130 through E200000675, SN 1200027648 through 1200030222)**



ART\_1001207511

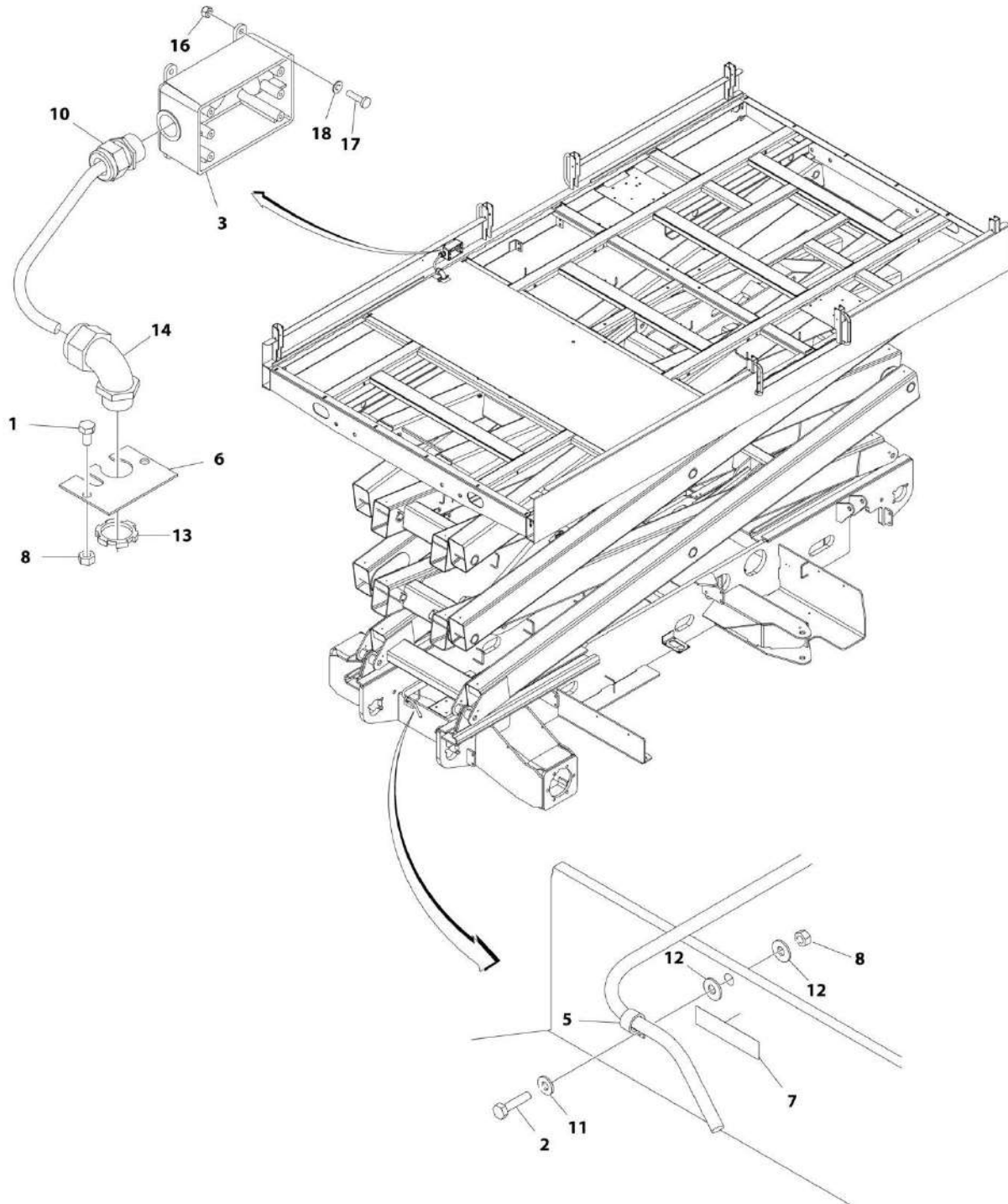
## SECTION 8 - ELECTRICAL

**FIGURE 8-3. AC BOX AT PLATFORM INSTALLATION - 110V GFI (ANSI AND ANSI EXPORT SPECS)  
(SN E200000130 through E200000675, SN 1200027648 through 1200030222)**

ITEM	PART NUMBER	QTY	DESCRIPTION	REV
	1001207511	Ref	AC BOX AT PLATFORM INSTALLATION - 110V GFI (ANSI AND ANSI EXPORT SPECS)	A
1	0760610	1	Bolt M6 x 20	
2	1320224	1	Clamp	
3	1703464	1	Decal - AC Power	
4	2902431	1	Receptacle Box Kit (See RECEPTACLE BOX KIT - 110V GFI for Breakdown)	
5	3290405	4	Nut M4	
6	3290605	1	Nut M6	
7	4031507	4	Bolt M4 x 16	
8	4460138	1	Plug	
9	4460315	3	Terminal (Not Shown)	
10	4811400	4	Washer M4	
11	4811700	1	Washer M6	
12	0780608	4	Bolt M6 x 16	
13	5260600	4	Nut M6	
14	1001207520	1	Bracket	

## SECTION 8 - ELECTRICAL

FIGURE 8-4. AC BOX AT PLATFORM INSTALLATION - 220V (ANSI AND ANSI EXPORT SPECS) (Prior to SN E200000130)



ART\_0271736



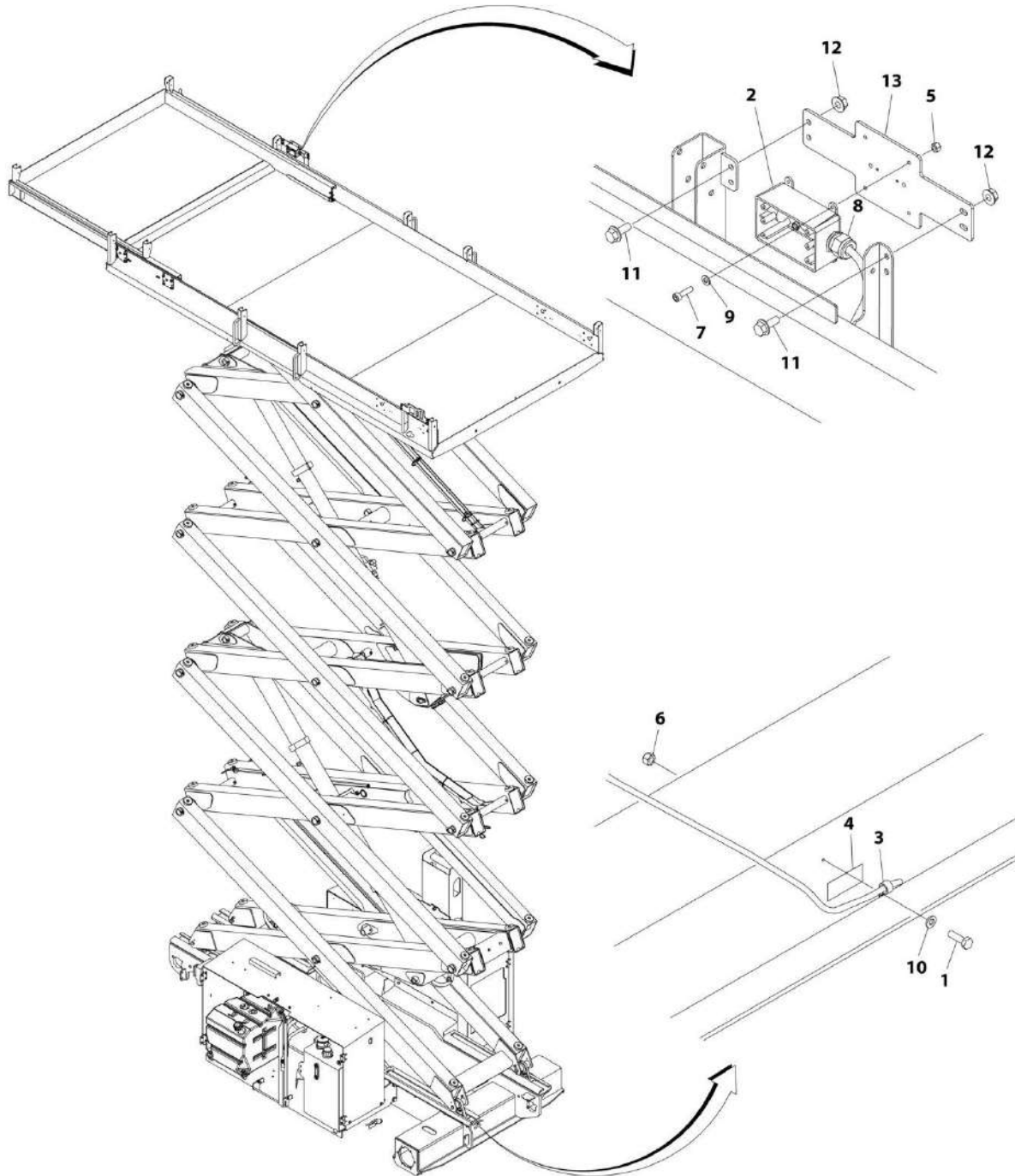
## SECTION 8 - ELECTRICAL

**FIGURE 8-4. AC BOX AT PLATFORM INSTALLATION - 220V (ANSI AND ANSI EXPORT SPECS) (Prior to SN E200000130)**

ITEM	PART NUMBER	QTY	DESCRIPTION	REV
	0271736	Ref	AC BOX AT PLATFORM INSTALLATION - 220V (ANSI AND ANSI EXPORT SPECS)	G
1	0641404	2	Bolt 1/4 x 1/2	
2	0641409	1	Bolt 1/4 x 1-1/8	
3	0861731	1	Box, Receptacle	
5	1320224	1	Clamp	
6	1670988	1	Cover, Access	
7	3252507	1	Decal - 220 Volt	
8	3311405	3	Nut 1/4	
10	4460071	1	Connector, Strain Relief	
11	4711400	1	Washer 1/4	
12	4751400	2	Washer 1/4	
13	3300048	1	Nut 3/4	
14	4460422	1	Connector, Strain Relief	
16	3290405	4	Nut M4	
17	4010408	4	Screw M4 x 16	
18	4811400	4	Washer M4	

# SECTION 8 - ELECTRICAL

FIGURE 8-5. AC BOX AT PLATFORM INSTALLATION - 220V (ANSI AND ANSI EXPORT SPECS) (SN E200000130 through E200000675, SN 1200027648 through 1200030222)



ART\_1001207512

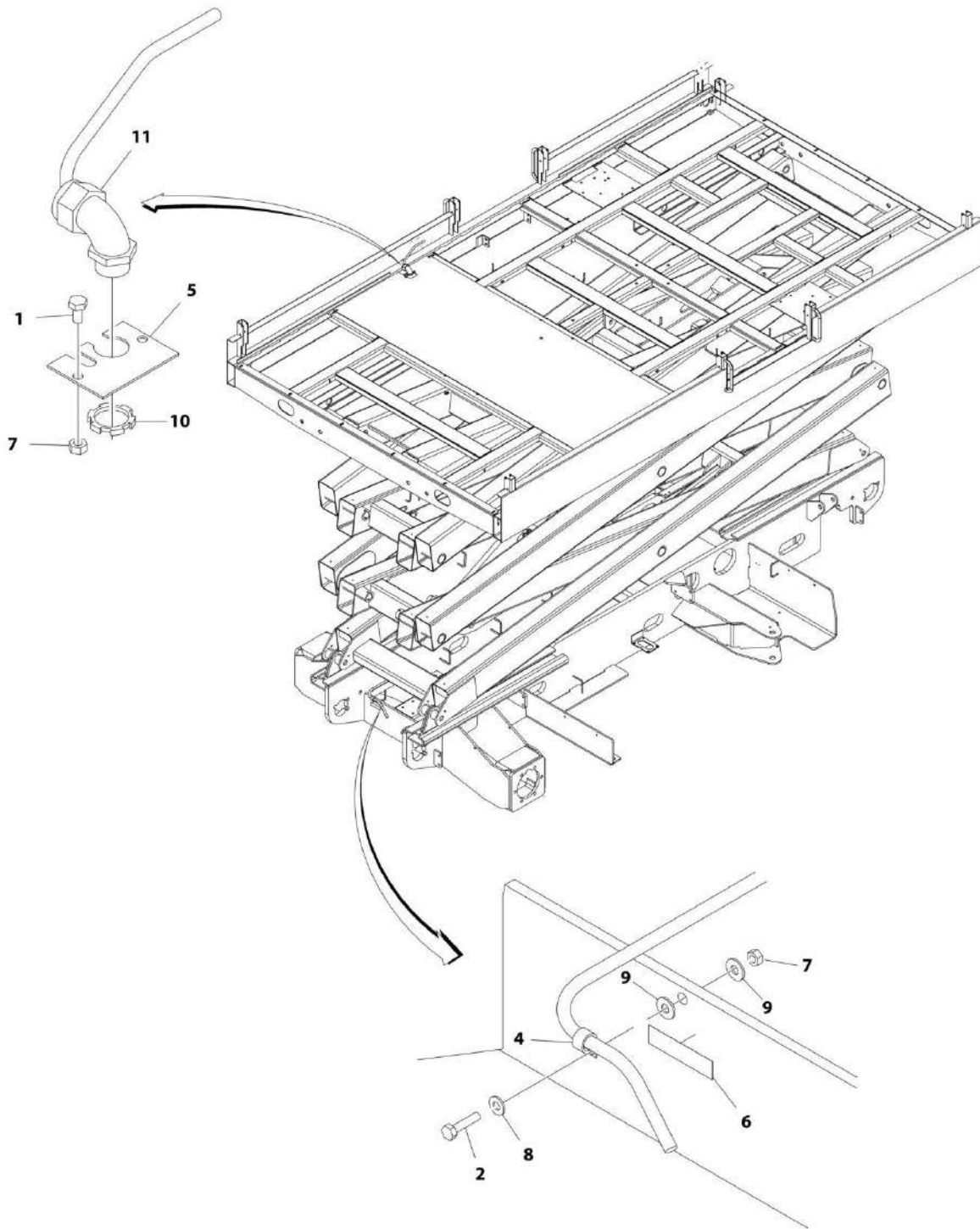
## SECTION 8 - ELECTRICAL

**FIGURE 8-5. AC BOX AT PLATFORM INSTALLATION - 220V (ANSI AND ANSI EXPORT SPECS) (SN E200000130 through E200000675, SN 1200027648 through 1200030222)**

ITEM	PART NUMBER	QTY	DESCRIPTION	REV
	1001207512	Ref	AC BOX AT PLATFORM INSTALLATION - 220V (ANSI AND ANSI EXPORT SPECS)	A
1	0760610	1	Bolt M6 x 20	
2	0861731	1	Box, Receptacle	
3	1320224	1	Clamp	
4	3252507	1	Decal - 220 Volt	
5	3290405	4	Nut M4	
6	3290605	1	Nut M6	
7	4031507	4	Bolt M4 x 16	
8	4460071	1	Connector, Strain Relief	
9	4811400	4	Washer M4	
10	4811700	1	Washer M6	
11	0780608	4	Bolt M6 x 16	
12	5260600	4	Nut M6	
13	1001207520	1	Bracket	

## SECTION 8 - ELECTRICAL

FIGURE 8-6. AC BOX AT PLATFORM INSTALLATION - 220V (CUSTOMER SUPPLIED COMPONENTS)  
(Prior to SN E200000130)



ART\_0271737

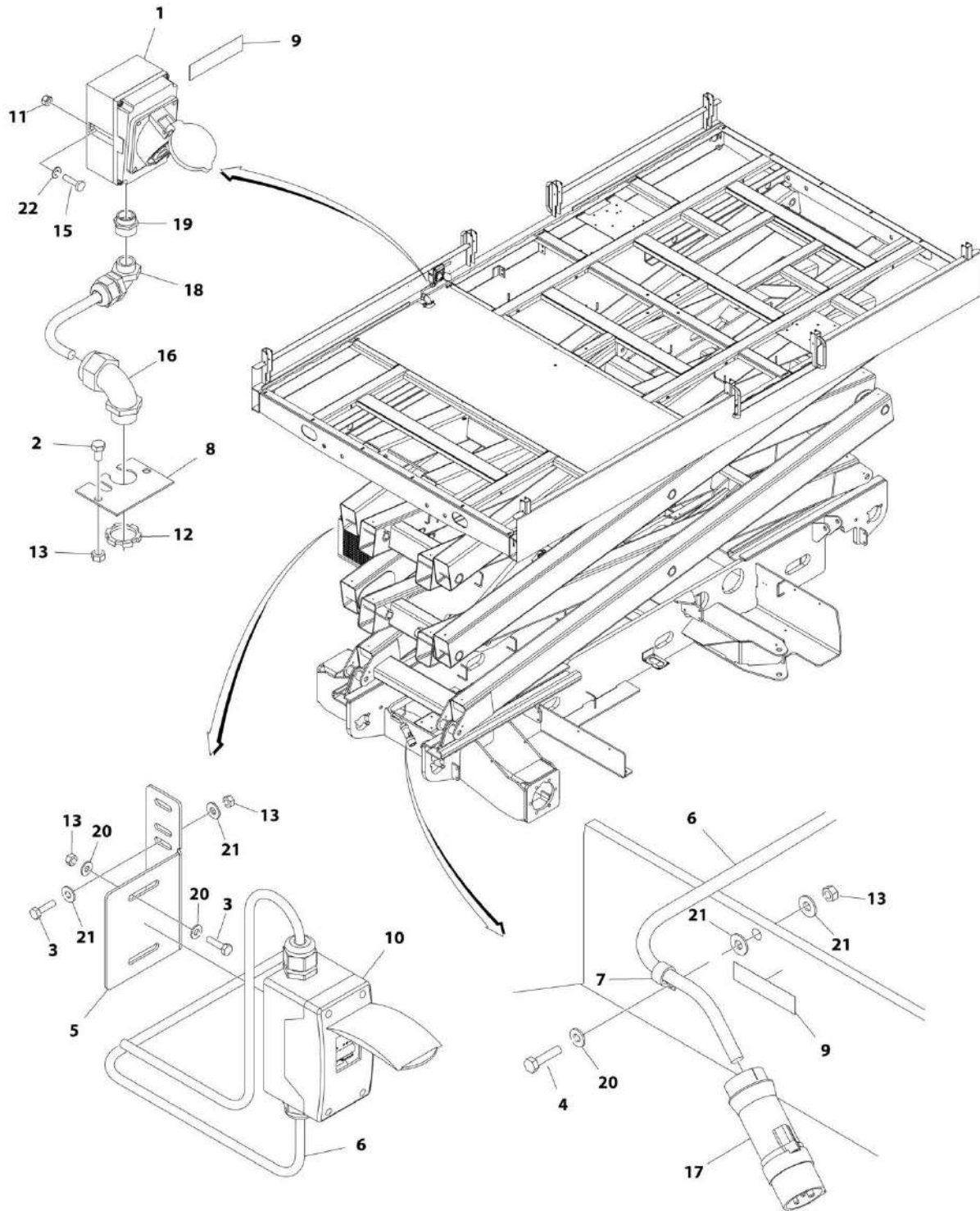
## SECTION 8 - ELECTRICAL

**FIGURE 8-6. AC BOX AT PLATFORM INSTALLATION - 220V (CUSTOMER SUPPLIED COMPONENTS)  
(Prior to SN E200000130)**

ITEM	PART NUMBER	QTY	DESCRIPTION	REV
	0271737	Ref	AC BOX AT PLATFORM INSTALLATION - 220V (CUSTOMER SUPPLIED COMPONENTS)	F
1	0641404	2	Bolt 1/4 x 1/2	
2	0641409	1	Bolt 1/4 x 1-1/8	
4	1320224	1	Clamp	
5	1670988	1	Cover, Access	
6	3252507	1	Decal - 220 Volt	
7	3311405	3	Nut 1/4	
8	4711400	1	Washer 1/4	
9	4751400	2	Washer 1/4	
10	3300048	1	Nut 3/4	
11	4460422	1	Connector, Strain Relief	

# SECTION 8 - ELECTRICAL

FIGURE 8-7. AC BOX AT PLATFORM INSTALLATION - 110V IEC YELLOW (CE SPEC) (Prior to SN E200000130)



ART\_1001091592

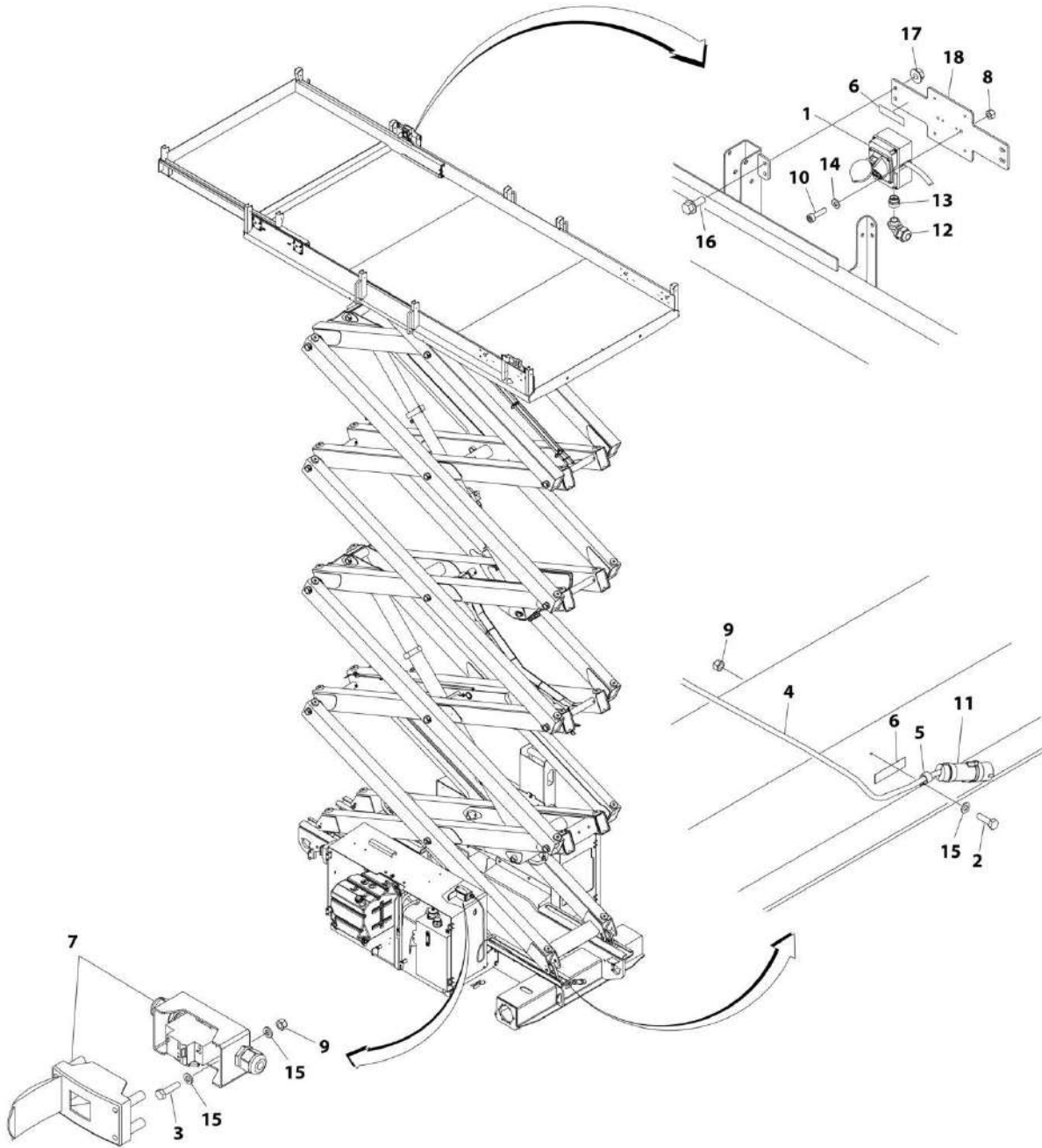
## SECTION 8 - ELECTRICAL

**FIGURE 8-7. AC BOX AT PLATFORM INSTALLATION - 110V IEC YELLOW (CE SPEC) (Prior to SN E200000130)**

ITEM	PART NUMBER	QTY	DESCRIPTION	REV
	1001091592	Ref	AC BOX AT PLATFORM INSTALLATION - 110V IEC YELLOW (CE SPEC)	B
1	0275216	1	Receptacle Box Kit (See RECEPTACLE BOX KIT - 110V IEC YELLOW (CE SPEC) for Breakdown)	
2	0641404	2	Bolt 1/4 x 1/2	
3	0641408	4	Bolt 1/4 x 1	
4	0641409	1	Bolt 1/4 x 1-1/8	
5	0903612	1	Bracket	
6	1060908	9 ft/2.7m	Cable, 12/3	
7	1320224	1	Clamp	
8	1670988	1	Cover, Access	
9	1705325	2	Decal - 110 Volt	
10	2902549	1	Breaker Box Kit (See BREAKER BOX KIT for Breakdown)	
11	3290405	2	Nut M4	
12	3300048	1	Nut 3/4	
13	3311405	7	Nut 1/4	
15	4010408	2	Screw M4 x 16	
16	4460422	1	Connector, Strain Relief	
17	4461196	1	Plug	
18	4461257	1	Connector, Strain Relief	
19	4461258	1	Connector, Adapter	
20	4711400	5	Washer 1/4	
21	4751400	6	Washer 1/4	
22	4811400	2	Washer M4	

# SECTION 8 - ELECTRICAL

FIGURE 8-8. AC BOX AT PLATFORM INSTALLATION - 110V IEC YELLOW (CE SPEC) (SN E200000130 through E200000675, SN 1200027648 through 1200030222)



ART\_1001207516



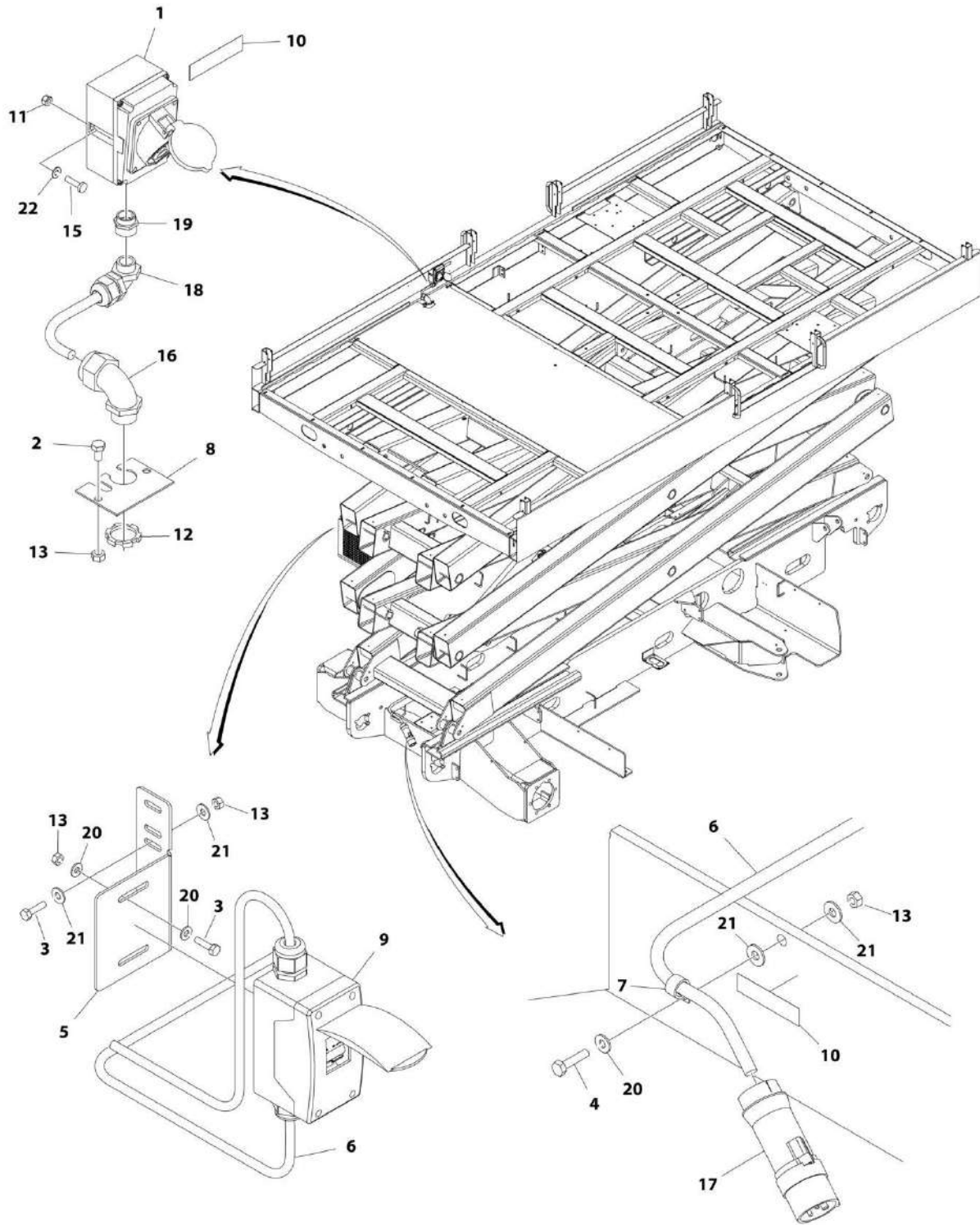
## SECTION 8 - ELECTRICAL

**FIGURE 8-8. AC BOX AT PLATFORM INSTALLATION - 110V IEC YELLOW (CE SPEC) (SN E200000130 through E200000675, SN 1200027648 through 1200030222)**

ITEM	PART NUMBER	QTY	DESCRIPTION	REV
	1001207516	Ref	AC BOX AT PLATFORM INSTALLATION - 110V IEC YELLOW (CE SPEC)	A
1	0275216	1	Receptacle Box Kit (See RECEPTACLE BOX KIT - 110V IEC YELLOW (CE SPEC) for Breakdown)	
2	0760610	1	Bolt M6 x 20	
3	0760612	2	Bolt M6 x 25	
4	1060908	9.2 ft /2.8m	Cable, 12/3	
5	1320224	1	Clamp	
6	1705325	2	Decal - 110 Volt	
7	2902549	1	Breaker Box Kit (See BREAKER BOX KIT for Breakdown)	
8	3290405	2	Nut M4	
9	3290605	3	Nut M6	
10	4031507	2	Bolt M4 x 16	
11	4461196	1	Terminal	
12	4461257	1	Connector, Strain Relief	
13	4461258	1	Connector, Adapter	
14	4811400	2	Washer M4	
15	4811700	5	Washer M6	
16	0780608	4	Bolt M6 x 16	
17	5260600	4	Nut M6	
18	1001207520	1	Bracket	

# SECTION 8 - ELECTRICAL

FIGURE 8-9. AC BOX AT PLATFORM INSTALLATION - 220V IEC BLUE (CE SPEC) (Prior to SN E200000130)



ART\_1001091593

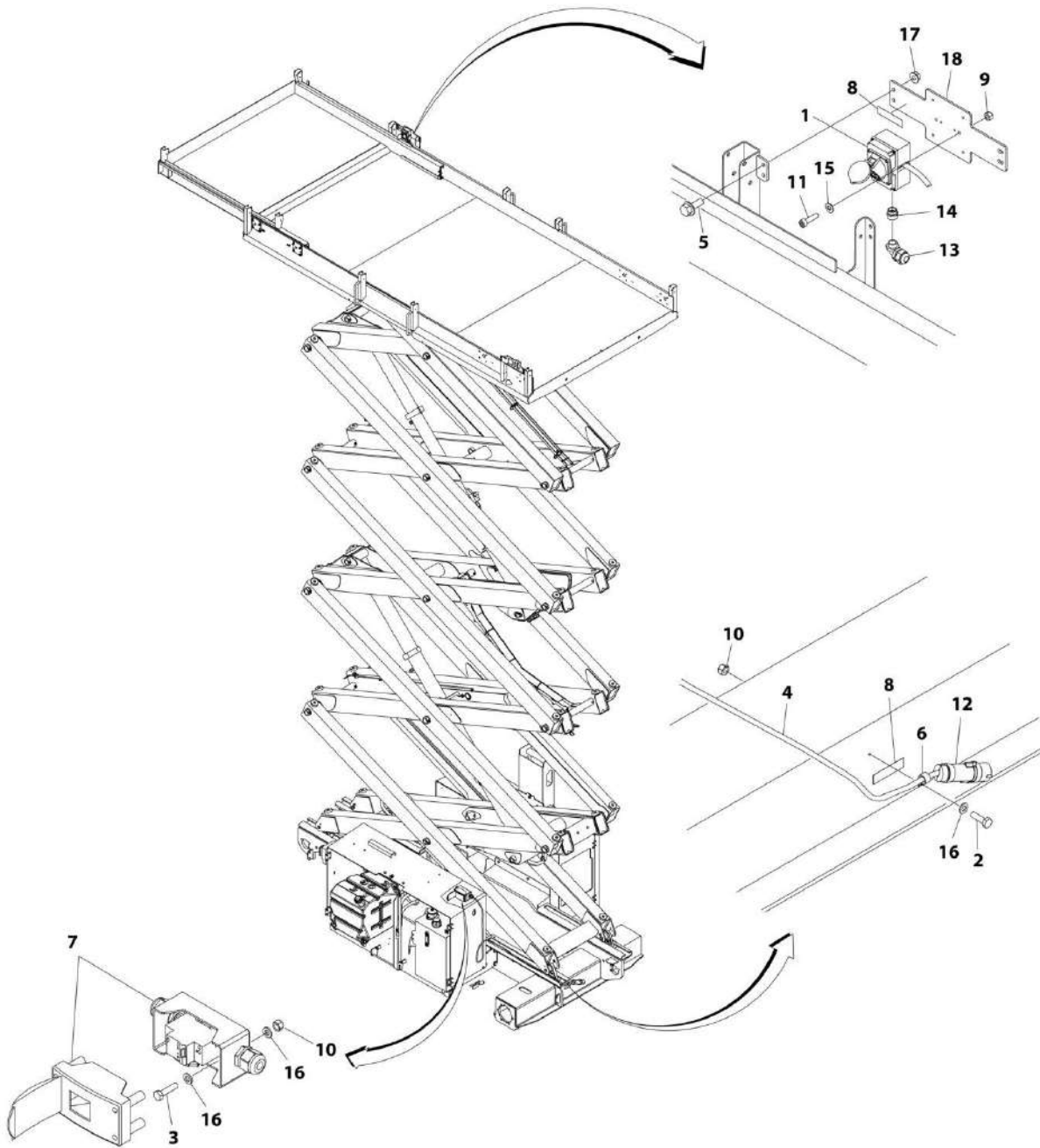
## SECTION 8 - ELECTRICAL

**FIGURE 8-9. AC BOX AT PLATFORM INSTALLATION - 220V IEC BLUE (CE SPEC) (Prior to SN E200000130)**

ITEM	PART NUMBER	QTY	DESCRIPTION	REV
	1001091593	Ref	AC BOX AT PLATFORM INSTALLATION - 220V IEC BLUE (CE SPEC)	B
1	0275217	1	Receptacle Box Kit (See RECEPTACLE BOX KIT - 220V IEC BLUE (CE SPEC) for Breakdown)	
2	0641404	2	Bolt 1/4 x 1/2	
3	0641408	4	Bolt 1/4 x 1	
4	0641409	1	Bolt 1/4 x 1-1/8	
5	0903612	1	Bracket	
6	1060908	9 ft/2.7m	Cable, 12/3	
7	1320224	1	Clamp	
8	1670988	1	Cover, Access	
9	2902549	1	Breaker Box Kit (See BREAKER BOX KIT for Breakdown)	
10	3252507	2	Decal - 220 Volt	
11	3290405	2	Nut M4	
12	3300048	1	Nut 3/4	
13	3311405	7	Nut 1/4	
15	4010408	2	Screw M4 x 16	
16	4460422	1	Connector, Strain Relief	
17	4461199	1	Plug	
18	4461257	1	Connector, Strain Relief	
19	4461258	1	Connector, Adapter	
20	4711400	5	Washer 1/4	
21	4751400	6	Washer 1/4	
22	4811400	2	Washer M4	

# SECTION 8 - ELECTRICAL

FIGURE 8-10. AC BOX AT PLATFORM INSTALLATION - 220V IEC BLUE (CE SPEC) (SN E200000130 through E200000675, SN 1200027648 through 1200030222)



ART\_1001209298

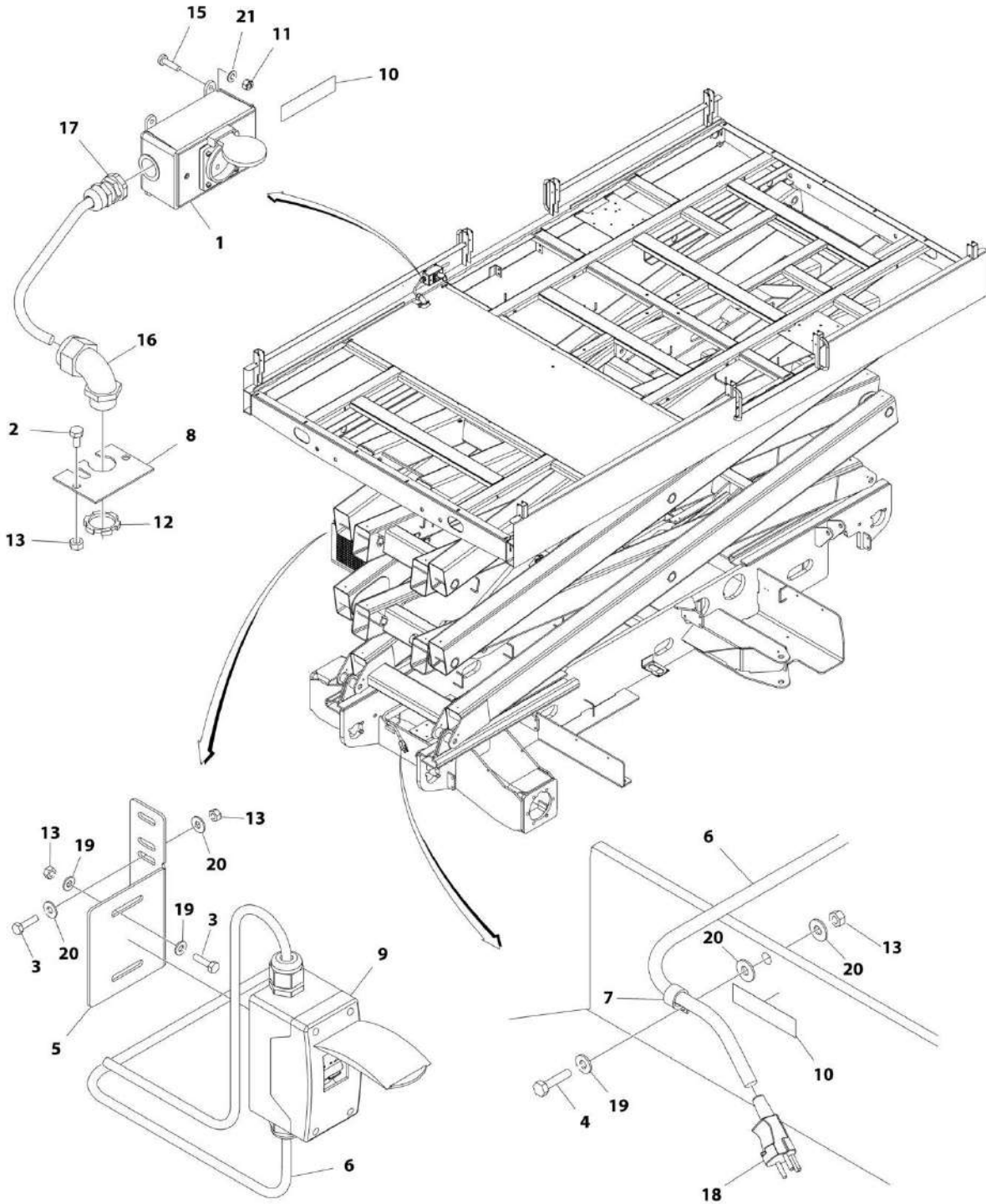
## SECTION 8 - ELECTRICAL

**FIGURE 8-10. AC BOX AT PLATFORM INSTALLATION - 220V IEC BLUE (CE SPEC) (SN E200000130 through E200000675, SN 1200027648 through 1200030222)**

ITEM	PART NUMBER	QTY	DESCRIPTION	REV
	1001209298	Ref	AC BOX AT PLATFORM INSTALLATION - 220V IEC BLUE (CE SPEC)	A
1	0275217	1	Receptacle Box Kit (See RECEPTACLE BOX KIT - 220V IEC BLUE (CE SPEC) for Breakdown)	
2	0760610	1	Bolt M6 x 20	
3	0760612	2	Bolt M6 x 25	
4	1060908	9.2 ft /2.8m	Cable, 12/3	
5	0780608	4	Bolt M6 x 16	
6	1320224	1	Clamp	
7	2902549	1	Breaker Box Kit (See BREAKER BOX KIT for Breakdown)	
8	3252507	2	Decal - 220 Volt	
9	3290405	2	Nut M4	
10	3290605	3	Nut M6	
11	4031507	2	Bolt M4 x 16	
12	4461199	1	Terminal	
13	4461257	1	Connector, Strain Relief	
14	4461258	1	Connector, Adapter	
15	4811400	2	Washer M4	
16	4811700	5	Washer M6	
17	5260600	4	Nut M6	
18	1001207520	1	Bracket	

# SECTION 8 - ELECTRICAL

FIGURE 8-11. AC BOX AT PLATFORM INSTALLATION - 220V AFSINT107 (CE SPEC) (Prior to SN E200000130)



ART\_1001091591

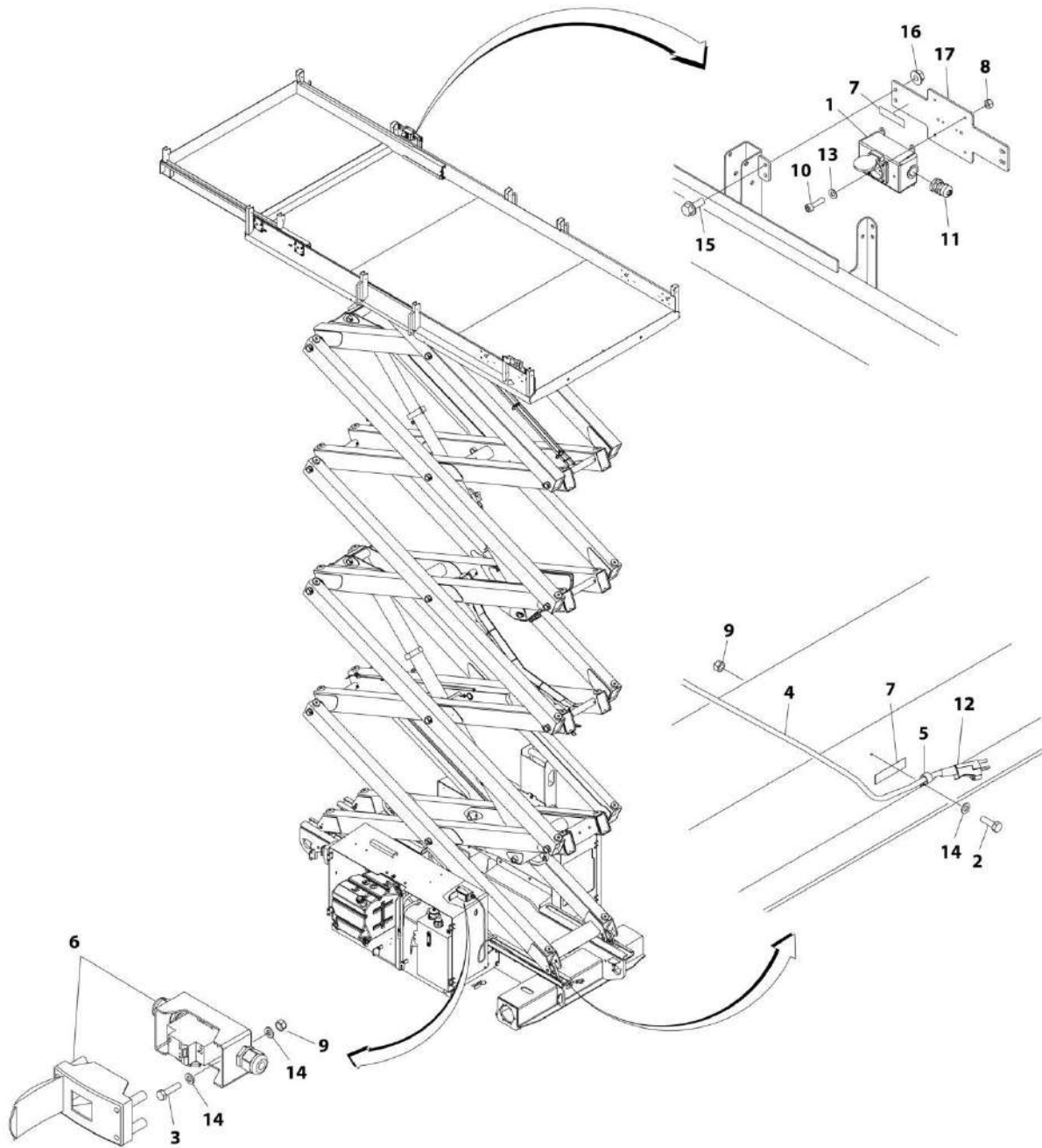
## SECTION 8 - ELECTRICAL

**FIGURE 8-11. AC BOX AT PLATFORM INSTALLATION - 220V AFSINT107 (CE SPEC) (Prior to SN E200000130)**

ITEM	PART NUMBER	QTY	DESCRIPTION	REV
	1001091591	Ref	AC BOX AT PLATFORM INSTALLATION - 220V AFSINT107 (CE SPEC)	B
1	0275454	1	Receptacle Box Kit (See RECEPTACLE BOX KIT - 220V AFSINT107 (CE SPEC) for Breakdown)	
2	0641404	2	Bolt 1/4 x 1/2	
3	0641408	4	Bolt 1/4 x 1	
4	0641409	1	Bolt 1/4 x 1-1/8	
5	0903612	1	Bracket	
6	1060908	9 ft/2.7m	Cable, 12/3	
7	1320224	1	Clamp	
8	1670988	1	Cover, Access	
9	2902549	1	Breaker Box Kit (See BREAKER BOX KIT for Breakdown)	
10	3252507	2	Decal - 220 Volt	
11	3290405	4	Nut M4	
12	3300048	1	Nut 3/4	
13	3311405	7	Nut 1/4	
15	4010408	4	Screw M4 x 16	
16	4460422	1	Connector, Strain Relief	
17	4460968	1	Connector, Strain Relief	
18	4461249	1	Plug	
19	4711400	5	Washer 1/4	
20	4751400	6	Washer 1/4	
21	4811400	4	Washer M4	

# SECTION 8 - ELECTRICAL

FIGURE 8-12. AC BOX AT PLATFORM INSTALLATION - 220V AFSINT107 (CE SPEC) (SN E20000130 through E20000675, SN 1200027648 through 1200030222)



ART\_1001207521



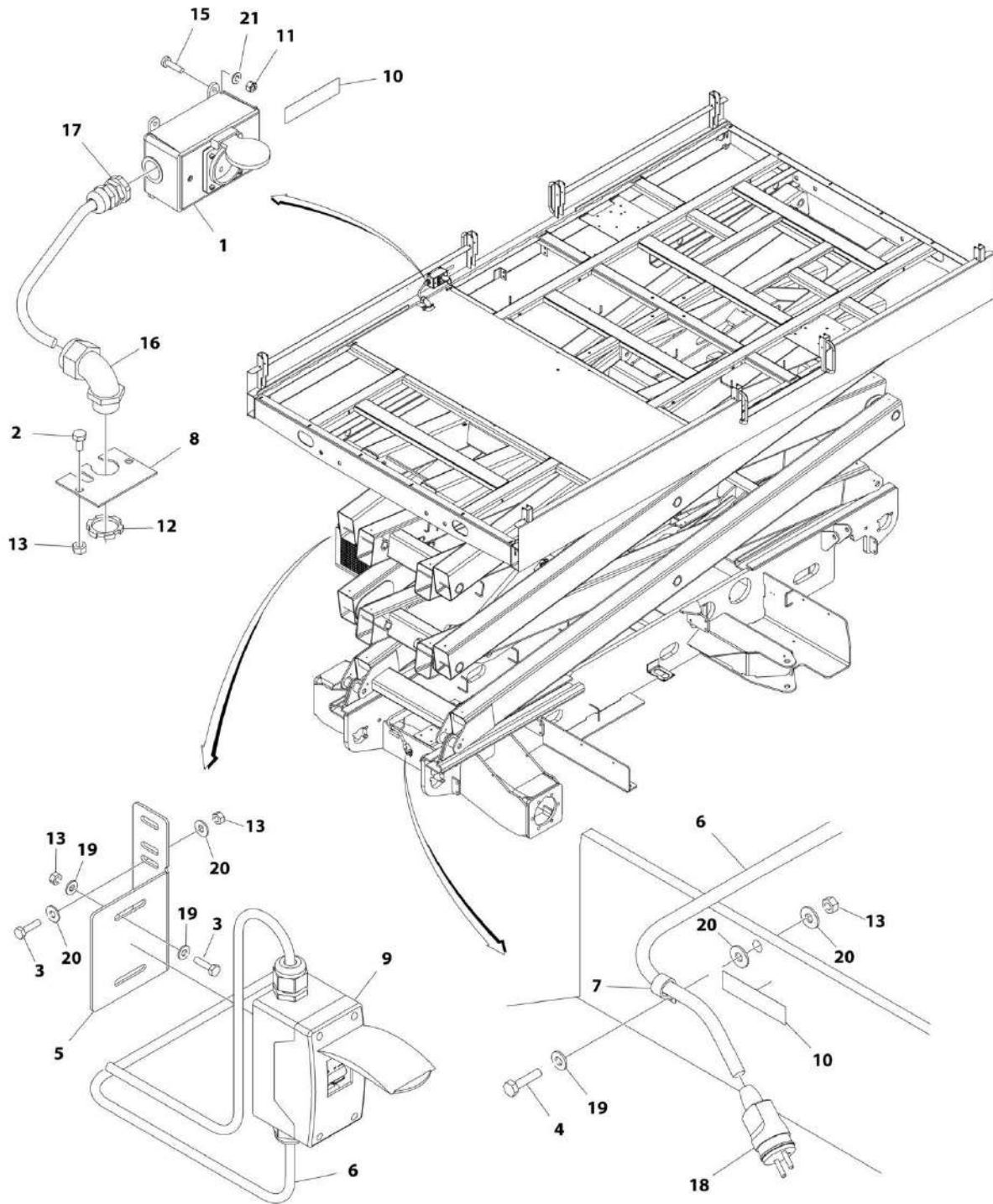
## SECTION 8 - ELECTRICAL

**FIGURE 8-12. AC BOX AT PLATFORM INSTALLATION - 220V AFSINT107 (CE SPEC) (SN E20000130 through E20000675, SN 1200027648 through 1200030222)**

ITEM	PART NUMBER	QTY	DESCRIPTION	REV
	1001207521	Ref	AC BOX AT PLATFORM INSTALLATION - 220V AFSINT107 (CE SPEC)	A
1	0275454	1	Receptacle Box Kit (See RECEPTACLE BOX KIT - 220V AFSINT107 (CE SPEC) for Breakdown)	
2	0760610	1	Bolt M6 x 20	
3	0760612	2	Bolt M6 x 25	
4	1060908	9.2 ft /2.8m	Cable, 12/3	
5	1320224	1	Clamp	
6	2902549	1	Breaker Box Kit (See BREAKER BOX KIT for Breakdown)	
7	3252507	2	Decal - 220 Volt	
8	3290405	4	Nut M4	
9	3290605	3	Nut M6	
10	4031507	4	Bolt M4 x 16	
11	4460968	1	Connector, Strain Relief	
12	4461249	1	Terminal	
13	4811400	4	Washer M4	
14	4811700	5	Washer M6	
15	0780608	4	Bolt M6 x 16	
16	5260600	4	Nut M6	
17	1001207520	1	Bracket	

# SECTION 8 - ELECTRICAL

FIGURE 8-13. AC BOX AT PLATFORM INSTALLATION - 220V CEE7 POST GROUND WITH 2X4 BOX (CE SPEC) (Prior to SN E20000130)



ART\_1001091589

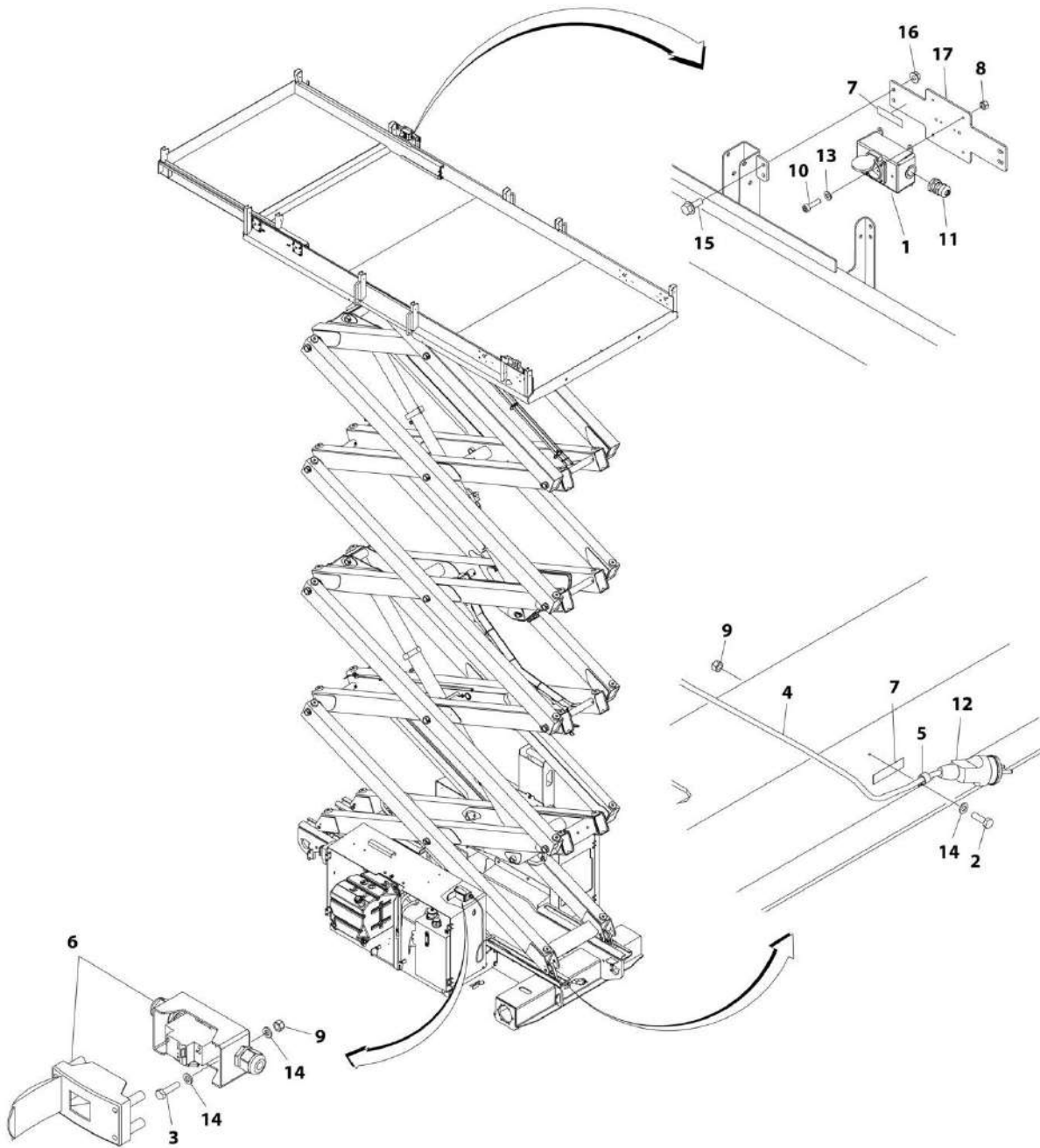
## SECTION 8 - ELECTRICAL

**FIGURE 8-13. AC BOX AT PLATFORM INSTALLATION - 220V CEE7 POST GROUND WITH 2X4 BOX  
(CE SPEC) (Prior to SN E200000130)**

ITEM	PART NUMBER	QTY	DESCRIPTION	REV
	1001091589	Ref	AC BOX AT PLATFORM INSTALLATION - 220V CEE7 POST GROUND WITH 2X4 BOX (CE SPEC)	C
1	0275452	1	Receptacle Box Kit (See RECEPTACLE BOX KIT - 220V CEE7 POST GROUND (CE SPEC) for Breakdown)	
2	0641404	2	Bolt 1/4 x 1/2	
3	0641408	4	Bolt 1/4 x 1	
4	0641409	1	Bolt 1/4 x 1-1/8	
5	0903612	1	Bracket	
6	1060908	9 ft/2.7m	Cable, 12/3	
7	1320224	1	Clamp	
8	1670988	1	Cover, Access	
9	2902549	1	Breaker Box Kit (See BREAKER BOX KIT for Breakdown)	
10	3252507	2	Decal - 220 Volt	
11	3290405	4	Nut M4	
12	3300048	1	Nut 3/4	
13	3311405	7	Nut 1/4	
15	4010408	4	Screw M4 x 16	
16	4460422	1	Connector, Strain Relief	
17	4460968	1	Connector, Strain Relief	
18	4461202	1	Plug	
19	4711400	5	Washer 1/4	
20	4751400	6	Washer 1/4	
21	4811400	4	Washer M4	

# SECTION 8 - ELECTRICAL

FIGURE 8-14. AC BOX AT PLATFORM INSTALLATION - 220V CEE7 POST GROUND WITH 2X4 BOX (CE SPEC) (SN E200000130 through E200000675, SN 1200027648 through 1200030222)



ART\_1001207514

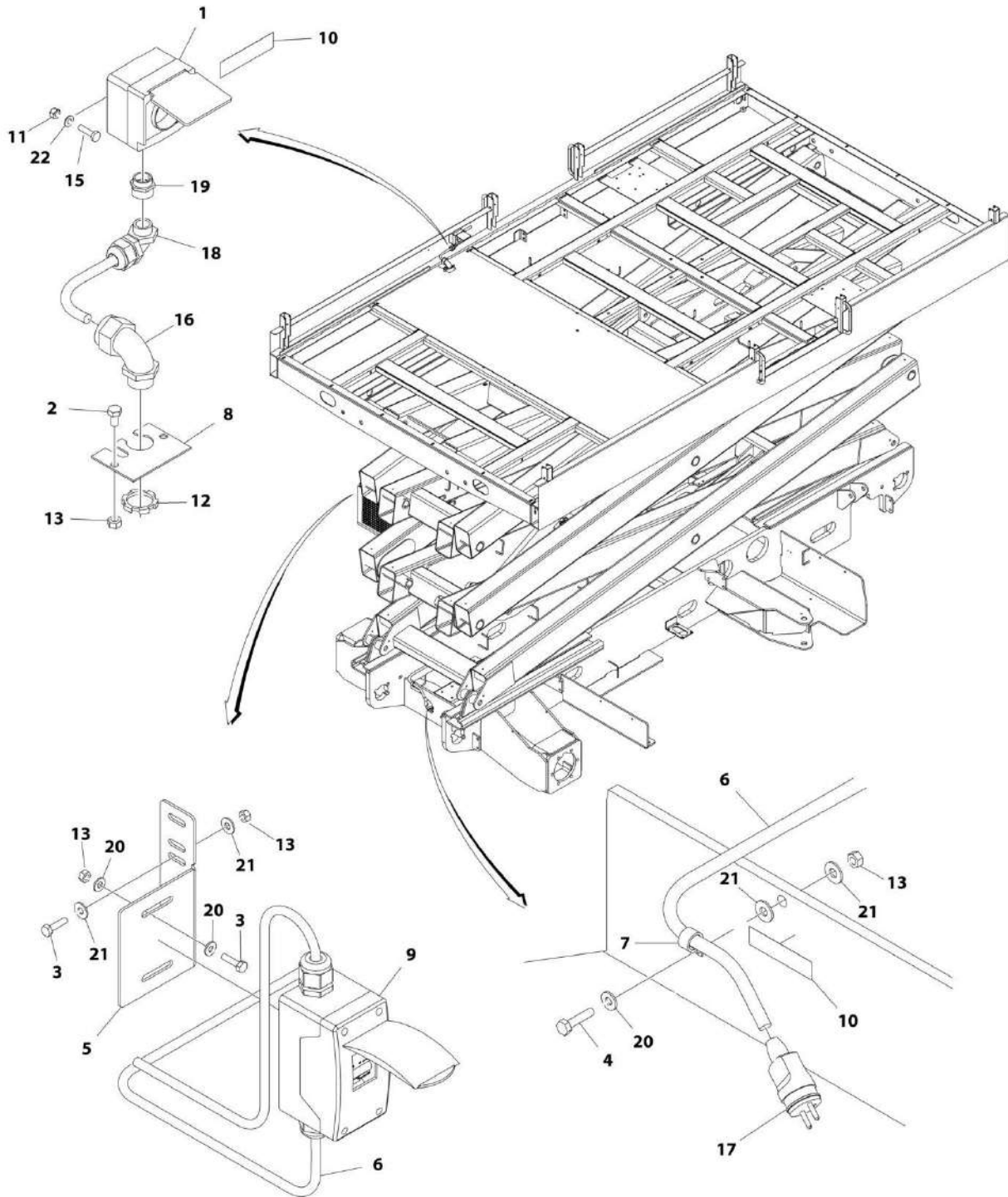
## SECTION 8 - ELECTRICAL

**FIGURE 8-14. AC BOX AT PLATFORM INSTALLATION - 220V CEE7 POST GROUND WITH 2X4 BOX (CE SPEC) (SN E200000130 through E200000675, SN 1200027648 through 1200030222)**

ITEM	PART NUMBER	QTY	DESCRIPTION	REV
	1001207514	Ref	AC BOX AT PLATFORM INSTALLATION - 220V CEE7 POST GROUND WITH 2X4 BOX (CE SPEC)	B
1	0275452	1	Receptacle Box Kit (See RECEPTACLE BOX KIT - 220V CEE7 POST GROUND (CE SPEC) for Breakdown)	
2	0760610	1	Bolt M6 x 20	
3	0760612	2	Bolt M6 x 25	
4	1060908	9.2 ft /2.8m	Cable, 12/3	
5	1320224	1	Clamp	
6	2902549	1	Breaker Box Kit (See BREAKER BOX KIT for Breakdown)	
7	3252507	2	Decal - 220 Volt	
8	3290405	4	Nut M4	
9	3290605	3	Nut M6	
10	4031507	4	Bolt M4 x 16	
11	4460968	1	Connector, Strain Relief	
12	4461205	1	Terminal	
13	4811400	4	Washer M4	
14	4811700	5	Washer M6	
15	0780608	4	Bolt M6 x 16	
16	5260600	4	Nut M6	
17	1001207520	1	Bracket	

# SECTION 8 - ELECTRICAL

FIGURE 8-15. AC BOX AT PLATFORM INSTALLATION - 220V CEE7 POST GROUND WITH 70X70 BOX (CE SPEC) (Prior to SN E200000130)



ART\_1001091594

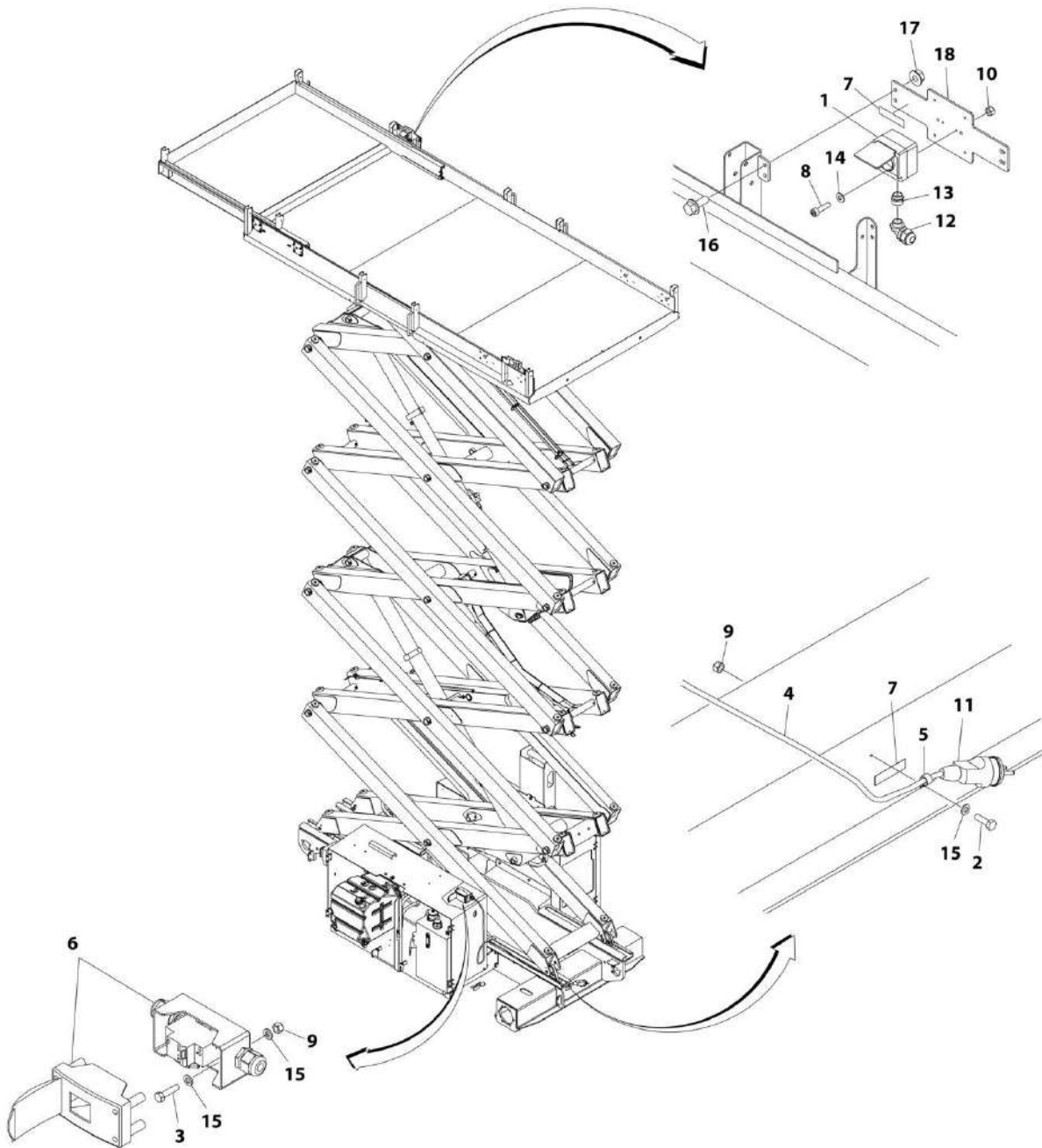
## SECTION 8 - ELECTRICAL

**FIGURE 8-15. AC BOX AT PLATFORM INSTALLATION - 220V CEE7 POST GROUND WITH 70X70 BOX (CE SPEC) (Prior to SN E200000130)**

ITEM	PART NUMBER	QTY	DESCRIPTION	REV
	1001091594	Ref	AC BOX AT PLATFORM INSTALLATION - 220V CEE7 POST GROUND WITH 70X70 BOX (CE SPEC)	B
1	0275218	1	Receptacle Box Kit (See RECEPTACLE BOX KIT - 220V CEE7 POST GROUND WITH 70X70 BOX (CE SPEC) for Breakdown)	
2	0641404	2	Bolt 1/4 x 1/2	
3	0641408	4	Bolt 1/4 x 1	
4	0641409	1	Bolt 1/4 x 1-1/8	
5	0903612	1	Bracket	
6	1060908	9 ft/2.7m	Cable, 12/3	
7	1320224	1	Clamp	
8	1670988	1	Cover, Access	
9	2902549	1	Breaker Box Kit (See BREAKER BOX KIT for Breakdown)	
10	3252507	2	Decal - 220 Volt	
11	3290405	2	Nut M4	
12	3300048	1	Nut 3/4	
13	3311405	7	Nut 1/4	
15	4010408	2	Screw M4 x 16	
16	4460422	1	Connector, Strain Relief	
17	4461202	1	Plug	
18	4461257	1	Connector, Strain Relief	
19	4461258	1	Connector, Adapter	
20	4711400	5	Washer 1/4	
21	4751400	6	Washer 1/4	
22	4811400	2	Washer M4	

## SECTION 8 - ELECTRICAL

FIGURE 8-16. AC BOX AT PLATFORM INSTALLATION - 220V CEE7 POST GROUND WITH 70X70 BOX (CE SPEC) (SN E200000130 through E200000675, SN 1200027648 through 1200030222)



ART\_1001207518



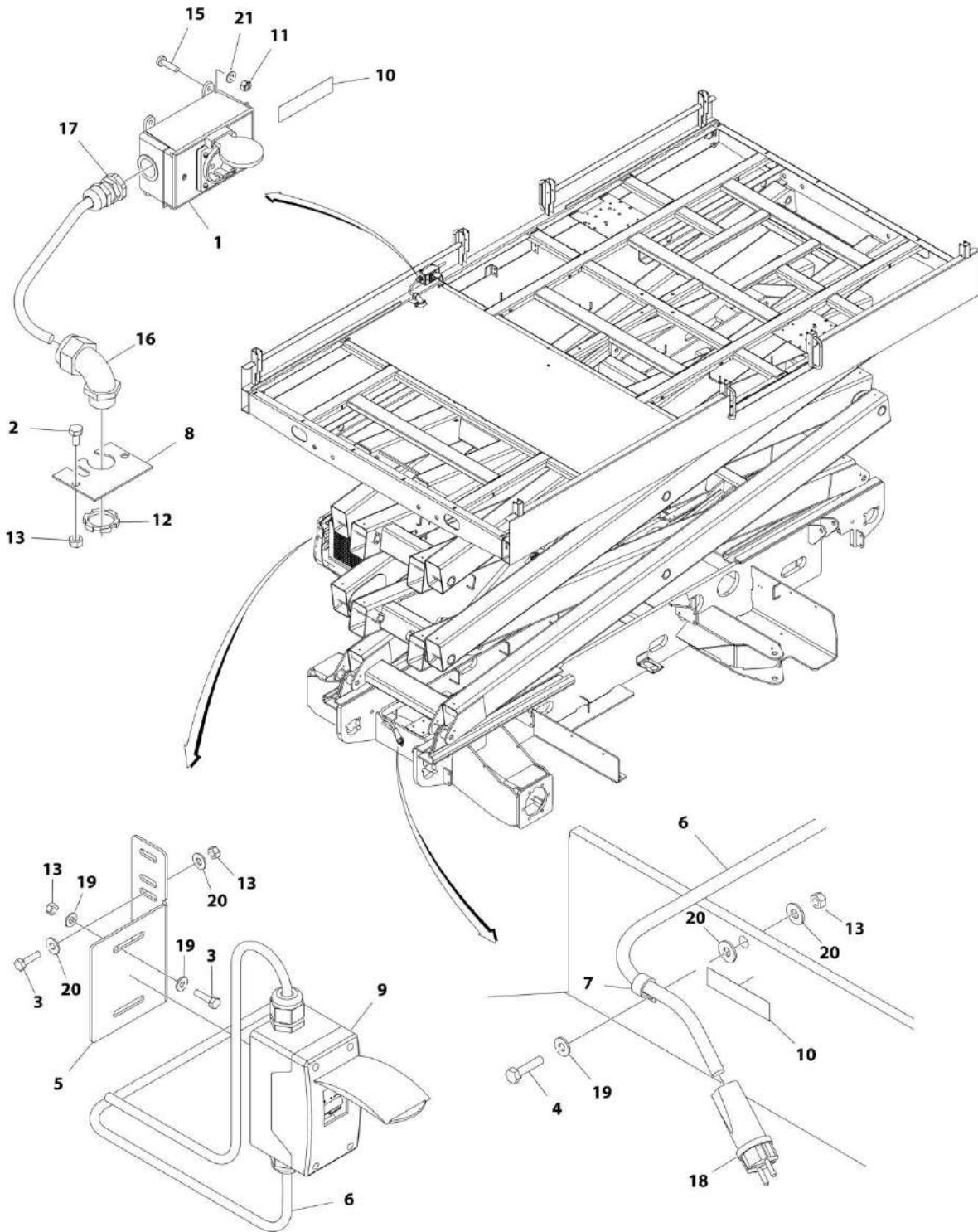
## SECTION 8 - ELECTRICAL

**FIGURE 8-16. AC BOX AT PLATFORM INSTALLATION - 220V CEE7 POST GROUND WITH 70X70 BOX (CE SPEC) (SN E200000130 through E200000675, SN 1200027648 through 1200030222)**

ITEM	PART NUMBER	QTY	DESCRIPTION	REV
	1001207518	Ref	AC BOX AT PLATFORM INSTALLATION - 220V CEE7 POST GROUND WITH 70X70 BOX (CE SPEC)	B
1	0275218	1	Receptacle Box Kit (See RECEPTACLE BOX KIT - 220V CEE7 POST GROUND WITH 70X70 BOX (CE SPEC) for Breakdown)	
2	0760610	1	Bolt M6 x 20	
3	0760612	2	Bolt M6 x 25	
4	1060908	9.2 ft /2.8m	Cable, 12/3	
5	1320224	1	Clamp	
6	2902549	1	Breaker Box Kit (See BREAKER BOX KIT for Breakdown)	
7	3252507	2	Decal - 220 Volt	
8	3290405	2	Nut M4	
9	3290605	3	Nut M6	
10	4031507	2	Bolt M4 x 16	
11	4461205	1	Terminal	
12	4461257	1	Connector, Strain Relief	
13	4461258	1	Connector, Adapter	
14	4811400	2	Washer M4	
15	4811700	5	Washer M6	
16	0780608	4	Bolt M6 x 16	
17	5260600	4	Nut M6	
18	1001207520	1	Bracket	

# SECTION 8 - ELECTRICAL

FIGURE 8-17. AC BOX AT PLATFORM INSTALLATION - 220V CEE7 SIDE GROUND WITH 2X4 BOX (CE SPEC) (Prior to SN E200000130)



ART\_1001091590

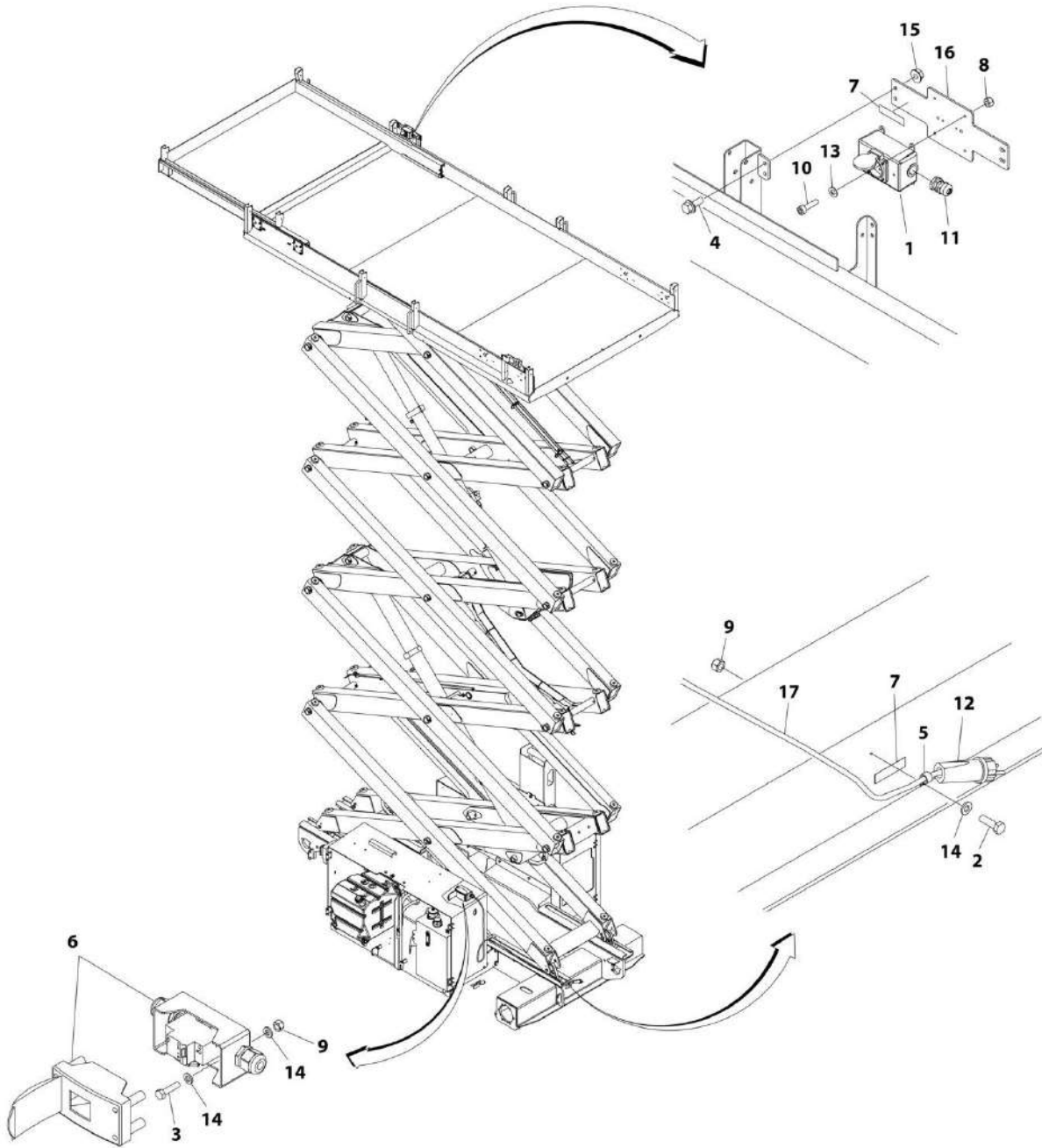
## SECTION 8 - ELECTRICAL

**FIGURE 8-17. AC BOX AT PLATFORM INSTALLATION - 220V CEE7 SIDE GROUND WITH 2X4 BOX  
(CE SPEC) (Prior to SN E200000130)**

ITEM	PART NUMBER	QTY	DESCRIPTION	REV
	1001091590	Ref	AC BOX AT PLATFORM INSTALLATION - 220V CEE7 SIDE GROUND WITH 2X4 BOX (CE SPEC)	C
1	0275453	1	Receptacle Box Kit (See RECEPTACLE BOX KIT - 220V CEE7 SIDE GROUND WITH 2X4 BOX (CE SPEC) for Breakdown)	
2	0641404	2	Bolt 1/4 x 1/2	
3	0641408	4	Bolt 1/4 x 1	
4	0641409	1	Bolt 1/4 x 1-1/8	
5	0903612	1	Bracket	
6	1060908	9 ft/2.7m	Cable, 12/3	
7	1320224	1	Clamp	
8	1670988	1	Cover, Access	
9	2902549	1	Breaker Box Kit (See BREAKER BOX KIT for Breakdown)	
10	3252507	2	Decal - 220 Volt	
11	3290405	4	Nut M4	
12	3300048	1	Nut 3/4	
13	3311405	7	Nut 1/4	
15	4010408	4	Screw M4 x 16	
16	4460422	1	Connector, Strain Relief	
17	4460968	1	Connector, Strain Relief	
18	4461205	1	Plug	
19	4711400	5	Washer 1/4	
20	4751400	6	Washer 1/4	
21	4811400	4	Washer M4	

# SECTION 8 - ELECTRICAL

FIGURE 8-18. AC BOX AT PLATFORM INSTALLATION - 220V CEE7 SIDE GROUND WITH 2X4 BOX (CE SPEC) (SN E20000130 through E20000675, SN 1200027648 through 1200030222)



ART\_1001207515

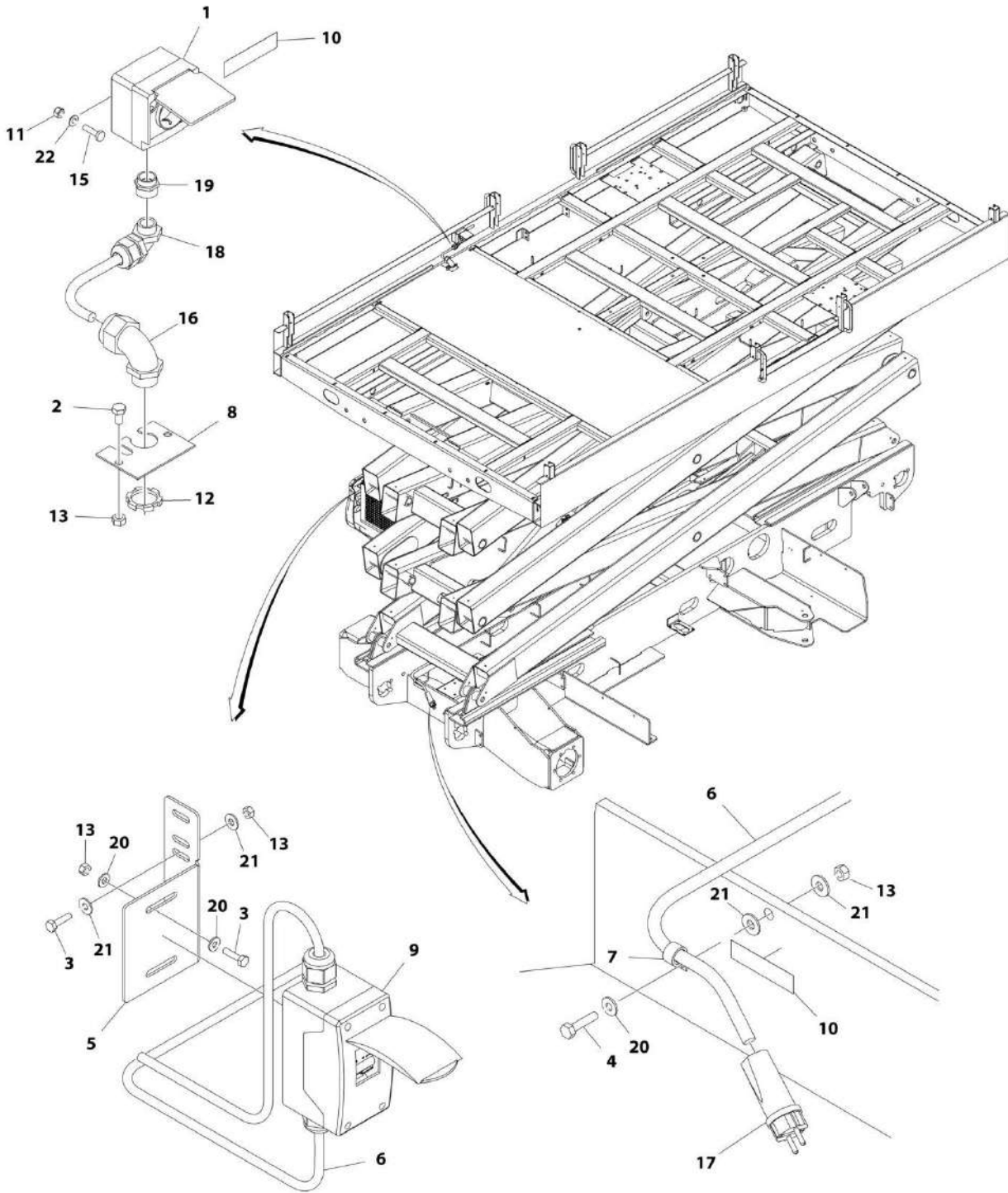
## SECTION 8 - ELECTRICAL

**FIGURE 8-18. AC BOX AT PLATFORM INSTALLATION - 220V CEE7 SIDE GROUND WITH 2X4 BOX (CE SPEC) (SN E200000130 through E200000675, SN 1200027648 through 1200030222)**

ITEM	PART NUMBER	QTY	DESCRIPTION	REV
	1001207515	Ref	AC BOX AT PLATFORM INSTALLATION - 220V CEE7 SIDE GROUND WITH 2X4 BOX (CE SPEC)	A
1	0275453	1	Receptacle Box Kit (See RECEPTACLE BOX KIT - 220V CEE7 SIDE GROUND WITH 2X4 BOX (CE SPEC) for Breakdown)	
2	0760610	1	Bolt M6 x 20	
3	0760612	2	Bolt M6 x 25	
4	0780608	4	Bolt M6 x 16	
5	1320224	1	Clamp	
6	2902549	1	Breaker Box Kit (See BREAKER BOX KIT for Breakdown)	
7	3252507	2	Decal - 220 Volt	
8	3290405	4	Nut M4	
9	3290605	3	Nut M6	
10	4031507	4	Bolt M4 x 16	
11	4460968	1	Connector, Strain Relief	
12	4461205	1	Terminal	
13	4811400	4	Washer M4	
14	4811700	5	Washer M6	
15	5260600	4	Nut M6	
16	1001207520	1	Bracket	
17	1060908	9.2 ft /2.8m	Cable, 12/3	

# SECTION 8 - ELECTRICAL

FIGURE 8-19. AC BOX AT PLATFORM INSTALLATION - 220V CEE7 SIDE GROUND WITH 70X70 BOX (CE SPEC) (Prior to SN E200000130)



ART\_1001091595

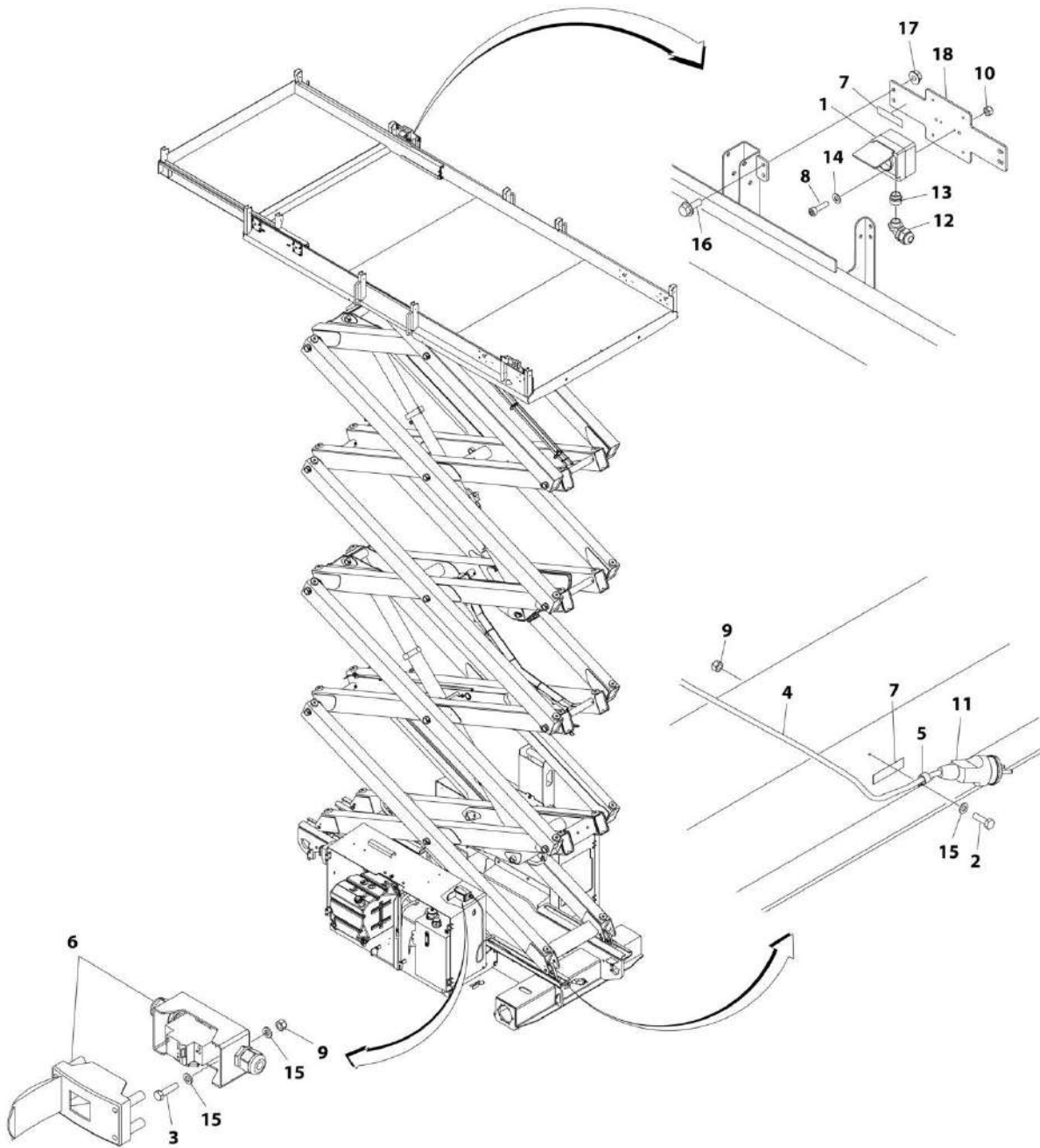
## SECTION 8 - ELECTRICAL

**FIGURE 8-19. AC BOX AT PLATFORM INSTALLATION - 220V CEE7 SIDE GROUND WITH 70X70 BOX  
(CE SPEC) (Prior to SN E200000130)**

ITEM	PART NUMBER	QTY	DESCRIPTION	REV
	1001091595	Ref	AC BOX AT PLATFORM INSTALLATION - 220V CEE7 SIDE GROUND WITH 70X70 BOX (CE SPEC)	C
1	0275219	1	Receptacle Box Kit (See RECEPTACLE BOX KIT - 220V CEE7 SIDE GROUND WITH 70X70 BOX (CE SPEC) for Breakdown)	
2	0641404	2	Bolt 1/4 x 1/2	
3	0641408	4	Bolt 1/4 x 1	
4	0641409	1	Bolt 1/4 x 1-1/8	
5	0903612	1	Bracket	
6	1060908	9 ft/2.7m	Cable, 12/3	
7	1320224	1	Clamp	
8	1670988	1	Cover, Access	
9	2902549	1	Breaker Box Kit (See BREAKER BOX KIT for Breakdown)	
10	3252507	2	Decal - 220 Volt	
11	3290405	2	Nut M4	
12	3300048	1	Nut 3/4	
13	3311405	7	Nut 1/4	
15	4010408	2	Screw M4 x 16	
16	4460422	1	Connector, Strain Relief	
17	4461205	1	Plug	
18	4461257	1	Connector, Strain Relief	
19	4461258	1	Connector, Adapter	
20	4711400	5	Washer 1/4	
21	4751400	6	Washer 1/4	
22	4811400	2	Washer M4	

# SECTION 8 - ELECTRICAL

FIGURE 8-20. AC BOX AT PLATFORM INSTALLATION - 220V CEE7 SIDE GROUND WITH 70X70 BOX  
(CE SPEC) (SN E20000130 through E20000675, SN 1200027648 through 1200030222)



ART\_1001207519



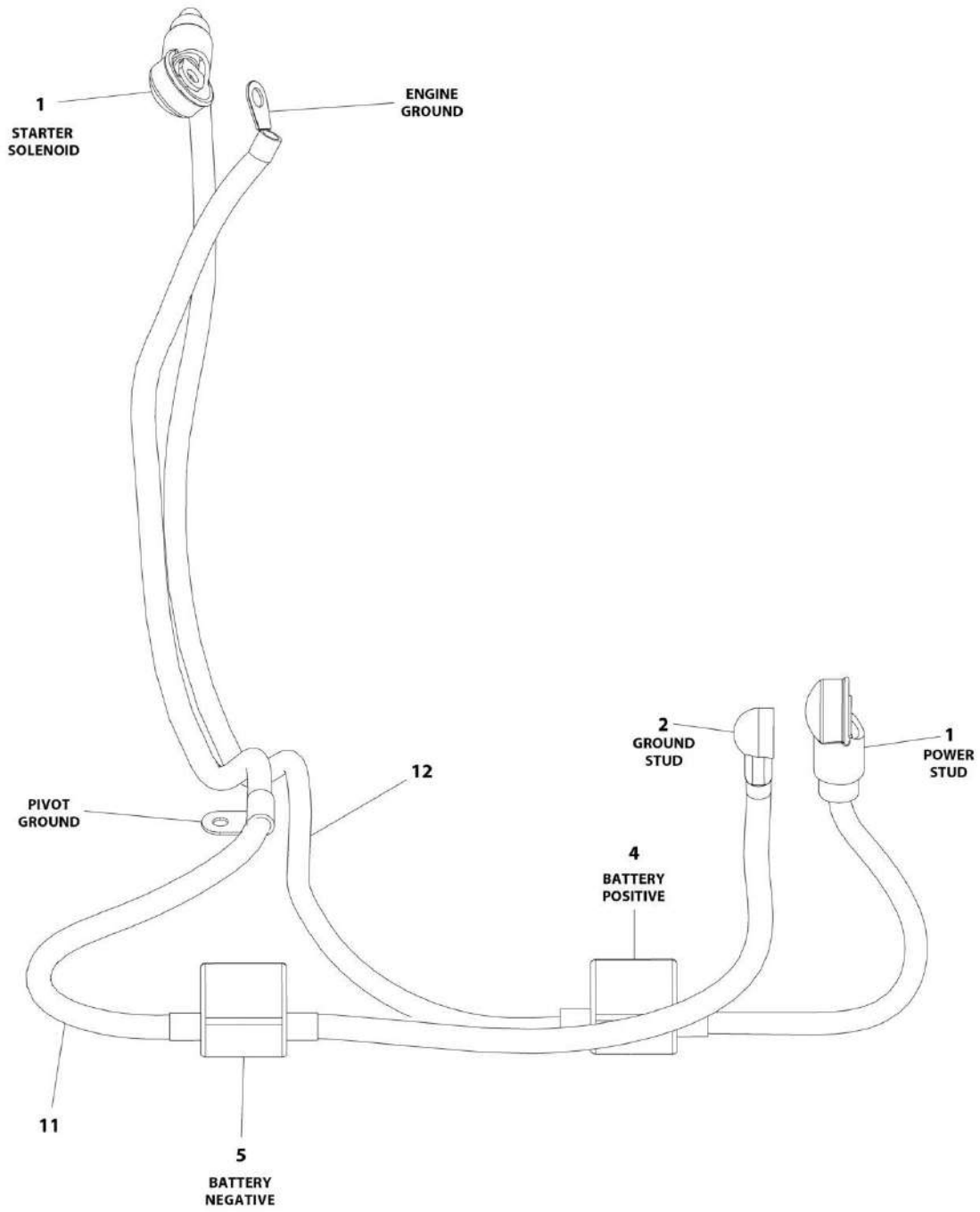
## SECTION 8 - ELECTRICAL

**FIGURE 8-20. AC BOX AT PLATFORM INSTALLATION - 220V CEE7 SIDE GROUND WITH 70X70 BOX (CE SPEC) (SN E200000130 through E200000675, SN 1200027648 through 1200030222)**

ITEM	PART NUMBER	QTY	DESCRIPTION	REV
	1001207519	Ref	AC BOX AT PLATFORM INSTALLATION - 220V CEE7 SIDE GROUND WITH 70X70 BOX (CE SPEC)	A
1	0275219	1	Receptacle Box Kit (See RECEPTACLE BOX KIT - 220V CEE7 SIDE GROUND WITH 70X70 BOX (CE SPEC) for Breakdown)	
2	0760610	1	Bolt M6 x 20	
3	0760612	2	Bolt M6 x 25	
4	1060908	9.2 ft /2.8m	Cable, 12/3	
5	1320224	1	Clamp	
6	2902549	1	Breaker Box Kit (See BREAKER BOX KIT for Breakdown)	
7	3252507	2	Decal - 220 Volt	
8	3290405	2	Nut M4	
9	3290605	3	Nut M6	
10	4031507	2	Bolt M4 x 16	
11	4461205	1	Terminal	
12	4461257	1	Connector, Strain Relief	
13	4461258	1	Connector, Adapter	
14	4811400	2	Washer M4	
15	4811700	5	Washer M6	
16	0780608	4	Bolt M6 x 16	
17	5260600	4	Nut M6	
18	1001207520	1	Bracket	

# SECTION 8 - ELECTRICAL

## FIGURE 8-21. BATTERY CABLE KIT - DIESEL ENGINES



ART\_1001186428

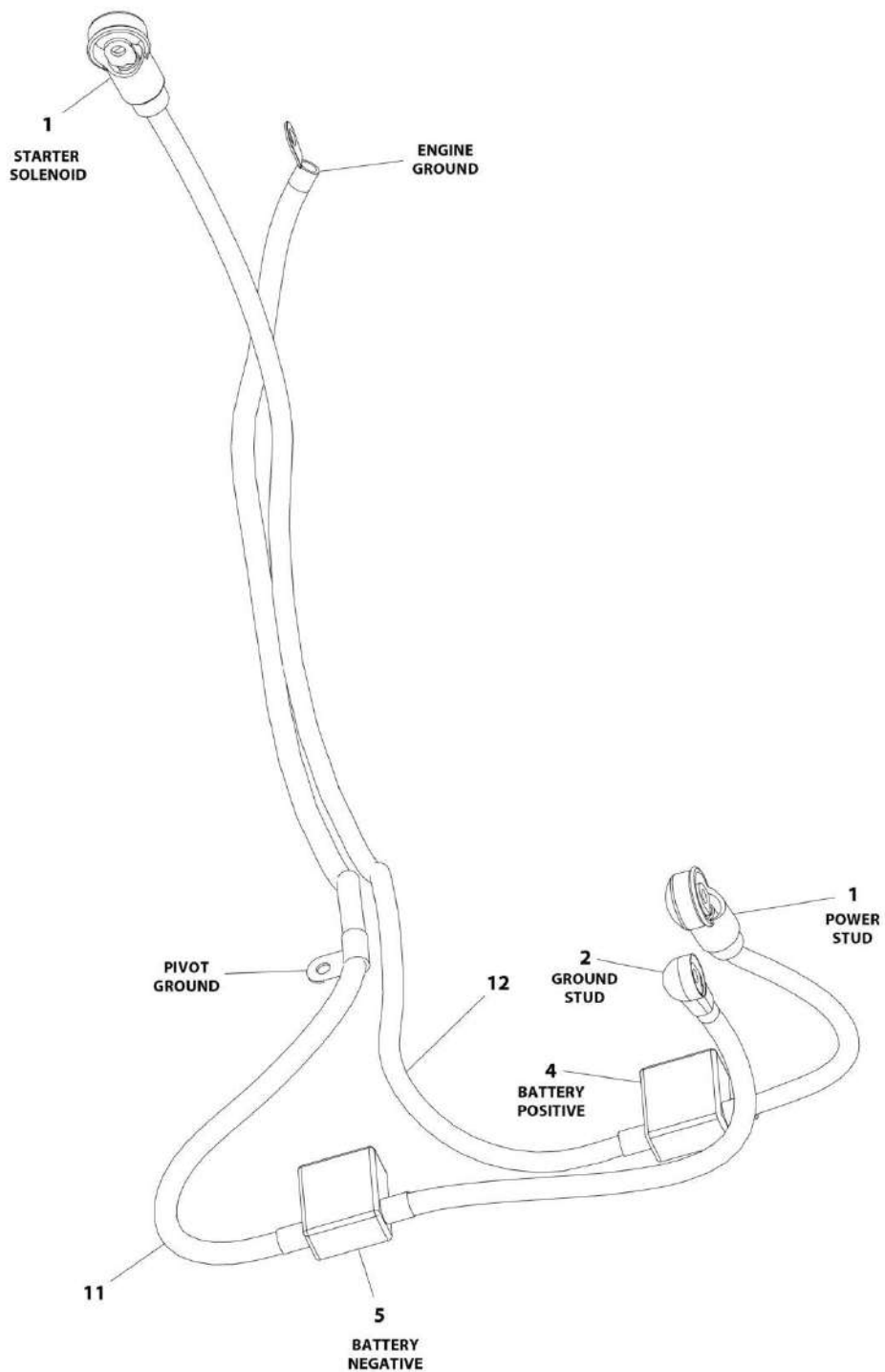
## SECTION 8 - ELECTRICAL

### FIGURE 8-21. BATTERY CABLE KIT - DIESEL ENGINES

ITEM	PART NUMBER	QTY	DESCRIPTION	REV
	1001186428	Ref	BATTERY CABLE KIT - DIESEL ENGINES	D
1	0840052	2	Boot	
2	1001098765	1	Boot	
4	1001186483	1	Boot	
5	1001186484	1	Boot	
11	70009008	1	Cable, Negative	
12	70009009	1	Cable, Positive	

# SECTION 8 - ELECTRICAL

## FIGURE 8-22. BATTERY CABLE KIT - GASOLINE ENGINES



ART\_1001186429

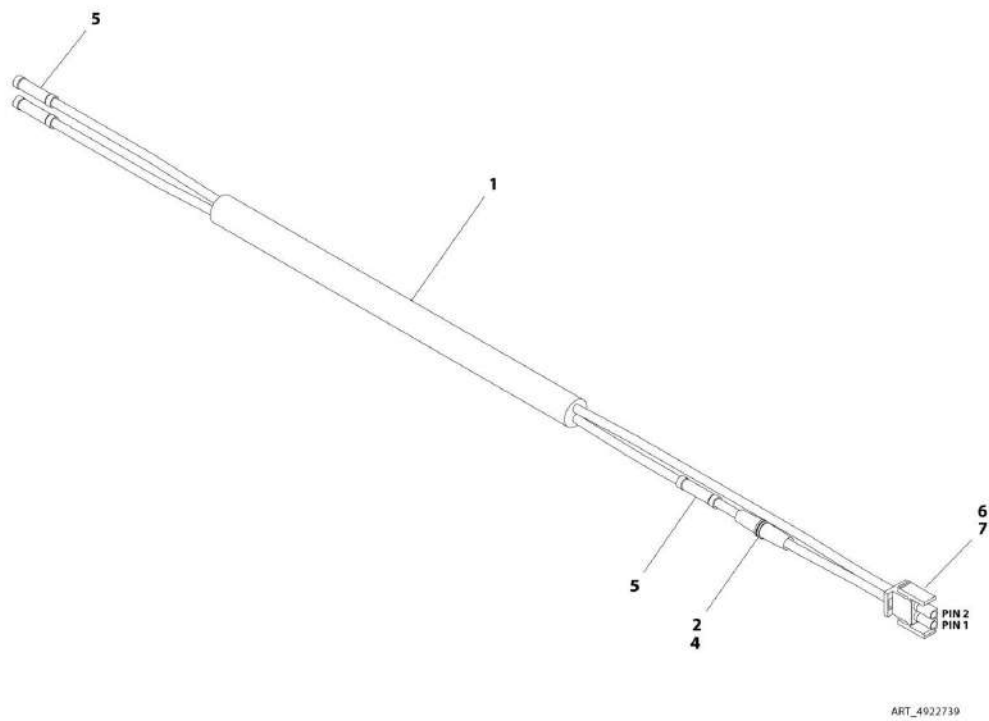
## SECTION 8 - ELECTRICAL

### FIGURE 8-22. BATTERY CABLE KIT - GASOLINE ENGINES

ITEM	PART NUMBER	QTY	DESCRIPTION	REV
	1001186429	Ref	BATTERY CABLE KIT - GASOLINE ENGINES	B
1	0840052	2	Boot	
2	1001098765	1	Boot	
4	1001186483	1	Boot	
5	1001186484	1	Boot	
11	70009010	1	Cable, Negative	
12	70009011	1	Cable, Positive	

# SECTION 8 - ELECTRICAL

## FIGURE 8-23. BEACON HARNESS ASSEMBLY (OPTIONAL)



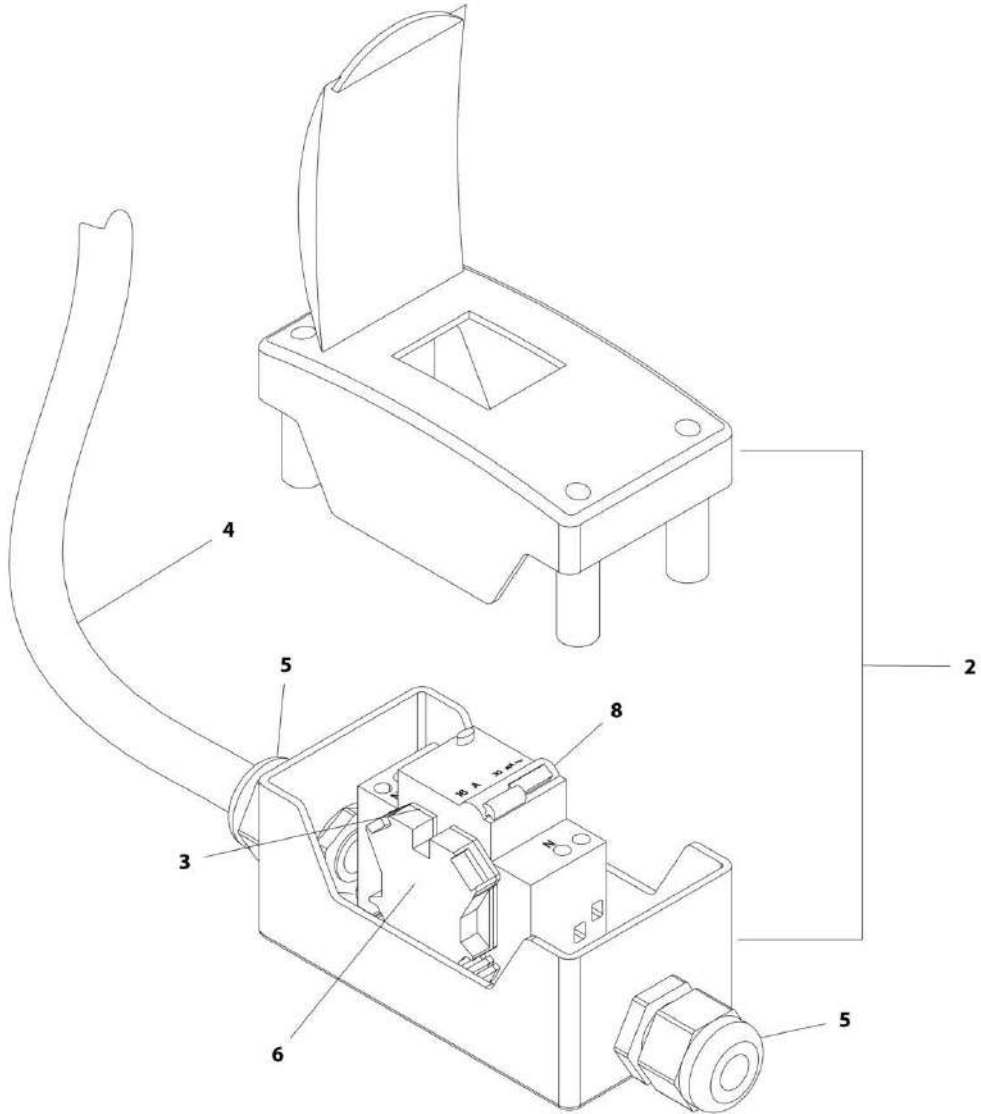
## SECTION 8 - ELECTRICAL

**FIGURE 8-23. BEACON HARNESS ASSEMBLY (OPTIONAL)**

ITEM	PART NUMBER	QTY	DESCRIPTION	REV
	4922739	Ref	BEACON LIGHT HARNESS ASSEMBLY (OPTIONAL)	A
1	1060680	5 ft /1.5m	Cable, Electrical - 18/2	
2	2400056	1	Fuse - 5 Amp	
4	4460044	1	Fuseholder	
5	4460248	3	Terminal, Butt	
6	4460267	2	Pin, Male	
7	4460320	1	Connector - 2 Position	

**SECTION 8 - ELECTRICAL**

**FIGURE 8-24. BREAKER BOX KIT**



ART\_2902549



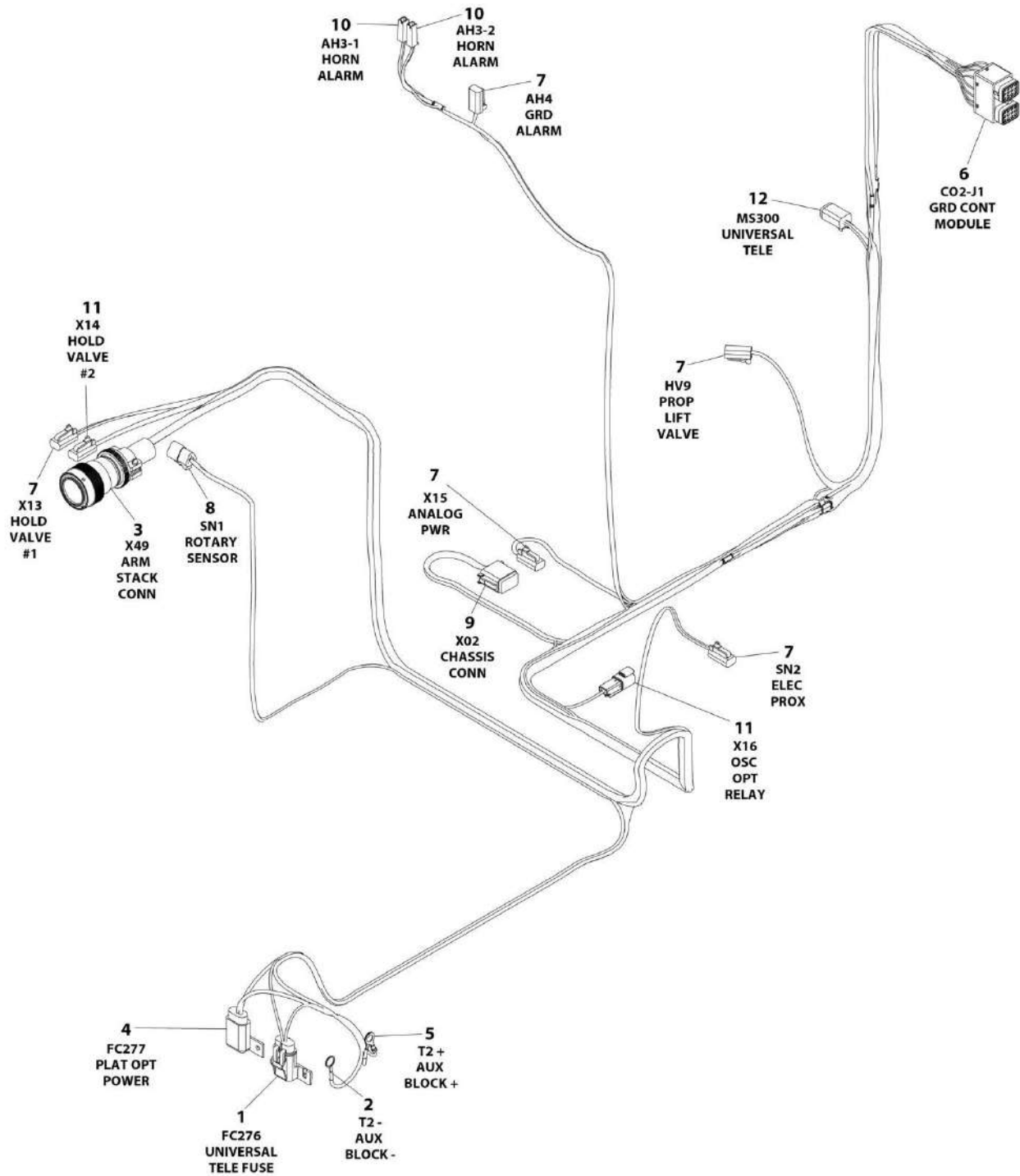
## SECTION 8 - ELECTRICAL

### FIGURE 8-24. BREAKER BOX KIT

ITEM	PART NUMBER	QTY	DESCRIPTION	REV
	2902549	Ref	BREAKER BOX KIT	F
2	0861880	1	Box	
3	4460956	1	Barrier, Terminal	
4	1060908	6 ft/1.8m	Cable, 12/3	
5	1001097150	2	Connector, Strain Relief	
6	4460957	1	Block, Terminal	
8	1001181045	1	Breaker, 16 Amp	

# SECTION 8 - ELECTRICAL

## FIGURE 8-25. CHASSIS HARNESS



ART\_1001192591

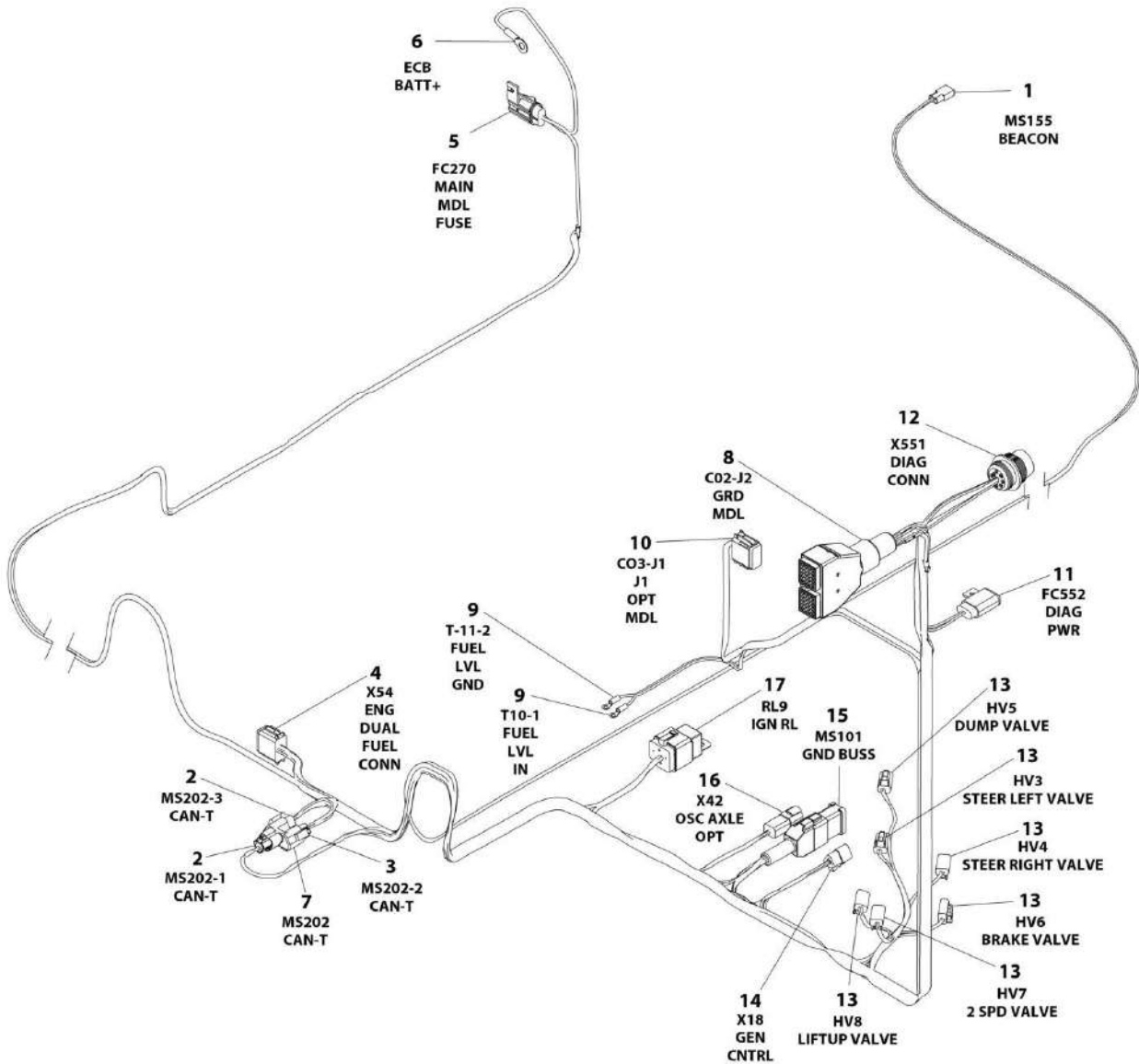
## SECTION 8 - ELECTRICAL

### FIGURE 8-25. CHASSIS HARNESS

ITEM	PART NUMBER	QTY	DESCRIPTION	REV
	1001192591	Ref	CHASSIS HARNESS	F
1	1001117078	1	Fuseholder with 5 Amp Fuse	
1	See Note	NSS	Fuse - 5 Amp (Note: Purchase Locally)	
1	1001116733	2	Terminal	
2	4460670	1	Terminal, Ring	
3	1001116926	1	Connector - 24 Position	
3	4460465	4	Socket, Female	
3	4460509	4	Socket, Female	
3	4460944	3	Socket, Female	
3	4460466	10	Plug, Terminal	
4	1001117023	1	Fuseholder with 10 Amp Fuse	
4	See Note	NSS	Fuse - 10 Amp (Note: Purchase Locally)	
4	1001116752	2	Terminal	
5	4460019	2	Terminal, Ring	
6	4460812	1	Connector - 24 Position	
6	4460465	17	Socket, Female	
6	4460942	2	Socket, Female	
6	4460944	3	Socket, Female	
6	4460466	2	Plug, Terminal	
6	0840056	1	Boot	
7	4460891	5	Plug, Male - 2 Position	
7	4460465	10	Socket, Female	
8	4460539	1	Plug, Male - 3 Position	
8	4460465	3	Socket, Female	
9	4460930	1	Connector - 8 Position	
9	4460465	6	Socket, Female	
9	4460466	2	Plug, Terminal	
10	4460260	2	Cover, Terminal	
10	4460259	4	Terminal <b>(Prior to SN E20000230)</b>	
10	4460297	4	Terminal <b>(SN E20000230 through E20000675, SN 1200027648 through 1200030222)</b>	
10	3990010	1	Diode	
11	4460897	2	Receptacle, Female - 2 Position	
11	4460464	3	Pin, Male	
11	4460466	1	Plug, Terminal	
12	4460884	1	Plug, Male - 4 Position	
12	4460465	4	Socket, Female	
12	1001192401	1	Cover, Dust	

# SECTION 8 - ELECTRICAL

## FIGURE 8-26. DUAL FUEL HARNESS



ART\_1001187557

## SECTION 8 - ELECTRICAL

### FIGURE 8-26. DUAL FUEL HARNESS

ITEM	PART NUMBER	QTY	DESCRIPTION	REV
	1001187557	Ref	DUAL FUEL HARNESS	D
1	4460424	1	Plug, Male - 2 Position	
1	4460268	2	Socket, Female	
2	1001116812	2	Plug, Male - 3 Position	
2	4460944	6	Socket, Female	
3	4460539	1	Plug, Male - 3 Position	
3	4460944	3	Socket, Female	
4	4460933	1	Connector - 12 Position	
4	4460465	8	Socket, Female	
4	4460944	3	Socket, Female	
4	4460942	1	Socket, Female	
5	1001117069	1	Fuseholder with 20 Amp Fuse	
5	See Note	1	Fuse - 20 Amp (Note: Purchase Locally)	
5	1001116752	2	Terminal	
6	8220045	1	Terminal, Ring	
7	4460945	1	Receptacle - 3 Way	
8	4460814	1	Connector - 40 Position	
8	4460466	13	Plug, Terminal	
8	4460944	3	Socket, Female	
8	4460465	24	Socket, Female	
8	0840057	1	Boot	
9	8220007	2	Terminal, Ring	
10	4460933	1	Plug, Male - 12 Position	
10	4460465	2	Socket, Female	
10	4460944	3	Socket, Female	
10	4460466	7	Plug, Terminal	
10	1001174455	1	Boot	
11	1001117023	1	Fuseholder with 10 Amp Fuse	
11	See Note	1	Fuse - 10 Amp (Note: Purchase Locally)	
11	1001116733	2	Terminal	
12	1001112612	1	Connector - 9 Position	
12	4460464	3	Pin, Male	
12	4460943	3	Pin, Male	
12	4460466	3	Plug, Terminal	
13	4460891	6	Plug, Male	
13	4460465	12	Socket, Female	
14	4460539	1	Plug, Male - 3 Position	
14	4460465	3	Socket, Female	
14	4460536	1	Receptacle, Female - 3 Position	
14	4460466	3	Plug, Terminal	
15	4460836	1	Plug, Male - 12 Position	
15	4460465	10	Socket, Female	
15	4460466	2	Plug, Terminal	
15	4460837	1	Receptacle, Female - 12 Position	
16	4460932	1	Receptacle, Female - 4 Position	
16	4460464	3	Socket, Female	
16	4460466	1	Plug, Terminal	
16	4460884	1	Plug, Male - 4 Position	
16	4460466	4	Plug, Terminal	
17	1001117025	1	Relay and Receptacle	

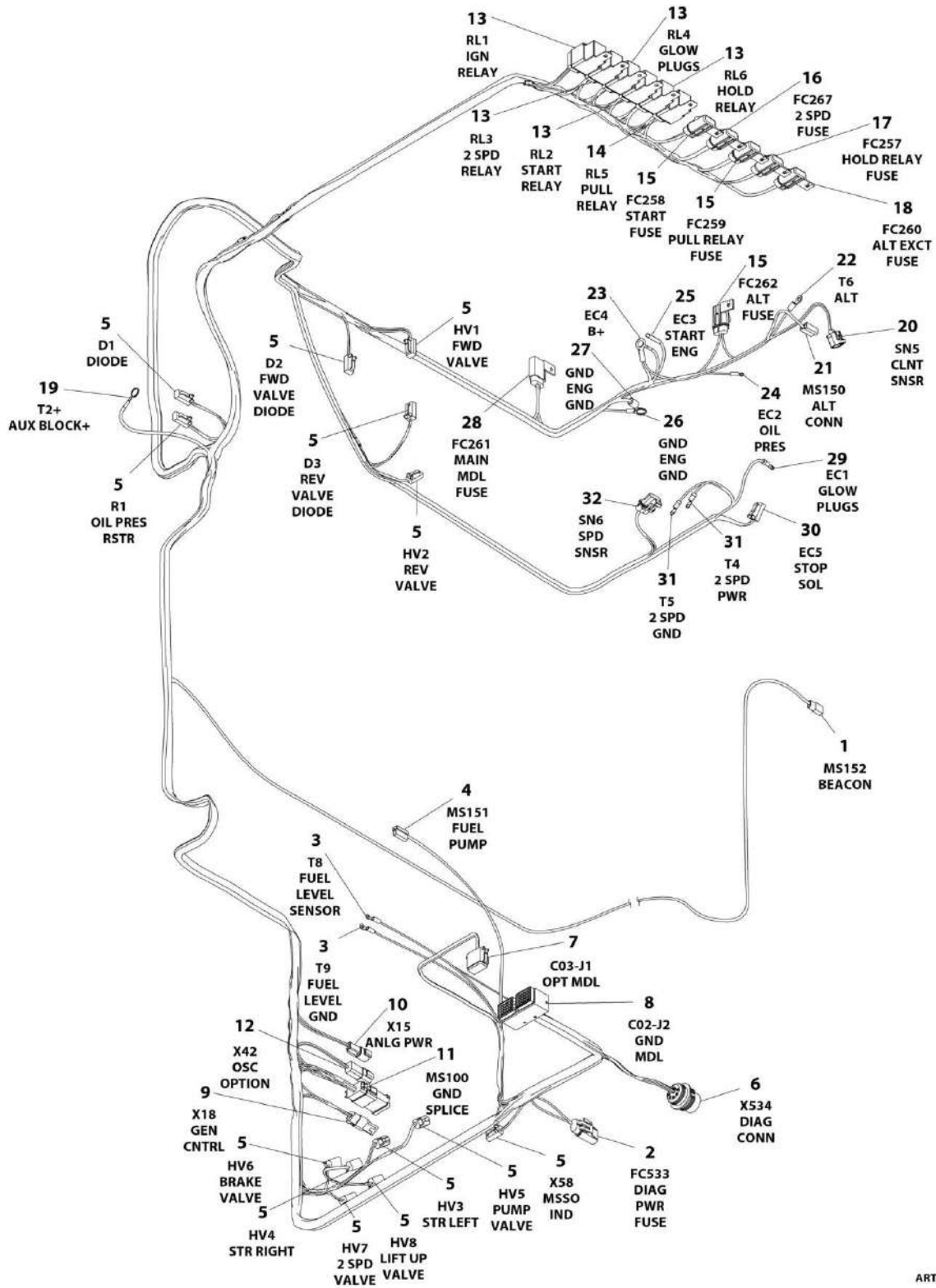
## SECTION 8 - ELECTRICAL

ITEM	PART NUMBER	QTY	DESCRIPTION	REV
17	3740080	1	Relay	
17	1001116732	2	Terminal	
17	1001116734	2	Terminal	



# SECTION 8 - ELECTRICAL

## FIGURE 8-27. ENGINE HARNESS - KUBOTA DIESEL



ART\_1001180569



## SECTION 8 - ELECTRICAL

### FIGURE 8-27. ENGINE HARNESS - KUBOTA DIESEL

ITEM	PART NUMBER	QTY	DESCRIPTION	REV
	1001180569	Ref	ENGINE HARNESS - KUBOTA DIESEL	L
1	4460424	1	Plug, Male - 2 Position	
1	4460268	2	Socket, Female	
2	1001117078	1	Fuseholder with 5 Amp Fuse	
2	See Note	1	Fuse - 5 Amp (Note: Purchase Locally)	
2	1001116752	2	Terminal <b>(Prior to SN E200000115)</b>	
2	1001166733	2	Terminal <b>(SN E200000115 through E200000675, SN 1200027648 through 1200030222)</b>	
3	8220007	2	Terminal, Ring	
4	1001118744	1	Connector - 2 Position	
4	1001118745	2	Terminal	
5	4460891	9	Plug, Male - 2 Position	
5	4460465	18	Socket, Female	
5	4460897	1	Receptacle, Female - 2 Position (at X58)	
5	4460466	2	Plug, Terminal (at X58)	
5	1001116816	3	Receptacle, Female - 2 Position with Diode (at D1, D2 & D3)	
5	1001195684	1	Receptacle, Female - 2 Position with Resistor (at R1)	
6	1001112612	1	Connector - 9 Position	
6	4460464	3	Pin, Male	
6	4460943	3	Pin, Male	
6	4460466	3	Plug, Terminal	
6	1001106736	1	Dust Cap <b>(SN E200000115 through E200000675, SN 1200027648 through 1200030222)</b>	
7	4460933	1	Plug, Male - 12 Position	
7	4460465	2	Socket, Female	
7	4460944	3	Socket, Female	
7	0840055	1	Boot	
7	4460466	7	Plug Terminal	
8	4460814	1	Connector - 40 Position	
8	4460465	AR	Socket, Female	
8	4460942	AR	Socket, Female	
8	4460944	3	Socket, Female	
8	4460466	6	Plug, Terminal	
8	0840057	1	Boot	
9	4460539	1	Plug, Male - 3 Position	
9	4460465	3	Socket, Female	
9	4460536	1	Receptacle, Female - 3 Position	
9	4460466	3	Plug, Terminal	
10	4460897	1	Receptacle, Female - 2 Position	
10	4460464	2	Pin, Male	
11	4460836	1	Plug, Male - 12 Position	
11	4460465	11	Socket, Female	
11	4460466	1	Plug, Terminal	
11	4460837	1	Connector, Bussbar	
12	4460932	1	Receptacle, Female - 4 Position	
12	4460464	3	Pin, Male	
12	4460466	5	Plug, Terminal	
12	4460884	1	Plug, Male	
13	1001117025	5	Relay with Connector	
13	3740080	5	Relay	

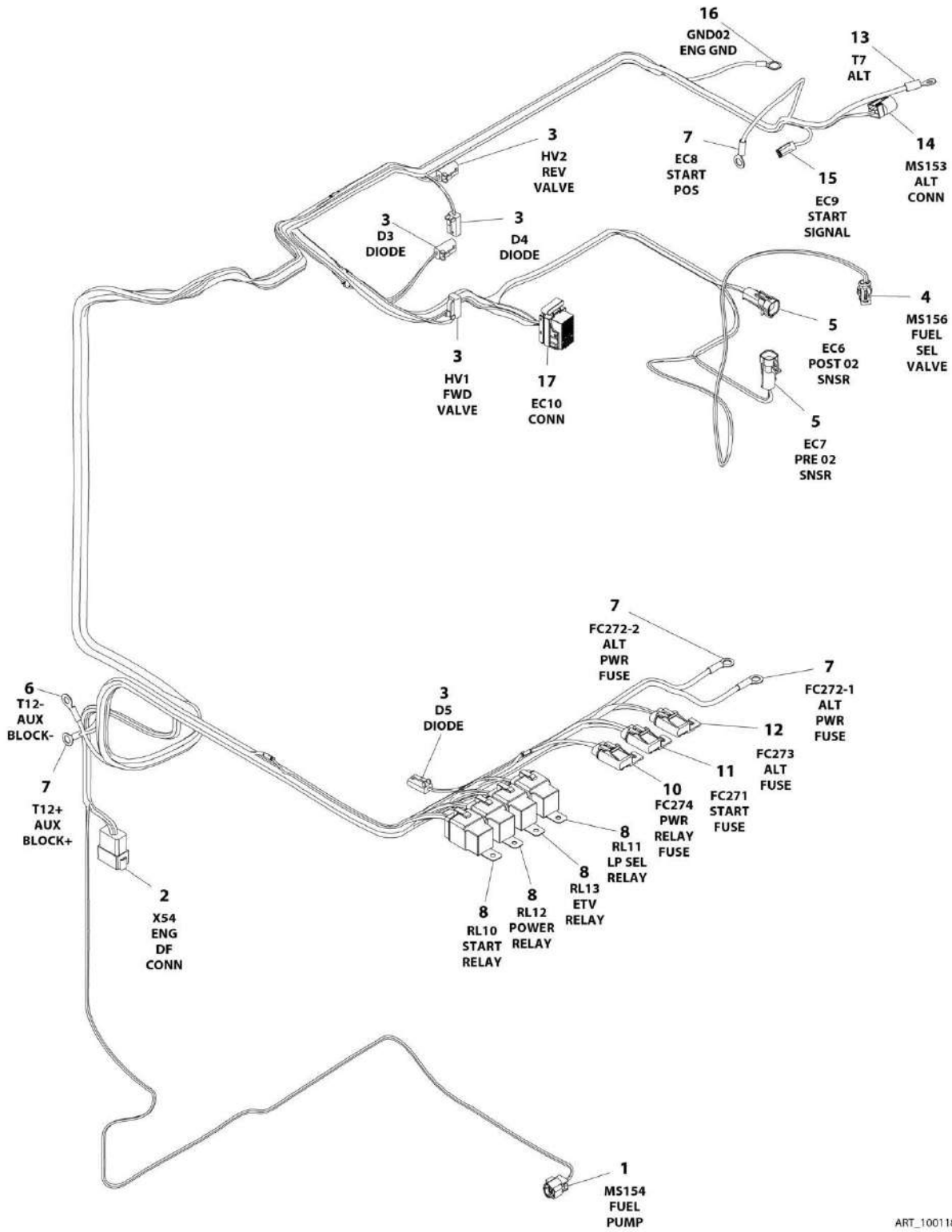
## SECTION 8 - ELECTRICAL

ITEM	PART NUMBER	QTY	DESCRIPTION	REV
13	1001116734	AR	Terminal	
13	1001116732	10	Terminal ( <b>Prior to SN E200000115</b> )	
13	1001116734	11	Terminal ( <b>SN E200000115 through E200000675, SN 1200027648 through 1200030222</b> )	
13	1001116733	2	Terminal ( <b>SN E200000115 through E200000675, SN 1200027648 through 1200030222</b> )	
14	1001118282	1	Relay with Connector	
14	3740080	1	Relay	
14	1001116734	2	Terminal	
14	1001116732	2	Terminal	
14	1001116733	1	Terminal	
15	1001118938	3	Fuseholder with 40 Amp Fuse and Mounting Bracket	
15	See Note	3	Fuse - 40 Amp (Note: Purchase Locally)	
15	1001116752	4	Terminal	
15	1001116733	2	Terminal	
16	1001117070	1	Fuseholder with 30 Amp Fuse and Mounting Bracket	
16	See Note	1	Fuse - 30 Amp (Note: Purchase Locally)	
16	1001116752	2	Terminal	
17	1001117077	1	Fuseholder with 4 Amp Fuse and Mounting Bracket	
17	See Note	1	Fuse - 4 Amp (Note: Purchase Locally)	
17	1001116733	1	Terminal	
17	1001116752	1	Terminal	
18	1001117069	1	Fuseholder with 20 Amp Fuse and Mounting Bracket	
18	See Note	1	Fuse (Note: Purchase Locally)	
18	1001116733	2	Terminal	
19	4460019	2	Terminal, Ring	
20	1001118657	1	Connector - 2 Position	
20	1001118658	2	Terminal	
20	1001205250	2	Seal ( <b>SN E200000115 through E200000675, SN 1200027648 through 1200030222</b> )	
21	1001118744	1	Connector - 2 Position	
21	1001118745	2	Terminal	
22	4460043	1	Terminal, Ring	
23	8220164	1	Terminal, Ring	
24	4460247	1	Terminal, Ring	
25	1001118743	1	Housing, Terminal	
25	1001118748	1	Terminal	
26	8220111	1	Terminal, Ring	
27	8220029	1	Terminal	
28	1001117023	1	Fuseholder with 10 Amp Fuse and Mounting Bracket ( <b>Prior to SN E200000115</b> )	
28	1001117069	1	Fuseholder with 20 Amp Fuse and Mounting Bracket ( <b>SN E200000115 through E200000675, SN 1200027648 through 1200030222</b> )	
28	See Note	1	Fuse - 10 Amp (Note: Purchase Locally)	
28	1001116752	2	Terminal	
29	4460142	1	Terminal, Ring	
30	See Note	1	Connector - 2 Position (Note: Not Available for Purchase)	
30	See Note	2	Terminal (Note: Not Available for Purchase)	
31	4460042	2	Terminal, Ring	
32	1001117055	1	Plug, Male - 3 Position	
32	4460746	2	Terminal	
32	1001175265	2	Seal	



# SECTION 8 - ELECTRICAL

## FIGURE 8-28. ENGINE HARNESS - KUBOTA GASOLINE



ART\_1001180570

## SECTION 8 - ELECTRICAL

### FIGURE 8-28. ENGINE HARNESS - KUBOTA GASOLINE

ITEM	PART NUMBER	QTY	DESCRIPTION	REV
	1001180570	Ref	ENGINE HARNESS - KUBOTA GASOLINE	E
1	1001184832	1	Connector - 2 Position	
1	1001118658	2	Terminal	
2	4460970	1	Connector - 12 Position	
2	4460464	8	Pin, Male	
2	4460943	3	Pin, Male	
2	4460941	1	Pin, Male	
3	4460891	4	Plug, Male - 2 Position	
3	4460465	8	Socket, Female	
3	1001118616	2	Receptacle, Female with Diode (At D3, D4 & D5)	
4	4461118	1	Plug, Male - 2 Position	
4	1001107854	2	Terminal	
4	1001104498	2	Seal	
5	1001184722	2	Receptacle, Female - 4 Position	
5	1001116749	8	Terminal	
5	4460608	8	Seal	
6	8220045	1	Terminal, Ring	
7	8220164	AR	Terminal, Ring	
7	1001117110	AR	Terminal, Ring	
8	1001117025	3	Relay with Connector	
8	3740080	3	Relay	
8	1001116734	4	Terminal	
8	1001116732	6	Terminal	
8	1001116733	2	Terminal	
9	1001118282	1	Relay with Connector	
9	3740080	1	Relay	
9	1001116733	2	Terminal	
9	1001116732	2	Terminal	
10	1001117070	1	Fuseholder with 30 Amp Fuse and Mounting Bracket	
10	See Note	1	Fuse - 30 Amp (Note: Purchase Locally)	
10	1001116752	2	Terminal	
11	1001118938	1	Fuseholder with 40 Amp Fuse and Mounting Bracket	
11	See Note	1	Fuse - 40 Amp (Note: Purchase Locally)	
11	1001116752	2	Terminal	
12	1001117078	1	Fuseholder with 5 Amp Fuse and Mounting Bracket	
12	See Note	1	Fuse - 5 Amp (Note: Purchase Locally)	
12	1001116733	AR	Terminal	
12	1001116732	AR	Terminal	
13	1001117107	1	Terminal, Ring	
14	1001125748	1	Connector - 3 Position	
14	1001125773	3	Terminal	
14	1001129772	2	Seal	
15	1001184768	1	Housing, Terminal	
15	1001184769	1	Terminal	
16	8220111	1	Terminal, Ring	
17	1001184705	1	Connector - 42 Position	
17	1001187455	4	Terminal	
17	1001184718	AR	Terminal	
17	1001166702	AR	Terminal	
17	1001184716	10	Terminal	

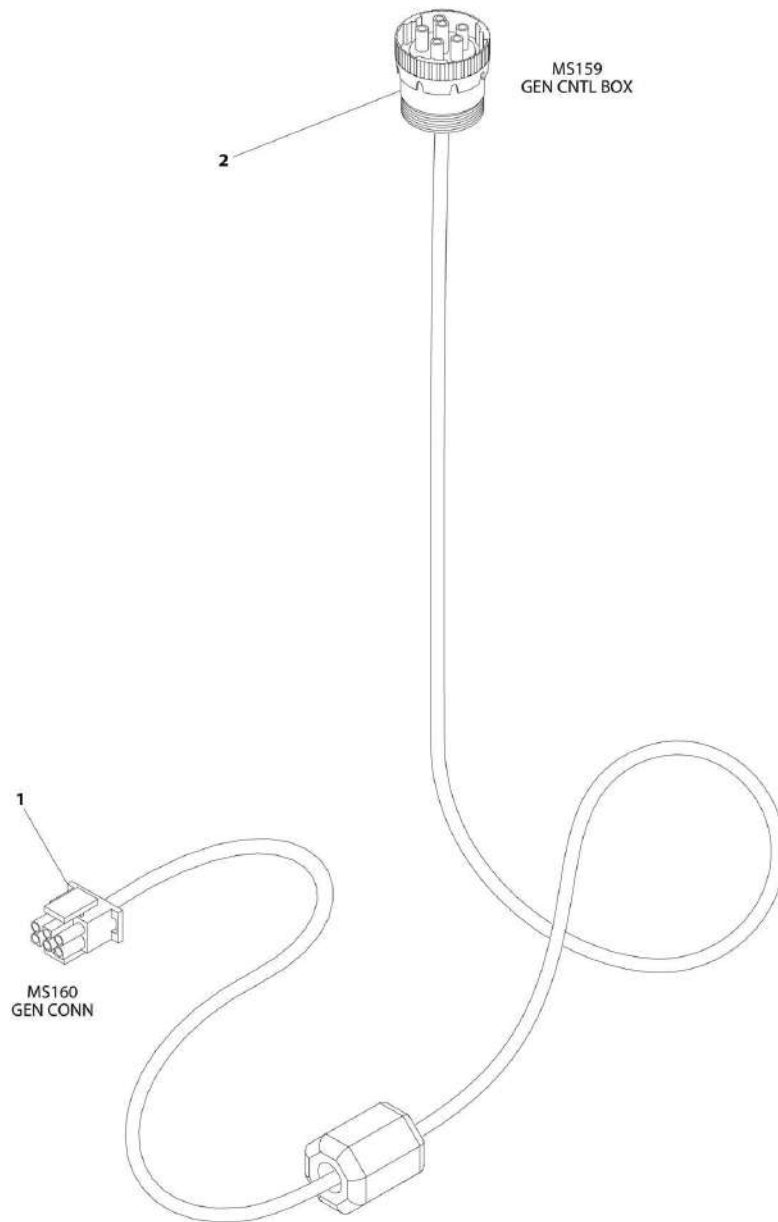
## SECTION 8 - ELECTRICAL

ITEM	PART NUMBER	QTY	DESCRIPTION	REV
17	1001184717	2	Terminal	
17	4461054	4	Seal	
17	1001167690	5	Seal	
17	1001126393	12	Seal	
17	1001116696	20	Plug, Terminal	



## SECTION 8 - ELECTRICAL

FIGURE 8-29. GENERATOR CONTROL HARNESS - 4000W GENERATOR (GENERATOR TO CONTROL BOX)



ART\_1001186825



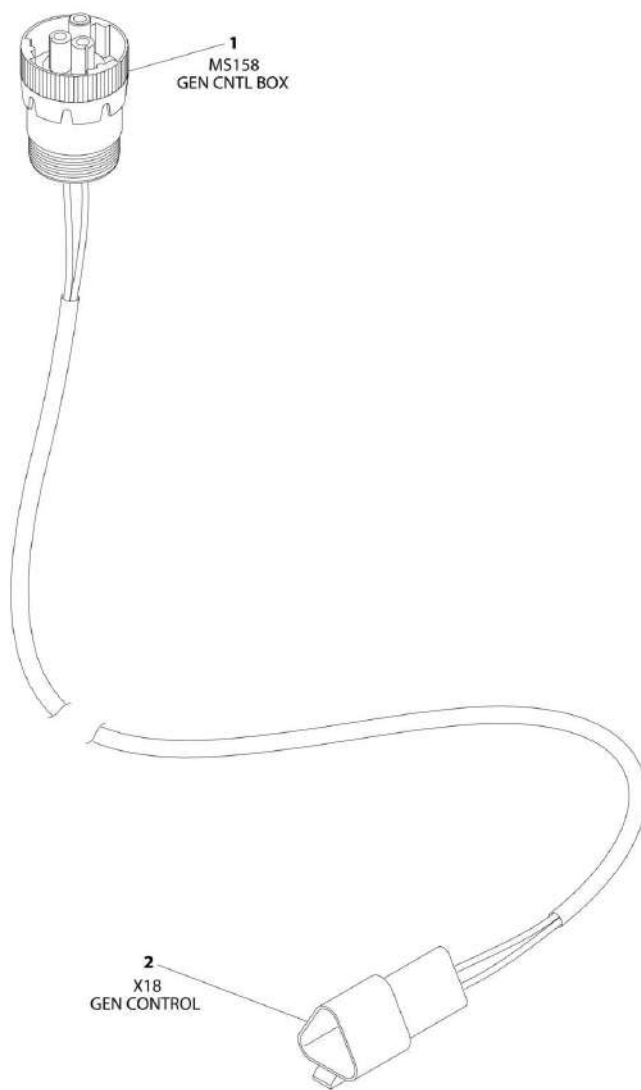
## SECTION 8 - ELECTRICAL

**FIGURE 8-29. GENERATOR CONTROL HARNESS - 4000W GENERATOR (GENERATOR TO CONTROL BOX)**

ITEM	PART NUMBER	QTY	DESCRIPTION	REV
	1001186825	Ref	GENERATOR CONTROL HARNESS - 4000W GENERATOR (GENERATOR TO CONTROL BOX)	D
1	4460225	1	Plug, Male - 6 Position	
1	4460268	2	Socket, Female	
1	4460808	1	Seal, Connector	
1	4460807	1	Seal, Terminal	
2	77363233	1	Connector - 6 Position	
2	4460465	2	Socket, Female	
2	4460466	4	Plug, Terminal	

## SECTION 8 - ELECTRICAL

FIGURE 8-30. GENERATOR CONTROL HARNESS - 4000W GENERATOR (CONTROL BOX TO GENERATOR CONTROL)



ART\_1001186826

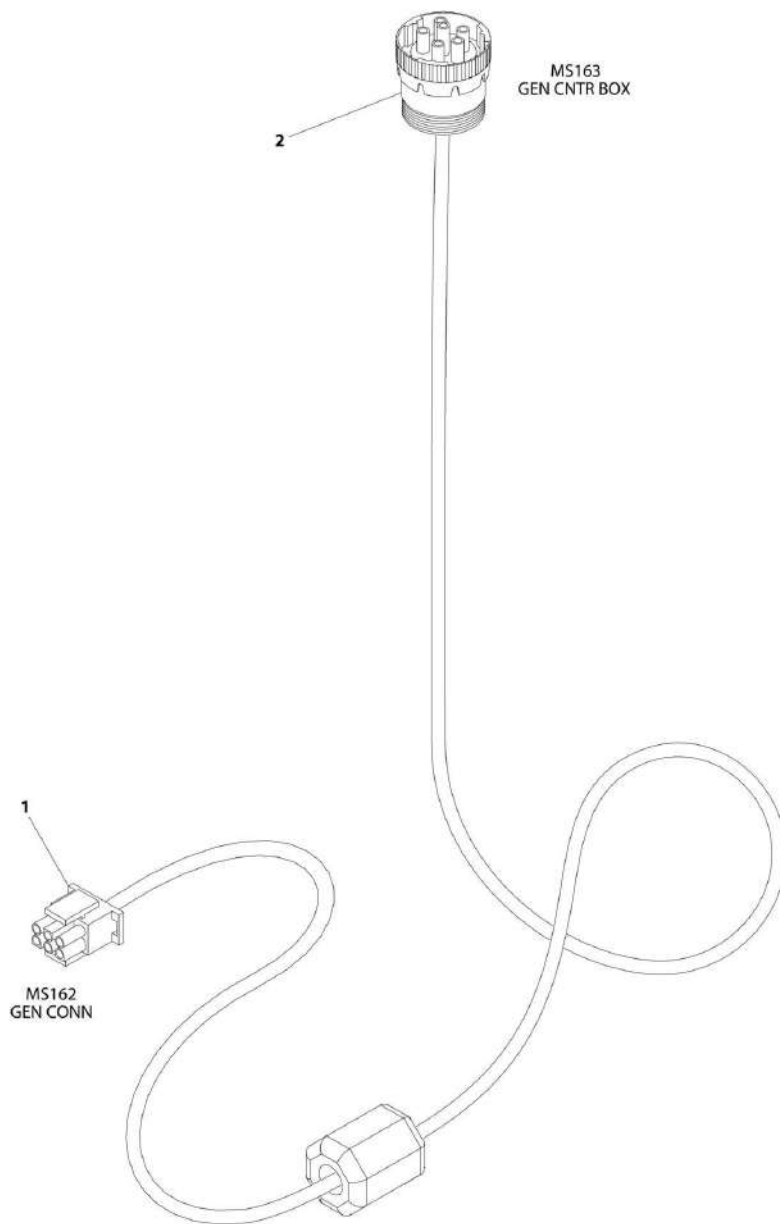
## SECTION 8 - ELECTRICAL

**FIGURE 8-30. GENERATOR CONTROL HARNESS - 4000W GENERATOR (CONTROL BOX TO GENERATOR CONTROL)**

ITEM	PART NUMBER	QTY	DESCRIPTION	REV
	1001186826	Ref	GENERATOR CONTROL HARNESS - 4000W GENERATOR (CONTROL BOX TO GENERATOR CONTROL)	C
1	4460967	1	Connector - 3 Position	
1	4460465	2	Socket, Female	
1	4460466	1	Plug, Terminal	
2	4460536	1	Receptacle, Female - 3 Position	
2	4460464	2	Pin, Male	
2	4460466	1	Plug, Terminal	

## SECTION 8 - ELECTRICAL

FIGURE 8-31. GENERATOR CONTROL HARNESS - 7500W GENERATOR (GENERATOR TO CONTROL BOX)



ART\_1001186821

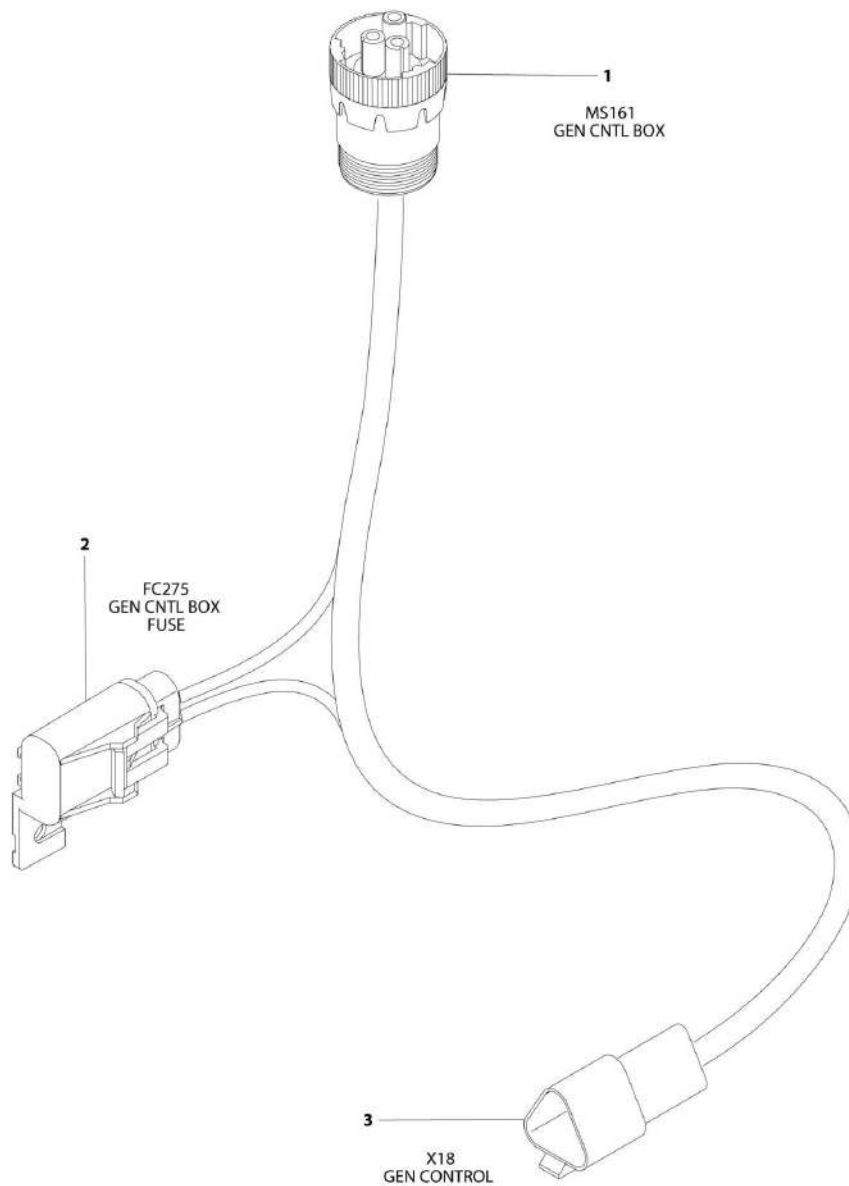
## SECTION 8 - ELECTRICAL

**FIGURE 8-31. GENERATOR CONTROL HARNESS - 7500W GENERATOR (GENERATOR TO CONTROL BOX)**

ITEM	PART NUMBER	QTY	DESCRIPTION	REV
	1001186821	Ref	GENERATOR CONTROL HARNESS - 7500W GENERATOR (GENERATOR TO CONTROL BOX)	D
1	4460225	1	Plug, Male - 6 Position	
1	4460268	6	Socket, Female	
1	4460807	1	Seal, Terminal	
2	77363233	1	Connector - 6 Position	
2	4460465	6	Socket, Female	

## SECTION 8 - ELECTRICAL

FIGURE 8-32. GENERATOR CONTROL HARNESS - 7500W GENERATOR (CONTROL BOX TO GENERATOR CONTROL)



ART\_1001166822

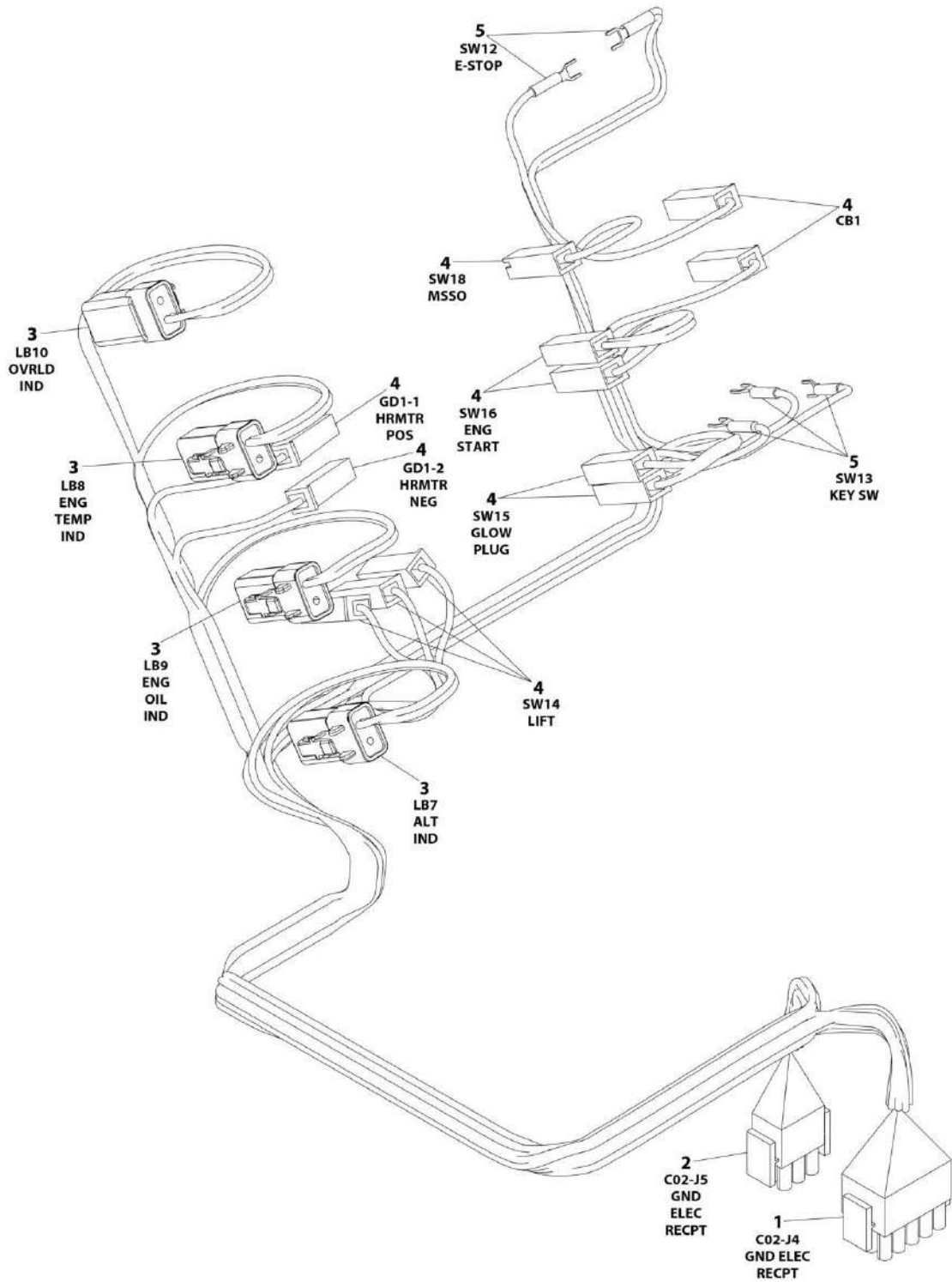
## SECTION 8 - ELECTRICAL

**FIGURE 8-32. GENERATOR CONTROL HARNESS - 7500W GENERATOR (CONTROL BOX TO GENERATOR CONTROL)**

ITEM	PART NUMBER	QTY	DESCRIPTION	REV
1	1001186822	Ref	GENERATOR CONTROL HARNESS - 7500W GENERATOR (CONTROL BOX TO GENERATOR CONTROL)	D
1	4460967	1	Connector	
1	4460465	3	Socket, Female	
2	1001117078	1	Connector - 2 Position	
2	1001116733	2	Terminal, Female	
3	4460536	1	Receptacle, Female - 3 Position	
3	4460464	3	Pin, Male	

# SECTION 8 - ELECTRICAL

## FIGURE 8-33. GROUND CONTROL BOX HARNESS - LOWER



ART\_1001181333



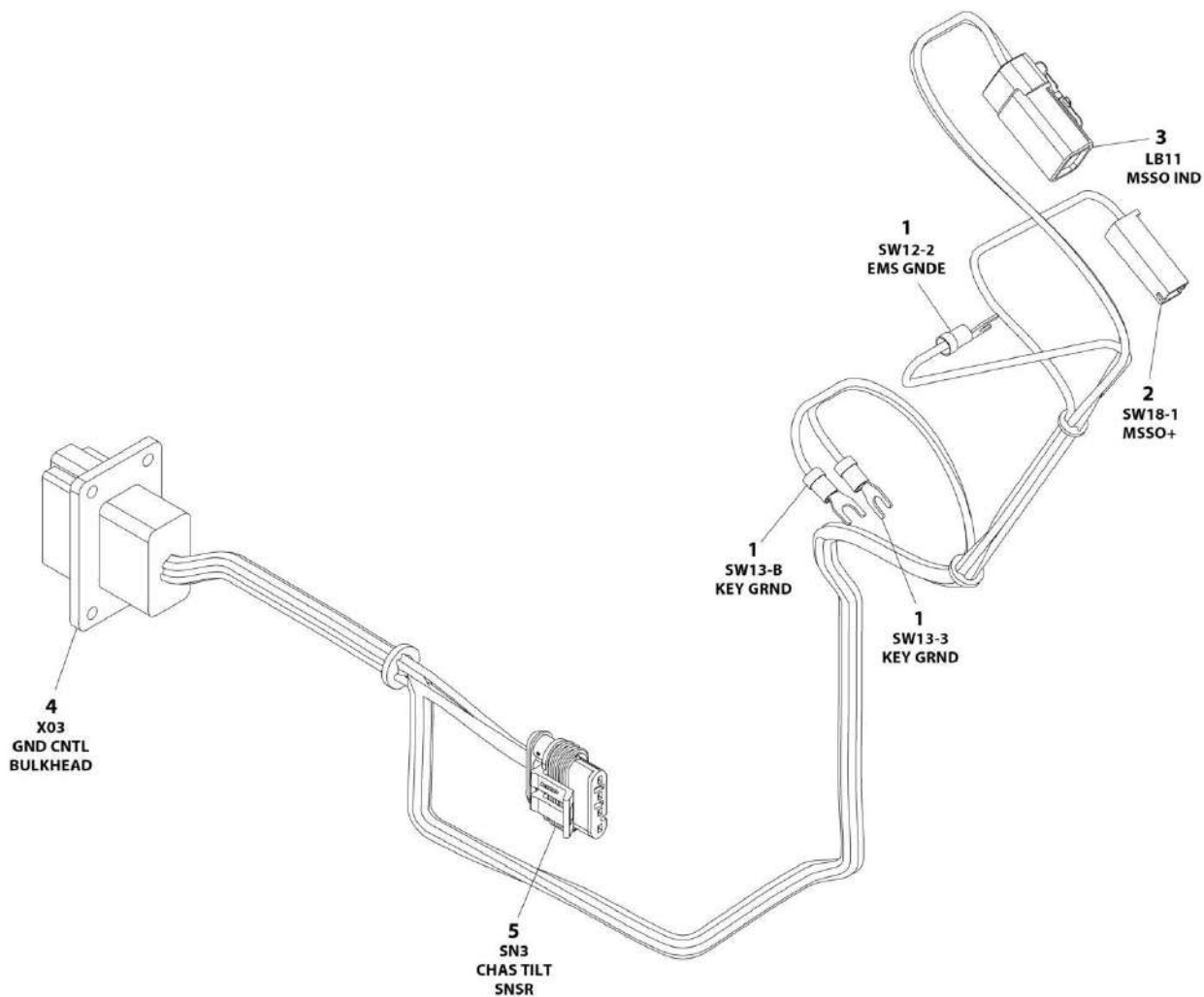
## SECTION 8 - ELECTRICAL

### FIGURE 8-33. GROUND CONTROL BOX HARNESS - LOWER

ITEM	PART NUMBER	QTY	DESCRIPTION	REV
	1001181333	Ref	GROUND CONTROL BOX HARNESS - LOWER	F
1	4460434	1	Connector - 15 Position	
1	4460268	11	Socket, Female	
2	4460225	1	Connector - 6 Position	
2	4460268	6	Socket, Female	
3	1001126245	4	Receptacle, Female - 2 Position	
3	4460928	8	Socket, Female	
4	4460260	12	Cover, Terminal	
4	4460259	12	Terminal	
5	4460183	4	Terminal, Fork	
5	4460115	2	Terminal, Fork	

# SECTION 8 - ELECTRICAL

## FIGURE 8-34. GROUND CONTROL BOX HARNESS - UPPER



ART\_1001181337

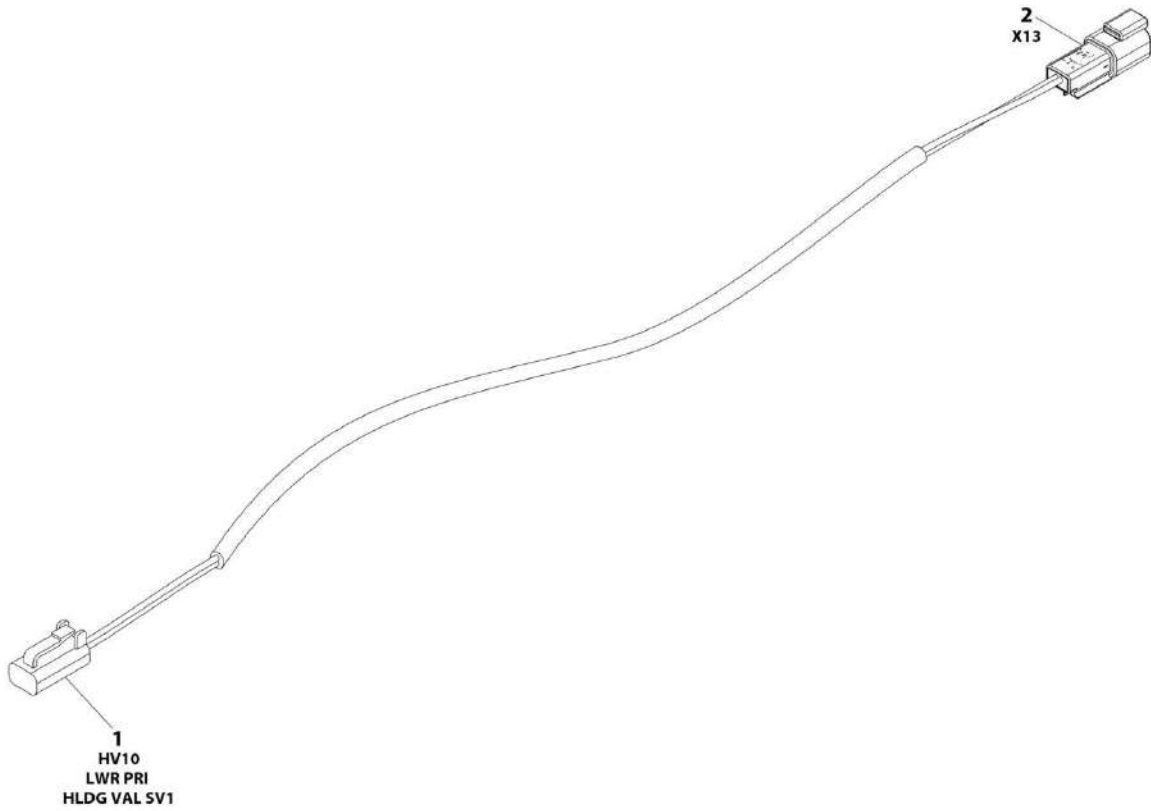
## SECTION 8 - ELECTRICAL

**FIGURE 8-34. GROUND CONTROL BOX HARNESS - UPPER**

ITEM	PART NUMBER	QTY	DESCRIPTION	REV
	1001181337	Ref	GROUND CONTROL BOX HARNESS - UPPER	H
1	4460115	1	Terminal, Fork ( <b>Prior to SN E200000462, SN 1200027648 through 1200030222</b> )	
1	4460183	3	Terminal, Fork ( <b>SN E200000462 through E200000668</b> )	
2	4460260	1	Cover, Terminal	
2	4460259	1	Terminal	
3	1001126245	1	Receptacle, Female - 2 Position	
3	4460928	2	Socket, Female	
4	4460939	1	Connector - 12 Position	
4	4460464	7	Pin, Male	
4	4460943	2	Pin, Male	
4	4460466	3	Plug, Terminal	
5	1001103012	1	Plug, Male - 4 Position	
5	1001107854	4	Terminal	
5	1001104498	4	Seal	

# SECTION 8 - ELECTRICAL

## FIGURE 8-35. GROUND TO LOWER LIFT CYLINDER HARNESS



ART\_1001190522

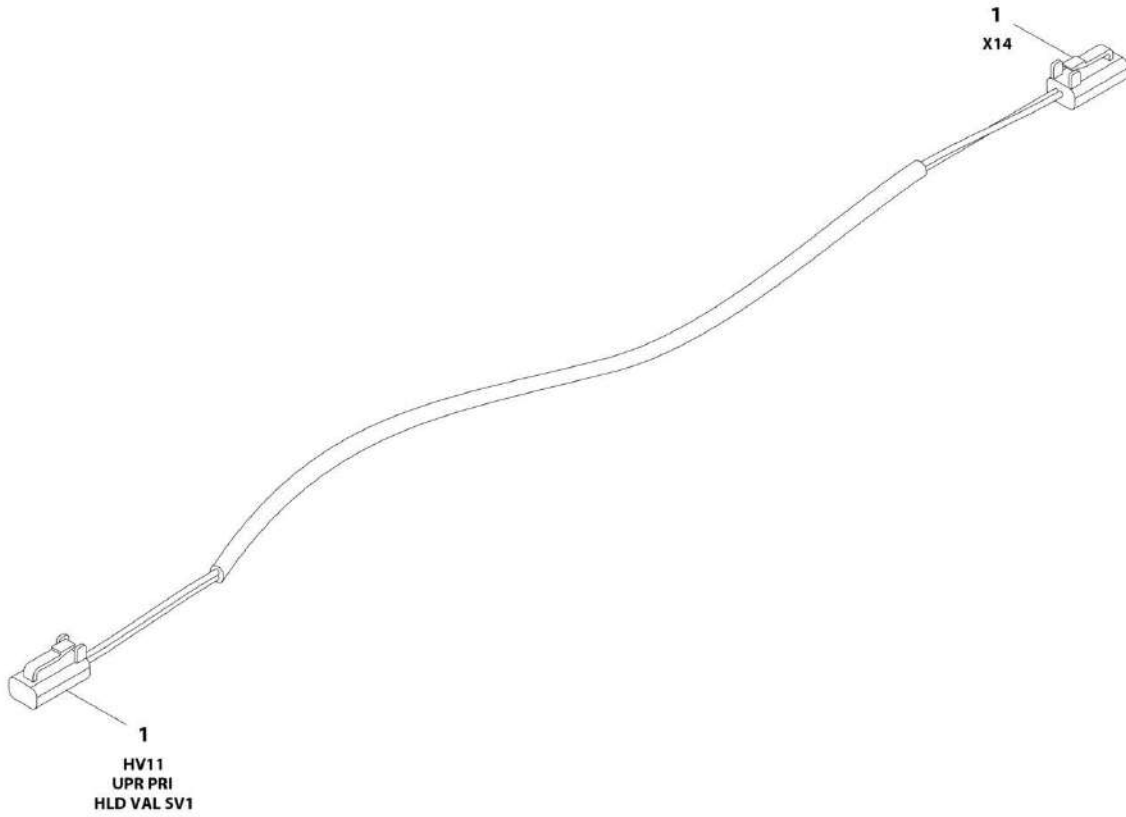
## SECTION 8 - ELECTRICAL

### FIGURE 8-35. GROUND TO LOWER LIFT CYLINDER HARNESS

ITEM	PART NUMBER	QTY	DESCRIPTION	REV
	1001190522	Ref	GROUND TO LOWER LIFT CYLINDER HARNESS	B
1	4460891	1	Plug, Male - 2 Position	
1	4460465	2	Socket, Female	
2	4460897	1	Receptacle, Female - 2 Position	
2	4460464	2	Pin, Male	

# SECTION 8 - ELECTRICAL

## FIGURE 8-36. GROUND TO UPPER LIFT CYLINDER HARNESS



ART\_1001190524

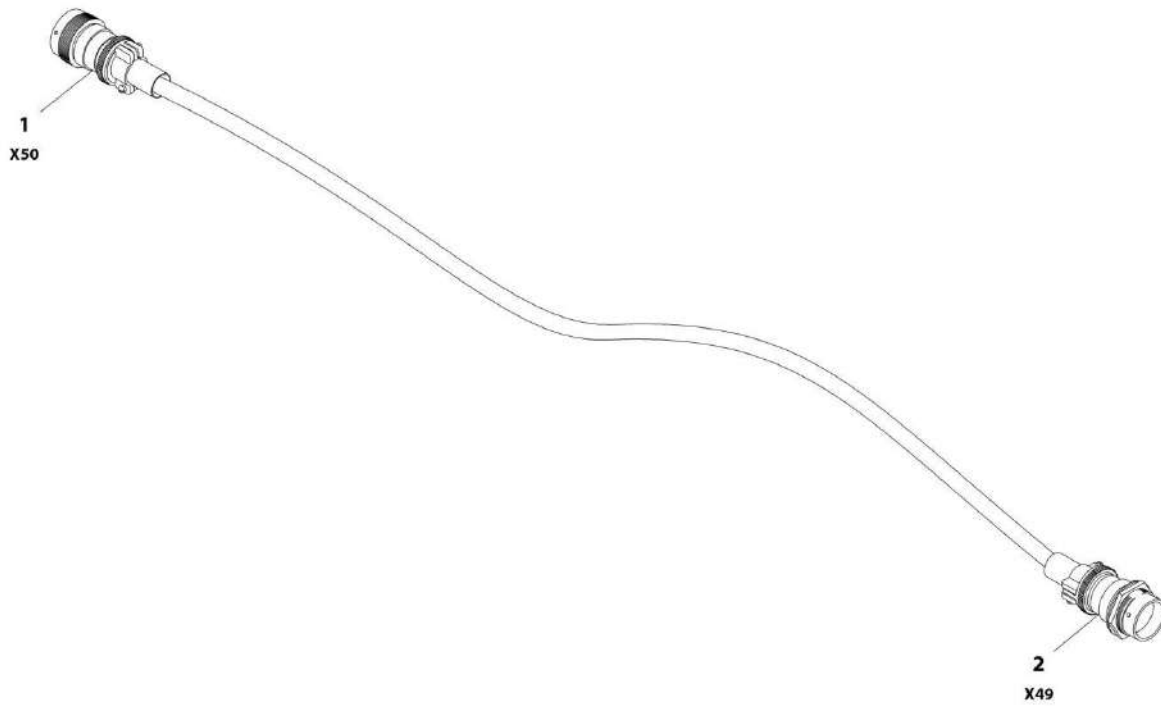
## SECTION 8 - ELECTRICAL

### FIGURE 8-36. GROUND TO UPPER LIFT CYLINDER HARNESS

ITEM	PART NUMBER	QTY	DESCRIPTION	REV
	1001190524	Ref	GROUND TO UPPER LIFT CYLINDER HARNESS	B
1	4460891	2	Plug, Male - 2 Position	
1	4460465	4	Socket, Female	

# SECTION 8 - ELECTRICAL

## FIGURE 8-37. GROUND TO PLATFORM HARNESS



ART\_1001190519



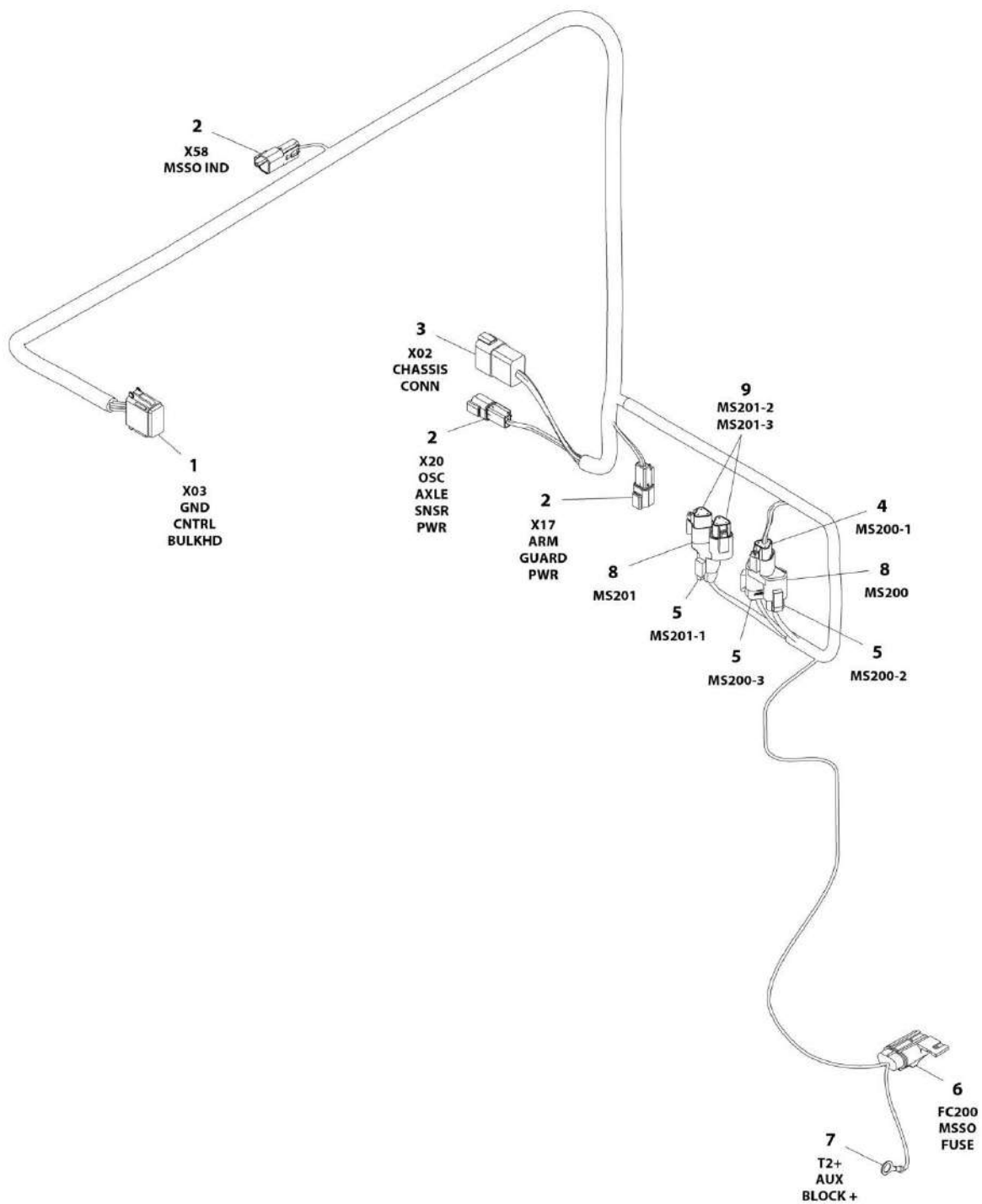
## SECTION 8 - ELECTRICAL

### FIGURE 8-37. GROUND TO PLATFORM HARNESS

ITEM	PART NUMBER	QTY	DESCRIPTION	REV
	1001190519	Ref	GROUND TO PLATFORM HARNESS	A
1	1001116926	1	Connector - 21 Position	
1	4460465	8	Socket, Female	
1	4460509	4	Socket, Female	
1	4460944	2	Socket, Female	
1	4460466	7	Plug, Terminal	
2	1001116930	1	Connector - 21 Position	
2	4460464	8	Pin, Male	
2	4460508	4	Pin, Male	
2	4460943	2	Pin, Male	
2	4460466	7	Plug, Terminal	

# SECTION 8 - ELECTRICAL

## FIGURE 8-38. HYDRAULIC COMPARTMENT HARNESS



ART\_1001192038

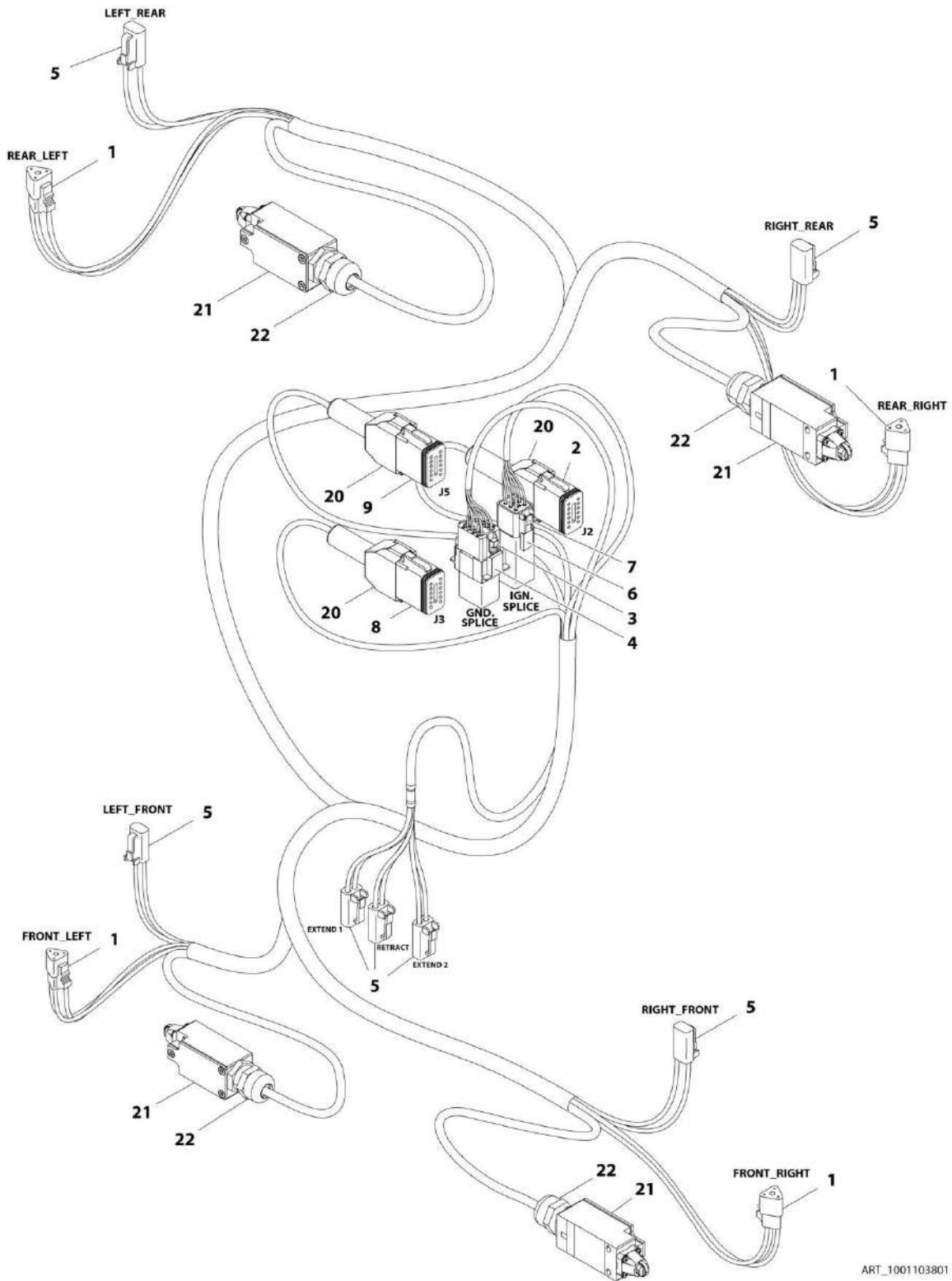
## SECTION 8 - ELECTRICAL

### FIGURE 8-38. HYDRAULIC COMPARTMENT HARNESS

ITEM	PART NUMBER	QTY	DESCRIPTION	REV
	1001192038	Ref	HYDRAULIC COMPARTMENT HARNESS	C
1	4460933	1	Plug, Male - 12 Position	
1	4460465	6	Socket, Female	
1	4460944	2	Socket, Female	
1	4460466	4	Plug, Terminal	
2	4460897	3	Receptacle, Female - 2 Position	
2	4460464	6	Pin, Male	
2	4460891	3	Plug, Male - 2 Position	
2	4460466	6	Plug, Terminal	
3	4460931	1	Receptacle, Female - 8 Position	
3	4460464	3	Pin, Male	
3	4460943	3	Pin, Male	
3	4460466	2	Plug, Terminal	
4	4460539	1	Plug, Male - 3 Position	
4	4460944	3	Terminal	
5	1001116812	3	Plug, Male - 3 Position	
5	4460944	9	Socket, Female	
6	1001119411	1	Fuseholder with 1 Amp Fuse and Mounting Bracket	
6	See Note	1	Fuse - 1 Amp (Note: Purchase Locally)	
6	1001116733	2	Terminal	
7	4460670	1	Terminal, Ring	
8	4460945	2	Receptacle - 3 Way	
9	4460539	2	Plug, Male - 3 Position	
9	4460466	6	Plug, Terminal	

# SECTION 8 - ELECTRICAL

## FIGURE 8-39. LEVELING JACK HARNESS



ART\_1001103801

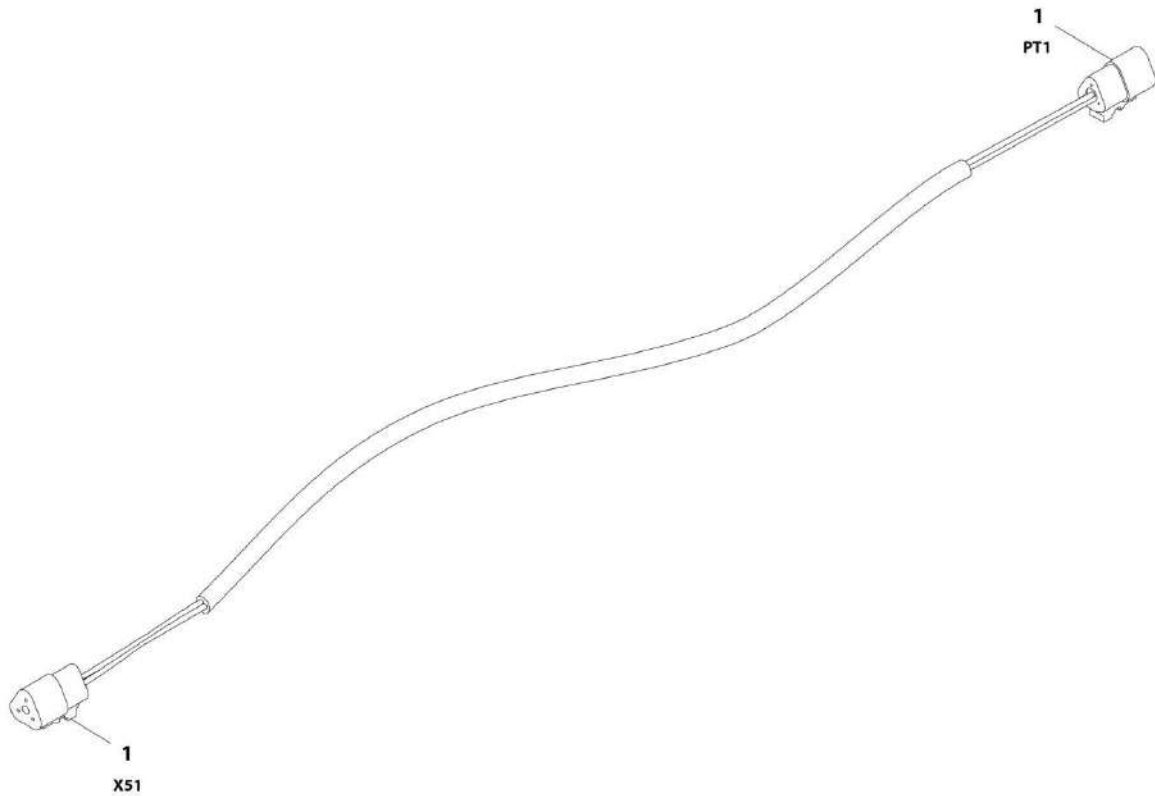
## SECTION 8 - ELECTRICAL

**FIGURE 8-39. LEVELING JACK HARNESS**

ITEM	PART NUMBER	QTY	DESCRIPTION	REV
	1001103801	Ref	LEVELING JACK HARNESS	D
1	4460539	4	Connector - 3 Position	
1	4460465	12	Socket, Female	
2	4460836	1	Connector - 12 Position	
2	4460465	7	Socket, Female	
2	4460466	5	Plug	
3	4460851	1	Connector - 8 Position	
3	4460465	8	Socket, Female	
4	4460852	1	Connector, Buss Bar - 8 Position	
5	4460891	7	Connector - 2 Position	
5	4460465	14	Socket, Female	
6	4460892	1	Terminal, Buss Bar - 6 Position	
7	4460894	1	Connector - 6 Position	
7	4460465	6	Socket, Female	
8	4460934	1	Connector - 12 Position	
8	4460465	12	Socket, Female	
9	4460935	1	Connector - 12 Position	
9	4460465	5	Socket, Female	
9	4460466	7	Plug	
20	0840055	3	Boot	
21	4360548	4	Switch, Limit	
22	4460968	4	Connector, Strain Relief	

# SECTION 8 - ELECTRICAL

FIGURE 8-40. LSS HARNESS TO X51



ART\_1001190521

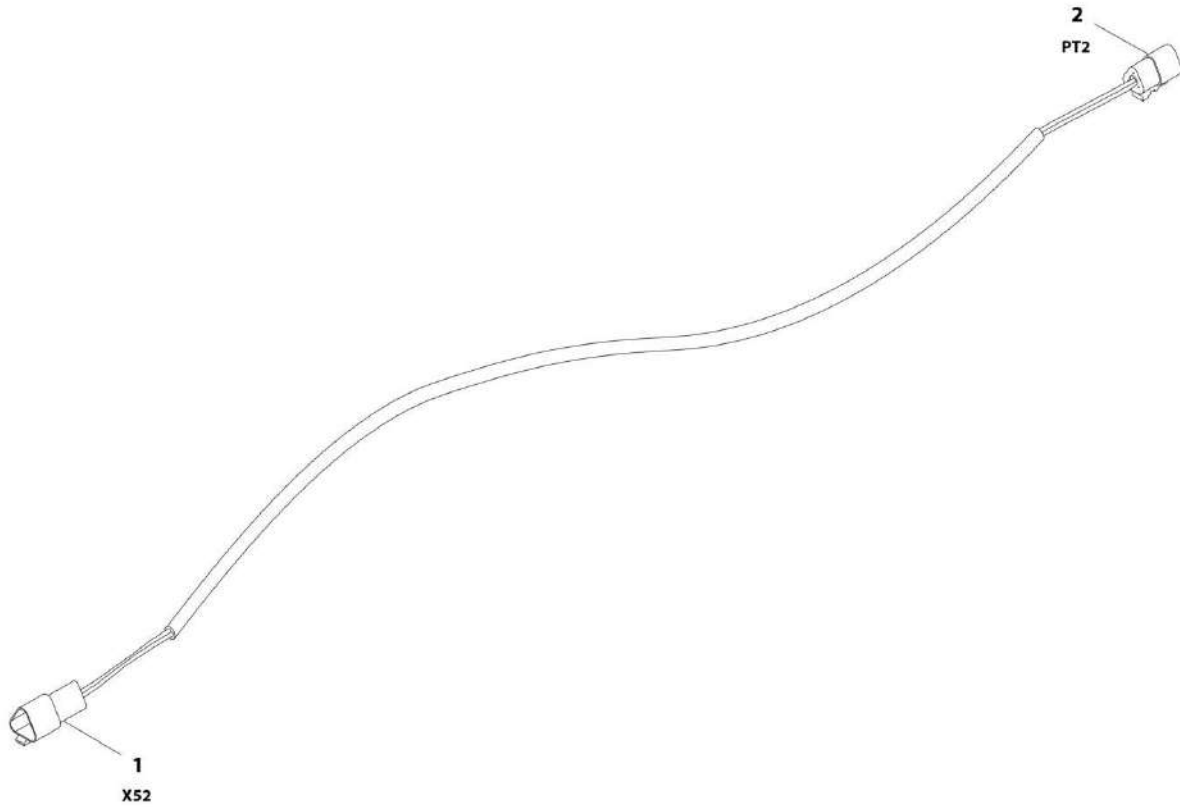
## SECTION 8 - ELECTRICAL

### FIGURE 8-40. LSS HARNESS TO X51

ITEM	PART NUMBER	QTY	DESCRIPTION	REV
	1001190521	Ref	LSS HARNESS TO X51	A
1	4460539	2	Plug, Male - 3 Position	
1	4460465	6	Socket, Female	

# SECTION 8 - ELECTRICAL

FIGURE 8-41. LSS HARNESS TO X52



ART\_1001190525



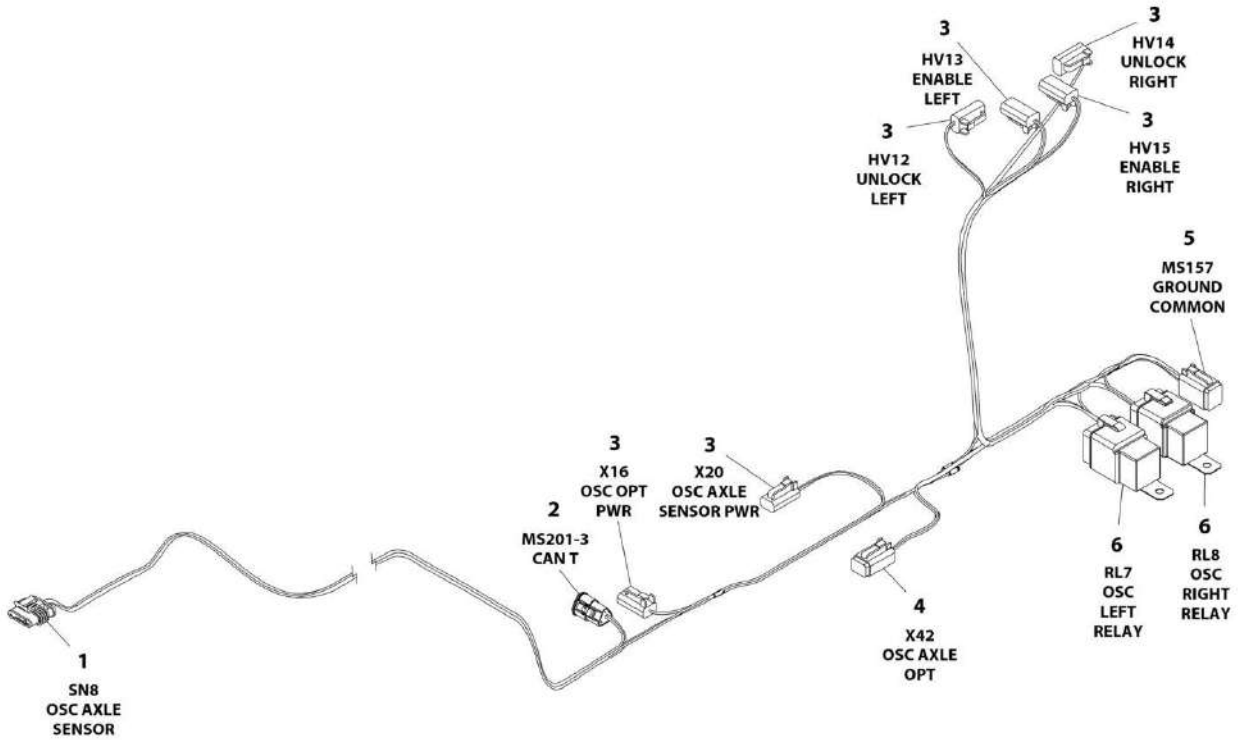
## SECTION 8 - ELECTRICAL

### FIGURE 8-41. LSS HARNESS TO X52

ITEM	PART NUMBER	QTY	DESCRIPTION	REV
	1001190525	Ref	LSS HARNESS TO X52	A
1	4460536	1	Receptacle, Female - 3 Position	
1	4460464	3	Pin, Male	
2	4460539	1	Plug, Male - 3 Position	
2	4460465	3	Socket, Female	

# SECTION 8 - ELECTRICAL

## FIGURE 8-42. OSCILLATING AXLE HARNESS



ART\_1001187601

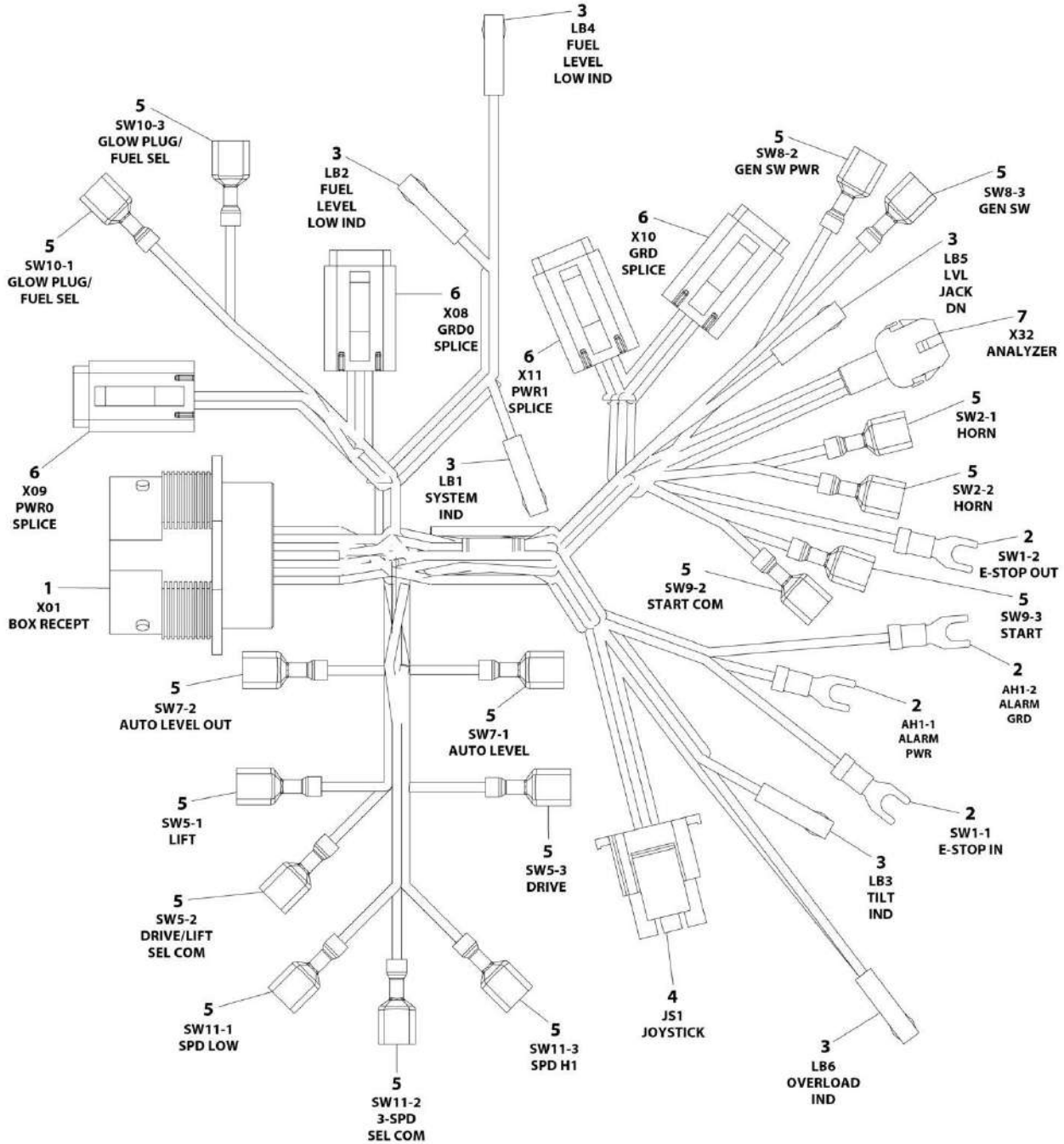
## SECTION 8 - ELECTRICAL

**FIGURE 8-42. OSCILLATING AXLE HARNESS**

ITEM	PART NUMBER	QTY	DESCRIPTION	REV
	1001187601	Ref	OSCILLATING AXLE HARNESS	C
1	1001103012	1	Connector - 4 Position	
1	1001107854	4	Socket, Female	
1	1001104498	4	Seal	
2	1001116812	1	Connector - 3 Position	
2	4460944	3	Socket, Female	
3	4460891	6	Connector - 2 Position	
3	4460465	11	Socket, Female	
3	4460466	1	Plug, Terminal	
4	4460884	1	Connector - 4 Position	
4	4460465	3	Socket, Female	
4	4460466	1	Plug, Terminal	
5	4460894	1	Connector - 6 Position	
5	4460465	6	Socket, Female	
6	1001117025	2	Connector, Relay	
6	4460375	8	Terminal	

# SECTION 8 - ELECTRICAL

## FIGURE 8-43. PLATFORM CONSOLE BOX HARNESS



ART\_1001176787

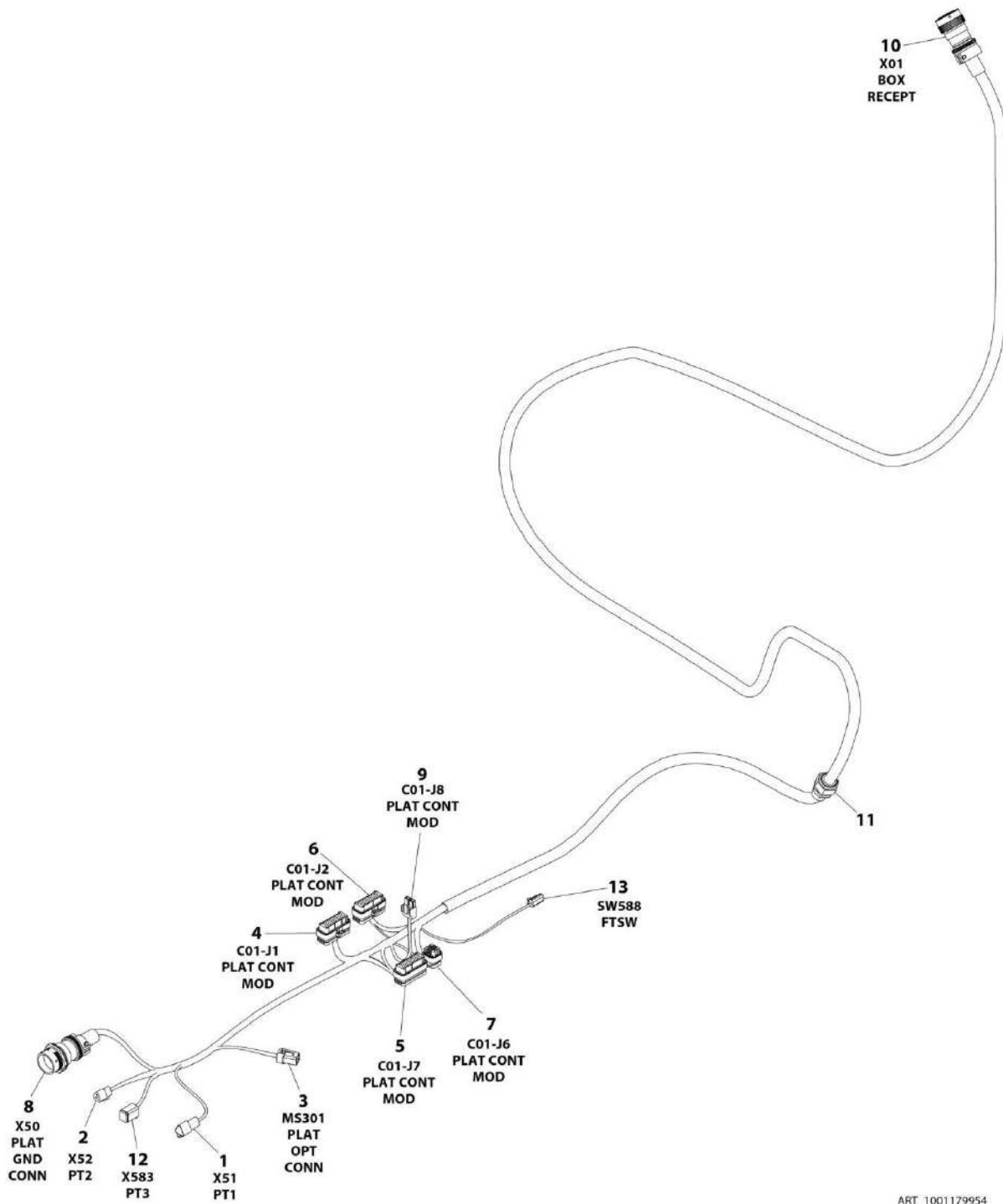
## SECTION 8 - ELECTRICAL

**FIGURE 8-43. PLATFORM CONSOLE BOX HARNESS**

ITEM	PART NUMBER	QTY	DESCRIPTION	REV
	1001176787	Ref	PLATFORM CONSOLE BOX HARNESS	I
1	1001116934	1	Connector - 31 Position	
1	4460464	31	Pin, Male	
2	4460183	4	Terminal, Fork	
3	1001190469	6	Connector - 2 Position	
3	1001190471	12	Terminal	
4	4460266	1	Plug, Male - 9 Position	
4	4460267	9	Terminal	
5	1001194421	14	Terminal	
6	4460894	4	Plug, Male - 6 Position	
6	4460465	19	Socket, Female	
6	4460466	5	Plug, Terminal	
6	4460892	4	Buss Bar	
7	4460761	1	Plug, Male - 4 Position	
7	4460267	4	Terminal	

# SECTION 8 - ELECTRICAL

## FIGURE 8-44. PLATFORM MODULE TO CONSOLE BOX HARNESS



ART\_1001179954

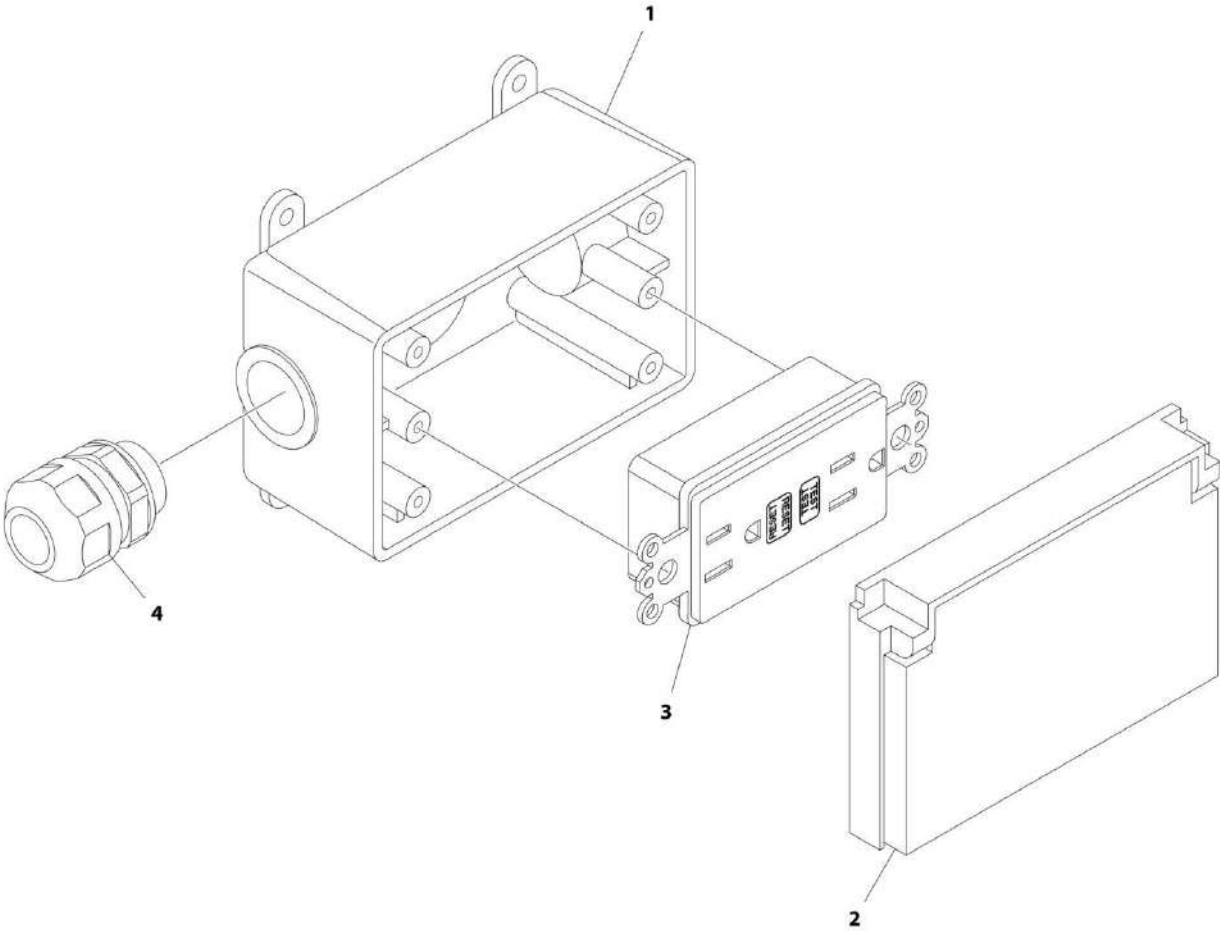
## SECTION 8 - ELECTRICAL

**FIGURE 8-44. PLATFORM MODULE TO CONSOLE BOX HARNESS**

ITEM	PART NUMBER	QTY	DESCRIPTION	REV
	1001179954	Ref	PLATFORM MODULE TO CONSOLE BOX HARNESS	J
1	4460536	1	Receptacle, Female - 3 Position	
1	4460464	3	Pin, Male	
2	4460539	1	Plug, Male - 3 Position	
2	4460465	3	Socket, Female	
3	1001116810	1	Plug, Male - 4 Position	
3	4460509	2	Socket, Female	
3	4460466	6	Plug, Terminal	
3	1001116811	1	Receptacle, Female - 4 Position	
4	4460876	1	Connector - 35 Position	
4	4460905	24	Plug, Terminal	
4	4460871	11	Socket, Female	
5	4460873	1	Connector - 35 Position	
5	4460871	13	Socket, Female	
5	4460905	21	Plug, Terminal	
6	4460874	1	Connector - 35 Position	
6	4460871	10	Socket, Female	
6	4460905	25	Plug, Terminal	
7	1001113961	1	Connector - 8 Position	
7	4460871	7	Socket, Female	
7	4460905	1	Plug, Terminal	
8	1001116930	1	Connector - 21 Position	
8	4460464	4	Pin, Male	
8	4460508	4	Pin, Male	
8	4460943	3	Pin, Male	
8	4460466	10	Plug, Terminal	
9	4460879	1	Connector - 2 Position	
9	4461271	2	Terminal	
10	1001195123	1	Connector - 31 Position	
10	4460465	31	Socket, Female	
11	4460051	1	Connector, Strain Relief	
12	4460894	1	Connector - 6 Position <b>(SN E200000544 to Present)</b>	
12	4460465	6	Socket, Female <b>(SN E200000544 to Present)</b>	
13	4460891	1	Plug, Male - 2 Position <b>(SN E200000669 through E200000675)</b>	
13	4460465	2	Socket, Female <b>(SN E200000669 through E200000675)</b>	

**SECTION 8 - ELECTRICAL**

**FIGURE 8-45. RECEPTACLE BOX KIT - 110V GFI**



ART\_2902431



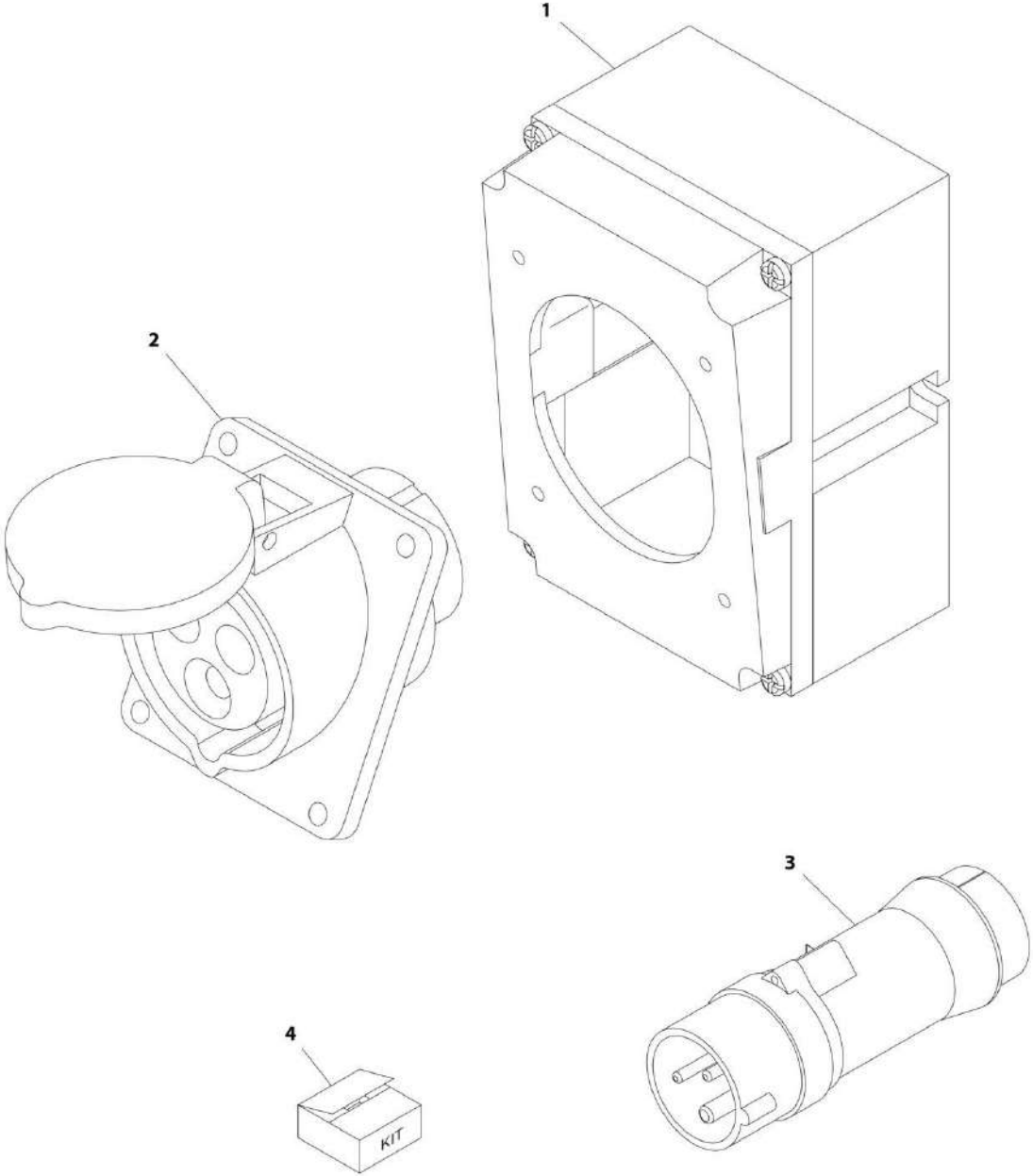
## SECTION 8 - ELECTRICAL

### FIGURE 8-45. RECEPTACLE BOX KIT - 110V GFI

ITEM	PART NUMBER	QTY	DESCRIPTION	REV
	2902431	Ref	RECEPTACLE BOX KIT - 110V GFI	D
1	0861731	1	Box, Receptacle	
2	1671207	1	Cover, Receptacle	
3	4460346	1	Receptacle	
4	4460662	1	Connector, Strain Relief	

**SECTION 8 - ELECTRICAL**

**FIGURE 8-46. RECEPTACLE BOX KIT - 110V IEC YELLOW (CE SPEC)**



ART\_0275216

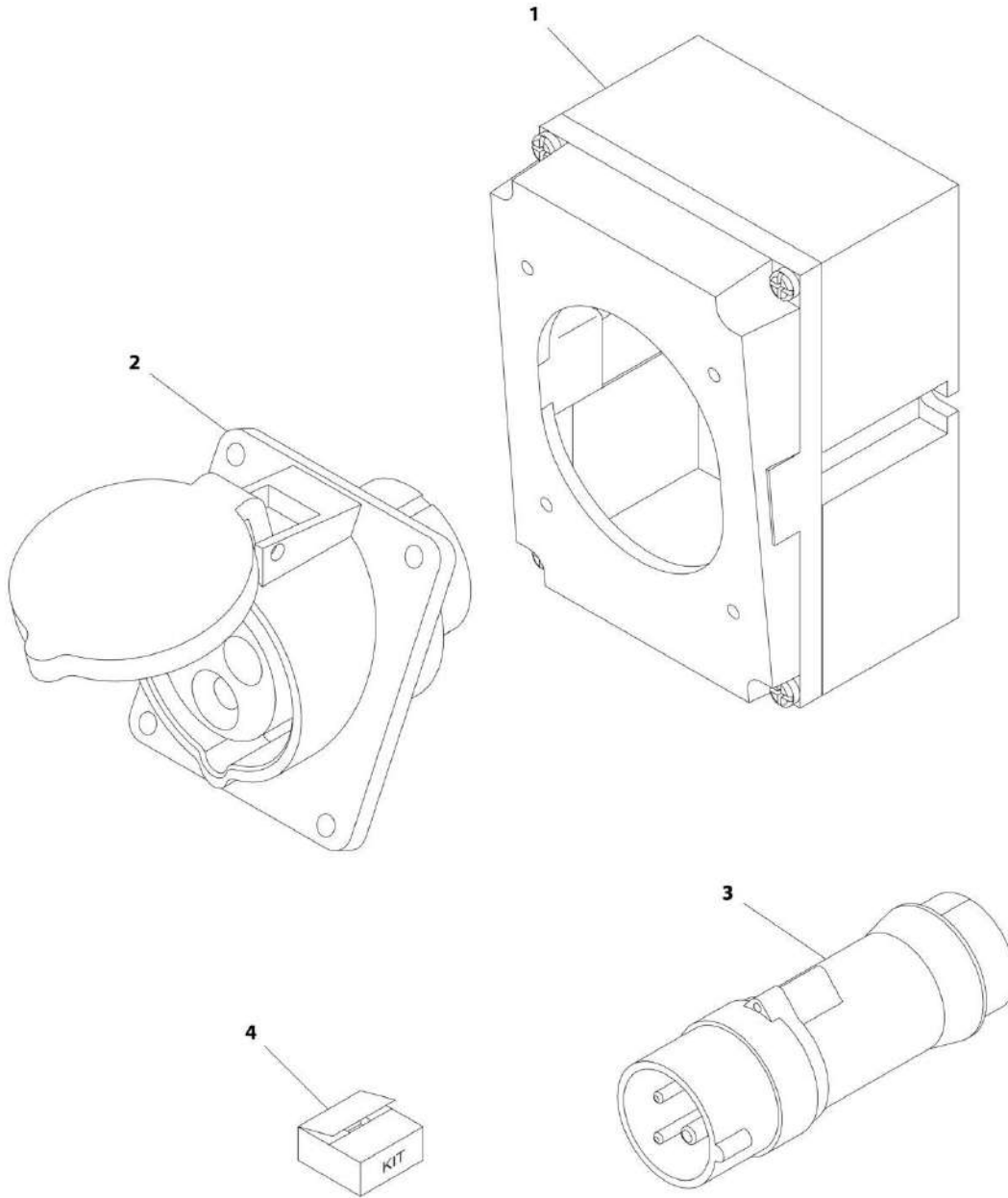
## SECTION 8 - ELECTRICAL

**FIGURE 8-46. RECEPTACLE BOX KIT - 110V IEC YELLOW (CE SPEC)**

ITEM	PART NUMBER	QTY	DESCRIPTION	REV
	0275216	Ref	RECEPTACLE BOX KIT - 110V IEC YELLOW (CE SPEC)	B
1	0861781	1	Box, Switch	
2	4461198	1	Receptacle	
3	4461196	1	Plug, Male	
4	1001100341	1	Plug and Socket Kit (Includes Items 1-3 and Female Plug p/n 4461197)	

# SECTION 8 - ELECTRICAL

FIGURE 8-47. RECEPTACLE BOX KIT - 220V IEC BLUE (CE SPEC)



ART\_0275217

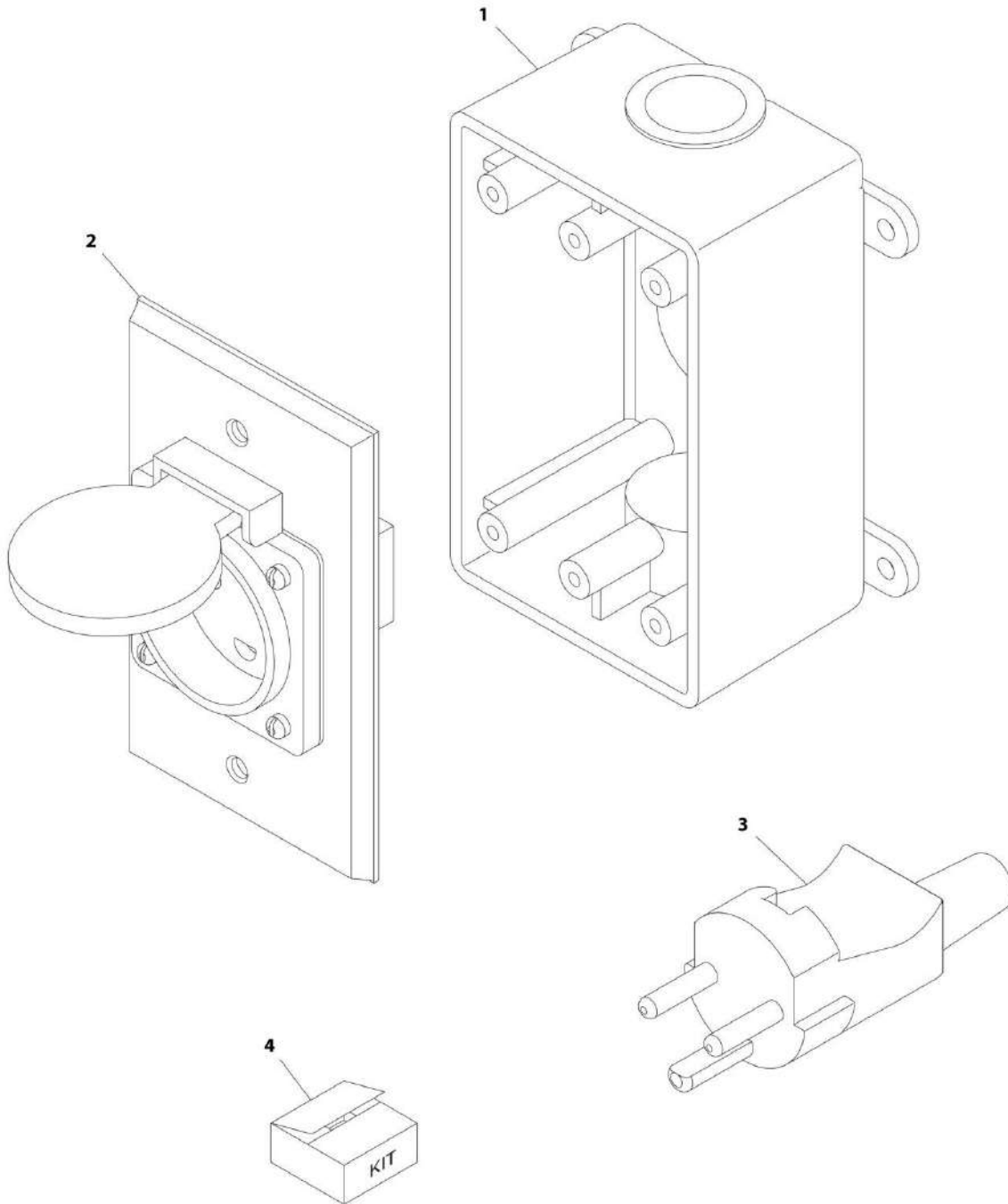
## SECTION 8 - ELECTRICAL

**FIGURE 8-47. RECEPTACLE BOX KIT - 220V IEC BLUE (CE SPEC)**

ITEM	PART NUMBER	QTY	DESCRIPTION	REV
	0275217	Ref	RECEPTACLE BOX KIT - 220V IEC BLUE (CE SPEC)	B
1	0861781	1	Box, Switch	
2	4461201	1	Receptacle	
3	4461199	1	Plug, Male	
4	1001100342	1	Plug and Socket Kit (Includes Items 1-3 and Female Plug p/n 4461200)	

# SECTION 8 - ELECTRICAL

FIGURE 8-48. RECEPTACLE BOX KIT - 220V AFSINT 107 (CE SPEC)



ART\_0275454

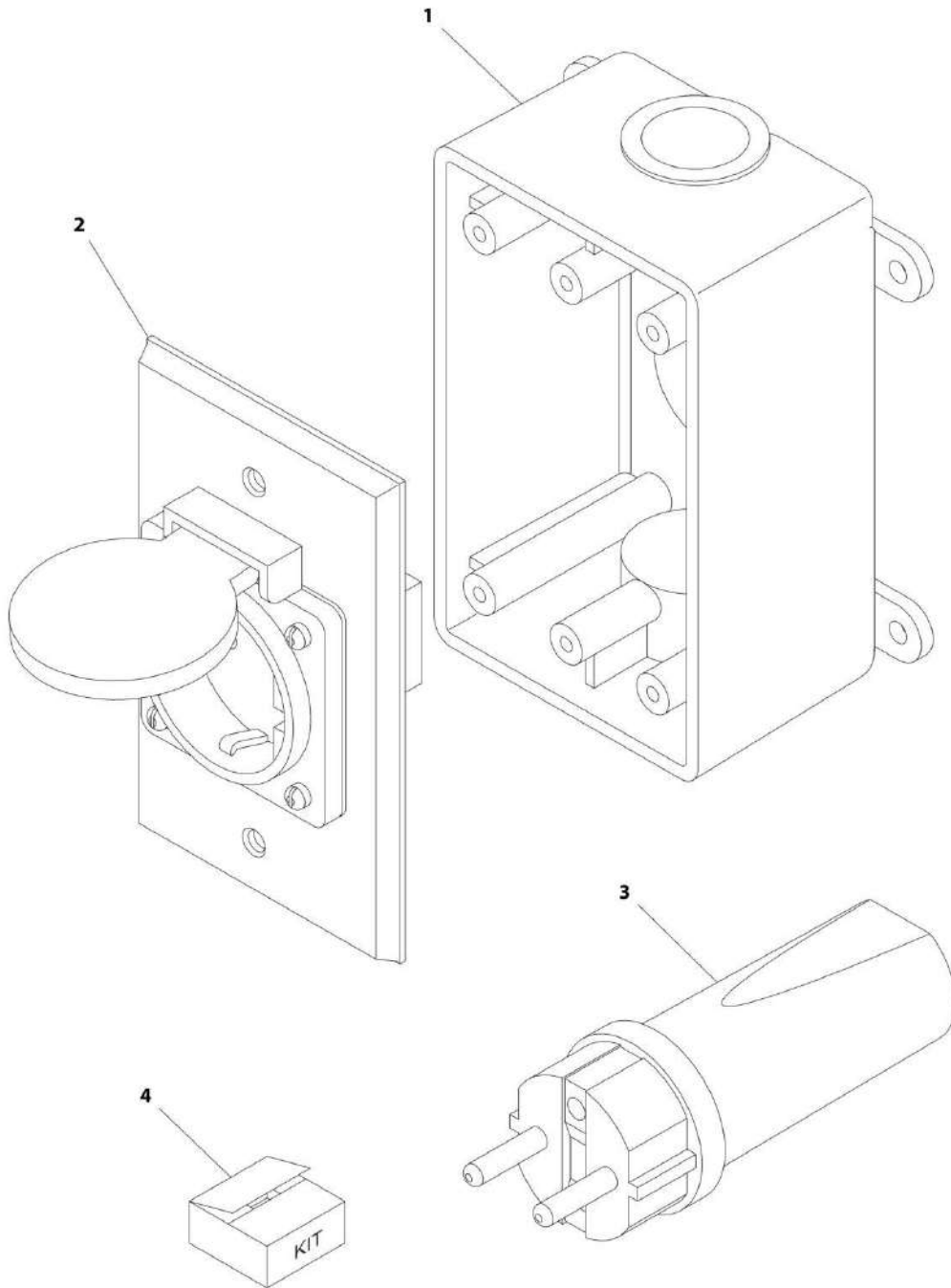
## SECTION 8 - ELECTRICAL

**FIGURE 8-48. RECEPTACLE BOX KIT - 220V AFSINT 107 (CE SPEC)**

ITEM	PART NUMBER	QTY	DESCRIPTION	REV
	0275454	Ref	RECEPTACLE BOX KIT - 220V AFSINT 107 (CE SPEC)	B
1	0861731	1	Box, Switch	
2	4461246	1	Receptacle	
3	4461249	1	Plug, Male	
4	1001100346	1	Plug and Socket Kit (Includes Items 1-3 and Female Plug p/n 4461250)	

# SECTION 8 - ELECTRICAL

FIGURE 8-49. RECEPTACLE BOX KIT - 220V CEE7 SIDE GROUND (CE SPEC)



ART\_0275453



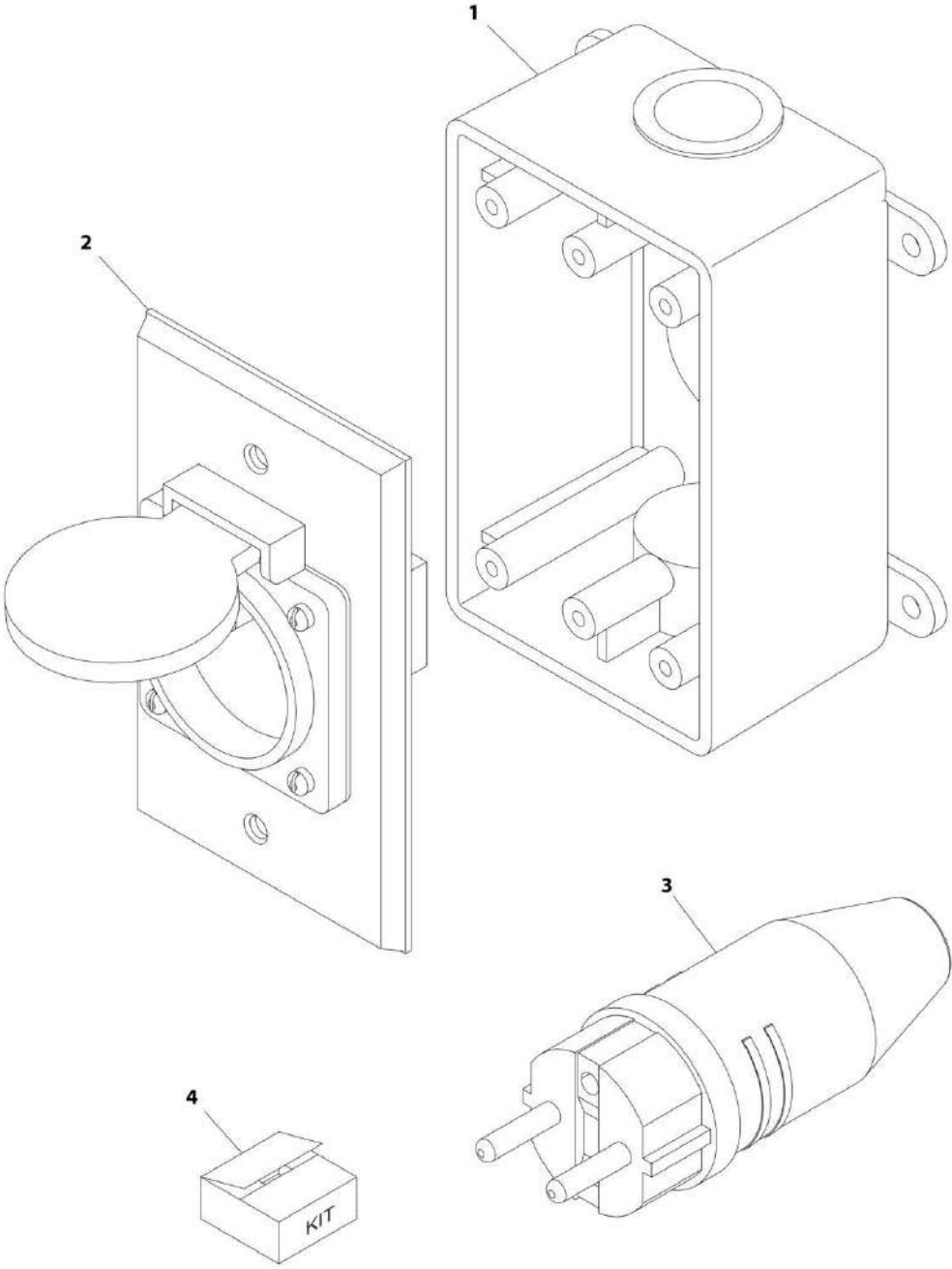
## SECTION 8 - ELECTRICAL

**FIGURE 8-49. RECEPTACLE BOX KIT - 220V CEE7 SIDE GROUND (CE SPEC)**

ITEM	PART NUMBER	QTY	DESCRIPTION	REV
	0275453	Ref	RECEPTACLE BOX KIT - 220V CEE7 SIDE GROUND (CE SPEC)	B
1	0861731	1	Box, Switch	
2	4461245	1	Receptacle	
3	4461205	1	Plug, Male	
4	1001100347	1	Plug and Socket Kit (Includes Items 1-3 and Female Plug p/n 4461206)	

**SECTION 8 - ELECTRICAL**

**FIGURE 8-50. RECEPTACLE BOX KIT - 220V CEE7 POST GROUND (CE SPEC)**



ART\_0275452

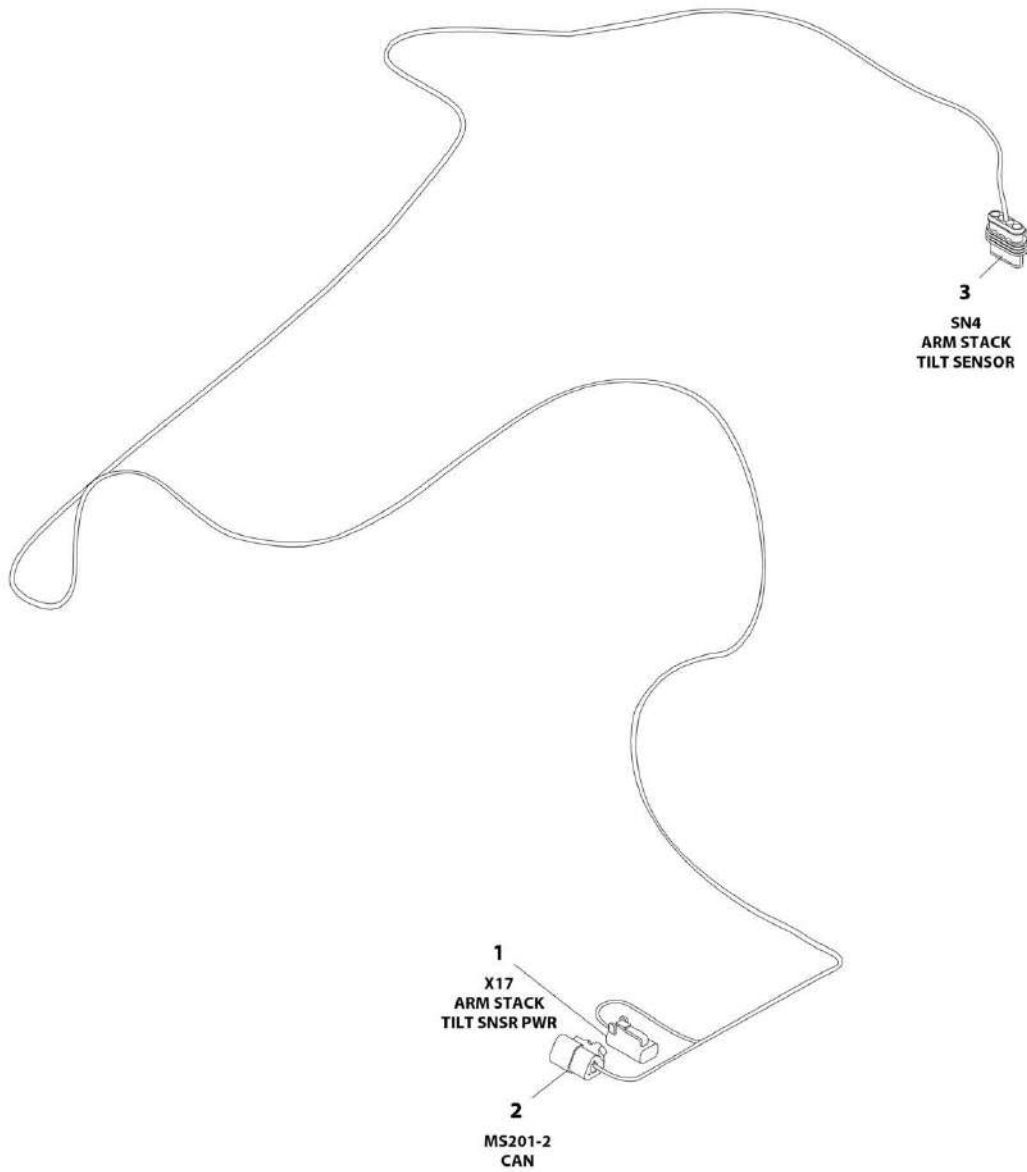
## SECTION 8 - ELECTRICAL

**FIGURE 8-50. RECEPTACLE BOX KIT - 220V CEE7 POST GROUND (CE SPEC)**

ITEM	PART NUMBER	QTY	DESCRIPTION	REV
	0275452	Ref	RECEPTACLE BOX KIT - 220V CEE7 POST GROUND (CE SPEC)	C
1	0861731	1	Box, Switch	
2	4461244	1	Receptacle	
3	4461202	1	Plug, Male <b>(Prior to SN E200000183)</b>	
3	4461205	1	Plug, Male <b>(SN E200000183 to Present)</b>	
4	1001100345	1	Plug and Socket Kit (Includes Items 1-3 and Female Plug p/n 4461206)	

# SECTION 8 - ELECTRICAL

## FIGURE 8-51. SCISSORS ARMS GUARD HARNESS



ART\_1001187602

## SECTION 8 - ELECTRICAL

### FIGURE 8-51. SCISSORS ARMS GUARD HARNESS

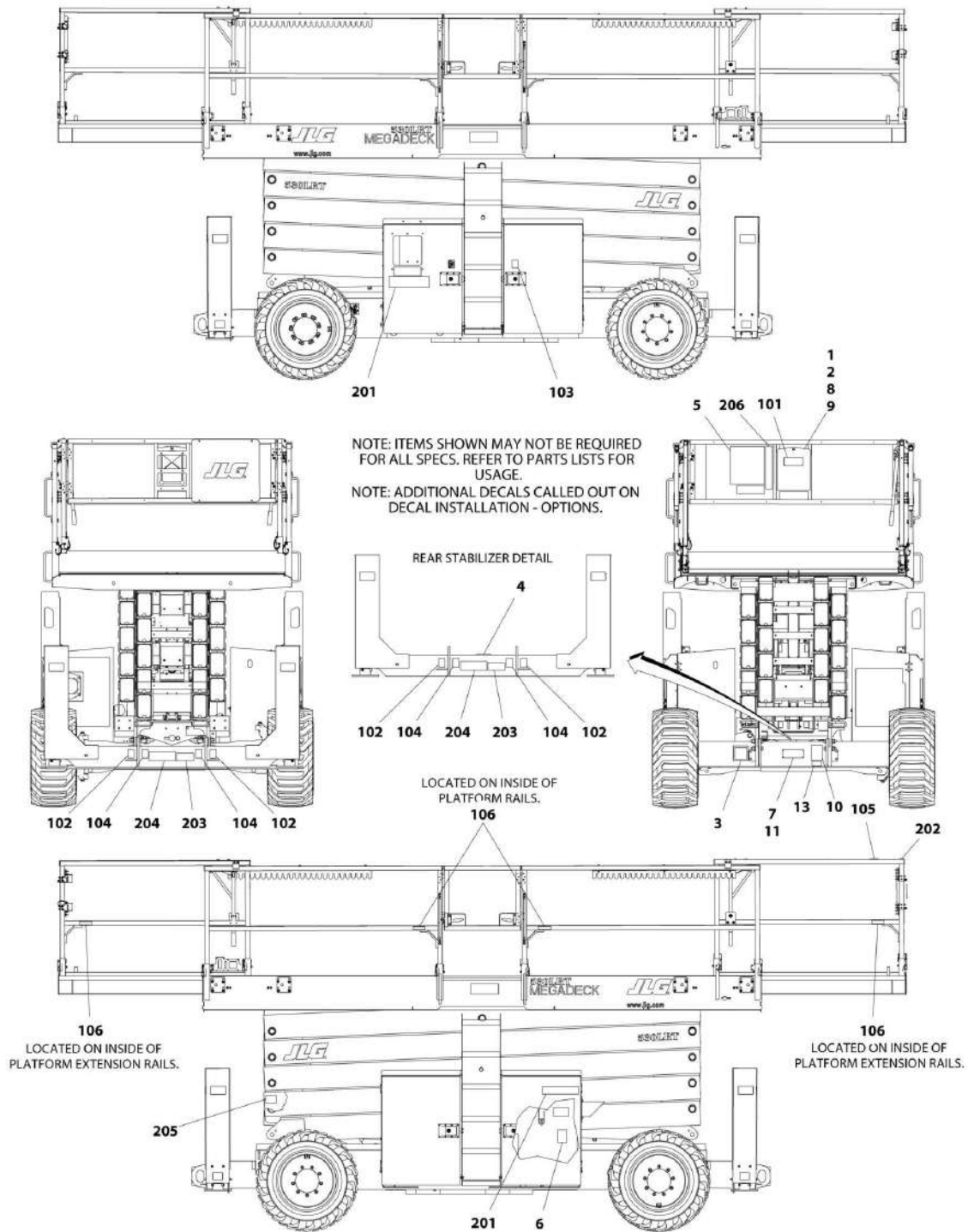
ITEM	PART NUMBER	QTY	DESCRIPTION	REV
	1001187602	Ref	SCISSORS ARMS GUARD HARNESS	E
1	4460891	1	Plug, Male - 2 Position	
1	4460465	2	Socket, Female	
2	4460539	1	Plug, Male - 3 Position	
2	4460944	3	Socket, Female	
3	1001103012	1	Connector - 4 Position	
3	1001107854	4	Socket, Female	
3	1001104498	4	Seal	



**SECTION 9 - DECALS**

# SECTION 9 - DECALS

## FIGURE 9-1. DECAL INSTALLATION - ANSI AND ANSI EXPORT SPECS (ENGLISH)



ART\_1001187668



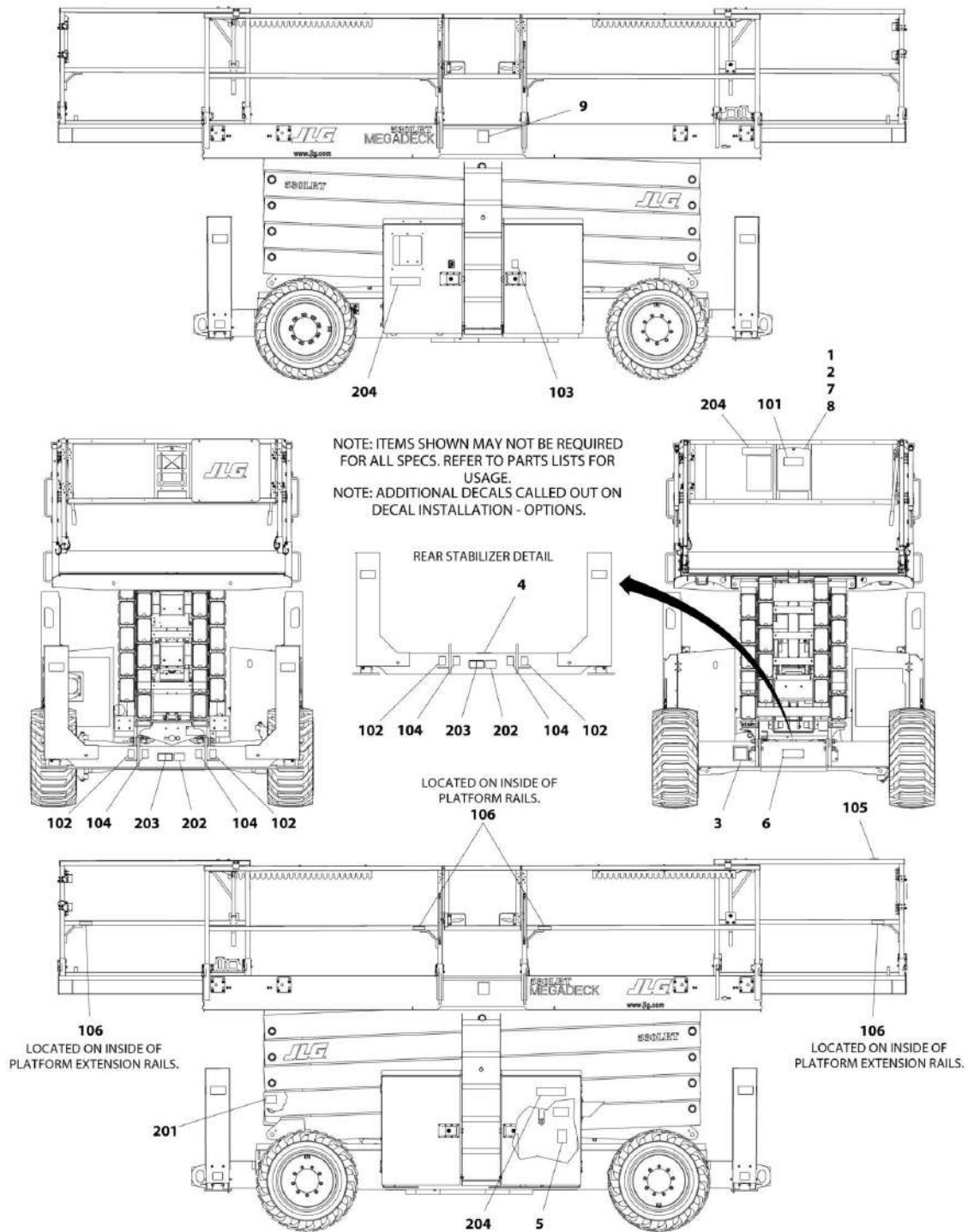
## SECTION 9 - DECALS

**FIGURE 9-1. DECAL INSTALLATION - ANSI AND ANSI EXPORT SPECS (ENGLISH)**

ITEM	PART NUMBER	QTY	DESCRIPTION	REV
	1001187668	Ref	DECAL INSTALLATION - ANSI AND ANSI EXPORT SPECS (ENGLISH)	C
		Ref	Note: See DECAL INSTALLATION - OPTIONS for additional decals.	
1	0760610	4	Bolt, M6 X 20	
2	0860520	1	Box, Manual Storage	
3	See Note	NSS	Decal - Bar Code (Note: Not Available for Purchase)	
4	1703687	2	Decal - Directional Arrow	
5	1703816	1	Decal - Danger/Warning	
6	1704412	1	Decal - Hydraulic Oil	
7	2080057	4	Fastener	
8	3290605	4	Nut, Lock M6	
9	4811700	8	Washer, M6	
10	1001131270	1	Decal - Patent	
11	See Note	NSS	Decal - Manufacturers Serial Number (Note: Not Available for Purchase)	
13	1001223453	1	Decal - ICES ( <b>SN E200000624 through E200000675</b> )	
101	1701509	1	Decal - Manual	
102	1703811	1	Decal - Lifting Lug	
103	1703812	1	Decal - Hydraulic Oil	
104	1703814	1	Decal - Tie Down	
105	1703819	1	Decal - Directional Arrow	
106	1704277	1	Decal - Lanyard Attach	
201	1703818	1	Decal - Danger Electrocution/Warning Crushing	
202	1703821	1	Decal - Control Box Location	
203	1703823	1	Decal - Danger/Electrocution Hazard	
204	1704432	1	Decal - Warning Crushing	
205	1705019	1	Decal - Safety Prop	
206	1001192853	1	Decal - Legend	

# SECTION 9 - DECALS

## FIGURE 9-2. DECAL INSTALLATION - AUSTRALIAN AND JAPANESE SPECS



ART\_1001203770

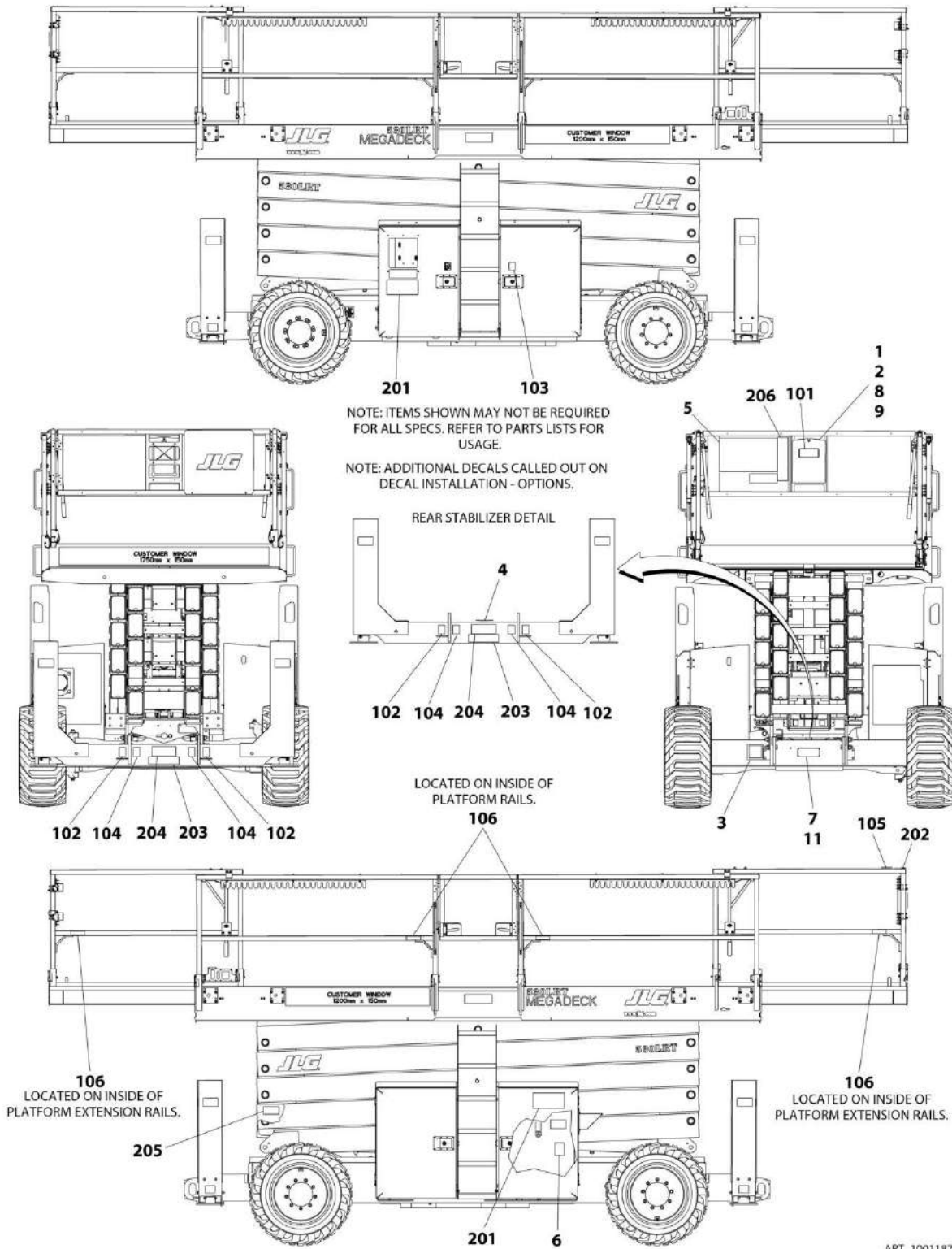
## SECTION 9 - DECALS

**FIGURE 9-2. DECAL INSTALLATION - AUSTRALIAN AND JAPANESE SPECS**

ITEM	PART NUMBER	QTY	DESCRIPTION	REV
	1001203770	Ref	DECAL INSTALLATION - AUSTRALIAN AND JAPANESE SPECS	C
		Ref	Note: See DECAL INSTALLATION - OPTIONS for additional decals.	
1	0760610	4	Bolt, M6 X 20	
2	0860520	1	Box, Manual Storage	
3	See Note	NSS	Decal - Bar Code (Note: Not Available for Purchase)	
4	1703687	2	Decal - Directional Arrow	
5	1704412	1	Decal - Hydraulic Oil	
6	2080057	4	Fastener	
7	3290605	4	Nut, Lock M6	
8	4811700	8	Washer, M6	
9	1705515	2	Decal - Sound Power Level ( <b>Prior to SN E200000368</b> )	
9	1001191526	2	Decal - Sound Power Level ( <b>SN E200000368 through E200000675, SN 1200027648 through 1200030222</b> )	
101	1701509	1	Decal - Manual	
102	1703811	1	Decal - Lifting Lug	
103	1703812	1	Decal - Hydraulic Oil	
104	1703814	1	Decal - Tie Down	
105	1703819	1	Decal - Directional Arrow	
106	1704277	1	Decal - Lanyard Attach	
201	1705019	1	Decal - Safety Prop	
202	1705372	1	Decal - Head Crushing	
203	1705671	1	Decal - Electrocution	
204	1706338	1	Decal - Electrocution/Crushing	

# SECTION 9 - DECALS

## FIGURE 9-3. DECAL INSTALLATION - BRAZIL SPECS (SPANISH/PORTUGUESE)



ART\_1001187673

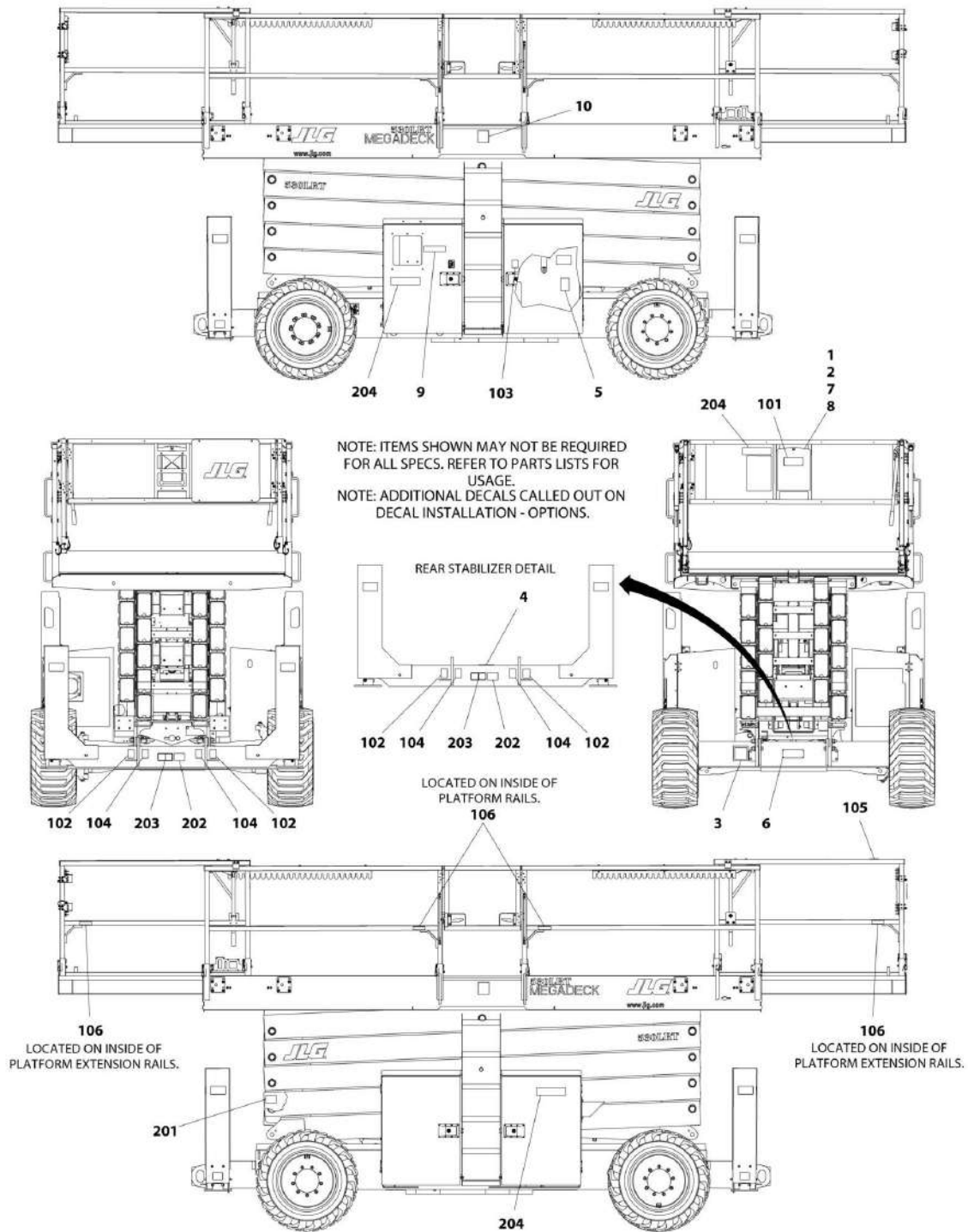
## SECTION 9 - DECALS

**FIGURE 9-3. DECAL INSTALLATION - BRAZIL SPECS (SPANISH/PORTUGUESE)**

ITEM	PART NUMBER	QTY	DESCRIPTION	REV
	1001187673	Ref	DECAL INSTALLATION - BRAZIL SPECS (SPANISH/PORTUGUESE)	A
		Ref	Note: See DECAL INSTALLATION - OPTIONS for additional decals.	
1	0760610	4	Bolt M6 x 20	
2	0860520	1	Box, Manual Storage	
3	See Note	NSS	Decal - Bar Code (Note: Not Available for Purchase)	
4	1703687	2	Decal - Directional Arrow	
5	1704699	1	Decal - Danger/Warning	
6	1704412	1	Decal - Hydraulic Oil	
7	2080057	4	Fastener	
8	3290605	4	Nut M6	
9	4811700	8	Washer M6	
11	See Note	NSS	Decal - Manufacturers Serial Number (Note: Not Available for Purchase)	
101	1701509	1	Decal - Manual	
102	1703811	1	Decal - Lifting Lug	
103	1703812	1	Decal - Hydraulic Oil	
104	1703814	1	Decal - Tie Down	
105	1703819	1	Decal - Directional Arrow	
106	1704277	1	Decal - Lanyard Attach	
201	1704701	1	Decal - Danger Electrocution/Warning Crushing	
202	1704702	1	Decal - Control Box Location	
203	1705043	1	Decal - Danger/Electrocution Hazard	
204	1705318	1	Decal - Warning Crushing	
205	1705019	1	Decal - Safety Prop	
206	1001203077	1	Decal - Legend	

# SECTION 9 - DECALS

## FIGURE 9-4. DECAL INSTALLATION - CE SPEC



ART\_1001187670

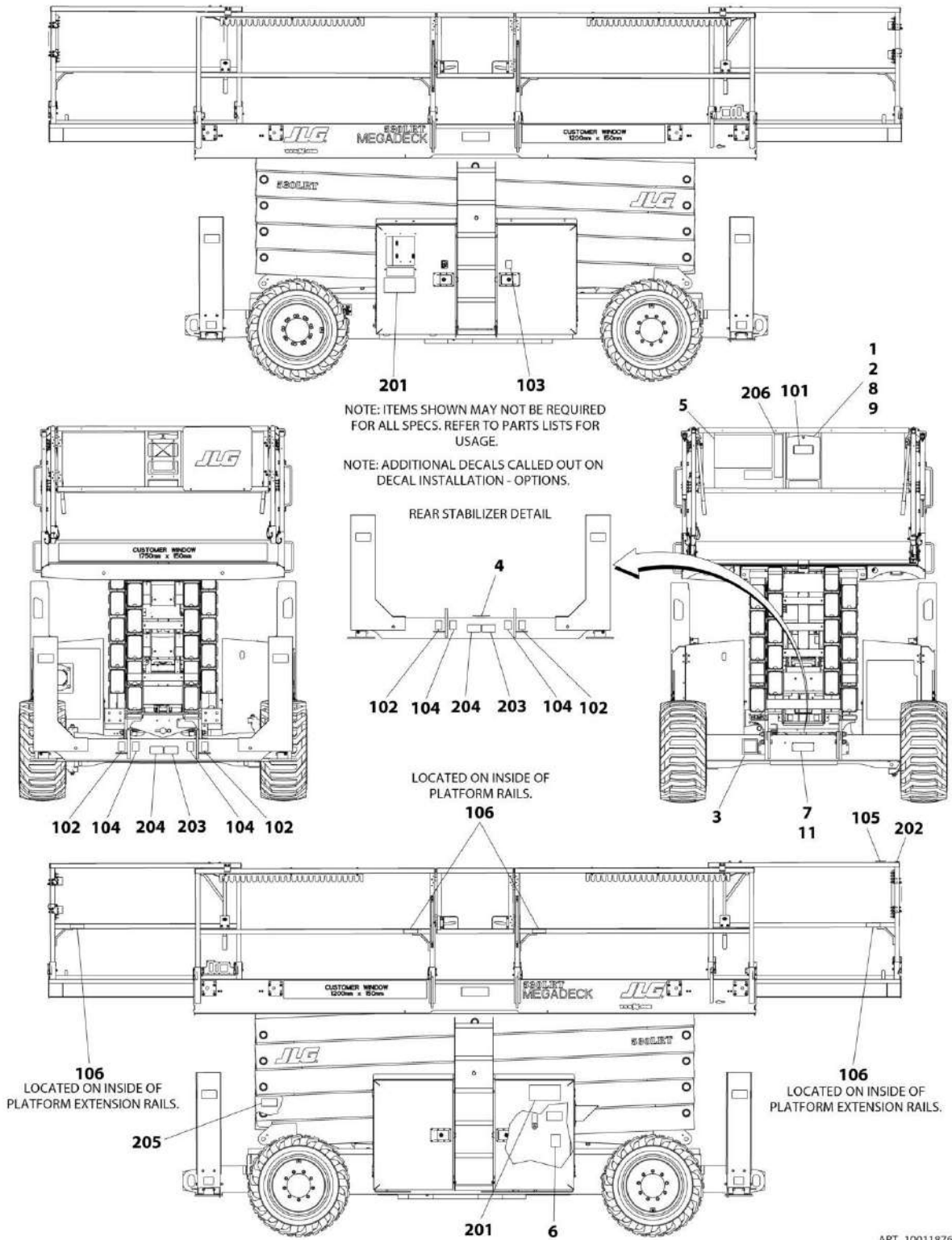
## SECTION 9 - DECALS

**FIGURE 9-4. DECAL INSTALLATION - CE SPEC**

ITEM	PART NUMBER	QTY	DESCRIPTION	REV
	1001187670	Ref	DECAL INSTALLATION - CE SPEC	D
		Ref	Note: See DECAL INSTALLATION - OPTIONS for additional decals.	
1	0760610	4	Bolt, M6 X 20	
2	0860520	1	Box, Manual Storage	
3	See Note	1	Decal - Bar Code (Note: Not Available for Purchase)	
4	1703687	2	Decal - Directional Arrow	
5	1704412	1	Decal - Hydraulic Oil	
6	2080057	4	Fastener	
7	3290605	4	Nut, Lock M6	
8	4811700	8	Washer, M6	
9	1001197634	1	Decal - MSSO Operation	
10	1705515	2	Decal - Sound Power Level ( <b>Prior to SN E200000368</b> )	
10	1001191526	2	Decal - Sound Power Level ( <b>SN E200000368 through E200000622, SN 1200027648 through 1200030222</b> )	
10	80463053	2	Decal - Sound Power Level ( <b>SN E200000623 through E200000675</b> )	
101	1701509	1	Decal - Manual	
102	1703811	1	Decal - Lifting Lugs	
103	1703812	1	Decal - Hydraulic Oil	
104	1703814	1	Decal - Tie Down	
105	1703819	1	Decal - Directional Arrow	
106	1704277	1	Decal - Lanyard Attach	
201	1705019	1	Decal - Safety Prop	
202	1705372	1	Decal - Head Crushing	
203	1705671	1	Decal - Electrocution	
204	1706338	1	Decal - Electrocution/Crushing	

# SECTION 9 - DECALS

## FIGURE 9-5. DECAL INSTALLATION - CHINESE SPECS (ENGLISH/CHINESE)





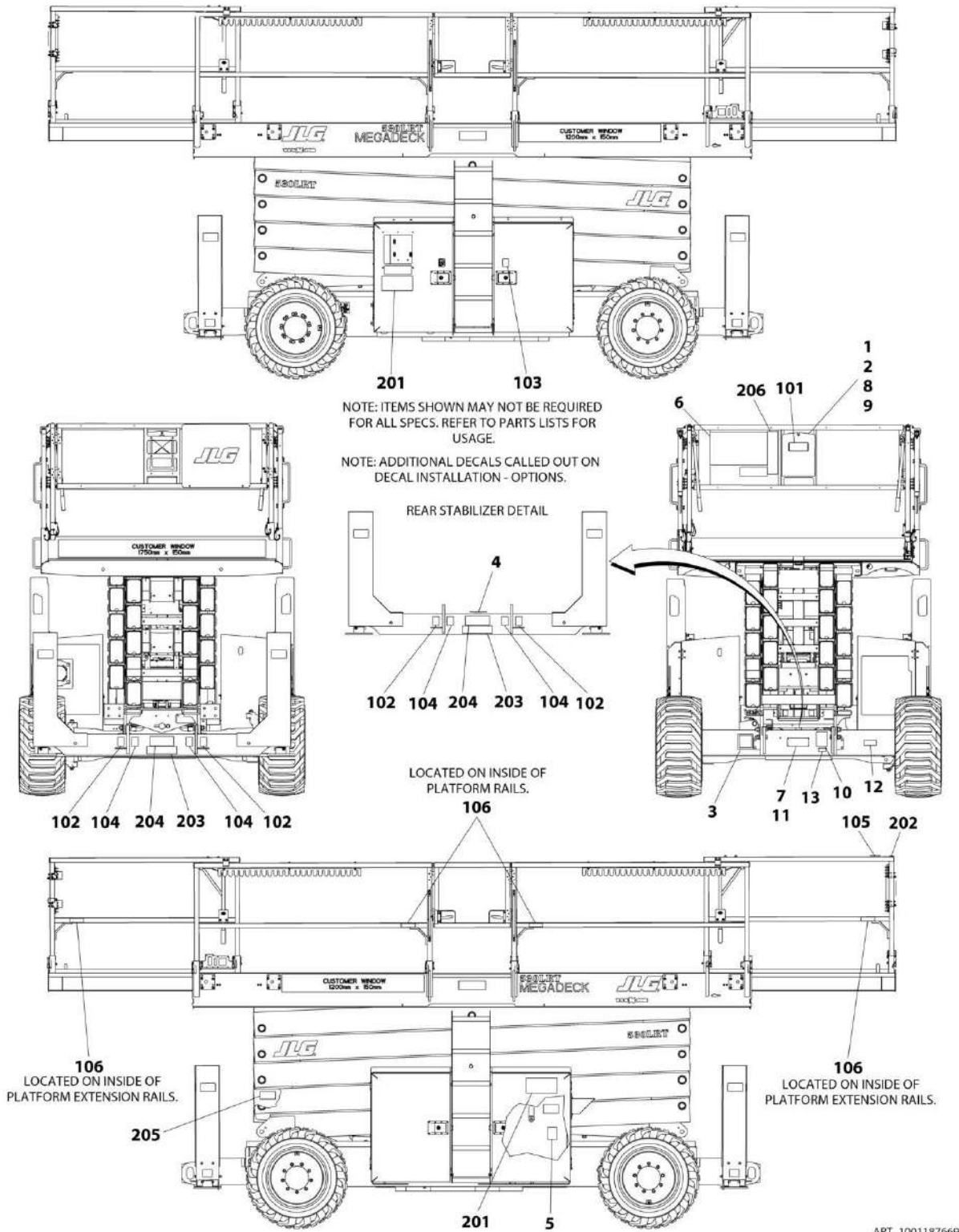
## SECTION 9 - DECALS

**FIGURE 9-5. DECAL INSTALLATION - CHINESE SPECS (ENGLISH/CHINESE)**

ITEM	PART NUMBER	QTY	DESCRIPTION	REV
	1001187671	Ref	DECAL INSTALLATION - CHINESE SPECS (ENGLISH/CHINESE)	A
		Ref	Note: See DECAL INSTALLATION - OPTIONS for additional decals.	
1	0760610	4	Bolt M6 x 20	
2	0860520	1	Box, Manual Storage	
3	See Note	NSS	Decal - Bar Code (Note: Not Available for Purchase)	
4	1703687	2	Decal - Directional Arrow	
5	1705195	1	Decal - Danger/Warning	
6	1704412	1	Decal - Hydraulic Oil	
7	2080057	4	Fastener	
8	3290605	4	Nut M6	
9	4811700	8	Washer M6	
11	See Note	NSS	Decal - Manufacturers Serial Number (Note: Not Available for Purchase)	
101	1701509	1	Decal - Manual	
102	1703811	1	Decal - Lifting Lug	
103	1703812	1	Decal - Hydraulic Oil	
104	1703814	1	Decal - Tie Down	
105	1703819	1	Decal - Directional Arrow	
106	1704277	1	Decal - Lanyard Attach	
201	1705193	1	Decal - Danger Electrocution/Warning Crushing	
202	1705194	1	Decal - Control Box Location	
203	1705944	1	Decal - Danger/Electrocution Hazard	
204	1705943	1	Decal - Warning Crushing	
205	1705019	1	Decal - Safety Prop	
206	1001192853	1	Decal - Legend	

# SECTION 9 - DECALS

## FIGURE 9-6. DECAL INSTALLATION - CSA (ENGLISH/FRENCH)



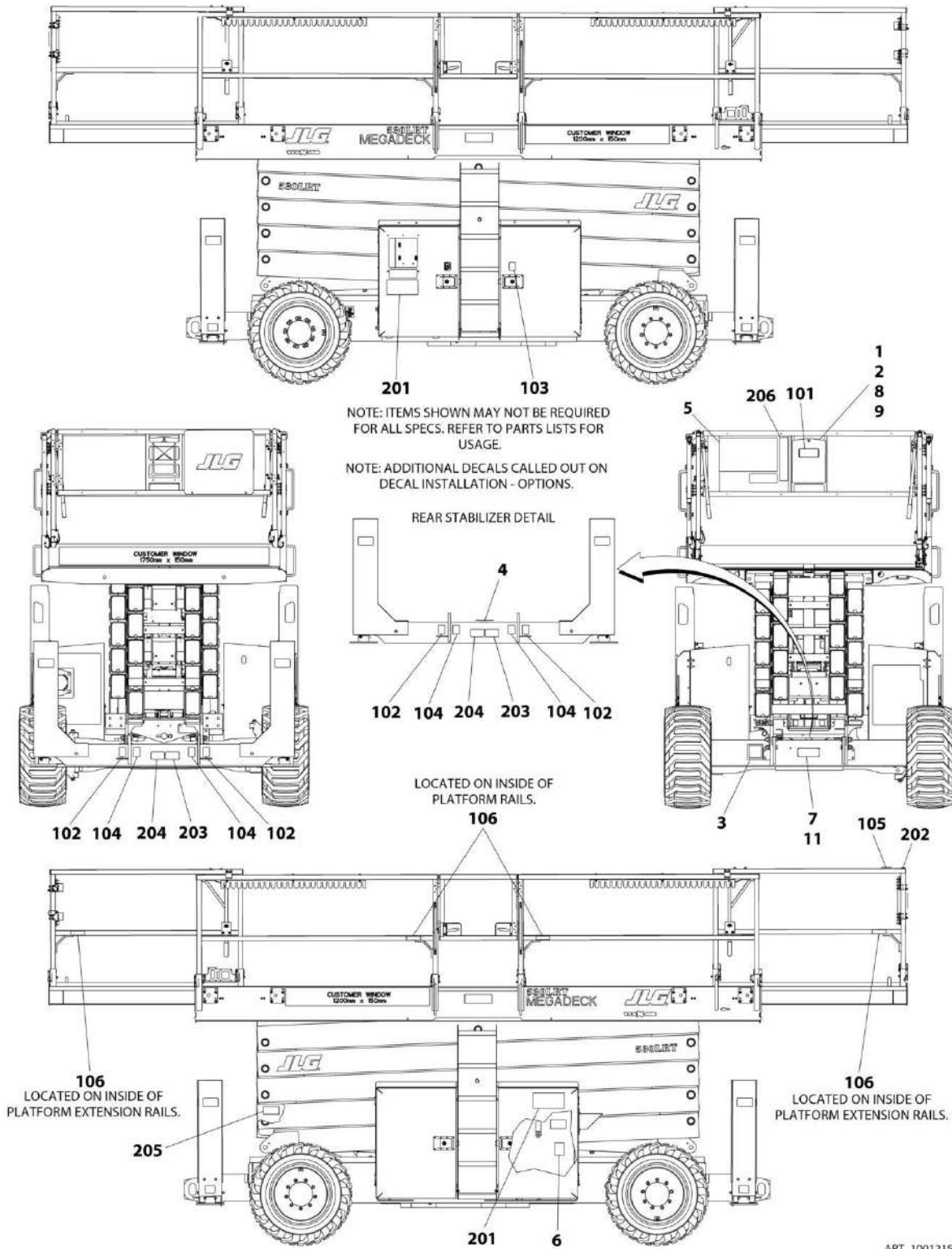
## SECTION 9 - DECALS

**FIGURE 9-6. DECAL INSTALLATION - CSA (ENGLISH/FRENCH)**

ITEM	PART NUMBER	QTY	DESCRIPTION	REV
	1001187669	Ref	DECAL INSTALLATION - CSA (ENGLISH/FRENCH)	C
		Ref	Note: See DECAL INSTALLATION - OPTIONS for additional decals.	
1	0760610	4	Bolt M6 x 20	
2	0860520	1	Box, Manual Storage	
3	See Note	NSS	Decal - Bar Code (Note: Not Available for Purchase)	
4	1703687	2	Decal - Directional Arrow	
5	1704412	1	Decal - Hydraulic Oil	
6	1704684	1	Decal - Danger/Warning	
7	2080057	4	Fastener	
8	3290605	4	Nut M6	
9	4811700	8	Washer M6	
10	1001131270	1	Decal - Patent	
11	See Note	NSS	Decal - Manufacturers Serial Number (Note: Not Available for Purchase)	
12	1705303	1	Decal - CSA	
13	1001223453	1	Decal - ICES (SN E20000516 through E20000675, SN 1200027648 through 1200030222)	
101	1701509	1	Decal - Manual	
102	1703811	1	Decal - Lifting Lug	
103	1703812	1	Decal - Hydraulic Oil	
104	1703814	1	Decal - Tie Down	
105	1703819	1	Decal - Directional Arrow	
106	1704277	1	Decal - Lanyard Attach	
201	1704686	1	Decal - Danger Electrocution/Warning Crushing	
202	1704687	1	Decal - Control Box Location	
203	1705040	1	Decal - Danger/Electrocution Hazard	
204	1705311	1	Decal - Warning Crushing	
205	1705019	1	Decal - Safety Prop	
206	1001203075	1	Decal - Legend	

# SECTION 9 - DECALS

## FIGURE 9-7. DECAL INSTALLATION - KOREAN SPECS (ENGLISH/KOREAN)



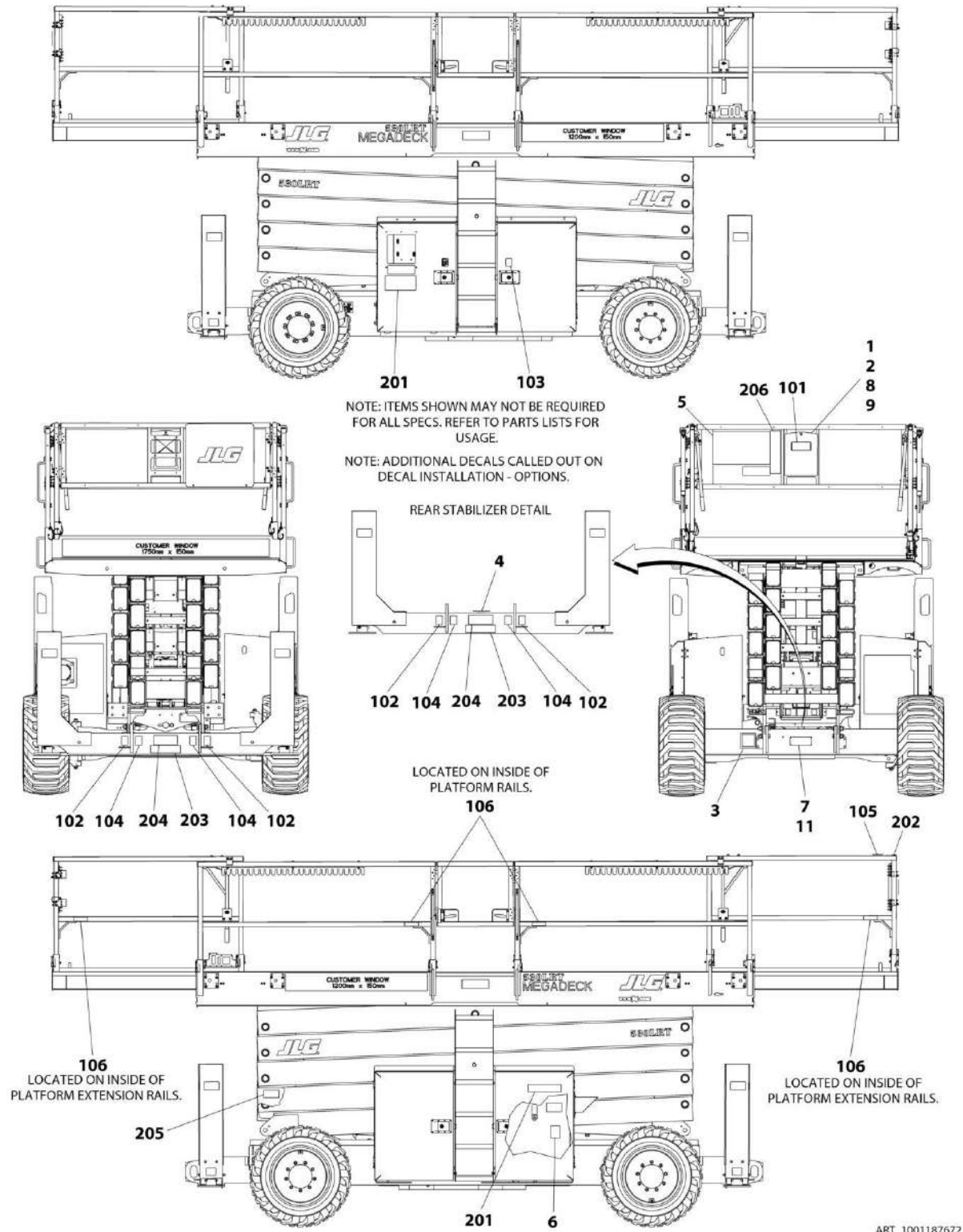
## SECTION 9 - DECALS

**FIGURE 9-7. DECAL INSTALLATION - KOREAN SPECS (ENGLISH/KOREAN)**

ITEM	PART NUMBER	QTY	DESCRIPTION	REV
	1001215449	Ref	DECAL INSTALLATION - KOREAN SPECS (ENGLISH/KOREAN)	A
		Ref	Note: See DECAL INSTALLATION - OPTIONS for additional decals.	
1	0760610	4	Bolt M6 x 20	
2	0860520	1	Box, Manual Storage	
3	See Note	NSS	Decal - Bar Code (Note: Not Available for Purchase)	
4	1703687	2	Decal - Directional Arrow	
5	1001162115	2	Decal - Danger/Warning	
6	1704412	1	Decal - Hydraulic Oil	
7	2080057	4	Fastener	
8	3290605	4	Nut M6	
9	4811700	8	Washer M6	
11	See Note	NSS	Decal - Manufacturers Serial Number (Note: Not Available for Purchase)	
101	1701509	1	Decal - Manual	
102	1703811	1	Decal - Lifting Lug	
103	1703812	1	Decal - Hydraulic Oil	
104	1703814	1	Decal - Tie Down	
105	1703819	1	Decal - Directional Arrow	
106	1704277	1	Decal - Lanyard Attach	
201	1001162116	1	Decal - Danger Electrocution/Warning Crushing	
202	1001162111	1	Decal - Control Box Location	
203	1001162114	1	Decal - Danger/Electrocution Hazard	
204	1001162113	1	Decal - Warning Crushing	
205	1705019	1	Decal - Safety Prop	
206	1001162110	1	Decal - Legend	

# SECTION 9 - DECALS

FIGURE 9-8. DECAL INSTALLATION - LATIN AMERICAN SPECS (ENGLISH/SPANISH)



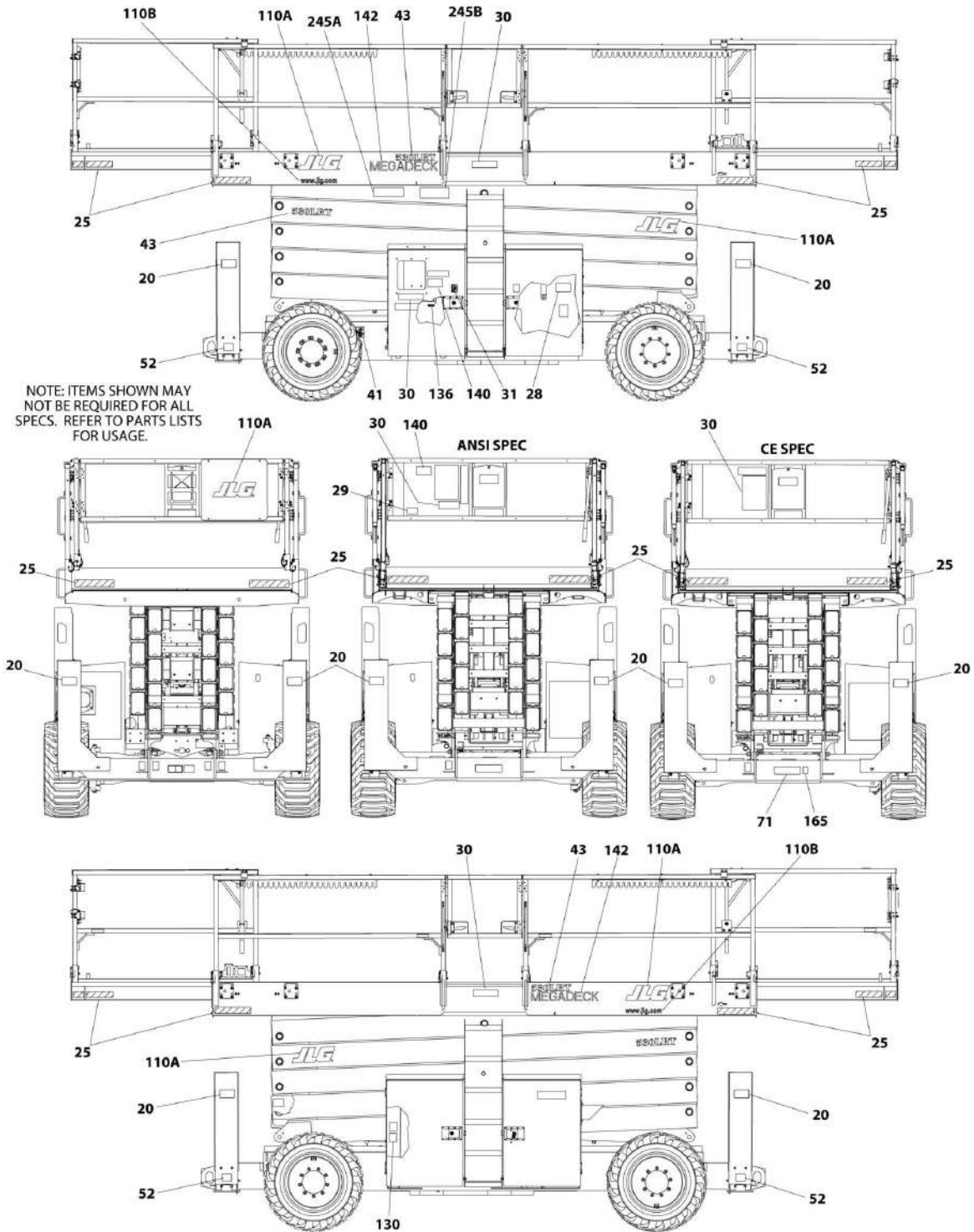
## SECTION 9 - DECALS

**FIGURE 9-8. DECAL INSTALLATION - LATIN AMERICAN SPECS (ENGLISH/SPANISH)**

ITEM	PART NUMBER	QTY	DESCRIPTION	REV
	1001187672	Ref	DECAL INSTALLATION - LATIN AMERICAN SPECS (ENGLISH/SPANISH)	A
		Ref	Note: See DECAL INSTALLATION - OPTIONS for additional decals.	
1	0760610	4	Bolt M6 x 20	
2	0860520	1	Box, Manual Storage	
3	See Note	NSS	Decal - Bar Code (Note: Not Available for Purchase)	
4	1703687	2	Decal - Directional Arrow	
5	1704691	1	Decal - Danger/Warning	
6	1704412	1	Decal - Hydraulic Oil	
7	2080057	4	Fastener	
8	3290605	4	Nut M6	
9	4811700	8	Washer M6	
11	See Note	NSS	Decal - Manufacturers Serial Number (Note: Not Available for Purchase)	
101	1701509	1	Decal - Manual	
102	1703811	1	Decal - Lifting Lug	
103	1703812	1	Decal - Hydraulic Oil	
104	1703814	1	Decal - Tie Down	
105	1703819	1	Decal - Directional Arrow	
106	1704277	1	Decal - Lanyard Attach	
201	1704693	1	Decal - Danger Electrocutation/Warning Crushing	
202	1704694	1	Decal - Control Box Location	
203	1705041	1	Decal - Danger/Electrocutation Hazard	
204	1705316	1	Decal - Warning Crushing	
205	1705019	1	Decal - Safety Prop	
206	1001203076	1	Decal - Legend	

# SECTION 9 - DECALS

## FIGURE 9-9. DECAL INSTALLATION - OPTIONS



ART\_DECALOPTIONS



## SECTION 9 - DECALS

### FIGURE 9-9. DECAL INSTALLATION - OPTIONS

ITEM	PART NUMBER	QTY	DESCRIPTION	REV
		Ref	DECAL INSTALLATION - REFERENCE CHART	
	1001182000	Ref	DECAL INSTALLATION - OPTIONS	
20	1701214	8	Decal - Outrigger Warning (ANSI, ANSI Export and CSA Specs) (English)	
20	1701785	8	Decal - Outrigger Warning (Australian and CE Specs) (English)	
20	1704698	8	Decal - Outrigger Warning (Brazilian Spec) (Spanish/Portuguese)	
20	1704690	8	Decal - Outrigger Warning (CSA Specs) (English/French)	
20	1001215447	8	Decal - Outrigger Warning (Korean Specs) (English/Korean)	
20	1704697	8	Decal - Outrigger Warning (Latin American Spec) (English/Spanish)	
25	1001187701	Ref	Decal - Warning Stripes Installation (Single Deck Extension)	A
25	1001192381	Ref	Decal - Warning Stripes Installation (Dual Deck Extension)	A
25	4420051	10 ft/ 3.1m	Tape, Safety (Single Deck Extension)	
25	4420051	12 ft/ 3.7m	Tape, Safety (Dual Deck Extension)	
28	1702788	1	Decal - Biodegradable Hydraulic Fluid (All Specs Except ANSI Export and Japanese Specs)	
28	1704174	1	Decal - Synthetic Biodegradable Hydraulic Fluid (All Specs Except ANSI Export and Japanese Specs)	
28	1703479	1	Decal - Biodegradable Hydraulic Fluid (German Specs)	
28	1704175	1	Decal - Synthetic Biodegradable Hydraulic Fluid (German Specs)	
29	1001231801	1	Decal - Warning Prop 65 (Diesel) (ANSI Specs)	
29	1001236338	1	Decal - Warning Prop 65 (Gas) (ANSI Specs)	
30	1001202973	4	Decal - Capacity 1500lbs/680kg (With Single Deck Extension) (All Specs Except Australian and CE Specs)	
30	1001202974	1	Decal - Capacity 680kg (With Single Deck Extension) (Australian and CE Specs)	
30	1001191732	4	Decal - Capacity 1500lbs/680kg (With Dual Deck Extension) (All Specs Except Australian and CE Specs)	
30	1001191733	1	Decal - Capacity 680kg (With Dual Deck Extension) (Australian and CE Specs)	
31	1701505	1	Decal - Fuel (Diesel)	
31	1701542	1	Decal - Fuel (Dual Fuel)	
41	1700818	1	Decal - LP Gas (ANSI, ANSI Export and CSA Specs) (English)	
41	1702720	1	Decal - LP Gas (ANSI Export Specs) (Spanish)	
41	1704271	1	Decal - LP Gas (CSA Spec) (English/French)	
43	1001200543	4	Decal - Model 530LRT	
52	1001191735	4	Decal - Max Tire load	
71	See Note	NSS	Nameplate - Manufacturer Serial Number (Australian, CE and Japanese Specs) (Note: Not Available for Purchase)	
110	0271777	Ref	JLG Logo Decal Installation ( <b>Prior to SN E200000249</b> )	2
110	1001220567	Ref	JLG Logo Decal Installation ( <b>SN E200000249 through E200000675, SN 1200027648 through 1200030222</b> )	A
110A	1702773	5	Decal - JLG	
110B	1704885	2	Decal - Website	
130	1704972	1	Decal - Warning Explosion/Fire (English) (ANSI Specs)	
130	1706098	1	Decal - Warning Explosion/Fire (Pictogram) (Australian, CE and Japanese Spec)	
130	1706059	1	Decal - Warning Explosion/Fire (English/Portuguese) (Brazil Specs)	
130	1706060	1	Decal - Warning Explosion/Fire (English/Chinese) (China Specs)	
130	1706064	1	Decal - Warning Explosion/Fire (English/French) (CSA Specs)	

## SECTION 9 - DECALS

ITEM	PART NUMBER	QTY	DESCRIPTION	REV
130	1706063	1	Decal - Warning Explosion/Fire (English/Spanish) (Latin American Specs)	
136	1001125387	1	Decal - Ultra Low Sulfur Fuel (ANSI and CSA Specs) (Kubota T4F Only)	
140	1001112548	Ref	Hearing Loss Decal Installation (ANSI Specs)	B
140	1706837	2	Decal- Hearing Loss	
142	1001142595	2	Decal - Megadeck	
156	1001214029	Ref	EAC Decal Installation (Russian/CIS Specs)	A
156	1001173703	1	Decal - EAC	
245	1001229700	Ref	Decal - ClearSky Telematics Installation	
245A	1001116208	1	Decal - ClearSky	
245B	1001120989	1	Decal - Radio Frequency Device	

## **SECTION 10 - RECOMMENDED SERVICE PARTS STOCK**

## **SECTION 10 - RECOMMENDED SERVICE PARTS STOCK**

## SECTION 10 - RECOMMENDED SERVICE PARTS STOCK

FIGURE 10-1. RECOMMENDED SERVICE PARTS STOCK

ITEM	PART NUMBER	QTY	DESCRIPTION	REV
		Ref	Note: The following list will service one machine (built to current production per date on the front cover) with emergency repair parts which can be installed in the field. Parts from the list should be replaced when inventory is depleted to keep service parts stock supplied. For further information, contact your JLG dealer or the JLG Industries Parts Department.	
		Ref	STANDARD PARTS	
	4360070	1	Breaker, Circuit 15Amp	
	70002113	1	Breather, Hydraulic Tank	
	70050516	1	Coil	
	70002963	1	Coil	
	70001965	1	Coil	
	70001967	1	Coil	
	70001977	1	Coil	
	1600402	1	Controller Assembly	
	70010383	1	Element, Charge Filter	
	70001960	4	Element, Return Filter	
	2860030	1	Key, Replacement	
	3740080	1	Relay	
	4360475	1	Switch, Emergency Stop	
	4360387	1	Switch, Push Button	
	4360328	1	Switch, Toggle	
		Ref	VARIABLE PARTS	
	1001181045	1	Breaker, 30mA/16Amp (CE Spec Machines)	
	1001159118	1	Breaker, GFCI 30A - 240V (Machines with Receptacle Assembly)	
	4360070	1	Breaker, Circuit - 15Amp (Machines with Generator)	
	7015004	12	Element, Air Cleaner (Kubota Engines)	
	70005296	1	Element, Fuel/Water Separator	
	1001119276	1	Fuse, 60 Amp (Kubota Gasoline Machines)	
	2940074	1	Latch	
	1001182481	1	Module, Control (Kubota Engines)	
	1001181314	1	Module, Ground Control	
	1001181223	1	Module, Platform Control	
	1001187857	1	Sensor, Dual Axis (Arm Guards)	
	4360469	1	Switch, Key	
	4360548	1	Switch, Limit (Leveling Jacks)	
	4360502	1	Switch, Proximity Sensor	
	4360500	1	Switch, Rotary Angle Sensor	
	4360482	1	Switch, Toggle (Machines with Generator)	

**SECTION 11 - SPECIAL OPTIONS**

## SECTION 11 - SPECIAL OPTIONS

FIGURE 11-1. SPECIAL OPTIONS

ITEM	PART NUMBER	QTY	DESCRIPTION	REV
		Ref	Note: This list is to accommodate machines ordered with special equipment. Options may not be applicable to all models. For more specific parts information contact JLG Parts Department.	
		Ref	MISCELLANEOUS SPECIAL OPTIONS	
	1001181468	Ref	Airline Installation	
	1001215967	Ref	Airline Add-on Kit	
	1001234565	Ref	Cable Routing Kit	
		Ref	ClearSky Telematic Installation (Factory Installed) Options:	
	1001236021	Ref	ClearSky Canbus Connection (ANSI & CSA Specs)	
	1001236869	Ref	ClearSky Canbus Connection (ANSI Export & CE Specs)	
	1001229107	Ref	ClearSky 3 Wire Connection (ANSI and CSA Specs)	
	1001233237	Ref	ClearSky 3 Wire Connection (ANSI Export and CE Specs)	
		Ref	ClearSky Telematic Add-on Kit (Dealer Installed) Options:	
	1001237254	Ref	ClearSky Canbus Connection (ANSI & CSA Specs)	
	1001237255	Ref	ClearSky Canbus Connection (ANSI Export & CE Specs)	
	1001230504	Ref	ClearSky 3 Wire Connection (ANSI and CSA Specs)	
	1001234102	Ref	ClearSky 3 Wire Connection (ANSI Export and CE Specs)	
	1001177763	Ref	Cold Weather Package - 120V (Diesel Engine)	
	1001215968	Ref	Cold Weather Package Add-on Kit - 120V (Diesel Engine)	
	1001206739	Ref	Cold Weather Package - 120V (Gas Engine)	
	1001216866	Ref	Cold Weather Package Add-on Kit - 120V (Gas Engine)	
	1001188785	Ref	Cold Weather Package - 240V (Diesel Engine)	
	1001215969	Ref	Cold Weather Package Add-on Kit - 240V (Diesel Engine)	
	1001191737	Ref	Container Shipment Preparation	
		Ref	Decal Options:	
	1001229700	Ref	Decal - Clear Sky Installation	
		Ref	Decal Kits:	
	1001194829	Ref	Decal Kit - Country Spec (ANSI Spec)	
	1001194831	Ref	Decal Kit - Country Spec (Australian, CE and Japanese Specs)	
	1001194834	Ref	Decal Kit - Country Spec (Brazil Specs)	
	1001214131	Ref	Decal Kit - Country Spec (Chinese Specs)	
	1001194830	Ref	Decal Kit - Country Spec (CSA Specs)	
	1001162116	Ref	Decal Kit - Country Spec (Korean Specs)	
	1001203076	Ref	Decal Kit - Country Spec (Latin American Specs)	
	1001193323	Ref	Decal Kit - Master (Standard Decal)	
	1001233631	Ref	Door Bumpers Kit	
	1001233818	Ref	Door Retention Kit	
		Ref	Electrical Connector Kits	
	1001148902	Ref	Electrical Connector Kit - Amp/Tyco Electrical Connectors	
	1001148903	Ref	Electrical Connector Kit - Deutsch DT Electrical Connectors	
	1001148904	Ref	Electrical Connector Kit - Deutsch HD Electrical Connectors	
	1001148905	Ref	Electrical Connector Kit - Packard Electrical Connectors	
	1001148906	Ref	Electrical Connector Kit - Various Electrical Connectors	
	1001218620	Ref	Fliter Kit (Diesel Engines)	
	1001186539	Ref	Fire Extinguisher Installation	
	1001233321	Ref	Footswitch Installation (Korean Specs Only) <b>(SN E200000675 to Present)</b>	
	1001234575	Ref	Footswitch Add-on Kit (Korean Specs Only)	
	1001202749	Ref	Fuel Cap Cover Installation (Black) (Note: Lock p/n 1001102157)	

## SECTION 11 - SPECIAL OPTIONS

ITEM	PART NUMBER	QTY	DESCRIPTION	REV
			must be Purchased Separately)	
	1001191395	Ref	Fuel Cap Cover Installation (Green) (Diesel Machines) (Note: Lock p/n 1001102157 must be Purchased Separately)	
	1001191394	Ref	Fuel Cap Cover Installation (Red) (Gas Machines) (Note: Lock p/n 1001102157 must be Purchased Separately)	
	1001234904	Ref	Fuselink Kit	
		Ref	Generator Add-on Kit Options:	
	1001215964	Ref	Generator Kit - 4000W 50Hz (Diesel Engines)	
	1001215962	Ref	Generator Kit - 4000W 60Hz (Diesel Engines)	
	1001215963	Ref	Generator Kit - 4000W 60Hz (Gas Engines)	
	1001215961	Ref	Generator Kit - 7500W SkyPower 50Hz (Diesel Engines)	
	1001215959	Ref	Generator Kit - 7500W SkyPower 60Hz (Diesel Engines)	
	1001215960	Ref	Generator Kit - 7500W SkyPower 60Hz (Gas Engines)	
	1001110509	Ref	Ground Control Box Cover Installation	
	1001187700	Ref	Headlights and Taillights Installation	
	1001215971	Ref	Headlights and Taillights Add-on Kit	
	See Note	Ref	Hydraulic Fluid Options:	
	2300039	Ref	Hydraulic Fluid - Exxon Univis HVI 26	
	2300014	Ref	Hydraulic Fluid - Mobil #424	
	2300016	Ref	Hydraulic Fluid - Mobil DTE 10 Excel 32 (was DTE 13)	
	2300027	Ref	Hydraulic Fluid - Mobil EAL 224H Bio	
	2300029	Ref	Hydraulic Fluid - Mobil EAL Envirosyn H46 Bio	
	2300021	Ref	Hydraulic Fluid - Union Carbide Ucon Hydrolube HP-5046D (Fire Resistant)	
	1001238484	Ref	Material Tray Kit – Single Deck Extension	
	1001231858	Ref	Material Tray Kit – Dual and Mega Deck Extension	
	1001199441	Ref	Oil Cooler Installation	
	1001215972	Ref	Oil Cooler Add-on Kits	
	1001234258	Ref	Platform Bearing Spacers Kit	
	1001241633	Ref	Platform Console Box Cover Kit	
	1001197983	Ref	Platform Lanyard Attach Installation	
	1001187699	Ref	Platform Lights Installation - Flood Lights (Nite - Bright)	
	1001215966	Ref	Platform Lights Add-on Kit - Flood Lights	
	1001187698	Ref	Platform Lights Installation - Worklights	
	1001215965	Ref	Platform Lights Add-on Kit - Worklights	
	1001215970	Ref	Pipe Racks Add-on Kit	
	0274260	Ref	Platform Workstation Installation	
		Ref	Tools for Service	
	7002821	1	Crimper, Wire	
	7002823	1	Pin Extractor - Universal (For Electrical Connectors with Pins and Sockets)	
	4460510	1	Pin Extractor - 12-14 Gauge (For Removal of Pin/Sockets from Deutsch Connectors)	
	4460467	1	Pin Extractor - 16-18 Gauge (For Removal of Pin/Sockets from Deutsch Connectors)	
	7016654	1	Screwdriver, Magnetic	
	7002822	1	Screwdriver, Potentiometer	
	7004275	1	Tools - Seal Tool 1in (For Cylinders)	
	7004276	1	Seal Tool 1-1/2in (For Cylinders)	
	7002828	1	Stripper, Wire	





**PART NUMBER INDEX**

# PART NUMBER INDEX

0100011....13, 15, 17, 19, 39, 41, 47, 59, 61, 63, 76, 79, 83, 87, 94, 97, 101, 109, 113, 117, 133, 139, 143, 147, 151, 155, 159, 174, 211, 223	0700814 ..... 87, 101, 113, 117, 175 0700815 ..... 87, 101, 109 0700817 ..... 79, 93, 174 0700818 ..... 108 0700819 ..... 87, 101, 113, 135	0760810001 ... 59, 61, 63 0760812 ..... 108 0760814 ... 53, 55, 79, 93, 194 0760815 ..... 116 0761009 ..... 148, 161 0761010 ..... 108 0761011 ..... 17 0761012 ..... 174 076101476, 87, 101, 113, 135 0761015 ..... 86, 100, 116 0761016 ..... 86, 100, 116 0761227 ..... 41 0761615 ..... 13, 15, 76 0761617 ..... 79, 93, 109 0762019 ..... 53, 55 0770812 ..... 71 0771014 ..... 47 0771015 ... 174, 179, 181 0780608 ... 187, 189, 191, 255, 259, 265, 269, 273, 277, 281, 285, 289 0780810 ... 139, 143, 147, 151, 155, 159, 187, 189, 191 0780812 ... 187, 189, 191 0840052 ..... 291, 293 0840055 ..... 305, 333 0840056 ..... 299 0840057 ..... 301, 305 0860520 ... 361, 363, 365, 367, 369, 371, 373, 375 0861538 ..... 155, 159 0861572 ..... 151 0861731 ... 169, 257, 259, 345, 351, 353, 355 0861781 ..... 347, 349 0861880 ..... 297 0902774 ..... 174 0903612 ... 263, 267, 271, 275, 279, 283, 287 0940049 ..... 76 0961948 ..... 17 0961950 ..... 13, 15 0961986 ..... 86, 100, 116 0962031 ..... 174 0962036 ..... 174 0962224 ..... 175 0962272 ..... 219 0962474 ..... 175 0962520 ... 139, 143, 147, 151, 155, 159 1001090107 ..... 109 1001091102 ..... 211 1001091589 ..... 275 1001091590 ..... 283 1001091591 ..... 271 1001091592 ..... 263 1001091593 ..... 267 1001091594 ..... 279 1001091595 ..... 287 1001093383 ..... 76 1001096653 ..... 174 1001097150 ..... 297 1001098765 ..... 291, 293	1001099125 ..... 76 1001099623 ..... 179, 181 1001099670 ..... 169 1001100208 ..... 205, 207 1001100319 ..... 59, 61, 63 1001100341 ..... 347 1001100342 ..... 349 1001100345 ..... 355 1001100346 ..... 351 1001100347 ..... 353 1001100451 ..... 187, 189, 191 1001101331 .. 83, 97, 113, 129 1001102433 ..... 63, 174 1001102555 ..... 147, 159 1001102804 ..... 19 1001102805 ..... 19, 27 1001102823 ..... 53, 55, 57 1001102987 ... 79, 93, 108 1001103012 ..... 323, 339, 357 1001103760 ..... 174 1001103761 ..... 41 1001103801 ..... 39, 333 1001104498 ..... 309, 323, 339, 357 1001104581 ..... 233, 243 1001104589 ..... 234, 243 1001106736 ..... 305 1001107854 ..... 309, 323, 339, 357 1001107924 ..... 233, 243 1001108128 ..... 233, 243 1001108477 ..... 234, 243 1001108588 ..... 174 1001110509 ..... 383 1001112548 ..... 378 1001112612 ..... 301, 305 1001113961 ..... 343 1001116208 ..... 378 1001116696 ..... 310 1001116732 ..... 302, 306, 309 1001116733 ..... 299, 301, 306, 309, 319, 331 1001116734 ..... 302, 306, 309 1001116749 ..... 309 1001116752 ..... 299, 301, 305, 306, 309 1001116810 ..... 343 1001116811 ..... 343 1001116812 ..... 301, 331, 339 1001116816 ..... 305 1001116926 ..... 299, 329 1001116930 ..... 329, 343 1001116934 ..... 341 1001116946 ..... 211 1001117023 ..... 299, 301, 306 1001117025 ..... 301, 305, 309, 339 1001117055 ..... 306 1001117069 ..... 301, 306
---	---	---	--

# PART NUMBER INDEX

1001117070 ..... 306, 309	1001148648..... 167	1001168232..... 117	1001179644 ..... 194, 198, 202
1001117077 ..... 306	1001148675..... 169	1001168762..... 53, 55	1001179658 ..... 202
1001117078 ..... 299, 305, 309, 319	1001148676..... 169	1001169054.87, 101, 117	1001179676 ..... 194, 198, 202
1001117107 ..... 309	1001148865..... 29	1001169967.86, 100, 116	1001179677 ..... 194, 198
1001117110 ..... 309	1001148866..... 29	1001170035.86, 100, 116	1001179678 ..... 194, 198, 202
1001117372 ..... 217	1001148869..... 31	1001173043..... 244	1001179691 ..... 187, 189, 191
1001118260 ..... 101	1001148870..... 31	1001173703..... 378	1001179693 ..... 187, 189
1001118280 ..... 87, 116	1001148902..... 382	1001174093..... 109	1001179694 ..... 194, 198, 202
1001118282 ..... 306, 309	1001148903..... 382	1001174455..... 301	1001179695 ..... 194, 198, 202
1001118511 ..... 13, 15	1001148904..... 382	1001174486..... 109	1001179696 ..... 191
1001118518 ..... 13, 15	1001148905..... 382	1001175012..... 71	1001179911 ..... 41
1001118519 ..... 13, 15	1001148906..... 382	1001175265..... 306	1001179954 ..... 211, 343
1001118538 86, 100, 116	1001148907..... 169	1001175509.86, 100, 116	1001179956 ..... 35
1001118539 86, 100, 116	1001149021..... 109	1001176469..... 65	1001179957 ..... 35
1001118580 ..... 86, 100	1001149581..... 187, 189, 191	1001176636..... 86, 100	1001179958 ..... 35
1001118582 ..... 86, 101	1001149953..... 29, 31, 33, 35	1001176787 ..... 205, 207, 341	1001179959 ..... 35
1001118616 ..... 309	1001151080..... 139, 143, 147, 152, 156, 160	1001176848 ..... 17	1001180243 ..... 174, 179, 181, 247, 248
1001118657 ..... 306	1001151351..... 234, 244	1001177708..... 76	1001180307 ..... 13
1001118658 ..... 306, 309	1001151354..... 234, 244	1001177745..... 13	1001180309 ..... 13
1001118665 ..... 174, 221	1001152525..... 163, 167	1001177747..... 17	1001180315 ..... 13
1001118675 86, 100, 125	1001156819..... 108	1001177749..... 15	1001180316 ..... 13
1001118743 ..... 306	1001157520..... 163, 165, 167	1001177750..... 243, 248	1001180569 .. 59, 61, 305
1001118744 ..... 305, 306	1001157521..... 163, 167	1001177751..... 53	1001180570 ..... 63, 309
1001118745 ..... 305, 306	1001157528..... 165	1001177752..... 55	1001180620 87, 101, 117
1001118746 86, 100, 116, 147, 159	1001158007..... 163, 165, 167	1001177754..... 211	1001180981 ..... 187, 189, 191
1001118748 ..... 306	1001158008..... 163, 165, 167	1001177755..... 189	1001180983 ..... 187, 189, 191
1001118878 ..... 194, 198, 202	1001158199..... 234, 244	1001177756..... 187	1001180986 ..... 194
1001118881 ..... 86, 100	1001158246..... 234, 243	1001177757..... 191	1001180987 ..... 194, 198, 202
1001118925 ..... 86, 100	1001159118..... 169, 380	1001177758..... 194	1001180990 ..... 187, 189, 191
1001118938 ..... 306, 309	1001159119..... 169	1001177759..... 198	1001180994 ..... 194, 198, 202
1001118972 ..... 53, 55, 76	1001161497..... 116	1001177760..... 202	1001181001 ..... 194
1001119276 ..... 63, 380	1001162110..... 373	1001177761..... 61	1001181003 ..... 194
1001119411 ..... 331	1001162111..... 373	1001177763..... 382	1001181045 ..... 297, 380
1001119929 ..... 140, 152	1001162113..... 373	1001177767..... 155, 250	1001181103 ..... 76
1001120989 ..... 378	1001162114..... 373	1001177770..... 143, 250	1001181106 ..... 76
1001125248 87, 101, 113	1001162115..... 373	1001177775..... 63	1001181108 ..... 76
1001125387 ..... 378	1001162116..... 373, 382	1001177776..... 205	1001181111 ..... 76
1001125748 ..... 309	1001162995..... 13, 15	1001177782..... 207	1001181114 ..... 76
1001125773 ..... 309	1001163178..... 17, 225	1001177785..... 108	1001181116 ..... 76
1001126245 ..... 321, 323	1001163405..... 17	1001177786..... 93	1001181117 ..... 76
1001126393 ..... 310	1001163418..... 53	1001178489..... 47	1001181140 ..... 151, 250
1001128888 ..... 87, 101	1001163580..... 15, 217	1001178636..... 116	1001181141 ..... 159, 250
1001129255 ..... 109	1001163671..... 55	1001178695..... 79	1001181211 ..... 147, 160
1001129256 ..... 109	1001163715..... 17	1001178759..... 179	1001181216 ..... 147, 250
1001129772 ..... 309	1001164209..... 17	1001178866..... 39	1001181217 ..... 139, 250
1001130220 ..... 39	1001164817..... 217	1001178957 ..... 205, 207	1001181221 86, 100, 116
1001130781 ..... 179, 181	1001165035.. 79, 93, 109, 116	1001178962..... 100, 103	1001181223 ..... 211, 380
1001131270 ..... 361, 371	1001165791..... 65, 67, 69	1001178963..... 86, 89	1001181295 ..... 174
1001131391 ..... 109	1001166257..... 65, 67, 69	1001179071 ..... 233, 248	1001181313 ..... 174
1001132358 ..... 205, 207	1001166702..... 309	1001179072 ..... 116, 119	1001181314 ... 65, 67, 69, 380
1001136988 ..... 151, 155, 159	1001166732..... 139, 143, 147, 152, 156, 160	1001179171 ..... 33	1001181326 ..... 61, 67
1001138566 ..... 140, 143, 147	1001166733..... 305	1001179172 ..... 33	1001181330 ..... 65, 67, 69
1001140346 ..... 143, 147	1001166829..... 117	1001179173..... 33	
1001140347 ..... 139	1001167274..... 187, 189, 191	1001179174..... 33	
1001142595 ..... 378	1001167690..... 310	1001179175..... 33	
1001143645 ..... 175	1001168018.86, 100, 116	1001179194..... 35	
1001143898 ..... 187, 189, 191		1001179200..... 39	
1001146043 ..... 116		1001179256..... 17	
1001146588 ..... 110		1001179558..... 194, 198, 202	
1001147274 ..... 29, 31		1001179559..... 194, 198, 202	
1001147340 ..... 179, 181		1001179639..... 194, 198, 202	













## PART NUMBER INDEX

7007415 .....	130	7020176 .	65, 67, 69, 205, 207	7023170.....	90, 104, 120	7024717 .....	23
7007418 .....	129	7021249 .....	27	7023306.....	57	7024718 .....	24
7007419 .....	129	7021256 .....	130	7023347 .....	57	7024808 .....	175
7007437 .....	27	7021275 .....	27, 129	7023900.....	49	7024854 .....	27
7007438 .....	27	7021276 .....	27	7023907.....	27	7024862 .....	27
7007439 .....	27	7021277 .....	27	7023910.....	27	7024868 .....	27
7007446 .....	27, 129	7021625 .....	51	7023917.....	51	7024881 .....	51
7007601 .....	21, 23	7021639 .....	51	7023919.....	174	7025479 .....	89, 103
7007640 .....	21, 23	7022301 .....	129	7023923.....	174	7026597 ....	152, 156, 160
7010429 .....	21, 23	7022302 .....	27	7023929.....	83, 97, 113	7026626 ....	152, 156, 160
7012910 .....	15	7022305 .....	27	7023933.....	51	7027059 .....	21, 23
7015004 .....	87, 101, 116, 380	7022310 .....	27	7023936.....	49	7027365 .....	209
7015005 .....	87, 101, 116	7022311 .....	27	7023964.....	130	7027367 .....	209
7016319 .....	37	7022312 .....	27	7024182.....	23, 24	7027419 .....	27
7016372 .....	37	7022314 .....	27	7024189.....	24	7027765 .....	209
7016654 .....	383	7022314 .....	27	7024190.....	24	7027766 .....	209
7017067 .....	21, 23	7022326 .....	27	7024191.....	24	7027799 ....	152, 156, 160
7017070 .....	21, 23	7022328 .....	27	7024192.....	24	77363233 .....	313, 317
7017080 .....	21, 23	7022340 .....	130	7024193.....	24	80463053 .....	367
7017901 .....	90, 104	7022368 .....	27	7024194.....	24	8220007 .....	301, 305
7017906 .....	119	7022369 .....	27	7024196.....	24	8220022 .....	165, 167
7017914 .....	119	7022371 .....	27	7024197.....	24	8220029 .....	306
7017922 .....	103	7022390 .....	15, 49	7024441.....	57	8220045 .....	301, 309
7017928 .....	89, 103	7022397 .....	51	7024446.....	57	8220111 .....	306, 309
7017934 .....	89, 103, 119	7022398 .....	49	7024485.....	152, 156, 160	8220164 .....	306, 309
7017945 .....	89, 103	7022399 .....	49, 51	7024497 .....	43	8229260 .....	63
7017955 .....	89, 103	7023107 .....	119	7024498.....	43	8303511 .....	80, 94, 109
7017958 .....	90, 104	7023124 .....	90, 104	7024499.....	43	8310422 ...	139, 143, 147, 151, 155, 159
7017959 .....	119	7023136 .....	89	7024500.....	43	83191040 .....	83, 97, 113
7017963 .....	90, 104	7023140 .....	89, 103	7024502.....	41, 43	8405009.79, 93, 108, 116	
7017980 .....	119	7023141 .....	89, 103	7024503.....	43	8405101 .....	87, 101, 116
7017982 .....	119	7023144 .....	90, 103	7024504.....	43	8405102 .....	87, 101, 116
7017983 .....	119	7023145 .....	90, 104	7024505.....	43	8405104 .....	86, 100, 116
7017984 .....	119	7023148 .....	90, 104	7024506.....	41, 43	8406302 .....	147, 159
7017986 .....	119	7023149 .....	90, 104	7024507.....	43	8410013 .....	117
7017992 .....	90, 104, 119	7023154 .....	89, 103	7024705.....	23	85941016 ....	86, 100, 116
7017994 .....	120	7023157 .....	89	7024712.....	21, 23	8750014 .....	80, 93, 109
7017995 .....	119	7023164 .....	89, 103	7024713.....	21, 23	8760268 .....	234
7020175 .	65, 67, 69, 205, 207	7023165 .....	89, 103	7024714.....	21, 23	8760351 .....	233, 243
		7023167 .....	89, 103	7024715.....	21, 23	90021705 .....	87, 101
		7023168 .....	89, 103	7024716.....	21, 23		



3121709



An Oshkosh Corporation Company

**Corporate Office**  
**JLG Industries, Inc.**  
**1 JLG Drive**  
**McConnellsburg, PA 17233-9533 USA**  
**☎ (717) 485-5161 (Corporate)**  
**☎ (877) 554-5438 (Customer Support)**  
**☎ (717) 485-6417**

**Visit our website for JLG Worldwide Locations.**  
**[www.jlg.com](http://www.jlg.com)**