



Illustrated Parts Manual

Models
E450A/
E450AJ
M450AJ

SN 0300208529
to Present

SN B300001429
to Present

P/N
3121715

October 31, 2018 - Rev N

ANSI

CE



AS/NZS



An Oshkosh Corporation Company

REVISION LOG

NOTES:

Note: SN 0300202268 and 0300202273 also built to the same specs as machines built SN 0300208529 to Present.

Note: The E450A & E450AJ Boom Lifts are manufactured by JLG Industries in the following countries: USA and China. Refer to the Serial Number Tag to identify the country of manufacture. The country of manufacture may be determined by the Serial Number. Machines manufactured in the USA will have a serial number prefix of 03 (i.e. 03XXXXXXXX). Machines manufactured in China will have a serial number prefix of B3 (i.e. B3XXXXXXXX).

REVISION LOG:

July 6, 2015 - A - Original Issue Of Manual (Edited to B/M 1001164636 Revision P)

October 30, 2015 - B - Revised Manual (Edited to B/M 1001164636 Revision R)

January 4, 2016 - C - Revised Manual (Edited to B/M 1001164636 Revision R)

April 29, 2016 - D - Revised Manual (Edited to B/M 1001164636 Revision X)

July 29, 2016 - E - Revised Manual (Edited to B/M 1001164636 Revision AA)

October 31, 2016 - F - Revised Manual (Edited to B/M 1001164636 Revision AB)

January 31, 2017 - G - Revised Manual (Edited to B/M 1001164636 Revision AD)

April 28, 2017 - H - Revised Manual (Edited to B/M 1001164636 Revision AE)

July 31, 2017 - I - Revised Manual (Edited to B/M 1001164636 Revision AI)

October 31, 2017 - J - Revised Manual (Edited to B/M 1001164636 Revision AL)

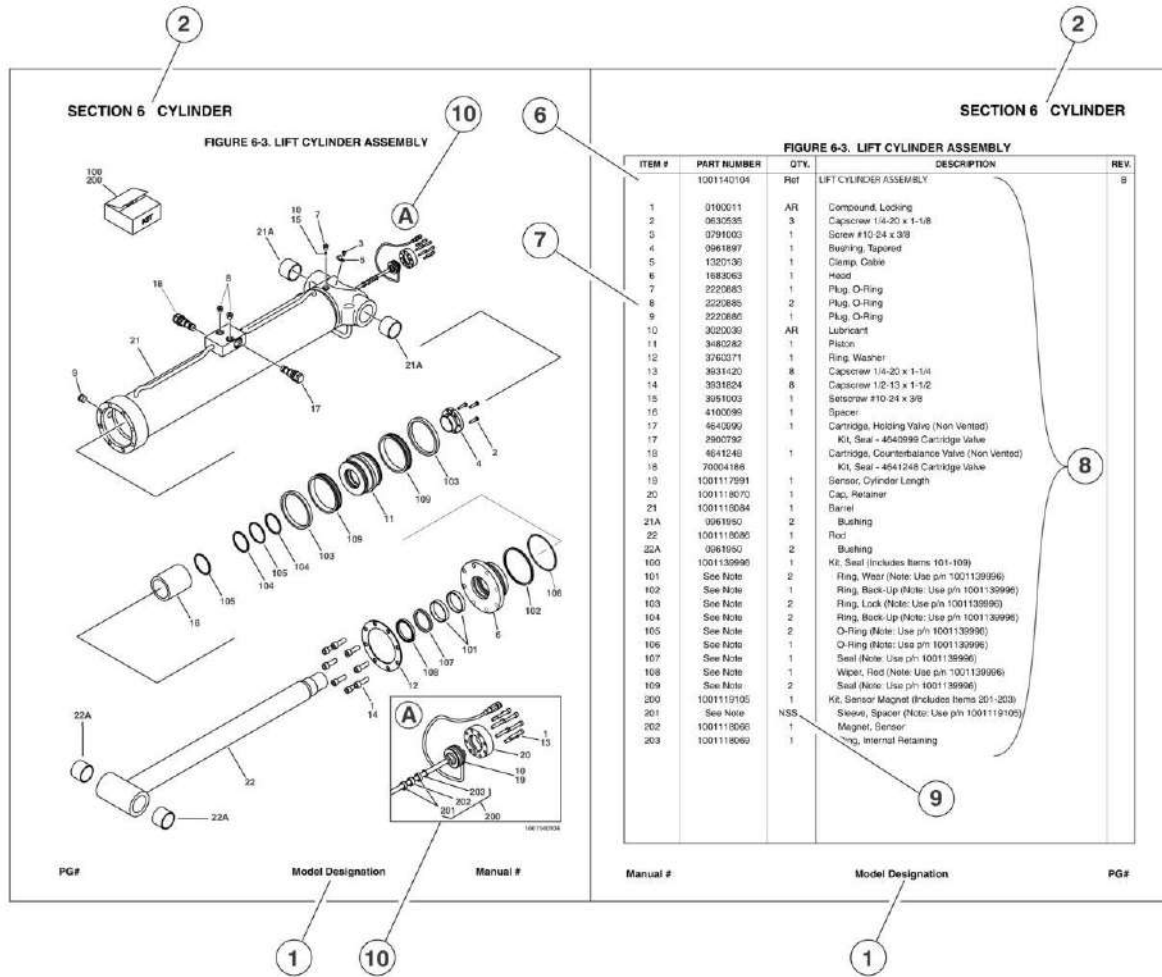
January 31, 2018 - K - Revised Manual (Edited to B/M 1001164636 Revision AL)

April 30, 2018 - L - Revised Manual (Edited to B/M 1001164636 Revision AL)

July 9, 2018 - M - Revised Manual (Edited to B/M 1001164636 Revision AT)

October 31, 2018 - N - Revised Manual (Edited to B/M 1001164636 Revision AU)

GENERAL INFORMATION



1) MACHINE IDENTIFICATION

Machines are identified by model and in some cases a combination of models, serial number (SN) or regional standard (i.e. ANSI, CE, CSA). Components may also be identified by SN or manufacturer. Common components that may be identified by these characteristics are engines and hydraulic components.

2) PARTS MANUAL ORGANIZATION

Product information in this manual is organized under section titles. Frame, Cylinder, Hydraulic and Electrical are a few examples. Each section is organized by figure and page number. The information within the Figure is then organized by item number, part number, description and corresponding illustration (s).

3) TABLE OF CONTENTS

A table of contents is found toward the beginning of the manual. Figure number, description and page number are provided for quick reference to the page containing the related information.

4) RECOMMENDED SPARE PARTS

The Recommended Spare Parts, located near the end of the manual, reference most frequently used maintenance parts.

5) PART NUMBER INDEX

A numerical index listing all part numbers and the corresponding page number(s) appears at the back of the manual.

GENERAL INFORMATION

6) NON-SERVICED PARTS

In some instances, it is necessary to display non-serviced parts, assemblies or installations. In the case of assemblies and installations there will be a Ref in the Qty column. In case of parts that are not available for service within assemblies or components, there will be a NSS (Not Sold Separately) or NLA (No Longer Available) listed in the Qty. column of the manual.

7) PARTS LIST ITEM NUMBERS

Numbers shown in the item# column correspond to numbers used in the associated illustration (s). Item numbers which are missing from the sequence in the parts list are not used on that page

8) INDENTED PARTS DESCRIPTION

An indented part description is included in the item under which it is indented.

9) ABB REVIATION AND SYMBOLS

AC.....	.. Alternating Current	LCD.....	.. Liquid Crystal Display
ADE.....	..Advanced Design Electronics	LED.....	.. Light Emitting Diodes
ANSI.....	..American National Standards Institute	LH.....	.. Left Hand
AR.....	..As Required	LSS.....	..Load Sensing System
ASSY.....	..Assembly	M(m).....	..Metric/Meter
AUX.....	..Auxiliary	MM (mm).....	..Milimeter
AWG.....	..American Wire Gauge	mA.....	..Miliamps
B/M.....	..Bill of Material	NLA.....	..No Longer Available
CE.....	..European Conformity	NPT.....	..National Pipe Threads
CCW.....	..Counter Clockwise	NSS.....	..Not Sold Separately
cm.....	..Centimeter	OD.....	..Outside Diameter
CW.....	..Clockwise	ORB.....	..O-Ring Boss
CSA.....	..Canadian Standards Association	ORFS.....	..O-Ring Face Seal
CYL.....	..Cylinder	OZ (oz).....	..Ounces
DIA.....	..Diameter	PG.....	..Page
DC.....	..Direct Current	P/N.....	..Part Number
EMS.....	..Emergency Stop	qt.....	..Quarts
ENG.....	..Engine	QTY.....	..Quantity
FT (ft).....	..Feet	REF.....	..Reference
GA (Ga).....	..Gauge	REV.....	..Revision Level
HYD.....	..Hydraulic	RH.....	..Right Hand
HZ.....	..Hertz	SAE.....	..Society of Automotive Engineers
ID.....	..Inside Diameter	SN.....	..Serial Number
in.....	..inches	SPEC(S).....	..Specifications
ISO.....	..International Organization for Standards	T/T.....	..Turntable
JIC.....	..Joint Industry Council	UGM.....	..Universal Ground Module
KG.....	..Kilogram	V.....	..Volts
L.....	..Liter	W.....	..Watts
LB.....	..Pounds	#.....	..Number

10) ILLUSTRATION REFERENCE LETTERS

When necessary, illustrations may contain reference letters that are intended to track information (i. e. hoses, harnesses) from one point to another or to track visual enlargement of components to show details that may be located in another area on the illustration.

Note: Due to continuous product improvements, JLG Industries, Inc. reserves the right to make specification changes without prior notification. Contact JLG Industries, Inc. for updated information.

TABLE OF CONTENTS

SECTION 1 - FRAME.....	13
FIGURE 1-1. STEERING INSTALLATION (SN 0300208529 through 0300244781, SN B300001429 through B300002937)	14
FIGURE 1-2. STEERING INSTALLATION (SN 0300244782 to Present, SN B300002938 to Present)	16
FIGURE 1-3. HUB - SPINDLE ASSEMBLY - RH	18
FIGURE 1-4. HUB - SPINDLE ASSEMBLY - LH.....	20
FIGURE 1-5. DRIVE INSTALLATION - E450A AND E450AJ (NON-UL SPECS)	22
FIGURE 1-6. DRIVE INSTALLATION - E450A AND E450AJ (UL SPECS).....	26
FIGURE 1-7. DRIVE INSTALLATION - M450AJ (NON-UL SPECS)	30
FIGURE 1-8. DRIVE HUB ASSEMBLY	34
FIGURE 1-9. DRIVE MOTOR ASSEMBLY	38
FIGURE 1-10. ELECTRICAL PLATE ASSEMBLY - LH (NON-UL SPECS)	40
FIGURE 1-11. ELECTRICAL PLATE ASSEMBLY - LH (UL SPECS).....	42
FIGURE 1-12. ELECTRICAL PLATE ASSEMBLY - RH (NON-UL SPECS).....	44
FIGURE 1-13. ELECTRICAL PLATE ASSEMBLY - RH (UL SPECS).....	46
FIGURE 1-14. TIRE/WHEEL - IN240/55-17.5 PNEUMATIC	48
FIGURE 1-15. TIRE/WHEEL - IN240/55-17.5 PNEUMATIC NON MARKING.....	50
FIGURE 1-16. TIRE/WHEEL - IN240/55-17.5 PNEUMATIC NON MARKING WITH TIRE SEALANT	52
FIGURE 1-17. TIRE/WHEEL - IN240/55 - 17.5 FOAM FILLED.....	54
FIGURE 1-18. TIRE/WHEEL - IN240/55-17.5 FOAM FILLED NON MARKING	56
FIGURE 1-19. TIRE/WHEEL - 26 X 7 X 20 - SOLID NON MARKING.....	58
FIGURE 1-20. MOTOR/PUMP/TANK INSTALLATION - E450A/E450AJ NON-UL SPECS	60
FIGURE 1-21. MOTOR/PUMP/TANK INSTALLATION - E450A/E450AJ UL SPECS	62
FIGURE 1-22. MOTOR/PUMP/TANK INSTALLATION - M450AJ	64
FIGURE 1-23. MOTOR/PUMP ASSEMBLY	66
FIGURE 1-24. HYDRAULIC TANK ASSEMBLY - E450A/E450AJ	68
FIGURE 1-25. HYDRAULIC TANK ASSEMBLY - M450AJ	70
FIGURE 1-26. VALVE INSTALLATION - FRAME MOUNTED - E450A	72
FIGURE 1-27. VALVE INSTALLATION - FRAME MOUNTED - E450AJ (SN 0300208529 through 0300233451, SN B300001429 through B300002532).....	74
FIGURE 1-28. VALVE INSTALLATION - FRAME MOUNTED - E450AJ (SN 0300233452 to Present, SN B300002533 to Present)	76
FIGURE 1-29. VALVE INSTALLATION - FRAME MOUNTED - M450AJ (SN 0300208529 through 0300233451).....	78
FIGURE 1-30. VALVE INSTALLATION - FRAME MOUNTED - M450AJ (SN 0300233452 to Present).....	80
FIGURE 1-31. BRAKE/STEER VALVE ASSEMBLY	82
FIGURE 1-32. BATTERY BOX INSTALLATION - STANDARD (ALL SPECS EXCEPT AUSTRALIAN, CE AND CHINA SPECS)	84
FIGURE 1-33. BATTERY BOX INSTALLATION - STANDARD (AUSTRALIAN, CE AND CHINA SPECS)	86
FIGURE 1-34. BATTERY BOX INSTALLATION - AGM BATTERIES (ALL SPECS EXCEPT AUSTRALIAN, CE AND CHINA SPECS)	88
FIGURE 1-35. BATTERY BOX INSTALLATION - AGM BATTERIES (AUSTRALIAN, CE AND CHINA SPECS).....	90
FIGURE 1-36. BATTERY CHARGER INSTALLATION - E450A/E450AJ (ANSI, ANSI EXPORT, CSA, JAPANESE AND UL SPECS)	92
FIGURE 1-37. BATTERY CHARGER INSTALLATION - E450A/E450AJ (AUSTRALIAN SPEC)	94
FIGURE 1-38. BATTERY CHARGER INSTALLATION - E450A/E450AJ (ANSI EXPORT AND CE SPECS).....	96
FIGURE 1-39. BATTERY CHARGER INSTALLATION - E450AJ (ANSI EXPORT AND CHINA SPECS)	98
FIGURE 1-40. BATTERY CHARGER INSTALLATION - M450AJ (ANSI, ANSI EXPORT, CSA AND JAPANESE SPECS).....	100
FIGURE 1-41. BATTERY CHARGER INSTALLATION - M450AJ (AUSTRALIAN SPEC)	102
FIGURE 1-42. BATTERY CHARGER INSTALLATION - M450AJ (ANSI EXPORT AND CE SPECS).....	104
FIGURE 1-43. BATTERY CHARGER ASSEMBLY	106
FIGURE 1-44. INVERTER INSTALLATION - E450A/E450AJ.....	108
FIGURE 1-45. VOLTAGE GUARD ASSEMBLY AND INSTALLATION (ANSI EXPORT AND CHINA SPECS).....	110
FIGURE 1-46. FRAME COVER INSTALLATION - E450A/E450AJ.....	112
FIGURE 1-47. FRAME COVER INSTALLATION - M450AJ.....	114
SECTION 2 - TURNTABLE	117
FIGURE 2-1. VALVE INSTALLATION- TURNTABLE MOUNTED - E450A.....	118
FIGURE 2-2. VALVE INSTALLATION - TURNTABLE MOUNTED - E450AJ (SN 0300208529 through 0300233451, SN B300001429 through B300002532).....	120
FIGURE 2-3. VALVE INSTALLATION - TURNTABLE MOUNTED - E450AJ (SN 0300233452 to Present, SN B300002533 to Present)	122
FIGURE 2-4. VALVE INSTALLATION - TURNTABLE MOUNTED - M450AJ (SN 0300208529 through 0300233451)	124
FIGURE 2-5. VALVE INSTALLATION - TURNTABLE MOUNTED - M450AJ (SN 0300233452 to Present).....	126
FIGURE 2-6. MAIN CONTROL VALVE ASSEMBLY.....	128
FIGURE 2-7. RELEVELING VALVE ASSEMBLY.....	130
FIGURE 2-8. JIB VALVE ASSEMBLY (SN 0300208529 through 0300233452, SN B300001429 through B300002532)	132

TABLE OF CONTENTS

FIGURE 2-9. JIB VALVE ASSEMBLY (SN 0300233452 to Present, SN B300002533 to Present).....	134
FIGURE 2-10. MOTION ALARM INSTALLATION	136
FIGURE 2-11. TURNTABLE BEARING AND SWING DRIVE INSTALLATION	138
FIGURE 2-12. SWING MOTOR ASSEMBLY	140
FIGURE 2-13. SWING BEARING ASSEMBLY	142
FIGURE 2-14. REMOTE BEARING LUBE INSTALLATION - OPTIONAL	144
FIGURE 2-15. DRIVE ORIENTATION INSTALLATION.....	146
FIGURE 2-16. FUEL TANK AND BATTERY INSTALLATION - M450AJ	148
FIGURE 2-17. GROUND CONTROL BOX INSTALLATION - E450A (ALL SPECS EXCEPT CE AND AUSTRALIAN SPECS) ..	150
FIGURE 2-18. GROUND CONTROL BOX INSTALLATION - E450A (CE SPEC)	152
FIGURE 2-19. GROUND CONTROL BOX INSTALLATION - E450AJ/M450AJ (ALL SPECS EXCEPT CE AND CHINA SPECS)	154
FIGURE 2-20. GROUND CONTROL BOX INSTALLATION - E450AJ/M450AJ (CE AND CHINA SPECS)	156
FIGURE 2-21. GROUND CONTROL BOX ELECTRICAL ASSEMBLY - E450A (ALL SPECS EXCEPT CE AND AUSTRALIAN SPECS).....	158
FIGURE 2-22. GROUND CONTROL BOX ELECTRICAL ASSEMBLY - E450A (CE SPEC)	160
FIGURE 2-23. GROUND CONTROL BOX ELECTRICAL ASSEMBLY - E450AJ/M450AJ (ALL SPECS EXCEPT CE AND CHINA SPECS).....	162
FIGURE 2-24. GROUND CONTROL BOX ELECTRICAL ASSEMBLY - E450AJ/M450AJ (CE AND CHINA SPECS)	164
FIGURE 2-25. MOTOR CONTROLS INSTALLATION - M450AJ.....	166
FIGURE 2-26. STROBE LIGHT INSTALLATION - AMBER (OPTIONAL).....	168
FIGURE 2-27. STROBE LIGHT ASSEMBLY - AMBER	170
FIGURE 2-28. BEACON LIGHT INSTALLATION - BLUE (SN 0300208529 through 0300217475, SN B300001429 through B300001511).....	172
FIGURE 2-29. BEACON LIGHT INSTALLATION - BLUE (SN 0300217476 to Present, SN B300001512 to Present)	174
FIGURE 2-30. BEACON LIGHT INSTALLATION - RED (SN 0300208529 through 0300217178, SN B300001429 through B300001510).....	176
FIGURE 2-31. BEACON LIGHT INSTALLATION - RED (SN 0300217179 to Present, SN B300001511 to Present)	178
FIGURE 2-32. HOOD INSTALLATION - E450A/E450AJ	180
FIGURE 2-33. HOOD INSTALLATION - M450AJ	182
 SECTION 3 - ENGINE	 185
FIGURE 3-1. KUBOTA MOTOR/GENERATOR INSTALLATION - M450AJ	186
FIGURE 3-2. KUBOTA MOTOR/GENERATOR ASSEMBLY - M450AJ	188
FIGURE 3-3. KUBOTA MOTOR/GENERATOR COMPONENTS	190
 SECTION 4 - BOOM.....	 193
FIGURE 4-1. BOOM AND CYLINDERS INSTALLATION - WITHOUT LSS OR WITH 4 CELL LSS (E450A) (SN 0300208529 through 0300235600)	194
FIGURE 4-2. BOOM AND CYLINDERS INSTALLATION - WITH 1 CELL LSS (E450A) (SN 0300235601 to Present).....	196
FIGURE 4-3. BOOM AND CYLINDERS INSTALLATION - E450AJ/M450AJ (SN 0300208529 to Present, SN B300001429 through B300002486).....	200
FIGURE 4-4. BOOM AND CYLINDERS INSTALLATION - E450AJ/M450AJ (SN B300002487 to Present).....	204
FIGURE 4-5. MAIN BOOM ASSEMBLY - E450A	208
FIGURE 4-6. MAIN BOOM ASSEMBLY - E450AJ/M450AJ (SN 0300208529 to Present, SN B300001429 through B300002486)	212
FIGURE 4-7. MAIN BOOM ASSEMBLY - E450AJ/M450AJ (SN B300002487 to Present).....	216
FIGURE 4-8. JIB INSTALLATION (SN 0300208529 to Present, SN B300001429 through B300002486)	218
FIGURE 4-9. JIB INSTALLATION (SN B300002487 to Present)	220
FIGURE 4-10. ROTATOR ASSEMBLY - E450A.....	222
FIGURE 4-11. ROTATOR ASSEMBLY - E450AJ/M450AJ	224
FIGURE 4-12. PLATFORM SUPPORT INSTALLATION - WITHOUT LSS.....	226
FIGURE 4-13. PLATFORM SUPPORT INSTALLATION - WITH 4 CELL LSS (SN 0300208529 through 0300235600, SN B300001429 through B300002438)	228
FIGURE 4-14. PLATFORM SUPPORT INSTALLATION - WITH 1 CELL LSS - E450A (SN 0300235601 to Present, SN B300002725 to Present)	230
FIGURE 4-15. PLATFORM SUPPORT INSTALLATION - WITH 1 CELL LSS - E450AJ/M450AJ (SN 0300235601 to Present, SN B300002725 to Present)	232
FIGURE 4-16. CABLES AND CLAMPS INSTALLATION - E450A	236
FIGURE 4-17. CABLES AND CLAMPS INSTALLATION - E450AJ/M450AJ	238
FIGURE 4-18. BOOM LIMIT SWITCHES INSTALLATION	240
 SECTION 5 - PLATFORM	 243
FIGURE 5-1. PLATFORM ASSEMBLY - 4FT/1.22M - SIDE GATE ENTRY	244

TABLE OF CONTENTS

FIGURE 5-2. PLATFORM ASSEMBLY - 5FT/1.52M - SIDE GATE ENTRY	246
FIGURE 5-3. PLATFORM ASSEMBLY - 6FT/1.83M - SIDE GATE ENTRY	248
FIGURE 5-4. PLATFORM ASSEMBLY - 4FT/1.22M - DROP BAR ENTRY	250
FIGURE 5-5. PLATFORM ASSEMBLY - 5FT/1.52M - DROP BAR ENTRY	252
FIGURE 5-6. PLATFORM ASSEMBLY - 30IN X 3FT (76CM X .91M) - DROP BAR ENTRY	254
FIGURE 5-7. PLATFORM ASSEMBLY - 6FT/1.83M - DROP BAR ENTRY	256
FIGURE 5-8. PLATFORM ASSEMBLY - 5FT/1.52M - FALL ARREST (ANSI EXPORT SPEC)	258
FIGURE 5-9. PLATFORM ASSEMBLY - 6FT/1.83M - FALL ARREST	260
FIGURE 5-10. PLATFORM CONSOLE AND FOOTSWITCH INSTALLATION - WITHOUT LSS OR WITH 4 CELL LSS - WITHOUT SKYGUARD (NON-UL SPECS)	262
FIGURE 5-11. PLATFORM CONSOLE AND FOOTSWITCH INSTALLATION - WITH SKYGUARD (UL SPECS)	264
FIGURE 5-12. PLATFORM CONSOLE AND FOOTSWITCH INSTALLATION - WITHOUT LSS OR WITH 4 CELL LSS - WITH SKYGUARD (SN 0300208529 through 0300229285, SN B300001429 through B300001989)	266
FIGURE 5-13. PLATFORM CONSOLE AND FOOTSWITCH INSTALLATION - WITHOUT LSS OR WITH 4 CELL LSS - WITH SKYGUARD (SN 0300229286 through 0300235600, SN B300001990 to Present)	268
FIGURE 5-14. PLATFORM CONSOLE AND FOOTSWITCH INSTALLATION - WITH 1 CELL LSS AND WITH SKYGUARD (SN 0300235601 to Present)	270
FIGURE 5-15. PLATFORM CONSOLE ASSEMBLY - WITHOUT LSS OR WITH 4 CELL LSS - WITHOUT SKYGUARD (NON-UL SPECS) (SN 0300208529 through 0300219932, SN B300001429 through B300001596)	272
FIGURE 5-16. PLATFORM CONSOLE ASSEMBLY - WITHOUT LSS OR WITH 4 CELL LSS - WITHOUT SKYGUARD (NON-UL SPECS) (SN 0300219933 to Present, SN B300001597 to Present)	276
FIGURE 5-17. PLATFORM CONSOLE ASSEMBLY - WITH SKYGUARD (UL SPECS)	280
FIGURE 5-18. PLATFORM CONSOLE ASSEMBLY - WITHOUT LSS OR WITH 4 CELL LSS - WITH SKYGUARD (NON-UL LISTED) (SN 0300208529 through 0300219932, SN B300001429 through B300001596)	284
FIGURE 5-19. PLATFORM CONSOLE ASSEMBLY - WITHOUT LSS OR WITH 4 CELL LSS - WITH SKYGUARD (NON-UL LISTED) (SN 0300219933 through 0300229285, SN B300001597 through B300001989)	288
FIGURE 5-20. PLATFORM CONSOLE ASSEMBLY - WITHOUT LSS OR WITH 4 CELL LSS - WITH SKYGUARD (NON-UL LISTED) (SN 0300229286 through 0300235600, SN B300001990 to Present)	292
FIGURE 5-21. PLATFORM CONSOLE ASSEMBLY - WITH 1 CELL LSS AND WITH SKYGUARD (SN 0300235601 to Present)	296
FIGURE 5-22. JIB SWITCH INSTALLATION - E450AJ/M450AJ	300
FIGURE 5-23. CONTROLLER ASSEMBLY - DRIVE AND STEER	302
FIGURE 5-24. CONTROLLER ASSEMBLY - LIFT AND SWING	304
FIGURE 5-25. FOOTSWITCH ASSEMBLY	308
FIGURE 5-26. MOTOR CONTROLS INSTALLATION - M450AJ	310
FIGURE 5-27. TRAY ASSEMBLY	312
FIGURE 5-28. SEALED ENCLOSURES - UL SPECS	314
FIGURE 5-29. SOFT TOUCH INSTALLATION - 6FT/1.8M PLATFORM (ANSI, ANSI EXPORT AND CSA SPECS)	316
FIGURE 5-30. SOFT TOUCH INSTALLATION - 5FT/1.52M PLATFORM (ANSI, ANSI EXPORT AND CSA SPECS)	318
FIGURE 5-31. SKYGUARD SYSTEM INSTALLATION	320
FIGURE 5-32. CROSS RAIL INSTALLATION	322
FIGURE 5-33. PIPE RACK INSTALLATION	324
SECTION 6 - CYLINDER	327
FIGURE 6-1. LEVEL (PLATFORM SLAVE) CYLINDER ASSEMBLY - E450A	328
FIGURE 6-2. LEVEL (PLATFORM SLAVE) CYLINDER ASSEMBLY - E450AJ/M450AJ (SN 0300208529 to Present, SN B300001429 through B300002486)	330
FIGURE 6-3. LEVEL (PLATFORM SLAVE) CYLINDER ASSEMBLY - E450AJ/M450AJ (SN B300002487 to Present)	332
FIGURE 6-4. LIFT CYLINDER ASSEMBLY - JIB - E450AJ/M450AJ (SN 0300208529 to Present, SN B300001429 through B300002486)	334
FIGURE 6-5. LIFT CYLINDER ASSEMBLY - JIB - E450AJ/M450AJ (SN B300002487 to Present)	336
FIGURE 6-6. LIFT CYLINDER ASSEMBLY - LOWER - E450A (SN 0300235601 through 0300239755)	338
FIGURE 6-7. LIFT CYLINDER ASSEMBLY - LOWER - E450A (SN 0300239756 to Present)	340
FIGURE 6-8. LIFT CYLINDER ASSEMBLY - LOWER - E450AJ/M450AJ (SN 0300208529 through 0300239252, SN B300001429 through B300002461)	342
FIGURE 6-9. LIFT CYLINDER ASSEMBLY - LOWER - E450AJ/M450AJ (SN 0300239253 to Present, SN B300002462 through B300002486)	344
FIGURE 6-10. LIFT CYLINDER ASSEMBLY - LOWER - E450AJ/M450AJ (SN B300002487 to Present)	346
FIGURE 6-11. LIFT CYLINDER ASSEMBLY - MID - E450A (SN 0300235601 through 0300239755)	348
FIGURE 6-12. LIFT CYLINDER ASSEMBLY - MID - E450A (SN 0300239756 to Present)	350
FIGURE 6-13. LIFT CYLINDER ASSEMBLY - MID - E450AJ/M450AJ (SN 0300208529 through 0300239252, SN B300001429 through B300002461)	352
FIGURE 6-14. LIFT CYLINDER ASSEMBLY - MID - E450AJ/M450AJ (SN 0300239253 to Present, SN B300002462 through B300002486)	354
FIGURE 6-15. LIFT CYLINDER ASSEMBLY - MID - E450AJ/M450AJ (SN B300002487 to Present)	356
FIGURE 6-16. LIFT CYLINDER ASSEMBLY - UPPER - E450AJ (SN 0300235601 through 0300239755)	358

TABLE OF CONTENTS

FIGURE 6-17. LIFT CYLINDER ASSEMBLY - UPPER - E450AJ (SN 0300239756 to Present)	360
FIGURE 6-18. LIFT CYLINDER ASSEMBLY - UPPER - E450AJ/M450AJ (SN 0300208529 through 0300239755, SN B300001429 through B300002486)	362
FIGURE 6-19. LIFT CYLINDER ASSEMBLY - UPPER - E450AJ/M450AJ (SN 0300239756 to Present)	364
FIGURE 6-20. LIFT CYLINDER ASSEMBLY - UPPER - E450AJ/M450AJ (SN B300002487 to Present).....	366
FIGURE 6-21. MASTER CYLINDER ASSEMBLY - E450A	368
FIGURE 6-22. MASTER CYLINDER ASSEMBLY - E450AJ/M450AJ (SN 0300208529 to Present, SN B300001429 through B300002486).....	370
FIGURE 6-23. MASTER CYLINDER ASSEMBLY - E450AJ/M450AJ (SN B3000024867 to Present).....	372
FIGURE 6-24. STEER CYLINDER ASSEMBLY	374
FIGURE 6-25. TELESCOPE CYLINDER ASSEMBLY - E450A (SN 0300208529 through 0300244781).....	376
FIGURE 6-26. TELESCOPE CYLINDER ASSEMBLY - E450A (SN 0300244782 to Present)	378
FIGURE 6-27. TELESCOPE CYLINDER ASSEMBLY - E450AJ/M450AJ (SN 0300208529 through 0300243858, SN B300001429 through B300002486).....	380
FIGURE 6-28. TELESCOPE CYLINDER ASSEMBLY - E450AJ/M450AJ (SN 0300243859 to Present).....	382
FIGURE 6-29. TELESCOPE CYLINDER ASSEMBLY - E450AJ/M450AJ (SN B300002487 to Present)	384
FIGURE 6-30. COUNTERBALANCE VALVE ASSEMBLY	386
 SECTION 7 - HYDRAULIC	 389
FIGURE 7-1. HYDRAULIC DIAGRAM - E450A	390
FIGURE 7-2. HYDRAULIC DIAGRAM - E450AJ (SN 0300208529 through 0300233451, SN B300001429 through B300002532)	394
FIGURE 7-3. HYDRAULIC DIAGRAM - E450AJ (SN 0300233452 to Present, SN B300002533 to Present)	398
FIGURE 7-4. HYDRAULIC DIAGRAM - M450AJ (SN 0300208529 through 0300233451).....	402
FIGURE 7-5. HYDRAULIC DIAGRAM - M450AJ (SN 0300233452 to Present)	406
FIGURE 7-6. LIST, HYDRAULIC DIAGRAM LIST	410
 SECTION 8 - ELECTRICAL.....	 411
FIGURE 8-1. ELECTRICAL DIAGRAM LIST	412
FIGURE 8-2. AC PLUGS AND SOCKETS INSTALLATION - AFSINT 107-2-01 KEYED GROUND - 2 X 4 BOX (CE SPEC)	414
FIGURE 8-3. AC PLUGS AND SOCKETS INSTALLATION - CEE7 POST GROUND (CE SPEC)	416
FIGURE 8-4. AC PLUGS AND SOCKETS INSTALLATION - CEE 7 SIDE GROUND (CE SPEC).....	418
FIGURE 8-5. AC PLUGS AND SOCKETS INSTALLATION - CEE7 POST GROUND - 2 X 4 BOX (CE SPEC)	420
FIGURE 8-6. AC PLUGS AND SOCKETS INSTALLATION - CEE7 SIDE GROUND - 2 X 4 BOX (CE SPEC).....	422
FIGURE 8-7. AC PLUGS AND SOCKETS INSTALLATION - IEC 60309 BLUE (CE SPEC).....	424
FIGURE 8-8. AC PLUGS AND SOCKETS INSTALLATION - IEC 60309 YELLOW (CE SPEC)	426
FIGURE 8-9. BATTERY CABLE KIT - E450A AND E450AJ (NON-UL SPECS).....	428
FIGURE 8-10. BATTERY CABLE KIT - E450A AND E450AJ (UL SPECS).....	430
FIGURE 8-11. BATTERY CABLE KIT - M450AJ (NON-UL SPECS)	432
FIGURE 8-12. BOOM CABLE - LOWER - E450A/E450AJ/M450AJ	434
FIGURE 8-13. BOOM CABLE - UPPER - E450A	436
FIGURE 8-14. BOOM CABLE - UPPER - E450AJ/M450AJ.....	438
FIGURE 8-15. BOOM LIMIT SWITCH HARNESS - LOWER.....	440
FIGURE 8-16. BOOM LIMIT SWITCH HARNESS - UPPER.....	442
FIGURE 8-17. BRAKE/STEER HARNESS - M450AJ.....	444
FIGURE 8-18. BREAKER BOX KIT WITH ONE BREAKERS - CE SPEC	446
FIGURE 8-19. BREAKER BOX KIT WITH TWO BREAKERS - CE SPEC.....	448
FIGURE 8-20. CHARGER CORD PLUG INSTALLATION - 110V - IEC 60309 - YELLOW (CE SPEC)	450
FIGURE 8-21. CHARGER CORD PLUG INSTALLATION - 220V - AFSINT 107 KEYED GROUND (CE SPEC).....	452
FIGURE 8-22. CHARGER CORD PLUG INSTALLATION - 220V - CEE7 POST GROUND (CE SPEC)	454
FIGURE 8-23. CHARGER CORD PLUG INSTALLATION - 220V - CEE7 SIDE GROUND (CE SPEC).....	456
FIGURE 8-24. CHARGER CORD PLUG INSTALLATION - 220V - IEC 60309 - BLUE (CE SPEC).....	458
FIGURE 8-25. CHASSIS TO TURNABLE HARNESS	460
FIGURE 8-26. GENERATOR HARNESS.....	462
FIGURE 8-27. GROUND CONTROL PANEL HARNESS	464
FIGURE 8-28. INVERTER HARNESS	466
FIGURE 8-29. INVERTER IGNITION HARNESS	468
FIGURE 8-30. LOWER BOOM 110V HARNESS ASSEMBLY.....	470
FIGURE 8-31. LOWER BOOM 220V HARNESS ASSEMBLY.....	472
FIGURE 8-32. LSS SYSTEM HARNESS.....	474
FIGURE 8-33. PLATFORM CONSOLE HARNESS - WITHOUT LSS OR WITH 4 CELL LSS.....	476
FIGURE 8-34. PLATFORM CONSOLE HARNESS - WITH 1 CELL LSS	478
FIGURE 8-35. PLUG AND RECEPTACLE INSTALLATION - SUPPLIED LOCALLY	480
FIGURE 8-36. PLUG AND RECEPTACLE INSTALLATION - 110V.....	482
FIGURE 8-37. PLUG AND RECEPTACLE INSTALLATION - 220V.....	484

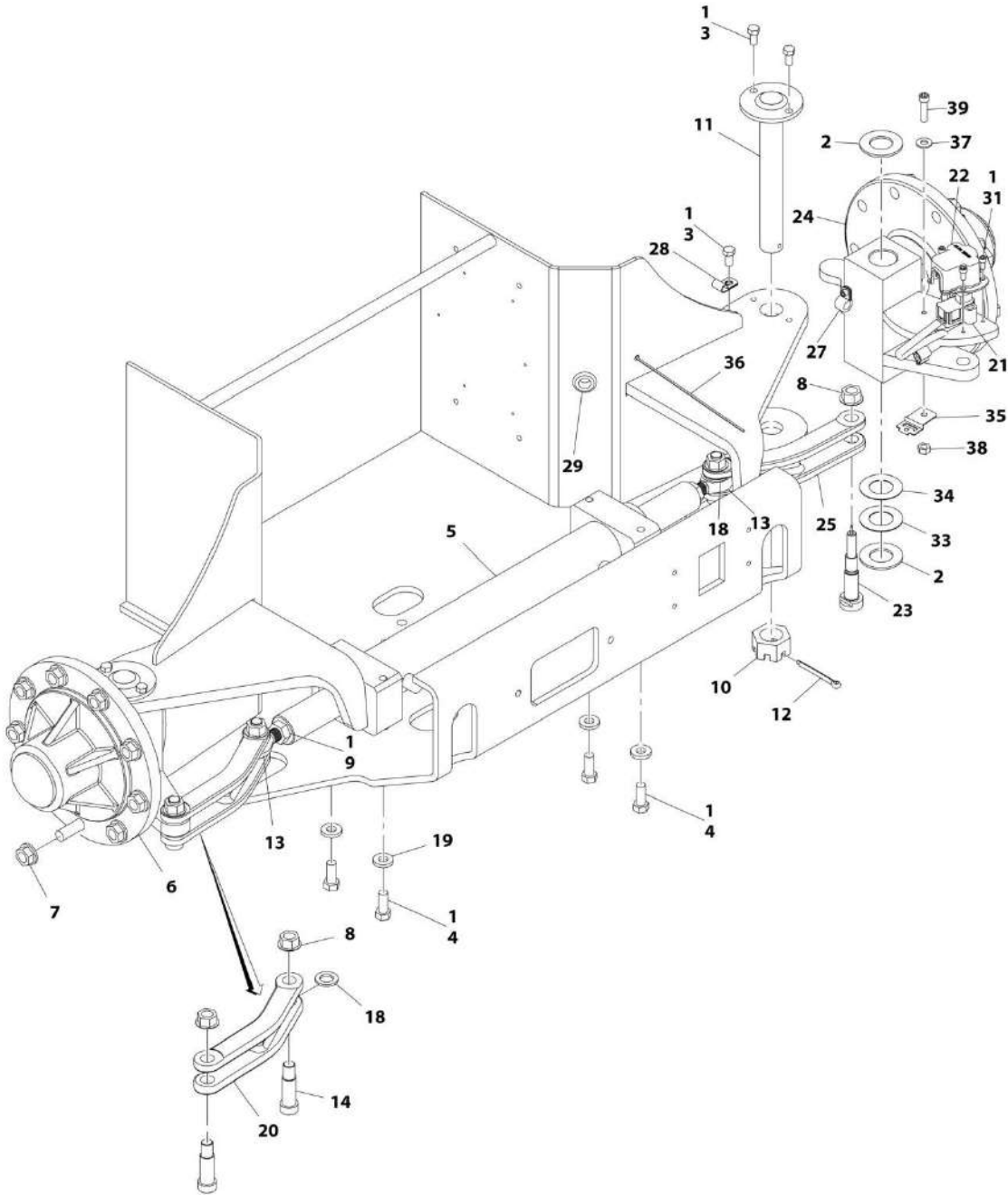
TABLE OF CONTENTS

FIGURE 8-38. PLUG AND RECEPTACLE 110V INSTALLATION - IEC 60309 - YELLOW (CE SPEC).....	486
FIGURE 8-39. PLUG AND RECEPTACLE 220V INSTALLATION - AFSINT 107 KEYED GROUND - 2 X 4 BOX (CE SPEC) ...	488
FIGURE 8-40. PLUG AND RECEPTACLE 220V INSTALLATION - CEE7 POST GROUND - 2 X 4 BOX (CE SPEC).....	490
FIGURE 8-41. PLUG AND RECEPTACLE 220V INSTALLATION - CEE7 POST GROUND - 70MM X 70MM BOX (CE SPEC)	492
FIGURE 8-42. PLUG AND RECEPTACLE 220V INSTALLATION - CEE7 SIDE GROUND - 2 X 4 BOX (CE SPEC).....	494
FIGURE 8-43. PLUG AND RECEPTACLE 220V INSTALLATION - CEE7 SIDE GROUND - 70MM X 70MM BOX (CE SPEC) .	496
FIGURE 8-44. PLUG AND RECEPTACLE 220V INSTALLATION - IEC 60309 - BLUE (CE SPEC).....	498
FIGURE 8-45. SKYGUARD HARNESS - WITHOUT LSS OR WITH 4 CELL LSS.....	500
FIGURE 8-46. SKYGUARD HARNESS - WITH 1 CELL LSS.....	502
FIGURE 8-47. STEER/BRAKE HARNESS.....	504
FIGURE 8-48. TRACTION HARNESS	506
FIGURE 8-49. TURNTABLE HARNESS	510
FIGURE 8-50. UPPER BOOM 110V HARNESS ASSEMBLY	514
FIGURE 8-51. UPPER BOOM 220V HARNESS ASSEMBLY	516
FIGURE 8-52. VALVE HARNESS	518
SECTION 9 - DECAL	521
FIGURE 9-1. DECAL INSTALLATION - ANSI, ANSI EXPORT AND UL SPECS - ENGLISH - E450A/E450AJ (USA BUILT MACHINES)	522
FIGURE 9-2. DECAL INSTALLATION - ANSI EXPORT SPEC - ENGLISH - E450AJ (CHINA BUILT MACHINES).....	524
FIGURE 9-3. DECAL INSTALLATION - ANSI AND ANSI EXPORT SPECS - ENGLISH - M450AJ	526
FIGURE 9-4. DECAL INSTALLATION - AUSTRALIAN SPEC - E450AJ.....	528
FIGURE 9-5. DECAL INSTALLATION - AUSTRALIAN SPEC - M450AJ	530
FIGURE 9-6. DECAL INSTALLATION - CE AND CHINA SPECS - E450AJ.....	532
FIGURE 9-7. DECAL INSTALLATION - CE SPEC - M450AJ	534
FIGURE 9-8. DECAL INSTALLATION - CHINESE/ENGLISH - E450A/E450AJ (USA BUILT MACHINES).....	536
FIGURE 9-9. DECAL INSTALLATION - CHINESE/ENGLISH - E450AJ (CHINA BUILT MACHINES).....	538
FIGURE 9-10. DECAL INSTALLATION - CHINESE/ENGLISH - M450AJ.....	540
FIGURE 9-11. DECAL INSTALLATION - FRENCH/ENGLISH SPECS - E450A/E450AJ	542
FIGURE 9-12. DECAL INSTALLATION - FRENCH/ENGLISH SPECS - M450AJ	544
FIGURE 9-13. DECAL INSTALLATION - JAPANESE SPEC - E450A/E450AJ (USA BUILT MACHINES)	546
FIGURE 9-14. DECAL INSTALLATION - JAPANESE SPEC - E450AJ (CHINA BUILT MACHINES).....	548
FIGURE 9-15. DECAL INSTALLATION - JAPANESE SPEC - M450AJ.....	550
FIGURE 9-16. DECAL INSTALLATION - KOREAN SPEC - E450A/E450AJ (USA BUILT MACHINES).....	552
FIGURE 9-17. DECAL INSTALLATION - KOREAN SPEC - E450AJ (CHINA BUILT MACHINES)	554
FIGURE 9-18. DECAL INSTALLATION - KOREAN SPEC - M450AJ	556
FIGURE 9-19. DECAL INSTALLATION - SPANISH/ENGLISH SPECS - E450A/E450AJ.....	558
FIGURE 9-20. DECAL INSTALLATION - SPANISH/ENGLISH SPECS - M450AJ.....	560
FIGURE 9-21. DECAL INSTALLATION - SPANISH/PORTUGUESE SPECS - E450A/E450AJ	562
FIGURE 9-22. DECAL INSTALLATION - SPANISH/PORTUGUESE SPECS - M450AJ	564
FIGURE 9-23. DECAL INSTALLATION - OPTIONS	566
SECTION 10 - RECOMMENDED SERVICE PARTS STOCK	569
FIGURE 10-1. RECOMMENDED SERVICE PARTS STOCK	570
SECTION 11 - SPECIAL OPTIONS.....	573
FIGURE 11-1. SPECIAL OPTIONS.....	574
PART NUMBER INDEX	577

SECTION 1 - FRAME

SECTION 1 - FRAME

FIGURE 1-1. STEERING INSTALLATION (SN 0300208529 through 0300244781, SN B300001429 through B300002937)



ART_1001180923

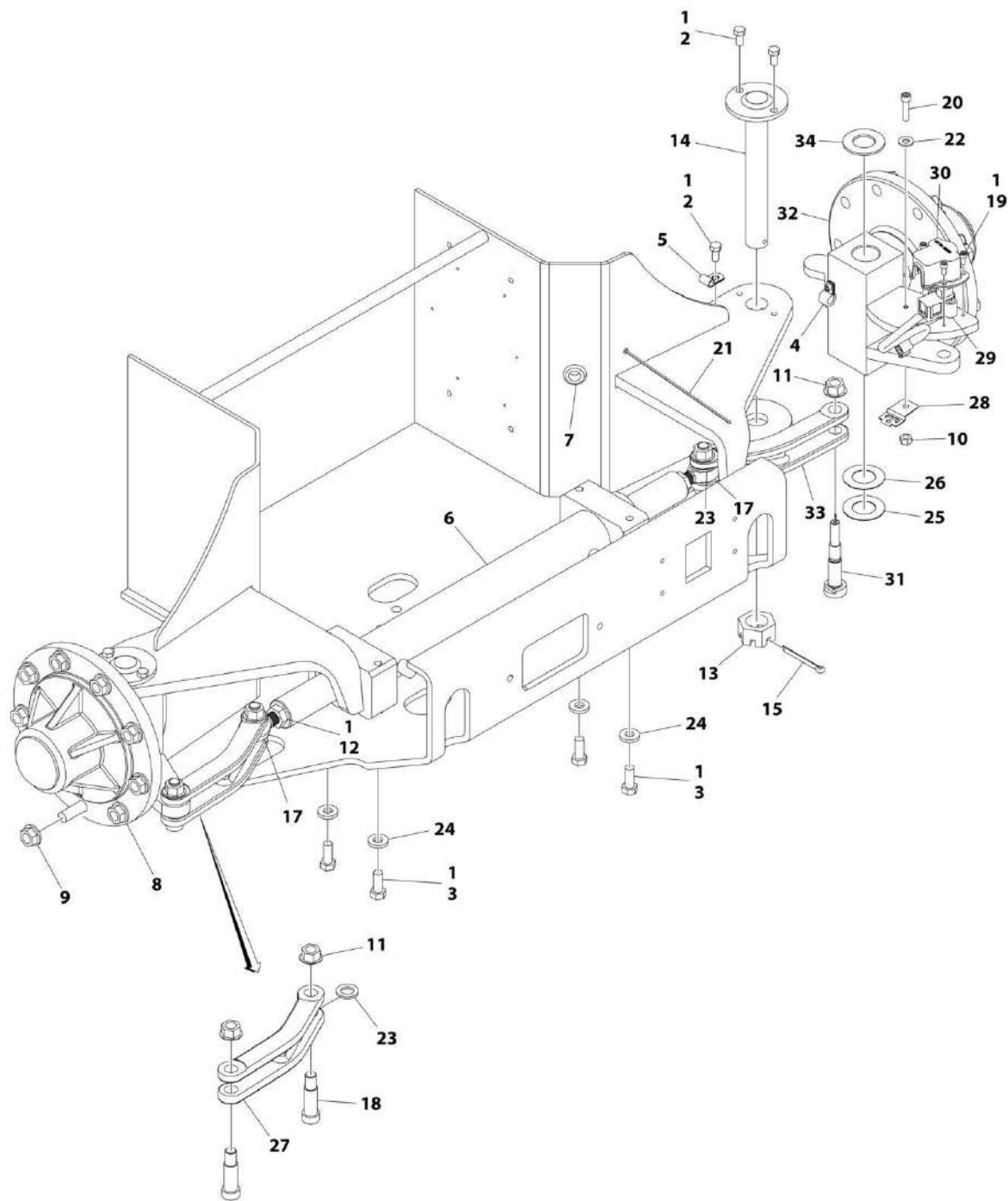
SECTION 1 - FRAME

FIGURE 1-1. STEERING INSTALLATION (SN 0300208529 through 0300244781, SN B300001429 through B300002937)

ITEM	PART NUMBER	QTY	DESCRIPTION	REV
	1001180923	Ref	STEERING INSTALLATION	F
1	0100011	AR	Compound, Locking	
2	0440162	4	Bearing, Thrust (SN 0300208529 through 0300213164, SN B300001429 through B300001434)	
2	1001193047	AR	Bearing, Thrust (SN 0300213165 through 0300244781, SN B300001435 to Present)	
3	0641606	5	Bolt 3/8 X 3/4	
4	0681810	4	Bolt 1/2 X 1-1/4 Grade 8	
5	1683591	1	Steer Cylinder Assembly (See CYLINDER SECTION for Breakdown)	
6	2780241	1	Hub - Spindle Assembly - RH (See SPINDLE - HUB ASSEMBLY - RH for Breakdown)	
7	3300426	18	Nut 5/8	
8	3312008	4	Nut 5/8	
9	3322202	2	Nut	
10	3323003	2	Nut 1-1/4	
11	3422692	2	Kingpin	
12	3450810	2	Pin, Cotter	
13	3841517	2	End, Tie-Rod	
14	3900109	3	Screw, Shoulder	
18	4740156	2	Washer	
19	4891800	4	Washer 1/2	
20	1001153021	1	Link	
21	1001161117	1	Switch, Angle Sensor	
21	4460536	1	Receptacle, Female - 3 Position	
21	4460464	3	Pin, Male	
22	1001169423	1	Cover	
23	1001180835	1	Pin	
24	1001180839	1	Hub - Spindle Assembly - LH (See SPINDLE - HUB ASSEMBLY - LH for Breakdown)	
25	1001180841	1	Link	
27	1320041	1	Clamp	
28	1320263	1	Clamp, Cable	
29	2540038	1	Grommet	
31	3931408	4	Capscrew 1/4 X 1/2	
33	1001151395	1	Shim 18Ga	
34	1001151428	1	Shim 20Ga	
35	1001153749	1	Clip, Connector	
36	4240175	1	Tie-Strap	
37	4711400	1	Washer 1/4	
38	3311405	1	Nut 1/4	
39	3931416	1	Capscrew 1/4 x 1	

SECTION 1 - FRAME

FIGURE 1-2. STEERING INSTALLATION (SN 0300244782 to Present, SN B300002938 to Present)



ART_1001232203

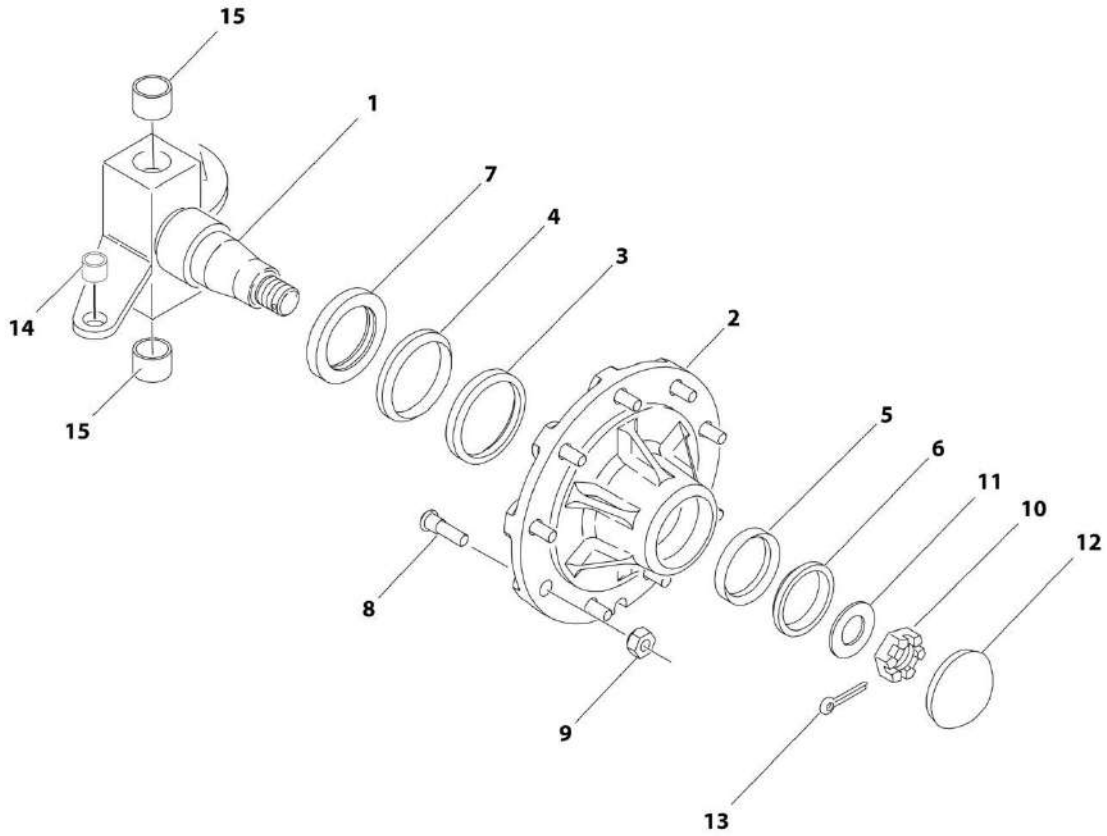
SECTION 1 - FRAME

FIGURE 1-2. STEERING INSTALLATION (SN 0300244782 to Present, SN B300002938 to Present)

ITEM	PART NUMBER	QTY	DESCRIPTION	REV
	1001232203	Ref	STEERING INSTALLATION	A
1	0100011	AR	Compound, Locking	
2	0641606	5	Bolt 3/8 X 3/4	
3	0681810	4	Bolt 1/2 X 1-1/4 Grade 8	
4	1320041	1	Clamp	
5	1320263	1	Clamp, Cable	
6	1683591	1	Steer Cylinder Assembly (See CYLINDER SECTION for Breakdown)	
7	2540038	1	Grommet	
8	2780241	1	Hub - Spindle Assembly - RH (See SPINDLE - HUB ASSEMBLY - RH for Breakdown)	
9	3300426	18	Nut 5/8	
10	3311405	1	Nut 1/4	
11	3312008	4	Nut 5/8	
12	3322202	2	Nut	
13	3323003	2	Nut 1-1/4	
14	3422692	2	Kingpin	
15	3450810	2	Pin, Cotter	
17	3841517	2	End, Tie-Rod	
18	3900109	3	Screw, Shoulder	
19	3931408	4	Capscrew 1/4 X 1/2	
20	3931416	1	Capscrew 1/4 x 1	
21	4240175	1	Tie-Strap	
22	4711400	1	Washer 1/4	
23	4740156	2	Washer	
24	4891800	4	Washer 1/2	
25	1001151395	1	Shim 18Ga	
26	1001151428	1	Shim 20Ga	
27	1001153021	1	Link	
28	1001153749	1	Clip, Connector	
29	1001161117	1	Switch, Angle Sensor	
29	4460536	1	Receptacle, Female - 3 Position	
29	4460464	3	Pin, Male	
30	1001169423	1	Cover	
31	1001180835	1	Pin	
32	1001180839	1	Hub - Spindle Assembly - LH (See SPINDLE - HUB ASSEMBLY - LH for Breakdown)	
33	1001180841	1	Link	
34	1001193047	2	Bearing, Thrust	

SECTION 1 - FRAME

FIGURE 1-3. HUB - SPINDLE ASSEMBLY - RH



ART_2780241

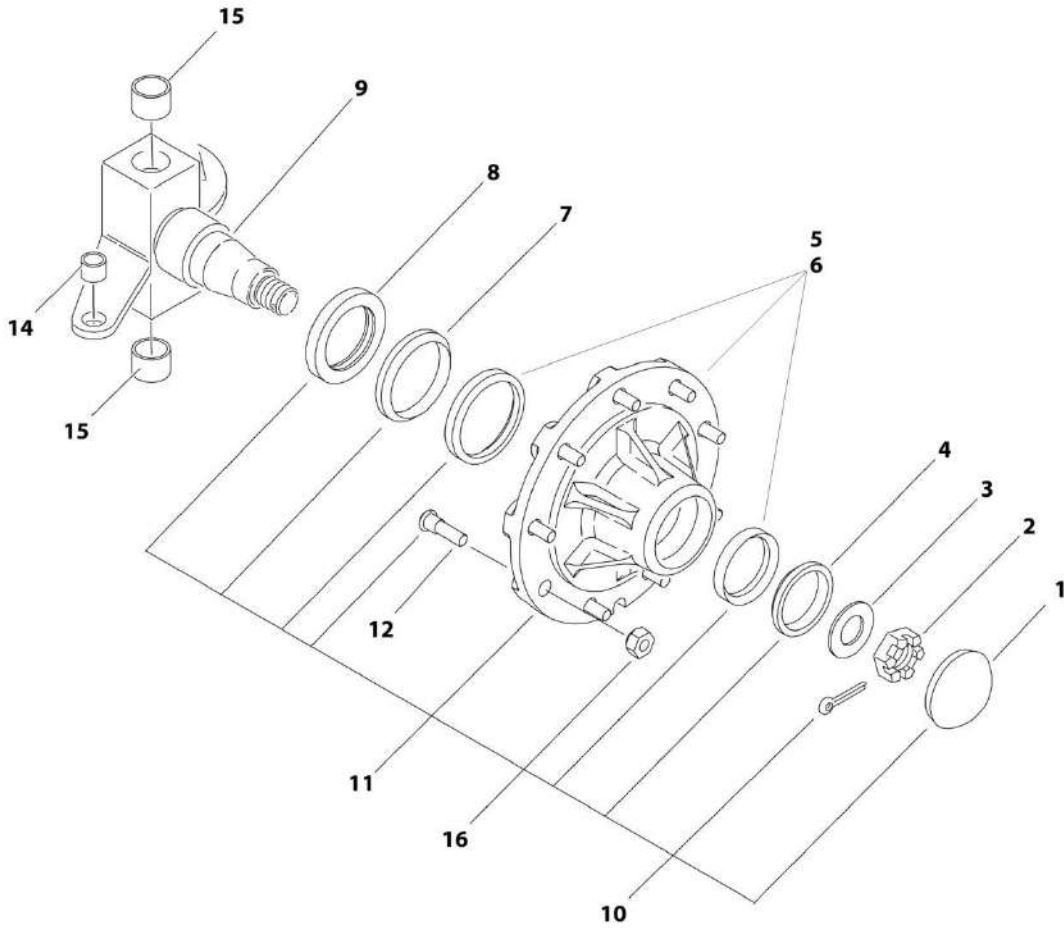
SECTION 1 - FRAME

FIGURE 1-3. HUB - SPINDLE ASSEMBLY - RH

ITEM	PART NUMBER	QTY	DESCRIPTION	REV
	2780241	Ref	HUB - SPINDLE ASSEMBLY, RH	C
1	4130351	1	Spindle R.H.	
2	7020035	1	Hub	
3	7020036	1	Cup, Bearing - Inner	
4	7020037	1	Cone, Bearing - Inner	
5	7020038	1	Cup, Bearing - Outer	
6	7020039	1	Cone, Bearing - Outer	
7	7020040	1	Seal	
8	7020041	9	Stud, Wheel	
9	7020042	9	Lugnut	
10	7020054	1	Nut, Castle	
11	7020055	1	Washer, Spindle	
12	7020137	1	Dust Cap	
13	7020140	1	Pin, Cotter	
14	0962140	1	Bushing	
15	0961951	2	Bushing	

SECTION 1 - FRAME

FIGURE 1-4. HUB - SPINDLE ASSEMBLY - LH



ART_1001180839

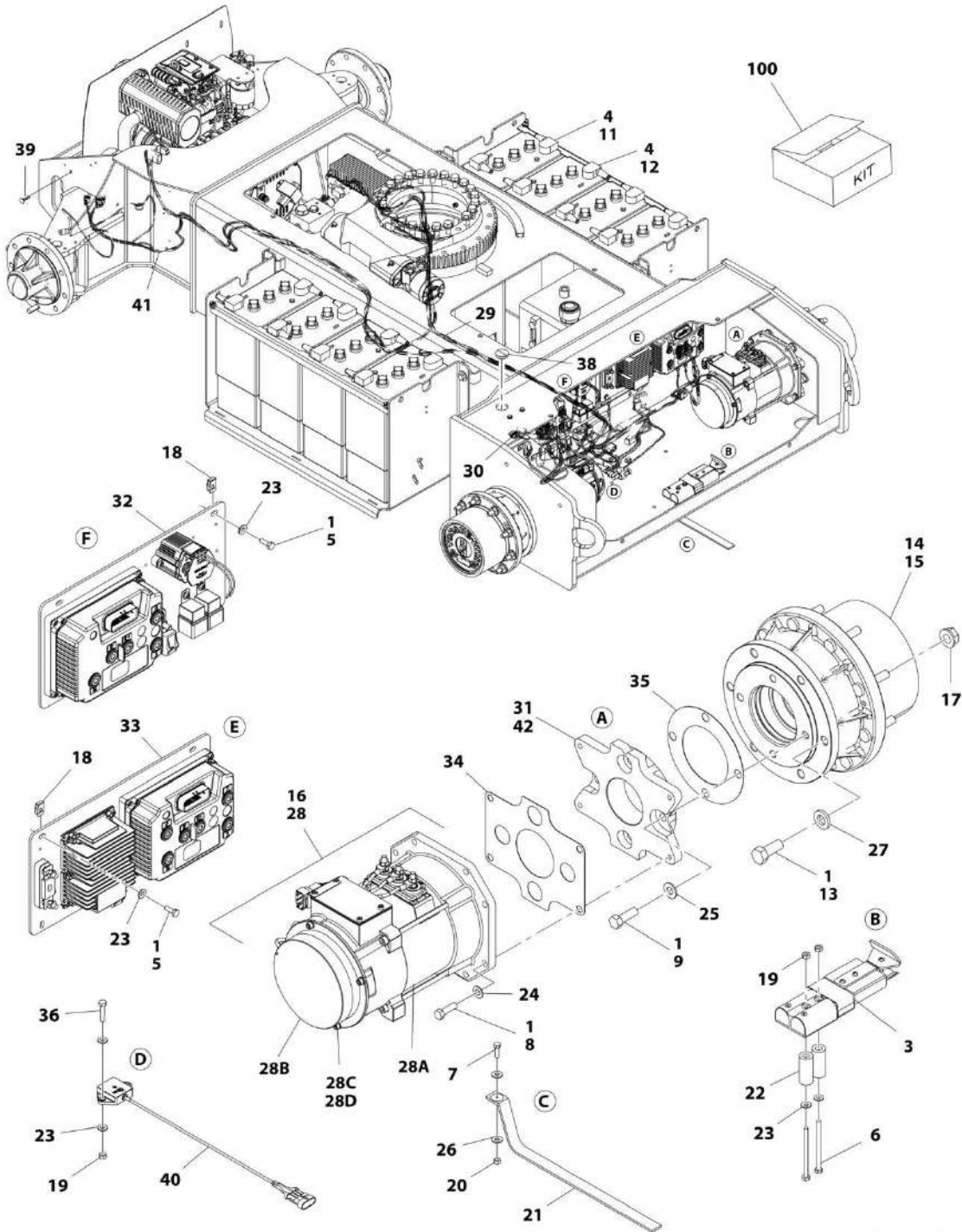
SECTION 1 - FRAME

FIGURE 1-4. HUB - SPINDLE ASSEMBLY - LH

ITEM	PART NUMBER	QTY	DESCRIPTION	REV
	1001180839	Ref	HUB - SPINDLE ASSEMBLY - LH	B
1	7020137	1	Dust Cap	
2	7020054	1	Nut, Castle	
3	7020055	1	Washer, Spindle	
4	7020039	1	Cone, Bearing - Outer	
5	See Note	NLA	Hub (Note: Use Item 11)	
6	See Note	1	Grease, Lithium (Note: Purchase Locally)	
7	7020037	1	Cone, Bearing - Inner	
8	7020040	1	Seal	
9	70005216	1	Spindle	
10	7020140	1	Pin, Cotter	
11	70005215	1	Hub Assembly (Includes Items 1,4,5,7,8 & 12))	
12	0630490	9	Stud, Wheel	
14	0962140	1	Bearing	
15	0961951	2	Bearing	
16	3300426	9	Lugnut (Note: Must be Purchased Separately)	

SECTION 1 - FRAME

FIGURE 1-5. DRIVE INSTALLATION - E450A AND E450AJ (NON-UL SPECS)



ART_1001179134

SECTION 1 - FRAME

FIGURE 1-5. DRIVE INSTALLATION - E450A AND E450AJ (NON-UL SPECS)

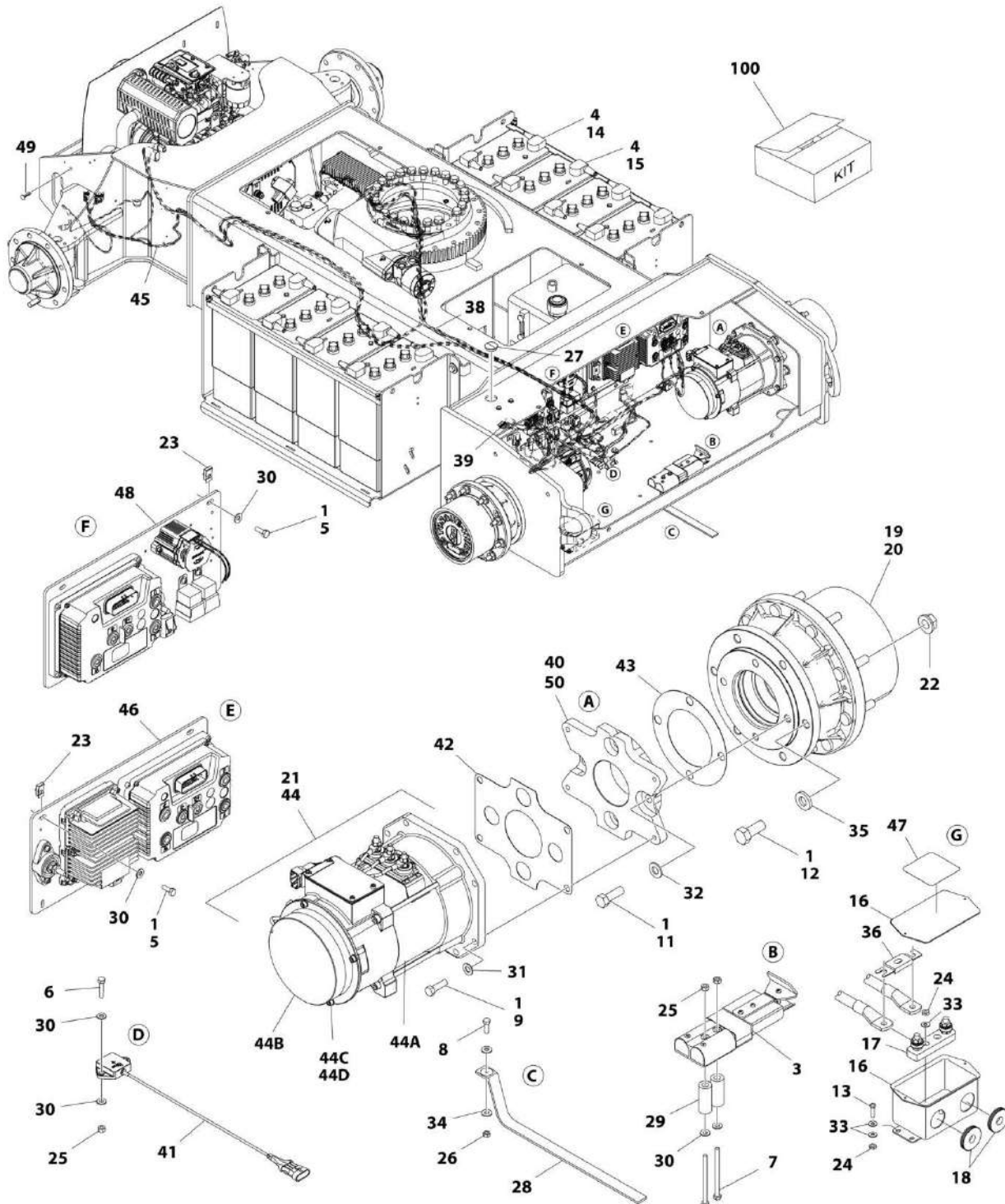
ITEM	PART NUMBER	QTY	DESCRIPTION	REV
	1001179134	Ref	DRIVE INSTALLATION - E450A AND E450AJ (NON-UL SPECS)	I
1	0100011	AR	Compound, Locking	
3	0100048	AR	Compound, Silicone	
4	0100051	AR	Grease, Battery Terminal	
5	0641406	8	Bolt 1/4 X 3/4	
6	0641430	2	Bolt 1/4 X 3-3/4	
7	0641508	1	Bolt 5/16 X 1	
8	0641610	8	Bolt 3/8 X 1-1/4	
9	0641812	8	Bolt 1/2 X 1-1/2	
11	0840031	8	Boot, Terminal - "d" Shaped	
12	0840032	8	Boot, Terminal - "b" Shaped	
13	0682014	12	Bolt 5/8 X 1-3/4 Grade 8	
14	2780282	2	Drive Hub Assembly (See DRIVE HUB ASSEMBLY for Breakdown)	
15	3020008	0.4 gal/ 1.5L	Lubricant, Gear - 80W-90	
16	3020037	AR	Lube, Coupling Grease	
17	3300426	18	Nut 5/8	
18	3300454	8	Nut 1/4	
19	3311401	4	Nut 1/4	
20	3311505	1	Nut 5/16	
21	4240084	1	Strap, Anti-Static	
22	4568114	2	Tube, Spacer	
23	4711400	14	Washer 1/4	
24	4711600	8	Washer 3/8	
25	4711800	8	Washer 1/2	
26	4751500	2	Washer 5/16	
27	4892000	12	Washer 5/8	
28	1001184854	2	Drive Motor and Brake Assembly	
28A	1001182550	2	Drive Motor Assembly (See DRIVE MOTOR ASSEMBLY for Breakdown)	
28B	1001184852	2	Drive Brake Assembly	
28B	70005415	2	O-Ring Between Brake and Motor (1 Per Assembly) (Not Shown)	
28C	4031707	8	Capscrew M6 x 16	
28D	1001109892	8	Washer M6	
29	1001178405	1	Chassis to Turntable Harness (See ELECTRICAL SECTION for Breakdown)	
30	1001178629	1	Traction Harness (See ELECTRICAL SECTION for Breakdown)	
31	1001178921	NLA	Adapter, Motor (Use p/n 1001219722) (SN 03002085529 through 0300226308, SN B300001429 through B300001989)	
31	1001219722	2	Adapter, Motor (SN 0300226309 to Present, SN B300001990 to Present)	
32	1001179060	1	Electrical Plate Assembly - LH (See ELECTRICAL PLATE ASSEMBLY - LH for Breakdown)	
33	1001179061	1	Electrical Plate Assembly - RH (See ELECTRICAL PLATE ASSEMBLY - RH for Breakdown)	
34	1001182959	NLA	Seal (Use p/n 1001220271) (SN 03002085529 through 0300226308, SN B300001429 through B300001989)	
34	1001220271	2	Seal (SN 0300226309 to Present, SN B300001990 to Present)	
35	1001182960	2	Seal	
36	0641408	2	Bolt 1/4-20 x 1	

SECTION 1 - FRAME

ITEM	PART NUMBER	QTY	DESCRIPTION	REV
38	3520035	1	Cap-Plug	
39	4240175	1	Tie-Strap Clamp (SN 0300214528 to Present, SN B300001429 to Present)	
40	1001181325	NLA	Sensor (Use p/n 1001219601) (SN 0300208529 through 0300243641, SN B300001429 through B300002651)	
40	1001219601	1	Sensor (SN 0300243642 to Present, SN B300002652 to Present)	
40	See Note	1	Receptacle, Female - 4 Position (Note: Not Available for Purchase)	
40	1001196589	4	Terminal	
41	1001188528	1	Steer/Brake Harness (See ELECTRICAL SECTION for Breakdown)	
42	0100020	AR	Sealant (SN 0300226309 to Present, SN B300001990 to Present)	
100	1001190088	1	Battery Cable Kit (See ELECTRICAL SECTION for Breakdown)	

SECTION 1 - FRAME

FIGURE 1-6. DRIVE INSTALLATION - E450A AND E450AJ (UL SPECS)



ART_1001212453

SECTION 1 - FRAME

FIGURE 1-6. DRIVE INSTALLATION - E450A AND E450AJ (UL SPECS)

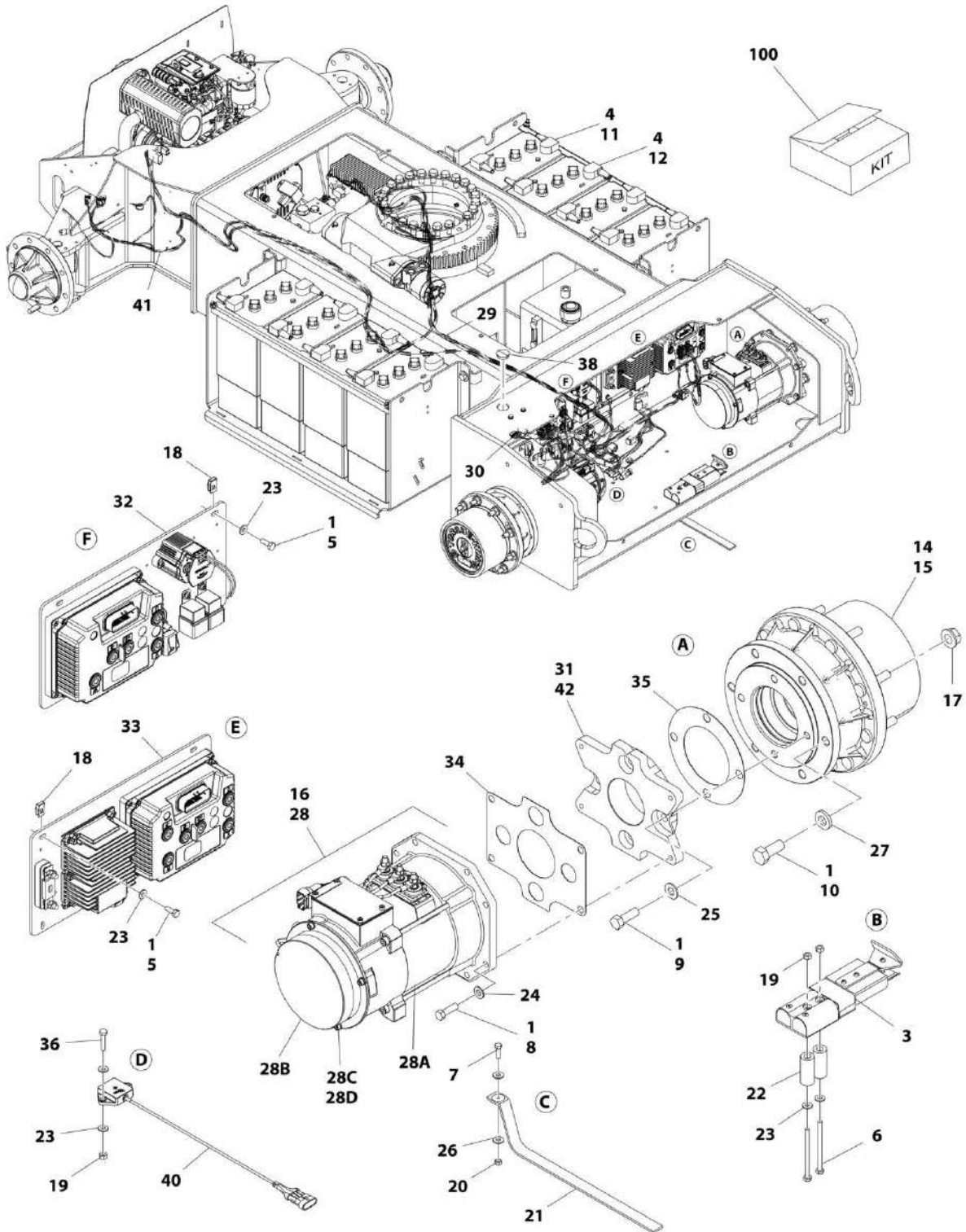
ITEM	PART NUMBER	QTY	DESCRIPTION	REV
	1001212453	Ref	DRIVE INSTALLATION - E450A AND E450AJ (UL SPECS)	D
1	0100011	AR	Compound, Locking	
3	0100048	AR	Compound, Silicone	
4	0100051	AR	Grease, Battery Terminal	
5	0641406	8	Bolt 1/4 x 3/4	
6	0641408	2	Bolt 1/4 x 1	
7	0641430	2	Bolt 1/4 x 3-3/4	
8	0641508	1	Bolt 5/16 x 1	
9	0641610	8	Bolt 3/8 x 1-1/4	
11	0641812	8	Bolt 1/2 x 1-1/2	
12	0682014	12	Bolt 5/8 x 1-3/4 Grade 8	
13	0721006	4	Bolt #10 x 3/4	
14	0840031	8	Boot, Terminal - "d" Shaped	
15	0840032	8	Boot, Terminal - "b" Shaped	
16	0861375	1	Box	
17	2400044	1	Block, Fuse	
18	2540037	2	Grommet	
19	2780282	2	Drive Hub Assembly (See DRIVE HUB ASSEMBLY for Breakdown)	
20	3020008	0.4 gal/ 1.5L	Lubricant, Gear - 80W-90	
21	3020037	AR	Lube, Coupling Grease	
22	3300426	18	Nut 5/8	
23	3300454	8	Nut 1/4	
24	3311001	6	Nut #10	
25	3311401	4	Nut 1/4	
26	3311505	1	Nut 5/16	
27	3520035	1	Cap-Plug	
28	4240084	1	Strap, Anti-Static	
29	4568114	2	Tube, Spacer	
30	4711400	14	Washer 1/4	
31	4711600	8	Washer 3/8	
32	4711800	8	Washer 1/2	
33	4751000	10	Washer, 10	
34	4751500	2	Washer 5/16	
35	4892000	12	Washer 5/8	
36	1001170365	1	Fuse 400 Amp	
38	1001178405	1	Chassis to Turntable Harness (See ELECTRICAL SECTION for Breakdown)	
39	1001178629	1	Traction Harness (See ELECTRICAL SECTION for Breakdown)	
40	1001178921	NLA	Adapter, Motor (Use p/n 1001219722) (SN 0300208529 through 0300226308)	
40	1001219722	2	Adapter, Motor (SN 0300226309 to Present)	
41	1001181325	NLA	Sensor (Use p/n 1001219601) (SN 0300208529 through 0300243641)	
41	1001219601	1	Sensor (SN 0300243642 to Present)	
41	See Note	1	Receptacle, Female - 4 Position (Note: Not Available for Purchase)	
41	1001196589	4	Terminal	
42	1001182959	NLA	Seal (Use p/n 1001220271) (SN 0300208529 through 0300226308)	

SECTION 1 - FRAME

ITEM	PART NUMBER	QTY	DESCRIPTION	REV
42	1001220271	2	Seal (SN 0300226309 to Present)	
43	1001182960	2	Seal	
44	1001184854	2	Drive Motor and Brake Assembly	
44A	1001182550	2	Drive Motor Assembly (See DRIVE MOTOR ASSEMBLY for Breakdown)	
44B	1001184852	2	Drive Brake Assembly	
44B	70005415	2	O-Ring Between Brake and Motor (1 Per Assembly) (Not Shown)	
44C	4031707	8	Capscrew M6 x 16	
44D	1001109892	8	Washer M6	
45	1001188528	1	Steer/Brake Harness (See ELECTRICAL SECTION for Breakdown)	
46	1001212456	1	Electrical Plate Assembly - RH (See ELECTRICAL PLATE ASSEMBLY - RH for Breakdown)	
47	1001213626	1	Decal - 400 Amp Fuse	
48	1001214668	1	Electrical Plate Assembly - LH (See ELECTRICAL PLATE ASSEMBLY - LH for Breakdown)	
49	4240175	1	Tie-Strap Clamp	
50	0100020	AR	Sealant (SN 0300226309 to Present)	
100	1001212454	1	Battery Cable Kit (See ELECTRICAL SECTION for Breakdown)	

SECTION 1 - FRAME

FIGURE 1-7. DRIVE INSTALLATION - M450AJ (NON-UL SPECS)



ART_1001179136

SECTION 1 - FRAME

FIGURE 1-7. DRIVE INSTALLATION - M450AJ (NON-UL SPECS)

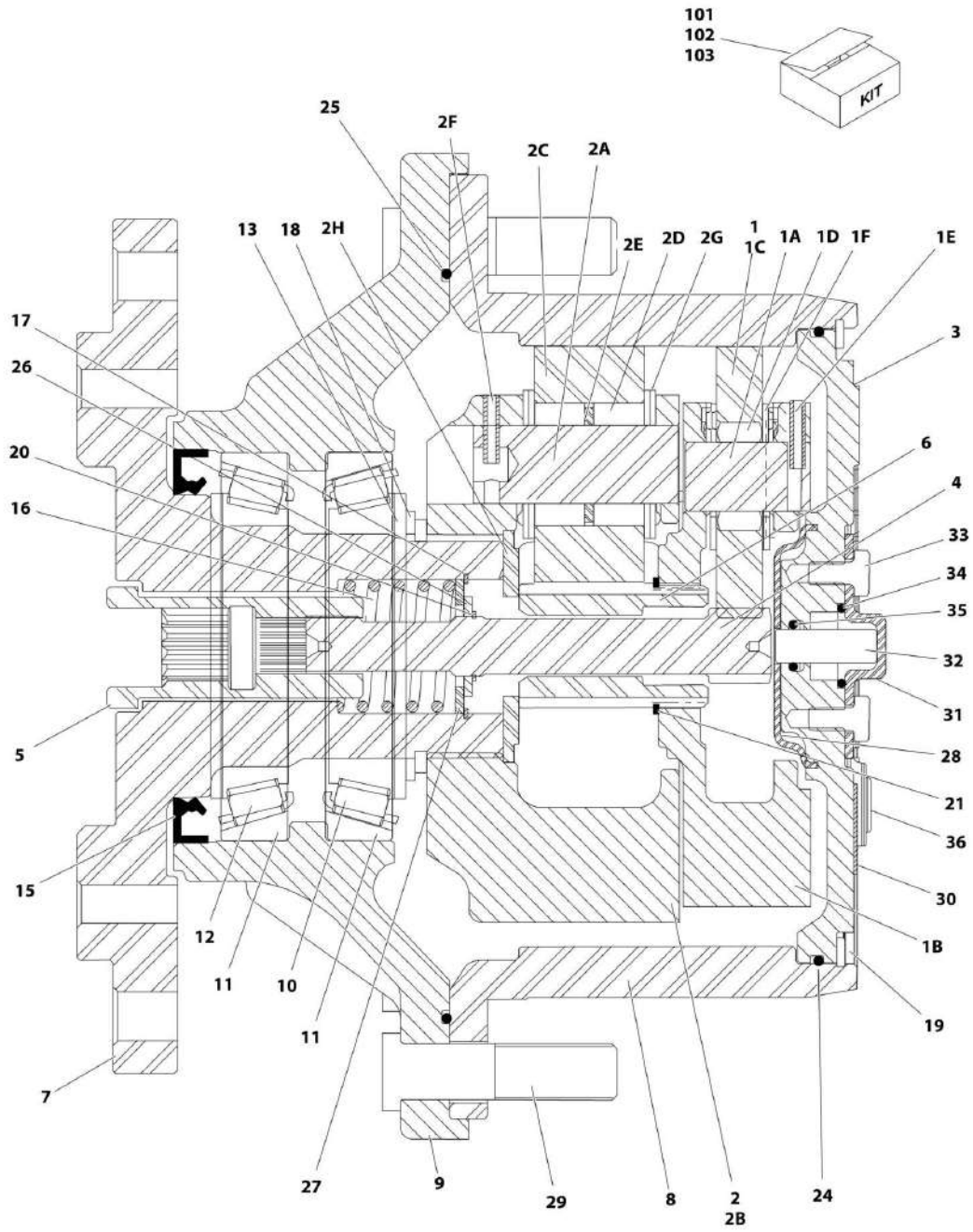
ITEM	PART NUMBER	QTY	DESCRIPTION	REV
	1001179136	Ref	DRIVE INSTALLATION - M450AJ (NON-UL SPECS)	I
1	0100011	AR	Compound, Locking	
3	0100048	AR	Compound, Silicone	
4	0100051	AR	Grease, Battery Terminal	
5	0641406	8	Bolt 1/4 X 3/4	
6	0641430	2	Bolt 1/4 X 3-3/4	
7	0641508	1	Bolt 5/16 X 1	
8	0641610	8	Bolt 3/8 X 1-1/4	
9	0641812	8	Bolt 1/2 X 1-1/2	
10	0682014	12	Bolt 5/8 X 1-3/4 Grade 8	
11	0840031	8	Boot, Terminal - "d" Shaped	
12	0840032	8	Boot, Terminal - "b" Shaped	
14	2780282	2	Drive Hub Assembly (See DRIVE HUB ASSEMBLY for Breakdown)	
15	3020008	0.4 gal/ 1.5L	Lubricant, Gear - 80W-90	
16	3020037	AR	Lube, Coupling Grease	
17	3300426	18	Nut 5/8	
18	3300454	8	Nut 1/4	
19	3311401	4	Nut 1/4	
20	3311505	1	Nut 5/16	
21	4240084	1	Strap, Anti-Static	
22	4568114	2	Tube, Spacer	
23	4711400	14	Washer 1/4	
24	4711600	8	Washer 3/8	
25	4711800	8	Washer 1/2	
26	4751500	2	Washer 5/16	
27	4892000	12	Washer 5/8	
28	1001184854	2	Drive Motor and Brake Assembly	
28A	1001182550	2	Drive Motor Assembly (See DRIVE MOTOR ASSEMBLY for Breakdown)	
28B	1001184852	2	Drive Brake Assembly	
28B	70005415	2	O-Ring Between Brake and Motor (1 Per Assembly) (Not Shown)	
28C	4031707	8	Capscrew M6 x 16	
28D	1001109892	8	Washer M6	
29	1001178405	1	Chassis to Turntable Harness (See ELECTRICAL SECTION for Breakdown)	
30	1001178629	1	Traction Harness (See ELECTRICAL SECTION for Breakdown)	
31	1001178921	NLA	Adapter, Motor (Use p/n 1001219722) (SN 0300208529 through 0300226308)	
31	1001219722	2	Adapter, Motor (SN 0300226309 to Present)	
32	1001179060	1	Electrical Plate Assembly - LH (See ELECTRICAL PLATE ASSEMBLY - LH for Breakdown)	
33	1001179061	1	Electrical Plate Assembly - RH (See ELECTRICAL PLATE ASSEMBLY - RH for Breakdown)	
34	1001182959	NLA	Seal (Use p/n 1001220271) (SN 0300208529 through 0300226308)	
34	1001220271	2	Seal (SN 0300226309 to Present)	
35	1001182960	2	Seal	
36	0641408	2	Bolt 1/4-20 X 1	
38	3520035	1	Cap-Plug	

SECTION 1 - FRAME

ITEM	PART NUMBER	QTY	DESCRIPTION	REV
40	1001181325	NLA	Sensor (Use p/n 1001219601) (SN 0300208529 through 0300243641)	
40	1001219601	1	Sensor (SN 0300243642 to Present)	
40	See Note	1	Receptacle, Female - 4 Position (Note: Not Available for Purchase)	
40	1001196589	4	Terminal	
41	1001188528	1	Steer/Brake Harness (See ELECTRICAL SECTION for Breakdown)	
42	0100020	AR	Sealant (SN 0300226309 to Present)	
100	1001190020	1	Battery Cable Kit (See ELECTRICAL SECTION for Breakdown)	

SECTION 1 - FRAME

FIGURE 1-8. DRIVE HUB ASSEMBLY



ART 2780282

FIGURE 1-8. DRIVE HUB ASSEMBLY

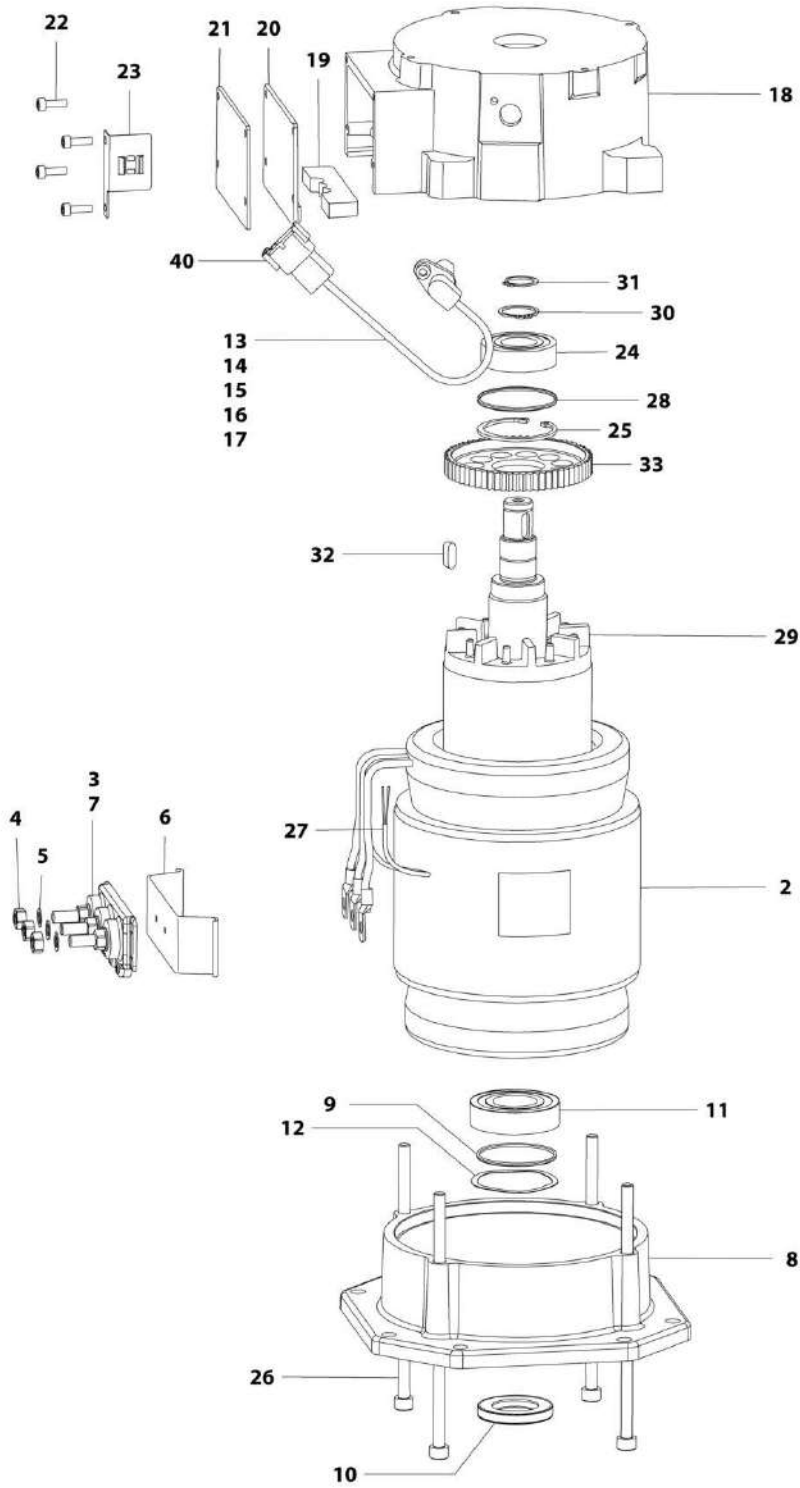
ITEM	PART NUMBER	QTY	DESCRIPTION	REV
	2780282	Ref	DRIVE HUB ASSEMBLY	A
1	70001366	1	Carrier, Sub Assembly	
1A	See Note	3	Shaft, Planet (Note: Purchase p/n 70001366)	
1B	See Note	1	Carrier (Note: Purchase p/n 70001366)	
1C	See Note	3	Gear, Planet (Note: Purchase p/n 70001366)	
1D	See Note	42	Bearing, Needle (Note: Purchase p/n 70001366)	
1E	See Note	3	Pin, Roll (Note: Purchase p/n 70001366)	
1F	See Note	6	Washer, Thrust (Note: Purchase p/n 70001366)	
2	70001367	1	Carrier, Input	
2A	See Note	3	Shaft, Planet (Note: Purchase p/n 70001367)	
2B	See Note	1	Carrier (Note: Purchase p/n 70001367)	
2C	See Note	1	Gear, Planet (Note: Purchase p/n 70001367)	
2D	See Note	84	Bearing, Needle (Note: Purchase p/n 70001367)	
2E	See Note	3	Spacer, Thrust (Note: Purchase p/n 70001367)	
2F	See Note	3	Pin, Roll (Note: Purchase p/n 70001367)	
2G	See Note	12	Washer, Thrust (Note: Purchase p/n 70001367)	
2H	See Note	1	Washer, Thrust (Note: Purchase p/n 70001367)	
3	70001368	1	Cover	
4	70001369	1	Shaft, Input	
5	70001370	1	Coupling	
6	70001371	1	Shaft, Sun Gear	
7	70001372	1	Spindle	
8	70001373	1	Gear, Ring	
9	See Note	1	Housing (Note: Purchase p/n 2780282)	
10	See Note	1	Bearing, Tapered-Cone (Note: Purchase p/n 7017007)	
11	See Note	2	Bearing, Tapered-Cup (Note: Purchase p/n 7017007)	
12	See Note	1	Bearing, Tapered-Cone (Note: Purchase p/n 7017007)	
13	7017009	1	Washer, Thrust	
15	See Note	1	Seal, Lip (Note: Purchase p/n 70001380)	
16	70001374	1	Spring	
17	70001375	1	Ring, Retaining (Internal)	
18	See Note	1	Ring, Retaining (External) (Note: Purchase p/n 70001380)	
19	7024738	1	Ring, Retaining (Internal)	
20	70001376	1	Ring, Retaining (External)	
21	70001377	1	Ring, Retaining (External)	
22	7000281	4	Screw (Not Shown - ID Plate Screws)	
23	7017022	3	Bolt, Flathead (Not Shown - Located on front of hub)	
24	See Note	1	O-Ring (Note: Purchase p/n 70001380)	
25	See Note	1	O-Ring (Note: Purchase p/n 70001380)	
26	70001378	1	Spacer, Thrust	
27	70001379	1	Washer, Thrust	
28	7024741	1	Spacer, Thrust	
29	7007640	9	Stub, Wheel	
30	See Note	1	Flange, Plate (Note: Purchase p/n 70001368)	
31	See Note	1	Cap, Disengage (Note: Purchase p/n 70001368)	
32	See Note	1	Pin, Dowel (Note: Purchase p/n 70001368)	
33	See Note	2	Bolt (Note: Purchase p/n 70001368)	
34	See Note	1	O-Ring (Note: Purchase p/n 70001368)	
35	See Note	1	O-Ring (Note: Purchase p/n 70001368)	
36	See Note	1	Plug (Note: Purchase p/n 70001368)	

SECTION 1 - FRAME

ITEM	PART NUMBER	QTY	DESCRIPTION	REV
101	7017007	1	Bearing Kit - Planet Gear (Includes Items 10-12)	
102	70001380	1	Seal Kit - Planet Gear (Includes Items 15, 18, 24 & 25)	
103	70001368	1	Cap/Disengage Kit (Includes Items 30-36)	

SECTION 1 - FRAME

FIGURE 1-9. DRIVE MOTOR ASSEMBLY



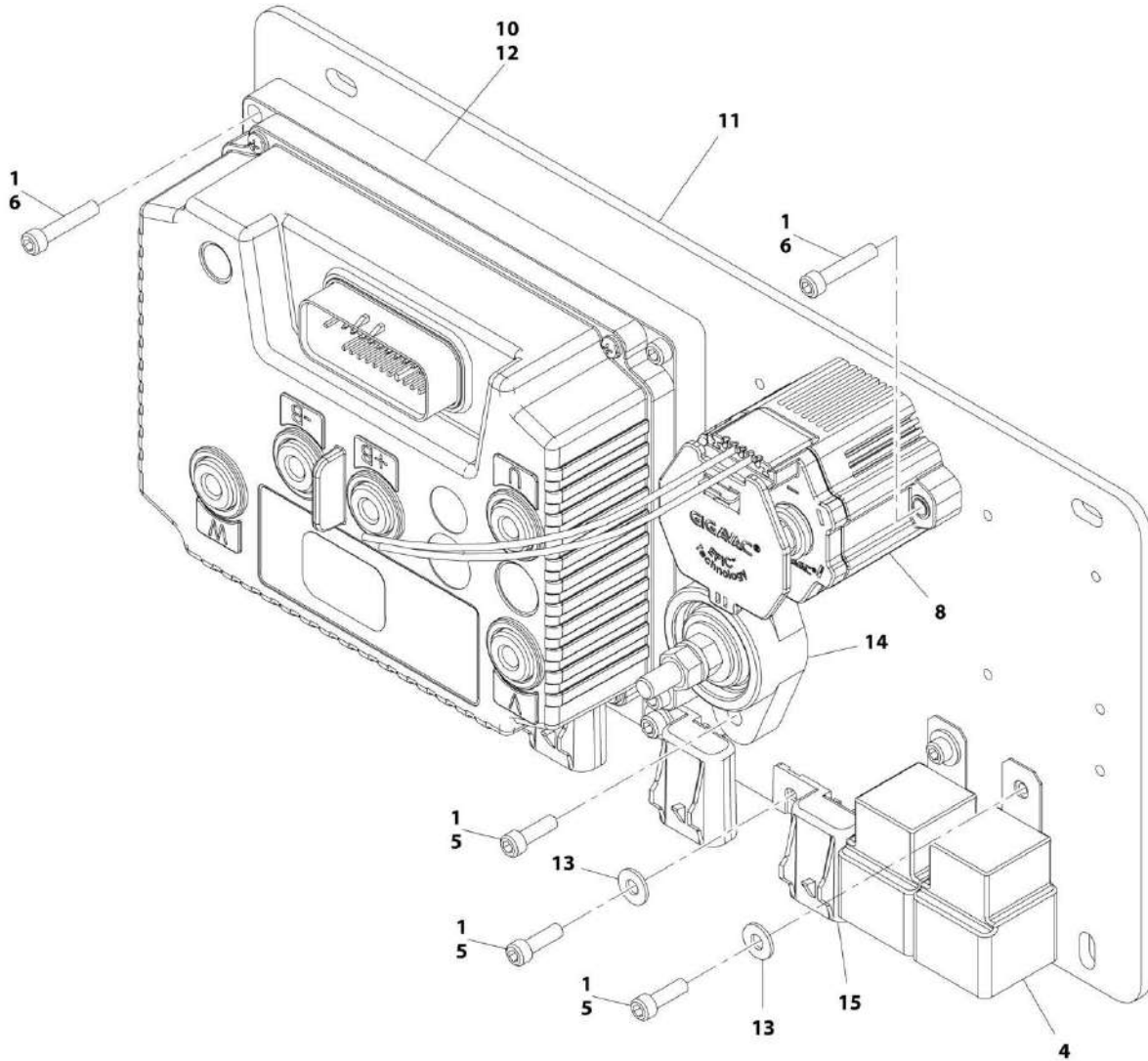
ART_1001182550

FIGURE 1-9. DRIVE MOTOR ASSEMBLY

ITEM	PART NUMBER	QTY	DESCRIPTION	REV
	1001182550	Ref	DRIVE MOTOR ASSEMBLY	G
2	70005385	1	Stator	
3	70005386	1	Board, Terminal	
4	70005387	3	Nut, M8	
5	70005388	3	Washer, M8	
6	70005389	1	Base, Terminal	
7	70005390	2	Screw, M5 x 14	
8	70005391	1	Plate, Drive End	
9	70004811	1	O-Ring	
10	70005392	1	Seal, Shaft	
11	70004809	1	Bearing	
12	70005393	1	Washer, Wavy	
13	70005394	1	Sensor (Includes Items 14-17)	
14	70005395	1	Screw, M8 x 16	
15	70005396	1	Wedge	
16	70005397	1	Connector	
17	4460516	4	Pin, Male	
18	70005398	1	Shield, End	
19	70005399	1	Seal	
20	70005400	1	Seal	
21	70005401	1	Cover	
22	70005402	4	Screw, M5 x 16	
23	70005403	1	Plate, Retaining	
24	70005404	1	Bearing	
25	70005405	1	Clip, Retainer	
26	70005406	4	Screw, M8 x 180	
27	70005407	1	Temperature, Sensor	
28	70005408	1	O-Ring	
29	70005409	1	Rotor	
30	70004820	1	Clip, Retainer	
31	70005410	1	Clip, Retainer	
32	70005411	1	Key	
33	70005412	1	Gear	
40	1001190577	1	Connector - 8 Position	
40	4460516	8	Pin	

SECTION 1 - FRAME

FIGURE 1-10. ELECTRICAL PLATE ASSEMBLY - LH (NON-UL SPECS)



ART_1001179060

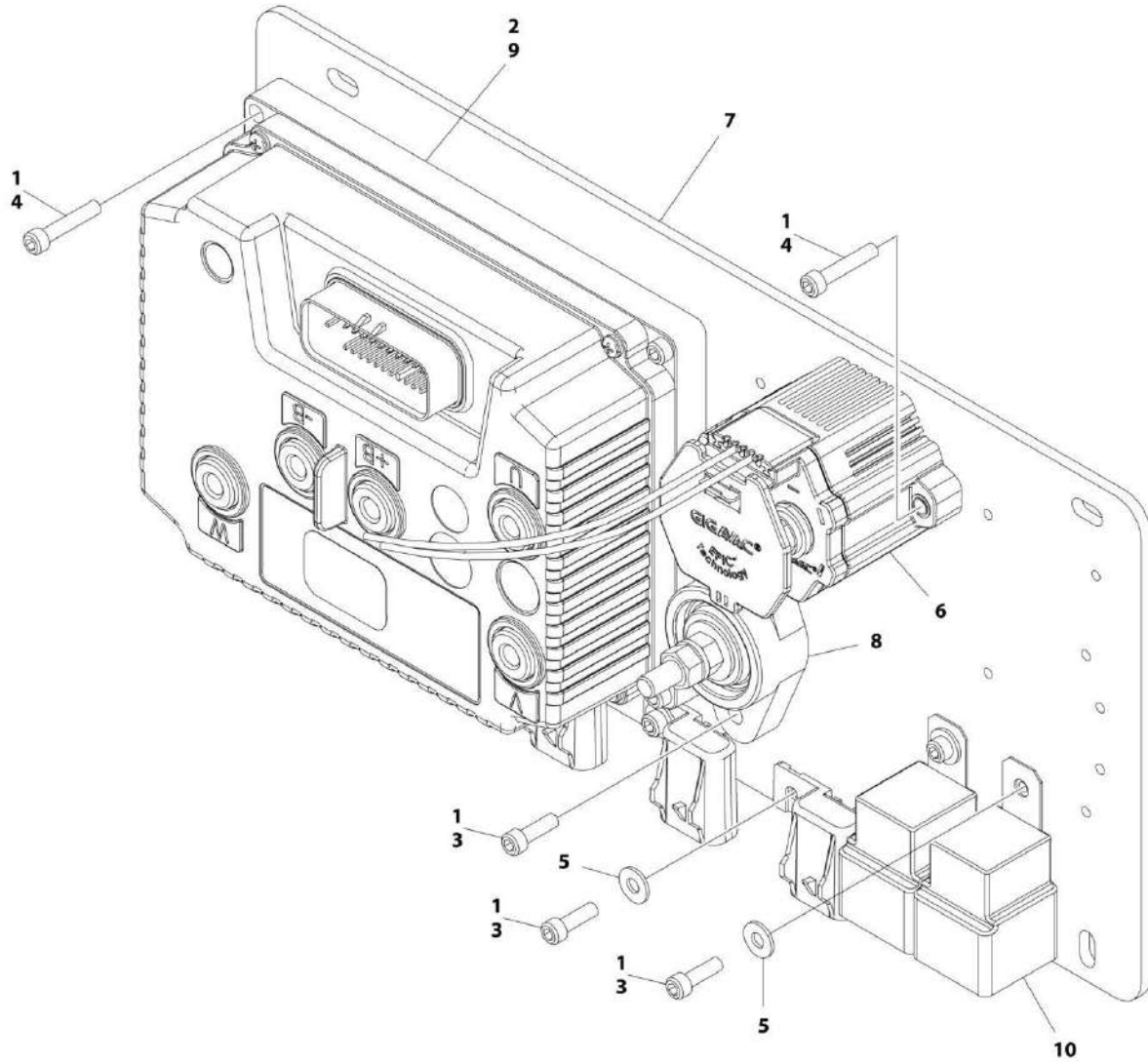
SECTION 1 - FRAME

FIGURE 1-10. ELECTRICAL PLATE ASSEMBLY - LH (NON-UL SPECS)

ITEM	PART NUMBER	QTY	DESCRIPTION	REV
	1001179060	Ref	ELECTRICAL PLATE ASSEMBLY - LH (NON-UL SPECS)	G
1	0100035	AR	Compound, Locking	
4	3740080	2	Relay	
5	3931010	8	Capscrew #10 X 5/8	
6	3931016	6	Capscrew #10 X 1	
8	1001170367	1	Relay, Contacter	
8	70004827	1	Receptacle, Female - 2 Position	
10	1001192212	1	Module, Drive	
11	1001179064	1	Plate	
12	0100083	AR	Grease, Heat Transfer	
13	4711000	6	Washer #10	
14	1001186860	1	Stud, Power Distribution	
15	1001096134	4	Fuseholder (SN 0300208529 through 0300226308, SN B300001429 through B300001989)	
15	1001217842	4	Fuseholder (SN 0300226309 to Present, SN B300001990 to Present)	

SECTION 1 - FRAME

FIGURE 1-11. ELECTRICAL PLATE ASSEMBLY - LH (UL SPECS)



ART_1001214668

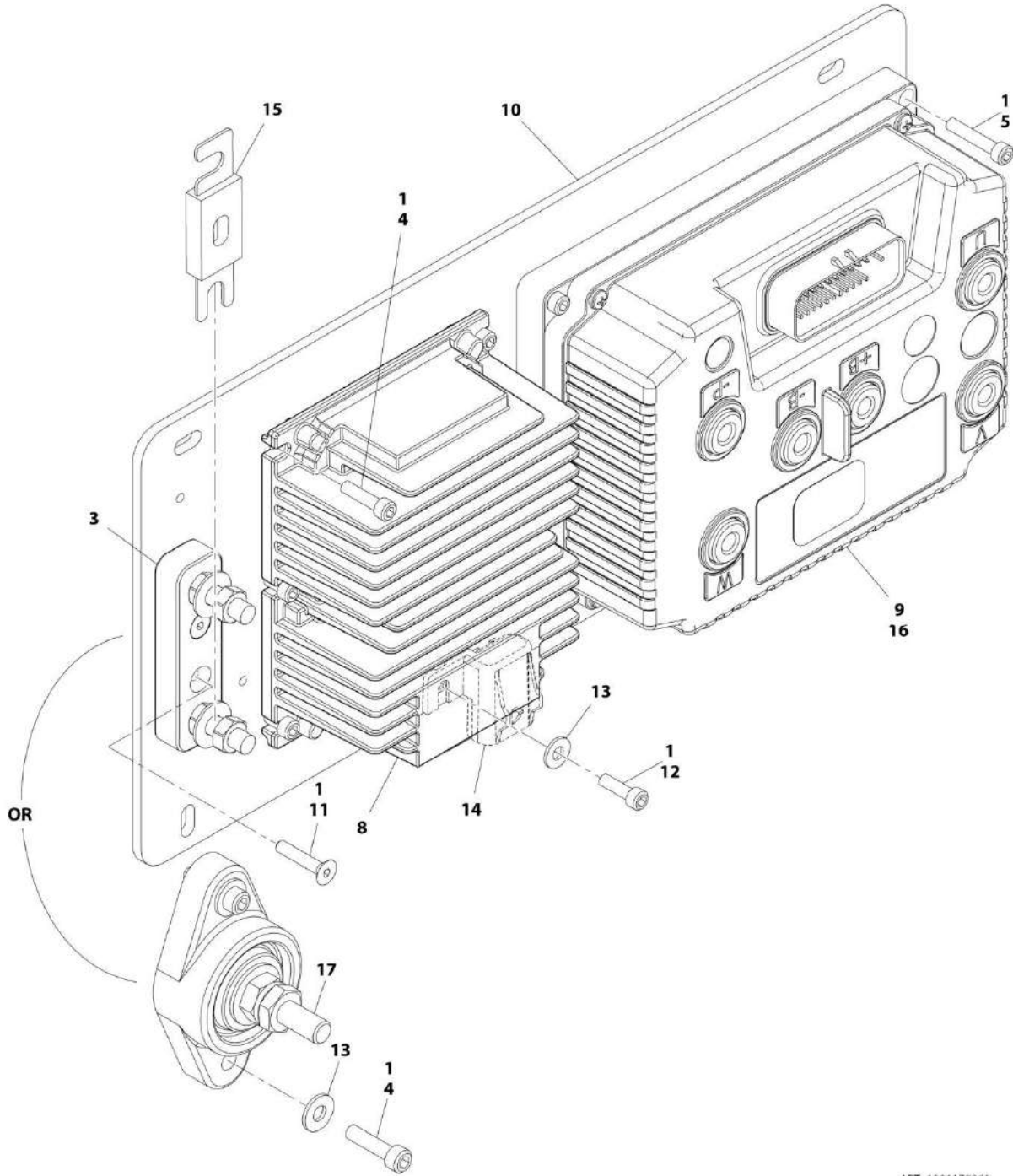
SECTION 1 - FRAME

FIGURE 1-11. ELECTRICAL PLATE ASSEMBLY - LH (UL SPECS)

ITEM	PART NUMBER	QTY	DESCRIPTION	REV
	1001214668	Ref	ELECTRICAL PLATE ASSEMBLY - LH (UL SPECS)	A
1	0100035	AR	Compound, Locking	
2	0100083	AR	Grease, Heat Transfer	
3	3931010	8	Capscrew #10 x 5/8	
4	3931016	6	Capscrew #10 x 1	
5	4711000	6	Washer #10	
6	1001170367	1	Relay, Contactor	
6	70004827	1	Receptacle, Female - 2 Position	
7	1001179064	1	Plate	
8	1001186860	1	Stud, Power Distribution	
9	1001192212	1	Module, Drive	
10	1001214667	2	Relay	

SECTION 1 - FRAME

FIGURE 1-12. ELECTRICAL PLATE ASSEMBLY - RH (NON-UL SPECS)



ART_1001179061

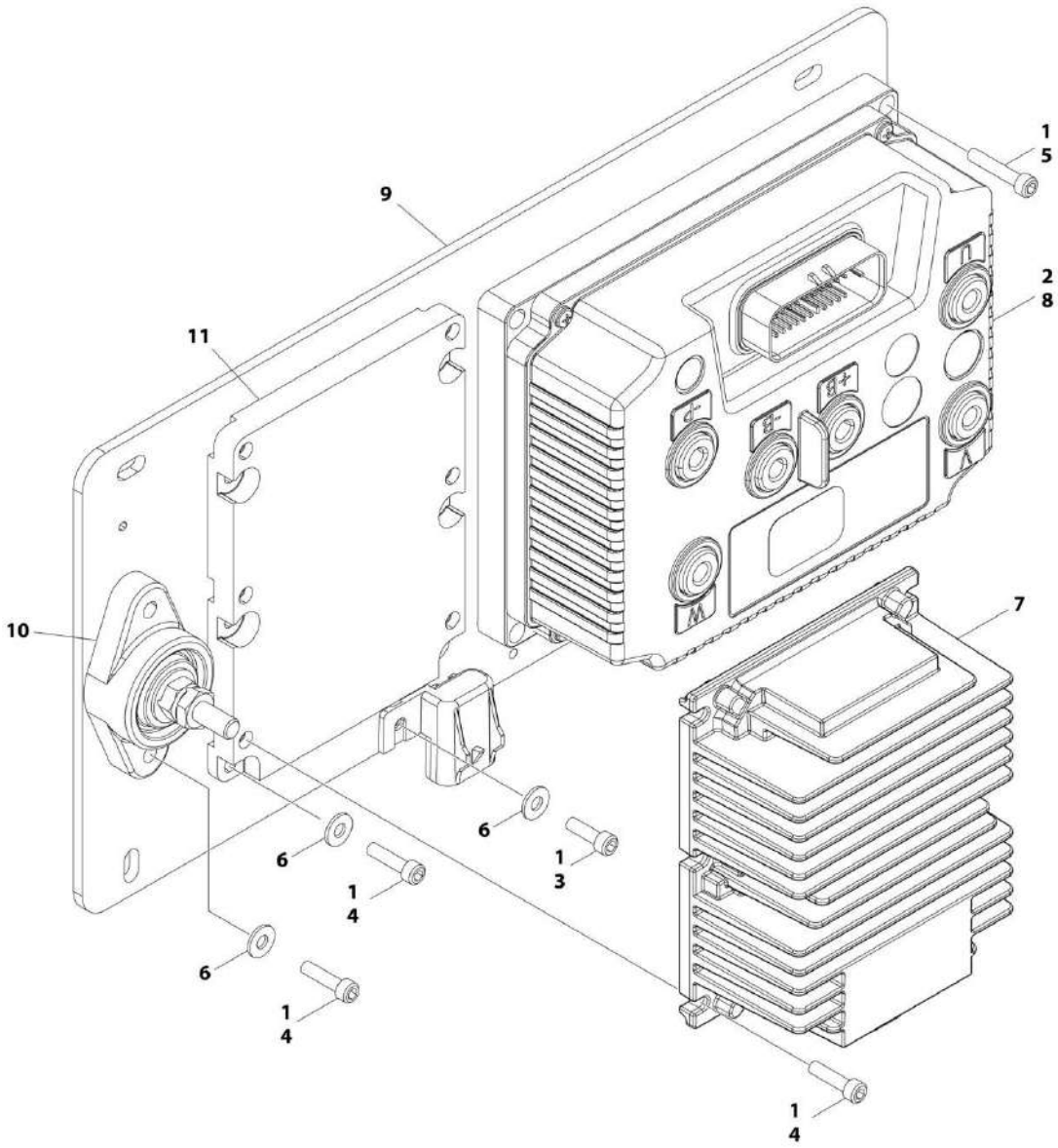
SECTION 1 - FRAME

FIGURE 1-12. ELECTRICAL PLATE ASSEMBLY - RH (NON-UL SPECS)

ITEM	PART NUMBER	QTY	DESCRIPTION	REV
	1001179061	Ref	ELECTRICAL PLATE ASSEMBLY - RH (NON-UL SPECS)	F
1	0100035	AR	Compound, Locking	
3	2400044	1	Block, Fuse (SN 0300208529 through 0300226308, SN B300001429 through B300001989)	
4	3931012	AR	Capscrew #10 X 3/4	
5	3931016	4	Capscrew #10 X 1	
8	1001174447	1	Converter	
9	1001178339	1	Module, Drive	
10	1001179064	1	Plate	
11	0741008	2	Capscrew #10 X 1 (SN 0300208529 through 0300226308, SN B300001429 through B300001989)	
12	3931010	1	Capscrew #10 X 5/8	
13	4711000	AR	Washer #10	
14	1001096134	1	Fuseholder (SN 0300208529 through 0300226308, SN B300001429 through B300001989)	
15	1001170485	1	Fuse 250Amp (SN 0300208529 through 0300226308, SN B300001429 through B300001989)	
16	0100083	AR	Grease, Heat Transfer	
17	1001212359	1	Stud, Power Distribution (SN 0300226309 to Present, SN B300001990 to Present)	

SECTION 1 - FRAME

FIGURE 1-13. ELECTRICAL PLATE ASSEMBLY - RH (UL SPECS)



ART_1001212456

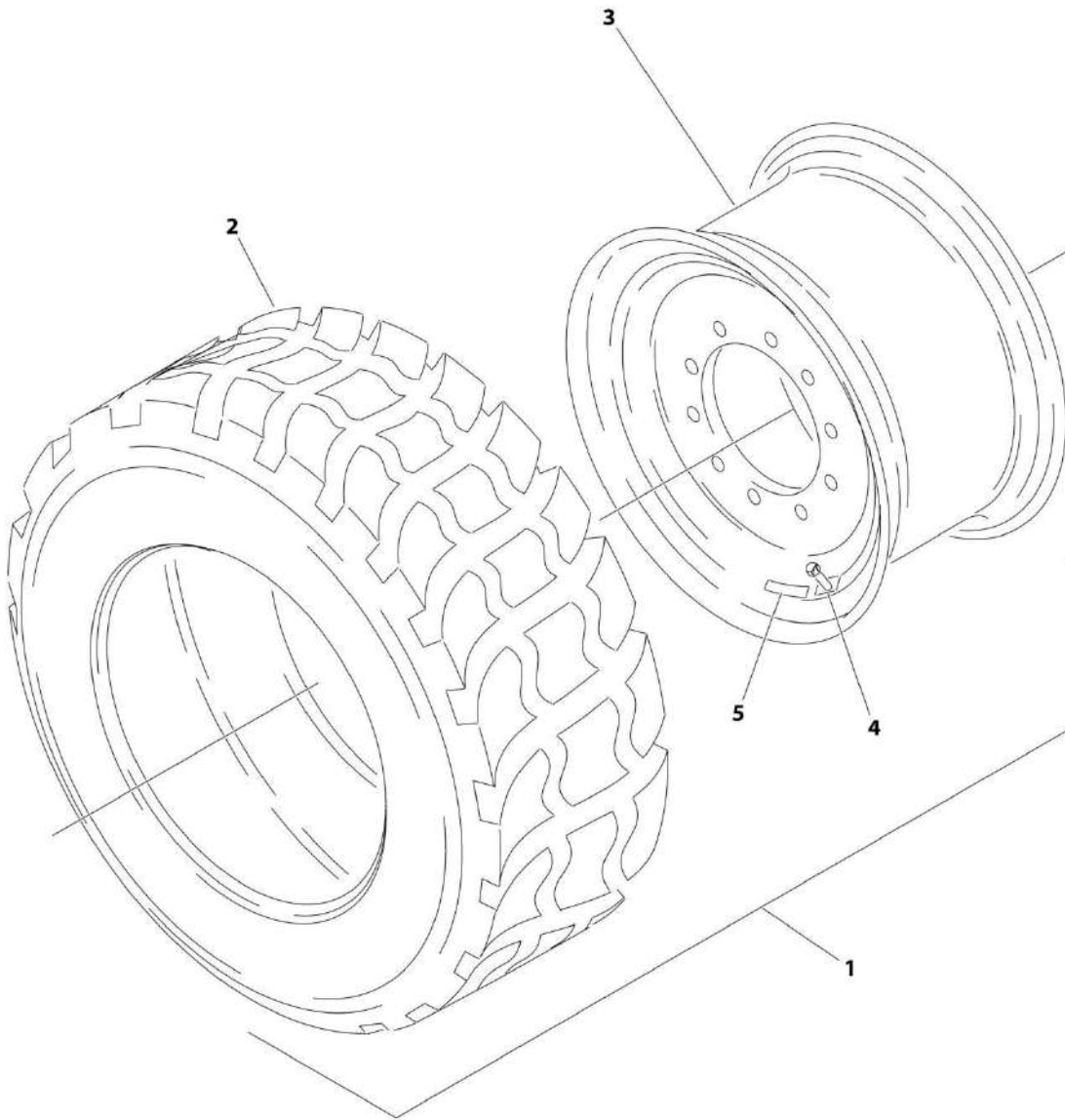
SECTION 1 - FRAME

FIGURE 1-13. ELECTRICAL PLATE ASSEMBLY - RH (UL SPECS)

ITEM	PART NUMBER	QTY	DESCRIPTION	REV
	1001212456	Ref	ELECTRICAL PLATE ASSEMBLY - RH (UL SPECS)	A
1	0100035	AR	Compound, Locking	
2	0100083	AR	Grease, Heat Transfer	
3	3931010	1	Capscrew #10 X 5/8	
4	3931012	14	Capscrew #10 X 3/4	
5	3931016	4	Capscrew #10 X 1	
6	4711000	9	Washer #10	
7	1001174447	1	Converter	
8	1001178339	1	Module, Drive	
9	1001179064	1	Plate	
10	1001212359	1	Stud	
11	1001212450	1	Insulate	

SECTION 1 - FRAME

FIGURE 1-14. TIRE/WHEEL - IN240/55-17.5 PNEUMATIC



ART_0258995

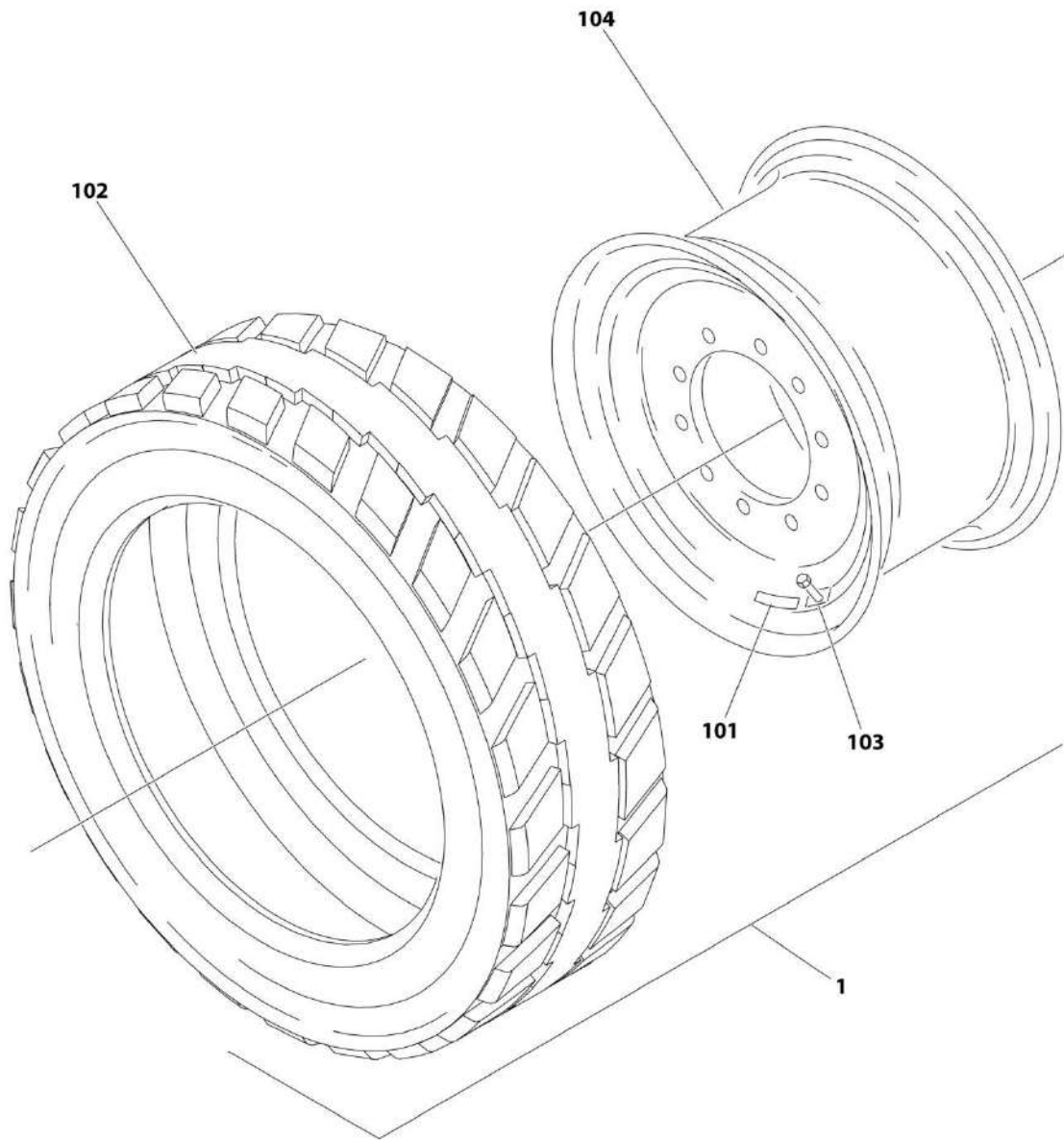
SECTION 1 - FRAME

FIGURE 1-14. TIRE/WHEEL - IN240/55-17.5 PNEUMATIC

ITEM	PART NUMBER	QTY	DESCRIPTION	REV
	0258995	Ref	TIRE AND WHEEL INSTALLATION	1
1	0258688	4	Tire Assembly	2
2	4520209	1	Tire, OTR, IN240/55-17.5 Pneumatic	
3	4860191	1	Rim, Wheel	
4	4641167	1	Valve, Stem	
5	1702740	1	Decal - Tire Pressure	

SECTION 1 - FRAME

FIGURE 1-15. TIRE/WHEEL - IN240/55-17.5 PNEUMATIC NON MARKING



ART_0273683

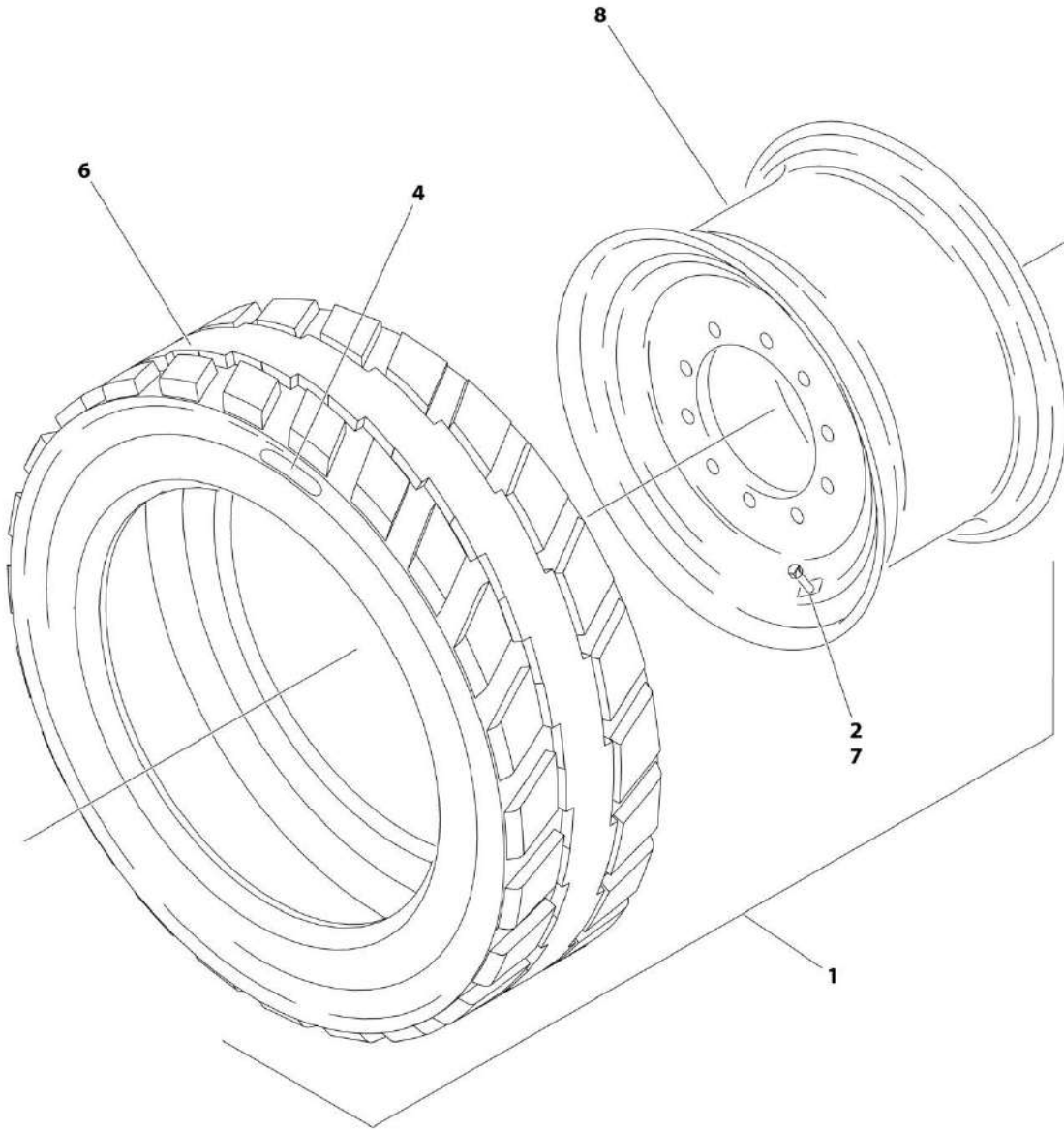
SECTION 1 - FRAME

FIGURE 1-15. TIRE/WHEEL - IN240/55-17.5 PNEUMATIC NON MARKING

ITEM	PART NUMBER	QTY	DESCRIPTION	REV
	0273683	Ref	TIRE AND WHEEL INSTALLATION	A
		Ref	Note: Assemblies may require ballast/foam filling to manufacturer's prior to installing on a machine. Refer to Operation and Safety or Service and Maintenance Manuals. Purchase individual tire and/or rim only if able to foam fill tire and wheel assembly, otherwise purchase complete assembly.	
1	4520279	4	Tire and Wheel Assembly	
101	1702740	1	Decal - Tire Pressure	
102	4520269	1	IN240/55-17.5 Non-Marking Tire with Lighting Tread Pattern	
103	4641167	1	Valve	
104	4860191	1	Rim, Wheel	

SECTION 1 - FRAME

FIGURE 1-16. TIRE/WHEEL - IN240/55-17.5 PNEUMATIC NON MARKING WITH TIRE SEALANT



ART_0273686

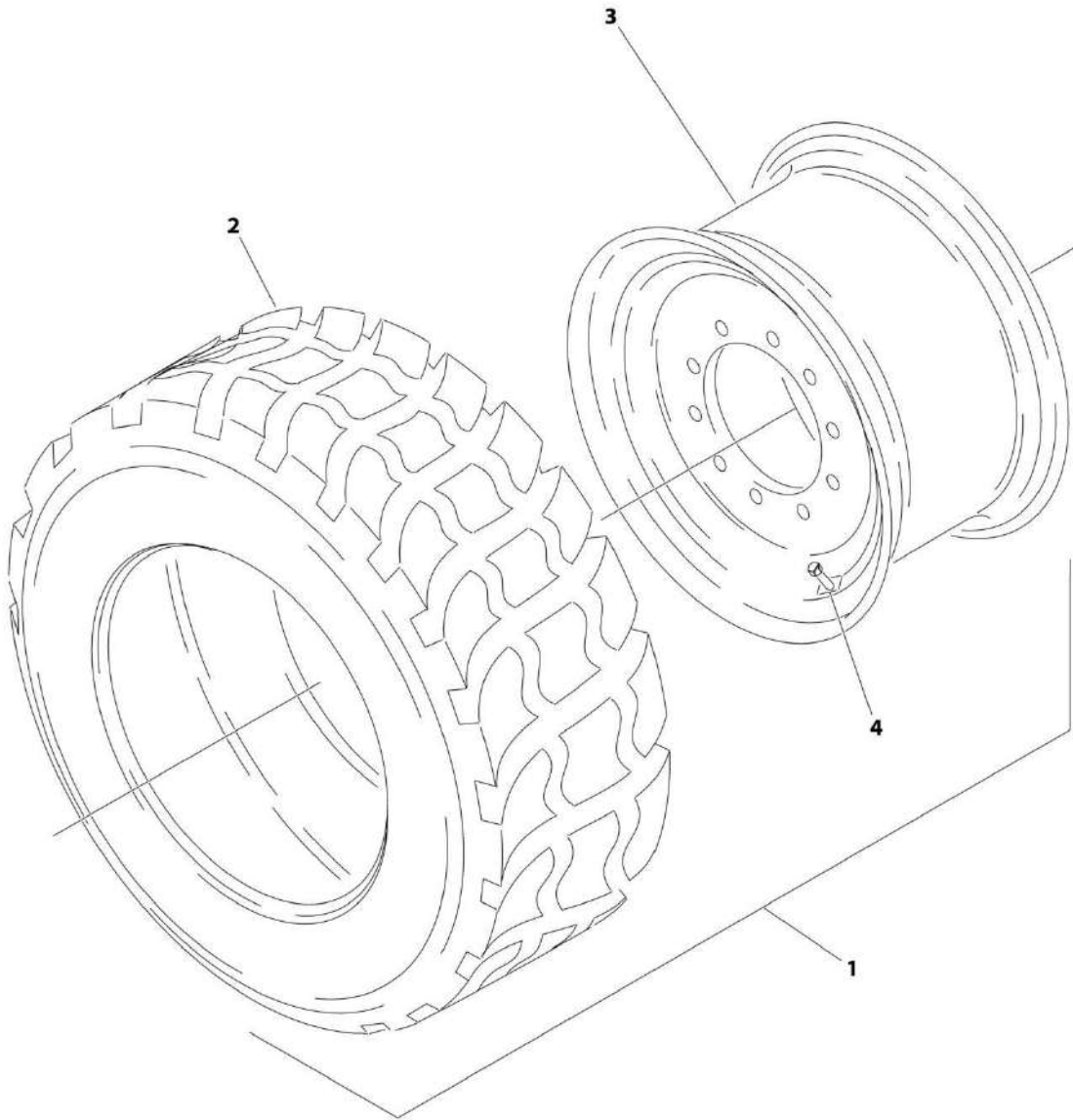
SECTION 1 - FRAME

FIGURE 1-16. TIRE/WHEEL - IN240/55-17.5 PNEUMATIC NON MARKING WITH TIRE SEALANT

ITEM	PART NUMBER	QTY	DESCRIPTION	REV
	0273686	Ref	TIRE AND WHEEL INSTALLATION	A
1	4520282	1	Tire Assembly	A
2	1120552	1	Cap, Valve Stem (Green)	
3	1300019	AR	Sealant, Tire (Not Shown)	
4	1702740	1	Decal - Tire Pressure	
5	1705364	1	Decal - Tire Sealant (Not Shown)	
6	4520269	1	Tire, OTR, IN240/55-17.5 Penu. Non Marking	
7	4641167	1	Valve, Stem	
8	4860191	1	Rim, Stem	

SECTION 1 - FRAME

FIGURE 1-17. TIRE/WHEEL - IN240/55 - 17.5 FOAM FILLED



ART_0258996

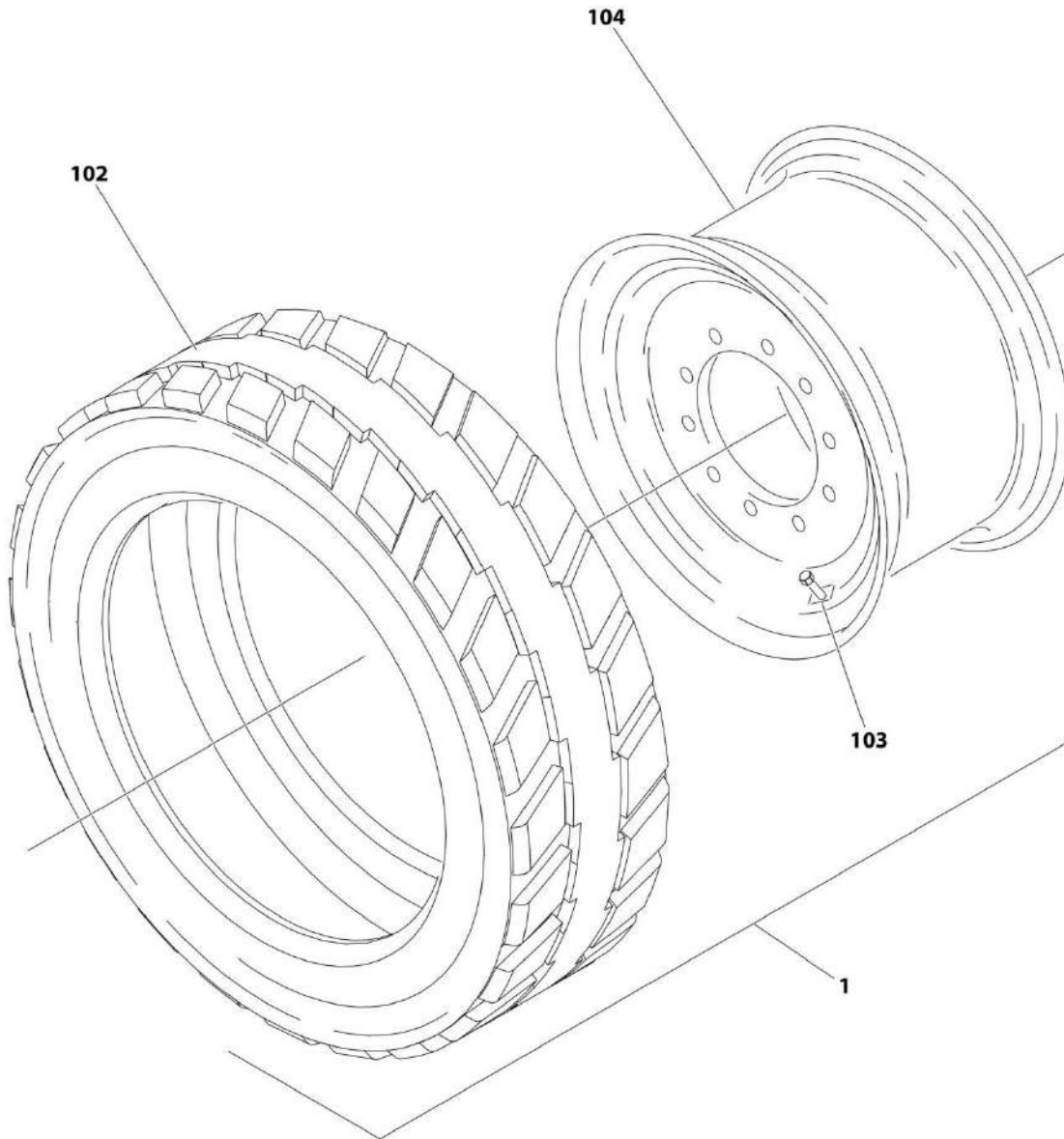
SECTION 1 - FRAME

FIGURE 1-17. TIRE/WHEEL - IN240/55 - 17.5 FOAM FILLED

ITEM	PART NUMBER	QTY	DESCRIPTION	REV
1	0258996	Ref	TIRE AND WHEEL INSTALLATION	1
	0258997	4	Tire Assembly	C
	See Note	Ref	Note: Assemblies may require ballast/foam filling to manufacture's specifications prior to installing on a machine. Refer to Operation and Safety or Service and Maintenance Manuals. Purchase Individual tire and/or rim only if able to foam fill tire and wheel assembly, otherwise, purchase complete assembly	
2	4520209	1	Tire, OTR, IN240/55-17.5	
3	4860191	1	Rim, Wheel	
4	4641122	1	Valve, Stem	

SECTION 1 - FRAME

FIGURE 1-18. TIRE/WHEEL - IN240/55-17.5 FOAM FILLED NON MARKING



ART_0273684

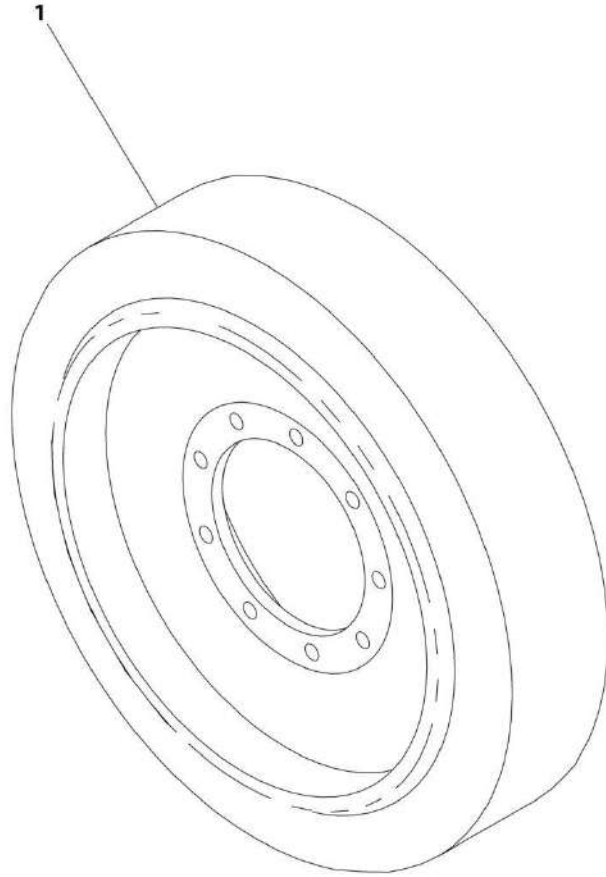
SECTION 1 - FRAME

FIGURE 1-18. TIRE/WHEEL - IN240/55-17.5 FOAM FILLED NON MARKING

ITEM	PART NUMBER	QTY	DESCRIPTION	REV
	0273684	Ref	TIRE AND WHEEL INSTALLATION	A
		Ref	Note: Assemblies may require ballast/foam filling to manufacturer's specifications prior to installing on a machine. Refer to Operation and Safety or Service and Maintenance Manuals. Purchase individual tire and/or rim only if able to foam fill tire and wheel assembly, otherwise, purchase complete assembly.	
1	0273468	4	Tire Assembly	F
102	4520269	1	Tire, OTR, IN240/55-17.5 Foam Filled Non Marking	
103	4641122	1	Valve, Stem	
104	4860191	1	Rim, Wheel	

SECTION 1 - FRAME

FIGURE 1-19. TIRE/WHEEL - 26 X 7 X 20 - SOLID NON MARKING



ART_0270037

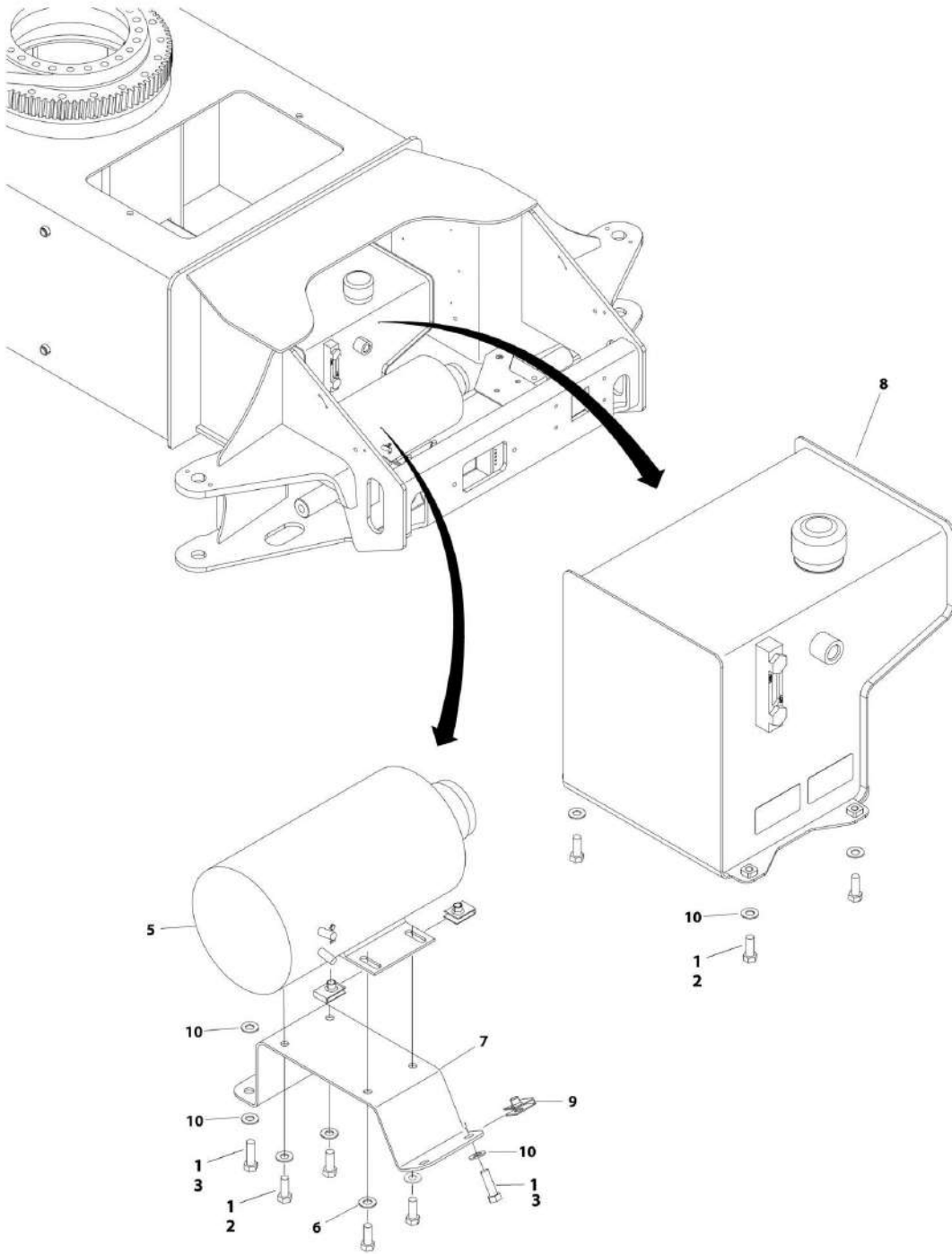
SECTION 1 - FRAME

FIGURE 1-19. TIRE/WHEEL - 26 X 7 X 20 - SOLID NON MARKING

ITEM	PART NUMBER	QTY	DESCRIPTION	REV
	0270037	Ref	TIRE AND WHEEL INSTALLATION	2
	See Note	Ref	Note: Must replace Tire and Wheel Assemblies in pairs per axle.	
1	1001110775	4	Tire Assembly	B

SECTION 1 - FRAME

FIGURE 1-20. MOTOR/PUMP/TANK INSTALLATION - E450A/E450AJ NON-UL SPECS



ART_1001166417

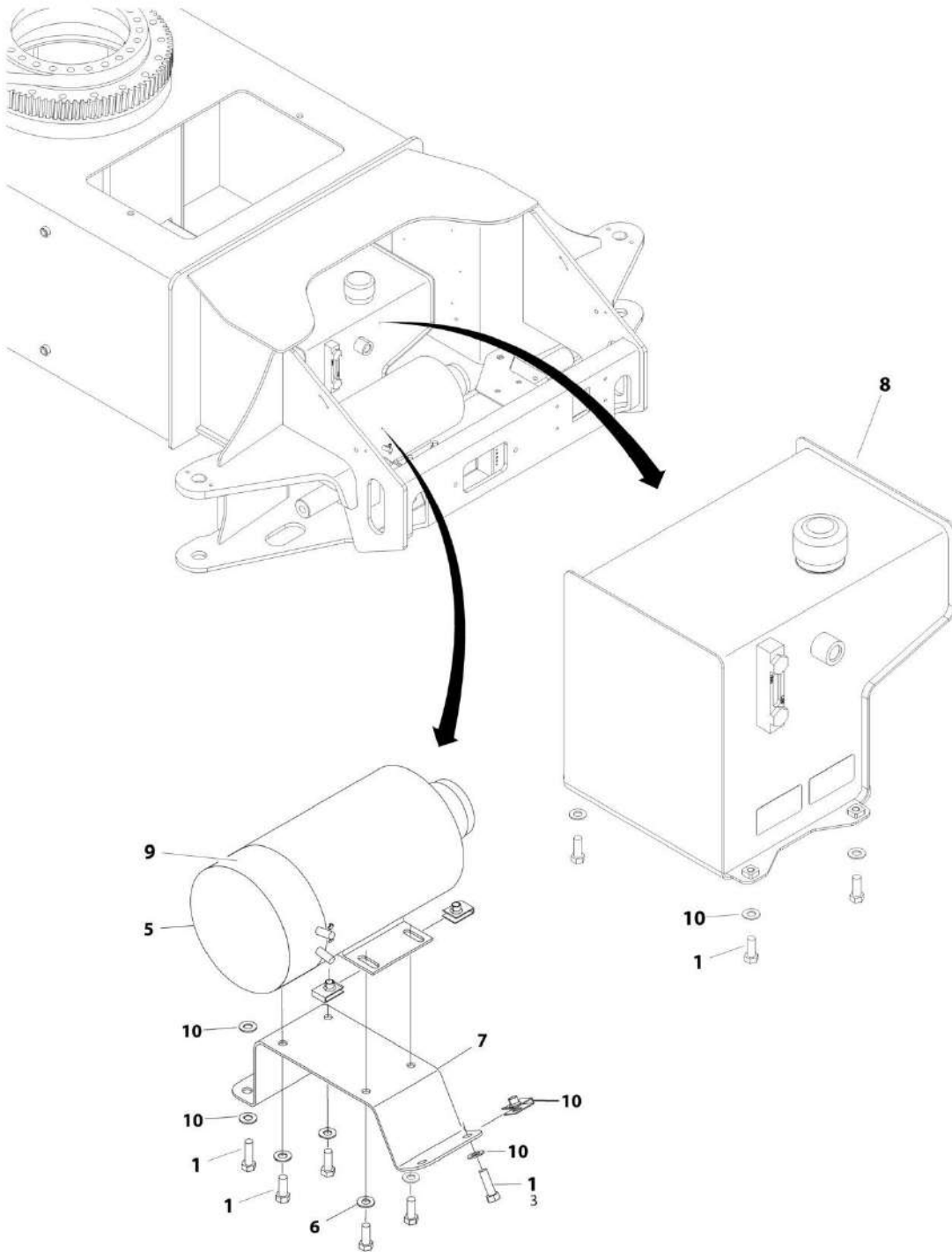
SECTION 1 - FRAME

FIGURE 1-20. MOTOR/PUMP/TANK INSTALLATION - E450A/E450AJ NON-UL SPECS

ITEM	PART NUMBER	QTY	DESCRIPTION	REV
	1001166417	Ref	MOTOR/PUMP/TANK INSTALLATION - E450A/E450AJ NON-UL SPECS	F
1	0100011	AR	Compound, Locking	
2	0641608	8	Bolt, 3/8-16 x 1	
3	0641610	4	Bolt, 3/8-16 x 1-1/4	
5	3600289	1	Motor/Pump Assembly (See MOTOR/PUMP ASSEMBLY for Breakdown)	
6	4711600	4	Washer, 3/8	
7	1001166419	1	Plate, Mounting	
8	1001171213	1	Tank, Hydraulic (See HYDRAULIC TANK ASSEMBLY for Breakdown)	
9	88662523	8	Nut, Tinnerman	
10	4891600	8	Washer, 3/8 Hardened	

SECTION 1 - FRAME

FIGURE 1-21. MOTOR/PUMP/TANK INSTALLATION - E450A/E450AJ UL SPECS



ART_1001167487

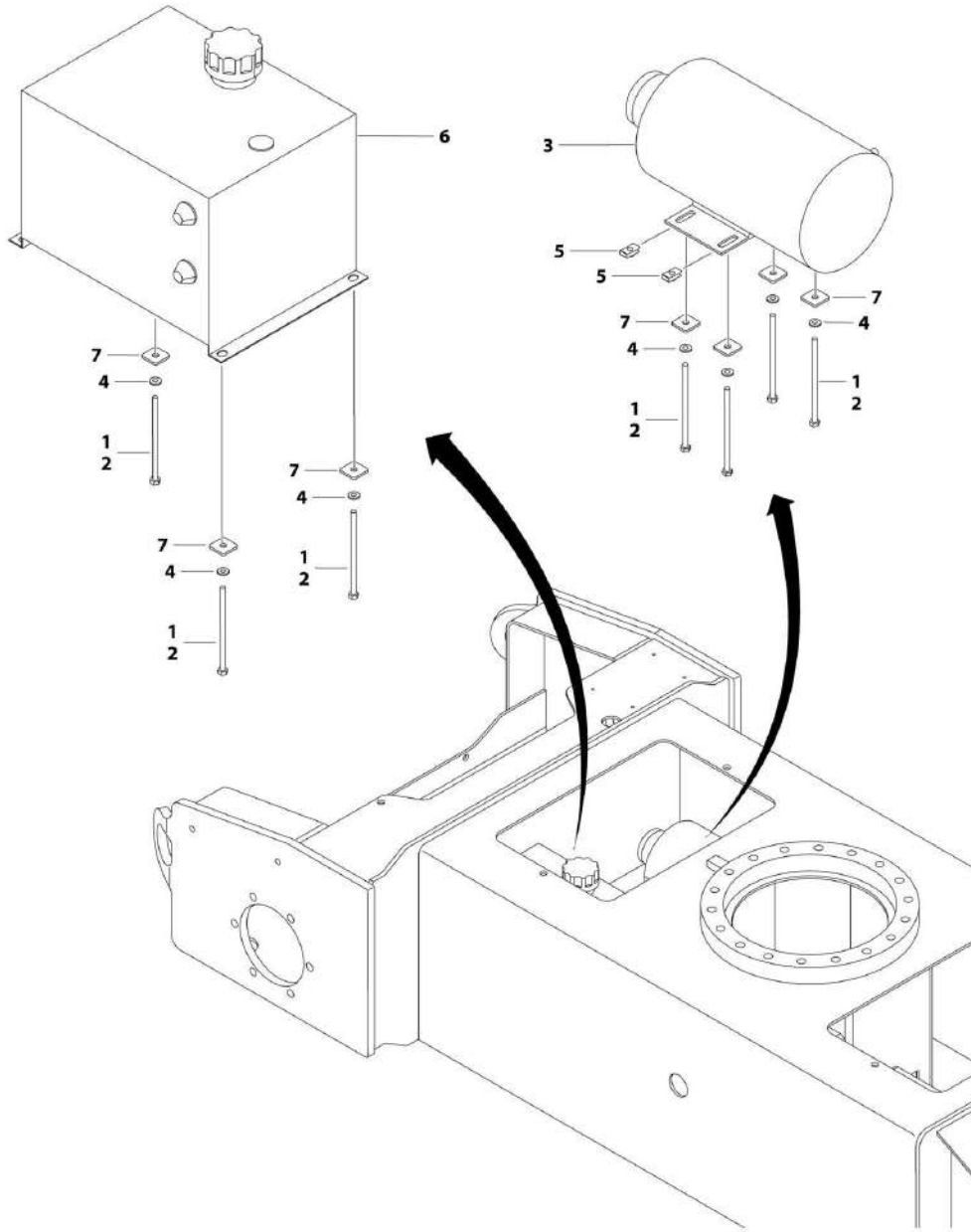
SECTION 1 - FRAME

FIGURE 1-21. MOTOR/PUMP/TANK INSTALLATION - E450A/E450AJ UL SPECS

ITEM	PART NUMBER	QTY	DESCRIPTION	REV
	1001167487	Ref	MOTOR/PUMP/TANK INSTALLATION - E450A/E450AJ - UL SPECS	F
1	0100011	AR	Compound, Locking	
2	0641608	8	Bolt, 3/8-16 x 1	
3	0641610	4	Bolt, 3/8-16 x 1-1/4	
5	3600289	1	Motor/Pump Assembly (See MOTOR/PUMP ASSEMBLY for Breakdown)	
6	4751600	4	Washer, 3/8	
7	1001166419	1	Plate, Mounting	
8	1001171213	1	Tank Hydraulic (See HYDRAULIC TANK ASSEMBLY for Breakdown)	
9	0340048	1	Band, Motor	
10	88662523	8	Nut, Tinnerman	
11	4891600	8	Washer, 3/8 Hardened	

SECTION 1 - FRAME

FIGURE 1-22. MOTOR/PUMP/TANK INSTALLATION - M450AJ



ART_1001167363

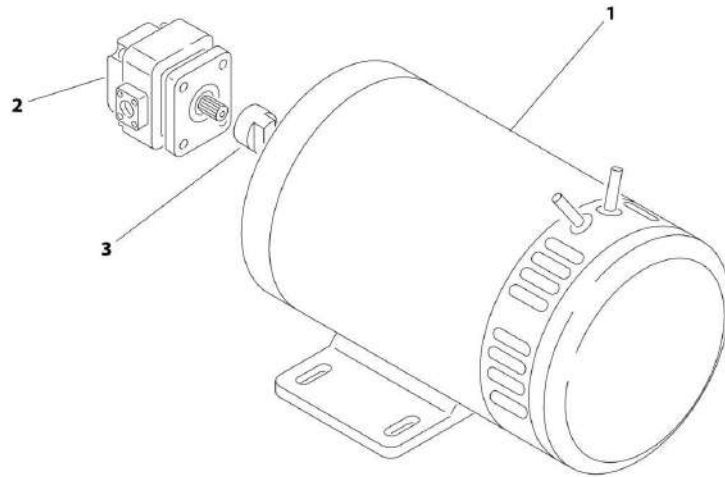
SECTION 1 - FRAME

FIGURE 1-22. MOTOR/PUMP/TANK INSTALLATION - M450AJ

ITEM	PART NUMBER	QTY	DESCRIPTION	REV
	1001167363	Ref	MOTOR/PUMP/TANK INSTALLATION - M50AJ	B
1	0100011	AR	Compound, Locking	
2	0641440	7	Bolt, 1/4-20 X 5	
3	3600289	1	Motor/Pump Assembly (See MOTOR/PUMP ASSEMBLY for Breakdown)	
4	4711400	7	Washer, 1/4	
5	3300454	4	Nut, 1/4-20	
6	1001171214	1	Tank, Hydraulic (See HYDRAULIC TANK ASSEMBLY for Breakdown)	
7	1001167291	7	Washer	

SECTION 1 - FRAME

FIGURE 1-23. MOTOR/PUMP ASSEMBLY



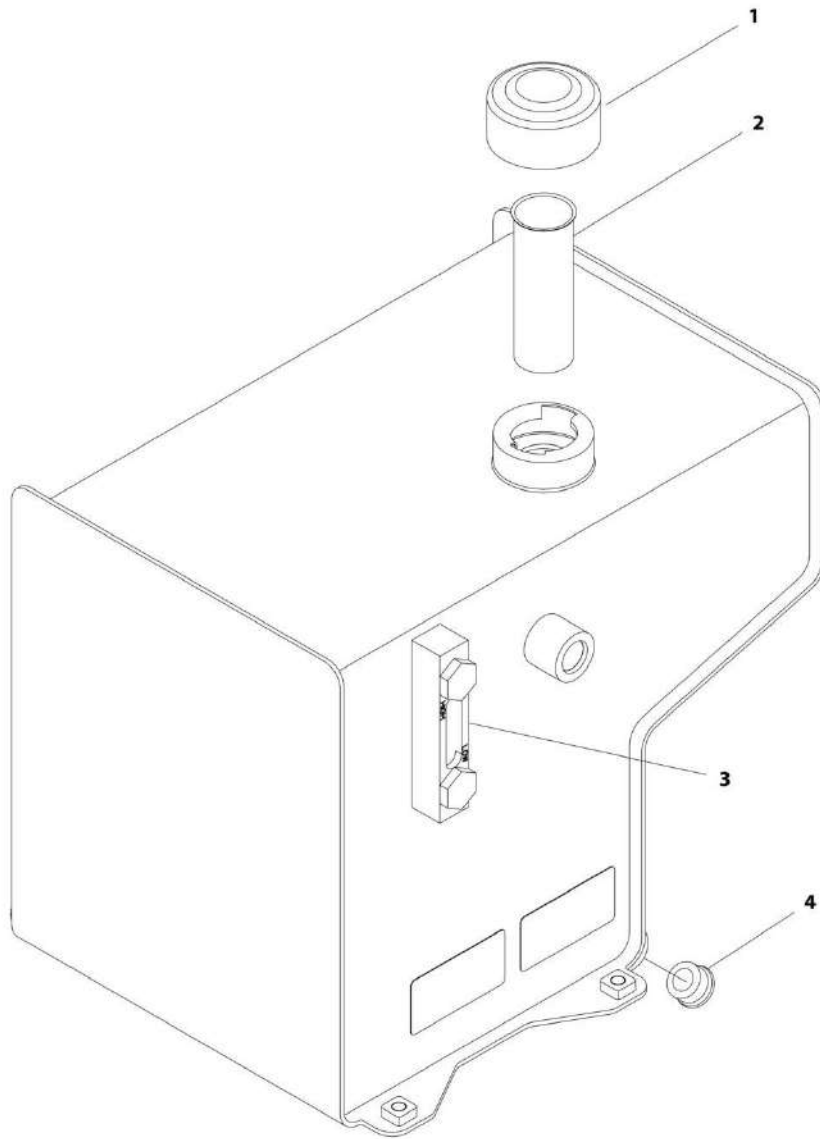
ART_3600289

FIGURE 1-23. MOTOR/PUMP ASSEMBLY

ITEM	PART NUMBER	QTY	DESCRIPTION	REV
	3600289	Ref	MOTOR/PUMP ASSEMBLY	A
1	7021318	1	Motor Assembly	
1	7021361	1	Brush Kit	
1	70003171	1	Spring, Brush	
1	70001961	1	Seal, Oil	
2	7021319	1	Pump Assembly	
2	7021377	1	Seal Kit	
3	70002523	1	Coupling	

SECTION 1 - FRAME

FIGURE 1-24. HYDRAULIC TANK ASSEMBLY - E450A/E450AJ



ART_1001171213

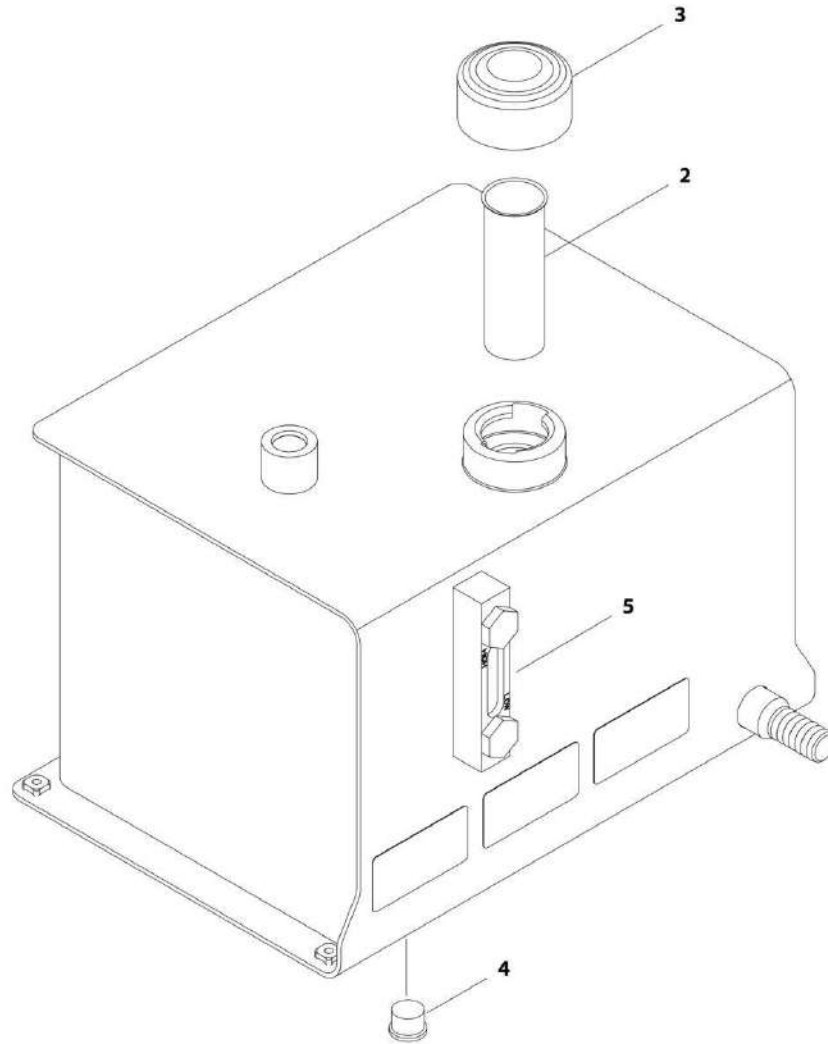
SECTION 1 - FRAME

FIGURE 1-24. HYDRAULIC TANK ASSEMBLY - E450A/E450AJ

ITEM	PART NUMBER	QTY	DESCRIPTION	REV
	1001171213	Ref	HYDRAULIC TANK ASSEMBLY - E450A/E450AJ	B
1	7024444	1	Cap, Breather	
2	7024445	1	Strainer	
3	70005101	1	Gauge, Sight	
4	70002112	1	Plug	

SECTION 1 - FRAME

FIGURE 1-25. HYDRAULIC TANK ASSEMBLY - M450AJ



ART_1001171214

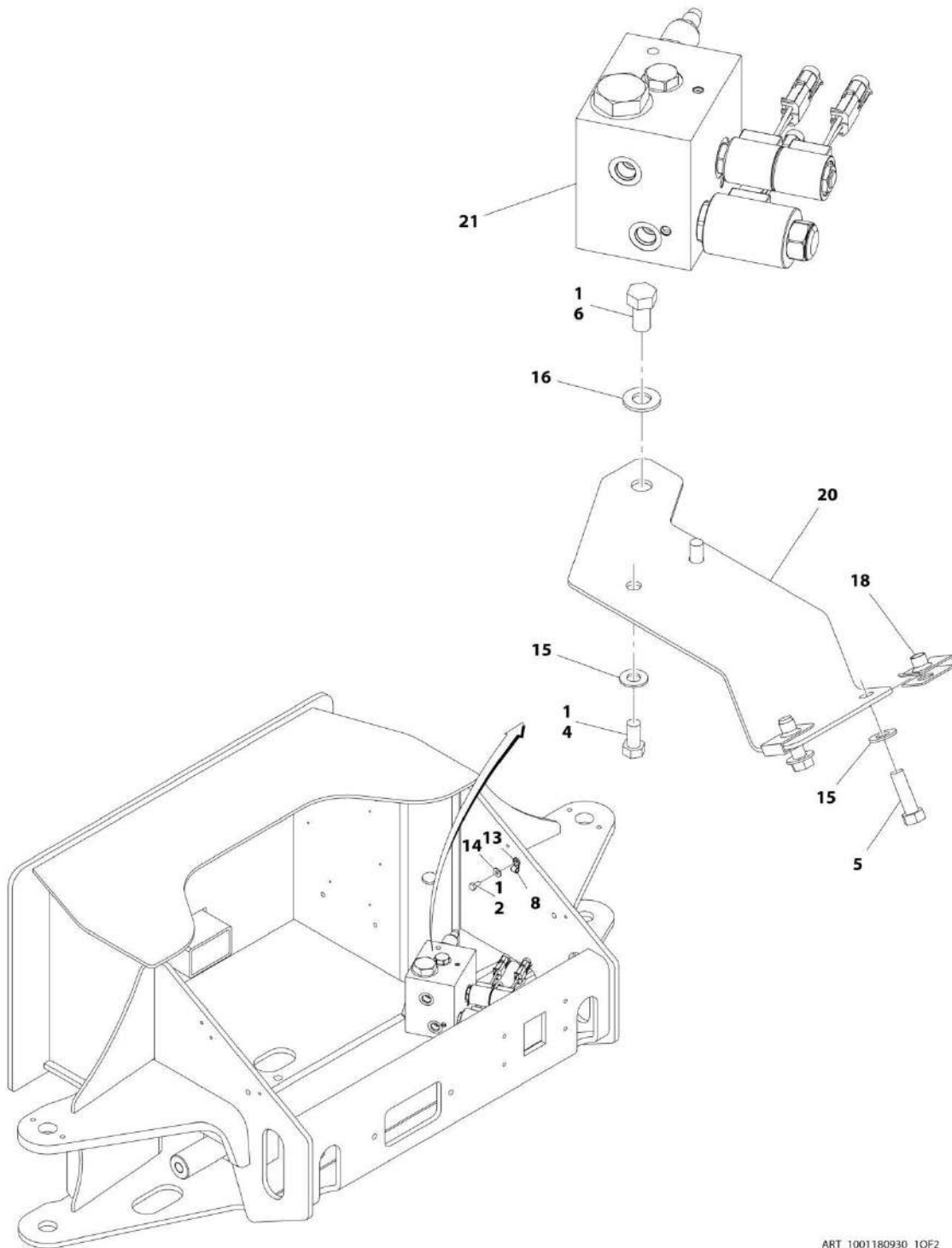
SECTION 1 - FRAME

FIGURE 1-25. HYDRAULIC TANK ASSEMBLY - M450AJ

ITEM	PART NUMBER	QTY	DESCRIPTION	REV
	1001171214	Ref	HYDRAULIC TANK - M450AJ	B
2	7024445	1	Strainer	
3	7024444	1	Cap, Breather	
4	70002112	1	Plug	
5	70005101	1	Gauge, Sight	

SECTION 1 - FRAME

FIGURE 1-26. VALVE INSTALLATION - FRAME MOUNTED - E450A



ART_1001180930_10F2

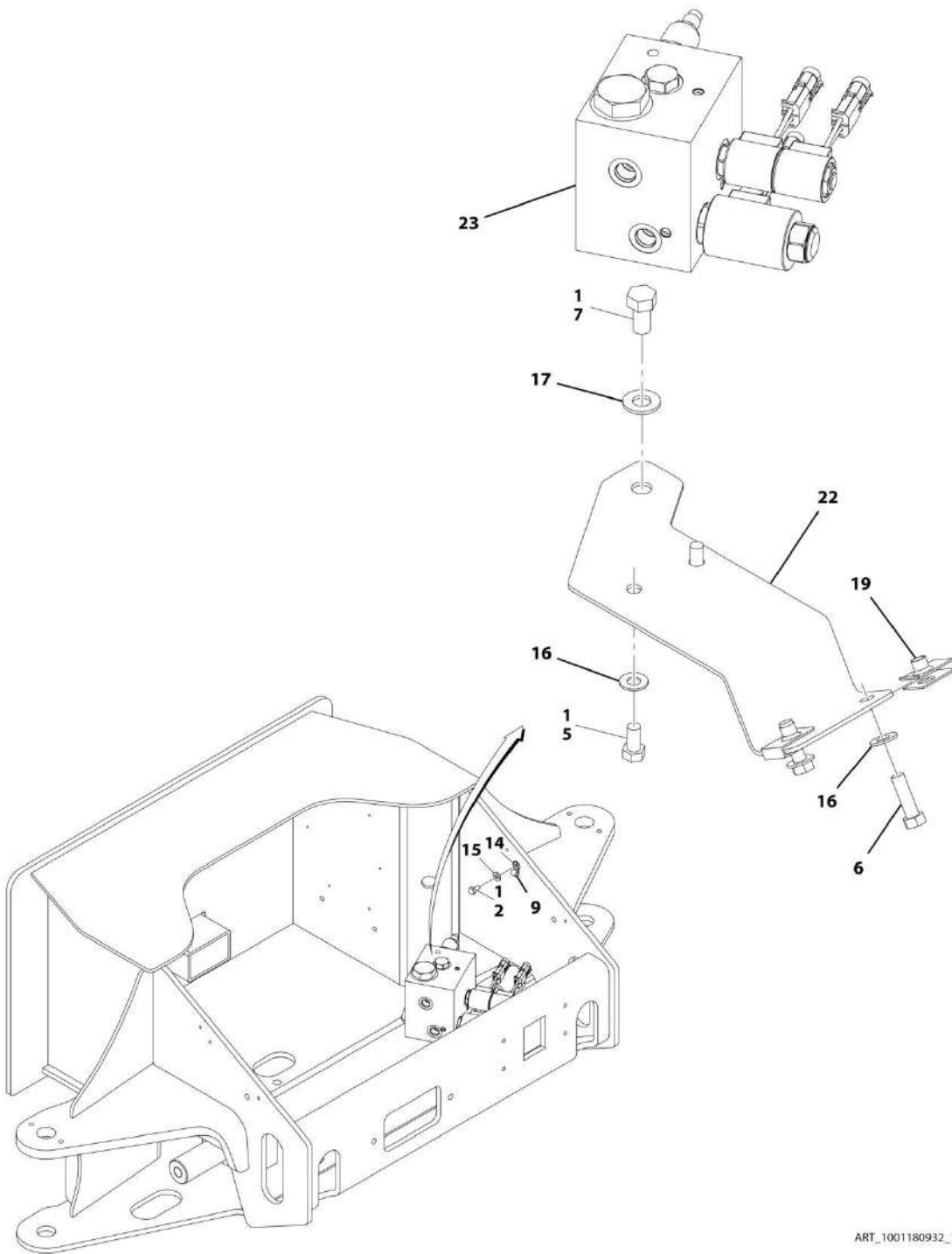
SECTION 1 - FRAME

FIGURE 1-26. VALVE INSTALLATION - FRAME MOUNTED - E450A

ITEM	PART NUMBER	QTY	DESCRIPTION	REV
	1001180930	Ref	VALVE INSTALLATION - FRAME MOUNTED - E450A	B
1	0100011	AR	Compound, Locking	
2	0641404	1	Bolt, 1/4-20 x 1/2 (SN 0300208529 through 0300225010)	
4	0641606	2	Bolt, 3/8-16 X 3/4	
5	0641610	2	Bolt, 3/8-16 X 1-1/4	
6	0641807	1	Bolt, 1/2-13 X 7/8	
8	1320040	1	Clamp (SN 0300208529 through 0300225010)	
13	4240032	1	Tie, Strap (SN 0300208529 through 0300225010)	
14	4711400	1	Washer, 1/4 (SN 0300208529 through 0300225010)	
15	4711600	4	Washer, 3/8	
16	4711800	1	Washer, 1/2	
18	88662523	2	Nut, Tinnerman	
20	1001166420	1	Bracket, Mounting	
21	1001177364	1	Steer/Brake Valve Assembly (See STEER/BRAKE VALVE ASSEMBLY for Breakdown)	

SECTION 1 - FRAME

FIGURE 1-27. VALVE INSTALLATION - FRAME MOUNTED - E450AJ (SN 0300208529 through 0300233451, SN B300001429 through B300002532)



ART_1001180932_10F2

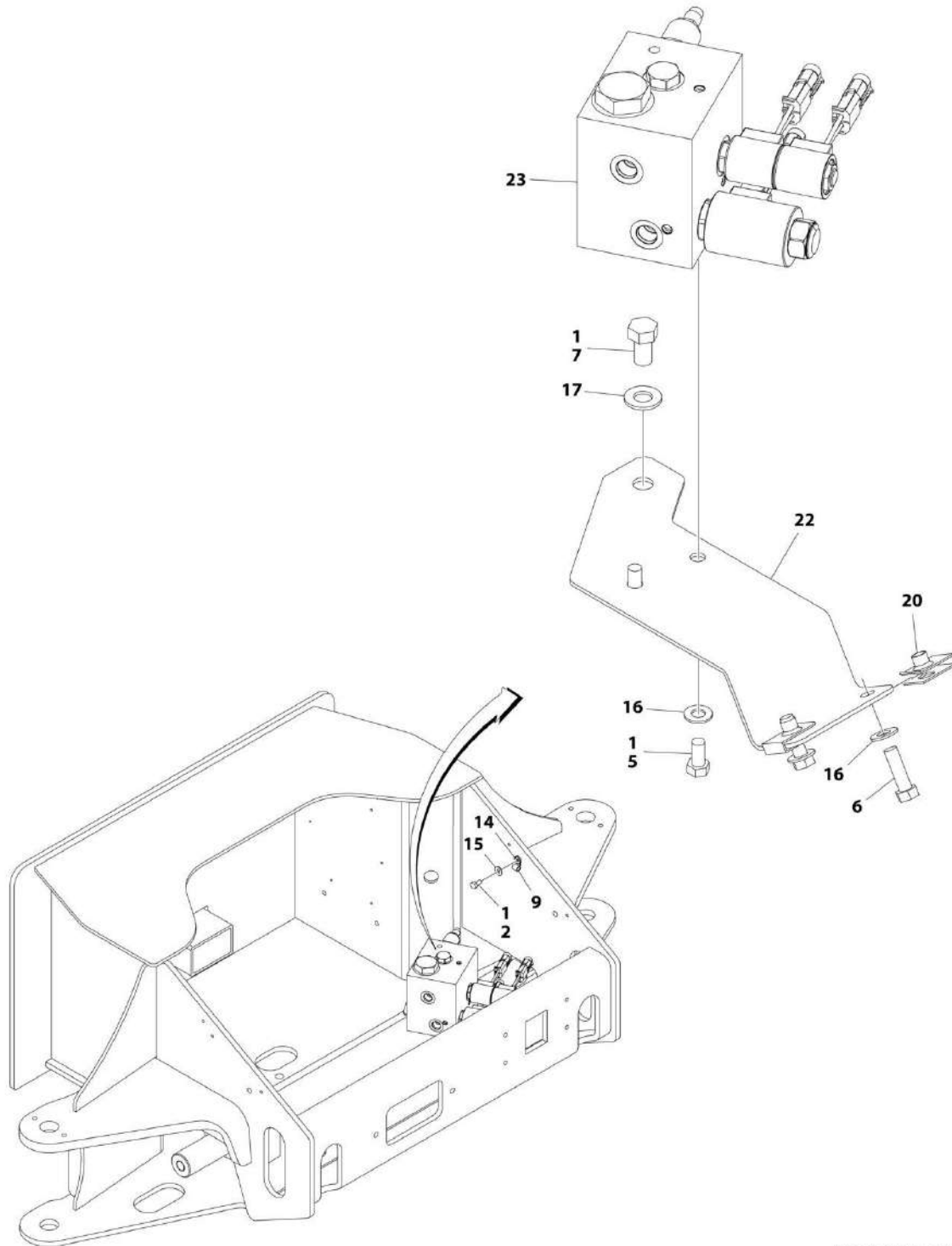
SECTION 1 - FRAME

FIGURE 1-27. VALVE INSTALLATION - FRAME MOUNTED - E450AJ (SN 0300208529 through 0300233451, SN B300001429 through B300002532)

ITEM	PART NUMBER	QTY	DESCRIPTION	REV
	1001180932	Ref	VALVE INSTALLATION - FRAME MOUNTED - E450AJ (SN 0300208529 through 0300233451, SN B300001429 through B300002532)	C
1	0100011	AR	Compound, Locking	
2	0641404	1	Bolt, 1/4-20 x 1/2 (SN 0300208529 through 0300225010, SN B300001429 through B300001675)	
5	0641606	2	Bolt, 3/8-16 X 3/4	
6	0641610	2	Bolt, 3/8-16 X 1-1/4	
7	0641807	1	Bolt, 1/2-13 X 7/8	
9	1320040	1	Clamp (SN 0300208529 through 0300225010, SN B300001429 through B300001675)	
14	4240032	1	Tie, Strap (SN 0300208529 through 0300225010, SN B300001429 through B300001675)	
15	4711400	1	Washer, 1/4 (SN 0300208529 through 0300225010, SN B300001429 through B300001675)	
16	4711600	4	Washer, 3/8	
17	4711800	1	Washer, 1/2	
19	88662523	2	Nut, Tinnerman	
22	1001166420	1	Bracket, Mounting	
23	1001177364	1	Steer/Brake Valve Assembly (See STEER/BRAKE VALVE ASSEMBLY for Breakdown)	

SECTION 1 - FRAME

FIGURE 1-28. VALVE INSTALLATION - FRAME MOUNTED - E450AJ (SN 0300233452 to Present, SN B300002533 to Present)



ART_1001218371_10F2

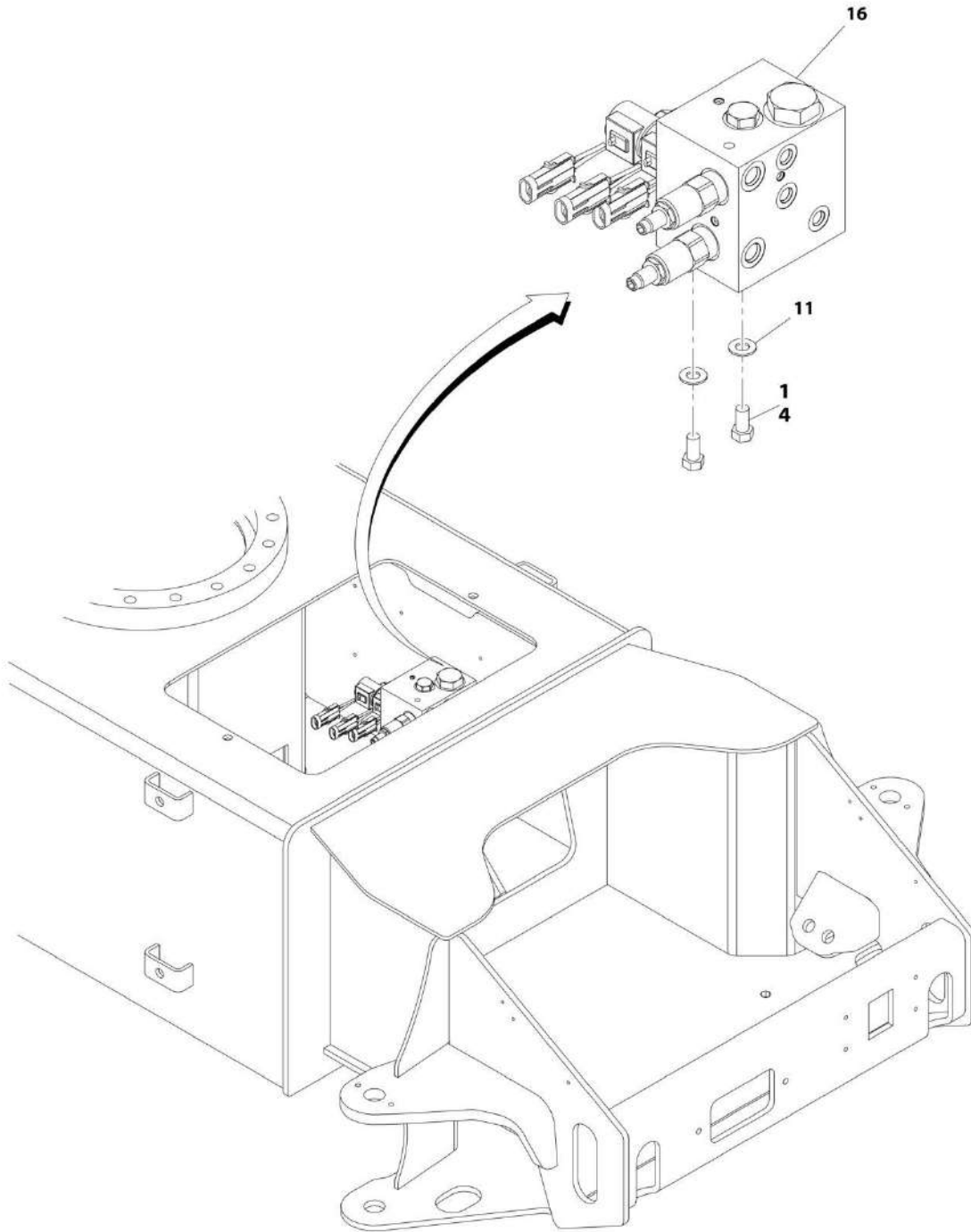
SECTION 1 - FRAME

FIGURE 1-28. VALVE INSTALLATION - FRAME MOUNTED - E450AJ (SN 0300233452 to Present, SN B300002533 to Present)

ITEM	PART NUMBER	QTY	DESCRIPTION	REV
	1001218371	Ref	VALVE INSTALLATION - FRAME MOUNTED - E450AJ (SN 0300233452 to Present, SN B300002533 to Present)	A
1	0100011	AR	Compound, Locking	
2	0641404	1	Bolt 1/4 x 1/2	
5	0641606	2	Bolt 3/8 x 3/4	
6	0641610	2	Bolt 3/8 x 1-1/4	
7	0641807	1	Bolt 1/2 x 7/8	
9	1320040	1	Clamp	
14	4240032	1	Tie-Strap	
15	4711400	1	Washer 1/4	
16	4711600	4	Washer 3/8	
17	4711800	1	Washer 1/2	
20	88662523	2	Nut, Tinnerman	
22	1001166420	1	Bracket, Mounting	
23	1001177364	1	Steer/Brake Valve Assembly (See STEER/BRAKE VALVE ASSEMBLY for Breakdown)	

SECTION 1 - FRAME

FIGURE 1-29. VALVE INSTALLATION - FRAME MOUNTED - M450AJ (SN 0300208529 through 0300233451)



ART_1001180933_10F2

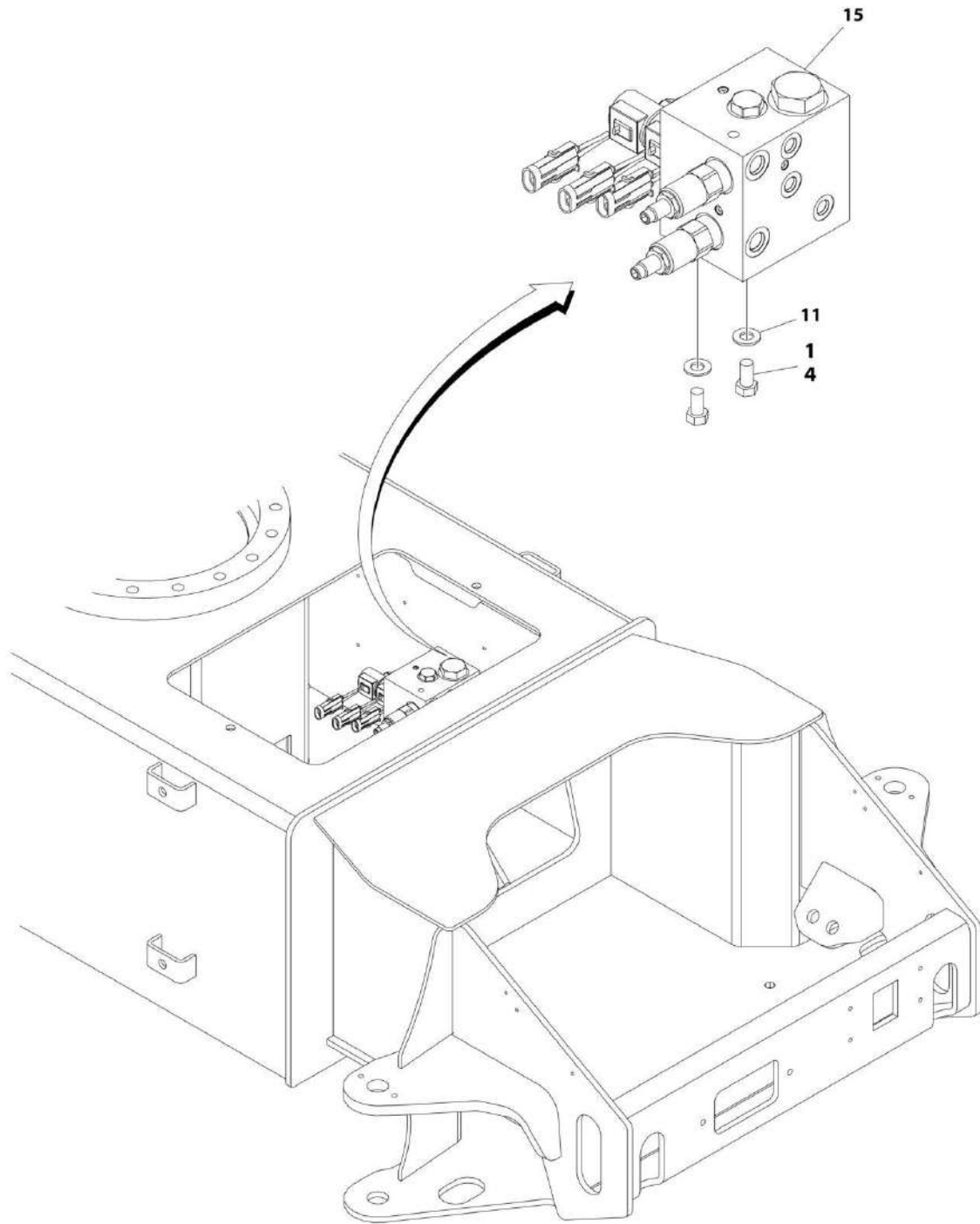
SECTION 1 - FRAME

FIGURE 1-29. VALVE INSTALLATION - FRAME MOUNTED - M450AJ (SN 0300208529 through 0300233451)

ITEM	PART NUMBER	QTY	DESCRIPTION	REV
	1001180933	Ref	VALVE INSTALLATION - FRAME MOUNTED - M450AJ (SN 0300208529 through 0300233451)	C
1	0100011	AR	Compound, Locking	
4	0641606	2	Bolt, 3/8-16 X 3/4	
11	4711600	4	Washer, 3/8	
15	1001171115	1	Brake/Steer Harness - M450AJ (See ELECTRICAL SECTION for Breakdown) (SN 0300208529 through 0300214528)	
16	1001177364	1	Steer/Brake Valve Assembly (Not Shown - See STEER/BRAKE VALVE ASSEMBLY for Breakdown)	

SECTION 1 - FRAME

FIGURE 1-30. VALVE INSTALLATION - FRAME MOUNTED - M450AJ (SN 0300233452 to Present)



ART_1001218372_10F2

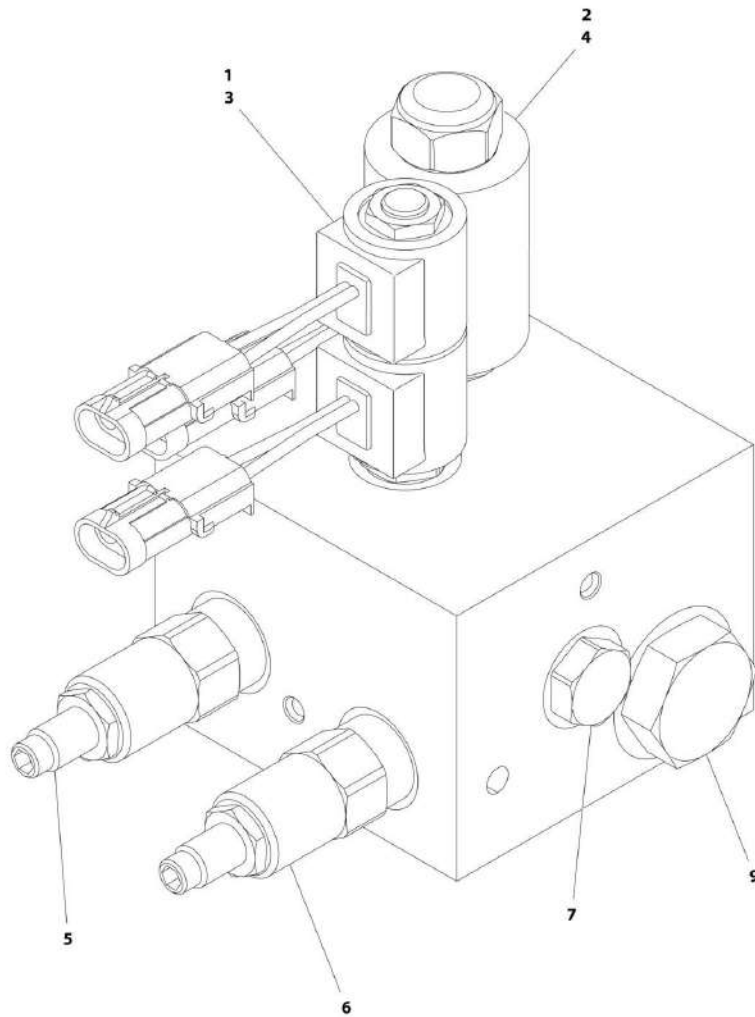
SECTION 1 - FRAME

FIGURE 1-30. VALVE INSTALLATION - FRAME MOUNTED - M450AJ (SN 0300233452 to Present)

ITEM	PART NUMBER	QTY	DESCRIPTION	REV
	1001218372	Ref	VALVE INSTALLATION - FRAME MOUNTED - M450AJ (SN 0300233452 to Present)	A
1	0100011	AR	Compound, Locking	
4	0641606	2	Bolt 3/8-16 x 3/4	
11	4711600	4	Washer 3/8	
15	1001177364	1	Steer/Brake Valve Assembly (See STEER/BRAKE VALVE ASSEMBLY for Breakdown)	

SECTION 1 - FRAME

FIGURE 1-31. BRAKE/STEER VALVE ASSEMBLY



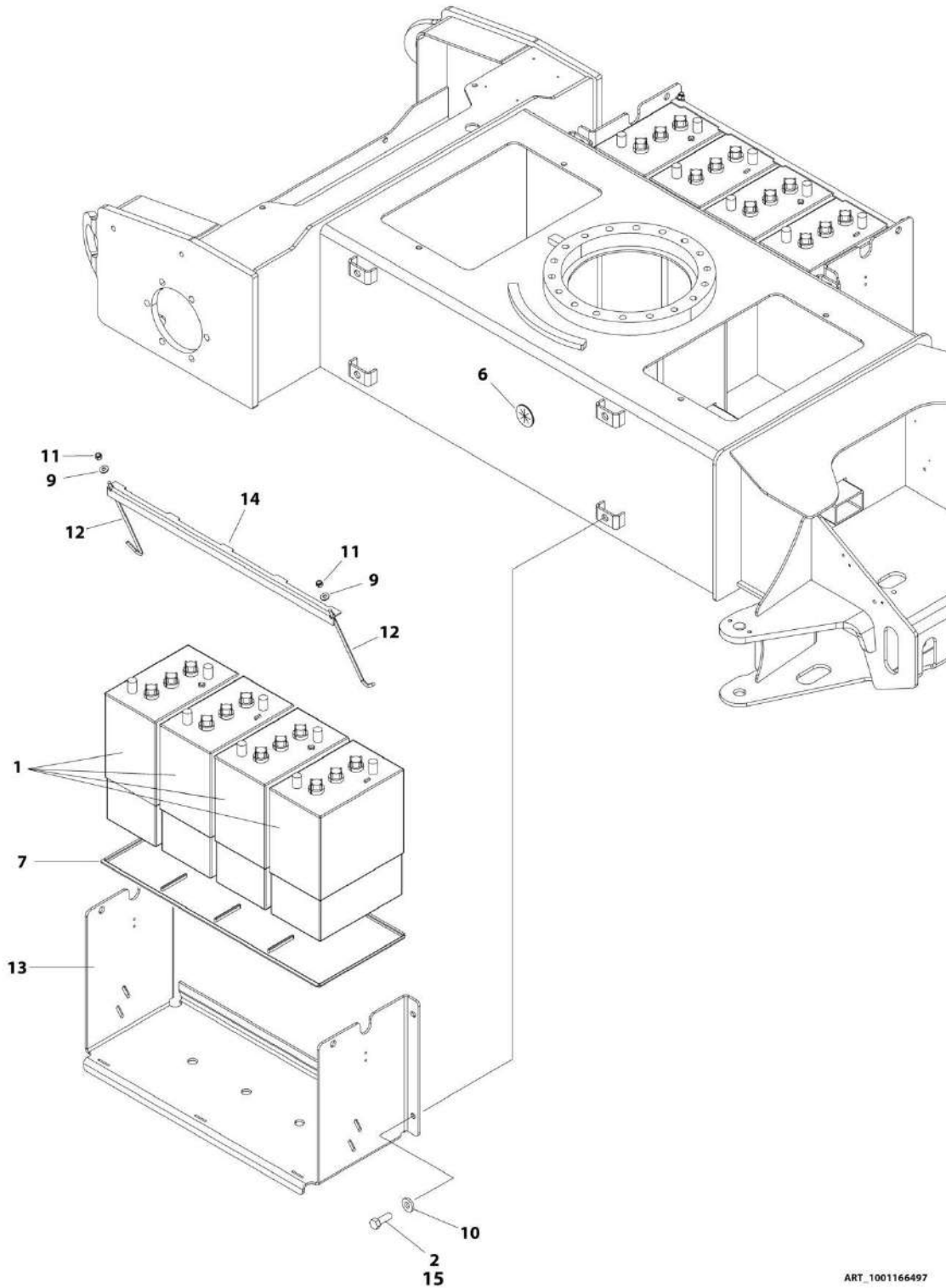
ART_1001177364

FIGURE 1-31. BRAKE/STEER VALVE ASSEMBLY

ITEM	PART NUMBER	QTY	DESCRIPTION	REV
	1001177364	Ref	BRAKE/STEER VALVE ASSEMBLY	G
1	7017433	1	Cartridge, without Coil (Steer)	
1	7017402	1	Seal Kit - 7017433 Cartridge	
2	7021611	1	Cartridge, Proportional without Coil (Flow Control)	
2	7012518	1	Seal Kit - 7021611 Cartridge	
3	7021609	2	Coil	
4	7021618	1	Coil	
5	7021659	1	Cartridge, Relief (Main)	
5	7012972	1	Seal Kit - 7021659	
6	7017488	1	Cartridge, Relief (Steer)	
6	7012998	1	Seal Kit - 7017488 Cartridge	
7	10837580	1	Cartridge, Load Shuttle	
7	7010543	1	Seal Kit - 7012941 Cartridge	
9	7021616	1	Cartridge, Filter	

SECTION 1 - FRAME

FIGURE 1-32. BATTERY BOX INSTALLATION - STANDARD (ALL SPECS EXCEPT AUSTRALIAN, CE AND CHINA SPECS)



ART_1001166497

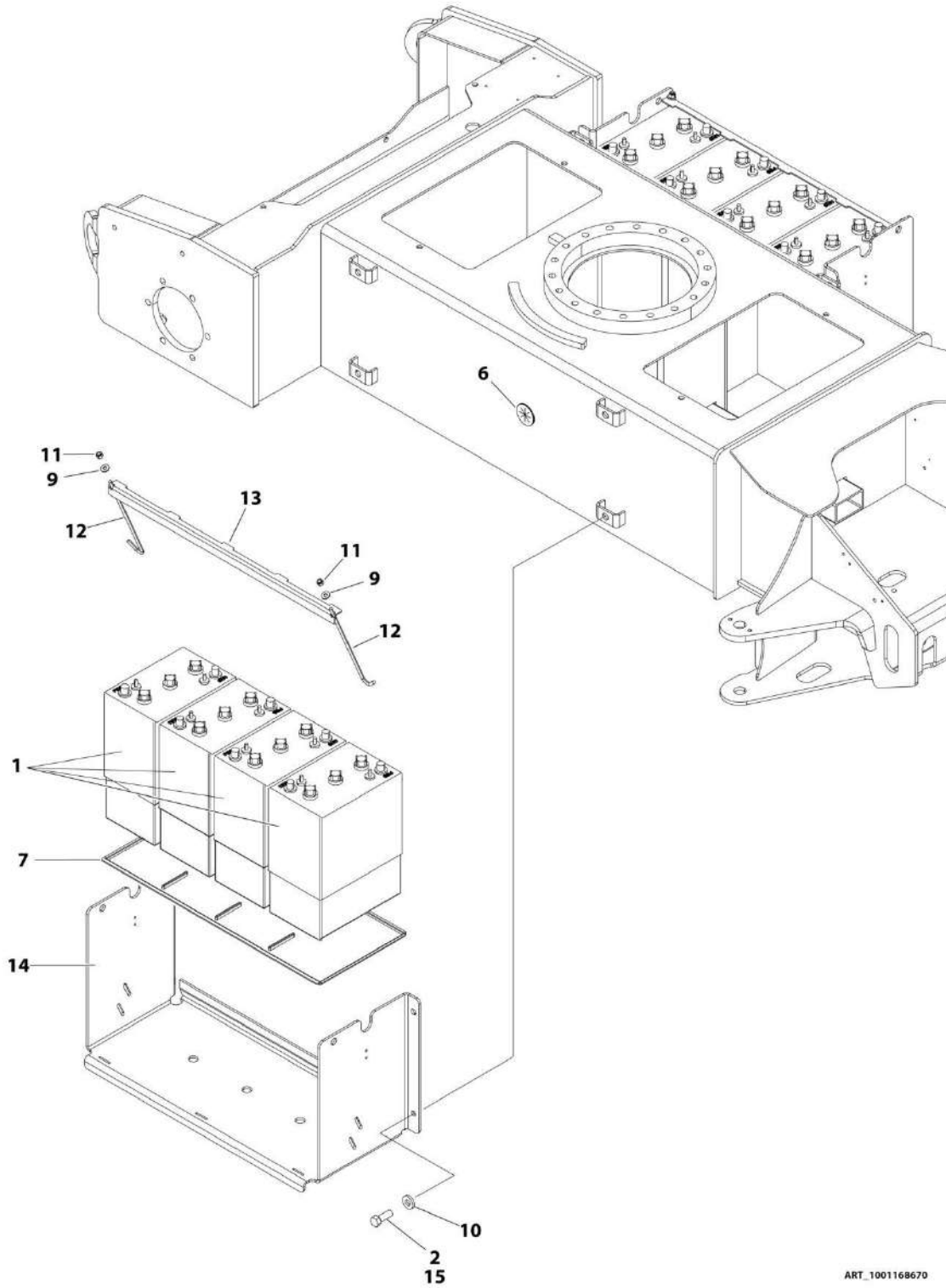
SECTION 1 - FRAME

FIGURE 1-32. BATTERY BOX INSTALLATION - STANDARD (ALL SPECS EXCEPT AUSTRALIAN, CE AND CHINA SPECS)

ITEM	PART NUMBER	QTY	DESCRIPTION	REV
	1001166497	Ref	BATTERY BOX INSTALLATION - STANDARD (ALL SPECS EXCEPT AUSTRALIAN, CE AND CHINA SPECS)	C
1	0400055	8	Battery (Wet)	
1	7016177	8	Battery (Dry)	
2	0641811	8	Bolt, 1/2-13 X 1-3/8	
6	2540045	2	Grommet	
7	3000003	2	Liner, Battery Box	
9	4751500	4	Washer, 5/16	
10	4891800	8	Washer, 1/2 Hardened	
11	88521205	4	Nut, Lock, 5/16-18	
12	1001093382	4	Bolt, J-Bolt	
13	1001166495	2	Tray, Battery	
14	1001166496	2	Battery Hold Down	
15	0100011	AR	Compound, Locking	

SECTION 1 - FRAME

FIGURE 1-33. BATTERY BOX INSTALLATION - STANDARD (AUSTRALIAN, CE AND CHINA SPECS)



ART_1001168670

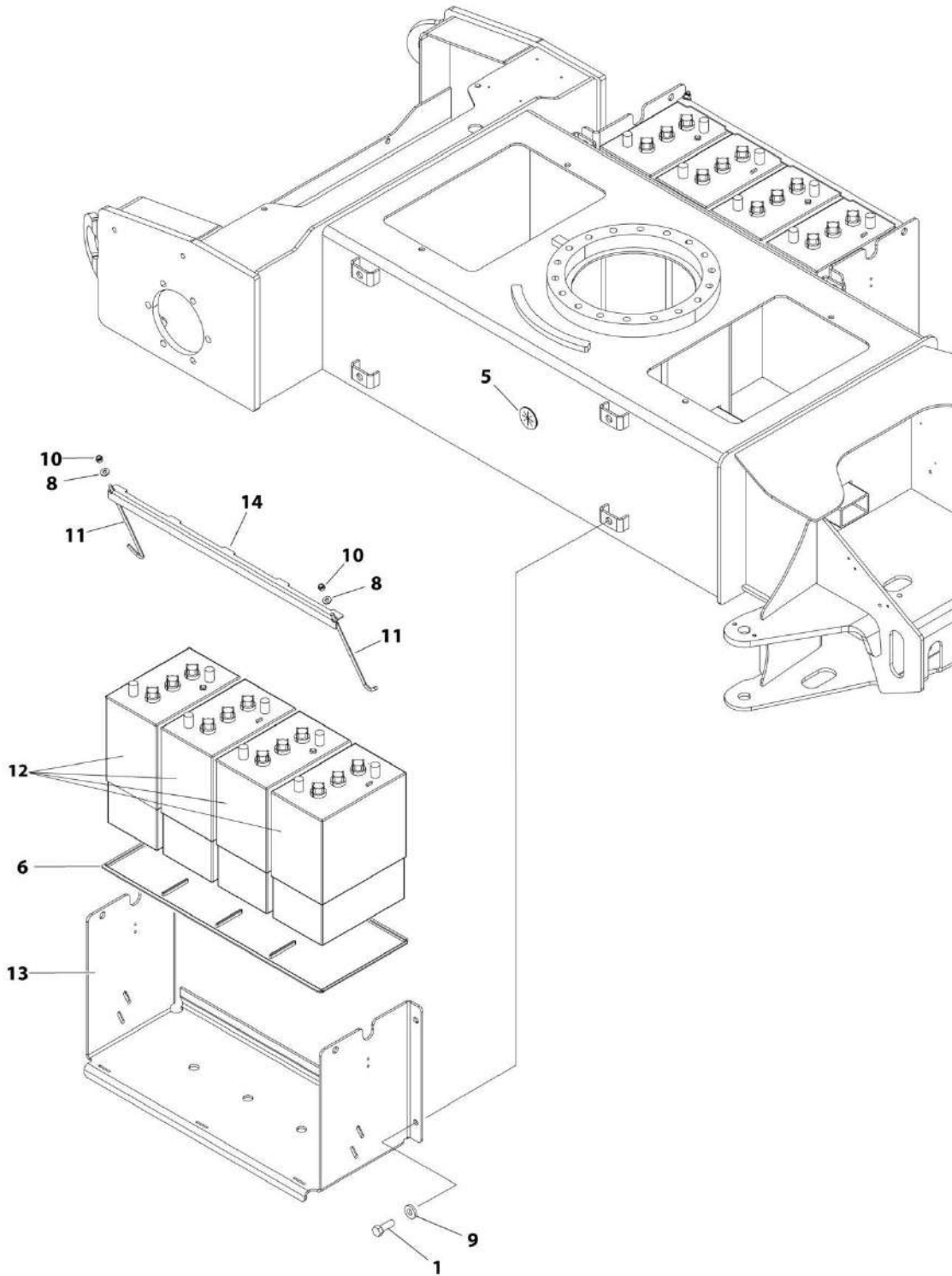
SECTION 1 - FRAME

FIGURE 1-33. BATTERY BOX INSTALLATION - STANDARD (AUSTRALIAN, CE AND CHINA SPECS)

ITEM	PART NUMBER	QTY	DESCRIPTION	REV
	1001168670	Ref	BATTERY BOX INSTALLATION - STANDARD (AUSTRALIAN, CE AND CHINA SPECS)	C
1	0400055	8	Battery (Wet)	
1	7016177	8	Battery (Dry)	
2	0641811	8	Bolt, 1/2-13 X 1-3/8	
6	2540045	2	Grommet	
7	3000003	2	Liner, Battery Box	
9	4751500	4	Washer, 5/16	
10	4891800	8	Washer, 1/2 Hardened	
11	88521205	4	Nut, Lock, 5/16-18	
12	1001093382	4	Bolt, J-Bolt	
13	1001166496	2	Battery Hold Down	
14	1001168800	2	Tray, Battery	
15	0100011	AR	Compound, Locking	

SECTION 1 - FRAME

FIGURE 1-34. BATTERY BOX INSTALLATION - AGM BATTERIES (ALL SPECS EXCEPT AUSTRALIAN, CE AND CHINA SPECS)



ART_1001166498

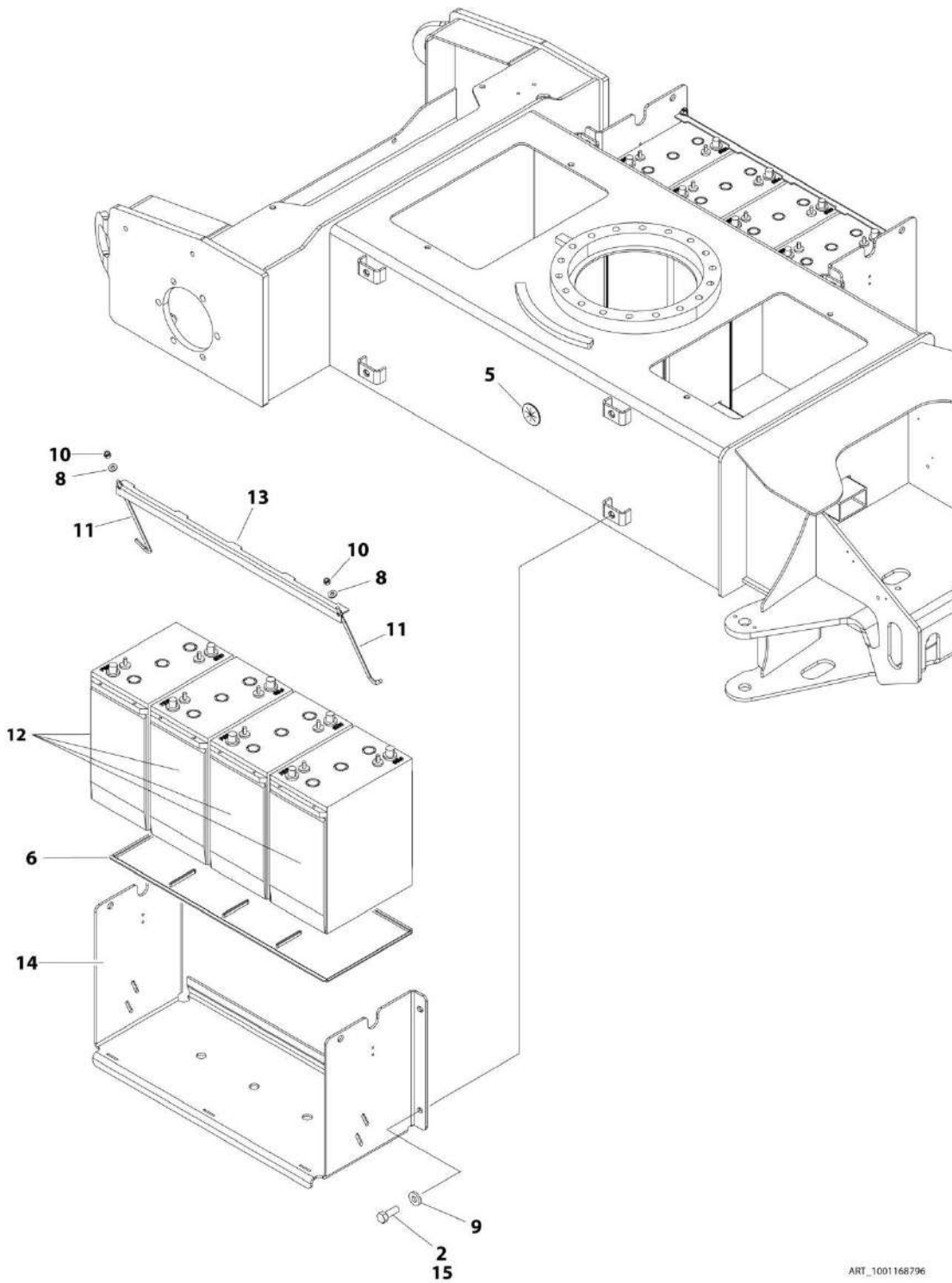
SECTION 1 - FRAME

FIGURE 1-34. BATTERY BOX INSTALLATION - AGM BATTERIES (ALL SPECS EXCEPT AUSTRALIAN, CE AND CHINA SPECS)

ITEM	PART NUMBER	QTY	DESCRIPTION	REV
	1001166498	Ref	BATTERY BOX INSTALLATION - AGM BATTERIES (ALL SPECS EXCEPT AUSTRALIAN, CE AND CHINA SPECS)	C
1	0641811	8	Bolt, 1/2-13 X 1-3/8	
5	2540045	1	Grommet	
6	3000003	2	Liner, Battery Box	
8	4751500	4	Washer, 5/16	
9	4891800	8	Washer, 1/2 Hardened	
10	88521205	4	Nut, Lock, 5/16-18	
11	1001093382	4	Bolt, J-Bolt	
12	1001114782	8	Battery (Wet) (AGM Batteries)	
13	1001166495	2	Tray, Battery	
14	1001166496	2	Battery Hold Down	
15	0100011	AR	Compound, Locking	

SECTION 1 - FRAME

FIGURE 1-35. BATTERY BOX INSTALLATION - AGM BATTERIES (AUSTRALIAN, CE AND CHINA SPECS)



ART_1001168796

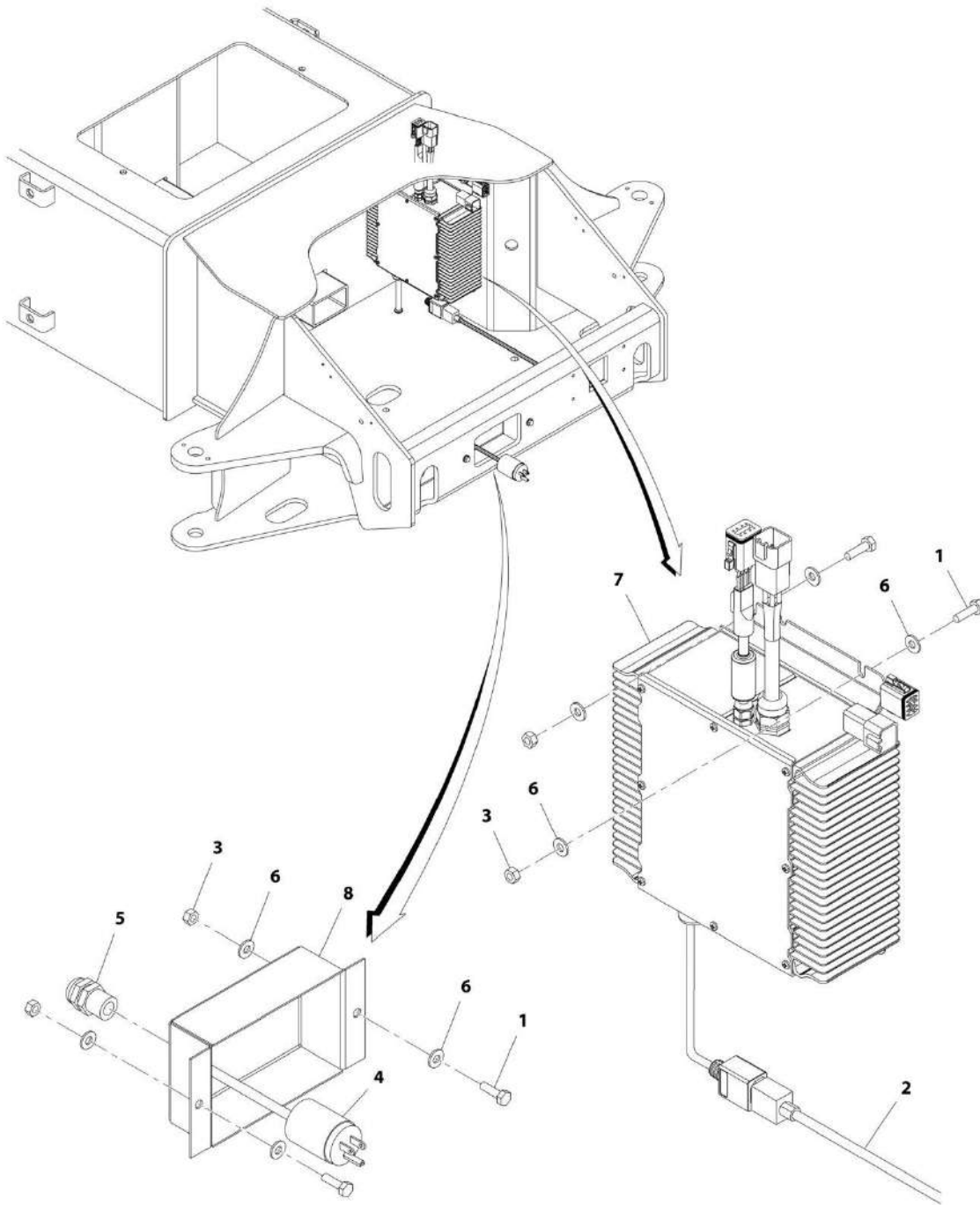
SECTION 1 - FRAME

FIGURE 1-35. BATTERY BOX INSTALLATION - AGM BATTERIES (AUSTRALIAN, CE AND CHINA SPECS)

ITEM	PART NUMBER	QTY	DESCRIPTION	REV
	1001168796	Ref	BATTERY BOX INSTALLATION - AGM BATTERIES (AUSTRALIAN, CE AND CHINA SPECS)	C
1	0641811	8	Bolt, 1/2-13 X 1-3/8	
5	2540045	2	Grommet	
6	3000003	2	Liner, Battery Box	
8	4751500	4	Washer, 5/16	
9	4891800	8	Washer, 1/2 Hardened	
10	88521205	4	Nut, Lock, 5/16-18	
11	1001093382	4	Bolt, J-Bolt	
12	1001114782	8	Battery (Wet) (AGM Batteries)	
13	1001166496	2	Battery Hold Down	
14	1001168800	2	Tray Battery	
15	0100011	AR	Compound, Locking	

SECTION 1 - FRAME

FIGURE 1-36. BATTERY CHARGER INSTALLATION - E450A/E450AJ (ANSI, ANSI EXPORT, CSA, JAPANESE AND UL SPECS)



ART_1001191204

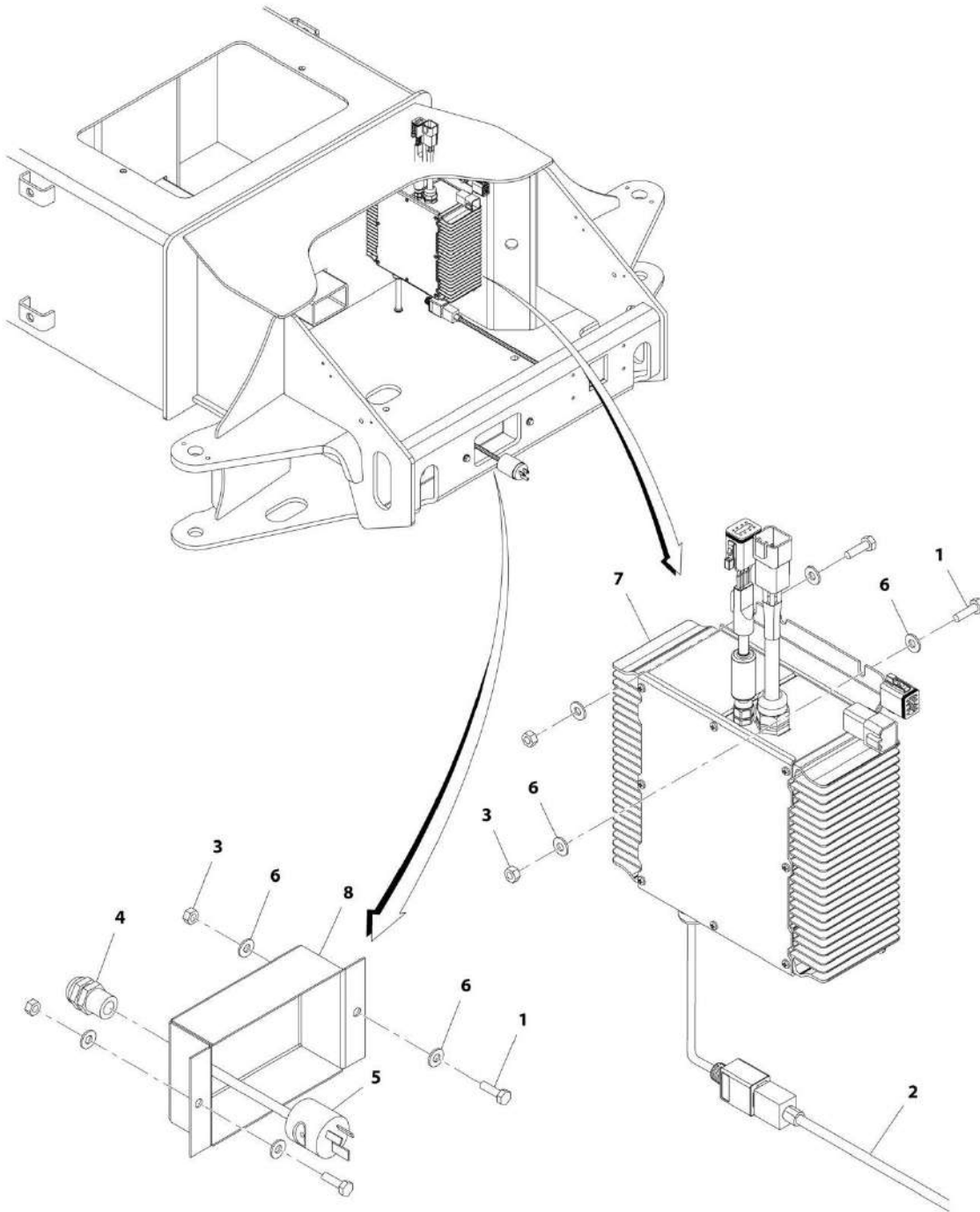
SECTION 1 - FRAME

FIGURE 1-36. BATTERY CHARGER INSTALLATION - E450A/E450AJ (ANSI, ANSI EXPORT, CSA, JAPANESE AND UL SPECS)

ITEM	PART NUMBER	QTY	DESCRIPTION	REV
	1001191204	Ref	BATTERY CHARGER INSTALLATION - E450A/E450AJ (ANSI, ANSI EXPORT, CSA, JAPANESE AND UL SPECS)	A
1	0641407	6	Bolt, 1/4-20 X 7/8	
2	1060689	1	AC Cord	
3	0641405	1	Bolt, 1/4-20 X 5/8	
4	4460138	1	Plug, AC	
5	4460428	1	Connector, Strain Relief	
6	4711400	14	Washer, 1/4	
7	1001103105	1	Battery Charger Assembly (See BATTERY CHARGER ASSEMBLY for Breakdown)	
8	1001191212	1	Panel, Cable	

SECTION 1 - FRAME

FIGURE 1-37. BATTERY CHARGER INSTALLATION - E450A/E450AJ (AUSTRALIAN SPEC)



ART_1001191206

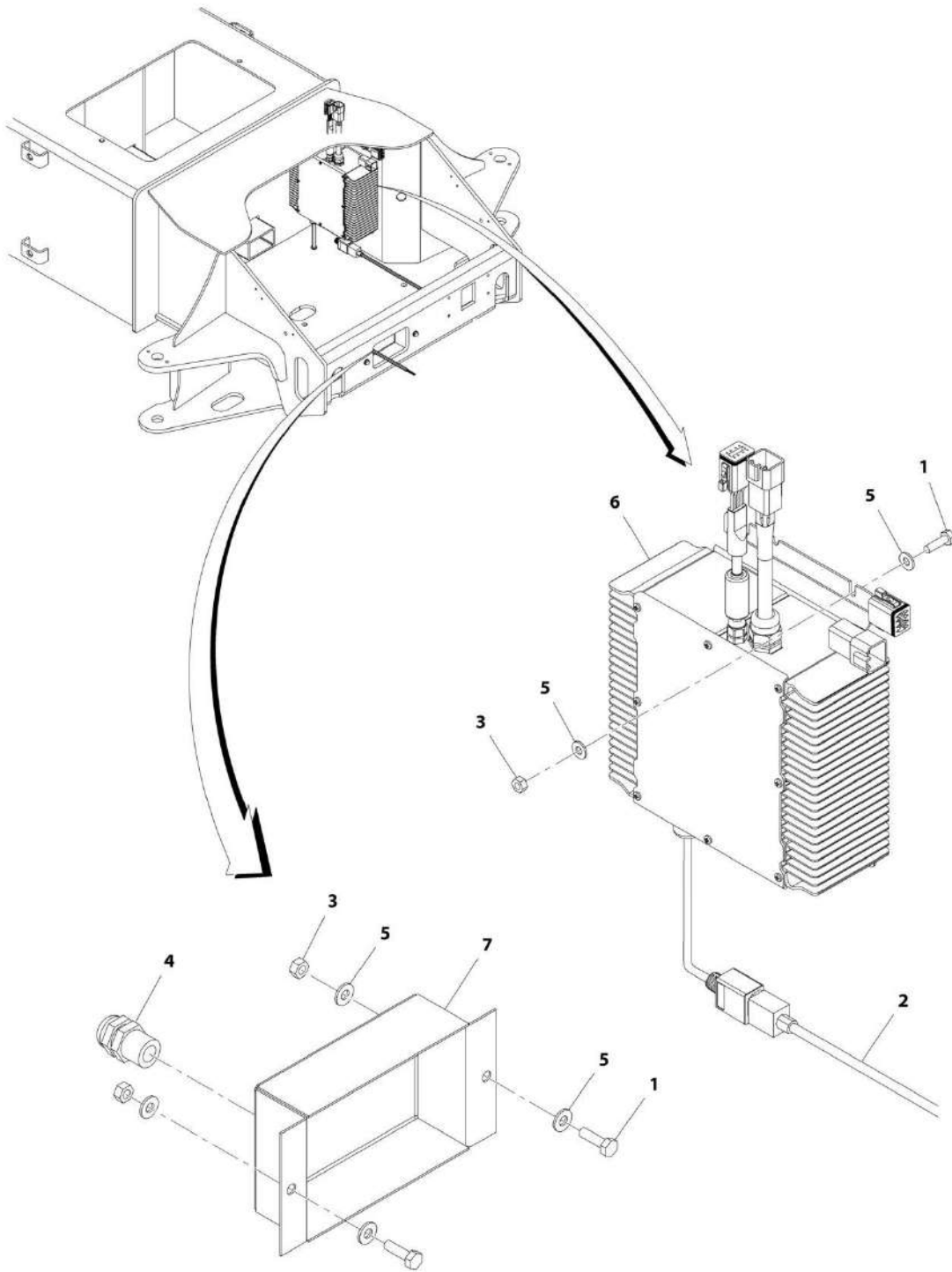
SECTION 1 - FRAME

FIGURE 1-37. BATTERY CHARGER INSTALLATION - E450A/E450AJ (AUSTRALIAN SPEC)

ITEM	PART NUMBER	QTY	DESCRIPTION	REV
	1001191206	Ref	BATTERY CHARGER INSTALLATION - E450A/E450AJ (AUSTRALIAN SPECS)	A
1	0641407	6	Bolt, 1/4-20 X 7/8	
2	1060689	1	AC Cord	
3	0641405	1	Bolt, 1/4-20 X 5/8	
4	4460428	1	Connector, Strain Relief	
5	4460805	1	Plug	
6	4711400	14	Washer, 1/4	
7	1001103105	1	Battery Charger Assembly (See BATTERY CHARGER ASSEMBLY for Breakdown)	
8	1001191212	1	Panel, Cable	

SECTION 1 - FRAME

FIGURE 1-38. BATTERY CHARGER INSTALLATION - E450A/E450AJ (ANSI EXPORT AND CE SPECS)



ART_1001191203

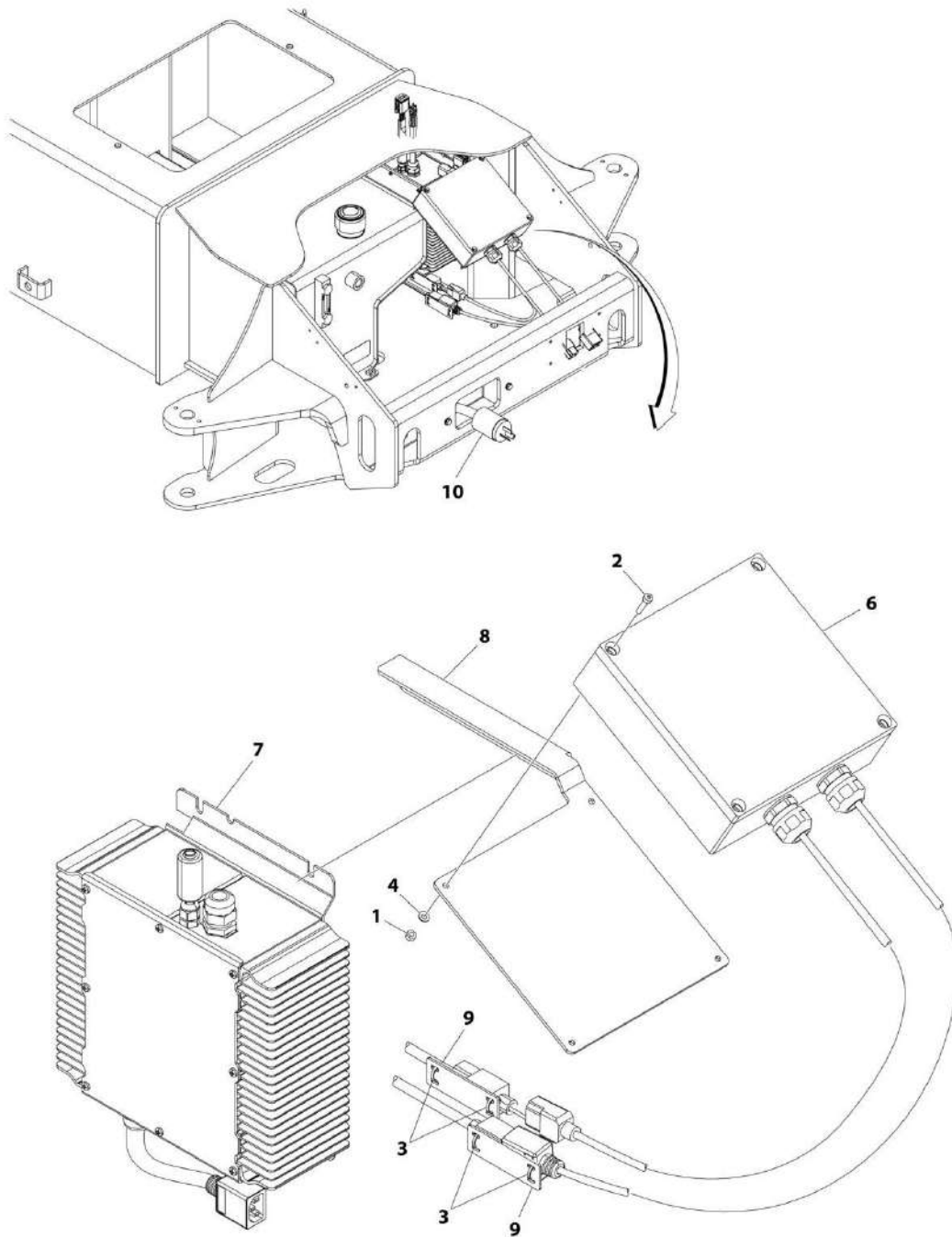
SECTION 1 - FRAME

FIGURE 1-38. BATTERY CHARGER INSTALLATION - E450A/E450AJ (ANSI EXPORT AND CE SPECS)

ITEM	PART NUMBER	QTY	DESCRIPTION	REV
	1001191203	Ref	BATTERY CHARGER INSTALLATION - E450A/E450AJ (ANSI EXPORT AND CE SPECS)	A
1	0641407	6	Bolt, 1/4-20 X 7/8	
2	1060689	1	AC Cord	
3	0641405	1	Bolt, 1/4-20 X 5/8	
4	4460428	1	Connector, Strain Relief	
5	4711400	14	Washer, 1/4	
6	1001103105	1	Battery Charger Assembly (See BATTERY CHARGER ASSEMBLY for Breakdown)	
7	1001191212	1	Panel, Cable	

SECTION 1 - FRAME

FIGURE 1-39. BATTERY CHARGER INSTALLATION - E450AJ (ANSI EXPORT AND CHINA SPECS)



ART_1001215118

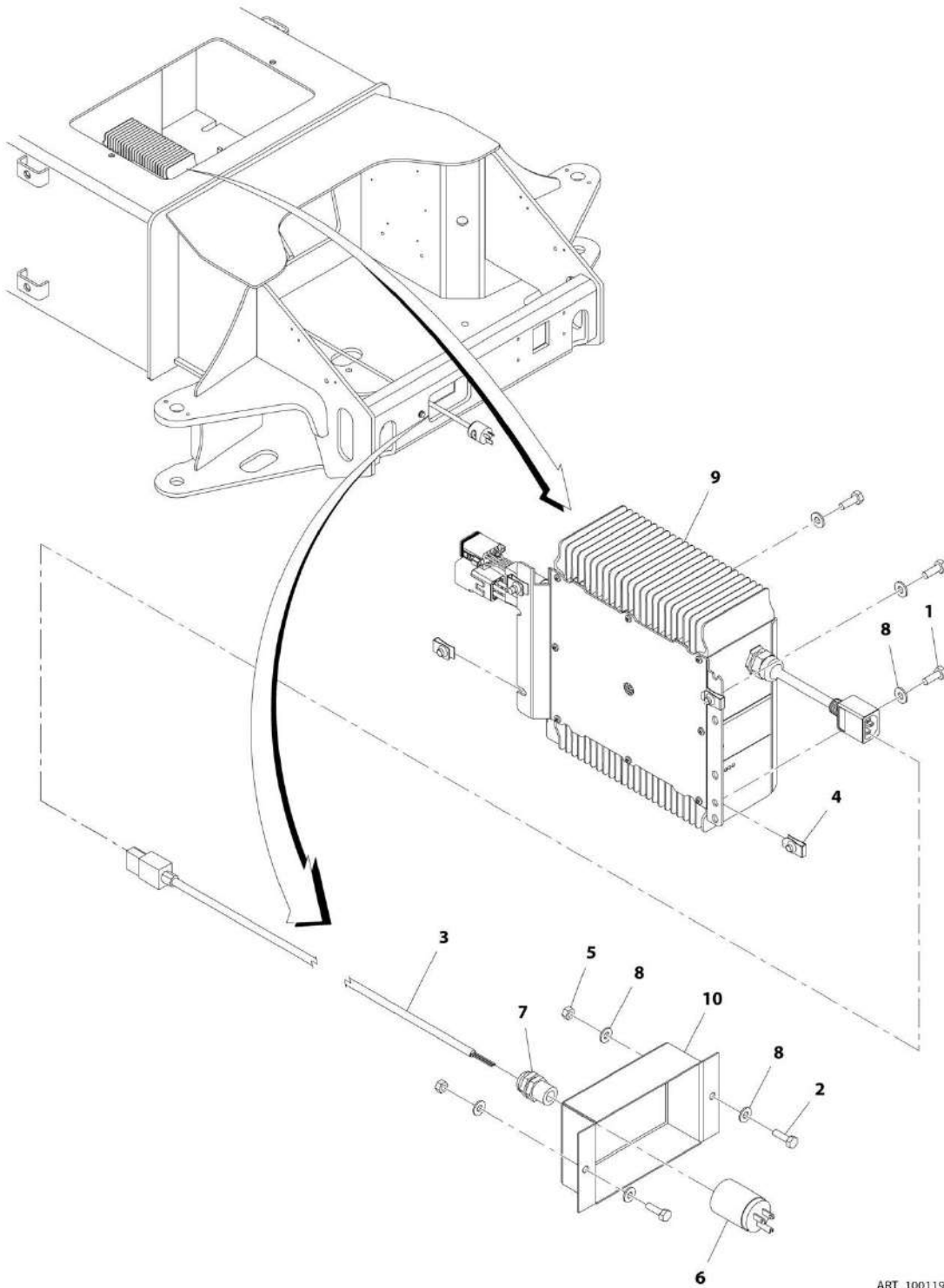
SECTION 1 - FRAME

FIGURE 1-39. BATTERY CHARGER INSTALLATION - E450AJ (ANSI EXPORT AND CHINA SPECS)

ITEM	PART NUMBER	QTY	DESCRIPTION	REV
	1001215118	Ref	BATTERY CHARGER INSTALLATION - E450AJ (ANSI EXPORT AND CHINA SPECS)	C
1	3290405	4	Nut, Lock, M4 x 0.7	
2	4031508	4	Bolt M4 x 20	
3	4240017	4	Tie, Strap	
4	4811400	4	Washer M4	
6	1001185306	1	Voltage Guard Installation (See VOLTAGE GUARD INSTALLATION for Breakdown)	
7	1001191203	1	Battery Charger Installation (See BATTERY CHARGER INSTALLATION for Breakdown)	
8	1001215119	1	Bracket	
9	1001215326	1	Bracket	
10	1001187816	1	Plug (SN B300002642 to Present)	

SECTION 1 - FRAME

FIGURE 1-40. BATTERY CHARGER INSTALLATION - M450AJ (ANSI, ANSI EXPORT, CSA AND JAPANESE SPECS)



ART_1001191209

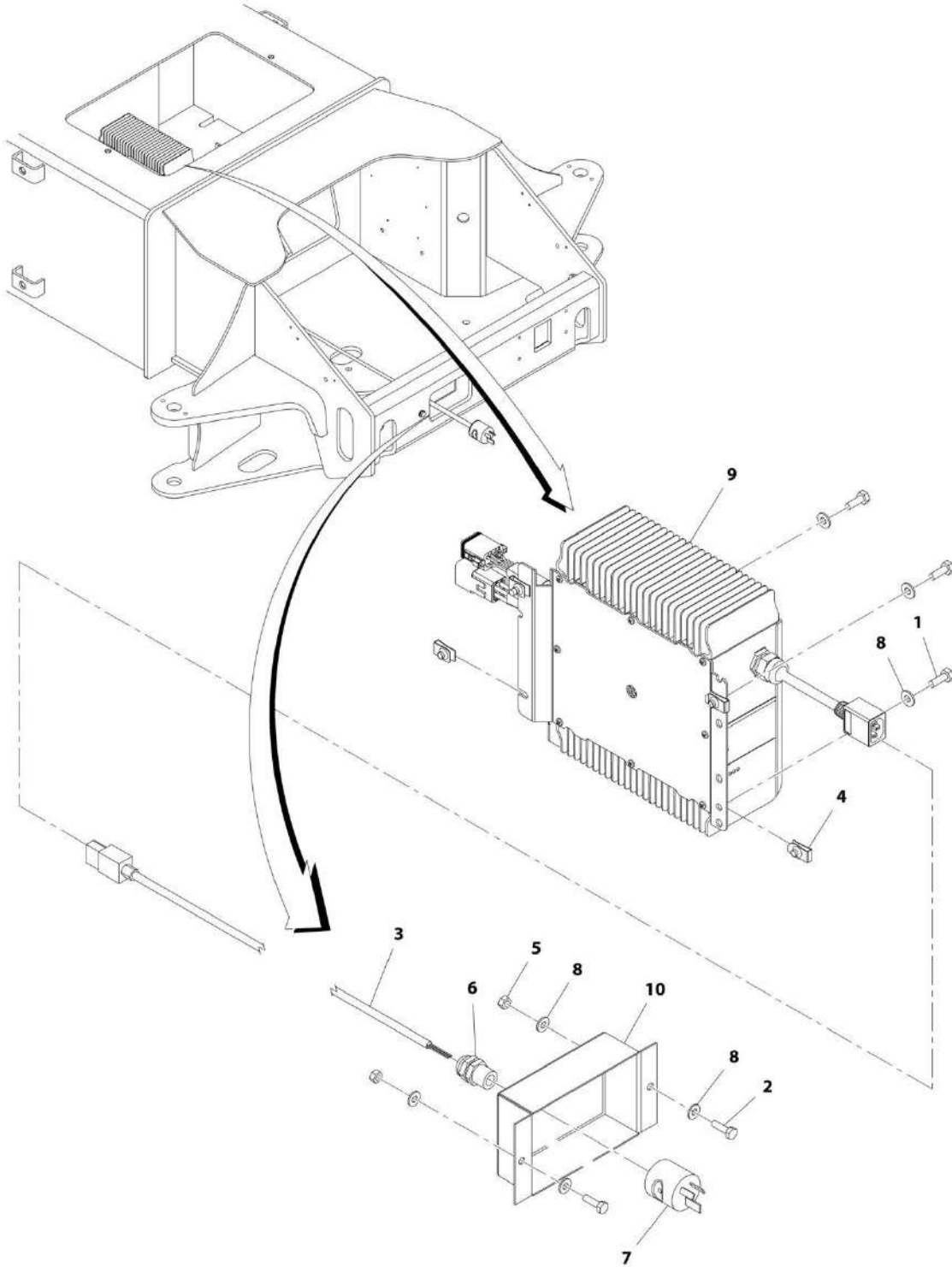
SECTION 1 - FRAME

FIGURE 1-40. BATTERY CHARGER INSTALLATION - M450AJ (ANSI, ANSI EXPORT, CSA AND JAPANESE SPECS)

ITEM	PART NUMBER	QTY	DESCRIPTION	REV
	1001191209	Ref	BATTERY CHARGER INSTALLATION - M450AJ (ANSI, ANSI EXPORT, CSA AND JAPANESE SPECS)	A
1	0641406	4	Bolt 1/4 x 3/4	
2	0641407	2	Bolt 1/4 X 7/8	
3	1060689	1	AC Cord	
4	3300454	4	Nut, Tinnerman	
5	0641405	2	Bolt 1/4 X 5/8	
6	4460138	1	Plug	
7	4460428	1	Connector, Strain Relief	
8	4711400	8	Washer 1/4	
9	1001103105	1	Battery Charger Assembly (See BATTERY CHARGER ASSEMBLY for Breakdown)	
10	1001191212	1	Panel, Cable	

SECTION 1 - FRAME

FIGURE 1-41. BATTERY CHARGER INSTALLATION - M450AJ (AUSTRALIAN SPEC)



ART_1001191208

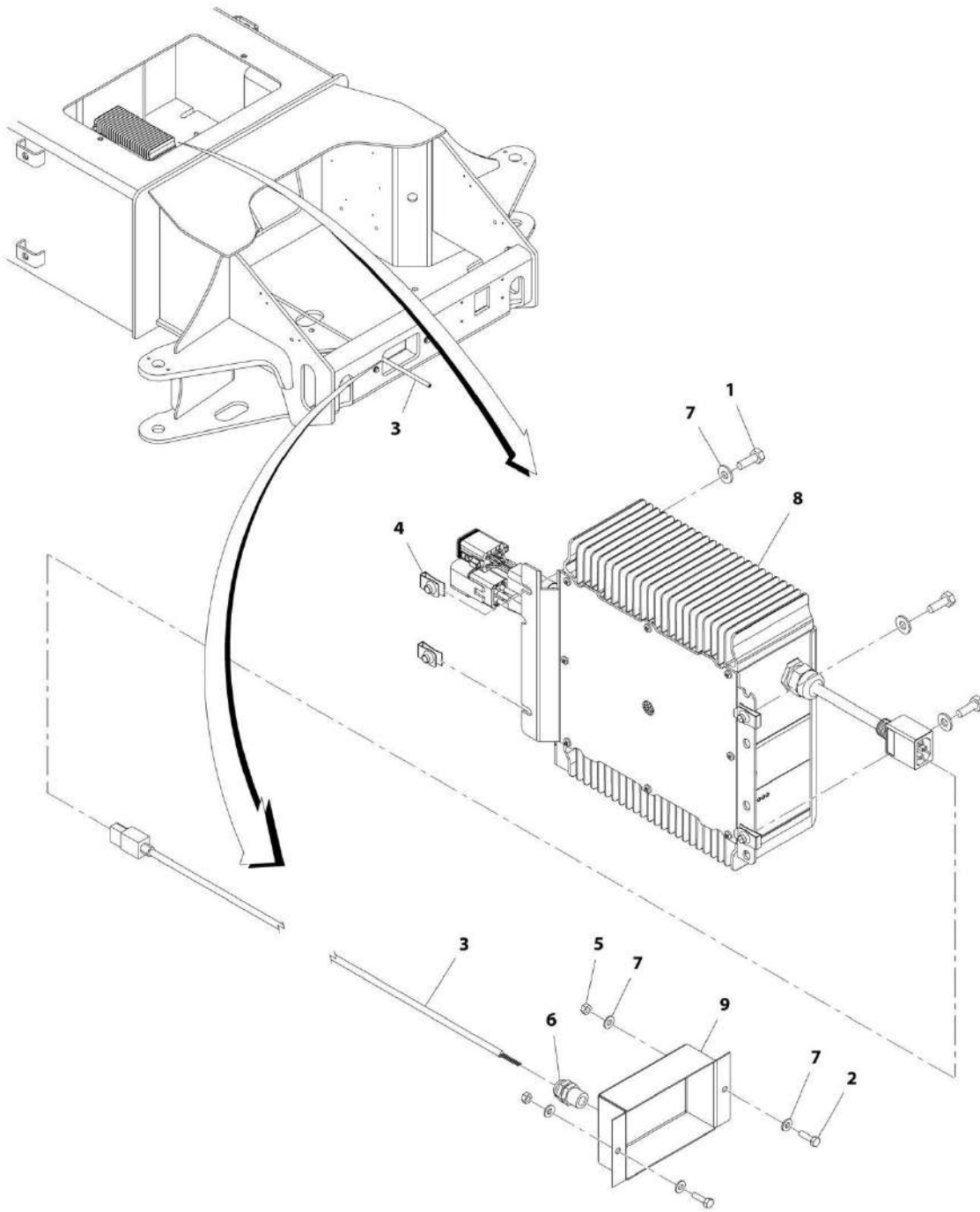
SECTION 1 - FRAME

FIGURE 1-41. BATTERY CHARGER INSTALLATION - M450AJ (AUSTRALIAN SPEC)

ITEM	PART NUMBER	QTY	DESCRIPTION	REV
	1001191208	Ref	BATTERY CHARGER INSTALLATION - M450AJ (AUSTRALIAN SPEC)	A
1	0641406	4	Bolt 1/4 x 3/4	
2	0641407	2	Bolt 1/4 X 7/8	
3	1060689	1	AC Cord	
4	3300454	4	Nut, Tinnerman	
5	0641405	2	Bolt 1/4 X 5/8	
6	4460428	1	Connector, Strain Relief	
7	4460805	1	Plug	
8	4711400	8	Washer 1/4	
9	1001103105	1	Battery Charger Assembly (See BATTERY CHARGER ASSEMBLY for Breakdown)	
10	1001191212	1	Panel, Cable	

SECTION 1 - FRAME

FIGURE 1-42. BATTERY CHARGER INSTALLATION - M450AJ (ANSI EXPORT AND CE SPECS)



ART_1001191207

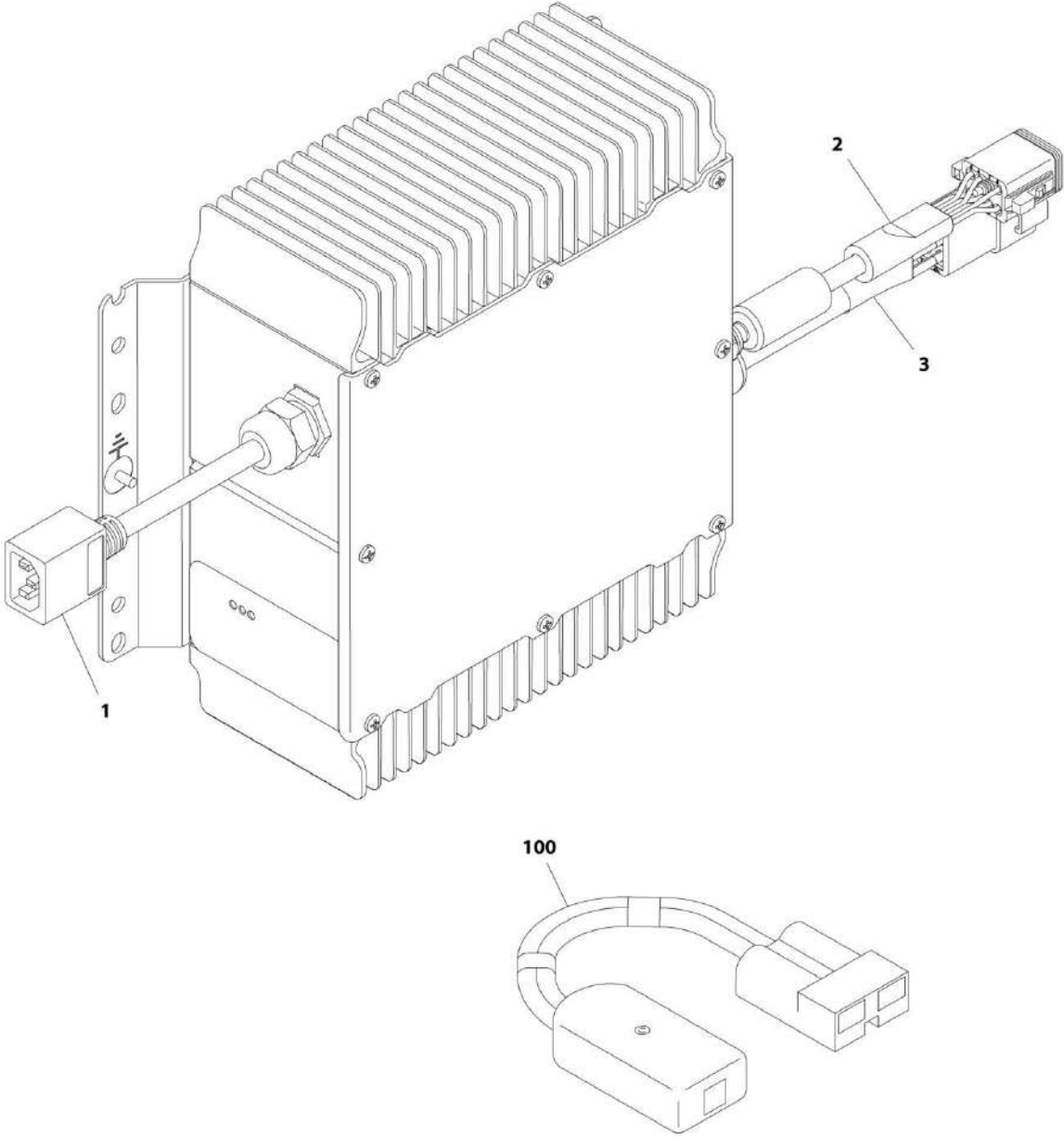
SECTION 1 - FRAME

FIGURE 1-42. BATTERY CHARGER INSTALLATION - M450AJ (ANSI EXPORT AND CE SPECS)

ITEM	PART NUMBER	QTY	DESCRIPTION	REV
	1001191207	Ref	BATTERY CHARGER INSTALLATION - M450AJ (ANSI EXPORT AND CE SPECS)	A
1	0641406	4	Bolt 1/4 x 3/4	
2	0641407	2	Bolt 1/4 X 7/8	
3	1060689	1	AC Cord	
4	3300454	4	Nut, Tinnerman	
5	0641405	2	Bolt 1/4 X 5/8	
6	4460428	1	Connector, Strain Relief	
7	4711400	8	Washer 1/4	
8	1001103105	1	Battery Charger Assembly (See BATTERY CHARGER ASSEMBLY for Breakdown)	
9	1001191212	1	Panel, Cable	

SECTION 1 - FRAME

FIGURE 1-43. BATTERY CHARGER ASSEMBLY



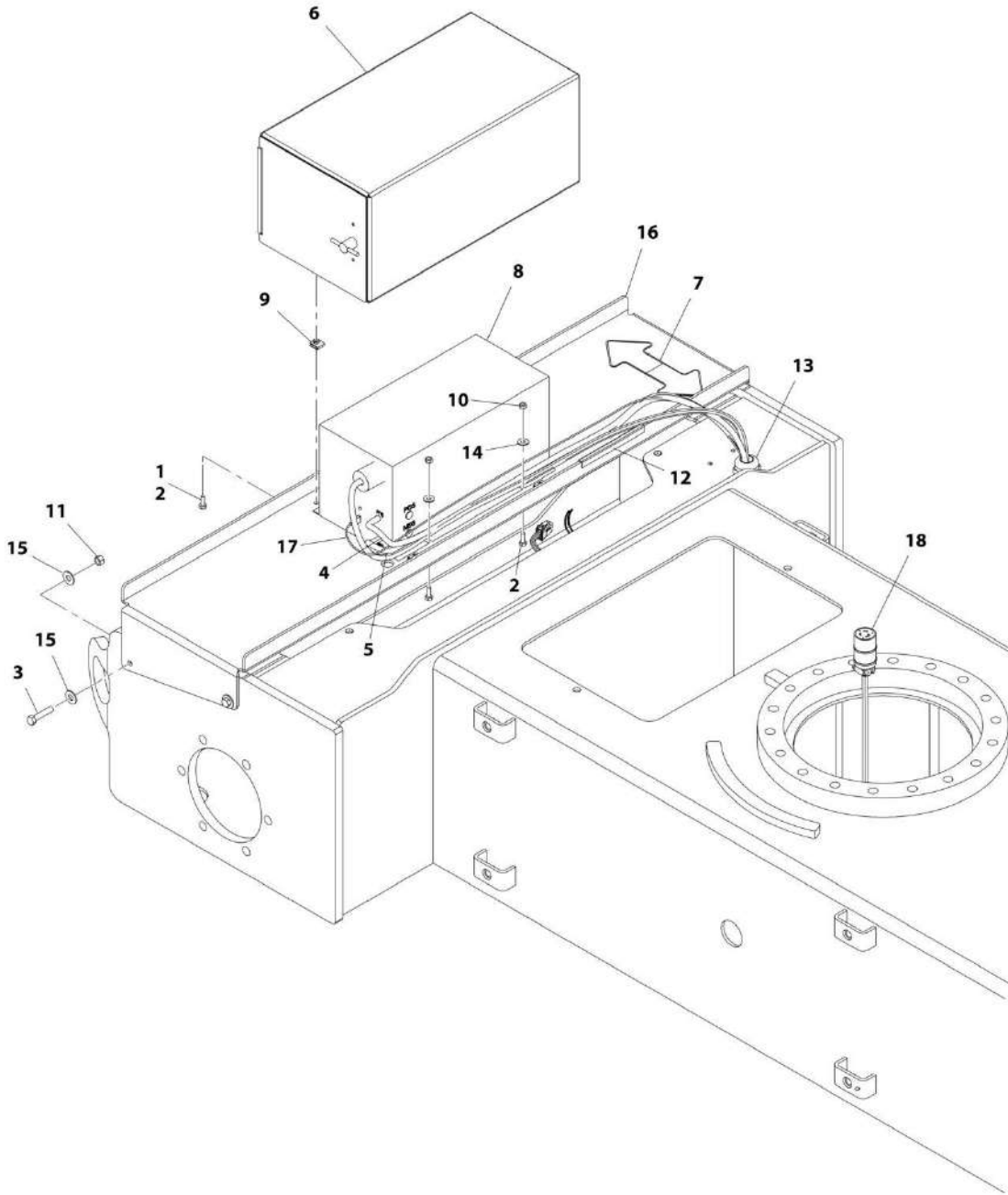
ART_1001103105

FIGURE 1-43. BATTERY CHARGER ASSEMBLY

ITEM	PART NUMBER	QTY	DESCRIPTION	REV
	1001103105	Ref	BATTERY CHARGER ASSEMBLY	D
		Ref	Note: Internal Components are Not Serviceable Replace Complete Assembly.	
1	See Note	1	Harness, Battery Charger AC Plug (Note: Not Available for Purchase)	
1	See Note	1	Connector, Plug (Note: Not Available for Purchase)	
2	See Note	1	Harness, Battery Charger Signal (Note: Not Available for Purchase)	
2	4460930	1	Connector - 8 Position	
2	4460464	7	Socket, Female	
3	See Note	1	Harness, Battery Charger Power (Note: Not Available - Purchase Complete Charger)	
3	1001116811	1	Connector - 4 Position	
3	4460508	4	Pin, Male	
100	2915230	1	BATTERY CHARGER REPROGRAM CONTROLLER KIT (Includes Controller, Software and Instructions)	

SECTION 1 - FRAME

FIGURE 1-44. INVERTER INSTALLATION - E450A/E450AJ



ART_1001192502

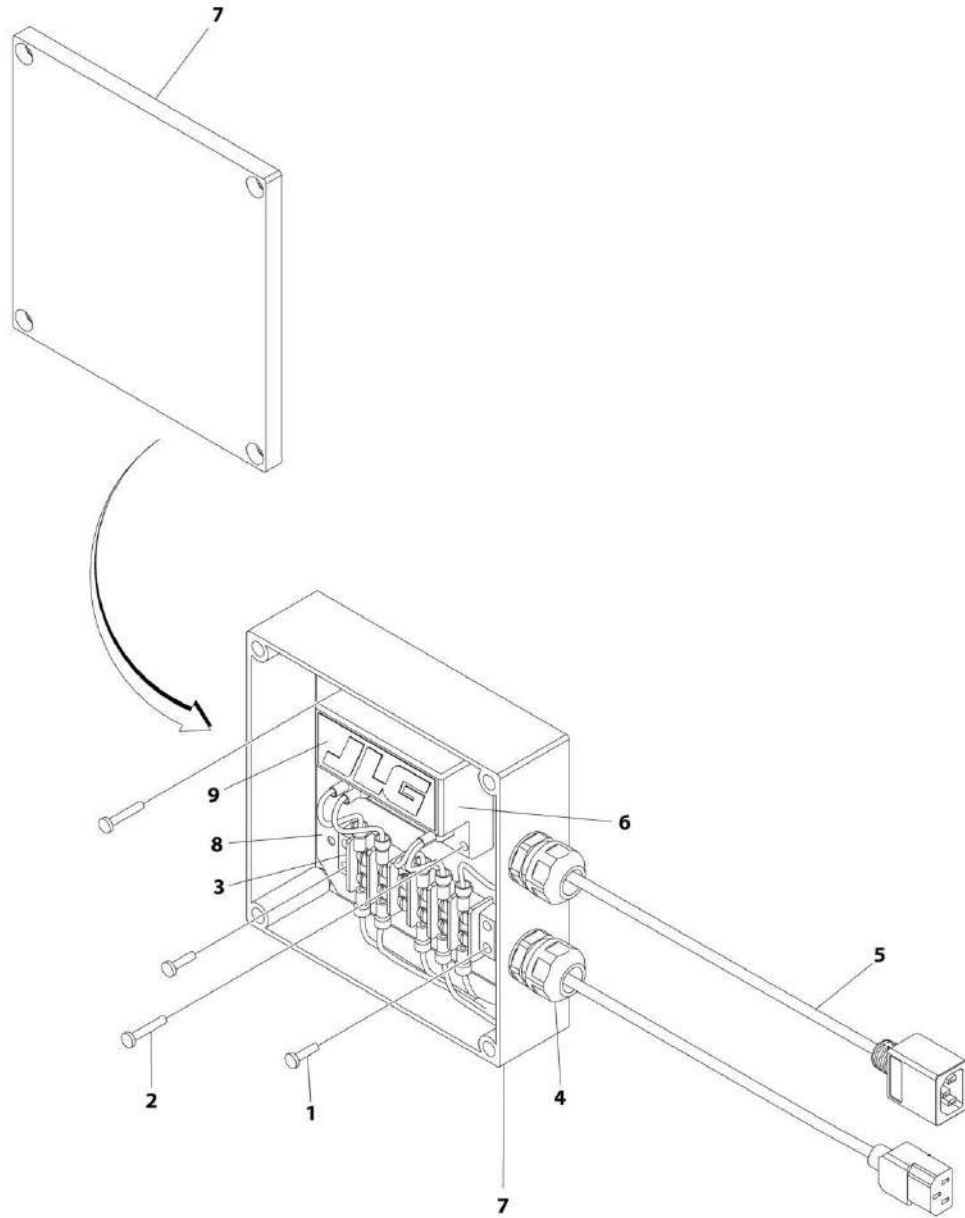
SECTION 1 - FRAME

FIGURE 1-44. INVERTER INSTALLATION - E450A/E450AJ

ITEM	PART NUMBER	QTY	DESCRIPTION	REV
	1001192502	Ref	INVERTER INSTALLATION - E450A/E450AJ	A
		Ref	Note: Optional - Only Available on the E450A & E450AJ.	
1	0100011	AR	Compound, Locking	
2	0641406	8	Bolt, 1/4-20 X 3/4	
3	0641614	4	Bolt, 3/8-16 X 1-3/4	
4	1060801	1	Cable, Battery	
5	1060802	1	Cable, Ground	
6	1670953	1	Cover	
7	1701642	1	Decal - Arrow	
8	2460037	1	Inverter	
9	3300353	4	Nut, Tinnerman	
10	3311405	4	Nut, Lock, 1/4-20	
11	3311605	4	Nut, Lock, 3/8-16	
12	4060805	6 in /150mm	Shield, Flex Trim	
13	4460426	1	Connector, Strain Relief	
14	4751400	4	Washer, 1/4	
15	4751600	8	Washer, 3/8	
16	1001167014	1	Bracket	
17	1001192293	1	Inverter Ignition Harness (See ELECTRICAL SECTION for Breakdown)	
18	1001182296	1	Inverter Harness (See ELECTRICAL SECTION for Breakdown)	

SECTION 1 - FRAME

FIGURE 1-45. VOLTAGE GUARD ASSEMBLY AND INSTALLATION (ANSI EXPORT AND CHINA SPECS)



ART_1001185306

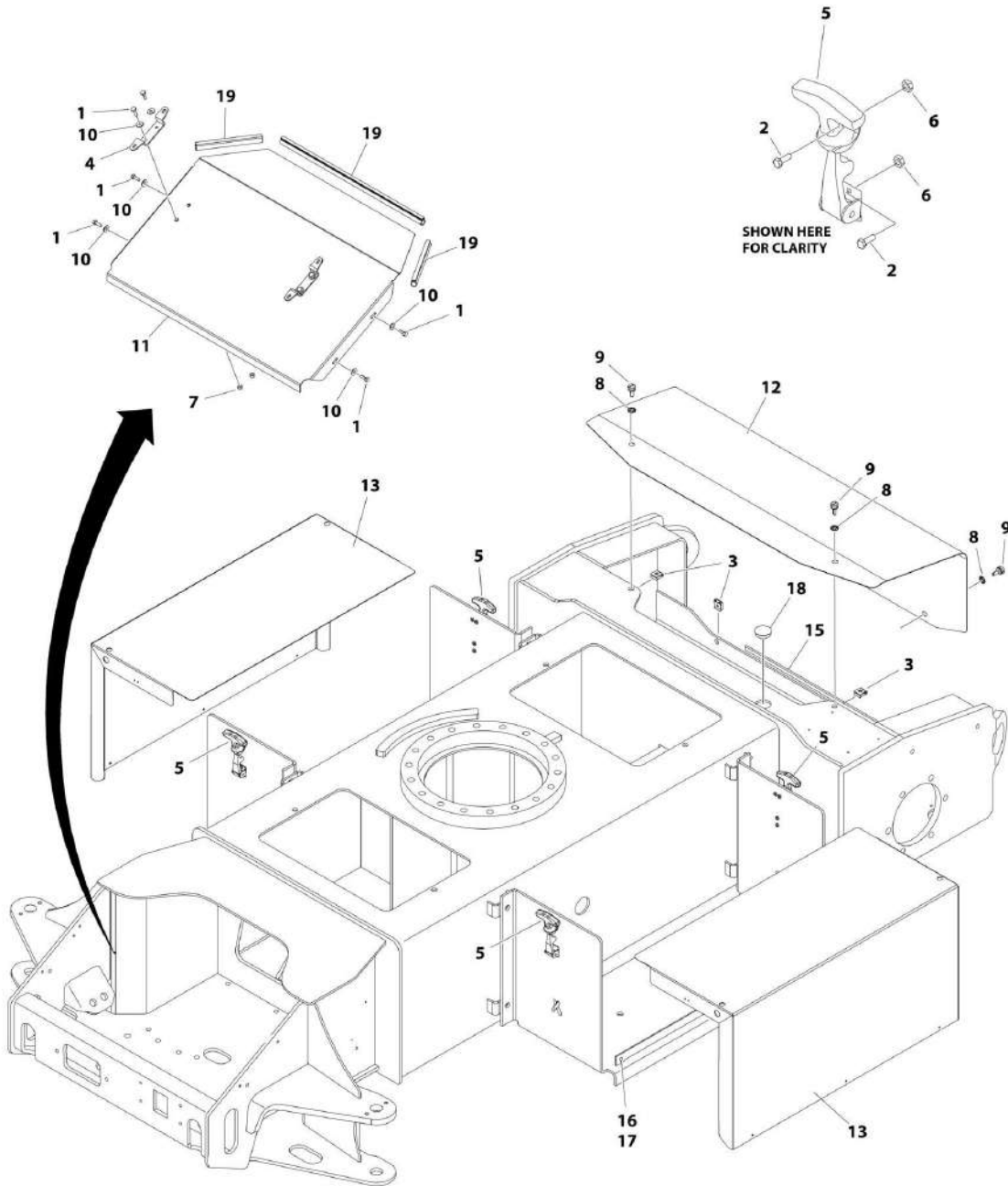
SECTION 1 - FRAME

FIGURE 1-45. VOLTAGE GUARD ASSEMBLY AND INSTALLATION (ANSI EXPORT AND CHINA SPECS)

ITEM	PART NUMBER	QTY	DESCRIPTION	REV
	1001185306	Ref	VOLTAGE GUARD ASSEMBLY AND INSTALLATION (ANSI EXPORT AND CHINA SPECS)	B
1	4010408	2	Screw M4 x 16	
2	4010412	2	Screw M4 x 24	
3	4460007	1	Buss Bar	
4	4460968	2	Connector, Strain Relief	
5	1001184947	1	Harness, OVP Cable Kit	
6	1001185156	1	Module, Voltage Guard	
7	1001186497	1	Box	
8	1001187101	1	Plate	
9	1001187530	1	Decal - JLG	

SECTION 1 - FRAME

FIGURE 1-46. FRAME COVER INSTALLATION - E450A/E450AJ



ART_1001166327

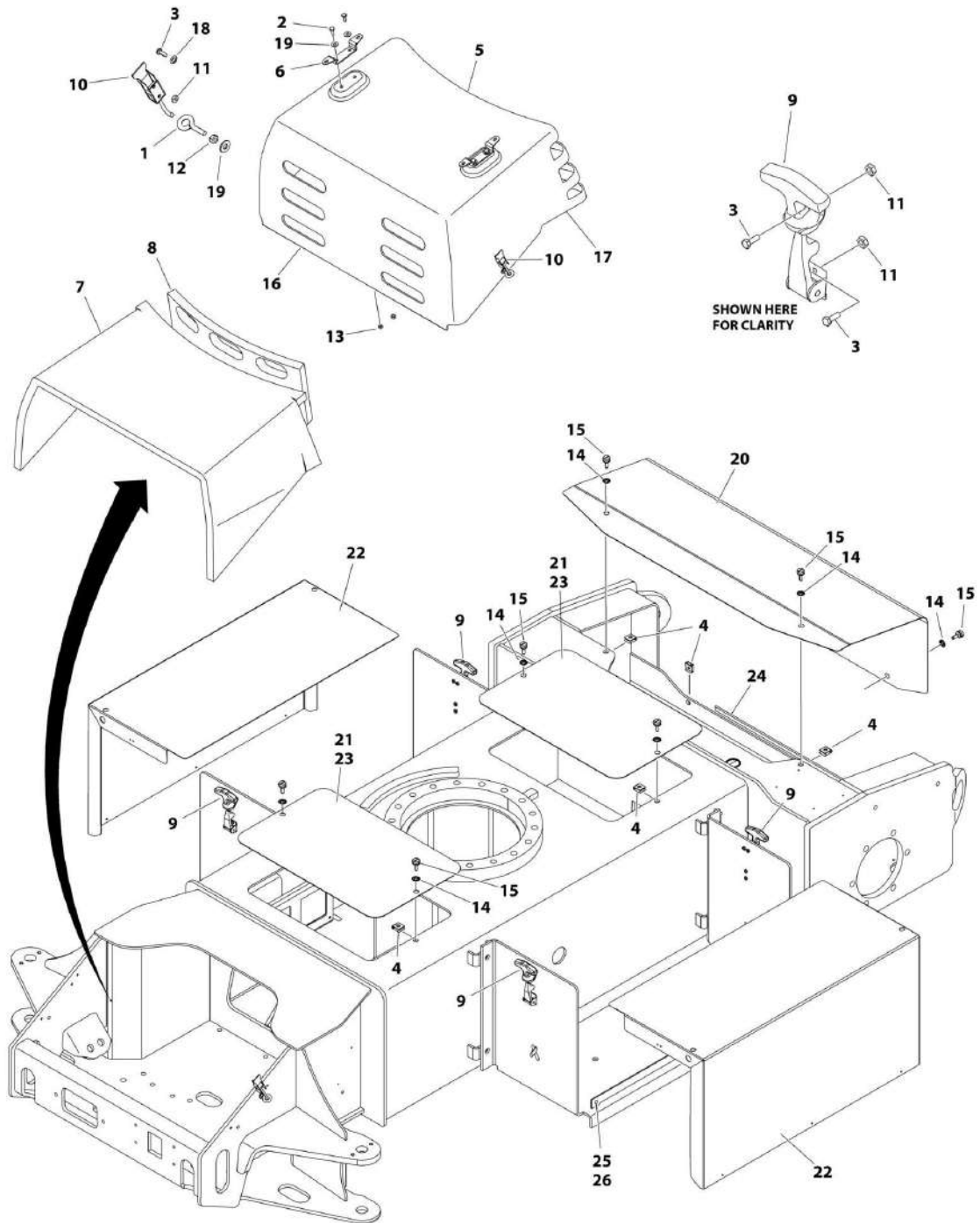
SECTION 1 - FRAME

FIGURE 1-46. FRAME COVER INSTALLATION - E450A/E450AJ

ITEM	PART NUMBER	QTY	DESCRIPTION	REV
	1001166327	Ref	FRAME COVER INSTALLATION - E450A/E450AJ	F
1	0641406	8	Bolt, 1/4-20 X 3/4	
2	0721004	16	Bolt, #10-24 X .500	
3	1380138	4	Clip, Receptacle	
4	2700093	2	Hook	
5	2940095	4	Latch	
6	3311005	16	Nut, Lock, #10-24	
7	3311405	4	Nut, Lock, 1/4-20	
8	3760308	4	Retainer	
9	1001112496	4	Screw, Special	
10	4751400	8	Washer, 1/4	
11	1001166321	1	Cover	
12	1001166330	1	Axle Cover	
13	1001166493	2	Battery Cover	
15	3960447	11 ft /3.4m	Seal	
16	3820019	6	Rivet	
17	1001175025	2	Brace, Battery Tray	
18	3520035	1	Plug, Cap	
19	1001110166	3.5 ft /1.1m	Seal (SN 0300223487 to Present, SN B300001613 to Present)	

SECTION 1 - FRAME

FIGURE 1-47. FRAME COVER INSTALLATION - M450AJ



ART_1001166328

SECTION 1 - FRAME

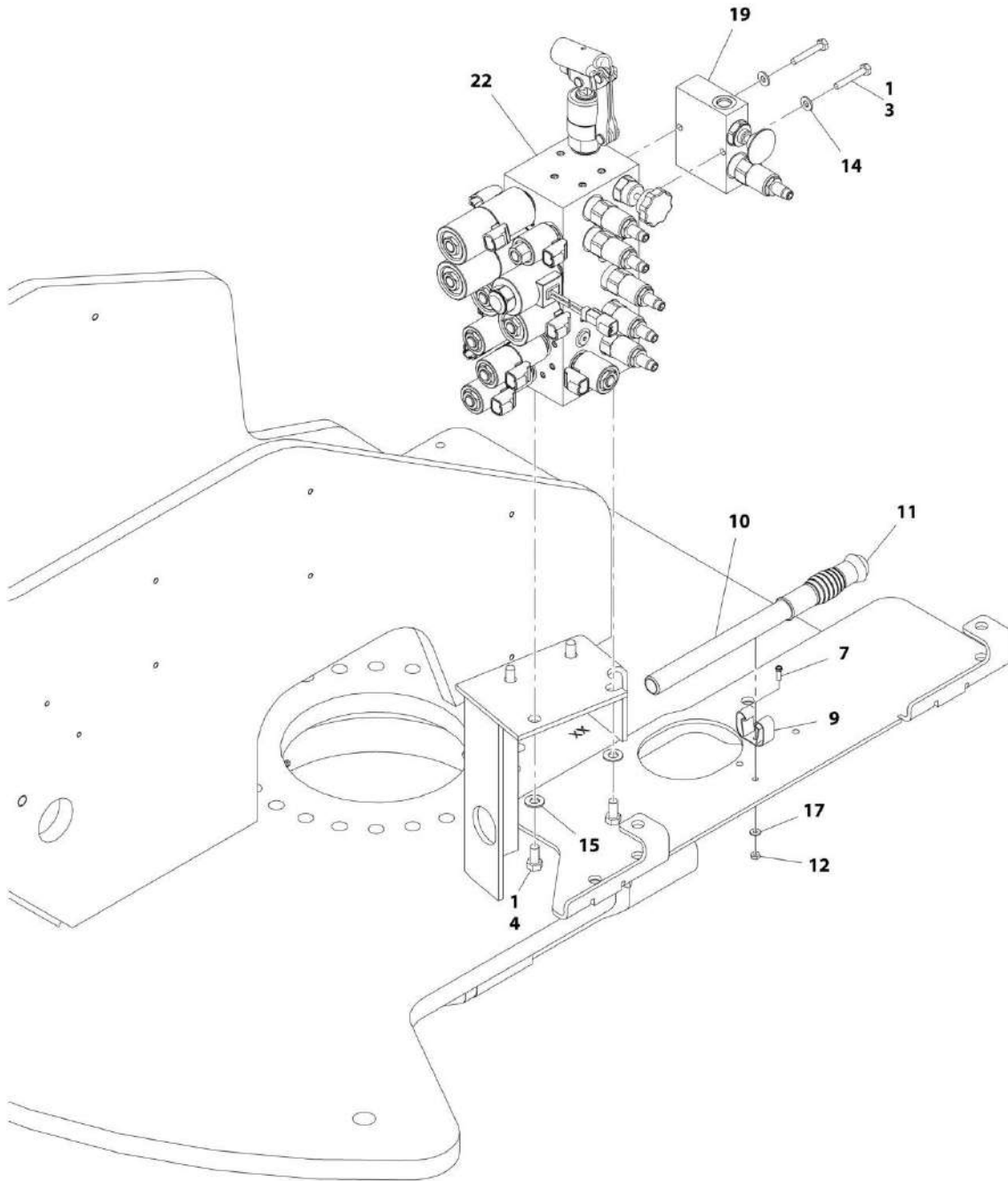
FIGURE 1-47. FRAME COVER INSTALLATION - M450AJ

ITEM	PART NUMBER	QTY	DESCRIPTION	REV
	1001166328	Ref	FRAME COVER INSTALLATION - M450AJ	F
1	0630440	2	Eyebolt	
2	0641406	4	Bolt, 1/4-20 X 3/4	
3	0721004	20	Bolt, #10-24 X .500	
4	1380138	8	Clip, Receptacle	
5	1670880	1	Cover	
6	2700093	2	Hook	
7	2820105	1	Insulation, Acoustical Foam	
8	2820106	1	Insulation, Acoustic Foam	
9	2940095	4	Latch	
10	2940115	2	Latch	
11	3311005	20	Nut, Lock, #10-24	
12	3311401	2	Nut, 1/4-20	
13	3311405	4	Nut, Lock, 1/4-20	
14	3760308	8	Retainer	
15	1001112496	8	Screw, Special	
16	3960389	2.5 ft /0.8m	Seal	
17	4060804	6.5 ft /1.9m	Flex Trim	
18	4751000	4	Washer, 10	
19	4751400	6	Washer, 1/4	
20	1001166330	1	Axle Cover	
21	1001166377	2	Frame Cover	
22	1001166493	2	Battery Cover	
23	3960417	12 ft /3.7m	Seal	
24	3960447	11 ft /3.4m	Seal	
25	3820019	6	Rivet	
26	1001175025	2	Brace, Battery Tray	
27	3520035	1	Plug, Cap	
28	1001182709	1	Insulation, Acoustical Foam	
29	2820110	1	Insulation, Acoustical Foam	

SECTION 2 - TURNTABLE

SECTION 2 - TURNTABLE

FIGURE 2-1. VALVE INSTALLATION- TURNTABLE MOUNTED - E450A



ART_1001180930_20F2

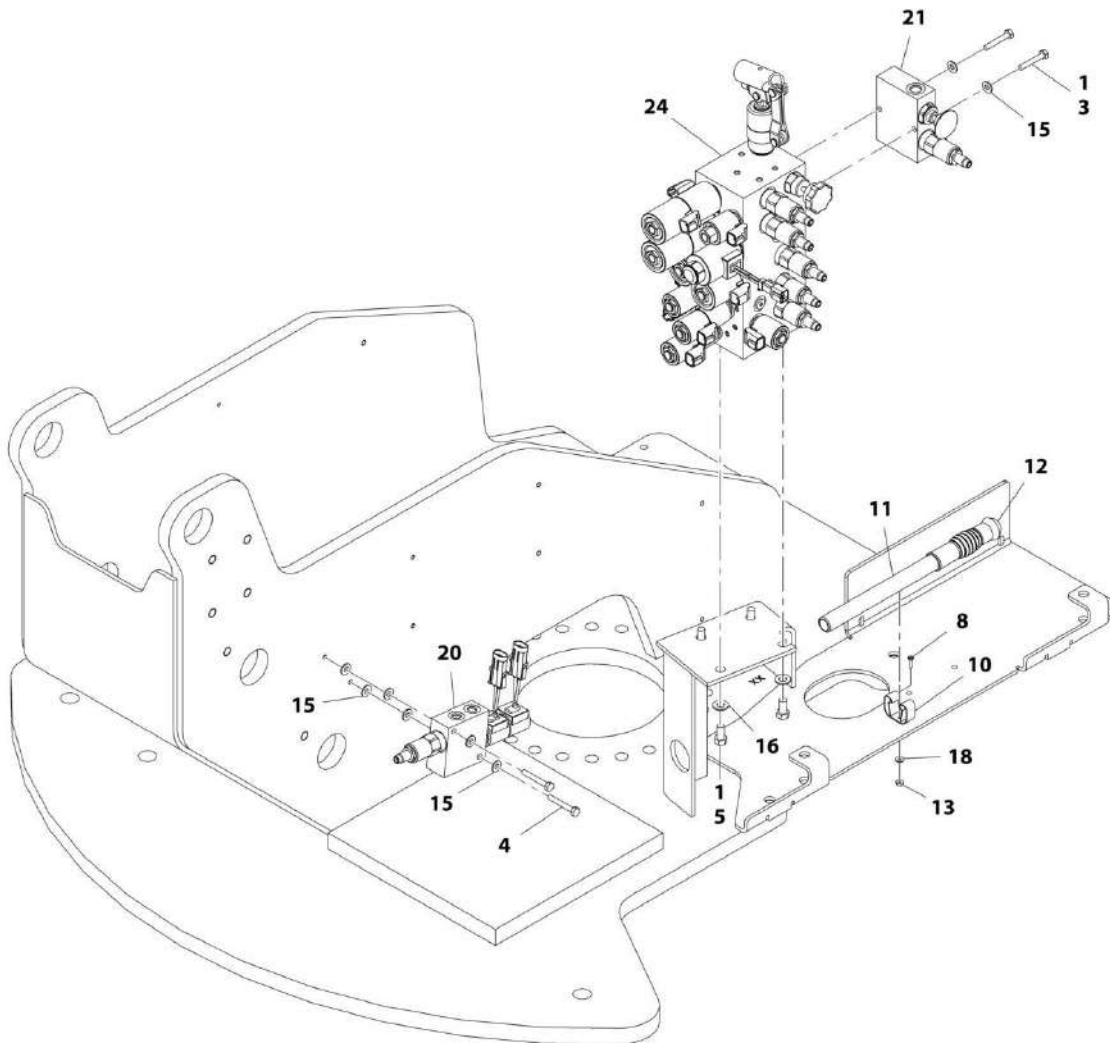
SECTION 2 - TURNTABLE

FIGURE 2-1. VALVE INSTALLATION- TURNTABLE MOUNTED - E450A

ITEM	PART NUMBER	QTY	DESCRIPTION	REV
	1001180930	Ref	VALVE INSTALLATION- TURNTABLE MOUNTED - E450A	B
1	0100011	AR	Compound, Locking	
3	0641413	2	Bolt, 1/4-20 X 1-5/8	
4	0641606	4	Bolt, 3/8-16 X 3/4	
7	0720804	1	Bolt, #8-32 X .500	
9	1380136	1	Clip, Gripper	
10	2560122	1	Handle	
11	2560123	1	Handle, Grip	
12	3310805	1	Nut, Lock #8-32	
14	4711400	2	Washer, 1/4	
15	4711600	4	Washer, 3/8	
17	4750800	1	Washer, #8	
19	1001097777	1	Releveling Valve Assembly (See RELEVELING VALVE ASSEMBLY for Breakdown)	
22	1001180554	1	Main Control Valve Assembly (See MAIN CONTROL VALVE ASSEMBLY for Breakdown)	

SECTION 2 - TURNTABLE

FIGURE 2-2. VALVE INSTALLATION - TURNTABLE MOUNTED - E450AJ (SN 0300208529 through 0300233451, SN B300001429 through B300002532)



ART_1001180932_20F2

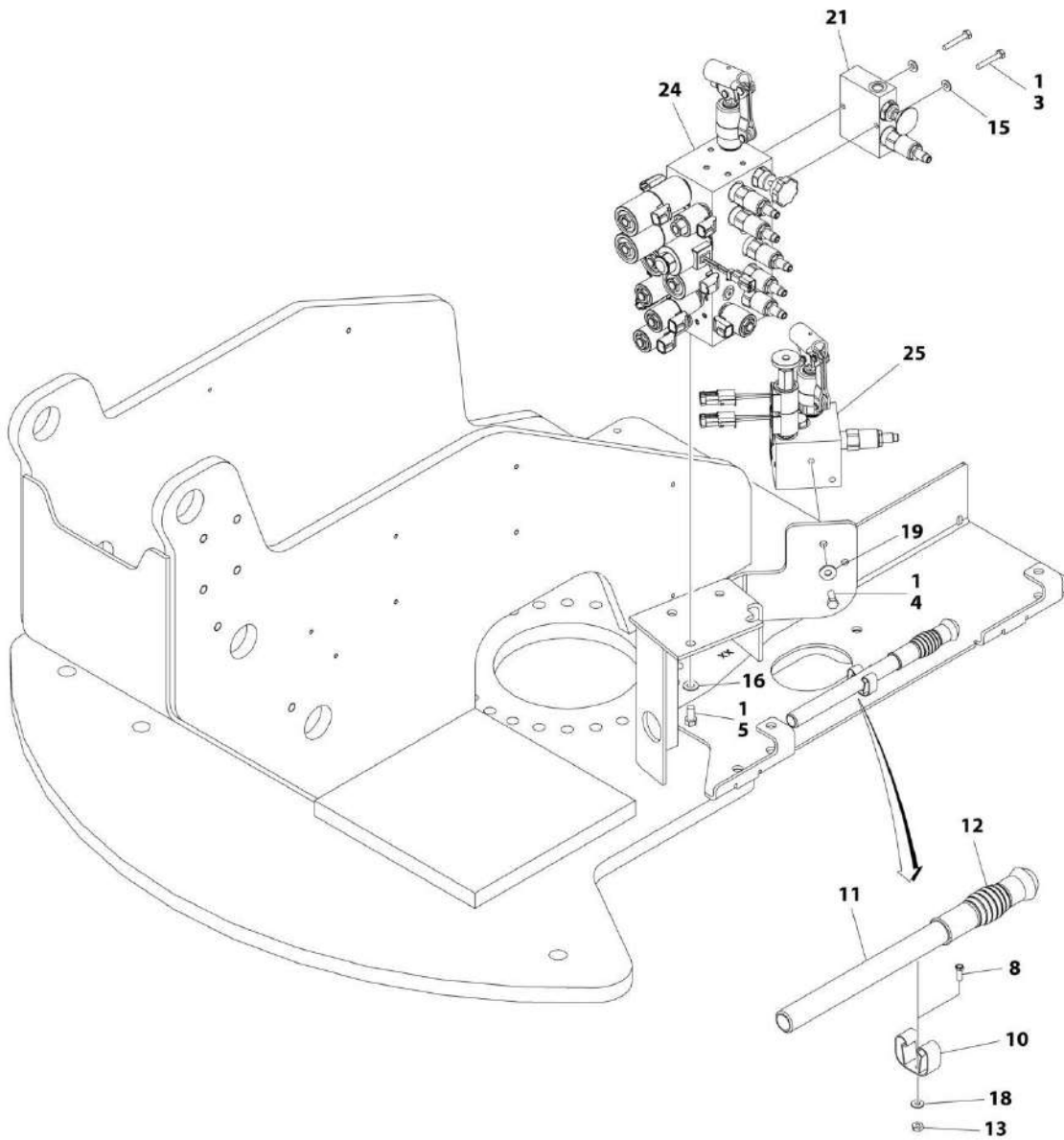
SECTION 2 - TURNTABLE

FIGURE 2-2. VALVE INSTALLATION - TURNTABLE MOUNTED - E450AJ (SN 0300208529 through 0300233451, SN B300001429 through B300002532)

ITEM	PART NUMBER	QTY	DESCRIPTION	REV
	1001180932	Ref	VALVE INSTALLATION - TURNTABLE MOUNTED - E450AJ (SN 0300208529 through 0300233451, SN B300001429 through B300002532)	C
1	0100011	AR	Compound, Locking	
3	0641413	2	Bolt, 1/4-20 X 1-5/8	
4	0641414	2	Bolt, 1/4-20 X 1-3/4	
5	0641606	4	Bolt, 3/8-16 X 3/4	
8	0720804	1	Bolt, #8-32 X .500	
10	1380136	1	Clip, Gripper	
11	2560122	1	Handle	
12	2560123	1	Handle, Grip	
13	3310805	1	Nut, Lock #8-32	
15	4711400	8	Washer, 1/4	
16	4711600	4	Washer, 3/8	
18	4750800	1	Washer, #8	
20	1001097775	1	Jib Valve Assembly (See JIB VALVE ASSEMBLY for Breakdown)	
21	1001097777	1	Releveling Valve Assembly (See RELEVELING VALVE ASSEMBLY for Breakdown)	
24	1001180554	1	Main Control Valve Assembly (See MAIN CONTROL VALVE ASSEMBLY for Breakdown)	

SECTION 2 - TURNTABLE

FIGURE 2-3. VALVE INSTALLATION - TURNTABLE MOUNTED - E450AJ (SN 0300233452 to Present, SN B300002533 to Present)



ART_1001218371_2OF2

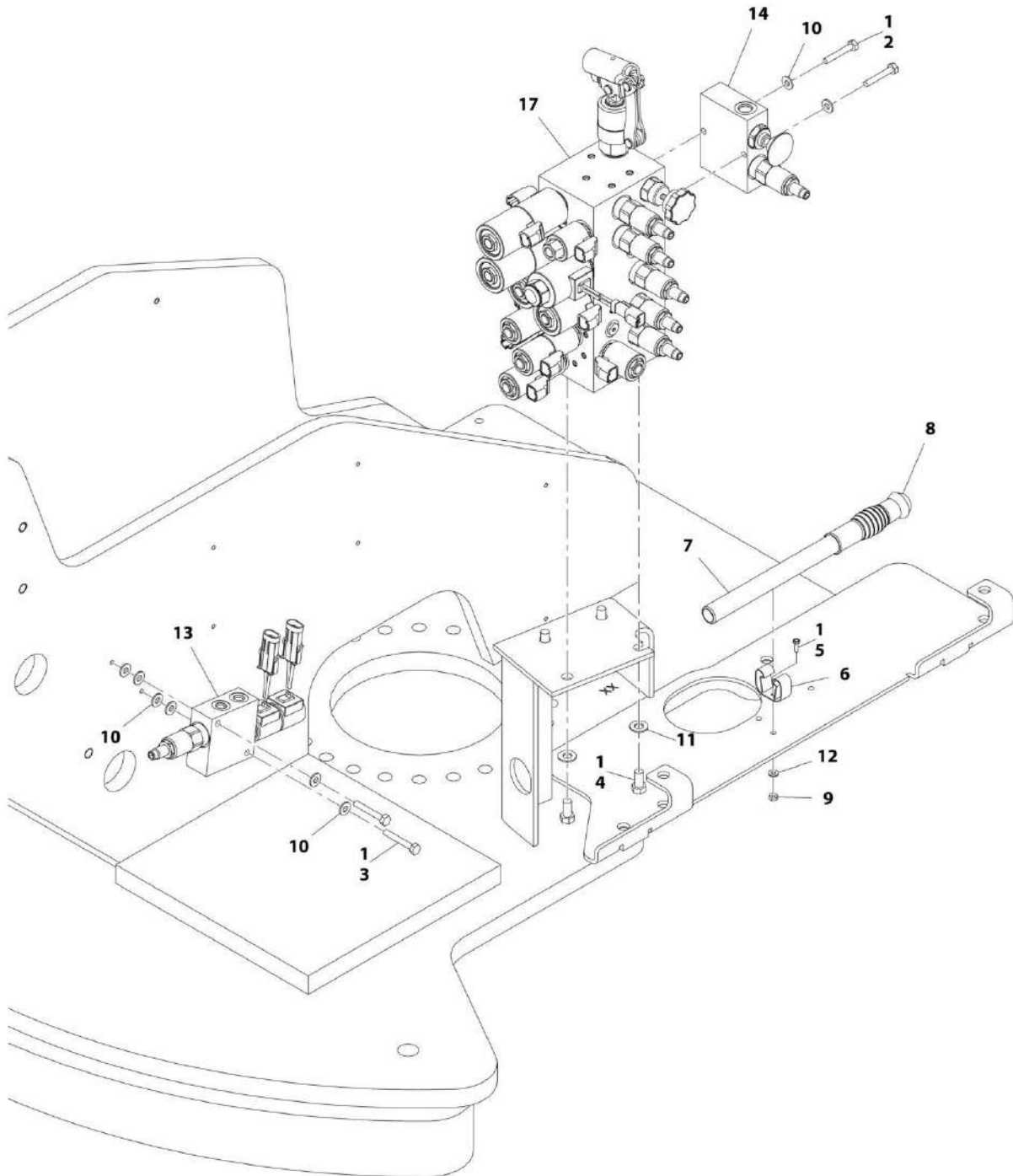
SECTION 2 - TURNTABLE

FIGURE 2-3. VALVE INSTALLATION - TURNTABLE MOUNTED - E450AJ (SN 0300233452 to Present, SN B300002533 to Present)

ITEM	PART NUMBER	QTY	DESCRIPTION	REV
	1001218371	Ref	VALVE INSTALLATION - TURNTABLE MOUNTED - E450AJ (SN 0300233452 to Present, SN B300002533 to Present)	A
1	0100011	AR	Compound, Locking	
3	0641413	2	Bolt 1/4 x 1-5/8	
4	0641507	2	Bolt 5/16 x 7/8	
5	0641606	4	Bolt 3/8 x 3/4	
8	0720804	1	Bolt #8-32 x .500	
10	1380136	1	Clip, Gripper	
11	2560122	1	Handle	
12	2560123	1	Handle, Grip	
13	3310805	1	Nut, Lock #8-32	
15	4711400	2	Washer 1/4	
16	4711600	4	Washer 3/8	
18	4750800	1	Washer #8	
19	4751500	2	Washer 5/16	
21	1001097777	1	Releveling Valve Assembly (See RELEVELING VALVE ASSEMBLY for Breakdown)	
24	1001180554	1	Main Control Valve Assembly (See MAIN CONTROL VALVE ASSEMBLY for Breakdown)	
25	1001216920	1	Jib Valve Assembly (See JIB VALVE ASSEMBLY for Breakdown)	

SECTION 2 - TURNTABLE

FIGURE 2-4. VALVE INSTALLATION - TURNTABLE MOUNTED - M450AJ (SN 0300208529 through 0300233451)



ART_1001180933_2OF2

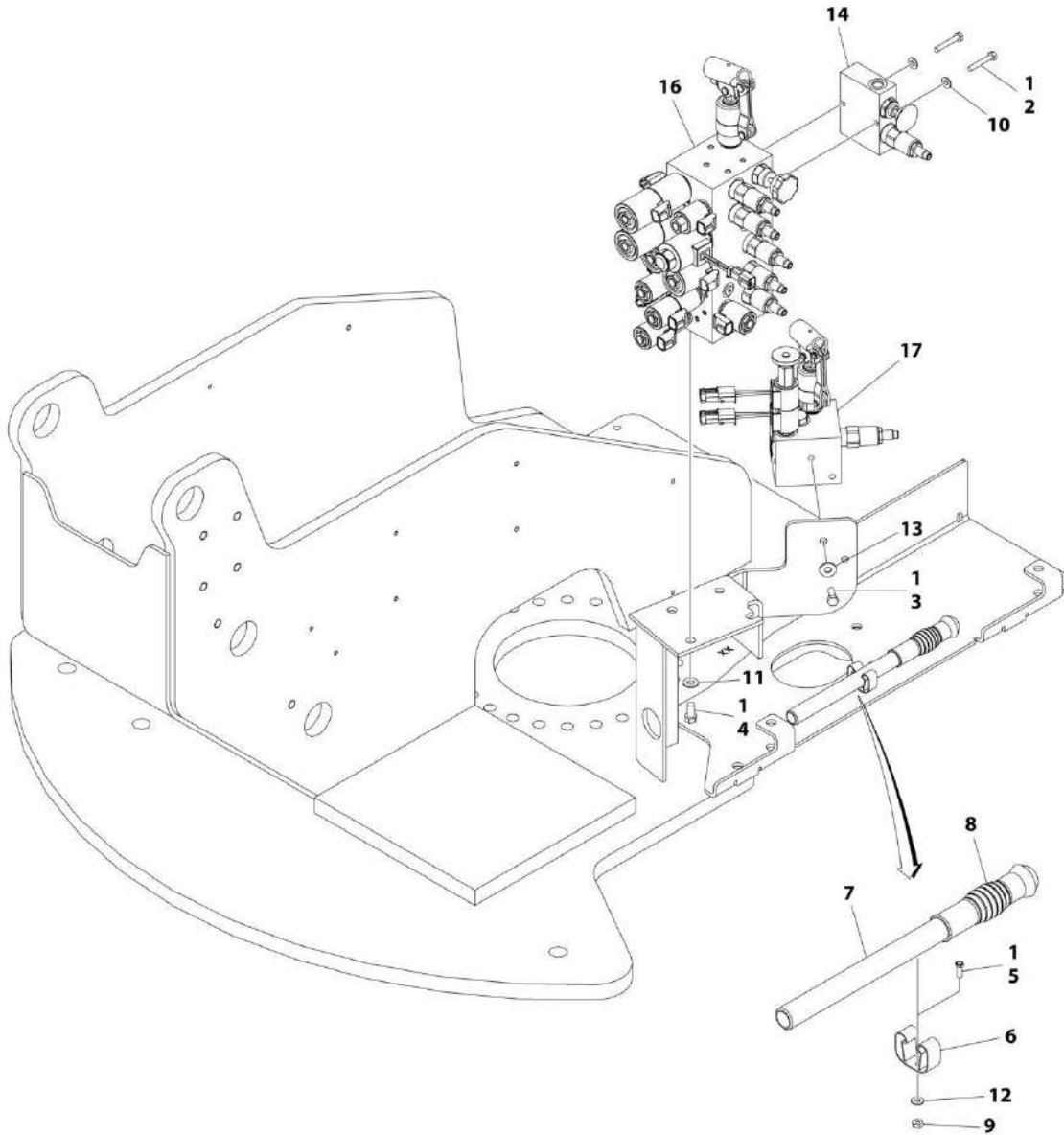
SECTION 2 - TURNTABLE

FIGURE 2-4. VALVE INSTALLATION - TURNTABLE MOUNTED - M450AJ (SN 0300208529 through 0300233451)

ITEM	PART NUMBER	QTY	DESCRIPTION	REV
	1001180933	Ref	VALVE INSTALLATION - TURNTABLE MOUNTED - M450AJ (SN 0300208529 through 0300233451)	C
1	0100011	AR	Compound, Locking	
2	0641413	2	Bolt, 1/4-20 X 1-5/8	
3	0641414	2	Bolt, 1/4-20 X 1-3/4	
4	0641606	4	Bolt, 3/8-16 X 3/4	
5	0720804	1	Bolt, #8-32 X .500	
6	1380136	1	Clip, Gripper	
7	2560122	1	Handle	
8	2560123	1	Handle, Grip	
9	3310805	1	Nut, Lock #8-32	
10	4711400	6	Washer, 1/4	
11	4711600	4	Washer, 3/8	
12	4750800	1	Washer, #8	
13	1001097775	1	Jib Valve Assembly (See JIB VALVE ASSEMBLY for Breakdown)	
14	1001097777	1	Releveling Valve Assembly (See RELEVELING VALVE ASSEMBLY for Breakdown)	
17	1001180554	1	Main Control Valve Assembly (See MAIN CONTROL VALVE ASSEMBLY for Breakdown)	

SECTION 2 - TURNTABLE

FIGURE 2-5. VALVE INSTALLATION - TURNTABLE MOUNTED - M450AJ (SN 0300233452 to Present)



ART_1001218372_2OF2

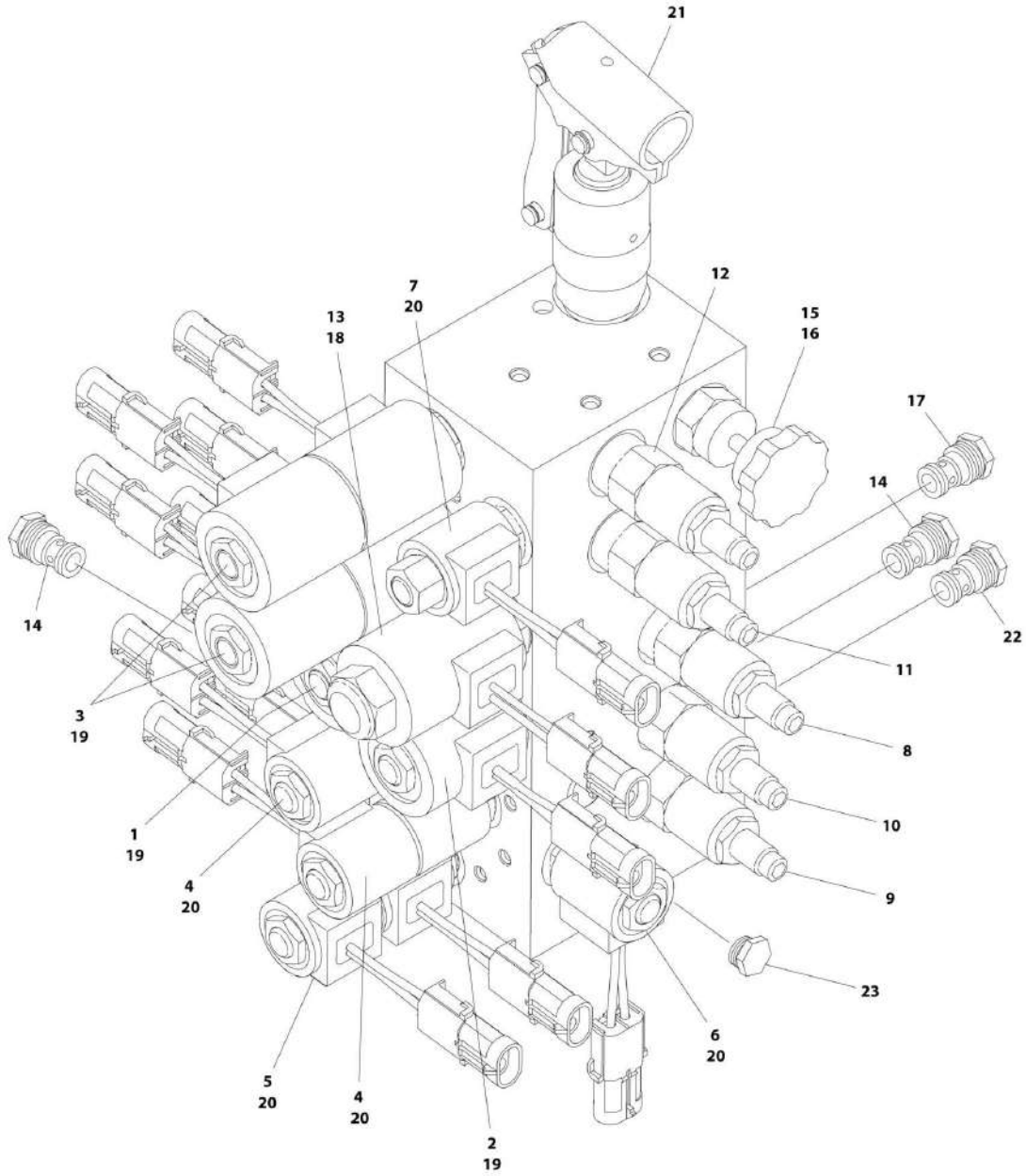
SECTION 2 - TURNTABLE

FIGURE 2-5. VALVE INSTALLATION - TURNTABLE MOUNTED - M450AJ (SN 0300233452 to Present)

ITEM	PART NUMBER	QTY	DESCRIPTION	REV
	1001218372	Ref	VALVE INSTALLATION - TURNTABLE MOUNTED - M450AJ (SN 0300233452 to Present)	A
1	0100011	AR	Compound, Locking	
2	0641413	3	Bolt 1/4 x 1-5/8	
3	0641507	2	Bolt 5/16 x 7/8	
4	0641606	4	Bolt 3/8 x 3/4	
5	0720804	1	Bolt #8-32 x .500	
6	1380136	1	Clip, Gripper	
7	2560122	1	Handle	
8	2560123	1	Handle, Grip	
9	3310805	1	Nut, Lock #8-32	
10	4711400	2	Washer 1/4	
11	4711600	4	Washer 3/8	
12	4750800	1	Washer #8	
13	4751500	2	Washer 5/16	
14	1001097777	1	Releveling Valve Assembly (See RELEVELING VALVE ASSEMBLY for Breakdown)	
16	1001180554	1	Main Control Valve Assembly (See MAIN CONTROL VALVE ASSEMBLY for Breakdown)	
17	1001216920	1	Jib Valve Assembly (See JIB VALVE ASSEMBLY for Breakdown)	

SECTION 2 - TURNTABLE

FIGURE 2-6. MAIN CONTROL VALVE ASSEMBLY



ART_1001180554

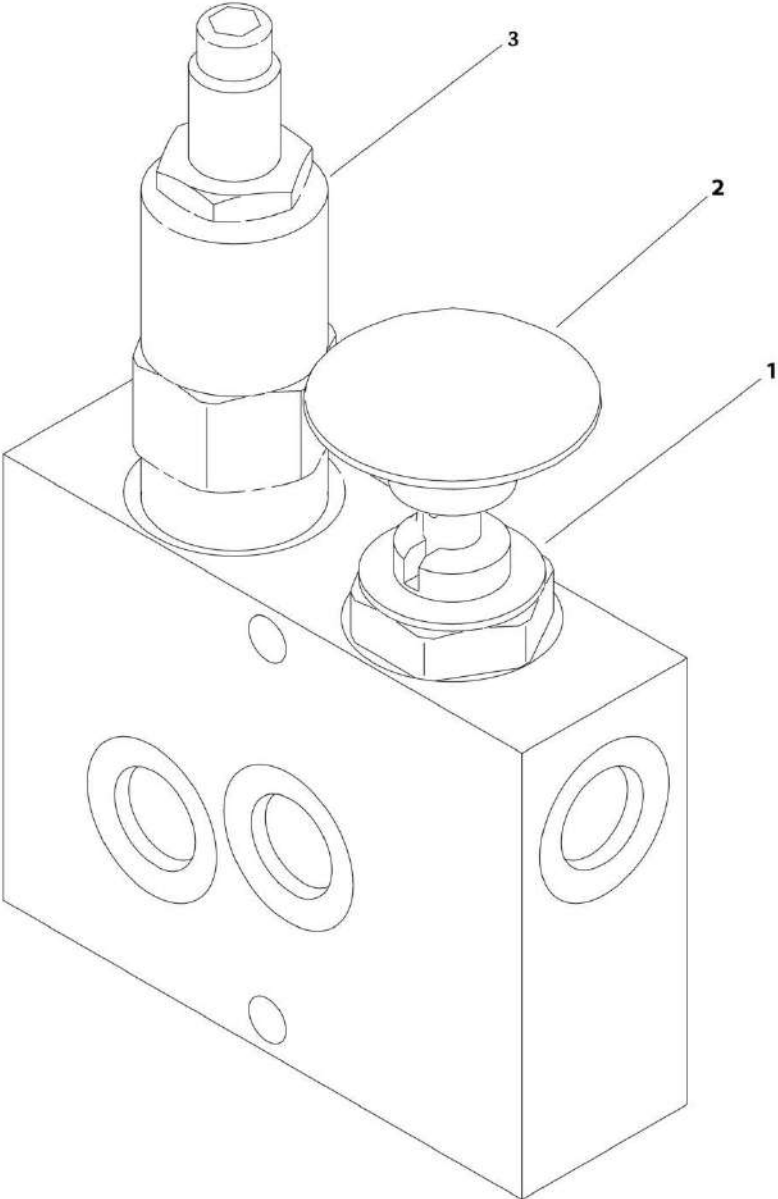
SECTION 2 - TURNTABLE

FIGURE 2-6. MAIN CONTROL VALVE ASSEMBLY

ITEM	PART NUMBER	QTY	DESCRIPTION	REV
	1001180554	Ref	MAIN CONTROL VALVE ASSEMBLY	F
1	7022394	1	Cartridge without Coil (Telescope In)	
1	7012518	1	Seal Kit - 7022394 Cartridge	
2	7012995	1	Cartridge without Coil (Telescope Out)	
2	7012518	1	Seal Kit - 7012995 Cartridge	
3	7021603	2	Cartridge without Coil (Lower and Upper Lift)	
3	7012903	2	Seal Kit - 7021603 Cartridge	
4	7017452	2	Cartridge without Coil (Platform Level)	
4	7017402	2	Seal Kit - 7017452 Cartridge	
5	7017433	1	Cartridge without Coil (Swing)	
5	7017402	1	Seal Kit - 7017433 Cartridge	
6	7021604	1	Cartridge without Coil (Swing Arrest)	
6	7012953	1	Seal Kit - 7021604 Cartridge	
7	7017410	1	Cartridge without Coil (Bypass Unloading)	
7	7012967	1	Seal Kit - 7017410 Cartridge	
8	7017418	1	Cartridge (Telescope)	
8	7012998	1	Seal Kit - 7017418 Cartridge	
9	7017421	1	Cartridge (Platform Level Backward Piston End)	
9	7012998	1	Seal Kit - 7017421 Cartridge	
10	7017418	1	Cartridge (Platform Level Forward Rod End)	
10	7012998	1	Seal Kit - 7017418 Cartridge	
11	70001876	1	Cartridge (Lower Lift Down)	
11	7012998	1	Seal Kit - 70001876 Cartridge	
12	70002806	1	Cartridge (Upper Lift Down)	
12	7012998	1	Seal Kit - 70002806 Cartridge	
13	7021611	1	Cartridge without Coil (Flow Regulator)	
13	7012518	1	Seal Kit - 7021611 Cartridge	
14	7012914	2	Cartridge (Platform Level)	
14	7012918	2	Seal Kit - 7012914 Cartridge	
15	7012947	1	Cartridge (Emergency Descent)	
15	7012518	1	Seal Kit - 7012947 Cartridge	
16	7012961	1	Knob	
17	10837580	1	Cartridge (Telescope)	
17	7010543	1	Seal Kit - 10837580 Cartridge	
18	70005210	1	Coil	
19	7024883	6	Coil	
20	7024885	8	Coil	
21	70004019	1	Pump, Manual	
21	2900756	1	Seal Kit - 70004019 Pump	
21	2560122	1	Handle (Not Shown)	
21	1001114761	1	Handle, Grip (Red) (Not Shown)	
21	2560123	1	Handle, Grip (Black) (Not Shown)	
22	7012975	1	Cartridge (Check)	
22	7012540	1	Seal Kit - 7012975 Cartridge	
23	70000381	1	Plug, Cartridge	
24	70005091	1	Orifice (Swing) (Not Shown)	
25	70004884	1	Orifice (Platform) (Not Shown)	

SECTION 2 - TURNTABLE

FIGURE 2-7. RELEVELING VALVE ASSEMBLY



ART_1001097777

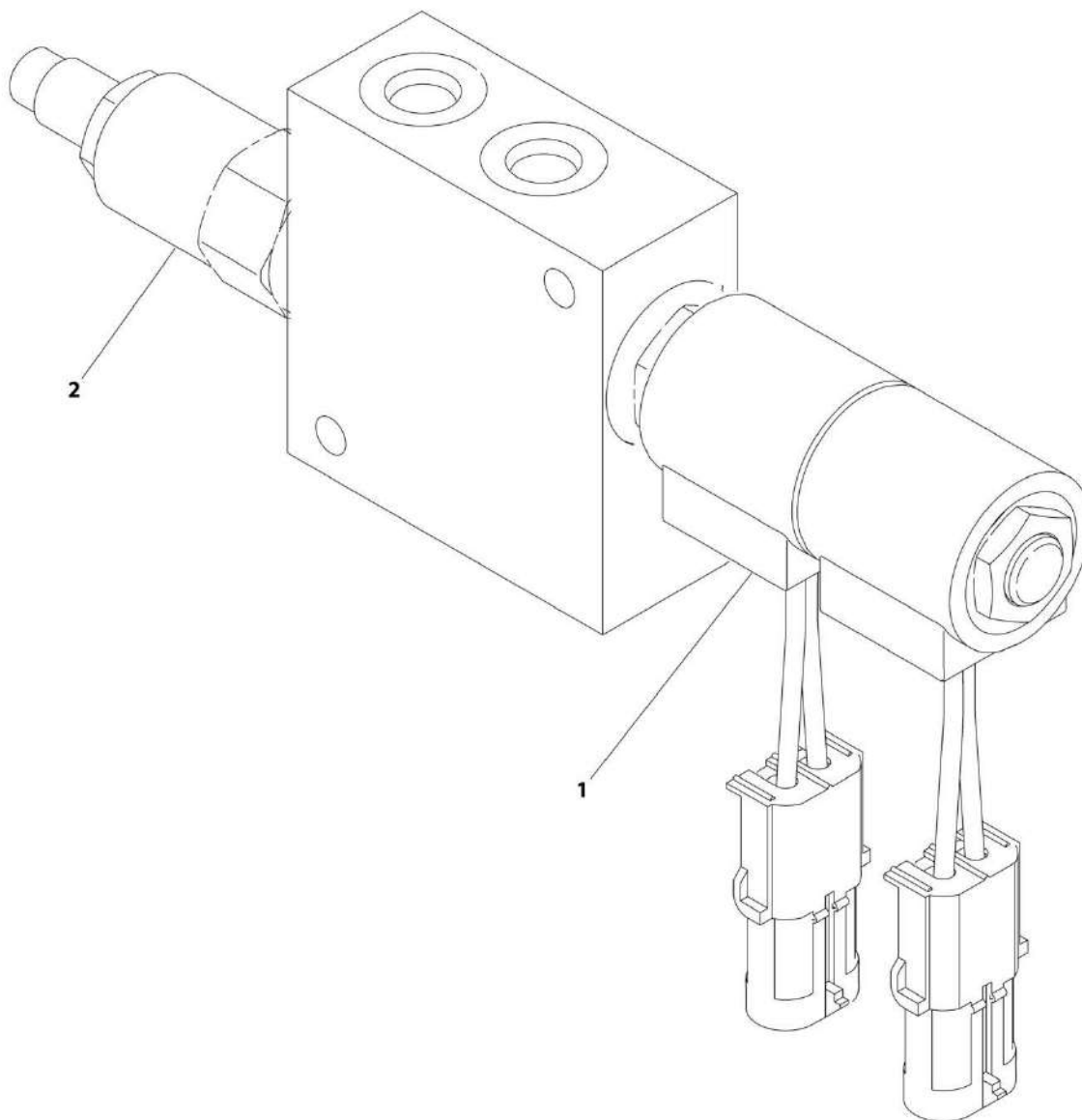
SECTION 2 - TURNTABLE

FIGURE 2-7. RELEVELING VALVE ASSEMBLY

ITEM	PART NUMBER	QTY	DESCRIPTION	REV
	1001097777	Ref	RELEVELING VALVE ASSEMBLY	B
1	7017466	1	Cartridge	
1	7017496	1	Seal Kit - 7017466 Cartridge	
2	7012959	1	Knob	
3	7024891	1	Cartridge	
3	7012953	1	Seal Kit - 7024891 Cartridge	

SECTION 2 - TURNTABLE

FIGURE 2-8. JIB VALVE ASSEMBLY (SN 0300208529 through 0300233452, SN B300001429 through B300002532)



ART_100109775

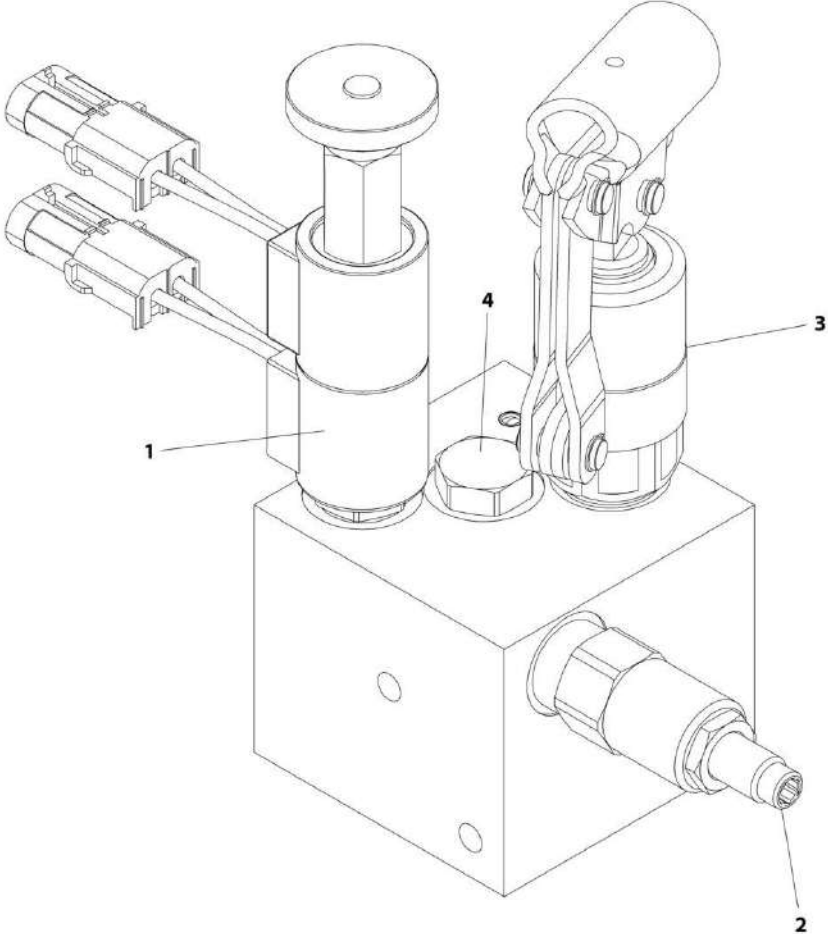
SECTION 2 - TURNTABLE

FIGURE 2-8. JIB VALVE ASSEMBLY (SN 0300208529 through 0300233452, SN B300001429 through B300002532)

ITEM	PART NUMBER	QTY	DESCRIPTION	REV
	1001097775	Ref	JIB VALVE ASSEMBLY (SN 0300208529 through 0300233452, SN B300001429 through B300002532)	C
1	7017452	1	Cartridge without Coil	
1	7017402	1	Seal Kit - 7017452 Cartridge	
1	7021609	2	Coil	
2	70002807	1	Cartridge, Relief Valve	
2	7021653	1	Seal Kit - 70002807 Cartridge	

SECTION 2 - TURNTABLE

FIGURE 2-9. JIB VALVE ASSEMBLY (SN 0300233452 to Present, SN B300002533 to Present)



ART_1001216920

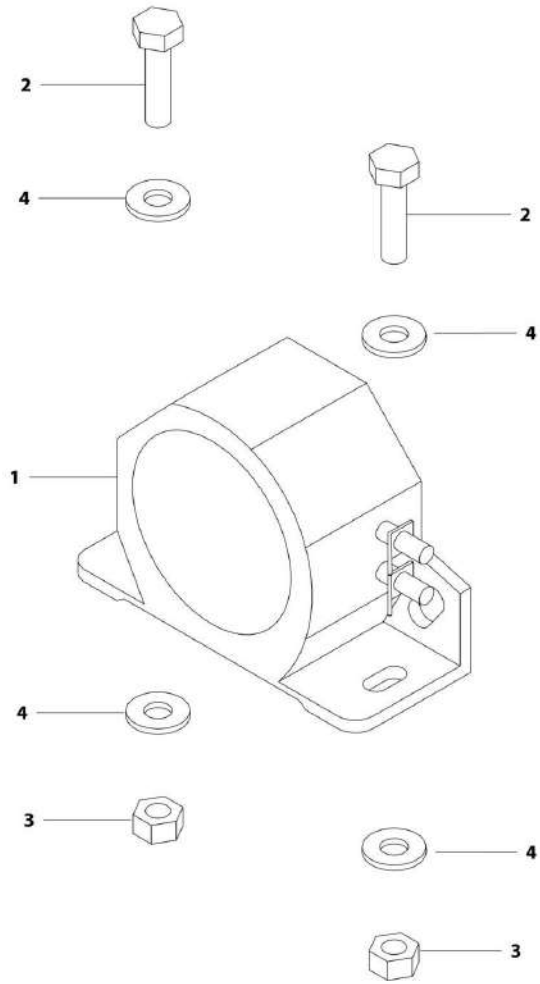
SECTION 2 - TURNTABLE

FIGURE 2-9. JIB VALVE ASSEMBLY (SN 0300233452 to Present, SN B300002533 to Present)

ITEM	PART NUMBER	QTY	DESCRIPTION	REV
	1001216920	Ref	JIB VALVE ASSEMBLY (SN 0300233452 to Present, SN B300002533 to Present)	C
1	70006346	1	Cartridge (Manual Override)	
1	7017402	1	Seal Kit - 70006346 Cartridge	
1	70006348	1	Coil Spacer	
1	7021609	2	Coil	
1	70006347	1	Coil Nut	
2	70006349	1	Cartridge	
2	7021653	1	Seal Kit - 70006349 Cartridge	
3	70005722	1	Cartridge	
3	7017496	1	Seal Kit - 70005722 Cartridge	
3	2560122	1	Handle	
3	1001114761	1	Grip, Handle (Red)	
3	2560123	1	Grip, Handle (Black)	
4	7024887	1	Cartridge	
4	7012998	1	Seal Kit - 7024887 Cartridge	

SECTION 2 - TURNTABLE

FIGURE 2-10. MOTION ALARM INSTALLATION



ART_1001183367

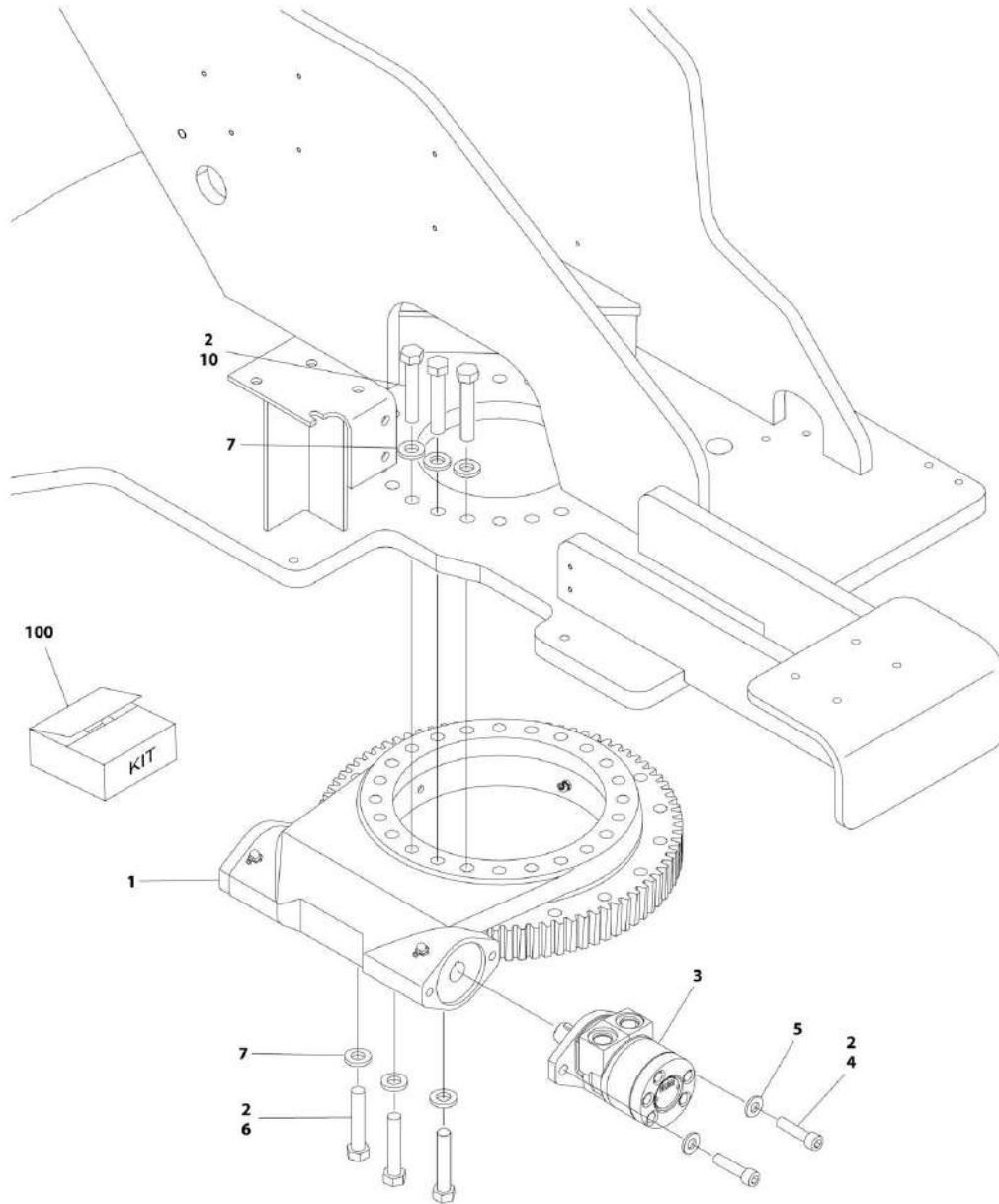
SECTION 2 - TURNTABLE

FIGURE 2-10. MOTION ALARM INSTALLATION

ITEM	PART NUMBER	QTY	DESCRIPTION	REV
	1001183367	Ref	MOTION ALARM INSTALLATION	A
1	0140043	1	Alarm, Motion	
2	0641406	2	Bolt, 1/4-20 X 3/4	
3	3311405	2	Nut, Lock 1/4-20	
4	4711400	2	Washer, 1/4	

SECTION 2 - TURNTABLE

FIGURE 2-11. TURNTABLE BEARING AND SWING DRIVE INSTALLATION



ART_1001166395

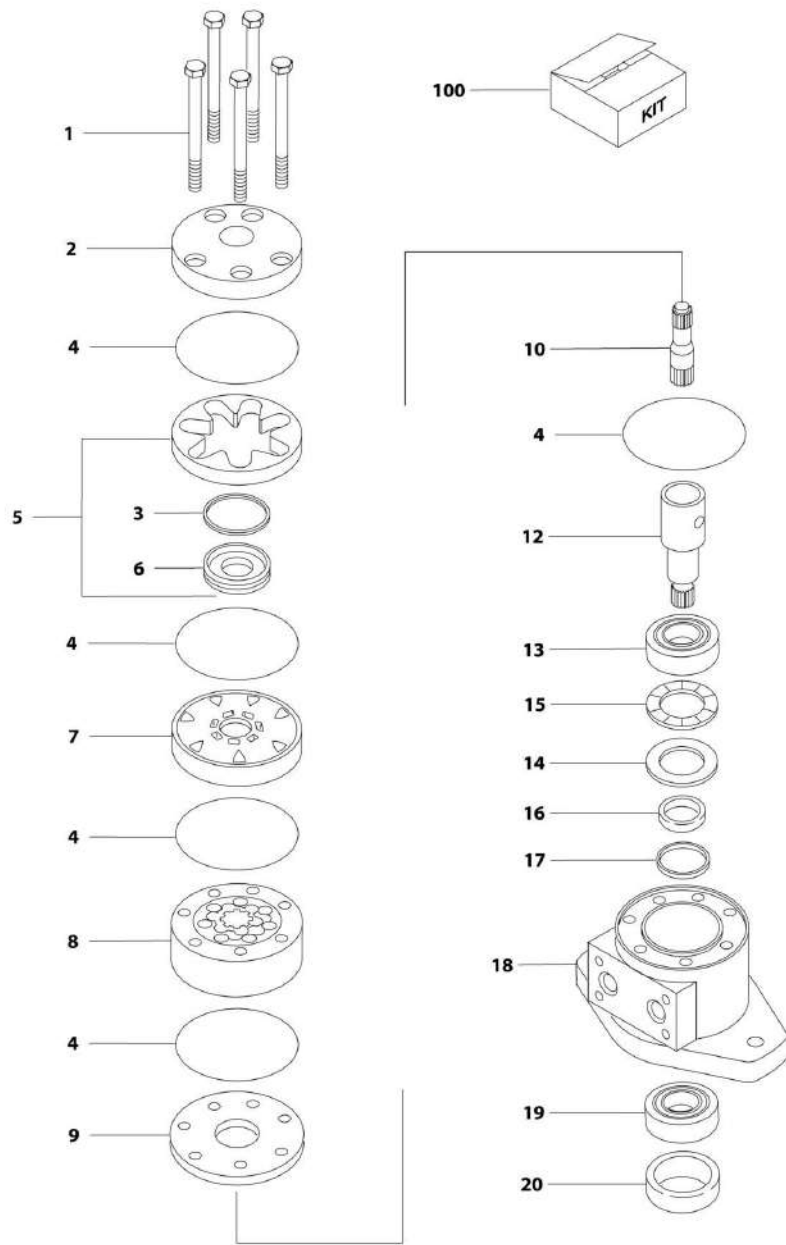
SECTION 2 - TURNTABLE

FIGURE 2-11. TURNTABLE BEARING AND SWING DRIVE INSTALLATION

ITEM	PART NUMBER	QTY	DESCRIPTION	REV
	1001166395	Ref	TURNTABLE BEARING AND SWING DRIVE INSTALLATION	B
1	1001153017	1	Turntable Bearing and Worm Gear Assembly (See SWING BEARING ASSEMBLY for Breakdown)	
2	0100019	AR	Compound, Locking	
3	1001104850	1	Swing Motor Assembly (See SWING MOTOR ASSEMBLY for Breakdown)	
4	3931832	2	Bolt, Allen Head, 1/2-13 X 2	
5	4740171	2	Washer	
6	0682026	18	Bolt, 5/8-11 X 3-1/4, Grade 8	
7	4892000	41	Washer, 5/8	
9	3020029	AR	Lube, Bearing Grease	
10	0682028	23	Bolt, 5/8-11 X 3-1/2, Grade 8	
100	1001160527	1	Turntable Bearing Replacement Kit (Includes Items 1, 4, 5, 6, 7 & 10)	

SECTION 2 - TURNTABLE

FIGURE 2-12. SWING MOTOR ASSEMBLY



ART_1001104850

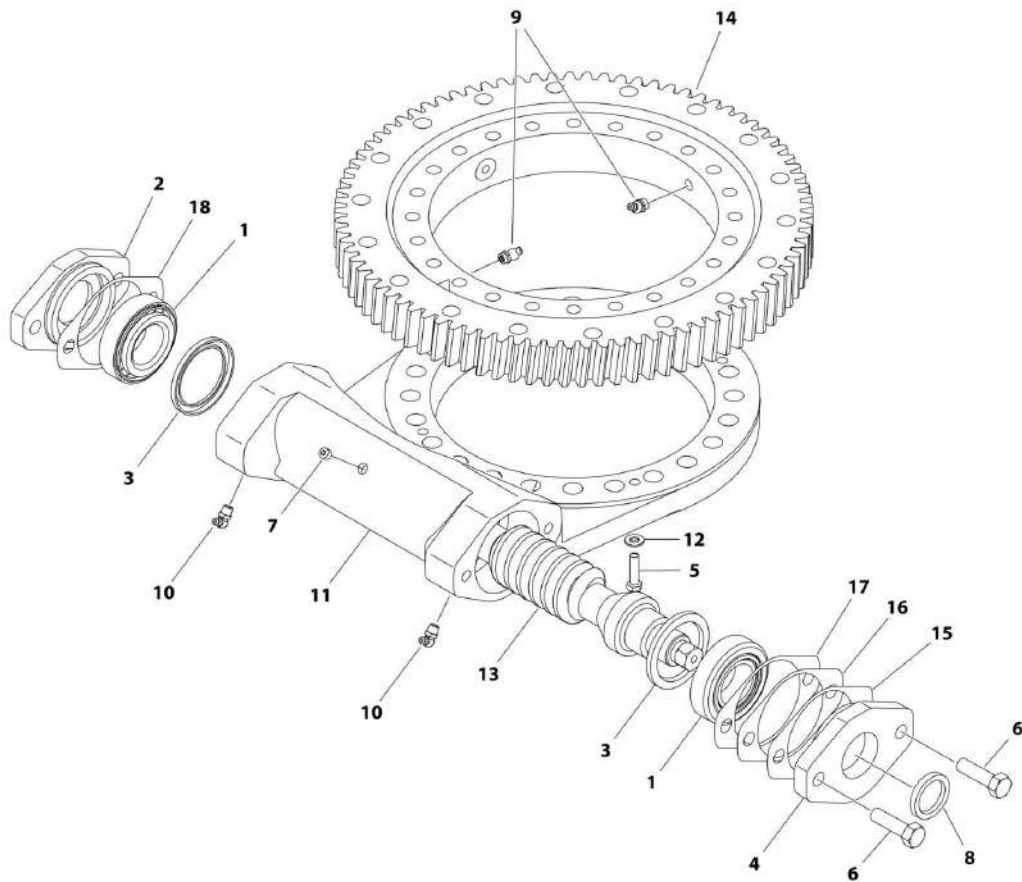
SECTION 2 - TURNTABLE

FIGURE 2-12. SWING MOTOR ASSEMBLY

ITEM	PART NUMBER	QTY	DESCRIPTION	REV
	1001104850	Ref	SWING MOTOR ASSEMBLY	A
1	See Note	5	Bolt (Note: Not Available for Purchase)	
2	7004035	1	Cover, End	
3	7023318	1	Seal, Commutator	
4	7004036	5	O-Ring	
5	7024453	1	Commutator and Ring Assembly	
6	See Note	NSS	Ring (Note: Purchase p/n 7024453)	
7	7024379	1	Manifold	
8	70002206	1	Rotor Set	
9	7024380	1	Plate, Ware	
10	70002207	1	Link, Drive	
12	70000088	1	Shaft, Coupling	
12A	70000089	1	Key, Woodruff	
13	7024381	1	Bearing, Inner	
14	7004043	1	Washer, Thrust	
15	7004044	1	Bearing, Thrust	
16	7004049	1	Seal, Inner	
17	7004045	1	Ring, Back-up	
18	See Note	NSS	Housing (Note: Purchase p/n 1001104850)	
19	7024390	1	Bearing, Outer	
20	7004047	1	Seal	
100	7024389	1	Seal Kit (Includes Items 3, 4, 16, 17 & 20)	

SECTION 2 - TURNTABLE

FIGURE 2-13. SWING BEARING ASSEMBLY



ART_1001153017

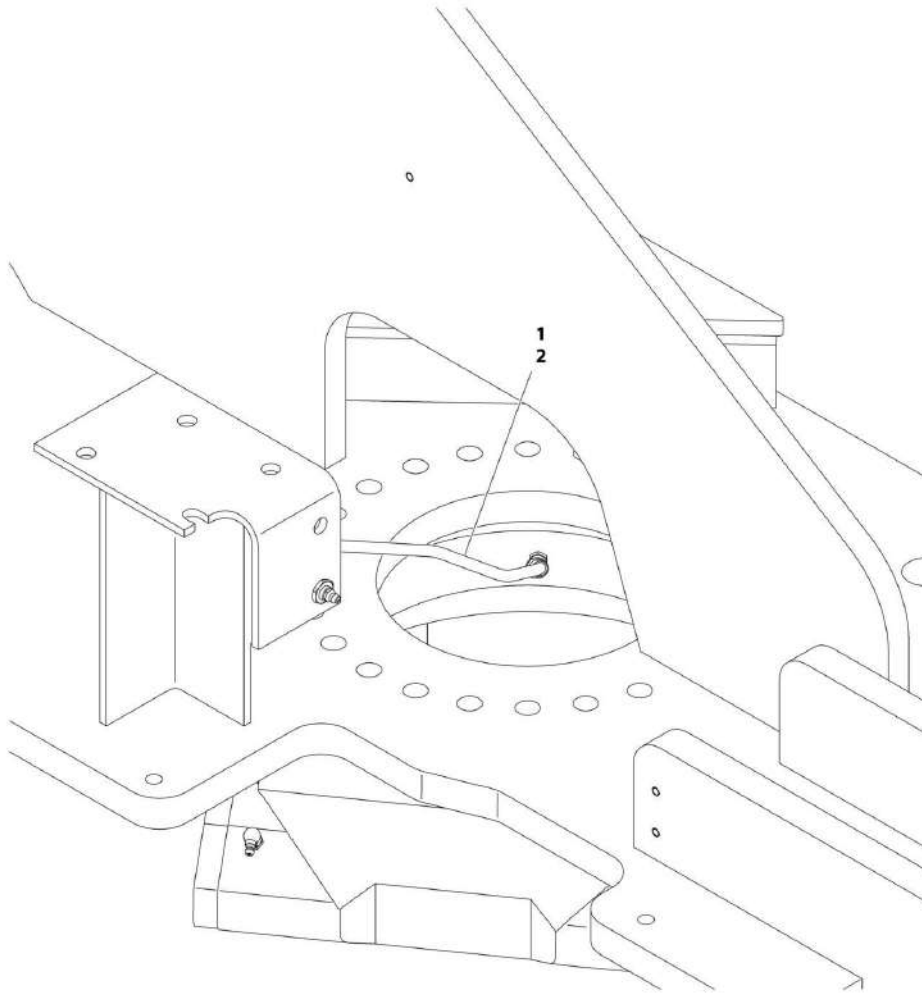
SECTION 2 - TURNTABLE

FIGURE 2-13. SWING BEARING ASSEMBLY

ITEM	PART NUMBER	QTY	DESCRIPTION	REV
	1001153017	Ref	SWING BEARING ASSEMBLY	B
1	7026042	2	Bearing, Cup	
1	7026043	2	Bearing, Cone	
2	7027356	1	Adapter, Motor	
3	7027361	2	Seal	
4	7027354	1	Cap, End	
5	0641510	2	Bolt, 5/16-18 x 1-1/4	
6	0641812	2	Bolt, 1/2-13 x 1-1/2	
7	70000865	1	Plug	
8	7027360	1	Seal	
9	7027359	2	Fitting, Grease - Straight	
9	2160003	2	Fitting, Grease - 45	
10	7027358	2	Fitting, Grease - 90	
11	See Note	NSS	Housing (Note: Not Sold Separate - Use 1001153017)	
12	4891500	1	Washer, 5/16	
13	7027363	1	Gear, Worm	
14	70004159	1	Ring Gear	
15	7027352	AR	Gasket (.010 - Brown)	
16	7027351	AR	Gasket (.0075 - Clear)	
17	7027350	AR	Gasket (.005 - Blue)	
18	7027353	1	Gasket (.020 - Yellow)	

SECTION 2 - TURNTABLE

FIGURE 2-14. REMOTE BEARING LUBE INSTALLATION - OPTIONAL



ART_1001166341

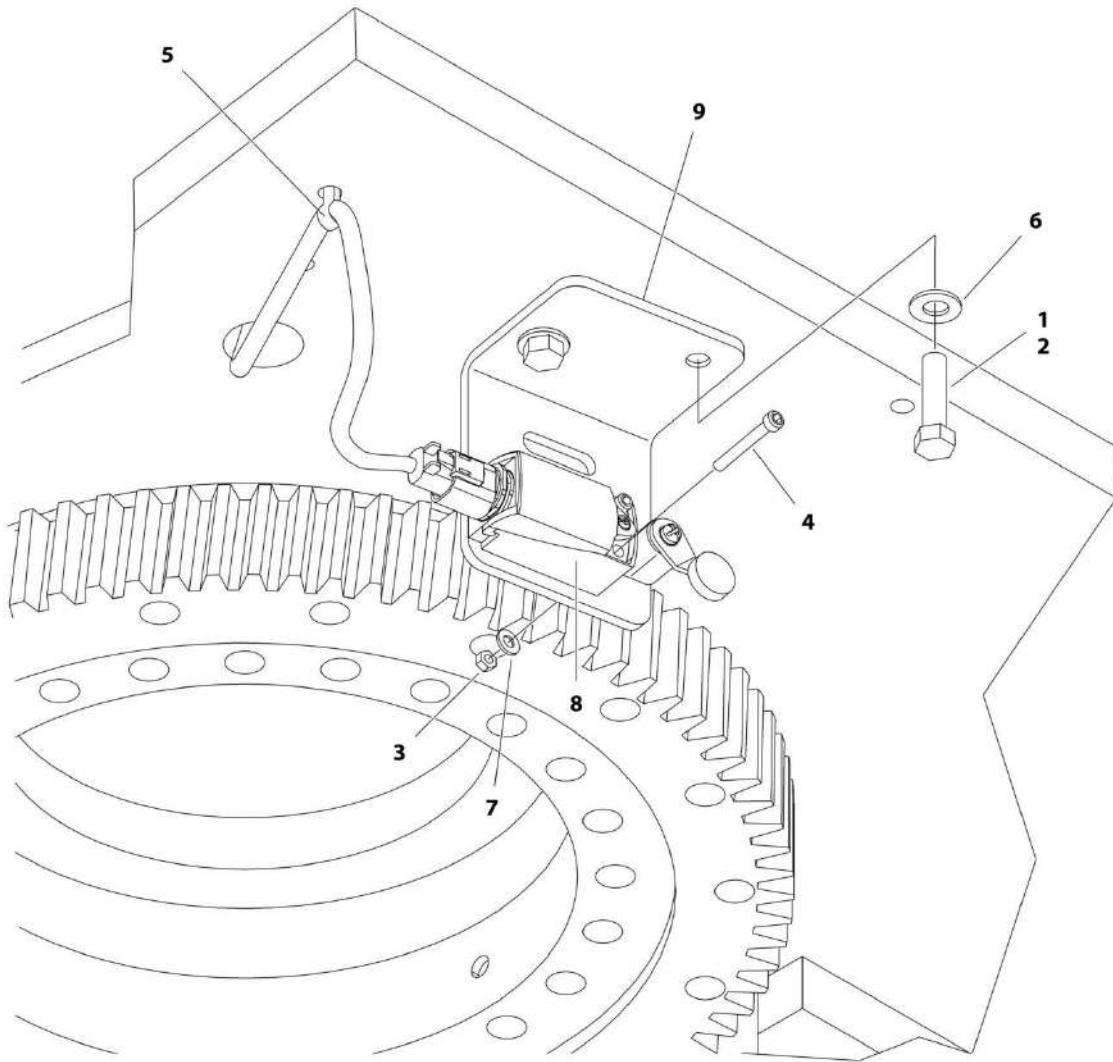
SECTION 2 - TURNTABLE

FIGURE 2-14. REMOTE BEARING LUBE INSTALLATION - OPTIONAL

ITEM	PART NUMBER	QTY	DESCRIPTION	REV
	1001166341	Ref	REMOTE BEARING LUBE INSTALLATION - OPTIONAL	B
1	1001157058	1	Hose, Remote Grease Line	
2	0100011	AR	Compound, Locking	

SECTION 2 - TURNTABLE

FIGURE 2-15. DRIVE ORIENTATION INSTALLATION



ART_1001187790

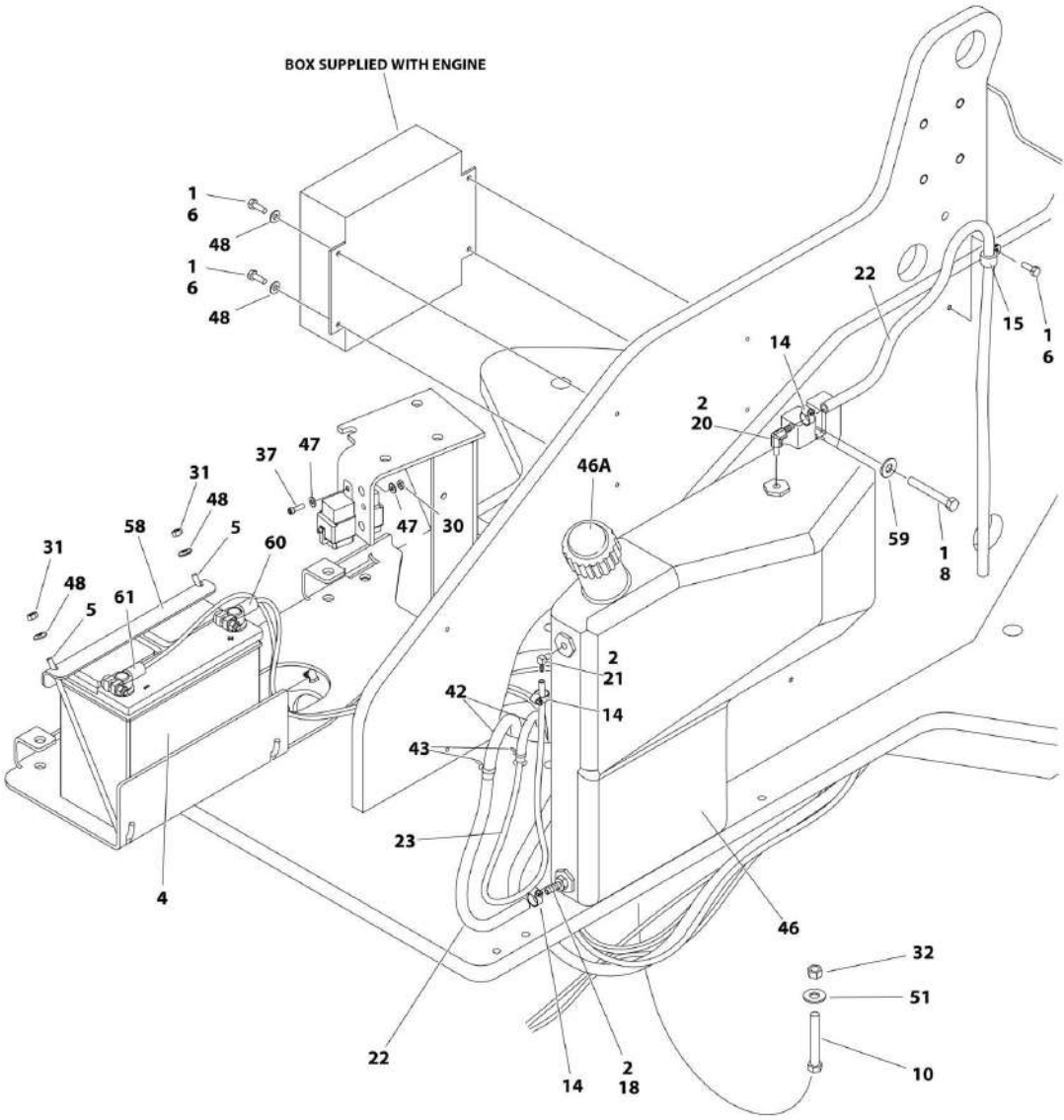
SECTION 2 - TURNTABLE

FIGURE 2-15. DRIVE ORIENTATION INSTALLATION

ITEM	PART NUMBER	QTY	DESCRIPTION	REV
	1001187790	Ref	DRIVE ORIENTATION INSTALLATION	B
1	0100011	AR	Compound, Locking	
2	0641608	2	Bolt, 3/8-16 X 1	
3	3310805	2	Nut, Lock, #8-32	
4	3930824	2	Bolt, Allen Head, #8-32 X 1-1/2	
5	4240175	1	Tie, Strap	
6	4711600	2	Washer, 3/8	
7	4750800	2	Washer, #8	
8	1001116232	1	Switch, Limit	
9	1001171298	1	Bracket, Mounting	

SECTION 2 - TURNTABLE

FIGURE 2-16. FUEL TANK AND BATTERY INSTALLATION - M450AJ



ART_1001191232_10F4

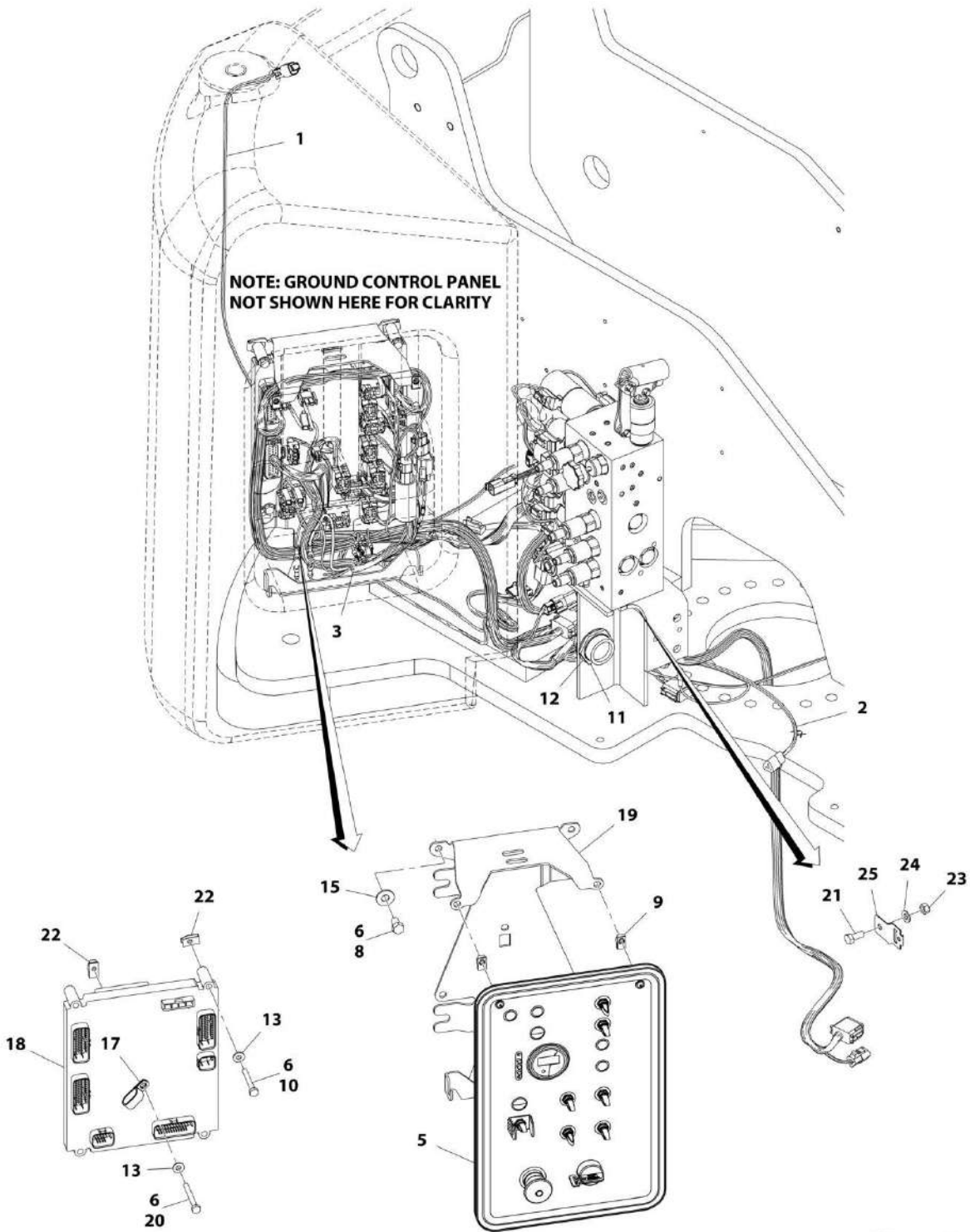
SECTION 2 - TURNTABLE

FIGURE 2-16. FUEL TANK AND BATTERY INSTALLATION - M450AJ

ITEM	PART NUMBER	QTY	DESCRIPTION	REV
	1001191232	Ref	FUEL TANK AND BATTERY INSTALLATION - M450AJ	E
1	0100011	AR	Compound, Locking	
2	0100020	AR	Sealant	
4	0400201	1	Battery	
5	0630552	2	Bolt, Battery Hold Down	
6	0641406	5	Bolt, 1/4-20 X 3/4	
8	0641518	1	Bolt, 5/16-18 x 2-1/4	
10	0641622	1	Bolt, 3/8-16 X 2-3/4	
14	1320022	3	Clamp	
15	1320041	1	Clamp	
18	2180348	1	Fitting, Straight, NPT - Barb	
20	2221046	1	Fitting, 90, NPT - Barb	
21	2221047	1	Fitting, 90, NPT - Barb	
22	2720058	16 ft/4.9m	Hose	
23	2720271	10 ft/3m	Hose	
30	3311005	1	Nut, Lock #10-24	
31	3311405	2	Nut, Lock, 1/4-20	
32	3311605	1	Nut, Lock, 3/8-16	
37	3931010	1	Bolt, #10-24 x 5/8	
42	4100026	6 ft/1.8m	Sleeve, Hose	
43	4240033	AR	Tie, Wire	
46	4400417	1	Tank, Fuel	
46A	7020179	1	Cap, Fuel (Standard)	
46A	1120487	1	Cap, Lockable (Optional)	
47	4711000	2	Washer, #10	
48	4711400	6	Washer, 1/4	
51	4751600	1	Washer, 3/8	
58	1001165977	1	Mount, Battery	
59	1001167291	1	Washer, Special	
60	1001168004	1	Cable, Battery +	
61	1001168005	1	Cable, Battery (-)	

SECTION 2 - TURNTABLE

FIGURE 2-17. GROUND CONTROL BOX INSTALLATION - E450A (ALL SPECS EXCEPT CE AND AUSTRALIAN SPECS)



ART_1001183515

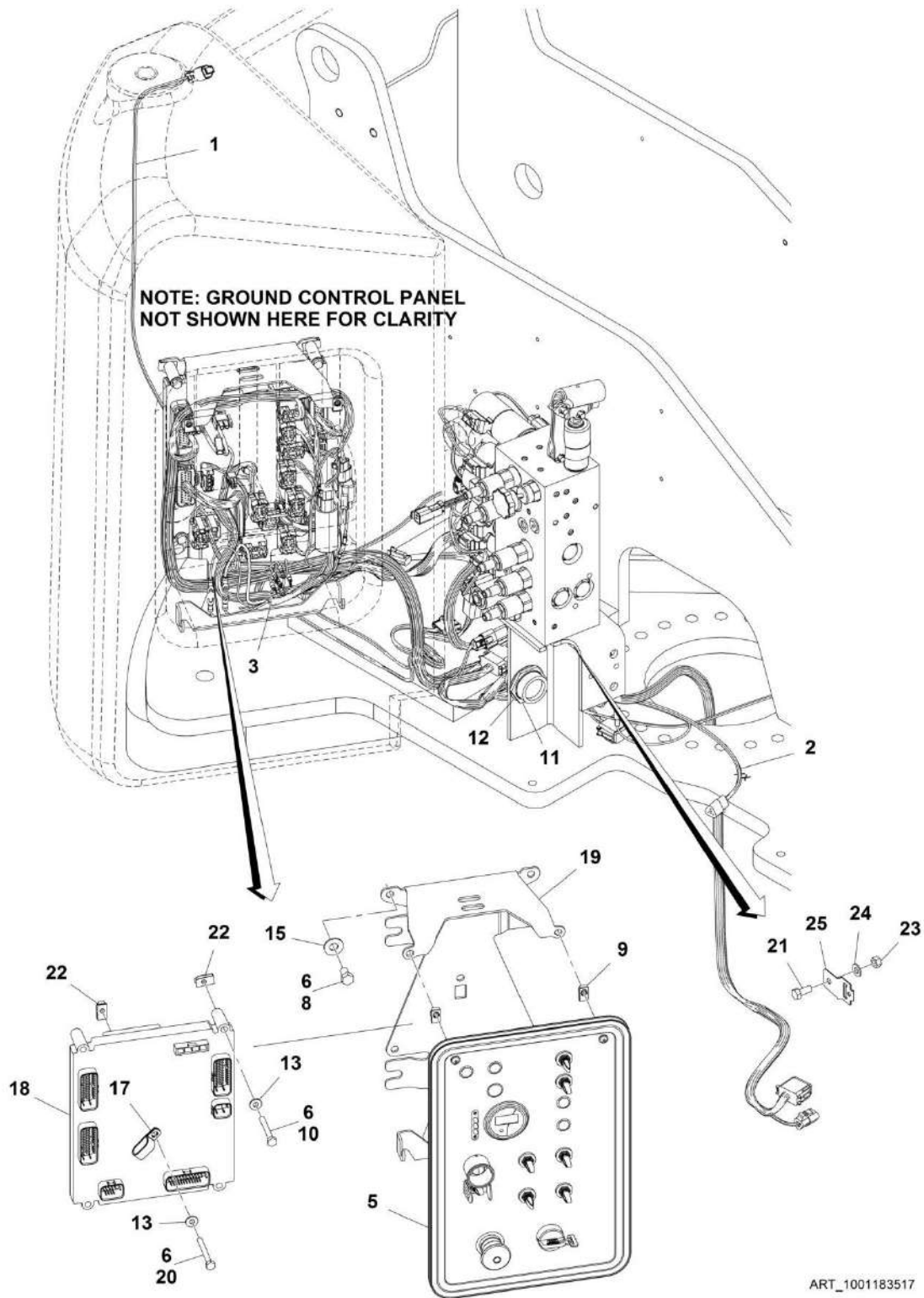
SECTION 2 - TURNTABLE

FIGURE 2-17. GROUND CONTROL BOX INSTALLATION - E450A (ALL SPECS EXCEPT CE AND AUSTRALIAN SPECS)

ITEM	PART NUMBER	QTY	DESCRIPTION	REV
	1001183515	Ref	GROUND CONTROL BOX INSTALLATION - E450A (ALL SPECS EXCEPT CE AND AUSTRALIAN SPECS)	C
1	1001178793	1	Harness, Turntable (See ELECTRICAL SECTION for Breakdown)	
2	1001178794	1	Harness, Valve (See ELECTRICAL SECTION for Breakdown)	
3	1001179991	1	Harness, Ground Panel (See ELECTRICAL SECTION for Breakdown)	
5	1001183866	1	GROUND CONTROL BOX ELECTRICAL ASSEMBLY - E450A (See GROUND CONTROL BOX ELECTRICAL ASSEMBLY - E450A (ALL SPECS EXCEPT CE AND AUSTRALIAN SPECS) for Breakdown)	
6	0100011	AR	Compound, Locking	
8	0641605	4	Bolt, 3/8-16 X 5/8	
9	3300365	2	Nut, Special	
10	0641416	4	Bolt, 1/4-20 X 2	
11	4460470	1	Nut, Terminal	
12	4460471	1	Washer, Lock	
13	4711400	5	Washer, 1/4	
15	4751600	4	Washer, 3/8	
17	1321385	1	Clamp	
18	1001182700	1	Module, Ground Control (Note: Re-calibration Required when Replaced)	
19	1001188065	1	Bracket	
20	0641418	1	Bolt, 1/4-20 X 2-1/4	
21	0641506	1	Bolt, 5/16-18 X 3/4	
22	3300454	5	Nut, 1/4-20	
23	3311505	1	Nut, Lock 5/16-18	
24	4711500	1	Washer, 5/16	
25	1001153749	1	Clip	

SECTION 2 - TURNTABLE

FIGURE 2-18. GROUND CONTROL BOX INSTALLATION - E450A (CE SPEC)



ART_1001183517

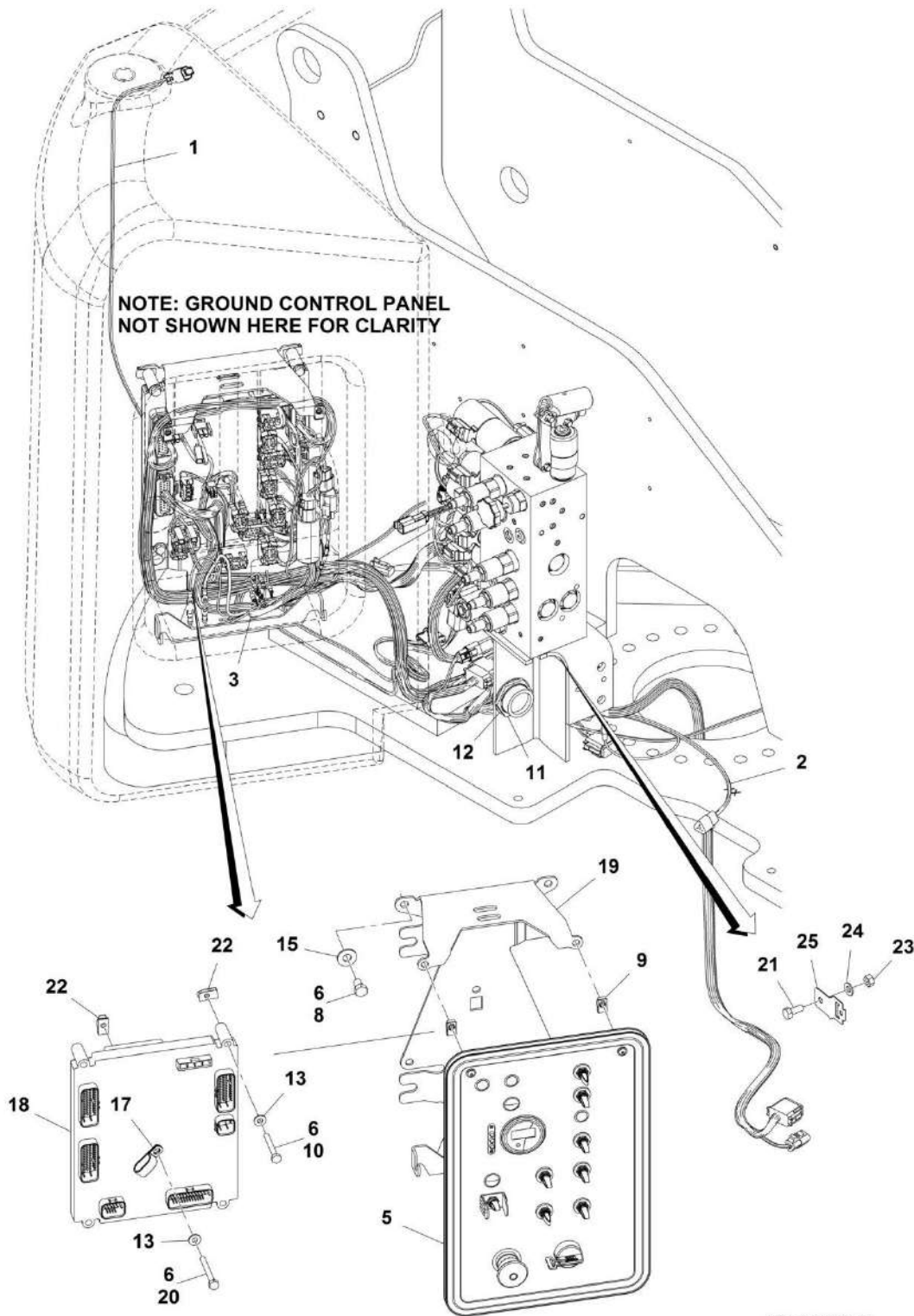
SECTION 2 - TURNTABLE

FIGURE 2-18. GROUND CONTROL BOX INSTALLATION - E450A (CE SPEC)

ITEM	PART NUMBER	QTY	DESCRIPTION	REV
	1001183517	Ref	GROUND CONTROL BOX INSTALLATION - E450A (CE SPEC)	C
1	1001178793	1	Harness, Turntable (See ELECTRICAL SECTION for Breakdown)	
2	1001178794	1	Harness, Valve (See ELECTRICAL SECTION for Breakdown)	
3	1001179991	1	Harness, Ground Control Panel (See ELECTRICAL SECTION for Breakdown)	
5	1001183765	1	GROUND CONTROL BOX ELECTRICAL ASSEMBLY - E450A (See GROUND CONTROL BOX ELECTRICAL ASSEMBLY - E450A (CE SPEC) for Breakdown)	
6	0100011	AR	Compound, Locking	
8	0641605	4	Bolt, 3/8-16 X 5/8	
9	3300365	2	Nut, Special	
10	0641416	4	Bolt, 1/4-20 X 2	
11	4460470	1	Nut, Terminal	
12	4460471	1	Washer, Lock	
13	4711400	5	Washer, 1/4	
15	4751600	4	Washer, 3/8	
17	1321385	1	Clamp	
18	1001182700	1	Module, Ground Control (Note: Re-calibration Required when Replaced)	
19	1001188065	1	Bracket	
20	0641418	1	Bolt, 1/4-20 X 2-1/4	
21	0641506	1	Bolt, 5/16-18 X 3/4	
22	3300454	5	Nut, 1/4-20	
23	3311505	1	Nut, Lock 5/16-18	
24	4711500	1	Washer, 5/16	
25	1001153749	1	Clip	

SECTION 2 - TURNTABLE

FIGURE 2-19. GROUND CONTROL BOX INSTALLATION - E450AJ/M450AJ (ALL SPECS EXCEPT CE AND CHINA SPECS)



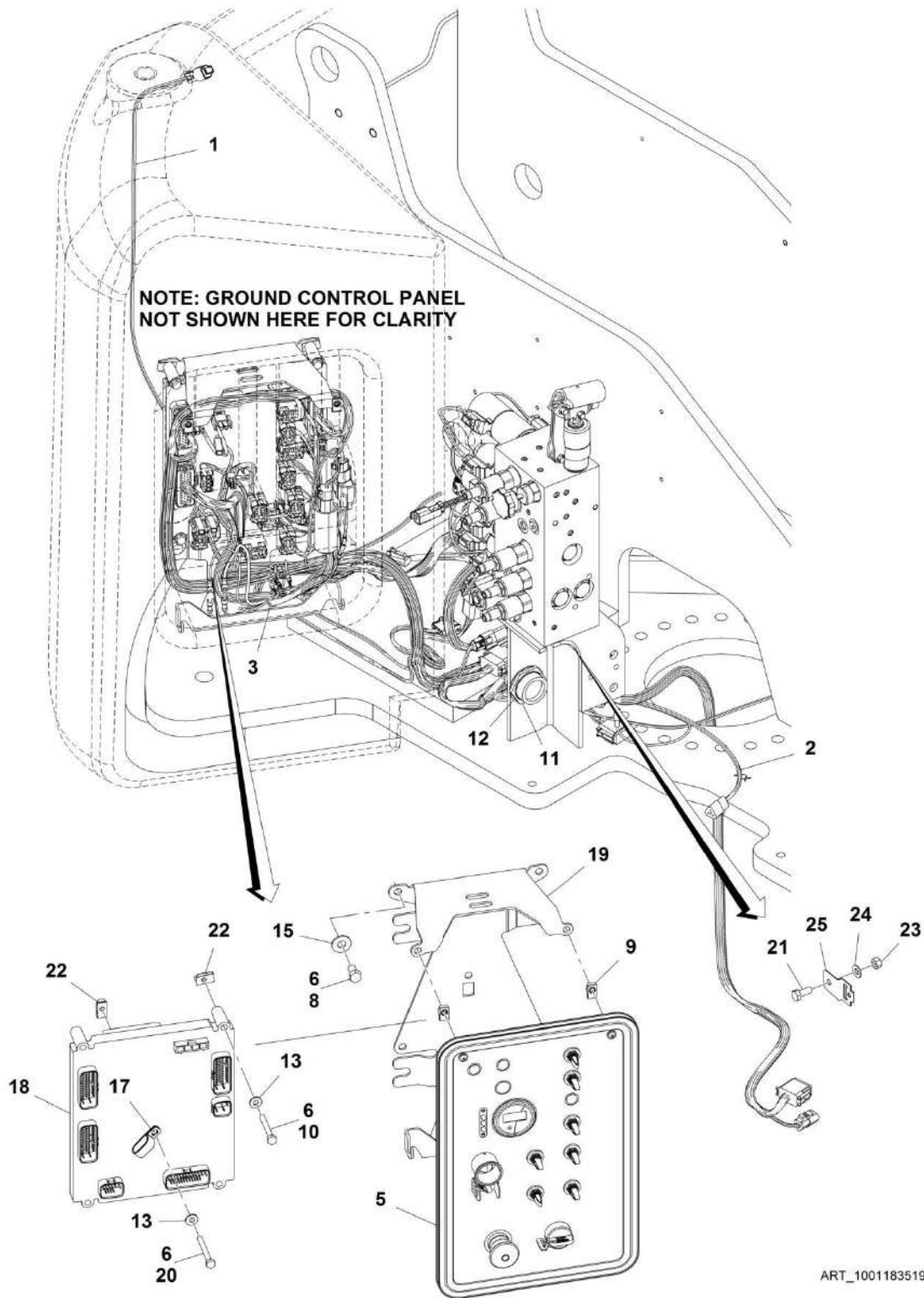
SECTION 2 - TURNTABLE

FIGURE 2-19. GROUND CONTROL BOX INSTALLATION - E450AJ/M450AJ (ALL SPECS EXCEPT CE AND CHINA SPECS)

ITEM	PART NUMBER	QTY	DESCRIPTION	REV
	1001183518	Ref	GROUND CONTROL BOX INSTALLATION - E450AJ/M450AJ (ALL SPECS EXCEPT CE AND CHINA SPECS)	C
1	1001178793	1	Harness, Turntable (See ELECTRICAL SECTION for Breakdown)	
2	1001178794	1	Harness, Valve (See ELECTRICAL SECTION for Breakdown)	
3	1001179991	1	Harness, Ground Control Panel (See ELECTRICAL SECTION for Breakdown)	
5	1001183766	1	GROUND CONTROL BOX ELECTRICAL ASSEMBLY - E450AJ/M450AJ (See GROUND CONTROL BOX ELECTRICAL ASSEMBLY - E450AJ/M450AJ (ALL SPECS EXCEPT CE AND CHINA SPECS) for Breakdown)	
6	0100011	AR	Compound, Locking	
8	0641605	4	Bolt, 3/8-16 X 5/8	
9	3300365	2	Nut, Special	
10	0641416	4	Bolt, 1/4-20 X 2	
11	4460470	1	Nut, Terminal	
12	4460471	1	Washer, Lock	
13	4711400	5	Washer, 1/4	
15	4751600	4	Washer, 3/8	
17	1321385	1	Clamp	
18	1001182700	1	Module, Ground Control (Note: Re-calibration Required when Replaced)	
19	1001188065	1	Bracket	
20	0641418	1	Bolt, 1/4-20 X 2-1/4	
21	0641506	1	Bolt, 5/16-18 X 3/4	
22	3300454	5	Nut, 1/4-20	
23	3311505	1	Nut, Lock 5/16-18	
24	4711500	1	Washer, 5/16	
25	1001153749	1	Clip	

SECTION 2 - TURNTABLE

FIGURE 2-20. GROUND CONTROL BOX INSTALLATION - E450AJ/M450AJ (CE AND CHINA SPECS)



ART_1001183519

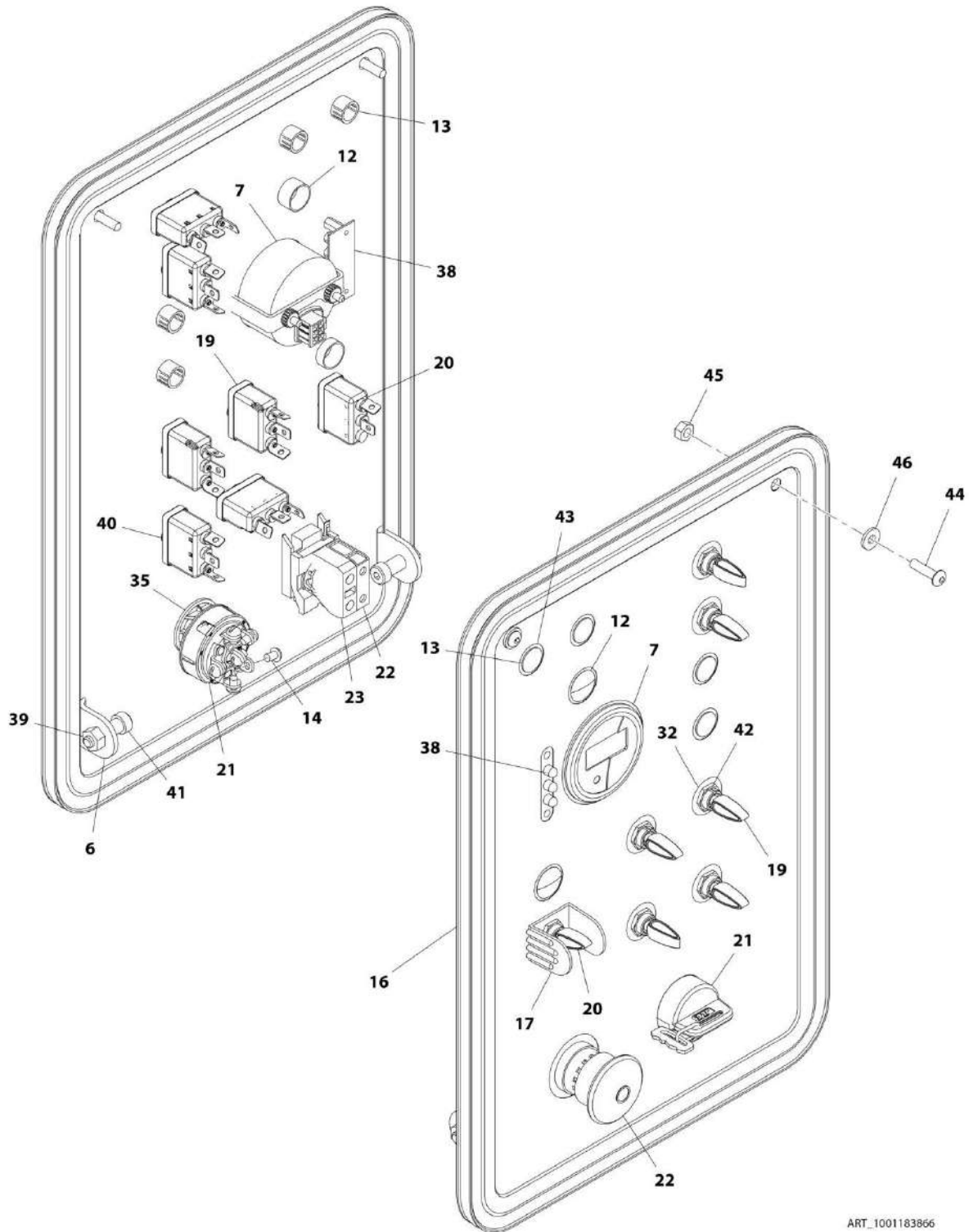
SECTION 2 - TURNTABLE

FIGURE 2-20. GROUND CONTROL BOX INSTALLATION - E450AJ/M450AJ (CE AND CHINA SPECS)

ITEM	PART NUMBER	QTY	DESCRIPTION	REV
	1001183519	Ref	GROUND CONTROL BOX INSTALLATION - E450AJ/M450AJ (CE AND CHINA SPECS)	C
1	1001178793	1	Harness, Turntable (See ELECTRICAL SECTION for Breakdown)	
2	1001178794	1	Harness, Valve (See ELECTRICAL SECTION for Breakdown)	
3	1001179991	1	Harness, Ground Control Panel (See ELECTRICAL SECTION for Breakdown)	
5	1001183767	1	GROUND CONTROL BOX ELECTRICAL ASSEMBLY - E450AJ/M450AJ (See GROUND CONTROL BOX ELECTRICAL ASSEMBLY - E450AJ/M450AJ (CE AND CHINA SPECS) for Breakdown)	
6	0100011	AR	Compound, Locking	
8	0641605	4	Bolt, 3/8-16 X 5/8	
9	3300365	2	Nut, Special	
10	0641416	4	Bolt, 1/4-20 X 2	
11	4460470	1	Nut, Terminal	
12	4460471	1	Washer, Lock	
13	4711400	5	Washer, 1/4	
15	4751600	4	Washer, 3/8	
17	1321385	1	Clamp	
18	1001182700	1	Module, Ground Control (Note: Re-calibration Required when Replaced)	
19	1001188065	1	Bracket	
20	0641418	1	Bolt, 1/4-20 X 2-1/4	
21	0641506	1	Bolt, 5/16-18 X 3/4	
22	3300454	5	Nut, 1/4-20	
23	3311505	1	Nut, Lock 5/16-18	
24	4711500	1	Washer, 5/16	
25	1001153749	1	Clip	

SECTION 2 - TURNTABLE

FIGURE 2-21. GROUND CONTROL BOX ELECTRICAL ASSEMBLY - E450A (ALL SPECS EXCEPT CE AND AUSTRALIAN SPECS)



ART_1001183866

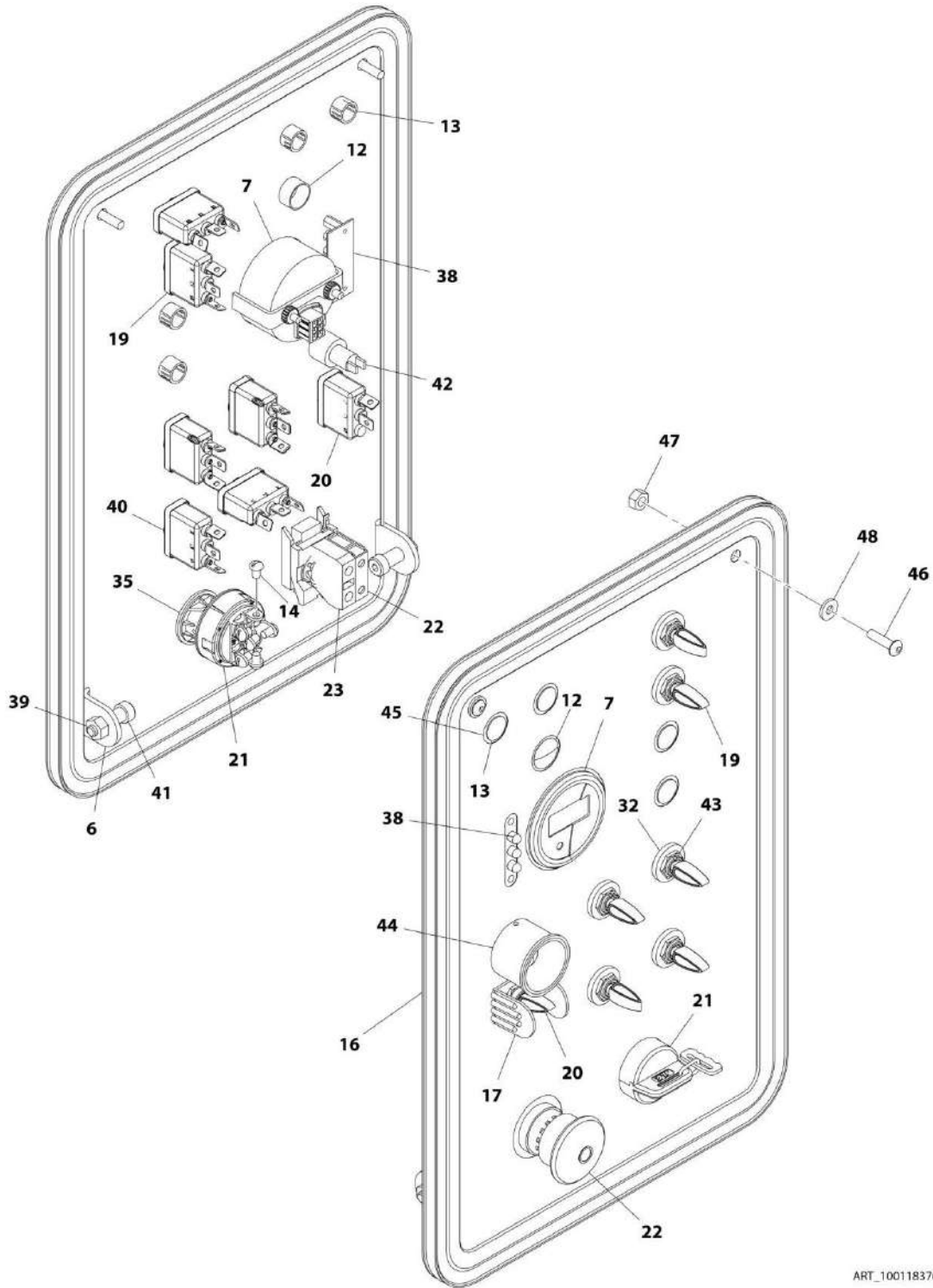
SECTION 2 - TURNTABLE

FIGURE 2-21. GROUND CONTROL BOX ELECTRICAL ASSEMBLY - E450A (ALL SPECS EXCEPT CE AND AUSTRALIAN SPECS)

ITEM	PART NUMBER	QTY	DESCRIPTION	REV
	1001183866	Ref	GROUND CONTROL BOX ELECTRICAL ASSEMBLY - E450A (ALL SPECS EXCEPT CE AND AUSTRALIAN SPECS)	F
6	1001188066	1	Panel, Ground Control	
7	1001109503	1	Gauge, Indicator	
12	3520026	1	Plug, Hole	
13	3520028	4	Plug, Hole 1/2	
14	3910804	6	Screw, 8-32 X 1/4	
16	1001166394	4 ft /1.2m	Seal	
17	4060802	1	Guard, Switch	
19	1001155045	6	Switch, Toggle	
20	1001159256	1	Switch, Toggle	
21	4360469	1	Keyswitch	
21	2860030	1	Key, Replacement (Set of 2)	
22	4360475	1	Switch, Emergency Stop	
22	7020175	1	Cap, Mushroom Head	
22	7020176	1	Block, Contact	
23	4360476	1	Block, Contact	
32	4740397	6	Spacer	
35	1001151393	1	Shim, .063	
38	0610131	1	P/C Board, Battery Charger	
39	3311405	2	Nut, Lock 1/4-20	
40	3790012	7	O-Ring	
41	3900187	2	Screw	
42	1001155044	7	Nut, Special 15/32-32	
43	1001188484	1	Decal - Ground Control Lid (SN 0300208529 through 0300214527)	
34	1001210576	1	Decal - Ground Control Lid (SN 0300214528 to Present)	
44	0630518	2	Bolt, #10-24 X 3/4	
45	3311011	2	Nut, Push	
46	4740120	2	Washer, Nylon	

SECTION 2 - TURNTABLE

FIGURE 2-22. GROUND CONTROL BOX ELECTRICAL ASSEMBLY - E450A (CE SPEC)



ART_1001183765

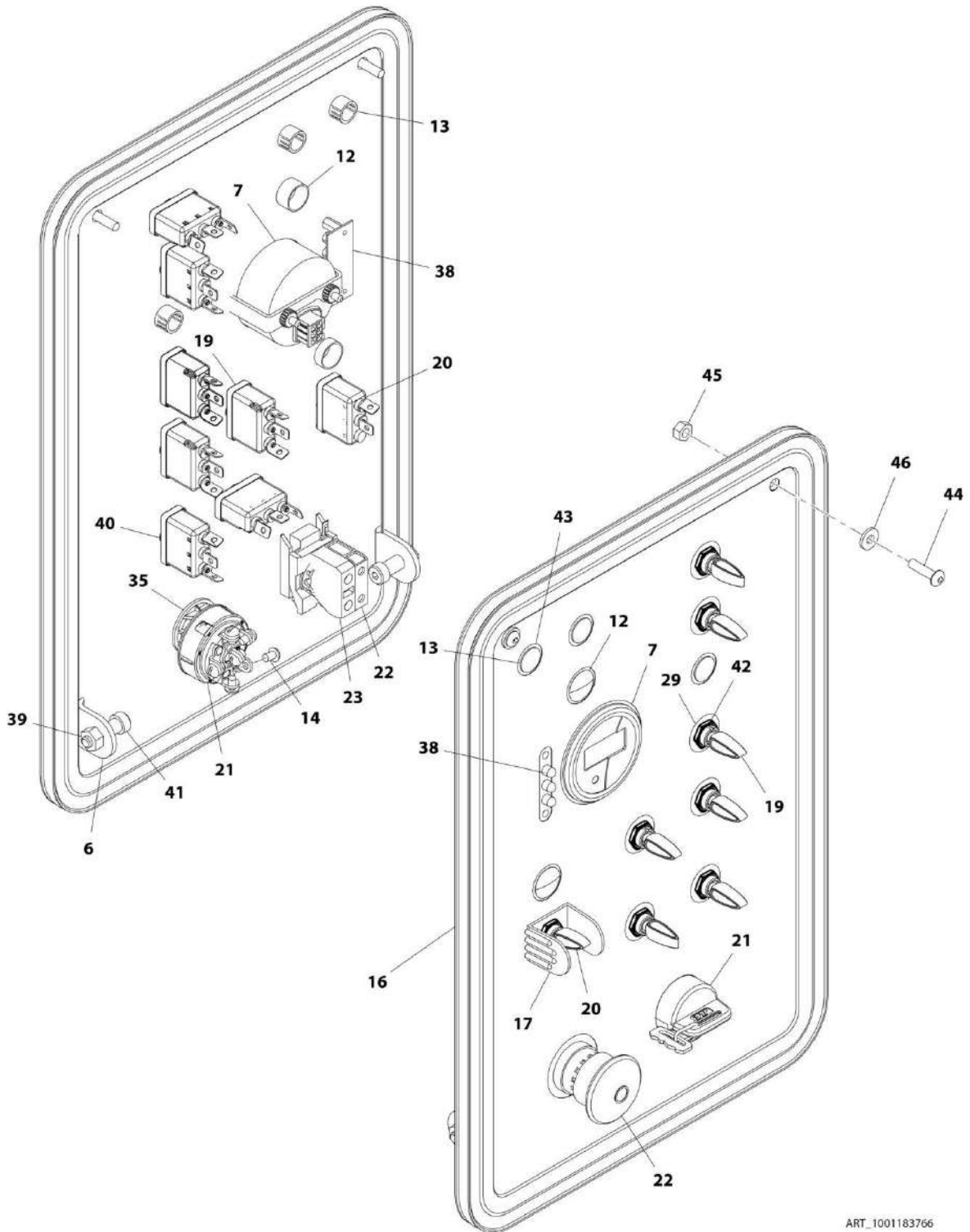
SECTION 2 - TURNTABLE

FIGURE 2-22. GROUND CONTROL BOX ELECTRICAL ASSEMBLY - E450A (CE SPEC)

ITEM	PART NUMBER	QTY	DESCRIPTION	REV
	1001183765	Ref	GROUND CONTROL BOX ELECTRICAL ASSEMBLY - E450A (CE SPEC)	E
6	1001188066	1	Panel, Ground Control	
7	1001109503	1	Gauge, Indicator	
12	3520026	1	Plug, Hole	
13	3520028	4	Plug, Hole 1/2	
14	3910804	6	Screw, 8-32 X 1/4	
16	1001166394	4 ft /1.2m	Seal	
17	4060802	1	Guard, Switch	
19	1001155045	6	Switch, Toggle	
20	1001159256	1	Switch, Toggle	
21	4360469	1	Keyswitch	
21	2860030	1	Key, Replacement (Set of 2)	
22	4360475	1	Switch, Emergency Stop	
22	7020175	1	Cap, Mushroom Head	
22	7020176	1	Block, Contact	
23	4360476	1	Block, Contact	
32	4740397	6	Spacer	
35	1001151393	1	Shim, .063	
38	0610131	1	P/C Board, Battery Charger	
39	3311405	2	Nut, Lock 1/4-20	
40	3790012	7	O-Ring	
41	3900187	2	Screw	
42	4360387	1	Switch, Push Button	
43	1001155044	7	Nut, Special 15/32-32	
44	1001176469	1	Shroud	
45	1001188484	1	Decal - Ground Control Lid	
46	0630518	2	Bolt, #10-24 X 3/4	
47	3311011	2	Nut, Push	
48	4740120	2	Washer, Nylon	

SECTION 2 - TURNTABLE

FIGURE 2-23. GROUND CONTROL BOX ELECTRICAL ASSEMBLY - E450AJ/M450AJ (ALL SPECS EXCEPT CE AND CHINA SPECS)



ART_1001183766

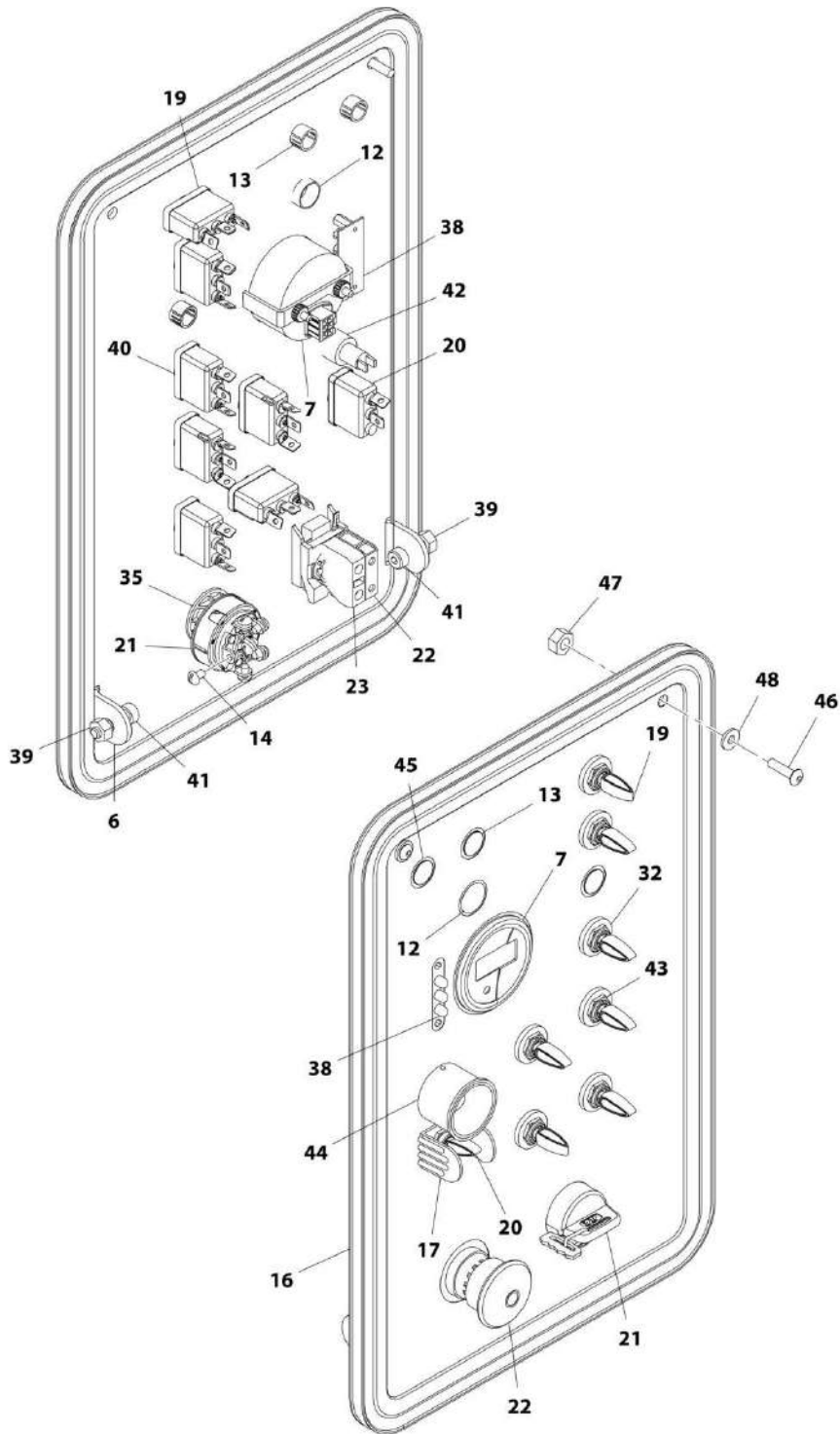
SECTION 2 - TURNTABLE

FIGURE 2-23. GROUND CONTROL BOX ELECTRICAL ASSEMBLY - E450AJ/M450AJ (ALL SPECS EXCEPT CE AND CHINA SPECS)

ITEM	PART NUMBER	QTY	DESCRIPTION	REV
	1001183766	Ref	GROUND CONTROL BOX ELECTRICAL ASSEMBLY - E450AJ/M450AJ (ALL SPECS EXCEPT CE AND CHINA SPECS)	F
6	1001188066	1	Panel, Ground Control	
7	1001109503	1	Gauge, Indicator	
12	3520026	1	Plug, Hole	
13	3520028	3	Plug, Hole 1/2	
14	3910804	6	Screw, 8-32 X 1/4	
16	1001166394	4 ft /1.2m	Seal	
17	4060802	1	Guard, Switch	
19	1001155045	7	Switch, Toggle	
20	1001159256	1	Switch, Toggle	
21	4360469	1	Keyswitch	
21	2860030	1	Key, Replacement (Set of 2)	
22	4360475	1	Switch, Emergency Stop	
22	7020175	1	Cap, Mushroom Head	
22	7020176	1	Block, Contact	
23	4360476	1	Block, Contact	
29	4740397	7	Spacer	
35	1001151393	1	Shim, .063	
38	0610131	1	P/C Board, Battery Charger	
39	3311405	2	Nut, Lock 1/4-20	
40	3790012	8	O-Ring	
41	3900187	2	Screw	
42	1001155044	8	Nut, Special 15/32-32	
43	1001188484	1	Decal - Ground Control Lid (SN 0300208529 through 0300214527)	
43	1001210576	1	Decal - Ground Control Lid (SN 0300214528 to Present)	
44	0630518	2	Bolt, #10-24 X 3/4	
45	3311011	2	Nut, Push	
46	4740120	2	Washer, Nylon	

SECTION 2 - TURNTABLE

FIGURE 2-24. GROUND CONTROL BOX ELECTRICAL ASSEMBLY - E450AJ/M450AJ (CE AND CHINA SPECS)



ART_1001183767

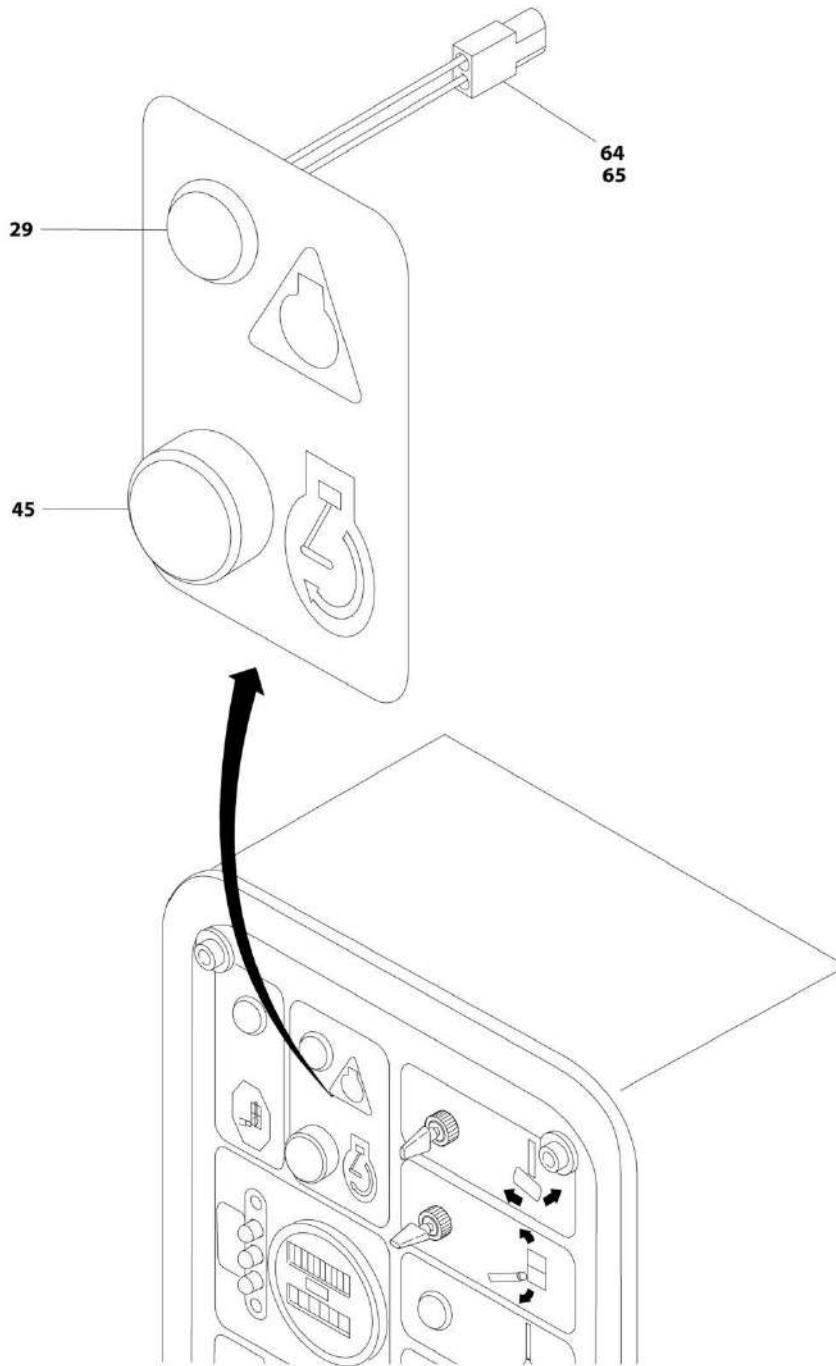
SECTION 2 - TURNTABLE

FIGURE 2-24. GROUND CONTROL BOX ELECTRICAL ASSEMBLY - E450AJ/M450AJ (CE AND CHINA SPECS)

ITEM	PART NUMBER	QTY	DESCRIPTION	REV
	1001183767	Ref	GROUND CONTROL BOX ELECTRICAL ASSEMBLY - E450AJ/M450AJ (CE AND CHINA SPECS)	E
6	1001188066	1	Panel, Ground Control	
7	1001109503	1	Gauge, Indicator	
12	3520026	1	Plug, Hole	
13	3520028	3	Plug, Hole 1/2	
14	3910804	6	Screw, 8-32 X 1/4	
16	1001166394	4 ft /1.2m	Seal	
17	4060802	1	Guard, Switch	
19	1001155045	7	Switch, Toggle	
20	1001159256	1	Switch, Toggle	
21	4360469	1	Keyswitch	
21	2860030	1	Key, Replacement (Set of 2)	
22	4360475	1	Switch, Emergency Stop	
22	7020175	1	Cap, Mushroom Head	
22	7020176	1	Block, Contact	
23	4360476	1	Block, Contact	
32	4740397	7	Spacer	
35	1001151393	1	Shim, .063	
38	0610131	1	P/C Board, Battery Charger	
39	3311405	2	Nut, Lock 1/4-20	
40	3790012	8	O-Ring	
41	3900187	2	Screw	
42	4360387	1	Switch, Push Button	
43	1001155044	8	Nut, Special 15/32-32	
44	1001176469	1	Shroud	
45	1001188484	1	Decal - Ground Control Lid	
46	0630518	2	Bolt, #10-24 X 3/4	
47	3311011	2	Nut, Push	
48	4740120	2	Washer, Nylon	

SECTION 2 - TURNTABLE

FIGURE 2-25. MOTOR CONTROLS INSTALLATION - M450AJ



ART_1001191232_20F4

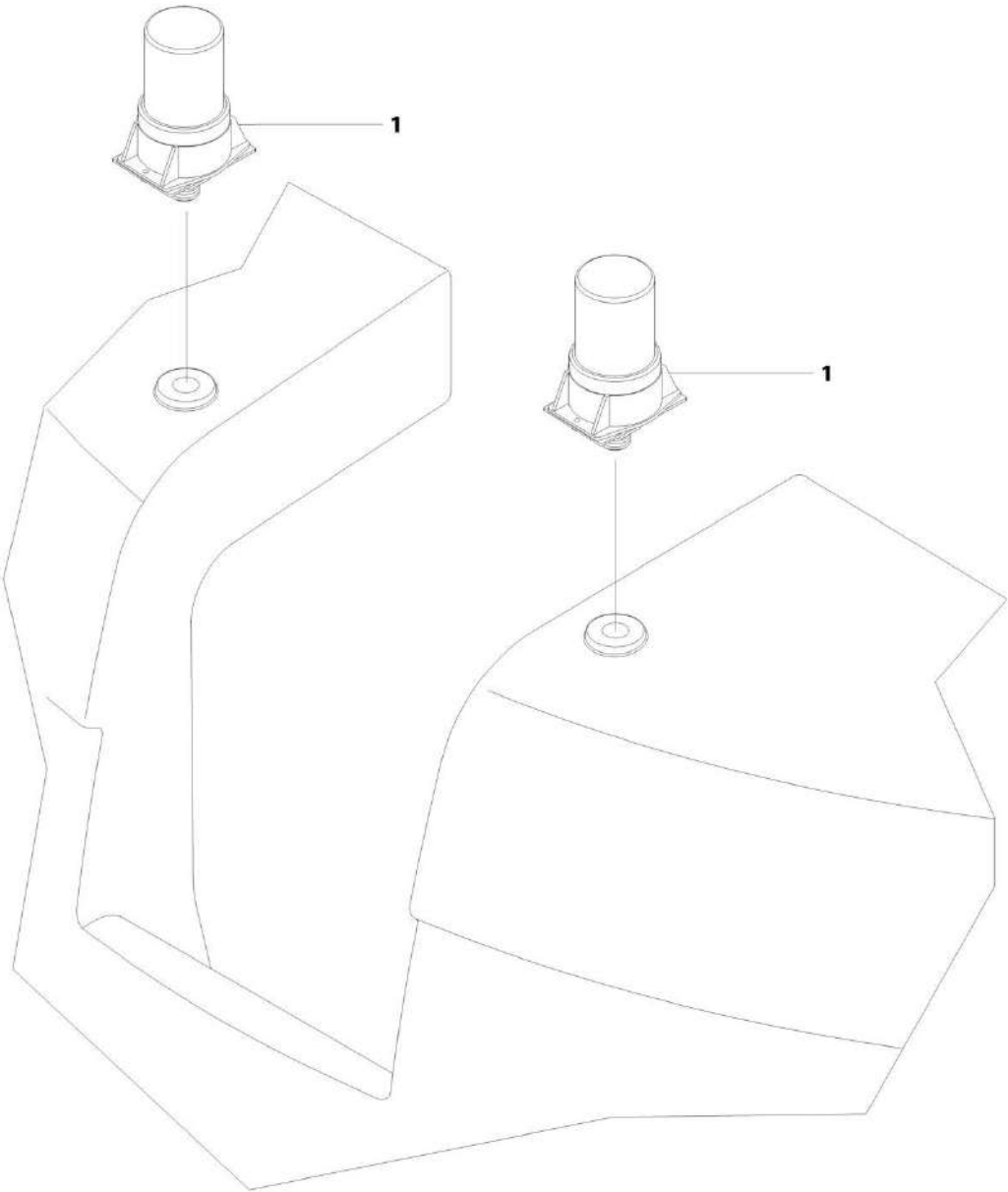
SECTION 2 - TURNTABLE

FIGURE 2-25. MOTOR CONTROLS INSTALLATION - M450AJ

ITEM	PART NUMBER	QTY	DESCRIPTION	REV
	1001191232	Ref	MOTOR CONTROLS INSTALLATION - M450AJ	E
29	2920151	1	Led (Red)	
45	4360274	1	Switch, Push Button	
64	4460226	2	Socket, Female	
65	4460424	1	Connector, 2 Position	

SECTION 2 - TURNTABLE

FIGURE 2-26. STROBE LIGHT INSTALLATION - AMBER (OPTIONAL)



ART_1001191142

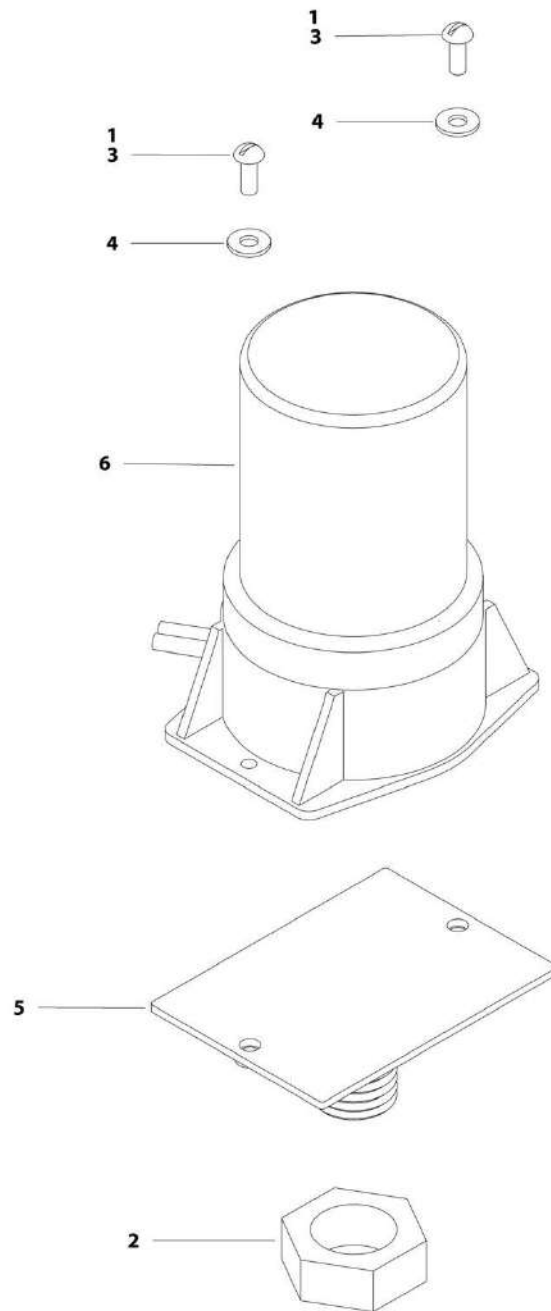
SECTION 2 - TURNTABLE

FIGURE 2-26. STROBE LIGHT INSTALLATION - AMBER (OPTIONAL)

ITEM	PART NUMBER	QTY	DESCRIPTION	REV
1	1001191142 1001191140	Ref 1	STROBE LIGHT INSTALLATION - AMBER (OPTIONAL) Strobe Light Assembly (See STROBE LIGHT ASSEMBLY for Breakdown)	A

SECTION 2 - TURNTABLE

FIGURE 2-27. STROBE LIGHT ASSEMBLY - AMBER



ART_1001191140

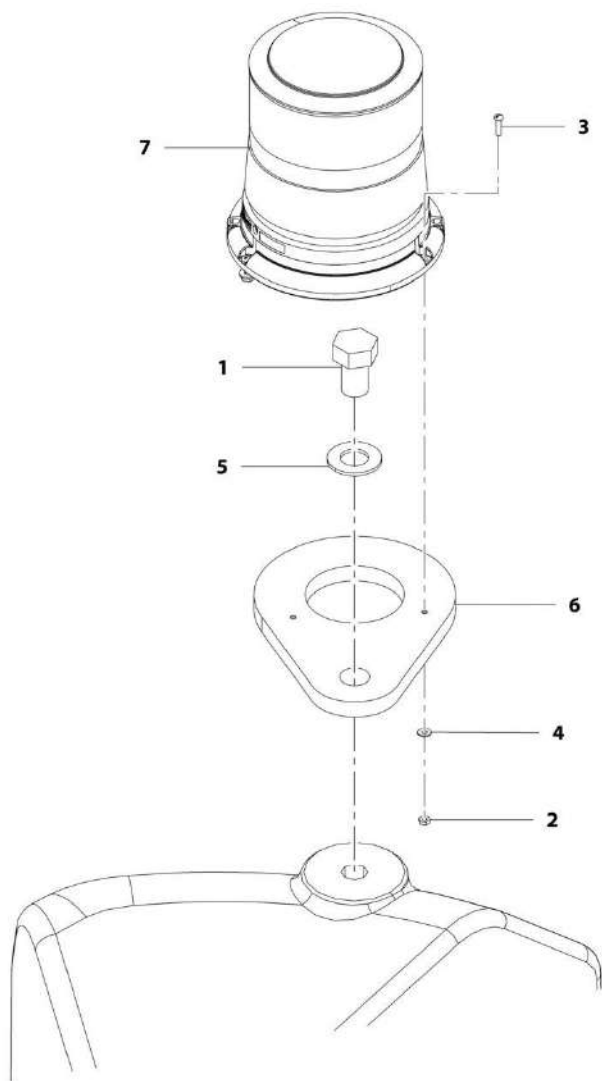
SECTION 2 - TURNTABLE

FIGURE 2-27. STROBE LIGHT ASSEMBLY - AMBER

ITEM	PART NUMBER	QTY	DESCRIPTION	REV
	1001191140	Ref	STROBE LIGHT ASSEMBLY - AMBER	A
1	0100035	AR	Compound, Locking	
2	3312602	1	Nut, Jam 1-8	
3	3900085	2	Screw, #10-32 x 1/2	
4	4751000	2	Washer, #10	
5	1001149994	1	Plate, Mount	
6	1001191139	1	Strobe Light/Harness Assembly	
6	4460891	1	Connector - 2 Position	
6	4460465	2	Socket, Female	

SECTION 2 - TURNTABLE

FIGURE 2-28. BEACON LIGHT INSTALLATION - BLUE (SN 0300208529 through 0300217475, SN B300001429 through B300001511)



ART_1001192386

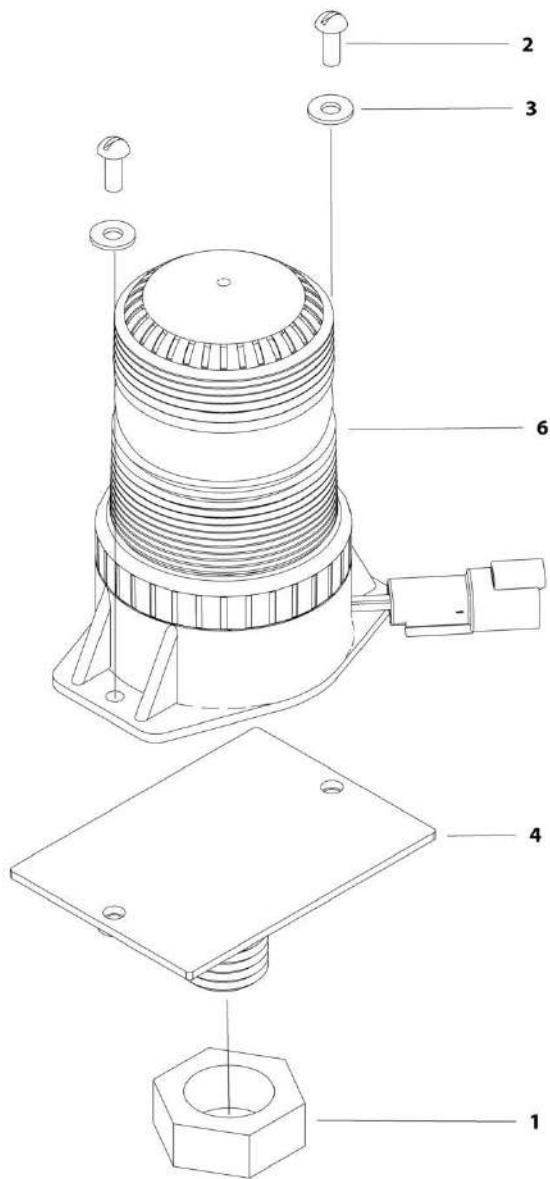
SECTION 2 - TURNTABLE

FIGURE 2-28. BEACON LIGHT INSTALLATION - BLUE (SN 0300208529 through 0300217475, SN B300001429 through B300001511)

ITEM	PART NUMBER	QTY	DESCRIPTION	REV
	1001192386	Ref	BEACON LIGHT INSTALLATION - BLUE (SN 0300208529 through 0300217475, SN B300001429 through B300001511)	C
1	0642612	1	Bolt, 1-8 X 1-1/2	
2	3311005	3	Nut, Lock #10-24	
3	3911012	3	Screw, 10-24 X 3/4	
4	4711000	3	Washer, #10	
5	4712600	1	Washer, 1	
6	1001142694	1	Bracket	
7	1001143431	1	Light, Beacon	
7	7028909	1	Connector - 2 Position	
7	4460943	1	Pin, Male	

SECTION 2 - TURNTABLE

FIGURE 2-29. BEACON LIGHT INSTALLATION - BLUE (SN 0300217476 to Present, SN B300001512 to Present)



ART_1001205491

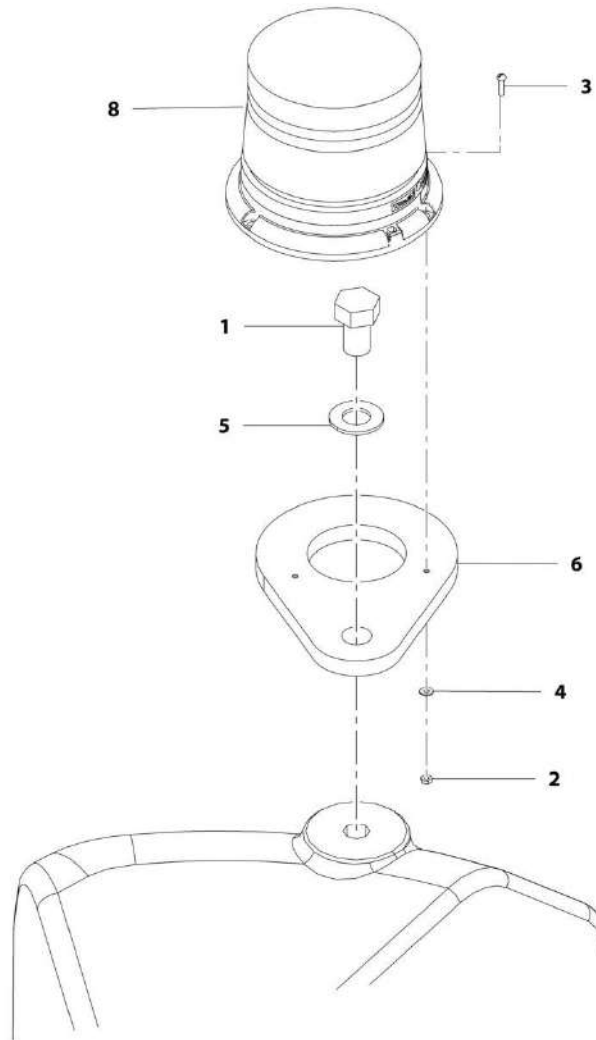
SECTION 2 - TURNTABLE

FIGURE 2-29. BEACON LIGHT INSTALLATION - BLUE (SN 0300217476 to Present, SN B300001512 to Present)

ITEM	PART NUMBER	QTY	DESCRIPTION	REV
	1001205491	Ref	BEACON LIGHT INSTALLATION – BLUE (SN 0300217476 to Present, SN B300001512 to Present)	C
	1001217005	Ref	BEACON LIGHT KIT - BLUE	B
1	3312602	1	Nut, Jam 1-8	
2	3900085	2	Screw, #10-32 x 1/2	
3	4751000	2	Washer, #10	
4	1001149994	1	Plate, Mount	
6	1001200910	1	Light, Beacon	
6	4460897	1	Connector - 2 Position	
6	4460943	2	Pin, Male	

SECTION 2 - TURNTABLE

FIGURE 2-30. BEACON LIGHT INSTALLATION - RED (SN 0300208529 through 0300217178, SN B300001429 through B300001510)



ART_1001201715

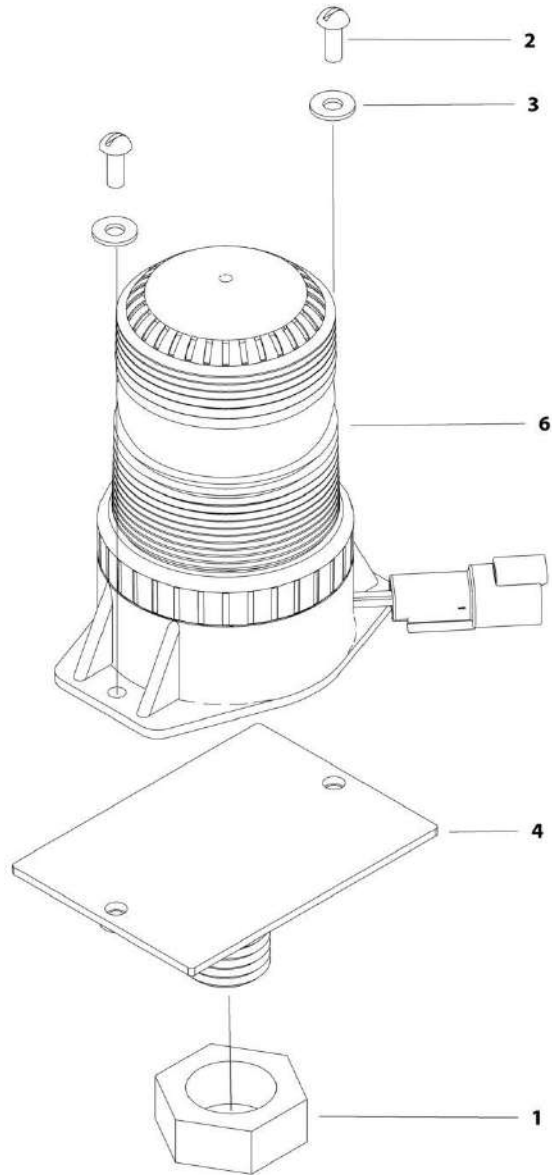
SECTION 2 - TURNTABLE

FIGURE 2-30. BEACON LIGHT INSTALLATION - RED (SN 0300208529 through 0300217178, SN B300001429 through B300001510)

ITEM	PART NUMBER	QTY	DESCRIPTION	REV
	1001207314	Ref	BEACON LIGHT INSTALLATION – RED (SN 0300208529 through 0300217178, SN B300001429 through B300001510)	B
1	0642612	1	Bolt, ,1-8 X 1-1/2	
2	3311005	3	Nut, Lock #10-24	
3	3911012	3	Screw, 10-24 X 3/4	
4	4711000	3	Washer, #10	
5	4712600	1	Washer, 1	
6	1001142694	1	Bracket	
8	1001197067	1	Light, Beacon	
8	7028909	1	Connector - 2 Position	
8	4460464	2	Pin, Male	

SECTION 2 - TURNTABLE

FIGURE 2-31. BEACON LIGHT INSTALLATION - RED (SN 0300217179 to Present, SN B300001511 to Present)



ART_1001209879

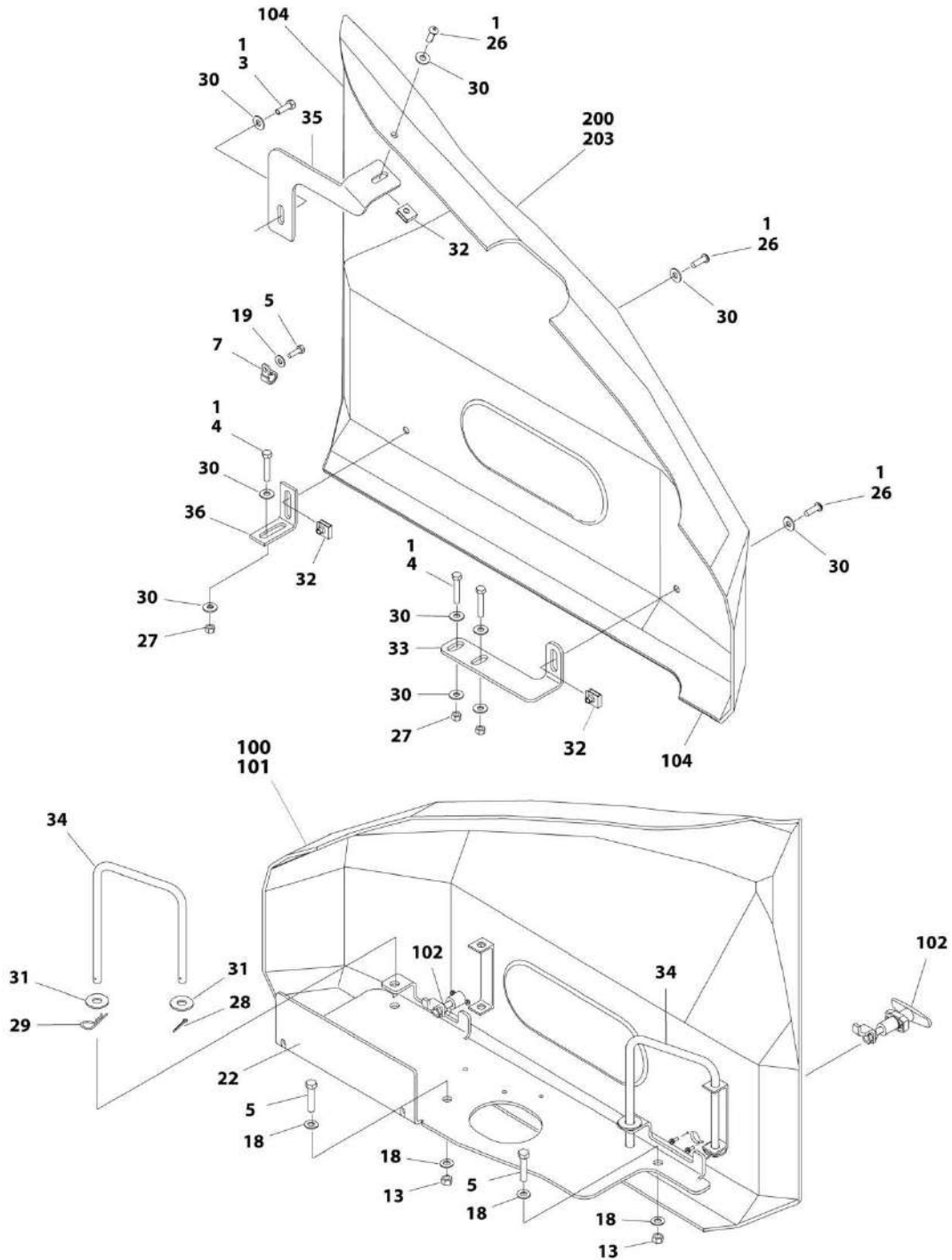
SECTION 2 - TURNTABLE

FIGURE 2-31. BEACON LIGHT INSTALLATION - RED (SN 0300217179 to Present, SN B300001511 to Present)

ITEM	PART NUMBER	QTY	DESCRIPTION	REV
	1001209879	Ref	BEACON LIGHT INSTALLATION – RED (SN 0300217179 to Present, SN B300001511 to Present)	B
1	3312602	1	Nut, Jam 1-8	
2	3900085	2	Screw, #10-32 x 1/2	
3	4751000	2	Washer, #10	
4	1001149994	1	Plate, Mount	
6	1001207004	1	Light, Beacon	
6	4460897	1	Connector - 2 Position	
6	4460943	2	Pin, Male	

SECTION 2 - TURNTABLE

FIGURE 2-32. HOOD INSTALLATION - E450A/E450AJ



ART_1001166738

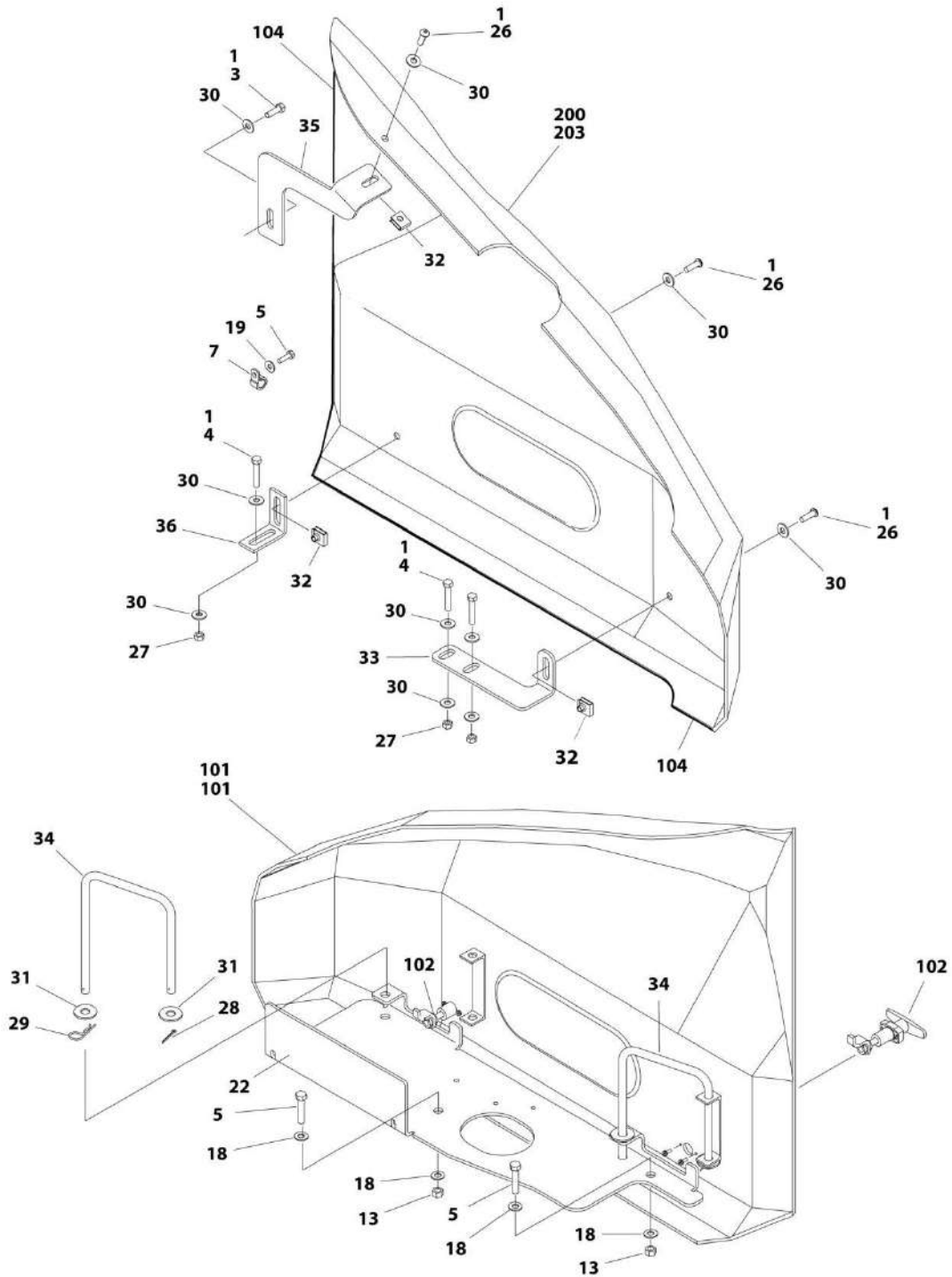
SECTION 2 - TURNTABLE

FIGURE 2-32. HOOD INSTALLATION - E450A/E450AJ

ITEM	PART NUMBER	QTY	DESCRIPTION	REV
	1001166738	Ref	HOOD INSTALLATION - E450A/E450AJ	D
1	0100011	AR	Compound, Locking	
3	0641508	1	Bolt, 5/16-18 X 1	
4	0641514	3	Bolt, 5/16-18 X 1-3/4	
5	0641614	2	Bolt, 3/8-16 X 1-3/4	
7	1320041	1	Clamp	
13	3311601	2	Nut, 3/8-16	
15	0641407	1	Bolt, 1/4-20 X 7/8	
18	4711600	4	Washer, 3/8	
19	4751400	1	Washer, 1/4	
22	1001165963	1	Plate, Tray	
26	88261024	3	Screw, 5/16-18 x 1	
27	3311501	3	Nut, 5/16-18	
28	3420156	2	Pin, Cotter	
29	3450304	2	Pin, Cotter	
30	4751500	10	Washer, 5/16	
31	4751800	2	Washer, 1/2	
32	88662530	3	Nut, Tinnerman	
33	1001165981	1	Mount, Hood - Lower	
34	1001165985	2	Mount, Hood Swing	
35	1001182725	1	Mount, Hood	
36	1001183212	1	Bracket, Hood Mount	
100	1001176417	1	LH Side Hood Kit (Includes Items 101-104)	B
	See Note	Ref	Note: Replacement Decals Must be Ordered Separately - See DECAL SECTION.	
101	See Note	1	Hood, LH (Note: Use Item 100)	
102	2940071	2	Latch	
104	3960453	AR	Seal, Door	
200	1001176441	1	RH Side Hood Kit (Includes Items 203 & 205)	B
	See Note	Ref	Note: Replacement Decals Must be Ordered Separately - See DECAL SECTION.	
203	See Note	1	Hood, RH (Use Item 200)	
205	3960453	AR	Seal, Door	

SECTION 2 - TURNTABLE

FIGURE 2-33. HOOD INSTALLATION - M450AJ



ART_1001166250

SECTION 2 - TURNTABLE

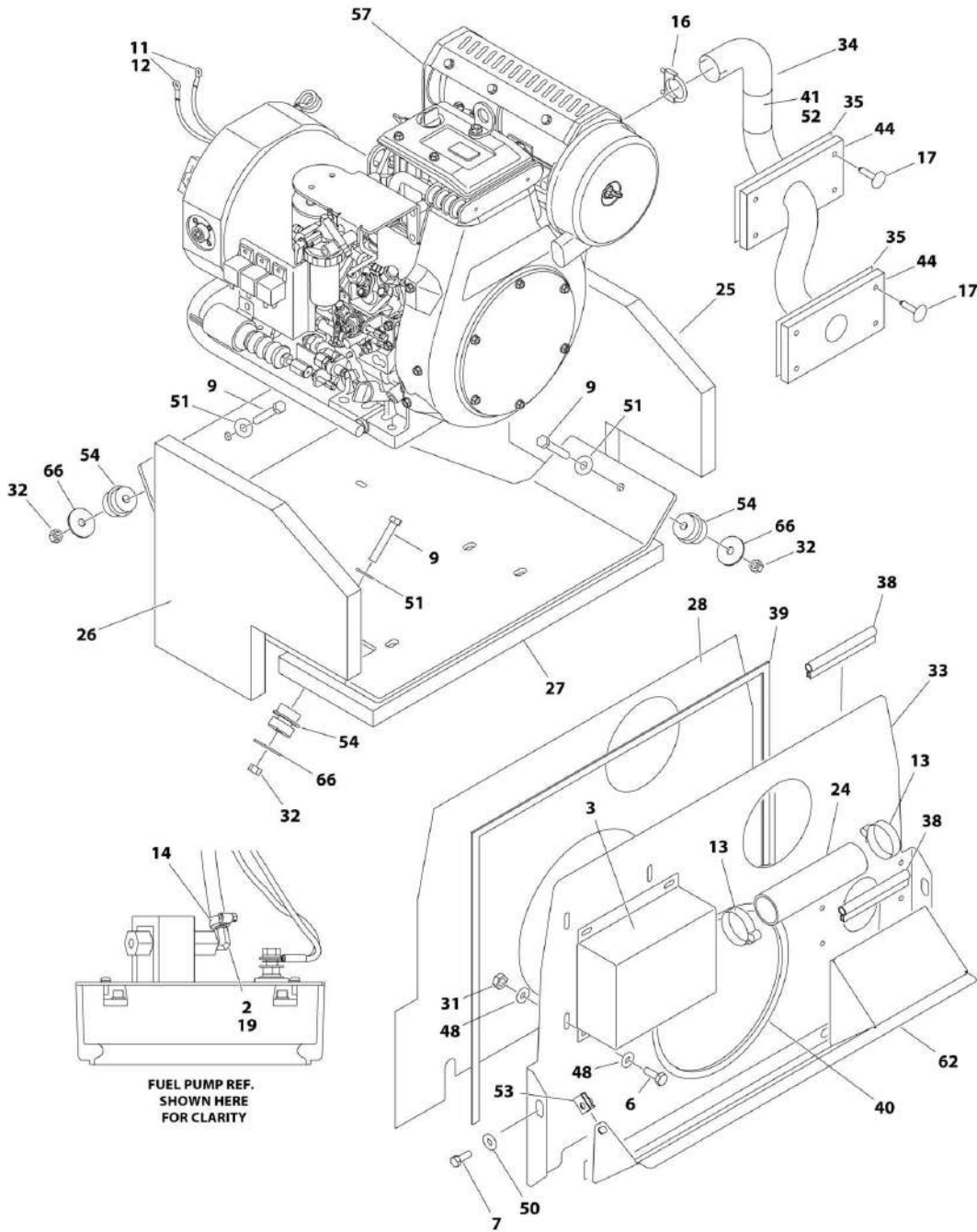
FIGURE 2-33. HOOD INSTALLATION - M450AJ

ITEM	PART NUMBER	QTY	DESCRIPTION	REV
	1001166250	Ref	HOOD INSTALLATION - M450AJ	D
1	0100011	AR	Compound, Locking	
3	0641508	1	Bolt, 5/16-18 X 1	
4	0641514	3	Bolt, 5/16-18 X 1-3/4	
5	0641614	2	Bolt, 3/8-16 X 1-3/4	
7	1320041	1	Clamp	
13	3311601	2	Nut, 3/8-16	
15	0641407	1	Bolt, 1/4-20 X 7/8	
18	4711600	4	Washer, 3/8	
19	4751400	1	Washer, 1/4	
22	1001165962	1	Plate, Tray	
26	88261024	3	Screw, 5/16-18 x 1	
27	3311501	3	Nut, 5/16-18	
28	3420156	2	Pin, Cotter	
29	3450304	2	Pin, Cotter	
30	4751500	10	Washer, 5/16	
31	4751800	2	Washer, 1/2	
32	88662530	3	Nut, Tinnerman	
33	1001165981	1	Mount, Hood - Lower	
34	1001165985	2	Mount, Hood Swing	
35	1001182725	1	Mount, Hood	
36	1001183212	1	Bracket, Hood Mount	
100	1001176417	1	LH Hood Kit (Includes Items 101-104)	B
	See Note	Ref	Note: Replacement Decals Must be Ordered Separately - See DECAL SECTION.	
101	See Note	1	Hood, LH (Note: Use Item 100)	
102	2940071	2	Latch	
104	3960453	AR	Seal, Door	
200	1001176441	1	RH, Side Hood Kit (Includes Items 203 & 205)	B
	See Note	Ref	Note: Replacement Decals Must be Ordered Separately - See DECAL SECTION.	
203	See Note	1	Hood, RH (Note: Use Item 200)	
205	3960453	AR	Seal, Door	

SECTION 3 - ENGINE

SECTION 3 - ENGINE

FIGURE 3-1. KUBOTA MOTOR/GENERATOR INSTALLATION - M450AJ



ART_1001191232_3OF4

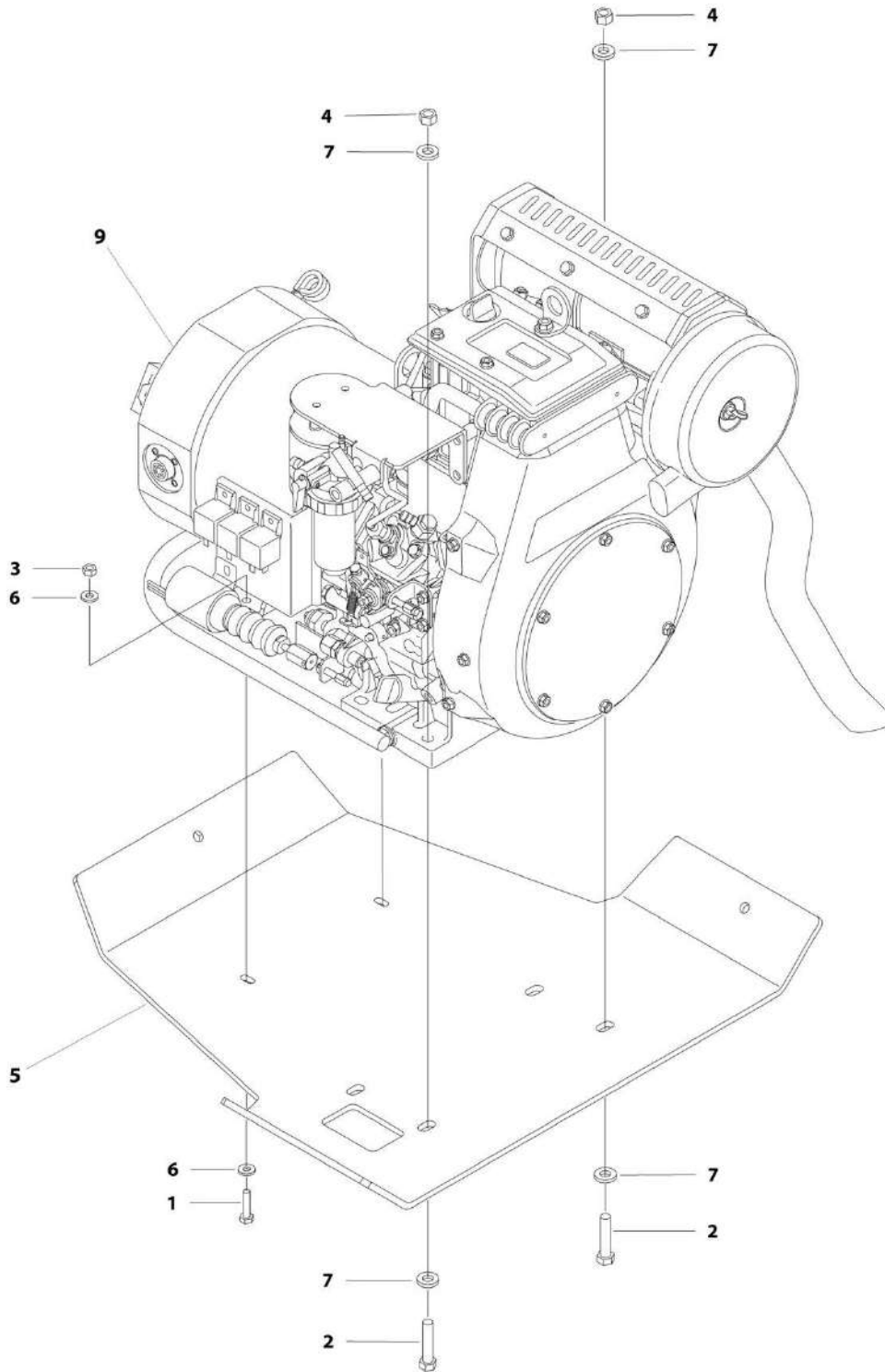
SECTION 3 - ENGINE

FIGURE 3-1. KUBOTA MOTOR/GENERATOR INSTALLATION - M450AJ

ITEM	PART NUMBER	QTY	DESCRIPTION	REV
	1001191232	Ref	KUBOTA MOTOR/GENERATOR INSTALLATION - M450AJ	E
2	0100020	AR	Sealant	
3	0259481	1	Plenum Box Assembly	
6	0641406	4	Bolt, 1/4-20 X 3/4	
7	0641510	2	Bolt, 5/16-18 x 1-1/4	
9	0641618	3	Bolt, 3/8-16 X 2-1/4	
11	1060754	1	Cable, Battery (Includes Terminal Boot) (+ Generator)	
12	1060755	1	Cable, Battery (Includes Terminal Boot) (- Generator)	
13	1320012	2	Clamp	
14	1320022	2	Clamp	
16	1320135	1	Clamp	
17	1380164	8	Clip, Panel Retainer	
19	2220805	1	Fitting, NPT Coupling 90	
24	2720559	1	Hose	
25	2820112	1	Insulation, Left Side	
26	2820116	1	Insulation, Right Side	
27	2820117	1	Foam	
28	2820218	1	Insulation, Acoustic Barrier	
31	3311405	4	Nut, Lock, ,1/4-20	
32	3311605	3	Nut, Lock, 3/8-16	
33	3380602	1	Shield, Heat	
34	3460457	1	Pipe, Exhaust	
35	3575961	2	Plate, Exhaust Mount	
38	3960389	8 ft/ 2.4m	Seal	
39	3960417	2.3 ft/ 0.7m	Seal	
40	3960418	3 ft/ 0.9m	Seal	
41	4100025	1.8 ft/ 0.5m	Sleeve, Fiberglass	
44	4341072	2	Support, Exhaust Mount	
48	4711400	8	Washer, 1/4	
50	4751500	2	Washer, 5/16	
51	4751600	3	Washer, 3/8	
52	4920385	7.3 in/ 2.2m	Wire, Safety	
53	88662530	2	Nut, Tinnerman	
54	1001125248	3	Mount, Engine	
57	1001159361	1	Kubota Engine Assembly (See KUBOTA ENGINE ASSEMBLY for Breakdown)	
62	1001181081	1	Shield, Heat	
63	1001192024	1	Harness, Generator (See ELECTRICAL SECTION for Breakdown) (Not Shown)	
66	1001169138	3	Pad, Snubbing Washer (SN 0300243169 to Present)	

SECTION 3 - ENGINE

FIGURE 3-2. KUBOTA MOTOR/GENERATOR ASSEMBLY - M450AJ



ART_1001159361

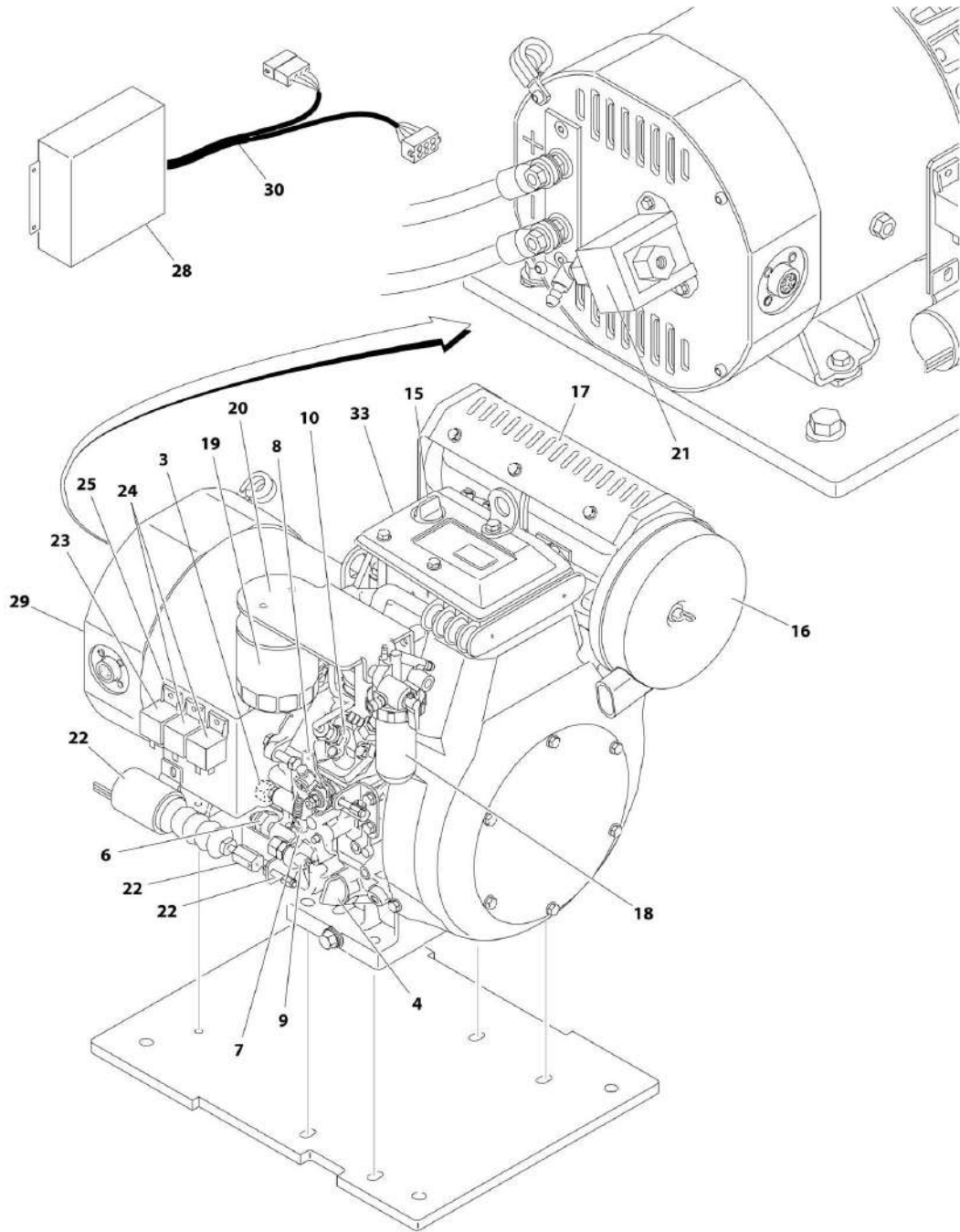
SECTION 3 - ENGINE

FIGURE 3-2. KUBOTA MOTOR/GENERATOR ASSEMBLY - M450AJ

ITEM	PART NUMBER	QTY	DESCRIPTION	REV
	1001159361	Ref	KUBOTA MOTOR/GENERATOR ASSEMBLY - M450AJ	B
1	0641409	2	Bolt, 1/4-20 x 1-1/8	
2	0641614	4	Bolt, 3/8-16 X 1-3/4	
3	3311405	2	Nut, Lock, 1/4-20	
4	3311605	4	Nut, Lock, 3/8-16	
5	3575952	1	Plate, Base	
6	4891400	4	Washer, 1/4 Hardened	
7	4891600	8	Washer, 3/8 Hardened	
9	1001159355	1	Kubota Engine/Generator Assembly (See KUBOTA ENGINE/GENERATOR COMPONENTS for Breakdown)	

SECTION 3 - ENGINE

FIGURE 3-3. KUBOTA MOTOR/GENERATOR COMPONENTS



ART_1001159355

SECTION 3 - ENGINE

FIGURE 3-3. KUBOTA MOTOR/GENERATOR COMPONENTS

ITEM	PART NUMBER	QTY	DESCRIPTION	REV
	1001159355	Ref	KUBOTA MOTOR/GENERATOR COMPONENTS	A
1	70000290	1	Glow Plug (Not Shown)	
1	70000291	1	Harness, Glow Plug (Not Shown)	
2	70000292	1	Screen, Oil Sump (Includes O-Ring)	
3	70000293	1	Cap, Oil Filler (Includes O-Ring)	
4	70000294	1	Dipstick	
5	70000295	1	Pump, Oil Rotor (Not Shown - Located beside Item 6)	
5	70000296	1	O-Ring Oil Rotor Pump (Not Shown)	
6	70000297	1	Switch, Oil	
7	70000298	1	Lever, Governor	
7	70000299	1	Pin, Governor Lever	
7	70000300	1	Spring, Governor Lever	
8	70000301	1	Spring, Idling	
8	70000304	1	Lever, Spring Control	
8	70000305	1	Spring, Stop (Speed Control Lever)	
9	70000302	1	Valve, Fuel Limit (Not Shown)	
9	70000303	1	Gasket, Fuel Limit (Not Shown)	
10	70000306	1	Pump, Injection	
10	70000307	1	Kit, Pump Adjustment Shim	
11	70000308	1	Flywheel/Ring Gear Assembly (Not Shown - Located Behind Front Cover)	
11	70000309	1	Ring Gear (Not Shown)	
11	70001121	1	Stator, Engine (Not Shown - Located Behind Flywheel) (Includes Coil & Grommet)	
12	70003557	1	Regulator, Voltage (Not Shown - Located on Opposite Side of Engine)	
13	70000310	1	Starter (Not Shown - Located on Opposite of Engine)	
14	70000311	1	Solenoid, Starter (Not Shown - Located on Opposite Side of Engine)	
15	70002244	1	Cap, Oil Filler (Includes O-Ring)	
16	70000312	1	Air Filter Assembly	
16	70000313	1	Element, Air Cleaner	
16	70000314	1	Gasket, Air Cleaner	
17	70000315	1	Muffler Assembly	
17	70000316	1	Gasket, Muffler	
18	70000317	1	Inline Fuel Check Valve Assembly	
18	70000967	1	Fuel Filter Assembly	
18	70000318	1	Element, Fuel Filter	
19	70000319	1	Element, Oil Filter	
19	70001144	1	Head, Oil Filter Head (Note: Does Not Include Element)	
20	70002544	1	Bracket, Oil Filter Mount	
21	70000320	1	Pump, Fuel	
22	70000321	1	Solenoid, Fuel	
22	70003618	1	Adapter, Solenoid	
22	70003619	1	Screw	
23	70000322	1	Relay	
24	70000323	2	Relay	
25	70002083	1	Bracket, Solenoid/Relay	
26	70000324	1	Sensor, Speed (Not Shown - Located Inside Front Cover)	
26	70004265	1	Bracket, Speed Sensor (Not Show - Located Inside Front Cover)	

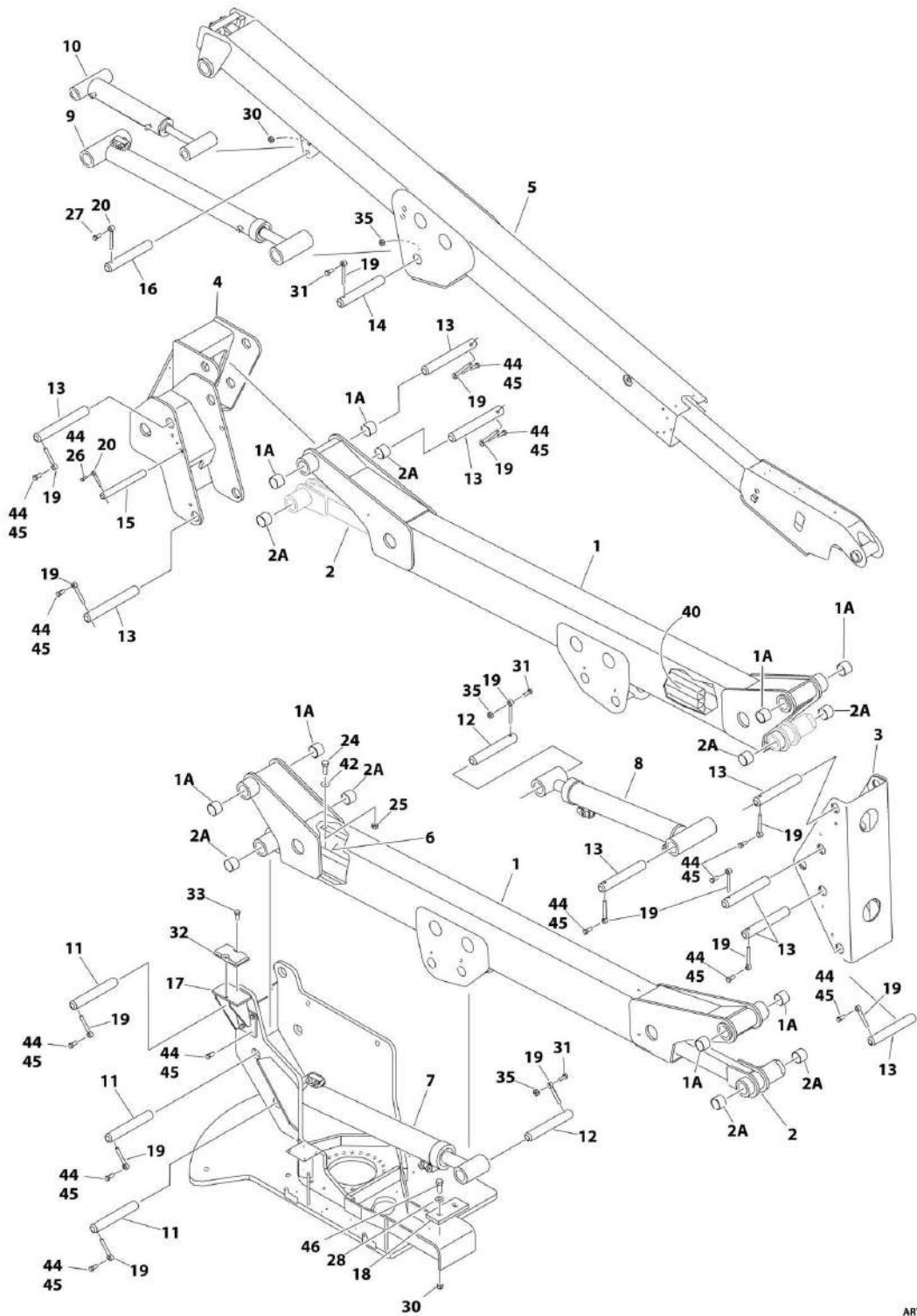
SECTION 3 - ENGINE

ITEM	PART NUMBER	QTY	DESCRIPTION	REV
27	70000325	1	Sensor, Oil Temperature (Not Shown - Located on Opposite Side of Engine Base)	
28	70000326	1	Module, Engine Control	
29	70000327	1	Alternator	
29	70000382	1	Stator, Alternator	
29	70004394	1	Lead, Field Terminal Block Diode	
30	70000328	1	Harness, Generator	
31	70000329	1	Fuse 15Amp (Not Shown)	
32	70000330	1	Fuse 20Amp (Not Shown)	
33	70002543	1	Engine, Kubota (without Generator)	
34	70000289	1	Regulator, Voltage (Not Shown - Located on Opposite Side of Engine)	

SECTION 4 - BOOM

SECTION 4 - BOOM

FIGURE 4-1. BOOM AND CYLINDERS INSTALLATION - WITHOUT LSS OR WITH 4 CELL LSS (E450A)
(SN 0300208529 through 0300235600)



ART_0258691

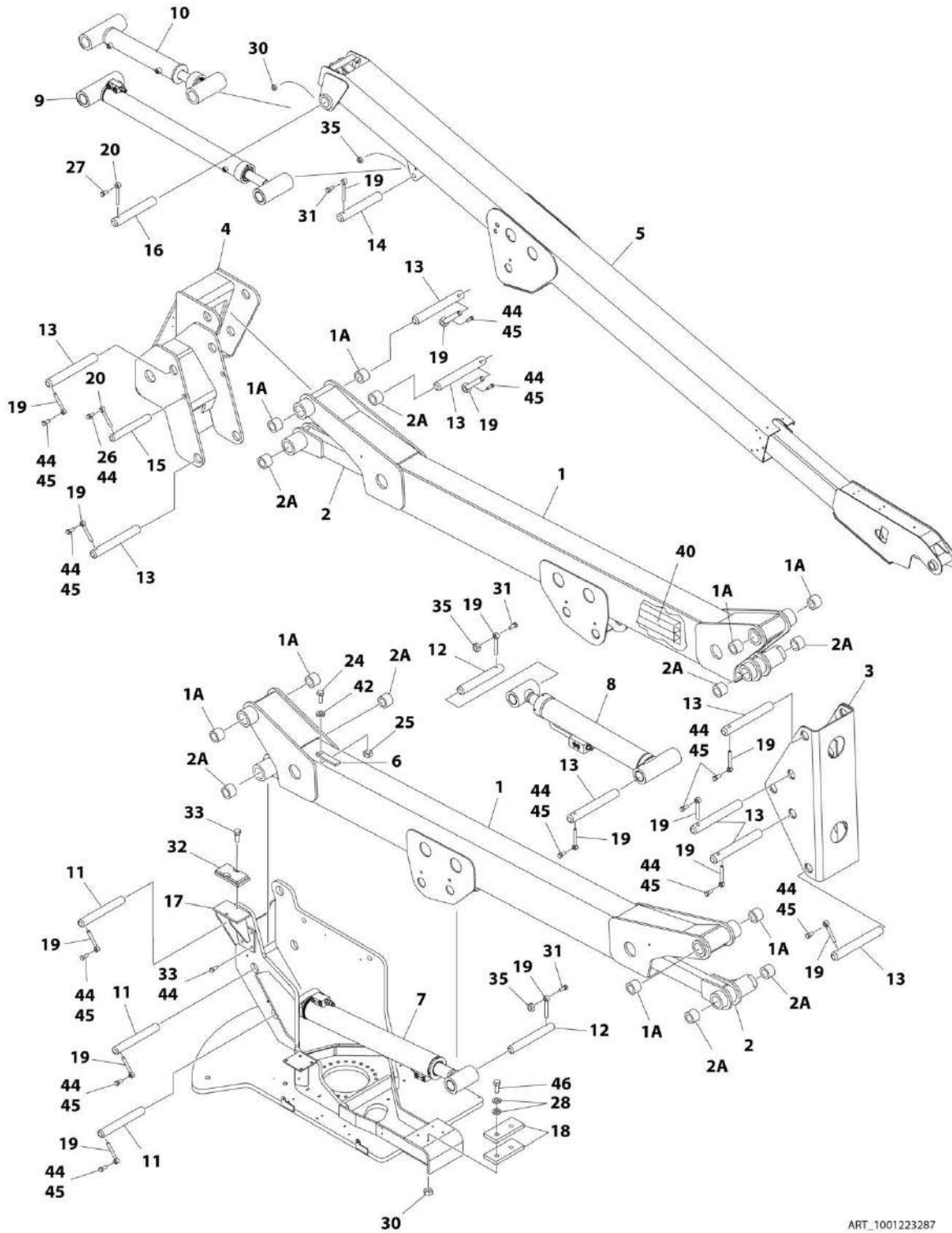
SECTION 4 - BOOM

**FIGURE 4-1. BOOM AND CYLINDERS INSTALLATION - WITHOUT LSS OR WITH 4 CELL LSS (E450A)
(SN 0300208529 through 0300235600)**

ITEM	PART NUMBER	QTY	DESCRIPTION	REV
	0258691	Ref	BOOM AND CYLINDERS INSTALLATION - WITHOUT LSS OR WITH 4 CELL LSS (E450A) (SN 0300208529 through 0300235600)	G
1	0801264	2	Boom Assembly - Tower	
1A	0961950	8	Bushing	
2	4846307	2	Level Link	
2A	0961950	8	Bushing	
3	4844427	1	Upright Weldment - Lower	
4	4844304	1	Upright Weldment - Upper	
5	0801169	1	Boom Assembly - Main (See MAIN BOON ASSEMBLY - E450A for Breakdown)	
6	3537045	1	Hose Guard Plate	
7	1684492	NLA	Lift Cylinder Assembly - Lower (Use p/n 1001228039) (See CYLINDER SECTION for Breakdown)	
8	1684493	NLA	Lift Cylinder Assembly - Mid (Use p/n 1001228036) (See CYLINDER SECTION for Breakdown)	
9	1684061	NLA	Lift Cylinder Assembly - Upper (Use p/n 1001228018) (See CYLINDER SECTION for Breakdown)	
10	1001140597	1	Master Cylinder Assembly (See CYLINDER SECTION for Breakdown)	
11	3422175	3	Pin	
12	3422176	2	Pin	
13	3422177	9	Pin	
14	3422178	1	Pin	
15	3422179	1	Pin	
16	3422180	1	Pin	
17	4844467	1	Boom Rest Weldment	
18	0561076	1	Block, Boom Rest	
19	3841203	15	Keeper, Pin - 1/2	
20	3841143	2	Keeper, Pin - 3/8	
24	0641506	4	Bolt, 5/16-18 x 3/4	
25	3311505	4	Nut, Lock, 5/16-18	
26	0641608	1	Bolt, 3/8-16 x 1	
27	0641610	1	Bolt, 3/8-16 x 1-1/4	
28	4751600	4	Washer, 3/8	
30	3311605	3	Nut, Lock, 3/8-16	
31	0641812	3	Bolt, 1/2-13 x 1-1/2	
32	0940048	1	Bumper	
33	0641806	5	Bolt, 1/2-13 x 3/4	
35	3311805	3	Nut, Lock, 1/2-13	
40	4566356	1	Tube	
42	4751500	4	Washer, 5/16	
44	0100011	AR	Compound, Locking	
45	0641810	12	Bolt, 1/2-13 x 1-1/4	
46	0641614	2	Bolt, 3/6-16 x 1-3/4	

SECTION 4 - BOOM

FIGURE 4-2. BOOM AND CYLINDERS INSTALLATION - WITH 1 CELL LSS (E450A) (SN 0300235601 to Present)



ART_1001223287

SECTION 4 - BOOM

FIGURE 4-2. BOOM AND CYLINDERS INSTALLATION - WITH 1 CELL LSS (E450A) (SN 0300235601 to Present)

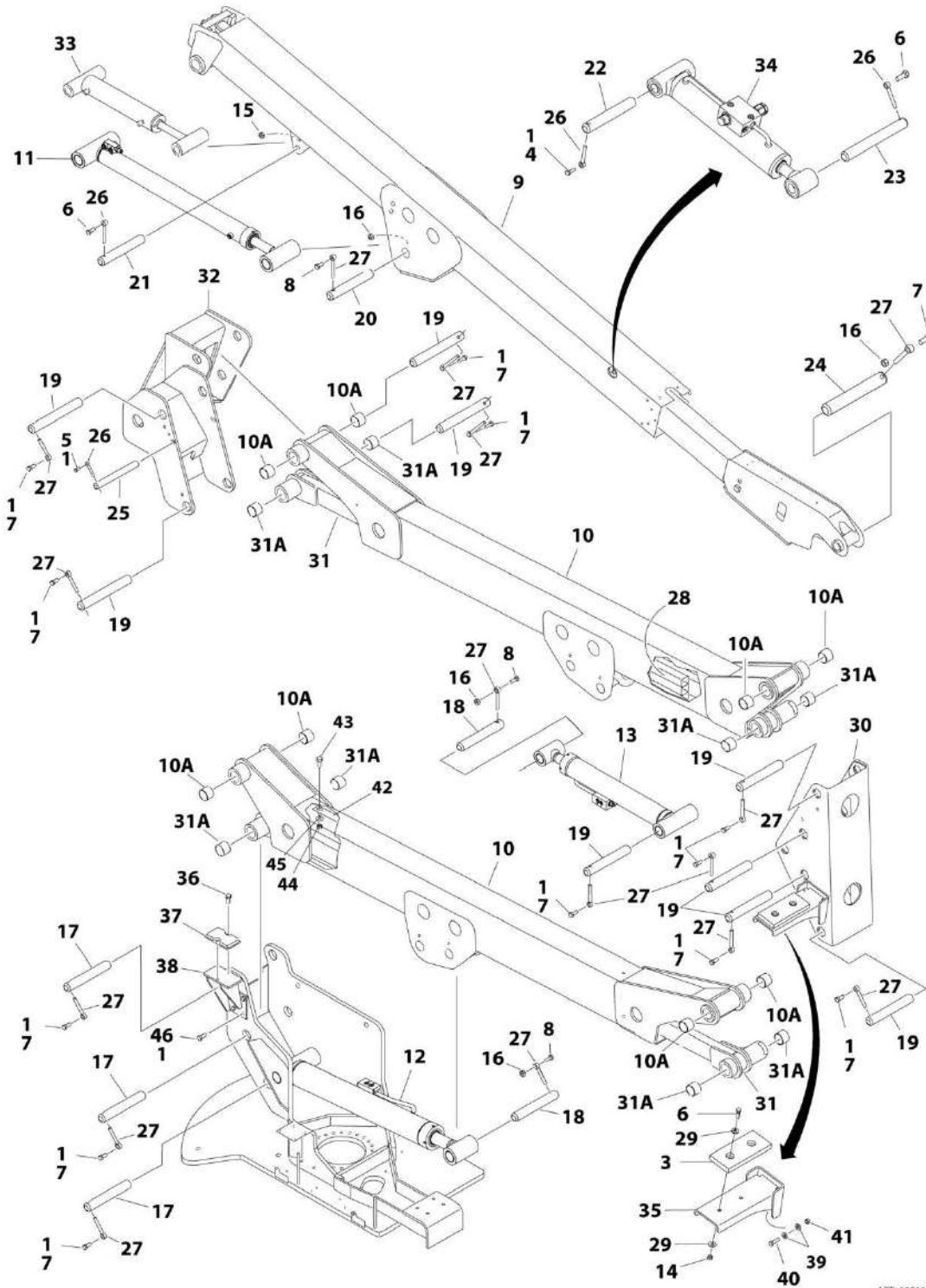
ITEM	PART NUMBER	QTY	DESCRIPTION	REV
	1001223287	Ref	BOOM AND CYLINDERS INSTALLATION - WITH 1 CELL LSS (E450A) (SN 0300235601 to Present)	D
1	0801264	2	Boom Assembly - Tower	
1A	0961950	8	Bushing	
2	4846307	2	Level Link	
2A	0961950	8	Bushing	
3	4844427	1	Upright Weldment - Lower	
4	4844304	1	Upright Weldment - Upper	
5	0801169	1	Boom Assembly - Main (See MAIN BOON ASSEMBLY - E450A for Breakdown)	
6	3537045	1	Hose Guard Plate	
7	1684492	NLA	Lift Cylinder Assembly - Lower (Use p/n 1001228039) (See CYLINDER SECTION for Breakdown) (SN 0300235601 through 0300239755)	
7	1001228039	1	Lift Cylinder Assembly - Lower (See CYLINDER SECTION for Breakdown) (SN 0300239756 to Present)	
8	1684493	NLA	Lift Cylinder Assembly - Mid (Use p/n 1001228036) (See CYLINDER SECTION for Breakdown) (SN 0300235601 through 0300239755)	
8	1001228036	1	Lift Cylinder Assembly - Mid (See CYLINDER SECTION for Breakdown) (SN 0300239756 to Present)	
9	1684061	NLA	Lift Cylinder Assembly - Upper (Use p/n 1001228018) (See CYLINDER SECTION for Breakdown) (SN 0300235601 through 0300239755)	
9	1001228018	1	Lift Cylinder Assembly - Upper (See CYLINDER SECTION for Breakdown) (SN 0300239756 to Present)	
10	1001140597	1	Master Cylinder Assembly (See CYLINDER SECTION for Breakdown)	
11	3422175	3	Pin	
12	3422176	2	Pin	
13	3422177	9	Pin	
14	3422178	1	Pin	
15	3422179	1	Pin	
16	3422180	1	Pin	
17	4844467	1	Boom Rest Weldment	
18	0561076	2	Block, Boom Rest	
19	3841203	15	Keeper, Pin - 1/2	
20	3841143	2	Keeper, Pin - 3/8	
24	0641506	4	Bolt 5/16 x 3/4	
25	3311505	4	Nut, Lock 5/16-18	
26	0641608	1	Bolt 3/8 x 1	
27	0641610	1	Bolt 3/8 x 1-1/4	
28	4751600	4	Washer 3/8	
30	3311605	3	Nut, Lock 3/8-16	
31	0641812	3	Bolt 1/2 x 1-1/2	
32	0940048	1	Bumper	
33	0641806	5	Bolt 1/2 x 3/4	
35	3311805	3	Nut, Lock 1/2-13	
40	4566356	1	Tube	
42	4751500	4	Washer 5/16	
44	0100011	AR	Compound, Locking	

SECTION 4 - BOOM

ITEM	PART NUMBER	QTY	DESCRIPTION	REV
45	0641810	12	Bolt 1/2 x 1-1/4	
46	0641618	2	Bolt 3/6 x 2-1/4	

SECTION 4 - BOOM

FIGURE 4-3. BOOM AND CYLINDERS INSTALLATION - E450AJ/M450AJ (SN 0300208529 to Present, SN B300001429 through B300002486)



ART_1001168673

SECTION 4 - BOOM

FIGURE 4-3. BOOM AND CYLINDERS INSTALLATION - E450AJ/M450AJ (SN 0300208529 to Present, SN B300001429 through B300002486)

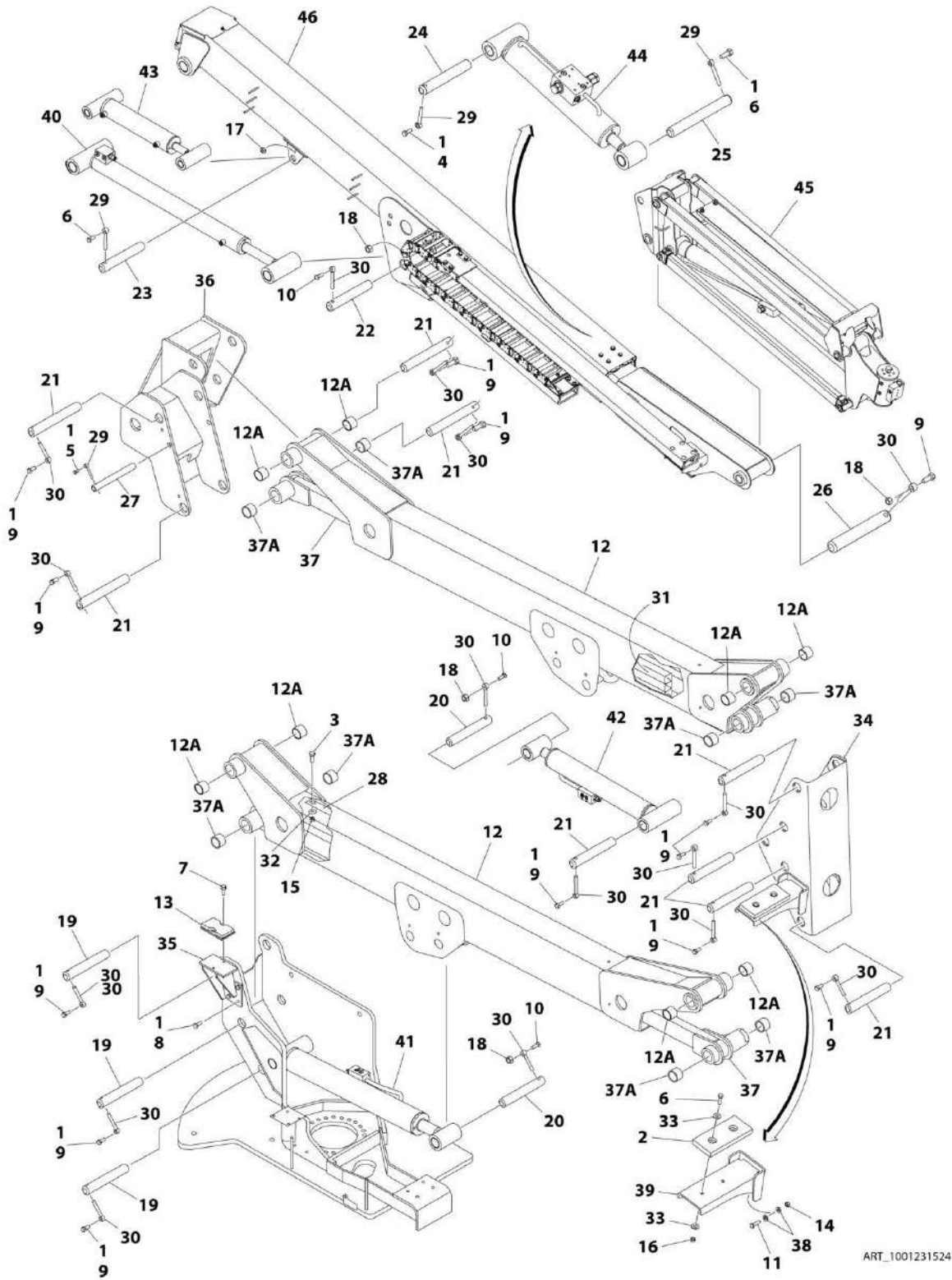
ITEM	PART NUMBER	QTY	DESCRIPTION	REV
	1001168673	Ref	BOOM AND CYLINDERS INSTALLATION - E450AJ/M450AJ	H
1	0100011	AR	Compound, Locking	
3	0561076	1	Block, Boom Rest	
4	0641607	1	Bolt, 3/8-16 X 7/8	
5	0641608	1	Bolt, 3/8-16 X 1	
6	0641610	4	Bolt, 3/8-16 X 1-1/4	
7	0641810	13	Bolt, 1/2-13 X 1-1/4	
8	0641812	3	Bolt, 1/2-13 X 1-1/2	
9	0801197	1	Boom Assembly - Main (See MAIN BOOM ASSEMBLY - E450AJ/M450AJ for Breakdown)	
10	0801264	2	Boom Assembly - Tower	
10A	0961950	8	Bushing	
11	1683945	NLA	Lift Cylinder Assembly - Upper (Use p/n 1001228016) (See CYLINDER SECTION for Breakdown) (SN 0300208529 through 0300239755, SN B300001429 through B300002486)	
11	1001228016	1	Lift Cylinder Assembly - Upper (See CYLINDER SECTION for Breakdown) (SN 0300239756 to Present)	
12	1684451	NLA	Lift Cylinder Assembly - Lower (Use p/n 1001228035) (See CYLINDER SECTION for Breakdown) (SN 0300208529 through 0300239252, SN B300001429 through B300002461)	
12	1001228035	1	Lift Cylinder Assembly - Lower (See CYLINDER SECTION for Breakdown) (SN 0300239253 to Present, SN B300002462 through B300002486)	
13	1684452	NLA	Lift Cylinder Assembly - Mid (Use p/n 1001228036) (See CYLINDER SECTION for Breakdown) (SN 0300208529 through 0300239252, SN B300001429 through B300002461)	
13	1001228036	1	Lift Cylinder Assembly - Mid (See CYLINDER SECTION for Breakdown) (SN 0300239253 to Present, SN B300002462 through B300002486)	
14	3311601	2	Nut, 3/8-16	
15	3311605	1	Nut, Lock, 3/8-16	
16	3311805	4	Nut, Lock, 1/2-13	
17	3422175	3	Pin	
18	3422176	2	Pin	
19	3422177	9	Pin	
20	3422178	1	Pin	
21	3422582	1	Pin	
22	3422669	1	Pin	
23	3422792	1	Pin	
24	3422793	1	Pin	
25	3422806	1	Pin	
26	3841143	4	Keeper, 3/8	
27	3841203	16	Keeper, 1/2	
28	4566356	1	Tube	
29	4751600	4	Washer, 3/8 (Not Shown - Located on Platform Support)	
30	4844427	1	Upright Weldment - Lower	
31	4846307	2	Level Link	
31A	0961950	8	Bushing	
32	4846026	1	Upright Weldment - Upper	
33	1001140278	1	Master Cylinder Assembly (See CYLINDER SECTION for Breakdown)	

SECTION 4 - BOOM

ITEM	PART NUMBER	QTY	DESCRIPTION	REV
34	1001140279	1	Platform Level Cylinder (See CYLINDER SECTION for Breakdown)	
35	1001177483	1	Support, Boom Rest	
36	0641806	2	Bolt, 1/2-13 X 3/4	
37	0940048	1	Bumper	
38	4844467	1	Boom Rest Weldment	
39	4891600	8	Washer, 3/8	
40	0681610	4	Bolt, 3/8-16 x 1-1/4 (Grade 8)	
41	3271605	4	Nut, Lock 3/8-16 (Grade 8)	
42	3537045	1	Plate	
43	0641506	4	Bolt, 5/16-18 x 3/4	
44	3311505	4	Nut, Lock 5/16-18	
45	4751500	4	Washer, 5/16	
46	0641806	AR	Bolt, 1/2-13 x 3/4	
46	0641808	AR	Bolt, 1/2-13 x 1	

SECTION 4 - BOOM

FIGURE 4-4. BOOM AND CYLINDERS INSTALLATION - E450AJ/M450AJ (SN B30002487 to Present)



ART_1001231524

SECTION 4 - BOOM

FIGURE 4-4. BOOM AND CYLINDERS INSTALLATION - E450AJ/M450AJ (SN B300002487 to Present)

ITEM	PART NUMBER	QTY	DESCRIPTION	REV
	1001231524	Ref	BOOM AND CYLINDERS INSTALLATION - E450AJ/M450AJ	A
1	0100011	AR	Compound, Locking	
2	0561076	1	Block, Boom Rest	
3	0641506	4	Bolt 5/16 x 3/4	
4	0641607	1	Bolt 3/8-16 x 7/8	
5	0641608	1	Bolt 3/8-16 x 1	
6	0641610	4	Bolt 3/8-16 x 1-1/4	
7	0641806	2	Bolt 1/2 x 3/4	
8	0641808	3	Bolt 1/2 x 1	
9	0641810	13	Bolt 1/2-13 x 1-1/4	
10	0641812	3	Bolt 1/2-13 x 1-1/2	
11	0681610	4	Bolt 3/8 x 1-1/4 Grade 8	
12	0801264	2	Boom Assembly - Tower	
12A	0961950	8	Bushing	
13	0940048	1	Bumper	
14	3271605	4	Nut 3/8 Grade 8	
15	3311505	4	Nut 5/16	
16	3311601	2	Nut 3/8	
17	3311605	1	Nut 3/8	
18	3311805	4	Nut 1/2	
19	3422175	3	Pin	
20	3422176	2	Pin	
21	3422177	9	Pin	
22	3422178	1	Pin	
23	3422582	1	Pin	
24	3422669	1	Pin	
25	3422792	1	Pin	
26	3422793	1	Pin	
27	3422806	1	Pin	
28	3537045	1	Plate	
29	3841143	4	Keeper, 3/8	
30	3841203	16	Keeper, 1/2	
31	4566356	1	Tube	
32	4751500	4	Washer 5/16	
33	4751600	4	Washer 3/8	
34	4844427	1	Upright Weldment - Lower	
35	4844467	1	Boom Rest Weldment	
36	4846026	1	Upright Weldment - Upper	
37	4846307	2	Level Link	
37A	0961950	8	Bushing	
38	4891600	8	Washer, 3/8	
39	1001177483	1	Support, Boom Rest	
40	1001230299	1	Lift Cylinder Assembly - Upper (See CYLINDER SECTION for Breakdown)	
41	1001230300	1	Lift Cylinder Assembly - Lower (See CYLINDER SECTION for Breakdown)	
42	1001230301	1	Lift Cylinder Assembly - Mid (See CYLINDER SECTION for Breakdown)	
43	1001230303	1	Master Cylinder Assembly (See CYLINDER SECTION for Breakdown)	

SECTION 4 - BOOM

ITEM	PART NUMBER	QTY	DESCRIPTION	REV
44	1001230304	1	Platform Level Cylinder (See CYLINDER SECTION for Breakdown)	
45	1001231523	1	Jib Assembly (See JIB ASSEMBLY - for Breakdown)	
46	1001231525	1	Main Boom Installation (See MAIN BOOM ASSEMBLY - E450AJ/M450AJ for Breakdown)	

SECTION 4 - BOOM

FIGURE 4-5. MAIN BOOM ASSEMBLY - E450A

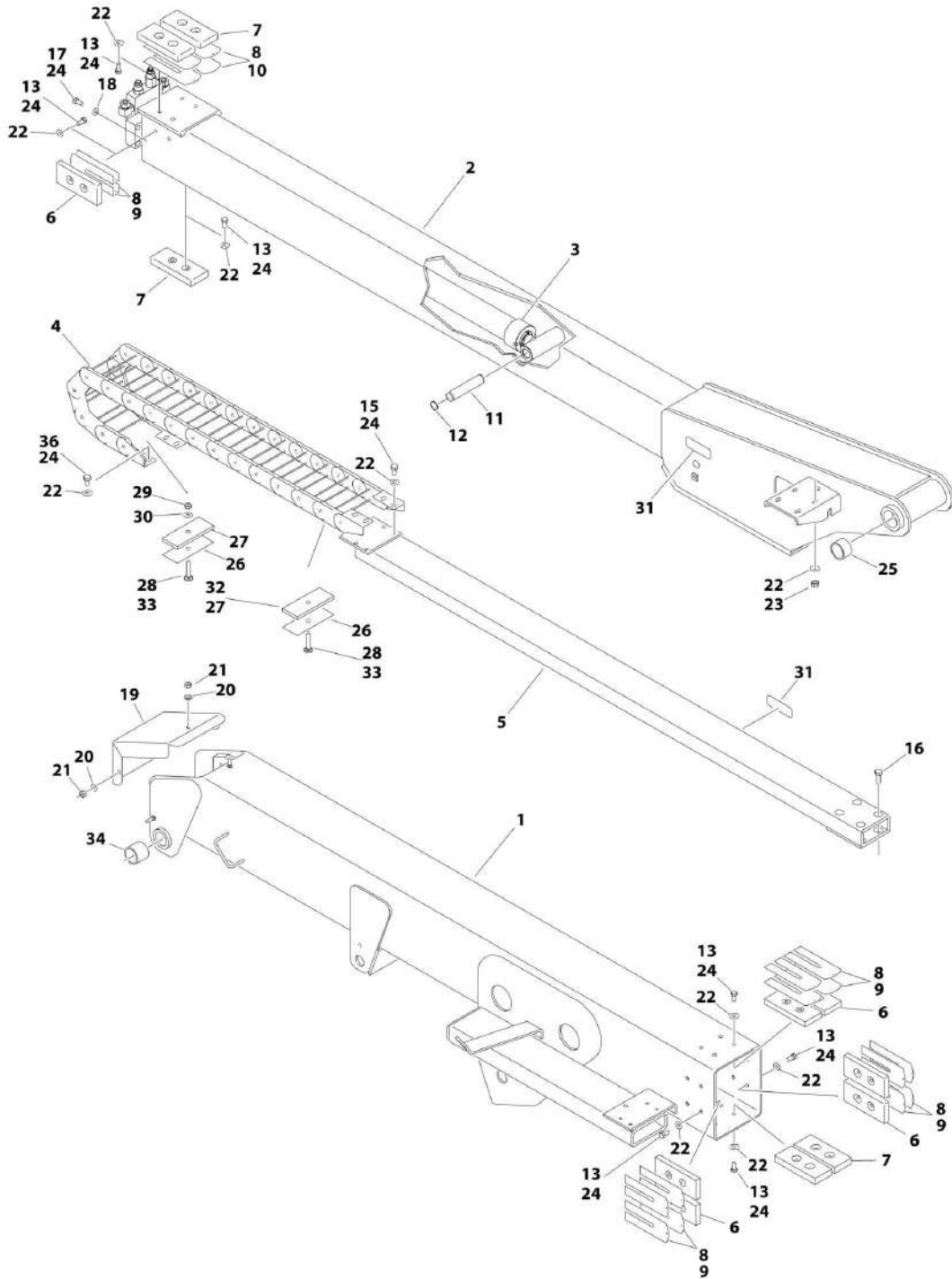
ITEM	PART NUMBER	QTY	DESCRIPTION	REV
	0801169	Ref	MAIN BOOM ASSEMBLY - E450A	E
1	0801261	1	Base Weldment	
1A	0961950	2	Bushing	
2	0801154	1	Fly Weldment	
3	1001151414	NLA	Telescope Cylinder Assembly (Use p/n 1001228062) (See CYLINDER SECTION for Breakdown) (SN 0300208529 through 0300244781)	
3	1001228062	1	Telescope Cylinder Assembly (See CYLINDER SECTION for Breakdown) (SN 0300244782 to Present)	
4	3422901	1	Pin	
5	1180302	1	Powertrack Assembly	
5	7019698	1	Link, Repair	
5A	7019699	1	Feet, Mounting	
6	4844579	1	Holder, Ware Pad	
7	3340663	8	Pad, Ware	
8	3340820	2	Pad, Ware	
9	3340682	1	Pad, Wear	
10	1760160	8	Disc	
11	0630487	6	Bolt, Special 3/8-16 x 1-3/8	
12	3311602	8	Nut, Jam, 3/8-16	
13	0641818	4	Bolt, 1/2-13 x 2-1/4	
14	4761800	4	Washer, Lock, 1/2	
15	3760115	2	Snap, Ring	
16	0641405	2	Bolt, 1/4-20 x 5/8	
17	0641404	2	Bolt, 1/4-20 x 1/2	
18	4761400	7	Washer, Lock, 1/4	
19	0641606	7	Bolt, 3/8-16 x 3/4	
20	4761600	7	Washer, Lock, 3/8	
21	0100011	AR	Compound, Locking	
22	1670679	1	Cover, Boom	
23	1670698	1	Cover, Boom	
24	4751400	7	Washer, 1/4	
25	3311401	3	Nut, 1/4-20	
26	1220038	1	Holder, Ware Pad	
27	1220039	1	Holder, Ware Pad	
28	1220040	1	Holder, Ware Pad	
29	0630399	2	Bolt, Special, 3/8-16 X 2-1/4	
30	0100009	AR	Silicone	
31	4740413	5	Washer, Spacer	
32	4751600	5	Washer, 3/8	
33	0641608	5	Bolt, 3/8-16 x 1	
34	3520034	4	Plug, Hole	
35	0961951	2	Bearing	
36	1001140598	1	Cylinder Assembly (See CYLINDER SECTION for Breakdown)	
37	3422181	1	Shaft, Pin	
39	3841143	3	Keeper, 3/8	
40	0641607	1	Bolt, 3/8-16 x 7/8	
41	0100011	AR	Compound, Locking	
42	0060052	1	Rotator Assembly (See ROTATOR ASSEMBLY for Breakdown)	
43	3422709	1	Shaft, Pin	

SECTION 4 - BOOM

ITEM	PART NUMBER	QTY	DESCRIPTION	REV
44	0641608	2	Bolt, 3/8-16 x 1	
45	3311605	2	Nut, Lock, 3/8-16	
46	3422180	1	Shaft, Pin	

SECTION 4 - BOOM

FIGURE 4-6. MAIN BOOM ASSEMBLY - E450AJ/M450AJ (SN 0300208529 to Present, SN B300001429 through B300002486)



ART_0801197

SECTION 4 - BOOM

FIGURE 4-6. MAIN BOOM ASSEMBLY - E450AJ/M450AJ (SN 0300208529 to Present, SN B300001429 through B300002486)

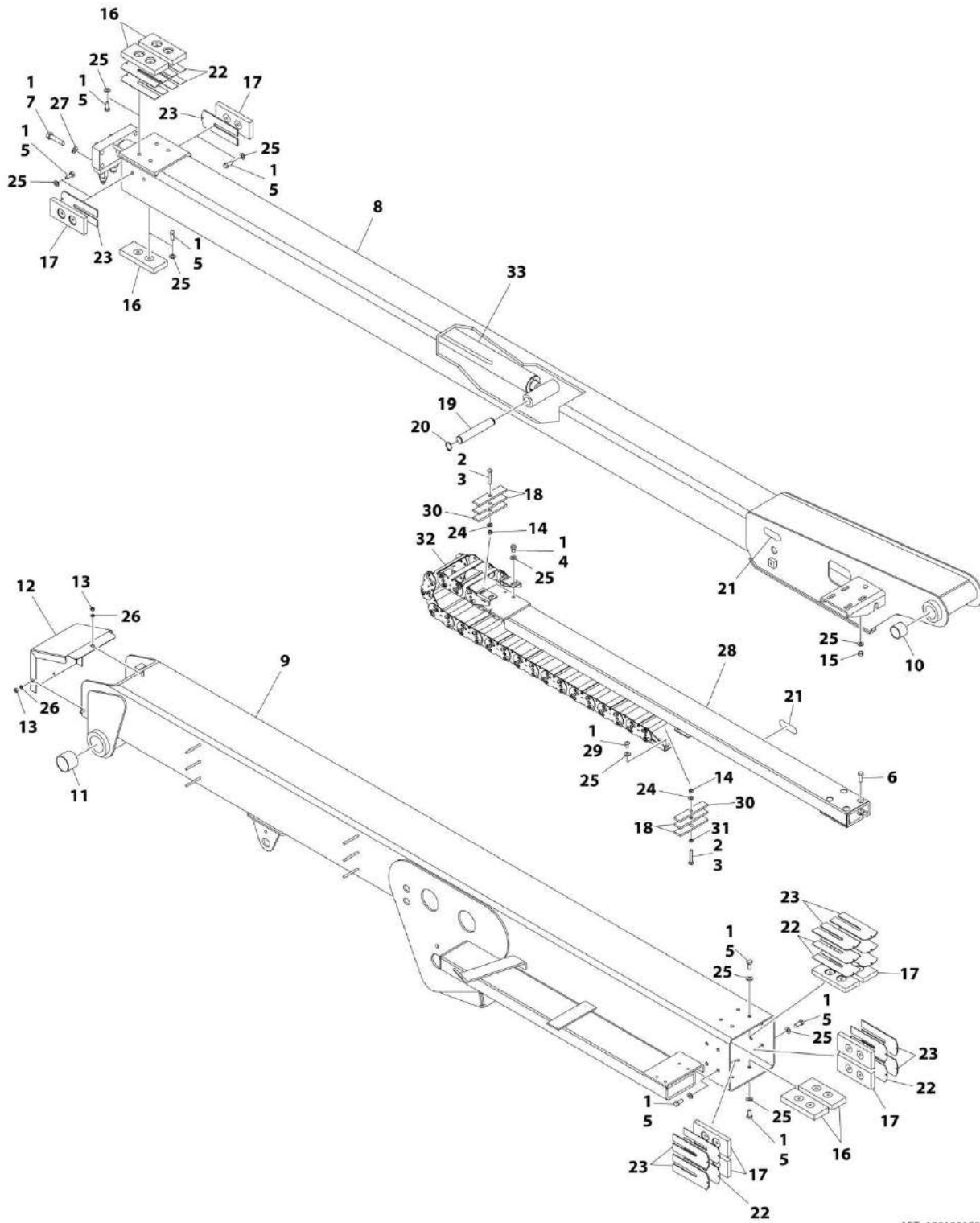
ITEM	PART NUMBER	QTY	DESCRIPTION	REV
	0801197	Ref	MAIN BOOM ASSEMBLY - E450AJ/M450AJ	M
1	0801260	1	Base, Weldment	
2	0801192	1	Fly, Weldment	
3	1001151368	NLA	Telescope Cylinder Assembly (Use p/n 1001228061) (See CYLINDER SECTION for Breakdown) (SN 0300208529 through 0300243858)	
3	1001228061	1	Telescope Cylinder Assembly (See CYLINDER SECTION for Breakdown) (SN 0300243859 to Present)	
4	1001099833	1	Powertrack Assembly (Use p/n 1001224890) (SN 0300208529 through 0300230223, SN B300001429 through B300002286)	
4	70001996	1	Repair Section (Includes 4 links, 10 pins, 10 washers, 10 snap rings, 2 rod carriers and 4 self-tapping screws)	
4	70001998	1	Bracket Kit (Includes 2 left and 2 right mounting feet, 4 center pins, 4 center pin snap rings, 8 pins for bracket lockout, 8 washers and 8 snap rings)	
4	1001224890	1	Powertrack Assembly (SN 0300230224 to Present, SN B300002287 through B300002486)	
4	70006269	1	Repair Section (Includes 10 links, 22 pins, 22 washers, 22 snap rings, 5 rod carriers and 10 self-tapping screws)	
4	70006279	1	Bracket Kit (Includes 2 left and 2 right mounting feet, 4 center pins, 4 center pin snap rings, 8 pins for bracket lockout, 4 washers and 4 snap rings)	
5	4846033	1	Pushtube, Weldment	
6	3340881	8	Pad, Ware	
7	3340837	5	Pad, Ware	
8	4070897	AR	Shim, 18 Gauge	
9	4070898	8	Shim, 11 Gauge	
10	4070982	2	Shim, 16 Gauge (SN 0300208529 through 0300230223, SN B300001429 through B300002286)	
11	3422804	1	Pin	
12	3760115	2	Ring, Snap	
13	0641606	AR	Bolt, 3/8-16 x 3/4	
13	0641607	26	Bolt, 3/8-16 x 7/8	
15	0641605	4	Bolt, 3/8-16 x 5/8	
16	0641608	4	Bolt, 3/8-16 x 1	
17	0641818	4	Bolt, 1/2-13 x 2-1/4	
18	4761800	4	Washer, Lock, 1/2	
19	1670679	1	Cover, Boom	
20	4761400	3	Washer, Lock, 1/4	
21	3311401	3	Nut, 1/4-20	
22	4711600	38	Washer, 3/8	
23	3311605	AR	Nut, Lock, 3/8-16	
24	0100011	AR	Compound, Locking	
25	0961948	2	Bearing	
26	1001106757	AR	Plate, Clamp	
27	3340939	AR	Pad, Rubber	
28	0630401	2	Bolt, Carriage, 5/16-18 x 2	
29	3311505	2	Nut, Lock 5/16-18	
30	4711500	2	Washer, 5/16	
31	4060804	15 in/ 38cm	Flex-Trim	

SECTION 4 - BOOM

ITEM	PART NUMBER	QTY	DESCRIPTION	REV
32	0100081	AR	Adhesive	
33	1001119228	1	Push Nut, M8	
34	0961950	2	Bushing	
36	0641605	4	Bolt 3/8 x 5/8	
36	88261026	4	Bolt 3/8 x 5/8	

SECTION 4 - BOOM

FIGURE 4-7. MAIN BOOM ASSEMBLY - E450AJ/M450AJ (SN B300002487 to Present)



ART_1001231525

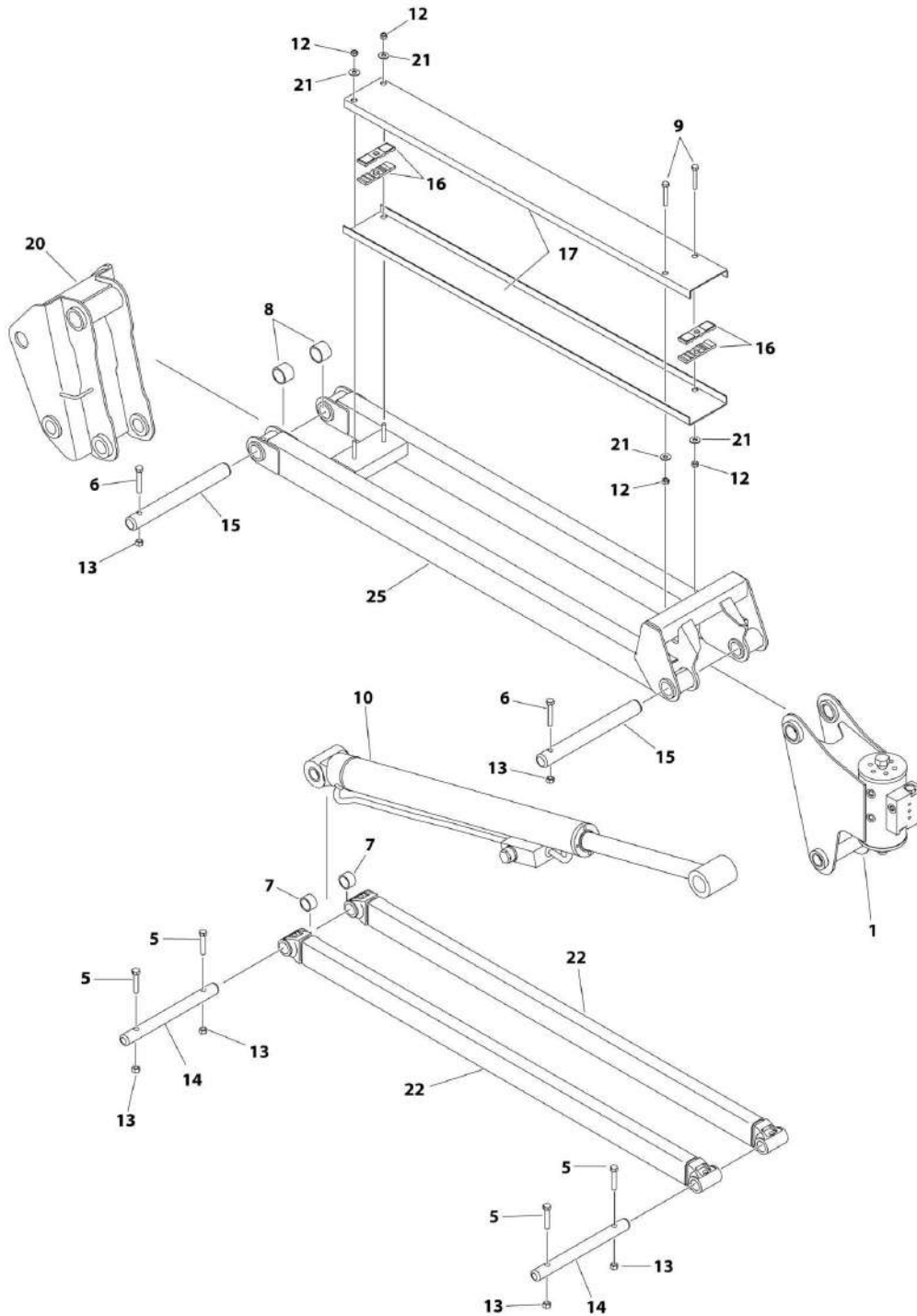
SECTION 4 - BOOM

FIGURE 4-7. MAIN BOOM ASSEMBLY - E450AJ/M450AJ (SN B300002487 to Present)

ITEM	PART NUMBER	QTY	DESCRIPTION	REV
	1001231525	Ref	MAIN BOOM ASSEMBLY - E450AJ/M450AJ	A
1	0100011	AR	Compound, Locking	
2	0100081	AR	Adhesive	
3	0630401	2	Bolt, Carriage, 5/16 x 2	
4	0641605	4	Bolt 3/8 x 5/8	
5	0641607	26	Bolt 3/8 x 7/8	
6	0641608	4	Bolt 3/8 x 1	
7	0641818	4	Bolt 1/2 x 2-1/4	
8	0801192	1	Fly, Weldment	
9	0801260	1	Base, Weldment	
10	0961948	2	Bearing	
11	0961950	2	Bushing	
12	1670679	1	Cover, Boom	
13	3311401	3	Nut 1/4	
14	3311505	2	Nut 5/16	
15	3311605	4	Nut 3/8	
16	3340837	5	Pad, Ware	
17	3340881	8	Pad, Ware	
18	3340939	4	Pad, Rubber	
19	3422804	1	Pin	
20	3760115	2	Ring, Snap	
21	4060804	15 in/ 38cm	Flex-Trim	
22	4070897	12	Shim, 18 Gauge	
23	4070898	8	Shim, 11 Gauge	
24	4711500	2	Washer 5/16	
25	4711600	38	Washer 3/8	
26	4761400	3	Washer 1/4	
27	4761800	4	Washer 1/2	
28	4846033	1	Pushtube, Weldment	
29	88261026	4	Bolt 3/8 x 5/8	
30	1001106757	AR	Plate, Clamp	
31	1001119228	1	Push Nut, M8	
32	1001224890	1	Powertrack Assembly	
32	70006269	1	Repair Section (Includes 10 links, 22 pins, 22 washers, 22 snap rings, 5 rod carriers and 10 self-tapping screws)	
32	70006279	1	Bracket Kit (Includes 2 left and 2 right mounting feet, 4 center pins, 4 center pin snap rings, 8 pins for bracket lockout, 4 washers and 4 snap rings)	
33	1001230302	1	Telescope Cylinder Assembly (See CYLINDER SECTION for Breakdown)	

SECTION 4 - BOOM

FIGURE 4-8. JIB INSTALLATION (SN 0300208529 to Present, SN B300001429 through B300002486)



ART_0270400

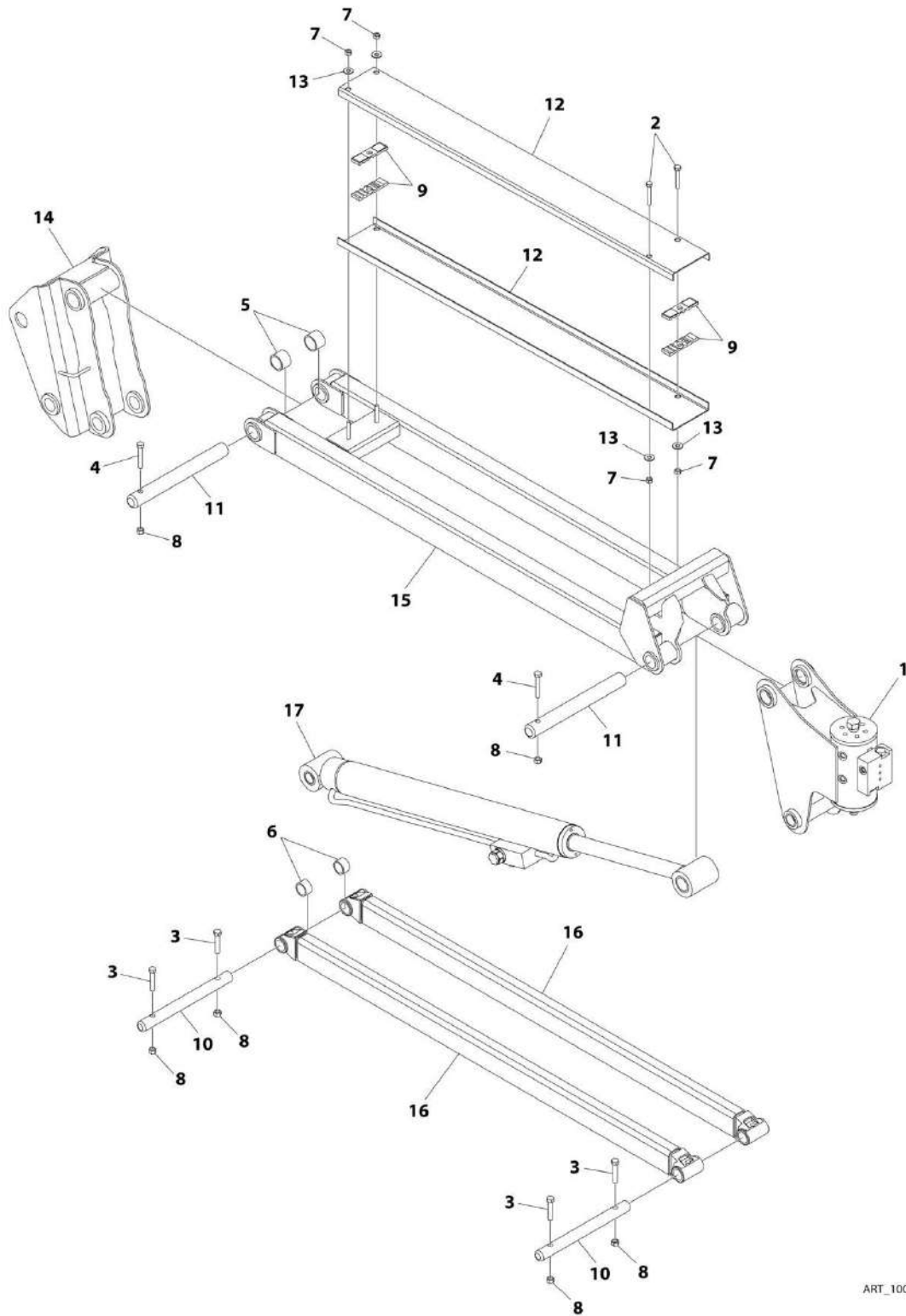
SECTION 4 - BOOM

FIGURE 4-8. JIB INSTALLATION (SN 0300208529 to Present, SN B300001429 through B300002486)

ITEM	PART NUMBER	QTY	DESCRIPTION	REV
	0270400	Ref	JIB INSTALLATION	F
1	0060044	1	Rotator Assembly (See ROTATOR ASSEMBLY for Breakdown)	
5	0641616	4	Bolt, 3/8-16 X 2	
6	0641618	2	Bolt, 3/8-16 X 2-1/4	
7	0962292	2	Bushing	
8	0961951	2	Bushing	
9	0641516	2	Bolt, 5/16-18 X 2	
10	1001140280	1	Jib Cylinder Assembly (See CYLINDER SECTION for Breakdown)	
12	3311501	4	Nut, 5/16-18	
13	3311605	6	Nut, Lock, 3/8-16	
14	3422791	2	Pin	
15	3422794	2	Pin	
16	3340860	4	Pad, Rubber	
17	3572551	2	Channel, Hose Carrier	
20	4845925	1	Pivot	
21	4751500	4	Washer, 5/16	
22	1001094670	2	Link - Lower	
25	4846278	1	Link - Upper	

SECTION 4 - BOOM

FIGURE 4-9. JIB INSTALLATION (SN B30002487 to Present)



ART_1001231523

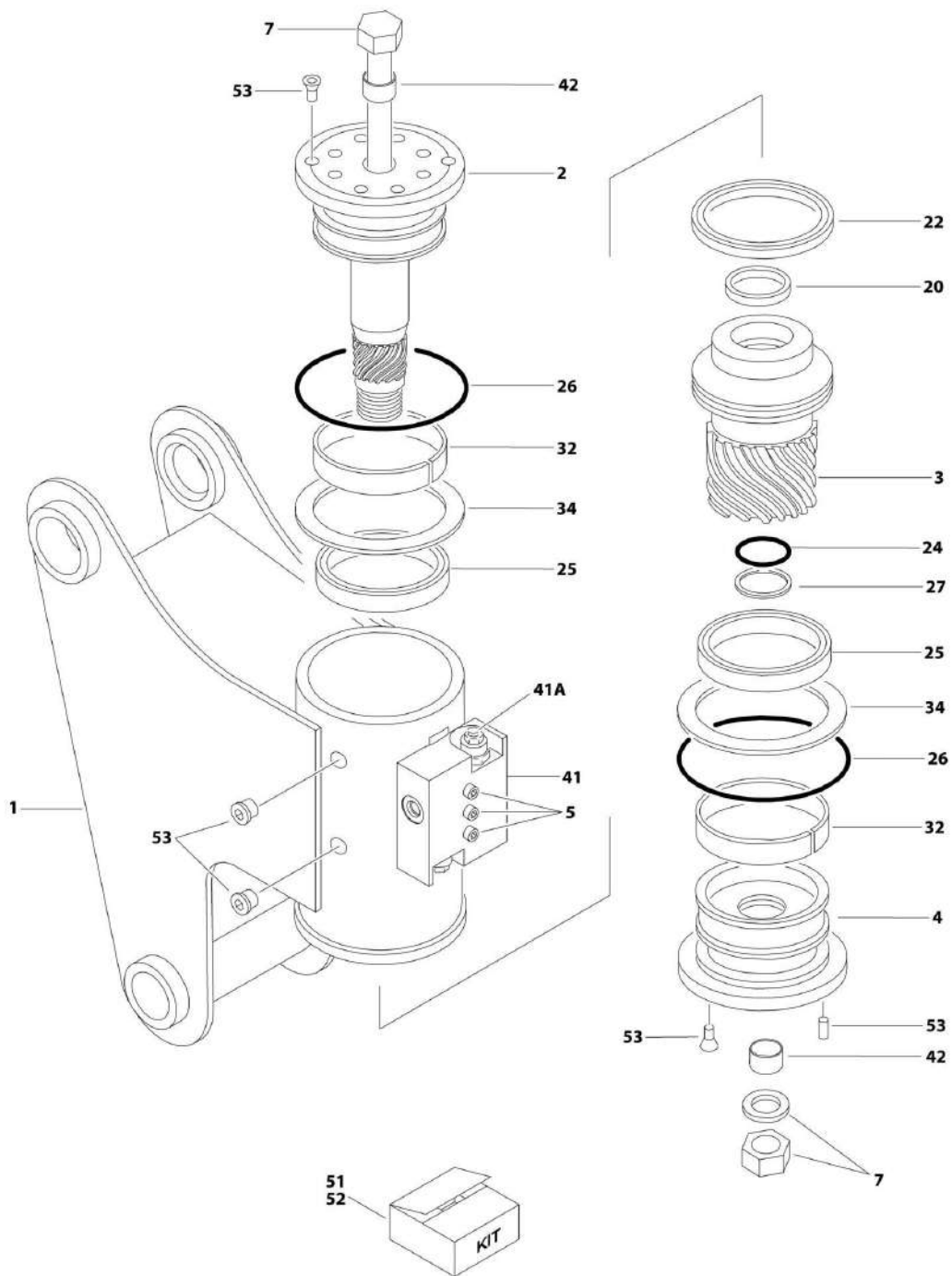
SECTION 4 - BOOM

FIGURE 4-9. JIB INSTALLATION (SN B300002487 to Present)

ITEM	PART NUMBER	QTY	DESCRIPTION	REV
	1001231523	Ref	JIB INSTALLATION	A
1	0060044	1	Rotator Assembly (See ROTATOR ASSEMBLY for Breakdown)	
2	0641516	2	Bolt 5/16 x 2	
3	0641616	4	Bolt 3/8 x 2	
4	0641618	2	Bolt 3/8 x 2-1/4	
5	0961951	2	Bushing	
6	0962292	2	Bushing	
7	3311501	4	Nut 5/16	
8	3311605	6	Nut 3/8	
9	3340860	4	Pad, Rubber	
10	3422791	2	Pin	
11	3422794	2	Pin	
12	3572551	2	Channel, Hose Carrier	
13	4751500	4	Washer 5/16	
14	4845925	1	Pivot	
15	4846278	1	Link - Upper	
16	1001094670	2	Link - Lower	
17	1001230305	1	Jib Cylinder Assembly (See CYLINDER SECTION for Breakdown)	

SECTION 4 - BOOM

FIGURE 4-10. ROTATOR ASSEMBLY - E450A



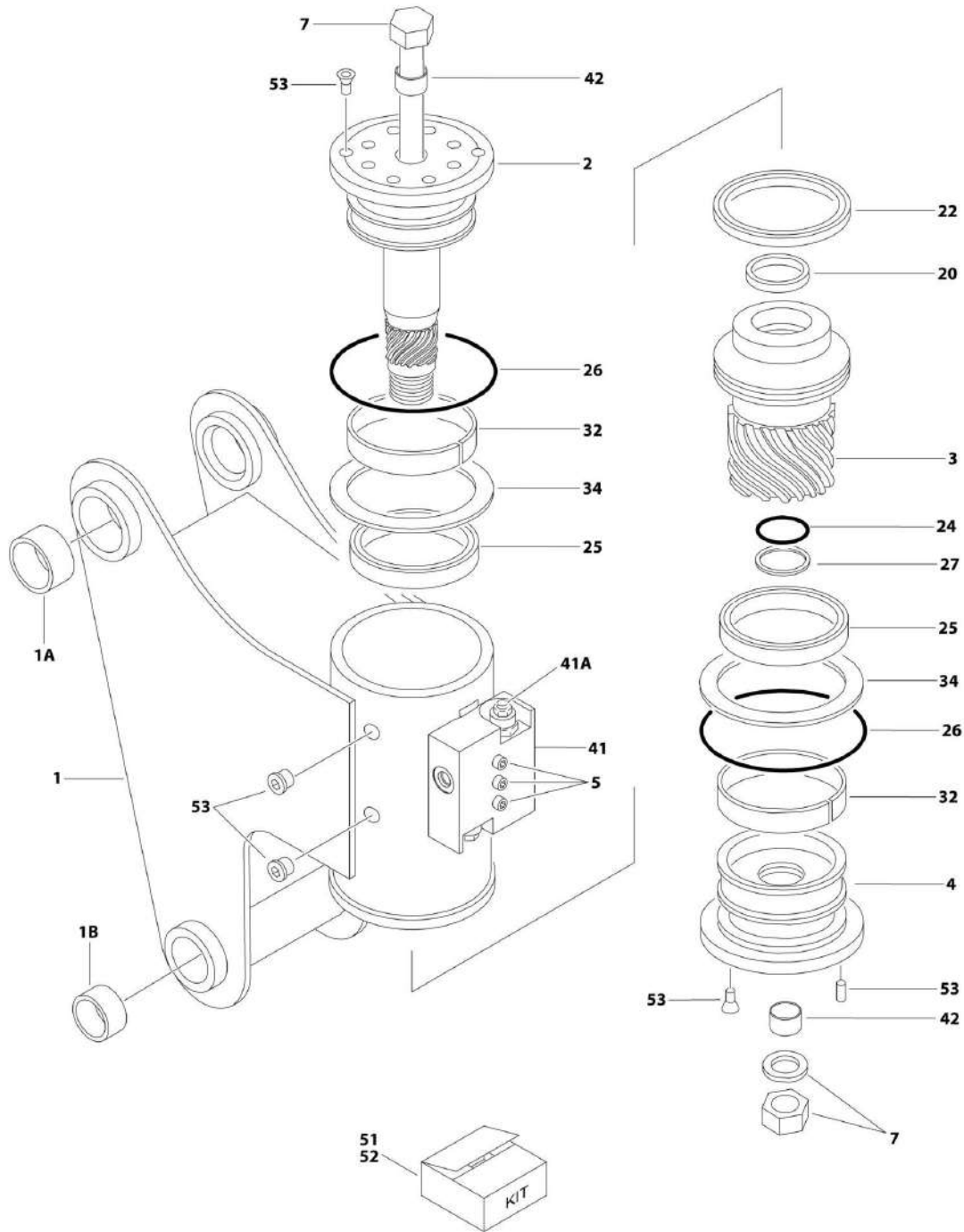
ART_0060052

FIGURE 4-10. ROTATOR ASSEMBLY - E450A

ITEM	PART NUMBER	QTY	DESCRIPTION	REV
	0060052	Ref	ROTATOR ASSEMBLY - E450A	F
1	See Note	1	Case/Bracket Weldment (Note: Not Available - Purchase Complete Assembly)	
2	7017120	1	Shaft (Rotator with Helac Control #26409)	
2	7017196	1	Shaft (Rotator with Helac Control #26966)	
3	7017121	1	Piston Sleeve (Rotator with Helac Control #26409)	
3	7027900	1	Piston Sleeve (Rotator with Helac Control #26966)	
4	7017153	1	Cap, End (Rotator with Helac Control #26409)	
4	7027901	1	Cap, End (Rotator with Helac Control #26966)	
5	See Note	3	Capscrew, 1/4-20 x 1-1/2, Grade 8 (Note: Not Available - Purchase Locally)	
7	7017126	1	Tie Rod Assembly	
20	See Note	NSS	Seal, Rod (Note: Use Items 52)	
22	See Note	NSS	Seal, Piston (Note: Use Item 52)	
24	See Note	NSS	Seal, Cap (Note: Use Item 52)	
25	See Note	NSS	Packing, Bearing (Note: Use Item 52)	
26	See Note	NSS	Seal (Note: Use Item 52)	
27	See Note	NSS	Ring, Back-Up Cap (Note: Use Item 52)	
32	See Note	NSS	Bearing, Shaft (Note: Use Item 51)	
34	See Note	2	Washer, Thrust (Note: Use Item 51)	
41	7017172	1	Counterbalance Valve Assembly (Helac p/n 24327, 26553 or 26554 Stamped Beside Mounting Screws)	
41A	7011323	2	Valve, Cartridge (Helac p/n 24327 Valve)	
41A	2900770	2	Seal Kit - 7011323 Cartridge (1 Per Assembly)	
41A	7017192	2	Valve Cartridge (Helac p/n 26553 or 26554) (No Seal Kit Available)	
42	See Note	2	Bushing, Shaft (Note: Not Available for Purchase)	
51	7017122	1	Bearing Kit (Includes Items 32-34)	
52	7017127	1	Seal Kit - Standard (Includes Items 20,22,24,25,26 & 27)	
52	70000341	1	Seal Kit - Low Temperature (Includes Items 20,22,24,25,26 & 27)	
53	7017123	1	Hardware Kit	

SECTION 4 - BOOM

FIGURE 4-11. ROTATOR ASSEMBLY - E450AJ/M450AJ



ART_0060044

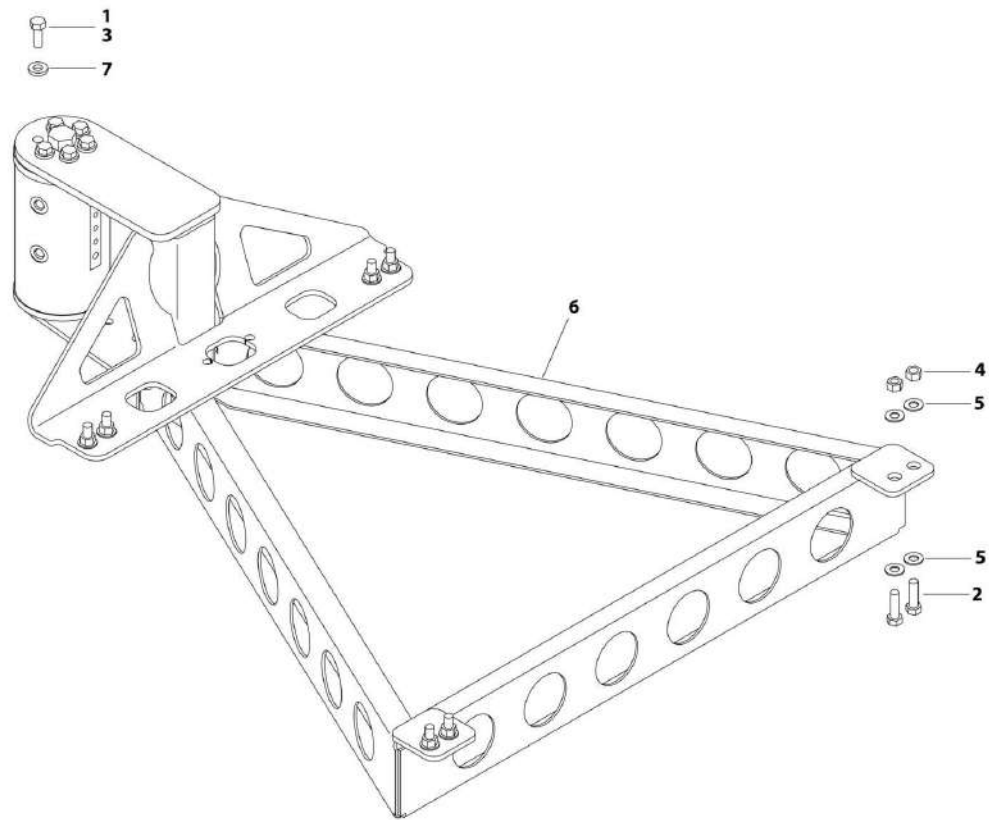
SECTION 4 - BOOM

FIGURE 4-11. ROTATOR ASSEMBLY - E450AJ/M450AJ

ITEM	PART NUMBER	QTY	DESCRIPTION	REV
	0060044	Ref	ROTATOR ASSEMBLY - E450AJ/M450AJ	D
1	See Note	1	Case/Bracket Weldment (Note: Not Available - Purchase Complete Assembly)	
1A	0962257	2	Bushing	
1B	0961947	2	Bushing	
2	7017120	1	Shaft (Rotator with Helac Control #25928)	
2	7017196	1	Shaft (Rotator with Helac Control #26962)	
3	7017121	1	Piston Sleeve (Rotator with Helac Control #25928)	
3	7027900	1	Piston Sleeve (Rotator with Helac Control #26962)	
4	See Note	1	Cap, End (Rotator with Helac Control #25928) (Note: Use p/n 0060044)	
4	7027901	1	Cap, End (Rotator with Helac Control #26962)	
5	See Note	3	Capscrew, 1/4-20 x 1-1/2, Grade 8 (Note: Not Available - Purchase Locally)	
7	7017126	1	Tie Rod Assembly	
20	See Note	NSS	Seal, Rod (Note: Use Item 52)	
22	See Note	NSS	Seal, Piston (Note: Use Item 52)	
24	See Note	NSS	Seal, Cap (Note: Use Item 52)	
25	See Note	NSS	Packing, Bearing (Note: Use Item 52)	
26	See Note	NSS	Seal (Note: Use Item 52)	
27	See Note	NSS	Ring, Back-Up Cap (Note: Use Item 52)	
32	See Note	NSS	Bearing, Shaft (Note: Use Item 51)	
34	See Note	2	Washer, Thrust (Note: Use Item 51)	
41	7017172	1	Counterbalance Valve Assembly (Helac p/n 24327, 26553 or 26554 Stamped Beside Mounting Screws)	
41A	7011323	2	Valve, Cartridge (Helac p/n 24327 Valve)	
41A	2900770	2	Seal Kit - 7011323 Cartridge (1 Per Assembly)	
41A	7017192	2	Valve Cartridge (Helac p/n 26553 or 26554) (No Seal Kit Available)	
42	70004323	1	Bushing, Shaft	
51	7017122	1	Bearing Kit (Includes Items 32-34)	
52	7017127	1	Seal Kit - Standard (Includes Items 20,22,24,25,26 & 27)	
52	70000341	1	Seal Kit - Low Temperature (Includes Items 20,22,24,25,26 & 27)	
53	7017123	1	Hardware Kit	

SECTION 4 - BOOM

FIGURE 4-12. PLATFORM SUPPORT INSTALLATION - WITHOUT LSS



ART_0272976

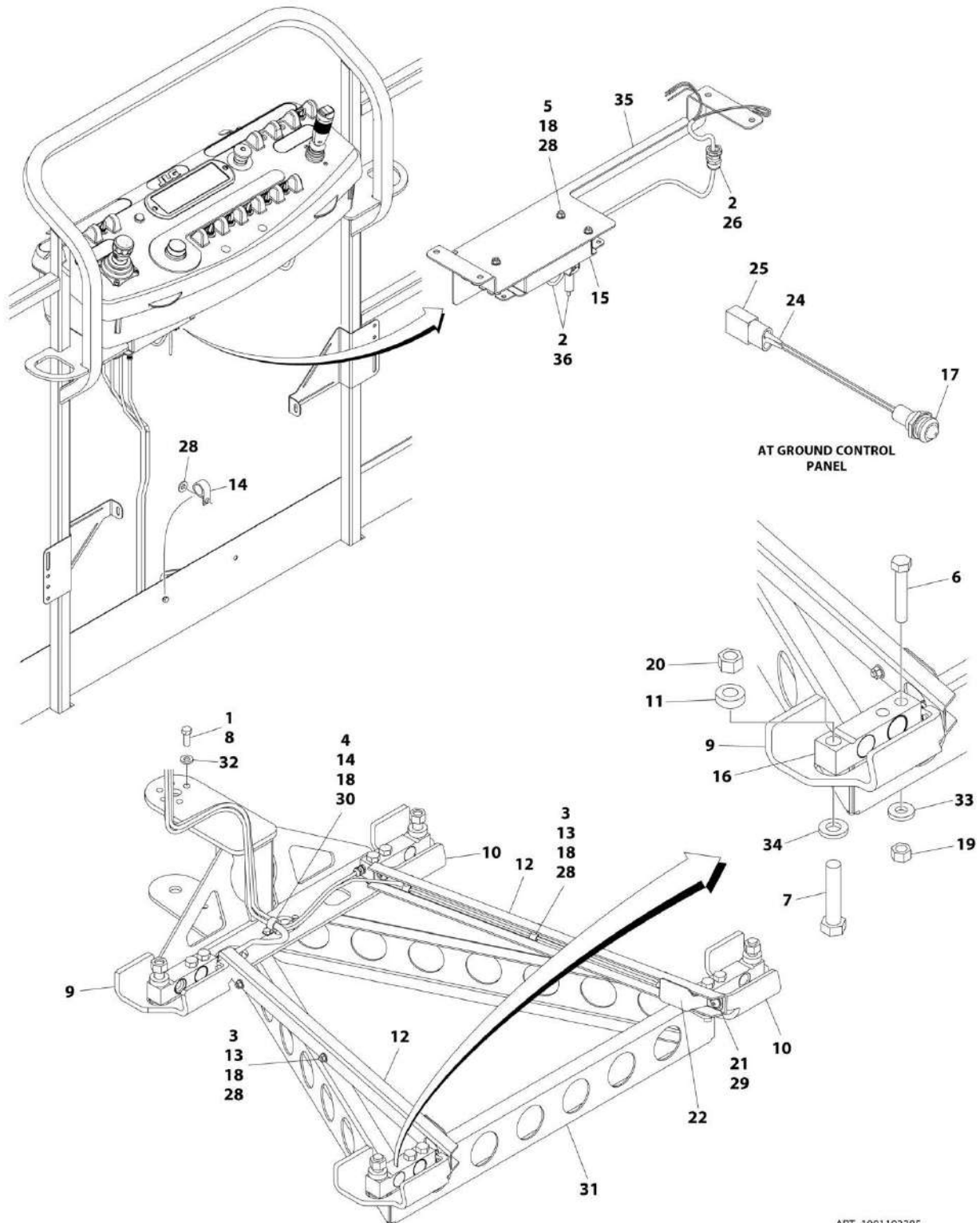
SECTION 4 - BOOM

FIGURE 4-12. PLATFORM SUPPORT INSTALLATION - WITHOUT LSS

ITEM	PART NUMBER	QTY	DESCRIPTION	REV
	0272976	Ref	PLATFORM SUPPORT INSTALLATION - WITHOUT LSS	C
1	0100001	AR	Compound, Locking	
2	0641610	AR	Bolt, 3/8-16 x 1-1/4	
2	0761215	8	Bolt M12 x 35	
2	0641812	AR	Bolt, 1/2 x 1-1/2	
3	0681608	6	Bolt, 3/8-16 x 1, Grade 8	
4	3311605	AR	Nut, Lock, 3/8-16	
4	3311805	AR	Nut 1/2	
4	3291205	8	Nut M12	
5	4711600	AR	Washer, 3/8	
5	4711800	AR	Washer 1/2	
5	5241200	16	Washer M12	
6	4846608	1	Support, Weldment	
7	4891600	6	Washer, 3/8	

SECTION 4 - BOOM

FIGURE 4-13. PLATFORM SUPPORT INSTALLATION - WITH 4 CELL LSS (SN 0300208529 through 0300235600, SN B300001429 through B300002438)



ART_1001192385

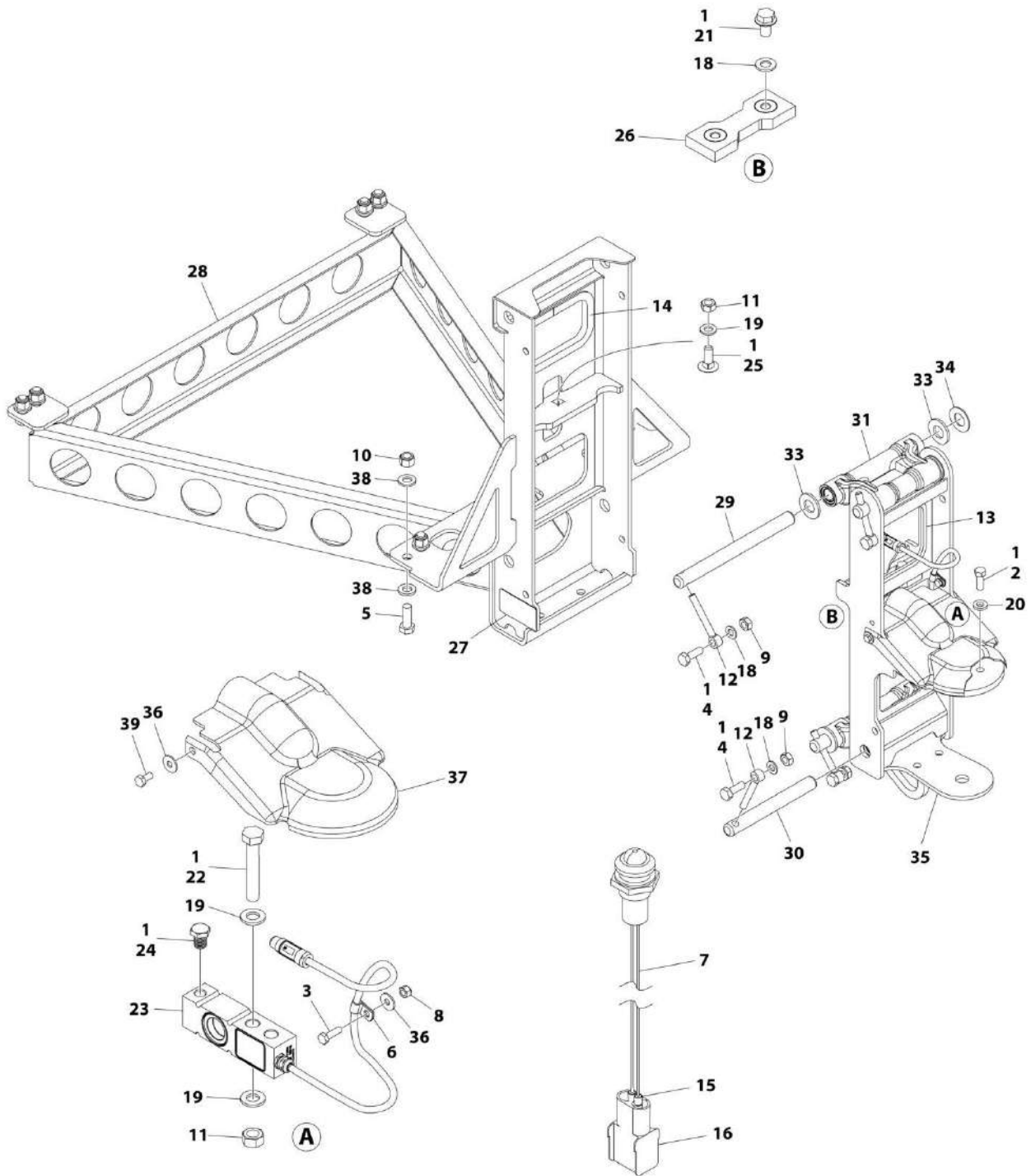
SECTION 4 - BOOM

FIGURE 4-13. PLATFORM SUPPORT INSTALLATION - WITH 4 CELL LSS (SN 0300208529 through 0300235600, SN B300001429 through B300002438)

ITEM	PART NUMBER	QTY	DESCRIPTION	REV
	1001192385	Ref	PLATFORM SUPPORT INSTALLATION - WITH 4 CELL LSS (SN 0300208529 through 0300235600, SN B300001429 through B300002438)	A
1	0100011	AR	Compound, Locking	
2	0100048	AR	Grease, Dielectric	
3	0641405	6	Screw 1/4 x 5/8	
4	0641407	1	Bolt 1/4 x 7/8	
5	0641416	3	Bolt 1/4 x 2	
6	0641822	8	Bolt 1/2 x 2-3/4	
7	0642024	4	Bolt 5/8 x 3	
8	0681608	6	Bolt 3/8 x 1	
9	0902919	2	Bracket, Cell Guard	
10	0902920	2	Bracket, Cell Guard	
11	0962450	4	Bushing, Spacer	
12	1271538	2	Channel	
13	1320136	6	Clamp	
14	1320224	2	Clamp	
15	1600387	1	Electronic Interface Module (Note: Re-calibration Required when Replaced)	
16	2420202	4	Load Cell Assembly	
17	2920151	1	Light	
18	3311405	10	Nut 1/4	
19	3311805	8	Nut 1/2	
20	3312005	4	Nut 5/8	
21	3900283	4	Screw 3/8 x 3/4	
22	4061054	2	Shield	
23	4240033	AR	Tie-Strap (Not Shown)	
24	4460226	2	Socket, Female	
25	4460424	1	Connector - 2 Position	
26	4460428	1	Connector, Strain Relief	
27	4460434	1	Plug, Male - 15 Position (Not Shown - Located in Platform Console Box)	
28	4711400	13	Washer 1/4	
29	4711600	4	Washer 3/8	
30	4751400	1	Washer 1/4	
31	4846608	1	Platform Support	
32	4891600	6	Washer 3/8	
33	4891800	8	Washer 1/2	
34	4892000	4	Washer 5/8	
35	1001113483	1	Bracket, Module Mount	
36	1001192283	1	Harness, LSS System (See Separate Breakdown in ELECTRICAL SECTION)	

SECTION 4 - BOOM

FIGURE 4-14. PLATFORM SUPPORT INSTALLATION - WITH 1 CELL LSS - E450A (SN 0300235601 to Present, SN B300002725 to Present)



ART_1001223259

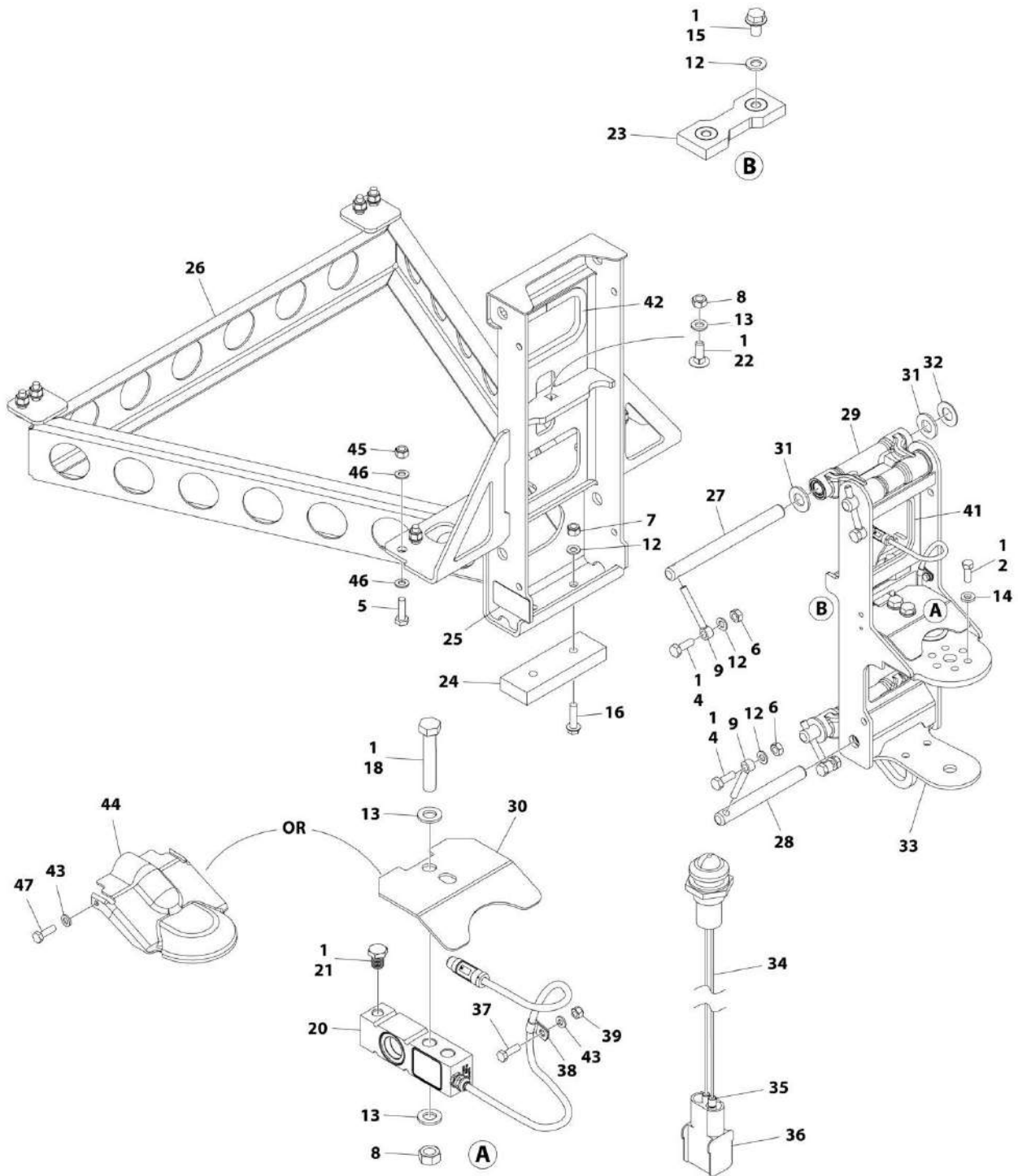
SECTION 4 - BOOM

FIGURE 4-14. PLATFORM SUPPORT INSTALLATION - WITH 1 CELL LSS - E450A (SN 0300235601 to Present, SN B300002725 to Present)

ITEM	PART NUMBER	QTY	DESCRIPTION	REV
	1001223259	Ref	PLATFORM SUPPORT INSTALLATION - WITH 1 CELL LSS - E450A (SN 0300235601 to Present, SN B300002725 to Present)	C
1	0100011	AR	Compound, Locking	
2	0681608	6	Bolt 3/8 x 1	
3	0760610	1	Bolt M6 x 20	
4	0761014	4	Bolt M10 x 30	
5	0761215	8	Bolt M12 x 35	
6	1320136	1	Clamp	
7	2920151	1	Light	
8	3290605	1	Nut	
9	3291001	4	Nut M10	
10	3291205	8	Nut M12	
11	3291201	3	Nut M12	
12	3841143	4	Keeper	
13	4060804	1.5 ft/ 0.5m	Flex-Trim	
14	4060805	1.5 ft/ 0.5m	Flex-Trim	
15	4460226	2	Socket, Female	
16	4460424	1	Connector - 2 Position	
18	4812000	6	Washer M10	
19	4812100	5	Washer M12	
20	4891600	6	Washer 3/8	
21	5251008	2	Bolt M10 x 16	
22	1001098828	2	Bolt M12 x 70 Grade 10.9	
23	1001172663	1	Gauge, Load Sensing	
24	1001188622	1	Screw M12	
25	1001188844	1	Bolt M12 x 35	
26	1001190985	1	Pad, Wear	
27	1001216630	2	Decal - Tie Down/No Lift	
28	1001217228	1	Platform Support	
29	1001217242	2	Pin	
30	1001217243	2	Pin	
31	1001217244	2	Link, LSS Assembly	
31	1001217413	4	Bearing	
31	1001217249	1	Seal	
33	1001217253	8	Bearing	
34	1001217254	4	Bearing	
35	1001217267	1	Support, Rotary	
36	4811702	3	Washer M6	
37	1001228627	1	Cover	
38	5241200	16	Washer M12	
39	0760606	2	Bolt M6 x 12	

SECTION 4 - BOOM

FIGURE 4-15. PLATFORM SUPPORT INSTALLATION - WITH 1 CELL LSS - E450AJ/M450AJ (SN 0300235601 to Present, SN B300002725 to Present)



ART_1001219016

SECTION 4 - BOOM

FIGURE 4-15. PLATFORM SUPPORT INSTALLATION - WITH 1 CELL LSS - E450AJ/M450AJ (SN 0300235601 to Present, SN B300002725 to Present)

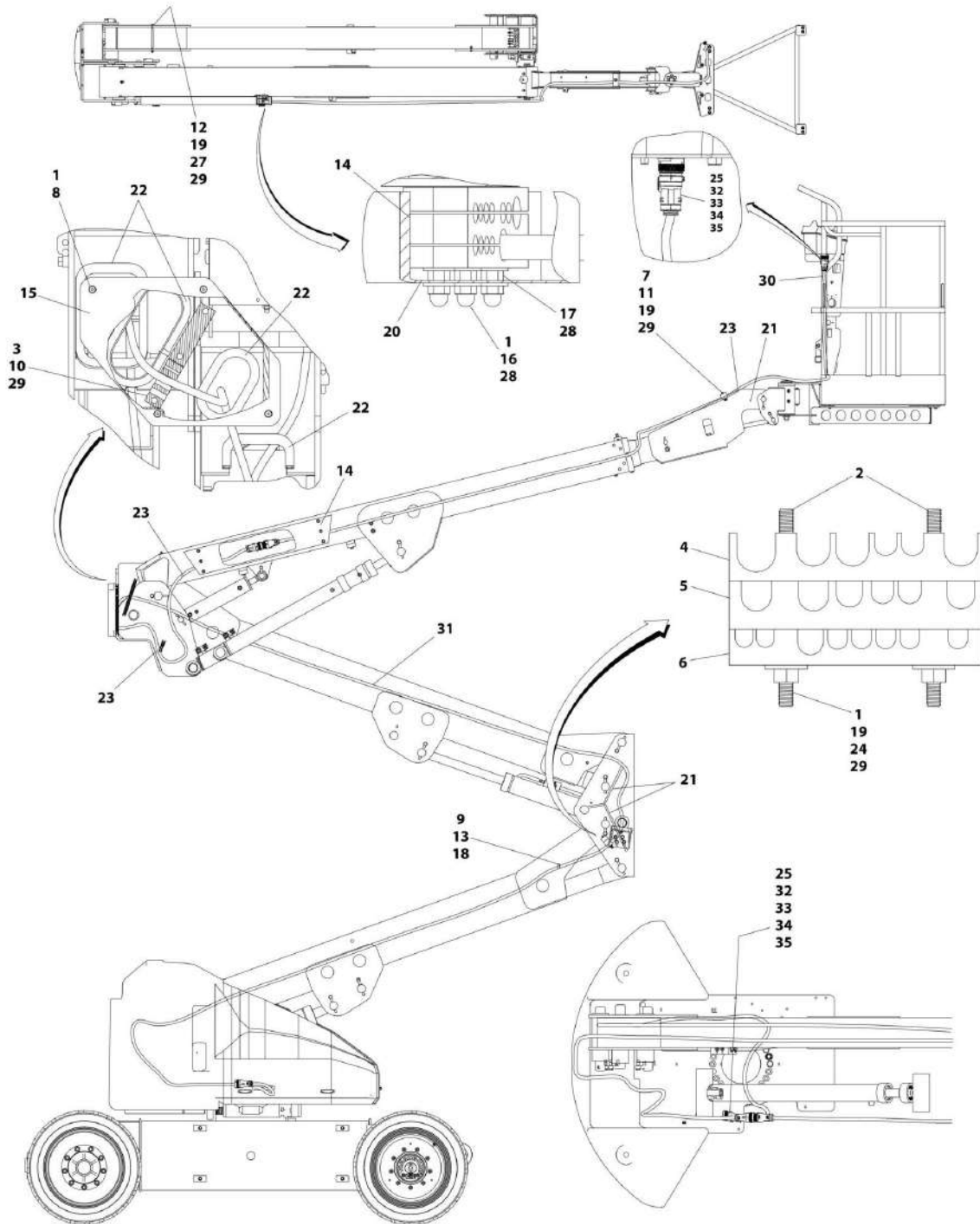
ITEM	PART NUMBER	QTY	DESCRIPTION	REV
	1001219016	Ref	PLATFORM SUPPORT INSTALLATION - WITH 1 CELL LSS - E450AJ/M450AJ (SN 0300235601 to Present, SN B300002725 to Present)	E
1	0100011	AR	Compound, Locking	
2	0681608	6	Bolt 3/8 x 1	
4	0761014	4	Bolt M10 x 30	
5	0761015	8	Bolt M10 x 35	
5	0761215	8	Bolt M12 x 35	
6	3291001	4	Nut M10	
7	3291005	2	Nut M10	
8	3291201	3	Nut M12	
9	3841143	4	Keeper	
12	4812000	8	Washer M10	
13	4812100	5	Washer M12	
14	4891600	6	Washer 3/8	
15	5251008	2	Bolt M10 x 16	
16	5251016	2	Bolt M10 x 40	
18	1001098828	2	Bolt M12 x 70 Grade 10.9	
20	1001172663	1	Gauge, Load Sensing	
21	1001188622	1	Screw M12	
22	1001188844	1	Bolt M12 x 35	
23	1001190985	1	Pad, Wear	
24	1001200491	1	Plate	
25	1001216630	2	Decal - Tie Down/No Lift	
26	1001217228	1	Platform Support	
27	1001217242	2	Pin	
28	1001217243	2	Pin	
29	1001217244	2	Link, LSS Assembly	
29	1001217413	4	Bearing	
29	1001217249	1	Seal	
30	1001217250	1	Plate (SN 0300235601 through 0300235617)	
31	1001217253	8	Bearing	
32	1001217254	4	Bearing	
33	1001217267	1	Support, Rotary	
34	2920151	1	Light	
35	4460226	2	Socket, Female	
36	4460424	1	Connector - 2 Position	
37	0760610	1	Bolt M6 x 20	
38	1320136	1	Clamp	
39	3290605	1	Nut	
41	4060804	1.5 ft/ 0.5m	Flex-Trim	
42	4060805	1.5 ft/ 0.5m	Flex-Trim	
43	4811702	3	Washer M6	
44	1001228627	1	Cover, Platform Support and LSS (SN 0300235618 to Present)	
45	3291005	8	Nut M10	
45	3291205	8	Nut M12	
46	4812000	16	Washer M10	
46	5241200	16	Washer M12	

SECTION 4 - BOOM

ITEM	PART NUMBER	QTY	DESCRIPTION	REV
47	0760610	2	Bolt M6 x 20	
47	0760606	2	Bolt M6 x 12	

SECTION 4 - BOOM

FIGURE 4-16. CABLES AND CLAMPS INSTALLATION - E450A



ART_1001183527

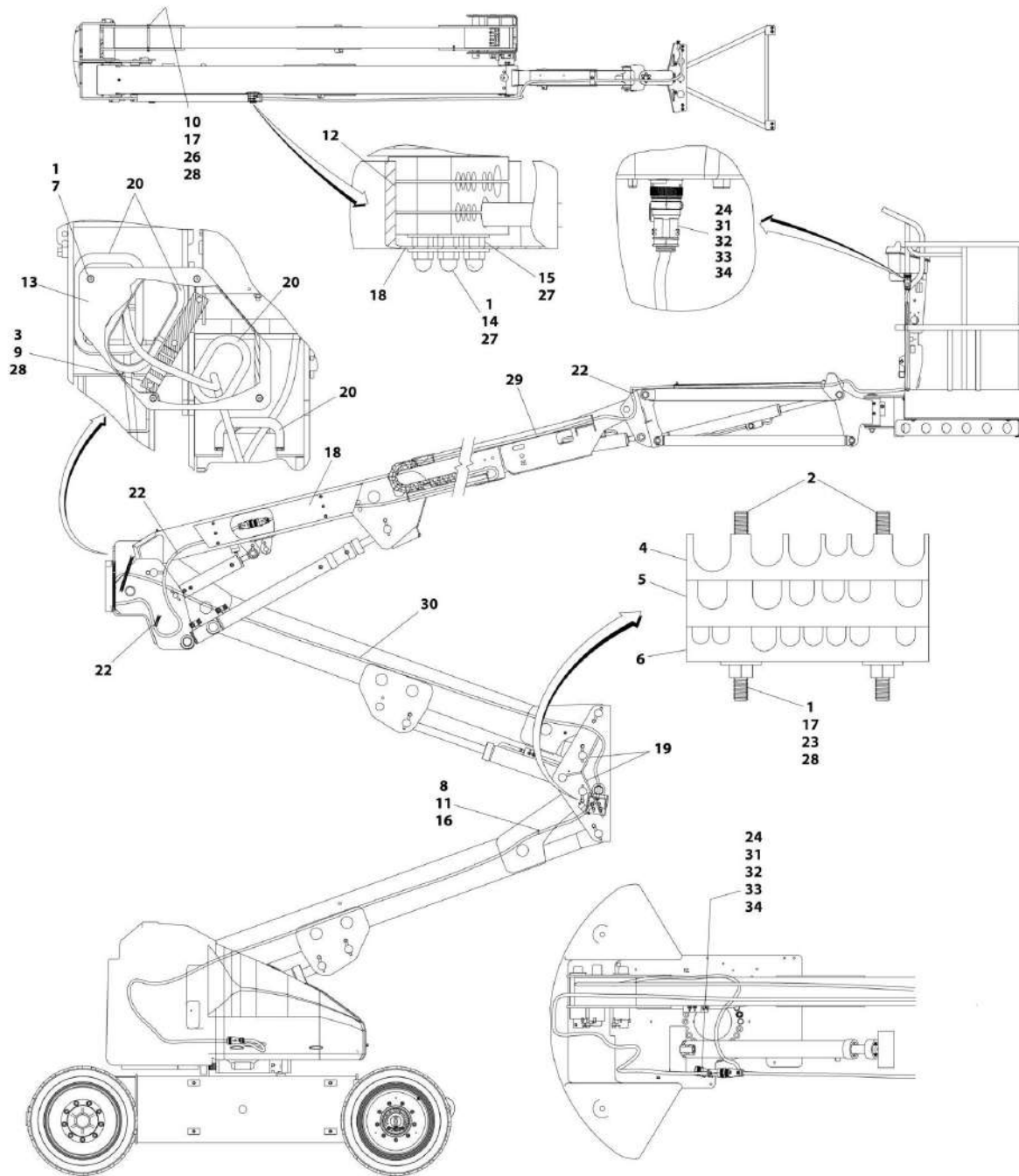
SECTION 4 - BOOM

FIGURE 4-16. CABLES AND CLAMPS INSTALLATION - E450A

ITEM	PART NUMBER	QTY	DESCRIPTION	REV
	1001183527	Ref	CABLES AND CLAMPS INSTALLATION - E450A	D
1	0100011	AR	Compound, Locking	
2	0100019	AR	Compound, Locking	
3	0561317	1	Block, Hose Clamp	
4	0561384	1	Block, Hose Clamp	
5	0561385	1	Block, Hose Clamp	
6	0561386	1	Block, Hose Clamp	
7	0561424	1	Block, Hose Clamp	
8	0630467	4	Capscrew, Button 5-16-18 x 1/2	
9	0641410	1	Bolt, 1/4-20 x 1-1/4	
10	0641514	3	Bolt, 5/16-18 x 1-3/4	
11	0641516	1	Bolt, 5/16-18 x 2	
12	0641560	1	Bolt, 5/16-18 x 7-1/2	
13	1320043	1	Clamp, Cable	
14	1320260	2	Block, Hose Clamp	
15	1670697	1	Cover, Hose	
16	3300151	6	Nut, 1/4-20	
17	3311401	6	Nut, 1/4-20	
18	3311405	1	Nut, Lock, 1/4-20	
19	3311505	4	Nut, Lock, 5/16-18	
20	3536999	1	Shield	
21	4060805	2 ft /0.6m	Trim, Flex	
22	4060808	6 ft /1.8m	Trim, Flex	
23	4240099	AR	Tie, Strap	
24	4300140	2	Stud, 5/16-18 x 3-5/8	
25	1001188292	2	Connector - 19 Position	
27	4566243	1	Roller	
28	4751400	12	Washer, 1/4	
29	4751500	8	Washer, 5/16	
30	1001183876	1	Harness Assembly - Upper Boom (See ELECTRICAL SECTION for Breakdown)	
31	1001183878	1	Harness Assembly - Lower Boom (See ELECTRICAL SECTION for Breakdown)	
32	4240033	AR	Tie-Strap	
33	4460466	8	Terminal	
34	1001188291	2	Connector, Backshell	
35	1001188354	2	Grommet	

SECTION 4 - BOOM

FIGURE 4-17. CABLES AND CLAMPS INSTALLATION - E450AJ/M450AJ



ART_1001183528

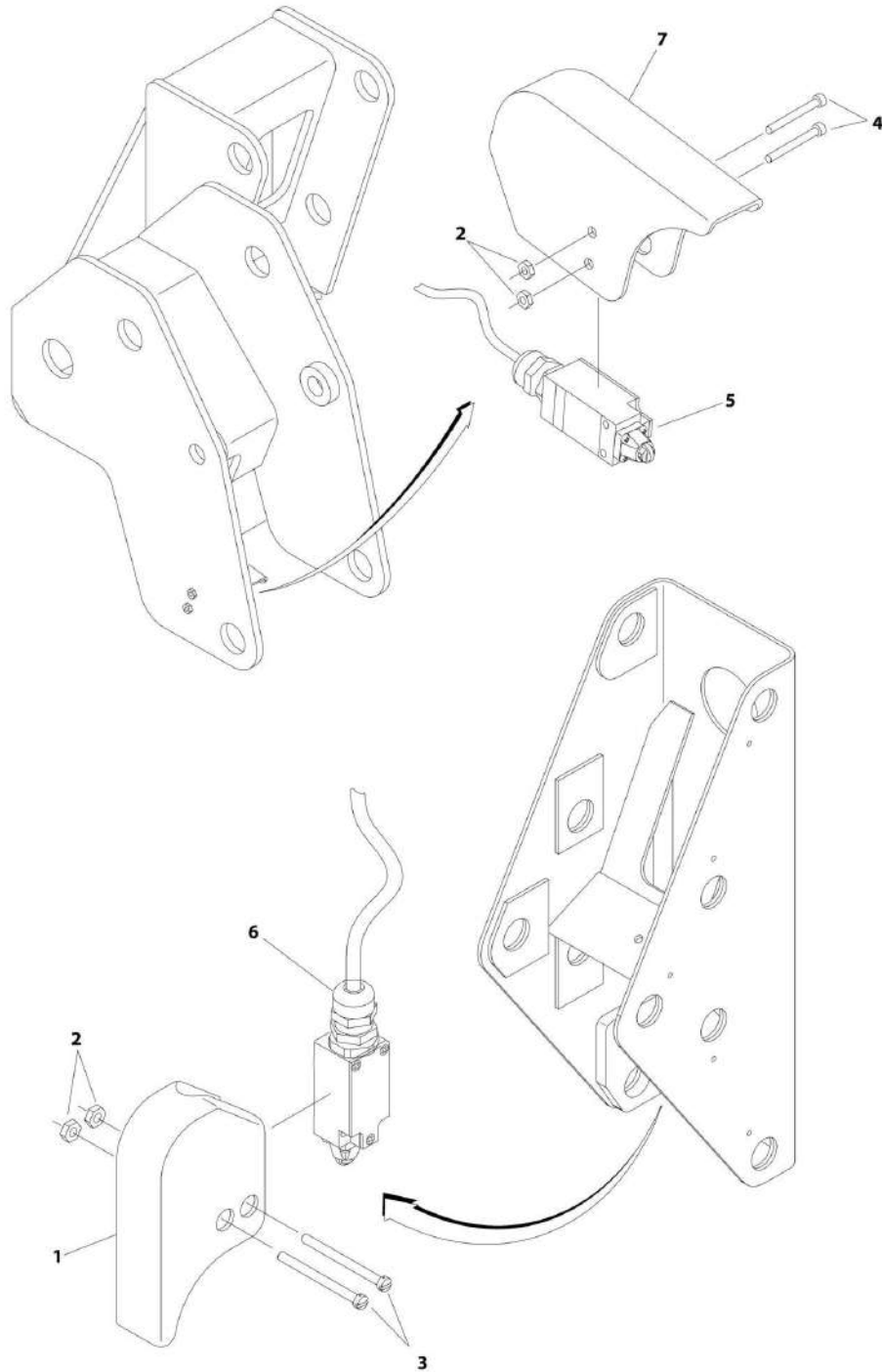
SECTION 4 - BOOM

FIGURE 4-17. CABLES AND CLAMPS INSTALLATION - E450AJ/M450AJ

ITEM	PART NUMBER	QTY	DESCRIPTION	REV
	1001183528	Ref	CABLES AND CLAMPS INSTALLATION - E450AJ/M450AJ	D
1	0100011	AR	Compound, Locking	
2	0100019	AR	Compound, Locking	
3	0561317	1	Block, Hose Clamp	
4	0561384	1	Block, Hose Clamp	
5	0561385	1	Block, Hose Clamp	
6	0561386	1	Block, Hose Clamp	
7	0630467	4	Capscrew, Button 5-16-18 x 1/2	
8	0641410	1	Bolt, 1/4-20 x 1-1/4	
9	0641514	3	Bolt, 5/16-18 x 1-3/4	
10	0641560	1	Bolt, 5/16-18 x 7-1/2	
11	1320043	1	Clamp, Cable	
12	1320260	2	Block, Hose Clamp	
13	1670697	1	Cover, Hose	
14	3300151	6	Nut, 1/4-20	
15	3311401	6	Nut, 1/4-20	
16	3311405	1	Nut, Lock, 1/4-20	
17	3311505	3	Nut, Lock, 5/16-18	
18	3571462	1	Shield	
19	4060805	1.5 ft /0.5m	Trim, Flex	
20	4060808	6 ft /1.8m	Trim, Flex	
21	4100067	AR	Sleeve, Hose (Not Shown)	
22	4240099	AR	Tie, Strap	
23	4300140	2	Stud, 5/16-18 x 3-5/8	
24	1001188292	2	Connector - 19 Position	
26	4566243	1	Roller	
27	4751400	12	Washer, 1/4	
28	4751500	6	Washer, 5/16	
29	1001183879	1	Harness Assembly - Upper Boom (See ELECTRICAL SECTION for Breakdown)	
30	1001183878	1	Harness Assembly - Lower Boom (See ELECTRICAL SECTION for Breakdown)	
31	4240033	AR	Tie-Strap	
32	4460466	8	Terminal	
33	1001188291	2	Connector, Backshell	
34	1001188354	2	Grommet	

SECTION 4 - BOOM

FIGURE 4-18. BOOM LIMIT SWITCHES INSTALLATION



ART_1001187789

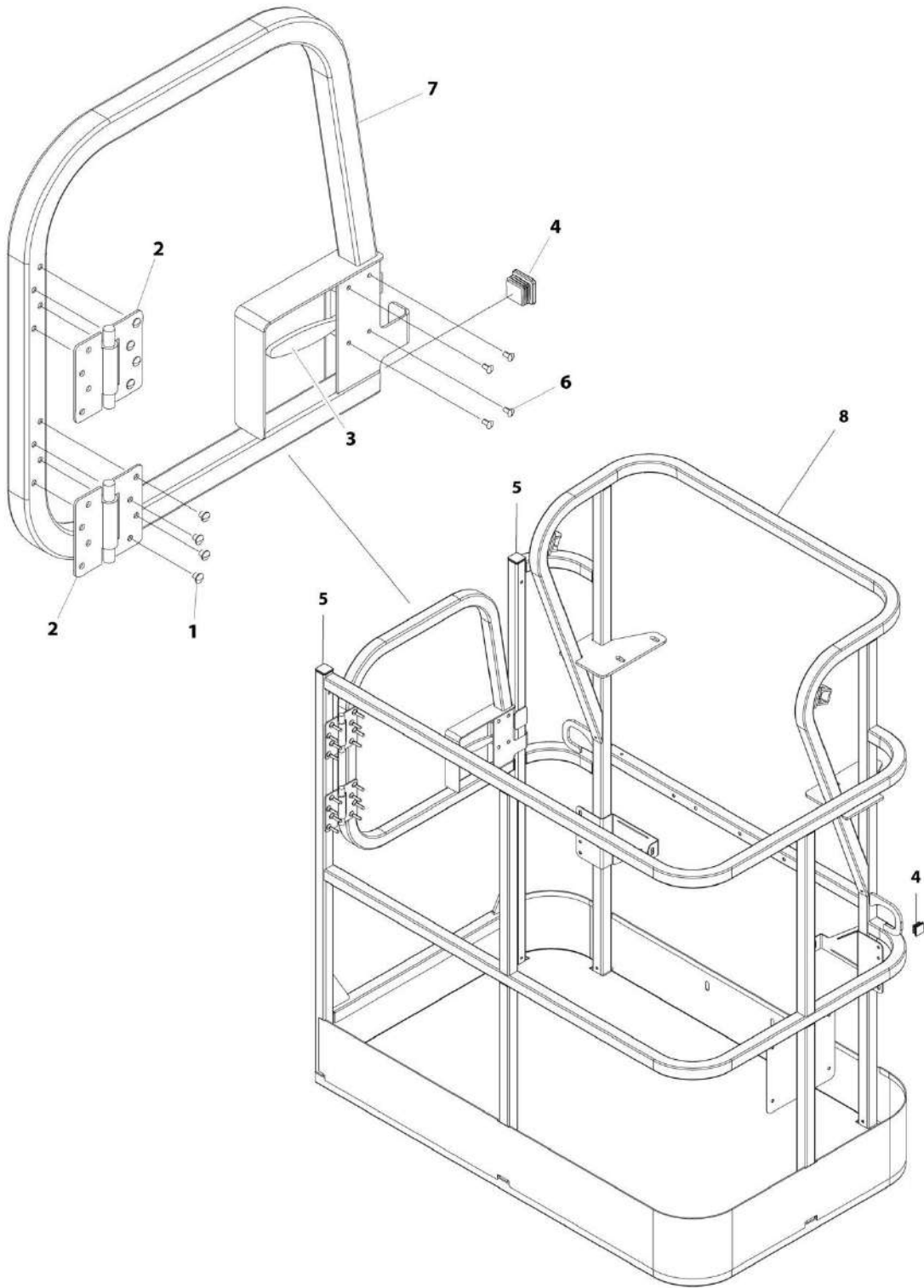
FIGURE 4-18. BOOM LIMIT SWITCHES INSTALLATION

ITEM	PART NUMBER	QTY	DESCRIPTION	REV
	1001187789	Ref	BOOM LIMIT SWITCHES INSTALLATION	D
1	1670832	1	Cover, Switch - Lower	
2	3311005	4	Nut, Lock, #10-24	
3	3900104	2	Screw, Fillister Head, #10-24 x 2-1/4	
4	3931028	2	Screw, #10-24 x 1-3/4	
5	1001187777	1	Limit Switch Harness - Upper (Includes Limit Switch) (See ELECTRICAL SECTION for Breakdown)	
6	1001187776	1	Limit Switch Harness - Lower (Includes Limit Switch) (See ELECTRICAL SECTION for Breakdown)	
7	1670833	1	Cover	

SECTION 5 - PLATFORM

SECTION 5 - PLATFORM

FIGURE 5-1. PLATFORM ASSEMBLY - 4FT/1.22M - SIDE GATE ENTRY



ART_1001186387

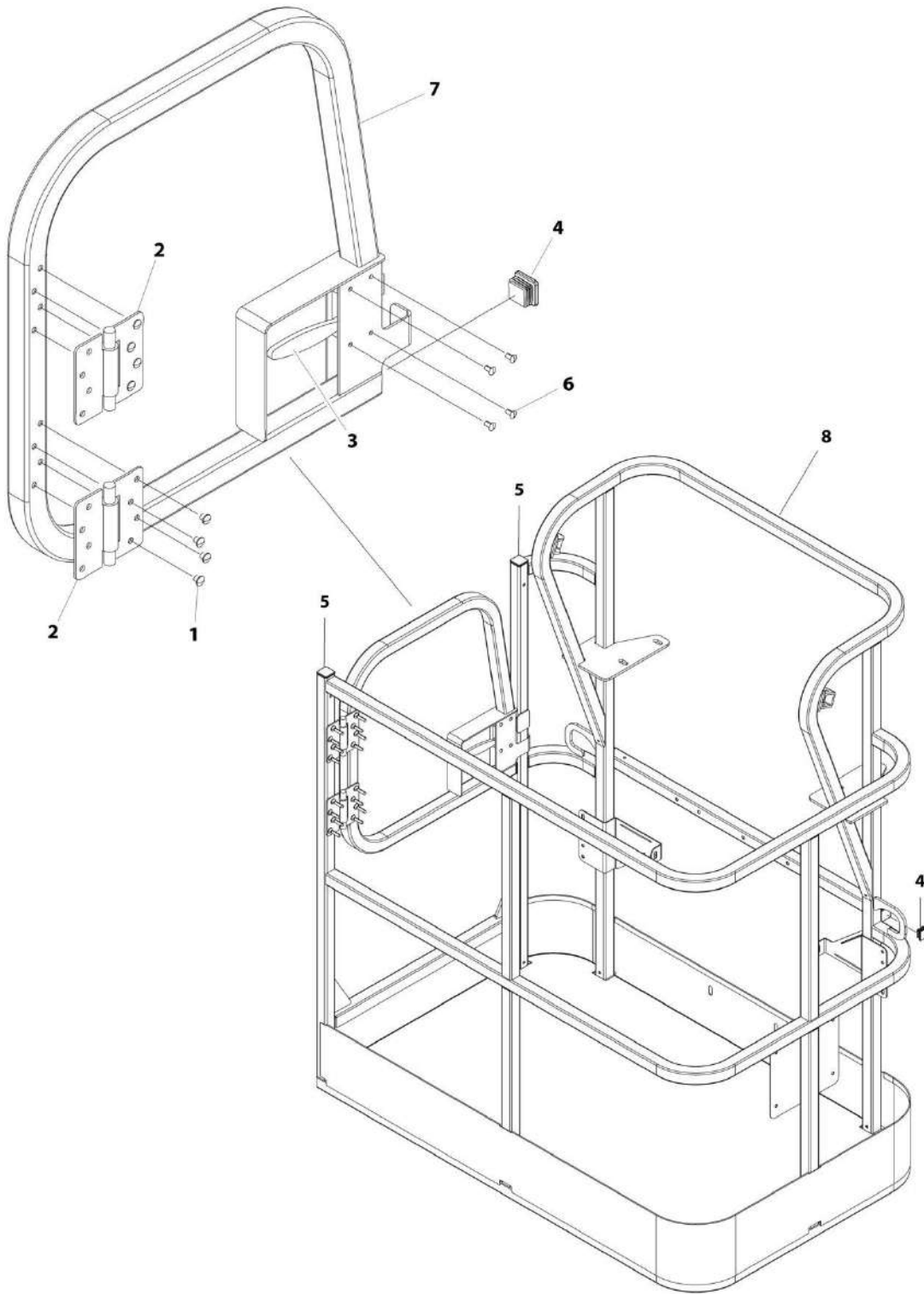
SECTION 5 - PLATFORM

FIGURE 5-1. PLATFORM ASSEMBLY - 4FT/1.22M - SIDE GATE ENTRY

ITEM	PART NUMBER	QTY	DESCRIPTION	REV
	1001186387	Ref	PLATFORM ASSEMBLY - 4ft/1.22m - SIDE GATE ENTRY	C
		Ref	Note: Platform and Mesh must be ordered separately for Platforms with Mesh. See SPECTIAL OPTIONS SECTION for Mesh Installations.	
		Ref	Note: Replacement Decals Must be Ordered Separately - See DECALS SECTION	
1	2080040	16	Fastener, Huck	
2	2600281	2	Hinge, Self-Closing	
3	2940074	1	Latch	
4	3520072	3	Plug, Cap	
5	3520198	2	Plug, Cap	
6	3820020	4	Rivet	
7	1001144629	1	Gate, Weldment	
8	See Note	1	Platform, Weldment (Note: Not Available - Purchase Platform Assembly)	

SECTION 5 - PLATFORM

FIGURE 5-2. PLATFORM ASSEMBLY - 5FT/1.52M - SIDE GATE ENTRY



ART_1001186386

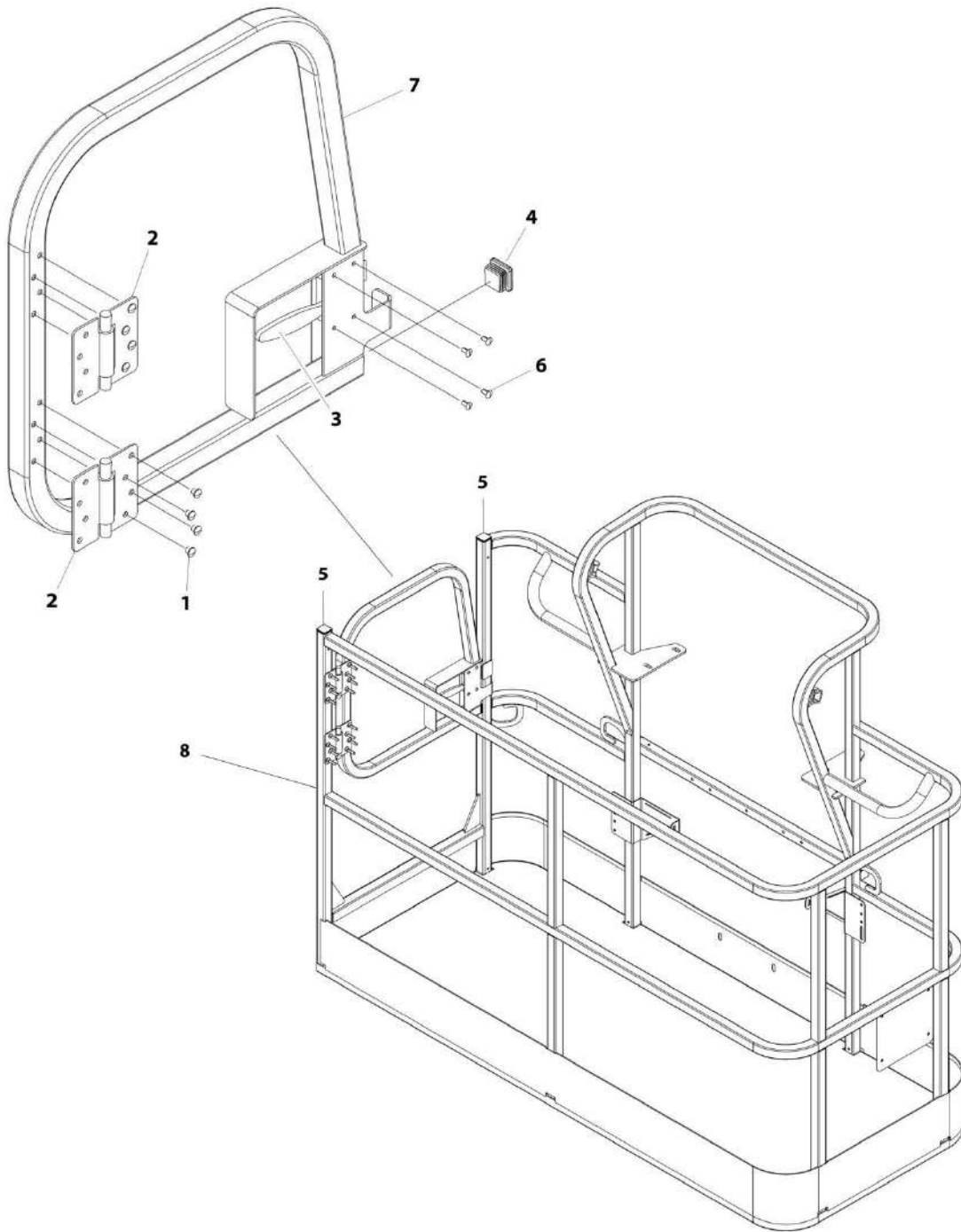
SECTION 5 - PLATFORM

FIGURE 5-2. PLATFORM ASSEMBLY - 5FT/1.52M - SIDE GATE ENTRY

ITEM	PART NUMBER	QTY	DESCRIPTION	REV
	1001186386	Ref	PLATFORM ASSEMBLY - 5ft/1.52m - SIDE GATE ENTRY	C
		Ref	Note: Platform and Mesh must be ordered separately for Platforms with Mesh. See SPECTIAL OPTIONS SECTION for Mesh Installations.	
		Ref	Note: Replacement Decals Must be Ordered Separately - See DECALS SECTION	
1	2080040	16	Fastener, Huck	
2	2600281	2	Hinge, Self-Closing	
3	2940074	1	Latch	
4	3520072	3	Plug, Cap	
5	3520198	2	Plug, Cap	
6	3820020	4	Rivet	
7	1001144629	1	Gate, Weldment	
8	See Note	1	Platform, Weldment (Note: Not Available - Purchase Platform Assembly)	

SECTION 5 - PLATFORM

FIGURE 5-3. PLATFORM ASSEMBLY - 6FT/1.83M - SIDE GATE ENTRY



ART_1001186385

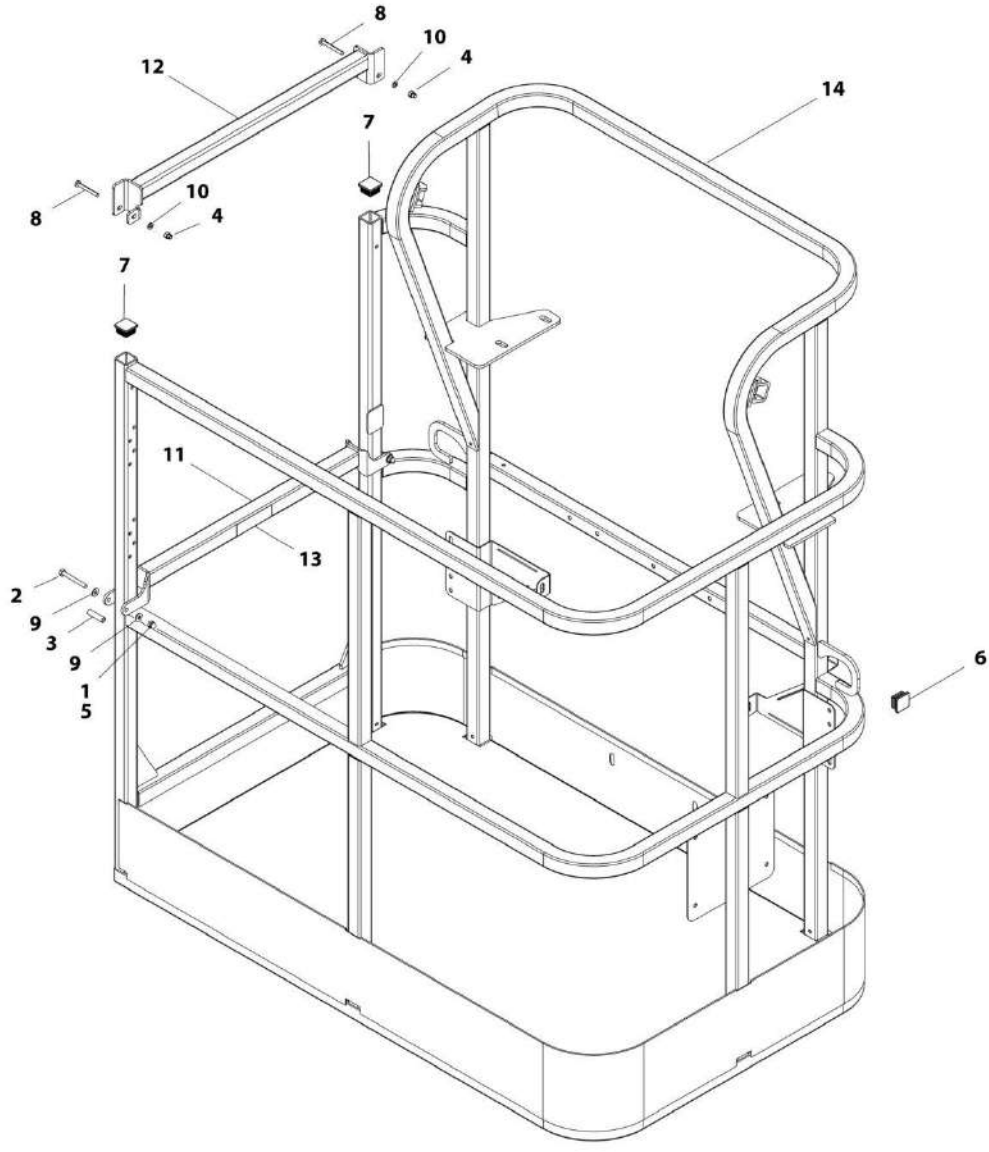
SECTION 5 - PLATFORM

FIGURE 5-3. PLATFORM ASSEMBLY - 6FT/1.83M - SIDE GATE ENTRY

ITEM	PART NUMBER	QTY	DESCRIPTION	REV
	1001186385	Ref	PLATFORM ASSEMBLY - 6FT/1.83M - SIDE GATE ENTRY	D
		Ref	Note: Platform and Mesh must be ordered separately for Platforms with Mesh. See SPECTIAL OPTIONS SECTION for Mesh Installations.	
		Ref	Note: Replacement Decals Must be Ordered Separately - See DECALS SECTION	
1	2080040	16	Fastener, Huck	
2	2600281	2	Hinge, Self-Closing	
3	2940074	1	Latch	
4	3520072	3	Cap, Plug	
5	3520198	2	Plug, Cap	
6	3820020	4	Rivet	
7	1001144629	1	Gate, Weldment	
8	See Note	1	Platform, Weldment (Note: Not Available - Purchase Platform Assembly)	

SECTION 5 - PLATFORM

FIGURE 5-4. PLATFORM ASSEMBLY - 4FT/1.22M - DROP BAR ENTRY



ART_1001186375

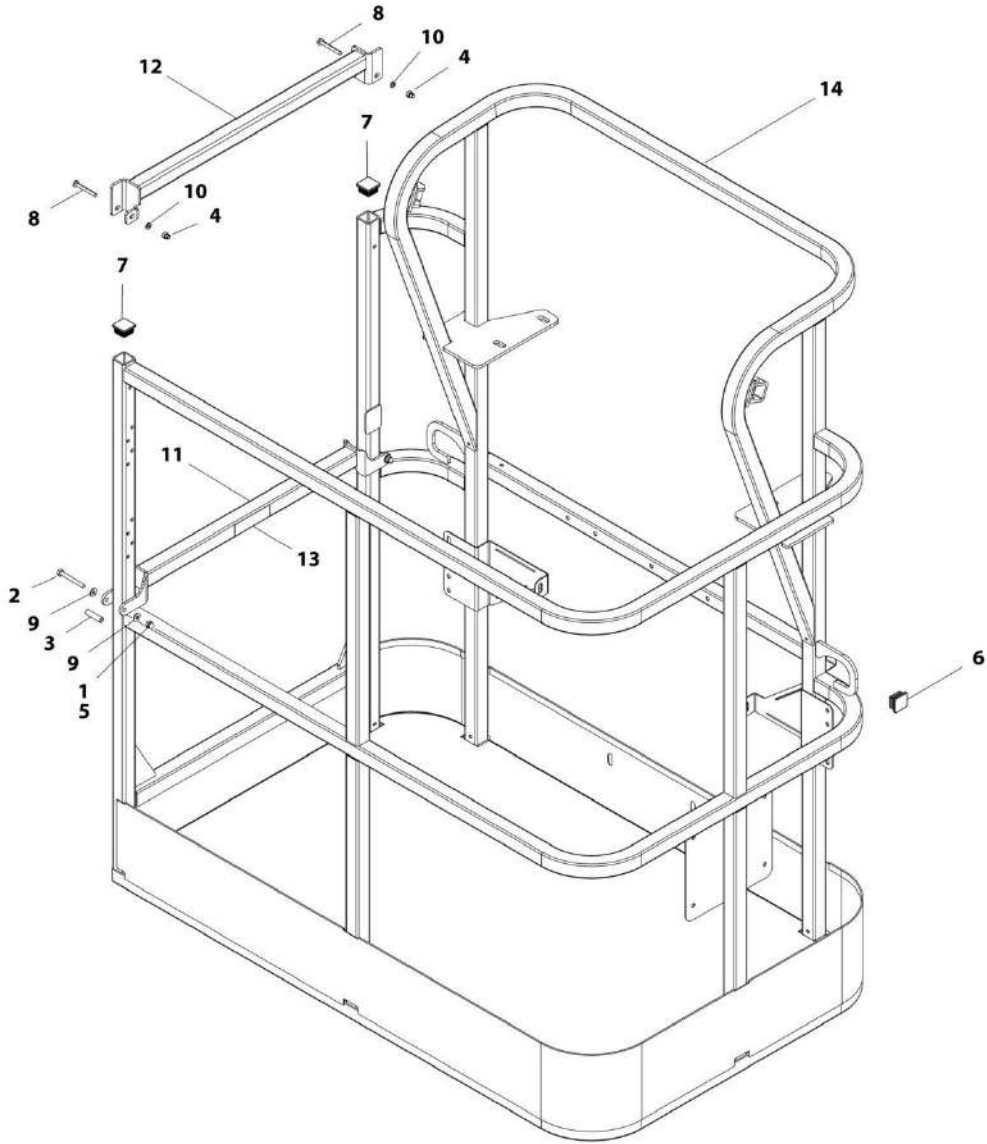
SECTION 5 - PLATFORM

FIGURE 5-4. PLATFORM ASSEMBLY - 4FT/1.22M - DROP BAR ENTRY

ITEM	PART NUMBER	QTY	DESCRIPTION	REV
	1001186375	Ref	PLATFORM ASSEMBLY - 4FT/1.22M - DROP BAR ENTRY	B
		Ref	Note: Replacement Decals Must be Ordered Separately - See DECALS SECTION	
1	0100011	AR	Compound, Locking	
2	0641418	2	Bolt, 1/4-20 X 2-1/4	
3	0961845	2	Bushing	
4	3290606	2	Nut, M6	
5	3300151	2	Nut, Acorn, 1/4-20	
6	3520072	2	Plug, Cap	
7	3520198	2	Plug, Cap	
8	4010618	2	Screw, M6 X 50	
9	4711400	4	Washer, 1/4	
10	4811700	2	Washer, M6	
11	1001138494	1	Bar, Drop	
12	1001138514	1	Rail - Top	
13	1001140429	1	Decal - Drop Bar	
14	See Note	1	Platform, Weldment (Note: Not Available - Purchase Platform Assembly)	

SECTION 5 - PLATFORM

FIGURE 5-5. PLATFORM ASSEMBLY - 5FT/1.52M - DROP BAR ENTRY



ART_1001186377

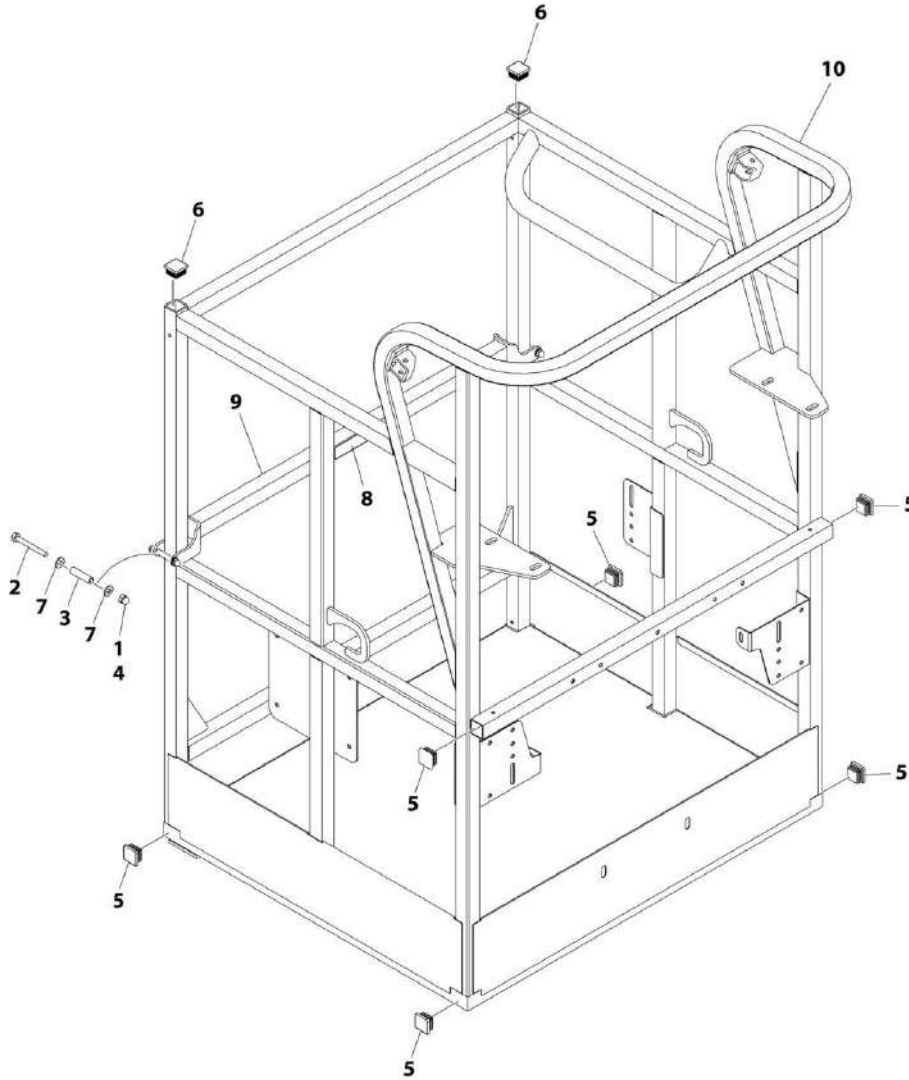
SECTION 5 - PLATFORM

FIGURE 5-5. PLATFORM ASSEMBLY - 5FT/1.52M - DROP BAR ENTRY

ITEM	PART NUMBER	QTY	DESCRIPTION	REV
	1001186377	Ref	PLATFORM ASSEMBLY - 5FT/1.52M - DROP BAR ENTRY	C
		Ref	Note: Replacement Decals Must be Ordered Separately - See DECALS SECTION	
1	0100011	AR	Compound, Locking	
2	0641418	AR	Bolt, 1/4-20 X 2-1/4	
2	0641420	AR	Bolt, 1/4-20 x 2 1/2	
3	0961845	2	Bushing	
4	3290606	2	Nut, M6	
5	3300151	2	Nut, Acorn, 1/4-20	
6	3520072	2	Plug, Cap	
7	3520198	2	Plug, Cap	
8	4010618	2	Screw, M6 X 50	
9	4711400	4	Washer, 1/4	
10	4811700	2	Washer, M6	
11	1001138494	1	Bar, Drop	
12	1001138514	1	Rail - Top	
13	1001140429	1	Decal - Drop Bar	
14	See Note	1	Platform, Weldment (Note: Not Available - Purchase Platform Assembly)	

SECTION 5 - PLATFORM

FIGURE 5-6. PLATFORM ASSEMBLY - 30IN X 3FT (76CM X .91M) - DROP BAR ENTRY



ART_1001228215

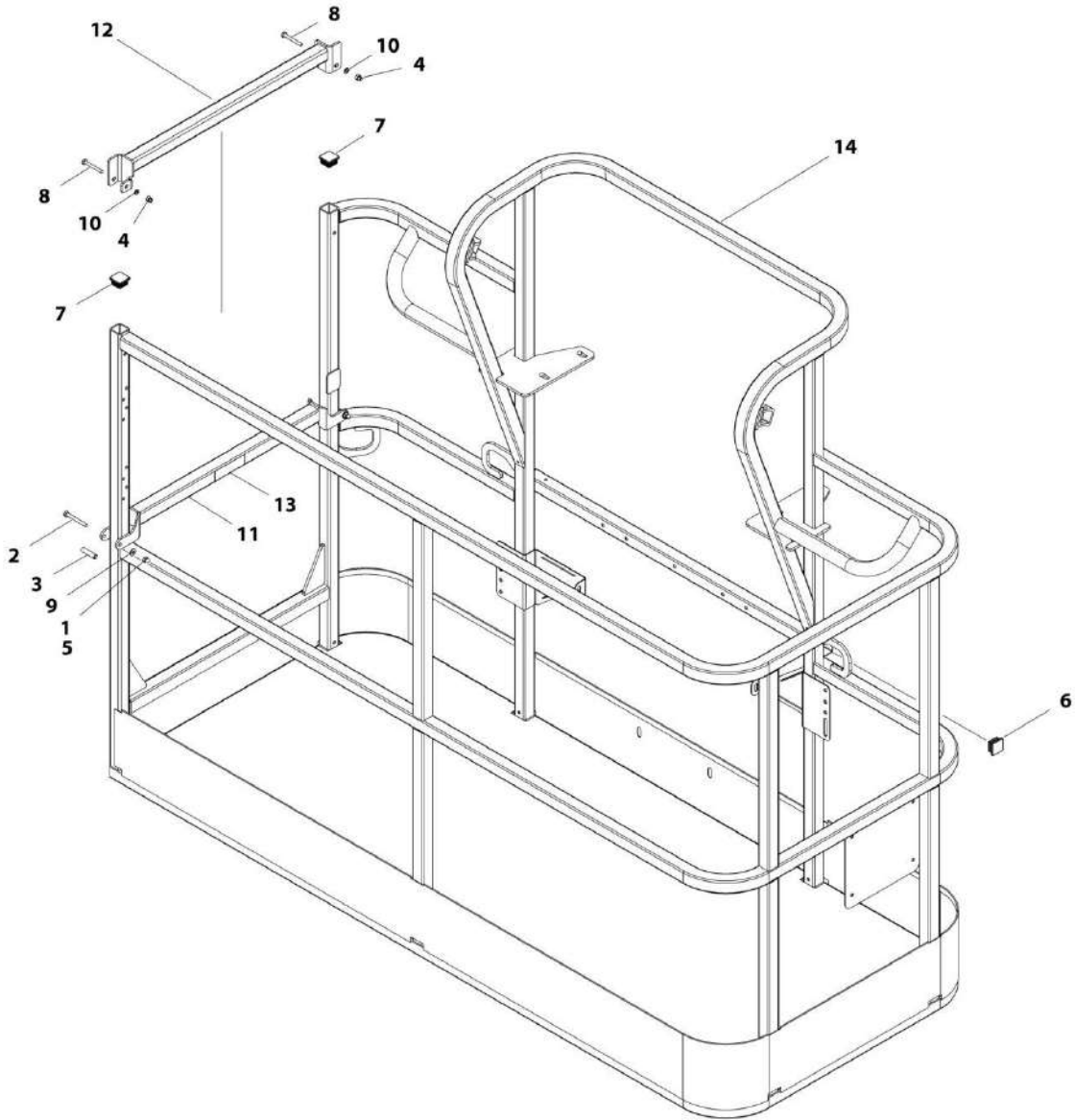
SECTION 5 - PLATFORM

FIGURE 5-6. PLATFORM ASSEMBLY - 30IN X 3FT (76CM X .91M) - DROP BAR ENTRY

ITEM	PART NUMBER	QTY	DESCRIPTION	REV
	1001228215	Ref	PLATFORM ASSEMBLY - 30IN X 3FT (76CM X .91M) - DROP BAR ENTRY	A
	See Note	Ref	Note: Platform and Mesh must be ordered separately for Platforms with Mesh. See SPECIAL OPTIONS SECTION for Mesh Installations.	
	See Note	Ref	Note: Replacement Decals Must be Ordered Separately - See DECAL SECTION.	
1	0100011	AR	Compound, Locking	
2	0641418	2	Bolt 1/4 x 2-1/4	
3	0961845	2	Bushing	
4	3300151	2	Nut 1/4	
5	3520072	6	Cap, Plug	
6	3520198	2	Cap, Plug	
7	4711400	4	Washer 1/4	
8	1001140429	1	Decal - Drop Bar	
9	1001226872	1	Bar, Drop	
10	See Note	NSS	Platform, Weldment (Note: Not Available - Purchase Platform Assembly)	

SECTION 5 - PLATFORM

FIGURE 5-7. PLATFORM ASSEMBLY - 6FT/1.83M - DROP BAR ENTRY



ART_1001196378

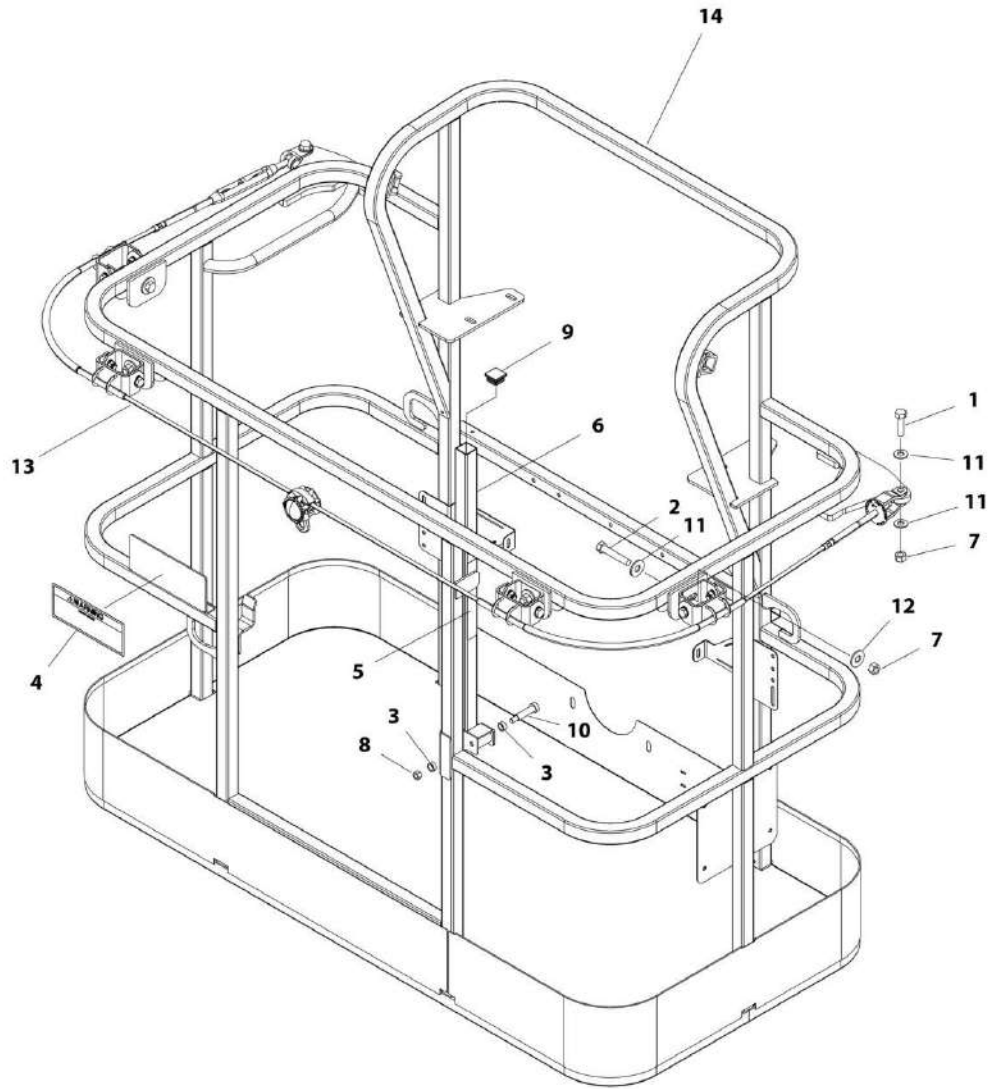
SECTION 5 - PLATFORM

FIGURE 5-7. PLATFORM ASSEMBLY - 6FT/1.83M - DROP BAR ENTRY

ITEM	PART NUMBER	QTY	DESCRIPTION	REV
	1001186378	Ref	PLATFORM ASSEMBLY - 6FT/1.83M - DROP BAR ENTRY	B
		Ref	Note: Replacement Decals Must be Ordered Separately - See DECALS SECTION	
1	0100011	AR	Compound, Locking	
2	0641418	2	Bolt, 1/4-20 X 2-1/4	
3	0961845	2	Bushing	
4	3290606	2	Nut, M6	
5	3300151	2	Nut, Acorn, 1/4-20	
6	3520072	2	Plug, Cap	
7	3520198	2	Plug, Cap	
8	4010618	2	Screw, M6 X 50	
9	4711400	4	Washer, 1/4	
10	4811700	2	Washer, M6	
11	1001138494	1	Bar, Drop	
12	1001138514	1	Rail - Top	
13	1001140429	1	Decal - Drop Bar	
14	See Note	1	Platform, Weldment (Note: Not Available - Purchase Platform Assembly)	

SECTION 5 - PLATFORM

FIGURE 5-8. PLATFORM ASSEMBLY - 5FT/1.52M - FALL ARREST (ANSI EXPORT SPEC)



ART_1001186388

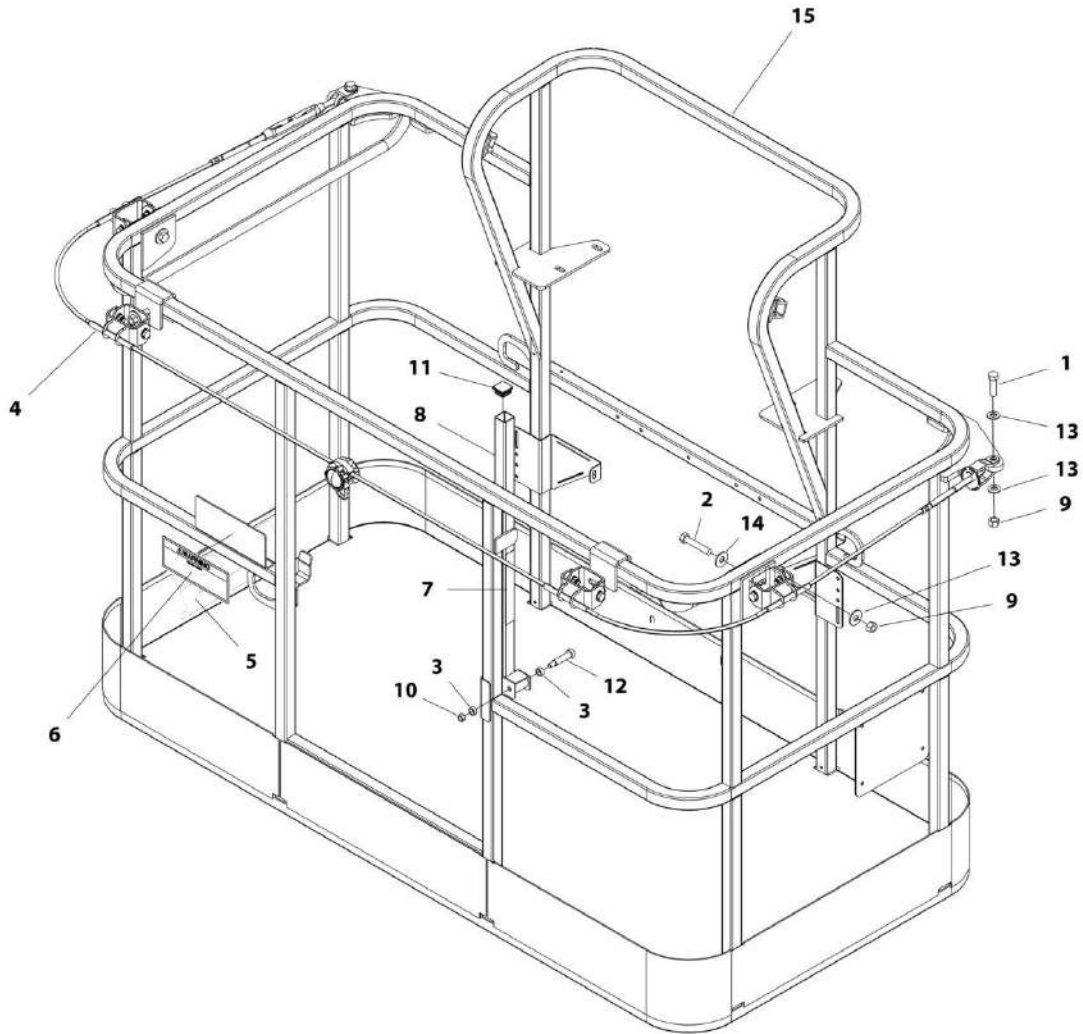
SECTION 5 - PLATFORM

FIGURE 5-8. PLATFORM ASSEMBLY - 5FT/1.52M - FALL ARREST (ANSI EXPORT SPEC)

ITEM	PART NUMBER	QTY	DESCRIPTION	REV
	1001186388	Ref	PLATFORM ASSEMBLY - 5ft/1.52m - FALL ARREST (ANSI EXPORT SPEC)	C
	See Note	Ref	Note: Fall Arrest Not Available on CE Spec Platform Assembly.	
		Ref	Note: Replacement Decals Must be Ordered Separately - See DECALS SECTION	
1	0681814	2	Bolt, 1/2-13 X 1-3/4, Grade 8	
2	0681822	4	Bolt, 1/2-13 X 2-3/4, Grade 8	
3	0962270	2	Bearing	
4	1705014	1	Decal - Safety	
5	1706385	1	Decal - Drop Bar	
6	2410014	1	Gate, Weldment	
7	3271805	6	Nut, Lock, 1/2-13	
8	3311605	1	Nut, Lock, 3/8-16	
9	3520072	1	Plug, Cap	
10	3900054	1	Bolt, 1/2-13 x 1-3/4	
11	4711800	AR	Washer, 1/2	
12	4751800	AR	Washer, 1/2	
13	1001112943	NLA	Lanyard (Use p/n 1001203654) (SN 0300208529 through 0300213992)	
13	1001203654	1	Lanyard (SN 0300213993 to Present)	
14	See Note	1	Platform, Weldment (Note: Not Available - Purchase Platform Assembly)	

SECTION 5 - PLATFORM

FIGURE 5-9. PLATFORM ASSEMBLY - 6FT/1.83M - FALL ARREST



ART_1001186333

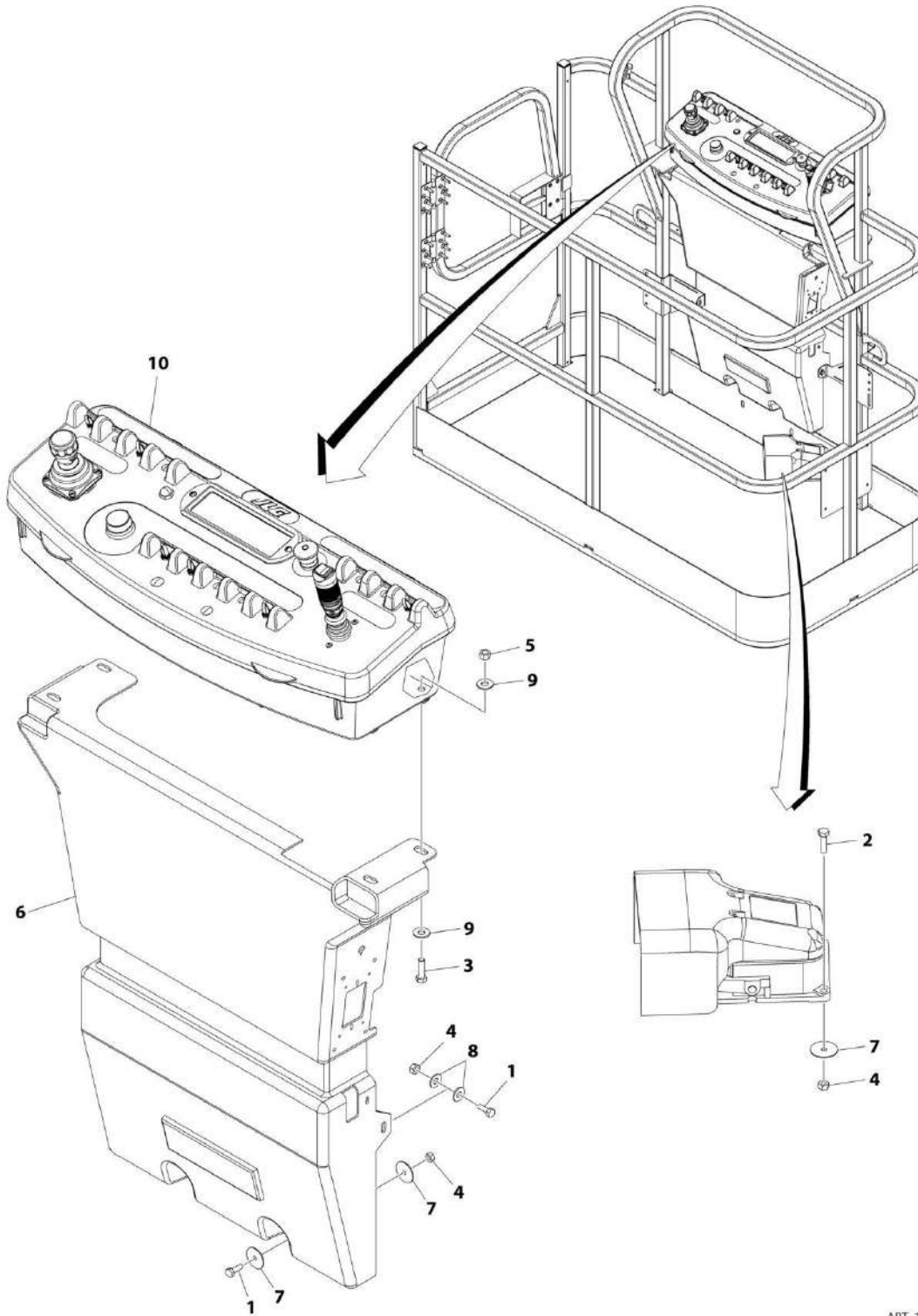
SECTION 5 - PLATFORM

FIGURE 5-9. PLATFORM ASSEMBLY - 6FT/1.83M - FALL ARREST

ITEM	PART NUMBER	QTY	DESCRIPTION	REV
	1001186333	Ref	PLATFORM ASSEMBLY - 6ft/1.83m - FALL ARREST	C
	See Note	Ref	Note: Fall Arrest Not Available on CE Spec Platform Assembly.	
		Ref	Note: Replacement Decals Must be Ordered Separately - See DECALS SECTION	
1	0681814	2	Bolt, 1/2-13 X 1-3/4, Grade 8	
2	0681822	4	Bolt, 1/2-13 X 2-3/4, Grade 8	
3	0962270	2	Bearing	
4	1060919	NLA	Cable, Fall Arrest (Use p/n 1001203655) (Prior to SN 0300208529)	
4	1001203655	1	Cable, Fall Arrest (SN 0300213993 to Present)	
5	1702773	1	Decal - JLG	
6	1705014	1	Decal - Safety	
7	1706385	1	Decal - Drop Bar	
8	2410014	1	Gate, Weldment	
9	3271805	6	Nut, Lock, 1/2-13	
10	3311605	1	Nut, Lock, 3/8-16	
11	3520072	1	Plug, Cap	
12	3900054	1	Bolt, 1/2-13 X 1-3/4	
13	4711800	AR	Washer, 1/2	
14	4751800	AR	Washer, 1/2	
15	See Note	1	Platform, Weldment (Note: Not Available - Purchase Platform Assembly)	

SECTION 5 - PLATFORM

FIGURE 5-10. PLATFORM CONSOLE AND FOOTSWITCH INSTALLATION - WITHOUT LSS OR WITH 4 CELL LSS - WITHOUT SKYGUARD (NON-UL SPECS)



ART_1001183512

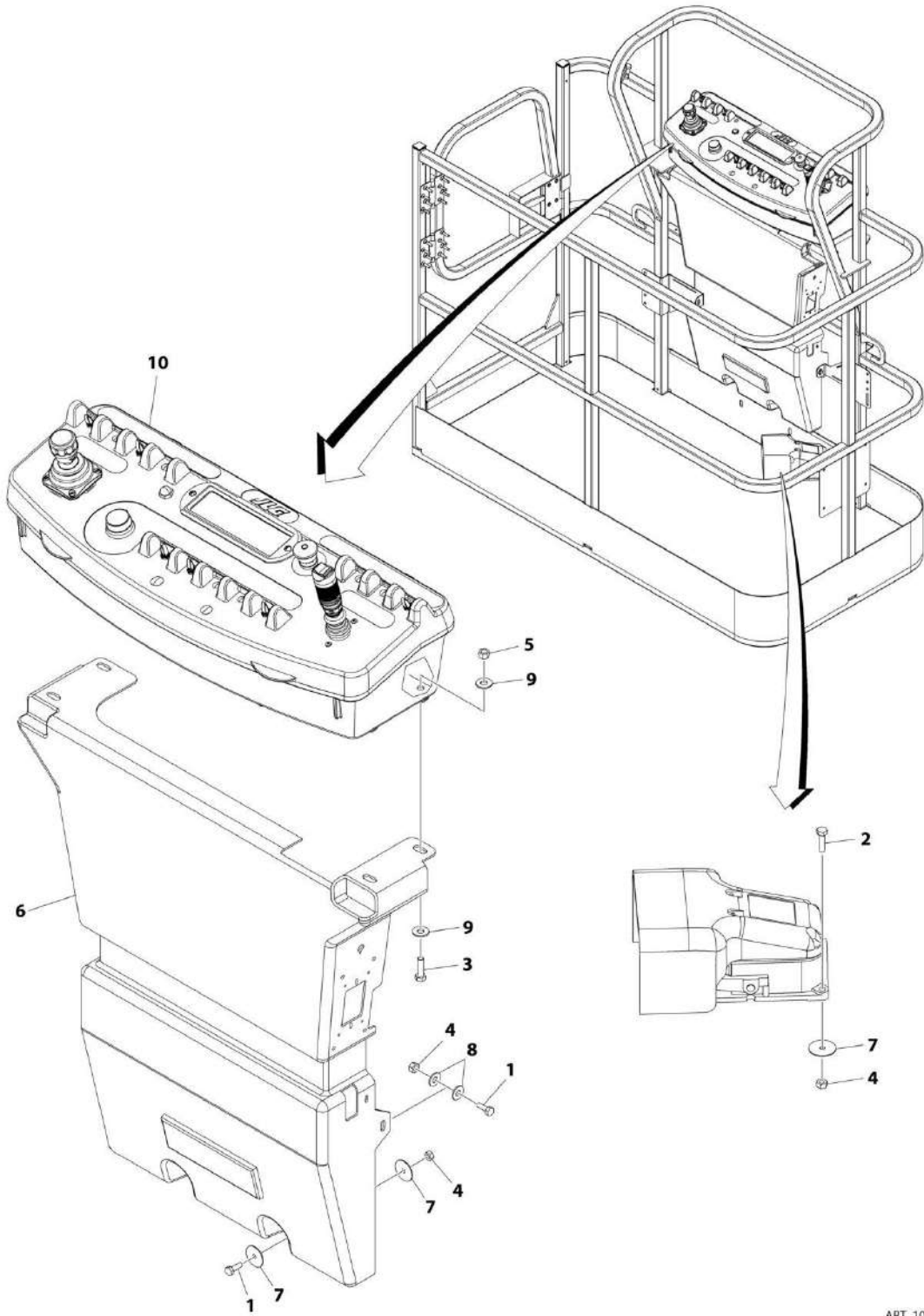
SECTION 5 - PLATFORM

FIGURE 5-10. PLATFORM CONSOLE AND FOOTSWITCH INSTALLATION - WITHOUT LSS OR WITH 4 CELL LSS - WITHOUT SKYGUARD (NON-UL SPECS)

ITEM	PART NUMBER	QTY	DESCRIPTION	REV
	1001183512	Ref	PLATFORM CONSOLE AND FOOTSWITCH INSTALLATION - WITHOUT LSS OR WITH 4 CELL LSS - WITHOUT SKYGUARD (NON-UL SPECS)	B
1	0641406	4	Bolt, 1/4-20 X 3/4	
2	0641408	3	Bolt, 1/4-20 X 1	
3	0641610	4	Bolt, 3/8-16 X 1-1/4	
4	3311405	7	Nut, Lock, 1/4-20	
5	3311605	4	Nut, Lock, 3/8-16	
6	3380434	1	Panel, Pedestal	
7	4740362	7	Washer, 1/4	
8	4751400	4	Washer, 1/4	
9	4751600	8	Washer, 3/8	
10	1001183693	NLA	Platform Console Assembly (See PLATFORM CONSOLE ASSEMBLY (NON-UL SPECS) for Breakdown) (Use p/n 1001202581) (SN 0300208529 through 0300219932, SN B300001429 through B300001596)	
10	1001202581	1	Platform Console Assembly (See PLATFORM CONSOLE ASSEMBLY (NON-UL SPECS) for Breakdown) (SN 0300219933 to Present, SN B300001597 to Present)	

SECTION 5 - PLATFORM

FIGURE 5-11. PLATFORM CONSOLE AND FOOTSWITCH INSTALLATION - WITH SKYGUARD (UL SPECS)



ART_1001216147

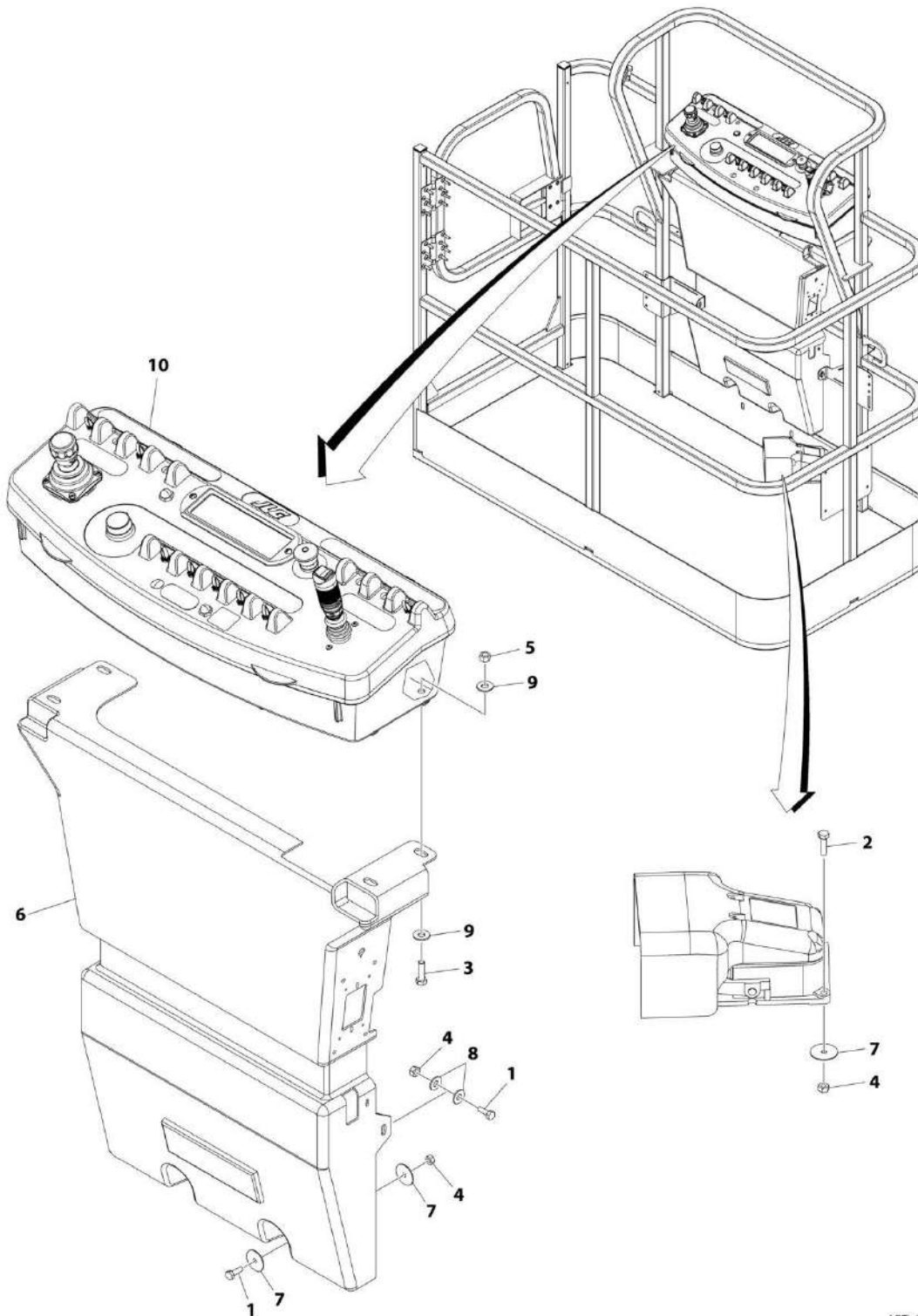
SECTION 5 - PLATFORM

FIGURE 5-11. PLATFORM CONSOLE AND FOOTSWITCH INSTALLATION - WITH SKYGUARD (UL SPECS)

ITEM	PART NUMBER	QTY	DESCRIPTION	REV
	1001216147	Ref	PLATFORM CONSOLE AND FOOTSWITCH INSTALLATION - WITH SKYGUARD (UL SPECS)	A
1	0641406	4	Bolt, 1/4-20 X 3/4	
2	0641408	3	Bolt, 1/4-20 X 1	
3	0641610	4	Bolt, 3/8-16 X 1-1/4	
4	3311405	7	Nut, Lock, 1/4-20	
5	3311605	4	Nut, Lock, 3/8-16	
6	3380434	1	Panel, Pedestal	
7	4740362	7	Washer, 1/4	
8	4751400	4	Washer, 1/4	
9	4751600	8	Washer, 3/8	
10	1001216153	1	Platform Console Assembly (See PLATFORM CONSOLE ASSEMBLY - WITH SKYGUARD (UL SPECS) for Breakdown)	

SECTION 5 - PLATFORM

FIGURE 5-12. PLATFORM CONSOLE AND FOOTSWITCH INSTALLATION - WITHOUT LSS OR WITH 4 CELL LSS - WITH SKYGUARD (SN 0300208529 through 0300229285, SN B300001429 through B300001989)



ART_1001196500

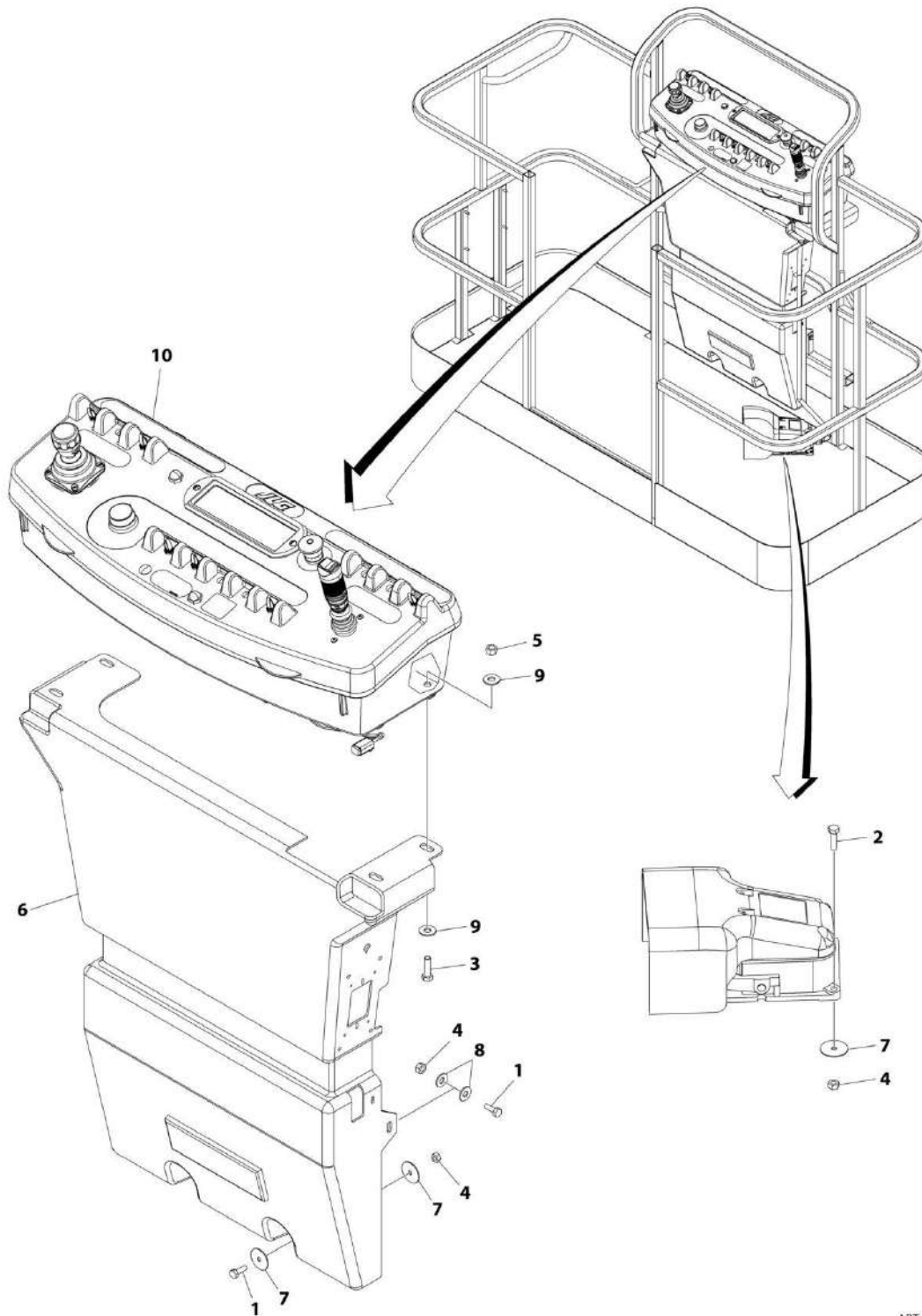
SECTION 5 - PLATFORM

FIGURE 5-12. PLATFORM CONSOLE AND FOOTSWITCH INSTALLATION - WITHOUT LSS OR WITH 4 CELL LSS - WITH SKYGUARD (SN 0300208529 through 0300229285, SN B300001429 through B300001989)

ITEM	PART NUMBER	QTY	DESCRIPTION	REV
	1001196500	Ref	PLATFORM CONSOLE AND FOOTSWITCH INSTALLATION - WITHOUT LSS OR WITH 4 CELL LSS - WITH SKYGUARD (All Specs) (SN 0300208529 through 0300229285, SN B300001429 through B300001989)	B
1	0641406	4	Bolt, 1/4-20 X 3/4	
2	0641408	3	Bolt, 1/4-20 X 1	
3	0641610	4	Bolt, 3/8-16 X 1-1/4	
4	3311405	7	Nut, Lock, 1/4-20	
5	3311605	4	Nut, Lock, 3/8-16	
6	3380434	1	Panel, Pedestal	
7	4740362	7	Washer, 1/4	
8	4751400	4	Washer, 1/4	
9	4751600	8	Washer, 3/8	
10	1001196484	1	Platform Console Assembly (See PLATFORM CONSOLE ASSEMBLY for Breakdown) (SN 0300208529 through 0300219932, SN B300001429 through B300001596)	
10	1001202580	1	Platform Console Assembly (See PLATFORM CONSOLE ASSEMBLY for Breakdown) (SN 0300219933 through 0300229285, SN B300001597 through B300001989)	

SECTION 5 - PLATFORM

FIGURE 5-13. PLATFORM CONSOLE AND FOOTSWITCH INSTALLATION - WITHOUT LSS OR WITH 4 CELL LSS - WITH SKYGUARD (SN 0300229286 through 0300235600, SN B300001990 to Present)



ART_1001196487

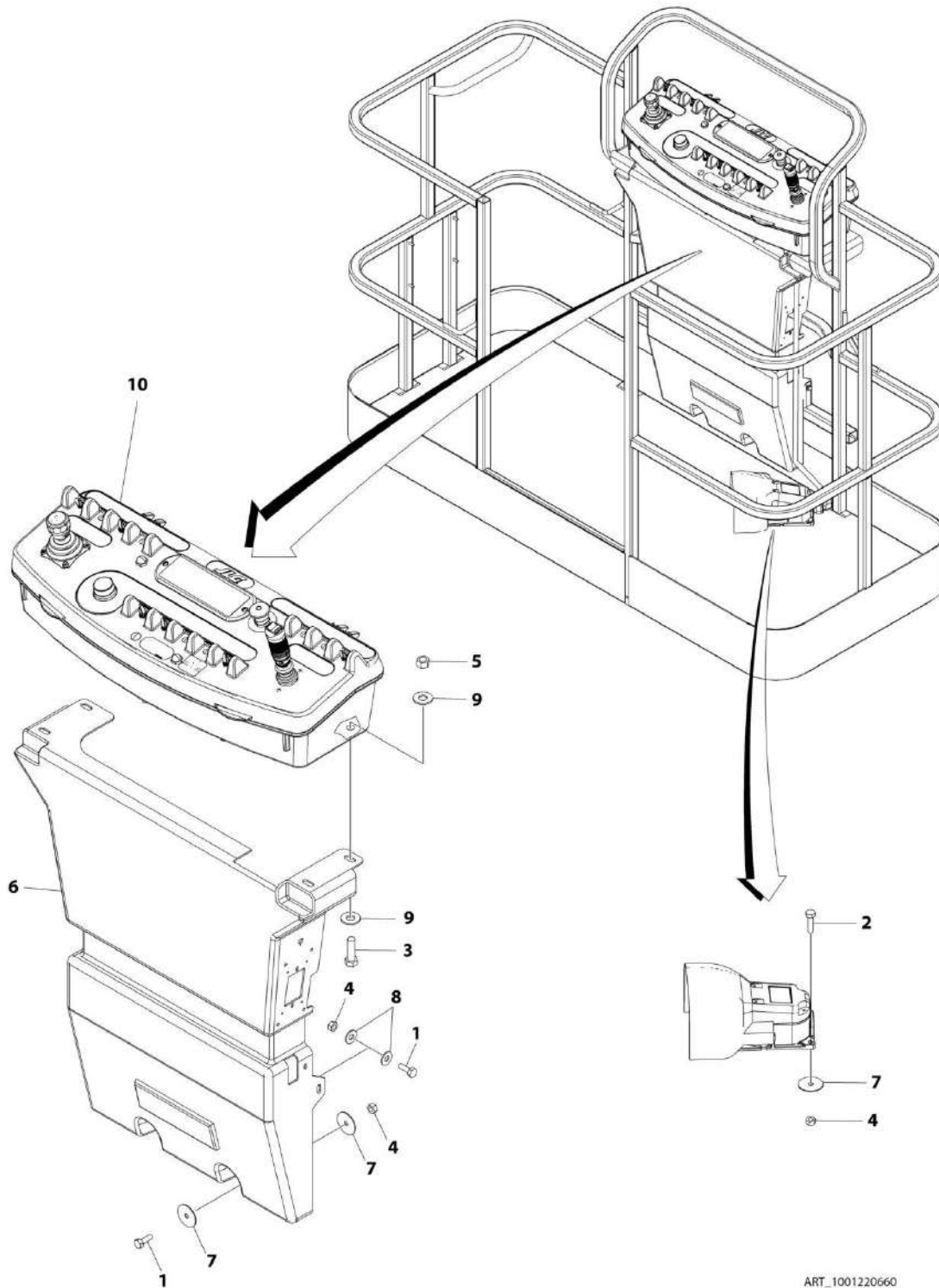
SECTION 5 - PLATFORM

FIGURE 5-13. PLATFORM CONSOLE AND FOOTSWITCH INSTALLATION - WITHOUT LSS OR WITH 4 CELL LSS - WITH SKYGUARD (SN 0300229286 through 0300235600, SN B300001990 to Present)

ITEM	PART NUMBER	QTY	DESCRIPTION	REV
	1001196487	Ref	PLATFORM CONSOLE AND FOOTSWITCH INSTALLATION - WITHOUT LSS OR WITH 4 CELL LSS - WITH SKYGUARD (All Specs) (SN 0300229286 through 0300235600, SN B300001990 to Present)	C
1	0641406	4	Bolt, 1/4-20 x 3/4	
2	0641408	3	Bolt, 1/4-20 x 1	
3	0641610	4	Bolt, 3/8-16 x 1-1/4	
4	3311405	7	Nut, Lock, 1/4-20	
5	3311605	4	Nut, Lock, 3/8-16	
6	3380434	1	Panel, Pedestal	
7	4740362	7	Washer, 1/4	
8	4751400	4	Washer, 1/4	
9	4751600	8	Washer, 3/8	
10	1001196486	1	Platform Console Assembly (See PLATFORM CONSOLE ASSEMBLY - WITH SKYGUARD for Breakdown)	

SECTION 5 - PLATFORM

FIGURE 5-14. PLATFORM CONSOLE AND FOOTSWITCH INSTALLATION - WITH 1 CELL LSS AND WITH SKYGUARD (SN 0300235601 to Present)



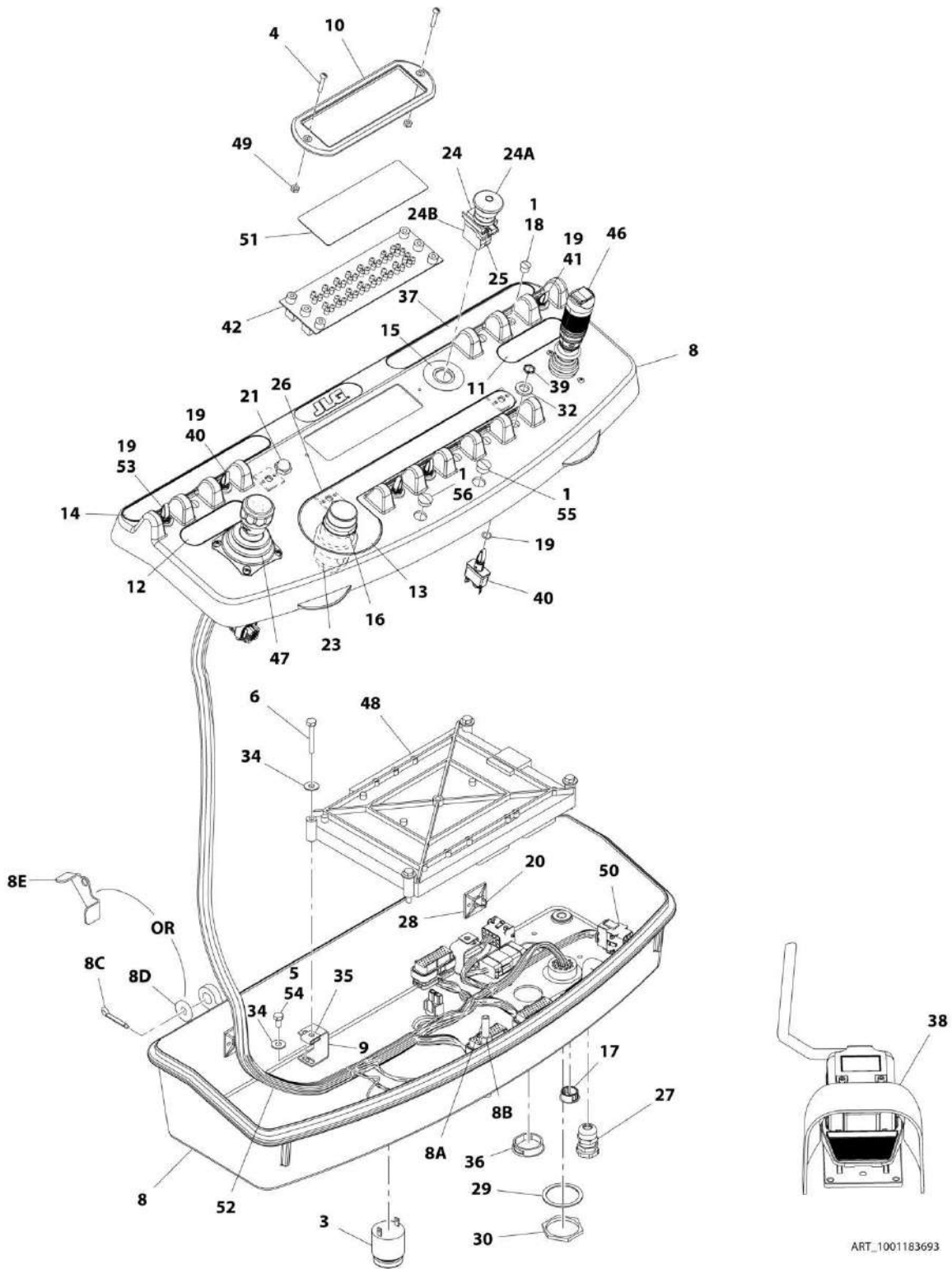
SECTION 5 - PLATFORM

FIGURE 5-14. PLATFORM CONSOLE AND FOOTSWITCH INSTALLATION - WITH 1 CELL LSS AND WITH SKYGUARD (SN 0300235601 to Present)

ITEM	PART NUMBER	QTY	DESCRIPTION	REV
	1001220660	Ref	PLATFORM CONSOLE AND FOOTSWITCH INSTALLATION - WITH 1 CELL LSS AND WITH SKYGUARD (SN 0300235601 to Present)	A
1	0641406	4	Bolt 1/4 x 3/4	
2	0641408	3	Bolt 1/4 x 1	
3	0641610	4	Bolt 3/8-16 x 1	
4	3311405	7	Nut, Lock 1/4-20	
5	3311605	4	Nut, Lock 3/8-16	
6	3380434	1	Panel, Pedestal	
7	4740362	7	Washer 1/4	
8	4751400	4	Washer 1/4	
9	4751600	8	Washer 3/8	
10	1001218652	1	Platform Console Assembly (See PLATFORM CONSOLE ASSEMBLY for Breakdown)	

SECTION 5 - PLATFORM

FIGURE 5-15. PLATFORM CONSOLE ASSEMBLY - WITHOUT LSS OR WITH 4 CELL LSS - WITHOUT SKYGUARD (NON-UL SPECS) (SN 0300208529 through 0300219932, SN B300001429 through B300001596)



ART_1001183693

SECTION 5 - PLATFORM

FIGURE 5-15. PLATFORM CONSOLE ASSEMBLY - WITHOUT LSS OR WITH 4 CELL LSS - WITHOUT SKYGUARD (NON-UL SPECS) (SN 0300208529 through 0300219932, SN B300001429 through B300001596)

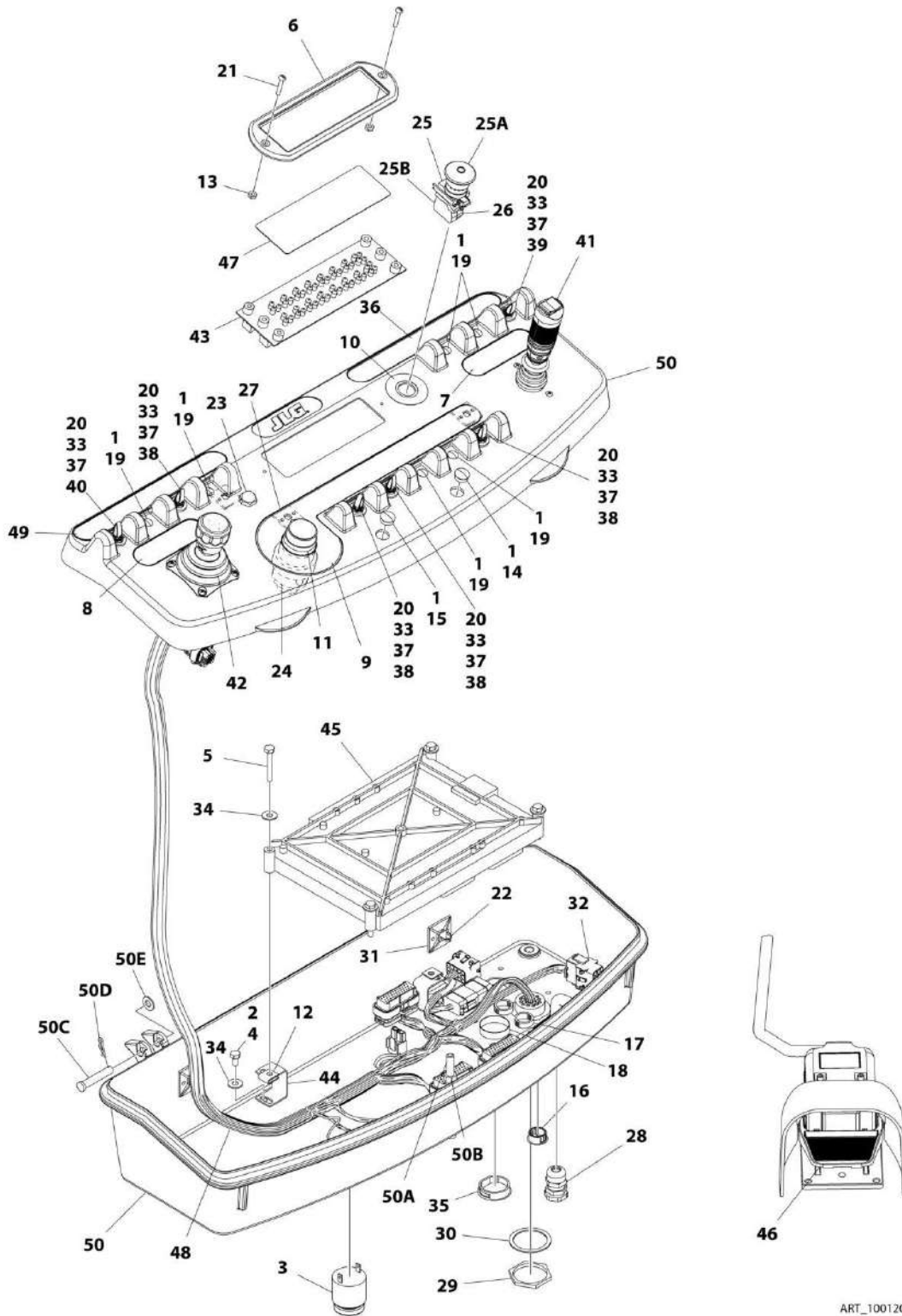
ITEM	PART NUMBER	QTY	DESCRIPTION	REV
	1001183693	Ref	PLATFORM CONSOLE ASSEMBLY - WITHOUT LSS OR WITH 4 CELL LSS - WITHOUT SKYGUARD (NON-UL SPECS) (SN 0300208529 through 0300219932, SN B300001429 through B300001596)	H
1	0100009	AR	Sealant	
3	0140011	1	Alarm	
4	3911018	2	Screw, #10-24 x 1-1/8	
5	0641404	4	Bolt, 1/4-20 x 1/2	
6	0641414	4	Bolt, 1/4-20 x 1-3/4	
8	1001190017	1	Console Box Assembly	
8A	0630568	1	Capscrew, 3/8-16 x 4-1/2	
8B	3311601	1	Nut, 3/8-16	
8C	3470003	2	Pin, Cotter	
8D	4711500	2	Washer, 5/16	
8E	1001200575	2	Bracket, Stop	
9	1001172760	4	Bracket, Module	
10	1671176	1	Bezel	
11	1702565	1	Decal - Drive and Steer	
12	1702566	1	Decal - Lift and Swing	
13	1702567	1	Decal - Function Speed	
14	1001193987	1	Decal - Horn and Drive Select	
15	1704260	1	Decal - EMS	
16	2560136	1	Handle, Knob	
17	3520030	1	Plug, Hole	
18	3520054	5	Plug, Hole	
19	3790012	6	O-Ring	
20	4240032	AR	Tie-Strap (Not Shown)	
21	4360387	1	Switch, Push Button	
23	4360407	1	Switch, Potentiometer	
24	4360475	1	Switch, Emergency Stop	
24A	7020175	1	Cap, Mushroom with Sealing Ring	
24B	7020176	1	Block, Contact	
25	4360476	1	Block, Contact	
26	4460234	4	Mount, Tie-Strap	
27	4460428	1	Connector, Strain Relief	
28	4460488	2	Base, Terminal Mounting	
29	4460471	1	Washer, Lock, Terminal	
30	4460470	1	Nut, Terminal	
32	4740397	6	Spacer	
34	4751400	8	Washer, 1/4	
35	3300353	4	Nut, Tinnerman	
36	1001110434	2	Plug, D-Shaped	
37	1001132175	1	Decal - Stop - Generator	
38	1001189039	1	Footswitch Assembly (See FOOTSWITCH ASSEMBLY for Breakdown)	
39	1001155044	6	Nut, 15/32-32	
40	1001155045	4	Switch, Toggle	
41	1001159256	1	Switch, Toggle	
42	1001170838	1	Gauge, Led Panel	

SECTION 5 - PLATFORM

ITEM	PART NUMBER	QTY	DESCRIPTION	REV
46	1001166538	NLA	Controller Assembly - Drive and Steer (Use p/n 1001212415) (See CONTROLLER ASSEMBLY - DRIVE AND STEER for Breakdown)	
47	1001166539	NLA	Controller Assembly - Lift and Swing (Use p/n 1001129555) (See CONTROLLER ASSEMBLY LIFT AND SWING for Breakdown)	
48	1001182724	1	Module, PC (Note: Re-calibration Required when Replaced)	
49	3300408	2	Nut, Lock	
50	4460708	1	Connector - 15 Position	
51	1001190797	1	Decal - Platform Display	
52	1001191318	1	Harness, Platform Console Box (See ELECTRICAL SECTION for Breakdown)	
53	1001161710	1	Switch, Toggle	
54	0100075	AR	Sealant	
55	3520026	1	Plug, Hole	
56	3520027	1	Plug, Hole	

SECTION 5 - PLATFORM

FIGURE 5-16. PLATFORM CONSOLE ASSEMBLY - WITHOUT LSS OR WITH 4 CELL LSS - WITHOUT SKYGUARD (NON-UL SPECS) (SN 0300219933 to Present, SN B300001597 to Present)



ART_1001202581

SECTION 5 - PLATFORM

FIGURE 5-16. PLATFORM CONSOLE ASSEMBLY - WITHOUT LSS OR WITH 4 CELL LSS - WITHOUT SKYGUARD (NON-UL SPECS) (SN 0300219933 to Present, SN B300001597 to Present)

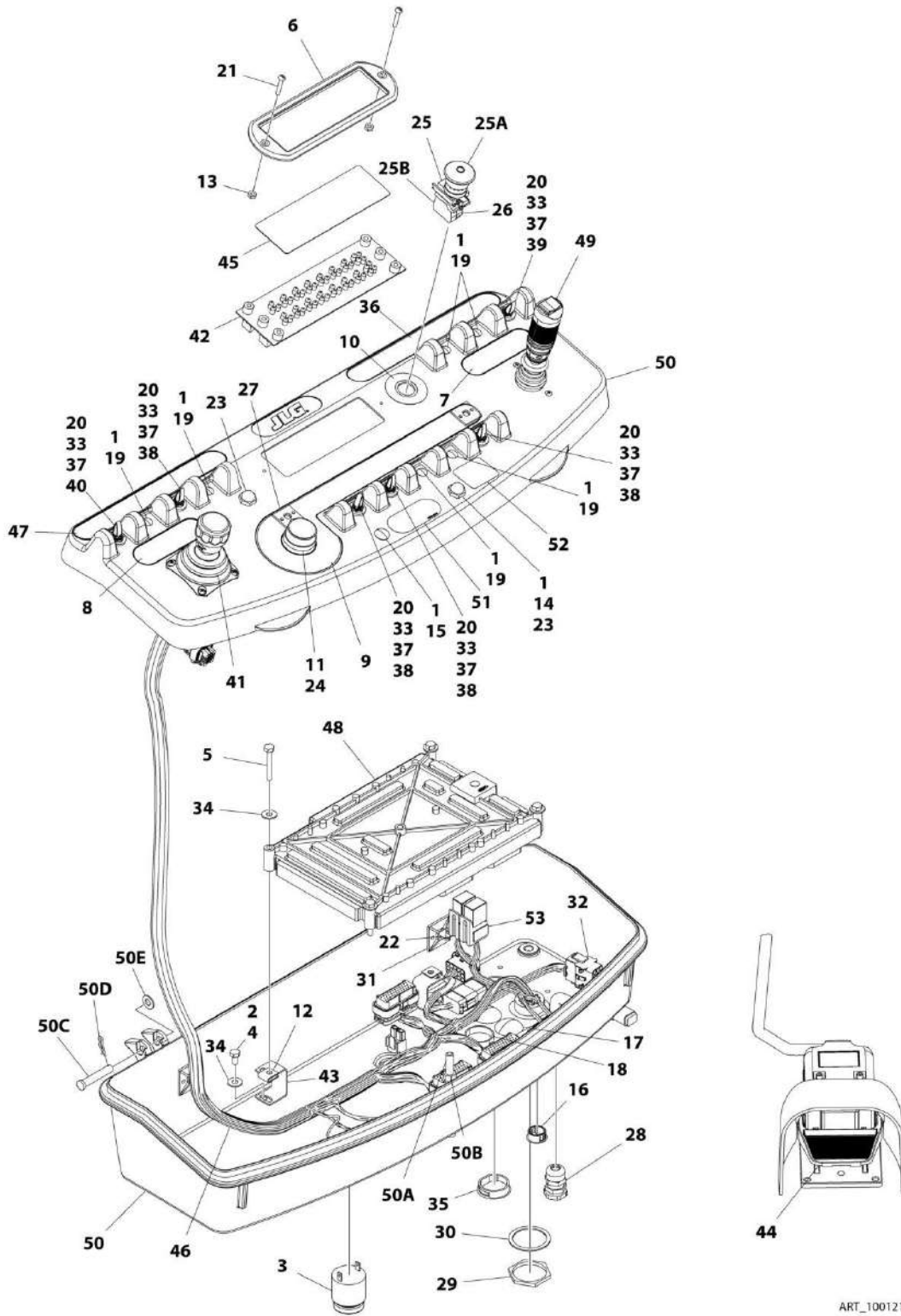
ITEM	PART NUMBER	QTY	DESCRIPTION	REV
	1001202581	Ref	PLATFORM CONSOLE ASSEMBLY - WITHOUT LSS OR WITH 4 CELL LSS - WITHOUT SKYGUARD (NON-UL SPECS) (SN 0300219933 to Present, SN B300001597 to Present)	C
1	0100009	AR	Sealant	
2	0100075	AR	Sealant	
3	0140011	1	Alarm	
4	0641404	4	Bolt, 1/4-20 x 1/2	
5	0641414	4	Bolt, 1/4-20 x 1-3/4	
6	1671176	1	Bezel	
7	1702565	1	Decal - Drive and Steer	
8	1702566	1	Decal - Lift and Swing	
9	1702567	1	Decal - Function Speed	
10	1704260	1	Decal - EMS	
11	2560136	1	Handle, Knob	
12	3300353	4	Nut, Tinnerman	
13	3300408	2	Nut, Lock	
14	3520026	1	Plug, Hole	
15	3520027	1	Plug, Hole	
16	3520030	1	Plug, Hole	
17	3520033	2	Plug, Hole (SN 0300219933 through 0300226308, SN B300001597 through B300001989)	
17	1001220486	2	Plug, Hole (SN 0300226309 to Present, SN B300001990 to Present)	
18	3520035	1	Plug, Cap	
19	3520054	6	Plug, Hole	
20	3790012	6	O-Ring	
21	3911018	2	Screw, #10-24 x 1-1/8	
22	4240032	AR	Tie-Strap (Not Shown)	
23	4360387	1	Switch, Push Button	
24	4360407	1	Switch, Potentiometer	
25	4360475	1	Switch, Emergency Stop	
25A	7020175	1	Cap, Mushroom with Sealing Ring	
25B	7020176	1	Block, Contact	
26	4360476	1	Block, Contact	
27	4460234	4	Mount, Tie-Strap	
28	4460428	1	Connector, Strain Relief	
29	4460470	1	Nut, Terminal	
30	4460471	1	Washer, Lock, Terminal	
31	4460488	2	Base, Terminal Mounting	
32	4460708	1	Connector - 15 Position	
33	4740397	6	Spacer	
34	4751400	8	Washer, 1/4	
35	1001110434	1	Plug, D-Shaped	
36	1001132175	1	Decal - Stop - Generator	
37	1001155044	6	Nut, 15/32-32	
38	1001155045	4	Switch, Toggle	
39	1001159256	1	Switch, Toggle	
40	1001161710	1	Switch, Toggle	
41	1001166538	NLA	Controller Assembly - Drive and Steer (Use p/n 1001212415) (See CONTROLLER ASSEMBLY - DRIVE AND STEER for Breakdown)	

SECTION 5 - PLATFORM

ITEM	PART NUMBER	QTY	DESCRIPTION	REV
42	1001166539	NLA	Controller Assembly - Lift and Swing (Use p/n 1001129555) (See CONTROLLER ASSEMBLY LIFT AND SWING for Breakdown)	
43	1001170838	1	Gauge, Led Panel	
44	1001172760	4	Bracket, Module	
45	1001182724	1	Module, PC (Note: Re-calibration Required when Replaced)	
46	1001189039	1	Footswitch Assembly (See FOOTSWITCH ASSEMBLY for Breakdown)	
47	1001190797	1	Decal - Platform Display	
48	1001191318	1	Harness, Platform Console Box (See ELECTRICAL SECTION for Breakdown)	
49	1001193987	1	Decal - Horn and Drive Select	
50	1001201887	1	Console Box Assembly	
50A	0630568	1	Capscrew, 3/8-16 x 4-1/2	
50B	3311601	1	Nut, 3/8-16	
50C	3430616	2	Pin	
50D	3470003	2	Pin, Cotter	
50E	4711600	2	Washer, 5/16	

SECTION 5 - PLATFORM

FIGURE 5-17. PLATFORM CONSOLE ASSEMBLY - WITH SKYGUARD (UL SPECS)



ART_1001216153

SECTION 5 - PLATFORM

FIGURE 5-17. PLATFORM CONSOLE ASSEMBLY - WITH SKYGUARD (UL SPECS)

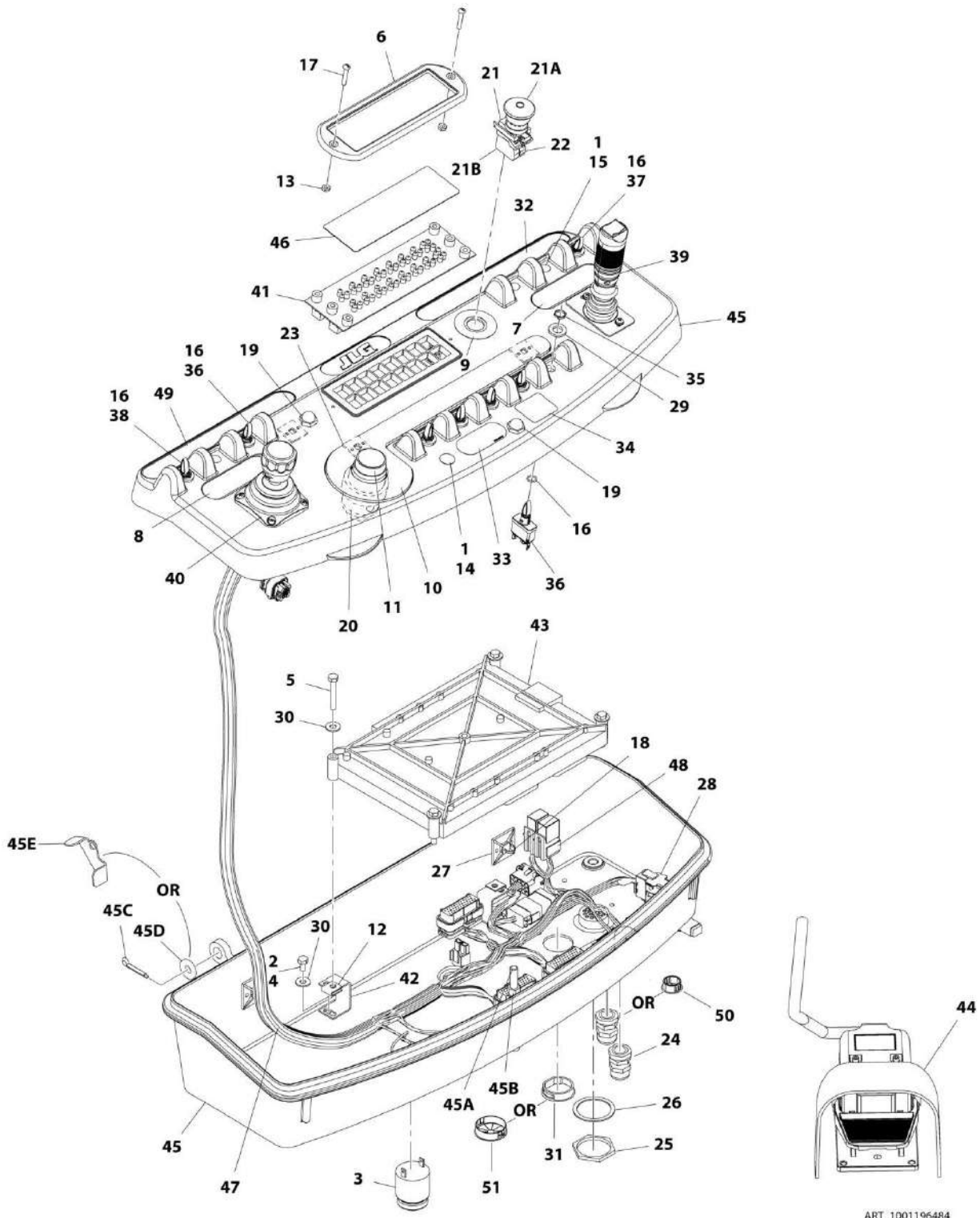
ITEM	PART NUMBER	QTY	DESCRIPTION	REV
	1001216153	Ref	PLATFORM CONSOLE ASSEMBLY - WITH SKYGUARD (UL SPECS)	D
1	0100009	AR	Sealant	
2	0100075	AR	Sealant	
3	0140011	1	Alarm	
4	0641404	4	Bolt, 1/4 x 1/2	
5	0641414	4	Bolt, 1/4 x 1-3/4	
6	1671176	1	Bezel	
7	1702565	1	Decal - Drive and Steer	
8	1702566	1	Decal - Lift and Swing	
9	1702567	1	Decal - Function Speed	
10	1704260	1	Decal - EMS	
11	2560136	1	Handle, Knob	
12	3300353	4	Nut, Tinnerman	
13	3300408	2	Nut, Lock	
14	3520026	1	Plug, Hole	
15	3520027	1	Plug, Hole	
16	3520030	1	Plug, Hole	
17	3520033	2	Plug, Hole (SN 0300208529 through 0300226308)	
17	1001220486	2	Plug, Hole (SN 0300226309 to Present)	
18	3520035	1	Plug, Cap (SN 0300208529 through 0300229285)	
18	1001185281	1	Plug, Bushing (SN 0300229286 to Present)	
19	3520054	6	Plug, Hole	
20	3790012	6	O-Ring	
21	3911018	2	Screw, #10 x 1-1/8	
22	4240032	AR	Tie-Strap (Not Shown)	
23	4360387	AR	Switch, Push Button	
24	4360407	1	Switch, Potentiometer	
25	4360475	1	Switch, Emergency Stop	
25A	7020175	1	Cap, Mushroom with Sealing Ring	
25B	7020176	1	Block, Contact	
26	4360476	1	Block, Contact	
27	4460234	4	Mount, Tie-Strap	
28	4460428	1	Connector, Strain Relief	
29	4460470	1	Nut, Terminal	
30	4460471	1	Washer, Lock, Terminal	
31	4460488	2	Base, Terminal Mounting	
32	4460708	1	Connector - 15 Position	
33	4740397	6	Spacer	
34	4751400	8	Washer, 1/4	
35	1001110434	1	Plug, D-Shaped	
36	1001132175	1	Decal - Stop - Generator	
37	1001155044	6	Nut, 15/32	
38	1001155045	4	Switch, Toggle	
39	1001159256	1	Switch, Toggle	
40	1001161710	1	Switch, Toggle	
41	1001166539	NLA	Controller Assembly - Lift and Swing (Use p/n 1001129555) (See CONTROLLER ASSEMBLY LIFT AND SWING for Breakdown)	
42	1001170838	1	Gauge, Led Panel	
43	1001172760	4	Bracket, Module	

SECTION 5 - PLATFORM

ITEM	PART NUMBER	QTY	DESCRIPTION	REV
44	1001189039	1	Footswitch Assembly (See FOOTSWITCH ASSEMBLY for Breakdown)	
45	1001190797	1	Decal - Platform Display	
46	1001191318	1	Harness, Platform Console Box (See ELECTRICAL SECTION for Breakdown)	
47	1001193987	1	Decal - Horn and Drive Select	
48	1001215835	1	Module, PC (Note: Re-calibration Required when Replaced)	
49	1001166538	NLA	Controller Assembly - Drive and Steer (Use p/n 1001212415) (See CONTROLLER ASSEMBLY - DRIVE AND STEER for Breakdown)	
50	1001201887	1	Console Box Assembly	
50A	0630568	1	Capscrew, 3/8 x 4-1/2	
50B	3311601	1	Nut, 3/8	
50C	3430616	2	Pin	
50D	3470003	2	Pin, Cotter	
50E	4711600	2	Washer, 5/16	
51	1001141300	1	Decal - Platform Sensor Override (SN 0300208529 through 0300237419)	
52	1001144433	1	Decal - No Weight SkyGuard (SN 0300229286 to Present)	
53	1001192292	1	Harness, SkyGuard (See ELECTRICAL SECTION for Breakdown) (SN 0300229286 to Present)	

SECTION 5 - PLATFORM

FIGURE 5-18. PLATFORM CONSOLE ASSEMBLY - WITHOUT LSS OR WITH 4 CELL LSS - WITH SKYGUARD (NON-UL LISTED) (SN 0300208529 through 0300219932, SN B300001429 through B300001596)



ART_1001196484

SECTION 5 - PLATFORM

FIGURE 5-18. PLATFORM CONSOLE ASSEMBLY - WITHOUT LSS OR WITH 4 CELL LSS - WITH SKYGUARD (NON-UL LISTED) (SN 0300208529 through 0300219932, SN B300001429 through B300001596)

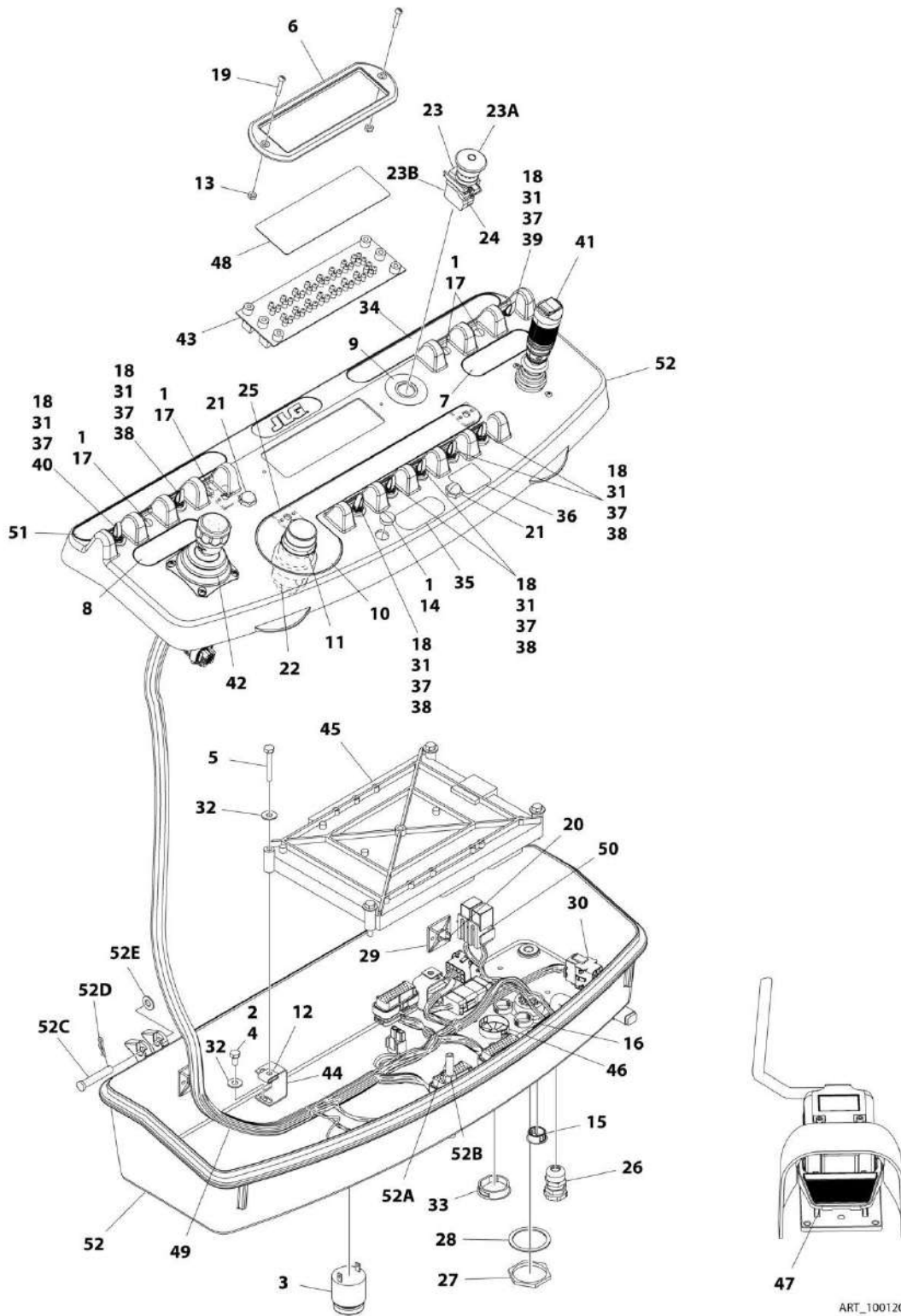
ITEM	PART NUMBER	QTY	DESCRIPTION	REV
	1001196484	Ref	PLATFORM CONSOLE ASSEMBLY - WITHOUT LSS OR WITH 4 CELL LSS - WITH SKYGUARD (NON-UL LISTED) (SN 0300208529 through 0300219932, SN B300001429 through B300001596)	D
1	0100009	AR	Sealant	
2	0100075	AR	Sealant	
3	0140011	1	Alarm	
4	0641404	4	Bolt, 1/4-20 x 1/2	
5	0641414	4	Bolt, 1/4-20 x 1-3/4	
6	1671176	1	Bezel	
7	1702565	1	Decal - Drive and Steer	
8	1702566	1	Decal - Lift and Swing	
9	1704260	1	Decal - EMS	
10	1704422	1	Decal - Function Speed	
11	2560136	1	Handle, Knob	
12	3300353	4	Nut, Tinnerman	
13	3300408	2	Nut, Lock	
14	3520027	1	Plug, Hole	
15	3520054	3	Plug, Hole	
16	3790012	8	O-Ring	
17	3911018	2	Screw, #10-24 x 1-1/8	
18	4240032	AR	Tie-Strap (Not Shown)	
19	4360387	2	Switch, Push Button	
20	4360407	1	Switch, Potentiometer	
21	4360475	1	Switch, Emergency Stop	
21A	7020175	1	Cap, Mushroom with Sealing Ring	
21B	7020176	1	Block, Contact	
22	4360476	1	Block, Contact	
23	4460234	4	Mount, Tie-Strap	
24	4460428	AR	Connector, Strain Relief	
25	4460470	1	Nut, Terminal	
26	4460471	1	Washer, Lock, Terminal	
27	4460488	2	Base, Terminal Mounting	
28	4460708	1	Connector - 15 Position	
29	4740397	8	Spacer	
30	4751400	8	Washer, 1/4	
31	1001110434	AR	Plug, D-Shaped	
32	1001132175	1	Decal - Stop - Generator	
33	1001141300	1	Decal - Platform Sensor Override	
34	1001144433	1	Decal - No Weight SkyGuard	
35	1001155044	8	Nut, 15/32-32	
36	1001155045	6	Switch, Toggle	
37	1001159256	1	Switch, Toggle	
38	1001161710	1	Switch, Toggle	
39	1001166538	NLA	Controller Assembly - Drive and Steer (Use p/n 1001212415) (See CONTROLLER ASSEMBLY - DRIVE AND STEER for Breakdown)	
40	1001166539	NLA	Controller Assembly - Lift and Swing (Use p/n 1001129555) (See CONTROLLER ASSEMBLY LIFT AND SWING for Breakdown)	
41	1001170838	1	Gauge, Led Panel	

SECTION 5 - PLATFORM

ITEM	PART NUMBER	QTY	DESCRIPTION	REV
42	1001172760	4	Bracket, Module	
43	1001182724	1	Module, PC (Note: Re-calibration Required when Replaced)	
44	1001189039	1	Footswitch Assembly (See FOOTSWITCH ASSEMBLY for Breakdown)	
45	1001190017	1	Console Box Assembly	
45A	0630568	1	Capscrew, 3/8-16 x 4-1/2	
45B	3311601	1	Nut, 3/8-16	
45C	3470003	2	Pin, Cotter	
45D	4711500	2	Washer, 5/16	
45E	1001200575	2	Bracket, Stop	
46	1001190797	1	Decal - Platform Display	
47	1001191318	1	Harness, Platform Console Box (See ELECTRICAL SECTION for Breakdown)	
48	1001192292	1	Harness, SkyGuard (See ELECTRICAL SECTION for Breakdown)	
49	1001193987	1	Decal - Horn and Drive Select	
50	3520030	1	Plug, Hole (SN 0300214528 through 0300219932, SN B300001429 through B300001596)	
51	1001185281	1	Plug, Bushing (SN 0300214528 through 0300219932, SN B300001429 through B300001596)	

SECTION 5 - PLATFORM

FIGURE 5-19. PLATFORM CONSOLE ASSEMBLY - WITHOUT LSS OR WITH 4 CELL LSS - WITH SKYGUARD (NON-UL LISTED) (SN 0300219933 through 0300229285, SN B300001597 through B300001989)



SECTION 5 - PLATFORM

FIGURE 5-19. PLATFORM CONSOLE ASSEMBLY - WITHOUT LSS OR WITH 4 CELL LSS - WITH SKYGUARD (NON-UL LISTED) (SN 0300219933 through 0300229285, SN B300001597 through B300001989)

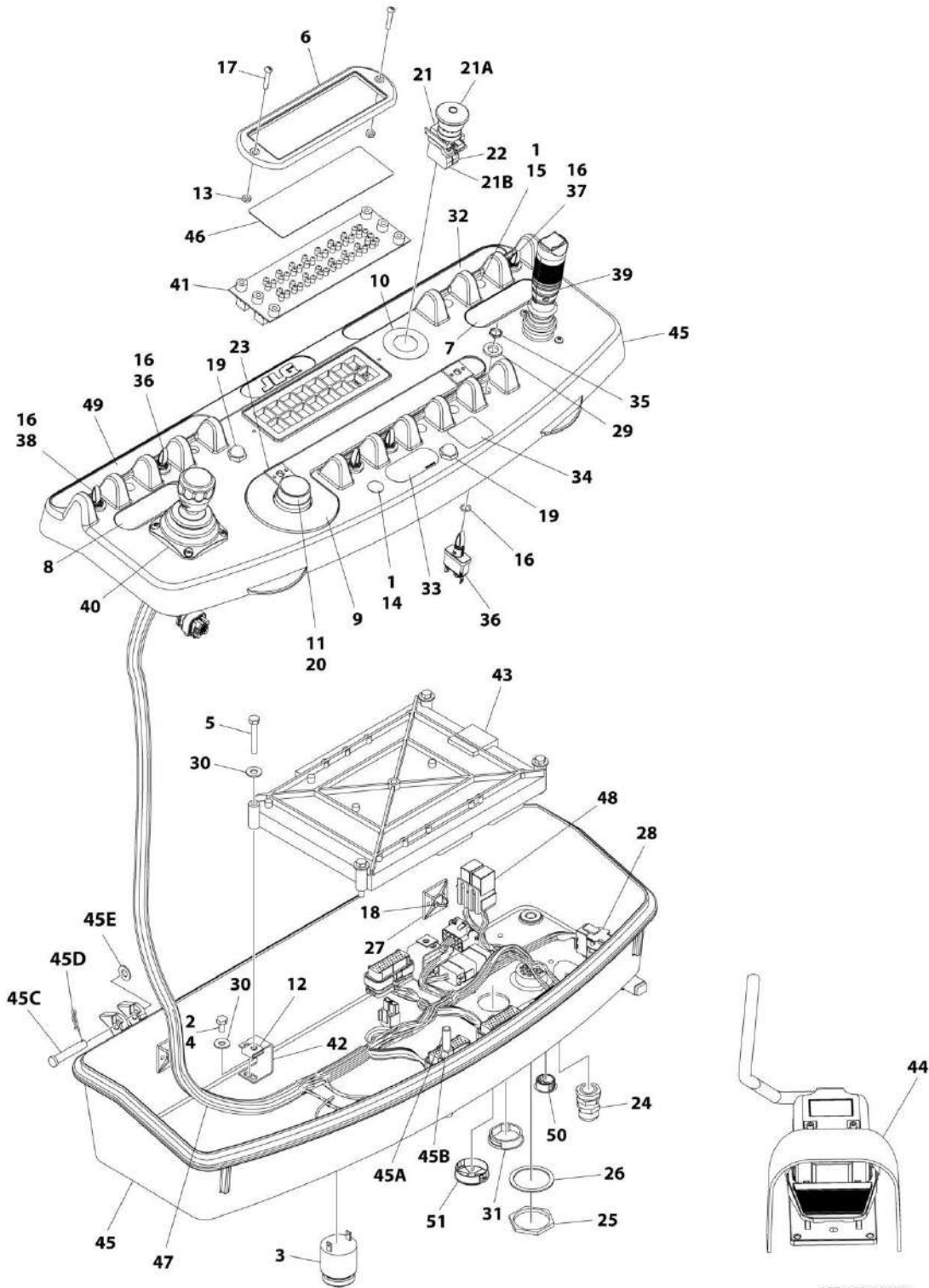
ITEM	PART NUMBER	QTY	DESCRIPTION	REV
	1001202580	Ref	PLATFORM CONSOLE ASSEMBLY - WITHOUT LSS OR WITH 4 CELL LSS - WITH SKYGUARD (NON-UL LISTED) (SN 0300219933 through 0300229285, SN B300001597 through B300001989)	C
1	0100009	AR	Sealant	
2	0100075	AR	Sealant	
3	0140011	1	Alarm	
4	0641404	4	Bolt, 1/4-20 x 1/2	
5	0641414	4	Bolt, 1/4-20 x 1-3/4	
6	1671176	1	Bezel	
7	1702565	1	Decal - Drive and Steer	
8	1702566	1	Decal - Lift and Swing	
9	1704260	1	Decal - EMS	
10	1704422	1	Decal - Function Speed	
11	2560136	1	Handle, Knob	
12	3300353	4	Nut, Tinnerman	
13	3300408	2	Nut, Lock	
14	3520027	1	Plug, Hole	
15	3520030	1	Plug, Hole	
16	3520033	2	Plug, Hole (SN 0300219933 through 0300226308, SN B300001597 through B300001989)	
16	1001220486	2	Plug, Hole (SN 0300226309 through 0300229285)	
17	3520054	4	Plug, Hole	
18	3790012	8	O-Ring	
19	3911018	2	Screw, #10-24 x 1-1/8	
20	4240032	AR	Tie-Strap	
21	4360387	2	Switch, Push Button	
22	4360407	1	Switch, Potentiometer	
23	4360475	1	Switch, Emergency Stop	
23A	7020175	1	Cap, Mushroom with Sealing Ring	
23B	7020176	1	Block, Contact	
24	4360476	1	Block, Contact	
25	4460234	4	Mount, Tie-Strap	
26	4460428	1	Connector, Strain Relief	
27	4460470	1	Nut, Terminal	
28	4460471	1	Washer, Lock, Terminal	
29	4460488	2	Base, Terminal Mounting	
30	4460708	1	Connector - 15 Position	
31	4740397	8	Spacer	
32	4751400	8	Washer, 1/4	
33	1001110434	1	Plug, D-Shaped	
34	1001132175	1	Decal - Stop - Generator	
35	1001141300	1	Decal - Platform Sensor Override	
36	1001144433	1	Decal - No Weight SkyGuard	
37	1001155044	8	Nut, 15/32-32	
38	1001155045	6	Switch, Toggle	
39	1001159256	1	Switch, Toggle	
40	1001161710	1	Switch, Toggle	
41	1001166538	NLA	Controller Assembly - Drive and Steer (Use p/n 1001212415) (See	

SECTION 5 - PLATFORM

ITEM	PART NUMBER	QTY	DESCRIPTION	REV
42	1001166539	NLA	CONTROLLER ASSEMBLY - DRIVE AND STEER for Breakdown) Controller Assembly - Lift and Swing (Use p/n 1001129555) (See CONTROLLER ASSEMBLY LIFT AND SWING for Breakdown)	
43	1001170838	1	Gauge, Led Panel	
44	1001172760	4	Bracket, Module	
45	1001182724	1	Module, PC (Note: Re-calibration Required when Replaced)	
46	1001185281	1	Plug, Bushing	
47	1001189039	1	Footswitch Assembly (See FOOTSWITCH ASSEMBLY for Breakdown)	
48	1001190797	1	Decal - Platform Display	
49	1001191318	1	Harness, Platform Console Box (See ELECTRICAL SECTION for Breakdown)	
50	1001192292	1	Harness, SkyGuard (Not Shown - See ELECTRICAL SECTION for Breakdown)	
51	1001193987	1	Decal - Horn and Drive Select	
52	1001201887	1	Console Box Assembly	
52A	0630568	1	Capscrew, 3/8-16 x 4-1/2	
52B	3311601	1	Nut, 3/8-16	
52C	3430616	2	Pin	
52D	3470003	2	Pin, Cotter	
52E	4711600	2	Washer 3/8	

SECTION 5 - PLATFORM

FIGURE 5-20. PLATFORM CONSOLE ASSEMBLY - WITHOUT LSS OR WITH 4 CELL LSS - WITH SKYGUARD (NON-UL LISTED) (SN 0300229286 through 0300235600, SN B300001990 to Present)



ART_1001196486

SECTION 5 - PLATFORM

FIGURE 5-20. PLATFORM CONSOLE ASSEMBLY - WITHOUT LSS OR WITH 4 CELL LSS - WITH SKYGUARD (NON-UL LISTED) (SN 0300229286 through 0300235600, SN B300001990 to Present)

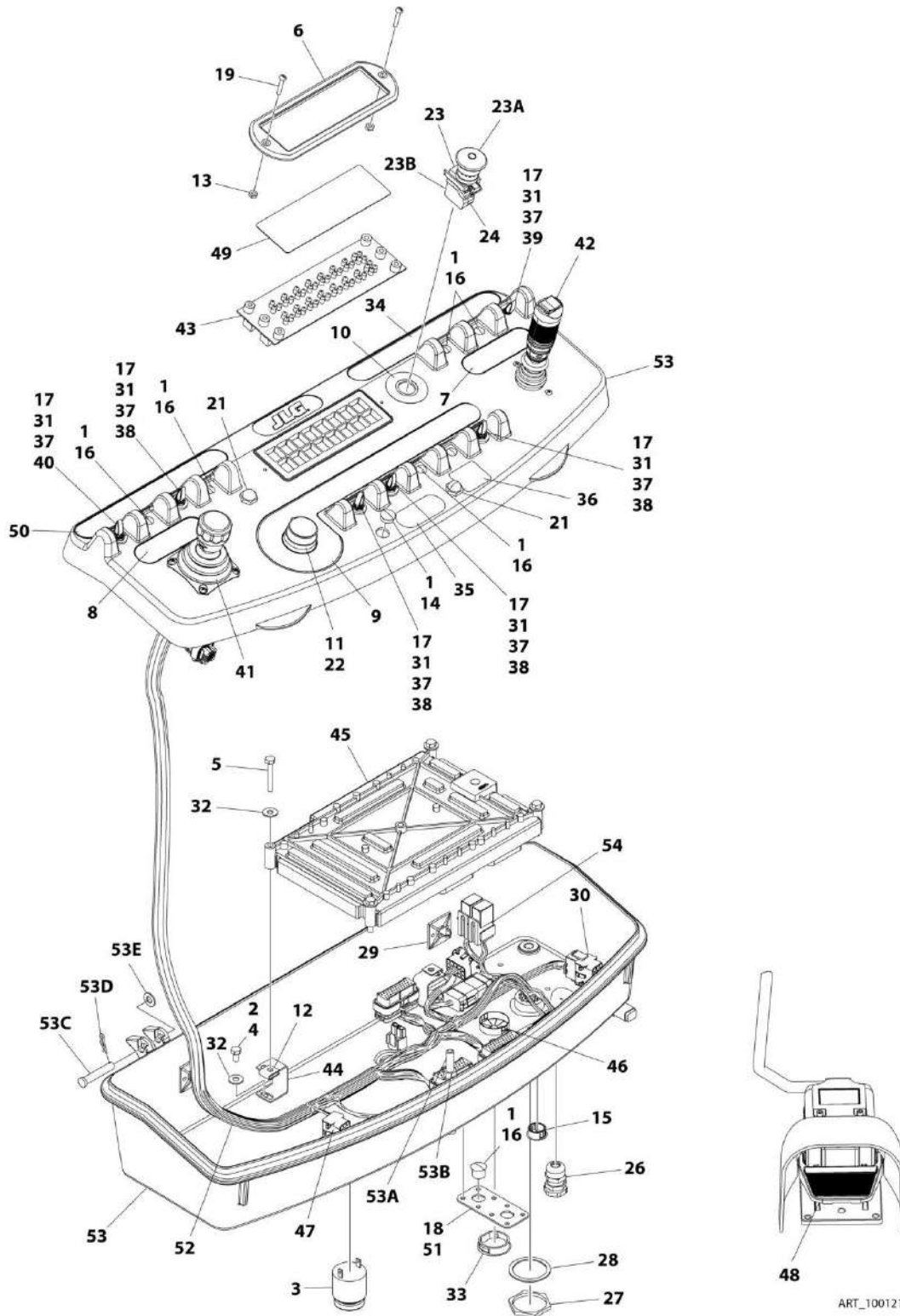
ITEM	PART NUMBER	QTY	DESCRIPTION	REV
	1001196486	Ref	PLATFORM CONSOLE ASSEMBLY - WITHOUT LSS OR WITH 4 CELL LSS - WITH SKYGUARD (NON-UL LISTED) (SN 0300229286 through 0300235600, SN B300001990 to Present)	
1	0100009	AR	Sealant	
2	0100075	AR	Sealant	
3	0140011	1	Alarm	
4	0641404	4	Bolt, 1/4-20 x 1/2	
5	0641414	4	Bolt, 1/4-20 x 1-3/4	
6	1671176	1	Bezel	
7	1702565	1	Decal - Drive and Steer	
8	1702566	1	Decal - Lift and Swing	
9	1702567	1	Decal - Function Speed	
10	1704260	1	Decal - EMS	
11	2560136	1	Handle, Knob	
12	3300353	4	Nut, Tinnerman	
13	3300408	2	Nut, Lock	
14	3520027	1	Plug, Hole	
15	3520054	5	Plug, Hole	
16	3790012	6	O-Ring	
17	3911018	2	Screw, #10-24 x 1-1/8	
18	4240032	AR	Tie-Strap	
19	4360387	2	Switch, Push Button	
20	4360407	1	Switch, Potentiometer	
21	4360475	1	Switch, Emergency Stop	
21A	7020175	1	Cap, Mushroom with Sealing Ring	
21B	7020176	1	Block, Contact	
22	4360476	1	Block, Contact	
23	4460234	4	Mount, Tie-Strap	
24	4460428	1	Connector, Strain Relief	
25	4460470	1	Nut, Terminal	
26	4460471	1	Washer, Lock, Terminal	
27	4460488	2	Base, Terminal Mounting	
28	4460708	1	Connector - 15 Position	
29	4740397	6	Spacer	
30	4751400	8	Washer, 1/4	
31	1001110434	1	Plug, D-Shaped	
32	1001132175	1	Decal - Stop - Generator	
33	1001141300	1	Decal - Platform Sensor Override	
34	1001144433	1	Decal - No Weight SkyGuard	
35	1001155044	6	Nut, 15/32-32	
36	1001155045	4	Switch, Toggle	
37	1001159256	1	Switch, Toggle	
38	1001161710	1	Switch, Toggle	
39	1001166538	NLA	Controller Assembly - Drive and Steer (Use p/n 1001212415) (See CONTROLLER ASSEMBLY - DRIVE AND STEER for Breakdown)	
40	1001166539	NLA	Controller Assembly - Lift and Swing (Use p/n 1001129555) (See CONTROLLER ASSEMBLY LIFT AND SWING for Breakdown)	
41	1001170838	1	Gauge, Led Panel	
42	1001172760	4	Bracket, Module	
43	1001182724	1	Module, PC (Note: Re-calibration Required when Replaced)	

SECTION 5 - PLATFORM

ITEM	PART NUMBER	QTY	DESCRIPTION	REV
44	1001189039	1	Footswitch Assembly (See FOOTSWITCH ASSEMBLY for Breakdown)	
45	1001201887	1	Console Box Assembly	
45A	0630568	1	Capscrew, 3/8-16 x 4-1/2	
45B	3311601	1	Nut, 3/8-16	
45C	3430616	2	Pin	
45D	3470003	2	Pin, Cotter	
45E	4711600	2	Washer, 3/8	
46	1001190797	1	Decal - Platform Display	
47	1001191318	1	Harness, Platform Console Box (See ELECTRICAL SECTION for Breakdown)	
48	1001192292	1	Harness, SkyGuard (See ELECTRICAL SECTION for Breakdown)	
49	1001193987	1	Decal - Horn and Drive Select	
50	3520030	1	Plug	
51	1001185281	1	Plug, Bushing	

SECTION 5 - PLATFORM

FIGURE 5-21. PLATFORM CONSOLE ASSEMBLY - WITH 1 CELL LSS AND WITH SKYGUARD (SN 0300235601 to Present)



ART_1001218652

SECTION 5 - PLATFORM

FIGURE 5-21. PLATFORM CONSOLE ASSEMBLY - WITH 1 CELL LSS AND WITH SKYGUARD (SN 0300235601 to Present)

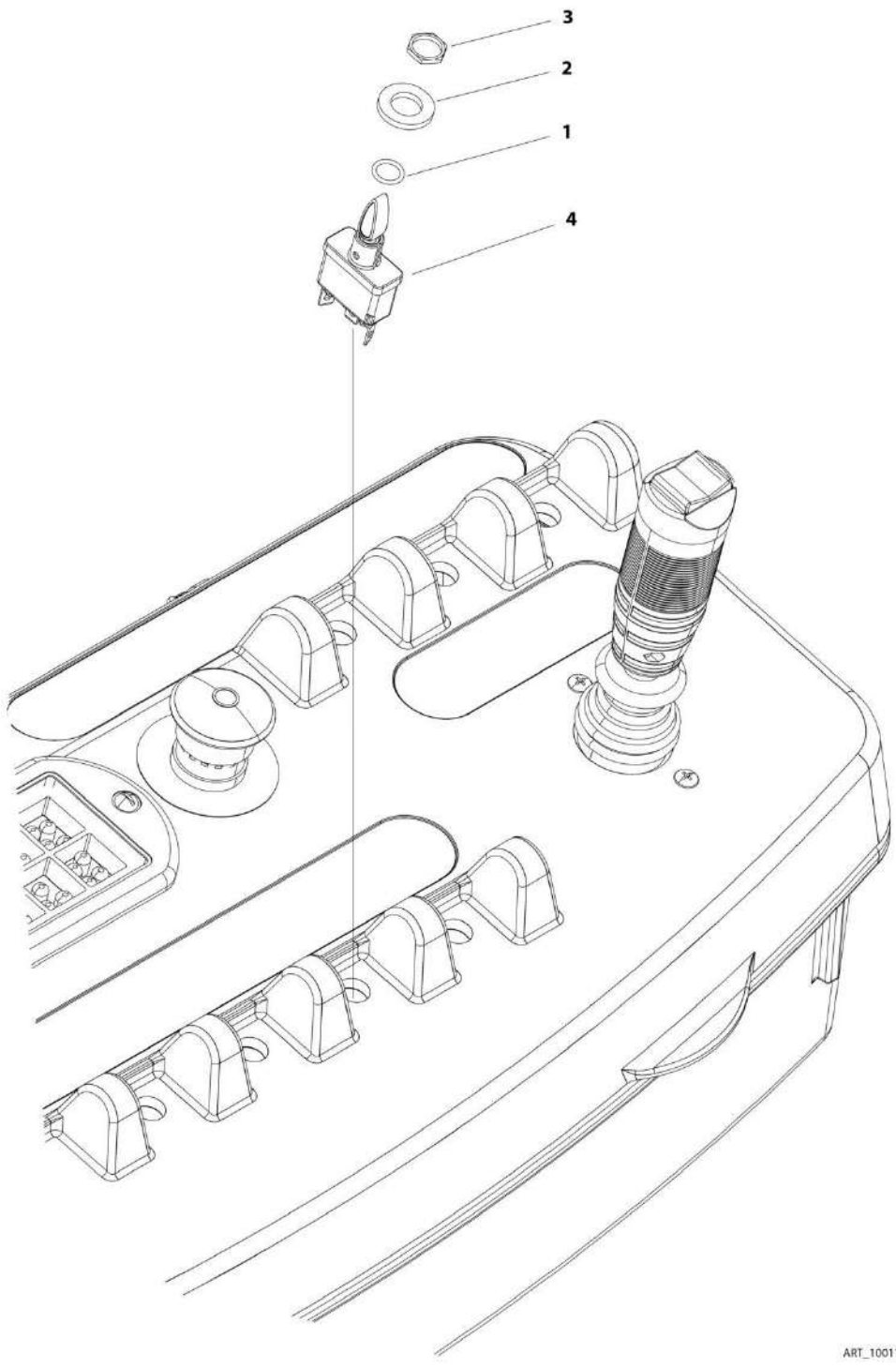
ITEM	PART NUMBER	QTY	DESCRIPTION	REV
	1001218652	Ref	PLATFORM CONSOLE ASSEMBLY - WITH 1 CELL LSS AND WITH SKYGUARD (SN 0300235601 to Present)	D
1	0100009	AR	Sealant	
2	0100035	AR	Compound, Locking	
3	0140011	1	Alarm	
4	0641404	4	Bolt 1/4 x 1/2	
5	0641414	4	Bolt 1/4 x 1-3/4	
6	1671176	1	Bezel	
7	1702565	1	Decal - Drive and Steer	
8	1702566	1	Decal - Lift and Swing	
9	17042567	1	Decal - Function Speed	
10	1704260	1	Decal - EMS	
11	2560136	1	Handle, Knob	
12	3300353	4	Nut, Tinnerman	
13	3300408	2	Nut, Lock	
14	3520027	1	Plug, Hole	
15	3520030	1	Plug, Hole	
16	3520054	5	Plug, Hole	
17	3790012	6	O-Ring	
18	3900349	8	Screw M2.5	
19	3911018	2	Screw #10 x 1-1/8	
20	4240032	AR	Tie-Strap (Not Shown)	
21	4360387	2	Switch, Push Button	
22	4360407	1	Switch, Potentiometer	
23	4360475	1	Switch, Emergency Stop	
23A	7020175	1	Cap, Mushroom with Sealing Ring	
23B	7020176	1	Block, Contact	
24	4360476	1	Block, Contact	
25	4460234	4	Mount, Tie-Strap (Not Shown)	
26	4460428	1	Connector, Strain Relief	
27	4460470	1	Nut, Terminal	
28	4460471	1	Washer, Lock Terminal	
29	4460488	3	Base, Terminal Mounting	
30	4460708	1	Connector - 15 Position	
31	4740397	6	Spacer	
32	4751400	8	Washer 1/4	
33	1001110434	1	Plug, D-Shaped	
34	1001132175	1	Decal - Stop - Generator	
35	1001141300	1	Decal - Platform Sensor Override (SN 0300208529 through 0300237419, SN B300001429 through B300002549)	
36	1001144433	1	Decal - No Weight SkyGuard	
37	1001155044	6	Nut 15/32	
38	1001155045	4	Switch, Toggle	
39	1001159256	1	Switch, Toggle	
40	1001161710	1	Switch, Toggle	
41	1001166539	NLA	Controller Assembly - Lift and Swing (Use p/n 1001129555) (See CONTROLLER ASSEMBLY LIFT AND SWING for Breakdown)	
42	1001166538	NLA	Controller Assembly - Drive and Steer (Use p/n 1001212415) (See CONTROLLER ASSEMBLY - DRIVE AND STEER for Breakdown)	
43	1001170838	1	Gauge, Led Panel	

SECTION 5 - PLATFORM

ITEM	PART NUMBER	QTY	DESCRIPTION	REV
44	1001172760	4	Bracket, Module	
45	1001182724	1	Module, PC (Note: Re-calibration Required when Replaced)	
46	1001185281	1	Plug, Bushing	
47	1001186431	2	Relay	
48	1001189039	1	Footswitch Assembly (See FOOTSWITCH ASSEMBLY for Breakdown)	
49	1001190797	1	Decal - Platform Display	
50	1001193987	1	Decal - Horn and Drive Select	
51	1001213882	1	Mount, Connector	
52	1001217621	1	Harness, Platform Console Box (With 1 Cell LSS) (See ELECTRICAL SECTION for Breakdown)	
53	1001218068	1	Console Box Assembly	
53A	0630568	1	Capscrew 3/8 x 4-1/2	
53B	3311601	1	Nut 3/8	
53C	3430616	2	Pin, Clevis	
53D	3470003	2	Pin, Cotter	
53E	4711600	2	Washer 3/8	
54	1001225580	1	Harness, SkyGuard (See ELECTRICAL SECTION for Breakdown)	

SECTION 5 - PLATFORM

FIGURE 5-22. JIB SWITCH INSTALLATION - E450AJ/M450AJ



ART_1001186892

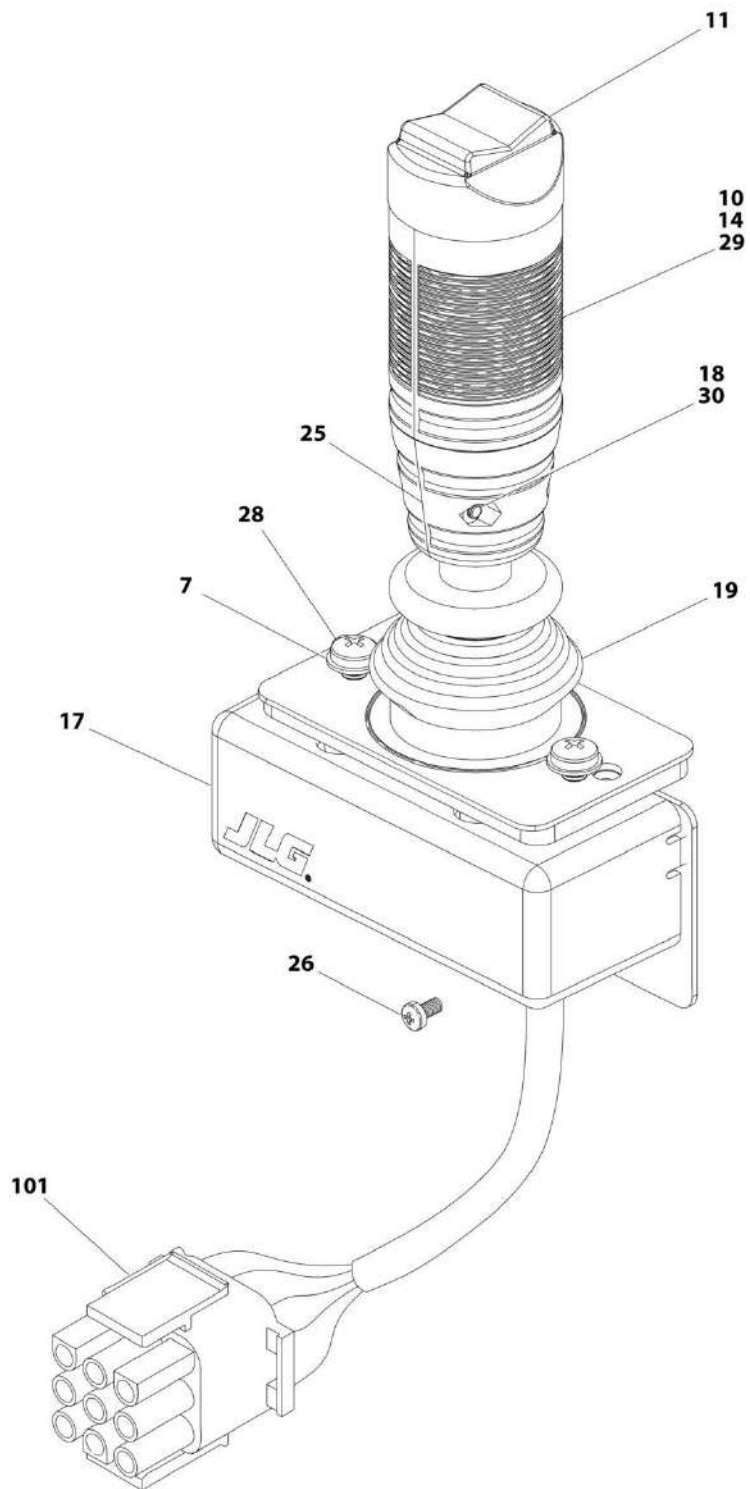
SECTION 5 - PLATFORM

FIGURE 5-22. JIB SWITCH INSTALLATION - E450AJ/M450AJ

ITEM	PART NUMBER	QTY	DESCRIPTION	REV
	1001188892	Ref	JIB SWITCH INSTALLATION - E450AJ/M450AJ	A
1	3790012	1	O-Ring	
2	4740397	1	Spacer	
3	1001155044	1	Nut, Special	
4	1001155045	1	Switch, Toggle	

SECTION 5 - PLATFORM

FIGURE 5-23. CONTROLLER ASSEMBLY - DRIVE AND STEER



ART_1001166538

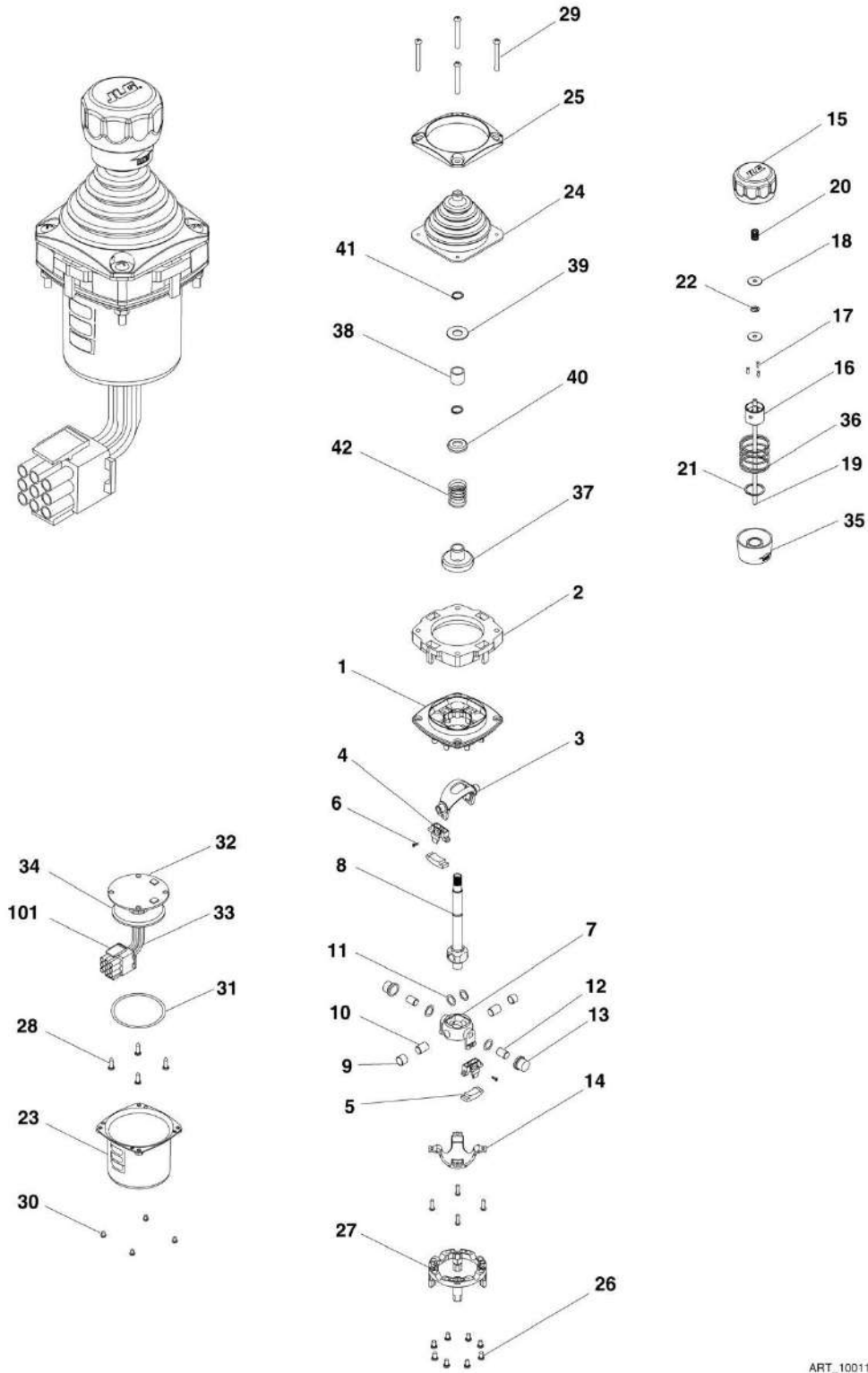
SECTION 5 - PLATFORM

FIGURE 5-23. CONTROLLER ASSEMBLY - DRIVE AND STEER

ITEM	PART NUMBER	QTY	DESCRIPTION	REV
	1001166538	1	CONTROLLER ASSEMBLY - DRIVE AND STEER	G
	See Note	Ref	Note: Use p/n 1001212415 Kit as Replacement.	
7	70004738	2	Washer	
10	70004739	1	Roller	
11	70004740	1	Boot, Switch	
14	70004741	2	Half, Handle	
17	70004742	1	Enclosure	
18	70004743	4	Nut	
19	70005230	1	Boot/Base Assembly	
25	70004747	2	Seal, Rope	
26	70004748	1	Screw, M3 x 6mm	
28	70004749	2	Screw, M5 x 20mm	
29	70004750	1	Pin, Dowel	
30	70004751	4	Screw, M3 x 16mm	
101	4460265	1	Connector - 9 Position	
101	4460226	7	Socket, Female	

SECTION 5 - PLATFORM

FIGURE 5-24. CONTROLLER ASSEMBLY - LIFT AND SWING



ART_1001166539

SECTION 5 - PLATFORM

FIGURE 5-24. CONTROLLER ASSEMBLY - LIFT AND SWING

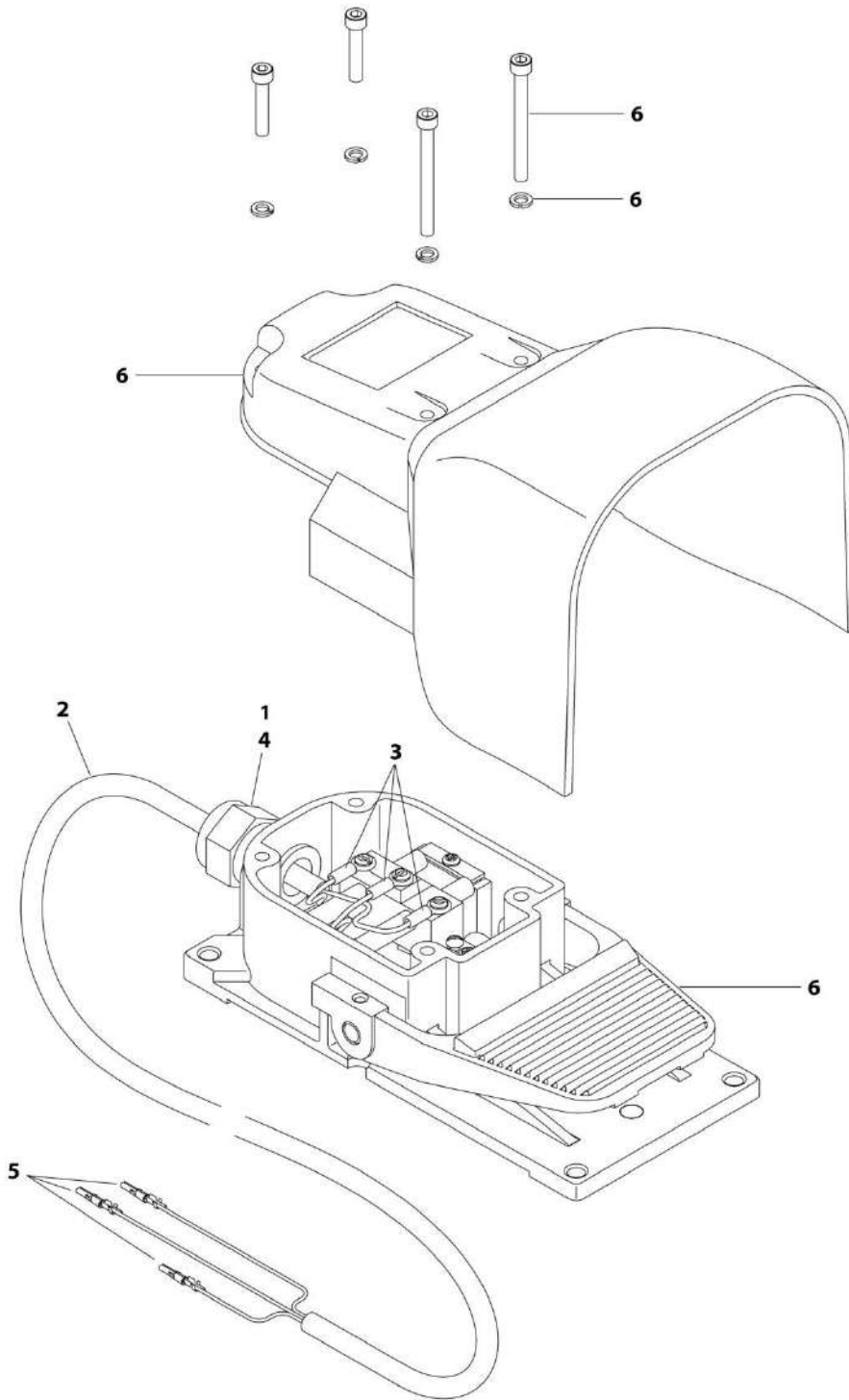
ITEM	PART NUMBER	QTY	DESCRIPTION	REV
	1001166539	Ref	CONTROLLER ASSEMBLY - LIFT AND SWING	D
		Ref	Note: Use p/n 1001129555 as replacement.	
1	See Note	1	Main Cast Body (Note: Not Available - Purchase Complete Assembly)	
2	70004752	1	Adapter	
3	See Note	NSS	Pivot Arm, Plastic (Note: Not Available - Purchase Complete Assembly)	
4	See Note	NSS	Holder, Magnet (Note: Not Available - Purchase Complete Assembly)	
5	See Note	NSS	Arc, Magnet (Note: Not Available - Purchase Complete Assembly)	
6	See Note	NSS	Screw (Note: Not Available for Purchase)	
7	See Note	NSS	Pivot Arm, Cast (Note: Not Available - Purchase Complete Assembly)	
8	See Note	NSS	Shaft, Main (Note: Not Available - Purchase Complete Assembly)	
9	See Note	NSS	Bearing (Note: Not Available - Purchase Complete Assembly)	
10	See Note	NSS	Pin (Note: Not Available - Purchase Complete Assembly)	
11	See Note	NSS	Shim (Note: Not Available - Purchase Complete Assembly)	
12	See Note	NSS	Pin (Note: Not Available - Purchase Complete Assembly)	
13	See Note	NSS	Bearing (Note: Not Available - Purchase Complete Assembly)	
14	See Note	NSS	Dome, Centering (Note: Not Available - Purchase Complete Assembly)	
15	70004753	1	Cap	
16	70004754	1	Insert, Cap	
17	70004755	3	Pin	
18	70004756	2	Washer	
19	70004757	1	Pin, Centering	
20	70004758	1	Spring	
21	70004759	1	Ring, Retaining	
22	70004760	1	E-Ring	
23	70004761	1	Can, Enclosure	
24	70004762	1	Boot	
25	70004763	1	Bezel	
26	See Note	NSS	Screw (Note: Not Available for Purchase)	
27	See Note	NSS	Base Mounting (Note: Not Available - Purchase Complete Assembly)	
28	See Note	NSS	Screw (Note: Not Available for Purchase)	
29	70004764	4	Screw	
30	70004765	4	Screw	
31	70004766	1	O-Ring	
32	See Note	NSS	Plate (Note: Not Available - Purchase Complete Assembly)	
33	See Note	NSS	Harness (Note: Not Available - Purchase Complete Assembly)	
34	70004767	1	Gromment, Rubber	
35	70004768	1	Housing	
36	70004769	1	Spring	
37	70004770	1	Stopper	
38	70004771	1	Spacer	
39	70004772	1	Washer	
40	70004773	1	Disc	
41	70004774	2	Ring, Retaining	
42	70004775	1	Spring	
101	4460265	1	Connector - 9 Position	

SECTION 5 - PLATFORM

ITEM	PART NUMBER	QTY	DESCRIPTION	REV
101	4460226	6	Socket, Female	

SECTION 5 - PLATFORM

FIGURE 5-25. FOOTSWITCH ASSEMBLY



ART_1001189039

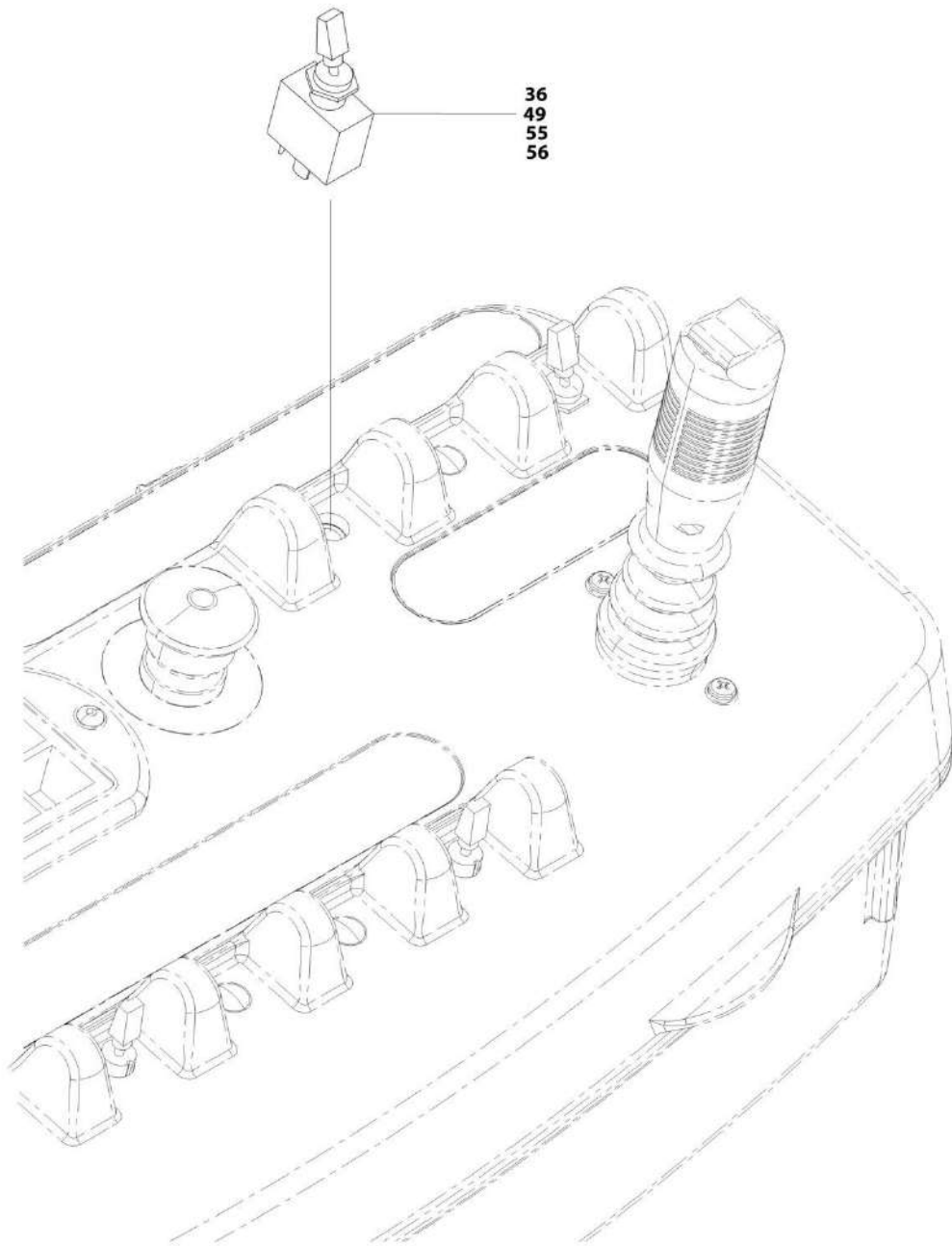
SECTION 5 - PLATFORM

FIGURE 5-25. FOOTSWITCH ASSEMBLY

ITEM	PART NUMBER	QTY	DESCRIPTION	REV
	1001189039	Ref	FOOTSWITCH ASSEMBLY	A
1	0100020	AR	Sealant	
2	1060330	6 ft /1.8m	Cable, Electrical - 16/3	
3	4460042	3	Terminal	
4	4460071	1	Connector, Strain Relief	
5	4460226	3	Socket, Female	
6	1001117172	1	Footswitch	
6	70002902	1	Switch, 20Amp	
6	70002903	1	Gasket	
6	70002905	1	Cover	
6	70002904	1	Kit, Replacement Bolt	

SECTION 5 - PLATFORM

FIGURE 5-26. MOTOR CONTROLS INSTALLATION - M450AJ



ART_1001191232_40F4

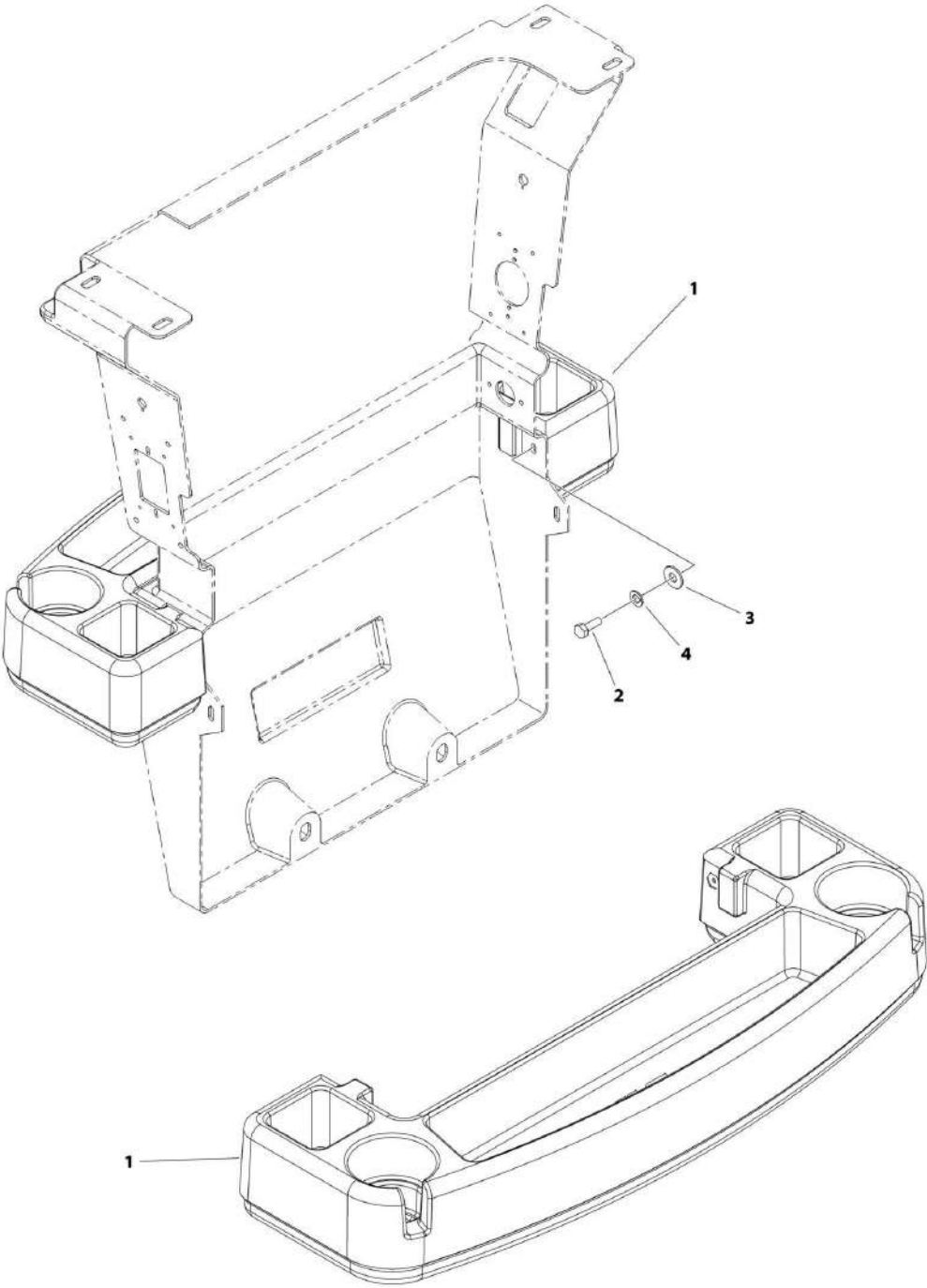
SECTION 5 - PLATFORM

FIGURE 5-26. MOTOR CONTROLS INSTALLATION - M450AJ

ITEM	PART NUMBER	QTY	DESCRIPTION	REV
	1001191232	Ref	MOTOR CONTROLS INSTALLATION - M450AJ	E
36	3790012	1	O-Ring	
49	4740397	1	Washer, Spacer	
55	1001155044	1	Nut, Special	
56	1001161710	1	Switch, Toggle	

SECTION 5 - PLATFORM

FIGURE 5-27. TRAY ASSEMBLY



ART_1580012

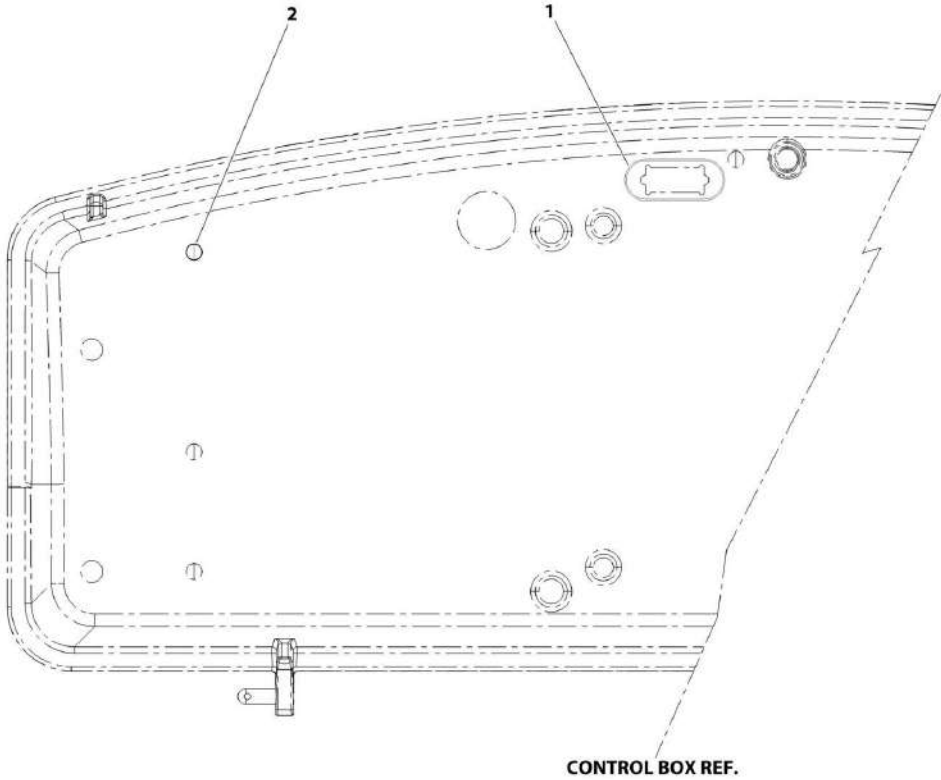
SECTION 5 - PLATFORM

FIGURE 5-27. TRAY ASSEMBLY

ITEM	PART NUMBER	QTY	DESCRIPTION	REV
	1580012	Ref	TRAY INSTALLATION	C
1	See Note	1	Tray, Storage - Center (Note: Purchase p/n 1580012)	
2	0641406	2	Bolt, 1/4-20 x 3/4	
3	4751400	2	Washer, 1/4	
4	4761400	2	Washer, Locking, 1/4	

SECTION 5 - PLATFORM

FIGURE 5-28. SEALED ENCLOSURES - UL SPECS



ART_0272111

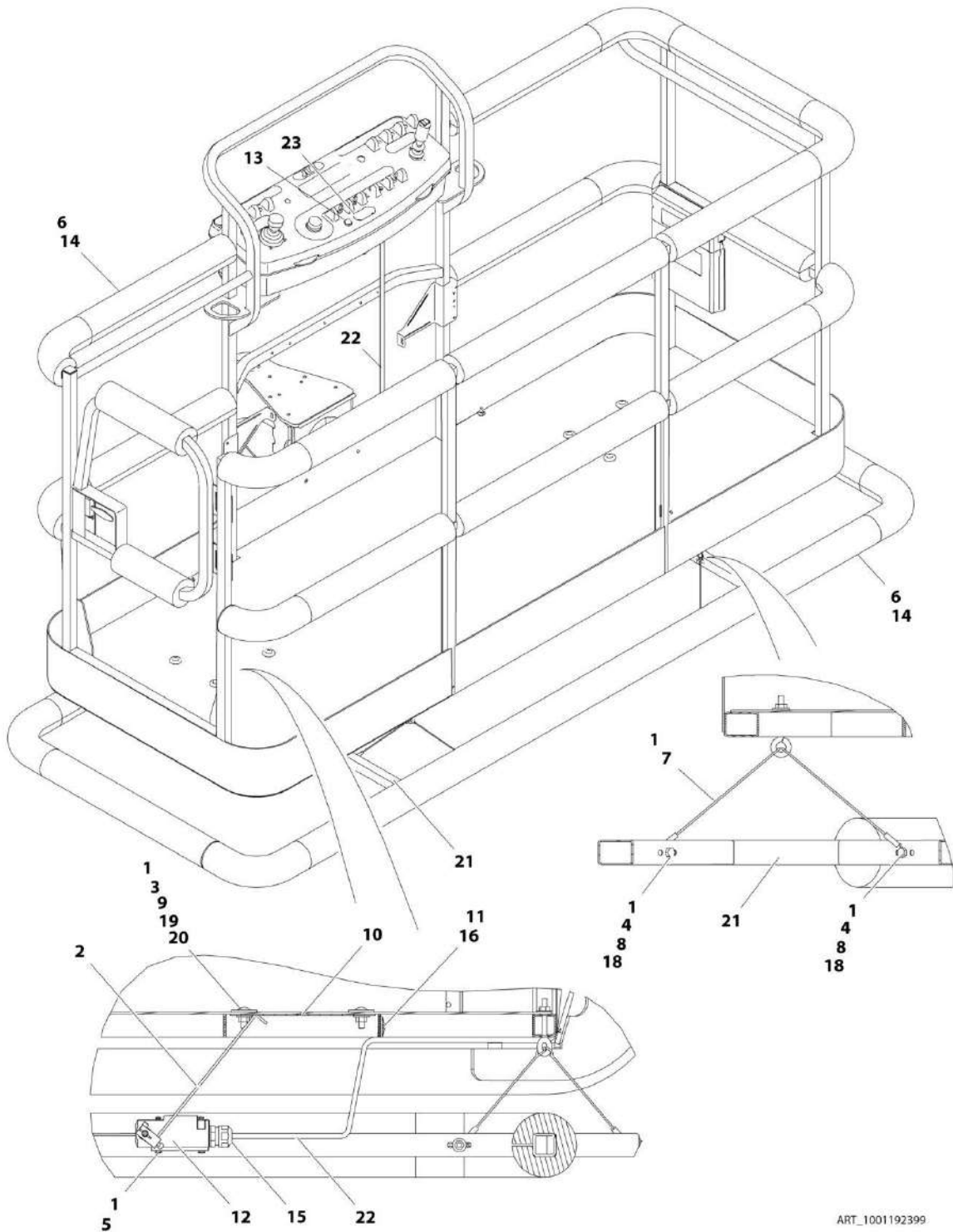
SECTION 5 - PLATFORM

FIGURE 5-28. SEALED ENCLOSURES - UL SPECS

ITEM	PART NUMBER	QTY	DESCRIPTION	REV
	0272111	Ref	SEALED ENCLOSURES - UL SPECS	B
1	0100009	AR	Sealant (Seal Around Analyzer Port)	
2	3520173	8	Plug (Located in Bottom of Console Box)	

SECTION 5 - PLATFORM

FIGURE 5-29. SOFT TOUCH INSTALLATION - 6FT/1.8M PLATFORM (ANSI, ANSI EXPORT AND CSA SPECS)



ART_1001192399

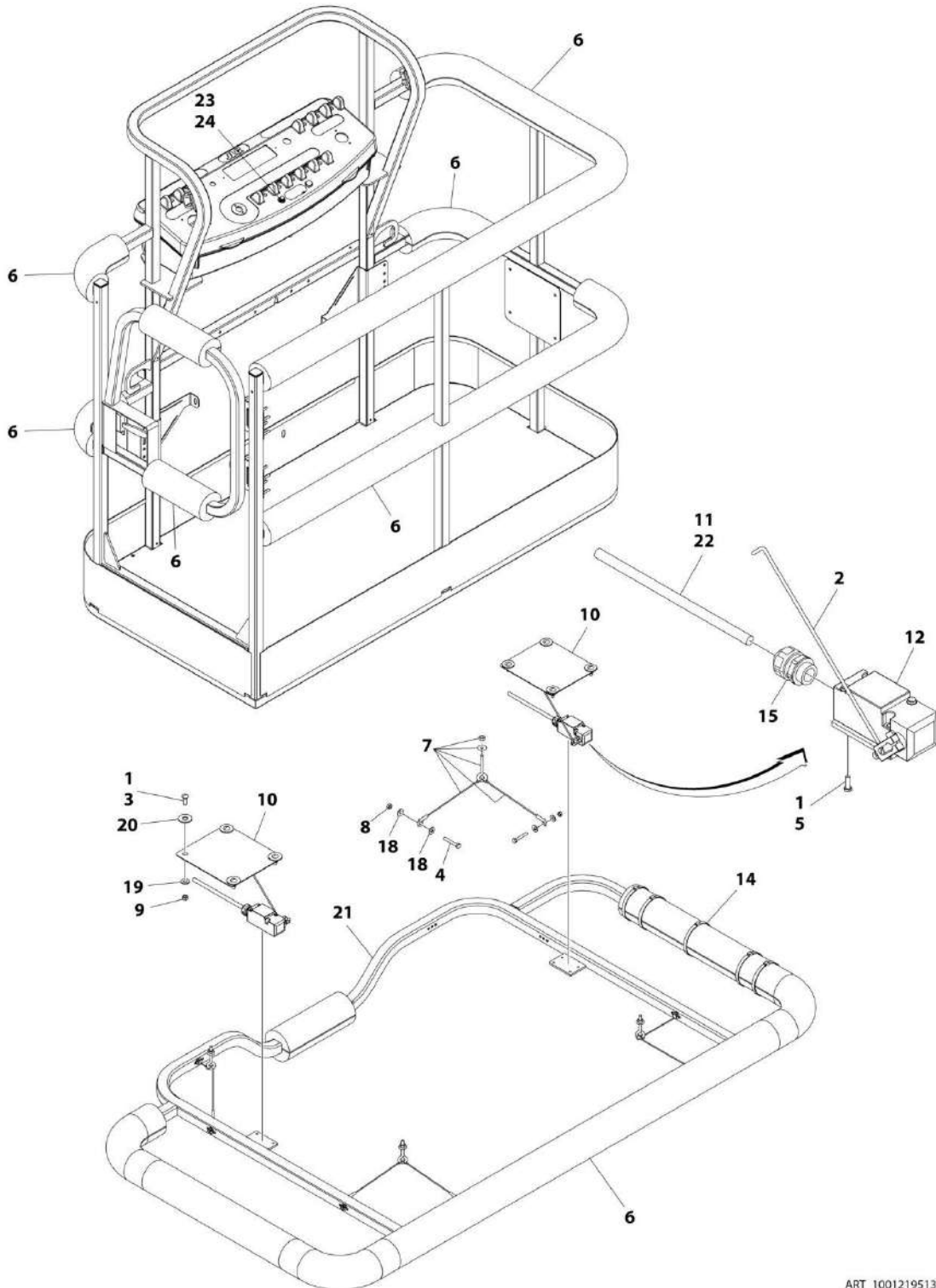
SECTION 5 - PLATFORM

FIGURE 5-29. SOFT TOUCH INSTALLATION - 6FT/1.8M PLATFORM (ANSI, ANSI EXPORT AND CSA SPECS)

ITEM	PART NUMBER	QTY	DESCRIPTION	REV
	1001192399	Ref	SOFT TOUCH INSTALLATION - 6FT/1.8M PLATFORM (ANSI, ANSI EXPORT AND CSA SPECS)	C
1	0100011	AR	Compound, Locking	
2	0200048	2	Arm, Switch	
3	0630462	8	Bolt, Carriage	
4	0641414	8	Bolt, 1/4-20 x 1-3/4	
5	0721005	4	Bolt, #10-24 x 5/8	
6	0940167	1	Bumper Kits (Includes Corners and Enough Straight Material for One Platform)	
7	1060903	4	Wire Rope and Eyebolt Assembly	
8	3311401	8	Nut, 1/4-20	
9	3311501	8	Nut, 5/16-18	
10	3575705	2	Plate, Switch Strike	
11	4240099	AR	Tie-Strap	
12	4360057	2	Switch, Limit	
13	4360387	1	Switch, Push Button	
14	4420068	1	Tape, Adhesive	
14	1001197017	AR	Tie-Strap	
15	4460049	2	Connector, Strain Relief	
16	4460234	2	Tie-Strap Mount	
17	4460425	1	Connector, Strain Relief (Not Shown - Located on bottom of console box)	
18	4751400	16	Washer, 1/4	
19	4751500	8	Washer, 5/16	
20	4751800	8	Washer, 1/2	
21	4846370	1	Rail, Soft Touch	
22	1001193419	1	Soft Touch Wiring Diagram (See ELECTRICAL SECTION for Breakdown)	
22	4460226	4	Socket, Female	
23	1001141302	1	Decal - Soft Touch Override	

SECTION 5 - PLATFORM

FIGURE 5-30. SOFT TOUCH INSTALLATION - 5FT/1.52M PLATFORM (ANSI, ANSI EXPORT AND CSA SPECS)



ART_1001219513

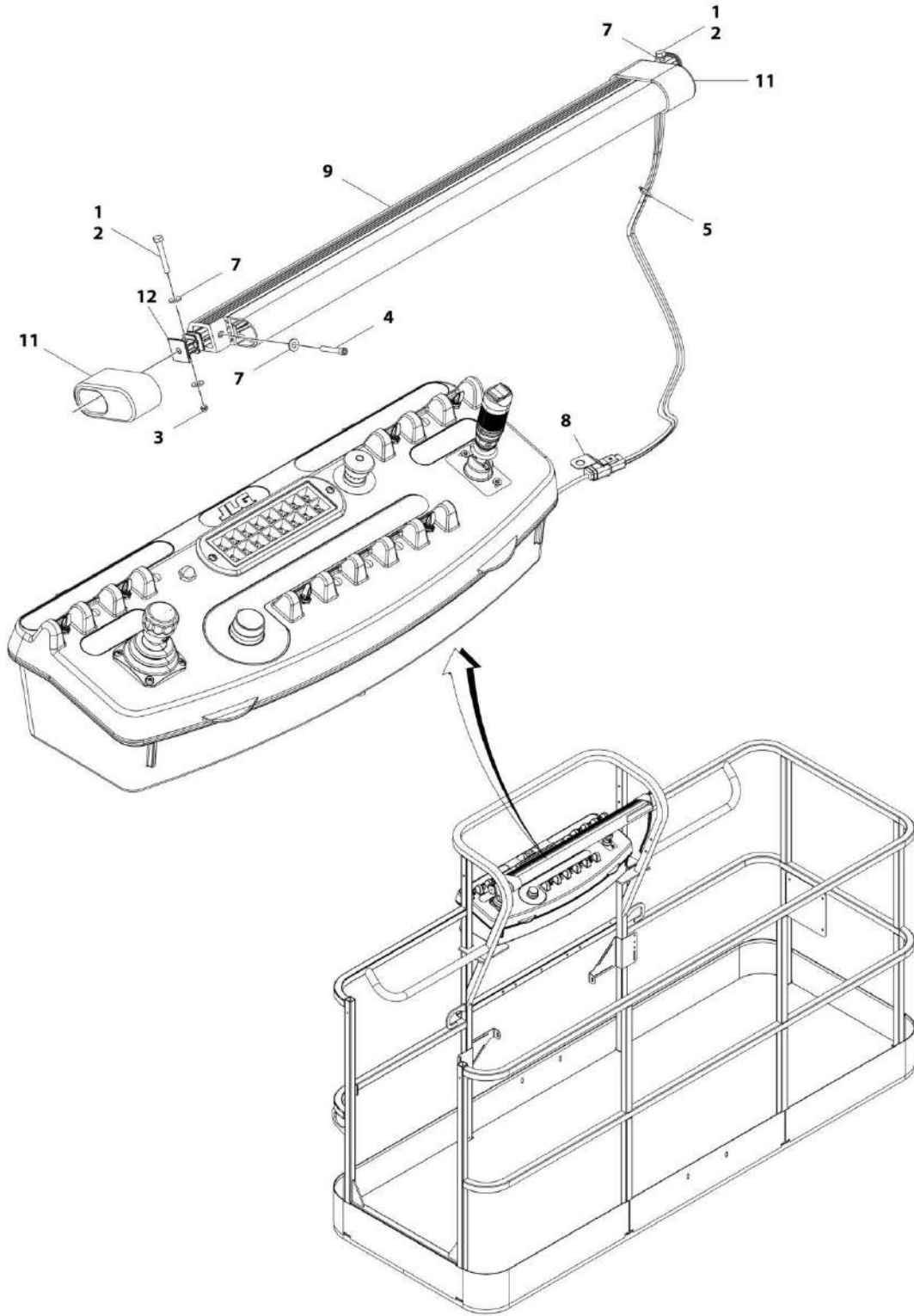
SECTION 5 - PLATFORM

FIGURE 5-30. SOFT TOUCH INSTALLATION - 5FT/1.52M PLATFORM (ANSI, ANSI EXPORT AND CSA SPECS)

ITEM	PART NUMBER	QTY	DESCRIPTION	REV
	1001219513	Ref	SOFT TOUCH INSTALLATION - 5FT/1.52M PLATFORM (ANSI, ANSI EXPORT AND CSA SPECS)	A
1	0100011	AR	Compound, Locking	
2	0200048	2	Arm, Switch	
3	0630462	8	Bolt, Carriage	
4	0641414	8	Bolt 1/4 x 1-3/4	
5	0721005	4	Bolt #10 x 5/8	
6	1001196004	1	Bumper Kits (Includes Corners and Enough Straight Material for One Platform)	
7	1060903	4	Wire Rope and Eyebolt Assembly	
8	3311401	8	Nut 1/4	
9	3311501	8	Nut 5/16	
10	3575705	2	Plate, Switch Strike	
11	4240099	AR	Tie-Strap	
12	4360057	2	Switch, Limit	
14	1001197017	66	Strap, Cable Tie	
15	4460049	2	Connector, Strain Relief	
16	4460234	2	Tie-Strap Mount (Not Shown)	
17	4460425	1	Connector, Strain Relief (Not Shown - Located on bottom of console box)	
18	4751400	16	Washer 1/4	
19	4751500	8	Washer 5/16	
20	4751800	8	Washer 1/2	
21	1001195841	1	Rail, Soft Touch	
22	1001193419	1	Soft Touch Wiring Diagram (See ELECTRICAL SECTION for Breakdown)	
22	4460226	4	Socket, Female	
23	2920028	1	Light, Indicator	
24	2920029	1	Bulb	

SECTION 5 - PLATFORM

FIGURE 5-31. SKYGUARD SYSTEM INSTALLATION



ART_1001192387

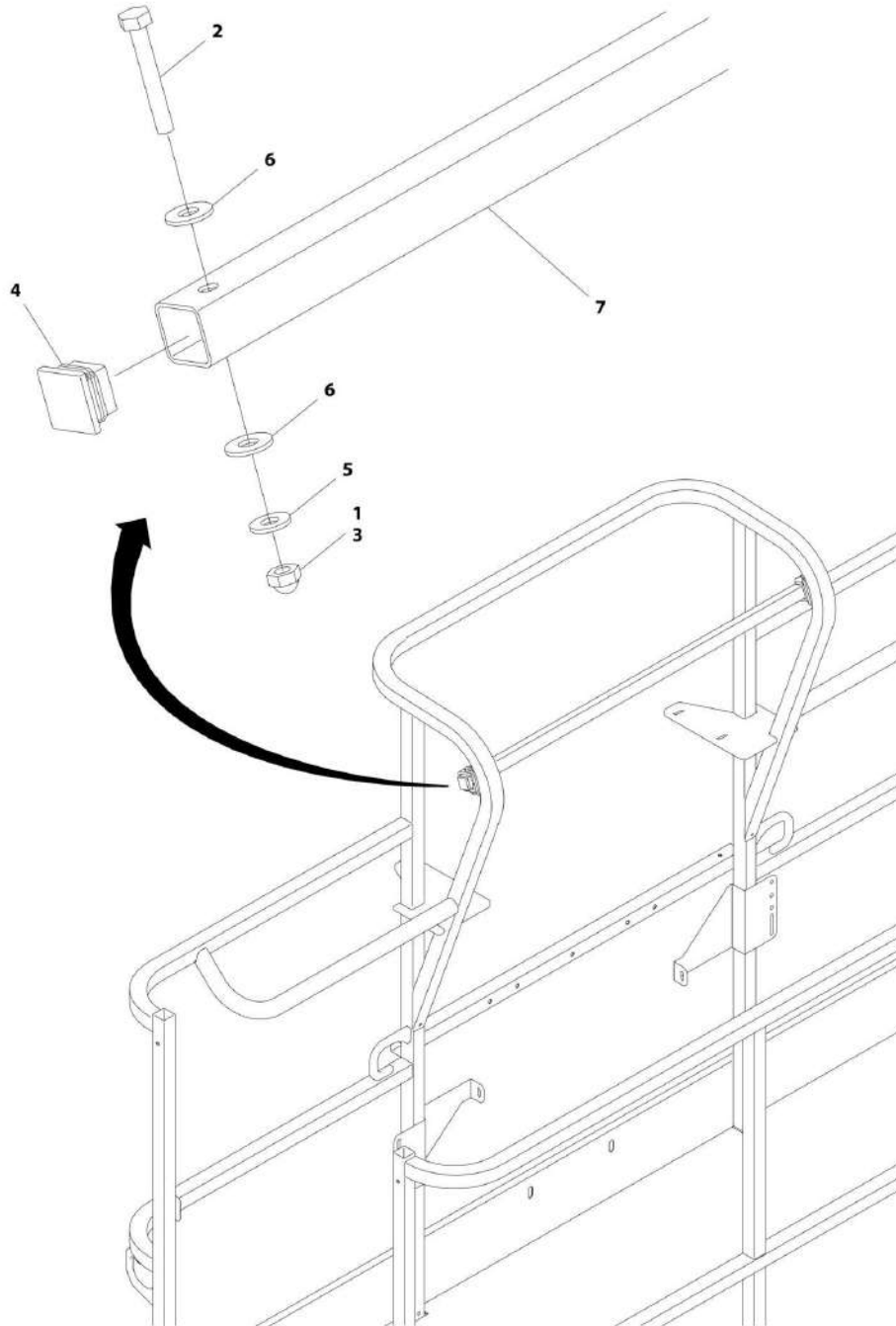
SECTION 5 - PLATFORM

FIGURE 5-31. SKYGUARD SYSTEM INSTALLATION

ITEM	PART NUMBER	QTY	DESCRIPTION	REV
	1001192387	Ref	SKYGUARD SYSTEM INSTALLATION	C
1	0100011	AR	Compound, Locking	
2	0641414	2	Bolt, 1/4-20 X 1-3/4	
3	3300430	2	Nut, Acorn 1/4-20	
4	3931424	2	Capscrew, 1/4 X 1-1/2	
4	3931408	2	Capscrew 1/4 x 1/2	
5	4240033	AR	Tie-Strap	
7	4711400	6	Washer, 1/4	
8	1001120328	1	Mount	
9	1001137673	1	Switch, SkyGuard Assembly	
11	1001186517	2	Cover, Platform Sensor	
12	1001188889	2	Support, Shear Block (SN 0300208529 through 0300244469, SN B300001429 to Present)	
12	1001209664	2	Support, Block (SN 0300244470 to Present)	

SECTION 5 - PLATFORM

FIGURE 5-32. CROSS RAIL INSTALLATION



ART_1001182138

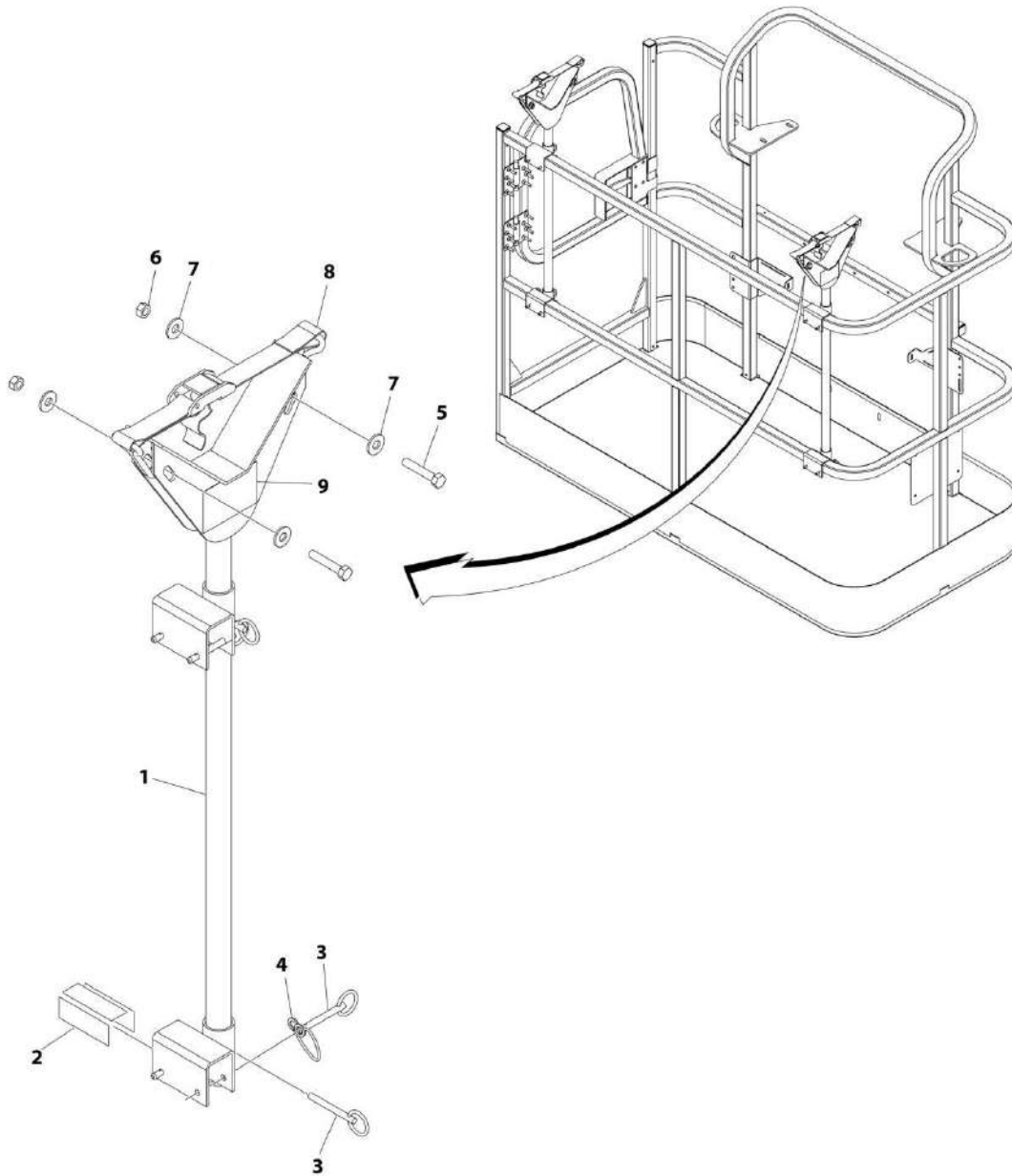
SECTION 5 - PLATFORM

FIGURE 5-32. CROSS RAIL INSTALLATION

ITEM	PART NUMBER	QTY	DESCRIPTION	REV
	1001182138	Ref	CROSS RAIL INSTALLATION	A
1	0100071	AR	Compound, Locking	
2	0641414	2	Bolt 1/4 x 1-3/4	
3	3300430	2	Nut 1/4	
4	3520182	2	Plug	
5	4711400	2	Washer 1/4	
6	4751400	4	Washer 1/4	
7	1001191708	1	Bar	

SECTION 5 - PLATFORM

FIGURE 5-33. PIPE RACK INSTALLATION



ART_0257728

SECTION 5 - PLATFORM

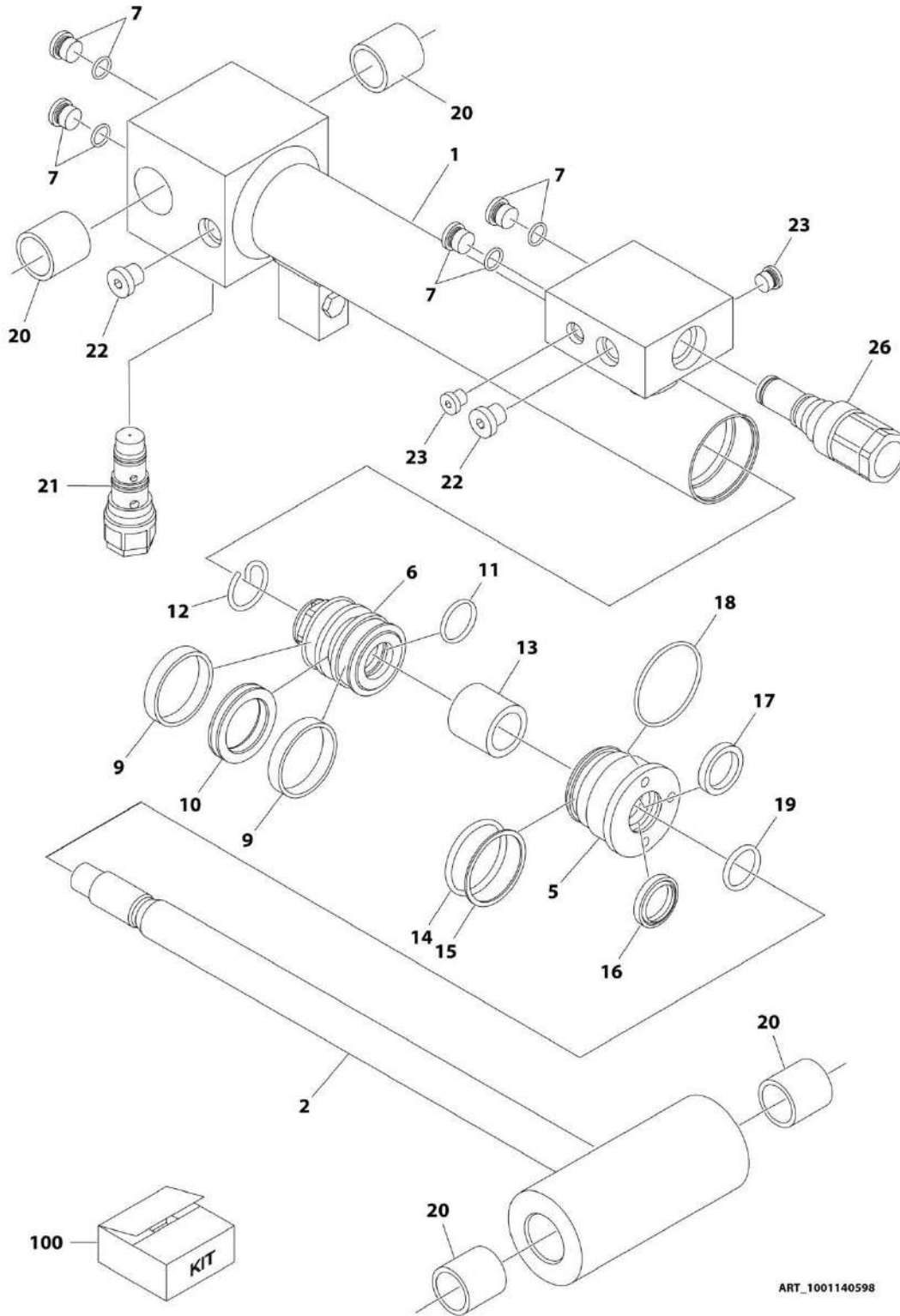
FIGURE 5-33. PIPE RACK INSTALLATION

ITEM	PART NUMBER	QTY	DESCRIPTION	REV
	0257728	Ref	PIPE RACK INSTALLATION	2/C
1	4845582	2	Rack, Pipe	
2	4420062	AR	Tape	
3	3422661	10	Pin	
4	1060379	4	Lanyard	
5	0641514	4	Bolt 5/16 x 1-3/4	
6	3311505	4	Nut 5/16	
7	4751500	8	Washer 5/16	
8	0480100	2	Tie-Down	
9	1703683	2	Decal - Capacity	

SECTION 6 - CYLINDER

SECTION 6 - CYLINDER

FIGURE 6-1. LEVEL (PLATFORM SLAVE) CYLINDER ASSEMBLY - E450A



ART_1001140598

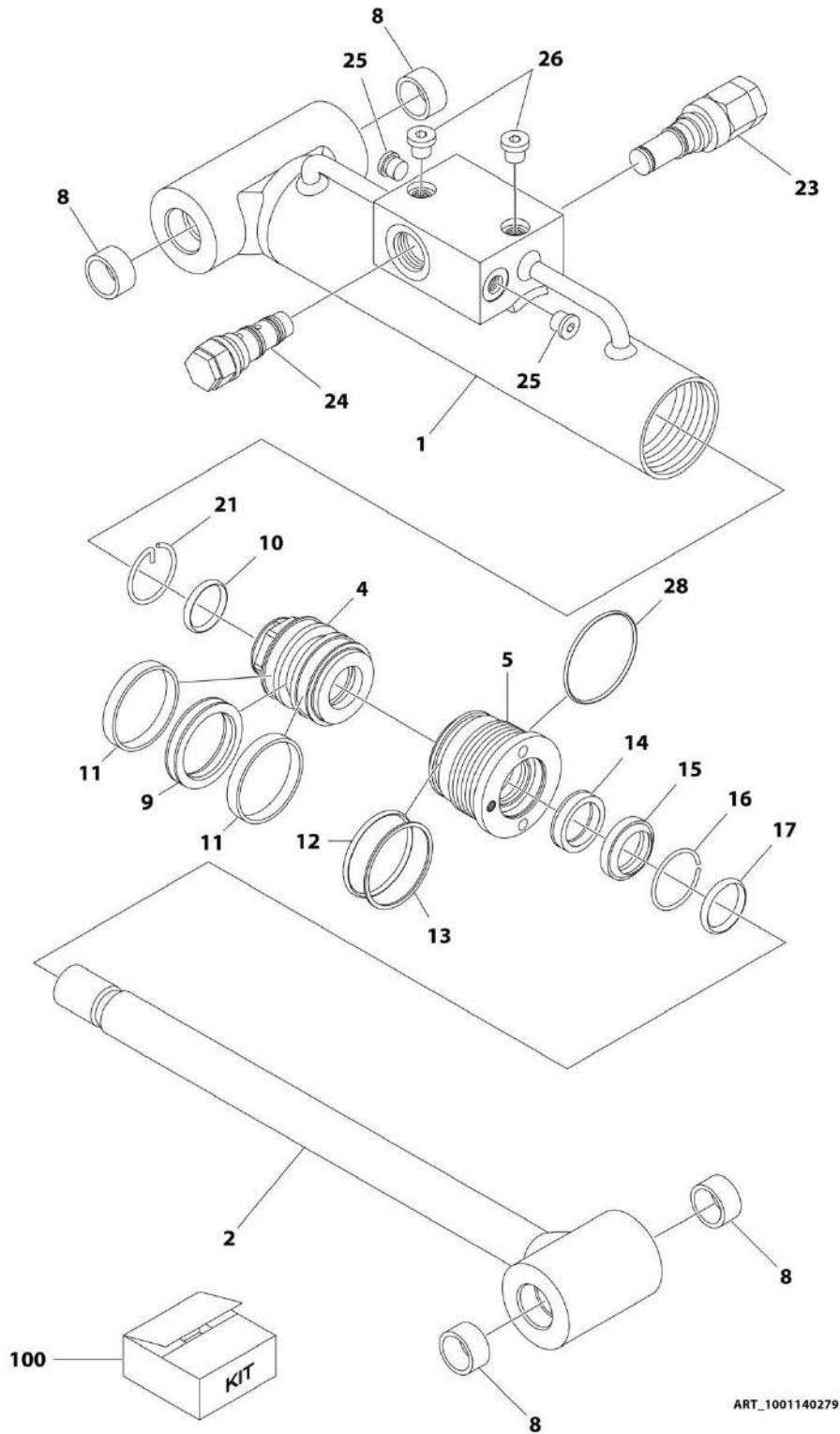
SECTION 6 - CYLINDER

FIGURE 6-1. LEVEL (PLATFORM SLAVE) CYLINDER ASSEMBLY - E450A

ITEM	PART NUMBER	QTY	DESCRIPTION	REV
	1001140598	Ref	LEVEL (PLATFORM SLAVE) CYLINDER ASSEMBLY - E450A	A
1	70004146	1	Barrel	
2	70004147	1	Rod	
5	70000739	1	Head	
6	70004141	1	Piston	
7	See Note	4	Plug (Note: Not Available for Purchase)	
9	See Note	NSS	Ring, Wear (Note: Use p/n 70004131)	
10	See Note	NSS	Seal, Piston (Note: Use p/n 70004131)	
11	70023094	NSS	O-Ring (Note: Use p/n 70004131)	
12	70004142	1	Retainer	
13	70004143	1	Spacer	
14	See Note	NSS	O-Ring (Note: Use p/n 70004131)	
15	See Note	NSS	Ring, Back-Up (Note: Use p/n 70004131)	
16	See Note	NSS	Wiper, Rod (Note: Use p/n 70004131)	
17	See Note	NSS	Seal, Rod (Note: Use p/n 70004131)	
18	See Note	NSS	O-Ring (Note: Use p/n 70004131)	
19	70000740	1	O-Ring	
20	0962356	4	Bushing	
21	4640509	1	Cartridge, Counterbalance Valve	
21	2900792	1	Seal Kit - 4640509 Valve	
22	70024262	2	Plug	
23	See Note	2	Plug (Note: Not Available for Purchase)	
26	4640932	1	Cartridge, Counterbalance Valve	
26	7011112	1	Seal Kit - 4640932 Valve	
100	70004131	1	Seal Kit (Includes Items 9-11 & 14-18)	

SECTION 6 - CYLINDER

FIGURE 6-2. LEVEL (PLATFORM SLAVE) CYLINDER ASSEMBLY - E450AJ/M450AJ (SN 0300208529 to Present, SN B300001429 through B300002486)



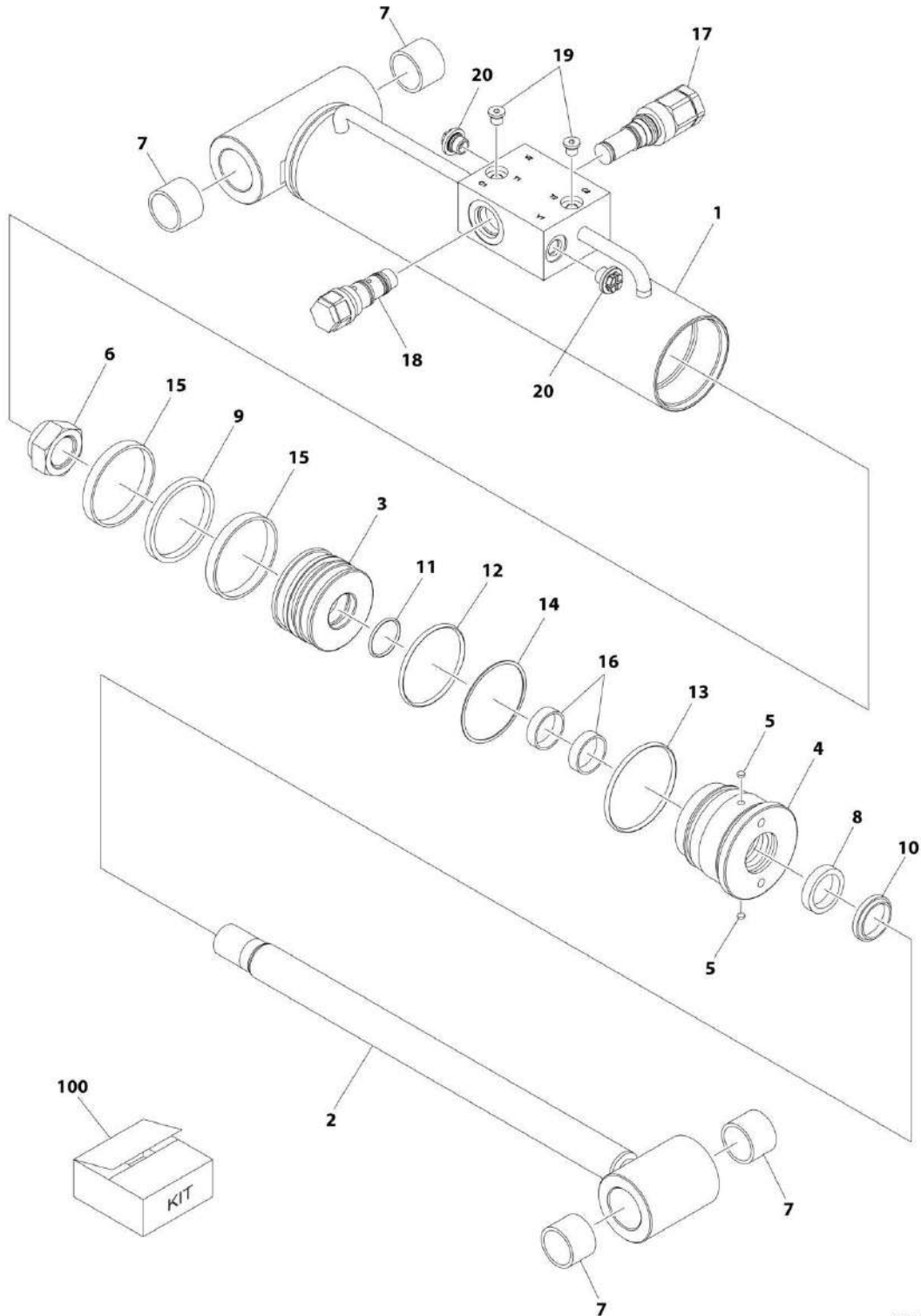
SECTION 6 - CYLINDER

FIGURE 6-2. LEVEL (PLATFORM SLAVE) CYLINDER ASSEMBLY - E450AJ/M450AJ (SN 0300208529 to Present, SN B300001429 through B300002486)

ITEM	PART NUMBER	QTY	DESCRIPTION	REV
	1001140279	Ref	LEVEL (PLATFORM SLAVE) CYLINDER ASSEMBLY - E450AJ/M450AJ	A
		Ref	Note: Original Cylinder may have been replaced with Service Replacement. Identify PN Stamped on Cylinder Before Ordering Parts.	
1	70003846	1	Barrel	
2	70003847	1	Rod	
4	70003819	1	Piston	
5	7026082	1	Head	
8	0961951	4	Bushing	
9	See Note	NSS	Seal, Piston (Note: Use p/n 70003845)	
10	See Note	NSS	O-Ring (Note: Use p/n 70003845)	
11	See Note	NSS	Ring, Wear (Note: Use p/n 70003845)	
12	See Note	NSS	O-Ring (Note: Use p/n 70003845)	
13	See Note	NSS	Ring, Back-Up (Note: Use p/n 70003845)	
14	See Note	NSS	Seal, Rod (Note: Use p/n 70003845)	
15	See Note	NSS	Wiper, Rod (Note: Use p/n 70003845)	
16	70002217	1	Ring, Retaining	
17	7026084	1	O-Ring	
21	70002216	1	Retainer	
23	4640932	1	Cartridge, Counterbalance Valve	
23	7011112	1	Seal Kit - 4640932 Valve	
24	4641086	1	Cartridge, Counterbalance Valve	
24	2900792	1	Seal Kit - 4641086 Valve	
25	7024844	2	Plug	
26	See Note	2	Plug (Note: Not Available for Purchase)	
28	See Note	NSS	O-Ring (Note: Use p/n 70003845)	
100	70003845	1	Seal Kit (Includes Items 9-15 & 28)	

SECTION 6 - CYLINDER

FIGURE 6-3. LEVEL (PLATFORM SLAVE) CYLINDER ASSEMBLY - E450AJ/M450AJ (SN B30002487 to Present)



ART_1001230304

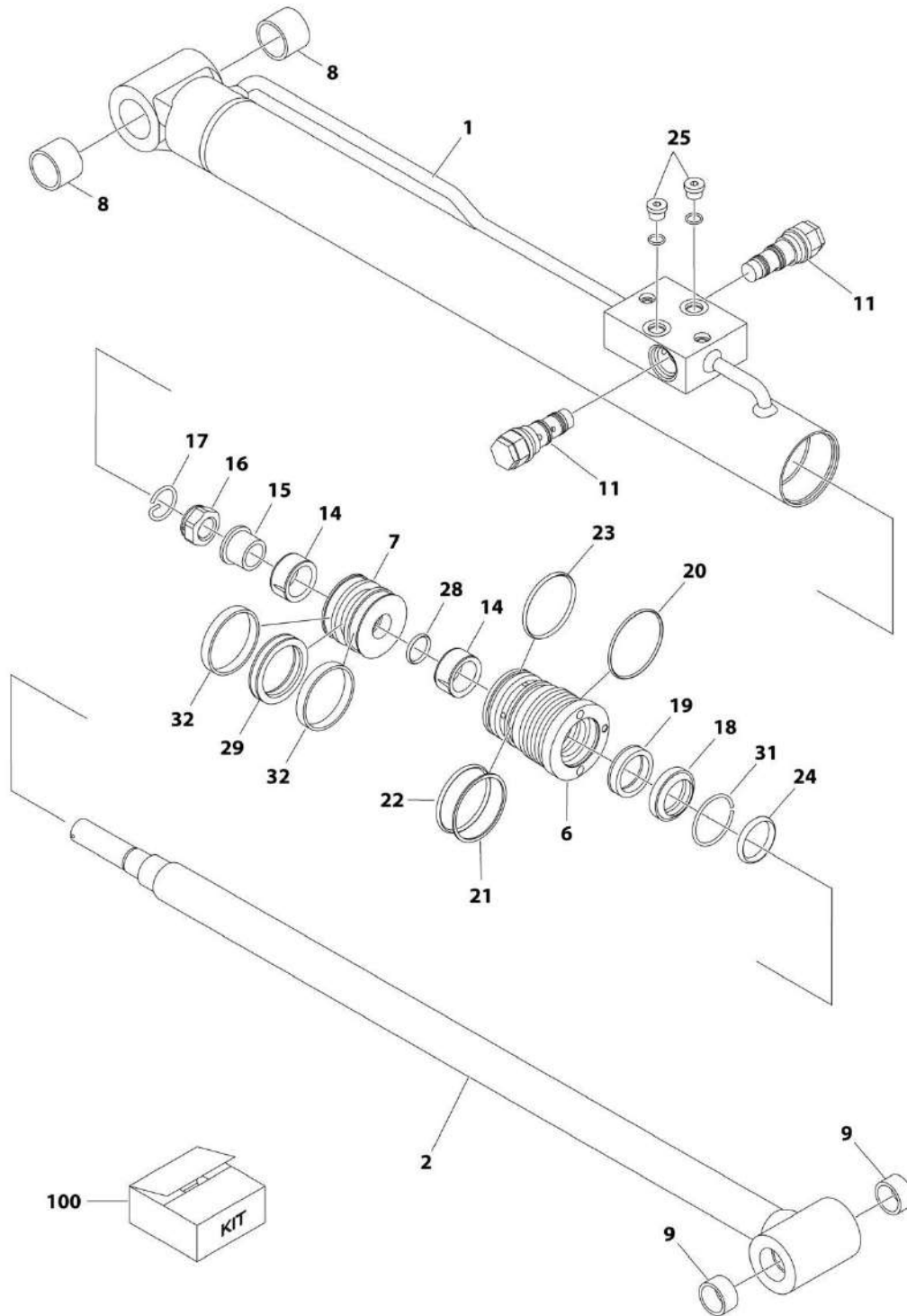
SECTION 6 - CYLINDER

FIGURE 6-3. LEVEL (PLATFORM SLAVE) CYLINDER ASSEMBLY - E450AJ/M450AJ (SN B300002487 to Present)

ITEM	PART NUMBER	QTY	DESCRIPTION	REV
	1001230304	Ref	LEVEL (PLATFORM SLAVE) CYLINDER ASSEMBLY - E450AJ/M450AJ	A
		Ref	Note: Original Cylinder may have been replaced with Service Replacement. Identify PN Stamped on Cylinder Before Ordering Parts.	
1	See Note	NSS	Barrel (Note: Not Available for Purchase)	
2	70006912	1	Rod Assembly	
3	70006909	1	Piston	
4	70006910	1	Gland	
5	70003636	2	Locking Piece (Insert)	
6	70006878	1	Metal Lock Nut	
7	0961951	4	Self-Lubricating Composite Bearing	
8	See Note	NSS	Rod Seal (Note: Use p/n 70006913)	
9	See Note	NSS	Stopt (Note: Use p/n 70006913)	
10	See Note	NSS	Wiper (Note: Use p/n 70006913)	
11	See Note	NSS	O-Ring (Note: Use p/n 70006913)	
12	See Note	NSS	O-Ring (Note: Use p/n 70006913)	
13	See Note	NSS	O-Ring (Note: Use p/n 70006913)	
14	See Note	NSS	Backup (Note: Use p/n 70006913)	
15	See Note	NSS	Tube Wearband (Note: Use p/n 70006913)	
16	See Note	NSS	Rod Wearband (Note: Use p/n 70006913)	
17	4640932	1	Counter Balance Valve	
18	4641086	1	Counter Balance Valve	
19	See Note	NSS	Plug VST	
20	2220885	2	Hex Socket Head Plug	
100	70006913	1	Seal Kit (Includes Items 8-16)	

SECTION 6 - CYLINDER

FIGURE 6-4. LIFT CYLINDER ASSEMBLY - JIB - E450AJ/M450AJ (SN 0300208529 to Present, SN B300001429 through B300002486)



ART_1001140280

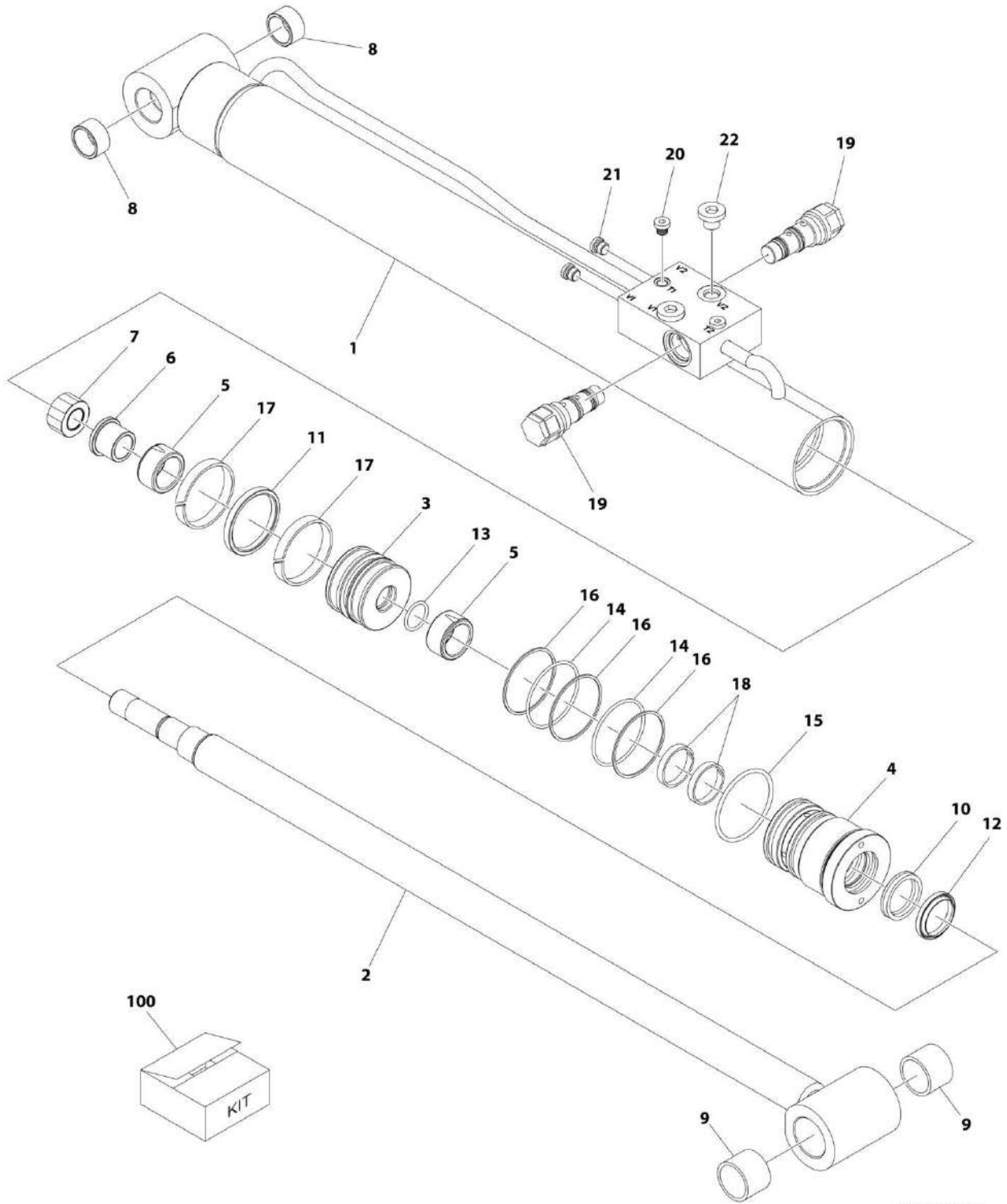
SECTION 6 - CYLINDER

FIGURE 6-4. LIFT CYLINDER ASSEMBLY - JIB - E450AJ/M450AJ (SN 0300208529 to Present, SN B300001429 through B300002486)

ITEM	PART NUMBER	QTY	DESCRIPTION	REV
	1001140280	Ref	LIFT CYLINDER ASSEMBLY - JIB - E450AJ/M450AJ	A
		Ref	Note: Original Cylinder may have been replaced with Service Replacement. Identify PN Stamped on Cylinder Before Ordering Parts.	
		Ref	Note: For Jib Cylinder with Manual Descent Valve see SPECIAL OPTIONS.	
1	70003863	1	Barrel	
2	70003864	1	Rod	
6	7026088	1	Head	
7	70003833	1	Piston	
8	0961951	2	Bushing	
9	0961947	2	Bushing	
11	4640509	2	Cartridge, Counterbalance Valve	
11	2900792	2	Seal Kit - 4640509	
14	7026090	2	Bushing	
15	7026091	1	Sleeve	
16	7026092	1	Nut	
17	70002223	1	Retainer	
18	See Note	NSS	Wiper, Rod (Note: Use p/n 70003836)	
19	See Note	NSS	Seal, Rod (Note: Use p/n 70003836)	
20	See Note	NSS	O-Ring (Note: Use p/n 70003836)	
21	See Note	NSS	Ring, Back-Up (Note: Use p/n 70003836)	
22	See Note	NSS	O-Ring (Note: Use p/n 70003836)	
23	See Note	1	O-Ring (Note: Use p/n 70003836)	
24	7026068	1	O-Ring	
25	7024844	2	Plug	
28	See Note	NSS	O-Ring (Note: Use p/n 70003836)	
29	See Note	NSS	Seal, Piston (Note: Use p/n 70003836)	
31	70002220	1	Ring, Retaining	
32	See Note	NSS	Ring, Wear (Note: Use p/n 70003836)	
100	70003836	1	Seal Kit (Includes Items 18-23, 28, 29 & 32)	

SECTION 6 - CYLINDER

FIGURE 6-5. LIFT CYLINDER ASSEMBLY - JIB - E450AJ/M450AJ (SN B300002487 to Present)



ART_1001230305

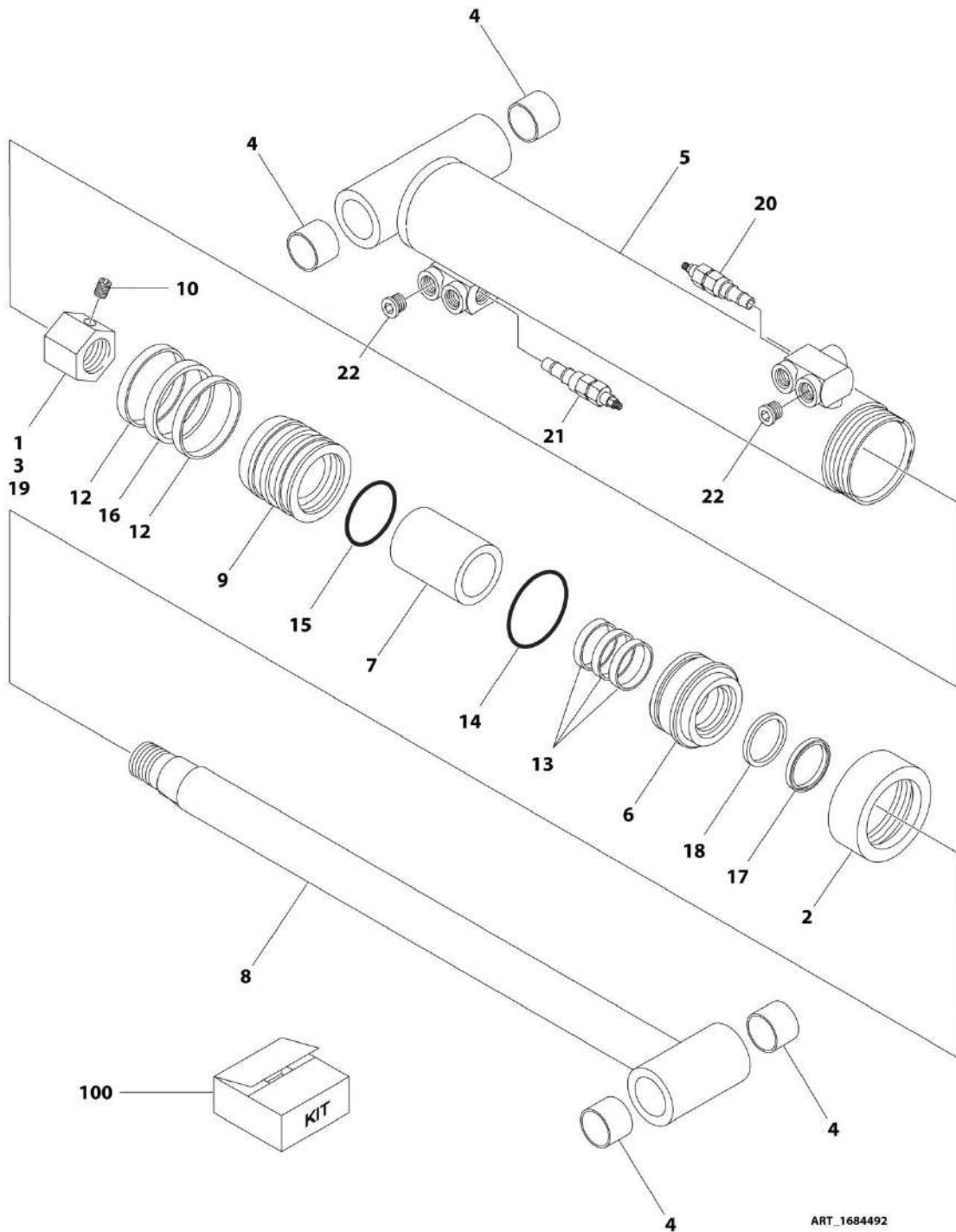
SECTION 6 - CYLINDER

FIGURE 6-5. LIFT CYLINDER ASSEMBLY - JIB - E450AJ/M450AJ (SN B300002487 to Present)

ITEM	PART NUMBER	QTY	DESCRIPTION	REV
	1001230305	Ref	LIFT CYLINDER ASSEMBLY - JIB - E450AJ/M450AJ	A
		Ref	Note: Original Cylinder may have been replaced with Service Replacement. Identify PN Stamped on Cylinder Before Ordering Parts.	
1	See Note	NSS	Barrel (Note: Not Available for Purchase)	
2	70006914	1	Rod Assembly	
3	70006915	1	Piston	
4	70006916	1	Gland	
5	70006917	2	Cushion Tube	
6	70006918	1	Location Tube	
7	70006919	1	Hex Nut	
8	0961947	2	Self-lubricating Composite Bearing	
9	0961951	2	Self-lubricating Composite Bearing	
10	See Note	NSS	Rod Seal (Note: Purchase p/n 70006920)	
11	See Note	NSS	Stopt (Note: Purchase p/n 70006920)	
12	See Note	NSS	Wiper (Note: Purchase p/n 70006920)	
13	See Note	NSS	O-Ring (Note: Purchase p/n 70006920)	
14	See Note	NSS	O-Ring (Note: Purchase p/n 70006920)	
15	See Note	NSS	O-Ring (Note: Purchase p/n 70006920)	
16	See Note	NSS	Backup (Note: Purchase p/n 70006920)	
17	See Note	NSS	Tube Wearband (Note: Purchase p/n 70006920)	
18	See Note	NSS	Rod Wearband (Note: Purchase p/n 70006920)	
19	4640509	2	Counter Balance Valve	
20	See Note	NSS	Plug VST	
21	2220883	2	Hex Socket Head Plug	
22	2220885	2	Hex Socket Head Plug	
100	70006920	1	Seal Kit (Includes Items 10-18)	

SECTION 6 - CYLINDER

FIGURE 6-6. LIFT CYLINDER ASSEMBLY - LOWER - E450A (SN 0300235601 through 0300239755)



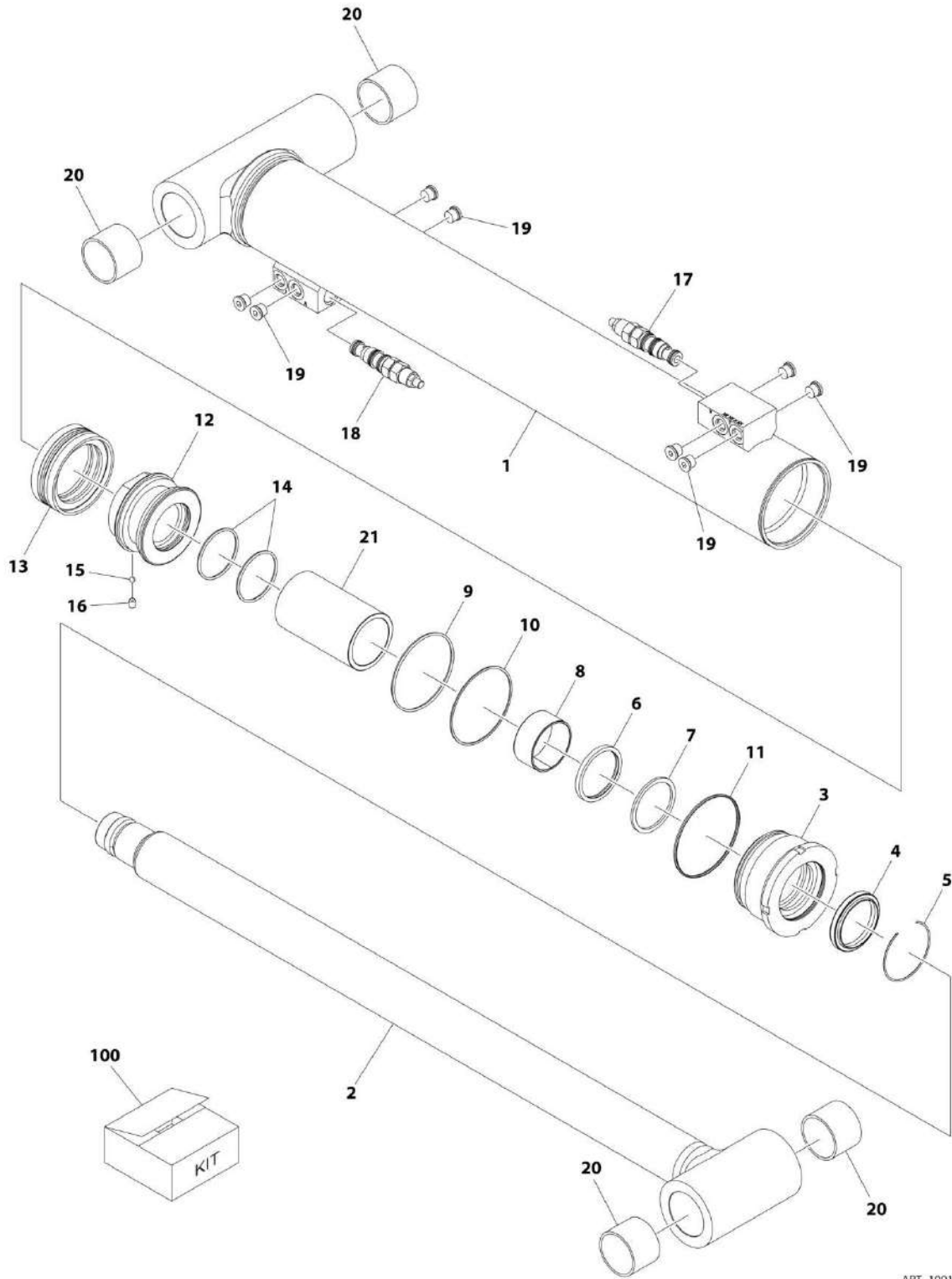
SECTION 6 - CYLINDER

FIGURE 6-6. LIFT CYLINDER ASSEMBLY - LOWER - E450A (SN 0300235601 through 0300239755)

ITEM	PART NUMBER	QTY	DESCRIPTION	REV
	1684492	Ref	LIFT CYLINDER ASSEMBLY - LOWER - E450A	C
		Ref	Note: Original Cylinder May Have Been Replaced with Service Replacement. Identify PN Stamped on Cylinder Before Ordering Parts.	
1	0100011	AR	Compound, Locking	
2	0100035	AR	Compound, Locking	
3	0100038	AR	Primer, Locking	
4	0961950	4	Bushing	
5	1684055	1	Barrel	
5A	1120093	1	Retainer	
6	1683710	1	Head	
7	4566432	1	Spacer	
8	1683941	1	Rod	
9	3480241	1	Piston	
10	3900170	1	Setscrew	
12	See Note	NSS	Ring, Wear (Note: Use p/n 2901806)	
13	See Note	NSS	Ring, Wear (Note: Use p/n 2901806)	
14	See Note	NSS	O-Ring (Note: Use p/n 2901806)	
15	See Note	NSS	O-Ring (Note: Use p/n 2901806)	
16	See Note	NSS	Seal, Piston (Note: Use p/n 2901806)	
17	See Note	NSS	Wiper, Rod (Note: Use p/n 2901806)	
18	See Note	NSS	Seal, Rod (Note: Use p/n 2901806)	
19	3300281	1	Nut	
20	4640634	1	Cartridge, Holding Valve	
20	2900770	1	Seal Kit - 4640634 Valve	
21	4641386	1	Cartridge, Holding Valve	
21	7011376	1	Seal Kit - 4641386 Valve	
22	2220885	2	Plug	
100	2901806	1	Seal Kit (Includes Items 12-18)	

SECTION 6 - CYLINDER

FIGURE 6-7. LIFT CYLINDER ASSEMBLY - LOWER - E450A (SN 0300239756 to Present)



ART_1001228039

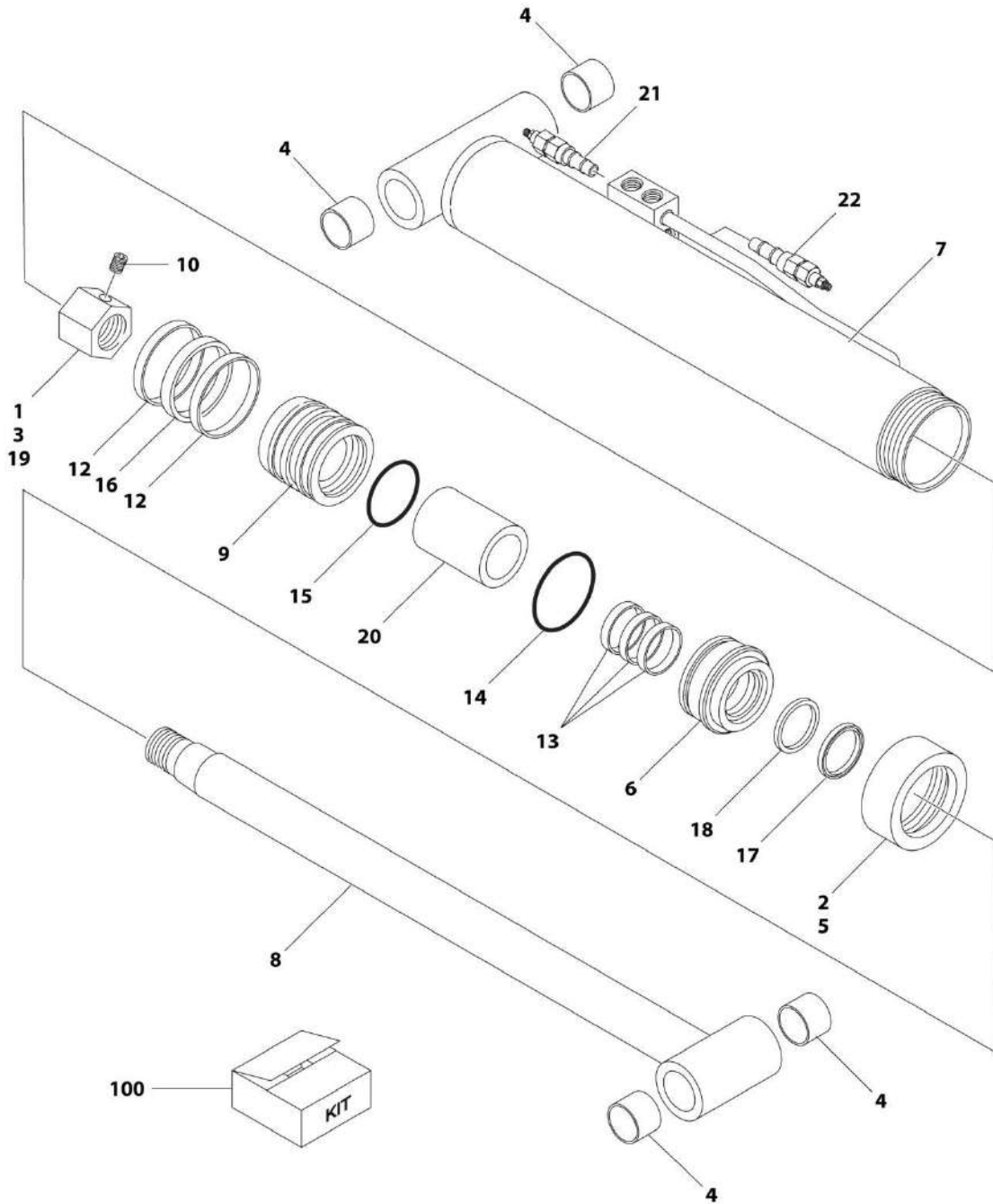
SECTION 6 - CYLINDER

FIGURE 6-7. LIFT CYLINDER ASSEMBLY - LOWER - E450A (SN 0300239756 to Present)

ITEM	PART NUMBER	QTY	DESCRIPTION	REV
	1001228039	Ref	LIFT CYLINDER ASSEMBLY - LOWER	B
		Ref	Note: Original Cylinder may have been replaced with Service Replacement. Identify PN Stamped on Cylinder Before Ordering Parts.	
1	See Note	NSS	Barrel (Note: Not Available for Purchase)	
2	70006602	1	Rod	
3	70006603	1	Head	
4	70006604	NSS	Wiper (Note: Use Item 100)	
5	70027244	1	Retainer	
6	70006605	NSS	Seal, Rod (Note: Use Item 100)	
7	See Note	NSS	Ring, Back-up (Note: Use Item 100)	
8	70004637	1	Bearing	
9	70006606	NSS	O-Ring (Note: Use Item 100)	
10	See Note	NSS	Ring, Back-up (Note: Use Item 100)	
11	See Note	NSS	O-Ring	
12	70006607	1	Piston	
13	See Note	NSS	Seal (Note: Use Item 100)	
14	See Note	NSS	O-Ring (Note: Use Item 100)	
15	70022564	1	Ball, Steel	
16	70023369	1	Setscrew	
17	4640634	1	Cartridge, Holding Valve	
17	2900770	1	Seal Kit - 4640634 Valve	
18	4641386	1	Cartridge, Holding Valve	
18	7011376	1	Seal Kit - 4641386 Valve	
19	2220885	8	Plug, O-Ring	
20	0961950	4	Bushing	
21	70006608	1	Spacer	
100	70006609	1	Seal Kit (Includes Items 4, 6, 7, 9-11, 13 & 14)	

SECTION 6 - CYLINDER

FIGURE 6-8. LIFT CYLINDER ASSEMBLY - LOWER - E450AJ/M450AJ (SN 0300208529 through 0300239252, SN B300001429 through B300002461)



ART_1684451

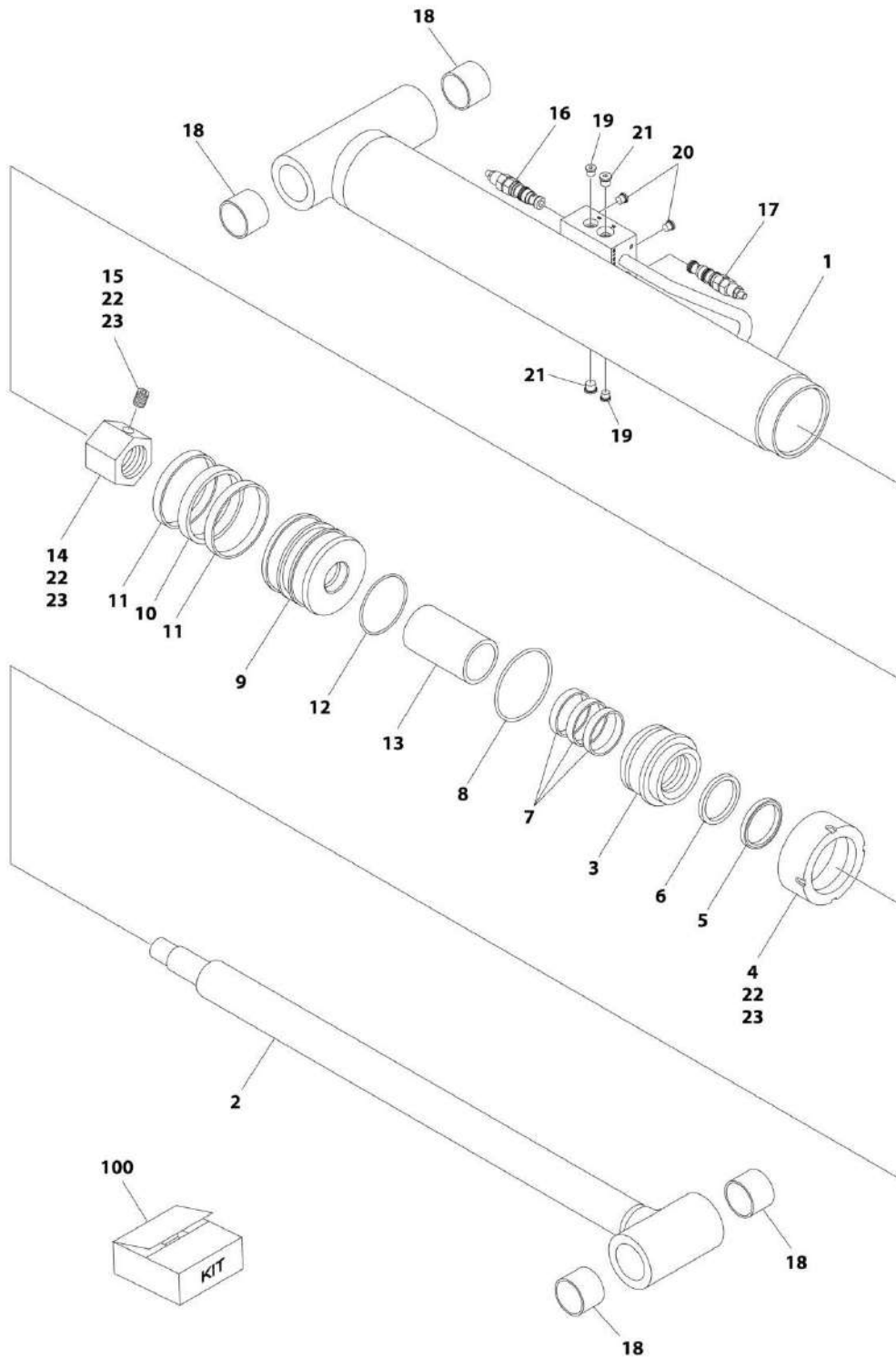
SECTION 6 - CYLINDER

FIGURE 6-8. LIFT CYLINDER ASSEMBLY - LOWER - E450AJ/M450AJ (SN 0300208529 through 0300239252, SN B300001429 through B300002461)

ITEM	PART NUMBER	QTY	DESCRIPTION	REV
	1684451	Ref	LIFT CYLINDER ASSEMBLY - LOWER - E450AJ/M450AJ	E
		Ref	Note: Original Cylinder May Have Been Replaced with Service Replacement. Identify PN Stamped on Cylinder Before Ordering Parts.	
1	0100011	AR	Compound, Locking	
2	0100035	1	Compound, Locking	
4	0961950	4	Bushing	
5	1120094	1	Retainer	
6	1683710	1	Head	
7	1683940	1	Barrel	
8	1683941	1	Rod	
9	3480241	1	Piston	
10	3900170	1	Setscrew	
12	See Note	NSS	Ring, Wear (Note: Use p/n 2901806)	
13	See Note	NSS	Ring, Wear (Note: Use p/n 2901806)	
14	See Note	NSS	O-Ring (Note: Use p/n 2901806)	
15	See Note	NSS	O-Ring (Note: Use p/n 2901806)	
16	See Note	NSS	Seal, Piston (Note: Use p/n 2901806)	
17	See Note	NSS	Wiper, Rod (Note: Use p/n 2901806)	
18	See Note	1	Seal, Rod	
19	3300281	1	Nut	
20	4566432	1	Spacer	
21	4640634	1	Cartridge, Holding Valve	
21	2900770	1	Seal Kit - 4640634 Valve	
22	4641386	1	Cartridge, Holding Valve	
22	7011376	1	Seal Kit - 4641386 Valve	
23	0100038	1	Primer, Locking	
100	2901806	1	Seal Kit (Includes Items 12-18)	

SECTION 6 - CYLINDER

FIGURE 6-9. LIFT CYLINDER ASSEMBLY - LOWER - E450AJ/M450AJ (SN 0300239253 to Present, SN B300002462 through B300002486)



ART_1001228035

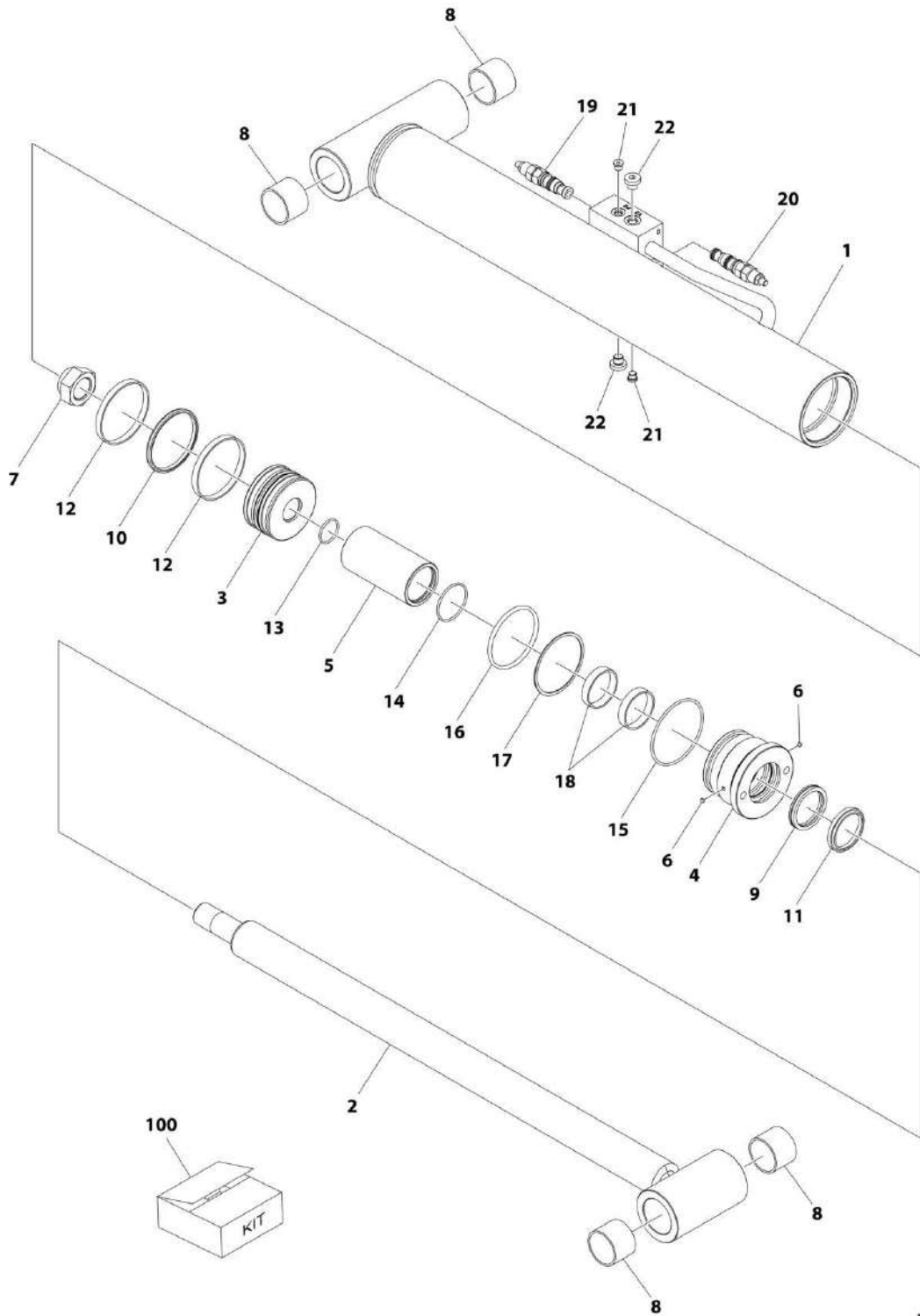
SECTION 6 - CYLINDER

FIGURE 6-9. LIFT CYLINDER ASSEMBLY - LOWER - E450AJ/M450AJ (SN 0300239253 to Present, SN B300002462 through B300002486)

ITEM	PART NUMBER	QTY	DESCRIPTION	REV
	1001228035	Ref	LIFT CYLINDER ASSEMBLY - LOWER	B
		Ref	Note: Original Cylinder may have been replaced with Service Replacement. Identify PN Stamped on Cylinder Before Ordering Parts.	
1	See Note	NSS	Barrel Weldment (Note: Not Available for Purchase)	
2	70006535	1	Rod Weldment	
3	70006533	1	Head	
4	70006533	1	Retainer	
5	See Note	NSS	Wiper (Note: Use Item 100)	
6	See Note	NSS	Seal, Rod (Note: Use Item 100)	
7	See Note	NSS	Ring, Wear (Note: Use Item 100)	
8	See Note	NSS	O-Ring (Note: Use Item 100)	
9	70006532	1	Piston	
10	See Note	NSS	Seal (Note: Use Item 100)	
11	See Note	NSS	Ring, Wear (Note: Use Item 100)	
12	See Note	NSS	O-Ring (Note: Use Item 100)	
13	70006531	1	Spacer	
14	3300281	1	Nut	
15	3900170	1	Setscrew	
16	4640634	1	Cartridge, Holding Valve	
16	2900770	1	Seal Kit - 4640634 Valve	
17	4641386	1	Cartridge, Holding Valve	
17	7011376	1	Seal Kit - 4641386 Valve	
18	0961950	4	Bushing	
19	2220883	2	Plug, O-Ring	
20	2220883	2	Plug, O-Ring	
21	2220885	2	Plug, O-Ring	
22	0100011	AR	Compound, Locking	
23	0100038	AR	Primer, Locking	
100	2901806	1	Seal Kit (Includes Items 5-8 & 10-12)	

SECTION 6 - CYLINDER

FIGURE 6-10. LIFT CYLINDER ASSEMBLY - LOWER - E450AJ/M450AJ (SN B300002487 to Present)



ART_1001230300

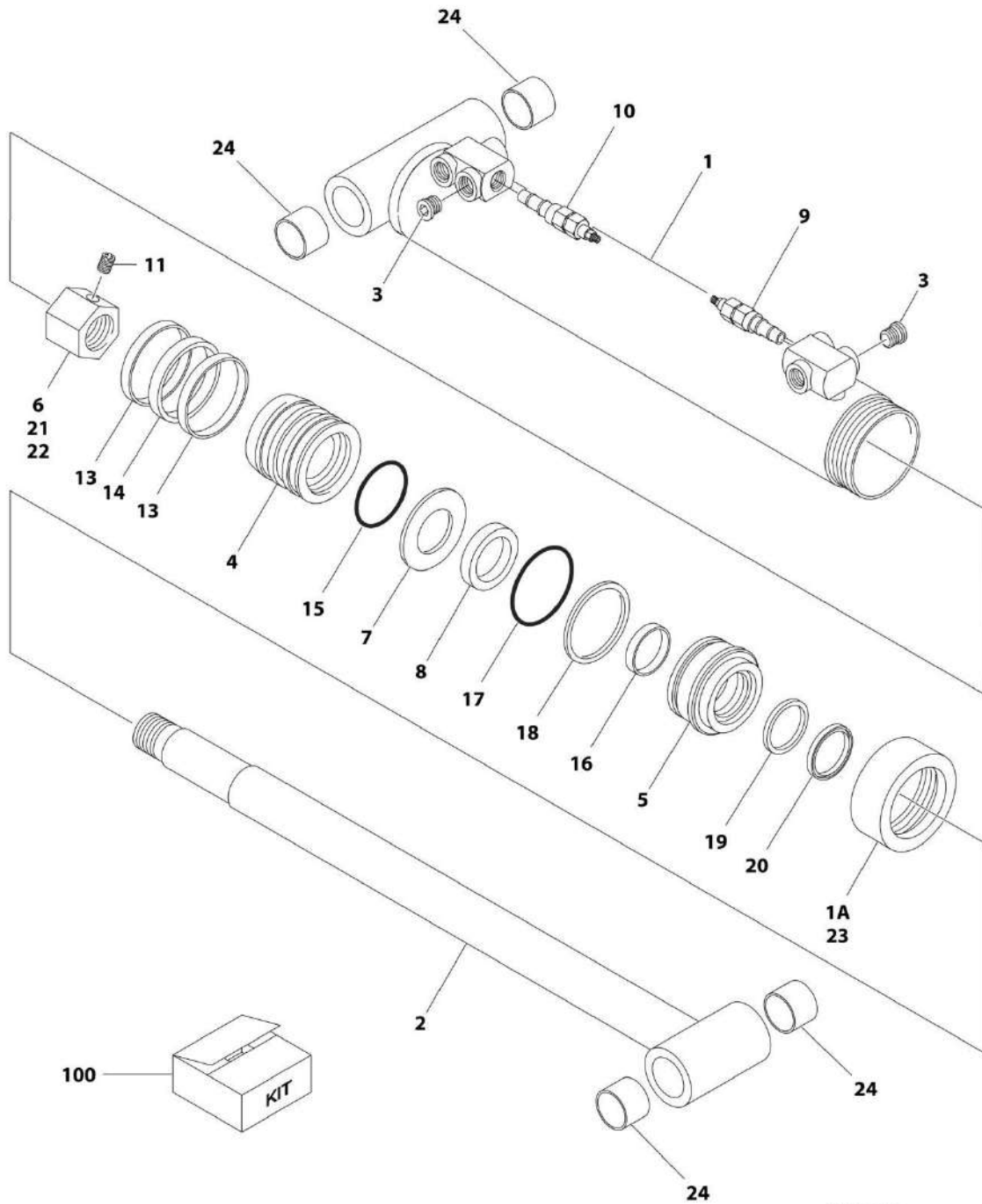
SECTION 6 - CYLINDER

FIGURE 6-10. LIFT CYLINDER ASSEMBLY - LOWER - E450AJ/M450AJ (SN B30002487 to Present)

ITEM	PART NUMBER	QTY	DESCRIPTION	REV
	1001230300	Ref	LIFT CYLINDER ASSEMBLY - LOWER	A
		Ref	Note: Original Cylinder may have been replaced with Service Replacement. Identify PN Stamped on Cylinder Before Ordering Parts.	
1	See Note	NSS	Barrel (Note: Not Available for Purchase)	
2	70006889	1	Rod Assembly	
3	70006890	1	Piston	
4	70006891	1	Head	
5	70006892	1	Tube, Stop	
6	70003636	2	Plate, Locking	
7	70006893	1	Lock Nut	
8	0961950	4	Bearing	
9	See Note	NSS	Seal (Note: Purchase p/n 70006894)	
10	See Note	NSS	Stop (Note: Purchase p/n 70006894)	
11	See Note	NSS	Wiper (Note: Purchase p/n 70006894)	
12	See Note	NSS	Wear band, Tube (Note: Purchase p/n 70006894)	
13	See Note	NSS	O-Ring (Note: Purchase p/n 70006894)	
14	See Note	NSS	O-Ring (Note: Purchase p/n 70006894)	
15	See Note	NSS	O-Ring (Note: Purchase p/n 70006894)	
16	See Note	NSS	O-Ring (Note: Purchase p/n 70006894)	
17	See Note	NSS	Back-up (Note: Purchase p/n 70006894)	
18	See Note	NSS	Wear band, Tube (Note: Purchase p/n 70006894)	
19	4640634	1	Valve, Counter Balance	
19	2900770	1	Seal Kit - 4640634 Valve	
20	4641386	2	Valve, Counter Balance	
20	7011376	1	Seal Kit - 4641386 Valve	
21	2220883	2	Plug	
22	2220885	2	Plug	
100	70006894	1	Seal Kit (Includes Items 9-18)	

SECTION 6 - CYLINDER

FIGURE 6-11. LIFT CYLINDER ASSEMBLY - MID - E450A (SN 0300235601 through 0300239755)



ART_1684493

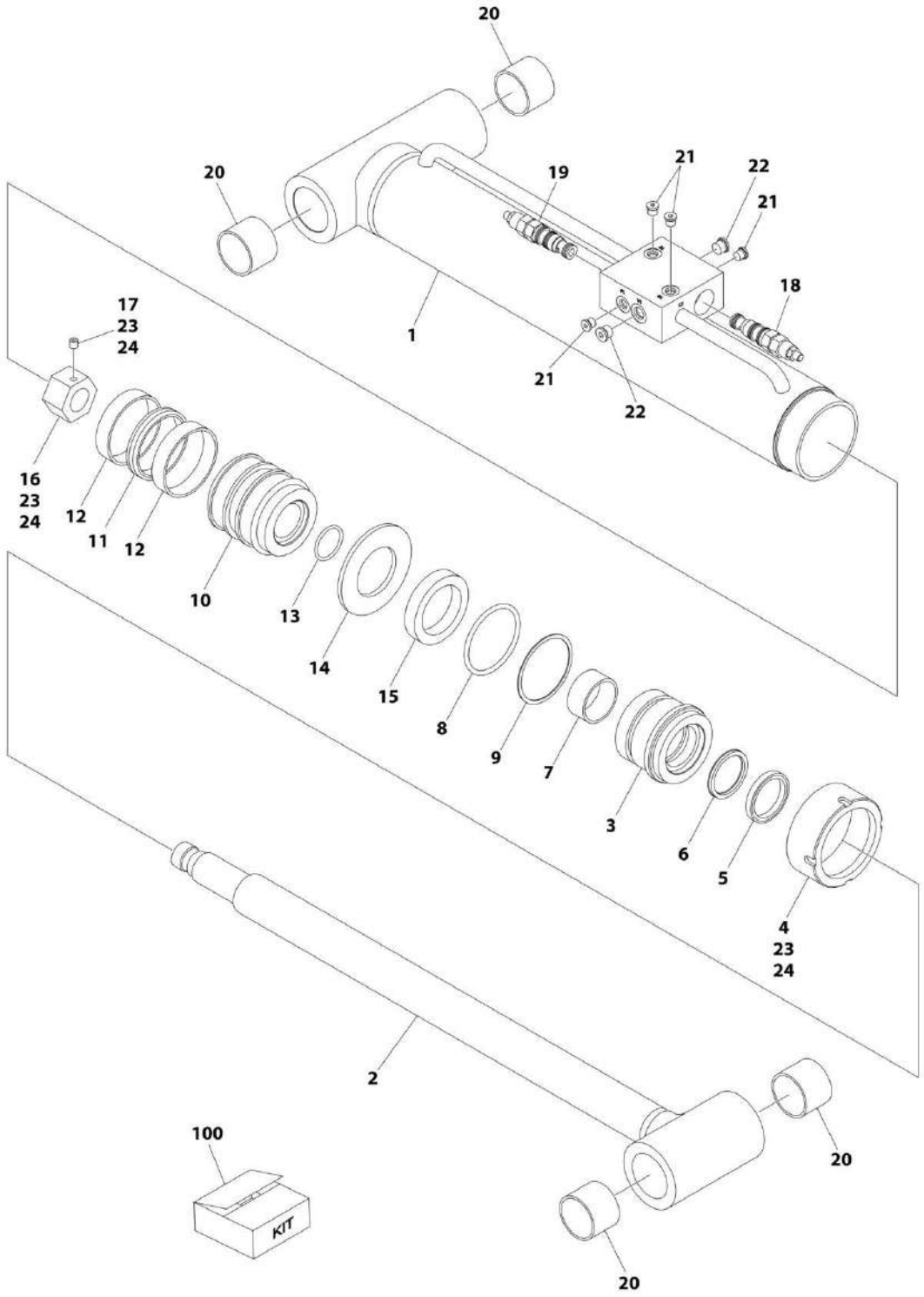
SECTION 6 - CYLINDER

FIGURE 6-11. LIFT CYLINDER ASSEMBLY - MID - E450A (SN 0300235601 through 0300239755)

ITEM	PART NUMBER	QTY	DESCRIPTION	REV
	1684493	Ref	LIFT CYLINDER ASSEMBLY - MID - E450A	D
		Ref	Note: Original Cylinder May Have Been Replaced with Service Replacement. Identify PN Stamped on Cylinder Before Ordering Parts.	
1	1684056	1	Barrel	
1A	1120305	1	Retainer	
2	1683944	1	Rod	
3	2220885	2	Plug	
4	3480242	1	Piston	
5	1683712	1	Head	
6	3300281	1	Nut	
7	4740207	1	Washer	
8	4566435	1	Spacer	
9	4640634	1	Cartridge, Holding Valve	
9	2900770	1	Seal Kit - 4640634 Valve	
10	4641386	1	Cartridge, Holding Valve	
10	7011376	1	Seal Kit - 4641386 Valve	
11	3900170	1	Setscrew	
13	See Note	NSS	Ring, Wear (Note: Use p/n 2901805)	
14	See Note	NSS	Seal, Piston (Note: Use p/n 2901805)	
15	See Note	NSS	O-Ring (Note: Use p/n 2901805)	
16	See Note	NSS	Ring, Wear (Note: Use p/n 2901805)	
17	See Note	NSS	O-Ring (Note: Use p/n 2901805)	
18	See Note	NSS	Ring, Back-Up (Note: Use p/n 2901805)	
19	See Note	NSS	Seal, Rod (Note: Use p/n 2901805)	
20	See Note	NSS	Wiper, Rod (Note: Use p/n 2901805)	
21	0100011	AR	Compound, Locking	
22	0100038	AR	Primer, Locking	
23	0100035	AR	Compound, Locking	
24	0961950	4	Bushing	
100	2901805	1	Seal Kit (Includes Items 13-20)	

SECTION 6 - CYLINDER

FIGURE 6-12. LIFT CYLINDER ASSEMBLY - MID - E450A (SN 0300239756 to Present)



ART_1001228036

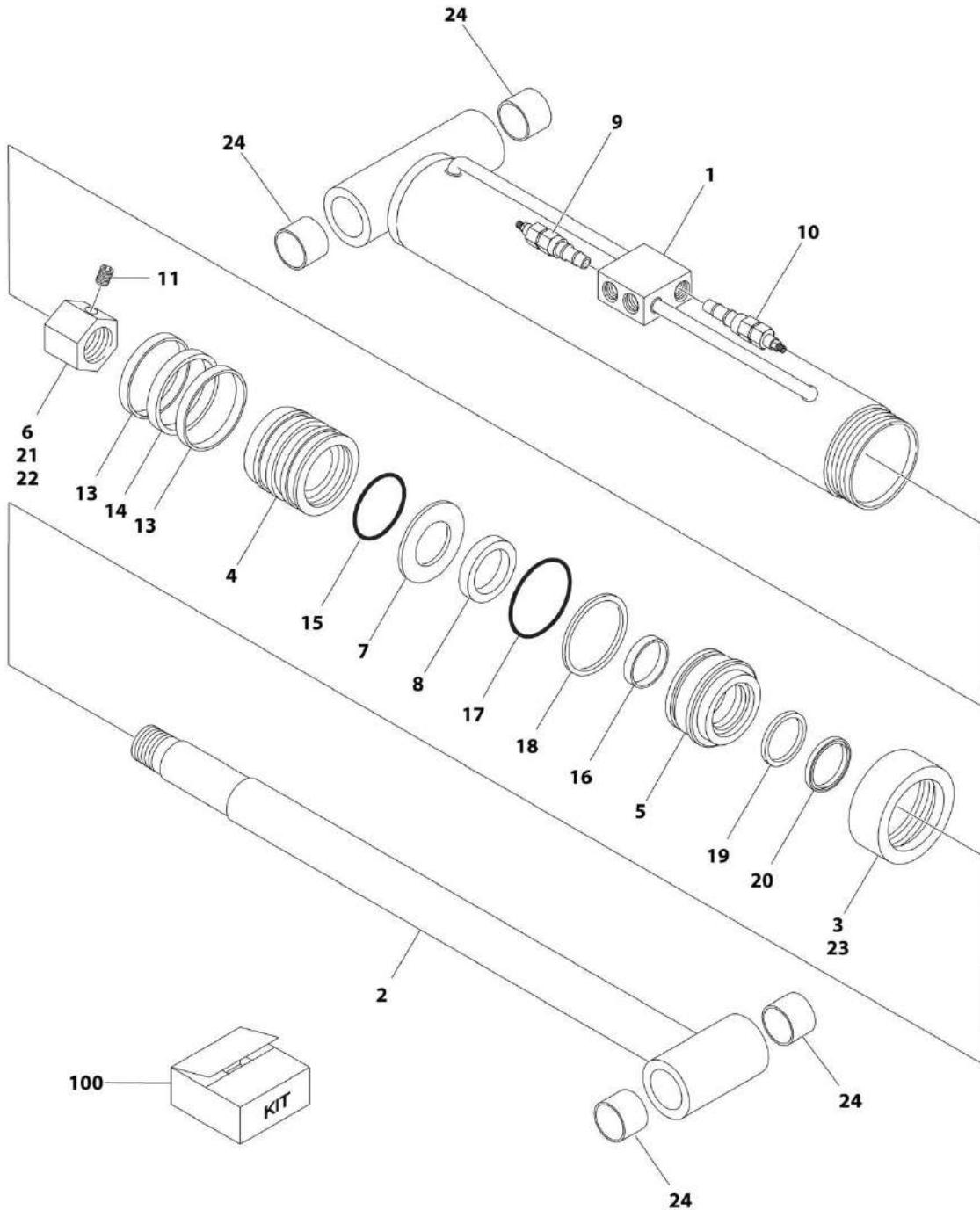
SECTION 6 - CYLINDER

FIGURE 6-12. LIFT CYLINDER ASSEMBLY - MID - E450A (SN 0300239756 to Present)

ITEM	PART NUMBER	QTY	DESCRIPTION	REV
	1001228036	Ref	LIFT CYLINDER ASSEMBLY - MID	E
		Ref	Note: Original Cylinder may have been replaced with Service Replacement. Identify PN Stamped on Cylinder Before Ordering Parts.	
1	See Note	NSS	Barrel Weldment (Note: Not Available for Purchase)	
2	70006543	1	Rod Weldment	
3	70006542	1	Head	
4	70006533	1	Retainer	
5	See Note	NSS	Wiper (Note: Use Item 100)	
6	See Note	NSS	Seal, Rod (Note: Use Item 100)	
7	See Note	NSS	Ring, Wear (Note: Use Item 100)	
8	See Note	NSS	O-Ring (Note: Use Item 100)	
9	See Note	NSS	Ring, Back-up (Note: Use Item 100)	
10	70006532	1	Piston	
11	See Note	NSS	Seal (Note: Use Item 100)	
12	See Note	NSS	Ring, Wear (Note: Use Item 100)	
13	See Note	NSS	O-Ring (Note: Use Item 100)	
14	4740207	1	Washer	
15	70006539	1	Spacer	
16	3300281	1	Nut	
17	3900170	1	Setscrew	
18	4640634	1	Cartridge, Holding Valve	
18	2900770	1	Seal Kit - 4640634 Valve	
19	4641386	1	Cartridge, Holding Valve	
19	7011376	1	Seal Kit - 4641386 Valve	
20	0961950	4	Bushing	
21	2220883	4	Plug, O-Ring	
22	2220885	2	Plug, O-Ring	
23	0100011	AR	Compound, Locking	
24	0100038	AR	Primer, Locking	
100	2901806	1	Seal Kit (Includes Items 5-9 & 11-13)	

SECTION 6 - CYLINDER

FIGURE 6-13. LIFT CYLINDER ASSEMBLY - MID - E450AJ/M450AJ (SN 0300208529 through 0300239252, SN B300001429 through B300002461)



ART_1684452

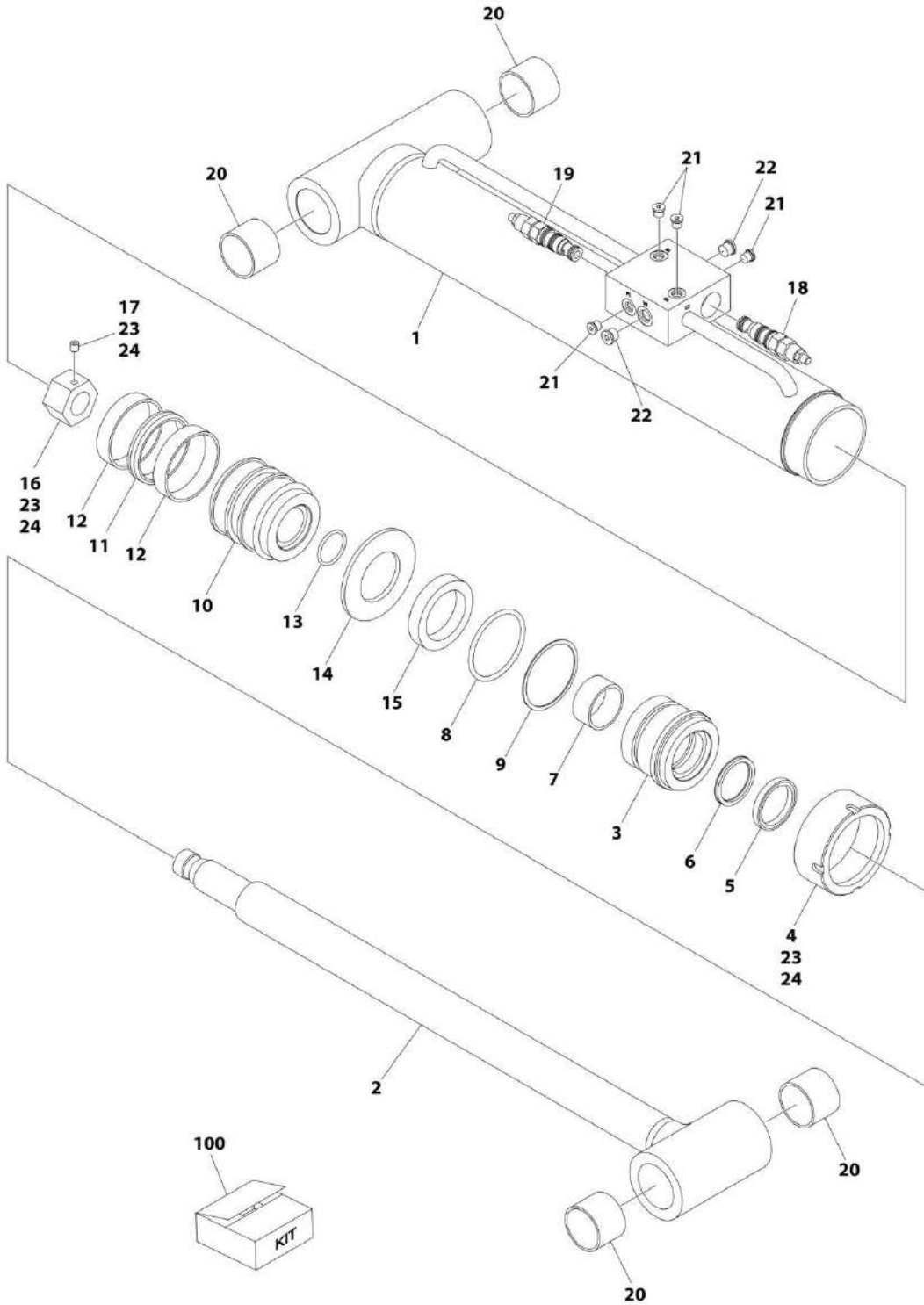
SECTION 6 - CYLINDER

FIGURE 6-13. LIFT CYLINDER ASSEMBLY - MID - E450AJ/M450AJ (SN 0300208529 through 0300239252, SN B300001429 through B300002461)

ITEM	PART NUMBER	QTY	DESCRIPTION	REV
	1684452	Ref	LIFT CYLINDER ASSEMBLY - MID - E450AJ/M450AJ	D
		Ref	Note: Original Cylinder May Have Been Replaced with Service Replacement. Identify PN Stamped on Cylinder Before Ordering Parts.	
1	1683943	1	Barrel	
2	1683944	1	Rod	
3	1120305	1	Retainer	
4	3480242	1	Piston	
5	1683712	1	Head	
6	3300281	1	Nut	
7	4740207	1	Washer	
8	4566435	1	Spacer	
9	4640634	1	Cartridge, Holding Valve	
9	2900770	1	Seal Kit - 4640634 Valve	
10	4641386	1	Cartridge, Holding Valve	
10	7011376	1	Seal Kit - 4641386 Valve	
11	3900170	1	Setscrew	
13	See Note	NSS	Ring, Wear (Note: Use p/n 2901805)	
14	See Note	NSS	Seal, Piston (Note: Use p/n 2901805)	
15	See Note	NSS	O-Ring (Note: Use p/n 2901805)	
16	See Note	NSS	Ring, Wear (Note: Use p/n 2901805)	
17	See Note	NSS	O-Ring (Note: Use p/n 2901805)	
18	See Note	NSS	Ring, Back-Up (Note: Use p/n 2901805)	
19	See Note	NSS	Seal, Rod (Note: Use p/n 2901805)	
20	See Note	NSS	Wiper, Rod (Note: Use p/n 2901805)	
21	0100011	AR	Compound, Locking	
22	0100038	AR	Primer, Locking	
23	0100035	1	Compound, Locking	
24	0961950	4	Bushing	
100	2901805	1	Seal Kit (Includes Items 13-20)	

SECTION 6 - CYLINDER

FIGURE 6-14. LIFT CYLINDER ASSEMBLY - MID - E450AJ/M450AJ (SN 0300239253 to Present, SN B300002462 through B300002486)



ART_1001228036

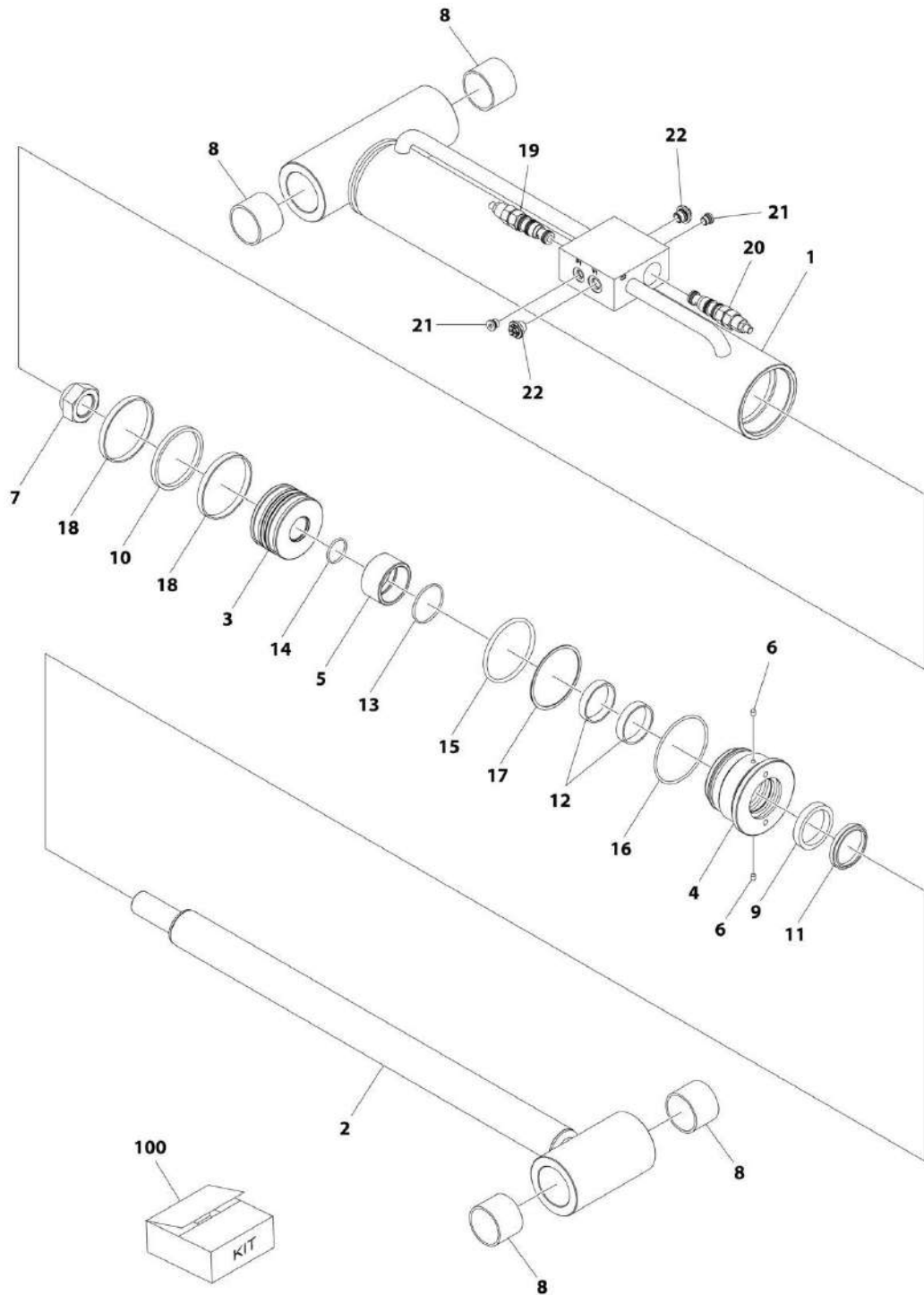
SECTION 6 - CYLINDER

FIGURE 6-14. LIFT CYLINDER ASSEMBLY - MID - E450AJ/M450AJ (SN 0300239253 to Present, SN B300002462 through B300002486)

ITEM	PART NUMBER	QTY	DESCRIPTION	REV
	1001228036	Ref	LIFT CYLINDER ASSEMBLY - MID	E
		Ref	Note: Original Cylinder may have been replaced with Service Replacement. Identify PN Stamped on Cylinder Before Ordering Parts.	
1	See Note	NSS	Barrel Weldment (Note: Not Available for Purchase)	
2	70006543	1	Rod Weldment	
3	70006542	1	Head	
4	70006533	1	Retainer	
5	See Note	NSS	Wiper (Note: Use Item 100)	
6	See Note	NSS	Seal, Rod (Note: Use Item 100)	
7	See Note	NSS	Ring, Wear (Note: Use Item 100)	
8	See Note	NSS	O-Ring (Note: Use Item 100)	
9	See Note	NSS	Ring, Back-up (Note: Use Item 100)	
10	70006532	1	Piston	
11	See Note	NSS	Seal (Note: Use Item 100)	
12	See Note	NSS	Ring, Wear (Note: Use Item 100)	
13	See Note	NSS	O-Ring (Note: Use Item 100)	
14	4740207	1	Washer	
15	70006539	1	Spacer	
16	3300281	1	Nut	
17	3900170	1	Setscrew	
18	4640634	1	Cartridge, Holding Valve	
18	2900770	1	Seal Kit - 4640634 Valve	
19	4641386	1	Cartridge, Holding Valve	
19	7011376	1	Seal Kit - 4641386 Valve	
20	0961950	4	Bushing	
21	2220883	4	Plug, O-Ring	
22	2220885	2	Plug, O-Ring	
23	0100011	AR	Compound, Locking	
24	0100038	AR	Primer, Locking	
100	2901806	1	Seal Kit (Includes Items 5-9 & 11-13)	

SECTION 6 - CYLINDER

FIGURE 6-15. LIFT CYLINDER ASSEMBLY - MID - E450AJ/M450AJ (SN B300002487 to Present)



ART_1001230301

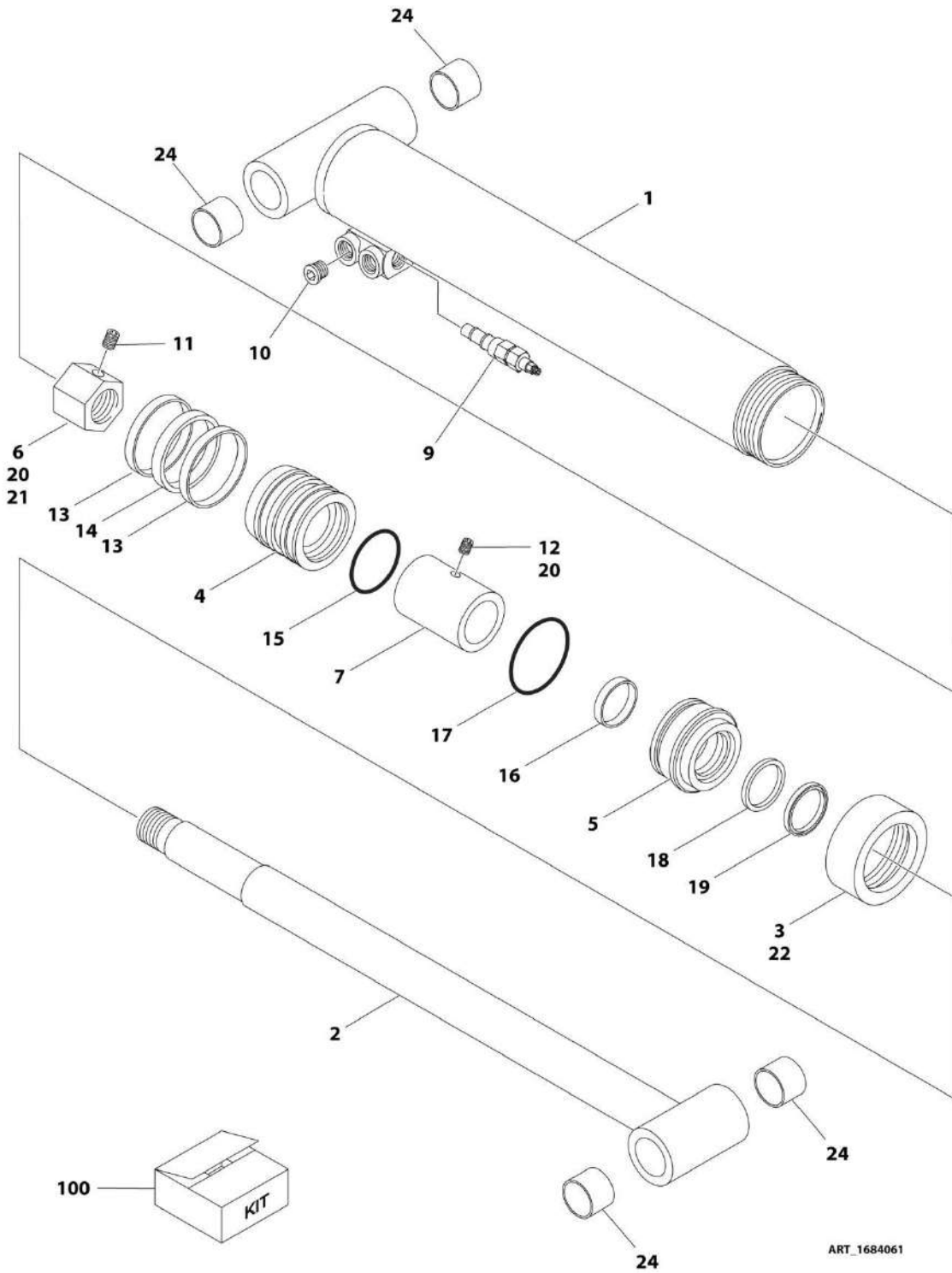
SECTION 6 - CYLINDER

FIGURE 6-15. LIFT CYLINDER ASSEMBLY - MID - E450AJ/M450AJ (SN B300002487 to Present)

ITEM	PART NUMBER	QTY	DESCRIPTION	REV
	1001230301	Ref	LIFT CYLINDER ASSEMBLY - MID - E450AJ/M450AJ	A
		Ref	Note: Original Cylinder may have been replaced with Service Replacement. Identify PN Stamped on Cylinder Before Ordering Parts.	
1	See Note	NSS	Barrel (Note: Not Available for Purchase)	
2	70006895	1	Rod Assembly	
3	70006896	1	Piston	
4	70006897	1	Gland	
5	70006898	1	Stop Tube	
6	70006899	2	Locking Piece (Insert)	
7	70006900	1	Metal Lock Nut	
8	0961950	4	Self-Lubricating Composite Bearing	
9	See Note	NSS	Rod Seal (Note: Purchase p/n 70006901)	
10	See Note	NSS	Stopt (Note: Purchase p/n 70006901)	
11	See Note	NSS	Wiper (Note: Purchase p/n 70006901)	
12	See Note	NSS	Rod Wearband (Note: Purchase p/n 70006901)	
13	See Note	NSS	O-Ring (Note: Purchase p/n 70006901)	
14	See Note	NSS	O-Ring (Note: Purchase p/n 70006901)	
15	See Note	NSS	O-Ring (Note: Purchase p/n 70006901)	
16	See Note	NSS	O-Ring (Note: Purchase p/n 70006901)	
17	See Note	NSS	Backup (Note: Purchase p/n 70006901)	
18	See Note	NSS	Tube Wearband (Note: Purchase p/n 70006901)	
19	4640634	1	Counter Balance Valve	
20	4641386	1	Counter Balance Valve	
21	2220883	2	Hex Socket Head Plug	
22	2220885	2	Hex Socket Head Plug	
100	70006901	1	Seal Kit (Includes Items 9-18)	

SECTION 6 - CYLINDER

FIGURE 6-16. LIFT CYLINDER ASSEMBLY - UPPER - E450AJ (SN 0300235601 through 0300239755)



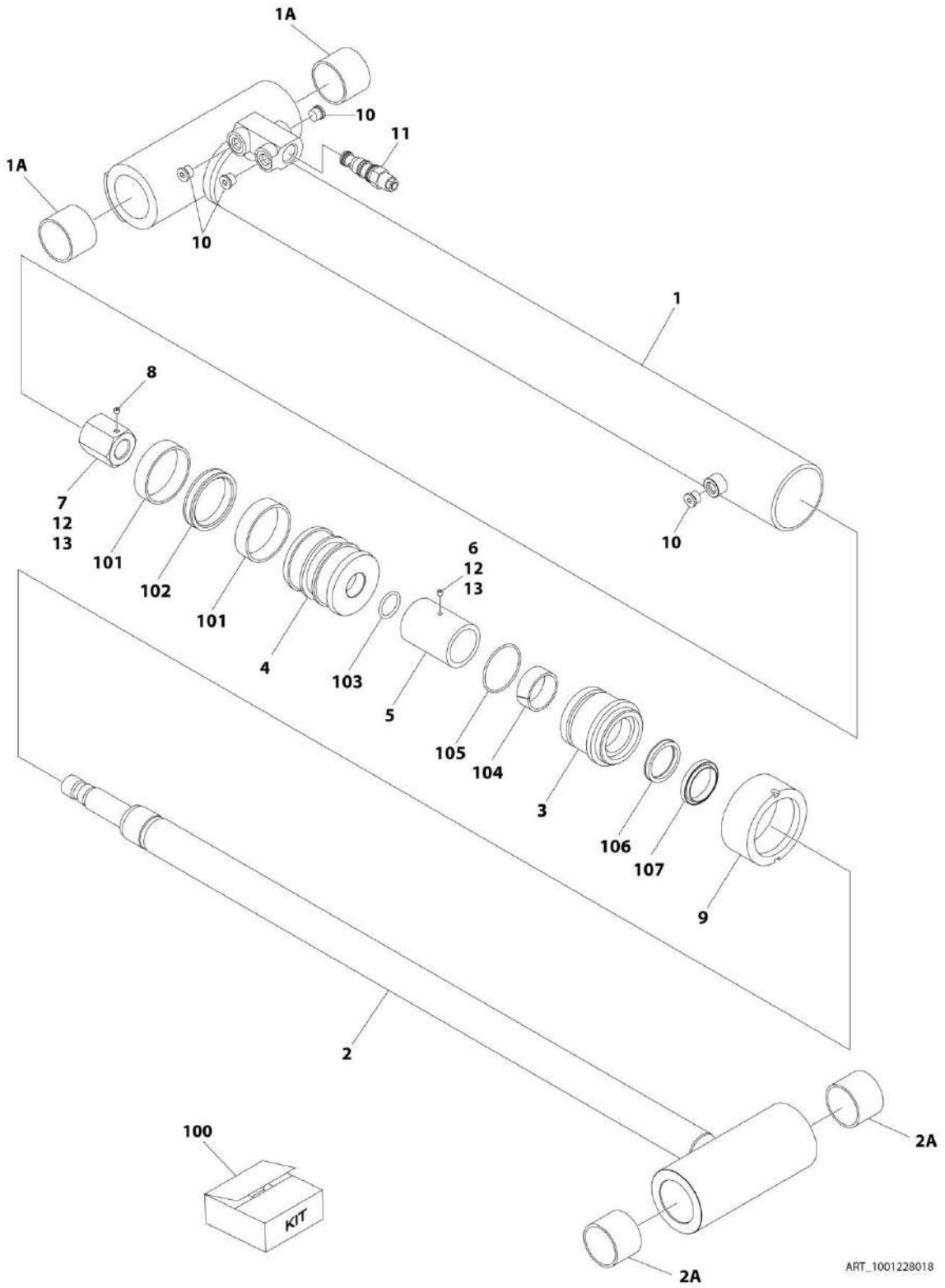
SECTION 6 - CYLINDER

FIGURE 6-16. LIFT CYLINDER ASSEMBLY - UPPER - E450AJ (SN 0300235601 through 0300239755)

ITEM	PART NUMBER	QTY	DESCRIPTION	REV
	1684061	Ref	LIFT CYLINDER ASSEMBLY - UPPER - E450AJ	G
		Ref	Note: Original Cylinder May Have Been Replaced with Service Replacement. Identify PN Stamped on Cylinder Before Ordering Parts.	
1	1684060	1	Barrel	
2	1684059	1	Rod	
3	1120108	1	Retainer	
4	3480240	1	Piston	
5	1683709	1	Head	
6	3300315	1	Nut	
7	4567177	1	Spacer	
9	4640936	1	Cartridge, Valve	
9	2900770	1	Seal, Kit - 4640936 Valve	
10	2220885	4	Plug	
11	3900170	1	Setscrew	
12	3951402	1	Setscrew	
13	See Note	NSS	Ring, Wear (Note: Use p/n 2901804)	
14	See Note	NSS	Seal, Piston (Note: Use p/n 2901804)	
15	See Note	NSS	O-Ring (Note: Use p/n 2901804)	
16	See Note	NSS	Ring, Wear (Note: Use p/n 2901804)	
17	See Note	NSS	O-Ring (Note: Use p/n 2901804)	
18	See Note	NSS	Seal, Rod (Note: Use p/n 2901804)	
19	See Note	NSS	Wiper, Rod (Note: Use p/n 2901804)	
20	0100011	AR	Compound, Locking	
21	0100038	AR	Primer, Locking	
22	0100035	AR	Compound, Locking	
24	0961950	4	Bushing	
100	2901804	1	Seal Kit (Includes Items 13-19)	

SECTION 6 - CYLINDER

FIGURE 6-17. LIFT CYLINDER ASSEMBLY - UPPER - E450AJ (SN 0300239756 to Present)



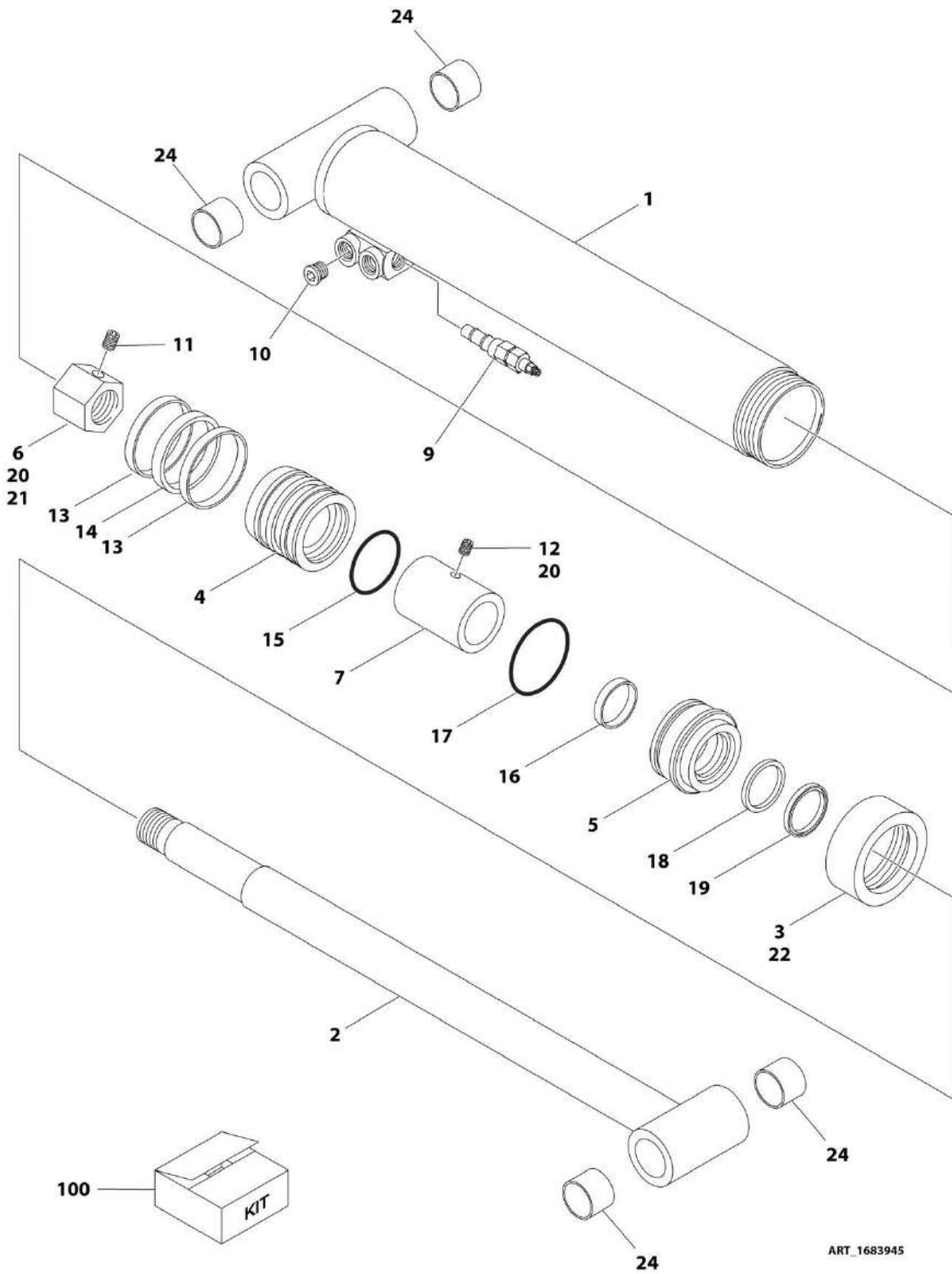
SECTION 6 - CYLINDER

FIGURE 6-17. LIFT CYLINDER ASSEMBLY - UPPER - E450AJ (SN 0300239756 to Present)

ITEM	PART NUMBER	QTY	DESCRIPTION	REV
	1001228018	Ref	LIFT CYLINDER ASSEMBLY - UPPER - E450AJ	B
		Ref	Note: Original Cylinder may have been replaced with Service Replacement. Identify PN Stamped on Cylinder Before Ordering Parts.	
1	See Note	NSS	Barrel Weldment (Note: Not Available for Purchase)	
1A	0961950	2	Bushing	
2	70006415	1	Rod Weldment	
2A	0961950	2	Bushing	
3	70006401	1	Head	
4	70006400	1	Piston	
5	70006414	1	Spacer	
6	70006413	1	Setscrew	
7	70006412	1	Nut	
8	70023915	1	Setscrew	
9	70006411	1	Retainer	
10	2220885	4	Plug, O-Ring	
11	4640936	1	Cartridge, Holding Valve	
11	2900770	1	Seal Kit - 4640936 Valve	
12	0100011	AR	Compound, Locking	
13	0100038	AR	Primer, Locking	
100	2901804	1	Seal Kit (Includes Items 101-107)	
101	See Note	NSS	Ring, Wear (Note: Use Item 100)	
102	See Note	NSS	Seal, Piston (Note: Use Item 100)	
103	See Note	NSS	O-Ring (Note: Use Item 100)	
104	See Note	NSS	Ring, Wear (Note: Use Item 100)	
105	See Note	NSS	O-Ring (Note: Use Item 100)	
106	See Note	NSS	Seal, Rod (Note: Use Item 100)	
107	See Note	NSS	Wiper, Rod (Note: Use Item 100)	

SECTION 6 - CYLINDER

FIGURE 6-18. LIFT CYLINDER ASSEMBLY - UPPER - E450AJ/M450AJ (SN 0300208529 through 0300239755, SN B300001429 through B300002486)



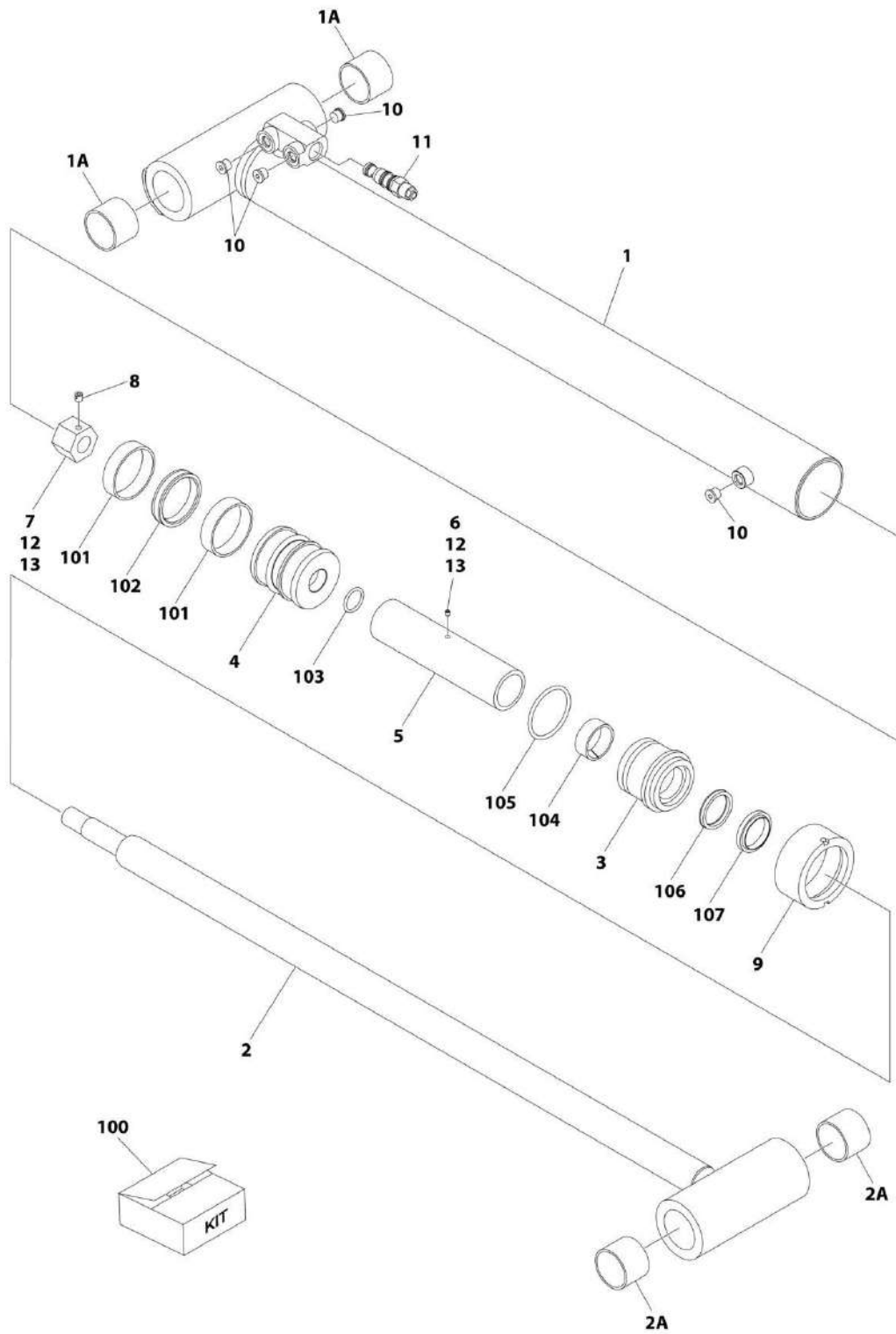
SECTION 6 - CYLINDER

FIGURE 6-18. LIFT CYLINDER ASSEMBLY - UPPER - E450AJ/M450AJ (SN 0300208529 through 0300239755, SN B300001429 through B300002486)

ITEM	PART NUMBER	QTY	DESCRIPTION	REV
	1683945	Ref	LIFT CYLINDER ASSEMBLY - UPPER - E450AJ/M450AJ	G
		Ref	Note: Original Cylinder May Have Been Replaced with Service Replacement. Identify PN Stamped on Cylinder Before Ordering Parts.	
1	1683946	1	Barrel	
2	1683947	1	Rod	
3	1120108	1	Retainer	
4	3480240	1	Piston	
5	1683709	1	Head	
6	3300279	1	Nut	
7	4567908	1	Spacer	
9	4640936	1	Cartridge, Holding Valve	
9	2900770	1	Seal Kit - 4640936 Valve	
10	2220885	4	Plug	
11	3900170	1	Setscrew	
12	3900142	1	Setscrew	
13	See Note	NSS	Ring, Wear (Note: Use p/n 2901804)	
14	See Note	NSS	Seal, Piston (Note: Use p/n 2901804)	
15	See Note	NSS	O-Ring (Note: Use p/n 2901804)	
16	See Note	NSS	Ring, Wear (Note: Use p/n 2901804)	
17	See Note	NSS	O-Ring (Note: Use p/n 2901804)	
18	See Note	NSS	Seal, Rod (Note: Use p/n 2901804)	
19	See Note	1	Wiper, Rod	
20	0100011	AR	Compound, Locking	
21	0100038	AR	Primer, Locking	
22	0100035	AR	Compound, Locking	
24	0961950	4	Bushing	
100	2901804	1	Seal Kit (Includes Items 13-19)	

SECTION 6 - CYLINDER

FIGURE 6-19. LIFT CYLINDER ASSEMBLY - UPPER - E450AJ/M450AJ (SN 0300239756 to Present)



ART_1001228016

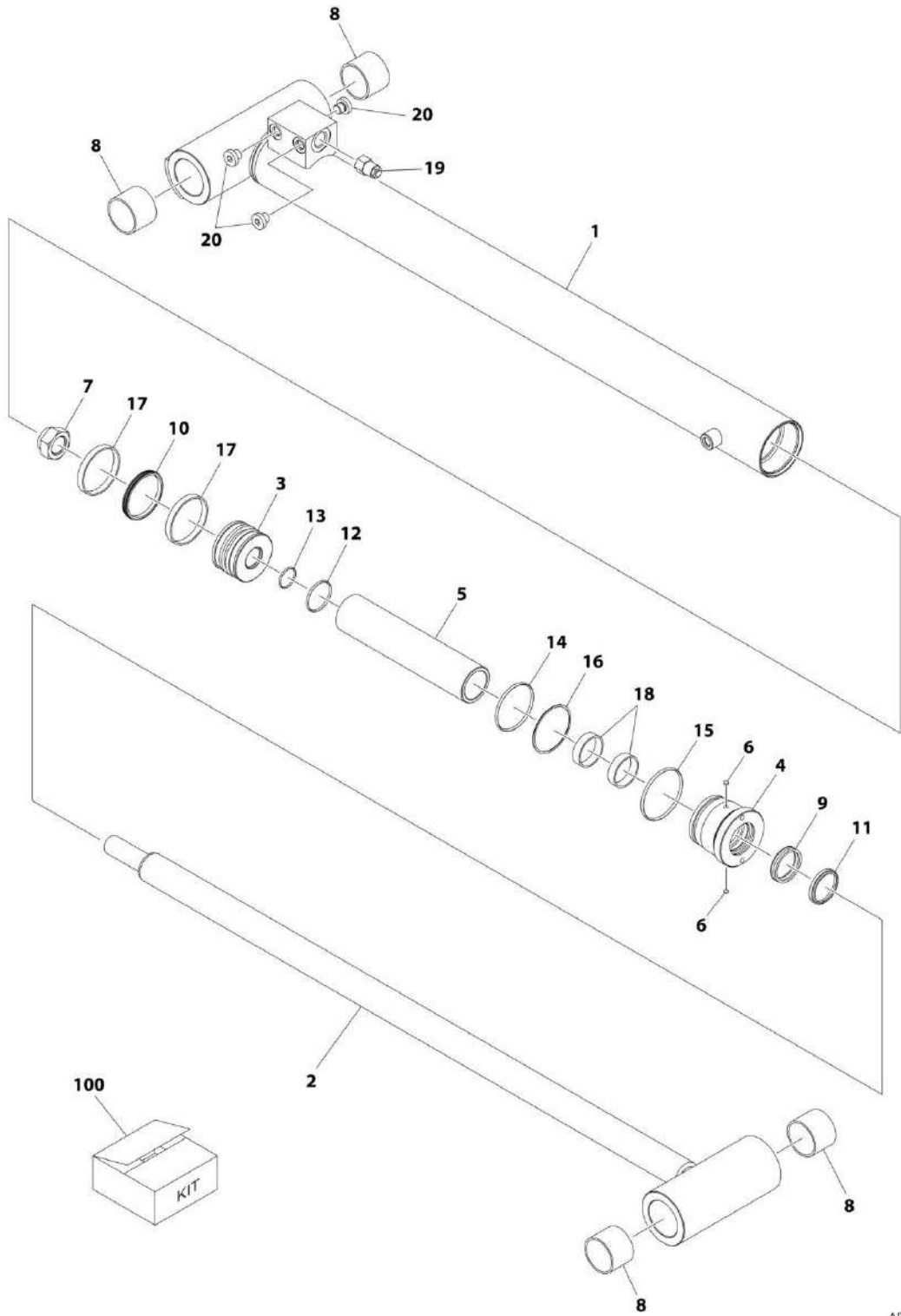
SECTION 6 - CYLINDER

FIGURE 6-19. LIFT CYLINDER ASSEMBLY - UPPER - E450AJ/M450AJ (SN 0300239756 to Present)

ITEM	PART NUMBER	QTY	DESCRIPTION	REV
	1001228016	Ref	LIFT CYLINDER ASSEMBLY - UPPER - E450AJ/M450AJ	B
		Ref	Note: Original Cylinder may have been replaced with Service Replacement. Identify PN Stamped on Cylinder Before Ordering Parts.	
1	See Note	NSS	Barrel Weldment (Note: Not Available for Purchase)	
1A	0961950	2	Bushing	
2	70006402	1	Rod Weldment	
2A	0961950	2	Bushing	
3	70006401	1	Head	
4	70006400	1	Piston	
5	70006399	1	Spacer	
6	70006398	1	Setscrew	
7	70006397	1	Nut	
8	70023915	1	Setscrew	
9	70006396	1	Retainer	
10	2220885	4	Plug, O-Ring	
11	4640936	1	Cartridge, Holding Valve	
11	2900770	1	Seal Kit - 4640936 Valve	
12	0100011	AR	Compound, Locking	
13	0100038	AR	Primer, Locking	
100	2901804	1	Seal Kit (Includes Items 101-107)	
101	See Note	NSS	Ring, Wear (Note: Use Item 100)	
102	See Note	NSS	Seal, Piston (Note: Use Item 100)	
103	See Note	NSS	O-Ring (Note: Use Item 100)	
104	See Note	NSS	Ring, Wear (Note: Use Item 100)	
105	See Note	NSS	O-Ring (Note: Use Item 100)	
106	See Note	NSS	Seal, Rod (Note: Use Item 100)	
107	See Note	NSS	Wiper, Rod (Note: Use Item 100)	

SECTION 6 - CYLINDER

FIGURE 6-20. LIFT CYLINDER ASSEMBLY - UPPER - E450AJ/M450AJ (SN B300002487 to Present)



ART_1001230299

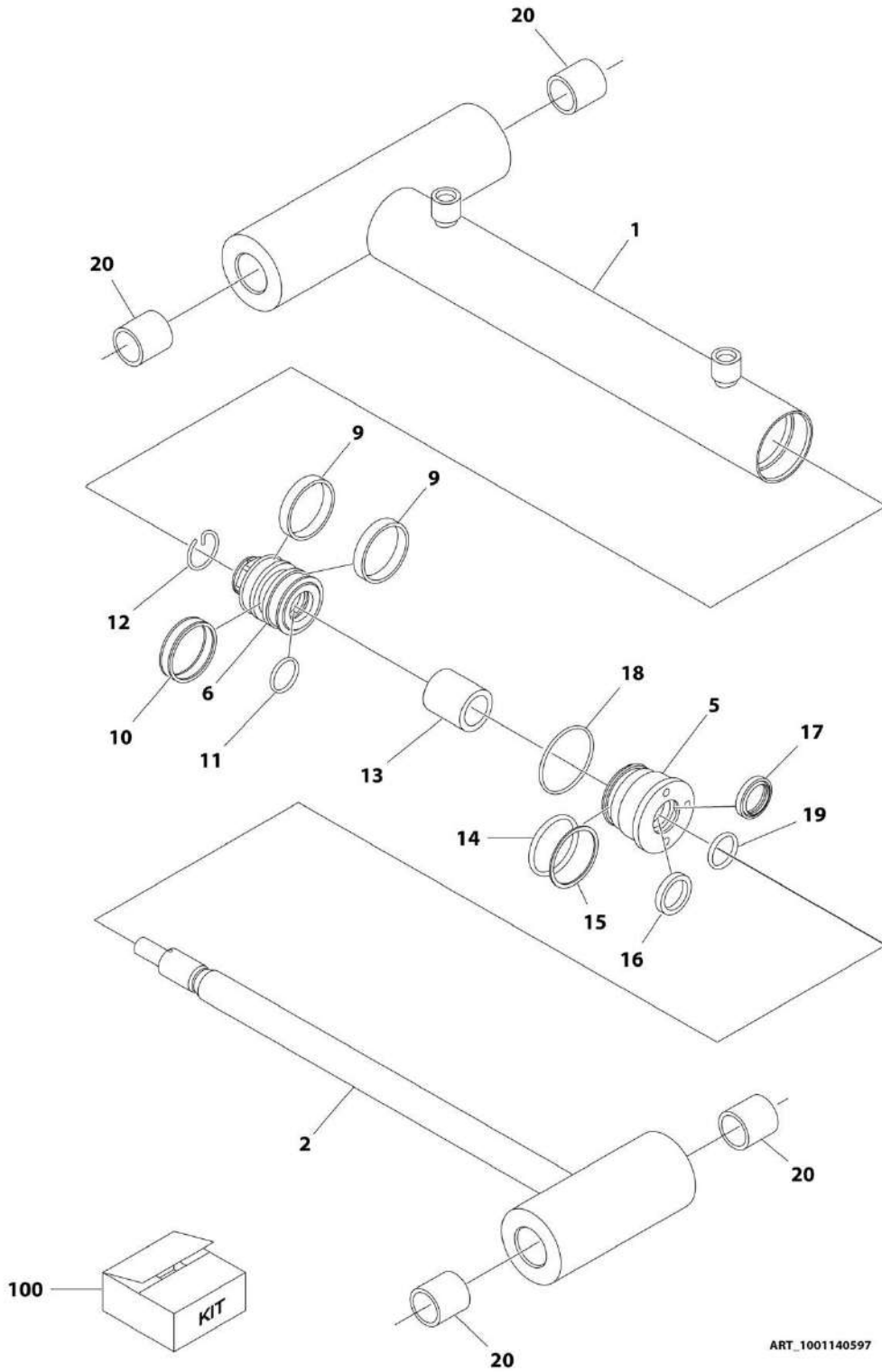
SECTION 6 - CYLINDER

FIGURE 6-20. LIFT CYLINDER ASSEMBLY - UPPER - E450AJ/M450AJ (SN B300002487 to Present)

ITEM	PART NUMBER	QTY	DESCRIPTION	REV
	1001230299	Ref	LIFT CYLINDER ASSEMBLY - UPPER - E450AJ/M450AJ	B
		Ref	Note: Original Cylinder may have been replaced with Service Replacement. Identify PN Stamped on Cylinder Before Ordering Parts.	
1	See Note	NSS	Barrel (Note: Not Available for Purchase)	
2	70006874	1	Rod Assembly	
3	70006875	1	Piston	
4	70006876	1	Gland	
5	70006877	1	Stop Tube	
6	70003636	2	Locking Piece	
7	70006878	1	Locknut	
8	0961950	4	Self-Lubricating Composite Bearing	
9	See Note	NSS	Rod Seal (Note: Purchase p/n 70006904)	
10	See Note	NSS	Stopt (Note: Purchase p/n 70006904)	
11	See Note	NSS	Wiper (Note: Purchase p/n 70006904)	
12	See Note	NSS	O-Ring (Note: Purchase p/n 70006904)	
13	See Note	NSS	O-Ring (Note: Purchase p/n 70006904)	
14	See Note	NSS	O-Ring (Note: Purchase p/n 70006904)	
15	See Note	NSS	O-Ring (Note: Purchase p/n 70006904)	
16	See Note	NSS	Backup (Note: Purchase p/n 70006904)	
17	See Note	NSS	Tube Wearband (Note: Purchase p/n 70006904)	
18	See Note	NSS	Rod Wearband (Note: Purchase p/n 70006904)	
19	4640936	1	Counter Balance Valve	
20	2220885	3	Hex Socket Head Plug	
100	70006904	1	Seal Kit (Includes Items 9-19)	

SECTION 6 - CYLINDER

FIGURE 6-21. MASTER CYLINDER ASSEMBLY - E450A



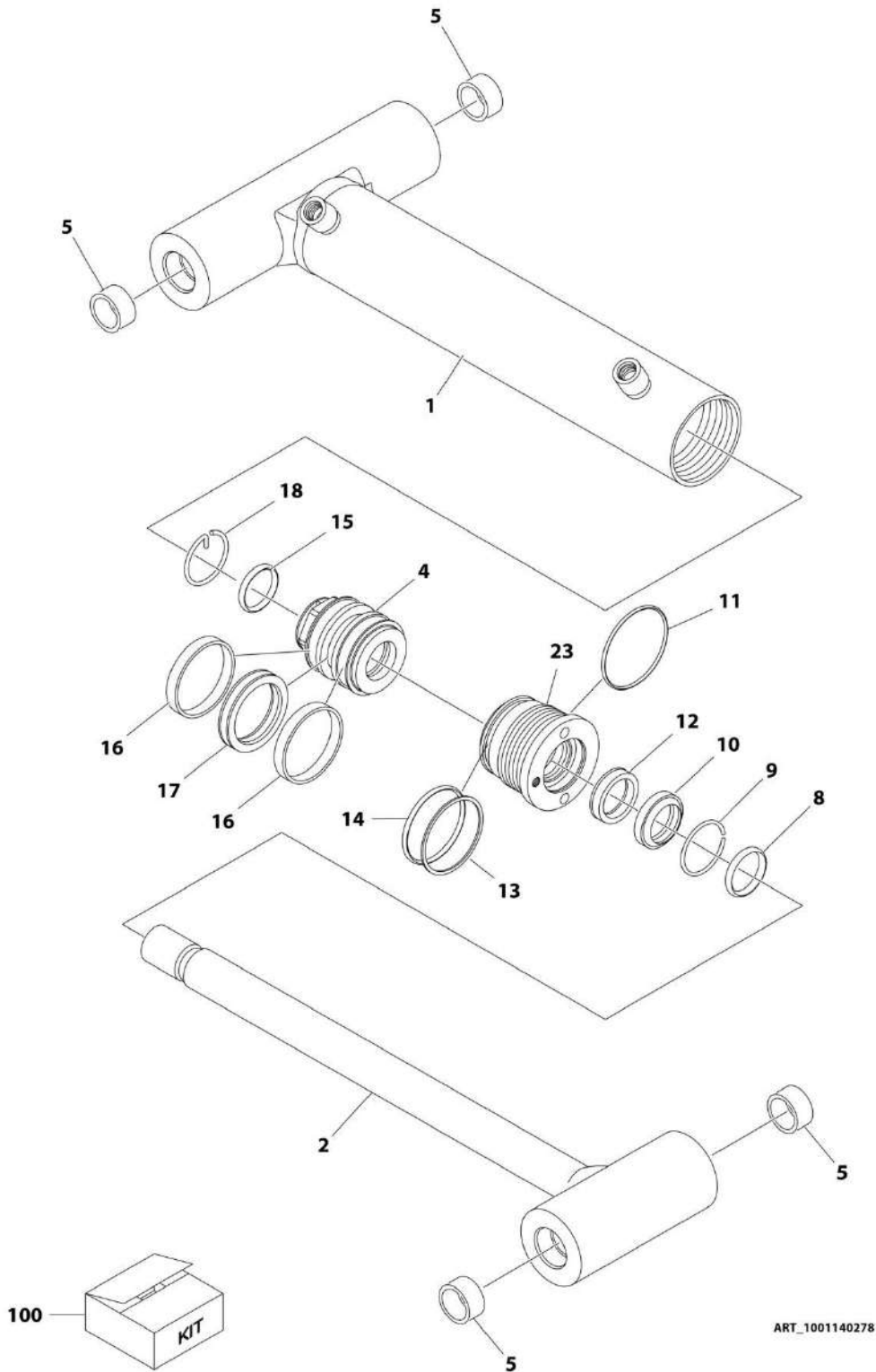
SECTION 6 - CYLINDER

FIGURE 6-21. MASTER CYLINDER ASSEMBLY - E450A

ITEM	PART NUMBER	QTY	DESCRIPTION	REV
	1001140597	Ref	MASTER CYLINDER ASSEMBLY - E450A	A
1	70004144	1	Barrel	
2	70004145	1	Rod	
5	70000739	1	Head	
6	70004141	1	Piston	
9	See Note	NSS	Ring, Wear (Note: Use p/n 70004130)	
10	See Note	NSS	Seal, Piston (Note: Use p/n 70004130)	
11	70023094	1	O-Ring	
12	70004142	1	Retainer	
13	70004143	1	Spacer	
14	See Note	NSS	O-Ring (Note: Use p/n 70004130)	
15	See Note	NSS	Ring, Back-Up (Note: Use p/n 70004130)	
16	See Note	NSS	Seal, Rod (Note: Use p/n 70004130)	
17	See Note	NSS	Wiper, Rod (Note: Use p/n 70004130)	
18	See Note	NSS	O-Ring (Note: Use p/n 70004130)	
19	See Note	NSS	O-Ring (Note: Use p/n 70004130)	
20	0962356	4	Bushing	
100	70004130	1	Seal Kit (Includes Items 9-11 & 14-18)	

SECTION 6 - CYLINDER

FIGURE 6-22. MASTER CYLINDER ASSEMBLY - E450AJ/M450AJ (SN 0300208529 to Present, SN B300001429 through B300002486)



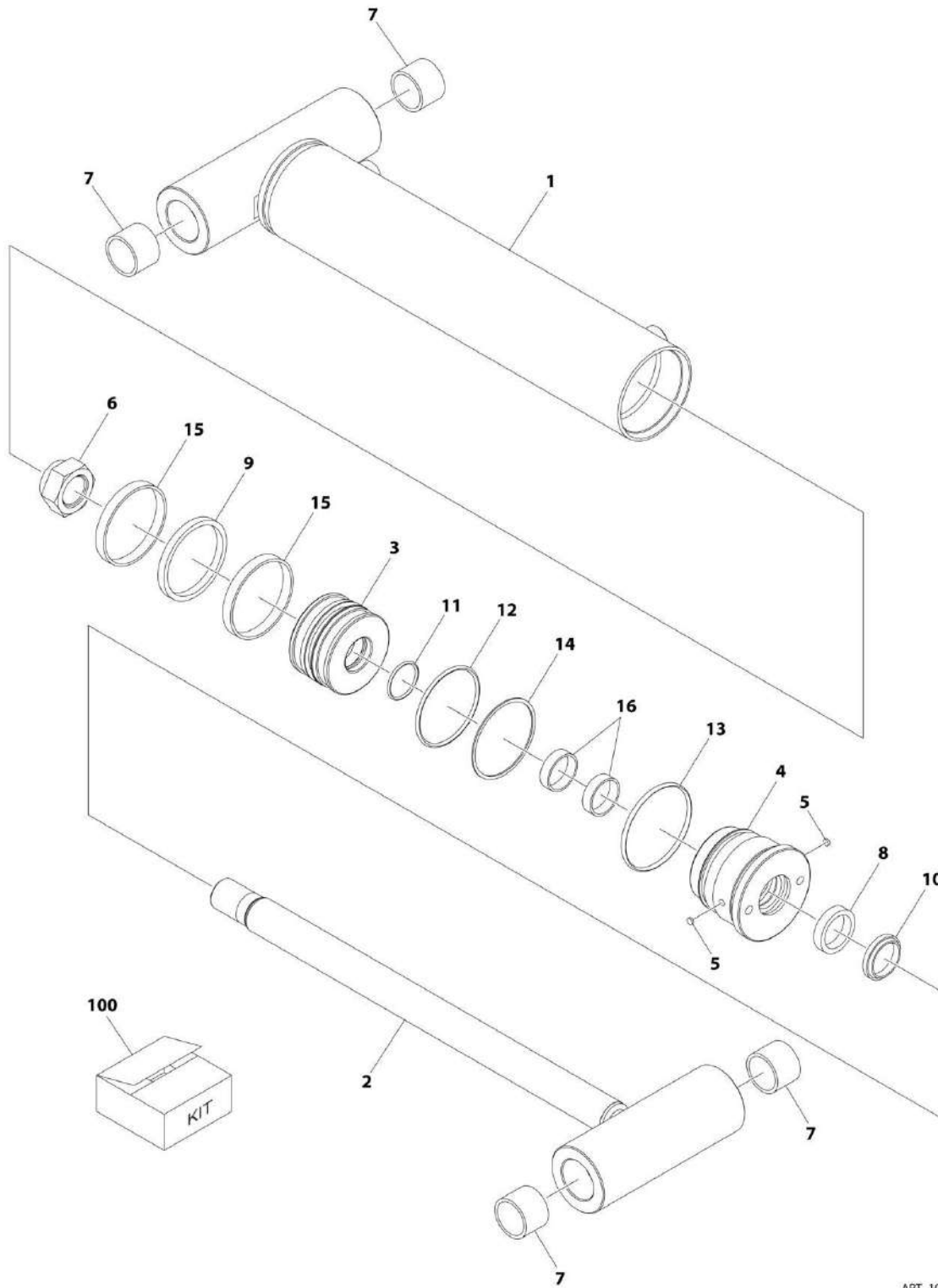
SECTION 6 - CYLINDER

FIGURE 6-22. MASTER CYLINDER ASSEMBLY - E450AJ/M450AJ (SN 0300208529 to Present, SN B300001429 through B300002486)

ITEM	PART NUMBER	QTY	DESCRIPTION	REV
	1001140278	Ref	MASTER CYLINDER ASSEMBLY - E450AJ/M450AJ	A
		Ref	Note: Original Cylinder may have been replaced with Service Replacement. Identify PN Stamped on Cylinder Before Ordering Parts.	
1	70003843	1	Barrel	
2	70003844	1	Rod	
4	70003819	1	Piston	
5	0961951	4	Bushing	
8	7026084	1	O-Ring	
9	70002217	1	Ring, Retaining	
10	See Note	NSS	Wiper, Rod (Note: Use p/n 70003845)	
11	See Note	NSS	O-Ring (Note: Use p/n 70003845)	
12	See Note	NSS	Seal, Rod (Note: Use p/n 70003845)	
13	See Note	NSS	Ring, Back-Up (Note: Use p/n 70003845)	
14	See Note	NSS	O-Ring (Note: Use p/n 70003845)	
15	See Note	NSS	O-Ring (Note: Use p/n 70003845)	
16	See Note	NSS	Ring, Wear (Note: Use p/n 70003845)	
17	See Note	NSS	Seal, Piston (Note: Use p/n 70003845)	
18	70002216	1	Retainer	
23	7026082	1	Head	
100	70003845	1	Seal Kit (Includes Items 10-17)	

SECTION 6 - CYLINDER

FIGURE 6-23. MASTER CYLINDER ASSEMBLY - E450AJ/M450AJ (SN B3000024867 to Present)



ART_1001230303

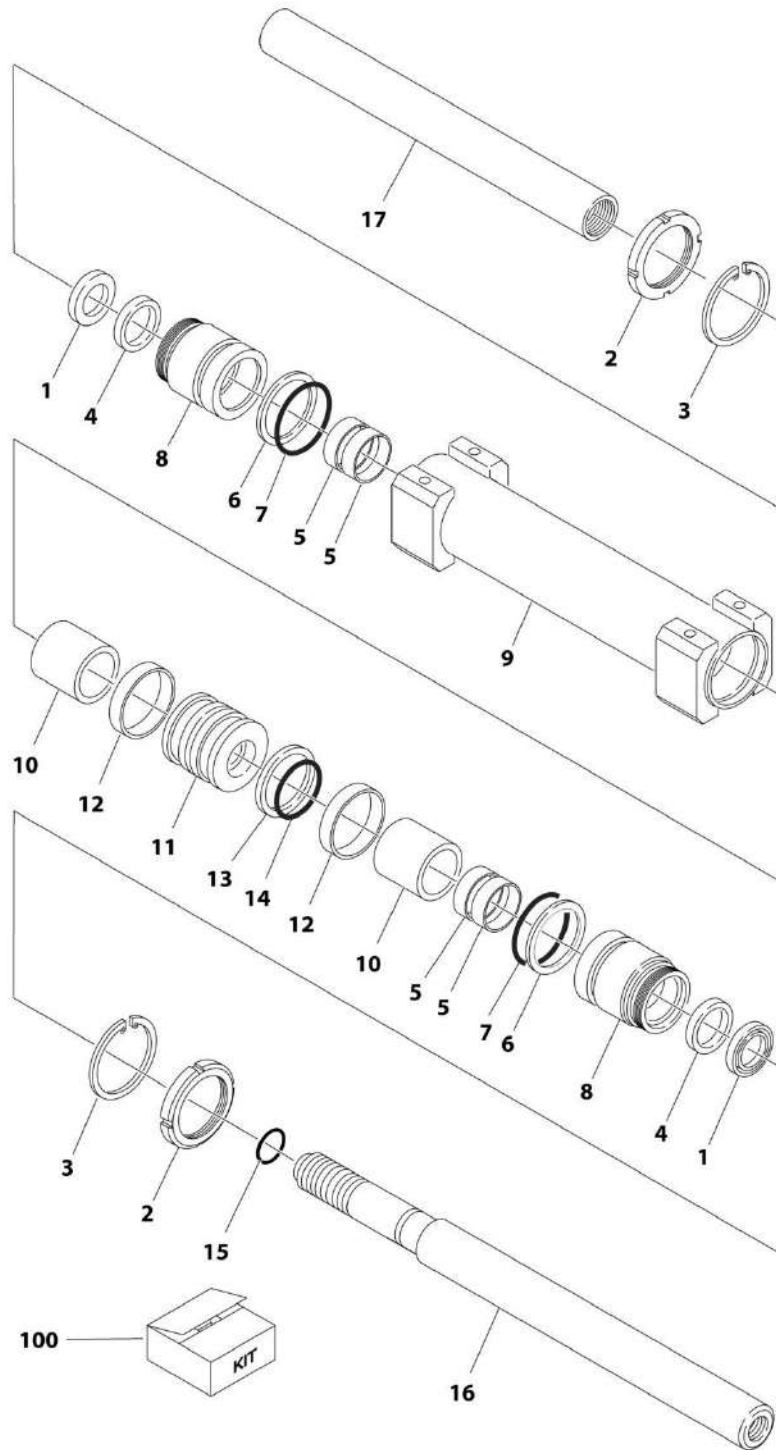
SECTION 6 - CYLINDER

FIGURE 6-23. MASTER CYLINDER ASSEMBLY - E450AJ/M450AJ (SN B3000024867 to Present)

ITEM	PART NUMBER	QTY	DESCRIPTION	REV
	1001230303	Ref	MASTER CYLINDER ASSEMBLY - E450AJ/M450AJ	A
		Ref	Note: Original Cylinder may have been replaced with Service Replacement. Identify PN Stamped on Cylinder Before Ordering Parts.	
1	See Note	NSS	Barrel (Note: Not Available for Purchase)	
2	70006908	1	Rod Assembly	
3	70006909	1	Piston	
4	70006910	1	Gland	
5	70003636	2	Locking Piece (Insert)	
6	70006878	1	Metal Lock Nut	
7	0961951	4	Self-Lubricating Composite Bearing	
8	See Note	NSS	Rod Seal (Note: Purchase p/n 70006911)	
9	See Note	NSS	Stopt (Note: Purchase p/n 70006911)	
10	See Note	NSS	Wiper (Note: Purchase p/n 70006911)	
11	See Note	NSS	O-Ring (Note: Purchase p/n 70006911)	
12	See Note	NSS	O-Ring (Note: Purchase p/n 70006911)	
13	See Note	NSS	O-Ring (Note: Purchase p/n 70006911)	
14	See Note	NSS	Backup (Note: Purchase p/n 70006911)	
15	See Note	NSS	Tube Wearband (Note: Purchase p/n 70006911)	
16	See Note	NSS	Rod Wearband (Note: Purchase p/n 70006911)	
100	70006911	1	Seal Kit (Includes Items 8-16)	

SECTION 6 - CYLINDER

FIGURE 6-24. STEER CYLINDER ASSEMBLY



ART_1683591

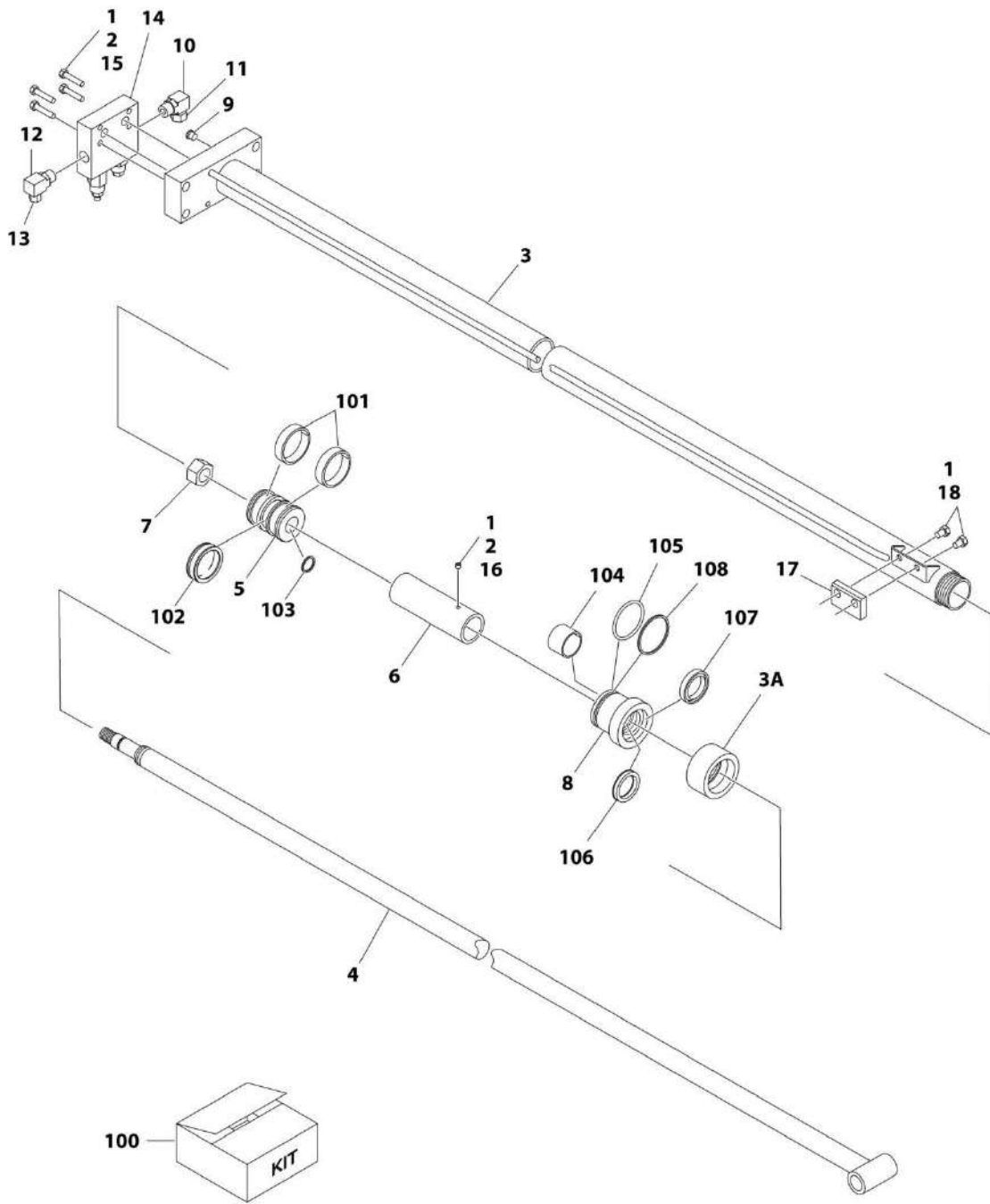
SECTION 6 - CYLINDER

FIGURE 6-24. STEER CYLINDER ASSEMBLY

ITEM	PART NUMBER	QTY	DESCRIPTION	REV
	1683591	Ref	STEER CYLINDER ASSEMBLY	B
1	See Note	2	Wiper (Note: Use p/n 7017246)	
2	7001630	2	Nut, Spanner	
3	7017247	2	Ring, Retaining	
4	See Note	2	Seal, Lip (Note: Use p/n 7017246)	
5	See Note	4	Ring, Wear (Note: Use p/n 7017246)	
6	See Note	2	Ring, Back-Up (Note: Use p/n 7017246)	
7	See Note	2	O-Ring (Note: Use p/n 7017246)	
8	7017248	2	Guide	
9	70003341	1	Barrel	
10	7017249	2	Tube	
11	7017250	1	Piston	
12	See Note	2	Ring, Wear (Note: Use p/n 7017246)	
13	See Note	1	Seal (Note: Use p/n 7017246)	
14	See Note	1	O-Ring (Note: Use p/n 7017246)	
15	See Note	1	O-Ring (Note: Use p/n 7017246)	
16	7017251	1	Rod - Male End	
17	7017252	1	Rod - Female End	
100	7017246	1	Seal Kit (Includes Items 1,4-7 & 12-15)	

SECTION 6 - CYLINDER

FIGURE 6-25. TELESCOPE CYLINDER ASSEMBLY - E450A (SN 0300208529 through 0300244781)



ART_1001151414

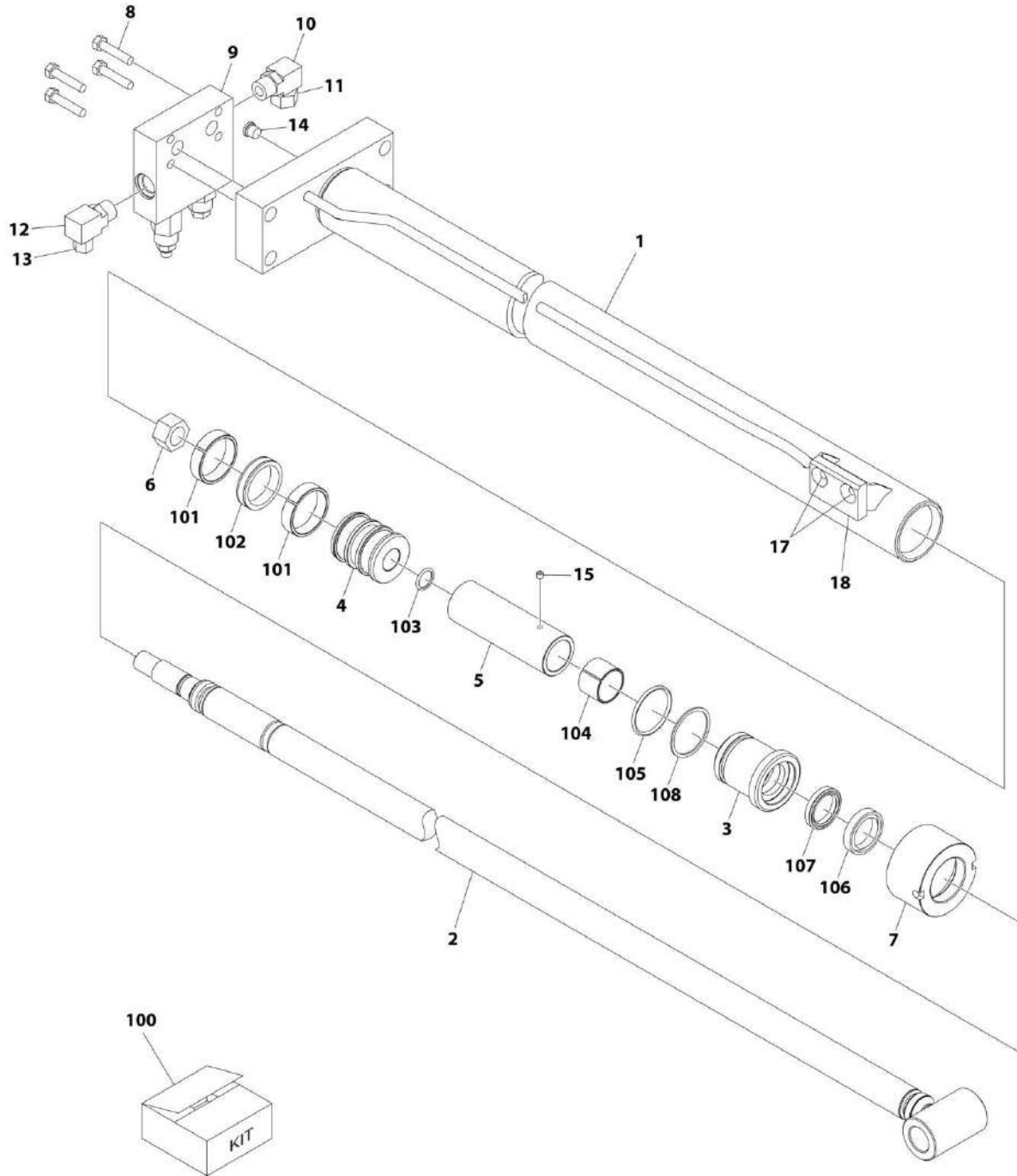
SECTION 6 - CYLINDER

FIGURE 6-25. TELESCOPE CYLINDER ASSEMBLY - E450A (SN 0300208529 through 0300244781)

ITEM	PART NUMBER	QTY	DESCRIPTION	REV
	1001151414	Ref	TELESCOPE CYLINDER ASSEMBLY - E450A	C
		Ref	Note: Original Cylinder may have been replaced with Service Replacement. Identify PN Stamped on Cylinder Before Ordering Parts.	
1	0100011	AR	Compound, Locking	
2	0100038	AR	Primer, Locking	
3	1001151413	1	Barrel	
3A	1120110	1	Cap, End	
4	1683706	1	Rod	
5	3480239	1	Piston	
6	4567704	1	Spacer	
7	3322205	1	Nut, Lock, 3/4-16	
8	1683584	1	Head	
9	2220883	1	Plug	
10	2220596	1	Fitting, 90 JIC/ORB	
11	2220517	1	Fitting, Cap	
12	2220628	1	Fitting, 90 JIC/ORB	
13	2220516	1	Fitting, Cap	
14	4640807	1	Counterbalance Valve Assembly (See COUNTERBALANCE VALVE ASSEMBLY for Breakdown)	
15	0641512	4	Bolt, 5/16-18 X 1-1/2	
16	3951402	1	Setscrew 1/4-20 X 1/4	
17	3340679	1	Pad, Wear	
18	0641604	2	Bolt, 3/8-16 X 1/2	
100	1001152230	1	Seal Kit (Includes Items 101-108)	
101	See Note	NSS	Ring, Wear (Note: Use p/n 1001152230)	
102	See Note	NSS	Seal, Cap (Note: Use p/n 1001152230)	
103	See Note	NSS	O-Ring (Note: Use p/n 1001152230)	
104	See Note	NSS	Ring, Wear (Note: Use p/n 1001152230)	
105	See Note	NSS	O-Ring (Note: Use p/n 1001152230)	
106	See Note	NSS	Seal, Rod (Note: Use p/n 1001152230)	
107	See Note	NSS	Wiper, Rod (Note: Use p/n 1001152230)	
108	See Note	NSS	Ring, Back-Up (Note: Use p/n 1001152230)	

SECTION 6 - CYLINDER

FIGURE 6-26. TELESCOPE CYLINDER ASSEMBLY - E450A (SN 0300244782 to Present)



ART_1001228062

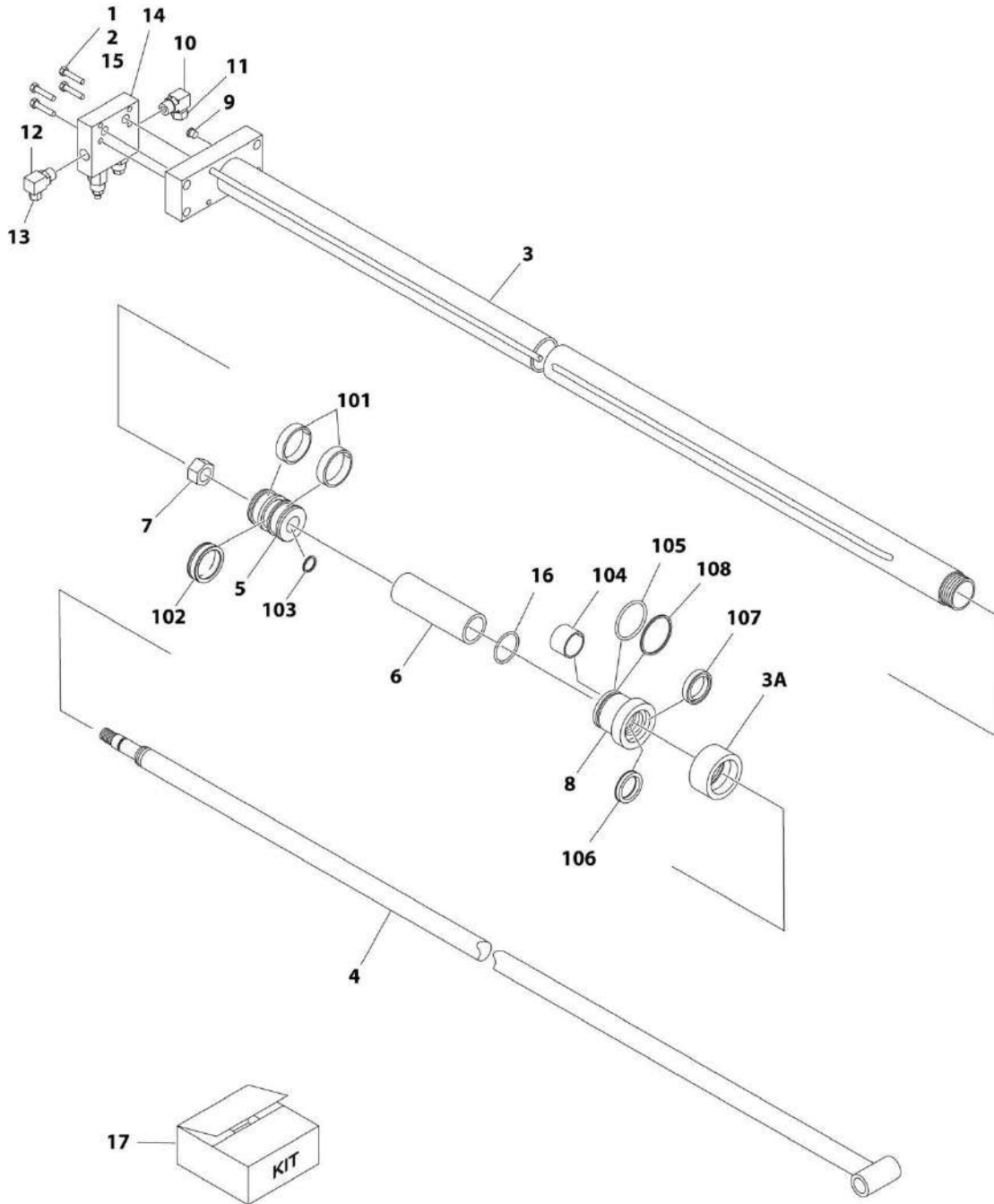
SECTION 6 - CYLINDER

FIGURE 6-26. TELESCOPE CYLINDER ASSEMBLY - E450A (SN 0300244782 to Present)

ITEM	PART NUMBER	QTY	DESCRIPTION	REV
	1001228062	Ref	TELESCOPE CYLINDER ASSEMBLY	A
		Ref	Note: Original Cylinder may have been replaced with Service Replacement. Identify PN Stamped on Cylinder Before Ordering Parts.	
1	See Note	NSS	Barrel (Note: Not Available for Purchase)	
2	70006567	1	Rod	
3	70006565	1	Head	
4	70006564	1	Piston	
5	70006563	1	Spacer	
6	70006971	1	Nut, Lock	
7	70006561	1	Cap, End	
8	0641512	4	Bolt, 5/16 X 1-1/2	
9	4640807	1	Counterbalance Valve Assembly (See COUNTERBALANCE VALVE ASSEMBLY for Breakdown)	
10	2220596	1	Fitting, 90 JIC/ORB	
11	2220517	1	Fitting, Cap	
12	2220628	1	Fitting, 90 JIC/ORB	
13	2220516	1	Fitting, Cap	
14	2220883	2	Plug	
15	70023915	1	Setscrew M6 x 8	
17	70006976	2	Screw	
18	3340679	1	Pad, Wear	
100	1001152230	1	Seal Kit (Includes Items 101-108)	
101	See Note	NSS	Ring, Wear (Note: Use p/n 1001152230)	
102	See Note	NSS	Seal, Cap (Note: Use p/n 1001152230)	
103	See Note	NSS	O-Ring (Note: Use p/n 1001152230)	
104	See Note	NSS	Ring, Wear (Note: Use p/n 1001152230)	
105	See Note	NSS	O-Ring (Note: Use p/n 1001152230)	
106	See Note	NSS	Seal, Rod (Note: Use p/n 1001152230)	
107	See Note	NSS	Wiper, Rod (Note: Use p/n 1001152230)	
108	See Note	NSS	Ring, Back-Up (Note: Use p/n 1001152230)	

SECTION 6 - CYLINDER

FIGURE 6-27. TELESCOPE CYLINDER ASSEMBLY - E450AJ/M450AJ (SN 0300208529 through 0300243858, SN B300001429 through B300002486)



ART_1001151368

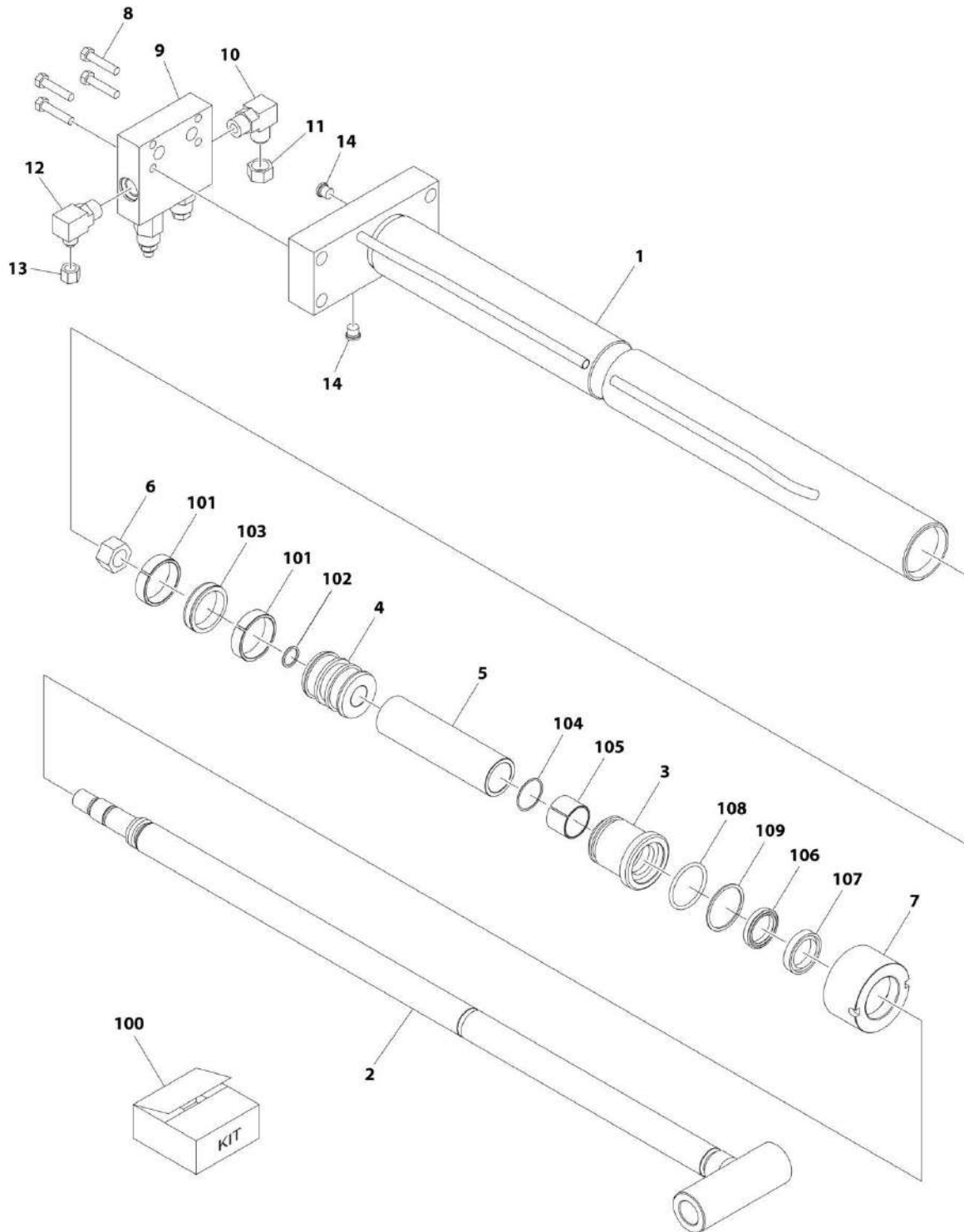
SECTION 6 - CYLINDER

FIGURE 6-27. TELESCOPE CYLINDER ASSEMBLY - E450AJ/M450AJ (SN 0300208529 through 0300243858, SN B300001429 through B300002486)

ITEM	PART NUMBER	QTY	DESCRIPTION	REV
	1001151368	Ref	TELESCOPE CYLINDER ASSEMBLY - E450AJ/M450AJ	D
		Ref	Note: Original Cylinder may have been replaced with Service Replacement. Identify PN Stamped on Cylinder Before Ordering Parts.	
1	0100011	AR	Compound, Locking	
2	0100038	AR	Primer, Locking	
3	1001151386	1	Barrel	
3A	1120110	1	Cap, End	
4	1683802	1	Rod	
5	3480239	1	Piston	
6	4566027	1	Spacer	
7	3322205	1	Nut, Lock, 3/4-16	
8	1683584	1	Head	
9	2220883	1	Plug	
10	2220596	1	Fitting, 90 JIC/ORB	
11	2220517	1	Fitting, Cap	
12	2220628	1	Fitting, 90 JIC/ORB	
13	2220516	1	Fitting, Cap	
14	4640807	1	Counterbalance Valve Assembly (See COUNTERBALANCE VALVE ASSEMBLY for Breakdown)	
15	0641512	4	Bolt, 5/16-18 X 1-1/2	
16	See Note	NSS	O-Ring (Note: Use p/n 1001152230)	
17	1001152230	1	Seal Kit (Includes Items 16 & 101-108)	
101	See Note	NSS	Ring, Wear (Note: Use p/n 1001152230)	
102	See Note	NSS	Seal, Cap (Note: Use p/n 1001152230)	
103	See Note	NSS	O-Ring (Note: Use p/n 1001152230)	
104	See Note	NSS	Ring, Wear (Note: Use p/n 1001152230)	
105	See Note	NSS	O-Ring (Note: Use p/n 1001152230)	
106	See Note	NSS	Seal, Rod (Note: Use p/n 1001152230)	
107	See Note	NSS	Wiper, Rod (Note: Use p/n 1001152230)	
108	See Note	NSS	Ring, Back-Up (Note: Use p/n 1001152230)	

SECTION 6 - CYLINDER

FIGURE 6-28. TELESCOPE CYLINDER ASSEMBLY - E450AJ/M450AJ (SN 0300243859 to Present)



ART_1001228061

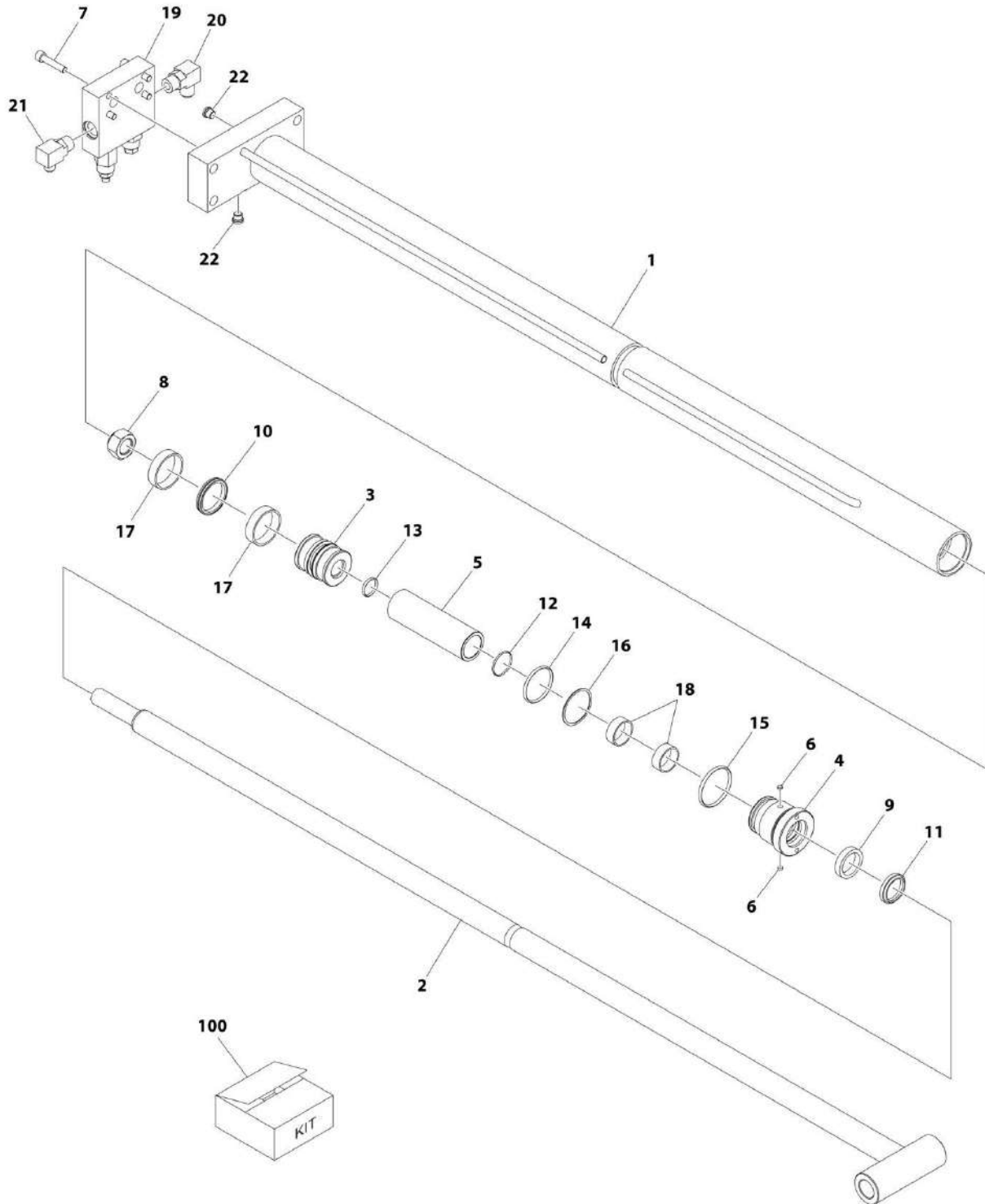
SECTION 6 - CYLINDER

FIGURE 6-28. TELESCOPE CYLINDER ASSEMBLY - E450AJ/M450AJ (SN 0300243859 to Present)

ITEM	PART NUMBER	QTY	DESCRIPTION	REV
	1001228061	Ref	TELESCOPE CYLINDER ASSEMBLY	A
		Ref	Note: Original Cylinder may have been replaced with Service Replacement. Identify PN Stamped on Cylinder Before Ordering Parts.	
1	See Note	NSS	Barrel (Note: Not Available for Purchase)	
2	70006973	1	Rod	
3	70006565	1	Head	
4	70006564	1	Piston	
5	70006972	1	Spacer	
6	70006971	1	Nut, Lock	
7	70006561	1	Cap, End	
8	0641512	4	Bolt, 5/16 X 1-1/2	
9	4640807	1	Counterbalance Valve Assembly (See COUNTERBALANCE VALVE ASSEMBLY for Breakdown)	
10	2220596	1	Fitting, 90 JIC/ORB	
11	2220517	1	Fitting, Cap	
12	2220628	1	Fitting, 90 JIC/ORB	
13	2220516	1	Fitting, Cap	
14	2220883	2	Plug	
100	1001152230	1	Seal Kit (Includes Items 101-108)	
101	See Note	NSS	Ring, Wear (Note: Use p/n 1001152230)	
102	See Note	NSS	O-Ring (Note: Use p/n 1001152230)	
103	See Note	NSS	Seal, Piston (Note: Use p/n 1001152230)	
104	See Note	NSS	O-Ring (Note: Use p/n 1001152230)	
105	See Note	NSS	Ring, Wear (Note: Use p/n 1001152230)	
106	See Note	NSS	Seal, Rod (Note: Use p/n 1001152230)	
107	See Note	NSS	Wiper, Rod (Note: Use p/n 1001152230)	
108	See Note	NSS	O-Ring (Note: Use p/n 1001152230)	
109	See Note	NSS	Ring, Back-Up (Note: Use p/n 1001152230)	

SECTION 6 - CYLINDER

FIGURE 6-29. TELESCOPE CYLINDER ASSEMBLY - E450AJ/M450AJ (SN B300002487 to Present)



ART_1001230302

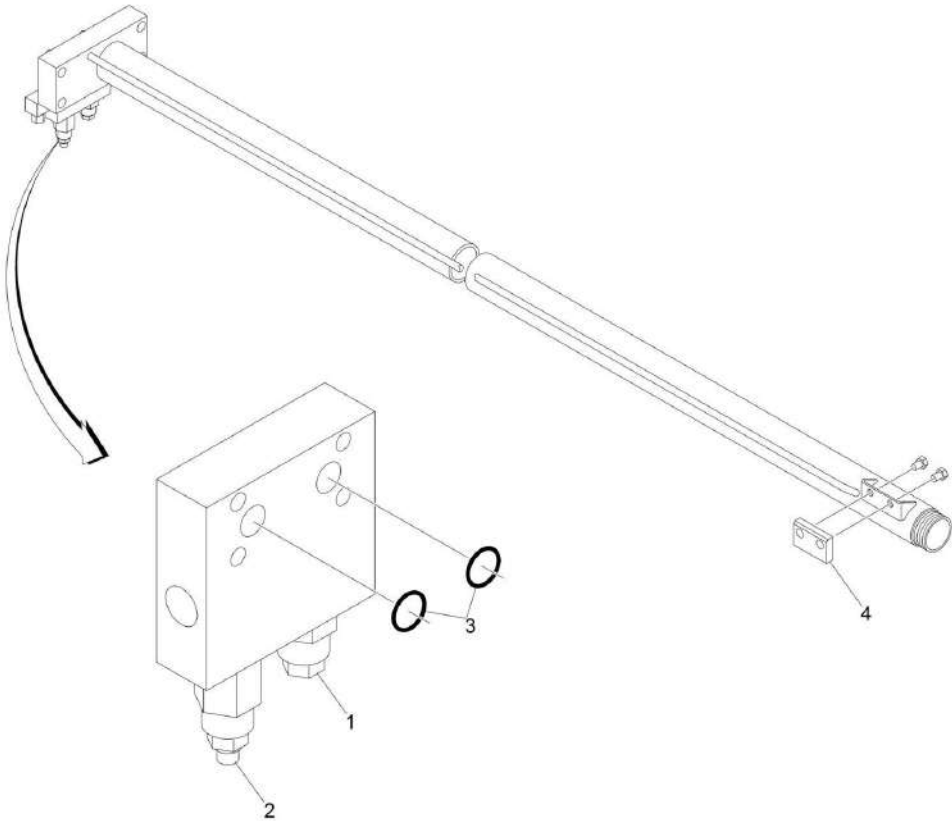
SECTION 6 - CYLINDER

FIGURE 6-29. TELESCOPE CYLINDER ASSEMBLY - E450AJ/M450AJ (SN B300002487 to Present)

ITEM	PART NUMBER	QTY	DESCRIPTION	REV
	1001230302	Ref	TELESCOPE CYLINDER ASSEMBLY - E450AJ/M450AJ	A
		Ref	Note: Original Cylinder may have been replaced with Service Replacement. Identify PN Stamped on Cylinder Before Ordering Parts.	
1	See Note	NSS	Barrel (Note: Not Available for Purchase)	
2	70006902	1	Rod Assembly	
3	70006903	1	Piston	
4	70006905	1	Gland	
5	70006906	1	Stop Tube	
6	70003636	2	Locking Piece (Insert)	
7	0641512	4	Hex Socket Cap Screw	
8	70004213	1	Metal Lock Nut	
9	See Note	NSS	Rod Seal (Note: Purchase p/n 7006907)	
10	See Note	NSS	Stopt (Note: Purchase p/n 7006907)	
11	See Note	NSS	Wiper (Note: Purchase p/n 7006907)	
12	See Note	NSS	O-Ring (Note: Purchase p/n 7006907)	
13	See Note	NSS	O-Ring (Note: Purchase p/n 7006907)	
14	See Note	NSS	O-Ring (Note: Purchase p/n 7006907)	
15	See Note	NSS	O-Ring (Note: Purchase p/n 7006907)	
16	See Note	NSS	Backup (Note: Purchase p/n 7006907)	
17	See Note	NSS	Tube Wearband (Note: Purchase p/n 7006907)	
18	See Note	NSS	Rod Wearband (Note: Purchase p/n 7006907)	
19	See Note	NSS	Valve Block	
20	2220596	1	Transition Joint	
21	2220628	1	Transition Joint	
22	2220883	2	Hex Socket Head Plug	
100	70006907	1	Seal Kit (Includes Items 9-18)	

SECTION 6 - CYLINDER

FIGURE 6-30. COUNTERBALANCE VALVE ASSEMBLY



ART_4640807

SECTION 6 - CYLINDER

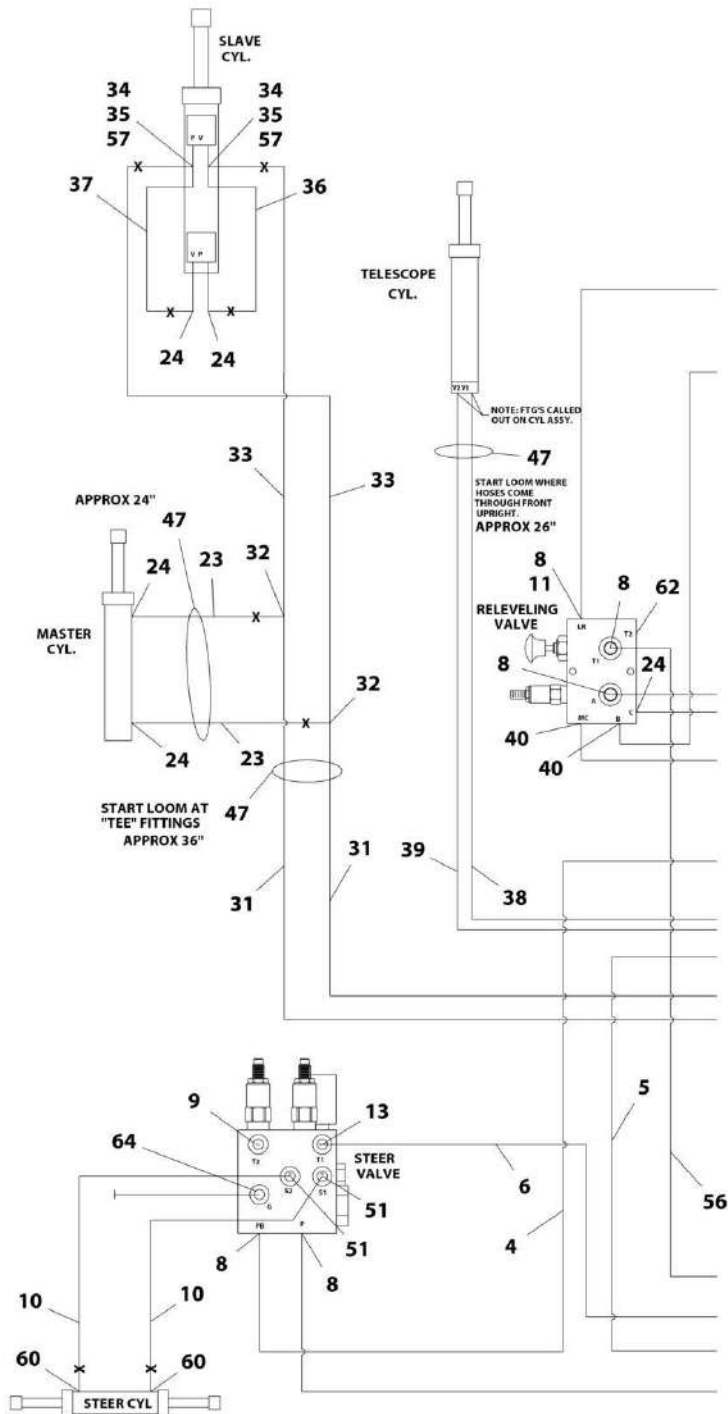
FIGURE 6-30. COUNTERBALANCE VALVE ASSEMBLY

ITEM	PART NUMBER	QTY	DESCRIPTION	REV
	4640807	Ref	COUNTERBALANCE VALVE ASSEMBLY	D
1	4640495	1	Cartridge, Counterbalance	
1	2900770	1	Seal Kit - 4640771 Cartridge	
2	4640709	1	Cartridge, Vented Counterbalance	
2	2900770	1	Seal Kit - 4640709 Cartridge	
3	3790113	2	O-Ring (Between Valve and Cylinder Block)	
4	3340679	1	Wear Pad	

SECTION 7 - HYDRAULIC

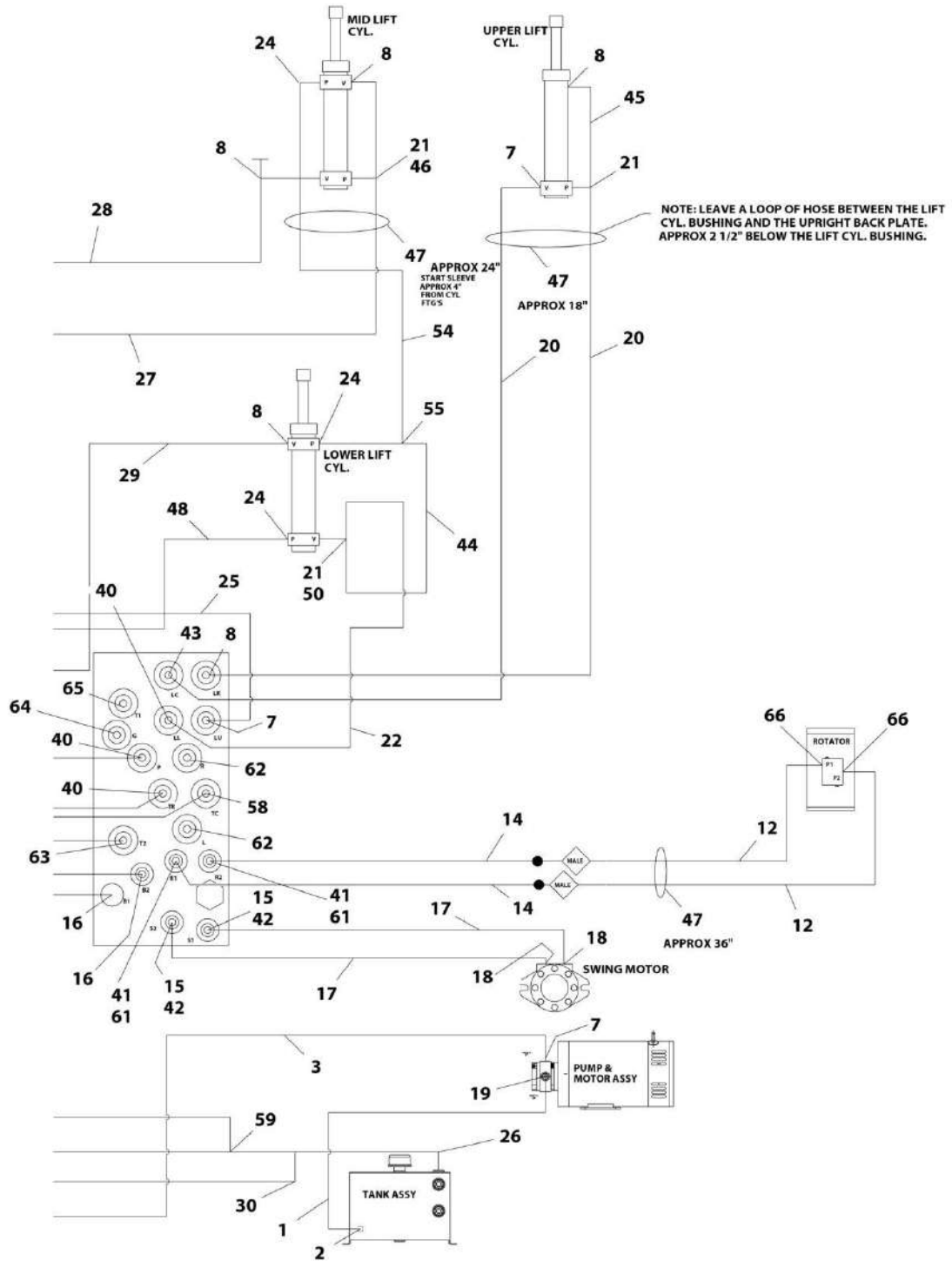
SECTION 7 - HYDRAULIC

FIGURE 7-1. HYDRAULIC DIAGRAM - E450A



ART_1001178385_10F2

SECTION 7 - HYDRAULIC



ART_1001178385_2OF2

SECTION 7 - HYDRAULIC

FIGURE 7-1. HYDRAULIC DIAGRAM - E450A

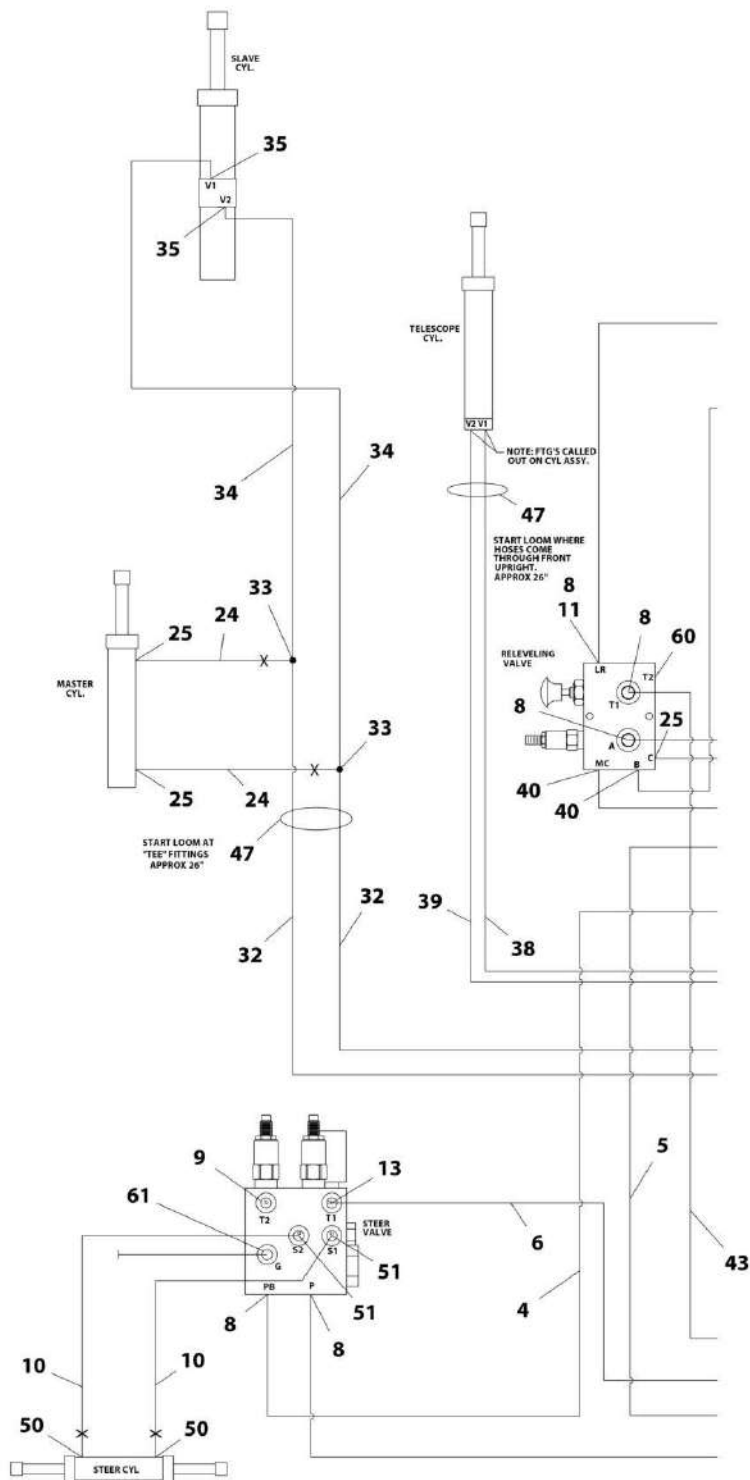
ITEM	PART NUMBER	QTY	DESCRIPTION	REV
	1001178385	Ref	HYDRAULIC DIAGRAM - E450A	D
1	2753973	1	Hose	
2	2220498	1	Fitting, 45 JIC/ORB	
3	1001152635	1	Hose	
4	2750915	1	Hose	
5	1001177666	1	Hose	
6	2752467	1	Hose	
7	2220371	3	Fitting, Straight, JIC/ORB	
8	2220473	10	Fitting, 90 JIC/ORB	
9	2220885	1	Plug	
10	2752453	2	Hose	
11	2220507	1	Fitting, 90 JIC/JIC	
12	1001185825	2	Hose	
13	2220371	1	Fitting, Straight, JIC/ORB	
14	1001185713	2	Hose	
15	2220415	2	Fitting, Straight JIC/ORB	
16	2220502	2	Fitting, 45 JIC/ORB	
17	2752459	2	Hose	
18	2221033	2	Fitting, Straight JIC/ORB	
19	2220593	1	Fitting, Straight JIC/ORB	
20	2753050	2	Hose	
21	2220899	3	Fitting, Tee JIC/ORB/JIC (Prior to SN 0300242059)	
21	2220899	2	Fitting, Tee JIC/ORB/JIC (SN 0300242059 to Present)	
22	2752620	1	Hose	
23	2752580	2	Hose	
24	2220472	8	Fitting, 90 JIC/ORB (Prior to SN 0300242059)	
24	2220472	7	Fitting, 90 JIC/ORB (SN 0300242059 to Present)	
25	2750910	1	Hose	
26	2220999	1	Fitting, Tee JIC/ORB/JIC	
27	2751127	1	Hose (Prior to SN 0300242059)	
27	2753301	1	Hose (SN 0300242059 to Present)	
28	2751126	1	Hose (Prior to SN 0300242059)	
28	2751009	1	Hose (SN 0300242059 to Present)	
29	2752475	1	Hose	
30	2220386	1	Fitting, 90 JIC/JIC	
31	2752585	2	Hose	
32	2220504	2	Fitting, Tee JIC/JIC/JIC	
33	2752572	2	Hose	
34	2220727	2	Fitting, Reducer ORB	
35	2220684	2	Fitting, Tee NPT/JIC/JIC	
36	2752435	1	Hose	
37	2752573	1	Hose	
38	2750996	1	Hose	
39	2751508	1	Hose	
40	2220501	5	Fitting, 45 JIC/ORB	
41	2220502	2	Fitting, 45 JIC/ORB	
42	2220677	2	Fitting, 45 JIC/JIC	
43	2221147	1	Fitting, 90 JIC/ORB	
44	2752581	1	Hose	
45	4566188	1	Tube	

SECTION 7 - HYDRAULIC

ITEM	PART NUMBER	QTY	DESCRIPTION	REV
46	4566623	1	Tube (Prior to SN 0300242059)	
47	4100026	13.7 ft/ 4.2m	Nylon, Sleeve	
48	2752983	1	Hose	
49	1702124	1	Hose, Tag (Not Shown)	
50	2220609	1	Fitting, Straight JIC/JIC	
51	2220415	2	Fitting, Straight JIC/ORB (Prior to SN 0300242059)	
51	2220415	3	Fitting, Straight JIC/ORB (SN 0300242059 to Present)	
54	2752440	1	Hose (Prior to SN 0300242059)	
54	2751414	1	Hose (SN 0300242059 to Present)	
55	2220605	1	Fitting, Tee JIC/JIC/JIC	
56	2750915	1	Hose	
58	2220600	1	Fitting, Straight JIC/ORB	
59	2221054	1	Fitting, Tee JIC/JIC/JIC	
60	2220582	2	Fitting, Straight JIC/ORB	
61	2220909	2	Fitting, Restrictor	
62	2220237	3	Plug, ORB	
63	1001136881	1	Fitting, 45 JIC/ORB	
64	2221086	2	Fitting, Nipple	
65	2220239	1	Plug, ORB	
66	2220502	2	Fitting, 45 JIC/ORB (SN 0300208529 through 0300235600)	
66	2220940	2	Fitting 90 JIC/ORB (SN 0300235601 to Present)	
67	2220654	1	Fitting 90 JIC/FSJIC (SN 0300242059 to Present)	

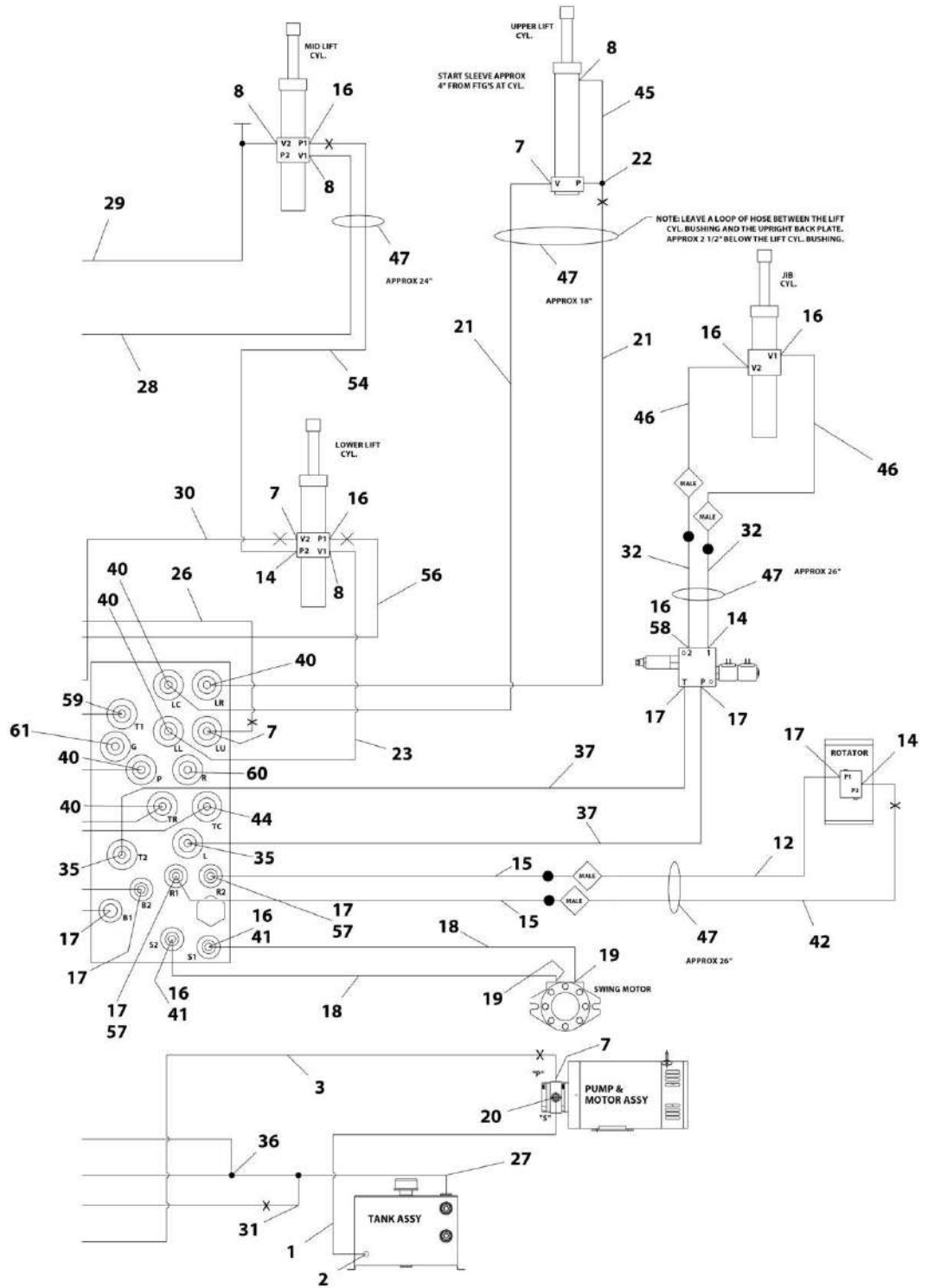
SECTION 7 - HYDRAULIC

FIGURE 7-2. HYDRAULIC DIAGRAM - E450AJ (SN 0300208529 through 0300233451, SN B300001429 through B300002532)



ART_1001178386_10F2

SECTION 7 - HYDRAULIC



ART_1001178386_2OF2

SECTION 7 - HYDRAULIC

FIGURE 7-2. HYDRAULIC DIAGRAM - E450AJ (SN 0300208529 through 0300233451, SN B300001429 through B300002532)

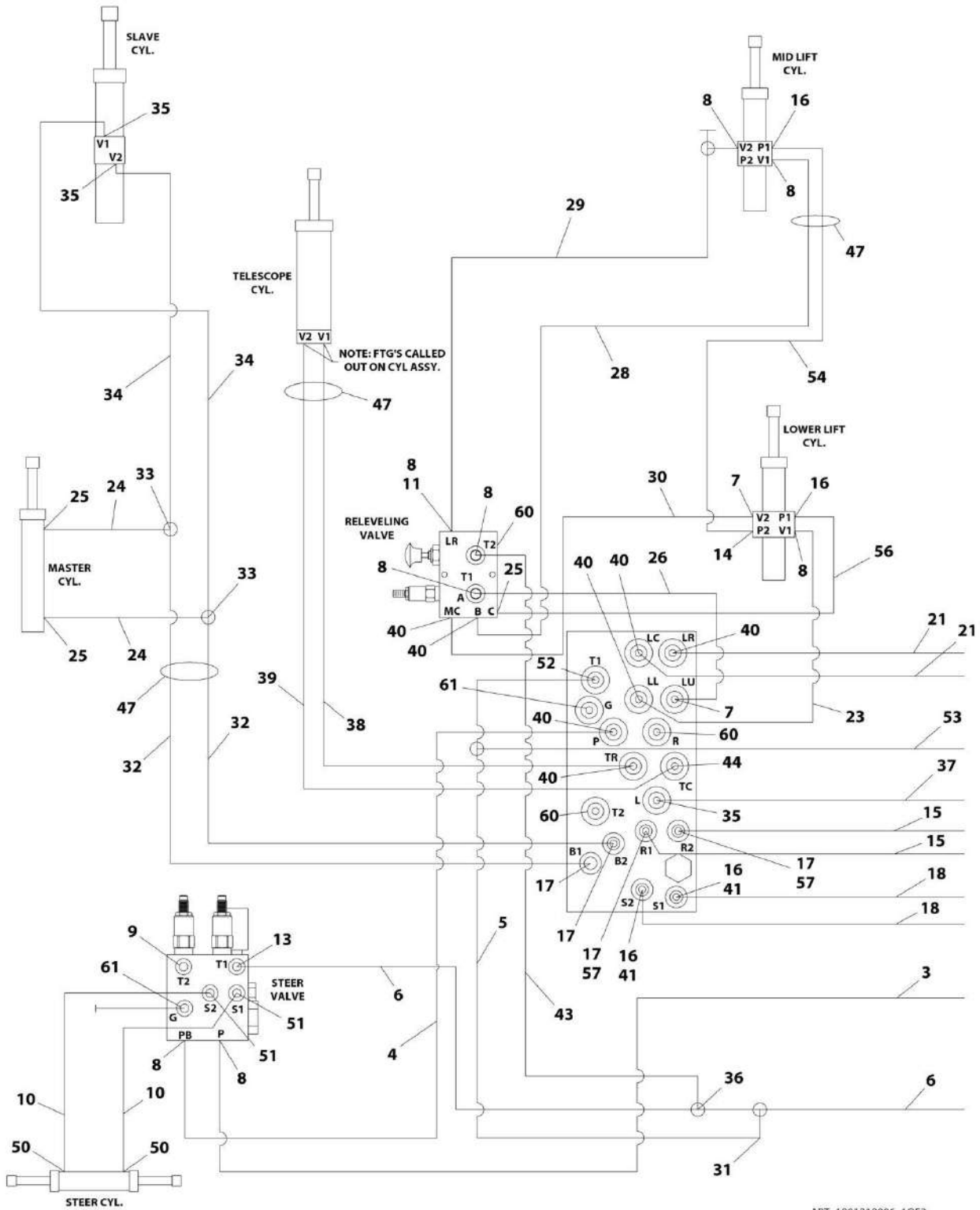
ITEM	PART NUMBER	QTY	DESCRIPTION	REV
	1001178386	Ref	HYDRAULIC DIAGRAM - E450AJ (SN 0300208529 through 0300233451, SN B300001429 through B300002532)	C
1	2753973	1	Hose	
2	2220498	1	Fitting, 45 JIC/ORB	
3	1001152635	1	Hose	
4	2750915	1	Hose	
5	1001177666	1	Hose	
6	2752467	1	Hose	
7	2220371	4	Fitting, Straight JIC/ORB	
8	2220473	9	Fitting, 90 JIC/ORB	
9	2220885	1	Plug	
10	2752453	2	Hose	
11	2220507	1	Fitting, 90 JIC/JIC	
12	2753638	1	Hose	
13	2220371	1	Fitting, Straight JIC/ORB	
14	2220466	4	Fitting, 90 JIC/ORB	
15	1001185713	2	Hose	
16	2220415	7	Fitting, Straight JIC/ORB	
17	2220502	7	Fitting, 45 JIC/ORB	
18	2752459	2	Hose	
19	2221033	2	Fitting, Straight JIC/ORB	
20	2220593	1	Fitting, Straight JIC/ORB	
21	2753050	2	Hose	
22	2220899	1	Fitting, Tee JIC/ORB/JIC	
23	2752466	1	Hose	
24	2752437	2	Hose	
25	2220472	3	Fitting, 90 JIC/ORB	
26	2750910	1	Hose	
27	2220999	1	Fitting, Tee JIC/ORB/JIC	
28	2753301	1	Hose	
29	2751009	1	Hose	
30	2752611	1	Hose	
31	2220386	1	Fitting, 90 JIC/JIC	
32	2752585	4	Hose	
33	2220504	2	Fitting, Tee JIC/JIC/JIC	
34	2753302	2	Hose	
35	2220582	4	Fitting, Straight JIC/ORB	
36	2221054	1	Fitting, Tee JIC/JIC/JIC	
37	2752430	2	Hose	
38	2750996	1	Hose	
39	2751508	1	Hose	
40	2220501	7	Fitting, 45 JIC/ORB	
41	2220677	2	Fitting, 45 JIC/JIC	
42	1001185826	1	Hose	
43	2750915	1	Hose	
44	2220600	1	Fitting, Straight JIC/ORB	
45	4567946	1	Tube	
46	2753303	2	Hose	
47	4100026	12.2 ft/	Nylon, Sleeve	

SECTION 7 - HYDRAULIC

ITEM	PART NUMBER	QTY	DESCRIPTION	REV
		3.7m		
49	1702124	1	Hose, Tag (Not Shown)	
50	2220582	2	Fitting, Straight JIC/ORB	
51	2220415	2	Fitting, Straight JIC/ORB	
52	8760554	1	Fitting, Tee ORB/JIC/JIC	
53	2752493	1	Hose	
54	2751414	1	Hose	
56	2752600	1	Hose	
57	2220909	2	Fitting, Restrictor	
58	2220654	1	Fitting, 90 JIC/JIC	
59	2220499	1	Fitting, 45 JIC/ORB (Not Shown)	
60	2220237	2	Plug, ORB	
61	2221086	2	Fitting, Nipple	

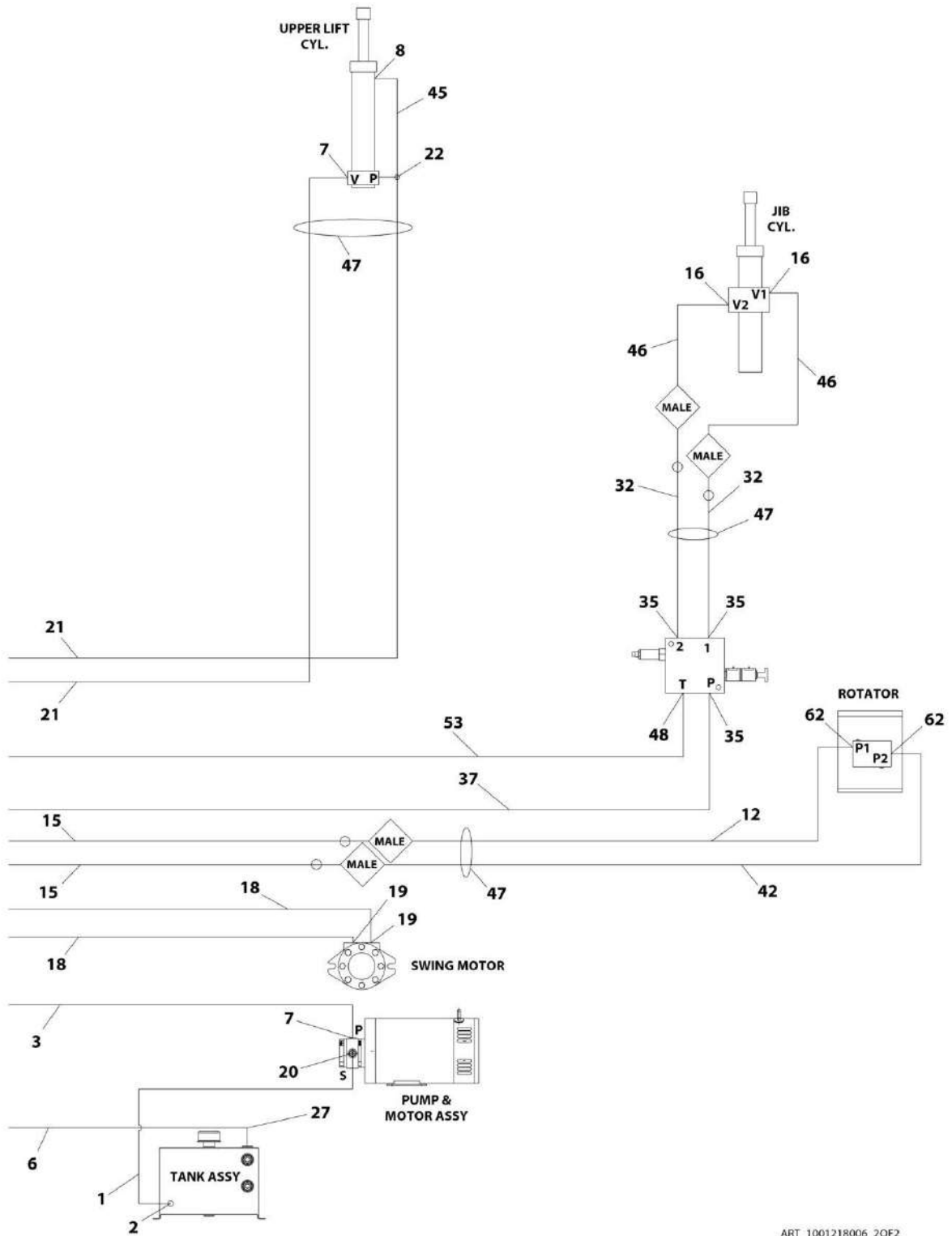
SECTION 7 - HYDRAULIC

FIGURE 7-3. HYDRAULIC DIAGRAM - E450AJ (SN 0300233452 to Present, SN B300002533 to Present)



ART_1001218006_1OF2

SECTION 7 - HYDRAULIC



ART_1001218006_2OF2

SECTION 7 - HYDRAULIC

FIGURE 7-3. HYDRAULIC DIAGRAM - E450AJ (SN 0300233452 to Present, SN B300002533 to Present)

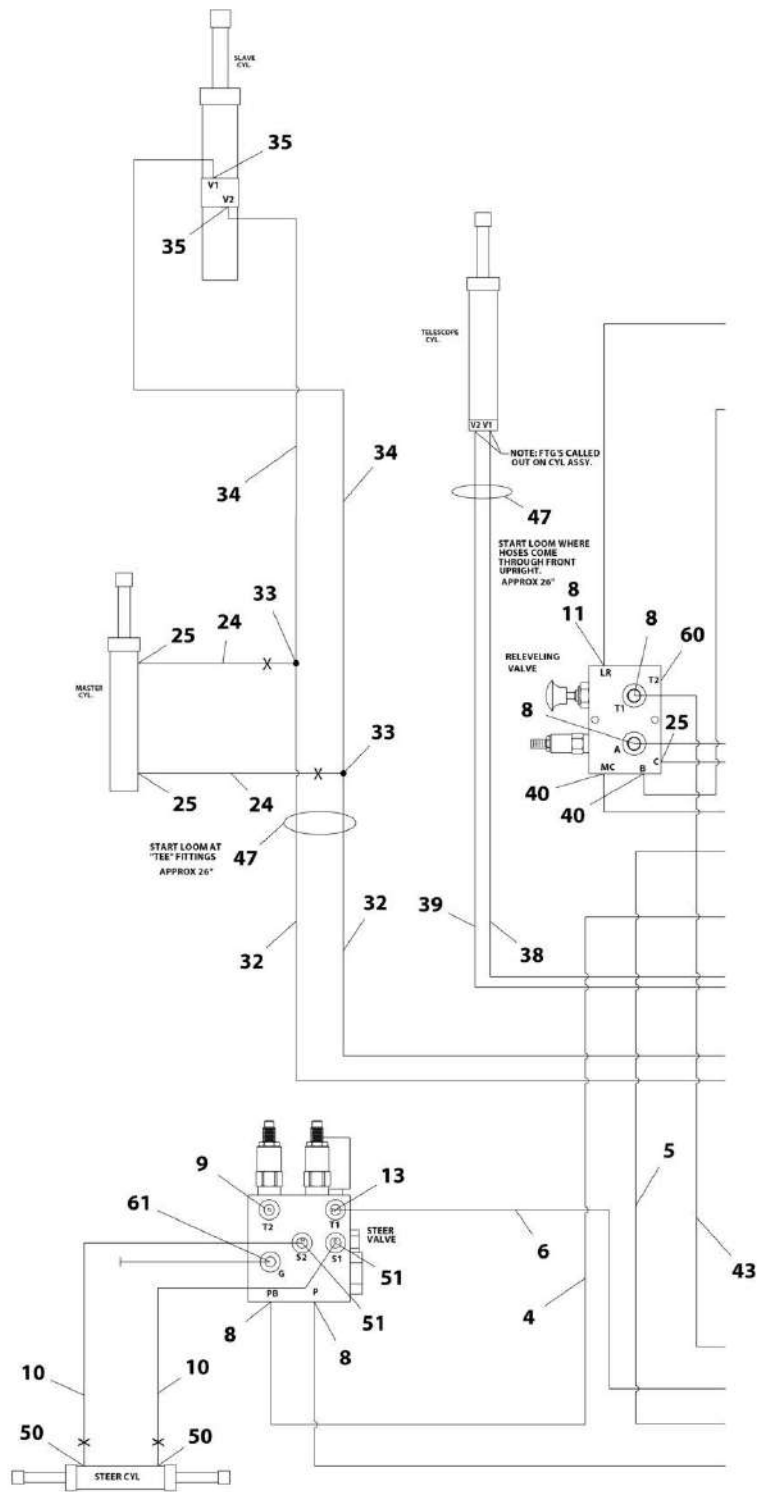
ITEM	PART NUMBER	QTY	DESCRIPTION	REV
	1001218006	Ref	HYDRAULIC DIAGRAM - E450AJ (SN 0300233452 to Present, SN B300002533 to Present)	C
1	2753973	1	Hose	
2	2220498	1	Fitting, 45 JIC/ORB	
3	1001152635	1	Hose	
4	2750915	1	Hose	
5	1001177666	1	Hose	
6	2752467	1	Hose	
7	2220371	4	Fitting, Straight JIC/ORB	
8	2220473	9	Fitting, 90 JIC/ORB	
9	2220885	1	Plug	
10	2752453	2	Hose	
11	2220507	1	Fitting, 90 JIC/JIC	
12	2753638	1	Hose	
13	2220371	1	Fitting, Straight JIC/ORB	
14	2220466	1	Fitting, 90 JIC/ORB	
15	1001185713	2	Hose	
16	2220415	6	Fitting, Straight JIC/ORB	
17	2220502	4	Fitting, 45 JIC/ORB	
18	2752459	2	Hose	
19	2221033	2	Fitting, Straight JIC/ORB	
20	2220593	1	Fitting, Straight JIC/ORB	
21	2753050	2	Hose	
22	2220899	1	Fitting, Tee JIC/ORB/JIC	
23	2752466	1	Hose	
24	2752437	2	Hose	
25	2220472	3	Fitting, 90 JIC/ORB	
26	2750910	1	Hose	
27	2220999	1	Fitting, Tee JIC/ORB/JIC	
28	2753301	1	Hose	
29	2751009	1	Hose	
30	2752611	1	Hose	
31	2220386	1	Fitting, 90 JIC/JIC	
32	2752585	4	Hose	
33	2220504	2	Fitting, Tee JIC/JIC/JIC	
34	2753302	2	Hose	
35	2220582	7	Fitting, Straight JIC/ORB	
36	2221054	1	Fitting, Tee JIC/JIC/JIC	
37	2752442	2	Hose	
38	2750996	1	Hose	
39	2751508	1	Hose	
40	2220501	7	Fitting, 45 JIC/ORB	
41	2220677	1	Fitting, 45 JIC/JIC	
42	1001185826	1	Hose	
43	2750915	1	Hose	
44	2220600	1	Fitting, Straight JIC/ORB	
45	4567946	1	Tube	
46	2753303	2	Hose	
47	4100026	12.2 ft/	Nylon, Sleeve	

SECTION 7 - HYDRAULIC

ITEM	PART NUMBER	QTY	DESCRIPTION	REV
		3.7m		
48	2220373	1	Fitting, Straight JIC/ORB	
49	1702124	1	Hose, Tag (Not Shown)	
50	2220582	2	Fitting, Straight JIC/ORB	
51	2220415	2	Fitting, Straight JIC/ORB	
52	8760554	1	Fitting, Tee ORB/JIC/JIC	
53	2752493	1	Hose	
54	2751414	1	Hose	
56	2752600	1	Hose	
57	2220909	2	Fitting, Restrictor	
59	2220499	1	Fitting, 45 JIC/ORB (Not Shown)	
60	2220237	3	Plug, ORB	
61	2221086	2	Fitting, Nipple	
62	2220466	1	Fitting, 90 JIC/ORB (SN 0300233452 through 0300235600)	
62	2220502	1	Fitting, 45 JIC/ORB (SN 0300233452 through 0300235600)	
62	2220940	2	Fitting, 90 JIC/ORB (SN 0300235601 to Present)	

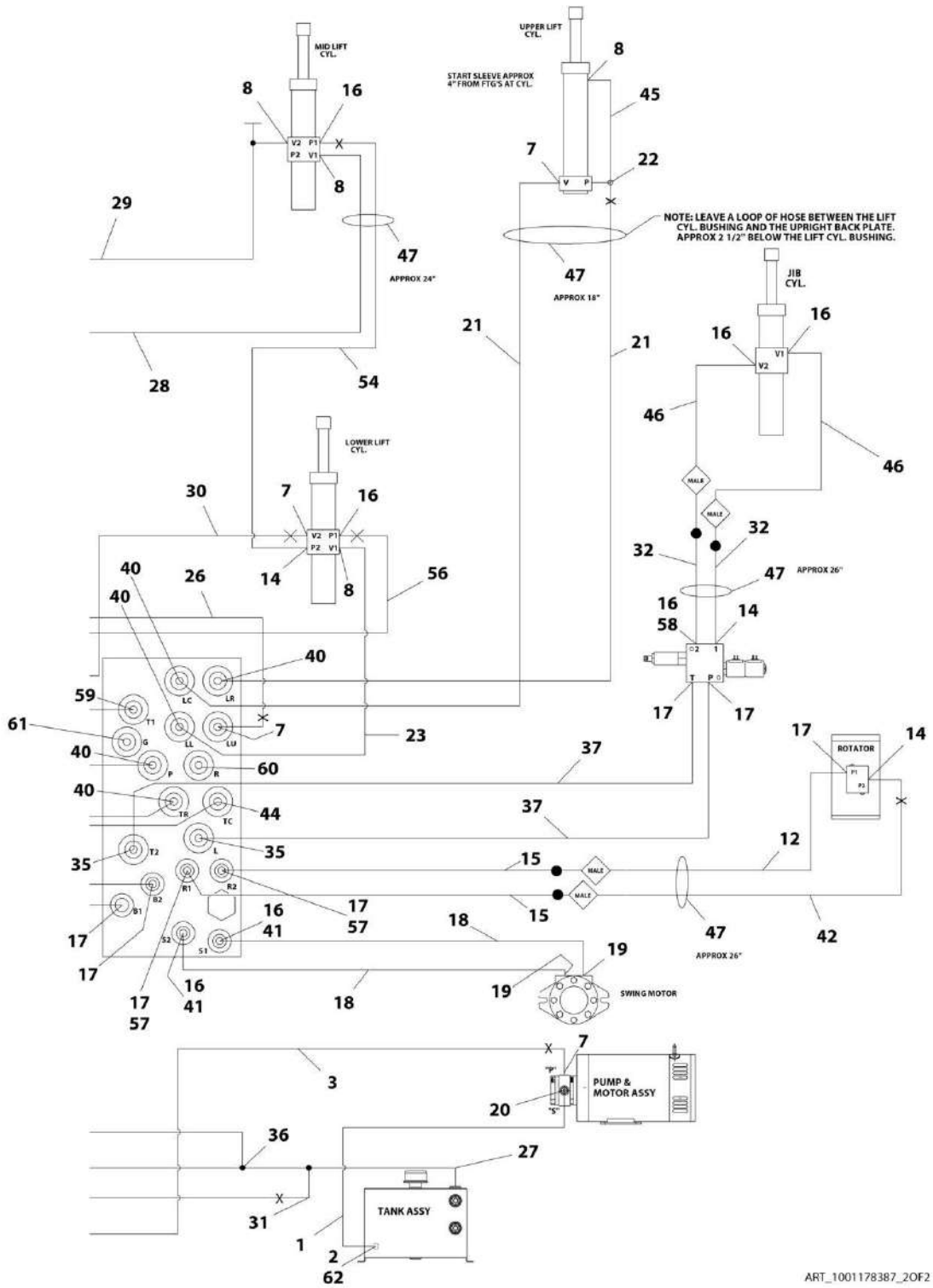
SECTION 7 - HYDRAULIC

FIGURE 7-4. HYDRAULIC DIAGRAM - M450AJ (SN 0300208529 through 0300233451)



ART_1001178387_1OF2

SECTION 7 - HYDRAULIC



ART_1001178387_20F2

SECTION 7 - HYDRAULIC

FIGURE 7-4. HYDRAULIC DIAGRAM - M450AJ (SN 0300208529 through 0300233451)

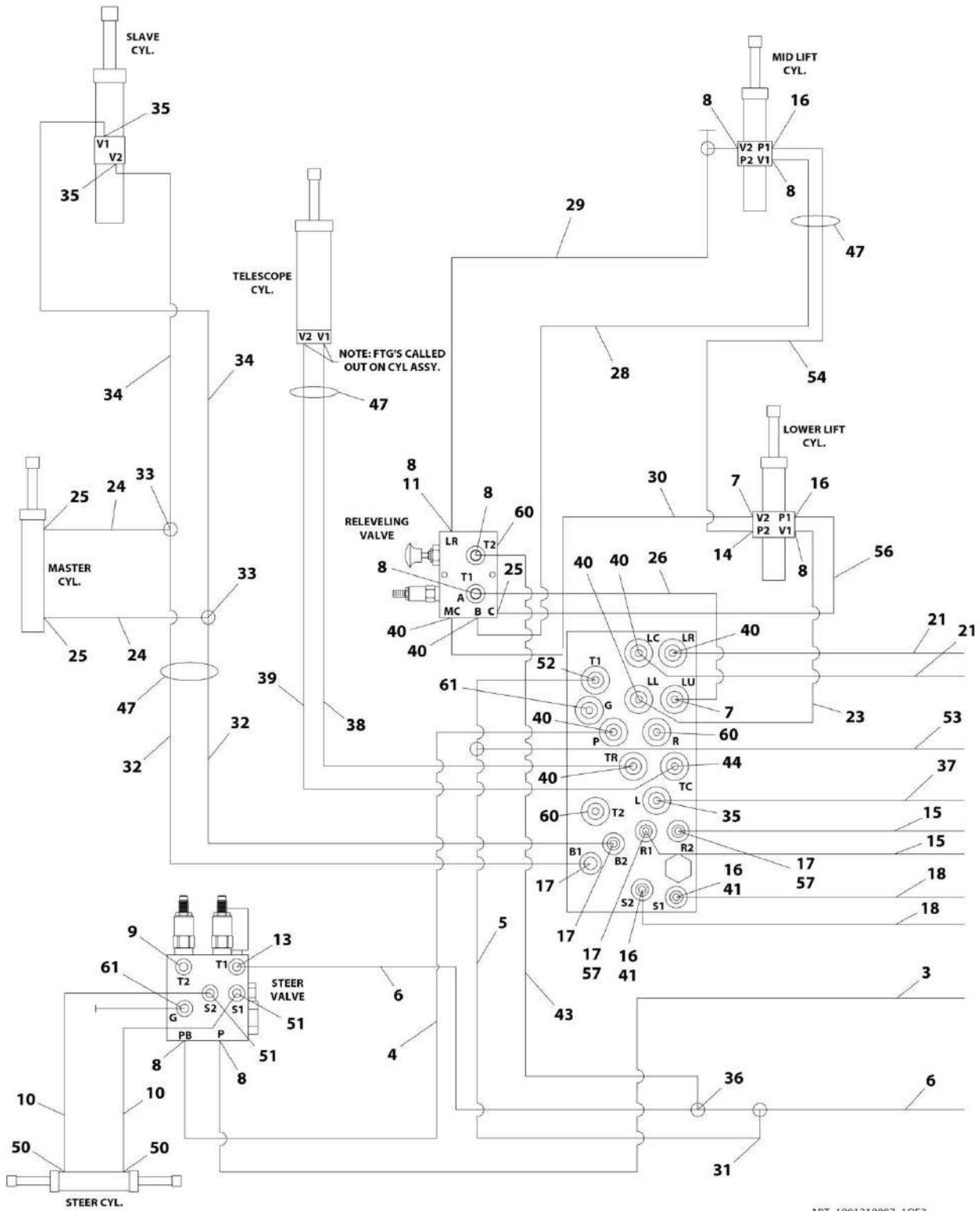
ITEM	PART NUMBER	QTY	DESCRIPTION	REV
	1001178387	Ref	HYDRAULIC DIAGRAM - M450AJ (SN 0300208529 through 0300233451)	C
1	2752675	1	Hose	
2	1320033	1	Clamp	
3	2752486	1	Hose	
4	2752466	1	Hose	
5	2752519	1	Hose	
6	2752462	1	Hose	
7	2220371	4	Fitting, Straight JIC/ORB	
8	2220473	9	Fitting, 90 JIC/ORB	
9	2220885	1	Plug	
10	2752574	2	Hose	
11	2220507	1	Fitting, 90 JIC/JIC	
12	2753638	1	Hose	
13	2220371	1	Fitting, Straight JIC/ORB	
14	2220466	3	Fitting, 90 JIC/ORB	
15	1001185713	2	Hose	
16	2220415	7	Fitting, Straight JIC/ORB	
17	2220502	7	Fitting, 45 JIC/ORB	
18	2752459	2	Hose	
19	2221033	2	Fitting, Straight JIC/ORB	
20	2220593	1	Fitting, Straight JIC/ORB	
21	2753050	2	Hose	
22	2220899	1	Fitting, Tee JIC/ORB/JIC	
23	2752466	1	Hose	
24	2752437	2	Hose	
25	2220472	3	Fitting, 90 JIC/ORB	
26	2750910	1	Hose	
27	2220999	1	Fitting, Tee JIC/ORB/JIC	
28	2753301	1	Hose	
29	2751009	1	Hose	
30	2752611	1	Hose	
31	2220386	1	Fitting, 90 JIC/JIC	
32	2752585	4	Hose	
33	2220504	2	Fitting, Tee JIC/JIC/JIC	
34	2753302	2	Hose	
35	2220582	4	Fitting, Straight JIC/ORB	
36	2221054	1	Fitting, Tee JIC/JIC/JIC	
37	2752430	2	Hose	
38	2750996	1	Hose	
39	2751508	1	Hose	
40	2220501	7	Fitting, 45 JIC/ORB	
41	2220677	2	Fitting, 45 JIC/JIC	
42	1001185826	1	Hose	
43	2752466	1	Hose	
44	2220600	1	Fitting, Straight JIC/ORB	
45	4567946	1	Tube	
46	2753303	2	Hose	
47	4100026	12.2 ft/ 3.7m	Nylon, Sleeve	

SECTION 7 - HYDRAULIC

ITEM	PART NUMBER	QTY	DESCRIPTION	REV
49	1702124	1	Hose, Tag (Not Shown)	
50	2220582	2	Fitting, Straight JIC/ORB	
51	2220415	2	Fitting, Straight JIC/ORB	
54	2751414	1	Hose	
56	2752600	1	Hose	
57	2220909	2	Fitting, Restrictor	
58	2220654	1	Fitting, 90 JIC/JIC	
59	2220499	1	Fitting, 45 JIC/ORB	
60	2220237	2	Plug, ORB	
61	2221086	2	Fitting, Nipple	
62	4061032	1	Shield, Hose	

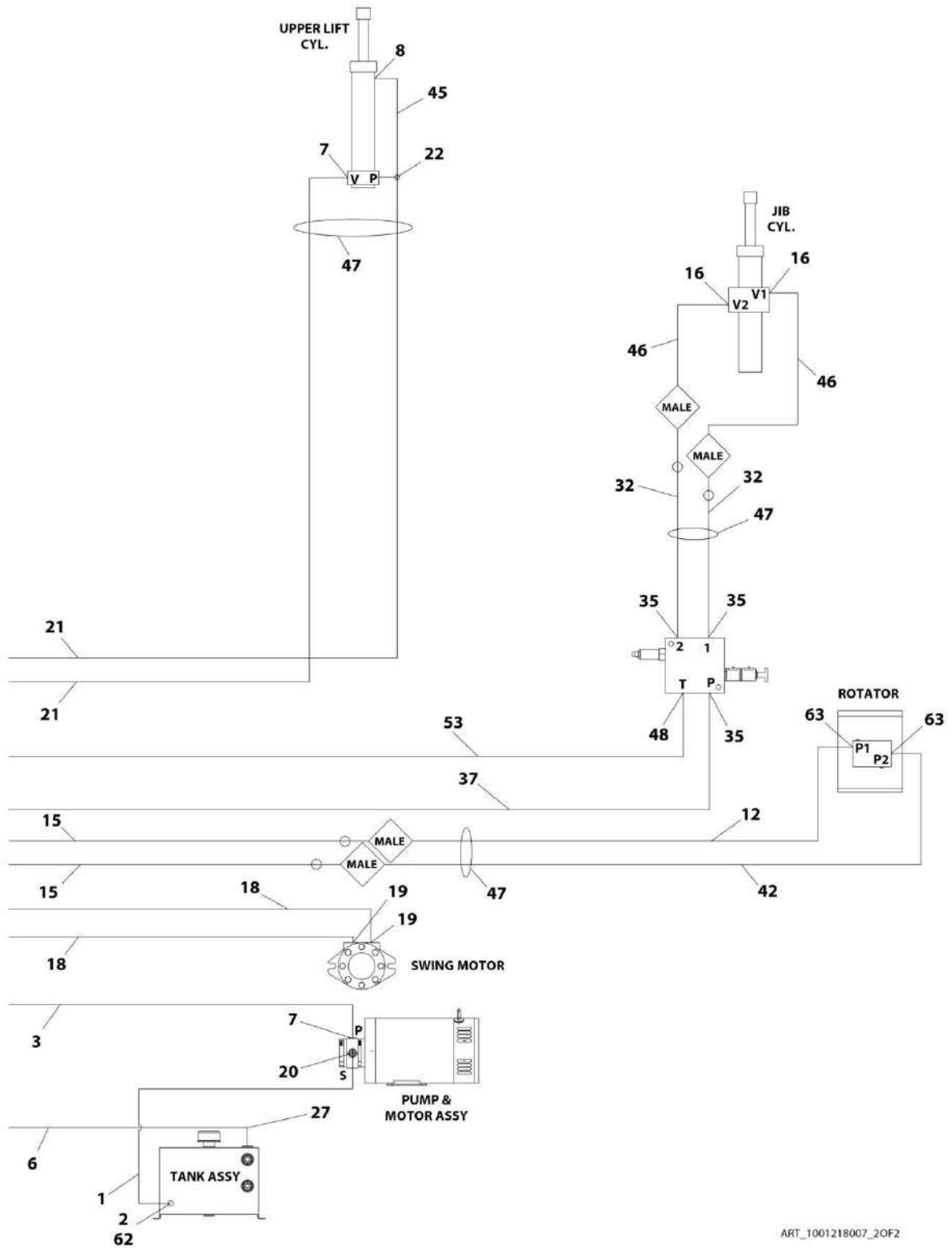
SECTION 7 - HYDRAULIC

FIGURE 7-5. HYDRAULIC DIAGRAM - M450AJ (SN 0300233452 to Present)



ART_1001218007_1OF2

SECTION 7 - HYDRAULIC



ART_1001218007_2OF2

SECTION 7 - HYDRAULIC

FIGURE 7-5. HYDRAULIC DIAGRAM - M450AJ (SN 0300233452 to Present)

ITEM	PART NUMBER	QTY	DESCRIPTION	REV
	1001218007	Ref	HYDRAULIC DIAGRAM - M450AJ (SN 0300233452 to Present)	C
1	2752675	1	Hose	
2	1320033	1	Clamp	
3	2752486	1	Hose	
4	2752466	1	Hose	
5	2752519	1	Hose	
6	2752462	1	Hose	
7	2220371	4	Fitting, Straight JIC/ORB	
8	2220473	9	Fitting, 90 JIC/ORB	
9	2220885	1	Plug	
10	2752574	2	Hose	
11	2220507	1	Fitting, 90 JIC/JIC	
12	2753638	1	Hose	
13	2220371	1	Fitting, Straight JIC/ORB	
14	2220466	1	Fitting, 90 JIC/ORB	
15	1001185713	2	Hose	
16	2220415	6	Fitting, Straight JIC/ORB	
17	2220502	4	Fitting, 45 JIC/ORB	
18	2752459	2	Hose	
19	2221033	2	Fitting, Straight JIC/ORB	
20	2220593	1	Fitting, Straight JIC/ORB	
21	2753050	2	Hose	
22	2220899	1	Fitting, Tee JIC/ORB/JIC	
23	2752466	1	Hose	
24	2752437	2	Hose	
25	2220472	3	Fitting, 90 JIC/ORB	
26	2750910	1	Hose	
27	2220999	1	Fitting, Tee JIC/ORB/JIC	
28	2753301	1	Hose	
29	2751009	1	Hose	
30	2752611	1	Hose	
31	2220386	1	Fitting, 90 JIC/JIC	
32	2752585	4	Hose	
33	2220504	2	Fitting, Tee JIC/JIC/JIC	
34	2753302	2	Hose	
35	2220582	7	Fitting, Straight JIC/ORB	
36	2221054	1	Fitting, Tee JIC/JIC/JIC	
37	2752442	2	Hose	
38	2750996	1	Hose	
39	2751508	1	Hose	
40	2220501	7	Fitting, 45 JIC/ORB	
41	2220677	2	Fitting, 45 JIC/JIC	
42	1001185826	1	Hose	
43	2752466	1	Hose	
44	2220600	1	Fitting, Straight JIC/ORB	
45	4567946	1	Tube	
46	2753303	2	Hose	
47	4100026	12.2 ft/ 3.7m	Nylon, Sleeve	
48	2220373	1	Fitting, Straight JIC/ORB	

SECTION 7 - HYDRAULIC

ITEM	PART NUMBER	QTY	DESCRIPTION	REV
49	1702124	1	Hose, Tag (Not Shown)	
50	2220582	2	Fitting, Straight JIC/ORB	
51	2220415	2	Fitting, Straight JIC/ORB	
52	8760554	1	Fitting, Tee ORB/JIC/JIC	
53	2752493	1	Hose	
54	2751414	1	Hose	
56	2752600	1	Hose	
57	2220909	2	Fitting, Restrictor	
59	2220499	1	Fitting, 45 JIC/ORB (Not Shown)	
60	2220237	3	Plug, ORB	
61	2221086	2	Fitting, Nipple	
62	4061032	1	Shield, Hose	
63	2220466	1	Fitting, 90 JIC/ORB (SN 0300233452 through 0300235600)	
63	2220502	1	Fitting, 45 JIC/ORB (SN 0300233452 through 0300235600)	
63	2220940	2	Fitting, 90 JIC/ORB (SN 0300235601 to Present)	

SECTION 7 - HYDRAULIC

FIGURE 7-6. LIST, HYDRAULIC DIAGRAM LIST

ITEM	PART NUMBER	QTY	DESCRIPTION	REV
		Ref	Note: Diagrams are available from JLG Service/Parts Department. See Service and Maintenance Manual for schematics.	
	1001179226	Ref	Hydraulic, Schematic (SN 0300208529 through 0300233451, SN B300001429 through B300002532)	
	1001218114	Ref	Hydraulic, Schematic (SN 0300233452 to Present, SN B300002533 to Present)	

SECTION 8 - ELECTRICAL

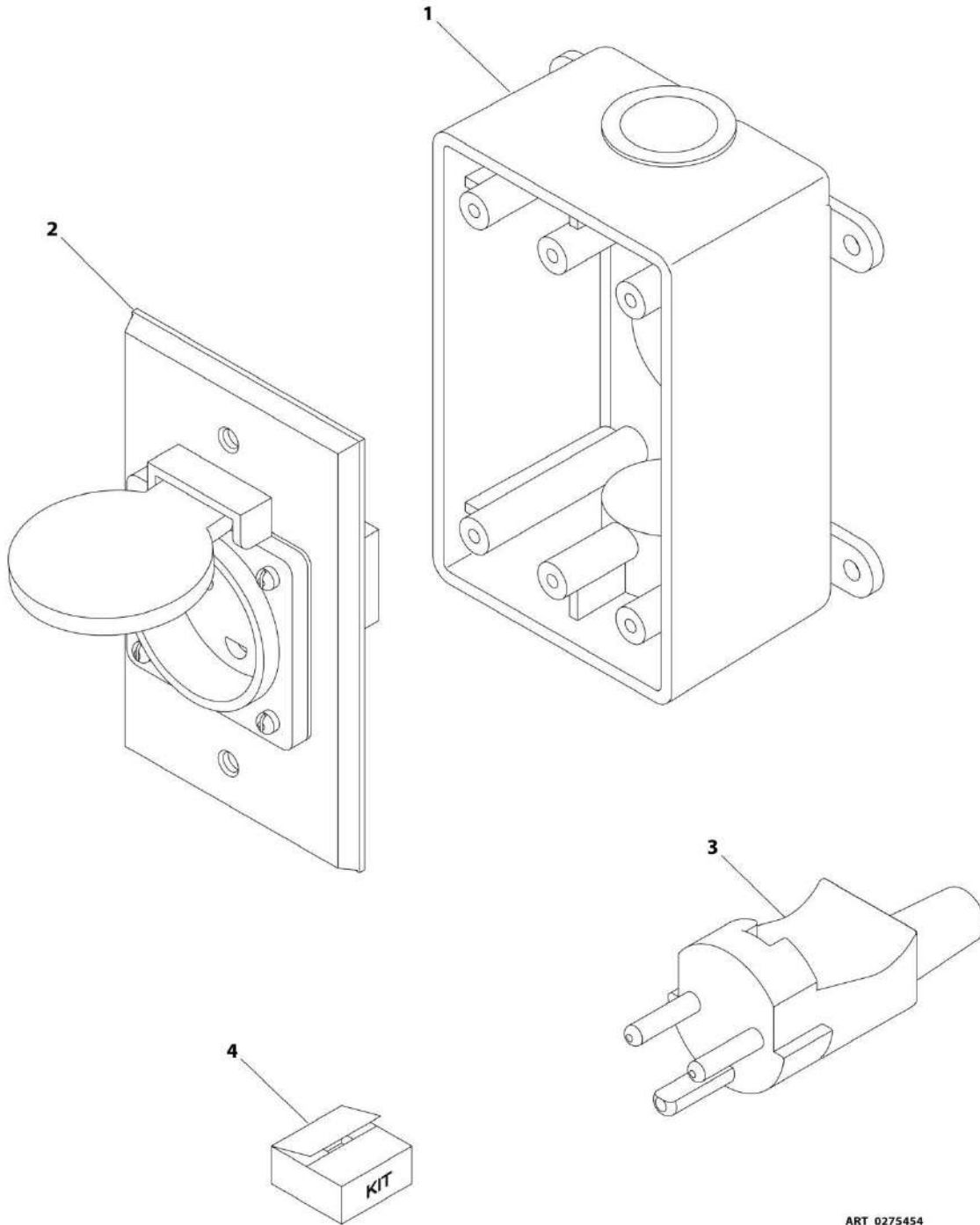
SECTION 8 - ELECTRICAL

FIGURE 8-1. ELECTRICAL DIAGRAM LIST

ITEM	PART NUMBER	QTY	DESCRIPTION	REV
		Ref	Note: Diagrams are available from JLG Service/Parts Department. See Service and Maintenance Manual for schematics.	
	1001173941	Ref	Electrical Schematic	
	1001193419	Ref	Soft Touch Wiring Diagram	

SECTION 8 - ELECTRICAL

FIGURE 8-2. AC PLUGS AND SOCKETS INSTALLATION - AFSINT 107-2-01 KEYED GROUND - 2 X 4 BOX (CE SPEC)



ART_0275454

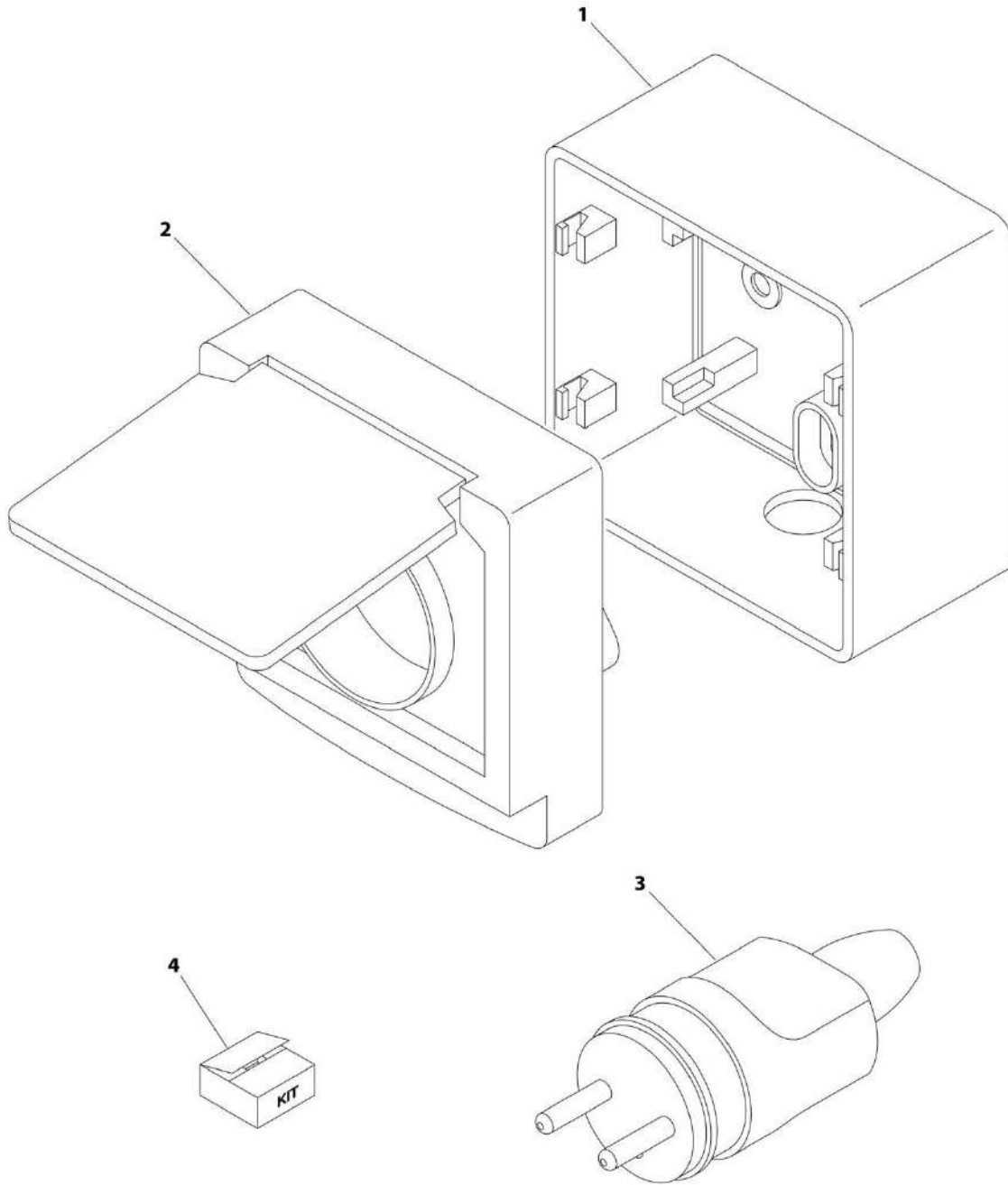
SECTION 8 - ELECTRICAL

FIGURE 8-2. AC PLUGS AND SOCKETS INSTALLATION - AFSINT 107-2-01 KEYED GROUND - 2 X 4 BOX (CE SPEC)

ITEM	PART NUMBER	QTY	DESCRIPTION	REV
	0275454	Ref	AC PLUGS AND SOCKETS INSTALLATION - AFSINT 107-2-01 KEYED GROUND - 2 X 4 BOX (CE SPEC)	1
1	0861731	1	Box, Switch	
2	4461246	1	Receptacle	
3	4461249	1	Plug, Male	
4	1001100346	1	Plug and Socket Kit (Includes Items 1-3 and Female Plug p/n 4461250)	

SECTION 8 - ELECTRICAL

FIGURE 8-3. AC PLUGS AND SOCKETS INSTALLATION - CEE7 POST GROUND (CE SPEC)



ART_0275218

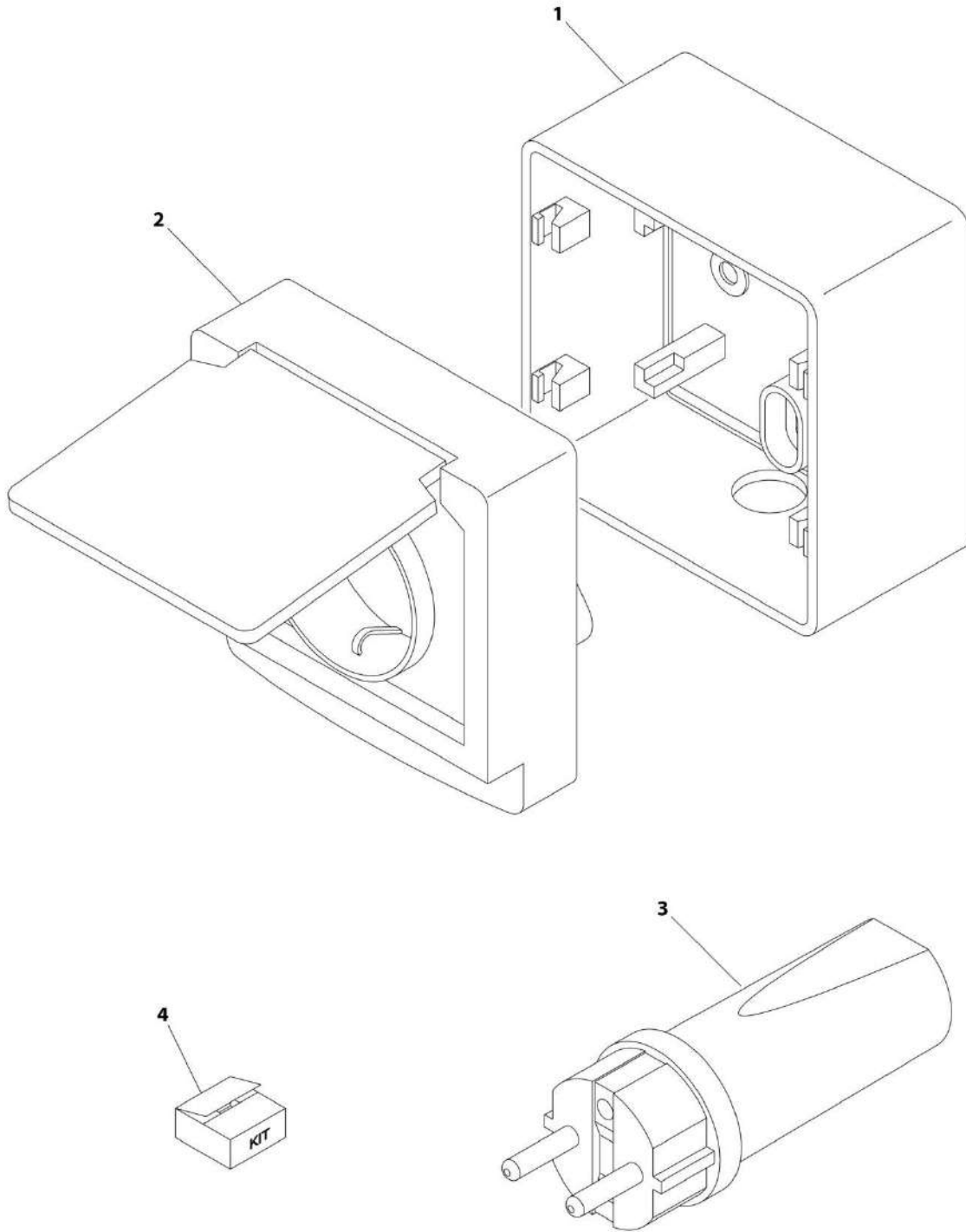
SECTION 8 - ELECTRICAL

FIGURE 8-3. AC PLUGS AND SOCKETS INSTALLATION - CEE7 POST GROUND (CE SPEC)

ITEM	PART NUMBER	QTY	DESCRIPTION	REV
	0275218	Ref	AC PLUGS AND SOCKETS INSTALLATION - CEE7 POST GROUND (CE SPEC)	B
1	1001141967	1	Box, Switch	
2	1001141968	1	Receptacle	
3	4461202	1	Plug, Male	
4	1001141971	1	Plug and Socket Kit (Includes Items 1-3 and Female Plug p/n 4461206)	

SECTION 8 - ELECTRICAL

FIGURE 8-4. AC PLUGS AND SOCKETS INSTALLATION - CEE 7 SIDE GROUND (CE SPEC)



ART_0275219

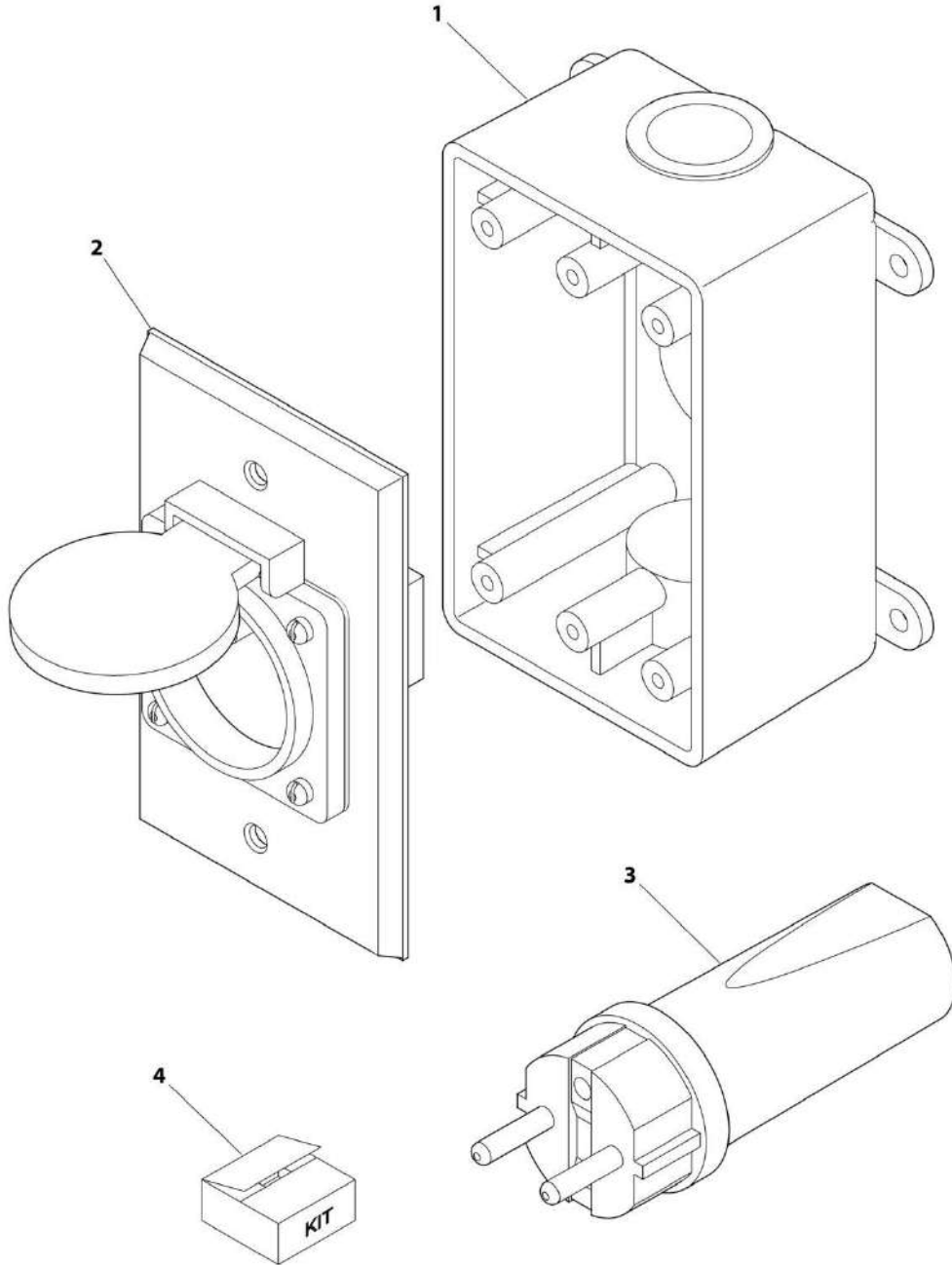
SECTION 8 - ELECTRICAL

FIGURE 8-4. AC PLUGS AND SOCKETS INSTALLATION - CEE 7 SIDE GROUND (CE SPEC)

ITEM	PART NUMBER	QTY	DESCRIPTION	REV
	0275219	Ref	AC PLUGS AND SOCKETS INSTALLATION - CEE 7 SIDE GROUND (CE SPEC)	B
1	1001141967	1	Box, Switch	
2	1001141969	1	Receptacle	
3	4461205	1	Plug, Male	
4	1001141970	1	Plug and Socket Kit (Includes Items 1-3 and Female Plug p/n 4461206)	

SECTION 8 - ELECTRICAL

FIGURE 8-5. AC PLUGS AND SOCKETS INSTALLATION - CEE7 POST GROUND - 2 X 4 BOX (CE SPEC)



ART_0275452

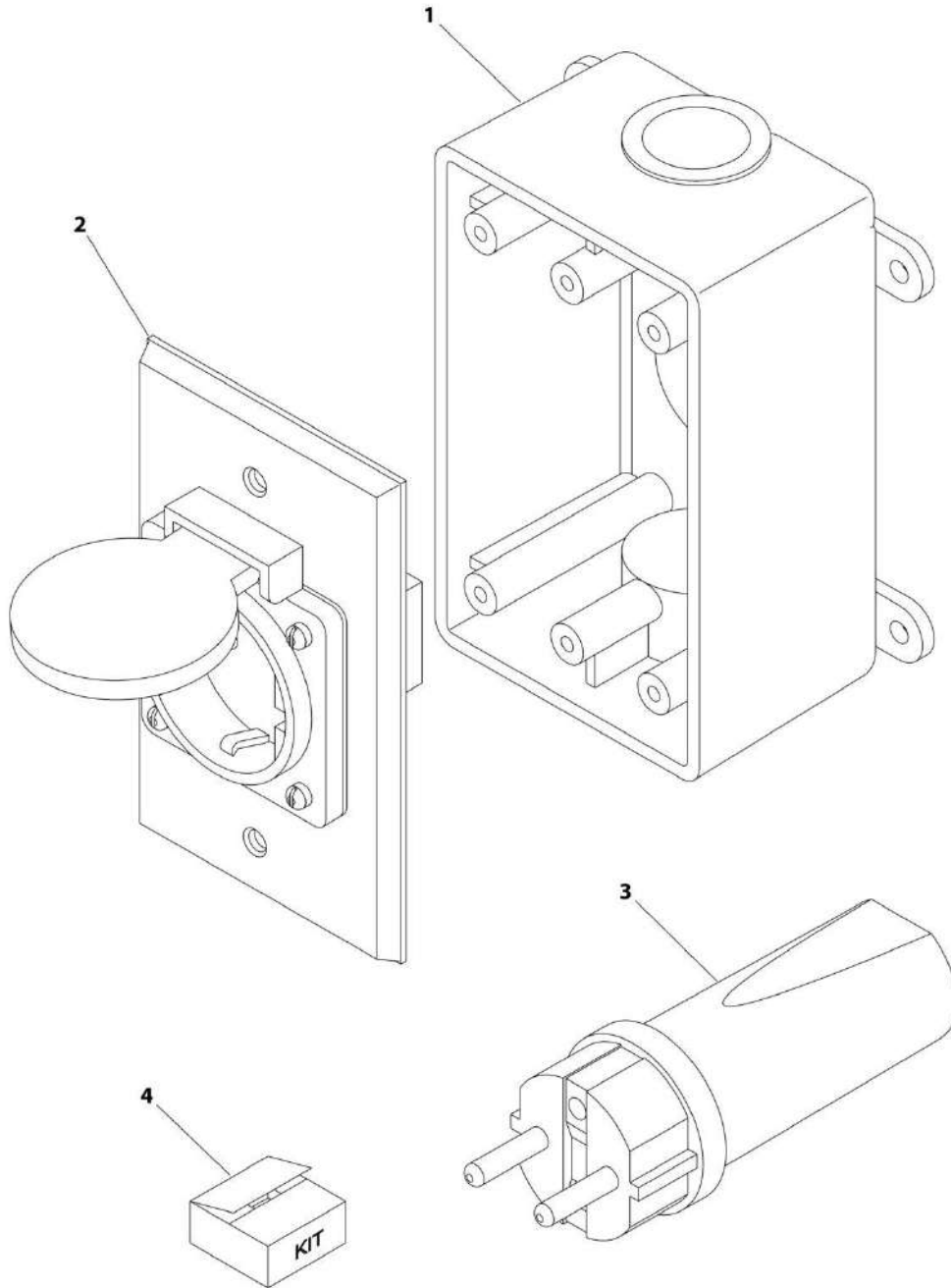
SECTION 8 - ELECTRICAL

FIGURE 8-5. AC PLUGS AND SOCKETS INSTALLATION - CEE7 POST GROUND - 2 X 4 BOX (CE SPEC)

ITEM	PART NUMBER	QTY	DESCRIPTION	REV
	0275452	Ref	AC PLUGS AND SOCKETS INSTALLATION - CEE7 POST GROUND - 2 X 4 BOX (CE SPEC)	1
1	0861731	1	Box, Switch	
2	4461244	1	Receptacle	
3	4461202	1	Plug, Male	
4	1001100345	1	Plug and Socket Kit (Includes Items 1-3 and Female Plug p/n 4461206)	

SECTION 8 - ELECTRICAL

FIGURE 8-6. AC PLUGS AND SOCKETS INSTALLATION - CEE7 SIDE GROUND - 2 X 4 BOX (CE SPEC)



ART_0275453

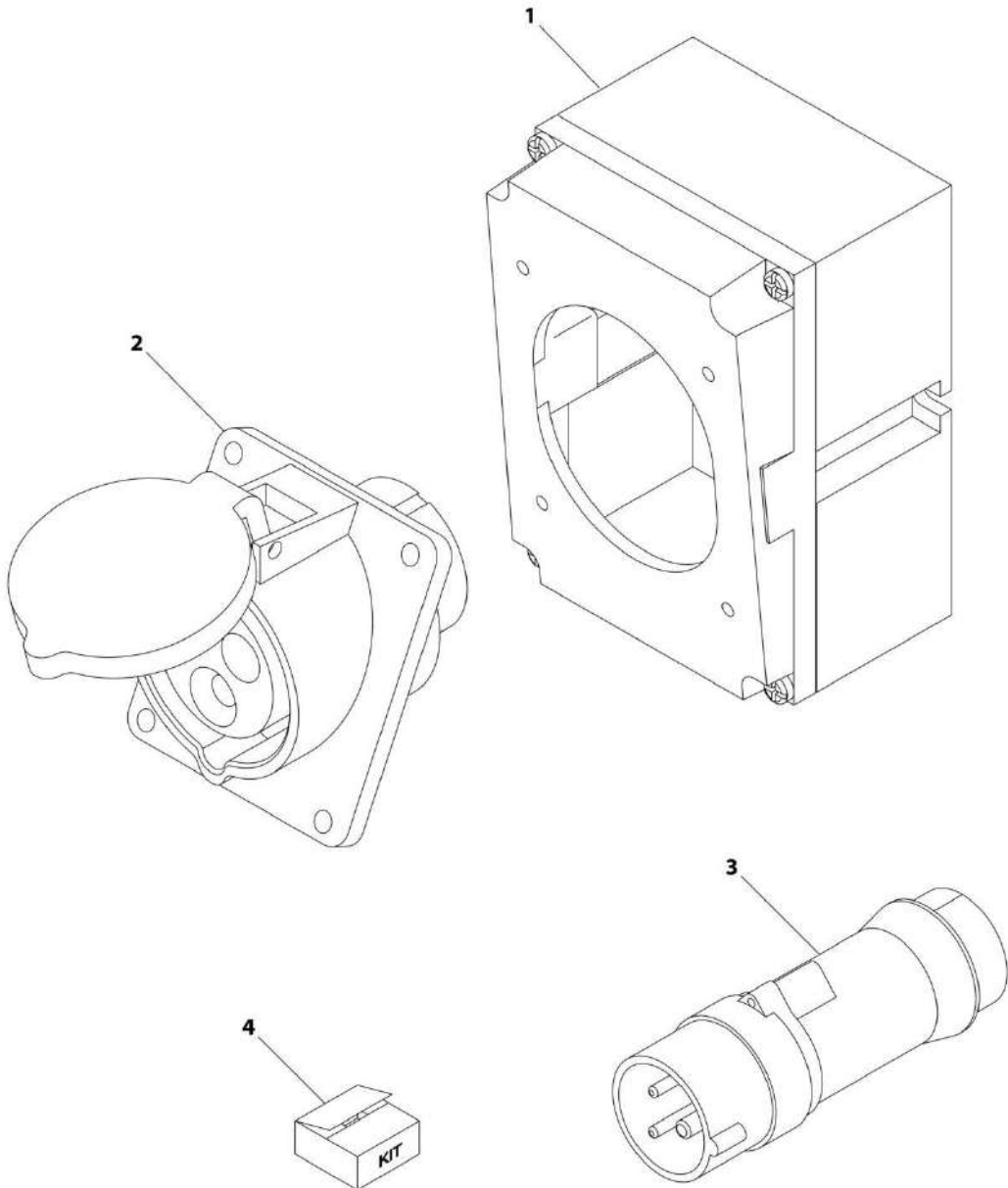
SECTION 8 - ELECTRICAL

FIGURE 8-6. AC PLUGS AND SOCKETS INSTALLATION - CEE7 SIDE GROUND - 2 X 4 BOX (CE SPEC)

ITEM	PART NUMBER	QTY	DESCRIPTION	REV
	0275453	Ref	AC PLUGS AND SOCKETS INSTALLATION - CEE7 SIDE GROUND - 2 X 4 BOX (CE SPEC)	1
1	0861731	1	Box, Switch	
2	4461245	1	Receptacle	
3	4461205	1	Plug, Male	
4	1001100347	1	Plug and Socket Kit (Includes Items 1-3 and Female Plug p/n 4461206)	

SECTION 8 - ELECTRICAL

FIGURE 8-7. AC PLUGS AND SOCKETS INSTALLATION - IEC 60309 BLUE (CE SPEC)



ART_0275217

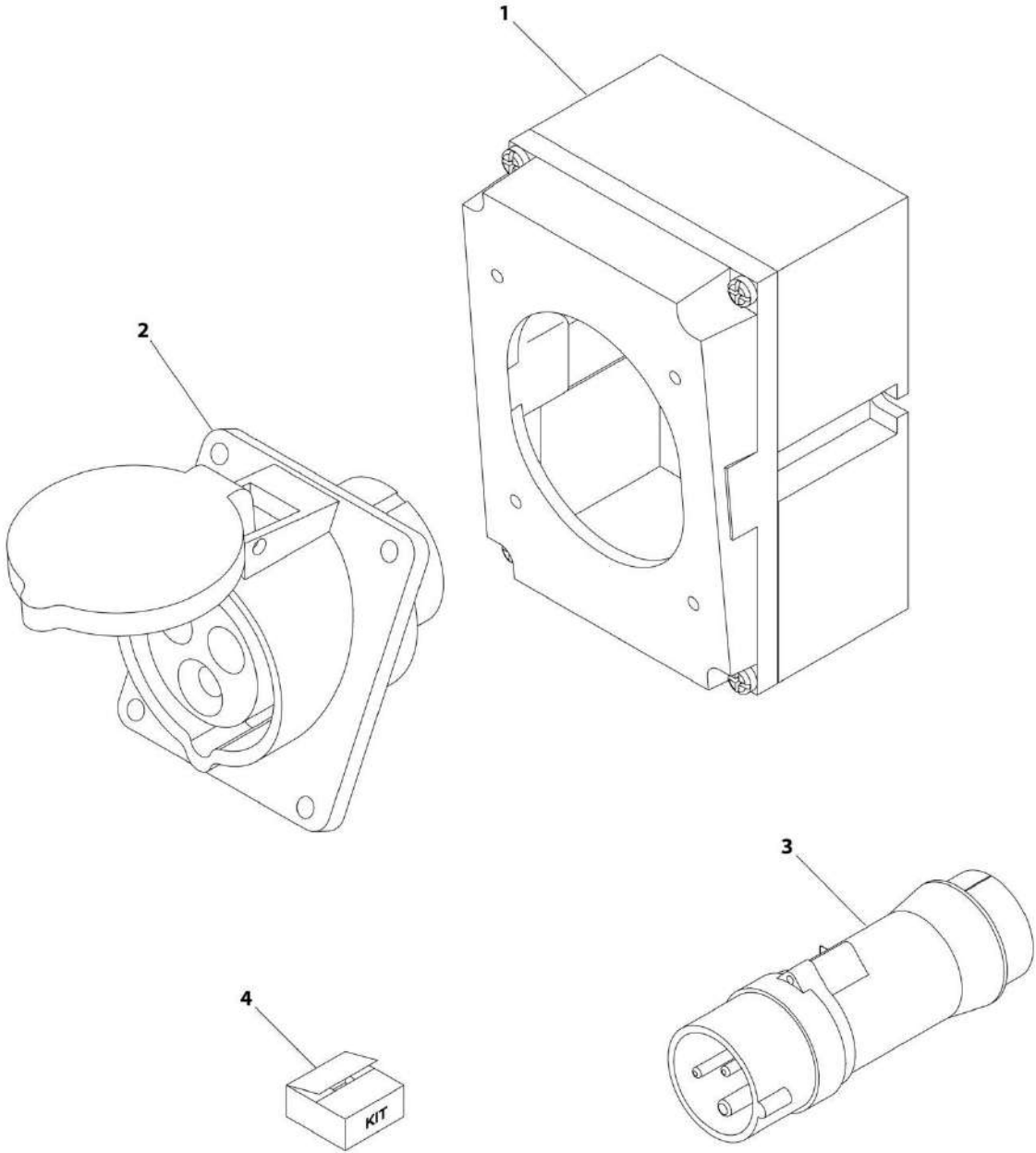
SECTION 8 - ELECTRICAL

FIGURE 8-7. AC PLUGS AND SOCKETS INSTALLATION - IEC 60309 BLUE (CE SPEC)

ITEM	PART NUMBER	QTY	DESCRIPTION	REV
	0275217	Ref	AC PLUGS AND SOCKETS INSTALLATION - IEC 60309 BLUE (CE SPEC)	1
1	0861781	1	Box, Switch	
2	4461201	1	Receptacle	
3	4461199	1	Plug, Male	
4	1001100342	1	Plug and Socket Kit (Includes Items 1-3 and Female Plug p/n 4461200)	

SECTION 8 - ELECTRICAL

FIGURE 8-8. AC PLUGS AND SOCKETS INSTALLATION - IEC 60309 YELLOW (CE SPEC)



ART_0275216

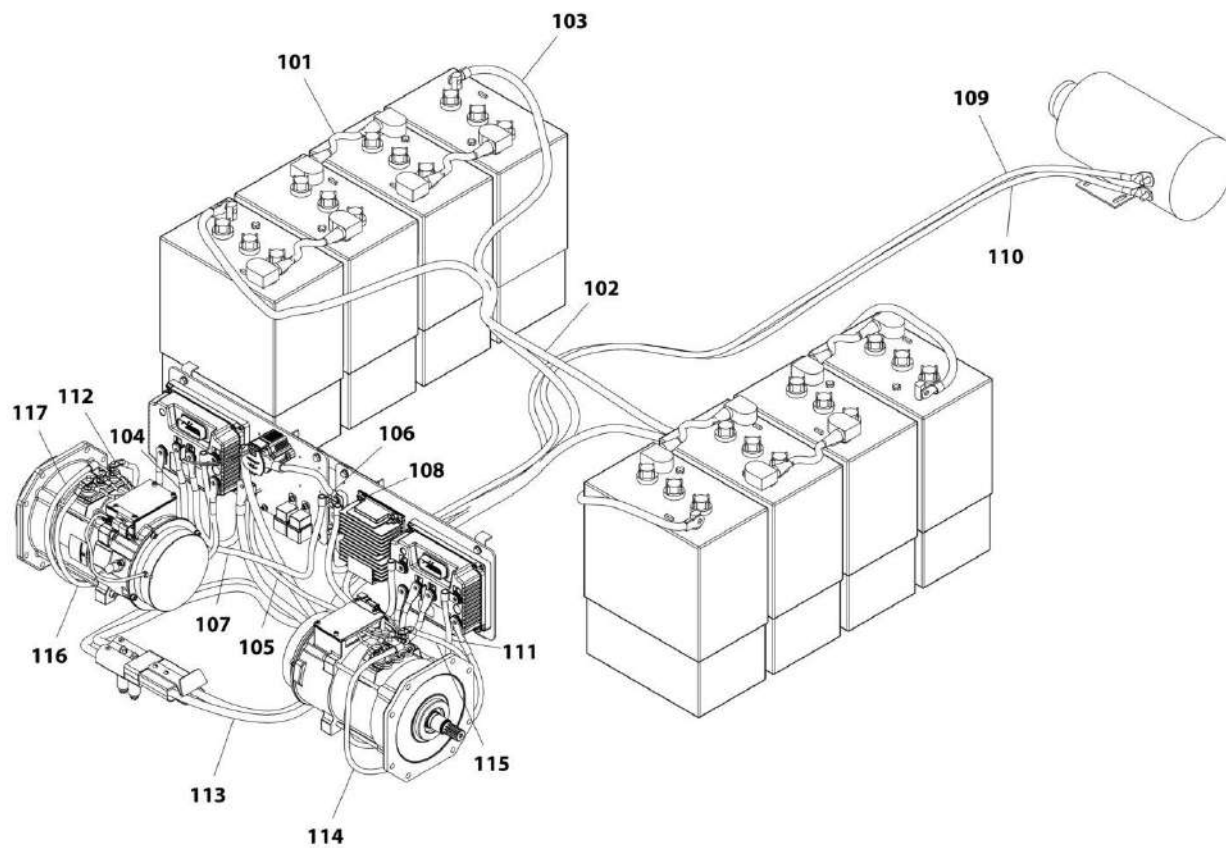
SECTION 8 - ELECTRICAL

FIGURE 8-8. AC PLUGS AND SOCKETS INSTALLATION - IEC 60309 YELLOW (CE SPEC)

ITEM	PART NUMBER	QTY	DESCRIPTION	REV
	0275216	Ref	AC PLUGS AND SOCKETS INSTALLATION - IEC 60309 YELLOW (CE SPEC)	1
1	0861781	1	Box, Switch	
2	4461198	1	Receptacle	
3	4461196	1	Plug, Male	
4	1001100341	1	Plug and Socket Kit (Includes Items 1-3 and Female Plug p/n 4461197)	

SECTION 8 - ELECTRICAL

FIGURE 8-9. BATTERY CABLE KIT - E450A AND E450AJ (NON-UL SPECS)



ART_1001190088

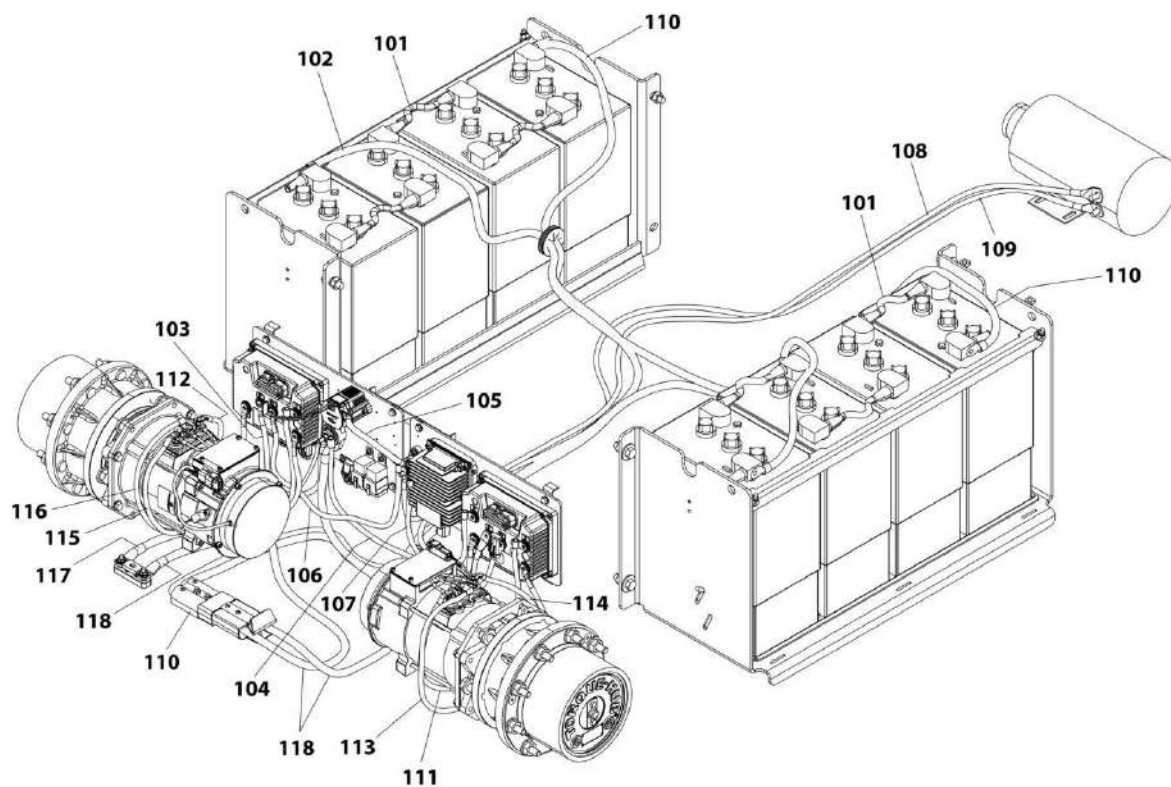
SECTION 8 - ELECTRICAL

FIGURE 8-9. BATTERY CABLE KIT - E450A AND E450AJ (NON-UL SPECS)

ITEM	PART NUMBER	QTY	DESCRIPTION	REV
	1001190088	Ref	BATTERY CABLE KIT - E450A AND E450AJ (NON-UL SPECS)	H
101	1060092	1	Cable, Battery	
102	1001177245	1	Cable, Interconnect	
103	1001177246	1	Cable, Battery	
104	1001178394	1	Cable, Negative to LH Module	
105	1001178395	1	Cable, Negative to RH Module	
106	1001178396	1	Cable, Positive to Pump Motor Fuse	
107	1001178398	1	Cable, Positive to LH Module	
108	1001178399	1	Cable, Positive to RH Module	
109	1001178400	1	Cable, Pump Motor Positive	
110	1001178401	1	Cable, Pump Motor Negative	
111	1001178402	1	Cable, Motor R U	
112	1001178403	1	Cable, Motor L U	
113	1001178660	1	Cable, Battery	
114	1001189027	1	Cable, Motor R V	
115	1001189030	1	Cable, Motor R W	
116	1001189031	1	Cable, Motor L W	
117	1001189032	1	Cable, Motor L V	

SECTION 8 - ELECTRICAL

FIGURE 8-10. BATTERY CABLE KIT - E450A AND E450AJ (UL SPECS)



ART_1001212454

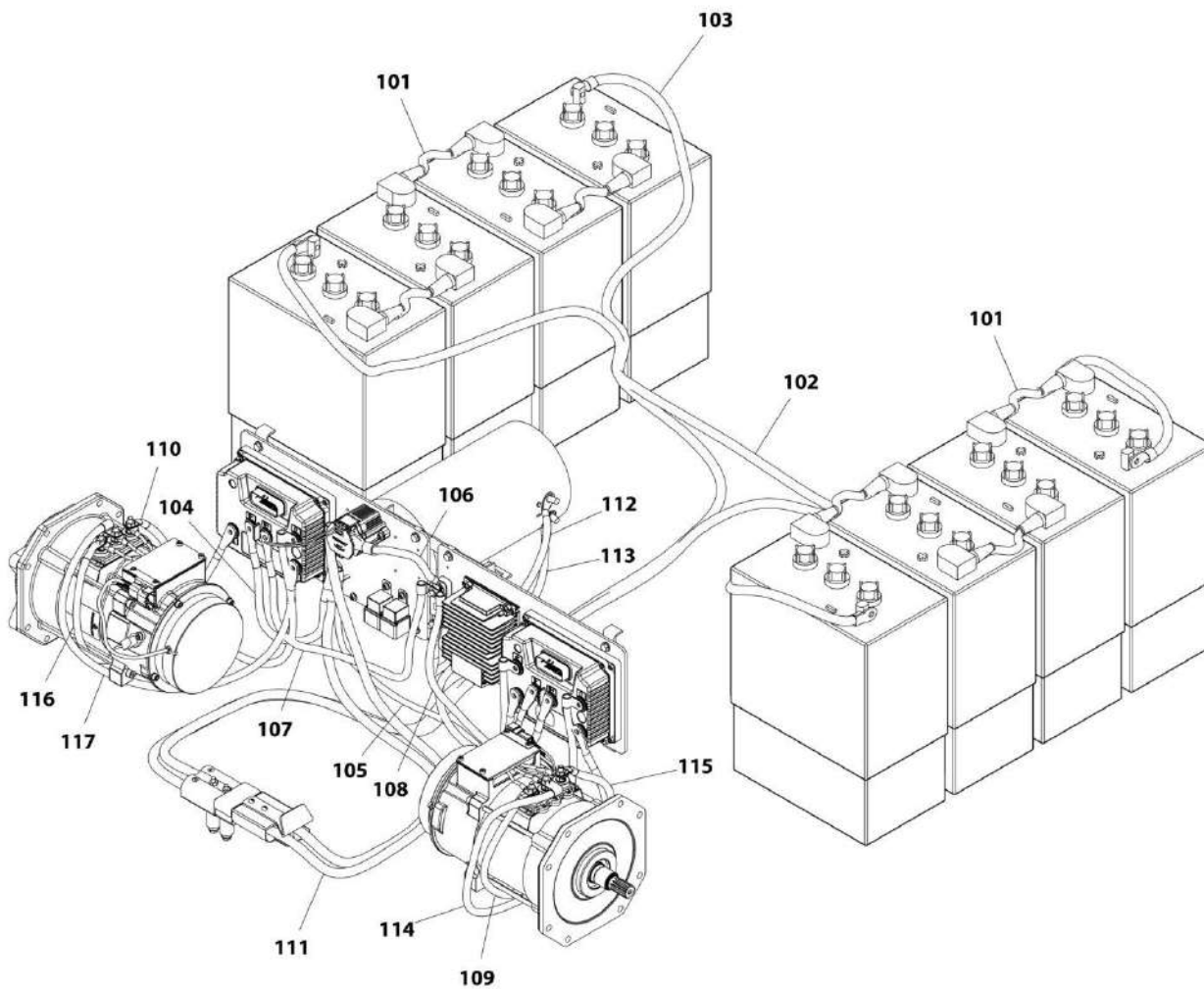
SECTION 8 - ELECTRICAL

FIGURE 8-10. BATTERY CABLE KIT - E450A AND E450AJ (UL SPECS)

ITEM	PART NUMBER	QTY	DESCRIPTION	REV
	1001212454	Ref	BATTERY CABLE KIT - E450A AND E450AJ (UL SPECS)	C
101	1060092	6	Cable, Battery	
102	1001177245	1	Cable, Interconnect	
103	1001178394	1	Cable, Negative to LH Module	
104	1001178395	1	Cable, Negative to RH Module	
105	1001178396	1	Cable, Positive to Pump Motor Fuse	
106	1001178398	1	Cable, Positive to LH Module	
107	1001178399	1	Cable, Positive to RH Module	
108	1001178400	1	Cable, Pump Motor Positive	
109	1001178401	1	Cable, Pump Motor Negative	
110	1001177246	1	Cable, Battery	
111	1001178402	1	Cable, Motor R U	
112	1001178403	1	Cable, Motor L U	
113	1001189027	1	Cable, Motor R V	
114	1001189030	1	Cable, Motor R W	
115	1001189031	1	Cable, Motor L W	
116	1001189032	1	Cable, Motor L V	
117	1001212455	1	Cable, Drive Jumper	
118	1001212480	1	Cable, Battery	

SECTION 8 - ELECTRICAL

FIGURE 8-11. BATTERY CABLE KIT - M450AJ (NON-UL SPECS)



ART_1001190020

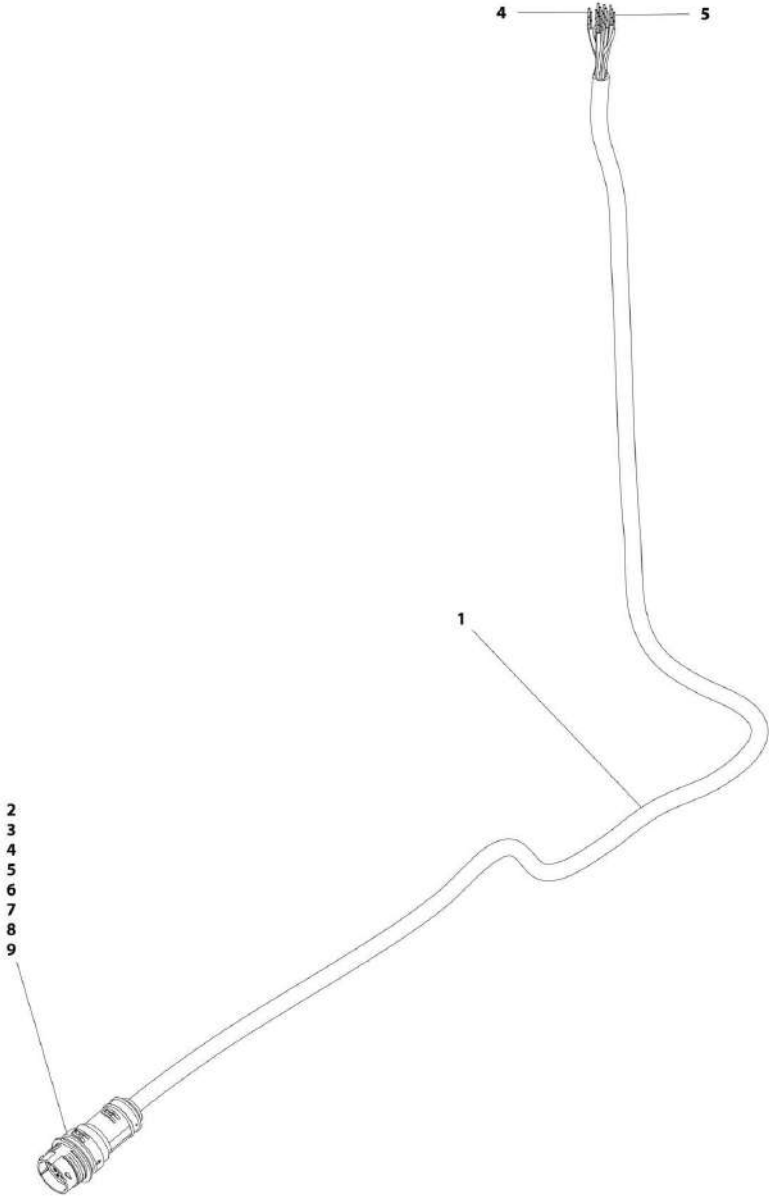
SECTION 8 - ELECTRICAL

FIGURE 8-11. BATTERY CABLE KIT - M450AJ (NON-UL SPECS)

ITEM	PART NUMBER	QTY	DESCRIPTION	REV
	1001190020	Ref	BATTERY CABLE KIT - M450AJ (NON-UL SPECS)	H
101	1060092	1	Cable, Battery	
102	1001177245	1	Cable, Interconnect	
103	1001177246	1	Cable, Battery	
104	1001178394	1	Cable, Negative to LH Module	
105	1001178395	1	Cable, Negative to RH Module	
106	1001178396	1	Cable, Positive to Pump Motor Fuse	
107	1001178398	1	Cable, Positive to LH Module	
108	1001178399	1	Cable, Positive to RH Module	
109	1001178402	1	Cable, Motor R U	
110	1001178403	1	Cable, Motor L U	
111	1001178660	1	Cable, Battery	
112	1001178822	1	Cable, Pump Motor Positive	
113	1001178823	1	Cable, Pump Motor Negative	
114	1001189027	1	Cable, Motor R V	
115	1001189030	1	Cable, Motor R W	
116	1001189031	1	Cable, Motor L W	
117	1001189032	1	Cable, Motor L V	

SECTION 8 - ELECTRICAL

FIGURE 8-12. BOOM CABLE - LOWER - E450A/E450AJ/M450AJ



ART_1001183878

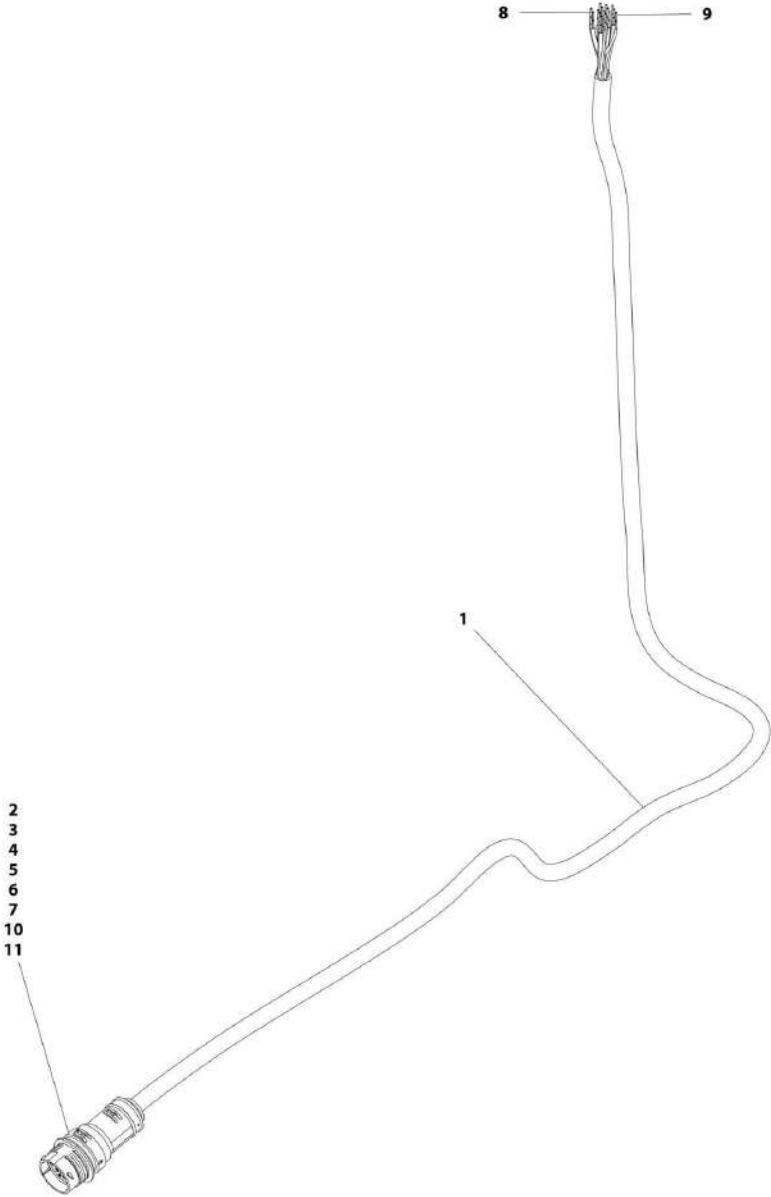
SECTION 8 - ELECTRICAL

FIGURE 8-12. BOOM CABLE - LOWER - E450A/E450AJ/M450AJ

ITEM	PART NUMBER	QTY	DESCRIPTION	REV
1	1001183878	Ref	BOOM CABLE - LOWER - E450A/E450AJ/M450AJ	E
	1060896	35.5 ft /10.8m	Cable, Electrical	
2	1001188292	1	Connector - 19 Position	
3	1001188291	1	Connector, Backshell	
4	4460465	22	Socket, Female	
5	4460509	8	Socket, Female	
6	4460466	4	Plug, Seal	
7	2820118	6.5 in /16.5cm	Insulator, Tubing	
8	1001188354	1	Grommet	
9	4240033	2	Tie-Strap	

SECTION 8 - ELECTRICAL

FIGURE 8-13. BOOM CABLE - UPPER - E450A



ART_1001183879

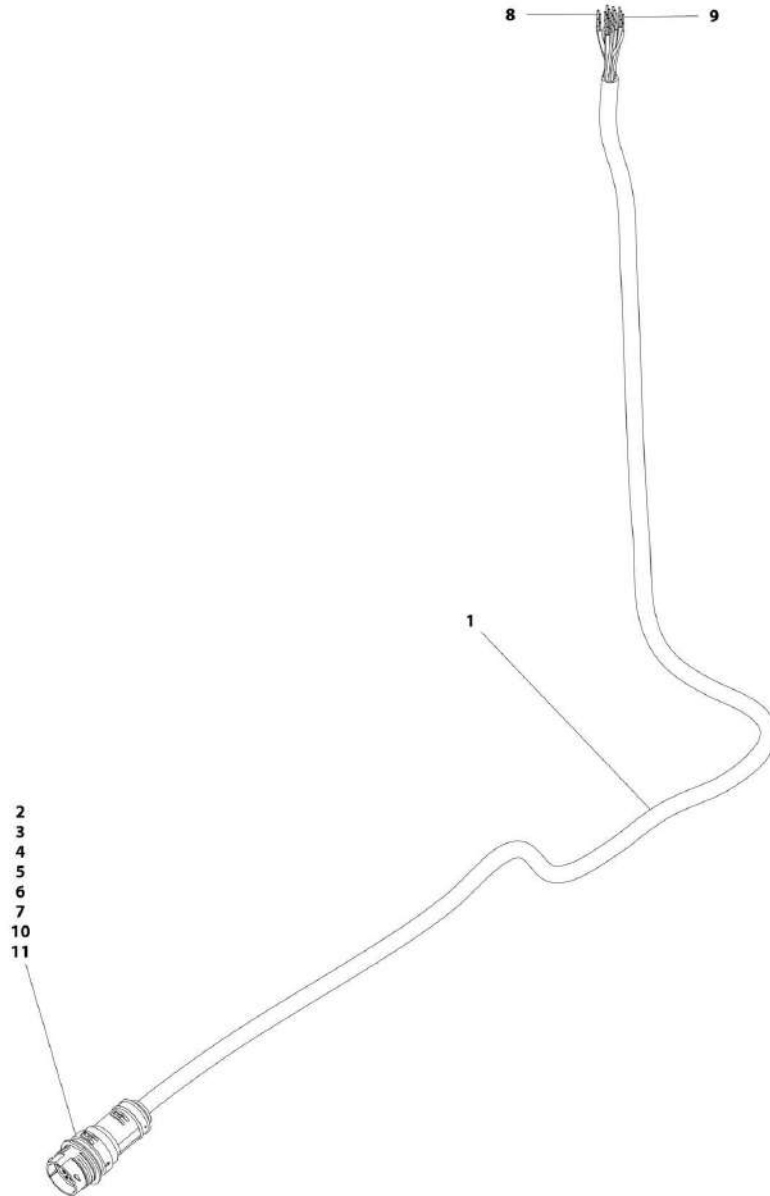
SECTION 8 - ELECTRICAL

FIGURE 8-13. BOOM CABLE - UPPER - E450A

ITEM	PART NUMBER	QTY	DESCRIPTION	REV
	1001183876	Ref	BOOM CABLE - UPPER - E450A	E
1	1060896	26.5 ft /8.1m	Cable, Electrical	
2	1001188293	1	Connector - 19 Position	
3	1001188291	1	Connector, Backshell	
4	4460465	11	Socket, Female	
5	4460509	4	Socket, Female	
6	4460466	4	Plug, Seal	
7	2820118	6.5 in /16.5cm	Insulator, Tubing	
8	4460464	11	Pin, Male	
9	4460508	4	Pin, Male	
10	1001188354	1	Grommet	
11	4240033	2	Tie-Strap	

SECTION 8 - ELECTRICAL

FIGURE 8-14. BOOM CABLE - UPPER - E450AJ/M450AJ



ART_1001183879

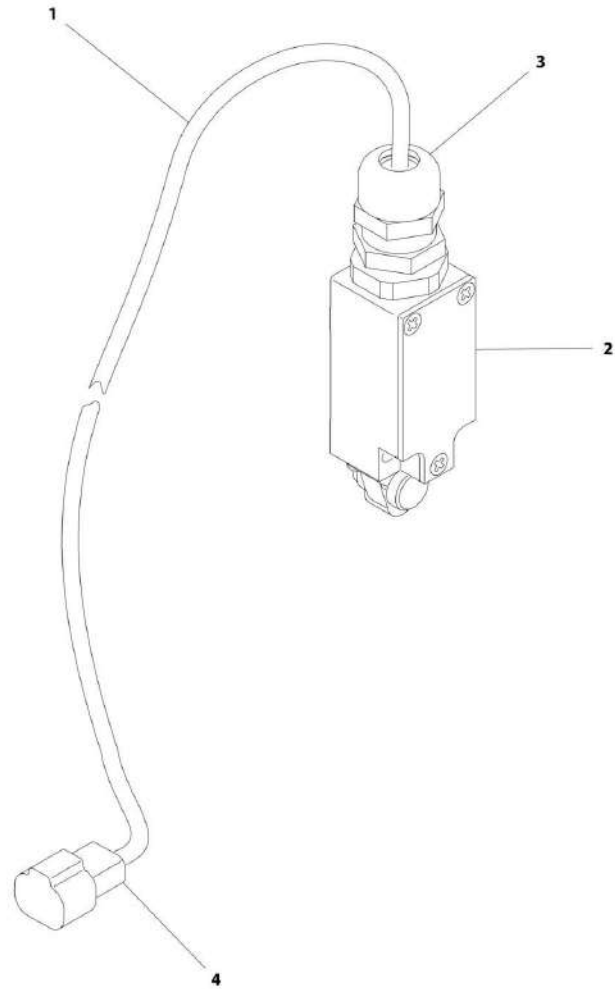
SECTION 8 - ELECTRICAL

FIGURE 8-14. BOOM CABLE - UPPER - E450AJ/M450AJ

ITEM	PART NUMBER	QTY	DESCRIPTION	REV
1	1001183879	Ref	BOOM CABLE - UPPER - E450AJ/M450AJ	E
	1060896	28 ft /8.5m	Cable, Electrical	
2	1001188293	1	Connector - 19 Position	
3	1001188291	1	Connector, Backshell	
4	4460465	11	Socket, Female	
5	4460509	4	Socket, Female	
6	4460466	4	Plug, Seal	
7	2820118	6.5 in /16.5cm	Insulator, Tubing	
8	4460464	11	Pin, Male	
9	4460508	4	Pin, Male	
10	1001188354	1	Grommet	
11	4240033	2	Tie-Strap	

SECTION 8 - ELECTRICAL

FIGURE 8-15. BOOM LIMIT SWITCH HARNESS - LOWER



ART_1001187776

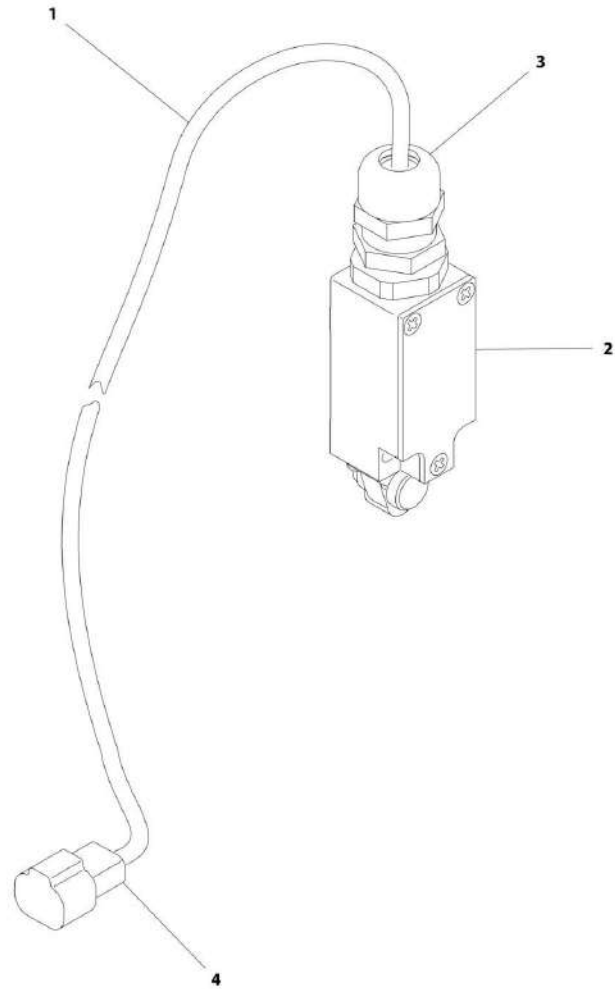
SECTION 8 - ELECTRICAL

FIGURE 8-15. BOOM LIMIT SWITCH HARNESS - LOWER

ITEM	PART NUMBER	QTY	DESCRIPTION	REV
	1001187776	Ref	BOOM LIMIT SWITCH HARNESS - LOWER	D
1	1060341	14 ft /4.3m	Cable, Electrical - 16/2	
2	4360548	1	Switch, Limit	
3	4460968	1	Connector, Strain Relief	
4	1001187681	1	Connector- 2 Position (SN 0300208529 through 0300214527)	
4	4460897	1	Connector- 2 Position (SN 0300214528 to Present, SN B300001429 to Present)	
4	4460464	2	Pin, Male	
4	1001187683	1	Connector, Wedge Lock	

SECTION 8 - ELECTRICAL

FIGURE 8-16. BOOM LIMIT SWITCH HARNESS - UPPER



ART_100187777

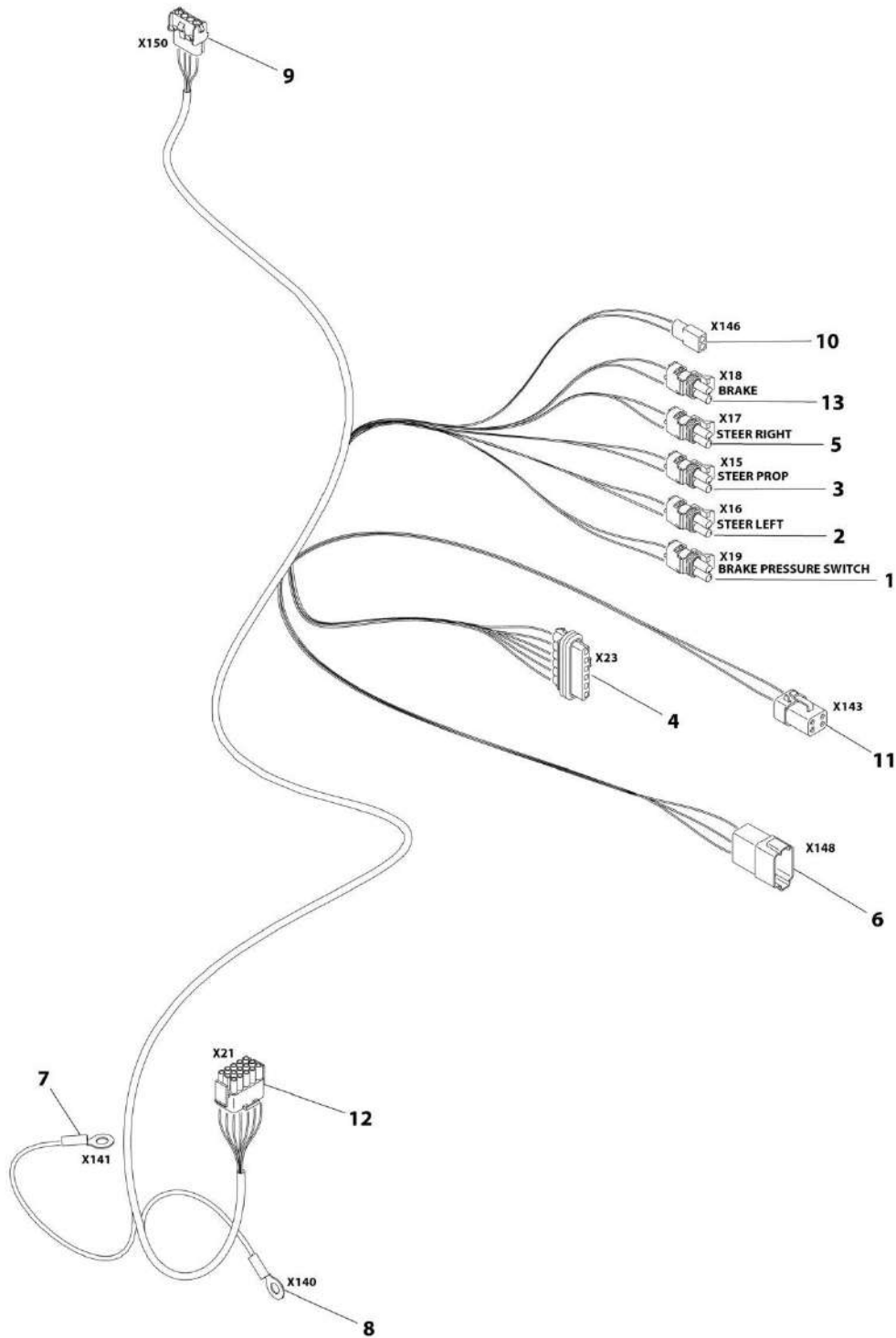
SECTION 8 - ELECTRICAL

FIGURE 8-16. BOOM LIMIT SWITCH HARNESS - UPPER

ITEM	PART NUMBER	QTY	DESCRIPTION	REV
	1001187777	Ref	BOOM LIMIT SWITCH HARNESS - UPPER	D
1	1060341	29 ft /8.8m	Cable, Electrical - 16/2	
2	4360548	1	Switch, Limit	
3	4460968	1	Connector, Strain Relief	
4	1001187681	1	Connector- 2 Position (SN 0300208529 through 0300214527)	
4	4460897	1	Connector - 2 Position (SN 0300214528 to Present, SN B300001429 to Present)	
4	4460464	2	Pin, Male	
4	1001187684	1	Connector, Wedge Lock (SN 0300208529 through 0300214527)	

SECTION 8 - ELECTRICAL

FIGURE 8-17. BRAKE/STEER HARNESS - M450AJ



ART_1001171115

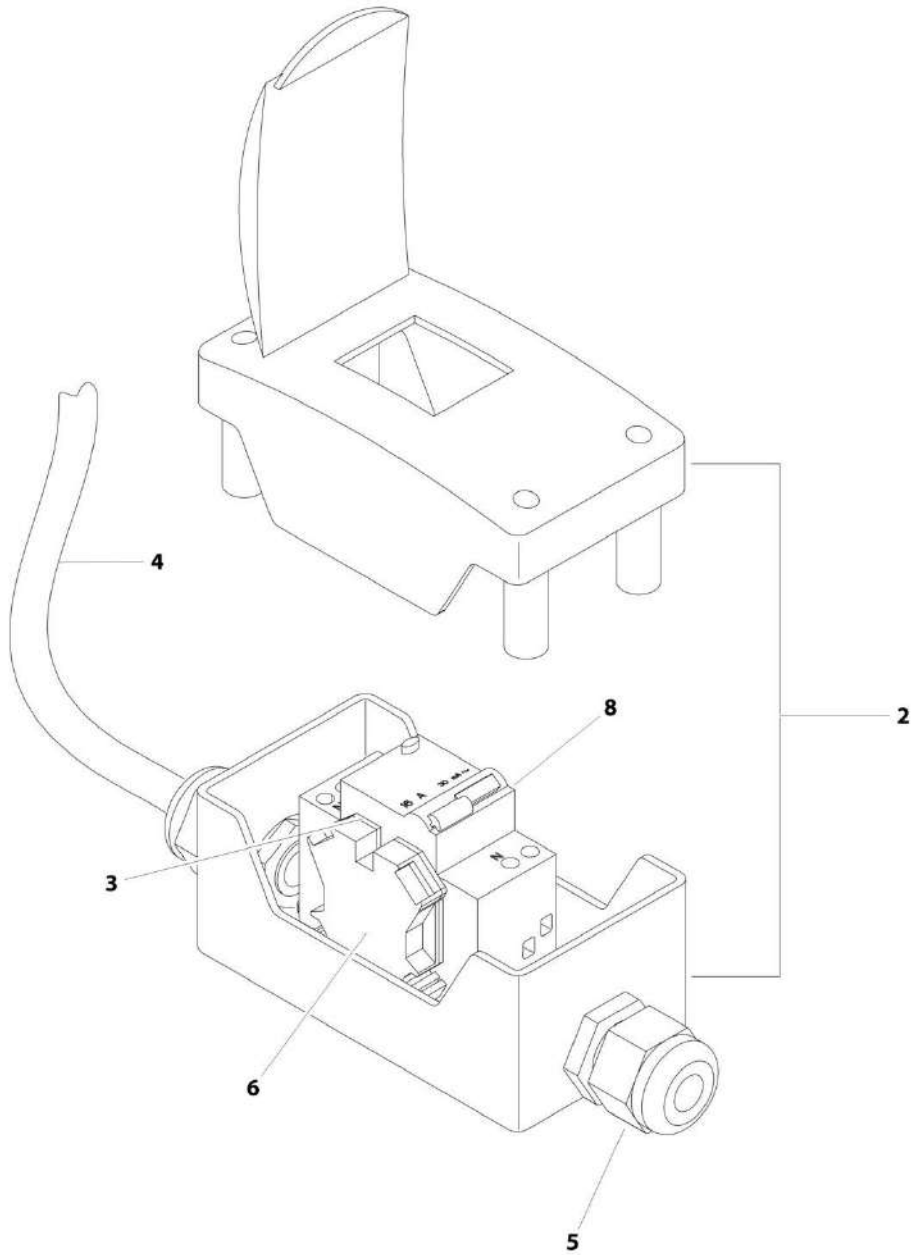
SECTION 8 - ELECTRICAL

FIGURE 8-17. BRAKE/STEER HARNESS - M450AJ

ITEM	PART NUMBER	QTY	DESCRIPTION	REV
	1001171115	Ref	MOTOR/STEER/BRAKE HARNESS - M450AJ	A
1	4460742	1	Connector - 2 Position	
1	4460743	2	Terminal, Female	
1	4460458	2	Seal	
2	4460742	1	Connector - 2 Position	
2	4460743	2	Terminal, Female	
2	4460458	2	Seal	
3	4460742	1	Connector - 2 Position	
3	4460743	2	Terminal, Female	
3	4460458	2	Seal	
4	4460744	1	Connector- 6 Position	
4	4460749	1	Cap, Shell	
4	4460750	1	Bar, Buss - 6 Position	
4	4460745	1	Lock, Secondary	
4	4460751	1	Clip, Mounting	
4	4460746	5	Socket, Female	
4	4460748	1	Plug, Seal	
4	4460458	5	Seal	
5	4460742	1	Connector - 2 Position	
5	4460743	2	Terminal, Female	
5	4460458	2	Seal	
6	4460931	1	Connector- 8 Position	
6	4460464	6	Socket, Female	
6	4460466	2	Plug, Seal	
7	4460738	1	Ring, Terminal	
8	4460738	1	Ring, Terminal	
9	4460761	1	Connector - 4 Position	
10	4460424	1	Connector - 2 Position	
10	4460227	2	Pin, Male	
11	1001116810	1	Connector - 4 Position	
11	4460509	2	Socket, Female	
11	4460466	2	Plug, Seal	
12	4460434	1	Connector - 15 Position	
12	4460226	7	Pin, Male	
13	4460742	1	Connector - 2 Position	
13	4460743	2	Terminal, Female	
13	4460458	2	Seal	

SECTION 8 - ELECTRICAL

FIGURE 8-18. BREAKER BOX KIT WITH ONE BREAKERS - CE SPEC



ART_2902549

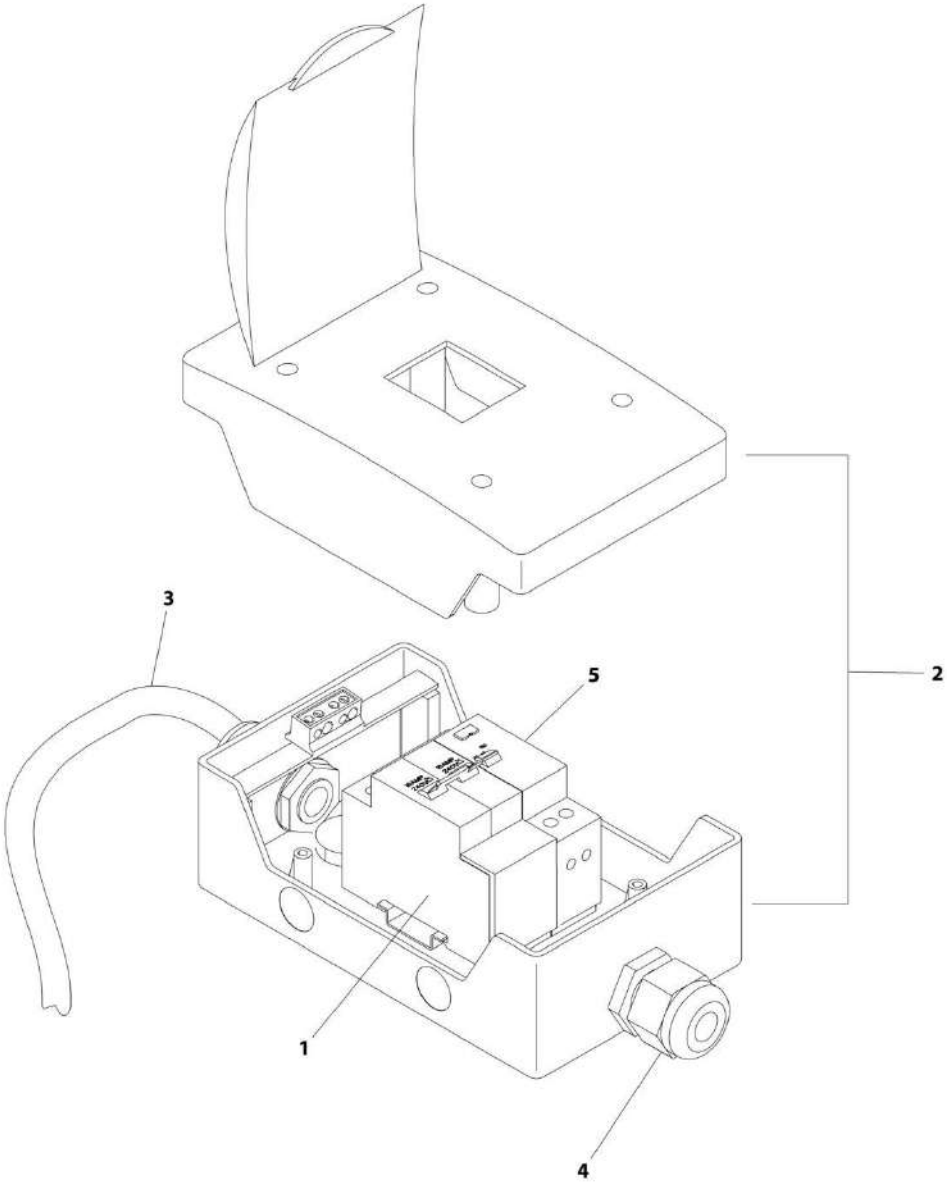
SECTION 8 - ELECTRICAL

FIGURE 8-18. BREAKER BOX KIT WITH ONE BREAKERS - CE SPEC

ITEM	PART NUMBER	QTY	DESCRIPTION	REV
	2902549	Ref	BREAKER BOX KIT WITH ONE BREAKERS - CE SPEC	F
2	0861880	1	Box	
3	4460956	1	Barrier, Terminal	
4	1060908	6 ft/1.8m	Cable, 12/3	
5	1001097150	2	Connector, Strain Relief	
6	4460957	1	Block, Terminal	
8	1001181045	1	Breaker, 30mA	

SECTION 8 - ELECTRICAL

FIGURE 8-19. BREAKER BOX KIT WITH TWO BREAKERS - CE SPEC



ART_1001152485

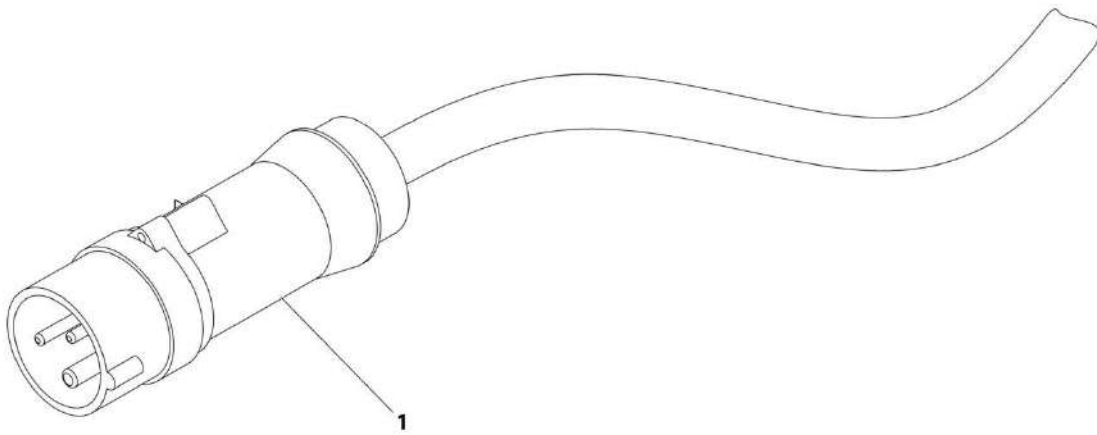
SECTION 8 - ELECTRICAL

FIGURE 8-19. BREAKER BOX KIT WITH TWO BREAKERS - CE SPEC

ITEM	PART NUMBER	QTY	DESCRIPTION	REV
	1001152485	Ref	BREAKER BOX KIT WITH TWO BREAKERS - CE SPEC	C
1	1001189172	1	Breaker, 16 Amp, (Double)	
2	1001152483	1	Box	
3	1060908	6 ft/1.8m	Cable, 12/3	
4	1001097150	2	Connector, Strain Relief	
5	1001189171	1	Breaker, 30mA	

SECTION 8 - ELECTRICAL

FIGURE 8-20. CHARGER CORD PLUG INSTALLATION - 110V - IEC 60309 - YELLOW (CE SPEC)



ART_0275666

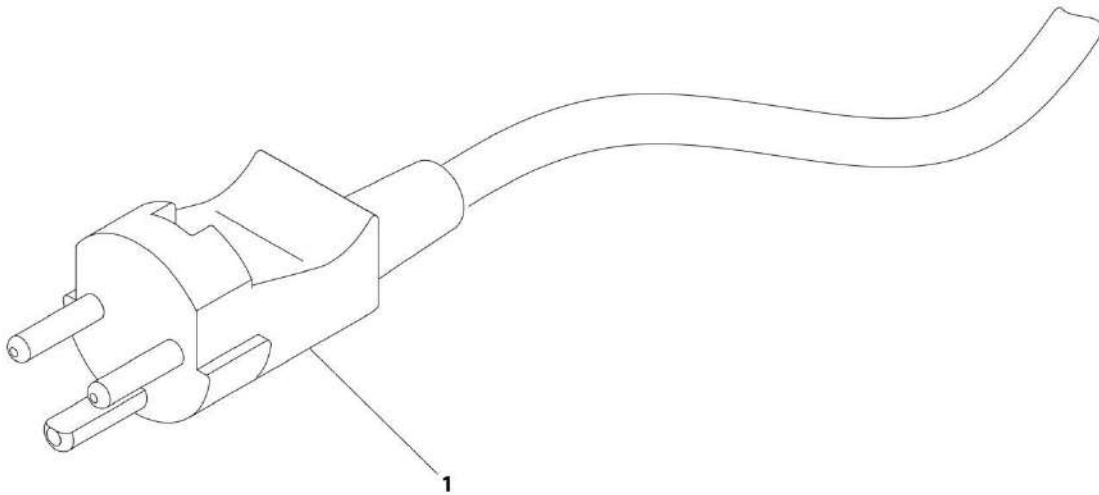
SECTION 8 - ELECTRICAL

FIGURE 8-20. CHARGER CORD PLUG INSTALLATION - 110V - IEC 60309 - YELLOW (CE SPEC)

ITEM	PART NUMBER	QTY	DESCRIPTION	REV
	0275666	Ref	CHARGER CORD PLUG INSTALLATION - 110V - IEC 60309 - YELLOW (CE SPEC)	A
1	4461196	1	Plug	

SECTION 8 - ELECTRICAL

FIGURE 8-21. CHARGER CORD PLUG INSTALLATION - 220V - AFSINT 107 KEYED GROUND (CE SPEC)



ART_0275665

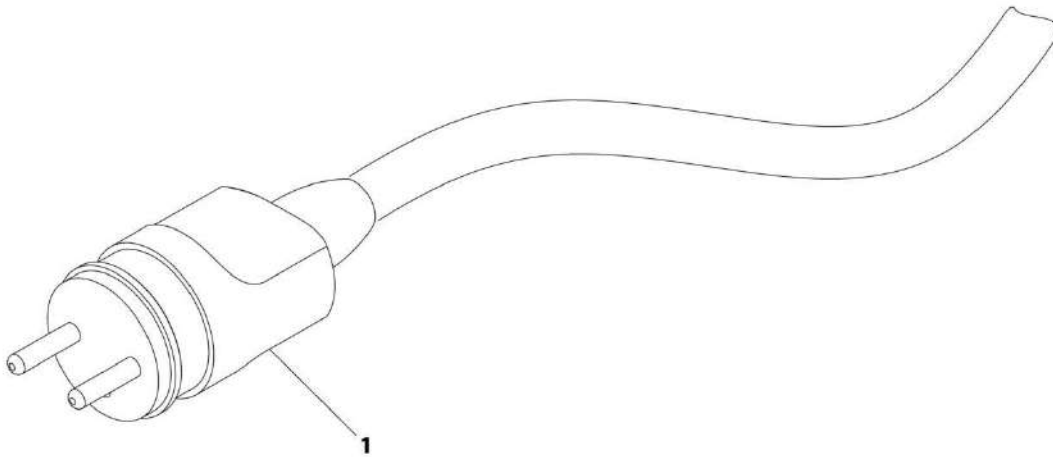
SECTION 8 - ELECTRICAL

FIGURE 8-21. CHARGER CORD PLUG INSTALLATION - 220V - AFSINT 107 KEYED GROUND (CE SPEC)

ITEM	PART NUMBER	QTY	DESCRIPTION	REV
	0275665	Ref	CHARGER CORD PLUG INSTALLATION - 220V - AFSINT 107 KEYED GROUND (CE SPEC)	A
1	4461249	1	Plug	

SECTION 8 - ELECTRICAL

FIGURE 8-22. CHARGER CORD PLUG INSTALLATION - 220V - CEE7 POST GROUND (CE SPEC)



ART_0275663

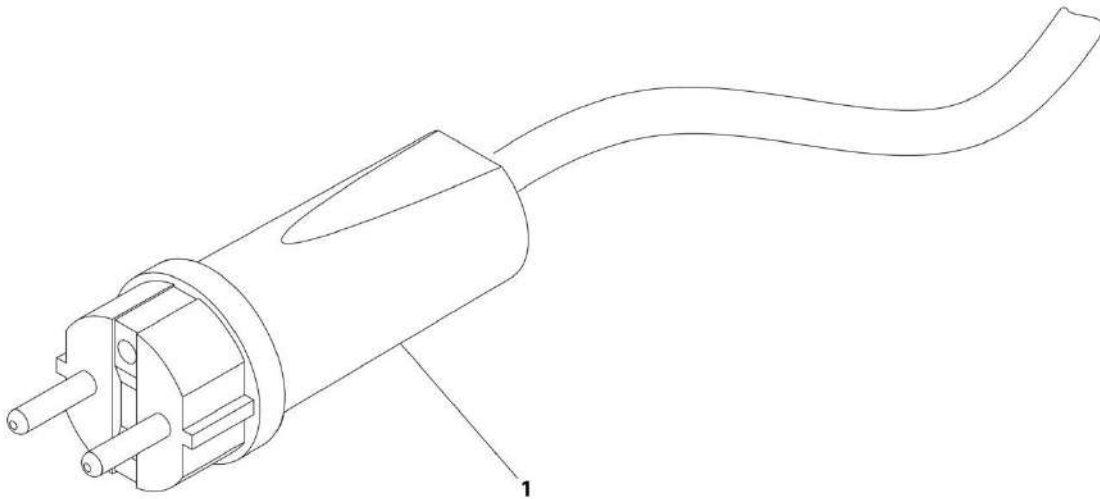
SECTION 8 - ELECTRICAL

FIGURE 8-22. CHARGER CORD PLUG INSTALLATION - 220V - CEE7 POST GROUND (CE SPEC)

ITEM	PART NUMBER	QTY	DESCRIPTION	REV
	0275663	Ref	CHARGER CORD PLUG INSTALLATION - 220V - CEE7 POST GROUND (CE SPEC)	A
1	4461202	1	Plug	

SECTION 8 - ELECTRICAL

FIGURE 8-23. CHARGER CORD PLUG INSTALLATION - 220V - CEE7 SIDE GROUND (CE SPEC)



ART_0275664

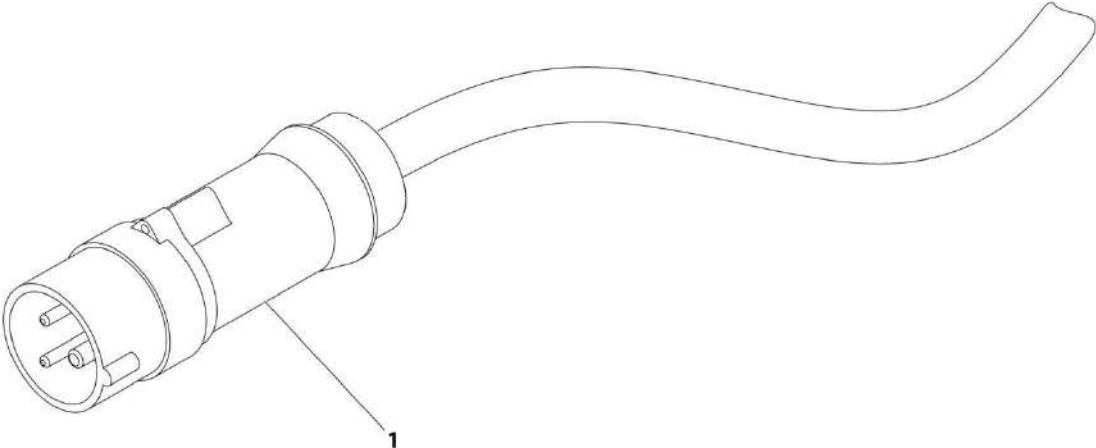
SECTION 8 - ELECTRICAL

FIGURE 8-23. CHARGER CORD PLUG INSTALLATION - 220V - CEE7 SIDE GROUND (CE SPEC)

ITEM	PART NUMBER	QTY	DESCRIPTION	REV
	0275664	Ref	CHARGER CORD PLUG INSTALLATION - 220V - CEE7 SIDE GROUND (CE SPEC)	A
1	4461205	1	Plug	

SECTION 8 - ELECTRICAL

FIGURE 8-24. CHARGER CORD PLUG INSTALLATION - 220V - IEC 60309 - BLUE (CE SPEC)



ART_0275667

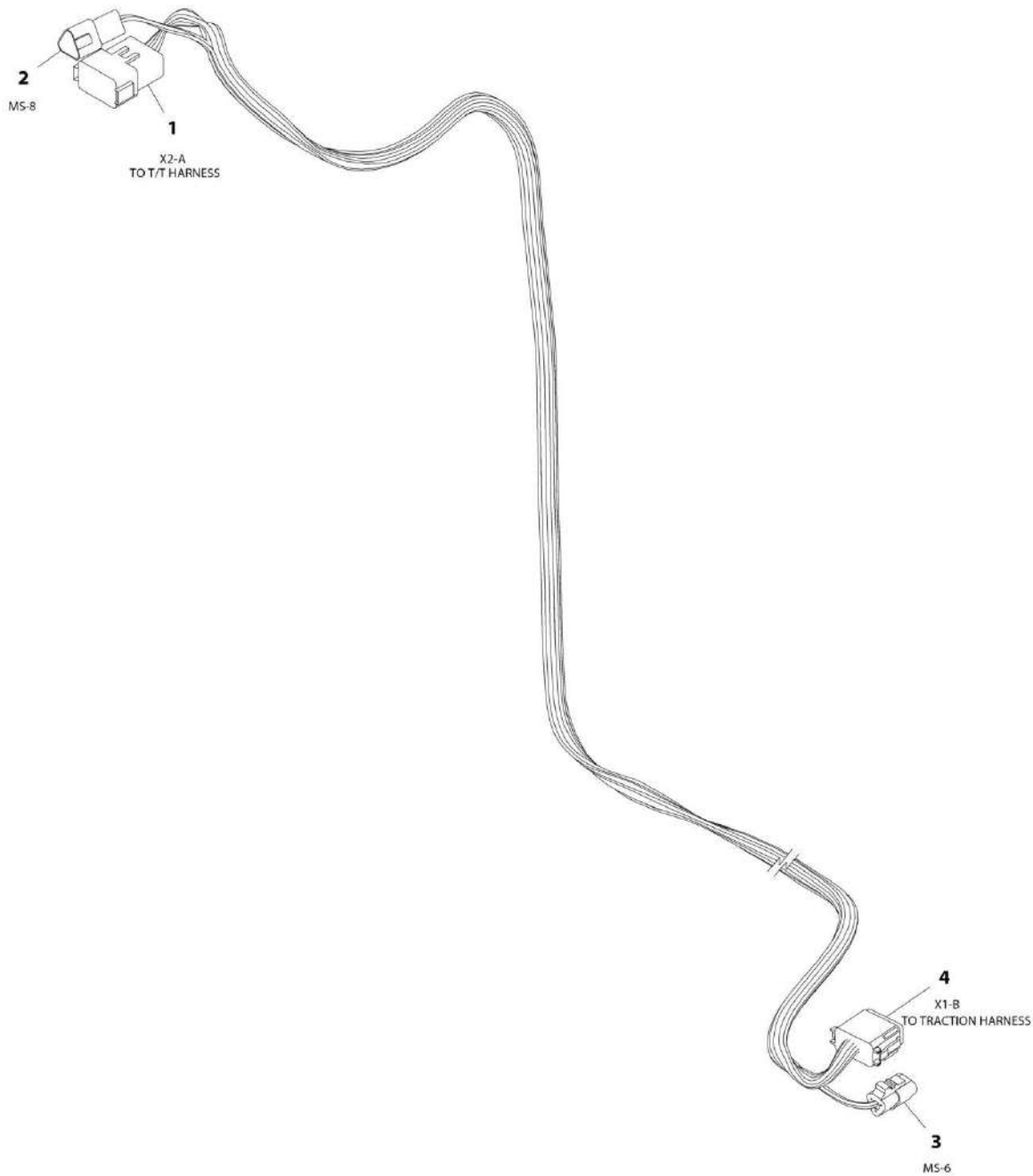
SECTION 8 - ELECTRICAL

FIGURE 8-24. CHARGER CORD PLUG INSTALLATION - 220V - IEC 60309 - BLUE (CE SPEC)

ITEM	PART NUMBER	QTY	DESCRIPTION	REV
	0275667	Ref	CHARGER CORD PLUG INSTALLATION - 220V - IEC 60309 - BLUE (CE SPEC)	A
1	4461199	1	Plug	

SECTION 8 - ELECTRICAL

FIGURE 8-25. CHASSIS TO TURNTABLE HARNESS



ART_1001178405

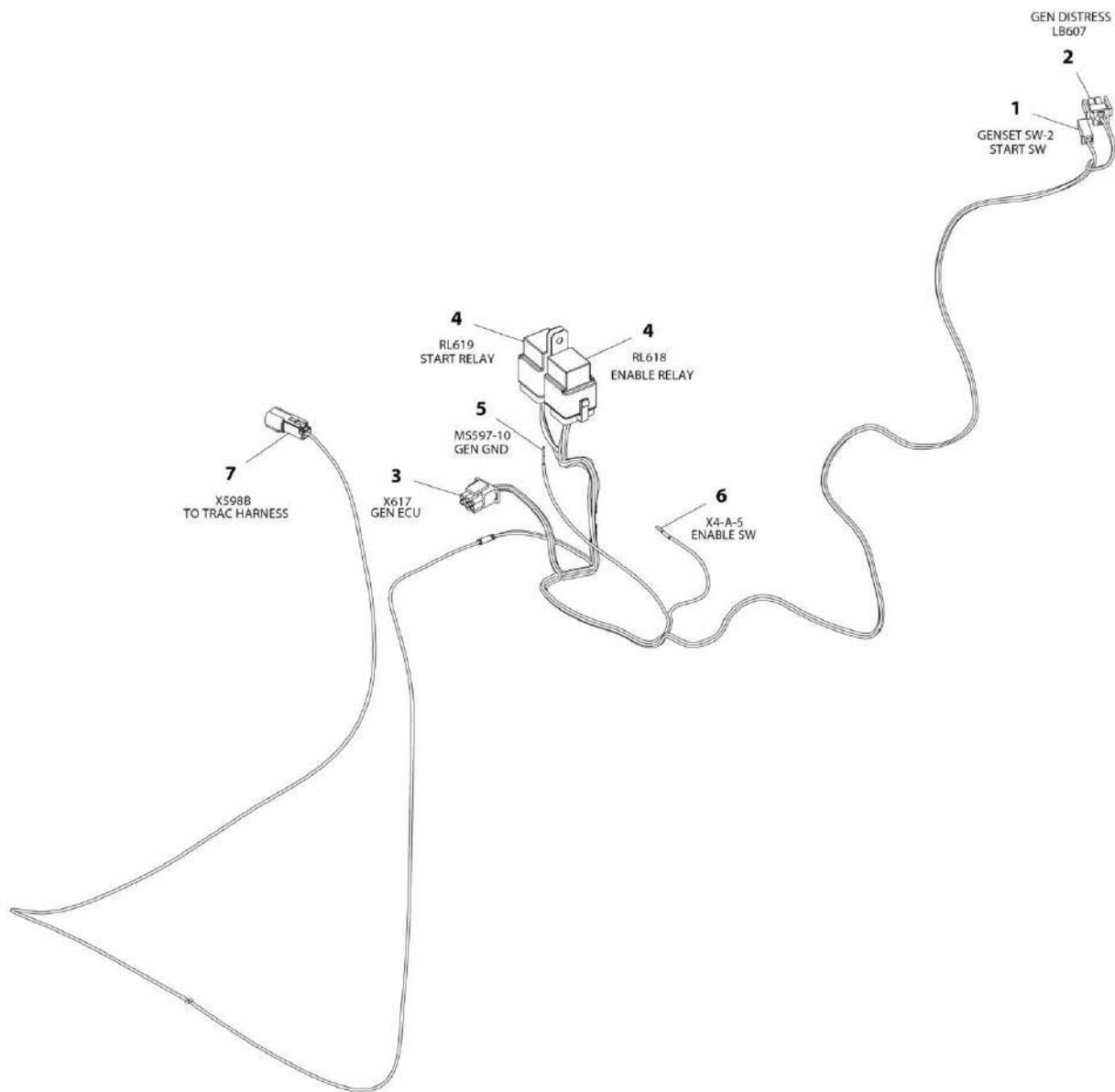
SECTION 8 - ELECTRICAL

FIGURE 8-25. CHASSIS TO TURNTABLE HARNESS

ITEM	PART NUMBER	QTY	DESCRIPTION	REV
	1001178405	Ref	CHASSIS TO TURNTABLE HARNESS	G
1	4460950	1	Connector - 12 Position	
1	1001157891	4	Terminal	
1	4460464	5	Pin, Male	
1	4460941	1	Terminal	
1	4460943	2	Pin, Male	
2	1001144147	1	Receptacle, Female - 3 Position	
2	4460943	3	Pin, Male	
3	4460539	1	Plug, Male - 3 Position	
3	4460944	3	Socket, Female	
4	4460836	1	Connector - 12 Position	
4	1001157890	4	Terminal	
4	4460465	5	Socket, Female	
4	4460942	1	Terminal	
4	4460944	2	Socket, Female	

SECTION 8 - ELECTRICAL

FIGURE 8-26. GENERATOR HARNESS



ART_1001192024

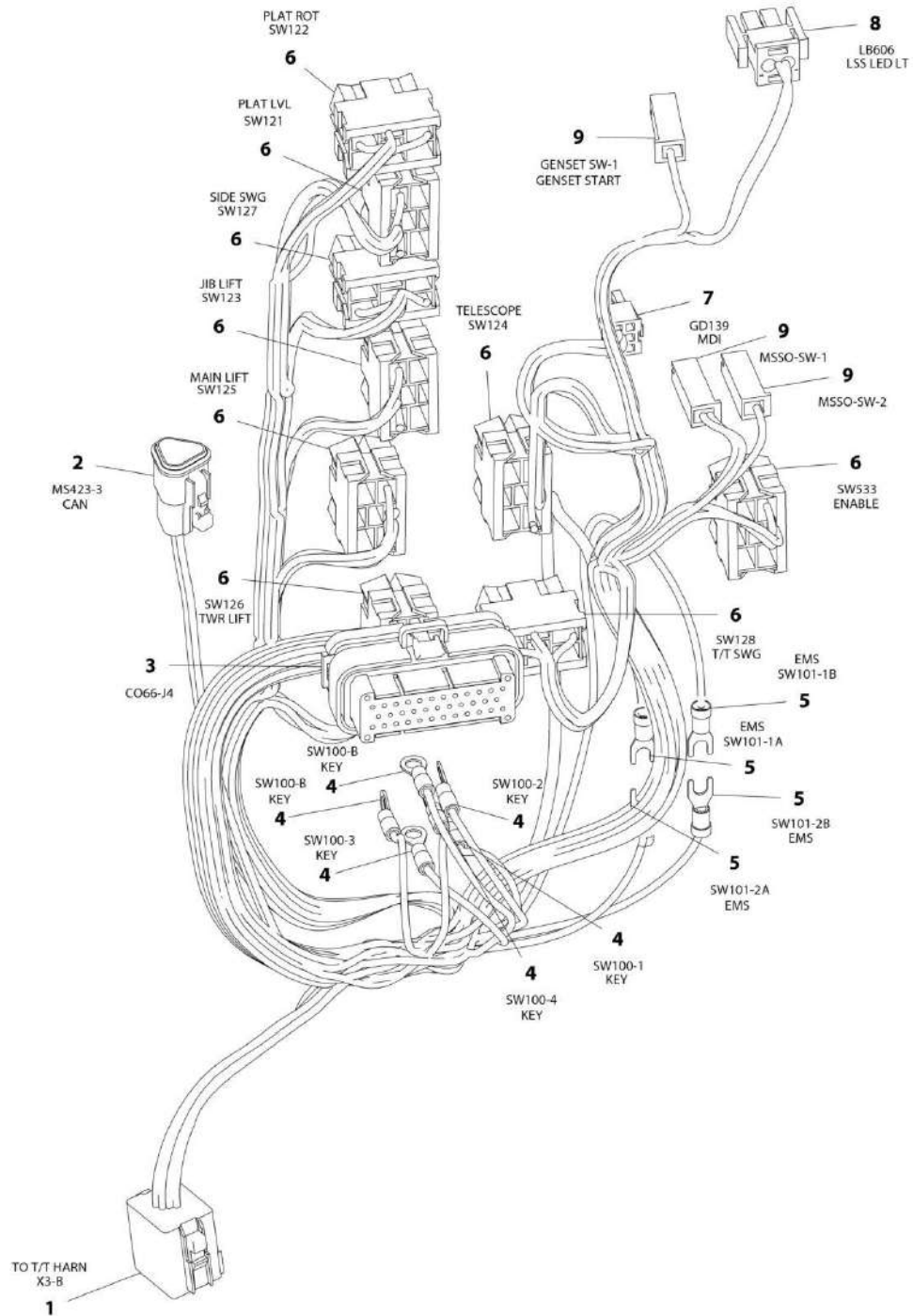
SECTION 8 - ELECTRICAL

FIGURE 8-26. GENERATOR HARNESS

ITEM	PART NUMBER	QTY	DESCRIPTION	REV
	1001192024	Ref	GENERATOR HARNESS	D
1	4460260	1	Housing, Terminal	
1	4460259	1	Terminal	
2	4460320	1	Plug, Male - 2 Position	
2	4460227	2	Pin, Male	
3	4460225	1	Connector - 6 Position	
3	4460267	5	Pin, Male	
4	3740080	2	Relay	
4	4460374	2	Plug, Relay	
4	1001116733	8	Terminal	
4	1001128128	2	Plug, Terminal	
5	4460465	1	Socket, Female	
6	4460464	1	Pin, Male	
7	4460897	1	Receptacle, Female - 2 Position	
7	4460464	1	Pin, Male	
7	4460466	1	Plug, Terminal	

SECTION 8 - ELECTRICAL

FIGURE 8-27. GROUND CONTROL PANEL HARNESS



ART_1001179991

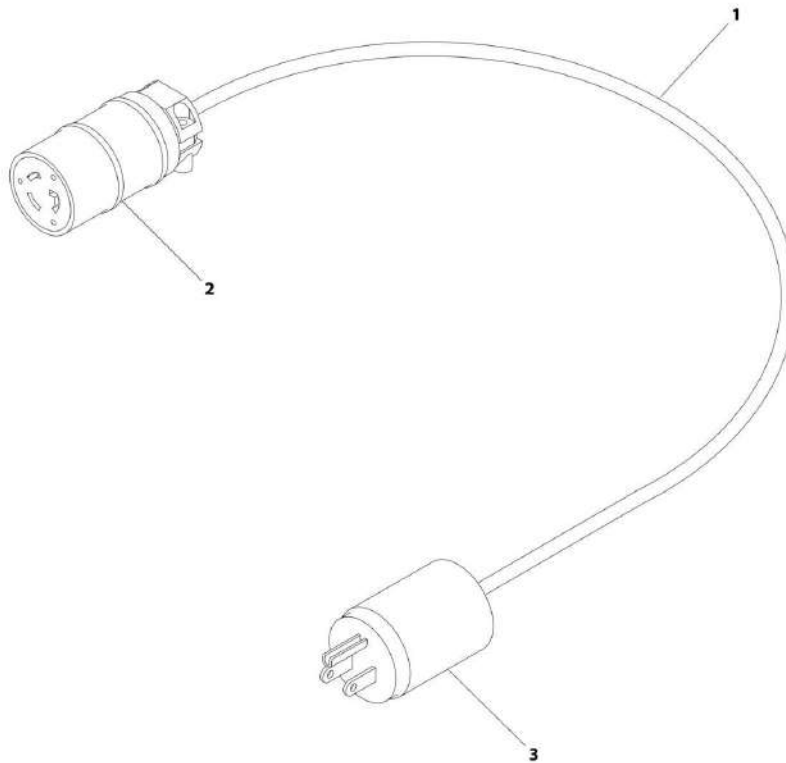
SECTION 8 - ELECTRICAL

FIGURE 8-27. GROUND CONTROL PANEL HARNESS

ITEM	PART NUMBER	QTY	DESCRIPTION	REV
	1001179991	Ref	GROUND CONTROL PANEL HARNESS	1
1	4460851	1	Connector - 8 Position	
2	1001157890	1	Socket, Female	
4	1001116692	1	Socket, Female	
1	4460465	1	Socket, Female	
1	4460466	1	Plug, Terminal	
2	1001116812	1	Plug, Male - 3 Position	
2	4460944	2	Socket, Female	
2	4460466	1	Plug, Terminal	
3	4460876	1	Connector - 35 Position	
3	4460871	23	Socket, Female	
3	4460905	12	Plug, Terminal	
4	4460313	6	Terminal, Ring	
5	4460806	4	Terminal, Fork	
6	4460418	9	Connector - 6 Position	
6	4460419	18	Terminal	
6	1001159186	17	Terminal	
7	4460868	1	Plug, Male - 6 Position	
7	4460877	4	Terminal	
8	4460320	1	Plug, Male - 2 Position	
8	4460227	2	Pin, Male	
9	4460260	3	Housing, Terminal	
9	4460259	3	Terminal	

SECTION 8 - ELECTRICAL

FIGURE 8-28. INVERTER HARNESS



ART_1001182296

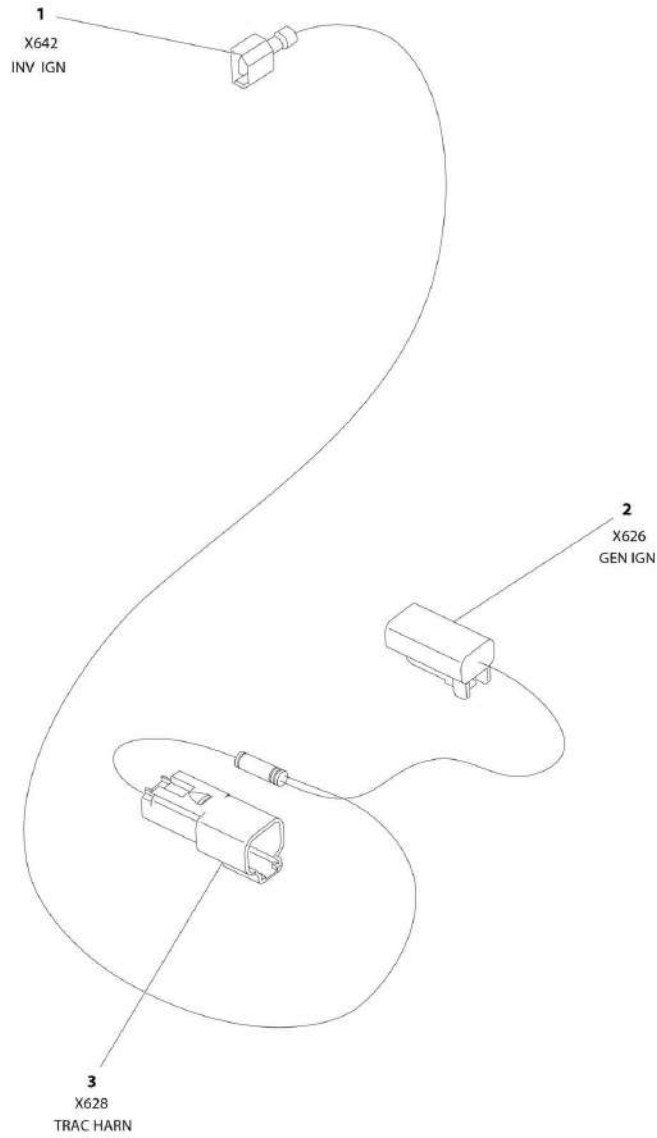
SECTION 8 - ELECTRICAL

FIGURE 8-28. INVERTER HARNESS

ITEM	PART NUMBER	QTY	DESCRIPTION	REV
1	1001182296 1060494	Ref 115 in /292cm	INVERTER HARNESS Cable, Electrical 12/3	A
2	4460134	1	Connector, Female	
3	4460138	1	Plug, Connector	

SECTION 8 - ELECTRICAL

FIGURE 8-29. INVERTER IGNITION HARNESS



ART_1001192293

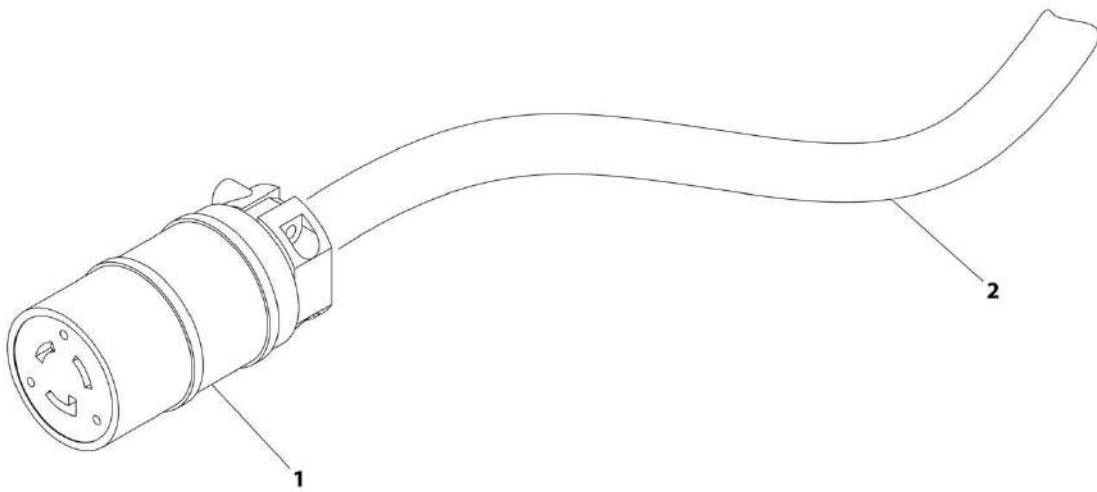
SECTION 8 - ELECTRICAL

FIGURE 8-29. INVERTER IGNITION HARNESS

ITEM	PART NUMBER	QTY	DESCRIPTION	REV
	1001192293	Ref	INVERTER IGNITION HARNESS	C
1	1001193545	1	Terminal	
2	4460891	1	Plug, Male - 2 Position	
2	4460465	1	Socket, Female	
2	4460466	1	Plug, Terminal	
3	4460897	1	Receptacle, Female - 2 Position	
3	4460464	1	Pin, Male	
3	4460466	1	Plug, Seal	

SECTION 8 - ELECTRICAL

FIGURE 8-30. LOWER BOOM 110V HARNESS ASSEMBLY



ART_4922607

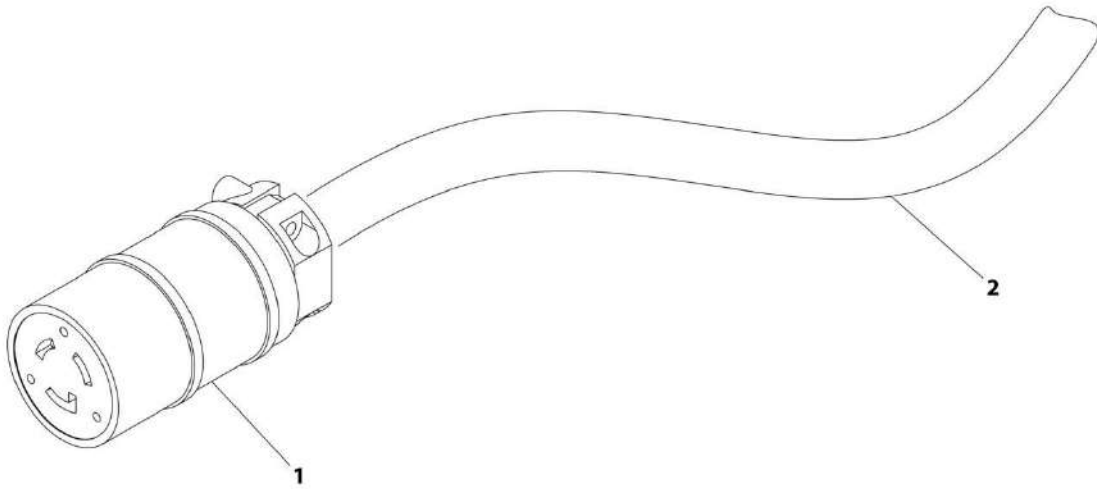
SECTION 8 - ELECTRICAL

FIGURE 8-30. LOWER BOOM 110V HARNESS ASSEMBLY

ITEM	PART NUMBER	QTY	DESCRIPTION	REV
	4922607	Ref	LOWER BOOM 110V HARNESS ASSEMBLY	1
1	4460134	1	Connector, Female	
2	1060494	37 ft /11.3m	Electrical Cable, 12/3	

SECTION 8 - ELECTRICAL

FIGURE 8-31. LOWER BOOM 220V HARNESS ASSEMBLY



ART_4922609

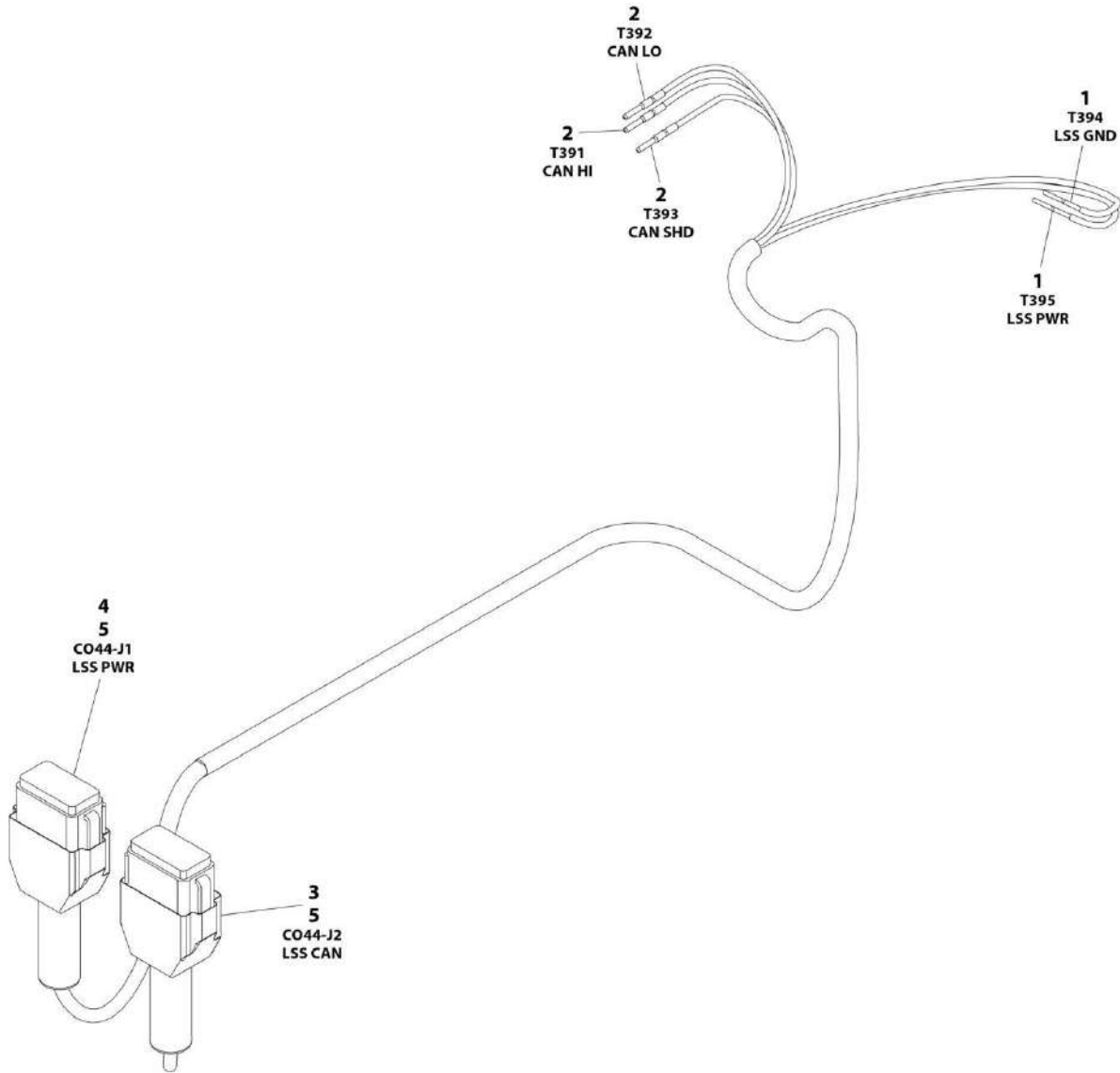
SECTION 8 - ELECTRICAL

FIGURE 8-31. LOWER BOOM 220V HARNESS ASSEMBLY

ITEM	PART NUMBER	QTY	DESCRIPTION	REV
	4922609	Ref	LOWER BOOM 220V HARNESS ASSEMBLY	1
1	4460710	1	Connector, Female	
2	1060461	37 ft /11.3m	Electrical Cable, 12/3	

SECTION 8 - ELECTRICAL

FIGURE 8-32. LSS SYSTEM HARNESS



ART_1001192283

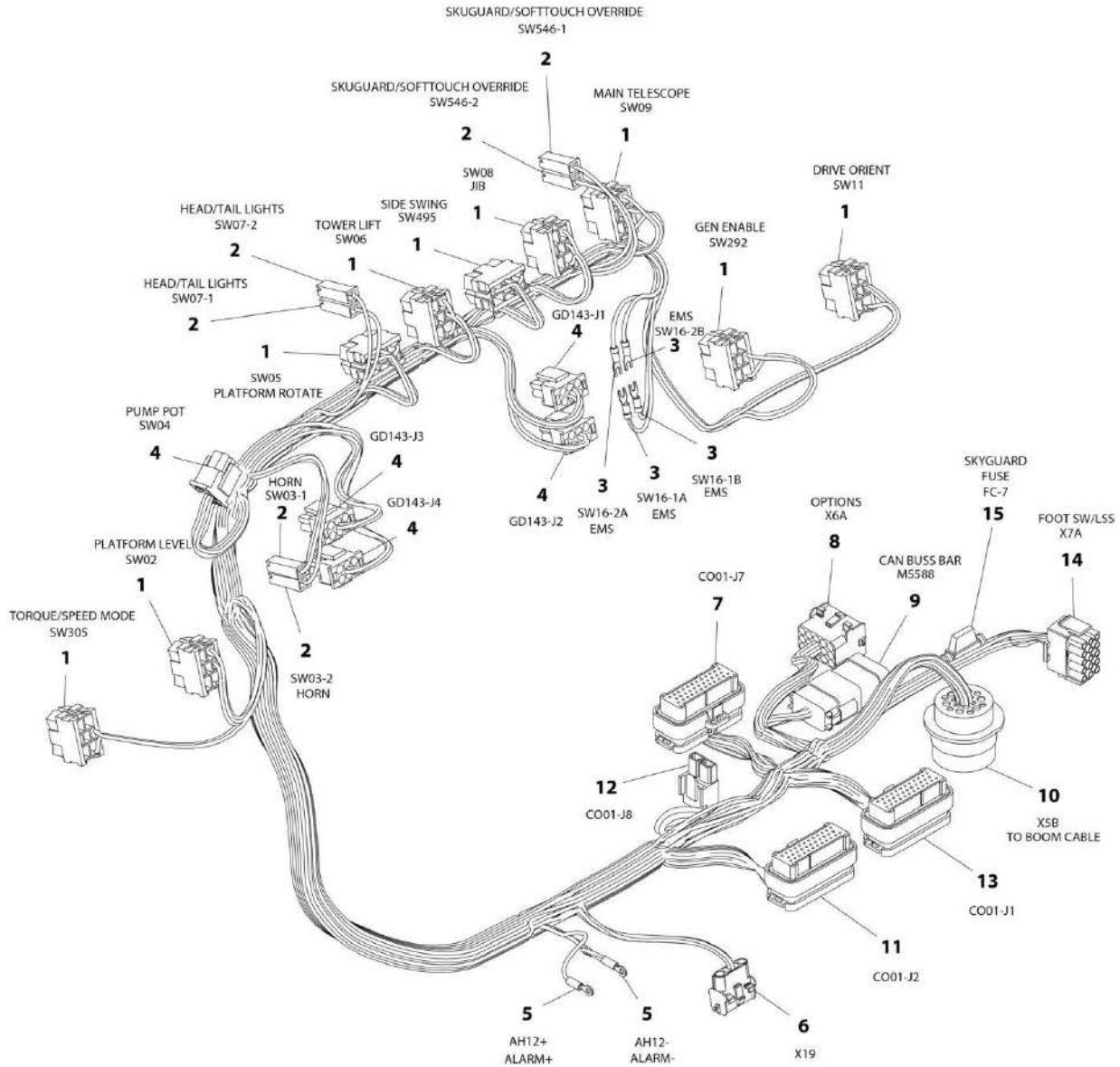
SECTION 8 - ELECTRICAL

FIGURE 8-32. LSS SYSTEM HARNESS

ITEM	PART NUMBER	QTY	DESCRIPTION	REV
	1001192283	Ref	LSS SYSTEM HARNESS	B
1	4460226	2	Socket, Female	
2	4460227	3	Pin, Male	
3	4460836	1	Plug, Male - 12 Position	
3	4460944	2	Socket, Female	
3	4460466	10	Plug, Terminal	
3	1001174455	1	Boot	
4	4460933	1	Plug, Male - 12 Position	
4	4460465	2	Socket, Female	
4	4460466	10	Plug, Terminal	
4	1001174455	1	Boot	
5	2820030	AR	Heat Shrink	

SECTION 8 - ELECTRICAL

FIGURE 8-33. PLATFORM CONSOLE HARNESS - WITHOUT LSS OR WITH 4 CELL LSS



ART_1001191318

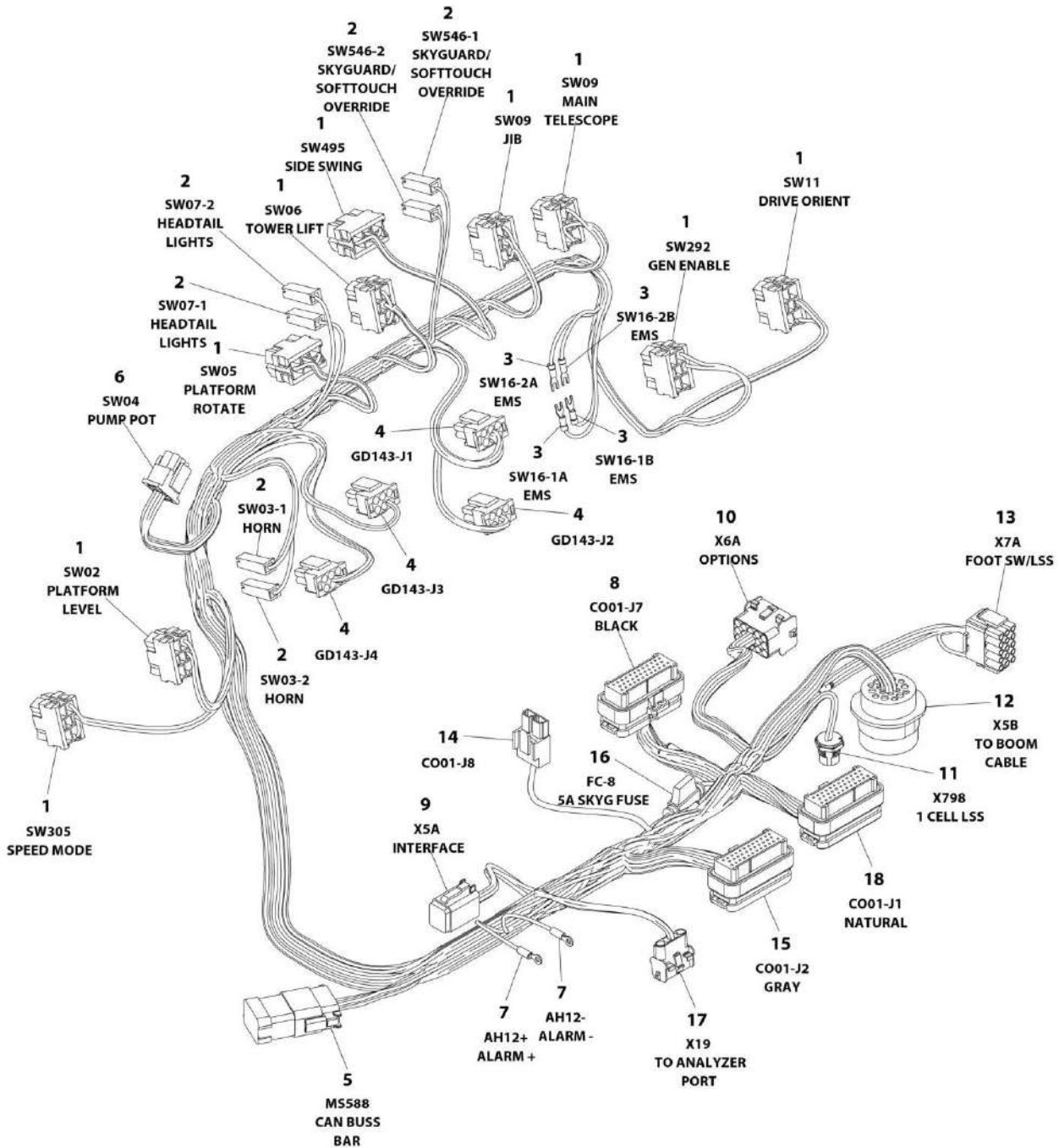
SECTION 8 - ELECTRICAL

FIGURE 8-33. PLATFORM CONSOLE HARNESS - WITHOUT LSS OR WITH 4 CELL LSS

ITEM	PART NUMBER	QTY	DESCRIPTION	REV
	1001191318	Ref	PLATFORM CONSOLE HARNESS - WITHOUT LSS OR WITH 4 CELL LSS	I
1	4460418	9	Connector - 6 Position	
1	4460419	14	Terminal	
1	1001159186	17	Terminal	
2	4460260	6	Housing, Terminal	
2	4460259	6	Terminal	
3	4460888	4	Terminal, Fork	
4	4460225	5	Connector - 6 Position	
4	4460226	14	Socket, Female	
4	4460267	6	Pin, Male	
5	1001098122	2	Terminal, Ring	
6	4460761	1	Receptacle, Female - 4 Position	
6	4460227	4	Pin, Male	
7	4460873	1	Connector - 35 Position	
7	4460871	21	Socket, Female	
7	4460905	14	Plug, Terminal	
8	4460708	1	Connector - 15 Position	
8	4460226	12	Socket, Female	
9	4460930	1	Plug, Male - 8 Position	
9	4460465	6	Socket, Female	
9	4460466	2	Plug, Terminal	
10	4460866	1	Connector - 19 Position	
10	4460464	10	Pin, Male	
10	4460508	2	Pin, Male	
10	4460466	7	Plug, Terminal	
11	4460875	1	Connector - 35 Position	
11	4460871	24	Socket, Female	
11	4460905	12	Plug, Terminal	
12	4460879	1	Plug, Male - 2 Position	
12	4460887	2	Terminal	
13	4460874	1	Connector - 35 Position	
13	4460871	24	Socket, Female	
13	4460905	11	Plug, Terminal	
14	4460434	1	Plug, Male - 15 Position	
14	4460227	13	Pin, Male	
15	2400060	1	Fuseholder with Cover (SN 0300229286 to Present, SN B30001990 to Present)	
15	8229242	1	Fuse - 5Amp (SN 0300229286 to Present, SN B30001990 to Present)	

SECTION 8 - ELECTRICAL

FIGURE 8-34. PLATFORM CONSOLE HARNESS - WITH 1 CELL LSS



ART_1001217621

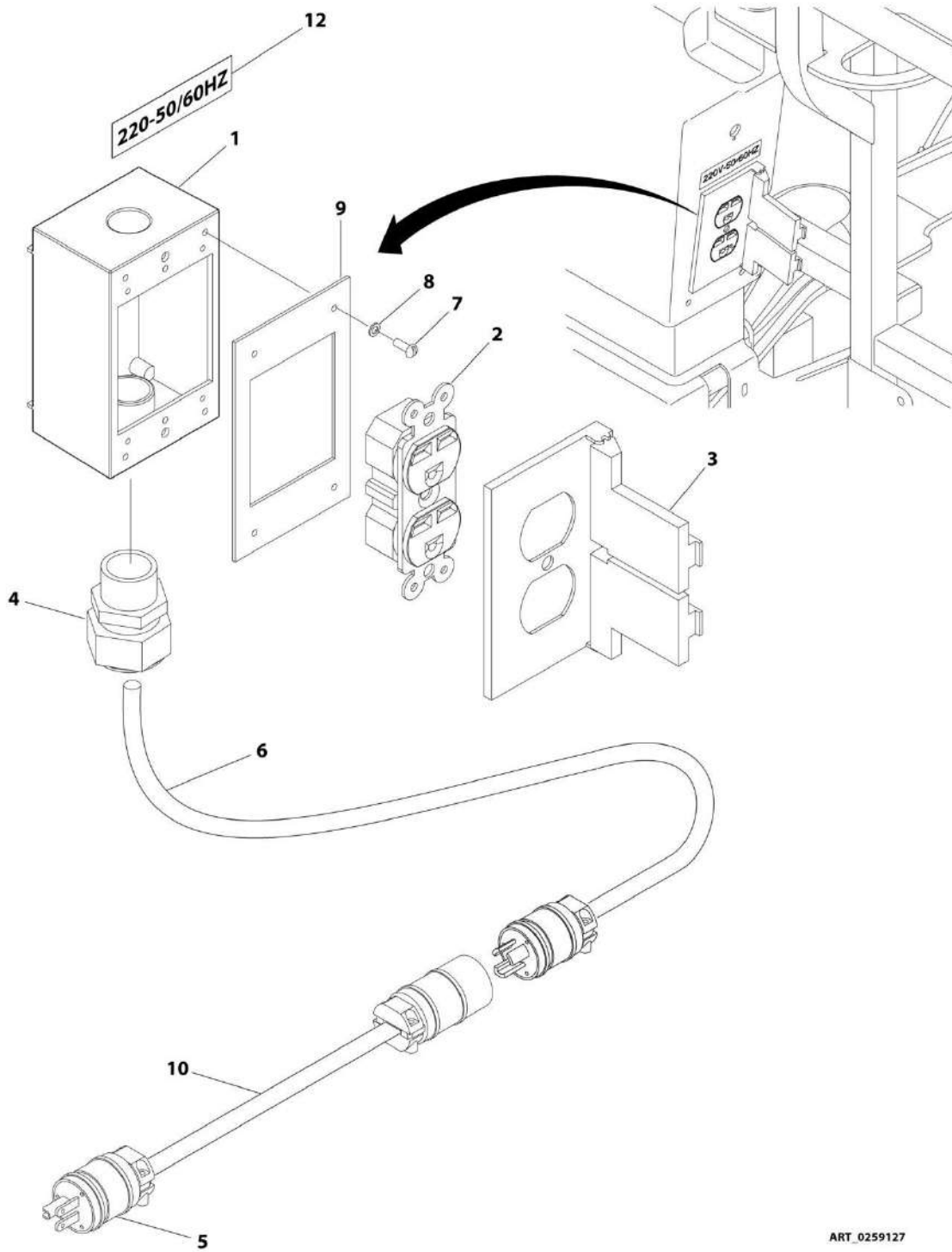
SECTION 8 - ELECTRICAL

FIGURE 8-34. PLATFORM CONSOLE HARNESS - WITH 1 CELL LSS

ITEM	PART NUMBER	QTY	DESCRIPTION	REV
	1001217621	Ref	PLATFORM CONSOLE HARNESS - WITH 1 CELL LSS	D
1	4460418	9	Connector - 6 Position	
1	4460419	15	Terminal	
1	1001159186	17	Terminal	
2	4460260	6	Housing, Terminal	
2	4460259	8	Terminal	
3	4460888	4	Terminal, Fork	
4	4460225	4	Connector - 6 Position	
4	4460226	15	Socket, Female	
5	4460930	1	Plug, Male - 8 Position	
5	4460465	6	Socket, Female	
5	4460466	2	Plug, Terminal	
6	4460224	1	Plug, Male - 6 Position	
6	4460267	7	Pin, Male	
7	1001098122	2	Terminal, Ring	
8	4460873	1	Connector - 35 Position	
8	4460871	23	Socket, Female	
8	4460905	13	Plug, Terminal	
9	4460894	1	Plug, Male - 6 Position	
9	4460465	6	Socket, Female	
10	4460708	1	Connector - 15 Position	
10	4460226	12	Socket, Female	
11	1001213447	1	Connector, Female - 5 Position	
12	4460866	1	Connector - 19 Position	
12	4460466	7	Plug, Terminal	
12	4460464	10	Pin, Male	
12	4460508	2	Pin, Male	
13	4460434	1	Plug, Male - 15 Position	
13	4460227	9	Pin, Male	
14	4460879	1	Plug, Male - 2 Position	
14	4460887	2	Terminal	
15	4460875	1	Connector - 35 Position	
15	4460905	13	Plug, Terminal	
15	4460871	22	Socket, Female	
16	2400060	1	Fuseholder with Cover	
16	8229242	1	Fuse - 5Amp	
17	4460761	1	Receptacle, Female - 4 Position	
17	4460227	4	Pin, Male	
18	4460874	1	Connector - 35 Position	
18	4460871	24	Socket, Female	
18	4460905	11	Plug, Terminal	

SECTION 8 - ELECTRICAL

FIGURE 8-35. PLUG AND RECEPTACLE INSTALLATION - SUPPLIED LOCALLY



ART_0259127

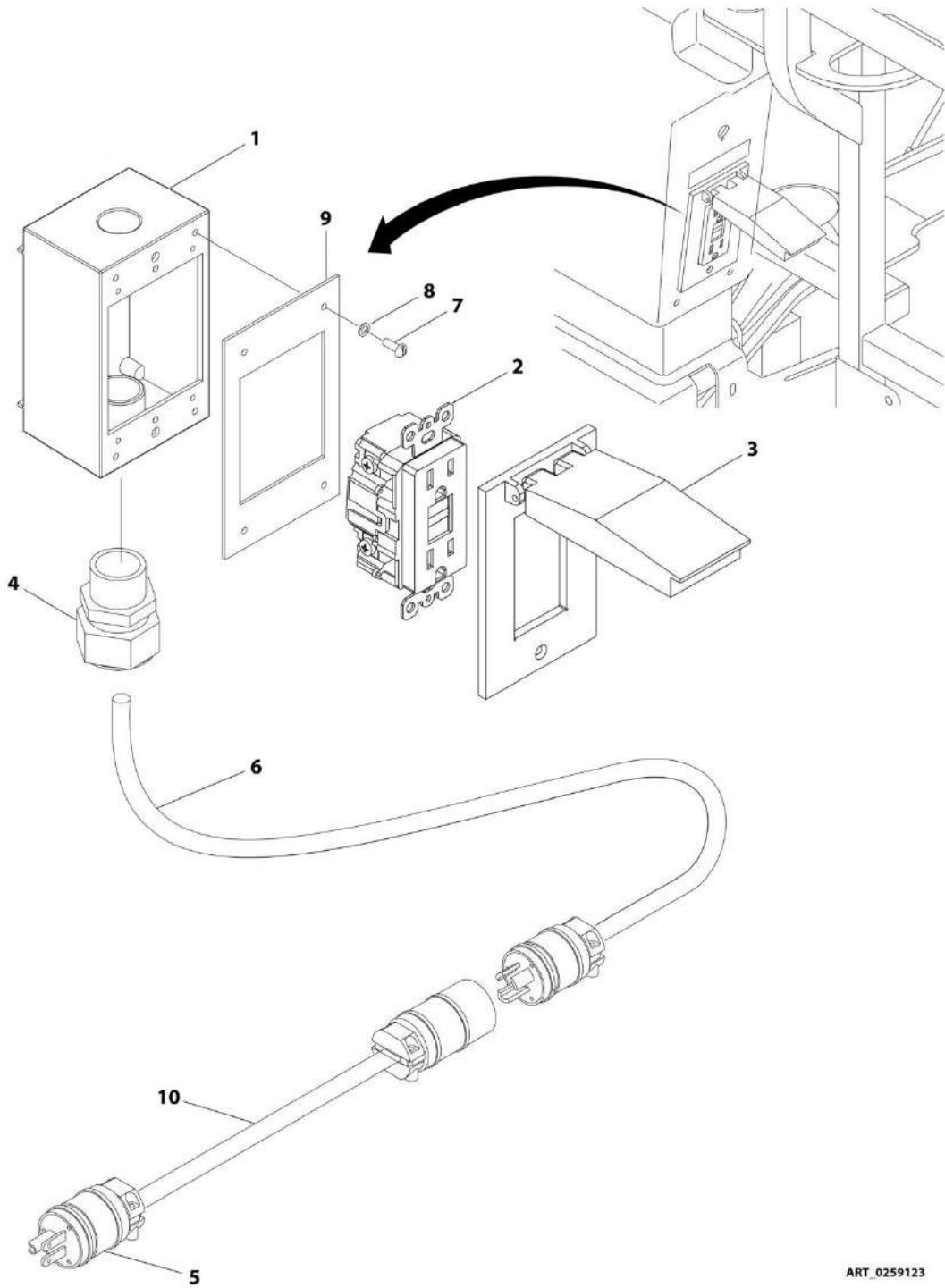
SECTION 8 - ELECTRICAL

FIGURE 8-35. PLUG AND RECEPTACLE INSTALLATION - SUPPLIED LOCALLY

ITEM	PART NUMBER	QTY	DESCRIPTION	REV
	0259127	Ref	PLUG AND RECEPTACLE INSTALLATION - SUPPLIED LOCALLY	2
1	See Note	1	Box, Switch (Note: Supplied Locally)	
2	See Note	1	Receptacle (Note: Supplied Locally)	
3	See Note	1	Shield, Cover (Note: Supplied Locally)	
4	See Note	1	Connector, Strain Relief (Note: Supplied Locally)	
5	See Note	1	Plug, Male (Note: Supplied Locally)	
6	4922610	1	Upper Boom 220V Harness Assembly (See UPPER BOOM 220V HARNESS ASSEMBLY for Breakdown)	
7	See Note	4	Screw, Self-tapping, #6-32 x 5/8 (Note: Supplied Locally)	
8	See Note	4	Washer, #6 (Note: Supplied Locally)	
9	See Note	1	Gasket (Note: Supplied Locally)	
10	4922609	1	Lower Boom 220V Harness Assembly (See LOWER BOOM 220V HARNESS ASSEMBLY for Breakdown)	
12	See Note	1	Decal - 220V-50/60Hz (Note: Supplied Locally)	

SECTION 8 - ELECTRICAL

FIGURE 8-36. PLUG AND RECEPTACLE INSTALLATION - 110V



ART_0259123

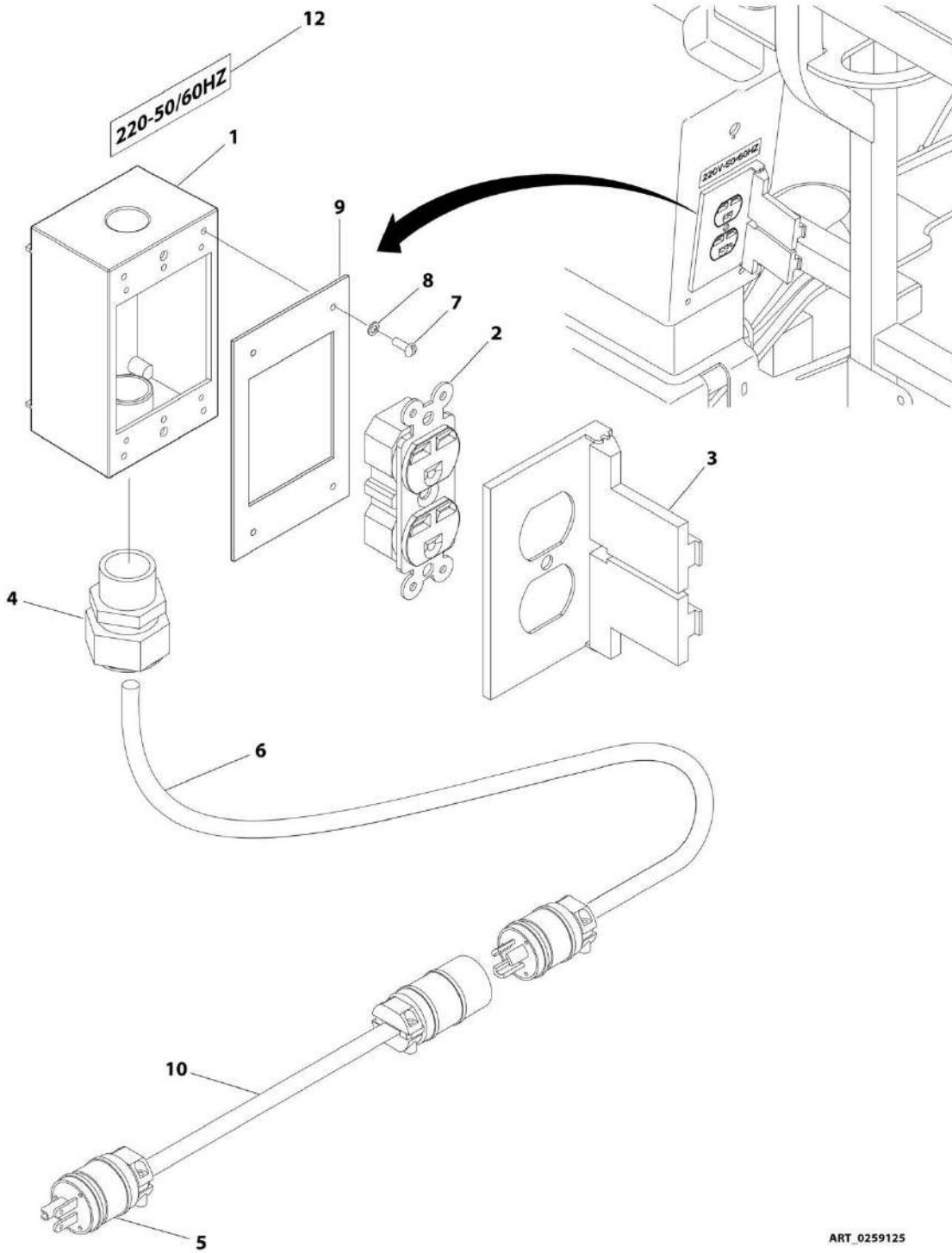
SECTION 8 - ELECTRICAL

FIGURE 8-36. PLUG AND RECEPTACLE INSTALLATION - 110V

ITEM	PART NUMBER	QTY	DESCRIPTION	REV
	0259123	Ref	PLUG AND RECEPTACLE INSTALLATION - 110V	5
1	0860038	1	Box, Switch	
2	4460346	1	Receptacle	
3	1001110873	1	Shield, Cover	
4	4460071	1	Connector, Strain Relief	
5	4460205	1	Plug, Male	
6	4922608	1	Upper Boom 110V Harness Assembly (See UPPER BOOM 110V HARNESS ASSEMBLY for Breakdown)	
7	3910610	4	Screw, Self-tapping, #6-32 x 5/8	
8	4760600	4	Washer, #6	
9	3960422	1	Gasket	
10	4922607	1	Lower Boom 110V Harness Assembly (See LOWER BOOM 110V HARNESS ASSEMBLY for Breakdown)	

SECTION 8 - ELECTRICAL

FIGURE 8-37. PLUG AND RECEPTACLE INSTALLATION - 220V



ART_0259125

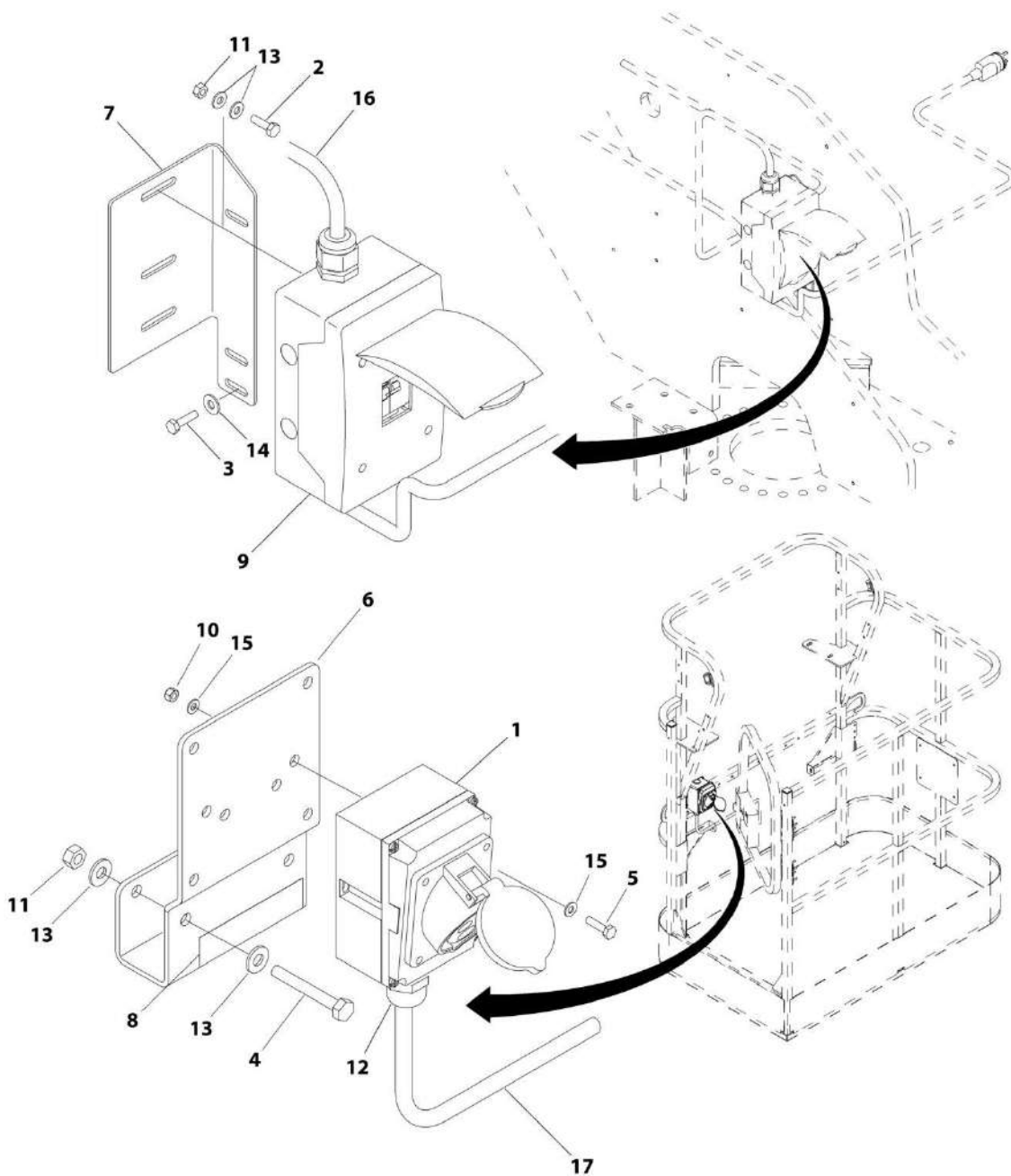
SECTION 8 - ELECTRICAL

FIGURE 8-37. PLUG AND RECEPTACLE INSTALLATION - 220V

ITEM	PART NUMBER	QTY	DESCRIPTION	REV
	0259125	Ref	PLUG AND RECEPTACLE INSTALLATION - 220V	4
1	0860038	1	Box, Switch	
2	4460125	1	Receptacle	
3	4060092	1	Shield, Cover	
4	4460071	1	Connector, Strain Relief	
5	4460233	1	Plug, Male	
6	4922608	1	Upper Boom 110V Harness Assembly (See UPPER BOOM 110V HARNESS ASSEMBLY for Breakdown)	
7	3910610	4	Screw, Self-tapping, #6-32 x 5/8	
8	4760600	4	Washer, #6	
9	3960422	1	Gasket	
10	4922607	1	Lower Boom 110V Harness Assembly (See LOWER BOOM 110V HARNESS ASSEMBLY for Breakdown)	
12	3252507	1	Decal - 220V-50/60 Hz	

SECTION 8 - ELECTRICAL

FIGURE 8-38. PLUG AND RECEPTACLE 110V INSTALLATION - IEC 60309 - YELLOW (CE SPEC)



ART_1001166263

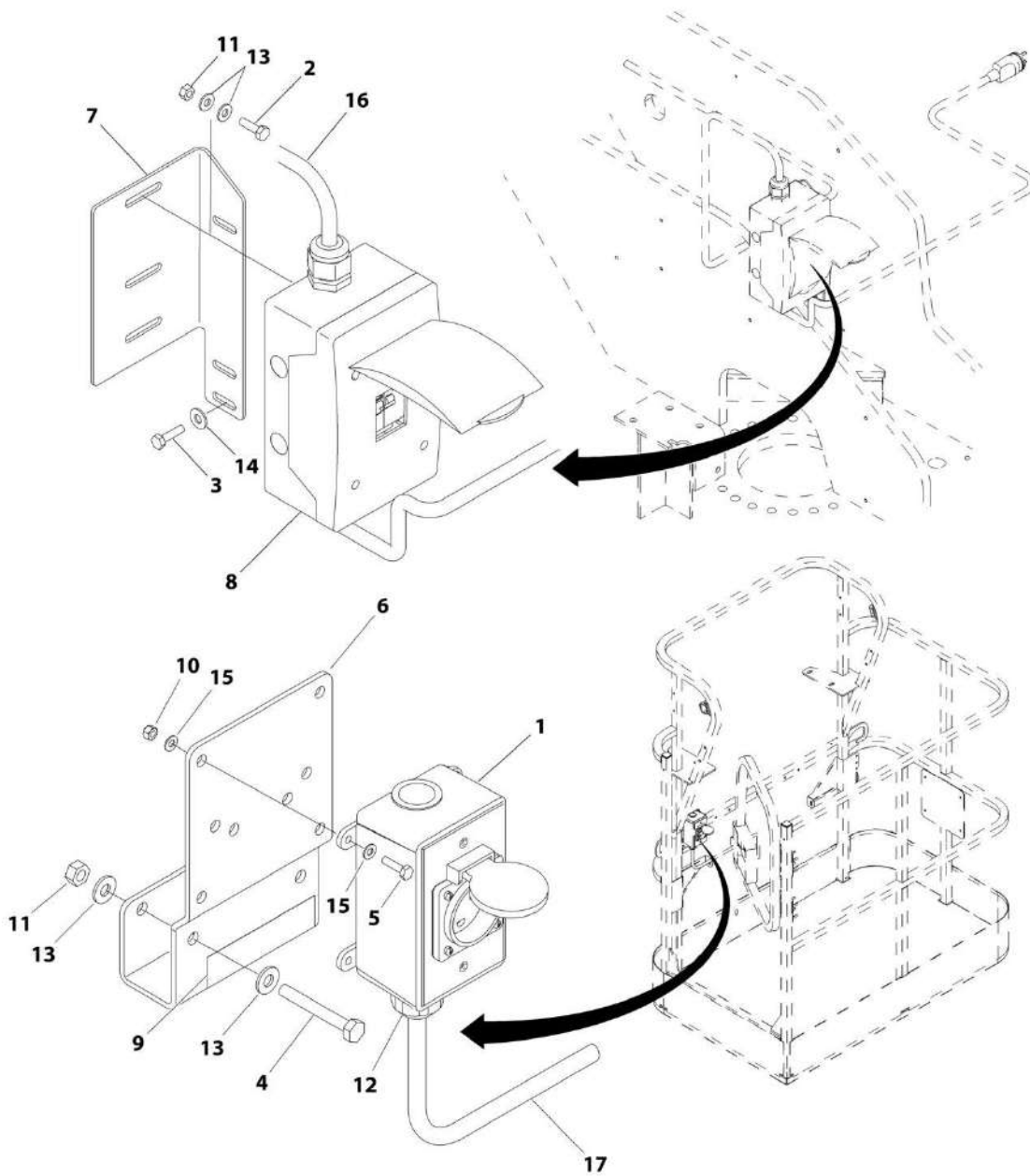
SECTION 8 - ELECTRICAL

FIGURE 8-38. PLUG AND RECEPTACLE 110V INSTALLATION - IEC 60309 - YELLOW (CE SPEC)

ITEM	PART NUMBER	QTY	DESCRIPTION	REV
	1001166263	Ref	PLUG AND RECEPTACLE 110V INSTALLATION - IEC 60309 - YELLOW (CE SPEC)	C
1	0275216	1	AC Plugs and Sockets Installation - CE Spec (See AC PLUGS AND SOCKETS INSTALLATION - CE SPEC for Breakdown)	
2	0641407	2	Bolt, 1/4-20 x 7/8	
3	0641408	2	Bolt, 1/4-20 x 1	
4	0641416	2	Bolt, 1/4-20 x 2	
5	0700408	2	Bolt, M4 x 16	
6	1001193018	1	Bracket	
7	1001178491	1	Bracket	
8	1705325	2	Decal - 120V - 50 Hz	
9	2902549	1	Breaker Box Kit with One Breakers - CE Spec (See BREAKER BOX KIT WITH ONE BREAKERS CE SPEC for Breakdown)	
10	3290405	2	Nut, Lock, M4 x 0.7	
11	3311405	4	Nut, Lock, 1/4-20	
12	4460968	1	Connector, Strain Relief	
13	4711400	8	Washer, 1/4	
14	4751400	2	Washer, 1/4	
15	4811400	4	Washer, 4mm	
16	4922609	1	Lower Boom 220V Harness Assembly - CE Spec (See LOWER BOOM 220V HARNESS ASSEMBLY - CE SPEC for Breakdown)	
17	4922610	1	Main Boom 220V Harness Assembly - CE Spec (See MAIN BOOM 220V HARNESS ASSEMBLY - CE SPEC for Breakdown)	

SECTION 8 - ELECTRICAL

FIGURE 8-39. PLUG AND RECEPTACLE 220V INSTALLATION - AFSINT 107 KEYED GROUND - 2 X 4 BOX (CE SPEC)



ART_1001166259

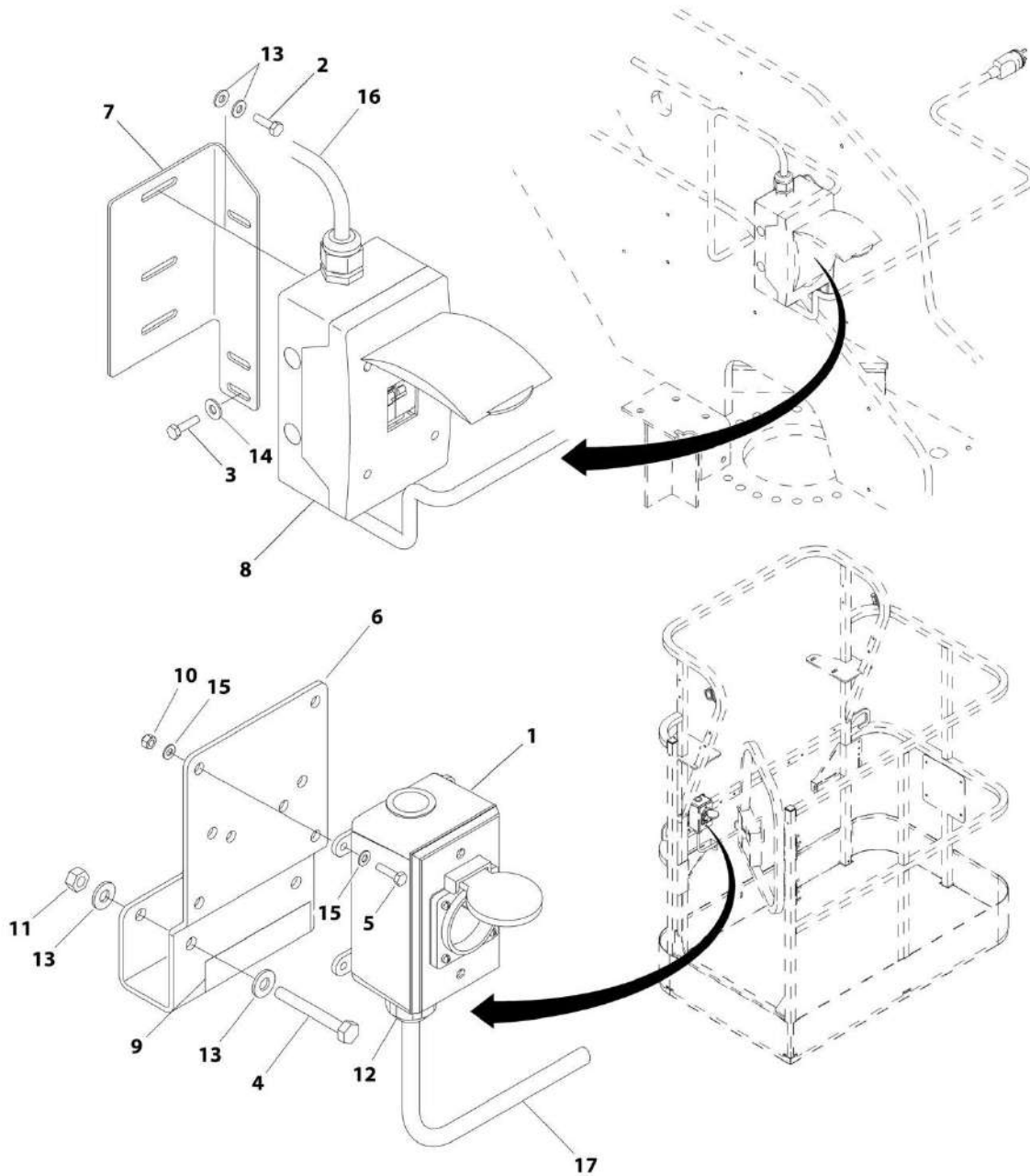
SECTION 8 - ELECTRICAL

FIGURE 8-39. PLUG AND RECEPTACLE 220V INSTALLATION - AFSINT 107 KEYED GROUND - 2 X 4 BOX (CE SPEC)

ITEM	PART NUMBER	QTY	DESCRIPTION	REV
	1001166259	Ref	PLUG AND RECEPTACLE 220V INSTALLATION - AFSINT 107 KEYED GROUND - 2 X 4 BOX (CE SPEC)	C
1	0275454	1	AC Plugs and Sockets Installation - CE Spec (See AC PLUGS AND SOCKETS INSTALLATION - CE SPEC for Breakdown)	
2	0641407	2	Bolt, 1/4-20 x 7/8	
3	0641408	2	Bolt, 1/4-20- x 1	
4	0641416	2	Bolt, 1/4-20 x 2	
5	0700408	4	Bolt, M4 x 16	
6	1001193018	1	Bracket	
7	1001178491	1	Bracket	
8	2902549	1	Breaker Box Kit with One Breakers - CE Spec (See BREAKER BOX KIT WITH ONE BREAKERS - CE SPEC for Breakdown)	
9	3252507	2	Decal - 220V - 50/60 Hz	
10	3290405	4	Nut, Lock, M4 x 0.7	
11	3311405	4	Nut, Lock, 1/4-20	
12	4460662	1	Connector, Strain Relief	
13	4711400	8	Washer, 1/4	
14	4751400	2	Washer, 1/4	
15	4811400	8	Washer, 4mm	
16	4922609	1	Lower Boom 220V Harness Assembly - CE Spec (See LOWER BOOM 220V HARNESS ASSEMBLY - CE SPEC for Breakdown)	
17	4922610	1	Main Boom 220V Harness Assembly - CE Spec (See MAIN BOOM 220V HARNESS ASSEMBLY - CE SPEC for Breakdown)	

SECTION 8 - ELECTRICAL

FIGURE 8-40. PLUG AND RECEPTACLE 220V INSTALLATION - CEE7 POST GROUND - 2 X 4 BOX (CE SPEC)



ART_1001166251

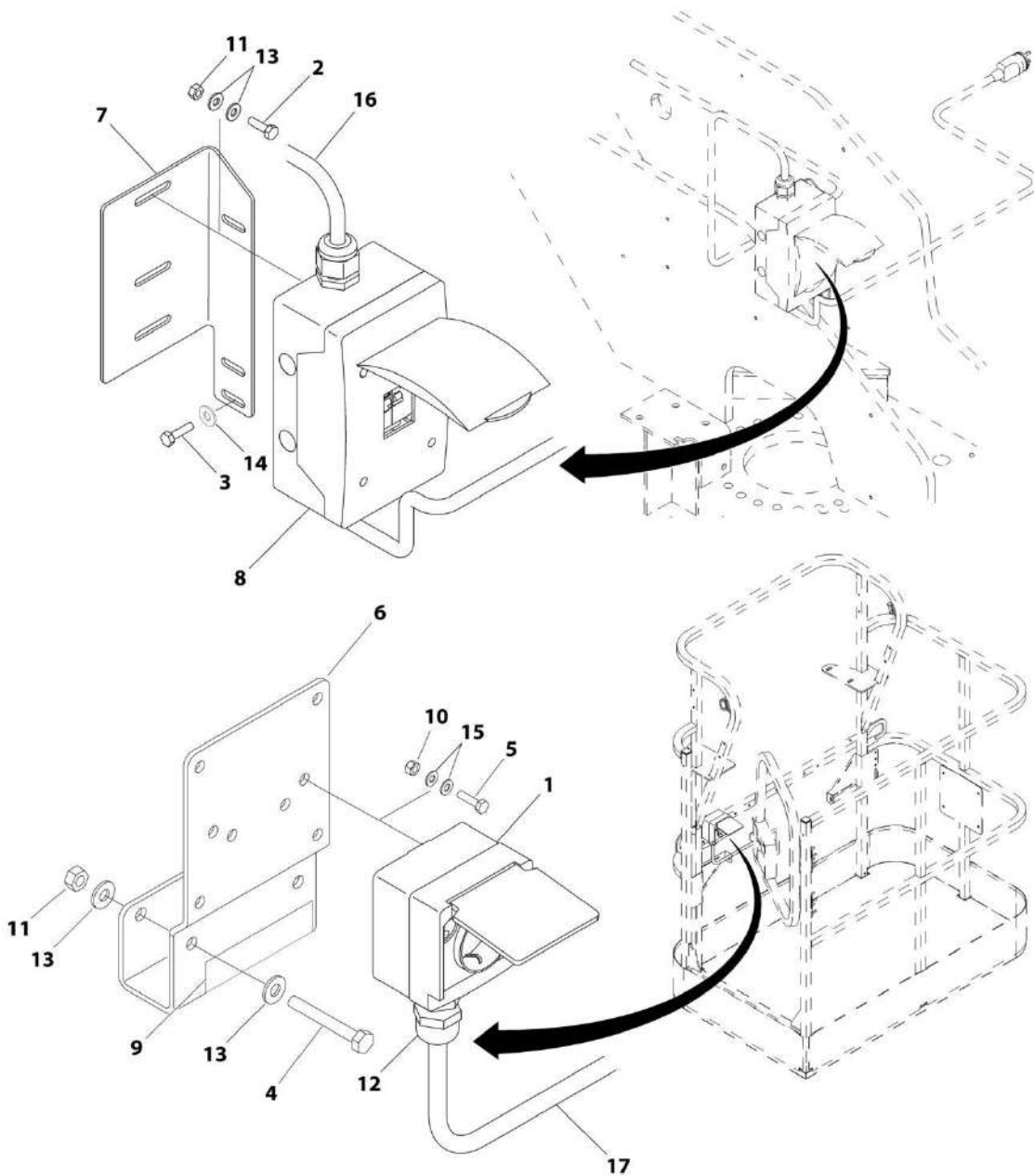
SECTION 8 - ELECTRICAL

**FIGURE 8-40. PLUG AND RECEPTACLE 220V INSTALLATION - CEE7 POST GROUND - 2 X 4 BOX
(CE SPEC)**

ITEM	PART NUMBER	QTY	DESCRIPTION	REV
	1001166251	Ref	PLUG AND RECEPTACLE 220V INSTALLATION - CEE7 POST GROUND - 2 X 4 BOX (CE SPEC)	C
1	0275452	1	AC Plugs and Sockets Installation - CE Spec (See AC PLUGS AND SOCKETS INSTALLATION - CE SPEC for Breakdown)	
2	0641407	2	Bolt, 1/4-20 x 7/8	
3	0641408	2	Bolt, 1/4-20 x 1	
4	0641416	2	Bolt, 1/4-20 x 2	
5	0700408	4	Bolt, M4 x 16	
6	1001193018	1	Bracket	
7	1001178491	1	Bracket	
8	2902549	1	Breaker Box Kit with One Breakers - CE Spec (See BREAKER BOX KIT WITH ONE BREAKERS CE SPEC for Breakdown)	
9	3252507	2	Decal - 220V - 50/60Hz	
10	3290405	4	Nut, Lock, M4 x 0.7	
11	3311405	4	Nut, Lock, 1/4-20	
12	4460662	1	Connector, Strain Relief	
13	4711400	8	Washer, 1/4	
14	4751400	2	Washer, 1/4	
15	4811400	8	Washer, 4mm	
16	4922609	1	Lower Boom 220V Harness Assembly (See LOWER BOOM 220V HARNESS ASSEMBLY for Breakdown)	
17	4922610	1	Upper Boom 220V Harness Assembly (See UPPER BOOM 220V HARNESS ASSEMBLY for Breakdown)	

SECTION 8 - ELECTRICAL

FIGURE 8-41. PLUG AND RECEPTACLE 220V INSTALLATION - CEE7 POST GROUND - 70MM X 70MM BOX (CE SPEC)



ART_1001166261

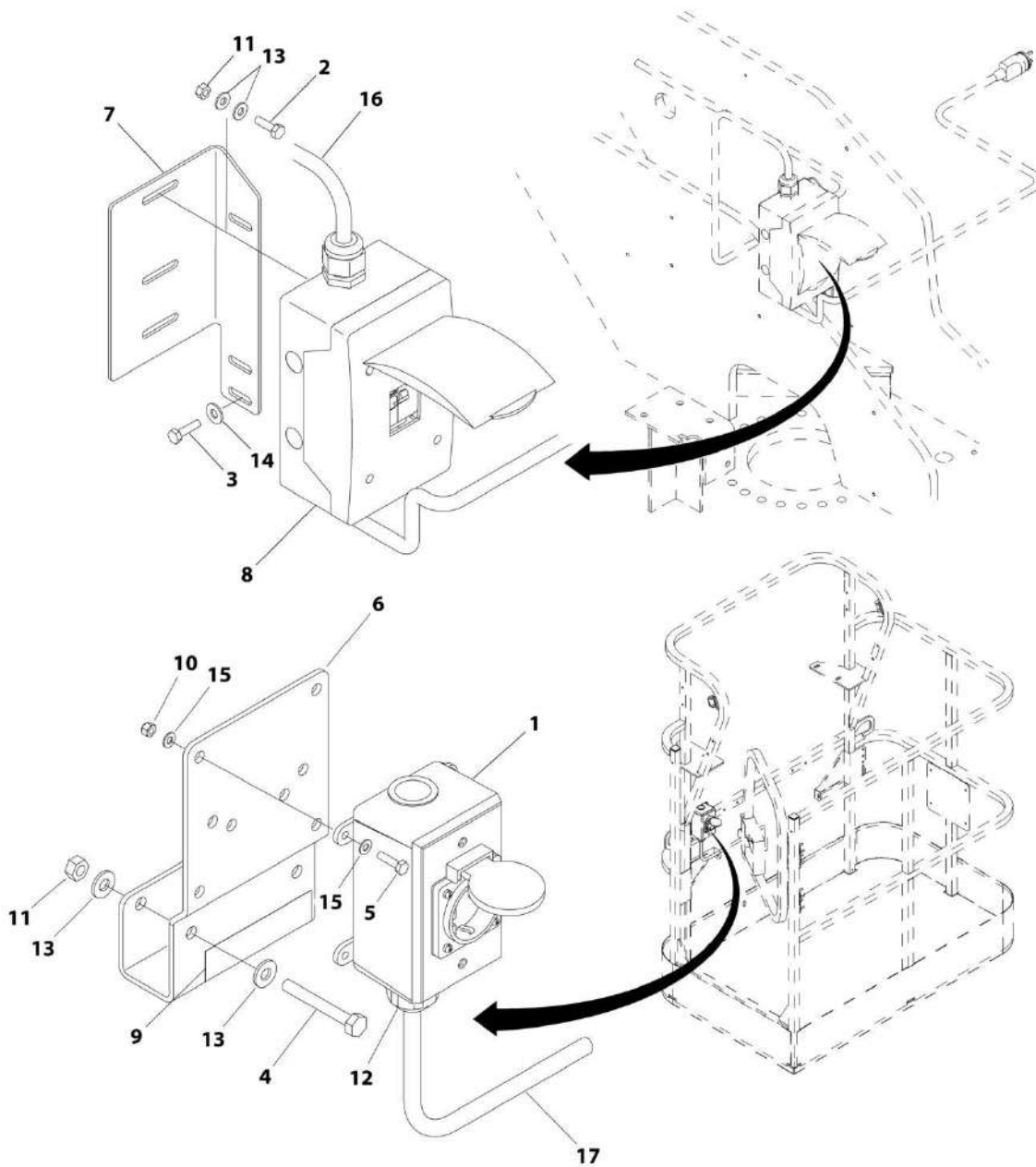
SECTION 8 - ELECTRICAL

FIGURE 8-41. PLUG AND RECEPTACLE 220V INSTALLATION - CEE7 POST GROUND - 70MM X 70MM BOX (CE SPEC)

ITEM	PART NUMBER	QTY	DESCRIPTION	REV
	1001166261	Ref	PLUG AND RECEPTACLE 220V INSTALLATION - CEE7 POST GROUND - 70MM X 70MM BOX (CE SPEC)	C
1	0275218	1	AC Plugs and Sockets Installation - CE Spec (See AC PLUGS AND SOCKETS INSTALLATION - CE SPEC for Breakdown)	
2	0641407	2	Bolt, 1/4-20 x 7/8	
3	0641408	2	Bolt, 1/4-20 x 1	
4	0641416	2	Bolt, 1/4-20 x 2	
5	0700408	2	Bolt, M4 x 16	
6	1001193018	1	Bracket	
7	1001178491	1	Bracket	
8	2902549	1	Breaker Box Kit with One Breakers - CE Spec (See BREAKER BOX KIT WITH ONE BREAKERS CE Spec for Breakdown)	
9	3252507	2	Decal - 220V - 50/60 Hz	
10	3290405	2	Nut, Lock, M4 x 0.7	
11	3311405	4	Nut, Lock, 1/4-20	
12	4460968	1	Connector, Strain Relief	
13	4711400	8	Washer, 1/4	
14	4751400	2	Washer, 1/4	
15	4811400	4	Washer, 4mm	
16	4922609	1	Lower Boom 220V Harness Assembly - CE Spec (See LOWER BOOM 220V HARNESS ASSEMBLY - CE SPEC for Breakdown)	
17	4922610	1	Main Boom 220V Harness Assembly - CE Spec (See MAIN BOOM 220V HARNESS ASSEMBLY - CE SPEC for Breakdown)	

SECTION 8 - ELECTRICAL

FIGURE 8-42. PLUG AND RECEPTACLE 220 INSTALLATION - CEE7 SIDE GROUND - 2 X 4 BOX (CE SPEC)



ART_1001166258

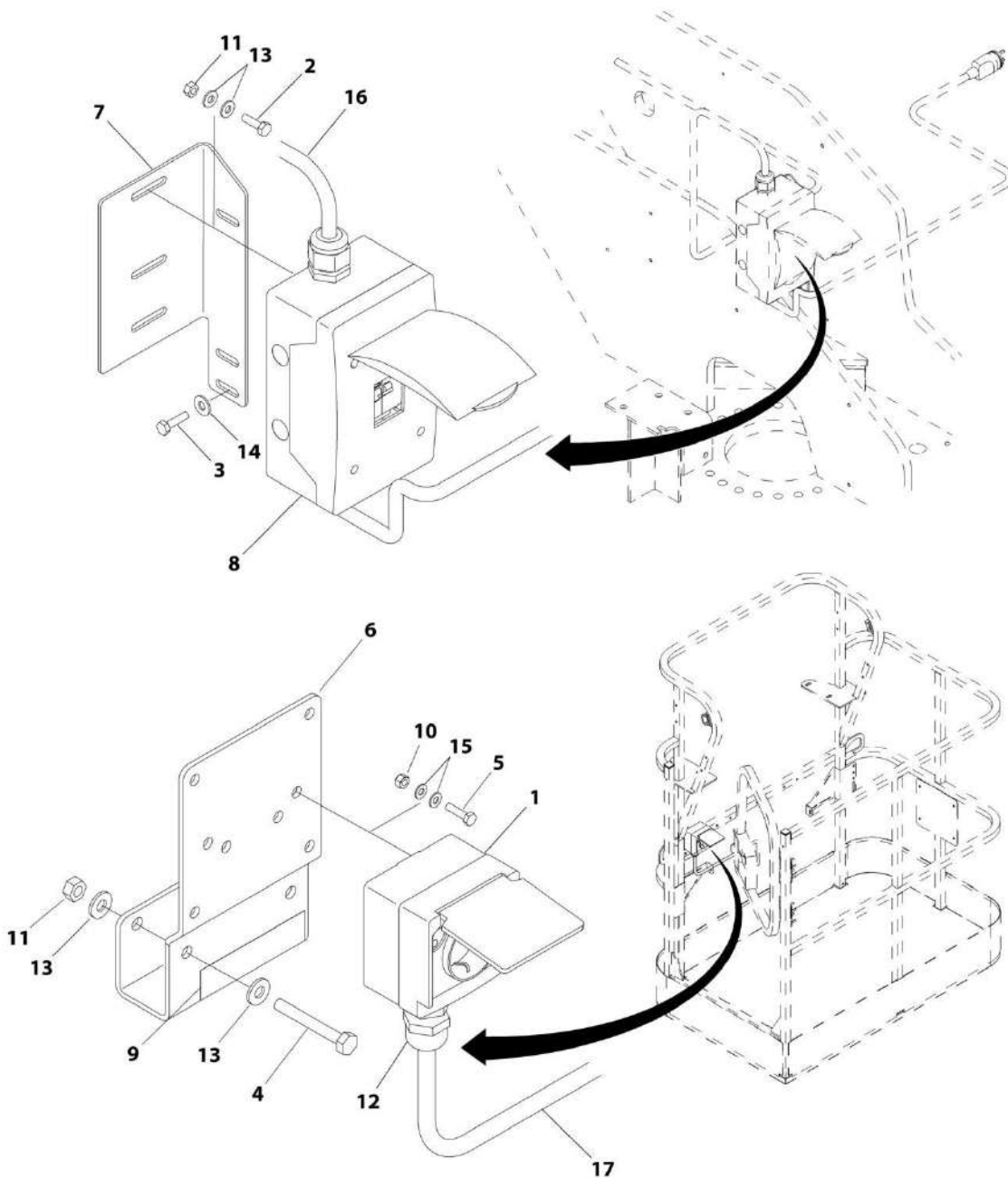
SECTION 8 - ELECTRICAL

FIGURE 8-42. PLUG AND RECEPTACLE 220 INSTALLATION - CEE7 SIDE GROUND - 2 X 4 BOX (CE SPEC)

ITEM	PART NUMBER	QTY	DESCRIPTION	REV
	1001166258	Ref	PLUG AND RECEPTACLE 220 INSTALLATION - CEE7 SIDE GROUND - 2 X 4 BOX (CE SPEC)	C
1	0275453	1	AC Plugs and Sockets Installation - CE Spec (See AC PLUGS AND SOCKETS INSTALLATION - CE SPEC for Breakdown)	
2	0641407	2	Bolt, 1/4-20 x 7/8	
3	0641408	2	Bolt, 1/4-20 x 1	
4	0641416	2	Bolt, 1/4-20 x 2	
5	0700408	4	Bolt, M4 x 16	
6	1001193018	1	Bracket	
7	1001178491	1	Bracket	
8	1001152485	1	Breaker Box Kit with Two Breakers - CE Spec (See BREAKER BOX KIT WITH TWO BREAKERS - CE SPEC for Breakdown)	
9	3252507	2	Decal - 220V - 50/60 Hz	
10	3290405	4	Nut, Lock, M4 x 0.7	
11	3311405	4	Nut, Lock, 1/4-20	
12	4460662	1	Connector, Strain Relief	
13	4711400	8	Washer, 1/4	
14	4751400	2	Washer, 1/4	
15	4811400	8	Washer, 4mm	
16	4922609	1	Lower Boom 220V Harness Assembly (See LOWER BOOM 220V HARNESS ASSEMBLY for Breakdown)	
17	4922610	1	Upper Boom 220V Harness Assembly (See UPPER BOOM 220V HARNESS ASSEMBLY for Breakdown)	

SECTION 8 - ELECTRICAL

FIGURE 8-43. PLUG AND RECEPTACLE 220V INSTALLATION - CEE7 SIDE GROUND - 70MM X 70MM BOX (CE SPEC)



ART_1001166262

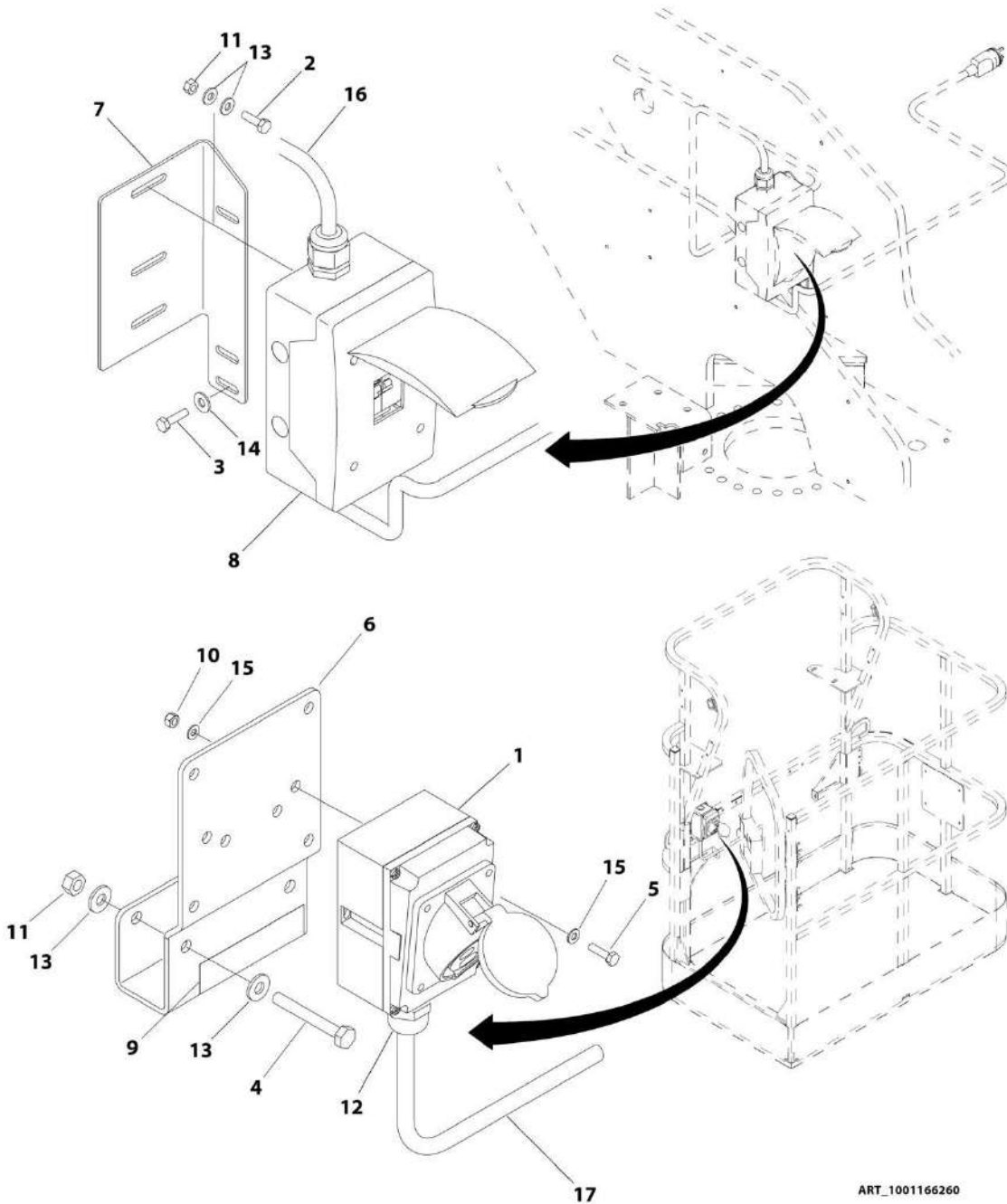
SECTION 8 - ELECTRICAL

FIGURE 8-43. PLUG AND RECEPTACLE 220V INSTALLATION - CEE7 SIDE GROUND - 70MM X 70MM BOX (CE SPEC)

ITEM	PART NUMBER	QTY	DESCRIPTION	REV
	1001166262	Ref	PLUG AND RECEPTACLE 220V INSTALLATION - CEE7 SIDE GROUND - 70MM X 70MM BOX (CE SPEC)	C
1	0275219	1	AC Plugs and Sockets Installation - CE Spec (See AC PLUGS AND SOCKETS INSTALLATION - CE SPEC for Breakdown)	
2	0641407	2	Bolt, 1/4-20 x 7/8	
3	0641408	2	Bolt, 1/4-20 x 1	
4	0641416	2	Bolt, 1/4-20 x 2	
5	0700408	2	Bolt, M4 x 16	
6	1001193018	1	Bracket	
7	1001178491	1	Bracket	
8	1001152485	1	Breaker Box Kit with Two Breakers - CE Spec (See BREAKER BOX KIT WITH TWO BREAKERS - CE SPEC for Breakdown)	
9	3252507	2	Decal - 220V - 50/60 Hz	
10	3290405	2	Nut, Lock, M4 x 0.7	
11	3311405	4	Nut, Lock, 1/4-20	
12	4460968	1	Connector, Strain Relief	
13	4711400	8	Washer, 1/4	
14	4751400	2	Washer, 1/4	
15	4811400	4	Washer, 4mm	
16	4922609	1	Lower Boom 220V Harness Assembly - CE Spec (See LOWER BOOM 220V HARNESS ASSEMBLY - CE SPEC for Breakdown)	
17	4922610	1	Main Boom 220V Harness Assembly - CE Spec (See MAIN BOOM 220V HARNESS ASSEMBLY - CE SPEC for Breakdown)	

SECTION 8 - ELECTRICAL

FIGURE 8-44. PLUG AND RECEPTACLE 220V INSTALLATION - IEC 60309 - BLUE (CE SPEC)



ART_1001166260

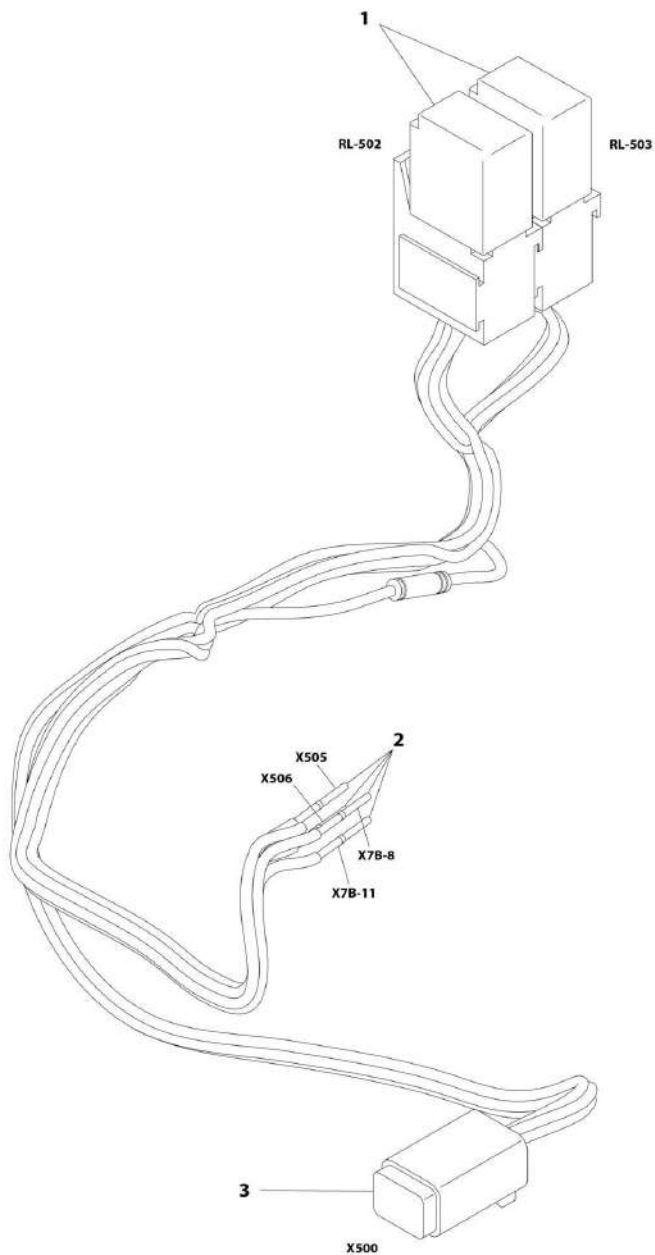
SECTION 8 - ELECTRICAL

FIGURE 8-44. PLUG AND RECEPTACLE 220V INSTALLATION - IEC 60309 - BLUE (CE SPEC)

ITEM	PART NUMBER	QTY	DESCRIPTION	REV
	1001166260	Ref	PLUG AND RECEPTACLE 220V INSTALLATION - IEC 60309 - BLUE (CE SPEC)	C
1	0275217	1	AC Plugs and Sockets Installation - CE Spec (See AC PLUGS AND SOCKETS INSTALLATION - CE SPEC for Breakdown)	
2	0641407	2	Bolt, 1/4-20 x 7/8	
3	0641408	2	Bolt, 1/4-20 x 1	
4	0641416	2	Bolt, 1/4-20 x 2	
5	0700408	2	Bolt, M4 x 16	
6	1001193018	1	Bracket	
7	1001178491	1	Bracket	
8	2902549	1	Breaker Box Kit with One Breakers - CE Spec (See BREAKER BOX KIT WITH ONE BREAKERS - CE SPEC for Breakdown)	
9	3252507	2	Decal - 220V - 50/60 Hz	
10	3290405	2	Nut, Lock, M4 x 0.7	
11	3311405	4	Nut, Lock, 1/4-20	
12	4460968	1	Connector, Strain Relief	
13	4711400	8	Washer, 1/4	
14	4751400	2	Washer, 1/4	
15	4811400	4	Washer, 4mm	
16	4922609	1	Lower Boom 220V Harness Assembly - CE Spec (See LOWER BOOM 220V HARNESS ASSEMBLY - CE SPEC for Breakdown)	
17	4922610	1	Main Boom 220V Harness Assembly - CE Spec (See MAIN BOOM 220V HARNESS ASSEMBLY - CE SPEC for Breakdown)	

SECTION 8 - ELECTRICAL

FIGURE 8-45. SKYGUARD HARNESS - WITHOUT LSS OR WITH 4 CELL LSS



ART_1001192292

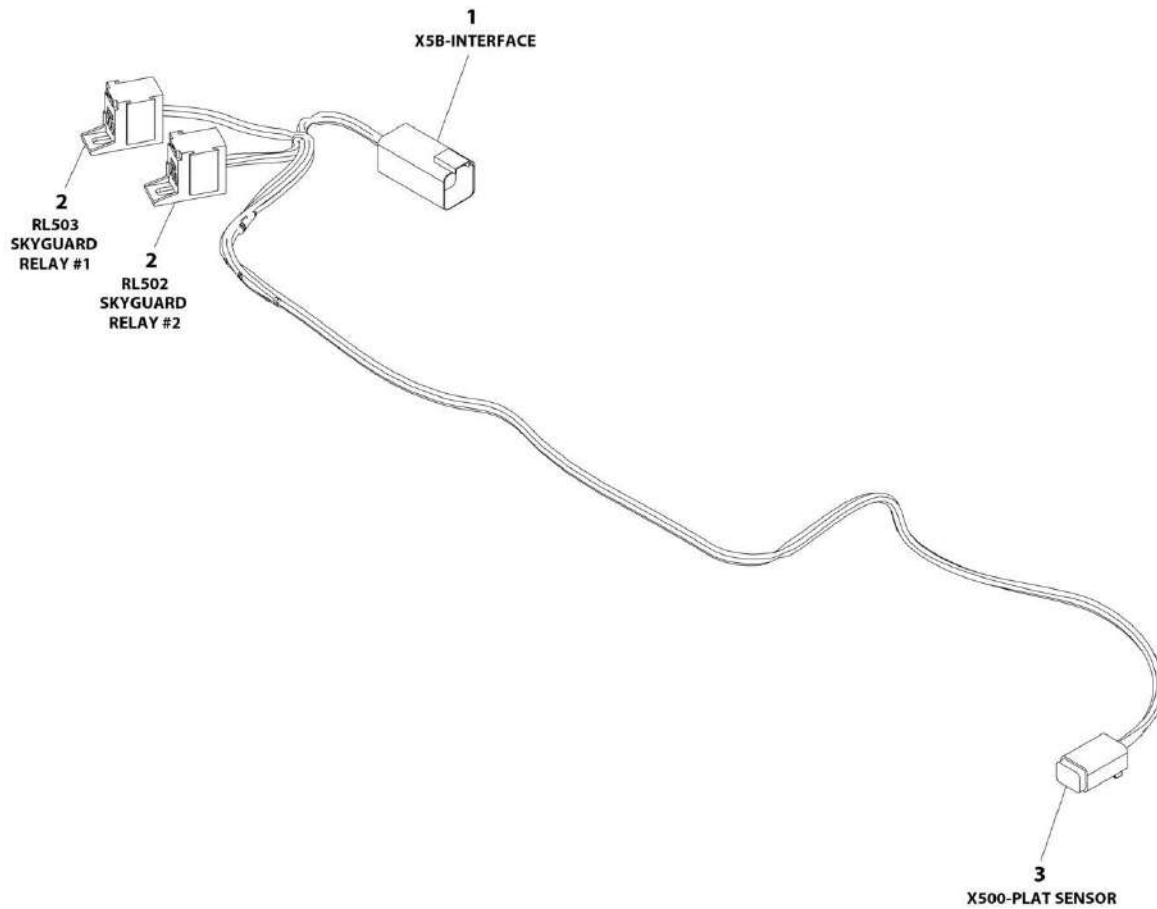
SECTION 8 - ELECTRICAL

FIGURE 8-45. SKYGUARD HARNESS - WITHOUT LSS OR WITH 4 CELL LSS

ITEM	PART NUMBER	QTY	DESCRIPTION	REV
	1001192292	Ref	SKYGUARD HARNESS - WITHOUT LSS OR WITH 4 CELL LSS	B
1	1001186432	1	Holder, Relay	
1	1001186431	1	Relay, 35Amp	
1	1001116720	5	Terminal	
2	1001186432	1	Holder, Relay	
2	1001186431	1	Relay, 35Amp	
2	1001116720	6	Terminal	
3	4460226	4	Socket, Female	
4	4460884	1	Connector - 4 Position	
4	4460465	4	Socket, Female	

SECTION 8 - ELECTRICAL

FIGURE 8-46. SKYGUARD HARNESS - WITH 1 CELL LSS



ART_1001225580

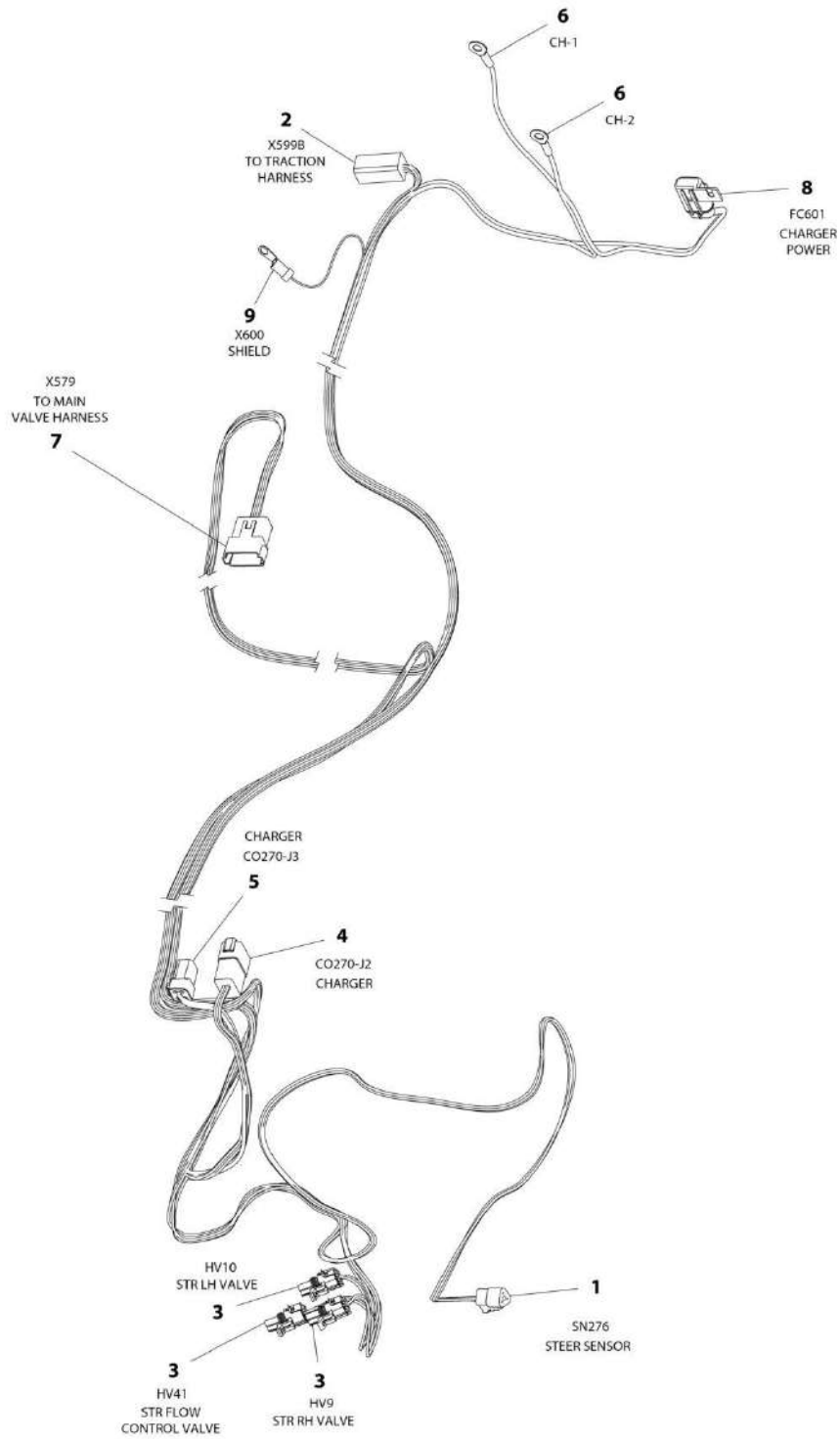
SECTION 8 - ELECTRICAL

FIGURE 8-46. SKYGUARD HARNESS - WITH 1 CELL LSS

ITEM	PART NUMBER	QTY	DESCRIPTION	REV
	1001225580	Ref	SKYGUARD HARNESS - WITH 1 CELL LSS	C
1	4460899	1	Receptacle, Female - 6 Position	
1	4460464	4	Pin, Male	
1	4460466	2	Plug, Terminal	
2	1001186432	1	Holder, Relay	
2	1001186431	1	Relay, 35Amp	
2	1001116720	4	Terminal	
2	1001118388	4	Terminal	
3	4460884	1	Connector - 4 Position	
3	4460465	4	Socket, Female	

SECTION 8 - ELECTRICAL

FIGURE 8-47. STEER/BRAKE HARNESS



ART_1001188528

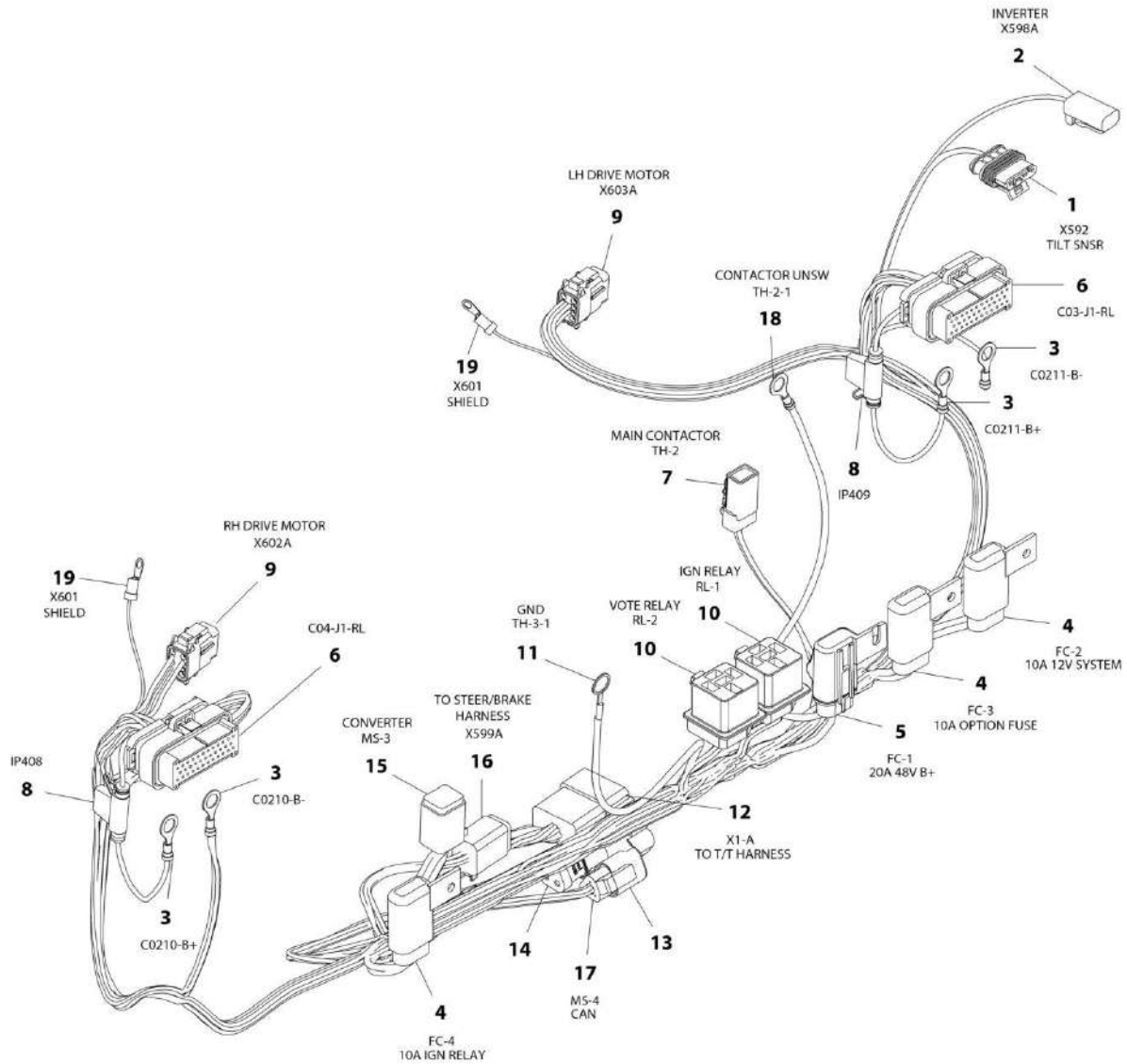
SECTION 8 - ELECTRICAL

FIGURE 8-47. STEER/BRAKE HARNESS

ITEM	PART NUMBER	QTY	DESCRIPTION	REV
	1001188528	Ref	STEER/BRAKE HARNESS	H
1	4460539	1	Plug, Male - 4 Position	
1	4460465	3	Socket, Female	
2	4460899	1	Receptacle, Female - 6 Position	
2	4460464	AR	Pin, Male	
2	4460466	1	Plug, Terminal (SN 0300226307 to Present)	
3	4460742	3	Plug, Male - 2 Position	
3	4460743	6	Socket, Female	
4	4460931	1	Receptacle, Female - 8 Position	
4	4460464	6	Pin, Male	
4	4460466	2	Plug, Terminal	
5	1001116810	1	Plug, Male - 4 Position	
5	4460509	2	Terminal	
5	4460466	2	Plug, Terminal	
6	8220045	2	Ring, Terminal	
7	4460970	1	Receptacle, Female - 12 Position	
7	4460464	9	Pin, Male	
7	4460466	3	Plug, Terminal	
8	1001117070	1	Fuseholder with Cover & 30Amp Fuse (SN 0300208529 through 0300226308, SN B300001429 through B300001989)	
8	8229245	1	Fuse 30Amp (SN 0300208529 through 0300226308, SN B300001429 through B300001989)	
8	1001217844	1	Fuseholder (SN 0300226309 to Present, SN B300001990 to Present)	
8	1001217842	1	Cover (SN 0300226309 to Present, SN B300001990 to Present)	
8	8229236	1	Fuse - 30Amp (SN 0300226309 to Present, SN B300001990 to Present)	
8	1001116734	2	Terminal, Female (SN 0300226309 to Present, SN B300001990 to Present)	
9	4460142	1	Terminal, Ring (SN 0300226309 to Present, SN B300001990 to Present)	

SECTION 8 - ELECTRICAL

FIGURE 8-48. TRACTION HARNESS



ART_1001178629

SECTION 8 - ELECTRICAL

FIGURE 8-48. TRACTION HARNESS

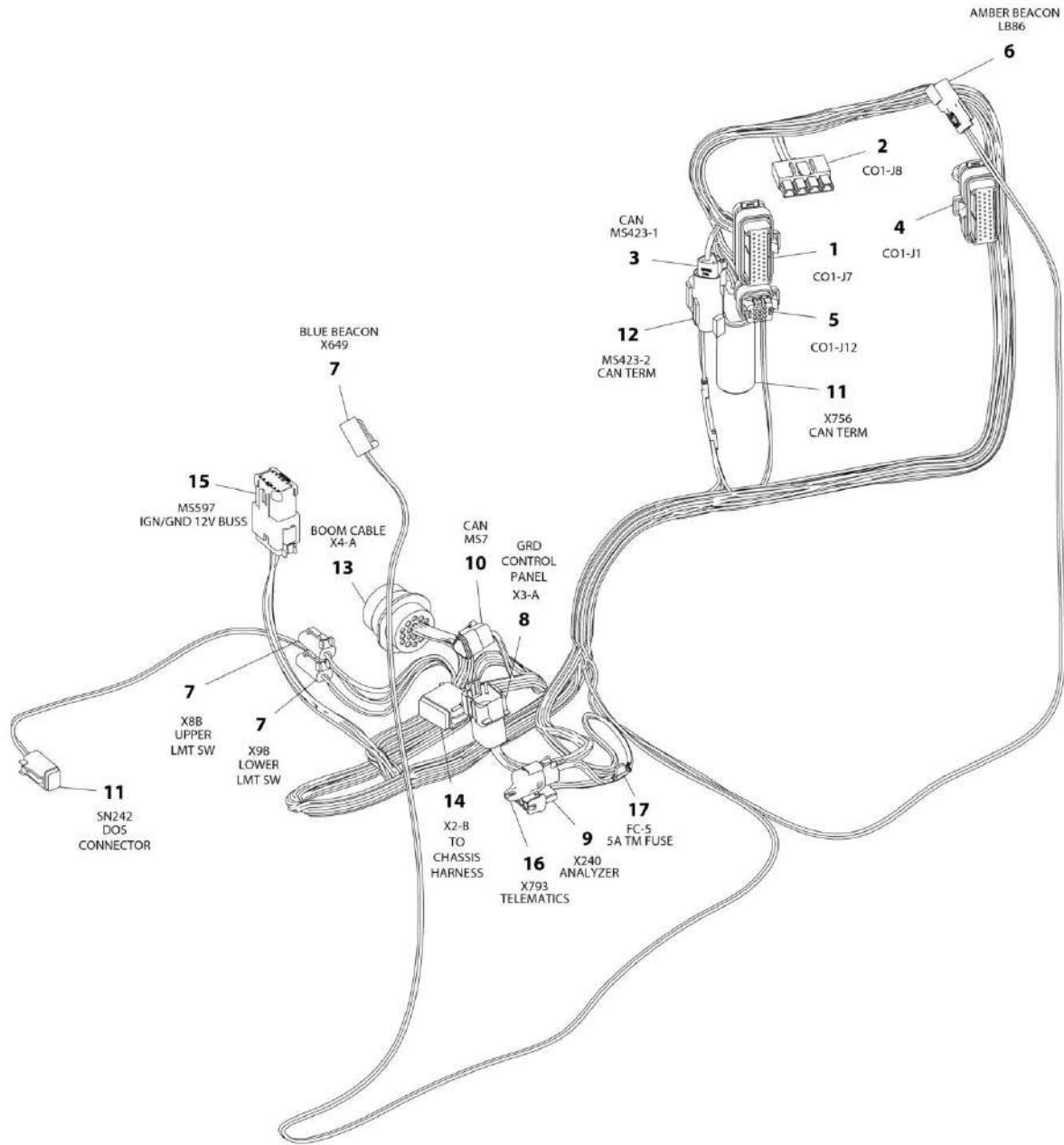
ITEM	PART NUMBER	QTY	DESCRIPTION	REV
	1001178629	Ref	TRACTION HARNESS	K
1	1001103012	1	Connector - 4 Position	
1	1001107854	4	Socket, Female	
2	4460891	1	Plug, Male - 2 Position	
2	4460465	1	Socket, Female	
2	4460466	1	Plug, Terminal	
3	4460670	AR	Terminal, Ring	
4	1001117024	3	Connector with 10Amp Fuse (SN 0300208529 through 0300226308, SN B300001429 through B300001989)	
4	1001096134	3	Cover, Fuse (SN 0300208529 through 0300226308, SN B300001429 through B300001989)	
4	1001217844	3	Fuseholder (SN 0300226309 to Present, SN B300001990 to Present)	
4	1001217842	3	Cover (SN 0300226309 to Present, SN B300001990 to Present)	
4	8229261	1	Fuse - 5Amp (SN 0300226309 to Present, SN B300001990 to Present)	
4	8229237	1	Fuse - 15Amp (SN 0300226309 to Present, SN B300001990 to Present)	
4	8229235	1	Fuse - 20Amp (SN 0300226309 to Present, SN B300001990 to Present)	
4	1001116734	6	Terminal, Female	
5	1001117069	1	Connector with 20Amp Fuse (SN 0300208529 through 0300226308, SN B300001429 through B300001989)	
5	1001096134	1	Cover, Fuseholder (SN 0300208529 through 0300226308, SN B300001429 through B300001989)	
5	1001217844	1	Fuseholder (SN 0300226309 to Present, SN B300001990 to Present)	
5	1001217842	1	Cover (SN 0300226309 to Present, SN B300001990 to Present)	
5	8229235	1	Fuse - 20Amp (SN 0300226309 to Present, SN B300001990 to Present)	
5	1001116734	2	Terminal, Female	
6	4460873	1	Connector - 35 Position	
6	4460871	11	Terminal, Female	
6	4460905	24	Seal, Terminal	
7	1001126245	1	Connector - 2 Position	
7	1001126008	2	Terminal	
8	2400060	1	Fuseholder with Cover (SN 0300208529 through 0300210635)	
8	1001201642	2	Fuseholder with Cover (SN 0300210636 through 0300226308, SN B300001429 through B300001989)	
8	1001170760	2	Fuse - 10Amp (SN 0300210636 through 0300226308, SN B300001429 through B300001989)	
8	1001217843	2	Fuseholder (SN 0300226309 to Present, SN B300001990 to Present)	
8	1001217842	2	Cover (SN 0300226309 to Present, SN B300001990 to Present)	
8	8229234	2	Fuse - 10Amp (SN 0300226309 to Present, SN B300001990 to Present)	
8	1001116733	4	Terminal	
9	1001190577	2	Plug, Male - 8 Position	
9	1001126008	16	Terminal	
10	4460374	2	Plug, Relay (SN 0300208529 through 0300214527)	
10	1001203734	2	Plug, Relay (SN 0300214528 to Present, SN B300001429 to Present)	
10	1001116732	8	Terminal	

SECTION 8 - ELECTRICAL

ITEM	PART NUMBER	QTY	DESCRIPTION	REV
10	1001128128	2	Plug, Terminal (SN 0300208529 through 03002145287)	
11	4460019	1	Terminal, Ring	
12	4460950	1	Connector - 12 Position	
12	1001157891	4	Terminal	
12	1001116693	4	Pin, Male	
12	4460464	2	Pin, Male	
12	4460943	2	Pin, Male	
13	4460945	1	Receptacle, 3 Way	
14	1001116815	1	Resistor, 3 Position	
15	4460894	1	Plug, Male - 6 Position	
15	1001157890	5	Terminal	
15	1001116692	1	Socket, Female	
16	4460894	1	Plug, Male - 6 Position	
16	4460465	AR	Socket, Female	
16	4460466	1	Plug, Terminal (SN 0300226309 to Present, SN B300001990 to Present)	
17	1001116812	1	Plug, Male - 3 Position	
17	4460944	3	Socket, Female	
18	4460670	1	Terminal, Ring (SN 0300208529 through 0300214527)	
18	4460738	1	Terminal, Ring (SN 0300214528 to Present, SN B300001429 to Present)	
19	4460142	2	Terminal, Ring (SN 0300226309 to Present, SN B300001990 to Present)	

SECTION 8 - ELECTRICAL

FIGURE 8-49. TURNTABLE HARNESS



ART_1001178793

SECTION 8 - ELECTRICAL

FIGURE 8-49. TURNTABLE HARNESS

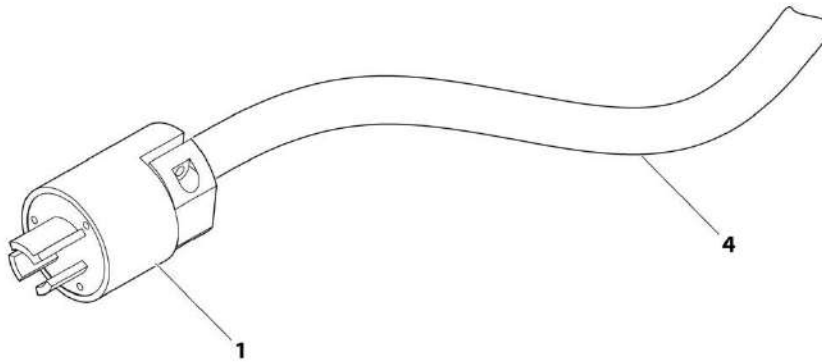
ITEM	PART NUMBER	QTY	DESCRIPTION	REV
	1001178793	Ref	TURNTABLE HARNESS	H
1	4460873	1	Connector - 35 Position	
1	4460871	15	Socket, Female	
1	4460905	20	Plug, Terminal	
2	4460878	1	Connector - 4 Position	
2	4460887	4	Terminal	
3	1001116812	2	Plug, Male -3 Position	
3	4460944	5	Socket, Female	
3	4460466	1	Plug, Terminal	
4	4460874	1	Connector - 35 Position	
4	4460871	9	Socket, Female	
4	4460905	26	Plug, Terminal	
5	1001113961	1	Plug, Male - 8 Position	
5	4460871	3	Socket, Female	
5	4460905	5	Plug, Terminal	
6	4460897	1	Receptacle, Female - 2 Position	
6	4460464	2	Pin, Male	
7	4460891	3	Plug, Male - 2 Position	
7	4460465	6	Socket, Female	
8	1001116813	1	Receptacle, Female - 8 Position	
8	1001116693	6	Pin, Male	
8	4460464	1	Pin, Male	
8	4460466	1	Plug, Terminal	
9	4460761	1	Connector - 4 Position	
9	4460227	4	Pin, Male	
10	4460539	1	Plug, Male - 3 Position	
10	4460944	2	Socket, Female	
10	4460466	1	Plug, Terminal	
11	4460884	2	Plug, Male - 4 Position	
11	4460465	8	Socket, Female	
11	1001186231	1	Connector, Fuse/Diode Can	
12	4460945	1	Receptacle, 3 Way	
13	4460866	1	Connector - 19 Position	
13	4460943	2	Pin, Male	
13	4460508	4	Pin, Male	
13	4460464	7	Pin, Male	
13	4460466	6	Plug, Terminal	
14	4460836	1	Plug, Male - 12 Position	
14	1001157890	5	Socket, Female	
14	4460465	2	Socket, Female	
14	4460944	2	Socket, Female	
14	1001116692	3	Socket, Female	
15	4460933	1	Plug, Male - 12 Position	
15	4460942	6	Socket, Female	
15	4460465	2	Socket, Female	
15	4460466	4	Plug, Terminal	
16	4460884	1	Connector - 4 Position	
16	4460465	AR	Socket, Female	
16	4460942	1	Socket, Female (SN 0300226309 to Present, SN B300001990 to Present)	

SECTION 8 - ELECTRICAL

ITEM	PART NUMBER	QTY	DESCRIPTION	REV
16	1001192401	1	Connector, Dust Cap	
17	2400060	1	Fuseholder with Cover (SN 0300226309 to Present, SN B300001990 to Present)	
17	8229242	1	Fuse - 5Amp (SN 0300226309 to Present, SN B300001990 to Present)	

SECTION 8 - ELECTRICAL

FIGURE 8-50. UPPER BOOM 110V HARNESS ASSEMBLY



ART_4922608

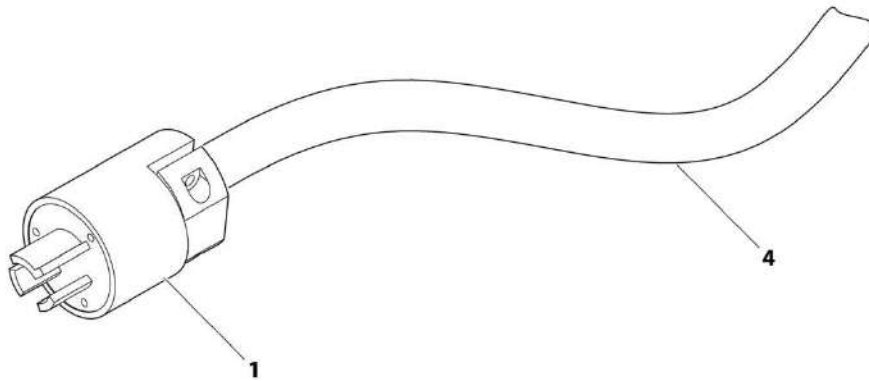
SECTION 8 - ELECTRICAL

FIGURE 8-50. UPPER BOOM 110V HARNESS ASSEMBLY

ITEM	PART NUMBER	QTY	DESCRIPTION	REV
	4922608	Ref	UPPER BOOM 110V HARNESS ASSEMBLY	2
1	4460205	1	Plug, Male	
4	1060494	27.2 ft /8.3m	Electrical Cable, 12/3	

SECTION 8 - ELECTRICAL

FIGURE 8-51. UPPER BOOM 220V HARNESS ASSEMBLY



ART_4922610

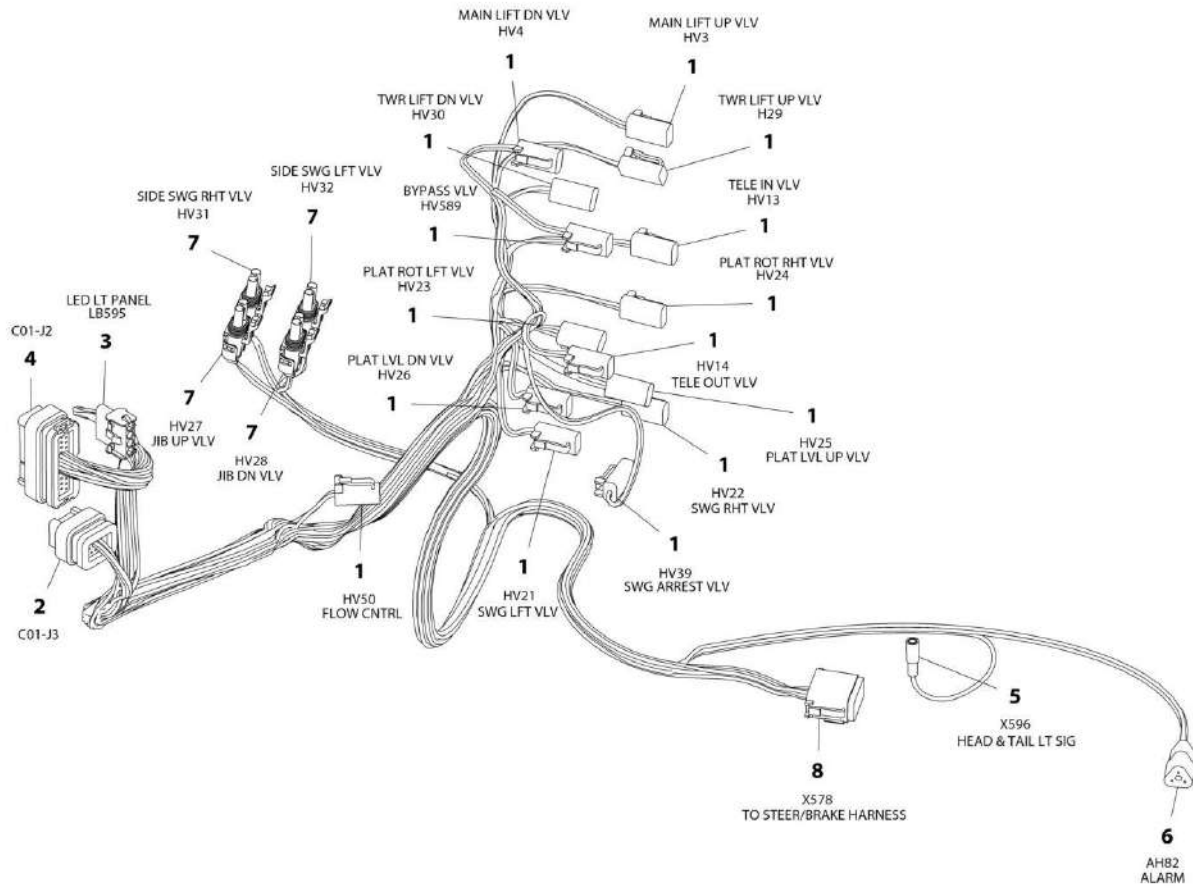
SECTION 8 - ELECTRICAL

FIGURE 8-51. UPPER BOOM 220V HARNESS ASSEMBLY

ITEM	PART NUMBER	QTY	DESCRIPTION	REV
	4922610	Ref	UPPER BOOM 220V HARNESS ASSEMBLY	1
1	4460709	1	Plug, Male	
4	1060461	28 ft/8.5m	Electrical Cable, 12/3	

SECTION 8 - ELECTRICAL

FIGURE 8-52. VALVE HARNESS



ART_1001178794

SECTION 8 - ELECTRICAL

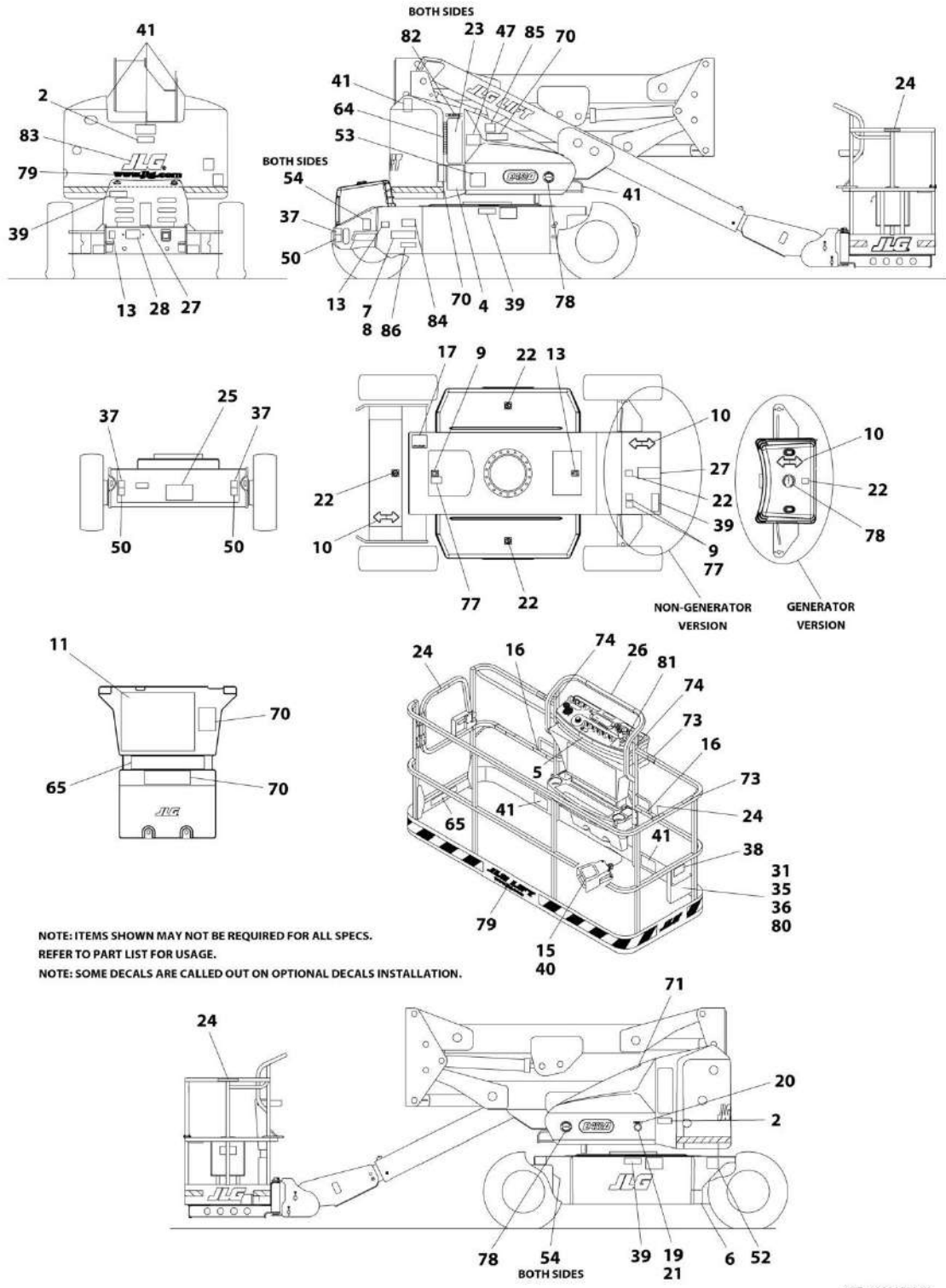
FIGURE 8-52. VALVE HARNESS

ITEM	PART NUMBER	QTY	DESCRIPTION	REV
	1001178794	Ref	VALVE HARNESS	1
1	4460891	15	Plug, Male - 2 Position	
1	4460465	30	Socket, Female	
2	4460872	1	Connector - 14 Position	
2	4460871	6	Socket, Female	
2	4460905	8	Plug, Terminal	
3	4460761	1	Connector - 4 Position	
3	4460226	4	Socket, Female	
4	4460875	1	Connector - 35 Position	
4	4460871	30	Socket, Female	
4	4460905	5	Plug, Terminal	
5	8220068	1	Connector - 1 Position	
6	4460539	1	Plug, Male - 3 Position	
6	4460465	3	Socket, Female	
7	4460742	4	Plug, Male - 2 Position	
7	4460743	8	Socket, Female	
7	4460458	8	Seal, Terminal	
8	4460933	1	Plug, Male - 12 Position	
8	1001116692	9	Socket, Female	
8	4460466	3	Plug, Terminal	

SECTION 9 - DECAL

SECTION 9 - DECAL

FIGURE 9-1. DECAL INSTALLATION - ANSI, ANSI EXPORT AND UL SPECS - ENGLISH - E450A/E450AJ (USA BUILT MACHINES)



ART_1001178364

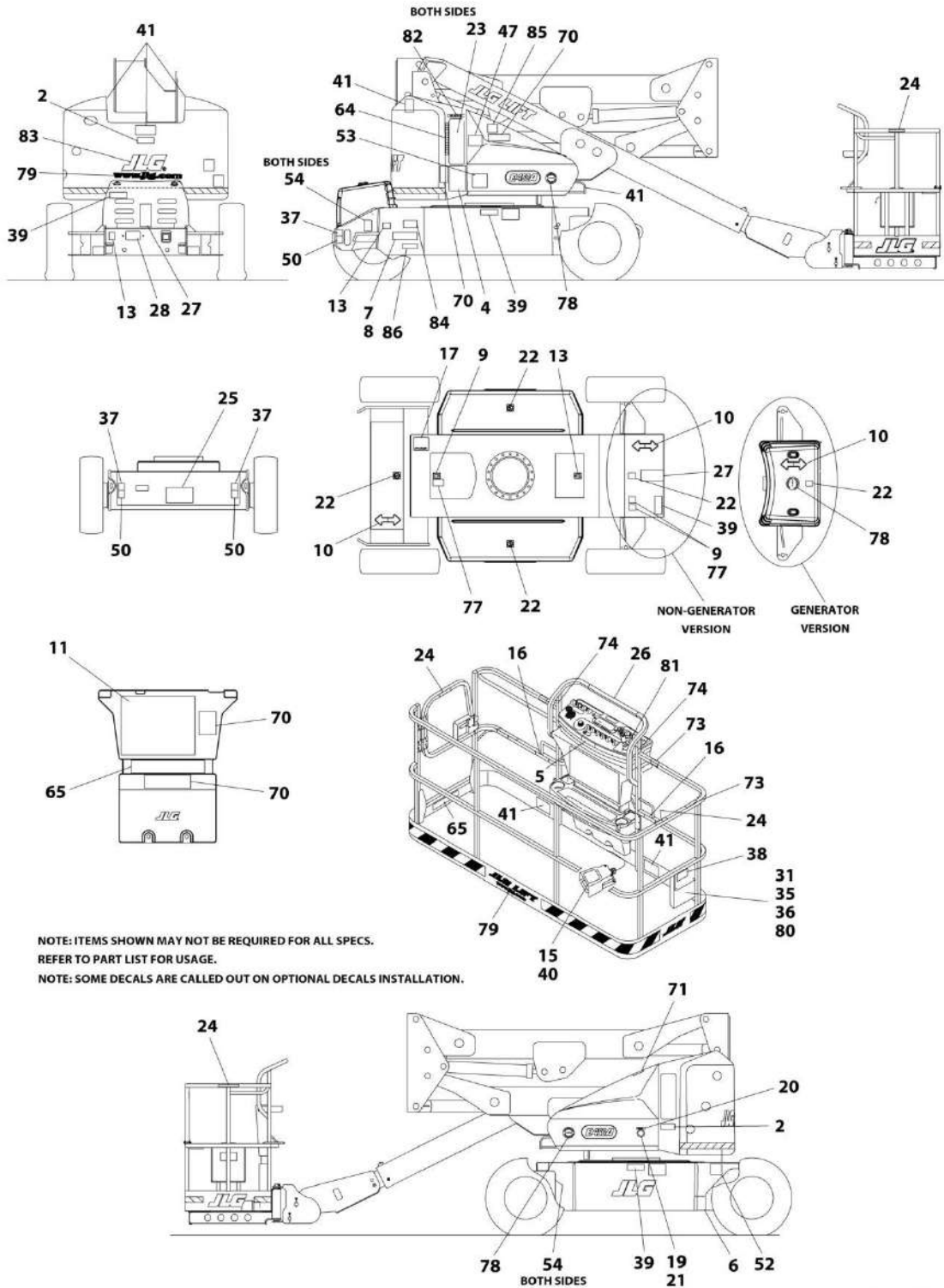
SECTION 9 - DECAL

FIGURE 9-1. DECAL INSTALLATION - ANSI, ANSI EXPORT AND UL SPECS - ENGLISH - E450A/E450AJ (USA BUILT MACHINES)

ITEM	PART NUMBER	QTY	DESCRIPTION	REV
	1001178379	Ref	DECAL INSTALLATION - REFERENCE CHART	K
	1001178364	Ref	DECAL INSTALLATION - ANSI, ANSI EXPORT AND UL SPECS - ENGLISH - E450A/E450AJ (USA BUILT MACHINES)	G
2	1703805	2	Decal - Electrocution	
4	1703798	1	Decal - Crushing	
5	1705514	1	Decal - CSA (SN 0300222756 to Present)	
6	1001131269	1	Decal - Patent	
7	See Note	1	Nameplate - Serial Number (Note: Not Available for Purchase)	
8	3820001	2	Rivet	
9	1701504	1	Decal - Hydraulic Oil	
10	1701642	2	Decal - Arrow	
11	1703797	1	Decal - Caution/Danger	
13	1701644	2	Decal - Charger	
16	1704277	2	Decal - Attach Lanyard	
19	0961127	1	Bushing, Snap	
20	3251243	1	Nameplate 120V-60Hz	
21	0100010	AR	Adhesive	
22	1701691	4	Decal - No Step	
23	1001104864	1	Decal - Manual Descent	
24	1702868	2	Decal - No Hands	
25	1001193949	1	Decal - Cable Routing	
26	1001196811	1	Decal - Legend Platform	
27	1704446	1	Decal - Charger	
28	1704431	1	Decal - Battery Charger LED Indicator (SN 0300208529 through 0300214528)	
31	0860520	1	Box, Manual Storage	
35	4751400	4	Washer, 1/4	
36	3311405	4	Nut, 1/4-20	
37	1701500	4	Decal - Lift	
38	1701509	1	Decal - Manual	
39	1703813	3	Decal - Danger	
40	3252347	1	Nameplate - Footswitch	
41	1703804	6	Decal - Crushing Hazard	
47	1702265	1	Decal	
50	1702300	4	Decal - Tie Down	
52	See Note	1	Decal - Bar Code (Note: Not Available for Purchase)	
53	1001121814	1	Decal - 500 LBS Max Capacity	
64	1706950	1	Decal - Key Main Terminal Box	
65	1001121801	2	Decal - 500 LBS Max Capacity	
77	1704412	1	Decal - Oil Type	
79	1704885	2	Decal - Website	
80	0641406	4	Bolt, 1/4-20 x 3/4	
81	1705351	1	Decal - Drive/Steer Instruction	
82	1001189882	1	Decal - MSSO Operation	
84	1001223055	1	Decal - Yearly Inspection (SN 0300233828 to Present)	
85	1001222801	1	Decal - Manual Jib Pump (SN 0300233828 to Present)	
86	1001228370	1	Decal - CSA ICES (SN 0300233828 to Present)	

SECTION 9 - DECAL

FIGURE 9-2. DECAL INSTALLATION - ANSI EXPORT SPEC - ENGLISH - E450AJ (CHINA BUILT MACHINES)



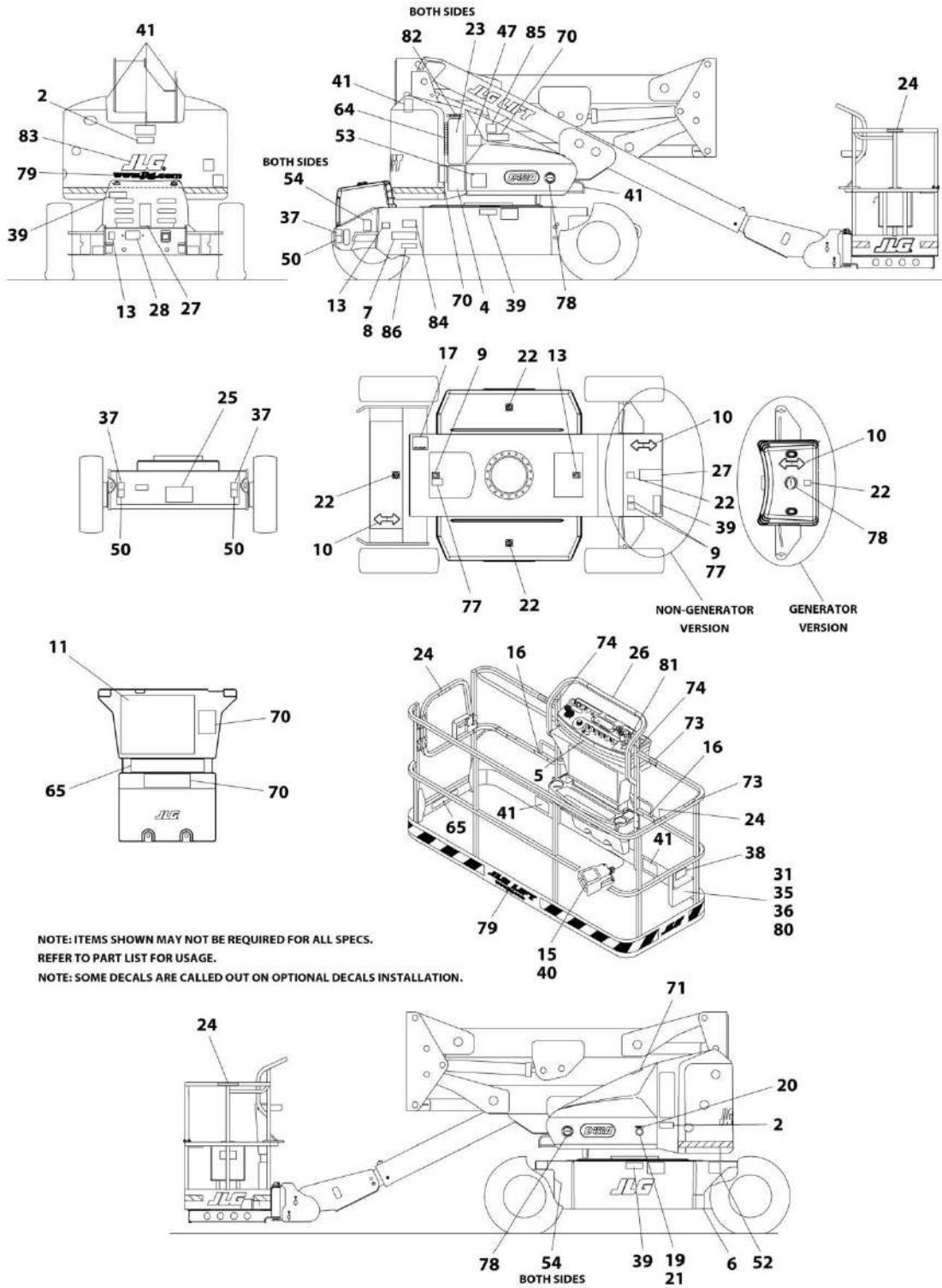
SECTION 9 - DECAL

FIGURE 9-2. DECAL INSTALLATION - ANSI EXPORT SPEC - ENGLISH - E450AJ (CHINA BUILT MACHINES)

ITEM	PART NUMBER	QTY	DESCRIPTION	REV
	1001178379	Ref	DECAL INSTALLATION - REFERENCE CHART	K
	1001214410	Ref	DECAL INSTALLATION - ANSI EXPORT SPEC - ENGLISH - E450AJ (CHINA BUILT MACHINES)	B
2	1703805	2	Decal - Electrocution	
4	1703798	1	Decal - Crushing	
6	1001131269	1	Decal - Patent	
7	See Note	1	Nameplate - Serial Number (Note: Not Available for Purchase)	
8	3820001	2	Rivet	
9	1701504	1	Decal - Hydraulic Oil	
10	1701642	2	Decal - Arrow	
11	1703797	1	Decal - Caution/Danger	
13	1701644	2	Decal - Charger	
16	1704277	2	Decal - Attach Lanyard	
19	0961127	1	Bushing, Snap	
20	3251243	1	Nameplate 120V-60Hz	
21	0100010	AR	Adhesive	
22	1701691	4	Decal - No Step	
23	1001104864	1	Decal - Manual Descent	
24	1702868	2	Decal - No Hands	
25	1001193949	1	Decal - Cable Routing	
26	1001196811	1	Decal - Legend Platform	
27	1704446	1	Decal - Charger	
31	0860520	1	Box, Manual Storage	
35	4751400	4	Washer, 1/4	
36	3311405	4	Nut, 1/4-20	
37	1701500	4	Decal - Lift	
38	1701509	1	Decal - Manual	
39	1703813	3	Decal - Danger	
40	3252347	1	Nameplate - Footswitch	
41	1703804	6	Decal - Crushing Hazard	
47	1702265	1	Decal	
50	1702300	4	Decal - Tie Down	
52	See Note	1	Decal - Bar Code (Note: Not Available for Purchase)	
53	1001121814	1	Decal - 500 LBS Max Capacity	
64	1706950	1	Decal - Key Main Terminal Box	
65	1001121801	2	Decal - 500 LBS Max Capacity	
77	1704412	1	Decal - Oil Type	
79	1704885	2	Decal - Website	
80	0641406	4	Bolt, 1/4-20 x 3/4	
81	1705351	1	Decal - Drive/Steer Instruction	
84	1001223055	1	Decal - Yearly Inspection (SN B300002016 to Present)	
85	1001222801	1	Decal - Manual Jib Pump (SN B300002016 to Present)	
86	1001228370	1	Decal - CSA ICES (SN B300002016 to Present)	

SECTION 9 - DECAL

FIGURE 9-3. DECAL INSTALLATION - ANSI AND ANSI EXPORT SPECS - ENGLISH - M450AJ



NOTE: ITEMS SHOWN MAY NOT BE REQUIRED FOR ALL SPECS.
REFER TO PART LIST FOR USAGE.
NOTE: SOME DECALS ARE CALLED OUT ON OPTIONAL DECALS INSTALLATION.

ART_1001178362

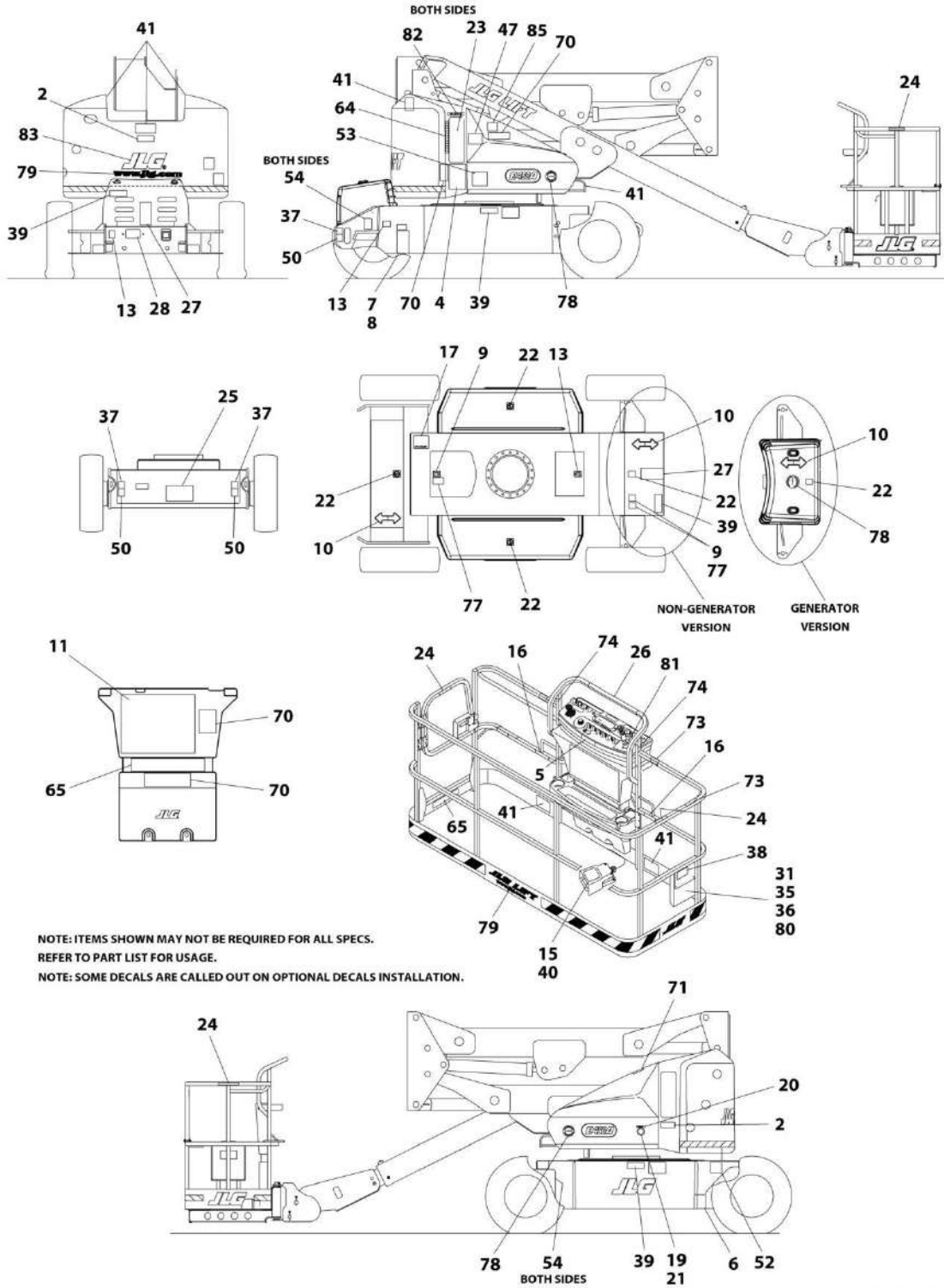
SECTION 9 - DECAL

FIGURE 9-3. DECAL INSTALLATION - ANSI AND ANSI EXPORT SPECS - ENGLISH - M450AJ

ITEM	PART NUMBER	QTY	DESCRIPTION	REV
	1001178379	Ref	DECAL INSTALLATION - REFERENCE CHART	K
	1001178362	Ref	DECAL INSTALLATION - ANSI AND ANSI EXPORT SPECS - ENGLISH - M450AJ	G
2	1703805	2	Decal - Electrocutation	
4	1703798	1	Decal - Crushing	
5	1705514	1	Decal - CSA (SN 0300222756 to Present)	
6	1001131269	1	Decal - Patent	
7	See Note	1	Nameplate - Serial Number (Note: Not Available for Purchase)	
8	3820001	2	Rivet	
9	1701504	1	Decal - Hydraulic Oil	
10	1701642	2	Decal - Arrow	
11	1703797	1	Decal - Caution/Danger	
13	1701644	2	Decal - Charger	
16	1704277	2	Decal - Attach Lanyard	
19	0961127	1	Bushing, Snap	
20	3251243	1	Nameplate 120V-60Hz	
21	0100010	AR	Adhesive	
22	1701691	4	Decal - No Step	
23	1001104864	1	Decal - Manual Descent	
24	1702868	2	Decal - No Hands	
25	1001193949	1	Decal - Cable Routing	
26	1001196811	1	Decal - Legend Platform	
27	1704446	1	Decal - Charger	
28	1704431	1	Decal - Battery Charger LED Indicator (SN 0300208529 through 0300214528)	
31	0860520	1	Box, Manual Storage	
35	4751400	4	Washer, 1/4	
36	3311405	4	Nut, 1/4-20	
37	1701500	4	Decal - Lift	
38	1701509	1	Decal - Manual	
39	1703813	3	Decal - Danger	
40	3252347	1	Nameplate - Footswitch	
41	1703804	6	Decal - Crushing Hazard	
47	1702265	1	Decal	
50	1702300	4	Decal - Tie Down	
52	See Note	1	Decal - Bar Code (Note: Not Available for Purchase)	
53	1001121814	1	Decal - 500 LBS Max Capacity	
64	1706950	1	Decal - Key Main Terminal Box	
65	1001121801	2	Decal - 500 LBS Max Capacity	
70	1704286	2	Decal - Generator Danger	
73	1702962	1	Decal - Fuel Warning	
77	1704412	1	Decal - Oil Type	
78	1001121510	3	Decal - Hybrid	
79	1704885	2	Decal - Website	
80	0641406	4	Bolt, 1/4-20 x 3/4	
81	1705351	1	Decal - Drive/Steer Instruction	
82	1001189882	1	Decal - MSSO Operation	
84	1001223055	1	Decal - Yearly Inspection (SN 0300233828 to Present)	
85	1001222801	1	Decal - Manual Jib Pump (SN 0300233828 to Present)	
86	1001228370	1	Decal - CSA ICES (SN 0300233828 to Present)	

SECTION 9 - DECAL

FIGURE 9-4. DECAL INSTALLATION - AUSTRALIAN SPEC - E450AJ



NOTE: ITEMS SHOWN MAY NOT BE REQUIRED FOR ALL SPECS.
REFER TO PART LIST FOR USAGE.
NOTE: SOME DECALS ARE CALLED OUT ON OPTIONAL DECALS INSTALLATION.

ART_1001178378

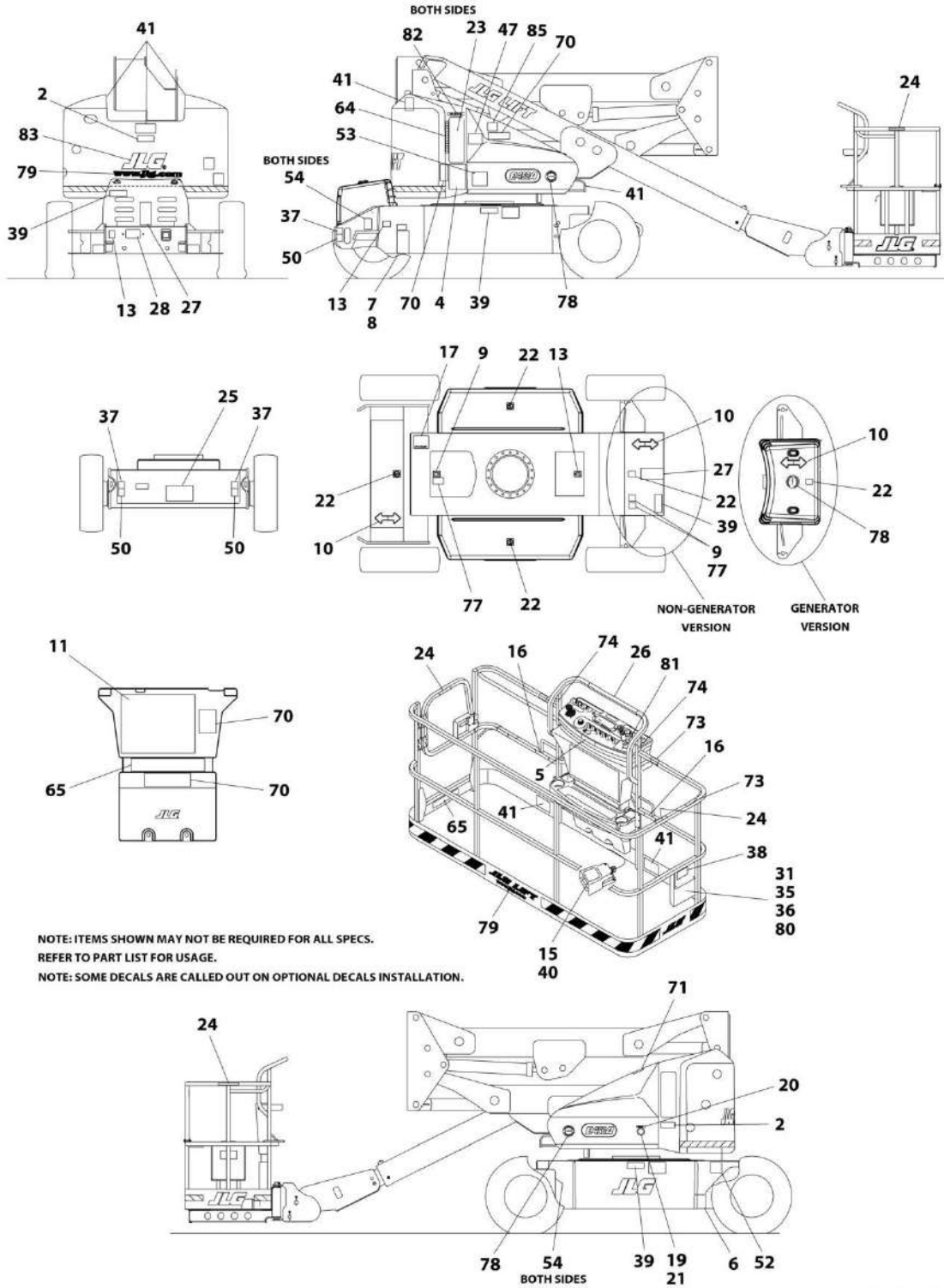
SECTION 9 - DECAL

FIGURE 9-4. DECAL INSTALLATION - AUSTRALIAN SPEC - E450AJ

ITEM	PART NUMBER	QTY	DESCRIPTION	REV
	1001178379	Ref	DECAL INSTALLATION - REFERENCE CHART	K
	1001178378	Ref	DECAL INSTALLATION - AUSTRALIAN SPEC - E450AJ	G
4	1705822	1	Decal - Danger/Caution	
7	See Note	1	Nameplate - Serial Number (Note: Not Available for Purchase)	
8	3820001	2	Rivet	
9	1701504	1	Decal - Hydraulic Oil	
10	1701642	2	Decal - Arrow	
11	1705921	1	Decal - Danger/Caution	
13	1701644	2	Decal - Charger	
15	1705828	1	Decal - Footswitch	
16	1704277	2	Decal - Attach Lanyard	
19	0961127	1	Bushing, Snap	
21	0100010	AR	Adhesive	
22	1701691	4	Decal - No Step	
23	1001104864	1	Decal - Manual Descent	
25	1001193949	1	Decal - Cable Routing	
27	1706378	1	Decal - Charging Instructions	
28	1704431	1	Decal - Battery Charger LED Indicator	
31	0860520	1	Box, Manual Storage (SN 0300208529 through 0300214528)	
35	4751400	4	Washer, 1/4	
36	3311405	4	Nut, 1/4-20	
37	1703811	4	Decal - Lift	
38	1701509	1	Decal - Manual	
39	1705670	AR	Decal - Explosion Warning	
41	1701518	6	Decal - Crushing Hazard	
47	1705977	1	Decal - Upright Level Over-Ride	
50	1703814	4	Decal - Tie Down	
52	See Note	1	Decal - Bar Code (Note: Not Available for Purchase)	
53	1705978	1	Decal - Capacity	
65	1705978	1	Decal - Capacity	
77	1704412	1	Decal - Oil Type	
79	1704885	2	Decal - Website	
80	0641406	4	Bolt, 1/4-20 x 3/4	
82	1001189882	1	Decal - MSSO Operation	
85	1001222801	1	Decal - Manual Jib Pump (SN 0300233828 to Present, SN B300002016 to Present)	

SECTION 9 - DECAL

FIGURE 9-5. DECAL INSTALLATION - AUSTRALIAN SPEC - M450AJ



NOTE: ITEMS SHOWN MAY NOT BE REQUIRED FOR ALL SPECS.
REFER TO PART LIST FOR USAGE.
NOTE: SOME DECALS ARE CALLED OUT ON OPTIONAL DECALS INSTALLATION.

ART_1001178377

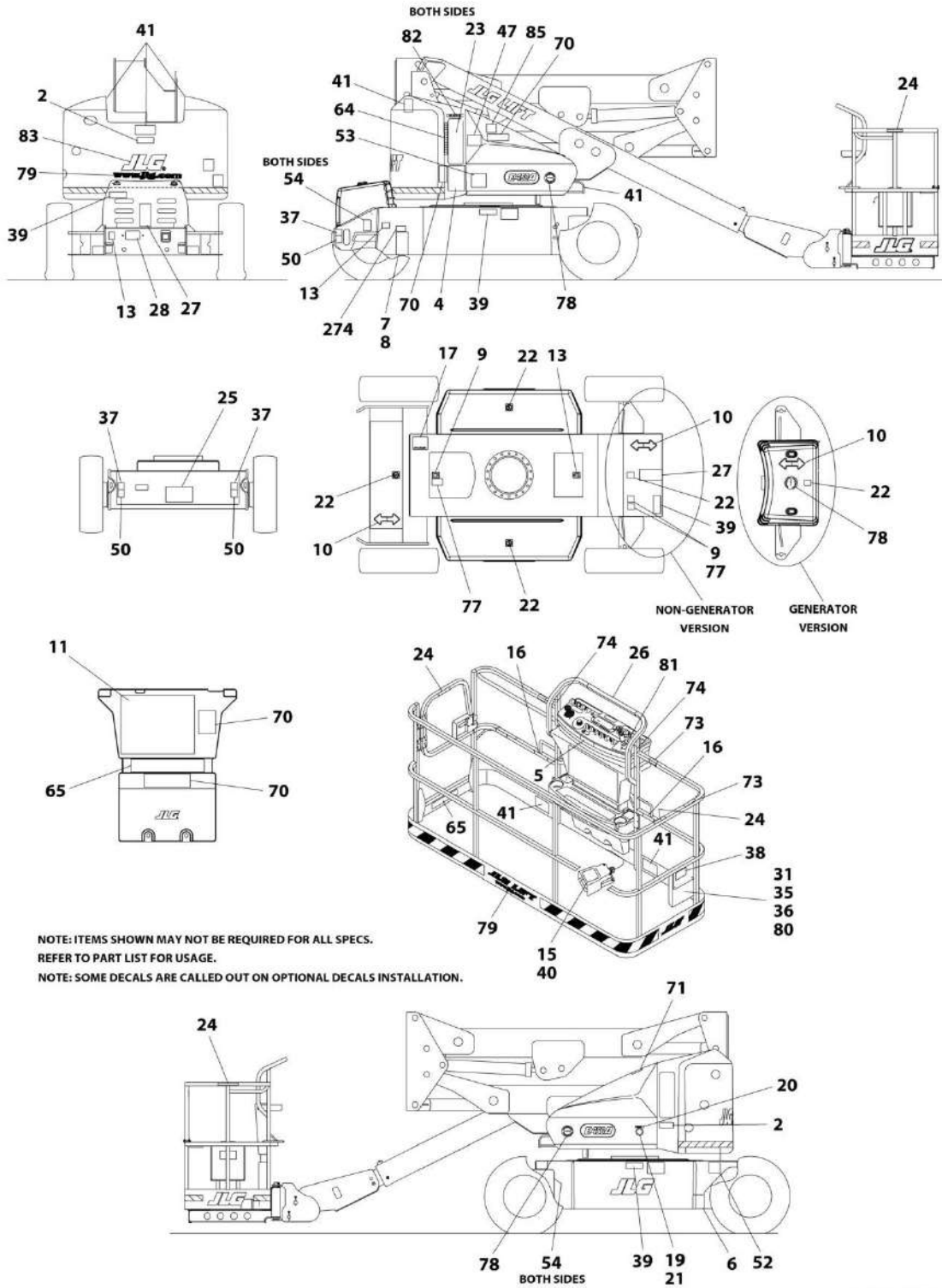
SECTION 9 - DECAL

FIGURE 9-5. DECAL INSTALLATION - AUSTRALIAN SPEC - M450AJ

ITEM	PART NUMBER	QTY	DESCRIPTION	REV
	1001178379	Ref	DECAL INSTALLATION - REFERENCE CHART	K
	1001178377	Ref	DECAL INSTALLATION - AUSTRALIAN SPEC - M450AJ	G
4	1705822	1	Decal - Danger/Caution	
7	See Note	1	Nameplate - Serial Number (Note: Not Available for Purchase)	
8	3820001	2	Rivet	
9	1701504	1	Decal - Hydraulic Oil	
10	1701642	2	Decal - Arrow	
11	1705921	1	Decal - Danger/Caution	
13	1701644	2	Decal - Charger	
15	1705828	1	Decal - Footswitch	
16	1704277	2	Decal - Attach Lanyard	
19	0961127	1	Bushing, Snap	
21	0100010	AR	Adhesive	
22	1701691	4	Decal - No Step	
23	1001104864	1	Decal - Manual Descent	
25	1001193949	1	Decal - Cable Routing	
27	1706378	1	Decal - Charging Instructions	
28	1704431	1	Decal - Battery Charger LED Indicator (SN 0300208529 through 0300214528)	
31	0860520	1	Box, Manual Storage	
35	4751400	4	Washer, 1/4	
36	3311405	4	Nut, 1/4-20	
37	1703811	4	Decal - Lift	
38	1701509	1	Decal - Manual	
39	1705670	AR	Decal - Warning Explosion	
41	1701518	6	Decal - Crushing Hazard	
47	1705977	1	Decal - Upright Level Over-Ride	
50	1703814	4	Decal - Tie Down	
52	See Note	1	Decal - Bar Code (Note: Not Available for Purchase)	
53	1705978	1	Decal - Capacity	
65	1705978	1	Decal - Capacity	
77	1704412	1	Decal - Oil Type	
78	1001121510	3	Decal - Hybrid	
79	1704885	2	Decal - Website	
80	0641406	4	Bolt 1/4-20 x 3/4	
82	1001189882	1	Decal - MSSO Operation	
85	1001222801	1	Decal - Manual Jib Pump (SN 0300233828 to Present)	

SECTION 9 - DECAL

FIGURE 9-6. DECAL INSTALLATION - CE AND CHINA SPECS - E450AJ



ART_1001190003

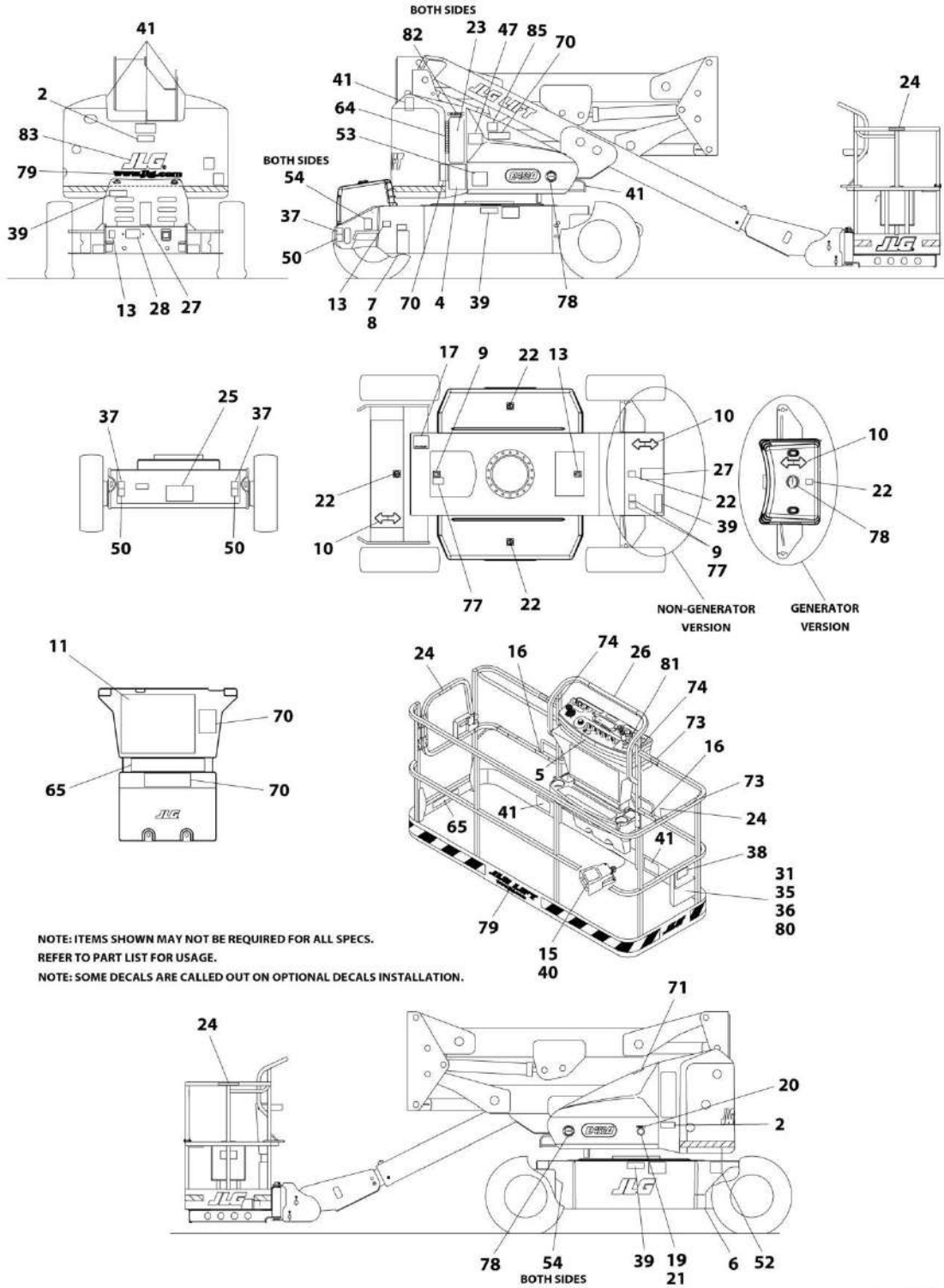
SECTION 9 - DECAL

FIGURE 9-6. DECAL INSTALLATION - CE AND CHINA SPECS - E450AJ

ITEM	PART NUMBER	QTY	DESCRIPTION	REV
	1001178379	Ref	DECAL INSTALLATION - REFERENCE CHART (SN 0300208529 through 0300220860, SN B300001429 through B300001580)	G
	1001217465	Ref	DECAL INSTALLATION - REFERENCE CHART (SN 0300220861 to Present, SN B300001581 to Present)	B
	1001190003	Ref	DECAL INSTALLATION - CE AND CHINA SPECS - E450AJ	F
4	1705822	1	Decal - Danger/Caution	
7	See Note	1	Nameplate - Serial Number (Note: Not Available for Purchase)	
8	3820001	2	Rivet	
9	1701504	1	Decal - Hydraulic Oil	
10	1701642	2	Decal - Arrow	
11	1705921	1	Decal - Danger/Caution	
13	1701644	2	Decal - Charger	
15	1705828	1	Decal - Footswitch	
16	1704277	2	Decal - Attach Lanyard	
19	0961127	1	Bushing, Snap	
21	0100010	AR	Adhesive	
22	1701691	4	Decal - No Step	
23	1001104864	1	Decal - Manual Descent	
25	1001193949	1	Decal - Cable Routing	
27	1706378	1	Decal - Charging Instructions	
28	1704431	1	Decal - Battery Charger LED Indicator (SN 0300208529 through 0300214528, SN B300001429 through B300001580)	
31	0860520	1	Box, Manual Storage	
35	4751400	4	Washer, 1/4	
36	3311405	4	Nut, 1/4-20	
37	1703811	4	Decal - Lift	
38	1701509	1	Decal - Manual	
39	1705670	AR	Decal - Explosion Warning	
41	1701518	6	Decal - Crushing Hazard	
47	1705977	1	Decal - Upright Level Over-Ride	
50	1703814	4	Decal - Tie Down	
52	See Note	1	Decal - Bar Code (Note: Not Available for Purchase)	
53	1705978	1	Decal - Capacity	
65	1705978	1	Decal - Capacity	
77	1704412	1	Decal - Oil Type	
79	1704885	2	Decal - Website (SN 0300208529 through 0300220860, SN B300001429 through B300001580)	
80	0641406	4	Bolt, 1/4-20 x 3/4	
83	1702773	1	Decal - JLG 5in (SN 0300220861 to Present, SN B300001581 to Present)	
85	1001222801	1	Decal - Manual Jib Pump (SN 0300233828 to Present, SN B300002016 to Present)	
274	1001214031	1	Decal Installation - EAC (Russian/CIS Specs)	
274	1001173703	1	Decal - EAC (Russian/CIS Specs)	

SECTION 9 - DECAL

FIGURE 9-7. DECAL INSTALLATION - CE SPEC - M450AJ



ART_1001190004

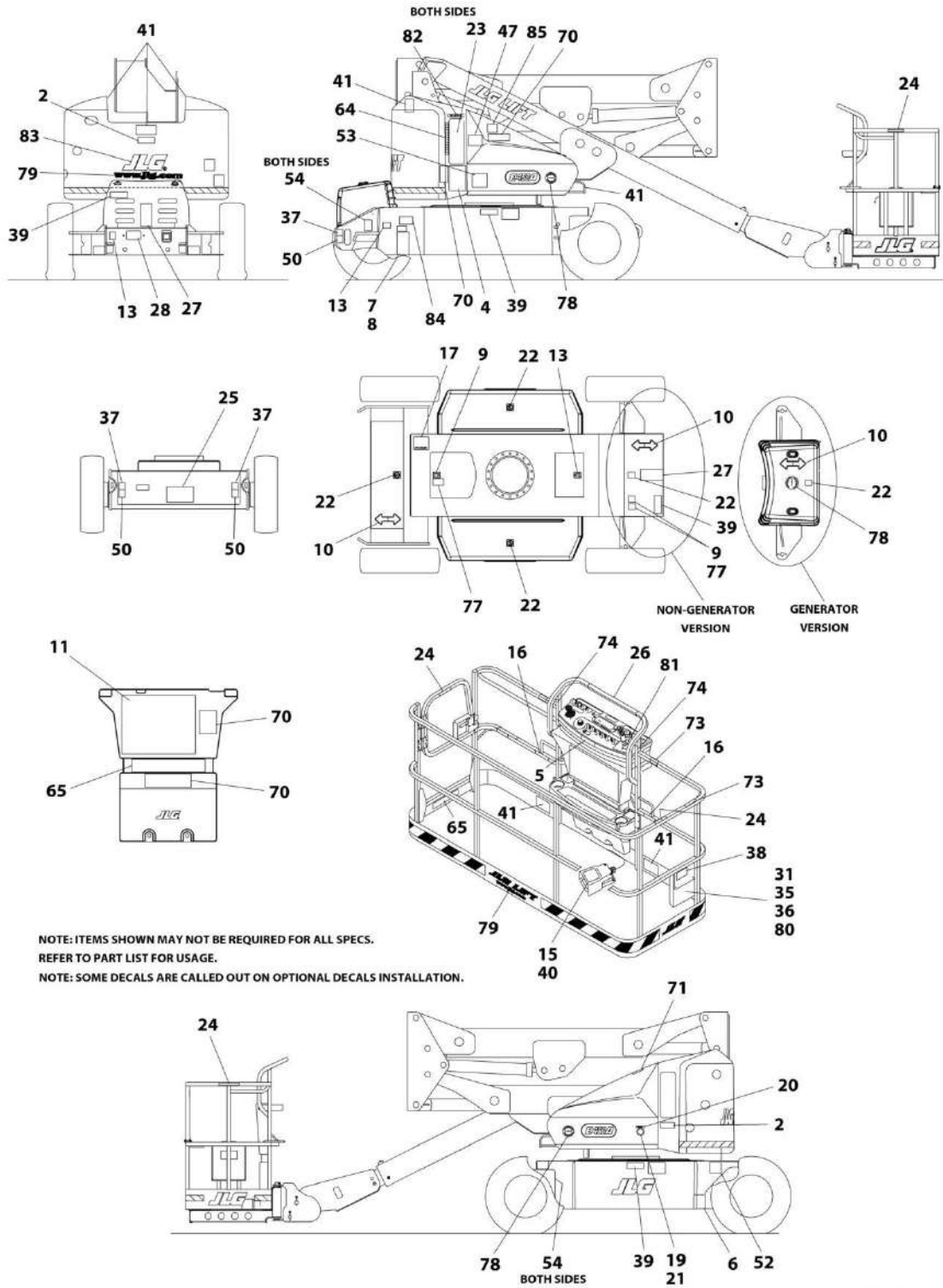
SECTION 9 - DECAL

FIGURE 9-7. DECAL INSTALLATION - CE SPEC - M450AJ

ITEM	PART NUMBER	QTY	DESCRIPTION	REV
	1001178379	Ref	DECAL INSTALLATION - REFERENCE CHART (SN 0300208529 through 0300220860)	G
	1001217465	Ref	DECAL INSTALLATION - REFERENCE CHART (SN 0300220861 to Present)	B
	1001190004	Ref	DECAL INSTALLATION - CE SPEC - M450AJ	F
4	1705822	1	Decal - Danger/Caution	
7	See Note	1	Nameplate - Serial Number (Note: Not Available for Purchase)	
8	3820001	2	Rivet	
9	1701504	1	Decal - Hydraulic Oil	
10	1701642	2	Decal - Arrow	
11	1705921	1	Decal - Danger/Caution	
13	1701644	2	Decal - Charger	
15	1705828	1	Decal - Footswitch	
16	1704277	2	Decal - Attach Lanyard	
19	0961127	1	Bushing, Snap	
21	0100010	AR	Adhesive	
22	1701691	4	Decal - No Step	
23	1001104864	1	Decal - Manual Descent	
25	1001193949	1	Decal - Cable Routing	
27	1706378	1	Decal - Charging Instructions	
28	1704431	1	Decal - Battery Charger LED Indicator (SN 0300208529 through 0300214528)	
31	0860520	1	Box, Manual Storage	
35	4751400	4	Washer, 1/4	
36	3311405	4	Nut, 1/4-20	
37	1703811	4	Decal - Lift	
38	1701509	1	Decal - Manual	
39	1705670	AR	Decal - Warning Explosion	
41	1701518	6	Decal - Crushing Hazard	
47	1705977	1	Decal - Upright Level Over-Ride	
50	1703814	4	Decal - Tie Down	
52	See Note	1	Decal - Bar Code (Note: Not Available for Purchase)	
53	1705978	1	Decal - Capacity	
65	1705978	1	Decal - Capacity	
77	1704412	1	Decal - Oil Type	
78	1001121510	3	Decal - Hybrid	
79	1704885	2	Decal - Website (SN 0300208529 through 0300220860)	
80	0641406	4	Bolt 1/4-20 x 3/4	
83	1702773	1	Decal - JLG 5in (SN 0300220861 to Present)	
85	1001222801	1	Decal - Manual Jib Pump (SN 0300233828 to Present)	

SECTION 9 - DECAL

FIGURE 9-8. DECAL INSTALLATION - CHINESE/ENGLISH - E450A/E450AJ (USA BUILT MACHINES)



NOTE: ITEMS SHOWN MAY NOT BE REQUIRED FOR ALL SPECS.
REFER TO PART LIST FOR USAGE.
NOTE: SOME DECALS ARE CALLED OUT ON OPTIONAL DECALS INSTALLATION.

ART_1001178376

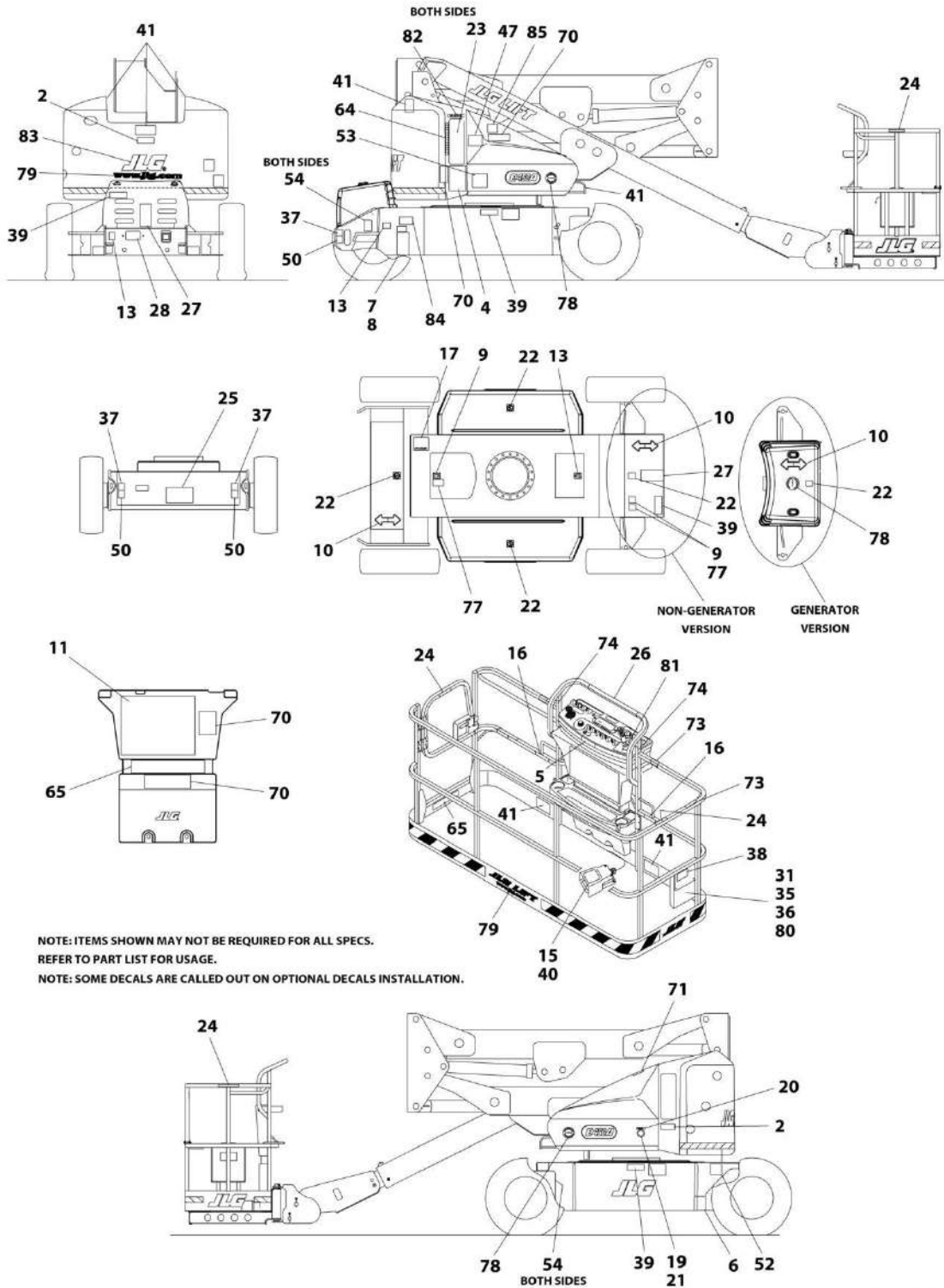
SECTION 9 - DECAL

FIGURE 9-8. DECAL INSTALLATION - CHINESE/ENGLISH - E450A/E450AJ (USA BUILT MACHINES)

ITEM	PART NUMBER	QTY	DESCRIPTION	REV
	1001178379	Ref	DECAL INSTALLATION - REFERENCE CHART	K
	1001178376	Ref	DECAL INSTALLATION - CHINESE/ENGLISH - E450A/E450AJ (USA BUILT MACHINES)	F
2	1703937	2	Decal - Electrocutation	
4	1703931	1	Decal - Danger/Caution	
7	See Note	1	Nameplate - Serial Number (Note: Not Available for Purchase)	
8	3820001	2	Rivet	
9	1701504	1	Decal - Hydraulic Oil	
10	1701642	2	Decal - Arrow	
11	1703925	1	Decal - Caution/Danger	
13	1701644	2	Decal - Charger	
15	1703982	1	Decal - Footswitch	
16	1704277	2	Decal - Attach Lanyard	
19	0961127	1	Bushing, Snap	
21	0100010	AR	Adhesive	
22	1701691	4	Decal - No Step	
23	1001104864	1	Decal - Manual Descent	
25	1001193949	1	Decal - Cable Routing	
27	1704419	1	Decal - Charger	
28	1704431	1	Decal - Battery Charger LED Indicator (SN 0300208529 through 0300214528)	
31	0860520	1	Box, Manual Storage	
35	4751400	AR	Washer, 1/4	
36	3311405	AR	Nut, Lock, 1/4-20	
37	1701500	4	Decal - Lift	
38	1701509	1	Decal - Manual	
39	1704344	3	Decal - Explosion Warning	
41	1703949	6	Decal - Crushing Hazard	
47	1703988	1	Decal - Upright Level Override	
50	1702300	4	Decal - Tie Down	
52	See Note	1	Decal - Bar Code (Note: Not Available for Purchase)	
53	1001121823	1	Decal - 500 LBS. Max Capacity	
65	1001121810	2	Decal - 500 LBS. Max Capacity	
77	1704412	1	Decal - Oil Type	
79	1704885	2	Decal - Website	
80	0641406	4	Bolt 1/4-20 x 3/4	
81	1705430	1	Decal - Drive/Steer Instruction	
82	1001189882	1	Decal - MSSO Operation	
84	1001224050	1	Decal - Yearly Inspection (SN 0300233828 to Present)	
85	1001222801	1	Decal - Manual Jib Pump (SN 0300233828 to Present)	

SECTION 9 - DECAL

FIGURE 9-9. DECAL INSTALLATION - CHINESE/ENGLISH - E450AJ (CHINA BUILT MACHINES)



NOTE: ITEMS SHOWN MAY NOT BE REQUIRED FOR ALL SPECS.
REFER TO PART LIST FOR USAGE.
NOTE: SOME DECALS ARE CALLED OUT ON OPTIONAL DECALS INSTALLATION.

ART_1001214413

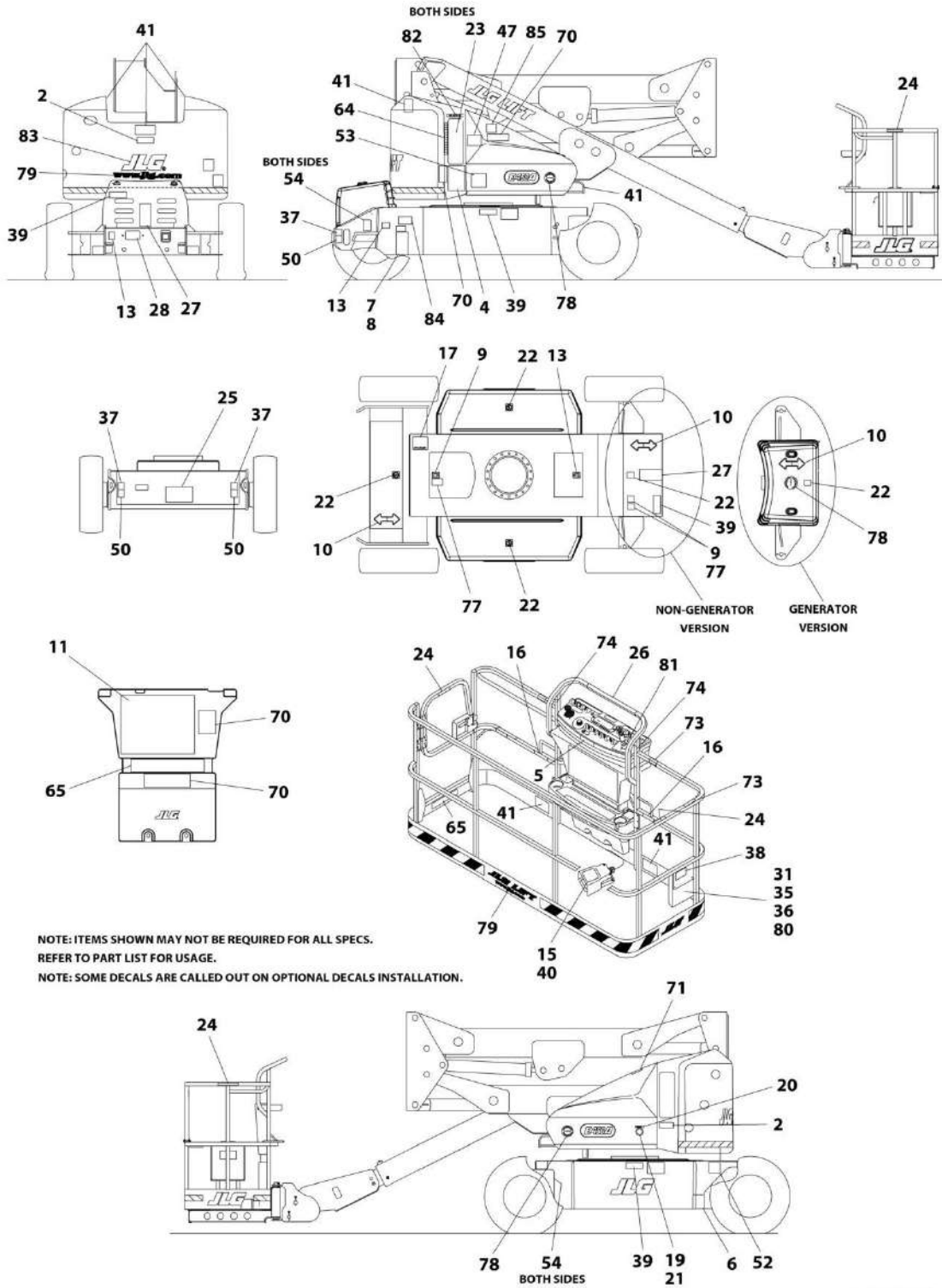
SECTION 9 - DECAL

FIGURE 9-9. DECAL INSTALLATION - CHINESE/ENGLISH - E450AJ (CHINA BUILT MACHINES)

ITEM	PART NUMBER	QTY	DESCRIPTION	REV
	1001178379	Ref	DECAL INSTALLATION - REFERENCE CHART	K
	1001214413	Ref	DECAL INSTALLATION - CHINESE/ENGLISH -E450AJ (CHINA BUILT MACHINES)	B
2	1703937	2	Decal - Electrocutation	
4	1703931	1	Decal - Danger/Caution	
7	See Note	1	Nameplate - Serial Number (Note: Not Available for Purchase)	
8	3820001	2	Rivet	
9	1701504	1	Decal - Hydraulic Oil	
10	1701642	2	Decal - Arrow	
11	1703925	1	Decal - Caution/Danger	
13	1701644	2	Decal - Charger	
15	1703982	1	Decal - Footswitch	
16	1704277	2	Decal - Attach Lanyard	
19	0961127	1	Bushing, Snap	
21	0100010	AR	Adhesive	
22	1701691	4	Decal - No Step	
23	1001104864	1	Decal - Manual Descent	
25	1001193949	1	Decal - Cable Routing	
27	1704419	1	Decal - Charger	
31	0860520	1	Box, Manual Storage	
35	4751400	4	Washer, 1/4	
36	3311405	4	Nut, Lock, 1/4-20	
37	1701500	4	Decal - Lift	
38	1701509	1	Decal - Manual	
39	1704344	3	Decal - Explosion Warning	
41	1703949	6	Decal - Crushing Hazard	
47	1703988	1	Decal - Upright Level Override	
50	1702300	4	Decal - Tie Down	
52	See Note	1	Decal - Bar Code (Note: Not Available for Purchase)	
53	1001121823	1	Decal - 500 LBS. Max Capacity	
65	1001121810	2	Decal - 500 LBS. Max Capacity	
77	1704412	1	Decal - Oil Type	
79	1704885	2	Decal - Website	
80	0641406	4	Bolt 1/4-20 x 3/4	
81	1705430	1	Decal - Drive/Steer Instruction	
82	1001189882	1	Decal - MSSO Operation	
84	1001224050	1	Decal - Yearly Inspection (SN B300002016 to Present)	
85	1001222801	1	Decal - Manual Jib Pump (SN B300002016 to Present)	

SECTION 9 - DECAL

FIGURE 9-10. DECAL INSTALLATION - CHINESE/ENGLISH - M450AJ



ART_1001178375

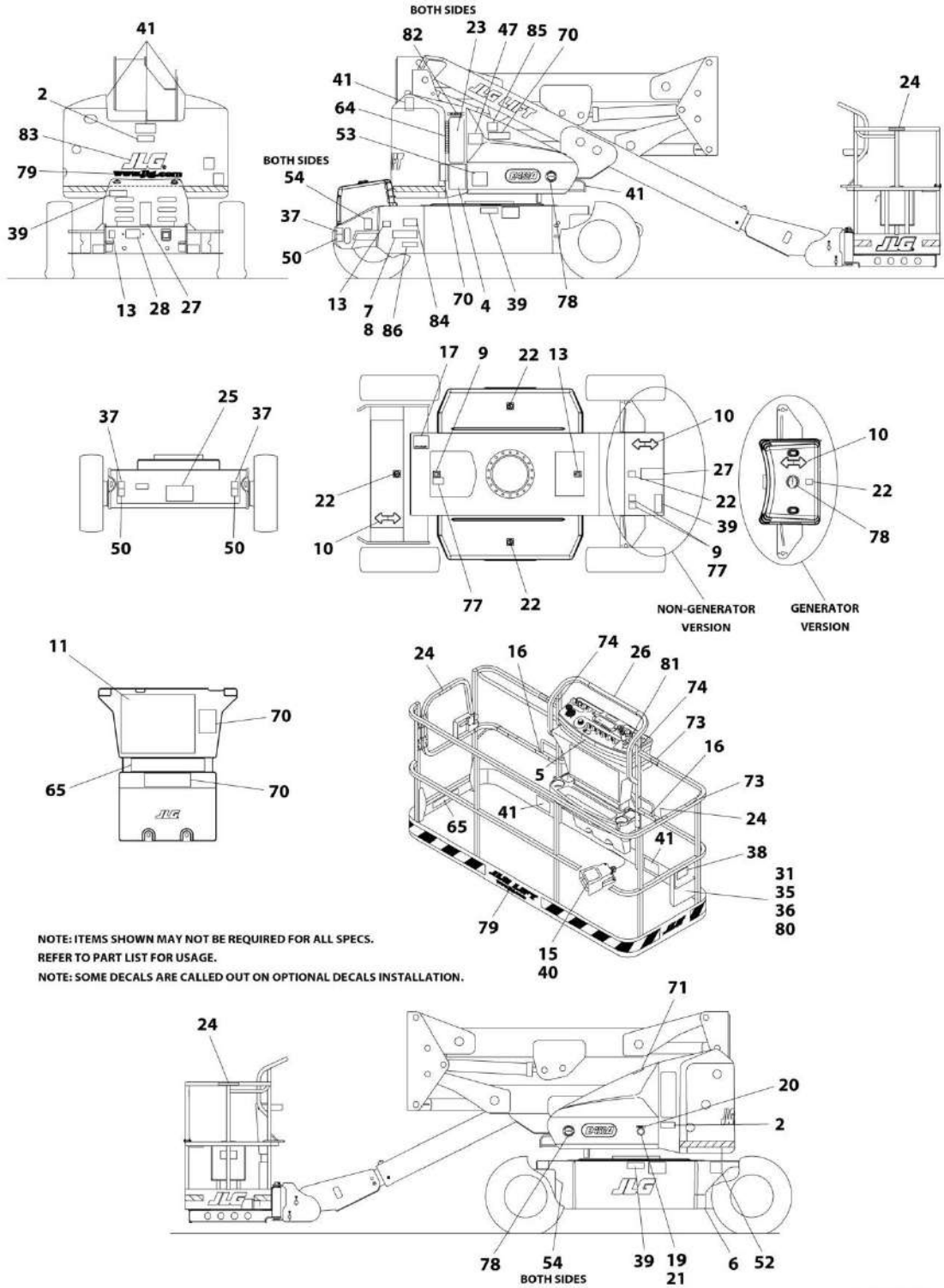
SECTION 9 - DECAL

FIGURE 9-10. DECAL INSTALLATION - CHINESE/ENGLISH - M450AJ

ITEM	PART NUMBER	QTY	DESCRIPTION	REV
	1001178379	Ref	DECAL INSTALLATION - REFERENCE CHART	K
	1001178375	Ref	DECAL INSTALLATION - CHINESE/ENGLISH - M450AJ	F
2	1703937	2	Decal - Electrocutation	
4	1703931	1	Decal - Danger/Caution	
7	See Note	1	Nameplate - Serial Number (Note: Not Available for Purchase)	
8	3820001	2	Rivet	
9	1701504	1	Decal - Hydraulic Oil	
10	1701642	2	Decal - Arrow	
11	1703925	1	Decal - Caution/Danger	
13	1701644	2	Decal - Charger	
15	1703982	1	Decal - Footswitch	
16	1704277	2	Decal - Attach Lanyard	
19	0961127	1	Bushing, Snap	
21	0100010	AR	Adhesive	
22	1701691	4	Decal - No Step	
23	1001104864	1	Decal - Manual Descent	
25	1001193949	1	Decal - Cable Routing	
27	1704419	1	Decal - Charger	
28	1704431	1	Decal - Battery Charger LED Indicator (SN 0300208529 through 0300214528)	
31	0860520	1	Box, Manual Storage	
35	4751400	AR	Washer, 1/4	
36	3311405	AR	Nut, Lock, 1/4-20	
37	1701500	4	Decal - Lift	
38	1701509	1	Decal - Manual	
39	1704344	3	Decal - Explosion Warning	
41	1703949	6	Decal - Crushing Hazard	
47	1703988	1	Decal - Upright Level Override	
50	1702300	4	Decal - Tie Down	
52	See Note	1	Decal - Bar Code (Note: Not Available for Purchase)	
53	1001121823	1	Decal - 500 LBS. Max Capacity	
65	1001121810	2	Decal - 500 LBS. Max Capacity	
70	1001093687	2	Decal - Generator Danger (SN 0300208529 through 0300233828)	
71	1701505	1	Decal - Fuel	
77	1704412	1	Decal - Oil Type	
78	1001121510	3	Decal - Hybrid	
79	1704885	2	Decal - Website	
80	0641406	4	Bolt 1/4-20 x 3/4	
81	1705430	1	Decal - Drive/Steer Instruction	
82	1001189882	1	Decal - MSSO Operation	
84	1001224050	1	Decal - Yearly Inspection (SN 0300233828 to Present)	
85	1001222801	1	Decal - Manual Jib Pump (SN 0300233828 to Present)	

SECTION 9 - DECAL

FIGURE 9-11. DECAL INSTALLATION - FRENCH/ENGLISH SPECS - E450A/E450AJ



ART_1001178366

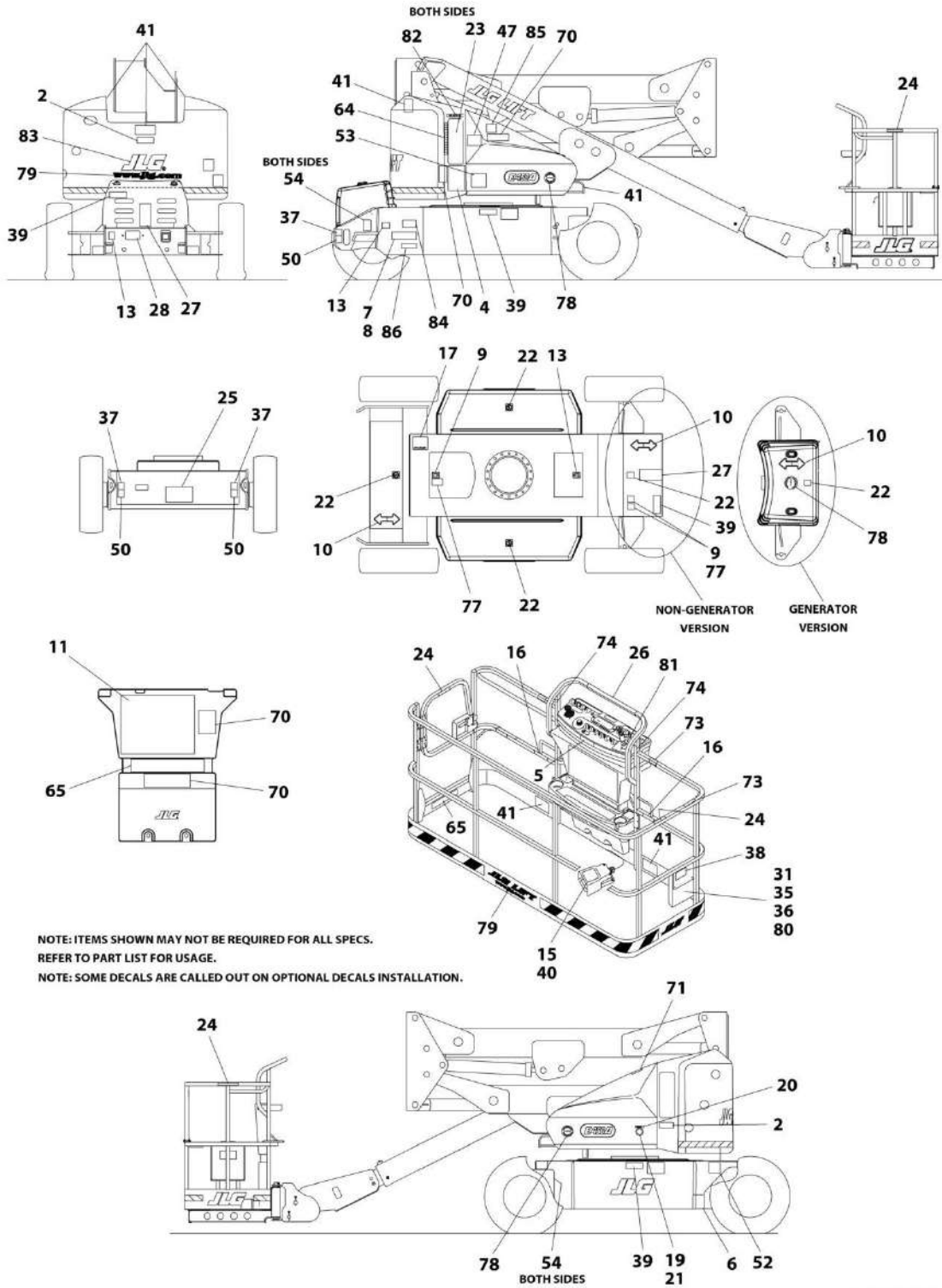
SECTION 9 - DECAL

FIGURE 9-11. DECAL INSTALLATION - FRENCH/ENGLISH SPECS - E450A/E450AJ

ITEM	PART NUMBER	QTY	DESCRIPTION	REV
	1001178379	Ref	DECAL INSTALLATION - REFERENCE CHART	K
	1001178366	Ref	DECAL INSTALLATION - FRENCH/ENGLISH SPECS - E450A/E450AJ	F
2	1703936	2	Decal - Electrocutation	
4	1703930	1	Decal - Danger/Caution	
5	1705514	1	Decal - CSA	
6	1700584	1	Decal - Patent	
7	See Note	1	Nameplate - Serial Number (Note: Not Available for Purchase)	
8	3820001	2	Rivet	
9	1701504	1	Decal - Hydraulic Oil	
10	1701642	2	Decal - Arrow	
11	1703924	1	Decal - Caution/Danger	
13	1701644	2	Decal - Charger	
15	1703984	1	Decal - Footswitch	
16	1704277	2	Decal - Attach Lanyard	
19	0961127	1	Bushing, Snap	
20	3251243	1	Nameplate - 120V/60HZ	
21	0100010	AR	Adhesive	
22	1701691	4	Decal - No Step	
23	1001104864	1	Decal - Manual Descent	
24	1704000	2	Decal - No Hands	
25	1001193949	1	Decal - Cable Routing	
26	1001196811	1	Decal - Legend Platform	
27	1704452	1	Decal - Charger	
28	1704431	1	Decal - Battery Charger LED Indicator (SN 0300208529 through 0300214528)	
31	0860520	1	Box, Manual Storage	
35	4751400	AR	Washer, 1/4	
36	3311405	AR	Nut, Lock, 1/4-20	
37	1701500	4	Decal - Lift	
38	1701509	1	Decal - Manual	
39	1704340	3	Decal - Explosion Warning	
41	1703948	6	Decal - Crushing Hazard	
47	1702265	1	Decal - Boom Sequence	
50	1702300	4	Decal - Tie Down	
52	See Note	1	Decal - Bar Code (Note: Not Available for Purchase)	
53	1001121816	1	Decal - 500 LBS. Max Capacity	
64	1706950	1	Decal - Key, Main Terminal Box	
65	1001121803	2	Decal - 500 LBS. Max Capacity	
77	1704412	1	Decal - Oil Type	
79	1704885	2	Decal - Website	
80	0641406	4	Bolt 1/4-20 x 3/4	
81	1705429	1	Decal - Drive/Steer Instruction	
82	1001189882	1	Decal - MSSO Operation	
84	1001223971	1	Decal - Yearly Inspection (SN 0300233828 to Present)	
85	1001222801	1	Decal - Manual Jib Pump (SN 0300233828 to Present)	
86	1001228370	1	Decal - CSA ICES (SN 0300233828 to Present)	

SECTION 9 - DECAL

FIGURE 9-12. DECAL INSTALLATION - FRENCH/ENGLISH SPECS - M450AJ



NOTE: ITEMS SHOWN MAY NOT BE REQUIRED FOR ALL SPECS.
REFER TO PART LIST FOR USAGE.
NOTE: SOME DECALS ARE CALLED OUT ON OPTIONAL DECALS INSTALLATION.

ART_1001178365

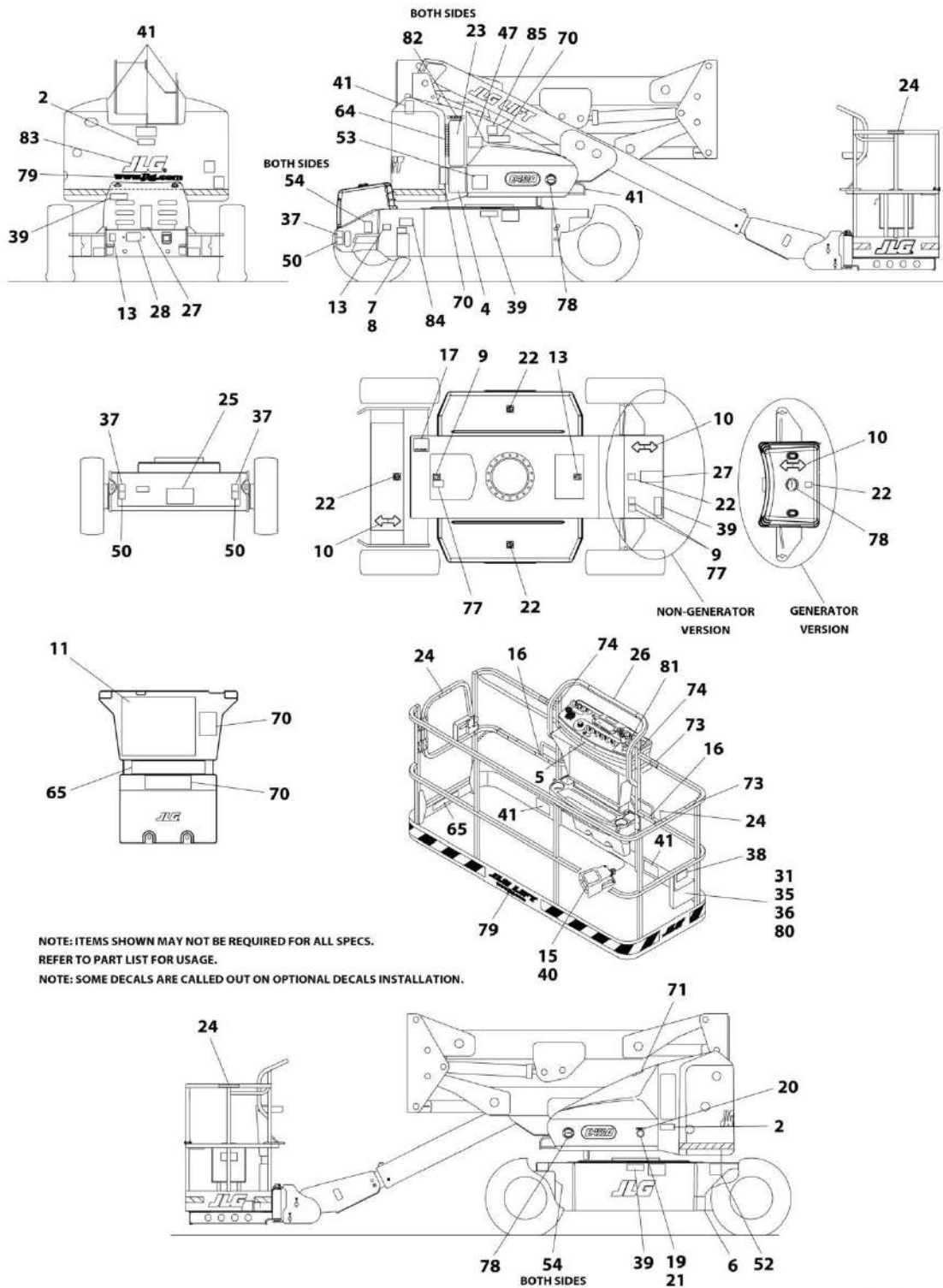
SECTION 9 - DECAL

FIGURE 9-12. DECAL INSTALLATION - FRENCH/ENGLISH SPECS - M450AJ

ITEM	PART NUMBER	QTY	DESCRIPTION	REV
	1001178379	Ref	DECAL INSTALLATION - REFERENCE CHART	K
	1001178365	Ref	DECAL INSTALLATION - FRENCH/ENGLISH SPECS - M450AJ	F
2	1703936	2	Decal - Electrocution	
4	1703930	1	Decal - Danger/Caution	
5	1705514	1	Decal - CSA	
7	See Note	1	Nameplate - Serial Number (Note: Not Available for Purchase)	
8	3820001	2	Rivet	
9	1701504	1	Decal - Hydraulic Oil	
10	1701642	2	Decal - Arrow	
11	1703924	1	Decal - Caution/Danger	
13	1701644	2	Decal - Charger	
15	1703984	1	Decal - Footswitch	
16	1704277	2	Decal - Attach Lanyard	
19	0961127	1	Bushing, Snap	
20	3251243	1	Nameplate - 120V/60HZ	
21	0100010	AR	Adhesive	
22	1701691	4	Decal - No Step	
23	1001104864	1	Decal - Manual Descent	
24	1704000	2	Decal - No Hands	
25	1001193949	1	Decal - Cable Routing	
26	1001196811	1	Decal - Legend Platform	
27	1704452	1	Decal - Charger	
28	1704431	1	Decal - Battery Charger LED Indicator (SN 0300208529 through 0300214528)	
31	0860520	1	Box, Manual Storage	
35	4751400	AR	Washer, 1/4	
36	3311405	AR	Nut, Lock, 1/4-20	
37	1701500	4	Decal - Lift	
38	1701509	1	Decal - Manual	
39	1704340	3	Decal - Explosion Warning	
41	1703948	6	Decal - Crushing Hazard	
47	1702265	1	Decal - Boom Sequence	
50	1702300	1	Decal - Tie Down	
52	See Note	1	Decal - Bar Code (Note: Not Available for Purchase)	
53	1001121816	1	Decal - 500 LBS. Max Capacity	
64	1706950	1	Decal - Key, Main Terminal Box	
65	1001121803	2	Decal - 500 LBS. Max Capacity	
70	1001093687	2	Decal - Generator Danger (SN 0300208529 through 0300233828)	
77	1704412	1	Decal - Oil Type	
78	1001121510	3	Decal - Hybrid	
79	1704885	2	Decal - Website	
80	0641406	4	Bolt 1/4-20 x 3/4	
81	1705429	1	Decal - Drive/Steer Instruction	
82	1001189882	1	Decal - MSSO Operation	
84	1001223971	1	Decal - Yearly Inspection (SN 0300233828 to Present)	
85	1001222801	1	Decal - Manual Jib Pump (SN 0300233828 to Present)	
86	1001228370	1	Decal - CSA ICES (SN 0300233828 to Present)	

SECTION 9 - DECAL

FIGURE 9-13. DECAL INSTALLATION - JAPANESE SPEC - E450A/E450AJ (USA BUILT MACHINES)



NOTE: ITEMS SHOWN MAY NOT BE REQUIRED FOR ALL SPECS.
REFER TO PART LIST FOR USAGE.
NOTE: SOME DECALS ARE CALLED OUT ON OPTIONAL DECALS INSTALLATION.

ART_1001178372

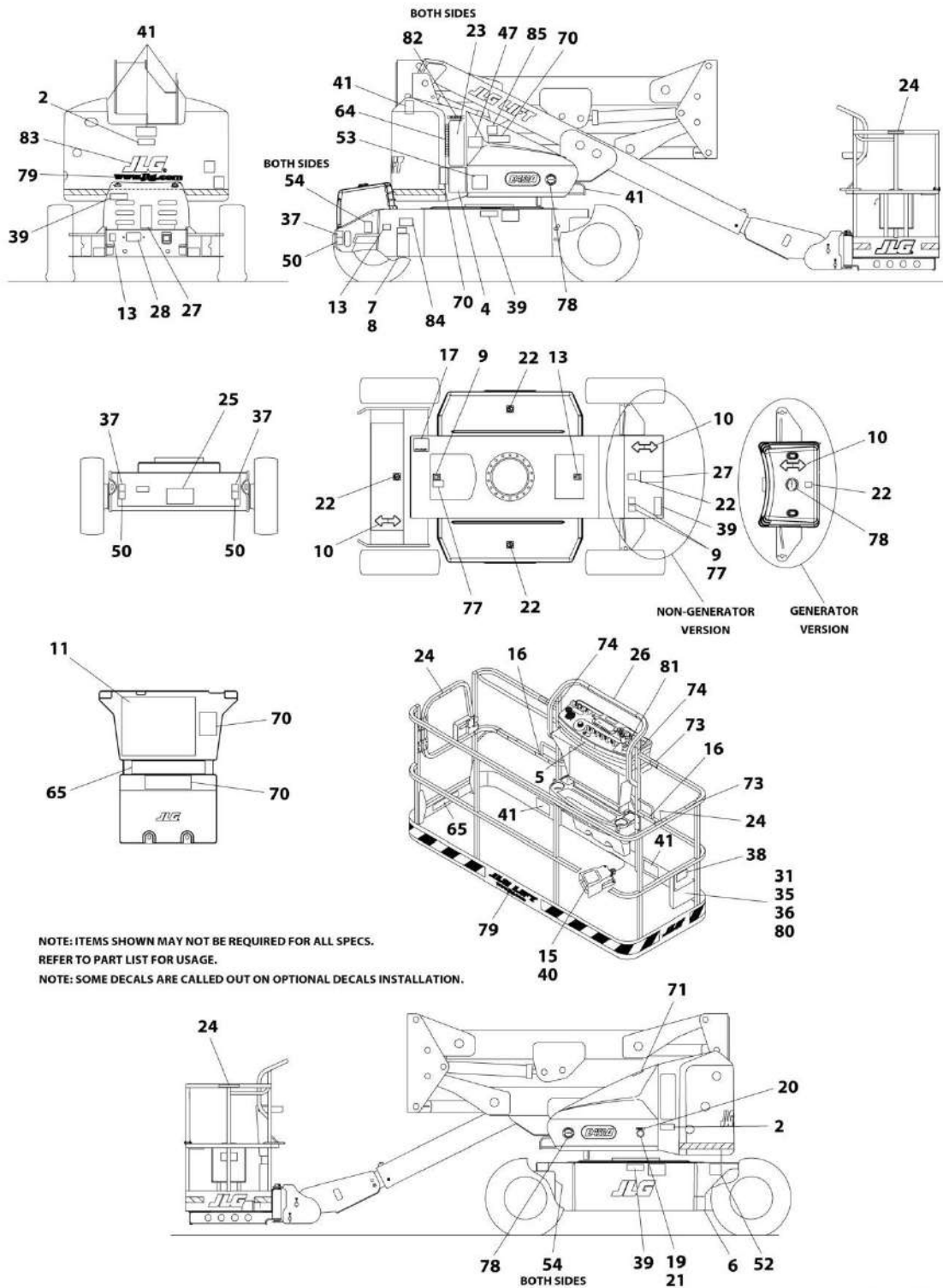
SECTION 9 - DECAL

FIGURE 9-13. DECAL INSTALLATION - JAPANESE SPEC - E450A/E450AJ (USA BUILT MACHINES)

ITEM	PART NUMBER	QTY	DESCRIPTION	REV
	1001178379	Ref	DECAL INSTALLATION - REFERENCE CHART	K
	1001178372	Ref	DECAL INSTALLATION - JAPANESE SPEC - E450A/E450AJ (USA BUILT MACHINES)	F
2	1703938	2	Decal - Electrocutation	
4	1703932	1	Decal - Danger/Caution	
7	See Note	1	Nameplate - Serial Number (Note: Not Available for Purchase)	
8	3820001	2	Rivet	
9	1701504	1	Decal - Hydraulic Oil	
10	1701642	2	Decal - Arrow	
11	1703926	1	Decal - Caution/Danger	
13	1701644	2	Decal - Charger	
15	1703980	1	Decal - Footswitch	
16	1704277	2	Decal - Attach Lanyard	
19	0961127	1	Bushing, Snap	
21	0100010	AR	Adhesive	
22	1701691	4	Decal - No Step	
23	1001104864	1	Decal - Manual Descent	
25	1001193949	1	Decal - Cable Routing	
26	1001196811	1	Decal - Legend Platform	
27	1704417	1	Decal - Charger	
28	1704431	1	Decal - Battery Charger LED Indicator (SN 0300208529 through 0300214528)	
31	0860520	1	Box, Manual Storage	
35	4751400	4	Washer, 1/4	
36	3311405	4	Nut, Lock, 1/4-20	
37	1701500	4	Decal - Lift	
38	1701509	1	Decal - Manual	
39	1704342	3	Decal - Explosion Warning	
41	1703950	6	Decal - Crushing Hazard	
47	1702271	1	Decal	
50	1702300	4	Decal - Tie Down	
52	See Note	1	Decal - Bar Code (Note: Not Available for Purchase)	
53	1001121821	1	Decal - 500 LBS. Max Capacity	
65	1001121808	2	Decal - 500 LBS. Max Capacity	
77	1704412	1	Decal - Oil Type	
79	1704885	2	Decal - Website	
80	0641406	4	Bolt 1/4-20 x 3/4	
81	1705426	1	Decal - Drive/Steer Instruction	
82	1001189882	1	Decal - MSSO Operation	
84	1001224053	1	Decal - Yearly Inspection (SN 0300233828 to Present)	
85	1001222801	1	Decal - Manual Jib Pump (SN 0300233828 to Present)	

SECTION 9 - DECAL

FIGURE 9-14. DECAL INSTALLATION - JAPANESE SPEC - E450AJ (CHINA BUILT MACHINES)



NOTE: ITEMS SHOWN MAY NOT BE REQUIRED FOR ALL SPECS.
REFER TO PART LIST FOR USAGE.
NOTE: SOME DECALS ARE CALLED OUT ON OPTIONAL DECALS INSTALLATION.

ART_1001214411

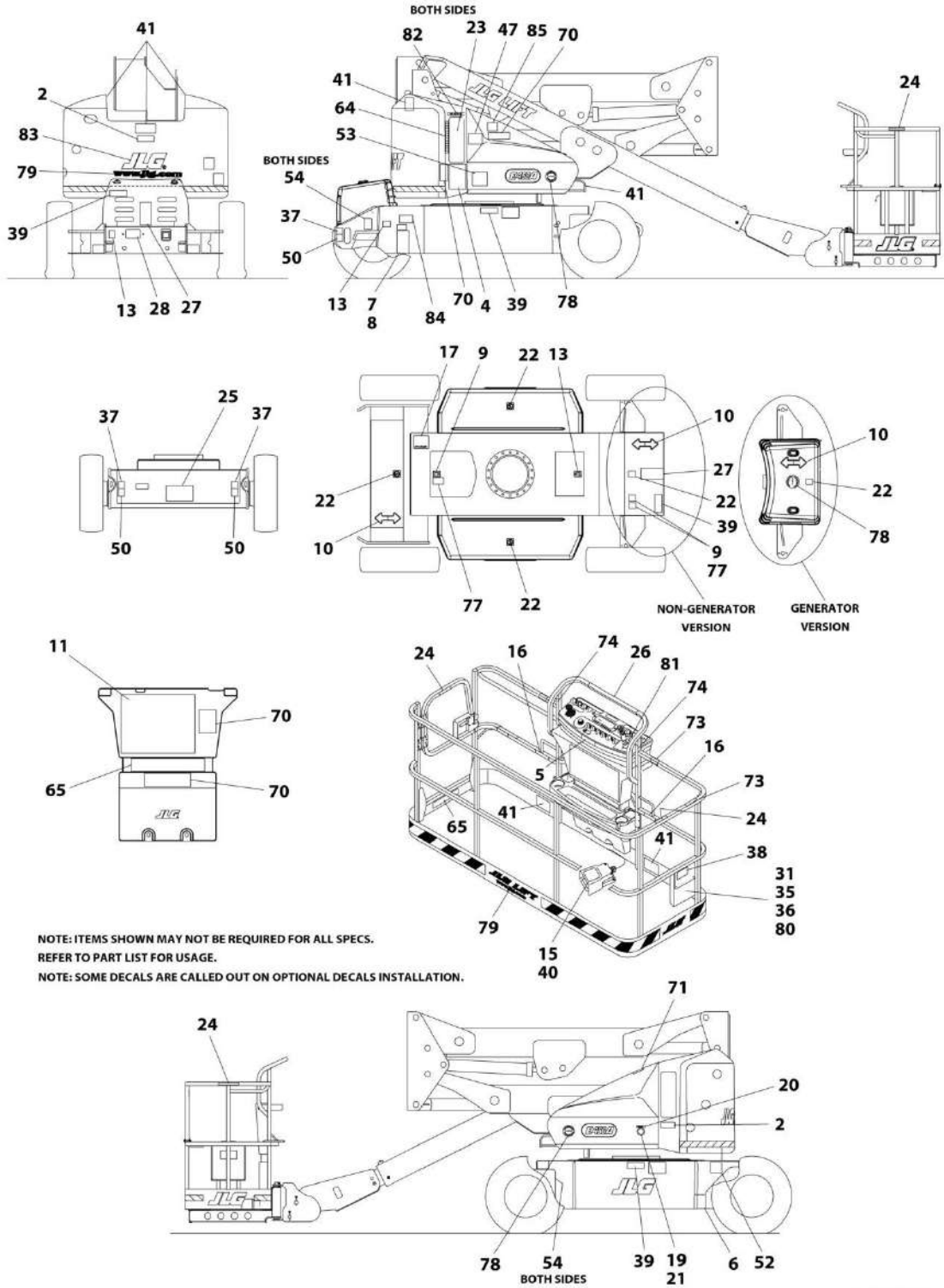
SECTION 9 - DECAL

FIGURE 9-14. DECAL INSTALLATION - JAPANESE SPEC - E450AJ (CHINA BUILT MACHINES)

ITEM	PART NUMBER	QTY	DESCRIPTION	REV
	1001178379	Ref	DECAL INSTALLATION - REFERENCE CHART	K
	1001214411	Ref	DECAL INSTALLATION - JAPANESE SPEC - E450AJ (CHINA BUILT MACHINES)	B
2	1703938	2	Decal - Electrocution	
4	1703932	1	Decal - Danger/Caution	
7	See Note	1	Nameplate - Serial Number (Note: Not Available for Purchase)	
8	3820001	2	Rivet	
9	1701504	1	Decal - Hydraulic Oil	
10	1701642	2	Decal - Arrow	
11	1703926	1	Decal - Caution/Danger	
13	1701644	2	Decal - Charger	
15	1703980	1	Decal - Footswitch	
16	1704277	2	Decal - Attach Lanyard	
19	0961127	1	Bushing, Snap	
21	0100010	AR	Adhesive	
22	1701691	4	Decal - No Step	
23	1001104864	1	Decal - Manual Descent	
25	1001193949	1	Decal - Cable Routing	
26	1001196811	1	Decal - Legend Platform	
27	1704417	1	Decal - Charger	
31	0860520	1	Box, Manual Storage	
35	4751400	4	Washer, 1/4	
36	3311405	4	Nut, Lock, 1/4-20	
37	1701500	4	Decal - Lift	
38	1701509	1	Decal - Manual	
39	1704342	3	Decal - Explosion Warning	
41	1703950	6	Decal - Crushing Hazard	
47	1702271	1	Decal	
50	1702300	4	Decal - Tie Down	
52	See Note	1	Decal - Bar Code (Note: Not Available for Purchase)	
53	1001121821	1	Decal - 500 LBS. Max Capacity	
65	1001121808	2	Decal - 500 LBS. Max Capacity	
77	1704412	1	Decal - Oil Type	
79	1704885	2	Decal - Website	
80	0641406	4	Bolt 1/4-20 x 3/4	
81	1705426	1	Decal - Drive/Steer Instruction	
84	1001224053	1	Decal - Yearly Inspection (SN B300002016 to Present)	
85	1001222801	1	Decal - Manual Jib Pump (SN B300002016 to Present)	

SECTION 9 - DECAL

FIGURE 9-15. DECAL INSTALLATION - JAPANESE SPEC - M450AJ



ART_1001178371

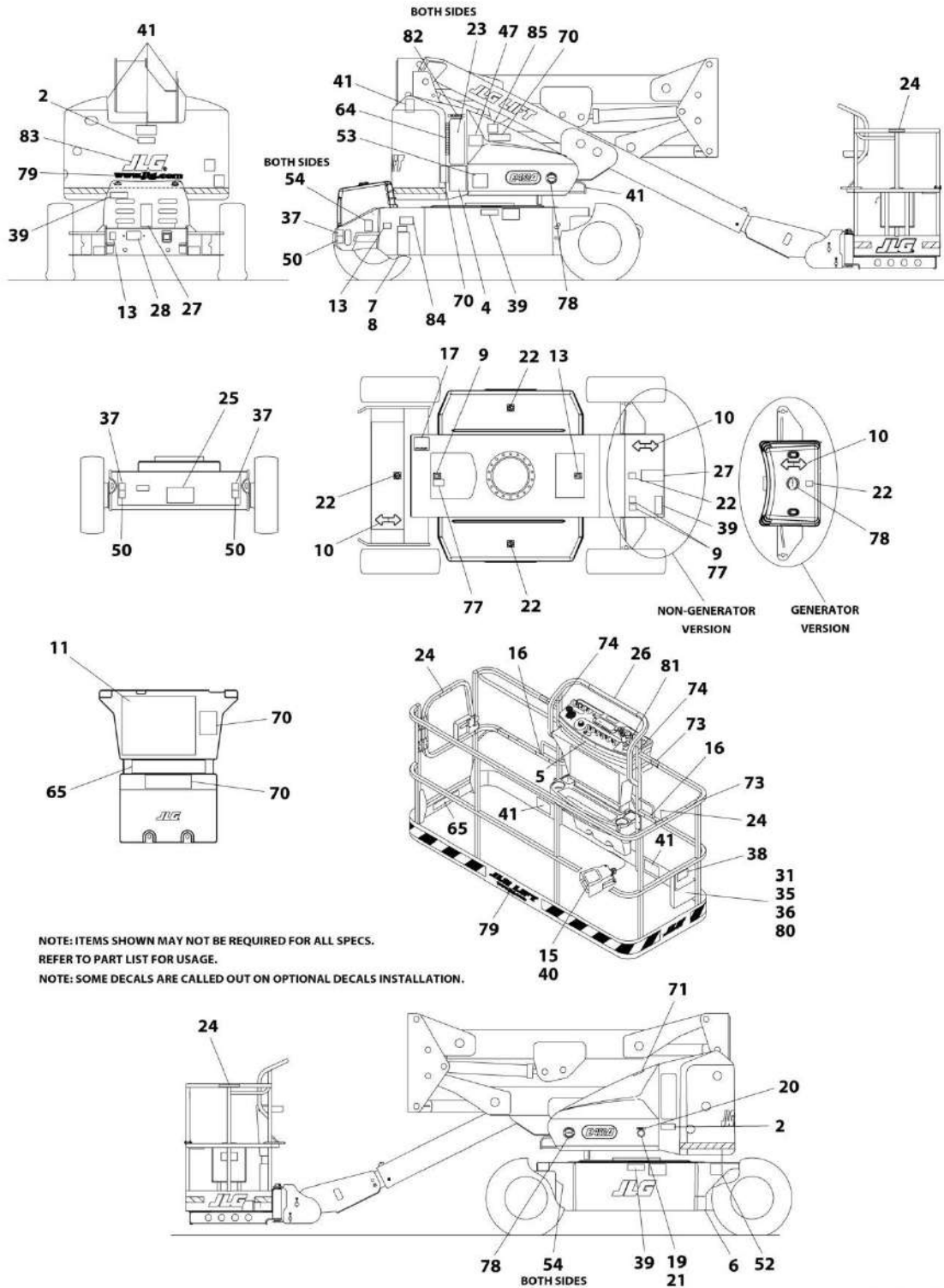
SECTION 9 - DECAL

FIGURE 9-15. DECAL INSTALLATION - JAPANESE SPEC - M450AJ

ITEM	PART NUMBER	QTY	DESCRIPTION	REV
	1001178379	Ref	DECAL INSTALLATION - REFERENCE CHART	K
	1001178371	Ref	DECAL INSTALLATION - JAPANESE SPEC - M450AJ	F
2	1703938	2	Decal - Electrocutation	
4	1703932	1	Decal - Danger/Caution	
7	See Note	1	Nameplate - Serial Number (Note: Not Available for Purchase)	
8	3820001	2	Rivet	
9	1701504	1	Decal - Hydraulic Oil	
10	1701642	2	Decal - Arrow	
11	1703926	1	Decal - Caution/Danger	
13	1701644	2	Decal - Charger	
15	1703980	1	Decal - Footswitch	
16	1704277	2	Decal - Attach Lanyard	
19	0961127	1	Bushing, Snap	
21	0100010	AR	Adhesive	
22	1701691	4	Decal - No Step	
23	1001104864	1	Decal - Manual Descent	
25	1001193949	1	Decal - Cable Routing	
27	1704417	1	Decal - Charger	
28	1704431	1	Decal - Battery Charger LED Indicator (SN 0300208529 through 0300214528)	
31	0860520	1	Box, Manual Storage	
35	4751400	4	Washer, 1/4	
36	3311405	4	Nut, Lock, 1/4-20	
37	1701500	4	Decal - Lift	
38	1701509	1	Decal - Manual	
39	1704342	3	Decal - Explosion Warning	
41	1703950	6	Decal - Crushing Hazard	
47	1702271	1	Decal	
50	1702300	4	Decal - Tie Down	
52	See Note	1	Decal - Bar Code (Note: Not Available for Purchase)	
53	1001121821	1	Decal - 500 LBS. Max Capacity	
65	1001121808	2	Decal - 500 LBS. Max Capacity	
70	1001093687	2	Decal - Generator Danger (SN 0300208529 through 0300233828)	
77	1704412	1	Decal - Oil Type	
78	1001121510	3	Decal - Hybrid	
79	1704885	2	Decal - Website	
80	0641406	4	Bolt 1/4-20 x 3/4	
81	1705426	1	Decal - Drive/Steer Instruction	
82	1001189882	1	Decal - MSSO Operation	
84	1001224053	1	Decal - Yearly Inspection (SN 0300233828 to Present)	
85	1001222801	1	Decal - Manual Jib Pump (SN 0300233828 to Present)	

SECTION 9 - DECAL

FIGURE 9-16. DECAL INSTALLATION - KOREAN SPEC - E450A/E450AJ (USA BUILT MACHINES)



NOTE: ITEMS SHOWN MAY NOT BE REQUIRED FOR ALL SPECS.
REFER TO PART LIST FOR USAGE.
NOTE: SOME DECALS ARE CALLED OUT ON OPTIONAL DECALS INSTALLATION.

ART_1001178374

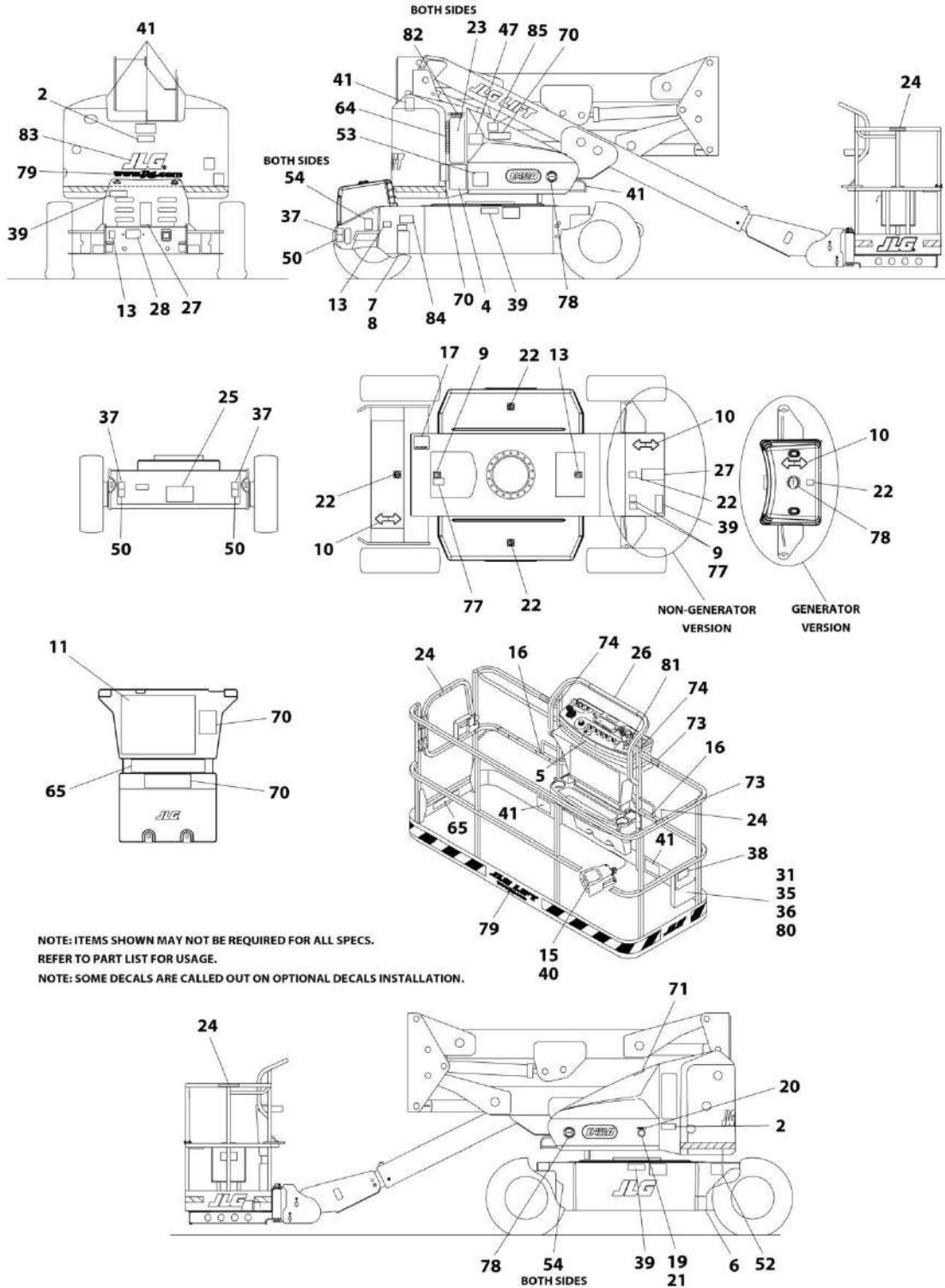
SECTION 9 - DECAL

FIGURE 9-16. DECAL INSTALLATION - KOREAN SPEC - E450A/E450AJ (USA BUILT MACHINES)

ITEM	PART NUMBER	QTY	DESCRIPTION	REV
	1001178379	Ref	DECAL INSTALLATION - REFERENCE CHART	K
	1001178374	Ref	DECAL INSTALLATION - KOREAN SPEC - E450A/E450AJ (USA BUILT MACHINES)	F
2	1703939	2	Decal - Electrocutation	
4	1703933	1	Decal - Danger/Caution	
7	See Note	1	Nameplate - Serial Number (Note: Not Available for Purchase)	
8	3820001	2	Rivet	
9	1701504	1	Decal - Hydraulic Oil	
10	1701642	2	Decal - Arrow	
11	1703927	1	Decal - Caution/Danger	
13	1701644	2	Decal - Charger	
15	1703981	1	Decal - Footswitch	
16	1704277	2	Decal - Attach Lanyard	
19	0961127	1	Bushing, Snap	
21	0100010	AR	Adhesive	
22	1701691	4	Decal - No Step	
23	1001104864	1	Decal - Manual Descent	
25	1001193949	1	Decal - Cable Routing	
27	1704418	1	Decal - Charger	
28	1704431	1	Decal - Battery Charger LED Indicator (SN 0300208529 through 0300214528)	
31	0860520	1	Box, Manual Storage	
35	4751400	AR	Washer, 1/4	
36	3311405	AR	Nut, Lock, 1/4-20	
37	1701500	4	Decal - Lift	
38	1701509	1	Decal - Manual	
39	1704343	3	Decal - Explosion Warning	
41	1703951	6	Decal - Crushing Hazard	
47	1703987	1	Decal - Upright Level Override	
50	1702300	4	Decal - Tie Down	
52	See Note	1	Decal - Bar Code (Note: Not Available for Purchase)	
53	1001121921	1	Decal - 500 LBS. Max Capacity	
65	1001121918	2	Decal - 500 LBS. Max Capacity	
77	1704412	1	Decal - Oil Type	
79	1704885	2	Decal - Website	
80	0641406	4	Bolt 1/4-20 x 3/4	
81	1705427	1	Decal - Drive/Steer Instruction	
82	1001189882	1	Decal - MSSO Operation	
84	1001224048	1	Decal - Yearly Inspection (SN 0300233828 to Present)	
85	1001222801	1	Decal - Manual Jib Pump (SN 0300233828 to Present)	

SECTION 9 - DECAL

FIGURE 9-17. DECAL INSTALLATION - KOREAN SPEC - E450AJ (CHINA BUILT MACHINES)



ART_1001214412

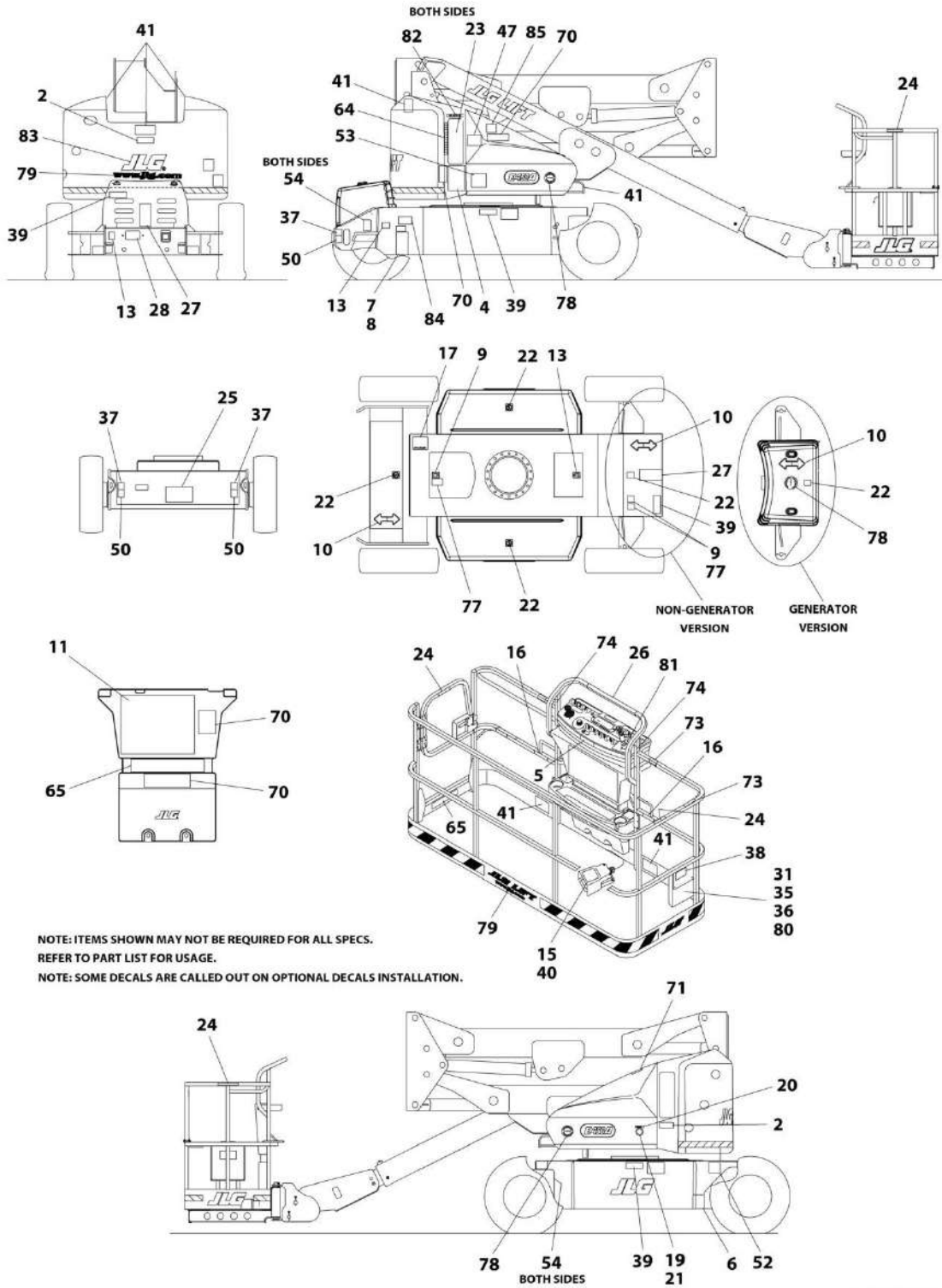
SECTION 9 - DECAL

FIGURE 9-17. DECAL INSTALLATION - KOREAN SPEC - E450AJ (CHINA BUILT MACHINES)

ITEM	PART NUMBER	QTY	DESCRIPTION	REV
	1001178379	Ref	DECAL INSTALLATION - REFERENCE CHART	K
	1001214412	Ref	DECAL INSTALLATION - KOREAN SPEC - E450AJ (CHINA BUILT MACHINES)	B
2	1703939	2	Decal - Electrocution	
4	1703933	1	Decal - Danger/Caution	
7	See Note	1	Nameplate - Serial Number (Note: Not Available for Purchase)	
8	3820001	2	Rivet	
9	1701504	1	Decal - Hydraulic Oil	
10	1701642	2	Decal - Arrow	
11	1703927	1	Decal - Caution/Danger	
13	1701644	2	Decal - Charger	
15	1703981	1	Decal - Footswitch	
16	1704277	2	Decal - Attach Lanyard	
19	0961127	1	Bushing, Snap	
21	0100010	AR	Adhesive	
22	1701691	4	Decal - No Step	
23	1001104864	1	Decal - Manual Descent	
25	1001193949	1	Decal - Cable Routing	
27	1704418	1	Decal - Charger	
31	0860520	1	Box, Manual Storage	
35	4751400	AR	Washer, 1/4	
36	3311405	AR	Nut, Lock, 1/4-20	
37	1701500	4	Decal - Lift	
38	1701509	1	Decal - Manual	
39	1704343	3	Decal - Explosion Warning	
41	1703951	6	Decal - Crushing Hazard	
47	1703987	1	Decal - Upright Level Override	
50	1702300	4	Decal - Tie Down	
52	See Note	1	Decal - Bar Code (Note: Not Available for Purchase)	
53	1001121921	1	Decal - 500 LBS. Max Capacity	
65	1001121918	2	Decal - 500 LBS. Max Capacity	
77	1704412	1	Decal - Oil Type	
79	1704885	2	Decal - Website	
80	0641406	4	Bolt 1/4-20 x 3/4	
81	1705427	1	Decal - Drive/Steer Instruction	
84	1001224048	1	Decal - Yearly Inspection (SN B300002016 to Present)	
85	1001222801	1	Decal - Manual Jib Pump (SN B300002016 to Present)	

SECTION 9 - DECAL

FIGURE 9-18. DECAL INSTALLATION - KOREAN SPEC - M450AJ



ART_1001178373

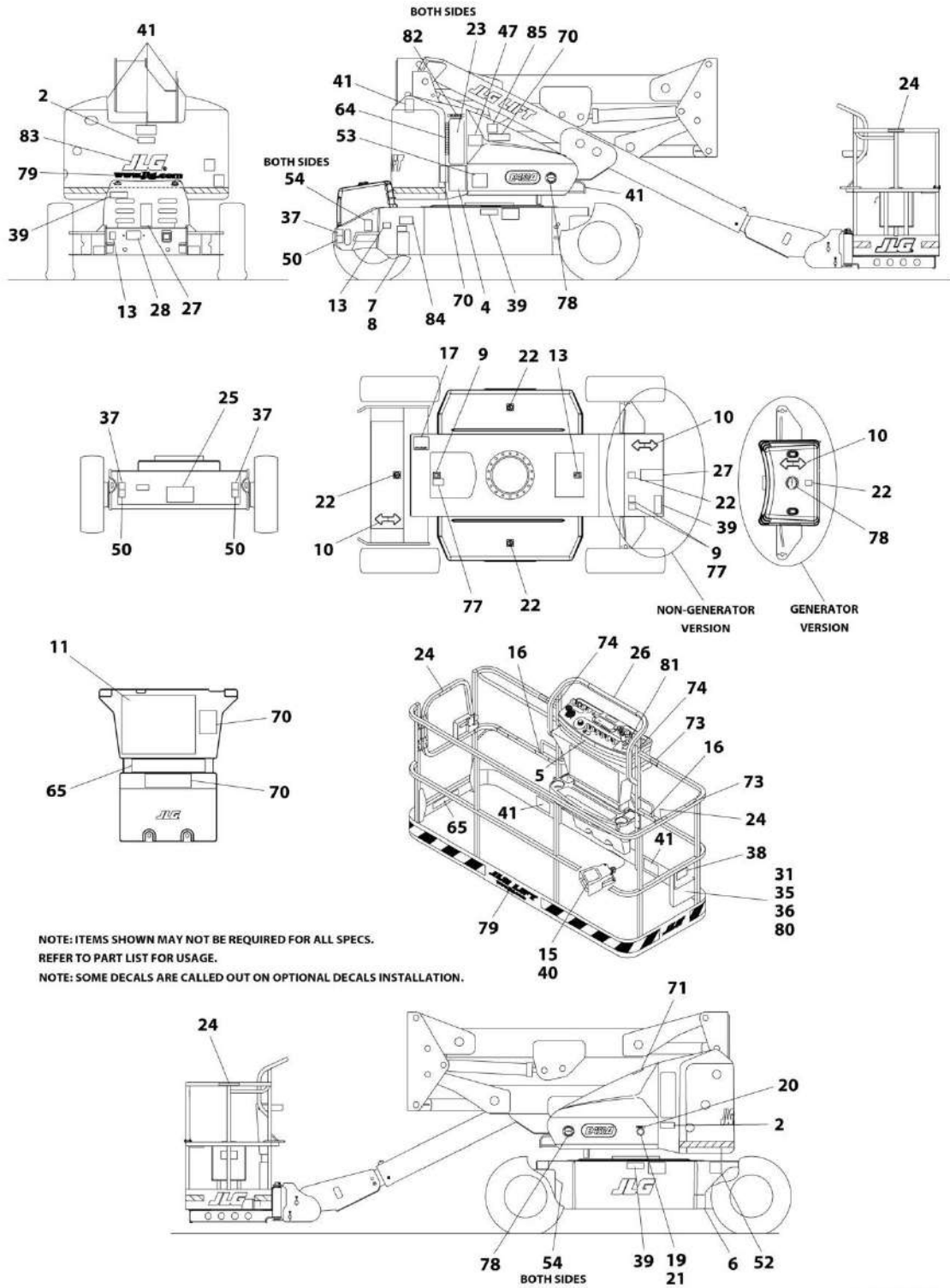
SECTION 9 - DECAL

FIGURE 9-18. DECAL INSTALLATION - KOREAN SPEC - M450AJ

ITEM	PART NUMBER	QTY	DESCRIPTION	REV
	1001178379	Ref	DECAL INSTALLATION - REFERENCE CHART	K
	1001178373	Ref	DECAL INSTALLATION - KOREAN SPEC - M450AJ	F
2	1703939	2	Decal - Electrocutation	
4	1703933	1	Decal - Danger/Caution	
7	See Note	1	Nameplate - Serial Number (Note: Not Available for Purchase)	
8	3820001	2	Rivet	
9	1701504	1	Decal - Hydraulic Oil	
10	1701642	2	Decal - Arrow	
11	1703927	1	Decal - Caution/Danger	
13	1701644	2	Decal - Charger	
15	1703981	1	Decal - Footswitch	
16	1704277	2	Decal - Attach Lanyard	
19	0961127	1	Bushing, Snap	
21	0100010	AR	Adhesive	
22	1701691	4	Decal - No Step	
23	1001104864	1	Decal - Manual Descent	
25	1001193949	1	Decal - Cable Routing	
27	1704418	1	Decal - Charger	
28	1704431	1	Decal - Battery Charger LED Indicator (SN 0300208529 through 0300208528)	
31	0860520	1	Box, Manual Storage	
35	4751400	4	Washer, 1/4	
36	3311405	4	Nut, Lock, 1/4-20	
37	1701500	4	Decal - Lift	
38	1701509	1	Decal - Manual	
39	1704343	3	Decal - Explosion Warning	
41	1703951	6	Decal - Crushing Hazard	
47	1703987	1	Decal - Upright Level Override	
50	1702300	4	Decal - Tie Down	
52	See Note	1	Decal - Bar Code (Note: Not Available for Purchase)	
53	1001121921	1	Decal - 500 LBS. Max Capacity	
54	1704445	4	Decal - Tire Load	
65	1001121918	2	Decal - 500 LBS. Max Capacity	
70	1001093687	2	Decal - Generator Danger (SN 0300208529 through 0300233828)	
77	1704412	1	Decal - Oil Type	
78	1001121510	3	Decal - Hybrid	
79	1704885	2	Decal - Website	
80	0641406	4	Bolt 1/4-20 x 3/4	
81	1705427	1	Decal - Drive/Steer Instruction	
82	1001189882	1	Decal - MSSO Operation	
84	1001224048	1	Decal - Yearly Inspection (SN 0300233828 to Present)	
85	1001222801	1	Decal - Manual Jib Pump (SN 0300233828 to Present)	

SECTION 9 - DECAL

FIGURE 9-19. DECAL INSTALLATION - SPANISH/ENGLISH SPECS - E450A/E450AJ



ART_1001178368

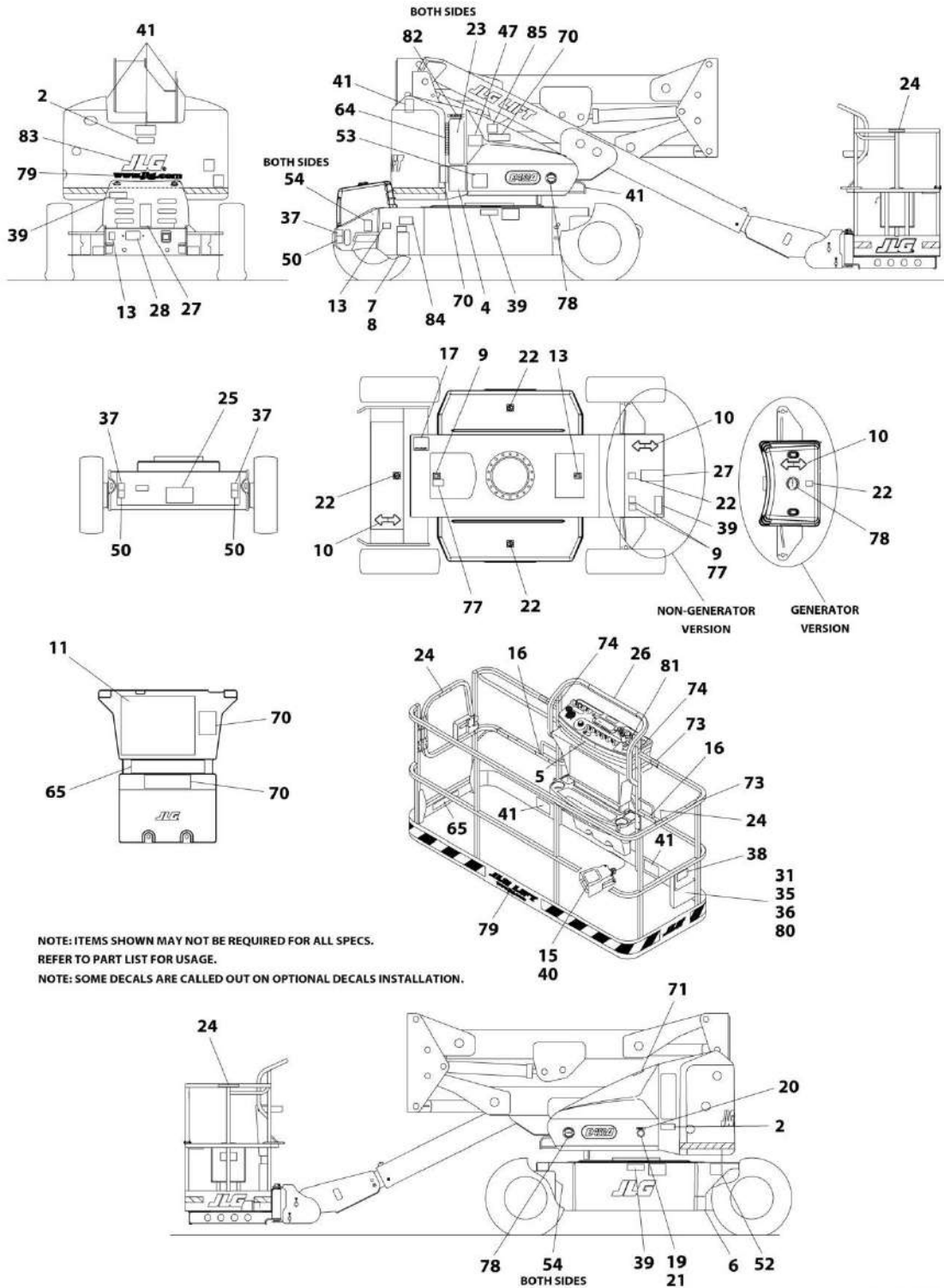
SECTION 9 - DECAL

FIGURE 9-19. DECAL INSTALLATION - SPANISH/ENGLISH SPECS - E450A/E450AJ

ITEM	PART NUMBER	QTY	DESCRIPTION	REV
	1001178379	Ref	DECAL INSTALLATION - REFERENCE CHART	K
	1001178368	Ref	DECAL INSTALLATION - SPANISH/ENGLISH SPECS - E450A/E450AJ	F
2	1703935	2	Decal - Electrocutation	
4	1703929	1	Decal - Danger/Caution	
7	See Note	1	Nameplate - Serial Number (Note: Not Available for Purchase)	
8	3820001	2	Rivet	
9	1701504	1	Decal - Hydraulic Oil	
10	1701642	2	Decal - Arrow	
11	1703923	1	Decal - Caution/Danger	
13	1701644	2	Decal - Charger	
15	1703983	1	Decal - Footswitch	
16	1704277	2	Decal - Attach Lanyard	
19	0961127	1	Bushing, Snap	
20	3251243	1	Nameplate - 120V/60HZ	
21	0100010	AR	Adhesive	
22	1701691	4	Decal - No Step	
23	1001104864	1	Decal - Manual Descent	
24	1704001	2	Decal - No Hands	
25	1001193949	1	Decal - Cable Routing	
26	1001196811	1	Decal - Legend Platform	
27	1704454	1	Decal - Charger	
28	1704431	1	Decal - Battery Charger LED Indicator (SN 0300208529 through 0300214528)	
31	0860520	1	Box, Manual Storage	
35	4751400	AR	Washer, 1/4	
36	3311405	AR	Nut, Lock, 1/4-20	
37	1701500	4	Decal - Lift	
38	1701509	1	Decal - Manual	
39	1704339	3	Decal - Explosion Warning	
41	1703947	6	Decal - Crushing Hazard	
47	1702265	1	Decal - Boom Sequence	
50	1702300	4	Decal - Tie Down	
52	See Note	1	Decal - Bar Code (Note: Not Available for Purchase)	
53	1001121818	1	Decal - 500 LBS. Max Capacity	
64	1706950	1	Decal - Key, Main Terminal Box	
65	1001121805	2	Decal - 500 LBS. Max Capacity	
77	1704412	1	Decal - Oil Type	
79	1704885	2	Decal - Website	
80	0641406	4	Bolt 1/4-20 x 3/4	
81	1705910	1	Decal - Drive/Steer Instruction	
82	1001189882	1	Decal - MSSO Operation	
84	1001224049	1	Decal - Yearly Inspection (SN 0300233828 to Present)	
85	1001222801	1	Decal - Manual Jib Pump (SN 0300233828 to Present)	

SECTION 9 - DECAL

FIGURE 9-20. DECAL INSTALLATION - SPANISH/ENGLISH SPECS - M450AJ



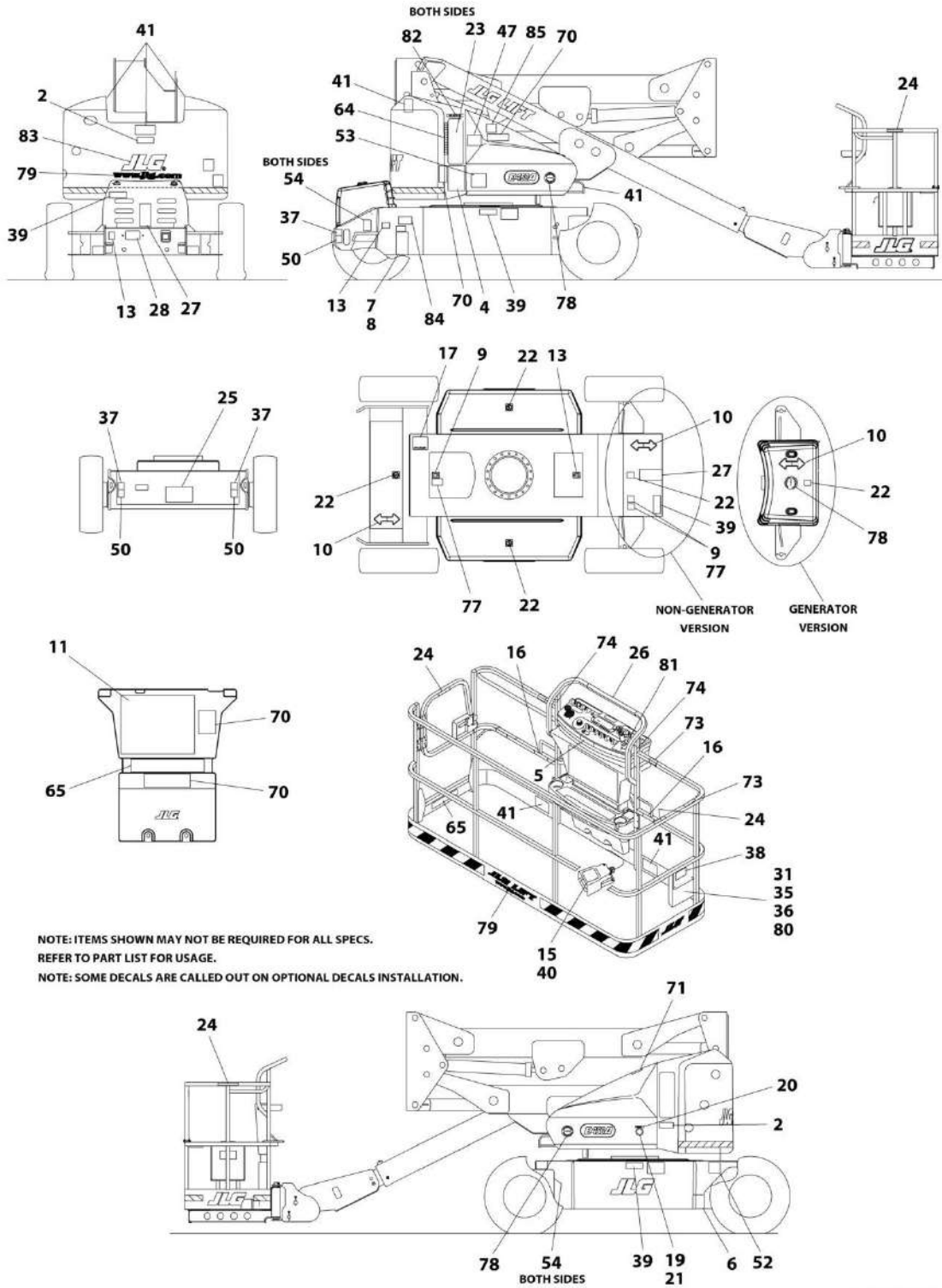
SECTION 9 - DECAL

FIGURE 9-20. DECAL INSTALLATION - SPANISH/ENGLISH SPECS - M450AJ

ITEM	PART NUMBER	QTY	DESCRIPTION	REV
	1001178379	Ref	DECAL INSTALLATION - REFERENCE CHART	K
	1001178367	Ref	DECAL INSTALLATION - SPANISH/ENGLISH SPECS - M450AJ	F
2	1703935	2	Decal - Electrocution	
4	1703929	1	Decal - Danger/Caution	
7	See Note	1	Nameplate - Serial Number (Note: Not Available for Purchase)	
8	3820001	2	Rivet	
9	1701504	1	Decal - Hydraulic Oil	
10	1701642	2	Decal - Arrow	
11	1703923	1	Decal - Caution/Danger	
13	1701644	2	Decal - Charger	
15	1703983	1	Decal - Footswitch	
16	1704277	2	Decal - Attach Lanyard	
19	0961127	1	Bushing, Snap	
20	3251243	1	Nameplate - 120V/60HZ	
21	0100010	AR	Adhesive	
22	1701691	4	Decal - No Step	
23	1001104864	1	Decal - Manual Descent	
24	1704001	2	Decal - No Hands	
25	1001193949	1	Decal - Cable Routing	
26	1001196811	1	Decal - Legend Platform	
27	1704454	1	Decal - Charger	
28	1704431	1	Decal - Battery Charger LED Indicator (SN 0300208529 through 0300214528)	
31	0860520	1	Box, Manual Storage	
35	4751400	AR	Washer, 1/4	
36	3311405	AR	Nut, Lock, 1/4-20	
37	1701500	4	Decal - Lift	
38	1701509	1	Decal - Manual	
39	1704339	3	Decal - Explosion Warning	
41	1703947	6	Decal - Crushing Hazard	
47	1702265	1	Decal - Boom Sequence	
50	1702300	4	Decal - Tie Down	
52	See Note	1	Decal - Bar Code (Note: Not Available for Purchase)	
53	1001121818	1	Decal - 500 LBS. Max Capacity	
64	1706950	1	Decal - Key, Main Terminal Box	
65	1001121805	2	Decal - 500 LBS. Max Capacity	
70	1704371	2	Decal - Generator Danger (SN 0300208529 through 0300233828)	
77	1704412	1	Decal - Oil Type	
78	1001121510	3	Decal - Hybrid	
79	1704885	2	Decal - Website	
80	0641406	4	Bolt 1/4-20 x 3/4	
81	1705910	1	Decal - Drive/Steer Instruction	
82	1001189882	1	Decal - MSSO Operation	
84	1001224049	1	Decal - Yearly Inspection (SN 0300233828 to Present)	
85	1001222801	1	Decal - Manual Jib Pump (SN 0300233828 to Present)	

SECTION 9 - DECAL

FIGURE 9-21. DECAL INSTALLATION - SPANISH/PORTUGUESE SPECS - E450A/E450AJ



NOTE: ITEMS SHOWN MAY NOT BE REQUIRED FOR ALL SPECS.
REFER TO PART LIST FOR USAGE.
NOTE: SOME DECALS ARE CALLED OUT ON OPTIONAL DECALS INSTALLATION.

ART_1001178370

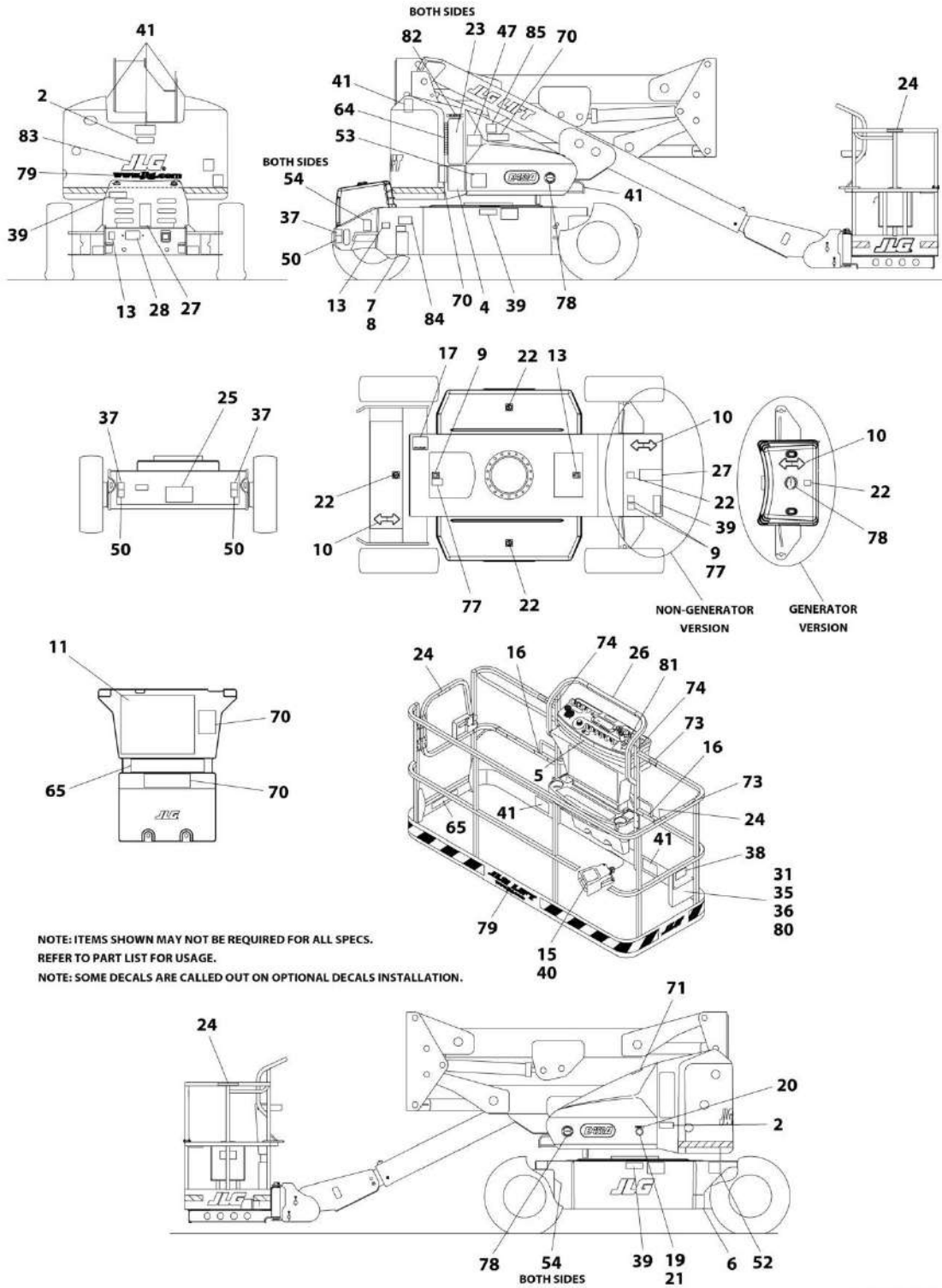
SECTION 9 - DECAL

FIGURE 9-21. DECAL INSTALLATION - SPANISH/PORTUGUESE SPECS - E450A/E450AJ

ITEM	PART NUMBER	QTY	DESCRIPTION	REV
	1001178379	Ref	DECAL INSTALLATION - REFERENCE CHART	K
	1001178370	Ref	DECAL INSTALLATION - SPANISH/PORTUGUESE SPECS - E450A/E450AJ	F
2	1703940	2	Decal - Electrocutation	
4	1703934	1	Decal - Danger/Caution	
7	See Note	1	Nameplate - Serial Number (Note: Not Available for Purchase)	
8	3820001	2	Rivet	
9	1701504	1	Decal - Hydraulic Oil	
10	1701642	1	Decal - Arrow	
11	1703928	1	Decal - Caution/Danger	
13	1701644	2	Decal - Charger	
15	1703985	1	Decal - Footswitch	
16	1704277	2	Decal - Footswitch	
17	1704008	1	Decal - Inspection (SN 0300208529 through 0300233828)	
19	0961127	1	Bushing, Snap	
20	3251243	1	Nameplate - 120V/60HZ	
21	0100010	AR	Adhesive	
22	1701691	4	Decal - No Step	
23	1001104864	1	Decal - Manual Descent	
24	1704002	2	Decal - No Hands	
25	1001193949	1	Decal - Cable Routing	
26	1001196811	1	Decal - Legend Platform	
27	1704453	1	Decal - Charger	
28	1704431	1	Decal - Battery Charger LED Indicator (SN 0300208529 through 0300214528)	
31	0860520	1	Box, Manual Storage	
35	4751400	AR	Washer, 1/4	
36	3311405	AR	Nut, Lock, 1/4-20	
37	1701500	4	Decal - Lift	
38	1701509	1	Decal - Manual	
39	1704341	3	Decal - Explosion Warning	
41	1703952	6	Decal - Crushing Hazard	
47	1703991	1	Decal - Boom Sequence	
50	1702300	4	Decal - Tie Down	
52	See Note	1	Decal - Bar Code (Note: Not Available for Purchase)	
53	1001121923	1	Decal - 500 LBS. Max Capacity	
64	1706950	1	Decal - Key, Main Terminal Box	
65	1001121920	2	Decal - 500 LBS. Max Capacity	
77	1704412	1	Decal - Oil Type	
79	1704885	2	Decal - Website	
80	0641406	4	Bolt, 1/4-20 x 3/4	
81	1001113680	1	Decal - Drive/Steer Instruction	
82	1001189882	1	Decal - MSSO Operation	
84	1001224052	1	Decal - Yearly Inspection (SN 0300233828 to Present)	
85	1001222801	1	Decal - Manual Jib Pump (SN 0300233828 to Present)	

SECTION 9 - DECAL

FIGURE 9-22. DECAL INSTALLATION - SPANISH/PORTUGUESE SPECS - M450AJ



ART_1001178369

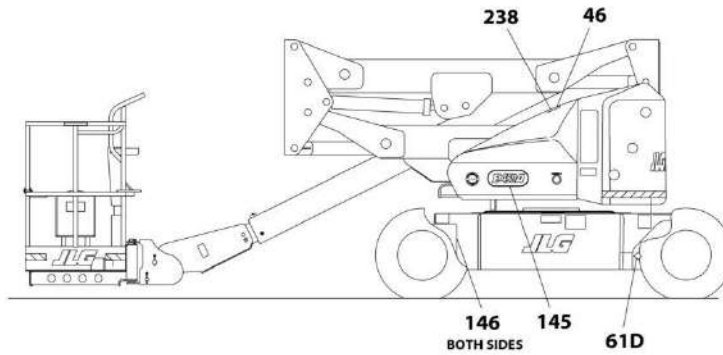
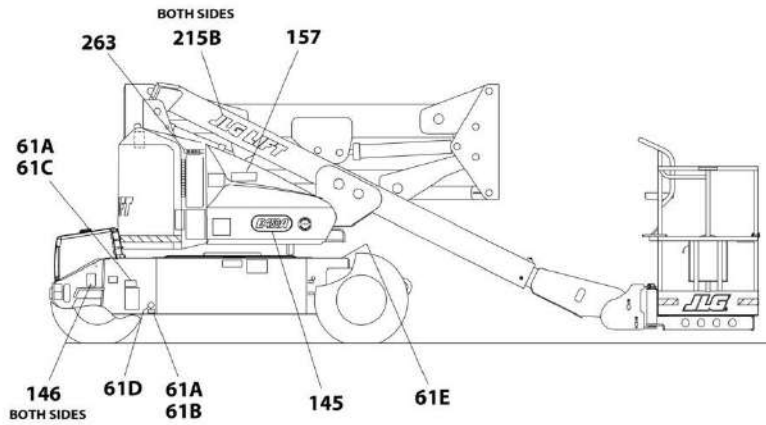
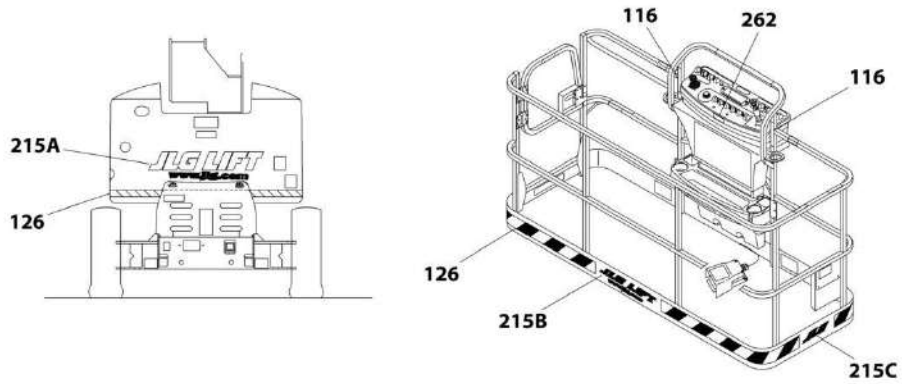
SECTION 9 - DECAL

FIGURE 9-22. DECAL INSTALLATION - SPANISH/PORTUGUESE SPECS - M450AJ

ITEM	PART NUMBER	QTY	DESCRIPTION	REV
	1001178379	Ref	DECAL INSTALLATION - REFERENCE CHART	K
	1001178369	Ref	DECAL INSTALLATION - SPANISH/PORTUGUESE SPECS - M450AJ	F
2	1703940	2	Decal - Electrocutation	
4	1703934	1	Decal - Danger/Caution	
7	See Note	1	Nameplate - Serial Number (Note: Not Available for Purchase)	
8	3820001	2	Rivet	
9	1701504	1	Decal - Hydraulic Oil	
10	1701642	2	Decal - Arrow	
11	1703928	1	Decal - Caution/Danger	
13	1701644	2	Decal - Charger	
15	1703985	1	Decal - Footswitch	
16	1704277	2	Decal - Attach Lanyard	
17	1704008	1	Decal - Inspection (SN 0300208529 through 0300233828)	
19	0961127	1	Bushing, Snap	
20	3251243	1	Nameplate - 120V/60HZ	
21	0100010	AR	Adhesive	
22	1701691	4	Decal - No Step	
23	1001104864	1	Decal - Manual Descent	
24	1704002	2	Decal - No Hands	
25	1001173577	1	Decal - Cable Routing	
26	1001196811	1	Decal - Legend Platform	
27	1704453	1	Decal - Charger	
28	1704431	1	Decal - Battery Charger LED Indicator (SN 0300208529 through 0300214528)	
31	0860520	1	Box, Manual Storage	
35	4751400	AR	Washer, 1/4	
36	3311405	AR	Nut, Lock, 1/4-20	
37	1701500	4	Decal - Lift	
38	1701509	1	Decal - Manual	
39	1704341	3	Decal - Explosion Warning	
41	1703952	6	Decal - Crushing Hazard	
47	1703991	1	Decal - Boon Sequence	
50	1702300	4	Decal - Tie Down	
52	See Note	1	Decal - Bar Code (Note: Not Available for Purchase)	
53	1001121923	1	Decal - 500 LBS. Max Capacity	
64	1706950	1	Decal - Key, Main Terminal Box	
65	1001121920	2	Decal - 500 LBS. Max Capacity	
70	1001093687	2	Decal - Generator Danger (SN 0300208529 through 0300233828)	
77	1704412	1	Decal - Oil Type	
78	1001121510	3	Decal - Hybrid	
79	1704885	2	Decal - Website	
80	0641406	4	Bolt 1/4-20 x 3/4	
81	1001113680	1	Decal - Drive/Steer Instruction	
82	1001189882	1	Decal - MSSO Operation	
84	1001224052	1	Decal - Yearly Inspection (SN 0300233828 to Present)	
85	1001222801	1	Decal - Manual Jib Pump (SN 0300233828 to Present)	

SECTION 9 - DECAL

FIGURE 9-23. DECAL INSTALLATION - OPTIONS



ART_DECAL OPTIONS

FIGURE 9-23. DECAL INSTALLATION - OPTIONS

ITEM	PART NUMBER	QTY	DESCRIPTION	REV
	1001178379	Ref	DECAL INSTALLATION - REFERENCE CHART	K
	1001164636	Ref	DECAL INSTALLATION - OPTIONS	AL
46	1701505	1	Decal - Diesel	
61	0270433	Ref	Decal Installation - UL Tags	B
61A	3820001	8	Pop Rivet	
61B	3252331	1	Nameplate - Battery Info	
61C	3252780	1	Nameplate - UL Certification Tag	
61D	1702251	2	Nameplate - EE	
61E	1001213625	1	Decal - Replacement Fuse 400 Amp	
116	1703175	2	Decal - Lanyard Attach (GM K-1 Spec)	
126	0259550	Ref	Warning Strip Installation (Not Shown)	2
126	4420051	17.5 ft /5.3m	Tape, Safety	
145	1704787	2	Decal - Model Designation (E450A)	
145	1704789	2	Decal - Model Designation (E450AJ)	
145	1704790	2	Decal - Model Designation (M450AJ)	
146	1704445	4	Decal - Tire Load (E450AJ/M450AJ)	
146	1703488	4	Decal - Tire Load (E450A)	
157	1704286	2	Decal - Generator Warning (ANSI and ANSI Export Specs)	
157	1001093687	2	Decal - Generator Warning (Australian and CE Specs)	
157	1704369	2	Decal - Generator Warning (Japanese Specs - Dual Language English/Japanese)	
157	1704370	2	Decal - Generator Warning (ANSI Export Specs - Dual Language English/Korean)	
157	1704371	2	Decal - Generator Warning (ANSI Export Specs - Dual Language English/Spanish)	
157	1704368	2	Decal - Generator Warning (CSA Specs - Dual Language English/French)	
157	1704372	2	Decal - Generator Warning (ANSI Export and CE Specs - Dual Language English/Chinese)	
157	1704373	2	Decal - Generator Warning (ANSI Export Spec - Dual Language Portuguese/Spanish)	
215	0270273	Ref	Decal Installation - JLG Logo (Not Shown)	C
215A	1702860	1	Decal - JLG Lift	
215B	1702774	3	Decal - JLG Lift	
215C	1702773	1	Decal - JLG	
238	1001108923	1	Decal - Fuel Low Sulfur (ANSI and CSA Specs Only)	
262	1001141300	1	Decal - Platform Sensor Override (SN 0300237420 to Present, SN B300002550 to Present)	
263	1001189882	1	Decal - MSSO Instructions (CE Specs Only)	

SECTION 10 - RECOMMENDED SERVICE PARTS STOCK

SECTION 10 - RECOMMENDED SERVICE PARTS STOCK

SECTION 10 - RECOMMENDED SERVICE PARTS STOCK

FIGURE 10-1. RECOMMENDED SERVICE PARTS STOCK

ITEM	PART NUMBER	QTY	DESCRIPTION	REV
		Ref	Note: The following list will service one machine (built to current production per date on the front cover) with emergency repair parts which can be installed in the field. Parts from the list should be replaced when inventory is depleted to keep service parts stock supplied. For further information, contact your JLG dealer or the JLG Industries Parts Department.	
		Ref	STANDARD PARTS	
	7021618	1	Coil	
	7021609	1	Coil	
	70005210	1	Coil	
	7024883	1	Coil	
	7024885	1	Coil	
	1001212415	1	Controller (Drive and Steer)	
	1001129555	1	Controller (Lift and Swing)	
	4360476	1	Contact, Switch	
	7021616	4	Filter Cartridge	
	8229242	1	Fuse, 5 Amp	
	8229261	1	Fuse, 5 Amp	
	8229234	1	Fuse, 10 Amp	
	8229237	1	Fuse, 15 Amp	
	8229235	1	Fuse, 20 Amp	
	8229236	1	Fuse, 30 Amp	
	1001170365	1	Fuse, 400 Amp	
	2860030	1	Key Replacement	
	2940074	1	Latch	
	1001155045	1	Switch, Toggle	
	1001159256	1	Switch, Toggle	
	4360328	1	Switch, Toggle	
	4360330	1	Switch, Toggle	
	4360475	1	Switch, Emergency	
	4360469	1	Switch, Key (ANSI Spec)	
	4360470	1	Switch, Key (CE Spec)	
	4360387	1	Switch, Push Button	
	1001161710	1	Switch, Toggle	
		Ref	VARIABLE PARTS	
	1001181045	1	Breaker 30mA (CE Spec)	
	1001189172	1	Breaker 16Amp (CE Spec)	
	1001189171	1	Breaker 16Amp (CE Spec)	
	70000313	1	Element, Air Cleaner (M450AJ Only)	
	70000318	1	Element, Fuel Filter (M450AJ Only)	
	70000319	1	Element, Oil Filter (M450AJ Only)	
	70000329	1	Fuse 15Amp (M450AJ Only)	
	70000330	1	Fuse 20Amp (M450AJ Only)	
	1001192212	1	Module (Drive - LH)	
	1001178339	1	Module (Drive - RH)	
	1001182700	1	Module (Ground Control)	
	1001182724	1	Module (Platform Control) (NON-UL Listed)	
	1001215835	1	Module (Platform Control) (UL Listed)	
	70000326	1	Module (Engine Control)	

SECTION 10 - RECOMMENDED SERVICE PARTS STOCK

ITEM	PART NUMBER	QTY	DESCRIPTION	REV
	7019698	1	Power Track - 1 Link	
	70001996	1	Power Track - 2ft. Section	
	70001998	1	Power Track - Bracket Kit	
	4360548	1	Switch, Limit	
	4360274	1	Switch, Push Button (M450AJ Only)	

SECTION 11 - SPECIAL OPTIONS

SECTION 11 - SPECIAL OPTIONS

FIGURE 11-1. SPECIAL OPTIONS

ITEM	PART NUMBER	QTY	DESCRIPTION	REV
		Ref	MISCELLANEOUS SPECIAL OPTIONS	
		Ref	Note: This list is to accommodate machines ordered with special equipment. Options may not be applicable to all models. For more specific parts information contact JLG Parts Department.	
	0259877	Ref	Airline Installation - 1/2in (E450A Model)	
	0275650	Ref	Airline Installation - 1/2in (E/M450AJ Models)	
	1001229107	Ref	ClearSky Telematics Installation - 3 Wire Connection (Factory Installed) (ANSI & CSA Specs)	
	1001233237	Ref	ClearSky Telematics Installation - 3 Wire Connection (Factory Installed) (ANSI Export & CE Specs)	
	1001235649	Ref	ClearSky Telematics Installation - Canbus (Factory Installed) (ANSI & CSA Specs)	
	1001236535	Ref	ClearSky Telematics Installation - Canbus (Factory Installed) (ANSI Export & CE Specs)	
	1001195304	Ref	Console Cover	
	1001205175	Ref	Console Cover Kit	
		Ref	Cylinder Bellows Installations	
	0259397	Ref	Cylinder Bellows Installations (E450A) (Prior to SN 0300253604, Prior to SN B300003280)	
	1001241863	Ref	Cylinder Bellows Installations (E450A) (SN 0300243604 to Present, SN B300003280 to Present)	
	0271251	Ref	Cylinder Bellows Installations (E/M450AJ)	
	0460110	2	Bellows - Platform Level and Master Cylinders (E450A)	
	0460194	2	Bellows - Platform Level and Master Cylinders (E/M450AJ)	
	0460115	1	Bellows - Main Lift Cylinder	
	0460113	1	Bellows - Mid Lift Cylinder	
	0460114	1	Bellows - Tower Lift Cylinder	
	0460196	1	Bellows - Jib Cylinder (E/M450AJ)	
	1320037	6	Clamp	
		Ref	Decal Installations	
	1001229691	Ref	Decal - ClearSky Installation	
	1001201489	Ref	Decal - Customer Supplied	
	0274530	Ref	Decal - Head and Engquist Equipment Installation	
	0271898	Ref	Decal - United Rentals Installations	
	1001197877	Ref	Decal - Sunbelt Rentals Installation	
	1001128915	Ref	Decal - Hertz Rentals Installation	
	1001222193	Ref	Decal - Hertz Rentals Installation (Canada)	
	0274250	Ref	Decal - National Equipment Services (NES)	
	1001237004	Ref	Decals - Synergy Equipment Installation	
	1001151116	Ref	Decal - Titan Rentals	
	1001196716	Ref	Decal - Blueline (SN 0300208529 through 0300234879, SN B300001429 through B300002106)	
	1001196720	Ref	Decal - Blueline (SN 0300234880 to Present, SN B300002107 to Present)	
	1001218722	Ref	Decal - Riwal	
	1702868	Ref	Decal - No Hands (English) (ANSI/ANSI Export/Australian and Japanese Spec) (Used with Platform Padding or Mesh to Top Rail)	
	1704000	Ref	Decal - No Hands (English & French) (CSA Spec) (Used with Platform Padding or Mesh to Top Rail)	
	1705968	Ref	Decal - No Hands (English/Simplified Chinese) (ANSI Export)	

SECTION 11 - SPECIAL OPTIONS

ITEM	PART NUMBER	QTY	DESCRIPTION	REV
	1001116846	Ref	Spec) (Used with Platform Padding or Mesh to Top Rail) Decal - No Hands (English and Traditional Chinese) (ANSI Export Spec) (Used with Platform Padding or Mesh to Top Rail on Side Entry Platforms)	
	1704001	Ref	Decal - No Hands (English/Spanish (ANSI Export and CE Specs) (Used with Platform Padding on Side Entry Platforms)	
	1705969	Ref	Decal - No Hands (English/Korean (ANSI Export Specs) (Used with Platform Padding on Side Entry Platforms)	
	1705967	Ref	Decal - No Hands (English/Portuguese (ANSI Export and CE Specs) (Used with Platform Padding on Side Entry Platforms)	
	1001141300	Ref	Decal - SkyGuard Override	
	1001141302	Ref	Decal - SkyGuard/Soft Touch Override	
	1001108727	Ref	Decal Kit - Platform	
	1001223824	Ref	Decal Kit - Platform Console	
	1001198647	Ref	Decal Kit – Service	
	1001198648	Ref	Decal Kit – E/M450	
		Ref	Electrical Connector Kits	
	1001148902	Ref	Amp Connector Kit	
	1001148903	Ref	Deutsch DT Connector Kit	
	1001148904	Ref	Deutsch HD Connector Kit	
	1001148905	Ref	Packard Connector Kit	
	1001148906	Ref	Various Connector Kit	
	1001191395	Ref	Fuel Cap Cover (Lockable) (Green)	
	1001202749	Ref	Fuel Cap Cover (Lockable) (Black)	
	1001191314	Ref	Headlight and Tail Lights Installation	
	1001198660	Ref	Hose Kit - Boom (E/M450A)	
		Ref	Hydraulic Fluids	
	2300028	Ref	Hydraulic Fluid - Mobil DTE 10 Excel 15	
	2300027	Ref	Hydraulic Fluid - Mobil EAL 224H - Biodegradable	
	1001151286	Ref	Jib Cylinder with Manual Descent Valve Kit	
	1001183407	Ref	Low Temperature Cutout Installation (Russian Specs) (SN 0300237420 through 0300241630, SN B300001429 through B300002660)	
	1001189162	Ref	Low Temperature Cutout Installation (Russian Specs) (SN 0300241631 through 0300246500, SN B300002661 through B300002850)	
		Ref	Platform Mesh To Mid Rail Add-on Kits	
	1001214478	Ref	30in X 4ft (76cm x 1.22m)	
	1001214515	Ref	30in X 5ft (76cm x 1.52m)	
	1001214524	Ref	30in x 6 ft (76cm x 1.83m)	
		Ref	Platform Mesh To Mid Rail Installations	
	1001140318	Ref	30in X 4ft (76cm x 1.22m)	
	1001140315	Ref	30in X 5ft (76cm x 1.52m)	
	1001145985	Ref	30in x 6 ft (76cm x 1.83m)	
		Ref	Platform Mesh Top Rail Add-on Kits	
	1001214552	Ref	30in X 4ft (76cm x 1.22m)	
	1001214559	Ref	30in X 5ft (76cm x 1.52m)	
	1001214560	Ref	30in x 6 ft (76cm x 1.83m)	
		Ref	Platform Mesh Top Rail Installations	
	0273147	Ref	30in X 4ft (76cm x 1.22m)	
	0273146	Ref	30in X 5ft (76cm x 1.52m)	
		Ref	Platform Padding Installation	
	0273381	Ref	30in X 4ft (76cm x 1.22m)	

SECTION 11 - SPECIAL OPTIONS

ITEM	PART NUMBER	QTY	DESCRIPTION	REV
	0273382	Ref	30in X 5ft (76cm x 1.52m)	
	0275698	Ref	30in x 6 ft (76cm x 1.83m)	
		Ref	Platform Top Rail Extension Installation	
	1001103617	Ref	30in X 4ft (76cm x 1.22m)	
	1001103558	Ref	30in X 5ft (76cm x 1.52m)	
	1001120466	Ref	Platform Worklights Installation	
	1001209059	Ref	Platform Work Surface Installation	
	1001212202	Ref	Rotator Actuator Protection Kit	
	1001190896	Ref	Service Kits	
	1001237443	Ref	Service Kit, E450A Mid-Level Cylinder	
	1001218499	Ref	SkyGuard Bar Kit	
	1001149561	NLA	SkyGuard Complete Add-on Kit (Blue) (Use p/n 1001206996) (SN 0300208529 through 0300217475, SN B300001429 through B300001511)	
	1001206996	Ref	SkyGuard Complete Add-on Kit (Blue) (SN 0300217476 to Present, SN B300001512 to Present)	
	1001210033	Ref	SkyGuard Complete Add-on Kit (Red)	
	1001205501	Ref	SkyGuard Beacon Kit (Blue)	
	1001210032	Ref	SkyGuard Beacon Kit (Red)	
	1001176372	Ref	SkyGuard Removal Kit	
	1001201620	Ref	SkyGuard (Service) Kit	
		Ref	Strobe Light Installations (Amber)	
	1001191144	Ref	Strobe Light Installation (Amber) Platform Mounted	
	1001241747	Ref	Strobe Light Installation (Amber) Ground Mounted	
	1001191145	Ref	Strobe Light Installation (Amber) Platform/Ground Mounted	
	1001209413	Ref	Strobe Light Installations (Blue) (Use p/n 1001218502)	
	1001218502	Ref	Strobe Light Installations (Blue)	
	1001210041	NLA	Strobe Light Installations (Red) (Use p/n 1001218503)	
	1001218503	Ref	Strobe Light Installations (Red)	
	1001201488	Ref	Telematics Installation (Customer Supplied)	
	1001210089	Ref	Telematics - Cat	
	1001228363	Ref	Telematics - Herc	
	1001209282	Ref	Telematics - Loxam	
	1001210090	Ref	Telematics - Riwal	
	1001195610	Ref	Telematics - United Rentals Installation	
	1001197883	Ref	Telematics Installation	
	1001239572	Ref	Upper Powertrack Service Kit	
	1001241270	Ref	Wear Pad Kit	
	0259302	Ref	Wheel Cover Installation	
	1001235847	Ref	White Noise Alarm Service Kit	
	1001235848	Ref	White Noise Ambient Alarm Service Kit	
	1001231804	Ref	White Noise Alarm	
	1001231870	Ref	White Noise Ambient Alarm	

PART NUMBER INDEX

PART NUMBER INDEX

0060044.....219, 221, 225	0271251 574	0641406 . 23, 27, 31, 101,	0641618.... 187, 198, 219,
0060052.....209, 223	0271898 574	103, 105, 109, 113,	221
0100001227	0272111 315	115, 137, 149, 187,	0641622.....149
0100009....209, 273, 277,	0272976 227	263, 265, 267, 269,	0641806.... 195, 197, 202,
281, 285, 289, 293,	0273146 575	271, 313, 523, 525,	205
297, 315	0273147 575	527, 529, 531, 533,	0641807..... 73, 75, 77
0100010....523, 525, 527,	0273381 575	535, 537, 539, 541,	0641808.....202, 205
529, 531, 533, 535,	0273382 576	543, 545, 547, 549,	0641810.... 195, 198, 201,
537, 539, 541, 543,	0273468 57	551, 553, 555, 557,	205
545, 547, 549, 551,	0273683 51	559, 561, 563, 565	0641811.... 85, 87, 89, 91
553, 555, 557, 559,	0273684 57	0641407 . 93, 95, 97, 101,	0641812.. 23, 27, 31, 143,
561, 563, 565	0273686 53	103, 105, 181, 183,	195, 197, 201, 205, 227
0100011.... 15, 17, 23, 27,	0274250 574	229, 487, 489, 491,	0641818....209, 213, 217
31, 61, 63, 65, 73, 75,	0274530 574	493, 495, 497, 499	0641822.....229
77, 79, 81, 85, 87, 89,	0275216 427, 487	0641408 . 23, 27, 31, 263,	0642024.....229
91, 109, 119, 121, 123,	0275217 425, 499	265, 267, 269, 271,	0642612..... 173, 177
125, 127, 145, 147,	0275218 417, 493	487, 489, 491, 493,	0681608....227, 229, 231,
149, 151, 153, 155,	0275219 419, 497	495, 497, 499	233
157, 181, 183, 195,	0275452 421, 491	0641409 189	0681610.....202, 205
197, 201, 205, 209,	0275453 423, 495	0641410 237, 239	0681810..... 15, 17
213, 217, 229, 231,	0275454 415, 489	0641413 ... 119, 121, 123,	0681814..... 259, 261
233, 237, 239, 251,	0275650 574	125, 127	0681822.....259, 261
253, 255, 257, 317,	0275663 455	0641414 ... 121, 125, 273,	0682014.....23, 27, 31
319, 321, 339, 343,	0275664 457	277, 281, 285, 289,	0682026..... 139
345, 349, 351, 353,	0275665 453	293, 297, 317, 319,	0682028..... 139
355, 359, 361, 363,	0275666 451	321, 323	0700408.... 487, 489, 491,
365, 377, 381	0275667 459	0641416 ... 151, 153, 155,	493, 495, 497, 499
0100019.... 139, 237, 239	0275698 576	157, 229, 487, 489,	0720804.... 119, 121, 123,
0100020...24, 28, 32, 149,	0340048 63	491, 493, 495, 497, 499	125, 127
187, 309	0400055 85, 87	0641418 ... 151, 153, 155,	0721004..... 113, 115
0100035.... 41, 43, 45, 47,	0400201 149	157, 251, 253, 255, 257	0721005.....317, 319
171, 297, 339, 343,	0440162 15	0641420 253	0721006.....27
349, 353, 359, 363	0460110 574	0641430 23, 27, 31	0741008.....45
0100038....339, 343, 345,	0460113 574	0641440 65	0760606.....231, 234
349, 351, 353, 355,	0460114 574	0641506 ... 151, 153, 155,	0760610....231, 233, 234
359, 361, 363, 365,	0460115 574	157, 195, 197, 202, 205	0761014.....231, 233
377, 381	0460194 574	0641507 123, 127	0761015.....233
0100048....23, 27, 31, 229	0460196 574	0641508 . 23, 27, 31, 181,	0761215....227, 231, 233
010005123, 27, 31	0480100 325	183	0801154.....209
0100071323	0561076 ... 195, 197, 201,	0641510 143, 187	0801169.... 195, 197, 209
0100075....274, 277, 281,	205	0641512 ... 377, 379, 381,	0801192.....213, 217
285, 289, 293	0561317 237, 239	383, 385	0801197.....201, 213
0100081.....214, 217	0561384 237, 239	0641514 ... 181, 183, 237,	0801260.....213, 217
0100083.... 41, 43, 45, 47	0561385 237, 239	239, 325	0801261.....209
0140011273, 277, 281,	0561386 237, 239	0641516 219, 221, 237	0801264.... 195, 197, 201,
285, 289, 293, 297	0561424 237	0641518 149	205
0140043..... 137	0610131 ... 159, 161, 163,	0641560 237, 239	0840031..... 23, 27, 31
0200048.....317, 319	165	0641604 377	0840032.....23, 27, 31
0257728.....325	0630399 209	0641605 ... 151, 153, 155,	0860038..... 483, 485
0258688.....49	0630401 213, 217	157, 213, 214, 217	0860520.... 523, 525, 527,
0258691195	0630440 115	0641606 ... 15, 17, 73, 75,	529, 531, 533, 535,
025899549	0630462 317, 319	77, 79, 81, 119, 121,	537, 539, 541, 543,
025899655	0630467 237, 239	123, 125, 127, 209, 213	545, 547, 549, 551,
025899755	0630487 209	0641607 ... 201, 205, 209,	553, 555, 557, 559,
0259123.....483	0630490 21	213, 217	561, 563, 565
0259125.....485	0630518 ... 159, 161, 163,	0641608 61, 63, 147, 195,	0861375.....27
0259127.....481	165	197, 201, 205, 209,	0861731.... 415, 421, 423
0259302.....576	0630552 149	210, 213, 217	0861781.....425, 427
0259397574	0630568 ... 273, 278, 282,	0641610 ... 23, 27, 31, 61,	0861880.....447
0259481187	286, 290, 294, 298	63, 73, 75, 77, 195,	0902919.....229
0259550.....567	0641404 . 73, 75, 77, 209,	197, 201, 205, 227,	0902920.....229
0259877574	273, 277, 281, 285,	263, 265, 267, 269, 271	0940048.... 195, 197, 202,
027003759	289, 293, 297	0641614 ... 109, 181, 183,	205
0270273.....567	0641405 . 93, 95, 97, 101,	189, 195	0940167.....317
0270400.....219	103, 105, 209, 229	0641616 219, 221	0961127.... 523, 525, 527,
0270433.....567			529, 531, 533, 535,

PART NUMBER INDEX

537, 539, 541, 543, 545, 547, 549, 551, 553, 555, 557, 559, 561, 563, 565	1001112943.....259	1001138494.....251, 253, 257	1001157058..... 145
0961845 ... 251, 253, 255, 257	1001113483.....229	1001138514.....251, 253, 257	1001157890..... 461, 465, 508, 511
0961947 225, 335, 337	1001113680..... 563, 565	1001140278.....201, 371	1001157891 461, 508
0961948 213, 217	1001113961..... 511	1001140279.....202, 331	1001159186 465, 477, 479
0961950 ... 195, 197, 201, 205, 209, 214, 217, 339, 341, 343, 345, 347, 349, 351, 353, 355, 357, 359, 361, 363, 365, 367	1001114761..... 129, 135	1001140280.....219, 335	1001159256 159, 161, 163, 165, 273, 277, 281, 285, 289, 293, 297, 570
0961951 19, 21, 209, 219, 221, 331, 333, 335, 337, 371, 373	1001114782..... 89, 91	1001140315.....575	1001159355 189, 191
0962140 19, 21	1001116232..... 147	1001140318.....575	1001159361 187, 189
0962257 225	1001116692..... 465, 508, 511, 519	1001140429.....251, 253, 255, 257	1001160527 139
0962270 259, 261	1001116693..... 508, 511	1001140597 195, 197, 369	1001161117 15, 17
0962292 219, 221	1001116720..... 501, 503	1001140598.....209, 329	1001161710 274, 277, 281, 285, 289, 293, 297, 311, 570
0962356 329, 369	1001116732.....507	1001141300.....282, 285, 289, 293, 297, 567, 575	1001164636 567
0962450 229	1001116733..... 463, 507	1001141302.....317, 575	1001165962 183
1001093382 ... 85, 87, 89, 91	1001116734..... 505, 507	1001141967.....417, 419	1001165963 181
1001093687 541, 545, 551, 557, 565, 567	1001116810..... 445, 505	1001141968417	1001165977 149
1001094670 219, 221	1001116811..... 107	1001141969419	1001165981 181, 183
1001096134 .. 41, 45, 507	1001116812..... 465, 508, 511	1001141970.....419	1001165985 181, 183
1001097150 447, 449	1001116813..... 511	1001141971417	1001166250 183
1001097775 121, 125, 133	1001116815..... 508	1001142694 173, 177	1001166251 491
1001097777 119, 121, 123, 125, 127, 131	1001116846..... 575	1001143431 173	1001166258 495
1001098122 477, 479	1001117024..... 507	1001144147461	1001166259 489
1001098828 231, 233	1001117069..... 507	1001144433.....282, 285, 289, 293, 297	1001166260 499
1001099833 213	1001117070..... 505	1001144629.....245, 247, 249	1001166261 493
1001100341 427	1001117172..... 309	1001145985575	1001166262 497
1001100342 425	1001118388..... 503	1001148902575	1001166263 487
1001100345 421	1001119228..... 214, 217	1001148903575	1001166321 113
1001100346 415	1001120328..... 321	1001148904575	1001166327 113
1001100347 423	1001120466..... 576	1001148905575	1001166328 115
1001103012 507	1001121510..... 527, 531, 535, 541, 545, 551, 557, 561, 565	1001148906575	1001166330 113, 115
1001103105 ... 93, 95, 97, 101, 103, 105, 107	1001121801..... 523, 525, 527	1001149561576	1001166341 145
1001103558 576	1001121803..... 543, 545	1001149994 171, 175, 179	1001166377 115
1001103617 576	1001121805..... 559, 561	1001151116574	1001166394 159, 161, 163, 165
1001104850 139, 141	1001121808..... 547, 549, 551	1001151286575	1001166395 139
1001104864 523, 525, 527, 529, 531, 533, 535, 537, 539, 541, 543, 545, 547, 549, 551, 553, 555, 557, 559, 561, 563, 565	1001121810..... 537, 539, 541	1001151368213, 381	1001166417 61
1001106757 213, 217	1001121814..... 523, 525, 527	1001151386381	1001166419 61, 63
1001107854 507	1001121816..... 543, 545	1001151393..... 159, 161, 163, 165	1001166420 ... 73, 75, 77
1001108727 575	1001121818..... 559, 561	1001151395 15, 17	1001166493 113, 115
1001108923 567	1001121821..... 547, 549, 551	1001151413377	1001166495 85, 89
1001109503 159, 161, 163, 165	1001121823..... 537, 539, 541	1001151414209, 377	1001166496 ... 85, 87, 89, 91
1001109892 23, 28, 31	1001121918..... 553, 555, 557	1001151428 15, 17	1001166497 85
1001110166 113	1001121920..... 563, 565	1001152230377, 379, 381, 383	1001166498 89
1001110434 273, 277, 281, 285, 289, 293, 297	1001121921..... 553, 555, 557	1001152483449	1001166538 274, 277, 282, 285, 289, 293, 297, 303
1001110775 59	1001121923..... 563, 565	1001152485449, 495, 497	1001166539 274, 278, 281, 285, 290, 293, 297, 305
1001110873 483	1001125248..... 187	1001153017 139, 143	1001166738 181
1001112496 113, 115	1001126008..... 507	1001153021 15, 17	1001167014 109
	1001126245..... 507	1001153749..15, 17, 151, 153, 155, 157	1001167291 65, 149
	1001128128..... 463, 508	1001155044 159, 161, 163, 165, 273, 277, 281, 285, 289, 293, 297, 301, 311	1001167363 65
	1001128915..... 574	1001155045..... 159, 161, 163, 165, 273, 277, 281, 285, 289, 293, 297, 301, 570	1001167487 63
	1001129555..... 570		1001168004 149
	1001131269..... 523, 525, 527		1001168005 149
	1001132175..... 273, 277, 281, 285, 289, 293, 297		1001168670 87
	1001136881..... 393		1001168673 201
	1001137673..... 321		1001168796 91
			1001168800 87, 91
			1001169138 187

PART NUMBER INDEX

1001169423.....15, 17	1001178399 429, 431, 433	1001183766 155, 163	1001189031.....429, 431, 433
1001170365.....27, 570	1001178400 429, 431	1001183767 157, 165	1001189032.....429, 431, 433
100117036741, 43	1001178401 429, 431	1001183866 151, 159	1001189039.....273, 278, 282, 286, 290, 294, 298, 309
100117048545	1001178402 429, 431, 433	1001183876 237, 437	1001189162.....575
1001170760.....507	1001178403 429, 431, 433	1001183878 237, 239, 435	1001189171.....449, 570
1001170838.....273, 278, 281, 285, 290, 293, 297	1001178405 ... 23, 27, 31, 461	1001183879 239, 439	1001189172.....449, 570
100117111579, 445	1001178491 487, 489, 491, 493, 495, 497, 499	1001184852 23, 28, 31	1001189882.....523, 527, 529, 531, 537, 539, 541, 543, 545, 547, 551, 553, 557, 559, 561, 563, 565, 567
1001171213.....61, 63, 69	1001178629 ... 23, 27, 31, 507	1001184854 23, 28, 31	1001190003.....533
1001171214.....65, 71	1001178660 429, 433	1001184947 111	1001190004.....535
1001171298 147	1001178793 151, 153, 155, 157, 511	1001185156 111	1001190017.....273, 286
1001172663231, 233	1001178794 151, 153, 155, 157, 519	1001185281 281, 286, 290, 294, 298	1001190020.....32, 433
1001172760.....273, 278, 281, 286, 290, 293, 298	1001178822 433	1001185306 99, 111	1001190088.....24, 429
1001173577565	1001178823 433	1001185713 392, 396, 400, 404, 408	1001190577.....39, 507
1001173703533	1001178921 23, 27, 31	1001185825 392	1001190797.....274, 278, 282, 286, 290, 294, 298
1001173941412	1001179060 23, 31, 41	1001185826 396, 400, 404, 408	1001190896.....576
100117444745, 47	1001179061 ... 23, 31, 45	1001186231 511	1001190985.....231, 233
1001174455475	1001179064 ... 41, 43, 45, 47	1001186333 261	1001191139.....171
1001175025 113, 115	1001179134 23	1001186375 251	1001191140.....169, 171
1001176372576	1001179136 31	1001186377 253	1001191142.....169
1001176417 181, 183	1001179226 410	1001186378 257	1001191144.....576
1001176441 181, 183	1001179991 151, 153, 155, 157, 465	1001186385 249	1001191145.....576
1001176469161, 165	1001180554 119, 121, 123, 125, 127, 129	1001186386 247	1001191203.....97, 99
1001177245429, 431, 433	1001180835 15, 17	1001186387 245	1001191204.....93
1001177246429, 431, 433	1001180839 15, 17, 21	1001186388 259	1001191206.....95
100117736473, 75, 77, 79, 81, 83	1001180841 15, 17	1001186431 298, 501, 503	1001191207.....105
1001177483202, 205	1001180923 15	1001186432 501, 503	1001191208.....103
1001177666392, 396, 400	1001180930 73, 119	1001186497 111	1001191209.....101
1001178339 ...45, 47, 570	1001180932 75, 121	1001186517 321	1001191212...93, 95, 97, 101, 103, 105
1001178362527	1001180933 79, 125	1001186860 41, 43	1001191232.....149, 167, 187, 311
1001178364523	1001181045 447, 570	1001187101 111	1001191314.....575
1001178365545	1001181081 187	1001187530 111	1001191318.....274, 278, 282, 286, 290, 294, 477
1001178366543	1001181325 24, 27, 32	1001187681 441, 443	1001191395.....575
1001178367561	1001182138 323	1001187683 441	1001191708.....323
1001178368559	1001182296 109, 467	1001187684 443	1001192024.....187, 463
1001178369565	1001182550 ... 23, 28, 31, 39	1001187776 241, 441	1001192212...41, 43, 570
1001178370563	1001182700 151, 153, 155, 157, 570	1001187777 241, 443	1001192283.....229, 475
1001178371551	1001182709 115	1001187789 241	1001192292.....282, 286, 290, 294, 501
1001178372547	1001182724 274, 278, 286, 290, 293, 298, 570	1001187790 147	1001192293.....109, 469
1001178373557	1001182725 181, 183	1001187816 99	1001192385.....229
1001178374553	1001182959 23, 27, 31	1001188065 151, 153, 155, 157	1001192386.....173
1001178375541	1001182960 23, 28, 31	1001188066 159, 161, 163, 165	1001192387.....321
1001178376537	1001183212 181, 183	1001188291 237, 239, 435, 437, 439	1001192399.....317
1001178377531	1001183367 137	1001188292 237, 239, 435	1001192401.....512
1001178378529	1001183407 575	1001188293 437, 439	1001192502.....109
1001178379523, 525, 527, 529, 531, 533, 535, 537, 539, 541, 543, 545, 547, 549, 551, 553, 555, 557, 559, 561, 563, 565, 567	1001183512 263	1001188354 237, 239, 435, 437, 439	1001193018.....487, 489, 491, 493, 495, 497, 499
1001178385392	1001183515 151	1001188484 159, 161, 163, 165	1001193047.....15, 17
1001178386396	1001183517 153	1001188528 ... 24, 28, 32, 505	1001193419.....317, 319, 412
1001178387404	1001183518 155	1001188622 231, 233	1001193545.....469
1001178394429, 431, 433	1001183519 157	1001188844 231, 233	1001193949.....523, 525, 527, 529, 531, 533, 535, 537, 539, 541, 543, 545, 547, 549,
1001178395429, 431, 433	1001183527 237	1001188889 321	
1001178396429, 431, 433	1001183528 239	1001188892 301	
1001178398429, 431, 433	1001183693 263, 273	1001189027 429, 431, 433	
	1001183765 153, 161	1001189030 429, 431, 433	

PART NUMBER INDEX

551, 553, 555, 557, 559, 561, 563	1001213625.....567	1001223055.....523, 525, 527	1060802..... 109
1001193987..... 273, 278, 282, 286, 290, 294, 298	1001213626.....28	1001223259.....231	1060896.... 435, 437, 439
1001195304..... 574	1001213882.....298	1001223287.....197	1060903..... 317, 319
1001195610..... 576	1001214031.....533	1001223824.....575	1060908..... 447, 449
1001195841..... 319	1001214410.....525	1001223971.....543, 545	1060919..... 261
1001196004..... 319	1001214411.....549	1001224048.....553, 555, 557	10837580..... 83, 129
1001196484..... 267, 285	1001214412.....555	1001224049.....559, 561	1120093..... 339
1001196486..... 269, 293	1001214413.....539	1001224050.....537, 539, 541	1120094..... 343
1001196487..... 269	1001214478.....575	1001224052.....563, 565	1120108..... 359, 363
1001196500..... 267	1001214515.....575	1001224053.....547, 549, 551	1120110..... 377, 381
1001196589..... 24, 27, 32	1001214524.....575	1001224890.....213, 217	1120305..... 349, 353
1001196716..... 574	1001214552.....575	1001225580.....298, 503	1120487..... 149
1001196720..... 574	1001214559.....575	1001226872.....255	1120552..... 53
1001196811..... 523, 525, 527, 543, 545, 547, 549, 559, 561, 563, 565	1001214560.....575	1001228016.....201, 365	1180302..... 209
1001197017..... 317, 319	1001214667.....43	1001228018.....197, 361	1220038..... 209
1001197067..... 177	1001214668..... 28, 43	1001228035.....201, 345	1220039..... 209
1001197877..... 574	1001215118.....99	1001228036.....197, 201, 351, 355	1220040..... 209
1001197883..... 576	1001215119.....99	1001228039.....197, 341	1271538..... 229
1001198647..... 575	1001215326.....99	1001228061.....213, 383	1300019..... 53
1001198648..... 575	1001215835.....282, 570	1001228062.....209, 379	1320012..... 187
1001198660..... 575	1001216147.....265	1001228215.....255	1320022..... 149, 187
1001200491..... 233	1001216153.....265, 281	1001228363.....576	1320033..... 404, 408
1001200575..... 273, 286	1001216630.....231, 233	1001228370.....523, 525, 527, 543, 545	1320037..... 574
1001200910..... 175	1001216920.....123, 127, 135	1001228627.....231, 233	1320040..... 73, 75, 77
1001201488..... 576	1001217005.....175	1001229107.....574	1320041 15, 17, 149, 181, 183
1001201489..... 574	1001217228.....231, 233	1001229691.....574	1320043..... 237, 239
1001201620..... 576	1001217242.....231, 233	1001230299.....205, 367	1320135..... 187
1001201642..... 507	1001217243.....231, 233	1001230300.....205, 347	1320136.... 229, 231, 233
1001201887..... 278, 282, 290, 294	1001217244.....231, 233	1001230301.....205, 357	1320224..... 229
1001202580..... 267, 289	1001217249.....231, 233	1001230302.....217, 385	1320260..... 237, 239
1001202581..... 263, 277	1001217250.....233	1001230303.....205, 373	1320263..... 15, 17
1001202749..... 575	1001217253.....231, 233	1001230304.....206, 333	1321385... 151, 153, 155, 157
1001203654..... 259	1001217254.....231, 233	1001230305.....221, 337	1380136... 119, 121, 123, 125, 127
1001203655..... 261	1001217267.....231, 233	1001231523.....206, 221	1380138..... 113, 115
1001203734..... 507	1001217413.....231, 233	1001231524.....205	1380164..... 187
1001205175..... 574	1001217465.....533, 535	1001231525.....206, 217	1580012..... 313
1001205491..... 175	1001217621.....298, 479	1001231804.....576	1600387..... 229
1001205501..... 576	1001217842. 41, 505, 507	1001231806.....400	1670679.... 209, 213, 217
1001206996..... 576	1001217843.....507	1001231807.....408	1670697..... 237, 239
1001207004..... 179	1001217844.....505, 507	1001231870.....576	1670698..... 209
1001207314..... 177	1001218006.....400	1001232203.....17	1670832..... 241
1001209059..... 576	1001218007.....408	1001233237.....574	1670833..... 241
1001209282..... 576	1001218068.....298	1001235649.....574	1670880..... 115
1001209413..... 576	1001218114.....410	1001235847.....576	1670953..... 109
1001209664..... 321	1001218371.....77, 123	1001235848.....576	1671176... 273, 277, 281, 285, 289, 293, 297
1001209879..... 179	1001218372.....81, 127	1001236535.....574	1683584..... 377, 381
1001210032..... 576	1001218499.....576	1001237004.....574	1683591..... 15, 17, 375
1001210033..... 576	1001218502.....576	1001237443.....576	1683706..... 377
1001210041..... 576	1001218503.....576	1001239572.....576	1683709..... 359, 363
1001210089..... 576	1001218652.....271, 297	1001241270.....576	1683710..... 339, 343
1001210090..... 576	1001218722.....574	1001241747.....576	1683712..... 349, 353
1001210576..... 159, 163	1001219016.....233	1001241863.....574	1683802..... 381
1001212202..... 576	1001219513.....319	1060092.....429, 431, 433	1683940..... 343
1001212359..... 45, 47	1001219601.... 24, 27, 32	1060330.....309	1683941..... 339, 343
1001212415..... 570	1001219722.... 23, 27, 31	1060341.....441, 443	1683943..... 353
1001212450..... 47	1001220271.... 23, 28, 31	1060379.....325	1683944..... 349, 353
1001212453..... 27	1001220486.....277, 281, 289	1060461.....473, 517	1683945..... 201, 363
1001212454..... 28, 431	1001220660.....271	1060494.....467, 471, 515	1683946..... 363
1001212455..... 431	1001222193.....574	1060689...93, 95, 97, 101, 103, 105	1683947..... 363
1001212456..... 28, 47	1001222801.....523, 525, 527, 529, 531, 533, 535, 537, 539, 541, 543, 545, 547, 549, 551, 553, 555, 557, 559, 561, 563, 565	1060754.....187	1684055..... 339
1001212480..... 431		1060755.....187	1684056..... 349
1001213447..... 479		1060801.....109	1684059..... 359
			1684060..... 359

PART NUMBER INDEX

1684061.....195, 197, 359	1702868 ... 523, 525, 527, 574	1704344 537, 539, 541	1706950.....523, 525, 527, 543, 545, 559, 561, 563, 565
1684451.....201, 343	1702962 527	1704368 567	1760160.....209
1684452.....201, 353	1703175 567	1704369 567	2080040.....245, 247, 249
1684492.....195, 197, 339	1703488 567	1704370 567	2160003.....143
1684493.....195, 197, 349	1703683 325	1704371 561, 567	2180348.....149
1700584.....543	1703797 ... 523, 525, 527	1704372 567	2220237.....393, 397, 401, 405, 409
1701500.....523, 525, 527, 537, 539, 541, 543, 545, 547, 549, 551, 553, 555, 557, 559, 561, 563, 565	1703798 ... 523, 525, 527	1704373 567	2220239.....393
1701504.....523, 525, 527, 529, 531, 533, 535, 537, 539, 541, 543, 545, 547, 549, 551, 553, 555, 557, 559, 561, 563, 565	1703804 523, 525, 527	1704412 ... 523, 525, 527, 529, 531, 533, 535, 537, 539, 541, 543, 545, 547, 549, 551, 553, 555, 557, 559, 561, 563, 565	2220371.....392, 396, 400, 404, 408
1701505.....541, 567	1703805 ... 523, 525, 527	1704417 547, 549, 551	2220373.....401, 408
1701509.....523, 525, 527, 529, 531, 533, 535, 537, 539, 541, 543, 545, 547, 549, 551, 553, 555, 557, 559, 561, 563, 565	1703811 ... 529, 531, 533, 535	1704418 553, 555, 557	2220386.....392, 396, 400, 404, 408
1701518.....529, 531, 533, 535	1703813 523, 525, 527	1704419 537, 539, 541	2220415.....392, 393, 396, 397, 400, 401, 404, 405, 408, 409
1701642.....109, 523, 525, 527, 529, 531, 533, 535, 537, 539, 541, 543, 545, 547, 549, 551, 553, 555, 557, 559, 561, 563, 565	1703814 ... 529, 531, 533, 535	1704422 285, 289	2220466.....396, 400, 401, 404, 408, 409
1701644.....523, 525, 527, 529, 531, 533, 535, 537, 539, 541, 543, 545, 547, 549, 551, 553, 555, 557, 559, 561, 563, 565	1703923 559, 561	1704431 ... 523, 527, 529, 531, 533, 535, 537, 541, 543, 545, 547, 551, 553, 557, 559, 561, 563, 565	2220472....392, 396, 400, 404, 408
1701691.....523, 525, 527, 529, 531, 533, 535, 537, 539, 541, 543, 545, 547, 549, 551, 553, 555, 557, 559, 561, 563, 565	1703924 543, 545	1704445 557, 567	2220473.....392, 396, 400, 404, 408
1702124.....393, 397, 401, 405, 409	1703925 ... 537, 539, 541	1704446 523, 525, 527	2220498.....392, 396, 400
1702251.....567	1703926 ... 547, 549, 551	1704452 543, 545	2220499.....397, 401, 405, 409
1702265.....523, 525, 527, 543, 545, 559, 561	1703927 ... 553, 555, 557	1704453 563, 565	2220501....392, 396, 400, 404, 408
1702271.....547, 549, 551	1703928 563, 565	1704454 559, 561	2220502....392, 393, 396, 400, 401, 404, 408, 409
1702300.....523, 525, 527, 537, 539, 541, 543, 545, 547, 549, 551, 553, 555, 557, 559, 561, 563, 565	1703929 559, 561	1704787 567	2220504....392, 396, 400, 404, 408
1702565.....273, 277, 281, 285, 289, 293, 297	1703930 543, 545	1704789 567	2220507....392, 396, 400, 404, 408
1702566.....273, 277, 281, 285, 289, 293, 297	1703931 ... 537, 539, 541	1704790 567	2220516....377, 379, 381, 383
1702567.....273, 277, 281, 293	1703932 ... 547, 549, 551	1704885 ... 523, 525, 527, 529, 531, 533, 535, 537, 539, 541, 543, 545, 547, 549, 551, 553, 555, 557, 559, 561, 563, 565	2220517....377, 379, 381, 383
1702740.....49, 51, 53	1703933 ... 553, 555, 557	1705014 259, 261	2220582....393, 396, 397, 400, 401, 404, 405, 408, 409
1702773.....261, 533, 535, 567	1703934 563, 565	1705325 487	2220593....392, 396, 400, 404, 408
1702774.....567	1703935 559, 561	1705351 523, 525, 527	2220596.....377, 379, 381, 383, 385
1702860.....567	1703936 543, 545	1705364 53	2220600....393, 396, 400, 404, 408
	1703937 ... 537, 539, 541	1705426 547, 549, 551	2220605.....393
	1703938 ... 547, 549, 551	1705427 553, 555, 557	2220609.....393
	1703939 ... 553, 555, 557	1705429 543, 545	2220628....377, 379, 381, 383, 385
	1703940 563, 565	1705430 537, 539, 541	2220654.....393, 397, 405
	1703947 559, 561	1705514 ... 523, 527, 543, 545	2220677....392, 396, 400, 404, 408
	1703948 543, 545	1705670 ... 529, 531, 533, 535	2220684.....392
	1703949 ... 537, 539, 541	1705822 ... 529, 531, 533, 535	2220727.....392
	1703950 ... 547, 549, 551	1705828 ... 529, 531, 533, 535	2220805.....187
	1703951 553, 555, 557	1705910 559, 561	2220883....337, 345, 347, 351, 355, 357, 377, 379, 381, 383, 385
	1703952 563, 565	1705921 ... 529, 531, 533, 535	2220885....333, 337, 339, 341, 345, 347, 349, 351, 355, 357, 359, 361, 363, 365, 367, 392, 396, 400, 404, 408
	1703980 ... 547, 549, 551	1705967 575	
	1703981 ... 553, 555, 557	1705968 574	
	1703982 ... 537, 539, 541	1705969 575	
	1703983 559, 561	1705977 ... 529, 531, 533, 535	
	1703984 543, 545	1705978 ... 529, 531, 533, 535	
	1703985 563, 565	1706378 ... 529, 531, 533, 535	
	1703987 ... 553, 555, 557	1706385 259, 261	
	1703988 ... 537, 539, 541		
	1703991 563, 565		
	1704000 ... 543, 545, 574		
	1704001 ... 559, 561, 575		
	1704002 563, 565		
	1704008 563, 565		
	17042567 297		
	1704260 ... 273, 277, 281, 285, 289, 293, 297		
	1704277 ... 523, 525, 527, 529, 531, 533, 535, 537, 539, 541, 543, 545, 547, 549, 551, 553, 555, 557, 559, 561, 563, 565		
	1704286 527, 567		
	1704339 559, 561		
	1704340 543, 545		
	1704341 563, 565		
	1704342 ... 547, 549, 551		
	1704343 ... 553, 555, 557		

PART NUMBER INDEX

2220899 ... 392, 396, 400, 404, 408	2752493 397, 401, 409	3251243.....523, 525, 527, 543, 545, 559, 561, 563, 565	3311601 ... 181, 183, 201, 205, 273, 278, 282, 286, 290, 294, 298
2220909 ... 393, 397, 401, 405, 409	2752519 404, 408	3252331.....567	3311602 209
2220940 393, 401, 409	2752572 392	3252347.....523, 525, 527	3311605 ... 109, 149, 187, 189, 195, 197, 201, 205, 210, 213, 217, 219, 221, 227, 259, 261, 263, 265, 267, 269, 271
2220999 ... 392, 396, 400, 404, 408	2752573 392	3252507....485, 489, 491, 493, 495, 497, 499	3311805 ... 195, 197, 201, 205, 227, 229
2221033 ... 392, 396, 400, 404, 408	2752574 404, 408	3252580 392	3312005 229
2221046 149	2752581 392	3252585 ... 392, 396, 400, 404, 408	3312008 15, 17
2221047 149	2752585 ... 392, 396, 400, 404, 408	2752600 ... 397, 401, 405, 409	3312602 171, 175, 179
2221054 ... 393, 396, 400, 404, 408	2752611 ... 396, 400, 404, 408	2752620 392	3322202 15, 17
2221086 ... 393, 397, 401, 405, 409	2752611 ... 396, 400, 404, 408	2752675 404, 408	3322205 377, 381
2221147 392	2752620 392	2752983 393	3323003 15, 17
2300027 575	2752675 404, 408	2753050 ... 392, 396, 400, 404, 408	3340663 209
2300028 575	2752983 393	2753301 ... 392, 396, 400, 404, 408	3340679 377, 379, 387
2400044 27, 45	2753050 ... 392, 396, 400, 404, 408	2753302 ... 396, 400, 404, 408	3340682 209
2400060 ... 477, 479, 507, 512	2753301 ... 392, 396, 400, 404, 408	2753303 ... 396, 400, 404, 408	3340820 209
2410014 259, 261	2753302 ... 396, 400, 404, 408	2753638 ... 396, 400, 404, 408	3340837 213, 217
2420202 229	2753303 ... 396, 400, 404, 408	2753973 392, 396, 400	3340860 219, 221
2460037 109	2753638 ... 396, 400, 404, 408	2780241 15, 17, 19	3340881 213, 217
2540037 27	2753973 392, 396, 400	2780282 23, 27, 31, 35	3340939 213, 217
2540038 15, 17	2780241 15, 17, 19	2820030 475	3380434 ... 263, 265, 267, 269, 271
2540045 85, 87, 89, 91	2780282 23, 27, 31, 35	2820105 115	3380602 187
2560122 ... 119, 121, 123, 125, 127, 129, 135	2820105 115	2820106 115	3420156 181, 183
2560123 ... 119, 121, 123, 125, 127, 129, 135	2820106 115	2820110 115	3422175 ... 195, 197, 201, 205
2560136 ... 273, 277, 281, 285, 289, 293, 297	2820110 115	2820112 187	3422176 ... 195, 197, 201, 205
2600281 245, 247, 249	2820112 187	2820116 187	3422177 ... 195, 197, 201, 205
2700093 113, 115	2820116 187	2820117 187	3422178 ... 195, 197, 201, 205
2720058 149	2820117 187	2820118 435, 437, 439	3422179 195, 197
2720271 149	2820118 435, 437, 439	2820218 187	3422180 195, 197, 210
2720559 187	2820218 187	2860030 ... 159, 161, 163, 165, 570	3422181 209
2750910 ... 392, 396, 400, 404, 408	2860030 ... 159, 161, 163, 165, 570	2900756 129	3422582 201, 205
2750915 ... 392, 393, 396, 400	2900756 129	2900770 ... 223, 225, 339, 341, 343, 345, 347, 349, 351, 353, 355, 359, 361, 363, 365, 387	3422661 325
2750996 ... 392, 396, 400, 404, 408	2900770 ... 223, 225, 339, 341, 343, 345, 347, 349, 351, 353, 355, 359, 361, 363, 365, 387	2900792 329, 331, 335	3422669 201, 205
2751009 ... 392, 396, 400, 404, 408	2901804 ... 359, 361, 363, 365	2901804 ... 359, 361, 363, 365	3422692 15, 17
2751126 392	2901805 349, 353	2901805 349, 353	3422709 209
2751127 392	2901806 ... 339, 343, 345, 351, 355	2901806 ... 339, 343, 345, 351, 355	3422791 219, 221
2751414 ... 393, 397, 401, 405, 409	2902549 ... 447, 487, 489, 491, 493, 499	2902549 ... 447, 487, 489, 491, 493, 499	3422792 201, 205
2751508 ... 392, 396, 400, 404, 408	2915230 107	2915230 107	3422793 201, 205
2752430 396, 404	2920028 319	2920028 319	3422794 219, 221
2752435 392	2920029 319	2920029 319	3422804 213, 217
2752437 ... 396, 400, 404, 408	2920151 ... 167, 229, 231, 233	2920151 ... 167, 229, 231, 233	3422806 201, 205
2752440 393	2940071 181, 183	2940071 181, 183	3422901 209
2752442 400, 408	2940074 ... 245, 247, 249, 570	2940074 ... 245, 247, 249, 570	3430616 ... 278, 282, 290, 294, 298
2752453 392, 396, 400	2940095 113, 115	2940095 113, 115	3450304 181, 183
2752459 ... 392, 396, 400, 404, 408	2940115 115	2940115 115	3450810 15, 17
2752462 404, 408	3000003 85, 87, 89, 91	3000003 85, 87, 89, 91	3460457 187
2752466 ... 396, 400, 404, 408	3020008 23, 27, 31	3020008 23, 27, 31	3470003 ... 273, 278, 282, 286, 290, 294, 298
2752467 392, 396, 400	3020029 139	3020029 139	3480239 377, 381
2752475 392	3020037 23, 27, 31	3020037 23, 27, 31	3480240 359, 363
2752486 404, 408			3480241 339, 343
			3480242 349, 353
			3520026 ... 159, 161, 163, 165, 274, 277, 281

PART NUMBER INDEX

3520027 274, 277, 281, 285, 289, 293, 297	3930824 147	4360475 ... 159, 161, 163, 165, 273, 277, 281, 285, 289, 293, 297, 570	4460466.... 237, 239, 435, 437, 439, 445, 463, 465, 469, 475, 477, 479, 503, 505, 507, 508, 511, 519
3520028.... 159, 161, 163, 165	3931010 ... 41, 43, 45, 47, 149	4360476 ... 159, 161, 163, 165, 273, 277, 281, 285, 289, 293, 297, 570	4460470.... 151, 153, 155, 157, 273, 277, 281, 285, 289, 293, 297
3520030.... 273, 277, 281, 286, 289, 294, 297	3931012 45, 47	4400417 149	4460471.... 151, 153, 155, 157, 273, 277, 281, 285, 289, 293, 297
3520033.... 277, 281, 289	3931016 41, 43, 45, 47	4420051 567	4460488.... 273, 277, 281, 285, 289, 293, 297
3520034..... 209	3931028 241	4420062 325	4460508.... 107, 437, 439, 477, 479, 511
3520035... 24, 27, 31, 113, 115, 277, 281	3931408 15, 17, 321	4420068 317	4460509.... 435, 437, 439, 445, 505
3520054.... 273, 277, 281, 285, 289, 293, 297	3931416 15, 17	4460007 111	4460516..... 39
3520072.... 245, 247, 249, 251, 253, 255, 257, 259, 261	3931424 321	4460019 508	4460536..... 15, 17
3520173..... 315	3931832 139	4460042 309	4460539.... 461, 505, 511, 519
3520182..... 323	3951402 359, 377	4460049 317, 319	4460662.... 489, 491, 495
3520198.... 245, 247, 249, 251, 253, 255, 257	3960389 115, 187	4460071 ... 309, 483, 485	4460670..... 507, 508
3536999..... 237	3960417 115, 187	4460125 485	4460708.... 274, 277, 281, 285, 289, 293, 297, 477, 479
3537045.... 195, 197, 202, 205	3960418 187	4460134 467, 471	4460709..... 517
3571462..... 239	3960422 483, 485	4460138 93, 101, 467	4460710..... 473
3572551..... 219, 221	3960447 113, 115	4460142 505, 508	4460738..... 445, 508
3575705..... 317, 319	3960453 181, 183	4460205 483, 515	4460742.... 445, 505, 519
3575952..... 189	4010408 111	4460224 479	4460743.... 445, 505, 519
3575961..... 187	4010412 111	4460225 ... 463, 477, 479	4460744..... 445
3600289.... 61, 63, 65, 67	4010618 ... 251, 253, 257	4460226 ... 167, 229, 231, 233, 303, 306, 309, 317, 319, 445, 475, 477, 479, 501, 519	4460745..... 445
3740080..... 41, 463	4031508 99	4460227 ... 445, 463, 465, 475, 477, 479, 511	4460746..... 445
3760115.... 209, 213, 217	4031707 23, 28, 31	4460233 485	4460748..... 445
3760308..... 113, 115	4060092 485	4460234 ... 273, 277, 281, 285, 289, 293, 297, 317, 319	4460749..... 445
3790012.... 159, 161, 163, 165, 273, 277, 281, 285, 289, 293, 297, 301, 311	4060802 ... 159, 161, 163, 165	4460259 ... 463, 465, 477, 479	4460750..... 445
3790113..... 387	4060804 ... 115, 213, 217, 231, 233	4460260 ... 463, 465, 477, 479	4460761.... 445, 477, 479, 511, 519
3820001... 523, 525, 527, 529, 531, 533, 535, 537, 539, 541, 543, 545, 547, 549, 551, 553, 555, 557, 559, 561, 563, 565, 567	4060805 ... 109, 231, 233, 237, 239	4460265 303, 305	4460805..... 95, 103
3820019..... 113, 115	4060808 237, 239	4460267 463, 477, 479	4460806..... 465
3820020.... 245, 247, 249	4061032 405, 409	4460313 465	4460836.... 461, 475, 511
3841143.... 195, 197, 201, 205, 209, 231, 233	4061054 229	4460320 463, 465	4460851..... 465
3841203.... 195, 197, 201, 205	4070897 213, 217	4460346 483	4460866.... 477, 479, 511
3841517..... 15, 17	4070898 213, 217	4460374 463, 507	4460868..... 465
3900054..... 259, 261	4070982 213	4460418 465, 477, 479	4460871.... 465, 477, 479, 507, 511, 519
3900085.... 171, 175, 179	4100025 187	4460419 ... 465, 477, 479	4460872..... 519
3900104..... 241	4100026 ... 149, 393, 396, 400, 404, 408	4460424 ... 167, 229, 231, 233, 445	4460873.... 477, 479, 507, 511
3900109..... 15, 17	4100067 239	4460425 317, 319	4460874.... 477, 479, 511
3900142..... 363	4130351 19	4460426 109	4460875.... 477, 479, 519
3900170.... 339, 343, 345, 349, 351, 353, 355, 359, 363	4240017 99	4460428 . 93, 95, 97, 101, 103, 105, 229, 273, 277, 281, 285, 289, 293, 297	4460876..... 465
3900187.... 159, 161, 163, 165	4240032 . 73, 75, 77, 273, 277, 281, 285, 289, 293, 297	4460434 ... 229, 445, 477, 479	4460877..... 465
3900283..... 229	4240033 ... 149, 229, 237, 239, 321, 435, 437, 439	4460458 445, 519	4460878..... 511
3900349..... 297	4240084 23, 27, 31	4460464 15, 17, 107, 177, 437, 439, 441, 443, 445, 461, 463, 469, 477, 479, 503, 505, 508, 511	4460879..... 477, 479
3910610..... 483, 485	4240099 ... 237, 239, 317, 319	4460465 ... 171, 435, 437, 439, 461, 463, 465, 469, 475, 477, 479, 501, 503, 505, 507, 508, 511, 519	4460884.... 501, 503, 511
3910804.... 159, 161, 163, 165	4240175 ... 15, 17, 24, 28, 147		4460887.... 477, 479, 511
3911012..... 173, 177	4300140 237, 239		4460888..... 477, 479
3911018.... 273, 277, 281, 285, 289, 293, 297	4341072 187		4460891.... 171, 469, 507, 511, 519
	4360057 317, 319		4460894..... 479, 508
	4360274 167, 571		4460897.... 175, 179, 441, 443, 463, 469, 511
	4360328 570		4460899..... 503, 505
	4360330 570		
	4360387 ... 161, 165, 273, 277, 281, 285, 289, 293, 297, 317, 570		
	4360407 ... 273, 277, 281, 285, 289, 293, 297		
	4360469 ... 159, 161, 163, 165, 570		
	4360470 570		

PART NUMBER INDEX

4460905 ... 465, 477, 479, 507, 511, 519	95, 97, 101, 103, 105, 119, 121, 123, 125, 127, 137, 149, 151, 153, 155, 157, 187, 229, 251, 253, 255, 257, 321, 323, 487, 489, 491, 493, 495, 497, 499	4761800.....209, 213, 217 4811400.....99, 487, 489, 491, 493, 495, 497, 499 4811700.....251, 253, 257 4811702.....231, 233 4812000.....231, 233 4812100.....231, 233 4844304.....195, 197 4844427....195, 197, 201, 205 4844467....195, 197, 202, 205 4844579.....209 4845582.....325 4845925.....219, 221 4846026.....201, 205 4846033.....213, 217 4846278.....219, 221 4846307....195, 197, 201, 205 4846370.....317 4846608.....227, 229 4860191....49, 51, 53, 55, 57 4891400.....189 4891500.....143 489160061, 63, 189, 202, 205, 227, 229, 231, 233 4891800....15, 17, 85, 87, 89, 91, 229 4892000..23, 27, 31, 139, 229 4920385.....187 4922607....471, 483, 485 4922608....483, 485, 515 4922609....473, 481, 487, 489, 491, 493, 495, 497, 499 4922610....481, 487, 489, 491, 493, 495, 497, 499, 517 5241200.....227, 231, 233 5251008.....231, 233 5251016.....233 70000088.....141 70000089.....141 70000289.....192 70000290.....191 70000291.....191 70000292.....191 70000293.....191 70000294.....191 70000295.....191 70000296.....191 70000297.....191 70000298.....191 70000299.....191 70000300.....191 70000301.....191 70000302.....191 70000303.....191 70000304.....191 70000305.....191 70000306.....191 70000307.....191 70000308.....191 70000309.....191	70000310..... 191 70000311..... 191 70000312..... 191 70000313..... 191, 570 70000314..... 191 70000315..... 191 70000316..... 191 70000317..... 191 70000318..... 191, 570 70000319..... 191, 570 70000320..... 191 70000321..... 191 70000322..... 191 70000323..... 191 70000324..... 191 70000325..... 192 70000326..... 192, 570 70000327..... 192 70000328..... 192 70000329..... 192, 570 70000330..... 192, 570 70000341..... 223, 225 70000381..... 129 70000382..... 192 70000739..... 329, 369 70000740..... 329 70000865..... 143 70000967..... 191 70001121..... 191 70001144..... 191 70001366..... 35 70001367..... 35 70001368..... 35, 36 70001369..... 35 70001370..... 35 70001371..... 35 70001372..... 35 70001373..... 35 70001374..... 35 70001375..... 35 70001376..... 35 70001377..... 35 70001378..... 35 70001379..... 35 70001380..... 36 70001876..... 129 70001961..... 67 70001996..... 213, 571 70001998..... 213, 571 70002083..... 191 70002112..... 69, 71 70002206..... 141 70002207..... 141 70002216..... 331, 371 70002217..... 331, 371 70002220..... 335 70002223..... 335 70002244..... 191 70002523..... 67 70002543..... 192 70002544..... 191 70002806..... 129 70002807..... 133 7000281..... 35 70002902..... 309 70002903..... 309 70002904..... 309
4460930 107, 477, 479 4460931 445, 505 4460933 475, 511, 519 4460941 461 4460942 461, 511 4460943 ... 173, 175, 179, 461, 508, 511 4460944 ... 461, 465, 475, 508, 511 4460945 508, 511 4460950 461, 508 4460956 447 4460957 447 4460968 ... 111, 441, 443, 487, 493, 497, 499 4460970 505 4461196 427, 451 4461198 427 4461199 425, 459 4461201 425 4461202 417, 421, 455 4461205 419, 423, 457 4461244 421 4461245 423 4461246 415 4461249 415, 453 4520209 49, 55 4520269 51, 53, 57 4520279 51 4520282 53 4566027 381 4566188 392 4566243 237, 239 4566356 ... 195, 197, 201, 205 4566432 339, 343 4566435 349, 353 4566623 393 4567177 359 4567704 377 4567908 363 4567946 ... 396, 400, 404, 408 4568114 23, 27, 31 4640495 387 4640509 329, 335, 337 4640634 ... 339, 341, 343, 345, 347, 349, 351, 353, 355, 357 4640709 387 4640807 ... 377, 379, 381, 383, 387 4640932 329, 331, 333 4640936 ... 359, 361, 363, 365, 367 4641086 331, 333 4641122 55, 57 4641167 49, 51, 53 4641386 ... 339, 341, 343, 345, 347, 349, 351, 353, 355, 357 4711000 ... 41, 43, 45, 47, 149, 173, 177 4711400 ... 15, 17, 23, 27, 31, 65, 73, 75, 77, 93, 95, 97, 101, 103, 105, 119, 121, 123, 125, 127, 137, 149, 151, 153, 155, 157, 187, 229, 251, 253, 255, 257, 321, 323, 487, 489, 491, 493, 495, 497, 499 4711500 ... 151, 153, 155, 157, 213, 217, 273, 286 4711600 ... 23, 27, 31, 61, 73, 75, 77, 79, 81, 119, 121, 123, 125, 127, 147, 181, 183, 213, 217, 227, 229, 278, 282, 290, 294, 298 4711800 ... 23, 27, 31, 73, 75, 77, 227, 259, 261 4712600 173, 177 4740120 ... 159, 161, 163, 165 4740156 15, 17 4740171 139 4740207 ... 349, 351, 353, 355 4740362 ... 263, 265, 267, 269, 271 4740397 ... 159, 161, 163, 165, 273, 277, 281, 285, 289, 293, 297, 301, 311 4740413 209 4750800 ... 119, 121, 123, 125, 127, 147 4751000 27, 115, 171, 175, 179 4751400 ... 109, 113, 115, 181, 183, 209, 229, 237, 239, 263, 265, 267, 269, 271, 273, 277, 281, 285, 289, 293, 297, 313, 317, 319, 323, 487, 489, 491, 493, 495, 497, 499, 523, 525, 527, 529, 531, 533, 535, 537, 539, 541, 543, 545, 547, 549, 551, 553, 555, 557, 559, 561, 563, 565 4751500 ... 23, 27, 31, 85, 87, 89, 91, 123, 127, 181, 183, 187, 195, 197, 202, 205, 219, 221, 237, 239, 317, 319, 325 4751600 63, 109, 149, 151, 153, 155, 157, 187, 195, 197, 201, 205, 209, 263, 265, 267, 269, 271 4751800 ... 181, 183, 259, 261, 317, 319 4760600 483, 485 4761400 ... 209, 213, 217, 313 4761600 209			

PART NUMBER INDEX

70002905.....	309	70004774	305	70006543	351, 355	7004047.....	141
70003171.....	67	70004775	305	70006561	379, 383	7004049.....	141
70003341.....	375	70004809	39	70006563	379	7007640.....	35
70003557.....	191	70004811	39	70006564	379, 383	7010543.....	83, 129
70003618.....	191	70004820	39	70006565	379, 383	7011112.....	329, 331
70003619.....	191	70004827	41, 43	70006567	379	7011323.....	223, 225
70003636..	333, 347, 367, 373, 385	70004884	129	70006602	341	7011376....	339, 341, 343, 345, 347, 349, 351, 353, 355
70003819.....	331, 371	70005091	129	70006603	341	7012518.....	83, 129
70003833.....	335	70005101	69, 71	70006604	341	7012540.....	129
70003836.....	335	70005210	129, 570	70006605	341	7012903.....	129
70003843.....	371	70005215	21	70006606	341	7012914.....	129
70003844.....	371	70005216	21	70006607	341	7012918.....	129
70003845.....	331, 371	70005230	303	70006608	341	7012947.....	129
70003846.....	331	70005385	39	70006609	341	7012953.....	129, 131
70003847.....	331	70005386	39	70006874	367	7012959.....	131
70003863.....	335	70005387	39	70006875	367	7012961.....	129
70003864.....	335	70005388	39	70006876	367	7012967.....	129
70004019.....	129	70005389	39	70006877	367	7012972.....	83
70004130.....	369	70005390	39	70006878 ..	333, 367, 373	7012975.....	129
70004131.....	329	70005391	39	70006889	347	7012995.....	129
70004141.....	329, 369	70005392	39	70006890	347	7012998.....	83, 129, 135
70004142.....	329, 369	70005393	39	70006891	347	7016177.....	85, 87
70004143.....	329, 369	70005394	39	70006892	347	7017007.....	36
70004144.....	369	70005395	39	70006893	347	7017009.....	35
70004145.....	369	70005396	39	70006894	347	7017022.....	35
70004146.....	329	70005397	39	70006895	357	7017120.....	223, 225
70004147.....	329	70005398	39	70006896	357	7017121.....	223, 225
70004159.....	143	70005399	39	70006897	357	7017122.....	223, 225
70004213.....	385	70005400	39	70006898	357	7017123.....	223, 225
70004265.....	191	70005401	39	70006899	357	7017126.....	223, 225
70004323.....	225	70005402	39	70006900	357	7017127.....	223, 225
70004394.....	192	70005403	39	70006901	357	7017153.....	223
70004637.....	341	70005404	39	70006902	385	7017172.....	223, 225
70004738.....	303	70005405	39	70006903	385	7017192.....	223, 225
70004739.....	303	70005406	39	70006904	367	7017196.....	223, 225
70004740.....	303	70005407	39	70006905	385	7017246.....	375
70004741.....	303	70005408	39	70006906	385	7017247.....	375
70004742.....	303	70005409	39	70006907	385	7017248.....	375
70004743.....	303	70005410	39	70006908	373	7017249.....	375
70004743.....	303	70005411	39	70006909	333, 373	7017250.....	375
70004747.....	303	70005412	39	70006910	333, 373	7017251.....	375
70004748.....	303	70005415	23, 28, 31	70006911	373	7017252.....	375
70004749.....	303	70005415	23, 28, 31	70006912	333	7017402.....	83, 129, 133, 135
70004750.....	303	70005722	135	70006913	333	7017410.....	129
70004751.....	303	70006269	213, 217	70006914	337	7017418.....	129
70004752.....	305	70006279	213, 217	70006915	337	7017421.....	129
70004753.....	305	70006346	135	70006916	337	7017433.....	83, 129
70004754.....	305	70006347	135	70006917	337	7017452.....	129, 133
70004755.....	305	70006348	135	70006918	337	7017466.....	131
70004756.....	305	70006349	135	70006919	337	7017488.....	83
70004757.....	305	70006396	365	70006920	337	7017496.....	131, 135
70004758.....	305	70006397	365	70006971	379, 383	7019698.....	209, 571
70004759.....	305	70006398	365	70006972	383	7019699.....	209
70004760.....	305	70006399	365	70006973	383	7020035.....	19
70004761.....	305	70006400	361, 365	70006976	379	7020036.....	19
70004762.....	305	70006401	361, 365	7001630	375	7020037.....	19, 21
70004763.....	305	70006402	365	70022564	341	7020038.....	19
70004764.....	305	70006411	361	70023094	329, 369	7020039.....	19, 21
70004765.....	305	70006412	361	70023369	341	7020040.....	19, 21
70004766.....	305	70006413	361	70023915 ..	361, 365, 379	7020041.....	19
70004767.....	305	70006414	361	70024262	329	7020042.....	19
70004768.....	305	70006415	361	70027244	341	7020054.....	19, 21
70004769.....	305	70006531	345	7004035	141	7020055.....	19, 21
70004770.....	305	70006532 ..	345, 351, 355	7004036	141	7020137.....	19, 21
70004771.....	305	70006533 ..	345, 351, 355	7004043	141		
70004772.....	305	70006535	345	7004044	141		
70004773.....	305	70006539	351, 355	7004045	141		
		70006542	351, 355				

PART NUMBER INDEX

7020140	19, 21	7021659	83	7026068.....	335	7028909	173, 177
7020175 ...	159, 161, 163, 165, 273, 277, 281, 285, 289, 293, 297	7022394	129	7026082.....	331, 371	8220045	505
7020176 ...	159, 161, 163, 165, 273, 277, 281, 285, 289, 293, 297	7023318	141	7026084.....	331, 371	8220068	519
7020179	149	7024379	141	7026088.....	335	8229234	507, 570
7021318	67	7024380	141	7026090.....	335	8229235	507, 570
7021319	67	7024381	141	7026091.....	335	8229236	505, 570
7021361	67	7024389	141	7026092.....	335	8229237	507, 570
7021377	67	7024390	141	7027350.....	143	8229242 ...	477, 479, 512, 570
7021603	129	7024444	69, 71	7027351.....	143	8229245	505
7021604	129	7024445	69, 71	7027352.....	143	8229261	507, 570
7021609	83, 133, 135, 570	7024453	141	7027353.....	143	8760554	397, 401, 409
7021611	83, 129	7024738	35	7027354.....	143	88261024.....	181, 183
7021616	83, 570	7024741	35	7027356.....	143	88261026.....	214, 217
7021618	83, 570	7024844	331, 335	7027358.....	143	88521205..	85, 87, 89, 91
7021653	133, 135	7024883	129, 570	7027359.....	143	88662523..	61, 63, 73, 75, 77
		7024885	129, 570	7027360.....	143	88662530..	181, 183, 187
		7024887	135	7027361.....	143		
		7024891	131	7027363.....	143		
		7026042	143	7027900.....	223, 225		
		7026043	143	7027901.....	223, 225		



3121715



An Oshkosh Corporation Company

Corporate Office
JLG Industries, Inc.
1 JLG Drive
McConnellsburg, PA 17233-9533 USA
☎ (717) 485-5161 (Corporate)
☎ (877) 554-5438 (Customer Support)
☎ (717) 485-6417

Visit our website for JLG Worldwide Locations.
www.jlg.com