



Illustrated Parts Manual

Models
E400An/
E400AJP/
E400AJPn/
M400AJP/
M400AJPn

SN 0300208530
to Present

P/N
3121718

October 10, 2018 - Rev N

ANSI



AS/NZS



An Oshkosh Corporation Company

REVISION LOG

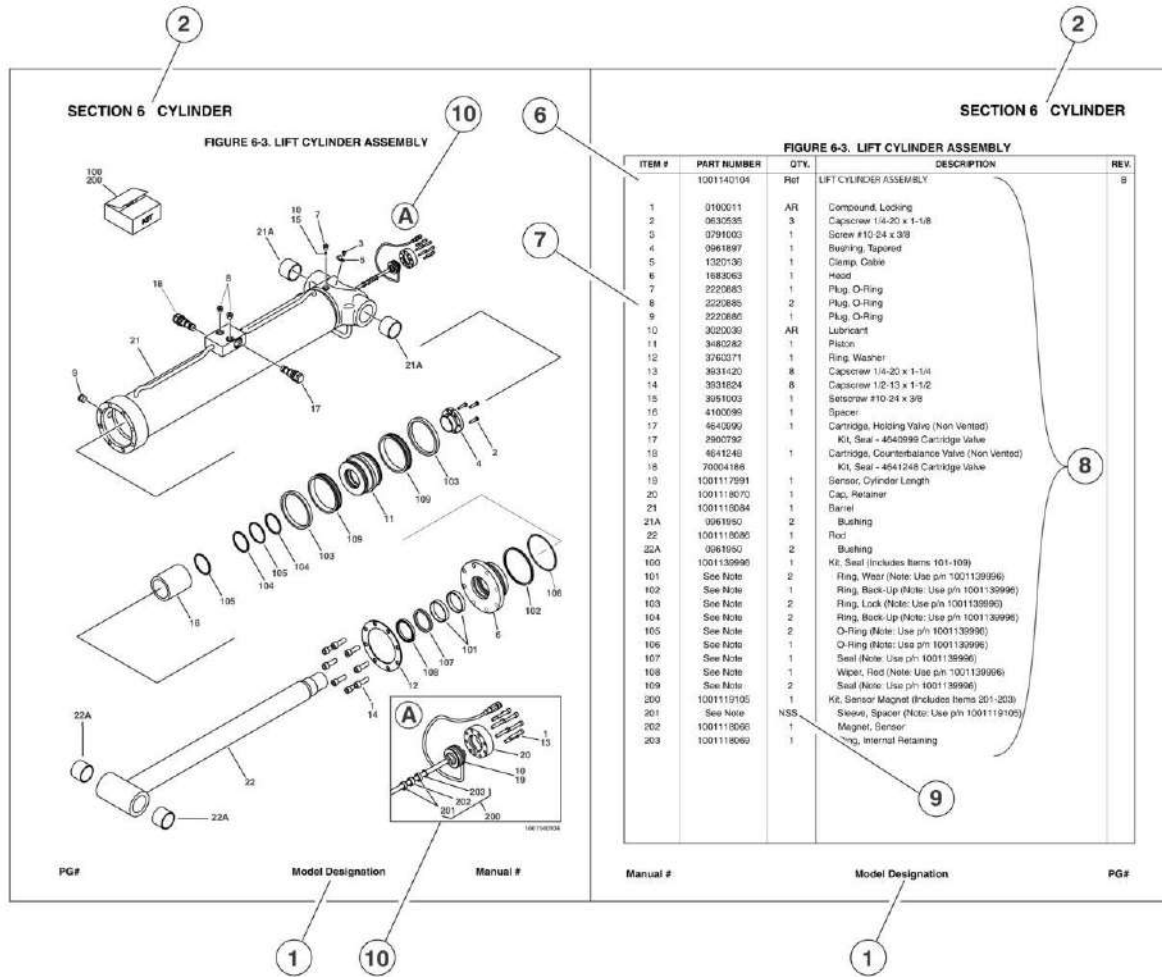
NOTES:

Note: SN 0300200544 and 0300202223 also built to the same specs as machines built SN 0300208530 to Present.

REVISION LOG:

July 6, 2015 - A - Original Issue Of Manual (Edit to B/M 1001164638 Revision N)
October 30, 2015 - B - Revised Manual (Edited to B/M 1001164638 Revision O)
January 4, 2016 - C - Revised Manual (Edited to B/M 1001164638 Revision O)
April 29, 2016 - D - Revised Manual (Edited to B/M 1001164638 Revision T)
July 21, 2016 - E - Revised Manual (Edited to B/M 1001164638 Revision U)
November 4, 2016 - F - Revised Manual (Edited to B/M 1001164638 Revision U)
January 31, 2017 - G - Revised Manual (Edited to B/M 1001164638 Revision Y)
April 28, 2017 - H - Revised Manual (Edited to B/M 1001164638 Revision AA)
July 31, 2017 - I - Revised Manual (Edited to B/M 1001164638 Revision AD)
October 31, 2017 - J - Revised Manual (Edited to B/M 1001164638 Revision AD)
January 31, 2018 - K - Revised Manual (Edited to B/M 1001164638 Revision AD)
April 26, 2018 - L - Revised Manual (Edited to B/M 1001164638 Revision AG)
July 9, 2018 - M - Revised Manual (Edited to B/M 1001164638 Revision AH)
October 10, 2018 - N - Revised Manual (Edited to B/M 1001164638 Revision AH)

GENERAL INFORMATION



1) MACHINE IDENTIFICATION

Machines are identified by model and in some cases a combination of models, serial number (SN) or regional standard (i.e. ANSI, CE, CSA). Components may also be identified by SN or manufacturer. Common components that may be identified by these characteristics are engines and hydraulic components.

2) PARTS MANUAL ORGANIZATION

Product information in this manual is organized under section titles. Frame, Cylinder, Hydraulic and Electrical are a few examples. Each section is organized by figure and page number. The information within the figure is then organized by item number, part number, description and corresponding illustration(s).

3) TABLE OF CONTENTS

A table of contents is found toward the beginning of the manual. Figure number, description and page number are provided for quick reference to the page containing the related information.

4) RECOMMENDED SPARE PARTS

The Recommended Spare Parts, located near the end of the manual, reference most frequently used maintenance parts.

5) PART NUMBER INDEX

A numerical index listing all part numbers and the corresponding page number(s) appears at the back of the manual.

GENERAL INFORMATION

6) NON-SERVICED PARTS

In some instances, it is necessary to display non-serviced parts, assemblies or installations. In the case of assemblies and installations there will be a Ref in the Qty column. In case of parts that are not available for service within assemblies or components, there will be a NSS (Not Sold Separately) or NLA (No Longer Available) listed in the Qty. column of the manual.

7) PARTS LIST ITEM NUMBERS

Numbers shown in the item# column correspond to numbers used in the associated illustration (s). Item numbers which are missing from the sequence in the parts list are not used on that page

8) INDENTED PARTS DESCRIPTION

An indented part description is included in the item under which it is indented.

9) ABBREVIATION AND SYMBOLS

AC	.. Alternating Current	LCD	.. Liquid Crystal Display
ADE	..Advanced Design Electronics	LED	.. Light Emitting Diodes
ANSI	..American National Standards Institute	LH	.. Left Hand
AR	..As Required	LSS	..Load Sensing System
ASSY	.. Assembly	M(m)	.. Metric/Meter
AUX	..Auxiliary	MM (mm)	..Milimeter
AWG	..American Wire Gauge	mA	.. Milliamps
B/M	.. Bill of Material	NLA	..No Longer Available
CE	..European Conformity	NPT	.. National Pipe Threads
CCW	..Counter Clockwise	NSS	..Not Sold Separately
cm	..Centimeter	OD	..Outside Diameter
CW	..Clockwise	ORB	.. O-Ring Boss
CSA	..Canadian Standards Association	ORFS	.. O-Ring Face Seal
CYL	..Cylinder	OZ (oz)	..Ounces
DIA	..Diameter	PG	..Page
DC	..Direct Current	P/N	..Part Number
EMS	..Emergency Stop	qt	..Quarts
ENG	..Engine	QTY	..Quantity
FT (ft)	..Feet	REF	..Reference
GA (Ga)	..Gauge	REV	..Revision Level
HYD	..Hydraulic	RH	.. Right Hand
HZ	..Hertz	SAE	.. Society of Automotive Engineers
ID	..Inside Diameter	SN	..Serial Number
in	..inches	SPEC(S)	..Specifications
ISO	..International Organization for Standards	T/T	..Turntable
JIC	..Joint Industry Council	UGM	..Universal Ground Module
KG	..Kilogram	V	..Volts
L	..Liter	W	..Watts
LB	..Pounds	#	.. Number

10) ILLUSTRATION REFERENCE LETTERS

When necessary, illustrations may contain reference letters that are intended to track information (i. e. hoses, harnesses) from one point to another or to track visual enlargement of components to show details that may be located in another area on the illustration.

Note: Due to continuous product improvements, JLG Industries, Inc. reserves the right to make specification changes without prior notification. Contact JLG Industries, Inc. for updated information.

TABLE OF CONTENTS

SECTION 1 - FRAME.....	13
FIGURE 1-1. STEERING INSTALLATION - E400AJP / M400AJP (Prior to SN 0300244775)	14
FIGURE 1-2. STEERING INSTALLATION - E400AJP / M400AJP (SN 0300244775 to Present)	16
FIGURE 1-3. STEERING INSTALLATION - E400AN / E400AJPN / M400AJPN (Prior to SN 0300244775).....	18
FIGURE 1-4. STEERING INSTALLATION - E400AN / E400AJPN / M400AJPN (SN 0300244775 to Present)	20
FIGURE 1-5. HUB - SPINDLE ASSEMBLY - RH - E400AJP/M400AJP	22
FIGURE 1-6. HUB - SPINDLE ASSEMBLY - RH - E400AN/E400AJPN/M400AJPN	24
FIGURE 1-7. HUB - SPINDLE ASSEMBLY - LH - E400AJP/M400AJP	26
FIGURE 1-8. HUB - SPINDLE ASSEMBLY - LH - E400AN/E400AJPN/M400AJPN	28
FIGURE 1-9. DRIVE INSTALLATION - E400AN, E400AJP AND E400AJPN	30
FIGURE 1-10. DRIVE INSTALLATION - E400AN, E400AJP AND E400AJPN - UL SPECS	34
FIGURE 1-11. DRIVE INSTALLATION - M400AJP AND M400AJPN	38
FIGURE 1-12. DRIVE HUB ASSEMBLY	42
FIGURE 1-13. DRIVE MOTOR ASSEMBLY	46
FIGURE 1-14. ELECTRICAL PLATE ASSEMBLY - LH.....	48
FIGURE 1-15. ELECTRICAL PLATE ASSEMBLY - LH - UL SPECS.....	50
FIGURE 1-16. ELECTRICAL PLATE ASSEMBLY - RH	52
FIGURE 1-17. ELECTRICAL PLATE ASSEMBLY - RH - UL SPECS	54
FIGURE 1-18. TIRE/WHEEL - IN240/55-17.5 PNEUMATIC	56
FIGURE 1-19. TIRE/WHEEL - IN240/55-17.5 PNEUMATIC NON MARKING	58
FIGURE 1-20. TIRE/WHEEL - IN240/55-17.5 PNEUMATIC WITH TIRE SEALANT	60
FIGURE 1-21. TIRE/WHEEL - IN240/55 - 17.5 FOAM FILLED	62
FIGURE 1-22. TIRE/WHEEL - IN240/55-17.5 FOAM FILLED NON MARKING	64
FIGURE 1-23. TIRE/WHEEL - 26 X 7 X 20 - SOLID NON MARKING	66
FIGURE 1-24. TIRE/WHEEL - SOLID NON-MARKING	68
FIGURE 1-25. MOTOR/PUMP/TANK - E400AN/E400AJP/E400AJPN INSTALLATION - NON-UL SPECS.....	70
FIGURE 1-26. MOTOR/PUMP/TANK - E400AN/E400AJP/E400AJPN INSTALLATION - UL SPECS.....	72
FIGURE 1-27. MOTOR/PUMP/TANK INSTALLATION - M400AJP	74
FIGURE 1-28. MOTOR/PUMP/TANK INSTALLATION - M400AJPN	76
FIGURE 1-29. MOTOR/PUMP ASSEMBLY	78
FIGURE 1-30. HYDRAULIC TANK ASSEMBLY - E400AN/E400AJP/E400AJPN.....	80
FIGURE 1-31. HYDRAULIC TANK ASSEMBLY - M400AJP/M400AJPN.....	82
FIGURE 1-32. VALVE INSTALLATION - FRAME MOUNTED - E400AN.....	84
FIGURE 1-33. VALVE INSTALLATION - FRAME MOUNTED - E400AJP AND E400AJPN (SN 0300208530 through 0300233432)	86
FIGURE 1-34. VALVE INSTALLATION - FRAME MOUNTED - E400AJP AND E400AJPN (SN 0300233433 to Present).....	88
FIGURE 1-35. VALVE INSTALLATION - FRAME MOUNTED - M400AJP AND M400AJPN (SN 0300208530 through 0300233432)	90
FIGURE 1-36. VALVE INSTALLATION - FRAME MOUNTED - M400AJP AND M400AJPN (SN 0300233433 to Present).....	92
FIGURE 1-37. BRAKE/STEER VALVE ASSEMBLY	94
FIGURE 1-38. BATTERY BOX INSTALLATION - STANDARD (ALL SPECS EXCEPT AUSTRALIAN & CE SPECS).....	96
FIGURE 1-39. BATTERY BOX INSTALLATION - STANDARD (AUSTRALIAN & CE SPECS)	98
FIGURE 1-40. BATTERY BOX INSTALLATION - AGM BATTERIES (ALL SPECS EXCEPT AUSTRALIAN & CE SPECS)	100
FIGURE 1-41. BATTERY BOX INSTALLATION - AGM BATTERIES (AUSTRALIAN & CE SPECS)	102
FIGURE 1-42. BATTERY CHARGER INSTALLATION - E400AN/E400AJP/E400AJPN (ALL SPECS EXCEPT AUSTRALIAN & CE SPECS)	104
FIGURE 1-43. BATTERY CHARGER INSTALLATION - E400AJP/E400AJPN (AUSTRALIAN SPEC)	106
FIGURE 1-44. BATTERY CHARGER INSTALLATION - E400AN/E400AJP/E400AJPN (CE SPECS).....	108
FIGURE 1-45. BATTERY CHARGER INSTALLATION - M400AJP/M400AJPN (ALL SPECS EXCEPT AUSTRALIAN & CE SPECS)	110
FIGURE 1-46. BATTERY CHARGER INSTALLATION - M400AJP/M400AJPN (AUSTRALIAN SPEC).....	112
FIGURE 1-47. BATTERY CHARGER INSTALLATION - M400AJP/M400AJPN (CE SPECS)	114
FIGURE 1-48. BATTERY CHARGER ASSEMBLY	116
FIGURE 1-49. INVERTER INSTALLATION - E400AJP/M400AJP	118
FIGURE 1-50. INVERTER INSTALLATION - E400AN/E400AJPN/M400AJPN	120
FIGURE 1-51. FRAME COVER INSTALLATION - E400AJP	122
FIGURE 1-52. FRAME COVER INSTALLATION - M400AJP	124
FIGURE 1-53. FRAME COVER INSTALLATION - E400AN/E400AJPN	126
FIGURE 1-54. FRAME COVER INSTALLATION - M400AJPN	128
SECTION 2 - TURNTABLE	131
FIGURE 2-1. VALVE INSTALLATION- TURNTABLE MOUNTED - E400AN.....	132
FIGURE 2-2. VALVE INSTALLATION - TURNTABLE MOUNTED - E400AJP-E400AJPN (SN 0300208530 through 0300233432)	134

TABLE OF CONTENTS

FIGURE 2-3. VALVE INSTALLATION - TURNTABLE MOUNTED - E400AJP-E400AJPN (SN 0300233433 to Present)	136
FIGURE 2-4. VALVE INSTALLATION - TURNTABLE MOUNTED - M400AJP-M400AJPN (SN 0300208530 through 0300233432)	138
FIGURE 2-5. VALVE INSTALLATION - TURNTABLE MOUNTED - M400AJP-M400AJPN (SN 0300233433 to Present).....	140
FIGURE 2-6. MAIN CONTROL VALVE ASSEMBLY	142
FIGURE 2-7. RELEVELING VALVE ASSEMBLY	144
FIGURE 2-8. JIB VALVE ASSEMBLY (SN 0300208530 through 0300233432)	146
FIGURE 2-9. JIB VALVE ASSEMBLY (SN 0300233433 to Present)	148
FIGURE 2-10. MOTION ALARM INSTALLATION	150
FIGURE 2-11. TURNTABLE BEARING AND SWING DRIVE INSTALLATION	152
FIGURE 2-12. SWING MOTOR ASSEMBLY	154
FIGURE 2-13. SWING BEARING ASSEMBLY	156
FIGURE 2-14. REMOTE BEARING LUBE INSTALLATION - OPTIONAL	158
FIGURE 2-15. DRIVE ORIENTATION INSTALLATION.....	160
FIGURE 2-16. FUEL TANK AND BATTERY INSTALLATION - M400AJP/M400AJPN.....	162
FIGURE 2-17. GROUND CONTROL BOX INSTALLATION - E400AN (ALL SPECS EXCEPT CE AND AUSTRALIAN SPECS).....	164
FIGURE 2-18. GROUND CONTROL BOX INSTALLATION - E400AN (CE SPEC).....	166
FIGURE 2-19. GROUND CONTROL BOX INSTALLATION - E400AJP/E400AJPN/M400AJP/M400AJPN (ALL SPECS EXCEPT CE SPEC)	168
FIGURE 2-20. GROUND CONTROL BOX INSTALLATION - E400AJP/E400AJPN/M400AJP/M400AJPN (CE SPEC)	170
FIGURE 2-21. GROUND CONTROL BOX ELECTRICAL ASSEMBLY - E400AN (ALL SPECS EXCEPT CE AND AUSTRALIAN SPECS).....	172
FIGURE 2-22. GROUND CONTROL BOX ELECTRICAL ASSEMBLY - E400AN (CE SPEC).....	174
FIGURE 2-23. GROUND CONTROL BOX ELECTRICAL ASSEMBLY - E400AJP/E400AJPN/M400AJP/M400AJPN (ALL SPECS EXCEPT CE SPEC).....	176
FIGURE 2-24. GROUND CONTROL BOX ELECTRICAL ASSEMBLY - E400AJP/E400AJPN/M400AJP/M400AJPN (CE SPEC)	178
FIGURE 2-25. MOTOR CONTROLS INSTALLATION - M400AJP/M400AJPN	180
FIGURE 2-26. STROBE LIGHT INSTALLATION - AMBER (OPTIONAL).....	182
FIGURE 2-27. STROBE LIGHT ASSEMBLY - AMBER	184
FIGURE 2-28. BEACON LIGHT INSTALLATION - BLUE (SN 0300208530 through 0300217464).....	186
FIGURE 2-29. BEACON LIGHT INSTALLATION – BLUE (SN 0300217465 to Present).....	188
FIGURE 2-30. BEACON LIGHT INSTALLATION – RED (SN 0300208530 through 0300217164).....	190
FIGURE 2-31. BEACON LIGHT INSTALLATION – RED (SN 0300214165 to Present)	192
FIGURE 2-32. HOOD INSTALLATION - E400AJP/E400AJPN/E400AN.....	194
FIGURE 2-33. HOOD INSTALLATION - M400AJP/M400AJPN.....	196
SECTION 3 - ENGINE	199
FIGURE 3-1. KUBOTA MOTOR/GENERATOR INSTALLATION - M400AJP/M400AJPN.....	200
FIGURE 3-2. KUBOTA MOTOR/GENERATOR ASSEMBLY - M400AJP/M400AJPN.....	202
FIGURE 3-3. KUBOTA MOTOR/GENERATOR COMPONENTS	204
SECTION 4 - BOOM.....	207
FIGURE 4-1. BOOM AND CYLINDERS INSTALLATION - E400AN.....	208
FIGURE 4-2. BOOM AND CYLINDERS INSTALLATION - E400AJP/M400AJP/E400AJPN/M400AJPN	210
FIGURE 4-3. MAIN BOOM ASSEMBLY - E400AN.....	214
FIGURE 4-4. MAIN BOOM ASSEMBLY - E400AJP/M400AJP/E400AJPN/M400AJPN	218
FIGURE 4-5. JIB INSTALLATION	222
FIGURE 4-6. ROTATOR ASSEMBLY - E400AN	224
FIGURE 4-7. ROTATOR ASSEMBLY - PLATFORM SUPPORT TO JIB - E400AJP/M400AJP/E400AJPN/M400AJPN.....	226
FIGURE 4-8. ROTATOR ASSEMBLY - MAIN BOOM TO JIB - E400AJP/M400AJP/E400AJPN/M400AJPN.....	228
FIGURE 4-9. PLATFORM SUPPORT INSTALLATION - WITHOUT LSS.....	230
FIGURE 4-10. PLATFORM SUPPORT INSTALLATION - WITH 4 CELL LSS	232
FIGURE 4-11. PLATFORM SUPPORT INSTALLATION - WITH 1 CELL LSS	234
FIGURE 4-12. CABLES AND CLAMPS INSTALLATION - E400AN	236
FIGURE 4-13. CABLES AND CLAMPS INSTALLATION - E400AJP/M400AJP/E400AJPN/M400AJPN.....	238
FIGURE 4-14. BOOM LIMIT SWITCHES INSTALLATION	240
SECTION 5 - PLATFORM.....	243
FIGURE 5-1. PLATFORM ASSEMBLY - 4FT/1.22M - SIDE GATE ENTRY	244
FIGURE 5-2. PLATFORM ASSEMBLY - 5FT/1.52M - SIDE GATE ENTRY	246
FIGURE 5-3. PLATFORM ASSEMBLY - 5FT/1.52M - SIDE GATE ENTRY - W/STOP AND WITHOUT LSS OR WITH 4 CELL LSS	248
FIGURE 5-4. PLATFORM ASSEMBLY - 5FT/1.52M - SIDE GATE ENTRY - W/STOP AND 1 CELL LSS.....	250

TABLE OF CONTENTS

FIGURE 5-5. PLATFORM ASSEMBLY - 4FT/1.22M - DROP BAR ENTRY	252
FIGURE 5-6. PLATFORM ASSEMBLY - 5FT/1.52M - DROP BAR ENTRY	254
FIGURE 5-7. PLATFORM ASSEMBLY - 5FT/1.52M - DROP BAR ENTRY	256
FIGURE 5-8. PLATFORM CONSOLE AND FOOTSWITCH INSTALLATION - WITHOUT LSS OR WITH 4 CELL LSS - WITHOUT SKYGUARD - E400AN	258
FIGURE 5-9. PLATFORM CONSOLE AND FOOTSWITCH INSTALLATION - WITHOUT LSS OR WITH 4 CELL LSS - WITH SKYGUARD - E400AN - UL SPECS	260
FIGURE 5-10. PLATFORM CONSOLE AND FOOTSWITCH INSTALLATION - WITHOUT LSS OR WITH 4 CELL LSS - WITH SKYGUARD - E400AN (Prior to SN 0300240700)	262
FIGURE 5-11. PLATFORM CONSOLE AND FOOTSWITCH INSTALLATION - WITHOUT LSS OR WITH 4 CELL LSS - WITHOUT SKYGUARD - E400AJP/E400AJPN/M400AJP/M400AJPN	264
FIGURE 5-12. PLATFORM CONSOLE AND FOOTSWITCH INSTALLATION - WITHOUT LSS OR WITH 4 CELL LSS - WITH SKYGUARD - E400AJP/E400AJPN - UL SPECS	266
FIGURE 5-13. PLATFORM CONSOLE AND FOOTSWITCH INSTALLATION - WITHOUT LSS OR WITH 4 CELL LSS - WITH SKYGUARD - E400AJP/E400AJPN/M400AJP/M400AJPN (Prior to SN 0300240700)	268
FIGURE 5-14. PLATFORM CONSOLE AND FOOTSWITCH INSTALLATION - WITH SKYGUARD AND 1 CELL LSS - E400AJP/E400AJPN/M400AJP/M400AJPN	270
FIGURE 5-15. PLATFORM CONSOLE AND FOOTSWITCH INSTALLATION - WITH SKYGUARD AND 1 CELL LSS - E400AN	272
FIGURE 5-16. PLATFORM CONSOLE ASSEMBLY - WITHOUT LSS OR WITH 4 CELL LSS - WITHOUT SKYGUARD - E400AN (SN 0300208530 through 0300219911)	274
FIGURE 5-17. PLATFORM CONSOLE ASSEMBLY - WITHOUT LSS OR WITH 4 CELL LSS - WITHOUT SKYGUARD - E400AN (SN 0300219912 to Present)	278
FIGURE 5-18. PLATFORM CONSOLE ASSEMBLY - WITHOUT LSS OR WITH 4 CELL LSS - WITH SKYGUARD - E400AN (SN 0300208530 through 0300219911)	282
FIGURE 5-19. PLATFORM CONSOLE ASSEMBLY - WITHOUT LSS OR WITH 4 CELL LSS - WITH SKYGUARD - E400AN (SN 0300219912 through 0300240700)	286
FIGURE 5-20. PLATFORM CONSOLE ASSEMBLY - WITHOUT LSS OR WITH 4 CELL LSS - WITH SKYGUARD - E400AN - UL SPECS	290
FIGURE 5-21. PLATFORM CONSOLE ASSEMBLY - WITHOUT LSS OR WITH 4 CELL LSS - WITHOUT SKYGUARD - E400AJP/E400AJPN/M400AJP/M400AJPN (SN 0300208530 through 0300219911)	294
FIGURE 5-22. PLATFORM CONSOLE ASSEMBLY - WITHOUT LSS OR WITH 4 CELL LSS - WITHOUT SKYGUARD - E400AJP/E400AJPN/M400AJP/M400AJPN (SN 0300219912 to Present)	298
FIGURE 5-23. PLATFORM CONSOLE ASSEMBLY - WITHOUT LSS OR WITH 4 CELL LSS - WITH SKYGUARD - E400AJP/E400AJPN - UL SPECS	302
FIGURE 5-24. PLATFORM CONSOLE ASSEMBLY - WITHOUT LSS OR WITH 4 CELL LSS - WITH SKYGUARD - E400AJP/E400AJPN/M400AJP/M400AJPN (SN 0300208530 through 0300219911)	306
FIGURE 5-25. PLATFORM CONSOLE ASSEMBLY - WITHOUT LSS OR WITH 4 CELL LSS - WITH SKYGUARD - E400AJP/E400AJPN/M400AJP/M400AJPN (SN 0300219912 through 0300240700)	310
FIGURE 5-26. PLATFORM CONSOLE ASSEMBLY - WITH SKYGUARD AND 1 CELL LSS - E400AJP/E400AJPN/M400AJP/M400AJPN	314
FIGURE 5-27. PLATFORM CONSOLE ASSEMBLY - WITH SKYGUARD AND 1 CELL LSS - E400AN	318
FIGURE 5-28. CONTROLLER ASSEMBLY - DRIVE AND STEER	322
FIGURE 5-29. CONTROLLER ASSEMBLY - LIFT AND SWING	324
FIGURE 5-30. FOOTSWITCH ASSEMBLY	328
FIGURE 5-31. MOTOR CONTROLS INSTALLATION - M400AJP/M400AJPN	330
FIGURE 5-32. TRAY ASSEMBLY	332
FIGURE 5-33. SEALED ENCLOSURES - UL SPECS	334
FIGURE 5-34. SKYGUARD SYSTEM INSTALLATION	336
FIGURE 5-35. CROSS RAIL INSTALLATION	338
FIGURE 5-36. PIPE RACK INSTALLATION	340
SECTION 6 - CYLINDER	343
FIGURE 6-1. LEVEL (PLATFORM SLAVE) CYLINDER ASSEMBLY - E400AN	344
FIGURE 6-2. LEVEL (PLATFORM SLAVE) CYLINDER ASSEMBLY - E400AJP/M400AJP/E400AJPN/M400AJPN	346
FIGURE 6-3. LIFT CYLINDER ASSEMBLY - JIB - E400AJP/M400AJP/E400AJPN/M400AJPN	348
FIGURE 6-4. LIFT CYLINDER ASSEMBLY - LOWER - E400AN (SN 0300208530 through 0300239739)	350
FIGURE 6-5. LIFT CYLINDER ASSEMBLY - LOWER - E400AN (SN 0300239740 to Present)	352
FIGURE 6-6. LIFT CYLINDER ASSEMBLY - LOWER - E400AJP/M400AJP/E400AJPN/M400AJPN (SN 0300208530 through 0300239237)	354
FIGURE 6-7. CYLINDER ASSEMBLY - LOWER - E400AJP/M400AJP/E400AJPN/M400AJPN (SN 0300239237 to Present) ...	356
FIGURE 6-8. LIFT CYLINDER ASSEMBLY - MID - E400AN (SN 0300208530 through 0300239739)	358
FIGURE 6-9. LIFT CYLINDER ASSEMBLY - MID - E400AN (SN 0300239740 to Present)	360
FIGURE 6-10. LIFT CYLINDER ASSEMBLY - MID - E400AJP/M400AJP/E400AJPN/M400AJPN (SN 0300208530 through 0300239237)	362
FIGURE 6-11. LIFT CYLINDER ASSEMBLY - MID - E400AJP/M400AJP/E400AJPN/M400AJPN (SN 0300239237 to Present)	364

TABLE OF CONTENTS

FIGURE 6-12. LIFT CYLINDER - UPPER - E400AN (SN 0300208530 through 0300239739)	366
FIGURE 6-13. LIFT CYLINDER - UPPER - E400AN (SN 0300239740 to Present)	368
FIGURE 6-14. LIFT CYLINDER - UPPER - E400AJP/M400AJP/E400AJPN/M400AJPN (SN 0300208530 through 0300239739)	370
FIGURE 6-15. LIFT CYLINDER - UPPER - E400AJP/M400AJP/E400AJPN/M400AJPN (SN 0300239740 to Present)	372
FIGURE 6-16. MASTER CYLINDER ASSEMBLY - E400AN	374
FIGURE 6-17. MASTER CYLINDER ASSEMBLY - E400AJP/M400AJP/E400AJPN/M400AJPN	376
FIGURE 6-18. STEER CYLINDER ASSEMBLY	378
FIGURE 6-19. TELESCOPE CYLINDER ASSEMBLY - E400AN (Prior to SN 0300244775)	380
FIGURE 6-20. TELESCOPE CYLINDER ASSEMBLY (E400AN) (SN 0300244775 to Present)	382
FIGURE 6-21. TELESCOPE CYLINDER ASSEMBLY - E400AJP/M400AJP/E400AJPN/M400AJPN (Prior to SN 0300244120)	384
FIGURE 6-22. TELESCOPE CYLINDER ASSEMBLY - E400AJP/M400AJP/E400AJPN/M400AJPN (SN 0300244120 to Present)	386
FIGURE 6-23. COUNTERBALANCE VALVE ASSEMBLY	388
SECTION 7 - HYDRAULIC	391
FIGURE 7-1. HYDRAULIC DIAGRAM - E400AN	392
FIGURE 7-2. HYDRAULIC DIAGRAM - E400AJP/E400AJPN (SN 0300208530 through 0300233432)	396
FIGURE 7-3. HYDRAULIC DIAGRAM - E400AJP/E400AJPN (SN 0300233433 to Present)	400
FIGURE 7-4. HYDRAULIC DIAGRAM - M400AJP/M400AJPN (SN 0300208530 through 0300233432)	404
FIGURE 7-5. HYDRAULIC DIAGRAM - M400AJP/M400AJPN (SN 0300233433 to Present)	408
FIGURE 7-6. HYDRAULIC DIAGRAM LIST	412
SECTION 8 - ELECTRICAL	413
FIGURE 8-1. ELECTRICAL DIAGRAM LIST	414
FIGURE 8-2. AC PLUGS AND SOCKETS INSTALLATION - AFSINT 107-2-01 KEYED GROUND - 2 X 4 BOX (CE SPEC)	416
FIGURE 8-3. AC PLUGS AND SOCKETS INSTALLATION - CEE7 POST GROUND (CE SPEC)	418
FIGURE 8-4. AC PLUGS AND SOCKETS INSTALLATION - CEE 7 SIDE GROUND (CE SPEC)	420
FIGURE 8-5. AC PLUGS AND SOCKETS INSTALLATION - CEE7 POST GROUND - 2 X 4 BOX (CE SPEC)	422
FIGURE 8-6. AC PLUGS AND SOCKETS INSTALLATION - CEE7 SIDE GROUND - 2 X 4 BOX (CE SPEC)	424
FIGURE 8-7. AC PLUGS AND SOCKETS INSTALLATION - IEC 60309 BLUE (CE SPEC)	426
FIGURE 8-8. AC PLUGS AND SOCKETS INSTALLATION - IEC 60309 YELLOW (CE SPEC)	428
FIGURE 8-9. BATTERY CABLE KIT - E400AN, E400AJP AND E400AJPN	430
FIGURE 8-10. BATTERY CABLE KIT - E400AN, E400AJP AND E400AJPN - UL SPECS	432
FIGURE 8-11. BATTERY CABLE KIT - M400AJP AND M400AJPN	434
FIGURE 8-12. BOOM CABLE - LOWER	436
FIGURE 8-13. BOOM CABLE - UPPER	438
FIGURE 8-14. BOOM LIMIT SWITCH HARNESS - LOWER	440
FIGURE 8-15. BOOM LIMIT SWITCH HARNESS - UPPER	442
FIGURE 8-16. BREAKER BOX INSTALLATION - DOUBLE BREAKER BOXES	444
FIGURE 8-17. BREAKER BOX KIT WITH ONE BREAKERS - CE SPEC	446
FIGURE 8-18. BREAKER BOX KIT WITH TWO BREAKERS - CE SPEC	448
FIGURE 8-19. CHARGER CORD PLUG INSTALLATION - 110V - IEC 60309 - YELLOW (CE SPEC)	450
FIGURE 8-20. CHARGER CORD PLUG INSTALLATION - 220V - AFSINT 107 KEYED GROUND (CE SPEC)	452
FIGURE 8-21. CHARGER CORD PLUG INSTALLATION - 220V - CEE7 POST GROUND (CE SPEC)	454
FIGURE 8-22. CHARGER CORD PLUG INSTALLATION - 220V - CEE7 SIDE GROUND (CE SPEC)	456
FIGURE 8-23. CHARGER CORD PLUG INSTALLATION - 220V - IEC 60309 - BLUE (CE SPEC)	458
FIGURE 8-24. CHASSIS TO TURNTABLE HARNESS	460
FIGURE 8-25. GENERATOR HARNESS	462
FIGURE 8-26. GROUND CONTROL PANEL HARNESS	464
FIGURE 8-27. INVERTER HARNESS	466
FIGURE 8-28. INVERTER IGNITION HARNESS	468
FIGURE 8-29. LOWER BOOM 110V HARNESS ASSEMBLY	470
FIGURE 8-30. LOWER BOOM 220V HARNESS ASSEMBLY - CE SPEC	472
FIGURE 8-31. LOWER BOOM 220V HARNESS ASSEMBLY - CE SPEC	474
FIGURE 8-32. LLS SYSTEM HARNESS	476
FIGURE 8-33. PLATFORM CONSOLE HARNESS - WITHOUT LSS OR WITH 4 CELL LSS	478
FIGURE 8-34. PLATFORM CONSOLE HARNESS - WITH 1 CELL LSS	480
FIGURE 8-35. PLUG AND RECEPTACLE INSTALLATION - 110V	482
FIGURE 8-36. PLUG AND RECEPTACLE INSTALLATION - 220V	484
FIGURE 8-37. PLUG AND RECEPTACLE INSTALLATION - SUPPLIED LOCALLY	486
FIGURE 8-38. PLUG AND RECEPTACLE 110V INSTALLATION - IEC 60309 - YELLOW (CE SPEC)	488
FIGURE 8-39. PLUG AND RECEPTACLE 220V INSTALLATION - AFSINT 107 KEYED GROUND - 2 X 4 BOX (CE SPEC)	490
FIGURE 8-40. PLUG AND RECEPTACLE 220V INSTALLATION - CEE7 POST GROUND - 2 X 4 BOX (CE SPEC)	492
FIGURE 8-41. PLUG AND RECEPTACLE 220VINSTALLATION - CEE7 POST GROUND - 70MM X 70MM BOX (CE SPEC)	494

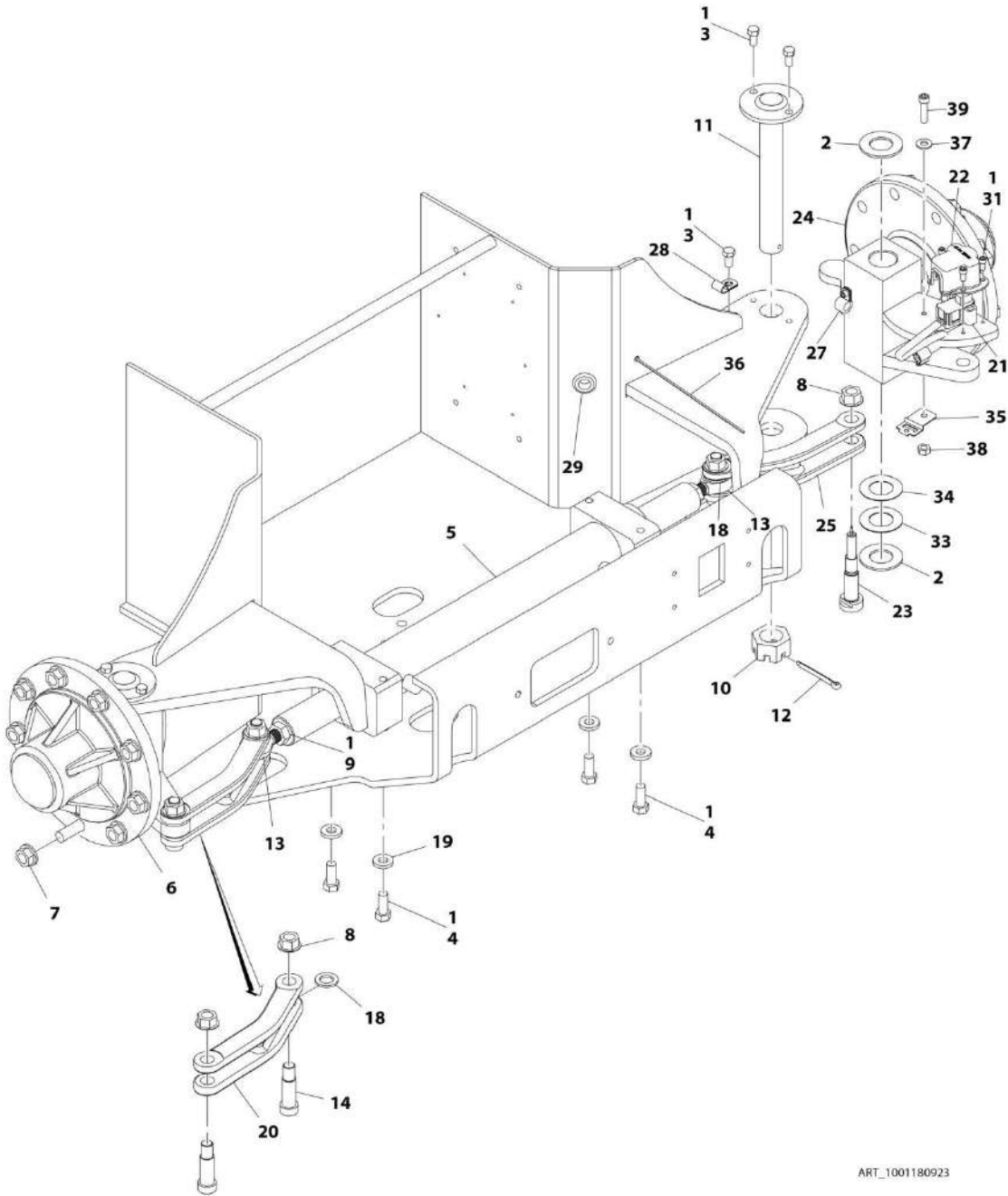
TABLE OF CONTENTS

FIGURE 8-42. PLUG AND RECEPTACLE 220V INSTALLATION - CEE7 SIDE GROUND - 2 X 4 BOX (CE SPEC).....	496
FIGURE 8-43. PLUG AND RECEPTACLE 220V INSTALLATION - CEE7 SIDE GROUND - 70MM X 70MM BOX (CE SPEC) ..	498
FIGURE 8-44. PLUG AND RECEPTACLE 220V INSTALLATION - IEC 60309 - BLUE (CE SPEC).....	500
FIGURE 8-45. SKYGUARD HARNESS - WITHOUT LSS OR WITH 4 CELL LSS	502
FIGURE 8-46. SKYGUARD HARNESS - WITH 1 CELL LSS.....	504
FIGURE 8-47. STEER/BRAKE HARNESS.....	506
FIGURE 8-48. TRACTION HARNESS	508
FIGURE 8-49. TURNTABLE HARNESS	512
FIGURE 8-50. UPPER BOOM 110V HARNESS ASSEMBLY	516
FIGURE 8-51. UPPER BOOM 220V HARNESS ASSEMBLY - CE SPEC	518
FIGURE 8-52. VALVE HARNESS	520
SECTION 9 - DECALS	523
FIGURE 9-1. DECAL INSTALLATION - ANSI SPEC - E400AN/E400AJP/E400AJPN	524
FIGURE 9-2. DECAL INSTALLATION - ANSI SPEC - M400AJP/M400AJPN.....	526
FIGURE 9-3. DECAL INSTALLATION - AUSTRALIAN SPEC - E400AN/E400AJP/E400AJPN	528
FIGURE 9-4. DECAL INSTALLATION - AUSTRALIAN SPEC - M400AJP/M400AJPN.....	530
FIGURE 9-5. DECAL INSTALLATION - CE SPEC - E400AN/E400AJP/E400AJPN	532
FIGURE 9-6. DECAL INSTALLATION - CE SPEC - M400AJP/M400AJPN	534
FIGURE 9-7. DECAL INSTALLATION - CHINESE/ENGLISH - E400AN/E400AJP/E400AJPN	536
FIGURE 9-8. DECAL INSTALLATION - CHINESE/ENGLISH - M400AJP/M400AJPN	538
FIGURE 9-9. DECAL INSTALLATION - FRENCH/ENGLISH SPECS - E400AN/E400AJP/E400AJPN	540
FIGURE 9-10. DECAL INSTALLATION - FRENCH/ENGLISH SPECS - M400AJP/M400AJPN	542
FIGURE 9-11. DECAL INSTALLATION - JAPANESE SPEC - E400AN/E400AJP/E400AJPN	544
FIGURE 9-12. DECAL INSTALLATION - JAPANESE SPEC - M400AJP/M400AJPN	546
FIGURE 9-13. DECAL INSTALLATION - KOREAN SPEC - E400AN/E400AJP/E400AJPN	548
FIGURE 9-14. DECAL INSTALLATION - KOREAN SPEC - M400AJP/M400AJPN.....	550
FIGURE 9-15. DECAL INSTALLATION - SPANISH/ENGLISH SPECS - E400AN/E400AJP/E400AJPN	552
FIGURE 9-16. DECAL INSTALLATION - SPANISH/ENGLISH SPECS - M400AJP/M400AJPN	554
FIGURE 9-17. DECAL INSTALLATION - SPANISH/PORTUGUESE SPECS - E400AN/E400AJP/E400AJPN	556
FIGURE 9-18. DECAL INSTALLATION - SPANISH/PORTUGUESE SPECS - M400AJP/M400AJPN	558
FIGURE 9-19. DECAL INSTALLATION - OPTIONS	560
SECTION 10 - RECOMMENDED SERVICE PARTS STOCK	563
FIGURE 10-1. RECOMMENDED SERVICE PARTS STOCK	564
SECTION 11 - SPECIAL OPTIONS.....	567
FIGURE 11-1. SPECIAL OPTIONS.....	568
PART NUMBER INDEX	571

SECTION 1 - FRAME

SECTION 1 - FRAME

FIGURE 1-1. STEERING INSTALLATION - E400AJP / M400AJP (Prior to SN 0300244775)



ART_1001180923

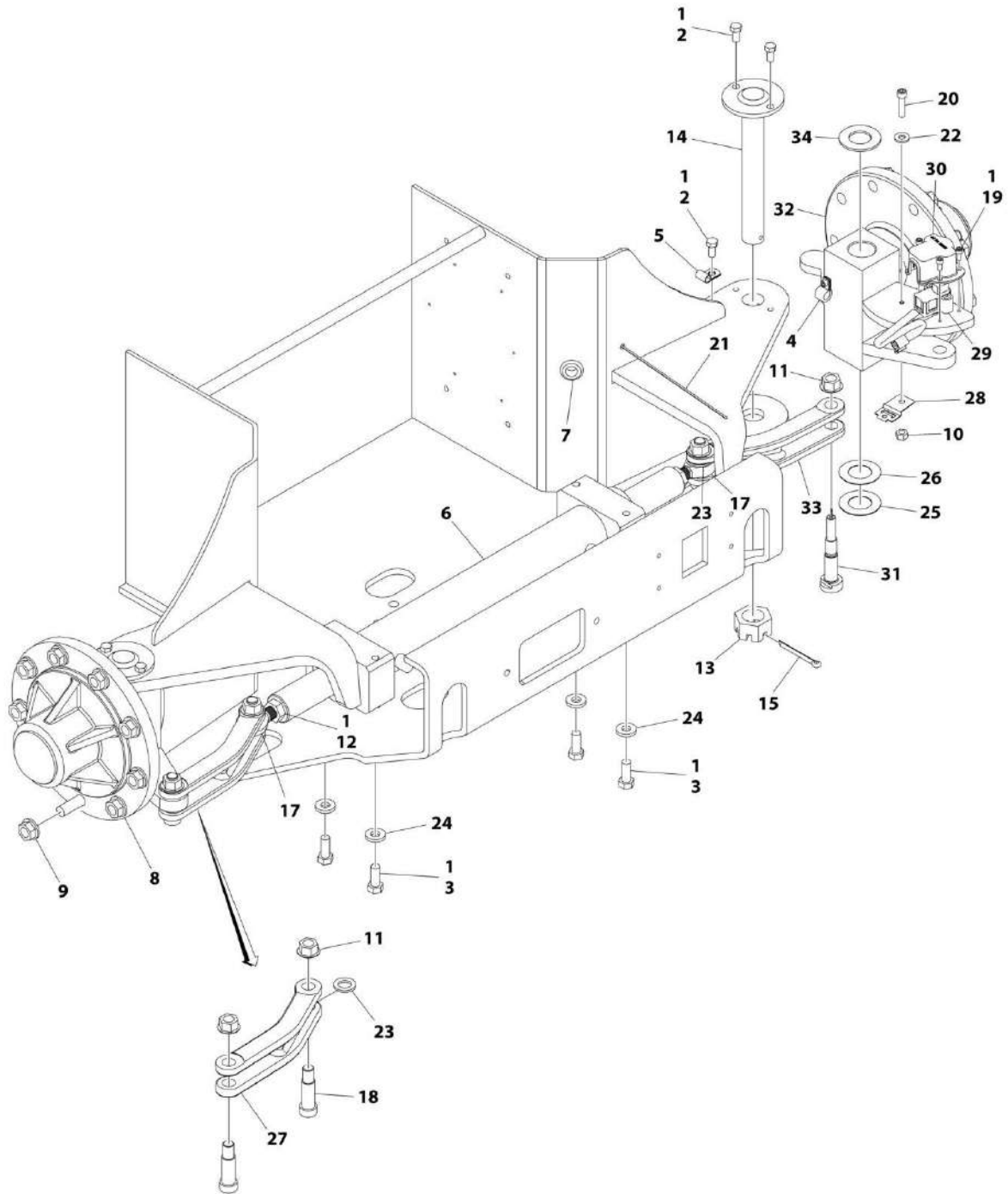
SECTION 1 - FRAME

FIGURE 1-1. STEERING INSTALLATION - E400AJP / M400AJP (Prior to SN 0300244775)

ITEM	PART NUMBER	QTY	DESCRIPTION	REV
	1001180923	Ref	STEERING INSTALLATION - E400AJP and M400AJP (Prior to SN 0300244775)	G
1	0100011	AR	Compound, Locking	
2	0440162	4	Bearing, Thrust (SN 0300208530 through 0300213163)	
2	1001193047	AR	Bearing, Thrust (SN 0300213164 to Present)	
3	0641606	5	Bolt 3/8 X 3/4	
4	0681810	4	Bolt 1/2 X 1-1/4 Grade 8	
5	1683591	1	Steer Cylinder Assembly (See CYLINDER SECTION for Breakdown)	
6	2780241	1	Hub - Spindle Assembly - RH (See SPINDLE - HUB ASSEMBLY - RH for Breakdown)	
7	3300426	18	Nut 5/8	
8	3312008	4	Nut 5/8	
9	3322202	2	Nut	
10	3323003	2	Nut 1-1/4	
11	3422692	2	Kingpin	
12	3450810	2	Pin, Cotter	
13	3841517	2	End, Tie-Rod	
14	3900109	3	Screw, Shoulder	
18	4740156	2	Washer	
19	4891800	4	Washer 1/2	
20	1001153021	1	Link	
21	1001161117	1	Switch, Angle Sensor	
21	4460536	1	Receptacle, Female - 3 Position	
21	4460464	3	Pin, Male	
22	1001169423	1	Cover	
23	1001180835	1	Pin	
24	1001180839	1	Hub - Spindle Assembly - LH (See SPINDLE - HUB ASSEMBLY - LH for Breakdown)	
25	1001180841	1	Link	
27	1320041	1	Clamp	
28	1320263	1	Clamp, Cable	
29	2540038	1	Grommet	
31	3931408	4	Capscrew 1/4 X 1/2	
33	1001151395	1	Shim 18Ga	
34	1001151428	1	Shim 20Ga	
35	1001153749	1	Clip, Connector	
36	4240175	1	Tie-Strap	
37	4711400	1	Washer 1/4	
38	3311405	1	Nut 1/4	
39	3931416	1	Capscrew 1/4 x 1	

SECTION 1 - FRAME

FIGURE 1-2. STEERING INSTALLATION - E400AJP / M400AJP (SN 0300244775 to Present)



ART_1001232203

SECTION 1 - FRAME

FIGURE 1-2. STEERING INSTALLATION - E400AJP / M400AJP (SN 0300244775 to Present)

ITEM	PART NUMBER	QTY	DESCRIPTION	REV
	1001232203	Ref	STEERING INSTALLATION	A
1	0100011	AR	Compound, Locking	
2	0641606	5	Bolt 3/8 X 3/4	
3	0681810	4	Bolt 1/2 X 1-1/4 Grade 8	
4	1320041	1	Clamp	
5	1320263	1	Clamp, Cable	
6	1683591	1	Steer Cylinder Assembly (See CYLINDER SECTION for Breakdown)	
7	2540038	1	Grommet	
8	2780241	1	Hub - Spindle Assembly - RH (See SPINDLE - HUB ASSEMBLY - RH for Breakdown)	
9	3300426	18	Nut 5/8	
10	3311405	1	Nut 1/4	
11	3312008	4	Nut 5/8	
12	3322202	2	Nut	
13	3323003	2	Nut 1-1/4	
14	3422692	2	Kingpin	
15	3450810	2	Pin, Cotter	
17	3841517	2	End, Tie-Rod	
18	3900109	3	Screw, Shoulder	
19	3931408	4	Capscrew 1/4 X 1/2	
20	3931416	1	Capscrew 1/4 x 1	
21	4240175	1	Tie-Strap	
22	4711400	1	Washer 1/4	
23	4740156	2	Washer	
24	4891800	4	Washer 1/2	
25	1001151395	1	Shim 18Ga	
26	1001151428	1	Shim 20Ga	
27	1001153021	1	Link	
28	1001153749	1	Clip, Connector	
29	1001161117	1	Switch, Angle Sensor	
29	4460536	1	Receptacle, Female - 3 Position	
29	4460464	3	Pin, Male	
30	1001169423	1	Cover	
31	1001180835	1	Pin	
32	1001180839	1	Hub - Spindle Assembly - LH (See SPINDLE - HUB ASSEMBLY - LH for Breakdown)	
33	1001180841	1	Link	
34	1001193047	2	Bearing, Thrust	

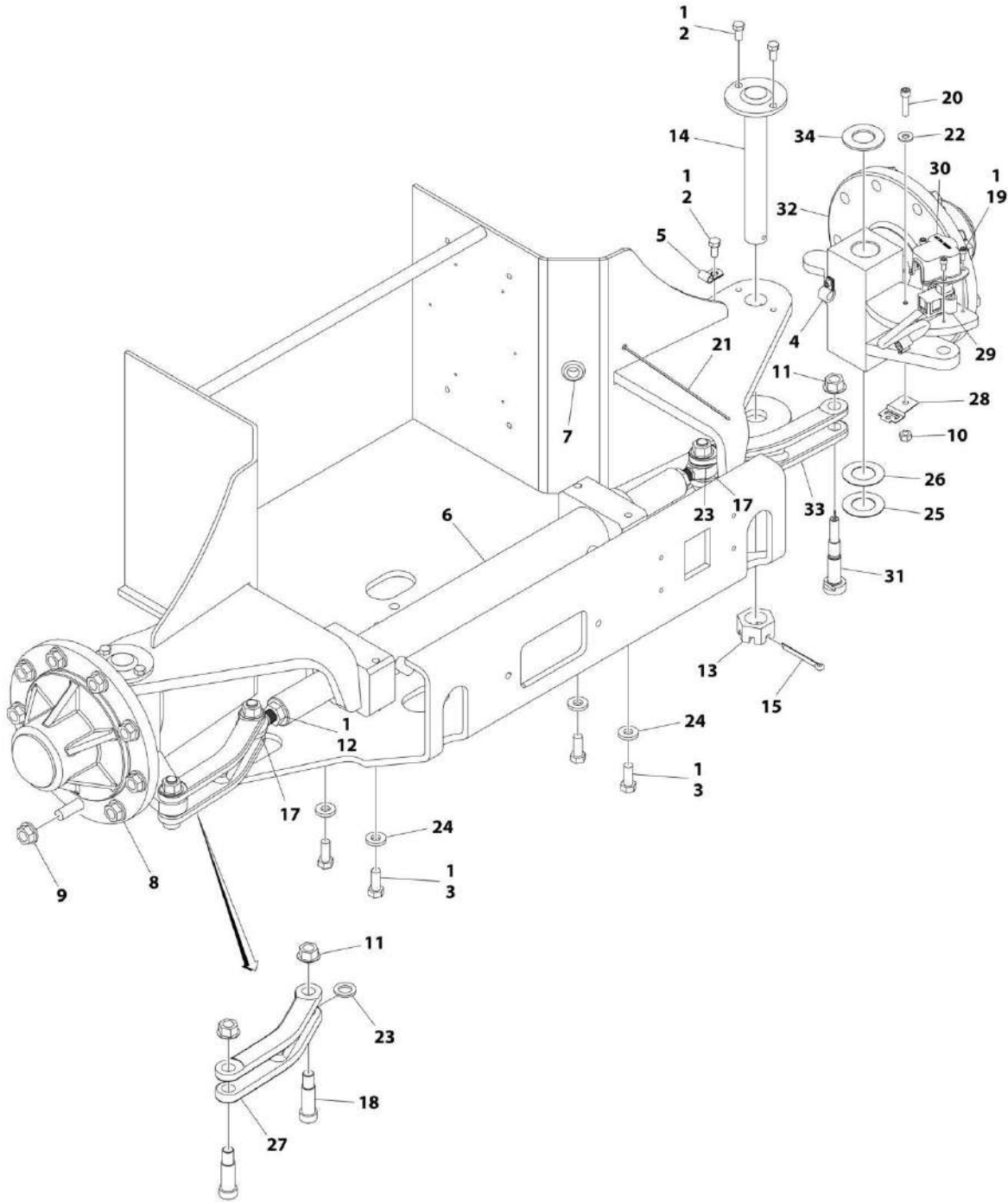
SECTION 1 - FRAME

FIGURE 1-3. STEERING INSTALLATION - E400AN / E400AJPN / M400AJPN (Prior to SN 0300244775)

ITEM	PART NUMBER	QTY	DESCRIPTION	REV
	1001180924	Ref	STEERING INSTALLATION - E400An, E400AJPN and M400AJPN (Prior to SN 0300244775)	G
1	0100011	AR	Compound, Locking	
2	0440162	4	Bearing, Thrust (SN 0300208530 through 0300213163)	
2	1001193047	AR	Bearing, Thrust (SN 0300213164 to Present)	
3	0641606	5	Bolt 3/8 X 3/4	
4	0681810	4	Bolt 1/2 X 1-1/4 Grade 8	
5	1683591	1	Steer Cylinder Assembly (See CYLINDER SECTION for Breakdown)	
6	2780251	1	Hub - Spindle Assembly - RH (See SPINDLE - HUB ASSEMBLY - RH for Breakdown)	
7	3300426	18	Nut 5/8	
8	3312008	4	Nut 5/8	
9	3322202	2	Nut	
10	3323003	2	Nut 1-1/4	
11	3422692	2	Kingpin	
12	3450810	2	Pin, Cotter	
13	3841517	2	End, Tie-Rod	
14	3900109	3	Screw, Shoulder	
18	4740156	2	Washer	
19	4891800	4	Washer 1/2	
20	1001153023	1	Link	
21	1001161117	1	Switch, Angle Sensor	
21	4460536	1	Receptacle, Female - 3 Position	
21	4460464	3	Pin, Male	
22	1001169423	1	Cover	
23	1001180835	1	Pin	
24	1001180838	1	Hub - Spindle Assembly - LH (See SPINDLE - HUB ASSEMBLY - LH for Breakdown)	
25	1001180840	1	Link	
27	1320041	1	Clamp	
28	1320263	1	Clamp, Cable	
29	2540038	1	Grommet	
31	3931408	4	Capscrew 1/4 X 1/2	
33	1001151395	1	Shim 18Ga	
34	1001151428	1	Shim 20Ga	
35	1001153749	1	Clip, Connector	
36	4240175	1	Tie-Strap	
37	4711400	1	Washer 1/4	
38	3311405	1	Nut 1/4	
39	3931416	1	Capscrew 1/4 x 1	

SECTION 1 - FRAME

FIGURE 1-4. STEERING INSTALLATION - E400AN / E400AJPN / M400AJPN (SN 0300244775 to Present)



ART_1001232204

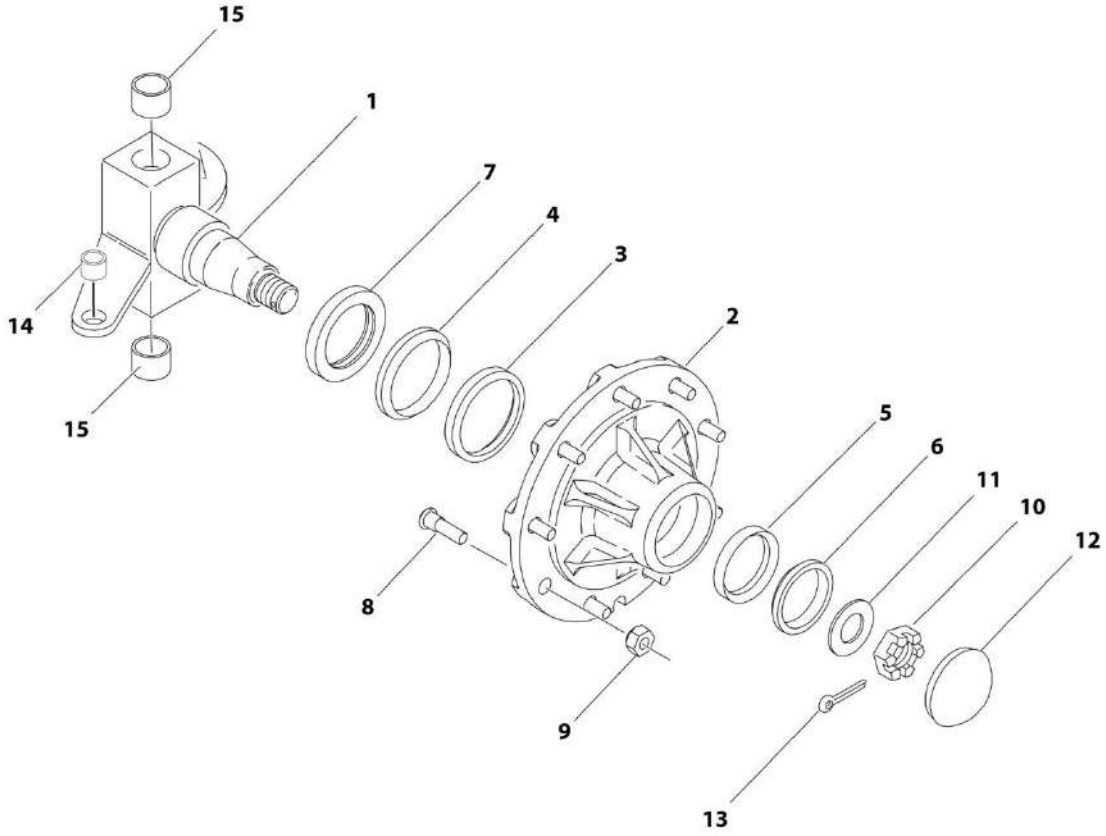
SECTION 1 - FRAME

FIGURE 1-4. STEERING INSTALLATION - E400AN / E400AJPN / M400AJPN (SN 0300244775 to Present)

ITEM	PART NUMBER	QTY	DESCRIPTION	REV
	1001232204	Ref	STEERING INSTALLATION - E400An, E400AJPN and M400AJPN (SN 0300244775 to Present)	A
1	0100011	AR	Compound, Locking	
2	0641606	5	Bolt 3/8 X 3/4	
3	0681810	4	Bolt 1/2 X 1-1/4 Grade 8	
4	1320041	1	Clamp	
5	1320263	1	Clamp, Cable	
6	1683591	1	Steer Cylinder Assembly (See CYLINDER SECTION for Breakdown)	
7	2540038	1	Grommet	
8	2780251	1	Hub - Spindle Assembly - RH (See SPINDLE - HUB ASSEMBLY - RH for Breakdown)	
9	3300426	18	Nut 5/8	
10	3311405	1	Nut 1/4	
11	3312008	4	Nut 5/8	
12	3322202	2	Nut	
13	3323003	2	Nut 1-1/4	
14	3422692	2	Kingpin	
15	3450810	2	Pin, Cotter	
17	3841517	2	End, Tie-Rod	
18	3900109	3	Screw, Shoulder	
19	3931408	4	Capscrew 1/4 X 1/2	
20	3931416	1	Capscrew 1/4 x 1	
21	4240175	1	Tie-Strap	
22	4711400	1	Washer 1/4	
23	4740156	2	Washer	
24	4891800	4	Washer 1/2	
25	1001151395	1	Shim 18Ga	
26	1001151428	1	Shim 20Ga	
27	1001153023	1	Link	
28	1001153749	1	Clip, Connector	
29	1001161117	1	Switch, Angle Sensor	
29	4460536	1	Receptacle, Female - 3 Position	
29	4460464	3	Pin, Male	
30	1001169423	1	Cover	
31	1001180835	1	Pin	
32	1001180838	1	Hub - Spindle Assembly - LH (See SPINDLE - HUB ASSEMBLY - LH for Breakdown)	
33	1001180840	1	Link	
34	1001193047	2	Bearing, Thrust	

SECTION 1 - FRAME

FIGURE 1-5. HUB - SPINDLE ASSEMBLY - RH - E400AJP/M400AJP



ART_2780241

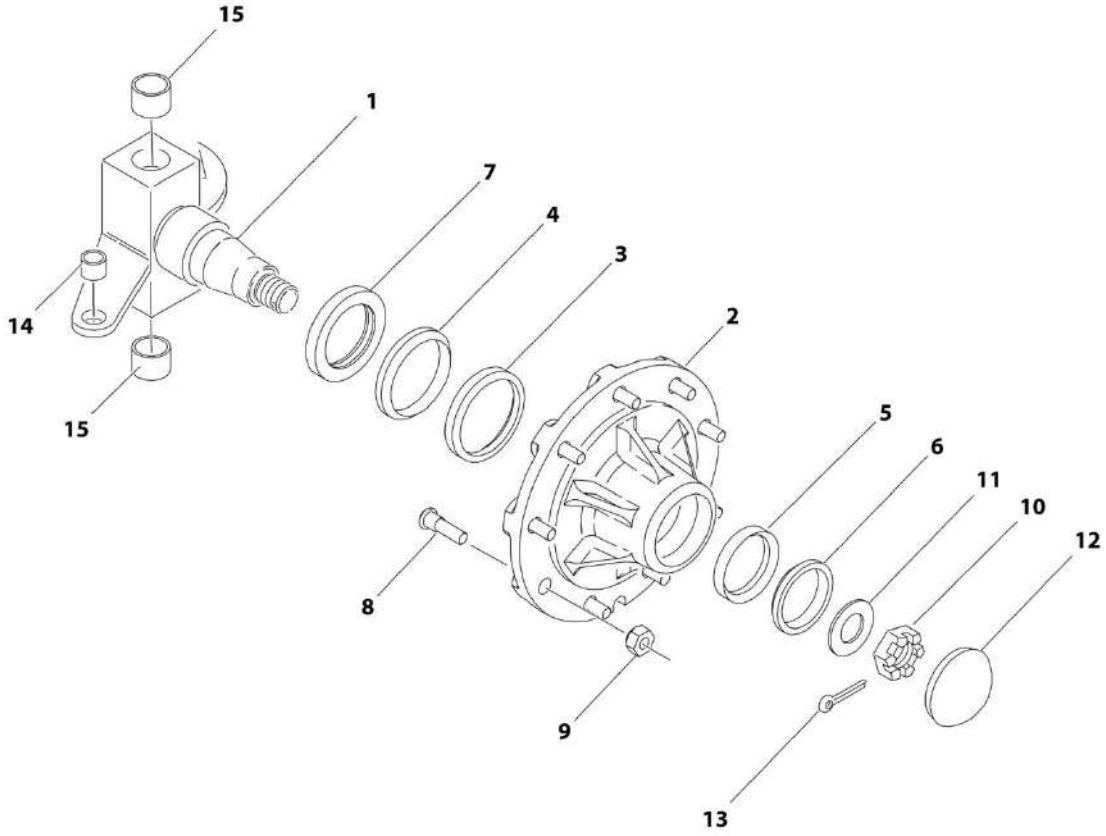
SECTION 1 - FRAME

FIGURE 1-5. HUB - SPINDLE ASSEMBLY - RH - E400AJP/M400AJP

ITEM	PART NUMBER	QTY	DESCRIPTION	REV
	2780241	Ref	HUB - SPINDLE ASSEMBLY, RH	C
1	4130351	1	Spindle R.H .	
2	7020035	1	Hub	
3	7020036	1	Cup, Bearing - Inner	
4	7020037	1	Cone, Bearing - Inner	
5	7020038	1	Cup, Bearing - Outer	
6	7020039	1	Cone, Bearing - Outer	
7	7020040	1	Seal	
8	7020041	9	Stud, Wheel	
9	7020042	9	Lugnut	
10	7020054	1	Nut, Castle	
11	7020055	1	Washer, Spindle	
12	7020137	1	Dust Cap	
13	7020140	1	Pin, Cotter	
14	0962140	1	Bushing	
15	0961951	2	Bushing	

SECTION 1 - FRAME

FIGURE 1-6. HUB - SPINDLE ASSEMBLY - RH - E400AN/E400AJPN/M400AJPN



ART_2780251

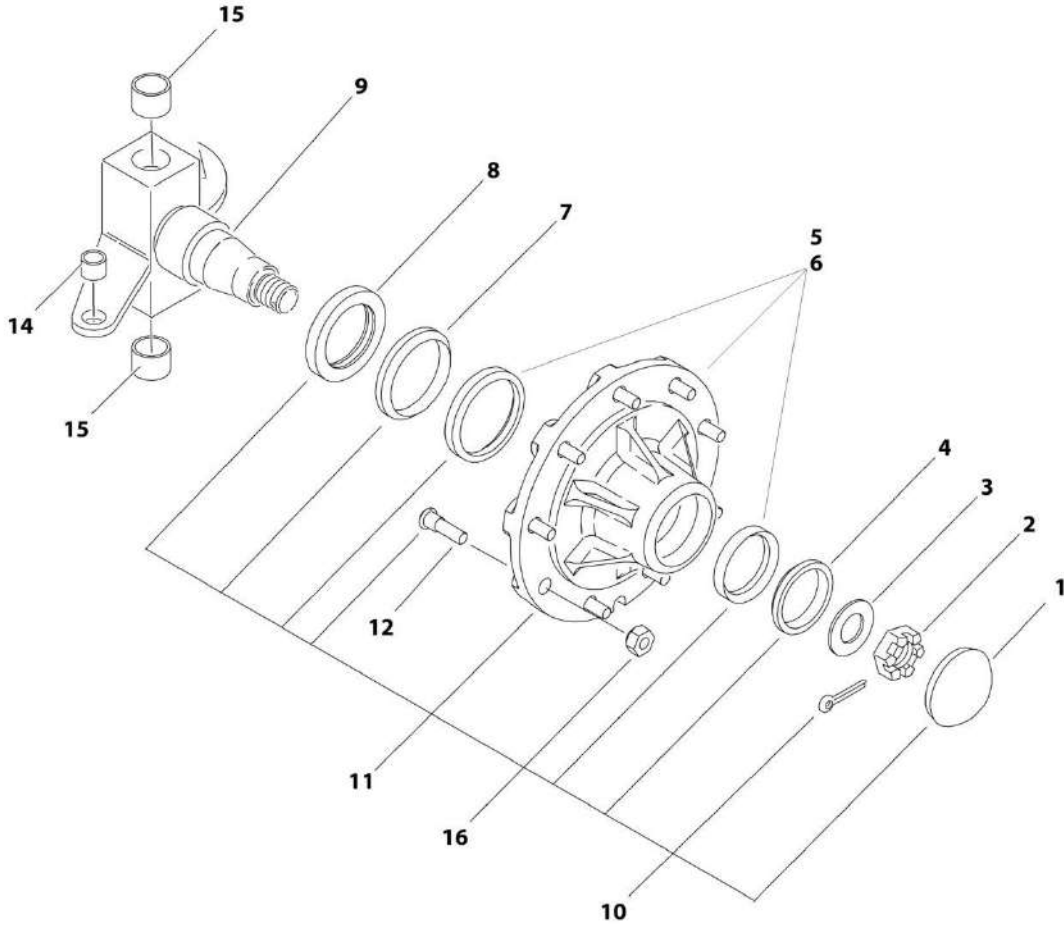
SECTION 1 - FRAME

FIGURE 1-6. HUB - SPINDLE ASSEMBLY - RH - E400AN/E400AJPN/M400AJPN

ITEM	PART NUMBER	QTY	DESCRIPTION	REV
	2780251	Ref	HUB - SPINDLE ASSEMBLY, RH	C
1	7023217	1	Spindle, R.H.	
2	7020035	1	Hub	
3	7020036	1	Cup, Bearing - Inner	
4	7020037	1	Cone, Bearing - Inner	
5	7020038	1	Cup, Bearing - Outer	
6	7020039	1	Cone, Bearing - Outer	
7	7020040	1	Seal	
8	7020041	9	Stud, Wheel	
9	7020042	9	Lugnut	
10	7020054	1	Nut, Castle	
11	7020055	1	Washer, Spindle	
12	7020137	1	Dust Cap	
13	7020140	1	Pin, Cotter	
14	0962140	1	Bushing	
15	0961951	2	Bushing	

SECTION 1 - FRAME

FIGURE 1-7. HUB - SPINDLE ASSEMBLY - LH - E400AJP/M400AJP



ART_1001180839

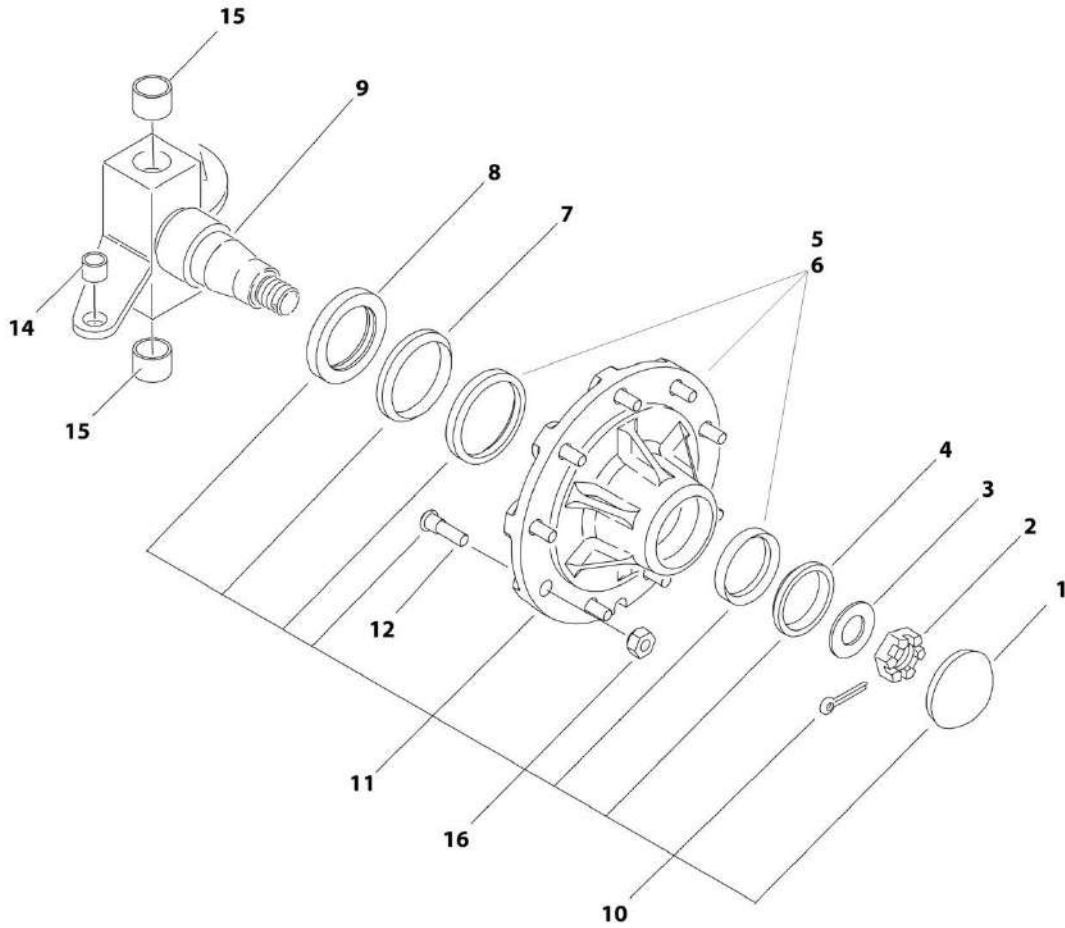
SECTION 1 - FRAME

FIGURE 1-7. HUB - SPINDLE ASSEMBLY - LH - E400AJP/M400AJP

ITEM	PART NUMBER	QTY	DESCRIPTION	REV
	1001180839	Ref	HUB - SPINDLE ASSEMBLY - LH - E400AJP AND M400AJP	B
1	7020137	1	Dust Cap	
2	7020054	1	Nut, Castle	
3	7020055	1	Washer, Spindle	
4	7020039	1	Cone, Bearing - Outer	
5	See Note	NLA	Hub (Note: Use Item 11)	
6	See Note	1	Grease, Lithium (Note: Purchase Locally)	
7	7020037	1	Cone, Bearing - Inner	
8	7020040	1	Seal	
9	70005216	1	Spindle	
10	7020140	1	Pin, Cotter	
11	70005215	1	Hub Assembly (Includes Items 1,4,5,7,8 & 12))	
12	0630490	9	Stud, Wheel	
14	0962140	1	Bearing	
15	0961951	2	Bearing	
16	3300426	9	Lugnut (Note: Must be Purchased Separately)	

SECTION 1 - FRAME

FIGURE 1-8. HUB - SPINDLE ASSEMBLY - LH - E400AN/E400AJPN/M400AJPN



ART_1001180838

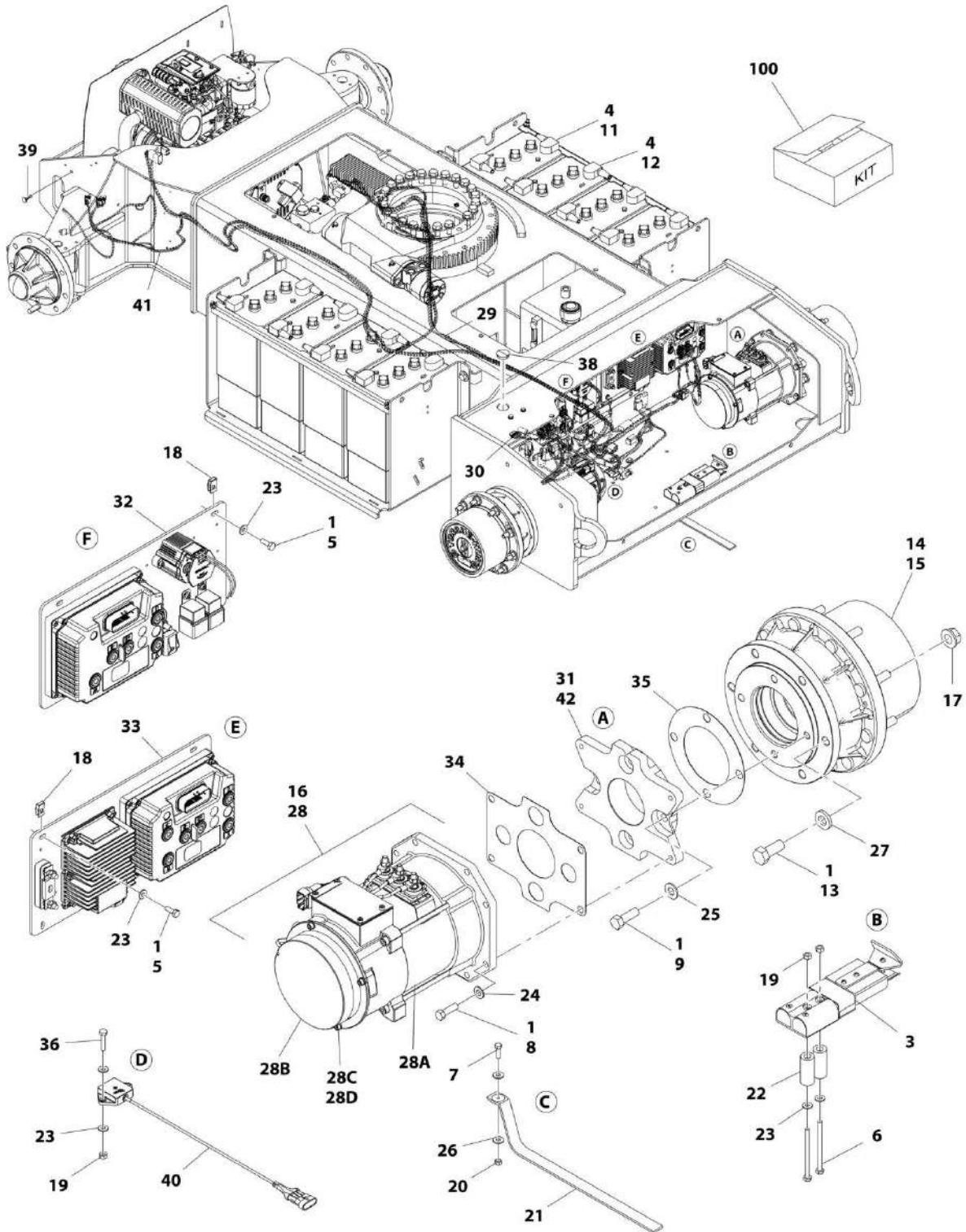
SECTION 1 - FRAME

FIGURE 1-8. HUB - SPINDLE ASSEMBLY - LH - E400AN/E400AJPN/M400AJPN

ITEM	PART NUMBER	QTY	DESCRIPTION	REV
	1001180838	Ref	SPINDLE,HUB	B
1	7020137	1	Dust Cap	
2	7020054	1	Nut, Castle	
3	7020055	1	Washer, Spindle	
4	7020039	1	Cone, Bearing - Outer	
5	See Note	NLA	Hub (Note: Use Item 11)	
6	See Note	1	Grease, Lithium (Note: Purchase Locally)	
7	7020037	1	Cone, Bearing - Inner	
8	7020040	1	Seal	
9	70005214	1	Spindle	
10	7020140	1	Pin, Cotter	
11	70005215	1	Hub Assembly (Includes Items 1,4,5,7,8 & 12))	
12	0630490	9	Stud, Wheel	
14	0962140	1	Bearing	
15	0961951	2	Bearing	
16	3300426	9	Lugnut (Note: Must be Purchased Separately)	

SECTION 1 - FRAME

FIGURE 1-9. DRIVE INSTALLATION - E400AN, E400AJP AND E400AJPN



ART_1001179134

SECTION 1 - FRAME

FIGURE 1-9. DRIVE INSTALLATION - E400AN, E400AJP AND E400AJPN

ITEM	PART NUMBER	QTY	DESCRIPTION	REV
	1001179134	Ref	DRIVE INSTALLATION - E400An, E400AJP AND E400AJPN	I
1	0100011	AR	Compound, Locking	
3	0100048	AR	Compound, Silicone	
4	0100051	AR	Grease, Battery Terminal	
5	0641406	8	Bolt 1/4 X 3/4	
6	0641430	2	Bolt 1/4 X 3-3/4	
7	0641508	1	Bolt 5/16 X 1	
8	0641610	8	Bolt 3/8 X 1-1/4	
9	0641812	8	Bolt 1/2 X 1-1/2	
11	0840031	8	Boot, Terminal - "d" Shaped	
12	0840032	8	Boot, Terminal - "b" Shaped	
13	0682014	12	Bolt 5/8 X 1-3/4 Grade 8	
14	2780282	2	Drive Hub Assembly (See DRIVE HUB ASSEMBLY for Breakdown)	
15	3020008	1.5 l	Lubricant, Gear - 80W-90	
16	3020037	AR	Lube, Coupling Grease	
17	3300426	18	Nut 5/8	
18	3300454	8	Nut 1/4	
19	3311401	4	Nut 1/4	
20	3311505	1	Nut 5/16	
21	4240084	1	Strap, Anti-Static	
22	4568114	2	Tube, Spacer	
23	4711400	14	Washer 1/4	
24	4711600	8	Washer 3/8	
25	4711800	8	Washer 1/2	
26	4751500	2	Washer 5/16	
27	4892000	12	Washer 5/8	
28	1001184854	2	Drive Motor and Brake Assembly	
28A	1001182550	2	Drive Motor Assembly (See DRIVE MOTOR ASSEMBLY for Breakdown)	
28B	1001184852	2	Drive Brake Assembly	
28B	70005415	2	O-Ring Between Brake and Motor (1 Per Assembly) (Not Shown)	
28C	4031707	8	Capscrew M6 x 16	
28D	1001109892	8	Washer M6	
29	1001178405	1	Chassis to Turntable Harness (See ELECTRICAL SECTION for Breakdown)	
30	1001178629	1	Traction Harness (See ELECTRICAL SECTION for Breakdown)	
31	1001178921	NLA	Adapter, Motor (Use p/n 1001219722) (SN 0300208530 through 0300226306)	
31	1001219722	2	Adapter, Motor (SN 0300226307 to Present)	
32	1001179060	1	Electrical Plate Assembly - LH (See ELECTRICAL PLATE ASSEMBLY - LH for Breakdown)	
33	1001179061	1	Electrical Plate Assembly - RH (See ELECTRICAL PLATE ASSEMBLY - RH for Breakdown)	
34	1001182959	NLA	Seal (Use p/n 1001220271) (SN 0300208530 through 0300226306)	
34	1001220271	2	Seal (SN 0300226307 to Present)	
35	1001182960	2	Seal	
36	0641408	2	Bolt 1/4-20 x 1	
38	3520035	1	Cap-Plug	

SECTION 1 - FRAME

ITEM	PART NUMBER	QTY	DESCRIPTION	REV
39	4240175	1	Tie-Strap Clamp (SN 0300214530 to Present)	
40	1001181325	NLA	Sensor (Use p/n 1001219601) (Prior to SN 0300243633)	
40	1001219601	1	Sensor (SN 0300243633 to Present)	
40	See Note	1	Receptacle, Female - 4 Position (Note: Not Available for Purchase)	
40	1001196589	4	Terminal	
41	1001188528	1	Steer/Brake Harness (See ELECTRICAL SECTION for Breakdown)	
42	0100020	AR	Sealant (SN 0300226307 to Present)	
100	1001190088	1	Battery Cable Kit (See ELECTRICAL SECTION for Breakdown)	

SECTION 1 - FRAME

FIGURE 1-10. DRIVE INSTALLATION - E400AN, E400AJP AND E400AJPN - UL SPECS

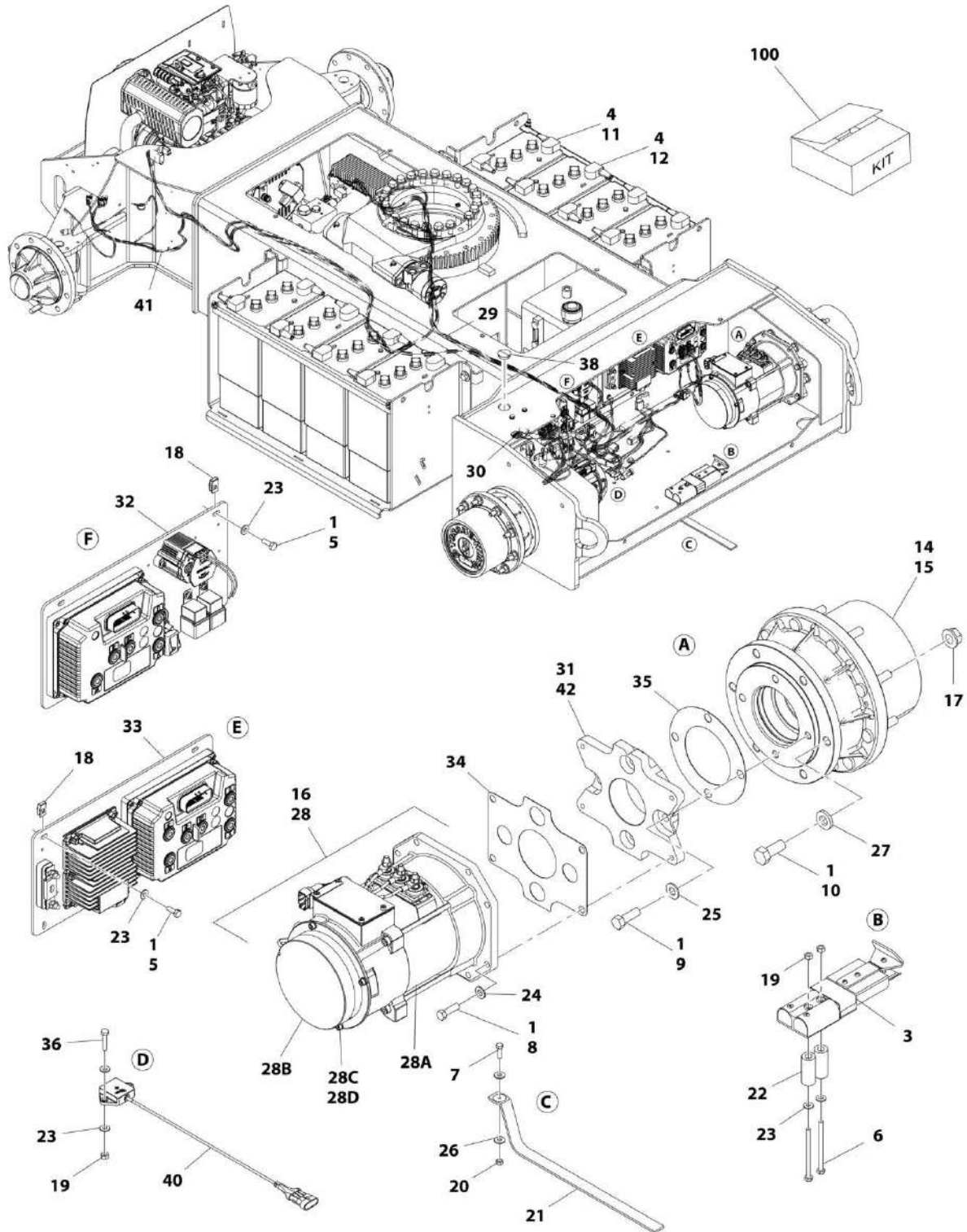
ITEM	PART NUMBER	QTY	DESCRIPTION	REV
	1001212453	Ref	DRIVE INSTALLATION - E400An, E400AJP AND E400AJPN - UL SPECS	D
1	0100011	AR	Compound, Locking	
3	0100048	AR	Compound, Silicone	
4	0100051	AR	Grease, Battery Terminal	
5	0641406	8	Bolt 1/4 X 3/4	
6	0641408	2	Bolt 1/4 X 1	
7	0641430	2	Bolt 1/4 X 3-3/4	
8	0641508	1	Bolt 5/16 X 1	
9	0641610	8	Bolt 3/8 X 1-1/4	
11	0641812	8	Bolt 1/2 X 1-1/2	
12	0682014	12	Bolt 5/8 X 1-3/4 Grade 8	
13	0721006	4	Screw #10 x 3/4	
14	0840031	8	Boot, Terminal - "d" Shaped	
15	0840032	8	Boot, Terminal - "b" Shaped	
16	0861375	1	Cover	
17	2400044	1	Block, Fuse	
18	2540037	2	Grommet	
19	2780282	2	Drive Hub Assembly (See DRIVE HUB ASSEMBLY for Breakdown)	
20	3020008	1.5 l	Lubricant, Gear - 80W-90	
21	3020037	AR	Lube, Coupling Grease	
22	3300426	18	Nut 5/8	
23	3300454	8	Nut 1/4	
24	3311001	6	Nut #10	
25	3311401	4	Nut 1/4	
26	3311505	1	Nut 5/16	
27	3520035	1	Cap-Plug	
28	4240084	1	Strap, Anti-Static	
29	4568114	2	Tube, Spacer	
30	4711400	14	Washer 1/4	
31	4711600	8	Washer 3/8	
32	4711800	8	Washer 1/2	
33	4751000	10	Washer #10	
34	4751500	2	Washer 5/16	
35	4892000	12	Washer 5/8	
36	1001170365	1	Fuse 400 Amp	
38	1001178405	1	Chassis to Turntable Harness (See ELECTRICAL SECTION for Breakdown)	
39	1001178629	1	Traction Harness (See ELECTRICAL SECTION for Breakdown)	
40	1001219722	2	Adapter, Motor	
41	1001181325	1	Sensor	
42	1001220271	2	Seal	
43	1001182960	3	Seal	
44	1001184854	2	Drive Motor and Brake Assembly	
44A	1001182550	2	Drive Motor Assembly (See DRIVE MOTOR ASSEMBLY for Breakdown)	
44B	1001184852	2	Drive Brake Assembly	
44B	70005415	2	O-Ring Between Brake and Motor (1 Per Assembly) (Not Shown)	
44C	4031707	8	Capscrew M6 x 16	

SECTION 1 - FRAME

ITEM	PART NUMBER	QTY	DESCRIPTION	REV
44D	1001109892	8	Washer M6	
45	1001188528	1	Steer/Brake Harness (See ELECTRICAL SECTION for Breakdown)	
46	1001212456	1	Electrical Plate Assembly - RH (See ELECTRICAL PLATE ASSEMBLY - RH - UL SPECS for Breakdown)	
47	1001213626	1	Decal - 400 Amp Fuse	
48	1001214668	1	Electrical Plate Assembly - LH (See ELECTRICAL PLATE ASSEMBLY - LH - UL SPECS for Breakdown)	
49	4240175	1	Tie-Strap Clamp	
50	0100020	AR	Sealant	
100	1001212454	1	Battery Cable Kit (See ELECTRICAL SECTION for Breakdown)	

SECTION 1 - FRAME

FIGURE 1-11. DRIVE INSTALLATION - M400AJP AND M400AJPN



ART_1001179136

SECTION 1 - FRAME

FIGURE 1-11. DRIVE INSTALLATION - M400AJP AND M400AJPN

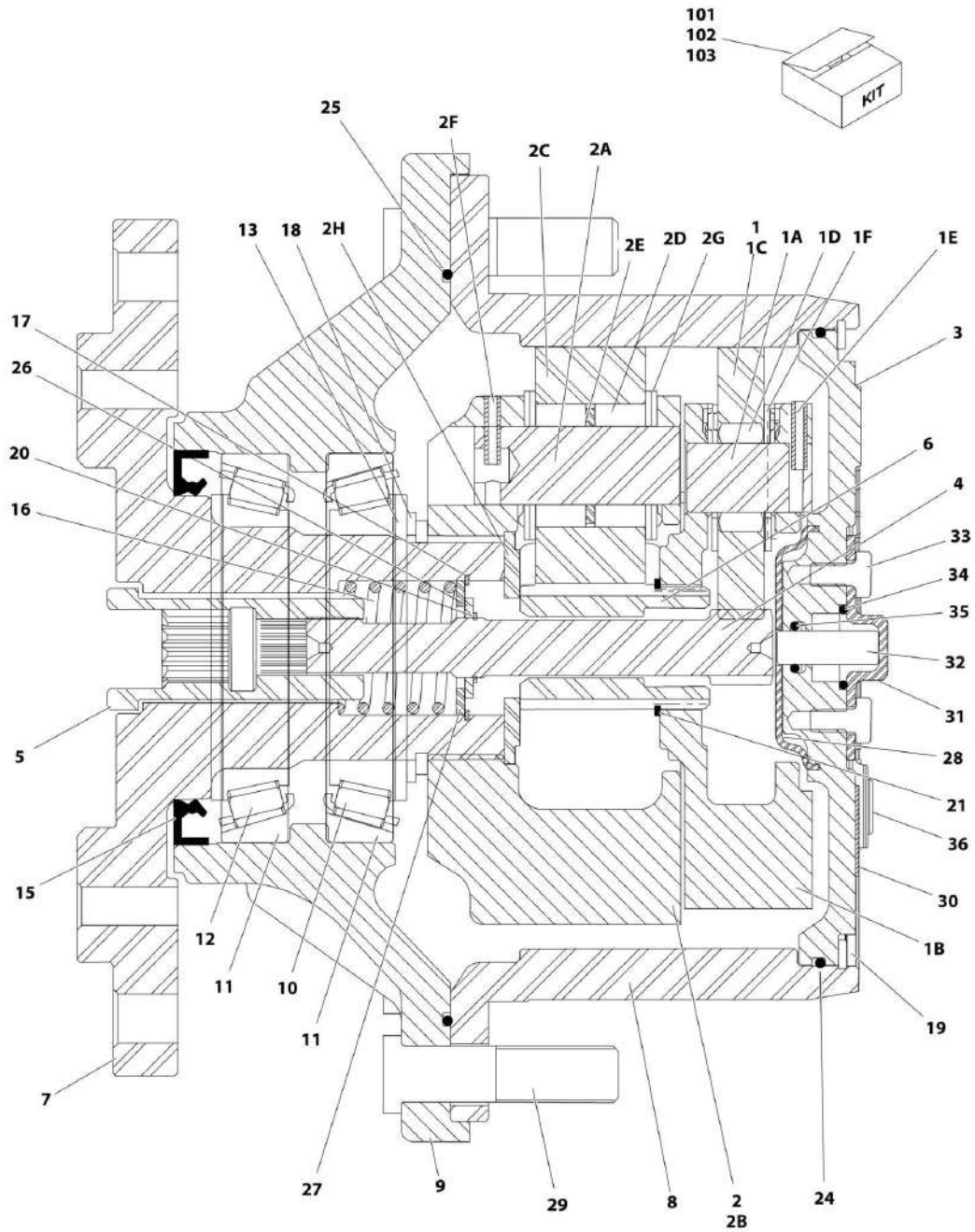
ITEM	PART NUMBER	QTY	DESCRIPTION	REV
	1001179136	Ref	DRIVE INSTALLATION - M400AJP AND M400AJPN	I
1	0100011	AR	Compound, Locking	
3	0100048	AR	Compound, Silicone	
4	0100051	AR	Grease, Battery Terminal	
5	0641406	8	Bolt 1/4 X 3/4	
6	0641430	2	Bolt 1/4 X 3-3/4	
7	0641508	1	Bolt 5/16 X 1	
8	0641610	8	Bolt 3/8 X 1-1/4	
9	0641812	8	Bolt 1/2 X 1-1/2	
10	0682014	12	Bolt 5/8 X 1-3/4 Grade 8	
11	0840031	8	Boot, Terminal - "d" Shaped	
12	0840032	8	Boot, Terminal - "b" Shaped	
14	2780282	2	Drive Hub Assembly (See DRIVE HUB ASSEMBLY for Breakdown)	
15	3020008	1.5 l	Lubricant, Gear - 80W-90	
16	3020037	AR	Lube, Coupling Grease	
17	3300426	18	Nut 5/8	
18	3300454	8	Nut 1/4	
19	3311401	4	Nut 1/4	
20	3311505	1	Nut 5/16	
21	4240084	1	Strap, Anti-Static	
22	4568114	2	Tube, Spacer	
23	4711400	14	Washer 1/4	
24	4711600	8	Washer 3/8	
25	4711800	8	Washer 1/2	
26	4751500	2	Washer 5/16	
27	4892000	12	Washer 5/8	
28	1001184854	2	Drive Motor and Brake Assembly	
28A	1001182550	2	Drive Motor Assembly (See DRIVE MOTOR ASSEMBLY for Breakdown)	
28B	1001184852	2	Drive Brake Assembly	
28B	70005415	2	O-Ring Between Brake and Motor (1 Per Assembly) (Not Shown)	
28C	4031707	8	Capscrew M6 x 16	
28D	1001109892	8	Washer M6	
29	1001178405	1	Chassis to Turntable Harness (See ELECTRICAL SECTION for Breakdown)	
30	1001178629	1	Traction Harness (See ELECTRICAL SECTION for Breakdown)	
31	1001178921	NLA	Adapter, Motor (Use p/n 1001219722) (SN 0300208530 through 0300226306)	
31	1001219722	2	Adapter, Motor (SN 0300226307 to Present)	
32	1001179060	1	Electrical Plate Assembly - LH (See ELECTRICAL PLATE ASSEMBLY - LH for Breakdown)	
33	1001179061	1	Electrical Plate Assembly - RH (See ELECTRICAL PLATE ASSEMBLY - RH for Breakdown)	
34	1001182959	NLA	Seal (Use p/n 1001220271) (SN 0300208530 through 0300226306)	
34	1001220271	2	Seal (SN 0300226307 to Present)	
35	1001182960	2	Seal	
36	0641408	2	Bolt 1/4-20 X 1	
38	3520035	1	Cap-Plug	

SECTION 1 - FRAME

ITEM	PART NUMBER	QTY	DESCRIPTION	REV
40	1001181325	NLA	Sensor (Use p/n 1001219601) (Prior to SN 0300243633)	
40	1001219601	1	Sensor (SN 0300243633 to Present)	
40	See Note	1	Receptacle, Female - 4 Position (Note: Not Available for Purchase)	
40	1001196589	4	Terminal	
41	1001188528	1	Steer/Brake Harness (See ELECTRICAL SECTION for Breakdown)	
42	0100020	AR	Sealant (SN 0300226307 to Present)	
100	1001190020	1	Battery Cable Kit (See ELECTRICAL SECTION for Breakdown)	

SECTION 1 - FRAME

FIGURE 1-12. DRIVE HUB ASSEMBLY



ART_2780282

FIGURE 1-12. DRIVE HUB ASSEMBLY

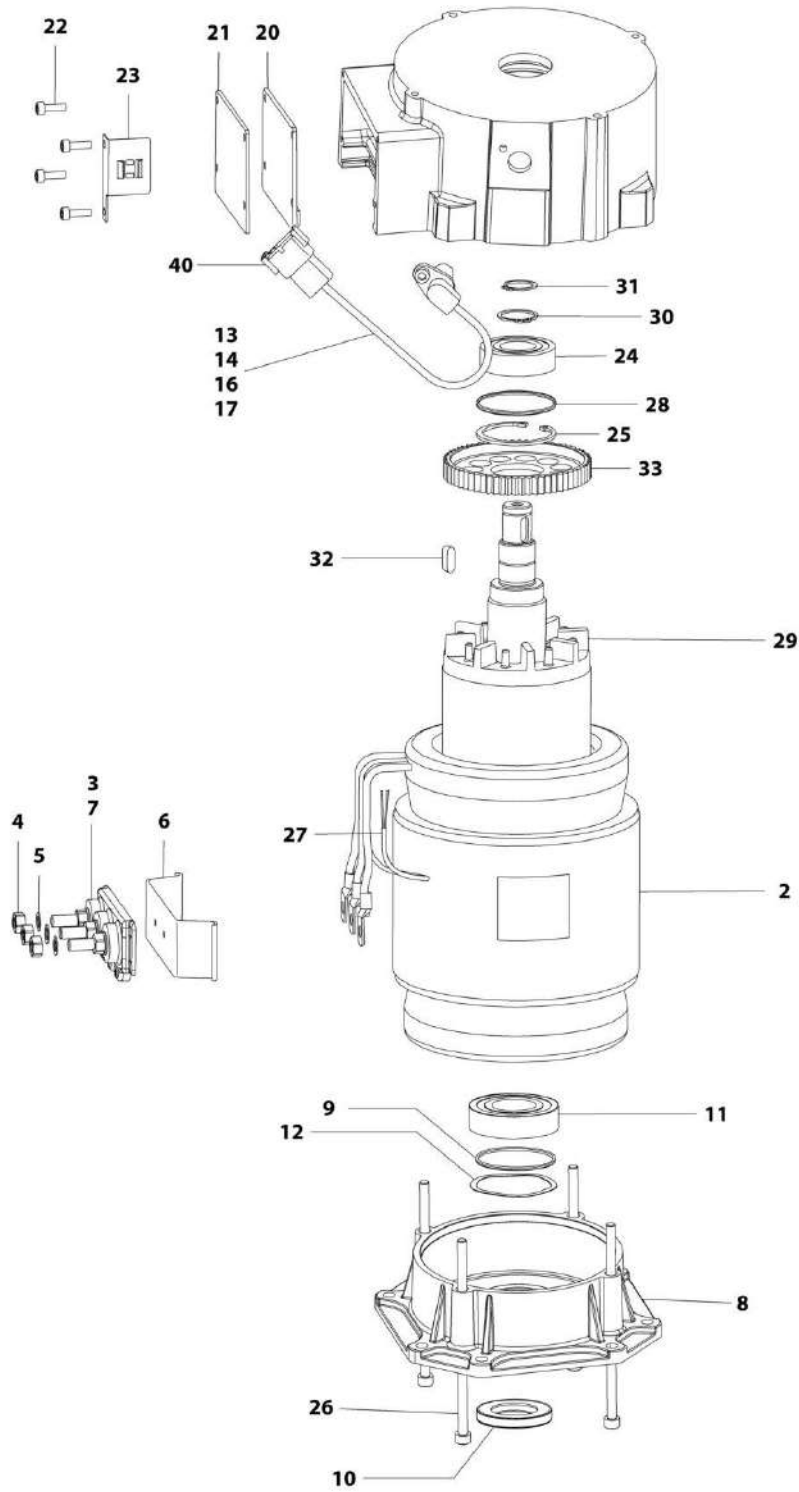
ITEM	PART NUMBER	QTY	DESCRIPTION	REV
	2780282	Ref	DRIVE HUB ASSEMBLY	A
1	70001366	1	Carrier, Sub Assembly	
1A	See Note	3	Shaft, Planet (Note: Purchase p/n 70001366)	
1B	See Note	1	Carrier (Note: Purchase p/n 70001366)	
1C	See Note	3	Gear, Planet (Note: Purchase p/n 70001366)	
1D	See Note	42	Bearing, Needle (Note: Purchase p/n 70001366)	
1E	See Note	3	Pin, Roll (Note: Purchase p/n 70001366)	
1F	See Note	6	Washer, Thrust (Note: Purchase p/n 70001366)	
2	70001367	1	Carrier, Input	
2A	See Note	3	Shaft, Planet (Note: Purchase p/n 70001367)	
2B	See Note	1	Carrier (Note: Purchase p/n 70001367)	
2C	See Note	1	Gear, Planet (Note: Purchase p/n 70001367)	
2D	See Note	84	Bearing, Needle (Note: Purchase p/n 70001367)	
2E	See Note	3	Spacer, Thrust (Note: Purchase p/n 70001367)	
2F	See Note	3	Pin, Roll (Note: Purchase p/n 70001367)	
2G	See Note	12	Washer, Thrust (Note: Purchase p/n 70001367)	
2H	See Note	1	Washer, Thrust (Note: Purchase p/n 70001367)	
3	70001368	1	Cover	
4	70001369	1	Shaft, Input	
5	70001370	1	Coupling	
6	70001371	1	Shaft, Sun Gear	
7	70001372	1	Spindle	
8	70001373	1	Gear, Ring	
9	See Note	1	Housing (Note: Purchase p/n 2780282)	
10	See Note	1	Bearing, Tapered-Cone (Note: Purchase p/n 7017007)	
11	See Note	2	Bearing, Tapered-Cup (Note: Purchase p/n 7017007)	
12	See Note	1	Bearing, Tapered-Cone (Note: Purchase p/n 7017007)	
13	7017009	1	Washer, Thrust	
15	See Note	1	Seal, Lip (Note: Purchase p/n 70001380)	
16	70001374	1	Spring	
17	70001375	1	Ring, Retaining (Internal)	
18	See Note	1	Ring, Retaining (External) (Note: Purchase p/n 70001380)	
19	7024738	1	Ring, Retaining (Internal)	
20	70001376	1	Ring, Retaining (External)	
21	70001377	1	Ring, Retaining (External)	
22	7000281	4	Screw (Not Shown - ID Plate Screws)	
23	7017022	3	Bolt, Flathead (Not Shown - Located on front of hub)	
24	See Note	1	O-Ring (Note: Purchase p/n 70001380)	
25	See Note	1	O-Ring (Note: Purchase p/n 70001380)	
26	70001378	1	Spacer, Thrust	
27	70001379	1	Washer, Thrust	
28	7024741	1	Spacer, Thrust	
29	7007640	9	Stub, Wheel	
30	See Note	1	Flange, Plate (Note: Purchase p/n 70001368)	
31	See Note	1	Cap, Disengage (Note: Purchase p/n 70001368)	
32	See Note	1	Pin, Dowel (Note: Purchase p/n 70001368)	
33	See Note	2	Bolt (Note: Purchase p/n 70001368)	
34	See Note	1	O-Ring (Note: Purchase p/n 70001368)	
35	See Note	1	O-Ring (Note: Purchase p/n 70001368)	
36	See Note	1	Plug (Note: Purchase p/n 70001368)	

SECTION 1 - FRAME

ITEM	PART NUMBER	QTY	DESCRIPTION	REV
101	7017007	1	Bearing Kit - Planet Gear (Includes Items 10-12)	
102	70001380	1	Seal Kit - Planet Gear (Includes Items 15, 18, 24 & 25)	
103	70001368	1	Cap/Disengage Kit (Includes Items 30-36)	

SECTION 1 - FRAME

FIGURE 1-13. DRIVE MOTOR ASSEMBLY



ART_1001182550

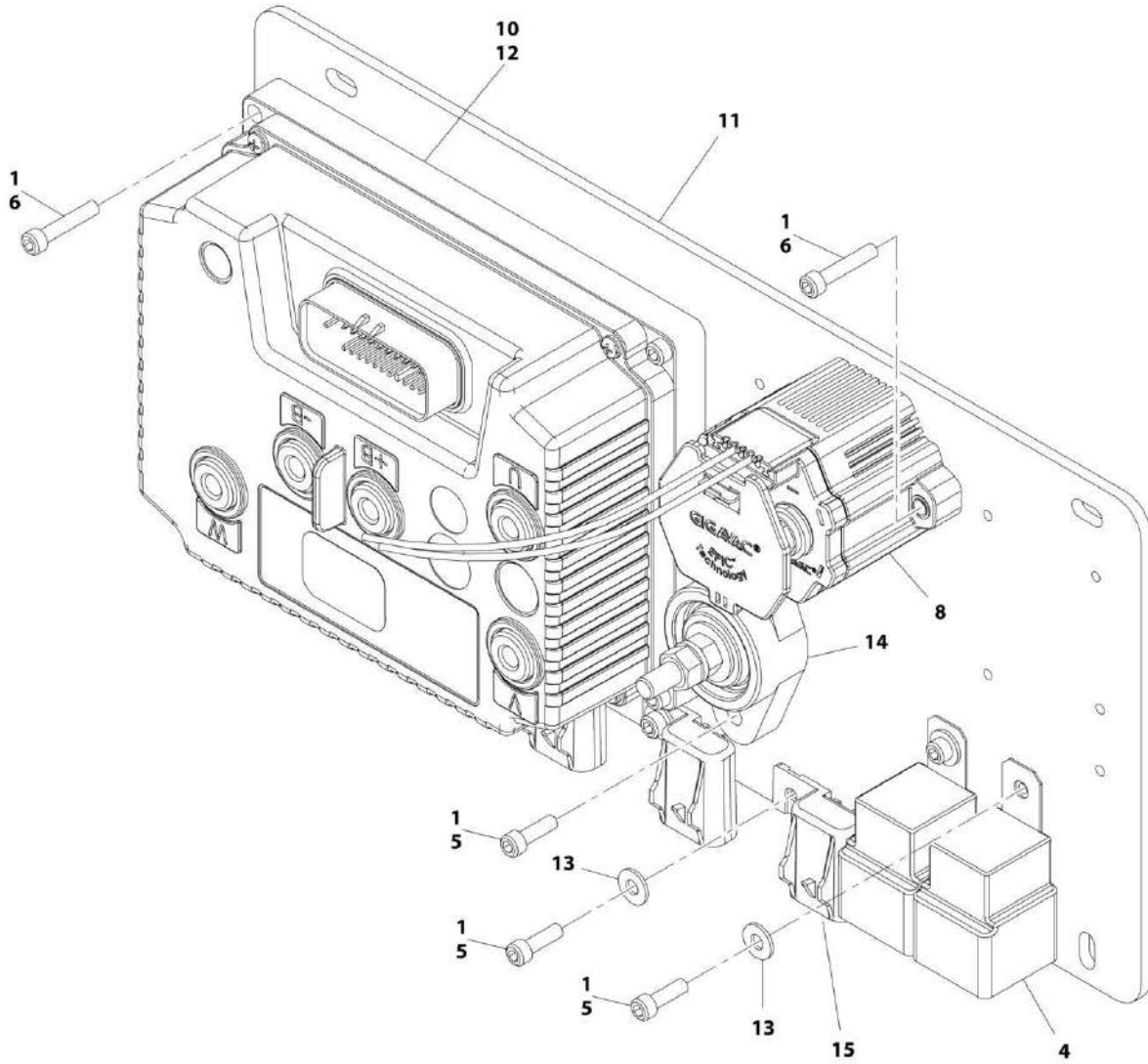
SECTION 1 - FRAME

FIGURE 1-13. DRIVE MOTOR ASSEMBLY

ITEM	PART NUMBER	QTY	DESCRIPTION	REV
	1001182550	Ref	DRIVE MOTOR ASSEMBLY	G
2	70005385	1	Stator	
3	70005386	1	Board, Terminal	
4	70005387	3	Nut, M8	
5	70005388	3	Washer, M8	
6	70005389	1	Base, Terminal	
7	70005390	2	Screw, M5 x 14	
8	70006497	1	Plate, Drive End	
9	70004811	1	O-Ring	
10	70006498	1	Seal, Shaft	
11	70004809	1	Bearing	
12	70005393	1	Washer, Wavy	
13	70005394	1	Sensor (Includes Items 14-17)	
14	70005395	1	Screw, M8 x 16	
16	70005397	1	Connector	
17	4460516	4	Pin, Male	
20	70005400	1	Seal	
21	70005401	1	Cover	
22	70005402	4	Screw, M5 x 16	
23	70005403	1	Plate, Retaining	
24	70005404	1	Bearing	
25	70005405	1	Clip, Retainer	
26	70005406	4	Screw, M8 x 180	
27	70005407	1	Temperature, Sensor	
28	70005408	1	O-Ring	
29	70005409	1	Rotor	
30	70004820	1	Clip, Retainer	
31	70005410	1	Clip, Retainer	
32	70005411	1	Key	
33	70005412	1	Gear	
40	1001190577	1	Connector - 8 Position	
40	4460516	8	Pin	

SECTION 1 - FRAME

FIGURE 1-14. ELECTRICAL PLATE ASSEMBLY - LH



ART_1001179060

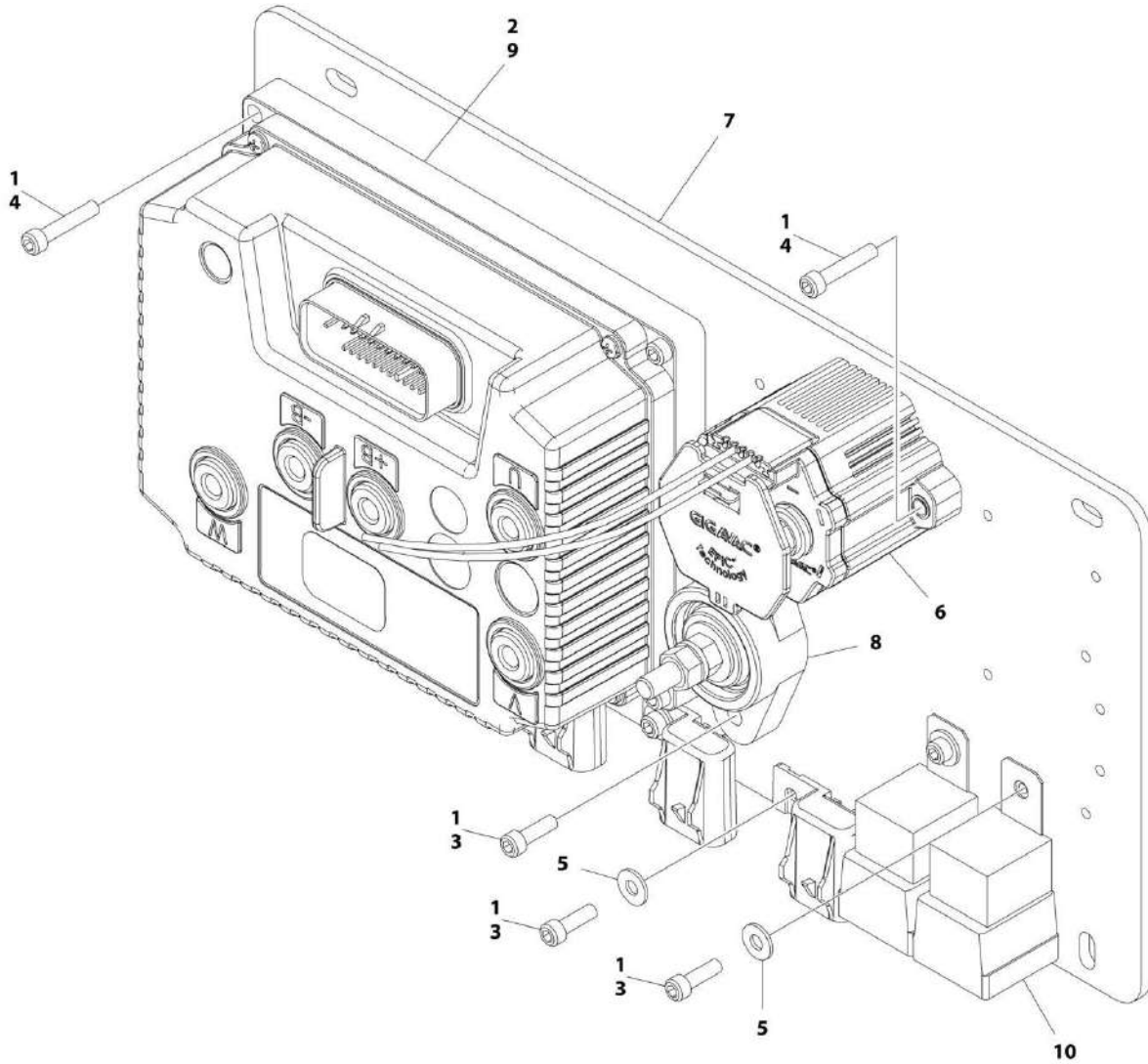
SECTION 1 - FRAME

FIGURE 1-14. ELECTRICAL PLATE ASSEMBLY - LH

ITEM	PART NUMBER	QTY	DESCRIPTION	REV
	1001179060	Ref	ELECTRICAL PLATE ASSEMBLY - LH	G
1	0100035	AR	Compound, Locking	
4	3740080	2	Relay	
5	3931010	8	Capscrew #10 X 5/8	
6	3931016	6	Capscrew #10 X 1	
8	1001170367	1	Relay, Contactor	
8	70004827	1	Receptacle, Female - 2 Position	
10	1001192212	1	Module, Drive	
11	1001179064	1	Plate	
12	0100083	AR	Grease, Heat Transfer	
13	4711000	6	Washer #10	
14	1001186860	1	Stud, Power Distribution	
15	1001096134	4	Fuseholder (SN 0300208530 through 0300226306)	
15	1001217842	4	Fuseholder (SN 0300226307 to Present)	

SECTION 1 - FRAME

FIGURE 1-15. ELECTRICAL PLATE ASSEMBLY - LH - UL SPECS



ART_1001214668

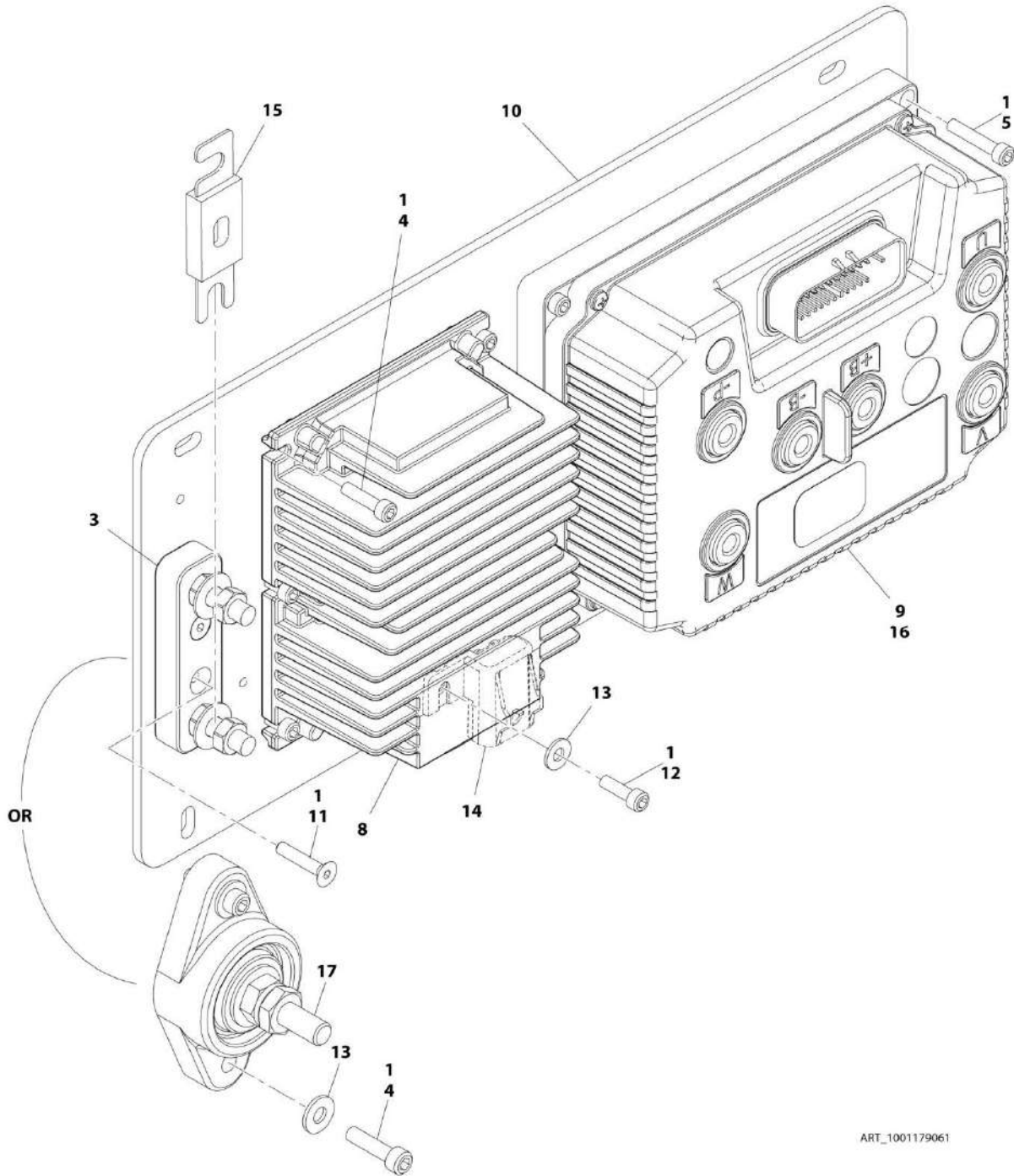
SECTION 1 - FRAME

FIGURE 1-15. ELECTRICAL PLATE ASSEMBLY - LH - UL SPECS

ITEM	PART NUMBER	QTY	DESCRIPTION	REV
	1001214668	Ref	ELECTRICAL PLATE ASSEMBLY - LH - UL SPECS	A
1	0100035	AR	Compound, Locking	
2	0100083	AR	Grease, Heat Transfer	
3	3931010	8	Capscrew #10 X 5/8	
4	3931016	6	Capscrew #10 X 1	
5	4711000	6	Washer #10	
6	1001170367	1	Relay, Contactor	
6	70004827	1	Receptacle, Female - 2 Position	
7	1001179064	1	Plate	
8	1001186860	1	Stud, Power Distribution	
9	1001192212	1	Module, Drive	
10	1001214667	2	Relay	

SECTION 1 - FRAME

FIGURE 1-16. ELECTRICAL PLATE ASSEMBLY - RH



ART_1001179061

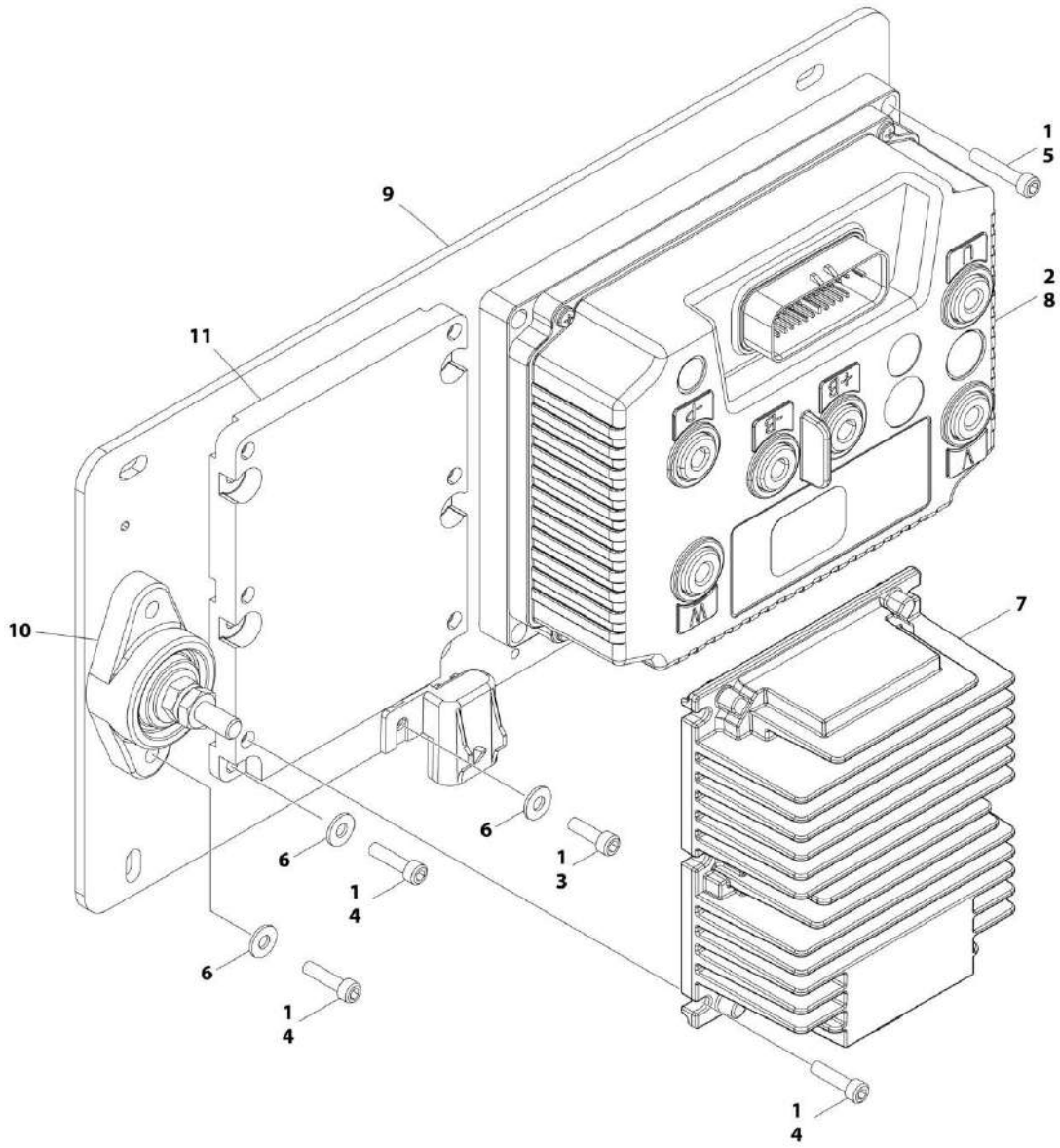
SECTION 1 - FRAME

FIGURE 1-16. ELECTRICAL PLATE ASSEMBLY - RH

ITEM	PART NUMBER	QTY	DESCRIPTION	REV
	1001179061	Ref	ELECTRICAL PLATE ASSEMBLY - RH	F
1	0100035	AR	Compound, Locking	
3	2400044	1	Block, Fuse (SN 0300208530 through 0300226306)	
4	3931012	AR	Capscrew #10 X 3/4	
5	3931016	4	Capscrew #10 X 1	
8	1001174447	1	Converter	
9	1001178339	1	Module, Drive	
10	1001179064	1	Plate	
11	0741008	2	Capscrew #10 X 1 (SN 0300208530 through 0300226306)	
12	3931010	1	Capscrew #10 X 5/8	
13	4711000	AR	Washer #10	
14	1001096134	1	Fuseholder (SN 0300208530 through 0300214530)	
15	1001170485	1	Fuse 250Amp (SN 0300208530 through 0300226306)	
16	0100083	AR	Grease, Heat Transfer (SN 0300214530 to Present)	
17	1001212359	1	Stud, Power Distribution (SN 0300226307 to Present)	

SECTION 1 - FRAME

FIGURE 1-17. ELECTRICAL PLATE ASSEMBLY - RH - UL SPECS



ART_1001212456

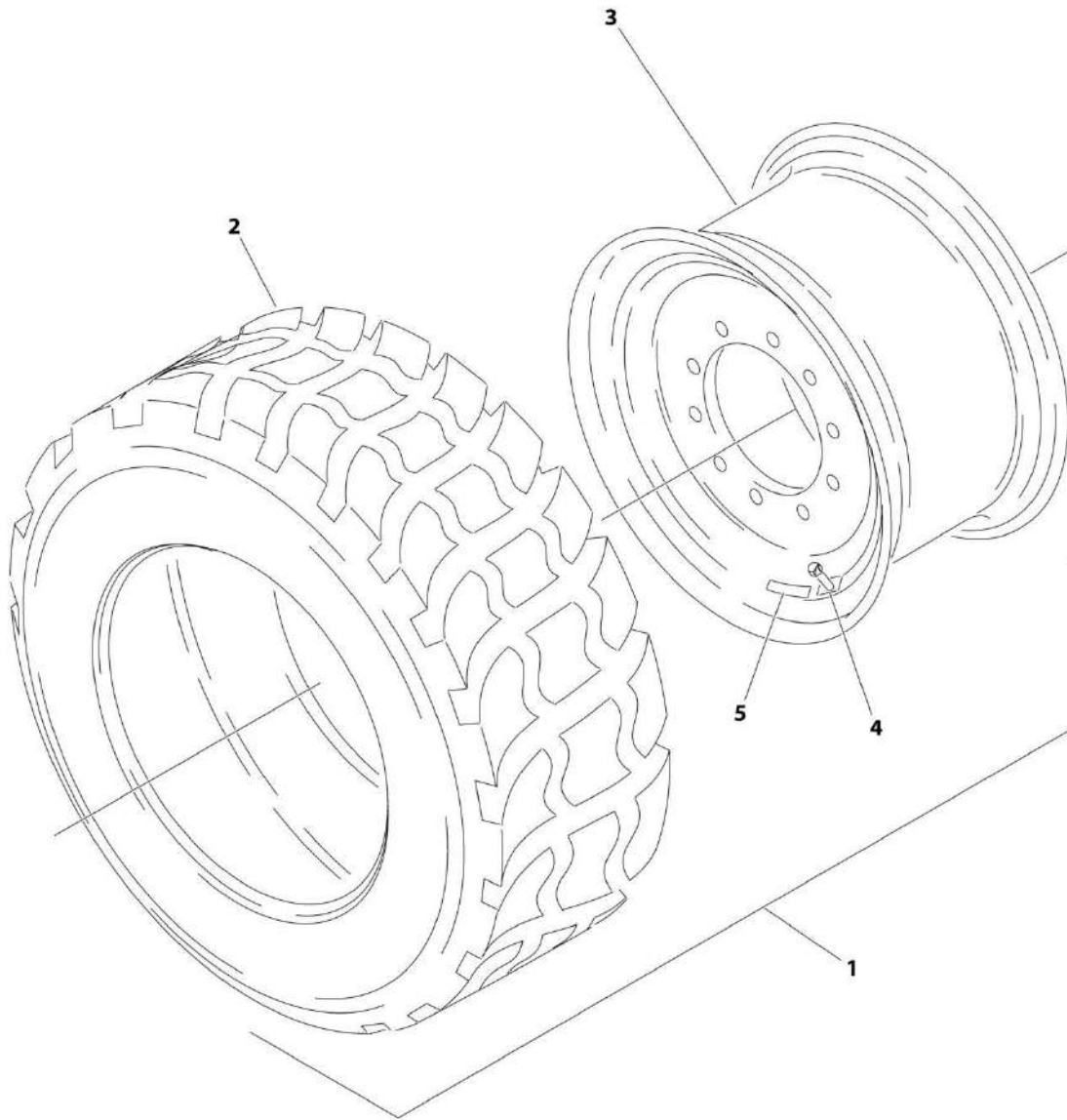
SECTION 1 - FRAME

FIGURE 1-17. ELECTRICAL PLATE ASSEMBLY - RH - UL SPECS

ITEM	PART NUMBER	QTY	DESCRIPTION	REV
	1001212456	Ref	ELECTRICAL PLATE ASSEMBLY - RH - UL SPECS	A
1	0100035	AR	Compound, Locking	
2	0100083	AR	Grease, Heat Transfer	
3	3931010	1	Capscrew #10 X 5/8	
4	3931012	14	Capscrew #10 X 3/4	
5	3931016	4	Capscrew #10 X 1	
6	4711000	9	Washer #10	
7	1001174447	1	Converter	
8	1001178339	1	Module, Drive	
9	1001179064	1	Plate	
10	1001212359	1	Stud, Power Distribution	
11	1001212450	1	Insulate	

SECTION 1 - FRAME

FIGURE 1-18. TIRE/WHEEL - IN240/55-17.5 PNEUMATIC



ART_0258995

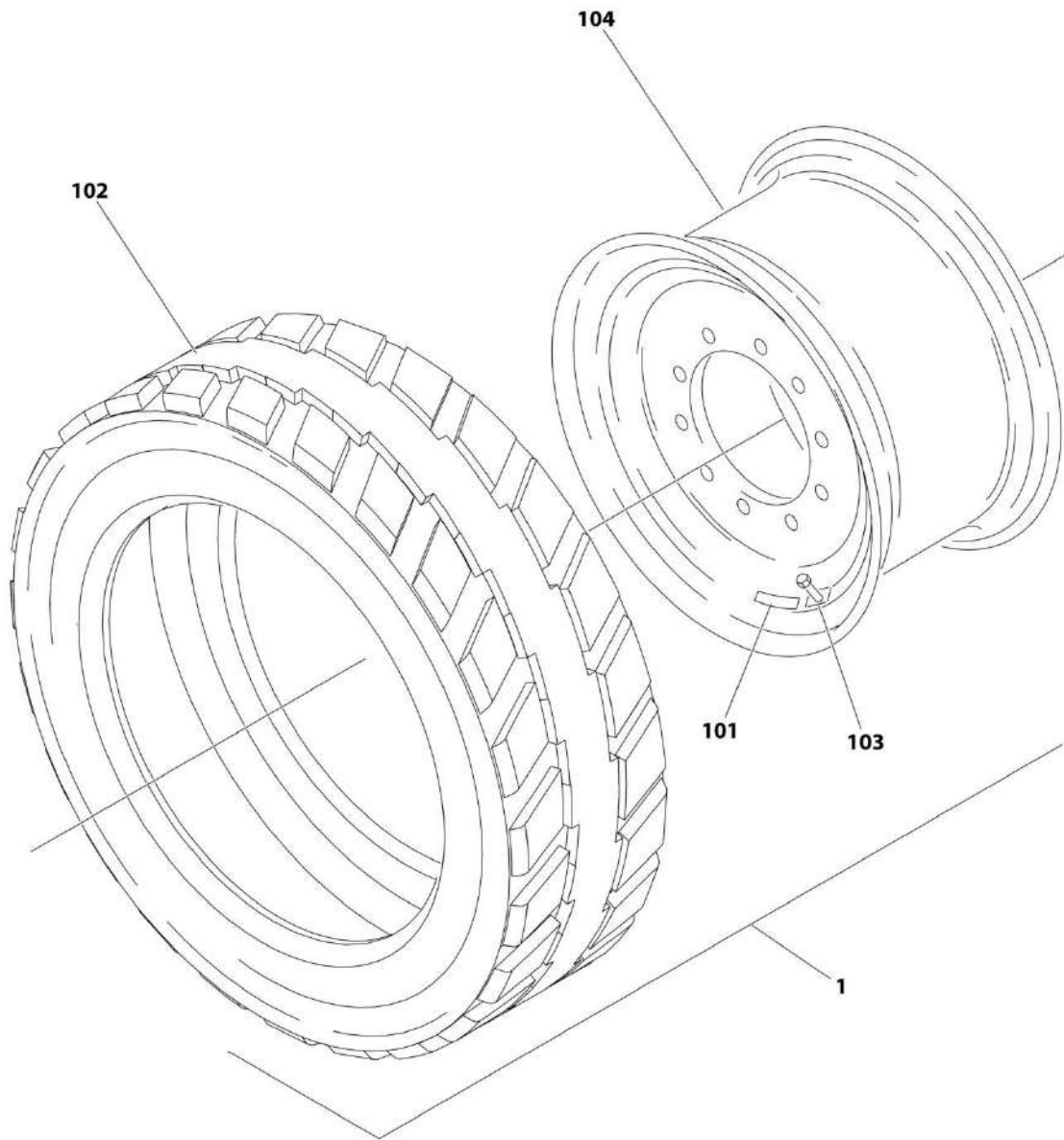
SECTION 1 - FRAME

FIGURE 1-18. TIRE/WHEEL - IN240/55-17.5 PNEUMATIC

ITEM	PART NUMBER	QTY	DESCRIPTION	REV
	0258995	Ref	TIRE AND WHEEL INSTALLATION	1
1	0258688	4	Tire Assembly	2
2	4520209	1	Tire, OTR, IN240/55-17.5 Pneumatic	
3	4860191	1	Rim, Wheel	
4	4641167	1	Valve, Stem	
5	1702740	1	Decal - Tire Pressure	

SECTION 1 - FRAME

FIGURE 1-19. TIRE/WHEEL - IN240/55-17.5 PNEUMATIC NON MARKING



ART_0273683

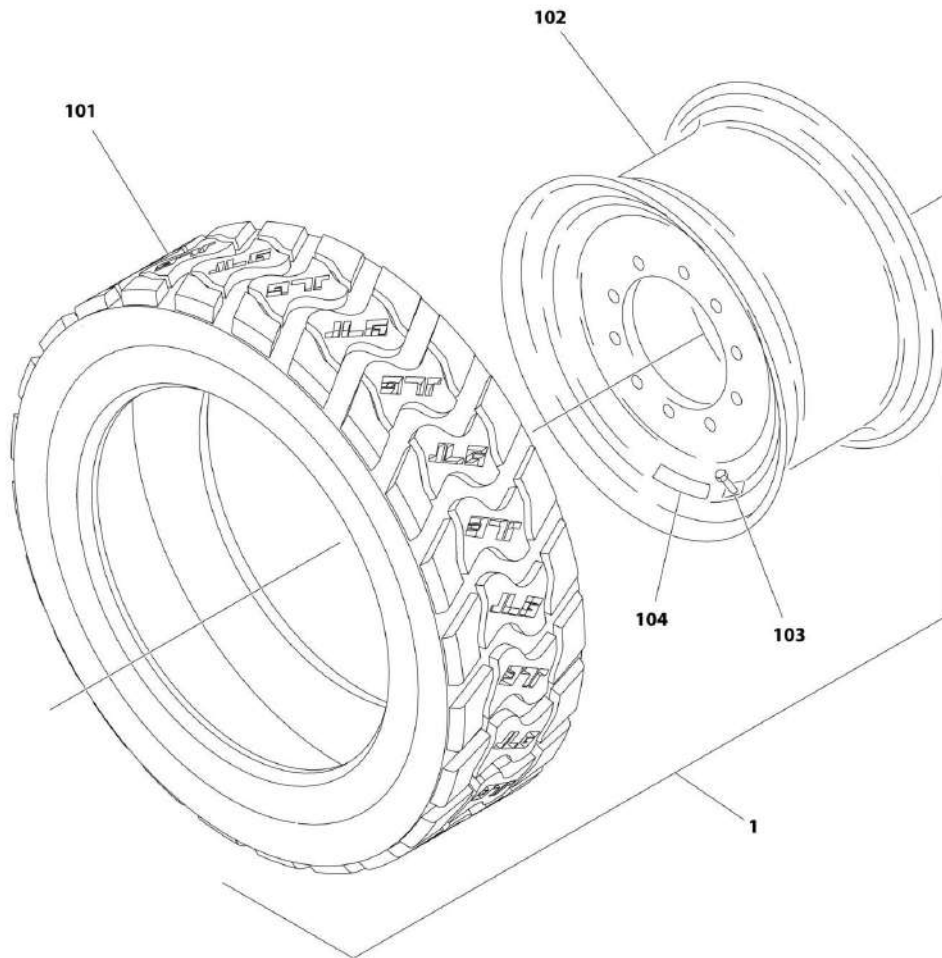
SECTION 1 - FRAME

FIGURE 1-19. TIRE/WHEEL - IN240/55-17.5 PNEUMATIC NON MARKING

ITEM	PART NUMBER	QTY	DESCRIPTION	REV
	0273683	Ref	TIRE AND WHEEL INSTALLATION	A
		Ref	Note: Assemblies may require ballast/foam filling to manufacturer's prior to installing on a machine. Refer to Operation and Safety or Service and Maintenance Manuals. Purchase individual tire and/or rim only if able to foam fill tire and wheel assembly, otherwise purchase complete assembly.	
1	4520279	4	Tire and Wheel Assembly	
101	1702740	1	Decal - Tire Pressure	
102	4520269	1	IN240/55-17.5 Non-Marking Tire with Lighting Tread Pattern	
103	4641167	1	Valve	
104	4860191	1	Rim, Wheel	

SECTION 1 - FRAME

FIGURE 1-20. TIRE/WHEEL - IN240/55-17.5 PNEUMATIC WITH TIRE SEALANT



ART_0272314

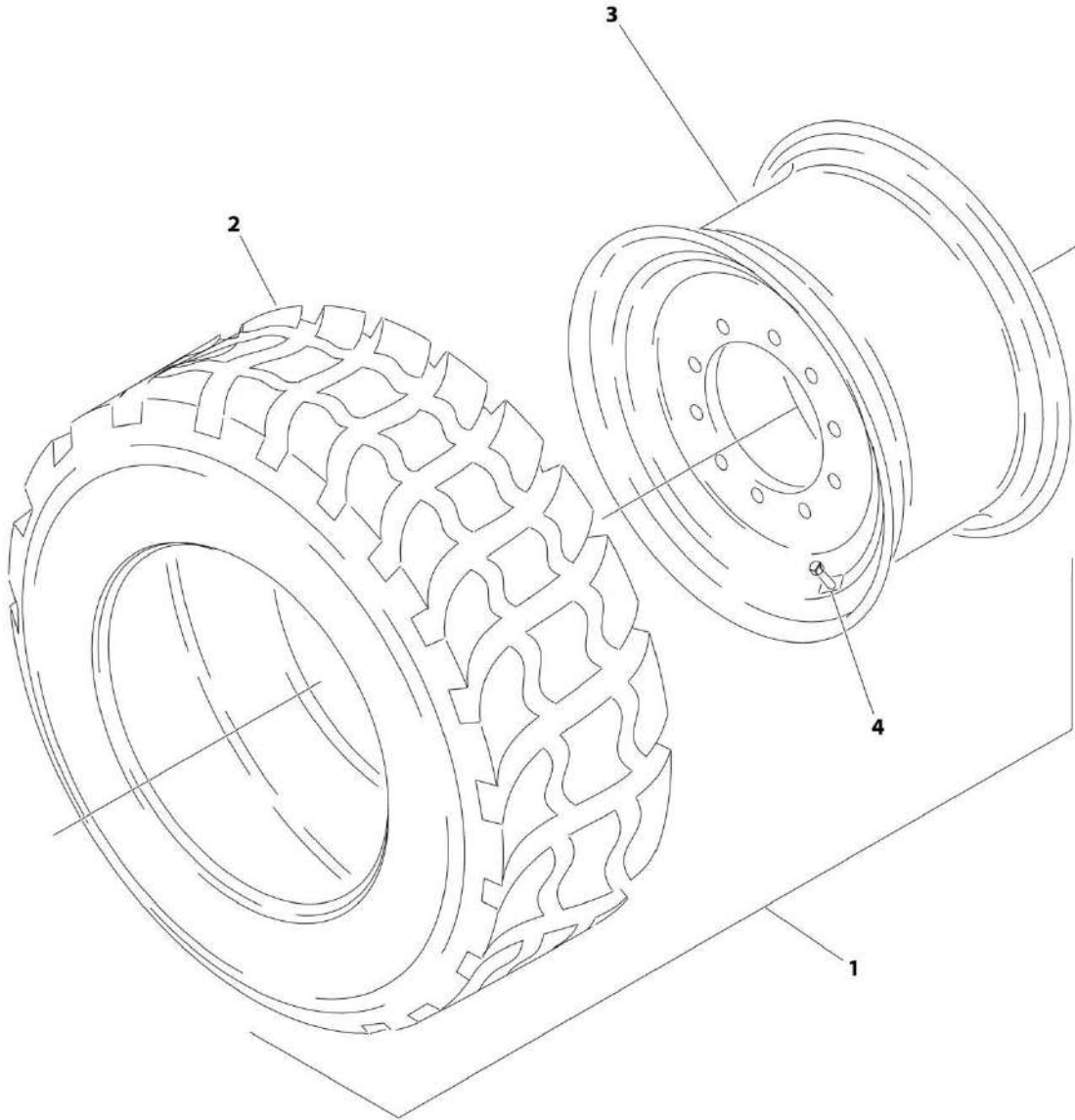
SECTION 1 - FRAME

FIGURE 1-20. TIRE/WHEEL - IN240/55-17.5 PNEUMATIC WITH TIRE SEALANT

ITEM	PART NUMBER	QTY	DESCRIPTION	REV
	0272314	Ref	TIRE AND WHEEL INSTALLATION	2
1	0272335	4	Tire Assembly - ORT IN240/55-17.5 Pneumatic (Tire with JLG Pattern in Tread and Tire Sealant)	
101	4520209	1	Tire, ORT, IN240/55-17.5 (With JLG Pattern in Tread)	
102	4860191	1	Rim, Wheel	
103	4641167	1	Valve, Stem	
104	1702740	1	Decal - Tire Air Pressure	
105	1300019	1	Sealant, Tire (Not Shown)	
106	1705364	1	Decal - Tire Sealant (Not Shown)	

SECTION 1 - FRAME

FIGURE 1-21. TIRE/WHEEL - IN240/55 - 17.5 FOAM FILLED



ART_0258996

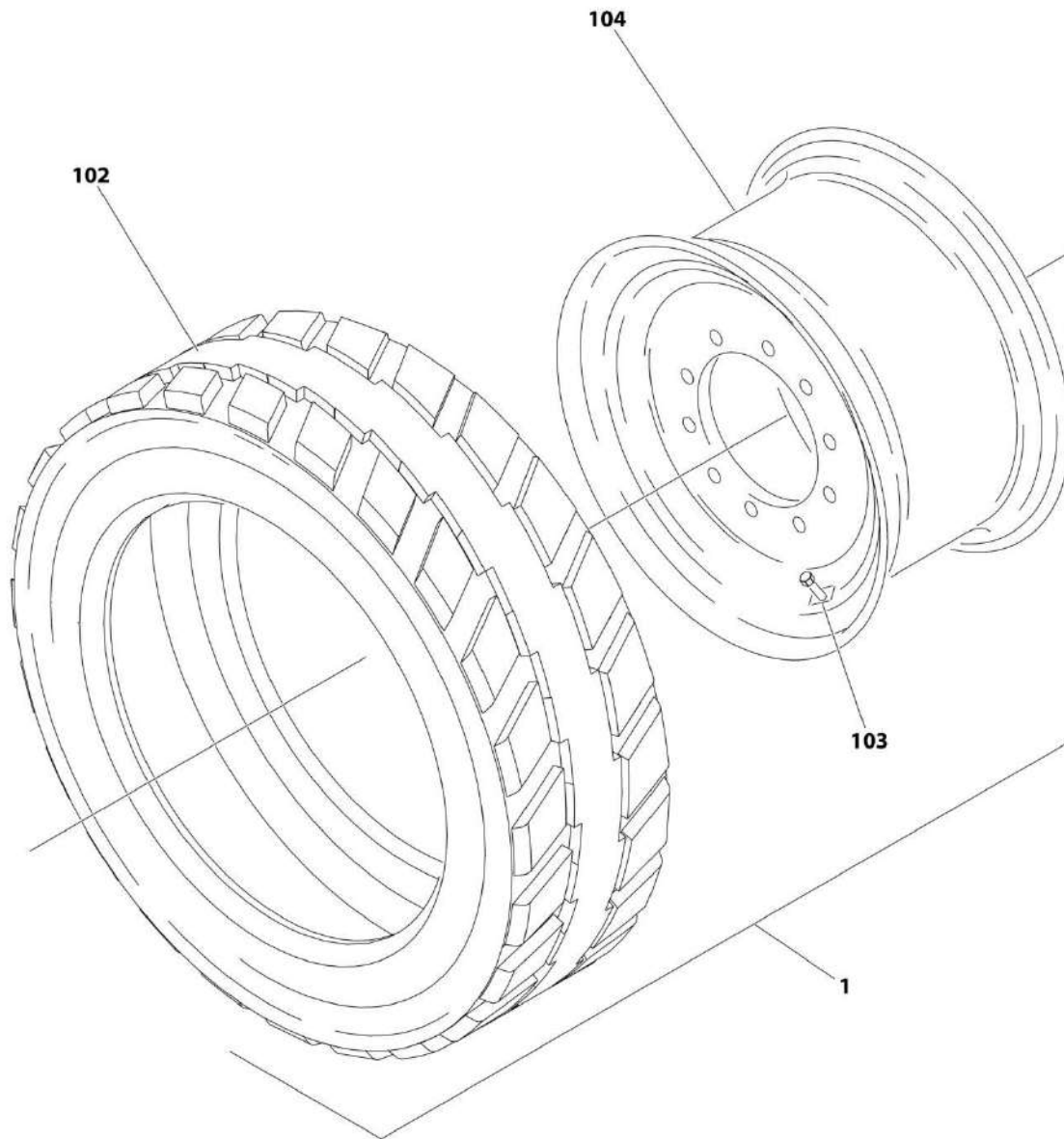
SECTION 1 - FRAME

FIGURE 1-21. TIRE/WHEEL - IN240/55 - 17.5 FOAM FILLED

ITEM	PART NUMBER	QTY	DESCRIPTION	REV
1	0258996	Ref	TIRE AND WHEEL INSTALLATION	1
	0258997	4	Tire Assembly	C
	See Note	Ref	Note: Assemblies may require ballast/foam filling to manufacture's specifications prior to installing on a machine. Refer to Operation and Safety or Service and Maintenance Manuals. Purchase Individual tire and/or rim only if able to foam fill tire and wheel assembly, otherwise, purchase complete assembly	
2	4520209	1	Tire, OTR, IN240/55-17.5	
3	4860191	1	Rim, Wheel	
4	4641122	1	Valve, Stem	

SECTION 1 - FRAME

FIGURE 1-22. TIRE/WHEEL - IN240/55-17.5 FOAM FILLED NON MARKING



ART_0273684

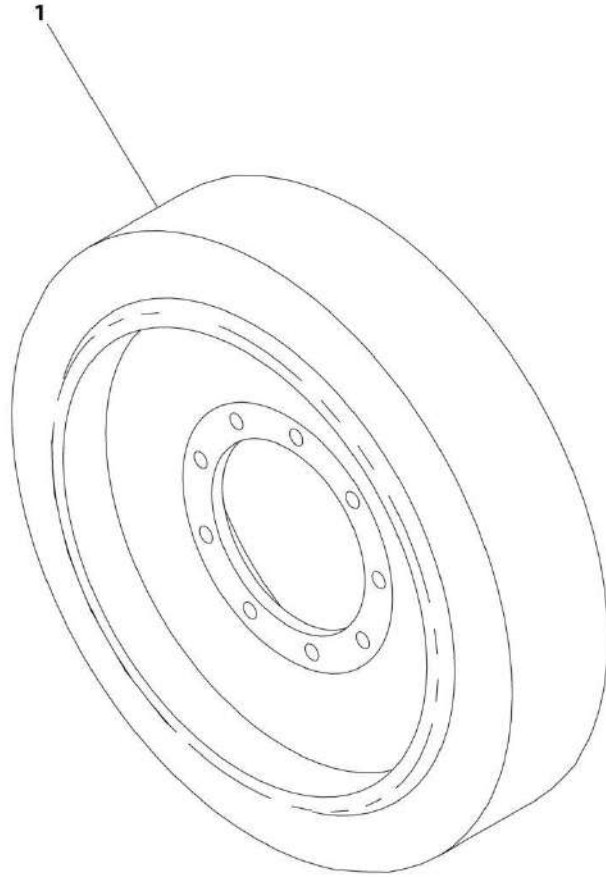
SECTION 1 - FRAME

FIGURE 1-22. TIRE/WHEEL - IN240/55-17.5 FOAM FILLED NON MARKING

ITEM	PART NUMBER	QTY	DESCRIPTION	REV
	0273684	Ref	TIRE AND WHEEL INSTALLATION	A
		Ref	Note: Assemblies may require ballast/foam filling to manufacturer's specifications prior to installing on a machine. Refer to Operation and Safety or Service and Maintenance Manuals. Purchase individual tire and/or rim only if able to foam fill tire and wheel assembly, otherwise, purchase complete assembly.	
1	0273468	4	Tire Assembly	F
102	4520269	1	Tire, OTR, IN240/55-17.5 Foam Filled Non Marking	
103	4641122	1	Valve, Stem	
104	4860191	1	Rim, Wheel	

SECTION 1 - FRAME

FIGURE 1-23. TIRE/WHEEL - 26 X 7 X 20 - SOLID NON MARKING



ART_0270037

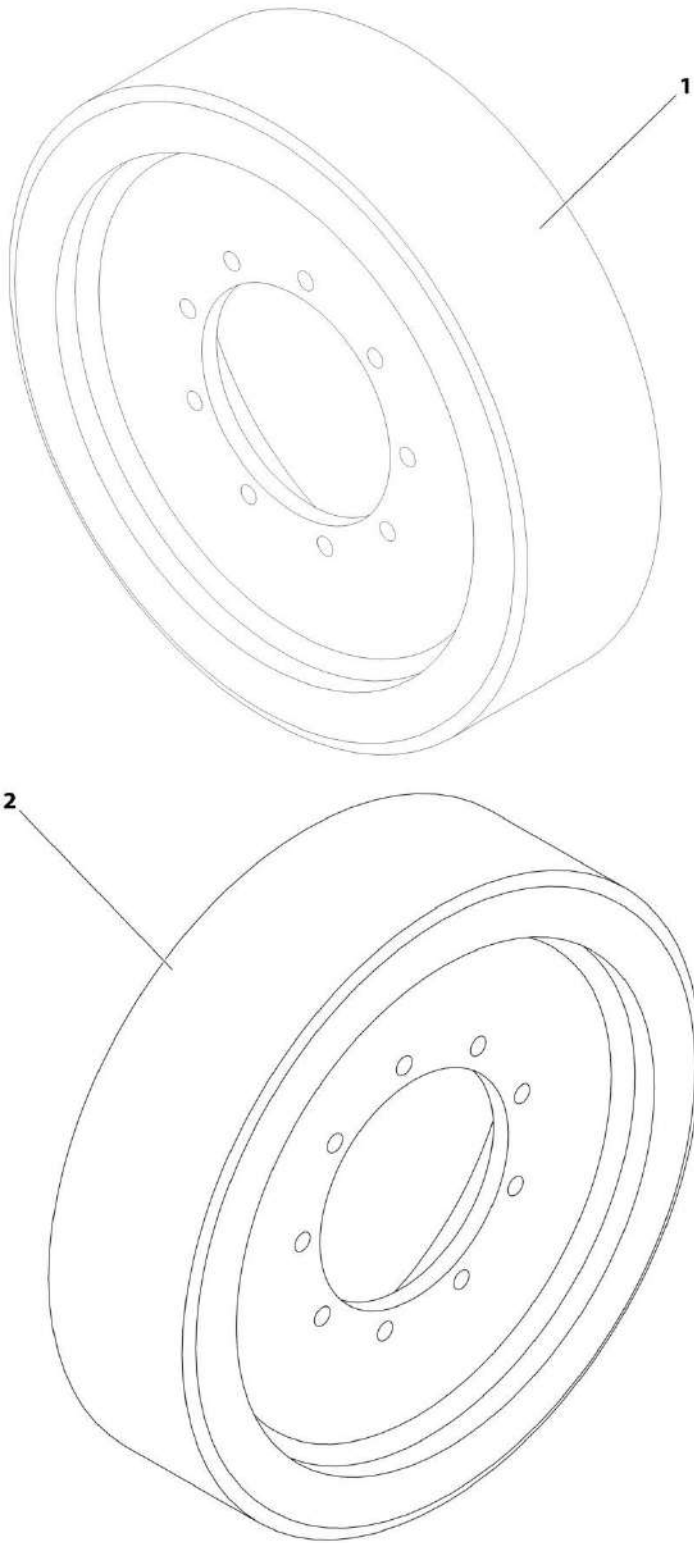
SECTION 1 - FRAME

FIGURE 1-23. TIRE/WHEEL - 26 X 7 X 20 - SOLID NON MARKING

ITEM	PART NUMBER	QTY	DESCRIPTION	REV
	0270037	Ref	TIRE AND WHEEL INSTALLATION	2
	See Note	Ref	Note: Must replace Tire and Wheel Assemblies in pairs per axle.	
1	1001110775	4	Tire Assembly	B

SECTION 1 - FRAME

FIGURE 1-24. TIRE/WHEEL - SOLID NON-MARKING



ART_0270028

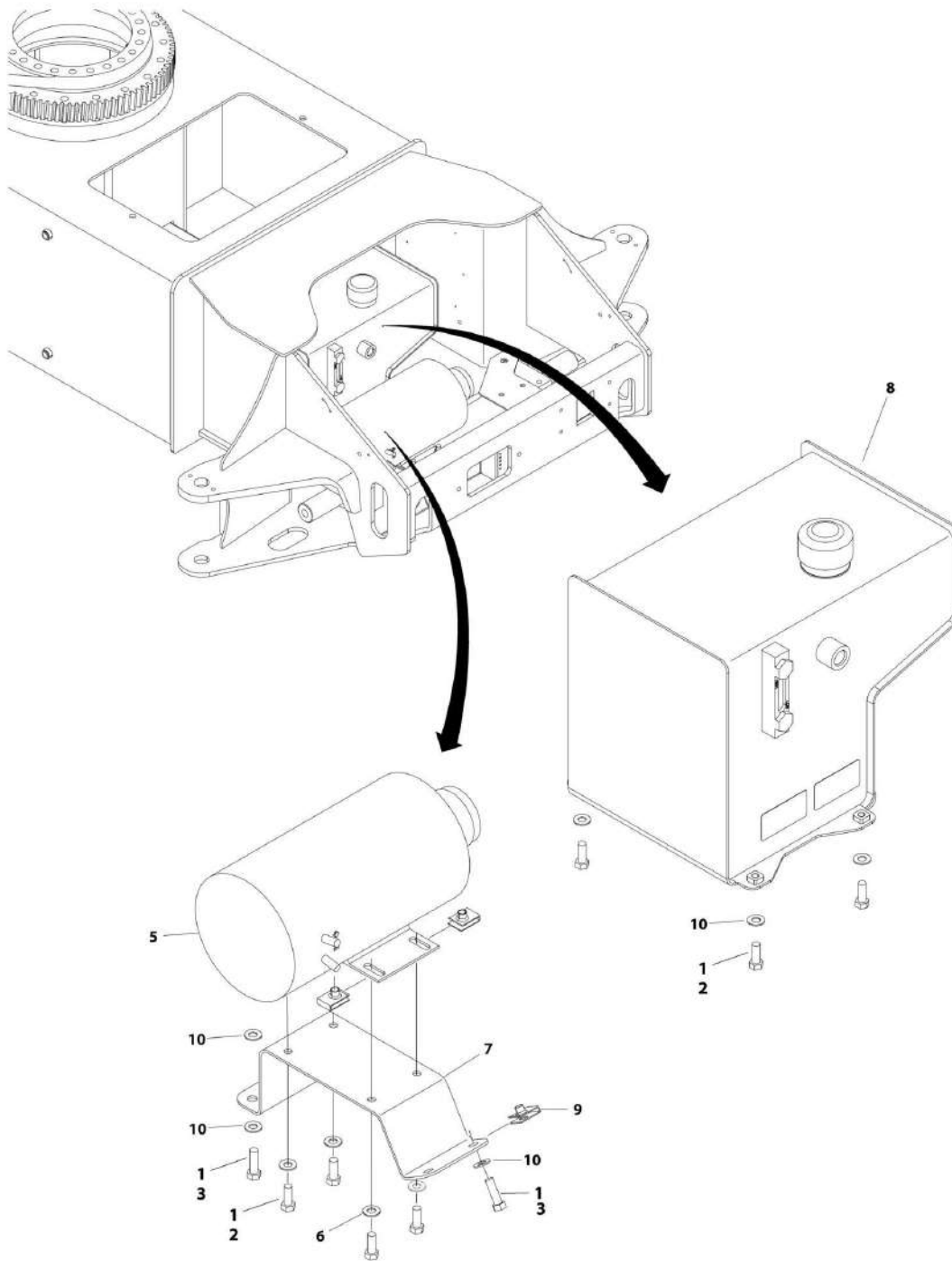
SECTION 1 - FRAME

FIGURE 1-24. TIRE/WHEEL - SOLID NON-MARKING

ITEM	PART NUMBER	QTY	DESCRIPTION	REV
	0270028	Ref	TIRE/WHEEL INSTALLATION - NON MARKING	C
		Ref	E400An/E400AJPn/M400AJPn Machines Only	
		Ref	Note: Must replace Tire and Wheel Assemblies in pairs per axle.	
1	1001110772	2	25 x 7 x 16 - Solideal Tire and Wheel (Drive Axle Tire)	
2	1001110774	2	22 x 6 x 17.75 - Solideal Tire and Wheel (Steer Axle Tire)	

SECTION 1 - FRAME

FIGURE 1-25. MOTOR/PUMP/TANK - E400AN/E400AJP/E400AJPN INSTALLATION - NON-UL SPECS



ART_1001166417

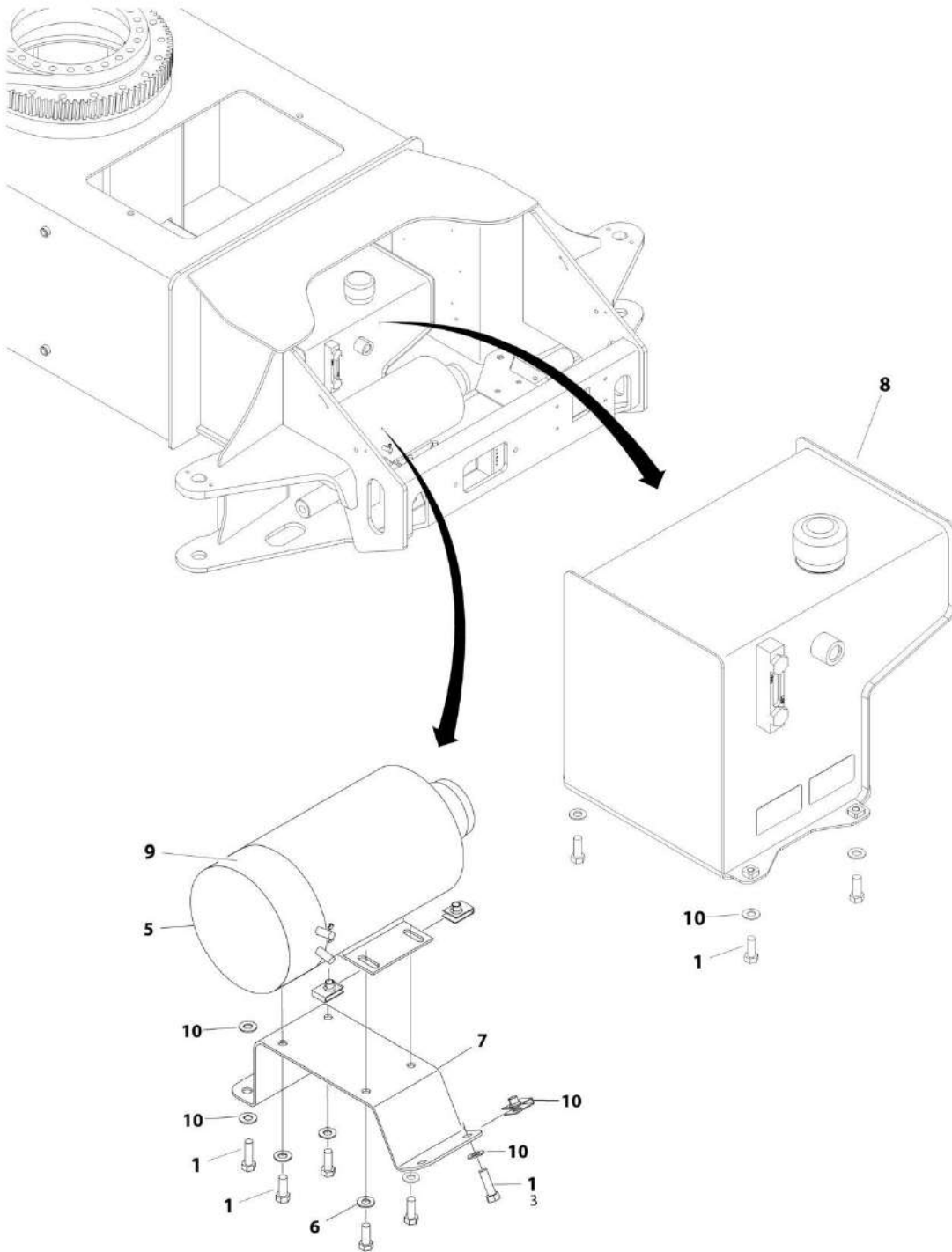
SECTION 1 - FRAME

FIGURE 1-25. MOTOR/PUMP/TANK - E400AN/E400AJP/E400AJPN INSTALLATION - NON-UL SPECS

ITEM	PART NUMBER	QTY	DESCRIPTION	REV
	1001166417	Ref	MOTOR/PUMP/TANK INSTALLATION - E400An/E400AJP/E400AJPN - NON-UL SPECS	F
1	0100011	AR	Compound, Locking	
2	0641608	8	Bolt, 3/8-16 x 1	
3	0641610	4	Bolt, 3/8-16 x 1-1/4	
5	3600289	1	Motor/Pump Assembly (See MOTOR/PUMP ASSEMBLY for Breakdown)	
6	4711600	4	Washer, 3/8	
7	1001166419	1	Plate, Mounting	
8	1001171213	1	Tank, Hydraulic (See HYDRAULIC TANK ASSEMBLY for Breakdown)	
9	88662523	8	Nut, Tinnerman	
10	4891600	8	Washer, 3/8 Hardened	

SECTION 1 - FRAME

FIGURE 1-26. MOTOR/PUMP/TANK - E400AN/E400AJP/E400AJPN INSTALLATION - UL SPECS



ART_1001167487

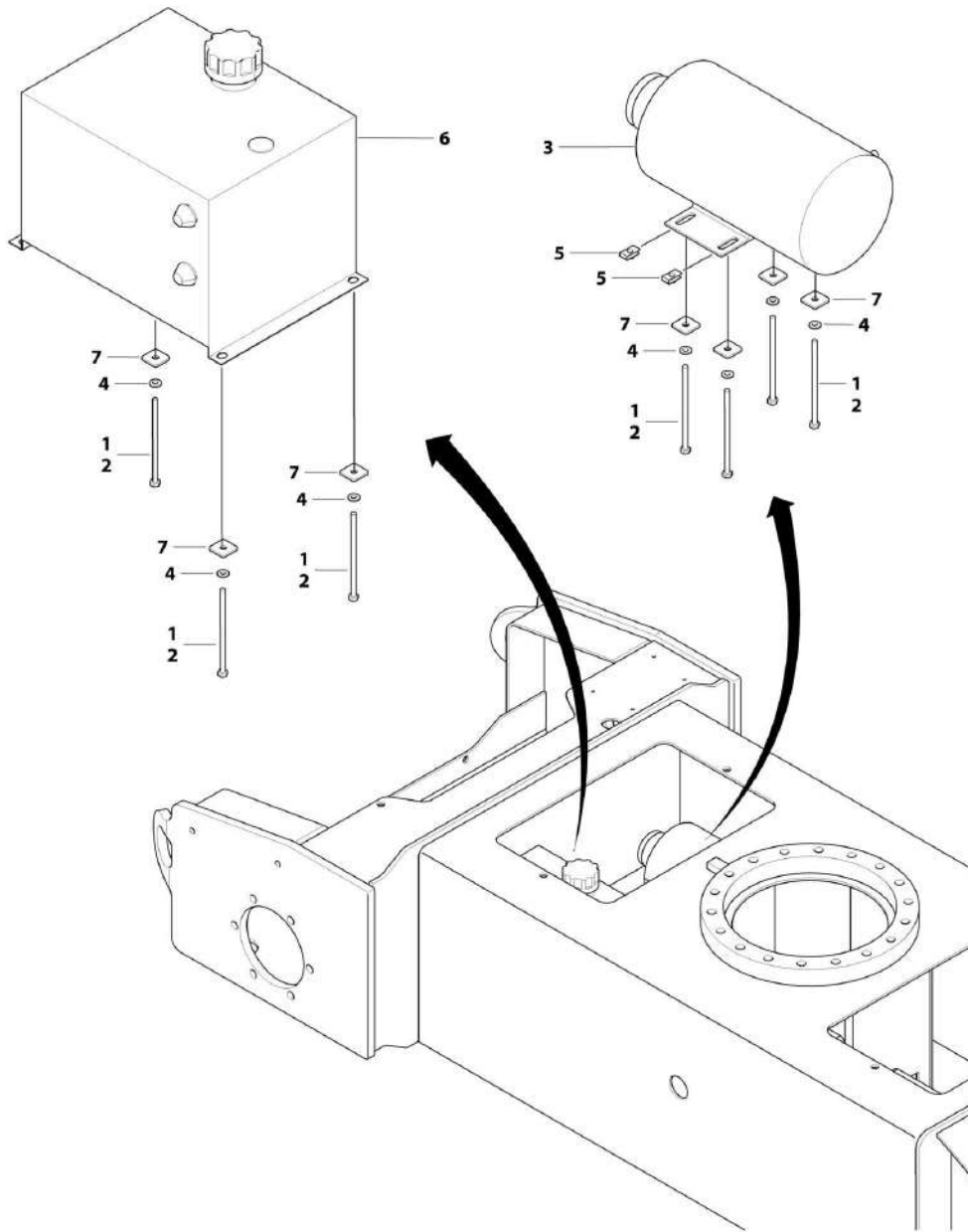
SECTION 1 - FRAME

FIGURE 1-26. MOTOR/PUMP/TANK - E400An/E400AJP/E400AJPn INSTALLATION - UL SPECS

ITEM	PART NUMBER	QTY	DESCRIPTION	REV
	1001167487	Ref	MOTOR/PUMP/TANK INSTALLATION - E400An/E400AJP/E400AJPn - UL SPECS	F
1	0100011	AR	Compound, Locking	
2	0641608	8	Bolt, 3/8-16 x 1	
3	0641610	4	Bolt, 3/8-16 x 1-1/4	
5	3600289	1	Motor/Pump Assembly (See MOTOR/PUMP ASSEMBLY for Breakdown)	
6	4751600	4	Washer, 3/8	
7	1001166419	1	Plate, Mounting	
8	1001171213	1	Tank Hydraulic (See HYDRAULIC TANK ASSEMBLY for Breakdown)	
9	0340048	1	Band, Motor	
10	88662523	8	Nut, Tinnerman	
11	4891600	8	Washer, 3/8 Hardened	

SECTION 1 - FRAME

FIGURE 1-27. MOTOR/PUMP/TANK INSTALLATION - M400AJP



ART_1001167450

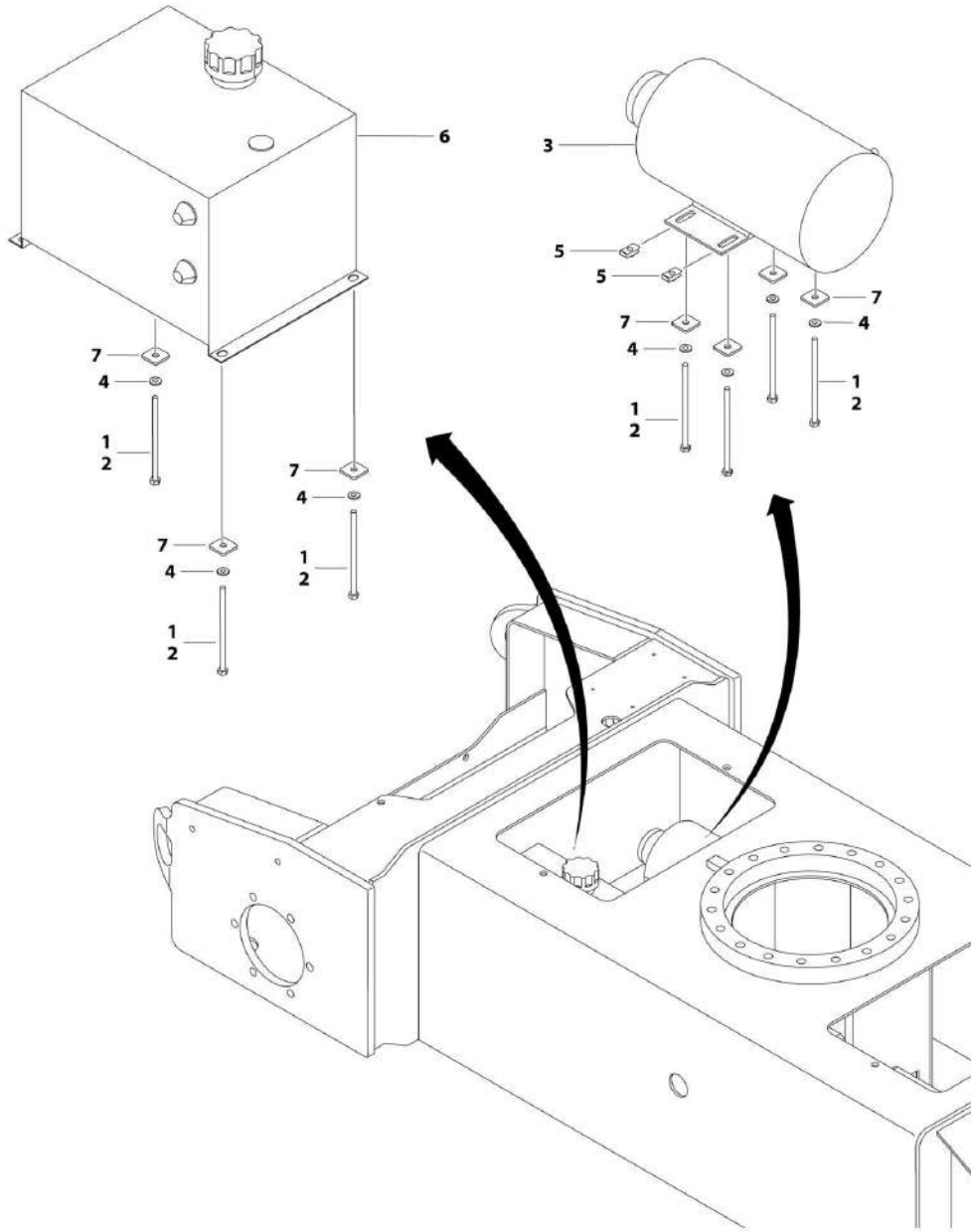
SECTION 1 - FRAME

FIGURE 1-27. MOTOR/PUMP/TANK INSTALLATION - M400AJP

ITEM	PART NUMBER	QTY	DESCRIPTION	REV
	1001167450	Ref	MOTOR/PUMP/TANK INSTALLATION - M400AJP	B
1	0100011	AR	Compound, Locking	
2	0641424	7	Bolt, 1/4-20 x 3	
3	3600289	1	Motor/Pump Assembly (See MOTOR/PUMP ASSEMBLY for Breakdown)	
4	4711400	7	Washer, 1/4	
5	3300454	4	Nut, 1/4-20	
6	1001171214	1	Tank, Hydraulic (See HYDRAULIC TANK ASSEMBLY for Breakdown)	
7	1001167291	7	Washer	

SECTION 1 - FRAME

FIGURE 1-28. MOTOR/PUMP/TANK INSTALLATION - M400AJPN



ART_1001167363

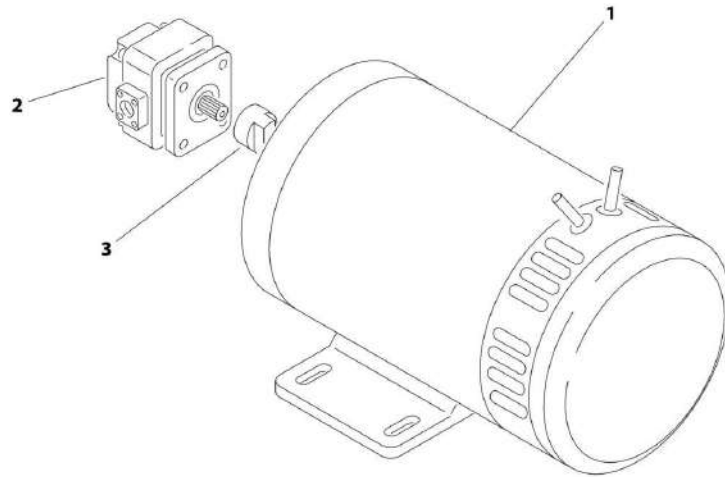
SECTION 1 - FRAME

FIGURE 1-28. MOTOR/PUMP/TANK INSTALLATION - M400AJPN

ITEM	PART NUMBER	QTY	DESCRIPTION	REV
	1001167363	Ref	MOTOR/PUMP/TANK INSTALLATION - M400AJPN	B
1	0100011	AR	Compound, Locking	
2	0641440	7	Bolt, 1/4-20 X 5	
3	3600289	1	Motor/Pump Assembly (See MOTOR/PUMP ASSEMBLY for Breakdown)	
4	4711400	7	Washer, 1/4	
5	3300454	4	Nut, 1/4-20	
6	1001171214	1	Tank, Hydraulic (See HYDRAULIC TANK ASSEMBLY for Breakdown)	
7	1001167291	7	Washer	

SECTION 1 - FRAME

FIGURE 1-29. MOTOR/PUMP ASSEMBLY



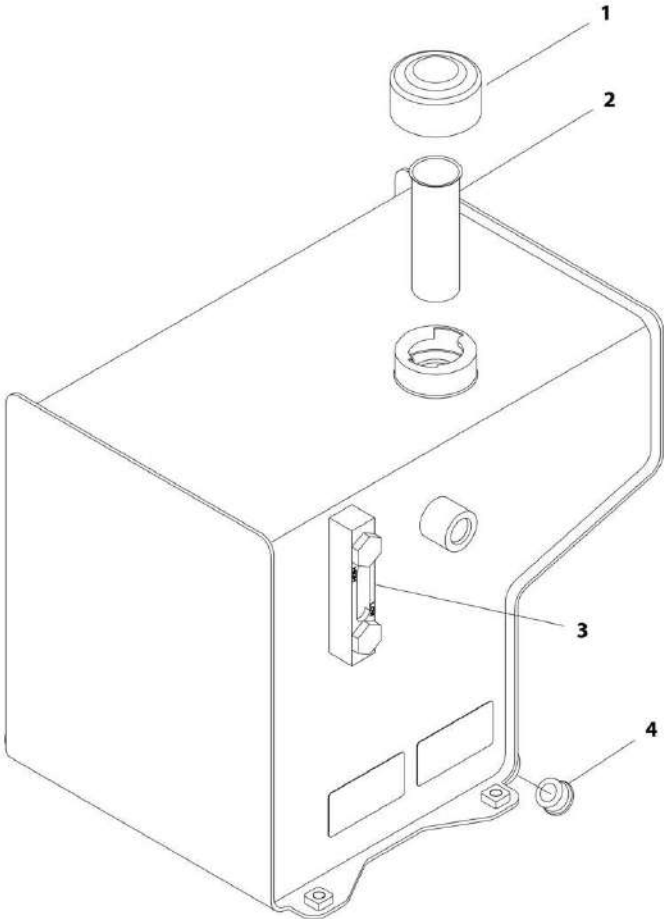
ART_3600289

FIGURE 1-29. MOTOR/PUMP ASSEMBLY

ITEM	PART NUMBER	QTY	DESCRIPTION	REV
	3600289	Ref	MOTOR/PUMP ASSEMBLY	A
1	7021318	1	Motor Assembly	
1	7021361	1	Brush Kit	
1	70003171	1	Spring, Brush	
1	70001961	1	Seal, Oil	
2	7021319	1	Pump Assembly	
2	7021377	1	Seal Kit	
3	70002523	1	Coupling	

SECTION 1 - FRAME

FIGURE 1-30. HYDRAULIC TANK ASSEMBLY - E400AN/E400AJP/E400AJPN



ART_1001171213

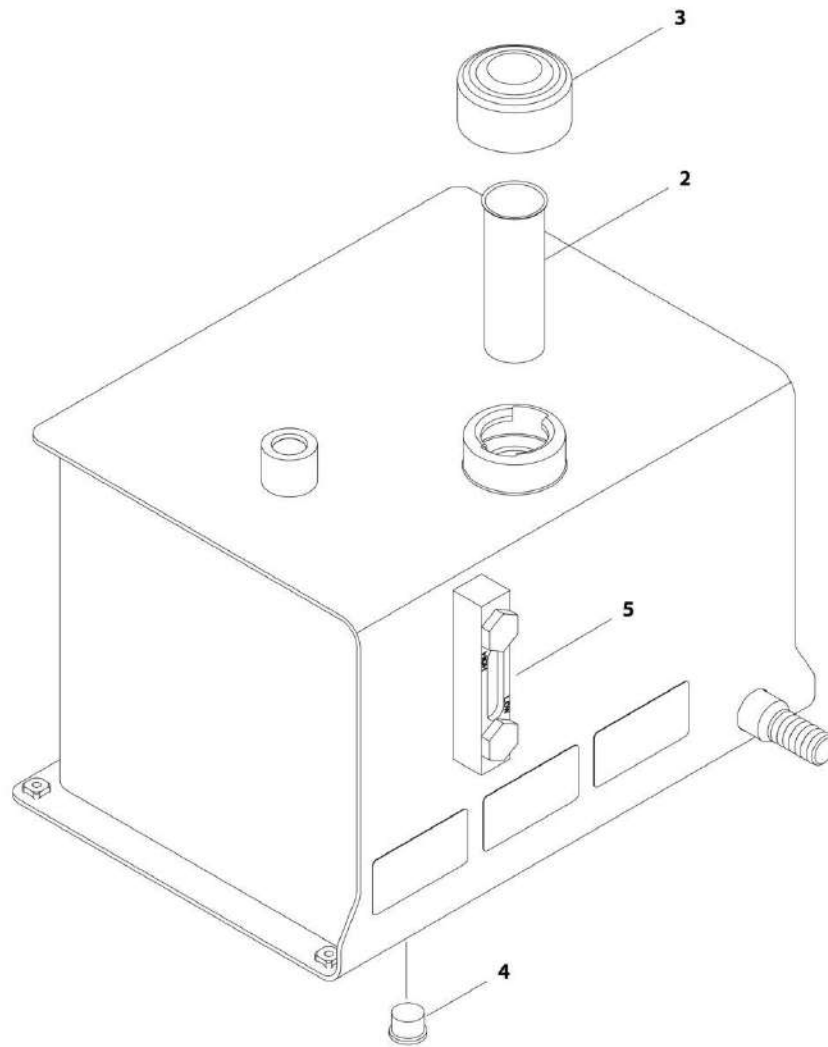
SECTION 1 - FRAME

FIGURE 1-30. HYDRAULIC TANK ASSEMBLY - E400AN/E400AJP/E400AJPN

ITEM	PART NUMBER	QTY	DESCRIPTION	REV
	1001171213	Ref	HYDRAULIC TANK ASSEMBLY - E400An/E400AJP/E400AJPN	B
1	7024444	1	Cap, Breather	
2	7024445	1	Strainer	
3	70005101	1	Gauge, Sight	
4	70002112	1	Plug	

SECTION 1 - FRAME

FIGURE 1-31. HYDRAULIC TANK ASSEMBLY - M400AJP/M400AJPn



ART_1001171214

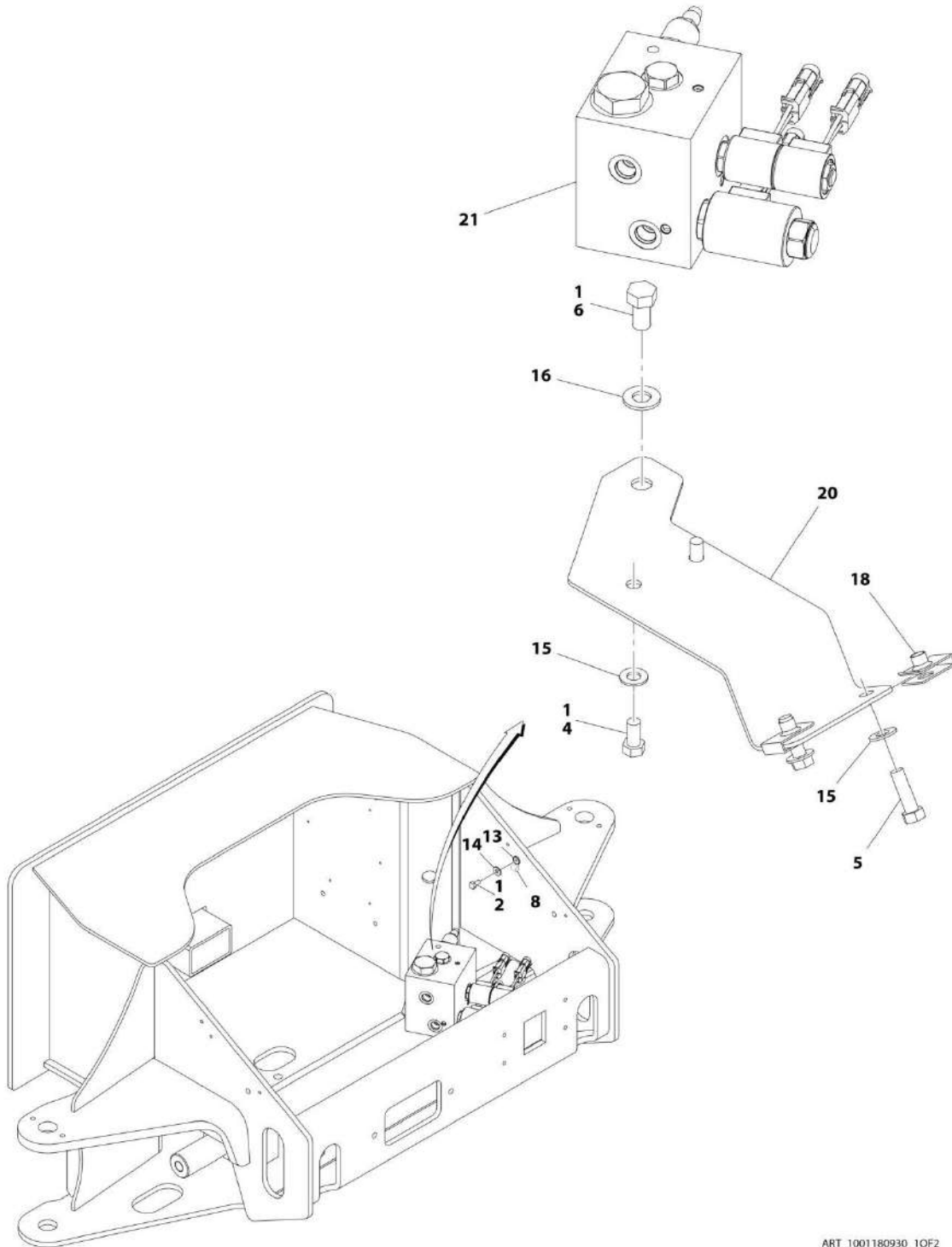
SECTION 1 - FRAME

FIGURE 1-31. HYDRAULIC TANK ASSEMBLY - M400AJP/M400AJPN

ITEM	PART NUMBER	QTY	DESCRIPTION	REV
	1001171214	Ref	HYDRAULIC TANK ASSEMBLY - M400AJP/M400AJPN	B
2	7024445	1	Strainer	
3	7024444	1	Cap, Breather	
4	70002112	1	Plug	
5	70005101	1	Gauge, Sight	

SECTION 1 - FRAME

FIGURE 1-32. VALVE INSTALLATION - FRAME MOUNTED - E400AN



ART_1001180930_10F2

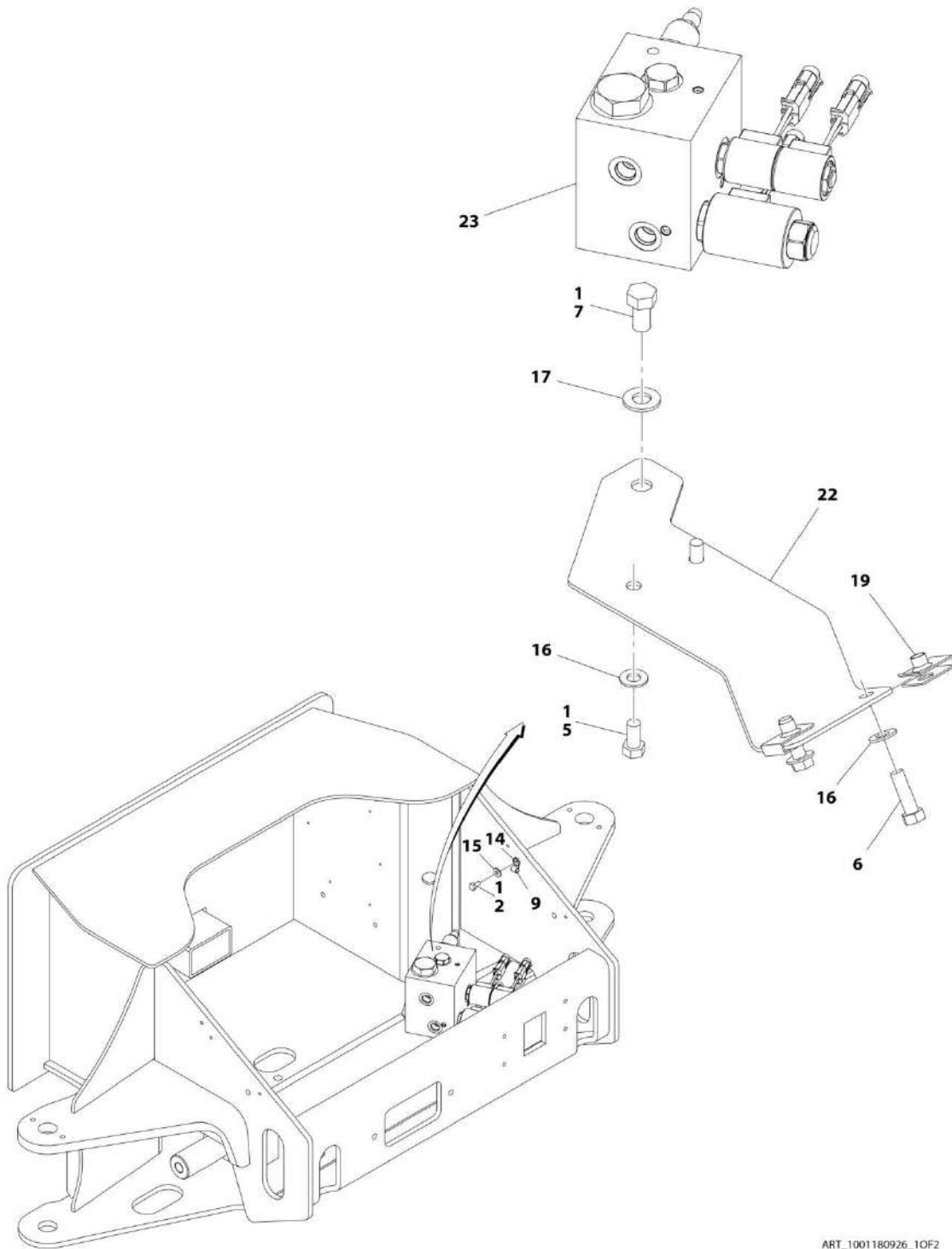
SECTION 1 - FRAME

FIGURE 1-32. VALVE INSTALLATION - FRAME MOUNTED - E400AN

ITEM	PART NUMBER	QTY	DESCRIPTION	REV
	1001180930	Ref	VALVE INSTALLATION - FRAME MOUNTED - E400An	B
1	0100011	AR	Compound, Locking	
2	0641404	1	Bolt, 1/4-20 x 1/2 (SN 0300208530 through 0300225009)	
4	0641606	2	Bolt, 3/8-16 X 3/4	
5	0641610	2	Bolt, 3/8-16 X 1-1/4	
6	0641807	1	Bolt, 1/2-13 X 7/8	
8	1320040	1	Clamp (SN 0300208530 through 0300225009)	
13	4240032	1	Tie, Strap (SN 0300208530 through 0300225009)	
14	4711400	1	Washer, 1/4 (SN 0300208530 through 0300225009)	
15	4711600	4	Washer, 3/8	
16	4711800	1	Washer, 1/2	
18	88662523	2	Nut, Tinnerman	
20	1001166420	1	Bracket, Mounting	
21	1001177364	1	Steer/Brake Valve Assembly (See STEER/BRAKE VALVE ASSEMBLY for Breakdown)	

SECTION 1 - FRAME

FIGURE 1-33. VALVE INSTALLATION - FRAME MOUNTED - E400AJP AND E400AJPN (SN 0300208530 through 0300233432)



ART_1001180926_10F2

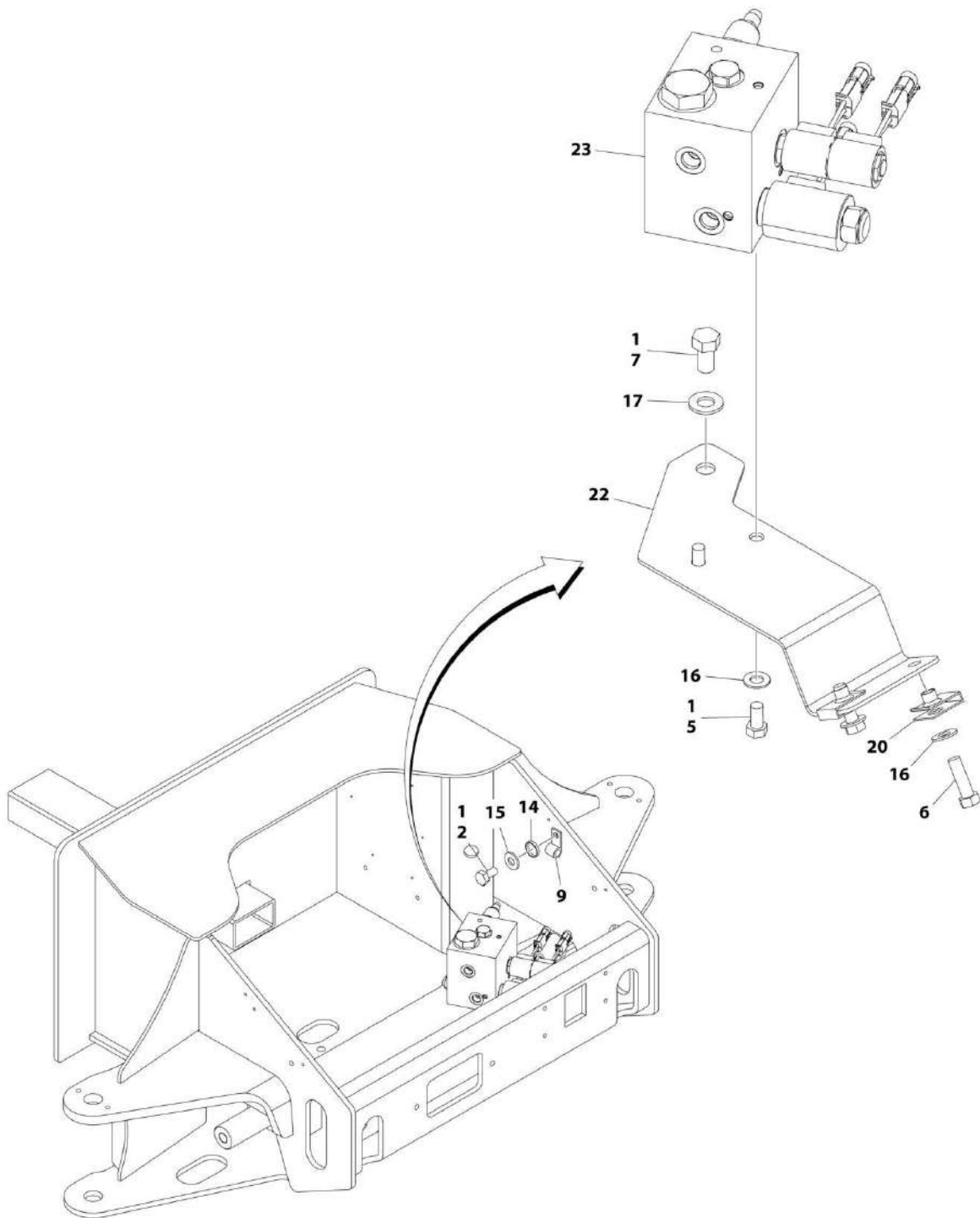
SECTION 1 - FRAME

FIGURE 1-33. VALVE INSTALLATION - FRAME MOUNTED - E400AJP AND E400AJPN (SN 0300208530 through 0300233432)

ITEM	PART NUMBER	QTY	DESCRIPTION	REV
	1001180926	Ref	VALVE INSTALLATION - FRAME MOUNTED - E400AJP AND E400AJPN (SN 0300208530 through 0300233432)	C
1	0100011	AR	Compound, Locking	
2	0641404	1	Bolt, 1/4-20 x 1/2 (SN 0300208530 through 0300225009)	
5	0641606	2	Bolt, 3/8-16 X 3/4	
6	0641610	2	Bolt, 3/8-16 X 1-1/4	
7	0641807	1	Bolt, 1/2-13 X 7/8	
9	1320040	1	Clamp (SN 0300208530 through 0300225009)	
14	4240032	1	Tie, Strap (SN 0300208530 through 0300225009)	
15	4711400	1	Washer, 1/4 (SN 0300208530 through 0300225009)	
16	4711600	4	Washer, 3/8	
17	4711800	1	Washer, 1/2	
19	88662523	2	Nut, Tinnerman	
22	1001166420	1	Bracket, Mounting	
23	1001177364	1	Steer/Brake Valve Assembly (See STEER/BRAKE VALVE ASSEMBLY for Breakdown)	

SECTION 1 - FRAME

FIGURE 1-34. VALVE INSTALLATION - FRAME MOUNTED - E400AJP AND E400AJPN (SN 0300233433 to Present)



ART_1001218367_10F2

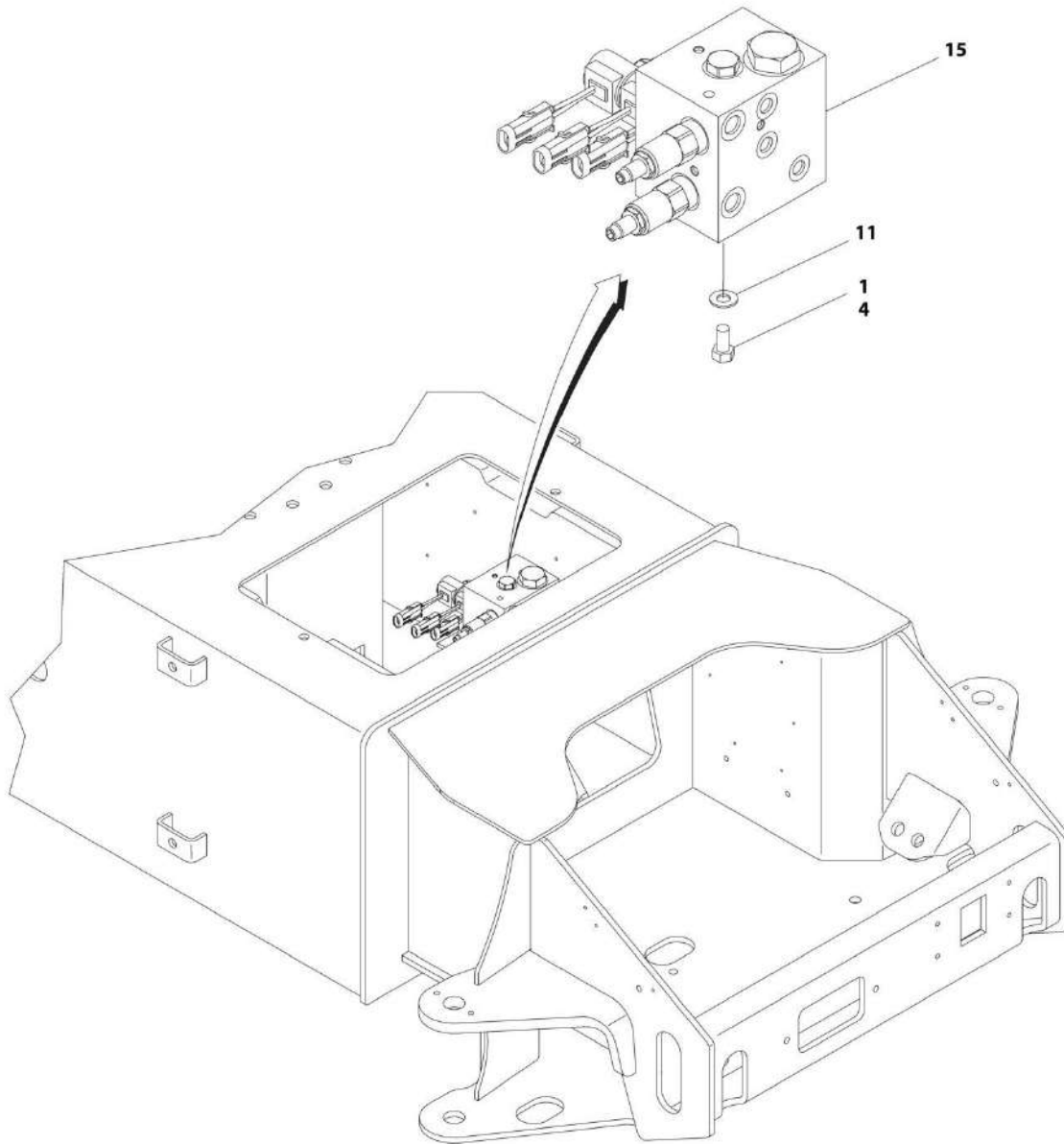
SECTION 1 - FRAME

FIGURE 1-34. VALVE INSTALLATION - FRAME MOUNTED - E400AJP AND E400AJPN (SN 0300233433 to Present)

ITEM	PART NUMBER	QTY	DESCRIPTION	REV
	1001218367	Ref	VALVE INSTALLATION - FRAME MOUNTED - E400AJP AND E400AJPN (SN 0300233433 to Present)	A
1	0100011	AR	Compound, Locking	
2	0641404	1	Bolt, 1/4-20 x 1/2	
5	0641606	2	Bolt, 3/8-16 X 3/4	
6	0641610	2	Bolt, 3/8-16 X 1-1/4	
7	0641807	1	Bolt, 1/2-13 X 7/8	
9	1320040	1	Clamp	
14	4240032	1	Tie, Strap	
15	4711400	1	Washer, 1/4	
16	4711600	6	Washer, 3/8	
17	4711800	1	Washer, 1/2	
20	88662523	2	Nut, Tinnerman	
22	1001166420	1	Bracket, Mounting	
23	1001177364	1	Steer/Brake Valve Assembly (See STEER/BRAKE VALVE ASSEMBLY for Breakdown)	

SECTION 1 - FRAME

FIGURE 1-35. VALVE INSTALLATION - FRAME MOUNTED - M400AJP AND M400AJPN (SN 0300208530 through 0300233432)



ART_1001180928_10F2

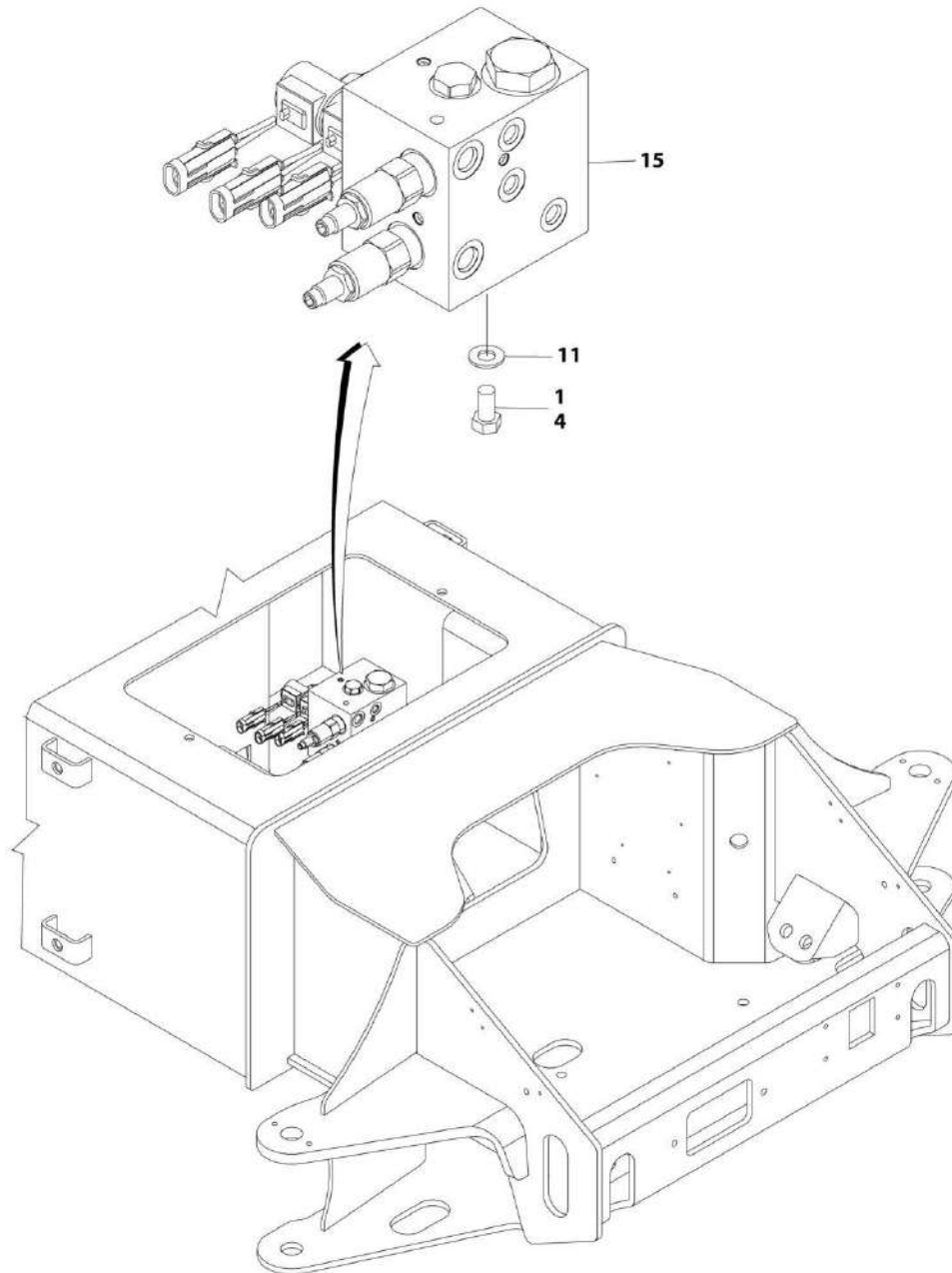
SECTION 1 - FRAME

FIGURE 1-35. VALVE INSTALLATION - FRAME MOUNTED - M400AJP AND M400AJPN (SN 0300208530 through 0300233432)

ITEM	PART NUMBER	QTY	DESCRIPTION	REV
	1001180928	Ref	VALVE INSTALLATION - FRAME MOUNTED - M400AJP AND M400AJPN (SN 0300208530 through 0300233432)	B
1	0100011	AR	Compound, Locking	
4	0641606	2	Bolt, 3/8-16 X 3/4	
11	4711600	4	Washer, 3/8	
15	1001177364	1	Steer/Brake Valve Assembly (See STEER/BRAKE VALVE ASSEMBLY for Breakdown)	

SECTION 1 - FRAME

FIGURE 1-36. VALVE INSTALLATION - FRAME MOUNTED - M400AJP AND M400AJPN (SN 0300233433 to Present)



ART_1001218370

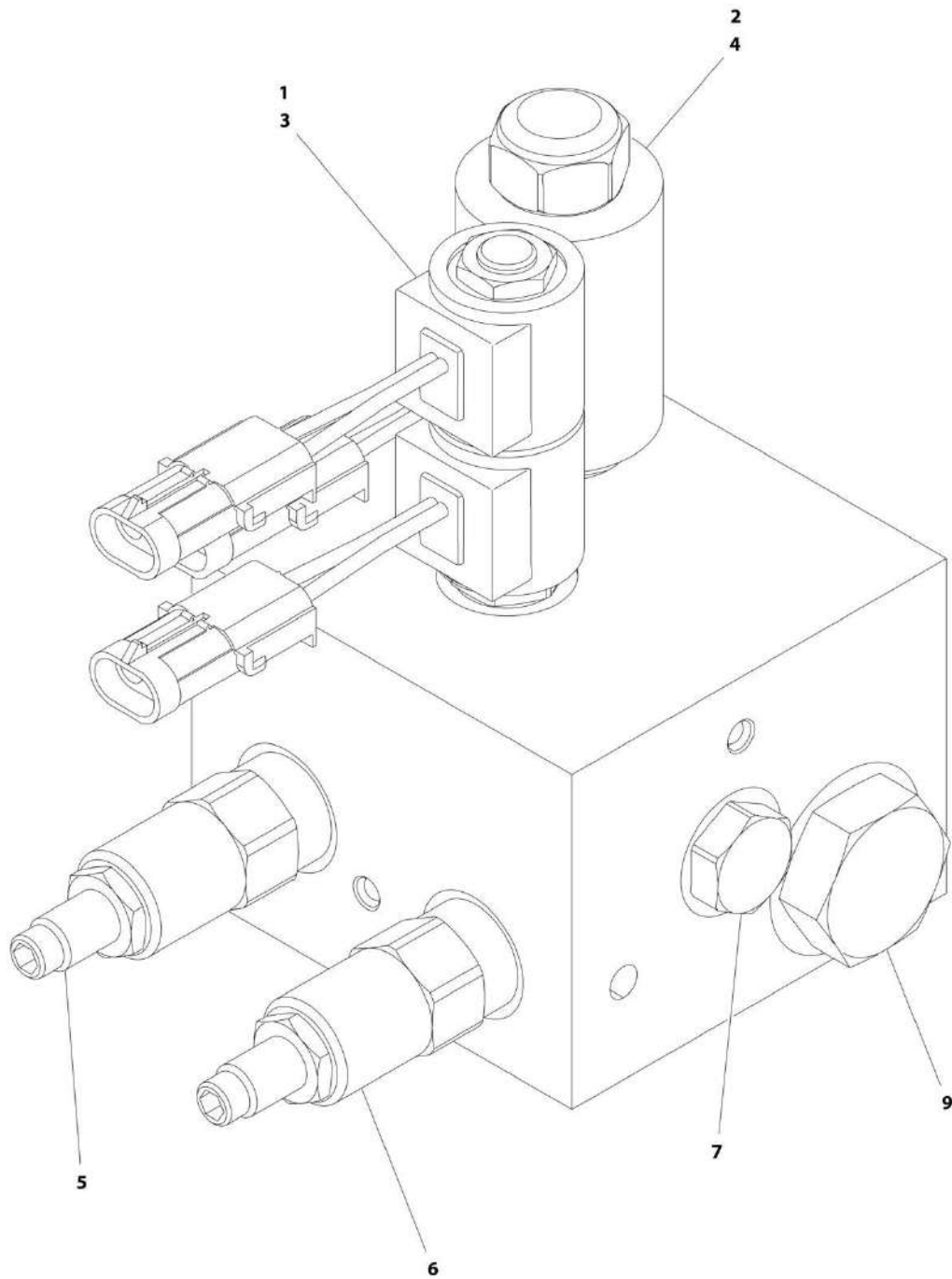
SECTION 1 - FRAME

FIGURE 1-36. VALVE INSTALLATION - FRAME MOUNTED - M400AJP AND M400AJPN (SN 0300233433 to Present)

ITEM	PART NUMBER	QTY	DESCRIPTION	REV
	1001218370	Ref	VALVE INSTALLATION - FRAME MOUNTED - M400AJP AND M400AJPN (SN 0300233433 to Present)	A
1	0100011	AR	Compound, Locking	
4	0641606	2	Bolt, 3/8-16 X 3/4	
11	4711600	2	Washer, 3/8	
15	1001177364	1	Steer/Brake Valve Assembly (See STEER/BRAKE VALVE ASSEMBLY for Breakdown)	

SECTION 1 - FRAME

FIGURE 1-37. BRAKE/STEER VALVE ASSEMBLY



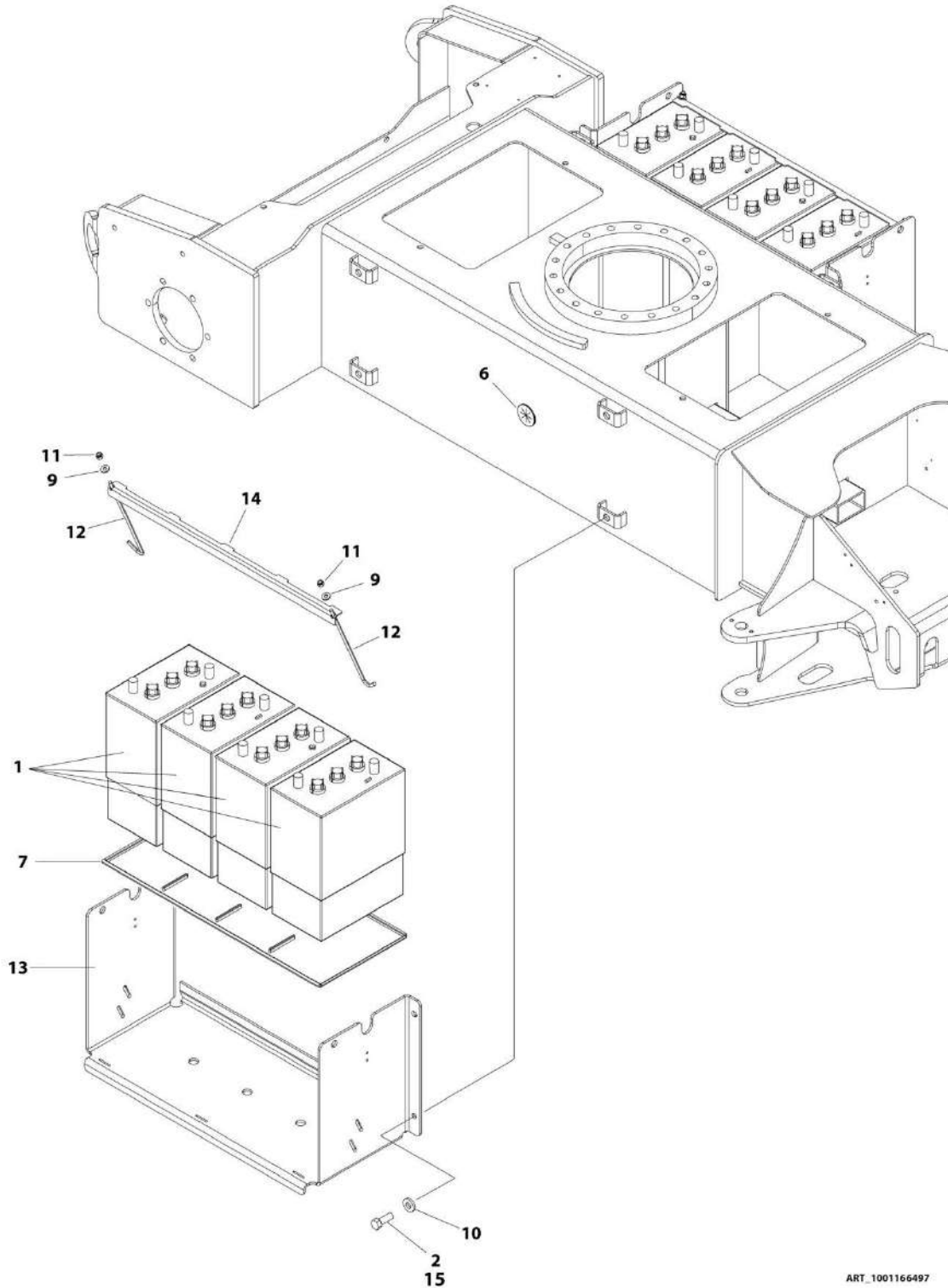
ART_1001177364

FIGURE 1-37. BRAKE/STEER VALVE ASSEMBLY

ITEM	PART NUMBER	QTY	DESCRIPTION	REV
	1001177364	Ref	BRAKE/STEER VALVE ASSEMBLY	G
1	7017433	1	Cartridge, without Coil (Steer)	
1	7017402	1	Seal Kit - 7017433 Cartridge	
2	7021611	1	Cartridge, Proportional without Coil (Flow Control)	
2	7012518	1	Seal Kit - 7021611 Cartridge	
3	7021609	2	Coil	
4	7021618	1	Coil	
5	7021659	1	Cartridge, Relief (Main)	
5	7012972	1	Seal Kit - 7021659	
6	7017488	1	Cartridge, Relief (Steer)	
6	7012998	1	Seal Kit - 7017488 Cartridge	
7	10837580	1	Cartridge, Load Shuttle	
7	7010543	1	Seal Kit - 7012941 Cartridge	
9	7021616	1	Cartridge, Filter	

SECTION 1 - FRAME

FIGURE 1-38. BATTERY BOX INSTALLATION - STANDARD (ALL SPECS EXCEPT AUSTRALIAN & CE SPECS)



ART_1001166497

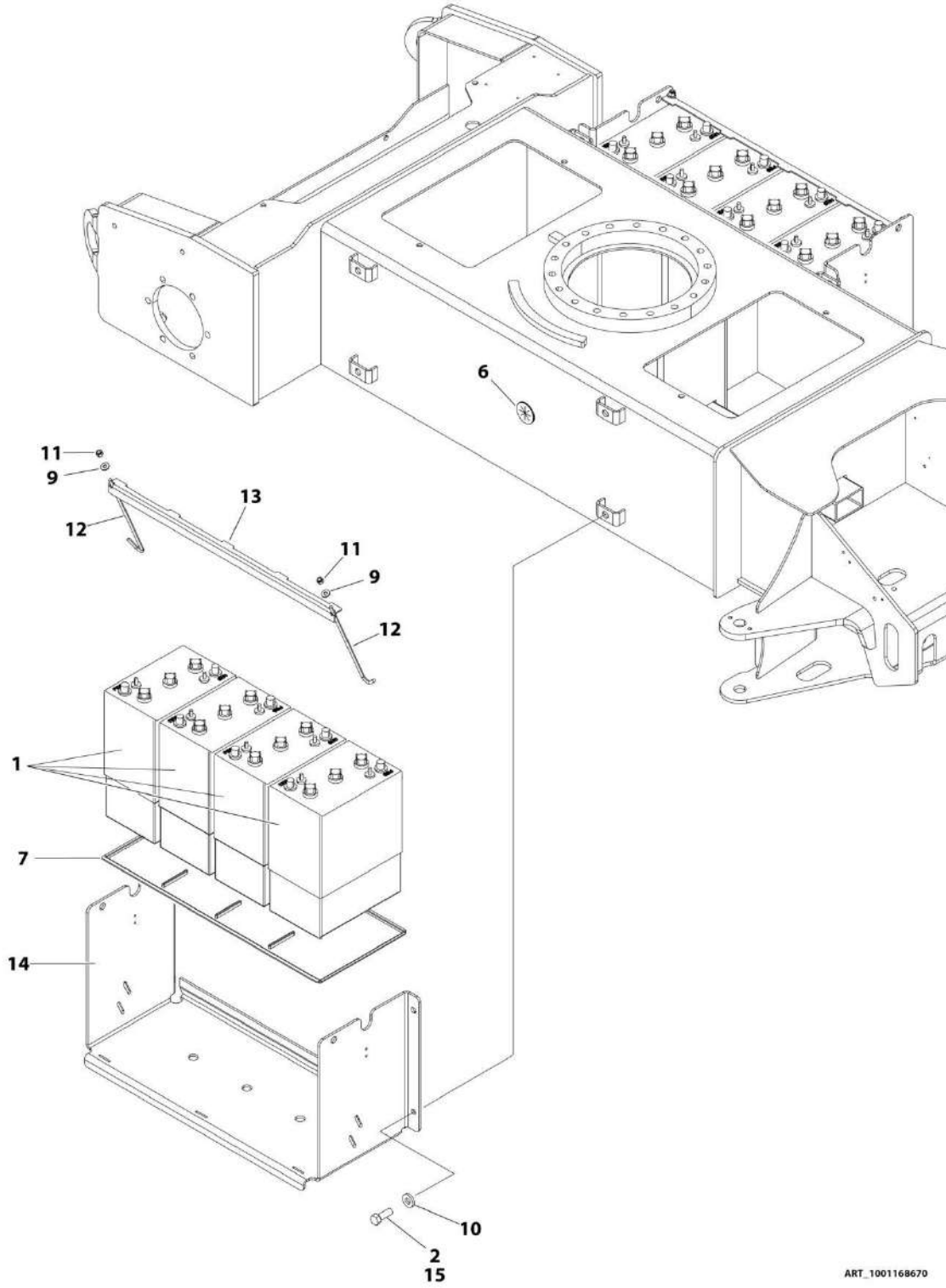
SECTION 1 - FRAME

FIGURE 1-38. BATTERY BOX INSTALLATION - STANDARD (ALL SPECS EXCEPT AUSTRALIAN & CE SPECS)

ITEM	PART NUMBER	QTY	DESCRIPTION	REV
	1001166497	Ref	BATTERY BOX INSTALLATION (ALL SPECS EXCEPT AUSTRALIAN & CE SPECS)	C
1	0400055	8	Battery (Wet)	
1	7016177	8	Battery (Dry)	
2	0641811	8	Bolt, 1/2-13 X 1-3/8	
6	2540045	2	Grommet	
7	3000003	2	Liner, Battery Box	
9	4751500	4	Washer, 5/16	
10	4891800	8	Washer, 1/2 Hardened	
11	88521205	4	Nut, Lock, 5/16-18	
12	1001093382	4	Bolt, J-Bolt	
13	1001166495	2	Tray, Battery	
14	1001166496	2	Battery Hold Down	
15	0100011	AR	Compound, Locking	

SECTION 1 - FRAME

FIGURE 1-39. BATTERY BOX INSTALLATION - STANDARD (AUSTRALIAN & CE SPECS)



ART_1001168670

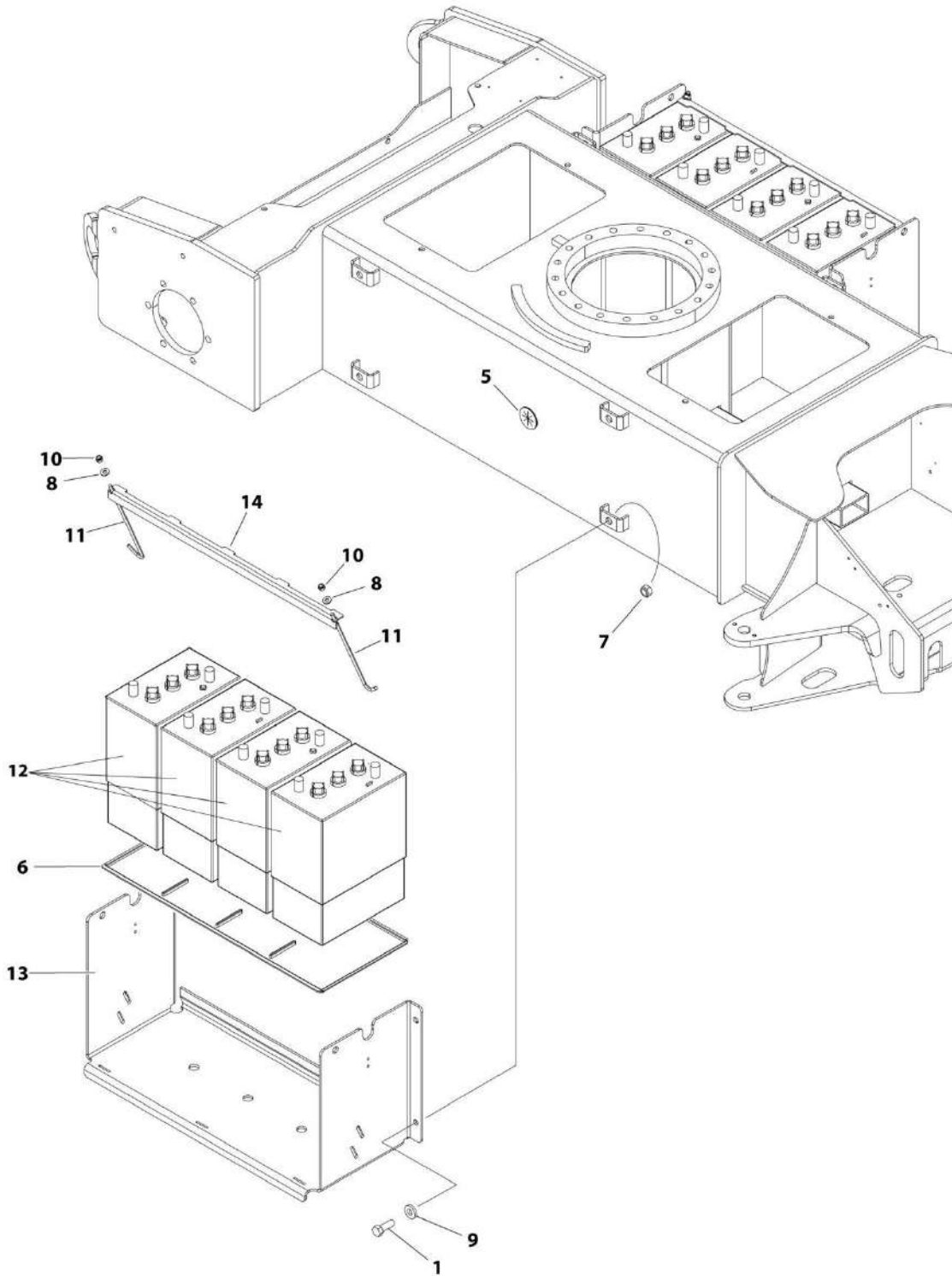
SECTION 1 - FRAME

FIGURE 1-39. BATTERY BOX INSTALLATION - STANDARD (AUSTRALIAN & CE SPECS)

ITEM	PART NUMBER	QTY	DESCRIPTION	REV
	1001168670	Ref	BATTERY BOX INSTALLATION - STANDARD (AUSTRALIAN & CE SPECS)	C
1	0400055	8	Battery (Wet)	
1	7016177	8	Battery (Dry)	
2	0641811	8	Bolt, 1/2-13 X 1-3/8	
6	2540045	2	Grommet	
7	3000003	2	Liner, Battery Box	
9	4751500	4	Washer, 5/16	
10	4891800	8	Washer, 1/2 Hardened	
11	88521205	4	Nut, Lock, 5/16-18	
12	1001093382	4	Bolt, J-Bolt	
13	1001166496	2	Battery Hold Down	
14	1001168800	2	Tray, Battery	
15	0100011	AR	Compound, Locking	

SECTION 1 - FRAME

FIGURE 1-40. BATTERY BOX INSTALLATION - AGM BATTERIES (ALL SPECS EXCEPT AUSTRALIAN & CE SPECS)



ART_1001166498

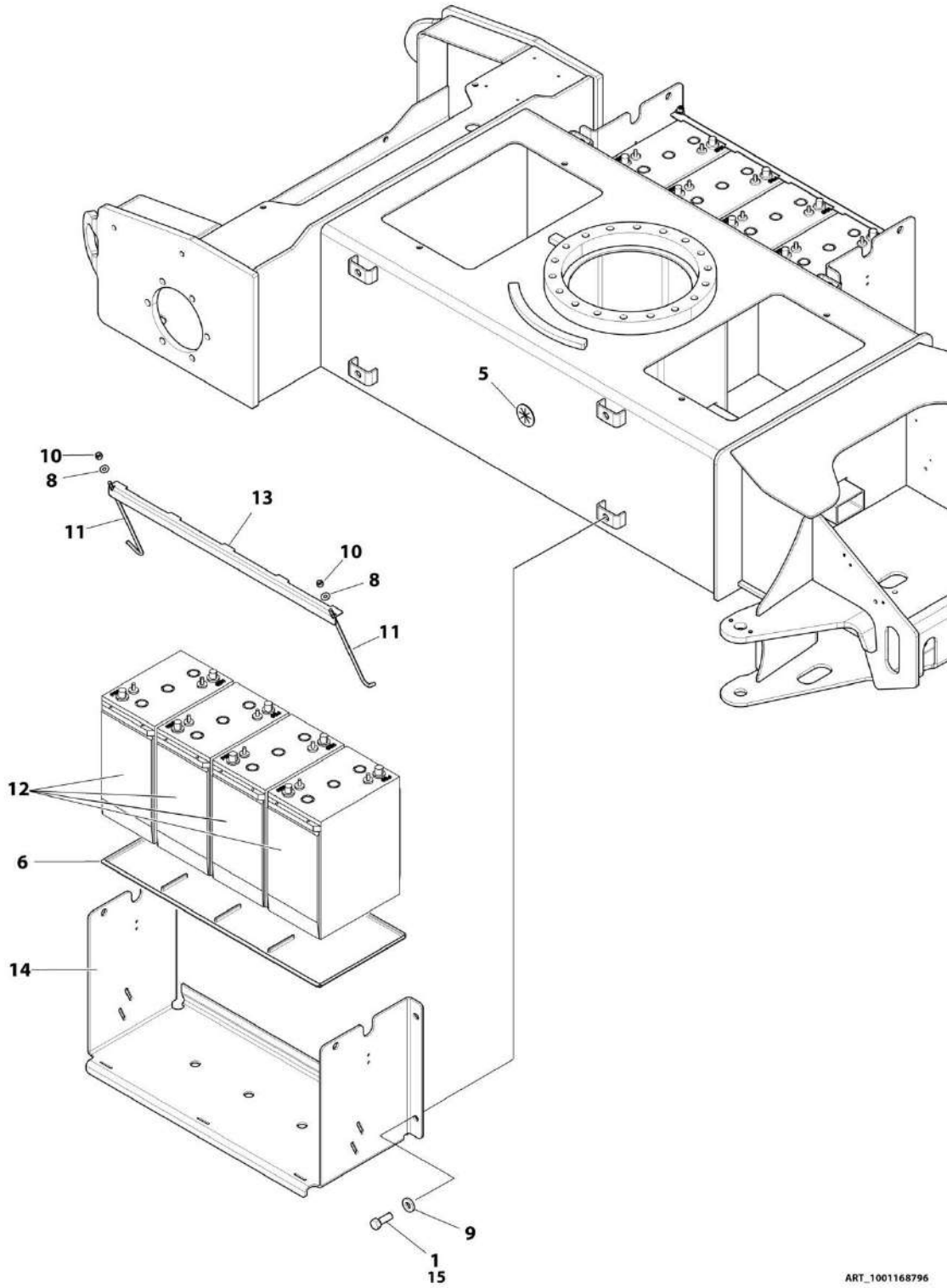
SECTION 1 - FRAME

FIGURE 1-40. BATTERY BOX INSTALLATION - AGM BATTERIES (ALL SPECS EXCEPT AUSTRALIAN & CE SPECS)

ITEM	PART NUMBER	QTY	DESCRIPTION	REV
	1001166498	Ref	BATTERY BOX INSTALLATION - AGM BATTERIES (ALL SPECS EXCEPT AUSTRALIAN & CE SPECS)	C
1	0641811	8	Bolt, 1/2-13 X 1-3/8	
5	2540045	1	Grommet	
6	3000003	2	Liner, Battery Box	
8	4751500	4	Washer, 5/16	
9	4891800	8	Washer, 1/2 Hardened	
10	88521205	4	Nut, Lock, 5/16-18	
11	1001093382	4	Bolt, J-Bolt	
12	1001114782	8	Battery (Wet) (AGM Batteries)	
13	1001166495	2	Tray, Battery	
14	1001166496	2	Battery Hold Down	
15	0100011	AR	Compound, Locking	

SECTION 1 - FRAME

FIGURE 1-41. BATTERY BOX INSTALLATION - AGM BATTERIES (AUSTRALIAN & CE SPECS)



ART_1001168796

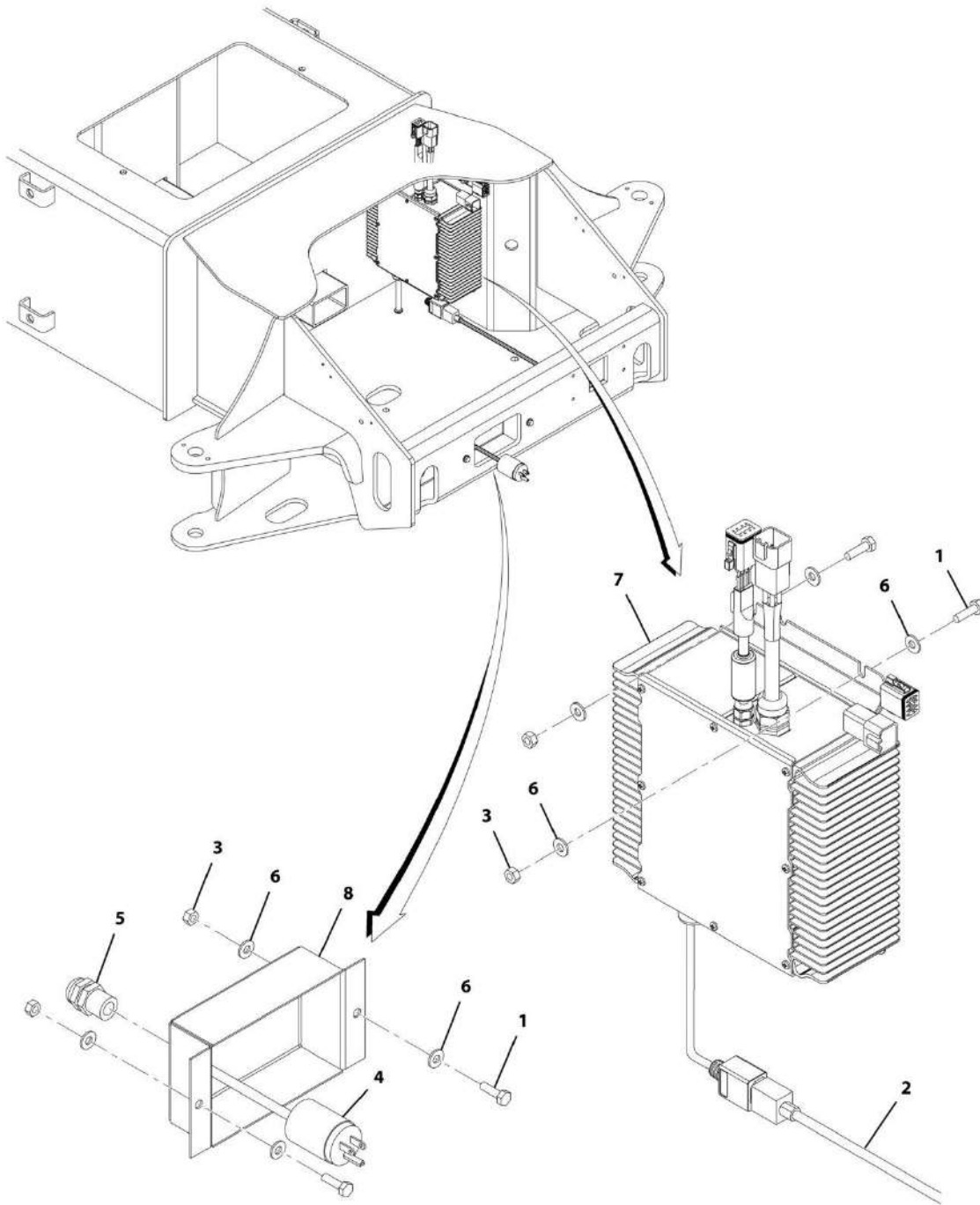
SECTION 1 - FRAME

FIGURE 1-41. BATTERY BOX INSTALLATION - AGM BATTERIES (AUSTRALIAN & CE SPECS)

ITEM	PART NUMBER	QTY	DESCRIPTION	REV
	1001168796	Ref	BATTERY BOX INSTALLATION - AGM BATTERIES (AUSTRALIAN & CE SPECS)	C
1	0641811	8	Bolt, 1/2-13 X 1-3/8	
5	2540045	2	Grommet	
6	3000003	2	Liner, Battery Box	
8	4751500	4	Washer, 5/16	
9	4891800	8	Washer, 1/2 Hardened	
10	88521205	4	Nut, Lock, 5/16-18	
11	1001093382	4	Bolt, J-Bolt	
12	1001114782	8	Battery (Wet) (AGM Batteries)	
13	1001166496	2	Battery Hold Down	
14	1001168800	2	Tray Battery	
15	0100011	AR	Compound, Locking	

SECTION 1 - FRAME

FIGURE 1-42. BATTERY CHARGER INSTALLATION - E400AN/E400AJP/E400AJPN (ALL SPECS EXCEPT AUSTRALIAN & CE SPECS)



ART_1001191204

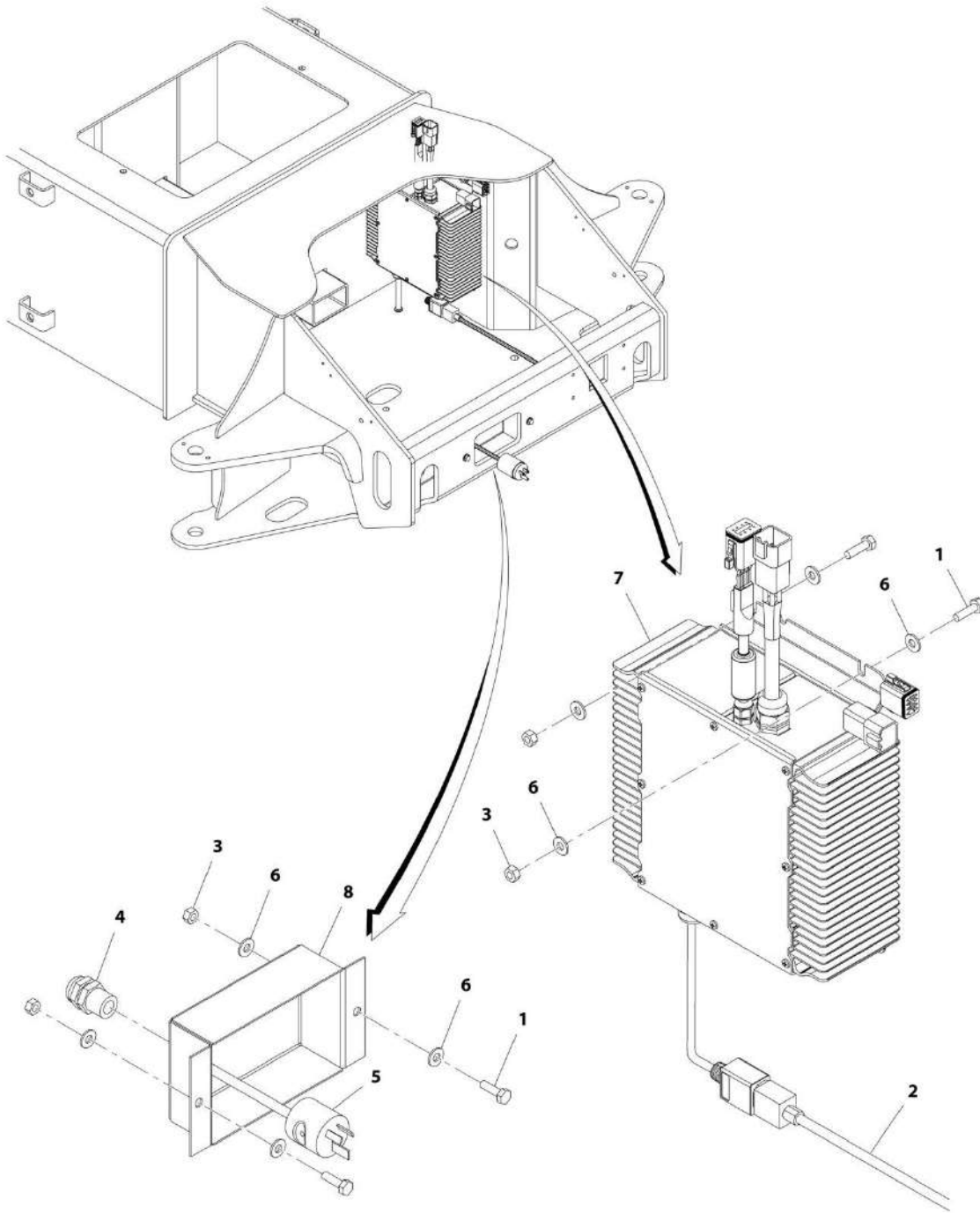
SECTION 1 - FRAME

FIGURE 1-42. BATTERY CHARGER INSTALLATION - E400AN/E400AJP/E400AJPN (ALL SPECS EXCEPT AUSTRALIAN & CE SPECS)

ITEM	PART NUMBER	QTY	DESCRIPTION	REV
	1001191204	Ref	BATTERY CHARGER INSTALLATION - E400An/E400AJP/E400AJPN (ALL SPECS EXCEPT AUSTRALIAN & CE SPECS)	A
1	0641407	6	Bolt, 1/4-20 X 7/8	
2	1060689	1	AC Cord	
3	0641405	1	Bolt, 1/4-20 X 5/8	
4	4460138	1	Plug, AC	
5	4460428	1	Connector, Strain Relief	
6	4711400	14	Washer, 1/4	
7	1001103105	1	Battery Charger Assembly (See BATTERY CHARGER ASSEMBLY for Breakdown)	
8	1001191212	1	Panel, Cable	

SECTION 1 - FRAME

FIGURE 1-43. BATTERY CHARGER INSTALLATION - E400AJP/E400AJPN (AUSTRALIAN SPEC)



ART_1001191206

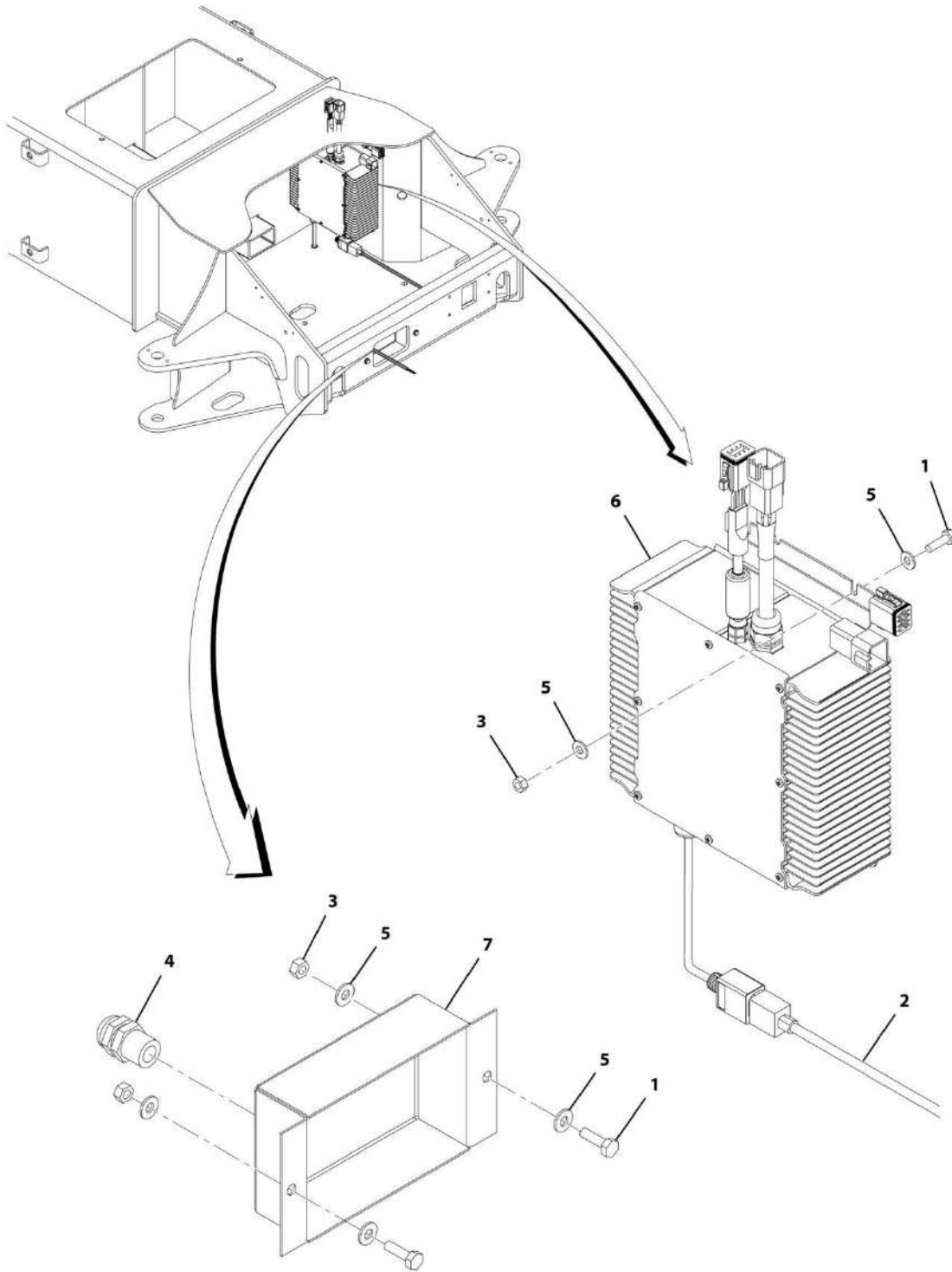
SECTION 1 - FRAME

FIGURE 1-43. BATTERY CHARGER INSTALLATION - E400AJP/E400AJPN (AUSTRALIAN SPEC)

ITEM	PART NUMBER	QTY	DESCRIPTION	REV
	1001191206	Ref	BATTERY CHARGER INSTALLATION - E400AJP/E400AJPN (AUSTRALIAN SPECS)	A
1	0641407	6	Bolt, 1/4-20 X 7/8	
2	1060689	1	AC Cord	
3	0641405	1	Bolt, 1/4-20 X 5/8	
4	4460428	1	Connector, Strain Relief	
5	4460805	1	Plug	
6	4711400	14	Washer, 1/4	
7	1001103105	1	Battery Charger Assembly (See BATTERY CHARGER ASSEMBLY for Breakdown)	
8	1001191212	1	Panel, Cable	

SECTION 1 - FRAME

FIGURE 1-44. BATTERY CHARGER INSTALLATION - E400AN/E400AJP/E400AJPN (CE SPECS)



ART_1001191203

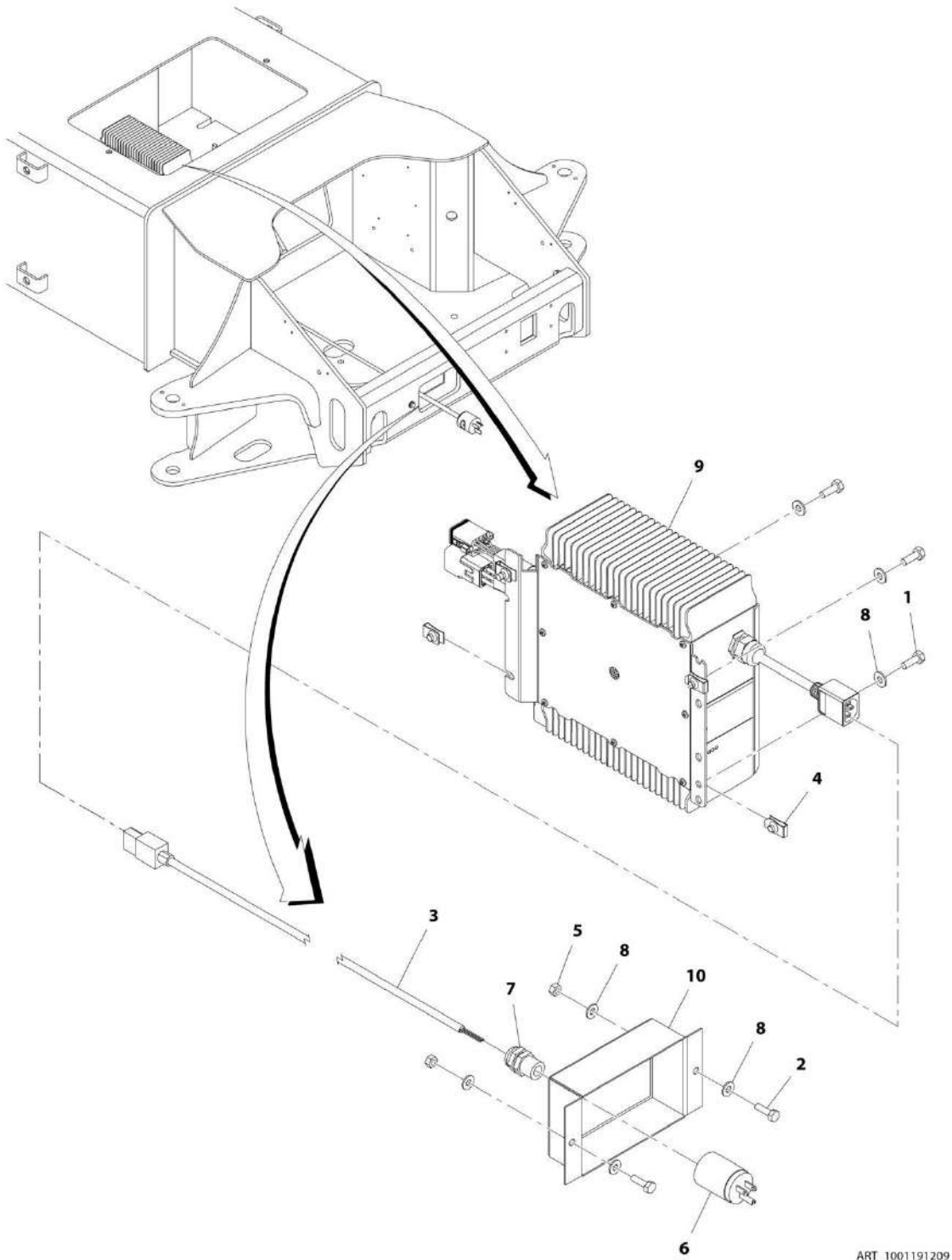
SECTION 1 - FRAME

FIGURE 1-44. BATTERY CHARGER INSTALLATION - E400AN/E400AJP/E400AJPN (CE SPECS)

ITEM	PART NUMBER	QTY	DESCRIPTION	REV
	1001191203	Ref	BATTERY CHARGER INSTALLATION - E400An/E400AJP/E400AJPN (CE SPECS)	A
1	0641407	6	Bolt, 1/4-20 X 7/8	
2	1060689	1	AC Cord	
3	0641405	1	Bolt, 1/4-20 X 5/8	
4	4460428	1	Connector, Strain Relief	
5	4711400	14	Washer, 1/4	
6	1001103105	1	Battery Charger Assembly (See BATTERY CHARGER ASSEMBLY for Breakdown)	
7	1001191212	1	Panel, Cable	

SECTION 1 - FRAME

FIGURE 1-45. BATTERY CHARGER INSTALLATION - M400AJP/M400AJPN (ALL SPECS EXCEPT AUSTRALIAN & CE SPECS)



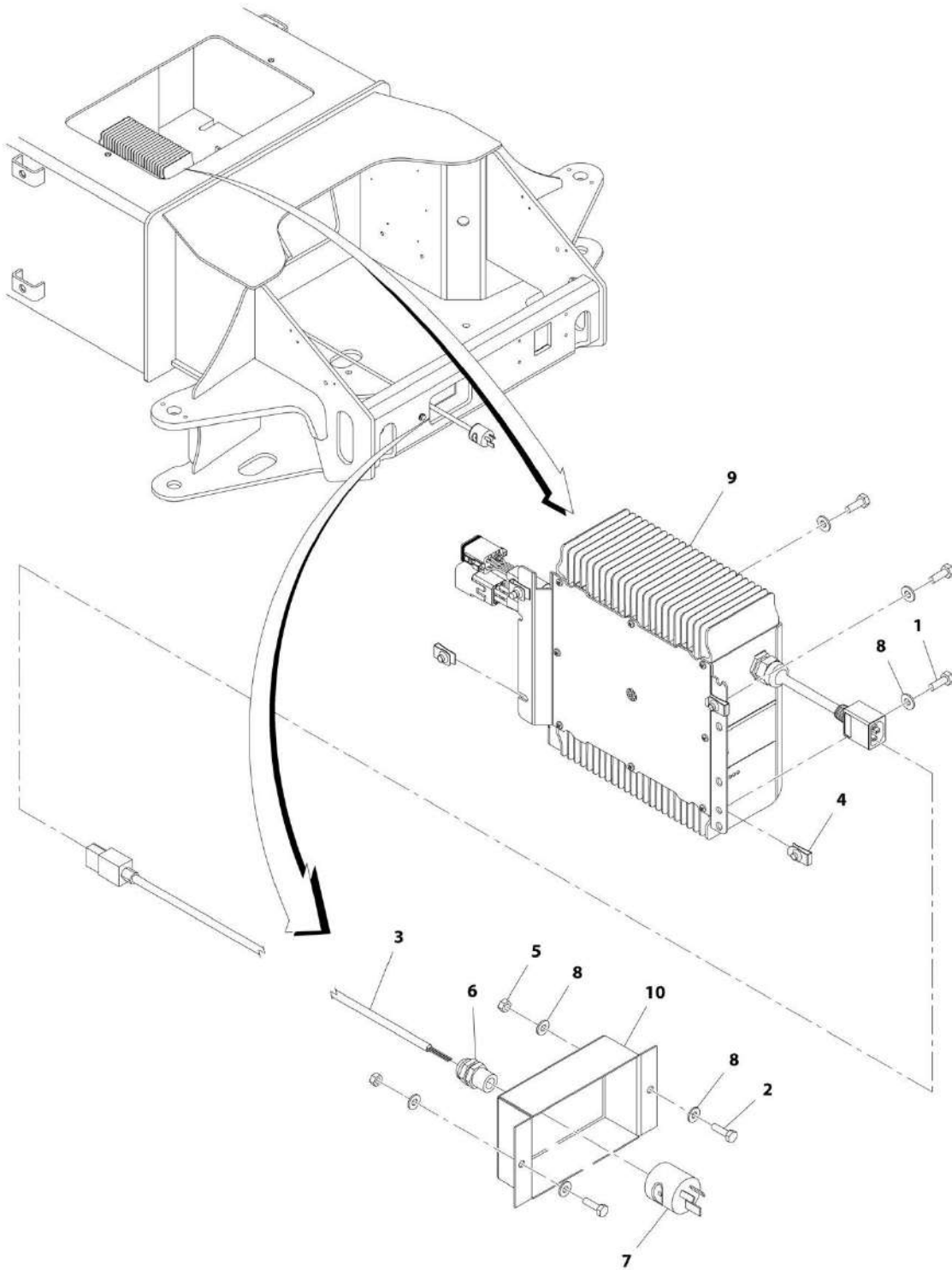
SECTION 1 - FRAME

FIGURE 1-45. BATTERY CHARGER INSTALLATION - M400AJP/M400AJPN (ALL SPECS EXCEPT AUSTRALIAN & CE SPECS)

ITEM	PART NUMBER	QTY	DESCRIPTION	REV
	1001191209	Ref	BATTERY CHARGER INSTALLATION - M400AJP/M400AJPN (ALL SPECS EXCEPT AUSTRALIAN & CE SPECS)	A
1	0641406	4	Bolt 1/4 x 3/4	
2	0641407	2	Bolt 1/4 X 7/8	
3	1060689	1	AC Cord	
4	3300454	4	Nut, Tinnerman	
5	0641405	2	Bolt 1/4 X 5/8	
6	4460138	1	Plug	
7	4460428	1	Connector, Strain Relief	
8	4711400	8	Washer 1/4	
9	1001103105	1	Battery Charger Assembly (See BATTERY CHARGER ASSEMBLY for Breakdown)	
10	1001191212	1	Panel, Cable	

SECTION 1 - FRAME

FIGURE 1-46. BATTERY CHARGER INSTALLATION - M400AJP/M400AJPN (AUSTRALIAN SPEC)



ART_1001191208

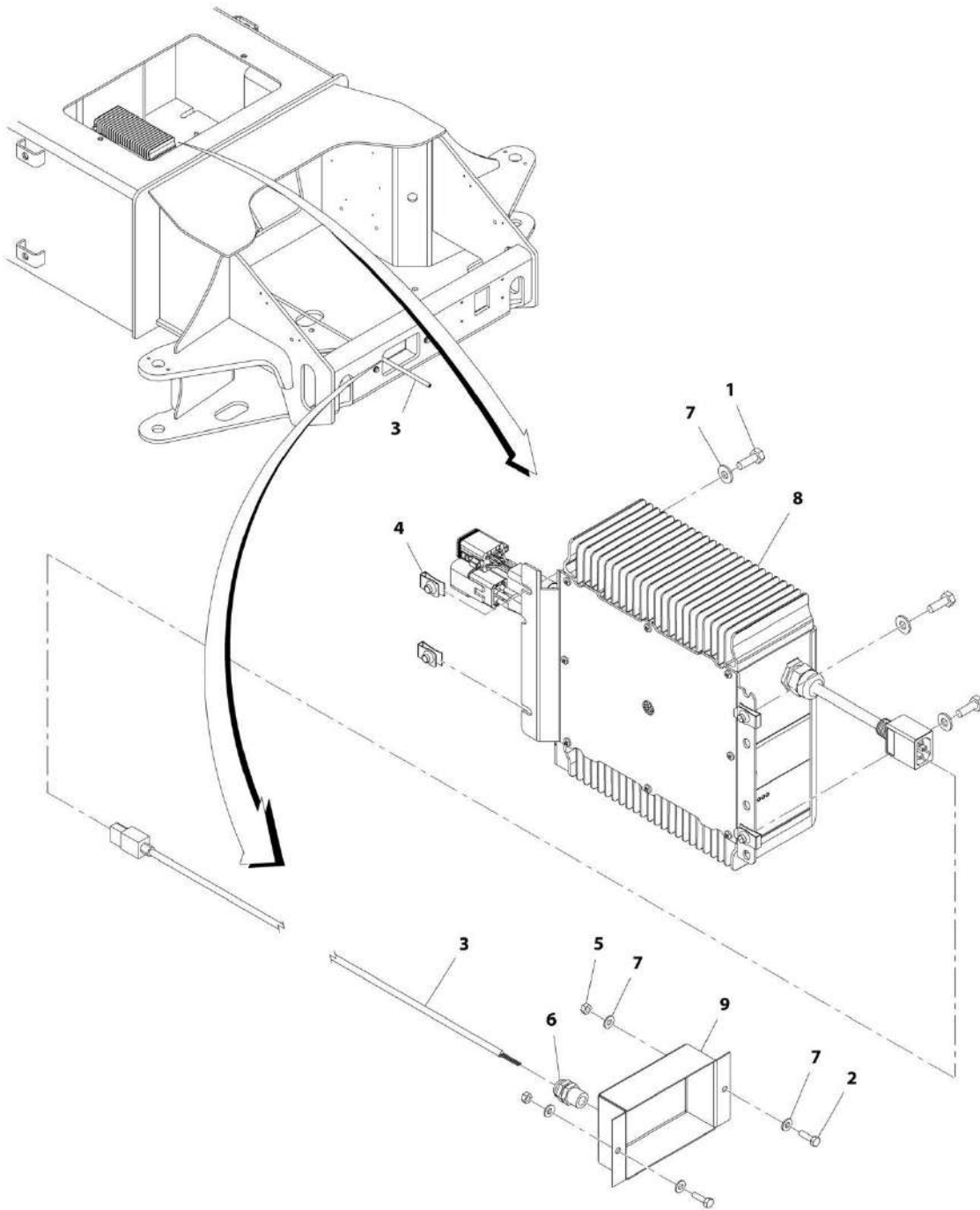
SECTION 1 - FRAME

FIGURE 1-46. BATTERY CHARGER INSTALLATION - M400AJP/M400AJPN (AUSTRALIAN SPEC)

ITEM	PART NUMBER	QTY	DESCRIPTION	REV
	1001191208	Ref	BATTERY CHARGER INSTALLATION - M400AJP/M400AJPN (AUSTRALIAN SPECS)	A
1	0641406	4	Bolt 1/4 x 3/4	
2	0641407	2	Bolt 1/4 X 7/8	
3	1060689	1	AC Cord	
4	3300454	4	Nut, Tinnerman	
5	0641405	2	Bolt 1/4 X 5/8	
6	4460428	1	Connector, Strain Relief	
7	4460805	1	Plug	
8	4711400	8	Washer 1/4	
9	1001103105	1	Battery Charger Assembly (See BATTERY CHARGER ASSEMBLY for Breakdown)	
10	1001191212	1	Panel, Cable	

SECTION 1 - FRAME

FIGURE 1-47. BATTERY CHARGER INSTALLATION - M400AJP/M400AJPN (CE SPECS)



ART_1001191207

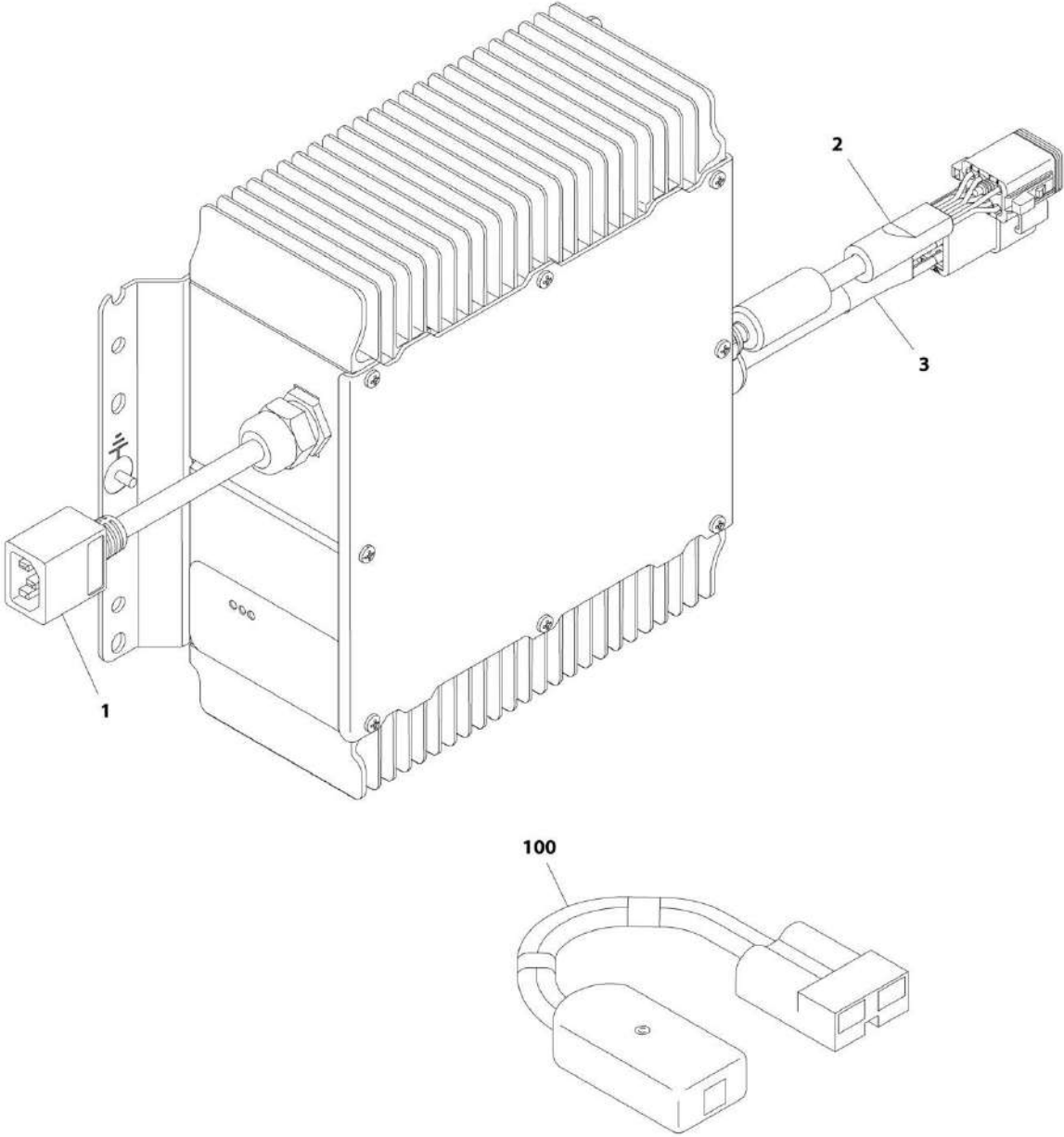
SECTION 1 - FRAME

FIGURE 1-47. BATTERY CHARGER INSTALLATION - M400AJP/M400AJPn (CE SPECS)

ITEM	PART NUMBER	QTY	DESCRIPTION	REV
	1001191207	Ref	BATTERY CHARGER INSTALLATION - M400AJP/M400AJPn (CE SPECS)	A
1	0641406	4	Bolt 1/4 x 3/4	
2	0641407	2	Bolt 1/4 X 7/8	
3	1060689	1	AC Cord	
4	3300454	4	Nut, Tinnerman	
5	0641405	2	Bolt 1/4 X 5/8	
6	4460428	1	Connector, Strain Relief	
7	4711400	8	Washer 1/4	
8	1001103105	1	Battery Charger Assembly (See BATTERY CHARGER ASSEMBLY for Breakdown)	
9	1001191212	1	Panel, Cable	

SECTION 1 - FRAME

FIGURE 1-48. BATTERY CHARGER ASSEMBLY



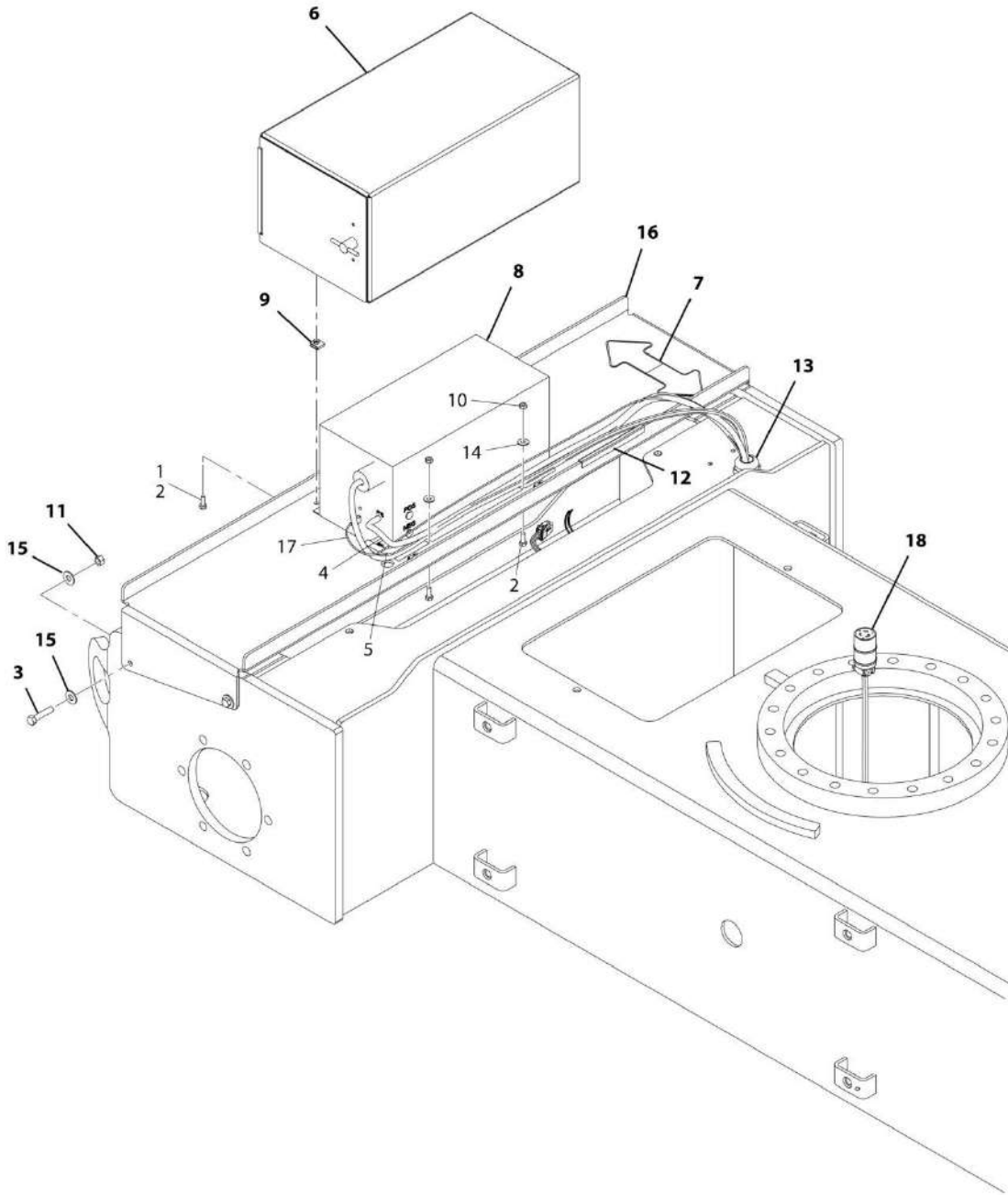
ART_1001103105

FIGURE 1-48. BATTERY CHARGER ASSEMBLY

ITEM	PART NUMBER	QTY	DESCRIPTION	REV
	1001103105	Ref	BATTERY CHARGER ASSEMBLY	D
		Ref	Note: Internal Components are Not Serviceable Replace Complete Assembly.	
1	See Note	1	Harness, Battery Charger AC Plug (Note: Not Available for Purchase)	
1	See Note	1	Connector, Plug (Note: Not Available for Purchase)	
2	See Note	1	Harness, Battery Charger Signal (Note: Not Available for Purchase)	
2	4460930	1	Connector - 8 Position	
2	4460464	7	Socket, Female	
3	See Note	1	Harness, Battery Charger Power (Note: Not Available - Purchase Complete Charger)	
3	1001116811	1	Connector - 4 Position	
3	4460508	4	Pin, Male	
100	2915230	1	BATTERY CHARGER REPROGRAM CONTROLLER KIT (Includes Controller, Software and Instructions)	

SECTION 1 - FRAME

FIGURE 1-49. INVERTER INSTALLATION - E400AJP/M400AJP



ART_1001192502

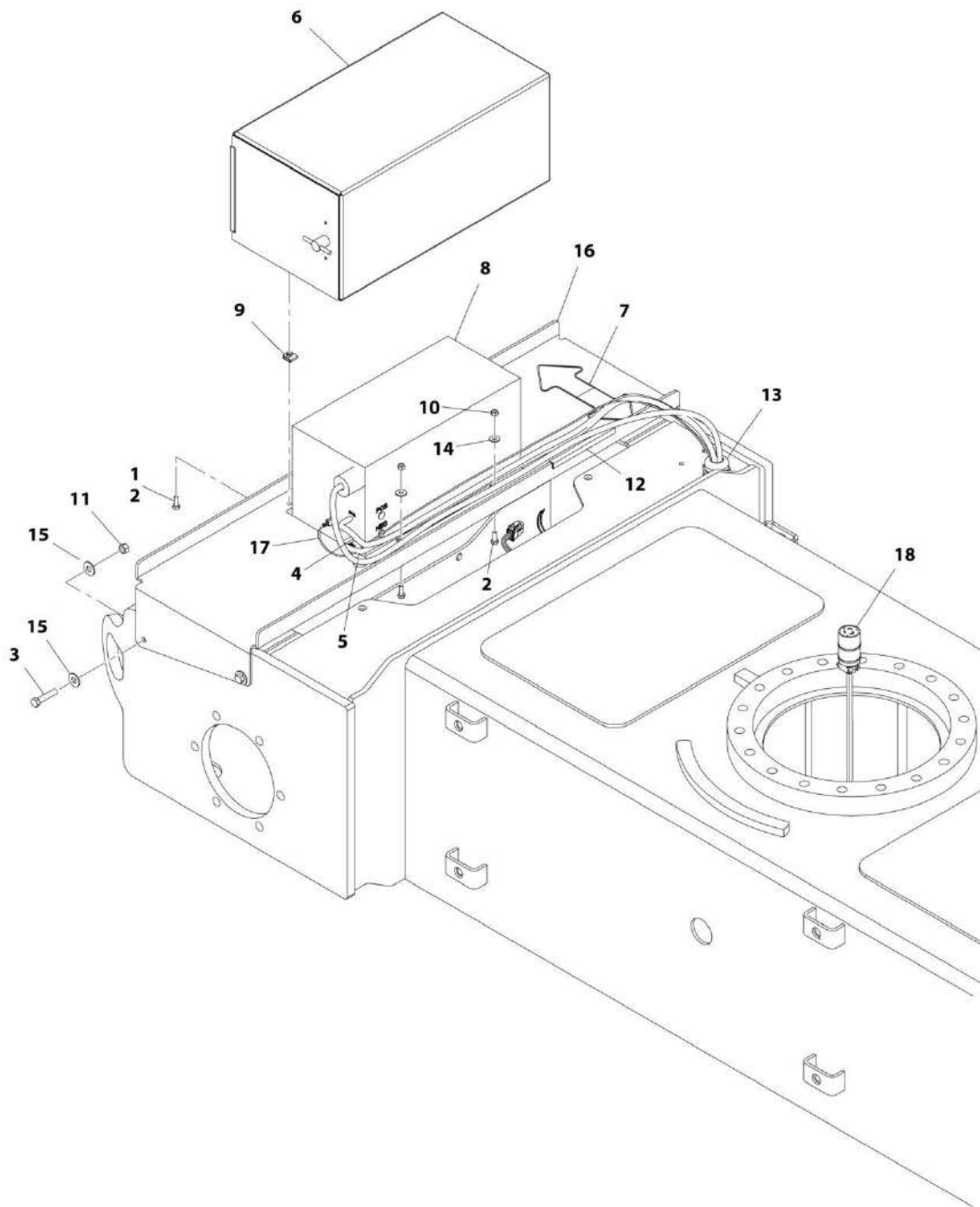
SECTION 1 - FRAME

FIGURE 1-49. INVERTER INSTALLATION - E400AJP/M400AJP

ITEM	PART NUMBER	QTY	DESCRIPTION	REV
	1001192502	Ref	INVERTER INSTALLATION - E400AJP/M400AJP	A
1	0100011	AR	Compound, Locking	
2	0641406	8	Bolt, 1/4-20 X 3/4	
3	0641614	4	Bolt, 3/8-16 X 1-3/4	
4	1060801	1	Cable, Battery	
5	1060802	1	Cable, Ground	
6	1670953	1	Cover	
7	1701642	1	Decal - Arrow	
8	2460037	1	Inverter	
9	3300353	4	Nut, Tinnerman	
10	3311405	4	Nut, Lock, 1/4-20	
11	3311605	4	Nut, Lock, 3/8-16	
12	4060805	6 in /150mm	Shield, Flex Trim	
13	4460426	1	Connector, Strain Relief	
14	4751400	4	Washer, 1/4	
15	4751600	8	Washer, 3/8	
16	1001167014	1	Bracket	
17	1001192293	1	Inverter Ignition Harness (See ELECTRICAL SECTION for Breakdown)	
18	1001182296	1	Inverter Harness (See ELECTRICAL SECTION for Breakdown)	

SECTION 1 - FRAME

FIGURE 1-50. INVERTER INSTALLATION - E400AN/E400AJPN/M400AJPN



ART_1001192501

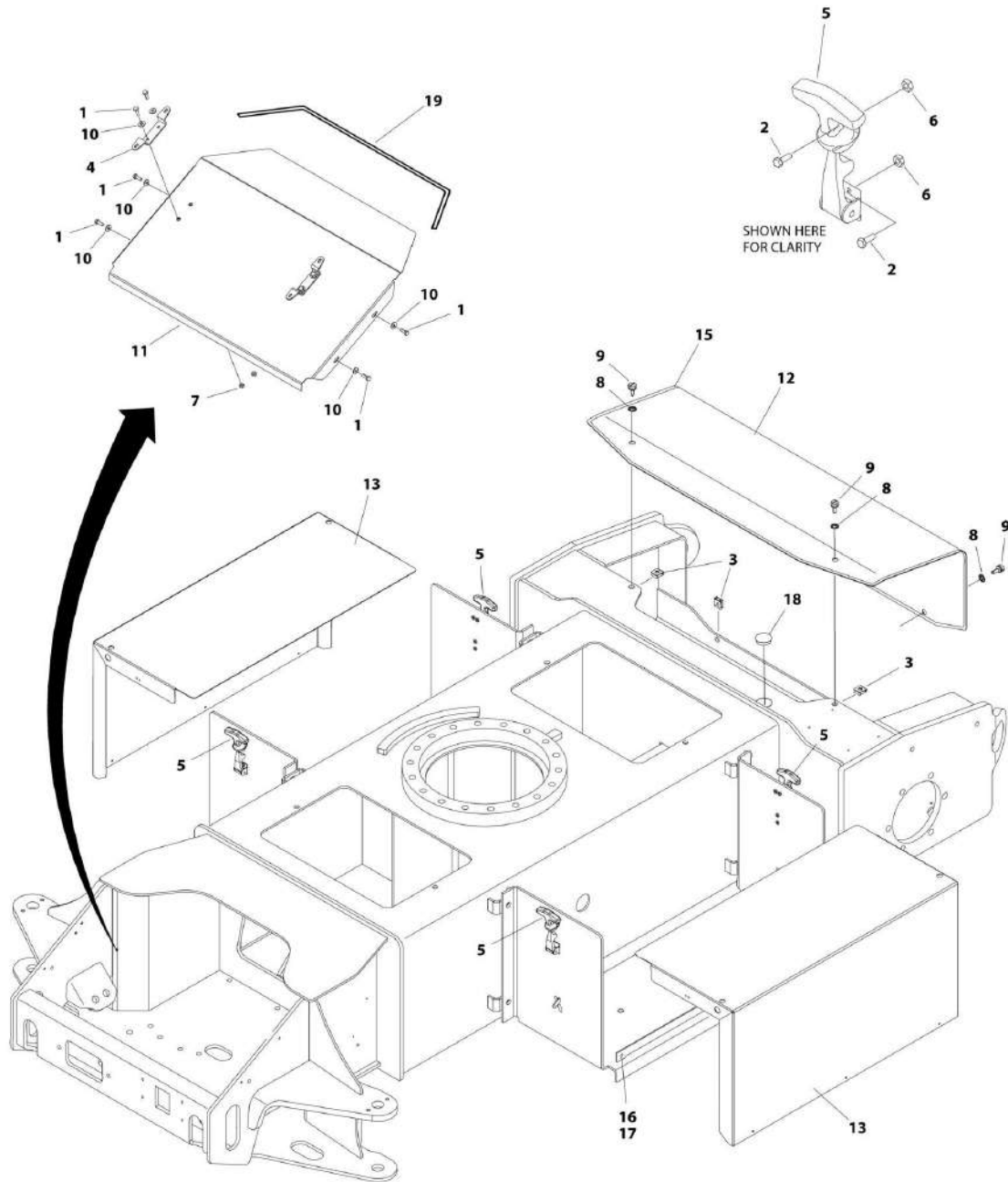
SECTION 1 - FRAME

FIGURE 1-50. INVERTER INSTALLATION - E400AN/E400AJPN/M400AJPN

ITEM	PART NUMBER	QTY	DESCRIPTION	REV
	1001192501	Ref	INVERTER INSTALLATION - E400An/E400AJPN/M400AJPN	A
1	0100011	AR	Compound, Locking	
2	0641406	8	Bolt, 1/4-20 X 3/4	
3	0641614	4	Bolt, 3/8-16 X 1-3/4	
4	1060801	1	Cable, Battery	
5	1060802	1	Cable, Ground	
6	1670953	1	Cover	
7	1701642	1	Decal - Arrow	
8	2460037	1	Inverter	
9	3300353	4	Nut, Tinnerman	
10	3311405	4	Nut, Lock, 1/4-20	
11	3311605	4	Nut, Lock, 3/8-16	
12	4060805	6 in /150mm	Shield, Flex Trim	
13	4460426	1	Connector, Strain Relief	
14	4751400	4	Washer, 1/4	
15	4751600	8	Washer, 3/8	
16	1001167013	1	Bracket	
17	1001192293	1	Inverter Ignition Harness (See ELECTRICAL SECTION for Breakdown)	
18	1001182296	1	Inverter Harness (See ELECTRICAL SECTION for Breakdown)	

SECTION 1 - FRAME

FIGURE 1-51. FRAME COVER INSTALLATION - E400AJP



ART_1001166327

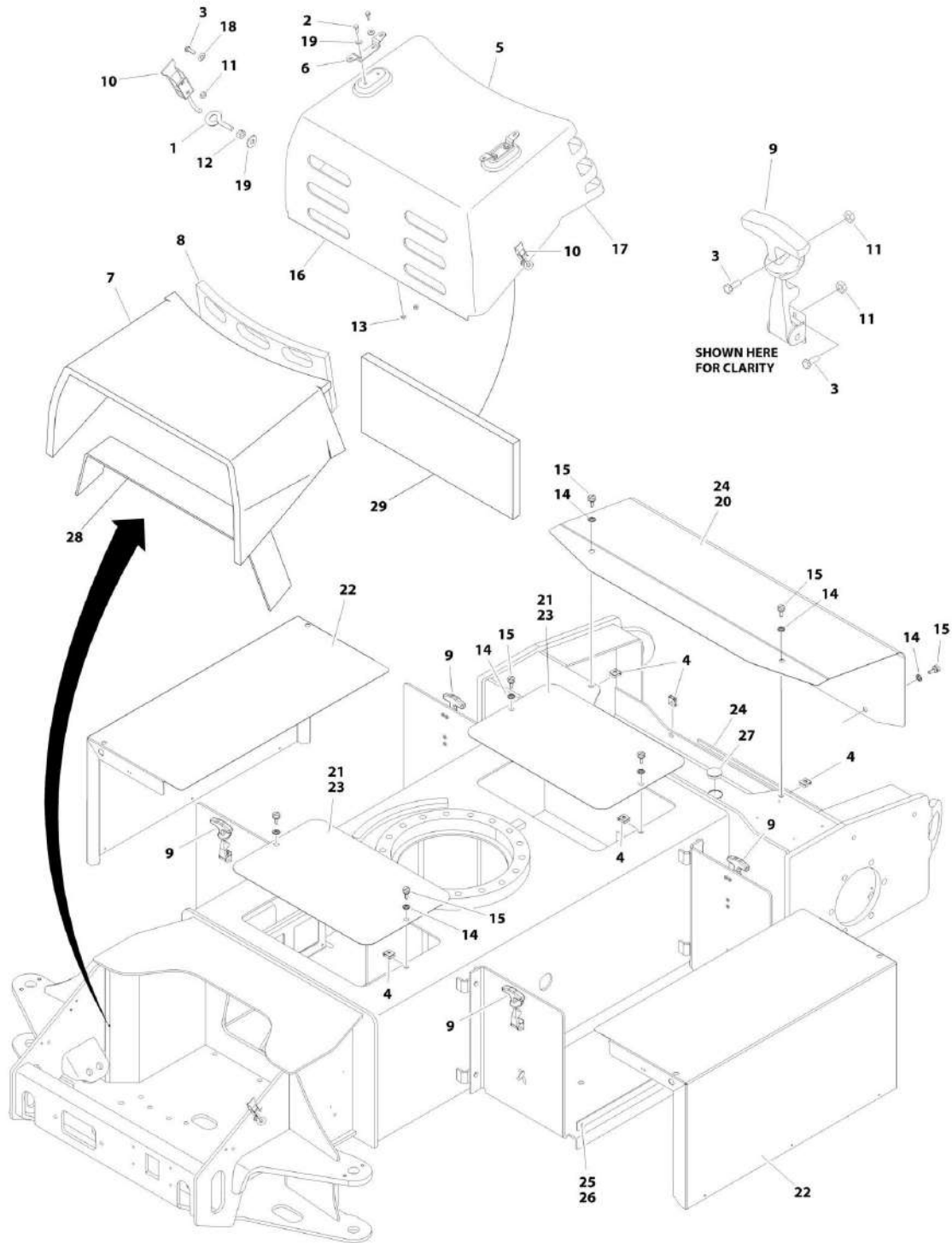
SECTION 1 - FRAME

FIGURE 1-51. FRAME COVER INSTALLATION - E400AJP

ITEM	PART NUMBER	QTY	DESCRIPTION	REV
	1001166327	Ref	FRAME COVER INSTALLATION - E400AJP	F
1	0641406	8	Bolt, 1/4-20 X 3/4	
2	0721004	16	Bolt, #10-24 X .500	
3	1380138	4	Clip, Receptacle	
4	2700093	2	Hook	
5	2940095	4	Latch	
6	3311005	16	Nut, Lock, #10-24	
7	3311405	4	Nut, Lock, 1/4-20	
8	3760308	4	Retainer	
9	1001112496	4	Screw, Special	
10	4751400	8	Washer, 1/4	
11	1001166321	1	Cover	
12	1001166330	1	Axle Cover	
13	1001166493	2	Battery Cover	
15	3960447	11 ft /3.52m	Seal	
16	3820019	6	Rivet	
17	1001175025	2	Brace, Battery Tray	
18	3520035	1	Plug, Cap	
19	1001110166	1 m	Seal, Hood (SN 0300223487 to Present)	

SECTION 1 - FRAME

FIGURE 1-52. FRAME COVER INSTALLATION - M400AJP



ART. 1001166326

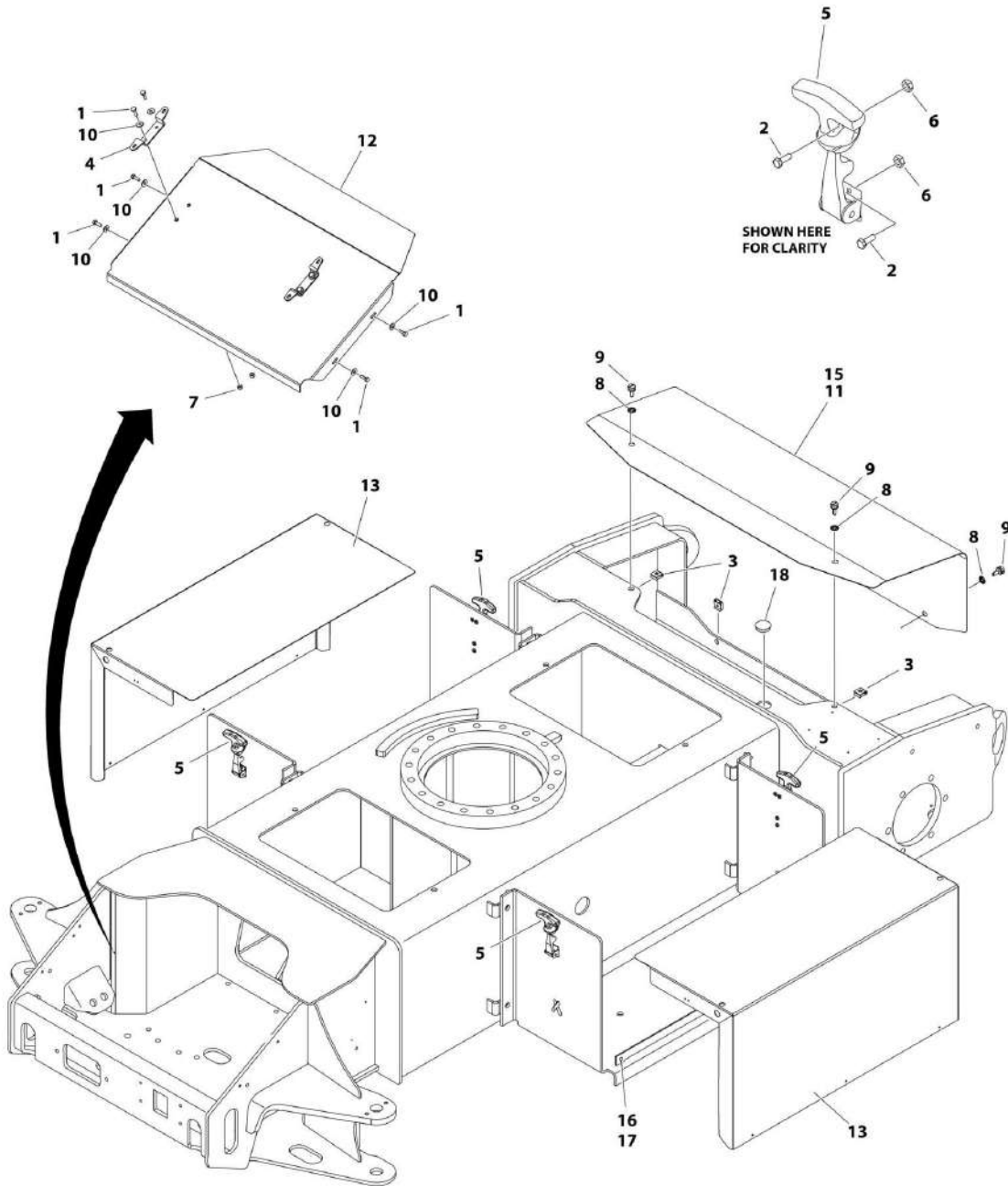
SECTION 1 - FRAME

FIGURE 1-52. FRAME COVER INSTALLATION - M400AJP

ITEM	PART NUMBER	QTY	DESCRIPTION	REV
	1001166328	Ref	FRAME COVER INSTALLATION - M400AJP	F
1	0630440	2	Eyebolt	
2	0641406	4	Bolt, 1/4-20 X 3/4	
3	0721004	20	Bolt, #10-24 X .500	
4	1380138	8	Clip, Receptacle	
5	1670880	1	Cover	
6	2700093	2	Hook	
7	2820105	1	Insulation, Acoustical Foam	
8	2820106	1	Insulation, Acoustic Foam	
9	2940095	4	Latch	
10	2940115	2	Latch	
11	3311005	20	Nut, Lock, #10-24	
12	3311401	2	Nut, 1/4-20	
13	3311405	4	Nut, Lock, 1/4-20	
14	3760308	8	Retainer	
15	1001112496	8	Screw, Special	
16	3960389	2.5 ft /0.76m	Seal	
17	4060804	6.5 ft/1.9m	Flex Trim	
18	4751000	4	Washer, 10	
19	4751400	6	Washer, 1/4	
20	1001166330	1	Axle, Cover	
21	1001166377	2	Frame Cover	
22	1001166493	2	Battery Cover	
23	3960417	12 ft /3.66m	Seal	
24	3960447	11 ft /3.35m	Seal	
25	3820019	6	Rivet	
26	1001175025	2	Brace, Battery Tray	
27	3520035	1	Plug, Cap	
28	1001182709	1	Insulation	
29	2820110	1	Insulation	

SECTION 1 - FRAME

FIGURE 1-53. FRAME COVER INSTALLATION - E400AN/E400AJPN



ART_1001166312

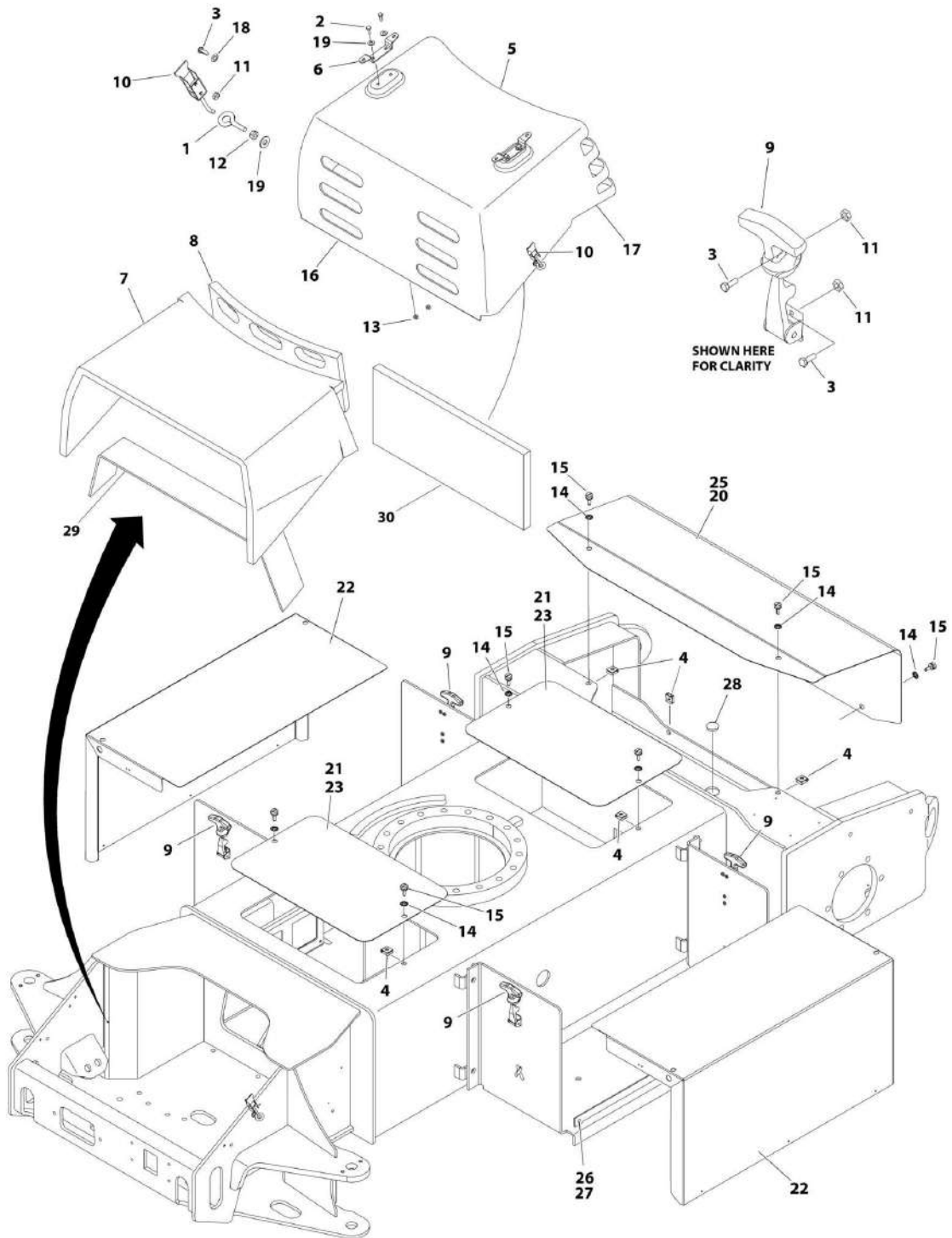
SECTION 1 - FRAME

FIGURE 1-53. FRAME COVER INSTALLATION - E400AN/E400AJPN

ITEM	PART NUMBER	QTY	DESCRIPTION	REV
	1001166312	Ref	FRAME COVER INSTALLATION - E400An/E400AJPN	D
1	0641406	8	Bolt, 1/4-20 X 3/4	
2	0721004	16	Bolt, #10-24 X .500	
3	1380138	4	Clip, Receptacle	
4	2700093	2	Hook	
5	2940095	4	Latch	
6	3311005	16	Nut, Lock, #10-24	
7	3311405	5	Nut, Lock, 1/4-20	
8	3760308	4	Retainer	
9	3900174	4	Screw, Special	
10	4751400	8	Washer, 1/4	
11	1001166296	1	Axle Cover	
12	1001166321	1	Cover	
13	1001166493	2	Battery Cover	
15	3960447	9.5 ft /2.9m	Seal	
16	3820019	6	Rivet	
17	1001175025	2	Brace, Battery Tray	
18	3520035	1	Plug, Cap	

SECTION 1 - FRAME

FIGURE 1-54. FRAME COVER INSTALLATION - M400AJPN



ART_1001166329

SECTION 1 - FRAME

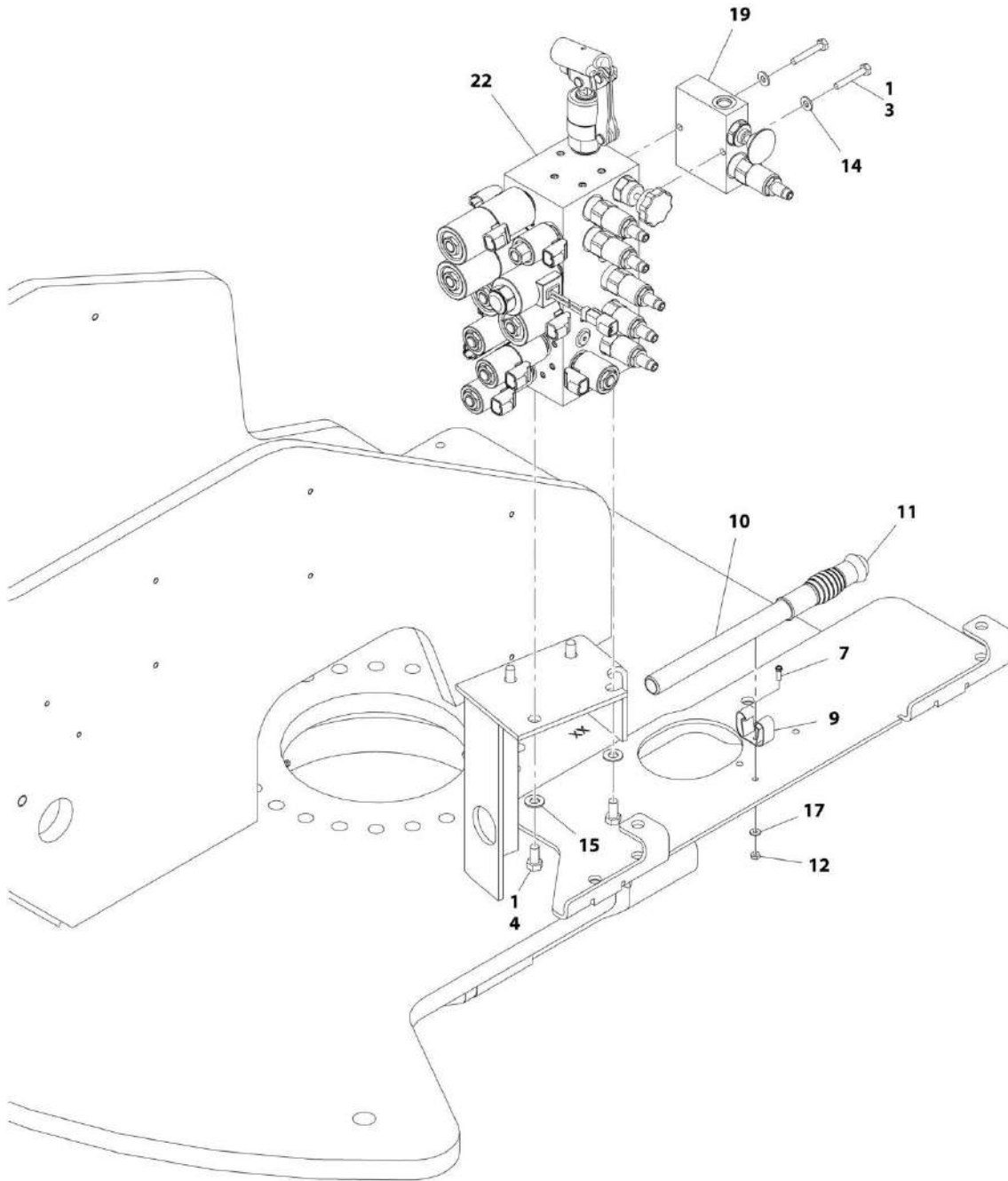
FIGURE 1-54. FRAME COVER INSTALLATION - M400AJPN

ITEM	PART NUMBER	QTY	DESCRIPTION	REV
	1001166329	Ref	FRAME COVER INSTALLATION - M400AJPN	F
1	0630440	2	Eyebolt	
2	0641406	4	Bolt, 1/4-20 X 3/4	
3	0721004	20	Bolt, #10-24 X .500	
4	1380138	8	Clip, Receptacle	
5	1670880	1	Cover	
6	2700093	2	Hook	
7	2820105	1	Insulation, Acoustical Foam	
8	2820106	1	Insulation, Acoustic Foam	
9	2940095	4	Latch	
10	2940115	2	Latch	
11	3311005	20	Nut, Lock, #10-24	
12	3311401	2	Nut, 1/4-20	
13	3311405	4	Nut, Lock, 1/4-20	
14	3760308	8	Retainer	
15	1001112496	8	Screw, Special	
16	3960389	2.5 ft /0.76m	Seal	
17	4060804	6 ft /1.83m	Flex Trim	
18	4751000	4	Washer, 10	
19	4751400	6	Washer, 1/4	
20	1001166296	1	Axle Cover	
21	1001166377	2	Frame Cover	
22	1001166493	2	Battery Cover	
23	3960417	12 ft /3.66m	Seal	
25	3960447	9.5 ft/2.9m	Seal	
26	3820019	6	Rivet	
27	1001175025	2	Brace, Battery Tray	
28	3520035	1	Plug, Cap	
29	1001182709	1	Insulation	
30	2820110	1	Insulation	

SECTION 2 - TURNTABLE

SECTION 2 - TURNTABLE

FIGURE 2-1. VALVE INSTALLATION- TURNTABLE MOUNTED - E400AN



ART_1001180930_20F2

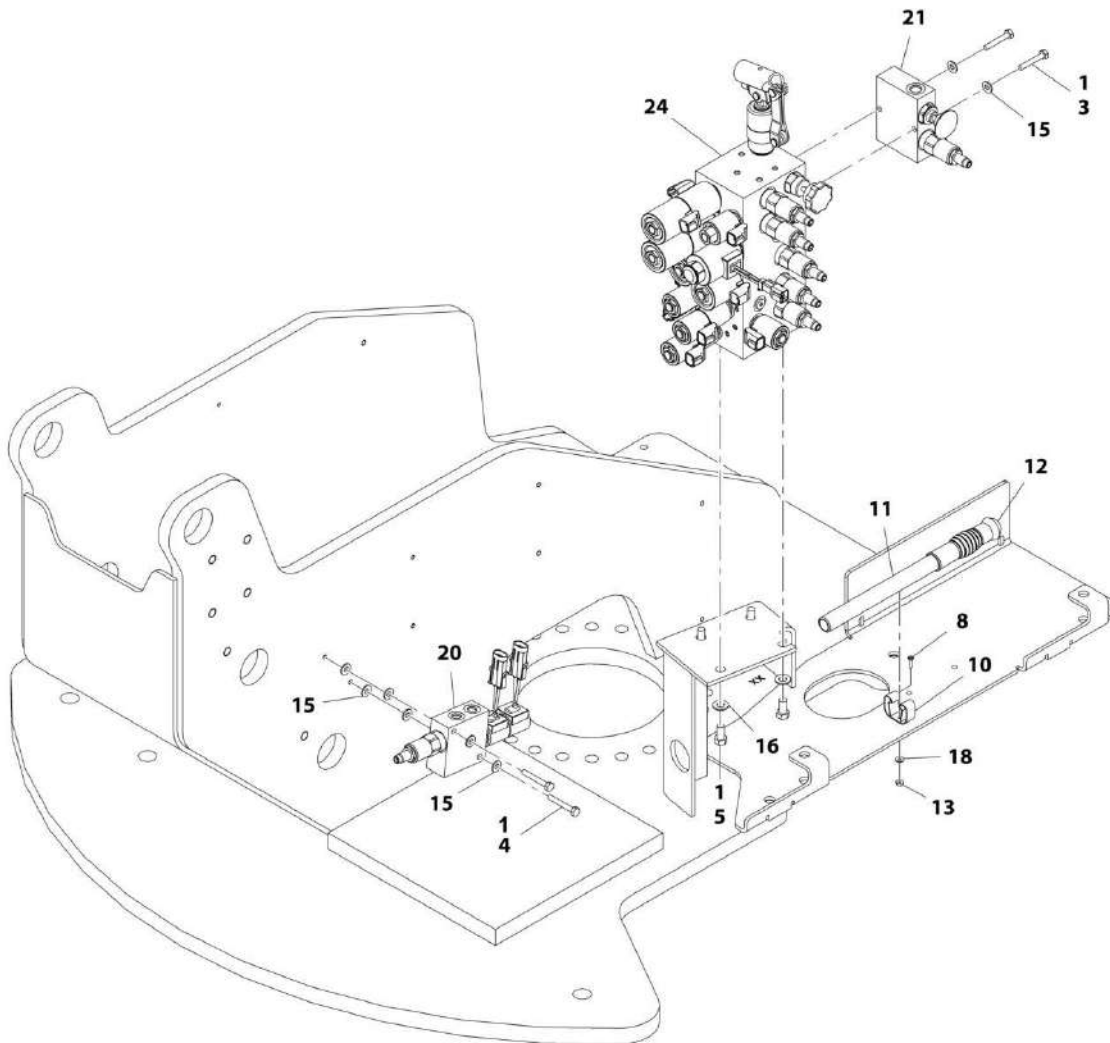
SECTION 2 - TURNTABLE

FIGURE 2-1. VALVE INSTALLATION- TURNTABLE MOUNTED - E400AN

ITEM	PART NUMBER	QTY	DESCRIPTION	REV
	1001180930	Ref	VALVE INSTALLATION- TURNTABLE MOUNTED - E400An	B
1	0100011	AR	Compound, Locking	
3	0641413	2	Bolt, 1/4-20 X 1-5/8	
4	0641606	4	Bolt, 3/8-16 X 3/4	
7	0720804	1	Bolt, #8-32 X .500	
9	1380136	1	Clip, Gripper	
10	2560122	1	Handle	
11	2560123	1	Handle, Grip	
12	3310805	1	Nut, Lock #8-32	
14	4711400	2	Washer, 1/4	
15	4711600	4	Washer, 3/8	
17	4750800	1	Washer, #8	
19	1001097777	1	Releveling Valve Assembly (See RELEVELING VALVE ASSEMBLY for Breakdown)	
22	1001180554	1	Main Control Valve Assembly (See MAIN CONTROL VALVE ASSEMBLY for Breakdown)	

SECTION 2 - TURNTABLE

FIGURE 2-2. VALVE INSTALLATION - TURNTABLE MOUNTED - E400AJP-E400AJPN (SN 0300208530 through 0300233432)



ART_1001180926_2OF2

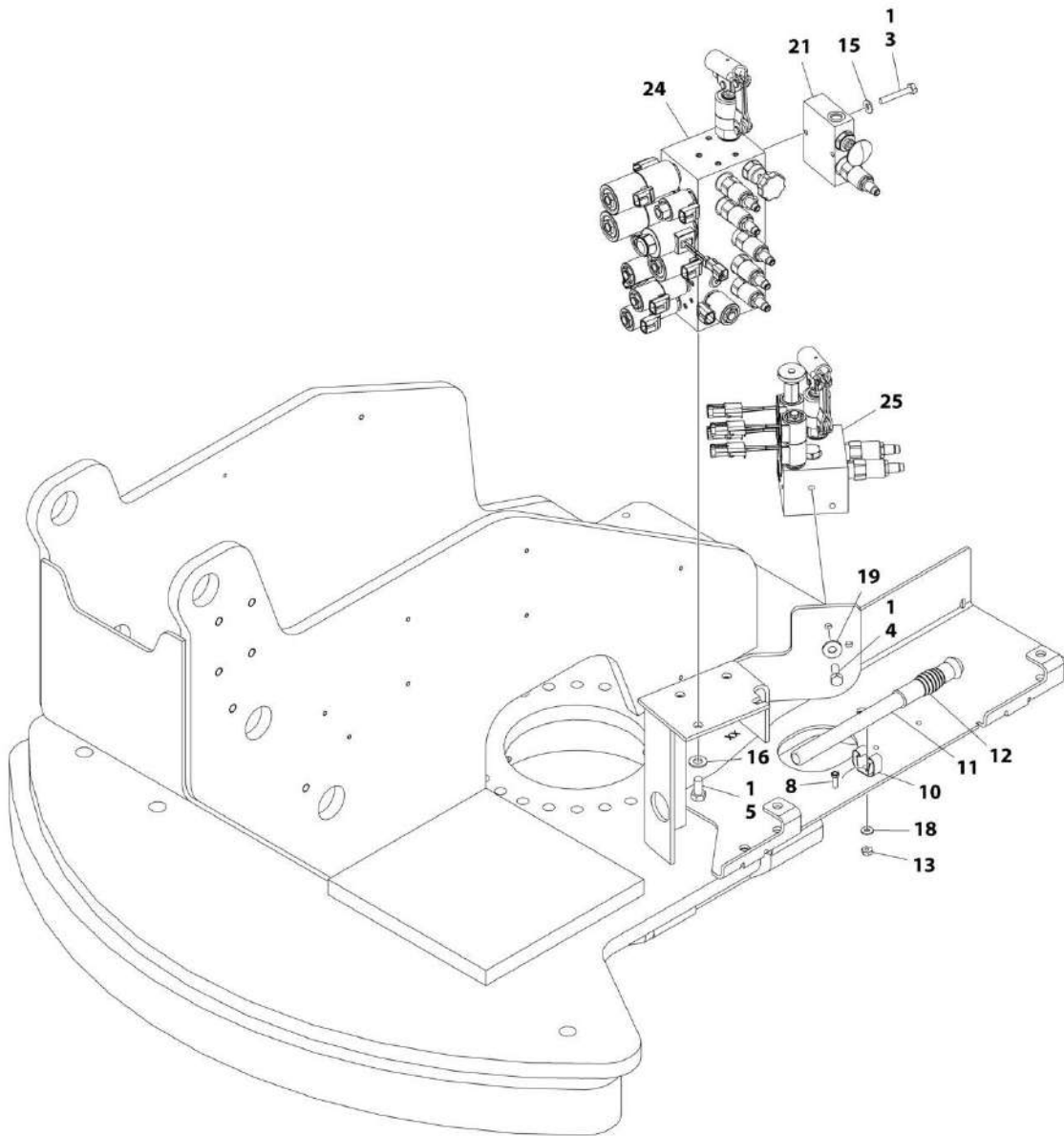
SECTION 2 - TURNTABLE

FIGURE 2-2. VALVE INSTALLATION - TURNTABLE MOUNTED - E400AJP-E400AJPN (SN 0300208530 through 0300233432)

ITEM	PART NUMBER	QTY	DESCRIPTION	REV
	1001180926	Ref	VALVE INSTALLATION - TURNTABLE MOUNTED - E400AJP-E400AJPN (SN 0300208530 through 0300233432)	C
1	0100011	AR	Compound, Locking	
3	0641413	2	Bolt, 1/4-20 X 1-5/8	
4	0641426	2	Bolt, 1/4-20 X 3-1/4	
5	0641606	4	Bolt, 3/8-16 X 3/4	
8	0720804	1	Bolt, #8-32 X .500	
10	1380136	1	Clip, Gripper	
11	2560122	1	Handle	
12	2560123	1	Handle, Grip	
13	3310805	1	Nut, Lock #8-32	
15	4711400	8	Washer, 1/4	
16	4711600	2	Washer, 3/8	
18	4750800	1	Washer, #8	
20	1001097505	1	Jib Valve Assembly (See JIB VALVE ASSEMBLY for Breakdown)	
21	1001097777	1	Releveling Valve Assembly (See RELEVELING VALVE ASSEMBLY for Breakdown)	
24	1001180554	1	Main Control Valve Assembly (See MAIN CONTROL VALVE ASSEMBLY for Breakdown)	

SECTION 2 - TURNTABLE

FIGURE 2-3. VALVE INSTALLATION - TURNTABLE MOUNTED - E400AJP-E400AJPN (SN 0300233433 to Present)



ART_1001218367_2OF2

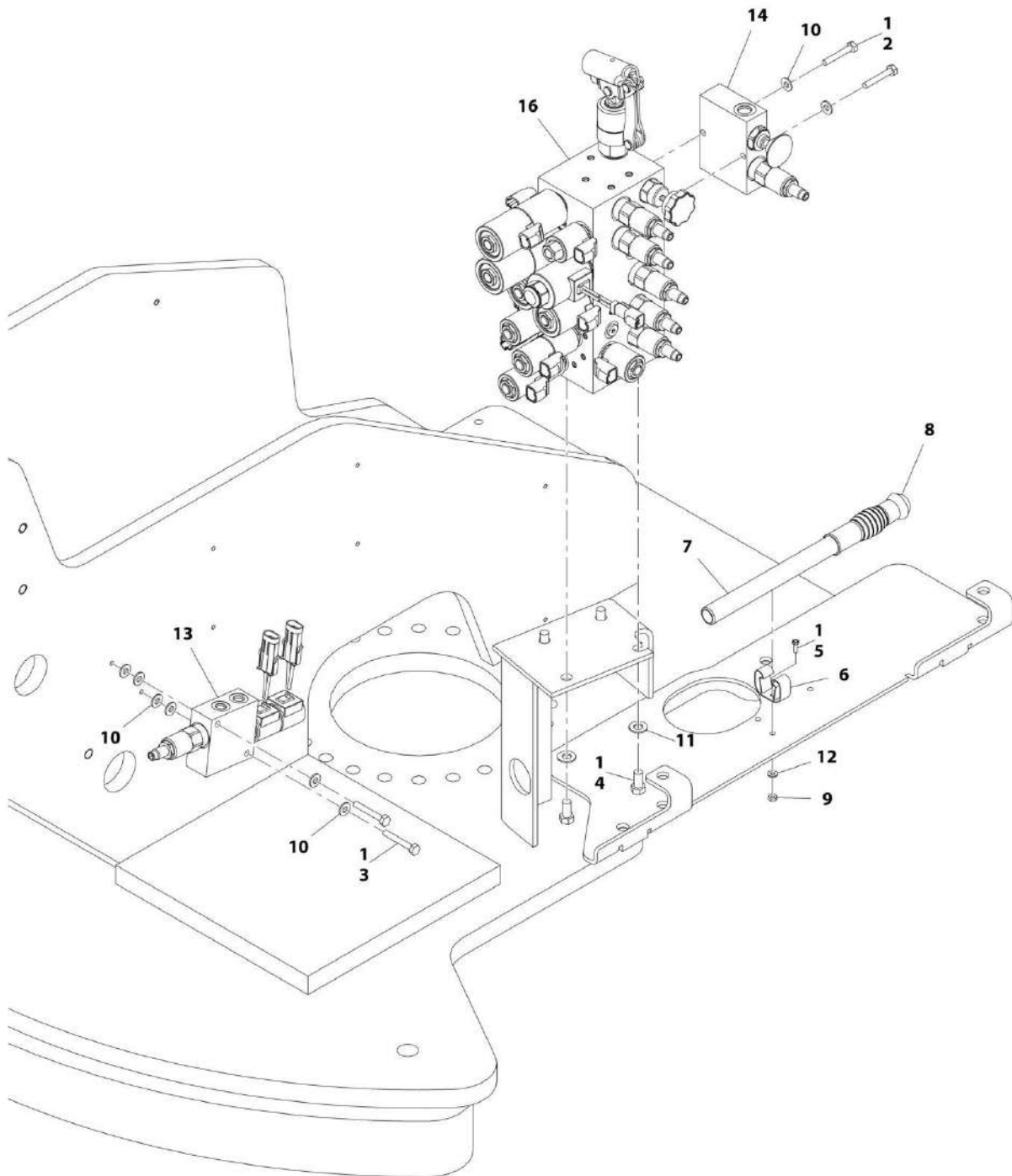
SECTION 2 - TURNTABLE

FIGURE 2-3. VALVE INSTALLATION - TURNTABLE MOUNTED - E400AJP-E400AJPN (SN 0300233433 to Present)

ITEM	PART NUMBER	QTY	DESCRIPTION	REV
	1001218367	Ref	VALVE INSTALLATION - TURNTABLE MOUNTED - E400AJP-E400AJPN (SN 0300233433 to Present)	A
1	0100011	AR	Compound, Locking	
3	0641413	2	Bolt, 1/4-20 X 1-5/8	
4	0641507	2	Bolt, 5/16-18 X 7/8	
5	0641606	4	Bolt, 3/8-16 X 3/4	
8	0720804	1	Bolt, #8-32 X .500	
10	1380136	1	Clip, Gripper	
11	2560122	1	Handle	
12	2560123	1	Handle, Grip	
13	3310805	1	Nut, Lock #8-32	
15	4711400	2	Washer, 1/4	
16	4711600	2	Washer, 3/8	
18	4750800	1	Washer, #8	
19	4751500	2	Washer, 5/16	
21	1001097777	1	Releveling Valve Assembly (See RELEVELING VALVE ASSEMBLY for Breakdown)	
24	1001180554	1	Main Control Valve Assembly (See MAIN CONTROL VALVE ASSEMBLY for Breakdown)	
25	1001216921	1	Jib Valve Assembly (See JIB VALVE ASSEMBLY for Breakdown)	

SECTION 2 - TURNTABLE

FIGURE 2-4. VALVE INSTALLATION - TURNTABLE MOUNTED - M400AJP-M400AJPN (SN 0300208530 through 0300233432)



ART_1001180928_2OF2

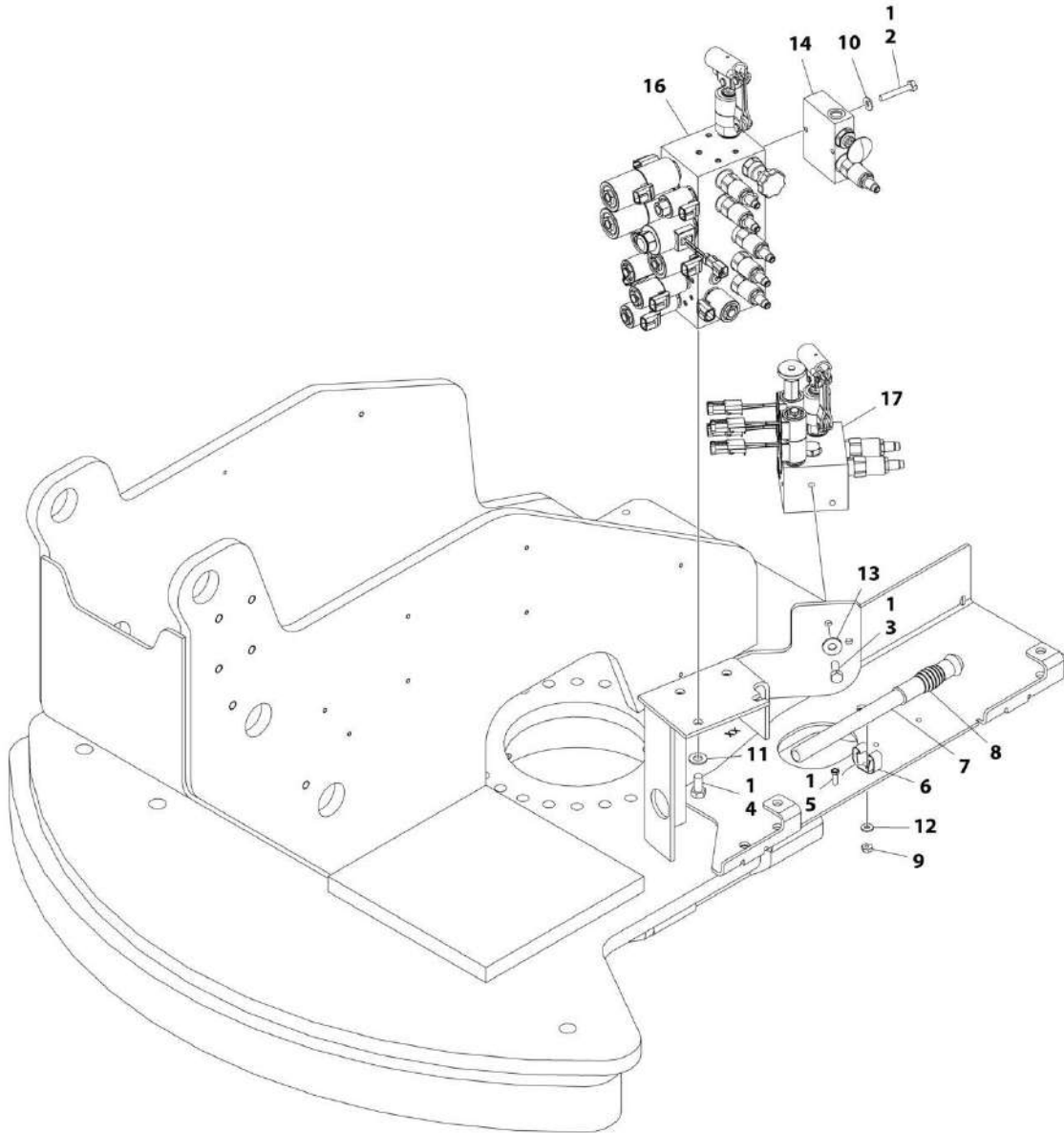
SECTION 2 - TURNTABLE

FIGURE 2-4. VALVE INSTALLATION - TURNTABLE MOUNTED - M400AJP-M400AJPN (SN 0300208530 through 0300233432)

ITEM	PART NUMBER	QTY	DESCRIPTION	REV
	1001180928	Ref	VALVE INSTALLATION - TURNTABLE MOUNTED - M400AJP-M400AJPN (SN 0300208530 through 0300233432)	B
1	0100011	AR	Compound, Locking	
2	0641413	2	Bolt, 1/4-20 X 1-5/8	
3	0641426	2	Bolt, 1/4-20 X 3-1/4	
4	0641606	4	Bolt, 3/8-16 X 3/4	
5	0720804	1	Bolt, #8-32 X .500	
6	1380136	1	Clip, Gripper	
7	2560122	1	Handle	
8	2560123	1	Handle, Grip	
9	3310805	1	Nut, Lock #8-32	
10	4711400	8	Washer, 1/4	
11	4711600	4	Washer, 3/8	
12	4750800	1	Washer, #8	
13	1001097505	1	Jib Valve Assembly (See JIB VALVE ASSEMBLY for Breakdown)	
14	1001097777	1	Releveling Valve Assembly (See RELEVELING VALVE ASSEMBLY for Breakdown)	
16	1001180554	1	Main Control Valve Assembly (See MAIN CONTROL VALVE ASSEMBLY for Breakdown)	

SECTION 2 - TURNTABLE

FIGURE 2-5. VALVE INSTALLATION - TURNTABLE MOUNTED - M400AJP-M400AJPN (SN 0300233433 to Present)



ART_1001218370_2OF2

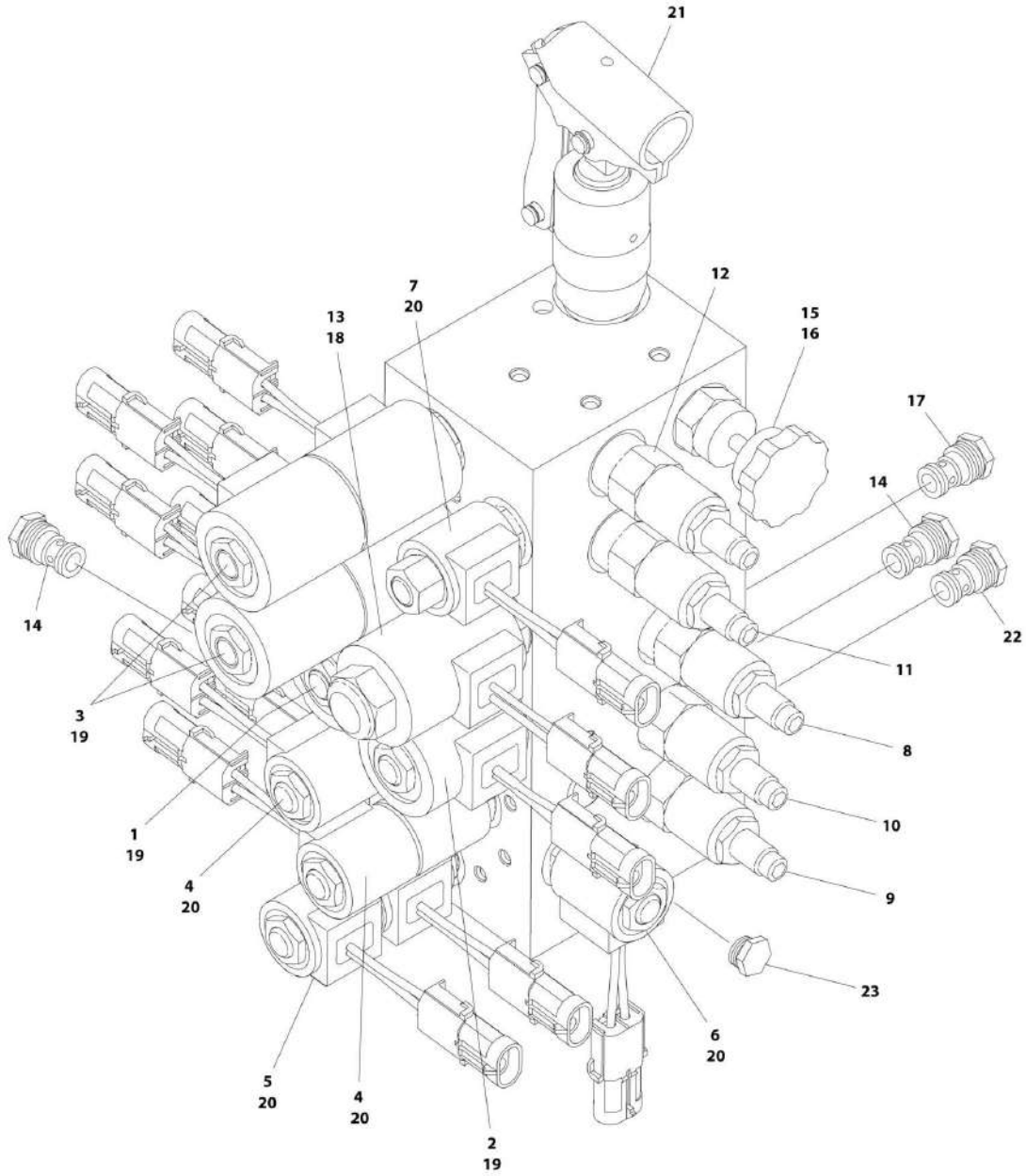
SECTION 2 - TURNTABLE

FIGURE 2-5. VALVE INSTALLATION - TURNTABLE MOUNTED - M400AJP-M400AJPN (SN 0300233433 to Present)

ITEM	PART NUMBER	QTY	DESCRIPTION	REV
	1001218370	Ref	VALVE INSTALLATION - TURNTABLE MOUNTED - M400AJP-M400AJPN (SN 0300233433 to Present)	A
1	0100011	AR	Compound, Locking	
2	0641413	2	Bolt, 1/4-20 X 1-5/8	
3	0641507	2	Bolt, 5/16-18 7/8	
4	0641606	4	Bolt, 3/8-16 X 3/4	
5	0720804	1	Bolt, #8-32 X .500	
6	1380136	1	Clip, Gripper	
7	2560122	1	Handle	
8	2560123	1	Handle, Grip	
9	3310805	1	Nut, Lock #8-32	
10	4711400	2	Washer, 1/4	
11	4711600	4	Washer, 3/8	
12	4750800	1	Washer, #8	
13	4751500	2	Washer 5/16	
14	1001097777	1	Releveling Valve Assembly (See RELEVELING VALVE ASSEMBLY for Breakdown)	
16	1001180554	1	Main Control Valve Assembly (See MAIN CONTROL VALVE ASSEMBLY for Breakdown)	
17	1001216921	1	Jib Valve Assembly (See JIB VALVE ASSEMBLY for Breakdown)	

SECTION 2 - TURNTABLE

FIGURE 2-6. MAIN CONTROL VALVE ASSEMBLY



ART_1001180554

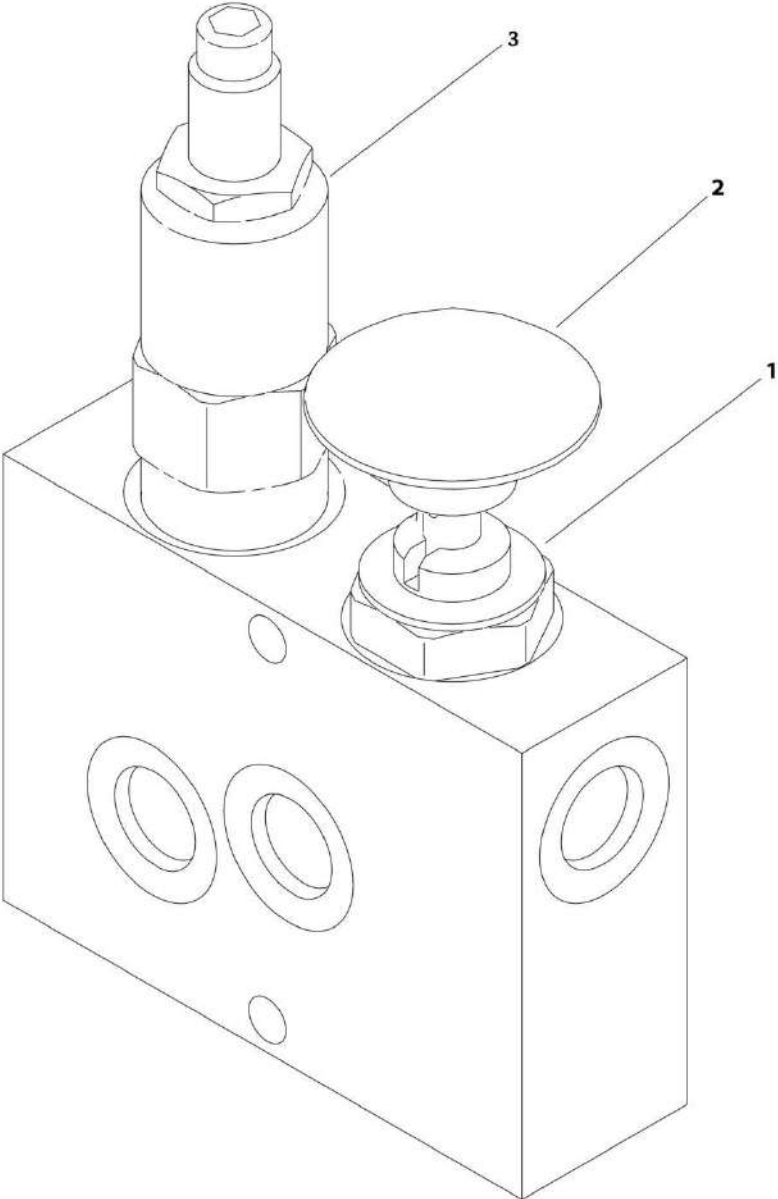
SECTION 2 - TURNTABLE

FIGURE 2-6. MAIN CONTROL VALVE ASSEMBLY

ITEM	PART NUMBER	QTY	DESCRIPTION	REV
	1001180554	Ref	MAIN CONTROL VALVE ASSEMBLY	F
1	7022394	1	Cartridge without Coil (Telescope In)	
1	7012518	1	Seal Kit - 7022394 Cartridge	
2	7012995	1	Cartridge without Coil (Telescope Out)	
2	7012518	1	Seal Kit - 7012995 Cartridge	
3	7021603	2	Cartridge without Coil (Lower and Upper Lift)	
3	7012903	2	Seal Kit - 7021603 Cartridge	
4	7017452	2	Cartridge without Coil (Platform Level)	
4	7017402	2	Seal Kit - 7017452 Cartridge	
5	7017433	1	Cartridge without Coil (Swing)	
5	7017402	1	Seal Kit - 7017433 Cartridge	
6	7021604	1	Cartridge without Coil (Swing Arrest)	
6	7012953	1	Seal Kit - 7021604 Cartridge	
7	7017410	1	Cartridge without Coil (Bypass Unloading)	
7	7012967	1	Seal Kit - 7017410 Cartridge	
8	7017418	1	Cartridge (Telescope)	
8	7012998	1	Seal Kit - 7017418 Cartridge	
9	7017421	1	Cartridge (Platform Level Backward Piston End)	
9	7012998	1	Seal Kit - 7017421 Cartridge	
10	7017418	1	Cartridge (Platform Level Forward Rod End)	
10	7012998	1	Seal Kit - 7017418 Cartridge	
11	70001876	1	Cartridge (Lower Lift Down)	
11	7012998	1	Seal Kit - 70001876 Cartridge	
12	70002806	1	Cartridge (Upper Lift Down)	
12	7012998	1	Seal Kit - 70002806 Cartridge	
13	7021611	1	Cartridge without Coil (Flow Regulator)	
13	7012518	1	Seal Kit - 7021611 Cartridge	
14	7012914	2	Cartridge (Platform Level)	
14	7012918	2	Seal Kit - 7012914 Cartridge	
15	7012947	1	Cartridge (Emergency Descent)	
15	7012518	1	Seal Kit - 7012947 Cartridge	
16	7012961	1	Knob	
17	10837580	1	Cartridge (Telescope)	
17	7010543	1	Seal Kit - 10837580 Cartridge	
18	70005210	1	Coil	
19	7024883	6	Coil	
20	7024885	8	Coil	
21	70004019	1	Pump, Manual	
21	2900756	1	Seal Kit - 70004019 Pump	
21	2560122	1	Handle (Not Shown)	
21	1001114761	1	Handle, Grip (Red) (Not Shown)	
21	2560123	1	Handle, Grip (Black) (Not Shown)	
22	7012975	1	Cartridge (Check)	
22	7012540	1	Seal Kit - 7012975 Cartridge	
23	70000381	1	Plug, Cartridge	
24	70005091	1	Orifice (Swing) (Not Shown)	
25	70004884	1	Orifice (Platform) (Not Shown)	

SECTION 2 - TURNTABLE

FIGURE 2-7. RELEVELING VALVE ASSEMBLY



ART_1001097777

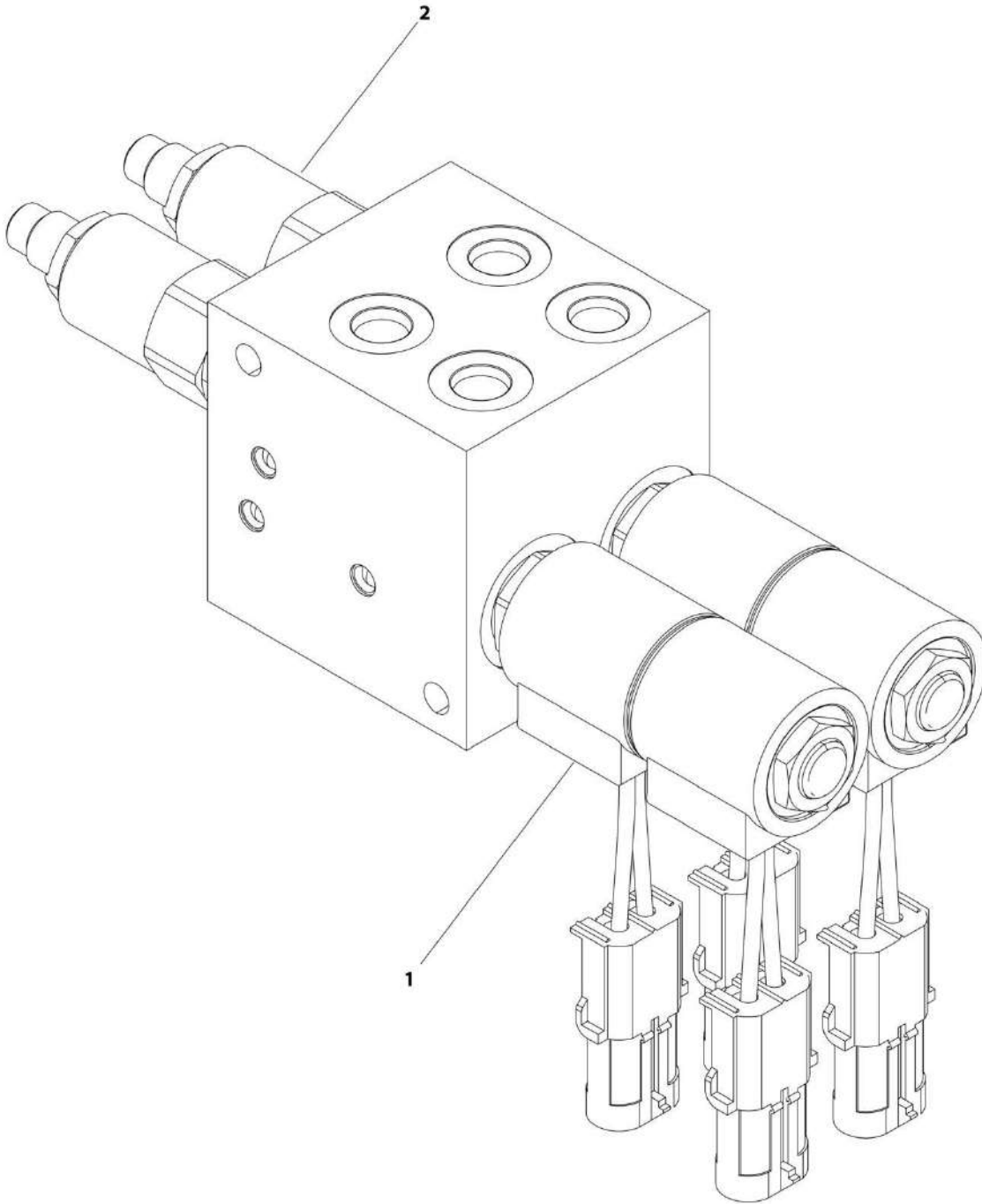
SECTION 2 - TURNTABLE

FIGURE 2-7. RELEVELING VALVE ASSEMBLY

ITEM	PART NUMBER	QTY	DESCRIPTION	REV
	1001097777	Ref	RELEVELING VALVE ASSEMBLY	B
1	7017466	1	Cartridge	
1	7017496	1	Seal Kit - 7017466 Cartridge	
2	7012959	1	Knob	
3	7024891	1	Cartridge	
3	7012953	1	Seal Kit - 7024891 Cartridge	

SECTION 2 - TURNTABLE

FIGURE 2-8. JIB VALVE ASSEMBLY (SN 0300208530 through 0300233432)



ART_1001097505

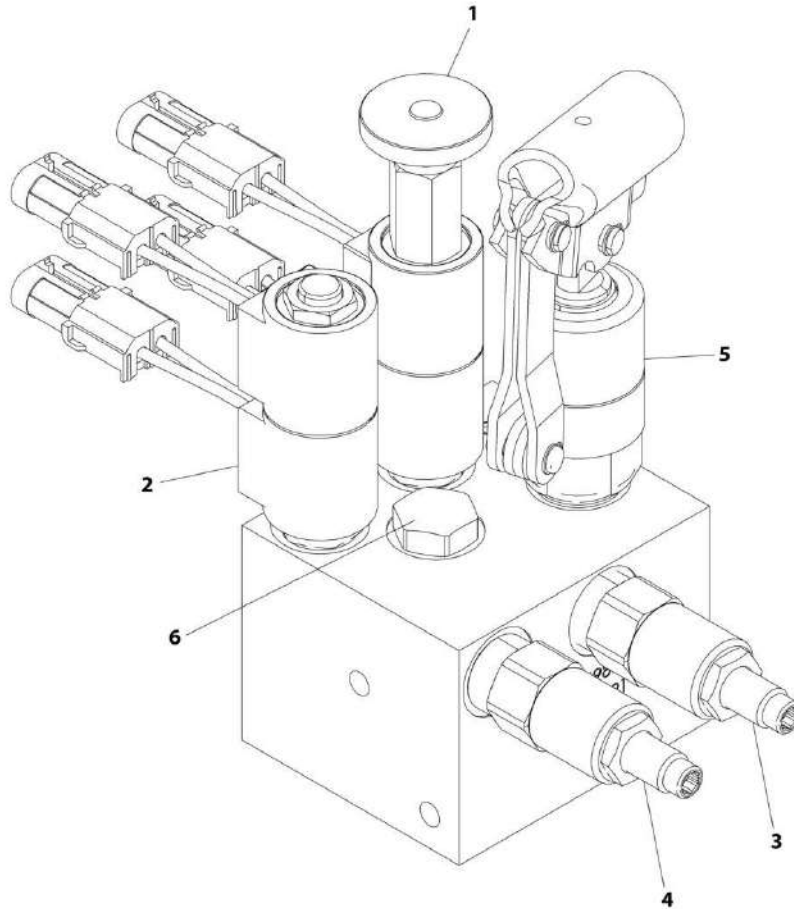
SECTION 2 - TURNTABLE

FIGURE 2-8. JIB VALVE ASSEMBLY (SN 0300208530 through 0300233432)

ITEM	PART NUMBER	QTY	DESCRIPTION	REV
	1001097505	Ref	JIB VALVE ASSEMBLY (SN 0300208530 through 0300233432)	C
1	7017452	2	Cartridge without Coil	
1	7017402	2	Seal Kit - 7017452 Cartridge	
1	7021609	4	Coil	
2	70002808	2	Cartridge	
2	7021653	2	Seal Kit - 70002808 Cartridge	

SECTION 2 - TURNTABLE

FIGURE 2-9. JIB VALVE ASSEMBLY (SN 0300233433 to Present)



ART_1001216921

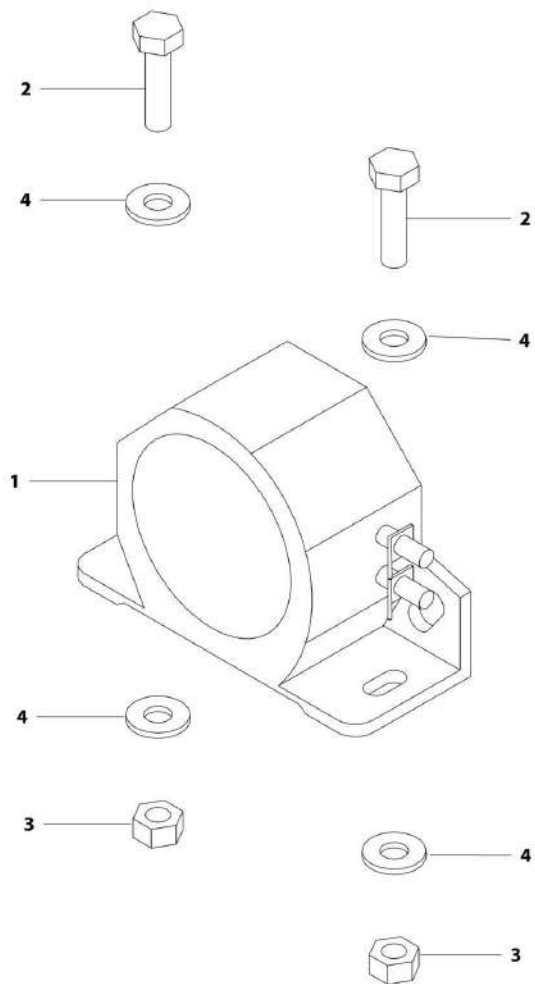
SECTION 2 - TURNTABLE

FIGURE 2-9. JIB VALVE ASSEMBLY (SN 0300233433 to Present)

ITEM	PART NUMBER	QTY	DESCRIPTION	REV
	1001216921	Ref	JIB VALVE ASSEMBLY (SN 0300233433 to Present)	B
1	70006346	1	Cartridge (Manual Override)	
1	7017402	1	Seal Kit - 70006346 Cartridge	
1	70006348	1	Coil Spacer	
1	7021609	1	Coil	
1	70006347	1	Coil Nut	
2	7017452	1	Cartridge	
2	7017402	1	Seal Kit - 7017452 Cartridge	
2	70006348	1	Coil Spacer	
2	7021609	1	Coil	
2	7022390	1	Coil Nut	
3	70006349	1	Cartridge	
3	7021653	1	Seal Kit - 70006349 Cartridge	
4	70002808	1	Cartridge	
4	7021653	1	Seal Kit - 70002808 Cartridge	
5	70005722	1	Cartridge	
5	7017496	1	Seal Kit - 70005722 Cartridge	
5	2560122	1	Handle	
5	1001114761	1	Grip, Handle (Red)	
5	2560123	1	Grip, Handle (Black)	
6	7024887	1	Cartridge	
6	7012998	1	Seal Kit - 7024887 Cartridge	

SECTION 2 - TURNTABLE

FIGURE 2-10. MOTION ALARM INSTALLATION



ART_1001183367

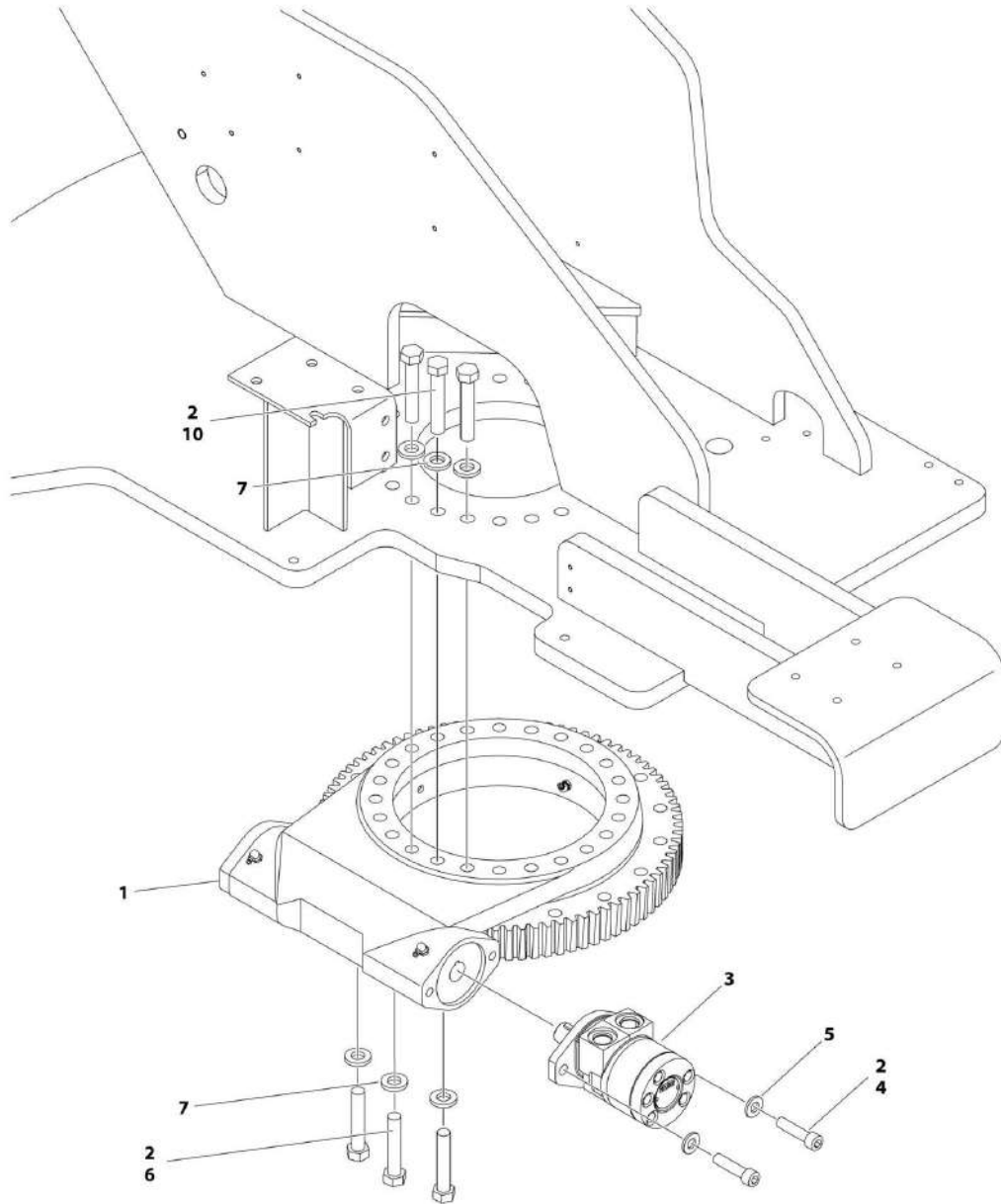
SECTION 2 - TURNTABLE

FIGURE 2-10. MOTION ALARM INSTALLATION

ITEM	PART NUMBER	QTY	DESCRIPTION	REV
	1001183367	Ref	MOTION ALARM INSTALLATION	A
1	0140043	1	Alarm, Motion	
2	0641406	2	Bolt, 1/4-20 X 3/4	
3	3311405	2	Nut, Lock 1/4-20	
4	4711400	2	Washer, 1/4	

SECTION 2 - TURNTABLE

FIGURE 2-11. TURNTABLE BEARING AND SWING DRIVE INSTALLATION



ART_1001166395

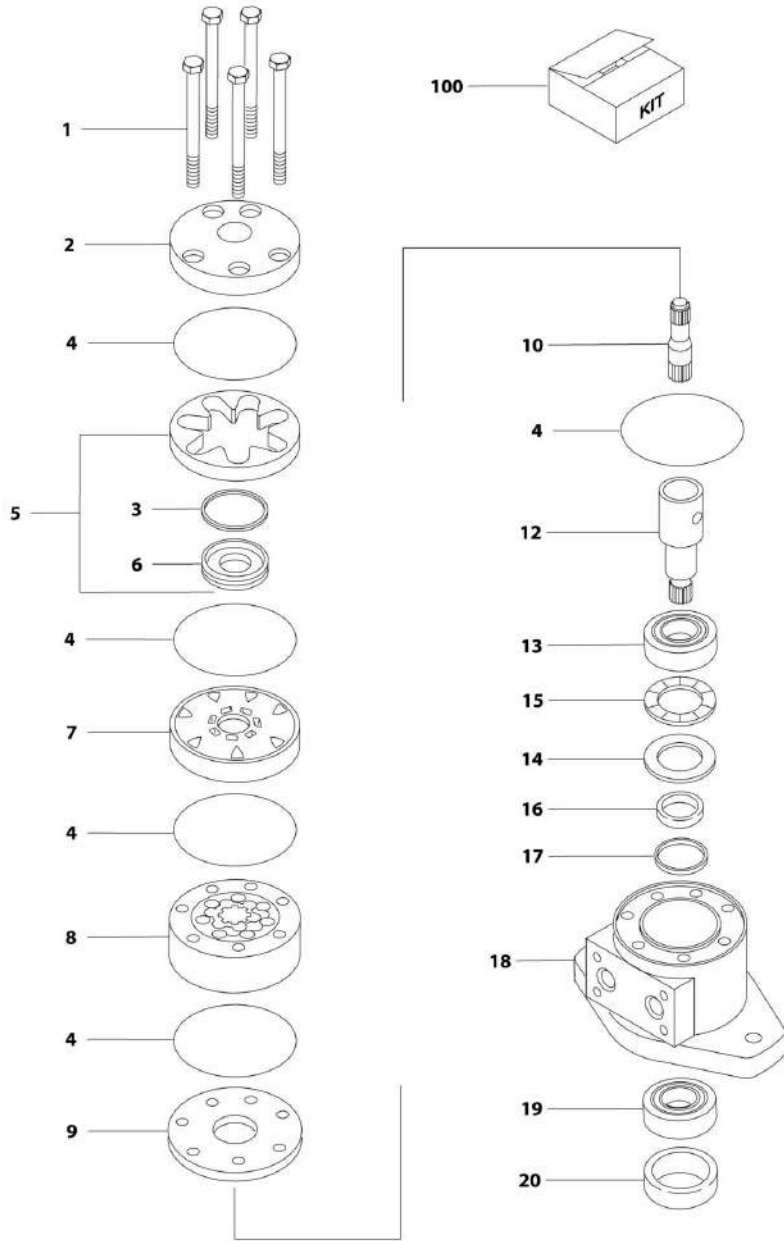
SECTION 2 - TURNTABLE

FIGURE 2-11. TURNTABLE BEARING AND SWING DRIVE INSTALLATION

ITEM	PART NUMBER	QTY	DESCRIPTION	REV
	1001166395	Ref	TURNTABLE BEARING AND SWING DRIVE INSTALLATION	B
1	1001153017	1	Turntable Bearing and Worm Gear Assembly (See SWING BEARING ASSEMBLY for Breakdown)	
2	0100019	AR	Compound, Locking	
3	1001104850	1	Swing Motor Assembly (See SWING MOTOR ASSEMBLY for Breakdown)	
4	3931832	2	Bolt, Allen Head, 1/2-13 X 2	
5	4740171	2	Washer	
6	0682026	18	Bolt, 5/8-11 X 3-1/4, Grade 8	
7	4892000	41	Washer, 5/8	
9	3020029	AR	Lube, Bearing Grease	
10	0682028	23	Bolt, 5/8-11 X 3-1/2, Grade 8	

SECTION 2 - TURNTABLE

FIGURE 2-12. SWING MOTOR ASSEMBLY



ART_1001104850

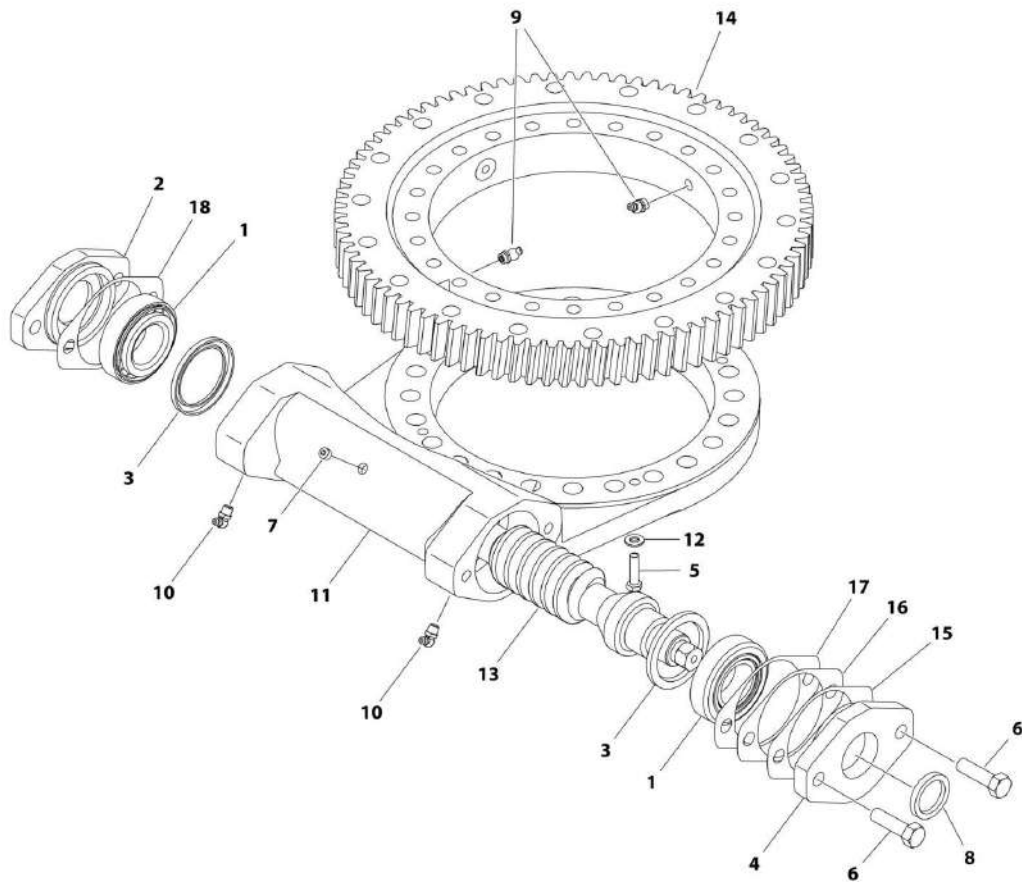
SECTION 2 - TURNTABLE

FIGURE 2-12. SWING MOTOR ASSEMBLY

ITEM	PART NUMBER	QTY	DESCRIPTION	REV
	1001104850	Ref	SWING MOTOR ASSEMBLY	A
1	See Note	5	Bolt (Note: Not Available for Purchase)	
2	7004035	1	Cover, End	
3	7023318	1	Seal, Commutator	
4	7004036	5	O-Ring	
5	7024453	1	Commutator and Ring Assembly	
6	See Note	NSS	Ring (Note: Purchase p/n 7024453)	
7	7024379	1	Manifold	
8	70002206	1	Rotor Set	
9	7024380	1	Plate, Ware	
10	70002207	1	Link, Drive	
12	70000088	1	Shaft, Coupling	
12A	70000089	1	Key, Woodruff	
13	7024381	1	Bearing, Inner	
14	7004043	1	Washer, Thrust	
15	7004044	1	Bearing, Thrust	
16	7004049	1	Seal, Inner	
17	7004045	1	Ring, Back-up	
18	See Note	NSS	Housing (Note: Purchase p/n 1001104850)	
19	7024390	1	Bearing, Outer	
20	7004047	1	Seal	
100	7024389	1	Seal Kit (Includes Items 3, 4, 16, 17 & 20)	

SECTION 2 - TURNTABLE

FIGURE 2-13. SWING BEARING ASSEMBLY



ART_1001153017

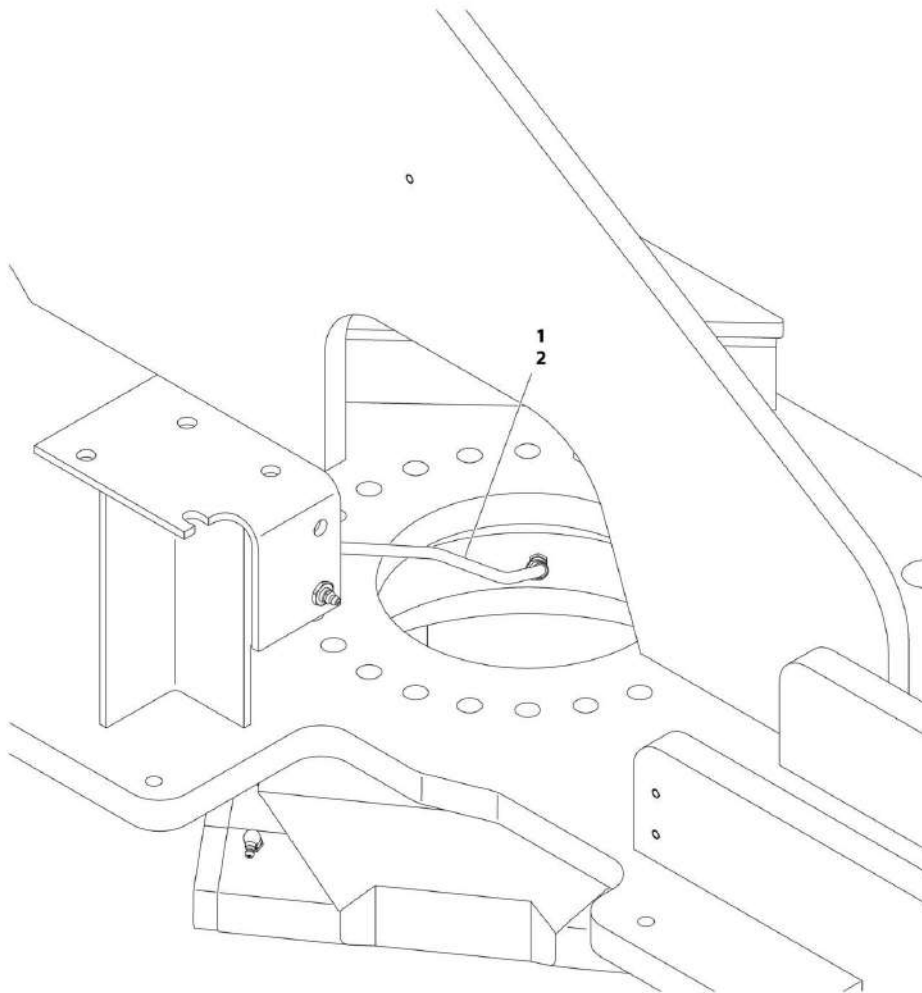
SECTION 2 - TURNTABLE

FIGURE 2-13. SWING BEARING ASSEMBLY

ITEM	PART NUMBER	QTY	DESCRIPTION	REV
	1001153017	Ref	SWING BEARING ASSEMBLY	B
1	7026042	2	Bearing, Cup	
1	7026043	2	Bearing, Cone	
2	7027356	1	Adapter, Motor	
3	7027361	2	Seal	
4	7027354	1	Cap, End	
5	0641510	2	Bolt, 5/16-18 x 1-1/4	
6	0641812	2	Bolt, 1/2-13 x 1-1/2	
7	70000865	1	Plug	
8	7027360	1	Seal	
9	7027359	2	Fitting, Grease - Straight	
9	2160003	2	Fitting, Grease - 45	
10	7027358	2	Fitting, Grease - 90	
11	See Note	NSS	Housing (Note: Not Sold Separate - Use 1001153017)	
12	4891500	1	Washer, 5/16	
13	7027363	1	Gear, Worm	
14	70004159	1	Ring Gear	
15	7027352	AR	Gasket (.010 - Brown)	
16	7027351	AR	Gasket (.0075 - Clear)	
17	7027350	AR	Gasket (.005 - Blue)	
18	7027353	1	Gasket (.020 - Yellow)	

SECTION 2 - TURNTABLE

FIGURE 2-14. REMOTE BEARING LUBE INSTALLATION - OPTIONAL



ART_1001166341

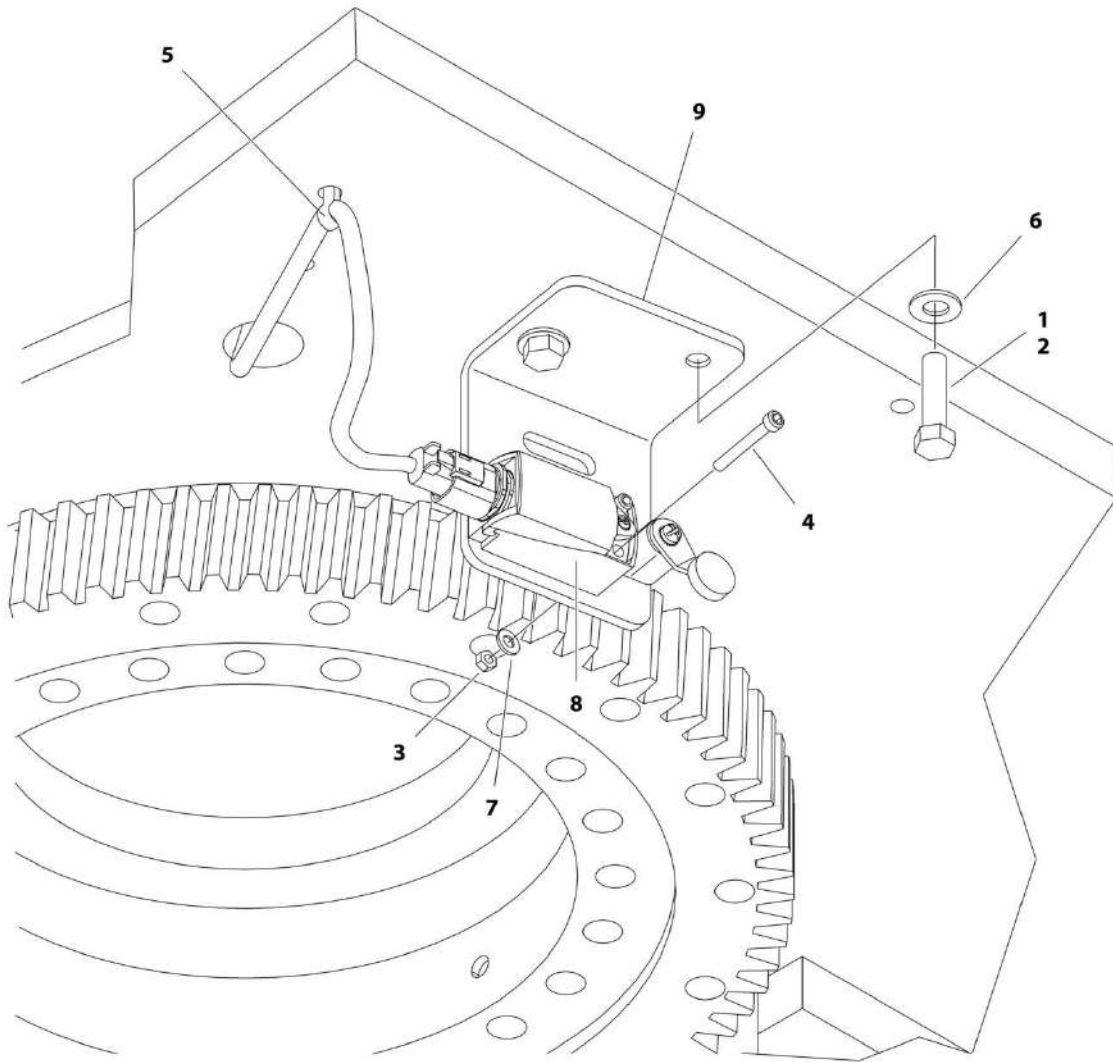
SECTION 2 - TURNTABLE

FIGURE 2-14. REMOTE BEARING LUBE INSTALLATION - OPTIONAL

ITEM	PART NUMBER	QTY	DESCRIPTION	REV
	1001166341	Ref	REMOTE BEARING LUBE INSTALLATION	B
1	1001157058	1	Hose, Remote Grease Line	
2	0100011	AR	Compound, Locking	

SECTION 2 - TURNTABLE

FIGURE 2-15. DRIVE ORIENTATION INSTALLATION



ART_1001187790

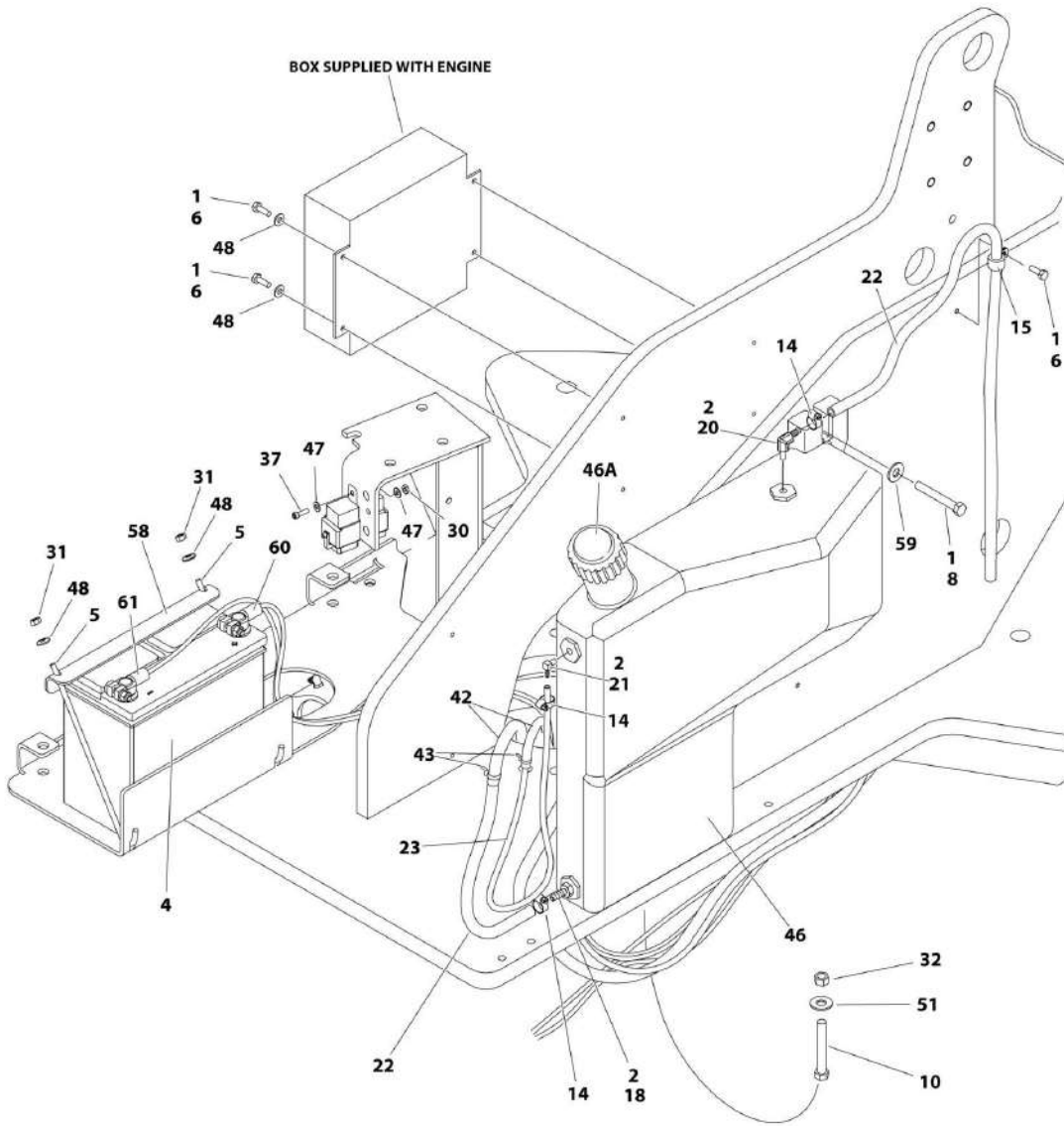
SECTION 2 - TURNTABLE

FIGURE 2-15. DRIVE ORIENTATION INSTALLATION

ITEM	PART NUMBER	QTY	DESCRIPTION	REV
	1001187790	Ref	DRIVE ORIENTATION INSTALLATION	B
1	0100011	AR	Compound, Locking	
2	0641608	2	Bolt, 3/8-16 X 1	
3	3310805	2	Nut, Lock, #8-32	
4	3930824	2	Bolt, Allen Head, #8-32 X 1-1/2	
5	4240175	1	Tie, Strap	
6	4711600	2	Washer, 3/8	
7	4750800	2	Washer, #8	
8	1001116232	1	Switch, Limit	
9	1001171298	1	Bracket, Mounting	

SECTION 2 - TURNTABLE

FIGURE 2-16. FUEL TANK AND BATTERY INSTALLATION - M400AJP/M400AJPN



ART_1001191232_10F4

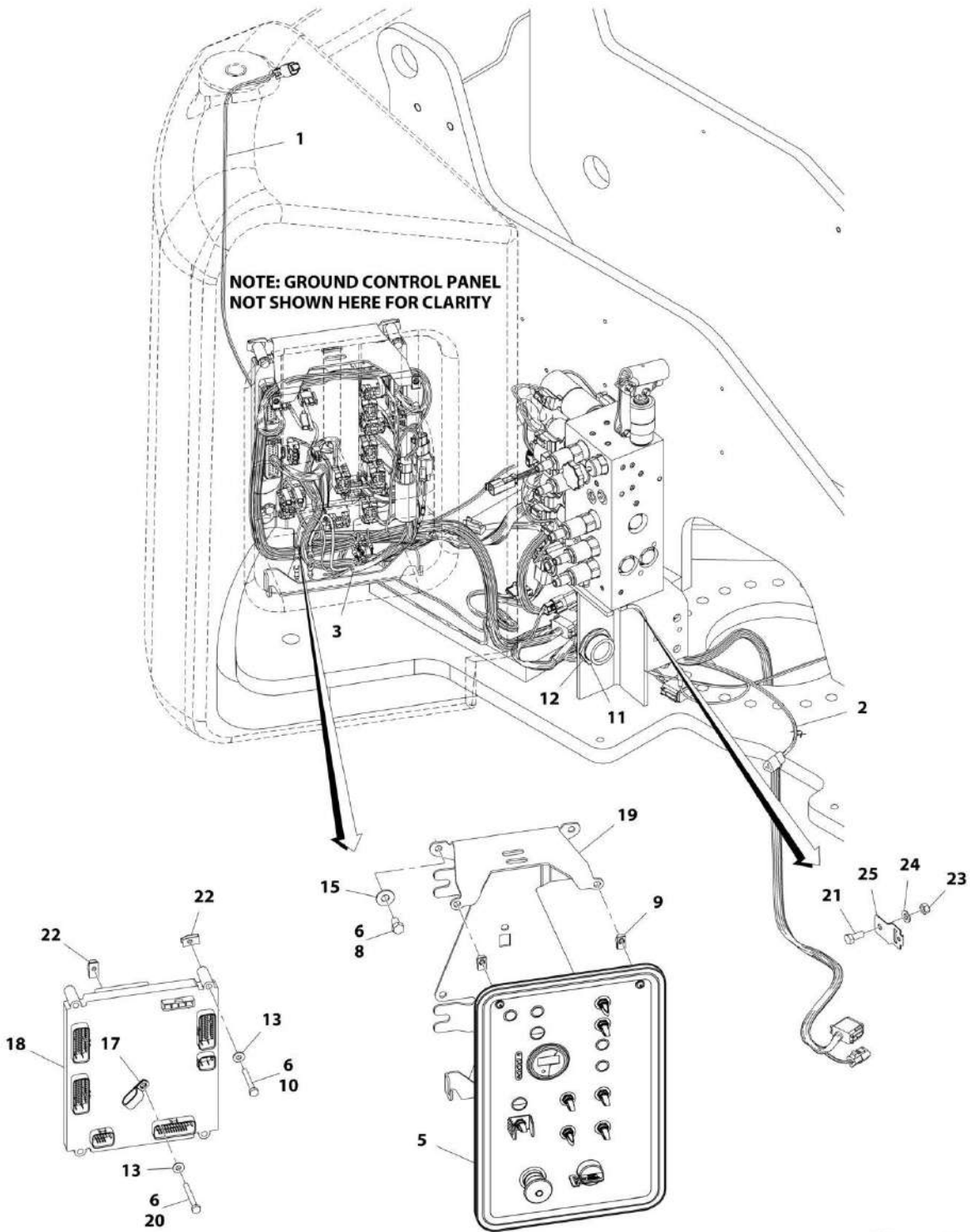
SECTION 2 - TURNTABLE

FIGURE 2-16. FUEL TANK AND BATTERY INSTALLATION - M400AJP/M400AJPN

ITEM	PART NUMBER	QTY	DESCRIPTION	REV
	1001191232	Ref	FUEL TANK AND BATTERY INSTALLATION - M400AJP/M400AJPN	E
1	0100011	AR	Compound, Locking	
2	0100020	AR	Sealant	
4	0400201	1	Battery	
5	0630552	2	Bolt, Battery Hold Down	
6	0641406	5	Bolt, 1/4-20 X 3/4	
8	0641518	1	Bolt, 5/16-18 x 2-1/4	
10	0641622	1	Bolt, 3/8-16 X 2-3/4	
14	1320022	3	Clamp	
15	1320041	1	Clamp	
18	2180348	1	Fitting, Straight, NPT - Barb	
20	2221046	1	Fitting, 90, NPT - Barb	
21	2221047	1	Fitting, 90, NPT - Barb	
22	2720058	16 ft/4.9m	Hose	
23	2720271	10 ft/3m	Hose	
30	3311005	1	Nut, Lock #10-24	
31	3311405	2	Nut, Lock, 1/4-20	
32	3311605	1	Nut, Lock, 3/8-16	
37	3931010	1	Bolt, #10-24 x 5/8	
42	4100026	6 ft/1.8m	Sleeve, Hose	
43	4240033	AR	Tie, Wire	
46	4400417	1	Tank, Fuel	
46A	7020179	1	Cap, Fuel (Standard)	
46A	1120487	1	Cap, Lockable (Optional) (SN 0300208530 through 0300224562)	
47	4711000	2	Washer, #10	
48	4711400	6	Washer, 1/4	
51	4751600	1	Washer, 3/8	
58	1001165977	1	Mount, Battery	
59	1001167291	1	Washer, Special	
60	1001168004	1	Cable, Battery +	
61	1001168005	1	Cable, Battery (-)	

SECTION 2 - TURNTABLE

FIGURE 2-17. GROUND CONTROL BOX INSTALLATION - E400AN (ALL SPECS EXCEPT CE AND AUSTRALIAN SPECS)



ART_1001183515

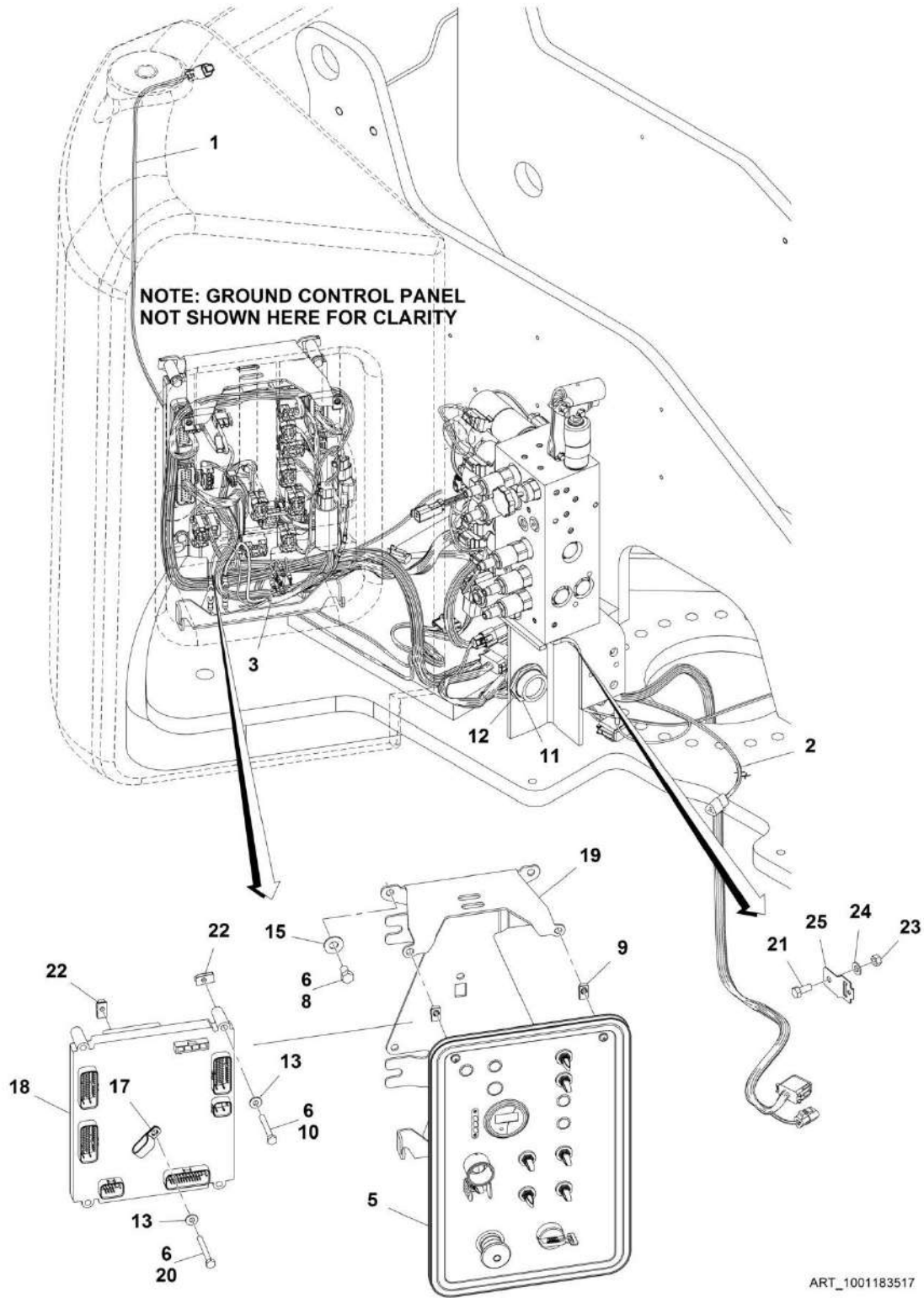
SECTION 2 - TURNTABLE

FIGURE 2-17. GROUND CONTROL BOX INSTALLATION - E400AN (ALL SPECS EXCEPT CE AND AUSTRALIAN SPECS)

ITEM	PART NUMBER	QTY	DESCRIPTION	REV
	1001183515	Ref	GROUND CONTROL BOX INSTALLATION - E400An (ALL SPECS EXCEPT CE AND AUSTRALIAN SPECS)	C
1	1001178793	1	Harness, Turntable (See ELECTRICAL SECTION for Breakdown)	
2	1001178794	1	Harness, Valve (See ELECTRICAL SECTION for Breakdown)	
3	1001179991	1	Harness, Ground Panel (See ELECTRICAL SECTION for Breakdown)	
5	1001183866	1	GROUND CONTROL BOX ELECTRICAL ASSEMBLY - E400An (See GROUND CONTROL BOX ELECTRICAL ASSEMBLY - E400An (ALL SPECS EXCEPT CE AND AUSTRALIAN SPECS) for Breakdown)	
6	0100011	AR	Compound, Locking	
8	0641605	4	Bolt, 3/8-16 X 5/8	
9	3300365	2	Nut, Special	
10	0641416	4	Bolt, 1/4-20 X 2	
11	4460470	1	Nut, Terminal	
12	4460471	1	Washer, Lock	
13	4711400	5	Washer, 1/4	
15	4751600	4	Washer, 3/8	
17	1321385	1	Clamp	
18	1001182700	1	Module, Ground Control (Note: Re-calibration Required when Replaced)	
19	1001188065	1	Bracket	
20	0641418	1	Bolt, 1/4-20 X 2-1/4	
21	0641506	1	Bolt, 5/16-18 X 3/4	
22	3300454	5	Nut, 1/4-20	
23	3311505	1	Nut, Lock 5/16-18	
24	4711500	1	Washer, 5/16	
25	1001153749	1	Clip	

SECTION 2 - TURNTABLE

FIGURE 2-18. GROUND CONTROL BOX INSTALLATION - E400AN (CE SPEC)



ART_1001183517

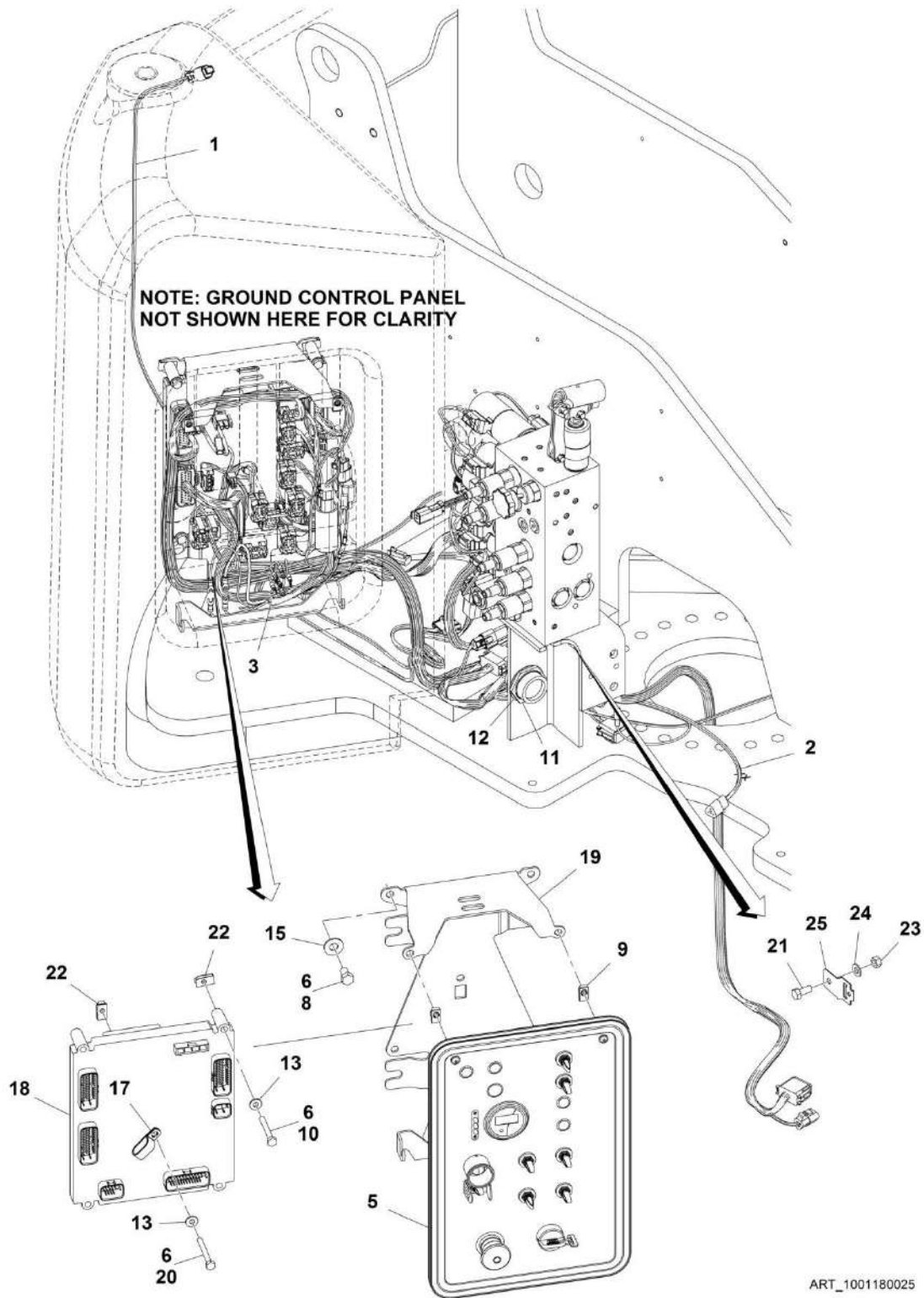
SECTION 2 - TURNTABLE

FIGURE 2-18. GROUND CONTROL BOX INSTALLATION - E400AN (CE SPEC)

ITEM	PART NUMBER	QTY	DESCRIPTION	REV
	1001183517	Ref	GROUND CONTROL BOX INSTALLATION - E400An (CE SPEC)	C
1	1001178793	1	Harness, Turntable (See ELECTRICAL SECTION for Breakdown)	
2	1001178794	1	Harness, Valve (See ELECTRICAL SECTION for Breakdown)	
3	1001179991	1	Harness, Ground Control Panel (See ELECTRICAL SECTION for Breakdown)	
5	1001183765	1	GROUND CONTROL BOX ELECTRICAL ASSEMBLY - E400An (See GROUND CONTROL BOX ELECTRICAL ASSEMBLY - E400An (CE SPEC) for Breakdown)	
6	0100011	AR	Compound, Locking	
8	0641605	4	Bolt, 3/8-16 X 5/8	
9	3300365	2	Nut, Special	
10	0641416	4	Bolt, 1/4-20 X 2	
11	4460470	1	Nut, Terminal	
12	4460471	1	Washer, Lock	
13	4711400	5	Washer, 1/4	
15	4751600	4	Washer, 3/8	
17	1321385	1	Clamp	
18	1001182700	1	Module, Ground Control (Note: Re-calibration Required when Replaced)	
19	1001188065	1	Bracket	
20	0641418	1	Bolt, 1/4-20 X 2-1/4	
21	0641506	1	Bolt, 5/16-18 X 3/4	
22	3300454	5	Nut, 1/4-20	
23	3311505	1	Nut, Lock 5/16-18	
24	4711500	1	Washer, 5/16	
25	1001153749	1	Clip	

SECTION 2 - TURNTABLE

FIGURE 2-19. GROUND CONTROL BOX INSTALLATION - E400AJP/E400AJPN/M400AJP/M400AJPN
(ALL SPECS EXCEPT CE SPEC)



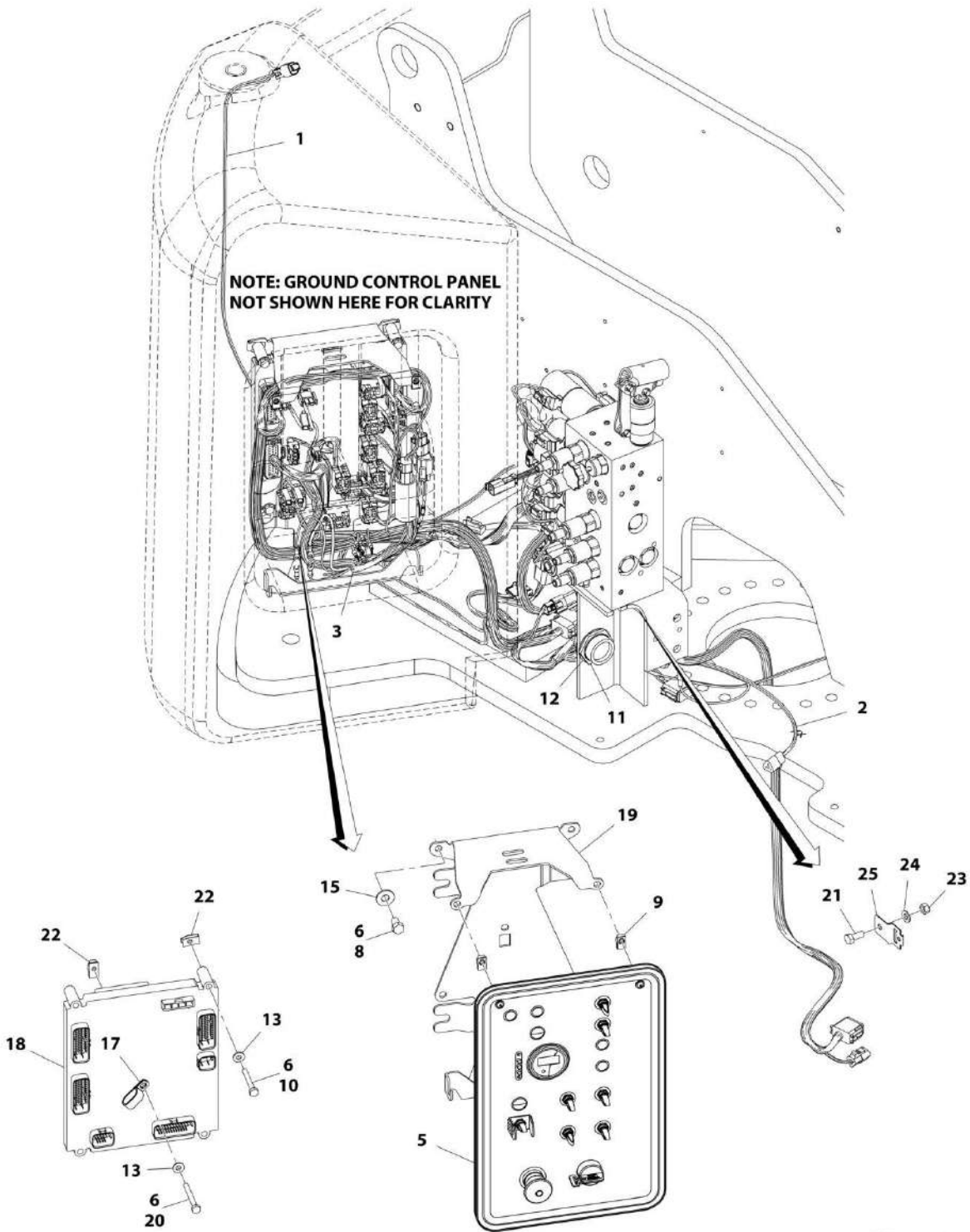
SECTION 2 - TURNTABLE

**FIGURE 2-19. GROUND CONTROL BOX INSTALLATION - E400AJP/E400AJPn/M400AJP/M400AJPn
(ALL SPECS EXCEPT CE SPEC)**

ITEM	PART NUMBER	QTY	DESCRIPTION	REV
	1001180025	Ref	GROUND CONTROL BOX INSTALLATION - E400AJP/E400AJPn/M400AJP/M400AJPn (ALL SPECS EXCEPT CE SPEC)	C
1	1001178793	1	Harness, Turntable (See ELECTRICAL SECTION for Breakdown)	
2	1001178794	1	Harness, Valve (See ELECTRICAL SECTION for Breakdown)	
3	1001179991	1	Harness, Ground Control Panel (See ELECTRICAL SECTION for Breakdown)	
5	1001183763	1	GROUND CONTROL BOX ELECTRICAL ASSEMBLY - E400AJP/E400AJPn/M400AJP/M400AJPn (See GROUND CONTROL BOX ELECTRICAL ASSEMBLY - E400AJP/E400AJPn/M400AJP/M400AJPn (ALL SPEC EXCEPT CE SPEC) for Breakdown)	
6	0100011	AR	Compound, Locking	
8	0641605	4	Bolt, 3/8-16 X 5/8	
9	3300365	2	Nut, Special	
10	0641416	4	Bolt, 1/4-20 X 2	
11	4460470	1	Nut, Terminal	
12	4460471	1	Washer, Lock	
13	4711400	5	Washer, 1/4	
15	4751600	4	Washer, 3/8	
17	1321385	1	Clamp	
18	1001182700	1	Module, Ground Control (Note: Re-calibration Required when Replaced)	
19	1001188065	1	Bracket	
20	0641418	1	Bolt, 1/4-20 X 2-1/4	
21	0641506	1	Bolt, 5/16-18 X 3/4	
22	3300454	5	Nut, 1/4-20	
23	3311505	1	Nut, Lock 5/16-18	
24	4711500	1	Washer, 5/16	
25	1001153749	1	Clip	

SECTION 2 - TURNTABLE

FIGURE 2-20. GROUND CONTROL BOX INSTALLATION - E400AJP/E400AJPN/M400AJP/M400AJPN
(CE SPEC)



ART_1001183516

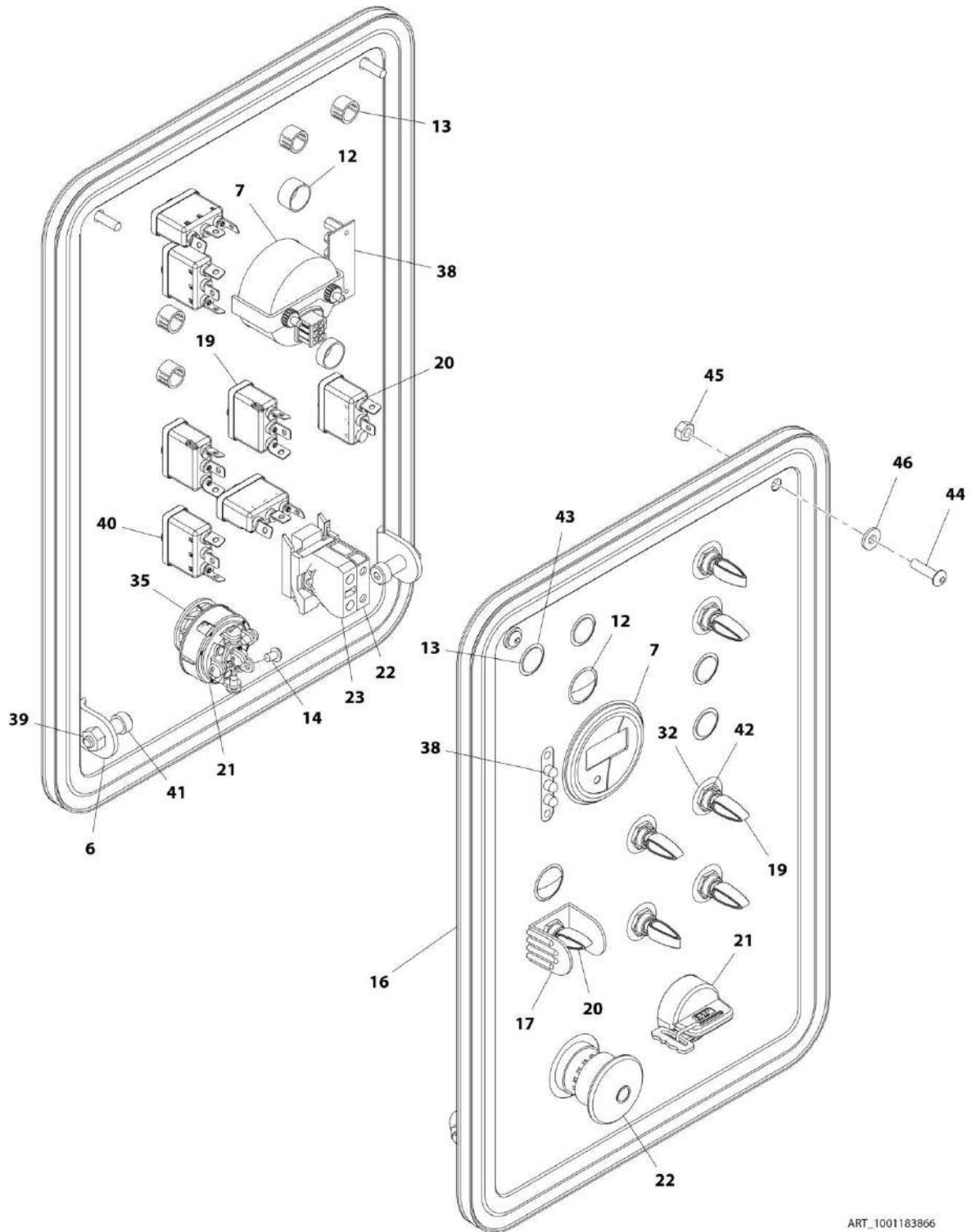
SECTION 2 - TURNTABLE

**FIGURE 2-20. GROUND CONTROL BOX INSTALLATION - E400AJP/E400AJPn/M400AJP/M400AJPn
(CE SPEC)**

ITEM	PART NUMBER	QTY	DESCRIPTION	REV
	1001183516	Ref	GROUND CONTROL BOX INSTALLATION - E400AJP/E400AJPn/M400AJP/M400AJPn (CE SPEC)	C
1	1001178793	1	Harness, Turntable (See ELECTRICAL SECTION for Breakdown)	
2	1001178794	1	Harness, Valve (See ELECTRICAL SECTION for Breakdown)	
3	1001179991	1	Harness, Ground Control Panel (See ELECTRICAL SECTION for Breakdown)	
5	1001183764	1	GROUND CONTROL BOX ELECTRICAL ASSEMBLY - E400AJP/E400AJPn/M400AJP/M400AJPn (See GROUND CONTROL BOX ELECTRICAL ASSEMBLY - E400AJP/E400AJPn/M400AJP/M400AJPn (CE SPEC) for Breakdown)	
6	0100011	AR	Compound, Locking	
8	0641605	4	Bolt, 3/8-16 X 5/8	
9	3300365	2	Nut, Special	
10	0641416	4	Bolt, 1/4-20 X 2	
11	4460470	1	Nut, Terminal	
12	4460471	1	Washer, Lock	
13	4711400	5	Washer, 1/4	
15	4751600	4	Washer, 3/8	
17	1321385	1	Clamp	
18	1001182700	1	Module, Ground Control (Note: Re-calibration Required when Replaced)	
19	1001188065	1	Bracket	
20	0641418	1	Bolt, 1/4-20 X 2-1/4	
21	0641506	1	Bolt, 5/16-18 X 3/4	
22	3300454	5	Nut, 1/4-20	
23	3311505	1	Nut, Lock 5/16-18	
24	4711500	1	Washer, 5/16	
25	1001153749	1	Clip	

SECTION 2 - TURNTABLE

FIGURE 2-21. GROUND CONTROL BOX ELECTRICAL ASSEMBLY - E400AN (ALL SPECS EXCEPT CE AND AUSTRALIAN SPECS)



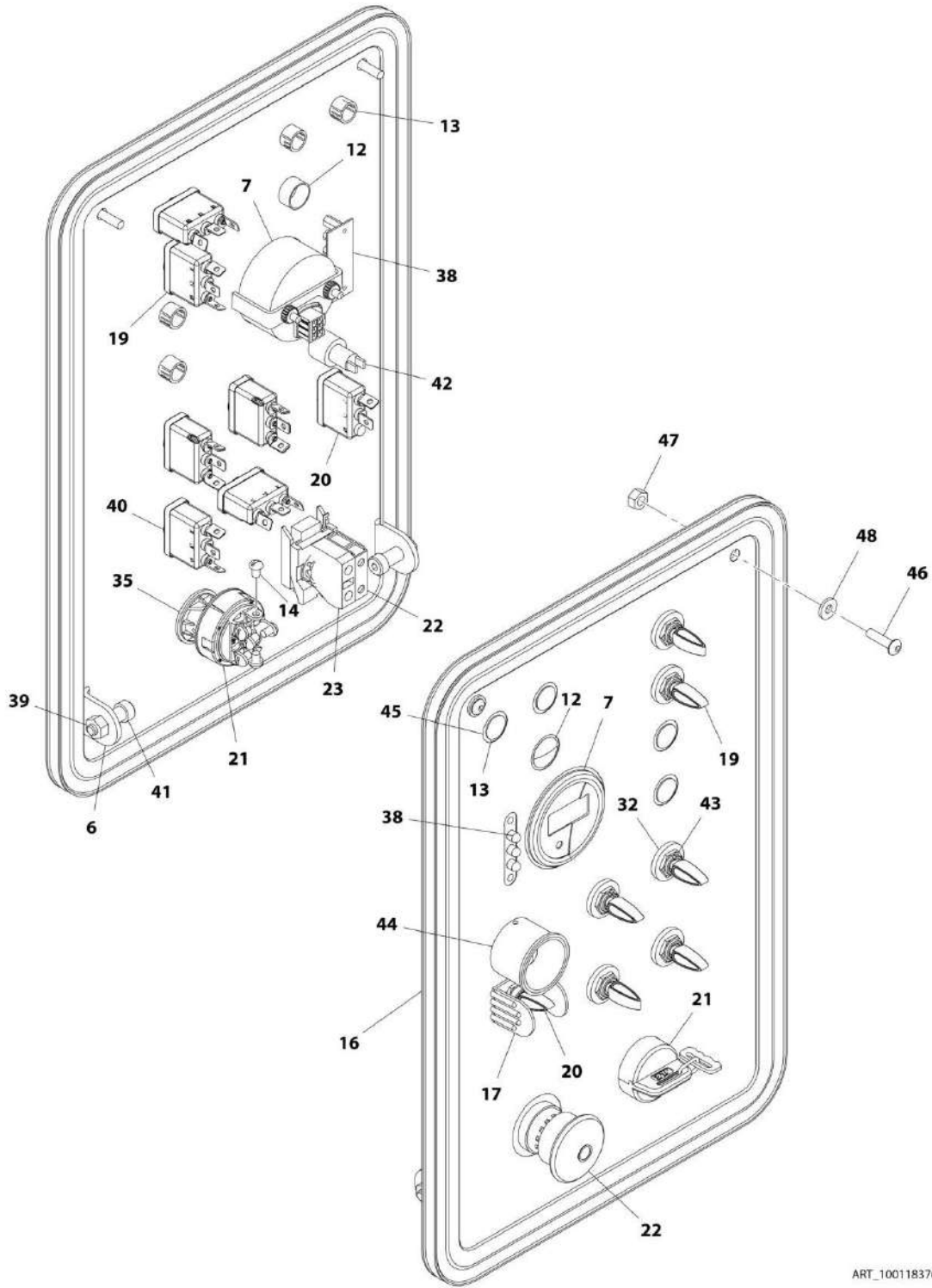
SECTION 2 - TURNTABLE

FIGURE 2-21. GROUND CONTROL BOX ELECTRICAL ASSEMBLY - E400AN (ALL SPECS EXCEPT CE AND AUSTRALIAN SPECS)

ITEM	PART NUMBER	QTY	DESCRIPTION	REV
	1001183866	Ref	GROUND CONTROL BOX ELECTRICAL ASSEMBLY - E400An (ALL SPECS EXCEPT CE AND AUSTRALIAN SPECS)	A
6	1001188066	1	Panel, Ground Control	
7	1001109503	1	Gauge, Indicator	
12	3520026	AR	Plug, Hole	
13	3520028	4	Plug, Hole 1/2	
14	3910804	6	Screw, 8-32 X 1/4	
16	1001166394	4 ft /1.2m	Seal	
17	4060802	1	Guard, Switch	
19	1001155045	6	Switch, Toggle	
20	1001159256	1	Switch, Toggle	
21	4360469	1	Keyswitch	
21	2860030	1	Key, Replacement (Set of 2)	
22	4360475	1	Switch, Emergency Stop	
22A	7020175	1	Cap, Mushroom Head	
22B	7020176	1	Block, Contact	
23	4360476	1	Block, Contact	
32	4740397	6	Spacer	
35	1001151393	1	Shim, .063	
38	0610131	1	P/C Board, Battery Charger	
39	3311405	2	Nut, Lock 1/4-20	
40	3790012	7	O-Ring	
41	3900187	2	Screw	
42	1001155044	7	Nut, Special 15/32-32	
43	1001188484	1	Decal - Ground Control Lid (SN 0300208530 through 0300214529)	
43	1001210576	1	Decal - Ground Control Lid (SN 0300214530 to Present)	
44	0630518	2	Bolt, #10-24 X 3/4	
45	3311011	2	Nut, Push	
46	4740120	2	Washer, Nylon	

SECTION 2 - TURNTABLE

FIGURE 2-22. GROUND CONTROL BOX ELECTRICAL ASSEMBLY - E400AN (CE SPEC)



ART_1001183765

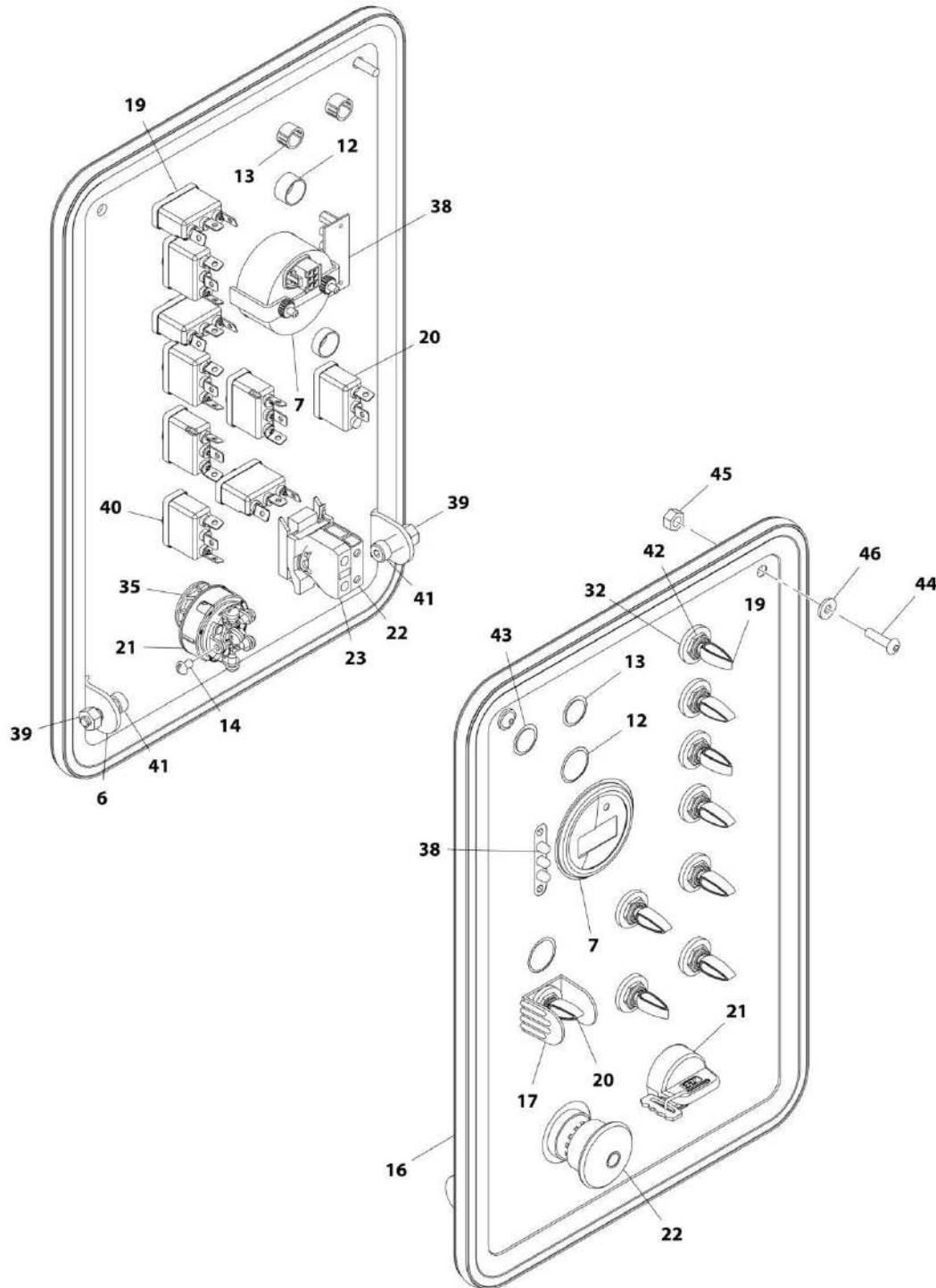
SECTION 2 - TURNTABLE

FIGURE 2-22. GROUND CONTROL BOX ELECTRICAL ASSEMBLY - E400AN (CE SPEC)

ITEM	PART NUMBER	QTY	DESCRIPTION	REV
	1001183765	Ref	GROUND CONTROL BOX ELECTRICAL ASSEMBLY - E400An (CE SPEC)	D
6	1001188066	1	Panel, Ground Control	
7	1001109503	1	Gauge, Indicator	
12	3520026	1	Plug, Hole	
13	3520028	4	Plug, Hole 1/2	
14	3910804	6	Screw, 8-32 X 1/4	
16	1001166394	4 ft /1.2m	Seal	
17	4060802	1	Guard, Switch	
19	1001155045	6	Switch, Toggle	
20	1001159256	1	Switch, Toggle	
21	4360469	1	Keyswitch	
21	2860030	1	Key, Replacement (Set of 2)	
22	4360475	1	Switch, Emergency Stop	
22A	7020175	1	Cap, Mushroom Head	
22B	7020176	1	Block, Contact	
23	4360476	1	Block, Contact	
32	4740397	6	Spacer	
35	1001151393	1	Shim, .063	
38	0610131	1	P/C Board, Battery Charger	
39	3311405	2	Nut, Lock 1/4-20	
40	3790012	7	O-Ring	
41	3900187	2	Screw	
42	4360387	1	Switch, Push Button	
43	1001155044	7	Nut, Special 15/32-32	
44	1001176469	1	Shroud	
45	1001188484	1	Decal - Ground Control Lid	
46	0630518	2	Bolt, #10-24 X 3/4	
47	3311011	2	Nut, Push	
48	4740120	2	Washer, Nylon	

SECTION 2 - TURNTABLE

FIGURE 2-23. GROUND CONTROL BOX ELECTRICAL ASSEMBLY -
E400AJP/E400AJPN/M400AJP/M400AJPN (ALL SPECS EXCEPT CE SPEC)



ART_1001183763

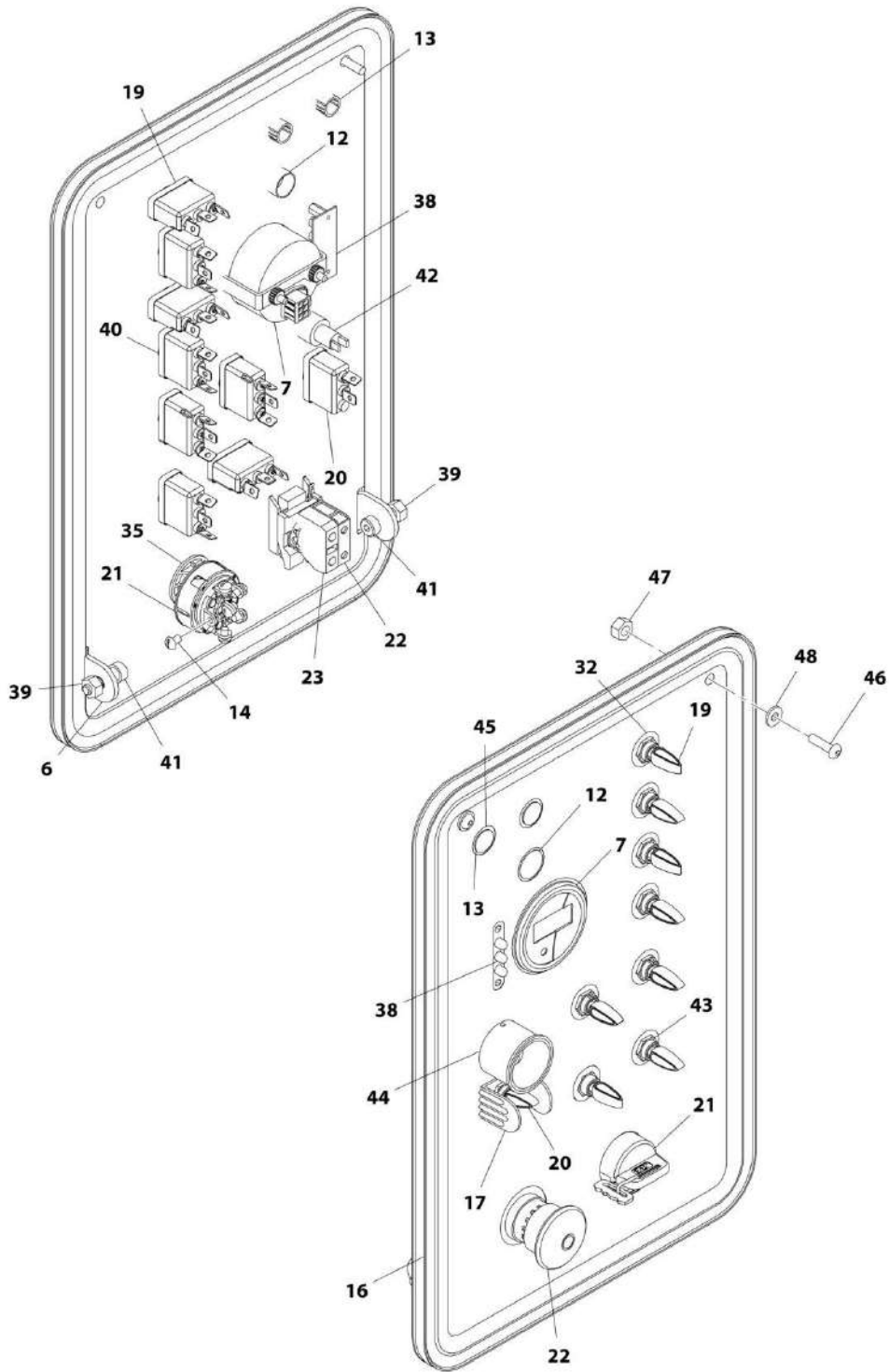
SECTION 2 - TURNTABLE

**FIGURE 2-23. GROUND CONTROL BOX ELECTRICAL ASSEMBLY -
E400AJP/E400AJPN/M400AJP/M400AJPN (ALL SPECS EXCEPT CE SPEC)**

ITEM	PART NUMBER	QTY	DESCRIPTION	REV
	1001183763	Ref	GROUND CONTROL BOX ELECTRICAL ASSEMBLY - E400AJP/E400AJPN/M400AJP/M400AJPN (ALL SPECS EXCEPT CE SPEC)	E
6	1001188066	1	Panel, Ground Control	
7	1001109503	1	Gauge, Indicator	
12	3520026	AR	Plug, Hole	
13	3520028	2	Plug, Hole 1/2	
14	3910804	6	Screw, 8-32 X 1/4	
16	1001166394	4 ft/1.2m	Seal	
17	4060802	1	Guard, Switch	
19	1001155045	8	Switch, Toggle	
20	1001159256	1	Switch, Toggle	
21	4360469	1	Keyswitch	
21	2860030	1	Key, Replacement (Set of 2)	
22	4360475	1	Switch, Emergency Stop	
22A	7020175	1	Cap, Mushroom Head	
22B	7020176	1	Block, Contact	
23	4360476	1	Block, Contact	
32	4740397	9	Spacer	
35	1001151393	1	Shim, .063	
38	0610131	1	P/C Board, Battery Charger	
39	3311405	2	Nut, Lock 1/4-20	
40	3790012	9	O-Ring	
41	3900187	2	Screw	
42	1001155044	9	Nut, Special 15/32-32	
43	1001188484	1	Decal - Ground Control Lid (SN 0300208530 through 0300214529)	
43	1001210576	1	Decal - Ground Control Lid (SN 0300214530 to Present)	
44	0630518	2	Bolt, #10-24 X 3/4	
45	3311011	2	Nut, Push	
46	4740120	2	Washer, Nylon	

SECTION 2 - TURNTABLE

FIGURE 2-24. GROUND CONTROL BOX ELECTRICAL ASSEMBLY - E400AJP/E400AJPN/M400AJP/M400AJPN (CE SPEC)



ART_1001183764

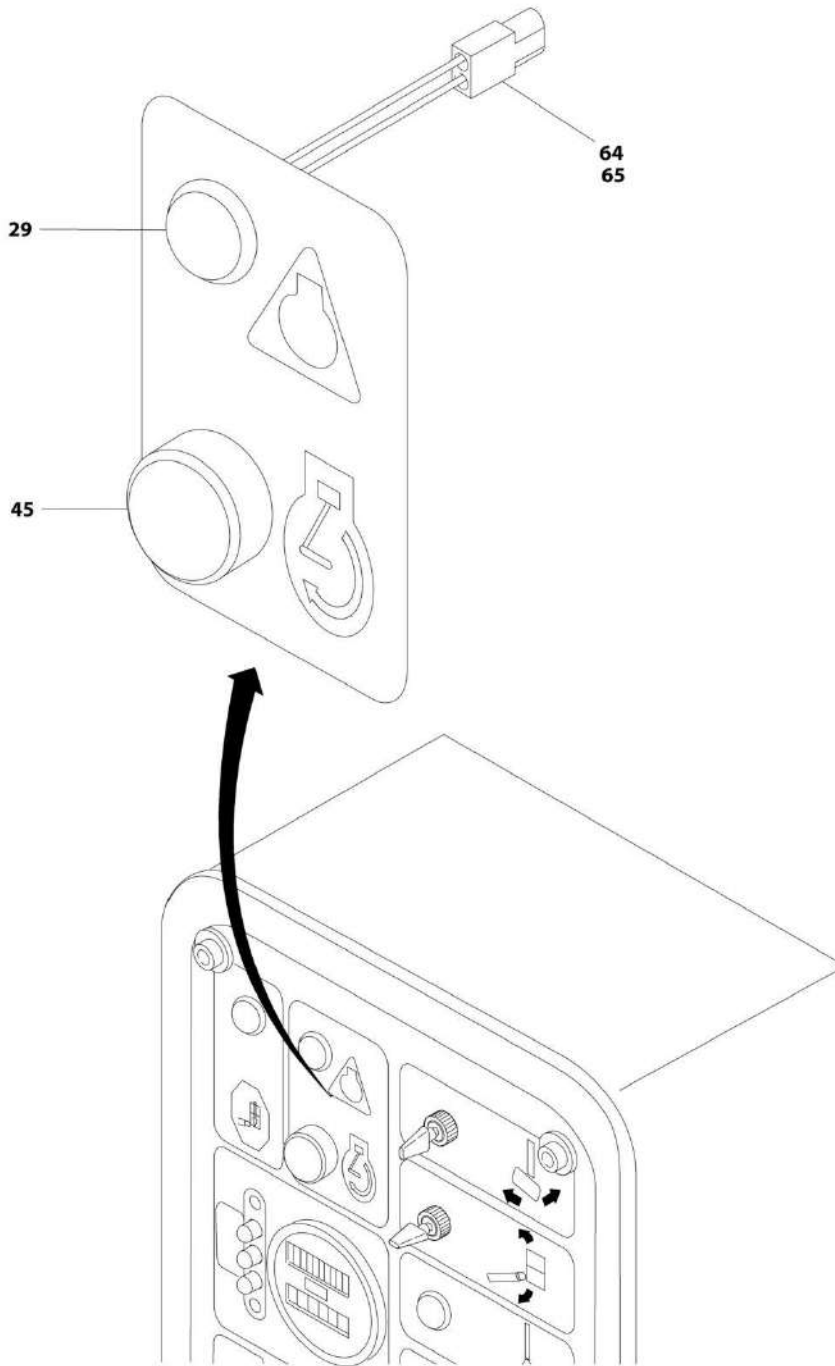
SECTION 2 - TURNTABLE

**FIGURE 2-24. GROUND CONTROL BOX ELECTRICAL ASSEMBLY -
E400AJP/E400AJPN/M400AJP/M400AJPN (CE SPEC)**

ITEM	PART NUMBER	QTY	DESCRIPTION	REV
	1001183764	Ref	GROUND CONTROL BOX ELECTRICAL ASSEMBLY - E400AJP/E400AJPN/M400AJP/M400AJPN (CE SPEC)	D
6	1001188066	1	Panel, Ground Control	
7	1001109503	1	Gauge, Indicator	
12	3520026	1	Plug, Hole	
13	3520028	2	Plug, Hole 1/2	
14	3910804	6	Screw, 8-32 X 1/4	
16	1001166394	4 ft /1.2m	Seal	
17	4060802	1	Guard, Switch	
19	1001155045	8	Switch, Toggle	
20	1001159256	1	Switch, Toggle	
21	4360469	1	Keyswitch	
21	2860030	1	Key, Replacement (Set of 2)	
22	4360475	1	Switch, Emergency Stop	
22A	7020175	1	Cap, Mushroom Head	
22B	7020176	1	Block, Contact	
23	4360476	1	Block, Contact	
32	4740397	8	Spacer	
35	1001151393	1	Shim, .063	
38	0610131	1	P/C Board, Battery Charger	
39	3311405	2	Nut, Lock 1/4-20	
40	3790012	9	O-Ring	
41	3900187	2	Screw	
42	4360387	1	Switch, Push Button	
43	1001155044	9	Nut, Special 15/32-32	
44	1001176469	1	Shroud	
45	1001188484	1	Decal - Ground Control Lid	
46	0630518	2	Bolt, #10-24 X 3/4	
47	3311011	2	Nut, Push	
48	4740120	2	Washer, Nylon	

SECTION 2 - TURNTABLE

FIGURE 2-25. MOTOR CONTROLS INSTALLATION - M400AJP/M400AJPN



ART_1001191232_20F4

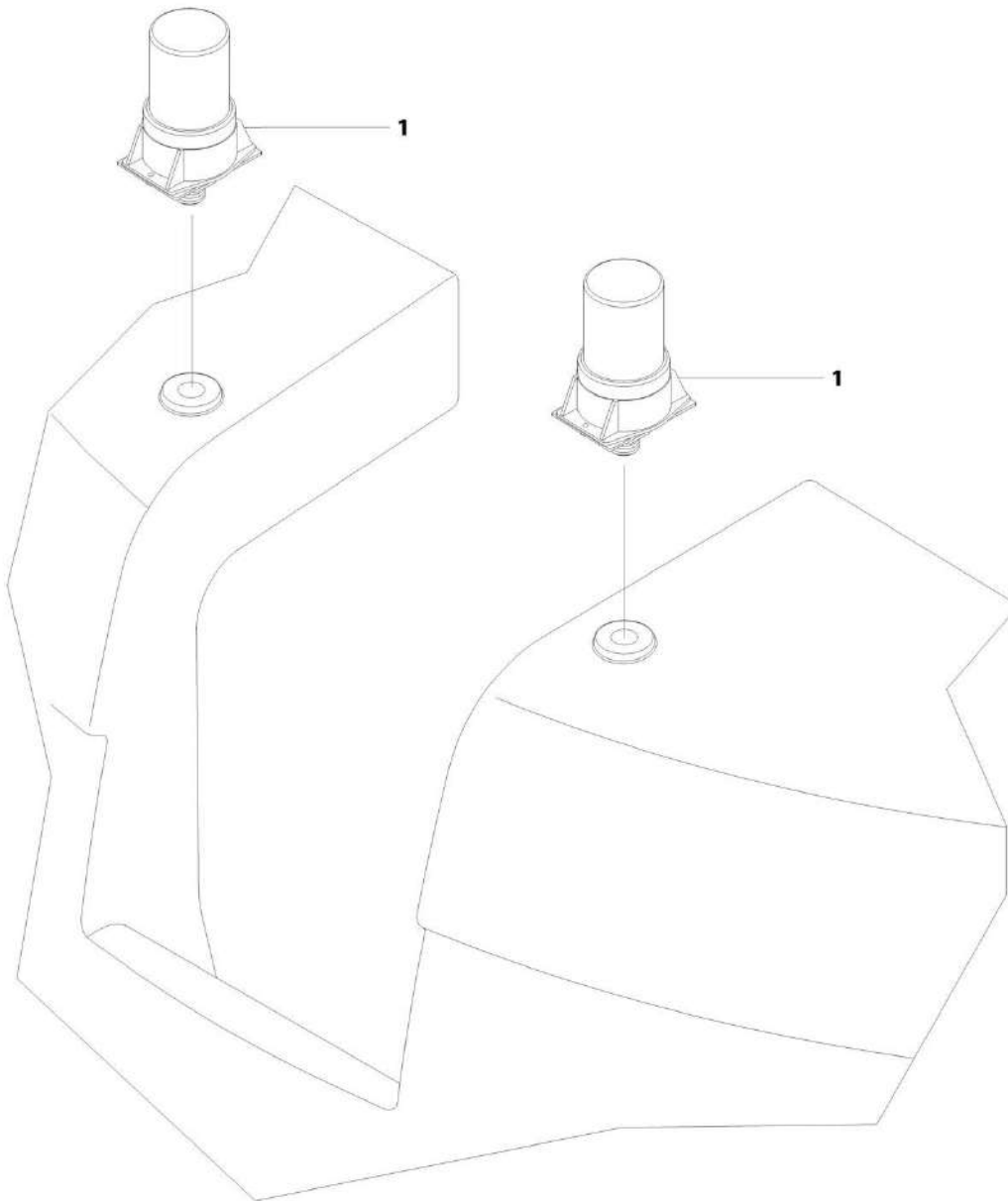
SECTION 2 - TURNTABLE

FIGURE 2-25. MOTOR CONTROLS INSTALLATION - M400AJP/M400AJPN

ITEM	PART NUMBER	QTY	DESCRIPTION	REV
	1001191232	Ref	MOTOR CONTROLS INSTALLATION - M400AJP/M400AJPN	E
29	2920151	1	Led (Red)	
45	4360274	1	Switch, Push Button	
64	4460226	2	Socket, Female	
65	4460424	1	Connector, 2 Position	

SECTION 2 - TURNTABLE

FIGURE 2-26. STROBE LIGHT INSTALLATION - AMBER (OPTIONAL)



ART_1001191142

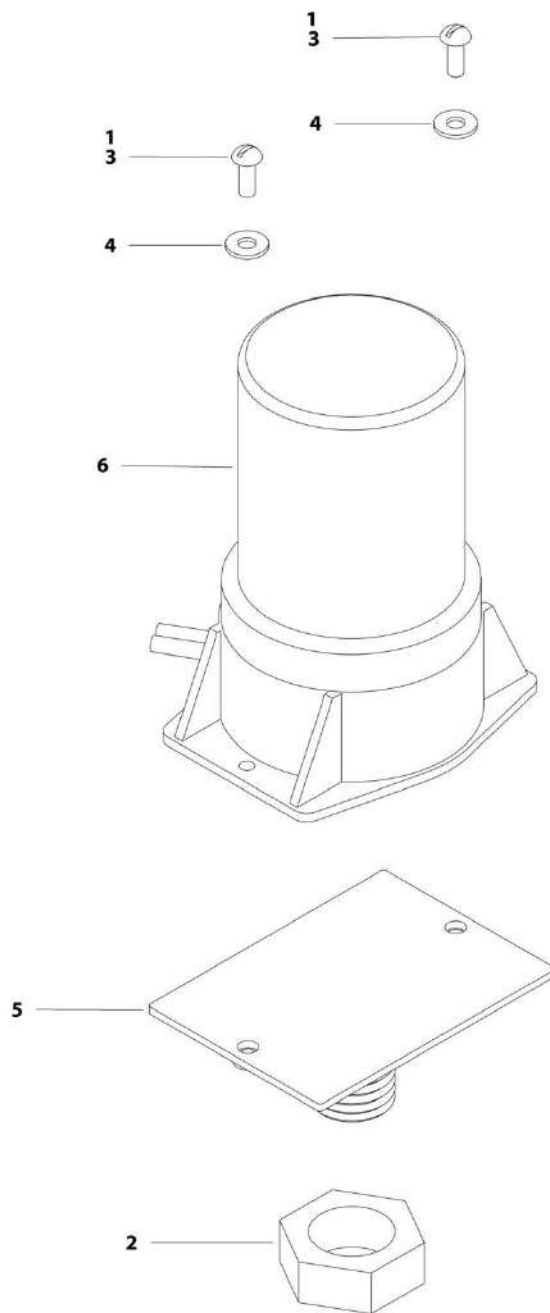
SECTION 2 - TURNTABLE

FIGURE 2-26. STROBE LIGHT INSTALLATION - AMBER (OPTIONAL)

ITEM	PART NUMBER	QTY	DESCRIPTION	REV
1	1001191142 1001191140	Ref 1	STROBE LIGHT INSTALLATION - AMBER (OPTIONAL) Strobe Light Assembly (See STROBE LIGHT ASSEMBLY for Breakdown)	A

SECTION 2 - TURNTABLE

FIGURE 2-27. STROBE LIGHT ASSEMBLY - AMBER



ART_1001191140

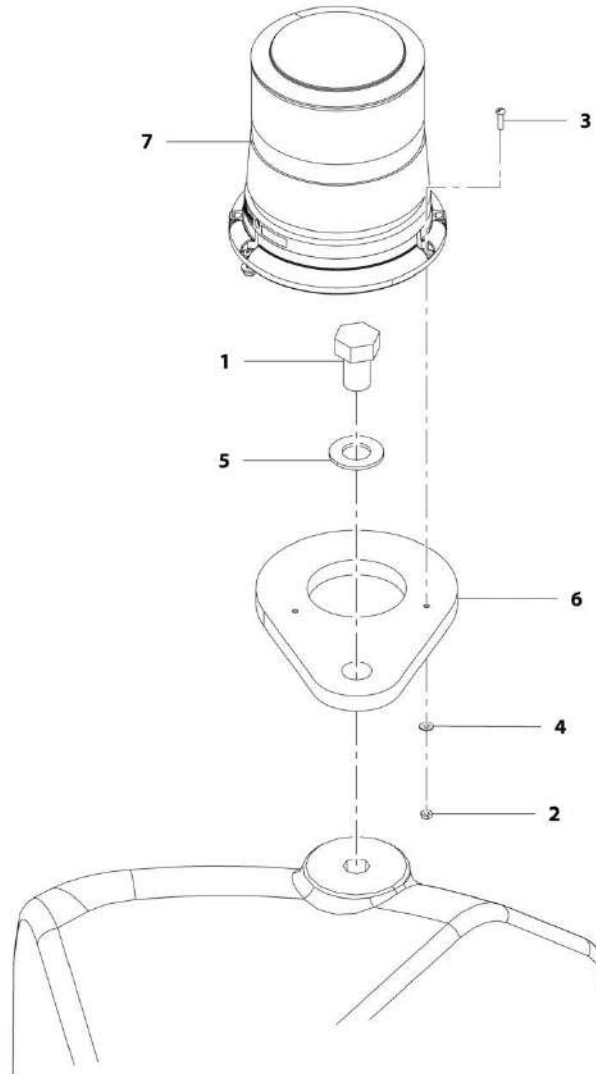
SECTION 2 - TURNTABLE

FIGURE 2-27. STROBE LIGHT ASSEMBLY - AMBER

ITEM	PART NUMBER	QTY	DESCRIPTION	REV
	1001191140	Ref	STROBE LIGHT ASSEMBLY - AMBER	A
1	0100035	AR	Compound, Locking	
2	3312602	1	Nut, Jam 1-8	
3	3900085	2	Screw, #10-32 x 1/2	
4	4751000	2	Washer, #10	
5	1001149994	1	Plate, Mount	
6	1001191139	1	Strobe Light/Harness Assembly	
6	4460891	1	Connector - 2 Position	
6	4460465	2	Socket, Female	

SECTION 2 - TURNTABLE

FIGURE 2-28. BEACON LIGHT INSTALLATION - BLUE (SN 0300208530 through 0300217464)



ART_1001192386

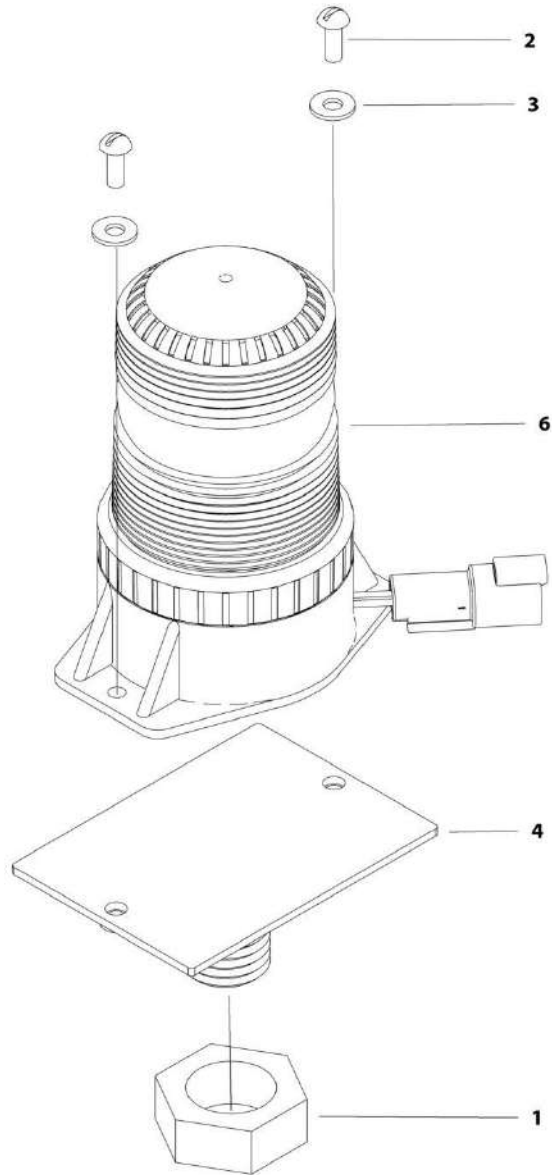
SECTION 2 - TURNTABLE

FIGURE 2-28. BEACON LIGHT INSTALLATION - BLUE (SN 0300208530 through 0300217464)

ITEM	PART NUMBER	QTY	DESCRIPTION	REV
	1001192386	Ref	BEACON LIGHT INSTALLATION - BLUE (SN 0300208530 through 0300217464)	C
1	0642612	1	Bolt, ,1-8 X 1-1/2	
2	3311005	3	Nut, Lock #10-24	
3	3911012	3	Screw, 10-24 X 3/4	
4	4711000	3	Washer, #10	
5	4712600	1	Washer, 1	
6	1001142694	1	Bracket	
7	1001143431	1	Light, Beacon	
7	7028909	1	Connector - 2 Position	
7	4460943	1	Pin, Male	

SECTION 2 - TURNTABLE

FIGURE 2-29. BEACON LIGHT INSTALLATION – BLUE (SN 0300217465 to Present)



ART_1001205491

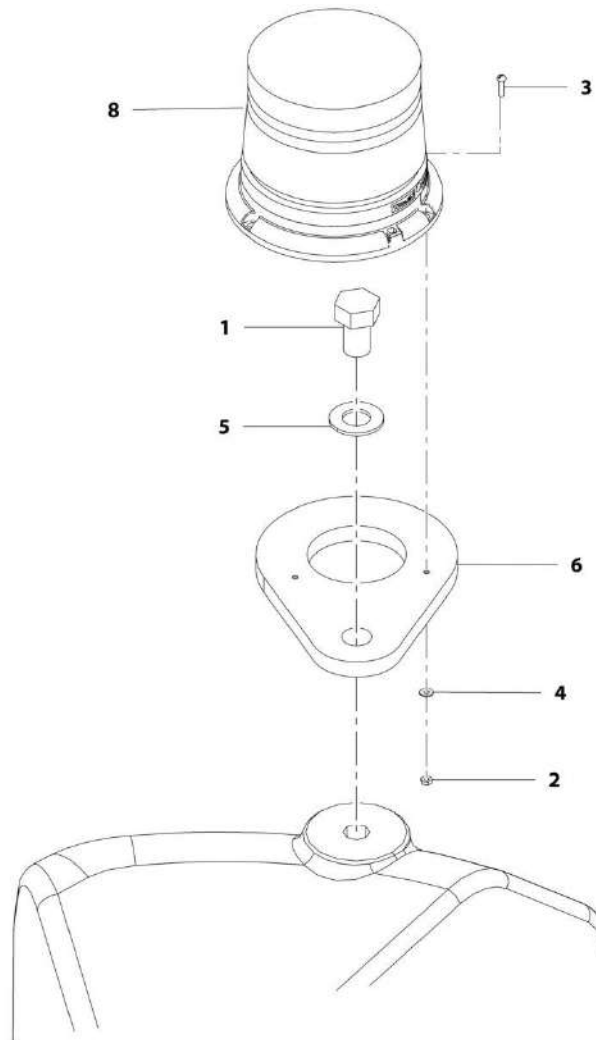
SECTION 2 - TURNTABLE

FIGURE 2-29. BEACON LIGHT INSTALLATION – BLUE (SN 0300217465 to Present)

ITEM	PART NUMBER	QTY	DESCRIPTION	REV
	1001205491	Ref	BEACON LIGHT INSTALLATION - BLUE (SN 0300217465 to Present)	C
	1001217005	Ref	BEACON LIGHT KIT - BLUE	B
1	3312602	1	Nut, Jam 1-8	
2	3900085	2	Screw, #10-32 x 1/2	
3	4751000	2	Washer, #10	
4	1001149994	1	Plate, Mount	
6	1001200910	1	Light, Beacon	
6	4460897	1	Connector - 2 Position	
6	4460943	2	Pin, Male	

SECTION 2 - TURNTABLE

FIGURE 2-30. BEACON LIGHT INSTALLATION – RED (SN 0300208530 through 0300217164)



ART_1001201715

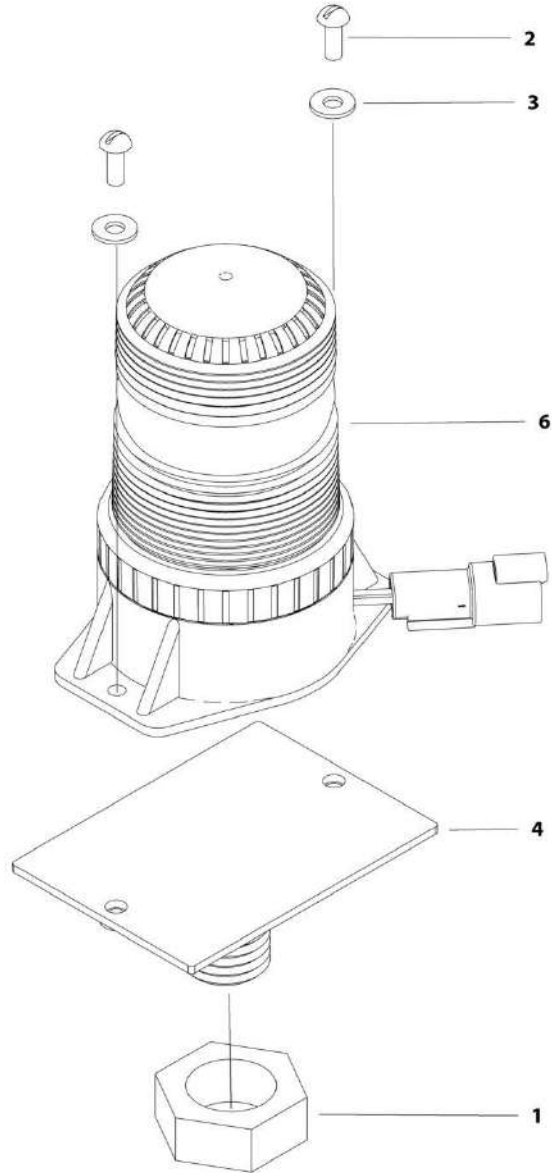
SECTION 2 - TURNTABLE

FIGURE 2-30. BEACON LIGHT INSTALLATION – RED (SN 0300208530 through 0300217164)

ITEM	PART NUMBER	QTY	DESCRIPTION	REV
	1001207314	Ref	BEACON LIGHT INSTALLATION – RED (SN 0300208530 through 0300217164)	B
1	0642612	1	Bolt, ,1-8 X 1-1/2	
2	3311005	3	Nut, Lock #10-24	
3	3911012	3	Screw, 10-24 X 3/4	
4	4711000	3	Washer, #10	
5	4712600	1	Washer, 1	
6	1001142694	1	Bracket	
8	1001197067	1	Light, Beacon	
8	7028909	1	Connector - 2 Position	
8	4460464	2	Pin, Male	

SECTION 2 - TURNTABLE

FIGURE 2-31. BEACON LIGHT INSTALLATION – RED (SN 0300214165 to Present)



ART_1001209879

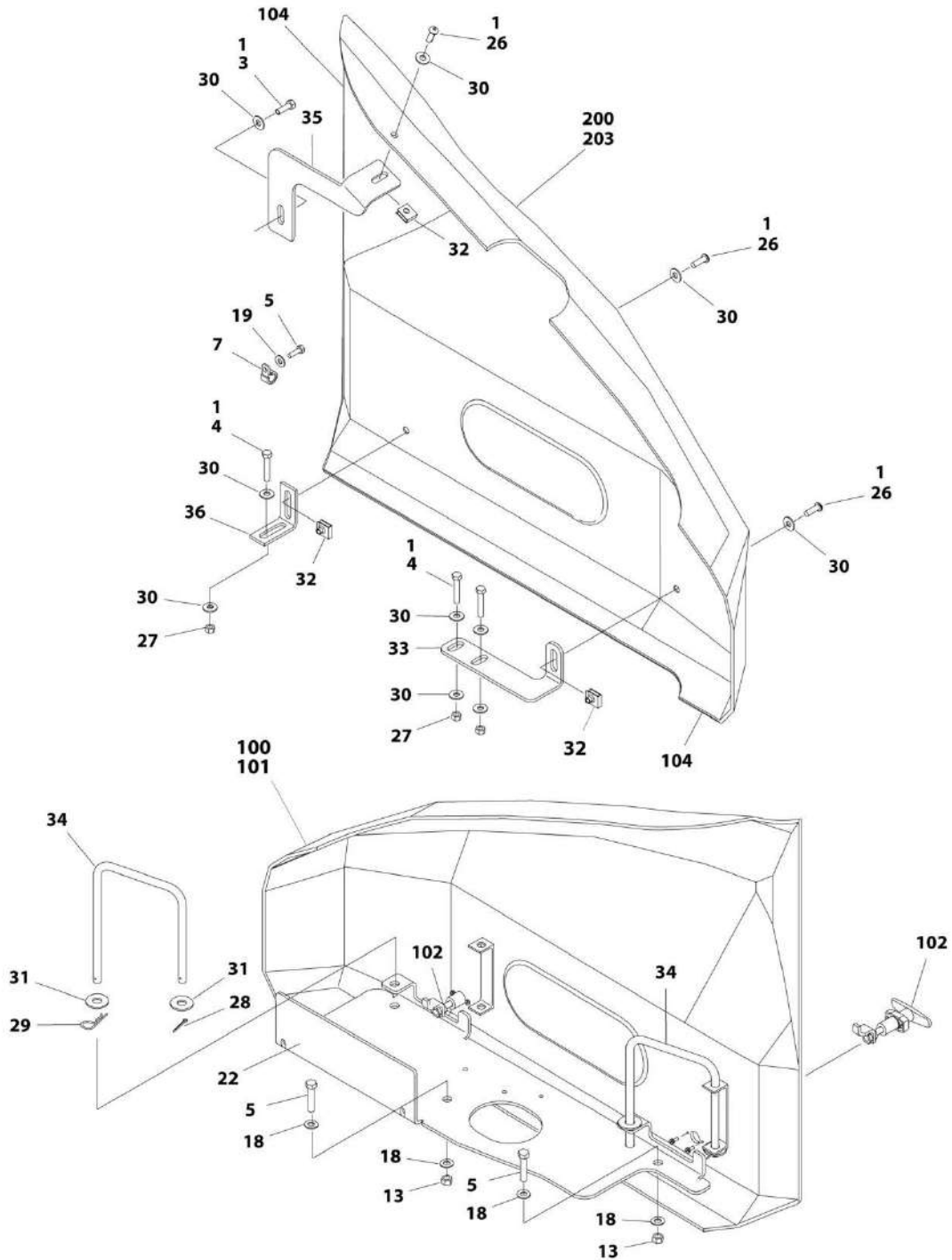
SECTION 2 - TURNTABLE

FIGURE 2-31. BEACON LIGHT INSTALLATION – RED (SN 0300214165 to Present)

ITEM	PART NUMBER	QTY	DESCRIPTION	REV
	1001209879	Ref	BEACON LIGHT INSTALLATION – RED (SN 0300217165 to Present)	B
1	3312602	1	Nut, Jam 1-8	
2	3900085	2	Screw, #10-32 x 1/2	
3	4751000	2	Washer, #10	
4	1001149994	1	Plate, Mount	
6	1001207004	1	Light, Beacon	
6	4460897	1	Connector - 2 Position	
6	4460943	2	Pin, Male	

SECTION 2 - TURNTABLE

FIGURE 2-32. HOOD INSTALLATION - E400AJP/E400AJPN/E400AN



ART_1001166738

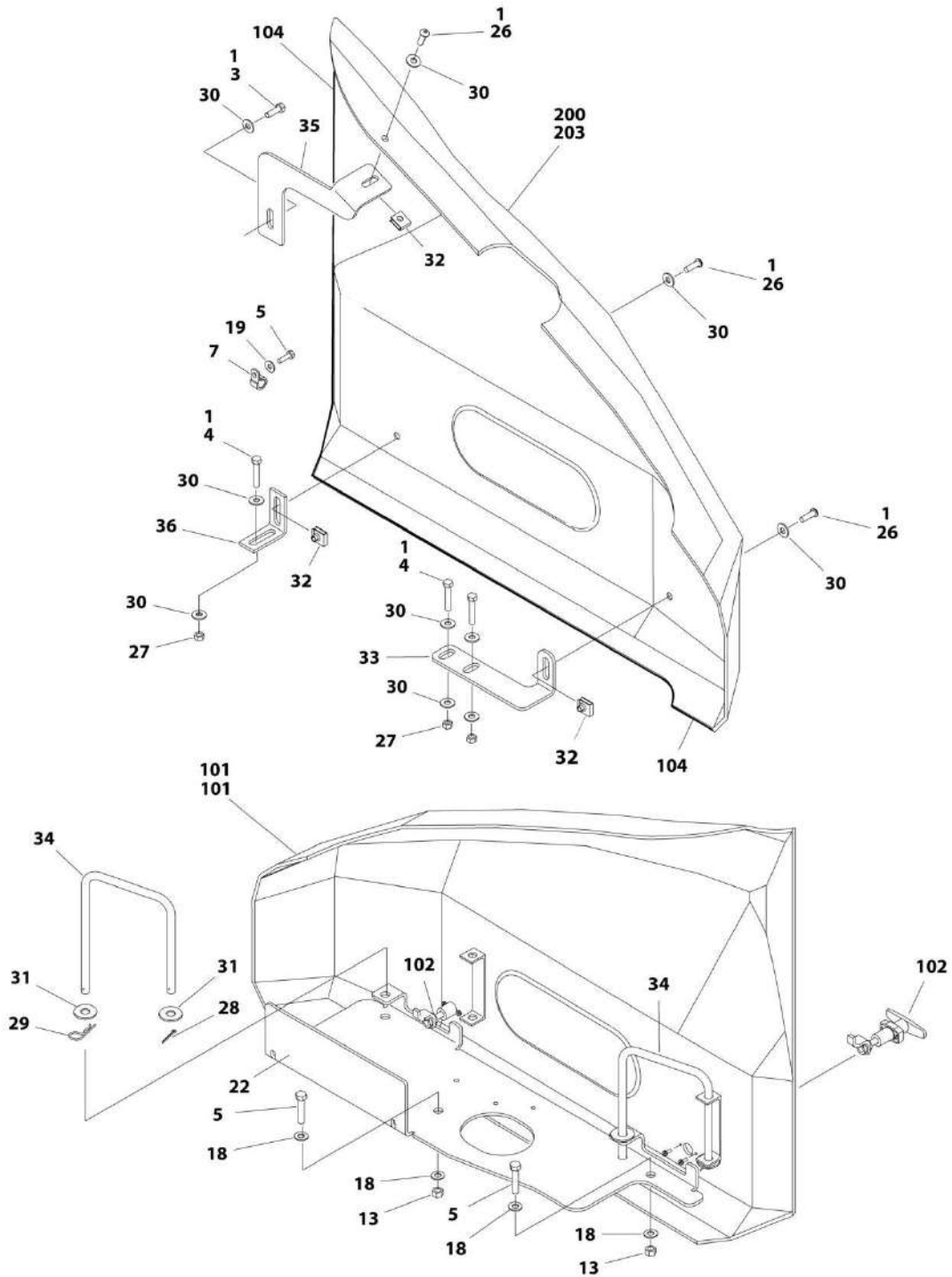
SECTION 2 - TURNTABLE

FIGURE 2-32. HOOD INSTALLATION - E400AJP/E400AJPN/E400AN

ITEM	PART NUMBER	QTY	DESCRIPTION	REV
	1001166738	Ref	HOOD INSTALLATION - E400AJP/E400AJPN/E400AN	D
1	0100011	AR	Compound, Locking	
3	0641508	1	Bolt, 5/16-18 X 1	
4	0641514	3	Bolt, 5/16-18 X 1-3/4	
5	0641614	2	Bolt, 3/8-16 X 1-3/4	
7	1320041	1	Clamp	
13	3311601	2	Nut, 3/8-16	
15	0641407	1	Bolt, 1/4-20 X 7/8	
18	4711600	4	Washer, 3/8	
19	4751400	1	Washer, 1/4	
22	1001165963	1	Plate, Tray	
26	88261024	3	Screw, 5/16-18 x 1	
27	3311501	3	Nut, 5/16-18	
28	3420156	2	Pin, Cotter	
29	3450304	2	Pin, Cotter	
30	4751500	10	Washer, 5/16	
31	4751800	2	Washer, 1/2	
32	88662530	3	Nut, Tinnerman	
33	1001165981	1	Mount, Hood - Lower	
34	1001165985	2	Mount, Hood Swing	
35	1001182725	1	Mount, Hood	
36	1001183212	1	Bracket, Hood Mount	
100	1001176417	1	LH Side Hood Kit (Includes Items 101-104)	B
	See Note	Ref	Note: Replacement Decals Must be Ordered Separately - See DECAL SECTION.	
101	See Note	1	Hood, LH (Note: Use Item 100)	
102	2940071	2	Latch	
104	3960453	AR	Seal, Door	
200	1001176441	1	RH Side Hood Kit (Includes Items 203 & 205)	B
	See Note	Ref	Note: Replacement Decals Must be Ordered Separately - See DECAL SECTION.	
203	See Note	1	Hood, RH (Use Item 200)	
205	3960453	AR	Seal, Door	

SECTION 2 - TURNTABLE

FIGURE 2-33. HOOD INSTALLATION - M400AJP/M400AJPN



ART_1001166250

SECTION 2 - TURNTABLE

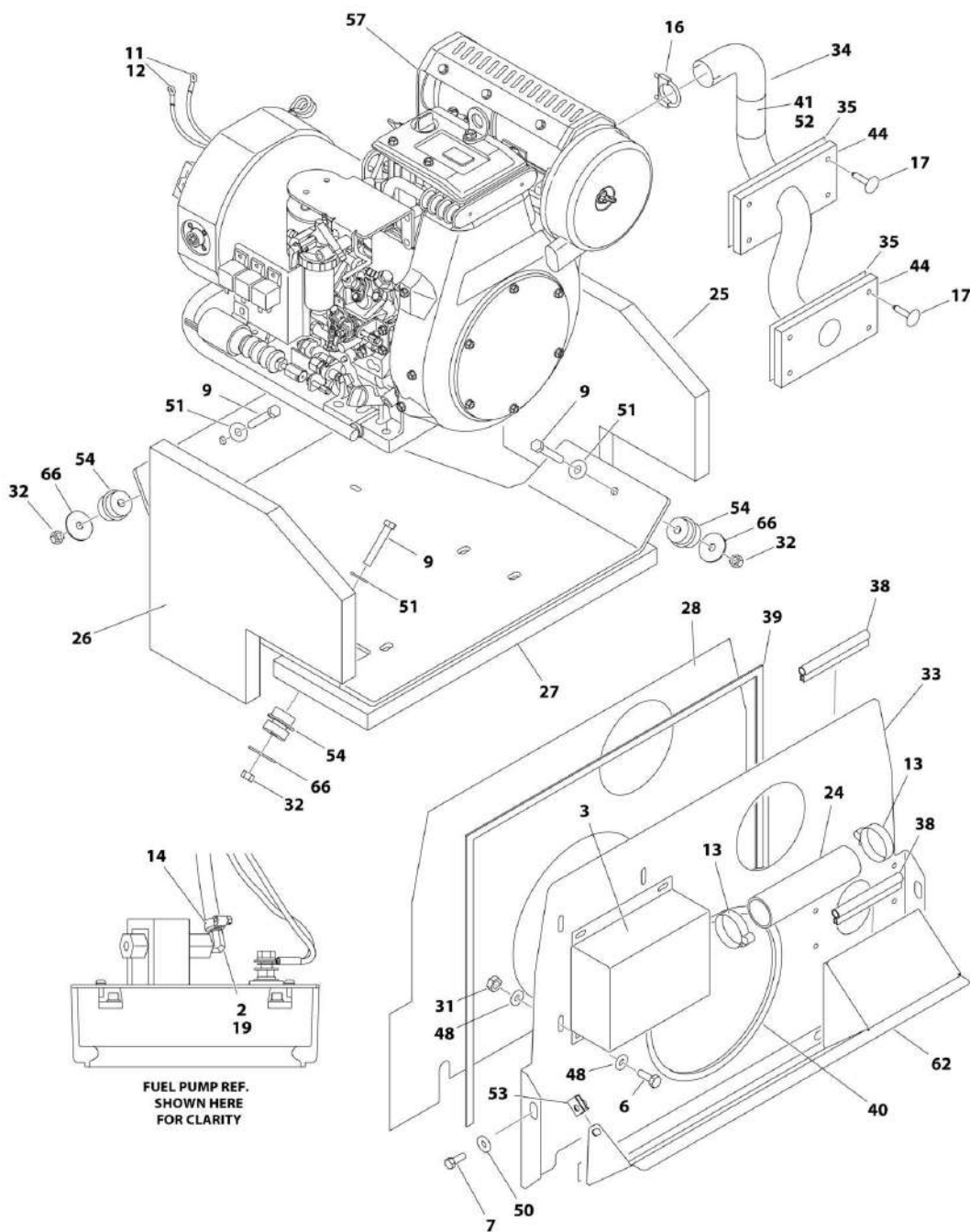
FIGURE 2-33. HOOD INSTALLATION - M400AJP/M400AJPN

ITEM	PART NUMBER	QTY	DESCRIPTION	REV
	1001166250	Ref	HOOD INSTALLATION - M400AJP/M400AJPN	D
1	0100011	AR	Compound, Locking	
3	0641508	1	Bolt, 5/16-18 X 1	
4	0641514	3	Bolt, 5/16-18 X 1-3/4	
5	0641614	2	Bolt, 3/8-16 X 1-3/4	
7	1320041	1	Clamp	
13	3311601	2	Nut, 3/8-16	
15	0641407	1	Bolt, 1/4-20 X 7/8	
18	4711600	4	Washer, 3/8	
19	4751400	1	Washer, 1/4	
22	1001165962	1	Plate, Tray	
26	88261024	3	Screw, 5/16-18 x 1	
27	3311501	3	Nut, 5/16-18	
28	3420156	2	Pin, Cotter	
29	3450304	2	Pin, Cotter	
30	4751500	10	Washer, 5/16	
31	4751800	2	Washer, 1/2	
32	88662530	3	Nut, Tinnerman	
33	1001165981	1	Mount, Hood - Lower	
34	1001165985	2	Mount, Hood Swing	
35	1001182725	1	Mount, Hood	
36	1001183212	1	Bracket, Hood Mount	
100	1001176417	1	LH Hood Kit (Includes Items 101-104)	B
	See Note	Ref	Note: Replacement Decals Must be Ordered Separately - See DECAL SECTION.	
101	See Note	1	Hood, LH (Note: Use Item 100)	
102	2940071	2	Latch	
104	3960453	AR	Seal, Door	
200	1001176441	1	RH, Side Hood Kit (Includes Items 203 & 205)	B
	See Note	Ref	Note: Replacement Decals Must be Ordered Separately - See DECAL SECTION.	
203	See Note	1	Hood, RH (Note: Use Item 200)	
205	3960453	AR	Seal, Door	

SECTION 3 - ENGINE

SECTION 3 - ENGINE

FIGURE 3-1. KUBOTA MOTOR/GENERATOR INSTALLATION - M400AJP/M400AJPN



ART_1001191232_3OF4

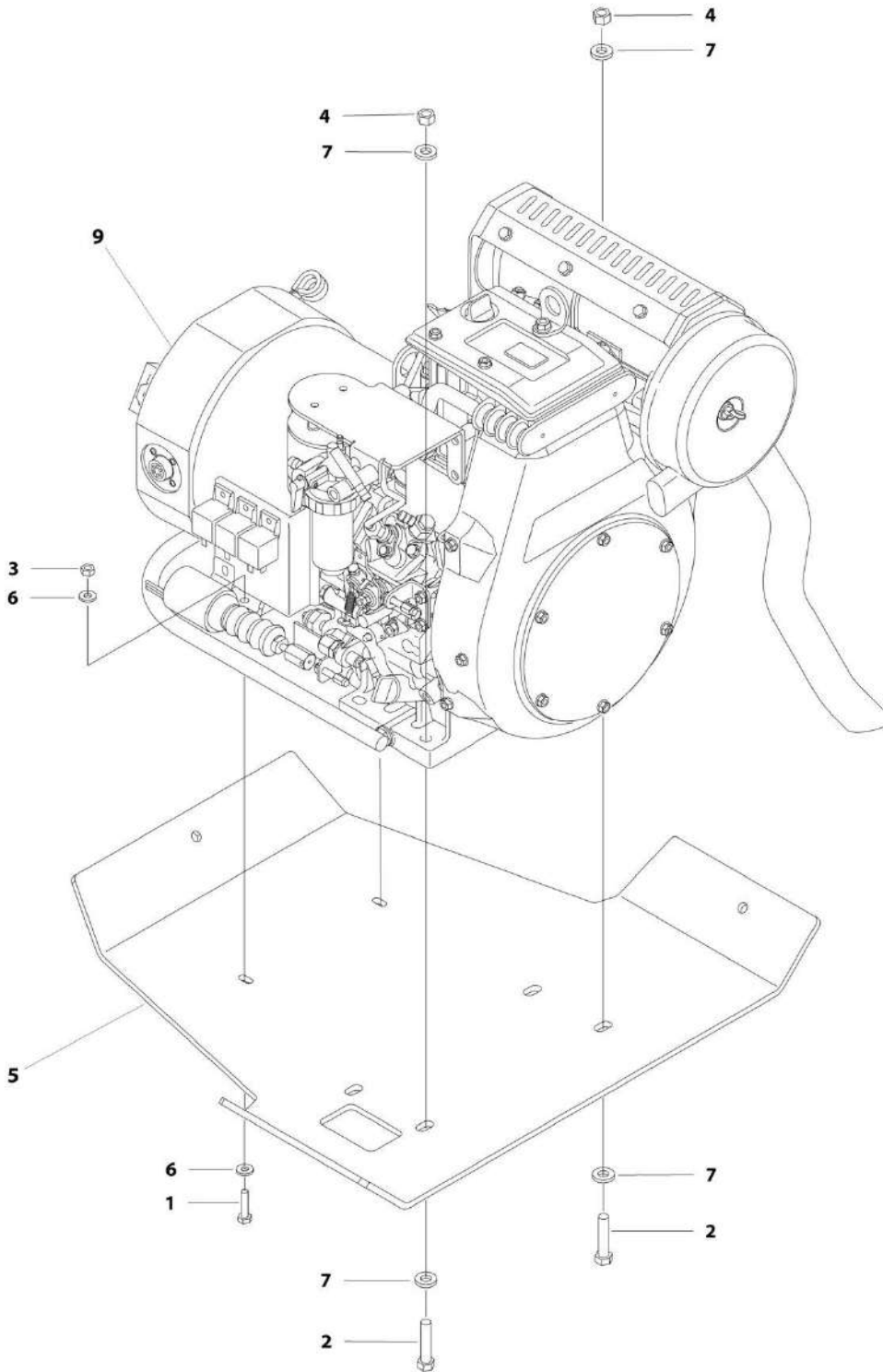
SECTION 3 - ENGINE

FIGURE 3-1. KUBOTA MOTOR/GENERATOR INSTALLATION - M400AJP/M400AJPN

ITEM	PART NUMBER	QTY	DESCRIPTION	REV
	1001191232	Ref	KUBOTA MOTOR/GENERATOR INSTALLATION - M400AJP/M400AJPN	E
2	0100020	AR	Sealant	
3	0259481	1	Plenum Box Assembly	
6	0641406	4	Bolt, 1/4-20 X 3/4	
7	0641510	2	Bolt, 5/16-18 x 1-1/4	
9	0641618	3	Bolt, 3/8-16 X 2-1/4	
11	1060754	1	Cable, Battery (Includes Terminal Boot) (+ Generator)	
12	1060755	1	Cable, Battery (Includes Terminal Boot) (- Generator)	
13	1320012	2	Clamp	
14	1320022	2	Clamp	
16	1320135	1	Clamp	
17	1380164	8	Clip, Panel Retainer	
19	2220805	1	Fitting, NPT Coupling 90	
24	2720559	1	Hose	
25	2820112	1	Insulation, Left Side	
26	2820116	1	Insulation, Right Side	
27	2820117	1	Foam	
28	2820218	1	Insulation, Acoustic Barrier	
31	3311405	4	Nut, Lock, ,1/4-20	
32	3311605	3	Nut, Lock, 3/8-16	
33	3380602	1	Shield, Heat	
34	3460457	1	Pipe, Exhaust	
35	3575961	2	Plate, Exhaust Mount	
38	3960389	8 ft /2.44m	Seal	
39	3960417	2.3 ft /0.70m	Seal	
40	3960418	3 ft /0.91m	Seal	
41	4100025	1.8 ft /0.54	Sleeve, Fiberglass	
44	4341072	2	Support, Exhaust Mount	
48	4711400	8	Washer, 1/4	
50	4751500	2	Washer, 5/16	
51	4751600	3	Washer, 3/8	
52	4920385	7.3 in /2.23m	Wire, Safety	
53	88662530	2	Nut, Tinnerman	
54	1001125248	3	Mount, Engine	
57	1001159361	1	Kubota Engine Assembly (See KUBOTA ENGINE ASSEMBLY for Breakdown)	
62	1001181081	1	Shield, Heat	
63	1001192024	1	Harness, Generator (See ELECTRICAL SECTION for Breakdown)	
66	1001169138	AR	Pad, Snubbing Washer (SN 0300243157 to Present)	

SECTION 3 - ENGINE

FIGURE 3-2. KUBOTA MOTOR/GENERATOR ASSEMBLY - M400AJP/M400AJPN



ART_1001159361

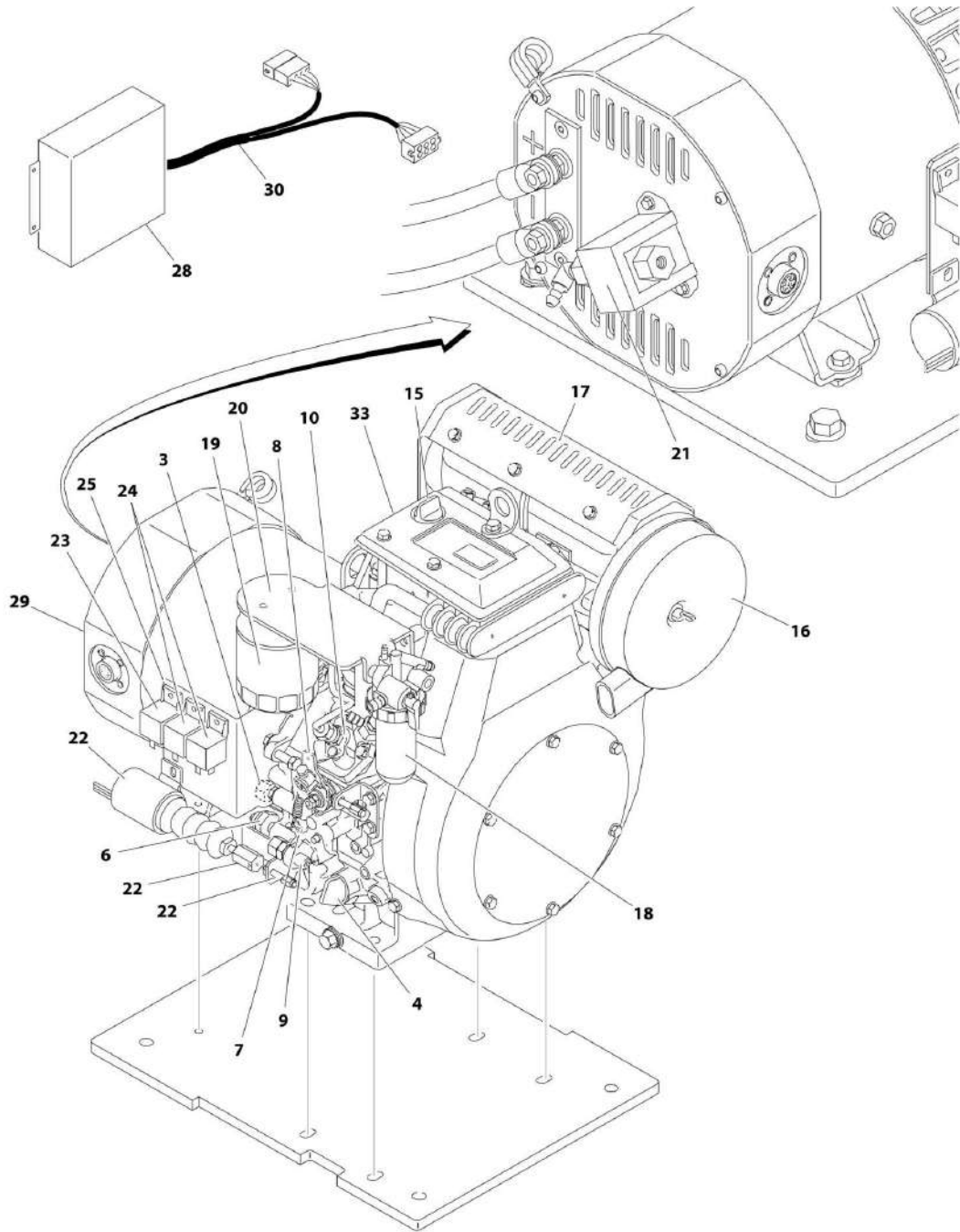
SECTION 3 - ENGINE

FIGURE 3-2. KUBOTA MOTOR/GENERATOR ASSEMBLY - M400AJP/M400AJPN

ITEM	PART NUMBER	QTY	DESCRIPTION	REV
	1001159361	Ref	KUBOTA MOTOR/GENERATOR ASSEMBLY - M400AJP/M400AJPN	C
1	0641409	2	Bolt, 1/4-20 x 1-1/8	
2	0641614	4	Bolt, 3/8-16 x 1-3/4	
3	3311405	2	Nut, Lock, 1/4-20	
4	3311605	4	Nut, Lock, 3/8-16	
5	3575952	1	Plate, Base	
6	4891400	4	Washer, 1/4 Hardened	
7	4891600	8	Washer, 3/8 Hardened	
9	1001159355	1	Kubota Engine/Generator Assembly (See KUBOTA ENGINE/GENERATOR COMPONENTS for Breakdown)	

SECTION 3 - ENGINE

FIGURE 3-3. KUBOTA MOTOR/GENERATOR COMPONENTS



ART_1001159355

SECTION 3 - ENGINE

FIGURE 3-3. KUBOTA MOTOR/GENERATOR COMPONENTS

ITEM	PART NUMBER	QTY	DESCRIPTION	REV
	1001159355	Ref	KUBOTA MOTOR/GENERATOR COMPONENTS	A
1	70000290	1	Glow Plug (Not Shown)	
1	70000291	1	Harness, Glow Plug (Not Shown)	
2	70000292	1	Screen, Oil Sump (Includes O-Ring)	
3	70000293	1	Cap, Oil Filler (Includes O-Ring)	
4	70000294	1	Dipstick	
5	70000295	1	Pump, Oil Rotor (Not Shown - Located beside Item 6)	
5	70000296	1	O-Ring Oil Rotor Pump (Not Shown)	
6	70000297	1	Switch, Oil	
7	70000298	1	Lever, Governor	
7	70000299	1	Pin, Governor Lever	
7	70000300	1	Spring, Governor Lever	
8	70000301	1	Spring, Idling	
8	70000304	1	Lever, Spring Control	
8	70000305	1	Spring, Stop (Speed Control Lever)	
9	70000302	1	Valve, Fuel Limit (Not Shown)	
9	70000303	1	Gasket, Fuel Limit (Not Shown)	
10	70000306	1	Pump, Injection	
10	70000307	1	Kit, Pump Adjustment Shim	
11	70000308	1	Flywheel/Ring Gear Assembly (Not Shown - Located Behind Front Cover)	
11	70000309	1	Ring Gear (Not Shown)	
11	70001121	1	Stator, Engine (Not Shown - Located Behind Flywheel) (Includes Coil & Grommet)	
12	70003557	1	Regulator, Voltage (Not Shown - Located on Opposite Side of Engine)	
13	70000310	1	Starter (Not Shown - Located on Opposite of Engine)	
14	70000311	1	Solenoid, Starter (Not Shown - Located on Opposite Side of Engine)	
15	70002244	1	Cap, Oil Filler (Includes O-Ring)	
16	70000312	1	Air Filter Assembly	
16	70000313	1	Element, Air Cleaner	
16	70000314	1	Gasket, Air Cleaner	
17	70000315	1	Muffler Assembly	
17	70000316	1	Gasket, Muffler	
18	70000317	1	Inline Fuel Check Valve Assembly	
18	70000967	1	Fuel Filter Assembly	
18	70000318	1	Element, Fuel Filter	
19	70000319	1	Element, Oil Filter	
19	70001144	1	Head, Oil Filter Head (Note: Does Not Include Element)	
20	70002544	1	Bracket, Oil Filter Mount	
21	70000320	1	Pump, Fuel	
22	70000321	1	Solenoid, Fuel	
22	70003618	1	Adapter, Solenoid	
22	70003619	1	Screw	
23	70000322	1	Relay	
24	70000323	2	Relay	
25	70002083	1	Bracket, Solenoid/Relay	
26	70000324	1	Sensor, Speed (Not Shown - Located Inside Front Cover)	
26	70004265	1	Bracket, Speed Sensor (Not Show - Located Inside Front Cover)	

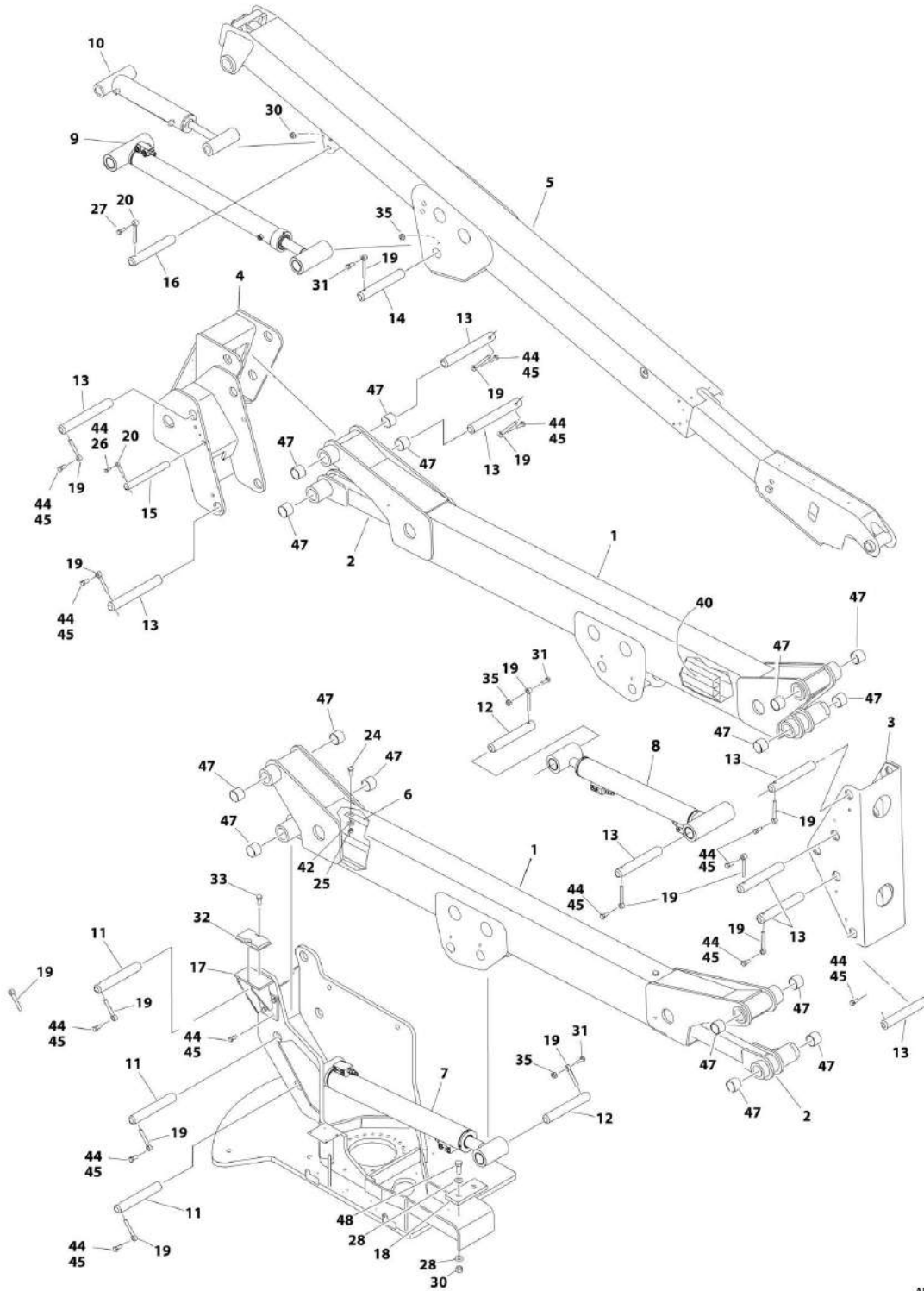
SECTION 3 - ENGINE

ITEM	PART NUMBER	QTY	DESCRIPTION	REV
27	70000325	1	Sensor, Oil Temperature (Not Shown - Located on Opposite Side of Engine Base)	
28	70000326	1	Module, Engine Control	
29	70000327	1	Alternator	
29	70000382	1	Stator, Alternator	
29	70004394	1	Lead, Field Terminal Block Diode	
30	70000328	1	Harness, Generator	
31	70000329	1	Fuse 15Amp (Not Shown)	
32	70000330	1	Fuse 20Amp (Not Shown)	
33	70002543	1	Engine, Kubota (without Generator)	
34	70000289	1	Regulator, Voltage (Not Shown - Located on Opposite Side of Engine)	

SECTION 4 - BOOM

SECTION 4 - BOOM

FIGURE 4-1. BOOM AND CYLINDERS INSTALLATION - E400AN



ART_0270724

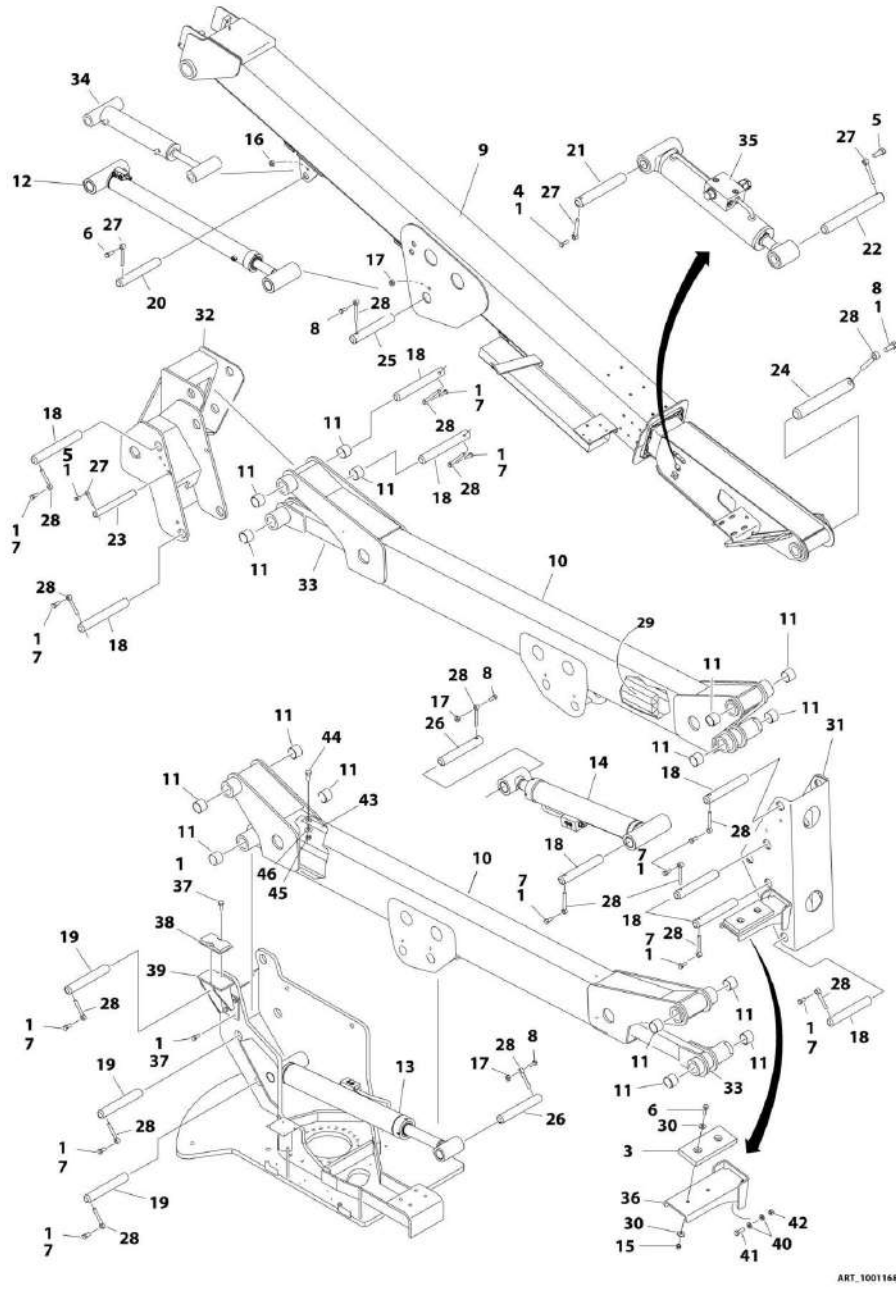
SECTION 4 - BOOM

FIGURE 4-1. BOOM AND CYLINDERS INSTALLATION - E400AN

ITEM	PART NUMBER	QTY	DESCRIPTION	REV
	0270724	Ref	BOOM AND CYLINDERS INSTALLATION - E400An	J
1	0801262	2	Boom Assembly - Tower	
2	4846209	2	Level Link	
3	4844303	1	Upright Weldment - Lower	
4	4844304	1	Upright Weldment - Upper	
5	0270725	1	Boom Assembly - Main (See MAIN BOOM ASSEMBLY - E400An for Breakdown)	
6	3536491	1	Plate	
7	1684453	NLA	Lift Cylinder Assembly - Lower (Use p/n 1001228037) (See CYLINDER SECTION for Breakdown) (SN 0300208530 through 0300239739)	
7	1001228037	1	Lift Cylinder Assembly - Lower (See CYLINDER SECTION for Breakdown) (SN 0300239740 to Present)	
8	1684454	NLA	Lift Cylinder Assembly - Mid (Use p/n 1001228038) (See CYLINDER SECTION for Breakdown) (SN 0300208530 through 0300239739)	
8	1001228038	1	Lift Cylinder Assembly - Mid (See CYLINDER SECTION for Breakdown) (SN 0300239740 to Present)	
9	1684061	NLA	Lift Cylinder Assembly - Upper (Use p/n 1001228018) (See CYLINDER SECTION for Breakdown), (SN 0300208530 through 0300239739)	
9	1001228018	1	Lift Cylinder Assembly - Upper (See CYLINDER SECTION for Breakdown) (SN 0300239740 to Present)	
10	1001140597	1	Master Cylinder Assembly (See CYLINDER SECTION for Breakdown)	
11	3422175	3	Pin	
12	3422176	2	Pin	
13	3422177	9	Pin	
14	3422178	1	Pin	
15	3422179	1	Pin	
16	3422180	1	Pin	
17	4844467	1	Boom Rest Weldment	
18	0561076	1	Block, Boom Rest	
19	3841203	15	Keeper, Pin - 1/2	
20	3841143	2	Keeper, Pin - 3/8	
24	0641506	4	Bolt, 5/16-18 x 3/4	
25	3311505	4	Nut, Lock 5/16-18	
26	0641608	1	Bolt, 3/8-16 x 1	
27	0641610	1	Bolt, 3/8-16 x 1-1/4	
28	4751600	4	Washer, 3/8	
30	3311605	3	Nut, Lock 3/8-16	
31	0641812	3	Bolt, 1/2-13 x 1-1/2	
32	0940048	1	Bumper	
33	0641806	2	Bolt, 1/2-13 x 3/4	
35	3311805	3	Nut, Lock 1/2-13	
40	4566427	1	Tube	
42	4751500	4	Washer, 5/16	
44	0100011	AR	Compound, Locking	
45	0641810	15	Bolt, 1/2-13 x 1-1/4	
47	0961950	16	Bushing	
48	0641614	2	Bolt, 3/8-16 x 1-3/4	

SECTION 4 - BOOM

FIGURE 4-2. BOOM AND CYLINDERS INSTALLATION - E400AJP/M400AJP/E400AJPN/M400AJPN



ART. 1001168674

SECTION 4 - BOOM

FIGURE 4-2. BOOM AND CYLINDERS INSTALLATION - E400AJP/M400AJP/E400AJPN/M400AJPN

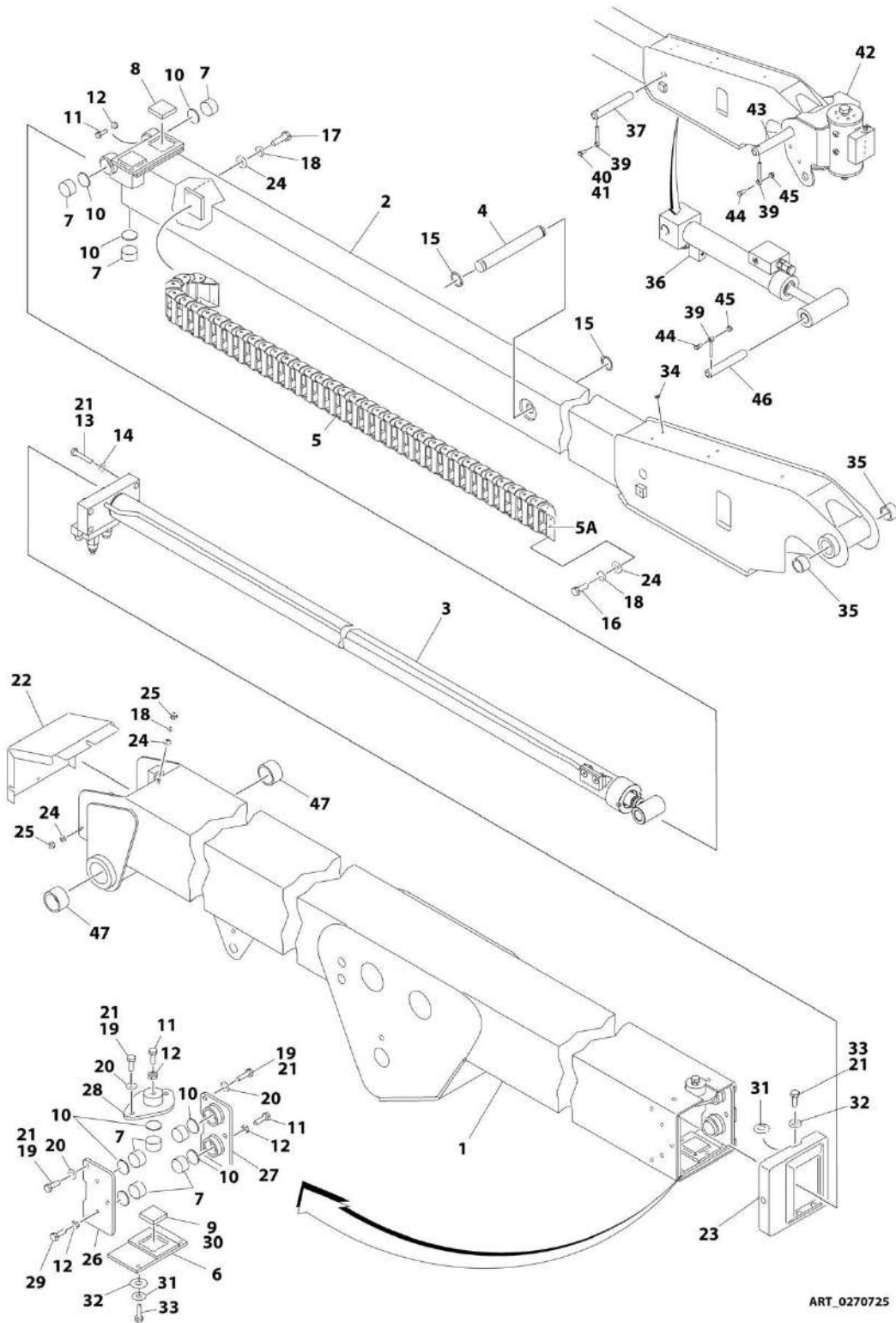
ITEM	PART NUMBER	QTY	DESCRIPTION	REV
	1001168674	Ref	BOOM AND CYLINDERS INSTALLATION - E400AJP/M400AJP/E400AJPN/M400AJPN	G
1	0100011	AR	Compound, Locking	
3	0561076	1	Block, Boom Rest	
4	0641607	1	Bolt, 3/8-16 X 7/8	
5	0641608	2	Bolt, 3/8-16 X 1	
6	0641610	3	Bolt, 3/8-16 X 1-1/4	
7	0641808	12	Bolt, 1/2-13 x 1	
8	0641810	13	Bolt, 1/2-13 X 1-1/4	
9	0801225	1	Boom Assembly - Main (See MAIN BOOM ASSEMBLY - E400AJP/M400AJP/E400AJPN/M400AJPN for Breakdown)	
10	0801227	1	Boom Assembly - Tower	
11	0961950	16	Bushing	
12	1683945	NLA	Lift Cylinder Assembly - Upper (Use p/n 1001228016) (See CYLINDER SECTION for Breakdown) (SN 0300208530 through 0300239739)	
12	1001228016	1	Lift Cylinder Assembly - Upper (See CYLINDER SECTION for Breakdown) (SN 0300239740 to Present)	
13	1684451	NLA	Lift Cylinder Assembly - Lower (Use p/n 1001228035) (See CYLINDER SECTION for Breakdown) (SN 0300208530 through 0300239236)	
13	1001228035	1	Lift Cylinder Assembly - Lower (See CYLINDER SECTION for Breakdown) (SN 0300239237 to Present)	
14	1684452	NLA	Lift Cylinder Assembly - Mid (Use p/n 1001228036) (See CYLINDER SECTION for Breakdown) (SN 0300208530 through 0300239236)	
14	1001228036	1	Lift Cylinder Assembly - Mid (See CYLINDER SECTION for Breakdown) (SN 0300239237 to Present)	
15	3311601	2	Nut, 3/8-16	
16	3311605	1	Nut, Lock, 3/8-16	
17	3311805	3	Nut, Lock, 1/2-13	
18	3422480	9	Pin	
19	3422481	3	Pin	
20	3422582	1	Pin	
21	3422669	1	Pin	
22	3422792	1	Pin	
23	3422806	1	Pin	
24	3422814	1	Pin	
25	3422844	1	Pin	
26	3422845	2	Pin	
27	3841143	4	Keeper, 3/8	
28	3841203	16	Keeper, 1/2	
29	4566427	1	Tube	
30	4751600	4	Washer, 3/8	
31	4844427	1	Upright Weldment - Lower	
32	4846026	1	Upright Weldment - Upper	
33	4846209	2	Level Link	
34	1001140278	1	Master Cylinder Assembly (See CYLINDER SECTION for Breakdown)	
35	1001140279	1	Platform Level Cylinder (See CYLINDER SECTION for Breakdown)	
36	1001177483	1	Support, Boom Rest	

SECTION 4 - BOOM

ITEM	PART NUMBER	QTY	DESCRIPTION	REV
37	0641806	5	Bolt, 1/2-13 X 3/4	
38	0940048	1	Bumper	
39	4844467	1	Boom Rest Weldment	
40	4891600	8	Washer, 3/8	
41	0681610	4	Bolt, 3/8-16 x 1-1/4, Grade 8	
42	3271605	4	Nut, Lock, 3/8-16, Grade 8	
43	3536491	1	Plate	
44	0641506	4	Bolt, 5/16-18 x 3/4	
45	3311505	4	Nut, Lock 5/16-18	
46	4751500	4	Washer, 5/16	

SECTION 4 - BOOM

FIGURE 4-3. MAIN BOOM ASSEMBLY - E400AN



ART_0270725

SECTION 4 - BOOM

FIGURE 4-3. MAIN BOOM ASSEMBLY - E400AN

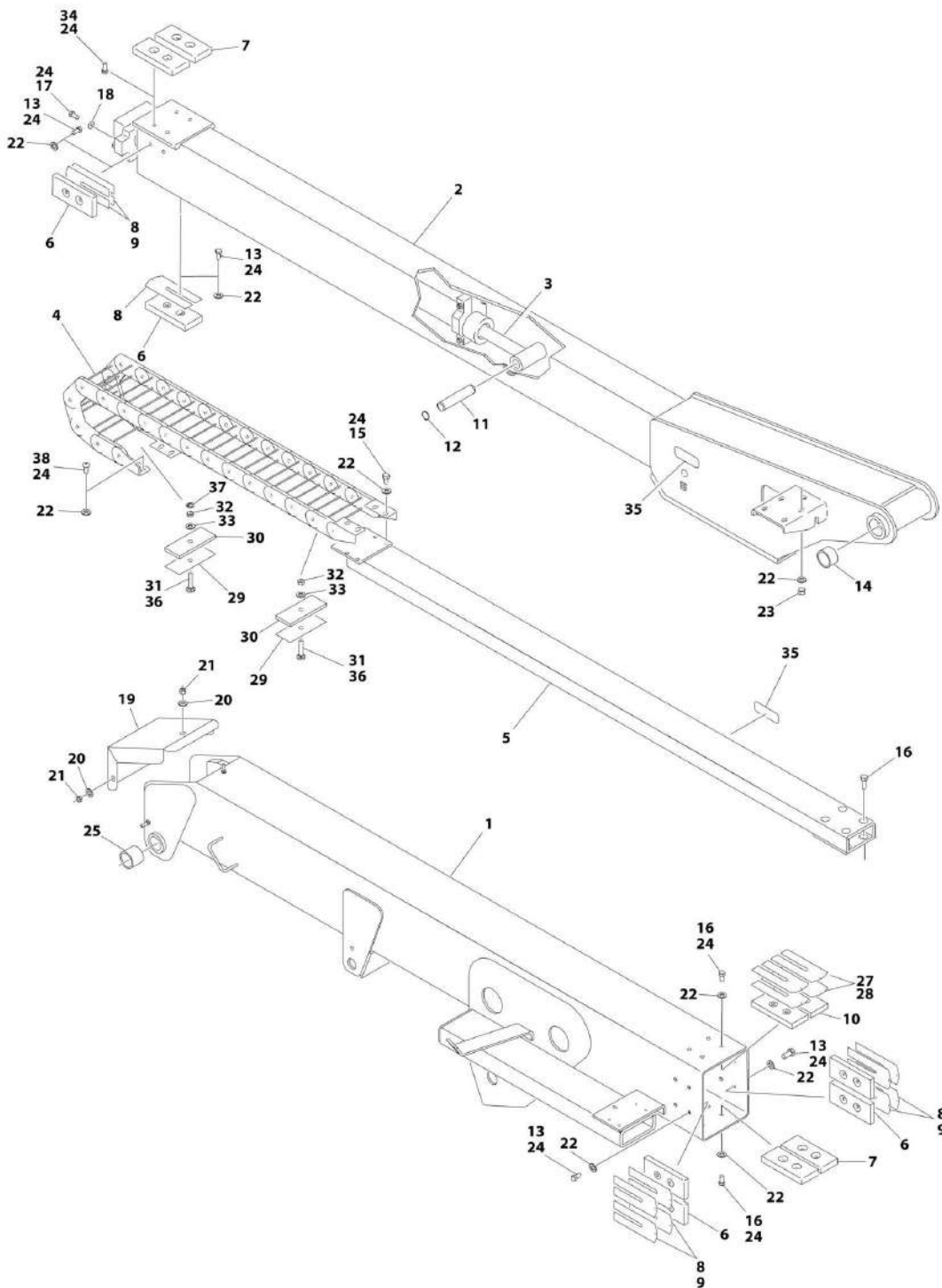
ITEM	PART NUMBER	QTY	DESCRIPTION	REV
	0270725	Ref	MAIN BOOM ASSEMBLY - E400An	E
1	0801263	1	Base, Weldment	
2	0801267	1	Fly, Weldment	
3	1001151497	1	Telescope Cylinder Assembly (Prior to SN 0300244775)	
3	1001228063	1	Telescope Cylinder Assembly (SN 0300244755 to Present)	
4	3422901	1	Pin	
5	1180302	1	Powertrack Assembly	
5	7019698	1	Link, Repair	
5A	7019699	1	Feet, Mounting	
6	4844579	1	Holder, Wear Pad	
7	3340663	8	Pad, Wear (Base Front Top and Sides/Fly Rear Sides and Bottom)	
8	3340820	2	Pad, Wear (Fly Rear Top)	
9	3340682	1	Pad, Wear (Base Front Bottom)	
10	1760160	8	Disc	
11	0630487	6	Bolt, 3/8-16 x 1-3/8	
12	3311602	8	Nut, Jam, 3/8-16	
13	0641818	4	Bolt, 1/2-13 x 2-1/4	
14	4761800	4	Washer, Lock, 1/2	
15	3760115	2	Ring, Snap	
16	0641405	2	Bolt, 1/4-20 x 5/8	
17	0641404	2	Bolt, 1/4-20 x 1/2	
18	4761400	7	Washer, Lock, 1/4	
19	0641606	7	Bolt, 3/8-16 x 3/4	
20	4761600	7	Washer, Lock, 3/8	
21	0100011	AR	Compound, Locking	
22	1670679	1	Cover, boom	
23	1670698	1	Cover, Boom	
24	4751400	7	Washer, 1/4	
25	3311401	3	Nut, 1/4-20	
26	1220038	1	Holder, Wear Pad (Base Front Left Side)	
27	1220039	1	Holder, Wear Pad (Base Front Right Side)	
28	1220040	1	Holder, Wear Pad (Base Front Top)	
29	0630399	2	Bolt, Special, 3/8-16 x 2-1/4	
30	0100009	AR	Silicone	
31	4740413	5	Washer, Spacer	
32	4751600	5	Washer, 3/8	
33	0641608	5	Bolt, 3/8-16 x 1	
34	3520034	4	Plug, Hole	
35	0961951	2	Bearing	
36	1001140598	1	Platform Level Cylinder Assembly (See CYLINDER SECTION for Breakdown)	
37	3422181	1	Shaft, Pin	
39	3841143	3	Keeper	
40	0641607	1	Bolt, 3/8-16 x 7/8	
41	0100011	AR	Compound, Locking	
42	0060052	1	Rotator Assembly (See ROTATOR ASSEMBLY for Breakdown)	
43	3422709	1	Shaft, Pin	
44	0641608	2	Bolt, 3/8-16 x 1	
45	3311605	2	Nut, Lock, 3/8-16	
46	3422180	1	Shaft, Pin	

SECTION 4 - BOOM

ITEM	PART NUMBER	QTY	DESCRIPTION	REV
47	0961950	2	Bearing	

SECTION 4 - BOOM

FIGURE 4-4. MAIN BOOM ASSEMBLY - E400AJP/M400AJP/E400AJPN/M400AJPN



ART_0801225

SECTION 4 - BOOM

FIGURE 4-4. MAIN BOOM ASSEMBLY - E400AJP/M400AJP/E400AJPN/M400AJPN

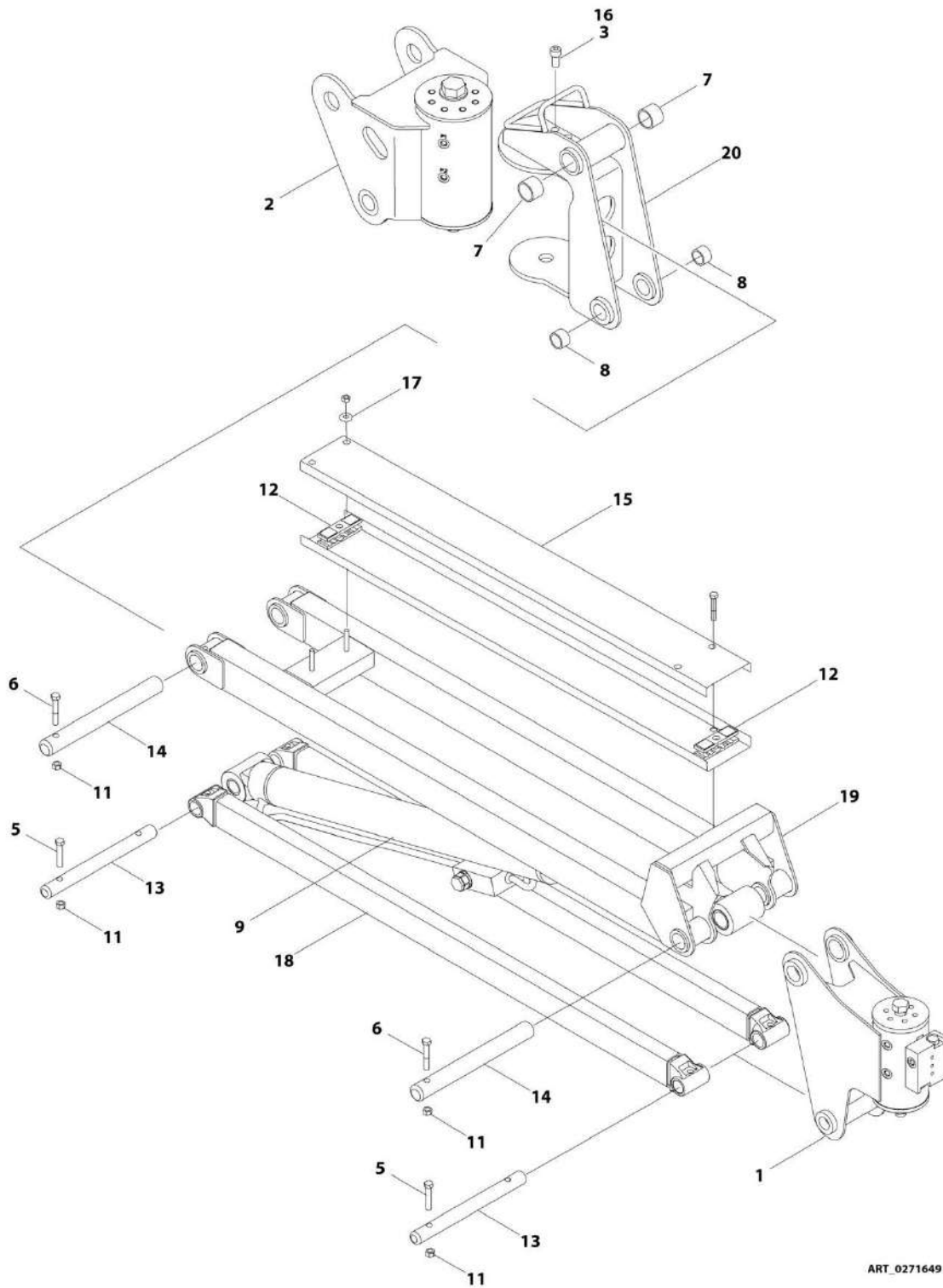
ITEM	PART NUMBER	QTY	DESCRIPTION	REV
	0801225	Ref	MAIN BOOM ASSEMBLY - E400AJP/M400AJP/E400AJPN/M400AJPN	K
1	0801224	1	Base Weldment	
2	0801226	1	Weldment, Fly Boom	
3	1683911	1	Cylinder, Telescope (See CYLINDER SECTION for Breakdown)	
4	1001099834	NLA	Powertrack (Use p/n 1001224891) (SN 0300208530 through 0300230220)	
4	1001224891	1	Powertrack (SN 0300230221 to Present)	
4	70001996	1	2ft Repair Section (Used on p/n 1001099834) (Includes 4 links, 10 pins, 10 washers, 10 snap rings, 2 Rod Carriers and 4 self-tapping screws)	
4	70001998	1	Bracket Kit (Used on p/n 1001099834) (Includes 2 Left and 2 Right Mounting Feet, 4 center pins, 4 center pin snap rings, 8 pins for bracket lockout, 8 washers and 8 snap rings)	
4	70006269	1	2ft Repair Section (Used on p/n 1001224891) (Includes 4 links, 10 pins, 10 washers, 10 snap rings, 2 Rod Carriers and 4 self-tapping screws)	
4	70006280	1	Bracket Kit (Used on p/n 1001224891) (Includes 2 Left and 2 Right Mounting Feet, 4 center pins, 4 center pin snap rings, 8 pins for bracket lockout, 8 washers and 8 snap rings)	
5	4846180	1	Weldment, Push Tube	
6	3340878	10	Pad, Wear	
7	3340884	4	Pad, Wear	
8	4070864	12	Shim 18 Gauge	
9	4070863	8	Shim 11 Gauge	
10	3340886	2	Pad, Wear	
11	3422804	1	Pin	
12	3760115	2	Ring, Retaining	
13	0641606	30	Bolt, 3/8-16 x 3/4	
13	0641607	30	Bolt 3/8 x 7/8	
14	0961948	2	Bearing	
15	0641605	4	Bolt, 3/8-16 x 5/8	
16	0641608	16	Bolt, 3/8-16 x 1	
17	0641818	4	Bolt, 1/2-13 x 2-1/4	
18	4761800	4	Washer, Lock, 1/2	
19	1670959	1	Cover	
20	4761400	3	Washer, Lock, 1/4	
21	3311401	3	Nut 1/4-20	
22	4711600	AR	Washer, 3/8	
23	3311605	4	Nut, Lock, 3/8-16	
24	0100011	AR	Compound, Locking	
25	0961950	2	Bearing	
27	4070997	2	Shim 16 Gauge	
28	4070998	2	Shim 18 Gauge	
29	1001106757	AR	Plate, Clamp	
30	3340939	AR	Pad, Rubber	
31	0630401	2	Bolt, Carriage, 5/16-18 x 2	
32	3311505	2	Nut, Lock, 5/16/18	
33	4711500	2	Washer, 5/16	
34	0741606	6	Screw, Countersunk, 3/8-16 x 3/4	
35	4060804	16 in /41cm	Flex-Trim	

SECTION 4 - BOOM

ITEM	PART NUMBER	QTY	DESCRIPTION	REV
36	0100081	AR	Adhesive	
37	1001119228	1	Nut M8	
38	0641605	4	Bolt 3/8 x 5/8	
38	88261026	4	Bolt 3/8 x 5/8	

SECTION 4 - BOOM

FIGURE 4-5. JIB INSTALLATION



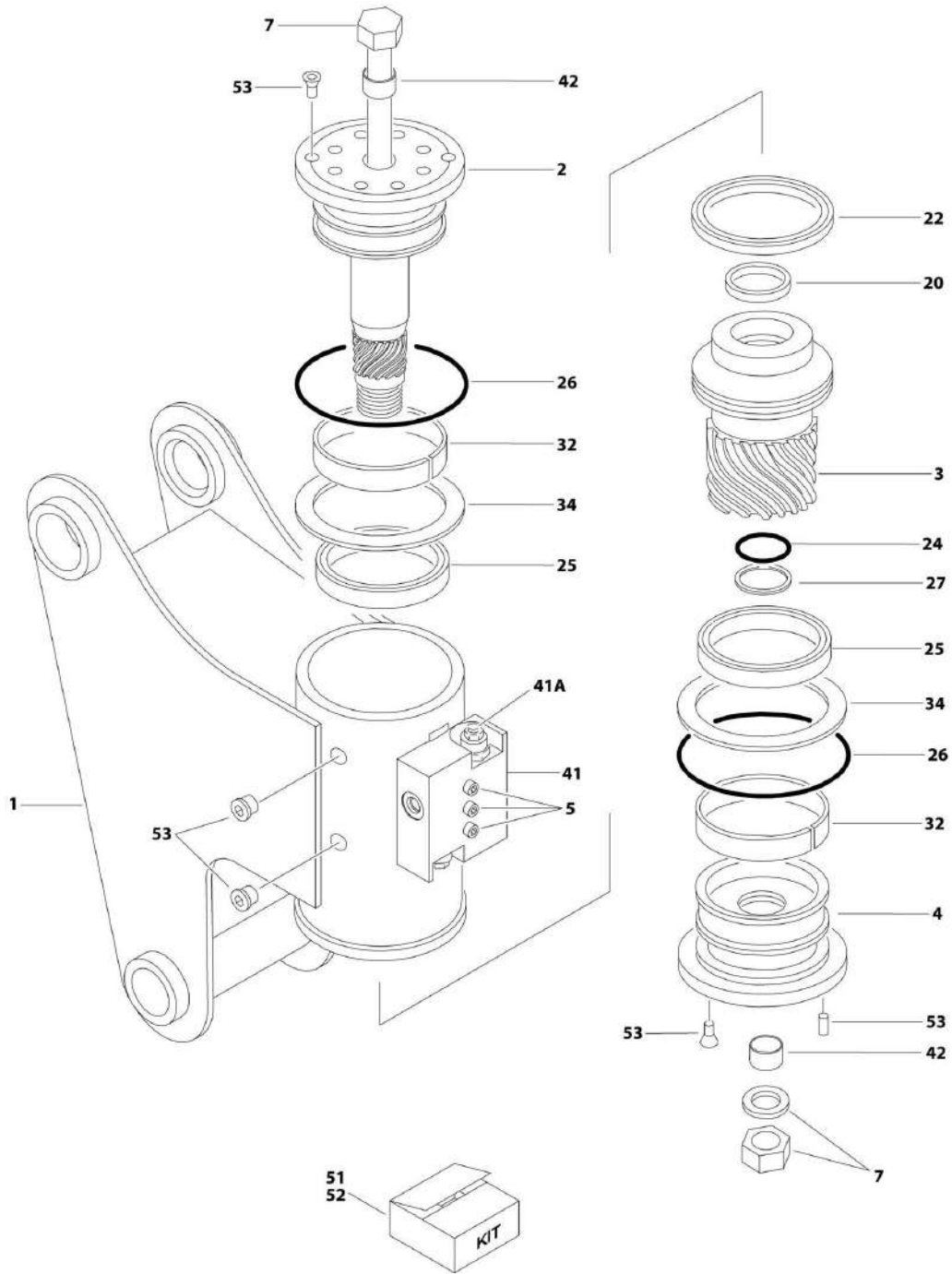
ART_0271649

FIGURE 4-5. JIB INSTALLATION

ITEM	PART NUMBER	QTY	DESCRIPTION	REV
	0271649	Ref	JIB INSTALLATION	D
1	0060044	1	Rotator Assembly - Jib to Platform Support (See ROTATOR ASSEMBLY for Breakdown)	
2	0060065	1	Rotator Assembly - Main Boom to Jib (See ROTATOR ASSEMBLY for Breakdown)	
3	0100011	AR	Compound, Locking	
4	0641516	2	Bolt, 5/16-18 x 2	
5	0641616	4	Bolt, 3/8-16 x 2	
6	0641618	2	Bolt, 3/8-16 x 2-1/4	
7	0962292	2	Bushing	
8	0961951	2	Bushing	
9	1001140280	1	Jib Cylinder Assembly (See CYLINDER SECTION for Breakdown)	
10	3311501	4	Nut, 5/16-18	
11	3311605	6	Nut, Lock, 3/8-16	
12	3340860	4	Clamp, Block	
13	3422791	2	Pin	
14	3422794	2	Pin	
15	3572551	2	Plate, Jib Cover	
16	3931816	8	Bolt, 1/2-13 x 1	
17	4751500	4	Washer, 5/16	
18	1001094670	2	Link, Lower	
19	4846278	1	Link, Upper	
20	4846502	1	Pivot	

SECTION 4 - BOOM

FIGURE 4-6. ROTATOR ASSEMBLY - E400AN



ART_0060052

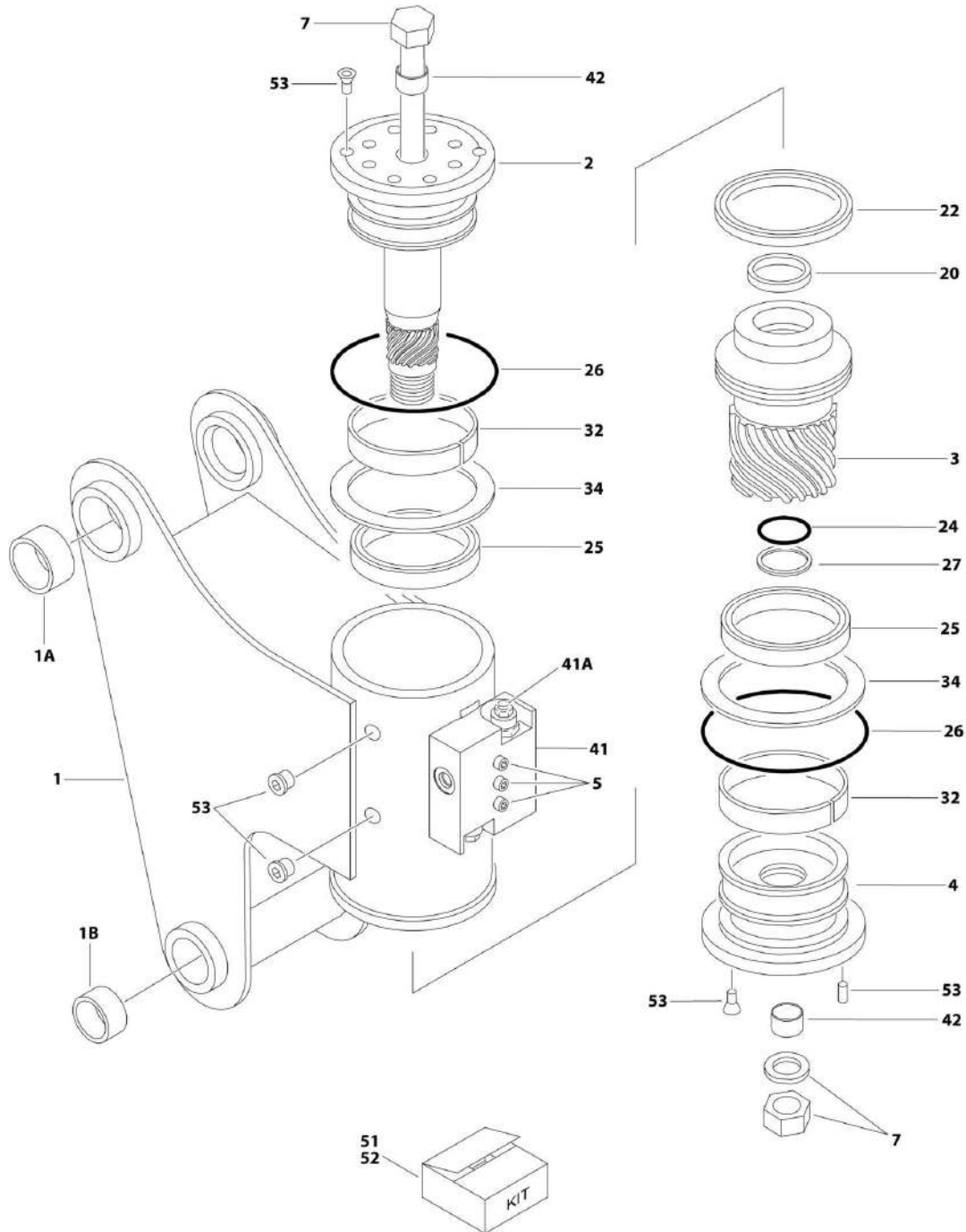
SECTION 4 - BOOM

FIGURE 4-6. ROTATOR ASSEMBLY - E400AN

ITEM	PART NUMBER	QTY	DESCRIPTION	REV
	0060052	Ref	ROTATOR ASSEMBLY - E400An	F
1	See Note	1	Case/Bracket Weldment (Note: Not Available - Purchase Complete Assembly)	
2	7017120	1	Shaft (Rotator with Helac Control #26409)	
2	7017196	1	Shaft (Rotator with Helac Control #26966)	
3	7017121	1	Piston Sleeve (Rotator with Helac Control #26409)	
3	7027900	1	Piston Sleeve (Rotator with Helac Control #26966)	
4	7017153	1	Cap, End (Rotator with Helac Control #26409)	
4	7027901	1	Cap, End (Rotator with Helac Control #26966)	
5	See Note	3	Capscrew, 1/4-20 x 1-1/2, Grade 8 (Note: Not Available - Purchase Locally)	
7	7017126	1	Tie Rod Assembly	
20	See Note	1	Seal, Rod (Note: Use Items 52)	
22	See Note	1	Seal, Piston (Note: Use Item 52)	
24	See Note	1	Seal, Cap (Note: Use Item 52)	
25	See Note	2	Packing, Bearing (Note: Use Item 52)	
26	See Note	2	Seal (Note: Use Item 52)	
27	See Note	1	Ring, Back-Up Cap (Note: Use Item 52)	
32	See Note	2	Bearing, Shaft (Note: Use Item 51)	
34	See Note	2	Washer, Thrust (Note: Use Item 51)	
41	7017172	1	Counterbalance Valve Assembly (Helac p/n 24327, 26553 or 26554 Stamped Beside Mounting Screws)	
41A	7011323	2	Valve, Cartridge (Helac p/n 24327 Valve)	
41A	2900770	2	Seal Kit - 7011323 Cartridge (1 Per Assembly)	
41A	7017192	2	Valve Cartridge (Helac p/n 26553 or 26554) (No Seal Kit Available)	
42	See Note	2	Bushing, Shaft (Note: Not Available for Purchase)	
51	7017122	1	Bearing Kit (Includes Items 32-34)	
52	7017127	1	Seal Kit - Standard (Includes Items 20,22,24,25,26 & 27)	
52	70000341	1	Seal Kit - Low Temperature (Includes Items 20,22,24,25,26 & 27)	
53	7017123	1	Hardware Kit	

SECTION 4 - BOOM

FIGURE 4-7. ROTATOR ASSEMBLY - PLATFORM SUPPORT TO JIB - E400AJP/M400AJP/E400AJPN/M400AJPN



ART_0060044

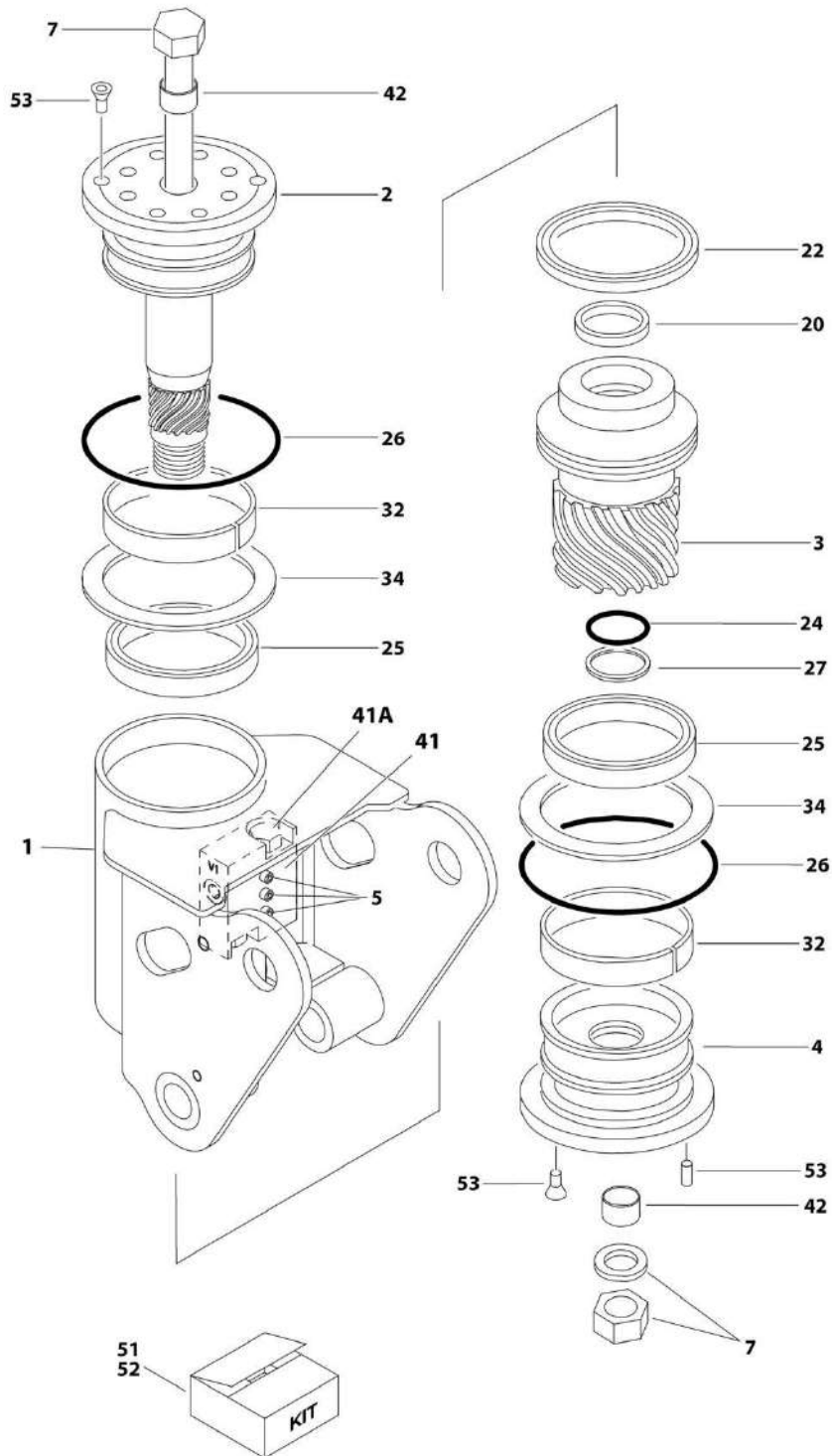
SECTION 4 - BOOM

**FIGURE 4-7. ROTATOR ASSEMBLY - PLATFORM SUPPORT TO JIB -
E400AJP/M400AJP/E400AJPN/M400AJPN**

ITEM	PART NUMBER	QTY	DESCRIPTION	REV
	0060044	Ref	ROTATOR ASSEMBLY - PLATFORM SUPPORT TO JIB - E400AJP/M400AJP/E400AJPN/M400AJPN	D
1	See Note	1	Case/Bracket Weldment (Note: Not Available - Purchase Complete Assembly)	
1A	0962257	2	Bushing	
1B	0961947	2	Bushing	
2	7017120	1	Shaft (Rotator with Helac Control #25928)	
2	7017196	1	Shaft (Rotator with Helac Control #26962)	
3	7017121	1	Piston Sleeve (Rotator with Helac Control #25928)	
3	7027900	1	Piston Sleeve (Rotator with Helac Control #26962)	
4	See Note	1	Cap, End (Rotator with Helac Control #25928) (Note: Use p/n 0060044)	
4	7027901	1	Cap, End (Rotator with Helac Control #26962)	
5	See Note	3	Capscrew, 1/4-20 x 1-1/2, Grade 8 (Note: Not Available - Purchase Locally)	
7	7017126	1	Tie Rod Assembly	
20	See Note	1	Seal, Rod (Note: Use Item 52)	
22	See Note	1	Seal, Piston (Note: Use Item 52)	
24	See Note	1	Seal, Cap (Note: Use Item 52)	
25	See Note	1	Packing, Bearing (Note: Use Item 52)	
26	See Note	2	Seal (Note: Use Item 52)	
27	See Note	1	Ring, Back-Up Cap (Note: Use Item 52)	
32	See Note	2	Bearing, Shaft (Note: Use Item 51)	
34	See Note	2	Washer, Thrust (Note: Use Item 51)	
41	7017172	1	Counterbalance Valve Assembly (Helac p/n 24327, 26553 or 26554 Stamped Beside Mounting Screws)	
41A	7011323	2	Valve, Cartridge (Helac p/n 24327 Valve)	
41A	2900770	2	Seal Kit - 7011323 Cartridge (1 Per Assembly)	
41A	7017192	2	Valve Cartridge (Helac p/n 26553 or 26554) (No Seal Kit Available)	
42	70004323	2	Bushing, Shaft	
51	7017122	1	Bearing Kit (Includes Items 32-34)	
52	7017127	1	Seal Kit - Standard (Includes Items 20,22,24,25,26 & 27)	
52	70000341	1	Seal Kit - Low Temperature (Includes Items 20,22,24,25,26 & 27)	
53	7017123	1	Hardware Kit	
54	70001697	4	Screw, Countersunk 1/4-20NC x 3/8	

SECTION 4 - BOOM

FIGURE 4-8. ROTATOR ASSEMBLY - MAIN BOOM TO JIB - E400AJP/M400AJP/E400AJPN/M400AJPN



ART_0060065

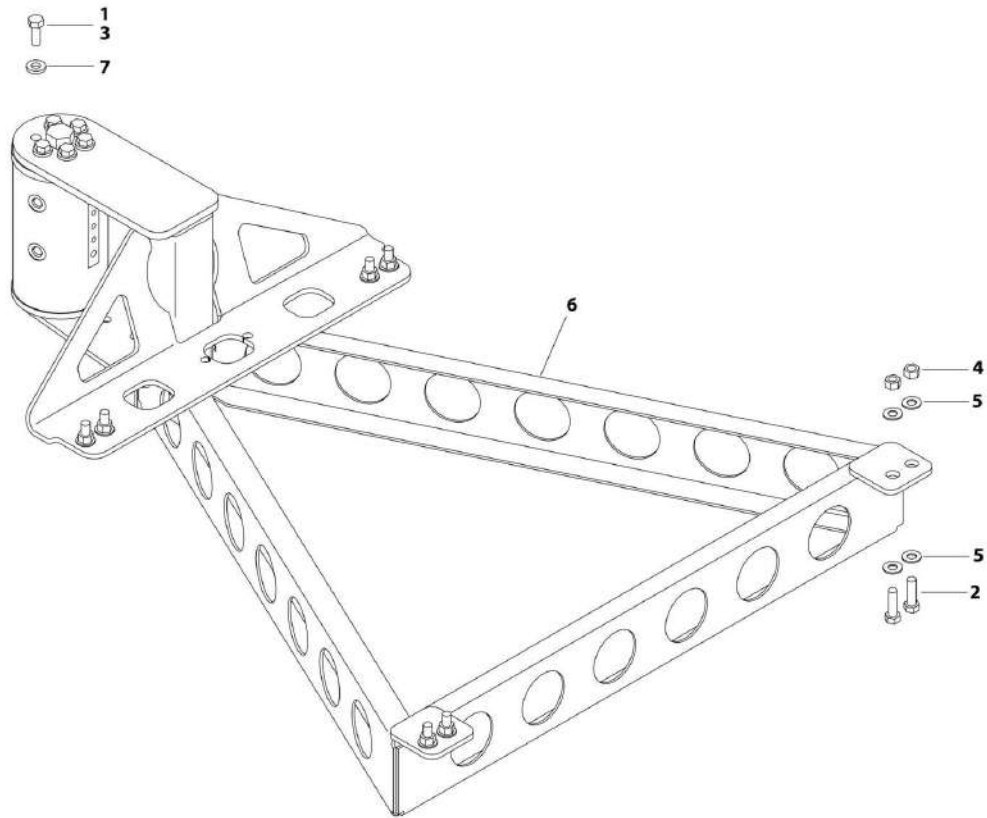
SECTION 4 - BOOM

**FIGURE 4-8. ROTATOR ASSEMBLY - MAIN BOOM TO JIB -
E400AJP/M400AJP/E400AJPn/M400AJPn**

ITEM	PART NUMBER	QTY	DESCRIPTION	REV
	0060065	Ref	ROTATOR ASSEMBLY - MAIN BOOM TO JIB - E400AJP/M400AJP/E400AJPn/M400AJPn	C
1	See Note	1	Case/Bracket Weldment (Note: Not Available - Purchase Complete Assembly)	
2	7017167	1	Shaft	
3	7017168	1	Piston Sleeve	
4	7017169	1	Cap, End	
5	See Note	3	Capscrew, 1/4-20 x 1-1/2, Grade 8 (Note: Not Available - Purchase Locally)	
7	7017173	1	Tie Rod Assembly	
20	See Note	1	Seal, Rod (Note: Use Item 52)	
22	See Note	1	Seal, Piston (Note: Use Item 52)	
24	See Note	1	Seal, Cap (Note: Use Item 52)	
25	See Note	2	Packing, Bearing (Note: Use Item 52)	
26	See Note	2	Seal (Note: Use Item 52)	
27	See Note	1	Ring, Back-Up (Note: Use Item 52)	
32	See Note	2	Bearing, Shaft (Note: Use Item 51)	
34	See Note	2	Washer, Thrust (Note: Use Item 51)	
41	7017172	1	Counterbalance Valve Assembly	
41A	7017192	2	Valve, Cartridge (No Seal Kit Available)	
42	See Note	2	Bushing, Shaft (Note: Not Available for Purchase)	
51	7017178	1	Bearing Kit (Includes Items 32-34)	
52	7017165	1	Seal Kit - Standard (Includes Items 20,22 & 24-27,	
52	70000340	1	Seal Kit - Low Temperature (Includes Items 20,22 & 24-27)	
53	7017179	1	Hardware Kit	

SECTION 4 - BOOM

FIGURE 4-9. PLATFORM SUPPORT INSTALLATION - WITHOUT LSS



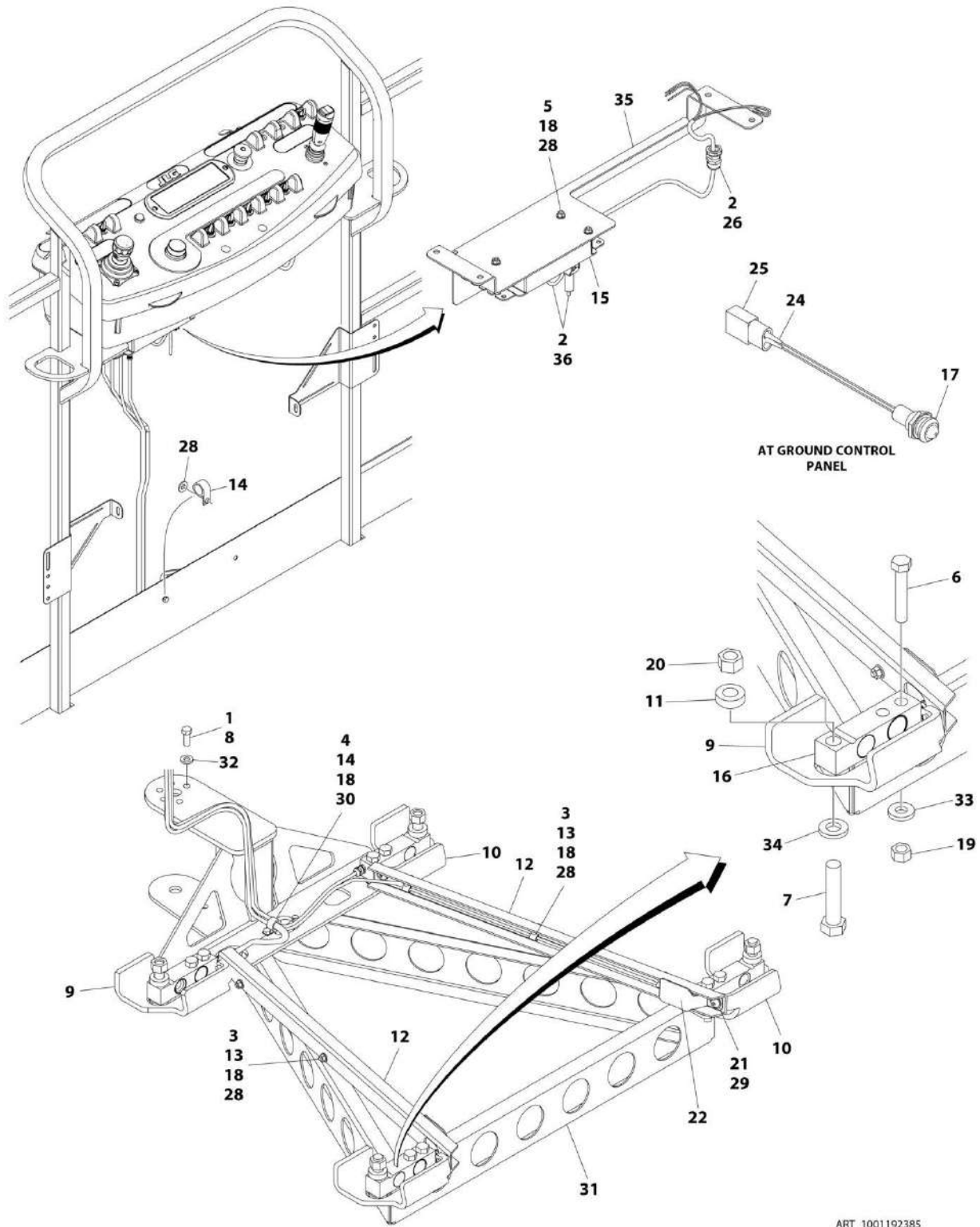
ART_0272976

FIGURE 4-9. PLATFORM SUPPORT INSTALLATION - WITHOUT LSS

ITEM	PART NUMBER	QTY	DESCRIPTION	REV
	0272976	Ref	PLATFORM SUPPORT INSTALLATION - WITHOUT LSS	C
1	0100001	AR	Compound, Locking	
2	0641610	8	Bolt, 3/8-16 x 1-1/4 (SN 0300208530 through 0300223486)	
2	0641812	8	Bolt, 1/2 x 1-1/2 (SN 0300223487 through 0300240700)	
2	0761215	AR	Bolt, M12 x 35 (SN 0300240700 to Present)	
3	0681608	6	Bolt, 3/8-16 x 1, Grade 8	
4	3311605	8	Nut, Lock, 3/8-16 (SN 0300208530 through 0300223486)	
4	3311805	8	Nut, Lock, 1/2-13 (SN 0300223487 through 0300240700)	
4	3291205	AR	Nut, Lock, M12 x 1.75 (SN 0300240700 to Present)	
5	4711600	16	Washer, 3/8 (SN 0300208530 through 0300223486)	
5	4711800	16	Washer, 1/2 (SN 0300223487 through 0300240700)	
5	5241200	AR	Washer, M12 (SN 0300240700 to Present)	
6	4846608	1	Support, Weldment	
7	4891600	6	Washer, 3/8	

SECTION 4 - BOOM

FIGURE 4-10. PLATFORM SUPPORT INSTALLATION - WITH 4 CELL LSS



ART_1001192385

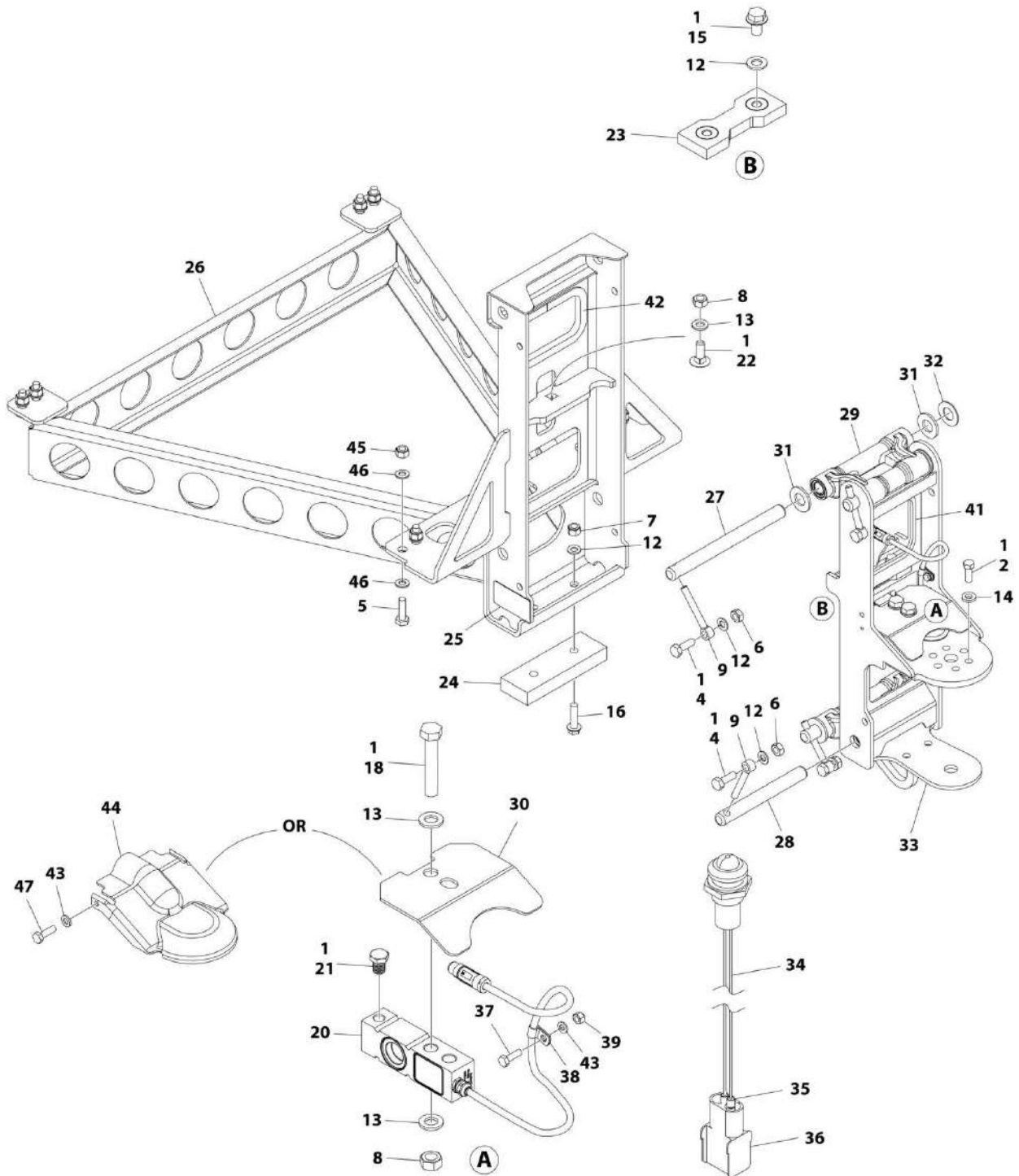
SECTION 4 - BOOM

FIGURE 4-10. PLATFORM SUPPORT INSTALLATION - WITH 4 CELL LSS

ITEM	PART NUMBER	QTY	DESCRIPTION	REV
	1001192385	Ref	PLATFORM SUPPORT INSTALLATION - WITH 4 CELL LSS	A
1	0100011	AR	Compound, Locking	
2	0100048	AR	Grease, Dielectric	
3	0641405	6	Screw 1/4 x 5/8	
4	0641407	1	Bolt 1/4 x 7/8	
5	0641416	3	Bolt 1/4 x 2	
6	0641822	8	Bolt 1/2 x 2-3/4	
7	0642024	4	Bolt 5/8 x 3	
8	0681608	6	Bolt 3/8 x 1	
9	0902919	2	Bracket, Cell Guard	
10	0902920	2	Bracket, Cell Guard	
11	0962450	4	Bushing, Spacer	
12	1271538	2	Channel	
13	1320136	6	Clamp	
14	1320224	2	Clamp	
15	1600387	1	Electronic Interface Module (Note: Re-calibration Required when Replaced)	
16	2420202	4	Load Cell Assembly	
17	2920151	1	Light	
18	3311405	10	Nut 1/4	
19	3311805	8	Nut 1/2	
20	3312005	4	Nut 5/8	
21	3900283	4	Screw 3/8 x 3/4	
22	4061054	2	Shield	
23	4240033	AR	Tie-Strap (Not Shown)	
24	4460226	2	Socket, Female	
25	4460424	1	Connector - 2 Position	
26	4460428	1	Connector, Strain Relief	
27	4460434	1	Plug, Male - 15 Position (Not Shown - Located in Platform Console Box)	
28	4711400	13	Washer 1/4	
29	4711600	4	Washer 3/8	
30	4751400	1	Washer 1/4	
31	4846608	1	Platform Support	
32	4891600	6	Washer 3/8	
33	4891800	8	Washer 1/2	
34	4892000	4	Washer 5/8	
35	1001113483	1	Bracket, Module Mount	
36	1001192283	1	Harness, LSS System (See Separate Breakdown in ELECTRICAL SECTION)	

SECTION 4 - BOOM

FIGURE 4-11. PLATFORM SUPPORT INSTALLATION - WITH 1 CELL LSS



ART_1001219016

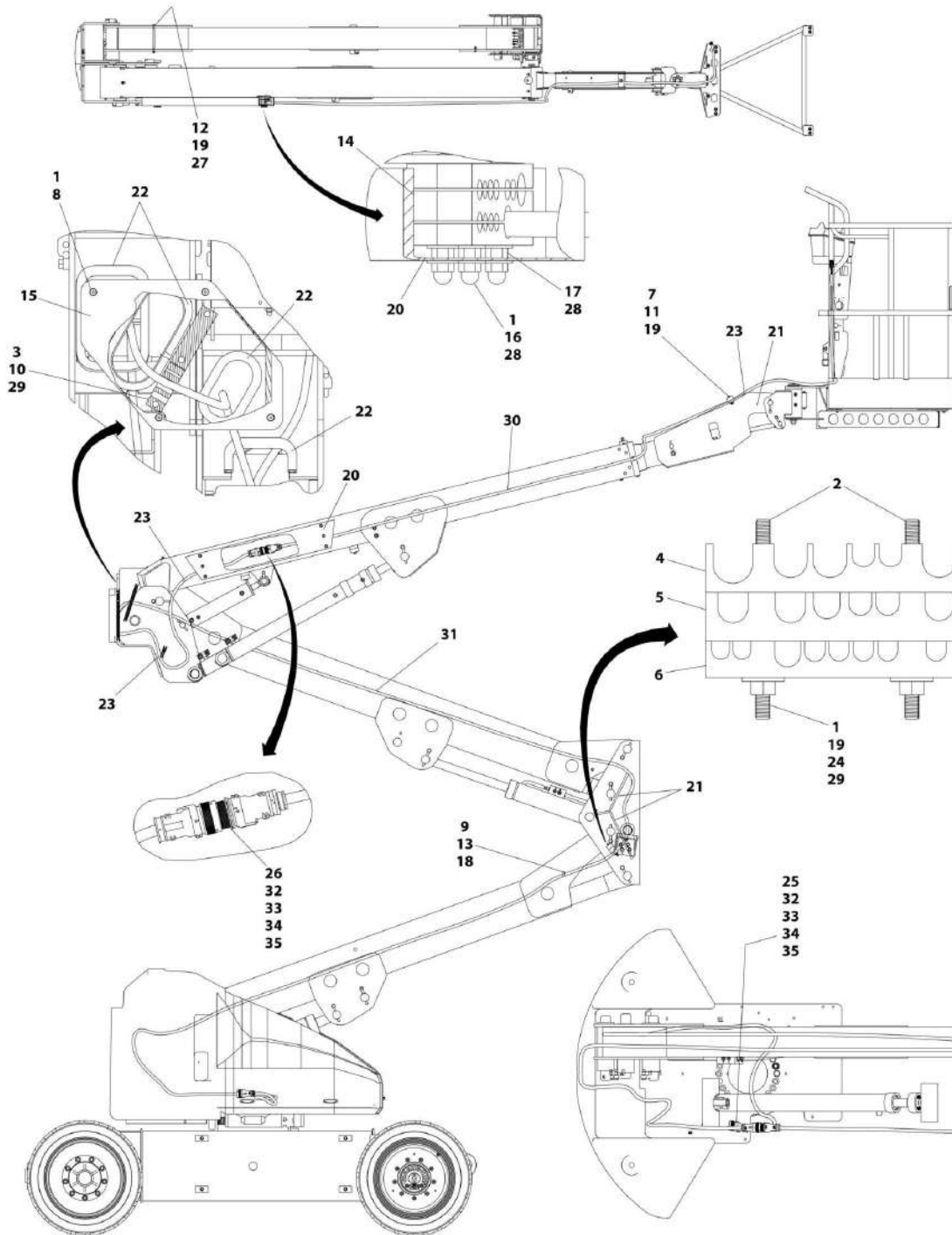
SECTION 4 - BOOM

FIGURE 4-11. PLATFORM SUPPORT INSTALLATION - WITH 1 CELL LSS

ITEM	PART NUMBER	QTY	DESCRIPTION	REV
	1001219016	Ref	PLATFORM SUPPORT INSTALLATION - WITH 1 CELL LSS	E
1	0100011	AR	Compound, Locking	
2	0681608	6	Bolt 3/8 x 1	
4	0761014	4	Bolt M10 x 30	
5	0761015	8	Bolt M10 x 35	
5	0761215	8	Bolt M12 x 35	
6	3291001	4	Nut M10	
7	3291005	2	Nut M10	
8	3291201	3	Nut M12	
9	3841143	4	Keeper	
12	4812000	24	Washer M10	
13	4812100	5	Washer M12	
14	4891600	6	Washer 3/8	
15	5251008	2	Bolt M10 x 16	
16	5251016	2	Bolt M10 x 40	
18	1001098828	2	Bolt M12 x 70 Grade 10.9	
20	1001172663	1	Gauge, Load Sensing	
21	1001188622	1	Screw M12	
22	1001188844	1	Bolt M12 x 35	
23	1001190985	1	Pad, Wear	
24	1001200491	1	Plate	
25	1001216630	2	Decal - Tie Down/No Lift	
26	1001217228	1	Platform Support	
27	1001217242	2	Pin	
28	1001217243	2	Pin	
29	1001217244	2	Link, LSS Assembly	
29	1001217413	4	Bearing	
29	1001217249	4	Seal	
30	1001217250	1	Plate (Prior to SN 0300235576)	
31	1001217253	8	Bearing	
32	1001217254	4	Bearing	
33	1001217267	1	Support	
34	2920151	1	Light	
35	4460226	2	Socket, Female	
36	4460424	1	Connector - 2 Position	
37	0760610	1	Bolt M6 x 20	
38	1320136	1	Clamp	
39	3290605	1	Nut M6	
41	4060804	1.2 ft/ 0.4m	Flex-Trim	
42	4060805	1.3 ft/ 0.5m	Flex-Trim	
43	4811702	3	Washer M6	
44	1001228627	1	Cover, Platform Support and LSS (SN 0300235576 to Present)	
45	3291005	8	Nut M10	
45	3291205	8	Nut M12	
46	4812000	16	Washer M10	
46	5241200	16	Washer M12	
47	0760610	2	Bolt M6 x 20	
47	0760606	2	Bolt M6 x 12	

SECTION 4 - BOOM

FIGURE 4-12. CABLES AND CLAMPS INSTALLATION - E400AN



ART_1001183521

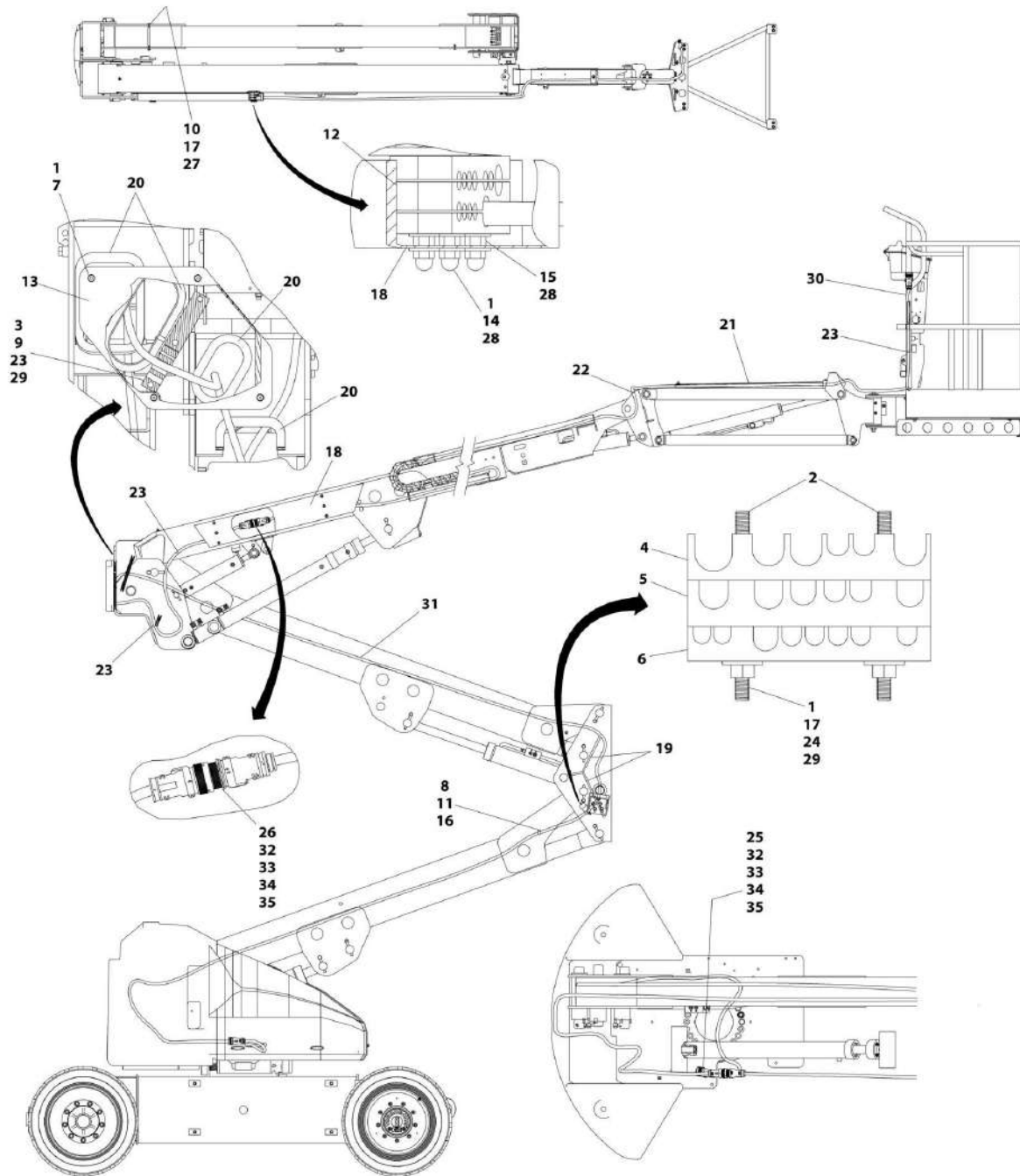
SECTION 4 - BOOM

FIGURE 4-12. CABLES AND CLAMPS INSTALLATION - E400AN

ITEM	PART NUMBER	QTY	DESCRIPTION	REV
	1001183521	Ref	CABLES AND CLAMPS INSTALLATION - E400An	C
1	0100011	AR	Compound, Locking	
2	0100019	AR	Compound, Locking	
3	0561317	1	Block, Hose Clamp	
4	0561384	1	Block, Hose Clamp	
5	0561385	1	Block, Hose Clamp	
6	0561386	1	Block, Hose Clamp	
7	0561424	1	Block, Hose Clamp	
8	0630467	4	Capscrew, Button 5-16-18 x 1/2	
9	0641410	1	Bolt, 1/4-20 x 1-1/4	
10	0641514	3	Bolt, 5/16-18 x 1-3/4	
11	0641516	1	Bolt, 5/16-18 x 2	
12	0641560	1	Bolt, 5/16-18 x 7-1/2	
13	1320043	1	Clamp, Cable	
14	1320260	2	Block, Hose Clamp	
15	1670697	1	Cover, Hose	
16	3300151	6	Nut, 1/4-20	
17	3311401	6	Nut, 1/4-20	
18	3311405	1	Nut, Lock, 1/4-20	
19	3311505	4	Nut, Lock, 5/16-18	
20	3536999	1	Shield	
21	4060805	2 ft /0.61m	Trim, Flex	
22	4060808	6 ft /1.83m	Trim, Flex	
23	4240099	AR	Tie, Strap	
24	4300140	2	Stud, 5/16-18 x 3-5/8	
25	1001188292	1	Connector - 19 Position	
26	1001188293	1	Connector - 19 Position	
27	4566243	1	Roller	
28	4751400	12	Washer, 1/4	
29	4751500	8	Washer, 5/16	
30	1001183867	1	Harness Assembly - Upper Boom (See ELECTRICAL SECTION for Breakdown)	
31	1001183868	1	Harness Assembly - Lower Boom (See ELECTRICAL SECTION for Breakdown)	
32	4240033	AR	Tie-Strap	
33	4460466	8	Terminal	
34	1001188291	2	Connector, Backshell	
35	1001188354	2	Grommet	

SECTION 4 - BOOM

FIGURE 4-13. CABLES AND CLAMPS INSTALLATION - E400AJP/M400AJP/E400AJPN/M400AJPN



ART_1001183520

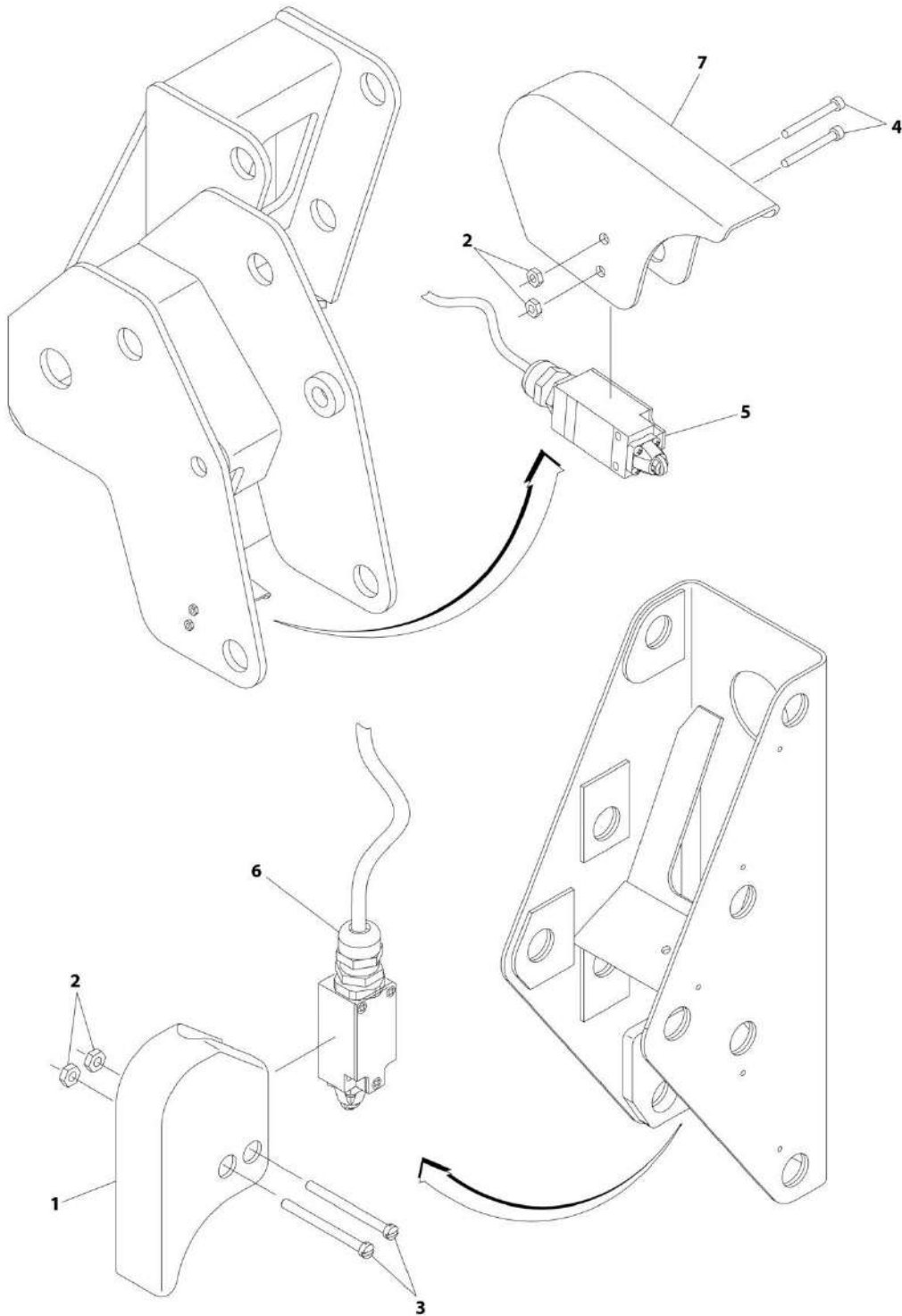
SECTION 4 - BOOM

FIGURE 4-13. CABLES AND CLAMPS INSTALLATION - E400AJP/M400AJP/E400AJPN/M400AJPN

ITEM	PART NUMBER	QTY	DESCRIPTION	REV
	1001183520	Ref	CABLES AND CLAMPS INSTALLATION - E400AJP/M400AJP/E400AJPN/M400AJPN	C
1	0100011	AR	Compound, Locking	
2	0100019	AR	Compound, Locking	
3	0561317	1	Block, Hose Clamp	
4	0561384	1	Block, Hose Clamp	
5	0561385	1	Block, Hose Clamp	
6	0561386	1	Block, Hose Clamp	
7	0630467	4	Capscrew, Button 5-16-18 x 1/2	
8	0641410	1	Bolt, 1/4-20 x 1-1/4	
9	0641514	3	Bolt, 5/16-18 x 1-3/4	
10	0641560	1	Bolt, 5/16-18 x 7-1/2	
11	1320043	1	Clamp, Cable	
12	1320260	2	Block, Hose Clamp	
13	1670697	1	Cover, Hose	
14	3300151	6	Nut, 1/4-20	
15	3311401	6	Nut, 1/4-20	
16	3311405	1	Nut, Lock, 1/4-20	
17	3311505	3	Nut, Lock, 5/16-18	
18	3571462	1	Shield	
19	4060805	1.5 ft /0.46m	Trim, Flex	
20	4060808	6 ft /1.83m	Trim, Flex	
21	4100065	1	Sleeve, Hose	
22	4100067	AR	Sleeve, Hose	
23	4240099	AR	Tie, Strap	
24	4300140	2	Stud, 5/16-18 x 3-5/8	
25	1001188292	1	Connector - 19 Position	
26	1001188293	1	Connector - 19 Position	
27	4566243	1	Roller	
28	4751400	12	Washer, 1/4	
29	4751500	5	Washer, 5/16	
30	1001183867	1	Harness Assembly - Upper Boom (See ELECTRICAL SECTION for Breakdown)	
31	1001183868	1	Harness Assembly - Lower Boom (See ELECTRICAL SECTION for Breakdown)	
32	4240033	AR	Tie-Strap	
33	4460466	8	Terminal	
34	1001188291	2	Connector, Backshell	
35	1001188354	2	Grommet	

SECTION 4 - BOOM

FIGURE 4-14. BOOM LIMIT SWITCHES INSTALLATION



ART_1001187788

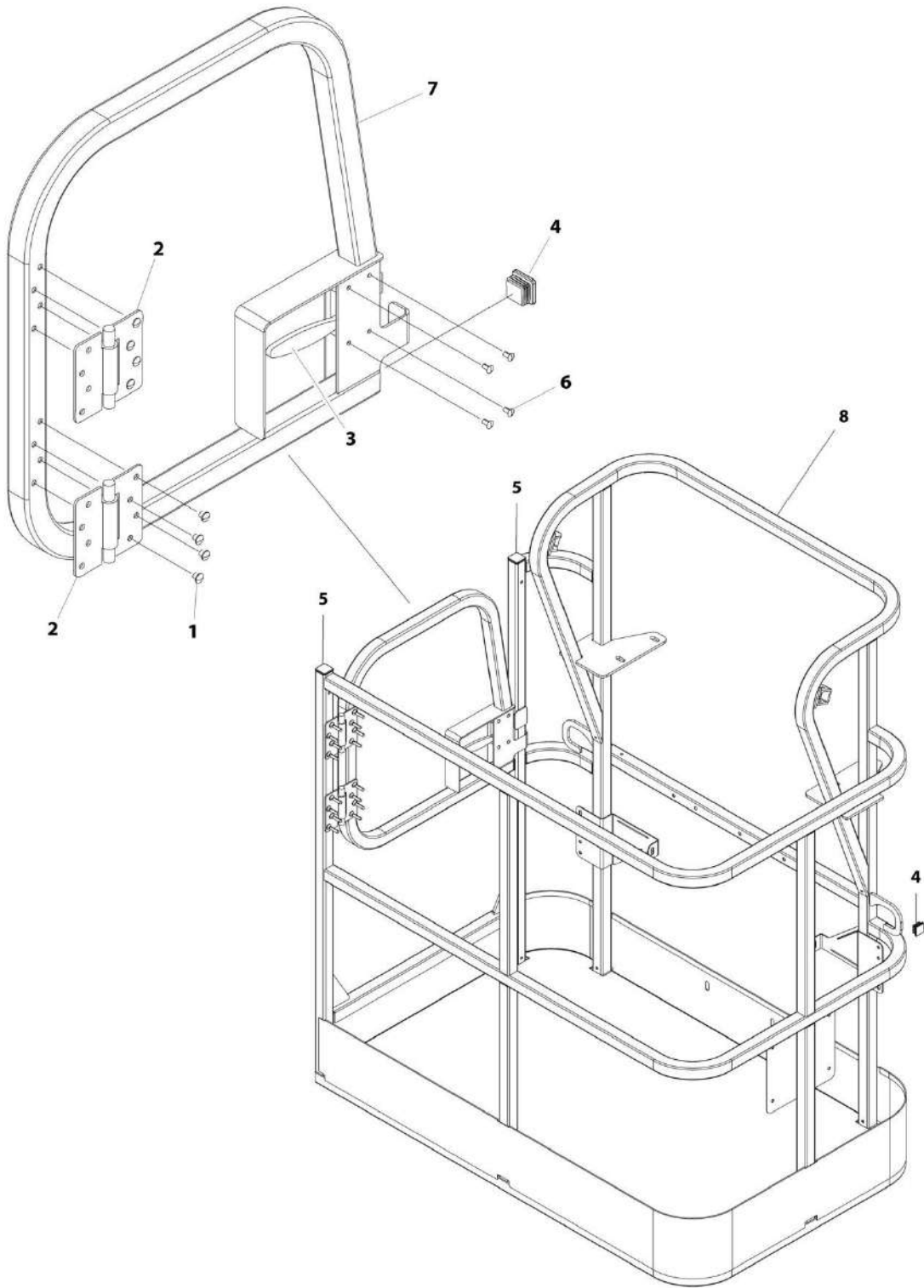
FIGURE 4-14. BOOM LIMIT SWITCHES INSTALLATION

ITEM	PART NUMBER	QTY	DESCRIPTION	REV
	1001187788	Ref	BOOM LIMIT SWITCHES INSTALLATION	D
1	1670832	1	Cover, Switch - Lower	
2	3311005	4	Nut, Lock, #10-24	
3	3900104	2	Screw, Fillister Head, #10-24 x 2-1/4	
4	3931028	2	Screw, #10-24 x 1-3/4	
5	1001187775	1	Limit Switch Harness - Upper (Includes Limit Switch) (See ELECTRICAL SECTION for Breakdown)	
6	1001187776	1	Limit Switch Harness - Lower (Includes Limit Switch) (See ELECTRICAL SECTION for Breakdown)	
7	1670833	1	Cover, Switch	

SECTION 5 - PLATFORM

SECTION 5 - PLATFORM

FIGURE 5-1. PLATFORM ASSEMBLY - 4FT/1.22M - SIDE GATE ENTRY



ART_1001186387

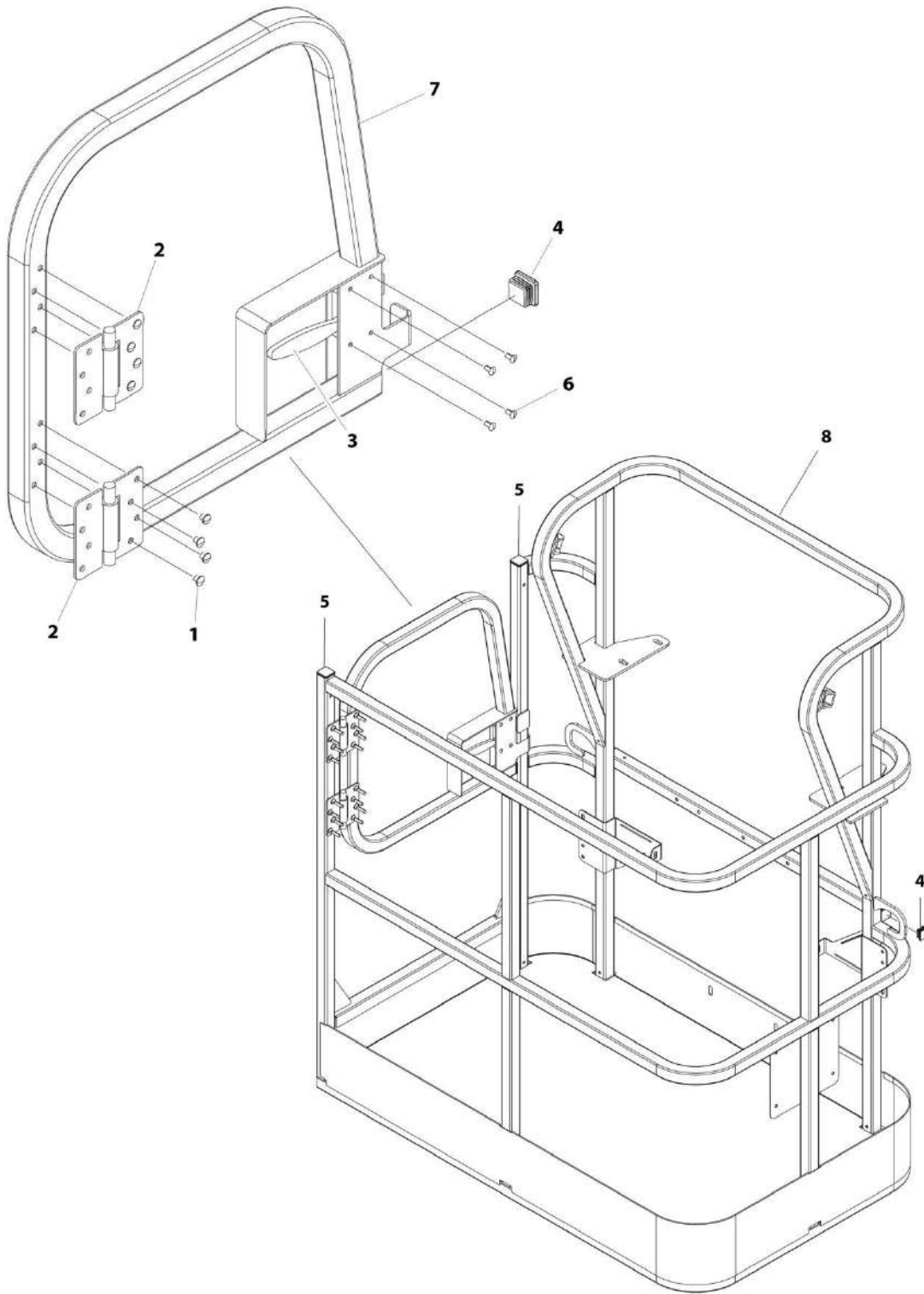
SECTION 5 - PLATFORM

FIGURE 5-1. PLATFORM ASSEMBLY - 4FT/1.22M - SIDE GATE ENTRY

ITEM	PART NUMBER	QTY	DESCRIPTION	REV
	1001186387	Ref	PLATFORM ASSEMBLY - 4ft/1.22m - SIDE GATE ENTRY	C
		Ref	Note: Platform and Mesh must be ordered separately for Platforms with Mesh. See SPECTIAL OPTIONS SECTION for Mesh Installations.	
		Ref	Note: Replacement Decals Must be Ordered Separately - See DECALS SECTION	
1	2080040	16	Fastener, Huck	
2	2600281	2	Hinge, Self-Closing	
3	2940074	1	Latch	
4	3520072	3	Plug, Cap	
5	3520198	2	Plug, Cap	
6	3820020	4	Rivet	
7	1001144629	1	Gate, Weldment	
8	See Note	1	Platform, Weldment (Note: Not Available - Purchase Platform Assembly)	

SECTION 5 - PLATFORM

FIGURE 5-2. PLATFORM ASSEMBLY - 5FT/1.52M - SIDE GATE ENTRY



ART_1001186386

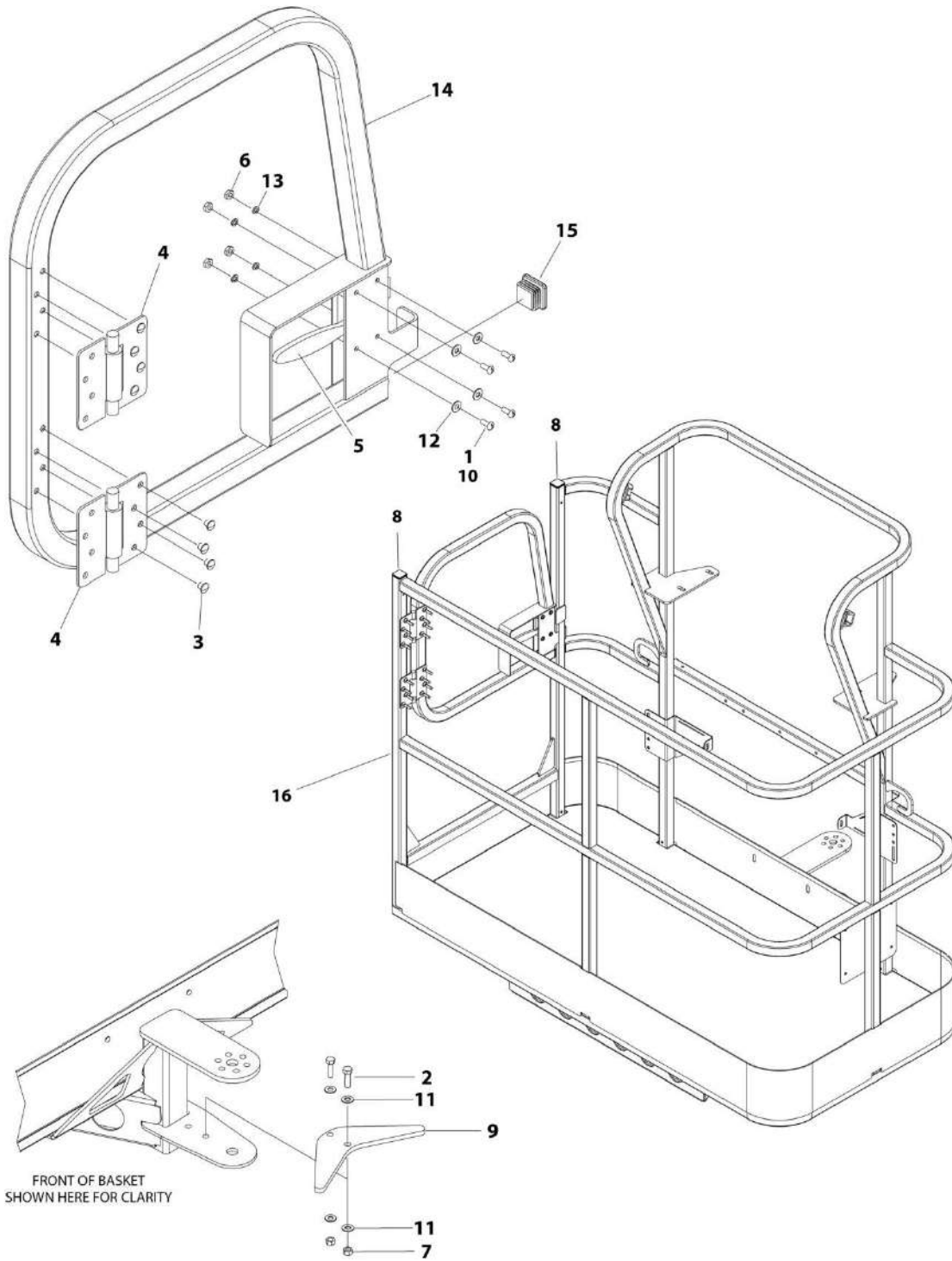
SECTION 5 - PLATFORM

FIGURE 5-2. PLATFORM ASSEMBLY - 5FT/1.52M - SIDE GATE ENTRY

ITEM	PART NUMBER	QTY	DESCRIPTION	REV
	1001186386	Ref	PLATFORM ASSEMBLY - 5ft/1.52m - SIDE GATE ENTRY	C
		Ref	Note: Platform and Mesh must be ordered separately for Platforms with Mesh. See SPECTIAL OPTIONS SECTION for Mesh Installations.	
		Ref	Note: Replacement Decals Must be Ordered Separately - See DECALS SECTION	
1	2080040	16	Fastener, Huck	
2	2600281	2	Hinge, Self-Closing	
3	2940074	1	Latch	
4	3520072	3	Plug, Cap	
5	3520198	2	Plug, Cap	
6	3820020	4	Rivet	
7	1001144629	1	Gate, Weldment	
8	See Note	1	Platform, Weldment (Note: Not Available - Purchase Platform Assembly)	

SECTION 5 - PLATFORM

FIGURE 5-3. PLATFORM ASSEMBLY - 5FT/1.52M - SIDE GATE ENTRY - W/STOP AND WITHOUT LSS OR WITH 4 CELL LSS



ART_1001188974

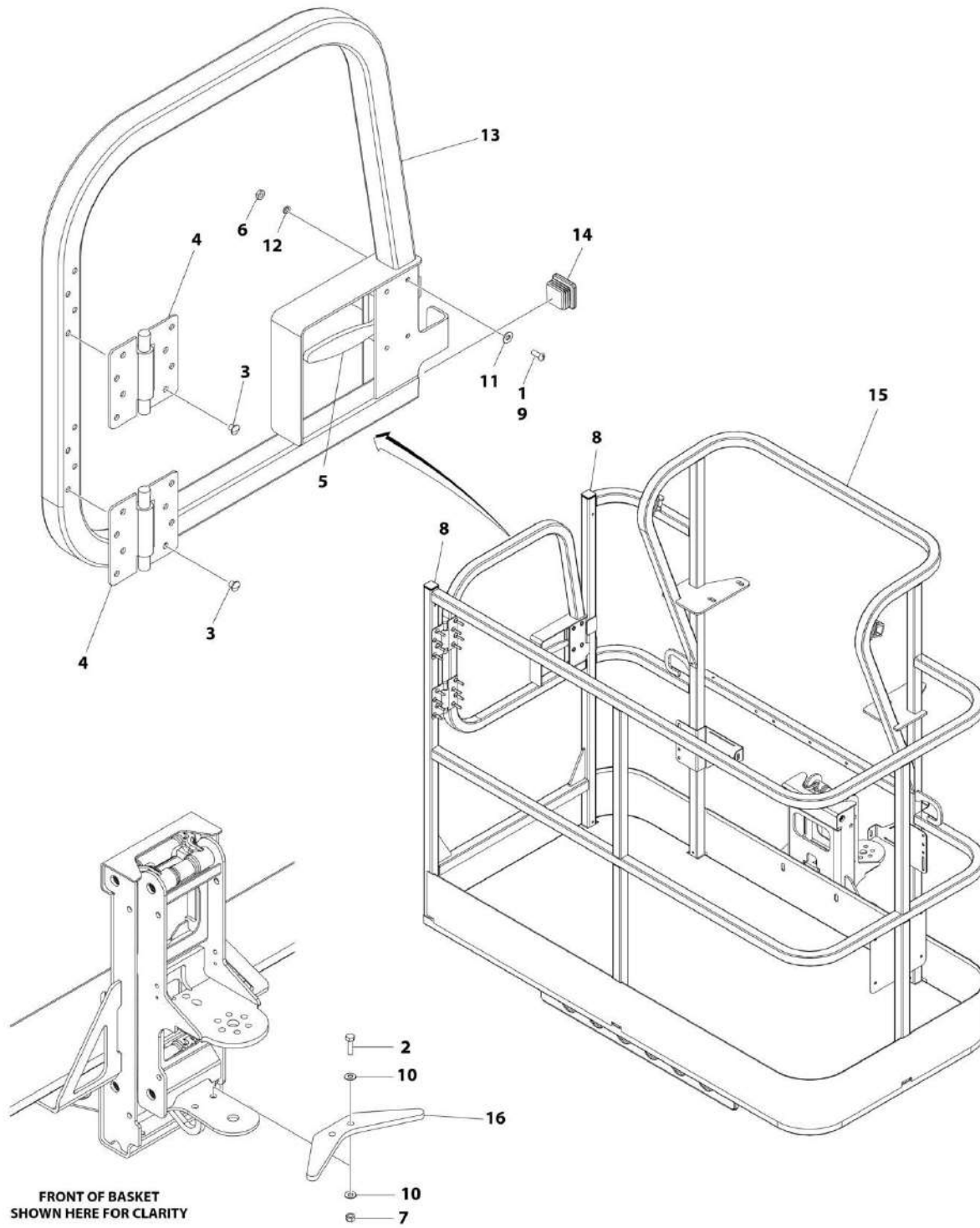
SECTION 5 - PLATFORM

FIGURE 5-3. PLATFORM ASSEMBLY - 5FT/1.52M - SIDE GATE ENTRY - W/STOP AND WITHOUT LSS OR WITH 4 CELL LSS

ITEM	PART NUMBER	QTY	DESCRIPTION	REV
	1001188974	Ref	PLATFORM ASSEMBLY - 5ft/1.52m - SIDE GATE ENTRY - W/STOP AND WITHOUT LSS OR WITH 4 CELL LSS	C
		Ref	Note: Platform and Mesh must be ordered separately for Platforms with Mesh. See SPECTIAL OPTIONS SECTION for Mesh Installations.	
		Ref	Note: Replacement Decals Must be Ordered Separately - See DECAL SECTION.	
1	0100011	AR	Compound, Locking	
2	0641610	2	Bolt 3/8-16 x 1-1/4	
3	2080040	16	Fastener, Huck (SN 0300208530 through 0300229853)	
4	2600281	2	Hinge, Self-Closing (SN 0300208530 through 0300229853)	
5	2940074	1	Latch (SN 0300208530 through 0300229853)	
6	3311001	4	Nut #10-24 (SN 0300208530 through 0300229853)	
7	3311605	2	Nut, Lock, 3/8-16	
8	3520198	2	Cap-Plug (SN 0300208530 through 0300229853)	
9	3572413	1	Stop	
10	3911008	4	Screw #10-24 x 1 (SN 0300208530 through 0300229853)	
11	4761000	4	Washer, Locking #10	
12	4751000	4	Washer, #10 (SN 0300208530 through 0300229853)	
13	4711600	4	Washer, 3/8 (SN 0300208530 through 0300229853)	
14	1001144629	1	Gate Weldment (SN 0300208530 through 0300229853)	
15	1001144630	1	Cap-Plug (SN 0300208530 through 0300229853)	
16	See Note	1	Platform Weldment (Note: Not Available - Purchase Platform Assembly)	

SECTION 5 - PLATFORM

FIGURE 5-4. PLATFORM ASSEMBLY - 5FT/1.52M - SIDE GATE ENTRY - W/STOP AND 1 CELL LSS



ART_1001222685

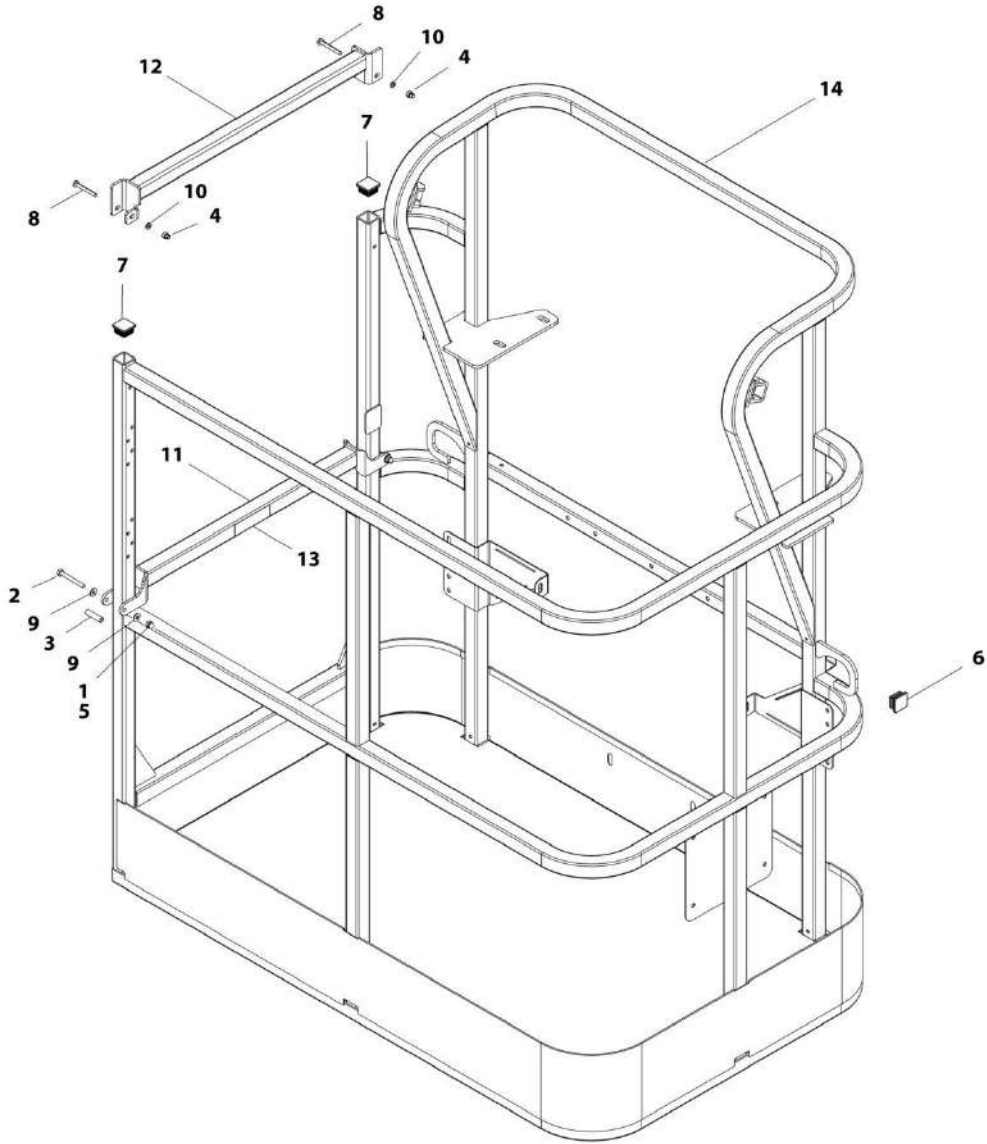
SECTION 5 - PLATFORM

FIGURE 5-4. PLATFORM ASSEMBLY - 5FT/1.52M - SIDE GATE ENTRY - W/STOP AND 1 CELL LSS

ITEM	PART NUMBER	QTY	DESCRIPTION	REV
	1001222685	Ref	PLATFORM ASSEMBLY - 5ft/1.52m - SIDE GATE ENTRY - W/STOP AND 1 CELL LSS	A
		Ref	Note: Platform and Mesh must be ordered separately for Platforms with Mesh. See SPECTIAL OPTIONS SECTION for Mesh Installations.	
		Ref	Note: Replacement Decals Must be Ordered Separately - See DECAL SECTION.	
1	0100011	AR	Compound, Locking	
2	0641610	2	Bolt 3/8-16 x 1-1/4	
3	2080040	16	Fastener, Huck	
4	2600281	2	Hinge, Self-Closing	
5	2940074	1	Latch	
6	3311001	4	Nut #10-24	
7	3311605	2	Nut, Lock, 3/8-16	
8	3520198	2	Cap-Plug	
9	3911008	4	Screw #10-24 x 1	
10	4711600	4	Washer, 3/8	
11	4751000	4	Washer, #10	
12	4761000	4	Washer, Locking #10	
13	1001144629	1	Gate Weldment	
14	1001144630	1	Cap-Plug	
15	See Note	1	Platform Weldment (Note: Not Available - Purchase Platform Assembly)	
16	1001217598	1	Stop	

SECTION 5 - PLATFORM

FIGURE 5-5. PLATFORM ASSEMBLY - 4FT/1.22M - DROP BAR ENTRY



ART_1001186375

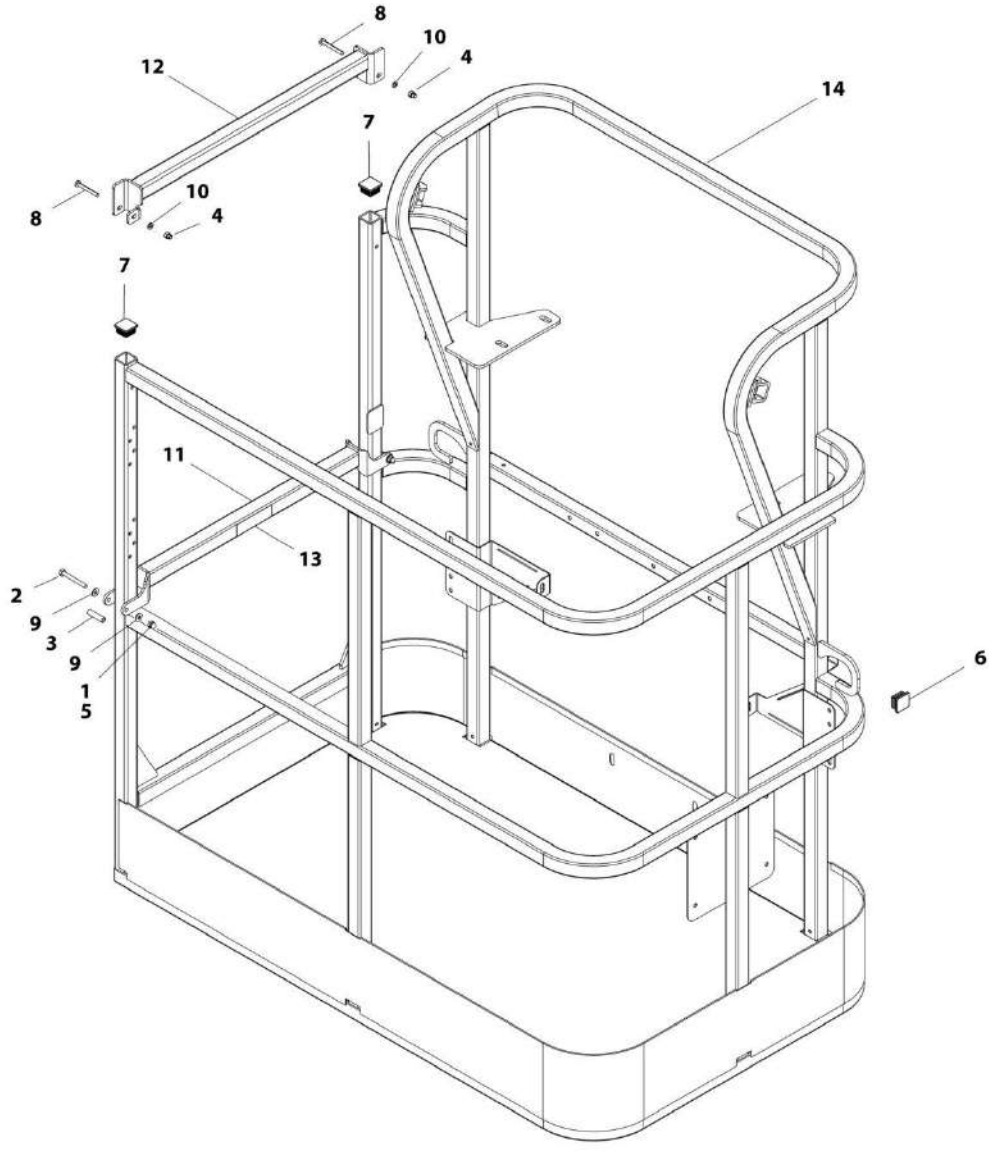
SECTION 5 - PLATFORM

FIGURE 5-5. PLATFORM ASSEMBLY - 4FT/1.22M - DROP BAR ENTRY

ITEM	PART NUMBER	QTY	DESCRIPTION	REV
	1001186375	Ref	PLATFORM ASSEMBLY - 4FT/1.22M - DROP BAR ENTRY	B
		Ref	Note: Replacement Decals Must be Ordered Separately - See DECALS SECTION	
1	0100011	AR	Compound, Locking	
2	0641418	2	Bolt, 1/4-20 X 2-1/4	
3	0961845	2	Bushing	
4	3290606	2	Nut, M6	
5	3300151	2	Nut, Acorn, 1/4-20	
6	3520072	2	Plug, Cap	
7	3520198	2	Plug, Cap	
8	4010618	2	Screw, M6 X 50	
9	4711400	4	Washer, 1/4	
10	4811700	2	Washer, M6	
11	1001138494	1	Bar, Drop	
12	1001138514	1	Rail - Top	
13	1001140429	1	Decal - Drop Bar	
14	See Note	1	Platform, Weldment (Note: Not Available - Purchase Platform Assembly)	

SECTION 5 - PLATFORM

FIGURE 5-6. PLATFORM ASSEMBLY - 5FT/1.52M - DROP BAR ENTRY



ART_1001186377

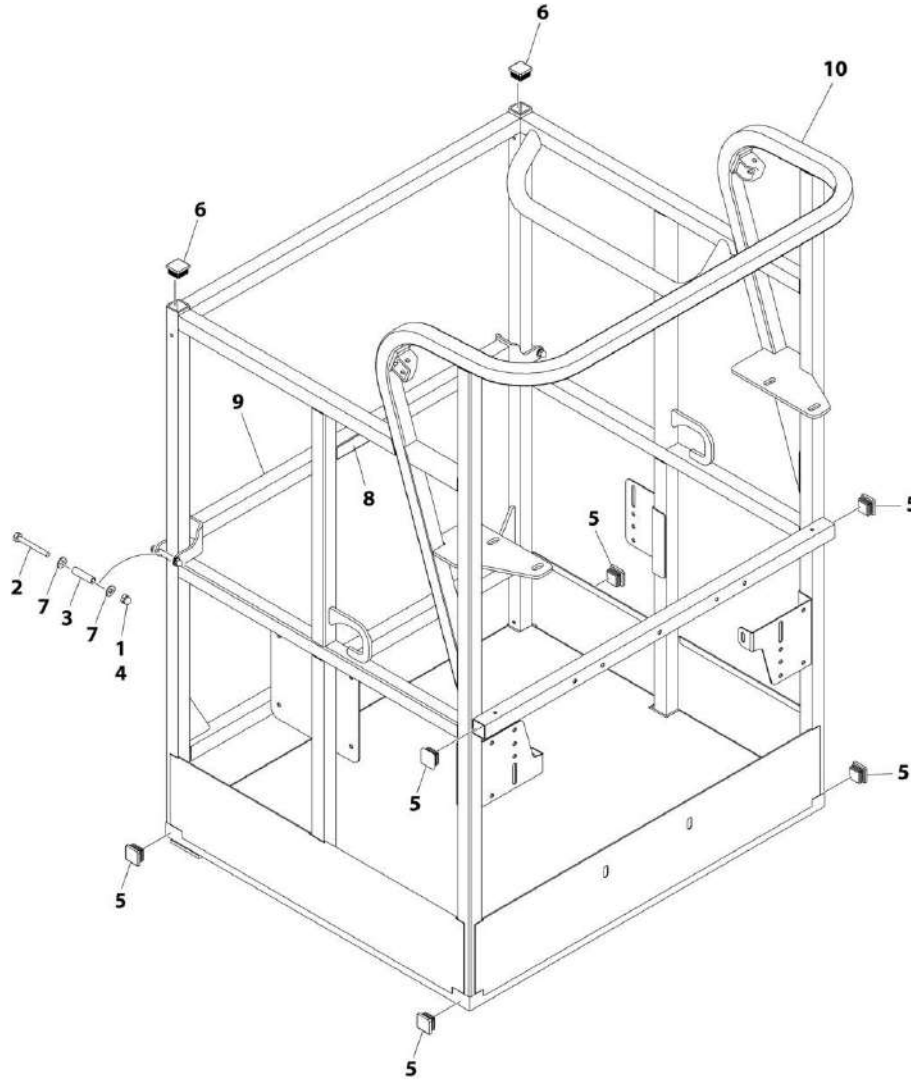
SECTION 5 - PLATFORM

FIGURE 5-6. PLATFORM ASSEMBLY - 5FT/1.52M - DROP BAR ENTRY

ITEM	PART NUMBER	QTY	DESCRIPTION	REV
	1001186377	Ref	PLATFORM ASSEMBLY - 5FT/1.52M - DROP BAR ENTRY	B
		Ref	Note: Replacement Decals Must be Ordered Separately - See DECALS SECTION	
1	0100011	AR	Compound, Locking	
2	0641418	2	Bolt, 1/4-20 X 2-1/4	
3	0961845	2	Bushing	
4	3290606	2	Nut, M6	
5	3300151	2	Nut, Acorn, 1/4-20	
6	3520072	2	Plug, Cap	
7	3520198	2	Plug, Cap	
8	4010618	2	Screw, M6 X 50	
9	4711400	4	Washer, 1/4	
10	4811700	2	Washer, M6	
11	1001138494	1	Bar, Drop	
12	1001138514	1	Rail - Top	
13	1001140429	1	Decal - Drop Bar	
14	See Note	1	Platform, Weldment (Note: Not Available - Purchase Platform Assembly)	

SECTION 5 - PLATFORM

FIGURE 5-7. PLATFORM ASSEMBLY - 5FT/1.52M - DROP BAR ENTRY



ART_1001228215

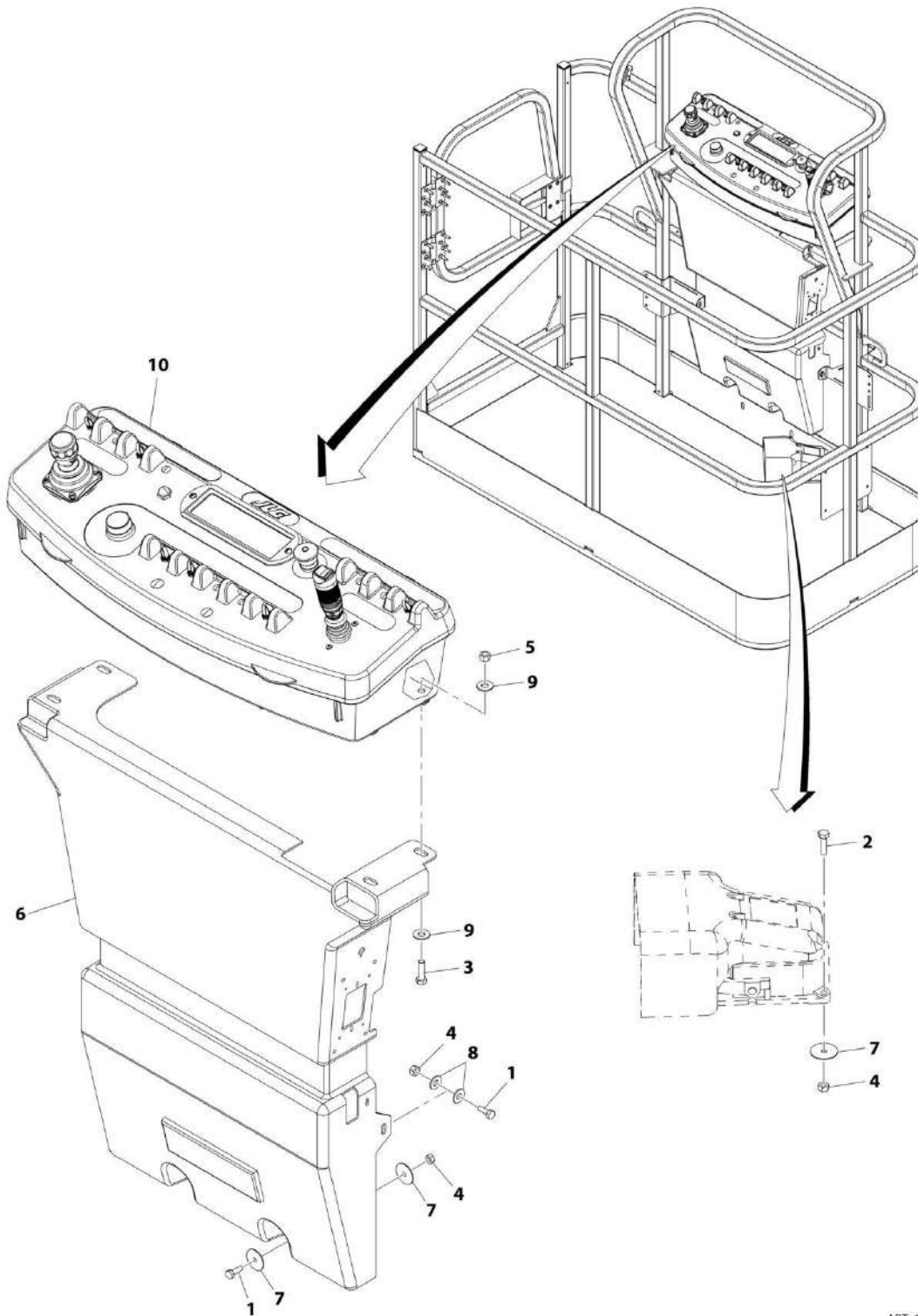
SECTION 5 - PLATFORM

FIGURE 5-7. PLATFORM ASSEMBLY - 5FT/1.52M - DROP BAR ENTRY

ITEM	PART NUMBER	QTY	DESCRIPTION	REV
	1001228215	Ref	PLATFORM ASSEMBLY - 30IN X 3FT (76CM X .91M) - DROP BAR ENTRY	A
	See Note	Ref	Note: Platform and Mesh must be ordered separately for Platforms with Mesh. See SPECIAL OPTIONS SECTION for Mesh Installations.	
	See Note	Ref	Note: Replacement Decals Must be Ordered Separately - See DECAL SECTION.	
1	0100011	AR	Compound, Locking	
2	0641418	2	Bolt 1/4 x 2-1/4	
3	0961845	2	Bushing	
4	3300151	2	Nut 1/4	
5	3520072	6	Cap, Plug	
6	3520198	2	Cap, Plug	
7	4711400	4	Washer 1/4	
8	1001140429	1	Decal - Drop Bar	
9	1001226872	1	Bar, Drop	
10	See Note	NSS	Platform, Weldment (Note: Not Available - Purchase Platform Assembly)	

SECTION 5 - PLATFORM

FIGURE 5-8. PLATFORM CONSOLE AND FOOTSWITCH INSTALLATION - WITHOUT LSS OR WITH 4 CELL LSS - WITHOUT SKYGUARD - E400AN



ART_1001183512

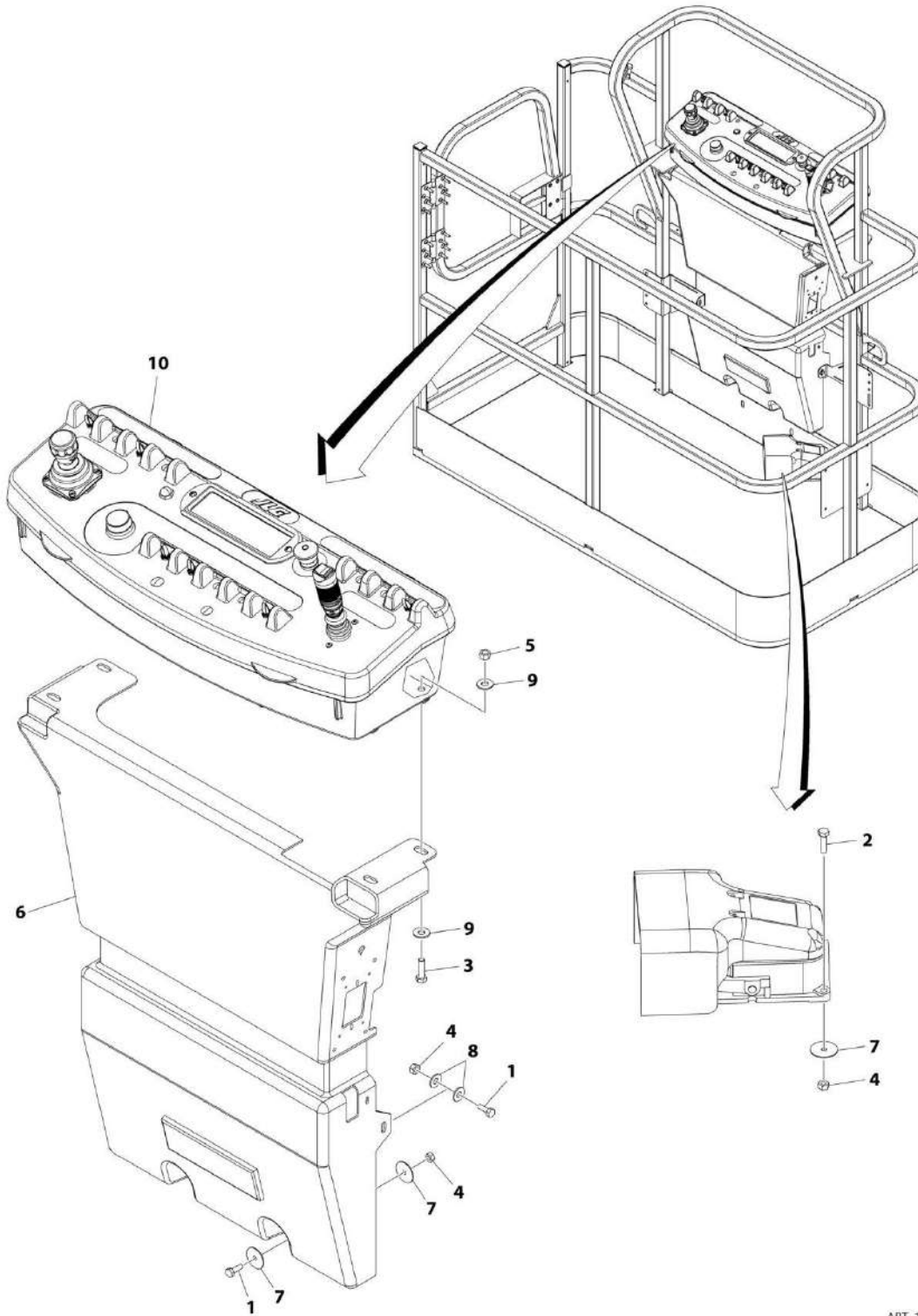
SECTION 5 - PLATFORM

FIGURE 5-8. PLATFORM CONSOLE AND FOOTSWITCH INSTALLATION - WITHOUT LSS OR WITH 4 CELL LSS - WITHOUT SKYGUARD - E400AN

ITEM	PART NUMBER	QTY	DESCRIPTION	REV
	1001183512	Ref	PLATFORM CONSOLE AND FOOTSWITCH INSTALLATION - WITHOUT LSS OR WITH 4 CELL LSS - WITHOUT SKYGUARD - E400An	B
1	0641406	4	Bolt, 1/4-20 X 3/4	
2	0641408	3	Bolt, 1/4-20 X 1	
3	0641610	4	Bolt, 3/8-16 X 1-1/4	
4	3311405	7	Nut, Lock, 1/4-20	
5	3311605	4	Nut, Lock, 3/8-16	
6	3380434	1	Panel, Pedestal	
7	4740362	7	Washer, 1/4	
8	4751400	4	Washer, 1/4	
9	4751600	8	Washer, 3/8	
10	1001183693	NLA	Platform Console Assembly (See PLATFORM CONSOLE ASSEMBLY for Breakdown) (Use p/n 1001202581) (SN 0300208530 through 0300219911)	
10	1001202581	1	Platform Console Assembly (See PLATFORM CONSOLE ASSEMBLY for Breakdown) (SN 0300219912 to Present)	

SECTION 5 - PLATFORM

FIGURE 5-9. PLATFORM CONSOLE AND FOOTSWITCH INSTALLATION - WITHOUT LSS OR WITH 4 CELL LSS - WITH SKYGUARD - E400AN - UL SPECS



ART_1001216147

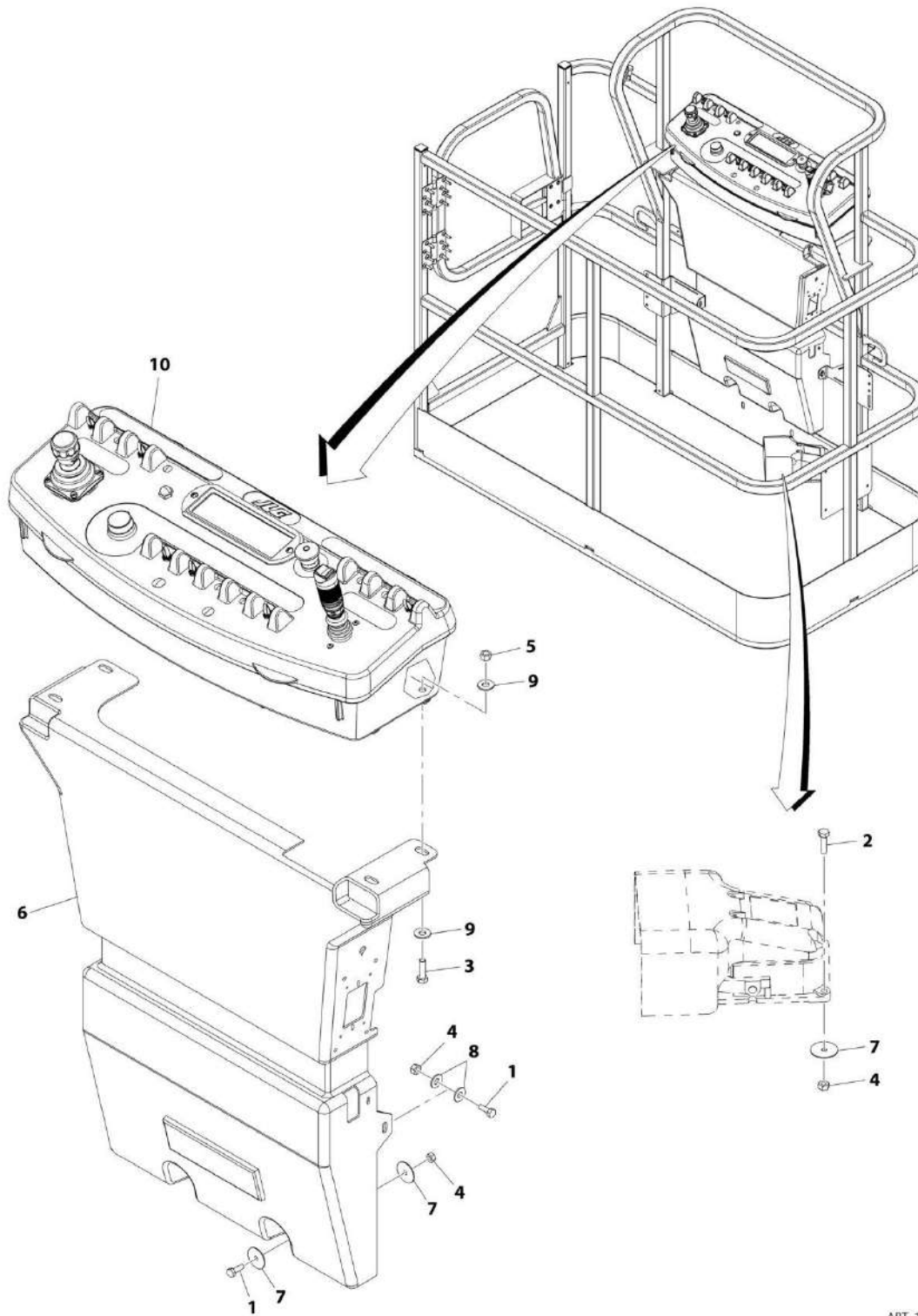
SECTION 5 - PLATFORM

FIGURE 5-9. PLATFORM CONSOLE AND FOOTSWITCH INSTALLATION - WITHOUT LSS OR WITH 4 CELL LSS - WITH SKYGUARD - E400AN - UL SPECS

ITEM	PART NUMBER	QTY	DESCRIPTION	REV
	1001216147	Ref	PLATFORM CONSOLE AND FOOTSWITCH INSTALLATION - WITHOUT LSS OR WITH 4 CELL LSS - WITH SKYGUARD - E400An - UL SPECS	A
1	0641406	4	Bolt, 1/4-20 X 3/4	
2	0641408	3	Bolt, 1/4-20 X 1	
3	0641610	4	Bolt, 3/8-16 X 1-1/4	
4	3311405	7	Nut, Lock, 1/4-20	
5	3311605	4	Nut, Lock, 3/8-16	
6	3380434	1	Panel, Pedestal	
7	4740362	7	Washer, 1/4	
8	4751400	4	Washer, 1/4	
9	4751600	8	Washer, 3/8	
10	1001216153	1	Platform Console Assembly (See PLATFORM CONSOLE ASSEMBLY - WITH SKYGUARD - E400AN - UL SPECS for Breakdown)	

SECTION 5 - PLATFORM

FIGURE 5-10. PLATFORM CONSOLE AND FOOTSWITCH INSTALLATION - WITHOUT LSS OR WITH 4 CELL LSS - WITH SKYGUARD - E400AN (Prior to SN 0300240700)



ART_1001196487

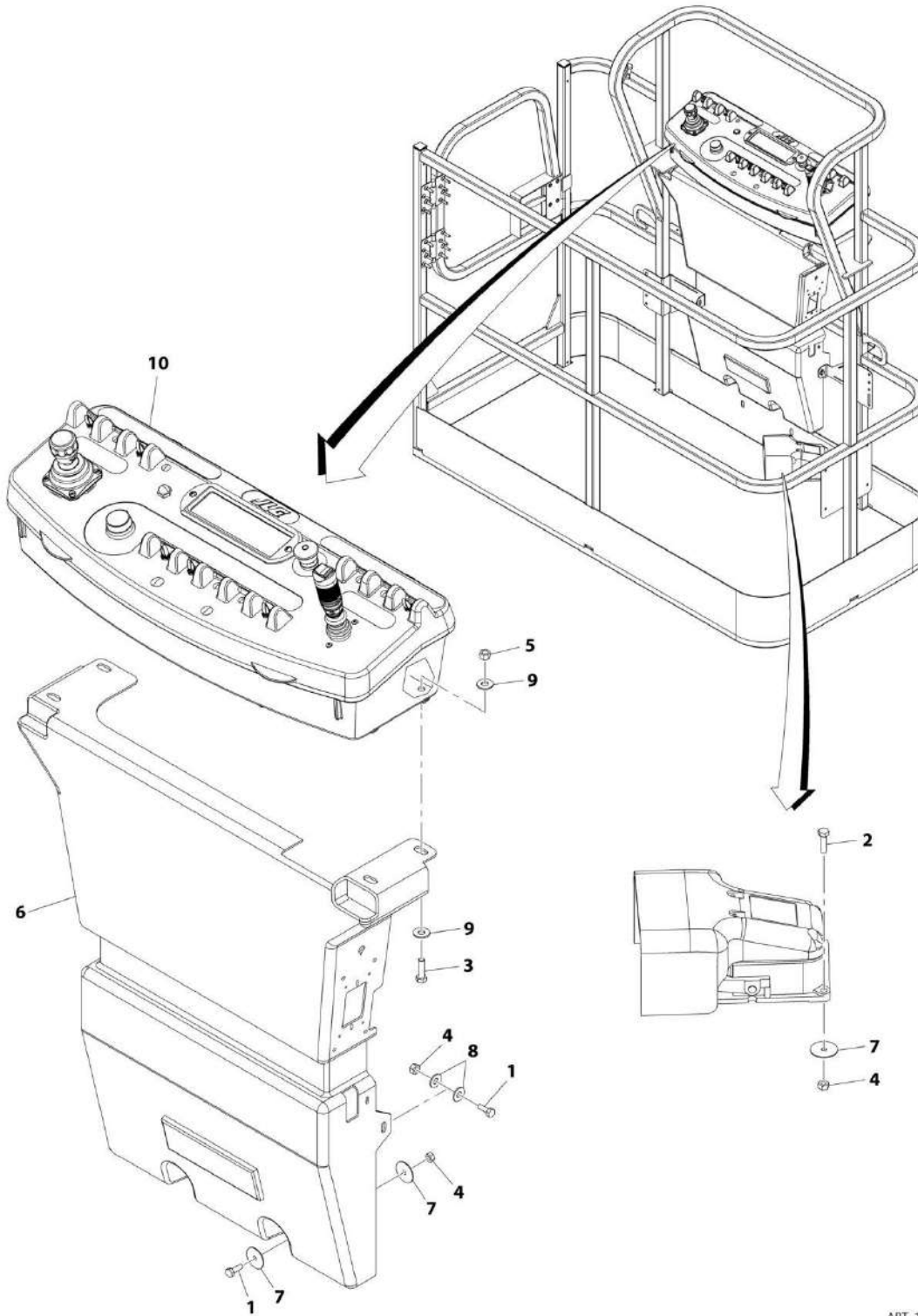
SECTION 5 - PLATFORM

FIGURE 5-10. PLATFORM CONSOLE AND FOOTSWITCH INSTALLATION - WITHOUT LSS OR WITH 4 CELL LSS - WITH SKYGUARD - E400AN (Prior to SN 0300240700)

ITEM	PART NUMBER	QTY	DESCRIPTION	REV
	1001196487	Ref	PLATFORM CONSOLE AND FOOTSWITCH INSTALLATION - WITHOUT LSS OR WITH 4 CELL LSS - WITH SKYGUARD - E400An (Prior to SN 0300240700)	C
1	0641406	4	Bolt, 1/4-20 X 3/4	
2	0641408	3	Bolt, 1/4-20 X 1	
3	0641610	4	Bolt, 3/8-16 X 1-1/4	
4	3311405	7	Nut, Lock, 1/4-20	
5	3311605	4	Nut, Lock, 3/8-16	
6	3380434	1	Panel, Pedestal	
7	4740362	7	Washer, 1/4	
8	4751400	4	Washer, 1/4	
9	4751600	8	Washer, 3/8	
10	1001196486	NLA	Platform Console Assembly (See PLATFORM CONSOLE ASSEMBLY for Breakdown) (Use p/n 1001202585) (SN 0300208530 through 0300219911)	
10	1001202585	1	Platform Console Assembly (See PLATFORM CONSOLE ASSEMBLY for Breakdown) (SN 0300219912 to Present)	

SECTION 5 - PLATFORM

FIGURE 5-11. PLATFORM CONSOLE AND FOOTSWITCH INSTALLATION - WITHOUT LSS OR WITH 4 CELL LSS - WITHOUT SKYGUARD - E400AJP/E400AJPN/M400AJP/M400AJPN



ART_1001183338

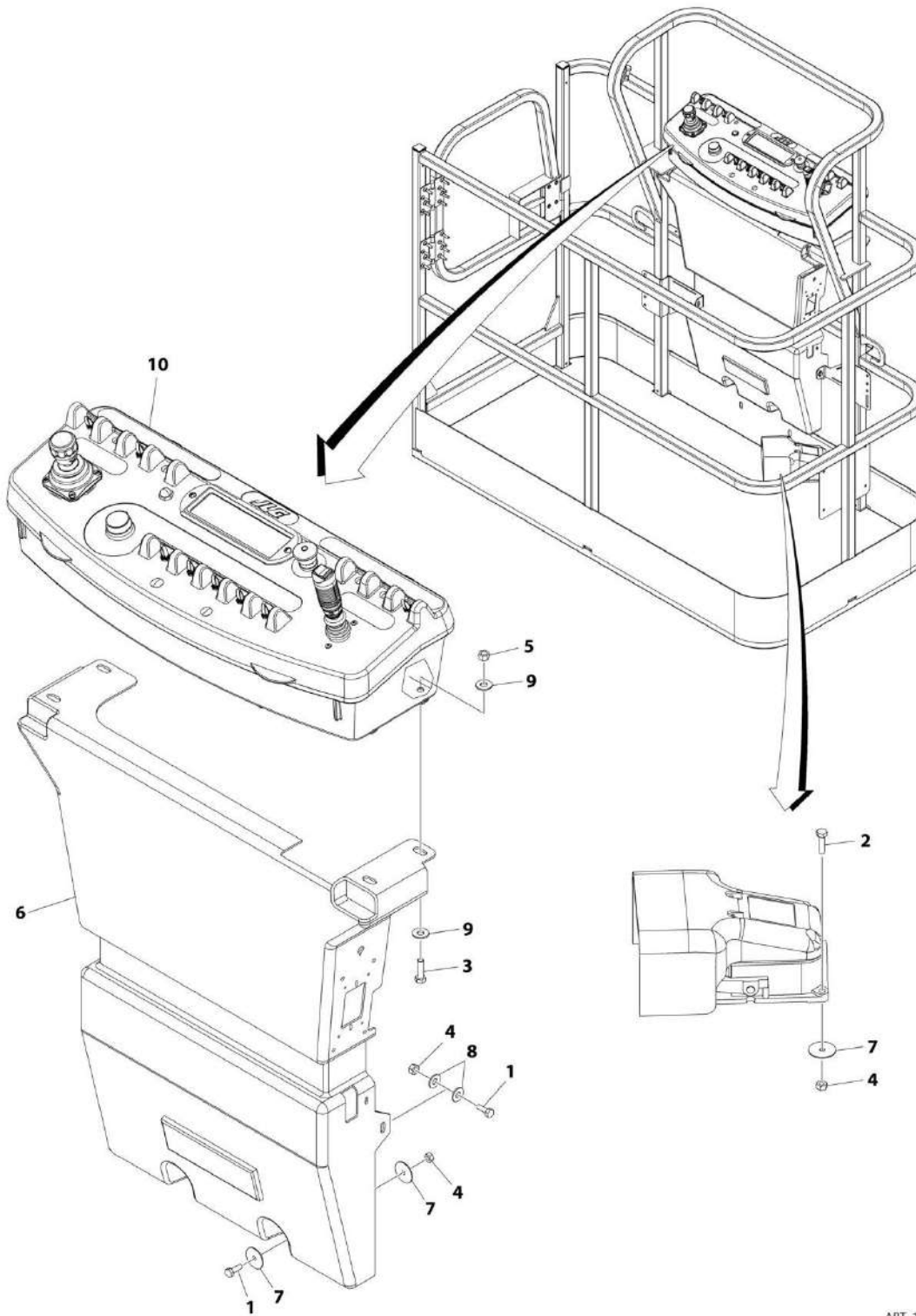
SECTION 5 - PLATFORM

FIGURE 5-11. PLATFORM CONSOLE AND FOOTSWITCH INSTALLATION - WITHOUT LSS OR WITH 4 CELL LSS - WITHOUT SKYGUARD - E400AJP/E400AJPN/M400AJP/M400AJPN

ITEM	PART NUMBER	QTY	DESCRIPTION	REV
	1001183338	Ref	PLATFORM CONSOLE AND FOOTSWITCH INSTALLATION - WITHOUT LSS OR WITH 4 CELL LSS - WITHOUT SKYGUARD - E400AJP/E400AJPN/M400AJP/M400AJPN	B
1	0641406	4	Bolt, 1/4-20 X 3/4	
2	0641408	3	Bolt, 1/4-20 X 1	
3	0641610	4	Bolt, 3/8-16 X 1-1/4	
4	3311405	7	Nut, Lock, 1/4-20	
5	3311605	4	Nut, Lock, 3/8-16	
6	3380434	1	Panel, Pedestal	
7	4740362	7	Washer, 1/4	
8	4751400	4	Washer, 1/4	
9	4751600	8	Washer, 3/8	
10	1001176101	NLA	Platform Console Assembly (See PLATFORM CONSOLE ASSEMBLY for Breakdown) (Use p/n 1001204515) (SN 0300208530 through 0300219911)	
10	1001204515	1	Platform Console Assembly (See PLATFORM CONSOLE ASSEMBLY for Breakdown) (SN 0300219912 to Present)	

SECTION 5 - PLATFORM

FIGURE 5-12. PLATFORM CONSOLE AND FOOTSWITCH INSTALLATION - WITHOUT LSS OR WITH 4 CELL LSS - WITH SKYGUARD - E400AJP/E400AJPN - UL SPECS



ART_1001216148

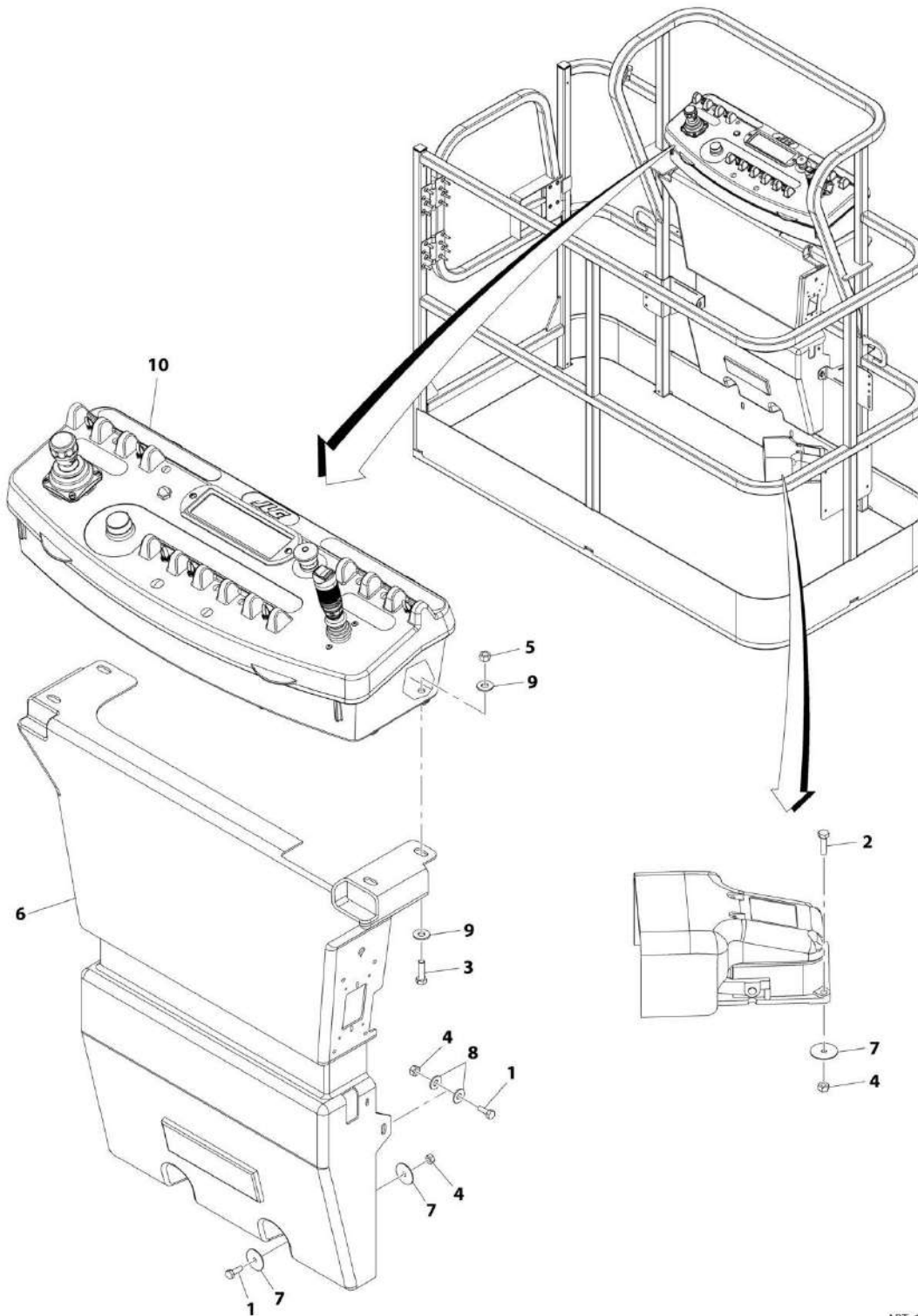
SECTION 5 - PLATFORM

FIGURE 5-12. PLATFORM CONSOLE AND FOOTSWITCH INSTALLATION - WITHOUT LSS OR WITH 4 CELL LSS - WITH SKYGUARD - E400AJP/E400AJPN - UL SPECS

ITEM	PART NUMBER	QTY	DESCRIPTION	REV
	1001216148	Ref	PLATFORM CONSOLE AND FOOTSWITCH INSTALLATION - WITHOUT LSS OR WITH 4 CELL LSS - WITH SKYGUARD - E400AJP/E400AJPN - UL SPECS	A
1	0641406	4	Bolt, 1/4-20 X 3/4	
2	0641408	3	Bolt, 1/4-20 X 1	
3	0641610	4	Bolt, 3/8-16 X 1-1/4	
4	3311405	7	Nut, Lock, 1/4-20	
5	3311605	4	Nut, Lock, 3/8-16	
6	3380434	1	Panel, Pedestal	
7	4740362	7	Washer, 1/4	
8	4751400	4	Washer, 1/4	
9	4751600	8	Washer, 3/8	
10	1001216154	1	Platform Console Assembly (See PLATFORM CONSOLE ASSEMBLY - WITH SKYGUARD - E400AJP/E400AJPN - UL SPECS for Breakdown)	

SECTION 5 - PLATFORM

FIGURE 5-13. PLATFORM CONSOLE AND FOOTSWITCH INSTALLATION - WITHOUT LSS OR WITH 4 CELL LSS - WITH SKYGUARD - E400AJP/E400AJPN/M400AJP/M400AJPN (Prior to SN 0300240700)



ART_1001196500

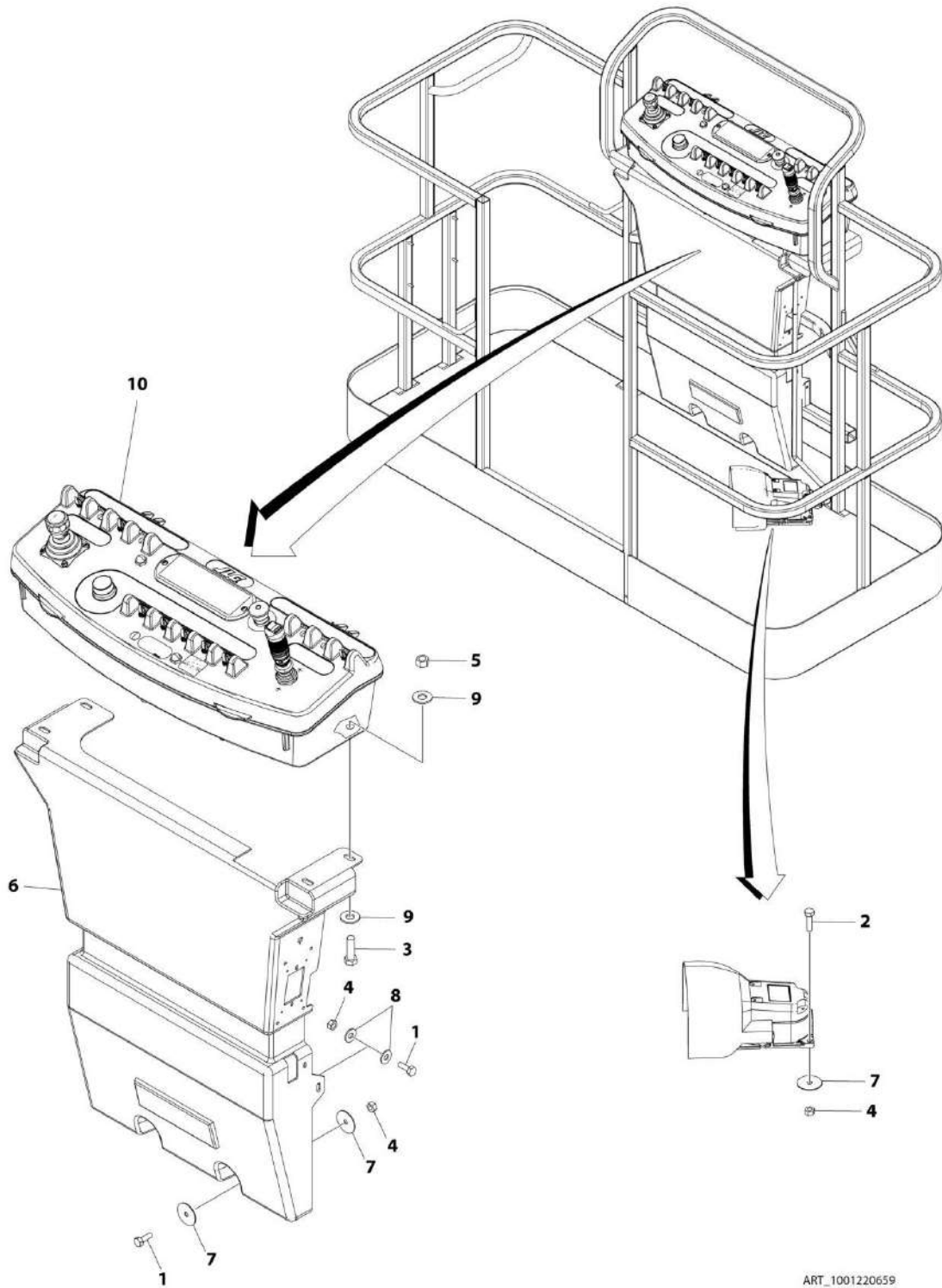
SECTION 5 - PLATFORM

FIGURE 5-13. PLATFORM CONSOLE AND FOOTSWITCH INSTALLATION - WITHOUT LSS OR WITH 4 CELL LSS - WITH SKYGUARD - E400AJP/E400AJPn/M400AJP/M400AJPn (Prior to SN 0300240700)

ITEM	PART NUMBER	QTY	DESCRIPTION	REV
	1001196500	Ref	PLATFORM CONSOLE AND FOOTSWITCH INSTALLATION - WITHOUT LSS OR WITH 4 CELL LSS - WITH SKYGUARD - E400AJP/E400AJPn/M400AJP/M400AJPn (Prior to SN 0300240700)	C
1	0641406	4	Bolt, 1/4-20 X 3/4	
2	0641408	3	Bolt, 1/4-20 X 1	
3	0641610	4	Bolt, 3/8-16 X 1-1/4	
4	3311405	7	Nut, Lock, 1/4-20	
5	3311605	4	Nut, Lock, 3/8-16	
6	3380434	1	Panel, Pedestal	
7	4740362	7	Washer, 1/4	
8	4751400	4	Washer, 1/4	
9	4751600	8	Washer, 3/8	
10	1001196484	NLA	Platform Console Assembly (See PLATFORM CONSOLE ASSEMBLY for Breakdown) (Use p/n 1001202580) (SN 0300208530 through 0300219911)	
10	1001202580	1	Platform Console Assembly (See PLATFORM CONSOLE ASSEMBLY for Breakdown) (SN 0300219912 through 0300240699)	
10	1001218651	1	Platform Console Assembly (See PLATFORM CONSOLE ASSEMBLY for Breakdown) (SN 0300240700 to Present)	

SECTION 5 - PLATFORM

FIGURE 5-14. PLATFORM CONSOLE AND FOOTSWITCH INSTALLATION - WITH SKYGUARD AND 1 CELL LSS - E400AJP/E400AJPn/M400AJP/M400AJPn



ART_1001220659

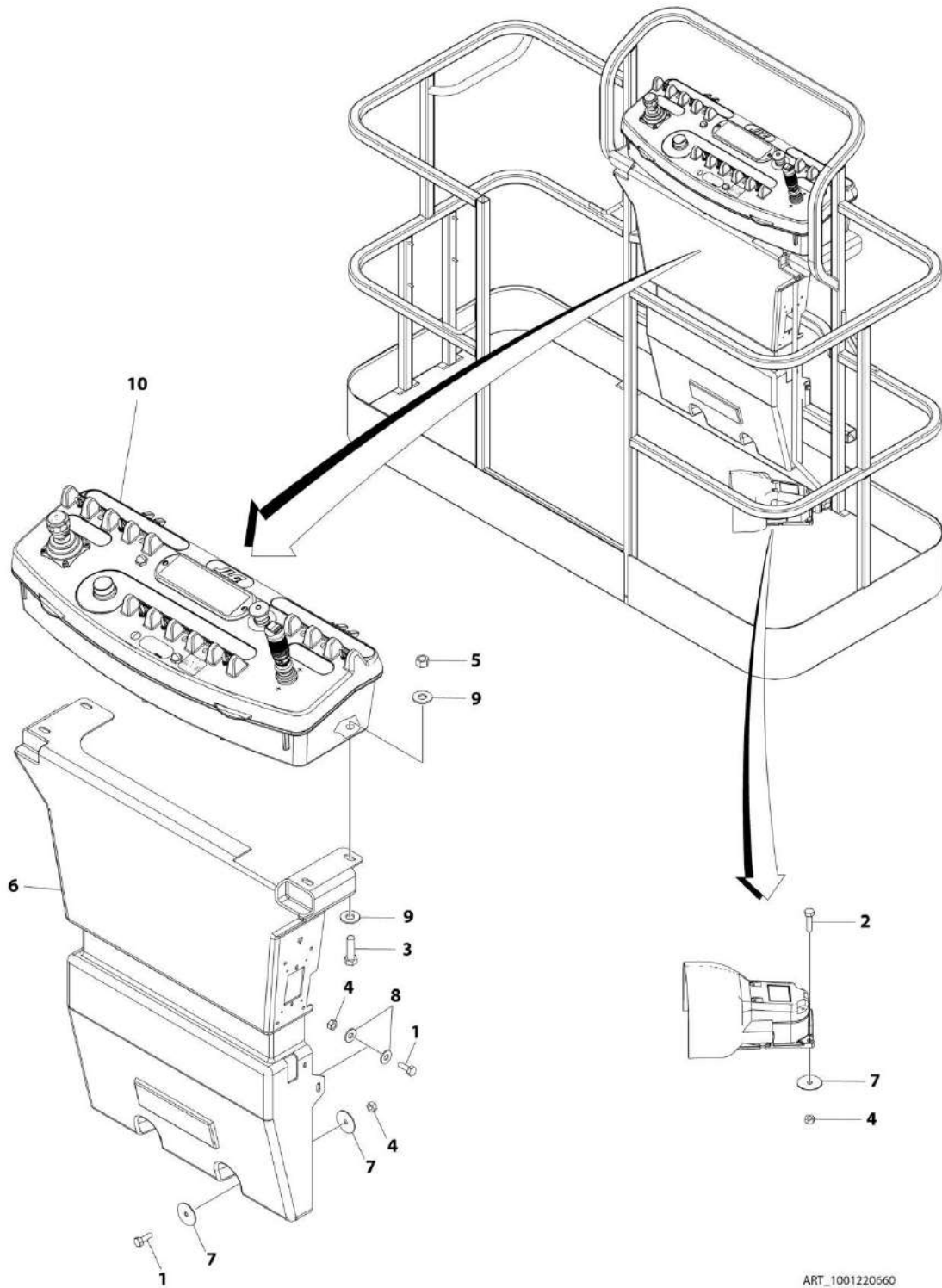
SECTION 5 - PLATFORM

FIGURE 5-14. PLATFORM CONSOLE AND FOOTSWITCH INSTALLATION - WITH SKYGUARD AND 1 CELL LSS - E400AJP/E400AJPN/M400AJP/M400AJPN

ITEM	PART NUMBER	QTY	DESCRIPTION	REV
	1001220659	Ref	PLATFORM CONSOLE AND FOOTSWITCH INSTALLATION - WITH SKYGUARD AND 1 CELL LSS - E400AJP/E400AJPN/M400AJP/M400AJPN	A
1	0641406	4	Bolt, 1/4-20 X 3/4	
2	0641408	3	Bolt, 1/4-20 X 1	
3	0641610	4	Bolt, 3/8-16 X 1-1/4	
4	3311405	7	Nut, Lock, 1/4-20	
5	3311605	4	Nut, Lock, 3/8-16	
6	3380434	1	Panel, Pedestal	
7	4740362	7	Washer, 1/4	
8	4751400	4	Washer, 1/4	
9	4751600	8	Washer, 3/8	
10	1001218651	1	Platform Console Assembly (See PLATFORM CONSOLE ASSEMBLY for Breakdown)	

SECTION 5 - PLATFORM

FIGURE 5-15. PLATFORM CONSOLE AND FOOTSWITCH INSTALLATION - WITH SKYGUARD AND 1 CELL LSS - E400AN



ART_1001220660

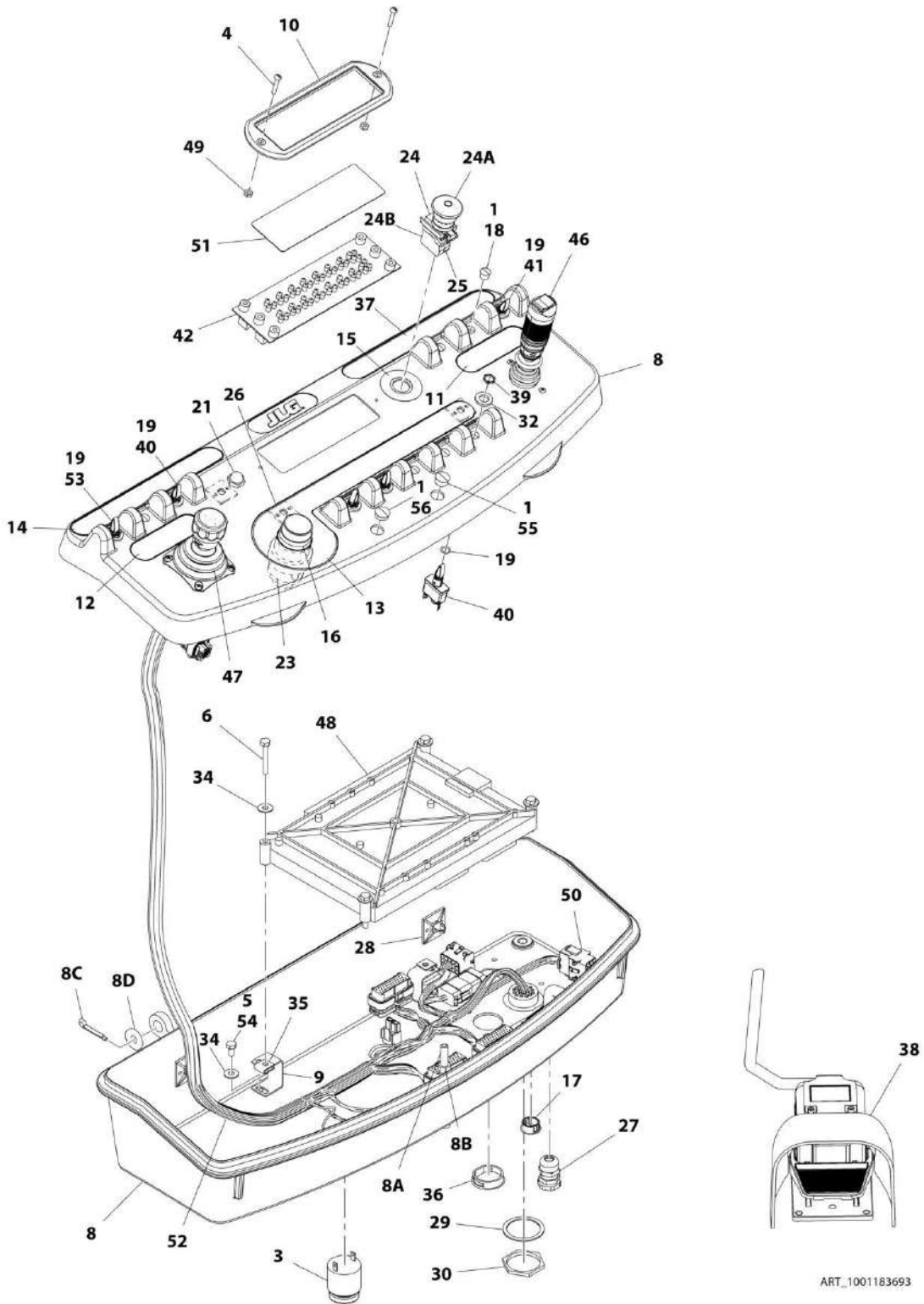
SECTION 5 - PLATFORM

FIGURE 5-15. PLATFORM CONSOLE AND FOOTSWITCH INSTALLATION - WITH SKYGUARD AND 1 CELL LSS - E400AN

ITEM	PART NUMBER	QTY	DESCRIPTION	REV
	1001220660	Ref	PLATFORM CONSOLE AND FOOTSWITCH INSTALLATION - WITH SKYGUARD AND 1 CELL LSS - E400An	A
1	0641406	4	Bolt, 1/4-20 X 3/4	
2	0641408	3	Bolt, 1/4-20 X 1	
3	0641610	4	Bolt, 3/8-16 X 1-1/4	
4	3311405	7	Nut, Lock, 1/4-20	
5	3311605	4	Nut, Lock, 3/8-16	
6	3380434	1	Panel, Pedestal	
7	4740362	7	Washer, 1/4	
8	4751400	4	Washer, 1/4	
9	4751600	8	Washer, 3/8	
10	1001218652	1	Platform Console Assembly (See PLATFORM CONSOLE ASSEMBLY for Breakdown)	

SECTION 5 - PLATFORM

FIGURE 5-16. PLATFORM CONSOLE ASSEMBLY - WITHOUT LSS OR WITH 4 CELL LSS - WITHOUT SKYGUARD - E400AN (SN 0300208530 through 0300219911)



ART_1001183693

SECTION 5 - PLATFORM

FIGURE 5-16. PLATFORM CONSOLE ASSEMBLY - WITHOUT LSS OR WITH 4 CELL LSS - WITHOUT SKYGUARD - E400AN (SN 0300208530 through 0300219911)

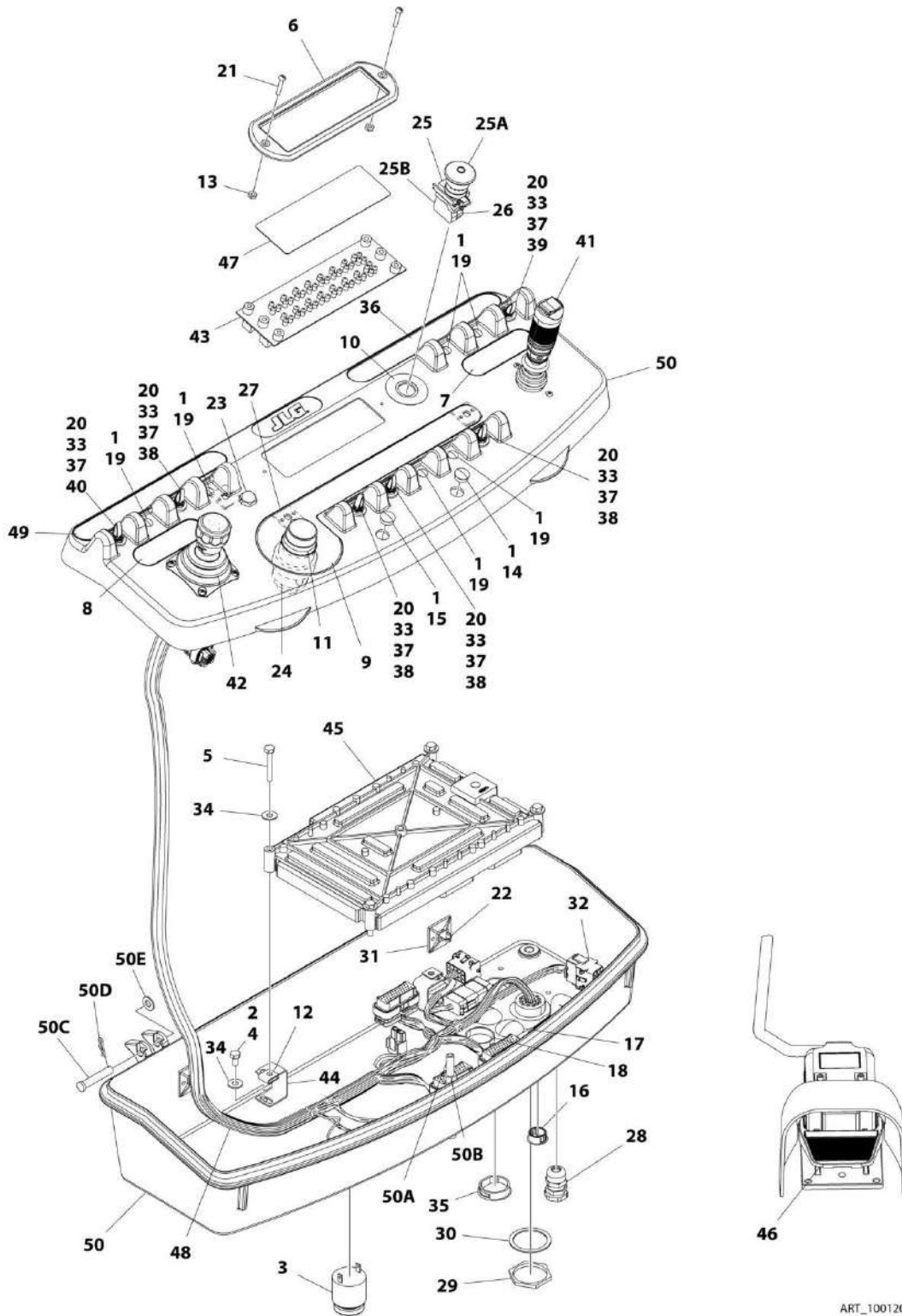
ITEM	PART NUMBER	QTY	DESCRIPTION	REV
	1001183693	Ref	PLATFORM CONSOLE ASSEMBLY - WITHOUT LSS OR WITH 4 CELL LSS - WITHOUT SKYGUARD - E400An (SN 0300208530 through 0300219911)	H
1	0100009	AR	Sealant	
3	0140011	1	Alarm	
4	3911018	2	Screw, #10-24 x 1-1/8	
5	0641404	4	Bolt, 1/4-20 x 1/2	
6	0641414	4	Bolt, 1/4-20 x 1-3/4	
8	1001190017	1	Console Box Assembly	
8A	0630568	1	Capscrew, 3/8-16 x 4-1/2	
8B	3311601	1	Nut, 3/8-16	
8C	3470003	2	Pin, Cotter	
8D	4711500	2	Washer, 5/16	
9	1001172760	4	Bracket, Module	
10	1671176	1	Bezel	
11	1702565	1	Decal - Drive and Steer	
12	1702566	1	Decal - Lift and Swing	
13	1702567	1	Decal - Function Speed	
14	1001193987	1	Decal - Horn and Drive Select	
15	1704260	1	Decal - EMS	
16	2560136	1	Handle, Knob	
17	3520030	1	Plug, Hole	
18	3520054	5	Plug, Hole	
19	3790012	6	O-Ring	
20	4240032	AR	Tie-Strap (Not Shown)	
21	4360387	1	Switch, Push Button	
23	4360407	1	Switch, Potentiometer	
24	4360475	1	Switch, Emergency Stop	
24A	7020175	1	Cap, Mushroom with Sealing Ring	
24B	7020176	1	Block, Contact	
25	4360476	1	Block, Contact	
26	4460234	4	Mount, Tie-Strap	
27	4460428	1	Connector, Strain Relief	
28	4460488	2	Base, Terminal Mounting	
29	4460471	1	Washer, Lock, Terminal	
30	4460470	1	Nut, Terminal	
32	4740397	6	Spacer	
34	4751400	8	Washer, 1/4	
35	3300353	4	Nut, Tinnerman	
36	1001110434	2	Plug, D-Shaped	
37	1001132175	1	Decal - Stop - Generator	
38	1001189039	1	Footswitch Assembly (See FOOTSWITCH ASSEMBLY for Breakdown)	
39	1001155044	6	Nut, 15/32-32	
40	1001155045	4	Switch, Toggle	
41	1001159256	1	Switch, Toggle	
42	1001170838	1	Gauge, Led Panel	
46	1001166538	NLA	Controller Assembly - Drive and Steer (Use p/n 1001212415) (See CONTROLLER ASSEMBLY - DRIVE AND STEER for Breakdown)	
47	1001166539	NLA	Controller Assembly - Lift and Swing (Use p/n 1001129555) (See	

SECTION 5 - PLATFORM

ITEM	PART NUMBER	QTY	DESCRIPTION	REV
48	1001182724	1	CONTROLLER ASSEMBLY LIFT AND SWING for Breakdown) Module, PC (Note: Re-calibration Required when Replaced)	
49	3300408	2	Nut, Lock	
50	4460708	1	Connector - 15 Position	
51	1001190797	1	Decal - Platform Display	
52	1001191318	1	Harness, Platform Console Box (See ELECTRICAL SECTION for Breakdown)	
53	1001161710	1	Switch, Toggle	
54	0100075	AR	Sealant	
55	3520026	1	Plug, Hole	
56	3520027	1	Plug, Hole	

SECTION 5 - PLATFORM

FIGURE 5-17. PLATFORM CONSOLE ASSEMBLY - WITHOUT LSS OR WITH 4 CELL LSS - WITHOUT SKYGUARD - E400AN (SN 0300219912 to Present)



ART_1001202581

SECTION 5 - PLATFORM

FIGURE 5-17. PLATFORM CONSOLE ASSEMBLY - WITHOUT LSS OR WITH 4 CELL LSS - WITHOUT SKYGUARD - E400AN (SN 0300219912 to Present)

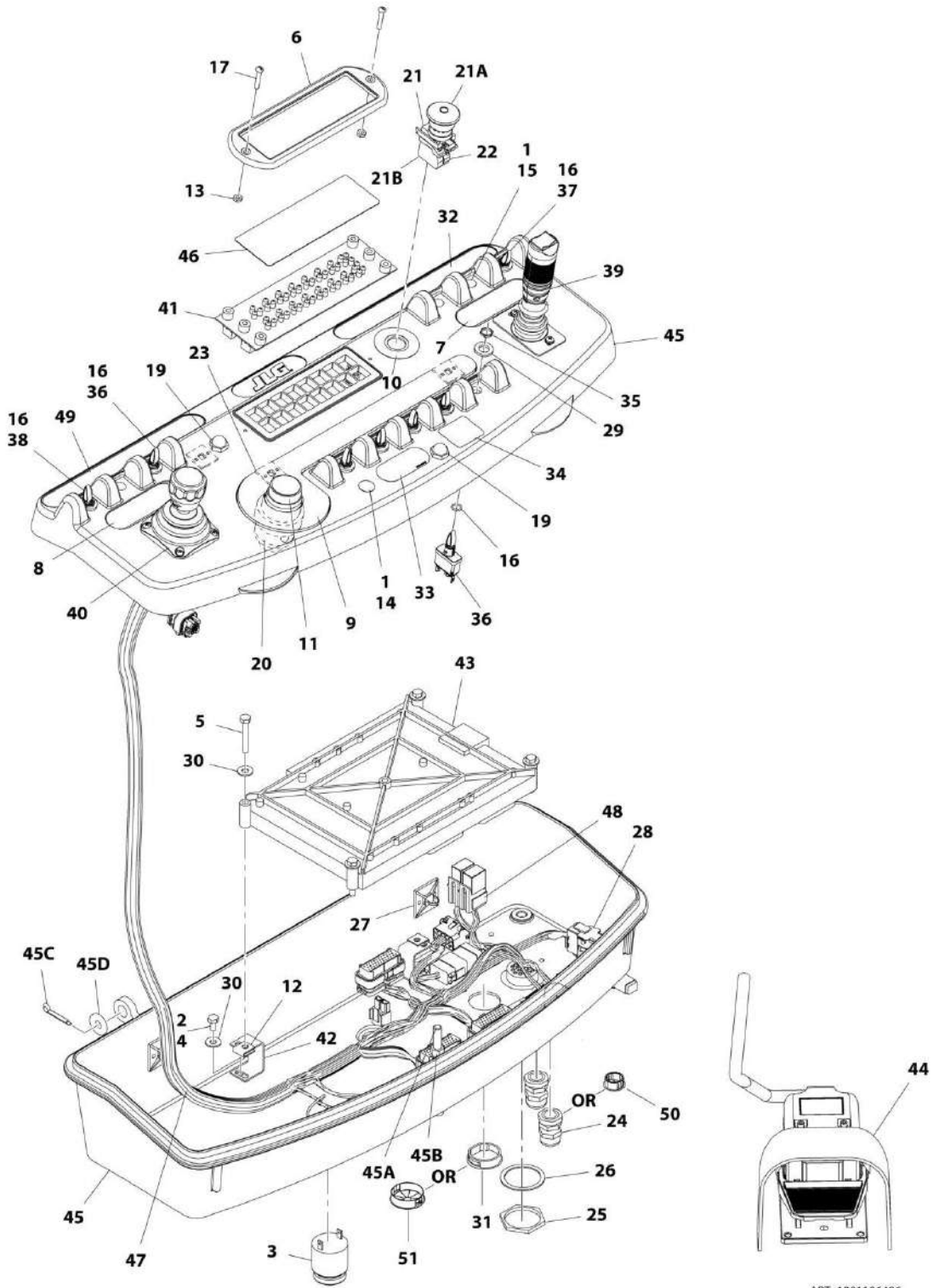
ITEM	PART NUMBER	QTY	DESCRIPTION	REV
	1001202581	Ref	PLATFORM CONSOLE ASSEMBLY - WITHOUT LSS OR WITH 4 CELL LSS - WITHOUT SKYGUARD - E400AN (SN 0300219912 to Present)	C
1	0100009	AR	Sealant	
2	0100075	AR	Sealant	
3	0140011	1	Alarm	
4	0641404	4	Bolt, 1/4-20 x 1/2	
5	0641414	4	Bolt, 1/4-20 x 1-3/4	
6	1671176	1	Bezel	
7	1702565	1	Decal - Drive and Steer	
8	1702566	1	Decal - Lift and Swing	
9	1702567	1	Decal - Function Speed	
10	1704260	1	Decal - EMS	
11	2560136	1	Handle, Knob	
12	3300353	4	Nut, Tinnerman	
13	3300408	2	Nut, Lock	
14	3520026	1	Plug, Hole	
15	3520027	1	Plug, Hole	
16	3520030	1	Plug, Hole	
17	3520033	2	Plug, Hole (SN 0300219912 through 0300226306)	
17	1001220486	2	Plug, Hole (SN 0300226307 to Present)	
18	3520035	1	Plug, Cap	
19	3520054	6	Plug, Hole	
20	3790012	6	O-Ring	
21	3911018	2	Screw, #10-24 x 1-1/8	
22	4240032	AR	Tie-Strap (Not Shown)	
23	4360387	1	Switch, Push Button	
24	4360407	1	Switch, Potentiometer	
25	4360475	1	Switch, Emergency Stop	
25A	7020175	1	Cap, Mushroom with Sealing Ring	
25B	7020176	1	Block, Contact	
26	4360476	1	Block, Contact	
27	4460234	4	Mount, Tie-Strap	
28	4460428	1	Connector, Strain Relief	
29	4460470	1	Nut, Terminal	
30	4460471	1	Washer, Lock, Terminal	
31	4460488	2	Base, Terminal Mounting	
32	4460708	1	Connector - 15 Position	
33	4740397	6	Spacer	
34	4751400	8	Washer, 1/4	
35	1001110434	1	Plug, D-Shaped	
36	1001132175	1	Decal - Stop - Generator	
37	1001155044	6	Nut, 15/32-32	
38	1001155045	4	Switch, Toggle	
39	1001159256	1	Switch, Toggle	
40	1001161710	1	Switch, Toggle	
41	1001166538	NLA	Controller Assembly - Drive and Steer (Use p/n 1001212415) (See CONTROLLER ASSEMBLY - DRIVE AND STEER for Breakdown)	
42	1001166539	NLA	Controller Assembly - Lift and Swing (Use p/n 1001129555) (See CONTROLLER ASSEMBLY LIFT AND SWING for Breakdown)	

SECTION 5 - PLATFORM

ITEM	PART NUMBER	QTY	DESCRIPTION	REV
43	1001170838	1	Gauge, Led Panel	
44	1001172760	4	Bracket, Module	
45	1001182724	1	Module, PC (Note: Re-calibration Required when Replaced)	
46	1001189039	1	Footswitch Assembly (See FOOTSWITCH ASSEMBLY for Breakdown)	
47	1001190797	1	Decal - Platform Display	
48	1001191318	1	Harness, Platform Console Box (See ELECTRICAL SECTION for Breakdown)	
49	1001193987	1	Decal - Horn and Drive Select	
50	1001201887	1	Console Box Assembly	
50A	0630568	1	Capscrew, 3/8-16 x 4-1/2	
50B	3311601	1	Nut, 3/8-16	
50C	3430616	2	Pin, Clevis	
50D	3470003	2	Pin, Cotter	
50E	4711500	2	Washer, 5/16	

SECTION 5 - PLATFORM

FIGURE 5-18. PLATFORM CONSOLE ASSEMBLY - WITHOUT LSS OR WITH 4 CELL LSS - WITH SKYGUARD - E400AN (SN 0300208530 through 0300219911)



ART_1001196486

SECTION 5 - PLATFORM

FIGURE 5-18. PLATFORM CONSOLE ASSEMBLY - WITHOUT LSS OR WITH 4 CELL LSS - WITH SKYGUARD - E400AN (SN 0300208530 through 0300219911)

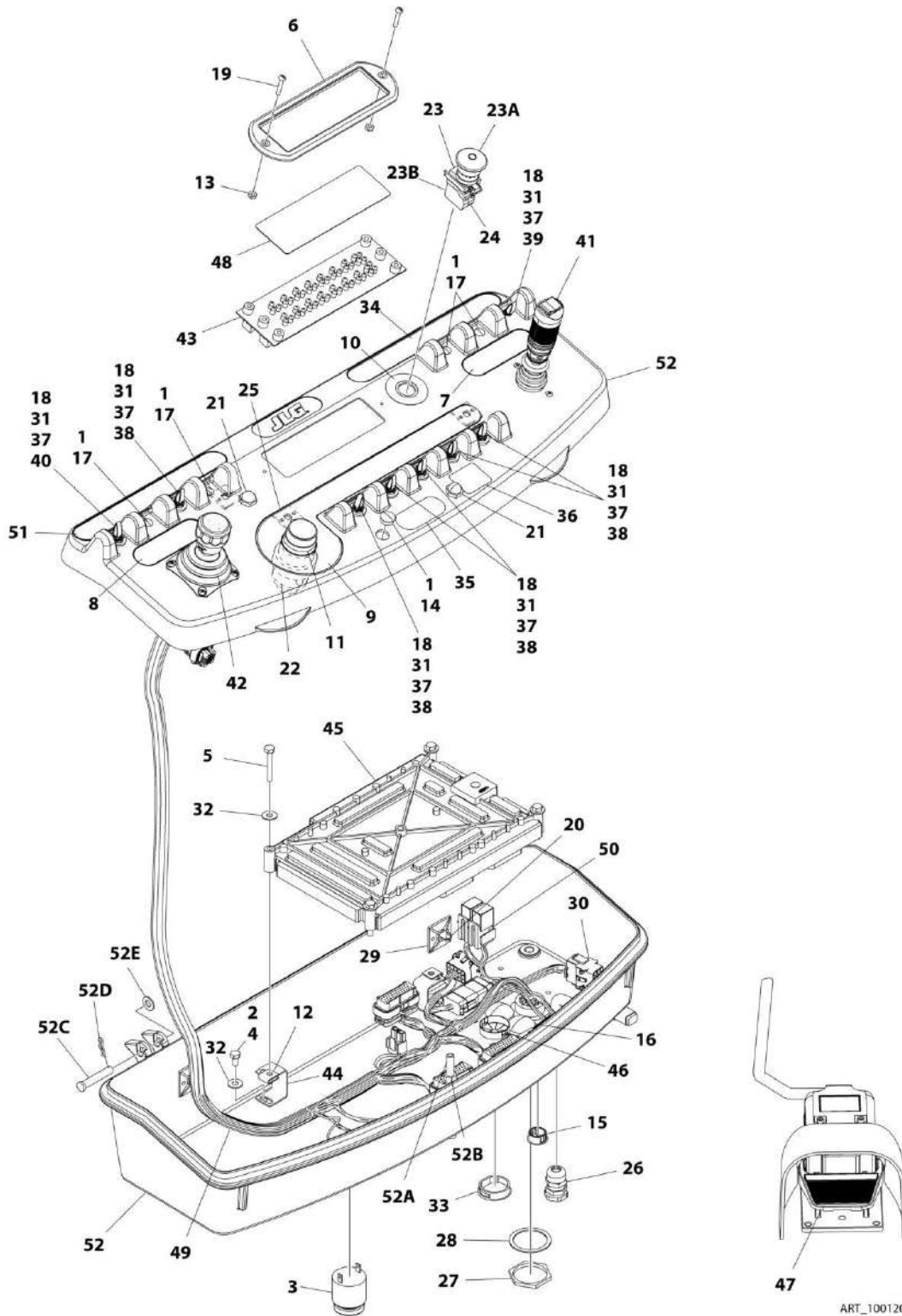
ITEM	PART NUMBER	QTY	DESCRIPTION	REV
	1001196486	Ref	PLATFORM CONSOLE ASSEMBLY - WITHOUT LSS OR WITH 4 CELL LSS - WITH SKYGUARD - E400An (SN 0300208530 through 0300219911)	D
1	0100009	AR	Sealant	
2	0100075	AR	Sealant	
3	0140011	1	Alarm	
4	0641404	4	Bolt, 1/4-20 x 1/2	
5	0641414	4	Bolt, 1/4-20 x 1-3/4	
6	1671176	1	Bezel	
7	1702565	1	Decal - Drive and Steer	
8	1702566	1	Decal - Lift and Swing	
9	1702567	1	Decal - Function Speed	
10	1704260	1	Decal - EMS	
11	2560136	1	Handle, Knob	
12	3300353	4	Nut, Tinnerman	
13	3300408	2	Nut, Lock	
14	3520027	1	Plug, Hole	
15	3520054	5	Plug, Hole	
16	3790012	6	O-Ring	
17	3911018	2	Screw, #10-24 x 1-1/8	
18	4240032	AR	Tie-Strap (Not Shown)	
19	4360387	2	Switch, Push Button	
20	4360407	1	Switch, Potentiometer	
21	4360475	1	Switch, Emergency Stop	
21A	7020175	1	Cap, Mushroom with Sealing Ring	
21B	7020176	1	Block, Contact	
22	4360476	1	Block, Contact	
23	4460234	4	Mount, Tie-Strap	
24	4460428	AR	Connector, Strain Relief	
25	4460470	1	Nut, Terminal	
26	4460471	1	Washer, Lock, Terminal	
27	4460488	2	Base, Terminal Mounting	
28	4460708	1	Connector - 15 Position	
29	4740397	6	Spacer	
30	4751400	8	Washer, 1/4	
31	1001110434	AR	Plug, D-Shaped	
32	1001132175	1	Decal - Stop - Generator	
33	1001141300	1	Decal - Platform Sensor Override	
34	1001144433	1	Decal - No Weight SkyGuard	
35	1001155044	6	Nut, 15/32-32	
36	1001155045	4	Switch, Toggle	
37	1001159256	1	Switch, Toggle	
38	1001161710	1	Switch, Toggle	
39	1001166538	NLA	Controller Assembly - Drive and Steer (Use p/n 1001212415) (See CONTROLLER ASSEMBLY - DRIVE AND STEER for Breakdown)	
40	1001166539	NLA	Controller Assembly - Lift and Swing (Use p/n 1001129555) (See CONTROLLER ASSEMBLY LIFT AND SWING for Breakdown)	
41	1001170838	1	Gauge, Led Panel	
42	1001172760	4	Bracket, Module	
43	1001182724	1	Module, PC (Note: Re-calibration Required when Replaced)	

SECTION 5 - PLATFORM

ITEM	PART NUMBER	QTY	DESCRIPTION	REV
44	1001189039	1	Footswitch Assembly (See FOOTSWITCH ASSEMBLY for Breakdown)	
45	1001190017	1	Console Box Assembly	
45A	0630568	1	Capscrew, 3/8-16 x 4-1/2	
45B	3311601	1	Nut, 3/8-16	
45C	3470003	2	Pin, Cotter	
45D	4711500	2	Washer, 5/16	
46	1001190797	1	Decal - Platform Display	
47	1001191318	1	Harness, Platform Console Box (See ELECTRICAL SECTION for Breakdown)	
48	1001192292	1	Harness, SkyGuard (See ELECTRICAL SECTION for Breakdown)	
49	1001193987	1	Decal - Horn and Drive Select	
50	3520030	1	Plug, Hole (SN 0300214530 through 0300219911)	
51	1001185281	1	Plug, Bushing (SN 0300214530 through 0300219911)	

SECTION 5 - PLATFORM

FIGURE 5-19. PLATFORM CONSOLE ASSEMBLY - WITHOUT LSS OR WITH 4 CELL LSS - WITH SKYGUARD - E400AN (SN 0300219912 through 0300240700)



ART_1001202585

SECTION 5 - PLATFORM

FIGURE 5-19. PLATFORM CONSOLE ASSEMBLY - WITHOUT LSS OR WITH 4 CELL LSS - WITH SKYGUARD - E400AN (SN 0300219912 through 0300240700)

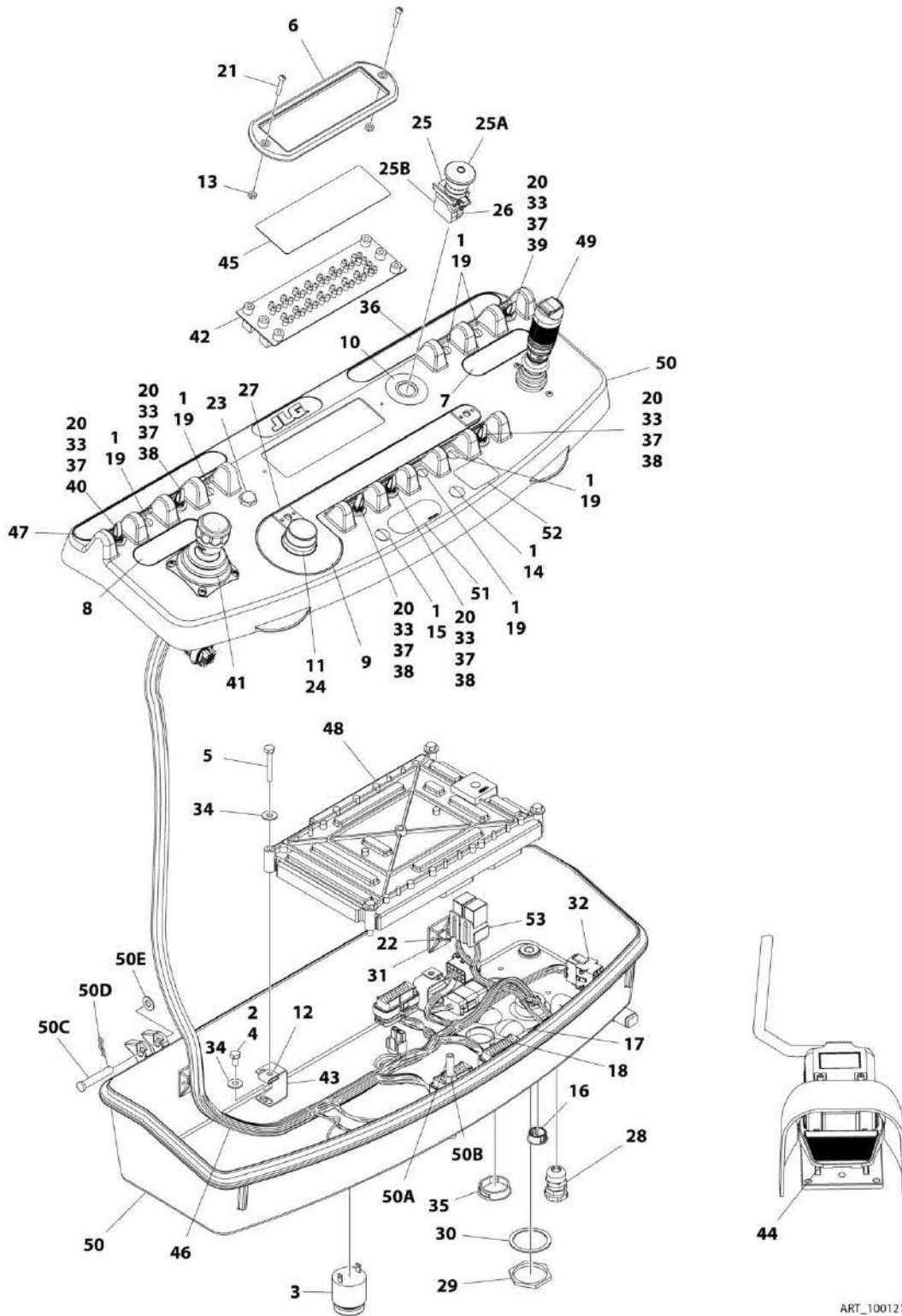
ITEM	PART NUMBER	QTY	DESCRIPTION	REV
	1001202585	Ref	PLATFORM CONSOLE ASSEMBLY - WITHOUT LSS OR WITH 4 CELL LSS - WITH SKYGUARD - E400An (SN 0300219912 through 0300240700)	D
1	0100009	AR	Sealant	
2	0100075	AR	Sealant	
3	0140011	1	Alarm	
4	0641404	4	Bolt, 1/4-20 x 1/2	
5	0641414	4	Bolt, 1/4-20 x 1-3/4	
6	1671176	1	Bezel	
7	1702565	1	Decal - Drive and Steer	
8	1702566	1	Decal - Lift and Swing	
9	1702567	1	Decal - Function Speed	
10	1704260	1	Decal - EMS	
11	2560136	1	Handle, Knob	
12	3300353	4	Nut, Tinnerman	
13	3300408	2	Nut, Lock	
14	3520027	1	Plug, Hole	
15	3520030	1	Plug, Hole	
16	3520033	2	Plug, Hole (SN 0300219912 through 0300226306)	
16	1001220486	2	Plug, Hole (SN 0300226307 to Present)	
17	3520054	4	Plug, Hole	
18	3790012	8	O-Ring	
19	3911018	2	Screw, #10-24 x 1-1/8	
20	4240032	AR	Tie-Strap (Not Shown)	
21	4360387	2	Switch, Push Button	
22	4360407	1	Switch, Potentiometer	
23	4360475	1	Switch, Emergency Stop	
23A	7020175	1	Cap, Mushroom with Sealing Ring	
23B	7020176	1	Block, Contact	
24	4360476	1	Block, Contact	
25	4460234	4	Mount, Tie-Strap	
26	4460428	1	Connector, Strain Relief	
27	4460470	1	Nut, Terminal	
28	4460471	1	Washer, Lock, Terminal	
29	4460488	2	Base, Terminal Mounting	
30	4460708	1	Connector - 15 Position	
31	4740397	6	Spacer	
32	4751400	8	Washer, 1/4	
33	1001110434	1	Plug, D-Shaped	
34	1001132175	1	Decal - Stop - Generator	
35	1001141300	1	Decal - Platform Sensor Override	
36	1001144433	1	Decal - No Weight SkyGuard	
37	1001155044	8	Nut, 15/32-32	
38	1001155045	6	Switch, Toggle	
39	1001159256	1	Switch, Toggle	
40	1001161710	1	Switch, Toggle	
41	1001166538	NLA	Controller Assembly - Drive and Steer (Use p/n 1001212415) (See CONTROLLER ASSEMBLY - DRIVE AND STEER for Breakdown)	
42	1001166539	NLA	Controller Assembly - Lift and Swing (Use p/n 1001129555) (See CONTROLLER ASSEMBLY LIFT AND SWING for Breakdown)	

SECTION 5 - PLATFORM

ITEM	PART NUMBER	QTY	DESCRIPTION	REV
43	1001170838	1	Gauge, Led Panel	
44	1001172760	4	Bracket, Module	
45	1001182724	1	Module, PC (Note: Re-calibration Required when Replaced)	
46	1001185281	1	Plug, Bushing	
47	1001189039	1	Footswitch Assembly (See FOOTSWITCH ASSEMBLY for Breakdown)	
48	1001190797	1	Decal - Platform Display	
49	1001191318	1	Harness, Platform Console Box (See ELECTRICAL SECTION for Breakdown)	
50	1001192292	1	Harness, SkyGuard (See ELECTRICAL SECTION for Breakdown)	
51	1001193987	1	Decal - Horn and Drive Select	
52	1001201887	1	Console Box Assembly	
52A	0630568	1	Capscrew, 3/8-16 x 4-1/2	
52B	3311601	1	Nut, 3/8-16	
52C	3430616	2	Pin, Clevis	
52D	3470003	2	Pin, Cotter	
52E	4711500	2	Washer, 5/16	

SECTION 5 - PLATFORM

FIGURE 5-20. PLATFORM CONSOLE ASSEMBLY - WITHOUT LSS OR WITH 4 CELL LSS - WITH SKYGUARD - E400AN - UL SPECS



ART_1001216153

SECTION 5 - PLATFORM

FIGURE 5-20. PLATFORM CONSOLE ASSEMBLY - WITHOUT LSS OR WITH 4 CELL LSS - WITH SKYGUARD - E400AN - UL SPECS

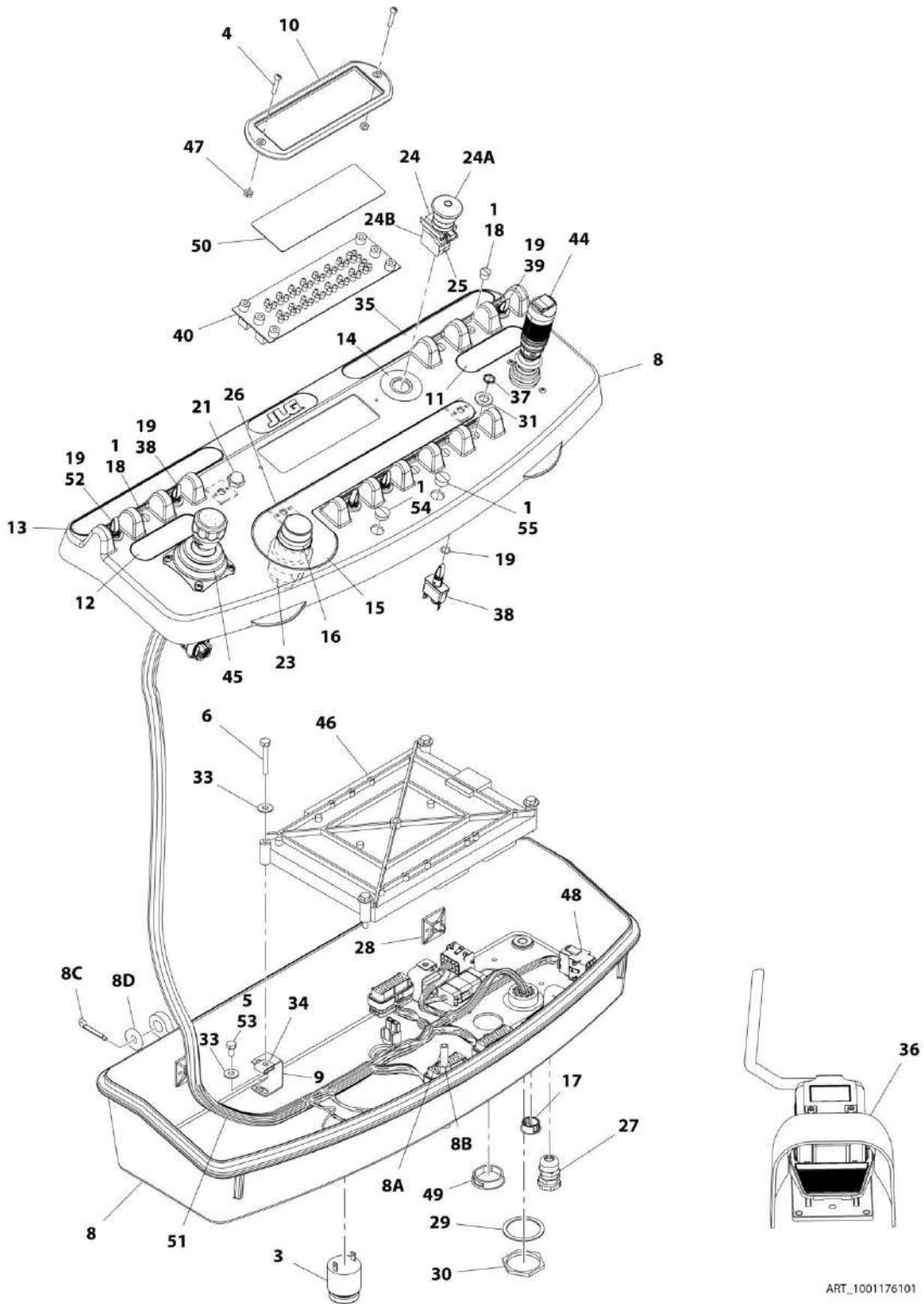
ITEM	PART NUMBER	QTY	DESCRIPTION	REV
	1001216153	Ref	PLATFORM CONSOLE ASSEMBLY - WITHOUT LSS OR WITH 4 CELL LSS - WITH SKYGUARD - E400An - UL SPECS	D
1	0100009	AR	Sealant	
2	0100075	AR	Sealant	
3	0140011	1	Alarm	
4	0641404	4	Bolt, 1/4-20 x 1/2	
5	0641414	4	Bolt, 1/4-20 x 1-3/4	
6	1671176	1	Bezel	
7	1702565	1	Decal - Drive and Steer	
8	1702566	1	Decal - Lift and Swing	
9	1702567	1	Decal - Function Speed	
10	1704260	1	Decal - EMS	
11	2560136	1	Handle, Knob	
12	3300353	4	Nut, Tinnerman	
13	3300408	2	Nut, Lock	
14	3520026	1	Plug, Hole (SN 0300208530 through 0300229267)	
15	3520027	1	Plug, Hole	
16	3520030	1	Plug, Hole	
17	1001220486	2	Plug, Hole	
18	3520035	1	Plug, Cap (SN 0300208530 through 0300229267)	
18	1001185281	1	Plug, Bushing (SN 0300229268 to Present)	
19	3520054	6	Plug, Hole	
20	3790012	6	O-Ring	
21	3911018	2	Screw, #10-24 x 1-1/8	
22	4240032	AR	Tie-Strap (Not Shown)	
23	4360387	AR	Switch, Push Button	
24	4360407	1	Switch, Potentiometer	
25	4360475	1	Switch, Emergency Stop	
25A	7020175	1	Cap, Mushroom with Sealing Ring	
25B	7020176	1	Block, Contact	
26	4360476	1	Block, Contact	
27	4460234	4	Mount, Tie-Strap	
28	4460428	1	Connector, Strain Relief	
29	4460470	1	Nut, Terminal	
30	4460471	1	Washer, Lock, Terminal	
31	4460488	2	Base, Terminal Mounting	
32	4460708	1	Connector - 15 Position	
33	4740397	6	Spacer	
34	4751400	8	Washer, 1/4	
35	1001110434	1	Plug, D-Shaped	
36	1001132175	1	Decal - Stop - Generator	
37	1001155044	6	Nut, 15/32-32	
38	1001155045	4	Switch, Toggle	
39	1001159256	1	Switch, Toggle	
40	1001161710	1	Switch, Toggle	
41	1001166539	NLA	Controller Assembly - Lift and Swing (Use p/n 1001129555) (See CONTROLLER ASSEMBLY LIFT AND SWING for Breakdown)	
42	1001170838	1	Gauge, Led Panel	
43	1001172760	4	Bracket, Module	

SECTION 5 - PLATFORM

ITEM	PART NUMBER	QTY	DESCRIPTION	REV
44	1001189039	1	Footswitch Assembly (See FOOTSWITCH ASSEMBLY for Breakdown)	
45	1001190797	1	Decal - Platform Display	
46	1001191318	1	Harness, Platform Console Box (See ELECTRICAL SECTION for Breakdown)	
47	1001193987	1	Decal - Horn and Drive Select	
48	1001215835	1	Module, PC (Note: Re-calibration Required when Replaced)	
49	1001166538	NLA	Controller Assembly - Drive and Steer (Use p/n 1001212415) (See CONTROLLER ASSEMBLY - DRIVE AND STEER for Breakdown)	
50	1001201887	1	Console Box Assembly	
50A	0630568	1	Capscrew, 3/8-16 x 4-1/2	
50B	3311601	1	Nut, 3/8-16	
50C	3430616	2	Pin, Clevis	
50D	3470003	2	Pin, Cotter	
50E	4711600	2	Washer, 5/16	
51	1001141300	1	Decal - Platform Sensor Override (SN 0300229268 through 0300239739)	
52	1001144433	1	Decal - No Weight SkyGuard (SN 0300229268 to Present)	
53	1001192292	1	Harness, SkyGuard (See ELECTRICAL SECTION for Breakdown) (SN 0300229268 to Present)	

SECTION 5 - PLATFORM

FIGURE 5-21. PLATFORM CONSOLE ASSEMBLY - WITHOUT LSS OR WITH 4 CELL LSS - WITHOUT SKYGUARD - E400AJP/E400AJPN/M400AJP/M400AJPN (SN 0300208530 through 0300219911)



ART_1001176101

SECTION 5 - PLATFORM

FIGURE 5-21. PLATFORM CONSOLE ASSEMBLY - WITHOUT LSS OR WITH 4 CELL LSS - WITHOUT SKYGUARD - E400AJP/E400AJPN/M400AJP/M400AJPN (SN 0300208530 through 0300219911)

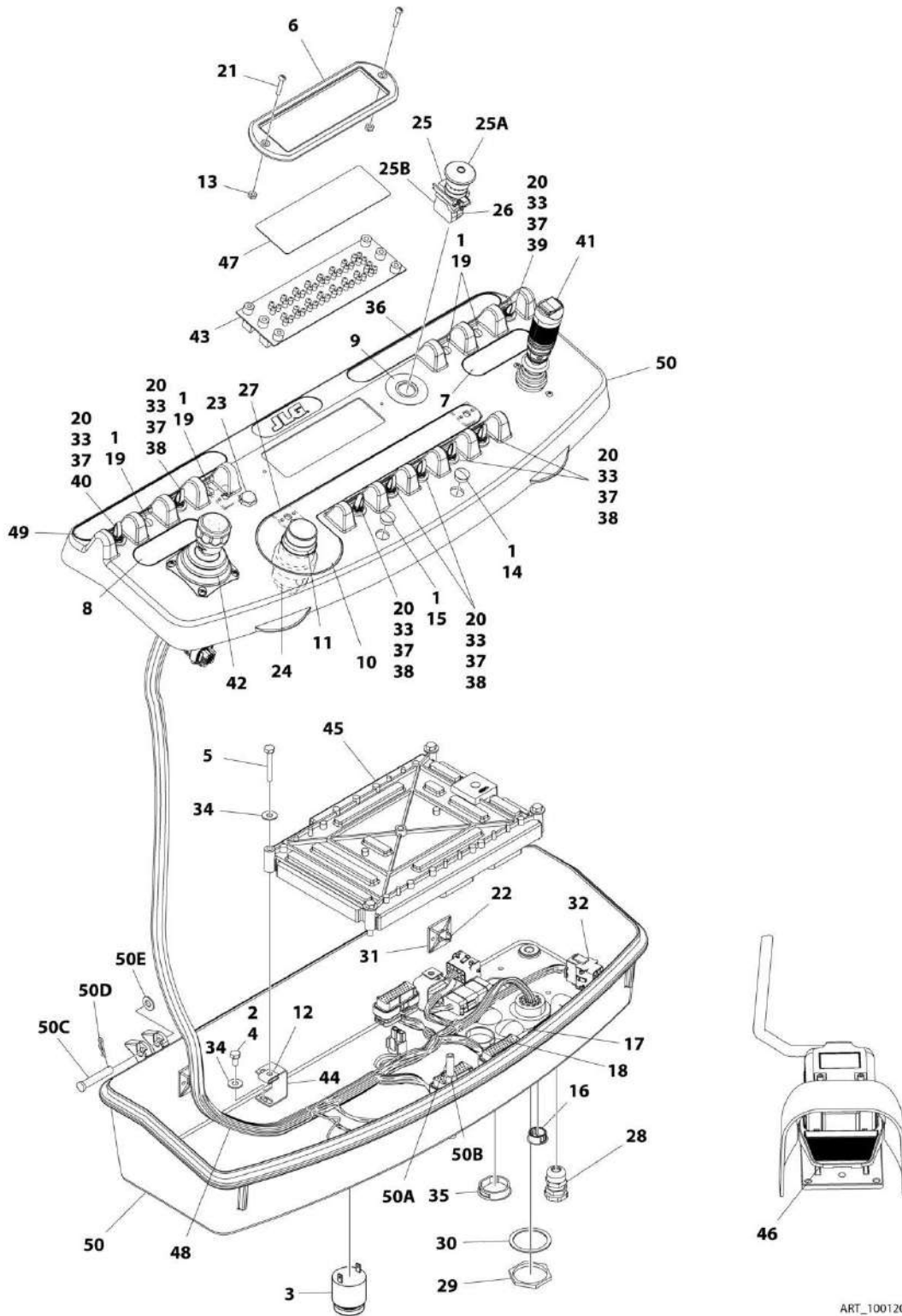
ITEM	PART NUMBER	QTY	DESCRIPTION	REV
	1001176101	Ref	PLATFORM CONSOLE ASSEMBLY - WITHOUT LSS OR WITH 4 CELL LSS - WITHOUT SKYGUARD - E400AJP/E400AJPN/M400AJP/M400AJPN (SN 0300208530 through 0300219911)	H
1	0100009	AR	Sealant	
3	0140011	1	Alarm	
4	3911018	2	Screw, #10-24 x 1-1/8	
5	0641404	4	Bolt, 1/4-20 x 1/2	
6	0641414	4	Bolt, 1/4-20 x 1-3/4	
8	1001190017	1	Console Box Assembly	
8A	0630568	1	Capscrew, 3/8-16 x 4-1/2	
8B	3311601	1	Nut, 3/8-16	
8C	3470003	2	Pin, Cotter	
8D	4711500	2	Washer, 5/16	
9	1001172760	4	Bracket, Module	
10	1671176	1	Bezel	
11	1702565	1	Decal - Drive and Steer	
12	1702566	1	Decal - Lift and Swing	
13	1001193987	1	Decal - Horn and Drive Select	
14	1704260	1	Decal - EMS	
15	1704422	1	Decal - Function Speed	
16	2560136	1	Handle, Knob	
17	3520030	1	Plug, Hole	
18	3520054	3	Plug, Hole	
19	3790012	8	O-Ring	
20	4240032	AR	Tie-Strap (Not Shown)	
21	4360387	1	Switch, Push Button	
23	4360407	1	Switch, Potentiometer	
24	4360475	1	Switch, Emergency Stop	
24A	7020175	1	Cap, Mushroom with Sealing Ring	
24B	7020176	1	Block, Contact	
25	4360476	1	Block, Contact	
26	4460234	4	Mount, Tie-Strap	
27	4460428	1	Connector, Strain Relief	
28	4460488	2	Base, Terminal Mounting	
29	4460471	1	Washer, Lock, Terminal	
30	4460470	1	Nut, Terminal	
31	4740397	8	Spacer	
33	4751400	8	Washer, 1/4	
34	3300353	4	Nut, Tinnerman	
35	1001132175	1	Decal - Stop - Generator	
36	1001189039	1	Footswitch Assembly (See FOOTSWITCH ASSEMBLY for Breakdown)	
37	1001155044	8	Nut, 15/32-32	
38	1001155045	6	Switch, Toggle	
39	1001159256	1	Switch, Toggle	
40	1001170838	1	Gauge, Led Panel	
44	1001166538	NLA	Controller Assembly - Drive and Steer (Use p/n 1001212415) (See CONTROLLER ASSEMBLY - DRIVE AND STEER for Breakdown)	
45	1001166539	NLA	Controller Assembly - Lift and Swing (Use p/n 1001129555) (See	

SECTION 5 - PLATFORM

ITEM	PART NUMBER	QTY	DESCRIPTION	REV
46	1001182724	1	CONTROLLER ASSEMBLY LIFT AND SWING for Breakdown) Module, PC (Note: Re-calibration Required when Replaced)	
47	3300408	2	Nut, Lock	
48	4460708	1	Connector - 15 Position	
49	1001110434	2	Plug, D-Shaped	
50	1001190797	1	Decal - Platform Display	
51	1001191318	1	Harness, Platform Console Box (See ELECTRICAL SECTION for Breakdown)	
52	1001161710	1	Switch, Toggle	
53	0100075	AR	Sealant	
54	3520027	1	Plug, Hole	
55	3520026	1	Plug, Hole	

SECTION 5 - PLATFORM

FIGURE 5-22. PLATFORM CONSOLE ASSEMBLY - WITHOUT LSS OR WITH 4 CELL LSS - WITHOUT SKYGUARD - E400AJP/E400AJPN/M400AJP/M400AJPN (SN 0300219912 to Present)



ART_1001204515

SECTION 5 - PLATFORM

FIGURE 5-22. PLATFORM CONSOLE ASSEMBLY - WITHOUT LSS OR WITH 4 CELL LSS - WITHOUT SKYGUARD - E400AJP/E400AJPN/M400AJP/M400AJPN (SN 0300219912 to Present)

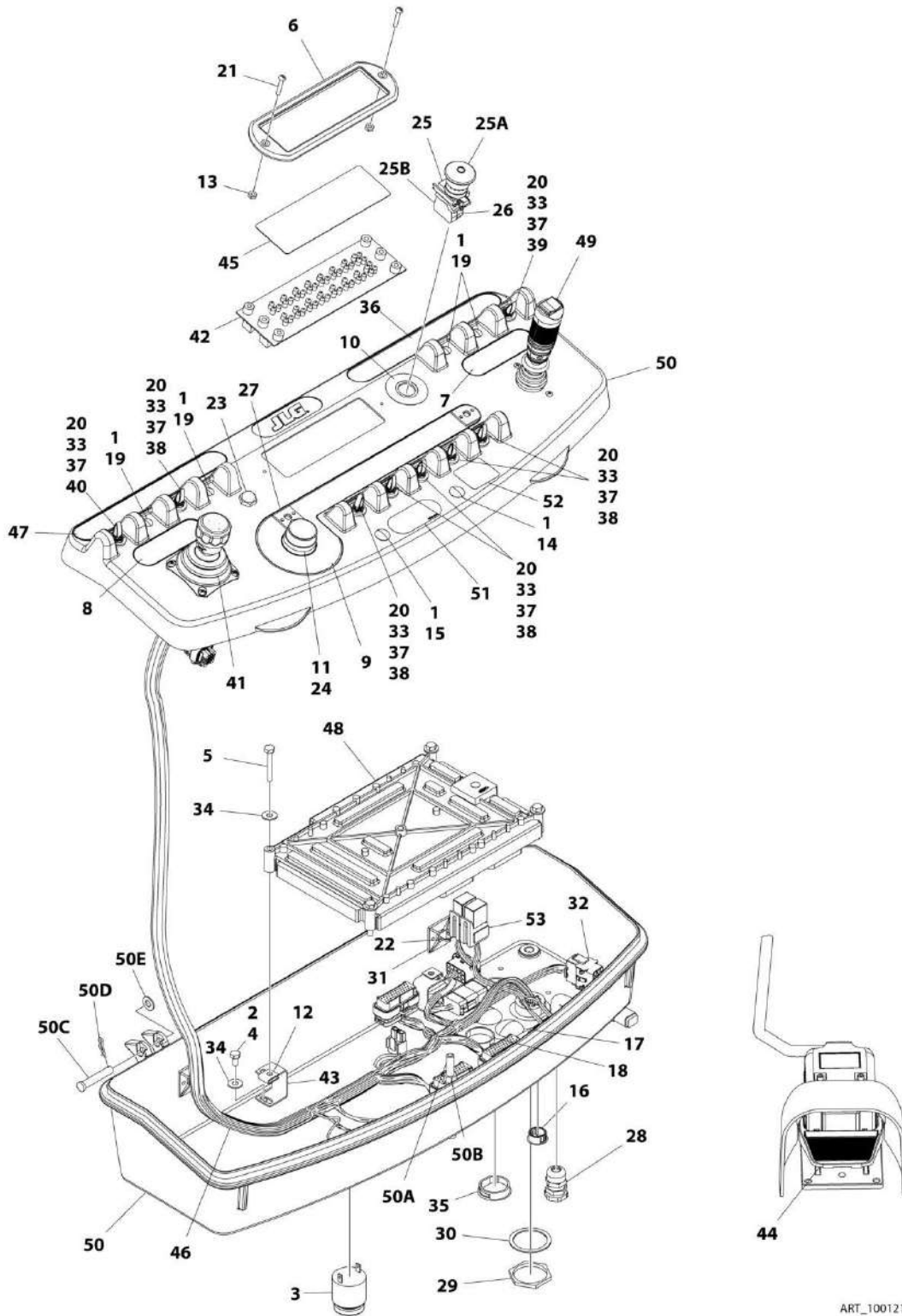
ITEM	PART NUMBER	QTY	DESCRIPTION	REV
	1001204515	Ref	PLATFORM CONSOLE ASSEMBLY - WITHOUT LSS OR WITH 4 CELL LSS - WITHOUT SKYGUARD - E400AJP/E400AJPN/M400AJP/M400AJPN (SN 0300219912 to Present)	C
1	0100009	AR	Sealant	
2	0100075	AR	Sealant	
3	0140011	1	Alarm	
4	0641404	4	Bolt, 1/4-20 x 1/2	
5	0641414	4	Bolt, 1/4-20 x 1-3/4	
6	1671176	1	Bezel	
7	1702565	1	Decal - Drive and Steer	
8	1702566	1	Decal - Lift and Swing	
9	1704260	1	Decal - EMS	
10	1704422	1	Decal - Function Speed	
11	2560136	1	Handle, Knob	
12	3300353	4	Nut, Tinnerman	
13	3300408	2	Nut, Lock	
14	3520026	1	Plug, Hole	
15	3520027	1	Plug, Hole	
16	3520030	1	Plug, Hole	
17	3520033	2	Plug, Hole (SN 0300219912 through 0300226306)	
17	1001220486	2	Plug, Hole (SN 0300226307 to Present)	
18	3520035	1	Plug, Cap	
19	3520054	3	Plug, Hole	
20	3790012	8	O-Ring	
21	3911018	2	Screw, #10-24 x 1-1/8	
22	4240032	AR	Tie-Strap (Not Shown)	
23	4360387	1	Switch, Push Button	
24	4360407	1	Switch, Potentiometer	
25	4360475	1	Switch, Emergency Stop	
25A	7020175	1	Cap, Mushroom with Sealing Ring	
25B	7020176	1	Block, Contact	
26	4360476	1	Block, Contact	
27	4460234	4	Mount, Tie-Strap	
28	4460428	1	Connector, Strain Relief	
29	4460470	1	Nut, Terminal	
30	4460471	1	Washer, Lock, Terminal	
31	4460488	2	Base, Terminal Mounting	
32	4460708	1	Connector - 15 Position	
33	4740397	8	Spacer	
34	4751400	8	Washer, 1/4	
35	1001110434	1	Plug, D-Shaped	
36	1001132175	1	Decal - Stop - Generator	
37	1001155044	8	Nut, 15/32-32	
38	1001155045	6	Switch, Toggle	
39	1001159256	1	Switch, Toggle	
40	1001161710	1	Switch, Toggle	
41	1001166538	NLA	Controller Assembly - Drive and Steer (Use p/n 1001212415) (See CONTROLLER ASSEMBLY - DRIVE AND STEER for Breakdown)	
42	1001166539	NLA	Controller Assembly - Lift and Swing (Use p/n 1001129555) (See	

SECTION 5 - PLATFORM

ITEM	PART NUMBER	QTY	DESCRIPTION	REV
			CONTROLLER ASSEMBLY LIFT AND SWING for Breakdown)	
43	1001170838	1	Gauge, Led Panel	
44	1001172760	4	Bracket, Module	
45	1001182724	1	Module, PC (Note: Re-calibration Required when Replaced)	
46	1001189039	1	Footswitch Assembly (See FOOTSWITCH ASSEMBLY for Breakdown)	
47	1001190797	1	Decal - Platform Display	
48	1001191318	1	Harness, Platform Console Box (See ELECTRICAL SECTION for Breakdown)	
49	1001193987	1	Decal - Horn and Drive Select	
50	1001201887	1	Console Box Assembly	
50A	0630568	1	Capscrew, 3/8-16 x 4-1/2	
50B	3311601	1	Nut, 3/8-16	
50C	3430616	2	Pin, Clevis	
50D	3470003	2	Pin, Cotter	
50E	4711500	2	Washer, 5/16	

SECTION 5 - PLATFORM

FIGURE 5-23. PLATFORM CONSOLE ASSEMBLY - WITHOUT LSS OR WITH 4 CELL LSS - WITH SKYGUARD - E400AJP/E400AJPN - UL SPECS



ART_1001216154

SECTION 5 - PLATFORM

FIGURE 5-23. PLATFORM CONSOLE ASSEMBLY - WITHOUT LSS OR WITH 4 CELL LSS - WITH SKYGUARD - E400AJP/E400AJPN - UL SPECS

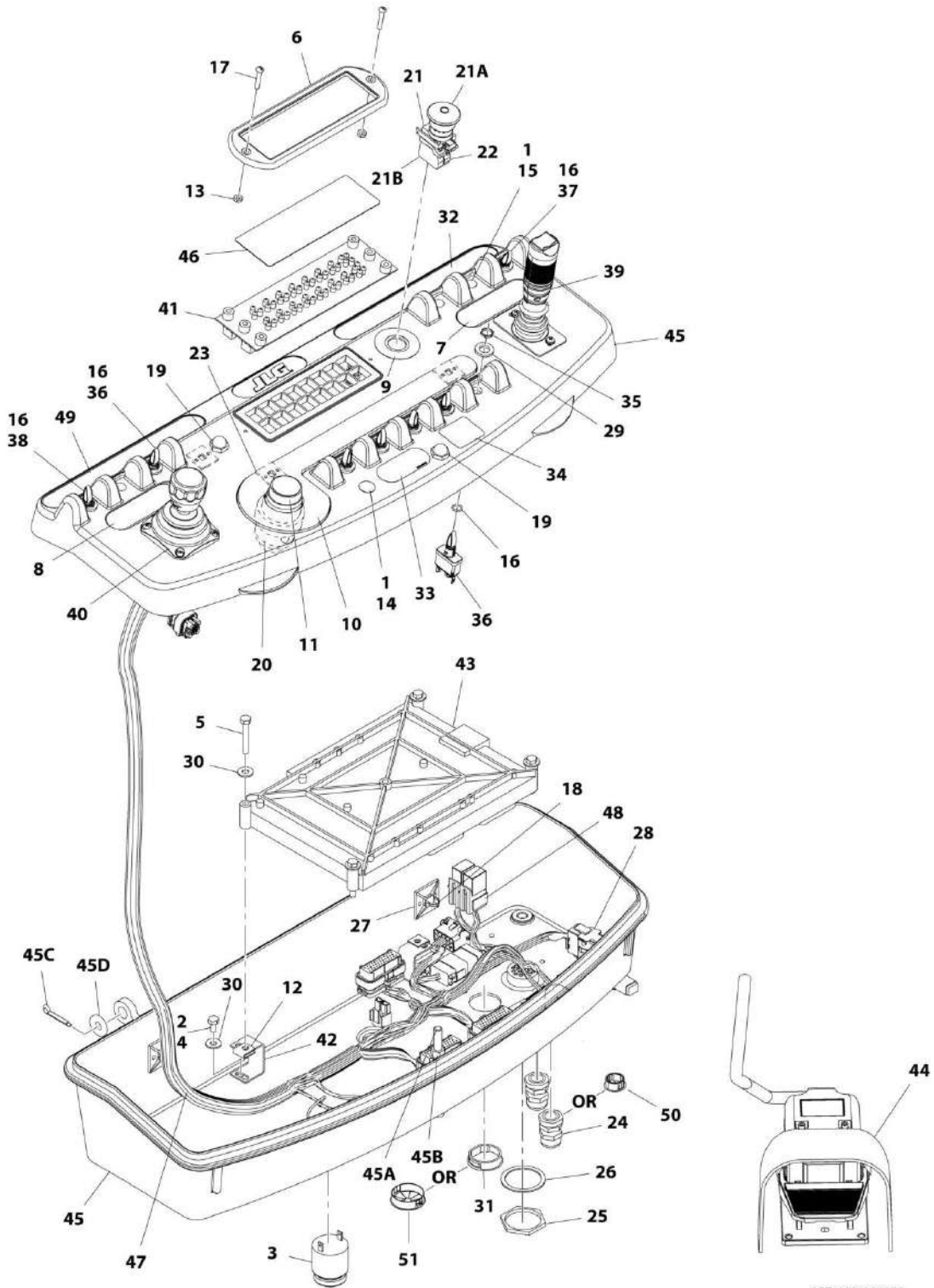
ITEM	PART NUMBER	QTY	DESCRIPTION	REV
	1001216154	Ref	PLATFORM CONSOLE ASSEMBLY - WITHOUT LSS OR WITH 4 CELL LSS - WITH SKYGUARD - E400AJP/E400AJPN - UL SPECS	D
1	0100009	AR	Sealant	
2	0100075	AR	Sealant	
3	0140011	1	Alarm	
4	0641404	4	Bolt, 1/4-20 x 1/2	
5	0641414	4	Bolt, 1/4-20 x 1-3/4	
6	1671176	1	Bezel	
7	1702565	1	Decal - Drive and Steer	
8	1702566	1	Decal - Lift and Swing	
9	1704260	1	Decal - EMS	
10	1704422	1	Decal - Function Speed	
11	2560136	1	Handle, Knob	
12	3300353	4	Nut, Tinnerman	
13	3300408	2	Nut, Lock	
14	3520026	1	Plug, Hole (SN 0300208530 through 0300229267)	
15	3520027	1	Plug, Hole	
16	3520030	1	Plug, Hole	
17	1001220486	2	Plug, Hole	
18	3520035	1	Plug, Cap (SN 0300208530 through 0300229267)	
18	1001185281	1	Plug, Bushing (SN 0300229268 to Present)	
19	3520054	3	Plug, Hole	
20	3790012	8	O-Ring	
21	3911018	2	Screw, #10-24 x 1-1/8	
22	4240032	AR	Tie-Strap (Not Shown)	
23	4360387	AR	Switch, Push Button	
24	4360407	1	Switch, Potentiometer	
25	4360475	1	Switch, Emergency Stop	
25A	7020175	1	Cap, Mushroom with Sealing Ring	
25B	7020176	1	Block, Contact	
26	4360476	1	Block, Contact	
27	4460234	4	Mount, Tie-Strap	
28	4460428	1	Connector, Strain Relief	
29	4460470	1	Nut, Terminal	
30	4460471	1	Washer, Lock, Terminal	
31	4460488	2	Base, Terminal Mounting	
32	4460708	1	Connector - 15 Position	
33	4740397	8	Spacer	
34	4751400	8	Washer, 1/4	
35	1001110434	1	Plug, D-Shaped	
36	1001132175	1	Decal - Stop - Generator	
37	1001155044	8	Nut, 15/32-32	
38	1001155045	6	Switch, Toggle	
39	1001159256	1	Switch, Toggle	
40	1001161710	1	Switch, Toggle	
41	1001166539	NLA	Controller Assembly - Lift and Swing (Use p/n 1001129555) (See CONTROLLER ASSEMBLY LIFT AND SWING for Breakdown)	
42	1001170838	1	Gauge, Led Panel	
43	1001172760	4	Bracket, Module	

SECTION 5 - PLATFORM

ITEM	PART NUMBER	QTY	DESCRIPTION	REV
44	1001189039	1	Footswitch Assembly (See FOOTSWITCH ASSEMBLY for Breakdown)	
45	1001190797	1	Decal - Platform Display	
46	1001191318	1	Harness, Platform Console Box (See ELECTRICAL SECTION for Breakdown)	
47	1001193987	1	Decal - Horn and Drive Select	
48	1001215835	1	Module, PC (Note: Re-calibration Required when Replaced)	
49	1001166538	NLA	Controller Assembly - Drive and Steer (Use p/n 1001212415) (See CONTROLLER ASSEMBLY - DRIVE AND STEER for Breakdown)	
50	1001201887	1	Console Box Assembly	
50A	0630568	1	Capscrew, 3/8-16 x 4-1/2	
50B	3311601	1	Nut, 3/8-16	
50C	3430616	2	Pin, Clevis	
50D	3470003	2	Pin, Cotter	
50E	4711600	2	Washer, 5/16	
51	1001141300	1	Decal - Platform Sensor Override (SN 0300229268 through 0300239739)	
52	1001144433	1	Decal - No Weight SkyGuard (SN 0300229268 to Present)	
53	1001192292	1	Harness, SkyGuard (See ELECTRICAL SECTION for Breakdown) (SN 0300229268 to Present)	

SECTION 5 - PLATFORM

FIGURE 5-24. PLATFORM CONSOLE ASSEMBLY - WITHOUT LSS OR WITH 4 CELL LSS - WITH SKYGUARD - E400AJP/E400AJPN/M400AJP/M400AJPN (SN 0300208530 through 0300219911)



ART_1001196484

SECTION 5 - PLATFORM

FIGURE 5-24. PLATFORM CONSOLE ASSEMBLY - WITHOUT LSS OR WITH 4 CELL LSS - WITH SKYGUARD - E400AJP/E400AJPN/M400AJP/M400AJPN (SN 0300208530 through 0300219911)

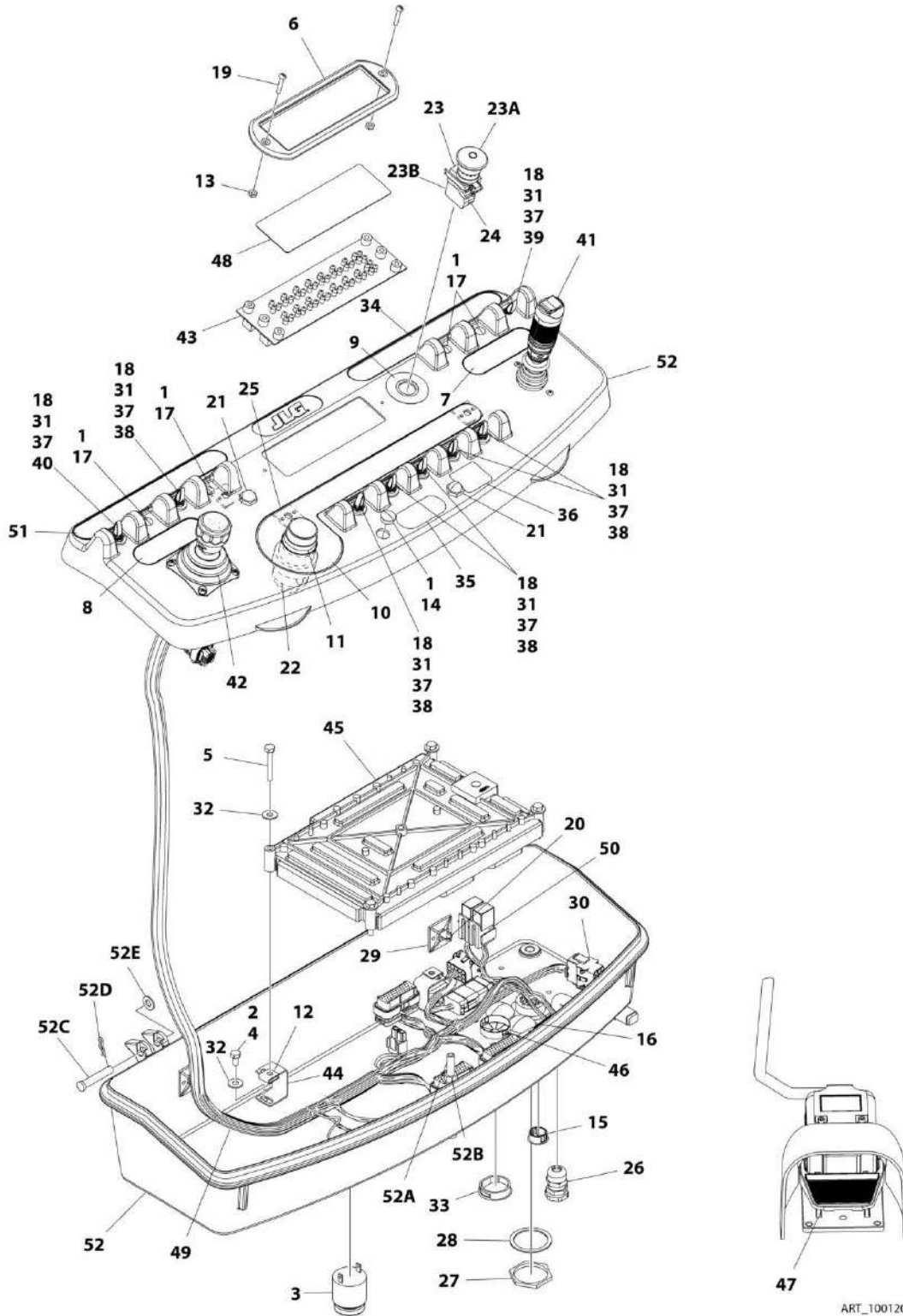
ITEM	PART NUMBER	QTY	DESCRIPTION	REV
	1001196484	Ref	PLATFORM CONSOLE ASSEMBLY - WITHOUT LSS OR WITH 4 CELL LSS - WITH SKYGUARD - E400AJP/E400AJPN/M400AJP/M400AJPN (SN 0300208530 through 0300219911)	D
1	0100009	AR	Sealant	
2	0100075	AR	Sealant	
3	0140011	1	Alarm	
4	0641404	4	Bolt, 1/4-20 x 1/2	
5	0641414	4	Bolt, 1/4-20 x 1-3/4	
6	1671176	1	Bezel	
7	1702565	1	Decal - Drive and Steer	
8	1702566	1	Decal - Lift and Swing	
9	1704260	1	Decal - EMS	
10	1704422	1	Decal - Function Speed	
11	2560136	1	Handle, Knob	
12	3300353	4	Nut, Tinnerman	
13	3300408	2	Nut, Lock	
14	3520027	1	Plug, Hole	
15	3520054	3	Plug, Hole	
16	3790012	8	O-Ring	
17	3911018	2	Screw, #10-24 x 1-1/8	
18	4240032	AR	Tie-Strap (Not Shown)	
19	4360387	2	Switch, Push Button	
20	4360407	1	Switch, Potentiometer	
21	4360475	1	Switch, Emergency Stop	
21A	7020175	1	Cap, Mushroom with Sealing Ring	
21B	7020176	1	Block, Contact	
22	4360476	1	Block, Contact	
23	4460234	4	Mount, Tie-Strap	
24	4460428	AR	Connector, Strain Relief	
25	4460470	1	Nut, Terminal	
26	4460471	1	Washer, Lock, Terminal	
27	4460488	2	Base, Terminal Mounting	
28	4460708	1	Connector - 15 Position	
29	4740397	8	Spacer	
30	4751400	8	Washer, 1/4	
31	1001110434	AR	Plug, D-Shaped	
32	1001132175	1	Decal - Stop - Generator	
33	1001141300	1	Decal - Platform Sensor Override	
34	1001144433	1	Decal - No Weight SkyGuard	
35	1001155044	8	Nut, 15/32-32	
36	1001155045	6	Switch, Toggle	
37	1001159256	1	Switch, Toggle	
38	1001161710	1	Switch, Toggle	
39	1001166538	NLA	Controller Assembly - Drive and Steer (Use p/n 1001212415) (See CONTROLLER ASSEMBLY - DRIVE AND STEER for Breakdown)	
40	1001166539	NLA	Controller Assembly - Lift and Swing (Use p/n 1001129555) (See CONTROLLER ASSEMBLY LIFT AND SWING for Breakdown)	
41	1001170838	1	Gauge, Led Panel	
42	1001172760	4	Bracket, Module	

SECTION 5 - PLATFORM

ITEM	PART NUMBER	QTY	DESCRIPTION	REV
43	1001182724	1	Module, PC (Note: Re-calibration Required when Replaced)	
44	1001189039	1	Footswitch Assembly (See FOOTSWITCH ASSEMBLY for Breakdown)	
45	1001190017	1	Console Box Assembly	
45A	0630568	1	Capscrew, 3/8-16 x 4-1/2	
45B	3311601	1	Nut, 3/8-16	
45C	3470003	2	Pin, Cotter	
45D	4711500	2	Washer, 5/16	
46	1001190797	1	Decal - Platform Display	
47	1001191318	1	Harness, Platform Console Box (See ELECTRICAL SECTION for Breakdown)	
48	1001192292	1	Harness, SkyGuard (See ELECTRICAL SECTION for Breakdown)	
49	1001193987	1	Decal - Horn and Drive Select	
50	3520030	1	Plug, Hole (SN 0300214530 through 0300219911)	
51	1001185281	1	Plug, Bushing (SN 0300214530 through 0300219911)	

SECTION 5 - PLATFORM

FIGURE 5-25. PLATFORM CONSOLE ASSEMBLY - WITHOUT LSS OR WITH 4 CELL LSS - WITH SKYGUARD - E400AJP/E400AJPN/M400AJP/M400AJPN (SN 0300219912 through 0300240700)



ART_1001202580

SECTION 5 - PLATFORM

FIGURE 5-25. PLATFORM CONSOLE ASSEMBLY - WITHOUT LSS OR WITH 4 CELL LSS - WITH SKYGUARD - E400AJP/E400AJPN/M400AJP/M400AJPN (SN 0300219912 through 0300240700)

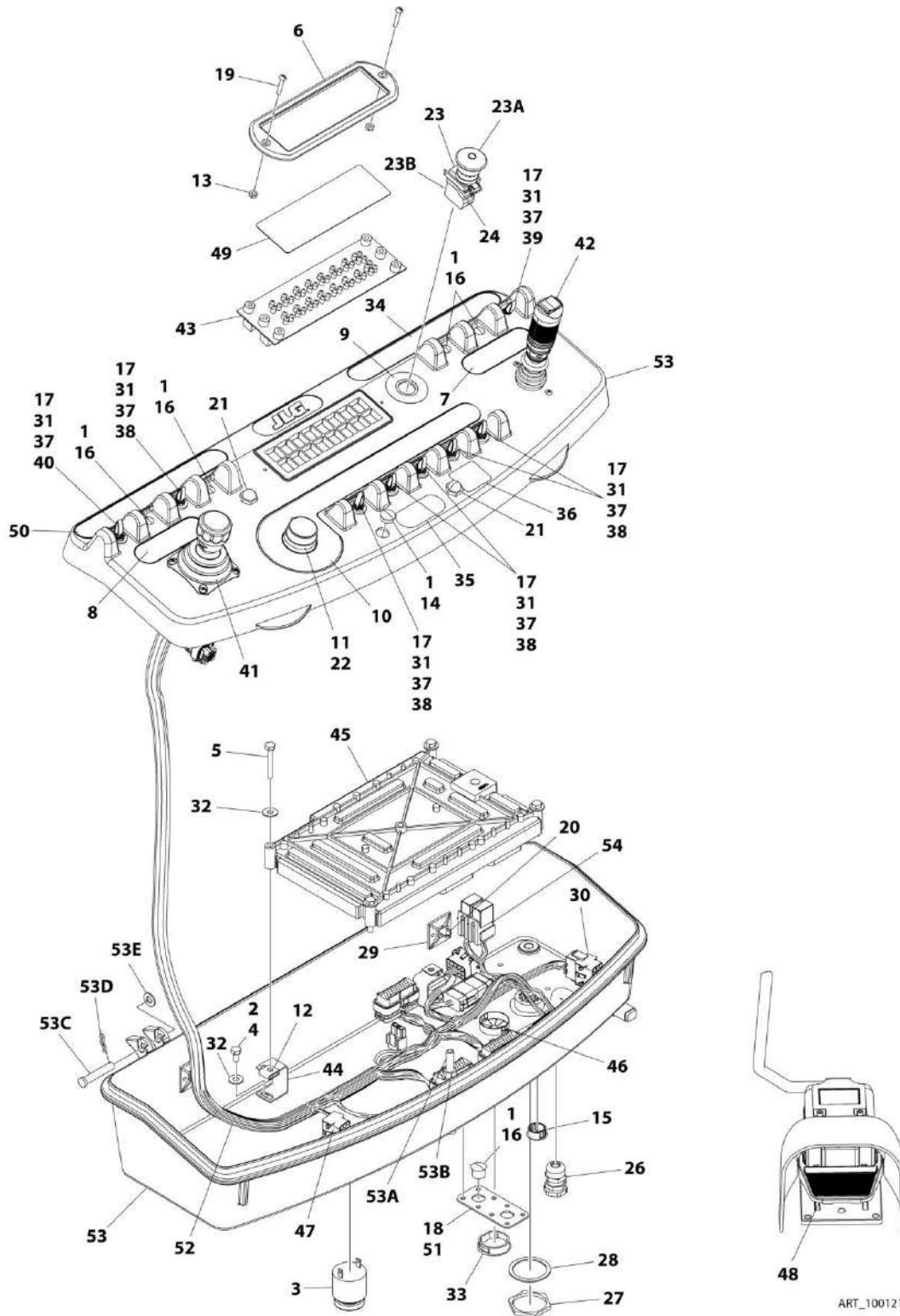
ITEM	PART NUMBER	QTY	DESCRIPTION	REV
	1001202580	Ref	PLATFORM CONSOLE ASSEMBLY - WITHOUT LSS OR WITH 4 CELL LSS - WITH SKYGUARD - E400AJP/E400AJPN/M400AJP/M400AJPN (SN 0300219912 through 0300240700)	D
1	0100009	AR	Sealant	
2	0100075	AR	Sealant	
3	0140011	1	Alarm	
4	0641404	4	Bolt, 1/4-20 x 1/2	
5	0641414	4	Bolt, 1/4-20 x 1-3/4	
6	1671176	1	Bezel	
7	1702565	1	Decal - Drive and Steer	
8	1702566	1	Decal - Lift and Swing	
9	1704260	1	Decal - EMS	
10	1704422	1	Decal - Function Speed	
11	2560136	1	Handle, Knob	
12	3300353	4	Nut, Tinnerman	
13	3300408	2	Nut, Lock	
14	3520027	1	Plug, Hole	
15	3520030	1	Plug, Hole	
16	3520033	2	Plug, Hole (SN 0300219912 through 0300226306)	
16	1001220486	2	Plug, Hole (SN 0300226307 to Present)	
17	3520054	4	Plug, Hole	
18	3790012	8	O-Ring	
19	3911018	2	Screw, #10-24 x 1-1/8	
20	4240032	AR	Tie-Strap (Not Shown)	
21	4360387	2	Switch, Push Button	
22	4360407	1	Switch, Potentiometer	
23	4360475	1	Switch, Emergency Stop	
23A	7020175	1	Cap, Mushroom with Sealing Ring	
23B	7020176	1	Block, Contact	
24	4360476	1	Block, Contact	
25	4460234	4	Mount, Tie-Strap	
26	4460428	1	Connector, Strain Relief	
27	4460470	1	Nut, Terminal	
28	4460471	1	Washer, Lock, Terminal	
29	4460488	2	Base, Terminal Mounting	
30	4460708	1	Connector - 15 Position	
31	4740397	8	Spacer	
32	4751400	8	Washer, 1/4	
33	1001110434	1	Plug, D-Shaped	
34	1001132175	1	Decal - Stop - Generator	
35	1001141300	1	Decal - Platform Sensor Override	
36	1001144433	1	Decal - No Weight SkyGuard	
37	1001155044	8	Nut, 15/32-32	
38	1001155045	6	Switch, Toggle	
39	1001159256	1	Switch, Toggle	
40	1001161710	1	Switch, Toggle	
41	1001166538	NLA	Controller Assembly - Drive and Steer (Use p/n 1001212415) (See CONTROLLER ASSEMBLY - DRIVE AND STEER for Breakdown)	
42	1001166539	NLA	Controller Assembly - Lift and Swing (Use p/n 1001129555) (See	

SECTION 5 - PLATFORM

ITEM	PART NUMBER	QTY	DESCRIPTION	REV
			CONTROLLER ASSEMBLY LIFT AND SWING for Breakdown)	
43	1001170838	1	Gauge, Led Panel	
44	1001172760	4	Bracket, Module	
45	1001182724	1	Module, PC (Note: Re-calibration Required when Replaced)	
46	1001185281	1	Plug, Bushing	
47	1001189039	1	Footswitch Assembly (See FOOTSWITCH ASSEMBLY for Breakdown)	
48	1001190797	1	Decal - Platform Display	
49	1001191318	1	Harness, Platform Console Box (See ELECTRICAL SECTION for Breakdown)	
50	1001192292	1	Harness, SkyGuard (See ELECTRICAL SECTION for Breakdown)	
51	1001193987	1	Decal - Horn and Drive Select	
52	1001201887	1	Console Box Assembly	
52A	0630568	1	Capscrew, 3/8-16 x 4-1/2	
52B	3311601	1	Nut, 3/8-16	
52C	3430616	2	Pin, Clevis	
52D	3470003	2	Pin, Cotter	
52E	4711500	2	Washer, 5/16	

SECTION 5 - PLATFORM

FIGURE 5-26. PLATFORM CONSOLE ASSEMBLY - WITH SKYGUARD AND 1 CELL LSS - E400AJP/E400AJPN/M400AJP/M400AJPN



ART_1001218651

SECTION 5 - PLATFORM

FIGURE 5-26. PLATFORM CONSOLE ASSEMBLY - WITH SKYGUARD AND 1 CELL LSS - E400AJP/E400AJPN/M400AJP/M400AJPN

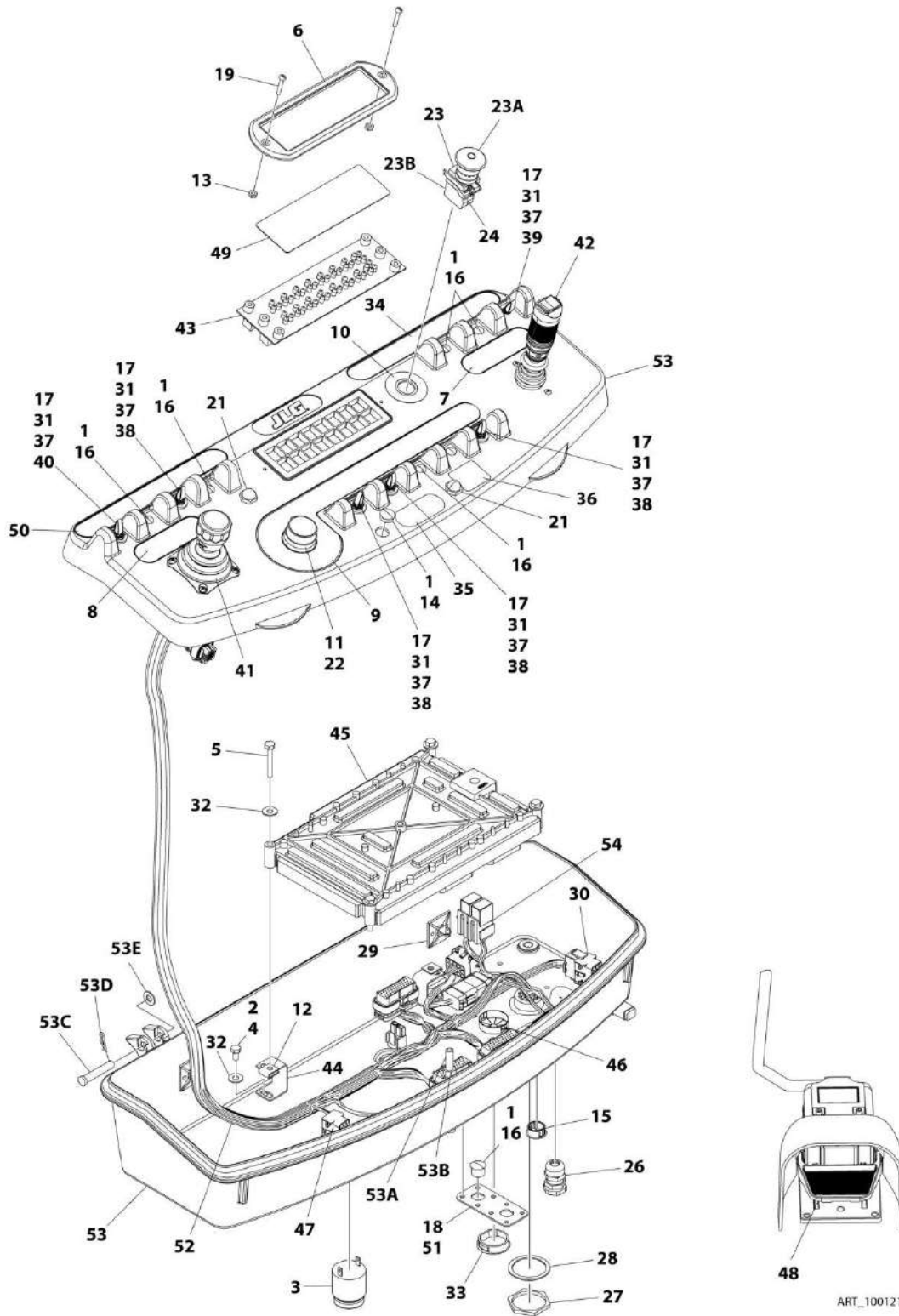
ITEM	PART NUMBER	QTY	DESCRIPTION	REV
	1001218651	Ref	PLATFORM CONSOLE ASSEMBLY - WITH SKYGUARD AND 1 CELL LSS - E400AJP/E400AJPN/M400AJP/M400AJPN	D
1	0100009	AR	Sealant	
2	0100035	AR	Compound, Locking	
3	0140011	1	Alarm	
4	0641404	4	Bolt, 1/4-20 x 1/2	
5	0641414	4	Bolt, 1/4-20 x 1-3/4	
6	1671176	1	Bezel	
7	1702565	1	Decal - Drive and Steer	
8	1702566	1	Decal - Lift and Swing	
9	1704260	1	Decal - EMS	
10	1704422	1	Decal - Function Speed	
11	2560136	1	Handle, Knob	
12	3300353	4	Nut, Tinnerman	
13	3300408	2	Nut, Lock	
14	3520027	1	Plug, Hole	
15	3520030	1	Plug, Hole	
16	3520054	5	Plug, Hole	
17	3790012	8	O-Ring	
18	3900349	8	Screw M2.5	
19	3911018	2	Screw, #10-24 x 1-1/8	
20	4240032	AR	Tie-Strap (Not Shown)	
21	4360387	2	Switch, Push Button	
22	4360407	1	Switch, Potentiometer	
23	4360475	1	Switch, Emergency Stop	
23A	7020175	1	Cap, Mushroom with Sealing Ring	
23B	7020176	1	Block, Contact	
24	4360476	1	Block, Contact	
25	4460234	4	Mount, Tie-Strap (Not Shown)	
26	4460428	1	Connector, Strain Relief	
27	4460470	1	Nut, Terminal	
28	4460471	1	Washer, Lock, Terminal	
29	4460488	2	Base, Terminal Mounting	
30	4460708	1	Connector - 15 Position	
31	4740397	8	Spacer	
32	4751400	8	Washer, 1/4	
33	1001110434	1	Plug, D-Shaped	
34	1001132175	1	Decal - Stop - Generator	
35	1001141300	1	Decal - Platform Sensor Override (SN 0300208530 through 0300239739)	
36	1001144433	1	Decal - No Weight SkyGuard	
37	1001155044	8	Nut, 15/32-32	
38	1001155045	6	Switch, Toggle	
39	1001159256	1	Switch, Toggle	
40	1001161710	1	Switch, Toggle	
41	1001166539	NLA	Controller Assembly - Lift and Swing (Use p/n 1001129555) (See CONTROLLER ASSEMBLY LIFT AND SWING for Breakdown)	
42	1001166538	NLA	Controller Assembly - Drive and Steer (Use p/n 1001212415) (See CONTROLLER ASSEMBLY - DRIVE AND STEER for Breakdown)	
43	1001170838	1	Gauge, Led Panel	

SECTION 5 - PLATFORM

ITEM	PART NUMBER	QTY	DESCRIPTION	REV
44	1001172760	4	Bracket, Module	
45	1001182724	1	Module, PC (Note: Re-calibration Required when Replaced)	
46	1001185281	1	Plug, Bushing	
47	1001186431	2	Relay	
48	1001189039	1	Footswitch Assembly (See FOOTSWITCH ASSEMBLY for Breakdown)	
49	1001190797	1	Decal - Platform Display	
50	1001193987	1	Decal - Horn and Drive Select	
51	1001213882	1	Mount, Connector	
52	1001217621	1	Harness, Platform Console Box (With 1 Cell LSS) (See ELECTRICAL SECTION for Breakdown)	
53	1001201887	1	Console Box Assembly	
53A	0630568	1	Capscrew, 3/8-16 x 4-1/2	
53B	3311601	1	Nut, 3/8-16	
53C	3430616	2	Pin, Clevis	
53D	3470003	2	Pin, Cotter	
53E	4711600	2	Washer, 3/8	
54	1001225580	1	Harness, SkyGuard (See ELECTRICAL SECTION for Breakdown)	

SECTION 5 - PLATFORM

FIGURE 5-27. PLATFORM CONSOLE ASSEMBLY - WITH SKYGUARD AND 1 CELL LSS - E400AN



ART_1001218652

SECTION 5 - PLATFORM

FIGURE 5-27. PLATFORM CONSOLE ASSEMBLY - WITH SKYGUARD AND 1 CELL LSS - E400AN

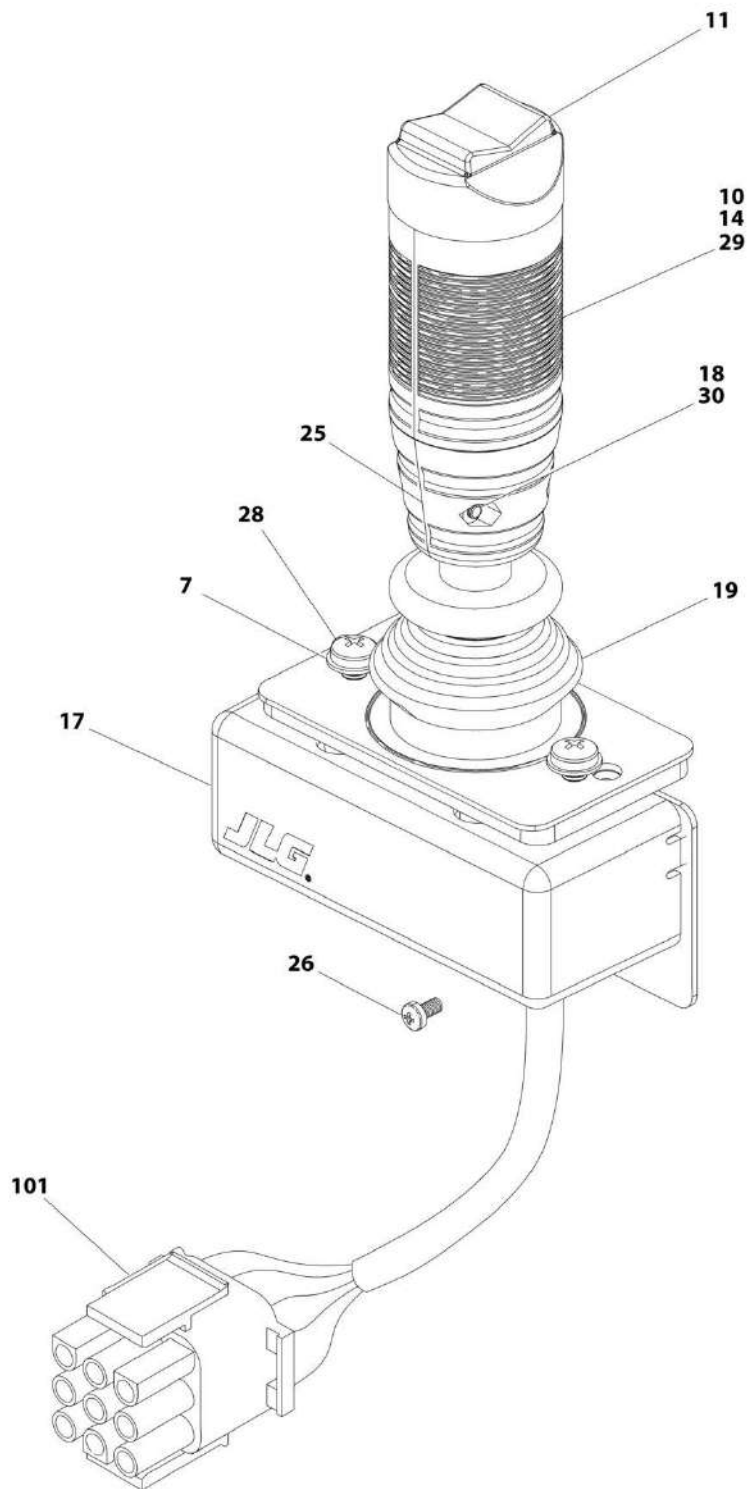
ITEM	PART NUMBER	QTY	DESCRIPTION	REV
	1001218652	Ref	PLATFORM CONSOLE ASSEMBLY - WITH SKYGUARD AND 1 CELL LSS - E400AN	D
1	0100009	AR	Sealant	
2	0100035	AR	Compound, Locking	
3	0140011	1	Alarm	
4	0641404	4	Bolt, 1/4-20 x 1/2	
5	0641414	4	Bolt, 1/4-20 x 1-3/4	
6	1671176	1	Bezel	
7	1702565	1	Decal - Drive and Steer	
8	1702566	1	Decal - Lift and Swing	
9	17042567	1	Decal - Function Speed	
10	1704260	1	Decal - EMS	
11	2560136	1	Handle, Knob	
12	3300353	4	Nut, Tinnerman	
13	3300408	2	Nut, Lock	
14	3520027	1	Plug, Hole	
15	3520030	1	Plug, Hole	
16	3520054	5	Plug, Hole	
17	3790012	6	O-Ring	
18	3900349	8	Screw M2.5	
19	3911018	2	Screw, #10-24 x 1-1/8	
20	4240032	AR	Tie-Strap (Not Shown)	
21	4360387	2	Switch, Push Button	
22	4360407	1	Switch, Potentiometer	
23	4360475	1	Switch, Emergency Stop	
23A	7020175	1	Cap, Mushroom with Sealing Ring	
23B	7020176	1	Block, Contact	
24	4360476	1	Block, Contact	
25	4460234	4	Mount, Tie-Strap (Not Shown)	
26	4460428	1	Connector, Strain Relief	
27	4460470	1	Nut, Terminal	
28	4460471	1	Washer, Lock, Terminal	
29	4460488	3	Base, Terminal Mounting	
30	4460708	1	Connector - 15 Position	
31	4740397	6	Spacer	
32	4751400	8	Washer, 1/4	
33	1001110434	1	Plug, D-Shaped	
34	1001132175	1	Decal - Stop - Generator	
35	1001141300	1	Decal - Platform Sensor Override (SN 0300208530 through 0300239739)	
36	1001144433	1	Decal - No Weight SkyGuard	
37	1001155044	6	Nut, 15/32-32	
38	1001155045	4	Switch, Toggle	
39	1001159256	1	Switch, Toggle	
40	1001161710	1	Switch, Toggle	
41	1001166539	NLA	Controller Assembly - Lift and Swing (Use p/n 1001129555) (See CONTROLLER ASSEMBLY LIFT AND SWING for Breakdown)	
42	1001166538	NLA	Controller Assembly - Drive and Steer (Use p/n 1001212415) (See CONTROLLER ASSEMBLY - DRIVE AND STEER for Breakdown)	
43	1001170838	1	Gauge, Led Panel	

SECTION 5 - PLATFORM

ITEM	PART NUMBER	QTY	DESCRIPTION	REV
44	1001172760	4	Bracket, Module	
45	1001182724	1	Module, PC (Note: Re-calibration Required when Replaced)	
46	1001185281	1	Plug, Bushing	
47	1001186431	2	Relay	
48	1001189039	1	Footswitch Assembly (See FOOTSWITCH ASSEMBLY for Breakdown)	
49	1001190797	1	Decal - Platform Display	
50	1001193987	1	Decal - Horn and Drive Select	
51	1001213882	1	Mount, Connector	
52	1001217621	1	Harness, Platform Console Box (With 1 Cell LSS) (See ELECTRICAL SECTION for Breakdown)	
53	1001218068	1	Console Box Assembly	
53A	0630568	1	Capscrew, 3/8-16 x 4-1/2	
53B	3311601	1	Nut, 3/8-16	
53C	3430616	2	Pin, Clevis	
53D	3470003	2	Pin, Cotter	
53E	4711600	2	Washer, 3/8	
54	1001225580	1	Harness, SkyGuard (See ELECTRICAL SECTION for Breakdown)	

SECTION 5 - PLATFORM

FIGURE 5-28. CONTROLLER ASSEMBLY - DRIVE AND STEER



ART_1001166538

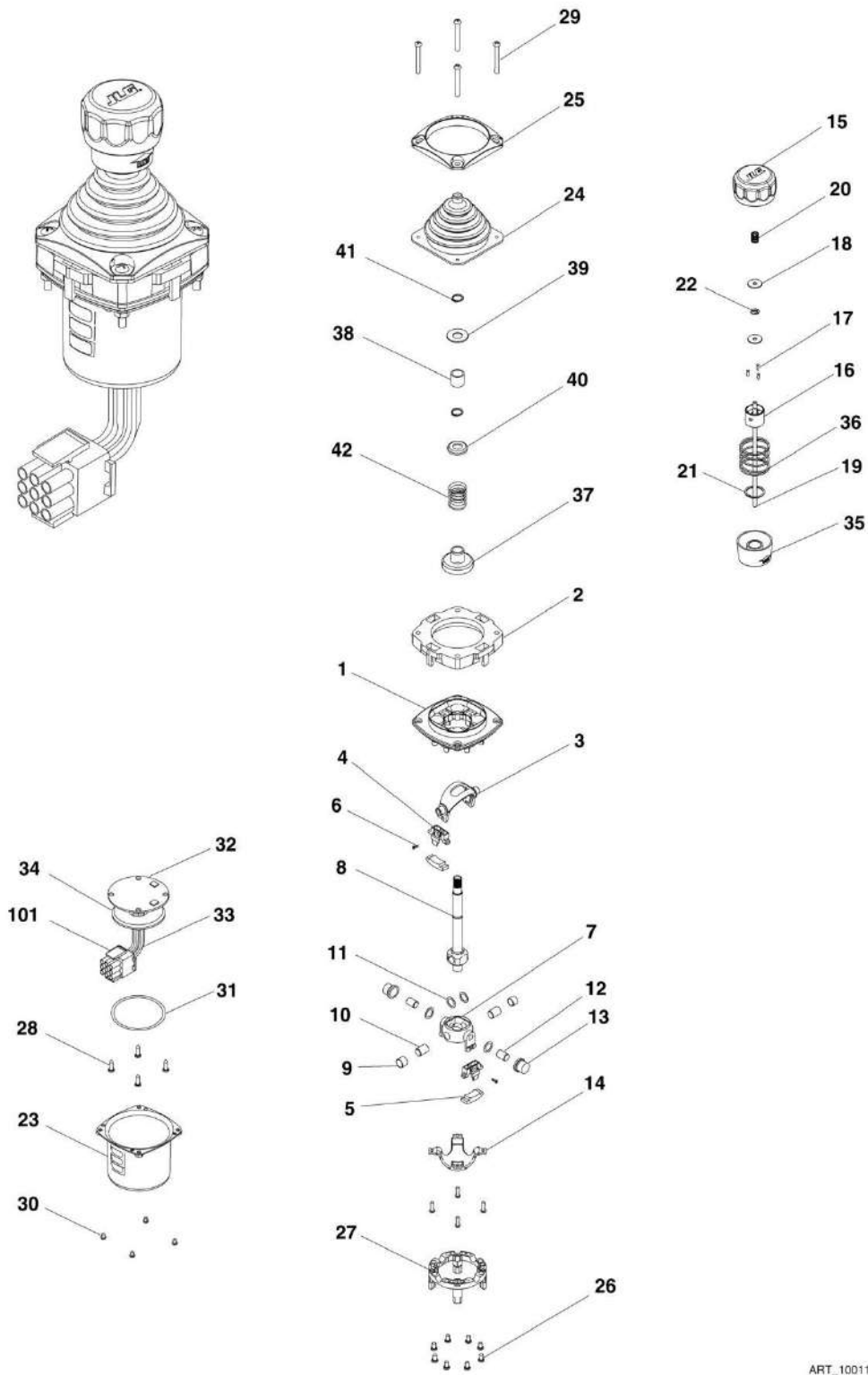
SECTION 5 - PLATFORM

FIGURE 5-28. CONTROLLER ASSEMBLY - DRIVE AND STEER

ITEM	PART NUMBER	QTY	DESCRIPTION	REV
	1001166538	1	CONTROLLER ASSEMBLY - DRIVE AND STEER	F
		Ref	Note: Use p/n 1001212415 as Replacement	
7	70004738	2	Washer	
10	70004739	1	Roller	
11	70004740	1	Boot, Switch	
14	70004741	2	Half, Handle	
17	70004742	1	Enclosure	
18	70004743	4	Nut	
19	70004745	NLA	Boot, Controller (Use Item 200)	
20	70004746	NLA	Tube, Locking (Use Item 200)	
21	70004744	NLA	Disc, Locking (Use Item 200)	
25	70004747	2	Seal, Rope	
26	70004748	1	Screw, M3 x 6mm	
28	70004749	2	Screw, M5 x 20mm	
29	70004750	1	Pin, Dowel	
30	70004751	4	Screw, M3 x 16mm	
101	4460265	1	Connector - 9 Position	
101	4460226	7	Socket, Female	
200	70005230	1	Boot Kit (Includes Items 19-21)	

SECTION 5 - PLATFORM

FIGURE 5-29. CONTROLLER ASSEMBLY - LIFT AND SWING



ART_1001166539

SECTION 5 - PLATFORM

FIGURE 5-29. CONTROLLER ASSEMBLY - LIFT AND SWING

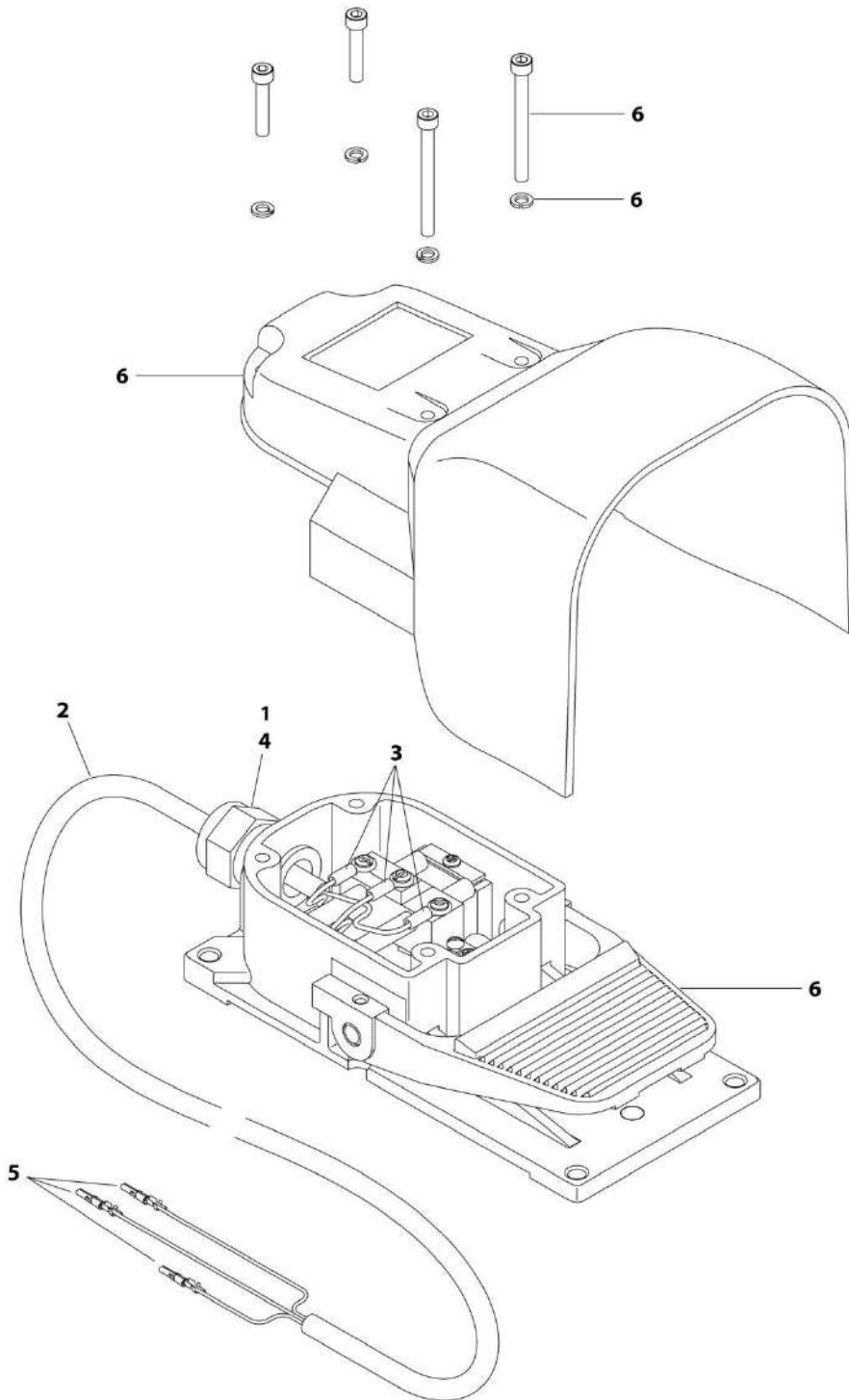
ITEM	PART NUMBER	QTY	DESCRIPTION	REV
	1001166539	Ref	CONTROLLER ASSEMBLY - LIFT AND SWING	D
		Ref	Note: Use p/n 1001129555 as a service replacement.	
1	See Note	1	Main Cast Body (Note: Not Available - Purchase Complete Assembly)	
2	70004752	1	Adapter	
3	See Note	NSS	Pivot Arm, Plastic (Note: Not Available - Purchase Complete Assembly)	
4	See Note	NSS	Holder, Magnet (Note: Not Available - Purchase Complete Assembly)	
5	See Note	NSS	Arc, Magnet (Note: Not Available - Purchase Complete Assembly)	
6	See Note	NSS	Screw (Note: Not Available for Purchase)	
7	See Note	NSS	Pivot Arm, Cast (Note: Not Available - Purchase Complete Assembly)	
8	See Note	NSS	Shaft, Main (Note: Not Available - Purchase Complete Assembly)	
9	See Note	NSS	Bearing (Note: Not Available - Purchase Complete Assembly)	
10	See Note	NSS	Pin (Note: Not Available - Purchase Complete Assembly)	
11	See Note	NSS	Shim (Note: Not Available - Purchase Complete Assembly)	
12	See Note	NSS	Pin (Note: Not Available - Purchase Complete Assembly)	
13	See Note	NSS	Bearing (Note: Not Available - Purchase Complete Assembly)	
14	See Note	NSS	Dome, Centering (Note: Not Available - Purchase Complete Assembly)	
15	70004753	1	Cap	
16	70004754	1	Insert, Cap	
17	70004755	3	Pin	
18	70004756	2	Washer	
19	70004757	1	Pin, Centering	
20	70004758	1	Spring	
21	70004759	1	Ring, Retaining	
22	70004760	1	E-Ring	
23	70004761	1	Can, Enclosure	
24	70004762	1	Boot	
25	70004763	1	Bezel	
26	See Note	NSS	Screw (Note: Not Available for Purchase)	
27	See Note	NSS	Base Mounting (Note: Not Available - Purchase Complete Assembly)	
28	See Note	NSS	Screw (Note: Not Available for Purchase)	
29	70004764	4	Screw	
30	70004765	4	Screw	
31	70004766	1	O-Ring	
32	See Note	NSS	Plate (Note: Not Available - Purchase Complete Assembly)	
33	See Note	NSS	Harness (Note: Not Available - Purchase Complete Assembly)	
34	70004767	1	Grommet, Rubber	
35	70004768	1	Housing	
36	70004769	1	Spring	
37	70004770	1	Stopper	
38	70004771	1	Spacer	
39	70004772	1	Washer	
40	70004773	1	Disc	
41	70004774	2	Ring, Retaining	
42	70004775	1	Spring	
101	4460265	1	Connector - 9 Position	

SECTION 5 - PLATFORM

ITEM	PART NUMBER	QTY	DESCRIPTION	REV
101	4460226	6	Socket, Female	

SECTION 5 - PLATFORM

FIGURE 5-30. FOOTSWITCH ASSEMBLY



ART_1001189039

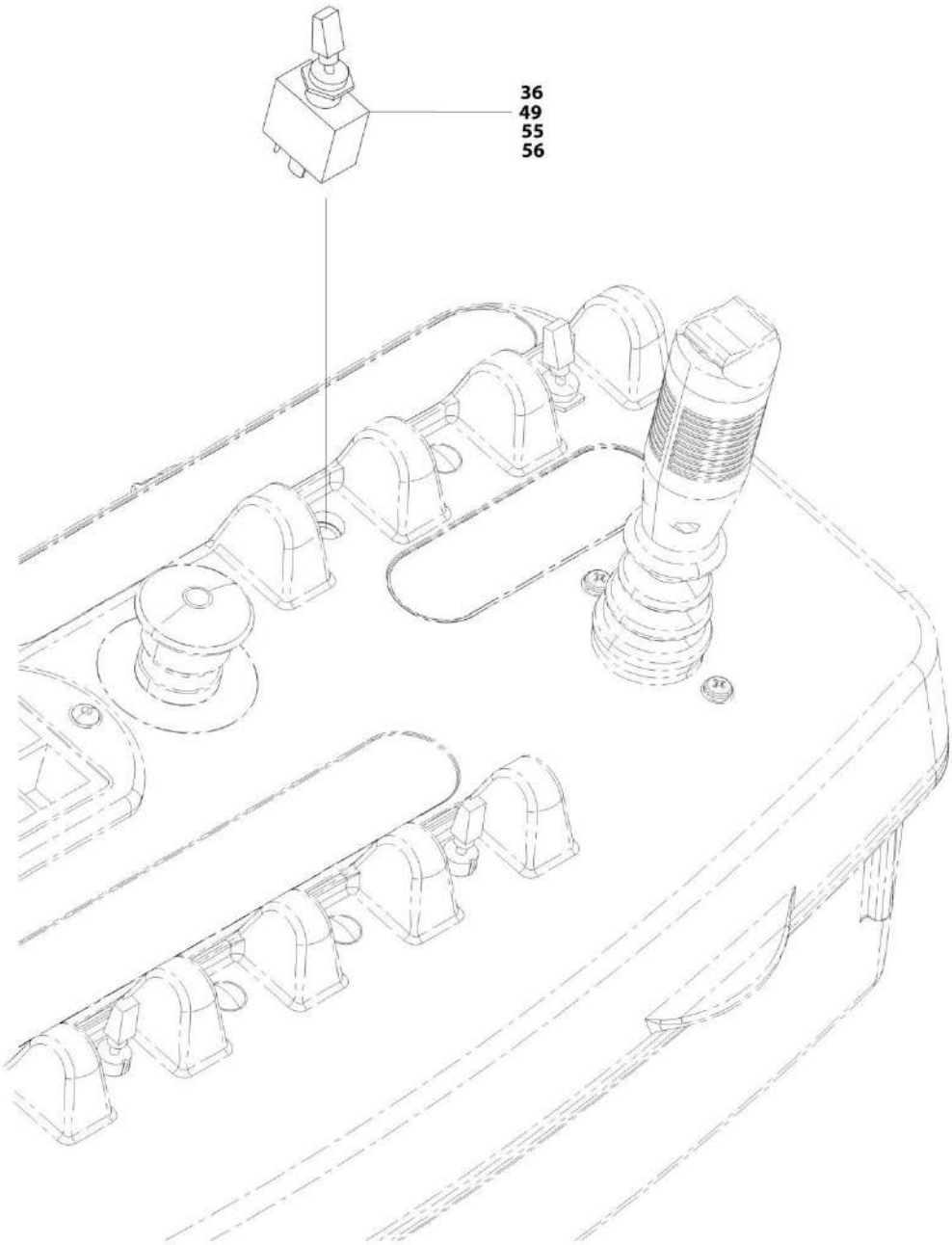
SECTION 5 - PLATFORM

FIGURE 5-30. FOOTSWITCH ASSEMBLY

ITEM	PART NUMBER	QTY	DESCRIPTION	REV
	1001189039	Ref	FOOTSWITCH ASSEMBLY	A
1	0100020	AR	Sealant	
2	1060330	6 ft /1.83m	Cable, Electrical - 16/3	
3	4460042	3	Terminal	
4	4460071	1	Connector, Strain Relief	
5	4460226	3	Socket, Female	
6	1001117172	1	Footswitch	
6	70002902	1	Switch, 20Amp	
6	70002903	1	Gasket	
6	70002905	1	Cover	
6	70002904	1	Kit, Replacement Bolt	

SECTION 5 - PLATFORM

FIGURE 5-31. MOTOR CONTROLS INSTALLATION - M400AJP/M400AJPN



ART_1001191232_40F4

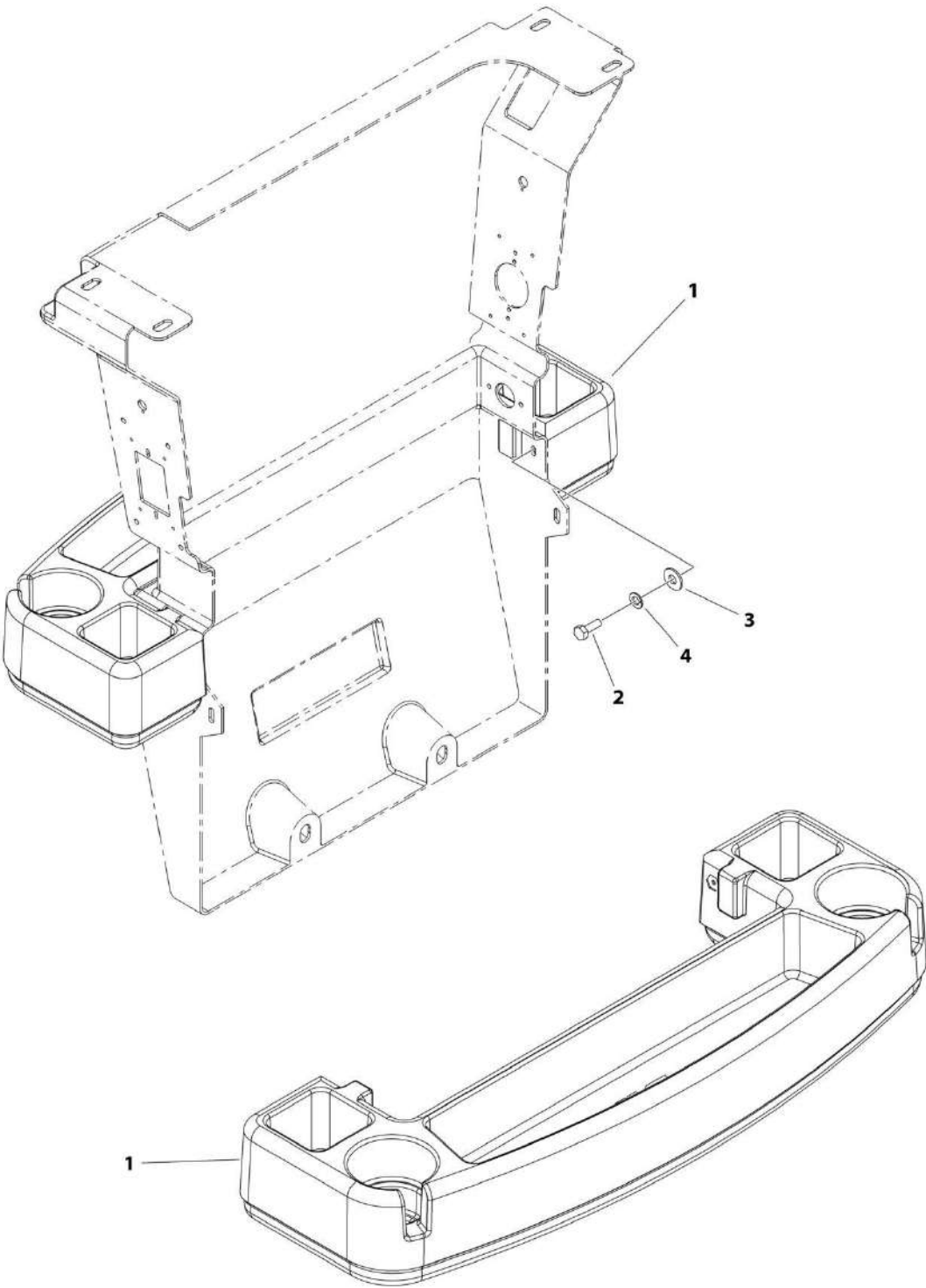
SECTION 5 - PLATFORM

FIGURE 5-31. MOTOR CONTROLS INSTALLATION - M400AJP/M400AJPN

ITEM	PART NUMBER	QTY	DESCRIPTION	REV
	1001191232	Ref	MOTOR CONTROLS INSTALLATION - M400AJP/M400AJPN	E
36	3790012	1	O-Ring	
49	4740397	1	Washer, Spacer	
55	1001155044	1	Nut, Special	
56	1001161710	1	Switch, Toggle	

SECTION 5 - PLATFORM

FIGURE 5-32. TRAY ASSEMBLY



ART_1580012

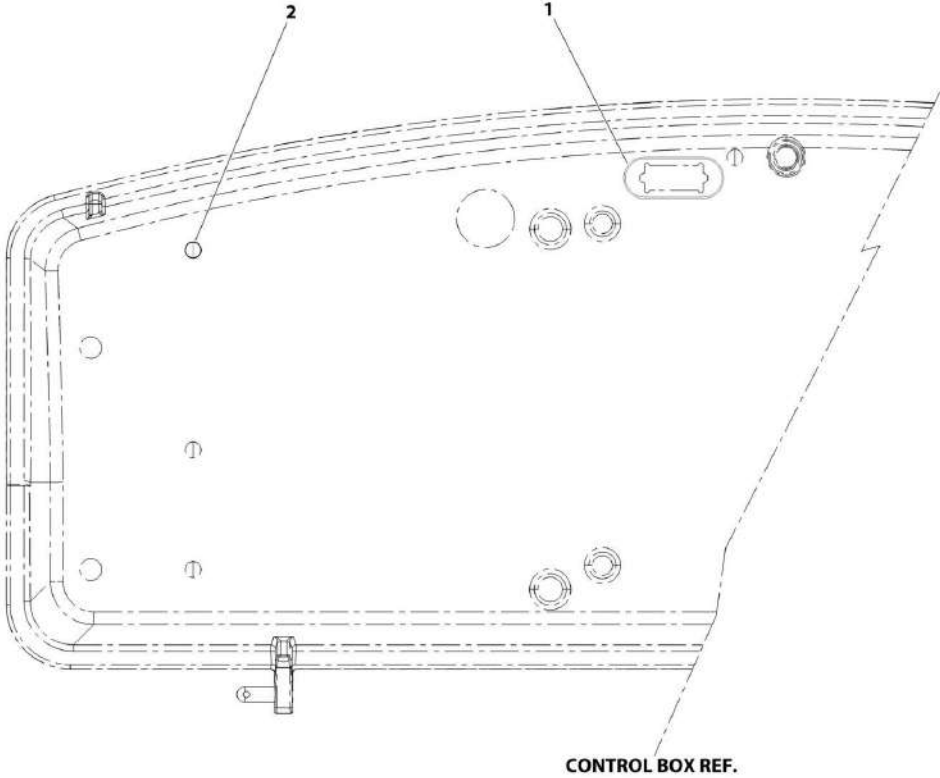
SECTION 5 - PLATFORM

FIGURE 5-32. TRAY ASSEMBLY

ITEM	PART NUMBER	QTY	DESCRIPTION	REV
	1580012	Ref	TRAY INSTALLATION	C
1	See Note	1	Tray, Storage - Center (Note: Purchase p/n 1580012)	
2	0641406	2	Bolt, 1/4-20 x 3/4	
3	4751400	2	Washer, 1/4	
4	4761400	2	Washer, Locking, 1/4	

SECTION 5 - PLATFORM

FIGURE 5-33. SEALED ENCLOSURES - UL SPECS



ART_0272111

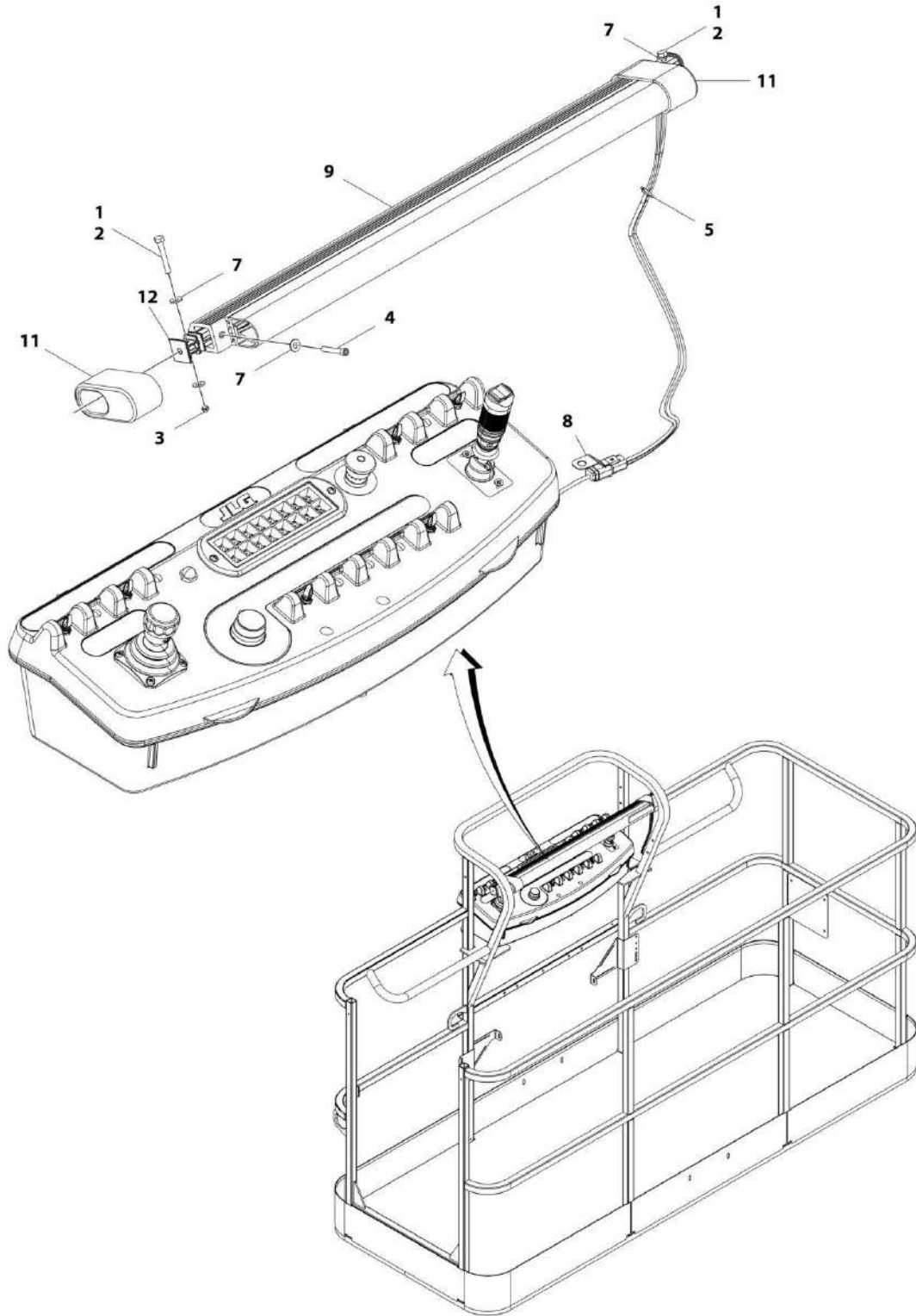
SECTION 5 - PLATFORM

FIGURE 5-33. SEALED ENCLOSURES - UL SPECS

ITEM	PART NUMBER	QTY	DESCRIPTION	REV
	0272111	Ref	SEALED ENCLOSURES - UL SPECS	B
1	0100009	AR	Sealant (Seal Around Analyzer Port)	
2	3520173	8	Plug (Located in Bottom of Console Box)	

SECTION 5 - PLATFORM

FIGURE 5-34. SKYGUARD SYSTEM INSTALLATION



ART_1001192387

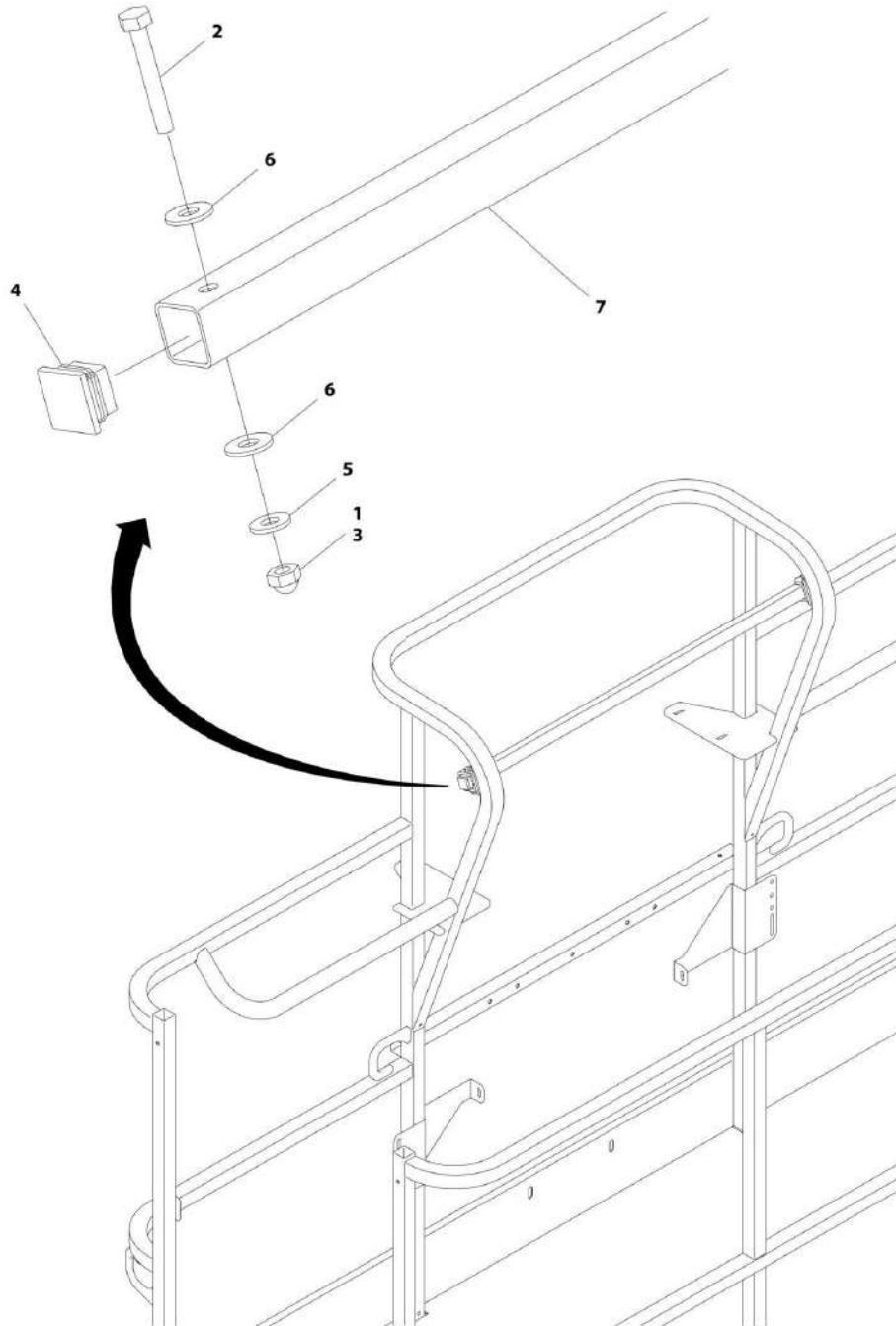
SECTION 5 - PLATFORM

FIGURE 5-34. SKYGUARD SYSTEM INSTALLATION

ITEM	PART NUMBER	QTY	DESCRIPTION	REV
	1001192387	Ref	SKYGUARD SYSTEM INSTALLATION	C
1	0100011	AR	Compound, Locking	
2	0641414	2	Bolt, 1/4 x 1-3/4	
3	3300430	2	Nut, Acorn 1/4-20	
4	3931424	2	Capscrew, 1/4 x 1-1/2 (Prior to SN 0300235313)	
4	3931408	2	Capscrew, 1/4 x 1/2 (SN 0300235313 to Present)	
5	4240033	AR	Tie-Strap	
7	4711400	6	Washer, 1/4	
8	1001120328	1	Mount	
9	1001137673	1	Switch, SkyGuard Assembly	
11	1001186517	2	Cover, Platform Sensor	
12	1001188889	2	Support, Block (Prior to SN 0300235313)	
12	1001209664	2	Support, Block (SN 0300235313 to Present)	

SECTION 5 - PLATFORM

FIGURE 5-35. CROSS RAIL INSTALLATION



ART_1001182138

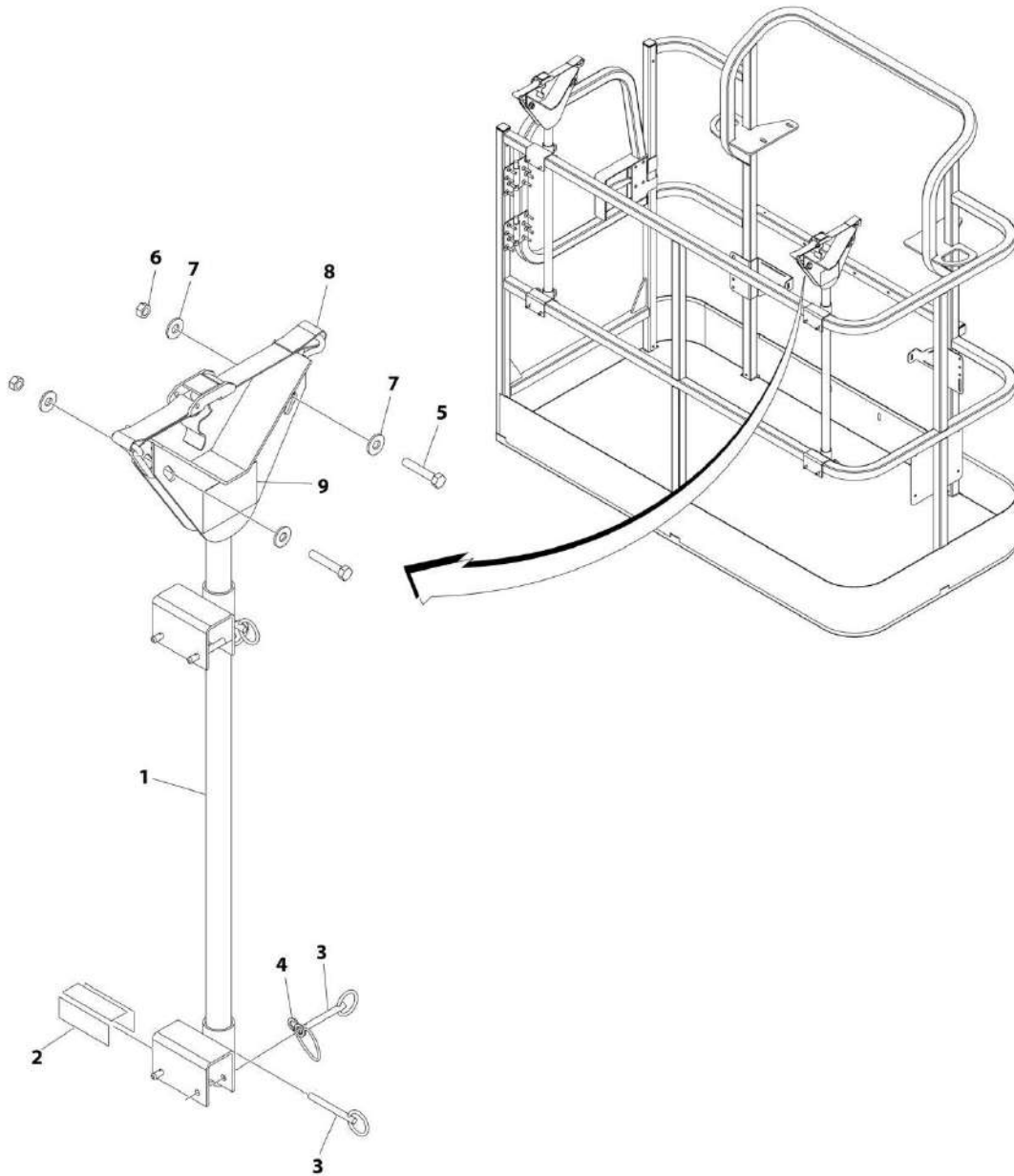
SECTION 5 - PLATFORM

FIGURE 5-35. CROSS RAIL INSTALLATION

ITEM	PART NUMBER	QTY	DESCRIPTION	REV
	1001182138	Ref	CROSS RAIL INSTALLATION (ALL SPECS)	A
1	0100071	AR	Compound, Locking	
2	0641414	2	Bolt 1/4 X 1-3/4	
3	3300430	2	Nut 1/4	
4	3520182	2	Plug	
5	4711400	2	Washer 1/4	
6	4751400	4	Washer 1/4	
7	1001191708	1	Bar	

SECTION 5 - PLATFORM

FIGURE 5-36. PIPE RACK INSTALLATION



ART_0257728

SECTION 5 - PLATFORM

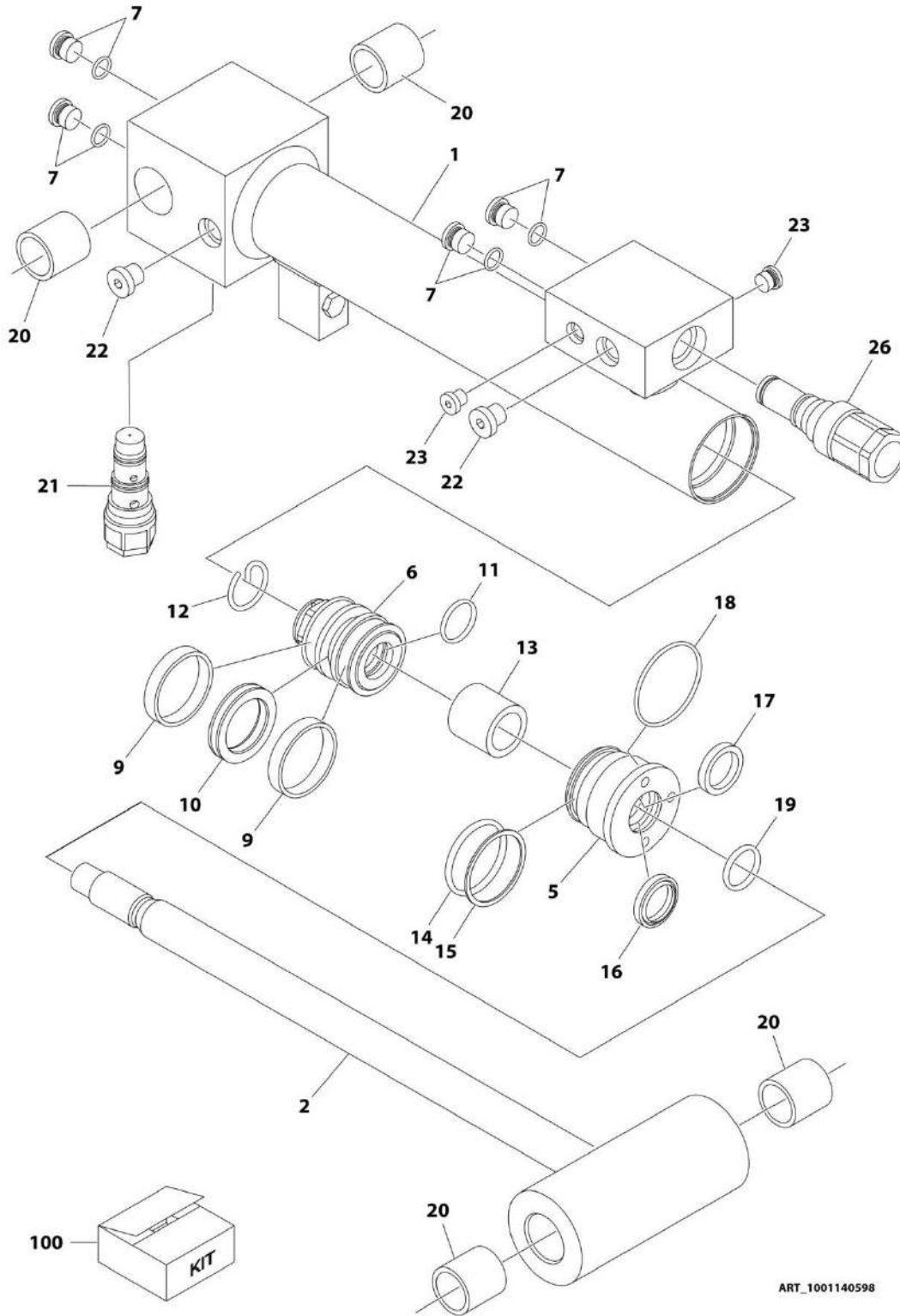
FIGURE 5-36. PIPE RACK INSTALLATION

ITEM	PART NUMBER	QTY	DESCRIPTION	REV
	0257728	Ref	PIPE RACK INSTALLATION	2/C
1	4845582	2	Rack, Pipe	
2	4420062	AR	Tape	
3	3422661	10	Pin	
4	1060379	4	Lanyard	
5	0641514	4	Bolt 5/16 x 1-3/4	
6	3311505	4	Nut 5/16	
7	4751500	8	Washer 5/16	
8	0480100	2	Tie-Down	
9	1703683	2	Decal - Capacity	

SECTION 6 - CYLINDER

SECTION 6 - CYLINDER

FIGURE 6-1. LEVEL (PLATFORM SLAVE) CYLINDER ASSEMBLY - E400AN



ART_1001140598

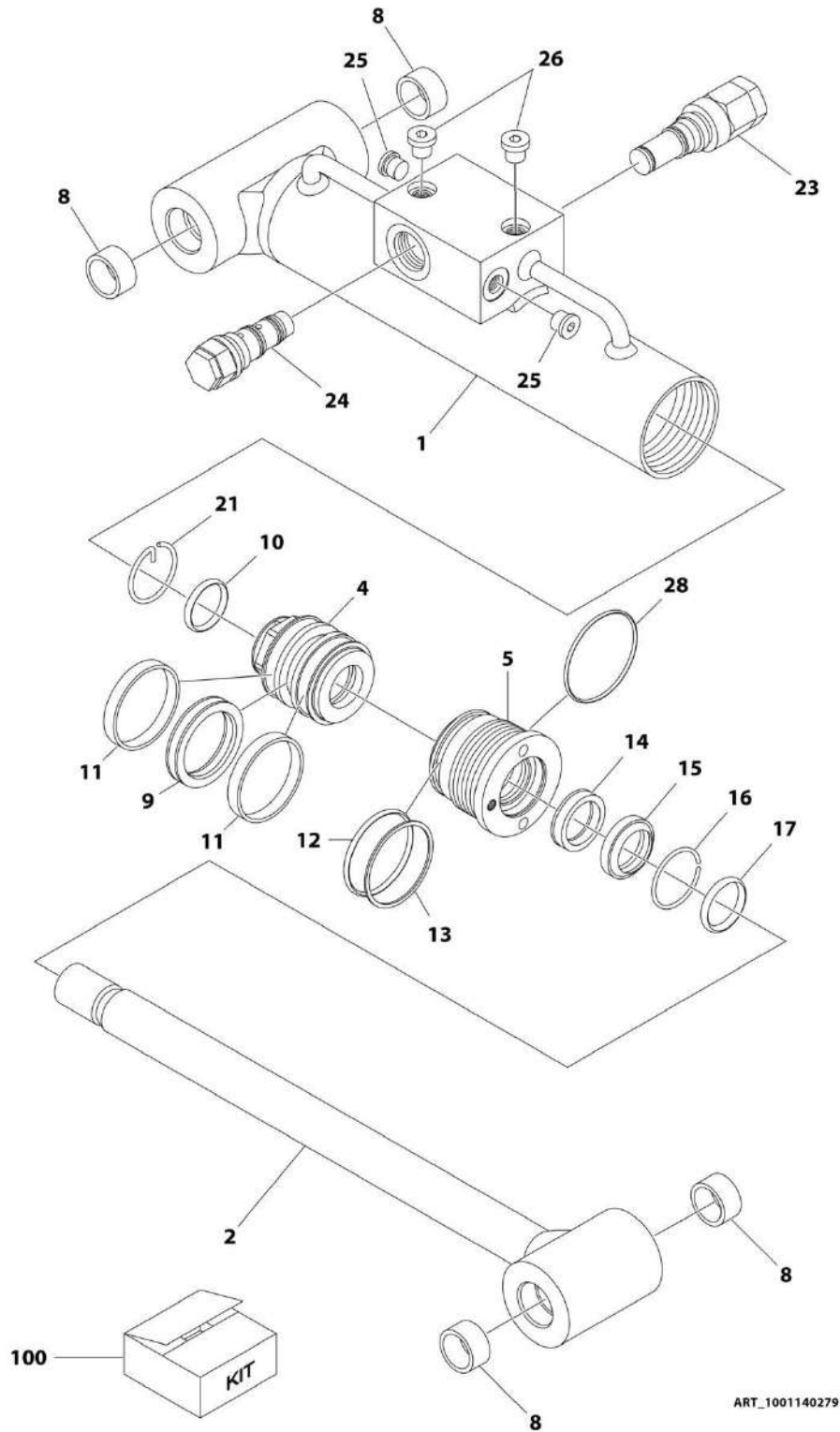
SECTION 6 - CYLINDER

FIGURE 6-1. LEVEL (PLATFORM SLAVE) CYLINDER ASSEMBLY - E400AN

ITEM	PART NUMBER	QTY	DESCRIPTION	REV
	1001140598	Ref	LEVEL (PLATFORM SLAVE) CYLINDER ASSEMBLY - E400An	A
1	70004146	1	Barrel	
2	70004147	1	Rod	
5	70000739	1	Head	
6	70004141	1	Piston	
7	See Note	4	Plug (Note: Not Available for Purchase)	
9	See Note	NSS	Ring, Wear (Note: Use p/n 70004131)	
10	See Note	NSS	Seal, Piston (Note: Use p/n 70004131)	
11	70023094	NSS	O-Ring (Note: Use p/n 70004131)	
12	70004142	1	Retainer	
13	70004143	1	Spacer	
14	See Note	NSS	O-Ring (Note: Use p/n 70004131)	
15	See Note	NSS	Ring, Back-Up (Note: Use p/n 70004131)	
16	See Note	NSS	Wiper, Rod (Note: Use p/n 70004131)	
17	See Note	NSS	Seal, Rod (Note: Use p/n 70004131)	
18	See Note	NSS	O-Ring (Note: Use p/n 70004131)	
19	70000740	1	O-Ring	
20	0962356	4	Bushing	
21	4640509	1	Cartridge, Counterbalance Valve	
21	2900792	1	Seal Kit - 4640509 Valve	
22	70024262	2	Plug	
23	See Note	2	Plug (Note: Not Available for Purchase)	
26	4640932	1	Cartridge, Counterbalance Valve	
26	7011112	1	Seal Kit - 4640932 Valve	
100	70004131	1	Seal Kit (Includes Items 9-11 & 14-18)	

SECTION 6 - CYLINDER

FIGURE 6-2. LEVEL (PLATFORM SLAVE) CYLINDER ASSEMBLY - E400AJP/M400AJP/E400AJPN/M400AJPN



ART_1001140279

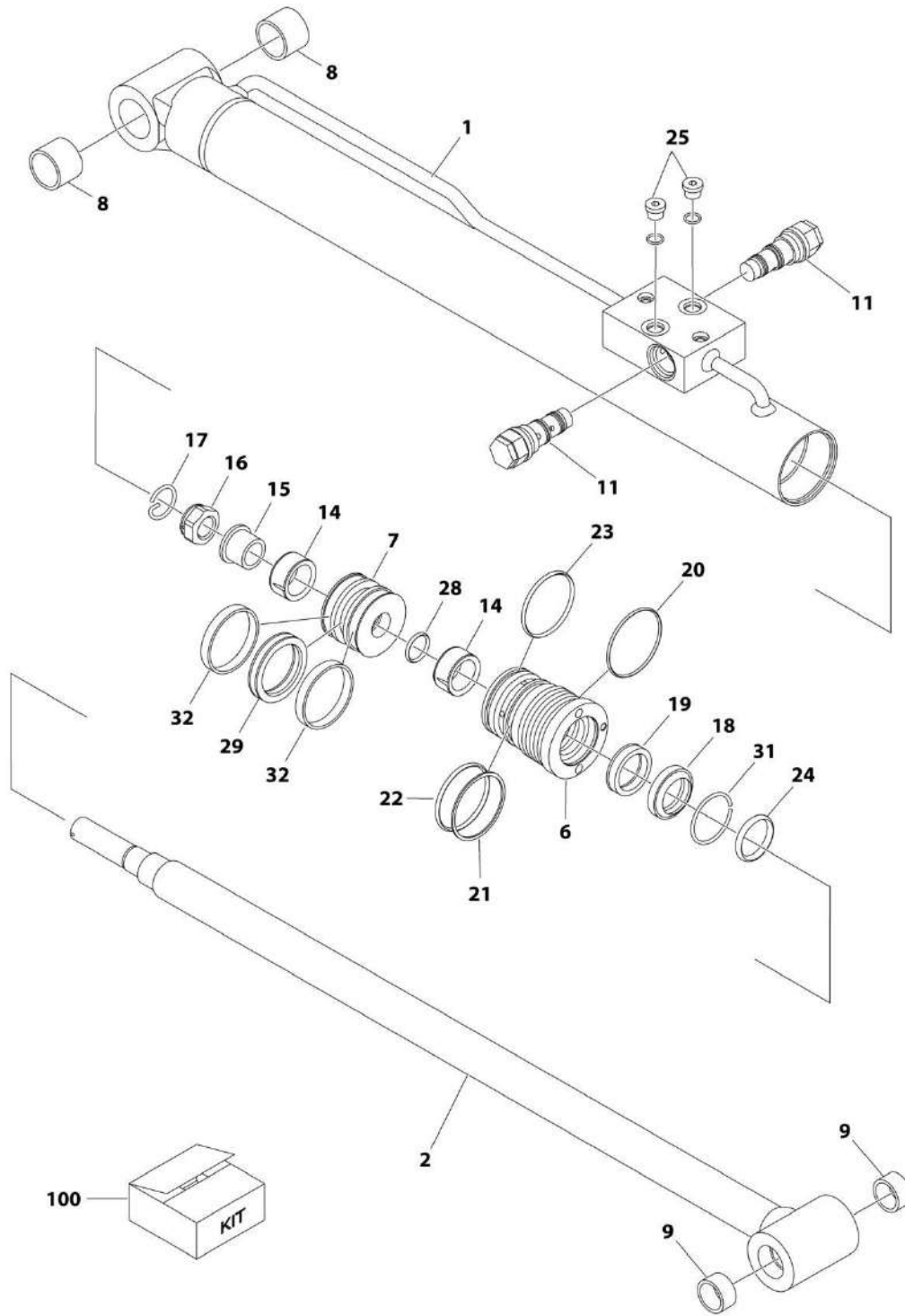
SECTION 6 - CYLINDER

**FIGURE 6-2. LEVEL (PLATFORM SLAVE) CYLINDER ASSEMBLY -
E400AJP/M400AJP/E400AJPN/M400AJPN**

ITEM	PART NUMBER	QTY	DESCRIPTION	REV
	1001140279	Ref	LEVEL (PLATFORM SLAVE) CYLINDER ASSEMBLY - E400AJP/M400AJP/E400AJPN/M400AJPN	A
1	70003846	1	Barrel	
2	70003847	1	Rod	
4	70003819	1	Piston	
5	7026082	1	Head	
8	0961951	4	Bushing	
9	See Note	NSS	Seal, Piston (Note: Use p/n 70003845)	
10	See Note	NSS	O-Ring (Note: Use p/n 70003845)	
11	See Note	NSS	Ring, Wear (Note: Use p/n 70003845)	
12	See Note	NSS	O-Ring (Note: Use p/n 70003845)	
13	See Note	NSS	Ring, Back-Up (Note: Use p/n 70003845)	
14	See Note	NSS	Seal, Rod (Note: Use p/n 70003845)	
15	See Note	NSS	Wiper, Rod (Note: Use p/n 70003845)	
16	70002217	1	Ring, Retaining	
17	7026084	1	O-Ring	
21	70002216	1	Retainer	
23	4640932	1	Cartridge, Counterbalance Valve	
23	7011112	1	Seal Kit - 4640932 Valve	
24	4641086	1	Cartridge, Counterbalance Valve	
24	2900792	1	Seal Kit - 4641086 Valve	
25	7024844	2	Plug	
26	See Note	2	Plug (Note: Not Available for Purchase)	
28	See Note	NSS	O-Ring (Note: Use p/n 70003845)	
100	70003845	1	Seal Kit (Includes Items 9-15 & 28)	

SECTION 6 - CYLINDER

FIGURE 6-3. LIFT CYLINDER ASSEMBLY - JIB - E400AJP/M400AJP/E400AJPN/M400AJPN



ART_1001140280

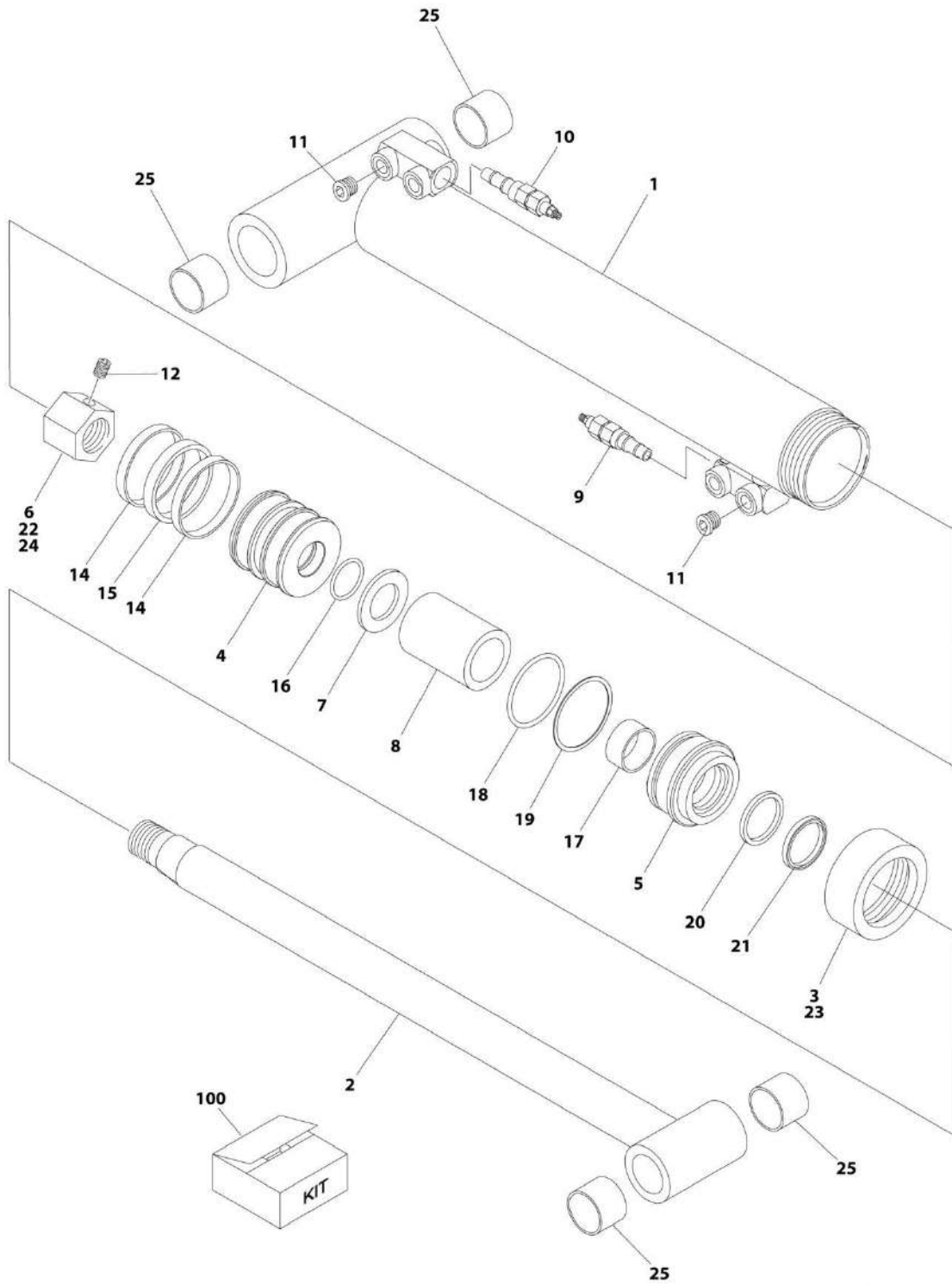
SECTION 6 - CYLINDER

FIGURE 6-3. LIFT CYLINDER ASSEMBLY - JIB - E400AJP/M400AJP/E400AJPN/M400AJPN

ITEM	PART NUMBER	QTY	DESCRIPTION	REV
	1001140280	Ref	LIFT CYLINDER ASSEMBLY - JIB - E400AJP/M400AJP/E400AJPN/M400AJPN	A
		Ref	Note: For Jib Cylinder with Manual Descent Valve see SPECIAL OPTIONS.	
1	70003863	1	Barrel	
2	70003864	1	Rod	
6	7026088	1	Head	
7	70003833	1	Piston	
8	0961951	2	Bushing	
9	0961947	2	Bushing	
11	4640509	2	Cartridge, Counterbalance Valve	
11	2900792	2	Seal Kit - 4640509	
14	7026090	2	Bushing	
15	7026091	1	Sleeve	
16	7026092	1	Nut	
17	70002223	1	Retainer	
18	See Note	NSS	Wiper, Rod (Note: Use p/n 70003836)	
19	See Note	NSS	Seal, Rod (Note: Use p/n 70003836)	
20	See Note	NSS	O-Ring (Note: Use p/n 70003836)	
21	See Note	NSS	Ring, Back-Up (Note: Use p/n 70003836)	
22	See Note	NSS	O-Ring (Note: Use p/n 70003836)	
23	See Note	1	O-Ring (Note: Use p/n 70003836)	
24	7026068	1	O-Ring	
25	7024844	2	Plug	
28	See Note	NSS	O-Ring (Note: Use p/n 70003836)	
29	See Note	NSS	Seal, Piston (Note: Use p/n 70003836)	
31	70002220	1	Ring, Retaining	
32	See Note	NSS	Ring, Wear (Note: Use p/n 70003836)	
100	70003836	1	Seal Kit (Includes Items 18-23, 28, 29 & 32)	

SECTION 6 - CYLINDER

FIGURE 6-4. LIFT CYLINDER ASSEMBLY - LOWER - E400AN (SN 0300208530 through 0300239739)



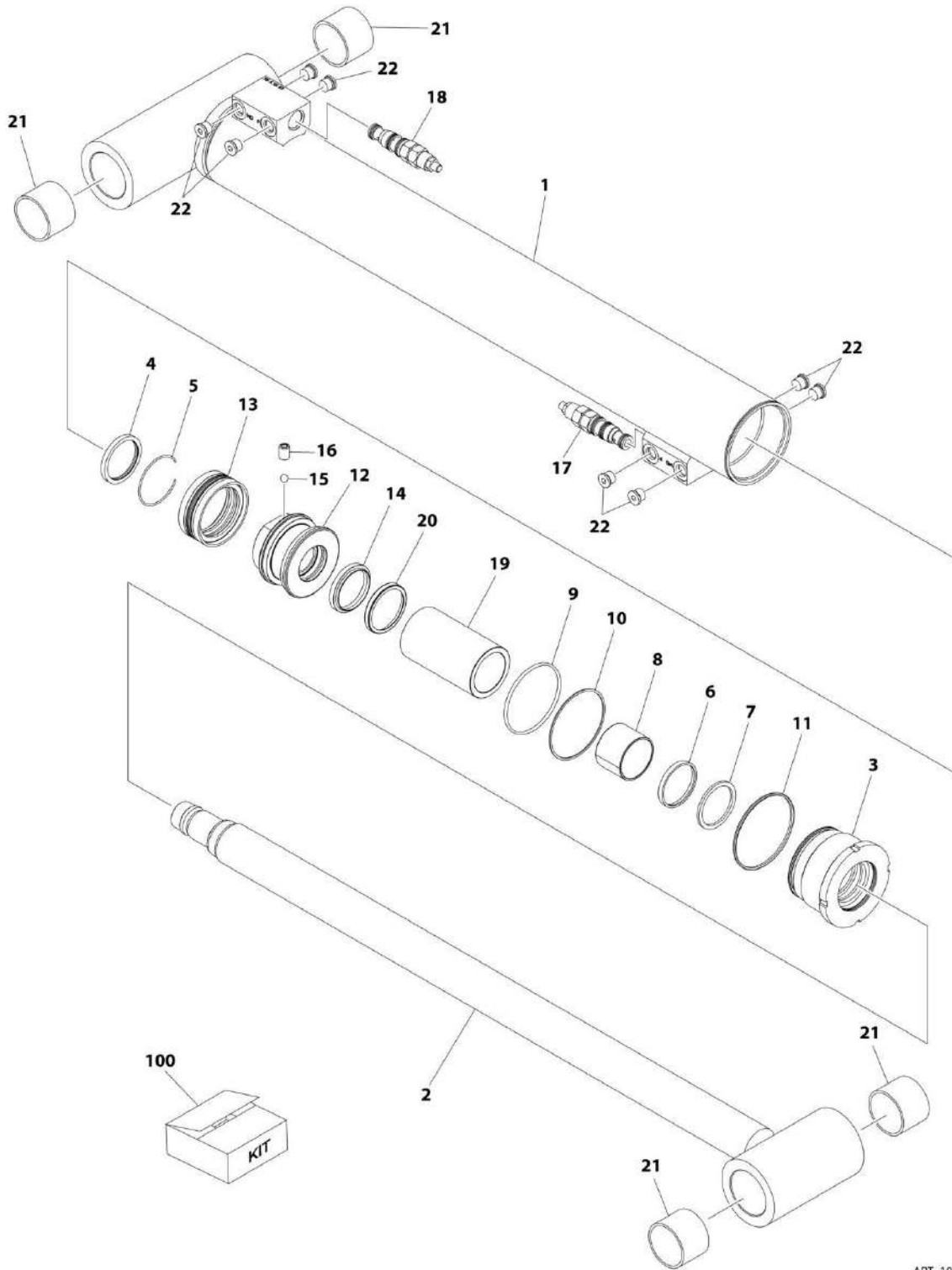
SECTION 6 - CYLINDER

FIGURE 6-4. LIFT CYLINDER ASSEMBLY - LOWER - E400AN (SN 0300208530 through 0300239739)

ITEM	PART NUMBER	QTY	DESCRIPTION	REV
	1684453	Ref	LIFT CYLINDER ASSEMBLY - LOWER - E400An	D
		Ref	Note: Original Cylinder May Have Been Replaced with Service Replacement. Identify PN Stamped on Cylinder Before Ordering Parts.	
1	1684022	1	Barrel	
2	1684023	1	Rod	
3	1120305	1	Retainer	
4	3480242	1	Piston	
5	1683712	1	Head	
6	3300281	1	Nut	
7	4740207	1	Washer	
8	4565992	1	Spacer	
9	4640634	1	Cartridge, Holding Valve	
9	2900770	1	Seal Kit - 4640634 Valve	
10	4641386	1	Cartridge, Holding Valve	
10	7011376	1	Seal Kit - 4641386 Valve	
11	2220885	2	Plug	
12	3900170	1	Setscrew	
14	See Note	2	Ring, Wear (Note: Use p/n 2901805)	
15	See Note	1	Seal, Piston (Note: Use p/n 2901805)	
16	See Note	1	O-Ring (Note: Use p/n 2901805)	
17	See Note	1	Ring, Wear (Note: Use p/n 2901805)	
18	See Note	1	O-Ring (Note: Use p/n 2901805)	
19	See Note	1	Ring, Back-Up (Note: Use p/n 2901805)	
20	See Note	1	Seal, Rod (Note: Use p/n 2901805)	
21	See Note	1	Wiper, Rod (Note: Use p/n 2901805)	
22	0100011	AR	Compound, Locking	
23	0100035	AR	Compound, Locking	
24	0100038	AR	Primer, Locking	
25	0961950	4	Bushing	
100	2901805	1	Seal Kit (Includes Items 14-21)	

SECTION 6 - CYLINDER

FIGURE 6-5. LIFT CYLINDER ASSEMBLY - LOWER - E400AN (SN 0300239740 to Present)



ART_1001228037

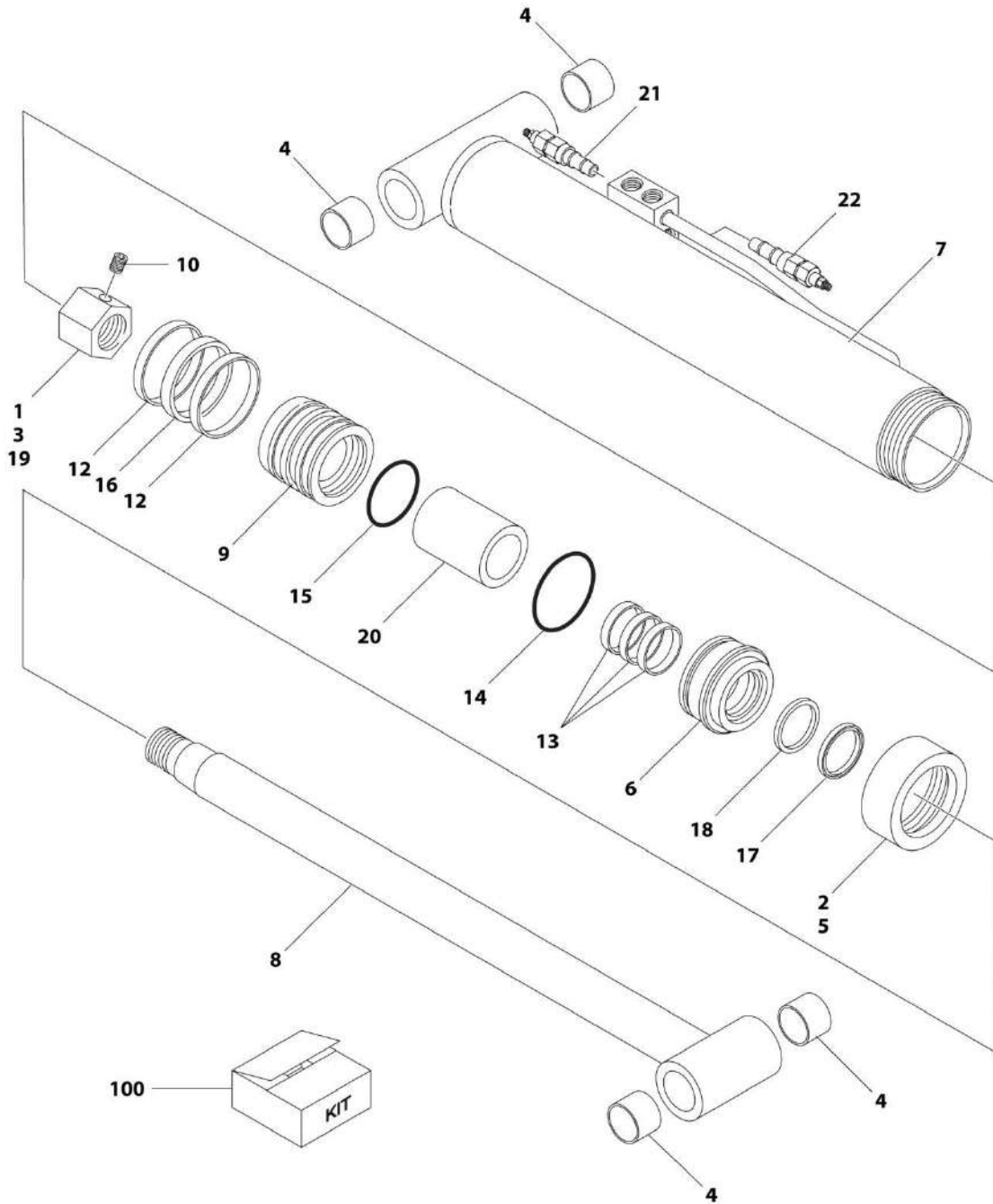
SECTION 6 - CYLINDER

FIGURE 6-5. LIFT CYLINDER ASSEMBLY - LOWER - E400AN (SN 0300239740 to Present)

ITEM	PART NUMBER	QTY	DESCRIPTION	REV
	1001228037	Ref	LIFT CYLINDER ASSEMBLY - LOWER	A
1	See Note	NSS	Barrel Weldment (Note: Not Available for Purchase)	
2	70006593	1	Rod Weldment	
3	70006592	1	Head	
4	See Note	NSS	Wiper (Note: Use Item 100)	
5	70002412	1	Retainer	
6	See Note	NSS	Seal, Rod (Note: Use Item 100)	
7	See Note	NSS	Ring, Back-up (Note: Use Item 100)	
8	70006591	1	Bearing	
9	See Note	NSS	O-Ring (Note: Use Item 100)	
10	See Note	NSS	Ring, Back-up (Note: Use Item 100)	
11	70050801	1	O-Ring	
12	70006590	1	Piston	
13	See Note	NSS	Seal (Note: Use Item 100)	
14	See Note	NSS	O-Ring (Note: Use Item 100)	
15	70022564	1	Ball, Steel	
16	70006601	1	Setscrew	
17	4640634	1	Cartridge, Holding Valve	
17	2900770	1	Seal Kit - 4640634 Valve	
18	4641386	1	Cartridge, Holding Valve	
18	7011376	1	Seal Kit - 4641386 Valve	
19	70006589	1	Spacer	
20	70006588	1	O-Ring	
21	0961950	4	Bushing	
22	2220883	8	Plug, O-Ring	
100	70006587	1	Seal Kit (Includes Items 4, 6, 7, 9, 10, 13 & 14)	

SECTION 6 - CYLINDER

FIGURE 6-6. LIFT CYLINDER ASSEMBLY - LOWER - E400AJP/M400AJP/E400AJPN/M400AJPN (SN 0300208530 through 0300239237)



ART_1684451

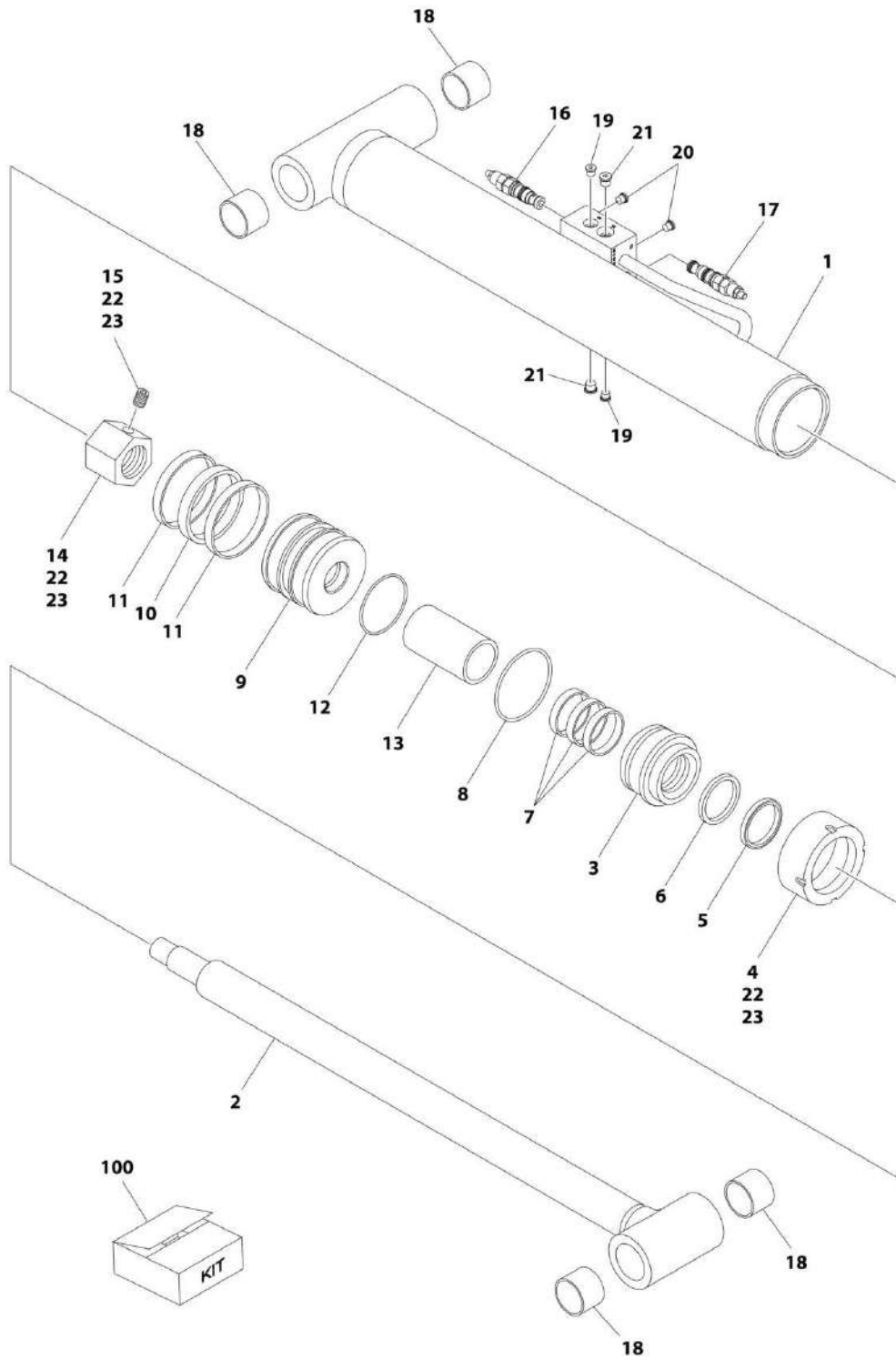
SECTION 6 - CYLINDER

FIGURE 6-6. LIFT CYLINDER ASSEMBLY - LOWER - E400AJP/M400AJP/E400AJPN/M400AJPN (SN 0300208530 through 0300239237)

ITEM	PART NUMBER	QTY	DESCRIPTION	REV
	1684451	Ref	LIFT CYLINDER ASSEMBLY - LOWER - E400AJP/M400AJP/E400AJPN/M400AJPN	E
		Ref	Note: Original Cylinder May Have Been Replaced with Service Replacement. Identify PN Stamped on Cylinder Before Ordering Parts.	
1	0100011	AR	Compound, Locking	
2	0100035	1	Compound, Locking	
4	0961950	4	Bushing	
5	1120094	1	Retainer	
6	1683710	1	Head	
7	1683940	1	Barrel	
8	1683941	1	Rod	
9	3480241	1	Piston	
10	3900170	1	Setscrew	
12	See Note	NSS	Ring, Wear (Note: Use p/n 2901806)	
13	See Note	NSS	Ring, Wear (Note: Use p/n 2901806)	
14	See Note	NSS	O-Ring (Note: Use p/n 2901806)	
15	See Note	NSS	O-Ring (Note: Use p/n 2901806)	
16	See Note	NSS	Seal, Piston (Note: Use p/n 2901806)	
17	See Note	NSS	Wiper, Rod (Note: Use p/n 2901806)	
18	See Note	1	Seal, Rod (Note: Use p/n 2901806)	
19	3300281	1	Nut	
20	4566432	1	Spacer	
21	4640634	1	Cartridge, Holding Valve	
21	2900770	1	Seal Kit - 4640634 Valve	
22	4641386	1	Cartridge, Holding Valve	
22	7011376	1	Seal Kit - 4641386 Valve	
23	0100038	1	Primer, Locking	
100	2901806	1	Seal Kit (Includes Items 12-18)	

SECTION 6 - CYLINDER

FIGURE 6-7. CYLINDER ASSEMBLY - LOWER - E400AJP/M400AJP/E400AJPN/M400AJPN (SN 0300239237 to Present)



ART_1001228035

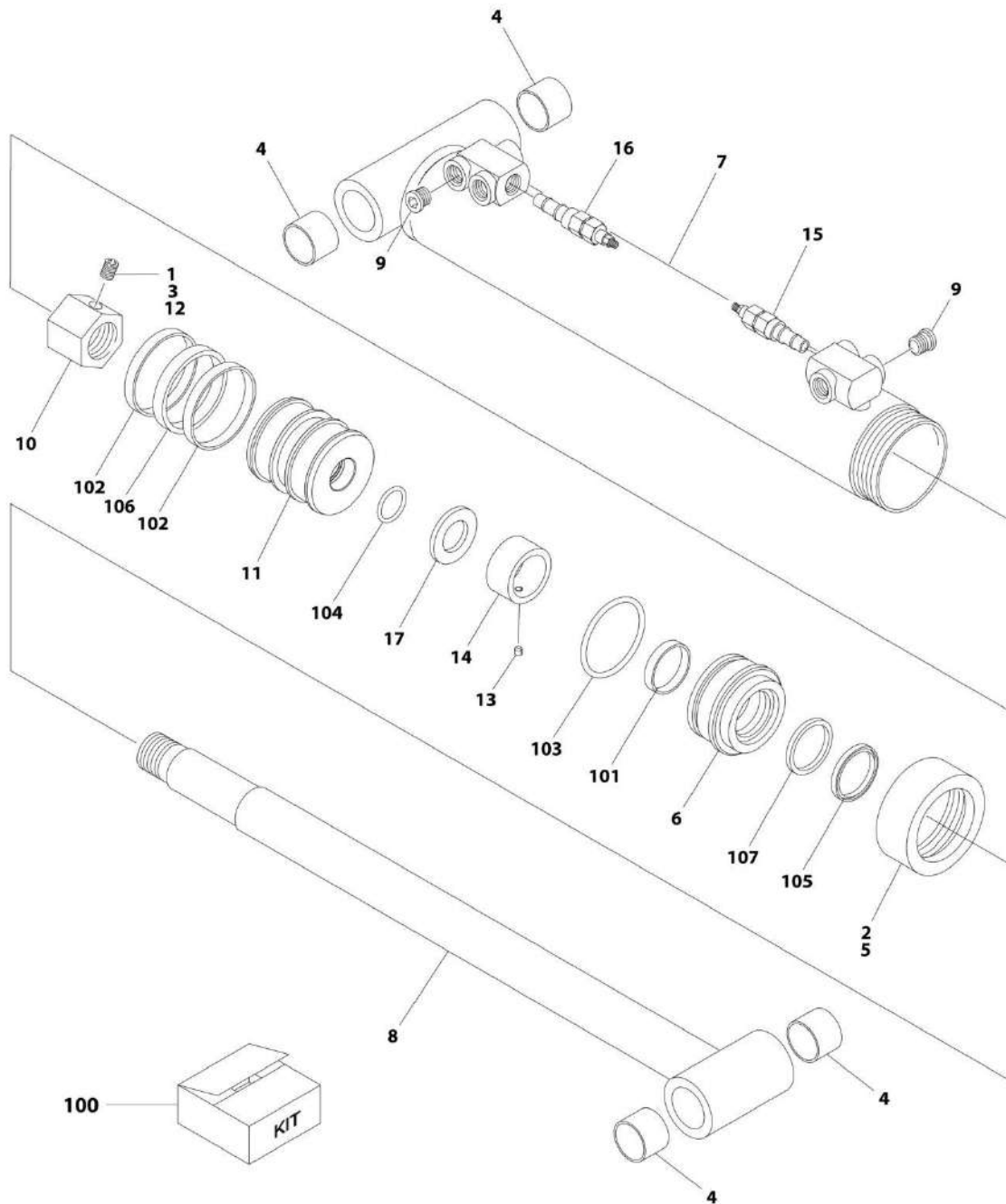
SECTION 6 - CYLINDER

FIGURE 6-7. CYLINDER ASSEMBLY - LOWER - E400AJP/M400AJP/E400AJPN/M400AJPN (SN 0300239237 to Present)

ITEM	PART NUMBER	QTY	DESCRIPTION	REV
	1001228035	Ref	LIFT CYLINDER ASSEMBLY - LOWER	B
1	See Note	NSS	Barrel Weldment (Note: Not Available for Purchase)	
2	70006535	1	Rod Weldment	
3	70006533	1	Head	
4	70006533	1	Retainer	
5	See Note	NSS	Wiper (Note: Use Item 100)	
6	See Note	NSS	Seal, Rod (Note: Use Item 100)	
7	See Note	NSS	Ring, Wear (Note: Use Item 100)	
8	See Note	NSS	O-Ring (Note: Use Item 100)	
9	70006532	1	Piston	
10	See Note	NSS	Seal (Note: Use Item 100)	
11	See Note	NSS	Ring, Wear (Note: Use Item 100)	
12	See Note	NSS	O-Ring (Note: Use Item 100)	
13	70006531	1	Spacer	
14	3300281	1	Nut	
15	3900170	1	Setscrew	
16	4640634	1	Cartridge, Holding Valve	
16	2900770	1	Seal Kit - 4640634 Valve	
17	4641386	1	Cartridge, Holding Valve	
17	7011376	1	Seal Kit - 4641386 Valve	
18	0961950	4	Bushing	
19	2220883	2	Plug, O-Ring	
20	2220883	2	Plug, O-Ring	
21	2220885	2	Plug, O-Ring	
22	0100011	AR	Compound, Locking	
23	0100038	AR	Primer, Locking	
100	2901806	1	Seal Kit (Includes Items 5-8 & 10-12)	

SECTION 6 - CYLINDER

FIGURE 6-8. LIFT CYLINDER ASSEMBLY - MID - E400AN (SN 0300208530 through 0300239739)



ART_1684454

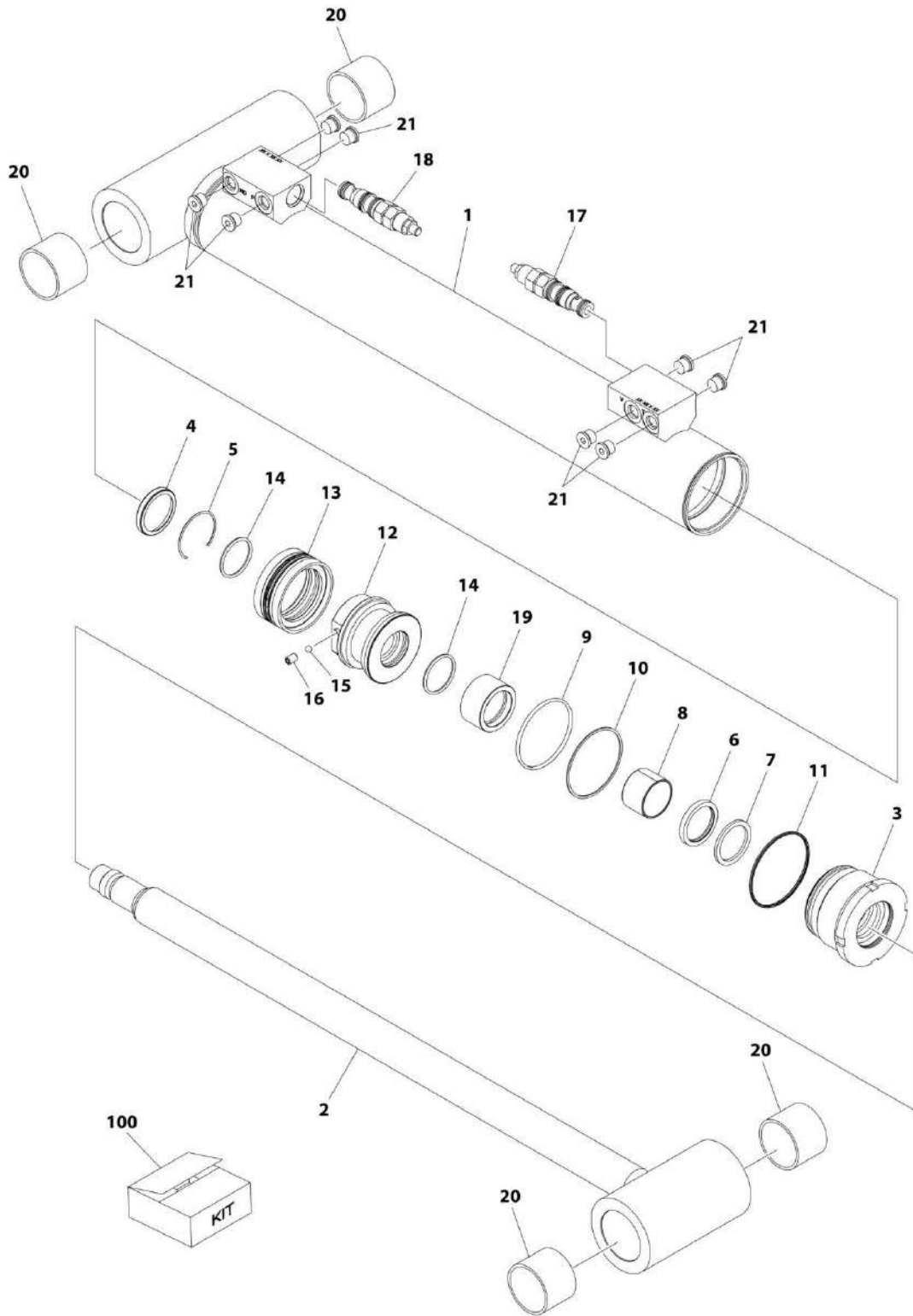
SECTION 6 - CYLINDER

FIGURE 6-8. LIFT CYLINDER ASSEMBLY - MID - E400AN (SN 0300208530 through 0300239739)

ITEM	PART NUMBER	QTY	DESCRIPTION	REV
	1684454	Ref	LIFT CYLINDER ASSEMBLY - MID - E400An	B
		Ref	Note: Original Cylinder May Have Been Replaced with Service Replacement. Identify PN Stamped on Cylinder Before Ordering Parts.	
1	0100011	AR	Compound, Locking	
2	0100035	AR	Compound, Locking	
3	0100038	AR	Primer, Locking	
4	0961950	4	Bushing	
5	1120108	1	Retainer	
6	1681344	1	Head	
7	1684025	1	Barrel	
8	1684026	1	Rod	
9	2220885	2	Plug	
10	3300279	1	Nut	
11	3480240	1	Piston	
12	3900170	1	Setscrew	
13	3951402	1	Setscrew, 1/4-20 x 1/4	
14	4565994	1	Spacer	
15	4640634	1	Cartridge, Holding Valve	
15	2900770	1	Seal Kit - 4640634 Valve	
16	4641386	1	Cartridge, Holding Valve	
16	7011376	1	Seal Kit - 4641386 Valve	
17	4740394	1	Washer	
100	2902419	1	Seal Kit (Includes Items 101-107)	
101	See Note	1	Ring, Wear (Note: Use p/n 2902419)	
102	See Note	2	Ring, Wear (Note: Use p/n 2902419)	
103	See Note	1	O-Ring (Note: Use p/n 2902419)	
104	See Note	1	O-Ring (Note: Use p/n 2902419)	
105	See Note	1	Wiper, Rod (Note: Use p/n 2902419)	
106	See Note	1	Seal, Piston (Note: Use p/n 2902419)	
107	See Note	1	Seal, Rod (Note: Use p/n 2902419)	

SECTION 6 - CYLINDER

FIGURE 6-9. LIFT CYLINDER ASSEMBLY - MID - E400AN (SN 0300239740 to Present)



ART_1001228038

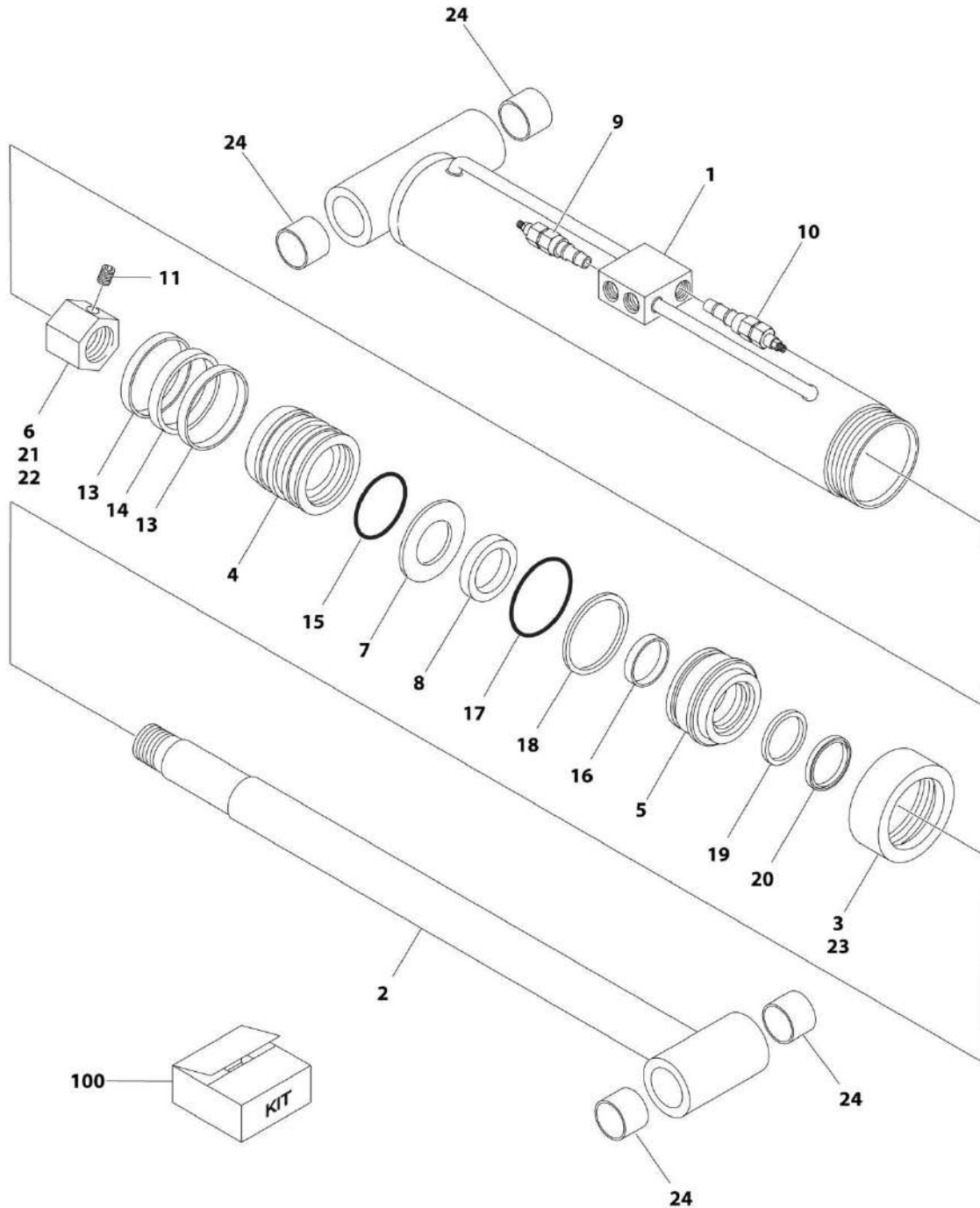
SECTION 6 - CYLINDER

FIGURE 6-9. LIFT CYLINDER ASSEMBLY - MID - E400AN (SN 0300239740 to Present)

ITEM	PART NUMBER	QTY	DESCRIPTION	REV
	1001228038	Ref	LIFT CYLINDER ASSEMBLY - MID - E400An	A
1	See Note	NSS	Barrel Weldment (Note: Not Available for Purchase)	
2	70006600	1	Rod Weldment	
3	70006599	1	Head	
4	See Note	1	Wiper (Note: Use Item 100)	
5	70002373	1	Retainer	
6	See Note	NSS	Seal, Rod (Note: Use Item 100)	
7	See Note	NSS	Ring, Back-up (Note: Use Item 100)	
8	70005143	1	Bearing	
9	See Note	NSS	O-Ring (Note: Use Item 100)	
10	See Note	NSS	Ring, Back-up (Note: Use Item 100)	
11	70006598	1	O-Ring	
12	70006597	1	Piston	
13	See Note	NSS	Seal (Note: Use Item 100)	
14	See Note	NSS	O-Ring (Note: Use Item 100)	
15	70022564	1	Ball, Steel	
16	70006596	1	Setscrew	
17	4640634	1	Cartridge, Holding Valve	
17	2900770	1	Seal Kit - 4640634 Valve	
18	4641386	1	Cartridge, Holding Valve	
18	7011376	1	Seal Kit - 4641386 Valve	
19	70006595	1	Spacer	
20	0961950	4	Bushing	
21	2220885	8	Plug, O-Ring	
100	70006594	1	Seal Kit (Includes 4, 6, 7, 9, 10, 13 & 14)	

SECTION 6 - CYLINDER

FIGURE 6-10. LIFT CYLINDER ASSEMBLY - MID - E400AJP/M400AJP/E400AJPN/M400AJPN (SN 0300208530 through 0300239237)



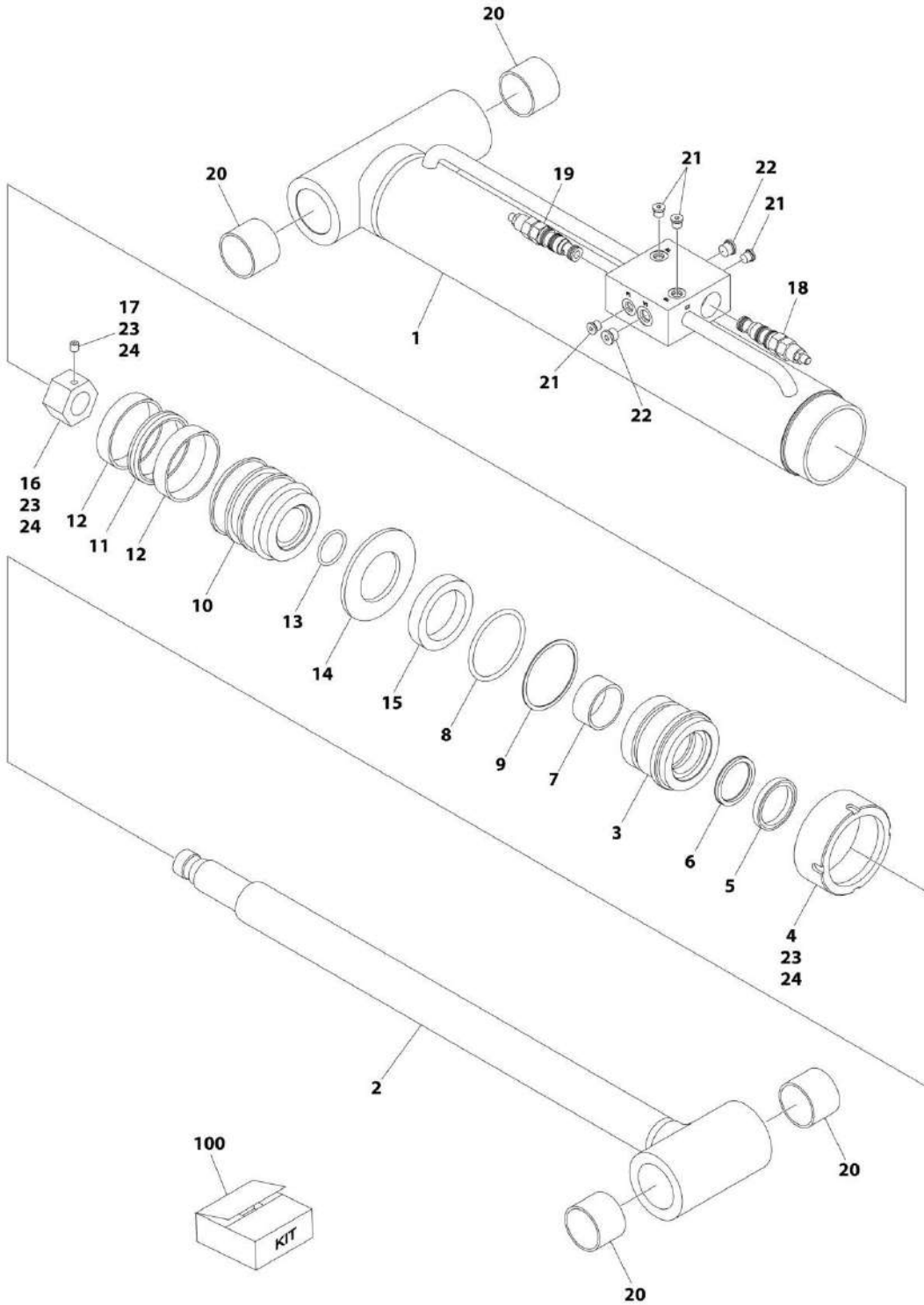
SECTION 6 - CYLINDER

FIGURE 6-10. LIFT CYLINDER ASSEMBLY - MID - E400AJP/M400AJP/E400AJPN/M400AJPN (SN 0300208530 through 0300239237)

ITEM	PART NUMBER	QTY	DESCRIPTION	REV
	1684452	Ref	LIFT CYLINDER ASSEMBLY - MID - E400AJP/M400AJP/E400AJPN/M400AJPN	D
		Ref	Note: Original Cylinder May Have Been Replaced with Service Replacement. Identify PN Stamped on Cylinder Before Ordering Parts.	
1	1683943	1	Barrel	
2	1683944	1	Rod	
3	1120305	1	Retainer	
4	3480242	1	Piston	
5	1683712	1	Head	
6	3300281	1	Nut	
7	4740207	1	Washer	
8	4566435	1	Spacer	
9	4640634	1	Cartridge, Holding Valve	
9	2900770	1	Seal Kit - 4640634 Valve	
10	4641386	1	Cartridge, Holding Valve	
10	7011376	1	Seal Kit - 4641386 Valve	
11	3900170	1	Setscrew	
13	See Note	NSS	Ring, Wear (Note: Use p/n 2901805)	
14	See Note	NSS	Seal, Piston (Note: Use p/n 2901805)	
15	See Note	NSS	O-Ring (Note: Use p/n 2901805)	
16	See Note	NSS	Ring, Wear (Note: Use p/n 2901805)	
17	See Note	NSS	O-Ring (Note: Use p/n 2901805)	
18	See Note	NSS	Ring, Back-Up (Note: Use p/n 2901805)	
19	See Note	NSS	Seal, Rod (Note: Use p/n 2901805)	
20	See Note	NSS	Wiper, Rod (Note: Use p/n 2901805)	
21	0100011	AR	Compound, Locking	
22	0100038	AR	Primer, Locking	
23	0100035	1	Compound, Locking	
24	0961950	4	Bushing	
100	2901805	1	Seal Kit (Includes Items 13-20)	

SECTION 6 - CYLINDER

FIGURE 6-11. LIFT CYLINDER ASSEMBLY - MID - E400AJP/M400AJP/E400AJPN/M400AJPN (SN 0300239237 to Present)



ART_1001228036

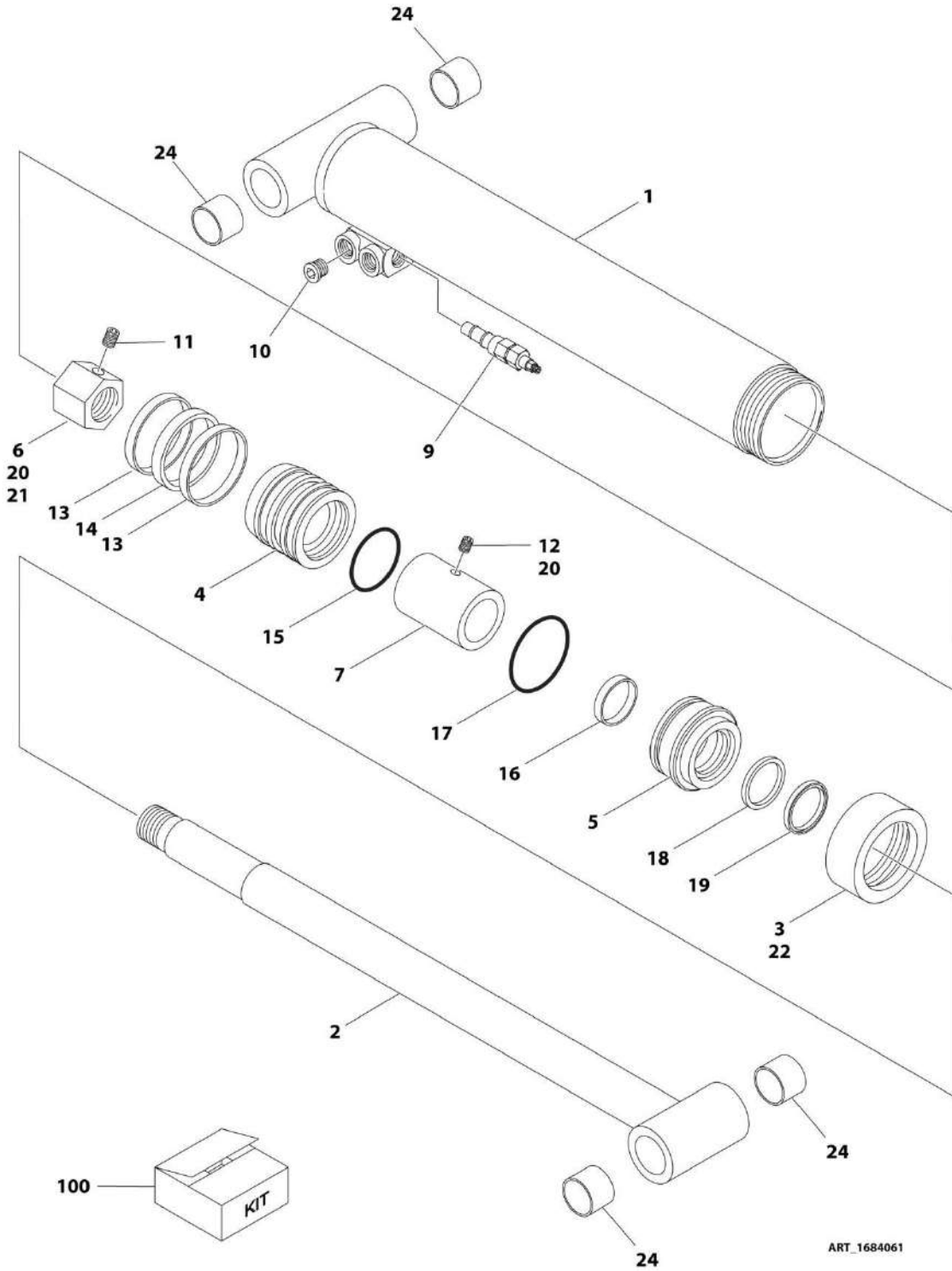
SECTION 6 - CYLINDER

FIGURE 6-11. LIFT CYLINDER ASSEMBLY - MID - E400AJP/M400AJP/E400AJPN/M400AJPN (SN 0300239237 to Present)

ITEM	PART NUMBER	QTY	DESCRIPTION	REV
	1001228036	Ref	LIFT CYLINDER ASSEMBLY - MID	E
1	See Note	NSS	Barrel Weldment (Note: Not Available for Purchase)	
2	70006543	1	Rod Weldment	
3	70006542	1	Head	
4	70006533	1	Retainer	
5	See Note	NSS	Wiper (Note: Use Item 100)	
6	See Note	NSS	Seal, Rod (Note: Use Item 100)	
7	See Note	NSS	Ring, Wear (Note: Use Item 100)	
8	See Note	NSS	O-Ring (Note: Use Item 100)	
9	See Note	NSS	Ring, Back-up (Note: Use Item 100)	
10	70006532	1	Piston	
11	See Note	NSS	Seal (Note: Use Item 100)	
12	See Note	NSS	Ring, Wear (Note: Use Item 100)	
13	See Note	NSS	O-Ring (Note: Use Item 100)	
14	4740207	1	Washer	
15	70006539	1	Spacer	
16	3300281	1	Nut	
17	3900170	1	Setscrew	
18	4640634	1	Cartridge, Holding Valve	
18	2900770	1	Seal Kit - 4640634 Valve	
19	4641386	1	Cartridge, Holding Valve	
19	7011376	1	Seal Kit - 4641386 Valve	
20	0961950	4	Bushing	
21	2220883	4	Plug, O-Ring	
22	2220885	2	Plug, O-Ring	
23	0100011	AR	Compound, Locking	
24	0100038	AR	Primer, Locking	
100	2901806	1	Seal Kit (Includes Items 5-9 & 11-13)	

SECTION 6 - CYLINDER

FIGURE 6-12. LIFT CYLINDER - UPPER - E400AN (SN 0300208530 through 0300239739)



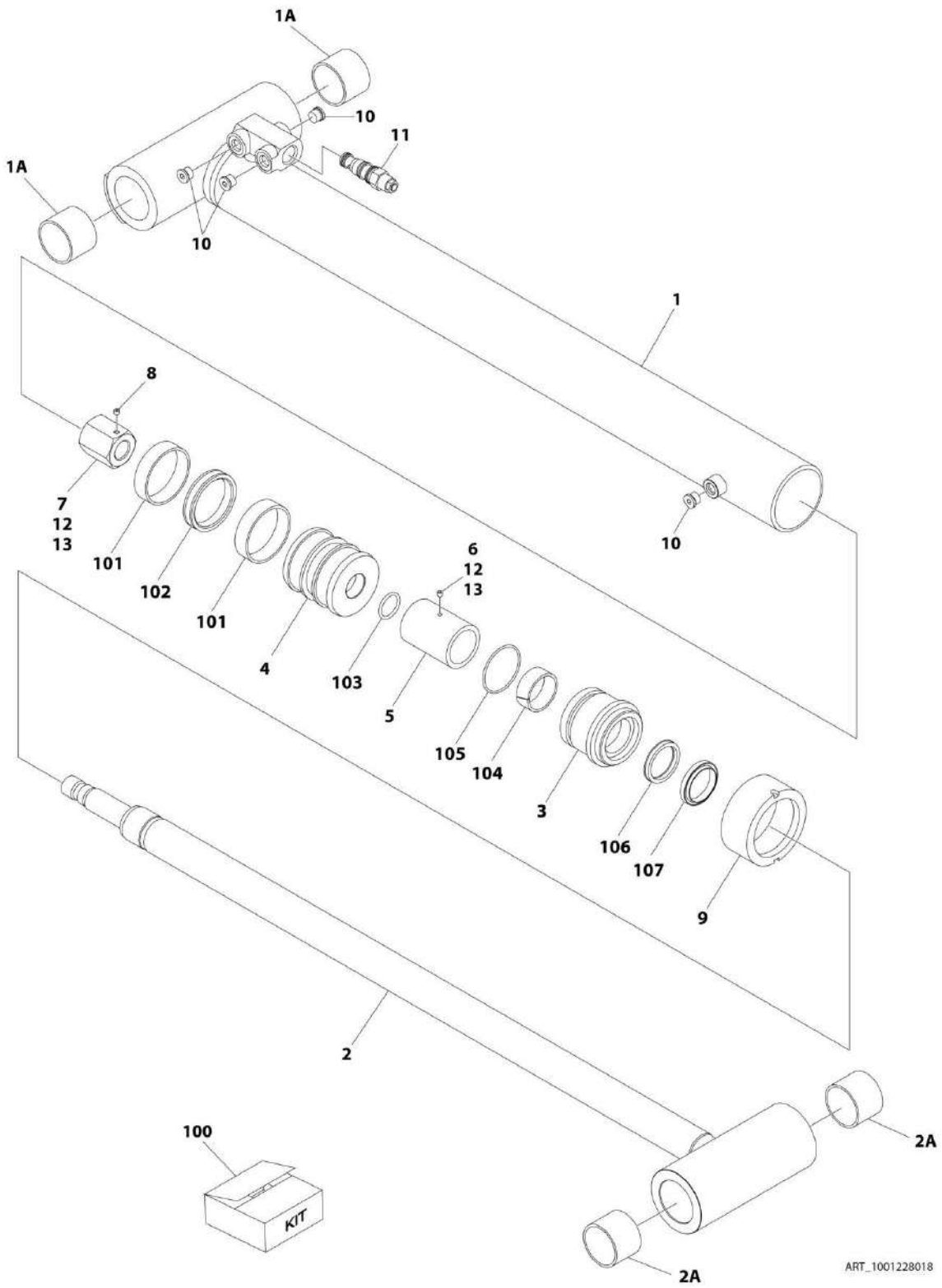
SECTION 6 - CYLINDER

FIGURE 6-12. LIFT CYLINDER - UPPER - E400AN (SN 0300208530 through 0300239739)

ITEM	PART NUMBER	QTY	DESCRIPTION	REV
	1684061	Ref	LIFT CYLINDER - UPPER - E400An	G
		Ref	Note: Original Cylinder May Have Been Replaced with Service Replacement. Identify PN Stamped on Cylinder Before Ordering Parts.	
1	1684060	1	Barrel	
2	1684059	1	Rod	
3	1120108	1	Retainer	
4	3480240	1	Piston	
5	1683709	1	Head	
6	3300315	1	Nut	
7	4567177	1	Spacer	
9	4640936	1	Cartridge, Valve	
9	2900770	1	Seal, Kit - 4640936 Valve	
10	2220885	4	Plug	
11	3900170	1	Setscrew	
12	3951402	1	Setscrew	
13	See Note	2	Ring, Wear (Note: Use p/n 2901804)	
14	See Note	1	Seal, Piston (Note: Use p/n 2901804)	
15	See Note	1	O-Ring (Note: Use p/n 2901804)	
16	See Note	1	Ring, Wear (Note: Use p/n 2901804)	
17	See Note	1	O-Ring (Note: Use p/n 2901804)	
18	See Note	1	Seal, Rod (Note: Use p/n 2901804)	
19	See Note	1	Wiper, Rod (Note: Use p/n 2901804)	
20	0100011	AR	Compound, Locking	
21	0100038	AR	Primer, Locking	
22	0100035	AR	Compound, Locking	
24	0961950	4	Bushing	
100	2901804	1	Seal Kit (Includes Items 13-19)	

SECTION 6 - CYLINDER

FIGURE 6-13. LIFT CYLINDER - UPPER - E400AN (SN 0300239740 to Present)



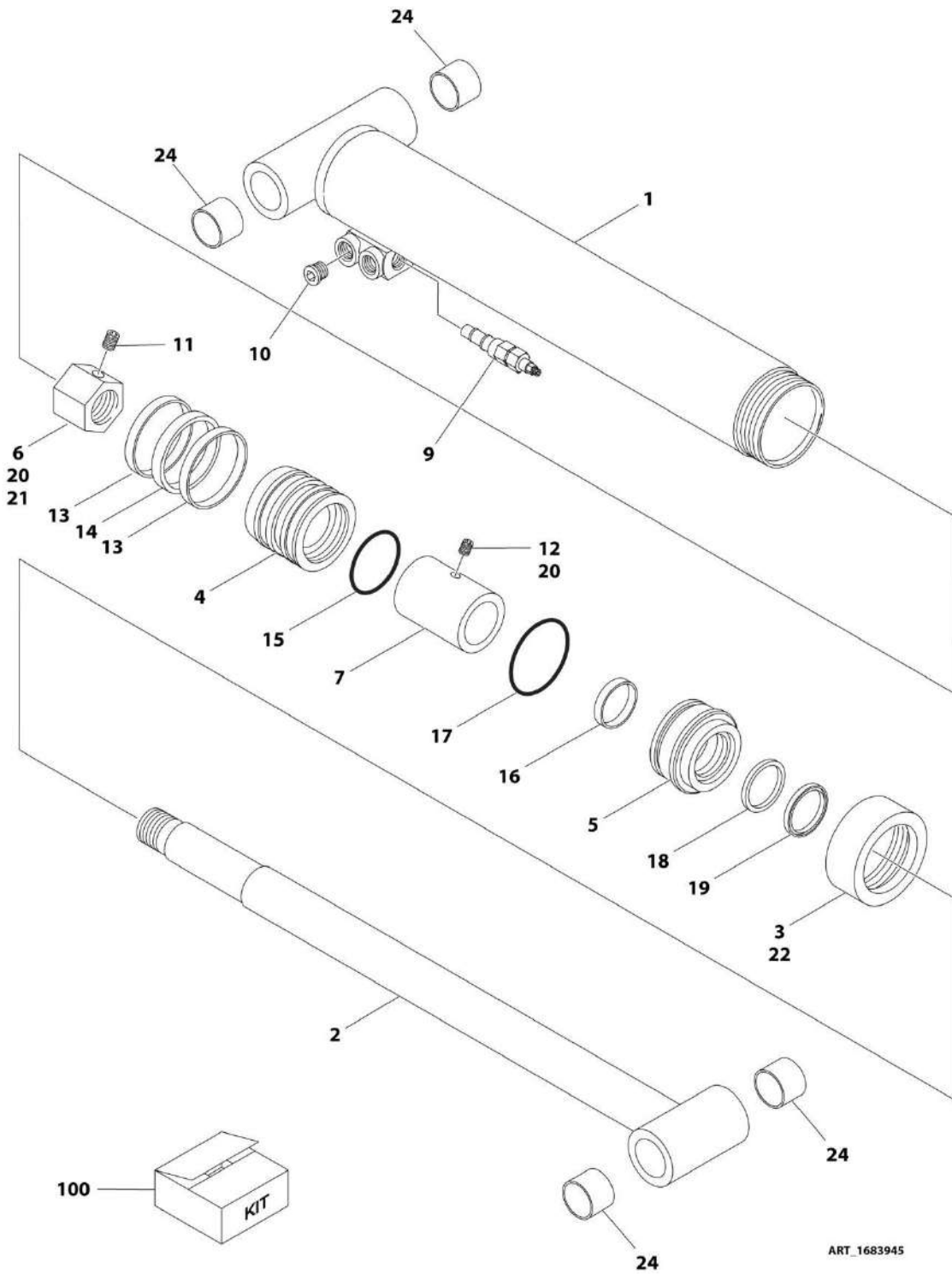
SECTION 6 - CYLINDER

FIGURE 6-13. LIFT CYLINDER - UPPER - E400AN (SN 0300239740 to Present)

ITEM	PART NUMBER	QTY	DESCRIPTION	REV
	1001228018	Ref	LIFT CYLINDER ASSEMBLY - UPPER	B
1	See Note	NSS	Barrel Weldment (Note: Not Available for Purchase)	
1A	0961950	2	Bushing	
2	70006415	1	Rod Weldment	
2A	0961950	2	Bushing	
3	70006401	1	Head	
4	70006400	1	Piston	
5	70006414	1	Spacer	
6	70006413	1	Setscrew	
7	70006412	1	Nut	
8	70023915	1	Setscrew	
9	70006411	4	Retainer	
10	2220885	1	Plug, O-Ring	
11	4640936	1	Cartridge, Holding Valve	
11	2900770	1	Seal Kit - 4640936 Valve	
12	0100011	AR	Compound, Locking	
13	0100038	AR	Primer, Locking	
100	2901804	1	Seal Kit (Includes Items 101-107)	
101	See Note	NSS	Ring, Wear (Note: Use Item 100)	
102	See Note	NSS	Seal, Piston (Note: Use Item 100)	
103	See Note	NSS	O-Ring (Note: Use Item 100)	
104	See Note	NSS	Ring, Wear (Note: Use Item 100)	
105	See Note	NSS	O-Ring (Note: Use Item 100)	
106	See Note	NSS	Seal, Rod (Note: Use Item 100)	
107	See Note	NSS	Wiper, Rod (Note: Use Item 100)	

SECTION 6 - CYLINDER

FIGURE 6-14. LIFT CYLINDER - UPPER - E400AJP/M400AJP/E400AJPN/M400AJPN (SN 0300208530 through 0300239739)



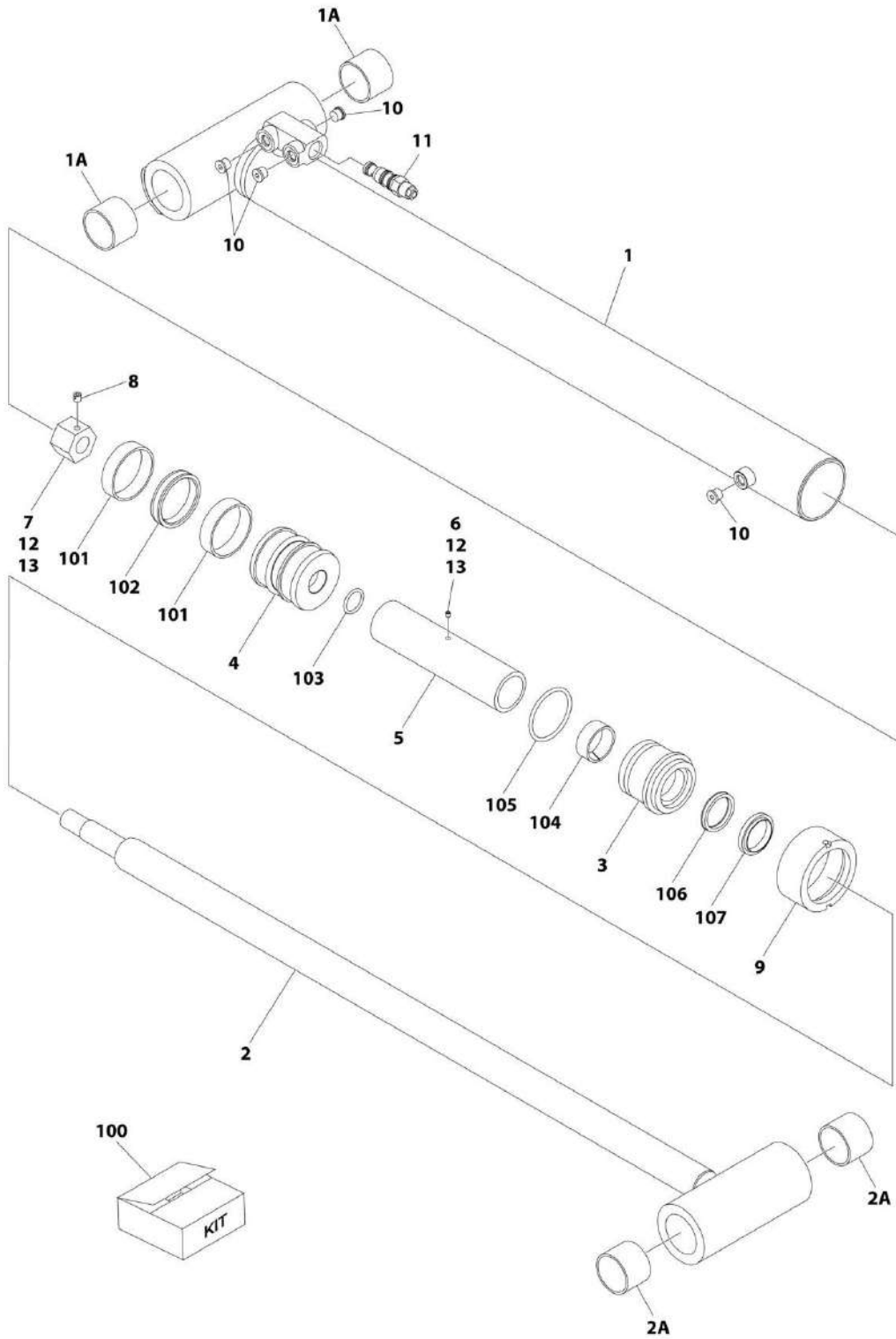
SECTION 6 - CYLINDER

FIGURE 6-14. LIFT CYLINDER - UPPER - E400AJP/M400AJP/E400AJPN/M400AJPN (SN 0300208530 through 0300239739)

ITEM	PART NUMBER	QTY	DESCRIPTION	REV
	1683945	Ref	LIFT CYLINDER - UPPER - E400AJP/M400AJP/E400AJPN/M400AJPN	G
		Ref	Note: Original Cylinder May Have Been Replaced with Service Replacement. Identify PN Stamped on Cylinder Before Ordering Parts.	
1	1683946	1	Barrel	
2	1683947	1	Rod	
3	1120108	1	Retainer	
4	3480240	1	Piston	
5	1683709	1	Head	
6	3300279	1	Nut	
7	4567908	1	Spacer	
9	4640936	1	Cartridge, Holding Valve	
9	2900770	1	Seal Kit - 4640936 Valve	
10	2220885	4	Plug	
11	3900170	1	Setscrew	
12	3900142	1	Setscrew	
13	See Note	2	Ring, Wear (Note: Use p/n 2901804)	
14	See Note	1	Seal, Piston (Note: Use p/n 2901804)	
15	See Note	1	O-Ring (Note: Use p/n 2901804)	
16	See Note	1	Ring, Wear (Note: Use p/n 2901804)	
17	See Note	1	O-Ring (Note: Use p/n 2901804)	
18	See Note	1	Seal, Rod (Note: Use p/n 2901804)	
19	See Note	1	Wiper, Rod (Note: Use p/n 2901804)	
20	0100011	AR	Compound, Locking	
21	0100038	AR	Primer, Locking	
22	0100035	AR	Compound, Locking	
24	0961950	4	Bushing	
100	2901804	1	Seal Kit (Includes Items 13-19)	

SECTION 6 - CYLINDER

FIGURE 6-15. LIFT CYLINDER - UPPER - E400AJP/M400AJP/E400AJPN/M400AJPN (SN 0300239740 to Present)



ART_1001228016

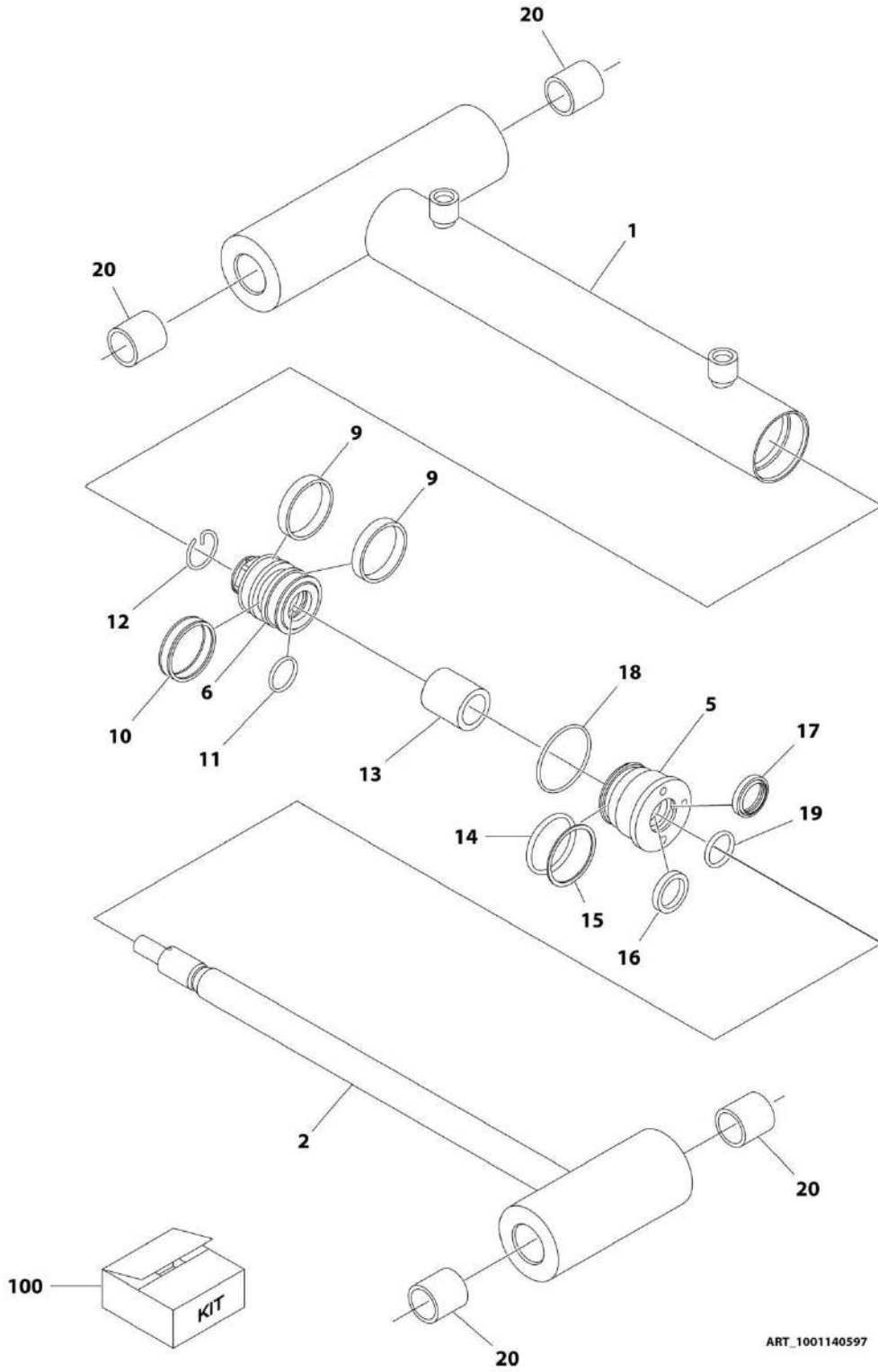
SECTION 6 - CYLINDER

FIGURE 6-15. LIFT CYLINDER - UPPER - E400AJP/M400AJP/E400AJPN/M400AJPN (SN 0300239740 to Present)

ITEM	PART NUMBER	QTY	DESCRIPTION	REV
	1001228016	Ref	LIFT CYLINDER ASSEMBLY - UPPER	B
1	See Note	NSS	Barrel Weldment (Note: Not Available for Purchase)	
1A	0961950	2	Bushing	
2	70006402	1	Rod Weldment	
2A	0961950	2	Bushing	
3	70006401	1	Head	
4	70006400	1	Piston	
5	70006399	1	Spacer	
6	70006398	1	Setscrew	
7	70006397	1	Nut	
8	70023915	1	Setscrew	
9	70006396	1	Retainer	
10	2220885	4	Plug, O-Ring	
11	4640936	1	Cartridge, Holding Valve	
11	2900770	1	Seal Kit - 4640936 Valve	
12	0100011	AR	Compound, Locking	
13	0100038	AR	Primer, Locking	
100	2901804	1	Seal Kit (Includes Items 101-107)	
101	See Note	NSS	Ring, Wear (Note: Use Item 100)	
102	See Note	NSS	Seal, Piston (Note: Use Item 100)	
103	See Note	NSS	O-Ring (Note: Use Item 100)	
104	See Note	NSS	Ring, Wear (Note: Use Item 100)	
105	See Note	NSS	O-Ring (Note: Use Item 100)	
106	See Note	NSS	Seal, Rod (Note: Use Item 100)	
107	See Note	NSS	Wiper, Rod (Note: Use Item 100)	

SECTION 6 - CYLINDER

FIGURE 6-16. MASTER CYLINDER ASSEMBLY - E400AN



ART_1001140597

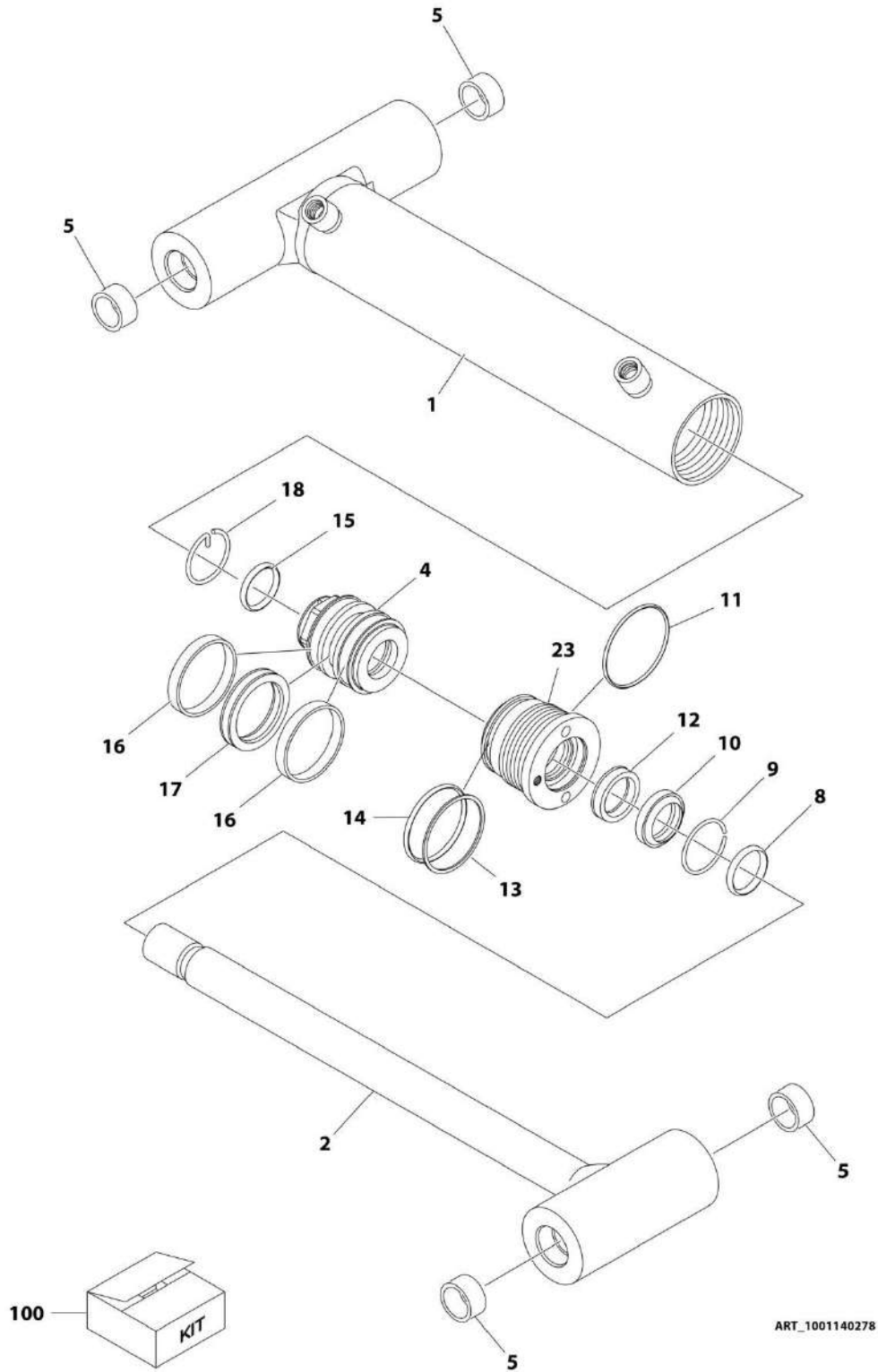
SECTION 6 - CYLINDER

FIGURE 6-16. MASTER CYLINDER ASSEMBLY - E400AN

ITEM	PART NUMBER	QTY	DESCRIPTION	REV
	1001140597	Ref	MASTER CYLINDER ASSEMBLY - E400An	A
1	70004144	1	Barrel	
2	70004145	1	Rod	
5	70000739	1	Head	
6	70004141	1	Piston	
9	See Note	2	Ring, Wear (Note: Use p/n 70004130)	
10	See Note	1	Seal, Piston (Note: Use p/n 70004130)	
11	70023094	1	O-Ring	
12	70004142	1	Retainer	
13	70004143	1	Spacer	
14	See Note	1	O-Ring (Note: Use p/n 70004130)	
15	See Note	1	Ring, Back-Up (Note: Use p/n 70004130)	
16	See Note	1	Seal, Rod (Note: Use p/n 70004130)	
17	See Note	1	Wiper, Rod (Note: Use p/n 70004130)	
18	See Note	1	O-Ring (Note: Use p/n 70004130)	
19	See Note	1	O-Ring (Note: Use p/n 70004130)	
20	0962356	4	Bushing	
100	70004130	1	Seal Kit (Includes Items 9-11 & 14-18)	

SECTION 6 - CYLINDER

FIGURE 6-17. MASTER CYLINDER ASSEMBLY - E400AJP/M400AJP/E400AJPN/M400AJPN



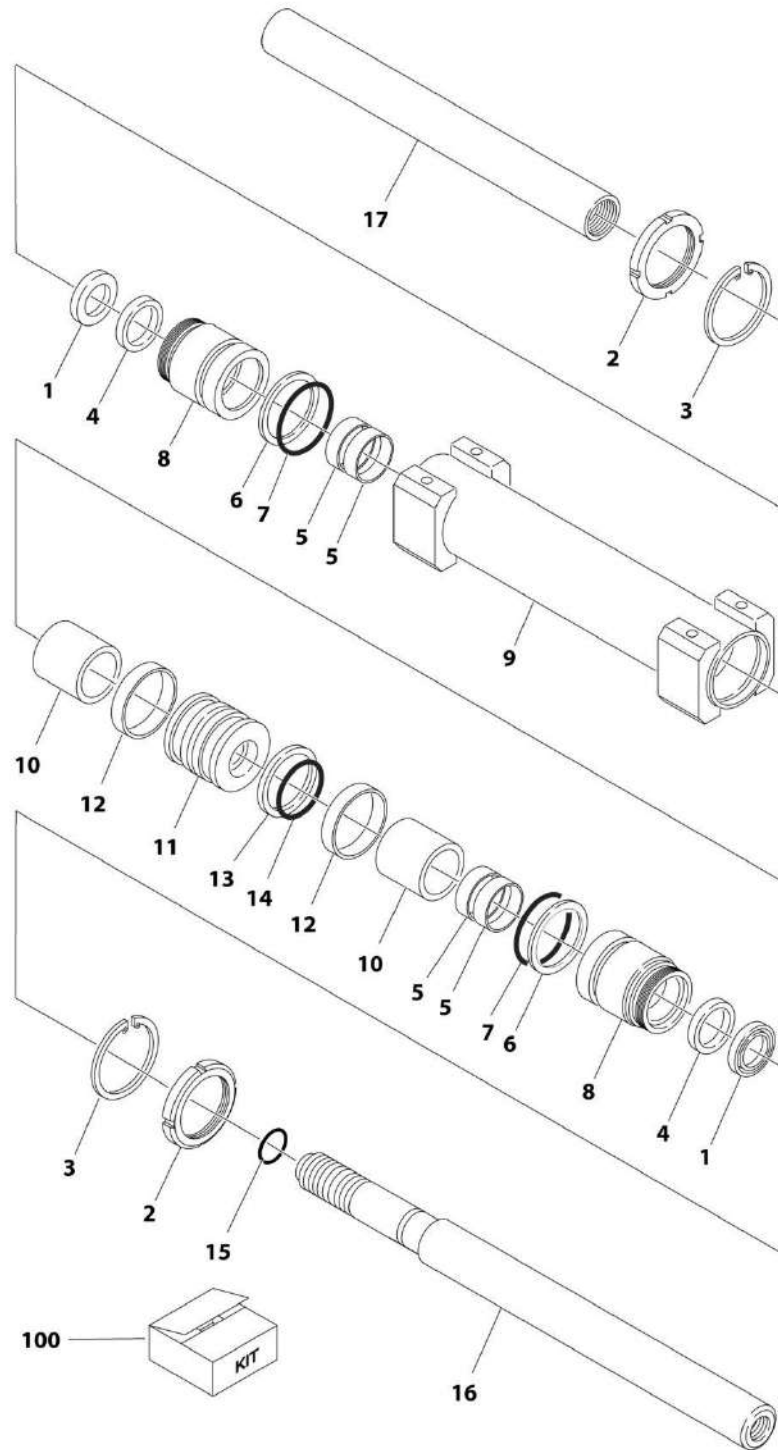
SECTION 6 - CYLINDER

FIGURE 6-17. MASTER CYLINDER ASSEMBLY - E400AJP/M400AJP/E400AJPN/M400AJPN

ITEM	PART NUMBER	QTY	DESCRIPTION	REV
	1001140278	Ref	MASTER CYLINDER ASSEMBLY - E400AJP/M400AJP/E400AJPN/M400AJPN	A
1	70003843	1	Barrel	
2	70003844	1	Rod	
4	70003819	1	Piston	
5	0961951	4	Bushing	
8	7026084	1	O-Ring	
9	70002217	1	Ring, Retaining	
10	See Note	1	Wiper, Rod (Note: Use p/n 70003845)	
11	See Note	1	O-Ring (Note: Use p/n 70003845)	
12	See Note	1	Seal, Rod (Note: Use p/n 70003845)	
13	See Note	1	Ring, Back-Up (Note: Use p/n 70003845)	
14	See Note	1	O-Ring (Note: Use p/n 70003845)	
15	See Note	1	O-Ring (Note: Use p/n 70003845)	
16	See Note	2	Ring, Wear (Note: Use p/n 70003845)	
17	See Note	1	Seal, Piston (Note: Use p/n 70003845)	
18	70002216	1	Retainer	
23	7026082	1	Head	
100	70003845	1	Seal Kit (Includes Items 10-17)	

SECTION 6 - CYLINDER

FIGURE 6-18. STEER CYLINDER ASSEMBLY



ART_1683591

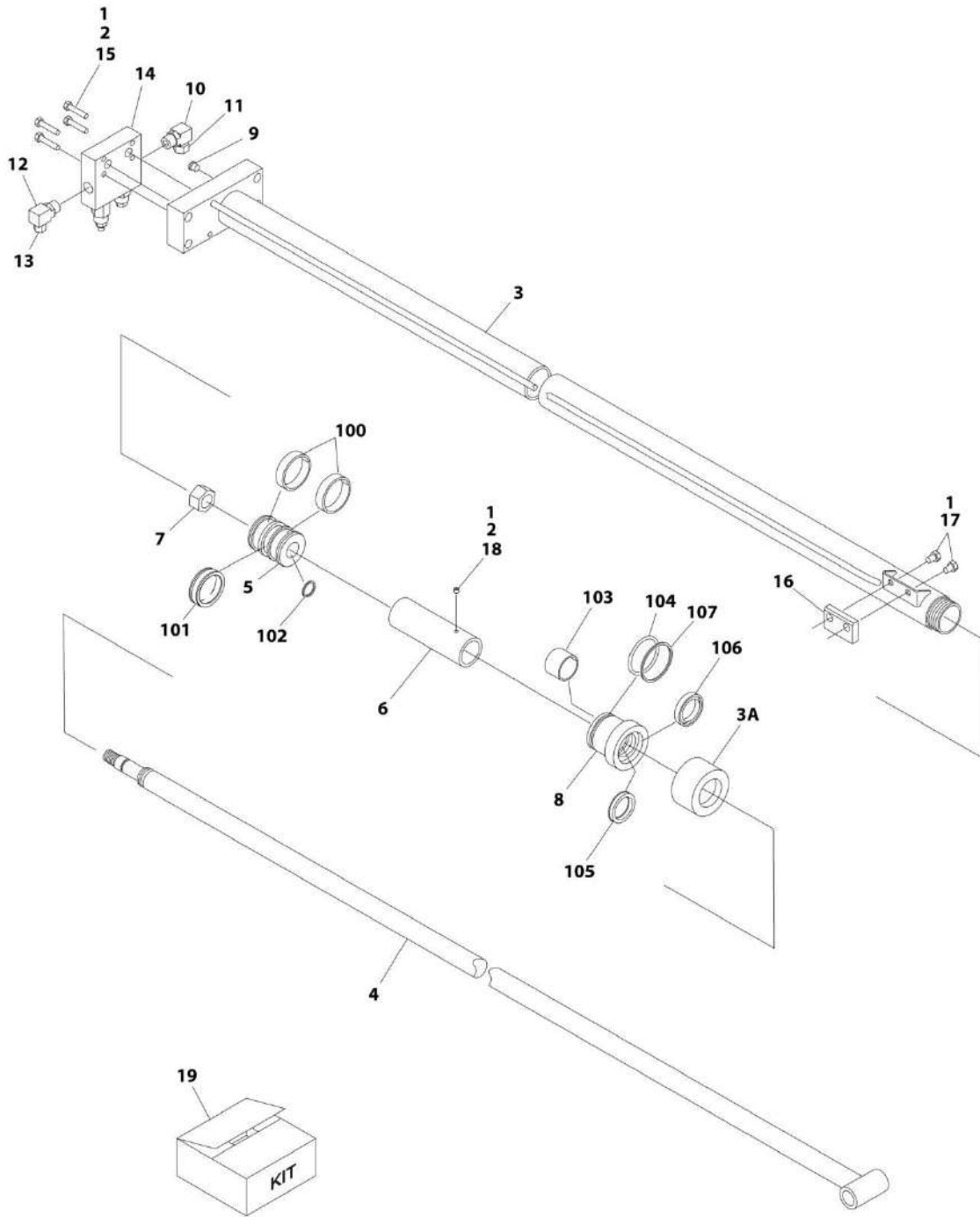
SECTION 6 - CYLINDER

FIGURE 6-18. STEER CYLINDER ASSEMBLY

ITEM	PART NUMBER	QTY	DESCRIPTION	REV
	1683591	Ref	STEER CYLINDER ASSEMBLY	B
1	See Note	2	Wiper (Note: Use p/n 7017246)	
2	7001630	2	Nut, Spanner	
3	7017247	2	Ring, Retaining	
4	See Note	2	Seal, Lip (Note: Use p/n 7017246)	
5	See Note	4	Ring, Wear (Note: Use p/n 7017246)	
6	See Note	2	Ring, Back-Up (Note: Use p/n 7017246)	
7	See Note	2	O-Ring (Note: Use p/n 7017246)	
8	7017248	2	Guide	
9	70003341	1	Barrel	
10	7017249	2	Tube	
11	7017250	1	Piston	
12	See Note	2	Ring, Wear (Note: Use p/n 7017246)	
13	See Note	1	Seal (Note: Use p/n 7017246)	
14	See Note	1	O-Ring (Note: Use p/n 7017246)	
15	See Note	1	O-Ring (Note: Use p/n 7017246)	
16	7017251	1	Rod - Male End	
17	7017252	1	Rod - Female End	
100	7017246	1	Seal Kit (Includes Items 1,4-7 & 12-15)	

SECTION 6 - CYLINDER

FIGURE 6-19. TELESCOPE CYLINDER ASSEMBLY - E400AN (Prior to SN 0300244775)



ART_1001151497

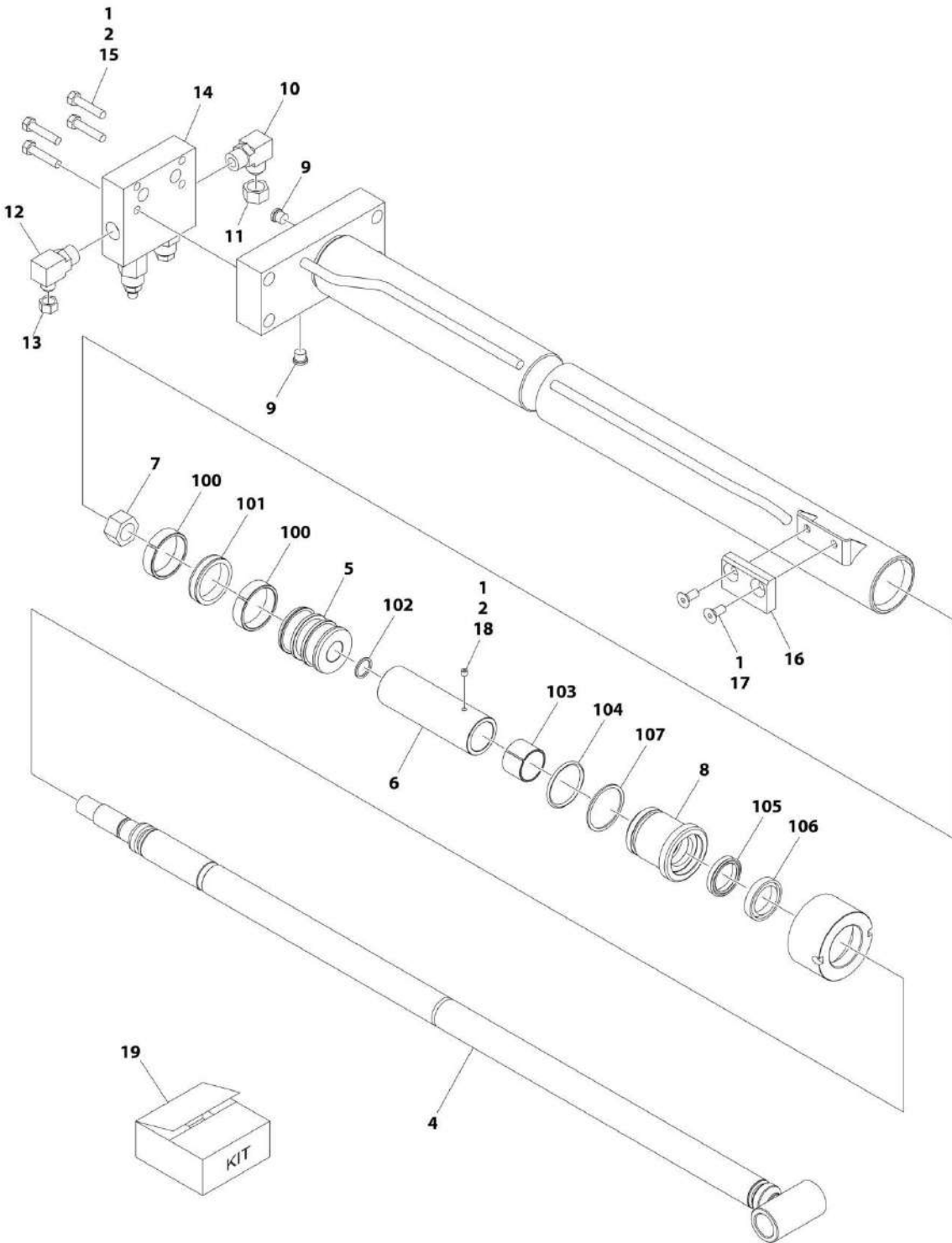
SECTION 6 - CYLINDER

FIGURE 6-19. TELESCOPE CYLINDER ASSEMBLY - E400AN (Prior to SN 0300244775)

ITEM	PART NUMBER	QTY	DESCRIPTION	REV
	1001151497	Ref	TELESCOPE CYLINDER ASSEMBLY - E400An (Prior to SN 0300244775)	C
1	0100011	AR	Compound, Locking	
2	0100038	AR	Primer, Locking	
3	1001151496	1	Barrel	
3A	1120110	1	Cap, End	
4	1684029	1	Rod	
5	3480239	1	Piston	
6	4567704	1	Spacer	
7	3322205	1	Nut, Lock, 3/4-16	
8	1683584	1	Head	
9	2220883	1	Plug	
10	2220596	1	Fitting, 90 JIC/ORB	
11	2220517	1	Fitting, Cap	
12	2220628	1	Fitting, 90 JIC/ORB	
13	2220516	1	Fitting, Cap	
14	4640807	1	Counterbalance Valve Assembly (See COUNTERBALANCE VALVE ASSEMBLY for Breakdown)	
15	0641512	4	Bolt, 5/16-18 X 1-1/2	
16	3340679	1	Pad, Wear	
17	0641604	2	Bolt, 3/8-16 X 1/2	
18	3951402	1	Setscrew 1/4-20 X 1/4	
19	1001152230	1	Seal Kit (Includes Items 100-107)	
100	See Note	NSS	Ring, Wear (Note: Use p/n 1001152230)	
101	See Note	NSS	Seal, Piston (Note: Use p/n 1001152230)	
102	See Note	NSS	O-Ring (Note: Use p/n 1001152230)	
103	See Note	NSS	Ring, Wear (Note: Use p/n 1001152230)	
104	See Note	NSS	O-Ring (Note: Use p/n 1001152230)	
105	See Note	NSS	Seal, Rod (Note: Use p/n 1001152230)	
106	See Note	NSS	Seal, Rod (Note: Use p/n 1001152230)	
107	See Note	NSS	Ring, Back-Up (Note: Use p/n 1001152230)	

SECTION 6 - CYLINDER

FIGURE 6-20. TELESCOPE CYLINDER ASSEMBLY (E400AN) (SN 0300244775 to Present)



ART_1001228063

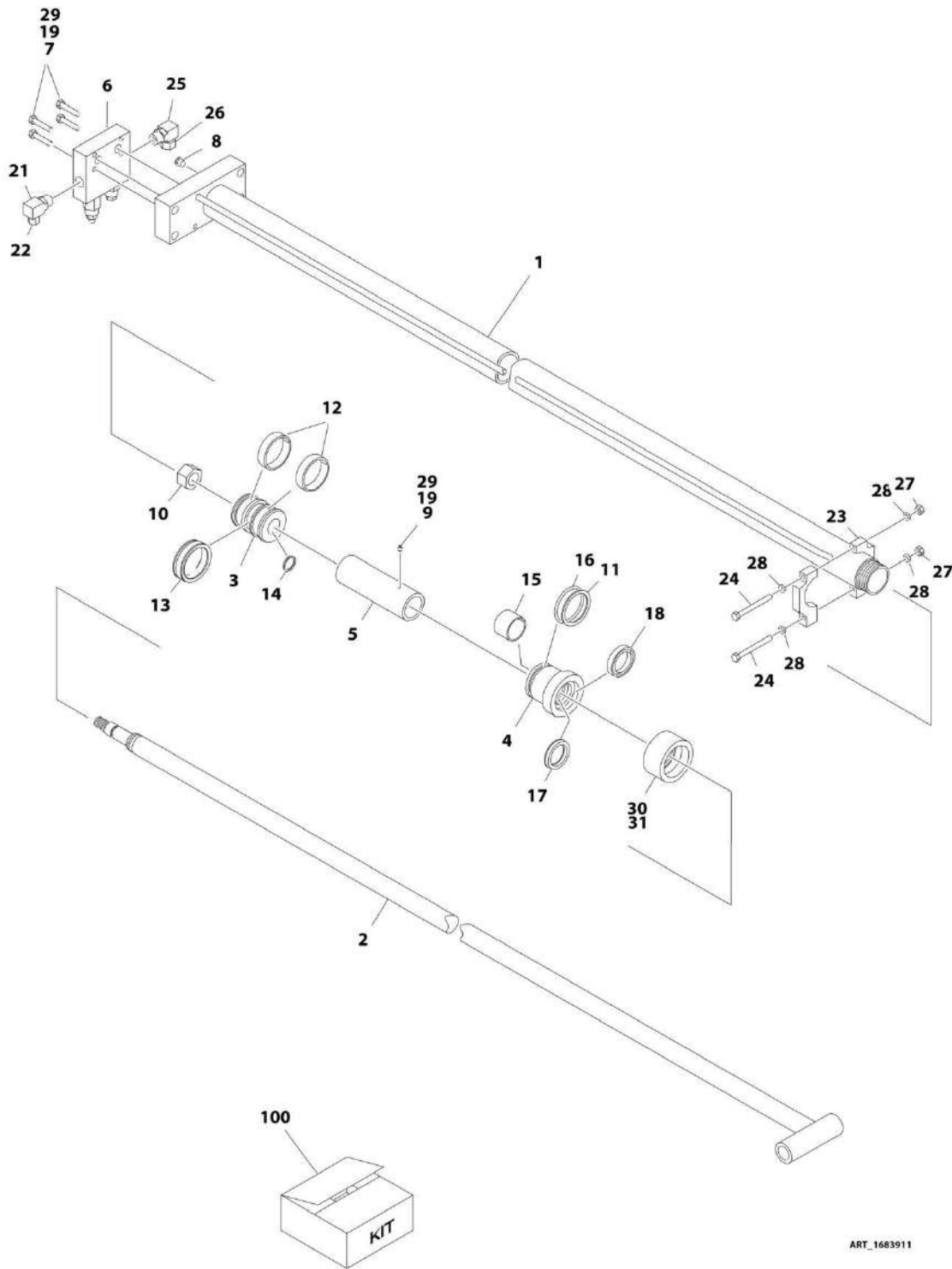
SECTION 6 - CYLINDER

FIGURE 6-20. TELESCOPE CYLINDER ASSEMBLY (E400AN) (SN 0300244775 to Present)

ITEM	PART NUMBER	QTY	DESCRIPTION	REV
	1001228063	Ref	TELESCOPE CYLINDER ASSEMBLY - E400An (SN 0300244775 to Present)	E
1	0100011	AR	Compound, Locking	
2	0100038	AR	Primer, Locking	
4	70006566	1	Rod	
5	70006564	1	Piston	
6	70006563	1	Spacer	
7	70006562	1	Nut, Lock, 3/4-16	
8	70006565	1	Head	
9	2220883	1	Plug	
10	2220596	1	Fitting, 90 JIC/ORB	
11	2220517	1	Fitting, Cap	
12	2220628	1	Fitting, 90 JIC/ORB	
13	2220516	1	Fitting, Cap	
14	4640807	1	Counterbalance Valve Assembly (See COUNTERBALANCE VALVE ASSEMBLY for Breakdown)	
15	0641512	4	Bolt, 5/16 x 1-1/2	
16	3340679	1	Pad, Wear	
17	0641604	2	Bolt, 3/8 x 1/2	
18	70023915	1	Setscrew, M6 x 8	
19	1001152230	1	Seal Kit (Includes Items 100-107)	
100	See Note	NSS	Ring, Wear (Note: Use p/n 1001152230)	
101	See Note	NSS	Seal, Piston (Note: Use p/n 1001152230)	
102	See Note	NSS	O-Ring (Note: Use p/n 1001152230)	
103	See Note	NSS	Ring, Wear (Note: Use p/n 1001152230)	
104	See Note	NSS	O-Ring (Note: Use p/n 1001152230)	
105	See Note	NSS	Seal, Rod (Note: Use p/n 1001152230)	
106	See Note	NSS	Seal, Rod (Note: Use p/n 1001152230)	
107	See Note	NSS	Ring, Back-Up (Note: Use p/n 1001152230)	

SECTION 6 - CYLINDER

FIGURE 6-21. TELESCOPE CYLINDER ASSEMBLY - E400AJP/M400AJP/E400AJPN/M400AJPN (Prior to SN 0300244120)



SECTION 6 - CYLINDER

FIGURE 6-21. TELESCOPE CYLINDER ASSEMBLY - E400AJP/M400AJP/E400AJPN/M400AJPN (Prior to SN 0300244120)

ITEM	PART NUMBER	QTY	DESCRIPTION	REV
	1683911	Ref	TELESCOPE CYLINDER ASSEMBLY - E400AJP/M400AJP/E400AJPN/M400AJPN (Prior to SN 0300244120)	4
1	1683912	1	Barrel	
1A	1120110	1	Cap, End	
2	1683980	1	Rod	
4	1683584	1	Head	
5	4567963	1	Spacer	
6	4640807	1	Counterbalance Valve Assembly (See COUNTERBALANCE VALVE ASSEMBLY for Breakdown)	
7	0641512	4	Bolt, 5/16-18 X 1-1/2	
8	2220883	2	Plug	
9	3951402	1	Setscrew 1/4-20 X 1/4	
10	3322205	1	Nut, Lock, 3/4-16	
11	See Note	1	Ring, Back-up (Note: Use p/n 2901903)	
12	See Note	2	Ring, Wear (Note: Use p/n 2901903)	
13	See Note	1	Seal, Cap (Note: Use p/n 2901903)	
14	See Note	1	O-Ring (Note: Use p/n 2901903)	
15	See Note	1	Ring, Wear (Note: Use p/n 2901903)	
16	See Note	1	O-Ring (Note: Use p/n 2901903)	
17	See Note	1	Seal, Rod (Note: Use p/n 2901903)	
18	See Note	1	Wiper, Rod (Note: Use p/n 2901903)	
19	0100011	AR	Compound, Locking	
21	2220628	1	Fitting, 90 JIC/ORB	
22	2220516	1	Fitting, Cap	
23	3340882	2	Pad	
24	0641424	2	Bolt, 1/4-20 x 3	
25	2220596	1	Fitting, 90 JIC/ORB	
26	2220517	1	Fitting, Cap	
27	3311405	2	Nut, 1/4-20	
28	4751400	4	Washer, 1/4	
29	0100038	AR	Primer, Locking	
30	0100035	AR	Compound, Locking	
31	1120110	1	Cap, End	
100	2901903	1	Seal Kit (Includes Items 11-18)	

SECTION 6 - CYLINDER

FIGURE 6-22. TELESCOPE CYLINDER ASSEMBLY - E400AJP/M400AJP/E400AJPN/M400AJPN (SN 0300244120 to Present)

NOTE: INFORMATION NOT AVAILABLE AT THE TIME OF PRINTING.

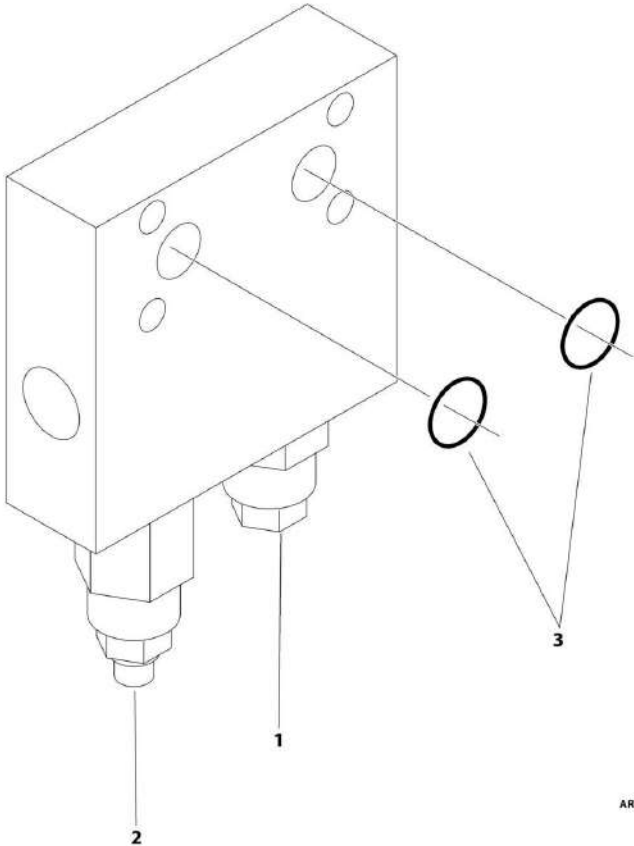
SECTION 6 - CYLINDER

FIGURE 6-22. TELESCOPE CYLINDER ASSEMBLY - E400AJP/M400AJP/E400AJPn/M400AJPn (SN 0300244120 to Present)

ITEM	PART NUMBER	QTY	DESCRIPTION	REV
	1001228015	Ref	TELESCOPE CYLINDER ASSEMBLY - E400AJP/M400AJP/E400AJPn/M400AJPn (SN 0300244120 to Present)	A

SECTION 6 - CYLINDER

FIGURE 6-23. COUNTERBALANCE VALVE ASSEMBLY



ART. 4640807

SECTION 6 - CYLINDER

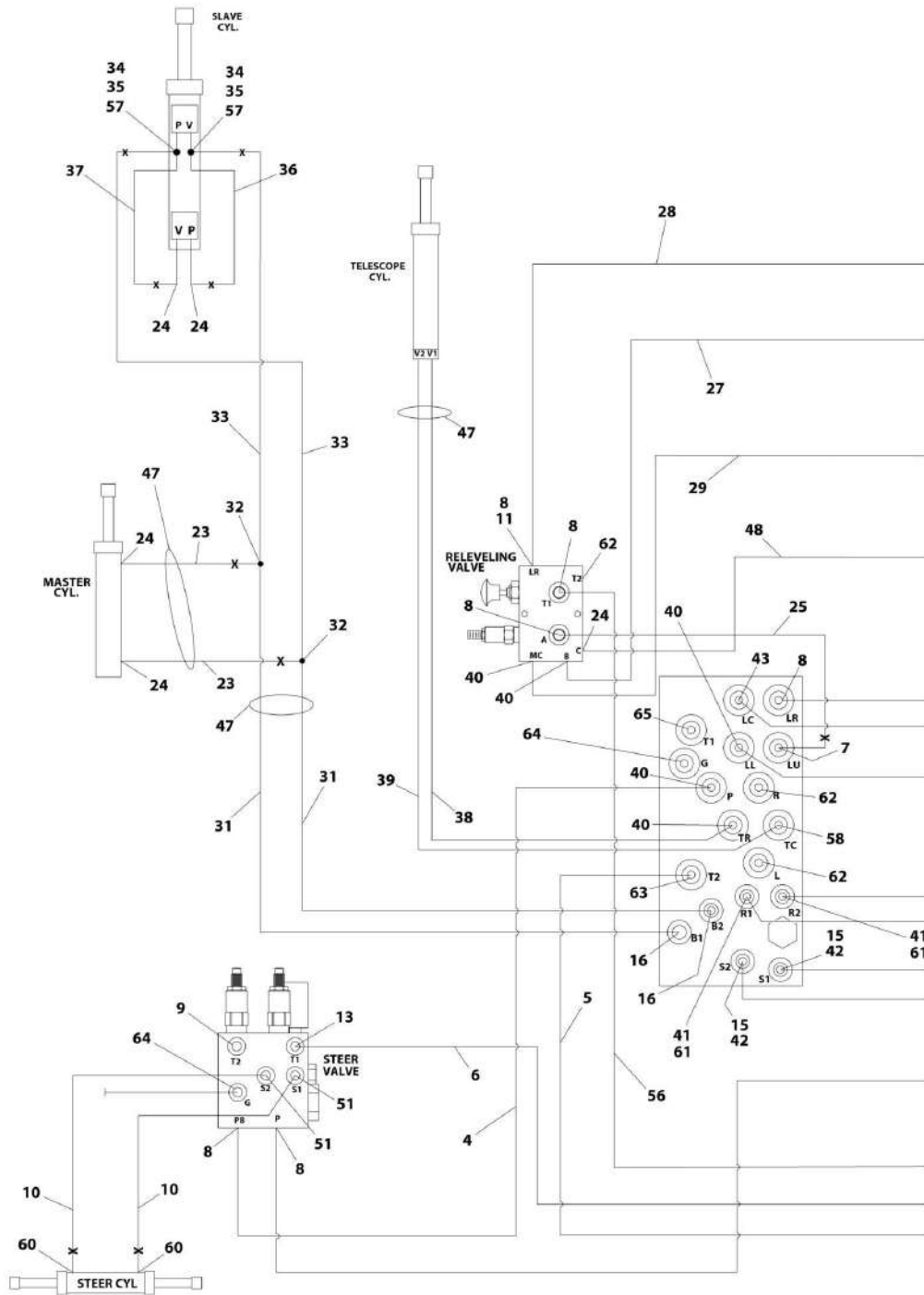
FIGURE 6-23. COUNTERBALANCE VALVE ASSEMBLY

ITEM	PART NUMBER	QTY	DESCRIPTION	REV
	4640807	Ref	COUNTERBALANCE VALVE ASSEMBLY	D
1	4640771	1	Cartridge, Counterbalance	
1	2900770	1	Seal Kit - 4640771 Cartridge	
2	4640709	1	Cartridge, Vented Counterbalance	
2	2900770	1	Seal Kit - 4640709 Cartridge	
3	3790113	2	O-Ring (Between Valve and Cylinder Block)	

SECTION 7 - HYDRAULIC

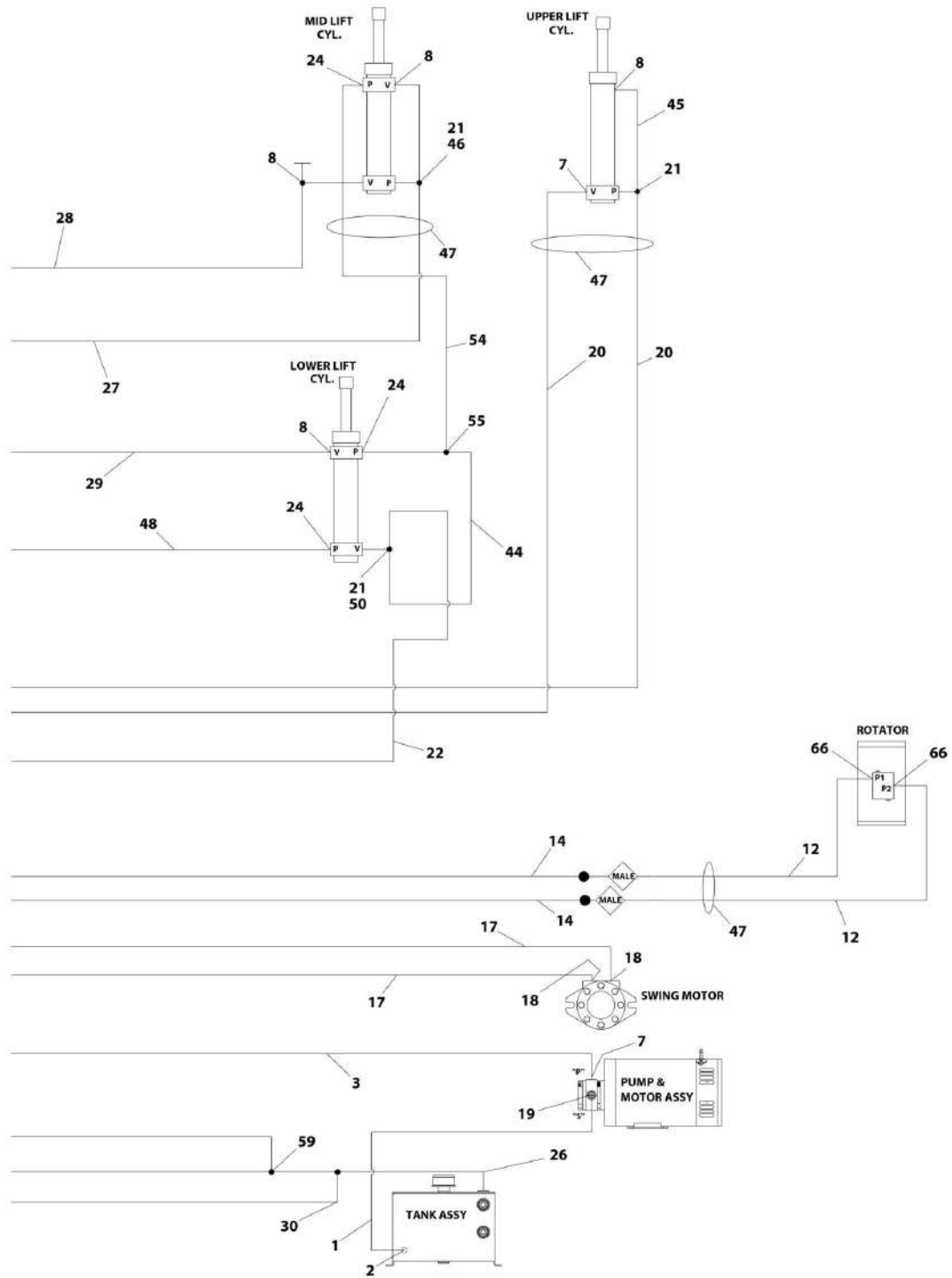
SECTION 7 - HYDRAULIC

FIGURE 7-1. HYDRAULIC DIAGRAM - E400AN



ART_1001178384_10F2

SECTION 7 - HYDRAULIC



ART_1001178382_2OF2

SECTION 7 - HYDRAULIC

FIGURE 7-1. HYDRAULIC DIAGRAM - E400AN

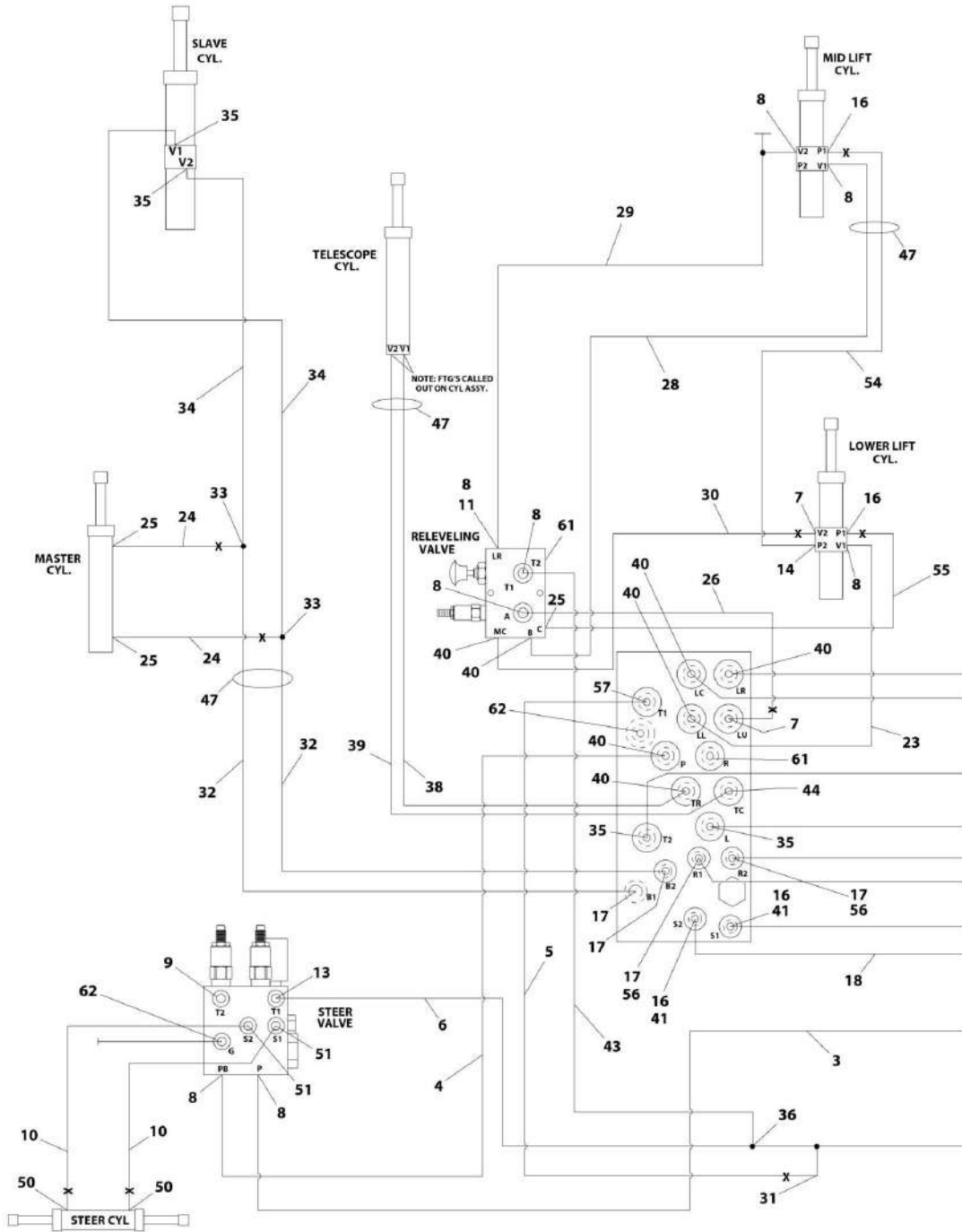
ITEM	PART NUMBER	QTY	DESCRIPTION	REV
	1001178384	Ref	HYDRAULIC DIAGRAM - E400An	E
1	2753973	1	Hose	
2	2220498	1	Fitting, 45 JIC/ORB	
3	1001152635	1	Hose	
4	2750915	1	Hose	
5	1001177666	1	Hose	
6	2752467	1	Hose	
7	2220371	3	Fitting, Straight, JIC/ORB	
8	2220473	10	Fitting, 90 JIC/ORB	
9	2220885	1	Plug	
10	2752453	2	Hose	
11	2220507	1	Fitting, 90 JIC/JIC	
12	1001185828	2	Hose	
13	2220371	1	Fitting, Straight, JIC/ORB	
14	1001185829	2	Hose (SN 0300208530 through 0300216259)	
14	2753520	2	Hose (SN 0300216260 to Present)	
15	2220415	2	Fitting, Straight JIC/ORB	
16	2220502	2	Fitting, 45 JIC/ORB	
17	2752459	2	Hose	
18	2221033	2	Fitting, Straight JIC/ORB	
19	2220593	1	Fitting, Straight JIC/ORB	
20	2753519	2	Hose	
21	2220899	3	Fitting, Tee JIC/ORB/JIC (Prior to SN 0300242039)	
21	2220899	2	Fitting, Tee JIC/ORB/JIC (SN 0300242039 to Present)	
22	2752620	1	Hose	
23	2752437	2	Hose	
24	2220472	8	Fitting, 90 JIC/ORB	
25	2750910	1	Hose	
26	2220999	1	Fitting, Tee JIC/ORB/JIC	
27	2753335	1	Hose (Prior to SN 0300242039)	
27	2753301	1	Hose (SN 0300242039 to Present)	
28	2753334	1	Hose (Prior to SN 0300242039)	
28	2751009	1	Hose (SN 0300242039 to Present)	
29	2752475	1	Hose	
30	2220386	1	Fitting, 90 JIC/JIC	
31	2753520	2	Hose	
32	2220504	2	Fitting, Tee JIC/JIC/JIC	
33	2753535	2	Hose	
34	2220727	2	Fitting, Reducer ORB	
35	2220684	2	Fitting, Tee NPT/JIC/JIC	
36	2752435	1	Hose	
37	2752573	1	Hose	
38	2753474	1	Hose	
39	2753475	1	Hose	
40	2220501	5	Fitting, 45 JIC/ORB	
41	2220502	2	Fitting, 45 JIC/ORB	
42	2220677	2	Fitting, 45 JIC/JIC	
43	2221147	1	Fitting, 90 JIC/ORB	
44	2752581	1	Hose	
45	4566188	1	Tube	

SECTION 7 - HYDRAULIC

ITEM	PART NUMBER	QTY	DESCRIPTION	REV
46	4566187	1	Tube (Prior to SN 0300242039)	
47	4100026	13.7 ft /4.2m	Nylon, Sleeve	
48	2752983	1	Hose	
49	1702124	1	Hose, Tag (Not Shown)	
50	2220609	1	Fitting, Straight JIC/JIC	
51	2220415	2	Fitting, Straight JIC/ORB (Prior to SN 0300242039)	
51	2220415	3	Fitting, Straight JIC/ORB (SN 0300242039 to Present)	
54	2752440	1	Hose (Prior to SN 0300242039)	
54	2751414	1	Hose (SN 0300242039 to Present)	
55	2220605	1	Fitting, Tee JIC/JIC/JIC	
56	2750915	1	Hose	
57	0100020	AR	Sealant	
58	2220600	1	Fitting, Straight JIC/ORB	
59	2221054	1	Fitting, Tee JIC/JIC/JIC	
60	2220582	2	Fitting, Straight JIC/ORB	
61	2220909	2	Fitting, Restrictor	
62	2220237	3	Plug, ORB	
63	1001136881	1	Fitting, 45 JIC/ORB	
64	2221086	2	Fitting, Nipple	
65	2220239	1	Plug, ORB	
66	2220940	2	Fitting, 90 JIC/ORB	

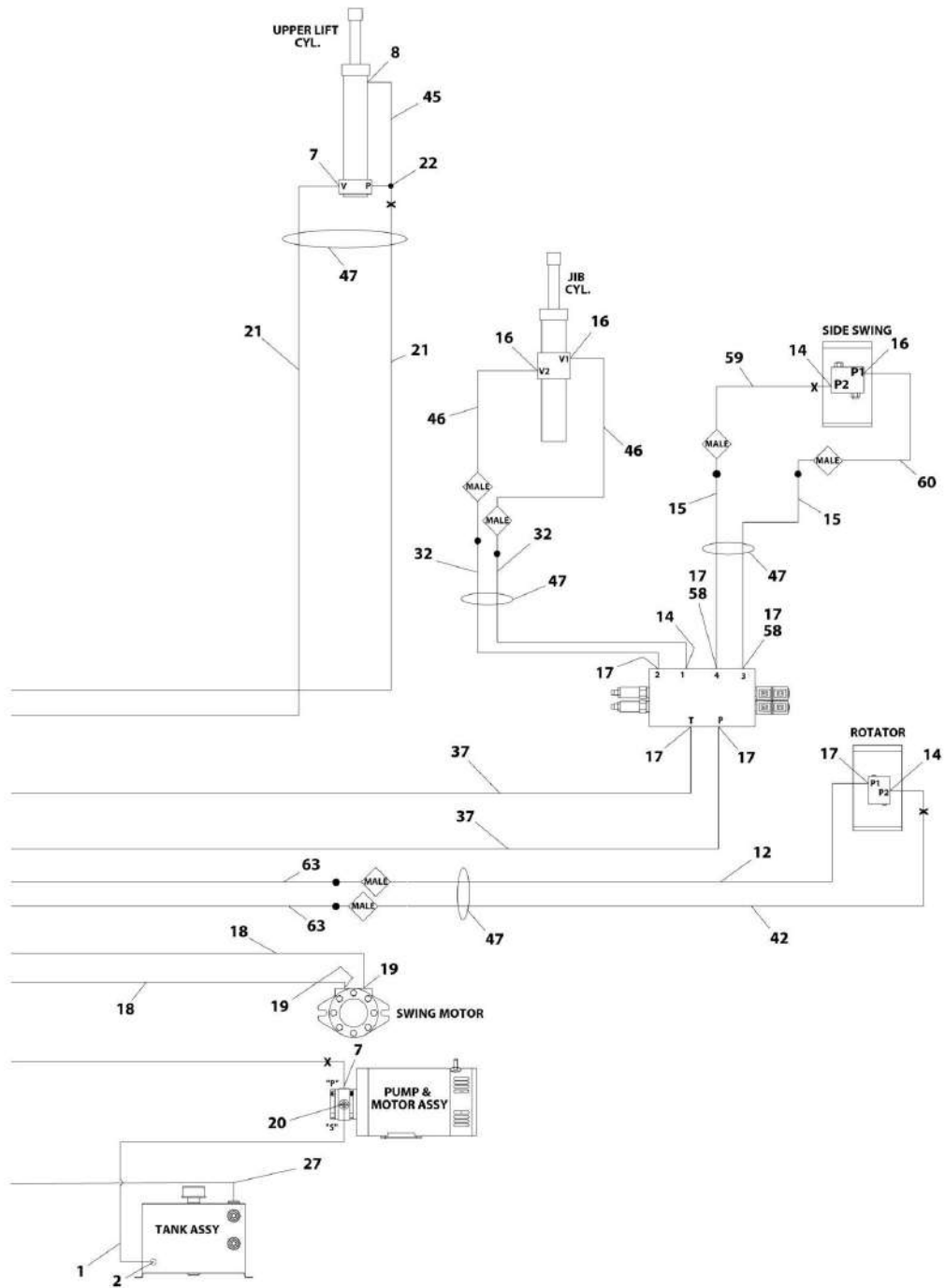
SECTION 7 - HYDRAULIC

FIGURE 7-2. HYDRAULIC DIAGRAM - E400AJP/E400AJPN (SN 0300208530 through 0300233432)



ART_1001178382_1OF2

SECTION 7 - HYDRAULIC



ART_1001178382_2QF2

SECTION 7 - HYDRAULIC

FIGURE 7-2. HYDRAULIC DIAGRAM - E400AJP/E400AJPN (SN 0300208530 through 0300233432)

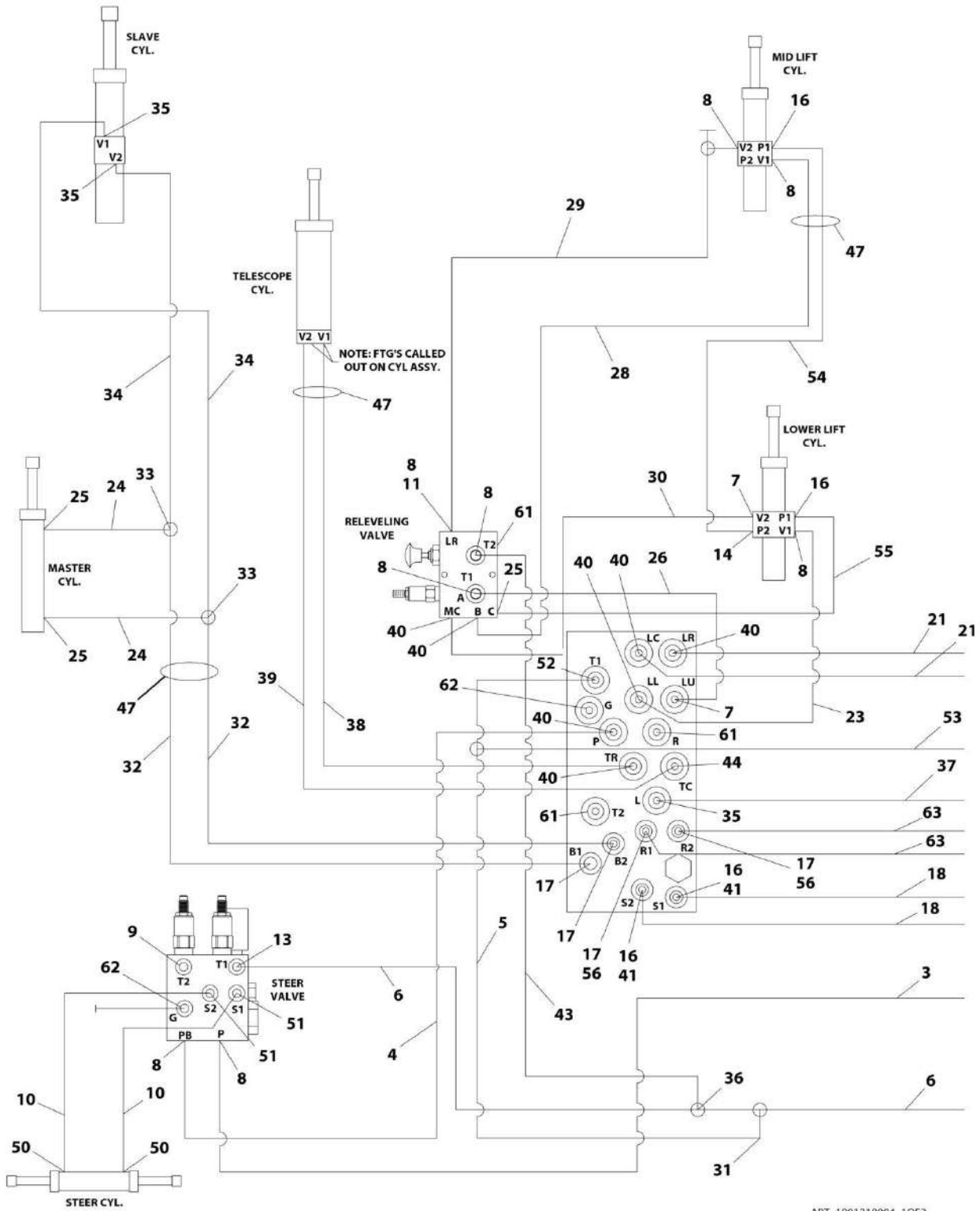
ITEM	PART NUMBER	QTY	DESCRIPTION	REV
	1001178382	Ref	HYDRAULIC DIAGRAM - E400AJP/E400AJPN (SN 0300208530 through 0300233432)	C
1	2753973	1	Hose	
2	2220498	1	Fitting, 45 JIC/ORB	
3	1001152635	1	Hose	
4	2750915	1	Hose	
5	1001177666	1	Hose	
6	2752467	1	Hose	
7	2220371	4	Fitting, Straight JIC/ORB	
8	2220473	9	Fitting, 90 JIC/ORB	
9	2220885	1	Plug	
10	2752453	2	Hose	
11	2220507	1	Fitting, 90 JIC/JIC	
12	1001185828	1	Hose	
13	2220371	1	Fitting, Straight JIC/ORB	
14	2220466	4	Fitting, 90 JIC/ORB	
15	2753332	2	Hose	
16	2220415	7	Fitting, Straight JIC/ORB	
17	2220502	10	Fitting, 45 JIC/ORB	
18	2752459	2	Hose	
19	2221033	2	Fitting, Straight JIC/ORB	
20	2220593	1	Fitting, Straight JIC/ORB	
21	2752619	2	Hose	
22	2220899	1	Fitting, Tee JIC/ORB/JIC	
23	2752466	1	Hose	
24	2752437	2	Hose	
25	2220472	3	Fitting, 90 JIC/ORB	
26	2750910	1	Hose	
27	2220999	1	Fitting, Tee JIC/ORB/JIC	
28	2753335	1	Hose	
29	2753334	1	Hose	
30	2752611	1	Hose	
31	2220386	1	Fitting, 90 JIC/JIC	
32	2752571	4	Hose	
33	2220504	2	Fitting, Tee JIC/JIC/JIC	
34	2753333	2	Hose	
35	2220582	4	Fitting, Straight JIC/ORB	
36	2221054	1	Fitting, Tee JIC/JIC/JIC	
37	2752430	2	Hose	
38	2753474	1	Hose	
39	2753475	1	Hose	
40	2220501	7	Fitting, 45 JIC/ORB	
41	2220677	2	Fitting, 45 JIC/JIC	
42	1001185829	1	Hose	
43	2750915	1	Hose	
44	2220600	1	Fitting, Straight JIC/ORB	
45	4567946	1	Tube	
46	2753329	2	Hose	
47	4100026	17.2 ft /5.2m	Nylon, Sleeve	

SECTION 7 - HYDRAULIC

ITEM	PART NUMBER	QTY	DESCRIPTION	REV
49	1702124	1	Hose, Tag (Not Shown)	
50	2220582	2	Fitting, Straight JIC/ORB	
51	2220415	2	Fitting, Straight JIC/ORB	
54	2751890	1	Hose	
55	2752600	1	Hose	
56	2220909	2	Fitting, Restrictor	
57	2220499	1	Fitting, 45 JIC/ORB	
58	2221039	2	Fitting, Orifice	
59	2753330	1	Hose	
60	2753331	1	Hose	
61	2220237	2	Plug, ORB	
62	2221086	2	Fitting, Nipple	
63	2753520	2	Hose	

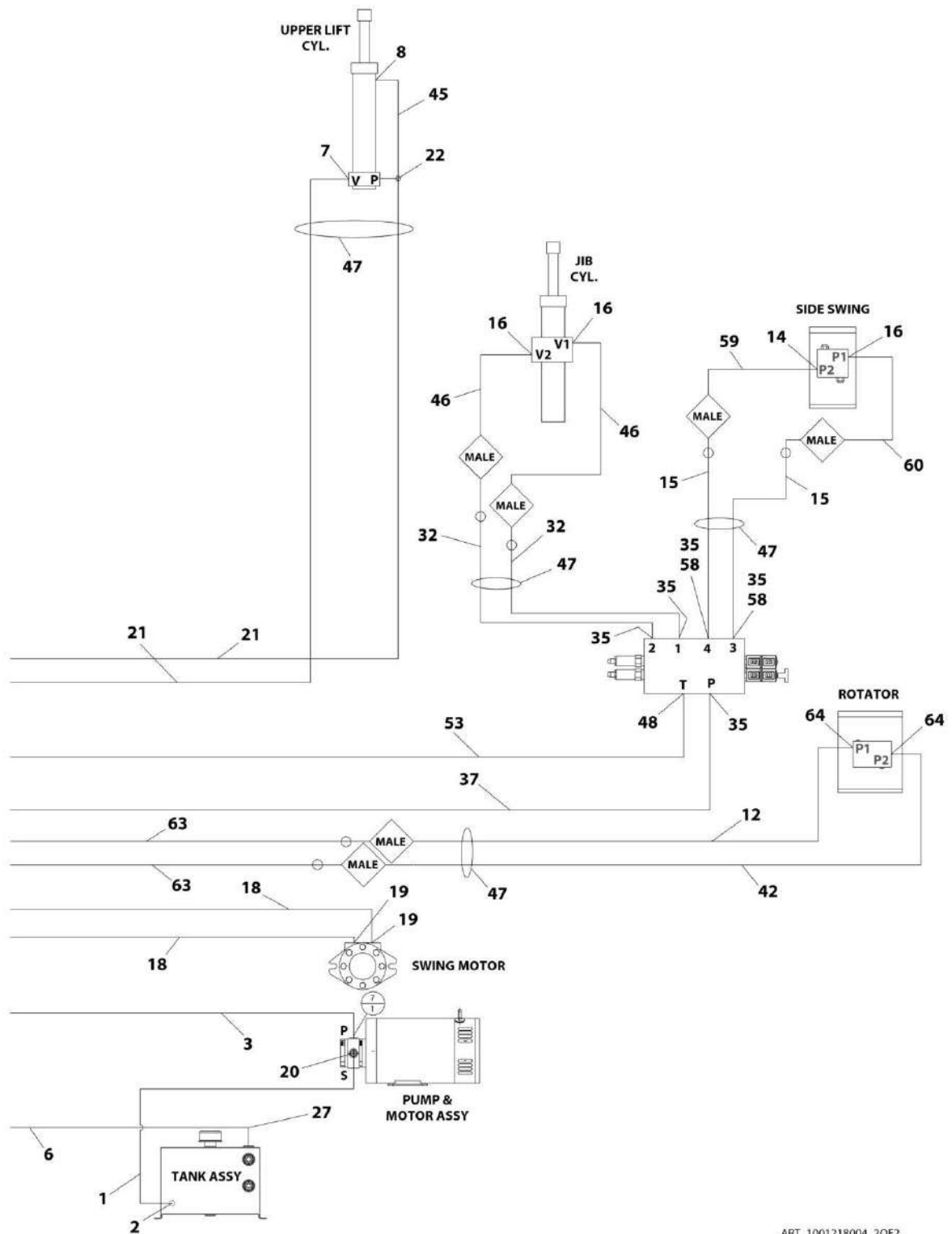
SECTION 7 - HYDRAULIC

FIGURE 7-3. HYDRAULIC DIAGRAM - E400AJP/E400AJPN (SN 0300233433 to Present)



ART_1001218004_10F2

SECTION 7 - HYDRAULIC



ART_1001218004_2OF2

SECTION 7 - HYDRAULIC

FIGURE 7-3. HYDRAULIC DIAGRAM - E400AJP/E400AJPn (SN 0300233433 to Present)

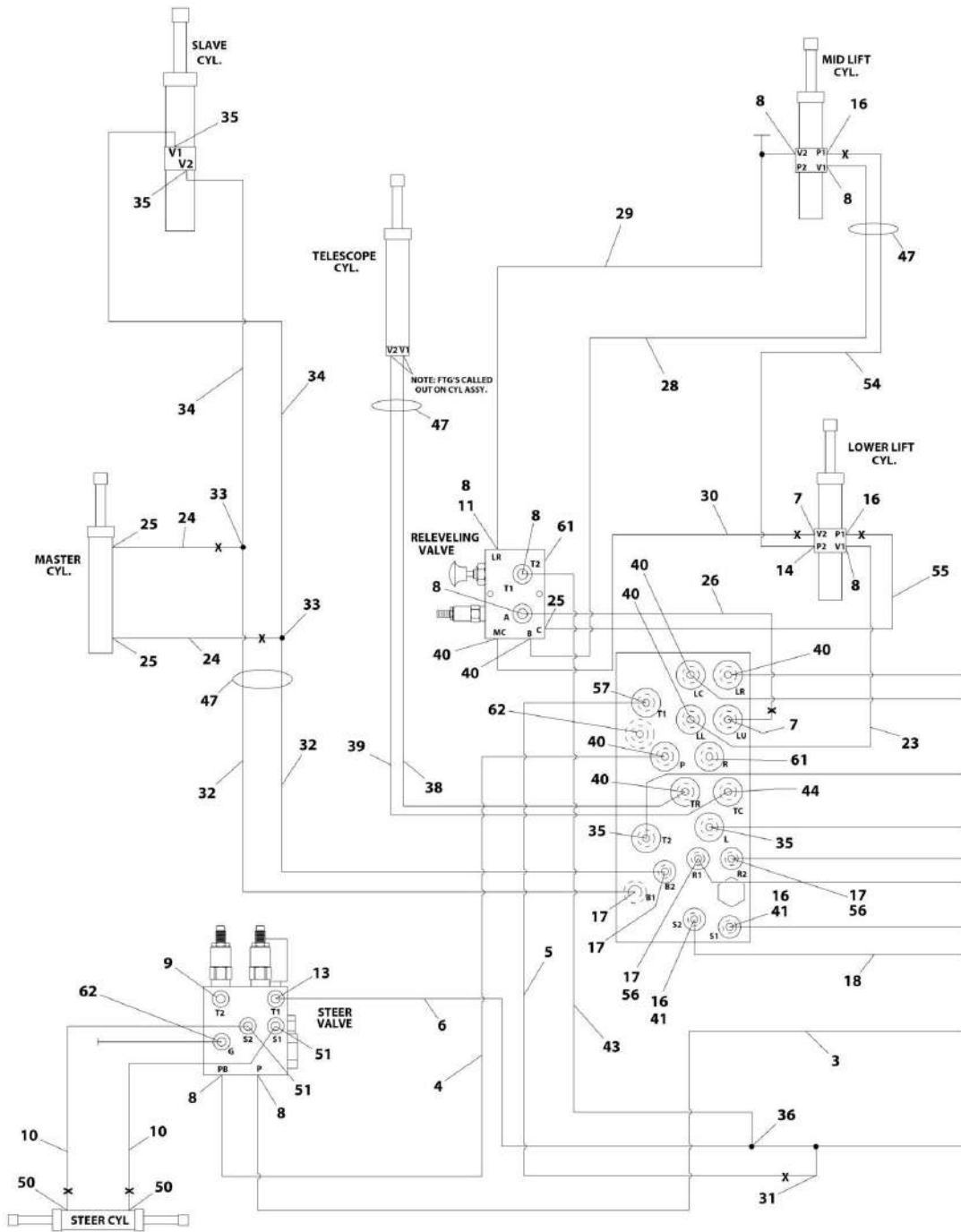
ITEM	PART NUMBER	QTY	DESCRIPTION	REV
	1001218004	Ref	HYDRAULIC DIAGRAM - E400AJP/E400AJPn (SN 0300233433 to Present)	C
1	2753973	1	Hose	
2	2220498	1	Fitting, 45 JIC/ORB	
3	1001152635	1	Hose	
4	2750915	1	Hose	
5	1001177666	1	Hose	
6	2752467	1	Hose	
7	2220371	4	Fitting, Straight JIC/ORB	
8	2220473	9	Fitting, 90 JIC/ORB	
9	2220885	1	Plug	
10	2752453	2	Hose	
11	2220507	1	Fitting, 90 JIC/JIC	
12	1001185828	1	Hose	
13	2220371	1	Fitting, Straight JIC/ORB	
14	2220466	2	Fitting, 90 JIC/ORB	
15	2753332	2	Hose	
16	2220415	7	Fitting, Straight JIC/ORB	
17	2220502	4	Fitting, 45 JIC/ORB	
18	2752459	2	Hose	
19	2221033	2	Fitting, Straight JIC/ORB	
20	2220593	1	Fitting, Straight JIC/ORB	
21	2752619	2	Hose	
22	2220899	1	Fitting, Tee JIC/ORB/JIC	
23	2752466	1	Hose	
24	2752437	2	Hose	
25	2220472	3	Fitting, 90 JIC/ORB	
26	2750910	1	Hose	
27	2220999	1	Fitting, Tee JIC/ORB/JIC	
28	2753335	1	Hose	
29	2753334	1	Hose	
30	2752611	1	Hose	
31	2220386	1	Fitting, 90 JIC/JIC	
32	2752571	4	Hose	
33	2220504	2	Fitting, Tee JIC/JIC/JIC	
34	2753333	2	Hose	
35	2220582	9	Fitting, Straight JIC/ORB	
36	2221054	1	Fitting, Tee JIC/JIC/JIC	
37	2752442	1	Hose	
38	2753474	1	Hose	
39	2753475	1	Hose	
40	2220501	7	Fitting, 45 JIC/ORB	
41	2220677	2	Fitting, 45 JIC/JIC	
42	1001185829	1	Hose	
43	2750915	1	Hose	
44	2220600	1	Fitting, Straight JIC/ORB	
45	4567946	1	Tube	
46	2753329	2	Hose	
47	4100026	17.2 ft/ 5.2m	Nylon, Sleeve	

SECTION 7 - HYDRAULIC

ITEM	PART NUMBER	QTY	DESCRIPTION	REV
48	2220373	1	Fitting, Straight JIC/ORB	
49	1702124	1	Hose, Tag (Not Shown)	
50	2220582	2	Fitting, Straight JIC/ORB	
51	2220415	2	Fitting, Straight JIC/ORB	
52	8760554	1	Fitting, Tee JIC/JIC/ ORB	
53	2752493	1	Hose	
54	2751890	1	Hose	
55	2752600	1	Hose	
56	2220909	2	Fitting, Restrictor	
58	2221039	2	Fitting, Orifice	
59	2753330	1	Hose	
60	2753331	1	Hose	
61	2220237	3	Plug, ORB	
62	2221086	2	Fitting, Nipple	
63	2753520	2	Hose	
64	2220940	2	Fitting, 90 JIC/ORB	

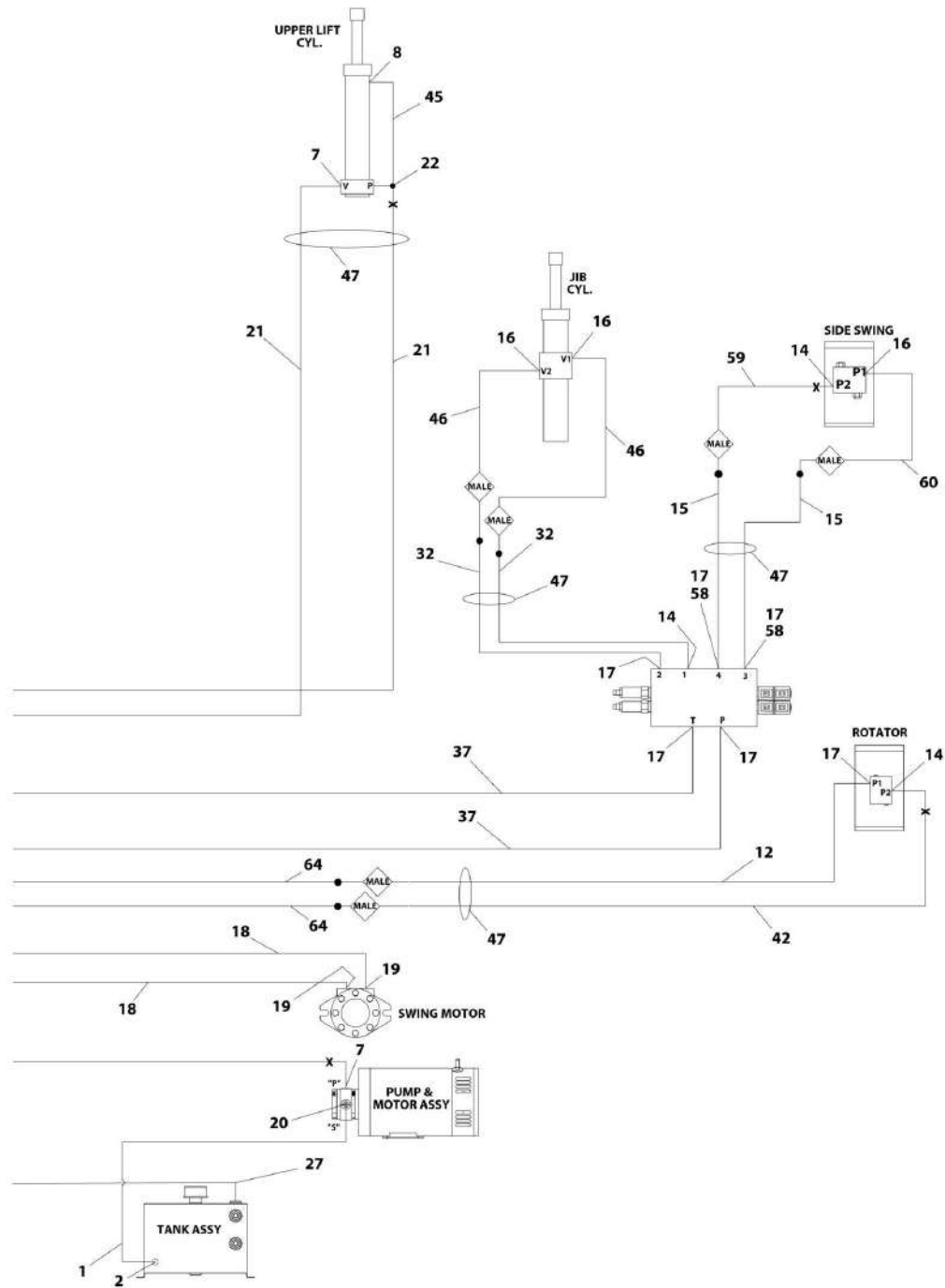
SECTION 7 - HYDRAULIC

FIGURE 7-4. HYDRAULIC DIAGRAM - M400AJP/M400AJPN (SN 0300208530 through 0300233432)



ART_1001178383_10F2

SECTION 7 - HYDRAULIC



ART_1001178383_2QF2

SECTION 7 - HYDRAULIC

FIGURE 7-4. HYDRAULIC DIAGRAM - M400AJP/M400AJPN (SN 0300208530 through 0300233432)

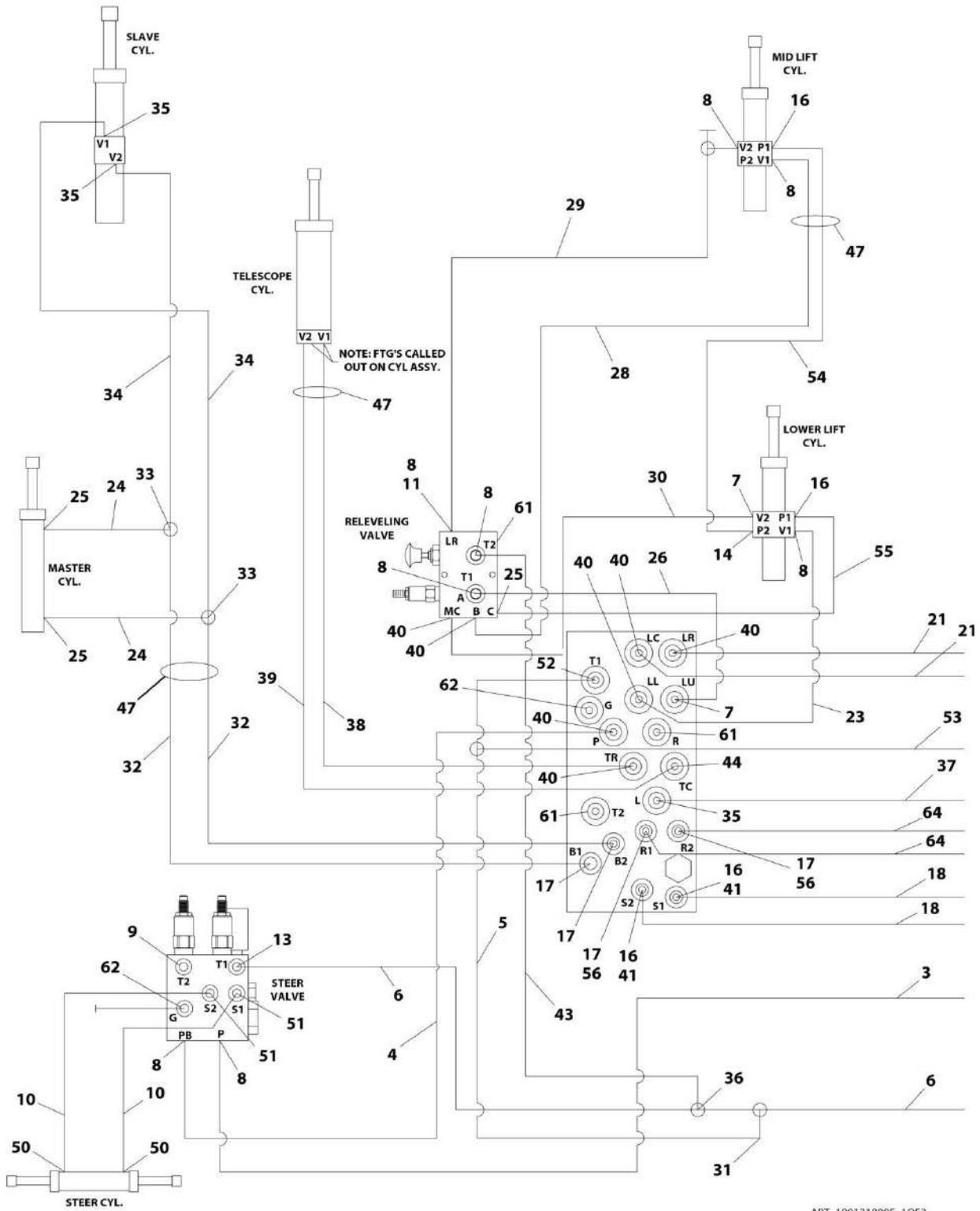
ITEM	PART NUMBER	QTY	DESCRIPTION	REV
	1001178383	Ref	HYDRAULIC DIAGRAM - M400AJP/M400AJPN (SN 0300208530 through 0300233432)	C
1	2752675	1	Hose	
2	1320033	1	Clamp	
3	2752486	1	Hose	
4	2752466	1	Hose	
5	2752519	1	Hose	
6	2752462	1	Hose	
7	2220371	4	Fitting, Straight JIC/ORB	
8	2220473	9	Fitting, 90 JIC/ORB	
9	2220885	1	Plug	
10	2752574	2	Hose	
11	2220507	1	Fitting, 90 JIC/JIC	
12	1001185828	1	Hose	
13	2220473	1	Fitting, 90 JIC/ORB	
14	2220466	4	Fitting, 90 JIC/ORB	
15	2753332	2	Hose	
16	2220415	7	Fitting, Straight JIC/ORB	
17	2220502	10	Fitting, 45 JIC/ORB	
18	2752459	2	Hose	
19	2221033	2	Fitting, Straight JIC/ORB	
20	2220593	1	Fitting, Straight JIC/ORB	
21	2752619	2	Hose	
22	2220899	1	Fitting, Tee JIC/ORB/JIC	
23	2752466	1	Hose	
24	2752437	2	Hose	
25	2220472	3	Fitting, 90 JIC/ORB	
26	2750910	1	Hose	
27	2220999	1	Fitting, Tee JIC/ORB/JIC	
28	2753335	1	Hose	
29	2753334	1	Hose	
30	2752611	1	Hose	
31	2220386	1	Fitting, 90 JIC/JIC	
32	2752571	4	Hose	
33	2220504	2	Fitting, Tee JIC/JIC/JIC	
34	2753333	2	Hose	
35	2220582	4	Fitting, Straight JIC/ORB	
36	2221054	1	Fitting, Tee JIC/JIC/JIC	
37	2752430	2	Hose	
38	2753474	1	Hose	
39	2753475	1	Hose	
40	2220501	7	Fitting, 45 JIC/ORB	
41	2220677	2	Fitting, 45 JIC/JIC	
42	1001185829	1	Hose	
43	2752466	1	Hose	
44	2220600	1	Fitting, Straight JIC/ORB	
45	4567946	1	Tube	
46	2753329	2	Hose	
47	4100026	17.2 ft /5.2m	Nylon, Sleeve	

SECTION 7 - HYDRAULIC

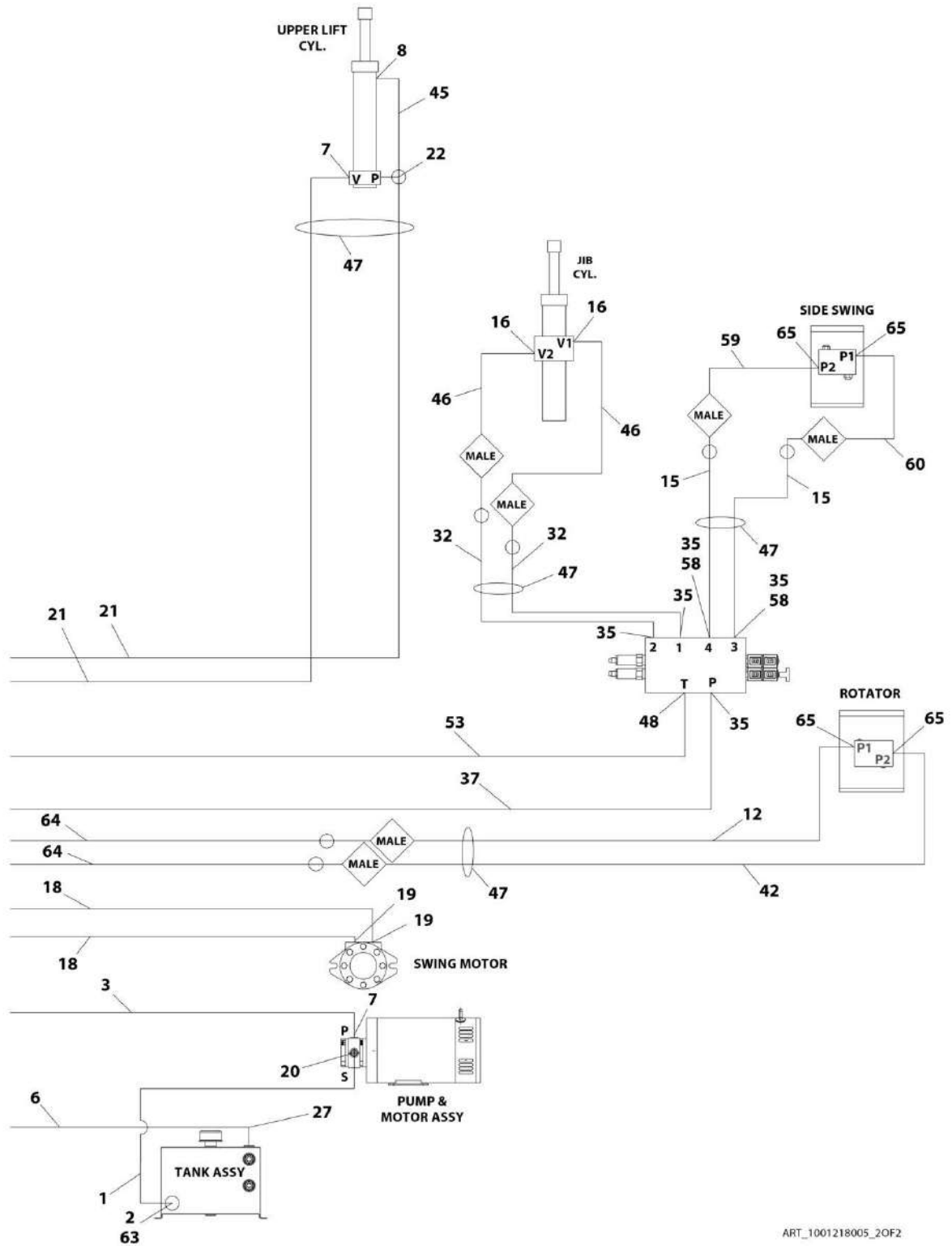
ITEM	PART NUMBER	QTY	DESCRIPTION	REV
49	1702124	1	Hose, Tag (Not Shown)	
50	2220582	2	Fitting, Straight JIC/ORB	
51	2220415	2	Fitting, Straight JIC/ORB	
54	2751890	1	Hose	
55	2752600	1	Hose	
56	2220909	2	Fitting, Restrictor	
57	2220499	1	Fitting, 45 JIC/ORB	
58	2221039	2	Fitting, Orifice	
59	2753330	1	Hose	
60	2753331	1	Hose	
61	2220237	2	Plug, ORB	
62	2221086	2	Fitting, Nipple	
63	4061032	1	Shield, Hose	
64	2753520	2	Hose	

SECTION 7 - HYDRAULIC

FIGURE 7-5. HYDRAULIC DIAGRAM - M400AJP/M400AJPN (SN 0300233433 to Present)



SECTION 7 - HYDRAULIC



ART_1001218005_2OF2

SECTION 7 - HYDRAULIC

FIGURE 7-5. HYDRAULIC DIAGRAM - M400AJP/M400AJPN (SN 0300233433 to Present)

ITEM	PART NUMBER	QTY	DESCRIPTION	REV
	1001218005	Ref	HYDRAULIC DIAGRAM - M400AJP/M400AJPN (SN 0300233433 to Present)	D
1	2752675	1	Hose	
2	1320033	1	Clamp	
3	2752486	1	Hose	
4	2752466	1	Hose	
5	2752519	1	Hose	
6	2752462	1	Hose	
7	2220371	4	Fitting, Straight JIC/ORB	
8	2220473	9	Fitting, 90 JIC/ORB	
9	2220885	1	Plug	
10	2752574	2	Hose	
11	2220507	1	Fitting, 90 JIC/JIC	
12	1001185828	1	Hose	
13	2220473	1	Fitting, 90 JIC/ORB	
14	2220466	3	Fitting, 90 JIC/ORB	
15	2753332	2	Hose	
16	2220415	2	Fitting, Straight JIC/ORB	
17	2220502	9	Fitting, 45 JIC/ORB	
18	2752459	2	Hose	
19	2221033	2	Fitting, Straight JIC/ORB	
20	2220593	1	Fitting, Straight JIC/ORB	
21	2752619	2	Hose	
22	2220899	1	Fitting, Tee JIC/ORB/JIC	
23	2752466	1	Hose	
24	2752437	2	Hose	
25	2220472	3	Fitting, 90 JIC/ORB	
26	2750910	1	Hose	
27	2220999	1	Fitting, Tee JIC/ORB/JIC	
28	2753335	1	Hose	
29	2753334	1	Hose	
30	2752611	1	Hose	
31	2220386	1	Fitting, 90 JIC/JIC	
32	2752571	4	Hose	
33	2220504	2	Fitting, Tee JIC/JIC/JIC	
34	2753333	2	Hose	
35	2220582	4	Fitting, Straight JIC/ORB	
36	2221054	1	Fitting, Tee JIC/JIC/JIC	
37	2752442	1	Hose	
38	2753474	1	Hose	
39	2753475	1	Hose	
40	2220501	7	Fitting, 45 JIC/ORB	
41	2220677	2	Fitting, 45 JIC/JIC	
42	1001185829	1	Hose	
43	2752466	1	Hose	
44	2220600	1	Fitting, Straight JIC/ORB	
45	4567946	1	Tube	
46	2753329	2	Hose	
47	4100026	17.2 ft/ 5.2m	Nylon, Sleeve	

SECTION 7 - HYDRAULIC

ITEM	PART NUMBER	QTY	DESCRIPTION	REV
48	2220373	1	Fitting, Straight JIC/ORB	
49	1702124	1	Hose, Tag (Not Shown)	
50	2220582	2	Fitting, Straight JIC/ORB	
51	2220415	2	Fitting, Straight JIC/ORB	
52	8760554	1	Fitting, Tee JIC/JIC/ ORB	
53	2752493	1	Hose	
54	2751890	1	Hose	
55	2752600	1	Hose	
56	2220909	2	Fitting, Restrictor	
58	2221039	2	Fitting, Orifice	
59	2753330	1	Hose	
60	2753331	1	Hose	
61	2220237	2	Plug, ORB	
62	2221086	2	Fitting, Nipple	
63	4061032	1	Shield, Hose (SN 0300233433 through 0300240700)	
64	2753520	2	Hose	
65	2220940	2	Fitting, 90 JIC/ORB	

SECTION 7 - HYDRAULIC

FIGURE 7-6. HYDRAULIC DIAGRAM LIST

ITEM	PART NUMBER	QTY	DESCRIPTION	REV
		Ref	Note: Diagrams are available from JLG Service/Parts Department. See Service and Maintenance Manual for Schematics.	
	1001179226	Ref	HYDRAULIC SCHEMATIC (SN 0300208530 through 0300233432)	
	1001218114	Ref	HYDRAULIC SCHEMATIC (SN 0300233433 to Present)	

SECTION 8 - ELECTRICAL

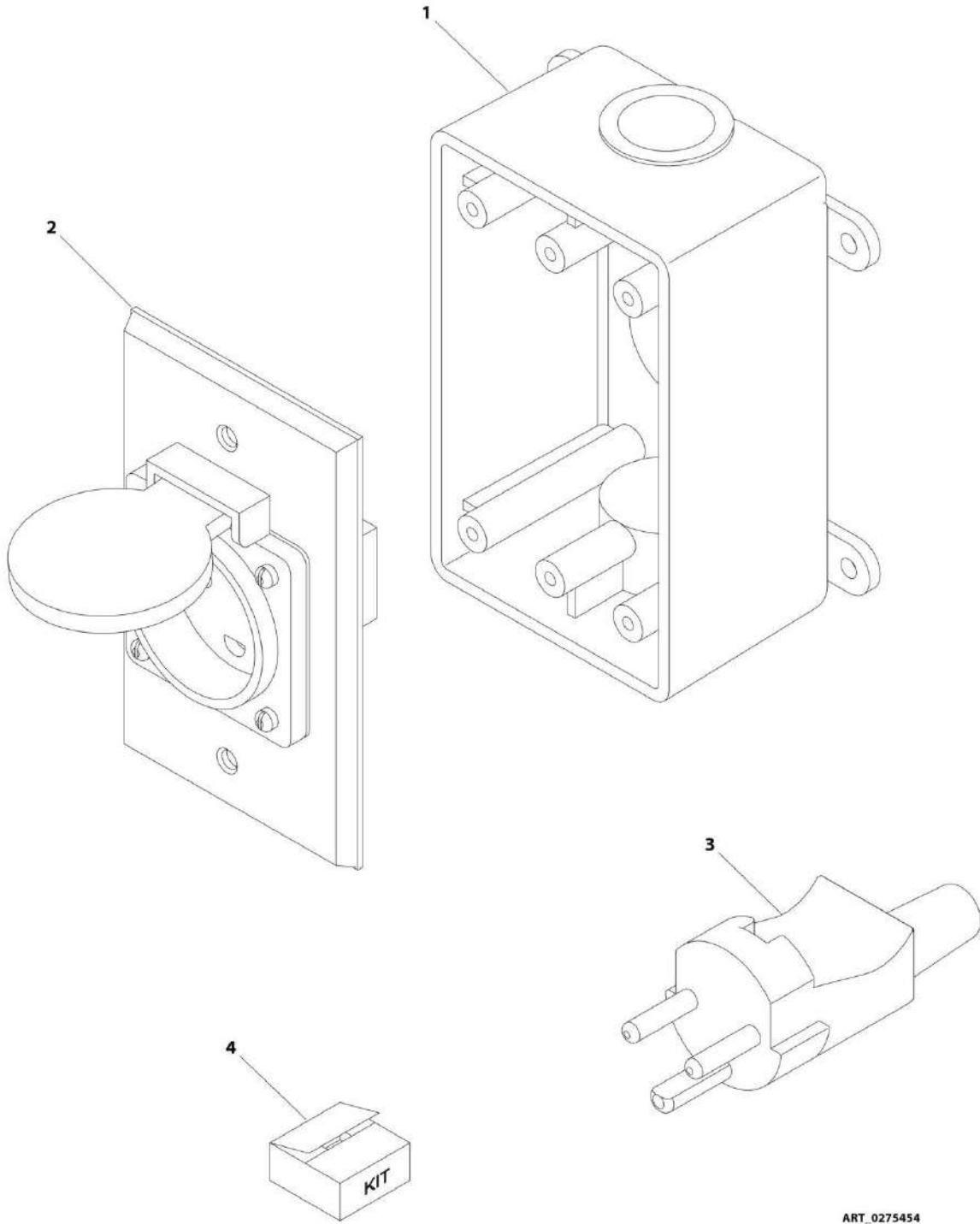
SECTION 8 - ELECTRICAL

FIGURE 8-1. ELECTRICAL DIAGRAM LIST

ITEM	PART NUMBER	QTY	DESCRIPTION	REV
		Ref	Note: Diagrams are available from JLG Service/Parts Department. See Service and Maintenance Manual for Schematics.	
	1001173941	Ref	Electrical Schematic	

SECTION 8 - ELECTRICAL

FIGURE 8-2. AC PLUGS AND SOCKETS INSTALLATION - AFSINT 107-2-01 KEYED GROUND - 2 X 4 BOX (CE SPEC)



ART_0275454

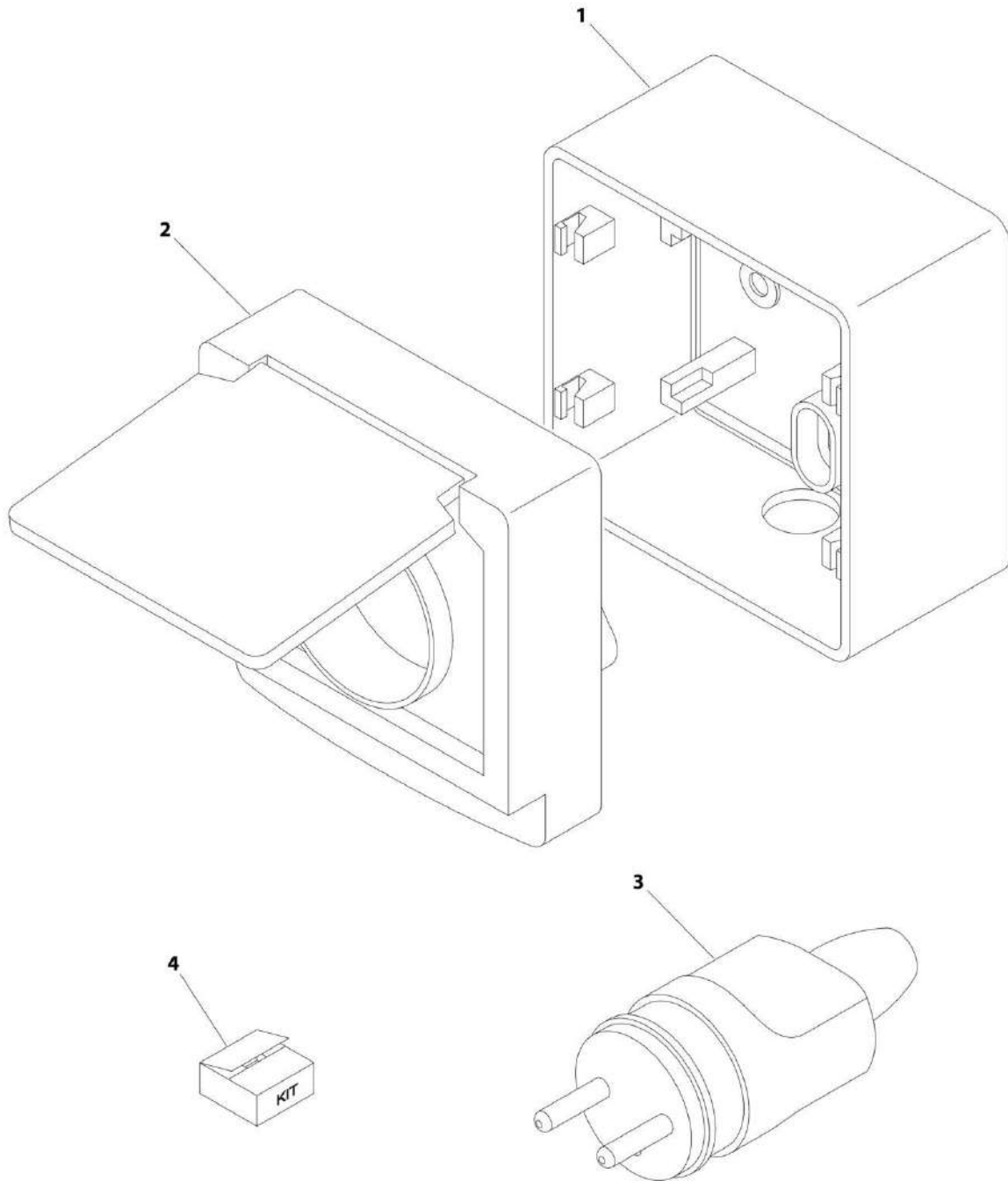
SECTION 8 - ELECTRICAL

FIGURE 8-2. AC PLUGS AND SOCKETS INSTALLATION - AFSINT 107-2-01 KEYED GROUND - 2 X 4 BOX (CE SPEC)

ITEM	PART NUMBER	QTY	DESCRIPTION	REV
	0275454	Ref	AC PLUGS AND SOCKETS INSTALLATION - AFSINT 107-2-01 KEYED GROUND - 2 X 4 BOX (CE SPEC)	1
1	0861731	1	Box, Switch	
2	4461246	1	Receptacle	
3	4461249	1	Plug, Male	
4	1001100346	1	Plug and Socket Kit (Includes Items 1-3 and Female Plug p/n 4461250)	

SECTION 8 - ELECTRICAL

FIGURE 8-3. AC PLUGS AND SOCKETS INSTALLATION - CEE7 POST GROUND (CE SPEC)



ART_0275218

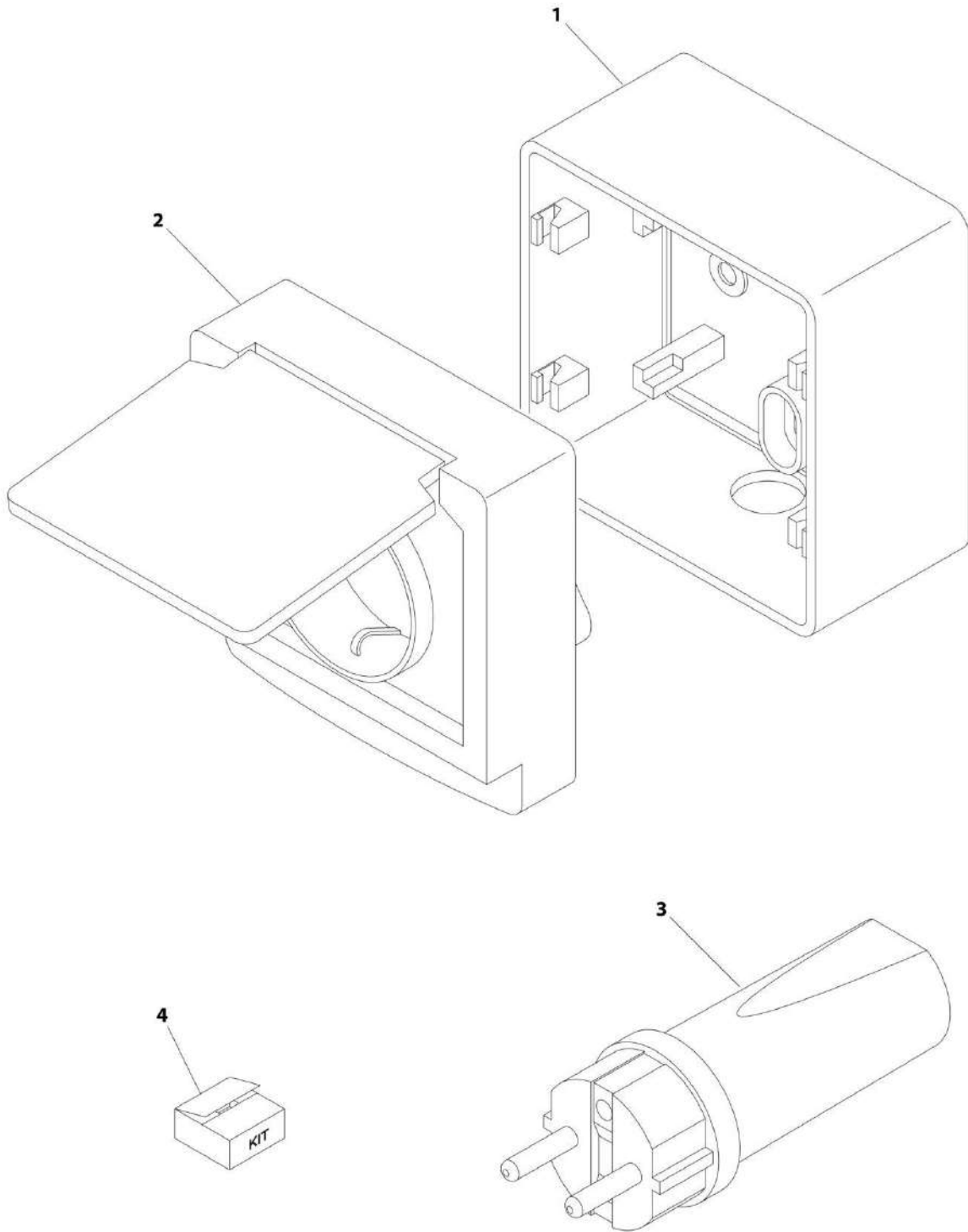
SECTION 8 - ELECTRICAL

FIGURE 8-3. AC PLUGS AND SOCKETS INSTALLATION - CEE7 POST GROUND (CE SPEC)

ITEM	PART NUMBER	QTY	DESCRIPTION	REV
	0275218	Ref	AC PLUGS AND SOCKETS INSTALLATION - CEE7 POST GROUND (CE SPEC)	B
1	1001141967	1	Box, Switch	
2	1001141968	1	Receptacle	
3	4461202	1	Plug, Male	
4	1001141971	1	Plug and Socket Kit (Includes Items 1-3 and Female Plug p/n 4461206)	

SECTION 8 - ELECTRICAL

FIGURE 8-4. AC PLUGS AND SOCKETS INSTALLATION - CEE 7 SIDE GROUND (CE SPEC)



ART_0275219

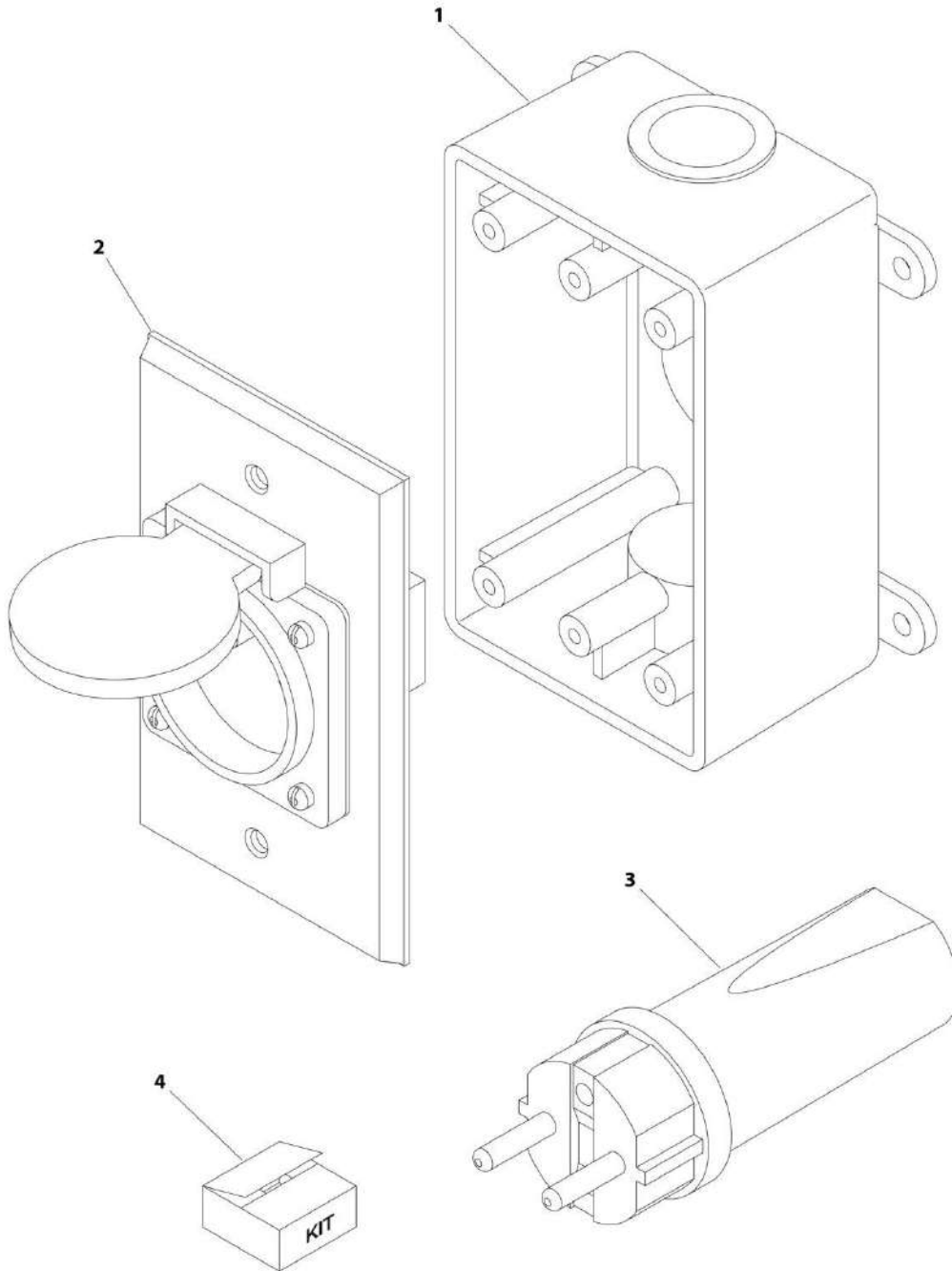
SECTION 8 - ELECTRICAL

FIGURE 8-4. AC PLUGS AND SOCKETS INSTALLATION - CEE 7 SIDE GROUND (CE SPEC)

ITEM	PART NUMBER	QTY	DESCRIPTION	REV
	0275219	Ref	AC PLUGS AND SOCKETS INSTALLATION - CEE 7 SIDE GROUND (CE SPEC)	B
1	1001141967	1	Box, Switch	
2	1001141969	1	Receptacle	
3	4461205	1	Plug, Male	
4	1001141970	1	Plug and Socket Kit (Includes Items 1-3 and Female Plug p/n 4461206)	

SECTION 8 - ELECTRICAL

FIGURE 8-5. AC PLUGS AND SOCKETS INSTALLATION - CEE7 POST GROUND - 2 X 4 BOX (CE SPEC)



ART_0275452

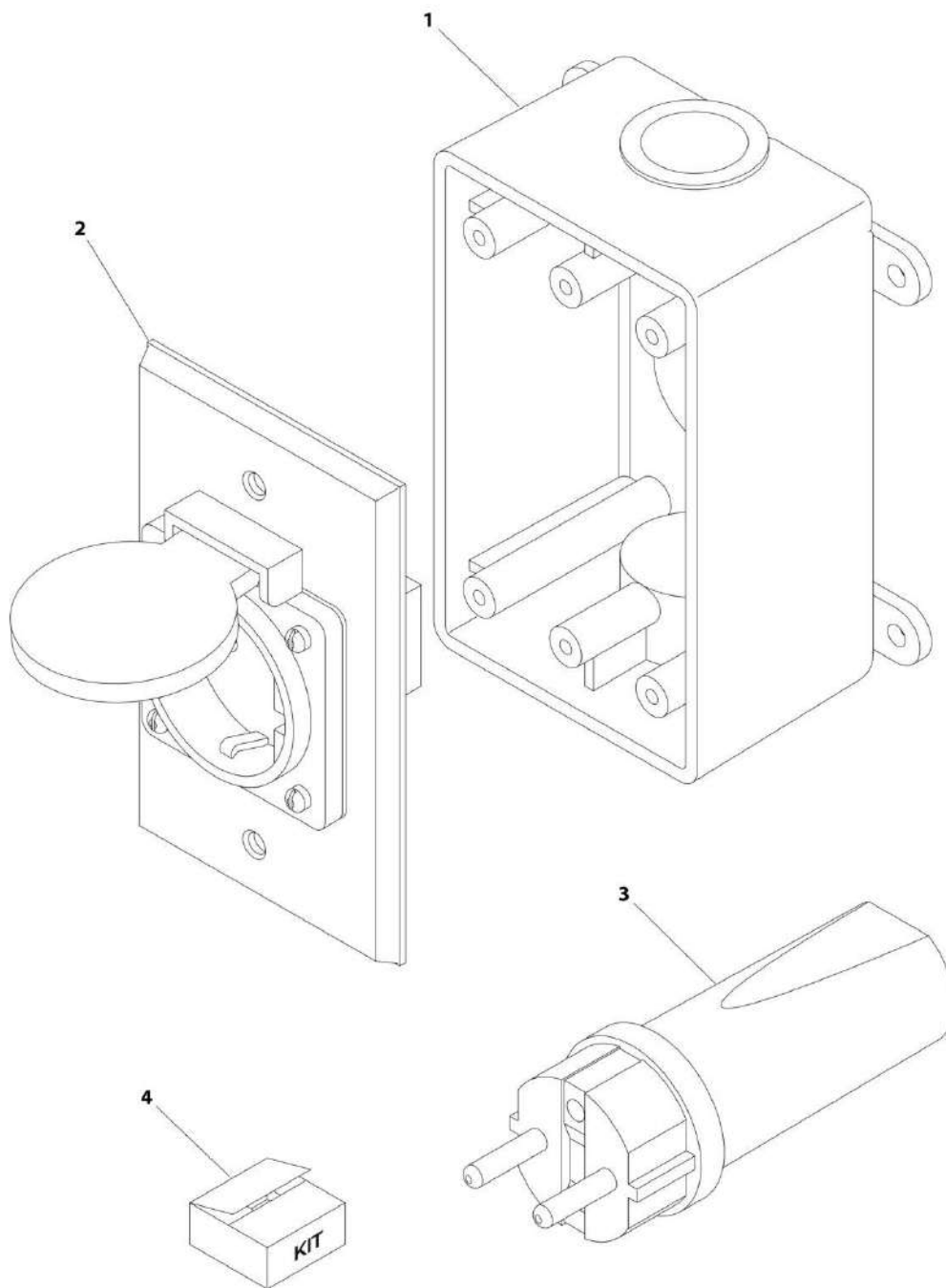
SECTION 8 - ELECTRICAL

FIGURE 8-5. AC PLUGS AND SOCKETS INSTALLATION - CEE7 POST GROUND - 2 X 4 BOX (CE SPEC)

ITEM	PART NUMBER	QTY	DESCRIPTION	REV
	0275452	Ref	AC PLUGS AND SOCKETS INSTALLATION - CEE7 POST GROUND - 2 X 4 BOX (CE SPEC)	1
1	0861731	1	Box, Switch	
2	4461244	1	Receptacle	
3	4461202	1	Plug, Male	
4	1001100345	1	Plug and Socket Kit (Includes Items 1-3 and Female Plug p/n 4461206)	

SECTION 8 - ELECTRICAL

FIGURE 8-6. AC PLUGS AND SOCKETS INSTALLATION - CEE7 SIDE GROUND - 2 X 4 BOX (CE SPEC)



ART_0275453

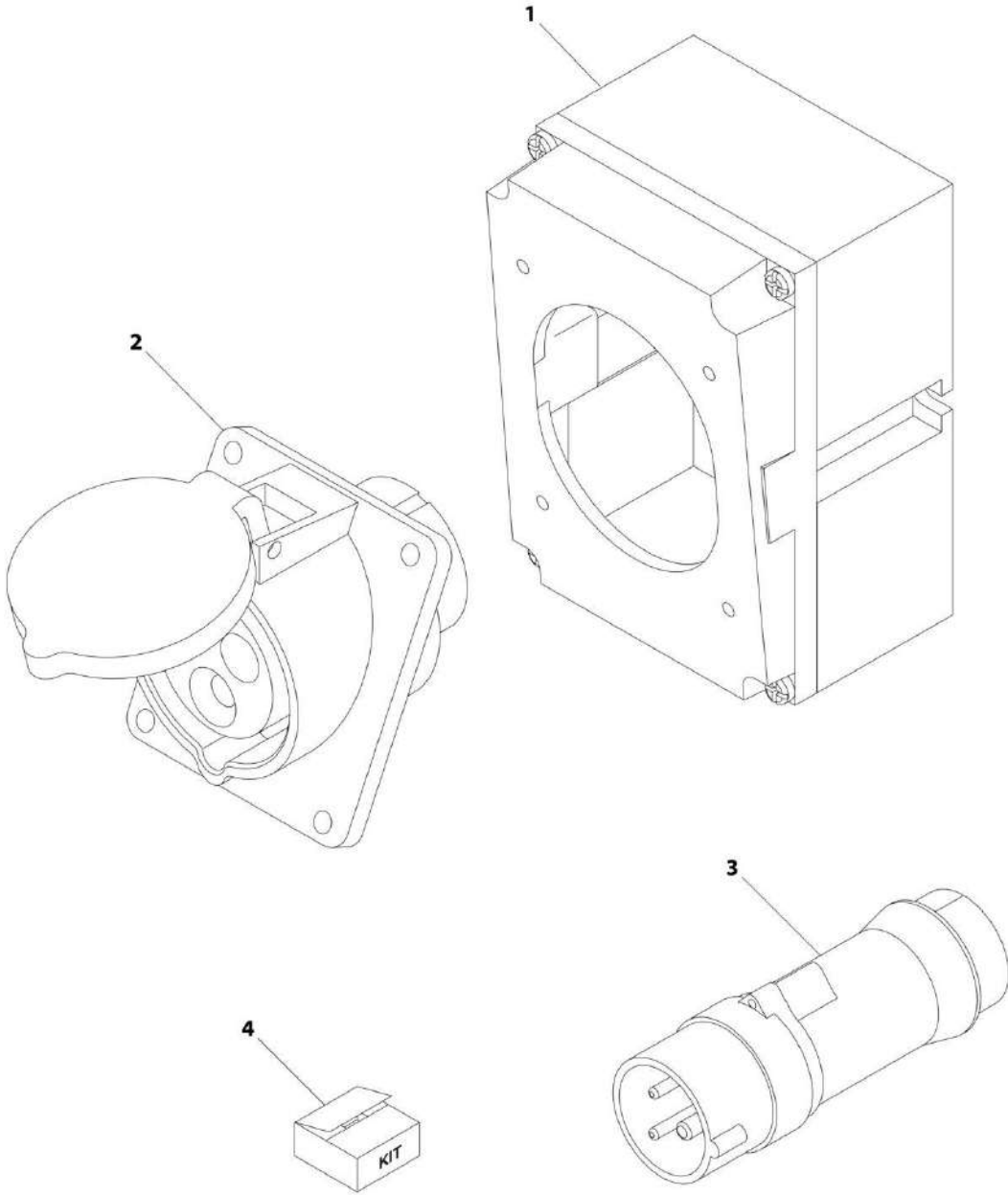
SECTION 8 - ELECTRICAL

FIGURE 8-6. AC PLUGS AND SOCKETS INSTALLATION - CEE7 SIDE GROUND - 2 X 4 BOX (CE SPEC)

ITEM	PART NUMBER	QTY	DESCRIPTION	REV
	0275453	Ref	AC PLUGS AND SOCKETS INSTALLATION - CEE7 SIDE GROUND - 2 X 4 BOX (CE SPEC)	1
1	0861731	1	Box, Switch	
2	4461245	1	Receptacle	
3	4461205	1	Plug, Male	
4	1001100347	1	Plug and Socket Kit (Includes Items 1-3 and Female Plug p/n 4461206)	

SECTION 8 - ELECTRICAL

FIGURE 8-7. AC PLUGS AND SOCKETS INSTALLATION - IEC 60309 BLUE (CE SPEC)



ART_0275217

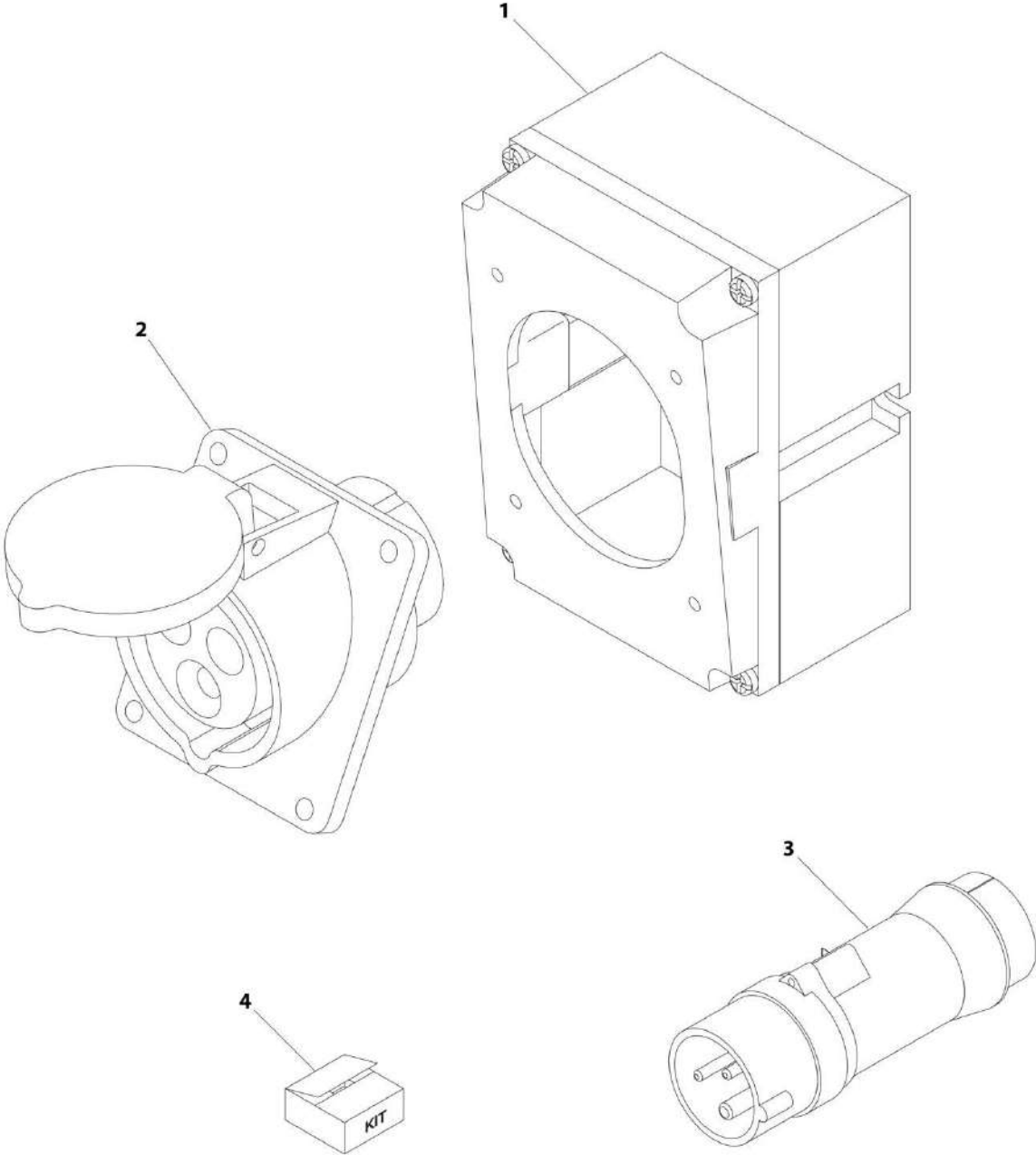
SECTION 8 - ELECTRICAL

FIGURE 8-7. AC PLUGS AND SOCKETS INSTALLATION - IEC 60309 BLUE (CE SPEC)

ITEM	PART NUMBER	QTY	DESCRIPTION	REV
	0275217	Ref	AC PLUGS AND SOCKETS INSTALLATION - IEC 60309 BLUE (CE SPEC)	1
1	0861781	1	Box, Switch	
2	4461201	1	Receptacle	
3	4461199	1	Plug, Male	
4	1001100342	1	Plug and Socket Kit (Includes Items 1-3 and Female Plug p/n 4461200)	

SECTION 8 - ELECTRICAL

FIGURE 8-8. AC PLUGS AND SOCKETS INSTALLATION - IEC 60309 YELLOW (CE SPEC)



ART_0275216

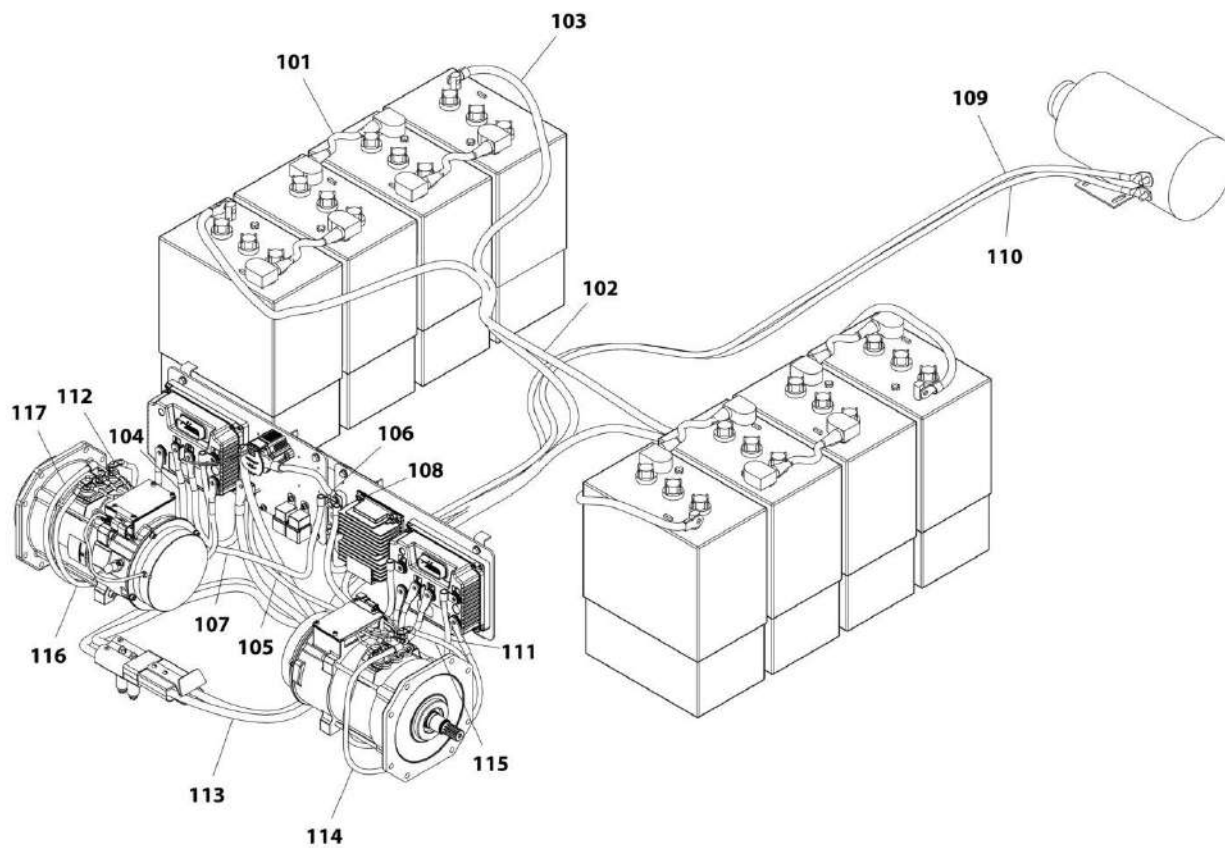
SECTION 8 - ELECTRICAL

FIGURE 8-8. AC PLUGS AND SOCKETS INSTALLATION - IEC 60309 YELLOW (CE SPEC)

ITEM	PART NUMBER	QTY	DESCRIPTION	REV
	0275216	Ref	AC PLUGS AND SOCKETS INSTALLATION - IEC 60309 YELLOW (CE SPEC)	1
1	0861781	1	Box, Switch	
2	4461198	1	Receptacle	
3	4461196	1	Plug, Male	
4	1001100341	1	Plug and Socket Kit (Includes Items 1-3 and Female Plug p/n 4461197)	

SECTION 8 - ELECTRICAL

FIGURE 8-9. BATTERY CABLE KIT - E400AN, E400AJP AND E400AJPN



ART_1001190088

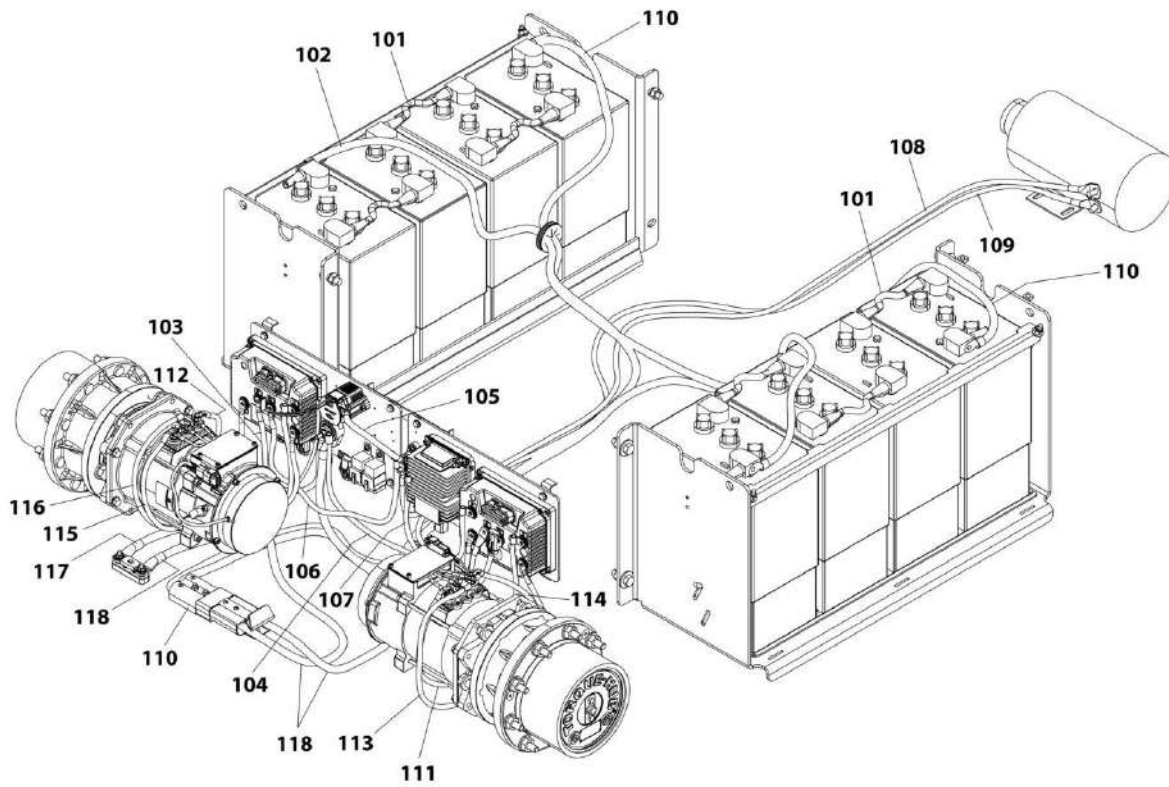
SECTION 8 - ELECTRICAL

FIGURE 8-9. BATTERY CABLE KIT - E400AN, E400AJP AND E400AJPN

ITEM	PART NUMBER	QTY	DESCRIPTION	REV
	1001190088	Ref	BATTERY CABLE KIT - E400An, E400AJP AND E400AJPN	H
101	1060092	1	Cable, Battery	
102	1001177245	1	Cable, Interconnect	
103	1001177246	1	Cable, Battery	
104	1001178394	1	Cable, Negative to LH Module	
105	1001178395	1	Cable, Negative to RH Module	
106	1001178396	1	Cable, Positive to Pump Motor Fuse	
107	1001178398	1	Cable, Positive to LH Module	
108	1001178399	1	Cable, Positive to RH Module	
109	1001178400	1	Cable, Pump Motor Positive	
110	1001178401	1	Cable, Pump Motor Negative	
111	1001178402	1	Cable, Motor R U	
112	1001178403	1	Cable, Motor L U	
113	1001178660	1	Cable, Battery	
114	1001189027	1	Cable, Motor R V	
115	1001189030	1	Cable, Motor R W	
116	1001189031	1	Cable, Motor L W	
117	1001189032	1	Cable, Motor L V	

SECTION 8 - ELECTRICAL

FIGURE 8-10. BATTERY CABLE KIT - E400AN, E400AJP AND E400AJPN - UL SPECS



ART_1001212454

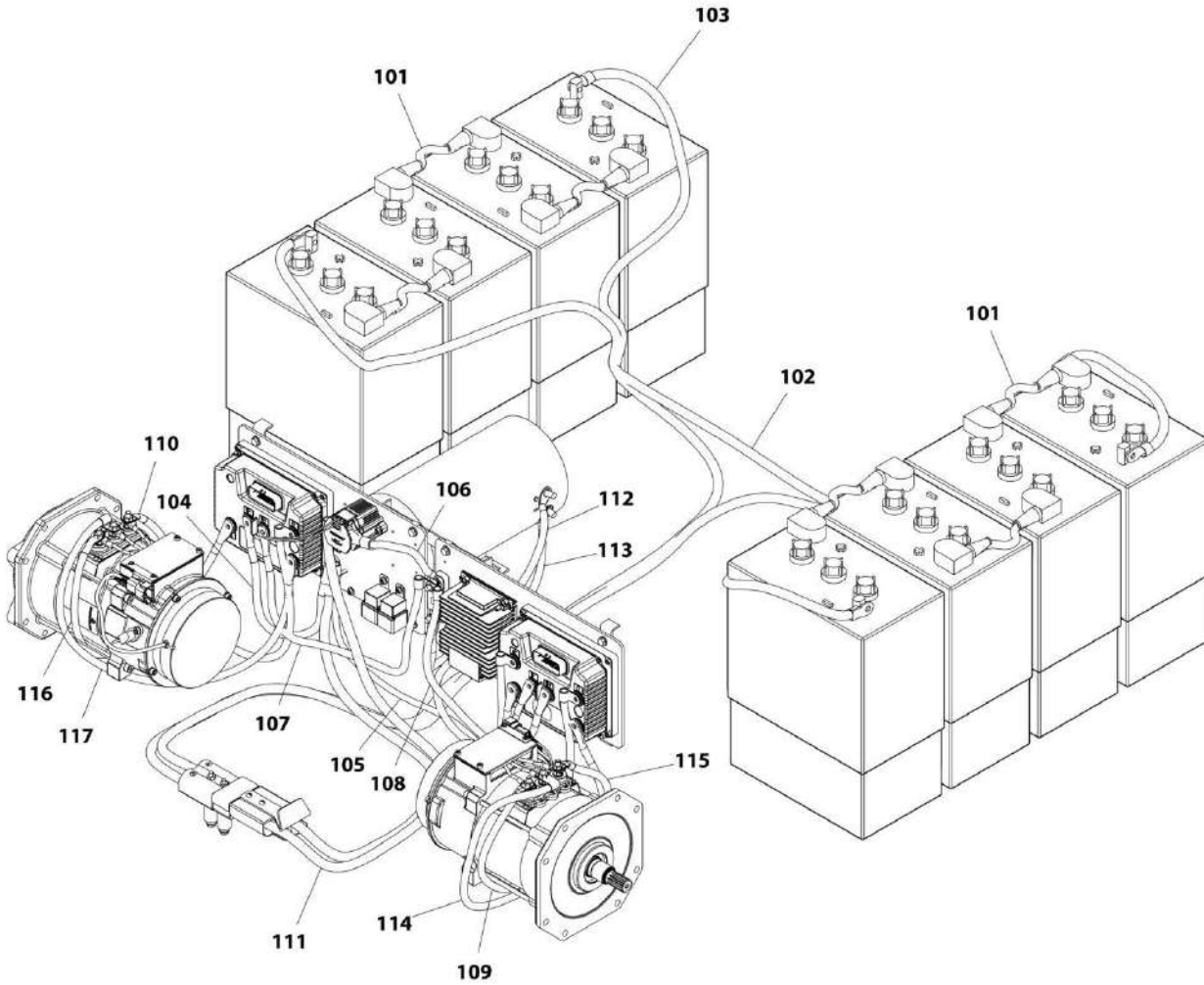
SECTION 8 - ELECTRICAL

FIGURE 8-10. BATTERY CABLE KIT - E400AN, E400AJP AND E400AJPN - UL SPECS

ITEM	PART NUMBER	QTY	DESCRIPTION	REV
	1001212454	Ref	BATTERY CABLE KIT - E400An, E400AJP AND E400AJPN - UL SPECS	C
101	1060092	1	Cable, Battery	
102	1001177245	1	Cable, Interconnect	
103	1001178394	1	Cable, Negative to LH Module	
104	1001178395	1	Cable, Negative to RH Module	
105	1001178396	1	Cable, Positive to Pump Motor Fuse	
106	1001178398	1	Cable, Positive to LH Module	
107	1001178399	1	Cable, Positive to RH Module	
108	1001178400	1	Cable, Pump Motor Positive	
109	1001178401	1	Cable, Pump Motor Negative	
110	1001177246	1	Cable, Battery	
111	1001178402	1	Cable, Motor R U	
112	1001178403	1	Cable, Motor L U	
113	1001189027	1	Cable, Motor R V	
114	1001189030	1	Cable, Motor R W	
115	1001189031	1	Cable, Motor L W	
116	1001189032	1	Cable, Motor L V	
117	1001212455	1	Cable, Drive Jumper	
118	1001212480	1	Cable, Battery	

SECTION 8 - ELECTRICAL

FIGURE 8-11. BATTERY CABLE KIT - M400AJP AND M400AJPN



ART_1001190020

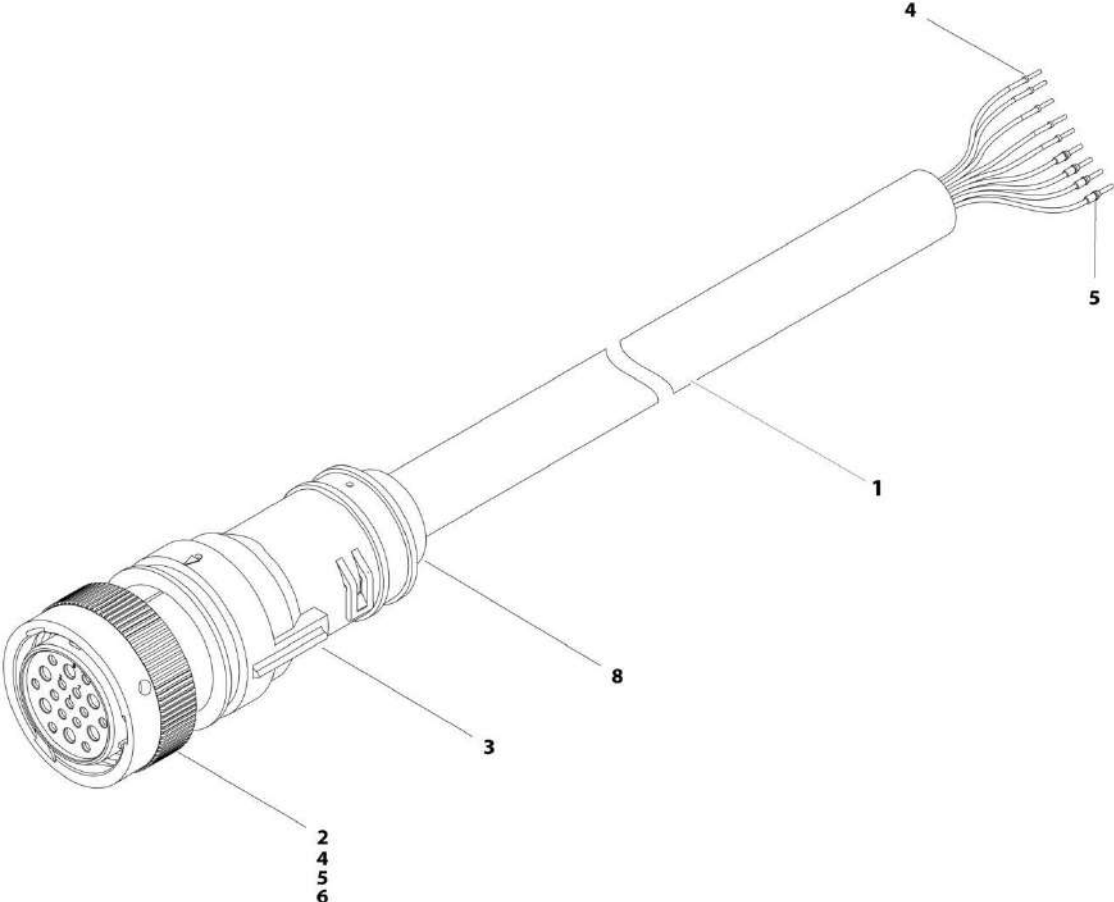
SECTION 8 - ELECTRICAL

FIGURE 8-11. BATTERY CABLE KIT - M400AJP AND M400AJPN

ITEM	PART NUMBER	QTY	DESCRIPTION	REV
	1001190020	Ref	BATTERY CABLE KIT - M400AJP AND M400AJPN	H
101	1060092	1	Cable, Battery	
102	1001177245	1	Cable, Interconnect	
103	1001177246	1	Cable, Battery	
104	1001178394	1	Cable, Negative to LH Module	
105	1001178395	1	Cable, Negative to RH Module	
106	1001178396	1	Cable, Positive to Pump Motor Fuse	
107	1001178398	1	Cable, Positive to LH Module	
108	1001178399	1	Cable, Positive to RH Module	
109	1001178402	1	Cable, Motor R U	
110	1001178403	1	Cable, Motor L U	
111	1001178660	1	Cable, Battery	
112	1001178822	1	Cable, Pump Motor Positive	
113	1001178823	1	Cable, Pump Motor Negative	
114	1001189027	1	Cable, Motor R V	
115	1001189030	1	Cable, Motor R W	
116	1001189031	1	Cable, Motor L W	
117	1001189032	1	Cable, Motor L V	

SECTION 8 - ELECTRICAL

FIGURE 8-12. BOOM CABLE - LOWER



ART_1001183868

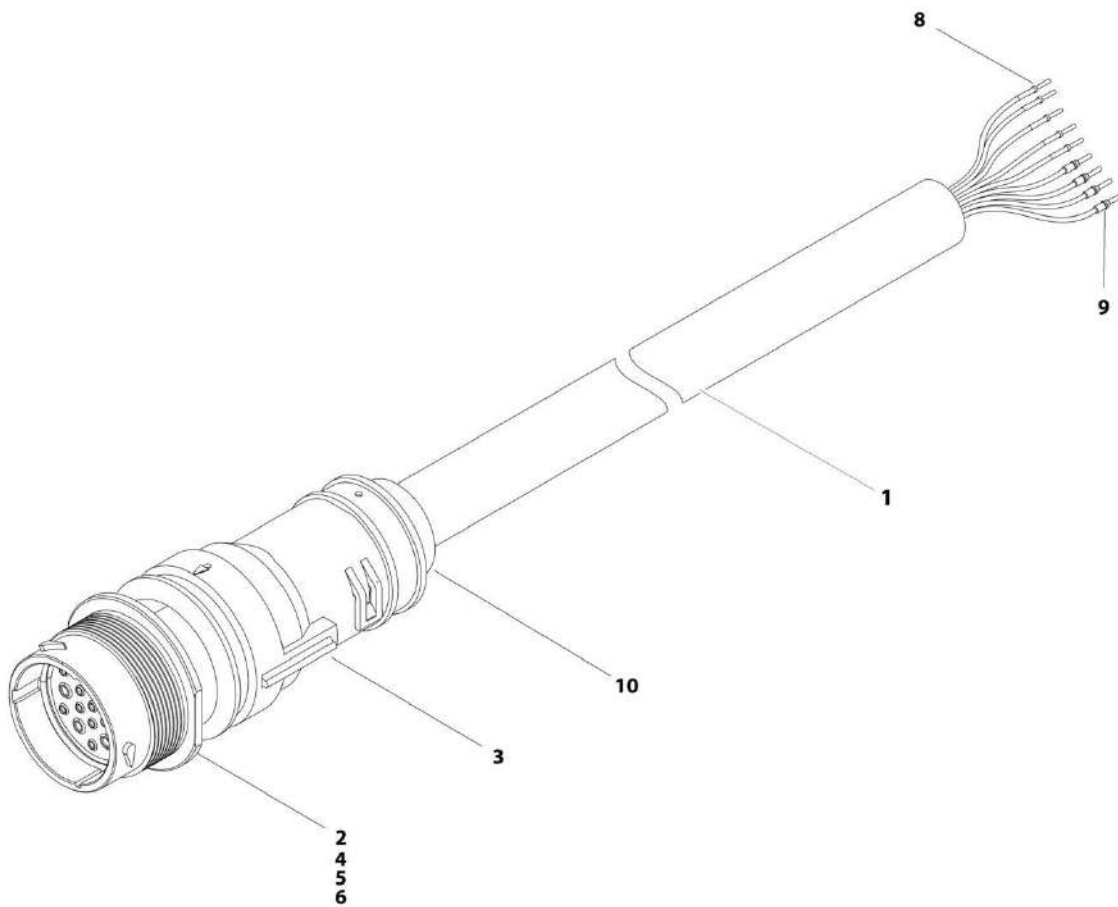
SECTION 8 - ELECTRICAL

FIGURE 8-12. BOOM CABLE - LOWER

ITEM	PART NUMBER	QTY	DESCRIPTION	REV
1	1001183868	Ref	BOOM CABLE - LOWER	C
	1060896	32 ft /9.8m	Cable, Electrical	
2	1001188292	1	Connector - 19 Position	
3	1001188291	1	Connector, Backshell	
4	4460465	22	Socket, Female	
5	4460509	8	Socket, Female	
6	4460466	4	Plug, Seal	
7	2820118	6 in /15.3 cm	Insulator, Tubing (Not Shown)	
8	1001188354	1	Grommet	
9	4240033	2	Tie-Strap (Not Shown)	

SECTION 8 - ELECTRICAL

FIGURE 8-13. BOOM CABLE - UPPER



ART_1001183867

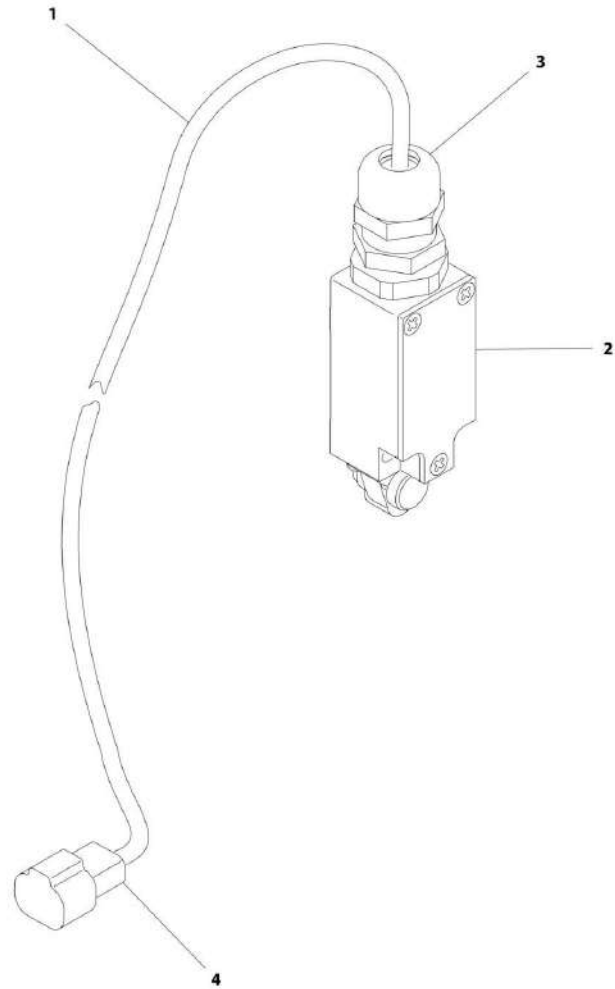
SECTION 8 - ELECTRICAL

FIGURE 8-13. BOOM CABLE - UPPER

ITEM	PART NUMBER	QTY	DESCRIPTION	REV
	1001183867	Ref	BOOM CABLE - UPPER	D
1	1060896	25.5 ft /7.8m	Cable, Electrical	
2	1001188293	1	Connector - 19 Position	
3	1001188291	1	Connector, Backshell	
4	4460465	11	Socket, Female	
5	4460509	4	Socket, Female	
6	4460466	4	Plug, Seal	
7	2820118	6 in /15.3 cm	Insulator, Tubing (Not Shown)	
8	4460464	11	Pin, Male	
9	4460508	4	Pin, Male	
10	1001188354	1	Grommet	
11	4240033	2	Tie-Strap (Not Shown)	

SECTION 8 - ELECTRICAL

FIGURE 8-14. BOOM LIMIT SWITCH HARNESS - LOWER



ART_1001187776

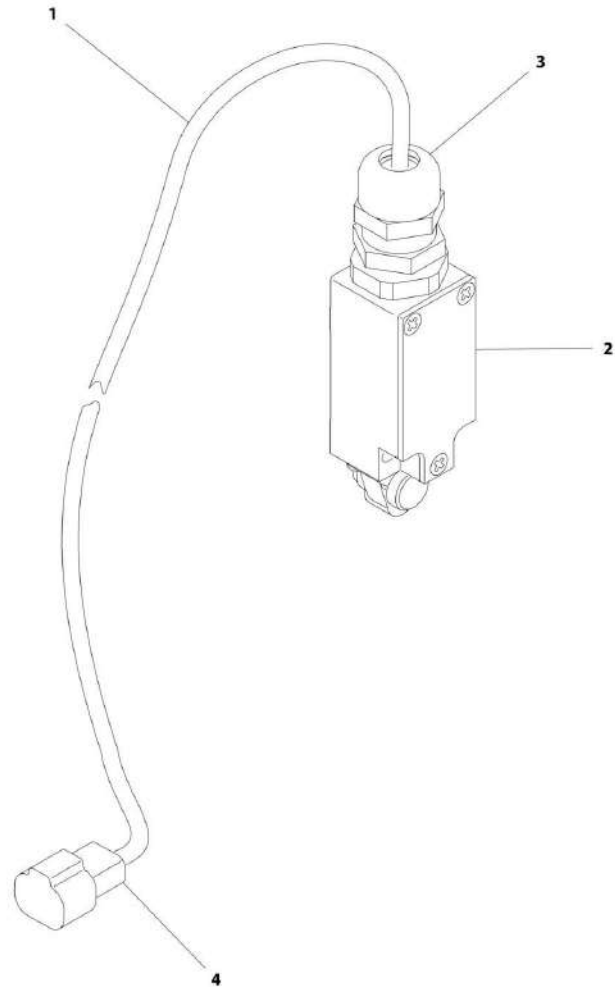
SECTION 8 - ELECTRICAL

FIGURE 8-14. BOOM LIMIT SWITCH HARNESS - LOWER

ITEM	PART NUMBER	QTY	DESCRIPTION	REV
	1001187776	Ref	BOOM LIMIT SWITCH HARNESS - LOWER	C
1	1060341	14 ft /4.27m	Cable, Electrical - 16/2	
2	4360548	1	Switch, Limit	
3	4460968	1	Connector, Strain Relief	
4	1001187681	1	Connector- 2 Position (SN 0300208530 through 0300214529)	
4	4460897	1	Connector - 2 Position (SN 0300214530 to Present)	
4	4460464	2	Pin, Male	
4	1001187683	1	Connector, Wedge Lock (SN 0300208530 through 0300214529)	

SECTION 8 - ELECTRICAL

FIGURE 8-15. BOOM LIMIT SWITCH HARNESS - UPPER



ART_100187775

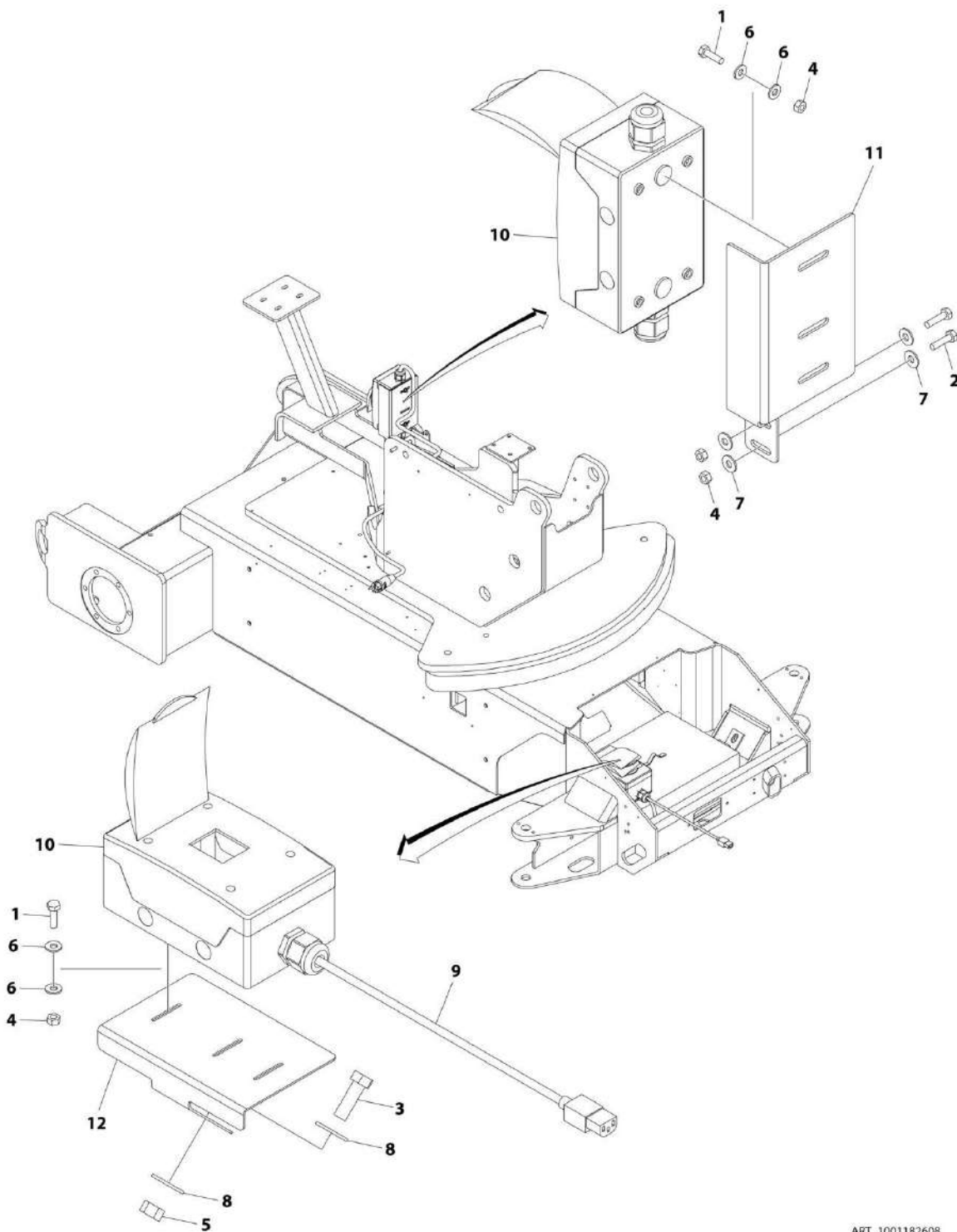
SECTION 8 - ELECTRICAL

FIGURE 8-15. BOOM LIMIT SWITCH HARNESS - UPPER

ITEM	PART NUMBER	QTY	DESCRIPTION	REV
	1001187775	Ref	BOOM LIMIT SWITCH HARNESS - UPPER	C
1	1060341	27 ft /8.23m	Cable, Electrical - 16/2	
2	4360548	1	Switch, Limit	
3	4460968	1	Connector, Strain Relief	
4	1001187681	1	Connector- 2 Position (SN 0300208530 through 0300214529)	
4	4460897	1	Connector - 2 Position (SN 0300214530 to Present)	
4	4460464	2	Pin, Male	
4	1001187684	1	Connector, Wedge Lock (SN 0300208530 through 0300214529)	

SECTION 8 - ELECTRICAL

FIGURE 8-16. BREAKER BOX INSTALLATION - DOUBLE BREAKER BOXES



ART_1001182608

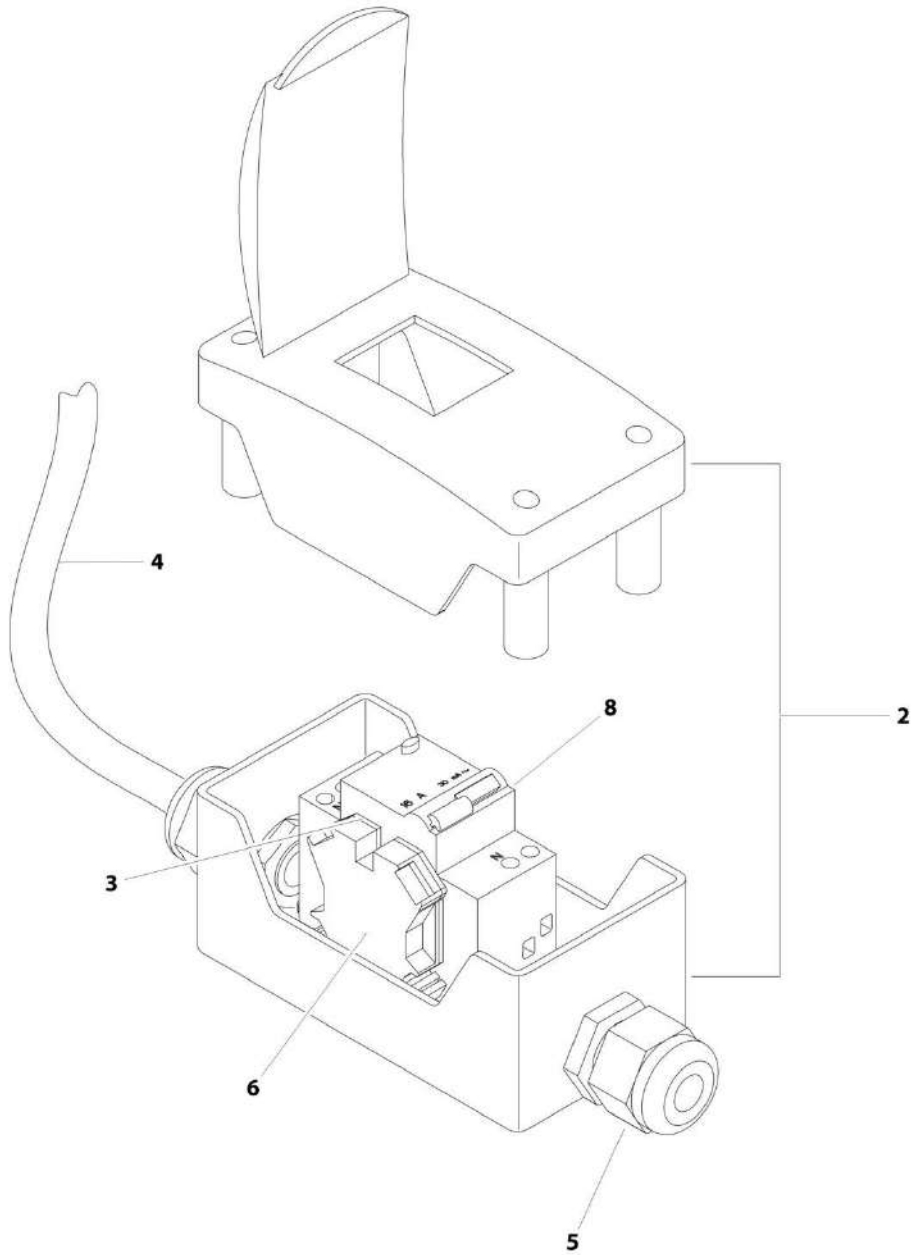
SECTION 8 - ELECTRICAL

FIGURE 8-16. BREAKER BOX INSTALLATION - DOUBLE BREAKER BOXES

ITEM	PART NUMBER	QTY	DESCRIPTION	REV
	1001182608	Ref	BREAKER BOX INSTALLATION - DOUBLE BREAKER BOXES	A
1	0641407	4	Bolt, 1/4 x 7/8	
2	0641408	2	Bolt, 1/4 x 1	
3	0641812	1	Bolt, 1/2 x 1-1/2	
4	3311405	6	Nut, Lock, 1/4	
5	3311805	1	Nut, 1/2	
6	4711400	8	Washer, 1/4	
7	4751400	4	Washer, 1/4	
8	4751800	2	Washer, 1/2	
9	1001103258	1	Cable, Charger AC Input	
10	1001152485	2	Breaker Box Kit with Two Breakers - CE Spec (See BREAKER BOX KIT WITH TWO BREAKERS - CE SPEC for Breakdown)	
11	1001153899	1	Bracket	
12	1001182607	1	Bracket	

SECTION 8 - ELECTRICAL

FIGURE 8-17. BREAKER BOX KIT WITH ONE BREAKERS - CE SPEC



ART_2902549

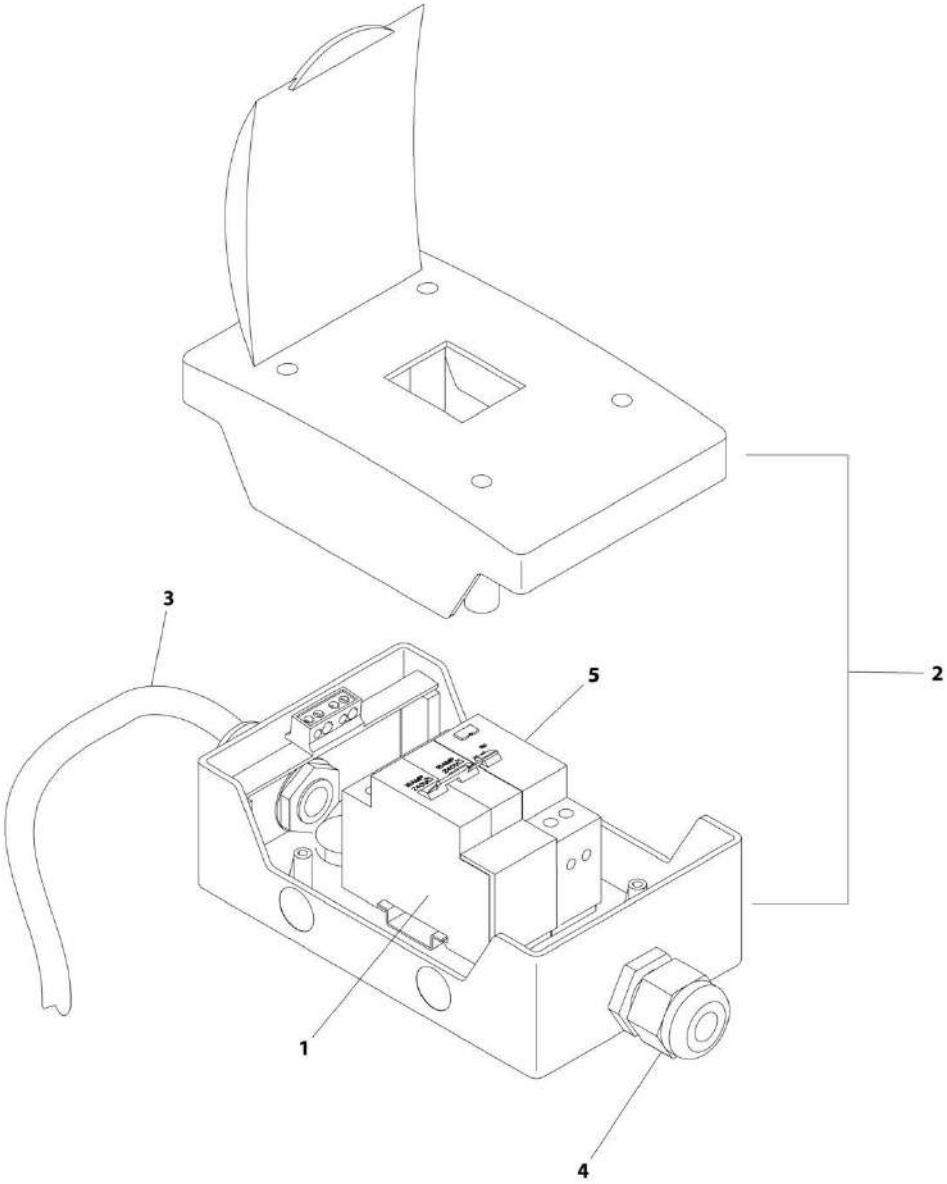
SECTION 8 - ELECTRICAL

FIGURE 8-17. BREAKER BOX KIT WITH ONE BREAKERS - CE SPEC

ITEM	PART NUMBER	QTY	DESCRIPTION	REV
	2902549	Ref	BREAKER BOX KIT WITH ONE BREAKERS - CE SPEC	F
2	0861880	1	Box	
3	4460956	1	Barrier, Terminal	
4	1060908	6 ft/1.8m	Cable, 12/3	
5	1001097150	2	Connector, Strain Relief	
6	4460957	1	Block, Terminal	
8	1001181045	1	Breaker, 30mA	

SECTION 8 - ELECTRICAL

FIGURE 8-18. BREAKER BOX KIT WITH TWO BREAKERS - CE SPEC



ART_1001152485

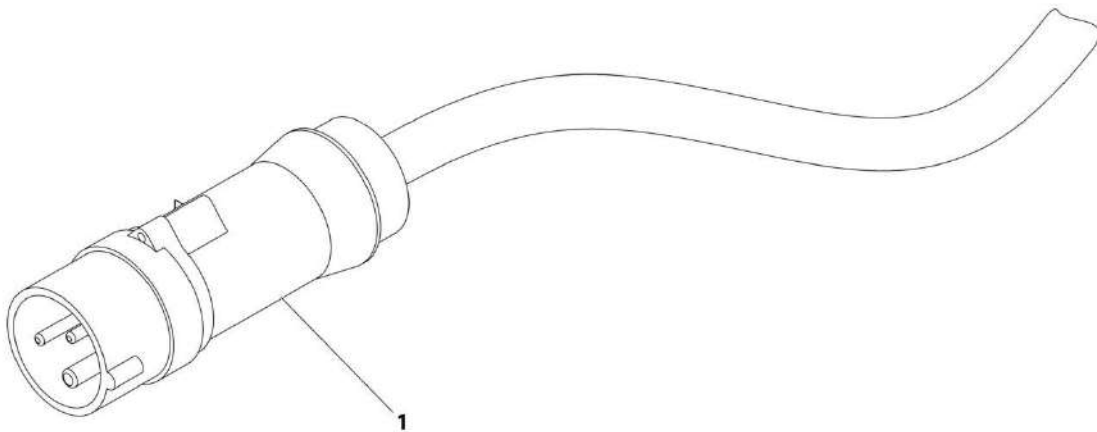
SECTION 8 - ELECTRICAL

FIGURE 8-18. BREAKER BOX KIT WITH TWO BREAKERS - CE SPEC

ITEM	PART NUMBER	QTY	DESCRIPTION	REV
	1001152485	Ref	BREAKER BOX KIT WITH TWO BREAKERS - CE SPEC	C
1	1001189172	1	Breaker, 16 Amp, (Double)	
2	1001152483	1	Box	
3	1060908	6 ft/1.8m	Cable, 12/3	
4	1001097150	2	Connector, Strain Relief	
5	1001189171	1	Breaker, 30mA	

SECTION 8 - ELECTRICAL

FIGURE 8-19. CHARGER CORD PLUG INSTALLATION - 110V - IEC 60309 - YELLOW (CE SPEC)



ART_0275666

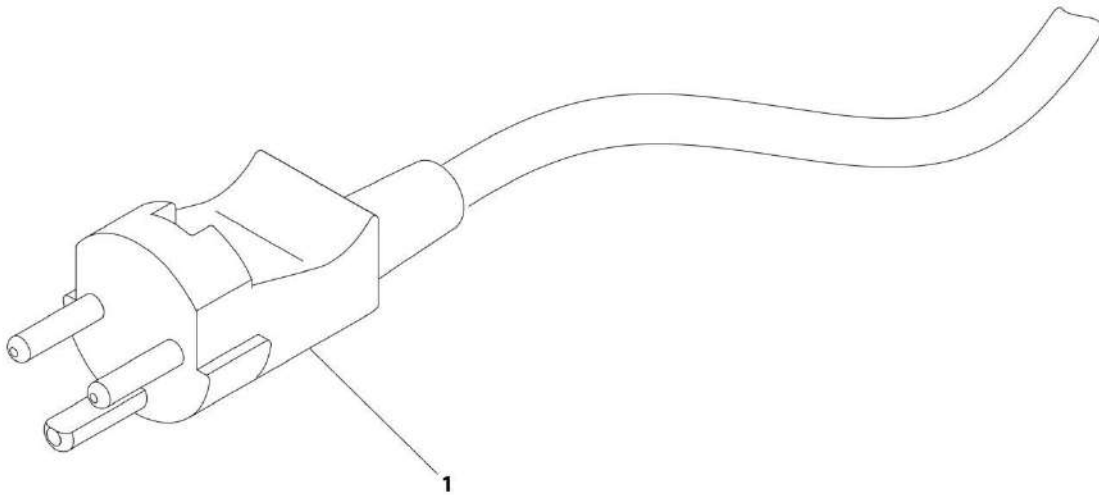
SECTION 8 - ELECTRICAL

FIGURE 8-19. CHARGER CORD PLUG INSTALLATION - 110V - IEC 60309 - YELLOW (CE SPEC)

ITEM	PART NUMBER	QTY	DESCRIPTION	REV
	0275666	Ref	CHARGER CORD PLUG INSTALLATION - 110V - IEC 60309 - YELLOW (CE SPEC)	A
1	4461196	1	Plug	

SECTION 8 - ELECTRICAL

FIGURE 8-20. CHARGER CORD PLUG INSTALLATION - 220V - AFSINT 107 KEYED GROUND (CE SPEC)



ART_0275665

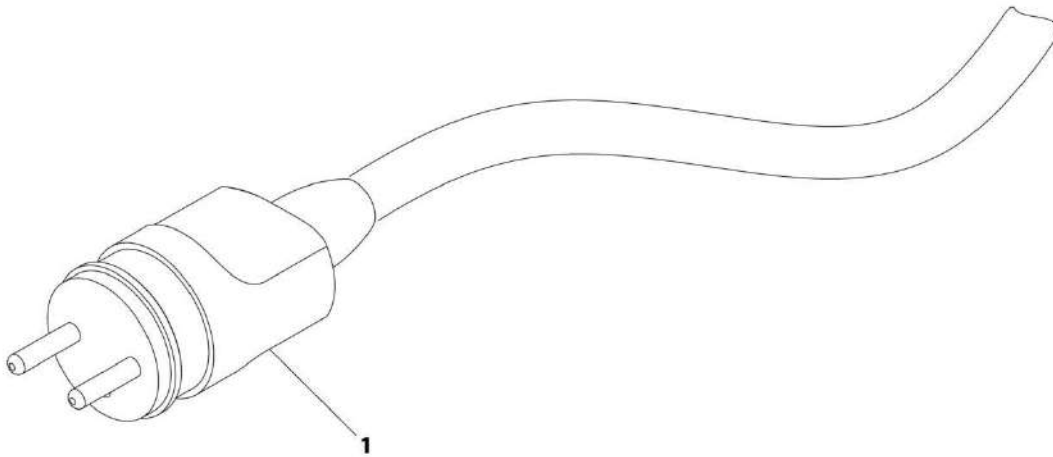
SECTION 8 - ELECTRICAL

FIGURE 8-20. CHARGER CORD PLUG INSTALLATION - 220V - AFSINT 107 KEYED GROUND (CE SPEC)

ITEM	PART NUMBER	QTY	DESCRIPTION	REV
	0275665	Ref	CHARGER CORD PLUG INSTALLATION - 220V - AFSINT 107 KEYED GROUND (CE SPEC)	A
1	4461249	1	Plug	

SECTION 8 - ELECTRICAL

FIGURE 8-21. CHARGER CORD PLUG INSTALLATION - 220V - CEE7 POST GROUND (CE SPEC)



ART. 0275663

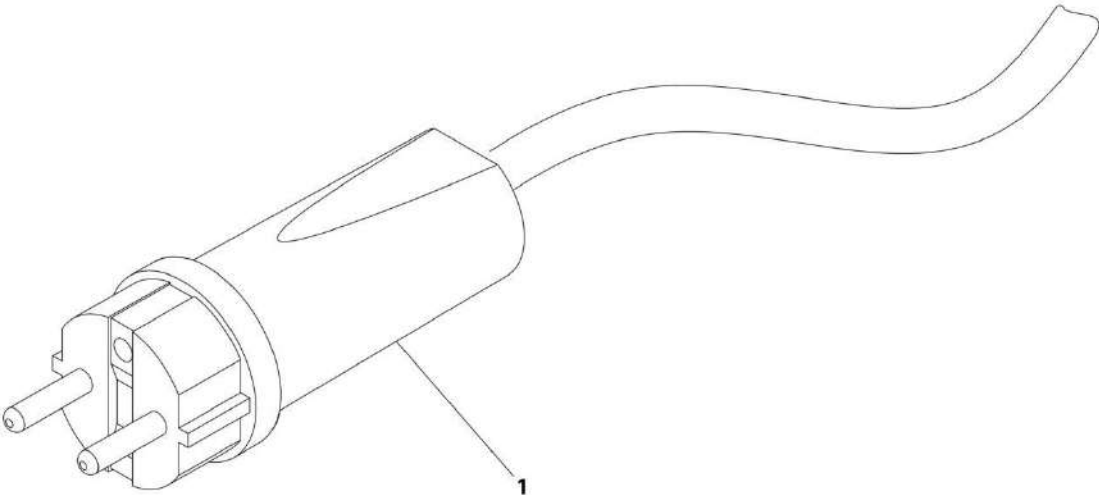
SECTION 8 - ELECTRICAL

FIGURE 8-21. CHARGER CORD PLUG INSTALLATION - 220V - CEE7 POST GROUND (CE SPEC)

ITEM	PART NUMBER	QTY	DESCRIPTION	REV
	0275663	Ref	CHARGER CORD PLUG INSTALLATION - 220V - CEE7 POST GROUND (CE SPEC)	A
1	4461202	1	Plug	

SECTION 8 - ELECTRICAL

FIGURE 8-22. CHARGER CORD PLUG INSTALLATION - 220V - CEE7 SIDE GROUND (CE SPEC)



ART_0275664

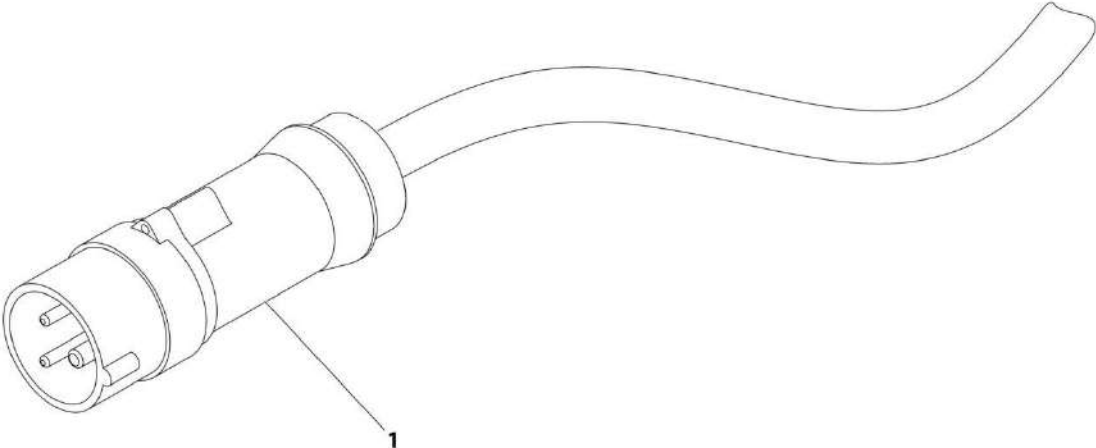
SECTION 8 - ELECTRICAL

FIGURE 8-22. CHARGER CORD PLUG INSTALLATION - 220V - CEE7 SIDE GROUND (CE SPEC)

ITEM	PART NUMBER	QTY	DESCRIPTION	REV
	0275664	Ref	CHARGER CORD PLUG INSTALLATION - 220V - CEE7 SIDE GROUND (CE SPEC)	A
1	4461205	1	Plug	

SECTION 8 - ELECTRICAL

FIGURE 8-23. CHARGER CORD PLUG INSTALLATION - 220V - IEC 60309 - BLUE (CE SPEC)



ART_0275667

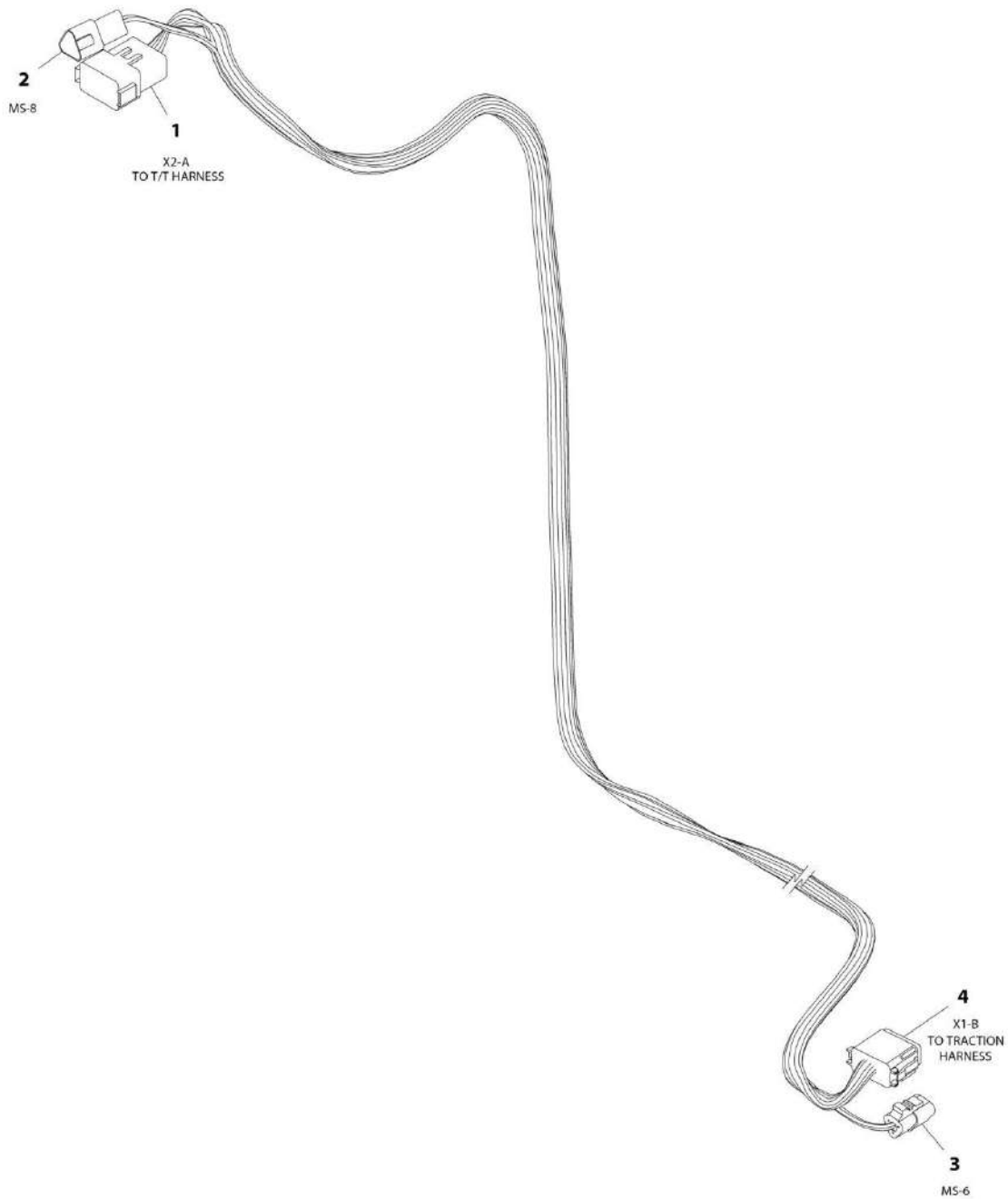
SECTION 8 - ELECTRICAL

FIGURE 8-23. CHARGER CORD PLUG INSTALLATION - 220V - IEC 60309 - BLUE (CE SPEC)

ITEM	PART NUMBER	QTY	DESCRIPTION	REV
	0275667	Ref	CHARGER CORD PLUG INSTALLATION - 220V - IEC 60309 - BLUE (CE SPEC)	A
1	4461199	1	Plug	

SECTION 8 - ELECTRICAL

FIGURE 8-24. CHASSIS TO TURNTABLE HARNESS



ART_1001178405

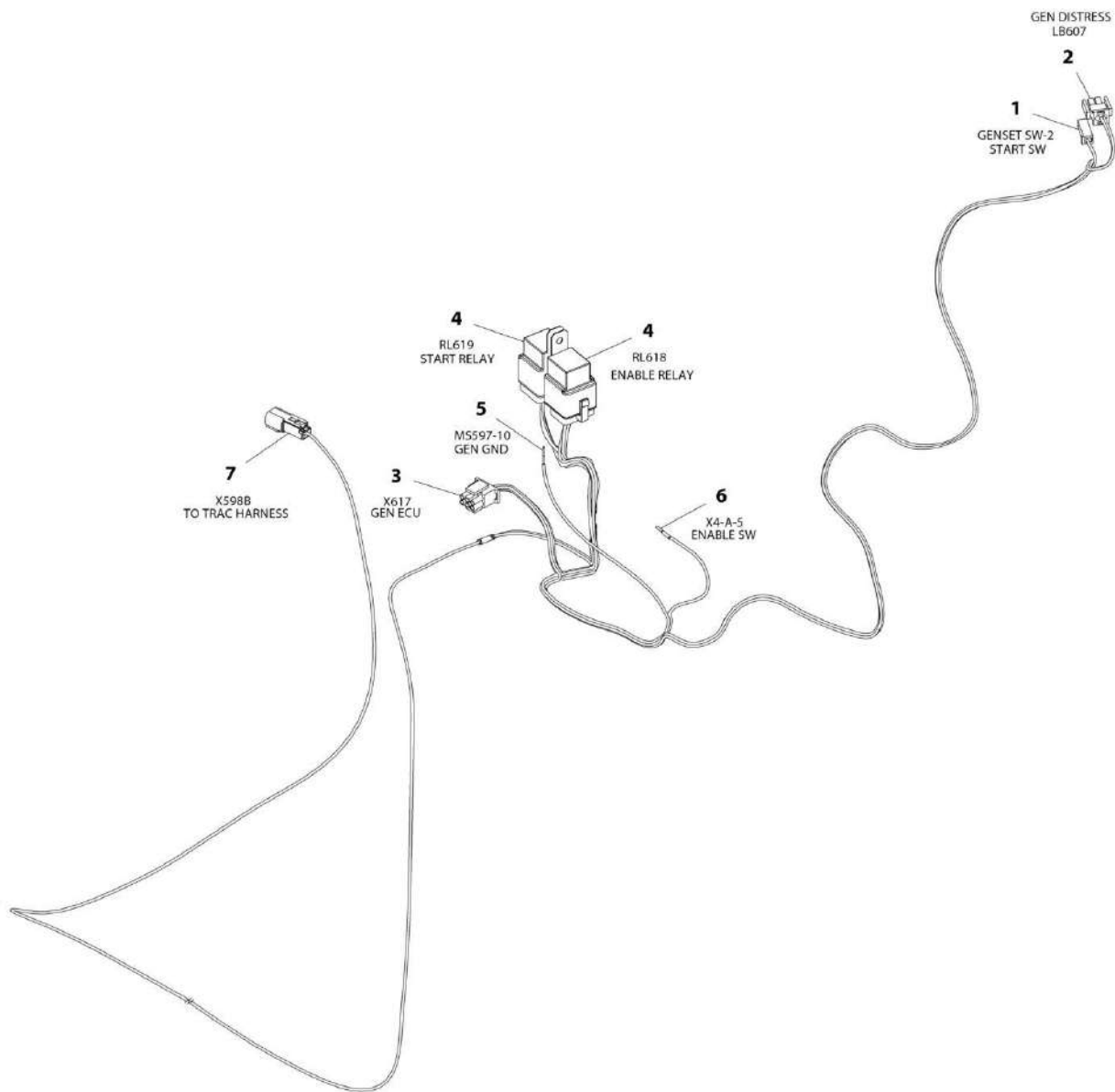
SECTION 8 - ELECTRICAL

FIGURE 8-24. CHASSIS TO TURNTABLE HARNESS

ITEM	PART NUMBER	QTY	DESCRIPTION	REV
	1001178405	Ref	CHASSIS TO TURNTABLE HARNESS	G
1	4460950	1	Connector - 12 Position	
1	1001157891	4	Terminal	
1	4460464	5	Pin, Male	
1	4460941	1	Terminal	
1	4460943	2	Pin, Male	
2	1001144147	1	Receptacle, Female - 3 Position	
2	4460943	3	Pin, Male	
3	4460539	1	Plug, Male - 3 Position	
3	4460944	3	Socket, Female	
4	4460836	1	Connector - 12 Position	
4	1001157890	4	Terminal	
4	4460465	5	Socket, Female	
4	4460942	1	Terminal	
4	4460944	2	Socket, Female	

SECTION 8 - ELECTRICAL

FIGURE 8-25. GENERATOR HARNESS



ART_1001192024

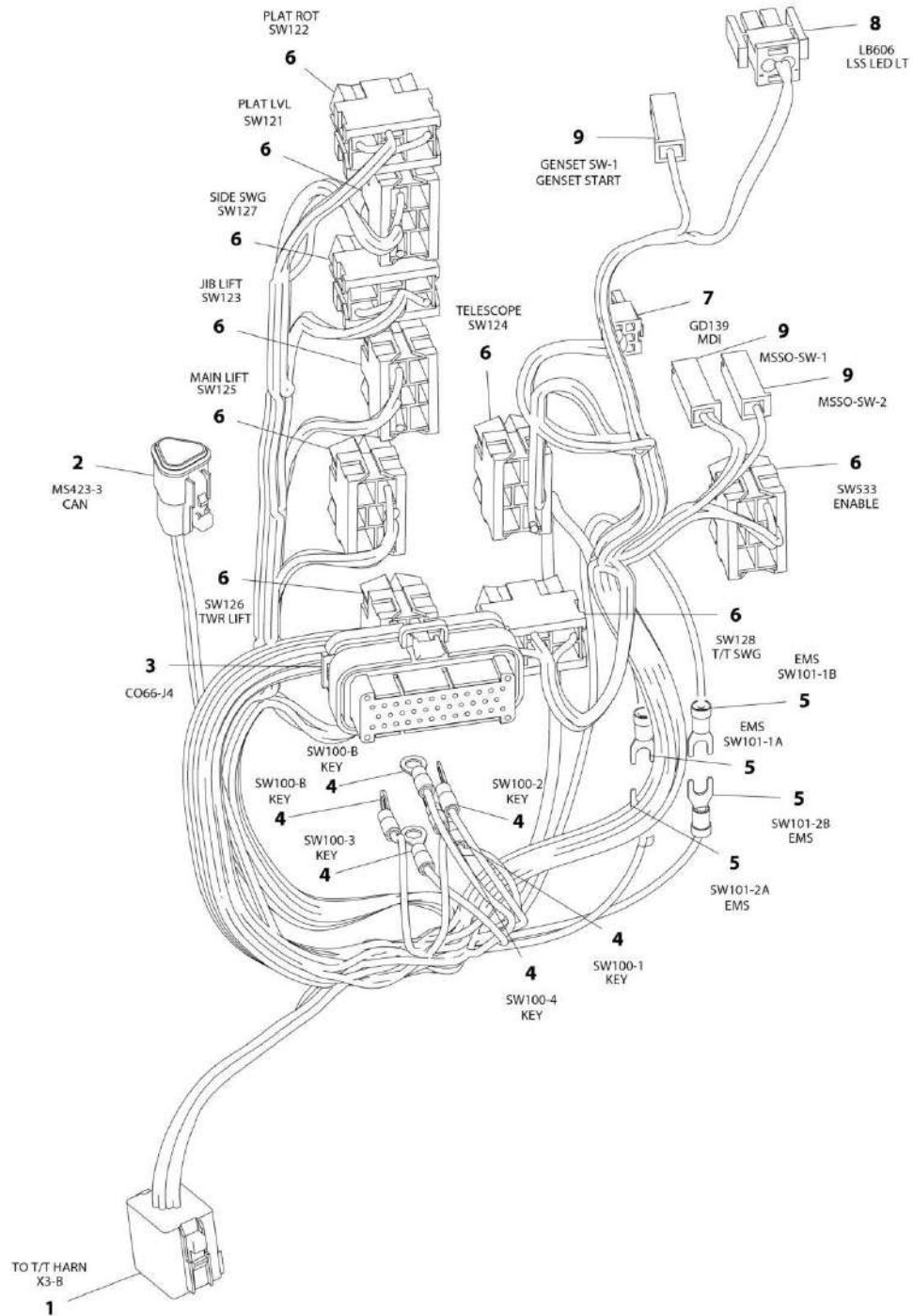
SECTION 8 - ELECTRICAL

FIGURE 8-25. GENERATOR HARNESS

ITEM	PART NUMBER	QTY	DESCRIPTION	REV
	1001192024	Ref	GENERATOR HARNESS	C
1	4460260	1	Housing, Terminal	
1	4460259	1	Terminal	
2	4460320	1	Plug, Male - 2 Position	
2	4460227	2	Pin, Male	
3	4460225	1	Connector - 6 Position	
3	4460267	5	Pin, Male	
4	3740080	2	Relay	
4	4460374	2	Plug, Relay	
4	1001116733	8	Terminal	
4	1001128128	2	Plug, Terminal	
5	4460465	1	Socket, Female	
6	4460464	1	Pin, Male	
7	4460897	1	Receptacle, Female - 2 Position	
7	4460464	1	Pin, Male	
7	4460466	1	Plug, Terminal	

SECTION 8 - ELECTRICAL

FIGURE 8-26. GROUND CONTROL PANEL HARNESS



ART_1001179991

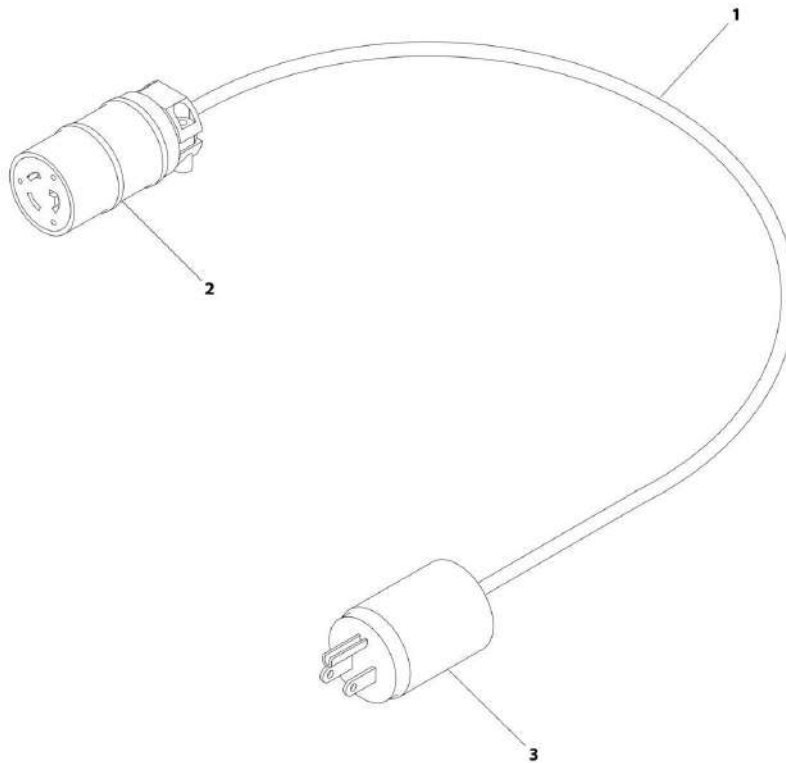
SECTION 8 - ELECTRICAL

FIGURE 8-26. GROUND CONTROL PANEL HARNESS

ITEM	PART NUMBER	QTY	DESCRIPTION	REV
	1001179991	Ref	GROUND CONTROL PANEL HARNESS	I
1	4460851	1	Connector - 8 Position	
2	1001157890	1	Socket, Female	
4	1001116692	1	Socket, Female	
1	4460465	1	Socket, Female	
1	4460466	1	Plug, Terminal	
2	1001116812	1	Plug, Male - 3 Position	
2	4460944	2	Socket, Female	
2	4460466	1	Plug, Terminal	
3	4460876	1	Connector - 35 Position	
3	4460871	23	Socket, Female	
3	4460905	12	Plug, Terminal	
4	4460313	6	Terminal, Ring	
5	4460806	4	Terminal, Fork	
6	4460418	9	Connector - 6 Position	
6	4460419	18	Terminal	
6	1001159186	17	Terminal	
7	4460868	1	Plug, Male - 6 Position	
7	4460877	4	Terminal	
8	4460320	1	Plug, Male - 2 Position	
8	4460227	2	Pin, Male	
9	4460260	3	Housing, Terminal	
9	4460259	3	Terminal	

SECTION 8 - ELECTRICAL

FIGURE 8-27. INVERTER HARNESS



ART_1001182296

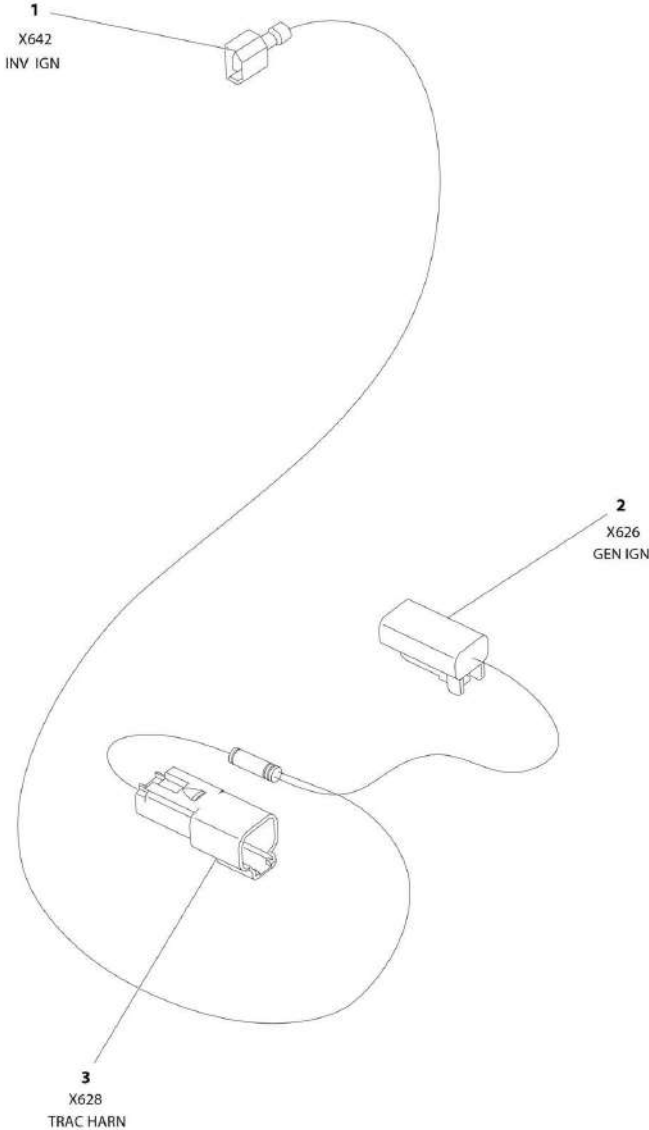
SECTION 8 - ELECTRICAL

FIGURE 8-27. INVERTER HARNESS

ITEM	PART NUMBER	QTY	DESCRIPTION	REV
1	1001182296 1060494	Ref 115 in /292cm	INVERTER HARNESS Cable, Electrical 12/3	A
2	4460134	1	Connector, Female	
3	4460138	1	Plug, Connector	

SECTION 8 - ELECTRICAL

FIGURE 8-28. INVERTER IGNITION HARNESS



ART_1001192293

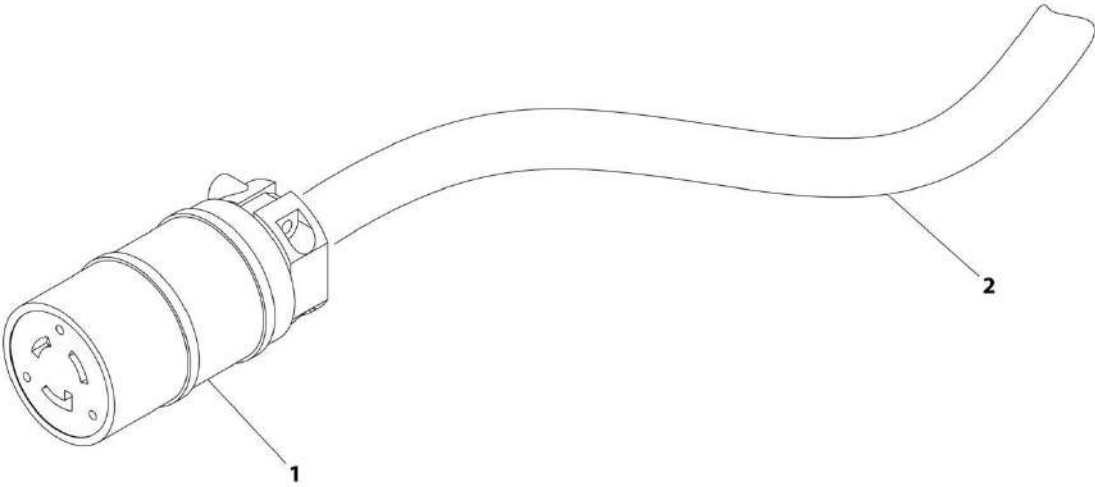
SECTION 8 - ELECTRICAL

FIGURE 8-28. INVERTER IGNITION HARNESS

ITEM	PART NUMBER	QTY	DESCRIPTION	REV
	1001192293	Ref	INVERTER IGNITION HARNESS	C
1	1001193545	1	Terminal	
2	4460891	1	Plug, Male - 2 Position	
2	4460465	1	Socket, Female	
2	4460466	1	Plug, Terminal	
3	4460897	1	Receptacle, Female - 2 Position	
3	4460464	1	Pin, Male	
3	4460466	1	Plug, Seal	

SECTION 8 - ELECTRICAL

FIGURE 8-29. LOWER BOOM 110V HARNESS ASSEMBLY



ART_4922611

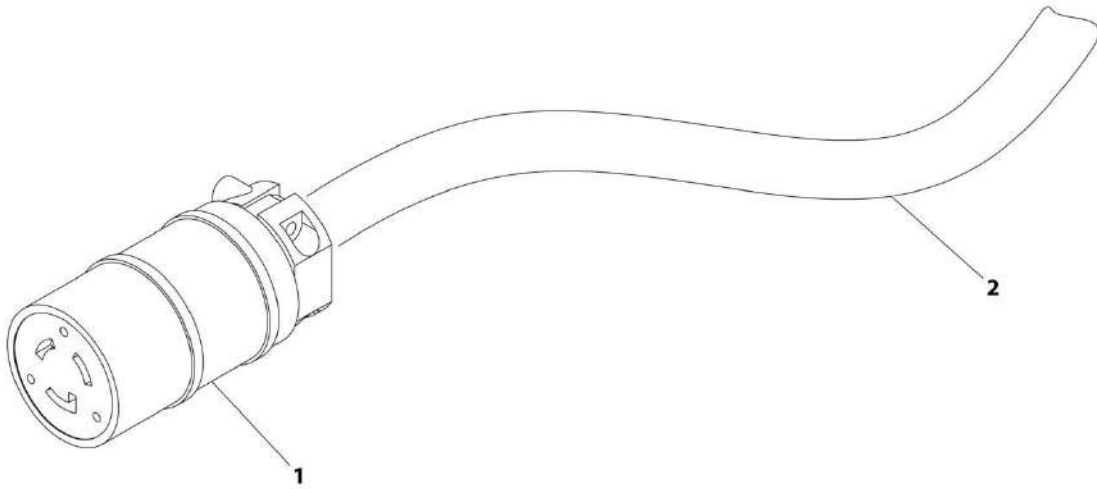
SECTION 8 - ELECTRICAL

FIGURE 8-29. LOWER BOOM 110V HARNESS ASSEMBLY

ITEM	PART NUMBER	QTY	DESCRIPTION	REV
	4922611	Ref	LOWER BOOM 110V HARNESS ASSEMBLY	1
1	4460134	1	Connector, Female	
2	1060494	32.5 ft /9.9m	Electrical Cable, 12/3	

SECTION 8 - ELECTRICAL

FIGURE 8-30. LOWER BOOM 220V HARNESS ASSEMBLY - CE SPEC



ART_4922609

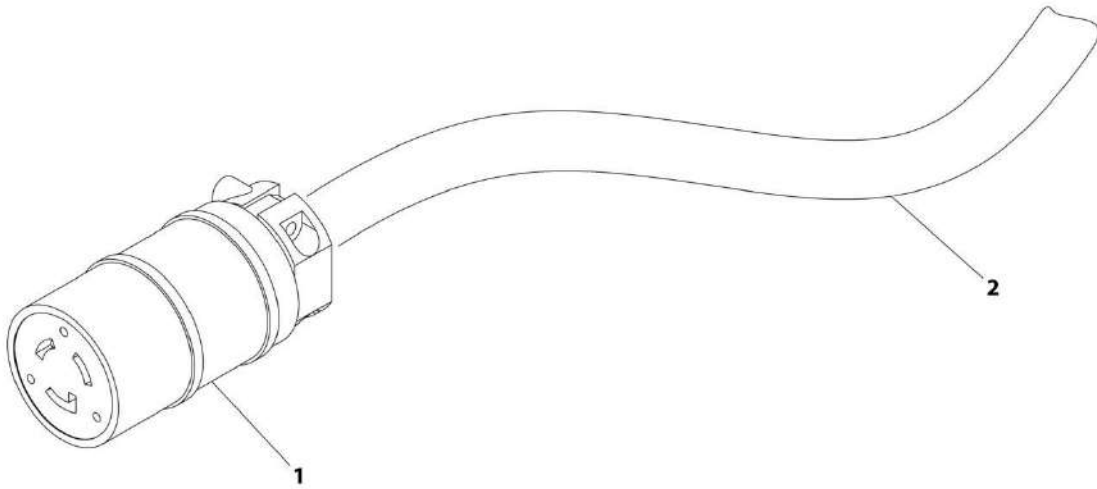
SECTION 8 - ELECTRICAL

FIGURE 8-30. LOWER BOOM 220V HARNESS ASSEMBLY - CE SPEC

ITEM	PART NUMBER	QTY	DESCRIPTION	REV
	4922609	Ref	LOWER BOOM 220V HARNESS ASSEMBLY - CE SPEC	1
1	4460710	1	Connector, Female	
2	1060461	37 ft /11.3m	Electrical Cable, 12/3	

SECTION 8 - ELECTRICAL

FIGURE 8-31. LOWER BOOM 220V HARNESS ASSEMBLY - CE SPEC



ART_4922612

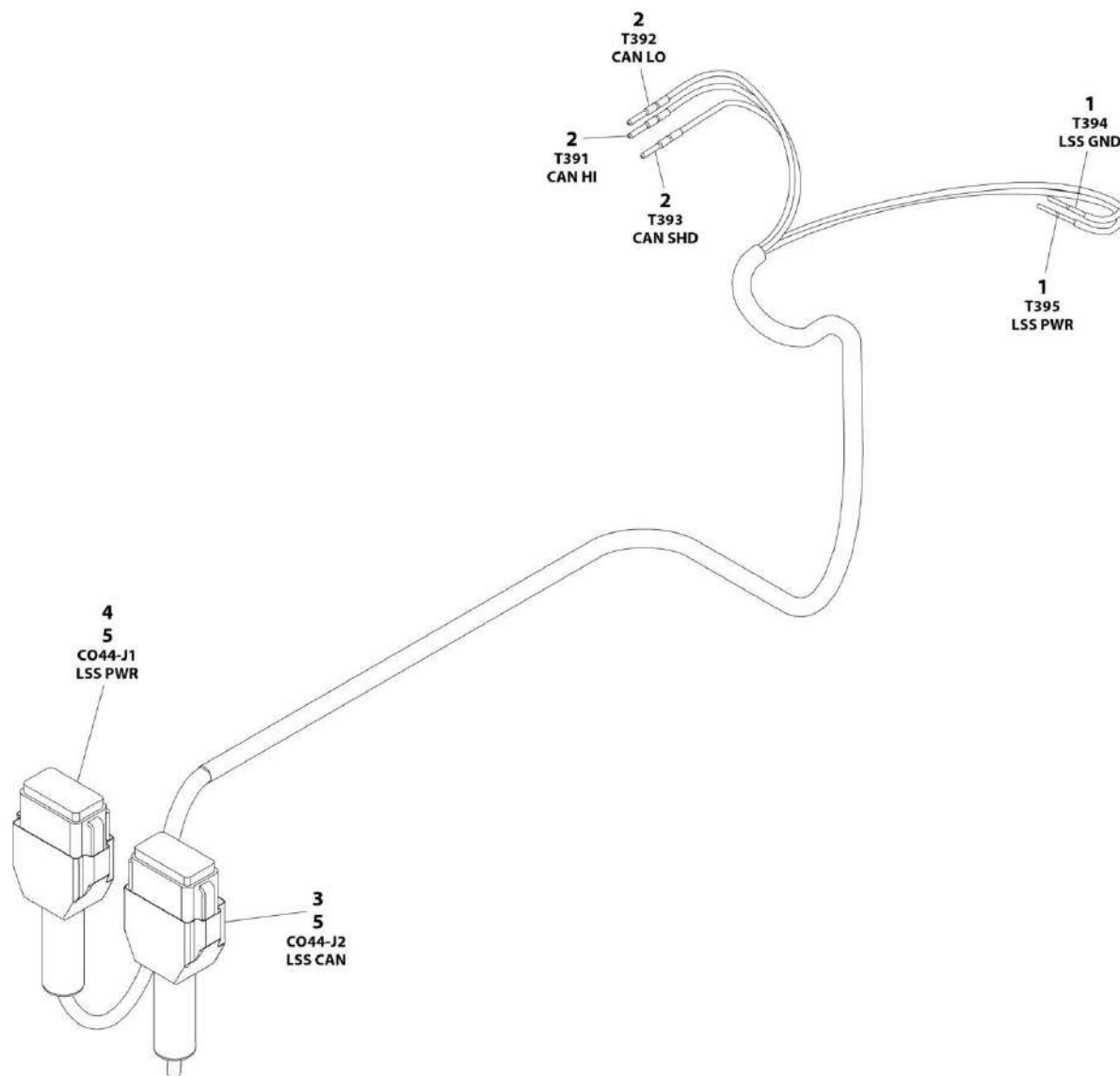
SECTION 8 - ELECTRICAL

FIGURE 8-31. LOWER BOOM 220V HARNESS ASSEMBLY - CE SPEC

ITEM	PART NUMBER	QTY	DESCRIPTION	REV
	4922612	Ref	LOWER BOOM 220V HARNESS ASSEMBLY - CE SPEC	2
1	4460710	1	Connector, Female	
2	1060461	32.5 ft /9.9m	Electrical Cable, 12/3	

SECTION 8 - ELECTRICAL

FIGURE 8-32. LLS SYSTEM HARNESS



ART_1001192283

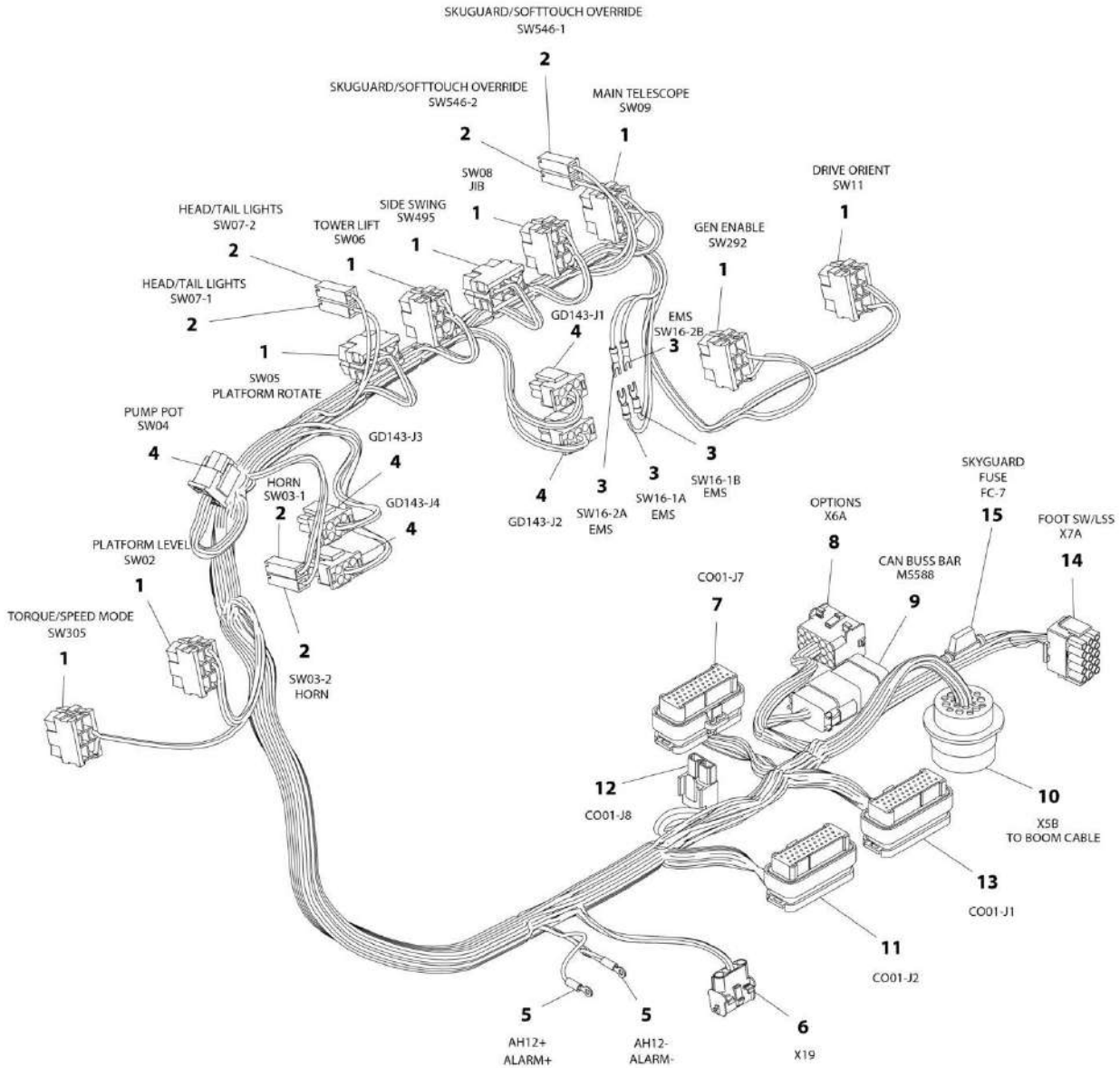
SECTION 8 - ELECTRICAL

FIGURE 8-32. LLS SYSTEM HARNESS

ITEM	PART NUMBER	QTY	DESCRIPTION	REV
	1001192283	Ref	LSS SYSTEM HARNESS	B
1	4460226	2	Socket, Female	
2	4460227	3	Pin, Male	
3	4460836	1	Plug, Male - 12 Position	
3	4460944	2	Socket, Female	
3	4460466	10	Plug, Terminal	
3	1001174455	1	Boot	
4	4460933	1	Plug, Male - 12 Position	
4	4460465	2	Socket, Female	
4	4460466	10	Plug, Terminal	
4	1001174455	1	Boot	
5	2820030	AR	Heat Shrink	

SECTION 8 - ELECTRICAL

FIGURE 8-33. PLATFORM CONSOLE HARNESS - WITHOUT LSS OR WITH 4 CELL LSS



ART_1001191318

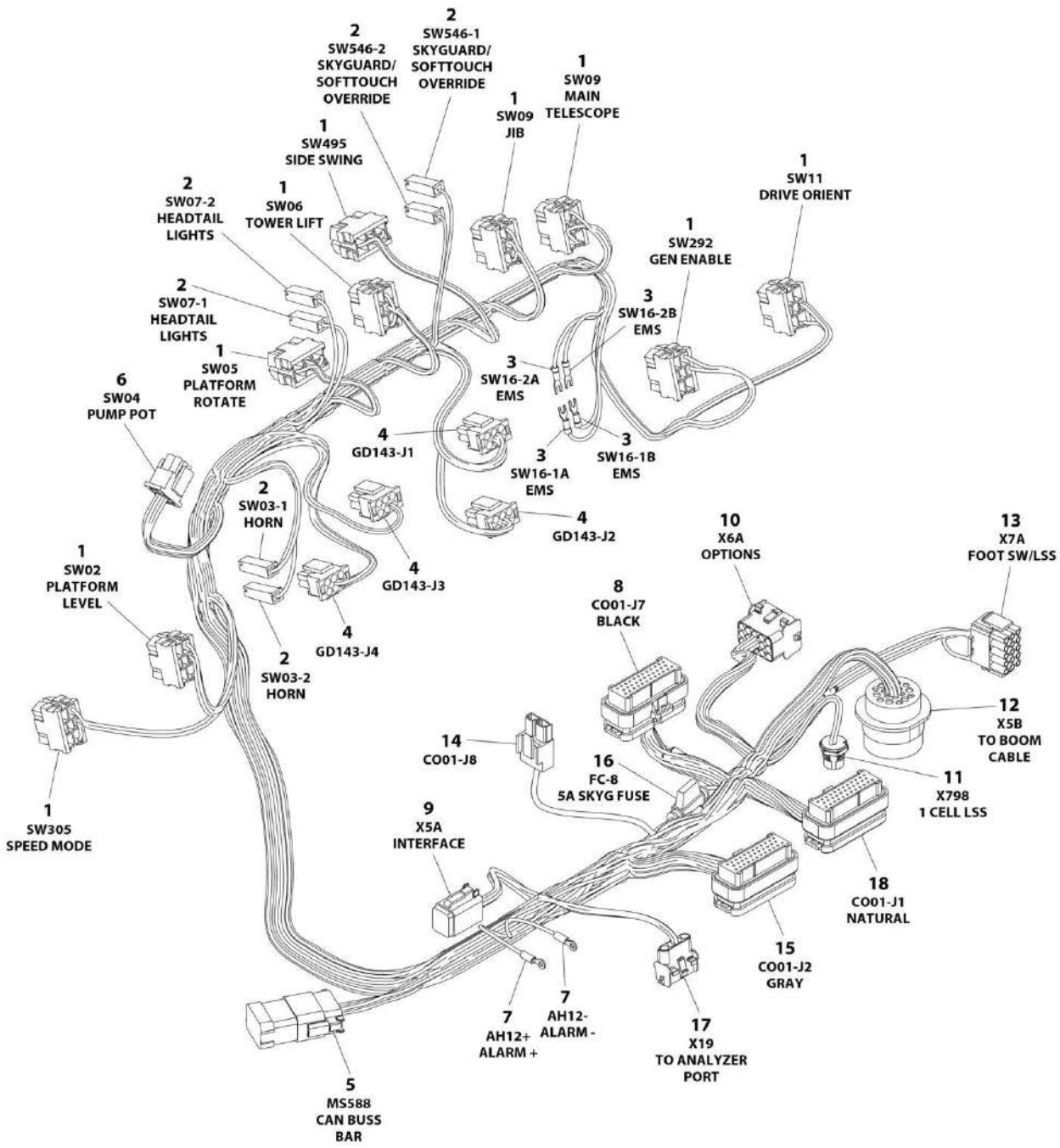
SECTION 8 - ELECTRICAL

FIGURE 8-33. PLATFORM CONSOLE HARNESS - WITHOUT LSS OR WITH 4 CELL LSS

ITEM	PART NUMBER	QTY	DESCRIPTION	REV
	1001191318	Ref	PLATFORM CONSOLE HARNESS - WITHOUT LSS OR WITH 4 CELL LSS	I
1	4460418	9	Connector - 6 Position	
1	4460419	14	Terminal	
1	1001159186	17	Terminal	
2	4460260	6	Housing, Terminal	
2	4460259	6	Terminal	
3	4460888	4	Terminal, Fork	
4	4460225	5	Connector - 6 Position	
4	4460226	14	Socket, Female	
4	4460267	6	Pin, Male	
5	1001098122	2	Terminal, Ring	
6	4460761	1	Receptacle, Female - 4 Position	
6	4460227	4	Pin, Male	
7	4460873	1	Connector - 35 Position	
7	4460871	21	Socket, Female	
7	4460905	14	Plug, Terminal	
8	4460708	1	Connector - 15 Position	
8	4460226	12	Socket, Female	
9	4460930	1	Plug, Male - 8 Position	
9	4460465	6	Socket, Female	
9	4460466	2	Plug, Terminal	
10	4460866	1	Connector - 19 Position	
10	4460464	10	Pin, Male	
10	4460508	2	Pin, Male	
10	4460466	7	Plug, Terminal	
11	4460875	1	Connector - 35 Position	
11	4460871	24	Socket, Female	
11	4460905	12	Plug, Terminal	
12	4460879	1	Plug, Male - 2 Position	
12	4460887	2	Terminal	
13	4460874	1	Connector - 35 Position	
13	4460871	24	Socket, Female	
13	4460905	11	Plug, Terminal	
14	4460434	1	Plug, Male - 15 Position	
14	4460227	13	Pin, Male	
15	2400060	1	Fuseholder with Cover	
15	8229242	1	Fuse - 5Amp	

SECTION 8 - ELECTRICAL

FIGURE 8-34. PLATFORM CONSOLE HARNESS - WITH 1 CELL LSS



ART_1001217621

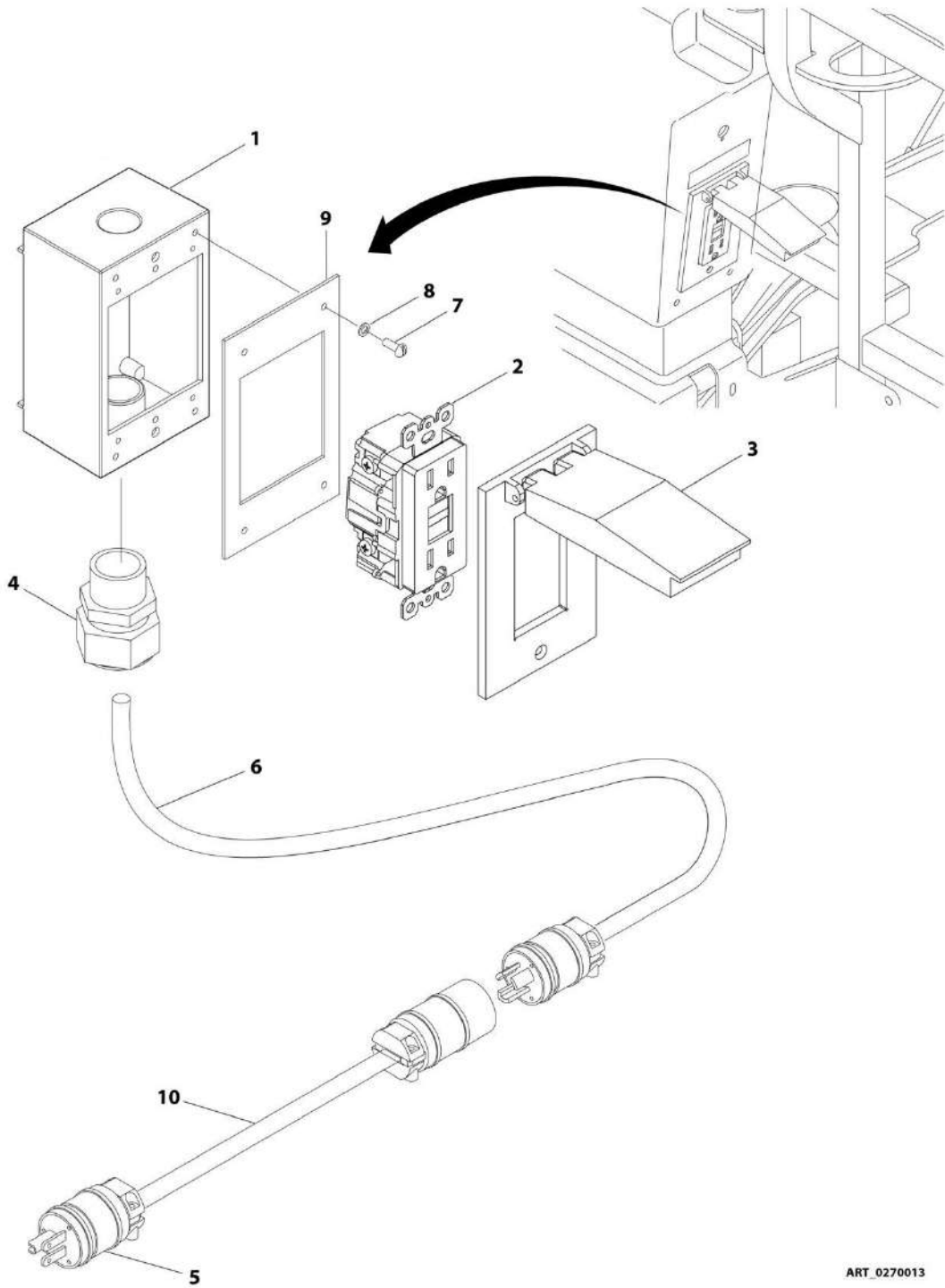
SECTION 8 - ELECTRICAL

FIGURE 8-34. PLATFORM CONSOLE HARNESS - WITH 1 CELL LSS

ITEM	PART NUMBER	QTY	DESCRIPTION	REV
	1001217621	Ref	PLATFORM CONSOLE HARNESS - WITH 1 CELL LSS	D
1	4460418	9	Connector - 6 Position	
1	4460419	15	Terminal	
1	1001159186	17	Terminal	
2	4460260	6	Housing, Terminal	
2	4460259	8	Terminal	
3	4460888	4	Terminal, Fork	
4	4460225	4	Connector - 6 Position	
4	4460226	15	Socket, Female	
5	4460930	1	Plug, Male - 8 Position	
5	4460465	6	Socket, Female	
5	4460466	2	Plug, Terminal	
6	4460224	1	Plug, Male - 6 Position	
6	4460267	7	Pin, Male	
7	1001098122	2	Terminal, Ring	
8	4460873	1	Connector - 35 Position	
8	4460871	23	Socket, Female	
8	4460905	13	Plug, Terminal	
9	4460894	1	Plug, Male - 6 Position	
9	4460465	6	Socket, Female	
10	4460708	1	Connector - 15 Position	
10	4460226	12	Socket, Female	
11	1001213447	1	Connector, Female - 5 Position	
12	4460866	1	Connector - 19 Position	
12	4460466	7	Plug, Terminal	
12	4460464	10	Pin, Male	
12	4460508	2	Pin, Male	
13	4460434	1	Plug, Male - 15 Position	
13	4460227	9	Pin, Male	
14	4460879	1	Plug, Male - 2 Position	
14	4460887	2	Terminal	
15	4460875	1	Connector - 35 Position	
15	4460905	13	Plug, Terminal	
15	4460871	22	Socket, Female	
16	2400060	1	Holder, Fuse	
16	8229242	1	Fuse - 5Amp	
17	4460761	1	Receptacle, Female - 4 Position	
17	4460227	4	Pin, Male	
18	4460874	1	Connector - 35 Position	
18	4460871	24	Socket, Female	
18	4460905	11	Plug, Terminal	

SECTION 8 - ELECTRICAL

FIGURE 8-35. PLUG AND RECEPTACLE INSTALLATION - 110V



ART_0270013

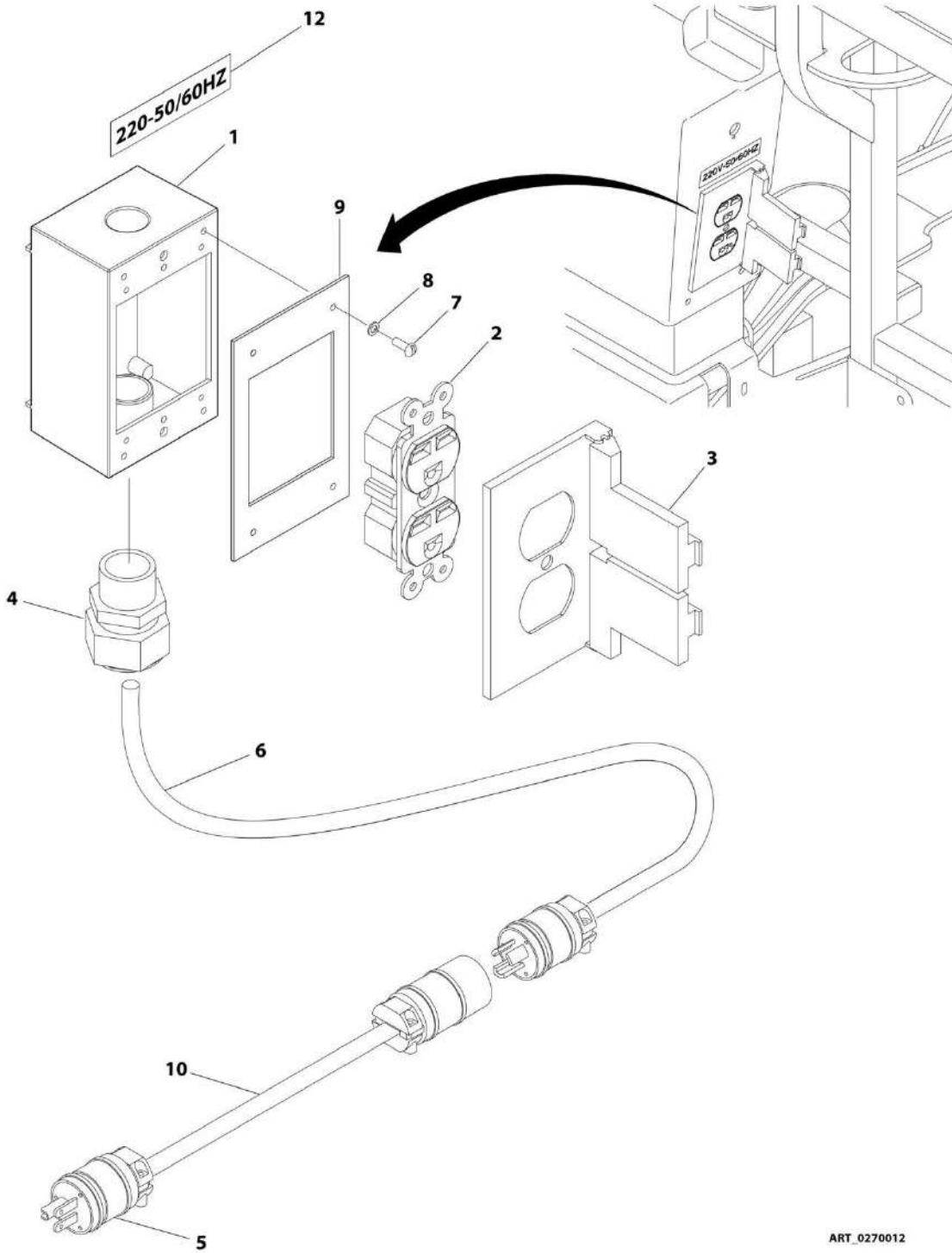
SECTION 8 - ELECTRICAL

FIGURE 8-35. PLUG AND RECEPTACLE INSTALLATION - 110V

ITEM	PART NUMBER	QTY	DESCRIPTION	REV
	0270013	Ref	PLUG AND RECEPTACLE INSTALLATION - 110V	5
1	0860038	1	Box, Switch	
2	4460346	1	Receptacle	
3	1001110873	1	Shield, Cover	
4	4460071	1	Connector, Strain Relief	
5	4460205	1	Plug, Male	
6	4922608	1	Main Boom 110V Harness Assembly (See MAIN BOOM 110V HARNESS ASSEMBLY for Breakdown)	
7	3910610	4	Screw, Self-tapping, #6-32 x 5/8	
8	4760600	4	Washer, #6	
9	3960422	1	Gasket	
10	4922611	1	Lower Boom 110V Harness Assembly (See LOWER BOOM 110V HARNESS ASSEMBLY for Breakdown)	

SECTION 8 - ELECTRICAL

FIGURE 8-36. PLUG AND RECEPTACLE INSTALLATION - 220V



ART_0270012

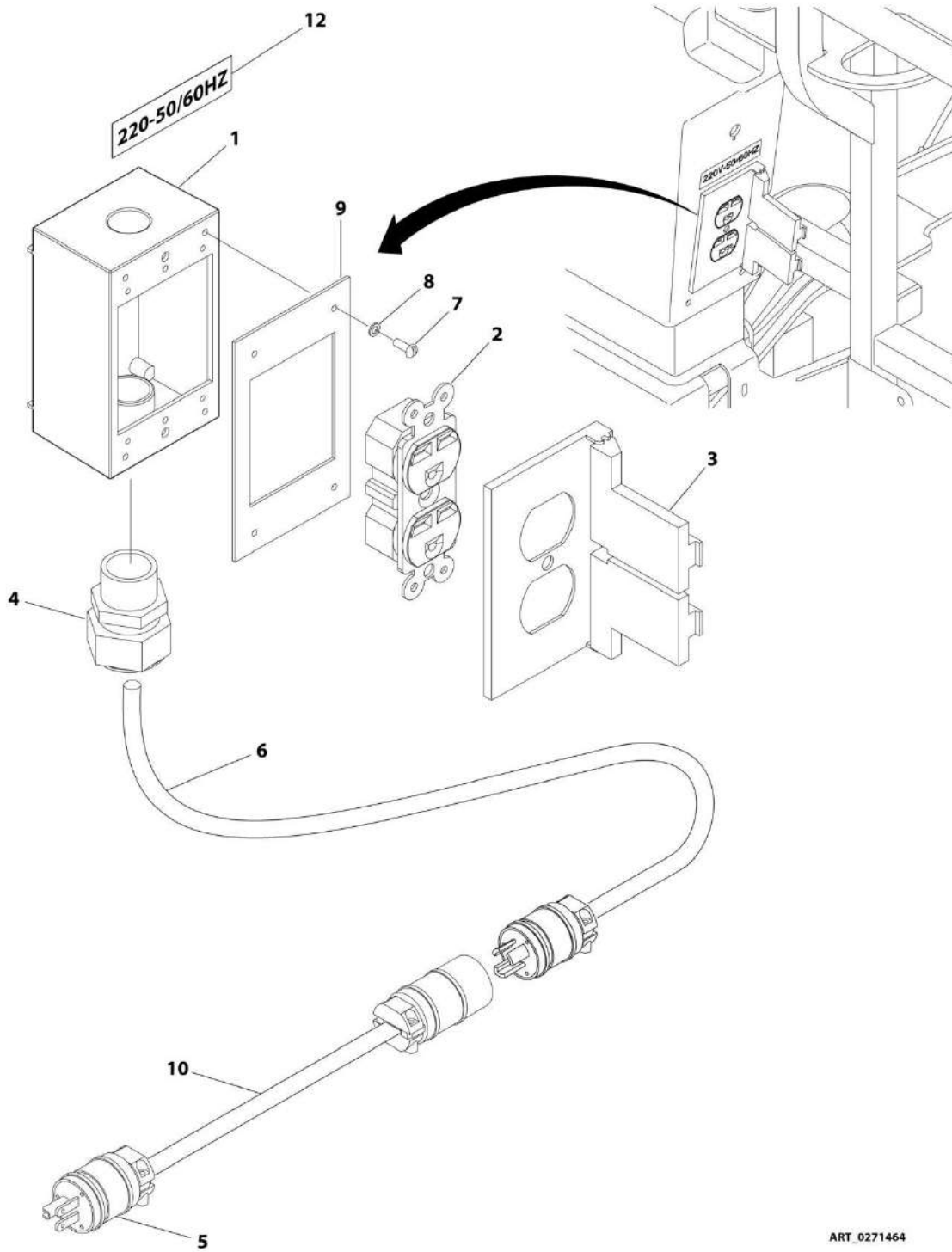
SECTION 8 - ELECTRICAL

FIGURE 8-36. PLUG AND RECEPTACLE INSTALLATION - 220V

ITEM	PART NUMBER	QTY	DESCRIPTION	REV
	0270012	Ref	PLUG AND RECEPTACLE INSTALLATION - 220V	4
1	0860038	1	Box, Switch	
2	4460125	1	Receptacle	
3	4060092	1	Shield, Cover	
4	4460071	1	Connector, Strain Relief	
5	4460233	1	Plug, Male	
6	4922608	1	Main Boom 110V Harness Assembly (See MAIN BOOM 110V HARNESS ASSEMBLY for Breakdown)	
7	3910610	4	Screw, Self-tapping, #6-32 x 5/8	
8	4760600	4	Washer, #6	
9	3960422	1	Gasket	
10	4922611	1	Lower Boom 110V Harness Assembly (See LOWER BOOM 110V HARNESS ASSEMBLY for Breakdown)	
12	3252507	1	Decal - 220V-50/60 Hz	

SECTION 8 - ELECTRICAL

FIGURE 8-37. PLUG AND RECEPTACLE INSTALLATION - SUPPLIED LOCALLY



ART_0271464

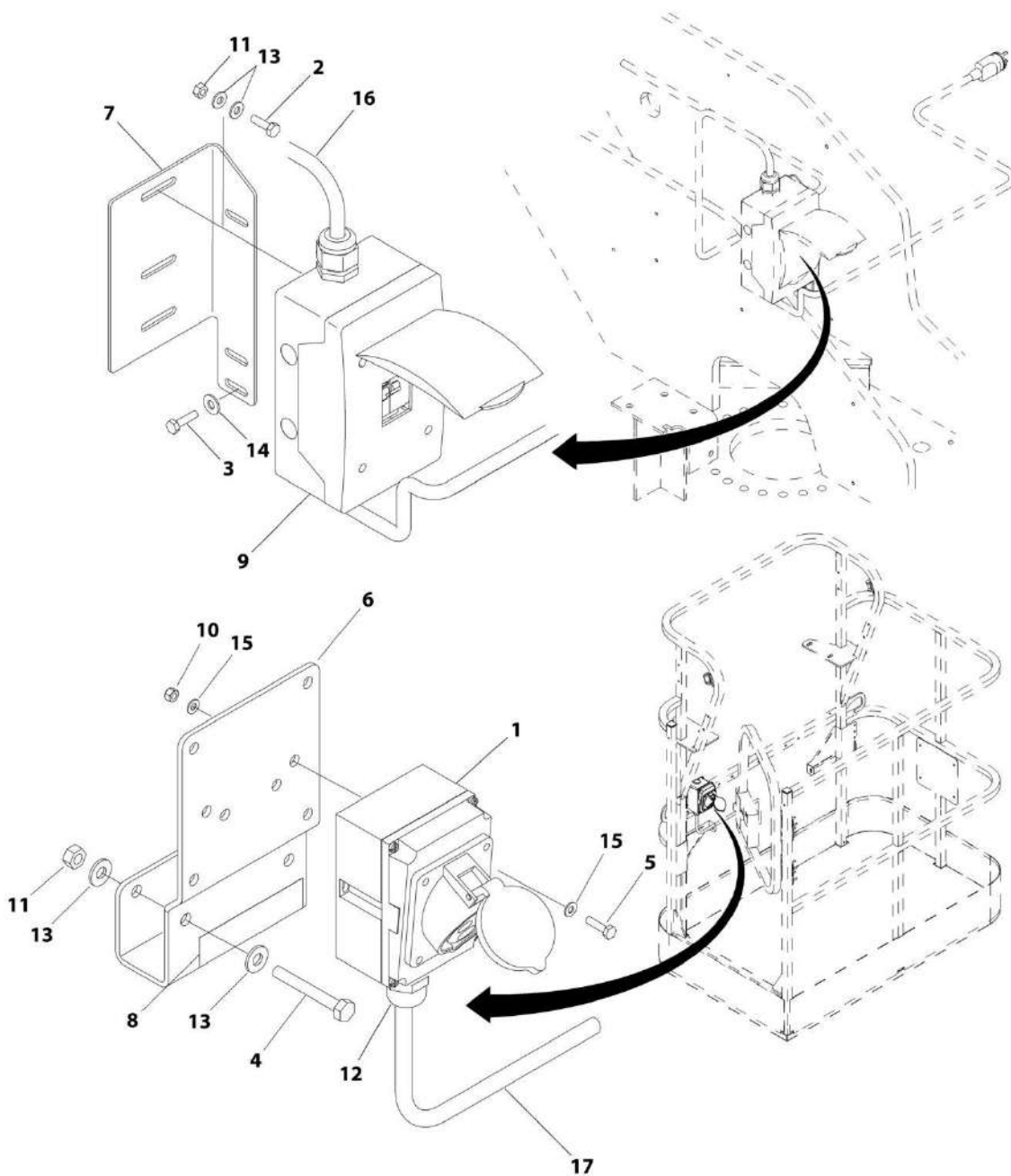
SECTION 8 - ELECTRICAL

FIGURE 8-37. PLUG AND RECEPTACLE INSTALLATION - SUPPLIED LOCALLY

ITEM	PART NUMBER	QTY	DESCRIPTION	REV
	0271464	Ref	PLUG AND RECEPTACLE INSTALLATION - SUPPLIED LOCALLY	2
1	See Note	1	Box, Switch (Note: Supplied Locally)	
2	See Note	1	Receptacle (Note: Supplied Locally)	
3	See Note	1	Shield, Cover (Note: Supplied Locally)	
4	See Note	1	Connector, Strain Relief (Note: Supplied Locally)	
5	See Note	1	Plug, Male (Note: Supplied Locally)	
6	4922610	1	Main Boom 220V Harness Assembly - CE Spec (See MAIN BOOM 220V HARNESS ASSEMBLY - CE SPEC for Breakdown)	
7	See Note	4	Screw, Self-tapping, #6-32 x 5/8 (Note: Supplied Locally)	
8	See Note	4	Washer, #6 (Note: Supplied Locally)	
9	See Note	1	Gasket (Note: Supplied Locally)	
10	4922612	1	Lower Boom 220V Harness Assembly - CE Spec (See LOWER BOOM 220V HARNESS ASSEMBLY - CE SPEC for Breakdown)	
12	See Note	1	Decal - 220V-50/60Hz (Note: Supplied Locally)	

SECTION 8 - ELECTRICAL

FIGURE 8-38. PLUG AND RECEPTACLE 110V INSTALLATION - IEC 60309 - YELLOW (CE SPEC)



ART_1001166263

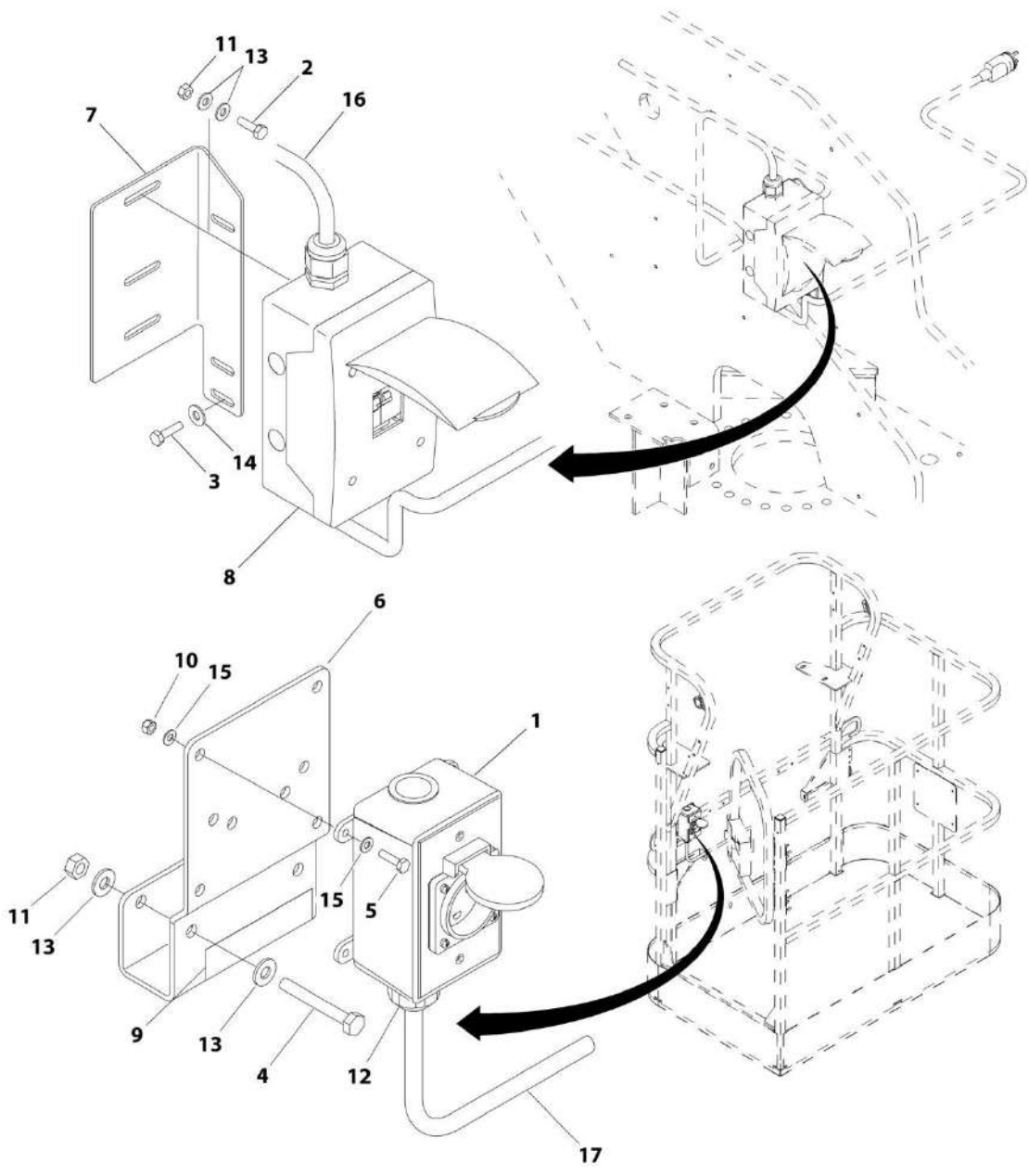
SECTION 8 - ELECTRICAL

FIGURE 8-38. PLUG AND RECEPTACLE 110V INSTALLATION - IEC 60309 - YELLOW (CE SPEC)

ITEM	PART NUMBER	QTY	DESCRIPTION	REV
	1001166263	Ref	PLUG AND RECEPTACLE 110V INSTALLATION - IEC 60309 - YELLOW (CE SPEC)	C
1	0275216	1	AC Plugs and Sockets Installation - CE Spec (See AC PLUGS AND SOCKETS INSTALLATION - CE SPEC for Breakdown)	
2	0641407	2	Bolt, 1/4-20 x 7/8	
3	0641408	2	Bolt, 1/4-20 x 1	
4	0641416	2	Bolt, 1/4-20 x 2	
5	0700408	2	Bolt, M4 x 16	
6	1001193018	1	Bracket	
7	1001178491	1	Bracket	
8	1705325	2	Decal - 120V - 50 Hz	
9	2902549	1	Breaker Box Kit with One Breakers - CE Spec (See BREAKER BOX KIT WITH ONE BREAKERS CE SPEC for Breakdown)	
10	3290405	2	Nut, Lock, M4 x 0.7	
11	3311405	4	Nut, Lock, 1/4-20	
12	4460968	1	Connector, Strain Relief	
13	4711400	8	Washer, 1/4	
14	4751400	2	Washer, 1/4	
15	4811400	4	Washer, 4mm	
16	4922609	1	Lower Boom 220V Harness Assembly - CE Spec (See LOWER BOOM 220V HARNESS ASSEMBLY - CE SPEC for Breakdown)	
17	4922610	1	Main Boom 220V Harness Assembly - CE Spec (See MAIN BOOM 220V HARNESS ASSEMBLY - CE SPEC for Breakdown)	

SECTION 8 - ELECTRICAL

FIGURE 8-39. PLUG AND RECEPTACLE 220V INSTALLATION - AFSINT 107 KEYED GROUND - 2 X 4 BOX (CE SPEC)



ART_1001166259

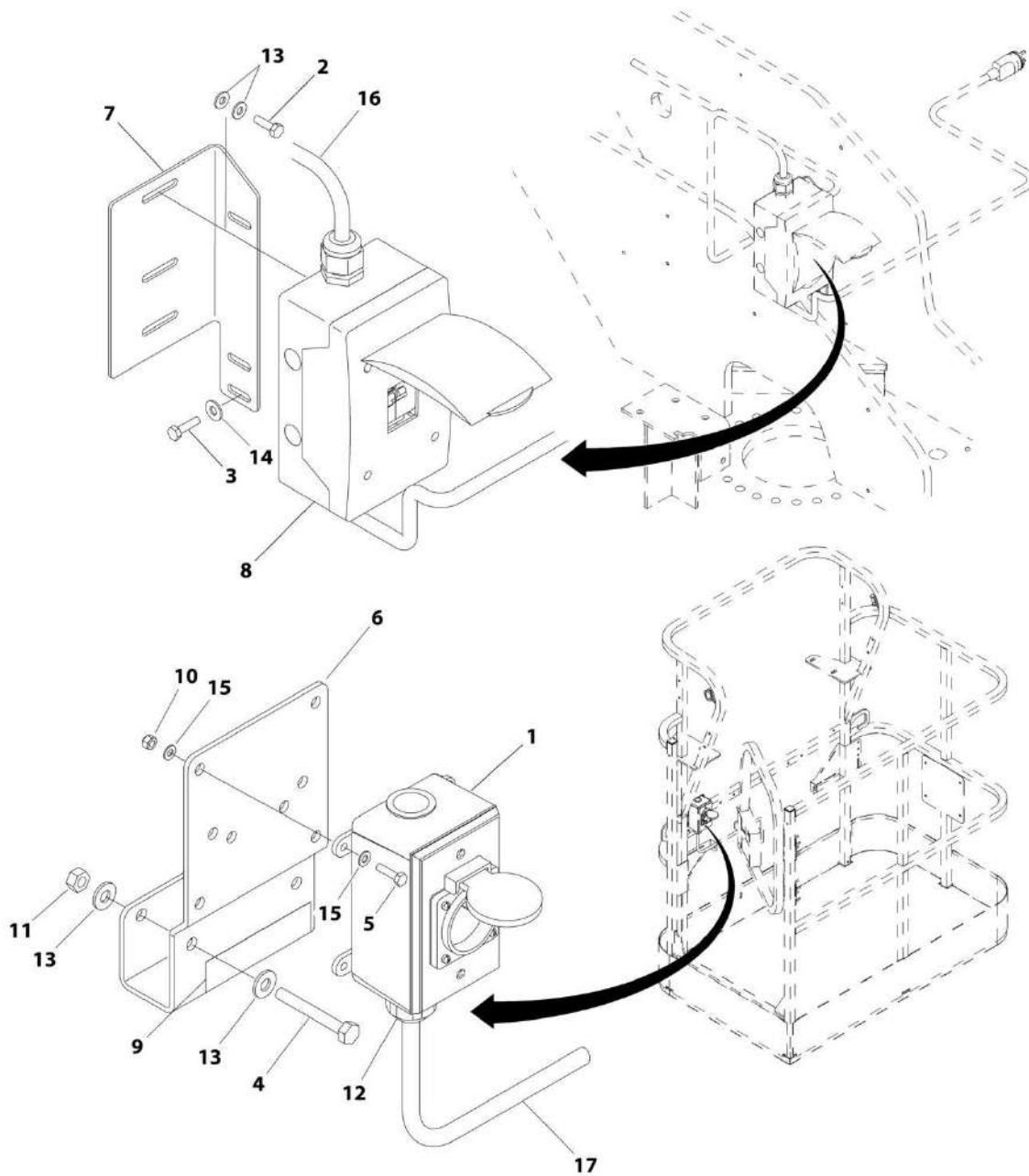
SECTION 8 - ELECTRICAL

FIGURE 8-39. PLUG AND RECEPTACLE 220V INSTALLATION - AFSINT 107 KEYED GROUND - 2 X 4 BOX (CE SPEC)

ITEM	PART NUMBER	QTY	DESCRIPTION	REV
	1001166259	Ref	PLUG AND RECEPTACLE 220V INSTALLATION - AFSINT 107 KEYED GROUND - 2 X 4 BOX (CE SPEC)	C
1	0275454	1	AC Plugs and Sockets Installation - CE Spec (See AC PLUGS AND SOCKETS INSTALLATION - CE SPEC for Breakdown)	
2	0641407	2	Bolt, 1/4-20 x 7/8	
3	0641408	2	Bolt, 1/4-20- x 1	
4	0641416	2	Bolt, 1/4-20 x 2	
5	0700408	4	Bolt, M4 x 16	
6	1001193018	1	Bracket	
7	1001178491	1	Bracket	
8	2902549	1	Breaker Box Kit with One Breakers - CE Spec (See BREAKER BOX KIT WITH ONE BREAKERS - CE SPEC for Breakdown)	
9	3252507	2	Decal - 220V - 50/60 Hz	
10	3290405	4	Nut, Lock, M4 x 0.7	
11	3311405	4	Nut, Lock, 1/4-20	
12	4460662	1	Connector, Strain Relief	
13	4711400	8	Washer, 1/4	
14	4751400	2	Washer, 1/4	
15	4811400	8	Washer, 4mm	
16	4922609	1	Lower Boom 220V Harness Assembly - CE Spec (See LOWER BOOM 220V HARNESS ASSEMBLY - CE SPEC for Breakdown)	
17	4922610	1	Main Boom 220V Harness Assembly - CE Spec (See MAIN BOOM 220V HARNESS ASSEMBLY - CE SPEC for Breakdown)	

SECTION 8 - ELECTRICAL

FIGURE 8-40. PLUG AND RECEPTACLE 220V INSTALLATION - CEE7 POST GROUND - 2 X 4 BOX (CE SPEC)



ART_1001166251

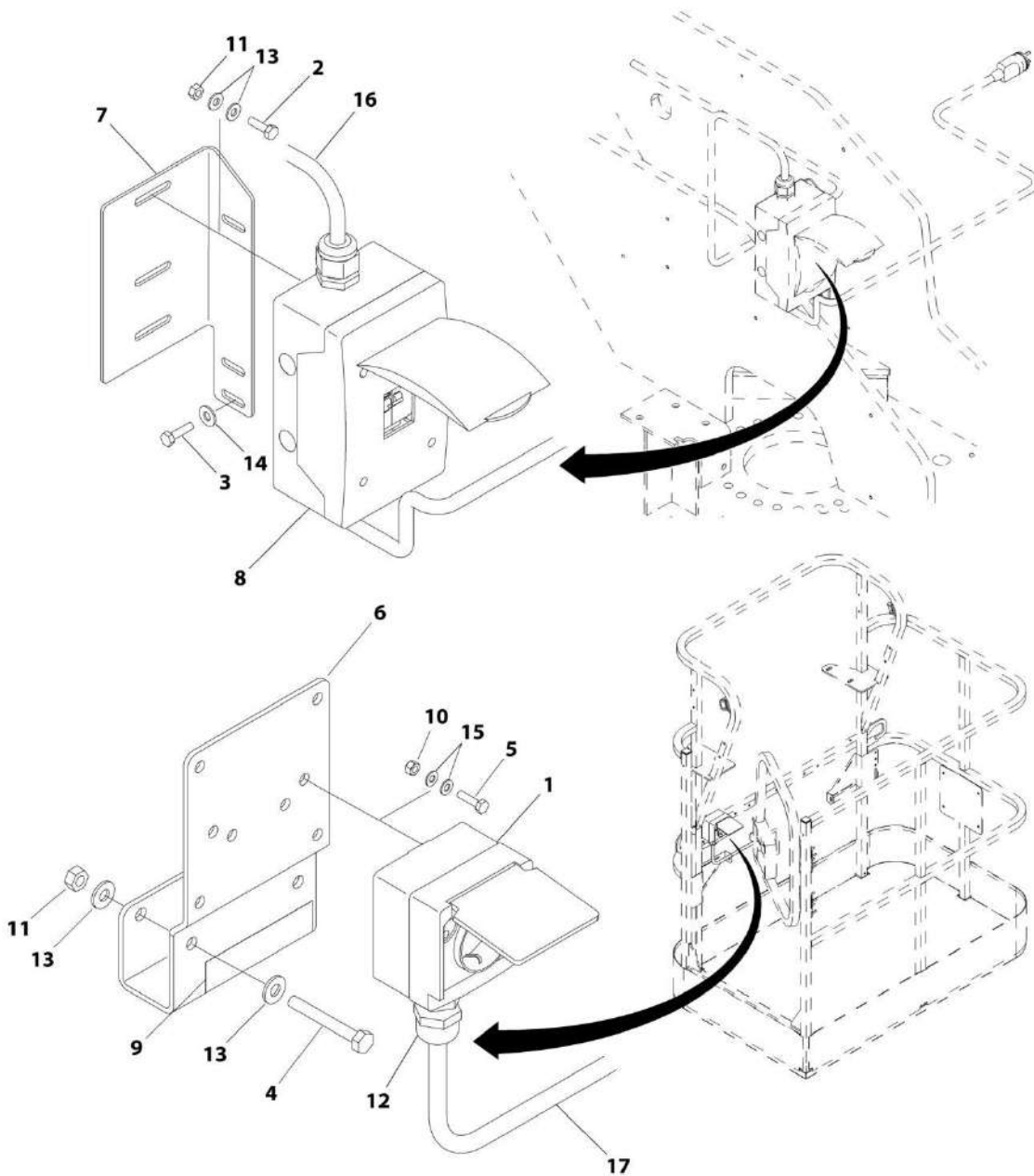
SECTION 8 - ELECTRICAL

**FIGURE 8-40. PLUG AND RECEPTACLE 220V INSTALLATION - CEE7 POST GROUND - 2 X 4 BOX
(CE SPEC)**

ITEM	PART NUMBER	QTY	DESCRIPTION	REV
	1001166251	Ref	PLUG AND RECEPTACLE 220V INSTALLATION - CEE7 POST GROUND - 2 X 4 BOX (CE SPEC)	C
1	0275452	1	AC Plugs and Sockets Installation - CE Spec (See AC PLUGS AND SOCKETS INSTALLATION - CE SPEC for Breakdown)	
2	0641407	2	Bolt, 1/4-20 x 7/8	
3	0641408	2	Bolt, 1/4-20 x 1	
4	0641416	2	Bolt, 1/4-20 x 2	
5	0700408	4	Bolt, M4 x 16	
6	1001193018	1	Bracket	
7	1001178491	1	Bracket	
8	2902549	1	Breaker Box Kit with One Breakers - CE Spec (See BREAKER BOX KIT WITH ONE BREAKERS CE SPEC for Breakdown)	
9	3252507	2	Decal - 220V - 50/60Hz	
10	3290405	4	Nut, Lock, M4 x 0.7	
11	3311405	4	Nut, Lock, 1/4-20	
12	4460662	1	Connector, Strain Relief	
13	4711400	8	Washer, 1/4	
14	4751400	2	Washer, 1/4	
15	4811400	8	Washer, 4mm	
16	4922609	1	Lower Boom 220V Harness Assembly - CE Spec (See LOWER BOOM 220V HARNESS ASSEMBLY - CE SPEC for Breakdown)	
17	4922610	1	Main Boom 220V Harness Assembly - CE Spec (See MAIN BOOM 220V HARNESS ASSEMBLY - CE SPEC for Breakdown)	

SECTION 8 - ELECTRICAL

FIGURE 8-41. PLUG AND RECEPTACLE 220V INSTALLATION - CEE7 POST GROUND - 70MM X 70MM BOX (CE SPEC)



ART_1001166261

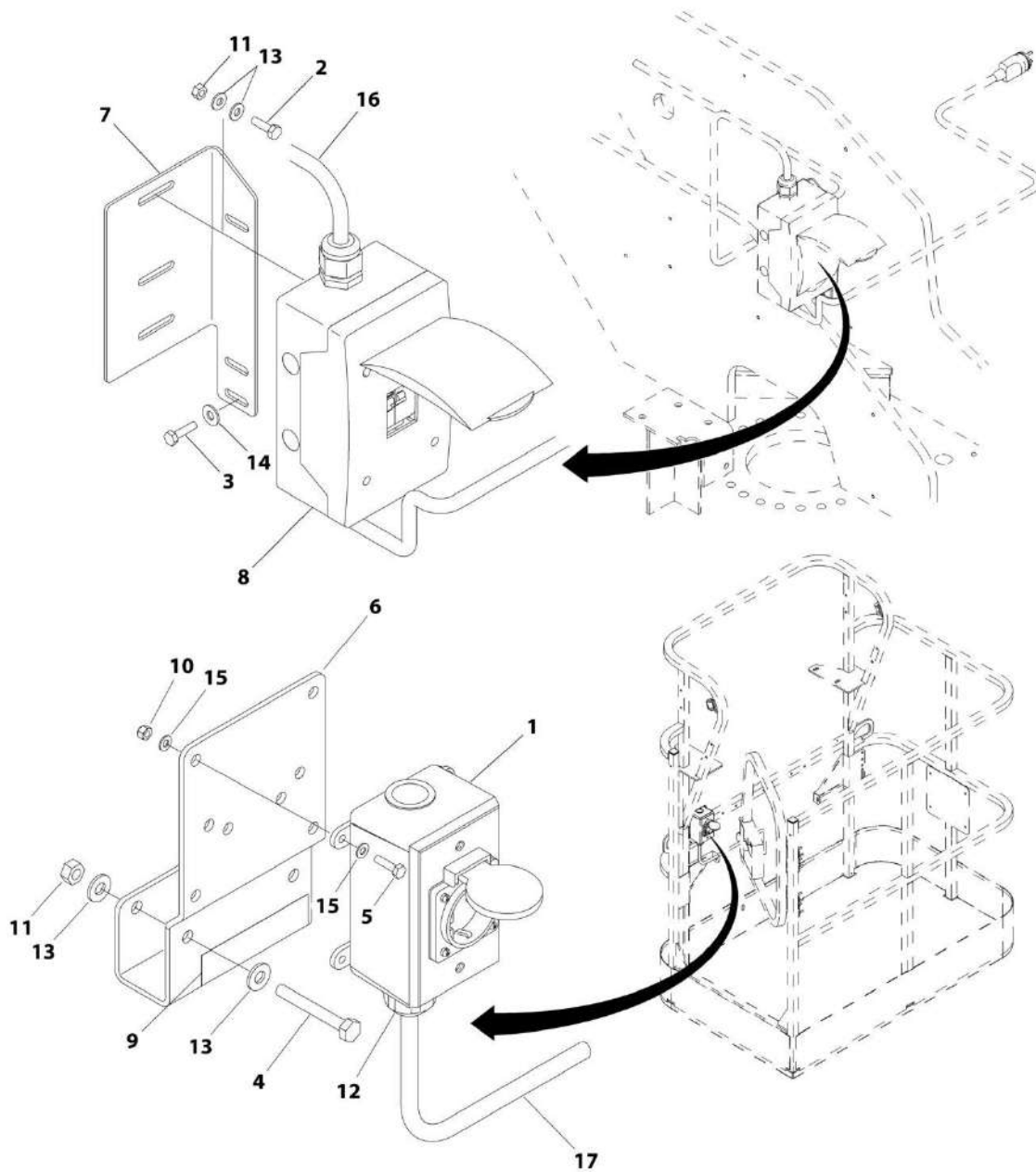
SECTION 8 - ELECTRICAL

FIGURE 8-41. PLUG AND RECEPTACLE 220VINSTALLATION - CEE7 POST GROUND - 70MM X 70MM BOX (CE SPEC)

ITEM	PART NUMBER	QTY	DESCRIPTION	REV
	1001166261	Ref	PLUG AND RECEPTACLE 220VINSTALLATION - CEE7 POST GROUND - 70MM X 70MM BOX (CE SPEC)	C
1	0275218	1	AC Plugs and Sockets Installation - CE Spec (See AC PLUGS AND SOCKETS INSTALLATION - CE SPEC for Breakdown)	
2	0641407	2	Bolt, 1/4-20 x 7/8	
3	0641408	2	Bolt, 1/4-20 x 1	
4	0641416	2	Bolt, 1/4-20 x 2	
5	0700408	2	Bolt, M4 x 16	
6	1001193018	1	Bracket	
7	1001178491	1	Bracket	
8	2902549	1	Breaker Box Kit with One Breakers - CE Spec (See BREAKER BOX KIT WITH ONE BREAKERS CE Spec for Breakdown)	
9	3252507	2	Decal - 220V - 50/60 Hz	
10	3290405	2	Nut, Lock, M4 x 0.7	
11	3311405	4	Nut, Lock, 1/4-20	
12	4460968	1	Connector, Strain Relief	
13	4711400	8	Washer, 1/4	
14	4751400	2	Washer, 1/4	
15	4811400	4	Washer, 4mm	
16	4922609	1	Lower Boom 220V Harness Assembly - CE Spec (See LOWER BOOM 220V HARNESS ASSEMBLY - CE SPEC for Breakdown)	
17	4922610	1	Main Boom 220V Harness Assembly - CE Spec (See MAIN BOOM 220V HARNESS ASSEMBLY - CE SPEC for Breakdown)	

SECTION 8 - ELECTRICAL

FIGURE 8-42. PLUG AND RECEPTACLE 220 INSTALLATION - CEE7 SIDE GROUND - 2 X 4 BOX (CE SPEC)



ART_1001166258

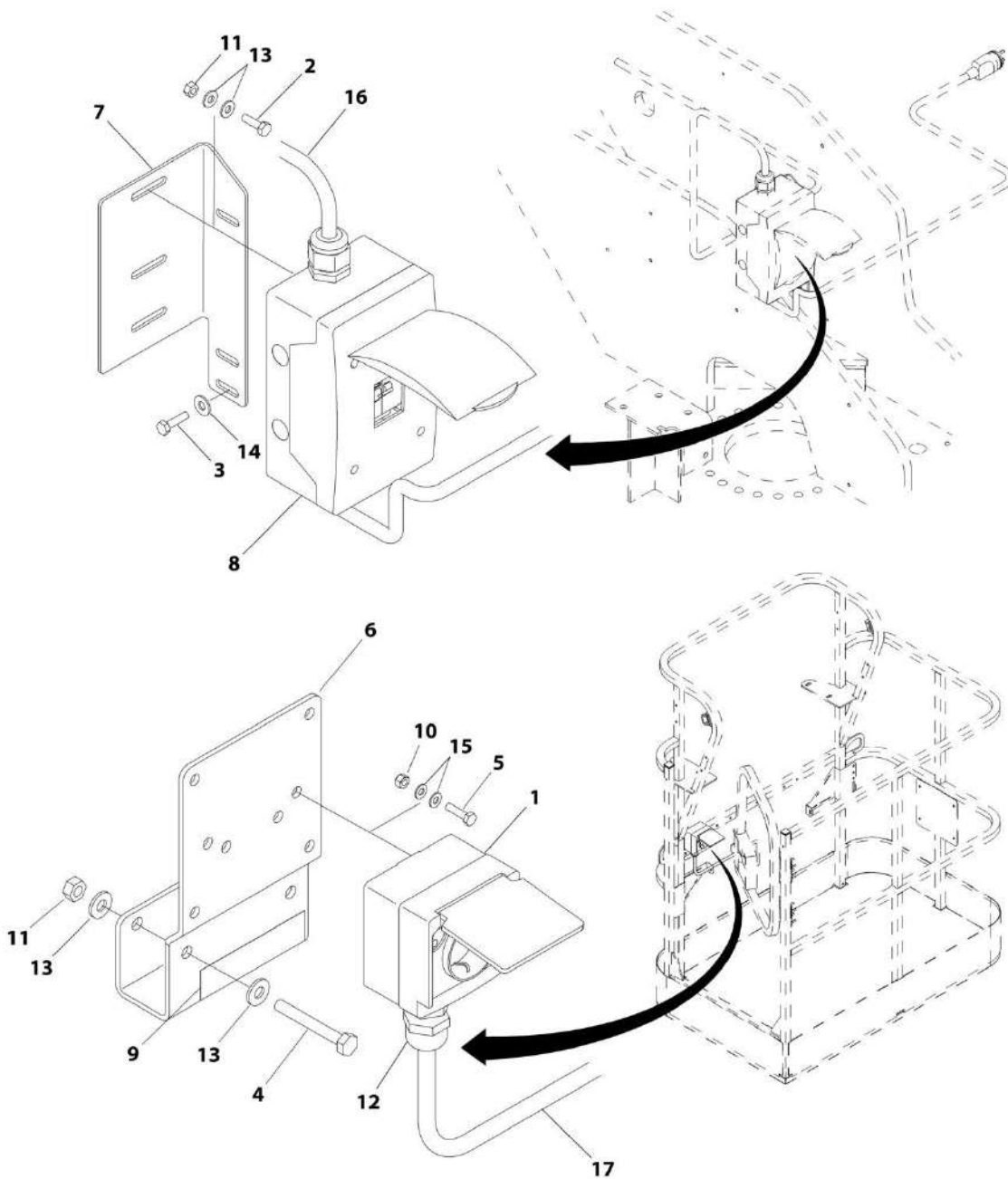
SECTION 8 - ELECTRICAL

FIGURE 8-42. PLUG AND RECEPTACLE 220 INSTALLATION - CEE7 SIDE GROUND - 2 X 4 BOX (CE SPEC)

ITEM	PART NUMBER	QTY	DESCRIPTION	REV
	1001166258	Ref	PLUG AND RECEPTACLE 220 INSTALLATION - CEE7 SIDE GROUND - 2 X 4 BOX (CE SPEC)	C
1	0275453	1	AC Plugs and Sockets Installation - CE Spec (See AC PLUGS AND SOCKETS INSTALLATION - CE SPEC for Breakdown)	
2	0641407	2	Bolt, 1/4-20 x 7/8	
3	0641408	2	Bolt, 1/4-20 x 1	
4	0641416	2	Bolt, 1/4-20 x 2	
5	0700408	4	Bolt, M4 x 16	
6	1001193018	1	Bracket	
7	1001178491	1	Bracket	
8	1001152485	1	Breaker Box Kit with Two Breakers - CE Spec (See BREAKER BOX KIT WITH TWO BREAKERS - CE SPEC for Breakdown)	
9	3252507	2	Decal - 220V - 50/60 Hz	
10	3290405	4	Nut, Lock, M4 x 0.7	
11	3311405	4	Nut, Lock, 1/4-20	
12	4460662	1	Connector, Strain Relief	
13	4711400	8	Washer, 1/4	
14	4751400	2	Washer, 1/4	
15	4811400	8	Washer, 4mm	
16	4922609	1	Lower Boom 220V Harness Assembly - CE Spec (See LOWER BOOM 220V HARNESS ASSEMBLY - CE SPEC for Breakdown)	
17	4922610	1	Main Boom 220V Harness Assembly - CE Spec (See MAIN BOOM 220V HARNESS ASSEMBLY - CE SPEC for Breakdown)	

SECTION 8 - ELECTRICAL

FIGURE 8-43. PLUG AND RECEPTACLE 220V INSTALLATION - CEE7 SIDE GROUND - 70MM X 70MM BOX (CE SPEC)



ART_1001166262

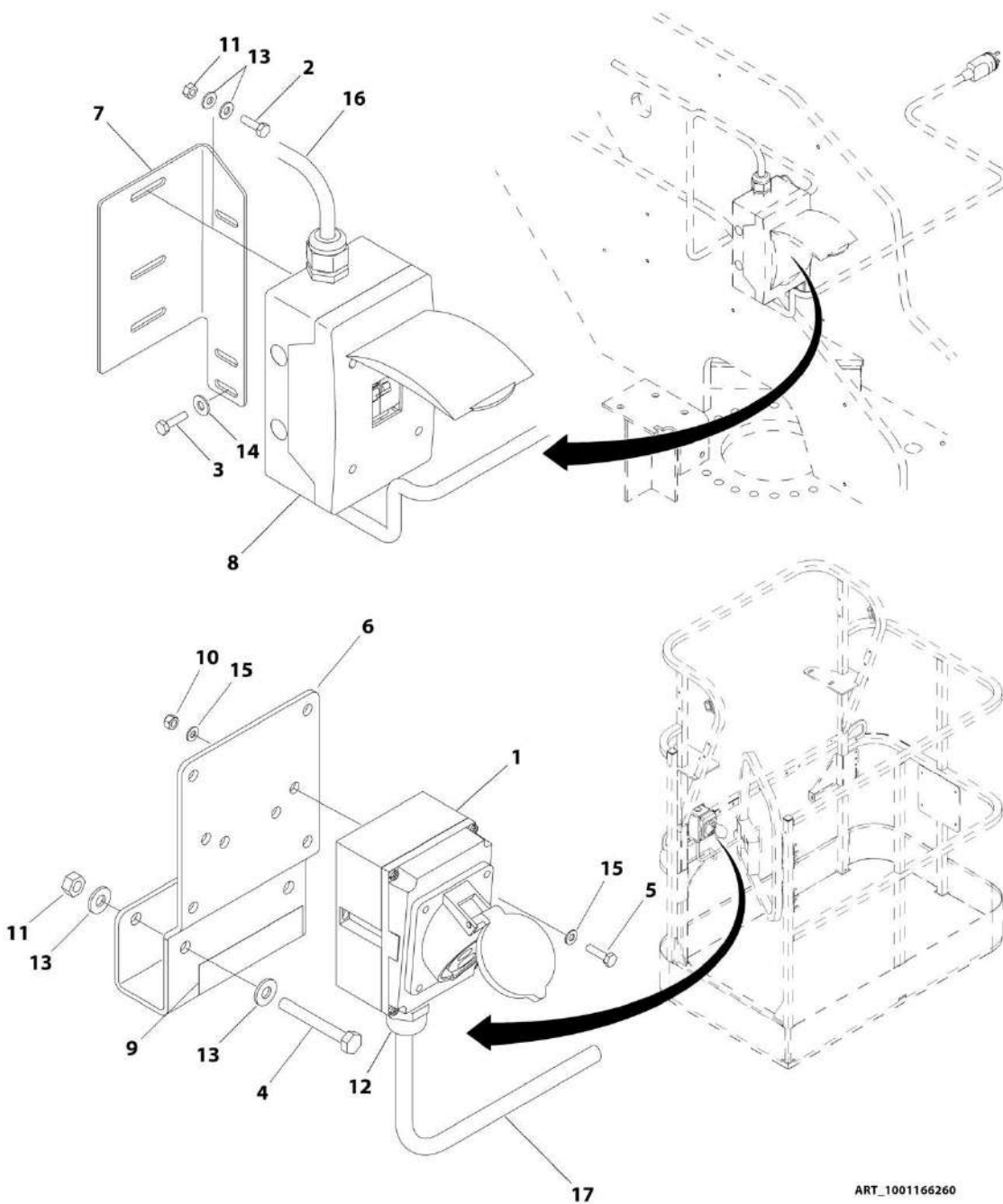
SECTION 8 - ELECTRICAL

FIGURE 8-43. PLUG AND RECEPTACLE 220VINSTALLATION - CEE7 SIDE GROUND - 70MM X 70MM BOX (CE SPEC)

ITEM	PART NUMBER	QTY	DESCRIPTION	REV
	1001166262	Ref	PLUG AND RECEPTACLE 220VINSTALLATION - CEE7 SIDE GROUND - 70MM X 70MM BOX (CE SPEC)	C
1	0275219	1	AC Plugs and Sockets Installation - CE Spec (See AC PLUGS AND SOCKETS INSTALLATION - CE SPEC for Breakdown)	
2	0641407	2	Bolt, 1/4-20 x 7/8	
3	0641408	2	Bolt, 1/4-20 x 1	
4	0641416	2	Bolt, 1/4-20 x 2	
5	0700408	2	Bolt, M4 x 16	
6	1001193018	1	Bracket	
7	1001178491	1	Bracket	
8	1001152485	1	Breaker Box Kit with Two Breakers - CE Spec (See BREAKER BOX KIT WITH TWO BREAKERS - CE SPEC for Breakdown)	
9	3252507	2	Decal - 220V - 50/60 Hz	
10	3290405	2	Nut, Lock, M4 x 0.7	
11	3311405	4	Nut, Lock, 1/4-20	
12	4460968	1	Connector, Strain Relief	
13	4711400	8	Washer, 1/4	
14	4751400	2	Washer, 1/4	
15	4811400	4	Washer, 4mm	
16	4922609	1	Lower Boom 220V Harness Assembly - CE Spec (See LOWER BOOM 220V HARNESS ASSEMBLY - CE SPEC for Breakdown)	
17	4922610	1	Main Boom 220V Harness Assembly - CE Spec (See MAIN BOOM 220V HARNESS ASSEMBLY - CE SPEC for Breakdown)	

SECTION 8 - ELECTRICAL

FIGURE 8-44. PLUG AND RECEPTACLE 220V INSTALLATION - IEC 60309 - BLUE (CE SPEC)



ART_1001166260

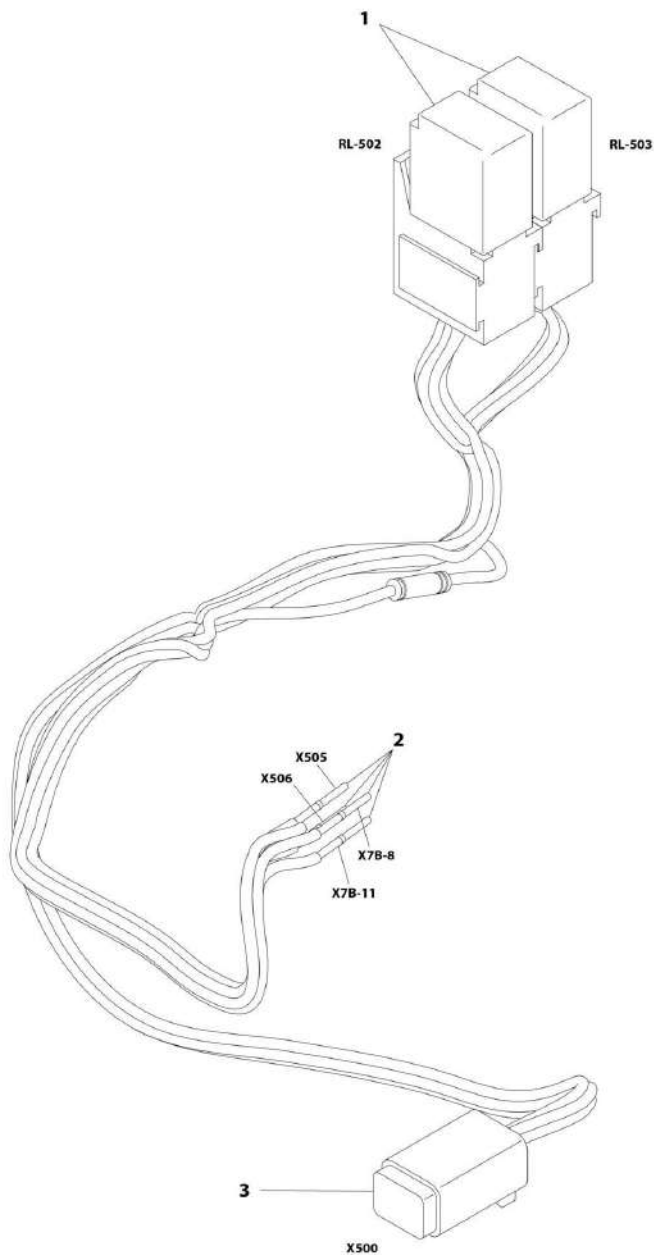
SECTION 8 - ELECTRICAL

FIGURE 8-44. PLUG AND RECEPTACLE 220VINSTALLATION - IEC 60309 - BLUE (CE SPEC)

ITEM	PART NUMBER	QTY	DESCRIPTION	REV
	1001166260	Ref	PLUG AND RECEPTACLE 220VINSTALLATION - IEC 60309 - BLUE (CE SPEC)	C
1	0275217	1	AC Plugs and Sockets Installation - CE Spec (See AC PLUGS AND SOCKETS INSTALLATION - CE SPEC for Breakdown)	
2	0641407	2	Bolt, 1/4-20 x 7/8	
3	0641408	2	Bolt, 1/4-20 x 1	
4	0641416	2	Bolt, 1/4-20 x 2	
5	0700408	2	Bolt, M4 x 16	
6	1001193018	1	Bracket	
7	1001178491	1	Bracket	
8	2902549	1	Breaker Box Kit with One Breakers - CE Spec (See BREAKER BOX KIT WITH ONE BREAKERS - CE SPEC for Breakdown)	
9	3252507	2	Decal - 220V - 50/60 Hz	
10	3290405	2	Nut, Lock, M4 x 0.7	
11	3311405	4	Nut, Lock, 1/4-20	
12	4460968	1	Connector, Strain Relief	
13	4711400	8	Washer, 1/4	
14	4751400	2	Washer, 1/4	
15	4811400	4	Washer, 4mm	
16	4922609	1	Lower Boom 220V Harness Assembly - CE Spec (See LOWER BOOM 220V HARNESS ASSEMBLY - CE SPEC for Breakdown)	
17	4922610	1	Main Boom 220V Harness Assembly - CE Spec (See MAIN BOOM 220V HARNESS ASSEMBLY - CE SPEC for Breakdown)	

SECTION 8 - ELECTRICAL

FIGURE 8-45. SKYGUARD HARNESS - WITHOUT LSS OR WITH 4 CELL LSS



ART_1001192292

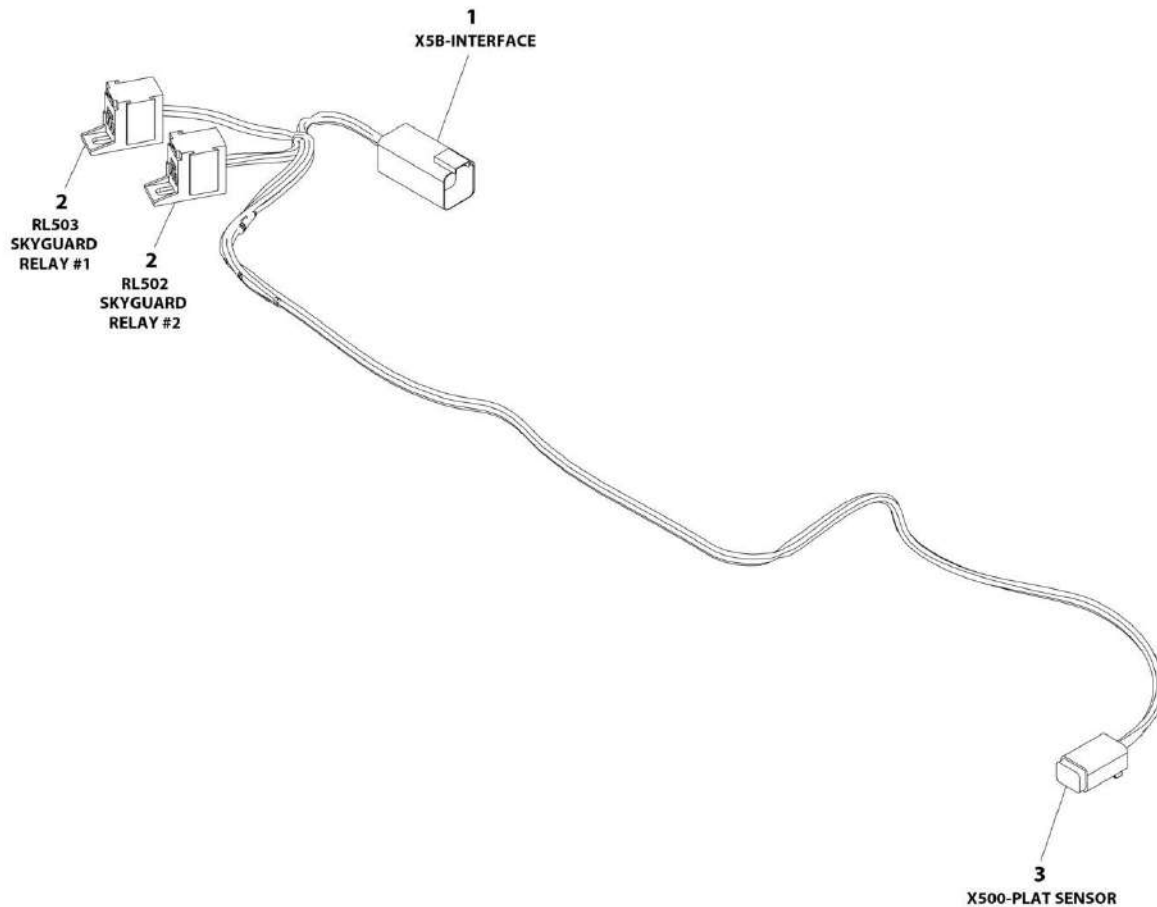
SECTION 8 - ELECTRICAL

FIGURE 8-45. SKYGUARD HARNESS - WITHOUT LSS OR WITH 4 CELL LSS

ITEM	PART NUMBER	QTY	DESCRIPTION	REV
	1001192292	Ref	SKYGUARD HARNESS - WITHOUT LSS OR WITH 4 CELL LSS	B
1	1001186432	1	Holder, Relay	
1	1001186431	1	Relay, 35Amp	
1	1001116720	5	Terminal	
2	1001186432	1	Holder, Relay	
2	1001186431	1	Relay, 35Amp	
2	1001116720	6	Terminal	
3	4460226	4	Socket, Female	
4	4460884	1	Connector - 4 Position	
4	4460465	4	Socket, Female	

SECTION 8 - ELECTRICAL

FIGURE 8-46. SKYGUARD HARNESS - WITH 1 CELL LSS



ART_1001225580

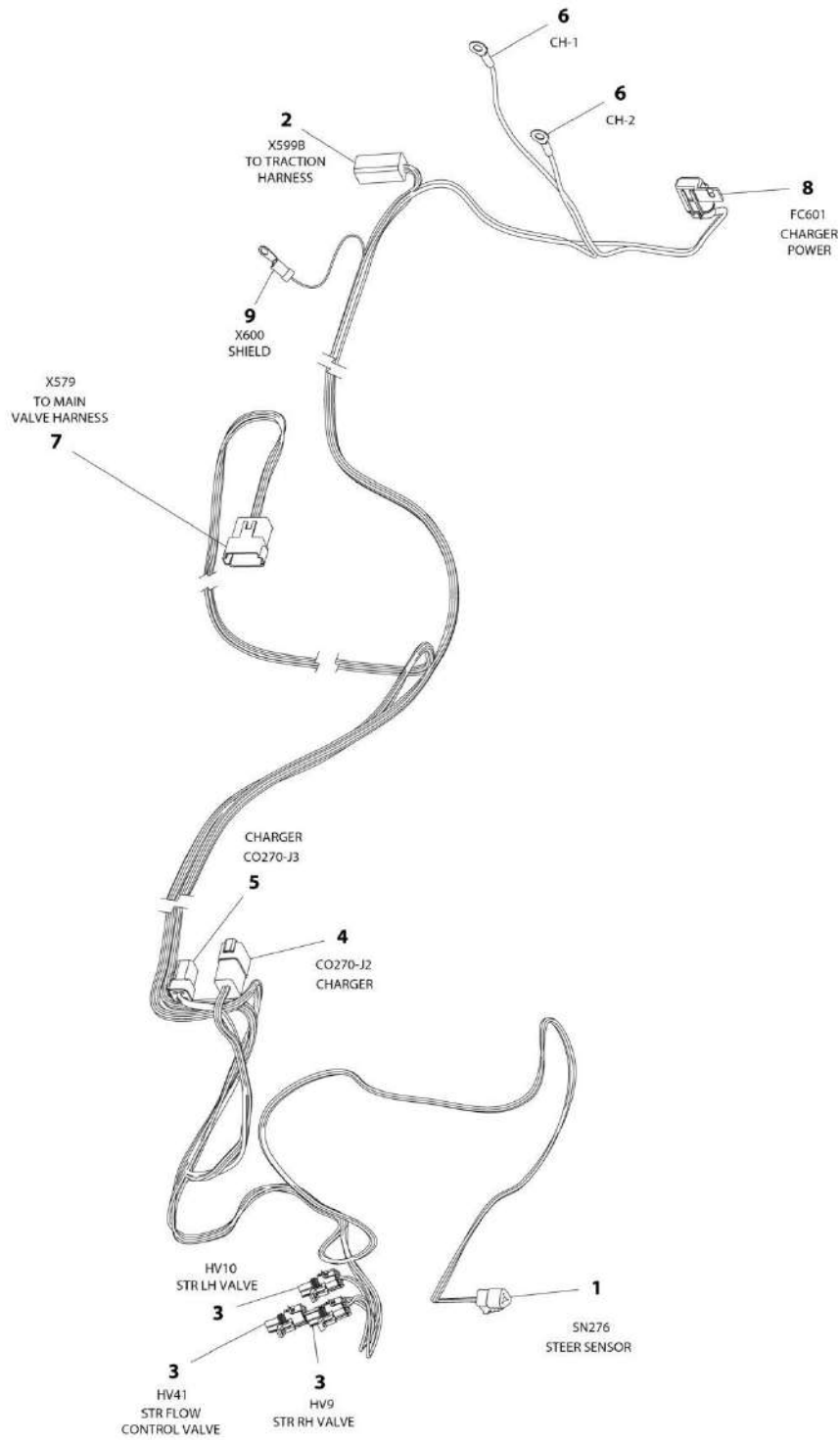
SECTION 8 - ELECTRICAL

FIGURE 8-46. SKYGUARD HARNESS - WITH 1 CELL LSS

ITEM	PART NUMBER	QTY	DESCRIPTION	REV
	1001225580	Ref	SKYGUARD HARNESS - WITH 1 CELL LSS	C
1	4460899	1	Receptacle, Female - 6 Position	
1	4460464	4	Pin, Male	
1	4460466	2	Plug, Terminal	
2	1001186432	2	Holder, Relay	
2	1001186431	1	Relay, 35Amp	
2	1001116720	4	Terminal	
2	1001118388	4	Terminal	
3	4460884	1	Connector - 4 Position	
3	4460465	4	Socket, Female	

SECTION 8 - ELECTRICAL

FIGURE 8-47. STEER/BRAKE HARNESS



ART_1001188528

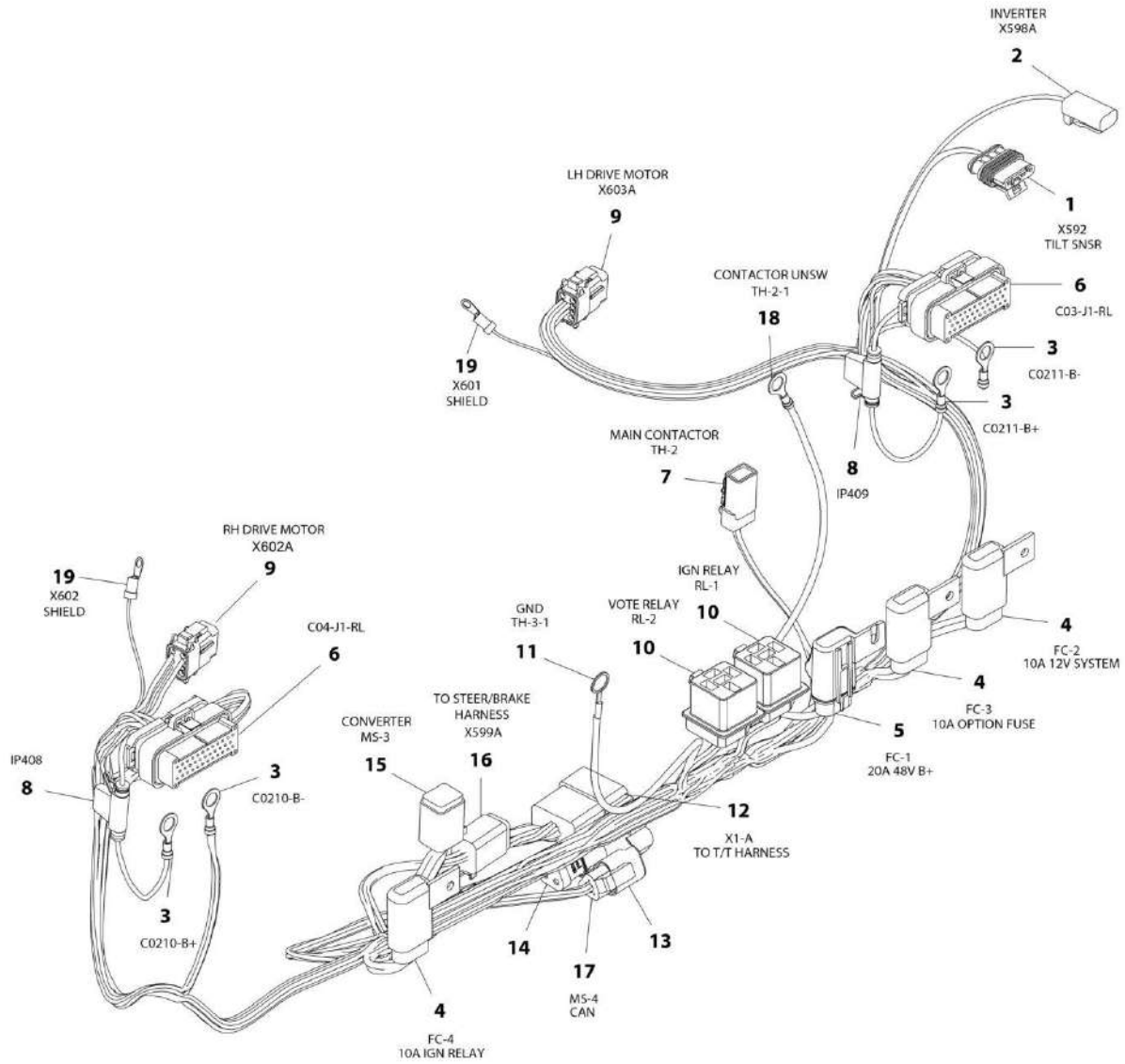
SECTION 8 - ELECTRICAL

FIGURE 8-47. STEER/BRAKE HARNESS

ITEM	PART NUMBER	QTY	DESCRIPTION	REV
	1001188528	Ref	STEER/BRAKE HARNESS	H
1	4460539	1	Plug, Male - 4 Position	
1	4460465	3	Socket, Female	
2	4460899	1	Receptacle, Female - 6 Position	
2	4460464	AR	Pin, Male	
2	4460466	1	Plug, Terminal (SN 0300226307 to Present)	
3	4460742	3	Plug, Male - 2 Position	
3	4460743	6	Socket, Female	
4	4460931	1	Receptacle, Female - 8 Position	
4	4460464	6	Pin, Male	
4	4460466	2	Plug, Terminal	
5	1001116810	1	Plug, Male - 4 Position	
5	4460509	2	Terminal	
5	4460466	2	Plug, Terminal	
6	8220045	2	Ring, Terminal	
7	4460970	1	Receptacle, Female - 12 Position	
7	4460464	9	Pin, Male	
7	4460466	3	Plug, Terminal	
8	1001117070	1	Fuseholder with Cover & 30Amp Fuse (SN 0300208530 through 0300226306)	
8	8229245	1	Fuse 30 Amp (SN 0300208530 through 0300226306)	
8	1001217844	1	Fuseholder (SN 0300226307 to Present)	
8	1001217842	1	Cover (SN 0300226307 to Present)	
8	8229236	1	Fuse - 30 Amp (SN 0300226307 to Present)	
8	1001116734	1	Terminal, Female (SN 0300226307 to Present)	
9	4460142	1	Terminal, Ring (SN 0300226307 to Present)	

SECTION 8 - ELECTRICAL

FIGURE 8-48. TRACTION HARNESS



ART_1001178629

SECTION 8 - ELECTRICAL

FIGURE 8-48. TRACTION HARNESS

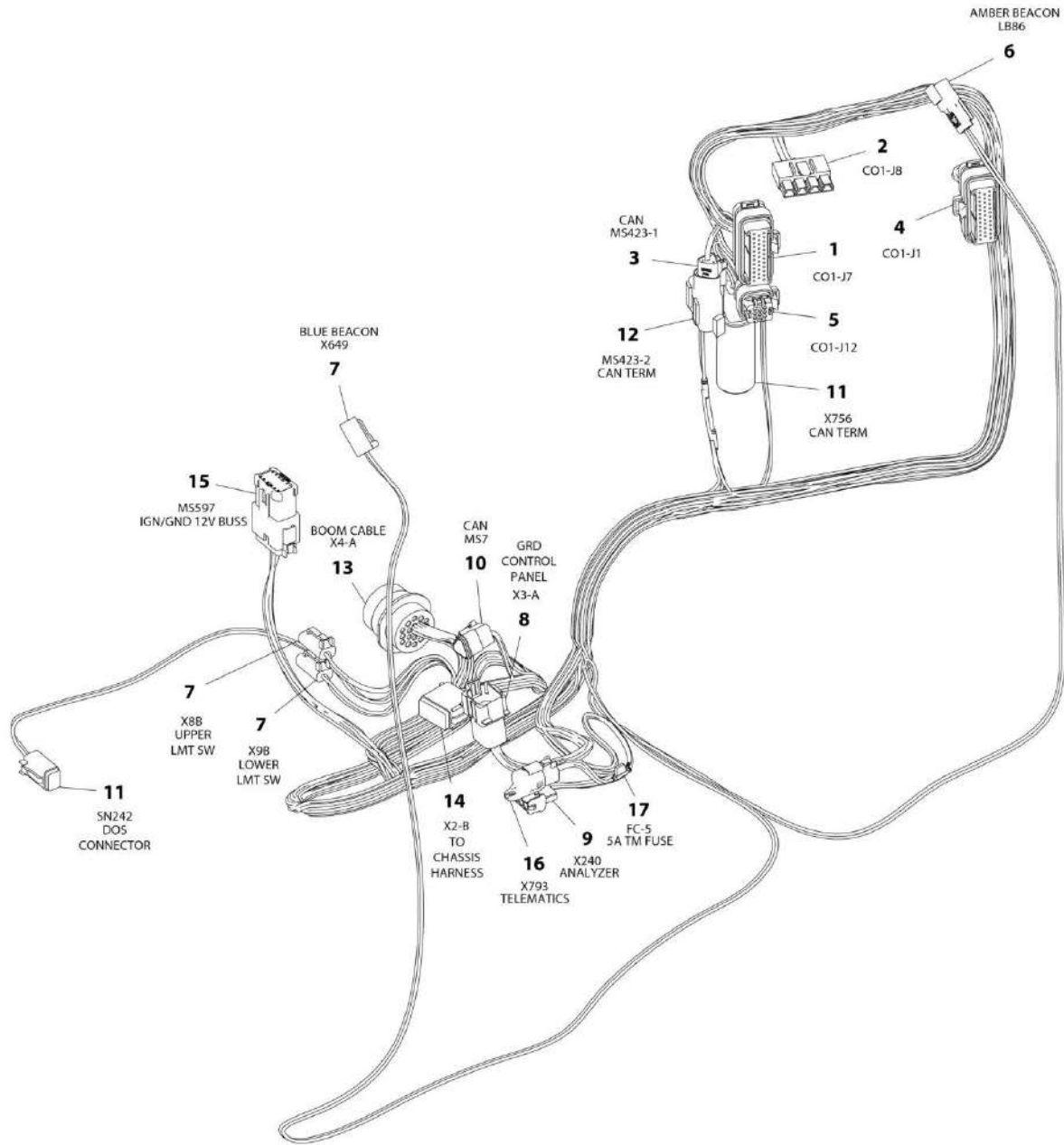
ITEM	PART NUMBER	QTY	DESCRIPTION	REV
	1001178629	Ref	TRACTION HARNESS	K
1	1001103012	1	Connector - 4 Position	
1	1001107854	4	Socket, Female	
2	4460891	1	Plug, Male - 2 Position	
2	4460465	1	Socket, Female	
2	4460466	1	Plug, Terminal	
3	4460670	AR	Terminal, Ring	
4	1001117023	3	Connector with 10Amp Fuse (SN 0300208530 through 0300208352)	
4	1001117024	3	Connector with 10Amp Fuse (SN 0300208353 through 0300226306)	
4	1001096134	3	Cover, Fuse (SN 0300208530 through 0300226306)	
4	1001217844	3	Fuseholder (SN 0300226307 to Present)	
4	1001217842	3	Cover (SN 0300226307 to Present)	
4	8229261	1	Fuse - 5 Amp (SN 0300226307 to Present)	
4	8229237	1	Fuse - 15 Amp (SN 0300226307 to Present)	
4	8229235	1	Fuse - 20 Amp (SN 0300226307 to Present)	
4	1001116734	6	Terminal, Female	
5	1001117069	1	Connector with 20Amp Fuse (SN 0300208530 through 0300226306)	
5	1001096134	1	Cover, Fuseholder (SN 0300208530 through 0300226306)	
5	1001217844	1	Fuseholder (SN 0300226307 to Present)	
5	1001217842	1	Cover (SN 0300226307 to Present)	
5	8229235	1	Fuse - 20 Amp (SN 0300226307 to Present)	
5	1001116734	2	Terminal, Female	
6	4460873	1	Connector - 35 Position	
6	4460871	11	Terminal, Female	
6	4460905	24	Seal, Terminal	
7	1001126245	1	Connector - 2 Position	
7	1001126008	2	Terminal	
8	2400060	2	Fuseholder with Cover (SN 0300208530 through 0300210635)	
8	1001201642	2	Fuseholder with Cover (SN 0300210636 through 0300226306)	
8	1001170760	2	Fuse - 10 Amp (SN 0300208530 through 0300226306)	
8	1001217843	2	Fuseholder (SN 0300226307 to Present)	
8	1001217842	2	Cover (SN 0300226307 to Present)	
8	8229234	2	Fuse - 10 Amp (SN 0300226307 to Present)	
9	1001190577	2	Plug, Male - 8 Position	
9	1001126008	16	Terminal	
10	4460374	2	Plug, Relay (SN 0300208530 through 0300214529)	
10	1001203734	1	Plug, Relay (SN 0300214530 to Present)	
10	1001116732	8	Terminal	
10	1001128128	2	Plug, Terminal (SN 0300208530 through 0300214529)	
11	4460019	1	Terminal, Ring	
12	4460950	1	Connector - 12 Position	
12	1001157891	4	Terminal	
12	1001116693	4	Pin, Male	
12	4460464	2	Pin, Male	
12	4460943	2	Pin, Male	
13	4460945	1	Receptacle, 3 Way	
14	1001116815	1	Resistor, 3 Position	

SECTION 8 - ELECTRICAL

ITEM	PART NUMBER	QTY	DESCRIPTION	REV
15	4460894	1	Plug, Male - 6 Position	
15	1001157890	5	Terminal	
15	1001116692	1	Socket, Female	
16	4460894	1	Plug, Male - 6 Position	
16	4460465	AR	Socket, Female	
16	4460466	1	Plug, Terminal (SN 0300226307 to Present)	
17	1001116812	1	Plug, Male - 3 Position	
17	4460944	3	Socket, Female	
18	4460670	1	Terminal, Ring (SN 0300208530 through 0300214529)	
18	4460738	1	Terminal, Ring (SN 0300214530 to Present)	
19	4460142	2	Terminal, Ring (SN 0300226307 to Present)	

SECTION 8 - ELECTRICAL

FIGURE 8-49. TURNTABLE HARNESS



ART_1001178793

SECTION 8 - ELECTRICAL

FIGURE 8-49. TURNTABLE HARNESS

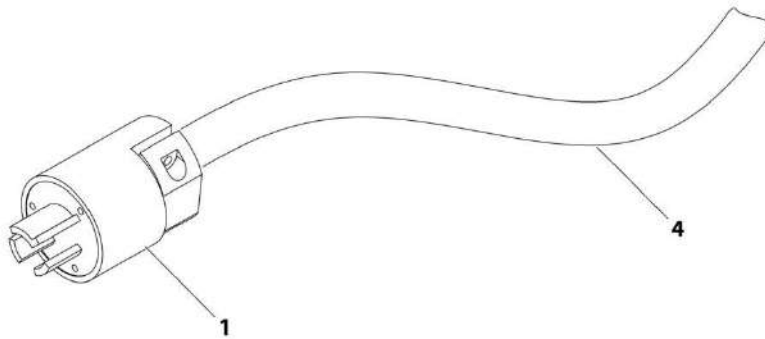
ITEM	PART NUMBER	QTY	DESCRIPTION	REV
	1001178793	Ref	TURNTABLE HARNESS	H
1	4460873	1	Connector - 35 Position	
1	4460871	15	Socket, Female	
1	4460905	20	Plug, Terminal	
2	4460878	1	Connector - 4 Position	
2	4460887	4	Terminal	
3	1001116812	2	Plug, Male -3 Position	
3	4460944	5	Socket, Female	
3	4460466	1	Plug, Terminal	
4	4460874	1	Connector - 35 Position	
4	4460871	9	Socket, Female	
4	4460905	26	Plug, Terminal	
5	1001113961	1	Plug, Male - 8 Position	
5	4460871	3	Socket, Female	
5	4460905	5	Plug, Terminal	
6	4460897	1	Receptacle, Female - 2 Position	
6	4460464	2	Pin, Male	
7	4460891	3	Plug, Male - 2 Position	
7	4460465	6	Socket, Female	
8	1001116813	1	Receptacle, Female - 8 Position	
8	1001116693	6	Pin, Male	
8	4460464	1	Pin, Male	
8	4460466	1	Plug, Terminal	
9	4460761	1	Connector - 4 Position	
9	4460227	4	Pin, Male	
10	4460539	1	Plug, Male - 3 Position	
10	4460944	2	Socket, Female	
10	4460466	1	Plug, Terminal	
11	4460884	2	Plug, Male - 4 Position	
11	4460465	8	Socket, Female	
11	1001186231	1	Connector, Fuse/Diode Can	
12	4460945	1	Receptacle, 3 Way	
13	4460866	1	Connector - 19 Position	
13	4460943	2	Pin, Male	
13	4460508	4	Pin, Male	
13	4460464	7	Pin, Male	
13	4460466	6	Plug, Terminal	
14	4460836	1	Plug, Male - 12 Position	
14	1001157890	5	Socket, Female	
14	4460465	2	Socket, Female	
14	4460944	2	Socket, Female	
14	1001116692	3	Socket, Female	
15	4460933	1	Plug, Male - 12 Position	
15	4460942	6	Socket, Female	
15	4460465	2	Socket, Female	
15	4460466	4	Plug, Terminal	
16	4460884	1	Connector - 4 Position	
16	4460465	AR	Socket, Female	
16	4460942	1	Socket, Female (SN 0300226307 to Present)	
16	1001192401	1	Connector, Dust Cap	

SECTION 8 - ELECTRICAL

ITEM	PART NUMBER	QTY	DESCRIPTION	REV
17	2400060	1	Fuseholder with Cover (SN 0300226307 to Present)	
17	8229242	1	Fuse - 5 Amp (SN 0300226307 to Present)	

SECTION 8 - ELECTRICAL

FIGURE 8-50. UPPER BOOM 110V HARNESS ASSEMBLY



ART_4922608

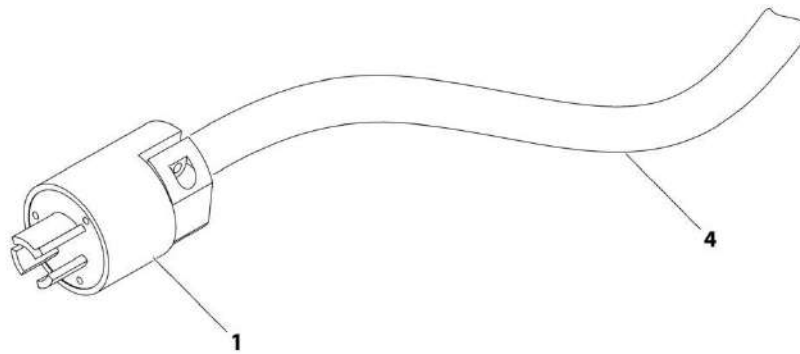
SECTION 8 - ELECTRICAL

FIGURE 8-50. UPPER BOOM 110V HARNESS ASSEMBLY

ITEM	PART NUMBER	QTY	DESCRIPTION	REV
	4922608	Ref	UPPER BOOM 110V HARNESS ASSEMBLY	2
1	4460205	1	Plug, Male	
4	1060494	27.2 ft /8.3m	Electrical Cable, 12/3	

SECTION 8 - ELECTRICAL

FIGURE 8-51. UPPER BOOM 220V HARNESS ASSEMBLY - CE SPEC



ART_4922610

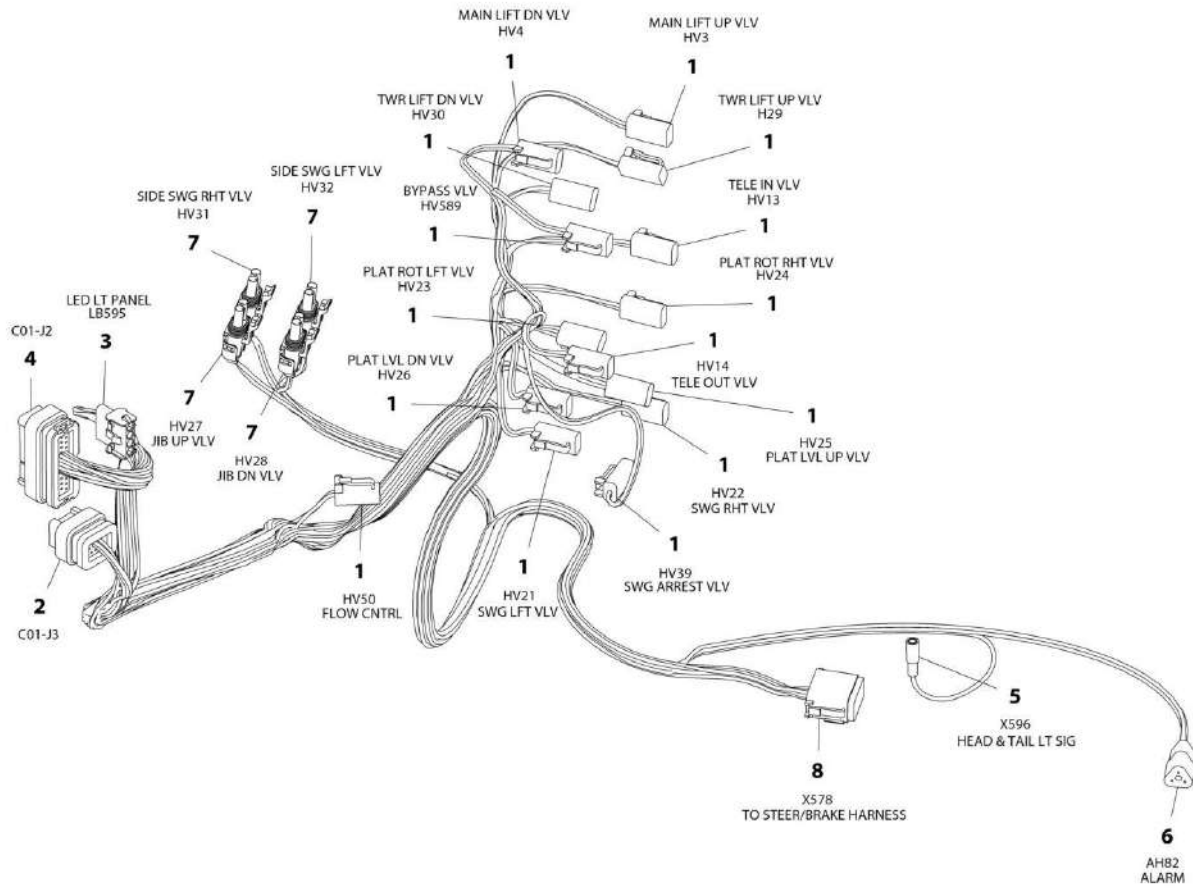
SECTION 8 - ELECTRICAL

FIGURE 8-51. UPPER BOOM 220V HARNESS ASSEMBLY - CE SPEC

ITEM	PART NUMBER	QTY	DESCRIPTION	REV
	4922610	Ref	UPPER BOOM 220V HARNESS ASSEMBLY - CE SPEC	1
1	4460709	1	Plug, Male	
4	1060461	28 ft/8.5m	Electrical Cable, 12/3	

SECTION 8 - ELECTRICAL

FIGURE 8-52. VALVE HARNESS



ART_1001178794

SECTION 8 - ELECTRICAL

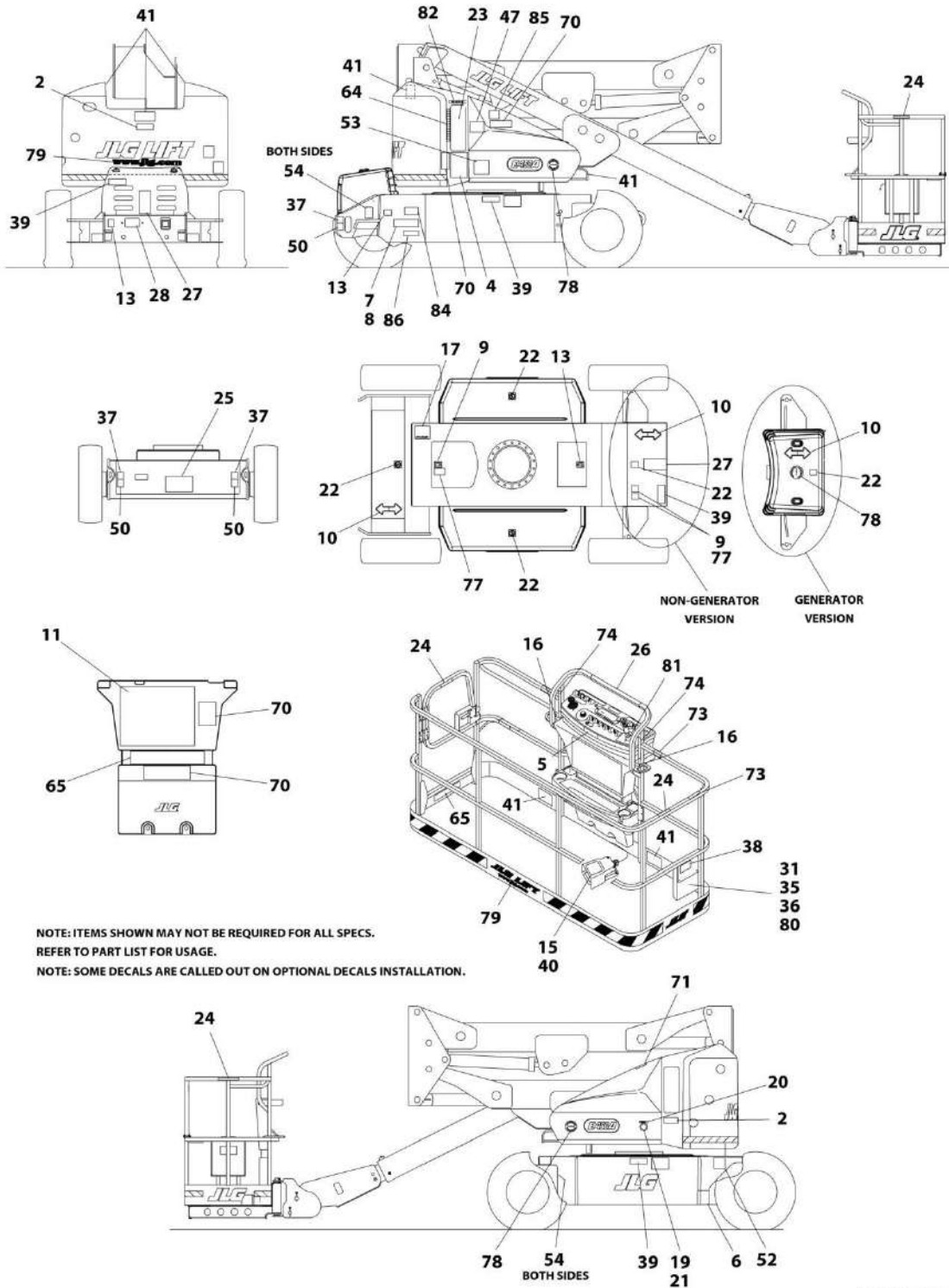
FIGURE 8-52. VALVE HARNESS

ITEM	PART NUMBER	QTY	DESCRIPTION	REV
	1001178794	Ref	VALVE HARNESS	1
1	4460891	15	Plug, Male - 2 Position	
1	4460465	30	Socket, Female	
2	4460872	1	Connector - 14 Position	
2	4460871	6	Socket, Female	
2	4460905	8	Plug, Terminal	
3	4460761	1	Connector - 4 Position	
3	4460226	4	Socket, Female	
4	4460875	1	Connector - 35 Position	
4	4460871	30	Socket, Female	
4	4460905	5	Plug, Terminal	
5	8220068	1	Connector - 1 Position	
6	4460539	1	Plug, Male - 3 Position	
6	4460465	3	Socket, Female	
7	4460742	4	Plug, Male - 2 Position	
7	4460743	8	Socket, Female	
7	4460458	8	Seal, Terminal	
8	4460933	1	Plug, Male - 12 Position	
8	1001116692	9	Socket, Female	
8	4460466	3	Plug, Terminal	

SECTION 9 - DECALS

SECTION 9 - DECALS

FIGURE 9-1. DECAL INSTALLATION - ANSI SPEC - E400AN/E400AJP/E400AJPN



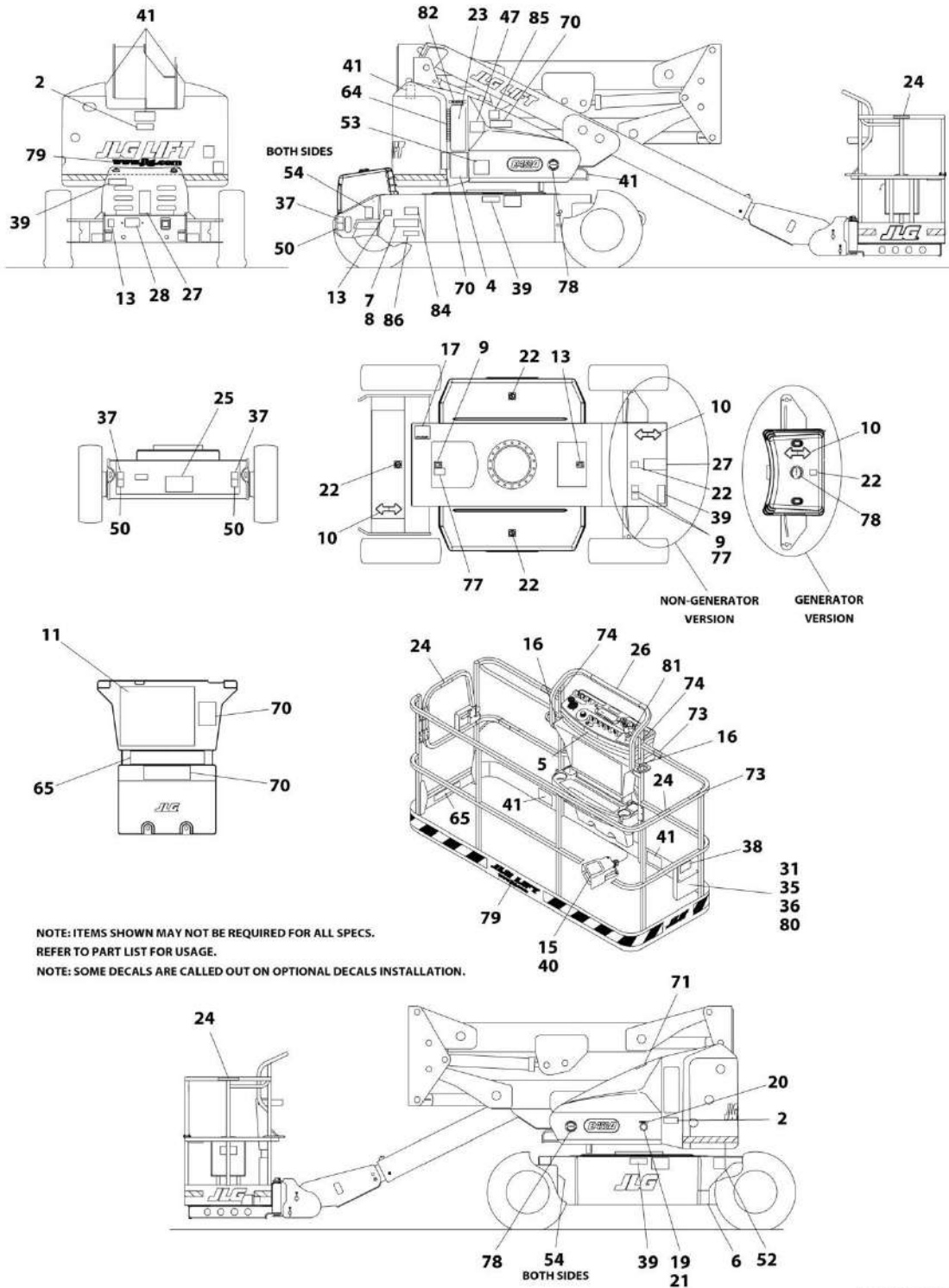
SECTION 9 - DECALS

FIGURE 9-1. DECAL INSTALLATION - ANSI SPEC - E400AN/E400AJP/E400AJPN

ITEM	PART NUMBER	QTY	DESCRIPTION	REV
	1001178379	Ref	DECAL INSTALLATION - REFERENCE CHART	I
	1001178364	Ref	DECAL INSTALLATION - ANSI SPEC - E400An/E400AJP/E400AJPN	G
2	1703805	2	Decal - Electrocutation	
4	1703798	1	Decal - Crushing	
5	1705514	1	Decal - CSA Spec (SN 0300222730 to Present)	
6	1001131269	1	Decal - Patent	
7	See Note	1	Nameplate - Serial Number (Note: Not Available for Purchase)	
8	3820001	2	Rivet	
9	1701504	1	Decal - Hydraulic Oil	
10	1701642	2	Decal - Arrow	
11	1703797	1	Decal - Caution/Danger	
13	1701644	2	Decal - Charger	
16	1704277	2	Decal - Attach Lanyard	
19	0961127	1	Bushing, Snap	
20	3251243	1	Nameplate 120V-60Hz	
21	0100010	AR	Adhesive	
22	1701691	4	Decal - No Step	
23	1001104864	1	Decal - Manual Descent	
24	1702868	2	Decal - No Hands	
25	1001193949	1	Decal - Cable Routing	
26	1001196811	1	Decal - Legend Platform	
27	1704446	1	Decal - Charger	
28	1704431	1	Decal - Battery Charger LED Indicator (SN 0300208530 through 0300214530)	
31	0860520	1	Box, Manual Storage	
35	4751400	4	Washer, 1/4	
36	3311405	4	Nut, 1/4-20	
37	1701500	4	Decal - Lift	
38	1701509	1	Decal - Manual	
39	1703813	3	Decal - Danger	
40	3252347	1	Nameplate - Footswitch	
41	1703804	6	Decal - Crushing Hazard	
47	1702265	1	Decal	
50	1702300	4	Decal - Tie Down	
52	See Note	1	Decal - Bar Code (Note: Not Available for Purchase)	
53	1001121814	1	Decal - 500 LBS Max Capacity	
64	1706950	1	Decal - Key Main Terminal Box	
65	1001121801	2	Decal - 500 LBS Max Capacity	
77	1704412	1	Decal - Oil Type	
79	1704885	2	Decal - Website	
80	0641406	4	Bolt, 1/4-20 x 3/4	
81	1705351	1	Decal - Drive/Steer Instruction	
82	1001189882	1	Decal - MSSO Operation	
84	1001223055	1	Decal - Yearly Inspection (SN 0300233810 to Present)	
85	1001222801	1	Decal - Manual Jib Pump (SN 0300233810 to Present)	
86	1001228370	1	Decal - CSA Ices (SN 0300233810 to Present)	

SECTION 9 - DECALS

FIGURE 9-2. DECAL INSTALLATION - ANSI SPEC - M400AJP/M400AJPN



ART_1001178362

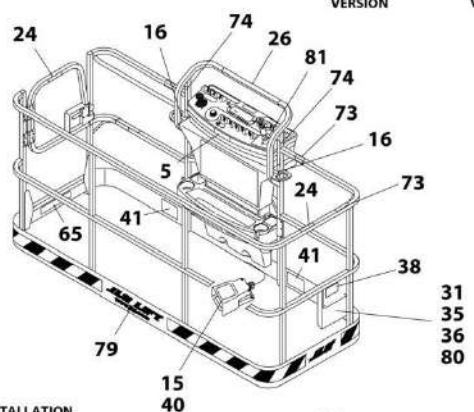
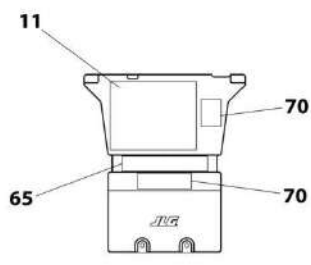
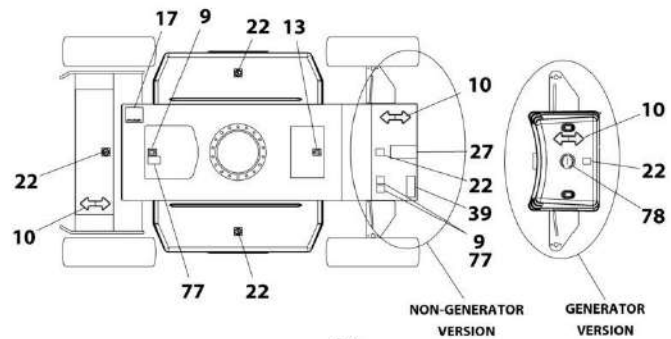
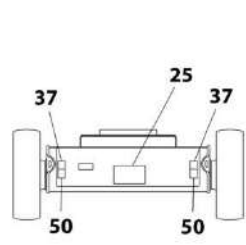
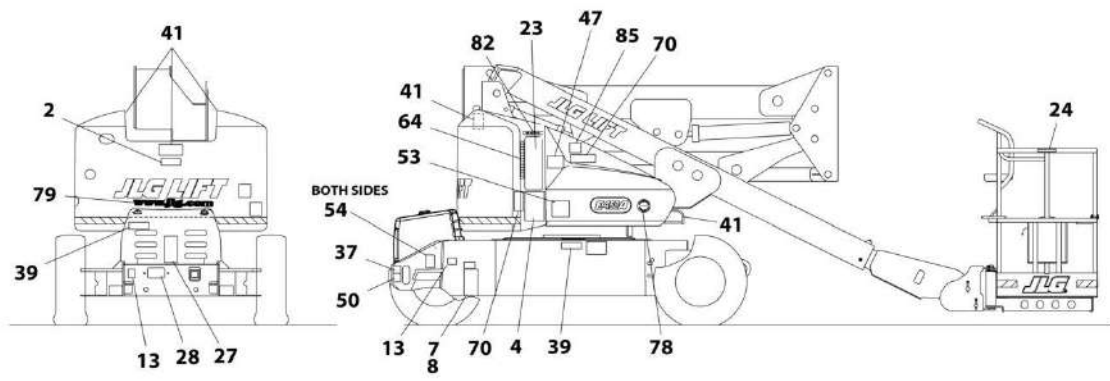
SECTION 9 - DECALS

FIGURE 9-2. DECAL INSTALLATION - ANSI SPEC - M400AJP/M400AJPN

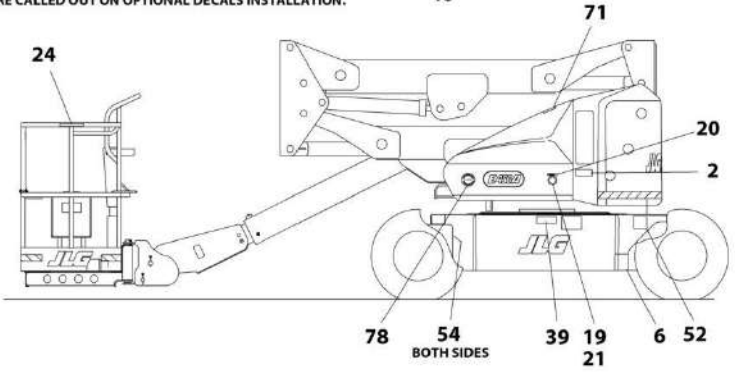
ITEM	PART NUMBER	QTY	DESCRIPTION	REV
	1001178379	Ref	DECAL INSTALLATION - REFERENCE CHART	I
	1001178362	Ref	DECAL INSTALLATION - ANSI SPEC - M400AJP/M400AJPN	G
2	1703805	2	Decal - Electrocution	
4	1703798	1	Decal - Crushing	
5	1705514	1	Decal - CSA Spec (SN 0300222730 to Present)	
6	1001131269	1	Decal - Patent	
7	See Note	1	Nameplate - Serial Number (Note: Not Available for Purchase)	
8	3820001	2	Rivet	
9	1701504	1	Decal - Hydraulic Oil	
10	1701642	2	Decal - Arrow	
11	1703797	1	Decal - Caution/Danger	
13	1701644	2	Decal - Charger	
16	1704277	2	Decal - Attach Lanyard	
19	0961127	1	Bushing, Snap	
20	3251243	1	Nameplate 120V-60Hz	
21	0100010	AR	Adhesive	
22	1701691	4	Decal - No Step	
23	1001104864	1	Decal - Manual Descent	
24	1702868	2	Decal - No Hands	
25	1001193949	1	Decal - Cable Routing	
26	1001196811	1	Decal - Legend Platform	
27	1704446	1	Decal - Charger	
28	1704431	1	Decal - Battery Charger LED Indicator (SN 0300208530 through 0300214530)	
31	0860520	1	Box, Manual Storage	
35	4751400	4	Washer, 1/4	
36	3311405	4	Nut, 1/4-20	
37	1701500	4	Decal - Lift	
38	1701509	1	Decal - Manual	
39	1703813	3	Decal - Danger	
40	3252347	1	Nameplate - Footswitch	
41	1703804	6	Decal - Crushing Hazard	
47	1702265	1	Decal	
50	1702300	4	Decal - Tie Down	
52	See Note	1	Decal - Bar Code (Note: Not Available for Purchase)	
53	1001121814	1	Decal - 500 LBS Max Capacity	
64	1706950	1	Decal - Key Main Terminal Box	
65	1001121801	2	Decal - 500 LBS Max Capacity	
70	1704286	2	Decal - Generator Danger	
73	1702962	1	Decal - Fuel Warning	
77	1704412	1	Decal - Oil Type	
78	1001121510	3	Decal - Hybrid	
79	1704885	2	Decal - Website	
80	0641406	4	Bolt, 1/4-20 x 3/4	
81	1705351	1	Decal - Drive/Steer Instruction	
82	1001189882	1	Decal - MSSO Operation	
84	1001223055	1	Decal - Yearly Inspection (SN 0300233810 to Present)	
85	1001222801	1	Decal - Manual Jib Pump (SN 0300233810 to Present)	
86	1001228370	1	Decal - CSA Ices (SN 0300233810 to Present)	

SECTION 9 - DECALS

FIGURE 9-3. DECAL INSTALLATION - AUSTRALIAN SPEC - E400AN/E400AJP/E400AJPN



NOTE: ITEMS SHOWN MAY NOT BE REQUIRED FOR ALL SPECS.
REFER TO PART LIST FOR USAGE.
NOTE: SOME DECALS ARE CALLED OUT ON OPTIONAL DECALS INSTALLATION.



ART_1001178378

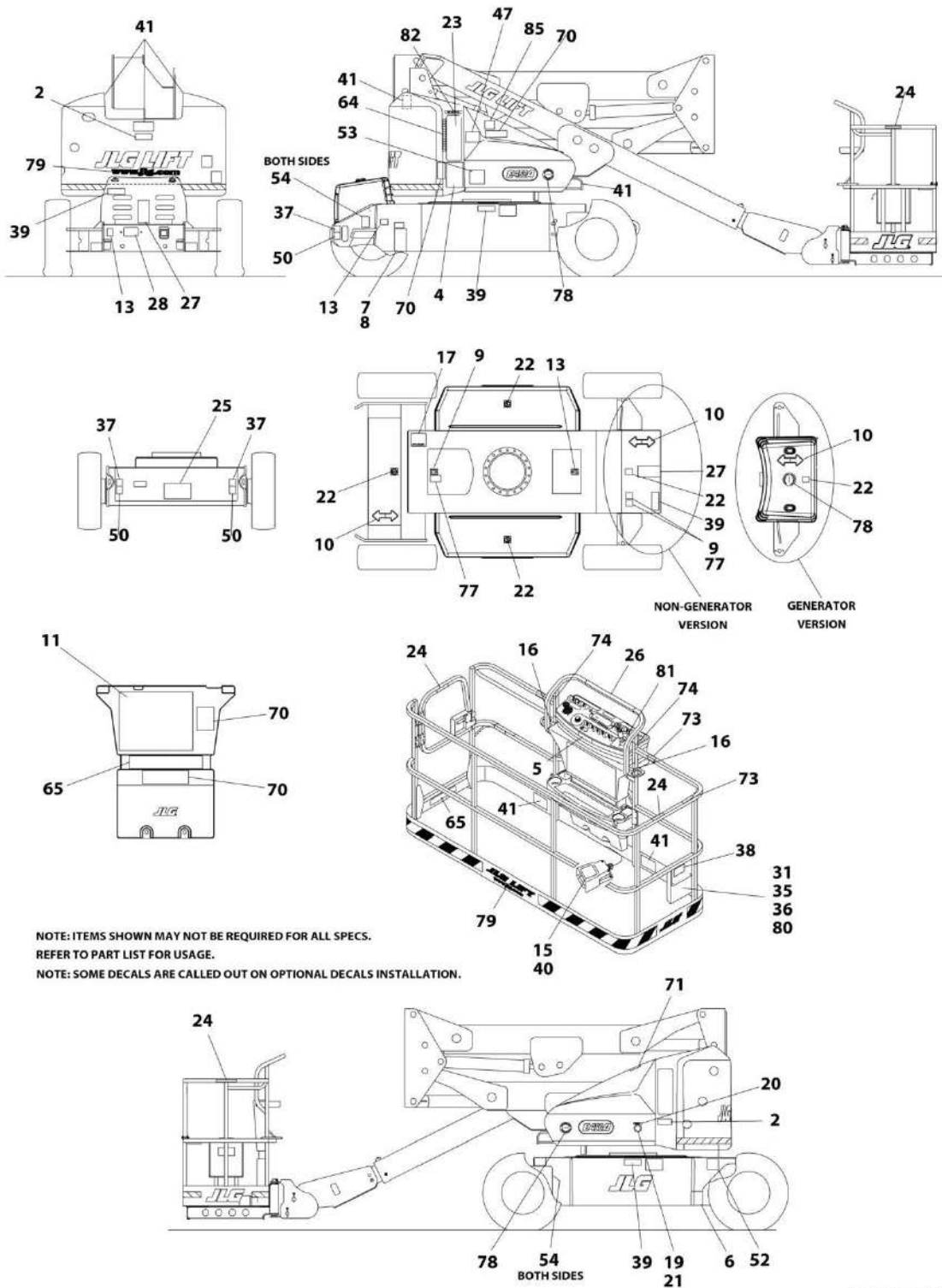
SECTION 9 - DECALS

FIGURE 9-3. DECAL INSTALLATION - AUSTRALIAN SPEC - E400AN/E400AJP/E400AJPN

ITEM	PART NUMBER	QTY	DESCRIPTION	REV
	1001178379	Ref	DECAL INSTALLATION - REFERENCE CHART	I
	1001178378	Ref	DECAL INSTALLATION - AUSTRALIAN SPEC - E400An/E400AJP/E400AJPN	G
4	1705822	1	Decal - Danger/Caution	
7	See Note	1	Nameplate - Serial Number (Note: Not Available for Purchase)	
8	3820001	2	Rivet	
9	1701504	1	Decal - Hydraulic Oil	
10	1701642	2	Decal - Arrow	
11	1705921	1	Decal - Danger/Caution	
13	1701644	2	Decal - Charger	
15	1705828	1	Decal - Footswitch	
16	1704277	2	Decal - Attach Lanyard	
19	0961127	1	Bushing, Snap	
21	0100010	AR	Adhesive	
22	1701691	4	Decal - No Step	
23	1001104864	1	Decal - Manual Descent	
25	1001193949	1	Decal - Cable Routing	
27	1706378	1	Decal - Charging Instructions	
28	1704431	1	Decal - Battery Charger LED Indicator (SN 0300208530 through 0300214530)	
31	0860520	1	Box, Manual Storage	
35	4751400	4	Washer, 1/4	
36	3311405	4	Nut, 1/4-20	
37	1703811	4	Decal - Lift	
38	1701509	1	Decal - Manual	
39	1705670	AR	Decal - Explosion Warning	
41	1701518	6	Decal - Crushing Hazard	
47	1705977	1	Decal - Upright Level Over-Ride	
50	1703814	4	Decal - Tie Down	
52	See Note	1	Decal - Bar Code (Note: Not Available for Purchase)	
53	1705978	1	Decal - Capacity	
65	1705978	1	Decal - Capacity	
77	1704412	1	Decal - Oil Type	
79	1704885	2	Decal - Website	
80	0641406	4	Bolt, 1/4-20 x 3/4	
82	1001189882	1	Decal - MSSO Operation	
85	1001222801	1	Decal - Manual Jib Pump (SN 0300233810 to Present)	

SECTION 9 - DECALS

FIGURE 9-4. DECAL INSTALLATION - AUSTRALIAN SPEC - M400AJP/M400AJPN



ART_1001178377

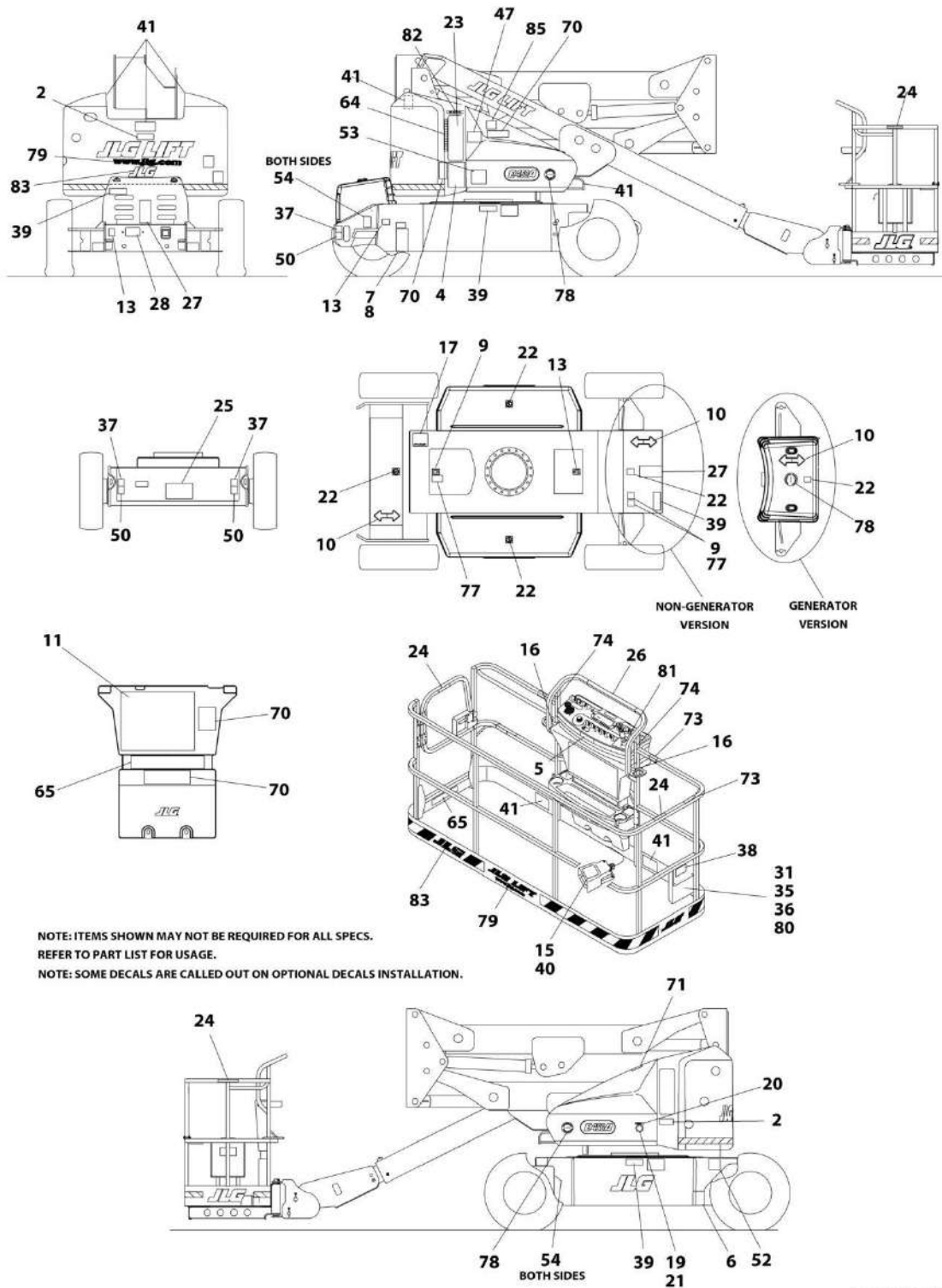
SECTION 9 - DECALS

FIGURE 9-4. DECAL INSTALLATION - AUSTRALIAN SPEC - M400AJP/M400AJPN

ITEM	PART NUMBER	QTY	DESCRIPTION	REV
	1001178379	Ref	DECAL INSTALLATION - REFERENCE CHART	K
	1001178377	Ref	DECAL INSTALLATION - AUSTRALIAN SPEC - M400AJP/M400AJPN	G
4	1705822	1	Decal - Danger/Caution	
7	See Note	1	Nameplate - Serial Number (Note: Not Available for Purchase)	
8	3820001	2	Rivet	
9	1701504	1	Decal - Hydraulic Oil	
10	1701642	2	Decal - Arrow	
11	1705921	1	Decal - Danger/Caution	
13	1701644	2	Decal - Charger	
15	1705828	1	Decal - Footswitch	
16	1704277	2	Decal - Attach Lanyard	
19	0961127	1	Bushing, Snap	
21	0100010	AR	Adhesive	
22	1701691	4	Decal - No Step	
23	1001104864	1	Decal - Manual Descent	
25	1001193949	1	Decal - Cable Routing	
27	1706378	1	Decal - Charging Instructions	
28	1704431	1	Decal - Battery Charger LED Indicator (SN 0300208530 through 0300214530)	
31	0860520	1	Box, Manual Storage	
35	4751400	4	Washer, 1/4	
36	3311405	4	Nut, 1/4-20	
37	1703811	4	Decal - Lift	
38	1701509	1	Decal - Manual	
39	1705670	AR	Decal - Warning Explosion	
41	1701518	6	Decal - Crushing Hazard	
47	1705977	1	Decal - Upright Level Over-Ride	
50	1703814	4	Decal - Tie Down	
52	See Note	1	Decal - Bar Code (Note: Not Available for Purchase)	
53	1705978	1	Decal - Capacity	
65	1705978	1	Decal - Capacity	
77	1704412	1	Decal - Oil Type	
78	1001121510	3	Decal - Hybrid	
79	1704885	2	Decal - Website	
80	0641406	4	Bolt 1/4-20 x 3/4	
82	1001189882	1	Decal - MSSO Operation	
85	1001222801	1	Decal - Manual Jib Pump (SN 0300233810 to Present)	

SECTION 9 - DECALS

FIGURE 9-5. DECAL INSTALLATION - CE SPEC - E400AN/E400AJP/E400AJPN



ART_1001190003

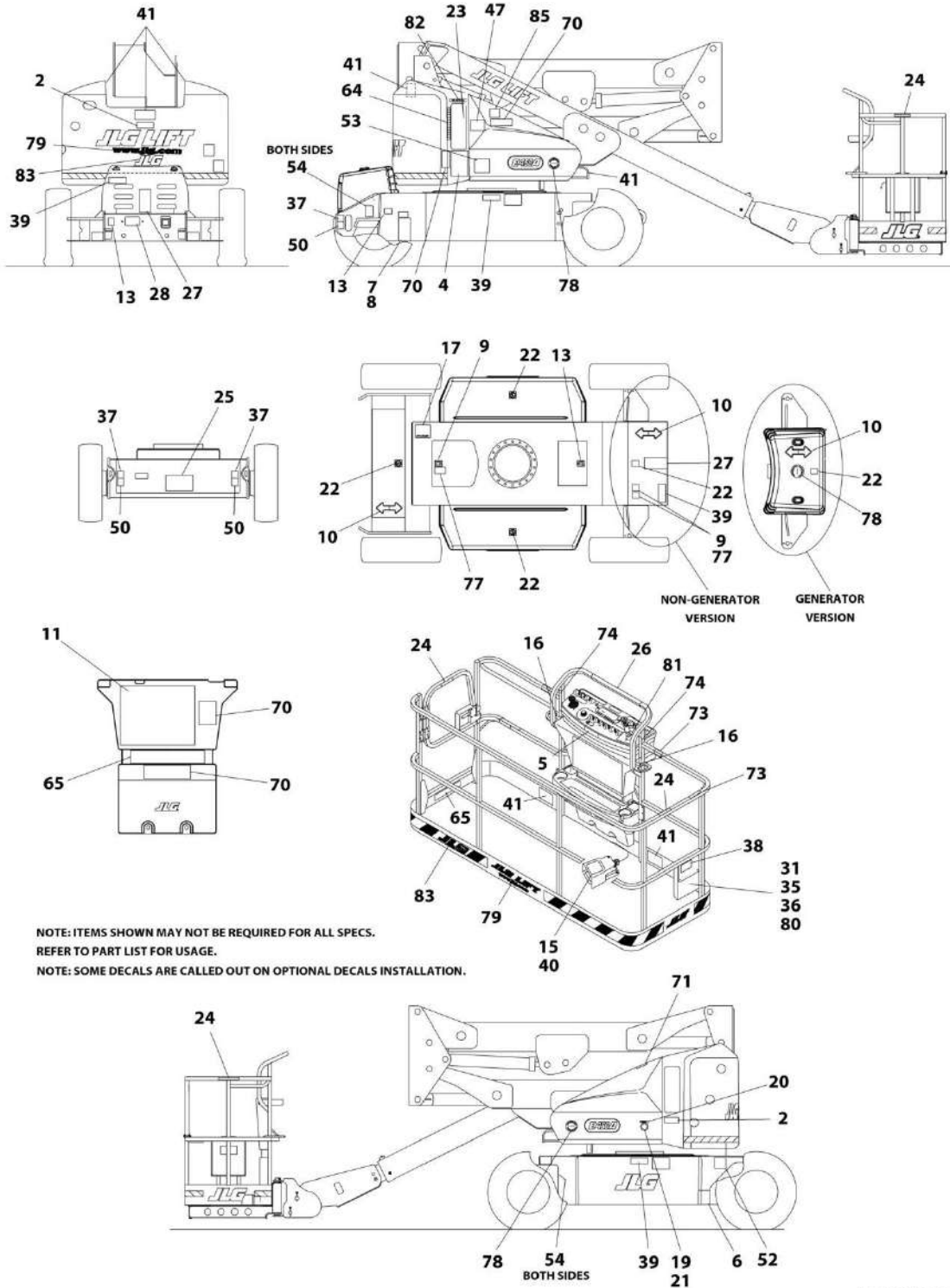
SECTION 9 - DECALS

FIGURE 9-5. DECAL INSTALLATION - CE SPEC - E400AN/E400AJP/E400AJPN

ITEM	PART NUMBER	QTY	DESCRIPTION	REV
	1001178379	Ref	DECAL INSTALLATION - REFERENCE CHART (SN 0300208530 through 0300220844)	F
	1001217465	Ref	DECAL INSTALLATION - REFERENCE CHART (SN 0300220845 to Present)	C
	1001190003	Ref	DECAL INSTALLATION - CE SPEC - E400An/E400AJP/E400AJPN	F
4	1705822	1	Decal - Danger/Caution	
7	See Note	1	Nameplate - Serial Number (Note: Not Available for Purchase)	
8	3820001	2	Rivet	
9	1701504	1	Decal - Hydraulic Oil	
10	1701642	2	Decal - Arrow	
11	1705921	1	Decal - Danger/Caution	
13	1701644	2	Decal - Charger	
15	1705828	1	Decal - Footswitch	
16	1704277	2	Decal - Attach Lanyard	
19	0961127	1	Bushing, Snap	
21	0100010	AR	Adhesive	
22	1701691	4	Decal - No Step	
23	1001104864	1	Decal - Manual Descent	
25	1001173577	1	Decal - Cable Routing	
27	1706378	1	Decal - Charging Instructions	
28	1704431	1	Decal - Battery Charger LED Indicator (SN 0300208530 through 0300214530)	
31	0860520	1	Box, Manual Storage	
35	4751400	4	Washer, 1/4	
36	3311405	4	Nut, 1/4-20	
37	1703811	4	Decal - Lift	
38	1701509	1	Decal - Manual	
39	1705670	2	Decal - Explosion Warning	
41	1701518	6	Decal - Crushing Hazard	
47	1705977	1	Decal - Upright Level Over-Ride	
50	1703814	4	Decal - Tie Down	
52	See Note	1	Decal - Bar Code (Note: Not Available for Purchase)	
53	1705978	1	Decal - Capacity	
65	1705978	1	Decal - Capacity	
77	1704412	1	Decal - Oil Type	
79	1704885	2	Decal - Website (SN 0300208530 through 0300220844)	
80	0641406	4	Bolt, 1/4-20 x 3/4	
83	1702773	2	Decal - JLG	
85	1001222801	1	Decal - Manual Jib Pump (SN 0300233810 to Present)	

SECTION 9 - DECALS

FIGURE 9-6. DECAL INSTALLATION - CE SPEC - M400AJP/M400AJPN



ART_1001190004

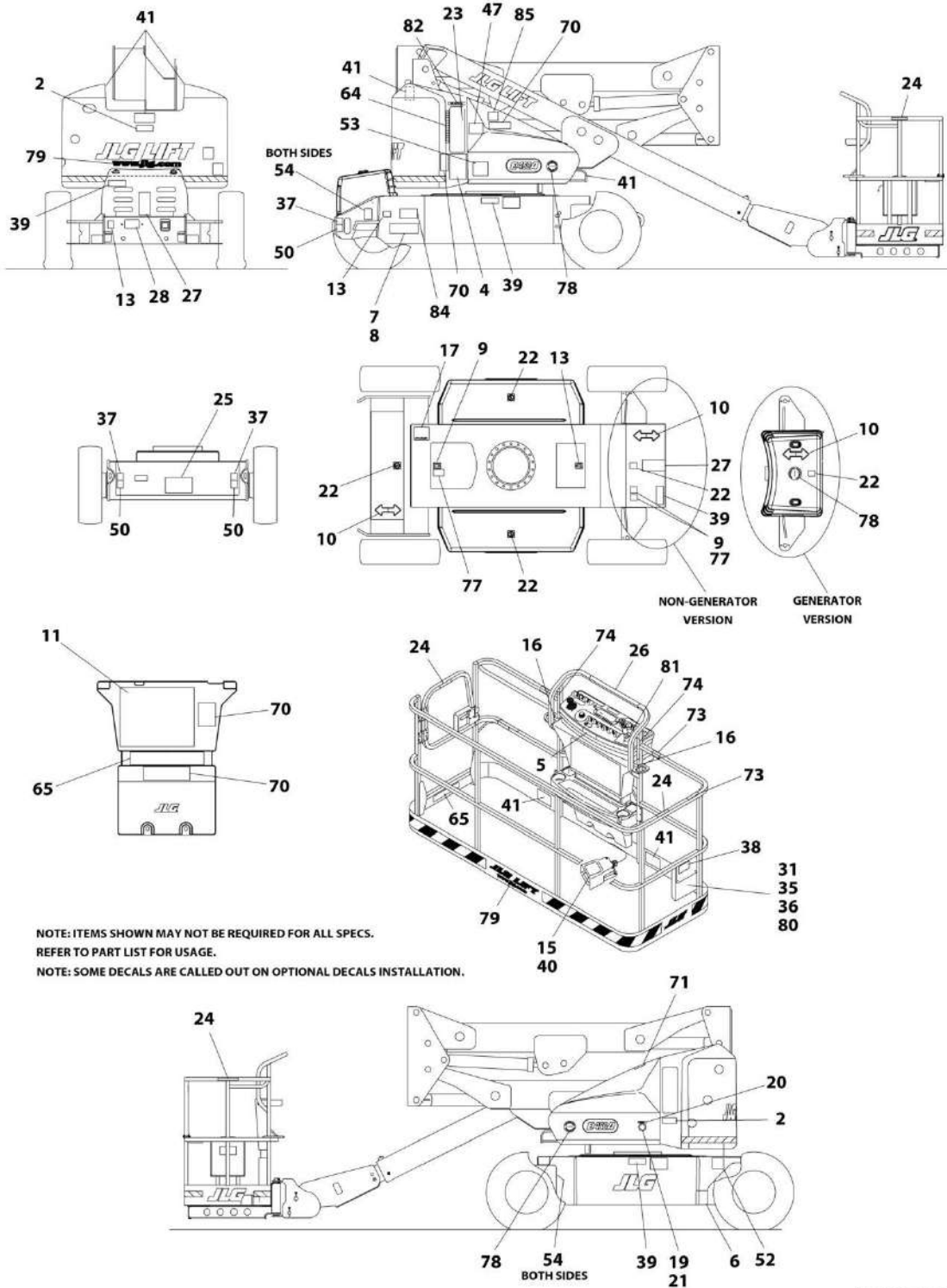
SECTION 9 - DECALS

FIGURE 9-6. DECAL INSTALLATION - CE SPEC - M400AJP/M400AJPN

ITEM	PART NUMBER	QTY	DESCRIPTION	REV
	1001178379	Ref	DECAL INSTALLATION - REFERENCE CHART (SN 0300208530 through 0300220844)	F
	1001217465	Ref	DECAL INSTALLATION - REFERENCE CHART (SN 0300220845 to Present)	C
	1001190004	Ref	DECAL INSTALLATION - CE SPEC - M400AJP/M400AJPN	F
4	1705822	1	Decal - Danger/Caution	
7	See Note	1	Nameplate - Serial Number (Note: Not Available for Purchase)	
8	3820001	2	Rivet	
9	1701504	1	Decal - Hydraulic Oil	
10	1701642	2	Decal - Arrow	
11	1705921	1	Decal - Danger/Caution	
13	1701644	2	Decal - Charger	
15	1705828	1	Decal - Footswitch	
16	1704277	2	Decal - Attach Lanyard	
19	0961127	1	Bushing, Snap	
21	0100010	AR	Adhesive	
22	1701691	4	Decal - No Step	
23	1001104864	1	Decal - Manual Descent	
25	1001173577	1	Decal - Cable Routing	
27	1706378	1	Decal - Charging Instructions	
28	1704431	1	Decal - Battery Charger LED Indicator (SN 0300208530 through 0300214530)	
31	0860520	1	Box, Manual Storage	
35	4751400	4	Washer, 1/4	
36	3311405	4	Nut, 1/4-20	
37	1703811	4	Decal - Lift	
38	1701509	1	Decal - Manual	
39	1705670	2	Decal - Warning Explosion	
41	1701518	6	Decal - Crushing Hazard	
47	1705977	1	Decal - Upright Level Over-Ride	
50	1703814	4	Decal - Tie Down	
52	See Note	1	Decal - Bar Code (Note: Not Available for Purchase)	
53	1705978	1	Decal - Capacity	
65	1705978	1	Decal - Capacity	
77	1704412	1	Decal - Oil Type	
78	1001121510	3	Decal - Hybrid	
79	1704885	2	Decal - Website (SN 0300208530 through 0300220844)	
80	0641406	4	Bolt 1/4-20 x 3/4	
83	1702773	2	Decal - JLG	
85	1001222801	1	Decal - Manual Jib Pump (SN 0300233810 to Present)	

SECTION 9 - DECALS

FIGURE 9-7. DECAL INSTALLATION - CHINESE/ENGLISH - E400AN/E400AJP/E400AJPN



ART_1001178376

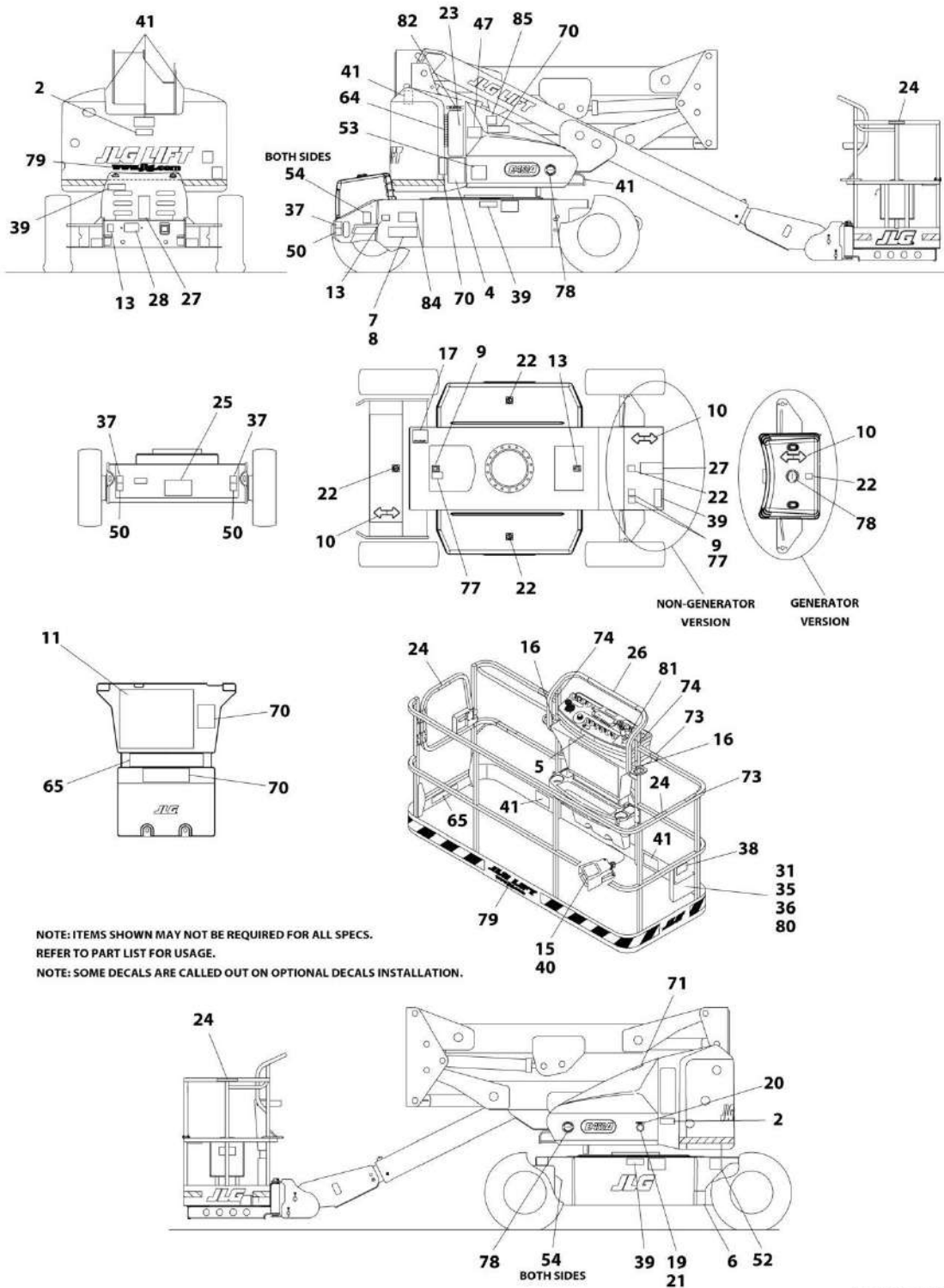
SECTION 9 - DECALS

FIGURE 9-7. DECAL INSTALLATION - CHINESE/ENGLISH - E400AN/E400AJP/E400AJPN

ITEM	PART NUMBER	QTY	DESCRIPTION	REV
	1001178379	Ref	DECAL INSTALLATION - REFERENCE CHART	K
	1001178376	Ref	DECAL INSTALLATION - CHINESE/ENGLISH - E400An/E400AJP/E400AJPN	F
2	1703937	2	Decal - Electrocutation	
4	1703931	1	Decal - Danger/Caution	
7	See Note	1	Nameplate - Serial Number (Note: Not Available for Purchase)	
8	3820001	2	Rivet	
9	1701504	1	Decal - Hydraulic Oil	
10	1701642	2	Decal - Arrow	
11	1703925	1	Decal - Caution/Danger	
13	1701644	2	Decal - Charger	
15	1703982	1	Decal - Footswitch	
16	1704277	2	Decal - Attach Lanyard	
19	0961127	1	Bushing, Snap	
21	0100010	AR	Adhesive	
22	1701691	4	Decal - No Step	
23	1001104864	1	Decal - Manual Descent	
25	1001193949	1	Decal - Cable Routing	
27	1704419	1	Decal - Charger	
28	1704431	1	Decal - Battery Charger LED Indicator (SN 0300208530 through 0300214530)	
31	0860520	1	Box, Manual Storage	
35	4751400	AR	Washer, 1/4	
36	3311405	AR	Nut, Lock, 1/4-20	
37	1701500	4	Decal - Lift	
38	1701509	1	Decal - Manual	
39	1704344	3	Decal - Explosion Warning	
41	1703949	6	Decal - Crushing Hazard	
47	1703988	1	Decal - Upright Level Override	
50	1702300	4	Decal - Tie Down	
52	See Note	1	Decal - Bar Code (Note: Not Available for Purchase)	
53	1001121823	1	Decal - 500 LBS. Max Capacity	
65	1001121810	2	Decal - 500 LBS. Max Capacity	
77	1704412	1	Decal - Oil Type	
79	1704885	2	Decal - Website	
80	0641406	4	Bolt 1/4-20 x 3/4	
81	1705430	1	Decal - Drive/Steer Instruction	
82	1001189882	1	Decal - MSSO Operation	
84	1001224050	1	Decal - Yearly Inspection (SN 0300233810 to Present)	
85	1001222801	1	Decal - Manual Jib Pump (SN 0300233810 to Present)	

SECTION 9 - DECALS

FIGURE 9-8. DECAL INSTALLATION - CHINESE/ENGLISH - M400AJP/M400AJPN



ART_1001178375

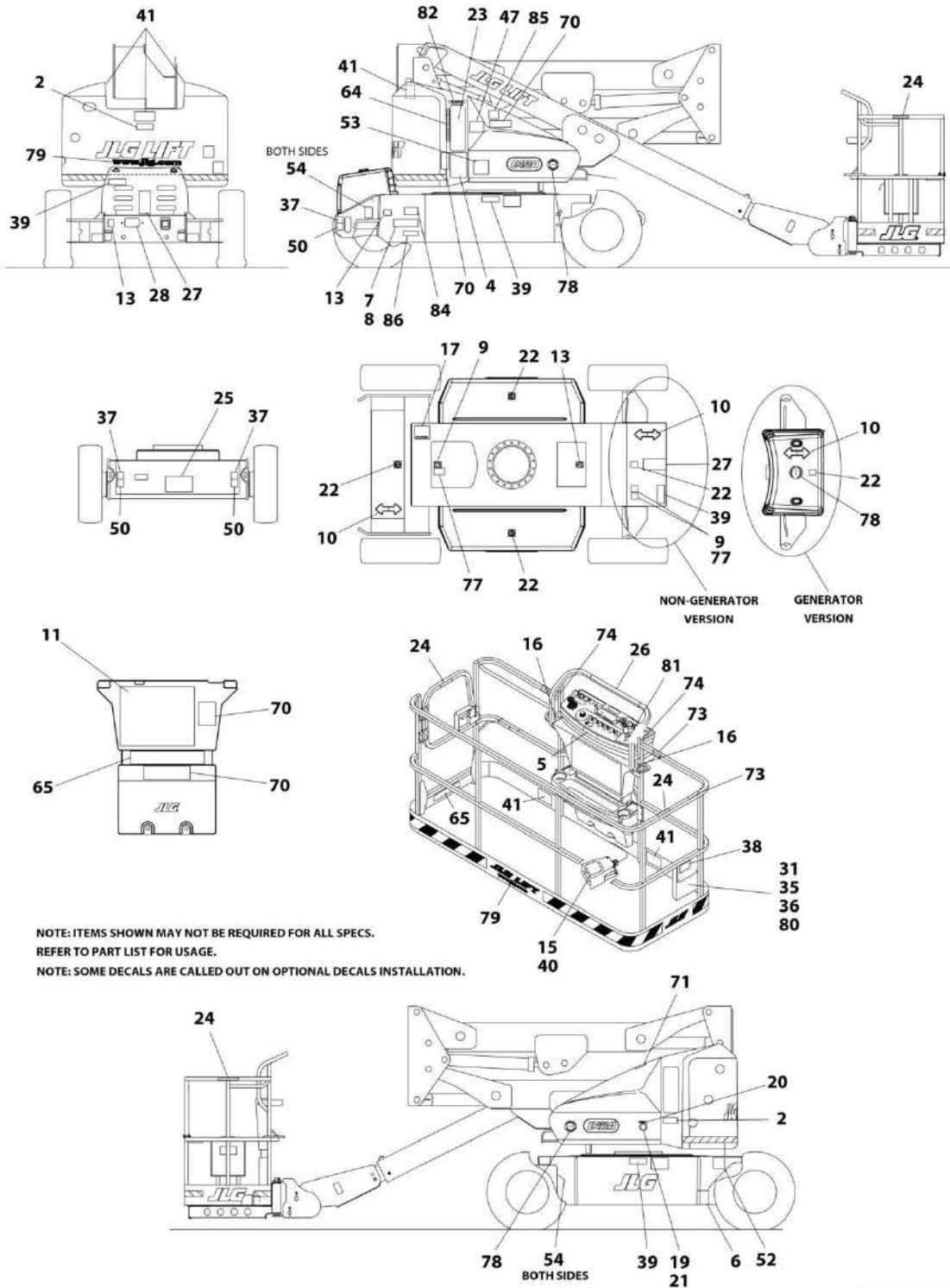
SECTION 9 - DECALS

FIGURE 9-8. DECAL INSTALLATION - CHINESE/ENGLISH - M400AJP/M400AJPN

ITEM	PART NUMBER	QTY	DESCRIPTION	REV
	1001178379	Ref	DECAL INSTALLATION - REFERENCE CHART	K
	1001178375	Ref	DECAL INSTALLATION - CHINESE/ENGLISH - M400AJP/M400AJPN	F
2	1703937	2	Decal - Electrocutation	
4	1703931	1	Decal - Danger/Caution	
7	See Note	1	Nameplate - Serial Number (Note: Not Available for Purchase)	
8	3820001	2	Rivet	
9	1701504	1	Decal - Hydraulic Oil	
10	1701642	2	Decal - Arrow	
11	1703925	1	Decal - Caution/Danger	
13	1701644	2	Decal - Charger	
15	1703982	1	Decal - Footswitch	
16	1704277	2	Decal - Attach Lanyard	
19	0961127	1	Bushing, Snap	
21	0100010	AR	Adhesive	
22	1701691	4	Decal - No Step	
23	1001104864	1	Decal - Manual Descent	
25	1001193949	1	Decal - Cable Routing	
27	1704419	1	Decal - Charger	
28	1704431	1	Decal - Battery Charger LED Indicator (SN 0300208530 through 0300214530)	
31	0860520	1	Box, Manual Storage	
35	4751400	AR	Washer, 1/4	
36	3311405	AR	Nut, Lock, 1/4-20	
37	1701500	4	Decal - Lift	
38	1701509	1	Decal - Manual	
39	1704344	3	Decal - Explosion Warning	
41	1703949	6	Decal - Crushing Hazard	
47	1703988	1	Decal - Upright Level Override	
50	1702300	4	Decal - Tie Down	
52	See Note	1	Decal - Bar Code (Note: Not Available for Purchase)	
53	1001121823	1	Decal - 500 LBS. Max Capacity	
65	1001121810	2	Decal - 500 LBS. Max Capacity	
70	1001093687	2	Decal - Generator Danger	
71	1701505	1	Decal - Fuel	
77	1704412	1	Decal - Oil Type	
78	1001121510	3	Decal - Hybrid	
79	1704885	2	Decal - Website	
80	0641406	4	Bolt 1/4-20 x 3/4	
81	1705430	1	Decal - Drive/Steer Instruction	
82	1001189882	1	Decal - MSSO Operation	
84	1001224050	1	Decal - Yearly Inspection (SN 0300233810 to Present)	
85	1001222801	1	Decal - Manual Jib Pump (SN 0300233810 to Present)	

SECTION 9 - DECALS

FIGURE 9-9. DECAL INSTALLATION - FRENCH/ENGLISH SPECS - E400AN/E400AJP/E400AJPN



ART_1001178366

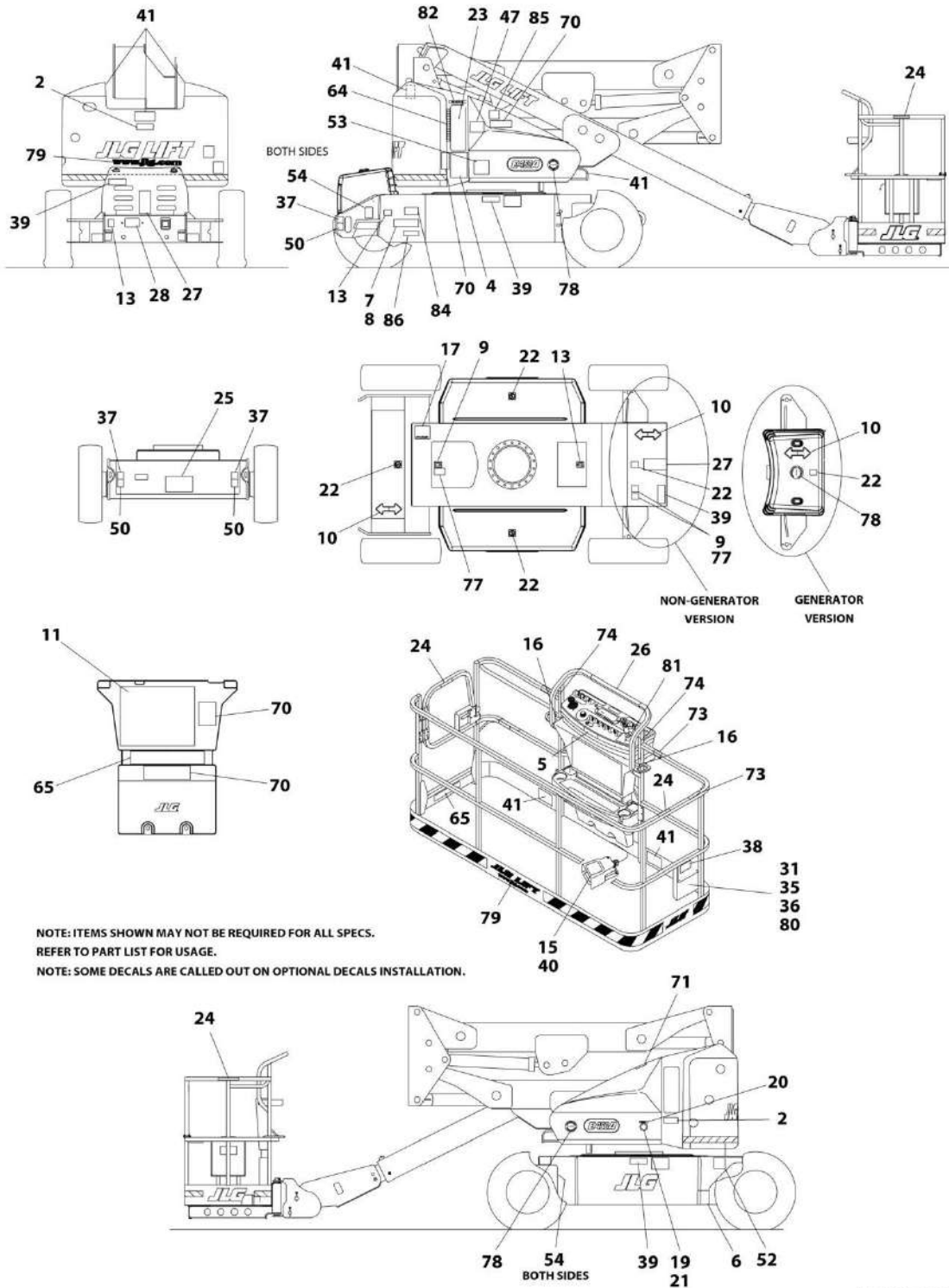
SECTION 9 - DECALS

FIGURE 9-9. DECAL INSTALLATION - FRENCH/ENGLISH SPECS - E400AN/E400AJP/E400AJPN

ITEM	PART NUMBER	QTY	DESCRIPTION	REV
	1001178379	Ref	DECAL INSTALLATION - REFERENCE CHART	K
	1001178366	Ref	DECAL INSTALLATION - FRENCH/ENGLISH SPECS - E400An/E400AJP/E400AJPN	F
2	1703936	2	Decal - Electrocutation	
4	1703930	1	Decal - Danger/Caution	
5	1705514	1	Decal - CSA	
6	1700584	1	Decal - Patent	
7	See Note	1	Nameplate - Serial Number (Note: Not Available for Purchase)	
8	3820001	2	Rivet	
9	1701504	1	Decal - Hydraulic Oil	
10	1701642	2	Decal - Arrow	
11	1703924	1	Decal - Caution/Danger	
13	1701644	2	Decal - Charger	
15	1703984	1	Decal - Footswitch	
16	1704277	2	Decal - Attach Lanyard	
19	0961127	1	Bushing, Snap	
20	3251243	1	Nameplate - 120V/60HZ	
21	0100010	AR	Adhesive	
22	1701691	4	Decal - No Step	
23	1001104864	1	Decal - Manual Descent	
24	1704000	2	Decal - No Hands	
25	1001193949	1	Decal - Cable Routing	
26	1001196811	1	Decal - Legend Platform	
27	1704452	1	Decal - Charger	
28	1704431	1	Decal - Battery Charger LED Indicator (SN 0300208530 through 0300214530)	
31	0860520	1	Box, Manual Storage	
35	4751400	AR	Washer, 1/4	
36	3311405	AR	Nut, Lock, 1/4-20	
37	1701500	4	Decal - Lift	
38	1701509	1	Decal - Manual	
39	1704340	3	Decal - Explosion Warning	
41	1703948	6	Decal - Crushing Hazard	
47	1702265	1	Decal - Boom Sequence	
50	1702300	4	Decal - Tie Down	
52	See Note	1	Decal - Bar Code (Note: Not Available for Purchase)	
53	1001121816	1	Decal - 500 LBS. Max Capacity	
64	1706950	1	Decal - Key, Main Terminal Box	
65	1001121803	2	Decal - 500 LBS. Max Capacity	
77	1704412	1	Decal - Oil Type	
79	1704885	2	Decal - Website	
80	0641406	4	Bolt 1/4-20 x 3/4	
81	1705429	1	Decal - Drive/Steer Instruction	
82	1001189882	1	Decal - MSSO Operation	
84	1001223971	1	Decal - Yearly Inspection (SN 0300233810 to Present)	
85	1001222801	1	Decal - Manual Jib Pump (SN 0300233810 to Present)	
86	1001228370	1	Decal - CSA Ices (SN 0300233810 to Present)	

SECTION 9 - DECALS

FIGURE 9-10. DECAL INSTALLATION - FRENCH/ENGLISH SPECS - M400AJP/M400AJPN



ART_1001178365

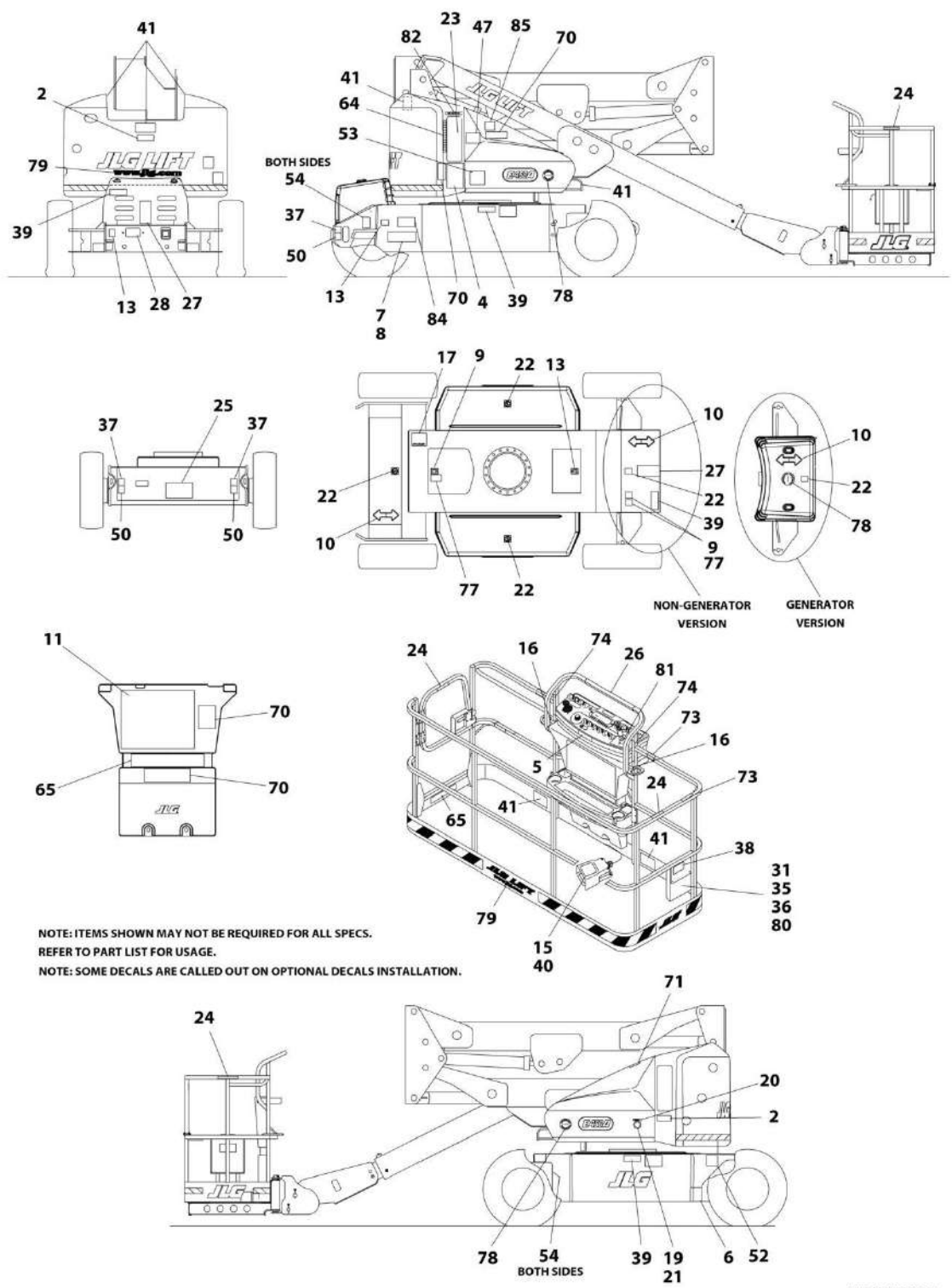
SECTION 9 - DECALS

FIGURE 9-10. DECAL INSTALLATION - FRENCH/ENGLISH SPECS - M400AJP/M400AJPN

ITEM	PART NUMBER	QTY	DESCRIPTION	REV
	1001178379	Ref	DECAL INSTALLATION - REFERENCE CHART	K
	1001178365	Ref	DECAL INSTALLATION - FRENCH/ENGLISH SPECS - M400AJP/M400AJPN	F
2	1703936	2	Decal - Electrocutation	
4	1703930	1	Decal - Danger/Caution	
5	1705514	1	Decal - CSA	
7	See Note	1	Nameplate - Serial Number (Note: Not Available for Purchase)	
8	3820001	2	Rivet	
9	1701504	1	Decal - Hydraulic Oil	
10	1701642	2	Decal - Arrow	
11	1703924	1	Decal - Caution/Danger	
13	1701644	2	Decal - Charger	
15	1703984	1	Decal - Footswitch	
16	1704277	2	Decal - Attach Lanyard	
19	0961127	1	Bushing, Snap	
20	3251243	1	Nameplate - 120V/60HZ	
21	0100010	AR	Adhesive	
22	1701691	4	Decal - No Step	
23	1001104864	1	Decal - Manual Descent	
24	1704000	2	Decal - No Hands	
25	1001193949	1	Decal - Cable Routing	
26	1001196811	1	Decal - Legend Platform	
27	1704452	1	Decal - Charger	
28	1704431	1	Decal - Battery Charger LED Indicator (SN 0300208530 through 0300214530)	
31	0860520	1	Box, Manual Storage	
35	4751400	AR	Washer, 1/4	
36	3311405	AR	Nut, Lock, 1/4-20	
37	1701500	4	Decal - Lift	
38	1701509	1	Decal - Manual	
39	1704340	3	Decal - Explosion Warning	
41	1703948	6	Decal - Crushing Hazard	
47	1702265	1	Decal - Boom Sequence	
50	1702300	1	Decal - Tie Down	
52	See Note	1	Decal - Bar Code (Note: Not Available for Purchase)	
53	1001121816	1	Decal - 500 LBS. Max Capacity	
64	1706950	1	Decal - Key, Main Terminal Box	
65	1001121803	2	Decal - 500 LBS. Max Capacity	
70	1001093687	2	Decal - Generator Danger	
77	1704412	1	Decal - Oil Type	
78	1001121510	3	Decal - Hybrid	
79	1704885	2	Decal - Website	
80	0641406	4	Bolt 1/4-20 x 3/4	
81	1705429	1	Decal - Drive/Steer Instruction	
82	1001189882	1	Decal - MSSO Operation	
84	1001223971	1	Decal - Yearly Inspection (SN 0300233810 to Present)	
85	1001222801	1	Decal - Manual Jib Pump (SN 0300233810 to Present)	
86	1001228370	1	Decal - CSA Ices (SN 0300233810 to Present)	

SECTION 9 - DECALS

FIGURE 9-11. DECAL INSTALLATION - JAPANESE SPEC - E400AN/E400AJP/E400AJPN



ART_1001178372

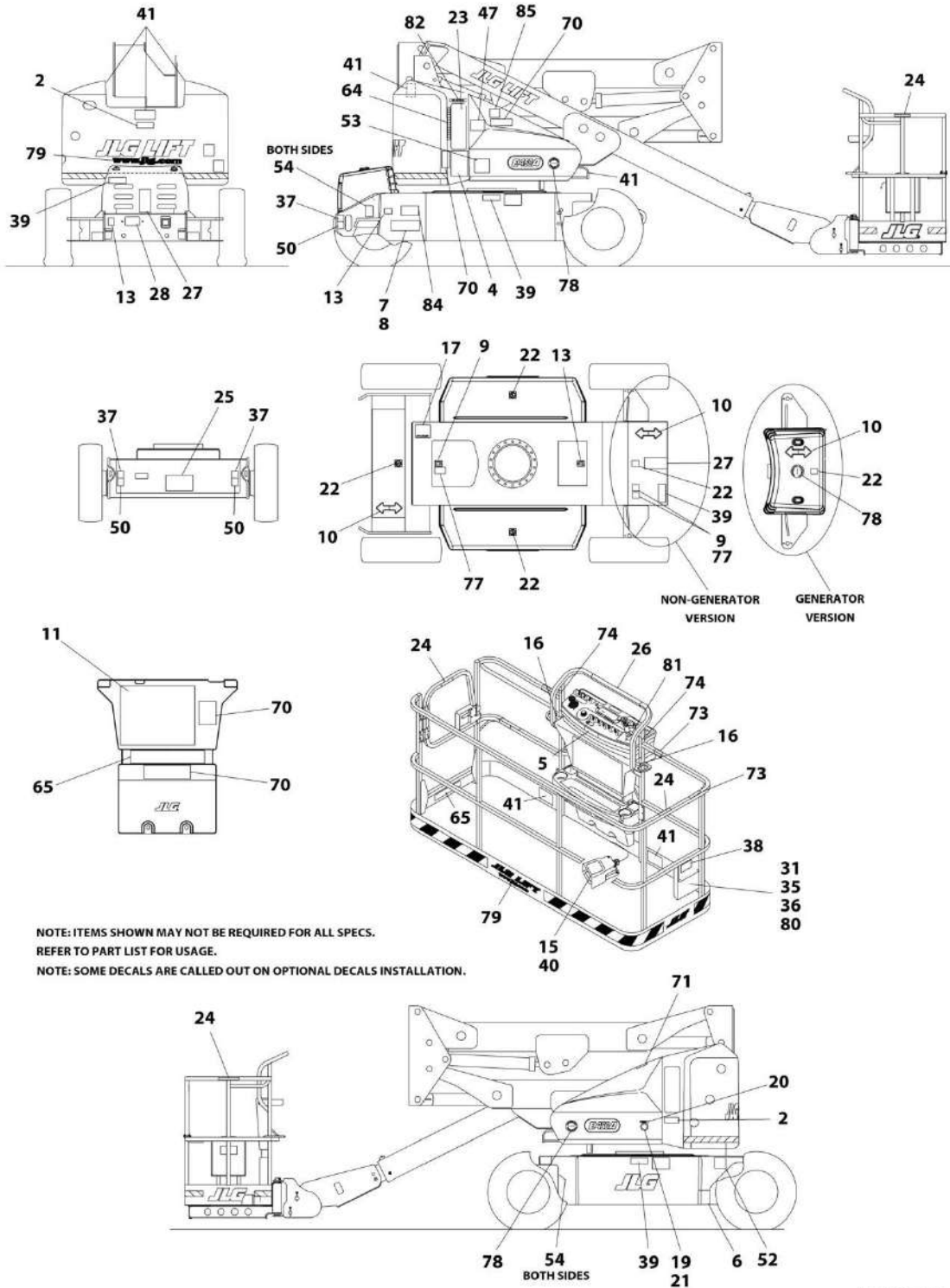
SECTION 9 - DECALS

FIGURE 9-11. DECAL INSTALLATION - JAPANESE SPEC - E400AN/E400AJP/E400AJPN

ITEM	PART NUMBER	QTY	DESCRIPTION	REV
	1001178379	Ref	DECAL INSTALLATION - REFERENCE CHART	K
	1001178372	Ref	DECAL INSTALLATION - JAPANESE SPEC - E400An/E400AJP/E400AJPN	F
2	1703938	2	Decal - Electrocutation	
4	1703932	1	Decal - Danger/Caution	
7	See Note	1	Nameplate - Serial Number (Note: Not Available for Purchase)	
8	3820001	2	Rivet	
9	1701504	1	Decal - Hydraulic Oil	
10	1701642	2	Decal - Arrow	
11	1703926	1	Decal - Caution/Danger	
13	1701644	2	Decal - Charger	
15	1703980	1	Decal - Footswitch	
16	1704277	2	Decal - Attach Lanyard	
19	0961127	1	Bushing, Snap	
21	0100010	AR	Adhesive	
22	1701691	4	Decal - No Step	
23	1001104864	1	Decal - Manual Descent	
25	1001193949	1	Decal - Cable Routing	
26	1001196811	1	Decal - Legend Platform	
27	1704417	1	Decal - Charger	
28	1704431	1	Decal - Battery Charger LED Indicator (SN 0300208530 through 0300214530)	
31	0860520	1	Box, Manual Storage	
35	4751400	4	Washer, 1/4	
36	3311405	4	Nut, Lock, 1/4-20	
37	1701500	4	Decal - Lift	
38	1701509	1	Decal - Manual	
39	1704342	3	Decal - Explosion Warning	
41	1703950	6	Decal - Crushing Hazard	
47	1702271	1	Decal	
50	1702300	4	Decal - Tie Down	
52	See Note	1	Decal - Bar Code (Note: Not Available for Purchase)	
53	1001121821	1	Decal - 500 LBS. Max Capacity	
65	1001121808	2	Decal - 500 LBS. Max Capacity	
77	1704412	1	Decal - Oil Type	
79	1704885	2	Decal - Website	
80	0641406	4	Bolt 1/4-20 x 3/4	
81	1705426	1	Decal - Drive/Steer Instruction	
82	1001189882	1	Decal - MSSO Operation	
84	1001224053	1	Decal - Yearly Inspection (SN 0300233810 to Present)	
85	1001222801	1	Decal - Manual Jib Pump (SN 0300233810 to Present)	

SECTION 9 - DECALS

FIGURE 9-12. DECAL INSTALLATION - JAPANESE SPEC - M400AJP/M400AJPN



ART_1001178371

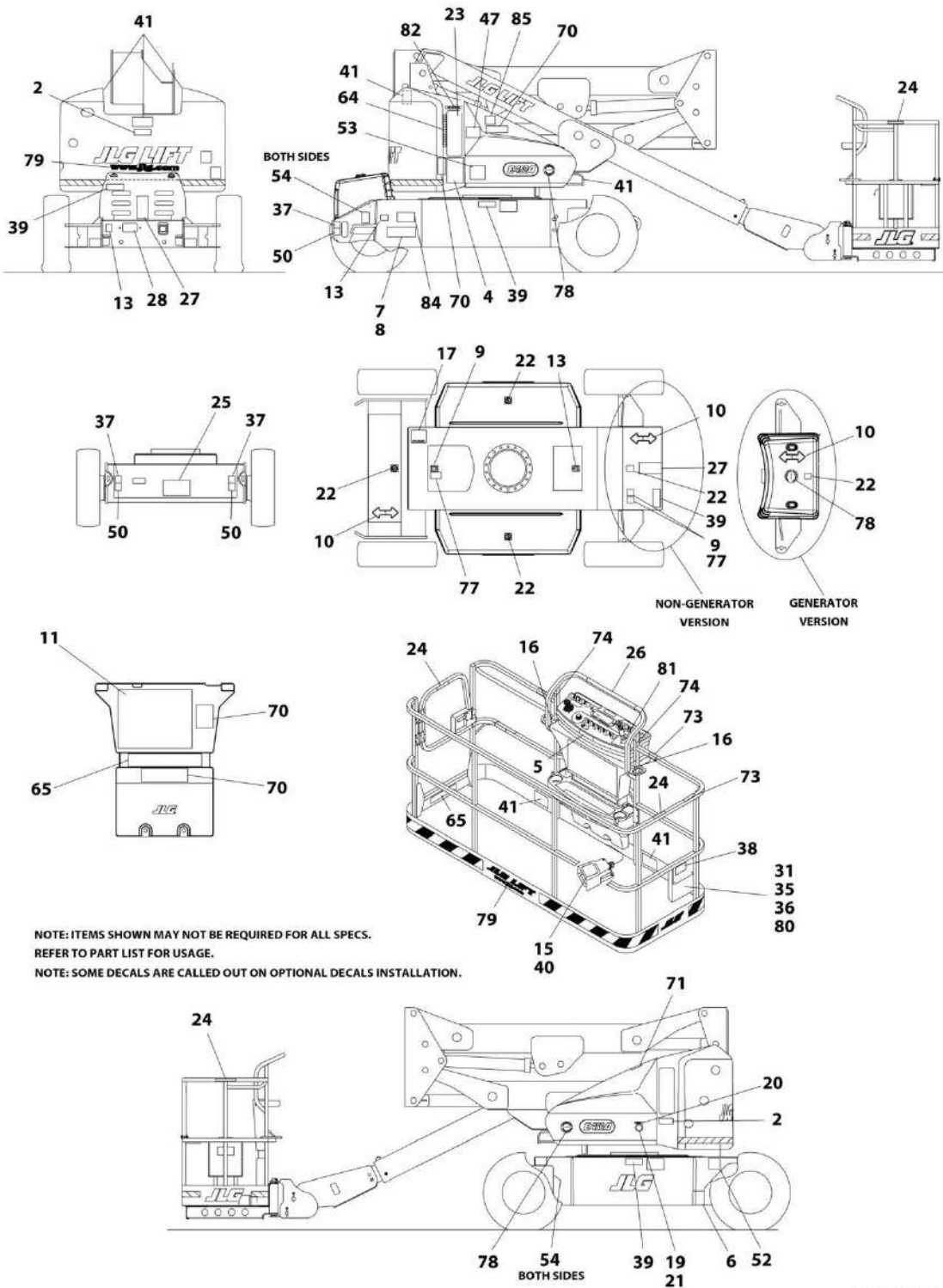
SECTION 9 - DECALS

FIGURE 9-12. DECAL INSTALLATION - JAPANESE SPEC - M400AJP/M400AJPN

ITEM	PART NUMBER	QTY	DESCRIPTION	REV
	1001178379	Ref	DECAL INSTALLATION - REFERENCE CHART	K
	1001178371	Ref	DECAL INSTALLATION - JAPANESE SPEC - M400AJP/M400AJPN	F
2	1703938	2	Decal - Electrocutation	
4	1703932	1	Decal - Danger/Caution	
7	See Note	1	Nameplate - Serial Number (Note: Not Available for Purchase)	
8	3820001	2	Rivet	
9	1701504	1	Decal - Hydraulic Oil	
10	1701642	2	Decal - Arrow	
11	1703926	1	Decal - Caution/Danger	
13	1701644	2	Decal - Charger	
15	1703980	1	Decal - Footswitch	
16	1704277	2	Decal - Attach Lanyard	
19	0961127	1	Bushing, Snap	
21	0100010	AR	Adhesive	
22	1701691	4	Decal - No Step	
23	1001104864	1	Decal - Manual Descent	
25	1001193949	1	Decal - Cable Routing	
27	1704417	1	Decal - Charger	
28	1704431	1	Decal - Battery Charger LED Indicator (SN 0300208530 through 0300214530)	
31	0860520	1	Box, Manual Storage	
35	4751400	4	Washer, 1/4	
36	3311405	4	Nut, Lock, 1/4-20	
37	1701500	4	Decal - Lift	
38	1701509	1	Decal - Manual	
39	1704342	3	Decal - Explosion Warning	
41	1703950	6	Decal - Crushing Hazard	
47	1702271	1	Decal	
50	1702300	4	Decal - Tie Down	
52	See Note	1	Decal - Bar Code (Note: Not Available for Purchase)	
53	1001121821	1	Decal - 500 LBS. Max Capacity	
65	1001121808	2	Decal - 500 LBS. Max Capacity	
70	1001093687	2	Decal - Generator Danger	
77	1704412	1	Decal - Oil Type	
78	1001121510	3	Decal - Hybrid	
79	1704885	2	Decal - Website	
80	0641406	4	Bolt 1/4-20 x 3/4	
81	1705426	1	Decal - Drive/Steer Instruction	
82	1001189882	1	Decal - MSSO Operation	
84	1001224053	1	Decal - Yearly Inspection (SN 0300233810 to Present)	
85	1001222801	1	Decal - Manual Jib Pump (SN 0300233810 to Present)	

SECTION 9 - DECALS

FIGURE 9-13. DECAL INSTALLATION - KOREAN SPEC - E400AN/E400AJP/E400AJPN



ART_1001178374

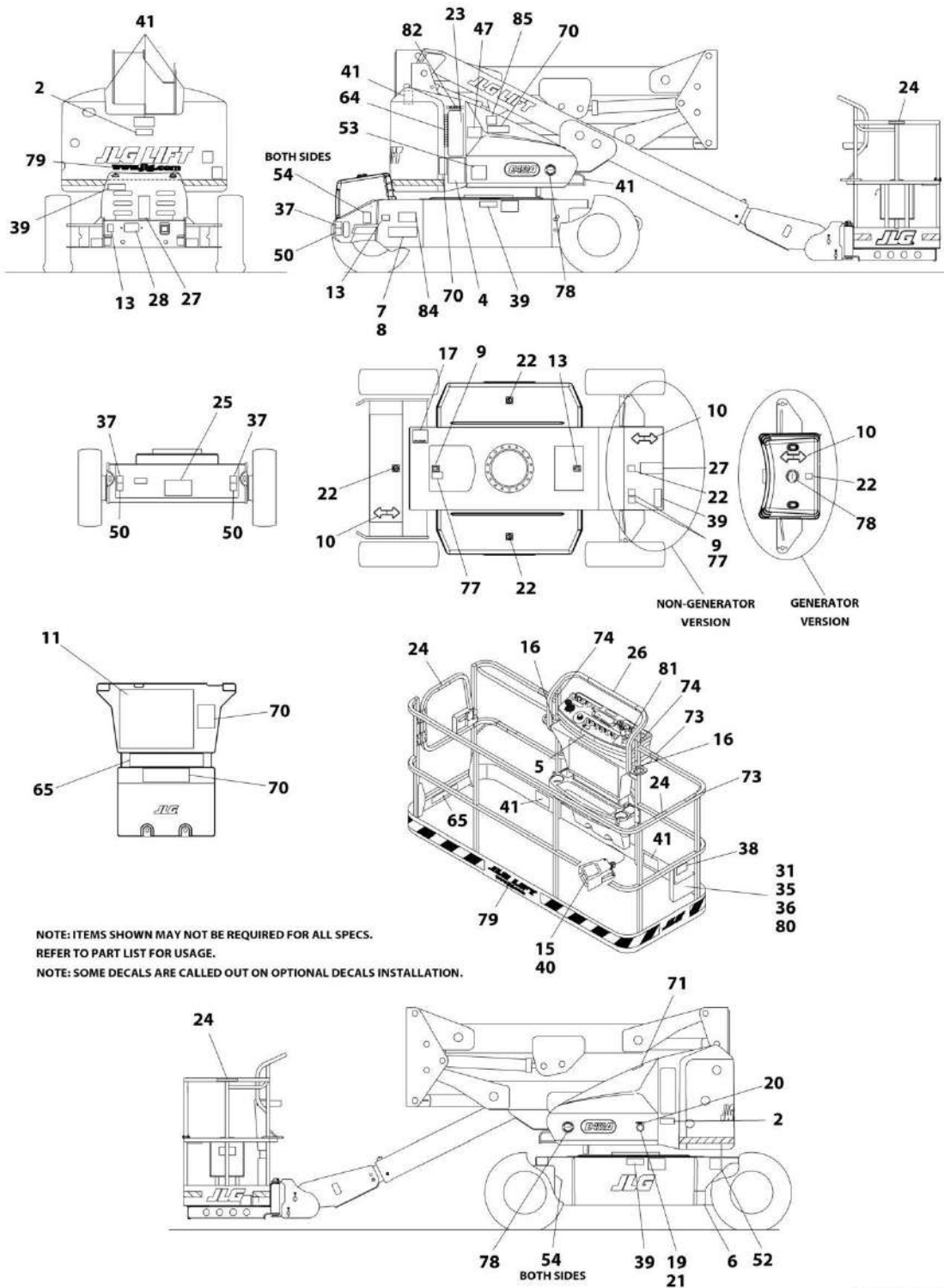
SECTION 9 - DECALS

FIGURE 9-13. DECAL INSTALLATION - KOREAN SPEC - E400AN/E400AJP/E400AJPN

ITEM	PART NUMBER	QTY	DESCRIPTION	REV
	1001178379	Ref	DECAL INSTALLATION - REFERENCE CHART	K
	1001178374	Ref	DECAL INSTALLATION - KOREAN SPEC - E400An/E400AJP/E400AJPN	F
2	1703939	2	Decal - Electrocutation	
4	1703933	1	Decal - Danger/Caution	
7	See Note	1	Nameplate - Serial Number (Note: Not Available for Purchase)	
8	3820001	2	Rivet	
9	1701504	1	Decal - Hydraulic Oil	
10	1701642	2	Decal - Arrow	
11	1703927	1	Decal - Caution/Danger	
13	1701644	2	Decal - Charger	
15	1703981	1	Decal - Footswitch	
16	1704277	2	Decal - Attach Lanyard	
19	0961127	1	Bushing, Snap	
21	0100010	AR	Adhesive	
22	1701691	4	Decal - No Step	
23	1001104864	1	Decal - Manual Descent	
25	1001193949	1	Decal - Cable Routing	
27	1704418	1	Decal - Charger	
28	1704431	1	Decal - Battery Charger LED Indicator (SN 0300208530 through 0300214530)	
31	0860520	1	Box, Manual Storage	
35	4751400	AR	Washer, 1/4	
36	3311405	AR	Nut, Lock, 1/4-20	
37	1701500	4	Decal - Lift	
38	1701509	1	Decal - Manual	
39	1704343	3	Decal - Explosion Warning	
41	1703951	6	Decal - Crushing Hazard	
47	1703987	1	Decal - Upright Level Override	
50	1702300	4	Decal - Tie Down	
52	See Note	1	Decal - Bar Code (Note: Not Available for Purchase)	
53	1001121921	1	Decal - 500 LBS. Max Capacity	
65	1001121918	2	Decal - 500 LBS. Max Capacity	
77	1704412	1	Decal - Oil Type	
79	1704885	2	Decal - Website	
80	0641406	4	Bolt 1/4-20 x 3/4	
81	1705427	1	Decal - Drive/Steer Instruction	
82	1001189882	1	Decal - MSSO Operation	
84	1001224048	1	Decal - Yearly Inspection (SN 0300233810 to Present)	
85	1001222801	1	Decal - Manual Jib Pump (SN 0300233810 to Present)	

SECTION 9 - DECALS

FIGURE 9-14. DECAL INSTALLATION - KOREAN SPEC - M400AJP/M400AJPN



ART_1001178373

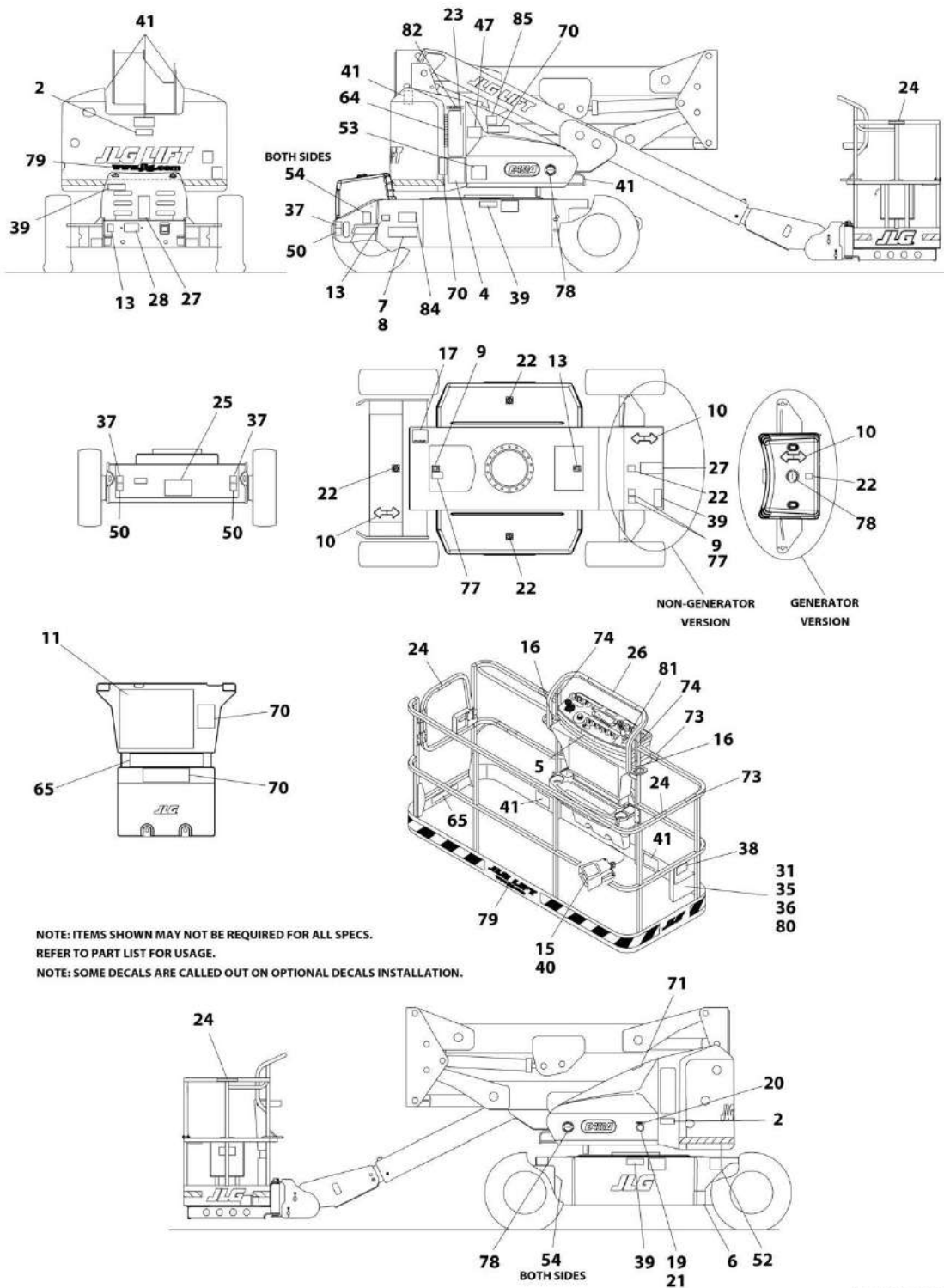
SECTION 9 - DECALS

FIGURE 9-14. DECAL INSTALLATION - KOREAN SPEC - M400AJP/M400AJPN

ITEM	PART NUMBER	QTY	DESCRIPTION	REV
	1001178379	Ref	DECAL INSTALLATION - REFERENCE CHART	K
	1001178373	Ref	DECAL INSTALLATION - KOREAN SPEC - M400AJP/M400AJPN	F
2	1703939	2	Decal - Electrocutation	
4	1703933	1	Decal - Danger/Caution	
7	See Note	1	Nameplate - Serial Number (Note: Not Available for Purchase)	
8	3820001	2	Rivet	
9	1701504	1	Decal - Hydraulic Oil	
10	1701642	2	Decal - Arrow	
11	1703927	1	Decal - Caution/Danger	
13	1701644	2	Decal - Charger	
15	1703981	1	Decal - Footswitch	
16	1704277	2	Decal - Attach Lanyard	
19	0961127	1	Bushing, Snap	
21	0100010	AR	Adhesive	
22	1701691	4	Decal - No Step	
23	1001104864	1	Decal - Manual Descent	
25	1001193949	1	Decal - Cable Routing	
27	1704418	1	Decal - Charger	
28	1704431	1	Decal - Battery Charger LED Indicator (SN 0300208530 through 0300214530)	
31	0860520	1	Box, Manual Storage	
35	4751400	4	Washer, 1/4	
36	3311405	4	Nut, Lock, 1/4-20	
37	1701500	4	Decal - Lift	
38	1701509	1	Decal - Manual	
39	1704343	3	Decal - Explosion Warning	
41	1703951	6	Decal - Crushing Hazard	
47	1703987	1	Decal - Upright Level Override	
50	1702300	4	Decal - Tie Down	
52	See Note	1	Decal - Bar Code (Note: Not Available for Purchase)	
53	1001121921	1	Decal - 500 LBS. Max Capacity	
54	1704445	4	Decal - Tire Load	
65	1001121918	2	Decal - 500 LBS. Max Capacity	
70	1001093687	3	Decal - Generator Danger	
77	1704412	1	Decal - Oil Type	
78	1001121510	3	Decal - Hybrid	
79	1704885	2	Decal - Website	
80	0641406	4	Bolt 1/4-20 x 3/4	
81	1705427	1	Decal - Drive/Steer Instruction	
82	1001189882	1	Decal - MSSO Operation	
84	1001224048	1	Decal - Yearly Inspection (SN 0300233810 to Present)	
85	1001222801	1	Decal - Manual Jib Pump (SN 0300233810 to Present)	

SECTION 9 - DECALS

FIGURE 9-15. DECAL INSTALLATION - SPANISH/ENGLISH SPECS - E400AN/E400AJP/E400AJPN



NOTE: ITEMS SHOWN MAY NOT BE REQUIRED FOR ALL SPECS.
REFER TO PART LIST FOR USAGE.
NOTE: SOME DECALS ARE CALLED OUT ON OPTIONAL DECALS INSTALLATION.

ART_1001178368

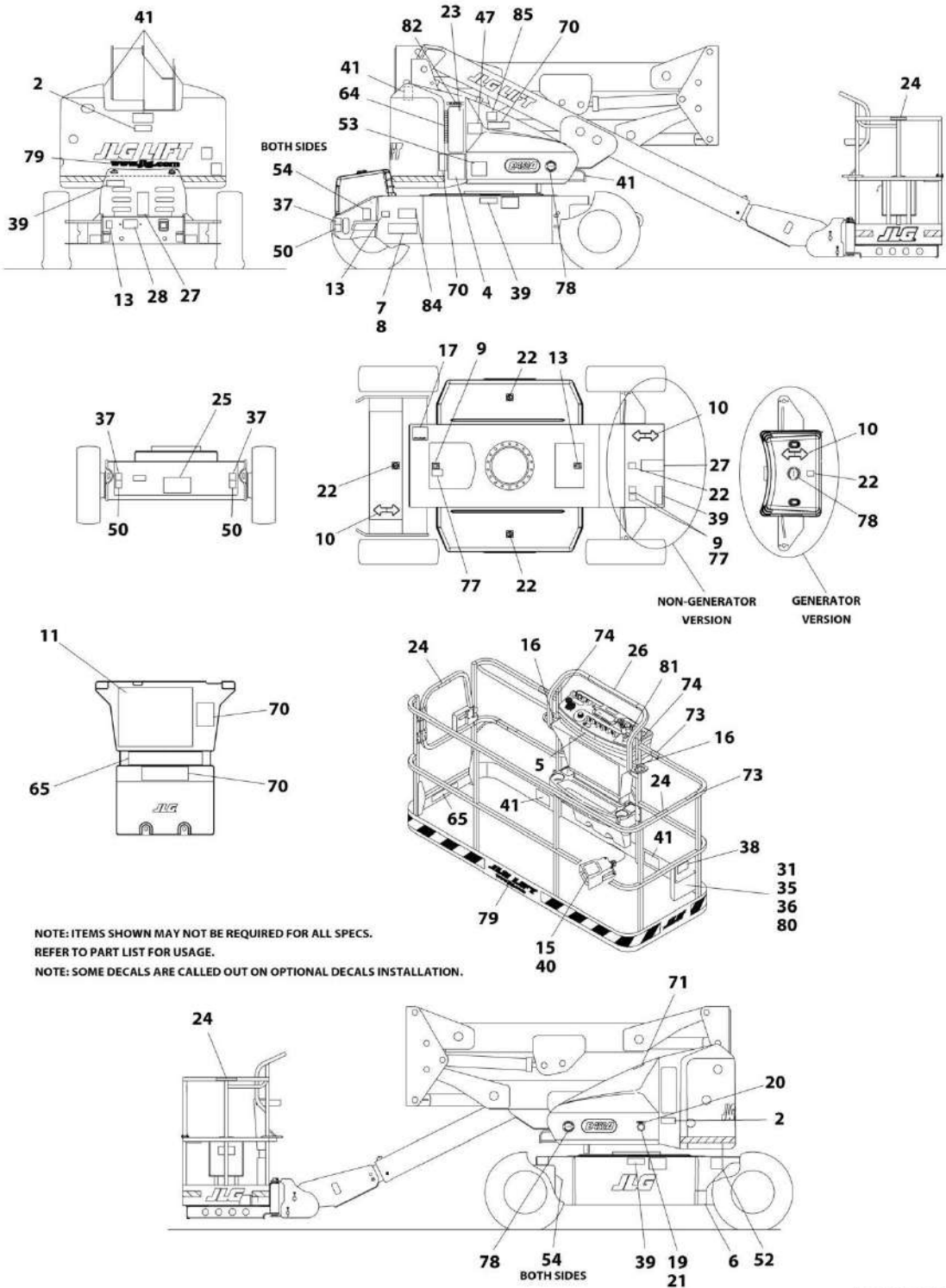
SECTION 9 - DECALS

FIGURE 9-15. DECAL INSTALLATION - SPANISH/ENGLISH SPECS - E400AN/E400AJP/E400AJPN

ITEM	PART NUMBER	QTY	DESCRIPTION	REV
	1001178379	Ref	DECAL INSTALLATION - REFERENCE CHART	K
	1001178368	Ref	DECAL INSTALLATION - SPANISH/ENGLISH SPECS - E400An/E400AJP/E400AJPN	F
2	1703935	2	Decal - Electrocutation	
4	1703929	1	Decal - Danger/Caution	
7	See Note	1	Nameplate - Serial Number (Note: Not Available for Purchase)	
8	3820001	2	Rivet	
9	1701504	1	Decal - Hydraulic Oil	
10	1701642	2	Decal - Arrow	
11	1703923	1	Decal - Caution/Danger	
13	1701644	2	Decal - Charger	
15	1703983	1	Decal - Footswitch	
16	1704277	2	Decal - Attach Lanyard	
19	0961127	1	Bushing, Snap	
20	3251243	1	Nameplate - 120V/60HZ	
21	0100010	AR	Adhesive	
22	1701691	4	Decal - No Step	
23	1001104864	1	Decal - Manual Descent	
24	1704001	2	Decal - No Hands	
25	1001193949	1	Decal - Cable Routing	
26	1001196811	1	Decal - Legend Platform	
27	1704454	1	Decal - Charger	
28	1704431	1	Decal - Battery Charger LED Indicator (SN 0300208530 through 0300214530)	
31	0860520	1	Box, Manual Storage	
35	4751400	AR	Washer, 1/4	
36	3311405	AR	Nut, Lock, 1/4-20	
37	1701500	4	Decal - Lift	
38	1701509	1	Decal - Manual	
39	1704339	3	Decal - Explosion Warning	
41	1703947	6	Decal - Crushing Hazard	
47	1702265	1	Decal - Boom Sequence	
50	1702300	4	Decal - Tie Down	
52	See Note	1	Decal - Bar Code (Note: Not Available for Purchase)	
53	1001121818	1	Decal - 500 LBS. Max Capacity	
64	1706950	1	Decal - Key, Main Terminal Box	
65	1001121805	2	Decal - 500 LBS. Max Capacity	
77	1704412	1	Decal - Oil Type	
79	1704885	2	Decal - Website	
80	0641406	4	Bolt 1/4-20 x 3/4	
81	1705910	1	Decal - Drive/Steer Instruction	
82	1001189882	1	Decal - MSSO Operation	
84	1001224049	1	Decal - Yearly Inspection (SN 0300233810 to Present)	
85	1001222801	1	Decal - Manual Jib Pump (SN 0300233810 to Present)	

SECTION 9 - DECALS

FIGURE 9-16. DECAL INSTALLATION - SPANISH/ENGLISH SPECS - M400AJP/M400AJPN



ART_1001178367

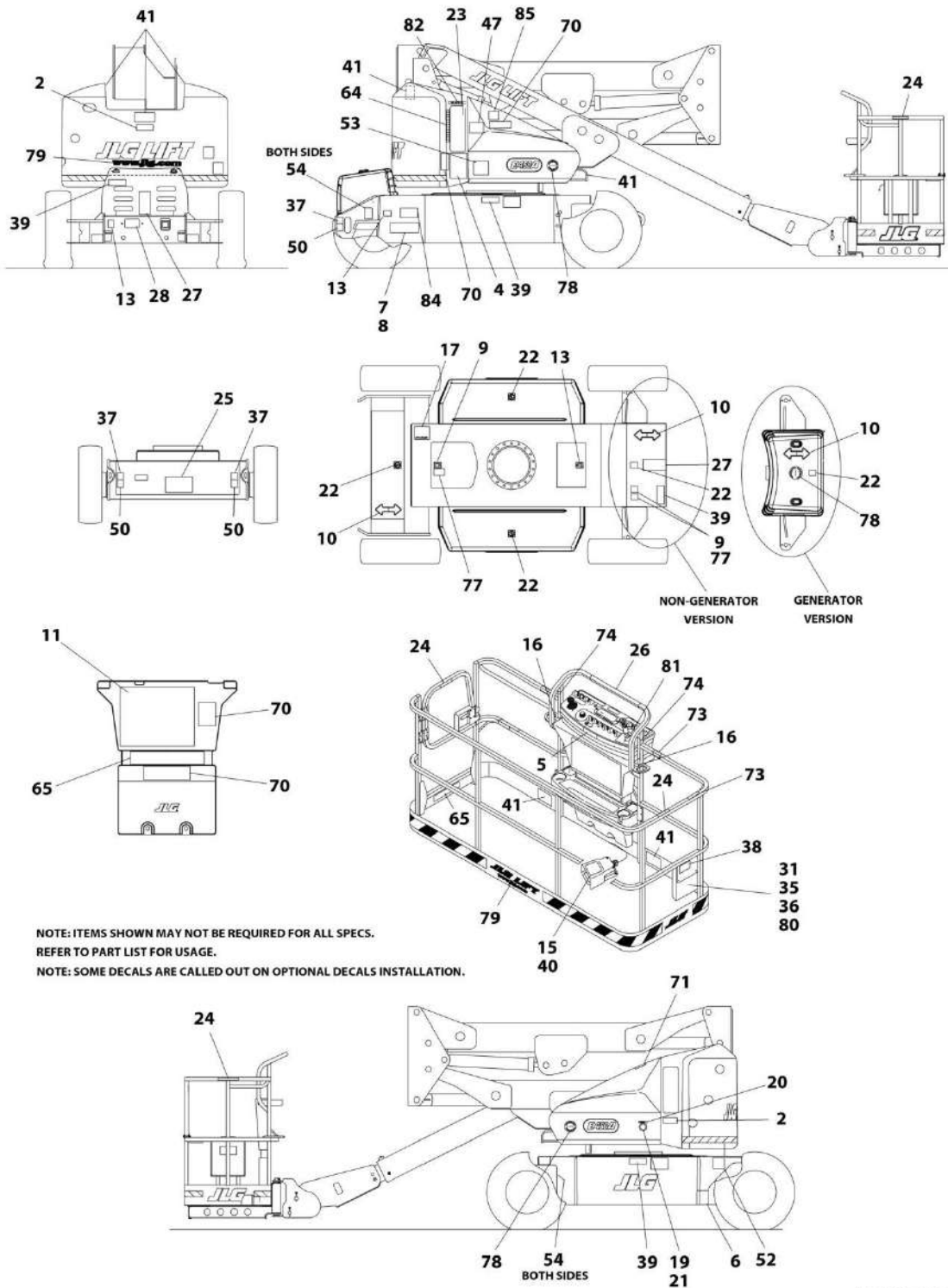
SECTION 9 - DECALS

FIGURE 9-16. DECAL INSTALLATION - SPANISH/ENGLISH SPECS - M400AJP/M400AJPN

ITEM	PART NUMBER	QTY	DESCRIPTION	REV
	1001178379	Ref	DECAL INSTALLATION - REFERENCE CHART	K
	1001178367	Ref	DECAL INSTALLATION - SPANISH/ENGLISH SPECS - M400AJP/M400AJPN	F
2	1703935	2	Decal - Electrocutation	
4	1703929	1	Decal - Danger/Caution	
7	See Note	1	Nameplate - Serial Number (Note: Not Available for Purchase)	
8	3820001	2	Rivet	
9	1701504	1	Decal - Hydraulic Oil	
10	1701642	2	Decal - Arrow	
11	1703923	1	Decal - Caution/Danger	
13	1701644	2	Decal - Charger	
15	1703983	1	Decal - Footswitch	
16	1704277	2	Decal - Attach Lanyard	
19	0961127	1	Bushing, Snap	
20	3251243	1	Nameplate - 120V/60HZ	
21	0100010	AR	Adhesive	
22	1701691	4	Decal - No Step	
23	1001104864	1	Decal - Manual Descent	
24	1704001	2	Decal - No Hands	
25	1001193949	1	Decal - Cable Routing	
26	1001196811	1	Decal - Legend Platform	
27	1704454	1	Decal - Charger	
28	1704431	1	Decal - Battery Charger LED Indicator (SN 0300208530 through 0300214530)	
31	0860520	1	Box, Manual Storage	
35	4751400	AR	Washer, 1/4	
36	3311405	AR	Nut, Lock, 1/4-20	
37	1701500	4	Decal - Lift	
38	1701509	1	Decal - Manual	
39	1704339	3	Decal - Explosion Warning	
41	1703947	6	Decal - Crushing Hazard	
47	1702265	1	Decal - Boom Sequence	
50	1702300	4	Decal - Tie Down	
52	See Note	1	Decal - Bar Code (Note: Not Available for Purchase)	
53	1001121818	1	Decal - 500 LBS. Max Capacity	
64	1706950	1	Decal - Key, Main Terminal Box	
65	1001121805	2	Decal - 500 LBS. Max Capacity	
70	1704371	2	Decal - Generator Danger	
77	1704412	1	Decal - Oil Type	
78	1001121510	3	Decal - Hybrid	
79	1704885	2	Decal - Website	
80	0641406	4	Bolt 1/4-20 x 3/4	
81	1705910	1	Decal - Drive/Steer Instruction	
82	1001189882	1	Decal - MSSO Operation	
84	1001224049	1	Decal - Yearly Inspection (SN 0300233810 to Present)	
85	1001222801	1	Decal - Manual Jib Pump (SN 0300233810 to Present)	

SECTION 9 - DECALS

FIGURE 9-17. DECAL INSTALLATION - SPANISH/PORTUGUESE SPECS - E400AN/E400AJP/E400AJPN



ART_1001178370

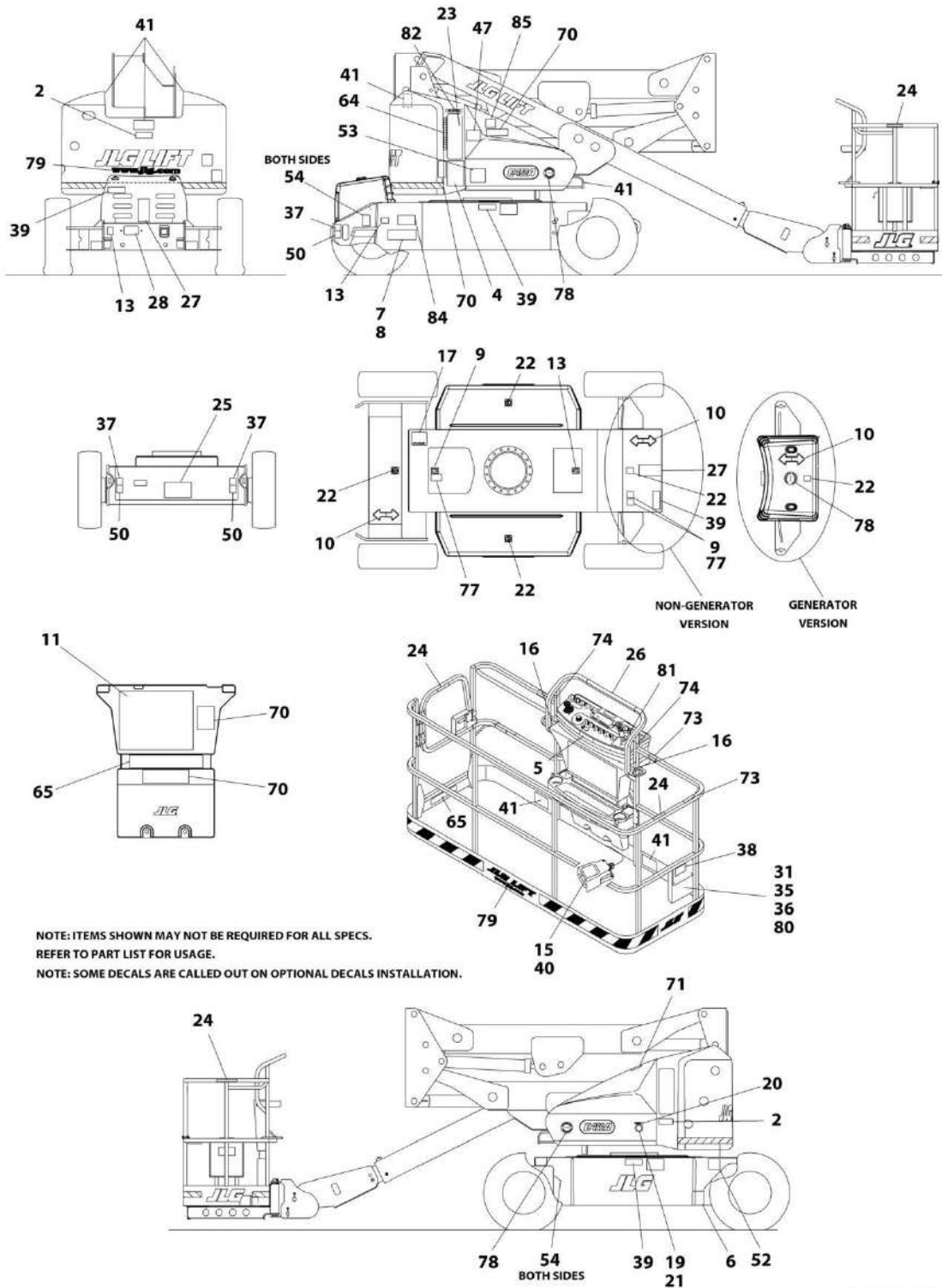
SECTION 9 - DECALS

**FIGURE 9-17. DECAL INSTALLATION - SPANISH/PORTUGUESE SPECS -
E400AN/E400AJP/E400AJPN**

ITEM	PART NUMBER	QTY	DESCRIPTION	REV
	1001178379	Ref	DECAL INSTALLATION - REFERENCE CHART	K
	1001178370	Ref	DECAL INSTALLATION - SPANISH/PORTUGUESE SPECS - E400An/E400AJP/E400AJPN	F
2	1703940	2	Decal - Electrocution	
4	1703934	1	Decal - Danger/Caution	
7	See Note	1	Nameplate - Serial Number (Note: Not Available for Purchase)	
8	3820001	2	Rivet	
9	1701504	1	Decal - Hydraulic Oil	
10	1701642	1	Decal - Arrow	
11	1703928	1	Decal - Caution/Danger	
13	1701644	2	Decal - Charger	
15	1703985	1	Decal - Footswitch	
16	1704277	2	Decal - Footswitch	
17	1704008	1	Decal - Inspection (SN 0300208530 through 0300233809)	
19	0961127	1	Bushing, Snap	
20	3251243	1	Nameplate - 120V/60HZ	
21	0100010	AR	Adhesive	
22	1701691	4	Decal - No Step	
23	1001104864	1	Decal - Manual Descent	
24	1704002	2	Decal - No Hands	
25	1001193949	1	Decal - Cable Routing	
26	1001196811	1	Decal - Legend Platform	
27	1704453	1	Decal - Charger	
28	1704431	1	Decal - Battery Charger LED Indicator (SN 0300208530 through 0300214530)	
31	0860520	1	Box, Manual Storage	
35	4751400	AR	Washer, 1/4	
36	3311405	AR	Nut, Lock, 1/4-20	
37	1701500	4	Decal - Lift	
38	1701509	1	Decal - Manual	
39	1704341	3	Decal - Explosion Warning	
41	1703952	6	Decal - Crushing Hazard	
47	1703991	1	Decal - Boom Sequence	
50	1702300	4	Decal - Tie Down	
52	See Note	1	Decal - Bar Code (Note: Not Available for Purchase)	
53	1001121923	1	Decal - 500 LBS. Max Capacity	
64	1706950	1	Decal - Key, Main Terminal Box	
65	1001121920	2	Decal - 500 LBS. Max Capacity	
77	1704412	1	Decal - Oil Type	
79	1704885	2	Decal - Website	
80	0641406	4	Bolt, 1/4-20 x 3/4	
81	1001113680	1	Decal - Drive/Steer Instruction	
82	1001189882	1	Decal - MSSO Operation	
84	1001224052	1	Decal - Yearly Inspection (SN 0300233810 to Present)	
85	1001222801	1	Decal - Manual Jib Pump (SN 0300233810 to Present)	

SECTION 9 - DECALS

FIGURE 9-18. DECAL INSTALLATION - SPANISH/PORTUGUESE SPECS - M400AJP/M400AJPN



ART_1001178369

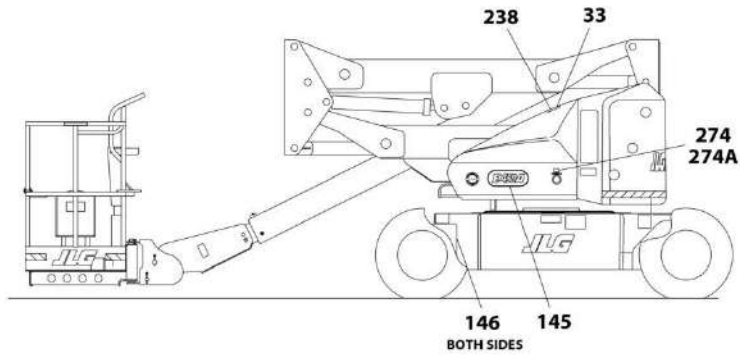
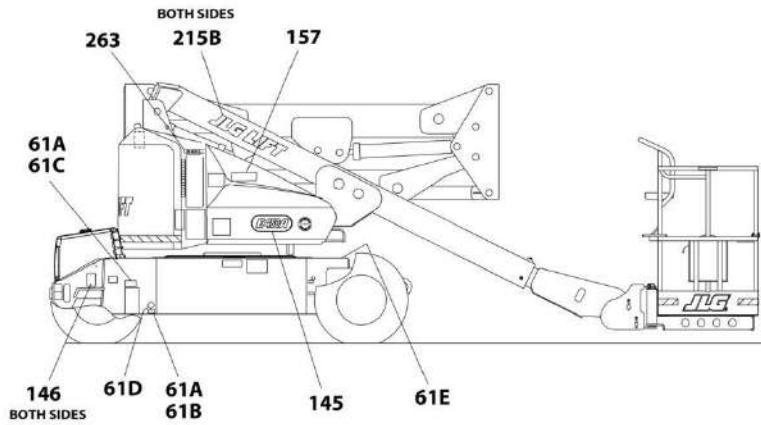
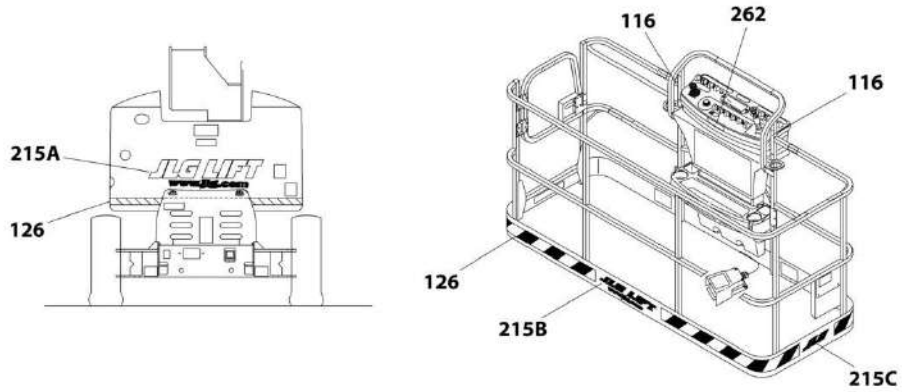
SECTION 9 - DECALS

FIGURE 9-18. DECAL INSTALLATION - SPANISH/PORTUGUESE SPECS - M400AJP/M400AJPN

ITEM	PART NUMBER	QTY	DESCRIPTION	REV
	1001178379	Ref	DECAL INSTALLATION - REFERENCE CHART	K
	1001178369	Ref	DECAL INSTALLATION - SPANISH/PORTUGUESE SPECS - M400AJP/M400AJPN	F
2	1703940	2	Decal - Electrocutation	
4	1703934	1	Decal - Danger/Caution	
7	See Note	1	Nameplate - Serial Number (Note: Not Available for Purchase)	
8	3820001	2	Rivet	
9	1701504	1	Decal - Hydraulic Oil	
10	1701642	2	Decal - Arrow	
11	1703928	1	Decal - Caution/Danger	
13	1701644	2	Decal - Charger	
15	1703985	1	Decal - Footswitch	
16	1704277	2	Decal - Attach Lanyard	
17	1704008	1	Decal - Inspection (SN 0300208530 through 0300233809)	
19	0961127	1	Bushing, Snap	
20	3251243	1	Nameplate - 120V/60HZ	
21	0100010	AR	Adhesive	
22	1701691	4	Decal - No Step	
23	1001104864	1	Decal - Manual Descent	
24	1704002	2	Decal - No Hands	
25	1001173577	1	Decal - Cable Routing	
26	1001196811	1	Decal - Legend Platform	
27	1704453	1	Decal - Charger	
28	1704431	1	Decal - Battery Charger LED Indicator (SN 0300208530 through 0300214530)	
31	0860520	1	Box, Manual Storage	
35	4751400	AR	Washer, 1/4	
36	3311405	AR	Nut, Lock, 1/4-20	
37	1701500	4	Decal - Lift	
38	1701509	1	Decal - Manual	
39	1704341	3	Decal - Explosion Warning	
41	1703952	6	Decal - Crushing Hazard	
47	1703991	1	Decal - Boon Sequence	
50	1702300	4	Decal - Tie Down	
52	See Note	1	Decal - Bar Code (Note: Not Available for Purchase)	
53	1001121923	1	Decal - 500 LBS. Max Capacity	
64	1706950	1	Decal - Key, Main Terminal Box	
65	1001121920	2	Decal - 500 LBS. Max Capacity	
70	1001093687	2	Decal - Generator Danger	
77	1704412	1	Decal - Oil Type	
78	1001121510	3	Decal - Hybrid	
79	1704885	2	Decal - Website	
80	0641406	4	Bolt 1/4-20 x 3/4	
81	1001113680	1	Decal - Drive/Steer Instruction	
82	1001189882	1	Decal - MSSO Operation	
84	1001224052	1	Decal - Yearly Inspection (SN 0300233810 to Present)	
85	1001222801	1	Decal - Manual Jib Pump (SN 0300233810 to Present)	

SECTION 9 - DECALS

FIGURE 9-19. DECAL INSTALLATION - OPTIONS



ART_DECAL OPTIONS

SECTION 9 - DECALS

FIGURE 9-19. DECAL INSTALLATION - OPTIONS

ITEM	PART NUMBER	QTY	DESCRIPTION	REV
	1001178379	Ref	DECAL INSTALLATION - REFERENCE CHART	K
	1001164638	Ref	DECAL INSTALLATION - OPTIONS	L
33	1701505	1	Decal - Diesel	
61	0270433	Ref	Decal Installation - UL Tags	B
61A	3820001	8	Rivet	
61B	3252331	1	Nameplate, Battery Information	
61C	3252780	1	Nameplate, UL Certification	
61D	1702251	2	Nameplate, EE	
61E	1001213625	1	Decal - Replacement Fuse 400 Amp	
126	0259550	Ref	Warning Strip Installation (Not Shown)	2
116	1703175	2	Decal - Lanyard Attach (GM K-1 Spec)	
126	4420051	17.5 ft/ 5.33m	Tape, Safety	
145	1704900	2	Decal - Model Designation (E400An)	
145	1704791	2	Decal - Model Designation (E400AJP)	
145	1704792	2	Decal - Model Designation (E400AJPn)	
145	1704793	2	Decal - Model Designation (M400AJP)	
145	1704794	2	Decal - Model Designation (M400AJPn)	
146	1703488	4	Decal - Tire Load (E400A)	
146	1704727	4	Decal - Tire Load (E400AJP/M400AJP)	
146	1704752	4	Decal - Tire Load (E400AJPn/M400AJPn)	
157	1704286	2	Decal - Generator Warning (ANSI and ANSI Export Specs)	
157	1001093687	2	Decal - Generator Warning (Australian and CE Specs)	
157	1704369	2	Decal - Generator Warning (Japanese Spec - Dual Language English/Japanese)	
157	1704370	2	Decal - Generator Warning (ANSI Export Spec - Dual Language English/Korean)	
157	1704371	2	Decal - Generator Warning (ANSI Export Spec - Dual Language English/Spanish)	
157	1704368	2	Decal - Generator Warning (CSA Spec - Dual Language English/French)	
157	1704372	2	Decal - Generator Warning (ANSI Export and CE Specs - Dual Language English/Chinese)	
157	1704373	2	Decal - Generator Warning (ANSI Export Spec - Dual Language Portuguese/Spanish)	
215	0270273	Ref	Decal Installation - JLG Logo (E400An) (Not Shown)	C
215	0270274	Ref	Decal Installation - JLG Logo (E400AJP/E400AJPn/M400AJP/M400AJPn) (Not Shown)	C
215A	1702860	1	Decal - JLG Lift	
215B	1702774	3	Decal - JLG Lift	
215C	1702773	1	Decal - JLG (E400An)	
215C	1704200	1	Decal - Jib Plus (E400AJP/E400AJPn/M400AJP/M400AJPn)	
238	1001108923	1	Decal - Fuel Low Sulfur (ANSI and CSA Spec Only)	
262	1001141300	1	Decal - Platform Sensor Override (SN 030029740 to Present)	
263	1001189882	1	Decal - MSSO Instructions	
274	1001214031	Ref	Decal - EAC Installation (CIS and Russia Specs)	
274A	1001173703	1	Decal - EAC	

SECTION 10 - RECOMMENDED SERVICE PARTS STOCK

SECTION 10 - RECOMMENDED SERVICE PARTS STOCK

SECTION 10 - RECOMMENDED SERVICE PARTS STOCK

FIGURE 10-1. RECOMMENDED SERVICE PARTS STOCK

ITEM	PART NUMBER	QTY	DESCRIPTION	REV
		Ref	Note: The following list will service one machine (built to current production per date on the front cover) with emergency repair parts which can be installed in the field. Parts from the list should be replaced when inventory is depleted to keep service parts stock supplied. For further information, contact your JLG dealer or the JLG Industries Parts Department.	
		Ref	STANDARD PARTS	
	7021618	1	Coil	
	7021609	1	Coil	
	70005210	1	Coil	
	7024883	1	Coil	
	7024885	1	Coil	
	1001166538	1	Controller (Drive and Steer)	
	1001212415	1	Controller Assembly (Drive and Steer)	
	1001166539	1	Controller (Lift and Swing)	
	1001129555	1	Controller Assembly (Lift and Swing)	
	4360476	1	Contact, Switch	
	7021616	4	Filter Cartridge	
	8229242	1	Fuse - 5 Amp	
	8229261	1	Fuse - 5 Amp	
	8229234	1	Fuse - 10 Amp	
	8229237	1	Fuse - 15 Amp	
	8229235	1	Fuse - 20 Amp	
	8229236	1	Fuse - 30 Amp	
	1001170365	1	Fuse - 400 Amp	
	2860030	1	Key Replacement	
	2940074	1	Latch	
	1001155045	1	Switch, Toggle	
	1001159256	1	Switch, Toggle	
	4360475	1	Switch, Emergency	
	4360469	1	Switch, Key	
	4360387	1	Switch, Push Button	
	1001161710	1	Switch, Toggle	
		Ref	VARIABLE PARTS	
	1001181045	1	Breaker 30mA (CE Spec)	
	1001189172	1	Breaker 16Amp (CE Spec)	
	1001189171	1	Breaker 30mA (CE Spec)	
	70000313	1	Element, Air Cleaner (M400AJP/M400AJPn Only)	
	70000318	1	Element, Fuel Filter (M400AJP/M400AJPn Only)	
	70000319	1	Element, Oil Filter (M400AJP/M400AJPn Only)	
	70000329	1	Fuse 15Amp (M400AJP/M400AJPn Only)	
	70000330	1	Fuse 20Amp (M450AJ Only)	
	1001192212	1	Module (Drive - LH)	
	1001178339	1	Module (Drive - RH)	
	1001182700	1	Module (Ground Control)	
	1001182724	1	Module (Platform Control)	
	70000326	1	Module (Engine Control)	
	7019698	1	Power Track - 1 Link	
	70001996	1	Power Track - 2ft. Section	

SECTION 10 - RECOMMENDED SERVICE PARTS STOCK

ITEM	PART NUMBER	QTY	DESCRIPTION	REV
	70001998	1	Power Track - Bracket Kit	
	4360548	1	Switch, Limit	
	1001116232	1	Switch, Limit	
	4360274	1	Switch, Push Button (M400AJP/M400AJPn Only)	

SECTION 11 - SPECIAL OPTIONS

SECTION 11 - SPECIAL OPTIONS

FIGURE 11-1. SPECIAL OPTIONS

ITEM	PART NUMBER	QTY	DESCRIPTION	REV
		Ref	MISCELLANEOUS SPECIAL OPTIONS	
		Ref	Note: This list is to accommodate machines ordered with special equipment. Options may not be applicable to all models. For more specific parts information contact JLG Parts Department.	
	0271801	Ref	Airline Installation - 1/2in (E400An Model)	
	1001210041	NLA	Alert Beacon Kit (Red) (Use p/n 1001218503)	
	1001218503	Ref	Alert Beacon Kit (Red)	
	1001229107	Ref	ClearSky Telematics (ANSI and CSA Specs Only)	
	1001233237	Ref	ClearSky Telematics (ANSI Export and CE Specs Only)	
	1001195304	Ref	Console Cover	
	1001205175	Ref	Console Cover Kit	
		Ref	Cylinder Bellows Installations	
	0259397	Ref	Cylinder Bellows Installations (E400An)	
	0271251	Ref	Cylinder Bellows Installations (E400AJP/E400AJPn/M400AJP/M400AJPn)	
	0460194	2	Bellows - Platform Level and Master Cylinders (E400AJP/E400AJPn/M400AJP/M400AJPn)	
	0460115	1	Bellows - Main Lift Cylinder	
	0460113	1	Bellows - Mid Lift Cylinder	
	0460114	1	Bellows - Tower Lift Cylinder	
	0460196	1	Bellows - Jib Cylinder (E400AJP/E400AJPn/M400AJP/M400AJPn)	
	1320037	6	Clamp	
		Ref	Decal Installations	
	1001229690	Ref	Decal - ClearSky Installation (ANSI, ANSI Export, CE and CSA Specs Only)	
	1001200312	Ref	Decal - Customer Supplied	C
	1001221864	Ref	Decal - Herc Rentals Installation	
	1001128915	Ref	Decal - Hertz Rentals Installation	
	1001222193	Ref	Decal - Hertz Rentals Installation (Canada)	
	1001197876	Ref	Decal - Sunbelt Rental	
	0271898	Ref	Decal - United Rentals Installations	
	1001151116	Ref	Decal - Titan Rentals Installations	
	1001152572	Ref	Decal - Fedex Installation	
	1001196720	Ref	Decal - Blueline	
	1001218722	Ref	Decal - Riwal	
	1702868	Ref	Decal - No Hands (English) (ANSI Spec) (Used with Platform Padding or Mesh to Top Rail)	
	1704000	Ref	Decal - No Hands (English and French) (CSA Spec) (Used with Platform Padding or Mesh to Top Rail)	
	1001108727	Ref	Decal Kit - Platform	
	1001223824	Ref	Decal Kit - Platform Console	
	1001198647	Ref	Decal Kit - Service	
	1001198649	Ref	Decal Kit - E/M400	
		Ref	Electrical Connector Kits	
	1001148902	Ref	Amp Connector Kit	
	1001148903	Ref	Deutsch DT Connector Kit	
	1001148904	Ref	Deutsch HD Connector Kit	
	1001148905	Ref	Packard Connector Kit	
	1001148906	Ref	Various Connector Kit	

SECTION 11 - SPECIAL OPTIONS

ITEM	PART NUMBER	QTY	DESCRIPTION	REV
	1001152523	Ref	Fire Extinguisher Installation (Platform Mounted)	
	1001191395	Ref	Fuel Cap Cover (Lockable) (Green)	
	1001202749	Ref	Fuel Cap Cover (Lockable) (Black)	
	1001191314	Ref	Headlight and Tail Lights Installation	
	1001198658	Ref	Hose Kit - Boom (E400An)	
	1001198657	Ref	Hose Kit - Boom (E/M400AJP)	
		Ref	Hydraulic Fluids	
	2300028	Ref	Hydraulic Fluid - Mobil DTE 10 Excel 15	
	2300042	Ref	SYN Biodegradable	
	1001151286	Ref	Jib Cylinder with Manual Descent Valve Kit	
	1001183407	Ref	Low Temp Cutout Installation (Russia Specs Only) (SN 0300237406 through 0300241682)	
	1001189162	Ref	Low Temp Cutout Installation (Russia Specs Only) (SN 0300241683 through 0300243635)	
		Ref	Platform Mesh To Mid Rail Add-on Kits	
	1001214478	Ref	30in X 4ft (76cm x 1.22m)	
	1001214515	Ref	30in X 5ft (76cm x 1.52m)	
		Ref	Platform Mesh To Mid Rail Installations	
	1001140318	Ref	30in x 4ft (76cm x 1.22m)	
	1001140315	Ref	30in x 5ft (76cm x 1.52m)	
		Ref	Platform Mesh Top Rail Add-on Kits	
	1001214552	Ref	30in X 4ft (76cm x 1.22m)	
	1001214559	Ref	30in X 5ft (76cm x 1.52m)	
		Ref	Platform Mesh Top Rail Installations	
	0273146	Ref	30in x 5ft (76cm x 1.52m)	
	0273147	Ref	30in x 4ft (76cm x 1.22m)	
		Ref	Platform Padding Installation	
	0273381	Ref	30 x 48 Platform	
	0273382	Ref	30 x 60 Platform	
		Ref	Platform Top Rail Extension Installation	
	1001103617	Ref	30 x 48 Platform	
	1001103558	Ref	30 x 60 Platform	
	1001120466	Ref	Platform Worklights Installation	
	1001209059	Ref	Platform Work Surface Installation	
	1001212202	Ref	Rotator Actuator Protection Kit	
	1001190896	Ref	Service Kits	
	1001149561	NLA	SkyGuard Complete Add-on Kit (Blue) (Use p/n 1001206996) (SN 0300208530 through 0300217464)	
	1001206996	Ref	SkyGuard Complete Add-on Kit (Blue) (SN 0300217465 to Present)	
	1001210033	Ref	SkyGuard Complete Add-on Kit (Red)	
	1001176372	Ref	SkyGuard Removal Plug Kit	
	1001201620	Ref	SkyGuard (Service) Kit	
	1001209413	NLA	SkyGuard with Beacon (Blue) (Use p/n 1001218502)	
	1001218502	Ref	SkyGuard with Beacon (Blue)	
	1001210032	Ref	SkyGuard with Beacon (Red)	
	1001218499	Ref	SkyGuard without Beacon	
		Ref	Strobe Light Installations (Amber) Options:	
	1001191144	Ref	Strobe Light Installation (Amber) Platform Mounted	
	1001191145	Ref	Strobe Light Installation (Amber) Platform/Ground Mounted	
	0272315	Ref	Tire Sealant	
	0272341	Ref	Tire Sealant Decal Installation	

SECTION 11 - SPECIAL OPTIONS

ITEM	PART NUMBER	QTY	DESCRIPTION	REV
	1705363	Ref	Decal - Tire Sealant (Located on Hood)	
	1001200313	Ref	Telematics - Customer Supplied	B
	1001210089	Ref	Telematics - Cat	
	1001228363	Ref	Telematics - Herc	
	1001209282	Ref	Telematics - Loxam	
	1001210090	Ref	Telematics - Riwal	
	1001195610	Ref	Telematics - United Rentals Installation	
	1001197883	Ref	Telematics Installation	
	1001239568	Ref	Upper Powertrack Service Kit E/M400 Narrow	
	1001239569	Ref	Upper Powertrack Service Kit E/M400AJP	
	1001241268	Ref	Wear Pad Kit E400A	
	1001241269	Ref	Wear Pad Kit E400AJP	
	0259302	Ref	Wheel Cover (IN240/55-17.5 Tires)	
	1001231804	Ref	White Noise Alarm	
	1001231870	Ref	White Noise Ambient Alarm	

PART NUMBER INDEX

PART NUMBER INDEX

0060044.....223, 227	0270433.....561	291, 295, 299, 303,	211, 231, 249, 251,
0060052.....215, 225	0270724.....209	307, 311, 315, 319	259, 261, 263, 265,
0060065.....223, 229	0270725.....209, 215	0641405 ... 105, 107, 109,	267, 269, 271, 273
0100001.....231	0271251.....568	111, 113, 115, 215, 233	0641614....119, 121, 195,
0100009....215, 275, 279,	0271464.....487	0641406 .31, 35, 39, 111,	197, 203, 209
283, 287, 291, 295,	0271649.....223	113, 115, 119, 121,	0641616.....223
299, 303, 307, 311,	0271801.....568	123, 125, 127, 129,	0641618.....201, 223
315, 319, 335	0271898.....568	151, 163, 201, 259,	0641622.....163
0100010....525, 527, 529,	0272111.....335	261, 263, 265, 267,	0641806.....209, 212
531, 533, 535, 537,	0272314.....61	269, 271, 273, 333,	0641807.....85, 87, 89
539, 541, 543, 545,	0272315.....569	525, 527, 529, 531,	0641808.....211
547, 549, 551, 553,	0272335.....61	533, 535, 537, 539,	0641810.....209, 211
555, 557, 559	0272341.....569	541, 543, 545, 547,	0641811.97, 99, 101, 103
0100011....15, 17, 19, 21,	0272976.....231	549, 551, 553, 555,	0641812..31, 35, 39, 157,
31, 35, 39, 71, 73, 75,	0273146.....569	557, 559	209, 231, 445
77, 85, 87, 89, 91, 93,	0273147.....569	0641407 ... 105, 107, 109,	0641818.....215, 219
97, 99, 101, 103, 119,	0273381.....569	111, 113, 115, 195,	0641822.....233
121, 133, 135, 137,	0273382.....569	197, 233, 445, 489,	0642024.....233
139, 141, 159, 161,	0273468.....65	491, 493, 495, 497,	0642612.....187, 191
163, 165, 167, 169,	0273683.....59	499, 501	0681608....231, 233, 235
171, 195, 197, 209,	0273684.....65	0641408 .31, 35, 39, 259,	0681610.....212
211, 215, 219, 223,	0275216.....429, 489	261, 263, 265, 267,	0681810....15, 17, 19, 21
233, 235, 237, 239,	0275217.....427, 501	269, 271, 273, 445,	0682014.....31, 35, 39
249, 251, 253, 255,	0275218.....419, 495	489, 491, 493, 495,	0682026.....153
257, 337, 351, 355,	0275219.....421, 499	497, 499, 501	0682028.....153
357, 359, 363, 365,	0275452.....423, 493	0641409203	0700408....489, 491, 493,
367, 369, 371, 373,	0275453.....425, 497	0641410237, 239	495, 497, 499, 501
381, 383, 385	0275454.....417, 491	0641413 ... 133, 135, 137,	0720804....133, 135, 137,
0100019.....153, 237, 239	0275663.....455	139, 141	139, 141
0100020..32, 36, 40, 163,	0275664.....457	0641414 ... 275, 279, 283,	0721004....123, 125, 127,
201, 329, 395	0275665.....453	287, 291, 295, 299,	129
0100035....49, 51, 53, 55,	0275666.....451	303, 307, 311, 315,	0721006.....35
185, 315, 319, 351,	0275667.....459	319, 337, 339	0741008.....53
355, 359, 363, 367,	0340048.....73	0641416 ... 165, 167, 169,	0741606.....219
371, 385	0400055.....97, 99	171, 233, 489, 491,	0760606.....235
0100038....351, 355, 357,	0400201.....163	493, 495, 497, 499, 501	0760610.....235
359, 363, 365, 367,	0440162.....15, 19	0641418 ... 165, 167, 169,	0761014.....235
369, 371, 373, 381,	0460113.....568	171, 253, 255, 257	0761015.....235
383, 385	0460114.....568	064142475, 385	0761215.....231, 235
0100048...31, 35, 39, 233	0460115.....568	0641426135, 139	0801224.....219
0100051.....31, 35, 39	0460194.....568	064143031, 35, 39	0801225.....211, 219
0100071.....339	0460196.....568	064144077	0801226.....219
0100075....276, 279, 283,	0480100.....341	0641506 ... 165, 167, 169,	0801227.....211
287, 291, 296, 299,	0561076.....209, 211	171, 209, 212	0801262.....209
303, 307, 311	0561317.....237, 239	0641507137, 141	0801263.....215
0100081.....220	0561384.....237, 239	0641508 .31, 35, 39, 195,	0801267.....215
0100083....49, 51, 53, 55	0561385.....237, 239	197	0840031.....31, 35, 39
0140011....275, 279, 283,	0561386.....237, 239	0641510157, 201	0840032.....31, 35, 39
287, 291, 295, 299,	0561424.....237	0641512381, 383, 385	0860038.....483, 485
303, 307, 311, 315, 319	0610131 ... 173, 175, 177,	0641514 ... 195, 197, 237,	0860520....525, 527, 529,
0140043.....151	179	239, 341	531, 533, 535, 537,
0257728.....341	0630399.....215	0641516223, 237	539, 541, 543, 545,
0258688.....57	0630401.....219	0641518163	547, 549, 551, 553,
0258995.....57	0630440.....125, 129	0641560237, 239	555, 557, 559
0258996.....63	0630467.....237, 239	0641604381, 383	0861375.....35
0258997.....63	0630487.....215	0641605 ... 165, 167, 169,	0861731....417, 423, 425
0259302.....570	0630490.....27, 29	171, 219, 220	0861781.....427, 429
0259397.....568	0630518 ... 173, 175, 177,	0641606 ... 15, 17, 19, 21,	0861880.....447
0259481.....201	179	85, 87, 89, 91, 93, 133,	0902919.....233
0259550.....561	0630552.....163	135, 137, 139, 141,	0902920.....233
0270012.....485	0630568 ... 275, 280, 284,	215, 219	0940048.....209, 212
0270013.....483	288, 292, 295, 300,	0641607211, 215, 219	0961127....525, 527, 529,
0270028.....69	304, 308, 312, 316, 320	064160871, 73, 161, 209,	531, 533, 535, 537,
0270037.....67	0641404 .85, 87, 89, 215,	211, 215, 219	539, 541, 543, 545,
0270273.....561	275, 279, 283, 287,	0641610 ... 31, 35, 39, 71,	547, 549, 551, 553,
0270274.....561		73, 85, 87, 89, 209,	555, 557, 559

PART NUMBER INDEX

0961845 253, 255, 257	1001114782..... 101, 103	1001141300.....283, 287, 292, 304, 307, 311, 315, 319, 561	283, 287, 291, 295, 299, 303, 307, 311, 315, 319, 564
0961947 227, 349	1001116232..... 161, 565	1001141967..... 419, 421	1001159355 203, 205
0961948 219	1001116692..... 465, 510, 513, 521	1001141968..... 419	1001159361 201, 203
0961950 ... 209, 211, 216, 219, 351, 353, 355, 357, 359, 361, 363, 365, 367, 369, 371, 373	1001116693..... 509, 513	1001141969..... 421	1001161117 ... 15, 17, 19, 21
0961951 ... 23, 25, 27, 29, 215, 223, 347, 349, 377	1001116720..... 503, 505	1001141970..... 421	1001161710 276, 279, 283, 287, 291, 296, 299, 303, 307, 311, 315, 319, 331, 564
0962140 23, 25, 27, 29	1001116732..... 509	1001141971..... 419	1001164638 561
0962257 227	1001116733..... 463	1001142694..... 187, 191	1001165962 197
0962292 223	1001116734..... 507, 509	1001143431..... 187	1001165963 195
0962356 345, 375	1001116810..... 507	1001144147..... 461	1001165977 163
0962450 233	1001116811..... 117	1001144433..... 283, 287, 292, 304, 307, 311, 315, 319	1001165981 195, 197
1001093382 . 97, 99, 101, 103	1001116812..... 465, 510, 513	1001144629..... 245, 247, 249, 251	1001165985 195, 197
1001093687 539, 543, 547, 551, 559, 561	1001116813..... 513	1001144630..... 249, 251	1001166250 197
1001094670 223	1001116815..... 509	1001148902..... 568	1001166251 493
1001096134 .. 49, 53, 509	1001117023..... 509	1001148903..... 568	1001166258 497
1001097150 447, 449	1001117024..... 509	1001148904..... 568	1001166259 491
1001097505 135, 139, 147	1001117069..... 509	1001148905..... 568	1001166260 501
1001097777 133, 135, 137, 139, 141, 145	1001117070..... 507	1001148906..... 568	1001166261 495
1001098122 479, 481	1001117172..... 329	1001149561 569	1001166262 499
1001098828 235	1001118388..... 505	1001149994..... 185, 189, 193	1001166263 489
1001099834 219	1001119228..... 220	1001151116..... 568	1001166296 127, 129
1001100341 429	1001120328..... 337	1001151286..... 569	1001166312 127
1001100342 427	1001120466..... 569	1001151393..... 173, 175, 177, 179	1001166321 123, 127
1001100345 423	1001121510..... 527, 531, 535, 539, 543, 547, 551, 555, 559	1001151395.... 15, 17, 19, 21	1001166327 123
1001100346 417	1001121801..... 525, 527	1001151428.... 15, 17, 19, 21	1001166328 125
1001100347 425	1001121803..... 541, 543	1001151496..... 381	1001166329 129
1001103012 509	1001121805..... 553, 555	1001151497..... 215, 381	1001166330 123, 125
1001103105 105, 107, 109, 111, 113, 115, 117	1001121808..... 545, 547	1001152230..... 381, 383	1001166341 159
1001103258 445	1001121810..... 537, 539	1001152483..... 449	1001166377 125, 129
1001103558 569	1001121814..... 525, 527	1001152485..... 445, 449, 497, 499	1001166394 173, 175, 177, 179
1001103617 569	1001121816..... 541, 543	1001152523..... 569	1001166495 97, 101
1001104850 153, 155	1001121818..... 553, 555	1001152572..... 568	1001166496 . 97, 99, 101, 103
1001104864 525, 527, 529, 531, 533, 535, 537, 539, 541, 543, 545, 547, 549, 551, 553, 555, 557, 559	1001121821..... 545, 547	1001152635..... 394, 398, 402	1001166497 97
1001106757 219	1001121823..... 537, 539	1001153017..... 153, 157	1001166498 101
1001107854 509	1001121918..... 549, 551	1001153021..... 15, 17	1001166538 275, 279, 283, 287, 292, 295, 299, 304, 307, 311, 315, 319, 323, 564
1001108727 568	1001121920..... 557, 559	1001153023..... 19, 21	1001166539 275, 279, 283, 287, 291, 295, 299, 303, 307, 311, 315, 319, 325, 564
1001108923 561	1001121921..... 549, 551	1001153749.... 15, 17, 19, 21, 165, 167, 169, 171	1001166738 195
1001109503 173, 175, 177, 179	1001121923..... 557, 559	1001153899..... 445	1001167013 121
1001109892 31, 36, 39	1001125248..... 201	1001155044..... 173, 175, 177, 179, 275, 279, 283, 287, 291, 295, 299, 303, 307, 311, 315, 319, 331	1001167014 119
1001110166 123	1001126008..... 509	1001155045..... 173, 175, 177, 179, 275, 279, 283, 287, 291, 295, 299, 303, 307, 311, 315, 319, 564	1001167291 .. 75, 77, 163
1001110434 275, 279, 283, 287, 291, 296, 299, 303, 307, 311, 315, 319	1001126245..... 509	1001157058..... 159	1001167363 77
1001110772 69	1001128128..... 463, 509	1001157890..... 461, 465, 510, 513	1001167450 75
1001110774 69	1001128915..... 568	1001157891..... 461, 509	1001167487 73
1001110775 67	1001129555..... 564	1001159186..... 465, 479, 481	1001168004 163
1001110873 483	1001131269..... 525, 527	1001159256..... 173, 175, 177, 179, 275, 279,	1001168005 163
1001112496 123, 125, 129	1001132175..... 275, 279, 283, 287, 291, 295, 299, 303, 307, 311, 315, 319		1001168670 99
1001113483 233	1001136881..... 395		1001168674 211
1001113680 557, 559	1001137673..... 337		1001168796 103
1001113961 513	1001138494..... 253, 255		
1001114761 143, 149	1001138514..... 253, 255		
	1001140278..... 211, 377		
	1001140279..... 211, 347		
	1001140280..... 223, 349		
	1001140315..... 569		
	1001140318..... 569		
	1001140429..... 253, 255, 257		
	1001140597..... 209, 375		
	1001140598..... 215, 345		

PART NUMBER INDEX

1001168800.....99, 103	1001178394 431, 433, 435	1001182724 276, 280, 283, 288, 296, 300, 308, 312, 316, 320, 564	1001188622.....235
1001169138.....201	1001178395 431, 433, 435	1001182725 195, 197	1001188844.....235
1001169423.....15, 17, 19, 21	1001178396 431, 433, 435	1001182959 31, 39	1001188889.....337
1001170365.....35, 564	1001178398 431, 433, 435	1001182960 31, 35, 39	1001188974.....249
1001170367.....49, 51	1001178399 431, 433, 435	1001183212 195, 197	1001189027.....431, 433, 435
1001170485.....53	1001178400 431, 433	1001183338 265	1001189030.....431, 433, 435
1001170760.....509	1001178401 431, 433	1001183367 151	1001189031.....431, 433, 435
1001170838.....275, 280, 283, 288, 291, 295, 300, 303, 307, 312, 315, 319	1001178402 431, 433, 435	1001183407 569	1001189032.....431, 433, 435
1001171213.....71, 73, 81	1001178403 431, 433, 435	1001183512 259	1001189039.....275, 280, 284, 288, 292, 295, 300, 304, 308, 312, 316, 320, 329
1001171214.....75, 77, 83	1001178405 ... 31, 35, 39, 461	1001183515 165	1001189162.....569
1001171298.....161	1001178491 489, 491, 493, 495, 497, 499, 501	1001183516 171	1001189171.....449, 564
1001172663.....235	1001178629 ... 31, 35, 39, 509	1001183517 167	1001189172.....449, 564
1001172760.....275, 280, 283, 288, 291, 295, 300, 303, 307, 312, 316, 320	1001178660 431, 435	1001183520 239	1001189882.....525, 527, 529, 531, 537, 539, 541, 543, 545, 547, 549, 551, 553, 555, 557, 559, 561
1001173577533, 535, 559	1001178793 165, 167, 169, 171, 513	1001183521 237	1001190003.....533
1001173703.....561	1001178794 165, 167, 169, 171, 521	1001183693 259, 275	1001190004.....535
1001173941.....414	1001178822 435	1001183763 169, 177	1001190017.....275, 284, 295, 308
100117444753, 55	1001178823 435	1001183764 171, 179	1001190020.....40, 435
1001174455477	1001178921 31, 39	1001183765 167, 175	1001190088.....32, 431
1001175025.....123, 125, 127, 129	1001179060 ... 31, 39, 49	1001183866 165, 173	1001190577.....47, 509
1001176101265, 295	1001179061 ... 31, 39, 53	1001183867 237, 239, 439	1001190797.....276, 280, 284, 288, 292, 296, 300, 304, 308, 312, 316, 320
1001176372.....569	1001179064 ... 49, 51, 53, 55	1001183868 237, 239, 437	1001190896.....569
1001176417 195, 197	1001179134 31	1001184852 ... 31, 35, 39	1001190985.....235
1001176441 195, 197	1001179136 39	1001184854 ... 31, 35, 39	1001191139.....185
1001176469 175, 179	1001179226 412	1001185281 284, 288, 291, 303, 308, 312, 316, 320	1001191140.....183, 185
1001177245.....431, 433, 435	1001179991 165, 167, 169, 171, 465	1001185828 394, 398, 402, 406, 410	1001191142.....183
1001177246.....431, 433, 435	1001180025 169	1001185829 394, 398, 402, 406, 410	1001191144.....569
1001177364.....85, 87, 89, 91, 93, 95	1001180554 133, 135, 137, 139, 141, 143	1001186231 513	1001191145.....569
1001177483.....211	1001180835 ... 15, 17, 19, 21	1001186375 253	1001191203.....109
1001177666.....394, 398, 402	1001180838 ... 19, 21, 29	1001186377 255	1001191204.....105
1001178339...53, 55, 564	1001180839 ... 15, 17, 27	1001186386 247	1001191206.....107
1001178362.....527	1001180840 19, 21	1001186387 245	1001191207.....115
1001178364.....525	1001180841 15, 17	1001186431 316, 320, 503, 505	1001191208.....113
1001178365.....543	1001180923 15	1001186432 503, 505	1001191209.....111
1001178366.....541	1001180924 19	1001186517 337	1001191212.....105, 107, 109, 111, 113, 115
1001178367555	1001180926 87, 135	1001186860 49, 51	1001191232.....163, 181, 201, 331
1001178368553	1001180928 91, 139	1001186861 441, 443	1001191314.....569
1001178369559	1001180930 85, 133	1001187681 441, 443	1001191318.....276, 280, 284, 288, 292, 296, 300, 304, 308, 312, 479
1001178370557	1001181045 447, 564	1001187683 441	1001191395.....569
1001178371547	1001181081 201	1001187684 443	1001191708.....339
1001178372545	1001181325 ... 32, 35, 40	1001187775 241, 443	1001192024.....201, 463
1001178373551	1001182138 339	1001187776 241, 441	1001192212...49, 51, 564
1001178374549	1001182296 119, 121, 467	1001187788 241	1001192283.....233, 477
1001178375539	1001182550 ... 31, 35, 39, 47	1001187790 161	1001192292.....284, 288, 292, 304, 308, 312, 503
1001178376537	1001182607 445	1001188065 165, 167, 169, 171	1001192293.....119, 121, 469
1001178377531	1001182608 445	1001188066 173, 175, 177, 179	1001192385.....233
1001178378529	1001182700 165, 167, 169, 171, 564	1001188291 237, 239, 437, 439	1001192386.....187
1001178379.....525, 527, 529, 531, 533, 535, 537, 539, 541, 543, 545, 547, 549, 551, 553, 555, 557, 559, 561	1001182709 125, 129	1001188292 237, 239, 437	
1001178382.....398		1001188293 237, 239, 439	
1001178383.....406		1001188354 237, 239, 437, 439	
1001178384.....394		1001188484 173, 175, 177, 179	
		1001188528 ... 32, 36, 40, 507	

PART NUMBER INDEX

1001192387 337	1001212415..... 564	1001222685..... 251	1300019..... 61
1001192401 513	1001212450..... 55	1001222801..... 525, 527,	1320012 201
1001192501 121	1001212453..... 35	529, 531, 533, 535,	1320022 163, 201
1001192502 119	1001212454..... 36, 433	537, 539, 541, 543,	1320033 406, 410
1001193018 489, 491,	1001212455..... 433	545, 547, 549, 551,	1320037 568
493, 495, 497, 499, 501	1001212456..... 36, 55	553, 555, 557, 559	1320040 85, 87, 89
1001193047 ... 15, 17, 19,	1001212480..... 433	1001223055..... 525, 527	1320041 ... 15, 17, 19, 21,
21	1001213447..... 481	1001223824..... 568	163, 195, 197
1001193545 469	1001213625..... 561	1001223971 541, 543	1320043 237, 239
1001193949 525, 527,	1001213626..... 36	1001224048..... 549, 551	1320135 201
529, 531, 537, 539,	1001213882..... 316, 320	1001224049..... 553, 555	1320136 233, 235
541, 543, 545, 547,	1001214031..... 561	1001224050..... 537, 539	1320224 233
549, 551, 553, 555, 557	1001214478..... 569	1001224052..... 557, 559	1320260 237, 239
1001193987 275, 280,	1001214515..... 569	1001224053..... 545, 547	1320263 ... 15, 17, 19, 21
284, 288, 292, 295,	1001214552..... 569	1001224891 219	1321385 ... 165, 167, 169,
300, 304, 308, 312,	1001214559..... 569	1001225580..... 316, 320,	171
316, 320	1001214667..... 51	505	1380136 ... 133, 135, 137,
1001195304 568	1001214668..... 36, 51	1001226872..... 257	139, 141
1001195610 570	1001215835..... 292, 304	1001228015 387	1380138 ... 123, 125, 127,
1001196484 269, 307	1001216147..... 261	1001228016..... 211, 373	129
1001196486 263, 283	1001216148..... 267	1001228018..... 209, 369	1380164 201
1001196487 263	1001216153..... 261, 291	1001228035..... 211, 357	1580012 333
1001196500 269	1001216154..... 267, 303	1001228036..... 211, 365	1600387 233
1001196589 32, 40	1001216630..... 235	1001228037 209, 353	1670679 215
1001196720 568	1001216921..... 137, 141,	1001228038..... 209, 361	1670697 237, 239
1001196811 525, 527,	149	1001228063..... 215, 383	1670698 215
541, 543, 545, 553,	1001217005..... 189	1001228215 257	1670832 241
555, 557, 559	1001217228..... 235	1001228363..... 570	1670833 241
1001197067 191	1001217242..... 235	1001228370..... 525, 527,	1670880 125, 129
1001197876 568	1001217243..... 235	541, 543	1670953 119, 121
1001197883 570	1001217244..... 235	1001228627 235	1670959 219
1001198647 568	1001217249..... 235	1001229107 568	1671176 ... 275, 279, 283,
1001198649 568	1001217250..... 235	1001229690 568	287, 291, 295, 299,
1001198657 569	1001217253..... 235	1001231804 570	303, 307, 311, 315, 319
1001198658 569	1001217254..... 235	1001231870 570	1681344 359
1001200312 568	1001217267..... 235	1001232203 17	1683584 381, 385
1001200313 570	1001217413..... 235	1001232204 21	1683591 ... 15, 17, 19, 21,
1001200491 235	1001217465..... 533, 535	1001233237 568	379
1001200910 189	1001217598..... 251	1001239568 570	1683709 367, 371
1001201620 569	1001217621..... 316, 320,	1001239569 570	1683710 355
1001201642 509	481	1001241268 570	1683712 351, 363
1001201887 280, 288,	1001217842. 49, 507, 509	1001241269 570	1683911 219, 385
292, 300, 304, 312, 316	1001217843..... 509	1060092..... 431, 433, 435	1683912 385
1001202580 269, 311	1001217844..... 507, 509	1060330..... 329	1683940 355
1001202581 259, 279	1001218004..... 402	1060341..... 441, 443	1683941 355
1001202585 263, 287	1001218005..... 410	1060379..... 341	1683943 363
1001202749 569	1001218068..... 320	1060461..... 473, 475, 519	1683944 363
1001203734 509	1001218114..... 412	1060494..... 467, 471, 517	1683945 211, 371
1001204515 265, 299	1001218367..... 89, 137	1060689..... 105, 107, 109,	1683946 371
1001205175 568	1001218370..... 93, 141	111, 113, 115	1683947 371
1001205491 189	1001218499..... 569	1060754..... 201	1683980 385
1001206996 569	1001218502..... 569	1060755..... 201	1684022 351
1001207004 193	1001218503..... 568	1060801..... 119, 121	1684023 351
1001207314 191	1001218651..... 269, 271,	1060802..... 119, 121	1684025 359
1001209059 569	315	1060896..... 437, 439	1684026 359
1001209282 570	1001218652..... 273, 319	1060908..... 447, 449	1684029 381
1001209413 569	1001218722..... 568	10837580..... 95, 143	1684059 367
1001209664 337	1001219016..... 235	1120094..... 355	1684060 367
1001209879 193	1001219601..... 32, 40	1120108..... 359, 367, 371	1684061 209, 367
1001210032 569	1001219722..... 31, 35, 39	1120110..... 381, 385	1684451 211, 355
1001210033 569	1001220271..... 31, 35, 39	1120305..... 351, 363	1684452 211, 363
1001210041 568	1001220486..... 279, 287,	1120487 163	1684453 209, 351
1001210089 570	291, 299, 303, 311	1180302..... 215	1684454 209, 359
1001210090 570	1001220659..... 271	1220038..... 215	1700584 541
1001210576 173, 177	1001220660..... 273	1220039..... 215	1701500 ... 525, 527, 537,
1001212202 569	1001221864..... 568	1220040..... 215	539, 541, 543, 545,
1001212359 53, 55	1001222193..... 568	1271538..... 233	

PART NUMBER INDEX

547, 549, 551, 553, 555, 557, 559	1703924 541, 543	1704422 ... 295, 299, 303, 307, 311, 315	2220466.... 398, 402, 406, 410
1701504.... 525, 527, 529, 531, 533, 535, 537, 539, 541, 543, 545, 547, 549, 551, 553, 555, 557, 559	1703925 537, 539	1704431 ... 525, 527, 529, 531, 533, 535, 537, 539, 541, 543, 545, 547, 549, 551, 553, 555, 557, 559	2220472.... 394, 398, 402, 406, 410
1701505..... 539, 561	1703926 545, 547	1704445 551	2220473.... 394, 398, 402, 406, 410
1701509..... 525, 527, 529, 531, 533, 535, 537, 539, 541, 543, 545, 547, 549, 551, 553, 555, 557, 559	1703927 549, 551	1704446 525, 527	2220498.... 394, 398, 402
1701518.... 529, 531, 533, 535	1703928 557, 559	1704452 541, 543	2220499..... 399, 407
1701642.... 119, 121, 525, 527, 529, 531, 533, 535, 537, 539, 541, 543, 545, 547, 549, 551, 553, 555, 557, 559	1703929 553, 555	1704453 557, 559	2220501.... 394, 398, 402, 406, 410
1701644.... 525, 527, 529, 531, 533, 535, 537, 539, 541, 543, 545, 547, 549, 551, 553, 555, 557, 559	1703930 541, 543	1704454 553, 555	2220502.... 394, 398, 402, 406, 410
1701691.... 525, 527, 529, 531, 533, 535, 537, 539, 541, 543, 545, 547, 549, 551, 553, 555, 557, 559	1703931 537, 539	1704727 561	2220504.... 394, 398, 402, 406, 410
1701699.... 525, 527, 529, 531, 533, 535, 537, 539, 541, 543, 545, 547, 549, 551, 553, 555, 557, 559	1703932 545, 547	1704752 561	2220507.... 394, 398, 402, 406, 410
1702124.... 395, 399, 403, 407, 411	1703933 549, 551	1704791 561	2220516.... 381, 383, 385
1702251 561	1703934 557, 559	1704792 561	2220517.... 381, 383, 385
1702265.... 525, 527, 541, 543, 553, 555	1703935 553, 555	1704793 561	2220582.... 395, 398, 399, 402, 403, 406, 407, 410, 411
1702271 545, 547	1703936 541, 543	1704885 ... 525, 527, 529, 531, 533, 535, 537, 539, 541, 543, 545, 547, 549, 551, 553, 555, 557, 559	2220589.... 394, 398, 402, 406, 410
1702300.... 525, 527, 537, 539, 541, 543, 545, 547, 549, 551, 553, 555, 557, 559	1703937 537, 539	1704900 561	2220593.... 394, 398, 402, 406, 410
1702565.... 275, 279, 283, 287, 291, 295, 299, 303, 307, 311, 315, 319	1703938 545, 547	1705325 489	2220596.... 381, 383, 385
1702566.... 275, 279, 283, 287, 291, 295, 299, 303, 307, 311, 315, 319	1703939 549, 551	1705351 525, 527	2220600.... 395, 398, 402, 406, 410
1702567.... 275, 279, 283, 287, 291	1703940 557, 559	1705363 570	2220605..... 395
1702740..... 57, 59, 61	1703947 553, 555	1705364 61	2220609..... 395
1702773.... 533, 535, 561	1703948 541, 543	1705426 545, 547	2220628.... 381, 383, 385
1702774..... 561	1703949 537, 539	1705427 549, 551	2220677.... 394, 398, 402, 406, 410
1702860..... 561	1703950 545, 547	1705429 541, 543	2220684..... 394
1702868.... 525, 527, 568	1703951 549, 551	1705430 537, 539	2220727..... 394
1702962..... 527	1703952 557, 559	1705514 ... 525, 527, 541, 543	2220805..... 201
1703175..... 561	1703980 545, 547	1705670 ... 529, 531, 533, 535	2220883.... 353, 357, 365, 381, 383, 385
1703488..... 561	1703981 549, 551	1705822 ... 529, 531, 533, 535	2220885.... 351, 357, 359, 361, 365, 367, 369, 371, 373, 394, 398, 402, 406, 410
1703683..... 341	1703982 537, 539	1705910 553, 555	2220899.... 394, 398, 402, 406, 410
1703797..... 525, 527	1703983 553, 555	1705921 ... 529, 531, 533, 535	2220909.... 395, 399, 403, 407, 411
1703798..... 525, 527	1703984 541, 543	1705977 ... 529, 531, 533, 535	2220940.... 395, 403, 411
1703804..... 525, 527	1703985 557, 559	1705978 ... 529, 531, 533, 535	2220999.... 394, 398, 402, 406, 410
1703805..... 525, 527	1703987 549, 551	1706378 ... 529, 531, 533, 535	2221033.... 394, 398, 402, 406, 410
1703811.... 529, 531, 533, 535	1703988 537, 539	1706950 ... 525, 527, 541, 543, 553, 555, 557, 559	2221039.... 399, 403, 407, 411
1703813..... 525, 527	1703991 557, 559	1760160 215	2221046..... 163
1703814.... 529, 531, 533, 535	1704000 ... 541, 543, 568	2080040 ... 245, 247, 249, 251	2221047..... 163
1703923..... 553, 555	1704001 553, 555	2160003 157	2221054.... 395, 398, 402, 406, 410
	1704002 557, 559	2180348 163	2221086.... 395, 399, 403, 407, 411
	1704008 557, 559	2220237 ... 395, 399, 403, 407, 411	2221147..... 394
	1704200 561	2220239 395	2300028..... 569
	17042567 319	2220371 ... 394, 398, 402, 406, 410	2400044..... 35, 53
	1704260 ... 275, 279, 283, 287, 291, 295, 299, 303, 307, 311, 315, 319	2220373 403, 411	2400060.... 479, 481, 509, 514
	1704277 ... 525, 527, 529, 531, 533, 535, 537, 539, 541, 543, 545, 547, 549, 551, 553, 555, 557, 559	2220386 ... 394, 398, 402, 406, 410	2420202..... 233
	1704286 527, 561	2220415 ... 394, 395, 398, 399, 402, 403, 406, 407, 410, 411	2460037..... 119, 121
	1704339 553, 555		2540037..... 35
	1704340 541, 543		2540038.... 15, 17, 19, 21
	1704341 557, 559		
	1704342 545, 547		
	1704343 549, 551		
	1704344 537, 539		
	1704368 561		
	1704369 561		
	1704370 561		
	1704371 555, 561		
	1704372 561		
	1704373 561		
	1704412 ... 525, 527, 529, 531, 533, 535, 537, 539, 541, 543, 545, 547, 549, 551, 553, 555, 557, 559		
	1704417 545, 547		
	1704418 549, 551		
	1704419 537, 539		

PART NUMBER INDEX

2540045 97, 99, 101, 103	2753335 ... 394, 398, 402, 406, 410	3300151....237, 239, 253, 255, 257	3340663..... 215
2560122 ... 133, 135, 137, 139, 141, 143, 149	2753474 ... 394, 398, 402, 406, 410	3300279.....359, 371	3340679..... 381, 383
2560123 ... 133, 135, 137, 139, 141, 143, 149	2753475 ... 394, 398, 402, 406, 410	3300281....351, 355, 357, 363, 365	3340682..... 215
2560136 ... 275, 279, 283, 287, 291, 295, 299, 303, 307, 311, 315, 319	2753519 394	3300315.....367	3340820..... 215
2600281 ... 245, 247, 249, 251	2753520 ... 394, 399, 403, 407, 411	3300353.... 119, 121, 275, 279, 283, 287, 291, 295, 299, 303, 307, 311, 315, 319	3340860..... 223
2700093... 123, 125, 127, 129	2753535 394	3300365.... 165, 167, 169, 171	3340878..... 219
2720058 163	2753973 394, 398, 402	3300408....276, 279, 283, 287, 291, 296, 299, 303, 307, 311, 315, 319	3340882..... 385
2720271 163	2780241 15, 17, 23	3300426.... 15, 17, 19, 21, 27, 29, 31, 35, 39	3340884..... 219
2720559 201	2780251 19, 21, 25	3300430.....337, 339	3340886..... 219
2750910 ... 394, 398, 402, 406, 410	2780282 31, 35, 39, 43	3300454....31, 35, 39, 75, 77, 111, 113, 115, 165, 167, 169, 171	3340939..... 219
2750915 ... 394, 395, 398, 402	2820030 477	3310805.... 133, 135, 137, 139, 141, 161	3380434... 259, 261, 263, 265, 267, 269, 271, 273
2751009 394	2820105 125, 129	3311001.....35, 249, 251	3380602 201
2751414 395	2820106 125, 129	3311005.... 123, 125, 127, 129, 163, 187, 191, 241	3420156..... 195, 197
2751890 ... 399, 403, 407, 411	2820110 125, 129	3311011.... 173, 175, 177, 179	3422175 209
2752430 398, 406	2820112 201	3311401...31, 35, 39, 125, 129, 215, 219, 237, 239	3422176 209
2752435 394	2820116 201	3311405.... 15, 17, 19, 21, 119, 121, 123, 125, 127, 129, 151, 163, 173, 175, 177, 179, 201, 203, 233, 237, 239, 259, 261, 263, 265, 267, 269, 271, 273, 385, 445, 489, 491, 493, 495, 497, 499, 501, 525, 527, 529, 531, 533, 535, 537, 539, 541, 543, 545, 547, 549, 551,553, 555, 557, 559	3422177 209
2752437 ... 394, 398, 402, 406, 410	2820117 201	3311501..... 195, 197, 223	3422178 209
2752440 395	2820118 437, 439	3311505...31, 35, 39, 165, 167, 169, 171, 209, 212, 219, 237, 239, 341	3422179 209
2752442 402, 410	2820218 201	3311601.... 195, 197, 211, 275, 280, 284, 288, 292, 295, 300, 304, 308, 312, 316, 320	3422180 209, 215
2752453 394, 398, 402	2860030 ... 173, 175, 177, 179, 564	3311602.....215	3422181 215
2752459 ... 394, 398, 402, 406, 410	2900756 143	3311605.... 119, 121, 163, 201, 203, 209, 211, 215, 219, 223, 231, 249, 251, 259, 261, 263, 265, 267, 269, 271, 273	3422181 215
2752462 406, 410	2900770 ... 225, 227, 351, 353, 355, 357, 359, 361, 363, 365, 367, 369, 371, 373, 389	3312005.....233	3422180 209, 215
2752466 ... 398, 402, 406, 410	2900792 ... 345, 347, 349	3312008.... 15, 17, 19, 21	3422181 215
2752467 ... 394, 398, 402	2901804 ... 367, 369, 371, 373	3312602.... 185, 189, 193	3422181 215
2752475 394	2901805 351, 363	3322202.... 15, 17, 19, 21	3422175 209
2752486 406, 410	2901806 355, 357, 365	3322205..... 381, 385	3422176 209
2752493 403, 411	2901903 385	3323003.... 15, 17, 19, 21	3422177 209
2752519 406, 410	2902419 359		3422178 209
2752571 ... 398, 402, 406, 410	2902549 ... 447, 489, 491, 493, 495, 501		3422179 209
2752573 394	2915230 117		3422180 209, 215
2752574 406, 410	2920151 181, 233, 235		3422181 215
2752581 394	2940071 195, 197		3422181 215
2752600 ... 399, 403, 407, 411	2940074 ... 245, 247, 249, 251, 564		3422181 215
2752611 ... 398, 402, 406, 410	2940095 ... 123, 125, 127, 129		3422181 215
2752619 ... 398, 402, 406, 410	2940115 125, 129		3422181 215
2752620 394	3000003 97, 99, 101, 103		3422181 215
2752675 406, 410	3020008 31, 35, 39		3422181 215
2752983 395	3020029 153		3422181 215
2753301 394	3020037 31, 35, 39		3422181 215
2753329 ... 398, 402, 406, 410	3251243 ... 525, 527, 541, 543, 553, 555, 557, 559		3422181 215
2753330 ... 399, 403, 407, 411	3252331 561		3422181 215
2753331 ... 399, 403, 407, 411	3252347 525, 527		3422181 215
2753332 ... 398, 402, 406, 410	3252507 ... 485, 491, 493, 495, 497, 499, 501		3422181 215
2753333 ... 398, 402, 406, 410	3252780 561		3422181 215
2753334 ... 394, 398, 402, 406, 410	3271605 212		3422181 215
	3290405 ... 489, 491, 493, 495, 497, 499, 501		3422181 215
	3290605 235		3422181 215
	3290606 253, 255		3422181 215
	3291001 235		3422181 215
	3291005 235		3422181 215
	3291201 235		3422181 215
	3291205 231, 235		3422181 215

PART NUMBER INDEX

3520054....275, 279, 283, 287, 291, 295, 299, 303, 307, 311, 315, 319	3931416 15, 17, 19, 21	4360548 441, 443, 565	4460488....275, 279, 283, 287, 291, 295, 299, 303, 307, 311, 315, 319
3520072....245, 247, 253, 255, 257	3931424 337	4400417 163	4460508.... 117, 439, 479, 481, 513
3520173.....335	3931816 223	4420051 561	4460509.....437, 439, 507
3520182.....339	3931832 153	4420062 341	4460516.....47
3520198....245, 247, 249, 251, 253, 255, 257	3951402 ... 359, 367, 381, 385	4460019 509	4460536.... 15, 17, 19, 21
3536491209, 212	3960389 125, 129, 201	4460042 329	4460539....461, 507, 513, 521
3536999.....237	3960417 125, 129, 201	4460071 329, 483, 485	4460662....491, 493, 497
3571462.....239	3960418 201	4460125 485	4460670.....509, 510
3572413.....249	3960422 483, 485	4460134 467, 471	4460708....276, 279, 283, 287, 291, 296, 299, 303, 307, 311, 315, 319, 479, 481
3572551.....223	3960447 ... 123, 125, 127, 129	4460138 105, 111, 467	4460709.....519
3575952.....203	3960453 195, 197	4460142 507, 510	4460710.....473, 475
3575961.....201	4010618 253, 255	4460205 483, 517	4460738.....510
3600289....71, 73, 75, 77, 79	4031707 31, 35, 39	4460224 481	4460742.....507, 521
3740080.....49, 463	4060092 485	4460225 463, 479, 481	4460743.....507, 521
3760115.....215, 219	4060802 ... 173, 175, 177, 179	4460226 ... 181, 233, 235, 323, 326, 329, 477, 479, 481, 503, 521	4460761....479, 481, 513, 521
3760308....123, 125, 127, 129	4060804 ... 125, 129, 219, 235	4460227 ... 463, 465, 477, 479, 481, 513	4460805.....107, 113
3790012....173, 175, 177, 179, 275, 279, 283, 287, 291, 295, 299, 303, 307, 311, 315, 319, 331	4060805 ... 119, 121, 235, 237, 239	4460233 485	4460806.....465
3790113.....389	4060808 237, 239	4460234 ... 275, 279, 283, 287, 291, 295, 299, 303, 307, 311, 315, 319	4460836....461, 477, 513
3820001....525, 527, 529, 531, 533, 535, 537, 539, 541, 543, 545, 547, 549, 551, 553, 555, 557, 559, 561	4061032 407, 411	4460259 ... 463, 465, 479, 481	4460851.....465
3820019....123, 125, 127, 129	4061054 233	4460260 ... 463, 465, 479, 481	4460866....479, 481, 513
3820020.....245, 247	4070863 219	4460265 323, 325	4460868.....465
3841143....209, 211, 215, 235	4070864 219	4460267 463, 479, 481	4460871....465, 479, 481, 509, 513, 521
3841203.....209, 211	4070997 219	4460313 465	4460872.....521
3841517 15, 17, 19, 21	4070998 219	4460320 463, 465	4460873....479, 481, 509, 513
3900085....185, 189, 193	4100025 201	4460346 483	4460874....479, 481, 513
3900104.....241	4100026 ... 163, 395, 398, 402, 406, 410	4460374 463, 509	4460875....479, 481, 521
3900109....15, 17, 19, 21	4100065 239	4460418 465, 479, 481	4460876.....465
3900142.....371	4100067 239	4460419 465, 479, 481	4460877.....465
3900170....351, 355, 357, 359, 363, 365, 367, 371	4130351 23	4460424 181, 233, 235	4460878.....513
3900174.....127	4240032. 85, 87, 89, 275, 279, 283, 287, 291, 295, 299, 303, 307, 311, 315, 319	4460426 119, 121	4460879.....479, 481
3900187 173, 175, 177, 179	4240033 ... 163, 233, 237, 239, 337, 437, 439	4460428 ... 105, 107, 109, 111, 113, 115, 233, 275, 279, 283, 287, 291, 295, 299, 303, 307, 311, 315, 319	4460884....503, 505, 513
3900283.....233	4240084 31, 35, 39	4460434 233, 479, 481	4460887....479, 481, 513
3900349.....315, 319	4240099 237, 239	4460458 521	4460888.....479, 481
3910610.....483, 485	4240175 ... 15, 17, 19, 21, 32, 36, 161	4460464 ... 15, 17, 19, 21, 117, 191, 439, 441, 443, 461, 463, 469, 479, 481, 505, 507, 509, 513	4460891....185, 469, 509, 513, 521
3910804....173, 175, 177, 179	4300140 237, 239	4460465 ... 185, 437, 439, 461, 463, 465, 469, 477, 479, 481, 503, 505, 507, 509, 510, 513, 521	4460894.....481, 510
3911008.....249, 251	4341072 201	4460466 ... 237, 239, 437, 439, 463, 465, 469, 477, 479, 481, 505, 507, 509, 510, 513, 521	4460897....189, 193, 441, 443, 463, 469, 513
3911012.....187, 191	4360274 181, 565	4460470 ... 165, 167, 169, 171, 275, 279, 283, 287, 291, 295, 299, 303, 307, 311, 315, 319	4460899.....505, 507
3911018....275, 279, 283, 287, 291, 295, 299, 303, 307, 311, 315, 319	4360387 ... 175, 179, 275, 279, 283, 287, 291, 295, 299, 303, 307, 311, 315, 319, 564	4460471 ... 165, 167, 169, 171, 275, 279, 283, 287, 291, 295, 299, 303, 307, 311, 315, 319	4460905....465, 479, 481, 509, 513, 521
3930824.....161	4360407 ... 275, 279, 283, 287, 291, 295, 299, 303, 307, 311, 315, 319	4460477 ... 179, 275, 279, 283, 287, 291, 295, 299, 303, 307, 311, 315, 319	4460930....117, 479, 481
3931010....49, 51, 53, 55, 163	4360469 ... 173, 175, 177, 179, 564	4460479 ... 165, 167, 169, 171, 275, 279, 283, 287, 291, 295, 299, 303, 307, 311, 315, 319	4460931.....507
3931012.....53, 55	4360475 ... 173, 175, 177, 179, 275, 279, 283, 287, 291, 295, 299, 303, 307, 311, 315, 319, 564	4460481 ... 165, 167, 169, 171, 275, 279, 283, 287, 291, 295, 299, 303, 307, 311, 315, 319	4460933....477, 513, 521
3931016....49, 51, 53, 55	4360476 ... 173, 175, 177, 179, 275, 279, 283, 287, 291, 295, 299, 303, 307, 311, 315, 319, 564	4460482 181, 233, 235	4460941.....461
3931028.....241		4460483 521	4460942.....461, 513
3931408....15, 17, 19, 21, 337		4460484 ... 105, 107, 109, 111, 113, 115, 233, 275, 279, 283, 287, 291, 295, 299, 303, 307, 311, 315, 319	4460943....187, 189, 193, 461, 509, 513

PART NUMBER INDEX

4461196 429, 451	4712600 187, 191	4846608.....231, 233	70000340..... 229
4461198 429	4740120 ... 173, 175, 177, 179	4860191....57, 59, 61, 63, 65	70000341 225, 227
4461199 427, 459	4740156 15, 17, 19, 21	4891400.....203	70000381 143
4461201 427	4740171 153	4891500.....157	70000382 206
4461202 419, 423, 455	4740207 351, 363, 365	489160071, 73, 203, 212, 231, 233, 235	70000739..... 345, 375
4461205 421, 425, 457	4740362 ... 259, 261, 263, 265, 267, 269, 271, 273	4891800.... 15, 17, 19, 21, 97, 99, 101, 103, 233	70000740 345
4461244 423	4740394 359	4892000..31, 35, 39, 153, 233	70000865 157
4461245 425	4740397 ... 173, 175, 177, 179, 275, 279, 283, 287, 291, 295, 299, 303, 307, 311, 315, 319, 331	4920385.....201	70000967 205
4461246 417	4740413 215	4922608....483, 485, 517	70001121 205
4461249 417, 453	4750800 ... 133, 135, 137, 139, 141, 161	4922609....473, 489, 491, 493, 495, 497, 499, 501	70001144 205
4520209 57, 61, 63	4751000 35, 125, 129, 185, 189, 193, 249, 251	4922611.....471, 483, 485	70001366 43
4520269 59, 65	4751400 ... 119, 121, 123, 125, 127, 129, 195, 197, 215, 233, 237, 239, 259, 261, 263, 265, 267, 269, 271, 273, 275, 279, 283, 287, 291, 295, 299, 303, 307, 311, 315, 319, 333, 339, 385, 445, 489, 491, 493, 495, 497, 499, 501, 525, 527, 529, 531, 533, 535, 537, 539, 541, 543, 545, 547, 549, 551, 553, 555, 557, 559	4922612.....475, 487	70001367 43
4520279 59	4751500 ... 31, 35, 39, 97, 99, 101, 103, 137, 141, 195, 197, 201, 209, 212, 223, 237, 239, 341	5241200.....231, 235	70001368 43, 44
4565992 351	4751600 73, 119, 121, 163, 165, 167, 169, 171, 201, 209, 211, 215, 259, 261, 263, 265, 267, 269, 271, 273	5251008.....235	70001369 43
4565994 359	4751800 195, 197, 445	5251016.....235	70001370 43
4566187 395	4760600 483, 485	70000088.....155	70001371 43
4566188 394	4761000 249, 251	70000089.....155	70001372 43
4566243 237, 239	4761400 215, 219, 333	70000289.....206	70001373 43
4566427 209, 211	4761600 215	70000290.....205	70001374 43
4566432 355	4761800 215, 219	70000291.....205	70001375 43
4566435 363	4811400 ... 489, 491, 493, 495, 497, 499, 501	70000292.....205	70001376 43
4567177 367	4811700 253, 255	70000293.....205	70001377 43
4567704 381	4811702 235	70000294.....205	70001378 43
4567908 371	4812000 235	70000295.....205	70001379 43
4567946 ... 398, 402, 406, 410	4812100 235	70000296.....205	70001380 44
4567963 385	4844303 209	70000297.....205	70001697 227
4568114 31, 35, 39	4844304 209	70000298.....205	70001876 143
4640509 345, 349	4844427 211	70000299.....205	70001961 79
4640634 ... 351, 353, 355, 357, 359, 361, 363, 365	4844467 209, 212	70000300.....205	70001996 219, 564
4640709 389	4844579 215	70000301.....205	70001998 219, 565
4640771 389	4845582 341	70000302.....205	70002083 205
4640807 ... 381, 383, 385, 389	4846026 211	70000303.....205	70002112 81, 83
4640932 345, 347	4846180 219	70000304.....205	70002206 155
4640936 ... 367, 369, 371, 373	4846209 209, 211	70000305.....205	70002207 155
4641086 347	4846278 223	70000306.....205	70002216 347, 377
4641122 63, 65	4846502 223	70000307.....205	70002217 347, 377
4641167 57, 59, 61		70000308.....205	70002220 349
4641386 ... 351, 353, 355, 357, 359, 361, 363, 365		70000309.....205	70002223 349
4711000 ... 49, 51, 53, 55, 163, 187, 191		70000310.....205	70002244 205
4711400 ... 15, 17, 19, 21, 31, 35, 39, 75, 77, 85, 87, 89, 105, 107, 109, 111, 113, 115, 133, 135, 137, 139, 141, 151, 163, 165, 167, 169, 171, 201, 233, 253, 255, 257, 337, 339, 445, 489, 491, 493, 495, 497, 499, 501		70000311.....205	70002373 361
4711500 ... 165, 167, 169, 171, 219, 275, 280, 284, 288, 295, 300, 308, 312		70000312.....205	70002412 353
4711600 ... 31, 35, 39, 71, 85, 87, 89, 91, 93, 133, 135, 137, 139, 141, 161, 195, 197, 219, 231, 233, 249, 251, 292, 304, 316, 320		70000313.....205, 564	70002523 79
4711800 ... 31, 35, 39, 85, 87, 89, 231		70000314.....205	70002543 206
		70000315.....205	70002544 205
		70000316.....205	70002806 143
		70000317.....205	70002808 147, 149
		70000318.....205, 564	7000281 43
		70000319.....205, 564	70002902 329
		70000320.....205	70002903 329
		70000321.....205	70002904 329
		70000322.....205	70002905 329
		70000323.....205	70003171 79
		70000324.....205	70003341 379
		70000325.....206	70003557 205
		70000326.....206, 564	70003618 205
		70000327.....206	70003619 205
		70000328.....206	70003819 347, 377
		70000329.....206, 564	70003833 349
		70000330.....206, 564	70003836 349
			70003843 377
			70003844 377
			70003845 347, 377
			70003846 347
			70003847 347
			70003863 349
			70003864 349
			70004019 143

PART NUMBER INDEX

70004130.....	375	70005388.....	47	70006600.....	361	7017421.....	143
70004131.....	345	70005389.....	47	70006601.....	353	7017433.....	95, 143
70004141.....	345, 375	70005390.....	47	7001630.....	379	7017452.....	143, 147, 149
70004142.....	345, 375	70005393.....	47	70022564.....	353, 361	7017466.....	145
70004143.....	345, 375	70005394.....	47	70023094.....	345, 375	7017488.....	95
70004144.....	375	70005395.....	47	70023915 ..	369, 373, 383	7017496.....	145, 149
70004145.....	375	70005397.....	47	70024262.....	345	7019698.....	215, 564
70004146.....	345	70005400.....	47	7004035.....	155	7019699.....	215
70004147.....	345	70005401.....	47	7004036.....	155	7020035.....	23, 25
70004159.....	157	70005402.....	47	7004043.....	155	7020036.....	23, 25
70004265.....	205	70005403.....	47	7004044.....	155	7020037.....	23, 25, 27, 29
70004323.....	227	70005404.....	47	7004045.....	155	7020038.....	23, 25
70004394.....	206	70005405.....	47	7004047.....	155	7020039.....	23, 25, 27, 29
70004738.....	323	70005406.....	47	7004049.....	155	7020040.....	23, 25, 27, 29
70004739.....	323	70005407.....	47	70050801.....	353	7020041.....	23, 25
70004740.....	323	70005408.....	47	7007640.....	43	7020042.....	23, 25
70004741.....	323	70005409.....	47	7010543.....	95, 143	7020054.....	23, 25, 27, 29
70004742.....	323	70005410.....	47	7011112.....	345, 347	7020055.....	23, 25, 27, 29
70004743.....	323	70005411.....	47	7011323.....	225, 227	7020137.....	23, 25, 27, 29
70004744.....	323	70005412.....	47	7011376 ...	351, 353, 355, 357, 359, 361, 363, 365	7020140.....	23, 25, 27, 29
70004745.....	323	70005415.....	31, 35, 39	7012518.....	95, 143	7020175....	173, 175, 177, 179, 275, 279, 283, 287, 291, 295, 299, 303, 307, 311, 315, 319
70004746.....	323	70005722.....	149	7012540.....	143	7020176....	173, 175, 177, 179, 275, 279, 283, 287, 291, 295, 299, 303, 307, 311, 315, 319
70004747.....	323	70006269.....	219	7012903.....	143	7020179.....	163
70004748.....	323	70006280.....	219	7012914.....	143	7021318.....	79
70004749.....	323	70006346.....	149	7012918.....	143	7021319.....	79
70004750.....	323	70006347.....	149	7012918.....	143	7021361.....	79
70004751.....	323	70006348.....	149	7012947.....	143	7021377.....	79
70004752.....	325	70006349.....	149	7012953.....	143, 145	7021603.....	143
70004753.....	325	70006396.....	373	7012959.....	145	7021604.....	143
70004754.....	325	70006397.....	373	7012961.....	143	7021609.....	95, 147, 149, 564
70004755.....	325	70006398.....	373	7012967.....	143	7021611.....	95, 143
70004756.....	325	70006399.....	373	7012972.....	95	7021616.....	95, 564
70004757.....	325	70006400.....	369, 373	7012975.....	143	7021618.....	95, 564
70004758.....	325	70006401.....	369, 373	7012995.....	143	7021653.....	147, 149
70004759.....	325	70006402.....	373	7012998.....	95, 143, 149	7021659.....	95
70004760.....	325	70006411.....	369	7016177.....	97, 99	7022390.....	149
70004761.....	325	70006412.....	369	7017007.....	44	7022394.....	143
70004762.....	325	70006413.....	369	7017009.....	43	7023217.....	25
70004763.....	325	70006414.....	369	7017022.....	43	7023318.....	155
70004764.....	325	70006415.....	369	7017120.....	225, 227	7024379.....	155
70004765.....	325	70006497.....	47	7017121.....	225, 227	7024380.....	155
70004766.....	325	70006498.....	47	7017122.....	225, 227	7024381.....	155
70004767.....	325	70006531.....	357	7017123.....	225, 227	7024389.....	155
70004768.....	325	70006532.....	357, 365	7017126.....	225, 227	7024390.....	155
70004769.....	325	70006533.....	357, 365	7017127.....	225, 227	7024444.....	81, 83
70004770.....	325	70006535.....	357	7017153.....	225	7024445.....	81, 83
70004771.....	325	70006539.....	365	7017165.....	229	7024453.....	155
70004772.....	325	70006542.....	365	7017167.....	229	7024738.....	43
70004773.....	325	70006543.....	365	7017168.....	229	7024741.....	43
70004774.....	325	70006562.....	383	7017169.....	229	7024844.....	347, 349
70004775.....	325	70006563.....	383	7017172 ...	225, 227, 229	7024883.....	143, 564
70004809.....	47	70006564.....	383	7017173.....	229	7024885.....	143, 564
70004811.....	47	70006565.....	383	7017178.....	229	7024887.....	149
70004820.....	47	70006566.....	383	7017179.....	229	7024891.....	145
70004827.....	49, 51	70006587.....	353	7017192 ...	225, 227, 229	7026042.....	157
70004884.....	143	70006588.....	353	7017196.....	225, 227	7026043.....	157
70005091.....	143	70006589.....	353	7017246.....	379	7026068.....	349
70005101.....	81, 83	70006590.....	353	7017247.....	379	7026082.....	347, 377
70005143.....	361	70006591.....	353	7017248.....	379	7026084.....	347, 377
70005210.....	143, 564	70006592.....	353	7017249.....	379	7026088.....	349
70005214.....	29	70006593.....	353	7017250.....	379		
70005215.....	27, 29	70006594.....	361	7017251.....	379		
70005216.....	27	70006595.....	361	7017252.....	379		
70005230.....	323	70006596.....	361	7017402	95, 143, 147, 149		
70005385.....	47	70006597.....	361	7017410.....	143		
70005386.....	47	70006598.....	361	7017418.....	143		
70005387.....	47	70006599.....	361				

PART NUMBER INDEX

7026090	349	7027358	157	8220068.....	521	8760554	403, 411
7026091	349	7027359	157	8229234.....	509, 564	88261024.....	195, 197
7026092	349	7027360	157	8229235.....	509, 564	88261026.....	220
7027350	157	7027361	157	8229236.....	507, 564	88521205.....	97, 99, 101,
7027351	157	7027363	157	8229237.....	509, 564	103	
7027352	157	7027900	225, 227	8229242.....	479, 481, 514,	88662523..	71, 73, 85, 87,
7027353	157	7027901	225, 227	564		89	
7027354	157	7028909	187, 191	8229245.....	507	88662530..	195, 197, 201
7027356	157	8220045	507	8229261.....	509, 564		



3121718



An Oshkosh Corporation Company

Corporate Office
JLG Industries, Inc.
1 JLG Drive
McConnellsburg, PA 17233-9533 USA
☎ (717) 485-5161 (Corporate)
☎ (877) 554-5438 (Customer Support)
☎ (717) 485-6417

Visit our website for JLG Worldwide Locations.
www.jlg.com