



# Illustrated Parts Manual

**Models**  
**E300AJ**  
**E300AJP**

**SN 0300211844**  
**TO PRESENT**

3121721

September 4, 2018 - Rev M

**ANSI**

**CE**



**AS/NZS**



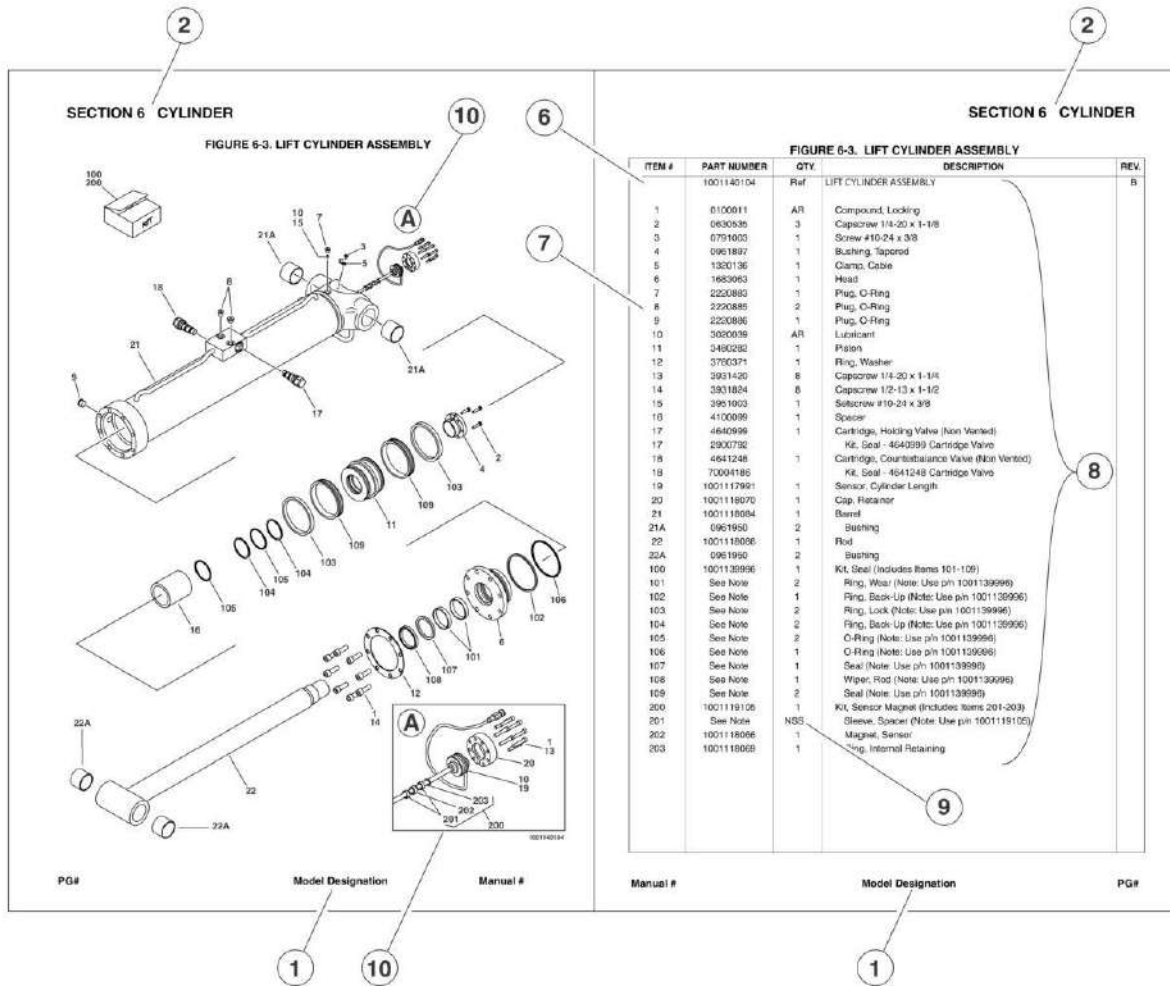
An Oshkosh Corporation Company



## REVISION LOG

September 30, 2015 - A - Original Issue of Manual (Edited to B/M 0010720 Revision T)  
December 21, 2015 - B - Revised Issue of Manual (Edited to B/M 0010720 Revision V)  
March 25, 2016 - C - Revised Issue of Manual (Edited to B/M 0010720 Revision AC)  
June 30, 2016 - D - Revised Issue of Manual (Edited to B/M 10721 Revision AC)  
September 12, 2016 - E - Revised Issue of Manual (Edited to B/M 0010720 Revision AD)  
December 31, 2016 - F - Revised Issue of Manual (Edited to B/M 0010720 Revision AE)  
March 24, 2017 - G - Revised Issue of Manual (Edited to B/M 0010720 Revision AG)  
June 20, 2017 - H - Revised Issue of Manual (Edited to B/M 0010720 Revision AH)  
September 29, 2017 - I - Revised Issue of Manual (Edited to B/M 0010720 Revision AI)  
December 15, 2017 - J - Revised Issue of Manual (Edited to B/M 0010720 Revision AK)  
March 23, 2018 - K - Revised Issue of Manual (Edited to B/M 0010720 Revision AK)  
June 20, 2018 - L - Revised Issue of Manual (Edited to B/M 0010720 Revision AO)  
September 4, 2018 - M - Revised Issue of Manual (Edited to B/M 0010720 Revision AO)

# GENERAL INFORMATION



## 1) MACHINE IDENTIFICATION

Machines are identified by model and in some cases a combination of models, serial number (SN) or regional standard (i.e. ANSI, CE, CSA). Components may also be identified by SN or manufacturer. common components that may be identified by these characteristics are engines and hydraulic components.

## 2) PARTS MANUAL ORGANIZATION

Product information in this manual is organized under section titles. Frame, Cylinder, Hydraulic and Electrical are a few examples. Each section is organized by figure and page number. The information within the Figure is then organized by item number, part number, description and corresponding illustration (s).

## 3) TABLE OF CONTENTS

A table of contents is found toward the beginning of the manual. Figure number, description and page number are provided for quick reference to the page containing the related information.

## 4) RECOMMENDED SPARE PARTS

The Recommended Spare Parts, located near the end of the manual, reference most frequently used maintenance parts.

## 5) PART NUMBER INDEX

A numerical index listing all part numbers and the corresponding page number(s) appears at the back of the manual.

## GENERAL INFORMATION

### 6) NON-SERVICED PARTS

In some instances, it is necessary to display non-serviced parts, assemblies or installations. In the case of assemblies and installations there will be a Ref in the Qty column. In case of parts that are not available for service within assemblies or components, there will be a NSS (Not Sold Separately) or NLA (No Longer Available) listed in the Qty. column of the manual.

### 7) PARTS LIST ITEM NUMBERS

Numbers shown in the item# column correspond to numbers used in the associated illustration (s). Item numbers which are missing from the sequence in the parts list are not used on that page

### 8) INDENTED PARTS DESCRIPTION

An indented part description is included in the item under which it is indented.

### 9) ABBREVIATION AND SYMBOLS

AC.....	..Alternating Current	LCD.....	..Liquid Crystal Display
ADE.....	..Advanced Design Electronics	LED.....	..Light Emitting Diodes
ANSI.....	..American National Standards Institute	LH.....	..Left Hand
AR.....	..As Required	LSS.....	..Load Sensing System
ASSY.....	..Assembly	M(m).....	..Metric/Meter
AUX.....	..Auxiliary	MM (mm).....	..Millimeter
AWG.....	..American Wire Gauge	mA.....	..Milliamps
B/M.....	..Bill of Material	NLA.....	..No Longer Available
CE.....	..European Conformity	NPT.....	..National Pipe Threads
CCW.....	..Counter Clockwise	NSS.....	..Not Sold Separately
cm.....	..Centimeter	OD.....	..Outside Diameter
CW.....	..Clockwise	ORB.....	..O-Ring Boss
CSA.....	..Canadian Standards Association	ORFS.....	..O-Ring Face Seal
CYL.....	..Cylinder	OZ (oz).....	..Ounces
DIA.....	..Diameter	PG.....	..Page
DC.....	..Direct Current	P/N.....	..Part Number
EMS.....	..Emergency Stop	qt.....	..Quarts
ENG.....	..Engine	QTY.....	..Quantity
FT (ft).....	..Feet	REF.....	..Reference
GA (Ga).....	..Gauge	REV.....	..Revision Level
HYD.....	..Hydraulic	RH.....	..Right Hand
Hz.....	..Hertz	SAE.....	..Society of Automotive Engineers
ID.....	..Inside Diameter	SN.....	..Serial Number
in.....	..Inches	SPEC(S).....	..Specifications
ISO.....	..International Organization for Standards	T/T.....	..Turntable
JIC.....	..Joint Industry Council	UGM.....	..Universal Ground Module
KG.....	..Kilogram	V.....	..Volts
L.....	..Liter	W.....	..Watts
LB.....	..Pounds	#.....	..Number

### 10) ILLUSTRATION REFERENCE LETTERS

When necessary, illustrations may contain reference letters that are intended to track information (i. e. hoses, harnesses) from one point to another or to track visual enlargement of components to show details that may be located in another area on the illustration.

*Note: Due to continuous product improvements, JLG Industries, Inc. reserves the right to make specification changes without prior notification. Contact JLG Industries, Inc. for updated information.*



# TABLE OF CONTENTS

SECTION 1 - FRAME.....	11
FIGURE 1-1. STEER INSTALLATION.....	12
FIGURE 1-2. HUB AND SPINDLE ASSEMBLY - LH.....	14
FIGURE 1-3. HUB AND SPINDLE ASSEMBLY - RH.....	16
FIGURE 1-4. WHEEL DRIVE INSTALLATION (ALL SPECS EXCEPT UL SPEC).....	18
FIGURE 1-5. WHEEL DRIVE INSTALLATION (UL SPECS) (SN 0300226252 to Present).....	22
FIGURE 1-6. DRIVE HUB ASSEMBLY.....	26
FIGURE 1-7. DRIVE MOTOR ASSEMBLY.....	30
FIGURE 1-8. TIRE AND WHEEL INSTALLATION.....	32
FIGURE 1-9. BATTERY INSTALLATION - 305AH BATTERIES.....	34
FIGURE 1-10. BATTERY INSTALLATION - 305AH BATTERIES (UL SPECS) (SN 0300226252 to Present).....	36
FIGURE 1-11. BATTERY INSTALLATION - 305AH AGM BATTERIES.....	38
FIGURE 1-12. BATTERY INSTALLATION - 375AH/706HD BATTERIES.....	40
FIGURE 1-13. INVERTER INSTALLATION - OPTIONAL.....	42
FIGURE 1-14. FRAME COVERS INSTALLATION.....	44
SECTION 2 - TURNTABLE.....	47
FIGURE 2-1. VALVES, TANK AND MOTOR INSTALLATION - E300AJ.....	48
FIGURE 2-2. VALVES, TANK AND MOTOR INSTALLATION - E300AJP.....	50
FIGURE 2-3. MAIN VALVE ASSEMBLY.....	52
FIGURE 2-4. BOOM VALVE ASSEMBLY - E300AJ.....	54
FIGURE 2-5. BOOM VALVE ASSEMBLY - E300AJP.....	56
FIGURE 2-6. TURNTABLE BEARING AND SWING DRIVE INSTALLATION - DOHI.....	58
FIGURE 2-7. TURNTABLE BEARING AND SWING DRIVE INSTALLATION - JING WEI.....	60
FIGURE 2-8. TURNTABLE BEARING ASSEMBLY - DOHI.....	62
FIGURE 2-9. TURNTABLE BEARING ASSEMBLY - JING WEI.....	64
FIGURE 2-10. SWING MOTOR ASSEMBLY.....	66
FIGURE 2-11. DRIVE ORIENTATION INSTALLATION.....	68
FIGURE 2-12. ELECTRICAL COMPONENTS INSTALLATION - E300AJ ALL SPECS EXCEPT CE AND UL SPECS.....	70
FIGURE 2-13. ELECTRICAL COMPONENTS INSTALLATION - E300AJ CE SPEC.....	72
FIGURE 2-14. ELECTRICAL COMPONENTS INSTALLATION - E300AJ (UL SPECS) (SN 0300226252 to Present).....	74
FIGURE 2-15. ELECTRICAL COMPONENTS INSTALLATION - E300AJP ALL SPEC EXCEPT CE AND UL SPECS.....	76
FIGURE 2-16. ELECTRICAL COMPONENTS INSTALLATION - E300AJP CE SPEC.....	78
FIGURE 2-17. ELECTRICAL COMPONENTS INSTALLATION - E300AJP (UL SPECS) (SN 0300226252 to Present).....	80
FIGURE 2-18. GROUND CONTROL BOX ASSEMBLY - E300AJ ALL SPECS EXCEPT CE SPEC.....	82
FIGURE 2-19. GROUND CONTROL BOX ASSEMBLY - E300AJ CE SPEC.....	84
FIGURE 2-20. GROUND CONTROL BOX ASSEMBLY - E300AJP ALL SPECS EXCEPT CE SPEC.....	86
FIGURE 2-21. GROUND CONTROL BOX ASSEMBLY - E300AJP CE SPEC.....	88
FIGURE 2-22. BATTERY CHARGER INSTALLATION - WITH PLUG (ALL SPECS EXCEPT CE SPEC).....	90
FIGURE 2-23. BATTERY CHARGER INSTALLATION - WITH PLUG (CE SPEC).....	92
FIGURE 2-24. BATTERY CHARGER INSTALLATION - WITHOUT PLUG.....	94
FIGURE 2-25. BATTERY CHARGER ASSEMBLY.....	96
FIGURE 2-26. ALARM INSTALLATION.....	98
FIGURE 2-27. STROBE LIGHT INSTALLATION - AMBER.....	100
FIGURE 2-28. STROBE LIGHT INSTALLATION - BLUE (SN 0300211844 through 0300217405).....	102
FIGURE 2-29. STROBE LIGHT INSTALLATION - BLUE (SN 0300217406 to Present).....	104
FIGURE 2-30. STROBE LIGHT INSTALLATION - RED (SN 0300211844 through 0300217097).....	106
FIGURE 2-31. STROBE LIGHT INSTALLATION - RED (SN 0300217098 to Present).....	108
FIGURE 2-32. HOODS INSTALLATION.....	110
SECTION 3 - BOOM.....	113
FIGURE 3-1. BOOM AND CYLINDERS INSTALLATION - E300AJ.....	114
FIGURE 3-2. BOOM AND CYLINDERS INSTALLATION - E300AJP.....	116
FIGURE 3-3. TOWER BOOM ASSEMBLY - E300AJ.....	118
FIGURE 3-4. TOWER BOOM ASSEMBLY - E300AJP.....	120
FIGURE 3-5. MAIN BOOM ASSEMBLY - E300AJ.....	122
FIGURE 3-6. MAIN BOOM ASSEMBLY - E300AJP.....	124
FIGURE 3-7. JIB ASSEMBLY - E300AJ.....	126
FIGURE 3-8. JIB ASSEMBLY - E300AJP.....	128
FIGURE 3-9. ROTATOR ASSEMBLY - PLATFORM.....	130
FIGURE 3-10. ROTATOR ASSEMBLY - JIB SWING.....	132
FIGURE 3-11. POWER TRACK INSTALLATION.....	134
FIGURE 3-12. PLATFORM SUPPORT INSTALLATION - WITHOUT LSS.....	136

# TABLE OF CONTENTS

FIGURE 3-13. PLATFORM SUPPORT INSTALLATION - WITH 4 CELL LSS .....	138
FIGURE 3-14. PLATFORM SUPPORT INSTALLATION - WITH 1 CELL LSS .....	140
SECTION 4 - PLATFORM .....	143
FIGURE 4-1. PLATFORM ASSEMBLY - 4FT/1.22M - SIDE GATE ENTRY .....	144
FIGURE 4-2. PLATFORM ASSEMBLY - 4FT/1.22M - DROP BAR ENTRY .....	146
FIGURE 4-3. PLATFORM ASSEMBLY - 30IN X 3FT (76CM X 91.5CM).....	148
FIGURE 4-4. PLATFORM CONSOLE AND FOOTSWITCH INSTALLATION - E300AJ WITHOUT SKYGUARD .....	150
FIGURE 4-5. PLATFORM CONSOLE AND FOOTSWITCH INSTALLATION WITH 4 CELL LSS - E300AJ WITH SKYGUARD .....	152
FIGURE 4-6. PLATFORM CONSOLE AND FOOTSWITCH INSTALLATION WITH 1 CELL LSS - E300AJ WITH SKYGUARD .....	154
FIGURE 4-7. PLATFORM CONSOLE AND FOOTSWITCH INSTALLATION - E300AJ WITH SKYGUARD (UL SPECS) (SN 0300226252 to Present).....	156
FIGURE 4-8. PLATFORM CONSOLE AND FOOTSWITCH INSTALLATION - E300AJP WITHOUT SKYGUARD .....	158
FIGURE 4-9. PLATFORM CONSOLE AND FOOTSWITCH INSTALLATION WITH 4 CELL LSS - E300AJP WITH SKYGUARD .....	160
FIGURE 4-10. PLATFORM CONSOLE AND FOOTSWITCH INSTALLATION WITH 1 CELL LSS - E300AJP WITH SKYGUARD .....	162
FIGURE 4-11. PLATFORM CONSOLE AND FOOTSWITCH INSTALLATION - E300AJP WITH SKYGUARD (UL SPECS) (SN 0300226252 to Present).....	164
FIGURE 4-12. PLATFORM CONSOLE ASSEMBLY - E300AJ WITHOUT SKYGUARD .....	166
FIGURE 4-13. PLATFORM CONSOLE ASSEMBLY WITH 4 CELL LSS - E300AJ WITH SKYGUARD .....	170
FIGURE 4-14. PLATFORM CONSOLE ASSEMBLY WITH 1 CELL LSS - E300AJ WITH SKYGUARD .....	174
FIGURE 4-15. PLATFORM CONSOLE ASSEMBLY - E300AJ (UL SPECS) (SN 0300226252 to Present) .....	178
FIGURE 4-16. PLATFORM CONSOLE ASSEMBLY - E300AJP WITHOUT SKYGUARD.....	182
FIGURE 4-17. PLATFORM CONSOLE ASSEMBLY WITH 4 CELL LSS - E300AJP WITH SKYGUARD .....	186
FIGURE 4-18. PLATFORM CONSOLE ASSEMBLY WITH 1 CELL LSS - E300AJP WITH SKYGUARD .....	190
FIGURE 4-19. PLATFORM CONSOLE ASSEMBLY - E300AJP (UL SPECS) (SN 0300226252 to Present).....	194
FIGURE 4-20. CONTROLLER ASSEMBLY - DRIVE AND STEER .....	198
FIGURE 4-21. CONTROLLER ASSEMBLY - LIFT AND SWING.....	200
FIGURE 4-22. FOOTSWITCH ASSEMBLY .....	204
FIGURE 4-23. TRAY ASSEMBLY .....	206
FIGURE 4-24. SKYGUARD INSTALLATION .....	208
FIGURE 4-25. CROSSRAIL INSTALLATION .....	210
FIGURE 4-26. PIPE RACK INSTALLATION (ANSI SPEC).....	212
SECTION 5 - CYLINDER.....	215
FIGURE 5-1. LEVEL CYLINDER ASSEMBLY - PLATFORM SLAVE (SN 0300211844 through 0300221077).....	216
FIGURE 5-2. LEVEL CYLINDER ASSEMBLY - PLATFORM SLAVE (SN 0300221078 to Present) .....	218
FIGURE 5-3. LIFT CYLINDER ASSEMBLY - JIB .....	220
FIGURE 5-4. LIFT CYLINDER ASSEMBLY - MAIN BOOM.....	222
FIGURE 5-5. LIFT CYLINDER ASSEMBLY - TOWER BOOM .....	224
FIGURE 5-6. MASTER CYLINDER ASSEMBLY .....	226
FIGURE 5-7. STEER CYLINDER ASSEMBLY .....	228
FIGURE 5-8. TELESCOPE CYLINDER ASSEMBLY - E300AJ .....	230
FIGURE 5-9. TELESCOPE CYLINDER ASSEMBLY - E300AJP.....	232
SECTION 6 - HYDRAULIC .....	235
FIGURE 6-1. HYDRAULIC DIAGRAM - E300AJ .....	236
FIGURE 6-2. HYDRAULIC DIAGRAM - E300AJP .....	240
FIGURE 6-3. HYDRAULIC DIAGRAM LIST.....	244
SECTION 7 - ELECTRICAL.....	245
FIGURE 7-1. ELECTRICAL DIAGRAM LIST .....	246
FIGURE 7-2. AC BOX AT PLATFORM INSTALLATION - LOCALLY SUPPLIED COMPONENTS (ANSI EXPORT, AUSTRALIAN AND CE SPECS) .....	248
FIGURE 7-3. AC BOX AT PLATFORM INSTALLATION - 110V (ANSI, ANSI EXPORT, CSA, JAPANESE AND UL SPECS) .....	250
FIGURE 7-4. AC BOX AT PLATFORM INSTALLATION - ANSI AND CSA SPECS .....	252
FIGURE 7-5. AC BOX AT PLATFORM INSTALLATION - 110V IEC YELLOW (CE SPEC) .....	254
FIGURE 7-6. AC BOX AT PLATFORM INSTALLATION - 220V IEC BLUE (CE SPEC).....	256
FIGURE 7-7. AC BOX AT PLATFORM INSTALLATION - 220V AFSINT107 KEYED GROUND (CE SPEC) .....	258
FIGURE 7-8. AC BOX AT PLATFORM INSTALLATION - 220V CEE7 POST GROUND (CE SPEC) .....	260
FIGURE 7-9. AC BOX AT PLATFORM INSTALLATION - 220V CEE7 SIDE GROUND (CE SPEC) .....	262
FIGURE 7-10. BATTERY CABLE KIT - 305AH BATTERIES.....	264



# TABLE OF CONTENTS

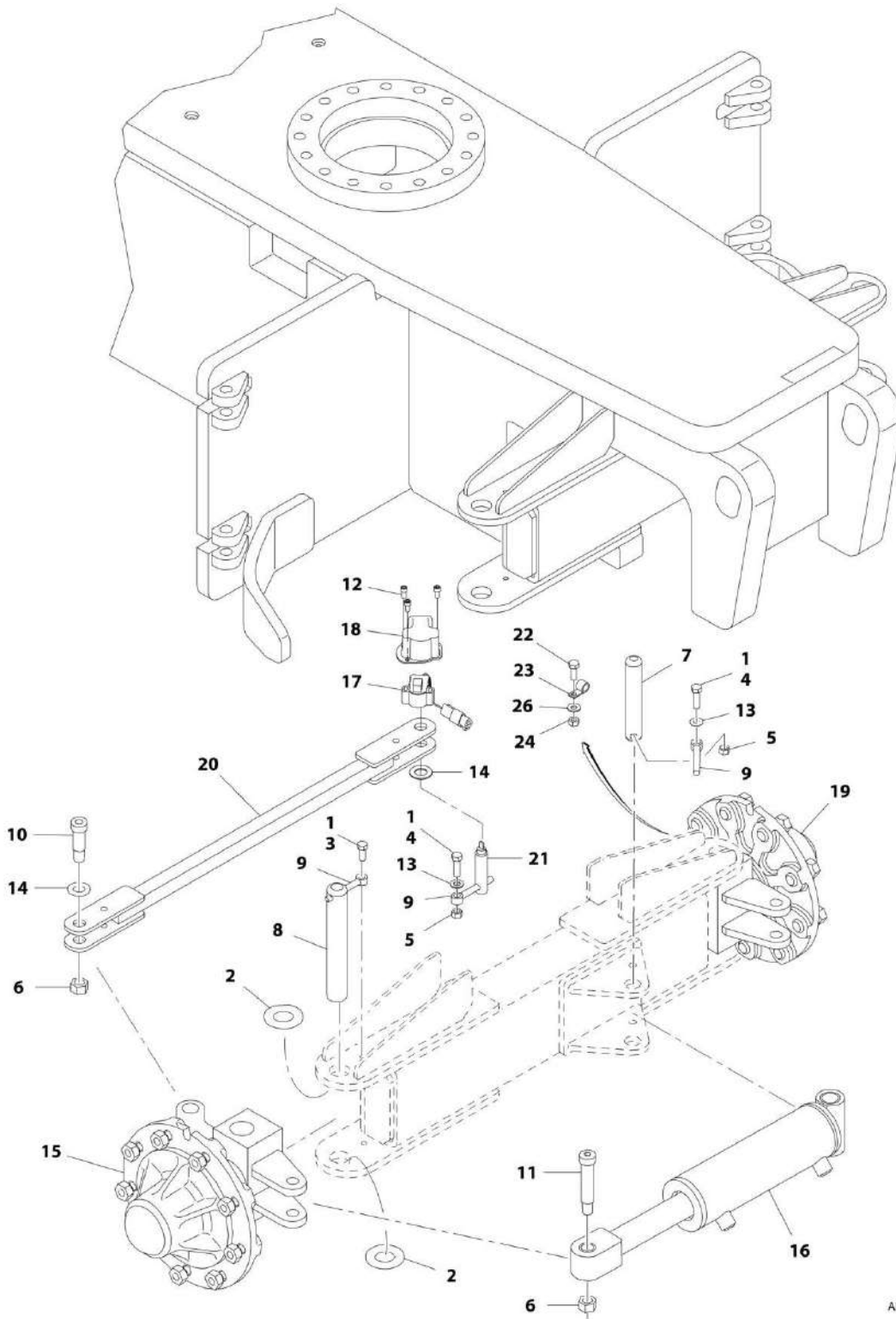
FIGURE 7-11. BATTERY CABLE KIT - 305AH BATTERIES (UL SPECS) (SN 0300226252 to Present).....	266
FIGURE 7-12. BATTERY CABLE KIT - 305AH AGM BATTERIES .....	268
FIGURE 7-13. BATTERY CABLE KIT - 375AH/706HD BATTERIES .....	270
FIGURE 7-14. BREAKER BOX KIT - CE SPEC .....	272
FIGURE 7-15. BOOM CABLES AND CLAMPS INSTALLATION - E300AJ.....	274
FIGURE 7-16. BOOM CABLES AND CLAMPS INSTALLATION - E300AJP .....	278
FIGURE 7-17. BOOM HARNESS - MAIN BOOM.....	282
FIGURE 7-18. BOOM HARNESS - TOWER BOOM .....	284
FIGURE 7-19. BOOM VALVE AND LIMIT SWITCH HARNESS .....	286
FIGURE 7-20. CHARGER CORD PLUG INSTALLATION - 110V - IEC 60309 - YELLOW (CE SPEC).....	288
FIGURE 7-21. CHARGER CORD PLUG INSTALLATION - 220V - IEC 60309 - BLUE (CE SPEC) .....	290
FIGURE 7-22. CHARGER CORD PLUG INSTALLATION - 220V - AFSINT107 KEYED GROUND (CE SPEC) .....	292
FIGURE 7-23. CHARGER CORD PLUG INSTALLATION - 220V - CEE7 POST GROUND (CE SPEC).....	294
FIGURE 7-24. CHARGER CORD PLUG INSTALLATION - 220V - CEE7 SIDE GROUND (CE SPEC) .....	296
FIGURE 7-25. DRIVE CABLE KIT (ALL SPECS EXCEPT UL SPEC) .....	298
FIGURE 7-26. DRIVE CABLE KIT (UL SPECS) (SN 0300226252 to Present) .....	300
FIGURE 7-27. GROUND CONTROL HARNESS .....	302
FIGURE 7-28. INVERTER HARNESS.....	304
FIGURE 7-29. LSS SYSTEM HARNESS .....	306
FIGURE 7-30. PLATFORM CONSOLE HARNESS .....	308
FIGURE 7-31. PLATFORM CONSOLE HARNESS - WITH 1 CELL LSS.....	310
FIGURE 7-32. GENERATOR TO PLATFORM HARNESS - WITH SKYGUARD .....	312
FIGURE 7-33. RECEPTACLE BOX KIT - 110V IEC YELLOW (CE SPEC).....	314
FIGURE 7-34. RECEPTACLE BOX KIT - 220V IEC BLUE (CE SPEC) .....	316
FIGURE 7-35. RECEPTACLE BOX KIT - 220V AFSINT107 KEYED GROUND (CE SPEC).....	318
FIGURE 7-36. RECEPTACLE BOX KIT - 220V CEE7 POST GROUND (CE SPEC).....	320
FIGURE 7-37. RECEPTACLE BOX KIT - 220V CEE7 SIDE GROUND (CE SPEC).....	322
FIGURE 7-38. STEER SENSOR HARNESS.....	324
FIGURE 7-39. STROBE LIGHT HARNESS - AMBER LIGHT .....	326
FIGURE 7-40. TRACTION MODULE TO DRIVE HARNESS .....	328
FIGURE 7-41. TRACTION MODULE TO TURNTABLE HARNESS .....	332
FIGURE 7-42. TURNTABLE HARNESS .....	334
FIGURE 7-43. VALVE HARNESS .....	338
SECTION 8 - DECALS .....	341
FIGURE 8-1. DECAL INSTALLATION (ANSI SPEC) .....	342
FIGURE 8-2. DECAL INSTALLATION (AUSTRALIAN/CE SPECS).....	346
FIGURE 8-3. DECAL INSTALLATION (BRAZIL SPEC) .....	350
FIGURE 8-4. DECAL INSTALLATION (CHINESE SPEC).....	354
FIGURE 8-5. DECAL INSTALLATION (CSA SPECS).....	358
FIGURE 8-6. DECAL INSTALLATION (JAPANESE SPECS) .....	362
FIGURE 8-7. DECAL INSTALLATION (KOREAN SPECS) .....	366
FIGURE 8-8. DECAL INSTALLATION (LATIN AMERICAN SPECS) .....	370
FIGURE 8-9. DECAL INSTALLATION - OPTIONS .....	374
SECTION 9 - RECOMMENDED SERVICE PARTS STOCK .....	377
FIGURE 9-1. RECOMMENDED SERVICE PARTS STOCK .....	378
SECTION 10 - SPECIAL OPTIONS .....	379
FIGURE 10-1. SPECIAL OPTIONS.....	380
PART NUMBER INDEX .....	383



**SECTION 1 - FRAME**

# SECTION 1 - FRAME

## FIGURE 1-1. STEER INSTALLATION



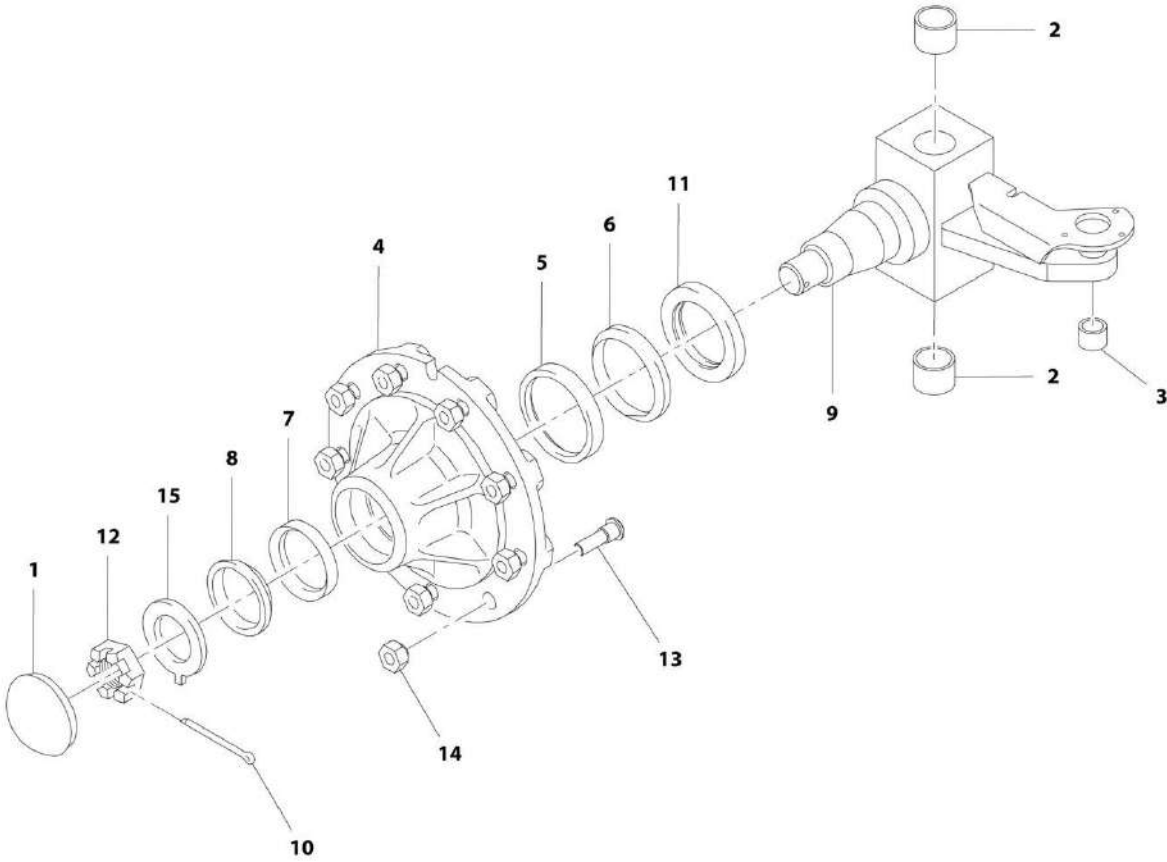
ART\_1001180906

FIGURE 1-1. STEER INSTALLATION

ITEM	PART NUMBER	QTY	DESCRIPTION	REV
	1001180906	Ref	STEER INSTALLATION	D
1	0100011	AR	Compound, Locking	
2	0440162	4	Bearing, Thrust	
3	0641607	2	Bolt 3/8 x 7/8	
4	0641610	2	Bolt 3/8 x 1-1/4	
5	3311605	2	Nut 3/8	
6	3312005	2	Nut 5/8	
7	3422181	1	Pin	
8	3422562	2	Pin	
9	3841143	4	Keeper, Pin	
10	3900118	1	Screw	
11	3900255	1	Screw 3/4 x 3	
12	3931408	3	Capscrew 1/4 x 1/2	
13	4711600	2	Washer 3/8	
14	4740086	2	Washer, Thrust	
15	1001107712	1	Hub and Spindle Assembly - RH (See HUB AND SPINDLE ASSEMBLY - RH for Breakdown)	
16	1001108310	1	Steer Cylinder Assembly (See CYLINDER SECTION for Breakdown)	
17	1001161117	1	Switch, Sensor	
17	4460536	1	Receptacle, Female - 2 Position	
17	4460464	2	Pin, Male	
18	1001169423	1	Cover, Sensor	
19	1001180911	1	Hub and Spindle Assembly - LH (See HUB AND SPINDLE ASSEMBLY - LH for Breakdown)	
20	1001180913	1	Tie-Rod	
21	1001180915	1	Pin	
22	0641406	2	Bolt 1/4 x 3/4	
23	1320043	2	Clamp, Cable	
24	3311405	2	Nut 1/4	
25	4240175	1	Tie-Strap (Not Shown)	
26	4711400	2	Washer 1/4	
27	1001192113	1	Steer Sensor Harness (Not Shown - See ELECTRICAL SECTION for Breakdown)	

# SECTION 1 - FRAME

## FIGURE 1-2. HUB AND SPINDLE ASSEMBLY - LH



ART\_1001180911

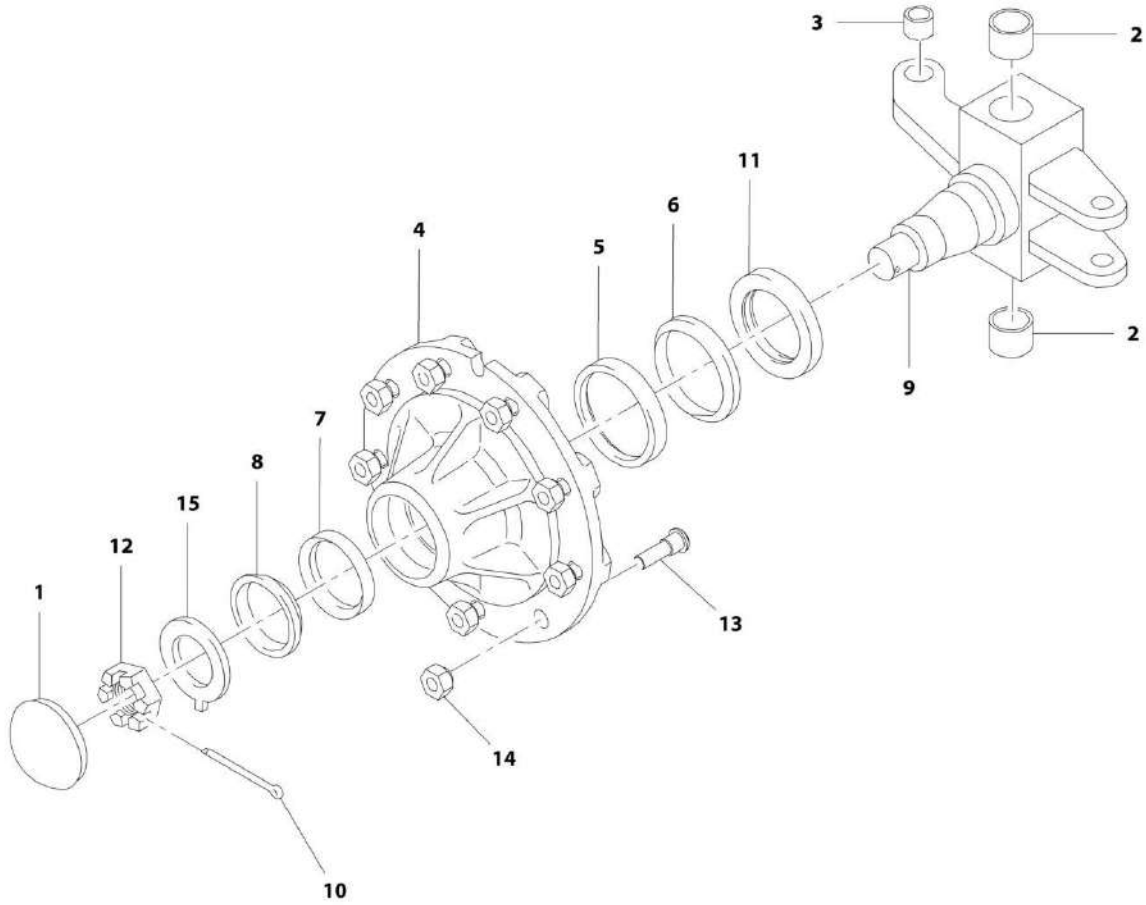
## SECTION 1 - FRAME

**FIGURE 1-2. HUB AND SPINDLE ASSEMBLY - LH**

ITEM	PART NUMBER	QTY	DESCRIPTION	REV
	1001180911	Ref	HUB AND SPINDLE ASSEMBLY - LH	C
1	7020137	1	Cap, Dust	
2	0961951	2	Bushing	
3	0962140	1	Bearing	
4	70002434	1	Hub	
5	7020036	1	Cup, Bearing (Inner) (Part of Item 4)	
6	7020037	1	Cone, Bearing (Inner)	
7	7020038	1	Cup, Bearing (Outer) (Part of Item 4)	
8	7020039	1	Cone, Bearing (Outer)	
9	See Note	NSS	Spindle (Note: Use p/n 1001180911)	
10	7020140	1	Pin, Cotter	
11	7020040	1	Seal	
12	7020054	1	Nut 1-1/4	
13	7020041	9	Stud 5/8	
14	7020042	9	Nut 5/8	
15	7020055	1	Washer 1-1/4	

# SECTION 1 - FRAME

## FIGURE 1-3. HUB AND SPINDLE ASSEMBLY - RH



ART\_1001107712

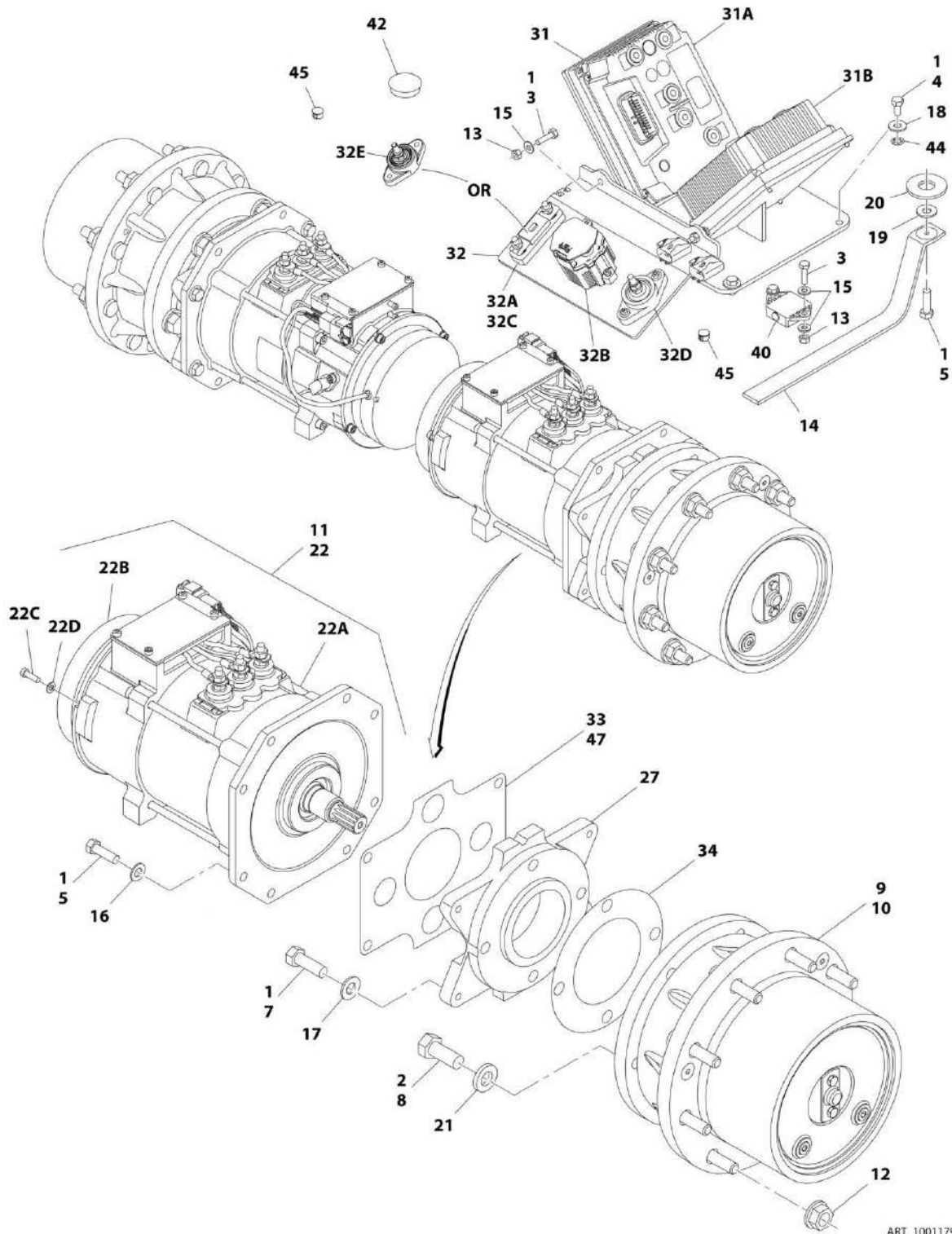


**SECTION 1 - FRAME****FIGURE 1-3. HUB AND SPINDLE ASSEMBLY - RH**

<b>ITEM</b>	<b>PART NUMBER</b>	<b>QTY</b>	<b>DESCRIPTION</b>	<b>REV</b>
	1001107712	Ref	HUB AND SPINDLE ASSEMBLY - RH	A
1	7020137	1	Cap, Dust	
2	0961951	2	Bushing	
3	0962140	1	Bearing	
4	70002434	1	Hub	
5	7020036	1	Cup, Bearing (Inner) (Part of Item 4)	
6	7020037	1	Cone, Bearing (Inner)	
7	7020038	1	Cup, Bearing (Outer) (Part of Item 4)	
8	7020039	1	Cone, Bearing (Outer)	
9	70002435	1	Spindle	
10	7020140	1	Pin, Cotter	
11	7020040	1	Seal	
12	7020054	1	Nut 1-1/4	
13	7020041	9	Stud 5/8	
14	7020042	9	Nut 5/8	
15	7020055	1	Washer 1-1/4	

# SECTION 1 - FRAME

## FIGURE 1-4. WHEEL DRIVE INSTALLATION (ALL SPECS EXCEPT UL SPEC)



ART\_1001179774

# SECTION 1 - FRAME

**FIGURE 1-4. WHEEL DRIVE INSTALLATION (ALL SPECS EXCEPT UL SPEC)**

ITEM	PART NUMBER	QTY	DESCRIPTION	REV
	1001179774	Ref	WHEEL DRIVE INSTALLATION (ALL SPECS EXCEPT UL SPEC)	L
1	0100011	AR	Compound, Locking	
2	0100019	AR	Compound, Locking	
3	0641408	4	Bolt 1/4 x 1	
4	0641505	4	Bolt 5/16 x 5/8	
5	0641610	9	Bolt 3/8 x 1-1/4	
7	0641812	8	Bolt 1/2 x 1-1/2	
8	0682012	12	Bolt 5/8 x 1-1/2	
9	2780282	2	Drive Hub Assembly (See DRIVE HUB ASSEMBLY for Breakdown)	
10	3020008	0.4 gl/ 1.5L	Lube, Gear 80W-90	
11	3020037	AR	Grease, Coupling	
12	3300426	18	Nut 5/8 <b>(SN 0300211844 through 0300221326)</b>	
13	3311401	4	Nut 1/4	
14	4240084	1	Strap, Anti-Static	
15	4711400	6	Washer 1/4	
16	4711600	8	Washer 3/8	
17	4711800	8	Washer 1/2	
18	4751500	4	Washer 5/16	
19	4751600	1	Washer 3/8	
20	4752200	1	Washer 3/4	
21	4892000	12	Washer 5/8	
22	1001184854	2	Drive Motor/Brake Assembly	G
22A	1001182550	2	Drive Motor Assembly (See DRIVE MOTOR ASSEMBLY for Breakdown)	
22B	1001184852	2	Drive Brake Assembly	
22B	70005415	2	O-Ring Between Brake and Motor (Not Shown)	
22C	4031707	8	Capscrew M6 x 16	
22D	1001109892	8	Washer M6	
23	1001192112	1	Traction Module to Turntable Harness (Not Shown - See ELECTRICAL SECTION for Breakdown)	
24	1001192110	1	Traction Module to Drive Harness (Not Shown - See ELECTRICAL SECTION for Breakdown)	
27	1001178921	2	Plate, Adapter Motor <b>(SN 0300211844 through 0300226255)</b>	
27	1001219722	2	Plate, Adapter Motor <b>(SN 0300226256 to Present)</b>	
31	1001180317	1	Drive Module Assembly	
31A	1001178339	1	Module, Drive	
31B	1001192212	1	Module, Drive	
32	1001180675	1	Drive Plate Assembly	F
32A	2400044	1	Block, Fuse <b>(SN 0300211844 through 0300226255)</b>	
32B	1001170367	1	Relay	
32C	1001170485	1	Fuse 250Amp <b>(SN 0300211844 through 0300226255)</b>	
32D	1001186860	1	Power Distribution Stud	
32E	1001212359	1	Power Distribution Stud <b>(SN 0300226256 to Present)</b>	
33	1001182959	2	Seal, Motor <b>(SN 0300211844 through 0300226255)</b>	
33	1001220271	2	Seal, Motor <b>(SN 0300226256 to Present)</b>	
34	1001182960	2	Seal, Hub	
40	1001181325	1	Sensor <b>(Prior to SN 0300243569)</b>	
40	1001219601	1	Sensor <b>(SN 0300243569 to Present)</b>	
42	3520035	1	Plug (Located on Frame)	

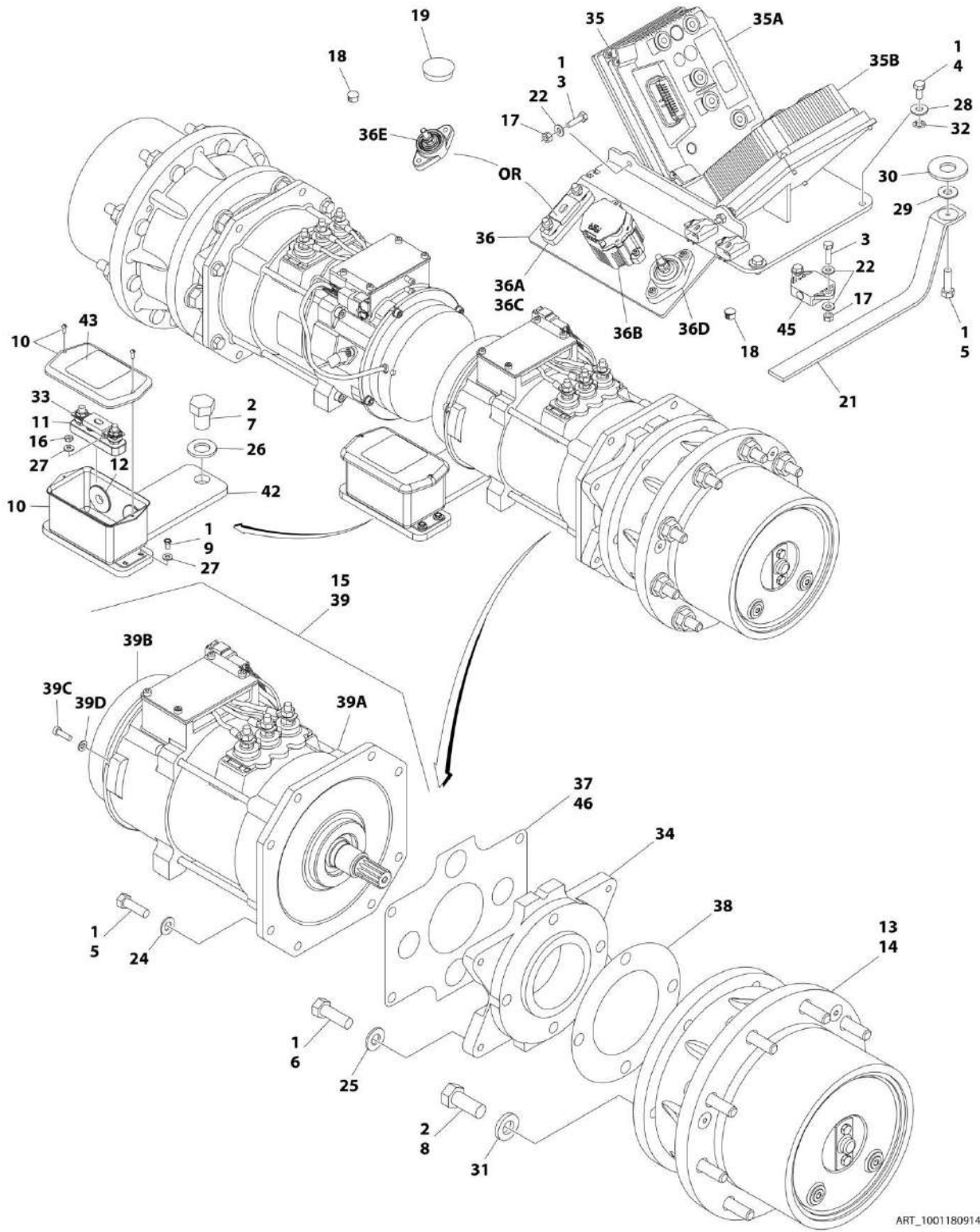
## SECTION 1 - FRAME

ITEM	PART NUMBER	QTY	DESCRIPTION	REV
44	1001119228	4	Nut M8	
45	3520028	4	Plug (Located on Frame)	
46	4240033	1	Tie-Strap (Not Shown)	
47	0100020	AR	Sealant <b>(SN 0300226256 to Present)</b>	
100	1001195097	1	Drive Cable Kit (Not Shown - See ELECTRICAL SECTION for Breakdown)	



# SECTION 1 - FRAME

FIGURE 1-5. WHEEL DRIVE INSTALLATION (UL SPECS) (SN 0300226252 to Present)



ART\_1001180914

## SECTION 1 - FRAME

**FIGURE 1-5. WHEEL DRIVE INSTALLATION (UL SPECS) (SN 0300226252 to Present)**

ITEM	PART NUMBER	QTY	DESCRIPTION	REV
	1001180914	Ref	WHEEL DRIVE INSTALLATION (UL SPECS) (SN 0300226252 to Present)	D
1	0100011	AR	Compound, Locking	
2	0100019	AR	Compound, Locking	
3	0641408	4	Bolt 1/4 x 1	
4	0641505	4	Bolt 5/16 x 5/8	
5	0641610	9	Bolt 3/8 x 1-1/4	
6	0641812	8	Bolt 1/2 x 1-1/2	
7	0642208	1	Bolt 3/4 x 1	
8	0682012	12	Bolt 5/8 x 1-1/2	
9	0721003	4	Bolt #10 x 3/8	
10	0861375	1	Box, DSC Cover	
11	2400044	1	Block, Fuse	
12	2540037	2	Grommet, Fuse Box	
13	2780282	2	Drive Hub Assembly (See DRIVE HUB ASSEMBLY for Breakdown)	
14	3020008	0.4 gal /1.5L	Lube, Gear 80W-90	
15	3020037	AR	Grease, Coupling	
16	3311001	2	Nut #10	
17	3311401	4	Nut 1/4	
18	3520028	4	Plug	
19	3520035	1	Plug	
20	4240033	1	Tie-Strap (Not Shown)	
21	4240084	1	Strap, Anti-Static	
22	4711400	6	Washer 1/4	
24	4711600	8	Washer 3/8	
25	4711800	8	Washer 1/2	
26	4712200	1	Washer 3/4	
27	4751000	6	Washer #10	
28	4751500	4	Washer 5/16	
29	4751600	1	Washer 3/8	
30	4752200	1	Washer 3/4	
31	4892000	12	Washer 5/8	
32	100119228	4	Nut M8	
33	1001170365	1	Fuse, 400Amp	
34	1001178921	2	Plate, Adapter Motor (SN 0300211844 through 0300226255)	
34	1001219722	2	Plate, Adapter Motor (SN 0300226256 to Present)	
35	1001180317	1	Drive Module Assembly	
35A	1001178339	1	Module, Drive	
35B	1001192212	1	Module, Drive	
36	1001180675	1	Drive Plate Assembly	F
36A	2400044	1	Block, Fuse (SN 0300211844 through 0300226255)	
36B	1001170367	1	Relay	
36C	1001170485	1	Fuse 250Amp (SN 0300211844 through 0300226255)	
36D	1001186860	1	Power Distribution Stud	
36E	1001212359	1	Power Distribution Stud (SN 0300226256 to Present)	
37	1001182959	2	Seal, Motor (SN 0300211844 through 0300226255)	
37	1001220271	2	Seal, Motor (SN 0300226256 to Present)	
38	1001182960	2	Seal, Hub	

## SECTION 1 - FRAME

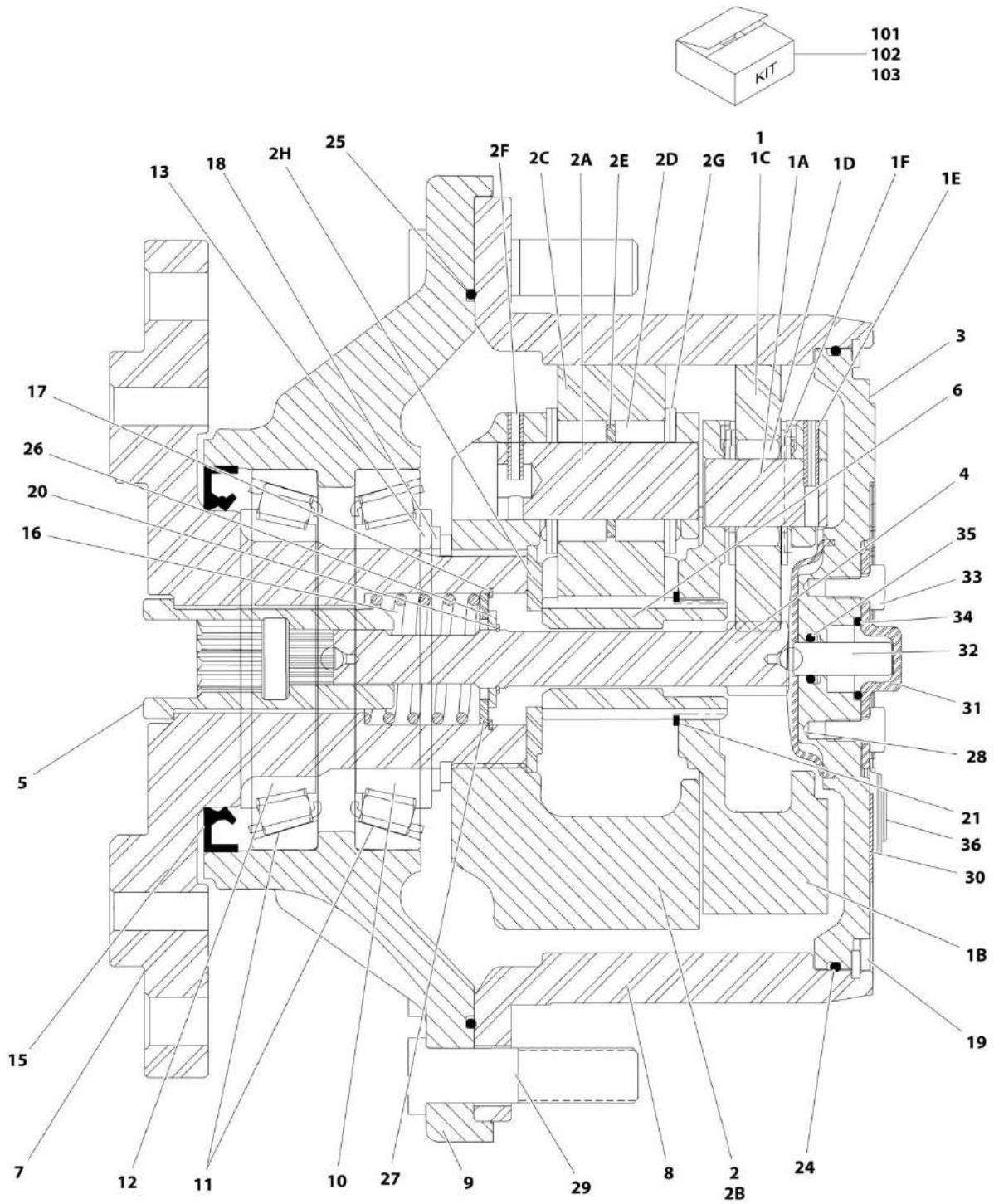
ITEM	PART NUMBER	QTY	DESCRIPTION	REV
39	1001184854	2	Drive Motor/Brake Assembly	G
39A	1001182550	2	Drive Motor Assembly (See DRIVE MOTOR ASSEMBLY for Breakdown)	
39B	1001184852	2	Drive Brake Assembly	
39B	70005415	2	O-Ring Between Brake and Motor (Not Shown)	
39C	4031707	8	Capscrew M6 x 16	
39D	1001109892	8	Washer M6	
40	1001192110	1	Traction Module to Drive Harness (Not Shown - See ELECTRICAL SECTION for Breakdown)	
41	1001192112	1	Traction Module to Turntable Harness (Not Shown - See ELECTRICAL SECTION for Breakdown)	
42	1001210587	1	Bracket	
43	1001213626	1	Decal - Fuse, 400Amp	
44	0340048	1	Band Kit, Pump Motor (Not Shown)	
45	1001181325	1	Sensor ( <b>Prior to SN 0300243569</b> )	
45	1001219601	1	Sensor ( <b>SN 0300243569 to Present</b> )	
46	0100020	AR	Sealant ( <b>SN 0300226256 to Present</b> )	
100	1001212446	1	Drive Cable Kit (Not Shown - See ELECTRICAL SECTION for Breakdown)	





# SECTION 1 - FRAME

## FIGURE 1-6. DRIVE HUB ASSEMBLY



ART\_2780282

FIGURE 1-6. DRIVE HUB ASSEMBLY

ITEM	PART NUMBER	QTY	DESCRIPTION	REV
	2780282	Ref	DRIVE HUB ASSEMBLY	B
1	70001366	1	Carrier, Sub Assembly	
1A	See Note	NSS	Shaft, Planet (Note: Use Item 1)	
1B	See Note	NSS	Carrier (Note: Use Item 1)	
1C	See Note	NSS	Gear, Planet (Note: Use Item 1)	
1D	See Note	NSS	Bearing, Needle (Note: Use Item 1)	
1E	See Note	NSS	Pin, Roll (Note: Use Item 1)	
1F	See Note	NSS	Thrustwasher (Note: Use Item 1)	
2	70001367	1	Carrier, Input	
2A	See Note	NSS	Shaft, Planet (Note: Use Item 2)	
2B	See Note	NSS	Carrier (Note: Use Item 2)	
2C	See Note	NSS	Gear, Planet (Note: Use Item 2)	
2D	See Note	NSS	Bearing, Needle (Note: Use Item 2)	
2E	See Note	NSS	Spacer, Thrust (Note: Use Item 2)	
2F	See Note	NSS	Pin, Roll (Note: Use Item 2)	
2G	See Note	NSS	Thrustwasher (Note: Use Item 2)	
2H	See Note	NSS	Thrustwasher (Note: Use Item 2)	
3	See Note	NSS	Cover (Note: Use Item 103)	
4	70001369	1	Shaft, Input	
5	70001370	1	Coupling	
6	70001371	1	Shaft, Sun Gear	
7	70001372	1	Spindle	
8	70001373	1	Gear, Ring	
9	2780282	1	Housing	
10	See Note	NSS	Bearing, Tapered-Cone (Note: Use Item 101)	
11	See Note	NSS	Bearing, Tapered-Cup (Note: Use Item 101)	
12	See Note	NSS	Bearing, Tapered-Cone (Note: Use Item 101)	
13	7017009	1	Thrustwasher	
15	See Note	NSS	Seal, Lip (Note: Use Item 102)	
16	70001374	1	Spring	
17	70001375	1	Ring, Retaining (Internal)	
18	See Note	NSS	Ring, Retaining (External) (Note: Use Item 102)	
19	7024738	1	Ring, Retaining (Internal)	
20	70001376	1	Ring, Retaining (External)	
21	70001377	1	Ring, Retaining (External)	
22	7000281	4	Screw (Not Shown - ID plate screws)	
23	7017022	3	Bolt, Flathead (Not Shown - Located on front of hub)	
24	See Note	NSS	O-Ring (Note: Use Item 102)	
25	See Note	NSS	O-Ring (Note: Use Item 102)	
26	70001378	1	Spacer, Thrust	
27	70001379	1	Thrustwasher	
28	7024741	1	Spacer, Thrust	
29	7007640	9	Stud, Wheel	
30	See Note	NSS	Flange, Plate (Note: Use Item 103)	
31	See Note	NSS	Cap, Disengage (Note: Use Item 103)	
32	See Note	NSS	Pin, Dowel (Note: Use Item 103)	
33	See Note	NSS	Bolt (Note: Use Item 103)	
34	See Note	NSS	O-Ring (Note: Use Item 103)	
35	See Note	NSS	O-Ring (Note: Use Item 103)	
36	See Note	NSS	Plug (Note: Use Item 103)	

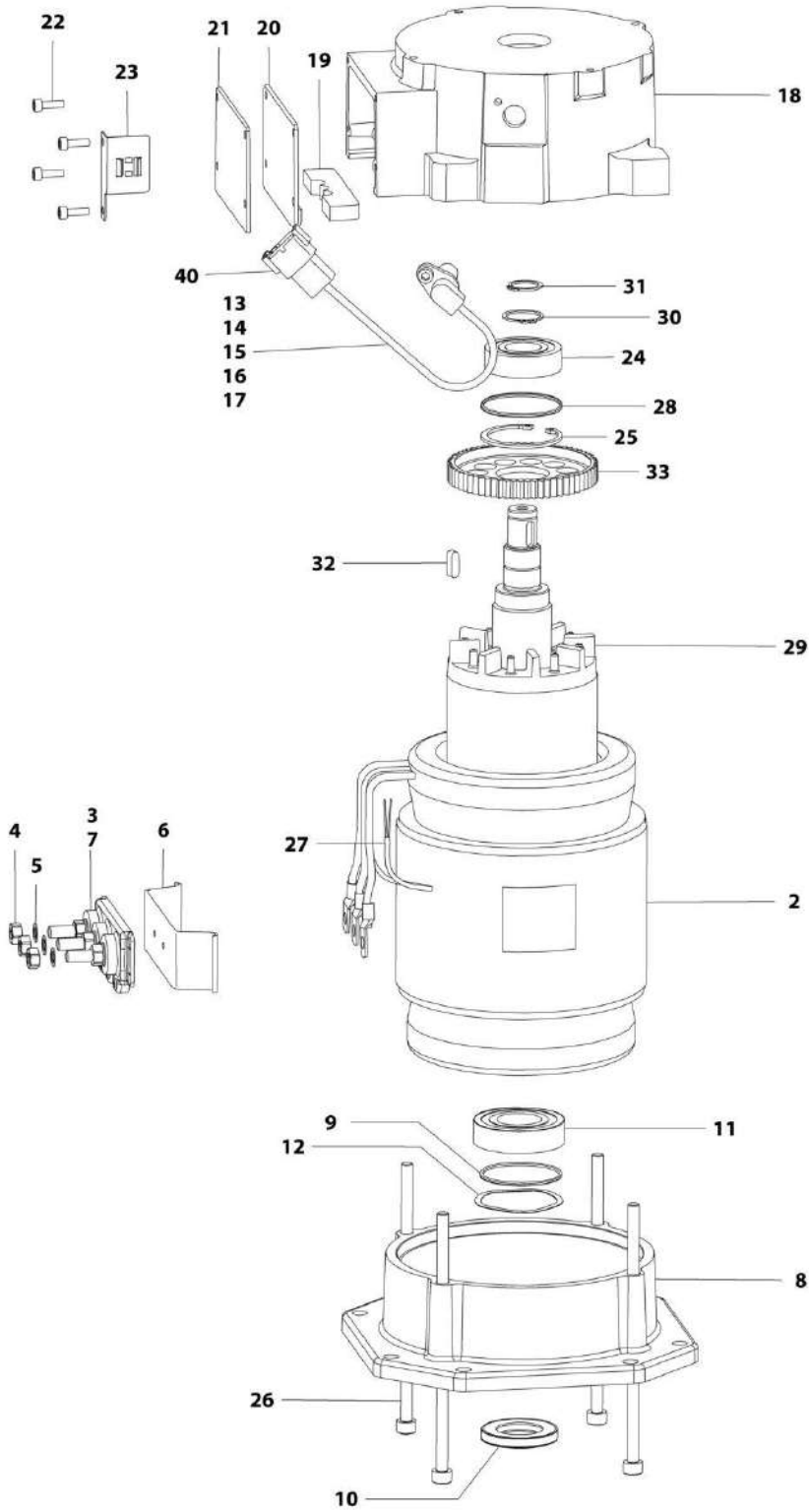
## SECTION 1 - FRAME

ITEM	PART NUMBER	QTY	DESCRIPTION	REV
		Ref	Kit Options	
101	7017007	1	Planet Gear Bearing Kit (Includes Items 10-12)	
102	70001380	1	Planet Gear Seal Kit (Includes Items 15, 18, 24 & 25)	
103	70001368	1	Cover/Cap/Disengage Kit (Includes Items 30-36)	



# SECTION 1 - FRAME

## FIGURE 1-7. DRIVE MOTOR ASSEMBLY



ART\_1001182550

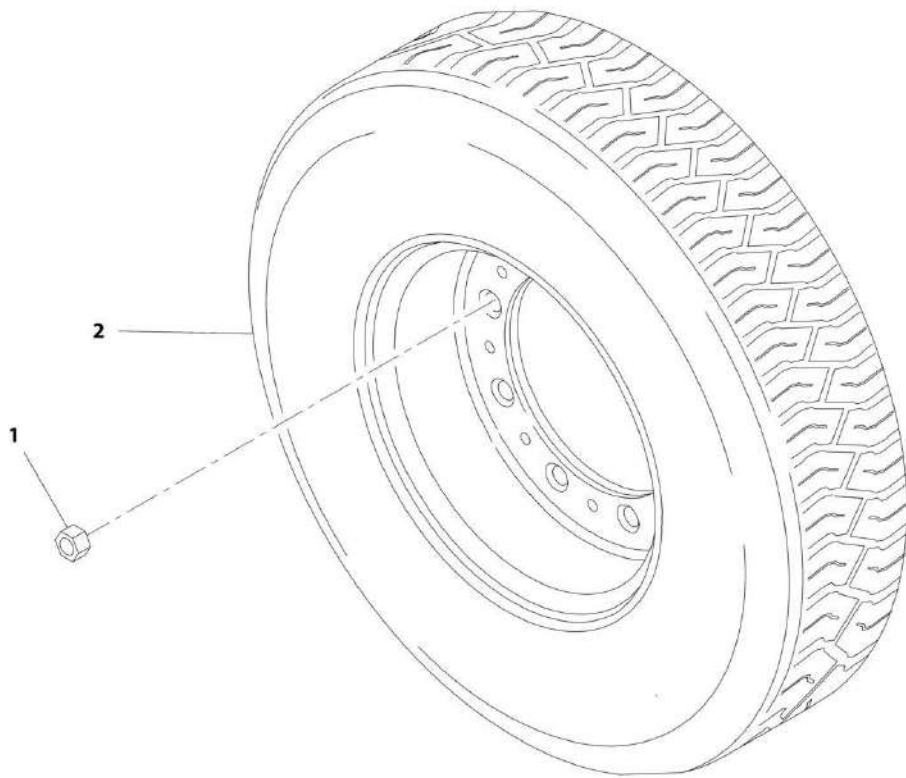
# SECTION 1 - FRAME

## FIGURE 1-7. DRIVE MOTOR ASSEMBLY

ITEM	PART NUMBER	QTY	DESCRIPTION	REV
	1001182550	Ref	DRIVE MOTOR ASSEMBLY	F
2	70005385	1	Stator	
3	70005386	1	Board, Terminal	
4	70005387	3	Nut M8	
5	70005388	3	Washer M8	
6	70005389	1	Base, Terminal	
7	70005390	2	Screw M5 x 14	
8	70005391	1	Plate, Drive End	
9	70004811	1	O-Ring	
10	70005392	1	Seal, Shaft	
11	70004809	1	Bearing	
12	70005393	1	Washer, Wavy	
13	70005394	1	Sensor (Includes Items 14-17)	
14	70005395	1	Screw M8 x 16	
15	70005396	1	Wedge	
16	70005397	1	Connector	
17	4460516	4	Pin, Male	
18	70005398	1	Shield, End	
19	70005399	1	Seal	
20	70005400	1	Seal	
21	70005401	1	Cover	
22	70005402	4	Screw M5 x 16	
23	70005403	1	Plate, Retaining	
24	70005404	1	Bearing	
25	70005405	1	Clip, Retainer	
26	70005406	4	Screw M8 x 180	
27	70005407	1	Temperature, Sensor	
28	70005408	1	O-Ring	
29	70005409	1	Rotor	
30	70004820	1	Clip, Retainer	
31	70005410	1	Clip, Retainer	
32	70005411	1	Key	
33	70005412	1	Gear	
40	1001190577	1	Connector - 8 Position	
40	4460516	8	Pin	

# SECTION 1 - FRAME

## FIGURE 1-8. TIRE AND WHEEL INSTALLATION



ART\_0258986

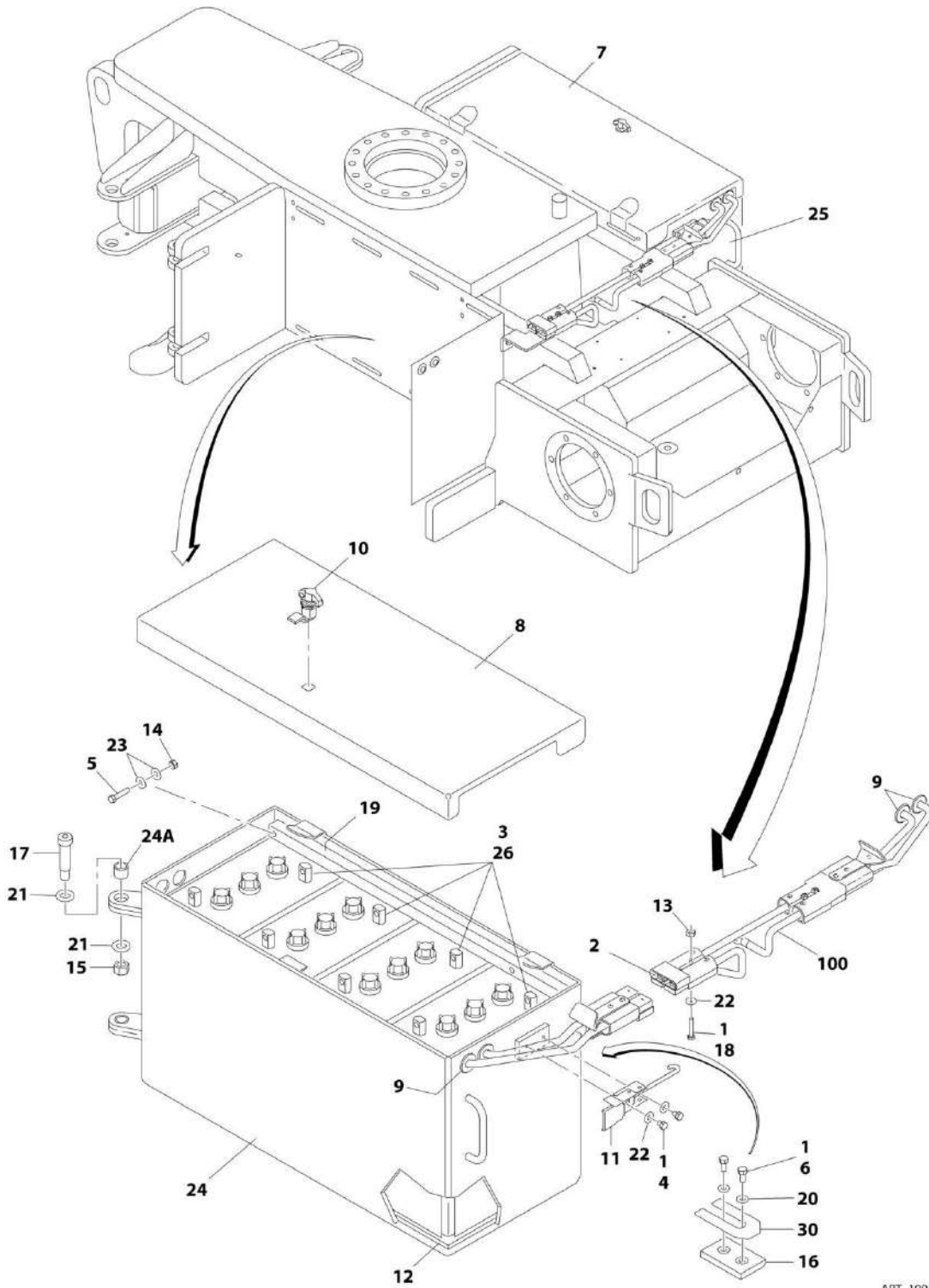


**FIGURE 1-8. TIRE AND WHEEL INSTALLATION**

<b>ITEM</b>	<b>PART NUMBER</b>	<b>QTY</b>	<b>DESCRIPTION</b>	<b>REV</b>
	0258986	Ref	TIRE AND WHEEL INSTALLATION	C
1	3300106	18	Lugnut	
2	1001110772	4	Tire and Wheel Assembly	

# SECTION 1 - FRAME

## FIGURE 1-9. BATTERY INSTALLATION - 305AH BATTERIES



ART\_1001177627

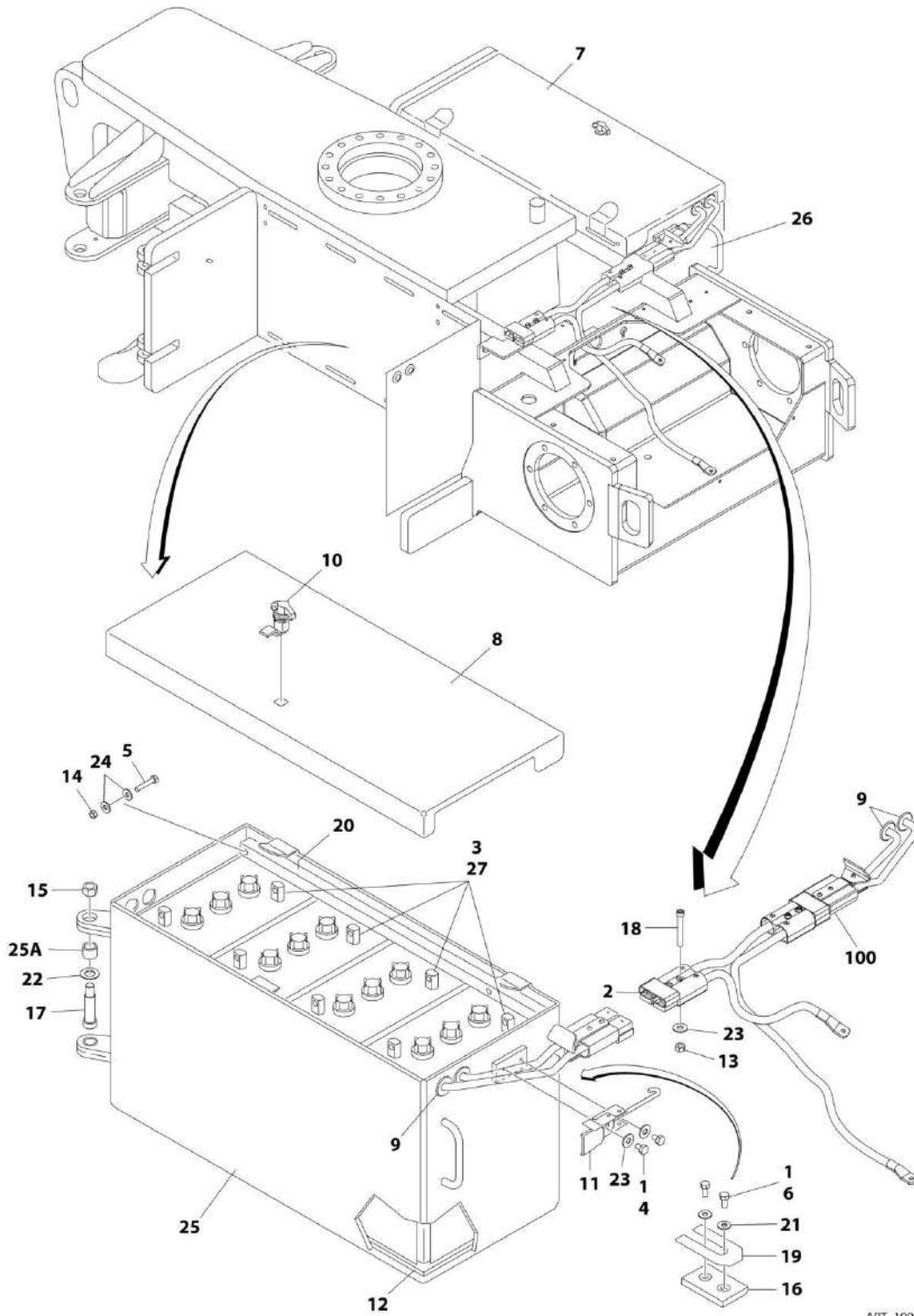
## SECTION 1 - FRAME

**FIGURE 1-9. BATTERY INSTALLATION - 305AH BATTERIES**

ITEM	PART NUMBER	QTY	DESCRIPTION	REV
	1001177627	Ref	BATTERY INSTALLATION - 305AH BATTERIES	B
1	0100011	AR	Compound, Locking	
2	0100048	AR	Grease, Dielectric	
3	0100051	AR	Grease, Battery Terminal	
4	0641403	4	Bolt 1/4 x 3/8	
5	0641514	4	Bolt 5/16 x 1-3/4	
6	0641606	4	Bolt 3/8 x 3/4	
7	1670878	1	Cover (Right)	
8	1670890	1	Cover (Left)	
9	2540020	4	Grommet	
10	2940073	2	Latch	
11	2940114	2	Latch	
12	3000003	2	Liner	
13	3311401	4	Nut 1/4	
14	3311505	4	Nut 5/16	
15	3312005	4	Nut 5/8	
16	3340852	2	Pad	
17	3900266	4	Screw	
18	3931430	4	Capscrew 1/4 x 1-7/8	
19	4567739	2	Tube	
20	4711600	4	Washer 3/8	
21	4740086	8	Thrustwasher	
22	4751400	8	Washer 1/4	
23	4751500	AR	Washer 5/16	
24	4845923	1	Box, Battery (Left)	
24A	0962233	2	Bushing	
25	4845924	1	Box, Battery (Right)	
25A	0962233	2	Bushing (Not Shown)	
26	1001105091	8	Battery (6V-305-S)	
30	4070904	2	Shim	
100	1001194946	1	Battery Cable Kit (See ELECTRICAL SECTION for Breakdown)	

# SECTION 1 - FRAME

FIGURE 1-10. BATTERY INSTALLATION - 305AH BATTERIES (UL SPECS) (SN 0300226252 to Present)



ART\_1001212371

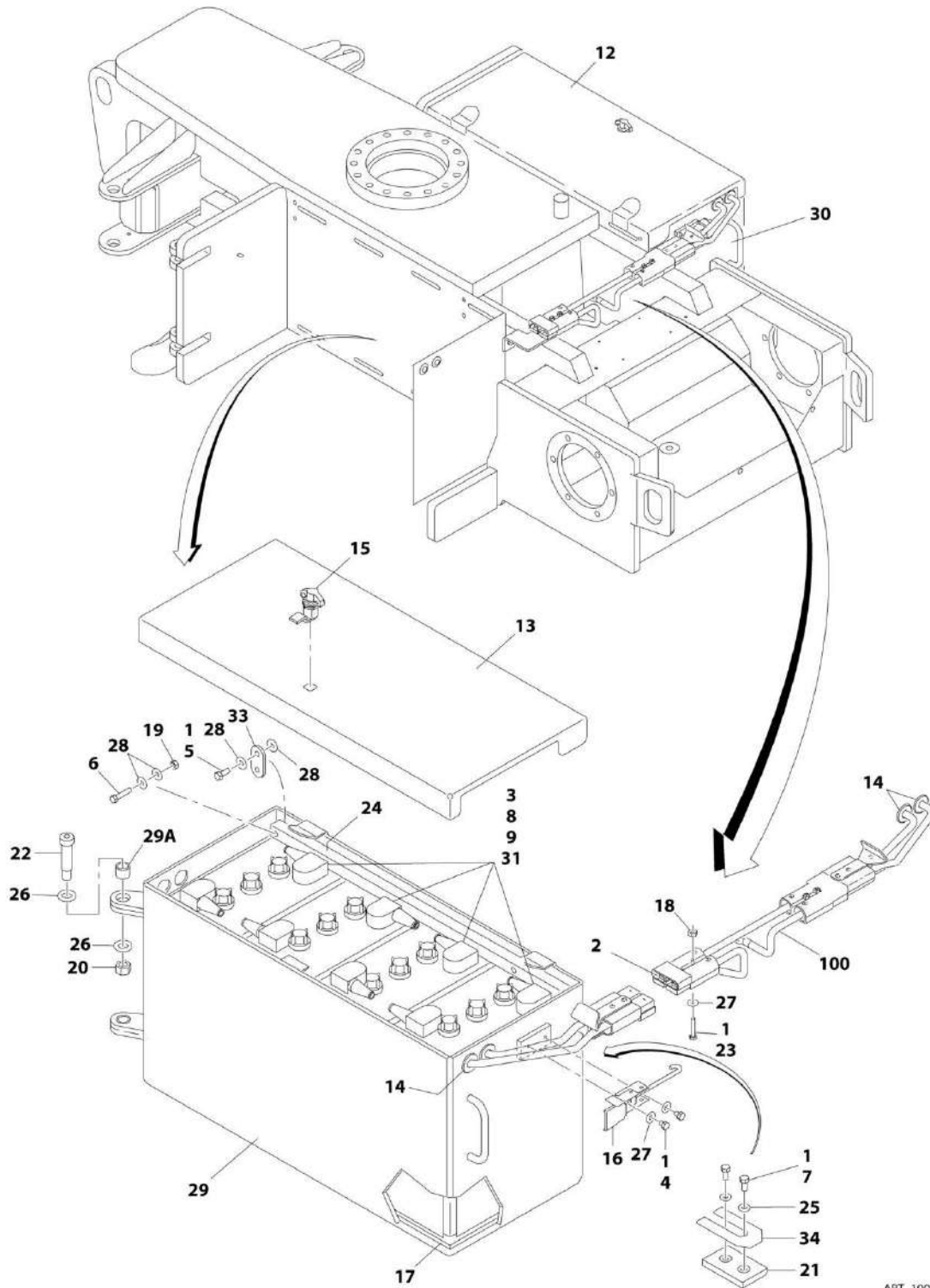
## SECTION 1 - FRAME

**FIGURE 1-10. BATTERY INSTALLATION - 305AH BATTERIES (UL SPECS) (SN 0300226252 to Present)**

ITEM	PART NUMBER	QTY	DESCRIPTION	REV
	1001212371	Ref	<b>BATTERY INSTALLATION - 305AH BATTERIES (UL SPECS) (SN 0300226252 to Present)</b>	A
1	0100011	AR	Compound, Locking	
2	0100048	AR	Grease, Dielectric	
3	0100051	AR	Grease, Battery Terminal	
4	0641403	4	Bolt 1/4 x 3/8	
5	0641514	4	Bolt 5/16 x 1-3/4	
6	0641606	4	Bolt 3/8 x 3/4	
7	1670878	1	Cover (Right)	
8	1670890	1	Cover (Left)	
9	2540020	4	Grommet	
10	2940073	2	Latch	
11	2940114	2	Latch	
12	3000003	2	Liner	
13	3311401	4	Nut 1/4	
14	3311505	4	Nut 5/16	
15	3312005	4	Nut 5/8	
16	3340852	2	Pad	
17	3900266	4	Screw	
18	3931430	4	Capscrew 1/4 x 1-7/8	
19	4070904	2	Shim	
20	4567739	2	Tube	
21	4711600	4	Washer 3/8	
22	4740086	4	Thrustwasher	
23	4751400	8	Washer 1/4	
24	4751500	8	Washer 5/16	
25	4845923	1	Box, Battery (Left)	
25A	0962233	2	Bushing	
26	4845924	1	Box, Battery (Right)	
26A	0962233	2	Bushing (Not Shown)	
27	1001105091	8	Battery (6V-305-S)	
100	1001212376	1	Battery Cable Kit (See ELECTRICAL SECTION for Breakdown)	

# SECTION 1 - FRAME

## FIGURE 1-11. BATTERY INSTALLATION - 305AH AGM BATTERIES



ART\_1001177590

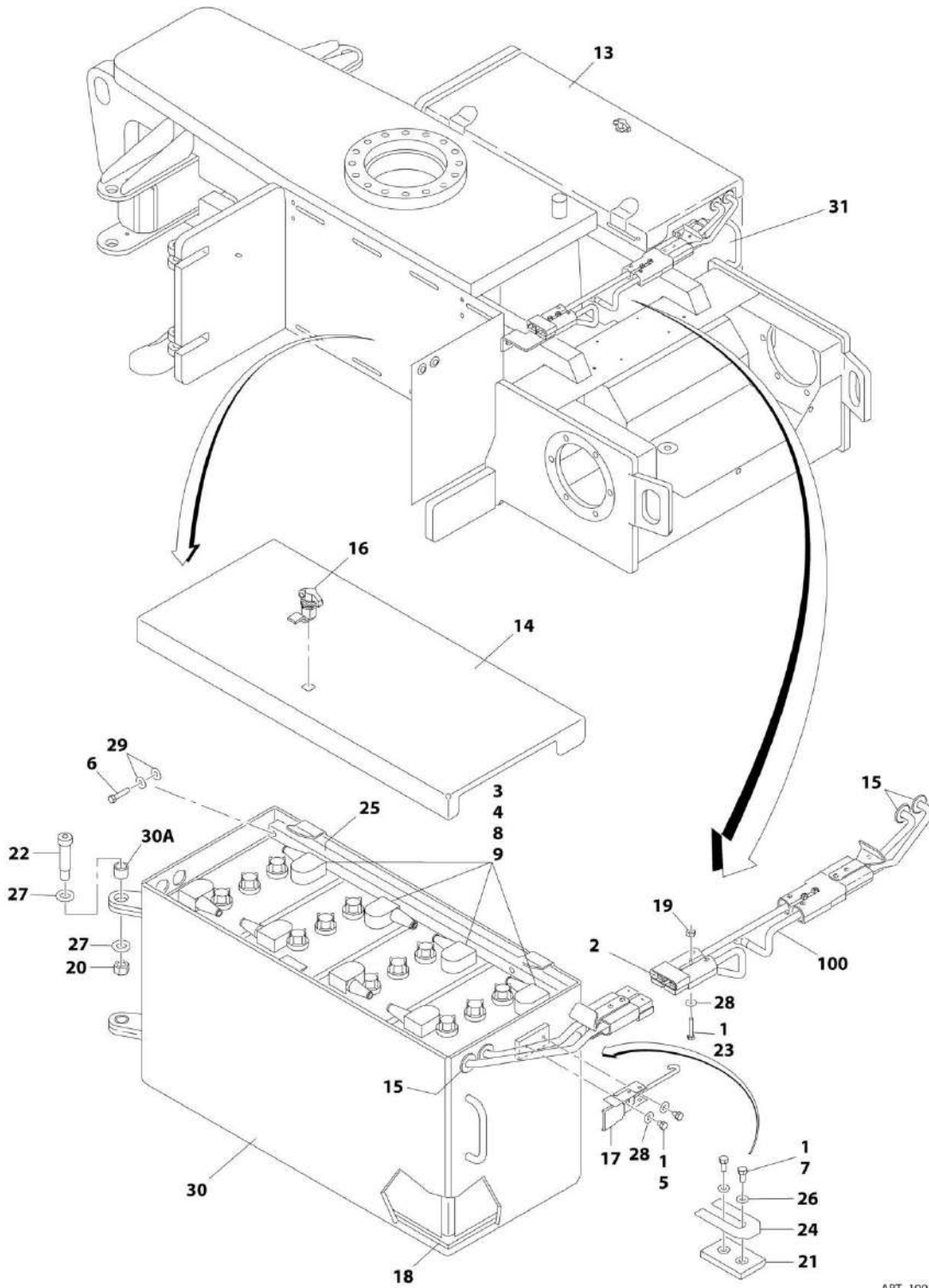
## SECTION 1 - FRAME

**FIGURE 1-11. BATTERY INSTALLATION - 305AH AGM BATTERIES**

ITEM	PART NUMBER	QTY	DESCRIPTION	REV
	1001177590	Ref	BATTERY INSTALLATION - 305AH AGM BATTERIES	B
1	0100011	AR	Compound, Locking	
2	0100048	AR	Grease, Dielectric	
3	0100051	AR	Grease, Battery Terminal	
4	0641403	4	Bolt 1/4 x 3/8	
5	0641505	4	Bolt 5/16 x 5/8	
6	0641514	4	Bolt 5/16 x 1-3/4	
7	0641606	4	Bolt 3/8 x 3/4	
8	0840031	7	Boot, Terminal ("d" Shaped)	
9	0840032	9	Boot, Terminal ("b" Shaped)	
12	1670878	1	Cover (Right)	
13	1670890	1	Cover (Left)	
14	2540020	4	Grommet	
15	2940073	2	Latch	
16	2940114	2	Latch	
17	3000003	2	Liner	
18	3311401	4	Nut 1/4	
19	3311505	4	Nut 5/16	
20	3312005	4	Nut 5/8	
21	3340852	2	Pad	
22	3900266	4	Screw	
23	3931430	4	Capscrew 1/4 x 1-7/8	
24	4567739	2	Tube	
25	4711600	4	Washer 3/8	
26	4740086	8	Thrustwasher	
27	4751400	8	Washer 1/4	
28	4751500	AR	Washer 5/16	
29	4845923	1	Box, Battery (Left)	
29A	0962233	2	Bushing	
30	4845924	1	Box, Battery (Right)	
30A	0962233	2	Bushing (Not Shown)	
31	1001114782	8	Battery (6V-305AH-AGM)	
33	1001116006	4	Bracket	
34	4070904	2	Shim	
100	1001194945	1	Battery Cable kit (See ELECTRICAL SECTION for Breakdown)	

# SECTION 1 - FRAME

## FIGURE 1-12. BATTERY INSTALLATION - 375AH/706HD BATTERIES



ART\_1001177626



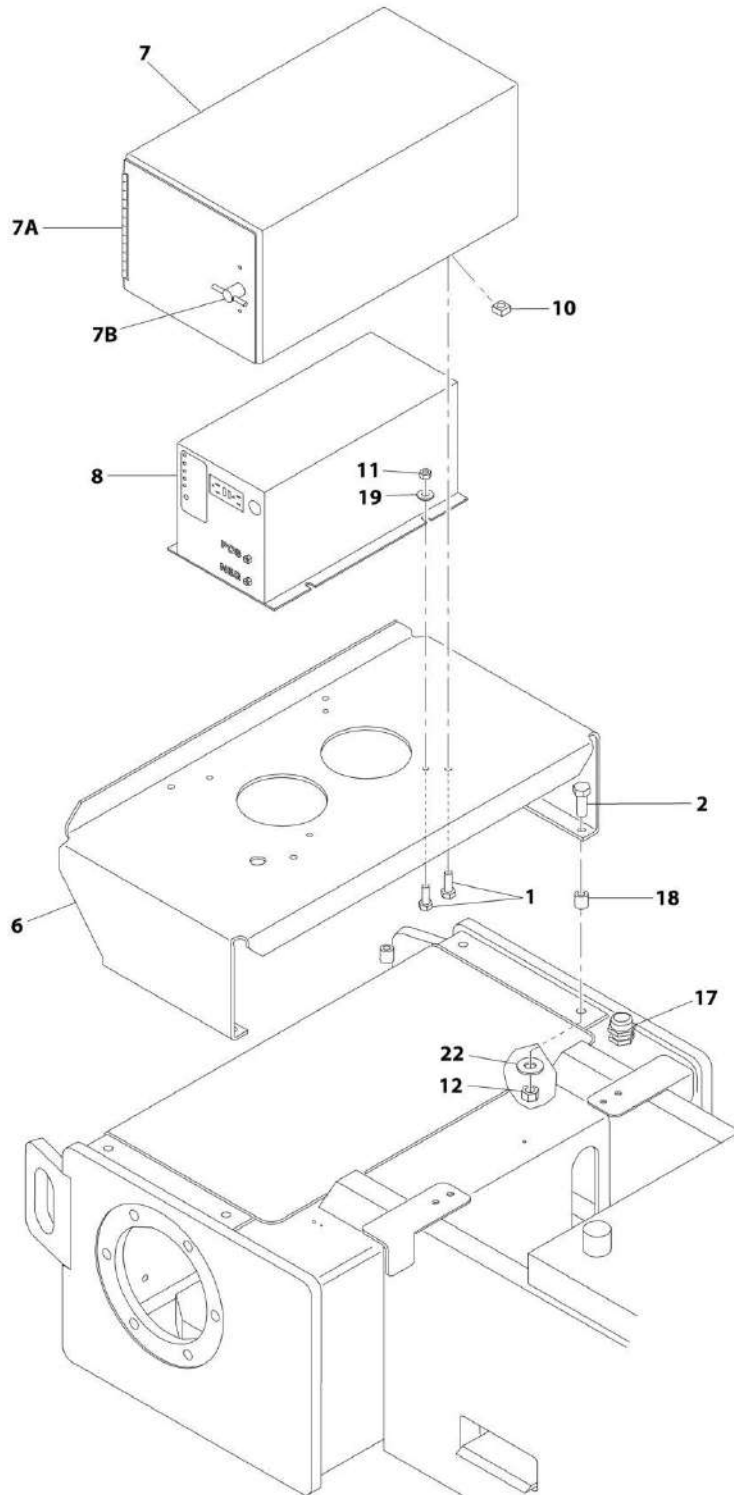
## SECTION 1 - FRAME

**FIGURE 1-12. BATTERY INSTALLATION - 375AH/706HD BATTERIES**

ITEM	PART NUMBER	QTY	DESCRIPTION	REV
	1001177626	Ref	BATTERY INSTALLATION - 375AH/706HD BATTERIES	B
1	0100011	AR	Compound, Locking	
2	0100048	AR	Grease, Dielectric	
3	0100051	AR	Grease, Battery Terminal	
4	0400055	8	Battery (6V-375AH/706HD)	
5	0641403	4	Bolt 1/4 x 3/8	
6	0641512	4	Bolt 5/16 x 1-1/2	
7	0641606	4	Bolt 3/8 x 3/4	
8	0840031	9	Boot, Terminal ("d" Shaped)	
9	0840032	7	Boot, Terminal ("b" Shaped)	
13	1670878	1	Cover (Right)	
14	1670890	1	Cover (Left)	
15	2540020	4	Grommet	
16	2940073	2	Latch	
17	2940114	2	Latch	
18	3000003	2	Liner	
19	3311401	4	Nut 1/4	
20	3312005	4	Nut 5/8	
21	3340852	2	Pad	
22	3900266	4	Screw	
23	3931430	4	Capscrew 1/4 x 1-7/8	
24	4070904	2	Shim	
25	4567739	2	Tube	
26	4711600	4	Washer 3/8	
27	4740086	8	Thrustwasher	
28	4751400	8	Washer 1/4	
29	4751500	AR	Washer 5/16	
30	4845923	1	Box, Battery (Left)	
30A	0962233	2	Bushing	
31	4845924	1	Box, Battery (Right)	
31A	0962233	2	Bushing (Not Shown)	
100	1001194947	1	Battery Cable Kit (See ELECTRICAL SECTION for Breakdown)	

# SECTION 1 - FRAME

## FIGURE 1-13. INVERTER INSTALLATION - OPTIONAL



ART\_1001195501

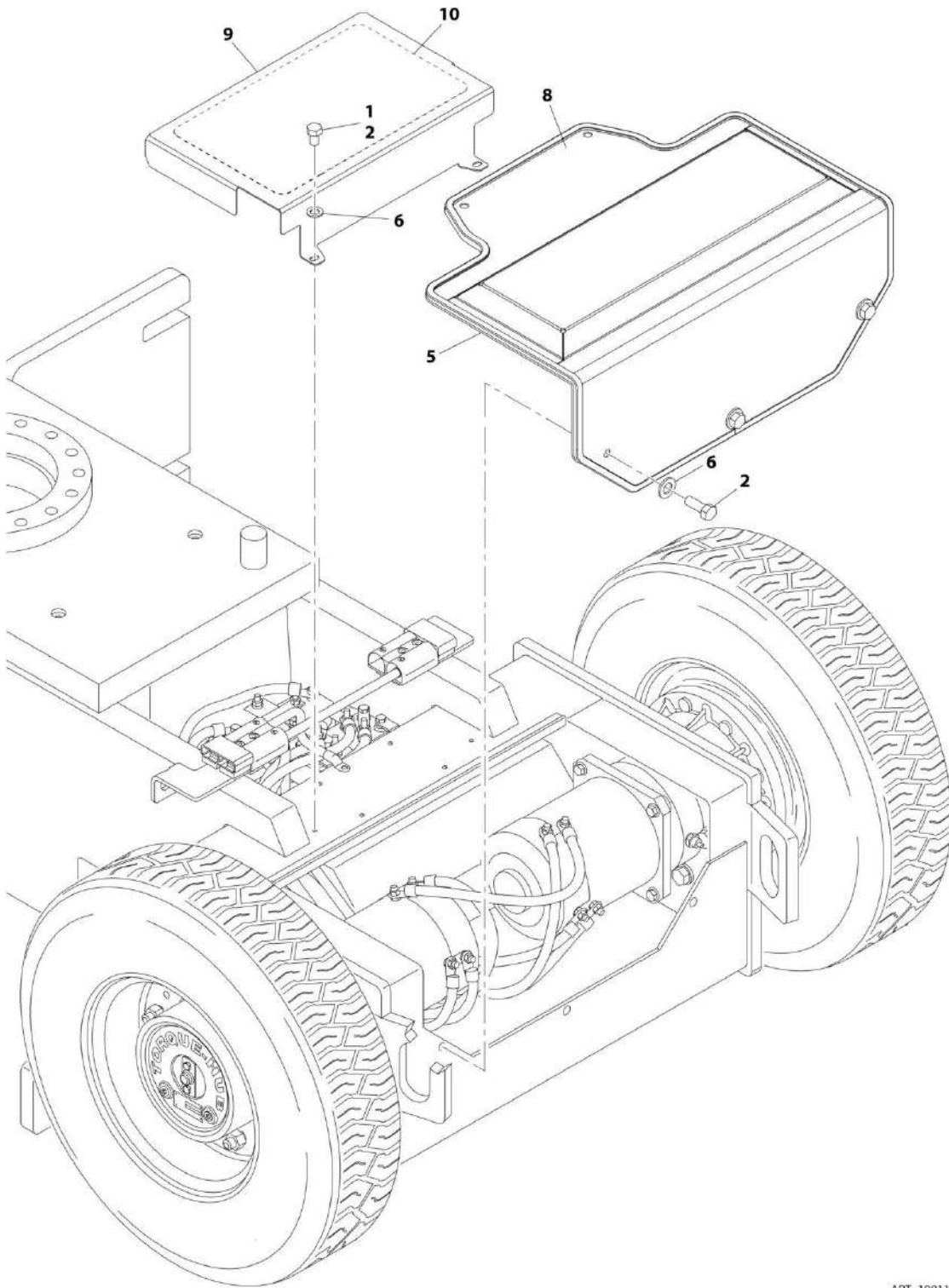
## SECTION 1 - FRAME

**FIGURE 1-13. INVERTER INSTALLATION - OPTIONAL**

ITEM	PART NUMBER	QTY	DESCRIPTION	REV
	1001195501	Ref	INVERTER INSTALLATION - OPTIONAL	D
1	0641406	8	Bolt 1/4 x 3/4	
2	0641618	4	Bolt 3/8 x 2-1/4	
3	1060494	AR	Cable, Electrical - 12/3 (Not Shown)	
4	1060801	1	Cable, Inverter Positive (Not Shown)	
5	1060802	1	Cable, Inverter Negative (Not Shown)	
6	1271463	1	Channel, Mounting	
7	1670953	1	Cover	
7A	2600103	1	Hinge (Welded on Part)	
7B	2940048	1	Latch	
8	2460037	1	Inverter/Generator Assembly	
10	3300353	4	Nut, Tinnerman	
11	3311405	4	Nut 1/4	
12	3311605	4	Nut 3/8	
15	4460134	1	Connector, Female Twist Lock (Not Shown)	
16	4460138	1	Plug, Male (Not Shown)	
17	4460426	1	Connector, Strain Relief	
18	4568165	4	Spacer, Tube	
19	4751400	4	Washer 1/4	
21	1001192293	1	Inverter Harness (Not Shown - See ELECTRICAL SECTION for Breakdown)	
22	4751600	4	Washer 3/8	

# SECTION 1 - FRAME

## FIGURE 1-14. FRAME COVERS INSTALLATION



ART\_1001181936

## SECTION 1 - FRAME

### FIGURE 1-14. FRAME COVERS INSTALLATION

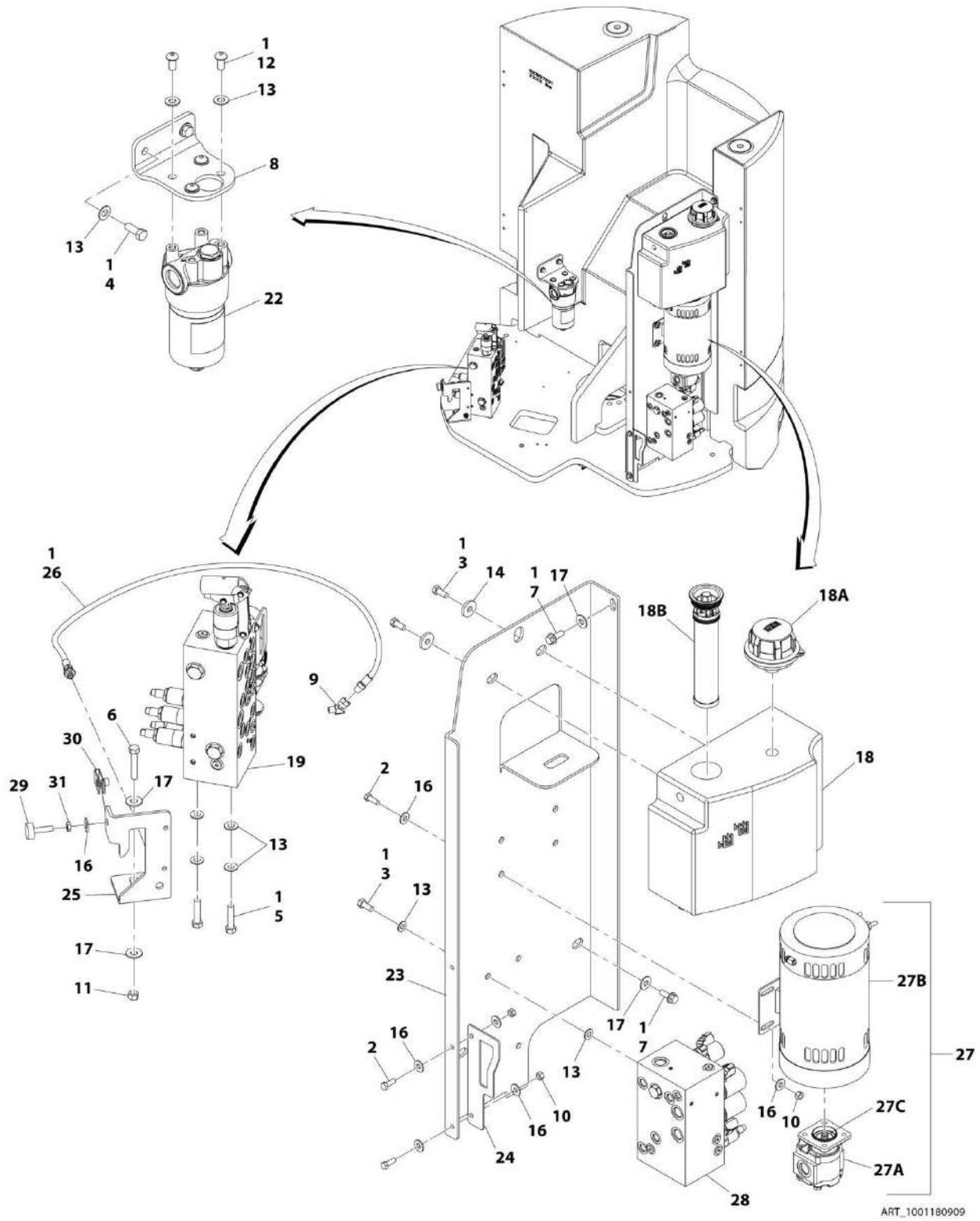
ITEM	PART NUMBER	QTY	DESCRIPTION	REV
	1001181936	Ref	FRAME COVERS INSTALLATION	D
1	0100011	AR	Compound, Locking	
2	0641606	7	Bolt 3/8 x 3/4	
5	3960447	63 in/1.6m	Seal	
6	4711600	7	Washer 3/8	
8	1001181643	1	Cover, Rear Axle	
9	1001181644	1	Cover, Contactor	
10	1001195457	1	Decal - Cable Routing	



**SECTION 2 - TURNTABLE**

# SECTION 2 - TURNTABLE

## FIGURE 2-1. VALVES, TANK AND MOTOR INSTALLATION - E300AJ





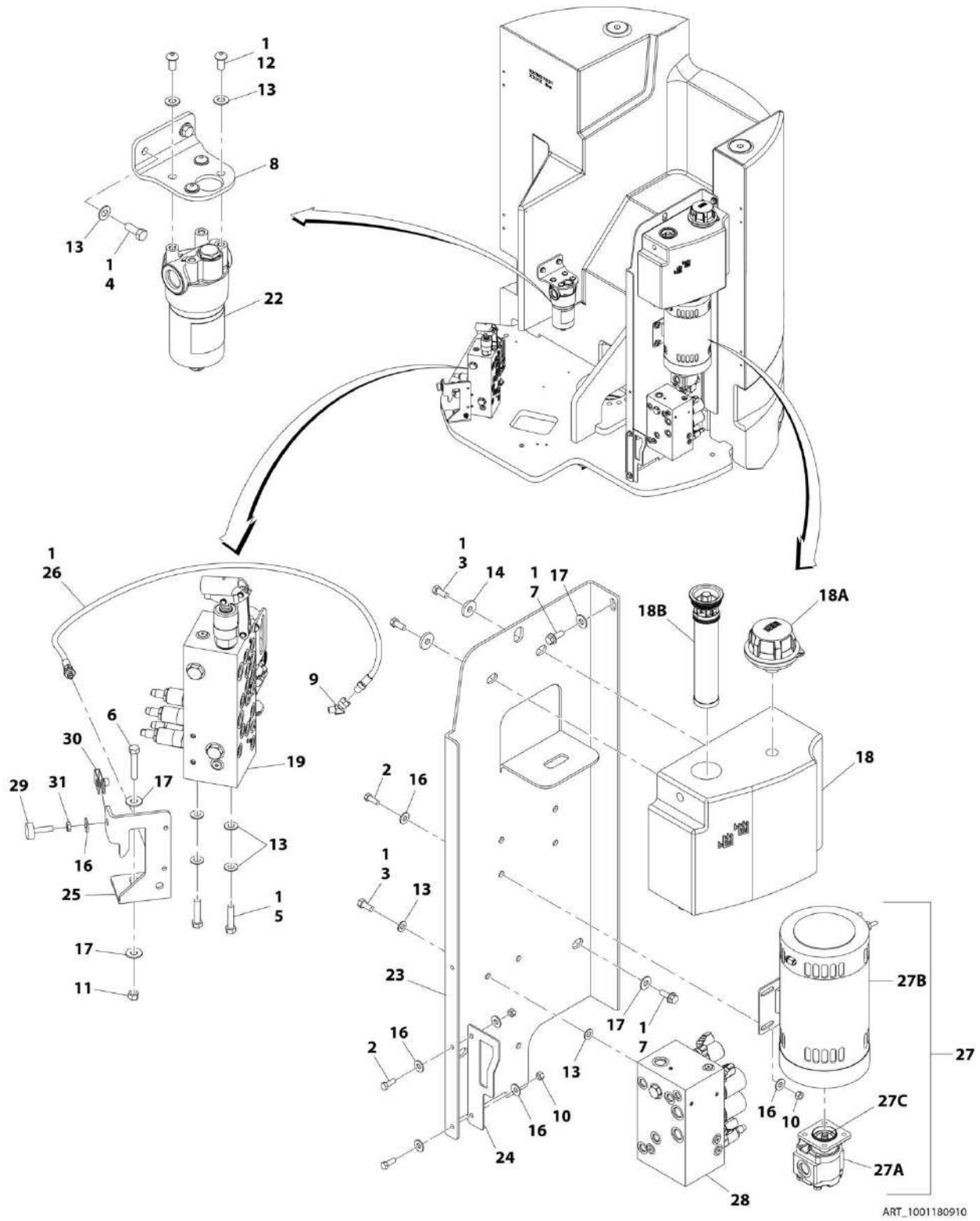
## SECTION 2 - TURNTABLE

**FIGURE 2-1. VALVES, TANK AND MOTOR INSTALLATION - E300AJ**

ITEM	PART NUMBER	QTY	DESCRIPTION	REV
	1001180909	Ref	VALVES, TANK AND MOTOR INSTALLATION - E300AJ	D
1	0100011	AR	Compound, Locking	
2	0641507	6	Bolt 5/16 x 7/8	
3	0641607	5	Bolt 3/8 x 7/8	
4	0641608	2	Bolt 3/8 x 1	
5	0641613	4	Bolt 3/8 x 1-5/8	
6	0641616	1	Bolt 3/8 x 2	
7	0811608	3	Screw 3/8 x 1	
8	0903530	1	Bracket, Filter Mounting	
9	2220124	1	Fitting, 45 NPT	
10	3311505	6	Nut 5/16	
11	3311605	1	Nut 3/8	
12	3900283	4	Screw 3/8 x 3/4	
13	4711600	20	Washer 3/8	
14	4740308	2	Washer	
16	4751500	13	Washer 5/16	
17	4751600	5	Washer 3/8	
18	1001109126	1	Hydraulic Tank Assembly	
18A	70002526	1	Breather	
18B	70002525	1	Filter	
19	1001109447	1	Boom Valve Assembly (See BOOM VALVE ASSEMBLY for Breakdown)	
22	1001162882	1	Filter, High Pressure	
22	70004228	1	Element, Filter	
23	1001164642	1	Plate, Hydraulic Tray	
24	1001164643	1	Plate, Clamp Holder	
25	1001164706	1	Plate, Latch	
26	1001174991	1	Hose	
27	1001175351	1	Pump (Spline Shaft) Electric Motor Assembly ( <b>SN 0300211844 through 0300237352</b> )	
27		Ref	Note: When replacing pump or motor/pump assembly, refer to Service Manual for initial pump start up procedure.	
27A	1001175349	1	Pump	
27C	3020037	1	Lube, Coupling Grease	
27	1001227665	1	Pump (Spline Shaft) Electric Motor Assembly ( <b>SN 0300237353 to Present</b> )	
27		Ref	Note: When replacing pump or motor/pump assembly, refer to Service Manual for initial pump start up procedure.	
27A	1001230634	1	Pump	
27A	70006345	1	Mounting Kit (Includes (4) Screws, (4) Washers & (1) Gasket)	
27B	1001175350	1	Motor	
27C	3020037	1	Lube, Coupling Grease	
27B	1001175350	1	Motor	
28	1001177363	1	Main Valve Assembly (See MAIN VALVE ASSEMBLY for Breakdown)	
29	0940049	1	Stopper	
30	88662523	1	Nut, Tinnerman	
31	3311502	1	Nut 5/16	

# SECTION 2 - TURNTABLE

## FIGURE 2-2. VALVES, TANK AND MOTOR INSTALLATION - E300AJP



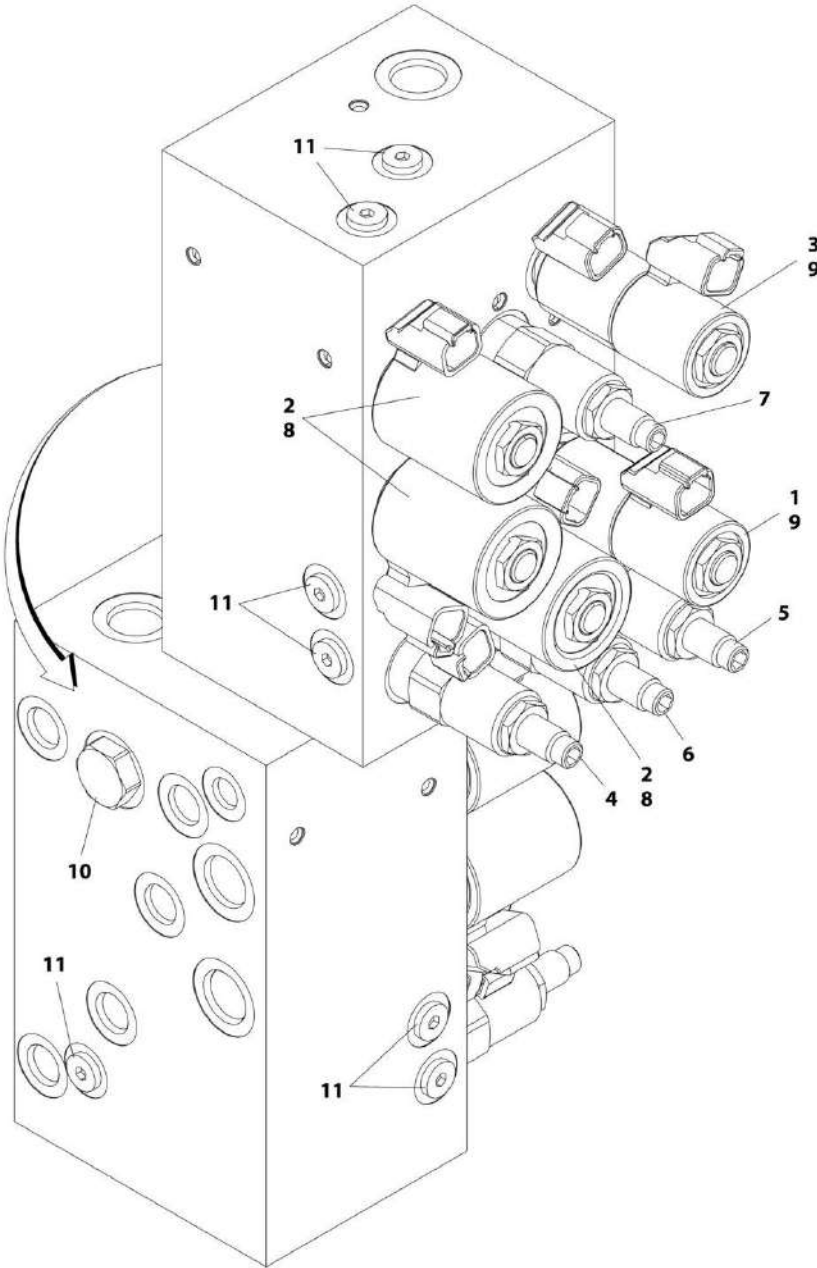
## SECTION 2 - TURNTABLE

**FIGURE 2-2. VALVES, TANK AND MOTOR INSTALLATION - E300AJP**

ITEM	PART NUMBER	QTY	DESCRIPTION	REV
	1001180910	Ref	VALVES, TANK AND MOTOR INSTALLATION - E300AJP	D
1	0100011	AR	Compound, Locking	
2	0641507	6	Bolt 5/16 x 7/8	
3	0641607	5	Bolt 3/8 x 7/8	
4	0641608	2	Bolt 3/8 x 1	
5	0641613	4	Bolt 3/8 x 1-5/8	
6	0641616	1	Bolt 3/8 x 2	
7	0811608	3	Screw 3/8 x 1	
8	0903530	1	Bracket, Filter Mounting	
9	2220124	1	Fitting, 45 NPT	
10	3311505	6	Nut 5/16	
11	3311605	1	Nut 3/8	
12	3900283	4	Screw 3/8 x 3/4	
13	4711600	20	Washer 3/8	
14	4740308	2	Washer	
16	4751500	13	Washer 5/16	
17	4751600	5	Washer 3/8	
18	1001109126	1	Hydraulic Tank Assembly	
18A	70002526	1	Breather	
18B	70002525	1	Filter	
19	1001109446	1	Boom Valve Assembly (See BOOM VALVE ASSEMBLY for Breakdown)	
22	1001162882	1	Filter, High Pressure	
22	70004228	1	Element, Filter	
23	1001164642	1	Plate, Hydraulic Tray	
24	1001164643	1	Plate, Clamp Holder	
25	1001164706	1	Plate, Latch	
26	1001174991	1	Hose	
27	1001175351	1	Pump (Spline Shaft) Electric Motor Assembly ( <b>SN 0300211844 through 0300237352</b> )	
27		Ref	Note: When replacing pump or motor/pump assembly, refer to Service Manual for initial pump start up procedure.	
27A	1001175349	1	Pump	
27B	1001175350	1	Motor	
27C	3020037	AR	Lube, Coupling Grease	
27	1001227665	1	Pump (Spline Shaft) Electric Motor Assembly ( <b>SN 0300237353 to Present</b> )	
27		Ref	Note: When replacing pump or motor/pump assembly, refer to Service Manual for initial pump start up procedure.	
27A	1001230634	1	Pump	
27A	70006345	1	Mounting Kit (Includes (4) Screws, (4) Washers & (1) Gasket)	
27B	1001175350	1	Motor	
27C	3020037	1	Lube, Coupling Grease	
28	1001177363	1	Main Valve Assembly (See MAIN VALVE ASSEMBLY for Breakdown)	
29	0940049	1	Stopper	
30	88662523	1	Nut, Tinnerman	
31	3311502	1	Nut 5/16	

**SECTION 2 - TURNTABLE**

**FIGURE 2-3. MAIN VALVE ASSEMBLY**



ART\_1001177363

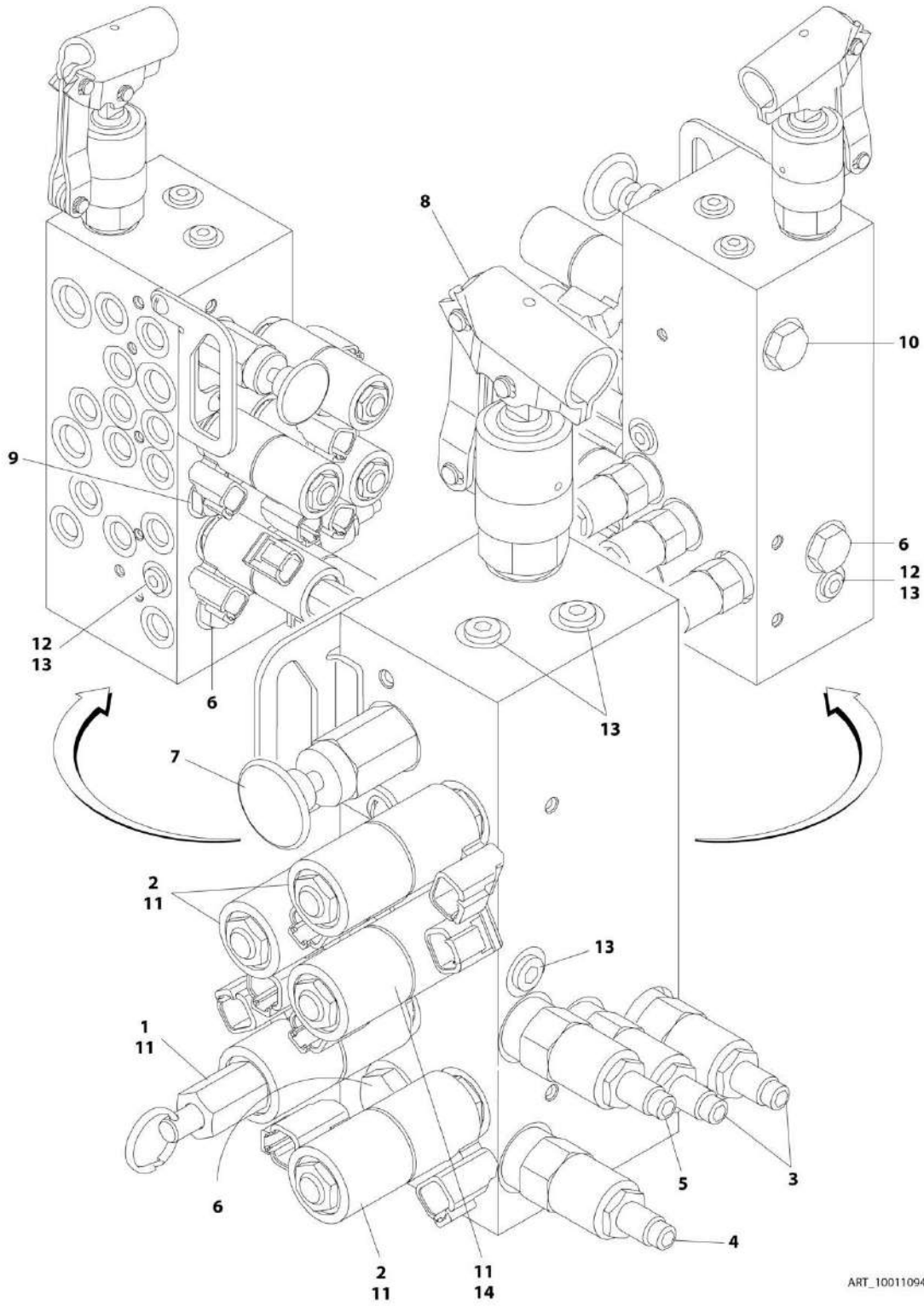
**SECTION 2 - TURNTABLE**

**FIGURE 2-3. MAIN VALVE ASSEMBLY**

ITEM	PART NUMBER	QTY	DESCRIPTION	REV
	1001177363	Ref	MAIN VALVE ASSEMBLY	B
1	7017433	1	Cartridge, Solenoid Valve (Steer Direction)	
1	7017402	1	Seal Kit - 7017433 Cartridge	
2	70002401	3	Cartridge, Solenoid (Flow Control/Main and Tower Lift Dump)	
2	7017496	3	Seal Kit - 70002401 Cartridge	
3	70002402	1	Cartridge, Solenoid (Swing)	
3	7017402	1	Seal Kit - 70002402 Cartridge	
4	70002403	1	Cartridge, Relief Valve (Main)	
4	7012972	1	Seal Kit - 70002403 Cartridge	
5	7017489	1	Cartridge, Relief Valve (Steer)	
5	7012998	1	Seal Kit - 7017489 Cartridge	
6	7017488	1	Cartridge, Relief Valve (Steer)	
6	7012998	1	Seal Kit - 7017488 Cartridge	
7	70002404	1	Cartridge, Relief Valve (Swing)	
7	7012998	1	Seal Kit - 70002404 Cartridge	
8	7024883	3	Coil	
9	7024885	4	Coil	
10	7010542	1	Cartridge, Load Shuttle (Swing)	
10	7010543	1	Seal Kit - 7010542 Cartridge	
11	7017406	AR	Plug	

# SECTION 2 - TURNTABLE

## FIGURE 2-4. BOOM VALVE ASSEMBLY - E300AJ



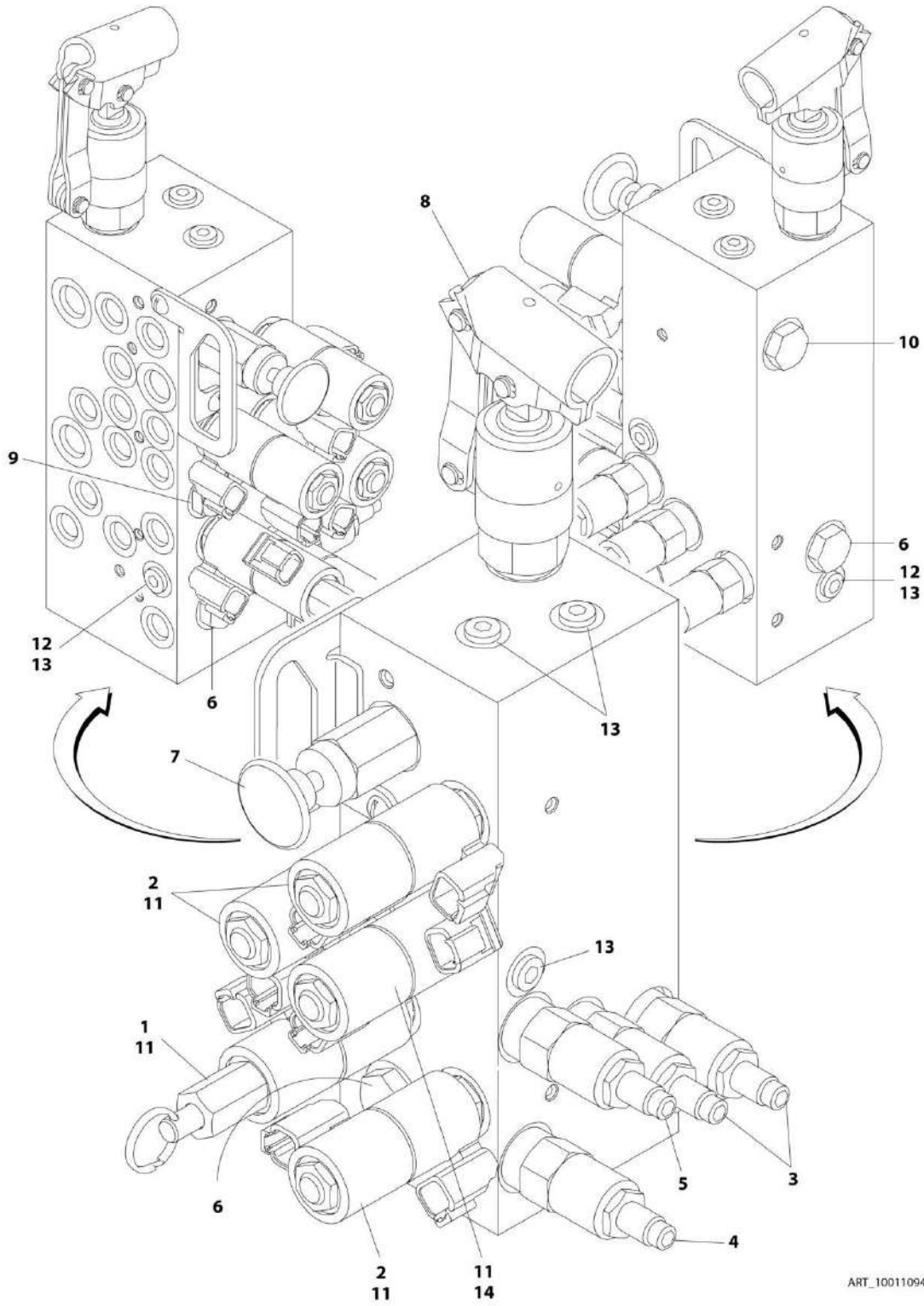
**SECTION 2 - TURNTABLE**

**FIGURE 2-4. BOOM VALVE ASSEMBLY - E300AJ**

ITEM	PART NUMBER	QTY	DESCRIPTION	REV
	1001109447	Ref	BOOM VALVE ASSEMBLY - E300AJ	D
1	70002405	1	Cartridge, Solenoid (Jib Lift)	
1	7017402	1	Seal Kit - 70002405 Cartridge	
2	7017452	3	Cartridge, Solenoid Valve (Telescope/Platform Rotate/Platform Level and Master)	
2	7017402	3	Seal Kit - 7017452 Cartridge	
3	7017421	2	Cartridge, Relief Valve (Jib Lift/Platform Level and Master)	
3	7012998	2	Seal Kit - 7017421 Cartridge	
4	7017418	1	Cartridge, Relief Valve (Platform Level and Master)	
4	7012998	1	Seal Kit - 7017418 Cartridge	
5	7017489	1	Cartridge, Relief Valve (Jib Lift)	
5	7012998	1	Seal Kit - 7017489 Cartridge	
6	7012914	2	Cartridge, Pressure Control Valve	
6	7012918	2	Seal Kit - 7012914 Cartridge	
7	70002406	1	Cartridge, Manual Control Valve	
7	7012904	1	Seal Kit - 70002406 Cartridge	
7	7012959	1	Knob	
8	70004019	1	Cartridge, Hand Pump Valve (was p/n 7012694)	
8	7017496	1	Seal Kit - 7012694 Cartridge	
8	2900756	1	Seal Kit - 70004019 Cartridge	
9	7022391	1	Cartridge, Check Valve	
9	7012967	1	Seal Kit - 7022391 Cartridge	
10	4641129	1	Cartridge, Check Valve	
10	7012540	1	Seal Kit - 4641129 Cartridge	
11	7024885	10	Coil	
12	70003528	2	Orifice	
13	701706	8	Plug	
14	7017471	1	Cartridge	
14	See Note	NSS	Seal Kit - 7017471 Cartridge (Use p/n 7017471)	

# SECTION 2 - TURNTABLE

## FIGURE 2-5. BOOM VALVE ASSEMBLY - E300AJP



ART\_1001109446



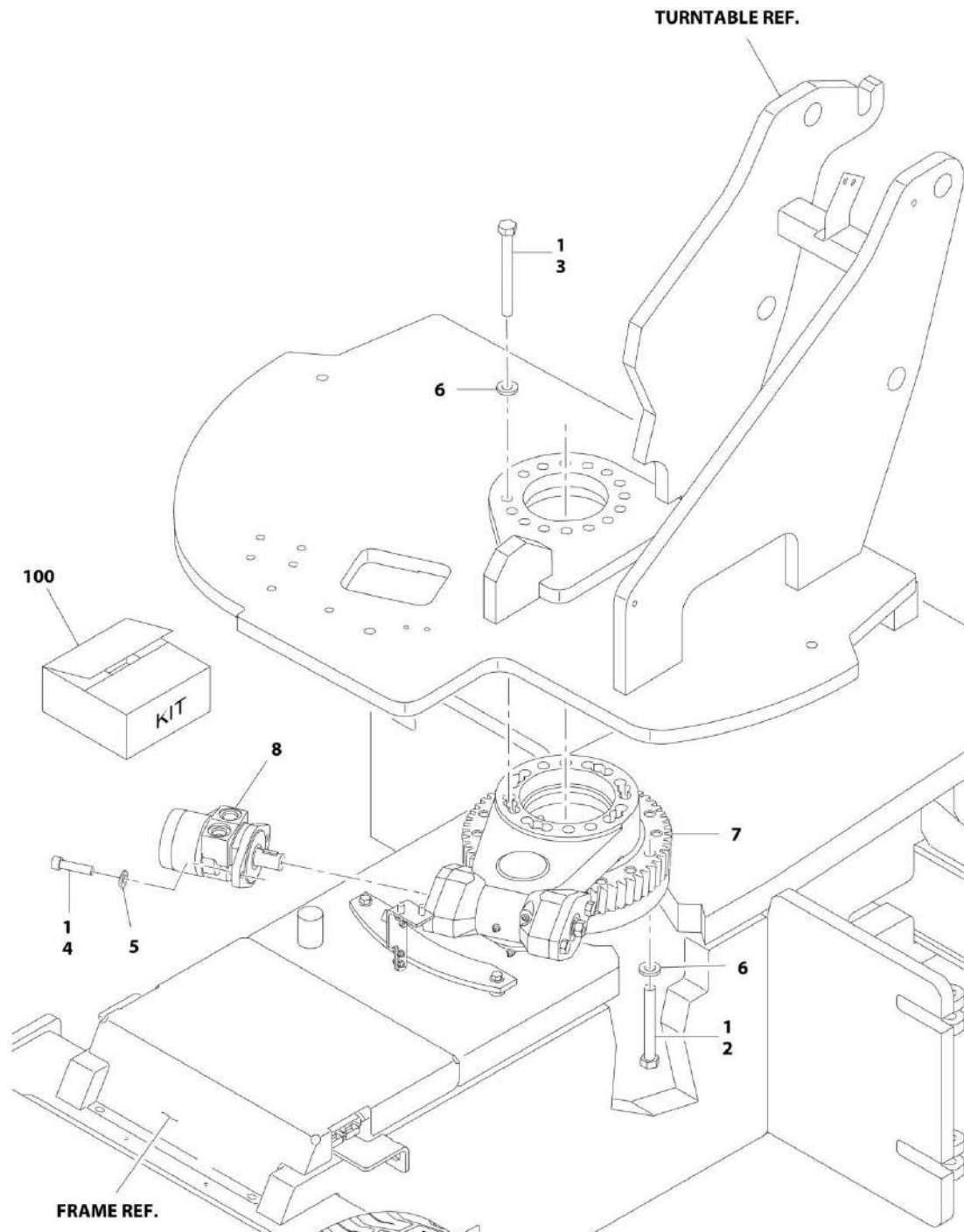
## SECTION 2 - TURNTABLE

### FIGURE 2-5. BOOM VALVE ASSEMBLY - E300AJP

ITEM	PART NUMBER	QTY	DESCRIPTION	REV
	1001109446	Ref	BOOM VALVE ASSEMBLY - E300AJP	D
1	70002405	1	Cartridge, Solenoid (Jib Lift)	
1	7017402	1	Seal Kit - 70002405 Cartridge	
2	7017452	3	Cartridge, Solenoid Valve (Telescope/Platform Rotate/Platform Level and Master)	
2	7017402	3	Seal Kit - 7017452 Cartridge	
3	7017421	2	Cartridge, Relief Valve (Jib Lift/Platform Level and Master)	
3	7012998	2	Seal Kit - 7017421 Cartridge	
4	7017418	1	Cartridge, Relief Valve (Platform Level and Master)	
4	7012998	1	Seal Kit - 7017418 Cartridge	
5	7017489	1	Cartridge, Relief Valve (Jib Lift)	
5	7012998	1	Seal Kit - 7017489 Cartridge	
6	7012914	2	Cartridge, Pressure Control Valve	
6	7012918	2	Seal Kit - 7012914 Cartridge	
7	70002406	1	Cartridge, Manual Control Valve	
7	7012904	1	Seal Kit - 70002406 Cartridge	
7	7012959	1	Knob	
8	70004019	1	Cartridge, Hand Pump Valve (was p/n 7012694)	
8	7017496	1	Seal Kit - 7012694 Cartridge	
8	2900756	1	Seal Kit - 70004019 Cartridge	
9	7022391	1	Cartridge, Check Valve	
9	7012967	1	Seal Kit - 7022391 Cartridge	
10	4641129	1	Cartridge, Check Valve	
10	7012540	1	Seal Kit - 4641129 Cartridge	
11	7024885	10	Coil	
12	70003528	2	Orifice	
13	701706	8	Plug	
14	7017452	1	Cartridge, Solenoid (Jib Rotate)	
14	7017402	1	Seal Kit - 7017452 Cartridge	

## SECTION 2 - TURNTABLE

FIGURE 2-6. TURNTABLE BEARING AND SWING DRIVE INSTALLATION - DOHI



ART\_1001107650

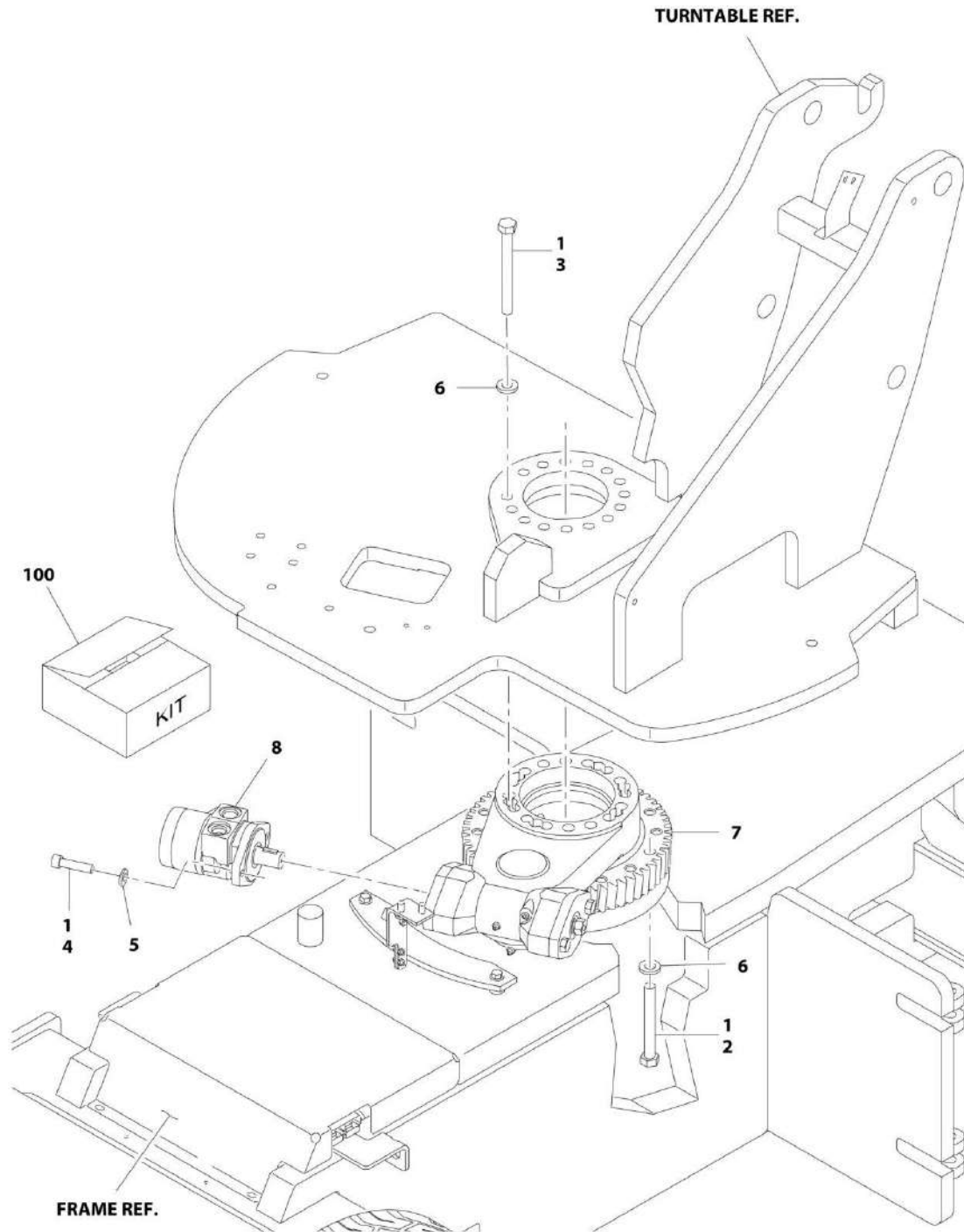
## SECTION 2 - TURNTABLE

**FIGURE 2-6. TURNTABLE BEARING AND SWING DRIVE INSTALLATION - DOHI**

ITEM	PART NUMBER	QTY	DESCRIPTION	REV
		Ref	Note: See Control Valves and Tank/Motor Installations for Remote Bearing Lube Components.	
	1001107650	Ref	TURNTABLE BEARING AND SWING DRIVE INSTALLATION - DOHI	C
1	0100019	AR	Compound, Locking	
2	0682040	16	Bolt 5/8 x 5 (Grade 8)	
3	0682048	15	Bolt 5/8 x 6 (Grade 8)	
4	3931832	2	Capscrew 1/2 x 2	
5	4740171	2	Washer	
6	4892000	31	Washer 5/8	
7	1001103646	NLA	Turntable Bearing Assembly (Use Item 100) (See TURNTABLE BEARING ASSEMBLY for Breakdown)	
8	1001107781	1	Swing Motor Assembly (See SWING MOTOR ASSEMBLY for Breakdown)	
100	1001160529	1	Turntable Bearing Kit (Includes p/n 1001153013 Bearing, Hardware and Instructions)	

# SECTION 2 - TURNTABLE

FIGURE 2-7. TURNTABLE BEARING AND SWING DRIVE INSTALLATION - JING WEI



ART\_1001153362

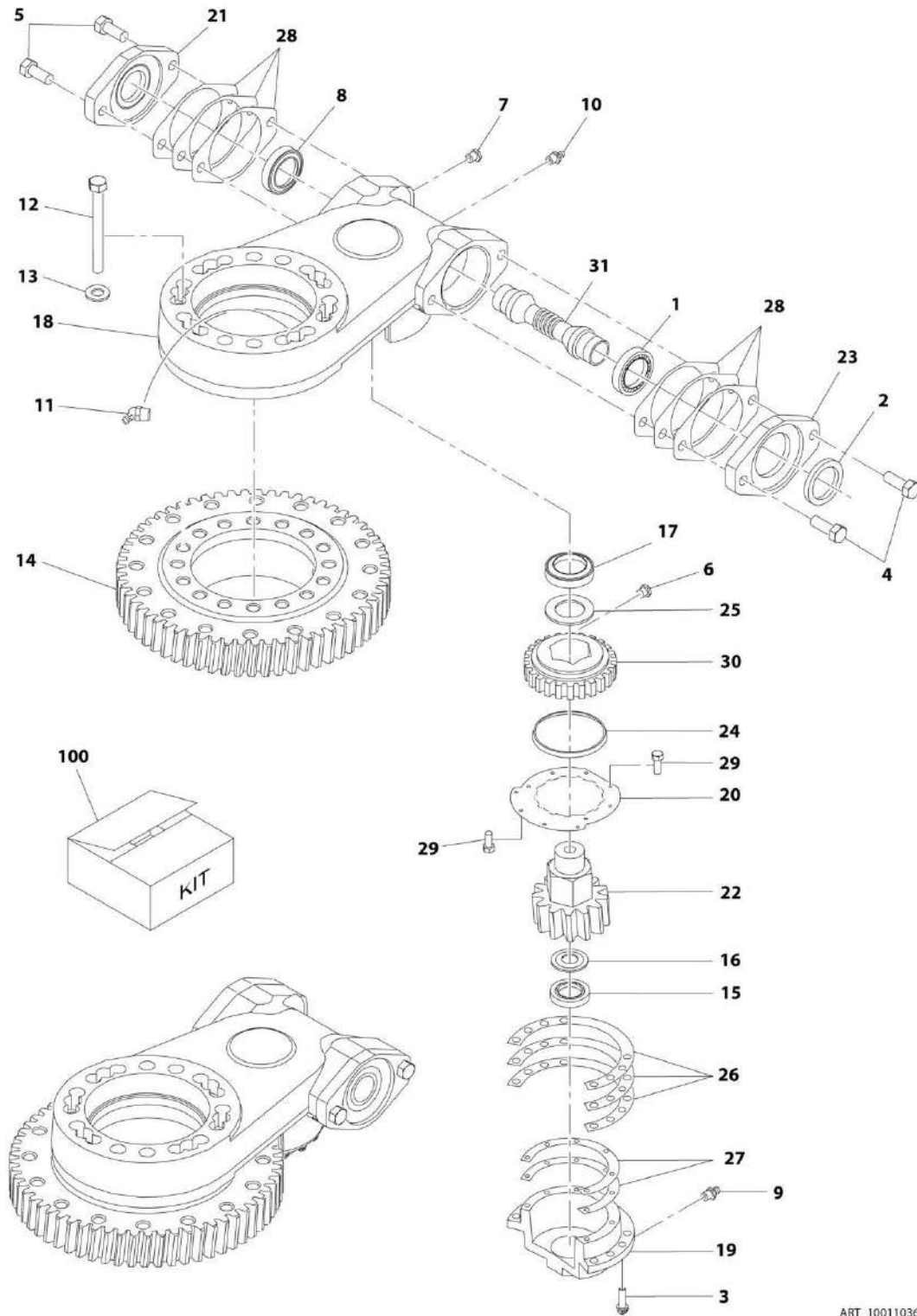
## SECTION 2 - TURNTABLE

**FIGURE 2-7. TURNTABLE BEARING AND SWING DRIVE INSTALLATION - JING WEI**

ITEM	PART NUMBER	QTY	DESCRIPTION	REV
		Ref	Note: See Control Valves and Tank/Motor Installations for Remote Bearing Lube Components.	
	1001153362	Ref	TURNTABLE BEARING AND SWING DRIVE INSTALLATION - JING WEI	A
1	0100019	AR	Compound, Locking	
2	0682040	16	Bolt 5/8 x 5 (Grade 8)	
3	0682048	15	Bolt 5/8 x 6 (Grade 8)	
4	3931832	2	Capscrew 1/2 x 2	
5	4740171	2	Washer	
6	4892000	31	Washer 5/8	
7	1001153013	1	Turntable Bearing Assembly (Use Item 100) (See TURNTABLE BEARING ASSEMBLY for Breakdown)	
8	1001107781	1	Swing Motor Assembly (See SWING MOTOR ASSEMBLY for Breakdown)	
100	1001160529	1	Turntable Bearing Kit (Includes p/n 1001153013 Bearing, Hardware and Instructions)	

# SECTION 2 - TURNTABLE

## FIGURE 2-8. TURNTABLE BEARING ASSEMBLY - DOHI



ART\_1001103646

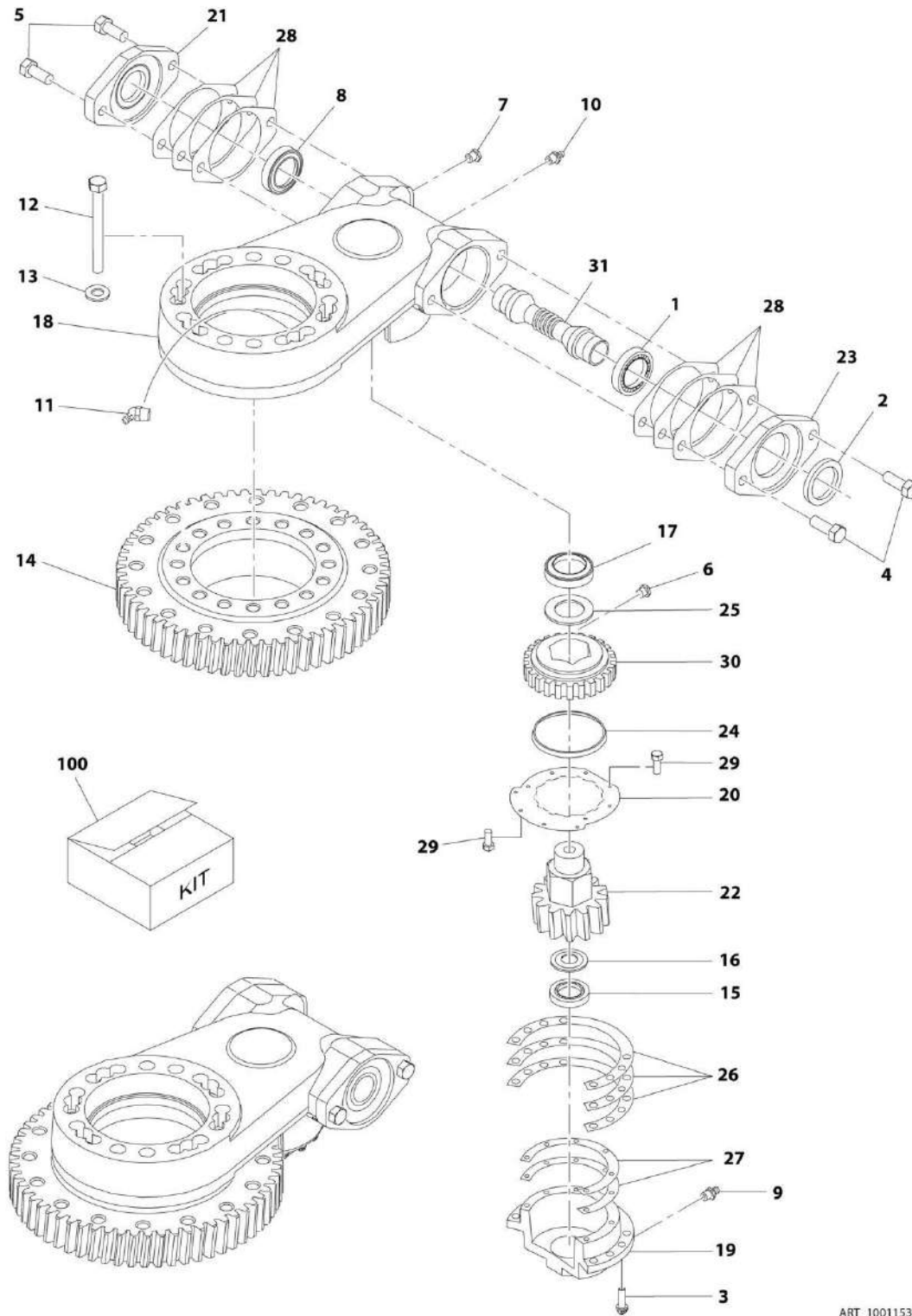
## SECTION 2 - TURNTABLE

### FIGURE 2-8. TURNTABLE BEARING ASSEMBLY - DOHI

ITEM	PART NUMBER	QTY	DESCRIPTION	REV
	1001103646	Ref	TURNTABLE BEARING ASSEMBLY - DOHI	G
1	70002643	2	Cup, Bearing	
1	70002644	2	Cone, Bearing	
2	70002645	1	Seal	
3	70002646	8	Bolt 5/16 x 7/8	
4	70002647	2	Bolt 1/2 x 1	
5	70002648	2	Bolt 1/2 x 1-1/4	
6	70000865	1	Plug	
7	70002649	1	Vent, Pressure	
8	70002650	1	Seal	
9	70002651	1	Fitting, Grease 1/4	
10		Ref	Component Options:	
10	70002652	1	Fitting, Grease 1/8 Straight	
10	See Note	NSS	Plug, Pipe (Note: Not Available - Purchase Locally)	
11	7027359	1	Fitting, Grease	
12	70002653	2	Capscrew 5/16 x 1-1/4	
13	70002654	2	Washer 1/4	
14	1001143933	NLA	Ring Gear Kit (Use Item 100) (Kit Includes Ring Gear and Mounting Hardware)	
15	70002656	1	Cup, Bearing	
15	70002657	1	Cone, Bearing	
16	70002658	1	Ring, Grease	
17	7026048	1	Cup, Bearing	
17	7026049	1	Cone, Bearing	
18	1001103646	1	Housing	
19	70002659	1	Cap, Gear	
20	70002660	1	Plate, Cover	
21	70002661	1	Cap, Worm	
22	70002662	1	Pinion, Output	
23	70002663	1	Adapter, Motor	
24	70002664	1	Seal, Face	
25	7026052	1	Spacer, Washer	
26	70002665	1	Shim .0075 Natural	
26	70002666	1	Shim .005 Blue	
26	70002667	1	Shim .003 Green	
27	70002668	1	Shim .005 Blue	
27	70002669	1	Shim .020 Yellow	
28	7027352	1	Gasket .010 Brown	
28	7027351	1	Gasket .0075 Clear	
28	7027350	1	Gasket .005 Blue	
28	7027353	1	Gasket .020 Yellow	
29	70000681	10	Bolt #6 x 3/8	
30	70002670	1	Gear, Worm	
31	70002671	1	Shaft, Worm	
100	1001160529	1	Turntable Bearing Kit (Includes p/n 1001153013 Bearing, Hardware and Instructions)	

# SECTION 2 - TURNTABLE

## FIGURE 2-9. TURNTABLE BEARING ASSEMBLY - JING WEI



ART\_1001153013



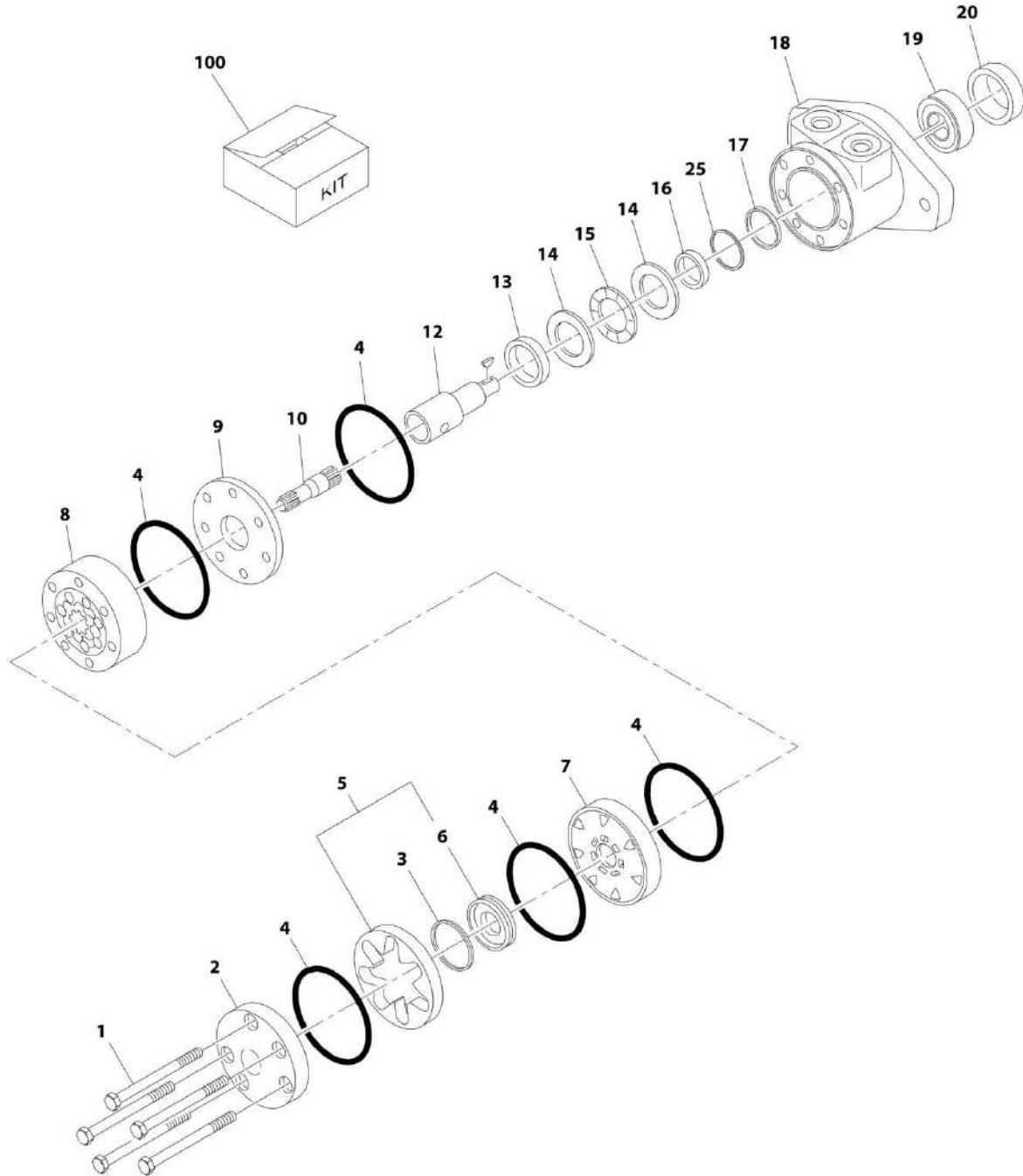
**SECTION 2 - TURNTABLE**

**FIGURE 2-9. TURNTABLE BEARING ASSEMBLY - JING WEI**

ITEM	PART NUMBER	QTY	DESCRIPTION	REV
	1001153013	Ref	TURNTABLE BEARING ASSEMBLY - JING WEI	B
1	70002643	2	Cup, Bearing	
1	70002644	2	Cone, Bearing	
2	70002645	1	Seal	
3	70002646	8	Bolt 5/16 x 7/8	
4	70002647	2	Bolt 1/2 x 1	
5	70002648	2	Bolt 1/2 x 1-1/4	
6	70000865	1	Plug	
7	70002649	1	Vent, Pressure	
8	70002650	1	Seal	
9	70002651	1	Fitting, Grease 1/4	
10		Ref	Component Options:	
10	70002652	1	Fitting, Grease 1/8 Straight	
10	See Note	NSS	Plug, Pipe (Note: Not Available - Purchase Locally)	
11	7027359	1	Fitting, Grease	
12	70002653	2	Capscrew 5/16 x 1-1/4	
13	70002654	2	Washer 1/4	
14	70004160	1	Ring Gear Kit (Kit Includes Ring Gear and Mounting Hardware)	
15	70002656	1	Cup, Bearing	
15	70002657	1	Cone, Bearing	
16	70002658	1	Ring, Grease	
17	7026048	1	Cup, Bearing	
17	7026049	1	Cone, Bearing	
18	1001103646	1	Housing	
19	70002659	1	Cap, Gear	
20	70002660	1	Plate, Cover	
21	70002661	1	Cap, Worm	
22	70002662	1	Pinion, Output	
23	70002663	1	Adapter, Motor	
24	70002664	1	Seal, Face	
25	7026052	1	Spacer, Washer	
26	70002665	1	Shim .0075 Natural	
26	70002666	1	Shim .005 Blue	
26	70002667	1	Shim .003 Green	
27	70002668	1	Shim .005 Blue	
27	70002669	1	Shim .020 Yellow	
28	7027352	1	Gasket .010 Brown	
28	7027351	1	Gasket .0075 Clear	
28	7027350	1	Gasket .005 Blue	
28	7027353	1	Gasket .020 Yellow	
29	70000681	10	Bolt #6 x 3/8	
30	70002670	1	Gear, Worm	
31	70002671	1	Shaft, Worm	
100	1001160529	1	Turntable Bearing Kit (Includes p/n 1001153013 Bearing, Hardware and Instructions)	

# SECTION 2 - TURNTABLE

## FIGURE 2-10. SWING MOTOR ASSEMBLY



ART\_1001107781

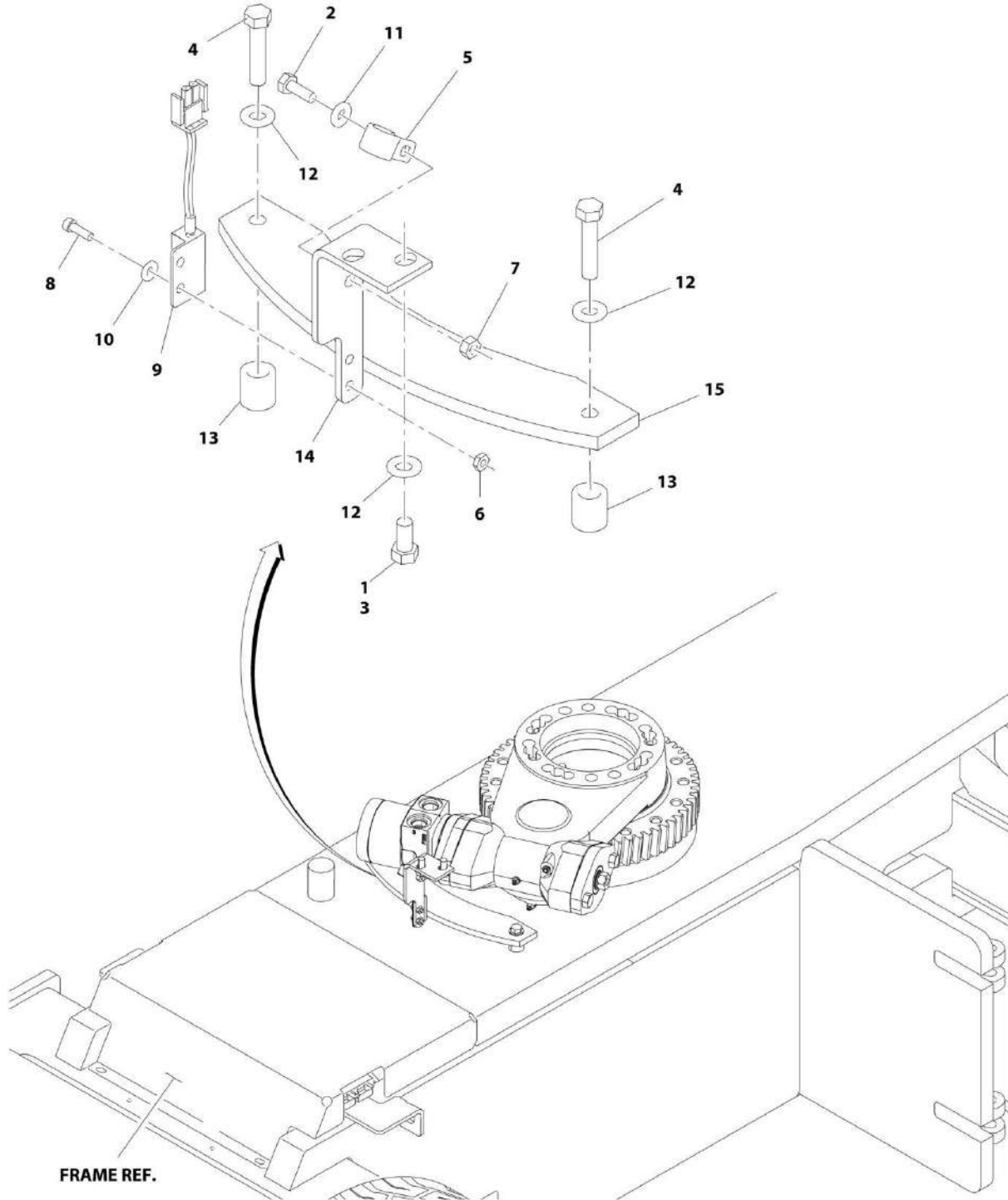
## SECTION 2 - TURNTABLE

### FIGURE 2-10. SWING MOTOR ASSEMBLY

ITEM	PART NUMBER	QTY	DESCRIPTION	REV
	1001107781	Ref	SWING MOTOR ASSEMBLY	A
1	70002311	5	Bolt	
2	7004035	1	Cover, End	
3	See Note	NSS	Seal, Commutator (Note: Use Item 100)	
4	See Note	NSS	Seal, Ring (Note: Use Item 100)	
5	7024453	1	Commutator and Ring Assembly	
6	7024453	1	Ring	
7	7024379	1	Manifold	
8	70002312	1	Rotor Set	
9	7024380	1	Plate, Wear	
10	70002313	1	Link, Drive	
12	70000088	1	Shaft, Coupling	
12	70000089	1	Key, Woodruff	
13	7024381	1	Bushing, Bronze	
14	7004043	2	Thrustwasher	
15	7004044	1	Bearing, Thrust	
16	See Note	NSS	Seal, Inner (Note: Use Item 100)	
17	See Note	NSS	Washer, Back-up (Note: Use Item 100)	
18	See Note	NSS	Housing (Note: Purchase Complete Assembly)	
19	7024390	1	Bearing	
20	See Note	NSS	Seal (Note: Use Item 100)	
25	See Note	NSS	Washer, Back-up (Note: Use Item 100)	
100	7024389	1	Seal Kit (Includes Items 3, 4, 16, 17, 20 & 25)	

# SECTION 2 - TURNTABLE

## FIGURE 2-11. DRIVE ORIENTATION INSTALLATION



ART\_1001107820

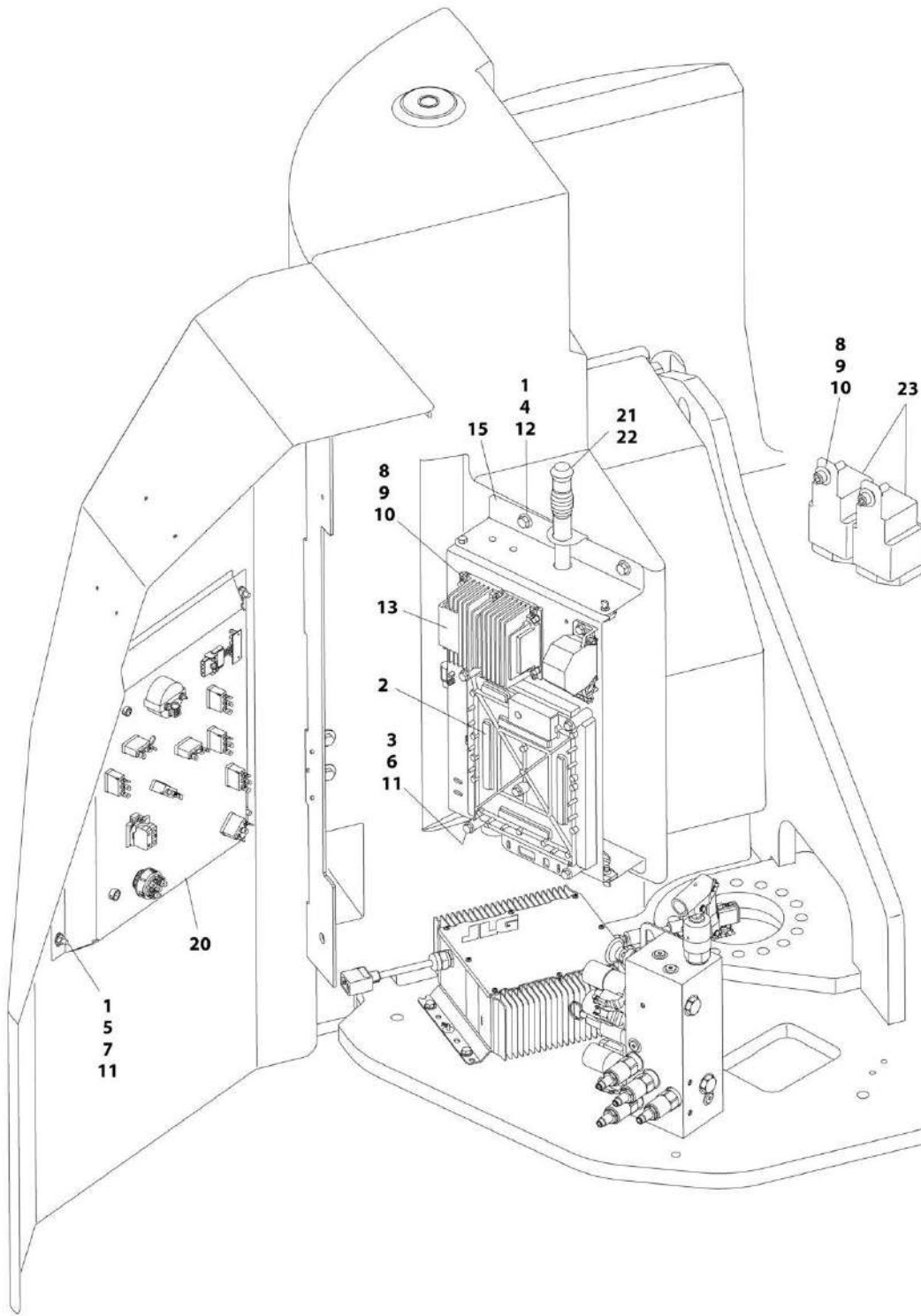
**SECTION 2 - TURNTABLE**

**FIGURE 2-11. DRIVE ORIENTATION INSTALLATION**

ITEM	PART NUMBER	QTY	DESCRIPTION	REV
	1001107820	Ref	DRIVE ORIENTATION INSTALLATION	C
1	0100011	AR	Compound, Locking	
2	0641406	1	Bolt 1/4 x 3/4	
3	0641606	2	Bolt 3/8 x 3/4	
4	0641616	2	Bolt 3/8 x 2	
5	1320041	1	Clamp	
6	3311005	2	Nut #10	
7	3311405	1	Nut 1/4	
8	3931010	2	Capscrew #10 x 5/8	
9	4360517	1	Switch, Proximity	
9	4460320	1	Plug, Male - 2 Position	
9	4460227	2	Pin, Male	
10	4711000	2	Washer #10	
10	4740120	2	Washer, Nylon	
11	4711400	1	Washer 1/4	
12	4711600	4	Washer 3/8	
13	1001114757	2	Spacer	
14	1001102527	1	Bracket, Switch Mounting	
15	1001108274	1	Cam	

## SECTION 2 - TURNTABLE

FIGURE 2-12. ELECTRICAL COMPONENTS INSTALLATION - E300AJ ALL SPECS EXCEPT CE AND UL SPECS



ART\_1001183397

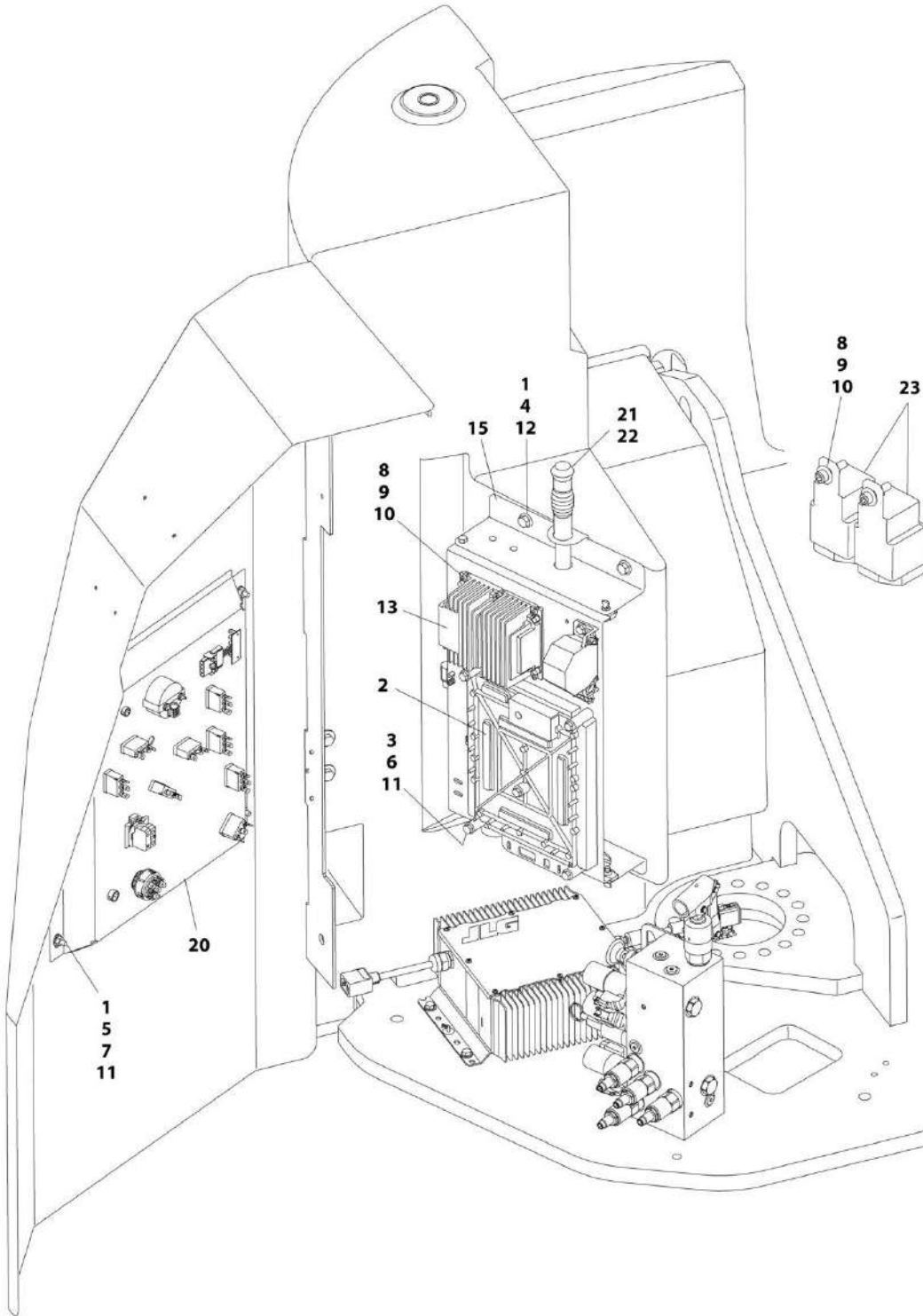
## SECTION 2 - TURNTABLE

**FIGURE 2-12. ELECTRICAL COMPONENTS INSTALLATION - E300AJ ALL SPECS EXCEPT CE AND UL SPECS**

ITEM	PART NUMBER	QTY	DESCRIPTION	REV
	1001183397	Ref	ELECTRICAL COMPONENTS INSTALLATION - E300AJ ALL SPECS EXCEPT CE AND UL SPECS	E
1	0100011	AR	Compound, Locking	
2	1001182700	1	Module, Ground (Note: Re-calibration Required when Replaced)	
3	0641418	5	Bolt 1/4 x 2-1/4	
4	0641606	4	Bolt 3/8 x 3/4	
5	3900258	4	Screw 1/4 x 3/4	
6	3311405	5	Nut 1/4	
7	3311401	4	Nut 1/4	
8	3311005	7	Nut #10	
9	3931012	7	Capscrew #10 x 3/4	
10	4711000	8	Washer 10	
11	4711400	14	Washer 1/4	
12	4711600	4	Washer 3/8	
13	1001174447	1	Converter	
14	1001181095	1	Ground Control Harness (Not Shown) (See ELECTRICAL SECTION for Breakdown)	
15	1001181639	1	Plate, Mounting	
16	1001182474	1	Valve Harness (Not Shown) (See ELECTRICAL SECTION for Breakdown)	
17	1001182475	1	Turntable Harness (Not Shown) (See ELECTRICAL SECTION for Breakdown)	
20	1001183395	1	Ground Control Assembly (See GROUND CONTROL ASSEMBLY for Breakdown)	
21	2560122	1	Handle	
22	2560123	1	Grip, Handle	
23	3740080	2	Relay	

# SECTION 2 - TURNTABLE

## FIGURE 2-13. ELECTRICAL COMPONENTS INSTALLATION - E300AJ CE SPEC



ART\_1001183503



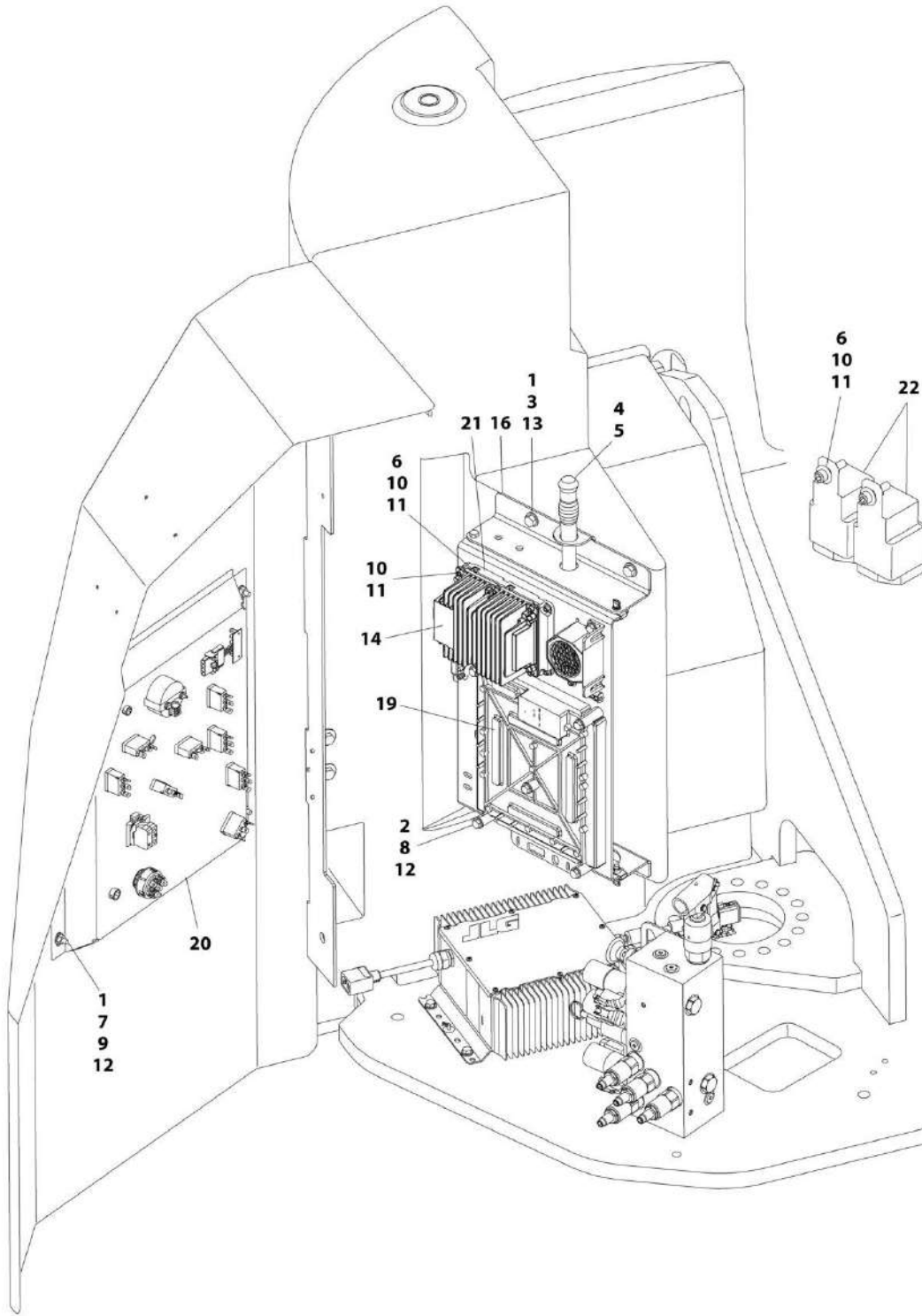
# SECTION 2 - TURNTABLE

**FIGURE 2-13. ELECTRICAL COMPONENTS INSTALLATION - E300AJ CE SPEC**

ITEM	PART NUMBER	QTY	DESCRIPTION	REV
	1001183503	Ref	ELECTRICAL COMPONENTS INSTALLATION - E300AJ CE SPEC	D
1	0100011	AR	Compound, Locking	
2	1001182700	1	Module, Ground (Note: Re-calibration Required when Replaced)	
3	0641418	5	Bolt 1/4 x 2-1/4	
4	0641606	4	Bolt 3/8 x 3/4	
5	3900258	4	Screw 1/4 x 3/4	
6	3311405	5	Nut 1/4	
7	3311401	4	Nut 1/4	
8	3311005	7	Nut #10	
9	3931012	7	Capscrew #10 x 3/4	
10	4711000	8	Washer #10	
11	4711400	14	Washer 1/4	
12	4711600	4	Washer 3/8	
13	1001174447	1	Converter	
14	1001181095	1	Ground Control Harness (Not Shown) (See ELECTRICAL SECTION for Breakdown)	
15	1001181639	1	Plate, Mounting	
16	1001182474	1	Valve Harness (Not Shown) (See ELECTRICAL SECTION for Breakdown)	
17	1001182475	1	Turntable Harness (Not Shown) (See ELECTRICAL SECTION for Breakdown)	
20	1001183917	1	Ground Control Assembly (See GROUND CONTROL ASSEMBLY for Breakdown)	
21	2560122	1	Handle	
22	2560123	1	Grip, Handle	
23	3740080	2	Relay	

## SECTION 2 - TURNTABLE

FIGURE 2-14. ELECTRICAL COMPONENTS INSTALLATION - E300AJ (UL SPECS) (SN 0300226252 to Present)



ART\_1001213481

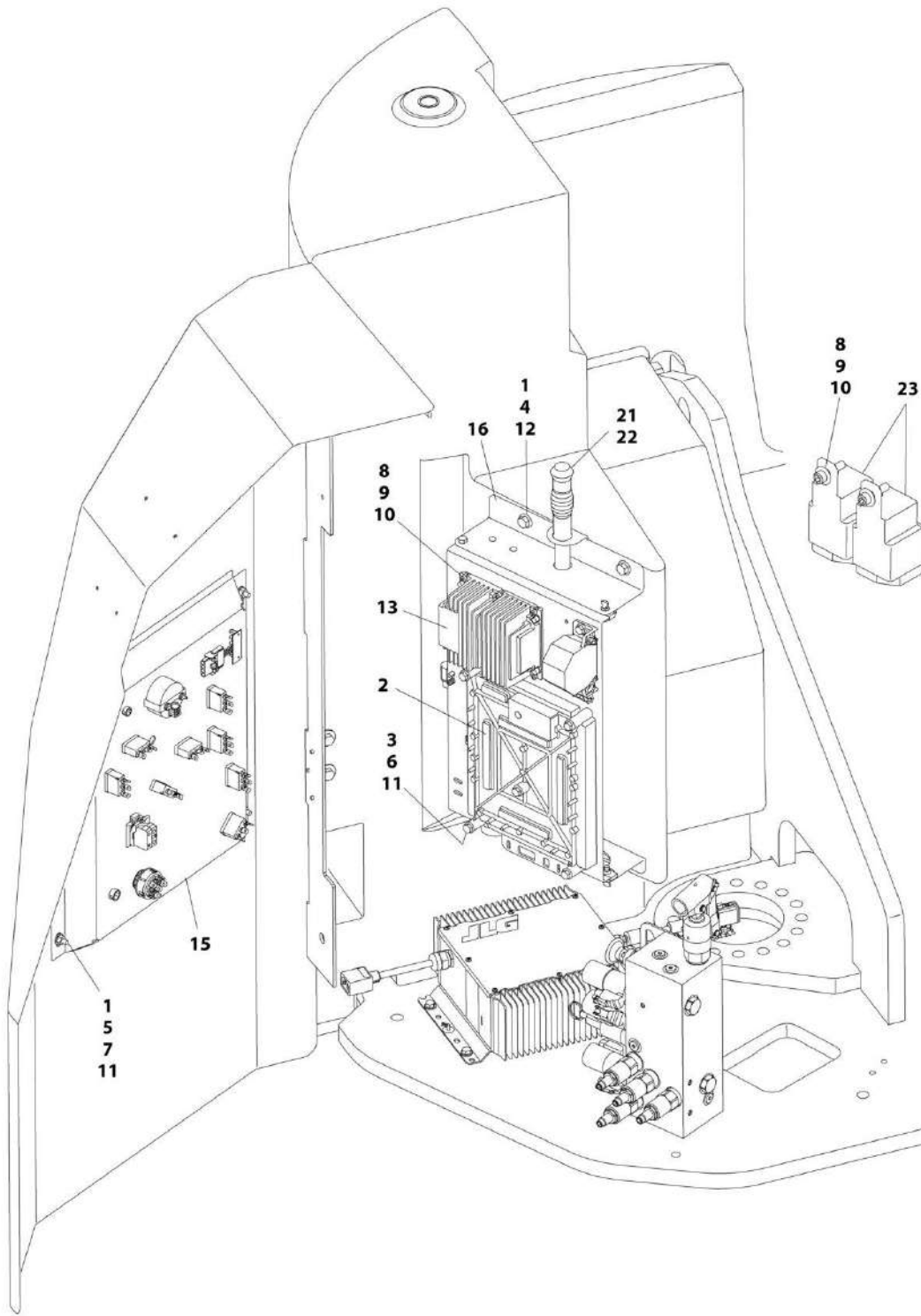
## SECTION 2 - TURNTABLE

**FIGURE 2-14. ELECTRICAL COMPONENTS INSTALLATION - E300AJ (UL SPECS) (SN 0300226252 to Present)**

ITEM	PART NUMBER	QTY	DESCRIPTION	REV
	1001213481	Ref	ELECTRICAL COMPONENTS INSTALLATION - E300AJ (UL SPECS) (SN 0300226252 to Present)	A
1	0100011	AR	Compound, Locking	
2	0641418	5	Bolt 1/4 x 2-1/4	
3	0641606	4	Bolt 3/8 x 3/4	
4	2560122	1	Handle	
5	2560123	1	Grip, Handle	
6	3311005	7	Nut #10	
7	3311401	4	Nut 1/4	
8	3311405	5	Nut 1/4	
9	3900258	4	Screw 1/4 x 3/4	
10	3931012	13	Capscrew #10 x 3/4	
11	4711000	14	Washer #10	
12	4711400	14	Washer 1/4	
13	4711600	4	Washer 3/8	
14	1001174447	1	Converter	
15	1001181095	1	Ground Control Harness (Not Shown) (See ELECTRICAL SECTION for Breakdown)	
16	1001181639	1	Plate, Mounting	
17	1001182474	1	Valve Harness (Not Shown) (See ELECTRICAL SECTION for Breakdown)	
18	1001182475	1	Turntable Harness (Not Shown) (See ELECTRICAL SECTION for Breakdown)	
19	1001182700	1	Module, Ground (Note: Recalibration Required when Replaced.)	
20	1001183395	1	Ground Control Assembly (See GROUND CONTROL ASSEMBLY for Breakdown)	
21	1001212450	1	Insulate, Converter	
22	1001214667	2	Relay	

## SECTION 2 - TURNTABLE

FIGURE 2-15. ELECTRICAL COMPONENTS INSTALLATION - E300AJP ALL SPEC EXCEPT CE AND UL SPECS



ART\_1001180028

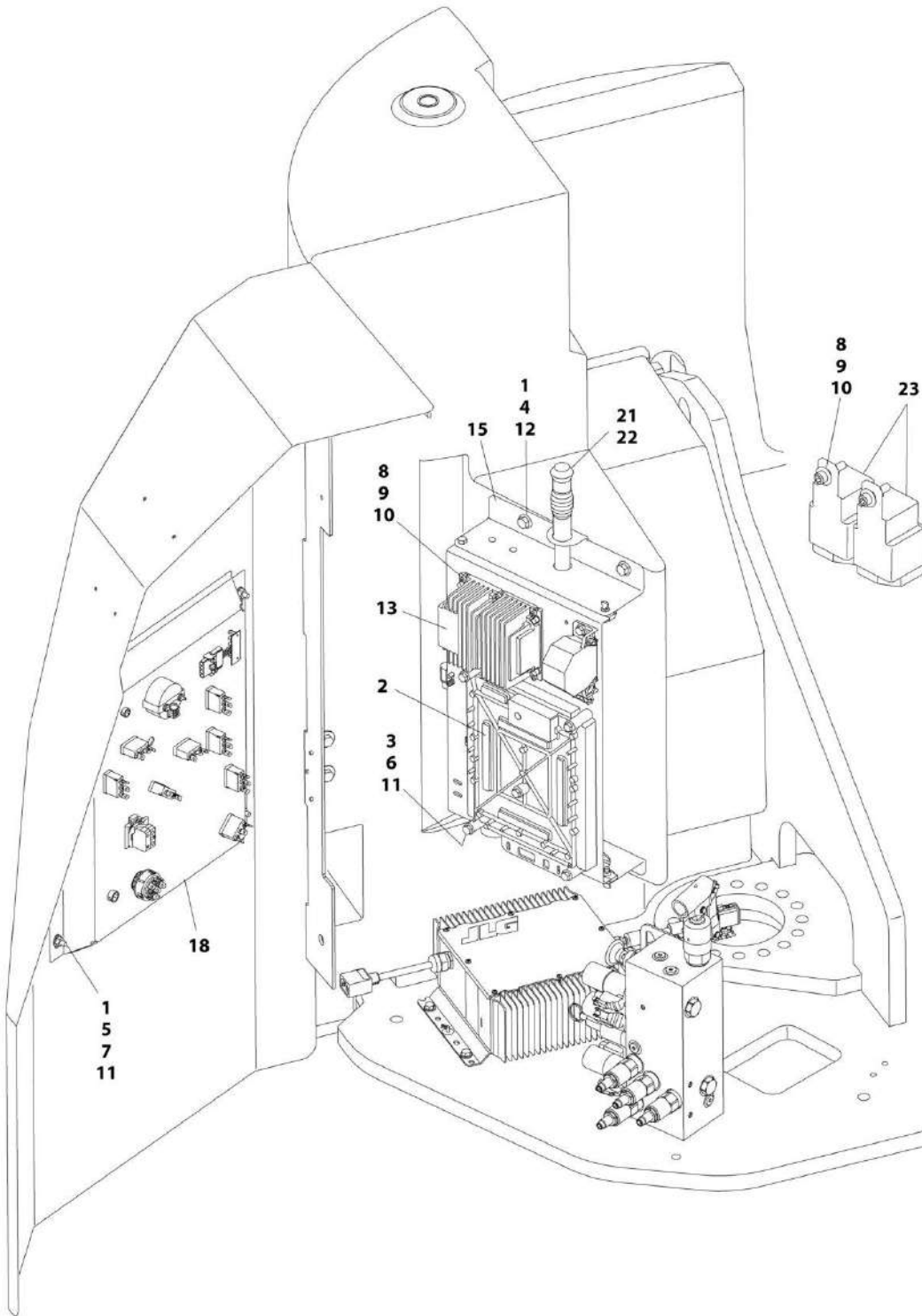
## SECTION 2 - TURNTABLE

**FIGURE 2-15. ELECTRICAL COMPONENTS INSTALLATION - E300AJP ALL SPEC EXCEPT CE AND UL SPECS**

ITEM	PART NUMBER	QTY	DESCRIPTION	REV
	1001180028	Ref	ELECTRICAL COMPONENTS INSTALLATION - E300AJP ALL SPEC EXCEPT CE AND UL SPECS	E
1	0100011	AR	Compound, Locking	
2	1001182700	1	Module, Ground (Note: Re-calibration Required when Replaced)	
3	0641418	5	Bolt 1/4 x 2-1/4	
4	0641606	4	Bolt 3/8 x 3/4	
5	3900258	4	Screw 1/4 x 3/4	
6	3311405	5	Nut 1/4	
7	3311401	4	Nut 1/4	
8	3311005	7	Nut #10	
9	3931012	7	Capscrew #10 x 3/4	
10	4711000	8	Washer #10	
11	4711400	14	Washer 1/4	
12	4711600	4	Washer 3/8	
13	1001174447	1	Converter	
14	1001181095	1	Ground Control Harness (Not Shown) (See ELECTRICAL SECTION for Breakdown)	
15	1001181638	1	Ground Control Assembly (See GROUND CONTROL ASSEMBLY for Breakdown)	
16	1001181639	1	Plate, Mounting	
17	1001182474	1	Valve Harness (Not Shown) (See ELECTRICAL SECTION for Breakdown)	
18	1001182475	1	Turntable Harness (Not Shown) (See ELECTRICAL SECTION for Breakdown)	
21	2560122	1	Handle	
22	2560123	1	Grip, Handle	
23	3740080	2	Relay	

# SECTION 2 - TURNTABLE

## FIGURE 2-16. ELECTRICAL COMPONENTS INSTALLATION - E300AJP CE SPEC



ART\_1001183504

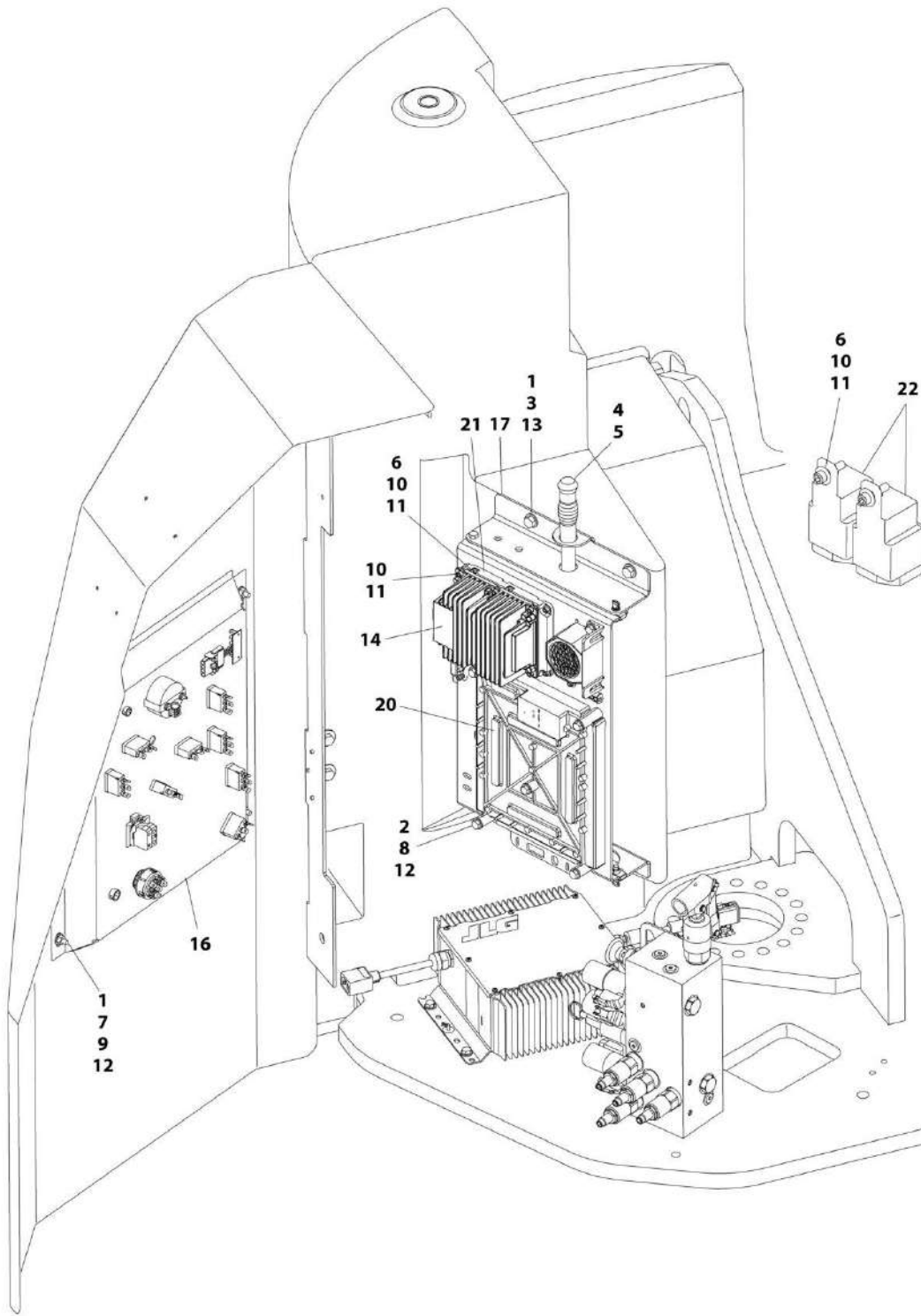
# SECTION 2 - TURNTABLE

**FIGURE 2-16. ELECTRICAL COMPONENTS INSTALLATION - E300AJP CE SPEC**

ITEM	PART NUMBER	QTY	DESCRIPTION	REV
	1001183504	Ref	ELECTRICAL COMPONENTS INSTALLATION - E300AJP CE SPEC	D
1	0100011	AR	Compound, Locking	
2	1001182700	1	Module, Ground (Note: Re-calibration Required when Replaced)	
3	0641418	5	Bolt 1/4 x 2-1/4	
4	0641606	4	Bolt 3/8 x 3/4	
5	3900258	4	Screw 1/4 x 3/4	
6	3311405	5	Nut 1/4	
7	3311401	4	Nut 1/4	
8	3311005	7	Nut #10	
9	3931012	7	Capscrew #10 x 3/4	
10	4711000	8	Washer #10	
11	4711400	14	Washer 1/4	
12	4711600	4	Washer 3/8	
13	1001174447	1	Converter	
14	1001181095	1	Ground Control Harness (Not Shown) (See ELECTRICAL SECTION for Breakdown)	
15	1001181639	1	Plate, Mounting	
16	1001182474	1	Valve Harness (Not Shown) (See ELECTRICAL SECTION for Breakdown)	
17	1001182475	1	Turntable Harness (Not Shown) (See ELECTRICAL SECTION for Breakdown)	
18	1001183918	1	Ground Control Assembly (See GROUND CONTROL ASSEMBLY for Breakdown)	
21	2560122	1	Handle	
22	2560123	1	Grip, Harness	
23	3740080	2	Relay	

## SECTION 2 - TURNTABLE

FIGURE 2-17. ELECTRICAL COMPONENTS INSTALLATION - E300AJP (UL SPECS) (SN 0300226252 to Present)



ART\_1001213480



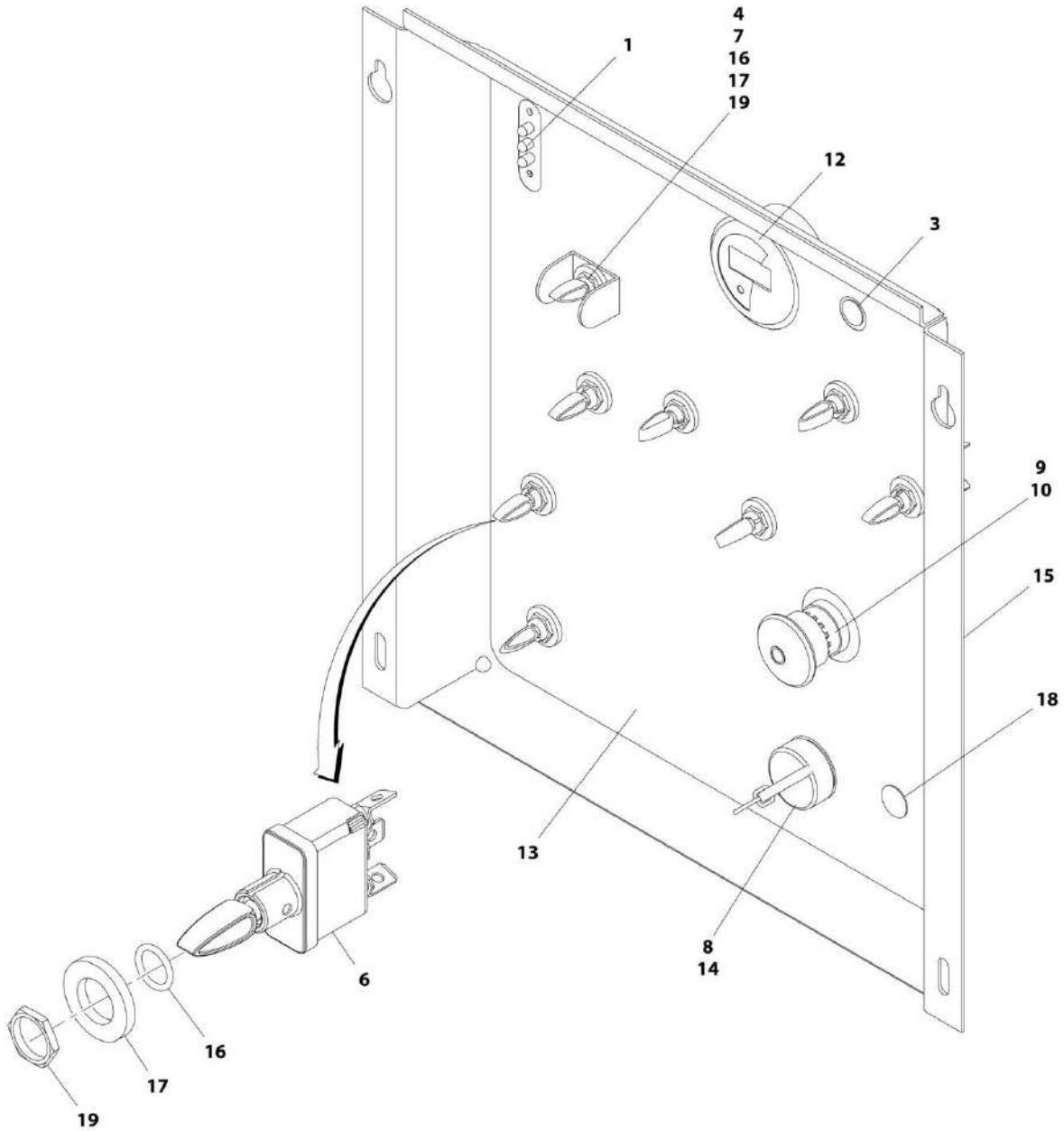
## SECTION 2 - TURNTABLE

**FIGURE 2-17. ELECTRICAL COMPONENTS INSTALLATION - E300AJP (UL SPECS) (SN 0300226252 to Present)**

ITEM	PART NUMBER	QTY	DESCRIPTION	REV
	1001213480	Ref	ELECTRICAL COMPONENTS INSTALLATION - E300AJP (UL SPECS) (SN 0300226252 to Present)	A
1	0100011	AR	Compound, Locking	
2	0641418	5	Bolt 1/4 x 2-1/4	
3	0641606	4	Bolt 3/8 x 3/4	
4	2560122	1	Handle	
5	2560123	1	Grip, Handle	
6	3311005	7	Nut #10	
7	3311401	4	Nut 1/4	
8	3311405	5	Nut 1/4	
9	3900258	4	Screw 1/4 x 3/4	
10	3931012	13	Capscrew #10 x 3/4	
11	4711000	14	Washer #10	
12	4711400	14	Washer 1/4	
13	4711600	4	Washer 3/8	
14	1001174447	1	Converter	
15	1001181095	1	Ground Control Harness (Not Shown) (See ELECTRICAL SECTION for Breakdown)	
16	1001181638	1	Ground Control Assembly (See GROUND CONTROL ASSEMBLY for Breakdown)	
17	1001181639	1	Plate, Mounting	
18	1001182474	1	Valve Harness (Not Shown) (See ELECTRICAL SECTION for Breakdown)	
19	1001182475	1	Turntable Harness (Not Shown) (See ELECTRICAL SECTION for Breakdown)	
20	1001182700	1	Module, Ground (Note: Recalibration Required when Replaced.)	
21	1001212450	1	Insulate, Converter	
22	1001214667	1	Relay	

## SECTION 2 - TURNTABLE

FIGURE 2-18. GROUND CONTROL BOX ASSEMBLY - E300AJ ALL SPECS EXCEPT CE SPEC



ART\_1001183395

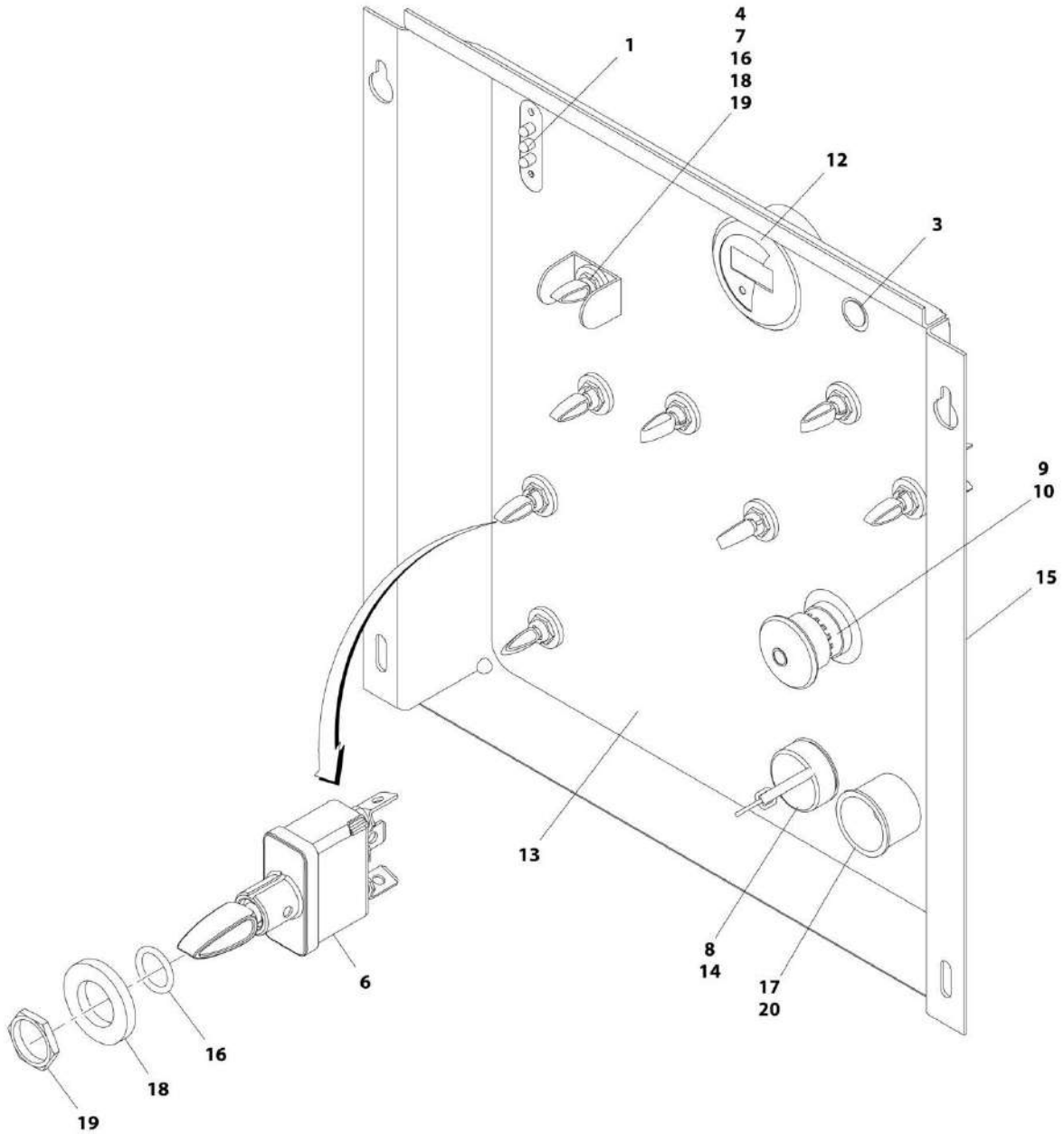
## SECTION 2 - TURNTABLE

**FIGURE 2-18. GROUND CONTROL BOX ASSEMBLY - E300AJ ALL SPECS EXCEPT CE SPEC**

ITEM	PART NUMBER	QTY	DESCRIPTION	REV
	1001183395	Ref	GROUND CONTROL BOX ASSEMBLY - E300AJ ALL SPECS EXCEPT CE SPEC	E
1	0610131	1	Board LED	
3	3520028	1	Plug	
4	4060906	1	Guard, Switch	
6	1001155045	7	Switch, Toggle	
7	1001159256	1	Switch, Toggle	
8	4360469	1	Switch, Key	
8	2860030	1 Set	Key, Replacement	
9	4360475	1	Switch, Emergency Stop	
9	7020175	1	Cap	
9	7020176	1	Block, Contact	
10	4360476	1	Switch, Contact	
12	1001109503	1	Gauge	
13	1001183546	1	Decal - E300AJ Ground Control <b>(SN 0300211844 through 0300221326)</b>	
13	1001210578	1	Decal - E300AJ Ground Control <b>(SN 0300221327 to Present)</b>	
14	1001151393	1	Shim, Nylon .063	
15	1001181633	1	Panel, Ground Control	
16	3790012	8	O-Ring	
17	4740397	8	Spacer, Washer	
18	1001140357	1	Plug <b>(SN 0300211844 through 0300221326)</b>	
19	1001155044	8	Nut 15/32	

# SECTION 2 - TURNTABLE

FIGURE 2-19. GROUND CONTROL BOX ASSEMBLY - E300AJ CE SPEC



ART\_1001183917

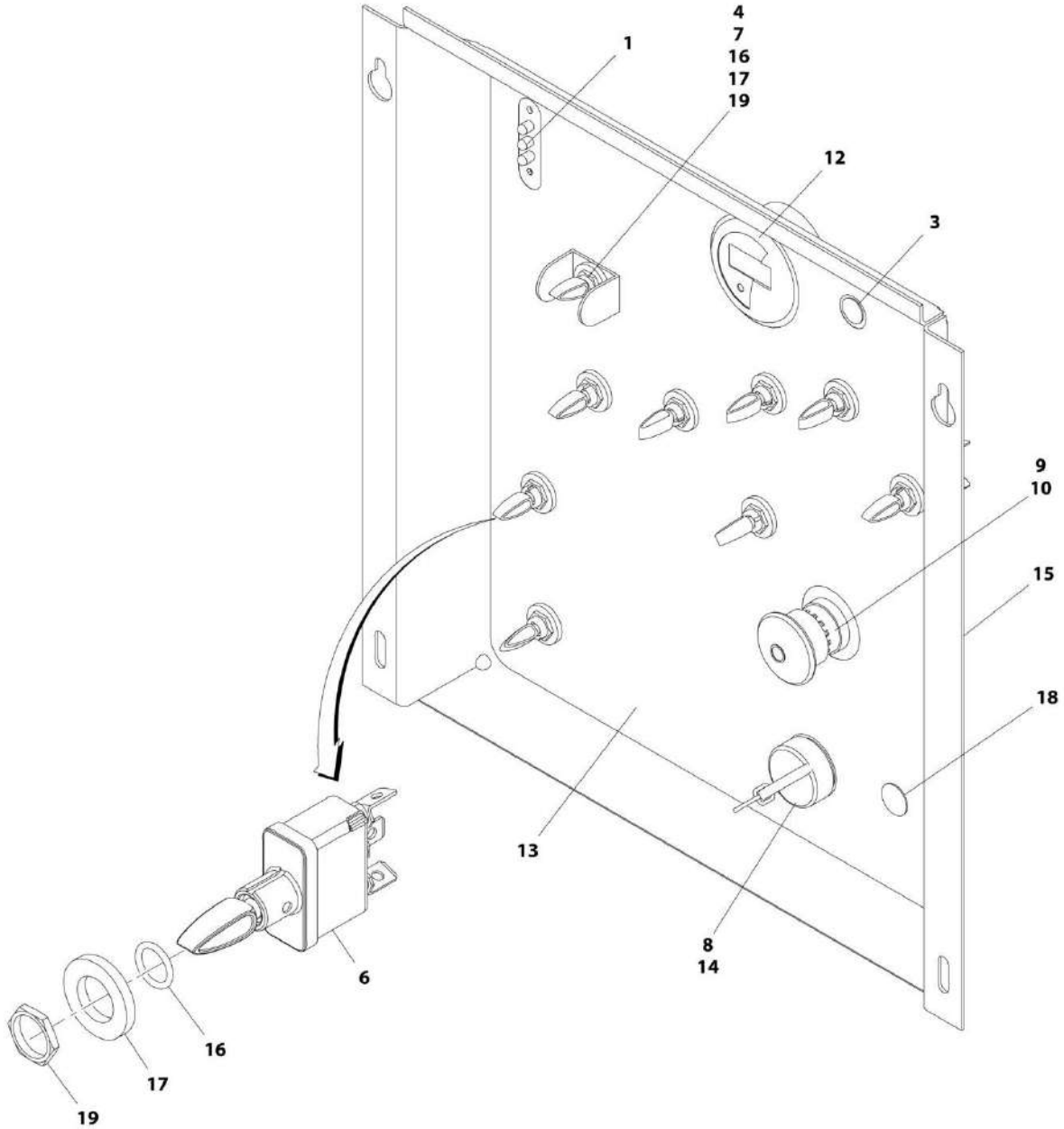
**SECTION 2 - TURNTABLE**

**FIGURE 2-19. GROUND CONTROL BOX ASSEMBLY - E300AJ CE SPEC**

ITEM	PART NUMBER	QTY	DESCRIPTION	REV
	1001183917	Ref	GROUND CONTROL BOX ASSEMBLY - E300AJ CE SPEC	D
1	0610131	1	Board, LED	
3	3520028	1	Plug	
4	4060906	1	Guard, Switch	
6	1001155045	7	Switch, Toggle	
7	1001159256	1	Switch, Toggle	
8	4360469	1	Switch, Key	
8	2860030	1 Set	Key, Replacement	
9	4360475	1	Switch, Emergency Stop	
9	7020175	1	Cap	
9	7020176	1	Block, Contact	
10	4360476	1	Switch, Contact	
12	1001109503	1	Gauge	
13	1001183546	1	Decal - E300AJ Ground Control	
14	1001151393	1	Shim, Nylon .063	
15	1001181633	1	Panel, Ground Control	
16	3790012	8	O-Ring	
17	4360387	1	Switch, Push Button	
18	4360397	8	Spacer, Washer	
19	1001155044	8	Nut 15/32	
20	1001176469	1	Shroud, Switch	

## SECTION 2 - TURNTABLE

FIGURE 2-20. GROUND CONTROL BOX ASSEMBLY - E300AJP ALL SPECS EXCEPT CE SPEC



ART\_1001181638

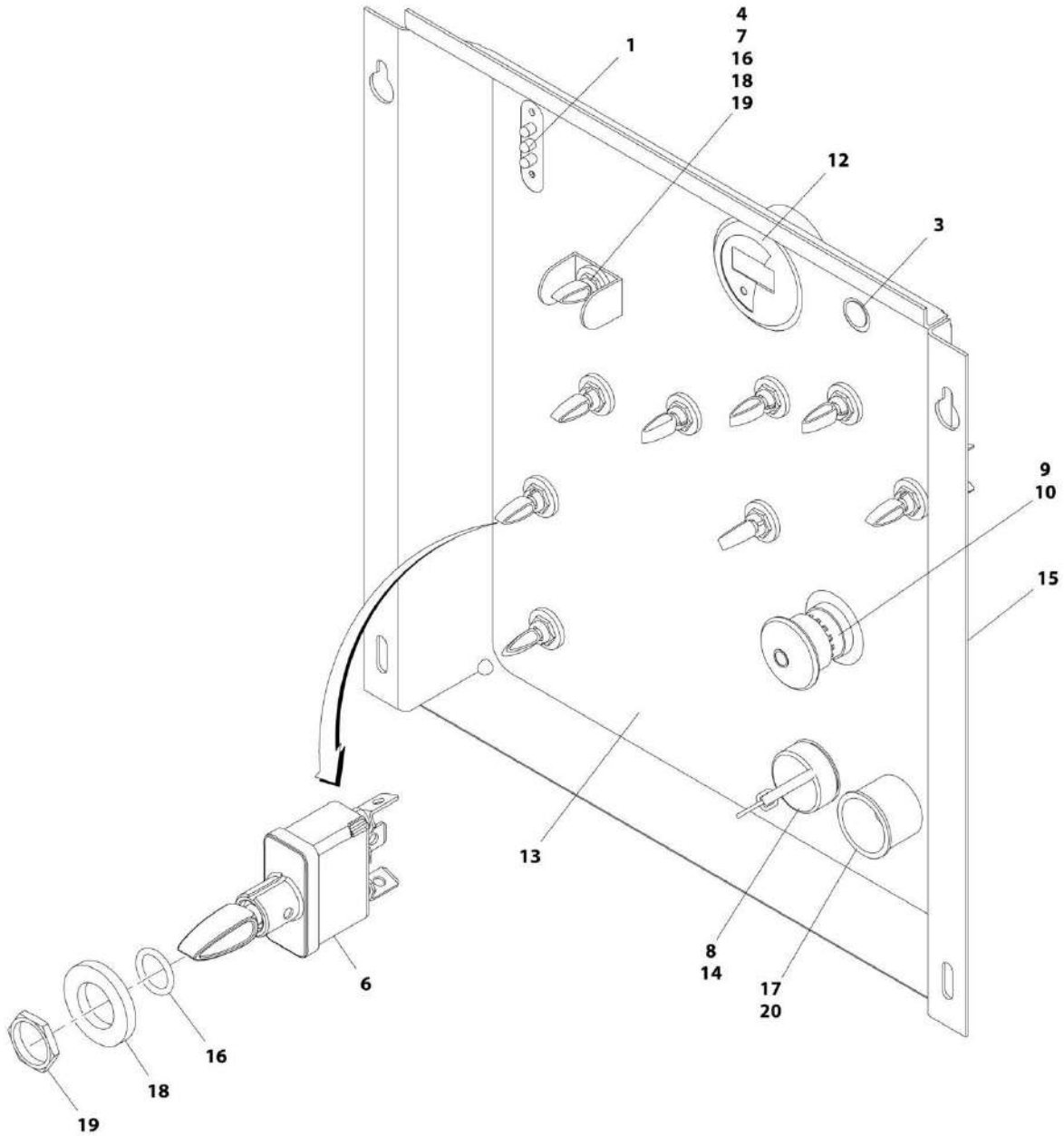
## SECTION 2 - TURNTABLE

**FIGURE 2-20. GROUND CONTROL BOX ASSEMBLY - E300AJP ALL SPECS EXCEPT CE SPEC**

ITEM	PART NUMBER	QTY	DESCRIPTION	REV
	1001181638	Ref	GROUND CONTROL BOX ASSEMBLY - E300AJP ALL SPECS EXCEPT CE SPEC	E
1	0610131	1	Board, LED	
3	3520028	1	Plug	
4	4060906	1	Guard, Switch	
6	1001155045	8	Switch, Toggle	
7	1001159256	1	Switch, Toggle	
8	4360469	1	Switch, Key	
8	2860030	1 Set	Key, Replacement	
9	4360475	1	Switch, Emergency Stop	
9	7020175	1	Cap	
9	7020176	1	Block, Contact	
10	4360476	1	Switch, Contact	
12	1001109503	1	Gauge	
13	1001183545	1	Decal - E300AJP Ground Control <b>(SN 0300211844 through 0300221326)</b>	
13	1001210577	1	Decal - E300AJP Ground Control <b>(SN 0300221327 to Present)</b>	
14	1001151393	1	Shim, Nylon .063	
15	1001181633	1	Panel, Ground Control	
16	3790012	9	O-Ring	
17	4740397	9	Spacer, Washer	
18	1001140357	1	Plug <b>(SN 0300211844 through 0300221326)</b>	
19	1001155044	9	Nut 15/32	

# SECTION 2 - TURNTABLE

FIGURE 2-21. GROUND CONTROL BOX ASSEMBLY - E300AJP CE SPEC



ART\_1001183918



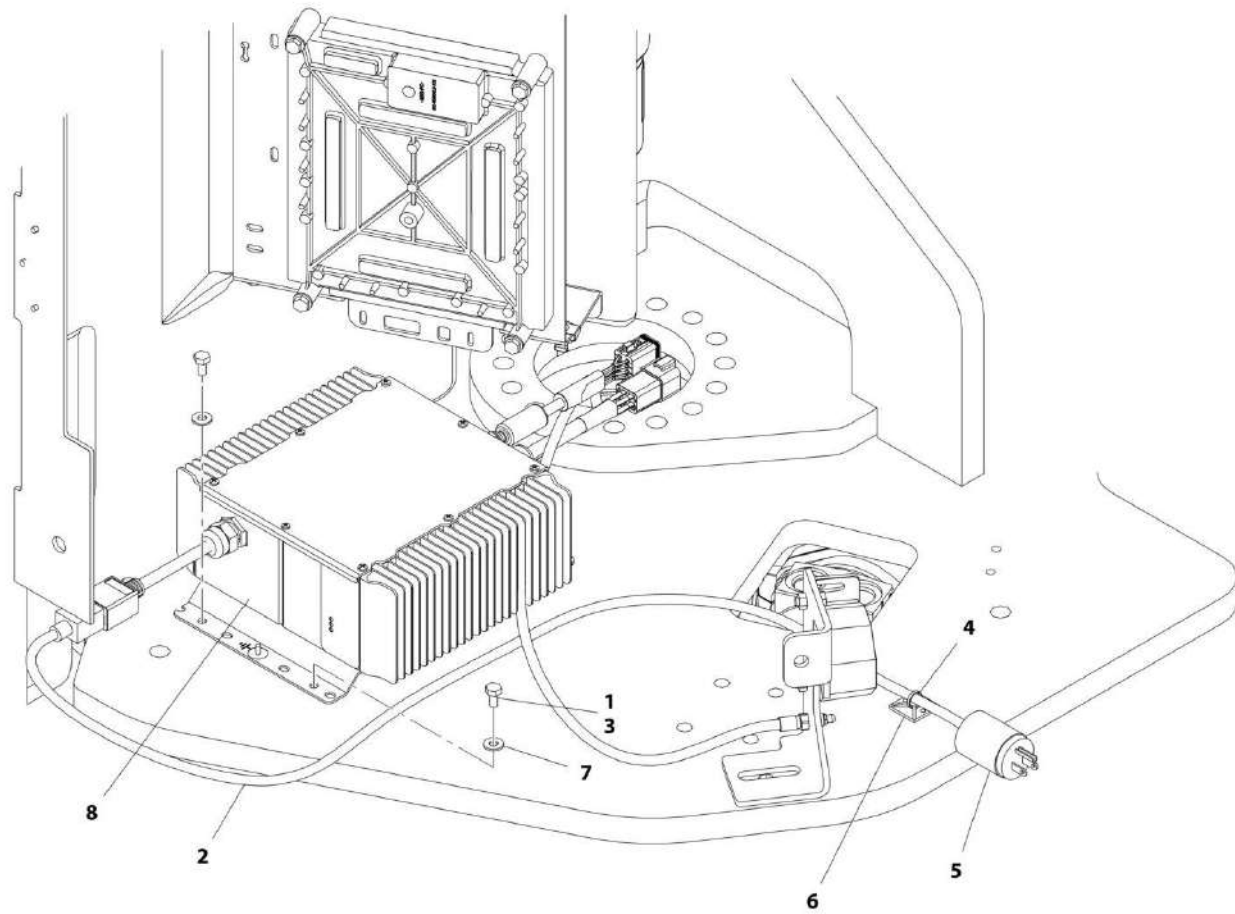
## SECTION 2 - TURNTABLE

**FIGURE 2-21. GROUND CONTROL BOX ASSEMBLY - E300AJP CE SPEC**

ITEM	PART NUMBER	QTY	DESCRIPTION	REV
	1001183918	Ref	GROUND CONTROL BOX ASSEMBLY - E300AJP CE SPEC	D
1	0610131	1	Board, LED	
3	3520028	1	Plug	
4	4060906	1	Guard, Switch	
6	1001155045	8	Switch, Toggle	
7	1001159256	1	Switch, Toggle	
8	4360469	1	Switch, Key	
8	2860030	1 Set	Key, Replacement	
9	4360475	1	Switch, Emergency Stop	
9	7020175	1	Cap	
9	7020176	1	Block, Contact	
10	4360476	1	Switch, Contact	
12	1001109503	1	Gauge	
13	1001183545	1	Decal - E300AJP Ground Control	
14	1001151393	1	Shim, Nylon .063	
15	1001181633	1	Panel, Ground Control	
16	3790012	9	O-Ring	
17	4360387	1	Switch, Push Button	
18	4740397	9	Spacer, Washer	
19	1001155044	9	Nut 15/32	
20	1001176469	1	Shroud, Switch	

## SECTION 2 - TURNTABLE

FIGURE 2-22. BATTERY CHARGER INSTALLATION - WITH PLUG (ALL SPECS EXCEPT CE SPEC)



ART\_1001183508

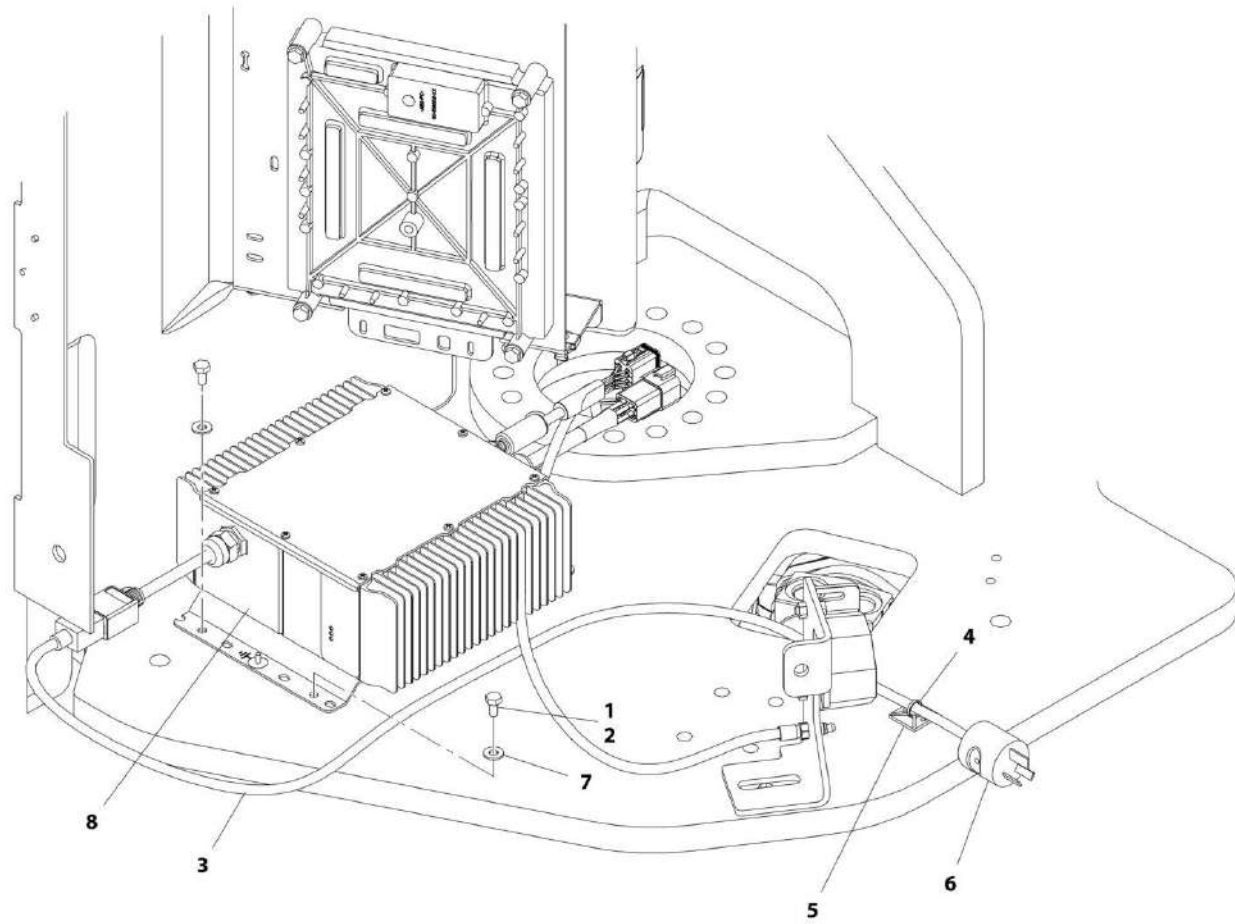
**SECTION 2 - TURNTABLE**

**FIGURE 2-22. BATTERY CHARGER INSTALLATION - WITH PLUG (ALL SPECS EXCEPT CE SPEC)**

ITEM	PART NUMBER	QTY	DESCRIPTION	REV
	1001183508	Ref	BATTERY CHARGER INSTALLATION - WITH PLUG (ALL SPECS EXCEPT CE SPEC)	D
1	0100011	AR	Compound, Locking	
2	1060689	1	Cable, AC Cord	
3	0641404	4	Bolt 1/4 x 1/2	
4	4240032	AR	Tie-Strap	
5	4460138	1	Plug	
6	4460234	1	Mount, Cable	
7	4711400	4	Washer 1/4	
8	1001103105	1	Battery Charger Assembly (See BATTERY CHARGER ASSEMBLY for Breakdown)	

## SECTION 2 - TURNTABLE

FIGURE 2-23. BATTERY CHARGER INSTALLATION - WITH PLUG (CE SPEC)



ART\_1001183509

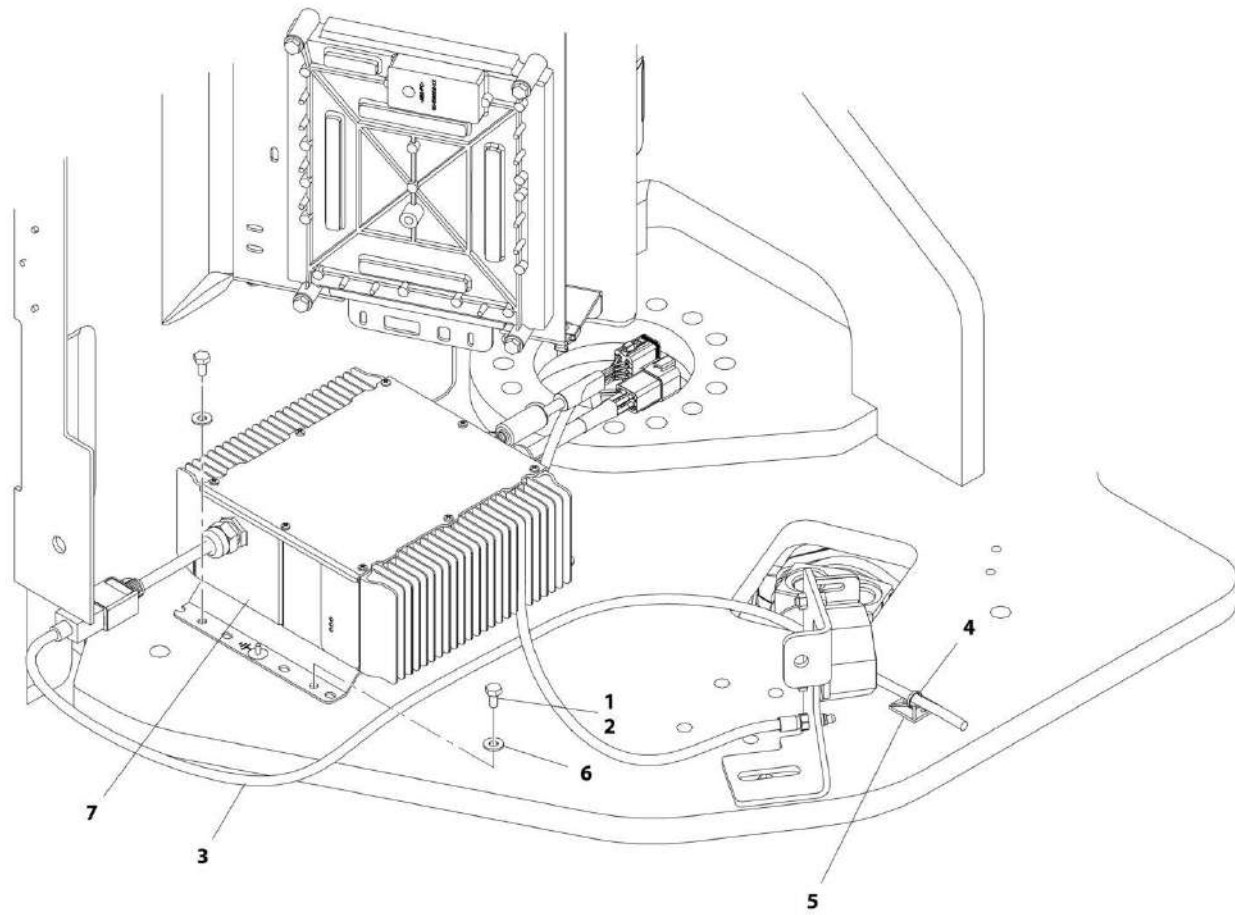
**SECTION 2 - TURNTABLE**

**FIGURE 2-23. BATTERY CHARGER INSTALLATION - WITH PLUG (CE SPEC)**

ITEM	PART NUMBER	QTY	DESCRIPTION	REV
	1001183509	Ref	BATTERY CHARGER INSTALLATION - WITH PLUG (CE SPEC)	D
1	0100011	AR	Compound, Locking	
2	0641404	4	Bolt 1/4 x 1/2	
3	1060689	1	Cable, AC Cord	
4	4240032	AR	Tie-Strap	
5	4460234	1	Mount, Cable	
6	4460805	1	Plug	
7	4711400	4	Washer 1/4	
8	1001103105	1	Battery Charger Assembly (See BATTERY CHARGER ASSEMBLY for Breakdown)	

## SECTION 2 - TURNTABLE

FIGURE 2-24. BATTERY CHARGER INSTALLATION - WITHOUT PLUG



ART\_1001183510

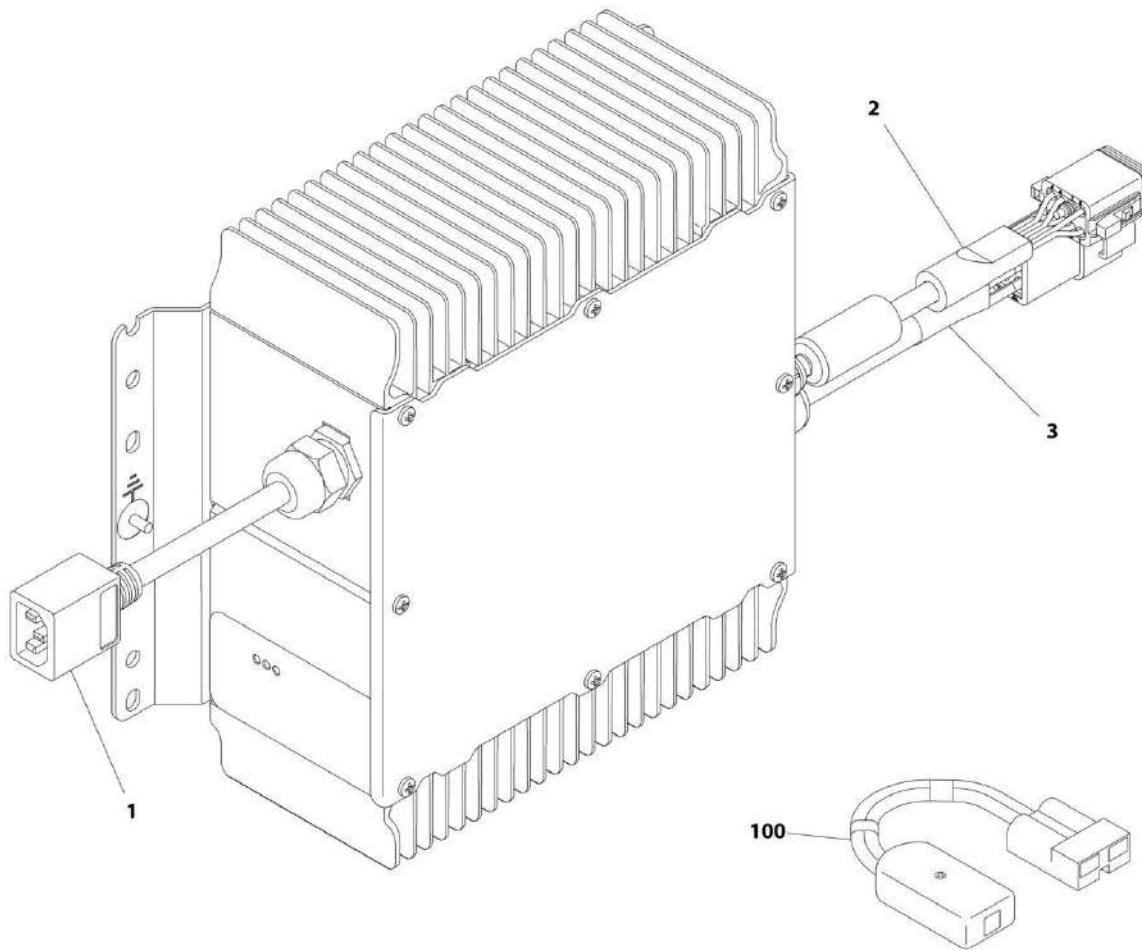
**SECTION 2 - TURNTABLE**

**FIGURE 2-24. BATTERY CHARGER INSTALLATION - WITHOUT PLUG**

<b>ITEM</b>	<b>PART NUMBER</b>	<b>QTY</b>	<b>DESCRIPTION</b>	<b>REV</b>
	1001183510	Ref	BATTERY CHARGER INSTALLATION - WITHOUT PLUG	C
1	0100011	AR	Compound, Locking	
2	0641404	4	Bolt 1/4 x 1/2	
3	1060689	1	Cable, AC Cord	
4	4240032	AR	Tie-Strap	
5	4460234	1	Mount, Cable	
6	4711400	4	Washer 1/4	
7	1001103105	1	Battery Charger Assembly (See BATTERY CHARGER ASSEMBLY for Breakdown)	

## SECTION 2 - TURNTABLE

FIGURE 2-25. BATTERY CHARGER ASSEMBLY



ART\_1001103105



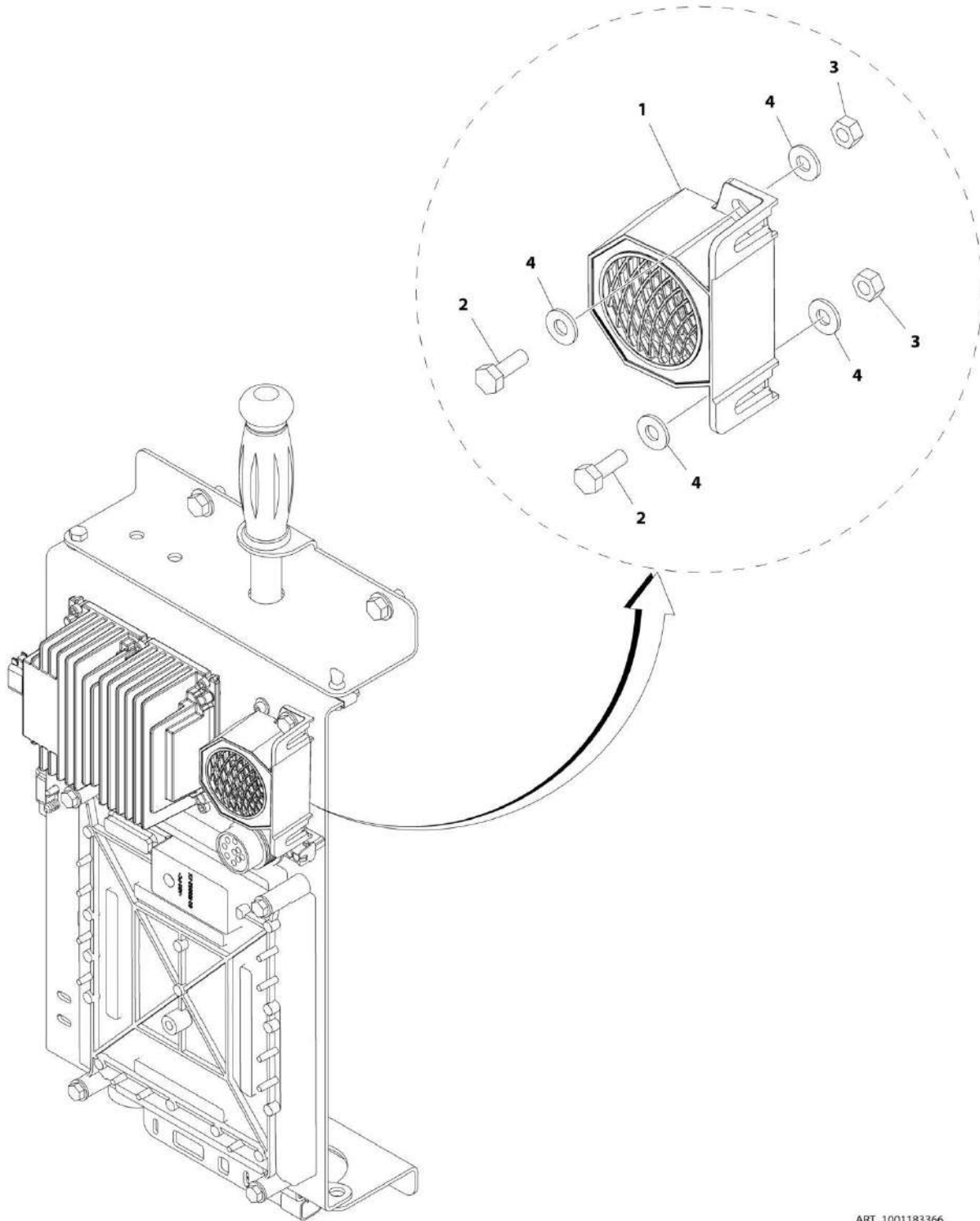
**SECTION 2 - TURNTABLE**

**FIGURE 2-25. BATTERY CHARGER ASSEMBLY**

ITEM	PART NUMBER	QTY	DESCRIPTION	REV
	1001103105	Ref	BATTERY CHARGER ASSEMBLY	D
		Ref	Note: Internal Components are not Serviceable Replace Complete Assembly.	
1	See Note	1	Harness, Battery Charger AC Plug (Note: Not Available for Purchase)	
1	See Note	1	Connector, Plug (Note: Not Available for Purchase)	
2	See Note	1	Harness, Battery Charger Signal (Note: Not Available for Purchase)	
2	4460930	1	Connector - 8 Position	
2	4460464	7	Socket, Female	
3	See Note	1	Harness, Battery Charger Power (Note: Not Available - Purchase Complete Charger)	
3	1001116811	1	Connector - 4 Position	
3	4460508	4	Pin, Male	
100	2915230	1	Battery Charger Reprogram Controller Kit (Includes Controller, Software and Instructions)	

# SECTION 2 - TURNTABLE

## FIGURE 2-26. ALARM INSTALLATION



ART\_1001183366

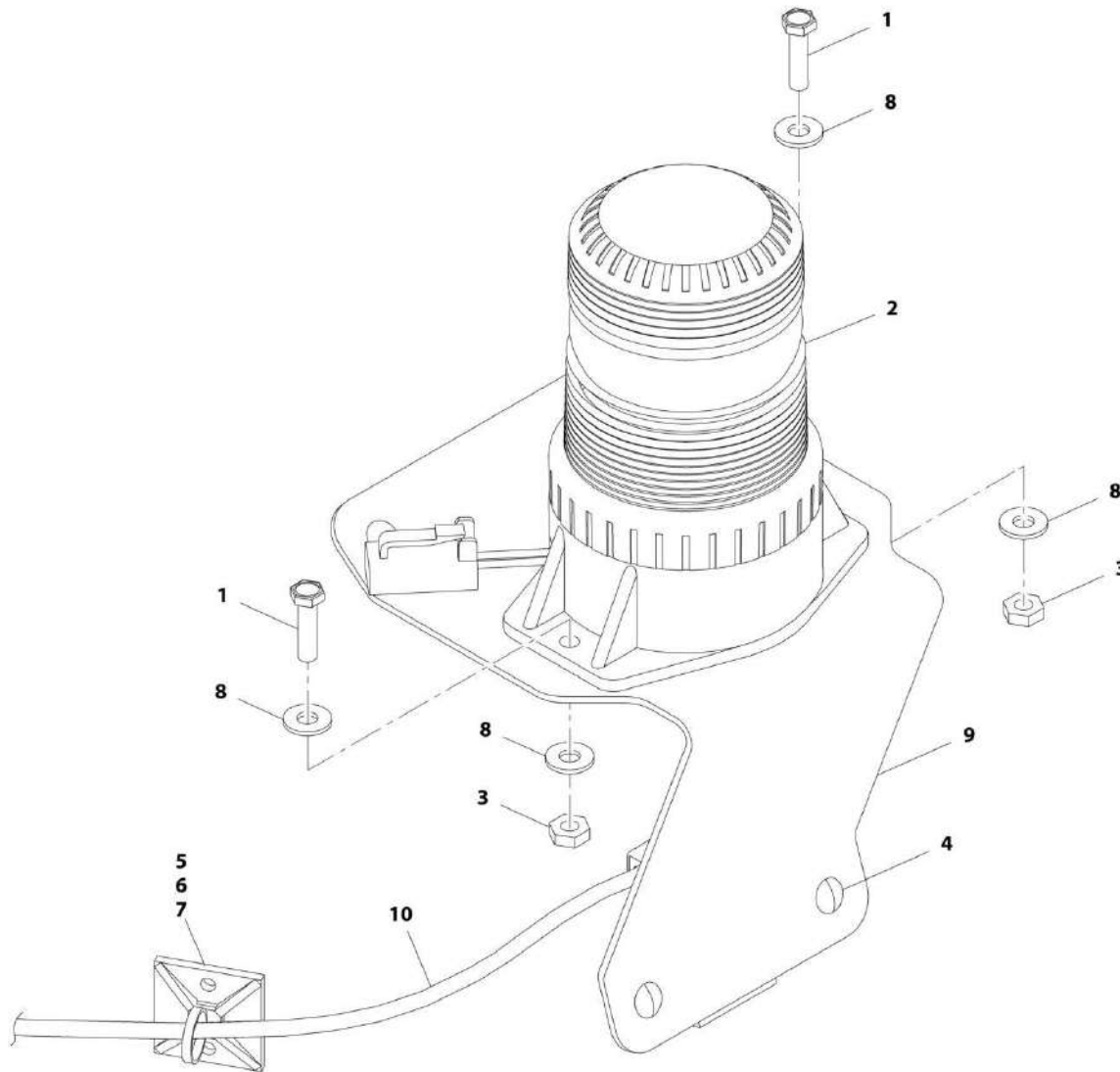
**SECTION 2 - TURNTABLE**

**FIGURE 2-26. ALARM INSTALLATION**

<b>ITEM</b>	<b>PART NUMBER</b>	<b>QTY</b>	<b>DESCRIPTION</b>	<b>REV</b>
	1001183366	Ref	ALARM INSTALLATION	B
1	0140043	1	Alarm	
1	4460536	1	Receptacle, Female - 3 Position	
1	4460464	3	Pin, Male	
2	0641406	2	Bolt 1/4 x 3/4	
3	3311405	2	Nut 1/4	
4	4711400	4	Washer 1/4	

## SECTION 2 - TURNTABLE

FIGURE 2-27. STROBE LIGHT INSTALLATION - AMBER



ART\_1001194014

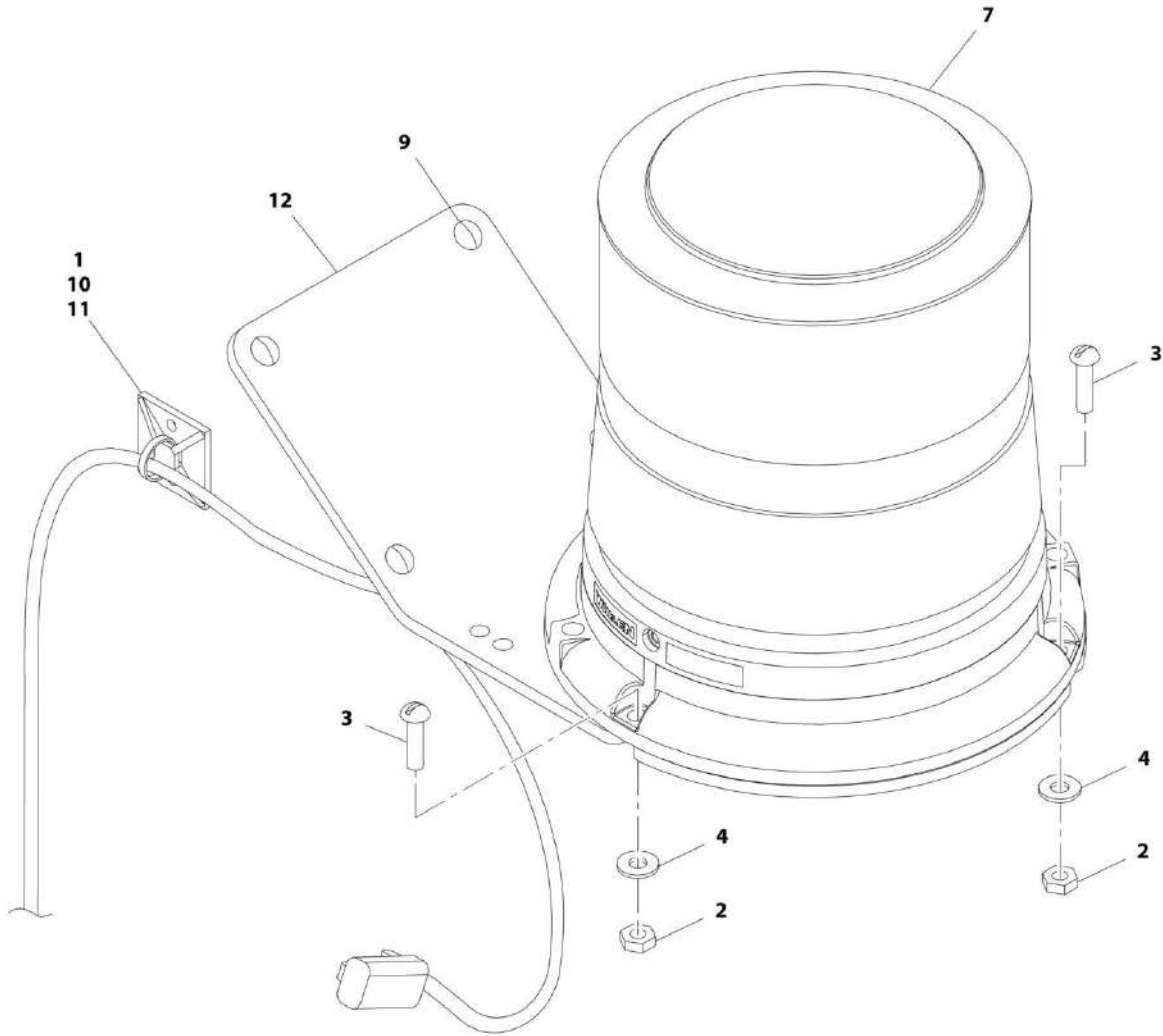
**SECTION 2 - TURNTABLE**

**FIGURE 2-27. STROBE LIGHT INSTALLATION - AMBER**

ITEM	PART NUMBER	QTY	DESCRIPTION	REV
	1001194014	Ref	STROBE LIGHT INSTALLATION - AMBER	B
1	0721006	2	Screw #10 x 3/4	
2	1001191139	1	Strobe Light Assembly	
2	4460891	1	Plug, Male - 2 Position	
2	4460465	2	Socket, Female	
2	4060865	1	Guard (Optional)	
3	3311005	2	Nut #10	
4	3820019	4	Rivet	
5	4240032	AR	Tie-Strap	
6	4240033	AR	Tie-Strap	
7	4460234	2	Mount, Cable	
8	4751000	4	Washer #10	
9	1001173253	1	Bracket	
10	1001194071	1	Strobe Light Harness (See ELECTRICAL SECTION for Breakdown)	

## SECTION 2 - TURNTABLE

FIGURE 2-28. STROBE LIGHT INSTALLATION - BLUE (SN 0300211844 through 0300217405)



ART\_1001194989

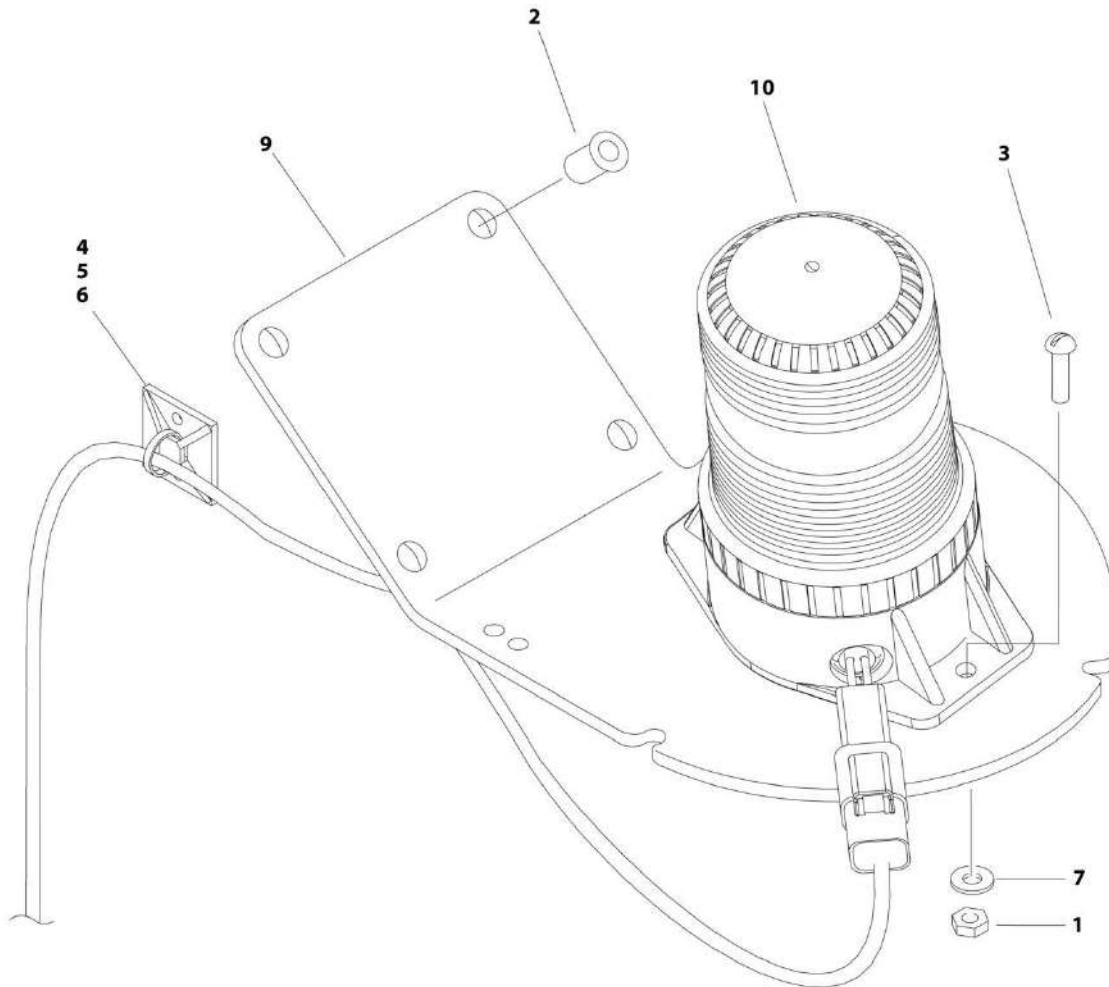
**SECTION 2 - TURNTABLE**

**FIGURE 2-28. STROBE LIGHT INSTALLATION - BLUE (SN 0300211844 through 0300217405)**

ITEM	PART NUMBER	QTY	DESCRIPTION	REV
	1001194989	Ref	STROBE LIGHT INSTALLATION - BLUE (SN 0300211844 through 0300217405)	B
1	4240032	AR	Tie-Strap	
2	3311005	3	Nut #10	
3	3911012	3	Screw #10 x 3/4	
4	4711000	3	Washer #10	
7	1001143431	NLA	Strobe Light Assembly (Use p/n 1001210696)	
7	4460897	1	Receptacle, Female - 2 Position	
7	4460943	2	Pin, Male	
9	3820020	4	Rivet	
10	4240033	AR	Tie-Strap	
11	4460234	5	Mount, Cable	
12	1001197583	1	Bracket	

## SECTION 2 - TURNTABLE

FIGURE 2-29. STROBE LIGHT INSTALLATION - BLUE (SN 0300217406 to Present)



ART\_1001205500



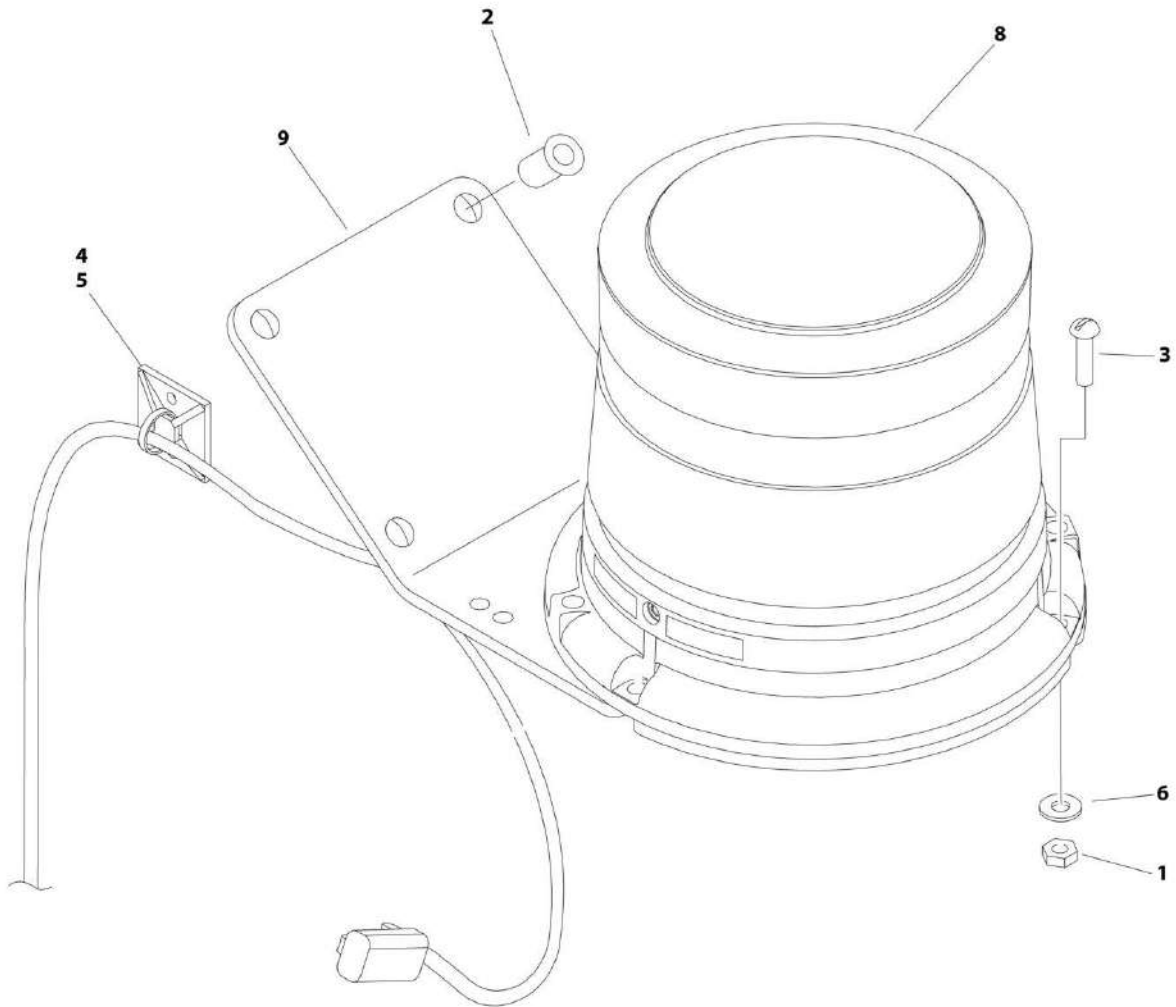
**SECTION 2 - TURNTABLE**

**FIGURE 2-29. STROBE LIGHT INSTALLATION - BLUE (SN 0300217406 to Present)**

ITEM	PART NUMBER	QTY	DESCRIPTION	REV
	1001205500	Ref	STROBE LIGHT INSTALLATION - BLUE (SN 0300217406 to Present)	B
1	3311005	2	Nut #10	
2	3820020	4	Rivet	
3	3911012	2	Screw #10 x 3/4	
4	4240032	AR	Tie-Strap	
5	4240033	AR	Tie-Strap	
6	4460234	5	Mount, Cable	
7	4711000	4	Washer #10	
9	1001197583	1	Bracket	
10	1001200910	1	Strobe Light Assembly	
10	4460897	1	Receptacle, Female - 2 Position	
10	4460464	2	Pin, Male	

## SECTION 2 - TURNTABLE

FIGURE 2-30. STROBE LIGHT INSTALLATION - RED (SN 0300211844 through 0300217097)



ART\_1001207312

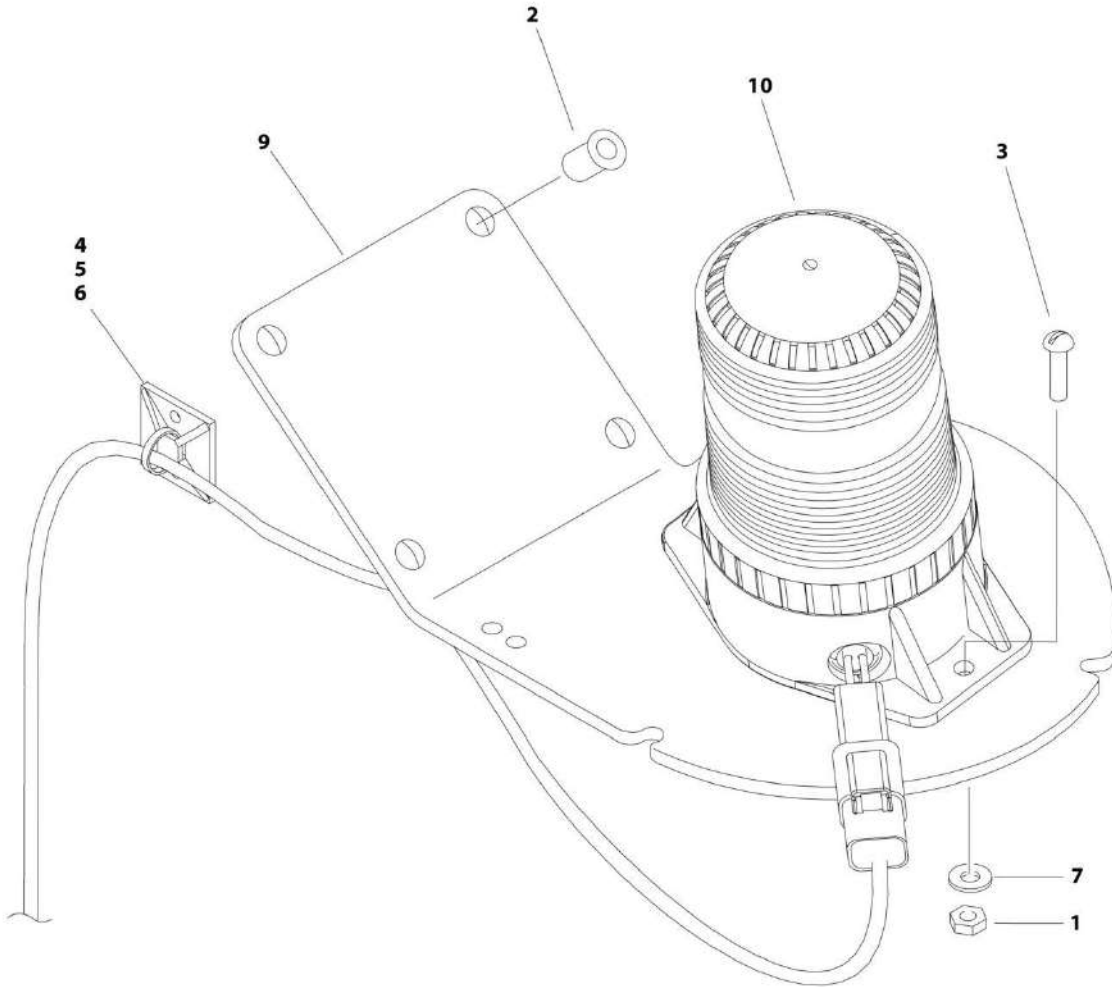
**SECTION 2 - TURNTABLE**

**FIGURE 2-30. STROBE LIGHT INSTALLATION - RED (SN 0300211844 through 0300217097)**

ITEM	PART NUMBER	QTY	DESCRIPTION	REV
	1001207312	Ref	STROBE LIGHT INSTALLATION - RED (SN 0300211844 through 0300217097)	B
1	3311005	3	Nut #10	
2	3820020	4	Rivet	
3	3911012	3	Screw #10 x 3/4	
4	4240032	5	Tie-Strap	
5	4460234	5	Mount, Cable	
6	4711000	3	Washer #10	
8	1001197067	1	Strobe Light Assembly - Red	
8	4460897	1	Receptacle, Female - 2 Position	
8	4460464	2	Pin, Male	
9	1001197583	1	Bracket	

## SECTION 2 - TURNTABLE

FIGURE 2-31. STROBE LIGHT INSTALLATION - RED (SN 0300217098 to Present)



ART\_1001209877

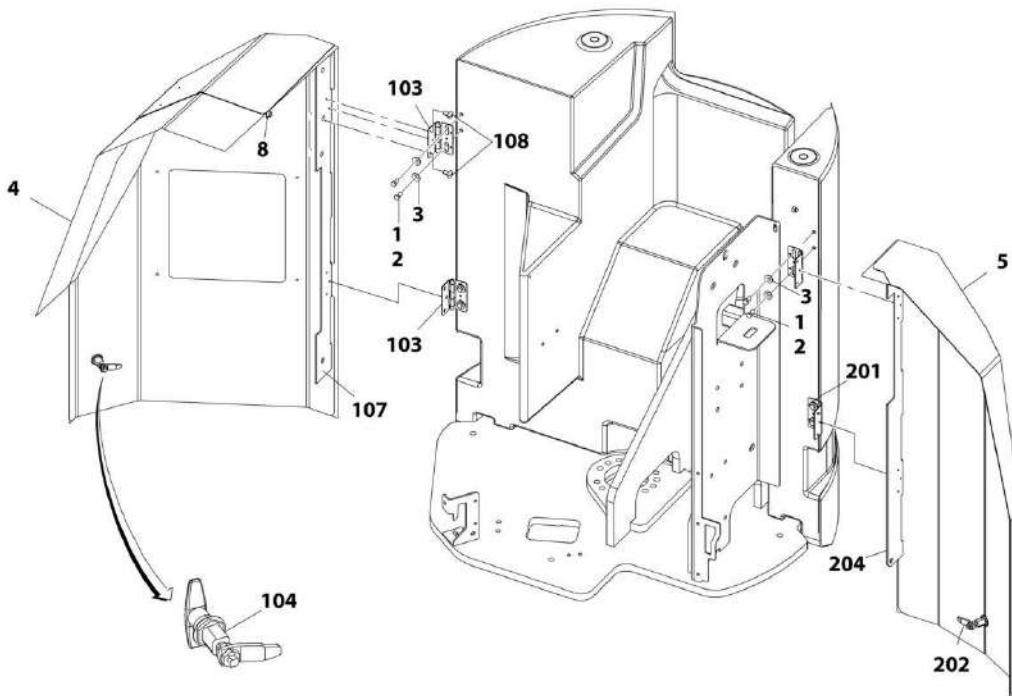
**SECTION 2 - TURNTABLE**

**FIGURE 2-31. STROBE LIGHT INSTALLATION - RED (SN 0300217098 to Present)**

ITEM	PART NUMBER	QTY	DESCRIPTION	REV
	1001209877	Ref	STROBE LIGHT INSTALLATION - RED (SN 0300217098 to Present)	B
1	3311005	2	Nut #10	
2	3820020	4	Rivet	
3	3911012	2	Screw #10 x 3/4	
4	4240032	5	Tie-Strap	
5	4240033	AR	Tie-Strap	
6	4460234	5	Mount, Cable	
7	4711000	4	Washer #10	
9	1001197583	1	Bracket	
10	1001207004	1	Strobe Light Assembly - Red	
10	4460897	1	Receptacle, Female - 2 Position	
10	4460464	2	Pin, Male	

# SECTION 2 - TURNTABLE

## FIGURE 2-32. HOODS INSTALLATION



ART\_1001164605

**SECTION 2 - TURNTABLE**

**FIGURE 2-32. HOODS INSTALLATION**

ITEM	PART NUMBER	QTY	DESCRIPTION	REV
	1001164606	Ref	HOODS INSTALLATION	D
1	0100011	AR	Compound, Locking	
2	0641606	8	Bolt 3/8 x 3/4	
3	4751600	8	Washer 3/8	
4	1001164239	1	Hood Assembly - LH (See Items 101-108 for Breakdown)	
5	1001164280	1	Hood Assembly - RH (See Items 201-204 for Breakdown)	
8	0940036	2	Door, Bumper	
	1001164239	Ref	HOOD ASSEMBLY - LH	G
103	2600258	2	Hinge	
104	2940117	1	Latch	
107	1001164238	1	Hood Steel - LH	
108	3820020	6	Rivet, Pop	
	1001164280	Ref	HOOD ASSEMBLY - RH	G
201	2600258	1	Hinge	
202	2940117	1	Latch	
203	3820020	1	Rivet, Pop (Not Shown)	
204	1001164257	1	Hood Steel - RH	

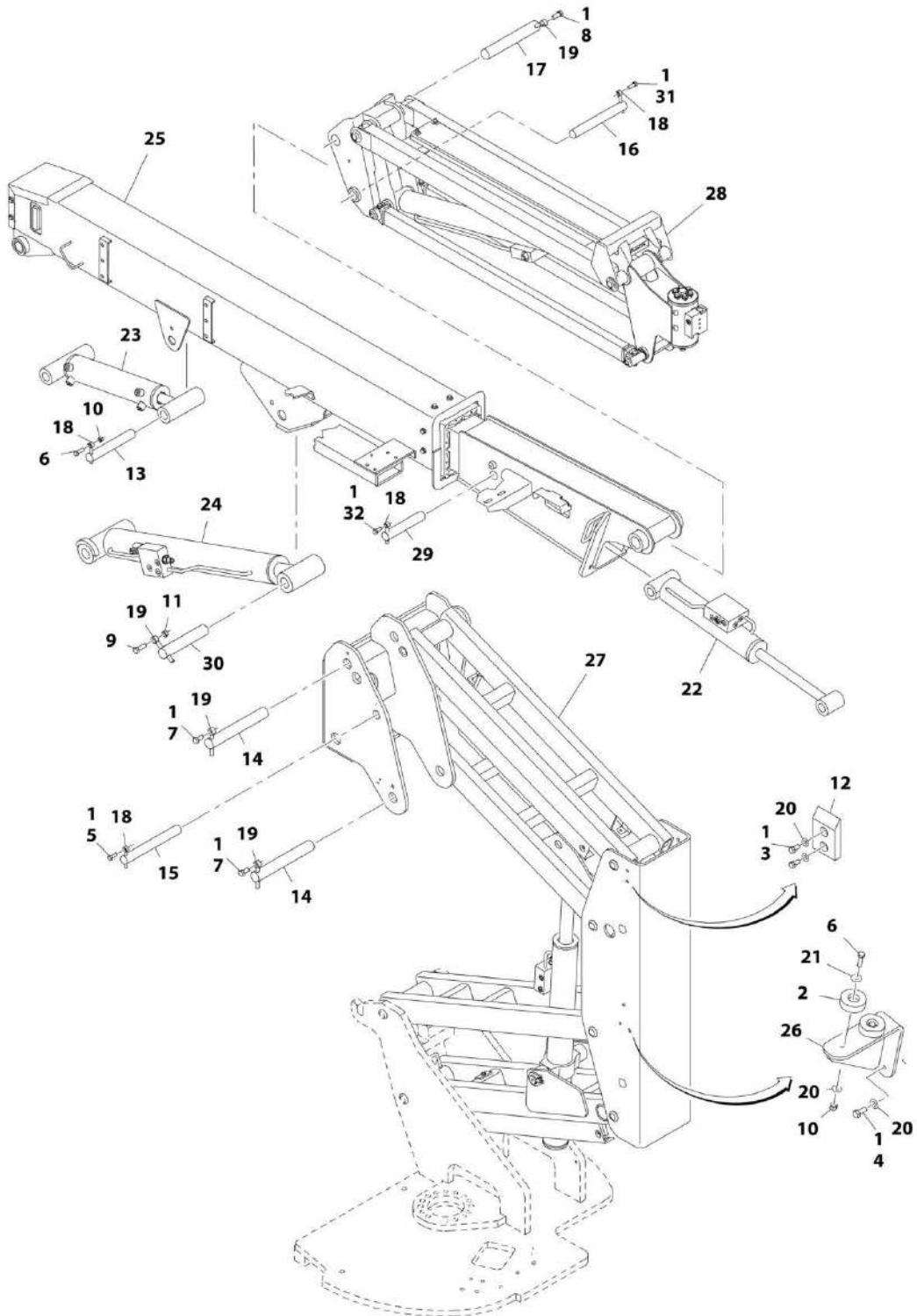




**SECTION 3 - BOOM**

# SECTION 3 - BOOM

## FIGURE 3-1. BOOM AND CYLINDERS INSTALLATION - E300AJ



ART\_1001108553

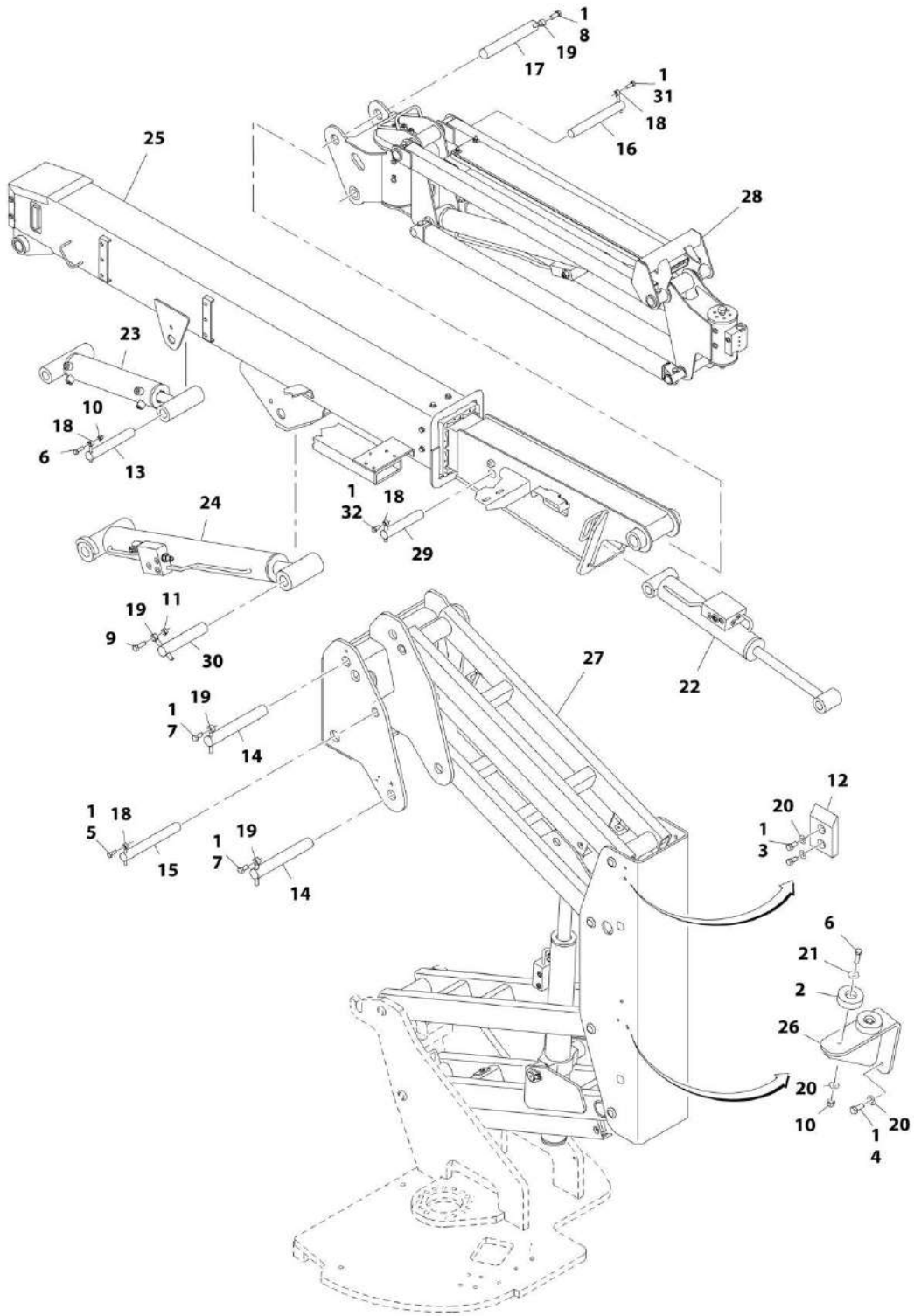
## SECTION 3 - BOOM

### FIGURE 3-1. BOOM AND CYLINDERS INSTALLATION - E300AJ

ITEM	PART NUMBER	QTY	DESCRIPTION	REV
	1001108553	Ref	BOOM AND CYLINDERS INSTALLATION - E300AJ	D
1	0100011	AR	Compound, Locking	
2	1001112607	2	Block, Boom Rest	
3	0641606	2	Bolt 3/8 x 3/4	
4	0641607	3	Bolt 3/8 x 7/8	
5	0641608	1	Bolt 3/8 x 1	
6	0641610	3	Bolt 3/8 x 1-1/4	
7	0641808	2	Bolt 1/2 x 1	
8	0761215	1	Bolt M12 x 35	
9	0641812	1	Bolt 1/2 x 1-1/2	
10	3311605	3	Nut 3/8	
11	3311805	1	Nut 1/2	
12	3340854	1	Pad, Boom Guide	
13	3422582	1	Pin	
14	3422787	2	Pin	
15	3422790	1	Pin	
16	3422792	1	Pin	
17	3422814	1	Pin	
18	3841143	4	Keeper, Pin	
19	3841203	4	Keeper, Pin	
20	4711600	7	Washer 3/8	
21	4751600	2	Washer 3/8	
22	1001105153	NLA	Level Cylinder Assembly - Platform Slave (Use p/n 1001203949) (See CYLINDER SECTION for Breakdown) <b>(SN 0300211844 through 0300221077)</b>	
22	1001203949	1	Level Cylinder Assembly - Platform Slave (See CYLINDER SECTION for Breakdown) <b>(SN 0300221078 to Present)</b>	
23	1001105989	1	Master Cylinder Assembly (See CYLINDER SECTION for Breakdown)	
24	1001106880	1	Lift Cylinder Assembly - Main Boom (See CYLINDER SECTION for Breakdown)	
25	1001117885	NLA	Main Boom Assembly (Use p/n 1001125317) (See MAIN BOOM ASSEMBLY - E300AJ for Breakdown)	
26	1001125235	1	Plate, Boom Rest	
27	1001108387	1	Tower Boom Assembly (See TOWER BOOM ASSEMBLY - E300AJ for Breakdown)	
28	1001123025	NLA	Jib Assembly (Use p/n 1001125318) (See JIB ASSEMBLY - E300AJ for Breakdown)	
29	3422709	1	Pin	
30	1001109528	1	Pin	
31	0761014	1	Bolt M10 x 30	
32	0761011	1	Bolt M10 x 22	

# SECTION 3 - BOOM

## FIGURE 3-2. BOOM AND CYLINDERS INSTALLATION - E300AJP



ART\_1001107584

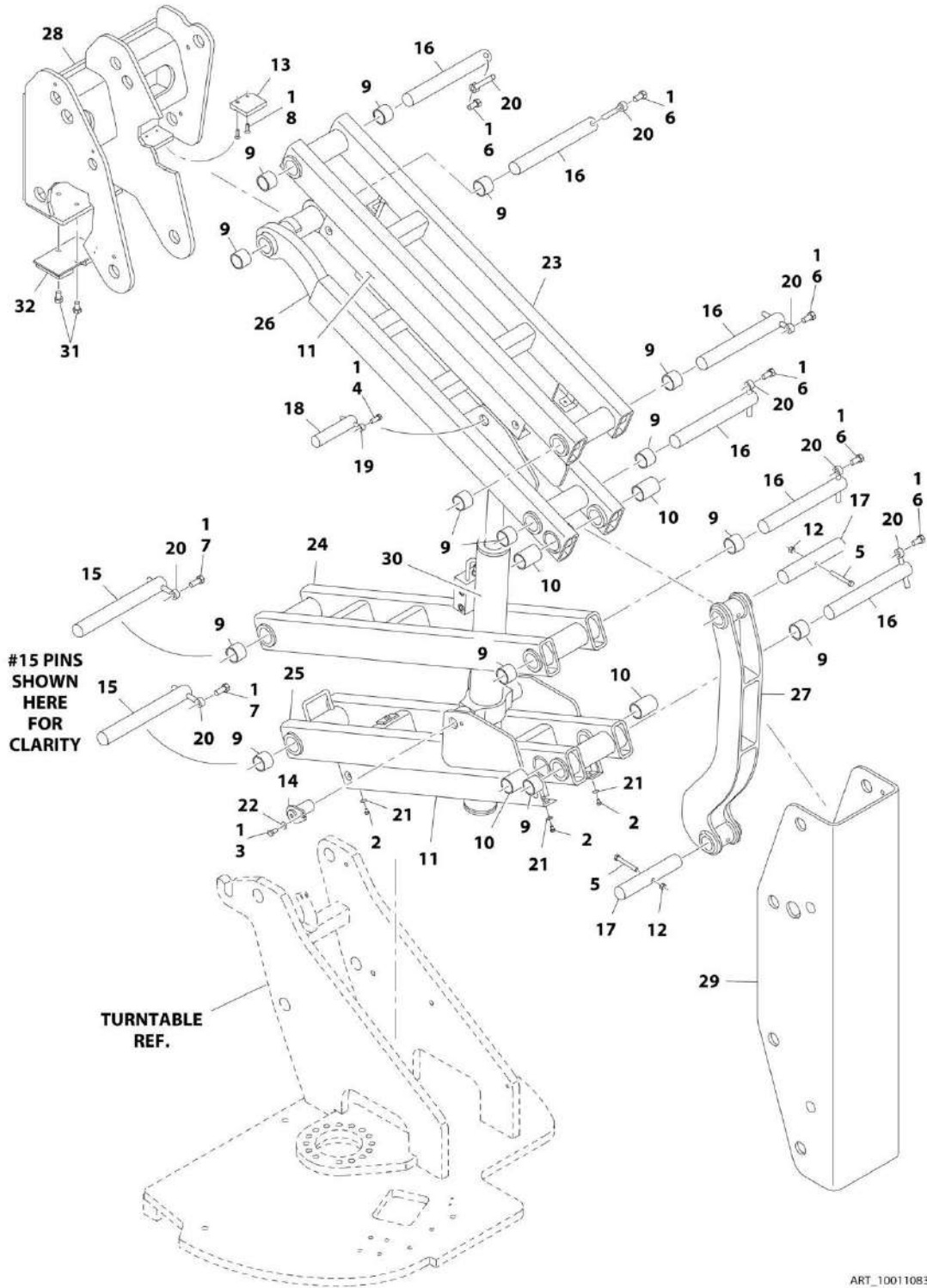
## SECTION 3 - BOOM

**FIGURE 3-2. BOOM AND CYLINDERS INSTALLATION - E300AJP**

ITEM	PART NUMBER	QTY	DESCRIPTION	REV
	1001107584	Ref	BOOM AND CYLINDERS INSTALLATION - E300AJP	D
1	0100011	AR	Compound, Locking	
2	1001112607	2	Block, Boom Rest	
3	0641606	2	Bolt 3/8 x 3/4	
4	0641607	3	Bolt 3/8 x 7/8	
5	0641608	1	Bolt 3/8 x 1	
6	0641610	3	Bolt 3/8 x 1-1/4	
7	0641808	2	Bolt 1/2 x 1	
8	0761215	1	Bolt M12 x 35	
9	0641812	1	Bolt 1/2 x 1-1/2	
10	3311605	3	Nut 3/8	
11	3311805	1	Nut 1/2	
12	3340854	1	Pad, Boom Guide	
13	3422582	1	Pin	
14	3422787	2	Pin	
15	3422790	1	Pin	
16	3422792	1	Pin	
17	3422814	1	Pin	
18	3841143	4	Keeper, Pin	
19	3841203	4	Keeper, Pin	
20	4711600	7	Washer 3/8	
21	4751600	2	Washer 3/8	
22	1001105153	NLA	Level Cylinder Assembly - Platform Slave (Use p/n 1001203949) (See CYLINDER SECTION for Breakdown) <b>(SN 0300211844 through 0300221077)</b>	
22	1001203949	1	Level Cylinder Assembly - Platform Slave (See CYLINDER SECTION for Breakdown) <b>(SN 0300221078 to Present)</b>	
23	1001105989	1	Master Cylinder Assembly (See CYLINDER SECTION for Breakdown)	
24	1001106880	1	Lift Cylinder Assembly - Main Boom (See CYLINDER SECTION for Breakdown)	
25	1001123023	NLA	Main Boom Assembly (Use p/n 1001125316) (see MAIN BOOM ASSEMBLY - E300AJP for Breakdown)	
26	1001125235	1	Plate, Boom Rest	
27	1001107583	1	Tower Boom Assembly (See TOWER BOOM ASSEMBLY - E300AJP for Breakdown)	
28	1001123024	1	Jib Assembly (See JIB ASSEMBLY - E300AJP for Breakdown)	
29	3422709	1	Pin	
30	1001109528	1	Pin	
31	0761014	1	Bolt M10 x 30	
32	0761011	1	Bolt M10 x 22	

# SECTION 3 - BOOM

## FIGURE 3-3. TOWER BOOM ASSEMBLY - E300AJ



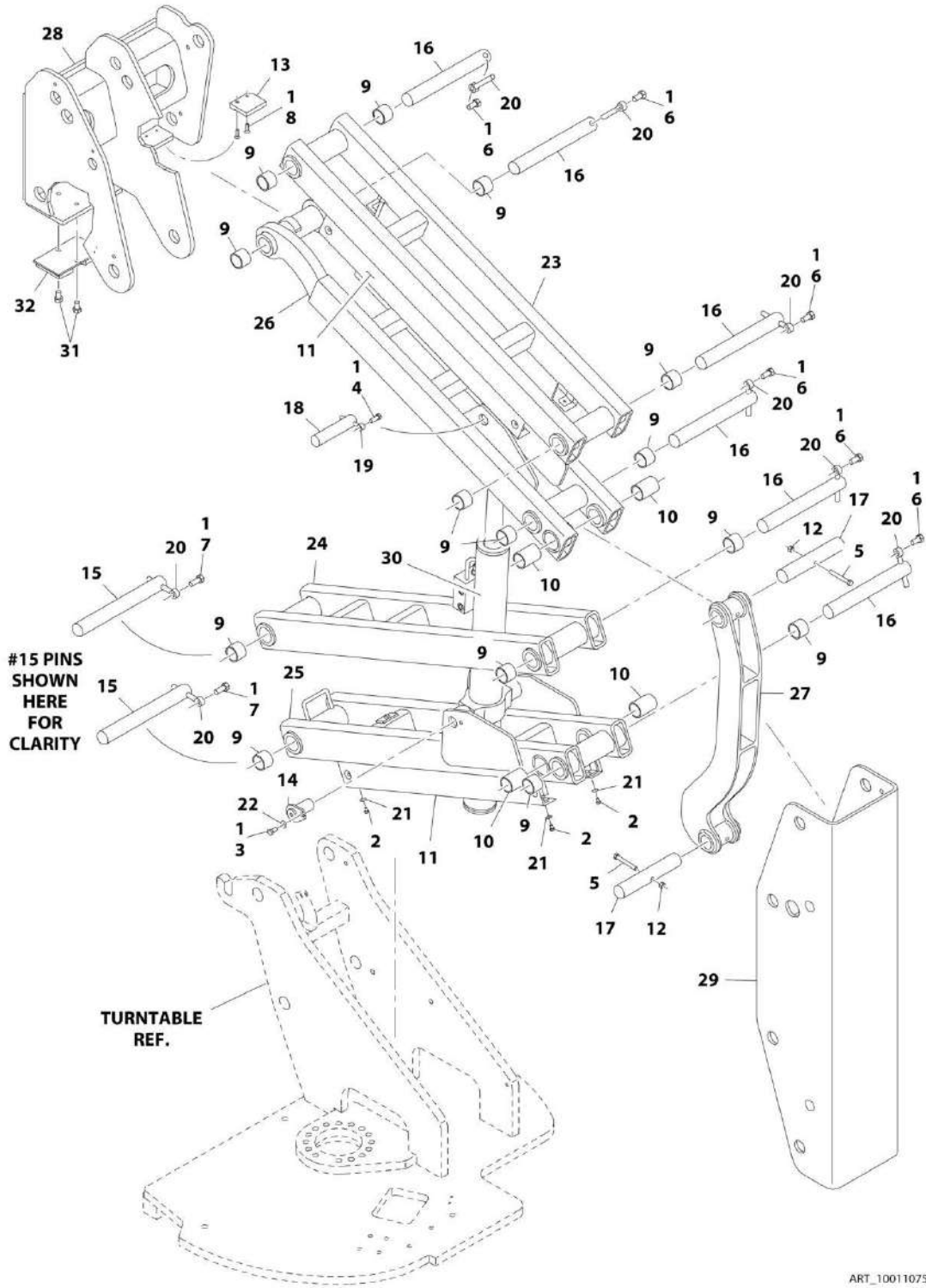
## SECTION 3 - BOOM

**FIGURE 3-3. TOWER BOOM ASSEMBLY - E300AJ**

ITEM	PART NUMBER	QTY	DESCRIPTION	REV
	1001108387	Ref	TOWER BOOM ASSEMBLY - E300AJ	B
1	0100011	AR	Compound, Locking	
2	0641403	12	Bolt 1/4 x 3/8	
3	0641606	2	Bolt 3/8 x 3/4	
4	0641608	1	Bolt 3/8 x 1	
5	0641622	2	Bolt 3/8 x 2-3/4	
6	0641808	6	Bolt 1/2 x 1	
7	0641810	2	Bolt 1/2 x 1-1/4	
8	0741408	2	Screw 1/4 x 1	
9	0961948	16	Bearing	
10	0962259	4	Bearing	
11	1271433	4	Channel, Boom Cable/Hose	
12	3311605	2	Nut 3/8	
13	3340865	1	Pad, Wear	
14	3422424	2	Pin	
15	3422785	2	Pin	
16	3422786	6	Pin	
17	3422788	2	Pin	
18	3422789	1	Pin	
19	3841143	1	Keeper, Pin	
20	3841203	8	Keeper, Pin	
21	4711400	12	Washer 1/4	
22	4711600	2	Washer 3/8	
23	4845940	1	Link, Mid Boom (Top)	
24	4845942	1	Link, Lower Boom (Top)	
25	4845943	1	Link, Lower Boom (Bottom)	
26	4845941	1	Link, Mid Boom (Bottom)	
27	1001097487	1	Link, Timing	
28	1001107217	1	Upright (Top)	
29	1001107567	1	Upright (Bottom)	
30	1001107886	1	Lift Cylinder Assembly - Tower Boom (See CYLINDER SECTION for Breakdown)	
31	0641806	2	Bolt 1/2 x 3/4	
32	0940048	1	Bumper	

# SECTION 3 - BOOM

## FIGURE 3-4. TOWER BOOM ASSEMBLY - E300AJP





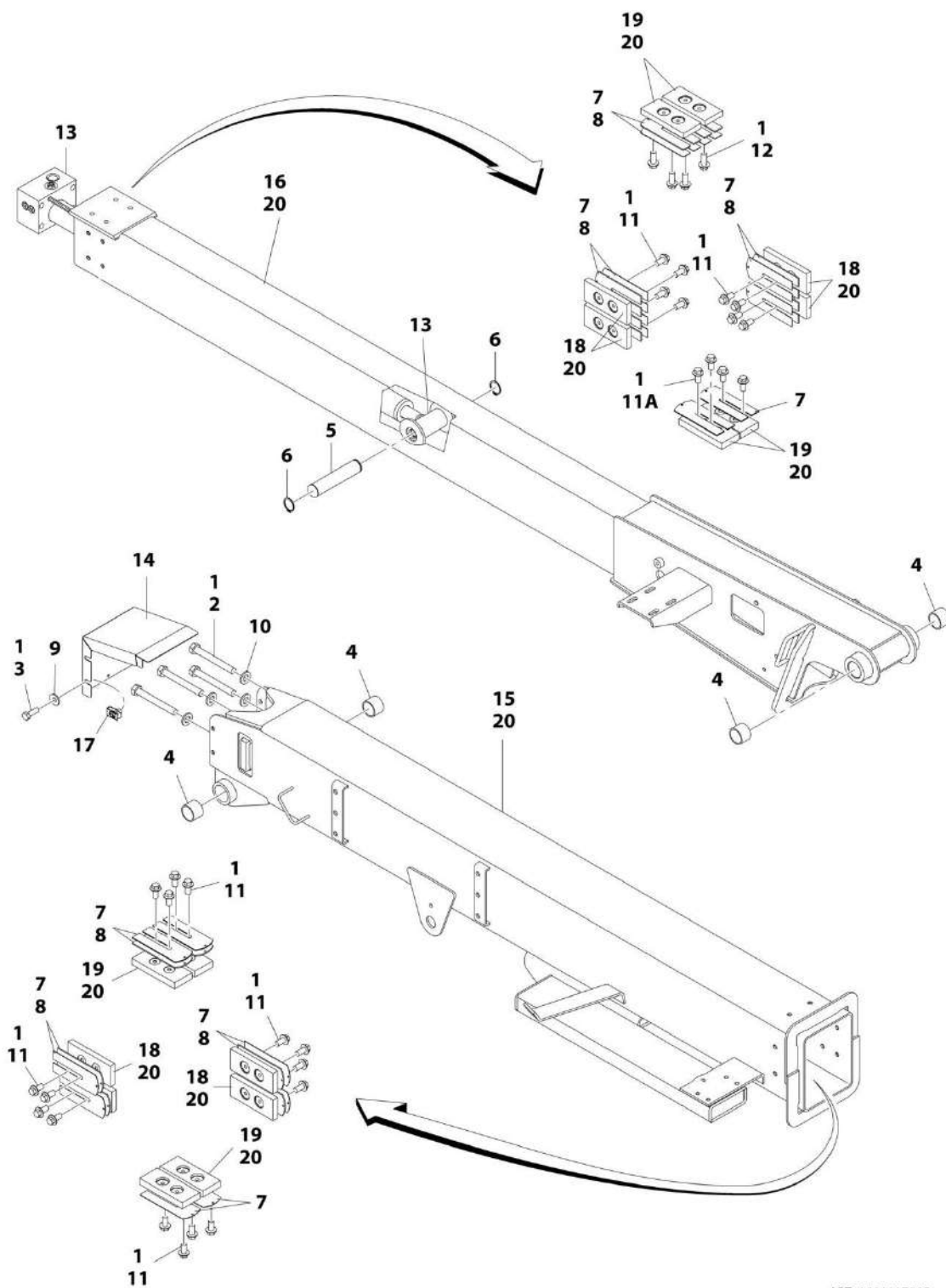
## SECTION 3 - BOOM

**FIGURE 3-4. TOWER BOOM ASSEMBLY - E300AJP**

ITEM	PART NUMBER	QTY	DESCRIPTION	REV
	1001107583	Ref	TOWER BOOM ASSEMBLY - E300AJP	B
1	0100011	AR	Compound, Locking	
2	0641403	12	Bolt 1/4 x 3/8	
3	0641606	2	Bolt 3/8 x 3/4	
4	0641608	1	Bolt 3/8 x 1	
5	0641622	2	Bolt 3/8 x 2-3/4	
6	0641808	6	Bolt 1/2 x 1	
7	0641810	2	Bolt 1/2 x 1-1/4	
8	0741408	2	Screw 1/4 x 1	
9	0961948	16	Bearing	
10	0962259	4	Bearing	
11	1271433	4	Channel, Boom Cable/Hose	
12	3311605	2	Nut 3/8	
13	3340865	1	Pad, Wear	
14	3422424	2	Pin	
15	3422785	2	Pin	
16	3422786	6	Pin	
17	3422788	2	Pin	
18	3422789	1	Pin	
19	3841143	1	Keeper, Pin	
20	3841203	8	Keeper, Pin	
21	4711400	12	Washer 1/4	
22	4711600	2	Washer 3/8	
23	4845940	1	Link, Mid Boom (Top)	
24	4845942	1	Link, Lower Boom (Top)	
25	4845943	1	Link, Lower Boom (Bottom)	
26	4846083	1	Link, Mid Boom (Bottom)	
27	1001097487	1	Link, Timing	
28	1001107217	1	Upright (Top)	
29	1001107567	1	Upright (Bottom)	
30	1001107886	1	Lift Cylinder Assembly - Tower Boom (See CYLINDER SECTION for Breakdown)	
31	0641806	2	Bolt 1/2 x 3/4	
32	0940048	1	Bumper	

# SECTION 3 - BOOM

## FIGURE 3-5. MAIN BOOM ASSEMBLY - E300AJ



ART\_100117885

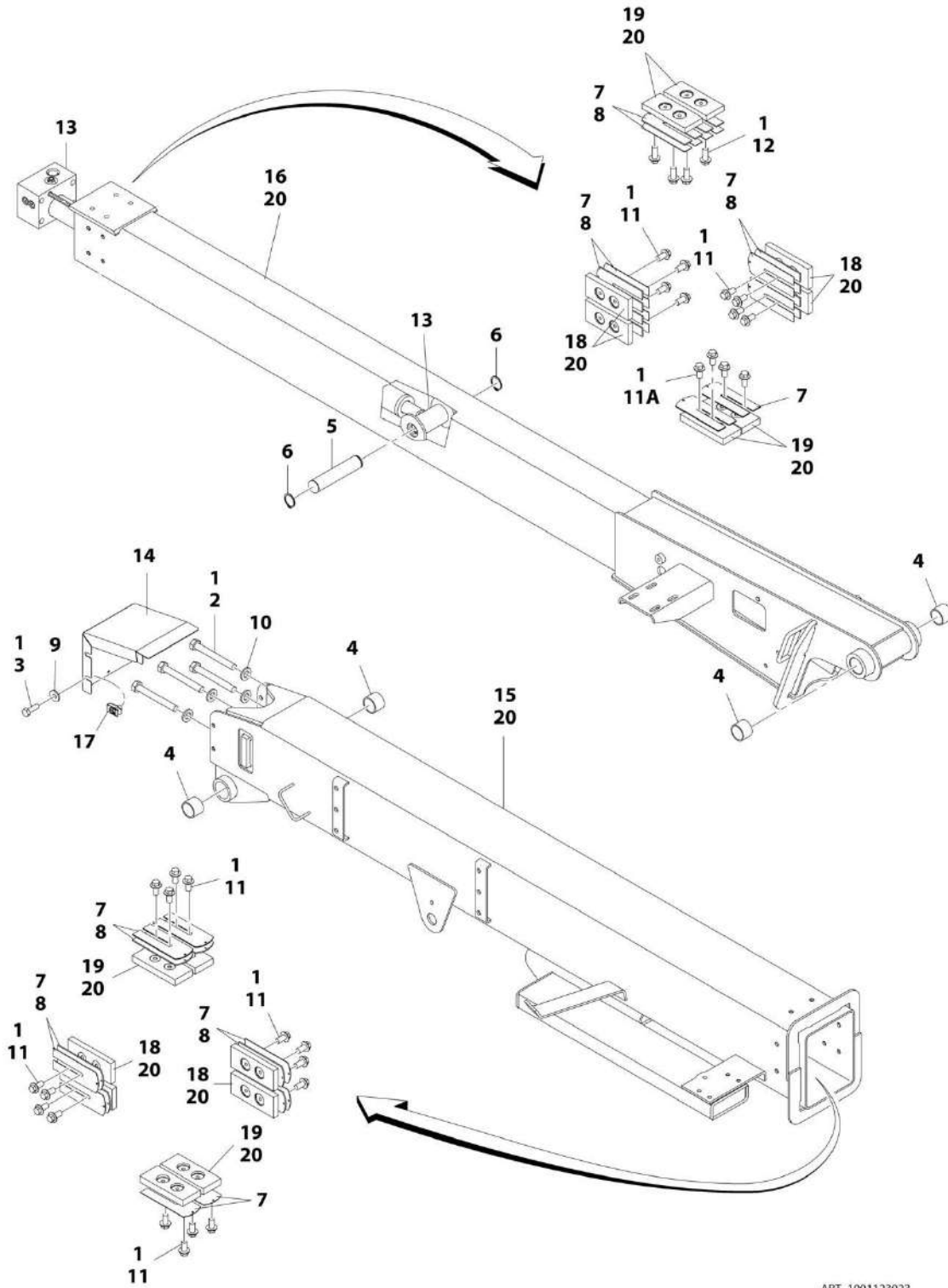
## SECTION 3 - BOOM

**FIGURE 3-5. MAIN BOOM ASSEMBLY - E300AJ**

ITEM	PART NUMBER	QTY	DESCRIPTION	REV
	1001117885	Ref	MAIN BOOM ASSEMBLY - E300AJ	C
1	0100011	AR	Compound, Locking	
2	0711227	4	Bolt M12 x 100 Grade 10.9	
3	0760812	4	Bolt M8 x 25	
4	0961948	4	Bushing	
5	3422745	1	Pin	
6	3760115	2	Ring, Retaining	
7	4070897	16	Shim 18 Ga	
8	4070898	12	Shim 11 Ga	
9	4811902	4	Washer M8	
10	5241200	4	Washer M8	
11	5251010	24	Bolt M10 x 20	
11A	5251012	4	Bolt M10 x 25	
12	5251012	4	Bolt M10 x 25	
13	1001120974	1	Telescope Cylinder Assembly (See CYLINDER SECTION for Breakdown)	
14	1001108290	1	Cover	
15	1001116876	1	Boom, Base	
16	1001116877	1	Boom, Fly	
17	1001118274	4	Nut	
18	1001118287	8	Pad	
19	1001118288	8	Pad	
20	3020022	AR	Grease, White Lithium	

# SECTION 3 - BOOM

## FIGURE 3-6. MAIN BOOM ASSEMBLY - E300AJP



ART\_1001123023

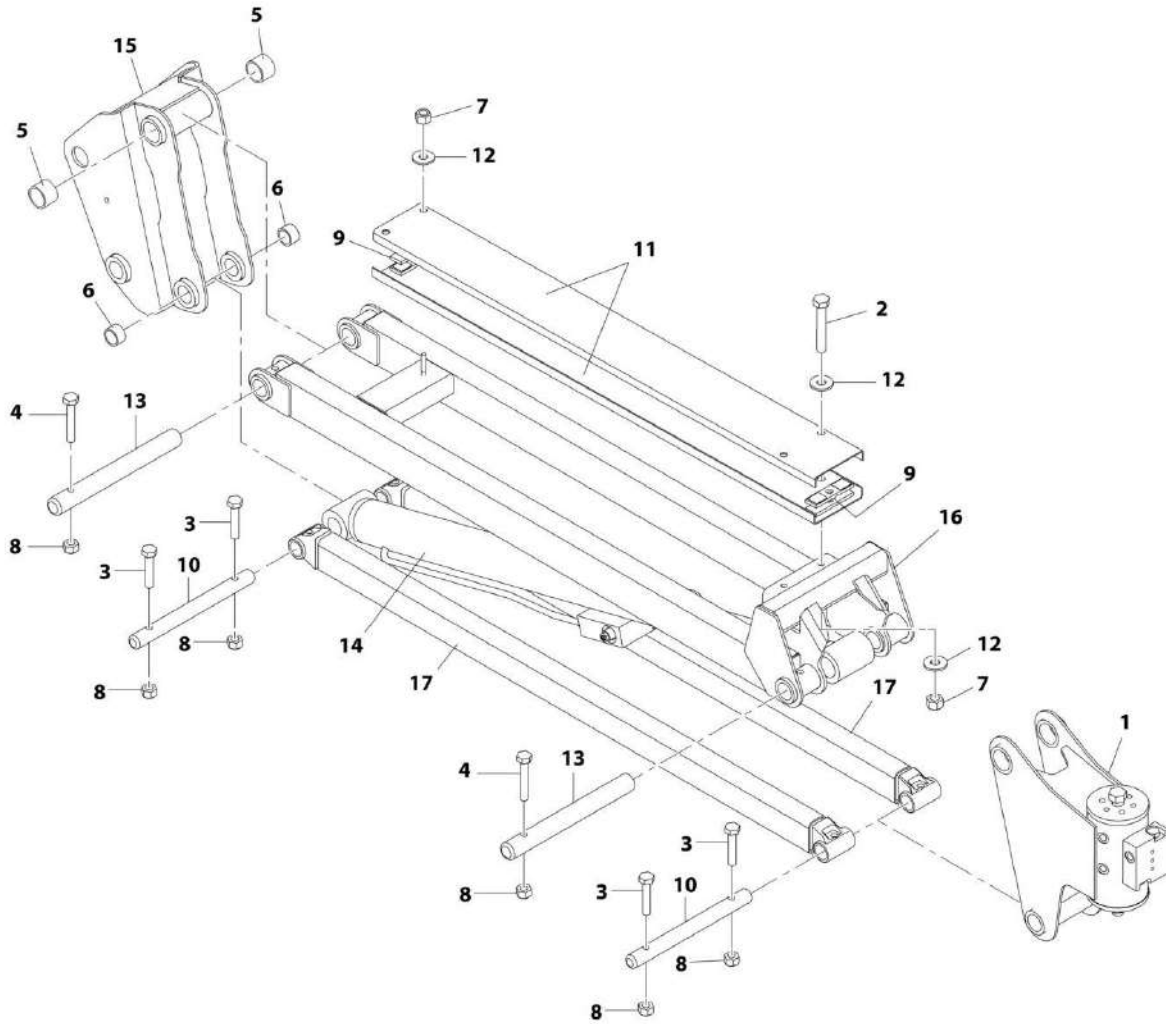
## SECTION 3 - BOOM

**FIGURE 3-6. MAIN BOOM ASSEMBLY - E300AJP**

ITEM	PART NUMBER	QTY	DESCRIPTION	REV
	1001123023	Ref	MAIN BOOM ASSEMBLY - E300AJP	B
1	0100011	AR	Compound, Locking	
2	0711227	4	Bolt M12 x 100 Grade 10.9	
3	0760812	4	Bolt M8 x 25	
4	0961948	4	Bushing	
5	3422745	1	Pin	
6	3760115	2	Ring, Retaining	
7	4070897	16	Shim 18 Ga	
8	4070898	12	Shim 11 Ga	
9	4811902	4	Washer M8	
10	5241200	4	Washer M8	
11	5251010	24	Bolt M10 x 20	
11A	5251012	4	Bolt M10 x 25	
12	5251012	4	Bolt M10 x 25	
13	1001106879	1	Telescope Cylinder Assembly (See CYLINDER SECTION for Breakdown)	
14	1001108290	1	Cover	
15	1001123026	NLA	Boom, Base (Use p/n 1001125319)	
16	1001123027	NLA	Boom, Fly (Use p/n 1001125320)	
17	1001118274	4	Nut	
18	1001123044	8	Pad	
19	1001123045	8	Pad	
20	3020022	AR	Grease, White Lithium	

# SECTION 3 - BOOM

## FIGURE 3-7. JIB ASSEMBLY - E300AJ



ART\_1001123025

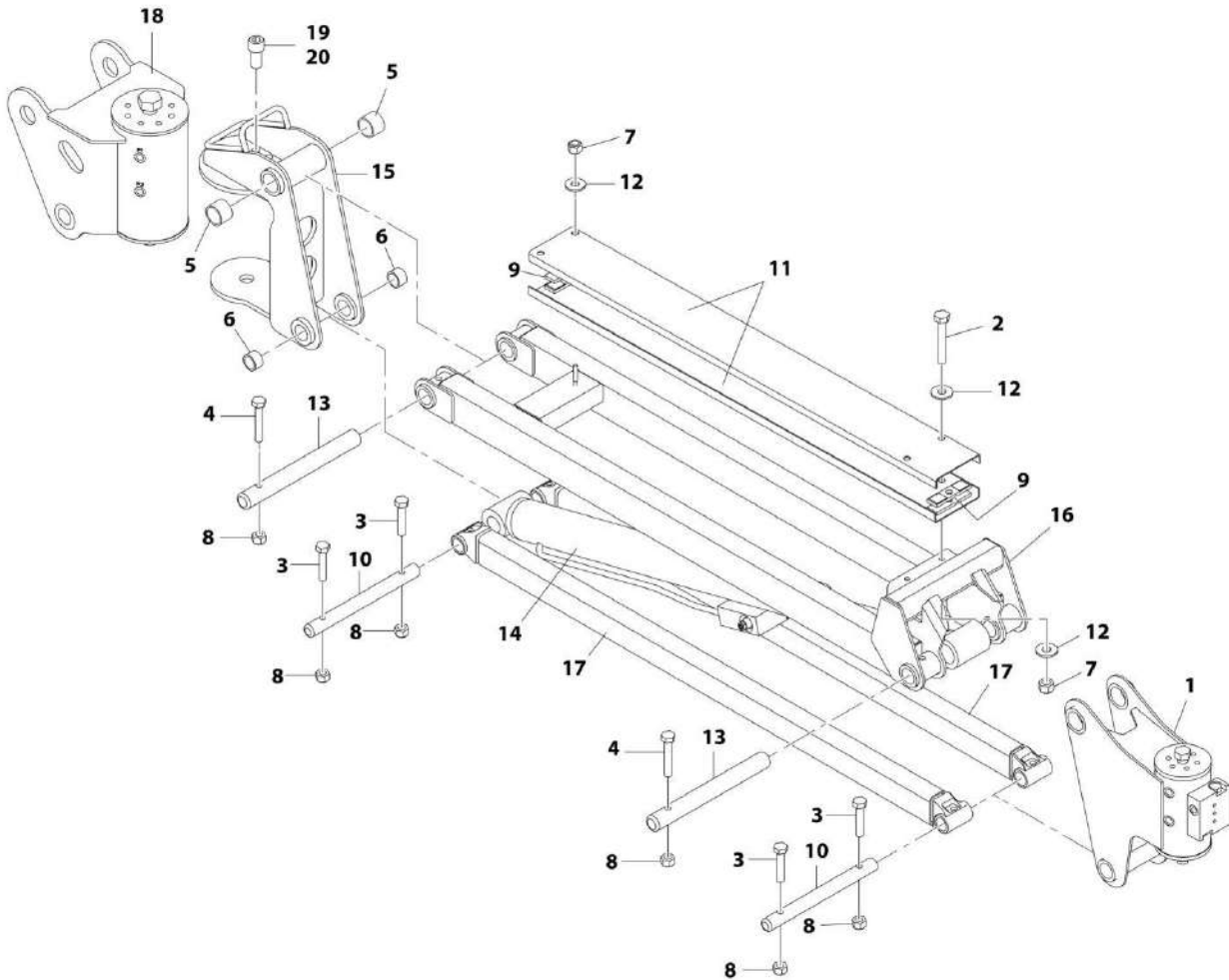
## SECTION 3 - BOOM

### FIGURE 3-7. JIB ASSEMBLY - E300AJ

ITEM	PART NUMBER	QTY	DESCRIPTION	REV
	1001123025	Ref	JIB ASSEMBLY - E300AJ	B
1	0060044	1	Platform Rotator Assembly (See ROTATOR ASSEMBLY - PLATFORM for Breakdown)	
2	0700818	2	Bolt M8 x 50	
3	0701018	4	Bolt M10 x 50	
4	0701020	2	Bolt M10 x 60	
5	0961951	2	Bushing	
6	0962292	2	Bushing	
7	3290805	4	Nut M8	
8	3291005	6	Nut M10	
9	3340860	4	Pad, Rubber	
10	3422791	2	Pin	
11	3572551	2	Channel, Hose Carrier	
12	4811902	6	Washer M8	
13	1001116550	2	Pin	
14	1001108429	1	Lift Cylinder Assembly - Jib (See CYLINDER SECTION for Breakdown)	
15	1001118394	NLA	Support (Use p/n 1001125321)	
16	1001118482	1	Link, Jib (Top)	
17	1001118516	NLA	Link, Jib (Bottom) (Use p/n 1001094670) <b>(SN 0300211844 through 0300215006)</b>	
17	1001094670	2	Link, Jib (Bottom) <b>(SN 0300215007 to Present)</b>	

# SECTION 3 - BOOM

## FIGURE 3-8. JIB ASSEMBLY - E300AJP



ART\_1001123024



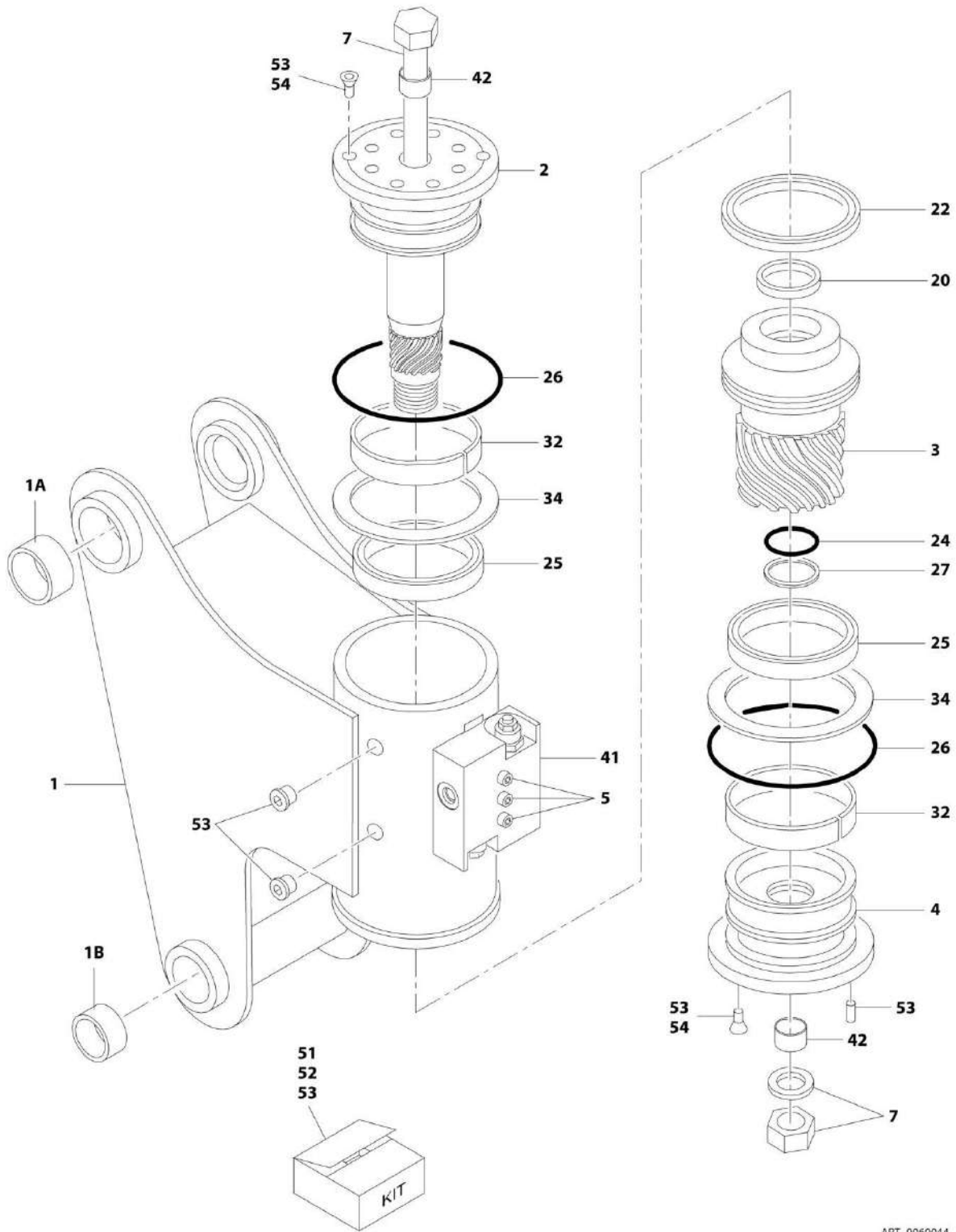
## SECTION 3 - BOOM

### FIGURE 3-8. JIB ASSEMBLY - E300AJP

ITEM	PART NUMBER	QTY	DESCRIPTION	REV
	1001123024	Ref	JIB ASSEMBLY - E300AJP	B
1	0060044	1	Platform Rotator Assembly (See ROTATOR ASSEMBLY - PLATFORM for Breakdown)	
2	0700818	2	Bolt M8 x 50	
3	0701018	4	Bolt M10 x 50	
4	0701020	2	Bolt M10 x 60	
5	0961951	2	Bushing	
6	0962292	2	Bushing	
7	3290805	4	Nut M8	
8	3291005	6	Nut M10	
9	3340860	4	Pad, Rubber	
10	3422791	2	Pin	
11	3572551	2	Channel, Hose Carrier	
12	4811902	6	Washer M8	
13	1001116550	2	Pin	
14	1001108429	1	Lift Cylinder Assembly - Jib (See CYLINDER SECTION for Breakdown)	
15	4846502	1	Support	
16	1001118482	1	Link, Jib (Top)	
17	1001118516	NLA	Link, Jib (Bottom) (Use p/n 1001094670) <b>(SN 0300211844 through 0300215006)</b>	
17	1001094670	2	Link, Jib (Bottom) <b>(SN 0300215007 to Present)</b>	
18	0060065	1	Jib Swing Rotator Assembly (See ROTATOR ASSEMBLY - JIB SWING for Breakdown)	
19	3931816	1	Capscrew 1/2 x 1	
20	0100011	AR	Compound, Locking	

# SECTION 3 - BOOM

## FIGURE 3-9. ROTATOR ASSEMBLY - PLATFORM



ART\_0060044

FIGURE 3-9. ROTATOR ASSEMBLY - PLATFORM

ITEM	PART NUMBER	QTY	DESCRIPTION	REV
	0060044	Ref	ROTATOR ASSEMBLY - PLATFORM	D
		Ref	Note: There are 2 different versions of Rotator p/n 0060044 and no SN break exists. Order internal parts by the Helac Control #.	
1	0060044	1	Case/Bracket Weldment (Note: Not Available for Purchase)	
1A	0962257	2	Bushing	
1B	0961947	2	Bushing	
2		Ref	Shaft Options:	
2	7017120	1	Helac Control #25928	
2	7017196	1	Helac Control #26962	
3		Ref	Sleeve, Piston Options:	
3	7017121	1	Helac Control #25928	
3	7027900	1	Helac Control #26962	
4		Ref	Cap, End	
4	0060044	1	Helac Control #25928 (Note: Not Available for Purchase)	
4	7027901	1	Helac Control #26962	
5	See Note	3	Capscrew 1/4 x 1-1/2 Grade 8 (Note: Not Available for Purchase)	
7	7017126	1	Tie Rod Assembly	
20	See Note	NSS	Seal, Rod (Note: Use Item 52)	
22	See Note	NSS	Seal, Piston (Note: Use Item 52)	
24	See Note	NSS	Seal, Cap (Note: Use Item 52)	
25	See Note	NSS	Packing, Bearing (Note: Use Item 52)	
26	See Note	NSS	Seal (Note: Use Item 52)	
27	See Note	NSS	Ring, Back-up (Note: Use Item 52)	
32	See Note	NSS	Bearing, Shaft (Note: Use Item 51)	
34	See Note	NSS	Thrustwasher (Note: Use Item 51)	
41	7017172	1	Counterbalance Valve Assembly	
41	7017192	2	Cartridge, Valve (No Seal Kit Available)	
42	70004323	2	Bushing, Shaft	
51	7017122	1	Bearing Kit (Includes Items 32 & 34)	
52		Ref	Seal Kit Options (Includes Items 20, 22, 24, 25, 26 & 27)	
52	7017127	1	Standard	
52	70000341	1	Cold Climate	
53	7017123	1	Hardware Kit	
54	70001697	4	Screw, Countersunk 1/4 x 3/8 Grade 8	

# SECTION 3 - BOOM

## FIGURE 3-10. ROTATOR ASSEMBLY - JIB SWING

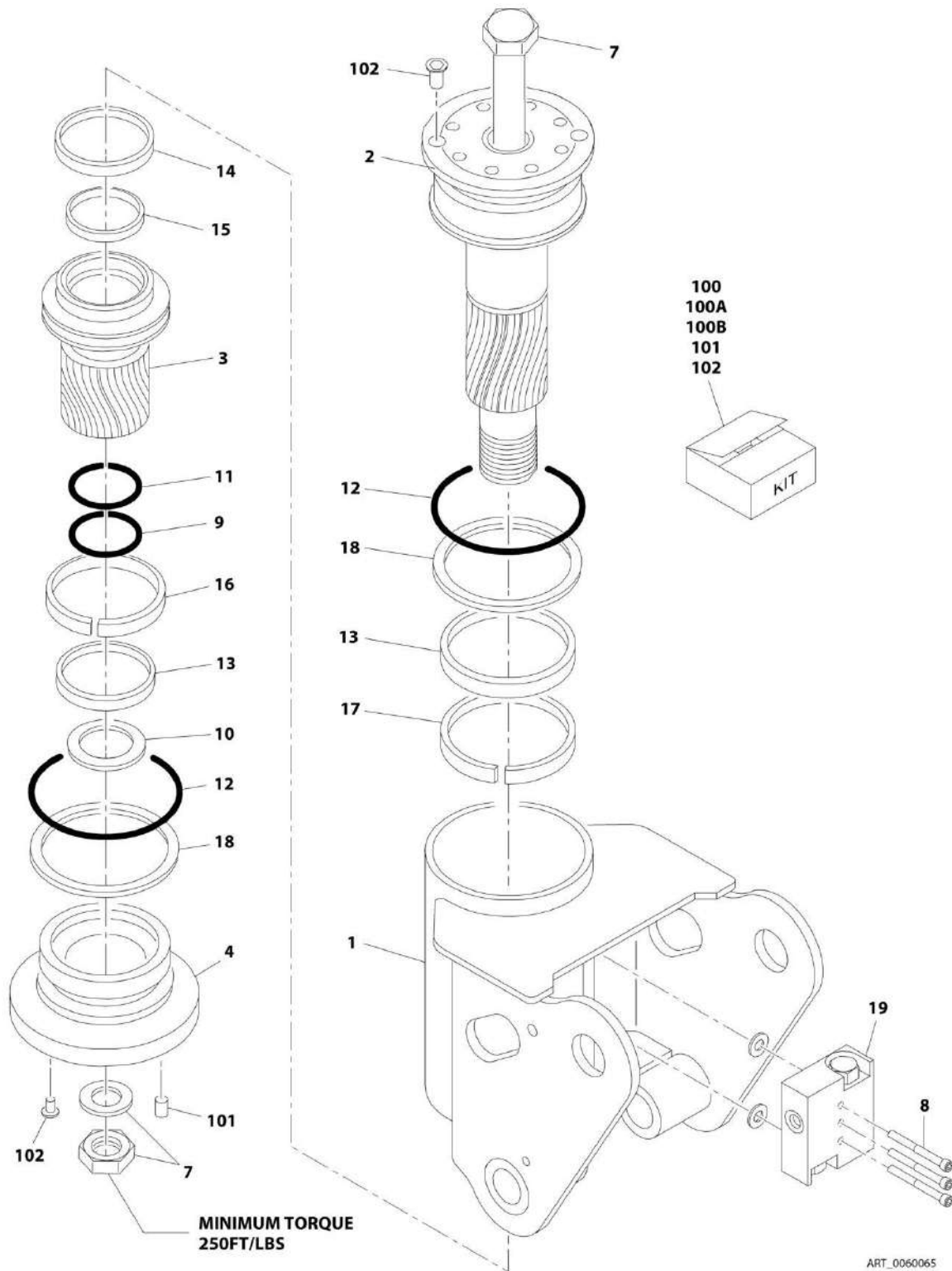
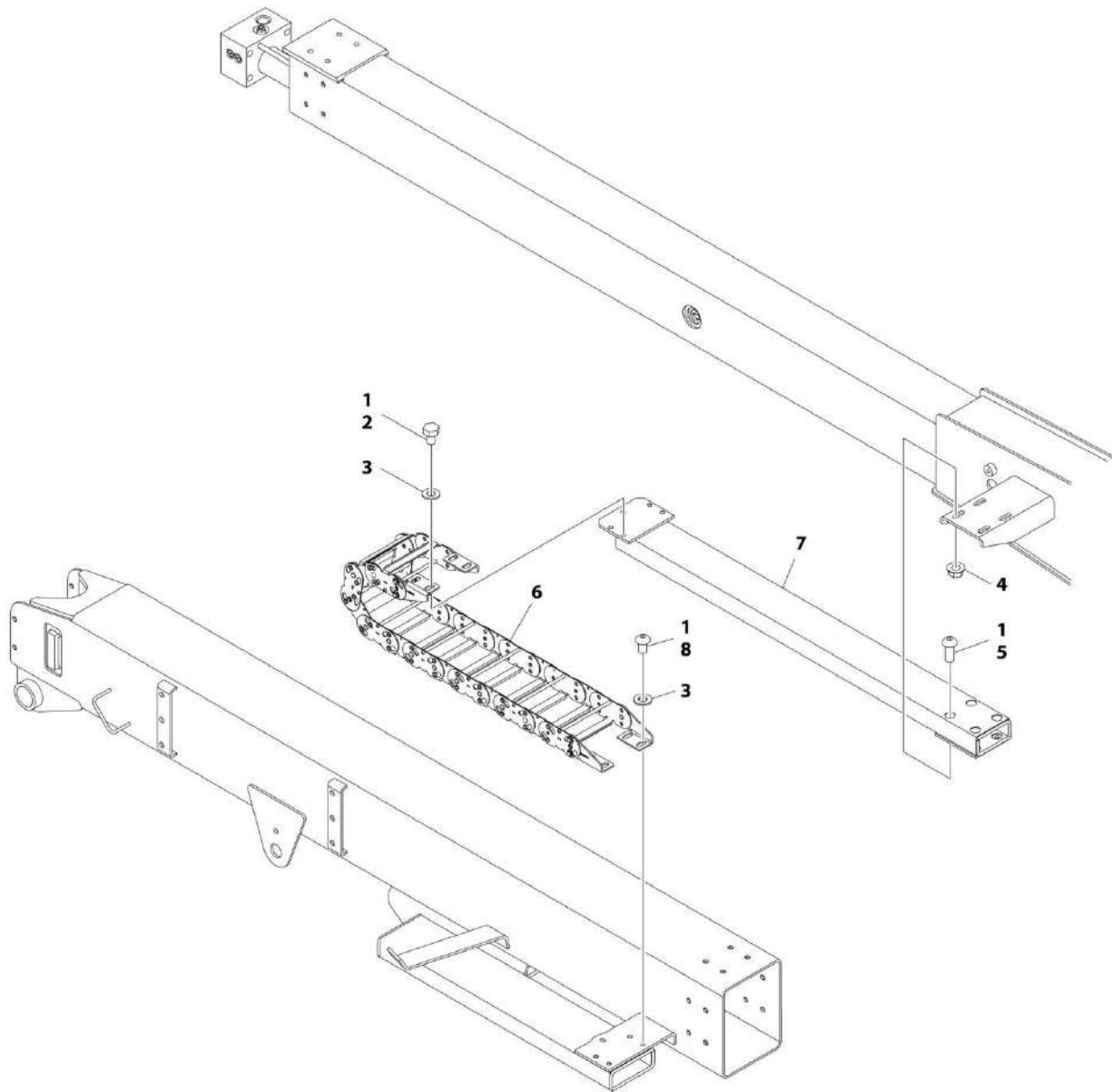


FIGURE 3-10. ROTATOR ASSEMBLY - JIB SWING

ITEM	PART NUMBER	QTY	DESCRIPTION	REV
	0060065	Ref	ROTATOR ASSEMBLY - JIB SWING	C
1	0060065	1	Case/Bracket Weldment (Note: Not Available for Purchase)	
2	7017167	1	Shaft	
3	7017168	1	Sleeve, Piston	
4	0060065	1	Cap, End (Note: Not Available for Purchase)	
7	0060065	1	Tie Rod Assembly (Note: Not Available for Purchase)	
8	See Note	3	Capscrew 1/4 x 1-1/2 Grade 8 (Note: Not Available for Purchase)	
9	See Note	NSS	Seal, Cap (Note: Use Item 100A or 100B)	
10	See Note	NSS	Ring, Back-up (Note: Use Item 100A or 100B)	
11	See Note	NSS	Seal, Rod (Note: Use Item 100A or 100B)	
12	See Note	NSS	Seal, Piston (Note: Use Item 100A or 100B)	
13	See Note	NSS	Packing, Bearing (Note: Use Item 100A or 100B)	
14	See Note	NSS	Seal (Note: Use Item 100A or 100B)	
15	See Note	NSS	Seal (Note: Use Item 100A or 100B)	
16	See Note	NSS	Bearing, Cap (Note: Use Item 101)	
17	See Note	NSS	Bearing, Shaft (Note: Use Item 101)	
18	See Note	NSS	Thrustwasher (Note: Use Item 101)	
19	7017172	1	Counterbalance Valve Assembly	
19	7017192	2	Cartridge, Valve (No Seal Kit Available)	
100		Ref	Seal Kit Options (Includes Items 9-15)	
100A	7017165	1	Standard	
100B	70000340	1	Cold Climate	
101	7017178	1	Bearing Kit (Includes Items 16-18)	
102	7017179	1	Hardware Kit (Includes Setscrews and Plugs)	

# SECTION 3 - BOOM

## FIGURE 3-11. POWER TRACK INSTALLATION



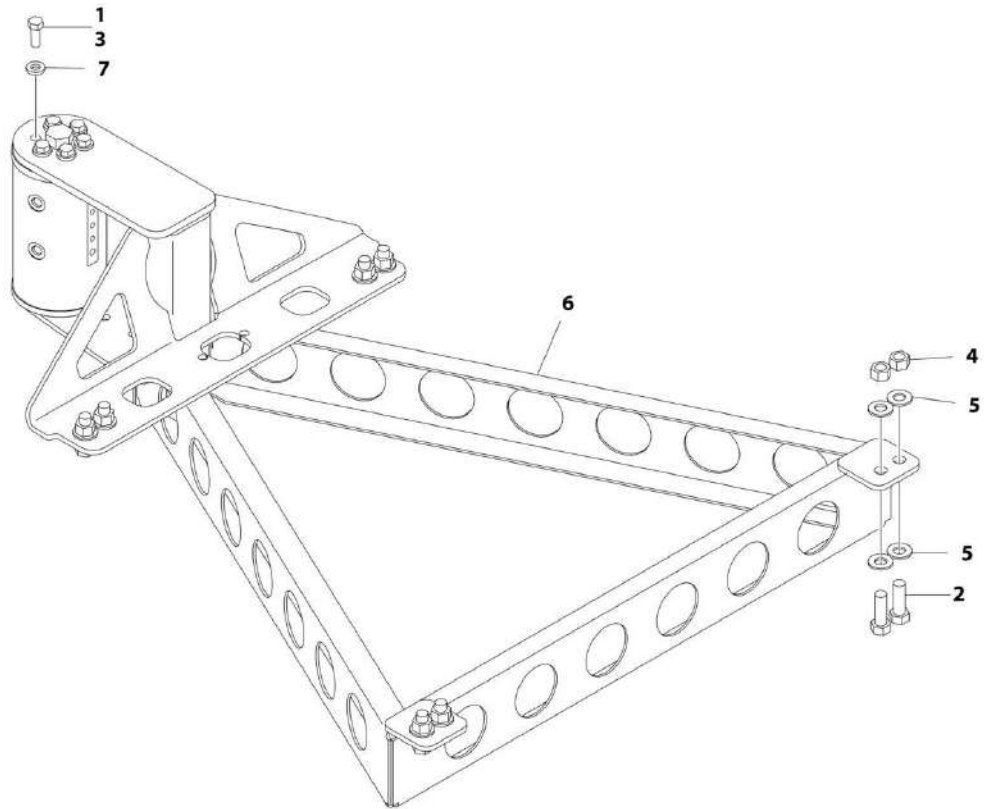
ART\_1001119504

FIGURE 3-11. POWER TRACK INSTALLATION

ITEM	PART NUMBER	QTY	DESCRIPTION	REV
	1001119504	Ref	POWER TRACK INSTALLATION	C
1	0100011	AR	Compound, Locking	
2	0761007	4	Bolt M10 x 14	
3	4812000	8	Washer M10	
4	5221000	4	Nut M10	
5	8310668	4	Bolt M10 x 25	
6	1001099834	1	Carrier, Power Track (Use p/n 1001224891) <b>(Prior to SN 0300230142)</b>	
6	70001996	1	Repair Kit	
6	70001998	1	Bracket Kit (Includes 4 Mounting Feet and Hardware to Attach to Carrier)	
6	1001224891	1	Carrier, Power Track <b>(SN 0300230142 to Present)</b>	
6	7006269	1	Repair Kit (Includes 10 Link Section of Track)	
6	70006280	1	Bracket Kit (Includes 4 Mounting Feet and Hardware to Attach to Track)	
7	1001119513	1	Tube, Support	
8	1001119527	4	Capscrew M10 x 16	

# SECTION 3 - BOOM

## FIGURE 3-12. PLATFORM SUPPORT INSTALLATION - WITHOUT LSS



ART\_0272976

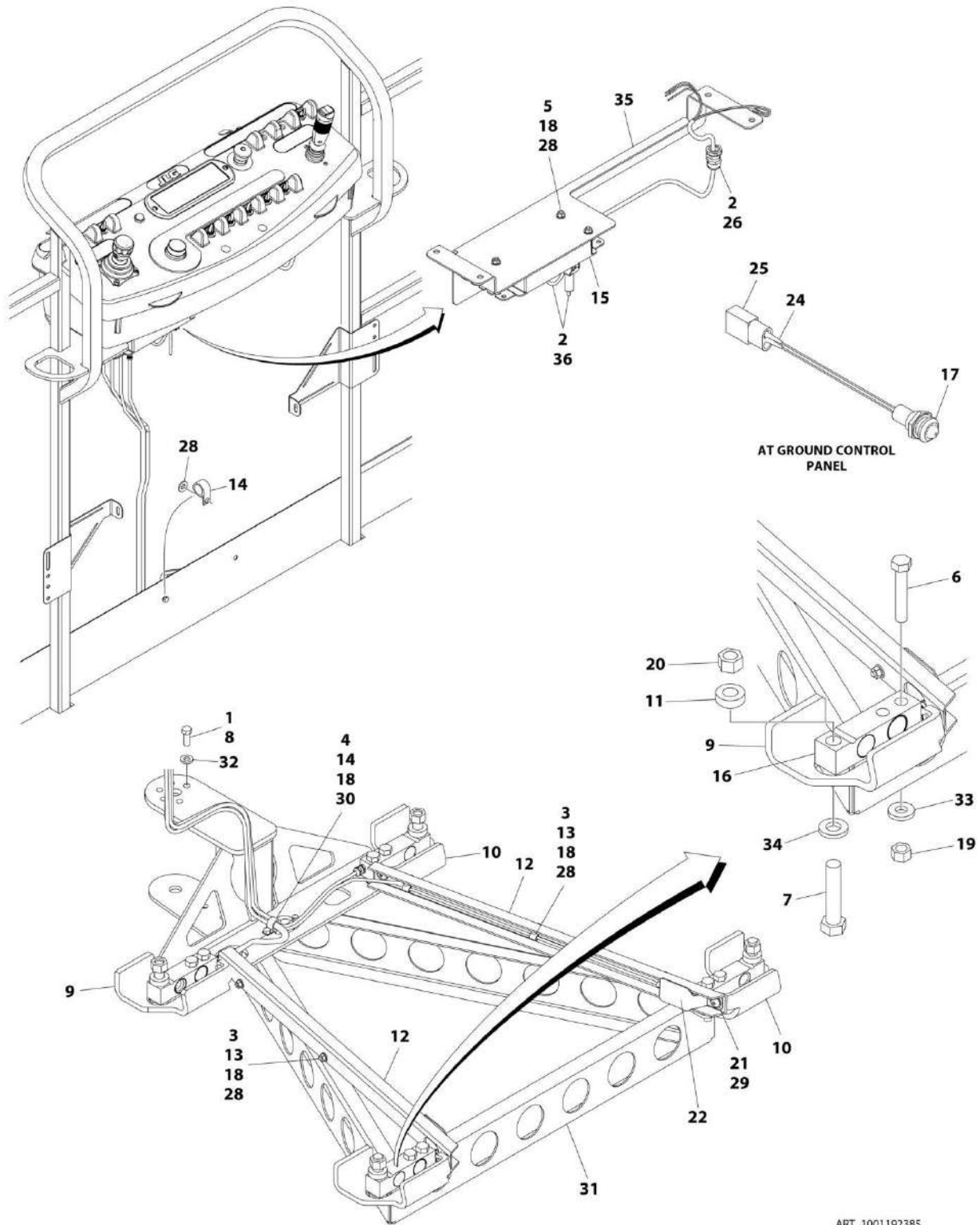


FIGURE 3-12. PLATFORM SUPPORT INSTALLATION - WITHOUT LSS

ITEM	PART NUMBER	QTY	DESCRIPTION	REV
	0272976	Ref	PLATFORM SUPPORT INSTALLATION - WITHOUT LSS	C
1	0100011	AR	Compound, Locking	
2	0641610	8	Bolt 3/8 x 1-1/4 (SN 0300211844 through 0300226251)	
2	0641812	8	Bolt 1/2 x 1-1/2 (SN 0300226252 through 0300241353)	
2	0761215	8	Bolt M12 x 35 (SN 0300241354 to Present)	
3	0681608	6	Bolt 3/8 x 1 Grade 8	
4	3311605	8	Nut 3/8 (SN 0300211844 through 0300226251)	
4	3311805	8	Nut 1/2 (SN 0300226252 through 0300241353)	
4	3291205	8	Nut 1/2 (SN 0300241354 to Present)	
5	4711600	16	Washer 3/8 (SN 0300211844 through 0300226251)	
5	4711800	16	Washer 1/2 (SN 0300226252 through 0300241353)	
5	5241200	AR	Washer M12 (SN 0300241354 to Present)	
6	4846608	1	Support, Weldment	
7	4891600	6	Washer 3/8	

# SECTION 3 - BOOM

## FIGURE 3-13. PLATFORM SUPPORT INSTALLATION - WITH 4 CELL LSS



ART\_1001192385

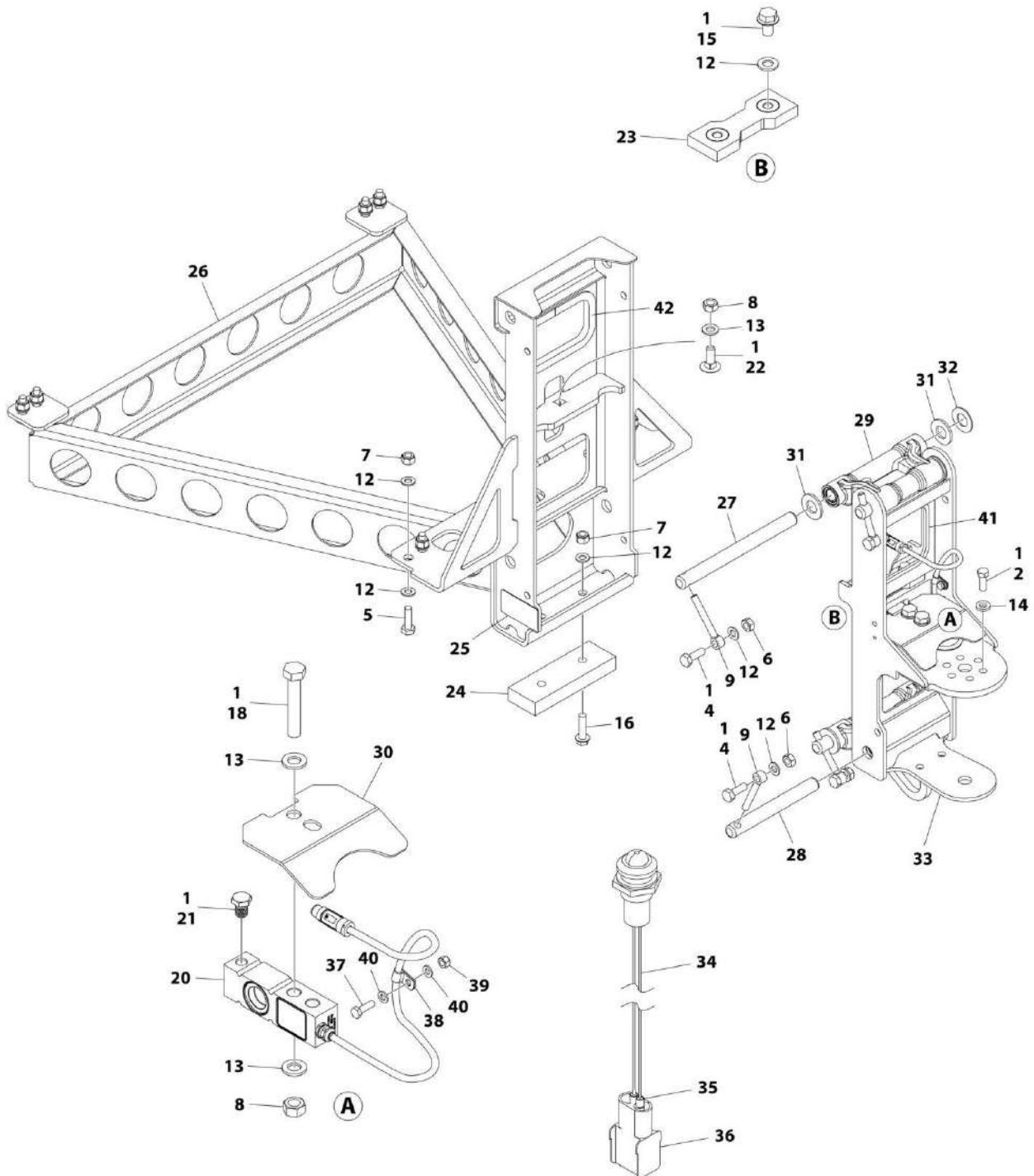
## SECTION 3 - BOOM

**FIGURE 3-13. PLATFORM SUPPORT INSTALLATION - WITH 4 CELL LSS**

ITEM	PART NUMBER	QTY	DESCRIPTION	REV
	1001192385	Ref	PLATFORM SUPPORT INSTALLATION - WITH 4 CELL LSS	A
1	0100011	AR	Compound, Locking	
2	0100048	AR	Grease, Dielectric	
3	0641405	6	Screw 1/4 x 5/8	
4	0641407	1	Bolt 1/4 x 7/8	
5	0641416	3	Bolt 1/4 x 2	
6	0641822	8	Bolt 1/2 x 2-3/4	
7	0642024	4	Bolt 5/8 x 3	
8	0681608	6	Bolt 3/8 x 1	
9	0902919	2	Bracket, Cell Guard	
10	0902920	2	Bracket, Cell Guard	
11	0962450	4	Bushing, Spacer	
12	1271538	2	Channel	
13	1320136	6	Clamp	
14	1320224	2	Clamp	
15	1600387	1	Electronic Interface Module (Note: Re-calibration Required when Replaced)	
16	2420202	4	Load Cell Assembly	
17	2920151	1	Light	
18	3311405	10	Nut 1/4	
19	3311805	8	Nut 1/2	
20	3312005	4	Nut 5/8	
21	3900283	4	Screw 3/8 x 3/4	
22	4061054	2	Shield	
23	4240033	AR	Tie-Strap (Not Shown)	
24	4460226	2	Socket, Female	
25	4460424	1	Connector - 2 Position	
26	4460428	1	Connector, Strain Relief	
27	4460434	1	Plug, Male - 15 Position (Not Shown - Located in Platform Console Box)	
28	4711400	13	Washer 1/4	
29	4711600	4	Washer 3/8	
30	4751400	1	Washer 1/4	
31	4846608	1	Platform Support	
32	4891600	6	Washer 3/8	
33	4891800	8	Washer 1/2	
34	4892000	4	Washer 5/8	
35	1001113483	1	Bracket, Module Mount	
36	1001192283	1	Harness, LSS System (See Separate Breakdown in ELECTRICAL SECTION)	

# SECTION 3 - BOOM

## FIGURE 3-14. PLATFORM SUPPORT INSTALLATION - WITH 1 CELL LSS



ART\_1001219016

## SECTION 3 - BOOM

**FIGURE 3-14. PLATFORM SUPPORT INSTALLATION - WITH 1 CELL LSS**

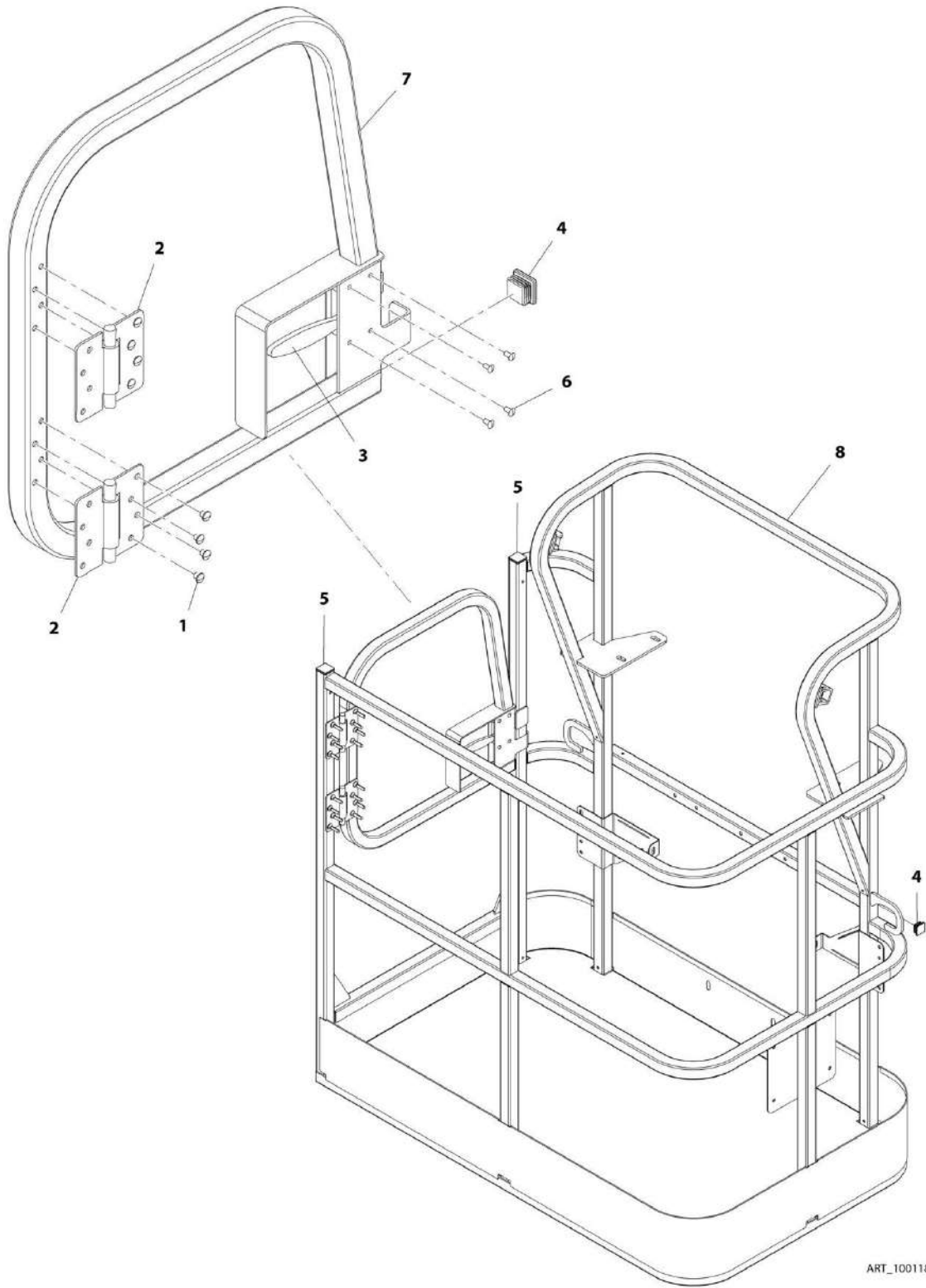
ITEM	PART NUMBER	QTY	DESCRIPTION	REV
	1001219016	Ref	PLATFORM SUPPORT INSTALLATION - WITH LSS	C
1	0100011	AR	Compound, Locking	
2	0681608	6	Bolt 3/8 x 1	
4	0761014	4	Bolt M10 x 30	
5	0761015	8	Bolt M10 x 35	
6	3291001	4	Nut M10	
7	3291005	10	Nut M10	
8	3291201	3	Nut M12	
9	3841143	4	Keeper, Pin	
12	4812000	24	Washer M10	
13	4812100	5	Washer M12	
14	4891600	6	Washer 3/8	
15	5251008	2	Bolt M10 x 16	
16	5251016	2	Bolt M10 x 40	
18	1001098828	2	Bolt M12 x 70	
20	1001172663	1	Gauge	
21	1001188622	1	Screw	
22	1001188844	1	Bolt M12 x 35	
23	1001190985	1	Pad, Wear	
24	1001200491	1	Pad, Wear	
25	1001216630	2	Decal - Tie Down/No Lift	
26	1001217228	1	Support	
27	1001217242	2	Pin	
28	1001217243	2	Pin	
29	1001217244	2	Link	
30	1001217250	1	Plate, Cell Shield	
31	1001217253	8	Bearing	
32	1001217254	4	Bearing	
33	1001217267	1	Support	
34	2920151	1	Light	
35	4460226	2	Socket, Female	
36	4460424	1	Connector - 2 Position	
37	0760610	1	Bolt M6 x 20	
38	1320136	1	Clamp	
39	3290605	1	Nut M6	
40	4811700	2	Washer M6	
41	4060804	1.2 ft/ 0.4m	Flex-Trim	
42	4060805	1.3 ft/ 0.4m	Flex-Trim	



**SECTION 4 - PLATFORM**

# SECTION 4 - PLATFORM

FIGURE 4-1. PLATFORM ASSEMBLY - 4FT/1.22M - SIDE GATE ENTRY



ART\_1001186387



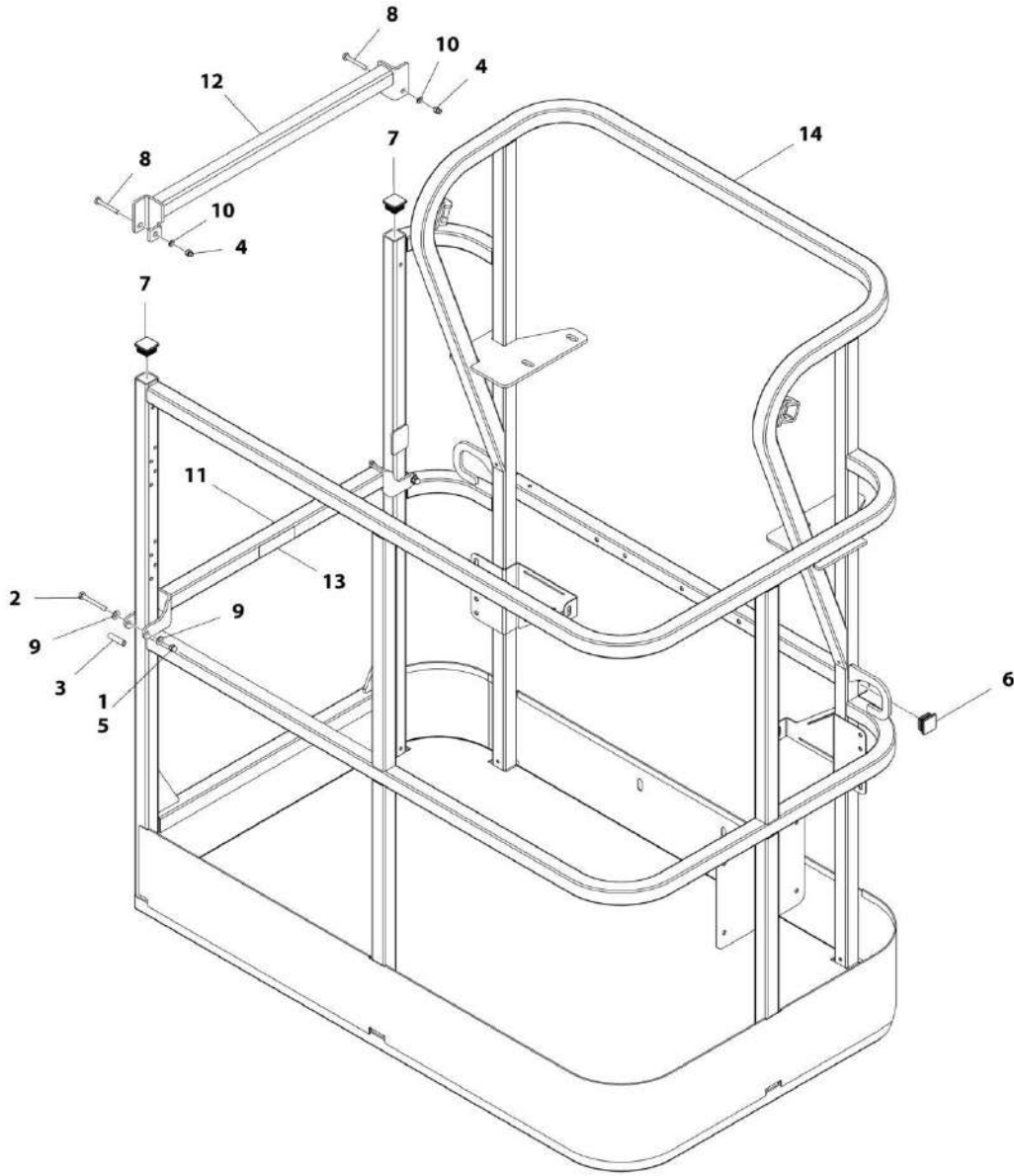
## SECTION 4 - PLATFORM

**FIGURE 4-1. PLATFORM ASSEMBLY - 4FT/1.22M - SIDE GATE ENTRY**

ITEM	PART NUMBER	QTY	DESCRIPTION	REV
	1001186387	Ref	PLATFORM ASSEMBLY - 4FT/1.22M - SIDE GATE ENTRY	C
		Ref	Note: Platform and Mesh must be ordered separately for Platforms with Mesh. See SPECTIAL OPTIONS SECTION for Mesh Installations.	
		Ref	Note: Replacement Decals Must be Ordered Separately - See DECALS SECTION.	
1	2080040	16	Fastener, Huck	
2	2600281	2	Hinge, Self-Closing	
3	2940074	1	Latch	
4	3520072	3	Plug, Cap	
5	3520198	2	Plug, Cap	
6	3820020	4	Rivet	
7	1001144629	1	Gate	
8	See Note	1	Platform (Note: Not Available - Purchase Platform Assembly)	

# SECTION 4 - PLATFORM

FIGURE 4-2. PLATFORM ASSEMBLY - 4FT/1.22M - DROP BAR ENTRY



ART\_1001186375

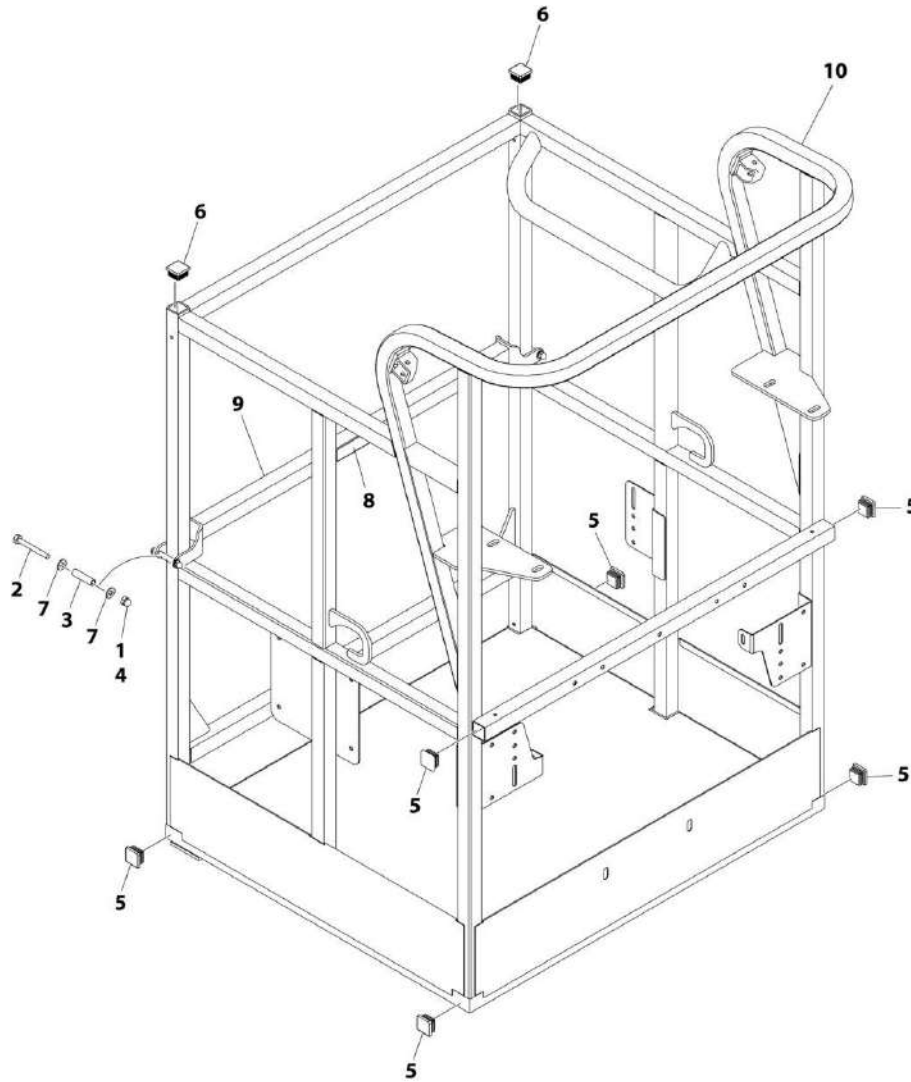
## SECTION 4 - PLATFORM

**FIGURE 4-2. PLATFORM ASSEMBLY - 4FT/1.22M - DROP BAR ENTRY**

ITEM	PART NUMBER	QTY	DESCRIPTION	REV
	1001186375	Ref	PLATFORM ASSEMBLY - 4FT/1.22M - DROP BAR ENTRY	B
		Ref	Note: Replacement Decals Must be Ordered Separately - See DECALS SECTION.	
1	0100011	AR	Compound, Locking	
2	0641418	2	Bolt 1/4 x 2-1/4	
3	0961845	2	Bushing	
4	3290606	2	Nut M6	
5	3300151	2	Nut, Acorn 1/4	
6	3520072	2	Plug, Cap	
7	3520198	2	Plug, Cap	
8	4010618	2	Screw M6 x 50	
9	4711400	4	Washer 1/4	
10	4811700	2	Washer M6	
11	1001138494	1	Bar, Drop	
12	1001138514	1	Rail - Top	
13	1001140429	1	Decal - Drop Bar	
14	See Note	1	Platform (Note: Not Available - Purchase Platform Assembly)	

# SECTION 4 - PLATFORM

FIGURE 4-3. PLATFORM ASSEMBLY - 30IN X 3FT (76CM X 91.5CM)



ART\_1001228215

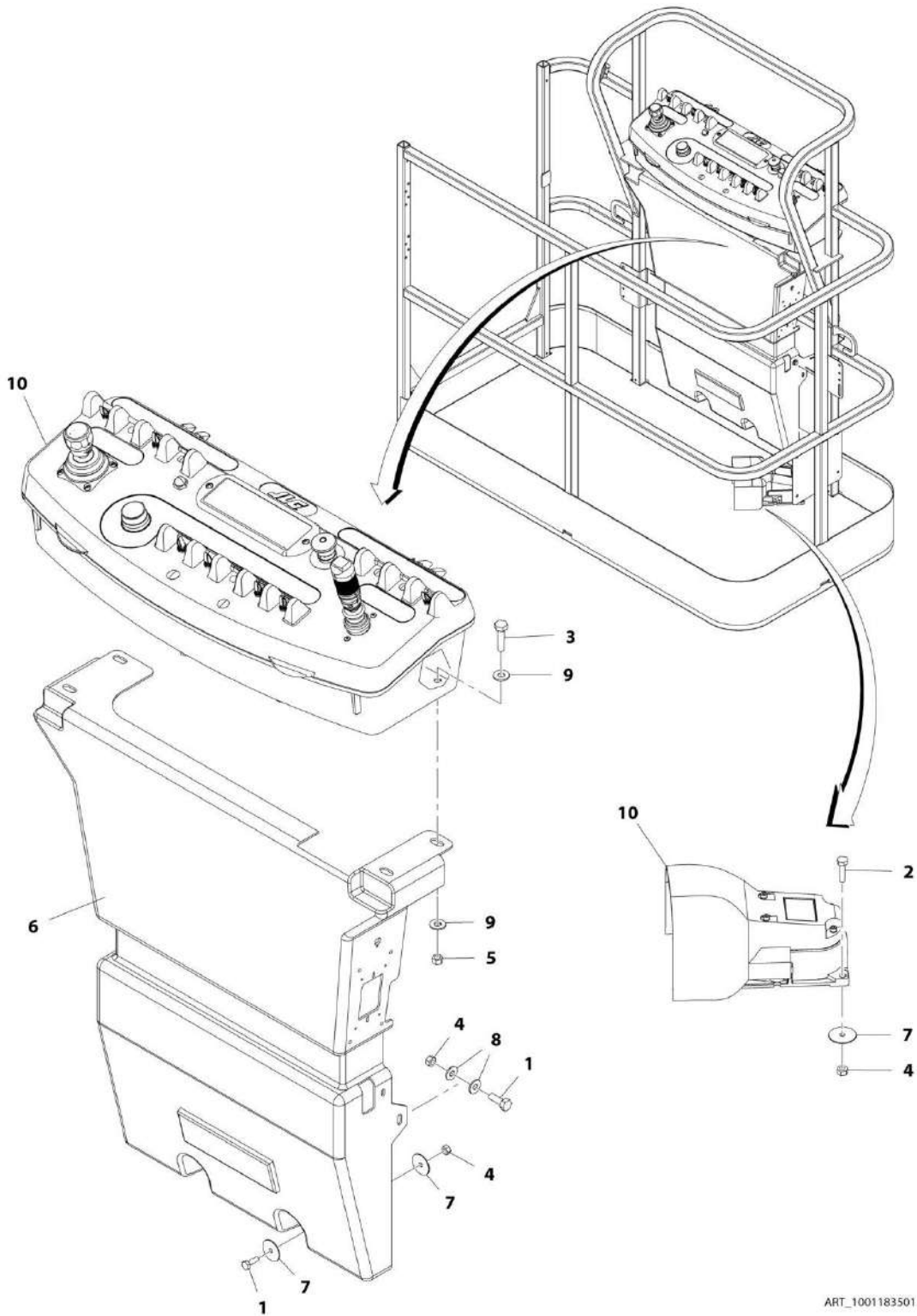
## SECTION 4 - PLATFORM

**FIGURE 4-3. PLATFORM ASSEMBLY - 30IN X 3FT (76CM X 91.5CM)**

ITEM	PART NUMBER	QTY	DESCRIPTION	REV
	1001228215	Ref	PLATFORM ASSEMBLY - 30IN X 3FT (76CM X .91M) - DROP BAR ENTRY	A
	See Note	Ref	Note: Platform and Mesh must be ordered separately for Platforms with Mesh. See SPECIAL OPTIONS SECTION for Mesh Installations.	
	See Note	Ref	Note: Replacement Decals Must be Ordered Separately - See DECAL SECTION.	
1	0100011	AR	Compound, Locking	
2	0641418	2	Bolt 1/4 x 2-1/4	
3	0961845	2	Bushing	
4	3300151	2	Nut 1/4	
5	3520072	6	Cap, Plug	
6	3520198	2	Cap, Plug	
7	4711400	4	Washer 1/4	
8	1001140429	1	Decal - Drop Bar	
9	1001226872	1	Bar, Drop	
10	See Note	NSS	Platform, Weldment (Note: Not Available - Purchase Platform Assembly)	

# SECTION 4 - PLATFORM

## FIGURE 4-4. PLATFORM CONSOLE AND FOOTSWITCH INSTALLATION - E300AJ WITHOUT SKYGUARD



ART\_1001183501

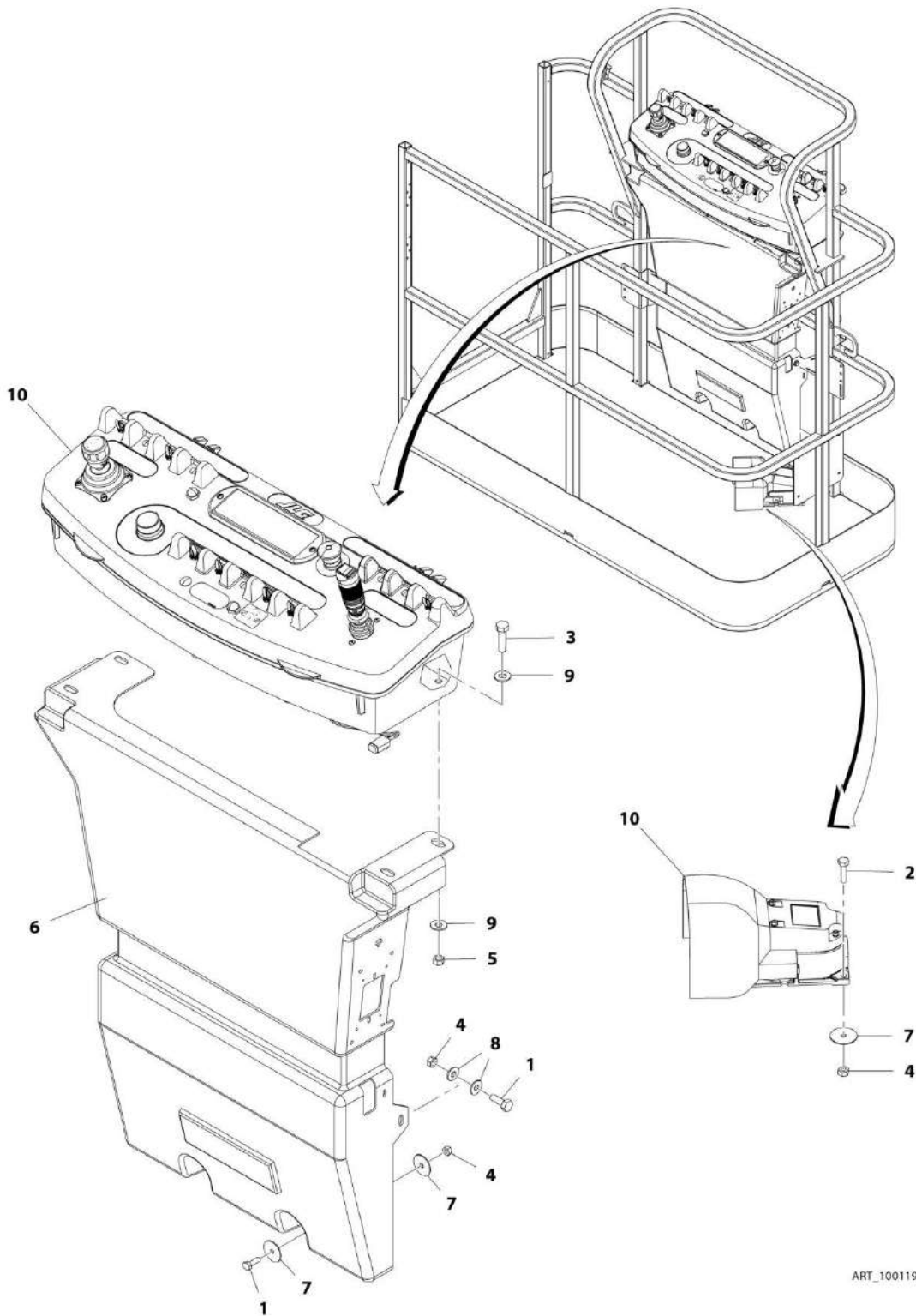
## SECTION 4 - PLATFORM

**FIGURE 4-4. PLATFORM CONSOLE AND FOOTSWITCH INSTALLATION - E300AJ WITHOUT SKYGUARD**

ITEM	PART NUMBER	QTY	DESCRIPTION	REV
	1001183501	Ref	PLATFORM CONSOLE AND FOOTSWITCH INSTALLATION - E300AJ WITHOUT SKYGUARD	B
1	0641406	4	Bolt 1/4 x 3/4	
2	0641408	3	Bolt 1/4 x 1	
3	0641610	4	Bolt 3/8 x 1-1/4	
4	3311405	7	Nut 1/4	
5	3311605	4	Nut 3/8	
6	3380434	1	Panel, Pedestal	
7	4740362	7	Washer 1/4	
8	4751400	4	Washer 1/4	
9	4751600	8	Washer 3/8	
10	1001202595	1	Platform Console Assembly (See PLATFORM CONSOLE ASSEMBLY - E300AJ WITHOUT SKYGUARD for Breakdown)	

# SECTION 4 - PLATFORM

## FIGURE 4-5. PLATFORM CONSOLE AND FOOTSWITCH INSTALLATION WITH 4 CELL LSS - E300AJ WITH SKYGUARD



ART\_1001197031



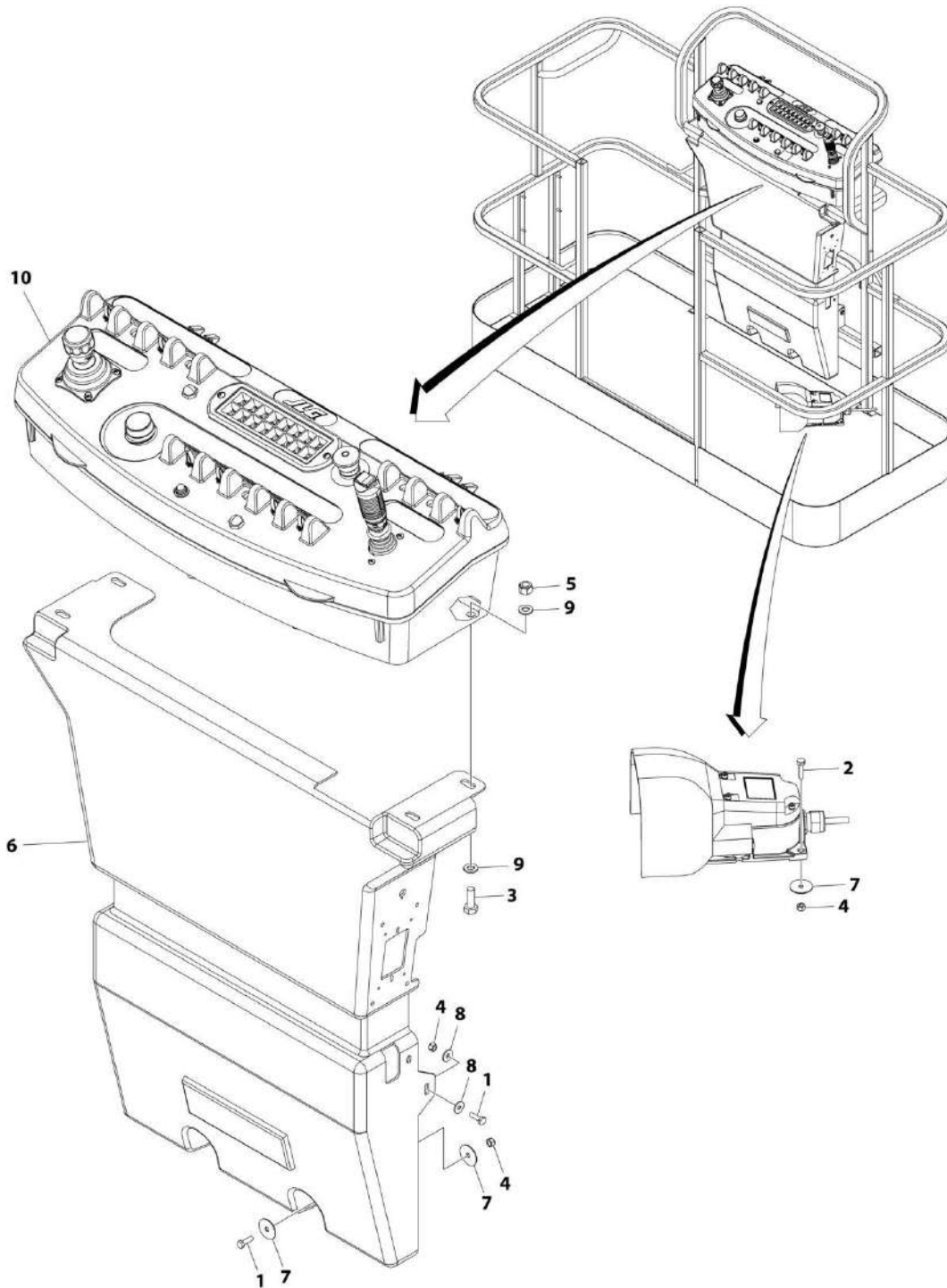
## SECTION 4 - PLATFORM

**FIGURE 4-5. PLATFORM CONSOLE AND FOOTSWITCH INSTALLATION WITH 4 CELL LSS - E300AJ WITH SKYGUARD**

ITEM	PART NUMBER	QTY	DESCRIPTION	REV
	1001197031	Ref	PLATFORM CONSOLE AND FOOTSWITCH INSTALLATION WITH 4 CELL LSS - E300AJ WITH SKYGUARD	B
1	0641406	4	Bolt 1/4 x 3/4	
2	0641408	3	Bolt 1/4 x 1	
3	0641610	4	Bolt 3/8 x 1-1/4	
4	3311405	7	Nut 1/4	
5	3311605	4	Nut 3/8	
6	3380434	1	Panel, Pedestal	
7	4740362	7	Washer 1/4	
8	4751400	4	Washer 1/4	
9	4751600	8	Washer 3/8	
10	1001202593	1	Platform Console Assembly (See PLATFORM CONSOLE ASSEMBLY - E300AJ WITH SKYGUARD for Breakdown)	

# SECTION 4 - PLATFORM

FIGURE 4-6. PLATFORM CONSOLE AND FOOTSWITCH INSTALLATION WITH 1 CELL LSS - E300AJ WITH SKYGUARD



ART\_1001220657

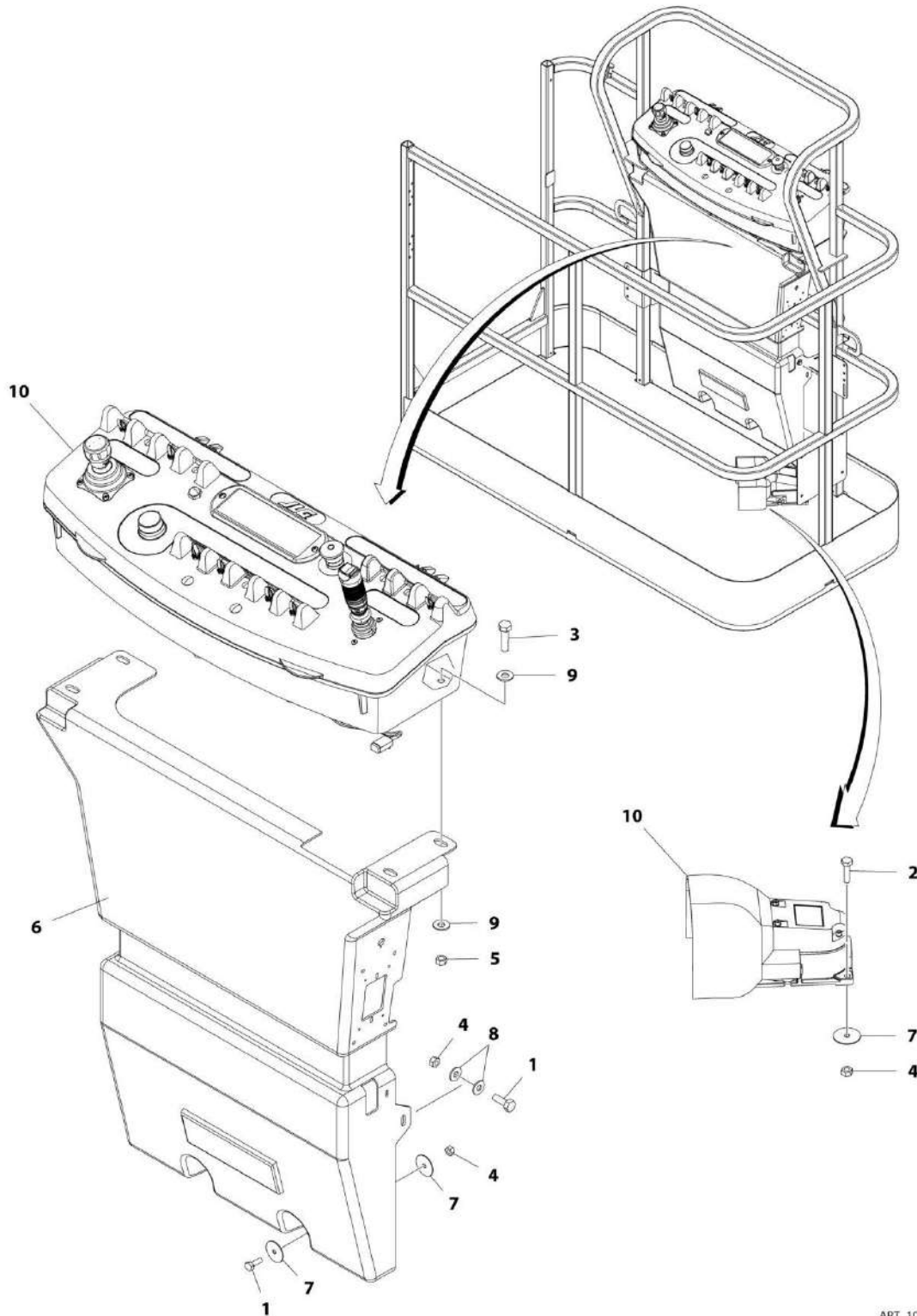
## SECTION 4 - PLATFORM

**FIGURE 4-6. PLATFORM CONSOLE AND FOOTSWITCH INSTALLATION WITH 1 CELL LSS - E300AJ WITH SKYGUARD**

ITEM	PART NUMBER	QTY	DESCRIPTION	REV
	1001220657	Ref	PLATFORM CONSOLE AND FOOTSWITCH INSTALLATION WITH 1 CELL LSS - E300AJ WITH SKYGUARD	A
1	0641406	4	Bolt 1/4 x 3/4	
2	0641408	3	Bolt 1/4 x 1	
3	0641610	4	Bolt 3/8 x 1-1/4	
4	3311405	7	Nut 1/4	
5	3311605	4	Nut 3/8	
6	3380434	1	Panel, Pedestal	
7	4740362	7	Washer 1/4	
8	4751400	4	Washer 1/4	
9	4751600	8	Washer 3/8	
10	1001218244	1	Platform Console Assembly (See Separate Breakdown in this Section)	

# SECTION 4 - PLATFORM

FIGURE 4-7. PLATFORM CONSOLE AND FOOTSWITCH INSTALLATION - E300AJ WITH SKYGUARD  
(UL SPECS) (SN 0300226252 to Present)



ART\_1001216145

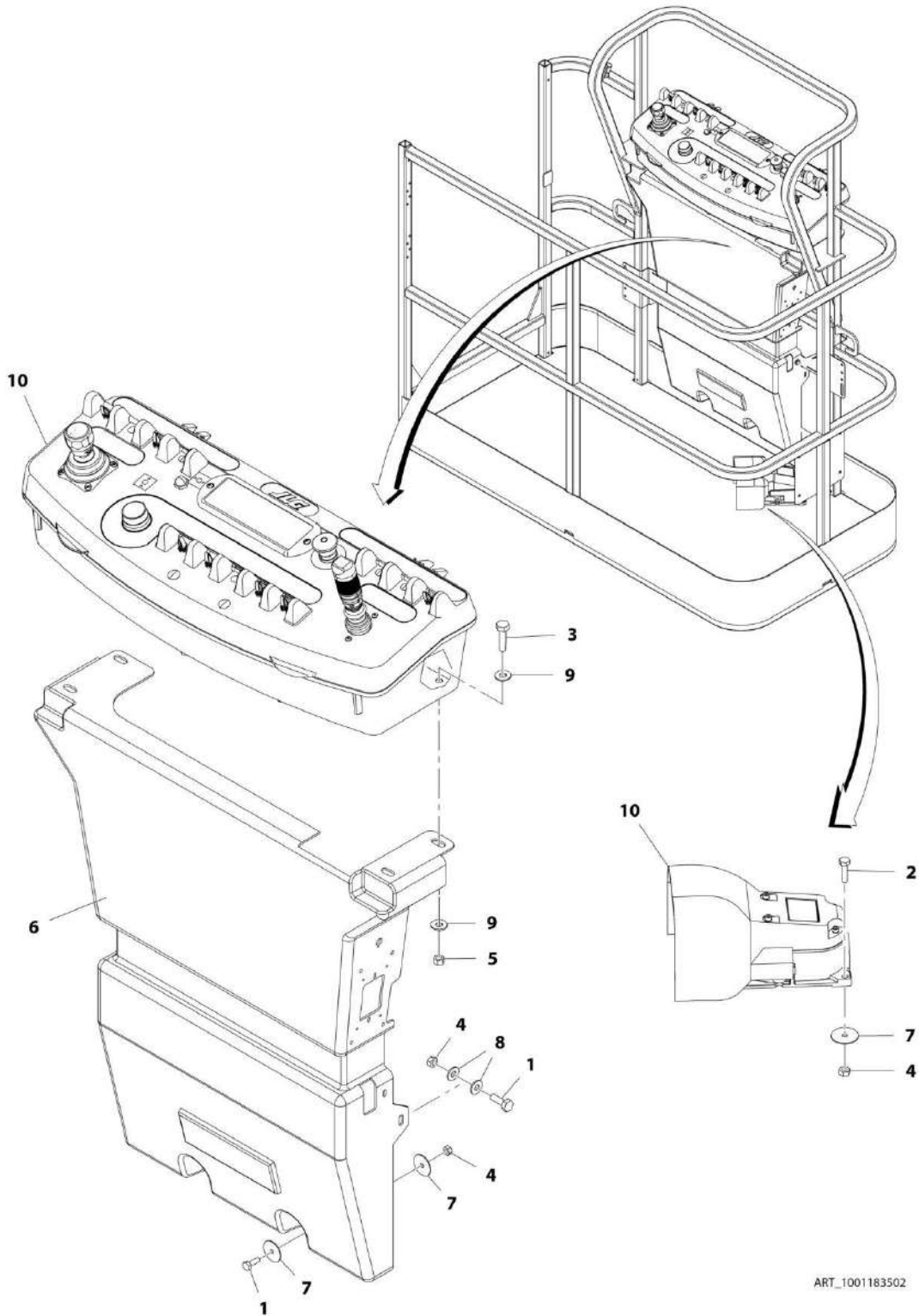
## SECTION 4 - PLATFORM

**FIGURE 4-7. PLATFORM CONSOLE AND FOOTSWITCH INSTALLATION - E300AJ WITH SKYGUARD  
(UL SPECS) (SN 0300226252 to Present)**

ITEM	PART NUMBER	QTY	DESCRIPTION	REV
	1001216145	Ref	PLATFORM CONSOLE AND FOOTSWITCH INSTALLATION - E300AJ WITH SKYGUARD (UL SPECS) (SN 0300226252 to Present)	A
1	0641406	4	Bolt 1/4 x 3/4	
2	0641408	3	Bolt 1/4 x 1	
3	0641610	4	Bolt 3/8 x 1-1/4	
4	3311405	7	Nut 1/4	
5	3311605	4	Nut 3/8	
6	3380434	1	Panel, Pedestal	
7	4740362	7	Washer 1/4	
8	4751400	4	Washer 1/4	
9	4751600	8	Washer 3/8	
10	1001216151	1	Platform Console Assembly (See PLATFORM CONSOLE ASSEMBLY - E300AJ for Breakdown)	

# SECTION 4 - PLATFORM

## FIGURE 4-8. PLATFORM CONSOLE AND FOOTSWITCH INSTALLATION - E300AJP WITHOUT SKYGUARD



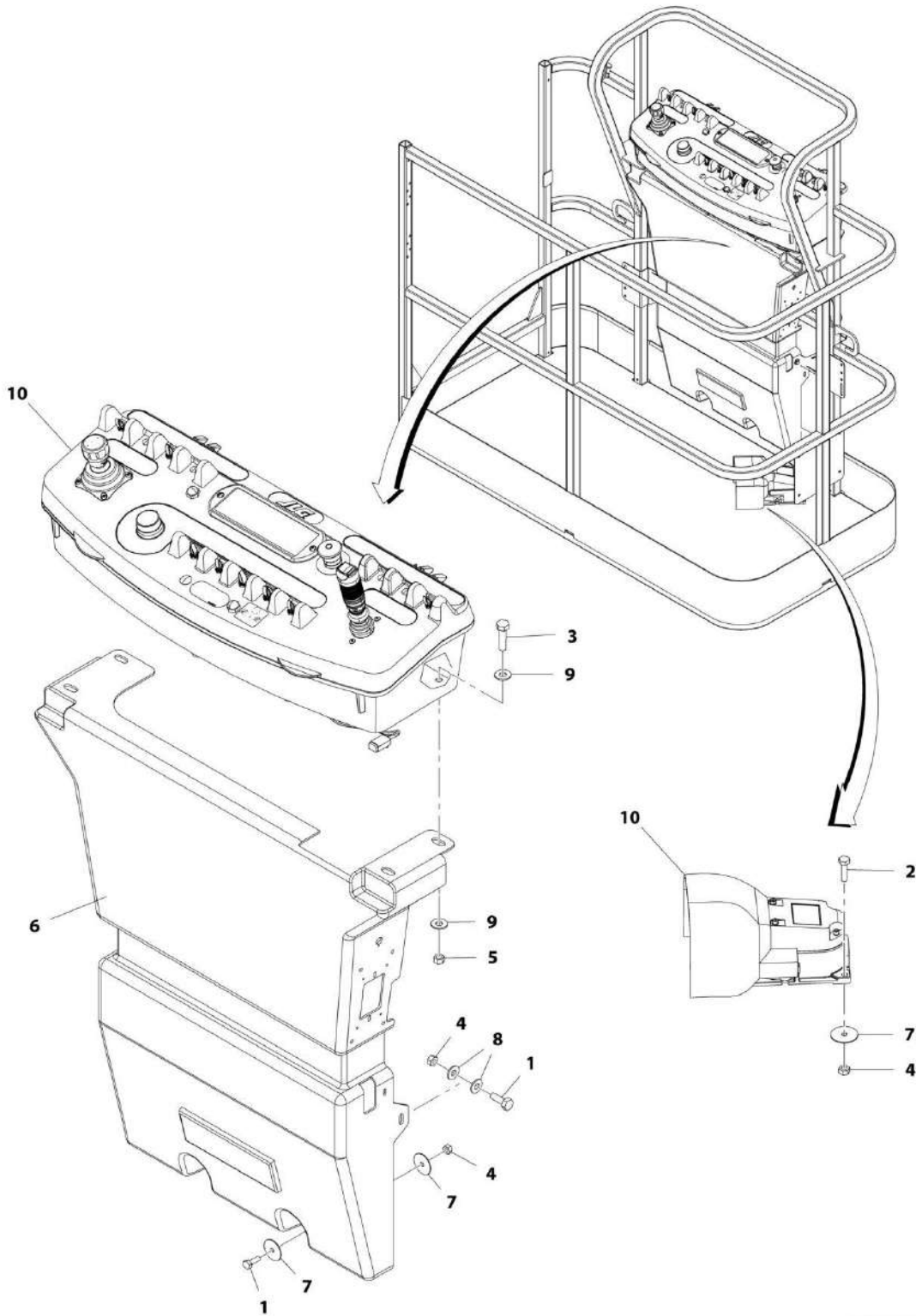
## SECTION 4 - PLATFORM

**FIGURE 4-8. PLATFORM CONSOLE AND FOOTSWITCH INSTALLATION - E300AJP WITHOUT SKYGUARD**

ITEM	PART NUMBER	QTY	DESCRIPTION	REV
	1001183502	Ref	PLATFORM CONSOLE AND FOOTSWITCH INSTALLATION - E300AJP WITHOUT SKYGUARD	B
1	0641406	4	Bolt 1/4 x 3/4	
2	0641408	3	Bolt 1/4 x 1	
3	0641610	4	Bolt 3/8 x 1-1/4	
4	3311405	7	Nut 1/4	
5	3311605	4	Nut 3/8	
6	3380434	1	Panel, Pedestal	
7	4740362	7	Washer 1/4	
8	4751400	4	Washer 1/4	
9	4751600	8	Washer 3/8	
10	1001202597	1	Platform Console Assembly (See PLATFORM CONSOLE ASSEMBLY - E300AJP WITHOUT SKYGUARD for Breakdown)	

# SECTION 4 - PLATFORM

## FIGURE 4-9. PLATFORM CONSOLE AND FOOTSWITCH INSTALLATION WITH 4 CELL LSS - E300AJP WITH SKYGUARD



ART\_1001197032



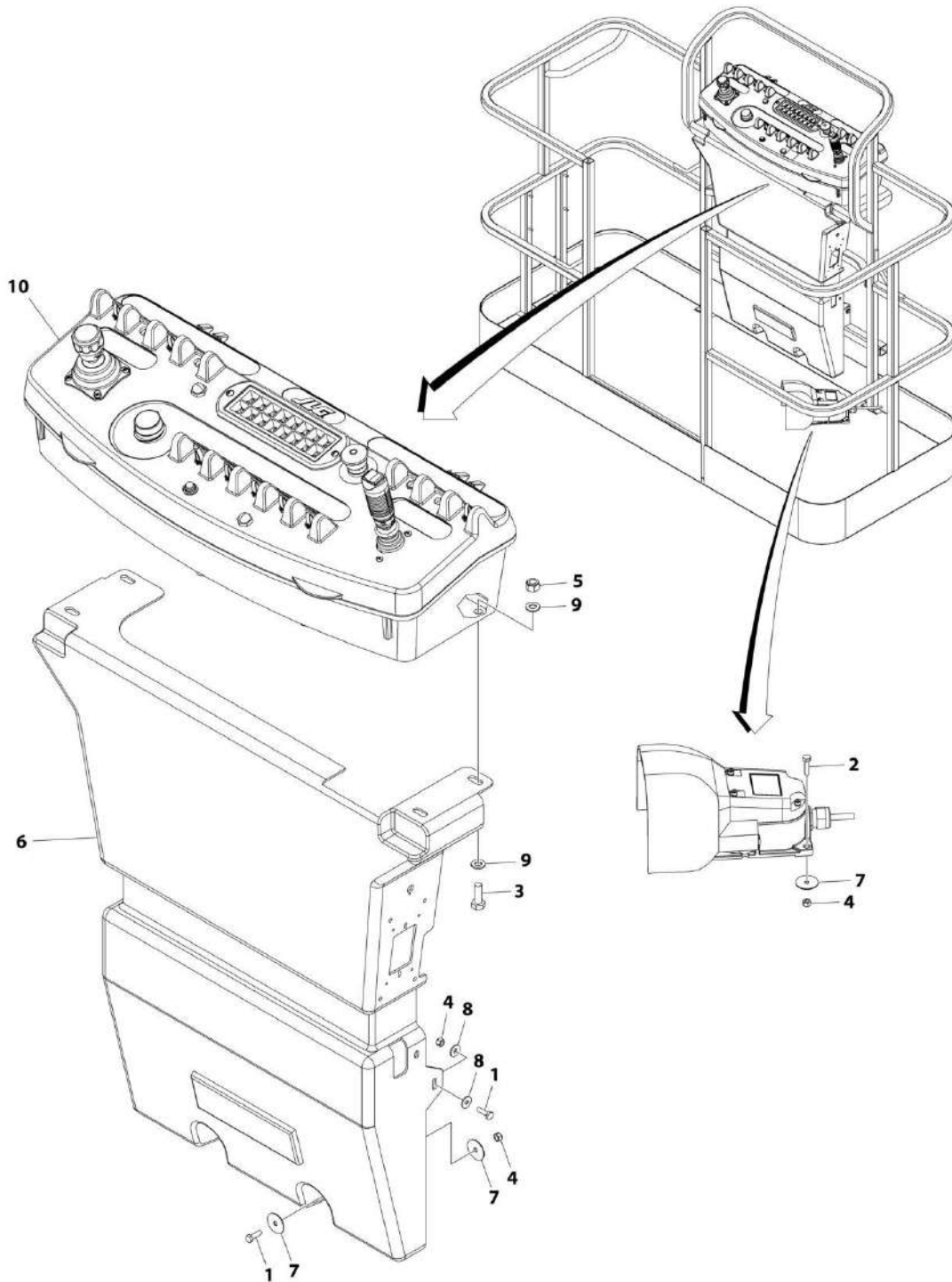
## SECTION 4 - PLATFORM

**FIGURE 4-9. PLATFORM CONSOLE AND FOOTSWITCH INSTALLATION WITH 4 CELL LSS - E300AJP WITH SKYGUARD**

ITEM	PART NUMBER	QTY	DESCRIPTION	REV
	1001197032	Ref	PLATFORM CONSOLE AND FOOTSWITCH INSTALLATION WITH 4 CELL LSS - E300AJP WITH SKYGUARD	B
1	0641406	4	Bolt 1/4 x 3/4	
2	0641408	3	Bolt 1/4 x 1	
3	0641610	4	Bolt 3/8 x 1-1/4	
4	3311405	7	Nut 1/4	
5	3311605	4	Nut 3/8	
6	3380434	1	Panel, Pedestal	
7	4740362	7	Washer 1/4	
8	4751400	4	Washer 1/4	
9	4751600	8	Washer 3/8	
10	1001202596	1	Platform Console Assembly (See PLATFORM CONSOLE ASSEMBLY - E300AJP WITH SKYGUARD for Breakdown)	

# SECTION 4 - PLATFORM

FIGURE 4-10. PLATFORM CONSOLE AND FOOTSWITCH INSTALLATION WITH 1 CELL LSS - E300AJP WITH SKYGUARD



ART\_1001220658

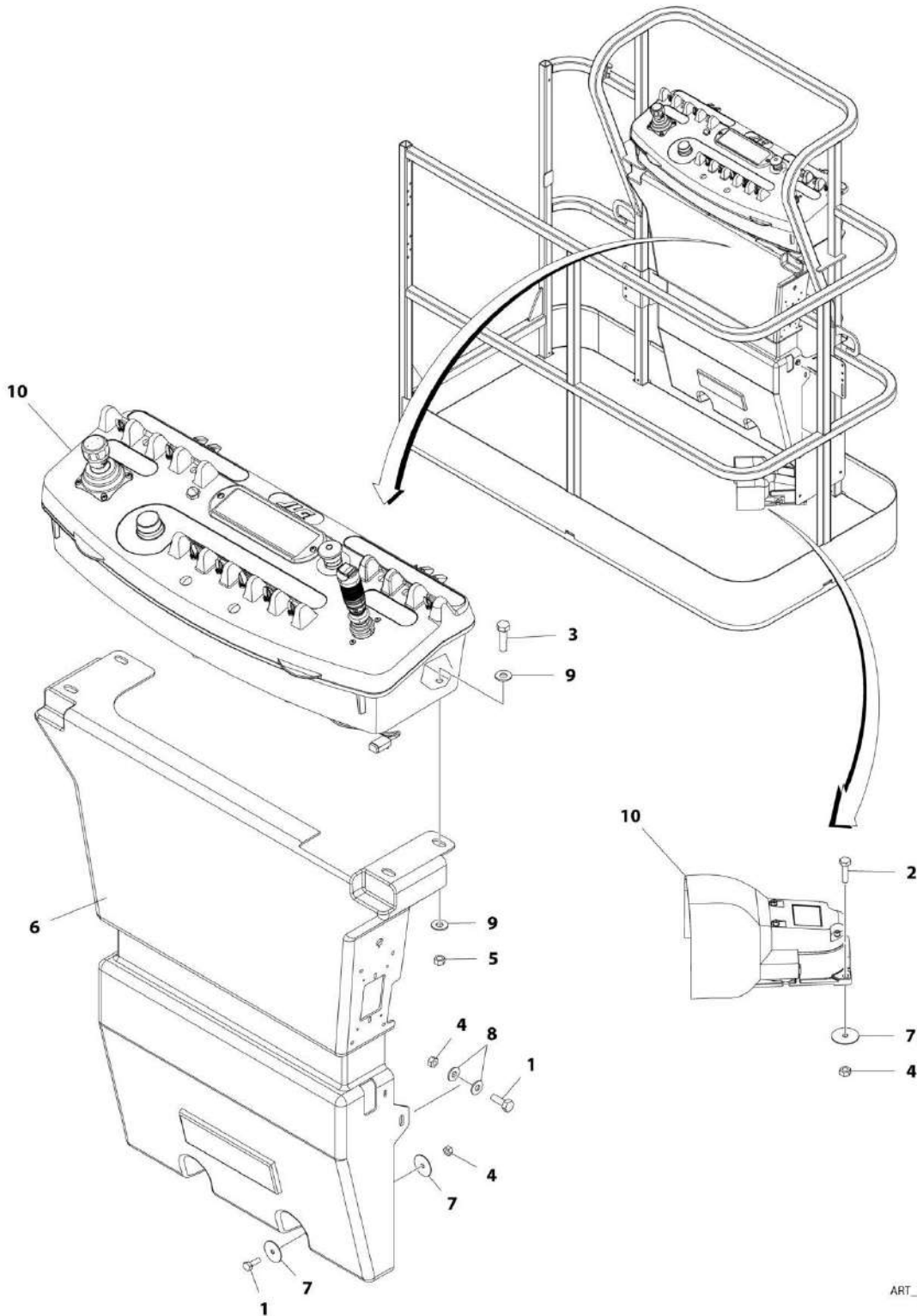
## SECTION 4 - PLATFORM

**FIGURE 4-10. PLATFORM CONSOLE AND FOOTSWITCH INSTALLATION WITH 1 CELL LSS - E300AJP WITH SKYGUARD**

ITEM	PART NUMBER	QTY	DESCRIPTION	REV
	1001220658	Ref	PLATFORM CONSOLE AND FOOTSWITCH INSTALLATION WITH 1 CELL LSS - E300AJP WITH SKYGUARD	A
1	0641406	4	Bolt 1/4 x 3/4	
2	0641408	3	Bolt 1/4 x 1	
3	0641610	4	Bolt 3/8 x 1-1/4	
4	3311405	7	Nut 1/4	
5	3311605	4	Nut 3/8	
6	3380434	1	Panel, Pedestal	
7	4740362	7	Washer 1/4	
8	4751400	4	Washer 1/4	
9	4751600	8	Washer 3/8	
10	1001218245	1	Platform Console Assembly (See Separate Breakdown in this Section)	

# SECTION 4 - PLATFORM

FIGURE 4-11. PLATFORM CONSOLE AND FOOTSWITCH INSTALLATION - E300AJP WITH SKYGUARD (UL SPECS) (SN 0300226252 to Present)



ART\_1001216146

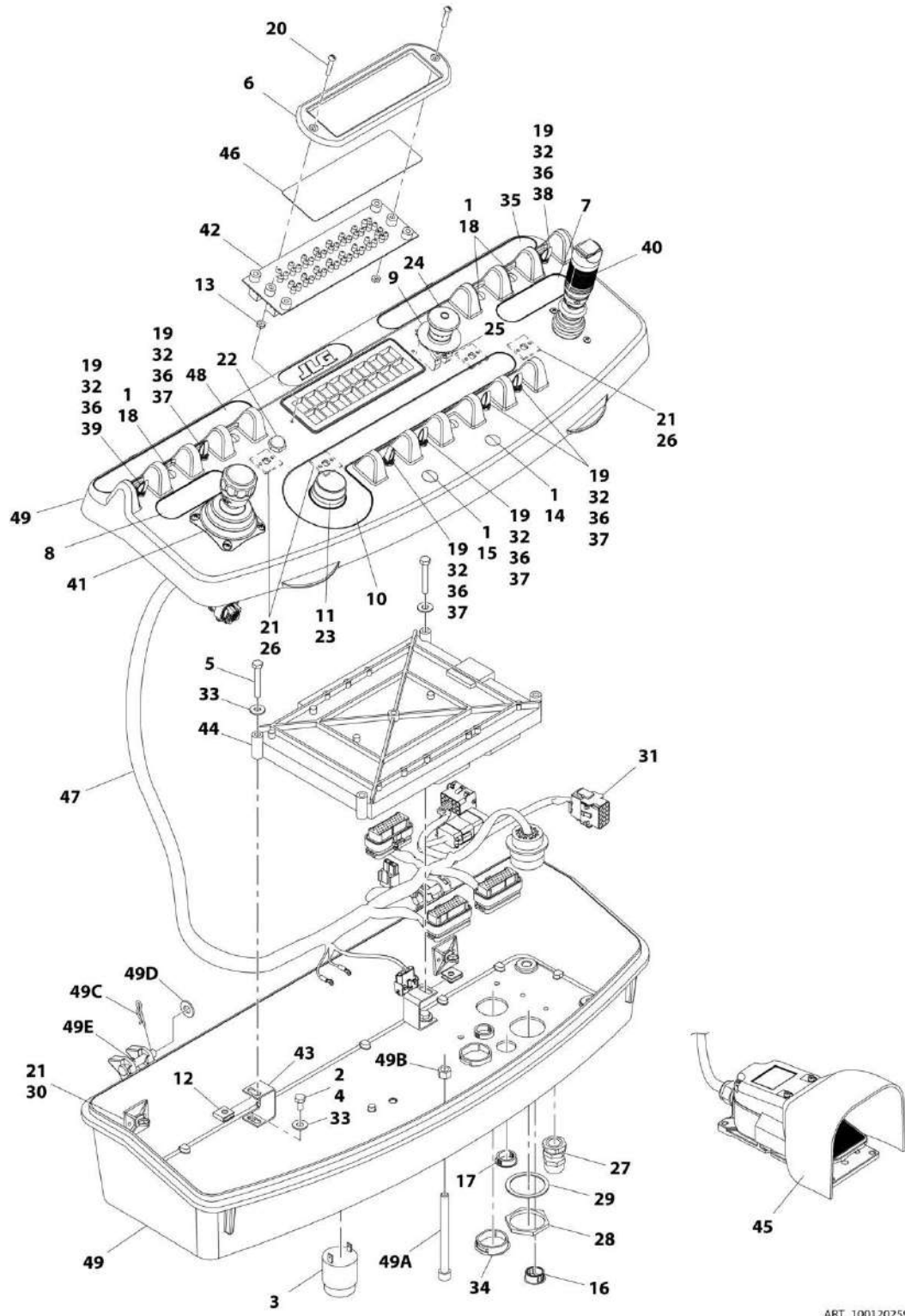
## SECTION 4 - PLATFORM

**FIGURE 4-11. PLATFORM CONSOLE AND FOOTSWITCH INSTALLATION - E300AJP WITH SKYGUARD (UL SPECS) (SN 0300226252 to Present)**

ITEM	PART NUMBER	QTY	DESCRIPTION	REV
	1001216146	Ref	PLATFORM CONSOLE AND FOOTSWITCH INSTALLATION - E300AJP WITH SKYGUARD (UL SPECS) (SN 0300226252 to Present)	A
1	0641406	4	Bolt 1/4 x 3/4	
2	0641408	3	Bolt 1/4 x 1	
3	0641610	4	Bolt 3/8 x 1-1/4	
4	3311405	7	Nut 1/4	
5	3311605	4	Nut 3/8	
6	3380434	1	Panel, Pedestal	
7	4740362	7	Washer 1/4	
8	4751400	4	Washer 1/4	
9	4751600	8	Washer 3/8	
10	1001216152	1	Platform Console Assembly (See PLATFORM CONSOLE ASSEMBLY - E300AJP for Breakdown)	

# SECTION 4 - PLATFORM

## FIGURE 4-12. PLATFORM CONSOLE ASSEMBLY - E300AJ WITHOUT SKYGUARD



ART\_1001202595

## SECTION 4 - PLATFORM

**FIGURE 4-12. PLATFORM CONSOLE ASSEMBLY - E300AJ WITHOUT SKYGUARD**

ITEM	PART NUMBER	QTY	DESCRIPTION	REV
	1001202595	Ref	PLATFORM CONSOLE ASSEMBLY - E300AJ WITHOUT SKYGUARD	C
1	0100009	AR	Sealant	
2	0100075	AR	Compound, Locking	
3	0140011	1	Alarm	
4	0641404	4	Bolt 1/4 x 1/2	
5	0641414	4	Bolt 1/4 x 1-3/4	
6	1671176	1	Housing	
7	1702565	1	Decal - Drive and Steer	
8	1702566	1	Decal - Lift and Swing	
9	1704260	1	Decal - Emergency Stop	
10	1704422	1	Decal - Function Speed	
11	2560136	1	Handle, Knob	
12	3300353	4	Nut, Tinnerman	
13	3300408	2	Nut	
14	3520026	1	Plug, Hole	
15	3520027	1	Plug, Hole	
16	3520030	1	Plug, Hole	
17	3520033	2	Plug, Hole (SN 0300211844 through 0300226255)	
17	1001220486	2	Plug, Hole (SN 0300226256 to Present)	
18	3520054	5	Plug, Hole	
19	3790012	7	O-Ring	
20	3911018	2	Capscrew #10 x 1-1/8	
21	4240032	AR	Tie-Strap	
22	4360387	1	Switch, Push Button	
23	4360407	1	Switch, Potentiometer	
23	70003784	1	Seal, O-Ring	
23	4460224	1	Plug, Male - 6 Position	
23	4460267	6	Pin, Male	
24	4360475	1	Switch, Emergency Stop	
24	7020175	1	Cap	
24	7020176	1	Block, Contact	
25	4360476	1	Block, Contact	
26	4460234	4	Base, Mounting	
27	4460428	1	Connector, Strain Relief	
28	4460470	1	Nut	
29	4460471	1	Washer	
30	4460488	2	Base, Mounting	
31	4460708	1	Connector	
32	4740397	7	Spacer	
33	4751400	8	Washer 1/4	
34	1001110434	2	Plug	
35	1001132175	1	Decal - Stop/Generator	
36	1001155044	7	Nut 15/32	
37	1001155045	5	Switch, Toggle	
38	1001159256	1	Switch, Toggle	
39	1001161710	1	Switch, Toggle	
40	1001166538	NLA	Controller Assembly - Drive and Steer (Use p/n 1001212415) (See CONTROLLER ASSEMBLY - DRIVE AND STEER for Breakdown)	
41	1001166539	NLA	Controller Assembly - Lift and Swing (Use p/n 1001129555) (See	

## SECTION 4 - PLATFORM

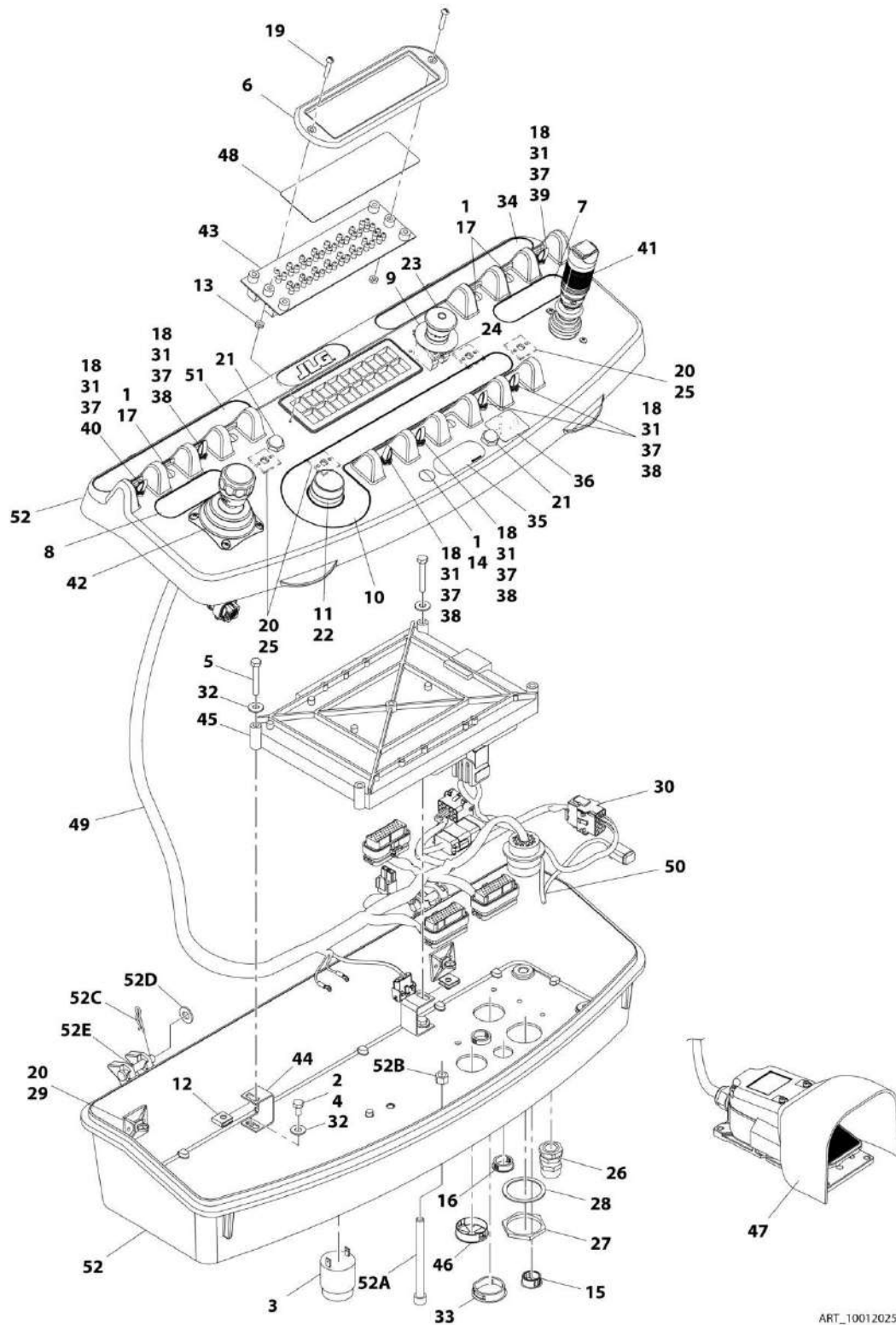
ITEM	PART NUMBER	QTY	DESCRIPTION	REV
			CONTROLLER ASSEMBLY - LIFT AND SWING for Breakdown)	
42	1001170838	1	Gauge, LED Panel	
43	1001172760	4	Bracket, Module	
44	1001182724	1	Module, Platform (Note: Recalibration Required when Replaced.)	
45	1001189039	1	Footswitch Assembly (See FOOTSWITCH ASSEMBLY for Breakdown)	
46	1001190797	1	Decal - Display	
47	1001191318	1	Platform Console Harness (See ELECTRICAL SECTION for Breakdown)	
48	1001193987	1	Decal - Horn	
49	1001201887	1	Box, Console	B
49A	0630568	1	Capscrew 3/8 x 4-1/2	
49B	3311601	1	Nut 3/8	
49C	3470003	2	Hair Pin	
49D	4711500	2	Washer 5/16 (SN 0300211844 through 0300219852)	
49D	4711600	2	Washer 3/8 (SN 0300219853 to Present)	
49E	3430616	2	Pin	





# SECTION 4 - PLATFORM

FIGURE 4-13. PLATFORM CONSOLE ASSEMBLY WITH 4 CELL LSS - E300AJ WITH SKYGUARD



ART\_1001202593

## SECTION 4 - PLATFORM

**FIGURE 4-13. PLATFORM CONSOLE ASSEMBLY WITH 4 CELL LSS - E300AJ WITH SKYGUARD**

ITEM	PART NUMBER	QTY	DESCRIPTION	REV
	1001202593	Ref	PLATFORM CONSOLE ASSEMBLY WITH 4 CELL LSS - E300AJ WITH SKYGUARD	D
1	0100009	AR	Sealant	
2	0100075	AR	Compound, Locking	
3	0140011	1	Alarm	
4	0641404	4	Bolt 1/4 x 1/2	
5	0641414	4	Bolt 1/4 x 1-3/4	
6	1671176	1	Housing	
7	1702565	1	Decal - Drive and Steer	
8	1702566	1	Decal - Lift and Swing	
9	1704260	1	Decal - Emergency Stop	
10	1704422	1	Decal - Function Speed	
11	2560136	1	Handle, Knob	
12	3300353	4	Nut, Tinnerman	
13	3300408	2	Nut	
14	3520027	1	Plug, Hole	
15	3520030	1	Plug, Hole	
16	3520033	2	Plug, Hole (SN 0300211844 through 0300226255)	
16	1001220486	2	Plug, Hole (SN 0300226256 to Present)	
17	3520054	4	Plug, Hole	
18	3790012	8	O-Ring	
19	3911018	2	Capscrew #10 x 1-1/8	
20	4240032	AR	Tie-Strap	
21	4360387	2	Switch, Push Button	
22	4360407	1	Switch, Potentiometer	
22	70003784	1	Seal, O-Ring	
22	4460224	1	Plug, Male - 6 Position	
22	4460267	6	Pin, Male	
23	4360475	1	Switch, Emergency Stop	
23	7020175	1	Cap	
23	7020176	1	Block, Contact	
24	4360476	1	Block, Contact	
25	4460234	4	Base, Mounting	
26	4460428	1	Connector, Strain Relief	
27	4460470	1	Nut	
28	4460471	1	Washer	
29	4460488	2	Base, Mounting	
30	4460708	1	Connector	
31	4740397	8	Spacer	
32	4751400	8	Washer 1/4	
33	1001110434	1	Plug	
34	1001132175	1	Decal - Stop/Generator	
35	1001141300	1	Decal - SkyGuard Override (SN 0300211844 through 0300237352)	
36	1001144433	1	Decal - No Weight SkyGuard	
37	1001155044	8	Nut 15/32	
38	1001155045	5	Switch, Toggle	
39	1001159256	1	Switch, Toggle	
40	1001161710	1	Switch, Toggle	
41	1001166538	NLA	Controller Assembly - Drive and Steer (Use p/n 1001212415) (See	

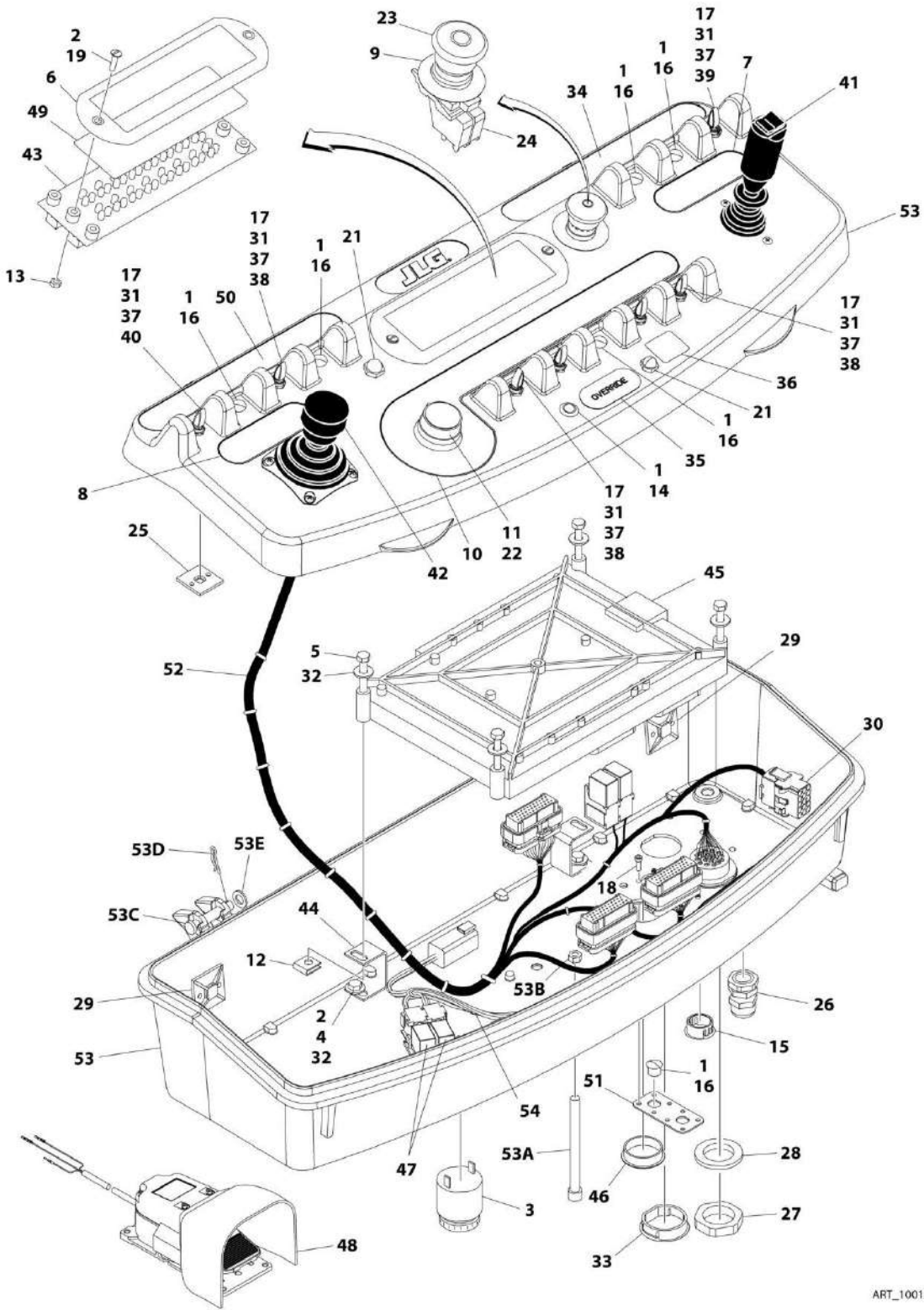
## SECTION 4 - PLATFORM

ITEM	PART NUMBER	QTY	DESCRIPTION	REV
42	1001166539	NLA	CONTROLLER ASSEMBLY - DRIVE AND STEER for Breakdown) Controller Assembly - Lift and Swing (Use p/n 1001129555) (See CONTROLLER ASSEMBLY - LIFT AND SWING for Breakdown)	B
43	1001170838	1	Gauge, LED Panel	
44	1001172760	6	Bracket, Module	
45	1001182724	1	Module, Platform (Note: Recalibration Required when Replaced.)	
46	1001185281	1	Plug	
47	1001189039	1	Footswitch Assembly (See FOOTSWITCH ASSEMBLY for Breakdown)	
48	1001190797	1	Decal - Display	
49	1001191318	1	Platform Console Harness (See ELECTRICAL SECTION for Breakdown)	
50	1001192292	1	SkyGuard Harness (See ELECTRICAL SECTION for Breakdown)	
51	1001193987	1	Decal - Horn	
52	1001201887	1	Box, Console	
52A	0630568	1	Capscrew 3/8 x 4-1/2	
52B	3311601	1	Nut 3/8	
52C	3470003	1	Hair Pin	
52D	4711500	2	Washer 5/16 <b>(SN 0300211844 through 0300219852)</b>	
52D	4711600	2	Washer 3/8 <b>(SN 0300219853 to Present)</b>	
52E	3430616	2	Pin	



# SECTION 4 - PLATFORM

## FIGURE 4-14. PLATFORM CONSOLE ASSEMBLY WITH 1 CELL LSS - E300AJ WITH SKYGUARD



ART\_1001218244

## SECTION 4 - PLATFORM

**FIGURE 4-14. PLATFORM CONSOLE ASSEMBLY WITH 1 CELL LSS - E300AJ WITH SKYGUARD**

ITEM	PART NUMBER	QTY	DESCRIPTION	REV
	1001218244	Ref	PLATFORM CONSOLE ASSEMBLY WITH 1 CELL LSS - E300AJ WITH SKYGUARD	C
1	0100009	AR	Sealant	
2	0100035	AR	Compound, Locking	
3	0140011	1	Alarm	
4	0641404	4	Bolt 1/4 x 1/2	
5	0641414	4	Bolt 1/4 x 1-3/4	
6	1671176	1	Housing	
7	1702565	1	Decal - Drive and Steer	
8	1702566	1	Decal - Lift and Swing	
9	1704260	1	Decal - Emergency Stop	
10	1704422	1	Decal - Function Speed	
11	2560136	1	Handle, Knob	
12	3300353	4	Nut, Tinnerman	
13	3300408	2	Nut	
14	3520027	1	Plug, Hole	
15	3520030	1	Plug, Hole	
16	3520054	6	Plug, Hole	
17	3790012	7	O-Ring	
18	3900349	8	Capscrew M2.5	
19	3911018	2	Capscrew #10 x 1-1/8	
20	4240032	AR	Tie-Strap (Not Shown)	
21	4360387	2	Switch, Push Button	
22	4360407	1	Switch, Potentiometer	
22	70003784	1	Seal, O-Ring	
22	4460224	1	Plug, Male - 6 Position	
22	4460267	6	Pin, Male	
23	4360475	1	Switch, Emergency Stop	
23	7020175	1	Cap	
23	7020176	1	Block, Contact	
24	4360476	1	Block, Contact	
25	4460234	4	Base, Mounting	
26	4460428	1	Connector, Strain Relief	
27	4460470	1	Nut	
28	4460471	1	Washer	
29	4460488	3	Base, Mounting	
30	4460708	1	Connector	
31	4740397	7	Spacer	
32	4751400	8	Washer 1/4	
33	1001110434	1	Plug	
34	1001132175	1	Decal - Stop/Generator	
35	1001141300	1	Decal - SkyGuard Override	
36	1001144433	1	Decal - No Weight SkyGuard	
37	1001155044	7	Nut 15/32	
38	1001155045	5	Switch, Toggle	
39	1001159256	1	Switch, Toggle	
40	1001161710	1	Switch, Toggle	
41	1001166538	NLA	Controller Assembly - Drive and Steer (Use p/n 1001212415) (See CONTROLLER ASSEMBLY - DRIVE AND STEER for Breakdown)	
42	1001166539	NLA	Controller Assembly - Lift and Swing (Use p/n 1001129555) (See	

## SECTION 4 - PLATFORM

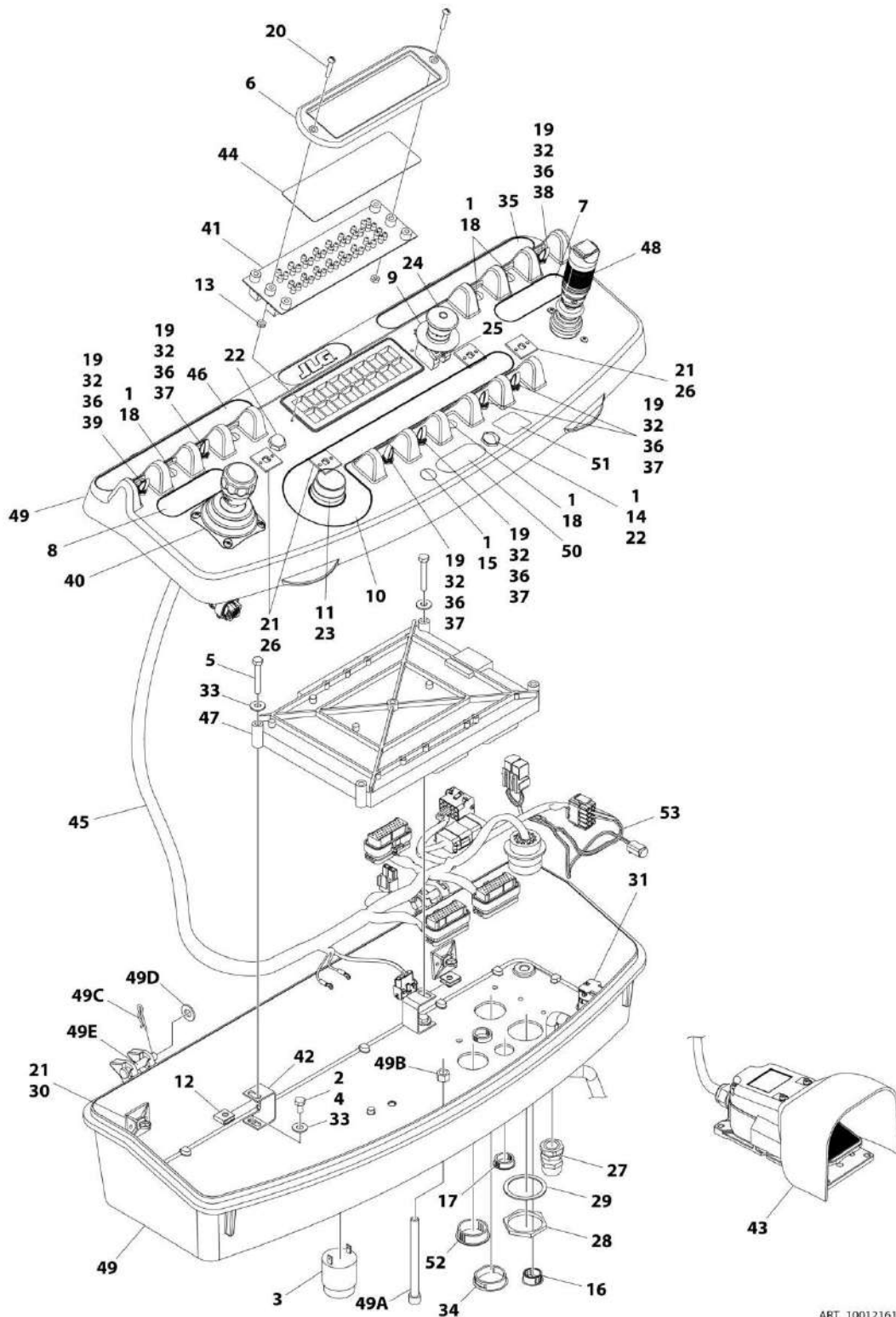
ITEM	PART NUMBER	QTY	DESCRIPTION	REV
			CONTROLLER ASSEMBLY - LIFT AND SWING for Breakdown)	
43	1001170838	1	Gauge, LED Panel	
44	1001172760	4	Bracket, Module	
45	1001182724	1	Module, Platform (Note: Recalibration Required when Replaced)	
46	1001185281	1	Plug	
47	1001186431	2	Relay	
48	1001189039	1	Footswitch Assembly (See FOOTSWITCH ASSEMBLY for Breakdown)	
49	1001190797	1	Decal - Display	
50	1001193987	1	Decal - Horn	
51	1001213882	1	Mount	
52	1001217621	1	Platform Console Harness (See ELECTRICAL SECTION for Breakdown)	
53	1001218068	1	Box, Console	C
53A	0630568	1	Capscrew 3/8 x 4-1/2	
53B	3311601	1	Nut 3/8	
53C	3430616	2	Pin	
53D	3470003	2	Hair Pin	
53E	4711600	2	Washer 3/8	
54	1001225580	1	Generator to Platform Harness (See ELECTRICAL SECTION for Breakdown)	





# SECTION 4 - PLATFORM

FIGURE 4-15. PLATFORM CONSOLE ASSEMBLY - E300AJ (UL SPECS) (SN 0300226252 to Present)



## SECTION 4 - PLATFORM

**FIGURE 4-15. PLATFORM CONSOLE ASSEMBLY - E300AJ (UL SPECS) (SN 0300226252 to Present)**

ITEM	PART NUMBER	QTY	DESCRIPTION	REV
	1001216151	Ref	PLATFORM CONSOLE ASSEMBLY - E300AJ (UL SPECS) (SN <b>0300226252 to Present</b> )	D
1	0100009	AR	Sealant	
2	0100075	AR	Compound, Locking	
3	0140011	1	Alarm	
4	0641404	4	Bolt 1/4 x 1/2	
5	0641414	4	Bolt 1/4 x 1-3/4	
6	1671176	1	Housing	
7	1702565	1	Decal - Drive and Steer	
8	1702566	1	Decal - Lift and Swing	
9	1704260	1	Decal - Emergency Stop	
10	1704422	1	Decal - Function Speed	
11	2560136	1	Handle, Knob	
12	3300353	4	Nut, Tinnerman	
13	3300408	2	Nut	
14	3520026	1	Plug, Hole ( <b>Prior to SN 0300229198</b> )	
15	3520027	1	Plug, Hole	
16	3520030	1	Plug, Hole	
17	3520033	2	Plug, Hole ( <b>SN 0300211844 through 0300226255</b> )	
17	1001220486	2	Plug, Hole ( <b>SN 0300226256 to Present</b> )	
18	3520054	5	Plug, Hole	
19	3790012	7	O-Ring	
20	3911018	2	Capscrew #10 x 1-1/8	
21	4240032	AR	Tie-Strap	
22	4360387	1	Switch, Push Button ( <b>Prior to SN 0300229198</b> )	
22	4360387	2	Switch, Push Button ( <b>SN 0300229198 to Present</b> )	
23	4360407	1	Switch, Potentiometer	
23	70003784	1	Seal, O-Ring	
23	4460224	1	Plug, Male - 6 Position	
23	4460267	6	Pin, Male	
24	4360475	1	Switch, Emergency Stop	
24	7020175	1	Cap	
24	7020176	1	Block, Contact	
25	4360476	1	Block, Contact	
26	4460234	4	Base, Mounting	
27	4460428	1	Connector, Strain Relief	
28	4460470	1	Nut	
29	4460471	1	Washer	
30	4460488	2	Base, Mounting	
31	4460708	1	Connector	
32	4740397	7	Spacer	
33	4751400	8	Washer 1/4	
34	1001110434	2	Plug ( <b>Prior to SN 0300229198</b> )	
34	1001110434	1	Plug ( <b>SN 0300229198 to Present</b> )	
35	1001132175	1	Decal - Stop/Generator	
36	1001155044	7	Nut 15/32	
37	1001155045	5	Switch, Toggle	
38	1001159256	1	Switch, Toggle	
39	1001161710	1	Switch, Toggle	
40	1001166539	NLA	Controller Assembly - Lift and Swing (Use p/n 1001129555) (See	

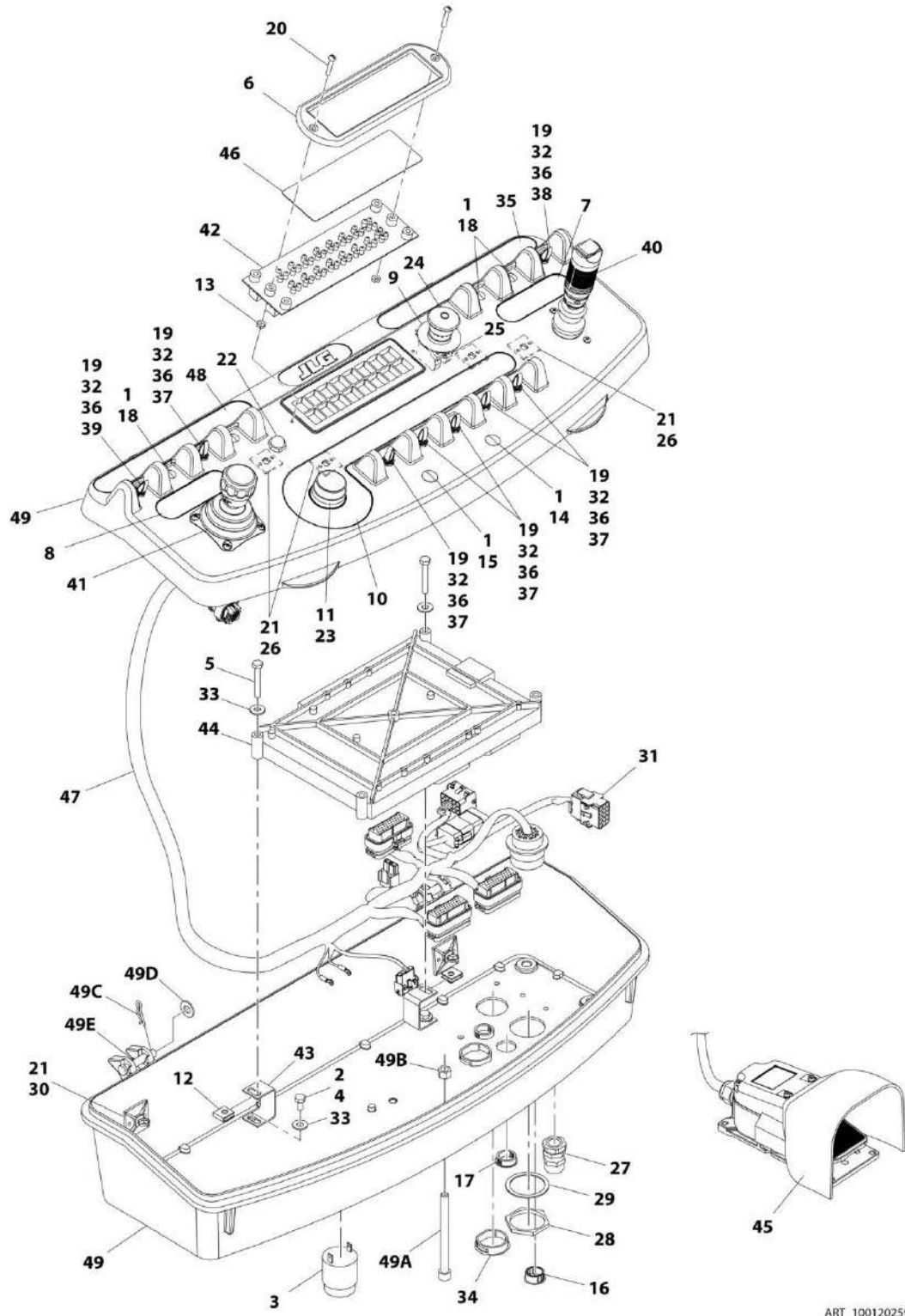
## SECTION 4 - PLATFORM

ITEM	PART NUMBER	QTY	DESCRIPTION	REV
41	1001170838	1	CONTROLLER ASSEMBLY - LIFT AND SWING for Breakdown) Gauge, LED Panel	B
42	1001172760	4	Bracket, Module	
43	1001189039	1	Footswitch Assembly (See FOOTSWITCH ASSEMBLY for Breakdown)	
44	1001190797	1	Decal - Display	
45	1001191318	1	Platform Console Harness (See ELECTRICAL SECTION for Breakdown)	
46	1001193987	1	Decal - Horn	
47	1001215835	1	Module, Platform (Note: Recalibration Required when Replaced.)	
48	1001166538	NLA	Controller Assembly - Drive and Steer (Use p/n 1001212415) (See CONTROLLER ASSEMBLY - DRIVE AND STEER for Breakdown)	
49	1001201887	1	Box, Console	
49A	0630568	1	Capscrew 3/8 x 4-1/2	
49B	3311601	1	Nut 3/8	
49C	3470003	2	Hair Pin	
49D	4711600	2	Washer 3/8	
49E	3430616	2	Pin	
50	1001141300	1	Decal - SkyGuard Override ( <b>SN 0300229198 through 0300237352</b> )	
51	1001144433	1	Decal - No Weight SkyGuard ( <b>SN 0300229198 to Present</b> )	
52	1001185281	1	Plug ( <b>SN 0300229198 to Present</b> )	
53	1001192292	1	SkyGuard Harness (See ELECTRICAL SECTION for Breakdown) ( <b>SN 0300229198 to Present</b> )	



# SECTION 4 - PLATFORM

## FIGURE 4-16. PLATFORM CONSOLE ASSEMBLY - E300AJP WITHOUT SKYGUARD



ART\_1001202597

## SECTION 4 - PLATFORM

**FIGURE 4-16. PLATFORM CONSOLE ASSEMBLY - E300AJP WITHOUT SKYGUARD**

ITEM	PART NUMBER	QTY	DESCRIPTION	REV
	1001202597	Ref	PLATFORM CONSOLE ASSEMBLY - E300AJP WITHOUT SKYGUARD	C
1	0100009	AR	Sealant	
2	0100075	AR	Compound, Locking	
3	0140011	1	Alarm	
4	0641404	4	Bolt 1/4 x 1/2	
5	0641414	4	Bolt 1/4 x 1-3/4	
6	1671176	1	Housing	
7	1702565	1	Decal - Drive and Steer	
8	1702566	1	Decal - Lift and Swing	
9	1704260	1	Decal - Emergency Stop	
10	1704422	1	Decal - Function Speed	
11	2560136	1	Handle, Knob	
12	3300353	4	Nut, Tinnerman	
13	3300408	2	Nut	
14	3520026	1	Plug, Hole	
15	3520027	1	Plug, Hole	
16	3520030	1	Plug, Hole	
17	3520033	2	Plug, Hole (SN 0300211844 through 0300226255)	
17	1001220486	2	Plug, Hole (SN 0300226256 to Present)	
18	3520054	4	Plug, Hole	
19	3790012	8	O-Ring	
20	3911018	2	Capscrew #10 x 1-1/8	
21	4240032	AR	Tie-Strap	
22	4360387	1	Switch, Push Button	
23	4360407	1	Switch, Potentiometer	
23	70003784	1	Seal, O-Ring	
23	4460224	1	Plug, Male - 6 Position	
23	4460267	6	Pin, Male	
24	4360475	1	Switch, Emergency Stop	
24	7020175	1	Cap	
24	7020176	1	Block, Contact	
25	4360476	1	Block, Contact	
26	4460234	4	Base, Mounting	
27	4460428	1	Connector, Strain Relief	
28	4460470	1	Nut	
29	4460471	1	Washer	
30	4460488	2	Base, Mounting	
31	4460708	1	Connector	
32	4740397	8	Spacer	
33	4751400	8	Washer 1/4	
34	1001110434	2	Plug	
35	1001132175	1	Decal - Stop/Generator	
36	1001155044	8	Nut 15/32	
37	1001155045	6	Switch, Toggle	
38	1001159256	1	Switch, Toggle	
39	1001161710	1	Switch, Toggle	
40	1001166538	NLA	Controller Assembly - Drive and Steer (Use p/n 1001212415) (See CONTROLLER ASSEMBLY - DRIVE AND STEER for Breakdown)	
41	1001166539	NLA	Controller Assembly - Lift and Swing (Use p/n 1001129555) (See	

## SECTION 4 - PLATFORM

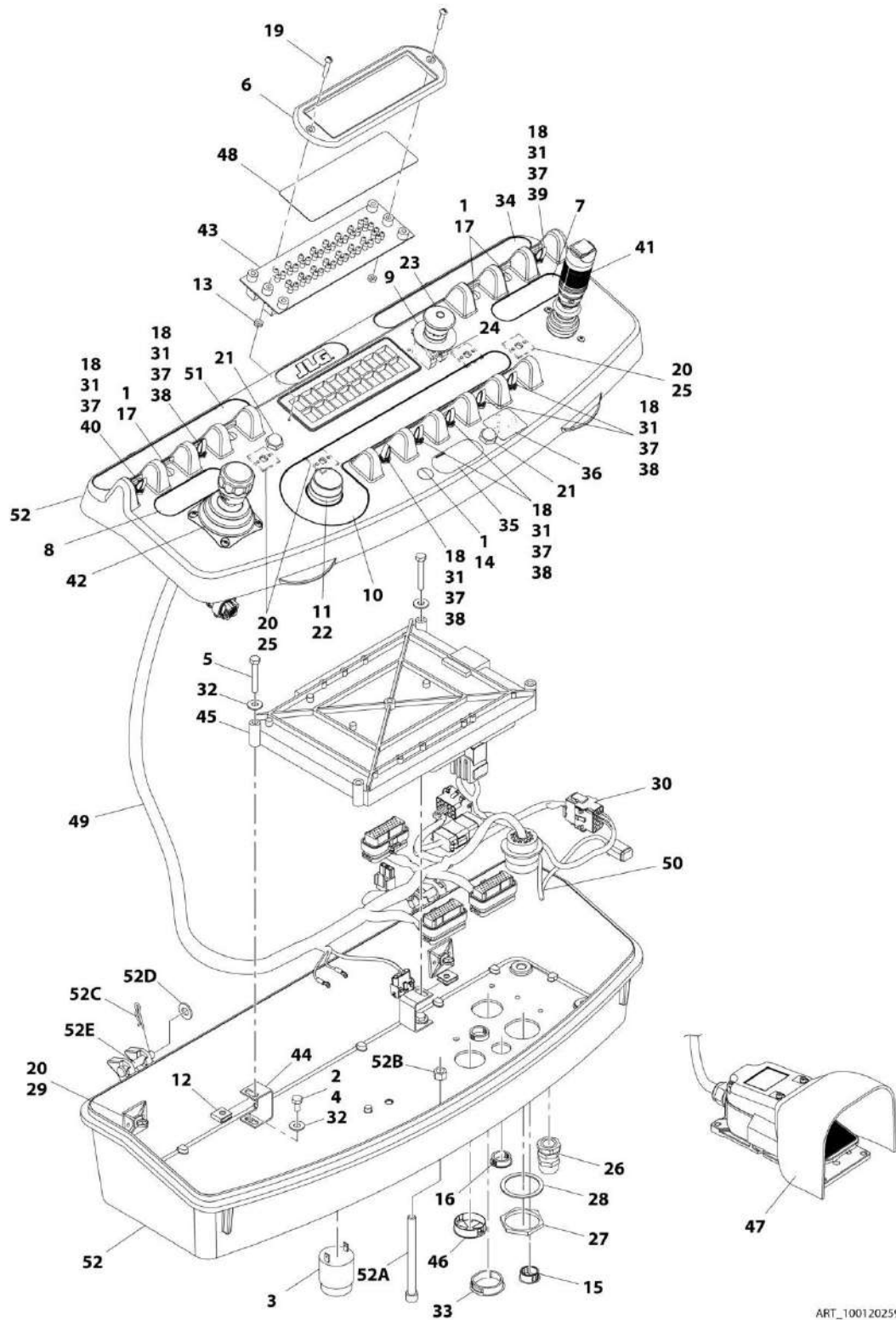
ITEM	PART NUMBER	QTY	DESCRIPTION	REV
			CONTROLLER ASSEMBLY - LIFT AND SWING for Breakdown)	
42	1001170838	1	Gauge, LED Panel	
43	1001172760	4	Bracket, Module	
44	1001182724	1	Module, Platform (Note: Recalibration Required when Replaced.)	
45	1001189039	1	Footswitch Assembly (See FOOTSWITCH ASSEMBLY for Breakdown)	
46	1001190797	1	Decal - Display	
47	1001191318	1	Platform Console Harness (See ELECTRICAL SECTION for Breakdown)	
48	1001193987	1	Decal - Horn	
49	1001201887	1	Box, Console	B
49A	0630568	1	Capscrew 3/8 x 4-1/2	
49B	3311601	1	Nut 3/8	
49C	3470003	2	Hair Pin	
49D	4711500	2	Washer 5/16 (SN 0300211844 through 0300219852)	
49D	4711600	2	Washer 3/8 (SN 0300219853 to Present)	
49E	3430616	2	Pin	





# SECTION 4 - PLATFORM

FIGURE 4-17. PLATFORM CONSOLE ASSEMBLY WITH 4 CELL LSS - E300AJP WITH SKYGUARD



ART\_1001202596

## SECTION 4 - PLATFORM

**FIGURE 4-17. PLATFORM CONSOLE ASSEMBLY WITH 4 CELL LSS - E300AJP WITH SKYGUARD**

ITEM	PART NUMBER	QTY	DESCRIPTION	REV
	1001202596	Ref	PLATFORM CONSOLE ASSEMBLY WITH 4 CELL LSS - E300AJP WITH SKYGUARD	D
1	0100009	AR	Sealant	
2	0100075	AR	Compound, Locking	
3	0140011	1	Alarm	
4	0641404	4	Bolt 1/4 x 1/2	
5	0641414	4	Bolt 1/4 x 1-3/4	
6	1671176	1	Housing	
7	1702565	1	Decal - Drive and Steer	
8	1702566	1	Decal - Lift and Swing	
9	1704260	1	Decal - Emergency Stop	
10	1704422	1	Decal - Function Speed	
11	2560136	1	Handle, Knob	
12	3300353	4	Nut, Tinnerman	
13	3300408	2	Nut	
14	3520027	1	Plug, Hole	
15	3520030	1	Plug, Hole	
16	3520033	2	Plug, Hole (SN 0300211844 through 0300226255)	
16	1001220486	2	Plug, Hole (SN 0300226256 to Present)	
17	3520054	4	Plug, Hole	
18	3790012	8	O-Ring	
19	3911018	2	Capscrew #10 x 1-1/8	
20	4240032	AR	Tie-Strap	
21	4360387	2	Switch, Push Button	
22	4360407	1	Switch, Potentiometer	
22	70003784	1	Seal, O-Ring	
22	4460224	1	Plug, Male - 6 Position	
22	4460267	6	Pin, Male	
23	4360475	1	Switch, Emergency Stop	
23	7020175	1	Cap	
23	7020176	1	Block, Contact	
24	4360476	1	Block, Contact	
25	4460234	4	Base, Mounting	
26	4460428	1	Connector, Strain Relief	
27	4460470	1	Nut	
28	4460471	1	Washer	
29	4460488	2	Base, Mounting	
30	4460708	1	Connector	
31	4740397	8	Spacer	
32	4751400	8	Washer 1/4	
33	1001110434	1	Plug	
34	1001132175	1	Decal - Stop/Generator	
35	1001141300	1	Decal - SkyGuard Override (SN 0300211844 through 0300237352)	
36	1001144433	1	Decal - No Weight SkyGuard	
37	1001155044	8	Nut 15/32	
38	1001155045	6	Switch, Toggle	
39	1001159256	1	Switch, Toggle	
40	1001161710	1	Switch, Toggle	
41	1001166538	NLA	Controller Assembly - Drive and Steer (Use p/n 1001212415) (See	

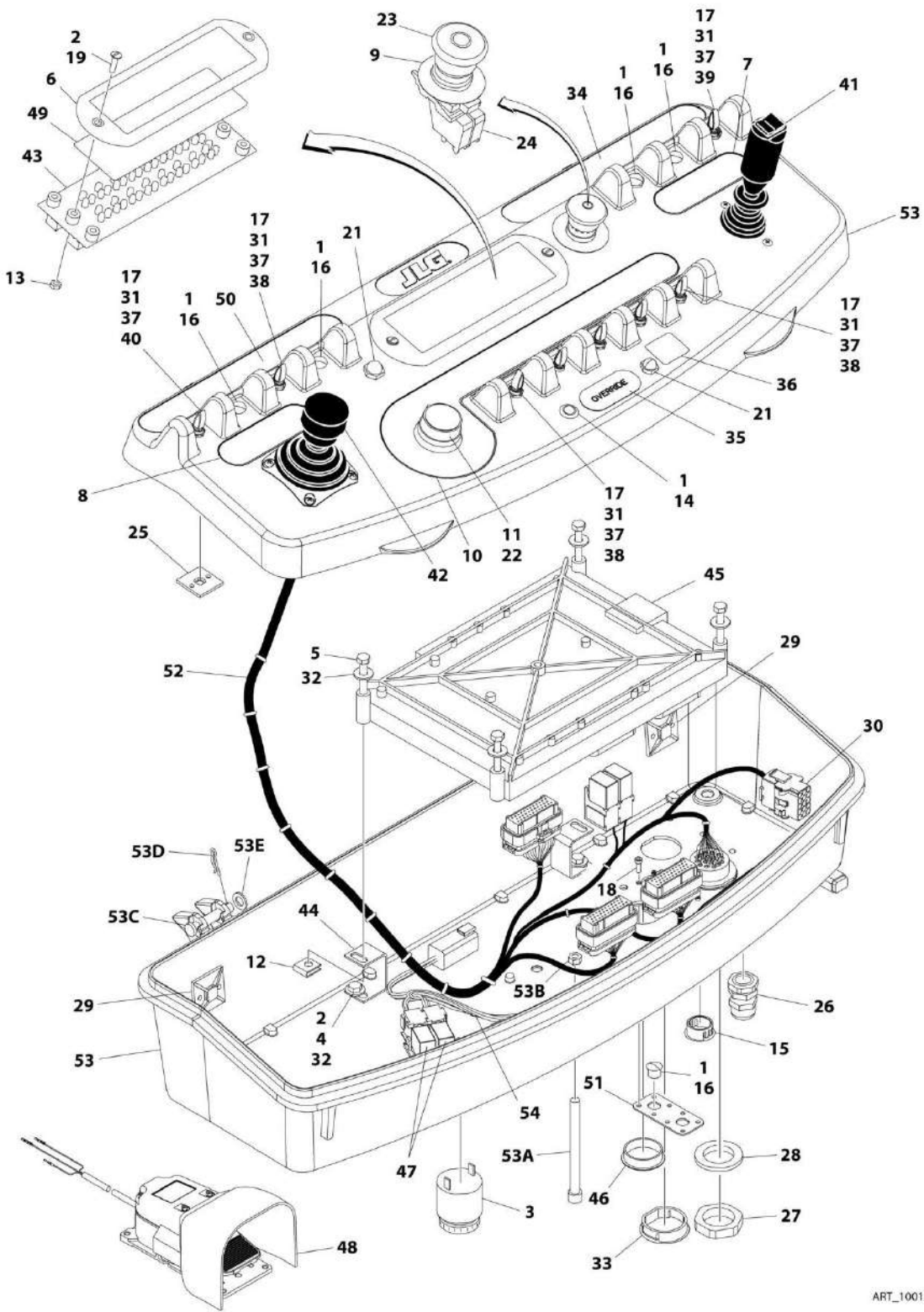
## SECTION 4 - PLATFORM

ITEM	PART NUMBER	QTY	DESCRIPTION	REV
42	1001166539	NLA	CONTROLLER ASSEMBLY - DRIVE AND STEER for Breakdown) Controller Assembly - Lift and Swing (Use p/n 1001129555) (See CONTROLLER ASSEMBLY - LIFT AND SWING for Breakdown)	
43	1001170838	1	Gauge, LED Panel	
44	1001172760	4	Bracket, Module	
45	1001182724	1	Module, Platform (Note: Recalibration Required when Replaced.)	
46	1001185281	1	Plug	
47	1001189039	1	Footswitch Assembly (See FOOTSWITCH ASSEMBLY for Breakdown)	
48	1001190797	1	Decal - Display	
49	1001191318	1	Platform Console Harness (See ELECTRICAL SECTION for Breakdown)	
50	1001192292	1	SkyGuard Can Harness (See ELECTRICAL SECTION for Breakdown)	
51	1001193987	1	Decal - Horn	
52	1001201887	1	Box, Console	B
52A	0630568	1	Capscrew 3/8 x 4-1/2	
52B	3311601	1	Nut 3/8	
52C	3470003	1	Hair Pin	
52D	4711500	2	Washer 5/16 (SN 0300211844 through 0300219852)	
52D	4711600	2	Washer 3/8 (SN 0300219853 to Present)	
52E	3430616	2	Pin	



# SECTION 4 - PLATFORM

FIGURE 4-18. PLATFORM CONSOLE ASSEMBLY WITH 1 CELL LSS - E300AJP WITH SKYGUARD



ART\_1001218245

## SECTION 4 - PLATFORM

**FIGURE 4-18. PLATFORM CONSOLE ASSEMBLY WITH 1 CELL LSS - E300AJP WITH SKYGUARD**

ITEM	PART NUMBER	QTY	DESCRIPTION	REV
	1001218245	Ref	PLATFORM CONSOLE ASSEMBLY WITH 1 CELL LSS - E300AJP WITH SKYGUARD	C
1	0100009	AR	Sealant	
2	0100035	AR	Compound, Locking	
3	0140011	1	Alarm	
4	0641404	4	Bolt 1/4 x 1/2	
5	0641414	4	Bolt 1/4 x 1-3/4	
6	1671176	1	Housing	
7	1702565	1	Decal - Drive and Steer	
8	1702566	1	Decal - Lift and Swing	
9	1704260	1	Decal - Emergency Stop	
10	1704422	1	Decal - Function Speed	
11	2560136	1	Handle, Knob	
12	3300353	4	Nut, Tinnerman	
13	3300408	2	Nut	
14	3520027	1	Plug, Hole	
15	3520030	1	Plug, Hole	
16	3520054	5	Plug, Hole	
17	3790012	8	O-Ring	
18	3900349	8	Capscrew M2.5	
19	3911018	2	Capscrew #10 x 1-1/8	
20	4240032	AR	Tie-Strap (Not Shown)	
21	4360387	2	Switch, Push Button	
22	4360407	1	Switch, Potentiometer	
22	70003784	1	Seal, O-Ring	
22	4460224	1	Plug, Male - 6 Position	
22	4460267	6	Pin, Male	
23	4360475	1	Switch, Emergency Stop	
23	7020175	1	Cap	
23	7020176	1	Block, Contact	
24	4360476	1	Block, Contact	
25	4460234	4	Base, Mounting	
26	4460428	1	Connector, Strain Relief	
27	4460470	1	Nut	
28	4460471	1	Washer	
29	4460488	3	Base, Mounting	
30	4460708	1	Connector	
31	4740397	3	Spacer	
32	4751400	8	Washer 1/4	
33	1001110434	1	Plug	
34	1001132175	1	Decal - Stop/Generator	
35	1001141300	1	Decal - SkyGuard Override	
36	1001144433	1	Decal - No Weight SkyGuard	
37	1001155044	8	Nut 15/32	
38	1001155045	6	Switch, Toggle	
39	1001159256	1	Switch, Toggle	
40	1001161710	1	Switch, Toggle	
41	1001166538	NLA	Controller Assembly - Drive and Steer (Use p/n 1001212415) (See CONTROLLER ASSEMBLY - DRIVE AND STEER for Breakdown)	
42	1001166539	NLA	Controller Assembly - Lift and Swing (Use p/n 1001129555) (See	

## SECTION 4 - PLATFORM

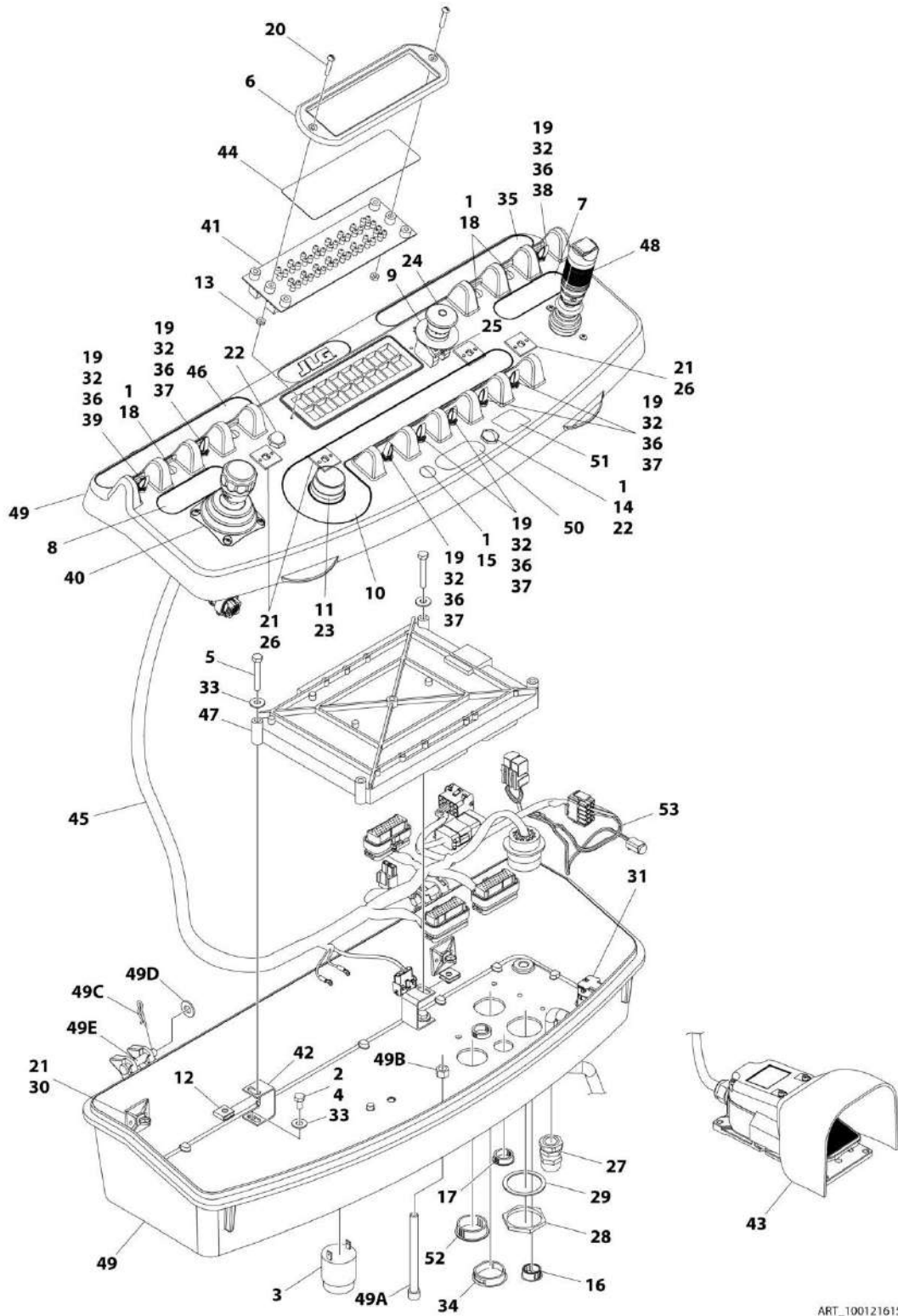
ITEM	PART NUMBER	QTY	DESCRIPTION	REV
			CONTROLLER ASSEMBLY - LIFT AND SWING for Breakdown)	
43	1001170838	1	Gauge, LED Panel	
44	1001172760	4	Bracket, Module	
45	1001182724	1	Module, Platform (Note: Recalibration Required when Replaced)	
46	1001185281	1	Plug	
47	1001186431	2	Relay	
48	1001189039	1	Footswitch Assembly (See FOOTSWITCH ASSEMBLY for Breakdown)	
49	1001190797	1	Decal - Display	
50	1001193987	1	Decal - Horn	
51	1001213882	1	Mount	
52	1001217621	1	Platform Console Harness (See ELECTRICAL SECTION for Breakdown)	
53	1001218068	1	Box, Console	C
53A	0630568	1	Capscrew 3/8 x 4-1/2	
53B	3311601	1	Nut 3/8	
53C	3430616	2	Pin	
53D	3470003	2	Hair Pin	
53E	4711600	2	Washer 3/8	
54	1001225580	1	Generator to Platform Harness (See ELECTRICAL SECTION for Breakdown)	





# SECTION 4 - PLATFORM

FIGURE 4-19. PLATFORM CONSOLE ASSEMBLY - E300AJP (UL SPECS) (SN 0300226252 to Present)



ART\_1001216152

## SECTION 4 - PLATFORM

**FIGURE 4-19. PLATFORM CONSOLE ASSEMBLY - E300AJP (UL SPECS) (SN 0300226252 to Present)**

ITEM	PART NUMBER	QTY	DESCRIPTION	REV
	1001216152	Ref	PLATFORM CONSOLE ASSEMBLY - E300AJP (UL SPECS) (SN <b>0300226252 to Present</b> )	D
1	0100009	AR	Sealant	
2	0100075	AR	Compound, Locking	
3	0140011	1	Alarm	
4	0641404	4	Bolt 1/4 x 1/2	
5	0641414	4	Bolt 1/4 x 1-3/4	
6	1671176	1	Housing	
7	1702565	1	Decal - Drive and Steer	
8	1702566	1	Decal - Lift and Swing	
9	1704260	1	Decal - Emergency Stop	
10	1704422	1	Decal - Function Speed	
11	2560136	1	Handle, Knob	
12	3300353	4	Nut, Tinnerman	
13	3300408	2	Nut	
14	3520026	1	Plug, Hole ( <b>Prior to SN 0300229198</b> )	
15	3520027	1	Plug, Hole	
16	3520030	1	Plug, Hole	
17	3520033	2	Plug, Hole ( <b>SN 0300211844 through 0300226255</b> )	
17	1001220486	2	Plug, Hole ( <b>SN 0300226256 to Present</b> )	
18	3520054	4	Plug, Hole	
19	3790012	8	O-Ring	
20	3911018	2	Capscrew #10 x 1-1/8	
21	4240032	AR	Tie-Strap	
22	4360387	1	Switch, Push Button ( <b>Prior to SN 0300229198</b> )	
22	4360387	2	Switch, Push Button ( <b>SN 0300229198 to Present</b> )	
23	4360407	1	Switch, Potentiometer	
23	70003784	1	Seal, O-Ring	
23	4460224	1	Plug, Male - 6 Position	
23	4460267	6	Pin, Male	
24	4360475	1	Switch, Emergency Stop	
24	7020175	1	Cap	
24	7020176	1	Block, Contact	
25	4360476	1	Block, Contact	
26	4460234	4	Base, Mounting	
27	4460428	1	Connector, Strain Relief	
28	4460470	1	Nut	
29	4460471	1	Washer	
30	4460488	2	Base, Mounting	
31	4460708	1	Connector	
32	4740397	8	Spacer	
33	4751400	8	Washer 1/4	
34	1001110434	2	Plug ( <b>Prior to SN 0300229198</b> )	
34	1001110434	1	Plug ( <b>SN 0300229198 to Present</b> )	
35	1001132175	1	Decal - Stop/Generator	
36	1001155044	8	Nut 15/32	
37	1001155045	6	Switch, Toggle	
38	1001159256	1	Switch, Toggle	
39	1001161710	1	Switch, Toggle	
40	1001166539	NLA	Controller Assembly - Lift and Swing (Use p/n 1001129555) (See	

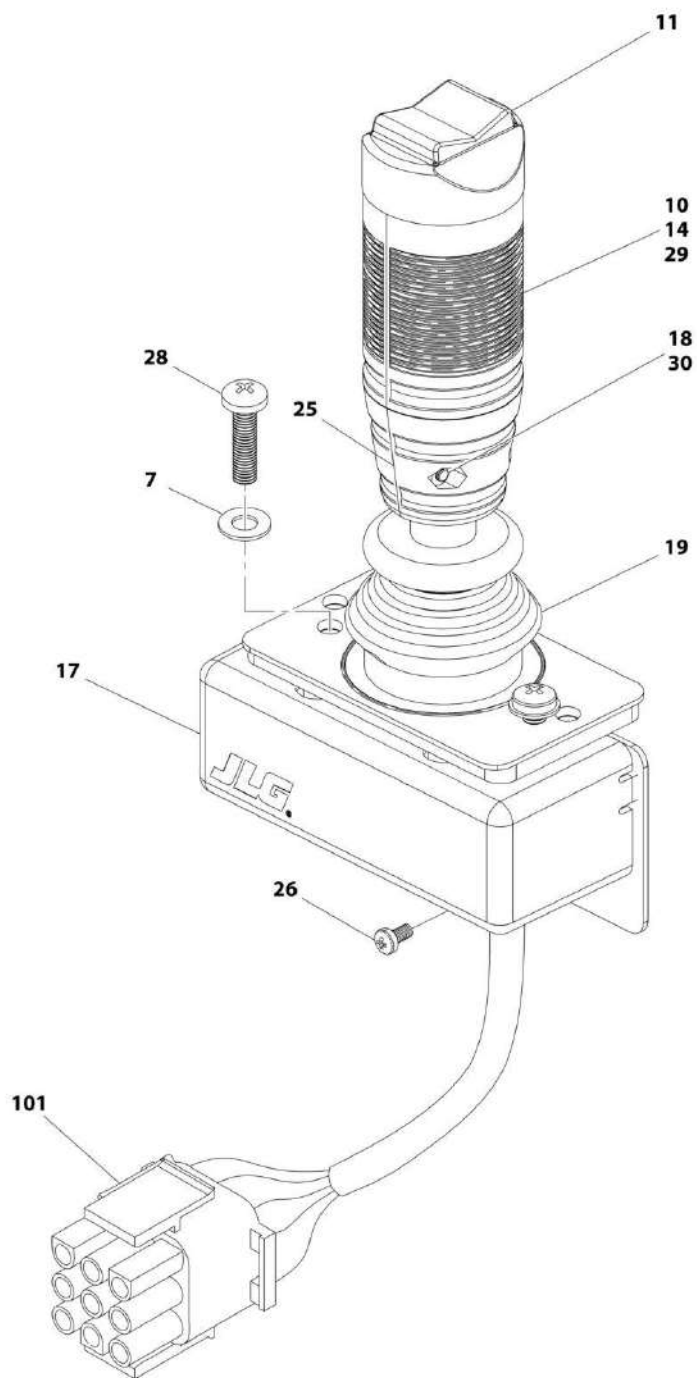
## SECTION 4 - PLATFORM

ITEM	PART NUMBER	QTY	DESCRIPTION	REV
41	1001170838	1	CONTROLLER ASSEMBLY - LIFT AND SWING for Breakdown) Gauge, LED Panel	B
42	1001172760	4	Bracket, Module	
43	1001189039	1	Footswitch Assembly (See FOOTSWITCH ASSEMBLY for Breakdown)	
44	1001190797	1	Decal - Display	
45	1001191318	1	Platform Console Harness (See ELECTRICAL SECTION for Breakdown)	
46	1001193987	1	Decal - Horn	
47	1001215835	1	Module, Platform (Note: Recalibration Required when Replaced.)	
48	1001166538	NLA	Controller Assembly - Drive and Steer (Use p/n 1001212415) (See CONTROLLER ASSEMBLY - DRIVE AND STEER for Breakdown)	
49	1001201887	1	Box, Console	
49A	0630568	1	Capscrew 3/8 x 4-1/2	
49B	3311601	1	Nut 3/8	
49C	3470003	2	Hair Pin	
49D	4711600	2	Washer 3/8	
49E	3430616	2	Pin	
50	1001141300	1	Decal - SkyGuard Override ( <b>SN 0300229198 through 0300237352</b> )	
51	1001144433	1	Decal - No Weight SkyGuard ( <b>SN 0300229198 to Present</b> )	
52	1001185281	1	Plug ( <b>SN 0300229198 to Present</b> )	
53	1001192292	1	SkyGuard Harness (See ELECTRICAL SECTION for Breakdown) ( <b>SN 0300229198 to Present</b> )	



# SECTION 4 - PLATFORM

## FIGURE 4-20. CONTROLLER ASSEMBLY - DRIVE AND STEER



ART\_1001166538

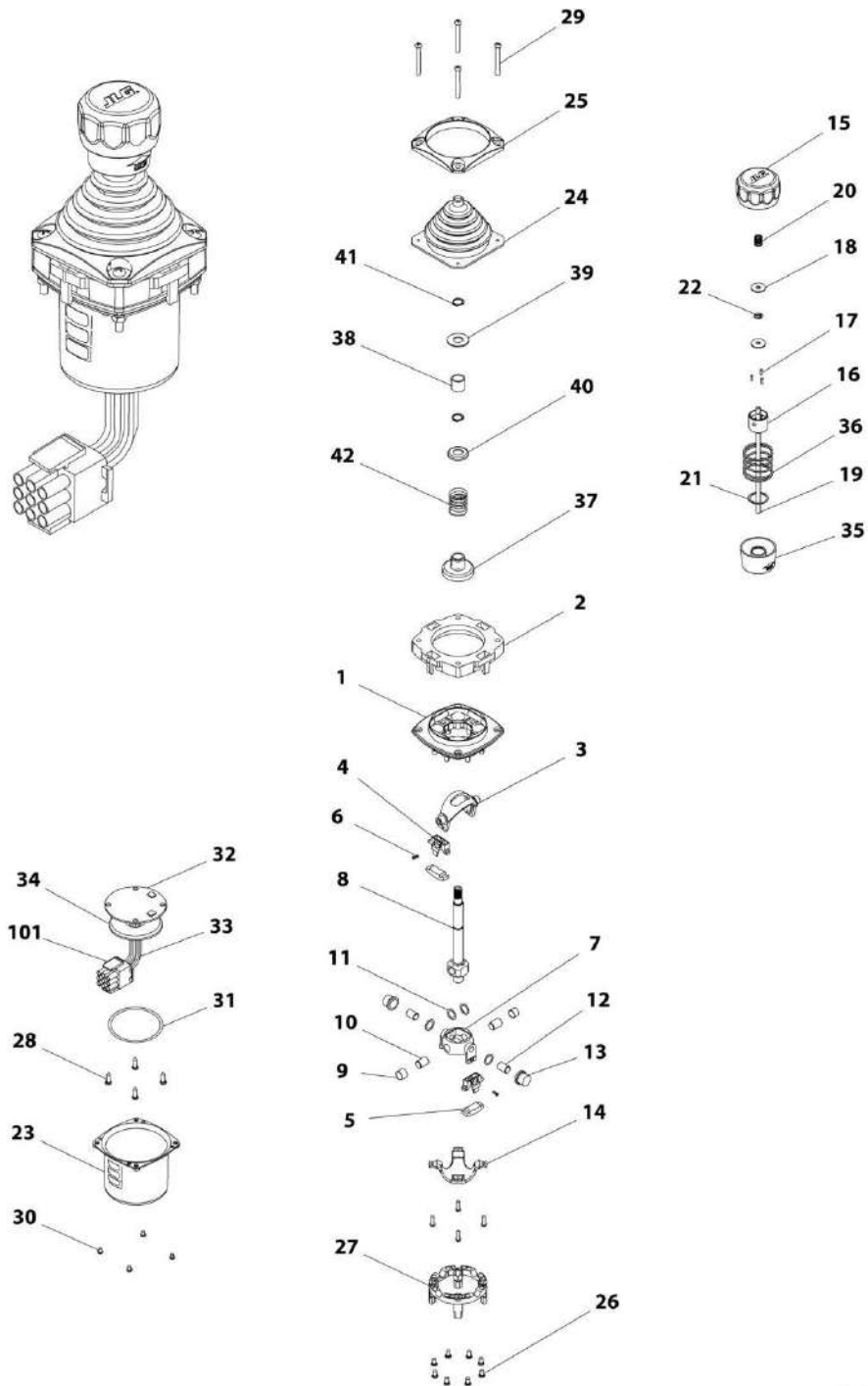
## SECTION 4 - PLATFORM

**FIGURE 4-20. CONTROLLER ASSEMBLY - DRIVE AND STEER**

ITEM	PART NUMBER	QTY	DESCRIPTION	REV
	1001166538	Ref	CONTROLLER ASSEMBLY - DRIVE AND STEER	G
		Ref	Note: For Replacement, Use p/n 1001212415.	
7	70004738	2	Washer	
10	70004739	1	Roller	
11	70004740	1	Boot, Switch	
14	70004741	2	Half, Handle	
17	70004742	1	Enclosure	
18	70004743	4	Nut	
19	70005230	1	Boot/Base Assembly	
25	70004747	2	Seal, Rope	
26	70004748	1	Screw M3 x 6	
28	70004749	2	Screw M5 x 20	
29	70004750	1	Pin, Dowel	
30	70004751	4	Screw M3 x 16	
101	4460265	1	Connector - 9 Position	
101	4460226	7	Socket, Female	

# SECTION 4 - PLATFORM

## FIGURE 4-21. CONTROLLER ASSEMBLY - LIFT AND SWING



ART\_1001166539



## SECTION 4 - PLATFORM

**FIGURE 4-21. CONTROLLER ASSEMBLY - LIFT AND SWING**

ITEM	PART NUMBER	QTY	DESCRIPTION	REV
	1001166539	Ref	CONTROLLER ASSEMBLY - LIFT AND SWING	D
		Ref	Note: Use p/n 1001129555 as Replacement.	
1	See Note	NSS	Main Cast Body (Note: Not Available - Purchase Complete Assembly)	
2	70004752	1	Adapter	
3	See Note	NSS	Pivot Arm, Plastic (Note: Not Available - Purchase Complete Assembly)	
4	See Note	NSS	Holder, Magnet (Note: Not Available - Purchase Complete Assembly)	
5	See Note	NSS	Arc, Magnet (Note: Not Available - Purchase Complete Assembly)	
6	See Note	NSS	Screw (Note: Not Available for Purchase)	
7	See Note	NSS	Pivot Arm, Cast (Note: Not Available - Purchase Complete Assembly)	
8	See Note	NSS	Shaft, Main (Note: Not Available - Purchase Complete Assembly)	
9	See Note	NSS	Bearing (Note: Not Available - Purchase Complete Assembly)	
10	See Note	NSS	Pin (Note: Not Available - Purchase Complete Assembly)	
11	See Note	NSS	Shim (Note: Not Available - Purchase Complete Assembly)	
12	See Note	NSS	Pin (Note: Not Available - Purchase Complete Assembly)	
13	See Note	NSS	Bearing (Note: Not Available - Purchase Complete Assembly)	
14	See Note	NSS	Dome, Centering (Note: Not Available - Purchase Complete Assembly)	
15	70004753	1	Cap	
16	70004754	1	Insert, Cap	
17	70004755	3	Pin	
18	70004756	2	Washer	
19	70004757	1	Pin, Centering	
20	70004758	1	Spring	
21	70004759	1	Ring, Retaining	
22	70004760	1	E-Ring	
23	70004761	1	Can, Enclosure	
24	70004762	1	Boot	
25	70004763	1	Bezel	
26	See Note	NSS	Screw (Note: Not Available for Purchase)	
27	See Note	NSS	Base Mounting (Note: Not Available - Purchase Complete Assembly)	
28	See Note	NSS	Screw (Note: Not Available for Purchase)	
29	70004764	4	Screw	
30	70004765	4	Screw	
31	70004766	1	O-Ring	
32	See Note	NSS	Plate (Note: Not Available - Purchase Complete Assembly)	
33	See Note	NSS	Harness (Note: Not Available - Purchase Complete Assembly)	
34	70004767	1	Grommet, Rubber	
35	70004768	1	Housing	
36	70004769	1	Spring	
37	70004770	1	Stopper	
38	70004771	1	Spacer	
39	70004772	1	Washer	
40	70004773	1	Disc	
41	70004774	2	Ring, Retaining	
42	70004775	1	Spring	

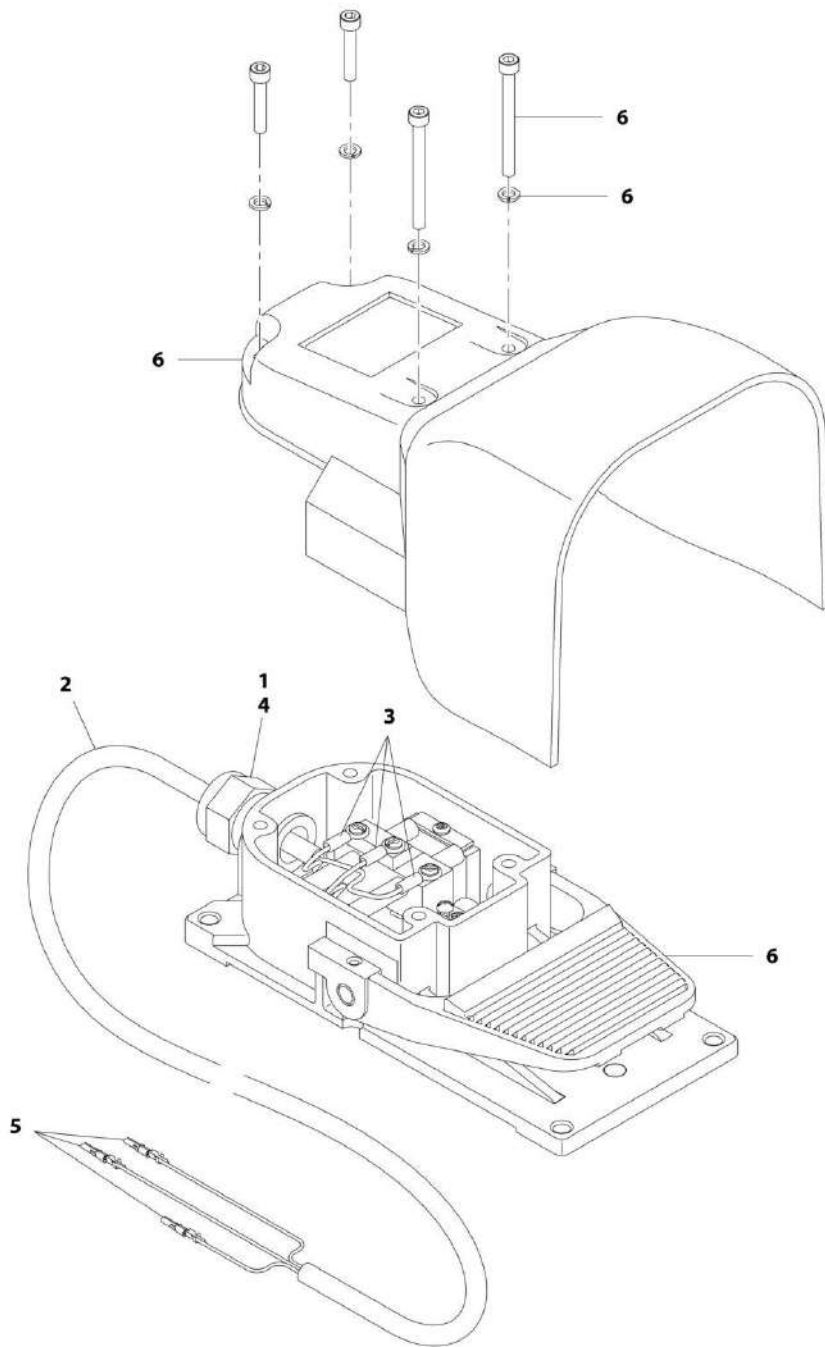
## SECTION 4 - PLATFORM

ITEM	PART NUMBER	QTY	DESCRIPTION	REV
101	4460265	1	Connector - 9 Position	
101	4460226	6	Socket, Female	



# SECTION 4 - PLATFORM

## FIGURE 4-22. FOOTSWITCH ASSEMBLY



ART\_1001189039

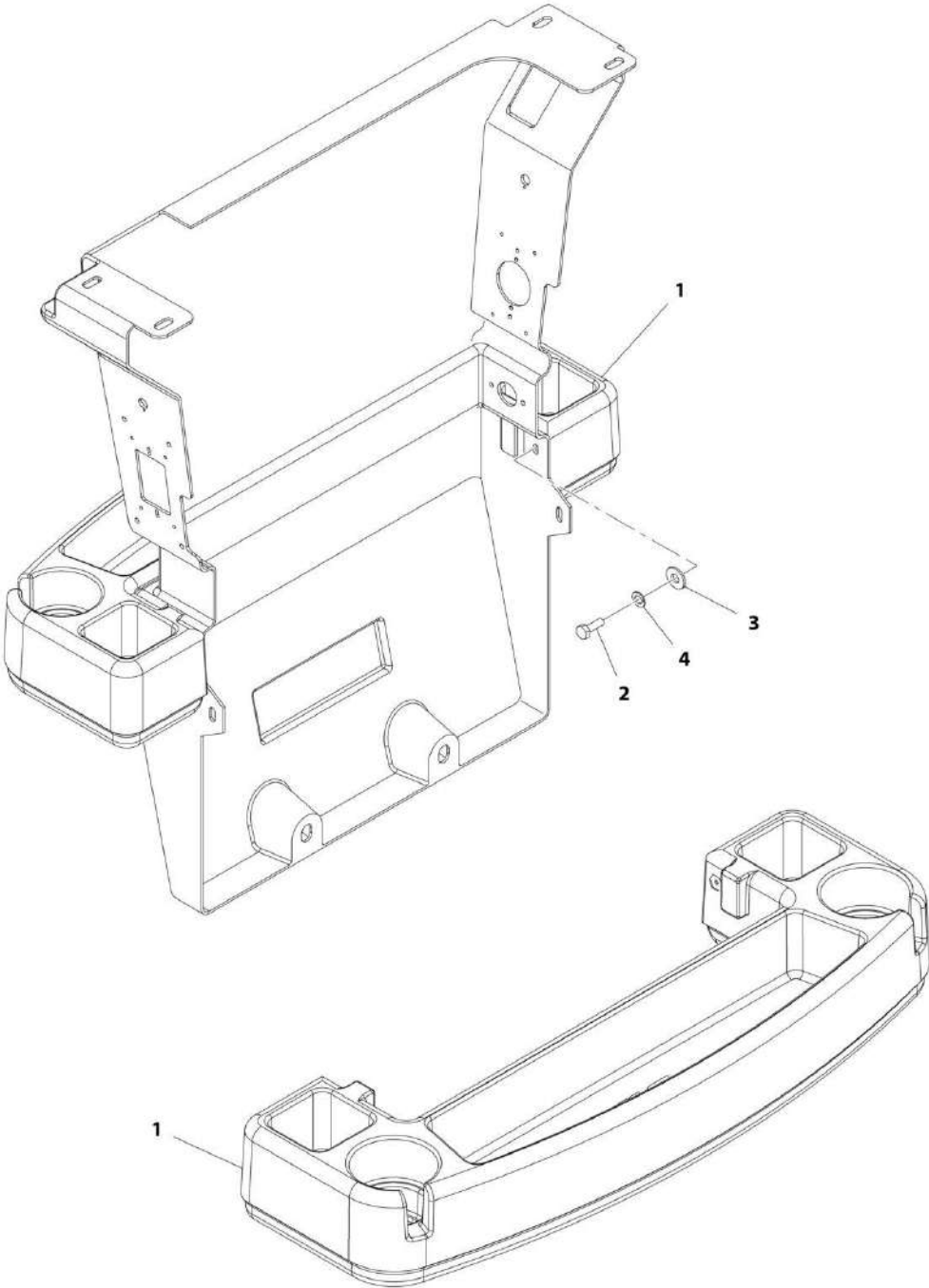
## SECTION 4 - PLATFORM

**FIGURE 4-22. FOOTSWITCH ASSEMBLY**

ITEM	PART NUMBER	QTY	DESCRIPTION	REV
	1001189039	Ref	FOOTSWITCH ASSEMBLY	A
1	0100020	AR	Sealant	
2	1060330	6 ft /1.83m	Cable, Electrical - 16/3	
3	4460042	3	Terminal	
4	4460071	1	Connector, Strain Relief	
5	4460226	3	Socket, Female	
6	1001117172	1	Footswitch	
6	70002902	1	Switch, 20Amp	
6	70002903	1	Gasket	
6	70002905	1	Cover	
6	70002904	1	Kit, Replacement Bolt	

**SECTION 4 - PLATFORM**

**FIGURE 4-23. TRAY ASSEMBLY**



ART\_1580012

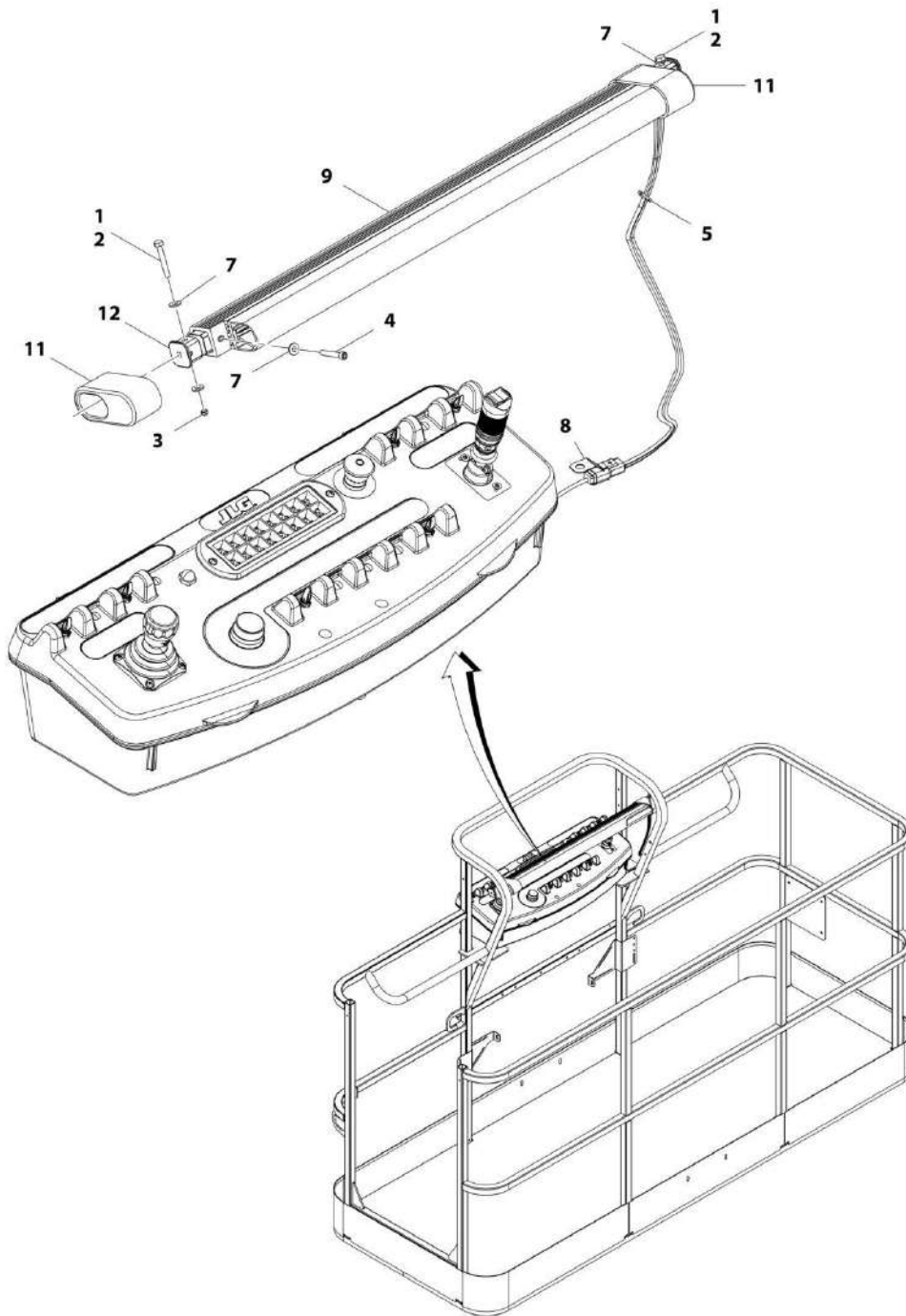
## SECTION 4 - PLATFORM

### FIGURE 4-23. TRAY ASSEMBLY

ITEM	PART NUMBER	QTY	DESCRIPTION	REV
	1580012	Ref	TRAY INSTALLATION	C
1	See Note	1	Tray, Storage - Center (Note: Purchase p/n 1580012)	
2	0641406	2	Bolt 1/4 x 3/4	
3	4751400	2	Washer 1/4	
4	4761400	2	Washer, Locking 1/4	

# SECTION 4 - PLATFORM

## FIGURE 4-24. SKYGUARD INSTALLATION



ART\_1001192387



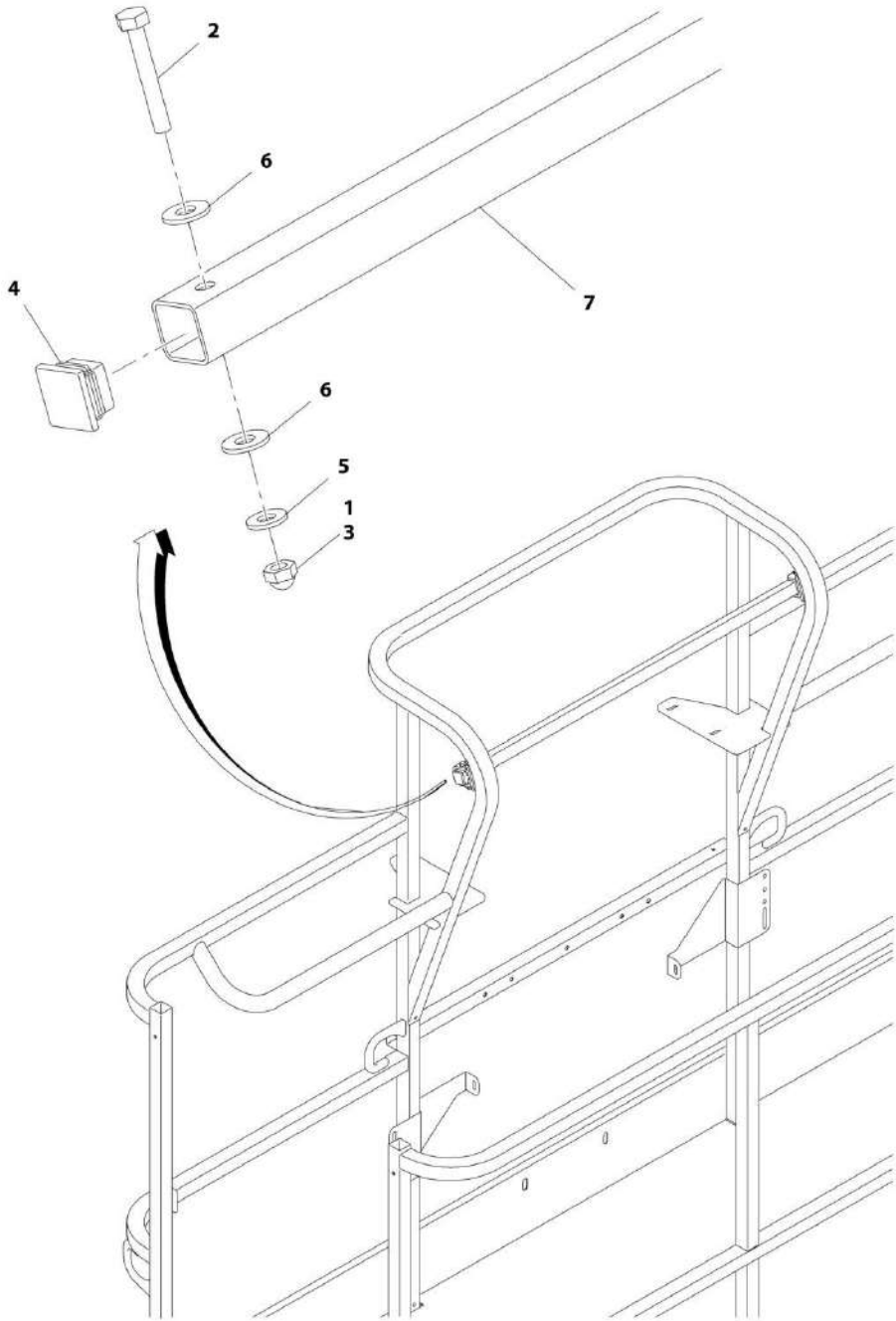
## SECTION 4 - PLATFORM

### FIGURE 4-24. SKYGUARD INSTALLATION

ITEM	PART NUMBER	QTY	DESCRIPTION	REV
	1001192387	Ref	SKYGUARD INSTALLATION	C
1	0100011	AR	Compound, Locking	
2	0641414	2	Bolt 1/4 x 1-3/4	
3	3300430	2	Nut, Acorn 1/4	
4	3931424	2	Capscrew 1/4 x 1-1/2 <b>(Prior to SN 0300244421)</b>	
4	3931408	2	Capscrew 1/4 x 1/2 <b>(SN 0300244421 to Present)</b>	
5	4240033	AR	Tie-Strap	
7	4711400	6	Washer 1/4	
8	1001120328	1	Mount	
9	1001137673	1	Switch, SkyGuard Assembly	
11	1001186517	2	Cover, Platform Sensor	
12	1001188889	2	Support, Shear Block <b>(Prior to SN 0300244421)</b>	
12	1001209664	2	Support, Shear Block <b>(SN 0300244421 to Present)</b>	

**SECTION 4 - PLATFORM**

**FIGURE 4-25. CROSSRAIL INSTALLATION**



ART\_1001182138

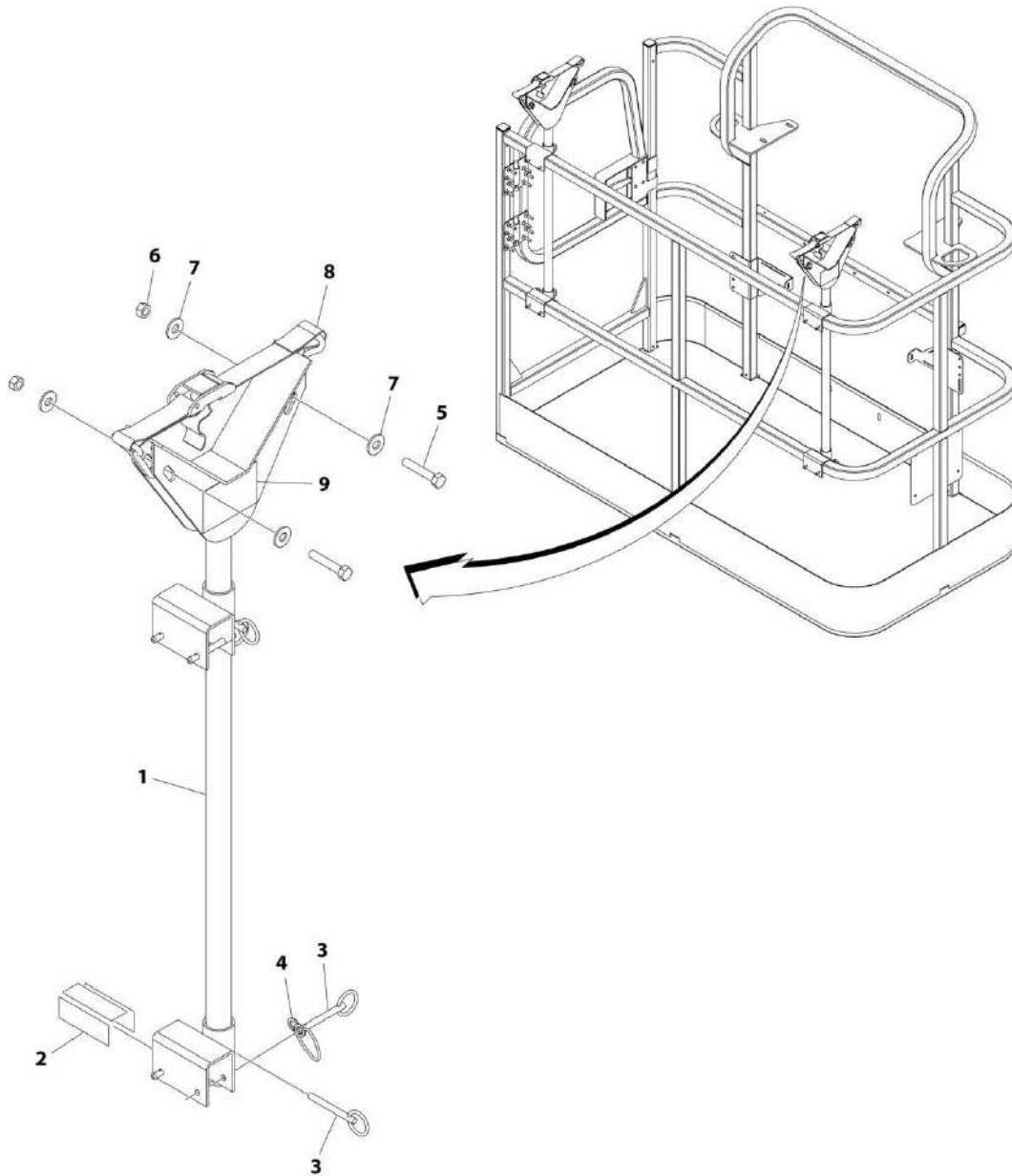
## SECTION 4 - PLATFORM

### FIGURE 4-25. CROSSRAIL INSTALLATION

ITEM	PART NUMBER	QTY	DESCRIPTION	REV
	1001182138	Ref	CROSSRAIL INSTALLATION	A
1	0100071	AR	Compound, Locking	
2	0641414	2	Bolt 1/4 X 1-3/4	
3	3300430	2	Nut 1/4	
4	3520182	2	Plug	
5	4711400	2	Washer 1/4	
6	4751400	4	Washer 1/4	
7	1001191708	1	Bar	

# SECTION 4 - PLATFORM

## FIGURE 4-26. PIPE RACK INSTALLATION (ANSI SPEC)



ART\_0257728

## SECTION 4 - PLATFORM

**FIGURE 4-26. PIPE RACK INSTALLATION (ANSI SPEC)**

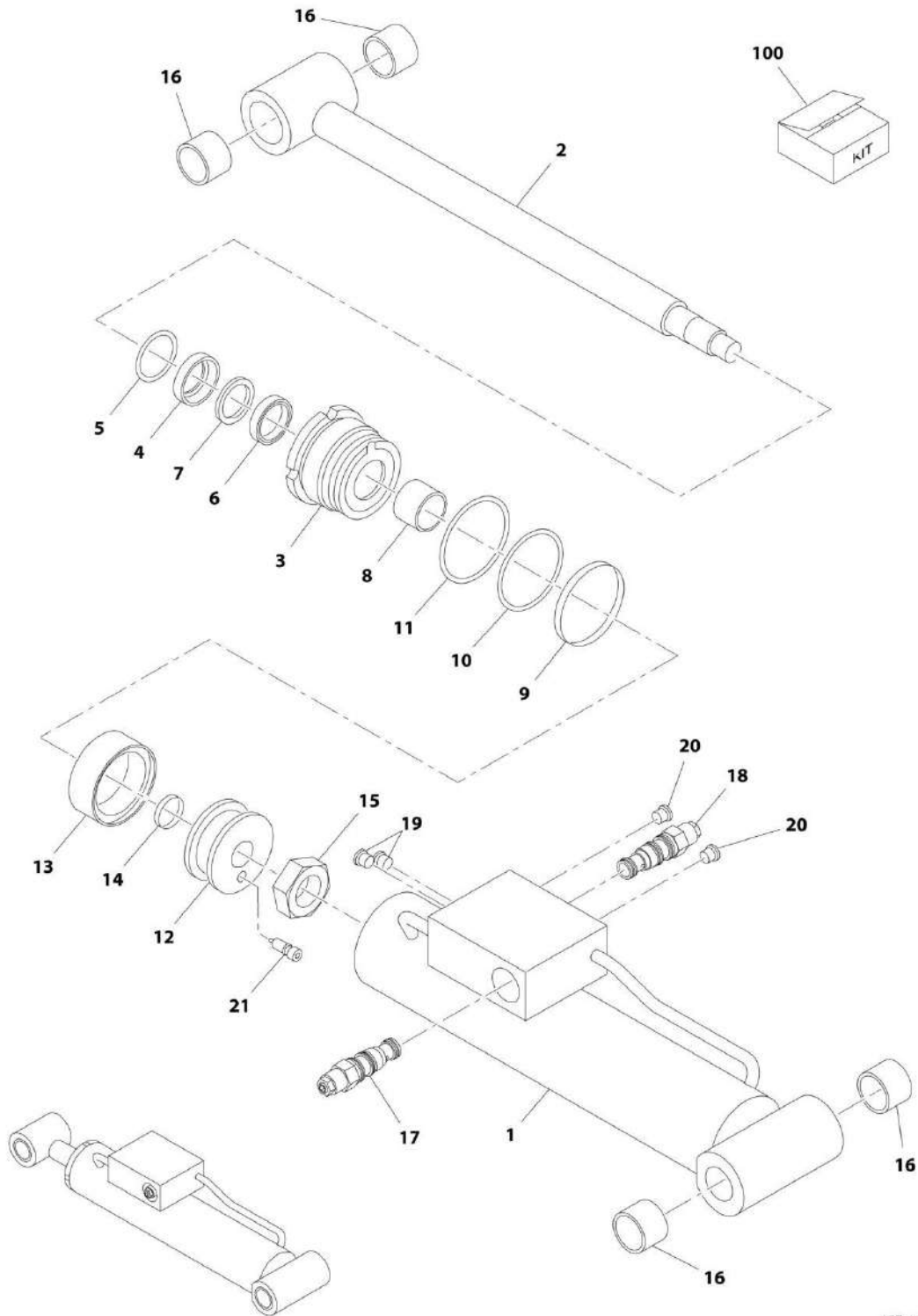
ITEM	PART NUMBER	QTY	DESCRIPTION	REV
	0257728	Ref	PIPE RACK INSTALLATION (ANSI SPEC)	2/C
1	4845582	2	Rack, Pipe	
2	4420062	AR	Tape	
3	3422661	10	Pin	
4	1060379	4	Lanyard	
5	0641514	4	Bolt 5/16 x 1-3/4	
6	3311505	4	Nut 5/16	
7	4751500	8	Washer 5/16	
8	0480100	2	Tie-Down	
9	1703683	2	Decal - Capacity	



**SECTION 5 - CYLINDER**

# SECTION 5 - CYLINDER

FIGURE 5-1. LEVEL CYLINDER ASSEMBLY - PLATFORM SLAVE (SN 0300211844 through 0300221077)



ART\_1001105153



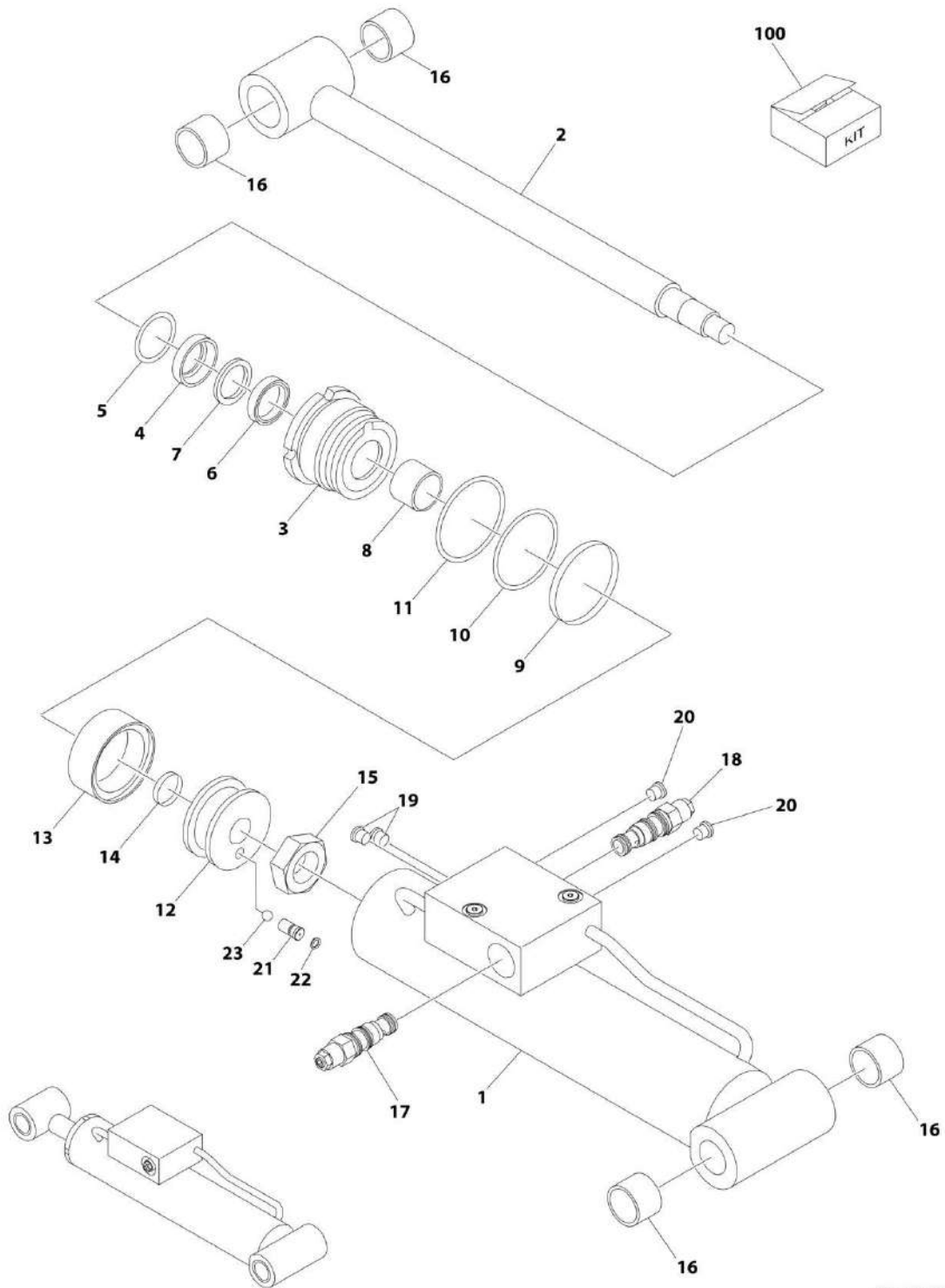
## SECTION 5 - CYLINDER

**FIGURE 5-1. LEVEL CYLINDER ASSEMBLY - PLATFORM SLAVE (SN 0300211844 through 0300221077)**

ITEM	PART NUMBER	QTY	DESCRIPTION	REV
	1001105153	Ref	LEVEL CYLINDER ASSEMBLY - PLATFORM SLAVE (SN <b>0300211844 through 0300221077</b> )	G
1	70002361	1	Barrel Weldment	
2	70002360	1	Rod Weldment	
3	70002359	1	Head	
4	See Note	NSS	Wiper (Note: Use Item 100)	
5	70002366	1	Ring, Retaining	
6	See Note	NSS	Seal, Rod (Note: Use Item 100)	
7	See Note	NSS	Ring, Back-up (Note: Use Item 100)	
8	70002352	1	Ring, Wear	
9	See Note	NSS	O-Ring (Note: Use Item 100)	
10	See Note	NSS	Ring, Back-up (Note: Use Item 100)	
11	See Note	NSS	O-Ring (Note: Use Item 100)	
12	70002358	1	Piston	
13	See Note	NSS	Seal, Piston (Note: Use Item 100)	
14	See Note	NSS	O-Ring (Note: Use Item 100)	
15	70002335	1	Nut	
15	0100071	AR	Compound, Locking	
16	70002333	4	Bearing	
17	70002413	1	Cartridge, Valve (Counterbalance)	
17	2900770	1	Seal Kit - 70002413 Valve (1 Per Assembly)	
18	70002388	1	Cartridge, Valve (Counterbalance)	
18	2900770	1	Seal Kit - 70002388 Valve (1 Per Assembly)	
19	See Note	2	Plug, O-Ring (Note: Not Available for Purchase)	
20	See Note	2	Plug, O-Ring (Note: Not Available for Purchase)	
21	70002357	1	Valve, Phase	
100	70002350	1	Seal Kit (Includes Items 4, 6, 7, 9, 10, 11, 13 & 14)	

# SECTION 5 - CYLINDER

FIGURE 5-2. LEVEL CYLINDER ASSEMBLY - PLATFORM SLAVE (SN 0300221078 to Present)



ART\_1001203949

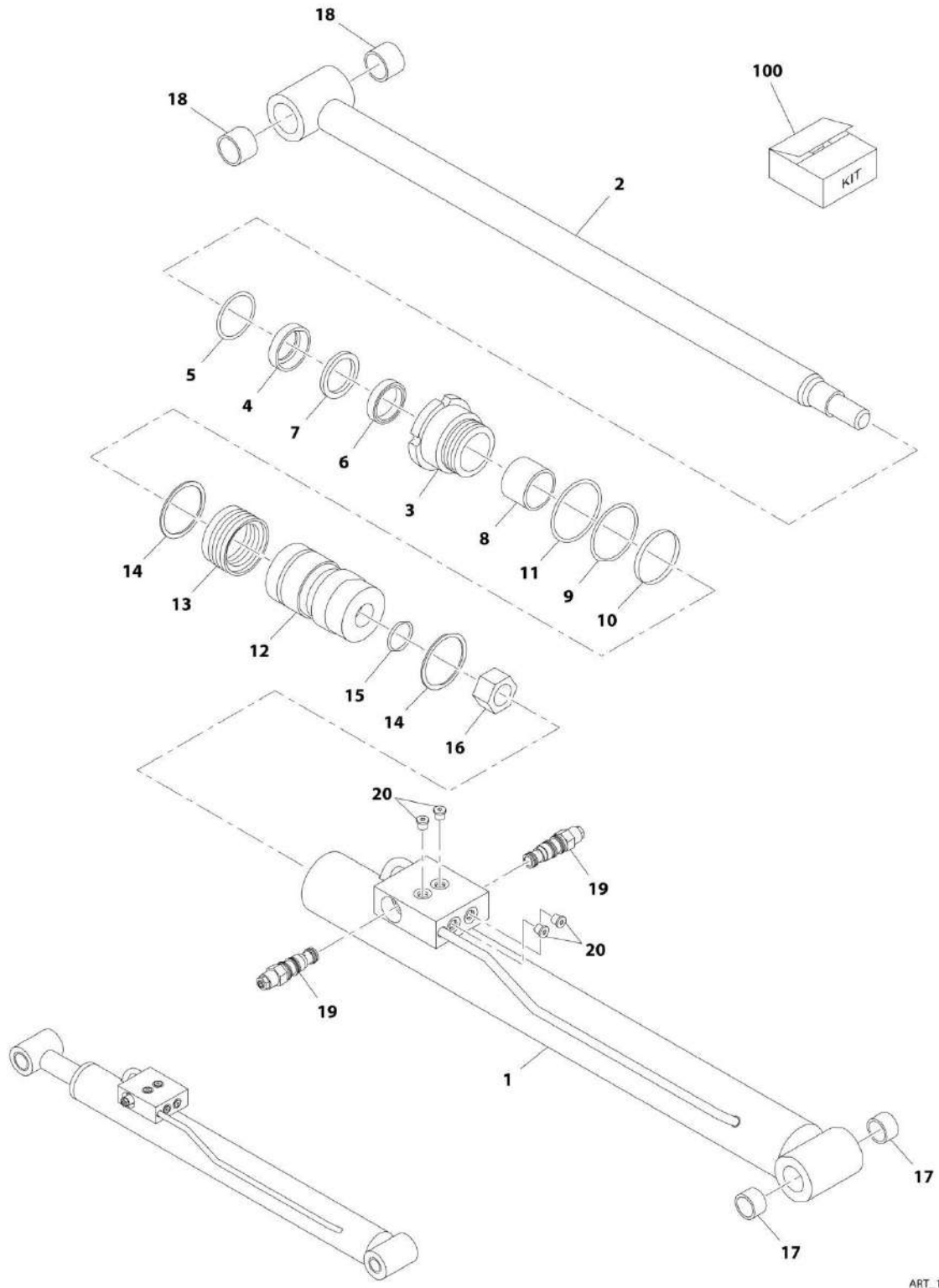
## SECTION 5 - CYLINDER

**FIGURE 5-2. LEVEL CYLINDER ASSEMBLY - PLATFORM SLAVE (SN 0300221078 to Present)**

ITEM	PART NUMBER	QTY	DESCRIPTION	REV
	1001203949	1	LEVEL CYLINDER ASSEMBLY - PLATFORM SLAVE (SN <b>0300221078 to Present</b> )	B
1	70003131	1	Barrel Weldment	
2	70002360	1	Rod Weldment	
3	70002359	1	Head	
4	See Note	NSS	Wiper (Note: Use Item 100)	
5	See Note	NSS	Ring, Retaining (Note: Use Item 100)	
6	See Note	NSS	Seal, Rod (Note: Use Item 100)	
7	See Note	NSS	Ring, Back-up (Note: Use Item 100)	
8	70005695	1	Ring, Wear	
9	See Note	NSS	O-Ring (Note: Use Item 100)	
10	See Note	NSS	Ring, Back-up (Note: Use Item 100)	
11	See Note	NSS	O-Ring (Note: Use Item 100)	
12	70005972	1	Piston	
13	See Note	NSS	Seal, Piston (Note: Use Item 100)	
14	See Note	NSS	O-Ring (Note: Use Item 100)	
15	70002335	1	Nut	
15	0100071	AR	Compound, Locking	
16	0961951	4	Bearing	
17	70002413	1	Cartridge, Valve (Counterbalance)	
17	2900770	1	Seal Kit - 70002413 Valve (1 Per Assembly)	
18	1001168210	1	Cartridge, Valve (Counterbalance)	
18	2900770	1	Seal Kit - 1001168210 Valve (1 Per Assembly)	
19	2220883	4	Plug, O-Ring	
20	See Note	2	Plug, O-Ring (Note: Not Available for Purchase)	
21	70005973	1	Valve	
22	70005974	1	O-Ring	
23	See Note	NSS	Ball (Note: Per the vendor - the steel ball is no longer included in the Seal Kit. The steel ball p/n is 70006353.)	
100	70002350	1	Seal Kit (Includes Items 4, 5, 6, 7, 9, 10, 11, 13, 14 & 23)	

# SECTION 5 - CYLINDER

## FIGURE 5-3. LIFT CYLINDER ASSEMBLY - JIB



ART\_1001108429

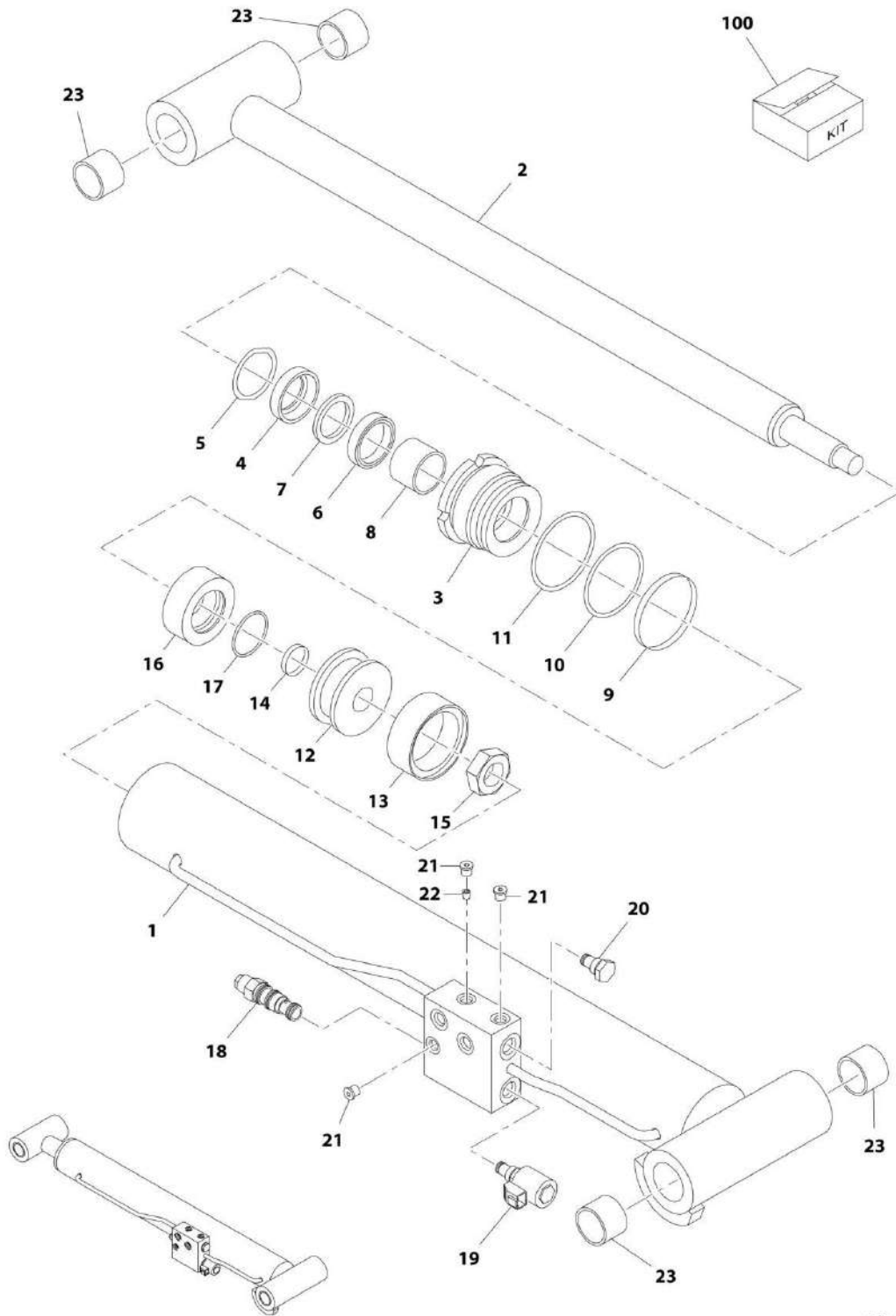
## SECTION 5 - CYLINDER

**FIGURE 5-3. LIFT CYLINDER ASSEMBLY - JIB**

ITEM	PART NUMBER	QTY	DESCRIPTION	REV
	1001108429	Ref	LIFT CYLINDER ASSEMBLY - JIB	C
1	70002376	1	Barrel Weldment	
2	70002375	1	Rod Weldment	
3	70002374	1	Head	
4	See Note	NSS	Wiper (Note: Use Item 100)	
5	70002373	1	Ring, Retaining	
6	See Note	NSS	Seal, Rod (Note: Use Item 100)	
7	See Note	NSS	Ring, Back-up (Note: Use Item 100)	
8	70005143	1	Ring, Wear	
9	See Note	NSS	O-Ring (Note: Use Item 100)	
10	See Note	NSS	Ring, Back-up (Note: Use Item 100)	
11	See Note	NSS	O-Ring (Note: Use Item 100)	
12	70002371	1	Piston	
13	See Note	NSS	Seal, Piston (Note: Use Item 100)	
14	70006722	1	Ring, Piston	
15	See Note	NSS	O-Ring (Note: Use Item 100)	
16	70002335	1	Nut	
16	0100071	AR	Compound, Locking	
17	70005159	2	Bearing	
18	70006574	2	Bearing	
19	70002389	2	Cartridge, Valve (Counterbalance)	
19	2900770	2	Seal Kit - 70002389 Valve (1 Per Assembly)	
20	See Note	4	Plug, O-Ring (Note: Not Available for Purchase)	
100	70002370	1	Seal Kit (Includes Items 4, 6, 7, 9, 10, 11, 13, 14 & 15)	

# SECTION 5 - CYLINDER

## FIGURE 5-4. LIFT CYLINDER ASSEMBLY - MAIN BOOM



ART\_1001106880

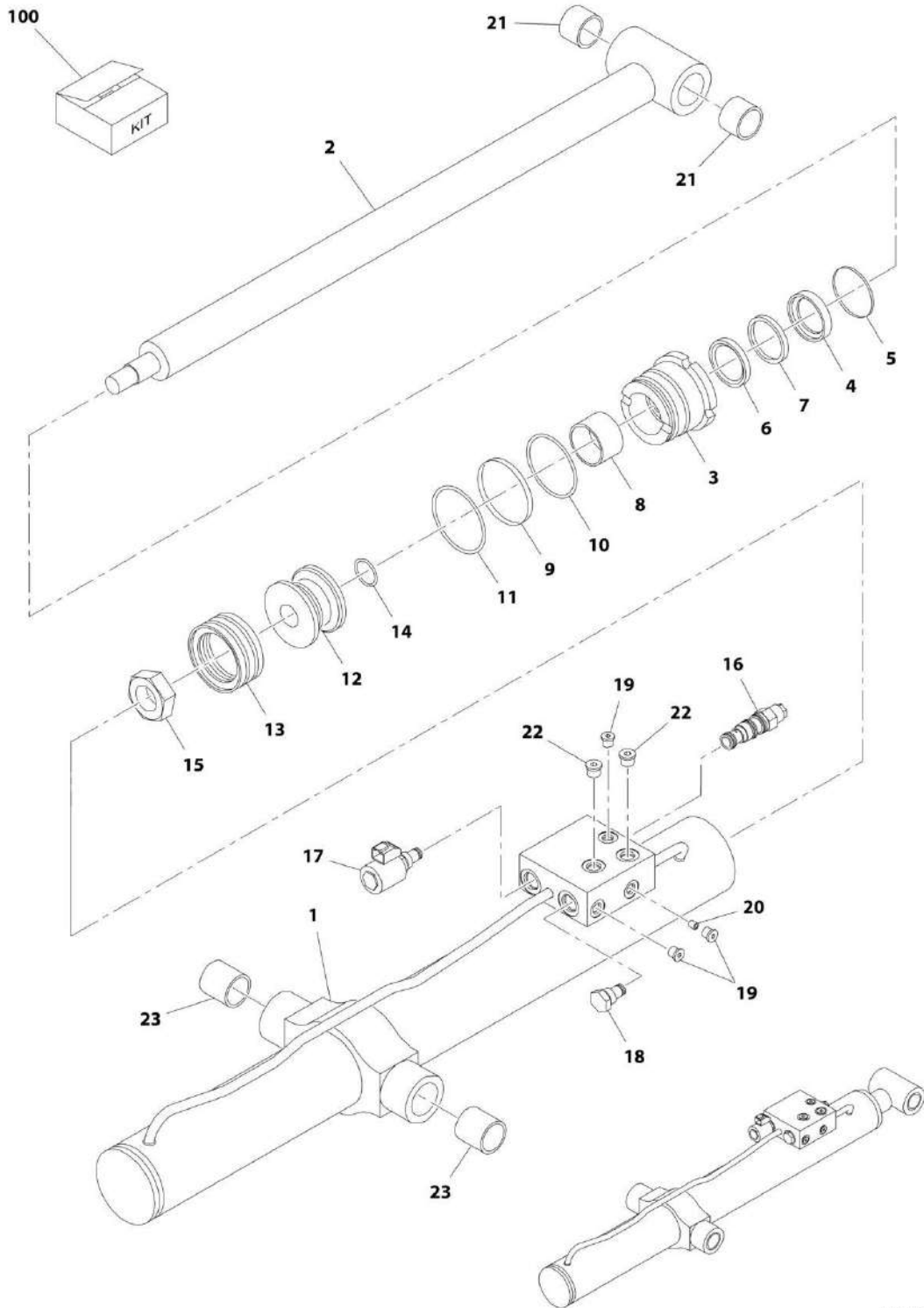
## SECTION 5 - CYLINDER

**FIGURE 5-4. LIFT CYLINDER ASSEMBLY - MAIN BOOM**

ITEM	PART NUMBER	QTY	DESCRIPTION	REV
	1001106880	Ref	LIFT CYLINDER ASSEMBLY - MAIN BOOM	E
1	70002349	1	Barrel Weldment	
2	70002348	1	Rod Weldment	
3	70002347	1	Head	
4	See Note	NSS	Wiper (Note: Use Item 100)	
5	70002412	1	Ring, Retaining	
6	See Note	NSS	Seal, Rod (Note: Use Item 100)	
7	See Note	NSS	Ring, Back-up (Note: Use Item 100)	
8	70022593	1	Ring, Wear	
9	See Note	NSS	O-Ring (Note: Use Item 100)	
10	See Note	NSS	Ring, Back-up (Note: Use Item 100)	
11	See Note	NSS	O-Ring (Note: Use Item 100)	
12	70002346	1	Piston	
13	See Note	NSS	Seal, Piston (Note: Use Item 100)	
14	See Note	NSS	O-Ring (Note: Use Item 100)	
15	70002345	1	Nut	
15	0100071	AR	Compound, Locking	
16	70002344	1	Spacer	
17	See Note	NSS	O-Ring (Note: Use Item 100)	
18	70002387	1	Cartridge, Valve (Counterbalance)	
18	2900770	1	Seal Kit - 70002387 Valve (1 Per Assembly)	
19	7024884	1	Cartridge, Valve (2 Way Poppet)	
19	7012967	1	Seal Kit - 7024884 Valve (1 Per Assembly)	
19	70002386	1	Coil	
20	7012955	1	Cartridge, Valve (Check)	
20	7012967	1	Seal Kit - 7012955 Valve (1 Per Assembly)	
21	See Note	3	Plug, O-Ring (Note: Not Available for Purchase)	
22	70002343	1	Orifice	
23	70002342	4	Bearing	
100	70002341	1	Seal Kit (Includes Items 4, 6, 7, 9, 10, 11, 13, 14 & 17)	

# SECTION 5 - CYLINDER

## FIGURE 5-5. LIFT CYLINDER ASSEMBLY - TOWER BOOM



ART\_1001107886



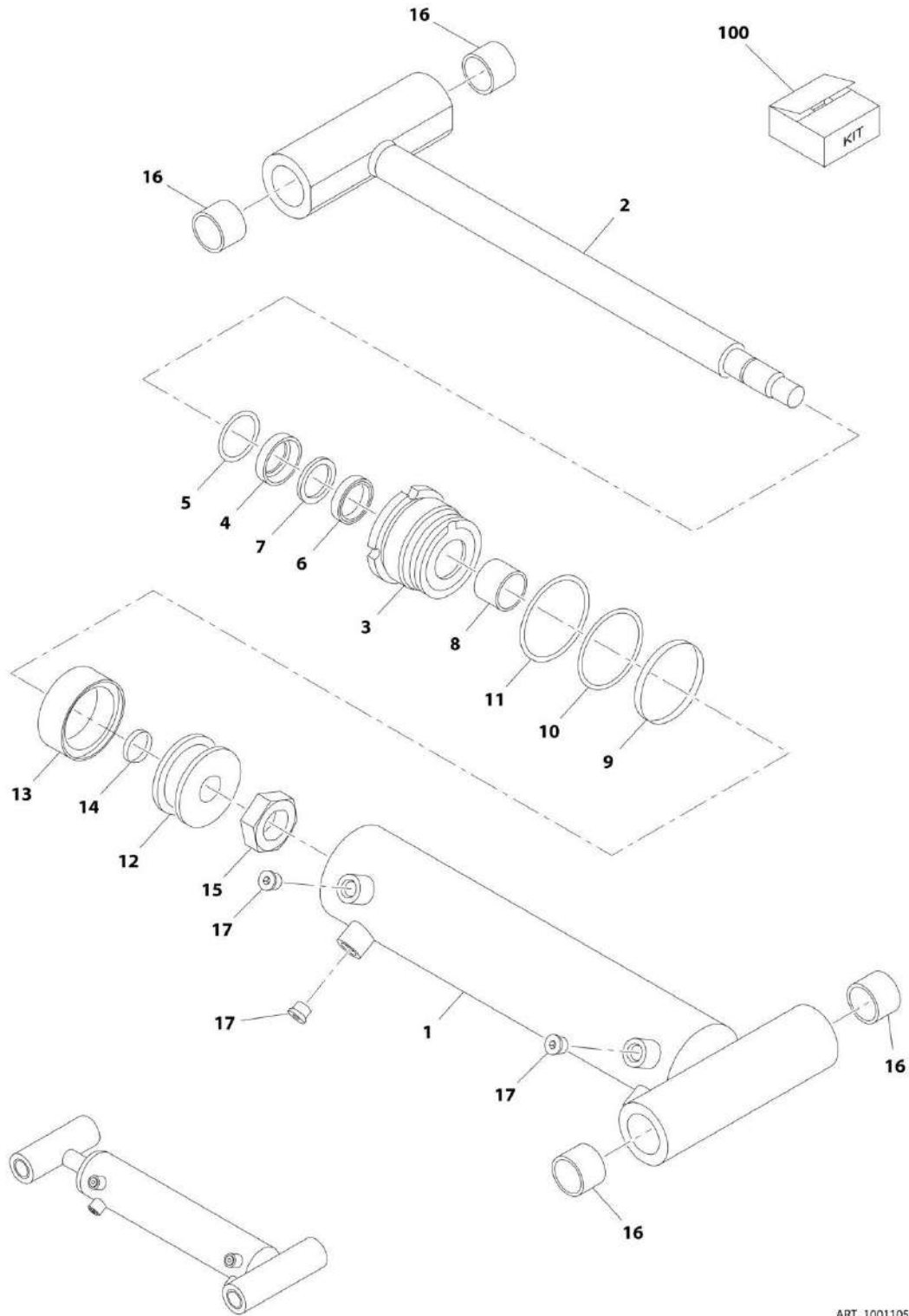
## SECTION 5 - CYLINDER

### FIGURE 5-5. LIFT CYLINDER ASSEMBLY - TOWER BOOM

ITEM	PART NUMBER	QTY	DESCRIPTION	REV
	1001107886	Ref	LIFT CYLINDER ASSEMBLY - TOWER BOOM	D
1	70002340	1	Barrel Weldment	
2	70002339	1	Rod Weldment	
3	70002338	1	Head	
4	See Note	NSS	Wiper (Note: Use Item 100)	
5	70002410	1	Ring, Retaining	
6	See Note	NSS	Seal, Rod (Note: Use Item 100)	
7	See Note	NSS	Ring, Back-up (Note: Use Item 100)	
8	70002337	1	Ring, Wear	
9	See Note	NSS	O-Ring (Note: Use Item 100)	
10	See Note	NSS	Ring, Back-up (Note: Use Item 100)	
11	See Note	NSS	O-Ring (Note: Use Item 100)	
12	70002336	1	Piston	
13	See Note	NSS	Seal, Piston (Note: Use Item 100)	
14	See Note	NSS	O-Ring (Note: Use Item 100)	
15	70002335	1	Nut	
15	0100071	AR	Compound, Locking	
16	70002387	1	Cartridge, Valve (Counterbalance)	
16	2900770	1	Seal Kit - 70002387 Valve (1 Per Assembly)	
17	7024884	1	Cartridge, Valve (2 Way Poppet)	
17	7012967	1	Seal Kit - 7024884 Valve (1 Per Assembly)	
17	70002386	1	Coil	
18	7012955	1	Cartridge, Valve (Check)	
18	7012967	1	Seal Kit - 7012955 Valve (1 Per Assembly)	
19	See Note	3	Plug, O-Ring (Note: Not Available for Purchase)	
20	70002334	1	Orifice	
21	70002333	2	Bearing	
22	See Note	2	Plug, O-Ring (Note: Not Available for Purchase)	
23	70002409	2	Bearing	
100	70002332	1	Seal Kit (Includes Items 4, 6, 7, 9, 10, 11, 13 & 14)	

# SECTION 5 - CYLINDER

## FIGURE 5-6. MASTER CYLINDER ASSEMBLY



ART\_1001105989

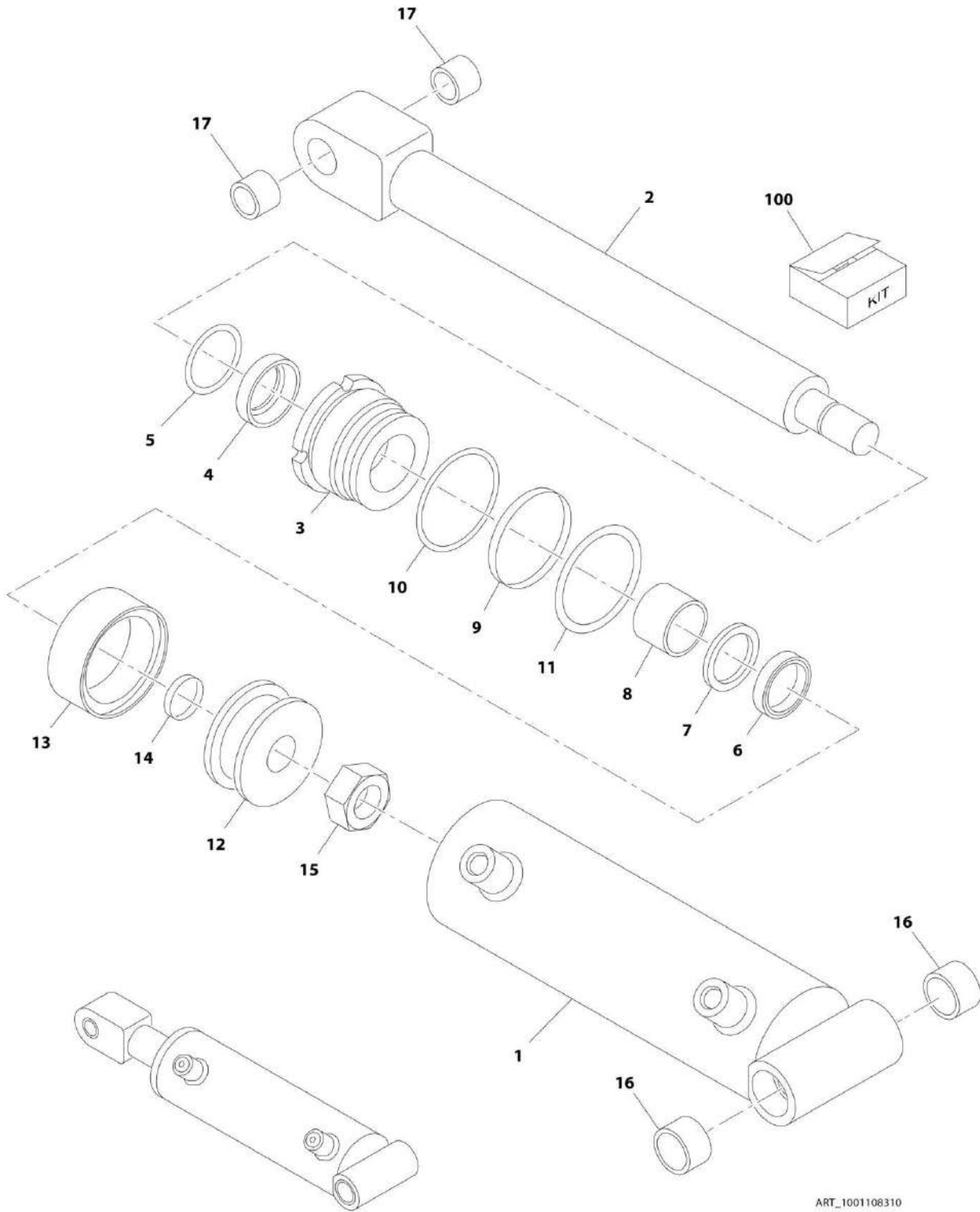
## SECTION 5 - CYLINDER

### FIGURE 5-6. MASTER CYLINDER ASSEMBLY

ITEM	PART NUMBER	QTY	DESCRIPTION	REV
	1001105989	Ref	MASTER CYLINDER ASSEMBLY	C
1	70002355	1	Barrel Weldment	
2	70002354	1	Rod Weldment	
3	70002359	1	Head	
4	See Note	NSS	Wiper (Note: Use Item 100)	
5	70002366	1	Ring, Retaining	
6	See Note	NSS	Seal, Rod (Note: Use Item 100)	
7	See Note	NSS	Ring, Back-up (Note: Use Item 100)	
8	70002352	1	Ring, Wear	
9	See Note	NSS	O-Ring (Note: Use Item 100)	
10	See Note	NSS	Ring, Back-up (Note: Use Item 100)	
11	See Note	NSS	O-Ring (Note: Use Item 100)	
12	70002381	1	Piston	
13	See Note	NSS	Seal, Piston (Note: Use Item 100)	
14	See Note	NSS	O-Ring (Note: Use Item 100)	
15	70002335	1	Nut	
15	0100071	AR	Compound, Locking	
16	70002333	4	Bearing	
17	See Note	3	Plug, O-Ring (Note: Not Available for Purchase)	
100	70002350	1	Seal Kit (Includes Items 4, 6, 7, 9, 10, 11, 13 & 14)	

# SECTION 5 - CYLINDER

## FIGURE 5-7. STEER CYLINDER ASSEMBLY



ART\_1001108310

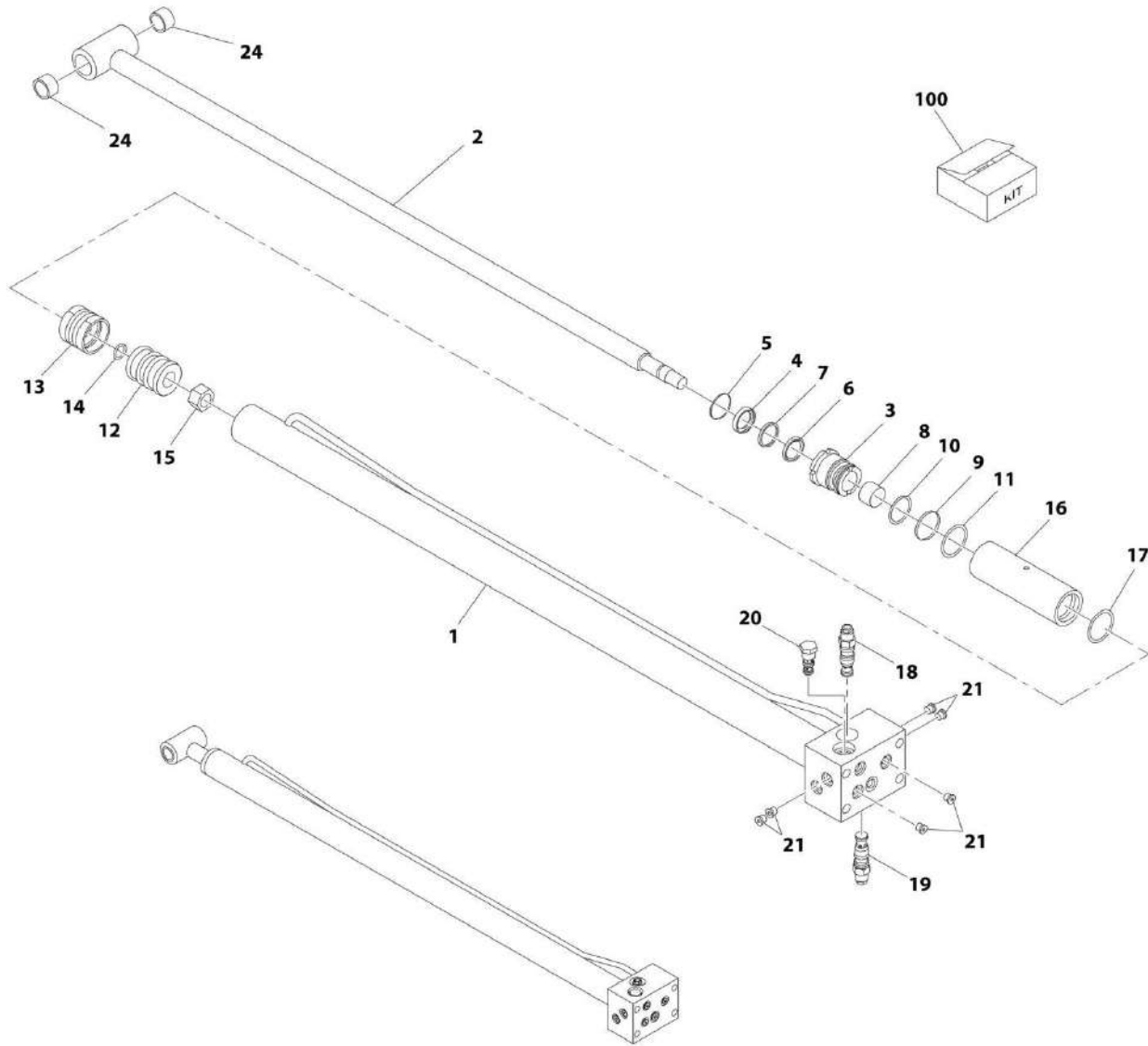
## SECTION 5 - CYLINDER

**FIGURE 5-7. STEER CYLINDER ASSEMBLY**

ITEM	PART NUMBER	QTY	DESCRIPTION	REV
	1001108310	Ref	STEER CYLINDER ASSEMBLY	C
1	70002384	1	Barrel Weldment	
2	70002383	1	Rod Weldment	
3	70002382	1	Head	
4	See Note	NSS	Wiper (Note: Use Item 100)	
5	70002373	1	Ring, Retaining	
6	See Note	NSS	Seal, Rod (Note: Use Item 100)	
7	See Note	NSS	Ring, Back-up (Note: Use Item 100)	
8	70022586	1	Ring, Wear	
9	See Note	NSS	O-Ring (Note: Use Item 100)	
10	See Note	NSS	Ring, Back-up (Note: Use Item 100)	
11	See Note	NSS	O-Ring (Note: Use Item 100)	
12	70002381	1	Piston	
13	See Note	NSS	Seal, Piston (Note: Use Item 100)	
14	See Note	NSS	O-Ring (Note: Use Item 100)	
15	70002335	1	Nut	
15	0100071	AR	Compound, Locking	
16	70002363	2	Bearing	
17	70002380	2	Bearing	
100	70002379	1	Seal Kit (Includes Items 4, 6, 7, 9, 10, 11, 13 & 14)	

# SECTION 5 - CYLINDER

## FIGURE 5-8. TELESCOPE CYLINDER ASSEMBLY - E300AJ



ART\_1001120974

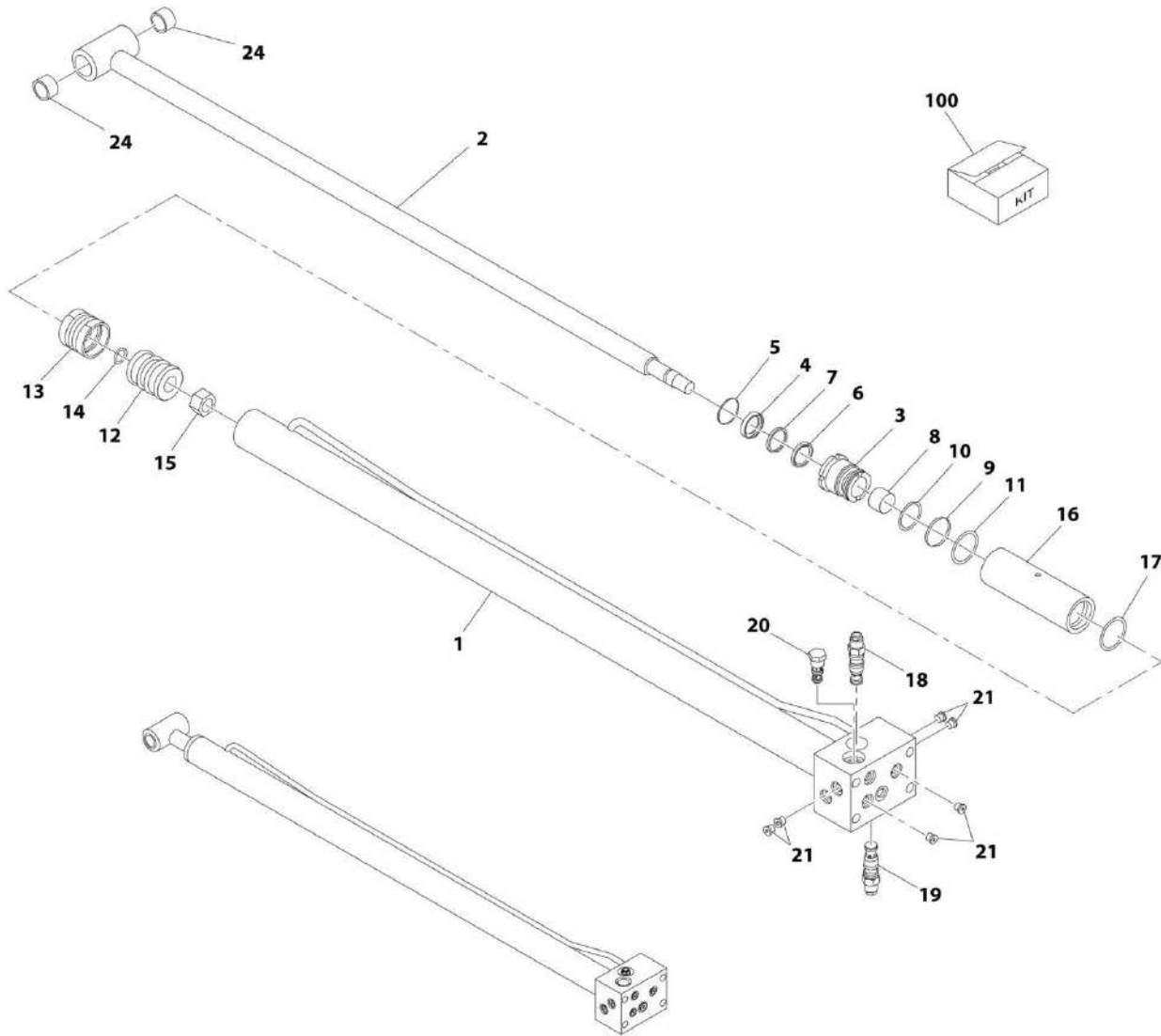
## SECTION 5 - CYLINDER

**FIGURE 5-8. TELESCOPE CYLINDER ASSEMBLY - E300AJ**

ITEM	PART NUMBER	QTY	DESCRIPTION	REV
	1001120974	Ref	TELESCOPE CYLINDER ASSEMBLY - E300AJ	C
1	70003114	1	Barrel Weldment	
2	70003115	1	Rod Weldment	
3	70003116	1	Head	
4	See Note	NSS	Wiper (Note: Use Item 100)	
5	70002366	1	Ring, Retaining	
6	See Note	NSS	Seal, Rod (Note: Use Item 100)	
7	See Note	NSS	Ring, Back-up (Note: Use Item 100)	
8	70002352	1	Ring, Wear	
9	See Note	NSS	O-Ring (Note: Use Item 100)	
10	See Note	NSS	Ring, Back-up (Note: Use Item 100)	
11	See Note	NSS	O-Ring (Note: Use Item 100)	
12	70003117	1	Piston	
13	See Note	NSS	Seal, Piston (Note: Use Item 100)	
14	See Note	NSS	O-Ring (Note: Use Item 100)	
15	70002335	1	Nut	
15	0100071	AR	Compound, Locking	
16	70002364	1	Spacer	
17	See Note	NSS	O-Ring (Note: Use Item 100)	
18	4640771	1	Cartridge, Valve (Counterbalance)	
18	2900770	1	Seal Kit - 4640771 Valve (1 Per Assembly)	
19	70002389	1	Cartridge, Valve (Counterbalance)	
19	2900770	1	Seal Kit - 70002389 Valve (1 Per Assembly)	
20	10837580	1	Cartridge, Valve (Load Shuttle) (was p/n 7010542)	
20	7010543	1	Seal Kit - 10837580 & 7010542 Valves (1 Per Assembly)	
21	70023370	6	Plug, O-Ring	
24	70003118	2	Bearing	
100	70003119	1	Seal Kit (Includes Items 4, 6, 7, 9, 10, 11, 13, 14 & 17)	

# SECTION 5 - CYLINDER

## FIGURE 5-9. TELESCOPE CYLINDER ASSEMBLY - E300AJP



ART\_1001106879



## SECTION 5 - CYLINDER

**FIGURE 5-9. TELESCOPE CYLINDER ASSEMBLY - E300AJP**

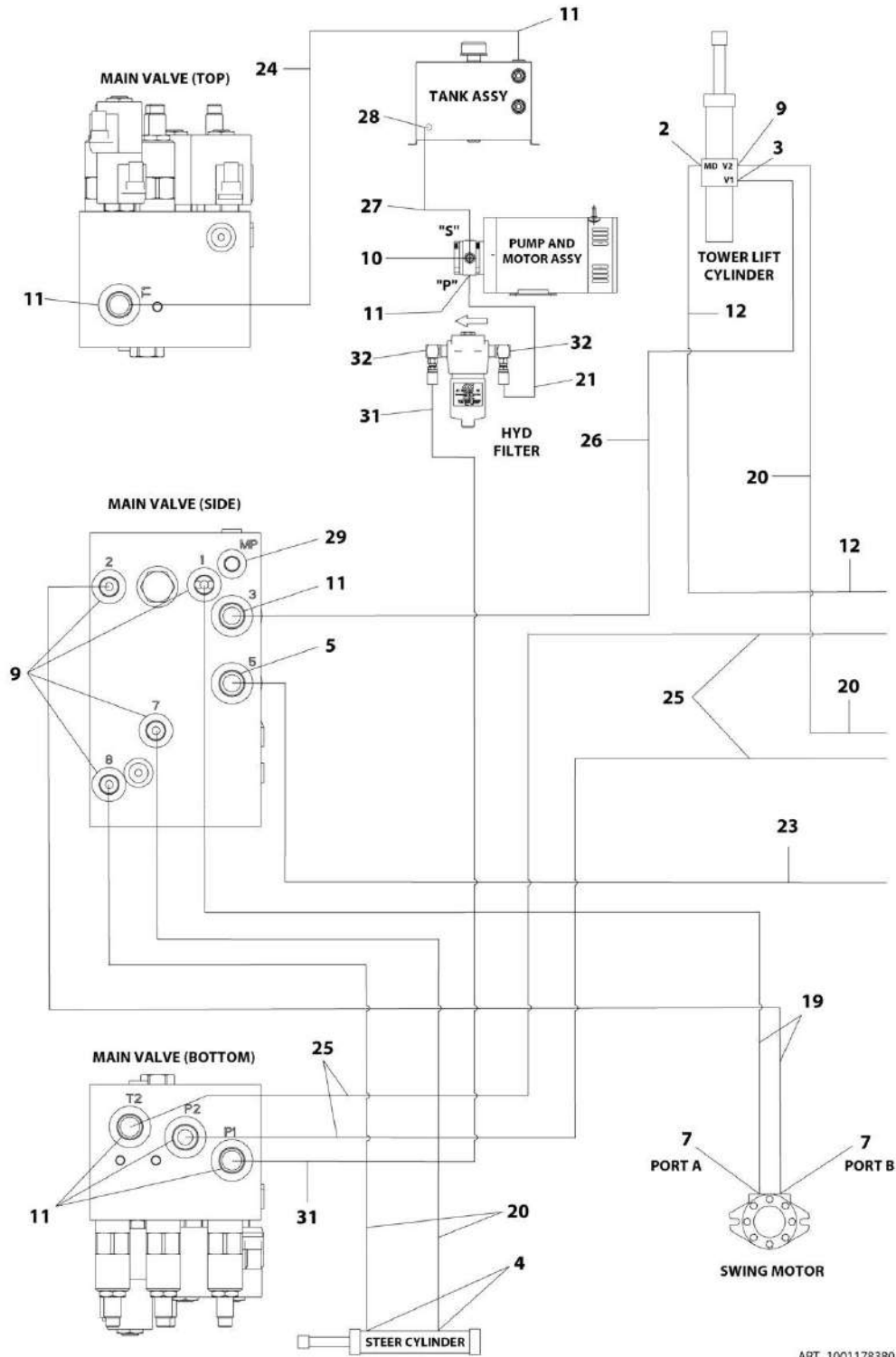
ITEM	PART NUMBER	QTY	DESCRIPTION	REV
	1001106879	Ref	TELESCOPE CYLINDER ASSEMBLY - E300AJP	D
1	70002369	1	Barrel Weldment	
2	70002368	1	Rod Weldment	
3	70002367	1	Head	
4	See Note	NSS	Wiper (Note: Use Item 100)	
5	70002366	1	Ring, Retaining	
6	See Note	NSS	Seal, Rod (Note: Use Item 100)	
7	See Note	NSS	Ring, Back-up (Note: Use Item 100)	
8	70002352	1	Ring, Wear	
9	See Note	NSS	O-Ring (Note: Use Item 100)	
10	See Note	NSS	Ring, Back-up (Note: Use Item 100)	
11	See Note	NSS	O-Ring (Note: Use Item 100)	
12	70002365	1	Piston	
13	See Note	NSS	Seal, Piston (Note: Use Item 100)	
14	See Note	NSS	O-Ring (Note: Use Item 100)	
15	70002335	1	Nut	
15	0100071	AR	Compound, Locking	
16	70002385	1	Spacer	
17	See Note	NSS	O-Ring (Note: Use Item 100)	
18	4640771	1	Cartridge, Valve (Counterbalance)	
18	2900770	1	Seal Kit - 4640771 Valve (1 Per Assembly)	
19	70002389	1	Cartridge, Valve (Counterbalance)	
19	2900770	1	Seal Kit - 70002389 Valve (1 Per Assembly)	
20	10837580	1	Cartridge, Valve (Load Shuttle) (was p/n 7010542)	
20	7010543	1	Seal Kit - 10837580 & 7010542 Valves (1 Per Assembly)	
21	70023370	6	Plug, O-Ring	
24	70002363	2	Bearing	
100	70002362	1	Seal Kit (Includes Items 4, 6, 7, 9, 10, 11, 13, 14 & 17)	



**SECTION 6 - HYDRAULIC**

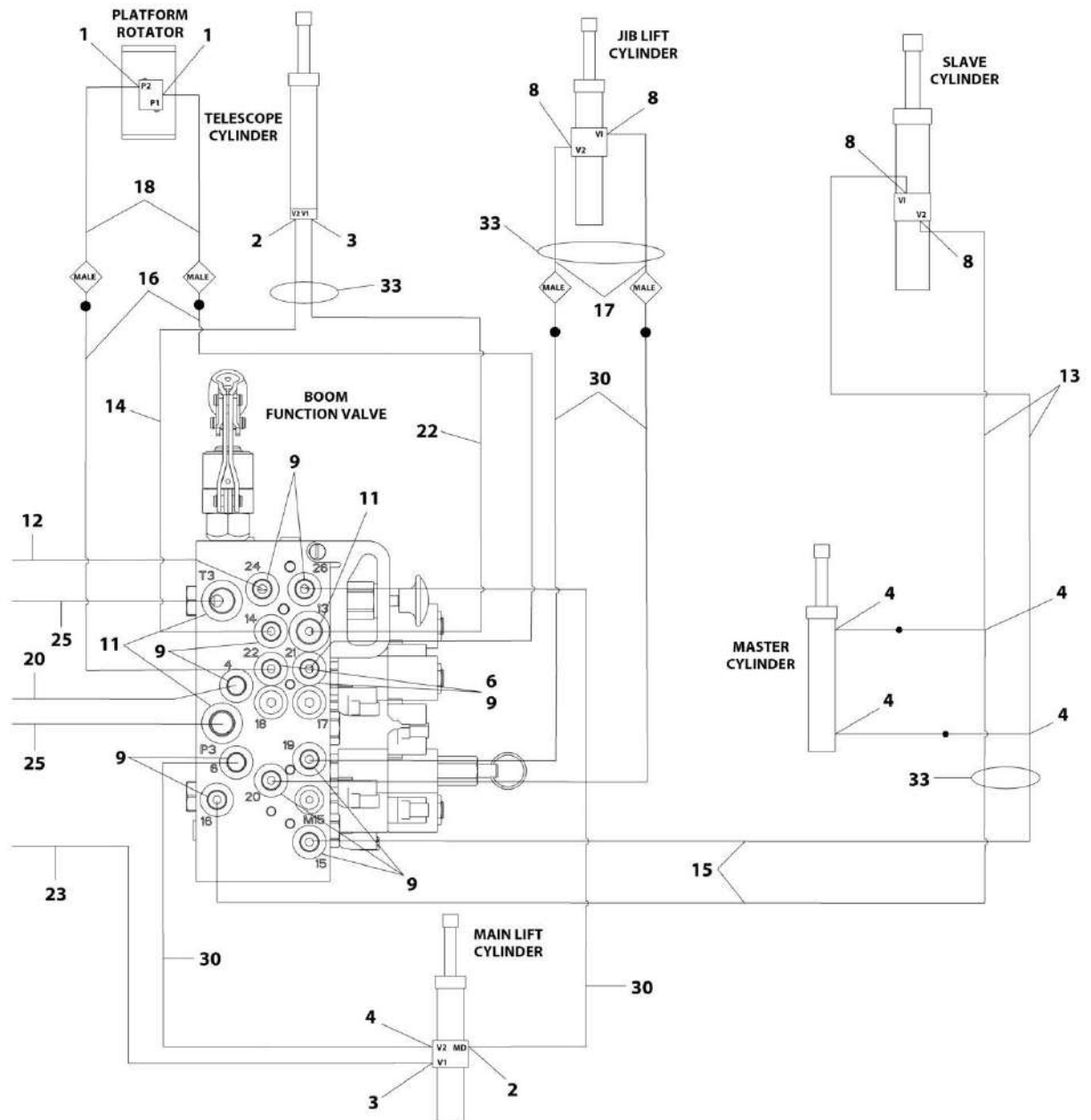
# SECTION 6 - HYDRAULIC

## FIGURE 6-1. HYDRAULIC DIAGRAM - E300AJ



ART\_1001178380\_10F2

# SECTION 6 - HYDRAULIC



ART\_1001178380\_2OF2

# SECTION 6 - HYDRAULIC

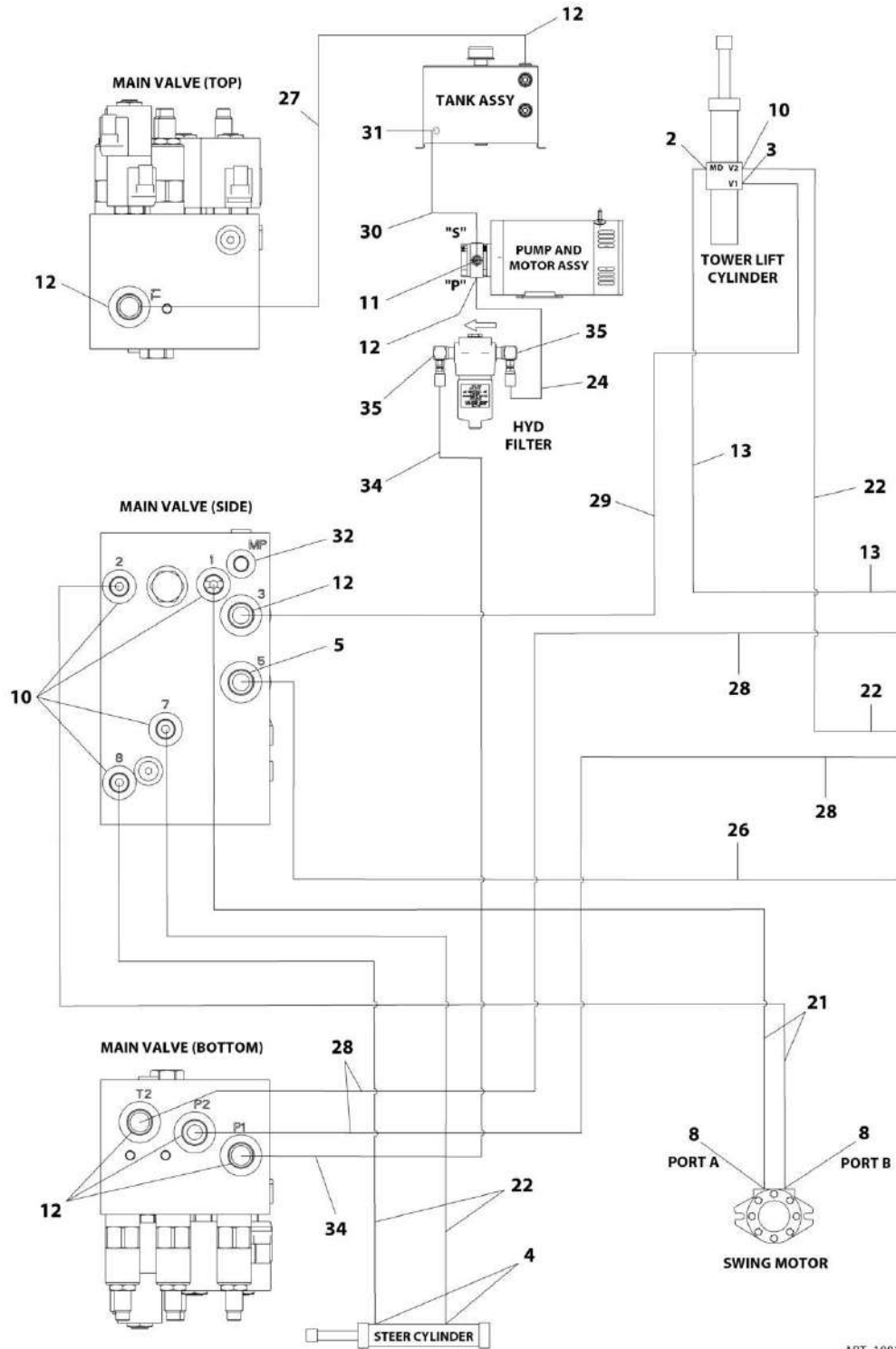
## FIGURE 6-1. HYDRAULIC DIAGRAM - E300AJ

ITEM	PART NUMBER	QTY	DESCRIPTION	REV
	1001178380	Ref	HYDRAULIC DIAGRAM - E300AJ	B
1	2220502	2	Fitting, 45 ORB/JIC	
2	2220466	3	Fitting, 90 ORB/JIC	
3	2220473	3	Fitting, 90 ORB/JIC	
4	2220472	7	Fitting, 90 ORB/JIC	
5	2220628	1	Fitting, 90 ORB/JIC	
6	2220909	2	Orifice 0.015	
7	2221033	2	Fitting, Straight ORB/JIC	
8	2220415	4	Fitting, Straight ORB/JIC	
9	2220582	16	Fitting, Straight ORB/JIC	
10	2220408	1	Fitting, Straight ORB/JIC	
11	2220372	10	Fitting, Straight ORB/JIC	
12	2754055	1	Hose	
13	1001109688	2	Hose	
14	2753364	1	Hose	
15	2753276	2	Hose	
16	2753279	2	Hose	
17	1001112946	2	Hose	
18	1001109686	2	Hose	
19	1001109687	2	Hose	
20	2752999	3	Hose	
21	2752613	1	Hose	
22	2753137	1	Hose	
23	2753136	1	Hose	
24	1001109690	1	Hose	
25	2753812	2	Hose	
26	1001112947	1	Hose	
27	1001160232	1	Hose	
28	1320030	1	Clamp	
29	2221086	1	Fitting, Test	
30	1001112948	4	Hose	
31	2752473	1	Hose	
32	2221048	2	Fitting, 90 ORB/JIC	
33	4100026	12.2 ft/ 3.72m	Sleeve, Nylon <b>(SN 0300211844 through 0300224927)</b>	
34	1702124	1	Hose Tags (Not Shown)	



# SECTION 6 - HYDRAULIC

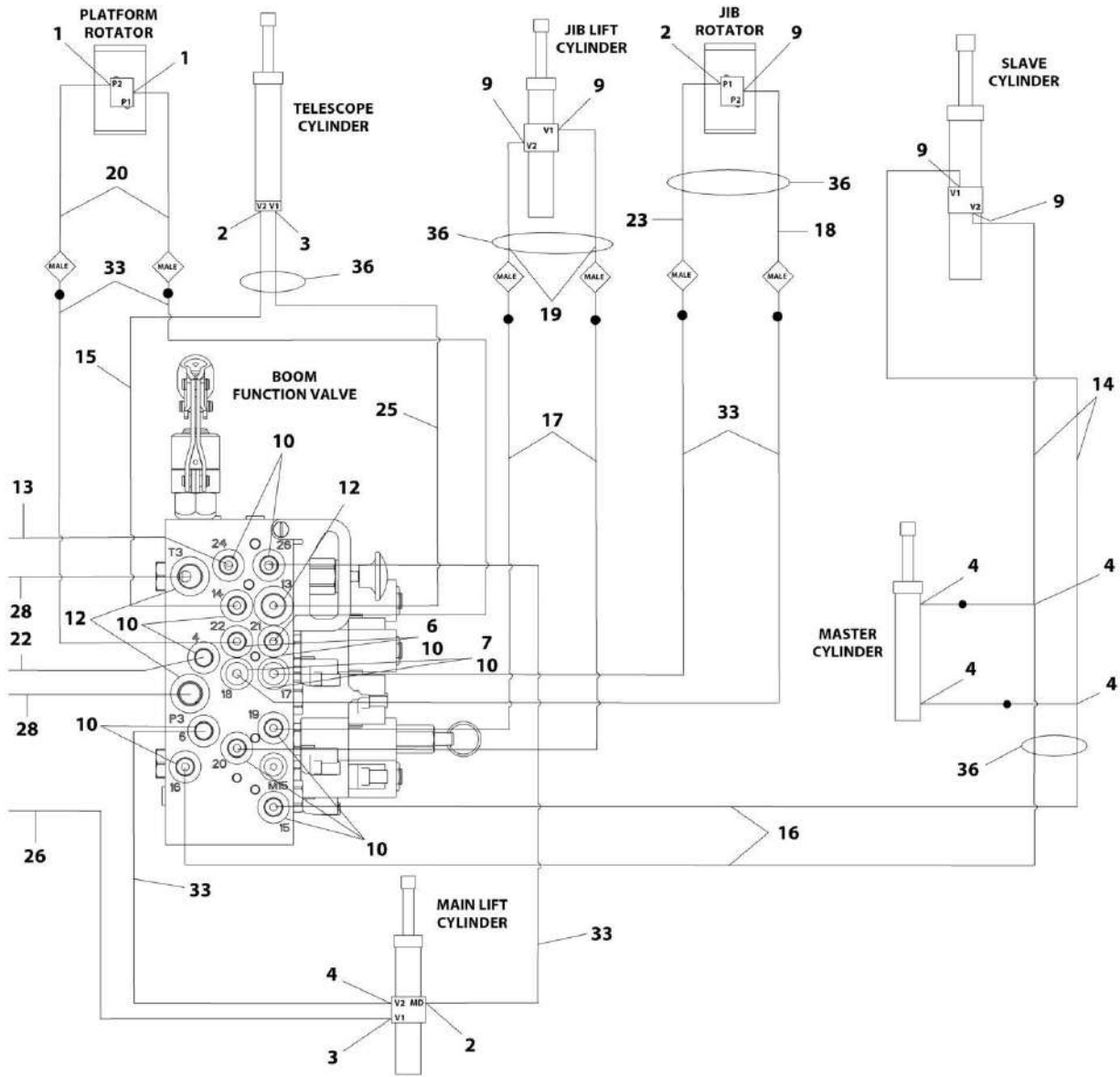
## FIGURE 6-2. HYDRAULIC DIAGRAM - E300AJP



ART\_1001178381\_10F2



# SECTION 6 - HYDRAULIC



ART\_1001178381\_2OF2

# SECTION 6 - HYDRAULIC

FIGURE 6-2. HYDRAULIC DIAGRAM - E300AJP

ITEM	PART NUMBER	QTY	DESCRIPTION	REV
	1001178381	Ref	HYDRAULIC DIAGRAM - E300AJP	B
1	2220502	2	Fitting, 45 ORB/JIC	
2	2220466	4	Fitting, 90 ORB/JIC	
3	2220473	3	Fitting, 90 ORB/JIC	
4	2220472	7	Fitting, 90 ORB/JIC	
5	2220628	1	Fitting, 90 ORB/JIC	
6	2220909	2	Orifice 0.015	
7	2221039	2	Orifice 0.022	
8	2221033	2	Fitting, Straight ORB/JIC	
9	2220415	5	Fitting, Straight ORB/JIC	
10	2220582	18	Fitting, Straight ORB/JIC	
11	2220408	1	Fitting, Straight ORB/JIC	
12	2220372	10	Fitting, Straight ORB/JIC	
13	2754055	1	Hose	
14	1001109688	2	Hose	
15	2753364	1	Hose	
16	2753276	2	Hose	
17	2753279	2	Hose	
18	1001109683	1	Hose	
19	1001112946	2	Hose	
20	1001109686	2	Hose	
21	1001109687	2	Hose	
22	2752999	3	Hose	
23	1001109682	1	Hose	
24	2752613	1	Hose	
25	2753137	1	Hose	
26	2753136	1	Hose	
27	1001109690	1	Hose	
28	2753812	2	Hose	
29	1001112947	1	Hose	
30	1001160232	1	Hose	
31	1320030	1	Clamp	
32	2221086	1	Fitting, Test	
33	1001112948	6	Hose	
34	2752473	1	Hose	
35	2221048	2	Fitting, 90 ORB/JIC	
36	4100026	12.2 ft/ 3.72m	Sleeve, Nylon (SN 0300211844 through 0300224927)	
37	1702124	1	Hose Tags (Not shown)	



## SECTION 6 - HYDRAULIC

**FIGURE 6-3. HYDRAULIC DIAGRAM LIST**

ITEM	PART NUMBER	QTY	DESCRIPTION	REV
		Ref	Note: Diagrams not shown are available from JLG Service/Parts Departments. Schematics are shown in the Service and Maintenance Manual.	
		Ref	HYDRAULIC DIAGRAM LIST	
		Ref	Hydraulic Diagram:	
	1001178380	Ref	Hydraulic Diagram - E300AJ	
	1001178381	Ref	Hydraulic Diagram - E300AJP	
	1001179242	Ref	Hydraulic Schematic	

**SECTION 7 - ELECTRICAL**

## SECTION 7 - ELECTRICAL

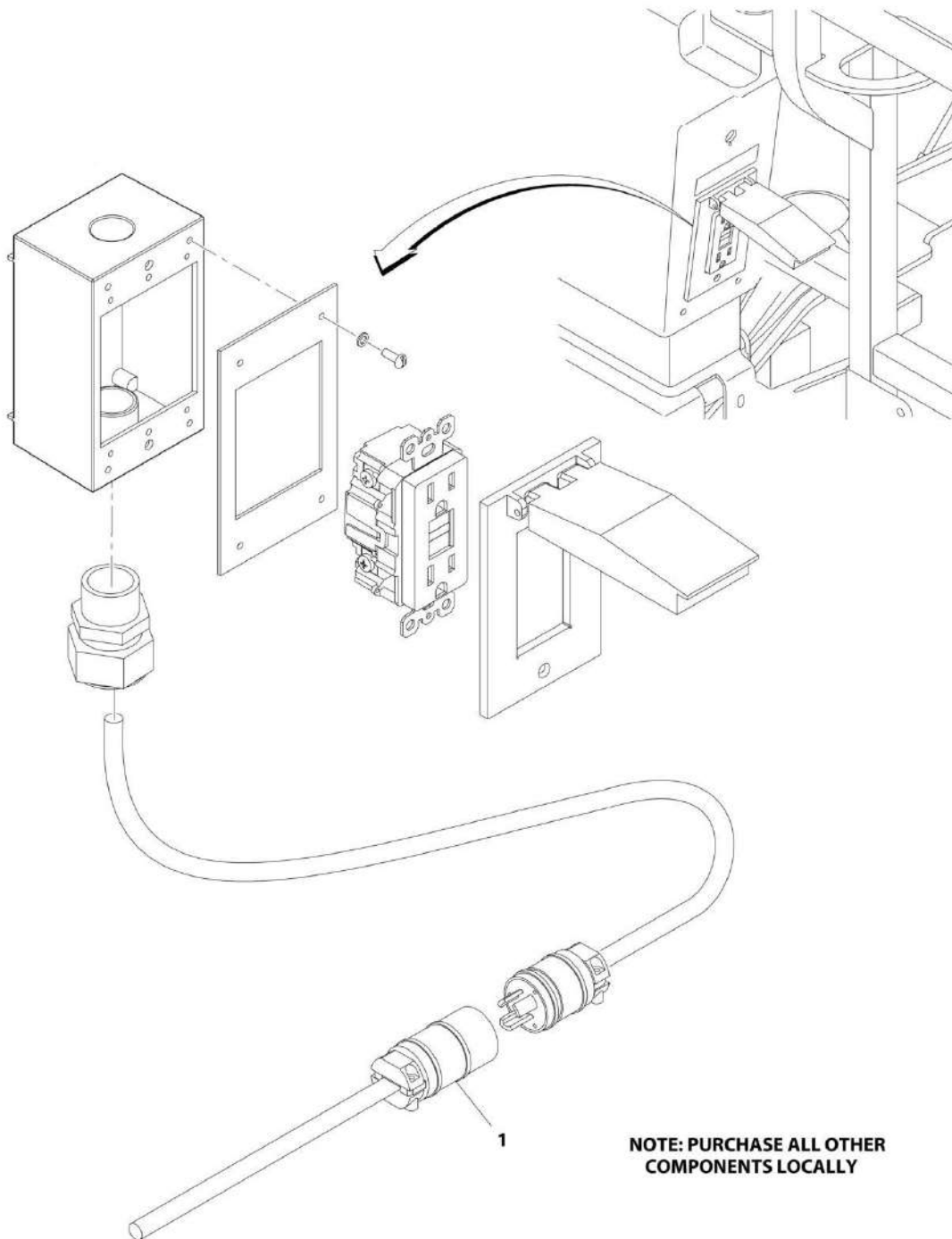
FIGURE 7-1. ELECTRICAL DIAGRAM LIST

ITEM	PART NUMBER	QTY	DESCRIPTION	REV
		Ref	Note: Diagrams not shown are available from the JLG Service Department. Schematics shown in the Service and Maintenance Manual.	
	1001179394	Ref	ELECTRICAL DIAGRAM LIST	
		Ref	Electrical Schematic	



## SECTION 7 - ELECTRICAL

FIGURE 7-2. AC BOX AT PLATFORM INSTALLATION - LOCALLY SUPPLIED COMPONENTS (ANSI EXPORT, AUSTRALIAN AND CE SPECS)



ART\_1001110542



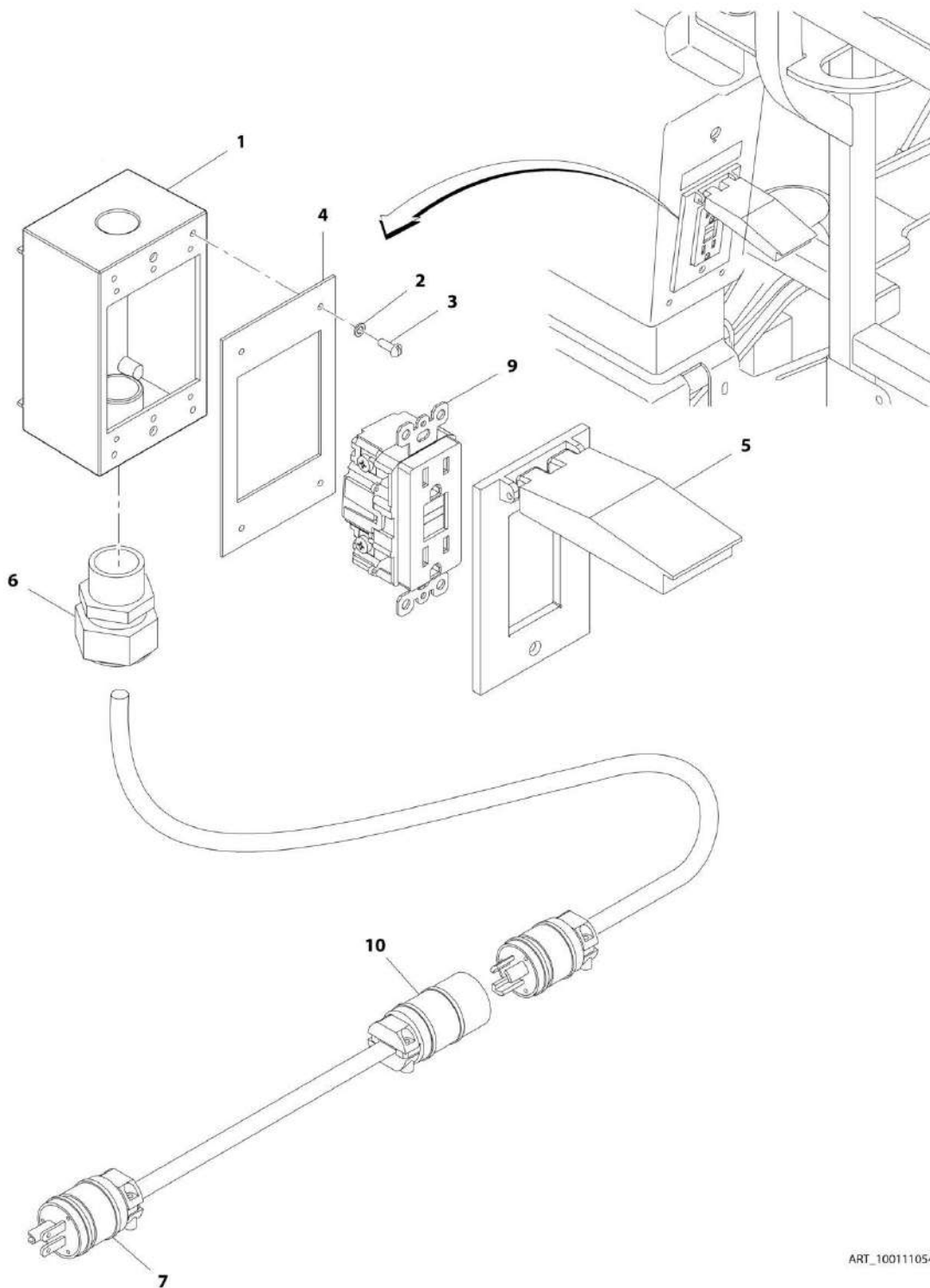
## SECTION 7 - ELECTRICAL

**FIGURE 7-2. AC BOX AT PLATFORM INSTALLATION - LOCALLY SUPPLIED COMPONENTS (ANSI EXPORT, AUSTRALIAN AND CE SPECS)**

ITEM	PART NUMBER	QTY	DESCRIPTION	REV
	1001110542	Ref	AC BOX AT PLATFORM INSTALLATION - LOCALLY SUPPLIED COMPONENTS (ANSI EXPORT, AUSTRALIAN AND CE SPECS)	A
1	4460710	1	Receptacle, Female	

## SECTION 7 - ELECTRICAL

FIGURE 7-3. AC BOX AT PLATFORM INSTALLATION - 110V (ANSI, ANSI EXPORT, CSA, JAPANESE AND UL SPECS)



ART\_100110541

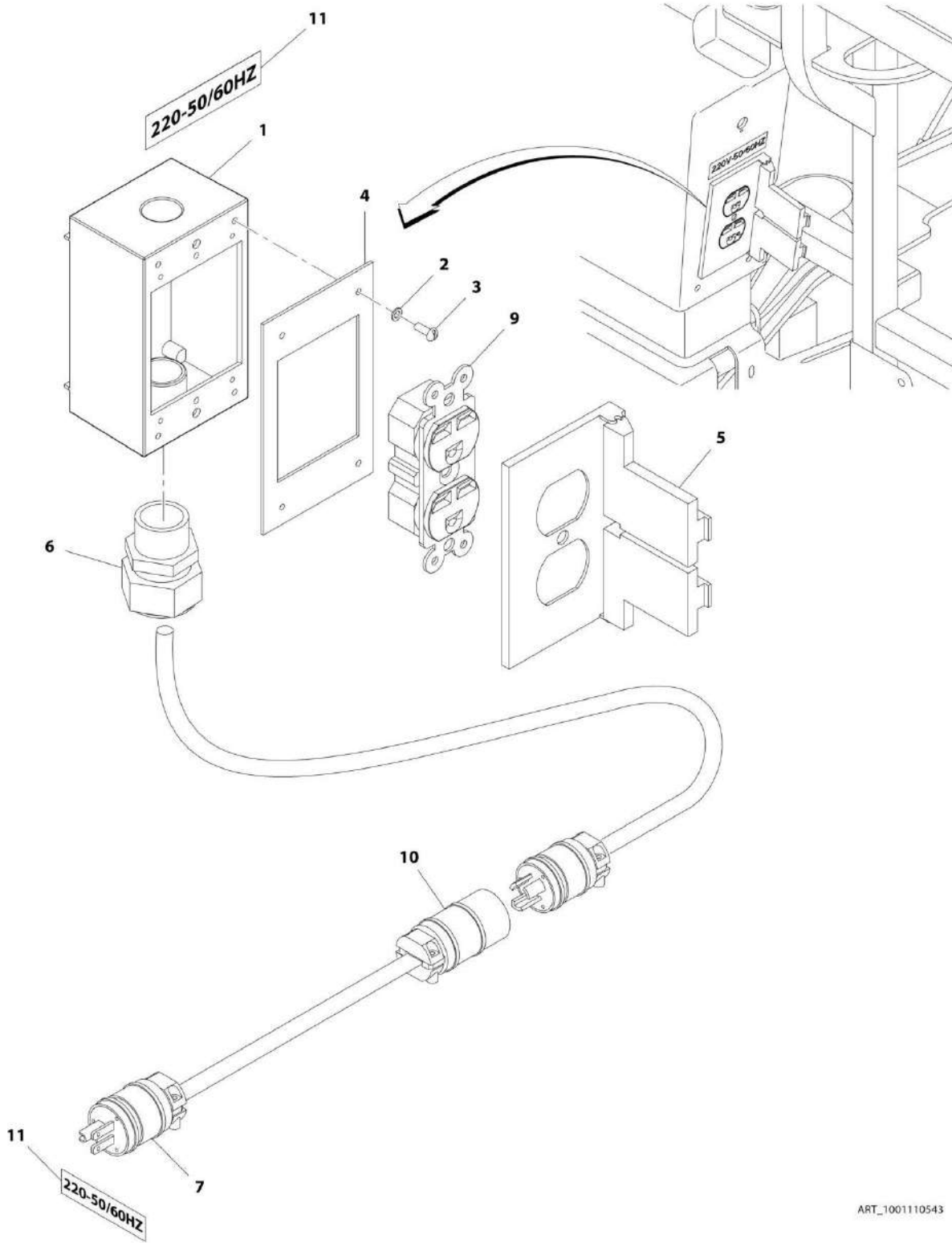
## SECTION 7 - ELECTRICAL

**FIGURE 7-3. AC BOX AT PLATFORM INSTALLATION - 110V (ANSI, ANSI EXPORT, CSA, JAPANESE AND UL SPECS)**

ITEM	PART NUMBER	QTY	DESCRIPTION	REV
	1001110541	Ref	AC BOX AT PLATFORM INSTALLATION - 110V (ANSI, ANSI EXPORT, CSA, JAPANESE AND UL SPECS)	B
1	0860038	1	Box, Switch	
2	4760600	4	Washer #6	
3	3910610	4	Screw, Self-Tapping #6 x 5/8	
4	3960422	1	Gasket	
5	1001110873	1	Shield, Cover	
6	4460071	1	Connector, Strain Relief	
7	4460205	1	Plug, Male	
9	4460346	1	Receptacle	
10	4460710	1	Receptacle, Female	

# SECTION 7 - ELECTRICAL

## FIGURE 7-4. AC BOX AT PLATFORM INSTALLATION - ANSI AND CSA SPECS



ART\_1001110543

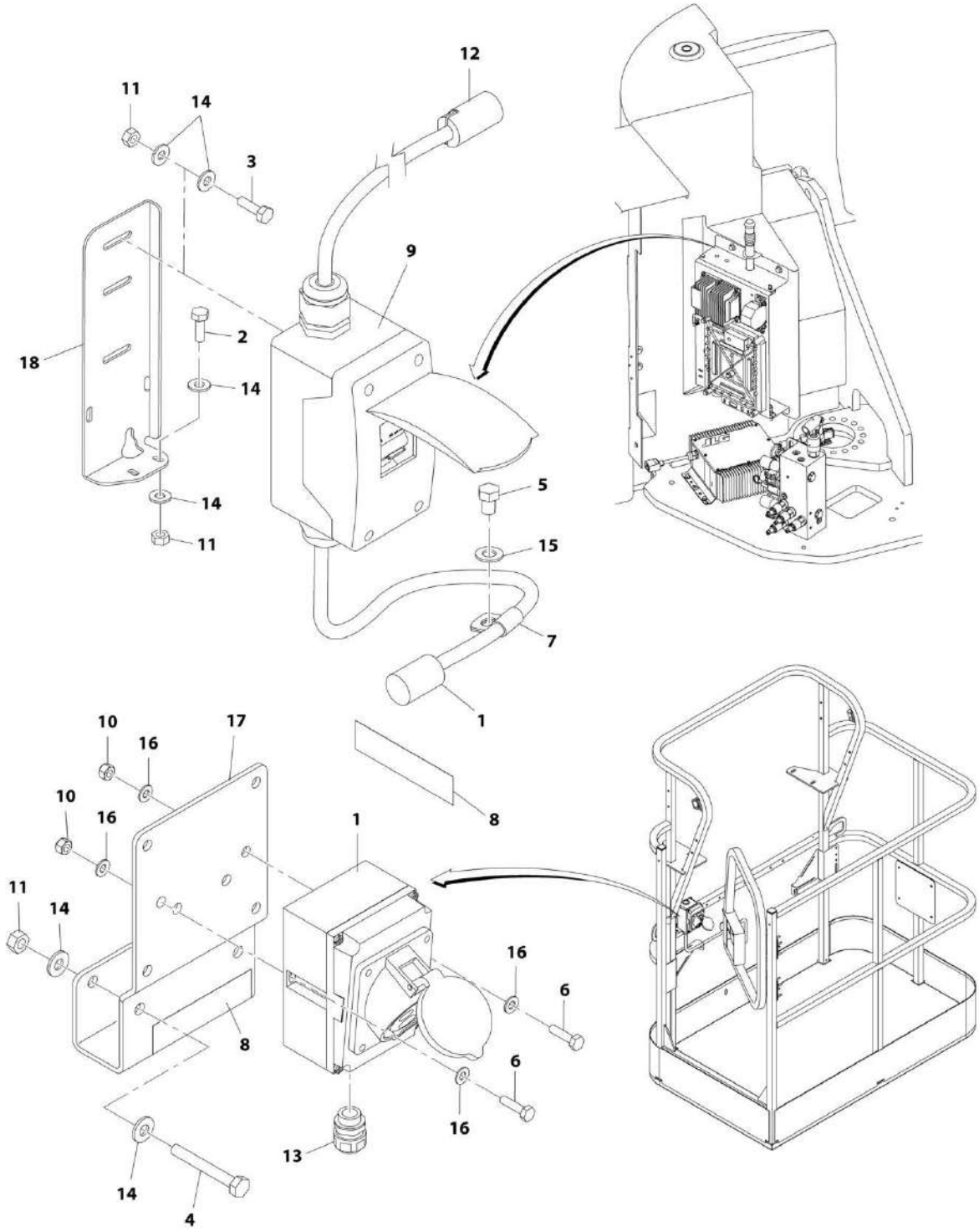
## SECTION 7 - ELECTRICAL

**FIGURE 7-4. AC BOX AT PLATFORM INSTALLATION - ANSI AND CSA SPECS**

ITEM	PART NUMBER	QTY	DESCRIPTION	REV
	1001110543	Ref	AC BOX AT PLATFORM INSTALLATION - ANSI AND CSA SPECS	B
1	0860038	1	Box, Switch	
2	4760600	4	Washer #6	
3	3910610	4	Screw, Self-Tapping #6 x 5/8	
4	3960422	1	Gasket	
5	4060092	1	Shield, Cover	
6	4460071	1	Connector, Strain Relief	
7	4460233	1	Plug, Male	
9	4460125	1	Receptacle	
10	4460710	1	Receptacle, Female	
11	3252507	1	Decal - 220V-50/60Hz	

**SECTION 7 - ELECTRICAL**

**FIGURE 7-5. AC BOX AT PLATFORM INSTALLATION - 110V IEC YELLOW (CE SPEC)**



ART\_1001198374

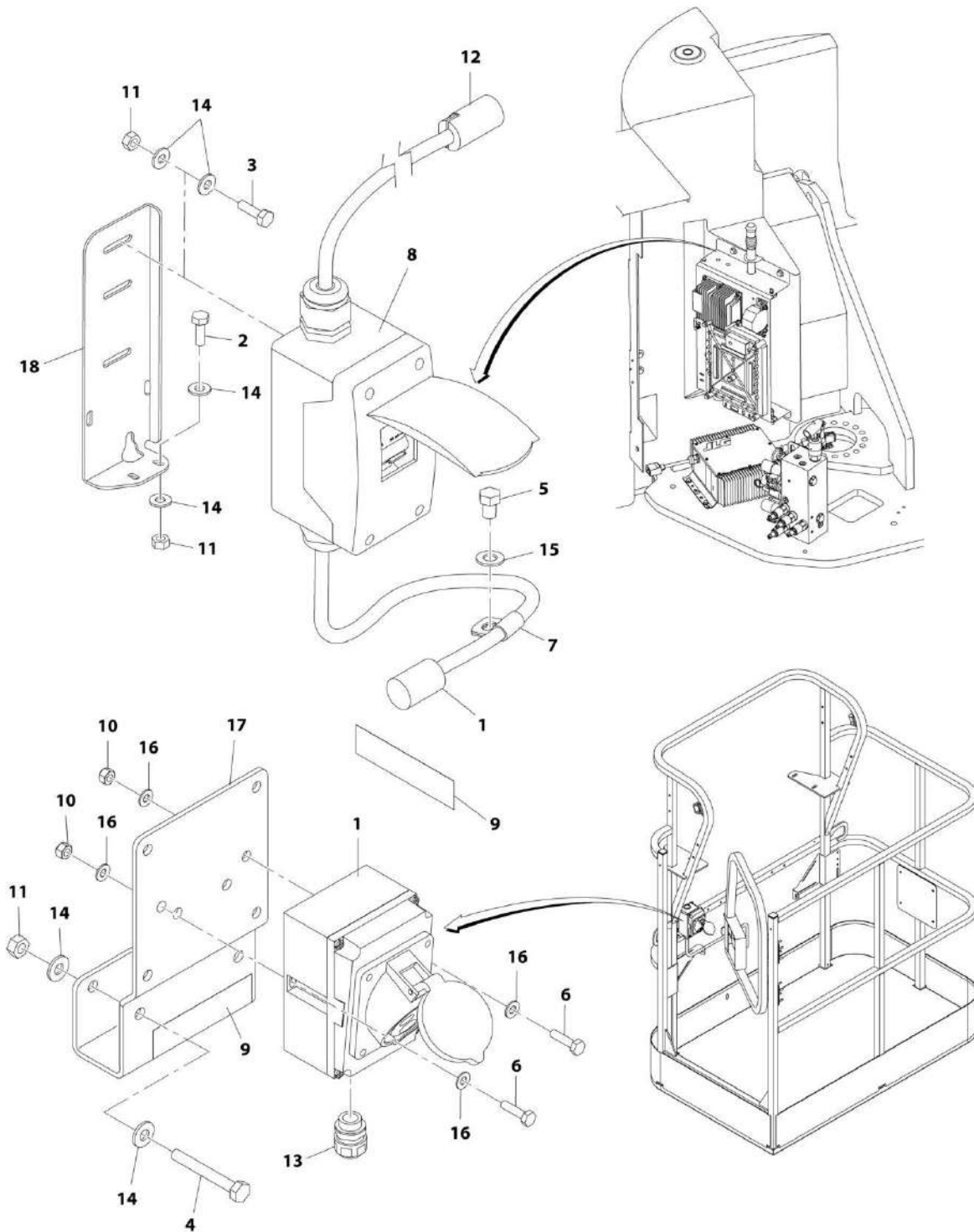
## SECTION 7 - ELECTRICAL

**FIGURE 7-5. AC BOX AT PLATFORM INSTALLATION - 110V IEC YELLOW (CE SPEC)**

ITEM	PART NUMBER	QTY	DESCRIPTION	REV
	1001198374	Ref	AC BOX AT PLATFORM INSTALLATION - 110V IEC YELLOW (CE SPEC)	A
1	0275216	1	Receptacle Box Kit (See RECEPTACLE BOX KIT - 110V IEC YELLOW (CE SPEC) for Breakdown)	
2	0641406	2	Bolt 1/4 x 3/4	
3	0641407	2	Bolt 1/4 x 7/8	
4	0641416	2	Bolt 1/4 x 2	
5	0641604	1	Bolt 3/8 x 1/2	
6	0700408	2	Bolt M4 x 16	
7	1320263	1	Clamp	
8	1705325	2	Decal - 120V-50Hz	
9	2902549	1	Breaker Box Kit - CE Spec (See BREAKER BOX KIT - CE SPEC for Breakdown)	
10	3290405	2	Nut M4	
11	3311405	6	Nut 1/4	
12	4460710	1	Receptacle, Female	
13	4460968	1	Connector, Strain Relief	
14	4711400	12	Washer	
15	4751600	1	Washer 3/8	
16	4811400	4	Washer M4	
17	1001193018	1	Bracket	
18	1001197584	1	Bracket	

# SECTION 7 - ELECTRICAL

## FIGURE 7-6. AC BOX AT PLATFORM INSTALLATION - 220V IEC BLUE (CE SPEC)



ART\_1001198375



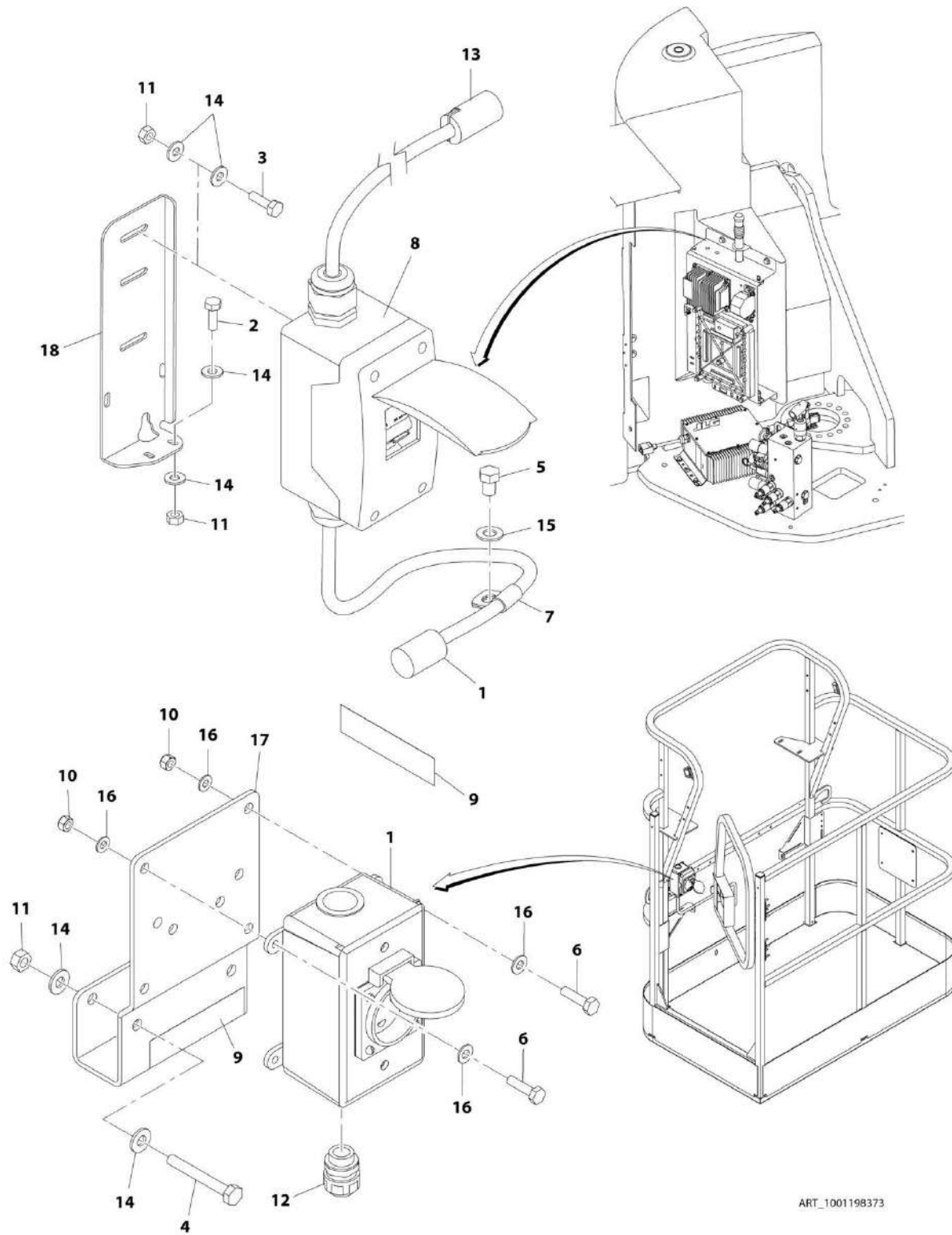
## SECTION 7 - ELECTRICAL

**FIGURE 7-6. AC BOX AT PLATFORM INSTALLATION - 220V IEC BLUE (CE SPEC)**

ITEM	PART NUMBER	QTY	DESCRIPTION	REV
	1001198375	Ref	AC BOX AT PLATFORM INSTALLATION - 220V IEC BLUE (CE SPEC)	A
1	0275217	1	Receptacle Box Kit (See RECEPTACLE BOX KIT - 220V IEC BLUE (CE SPEC) for Breakdown)	
2	0641406	2	Bolt 1/4 x 3/4	
3	0641407	2	Bolt 1/4 x 7/8	
4	0641416	2	Bolt 1/4 x 2	
5	0641604	1	Bolt 3/8 x 1/2	
6	0700408	2	Bolt M4 x 16	
7	1320263	1	Clamp	
8	2902549	1	Breaker Box Kit - CE Spec (See BREAKER BOX KIT - CE SPEC for Breakdown)	
9	3252507	2	Decal - 220V-50/60Hz	
10	3290405	2	Nut M4	
11	3311405	6	Nut 1/4	
12	4460710	1	Receptacle, Female	
13	4460968	1	Connector, Strain Relief	
14	4711400	12	Washer	
15	4751600	1	Washer 3/8	
16	4811400	4	Washer M4	
17	1001193018	1	Bracket	
18	1001197584	1	Bracket	

# SECTION 7 - ELECTRICAL

FIGURE 7-7. AC BOX AT PLATFORM INSTALLATION - 220V AFSINT107 KEYED GROUND (CE SPEC)



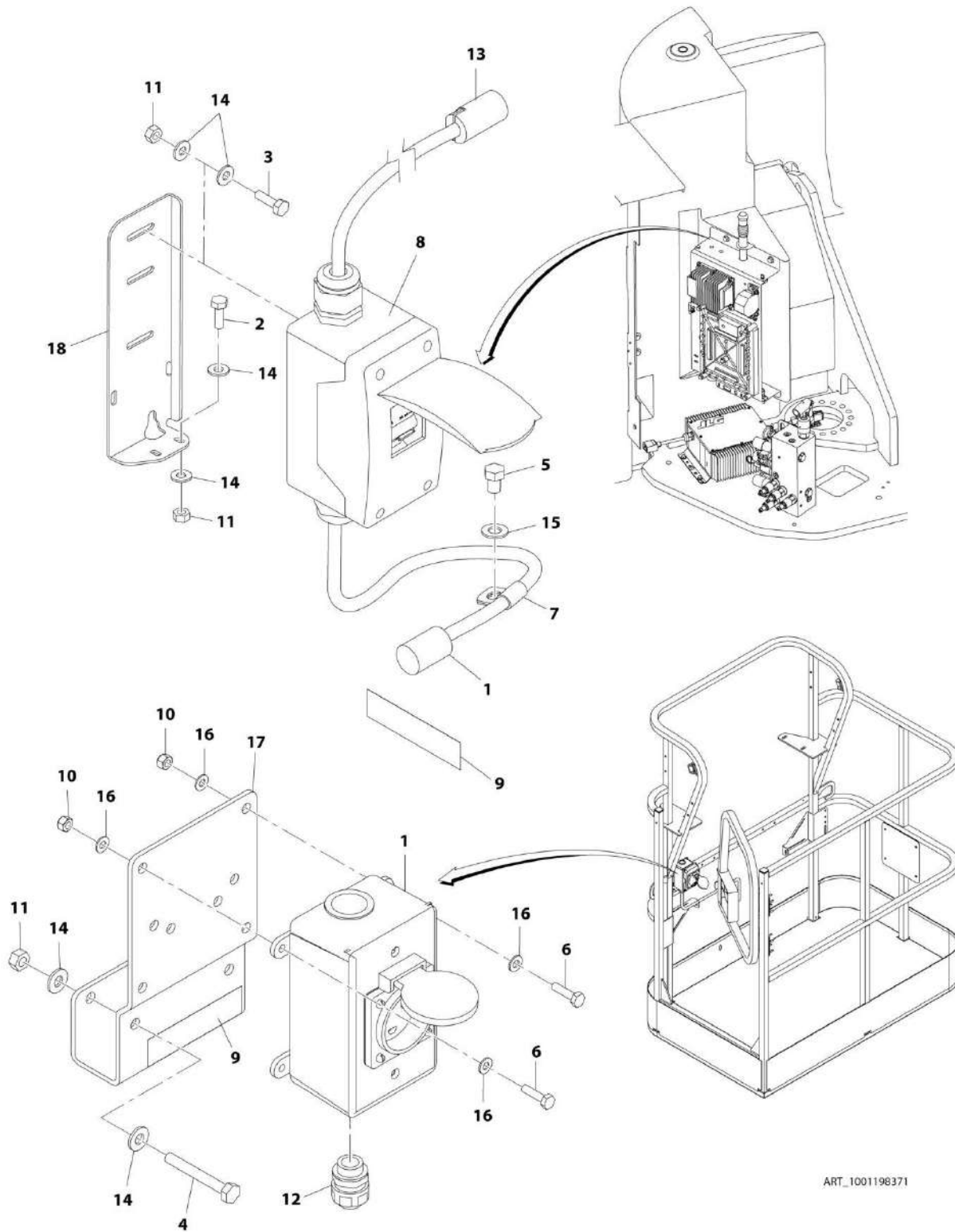
## SECTION 7 - ELECTRICAL

**FIGURE 7-7. AC BOX AT PLATFORM INSTALLATION - 220V AFSINT107 KEYED GROUND (CE SPEC)**

ITEM	PART NUMBER	QTY	DESCRIPTION	REV
	1001198373	Ref	AC BOX AT PLATFORM INSTALLATION - 220V AFSINT107 KEYED GROUND (CE SPEC)	A
1	0275454	1	Receptacle Box Kit (See RECEPTACLE BOX KIT - 220V AFSINT107 KEYED GROUND (CE SPEC) for Breakdown)	
2	0641406	2	Bolt 1/4 x 3/4	
3	0641407	2	Bolt 1/4 x 7/8	
4	0641416	2	Bolt 1/4 x 2	
5	0641604	1	Bolt 3/8 x 1/2	
6	0700408	4	Bolt M4 x 16	
7	1320263	1	Clamp	
8	2902549	1	Breaker Box Kit - CE Spec (See BREAKER BOX KIT - CE SPEC for Breakdown)	
9	3252507	2	Decal - 220V-50/60Hz	
10	3290405	4	Nut M4	
11	3311405	6	Nut 1/4	
12	4460662	1	Connector, Strain Relief	
13	4460710	1	Receptacle, Female	
14	4711400	12	Washer	
15	4751600	1	Washer 3/8	
16	4811400	8	Washer M4	
17	1001193018	1	Bracket	
18	1001197584	1	Bracket	

# SECTION 7 - ELECTRICAL

FIGURE 7-8. AC BOX AT PLATFORM INSTALLATION - 220V CEE7 POST GROUND (CE SPEC)



ART\_1001198371

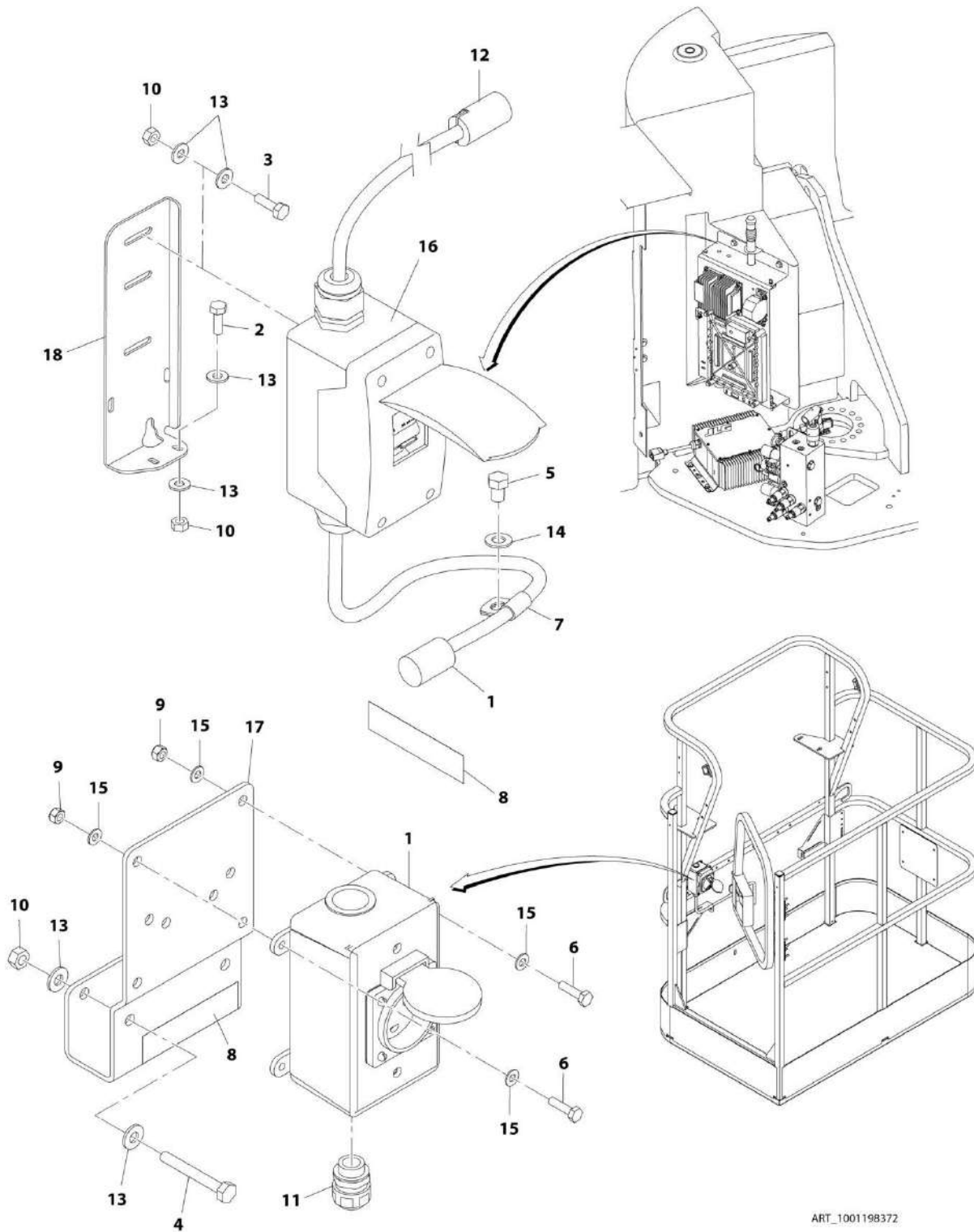
## SECTION 7 - ELECTRICAL

**FIGURE 7-8. AC BOX AT PLATFORM INSTALLATION - 220V CEE7 POST GROUND (CE SPEC)**

ITEM	PART NUMBER	QTY	DESCRIPTION	REV
	1001198371	Ref	AC BOX AT PLATFORM INSTALLATION - 220V CEE7 POST GROUND (CE SPEC)	A
1	0275452	1	Receptacle Box Kit (See RECEPTACLE BOX KIT - 220V CEE7 POST GROUND (CE SPEC) for Breakdown)	
2	0641406	2	Bolt 1/4 x 3/4	
3	0641407	2	Bolt 1/4 x 7/8	
4	0641416	2	Bolt 1/4 x 2	
5	0641604	1	Bolt 3/8 x 1/2	
6	0700408	4	Bolt M4 x 16	
7	1320263	1	Clamp	
8	2902549	1	Breaker Box Kit - CE Spec (See BREAKER BOX KIT - CE SPEC for Breakdown)	
9	3252507	2	Decal - 220V-50/60Hz	
10	3290405	4	Nut M4	
11	3311405	6	Nut 1/4	
12	4460662	1	Connector, Strain Relief	
13	4460710	1	Receptacle, Female	
14	4711400	12	Washer	
15	4751600	1	Washer 3/8	
16	4811400	8	Washer M4	
17	1001193018	1	Bracket	
18	1001197584	1	Bracket	

# SECTION 7 - ELECTRICAL

FIGURE 7-9. AC BOX AT PLATFORM INSTALLATION - 220V CEE7 SIDE GROUND (CE SPEC)



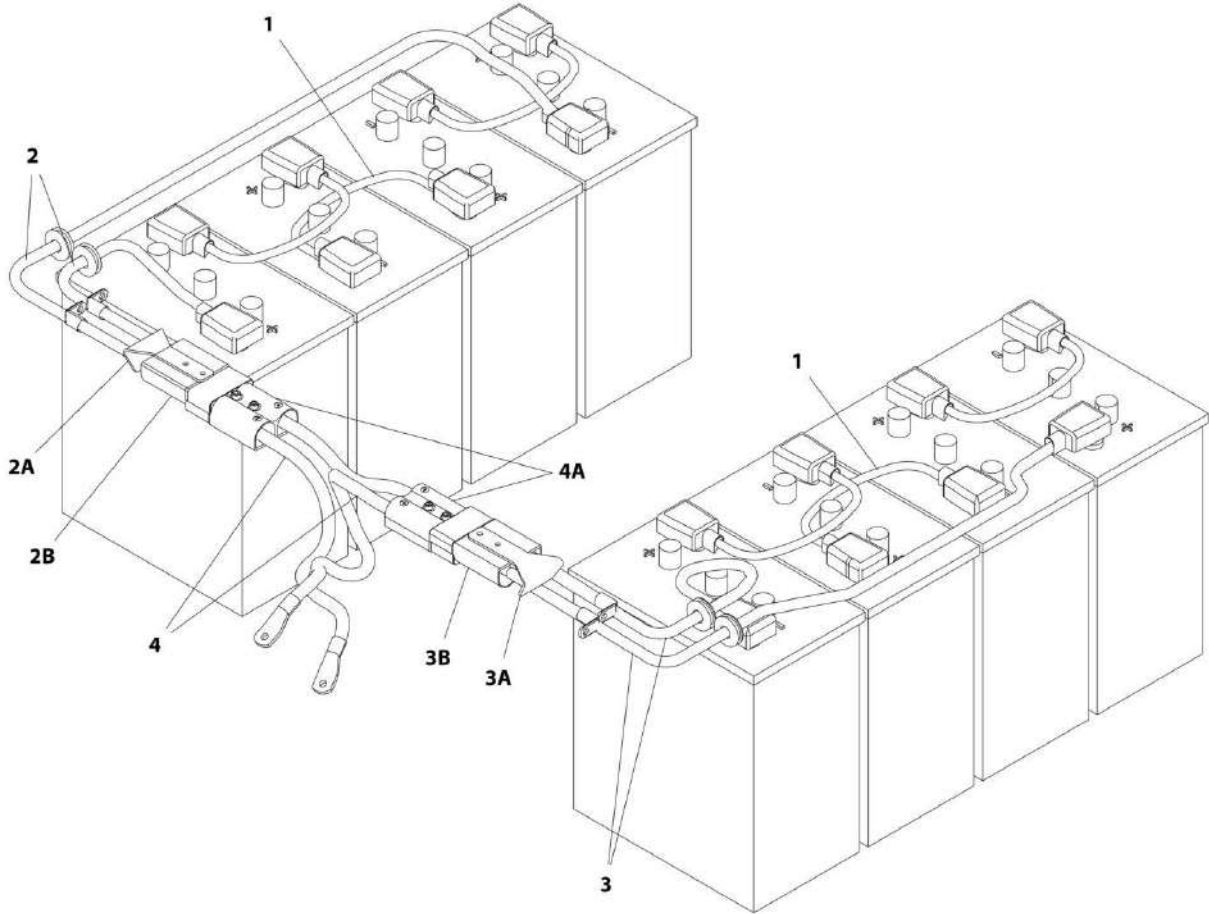
## SECTION 7 - ELECTRICAL

**FIGURE 7-9. AC BOX AT PLATFORM INSTALLATION - 220V CEE7 SIDE GROUND (CE SPEC)**

ITEM	PART NUMBER	QTY	DESCRIPTION	REV
	1001198372	Ref	AC BOX AT PLATFORM INSTALLATION - 220V CEE7 SIDE GROUND (CE SPEC)	A
1	0275453	1	Receptacle Box Kit (See RECEPTACLE BOX KIT - 220V CEE7 SIDE GROUND (CE SPEC) for Breakdown)	
2	0641406	2	Bolt 1/4 x 3/4	
3	0641407	2	Bolt 1/4 x 7/8	
4	0641416	2	Bolt 1/4 x 2	
5	0641604	1	Bolt 3/8 x 1/2	
6	0700408	4	Bolt M4 x 16	
7	1320263	1	Clamp	
8	3252507	2	Decal - 220V-50/60Hz	
9	3290405	4	Nut M4	
10	3311405	6	Nut 1/4	
11	4460662	1	Connector, Strain Relief	
12	4460710	1	Receptacle, Female	
13	4711400	12	Washer	
14	4751600	1	Washer 3/8	
15	4811400	8	Washer M4	
16	2902549	1	Breaker Box Kit - CE Spec (See BREAKER BOX KIT - CE SPEC for Breakdown)	
17	1001193018	1	Bracket	
18	1001197584	1	Bracket	

**SECTION 7 - ELECTRICAL**

**FIGURE 7-10. BATTERY CABLE KIT - 305AH BATTERIES**



ART\_1001194946



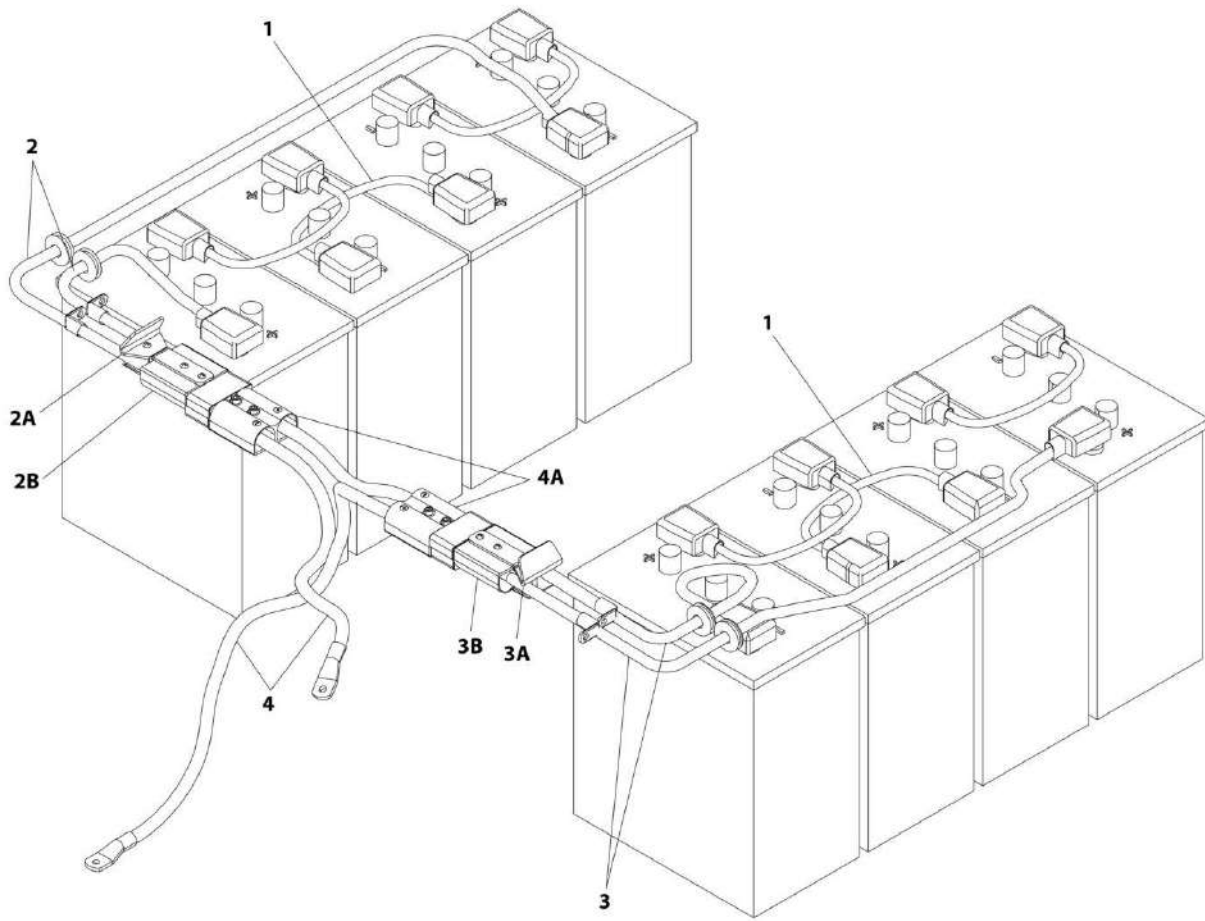
## SECTION 7 - ELECTRICAL

### FIGURE 7-10. BATTERY CABLE KIT - 305AH BATTERIES

ITEM	PART NUMBER	QTY	DESCRIPTION	REV
	1001194946	Ref	BATTERY CABLE KIT - 305AH BATTERIES	D
1	1001109833	6	Cable, Battery - Positive to Negative	
2	1001110030	1	Cable, Left Battery Box	
2A	1320172	1	Handle	
2B	4460025	1	Connector, Anderson	
3	1001110066	1	Cable, Right Battery Box	
3A	1320172	1	Handle	
3B	4460025	1	Connector, Anderson	
4	1001181412	1	Cable, Battery	
4A	4460025	2	Connector, Anderson	

# SECTION 7 - ELECTRICAL

FIGURE 7-11. BATTERY CABLE KIT - 305AH BATTERIES (UL SPECS) (SN 0300226252 to Present)



ART\_1001212376

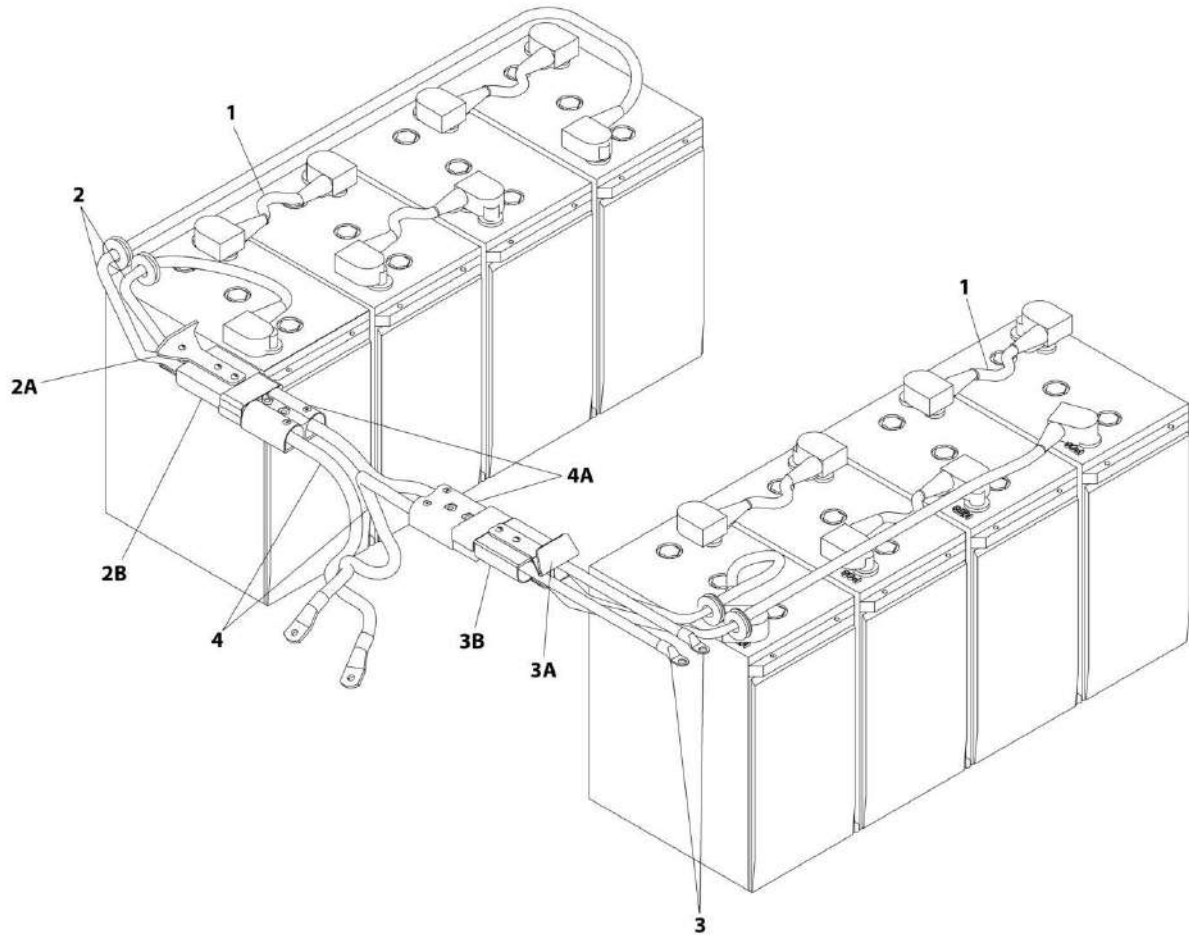
## SECTION 7 - ELECTRICAL

**FIGURE 7-11. BATTERY CABLE KIT - 305AH BATTERIES (UL SPECS) (SN 0300226252 to Present)**

ITEM	PART NUMBER	QTY	DESCRIPTION	REV
	1001212376	Ref	BATTERY CABLE KIT - 305AH BATTERIES (UL SPECS) (SN <b>0300226252 to Present</b> )	A
1	1001109833	6	Cable, Battery - Positive to Negative	
2	1001110030	1	Cable, Left Battery Box	
2A	1320172	1	Handle	
2B	4460025	1	Connector, Anderson	
3	1001110066	1	Cable, Right Battery Box	
3A	1320172	1	Handle	
3B	4460025	1	Connector, Anderson	
4	1001212374	1	Cable, Battery	
4A	4460025	2	Connector, Anderson	

# SECTION 7 - ELECTRICAL

## FIGURE 7-12. BATTERY CABLE KIT - 305AH AGM BATTERIES



ART\_1001194945

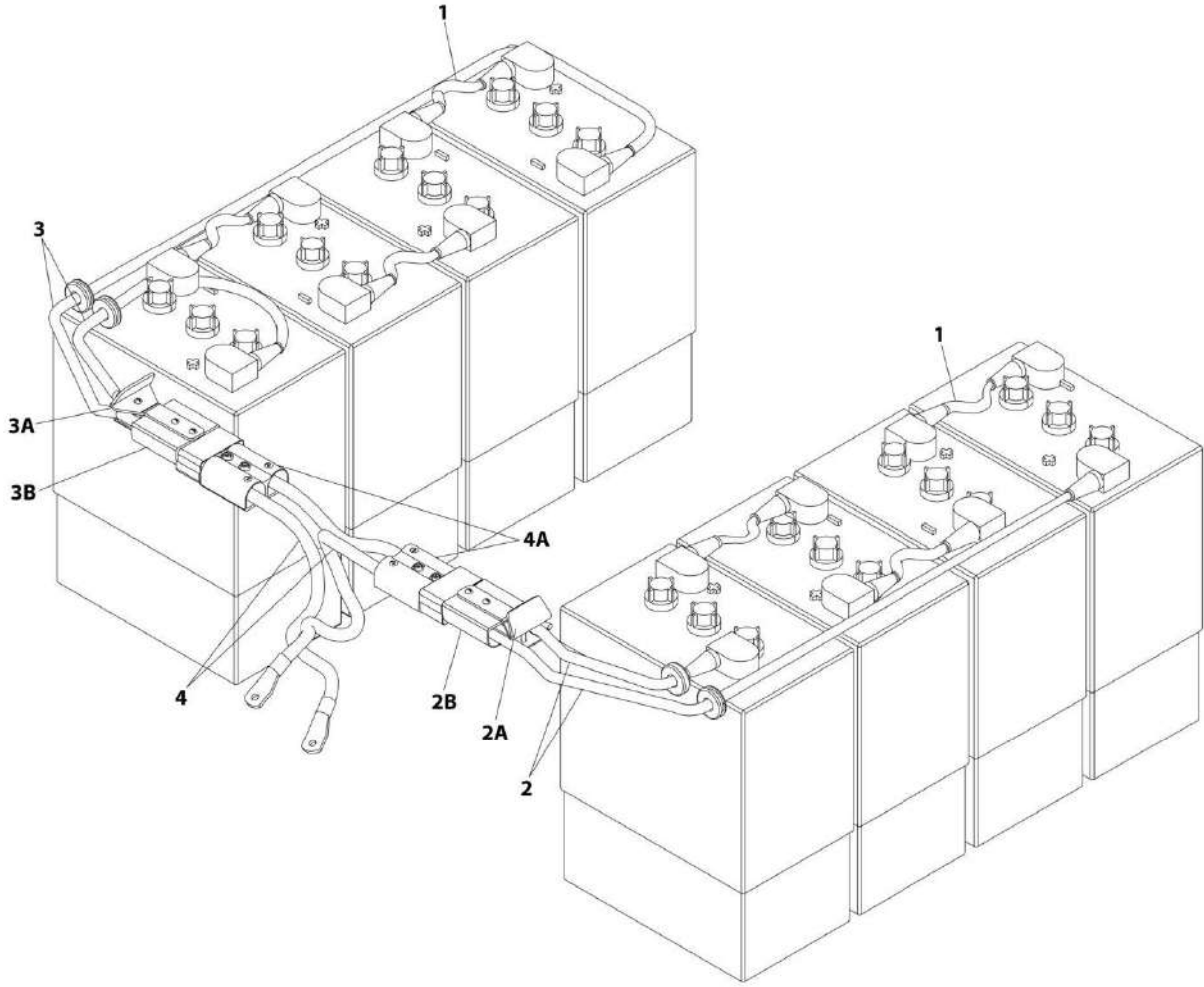
## SECTION 7 - ELECTRICAL

### FIGURE 7-12. BATTERY CABLE KIT - 305AH AGM BATTERIES

ITEM	PART NUMBER	QTY	DESCRIPTION	REV
	1001194945	Ref	BATTERY CABLE KIT - 305AH AGM BATTERIES	C
1	1060092	6	Cable, Battery - Positive to Negative	
2	1060743	1	Cable, Left Battery Box	
2A	1320172	1	Handle	
2B	4460025	1	Connector, Anderson	
3	1001116018	1	Cable, Right Battery Box	
3A	1320172	1	Handle	
3B	4460025	1	Connector, Anderson	
4	1001181412	1	Cable, Battery	
4A	4460025	2	Connector, Anderson	

**SECTION 7 - ELECTRICAL**

**FIGURE 7-13. BATTERY CABLE KIT - 375AH/706HD BATTERIES**



ART\_1001194947

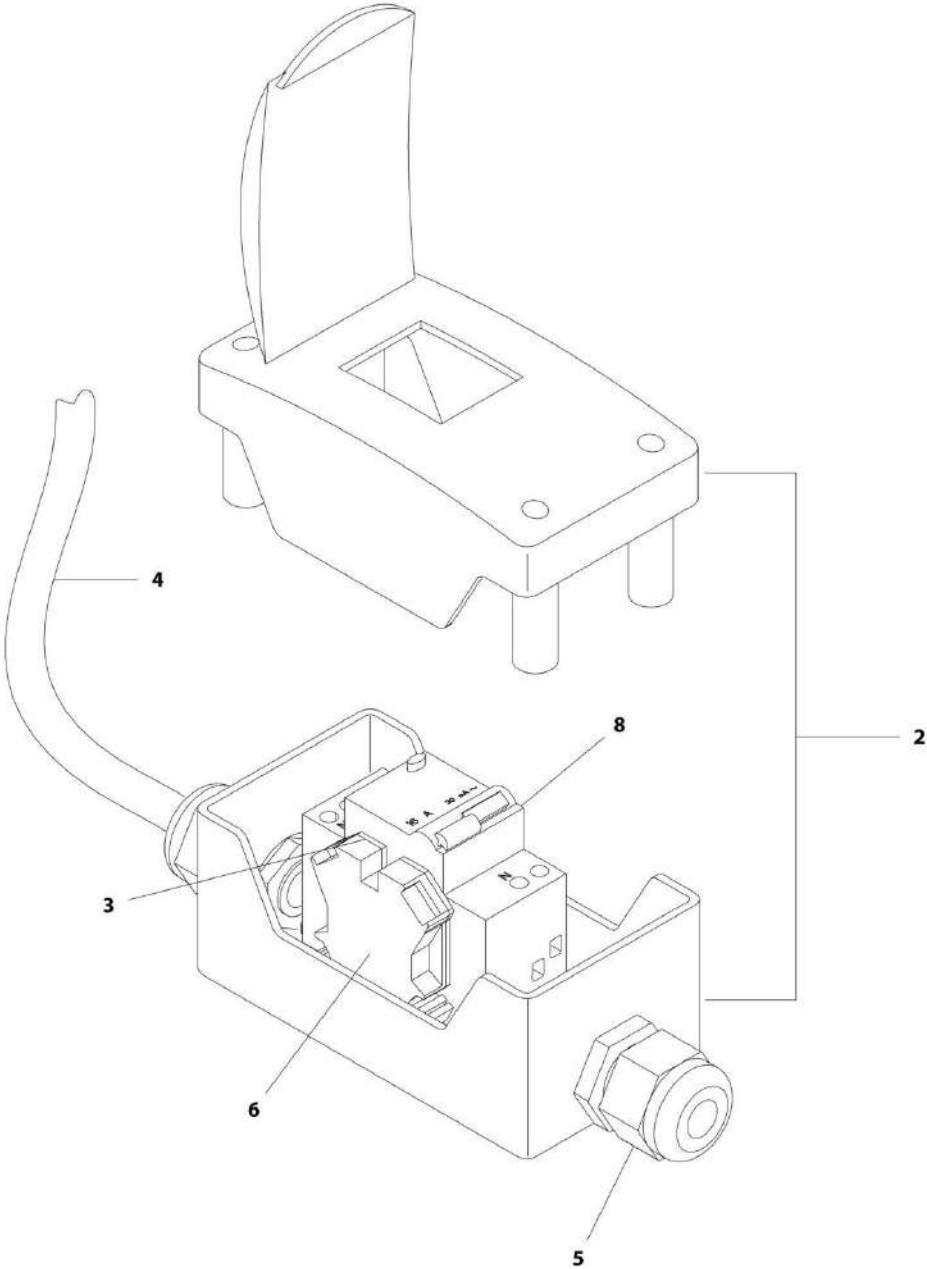
## SECTION 7 - ELECTRICAL

### FIGURE 7-13. BATTERY CABLE KIT - 375AH/706HD BATTERIES

ITEM	PART NUMBER	QTY	DESCRIPTION	REV
	1001194947	Ref	BATTERY CABLE KIT - 375AH/706HD BATTERIES	D
1	1060092	6	Cable, Battery - Positive to Negative	
2	1060742	1	Cable, Right Battery Box	
2A	1320172	1	Handle	
2B	4460025	1	Connector, Anderson	
3	1060743	1	Cable, Left Battery Box	
3A	1320172	1	Handle	
3B	4460025	1	Connector, Anderson	
4	1001181412	1	Cable, Battery	
4A	4460025	2	Connector, Anderson	

**SECTION 7 - ELECTRICAL**

**FIGURE 7-14. BREAKER BOX KIT - CE SPEC**



ART\_2902549



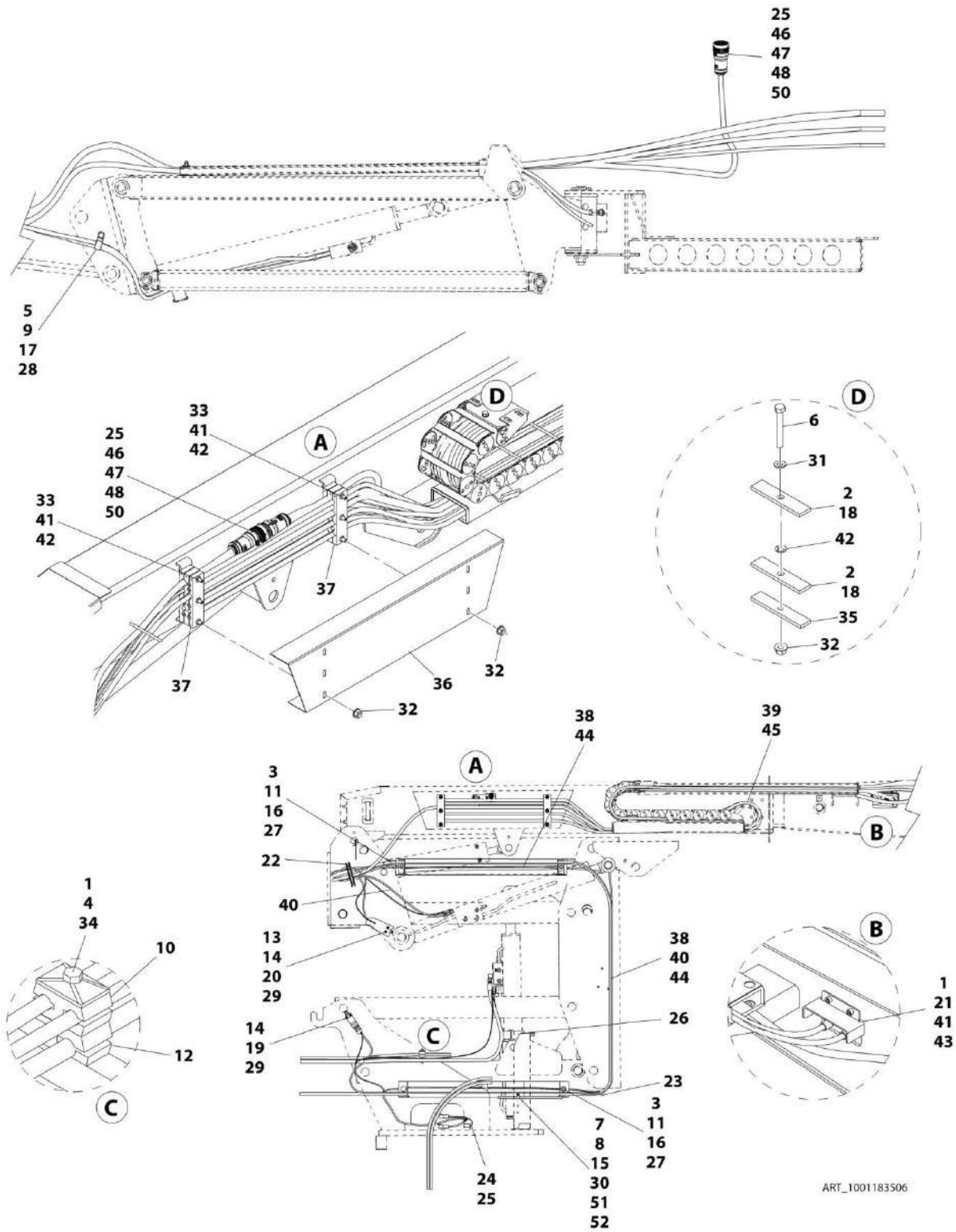
## SECTION 7 - ELECTRICAL

### FIGURE 7-14. BREAKER BOX KIT - CE SPEC

ITEM	PART NUMBER	QTY	DESCRIPTION	REV
	2902549	Ref	BREAKER BOX KIT - CE SPEC	F
2	0861880	1	Box	
3	4460956	1	Barrier, Terminal	
4	1060908	6 ft/1.8m	Cable, 12/3	
5	1001097150	2	Connector, Strain Relief	
6	4460957	1	Block, Terminal	
8	1001181045	1	Breaker, Circuit 16Amp/30mAmp	

# SECTION 7 - ELECTRICAL

## FIGURE 7-15. BOOM CABLES AND CLAMPS INSTALLATION - E300AJ



## SECTION 7 - ELECTRICAL

**FIGURE 7-15. BOOM CABLES AND CLAMPS INSTALLATION - E300AJ**

ITEM	PART NUMBER	QTY	DESCRIPTION	REV
	1001183506	Ref	BOOM CABLES AND CLAMPS INSTALLATION - E300AJ	E
1	0100011	AR	Compound, Locking	
2	0100081	AR	Adhesive	
3	0641416	6	Bolt 1/4 x 2	
3	0641418	6	Bolt 1/4 x 2-1/4	
4	0641511	1	Bolt 5/16 x 1-3/8	
4	0641520	1	Bolt 5/16 x 2-1/2	
5	0641608	1	Bolt 3/8 x 1	
6	0700820	2	Bolt M8 x 60	
7	0721006	1	Screw #10 x 3/4	
8	1320043	1	Clamp (SN 0300211844 through 0300221326)	
9	1320130	1	Clamp	
10	1320159	1	Clamp	
11	1320261	6	Clamp	
12	1320262	1	Clamp	
13	1670899	1	Cover, Switch	
14	3310805	4	Nut #8	
15	3311005	1	Nut #10	
16	3311405	6	Nut 1/4	
17	3311605	1	Nut 3/8	
18	3340939	4	Pad, Rubber	
19	3930820	2	Capscrew #8 x 1-1/4	
20	3930828	2	Capscrew #8 x 1-3/4	
21	4031908	2	Capscrew M8 x 20	
22	4060808	AR	Flex-Trim	
23	4100066	2	Sleeve	
24	4240018	AR	Strap	
25	4240033	AR	Tie-Wire	
26	4240156	2	Strap, Cinch	
27	4711400	6	Washer 1/4	
28	4711600	2	Washer 3/8	
29	4750800	4	Washer #8	
30	4751000	2	Washer #10	
31	4811900	2	Washer M8	
32	5260800	8	Nut M8 Grade 10.9	
33	5281920	6	Screw M8 x 80	
34	8750011	1	Bolt (SN 0300211844 through 0300237351)	
35	1001106757	2	Plate, Clamp	
36	1001107152	1	Plate, Shield	
37	1001204216	2	Clamp, Block	
38	1001109756	1	AC Cable - Tower Boom	
39	1001109757	1	AC Cable - Main Boom	
39	4460709	1	Plug, Male	
40	1001183062	1	Boom Valve and Limit Switch Harness (See BOOM VALVE AND LIMIT SWITCH HARNESS for Breakdown)	
41	1001118274	8	Nut M8	
42	1001119228	8	Nut, Push M8	
43	1001122600	1	Plate, Cover	
44	1001183880	1	Boom Harness - Tower Boom (See BOOM HARNESS - TOWER BOOM for Breakdown)	

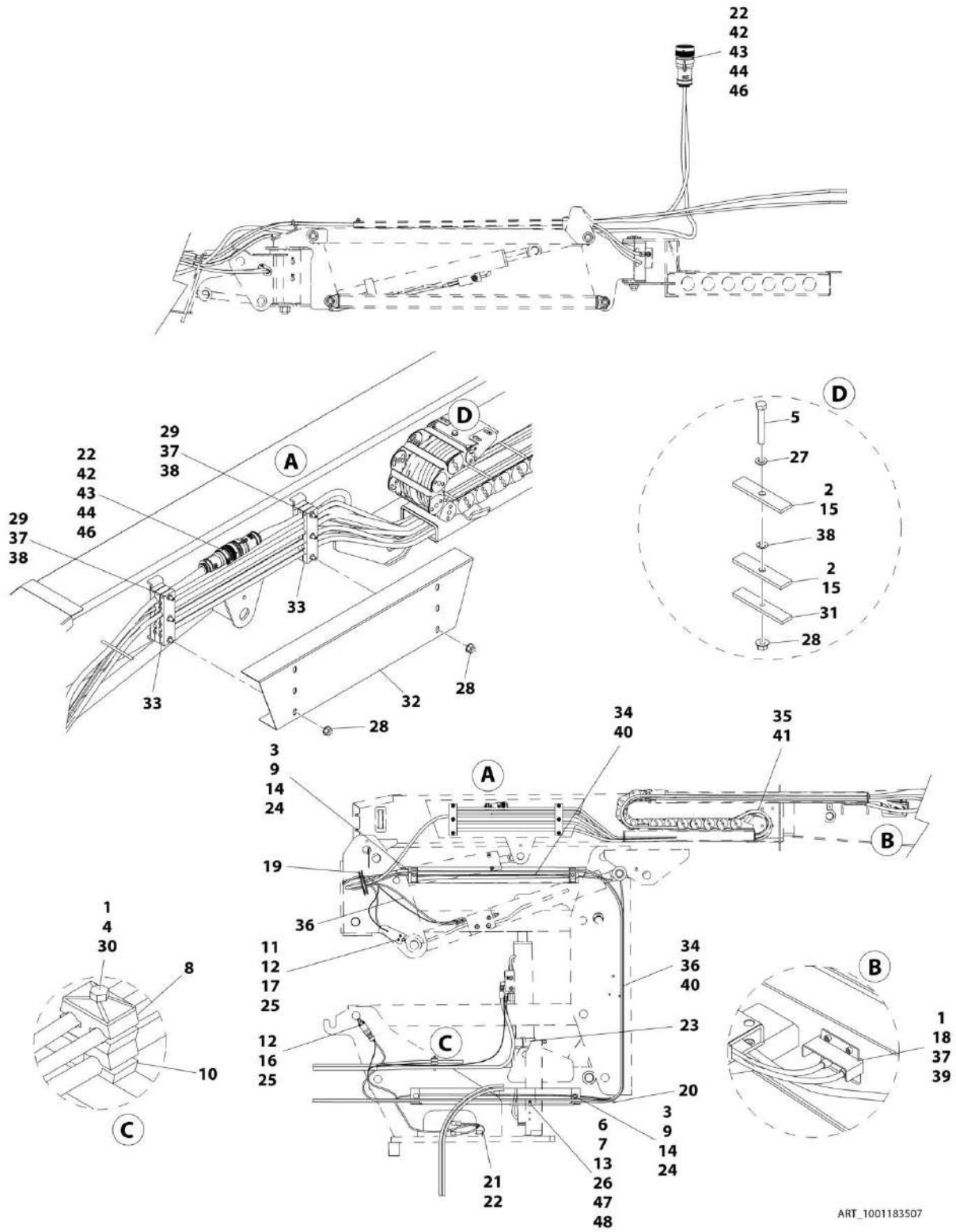
## SECTION 7 - ELECTRICAL

ITEM	PART NUMBER	QTY	DESCRIPTION	REV
45	1001183881	1	Boom Harness - Main Boom (See BOOM HARNESS - MAIN BOOM for Breakdown)	
46	1001188354	2	Grommet	
47	1001188291	2	Backshell	
48	1001188292	2	Connector - 19 Position	
50	4460466	8	Plug, Terminal	
51	4240032	1	Tie-Strap	
52	4460234	1	Mount, Tie-Strap	



# SECTION 7 - ELECTRICAL

## FIGURE 7-16. BOOM CABLES AND CLAMPS INSTALLATION - E300AJP



## SECTION 7 - ELECTRICAL

**FIGURE 7-16. BOOM CABLES AND CLAMPS INSTALLATION - E300AJP**

ITEM	PART NUMBER	QTY	DESCRIPTION	REV
	1001183507	Ref	BOOM CABLES AND CLAMPS INSTALLATION - E300AJP	E
1	0100011	AR	Compound, Locking	
2	0100081	AR	Adhesive	
3	0641416	6	Bolt 1/4 x 2	
3	0641418	6	Bolt 1/4 x 2-1/4	
4	0641511	1	Bolt 5/16 x 1-3/8	
4	0641520	1	Bolt 5/16 x 2-1/2	
5	0700820	2	Bolt M8 x 60	
6	0721006	1	Screw #10 x 3/4	
7	1320043	1	Clamp <b>(SN 0300211844 through 0300221326)</b>	
8	1320159	1	Clamp	
9	1320261	6	Clamp	
10	1320262	1	Clamp	
11	1670899	1	Cover, Switch	
12	3310805	4	Nut #8	
13	3311005	1	Nut #10	
14	3311405	6	Nut 1/4	
15	3340939	4	Pad, Rubber	
16	3930820	2	Capscrew #8 x 1-1/4	
17	3930828	2	Capscrew #8 x 1-3/4	
18	4031908	2	Capscrew M8 x 20	
19	4060808	AR	Flex-Trim	
20	4100066	2	Sleeve	
21	4240018	AR	Strap	
22	4240033	AR	Tie-Wire	
23	4240156	2	Strap, Cinch	
24	4711400	6	Washer 1/4	
25	4750800	4	Washer #8	
26	4751000	2	Washer #10	
27	4811900	2	Washer M8	
28	5260800	8	Nut M8 Grade 10.9	
29	5281920	6	Screw M8 x 80	
30	8750011	1	Bolt <b>(SN 0300211844 through 0300237351)</b>	
31	1001106757	2	Plate, Clamp	
32	1001107152	1	Plate, Shield	
33	1001204216	2	Clamp, Block	
34	1001109756	1	AC Cable - Tower Boom	
35	1001109757	1	AC Cable - Main Boom	
35	4460709	1	Plug, Male	
36	1001183062	1	Boom Valve and Limit Switch Harness (See BOOM VALVE AND LIMIT SWITCH HARNESS for Breakdown)	
37	1001118274	8	Nut M8	
38	1001119228	8	Nut, Push M8	
39	1001122600	1	Plate, Cover	
40	1001183880	1	Boom Harness - Tower Boom (See BOOM HARNESS - TOWER BOOM for Breakdown)	
41	1001183881	1	Boom Harness - Main Boom (See BOOM HARNESS - MAIN BOOM for Breakdown)	
42	1001188354	2	Grommet	
43	1001188291	2	Backshell	

## SECTION 7 - ELECTRICAL

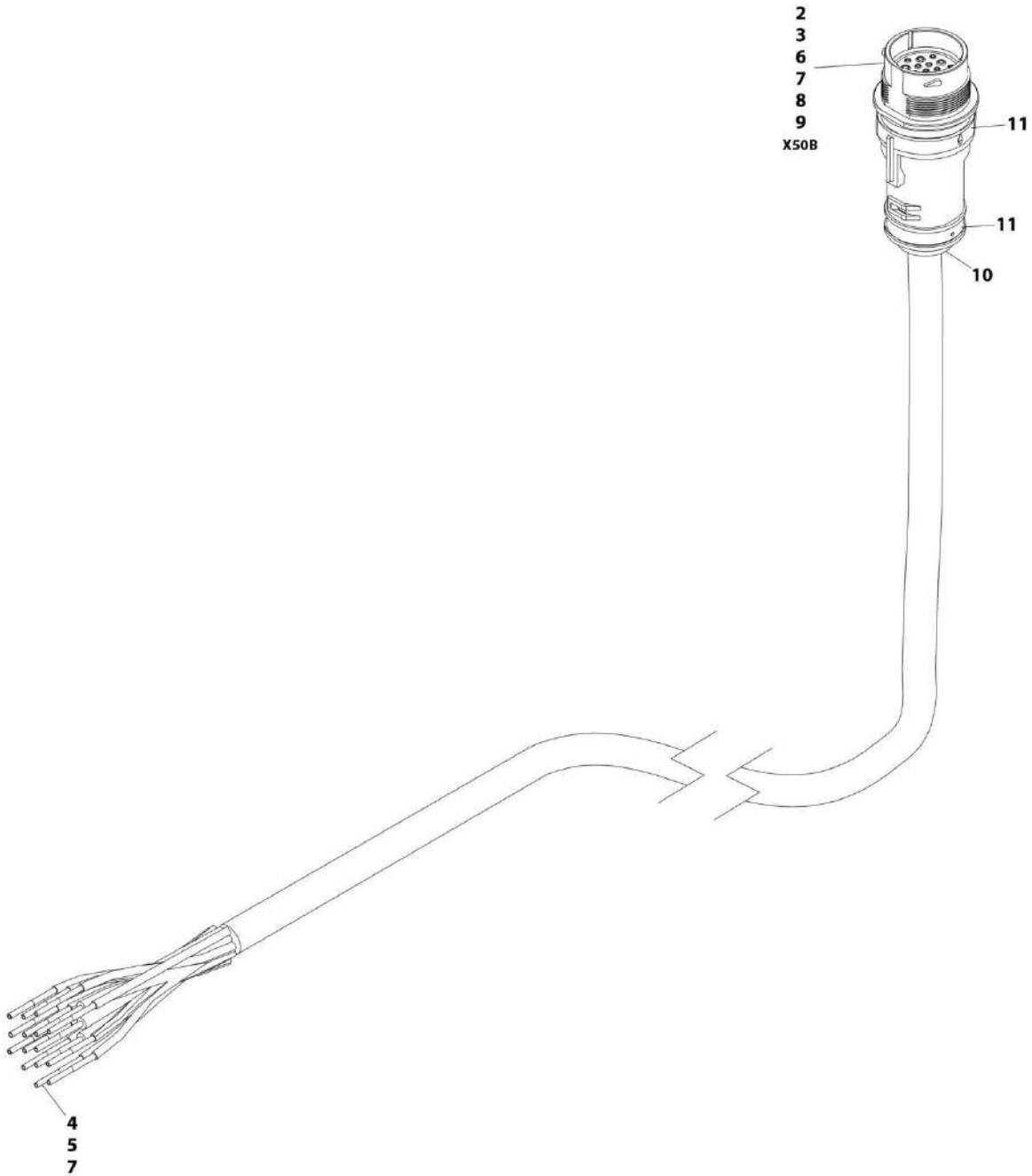
ITEM	PART NUMBER	QTY	DESCRIPTION	REV
44	1001188292	2	Connector - 19 Position	
46	4460466	8	Plug, Terminal	
47	4240032	1	Tie-Strap	
48	4460234	1	Mount, Tie-Strap	





# SECTION 7 - ELECTRICAL

## FIGURE 7-17. BOOM HARNESS - MAIN BOOM



ART\_1001183881

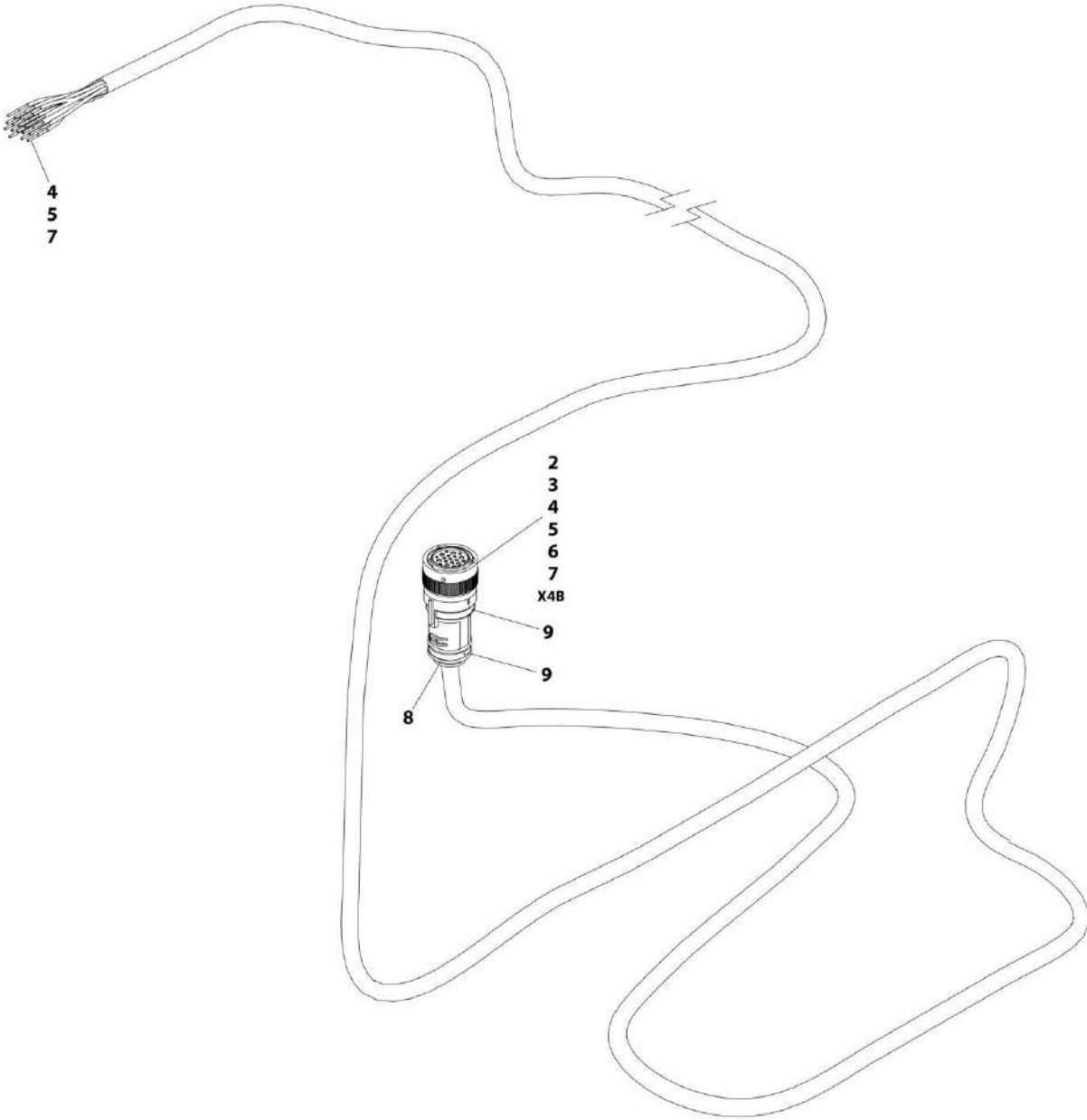
## SECTION 7 - ELECTRICAL

### FIGURE 7-17. BOOM HARNESS - MAIN BOOM

ITEM	PART NUMBER	QTY	DESCRIPTION	REV
	1001183881	Ref	BOOM HARNESS - MAIN BOOM	C
2	1001188293	1	Connector - 19 Position	
3	1001188291	1	Backshell	
4	4460465	11	Socket, Female	
5	4460509	4	Socket, Female	
6	4460466	4	Plug, Terminal	
7	2820118	AR	Heat Shrink	
8	4460464	11	Pin, Male	
9	4460508	4	Pin, Male	
10	1001188354	1	Grommet	
11	4240033	2	Tie-Wire	

SECTION 7 - ELECTRICAL

FIGURE 7-18. BOOM HARNESS - TOWER BOOM



ART\_1001183880

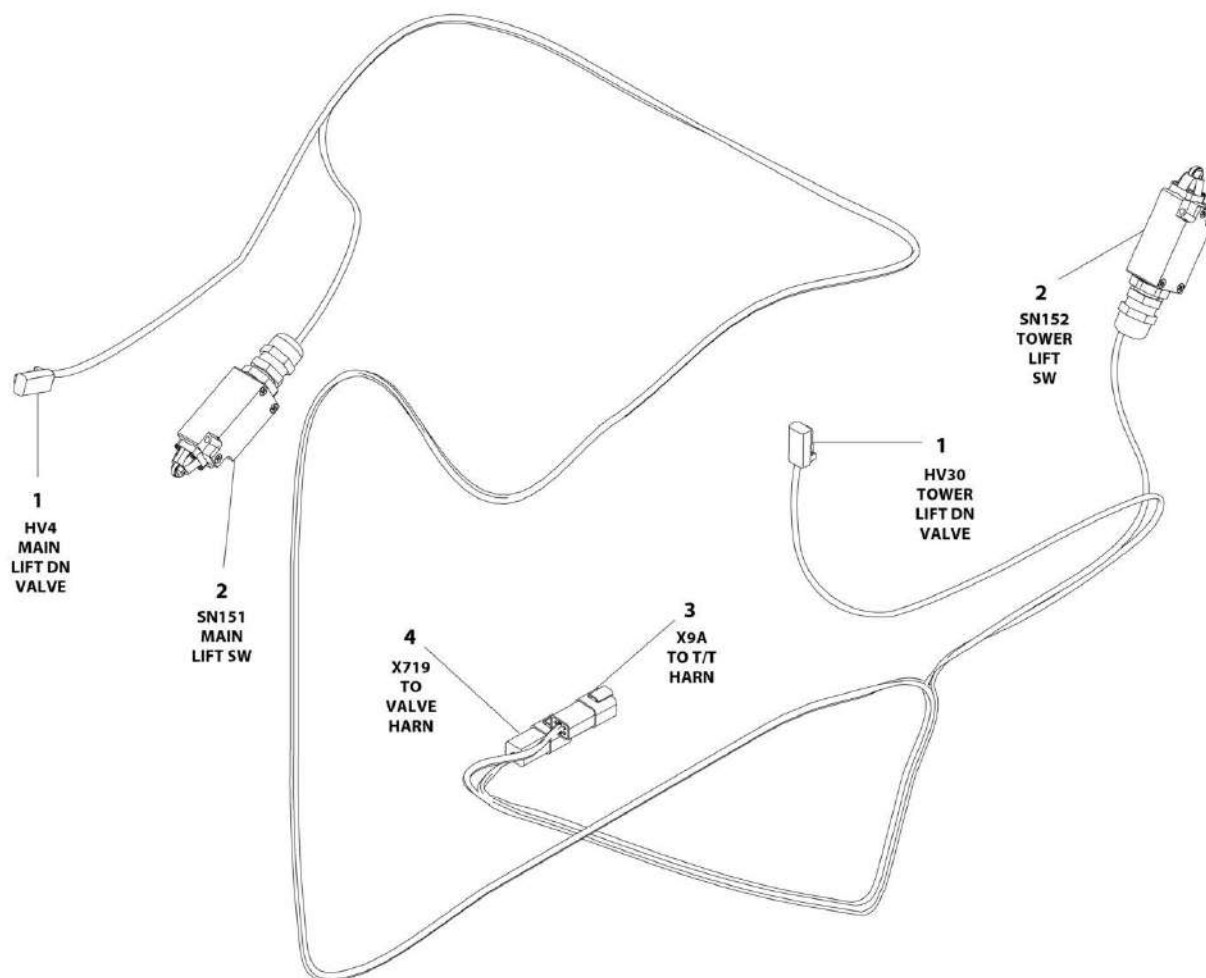
## SECTION 7 - ELECTRICAL

### FIGURE 7-18. BOOM HARNESS - TOWER BOOM

ITEM	PART NUMBER	QTY	DESCRIPTION	REV
	1001183880	Ref	BOOM HARNESS - TOWER BOOM	C
2	1001188292	1	Connector - 19 Position	
3	1001188291	1	Backshell	
4	4460465	22	Socket, Female	
5	4460509	8	Socket, Female	
6	4460466	4	Plug, Terminal	
7	2820118	AR	Heat Shrink	
8	1001188354	1	Grommet	
9	4240033	2	Tie-Wire	

# SECTION 7 - ELECTRICAL

## FIGURE 7-19. BOOM VALVE AND LIMIT SWITCH HARNESS



ART\_1001183062

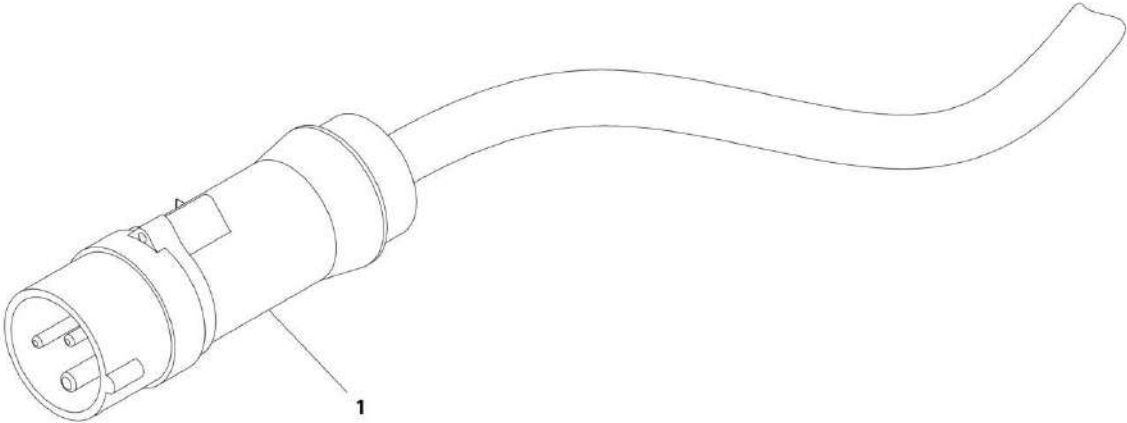
## SECTION 7 - ELECTRICAL

**FIGURE 7-19. BOOM VALVE AND LIMIT SWITCH HARNESS**

ITEM	PART NUMBER	QTY	DESCRIPTION	REV
	1001183062	Ref	BOOM VALVE AND LIMIT SWITCH HARNESS	E
1	4460891	2	Plug, Male - 2 Position	
1	4460465	4	Socket, Female	
2	4360548	2	Switch, Limit	
2	4460968	2	Connector, Strain Relief	
2	0962449	2	Bushing	
3	4460932	1	Receptacle, Female - 4 Position	
3	4460464	4	Pin, Male	
4	1001205184	1	Receptacle, Female - 4 Position	
4	1001116693	4	Pin, Male	

**SECTION 7 - ELECTRICAL**

**FIGURE 7-20. CHARGER CORD PLUG INSTALLATION - 110V - IEC 60309 - YELLOW (CE SPEC)**



ART\_0275666



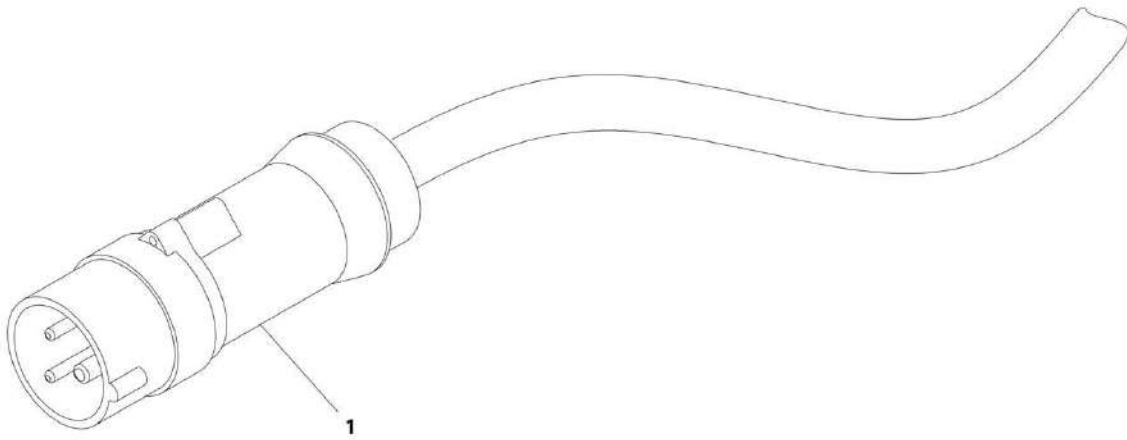
## SECTION 7 - ELECTRICAL

**FIGURE 7-20. CHARGER CORD PLUG INSTALLATION - 110V - IEC 60309 - YELLOW (CE SPEC)**

ITEM	PART NUMBER	QTY	DESCRIPTION	REV
	0275666	Ref	CHARGER CORD PLUG INSTALLATION - 110V - IEC 60309 - YELLOW (CE SPEC)	B
1	4461196	1	Plug	

## SECTION 7 - ELECTRICAL

FIGURE 7-21. CHARGER CORD PLUG INSTALLATION - 220V - IEC 60309 - BLUE (CE SPEC)



ART\_0275667

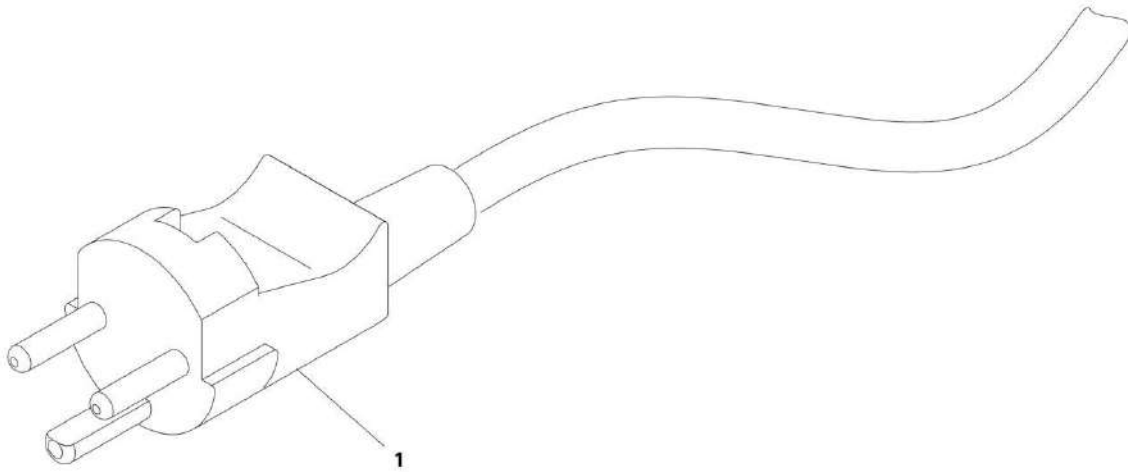
## SECTION 7 - ELECTRICAL

**FIGURE 7-21. CHARGER CORD PLUG INSTALLATION - 220V - IEC 60309 - BLUE (CE SPEC)**

ITEM	PART NUMBER	QTY	DESCRIPTION	REV
	0275667	Ref	CHARGER CORD PLUG INSTALLATION - 220V - IEC 60309 - BLUE (CE SPEC)	B
1	4461199	1	Plug	

## SECTION 7 - ELECTRICAL

FIGURE 7-22. CHARGER CORD PLUG INSTALLATION - 220V - AFSINT107 KEYED GROUND (CE SPEC)



ART\_0275665

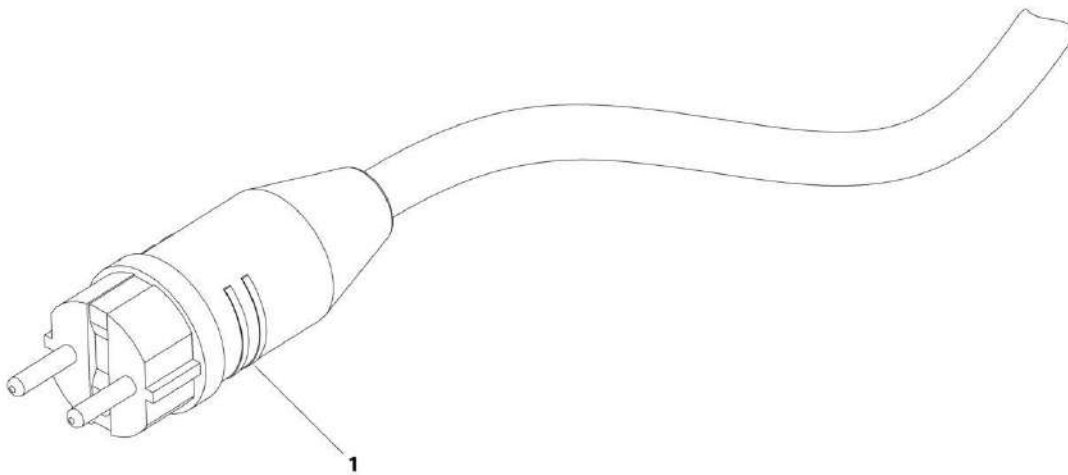
## SECTION 7 - ELECTRICAL

**FIGURE 7-22. CHARGER CORD PLUG INSTALLATION - 220V - AFSINT107 KEYED GROUND (CE SPEC)**

ITEM	PART NUMBER	QTY	DESCRIPTION	REV
	0275665	Ref	CHARGER CORD PLUG INSTALLATION - 220V - AFSINT107 KEYED GROUND (CE SPEC)	B
1	4461249	1	Plug	

## SECTION 7 - ELECTRICAL

FIGURE 7-23. CHARGER CORD PLUG INSTALLATION - 220V - CEE7 POST GROUND (CE SPEC)



ART\_0275663

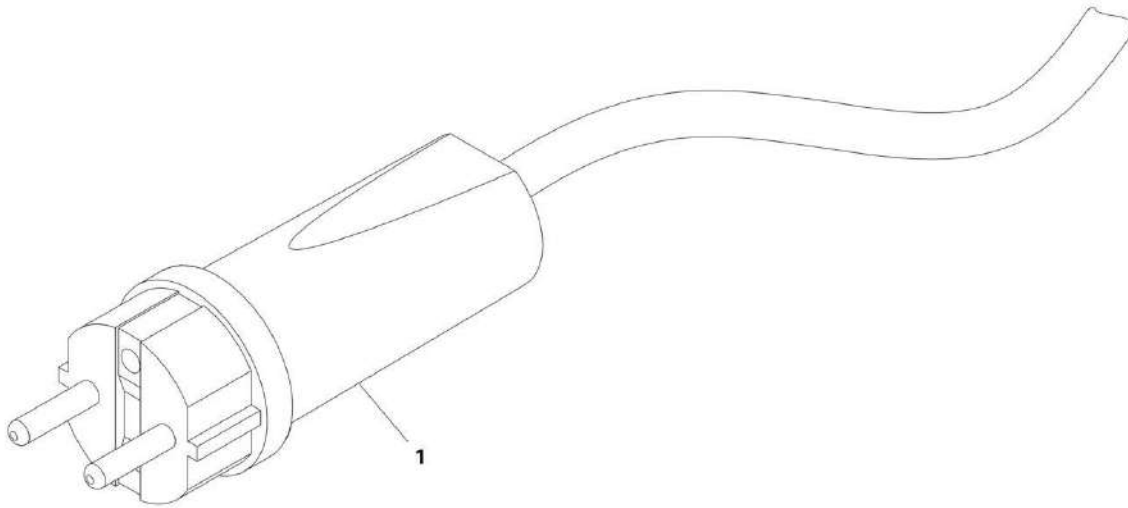
## SECTION 7 - ELECTRICAL

**FIGURE 7-23. CHARGER CORD PLUG INSTALLATION - 220V - CEE7 POST GROUND (CE SPEC)**

ITEM	PART NUMBER	QTY	DESCRIPTION	REV
	0275663	Ref	CHARGER CORD PLUG INSTALLATION - 220V - CEE7 POST GROUND (CE SPEC)	C
1	4461202	1	Plug (SN 0300211844 through 0300218318)	
1	4461205	1	Plug (SN 0300218319 to Present)	

## SECTION 7 - ELECTRICAL

FIGURE 7-24. CHARGER CORD PLUG INSTALLATION - 220V - CEE7 SIDE GROUND (CE SPEC)



ART\_0275664



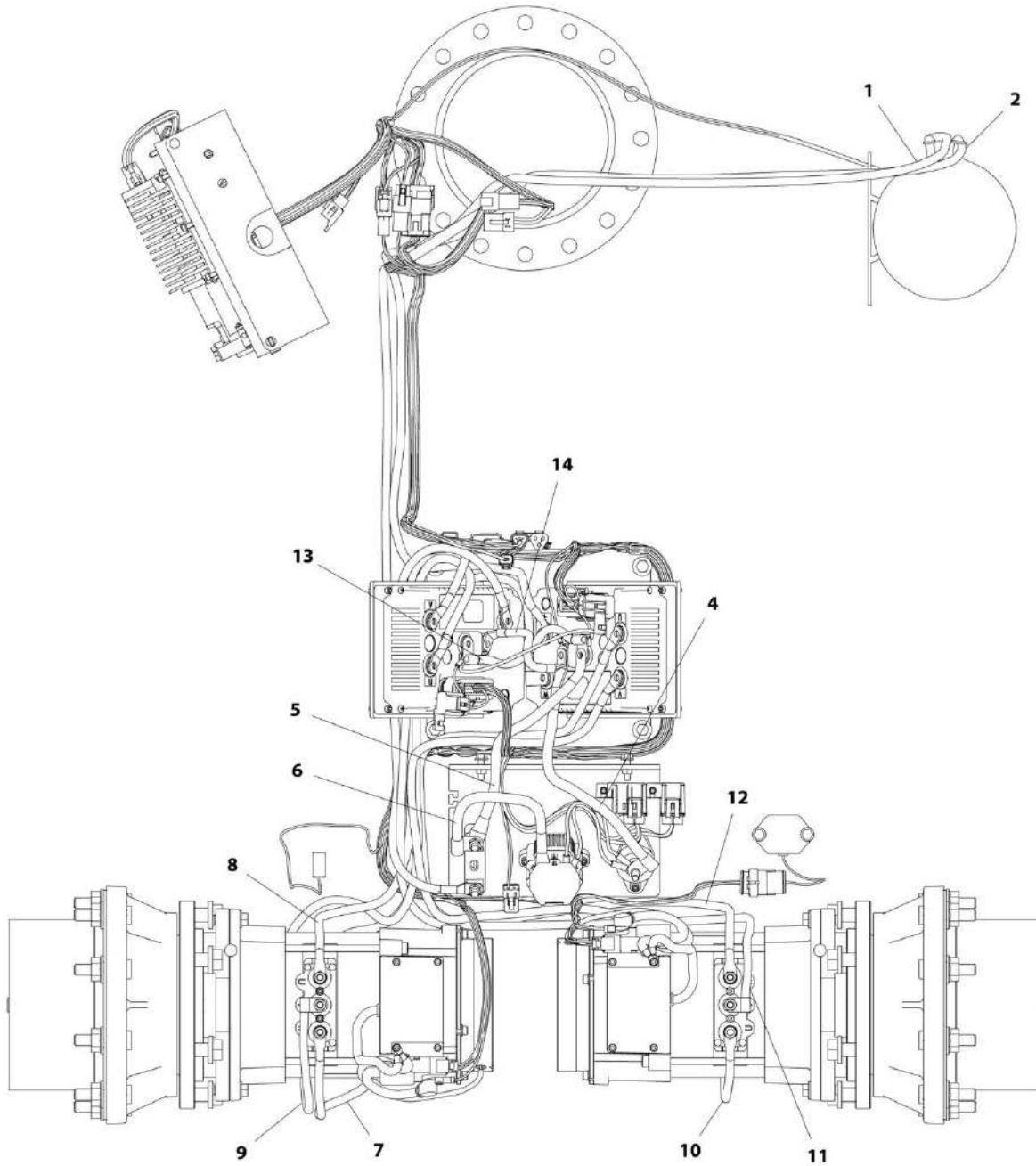
## SECTION 7 - ELECTRICAL

**FIGURE 7-24. CHARGER CORD PLUG INSTALLATION - 220V - CEE7 SIDE GROUND (CE SPEC)**

ITEM	PART NUMBER	QTY	DESCRIPTION	REV
	0275664	Ref	CHARGER CORD PLUG INSTALLATION - 220V - CEE7 SIDE GROUND (CE SPEC)	B
1	4461205	1	Plug	

# SECTION 7 - ELECTRICAL

FIGURE 7-25. DRIVE CABLE KIT (ALL SPECS EXCEPT UL SPEC)



ART\_1001195097

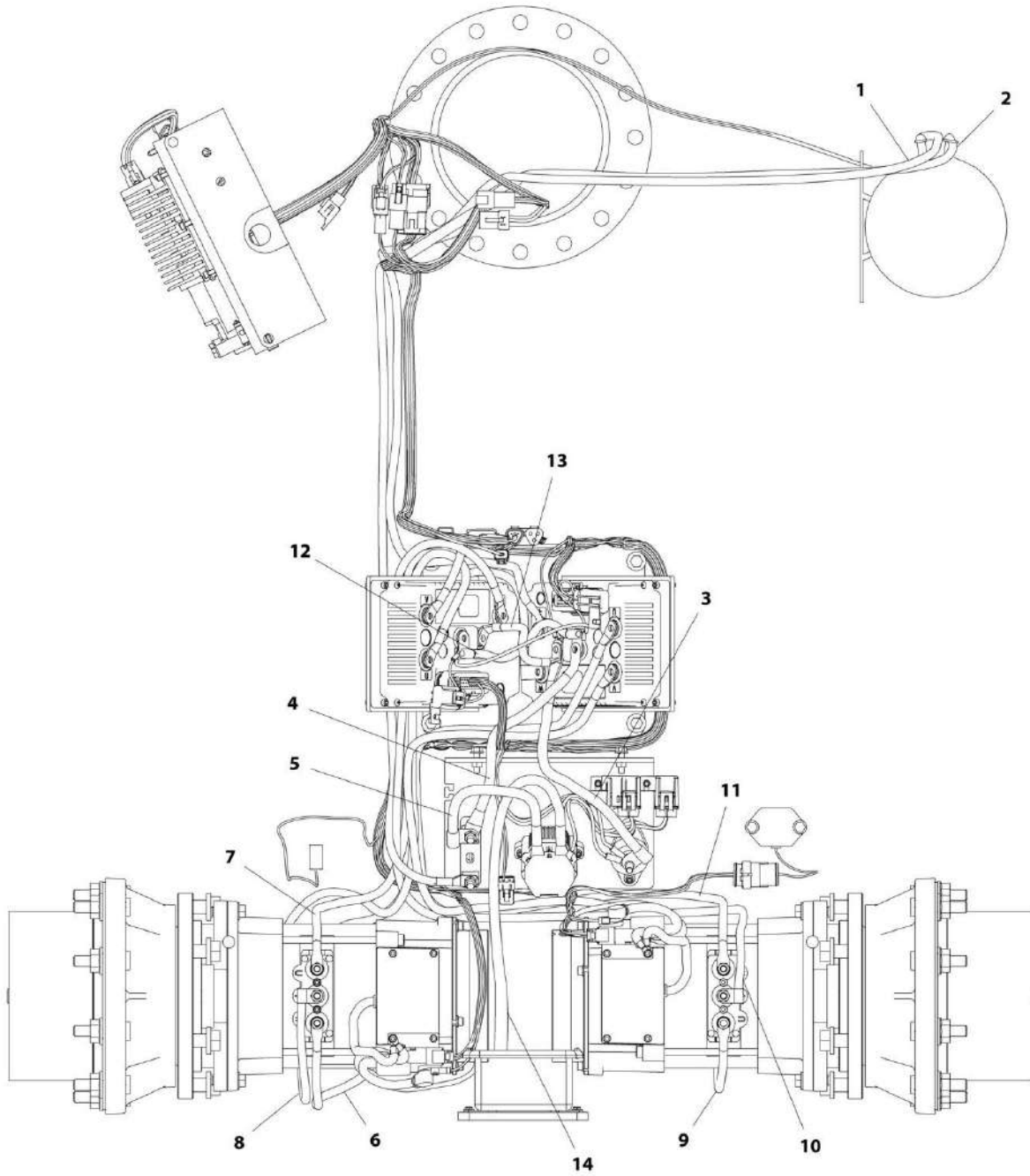
## SECTION 7 - ELECTRICAL

**FIGURE 7-25. DRIVE CABLE KIT (ALL SPECS EXCEPT UL SPEC)**

ITEM	PART NUMBER	QTY	DESCRIPTION	REV
	1001195097	Ref	DRIVE CABLE KIT (ALL SPECS EXCEPT UL SPEC)	E
1	1001179000	1	Cable - Pump Motor + to Fuse	
2	1001179001	1	Cable - Pump Motor - to LH Module P	
4	1001194283	1	Cable - Ground to LH Module P-	
5	1001194285	1	Cable - RH Module P+ to Fuse	
6	1001194288	1	Cable - Contactor to Fuse	
7	1001194654	1	Cable - LH Motor W	
8	1001194655	1	Cable - LH Motor U	
9	1001194656	1	Cable - LH Motor V	
10	1001194657	1	Cable - RH Motor U	
11	1001194658	1	Cable - RH Motor V	
12	1001194659	1	Cable - RH Motor W	
13	1001194739	1	Cable - RH Module P+ to LH Module P+	
14	1001194740	1	Cable - LH Module P- to RH Module P-	

# SECTION 7 - ELECTRICAL

FIGURE 7-26. DRIVE CABLE KIT (UL SPECS) (SN 0300226252 to Present)



ART\_1001212446

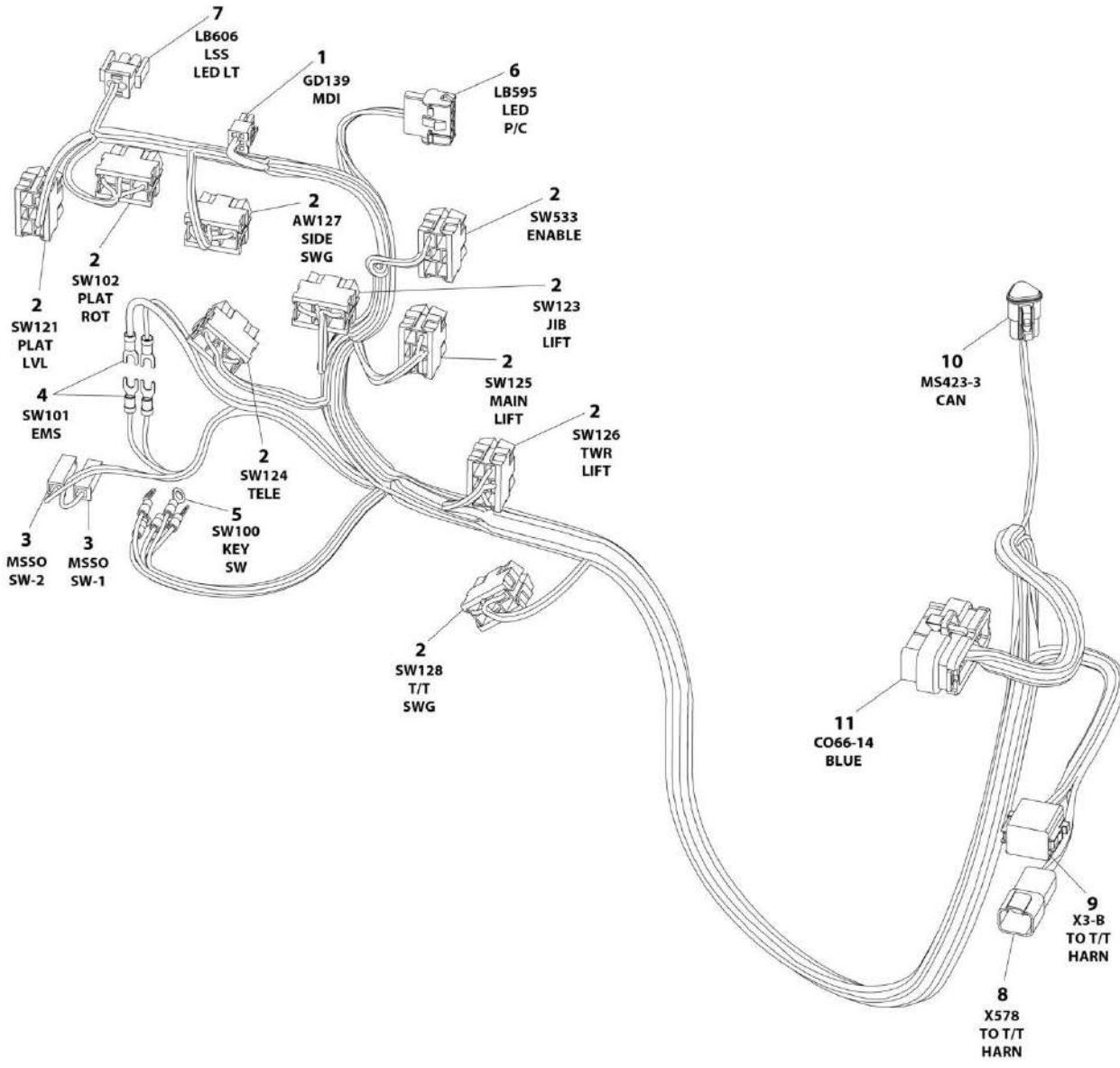
## SECTION 7 - ELECTRICAL

**FIGURE 7-26. DRIVE CABLE KIT (UL SPECS) (SN 0300226252 to Present)**

ITEM	PART NUMBER	QTY	DESCRIPTION	REV
	1001212446	Ref	DRIVE CABLE KIT (UL SPECS) (SN 0300226252 to Present)	A
1	1001179000	1	Cable - Pump Motor + to Fuse	
2	1001179001	1	Cable - Pump Motor - to LH Module P	
3	1001194283	1	Cable - Ground to LH Module P-	
4	1001194285	1	Cable - RH Module P+ to Fuse	
5	1001194288	1	Cable - Contactor to Fuse	
6	1001194654	1	Cable - LH Motor W	
7	1001194655	1	Cable - LH Motor U	
8	1001194656	1	Cable - LH Motor V	
9	1001194657	1	Cable - RH Motor U	
10	1001194658	1	Cable - RH Motor V	
11	1001194659	1	Cable - RH Motor W	
12	1001194739	1	Cable - RH Module P+ to LH Module P+	
13	1001194740	1	Cable - LH Module P- to RH Module P-	
14	1001212436	1	Cable, Drive Jumper	

# SECTION 7 - ELECTRICAL

## FIGURE 7-27. GROUND CONTROL HARNESS



ART\_1001181095

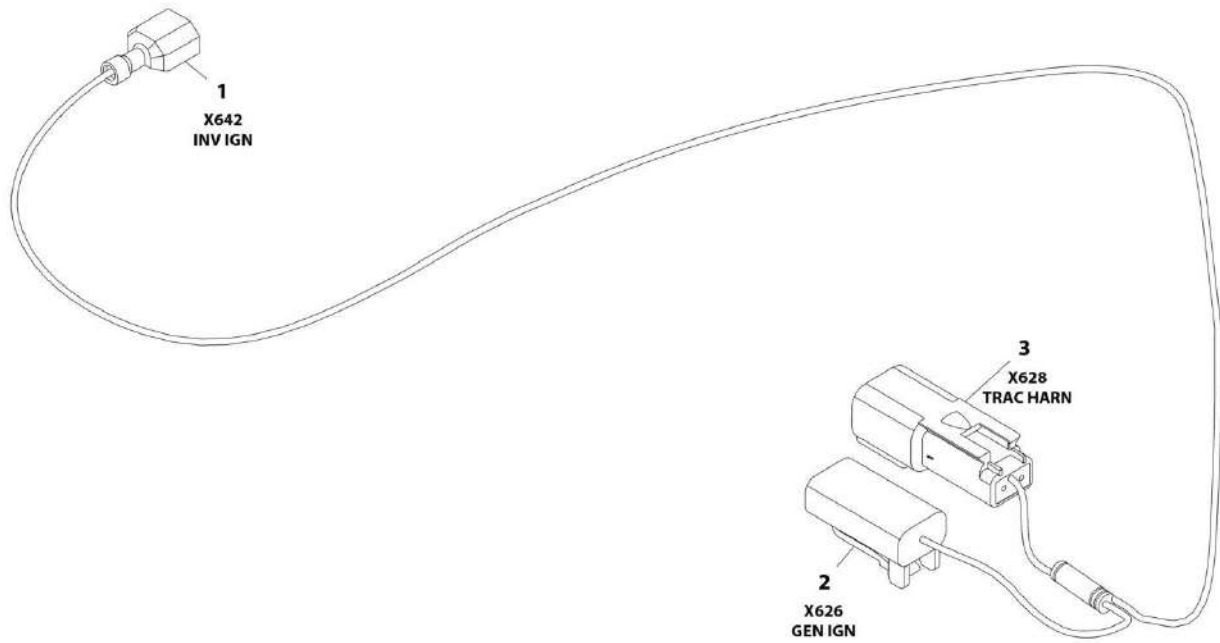
## SECTION 7 - ELECTRICAL

### FIGURE 7-27. GROUND CONTROL HARNESS

ITEM	PART NUMBER	QTY	DESCRIPTION	REV
	1001181095	Ref	GROUND CONTROL HARNESS	G
1	4460868	1	Plug, Male - 6 Position	
1	4460877	4	Socket, Female	
2	4460418	9	Connector, Switch	
2	4460419	16	Terminal	
2	1001159186	18	Terminal	
3	4460260	2	Cover, Terminal	
3	4460259	2	Terminal	
4	4460806	1	Terminal, Fork	
4	4460183	3	Terminal, Fork	
5	4460313	6	Terminal, Ring	
6	4460761	1	Receptacle, Female - 4 Position	
6	4460226	4	Socket, Female	
7	4460320	1	Plug, Male - 2 Position	
7	4460227	1	Pin, Male	
7	4460267	1	Pin, Male	
8	4460932	1	Receptacle, Female - 4 Position	
8	1001116693	4	Pin, Male	
9	4460851	1	Connector - 8 Position	
9	1001116692	6	Socket, Female	
9	1001157890	1	Socket, Female	
9	4460466	1	Plug, Terminal	
10	1001116812	1	Plug, Male - 3 Position	
10	4460944	2	Socket, Female	
10	4460466	1	Plug, Terminal	
11	4460876	1	Connector - 35 Position	
11	4460871	22	Socket, Female	
11	4460905	13	Plug, Terminal	

# SECTION 7 - ELECTRICAL

## FIGURE 7-28. INVERTER HARNESS



ART\_1001192293



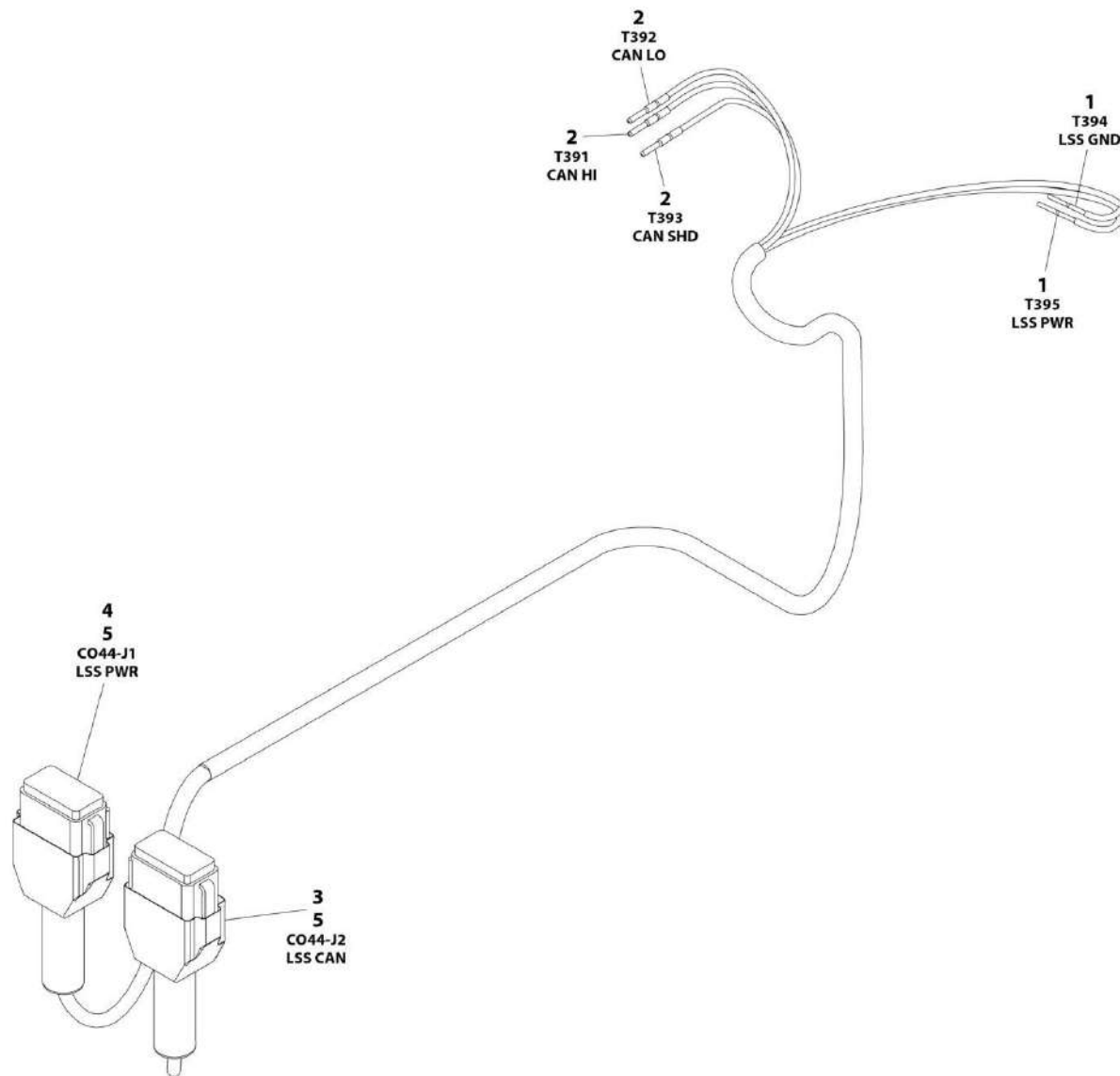
## SECTION 7 - ELECTRICAL

### FIGURE 7-28. INVERTER HARNESS

ITEM	PART NUMBER	QTY	DESCRIPTION	REV
	1001192293	Ref	INVERTER HARNESS	C
1	1001193545	1	Terminal	
2	4460891	1	Plug, Male - 2 Position	
2	4460465	1	Socket, Female	
2	4460466	1	Plug, Terminal	
3	4460897	1	Receptacle, Female - 2 Position	
3	4460464	1	Pin, Male	
3	4460466	1	Plug, Terminal	

# SECTION 7 - ELECTRICAL

## FIGURE 7-29. LSS SYSTEM HARNESS



ART\_1001192283

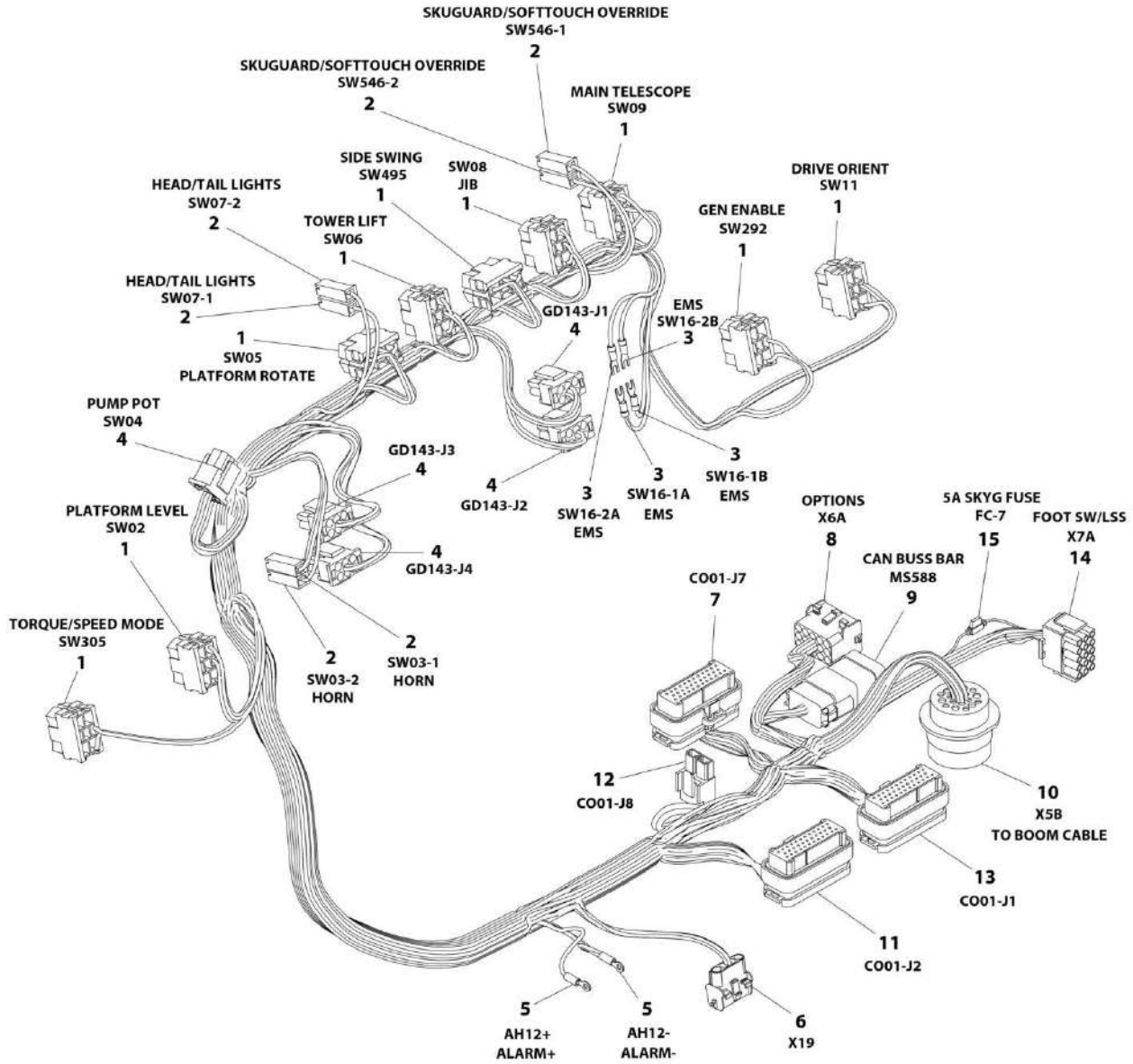
## SECTION 7 - ELECTRICAL

**FIGURE 7-29. LSS SYSTEM HARNESS**

ITEM	PART NUMBER	QTY	DESCRIPTION	REV
	1001192283	Ref	LSS SYSTEM HARNESS	B
1	4460226	2	Socket, Female	
2	4460227	3	Pin, Male	
3	4460836	1	Plug, Male - 12 Position	
3	4460944	2	Socket, Female	
3	4460466	10	Plug, Terminal	
3	1001174455	1	Boot	
4	4460933	1	Plug, Male - 12 Position	
4	4460465	2	Socket, Female	
4	4460466	10	Plug, Terminal	
4	1001174455	1	Boot	
5	2820030	AR	Heat Shrink	

# SECTION 7 - ELECTRICAL

## FIGURE 7-30. PLATFORM CONSOLE HARNESS



ART\_1001191318

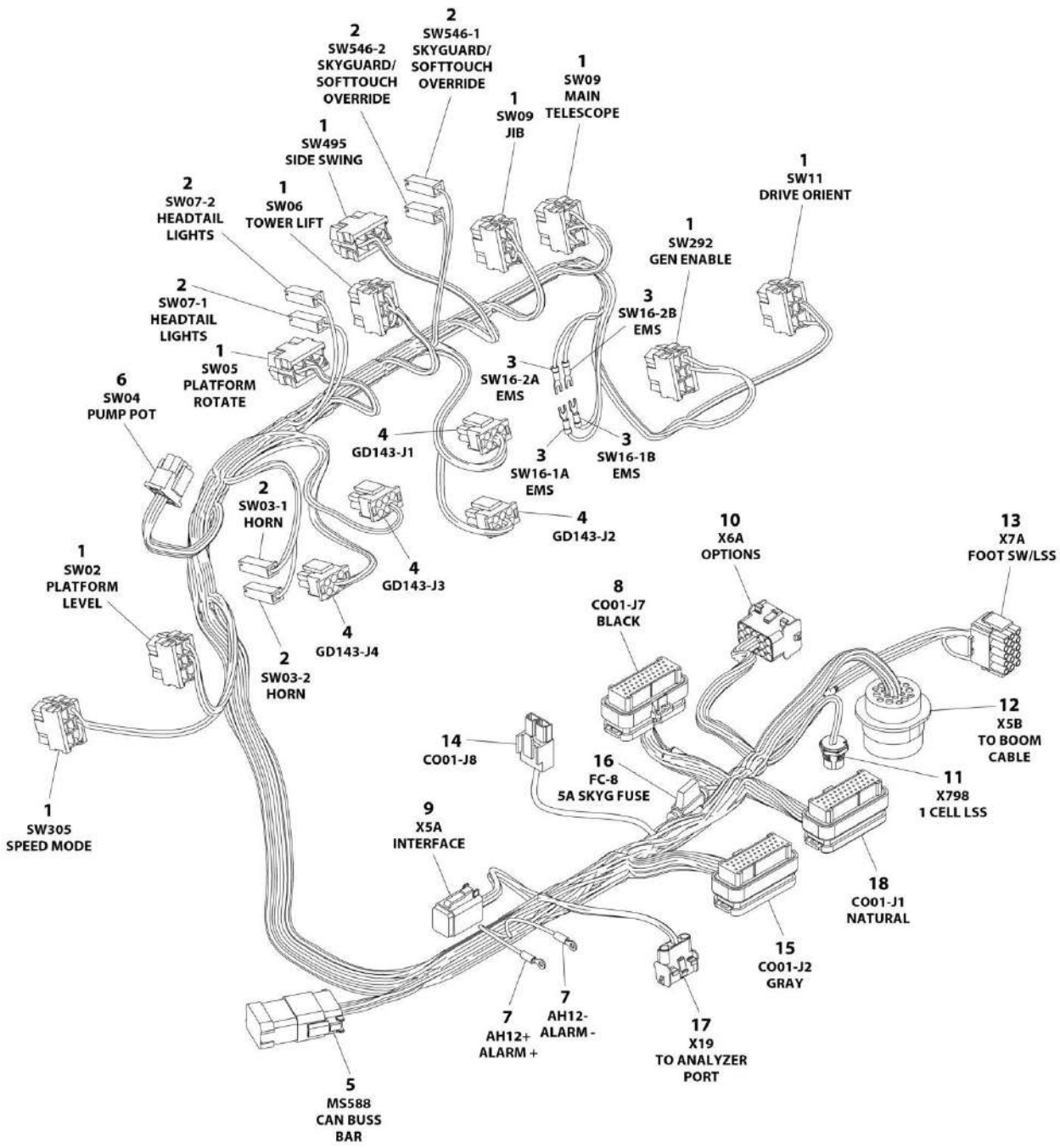
## SECTION 7 - ELECTRICAL

### FIGURE 7-30. PLATFORM CONSOLE HARNESS

ITEM	PART NUMBER	QTY	DESCRIPTION	REV
	1001191318	Ref	PLATFORM CONSOLE HARNESS	I
1	4460418	9	Connector - 6 Position	
1	4460419	14	Terminal	
1	1001159186	17	Terminal	
2	4460260	6	Housing, Terminal	
2	4460259	6	Terminal	
3	4460888	4	Terminal, Fork	
4	4460225	5	Connector - 6 Position	
4	4460226	14	Socket, Female	
4	4460267	6	Pin, Male	
5	1001098122	2	Terminal, Ring	
6	4460761	1	Receptacle, Female - 4 Position	
6	4460227	4	Pin, Male	
7	4460873	1	Connector - 35 Position	
7	4460871	21	Socket, Female	
7	4460905	14	Plug, Terminal	
8	4460708	1	Connector - 15 Position	
8	4460226	12	Socket, Female	
9	4460930	1	Plug, Male - 8 Position	
9	4460465	6	Socket, Female	
9	4460466	2	Plug, Terminal	
10	4460866	1	Connector - 19 Position	
10	4460464	10	Pin, Male	
10	4460508	2	Pin, Male	
10	4460466	7	Plug, Terminal	
11	4460875	1	Connector - 35 Position	
11	4460871	24	Socket, Female	
11	4460905	12	Plug, Terminal	
12	4460879	1	Plug, Male - 2 Position	
12	4460887	2	Terminal	
13	4460874	1	Connector - 35 Position	
13	4460871	24	Socket, Female	
13	4460905	11	Plug, Terminal	
14	4460434	1	Plug, Male - 15 Position	
14	4460227	13	Pin, Male	
15	2400060	1	Holder, Fuse (SN 0300229198 to Present)	
15	8229242	1	Fuse 5Amp (SN 0300229198 to Present)	

# SECTION 7 - ELECTRICAL

FIGURE 7-31. PLATFORM CONSOLE HARNESS - WITH 1 CELL LSS



ART\_1001217621

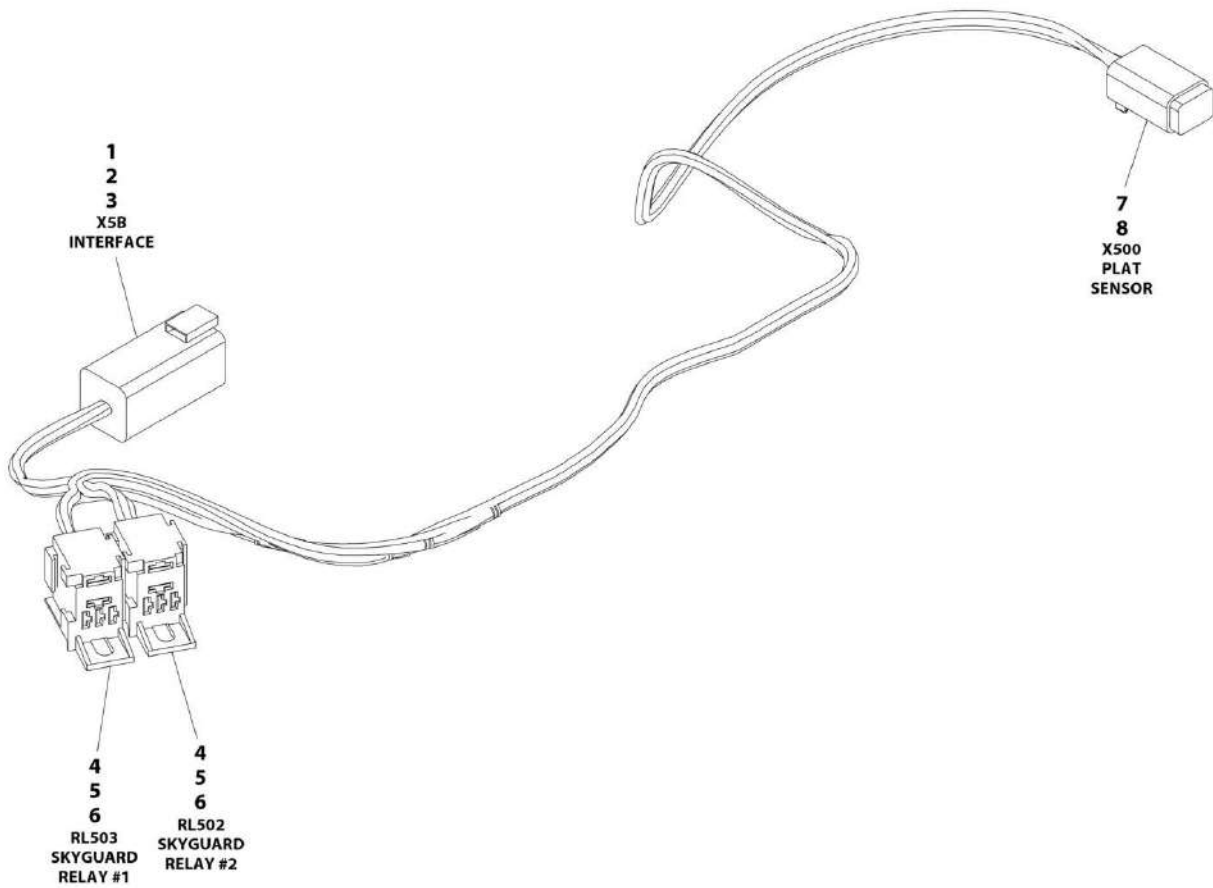
## SECTION 7 - ELECTRICAL

**FIGURE 7-31. PLATFORM CONSOLE HARNESS - WITH 1 CELL LSS**

ITEM	PART NUMBER	QTY	DESCRIPTION	REV
	1001217621	Ref	PLATFORM CONSOLE HARNESS - WITH 1 CELL LSS	C
1	4460418	9	Connector - 6 Position	
1	4460419	15	Terminal	
1	1001159186	17	Terminal	
2	4460260	6	Housing, Terminal	
2	4460259	8	Terminal	
3	4460888	4	Terminal, Fork	
4	4460225	4	Connector - 6 Position	
4	4460226	15	Socket, Female	
5	4460930	1	Plug, Male - 8 Position	
5	4460465	6	Socket, Female	
5	4460466	2	Plug, Terminal	
6	4460224	1	Plug, Male - 6 Position	
6	4460267	7	Pin, Male	
7	1001098122	2	Terminal, Ring	
8	4460873	1	Connector - 35 Position	
8	4460871	23	Socket, Female	
8	4460905	13	Plug, Terminal	
9	4460894	1	Plug, Male - 6 Position	
9	4460465	6	Socket, Female	
10	4460708	1	Connector - 15 Position	
10	4460226	12	Socket, Female	
11	1001213447	1	Connector, Female - 5 Position	
12	4460866	1	Connector - 19 Position	
12	4460466	7	Plug, Terminal	
12	4460464	10	Pin, Male	
12	4460508	2	Pin, Male	
13	4460434	1	Plug, Male - 15 Position	
13	4460227	9	Pin, Male	
14	4460879	1	Plug, Male - 2 Position	
14	4460887	2	Terminal	
15	4460875	1	Connector - 35 Position	
15	4460905	13	Plug, Terminal	
15	4460871	22	Socket, Female	
16	2400060	1	Holder, Fuse	
16	8229242	1	Fuse 5Amp	
17	4460761	1	Receptacle, Female - 4 Position	
17	4460227	4	Pin, Male	
18	4460874	1	Connector - 35 Position	
18	4460871	24	Socket, Female	
18	4460905	11	Plug, Terminal	

# SECTION 7 - ELECTRICAL

## FIGURE 7-32. GENERATOR TO PLATFORM HARNESS - WITH SKYGUARD



ART\_1001225580



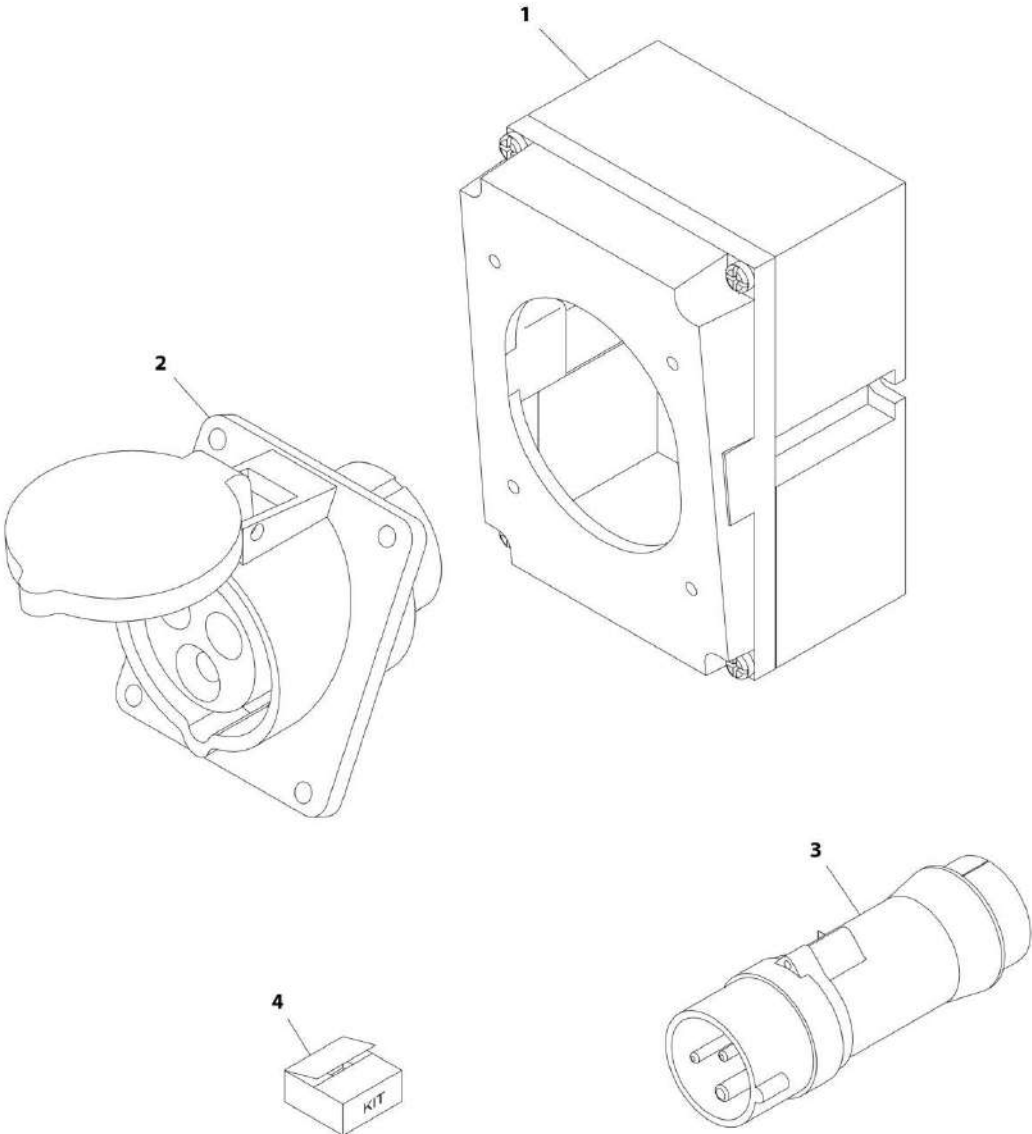
## SECTION 7 - ELECTRICAL

**FIGURE 7-32. GENERATOR TO PLATFORM HARNESS - WITH SKYGUARD**

ITEM	PART NUMBER	QTY	DESCRIPTION	REV
	1001225580	Ref	GENERATOR TO PLATFORM HARNESS - WITH SKYGUARD	C
1	4460899	1	Connector	
4	4460464	2	Terminal	
3	4460466	2	Plug	
4	1001186432	2	Connector	
5	1001116720	4	Terminal	
6	1001118388	4	Terminal	
7	4460844	1	Connector	
8	4460465	4	Terminal	

**SECTION 7 - ELECTRICAL**

**FIGURE 7-33. RECEPTACLE BOX KIT - 110V IEC YELLOW (CE SPEC)**



ART\_0275216

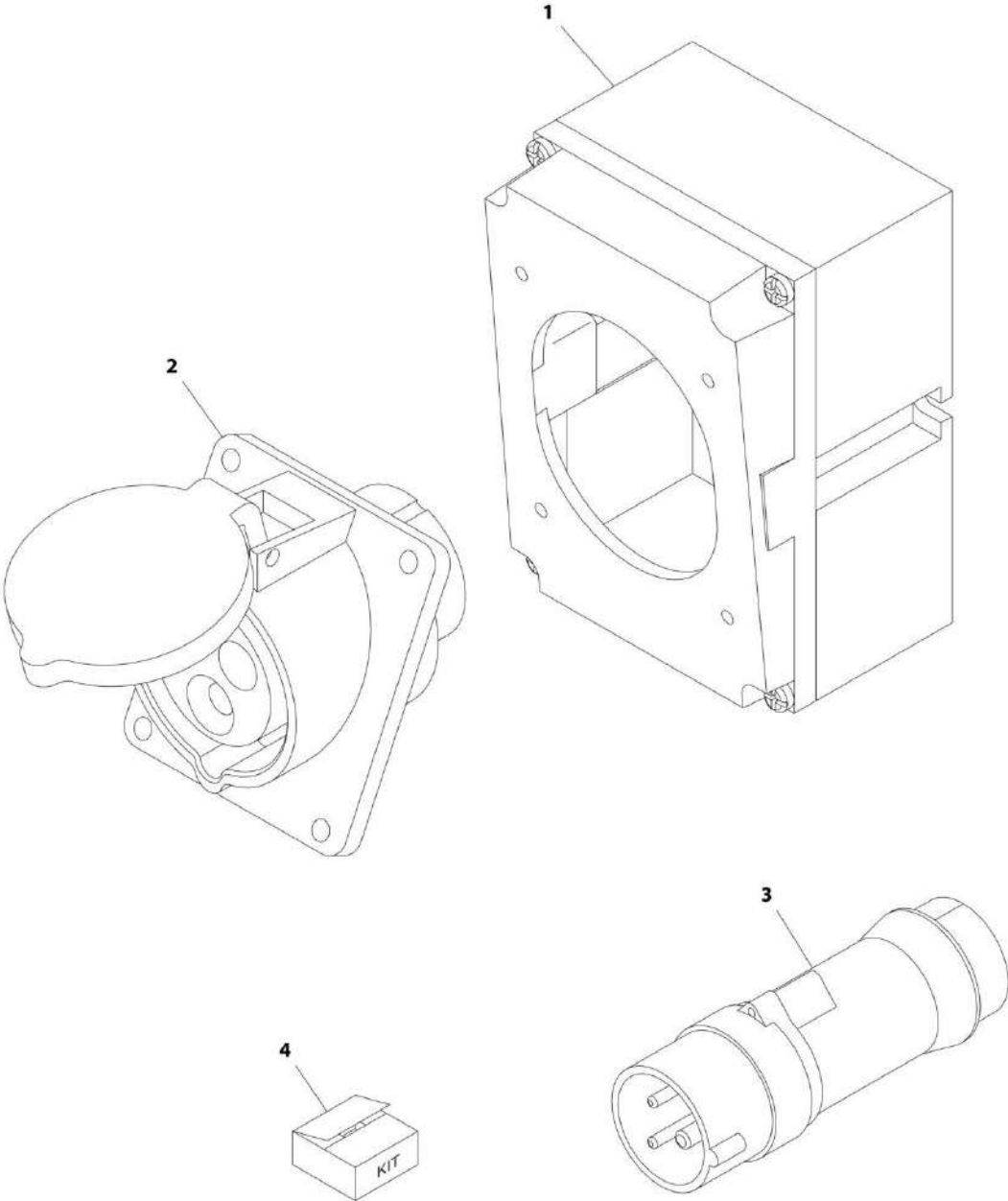
## SECTION 7 - ELECTRICAL

**FIGURE 7-33. RECEPTACLE BOX KIT - 110V IEC YELLOW (CE SPEC)**

ITEM	PART NUMBER	QTY	DESCRIPTION	REV
	0275216	Ref	RECEPTACLE BOX KIT - 110V IEC YELLOW (CE SPEC)	1
1	0861781	1	Box, Switch	
2	4461198	1	Receptacle	
3	4461196	1	Plug, Male	
4	1001100341	1	Plug and Socket Kit (Includes Items 1-3 and Female Plug p/n 4461197)	

**SECTION 7 - ELECTRICAL**

**FIGURE 7-34. RECEPTACLE BOX KIT - 220V IEC BLUE (CE SPEC)**



ART\_0275217

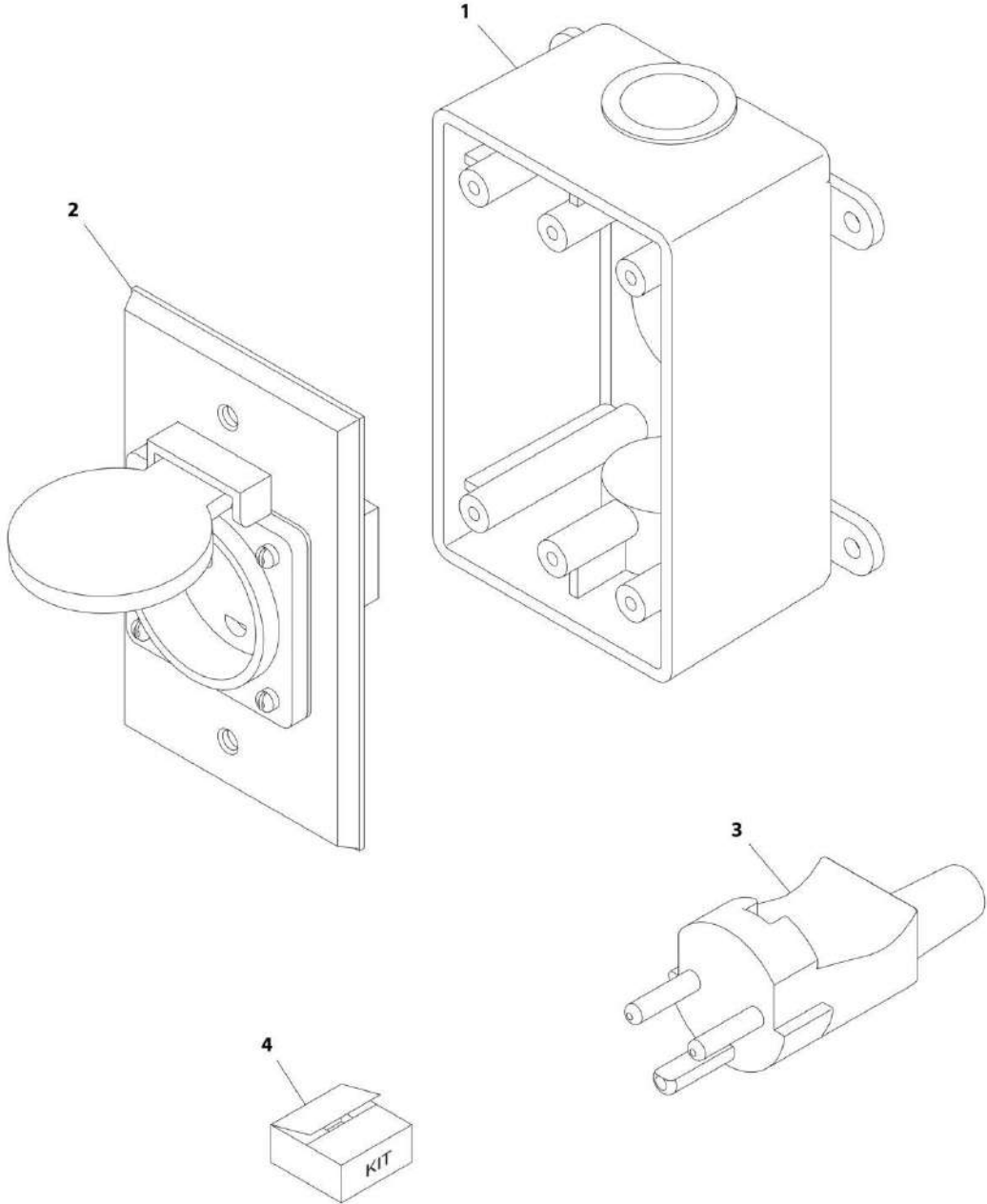
## SECTION 7 - ELECTRICAL

**FIGURE 7-34. RECEPTACLE BOX KIT - 220V IEC BLUE (CE SPEC)**

ITEM	PART NUMBER	QTY	DESCRIPTION	REV
	0275217	Ref	RECEPTACLE BOX KIT - 220V IEC BLUE (CE SPEC)	1
1	0861781	1	Box, Switch	
2	4461201	1	Receptacle	
3	4461199	1	Plug, Male	
4	1001100342	1	Plug and Socket Kit (Includes Items 1-3 and Female Plug p/n 4461200)	

**SECTION 7 - ELECTRICAL**

**FIGURE 7-35. RECEPTACLE BOX KIT - 220V AFSINT107 KEYED GROUND (CE SPEC)**



ART\_0275454

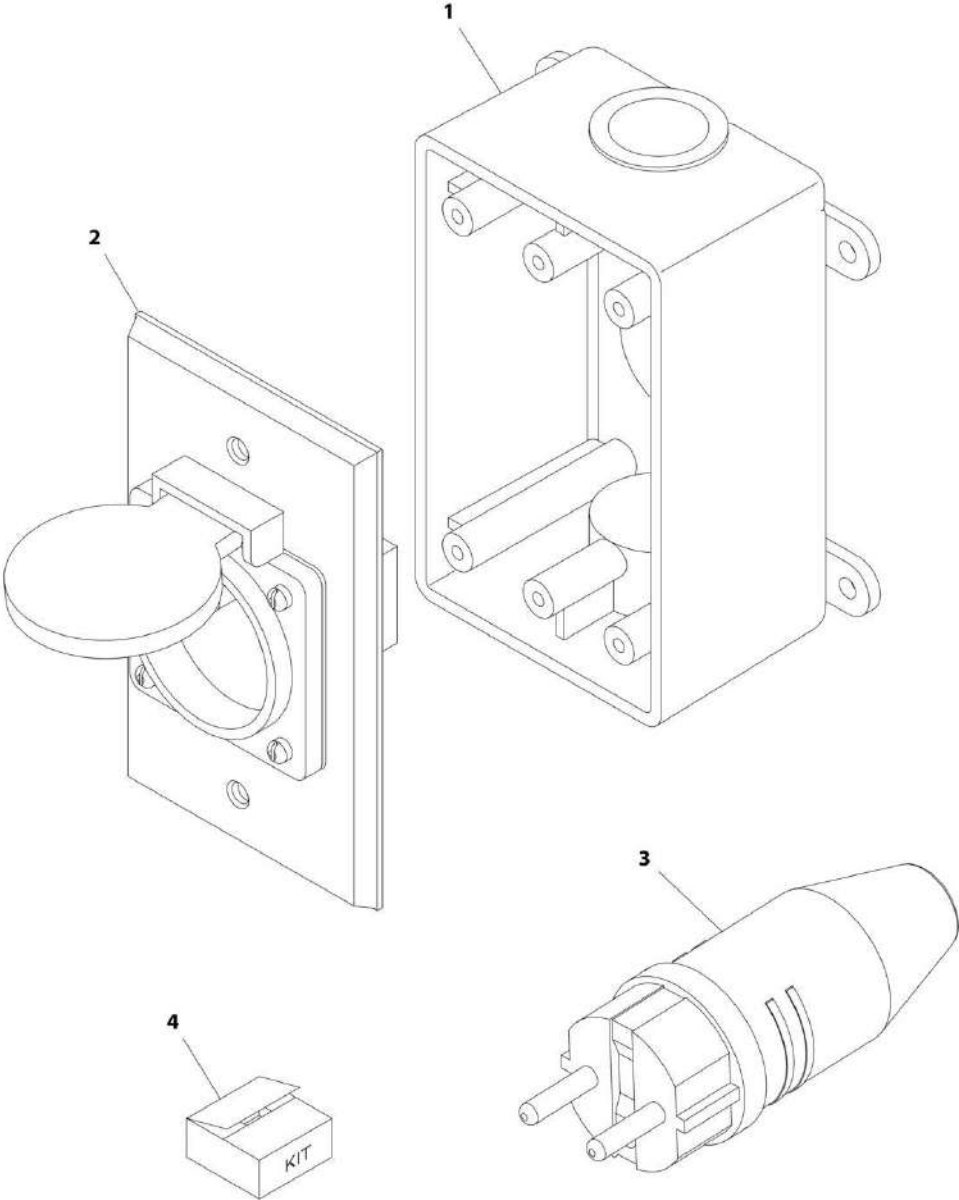
## SECTION 7 - ELECTRICAL

**FIGURE 7-35. RECEPTACLE BOX KIT - 220V AFSINT107 KEYED GROUND (CE SPEC)**

ITEM	PART NUMBER	QTY	DESCRIPTION	REV
	0275454	Ref	RECEPTACLE BOX KIT - 220V AFSINT107 KEYED GROUND (CE SPEC)	1
1	0861731	1	Box, Switch	
2	4461246	1	Receptacle	
3	4461249	1	Plug, Male	
4	1001100346	1	Plug and Socket Kit (Includes Items 1-3 and Female Plug p/n 4461250)	

**SECTION 7 - ELECTRICAL**

**FIGURE 7-36. RECEPTACLE BOX KIT - 220V CEE7 POST GROUND (CE SPEC)**



ART\_0275452



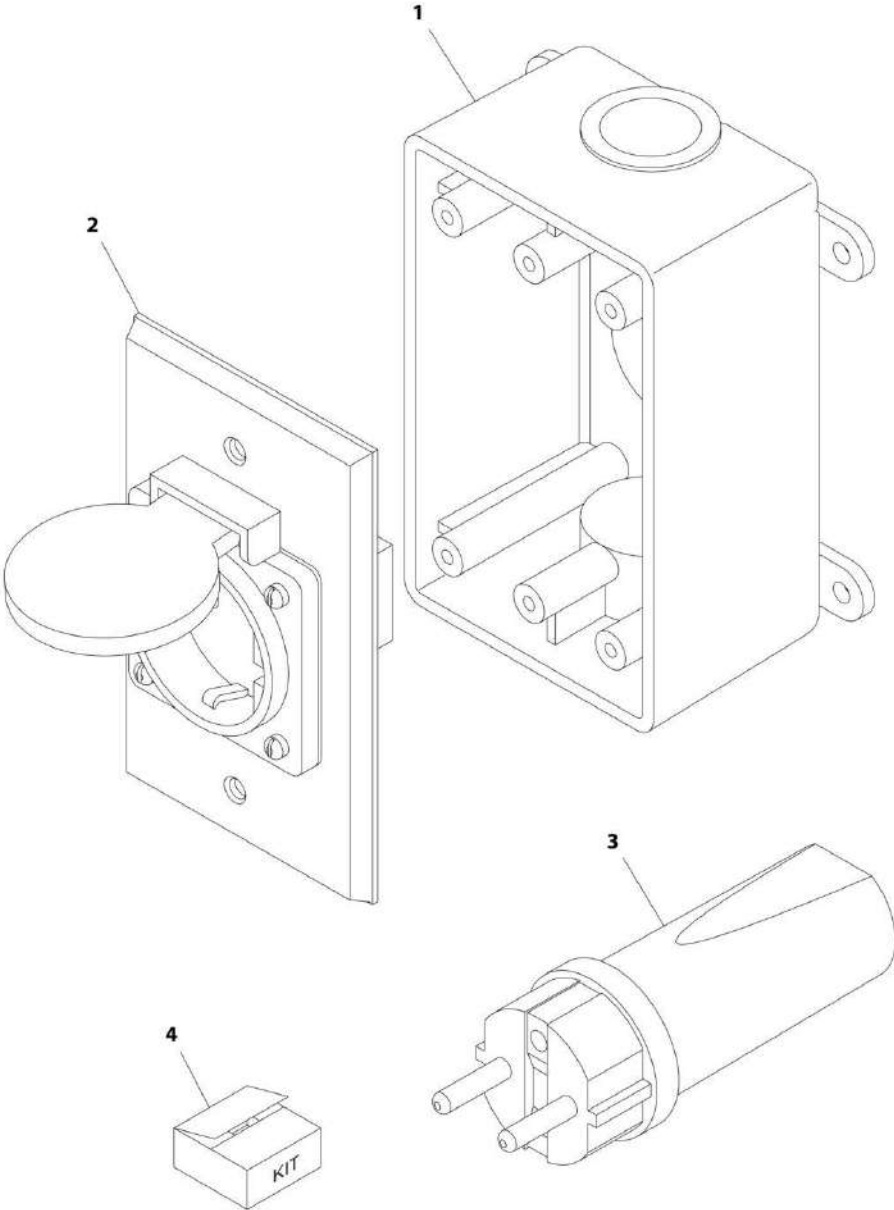
## SECTION 7 - ELECTRICAL

**FIGURE 7-36. RECEPTACLE BOX KIT - 220V CEE7 POST GROUND (CE SPEC)**

ITEM	PART NUMBER	QTY	DESCRIPTION	REV
	0275452	Ref	RECEPTACLE BOX KIT - 220V CEE7 POST GROUND (CE SPEC)	C
1	0861731	1	Box, Switch	
2	4461244	1	Receptacle	
3	4461202	1	Plug, Male <b>(SN 0300211844 through 0300218318)</b>	
3	4461205	1	Plug, Male <b>(SN 0300218319 to Present)</b>	
4	1001100345	1	Plug and Socket Kit (Includes Items 1-3 and Female Plug p/n 4461206)	

**SECTION 7 - ELECTRICAL**

**FIGURE 7-37. RECEPTACLE BOX KIT - 220V CEE7 SIDE GROUND (CE SPEC)**



ART\_0275453

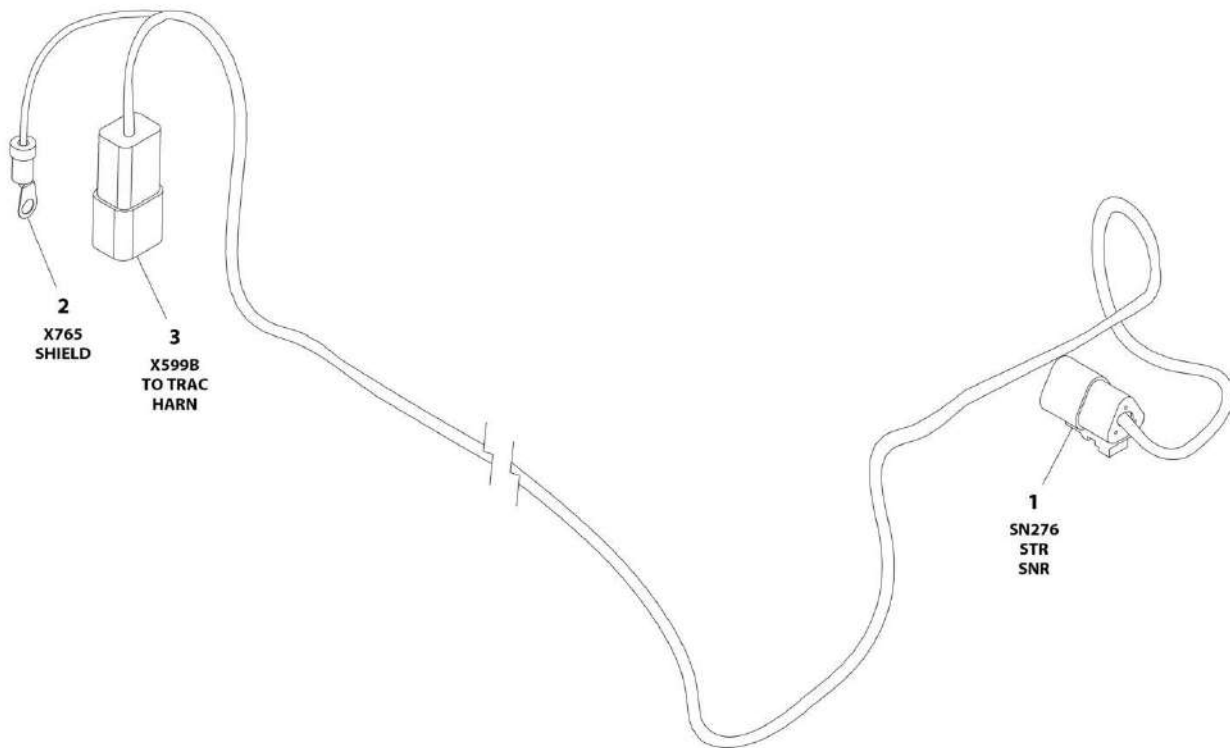
## SECTION 7 - ELECTRICAL

**FIGURE 7-37. RECEPTACLE BOX KIT - 220V CEE7 SIDE GROUND (CE SPEC)**

ITEM	PART NUMBER	QTY	DESCRIPTION	REV
	0275453	Ref	RECEPTACLE BOX KIT - 220V CEE7 SIDE GROUND (CE SPEC)	1
1	0861731	1	Box, Switch	
2	4461245	1	Receptacle	
3	4461205	1	Plug, Male	
4	1001100347	1	Plug and Socket Kit (Includes Items 1-3 and Female Plug p/n 4461206)	

# SECTION 7 - ELECTRICAL

## FIGURE 7-38. STEER SENSOR HARNESS



ART\_1001192113

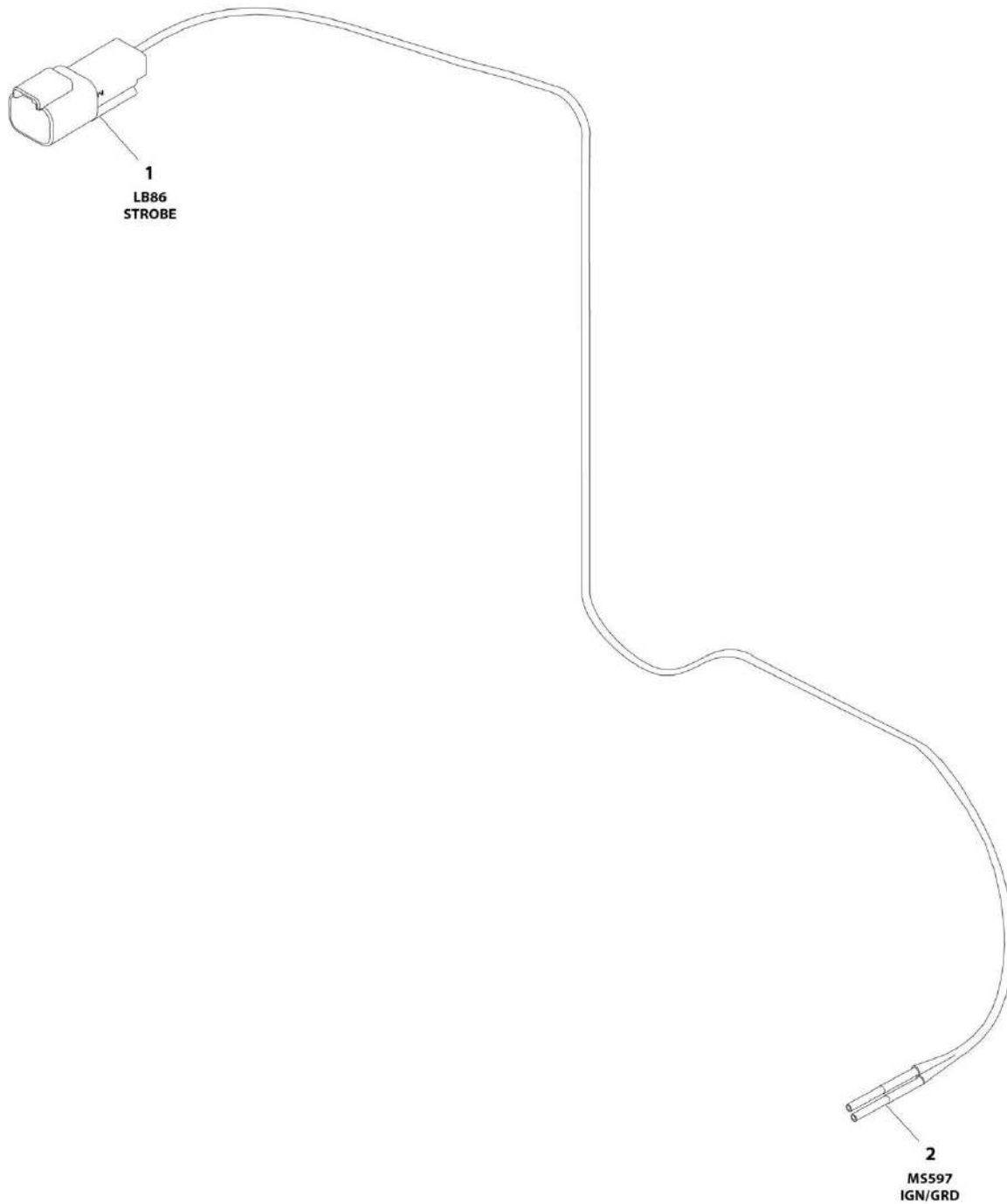
## SECTION 7 - ELECTRICAL

### FIGURE 7-38. STEER SENSOR HARNESS

ITEM	PART NUMBER	QTY	DESCRIPTION	REV
	1001192113	Ref	STEER SENSOR HARNESS	E
1	4460539	1	Plug, Male - 3 Position	
1	4460465	3	Socket, Female	
2	4460142	1	Terminal, Ring	
3	4460932	1	Receptacle, Female - 4 Position	
3	4460464	3	Pin, Male	
3	4460466	1	Plug, Terminal	

# SECTION 7 - ELECTRICAL

## FIGURE 7-39. STROBE LIGHT HARNESS - AMBER LIGHT



ART\_1001194071

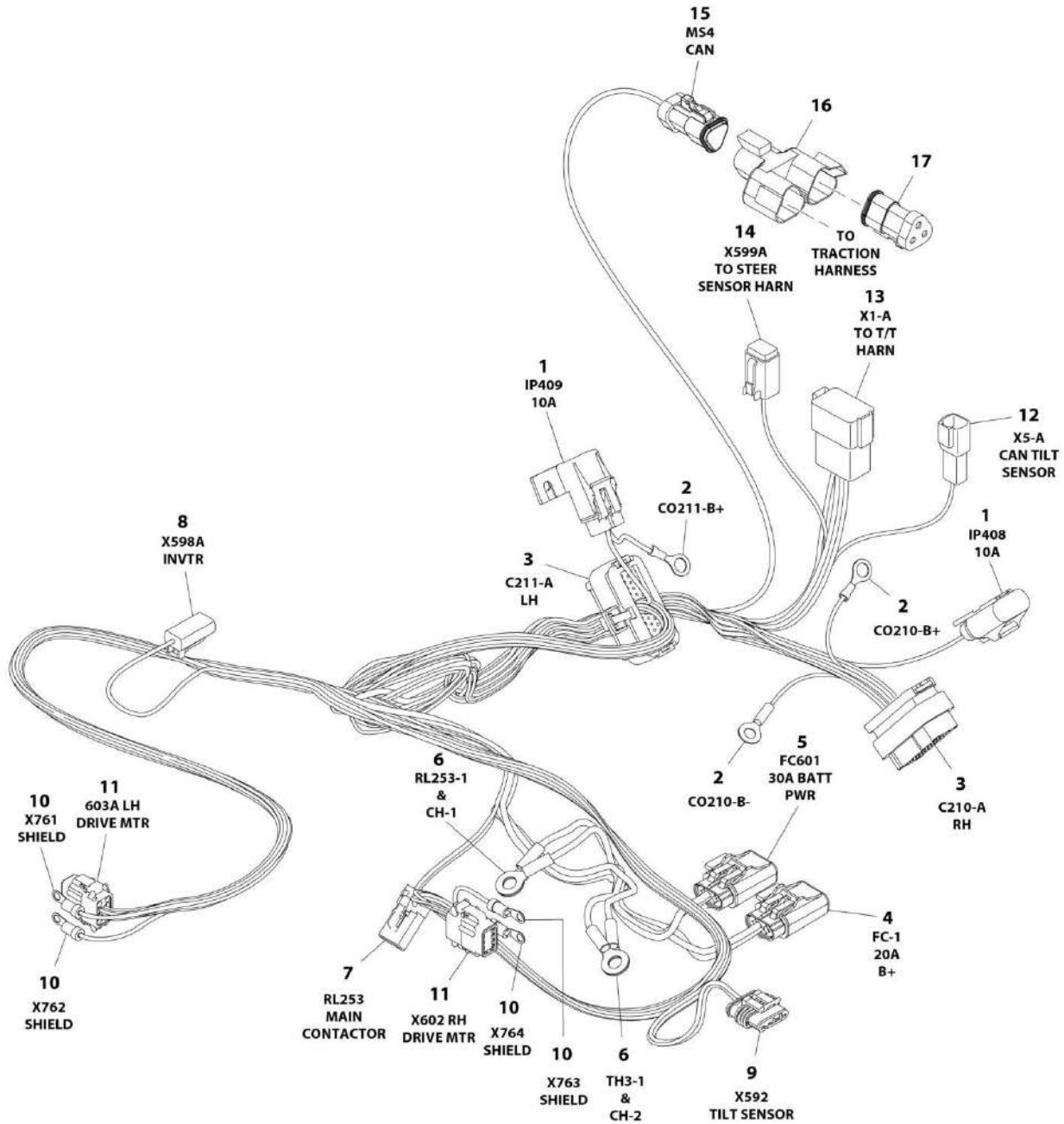
## SECTION 7 - ELECTRICAL

### FIGURE 7-39. STROBE LIGHT HARNESS - AMBER LIGHT

ITEM	PART NUMBER	QTY	DESCRIPTION	REV
	1001194071	Ref	STROBE LIGHT HARNESS - AMBER LIGHT	C
1	4460897	1	Receptacle, Female - 2 Position	
1	4460464	2	Pin, Male	
2	4460465	2	Socket, Female	

# SECTION 7 - ELECTRICAL

## FIGURE 7-40. TRACTION MODULE TO DRIVE HARNESS



ART\_1001192110



## SECTION 7 - ELECTRICAL

### FIGURE 7-40. TRACTION MODULE TO DRIVE HARNESS

ITEM	PART NUMBER	QTY	DESCRIPTION	REV
	1001192110	Ref	TRACTION MODULE TO DRIVE HARNESS	H
1	1001201642	2	Fuse Assembly with Cap - 10Amp (SN 0300211844 through 0300226255)	
1	1001096134	2	Cover	
1	1001116733	4	Terminal	
1	1001217843	2	Fuseholder (SN 0300226256 to Present)	
1	1001217842	2	Cover	
1	8229234	2	Fuse 10Amp	
1	1001116733	4	Terminal	
2	4460670	3	Terminal, Ring	
3	4460873	1	Connector - 35 Position	
3	4460871	27	Socket, Female	
3	4460905	43	Plug, Terminal	
4	1001177069	1	Fuse Assembly with Cap - 20Amp (SN 0300211844 through 0300226255)	
4	1001096134	1	Cover	
4	1001116734	2	Terminal	
4	1001217844	1	Fuseholder (SN 0300226256 to Present)	
4	1001217842	1	Cover	
4	8229235	1	Fuse 20Amp	
4	1001116734	2	Terminal	
5	1001117070	1	Fuse Assembly with Cap - 30Amp	
5	1001096134	1	Cover	
5	1001116734	2	Terminal	
5	1001217844	1	Fuseholder (SN 0300226256 to Present)	
5	1001217842	1	Cover	
5	8229236	1	Fuse 30Amp	
5	1001116734	2	Terminal	
6	8220045	4	Terminal, Ring	
7	1001126245	1	Plug, Male - 2 Position	
7	1001126008	2	Socket, Female	
8	4460891	1	Plug, Male - 2 Position	
8	4460465	1	Socket, Female	
8	4460466	1	Plug, Terminal	
9	1001103012	1	Plug, Male - 4 Position	
9	1001107854	4	Terminal	
9	1001104498	4	Seal	
10	4460042	4	Terminal, Ring	
11	1001190577	1	Plug, Male - 8 Position	
11	1001126008	16	Socket, Female	
12	4460897	1	Receptacle, Female - 2 Position	
12	4460464	2	Pin, Male	
13	4460950	1	Receptacle, Female - 12 Position	
13	1001157891	4	Pin, Male	
13	4460464	6	Pin, Male	
13	4460466	2	Plug, Terminal	
14	4460884	1	Plug, Male - 4 Position	
14	4460465	3	Socket, Female	
14	4460466	1	Plug, Terminal	
15	1001116812	1	Plug, Male - 3 Position	

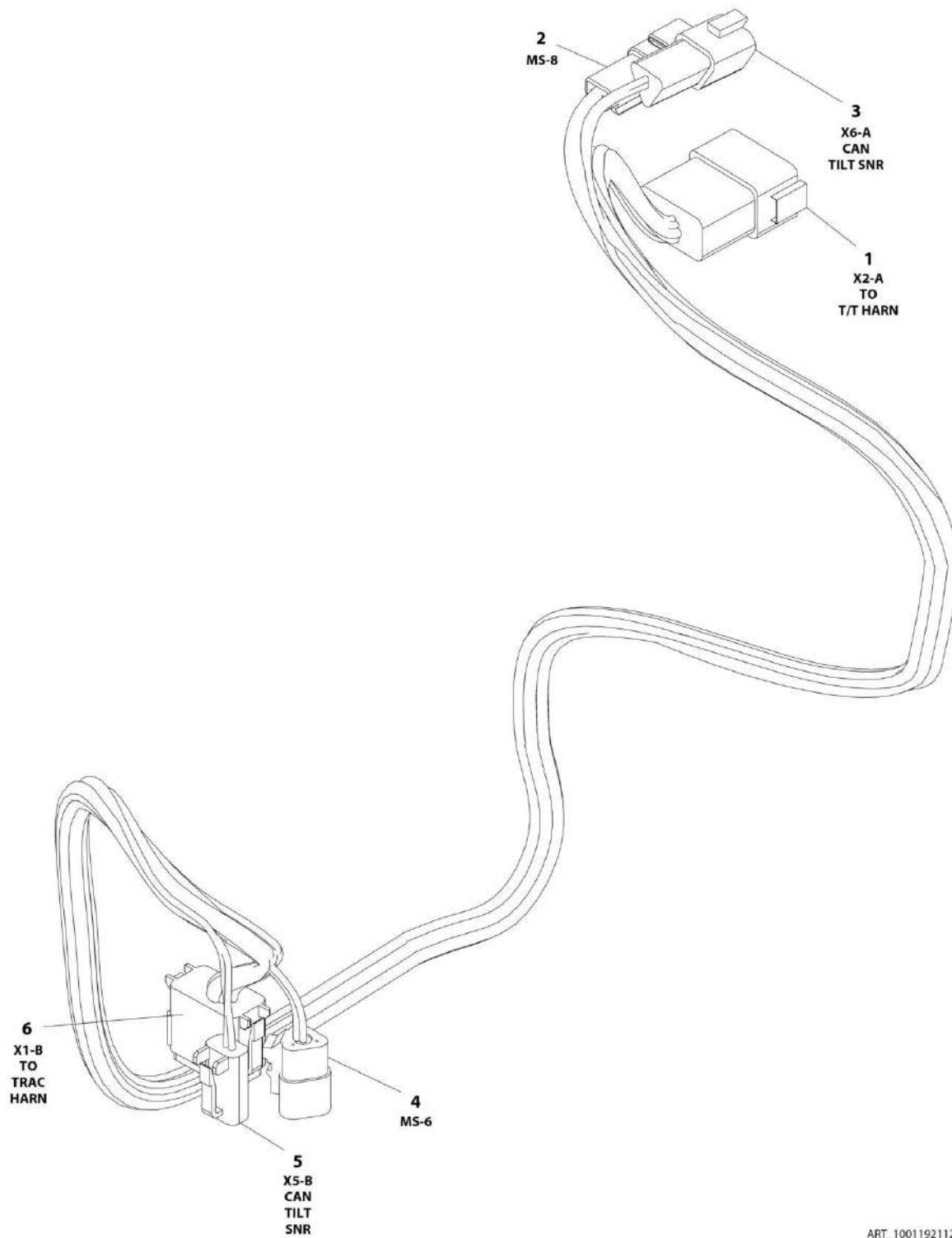
## SECTION 7 - ELECTRICAL

ITEM	PART NUMBER	QTY	DESCRIPTION	REV
15	4460944	2	Socket, Female	
15	4460466	1	Plug, Terminal	
16	4460945	1	Connector - 3 Way	
17	1001116815	1	Resistor Assembly	



# SECTION 7 - ELECTRICAL

## FIGURE 7-41. TRACTION MODULE TO TURNTABLE HARNESS



ART\_1001192112

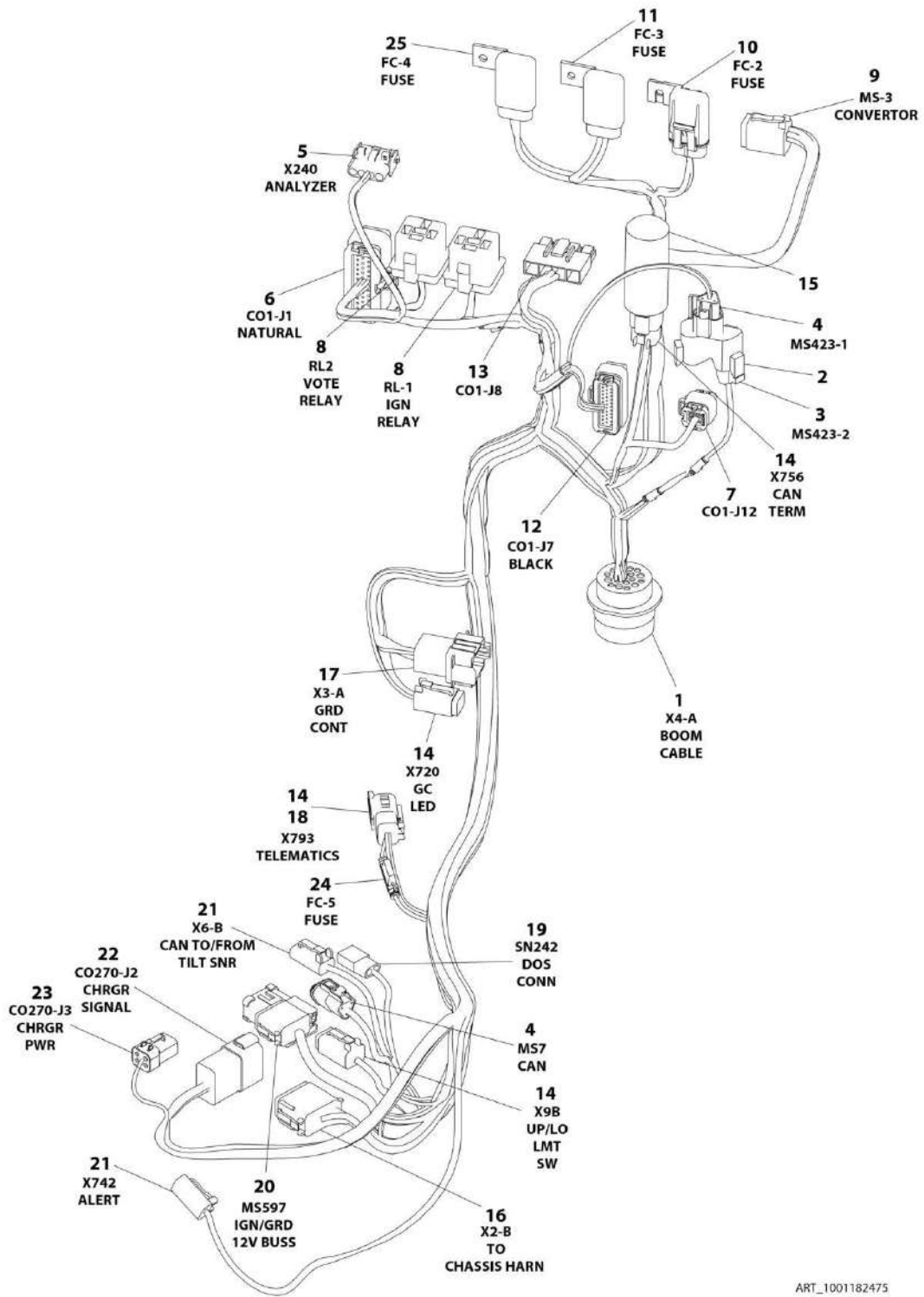
## SECTION 7 - ELECTRICAL

**FIGURE 7-41. TRACTION MODULE TO TURNTABLE HARNESS**

ITEM	PART NUMBER	QTY	DESCRIPTION	REV
	1001192112	Ref	TRACTION MODULE TO TURNTABLE HARNESS	E
1	4460950	1	Receptacle, Female - 12 Position	
1	1001157891	4	Pin, Male	
1	4460464	6	Pin, Male	
1	4460466	2	Plug, Terminal	
2	1001144147	1	Receptacle, Female - 3 Position	
2	4460943	2	Pin, Male	
2	4460466	1	Plug, Terminal	
3	4460897	1	Receptacle, Female - 2 Position	
3	4460464	2	Pin, Male	
4	4460539	1	Plug, Male - 3 Position	
4	4460944	2	Socket, Female	
4	4460466	1	Plug, Terminal	
5	4460891	1	Plug, Male - 2 Position	
5	4460465	2	Socket, Female	
6	4460836	1	Plug, Male - 12 Position	
6	1001157890	4	Socket, Female	
6	4460465	6	Socket, Female	
6	4460466	1	Plug, Terminal	

# SECTION 7 - ELECTRICAL

## FIGURE 7-42. TURNTABLE HARNESS



ART\_1001182475

## SECTION 7 - ELECTRICAL

### FIGURE 7-42. TURNTABLE HARNESS

ITEM	PART NUMBER	QTY	DESCRIPTION	REV
	1001182475	Ref	TURNTABLE HARNESS	G
1	4460866	1	Connector - 19 Position	
1	4460943	2	Pin, Male	
1	4460464	6	Pin, Male	
1	4460508	4	Pin, Male	
1	4460466	7	Plug, Terminal	
2	4460945	1	Receptacle, 3 Way	
2	1001173387	1	Clip, Mounting	
3	4460539	1	Plug, Male - 3 Position	
3	4460944	2	Socket, Female	
3	4460466	1	Plug, Terminal	
4	1001116812	2	Plug, Male - 3 Position	
4	4460944	4	Socket, Female	
4	4460466	2	Plug, Terminal	
5	4460761	1	Receptacle, Female - 4 Position	
5	4460227	4	Pin, Male	
6	4460874	1	Connector - 35 Position	
6	4460871	8	Socket, Female	
6	4460905	27	Plug, Terminal	
7	1001113961	1	Plug, Male - 8 Position	
7	4460871	3	Socket, Female	
7	4460905	5	Plug, Terminal	
8	1001203734	2	Plug, Relay	
8	1001116732	6	Terminal	
8	1001116733	2	Terminal	
9	4460894	1	Plug, Male - 6 Position	
9	1001157890	5	Socket, Female	
9	4460465	1	Socket, Female	
10	1001117024	1	Fuseholder with Cover and Fuse - 15Amp <b>(SN 0300211844 through 0300226255)</b>	
10	1001096134	1	Cover	
10	See Note	1	Fuse 15Amp ATO (Note: Use p/n 1001117024 or Purchase Locally)	
10	1001217844	1	Fuseholder <b>(SN 0300226256 to Present)</b>	
10	1001217842	1	Cover	
10	8229237	1	Fuse 15Amp ATO	
11	1001117023	1	Fuseholder with Cover and Fuse - 10Amp <b>(SN 0300211844 through 0300226255)</b>	
11	1001096134	1	Cover	
11	See Note	1	Fuse 10Amp ATO (Note: Use p/n 1001117023 or Purchase Locally)	
11	1001217844	1	Fuseholder <b>(SN 0300226256 to Present)</b>	
11	1001217842	1	Cover	
11	8229237	1	Fuse 5Amp ATO	
12	4460873	1	Connector - 35 Position	
12	4460871	16	Socket, Female	
12	4460905	19	Plug, Terminal	
13	4460878	1	Receptacle, Female - 4 Position	
13	4460897	4	Terminal	
14	4460884	4	Plug, Male - 4 Position	

## SECTION 7 - ELECTRICAL

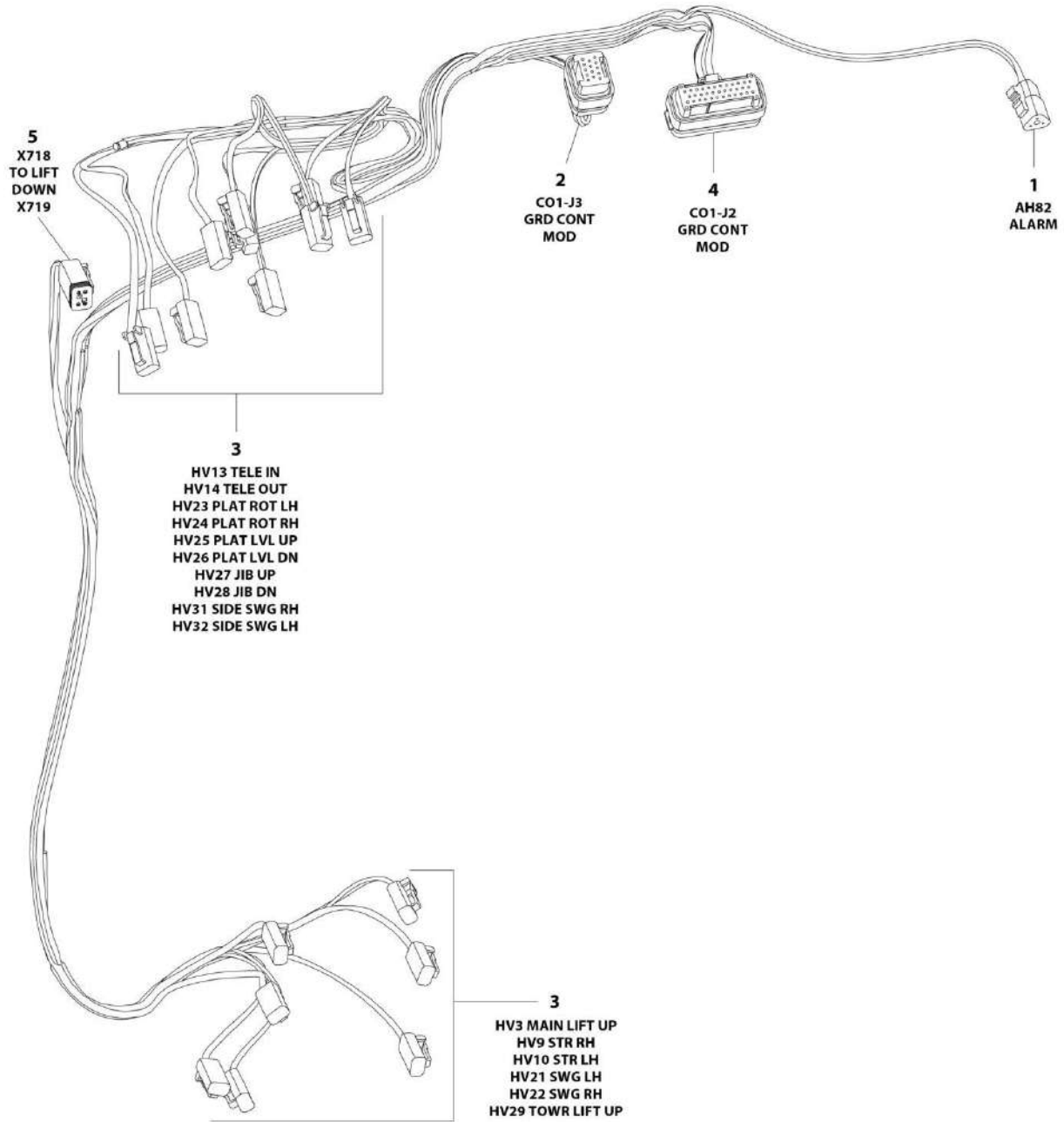
ITEM	PART NUMBER	QTY	DESCRIPTION	REV
14	4460465	16	Socket, Female	
15	1001186231	1	Resistor Assembly	
16	4460836	1	Plug, Male - 12 Position	
16	1001157890	4	Socket, Female	
16	4460465	6	Socket, Female	
16	4460466	2	Plug, Terminal	
17	1001116813	1	Receptacle, Female - 8 Position	
17	4460464	5	Pin, Male	
17	1001157891	2	Pin, Male	
17	4460466	1	Plug, Terminal	
18	1001192401	1	Cap, Dust	
19	4460424	1	Plug, Male - 2 Position	
19	4460226	2	Socket, Female	
20	4460933	1	Plug, Male - 12 Position	
20	1001157890	1	Socket, Female	
20	4460465	1	Socket, Female	
20	4460942	3	Socket, Female	
20	4460466	6	Plug, Terminal	
20	1001125677	1	Bussbar- Female - 12 Position	
21	4460891	2	Plug, Male - 2 Position	
21	4460465	4	Socket, Female	
22	4460931	1	Receptacle, Female - 8 Position	
22	4460464	6	Pin, Male	
22	4460466	2	Plug, Terminal	
23	1001116810	1	Plug, Male - 4 Position	
23	4460905	2	Plug, Terminal	
23	4460466	2	Plug, Terminal	
24	2400060	1	Holder, Fuse <b>(SN 0300226256 to Present)</b>	
24	8229242	1	Fuse 5Amp <b>(SN 0300226256 to Present)</b>	
25	1001117023	1	Fuseholder with Cover and Fuse - 10Amp <b>(SN 0300211844 through 0300226255)</b>	
25	1001096134	1	Cover	
25	See Note	1	Fuse 10Amp ATO (Note: Use p/n 1001117023 or Purchase Locally)	
25	1001217844	1	Fuseholder <b>(SN 0300226256 to Present)</b>	
25	1001217842	1	Cover	
25	8229235	1	Fuse 20Amp ATO	





# SECTION 7 - ELECTRICAL

## FIGURE 7-43. VALVE HARNESS



ART\_1001182474

## SECTION 7 - ELECTRICAL

### FIGURE 7-43. VALVE HARNESS

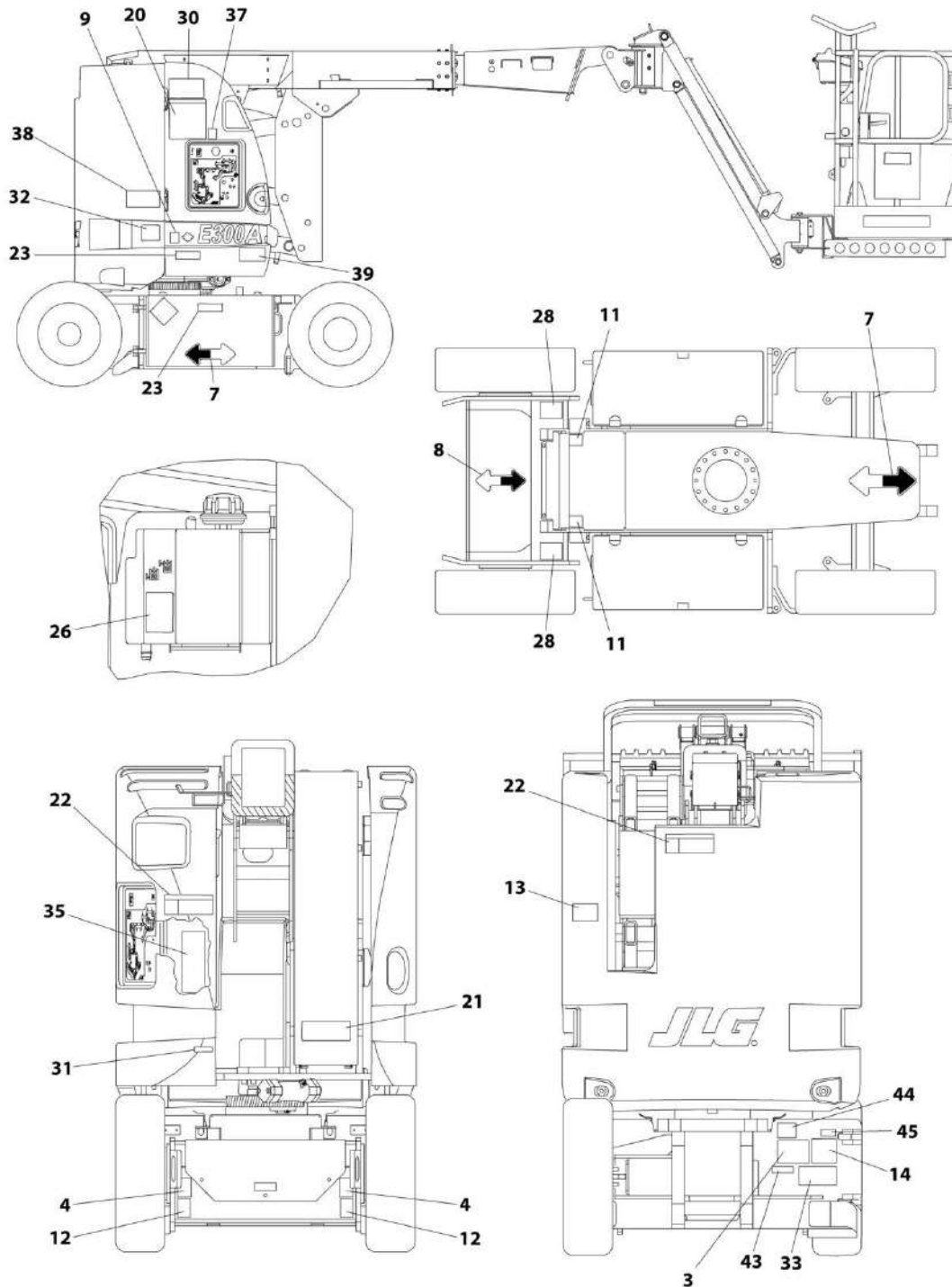
ITEM	PART NUMBER	QTY	DESCRIPTION	REV
	1001182474	Ref	VALVE HARNESS	F
1	4460539	1	Plug, Male - 3 Position	
1	4460465	3	Socket, Female	
2	4460872	1	Connector - 14 Position	
2	4460871	5	Socket, Female	
2	4460905	9	Plug, Terminal	
3	4460891	17	Plug, Male - 2 Position	
3	4460465	34	Socket, Female	
4	4460875	1	Connector - 35 Position	
4	4460871	24	Socket, Female	
4	4460905	11	Plug, Terminal	
5	1001205180	1	Plug, Male - 4 Position	
5	4460465	4	Socket, Female	



**SECTION 8 - DECALS**

# SECTION 8 - DECALS

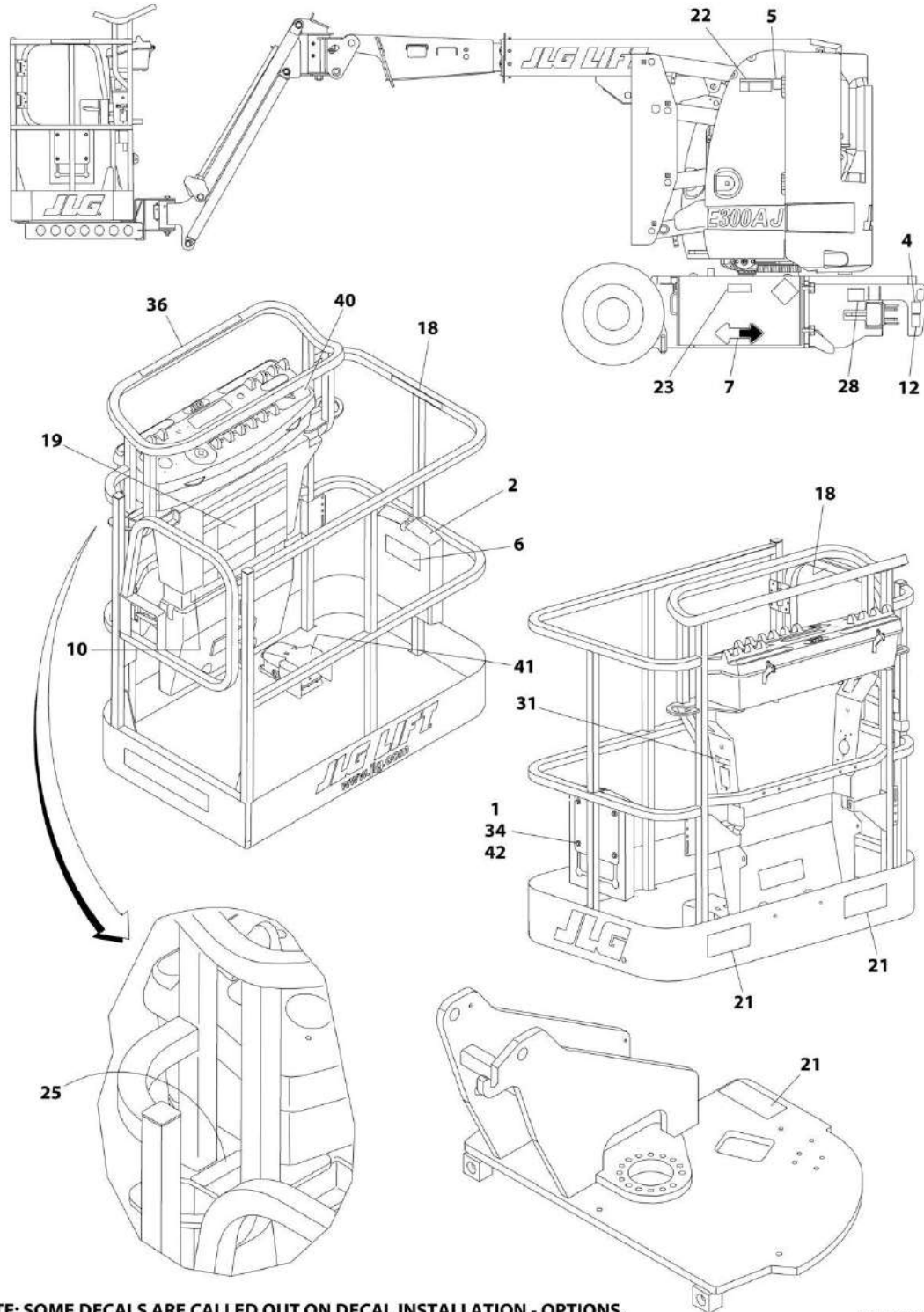
## FIGURE 8-1. DECAL INSTALLATION (ANSI SPEC)



**NOTE: SOME DECALS ARE CALLED OUT ON DECAL INSTALLATION - OPTIONS.**

ART\_1001176388\_10F2

# SECTION 8 - DECALS



NOTE: SOME DECALS ARE CALLED OUT ON DECAL INSTALLATION - OPTIONS.

ART\_1001176388\_2OF2

## SECTION 8 - DECALS

FIGURE 8-1. DECAL INSTALLATION (ANSI SPEC)

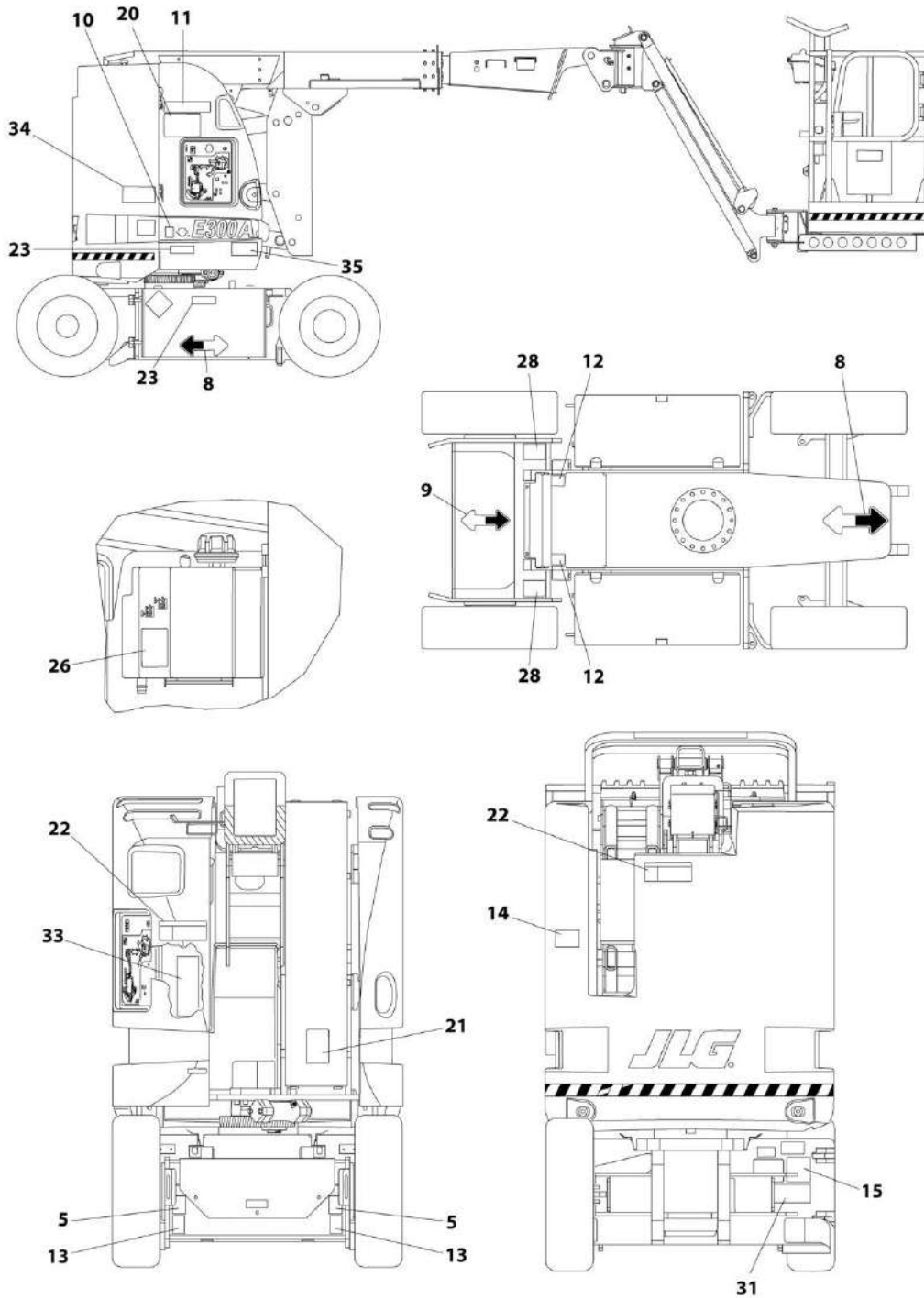
ITEM	PART NUMBER	QTY	DESCRIPTION	REV
	1001176388	Ref	DECAL INSTALLATION (ANSI SPEC)	G
1	0641406	4	Bolt 1/4 x 3/4	
2	0860520	1	Box, Manual Storage	
3	1001131269	1	Decal - Patent	
4	1701500	4	Decal - Lift	
5	1701504	1	Decal - Hydraulic Oil	
6	1701509	1	Decal - Manual	
7	1701529	3	Decal - Arrow	
8	1701642	1	Decal - Arrow	
9	1701644	1	Decal - Battery Charger	
10	1001121801	1	Decal - 500Lbs Capacity	
11	1702155	2	Decal - Battery Disconnect	
12	1702300	4	Decal - Tie Down	
13	1702391	1	Decal - Hand Crushing	
14	See Note	NSS	Decal - Bar Code (Note: Not Available for Purchase)	
18	1702868	2	Decal - No Hands	
19	1703797	1	Decal - Danger/Warning	
20	1703798	1	Decal - Warning/Danger	
21	1703804	4	Decal - Warning Crushing	
22	1703805	3	Decal - Electrocution	
23	1703813	3	Decal - Warning Battery Ventilation	
25	1704277	2	Decal - Lanyard Attach Graphic	
26	1704412	1	Decal - Hydraulic Oil	
28	1706126	4	Decal - Tire Load	
30	1001121801	1	Decal - 500Lbs Capacity	
31	3251243	2	Decal - 120V-60Hz	
32	3251813	1	Decal - USA	
33	3820001	2	Rivet	
34	4751400	4	Washer 1/4	
35	1001110196	1	Decal - Manual Descent	
36	1001196811	1	Decal - Platform Legend	
37	1001110389	1	Decal - Legend Ground	
38	1001112461	1	Decal - Lift Diagram	
39	1001212200	1	Decal - Manual Descent	
40	1705351	1	Decal - Drive/Steer Instructions	
41	3252347	1	Decal - Footswitch	
42	3311405	4	Nut 1/4	
43	1705514	1	Decal - CSA	
44	1001223055	1	Decal - Yearly Inspection (SN 0300233727 to Present)	
45	1001228370	1	Decal - CSA Ices (SN 0300233727 to Present)	





# SECTION 8 - DECALS

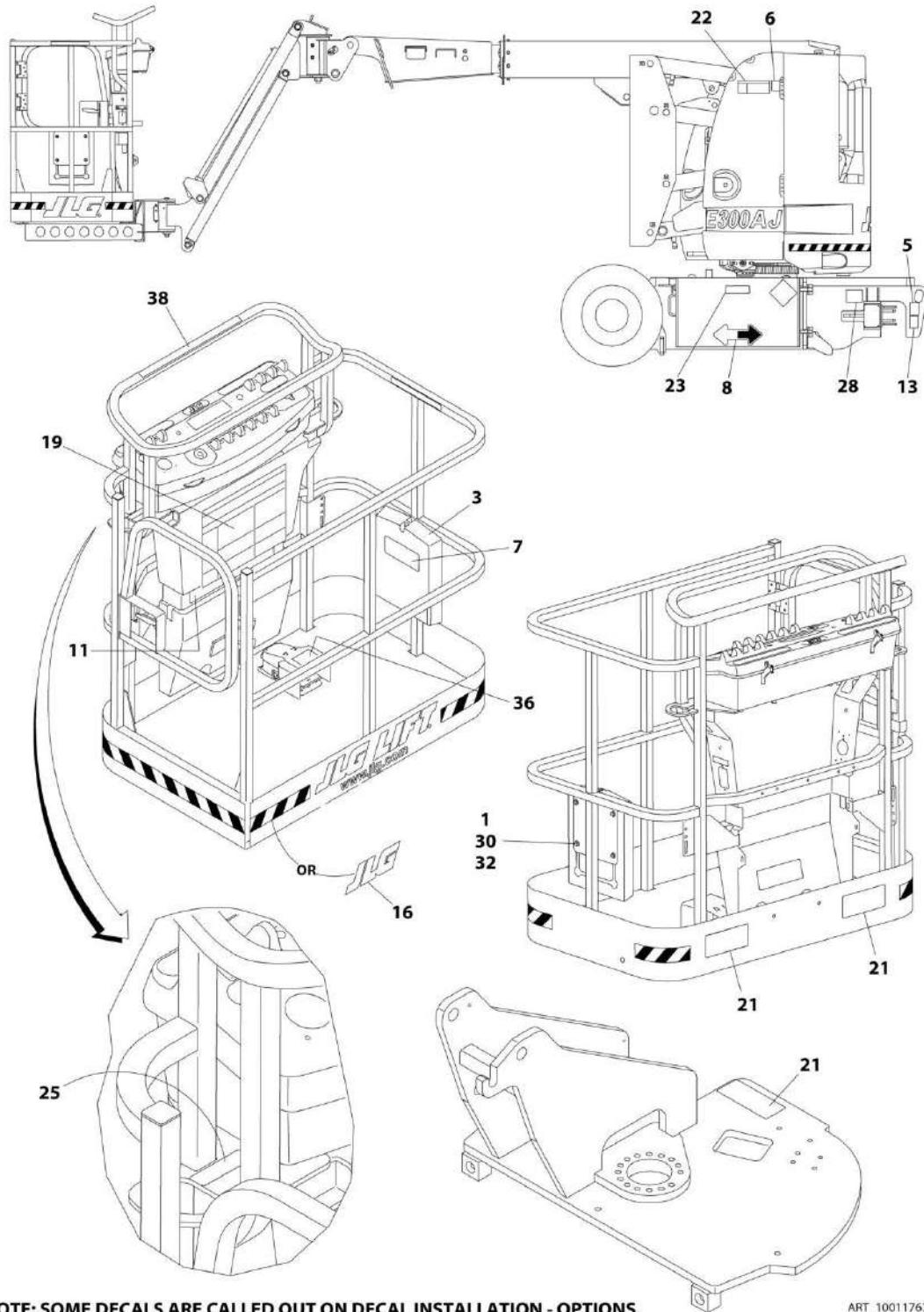
FIGURE 8-2. DECAL INSTALLATION (AUSTRALIAN/CE SPECS)



NOTE: SOME DECALS ARE CALLED OUT ON DECAL INSTALLATION - OPTIONS.

ART\_1001176391\_10F2

# SECTION 8 - DECALS



## SECTION 8 - DECALS

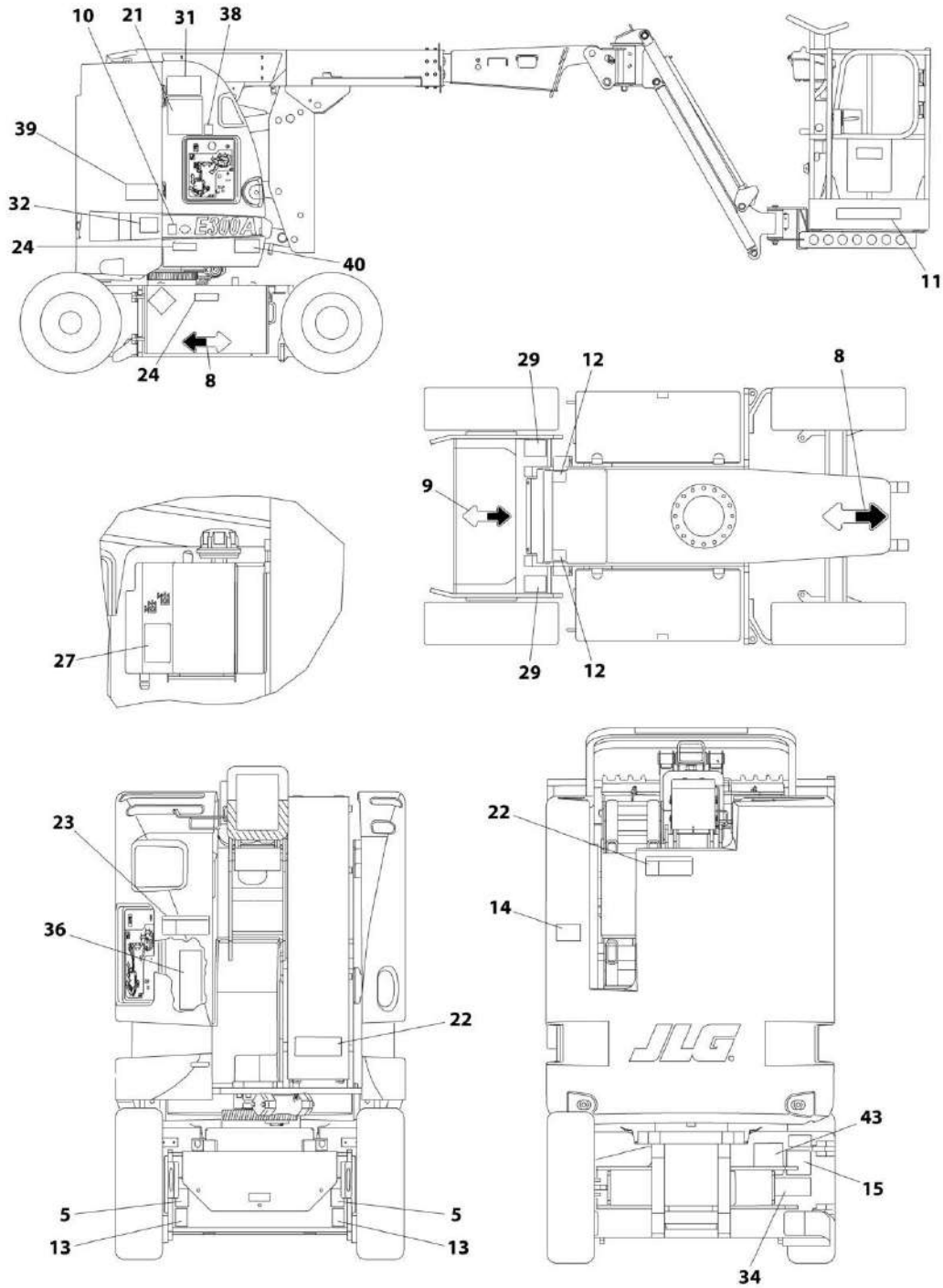
FIGURE 8-2. DECAL INSTALLATION (AUSTRALIAN/CE SPECS)

ITEM	PART NUMBER	QTY	DESCRIPTION	REV
	1001176391	Ref	DECAL INSTALLATION (AUSTRALIAN/CE SPECS)	F
1	0641406	4	Bolt 1/4 x 3/4	
3	0860520	1	Box, Manual Storage	
5	1701500	4	Decal - Lift	
6	1701504	1	Decal - Hydraulic Oil	
7	1701509	1	Decal - Manual	
8	1701529	3	Decal - Arrow	
9	1701642	1	Decal - Arrow	
10	1701644	1	Decal - Battery Charger	
11	1705978	2	Decal - Capacity	
12	1702155	2	Decal - Battery Disconnect	
13	1702300	4	Decal - Tie Down	
14	1701517	1	Decal - Hand Crushing	
15	See Note	NSS	Decal - Bar Code (Note: Not Available for Purchase)	
16	1702773	1	Decal - JLG <b>(SN 0300221327 to Present)</b>	
19	1705921	1	Decal - Tipping/Electrocution	
20	1705822	1	Decal - Electrocution/Safety Manual	
21	1701518	4	Decal - Crushing	
22	1705961	3	Decal - Electrocution	
23	1705670	3	Decal - Fire Hazard	
25	1704277	2	Decal - Lanyard Attach Graphic	
26	1704412	1	Decal - Hydraulic Oil	
28	1706126	4	Decal - Tire Load	
30	3311405	4	Nut 1/4	
31	3820001	2	Rivet	
32	4751400	4	Washer 1/4	
33	1001110196	1	Decal - Manual Descent	
34	1001112461	1	Decal - Lift Diagram	
35	1001212200	1	Decal - Manual Descent	
36	1705828	1	Decal - Footswitch	
38	1001196811	1	Decal - Platform Legend <b>(SN 0300211844 through 0300221326)</b>	



# SECTION 8 - DECALS

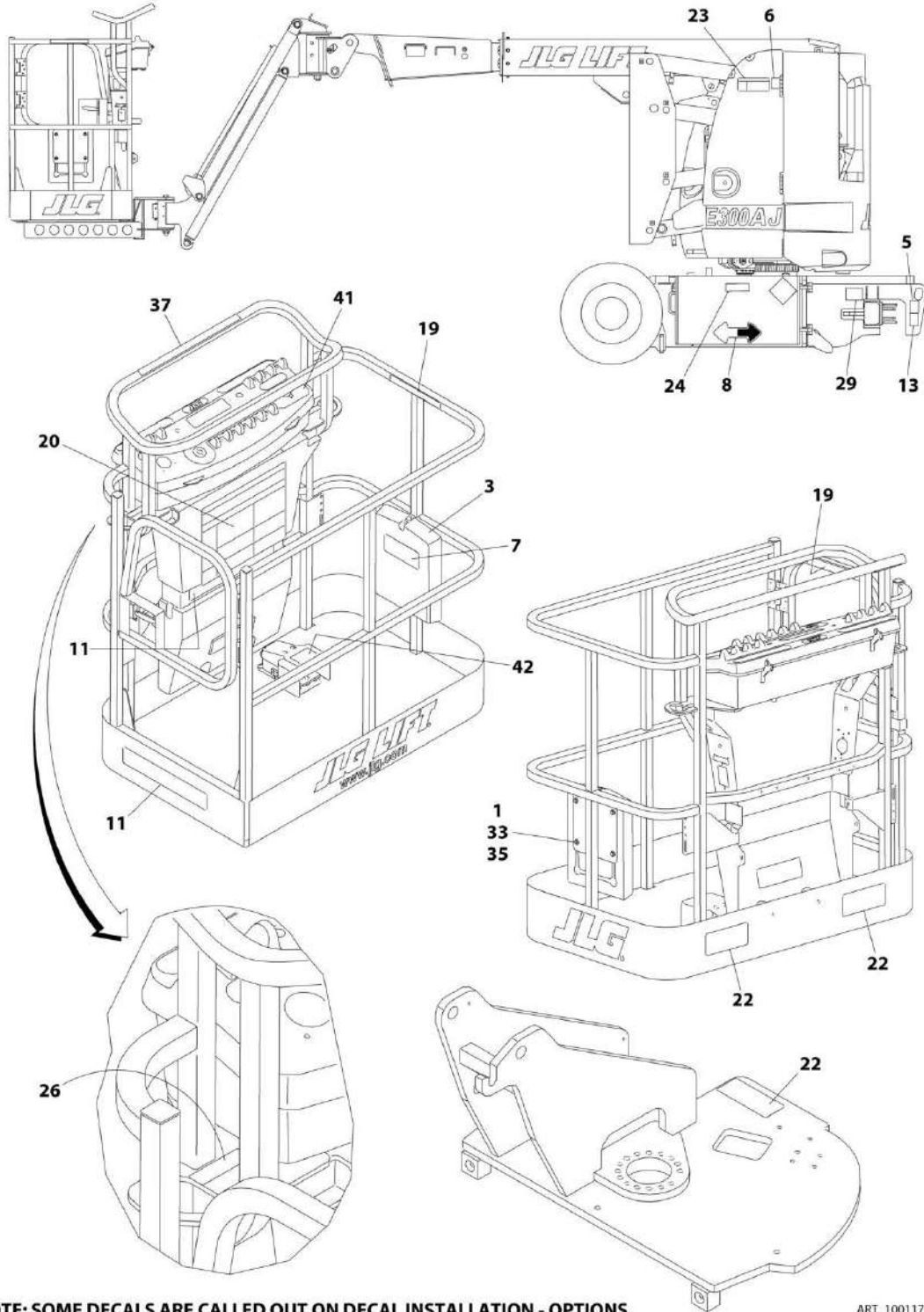
## FIGURE 8-3. DECAL INSTALLATION (BRAZIL SPEC)



NOTE: SOME DECALS ARE CALLED OUT ON DECAL INSTALLATION - OPTIONS.

ART\_1001176488\_10F2

# SECTION 8 - DECALS



NOTE: SOME DECALS ARE CALLED OUT ON DECAL INSTALLATION - OPTIONS.

ART\_1001176488\_2OF2

## SECTION 8 - DECALS

FIGURE 8-3. DECAL INSTALLATION (BRAZIL SPEC)

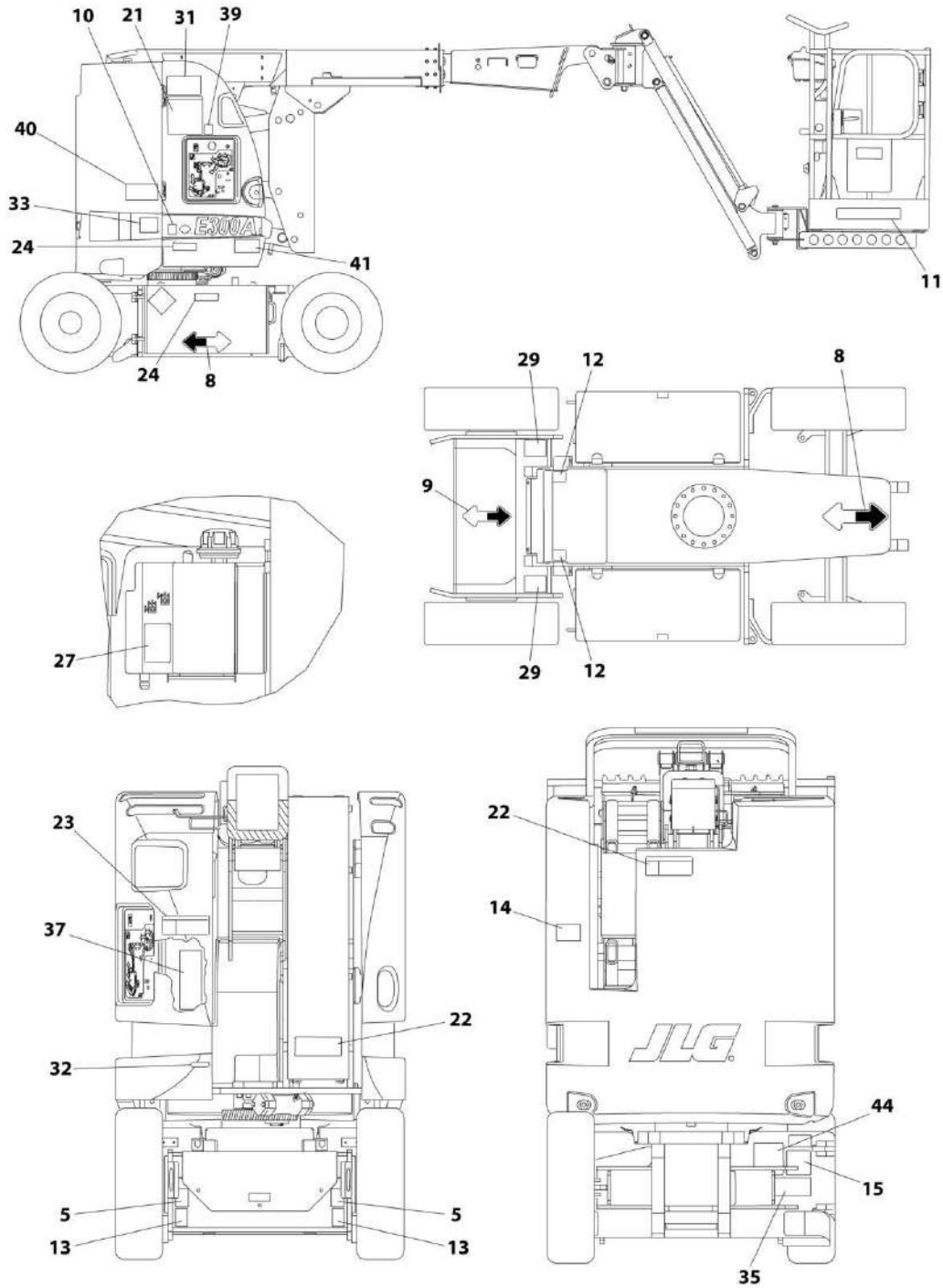
ITEM	PART NUMBER	QTY	DESCRIPTION	REV
	1001176488	Ref	DECAL INSTALLATION (BRAZIL SPEC)	E
1	0641406	4	Bolt 1/4 x 3/4	
3	0860520	1	Box, Manual Storage	
5	1701500	4	Decal - Lift	
6	1701504	1	Decal - Hydraulic Oil	
7	1701509	1	Decal - Manual	
8	1701529	3	Decal - Arrow	
9	1701642	1	Decal - Arrow	
10	1701644	1	Decal - Battery Charger	
11	1001121920	2	Decal - Capacity	
12	1702155	2	Decal - Battery Disconnect	
13	1702300	4	Decal - Tie Down	
14	1001113170	1	Decal - Hand Crushing	
15	See Note	NSS	Decal - Bar Code (Note: Not Available for Purchase)	
19	1704002	2	Decal - No Hands	
20	1703928	1	Decal - Warning/Danger	
21	1703934	1	Decal - Warning/Danger	
22	1703952	4	Decal - Crushing	
23	1703940	3	Decal - Danger Electrocution	
24	1704341	3	Decal - Battery Ventilation	
26	1704277	2	Decal - Lanyard Attach Graphic	
27	1704412	1	Decal - Hydraulic Oil	
29	1706126	4	Decal - Tire Load	
31	1001121923	1	Decal - Warning Maximum Capacity	
32	3251813	1	Decal - USA	
33	3311405	4	Nut 1/4	
34	3820001	2	Rivet	
35	4751400	4	Washer 1/4	
36	1001110196	1	Decal - Manual Descent	
37	1001196811	1	Decal - Legend	
38	1001110389	1	Decal - Legend	
39	1001112461	1	Decal - Lift Diagram	
40	1001212200	1	Decal - Manual Descent	
41	1001113680	1	Decal - Drive/Steer Instruction	
42	1703985	1	Decal - Footswitch	
43	1001224052	1	Decal - Yearly Inspection (SN 0300233727 to Present)	





# SECTION 8 - DECALS

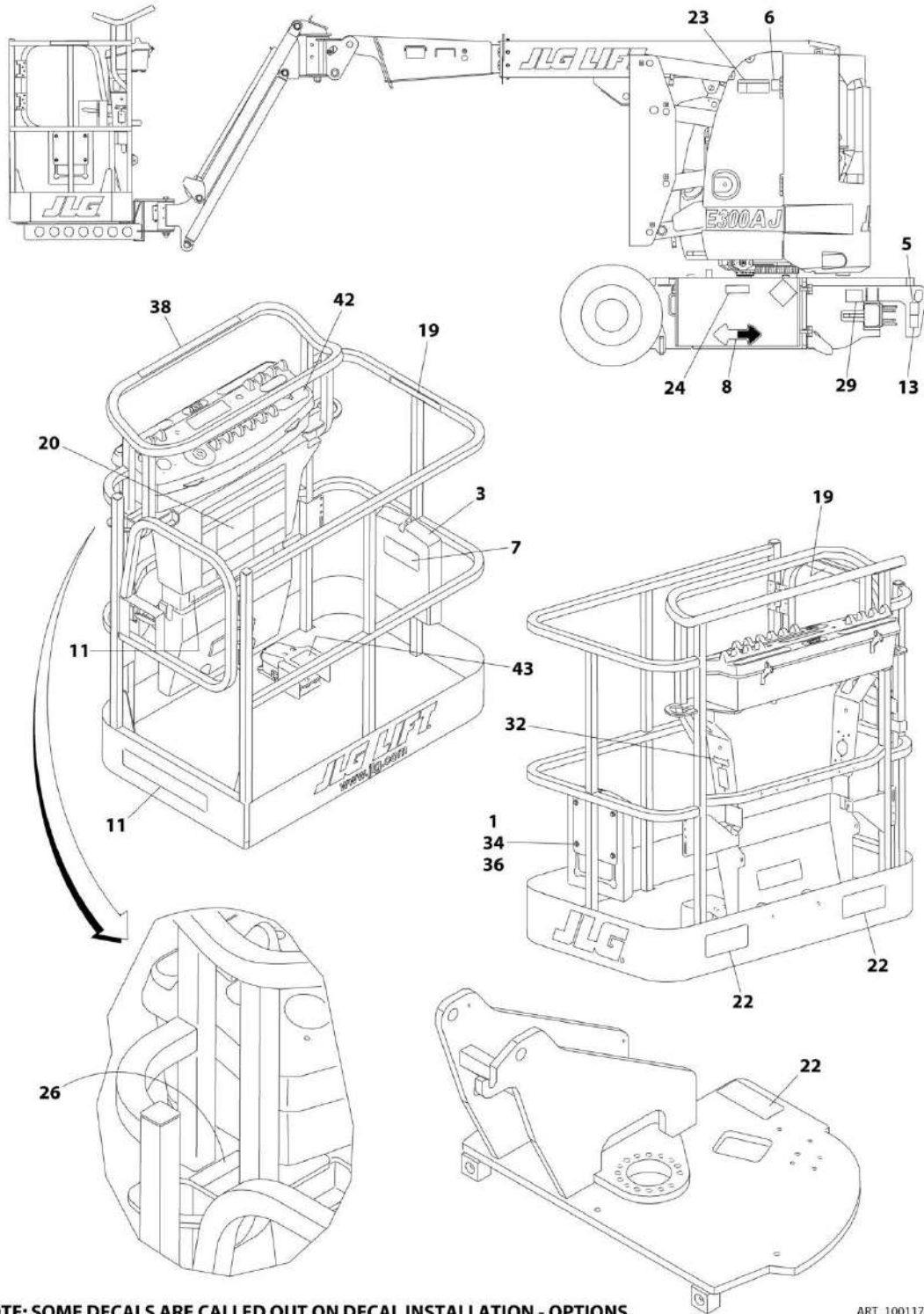
## FIGURE 8-4. DECAL INSTALLATION (CHINESE SPEC)



NOTE: SOME DECALS ARE CALLED OUT ON DECAL INSTALLATION - OPTIONS.

ART\_1001176595\_10F2

# SECTION 8 - DECALS



**NOTE: SOME DECALS ARE CALLED OUT ON DECAL INSTALLATION - OPTIONS.**

ART\_1001176595\_2OF2

## SECTION 8 - DECALS

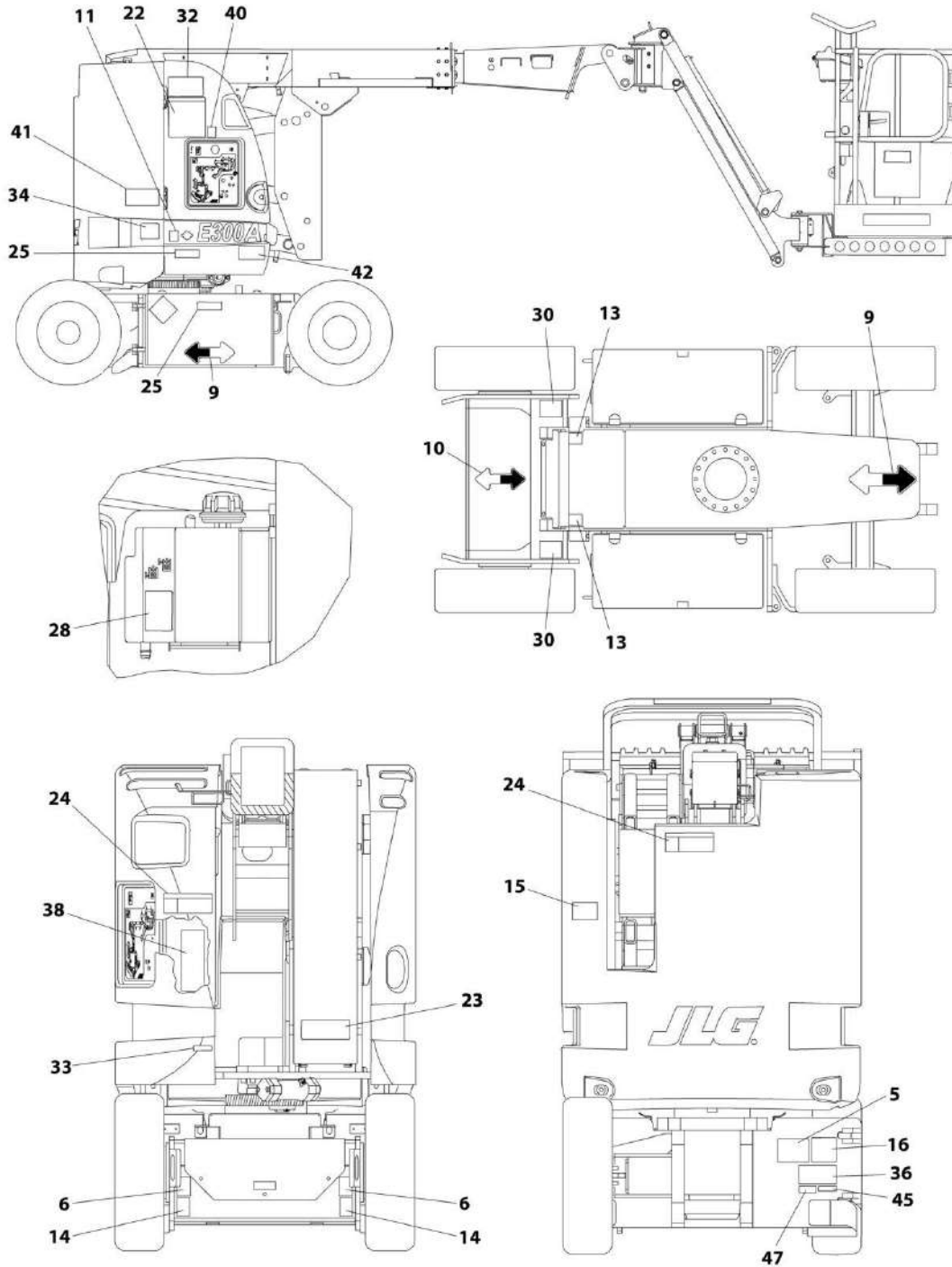
FIGURE 8-4. DECAL INSTALLATION (CHINESE SPEC)

ITEM	PART NUMBER	QTY	DESCRIPTION	REV
	1001176595	Ref	DECAL INSTALLATION (CHINESE SPEC)	E
1	0641406	4	Bolt 1/4 x 3/4	
3	0860520	1	Box, Manual Storage	
5	1701500	4	Decal - Lift	
6	1701504	1	Decal - Hydraulic Oil	
7	1701509	1	Decal - Manual	
8	1701529	3	Decal - Arrow	
9	1701642	1	Decal - Arrow	
10	1701644	1	Decal - Battery Charger	
11	1001121810	2	Decal - Capacity	
12	1702155	2	Decal - Battery Disconnect	
13	1702300	4	Decal - Tie Down	
14	1001113168	1	Decal - Hand Crushing	
15	See Note	NSS	Decal - Bar Code (Note: Not Available for Purchase)	
19	1705968	2	Decal - No Hands	
20	1703925	1	Decal - Warning/Danger	
21	1703931	1	Decal - Warning/Danger	
22	1703949	4	Decal - Crushing	
23	1703937	3	Decal - Danger Electrocution	
24	1704344	3	Decal - Battery Ventilation	
26	1704277	2	Decal - Lanyard Attach Graphic	
27	1704412	1	Decal - Hydraulic Oil	
29	1706126	4	Decal - Tire Load	
31	1001121823	1	Decal - Warning Maximum Capacity	
32	3251243	2	Decal - 120V-60Hz	
33	3251813	1	Decal - USA	
34	3311405	4	Nut 1/4	
35	3820001	2	Rivet	
36	4751400	4	Washer 1/4	
37	1001110196	1	Decal - Manual Descent	
38	1001196811	1	Decal - Legend	
39	1001110389	1	Decal - Legend	
40	1001112461	1	Decal - Lift Diagram	
41	1001212200	1	Decal - Manual Descent	
42	1705430	1	Decal - Drive/Steer Instruction	
43	1703982	1	Decal - Footswitch	
44	1001224050	1	Decal - Yearly Inspection (SN 0300233727 to Present)	



# SECTION 8 - DECALS

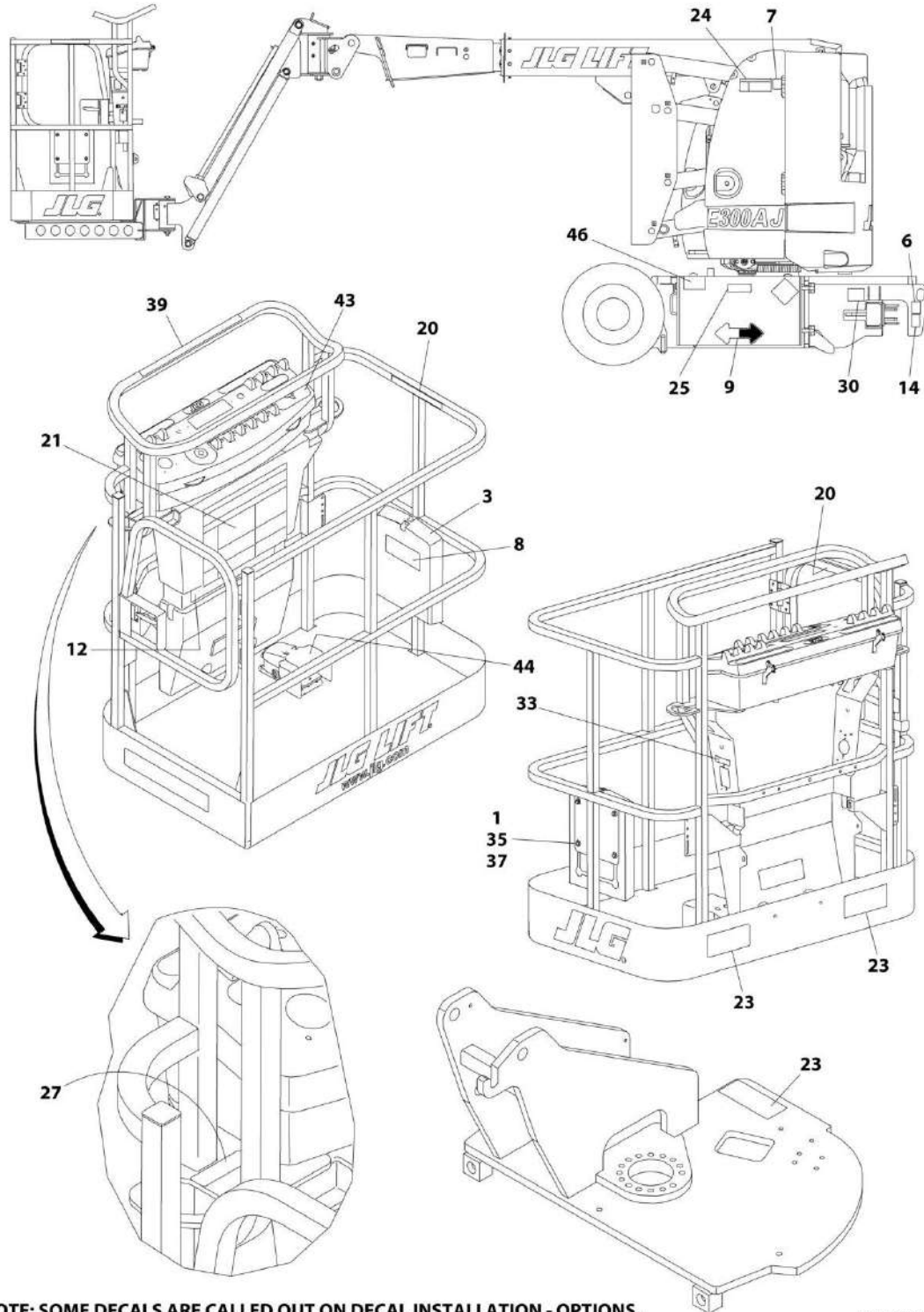
## FIGURE 8-5. DECAL INSTALLATION (CSA SPECS)



NOTE: SOME DECALS ARE CALLED OUT ON DECAL INSTALLATION - OPTIONS.

ART\_1001176561\_10F2

# SECTION 8 - DECALS



NOTE: SOME DECALS ARE CALLED OUT ON DECAL INSTALLATION - OPTIONS.

ART\_1001176561\_20F2

## SECTION 8 - DECALS

FIGURE 8-5. DECAL INSTALLATION (CSA SPECS)

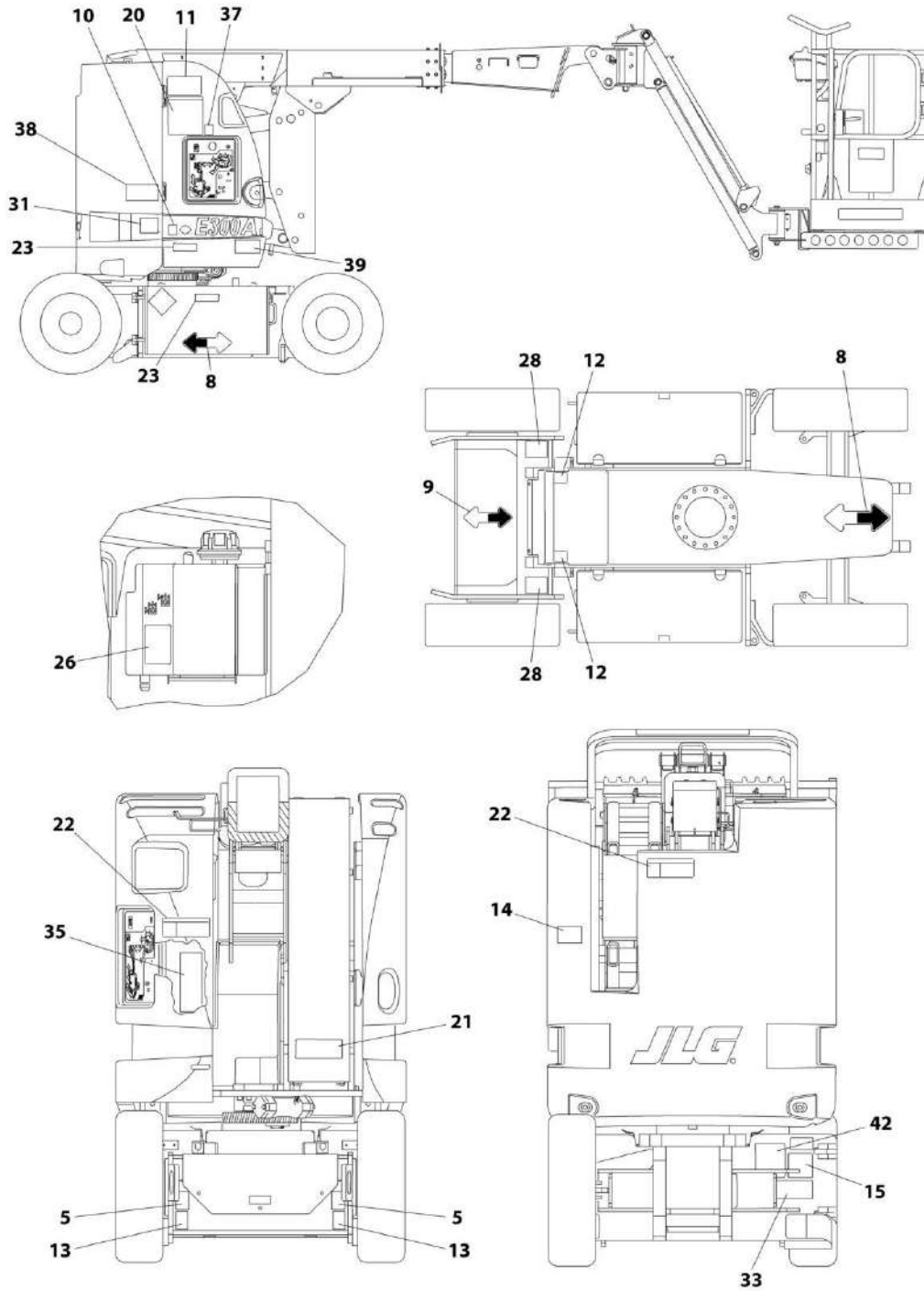
ITEM	PART NUMBER	QTY	DESCRIPTION	REV
	1001176561	Ref	DECAL INSTALLATION (CSA SPECS)	E
1	0641406	4	Bolt 1/4 x 3/4	
3	0860520	1	Box, Manual Storage	
5	1001131269	1	Decal - Patent	
6	1701500	4	Decal - Lift	
7	1701504	1	Decal - Hydraulic Oil	
8	1701509	1	Decal - Manual	
9	1701529	3	Decal - Arrow	
10	1701642	1	Decal - Arrow	
11	1701644	1	Decal - Battery Charger	
12	1001121803	1	Decal - 500Lbs Capacity	
13	1702155	2	Decal - Battery Disconnect	
14	1702300	4	Decal - Tie Down	
15	1001113169	1	Decal - Hand Crushing	
16	See Note	NSS	Decal - Bar Code (Note: Not Available for Purchase)	
20	1704000	2	Decal - No Hands	
21	1703924	1	Decal - Danger/Warning	
22	1703930	1	Decal - Warning/Danger	
23	1703948	4	Decal - Warning Crushing	
24	1703936	3	Decal - Electrocution	
25	1704340	3	Decal - Warning Battery Ventilation	
27	1704277	2	Decal - Lanyard Attach Graphic	
28	1704412	1	Decal - Hydraulic Oil	
30	1706126	4	Decal - Tire Load	
32	1001121816	1	Decal - 500Lbs Capacity	
33	3251243	2	Decal - 120V-60Hz	
34	3251813	1	Decal - USA	
35	3311405	4	Nut 1/4	
36	3820001	2	Rivet	
37	4751400	4	Washer 1/4	
38	1001110196	1	Decal - Manual Descent	
39	1001196811	1	Decal - Legend Platform	
40	1001110389	1	Decal - Legend Ground	
41	1001112461	1	Decal - Lift Diagram	
42	1001212200	1	Decal - Manual Descent	
43	1705429	1	Decal - Drive/Steer Instructions	
44	1703984	1	Decal - Footswitch	
45	1705514	1	Decal - CSA	
46	1001223971	1	Decal - Yearly Inspection (SN 0300233727 to Present)	
47	1001228370	1	Decal - CSA Ices (SN 0300233727 to Present)	





# SECTION 8 - DECALS

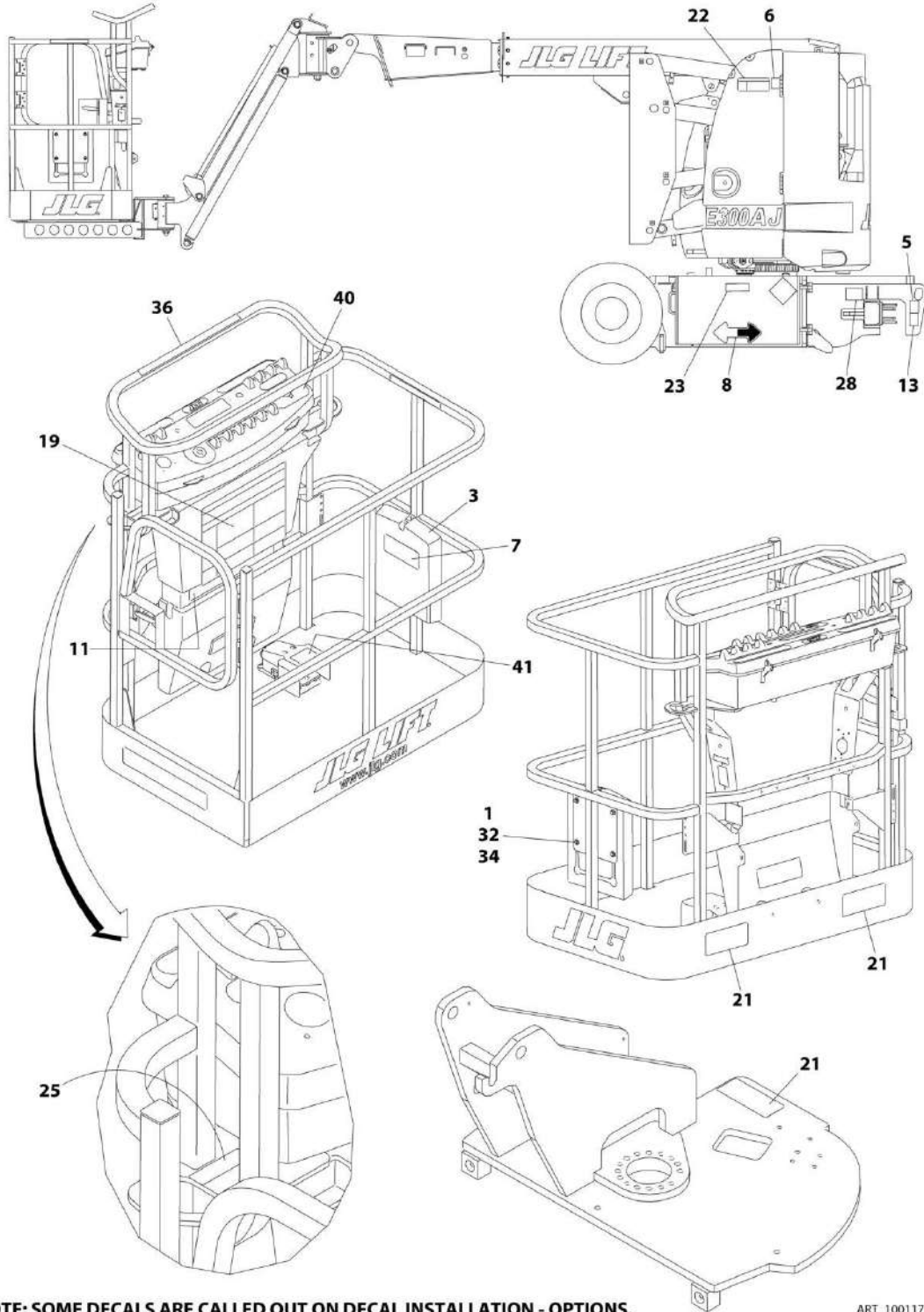
## FIGURE 8-6. DECAL INSTALLATION (JAPANESE SPECS)



NOTE: SOME DECALS ARE CALLED OUT ON DECAL INSTALLATION - OPTIONS.

ART\_1001176390\_10F2

# SECTION 8 - DECALS



**NOTE: SOME DECALS ARE CALLED OUT ON DECAL INSTALLATION - OPTIONS.**

ART\_1001176390\_2OF2

## SECTION 8 - DECALS

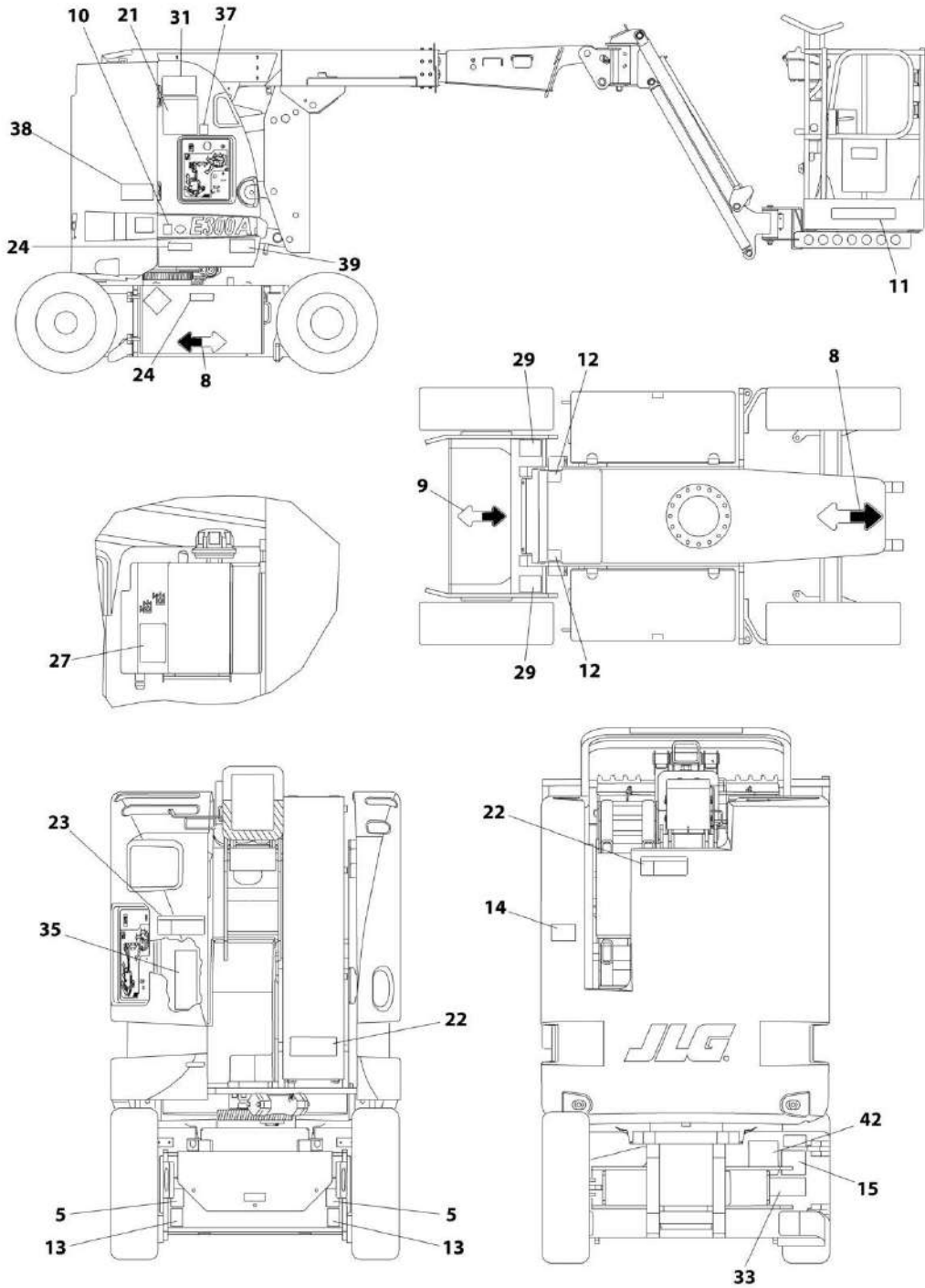
FIGURE 8-6. DECAL INSTALLATION (JAPANESE SPECS)

ITEM	PART NUMBER	QTY	DESCRIPTION	REV
	1001176390	Ref	DECAL INSTALLATION (JAPANESE SPECS)	G
1	0641406	4	Bolt 1/4 x 3/4	
3	0860520	1	Box, Manual Storage	
5	1701500	4	Decal - Lift	
6	1701504	1	Decal - Hydraulic Oil	
7	1701509	1	Decal - Manual	
8	1701529	3	Decal - Arrow	
9	1701642	1	Decal - Arrow	
10	1701644	1	Decal - Battery Charger	
11	1001121808	2	Decal - Capacity	
12	1702155	2	Decal - Battery Disconnect	
13	1702300	4	Decal - Tie Down	
14	1001113166	1	Decal - Hand Crushing	
15	See Note	NSS	Decal - Bar Code (Note: Not Available for Purchase)	
19	1703926	1	Decal - Danger/Warning	
20	1703932	1	Decal - Danger/Warning	
21	1703950	4	Decal - Crushing	
22	1703938	3	Decal - Battery Ventilation	
23	1704342	3	Decal - Fire Hazard	
25	1704277	2	Decal - Lanyard Attach Graphic	
26	1704412	1	Decal - Hydraulic Oil	
28	1706126	4	Decal - Tire Load	
31	3251813	1	Decal - USA	
32	3311405	4	Nut 1/4	
33	3820001	2	Rivet	
34	4751400	4	Washer 1/4	
35	1001110196	1	Decal - Manual Descent	
36	1001196811	1	Decal - Legend	
37	1001110389	1	Decal - Legend	
38	1001112461	1	Decal - Lift Diagram	
39	1001212200	1	Decal - Manual Descent	
40	1705426	1	Decal - Drive/Steer Instruction	
41	1703980	1	Decal - Footswitch	
42	1001224053	1	Decal - Yearly Inspection (SN 0300233727 to Present)	



# SECTION 8 - DECALS

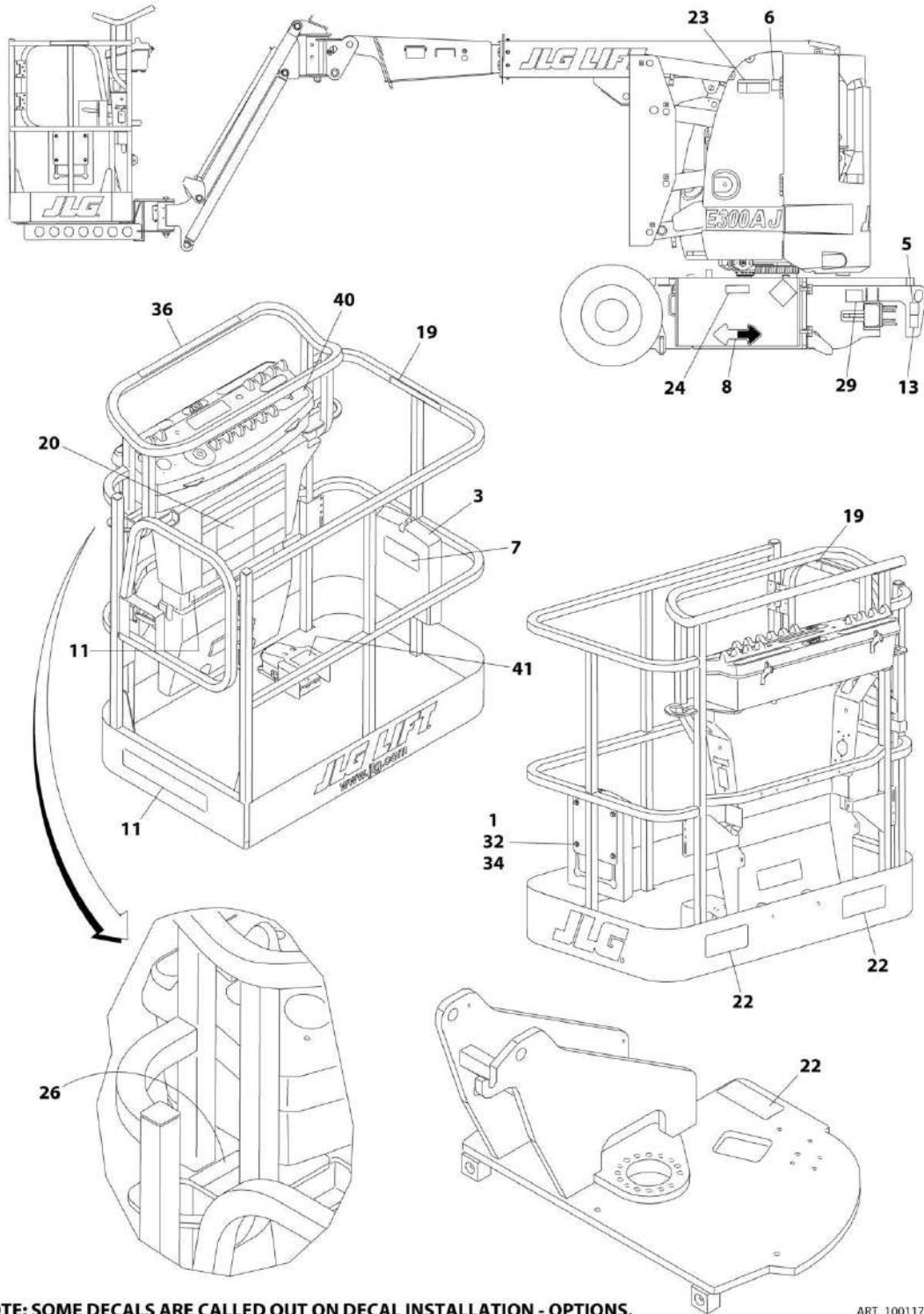
## FIGURE 8-7. DECAL INSTALLATION (KOREAN SPECS)



NOTE: SOME DECALS ARE CALLED OUT ON DECAL INSTALLATION - OPTIONS.

ART\_1001176482\_10F2

# SECTION 8 - DECALS



NOTE: SOME DECALS ARE CALLED OUT ON DECAL INSTALLATION - OPTIONS.

ART\_1001176482\_2OF2

## SECTION 8 - DECALS

FIGURE 8-7. DECAL INSTALLATION (KOREAN SPECS)

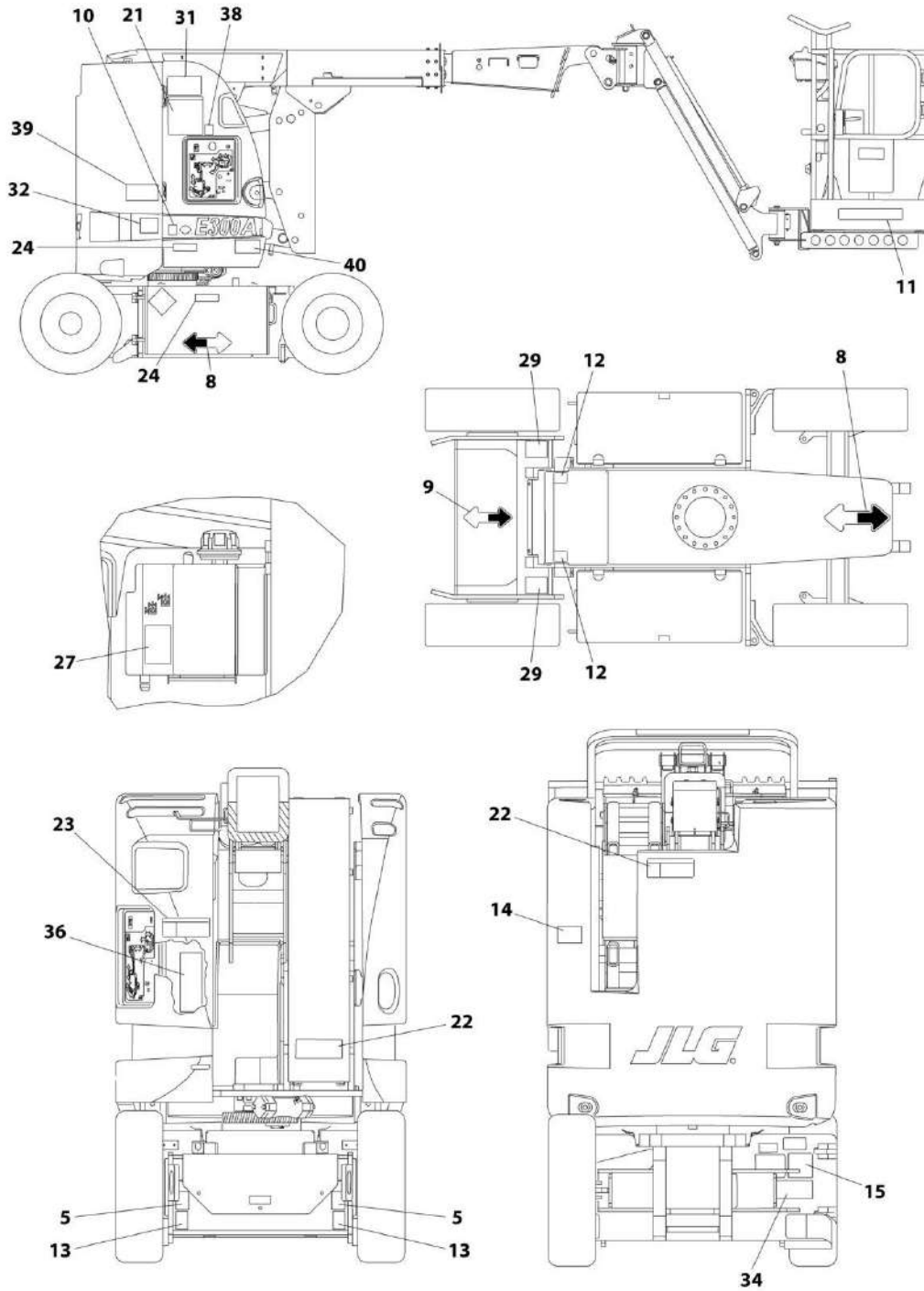
ITEM	PART NUMBER	QTY	DESCRIPTION	REV
	1001176482	Ref	DECAL INSTALLATION (KOREAN SPECS)	E
1	0641406	4	Bolt 1/4 x 3/4	
3	0860520	1	Box, Manual Storage	
5	1701500	4	Decal - Lift	
6	1701504	1	Decal - Hydraulic Oil	
7	1701509	1	Decal - Manual	
8	1701529	3	Decal - Arrow	
9	1701642	1	Decal - Arrow	
10	1701644	1	Decal - Battery Charger	
11	1001121918	2	Decal - Capacity	
12	1702155	2	Decal - Battery Disconnect	
13	1702300	4	Decal - Tie Down	
14	1001113509	1	Decal - Hand Crushing	
15	See Note	NSS	Decal - Bar Code (Note: Not Available for Purchase)	
19	1705969	2	Decal - No Hands	
20	1703927	1	Decal - Warning/Danger	
21	1703933	1	Decal - Warning/Danger	
22	1703951	4	Decal - Crushing	
23	1703939	3	Decal - Danger Electrocution	
24	1704343	3	Decal - Battery Ventilation	
26	1704277	2	Decal - Lanyard Attach Graphic	
27	1704412	1	Decal - Hydraulic Oil	
29	1706126	4	Decal - Tire Load	
31	1001121921	1	Decal - Warning Maximum Capacity	
32	3311405	4	Nut 1/4	
33	3820001	2	Rivet	
34	4751400	4	Washer 1/4	
35	1001110196	1	Decal - Manual Descent	
36	1001196811	1	Decal - Legend	
37	1001110389	1	Decal - Legend	
38	1001112461	1	Decal - Lift Diagram	
39	1001212200	1	Decal - Manual Descent	
40	1705427	1	Decal - Drive/Steer Instruction	
41	1703981	1	Decal - Footswitch	
42	1001224048	1	Decal - Yearly Inspection (SN 0300233727 to Present)	





# SECTION 8 - DECALS

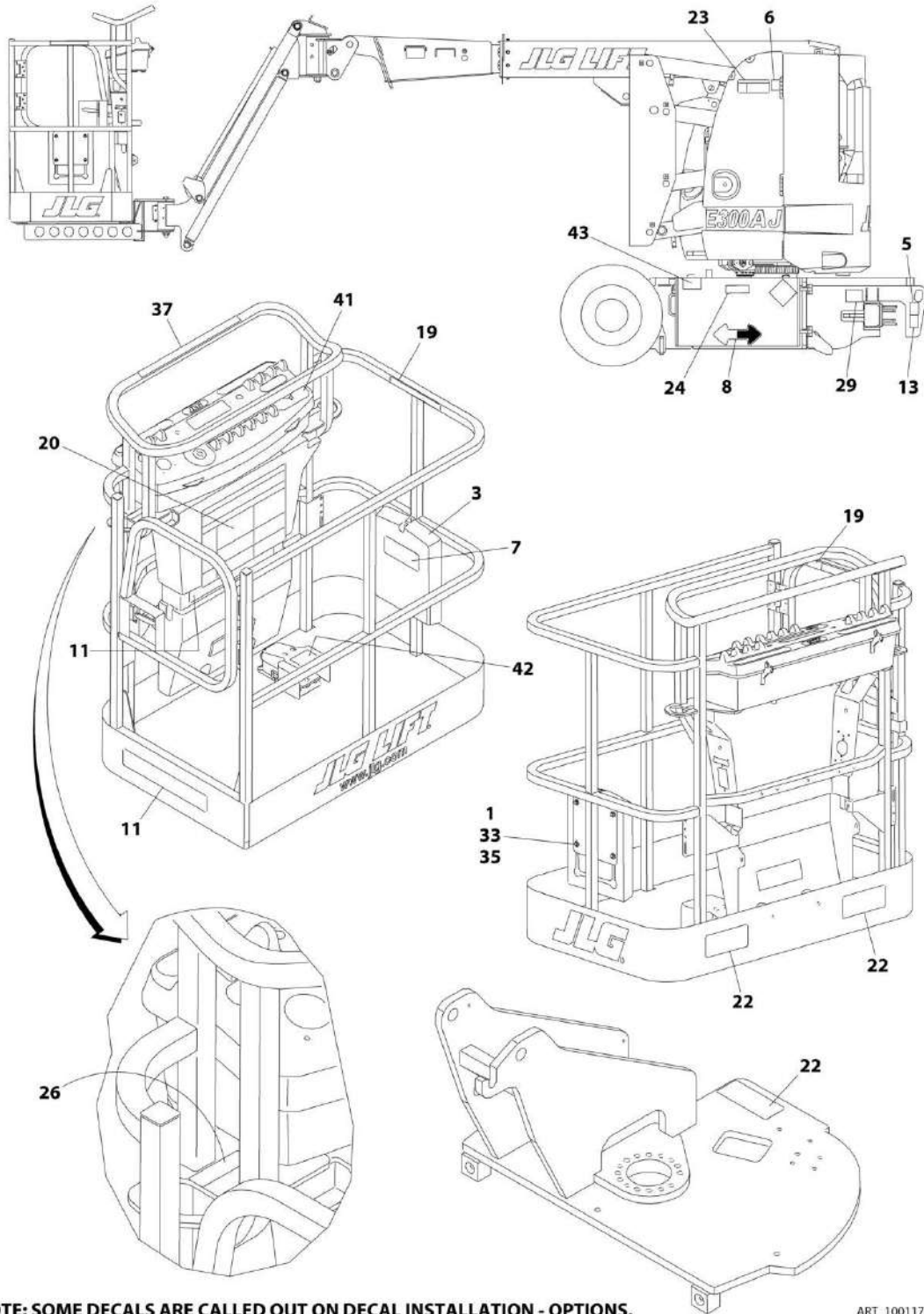
## FIGURE 8-8. DECAL INSTALLATION (LATIN AMERICAN SPECS)



NOTE: SOME DECALS ARE CALLED OUT ON DECAL INSTALLATION - OPTIONS.

ART\_1001176483\_10F2

# SECTION 8 - DECALS



**NOTE: SOME DECALS ARE CALLED OUT ON DECAL INSTALLATION - OPTIONS.**

ART\_1001176483\_2OF2

## SECTION 8 - DECALS

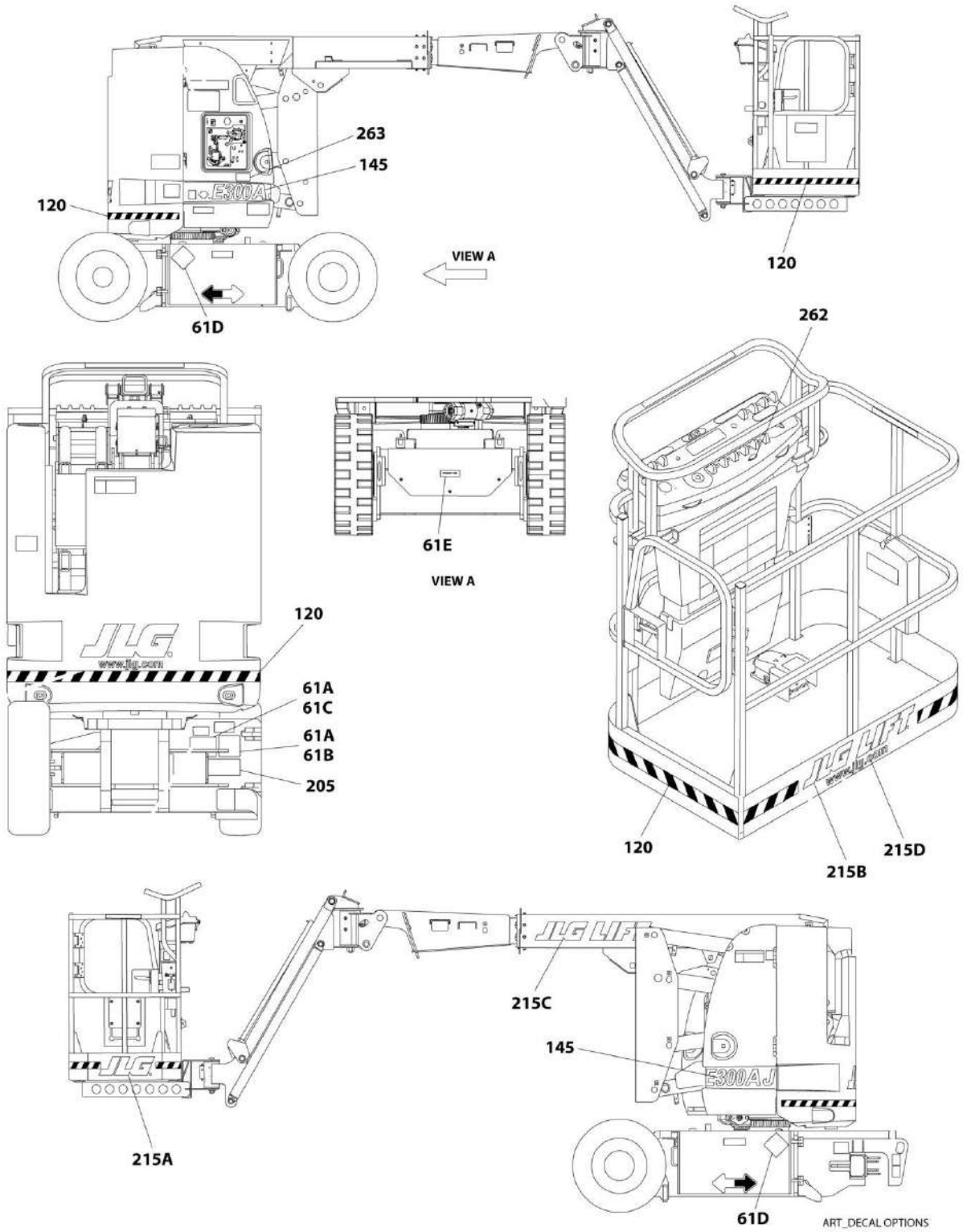
FIGURE 8-8. DECAL INSTALLATION (LATIN AMERICAN SPECS)

ITEM	PART NUMBER	QTY	DESCRIPTION	REV
	1001176483	Ref	DECAL INSTALLATION (LATIN AMERICAN SPECS)	E
1	0641406	4	Bolt 1/4 x 3/4	
3	0860520	1	Box, Manual Storage	
5	1701500	4	Decal - Lift	
6	1701504	1	Decal - Hydraulic Oil	
7	1701509	1	Decal - Manual	
8	1701529	3	Decal - Arrow	
9	1701642	1	Decal - Arrow	
10	1701644	1	Decal - Battery Charger	
11	1001121805	2	Decal - Capacity	
12	1702155	2	Decal - Battery Disconnect	
13	1702300	4	Decal - Tie Down	
14	1001113171	1	Decal - Hand Crushing	
15	See Note	NSS	Decal - Bar Code (Note: Not Available for Purchase)	
19	1704001	2	Decal - No Hands	
20	1703923	1	Decal - Warning/Danger	
21	1703929	1	Decal - Warning/Danger	
22	1703947	4	Decal - Crushing	
23	1703935	3	Decal - Danger Electrocution	
24	1704339	3	Decal - Battery Ventilation	
26	1704277	2	Decal - Lanyard Attach Graphic	
27	1704412	1	Decal - Hydraulic Oil	
29	1706126	4	Decal - Tire Load	
31	1001121818	1	Decal - Warning Maximum Capacity	
32	3251813	1	Decal - USA	
33	3311405	4	Nut 1/4	
34	3820001	2	Rivet	
35	4751400	4	Washer 1/4	
36	1001110196	1	Decal - Manual Descent	
37	1001196811	1	Decal - Legend	
38	1001110389	1	Decal - Legend	
39	1001112461	1	Decal - Lift Diagram	
40	1001212200	1	Decal - Manual Descent	
41	1705427	1	Decal - Drive/Steer Instruction	
42	1703983	1	Decal - Footswitch	
43	1001224049	1	Decal - Yearly Inspection (SN 0300233727 to Present)	



# SECTION 8 - DECALS

## FIGURE 8-9. DECAL INSTALLATION - OPTIONS



## SECTION 8 - DECALS

### FIGURE 8-9. DECAL INSTALLATION - OPTIONS

ITEM	PART NUMBER	QTY	DESCRIPTION	REV
		Ref	DECAL INSTALLATION - OPTIONS	
61	0270432	Ref	Decal - EE Tags (UL Specs)	
61A	3820001	8	Rivet	
61B	3252331	1	Nameplate - Battery Information	
61C	3252780	1	Nameplate - UL Certification Tag	
61D	1702251	2	Nameplate - EE	
61E	1001213625	1	Decal - 400Amp Replacement Fuse <b>(SN 0300226252 to Present)</b>	
120	4420051	12 ft /3.7m	Decal - Warning Stripes	
145	1704199	1	Decal - Model Designation (E300AJ)	
145	1704267	1	Decal - Model Designation (E300AJP)	
205	See Note	NSS	Nameplate - Serial Number (Note: Not Available for Purchase)	
215	1001110613	Ref	JLG Logo Installation (E300AJ) (All Specs except Australian & CE Specs)	B
215	1001110613	1	JLG Logo Installation (E300AJ) (Australian & CE Specs) <b>(SN 0300211844 through 0300221326)</b>	B
215	See Note	1	JLG Logo Installation (E300AJ) (Australian & CE Specs) (Note: See Country Spec Decal Installation for Components) <b>(SN 0300221327 to Present)</b>	
215	1001115980	Ref	JLG Logo Installation (E300AJP) (All Specs except Australian & CE Specs)	B
215	1001115980	1	JLG Logo Installation (E300AJP) (Australian & CE Specs) <b>(SN 0300211844 through 0300221326)</b>	B
215	See Note	1	JLG Logo Installation (E300AJ) (Australian & CE Specs) (Note: See Country Spec Decal Installation for Components) <b>(SN 0300221327 to Present)</b>	
215A	1702773	1	Decal - JLG (E300AJ)	
215A	1704200	1	Decal - JLG Plus (E300AJP)	
215B	1702774	1	Decal - JLG Lift	
215C	1702860	1	Decal - JLG Lift	
215D	1704885	1	Decal - Website	
262	1001141300	1	Decal - SkyGuard Override	
263	1001189882	1	Decal - MSSO	





## **SECTION 9 - RECOMMENDED SERVICE PARTS STOCK**

## **SECTION 9 - RECOMMENDED SERVICE PARTS STOCK**

## SECTION 9 - RECOMMENDED SERVICE PARTS STOCK

FIGURE 9-1. RECOMMENDED SERVICE PARTS STOCK

ITEM	PART NUMBER	QTY	DESCRIPTION	REV
		Ref	Note: The following list will service one machine (built to current production per date on the front cover) with emergency repair parts which can be installed in the field. Parts from the list should be replaced when inventory is depleted to keep service parts stock supplied. For further information, contact your JLG dealer or the JLG Industries Parts Department.	
		Ref	STANDARD PARTS	
	1001170367	1	Relay	
	70002526	1	Breather	
	70002525	1	Filter	
	70004228	1	Element, Filter	
	7024883	1	Coil	
	7024885	1	Coil	
	3740080	1	Relay	
	1001155045	1	Switch, Toggle	
	1001159256	1	Switch, Toggle	
	4360469	1	Switch, Key	
	2860030	1	Key, Replacement	
	4360475	1	Switch, Mushroom	
	4360476	1	Contact, Switch Block	
	4360387	1	Switch, Push Button	
	70001996	1	Power Track Repair Section	
	4360407	1	Switch, Potentiometer	
	1001161710	1	Switch, Toggle	
	1001212415	1	Controller Assembly - Drive & Steer	
	1001129555	1	Controller Assembly - Lift & Swing	
	70002386	1	Coil	
		Ref	VARIABLE PARTS	
	8229242	1	Fuse 5Amp	
	8229261	1	Fuse 5Amp	
	8229234	1	Fuse 10Amp	
	8229237	1	Fuse 15Amp	
	8229235	1	Fuse 20Amp	
	8229236	1	Fuse 30Amp	
	1001170365	1	Fuse 400Amp (UL Specs Only)	
	1001161117	1	Sensor, Steer	
	1001178339	1	Module, Drive	
	1001192212	1	Module, Drive	
	1001181325	1	Sensor, Drive	
	4360517	1	Switch, Proximity	
	1001182700	1	Module, Ground	
	1600387	1	Module (Machines with LSS System)	
	0610131	1	PC Board, Battery	
	2940074	1	Latch, Platform (Machines with Gate)	
	1001182724	1	Module, Platform	
	1001215835	1	Module, Platform (UL Specs Only)	
	1001137673	1	Switch, SkyGuard (With SkyGuard)	
	1001181045	1	Breaker, Circuit (CE Spec with AC Power to Platform)	
	4360548	1	Switch, Limit	

**SECTION 10 - SPECIAL OPTIONS**

## SECTION 10 - SPECIAL OPTIONS

FIGURE 10-1. SPECIAL OPTIONS

ITEM	PART NUMBER	QTY	DESCRIPTION	REV
		Ref	MISCELLANEOUS SPECIAL OPTIONS	
		Ref	Note: This list is to accommodate machines ordered with special equipment. Options may not be applicable to all models. For more specific parts information contact JLG Parts Department.	
	0259250	Ref	Air Line at Platform Installation	
	0259384	Ref	Bellows Installations	
		Ref	Boom Wiper Installation	
	1001109709	Ref	Boom Wiper Installation E300AJ	
	1001119962	Ref	Boom Wiper Installation E300AJP	
		Ref	ClearSky Telematic Installation (Factory Installed)	
	1001229107	Ref	3 Wire Connection (ANSI and CSA Specs)	
	1001233237	Ref	3 Wire Connection (ANSI Export and CE Specs)	
		Ref	Decal Installations	
	1001196708	Ref	Decal - Blueline Rentals	
	1001155289	Ref	Decal - Boels	
	1001229689	Ref	Decal - ClearSky	
	1001214032	Ref	Decal - EAC (Russian/CIS Specs)	
	0274530	Ref	Decal - Head and Engquist Equipment	
	1001221844	Ref	Decals - Herc Rentals	
	1001222192	Ref	Decals - Hertz (Canada)	
	1001128883	Ref	Decal - Hertz	
	1001098897	Ref	Decal - FedEx	
	1001236999	Ref	Decal - Synergy	
	1703175	1	Decal - Lanyard Attach (GM K-1 Spec)	
	1702868	2	Decal - No Hands (English Language - Required on Platform with Mesh to Top)	
	1704000	Ref	Decal - No Hands (Dual Language French and English - Required on Platform with Mesh to Top)	
	1001218720	Ref	Decal - Riwal	
	1001095410	Ref	Decal - RSC Equipment Rental	
	1001197875	Ref	Decal - Sunbelt	
	1001151114	Ref	Decal - Titan Rentals	
	0271897	Ref	Decal - United Rentals	
	1001141476	Ref	Decal - Volvo Rentals	
		Ref	Decal Kits	
	1001198651	Ref	Decal Kit - Machine	
	1001108726	Ref	Decal Kit - Platform	
	1001223824	Ref	Decal Kit - Platform Console	
		Ref	Electrical Connector Kits	
	1001148902	Ref	Amp/Tyco Electrical Connector Kit	
	1001148903	Ref	Deutsch DT Electrical Connector Kit	
	1001148904	Ref	Deutsch HD Electrical Connector Kit	
	1001148905	Ref	Packard Electrical Connector Kit	
	1001148906	Ref	Various Electrical Connectors Kit	
		Ref	Fluids and Lubricants	
	3020008	Ref	Lube, Gear 80W-90 (Drive Hub)	
	3020037	Ref	Lube, Coupling (Drive Coupling)	
	0100048	Ref	Grease, Dielectric (Electrical Connections)	
	3020037	Ref	Grease, Electrical (Battery Terminals)	

## SECTION 10 - SPECIAL OPTIONS

ITEM	PART NUMBER	QTY	DESCRIPTION	REV
	3020022	Ref	Grease, White Lithium (Boom Wear Pads)	
		Ref	Hydraulic Fluids (Hydraulic Tank)	
	2300014	Ref	Mobil 424	
		Ref	Mobil DTE 10 Excel 15 Options:	
	2300028	Ref	Bulk	
	70010346	Ref	One Gallon Container	
	2300027	Ref	Mobil 224H Biodegradeable	
	2300042	Ref	Mobil EAL 32 (Synthetic Biodegradeable)	
	2300019	Ref	QuintoLubric 888-46 (Synthetic Biodegradeable)	
		Ref	Footswitch Shield Installation	
	4060959	1	Shield, Footswitch	
	1001151286	Ref	Jib Cylinder Replacement Kit	
	1001148971	Ref	Lanyard (Bolt-on) Kit Installation	
	0257728	Ref	Pipe Jacks Installations (ANSI Spec Only)	
	1001195304	Ref	Platform Console Cover Installation	
		Ref	Platform Entry Kits	
	1001142504	Ref	Drop Bar (Replacing Swing Gate with Drop Bar)	
	1001142505	Ref	Swing Gate (Replacing Drop Bar with Swing Gate)	
	1001140318	Ref	Platform Mesh to Mid Rail Installation (ANSI, ANSI Export and Australian Spec)	
	0273147	Ref	Platform Mesh to Top Rail Installation (ANSI, CSA and UL Specs Only)	
	1001103617	Ref	Platform Rail Extension (30 x 48) (2.5ft x 4ft) (0.70m x 1.22m)	
	1001120466	Ref	Platform Worklight Installation	
	1001199198	Ref	Security Lock (Programmable) Installations (CE Spec Only)	
		Ref	SkyGuard Components	
	1001218499	Ref	SkyGuard Bar Kit	
	1001149561	NLA	SkyGuard Blue Beacon Complete Add-on Kit (UGM Machines) (Use p/n 1001206996)	
	1001206996	Ref	SkyGuard Blue Beacon Complete Add-on Kit (UGM Machines)	
	1001149563	Ref	SkyGuard Platform Sensor Kit (UGM Machines)	
	1001176372	Ref	SkyGuard Plug Removal Kit	
	1001149564	NLA	SkyGuard Blue Beacon Kit (Counterweight Mounted) (Use p/n 1001205501)	
	1001205501	Ref	SkyGuard Blue Beacon Kit (Counterweight Mounted)	
	1001209414	NLA	SkyGuard Blue Beacon Kit (Hood Mounted) (Use p/n 1001218500)	
	1001218500	Ref	SkyGuard Blue Beacon Kit (Hood Mounted)	
	1001210033	Ref	SkyGuard Red Beacon Complete Add-on Kit	
	1001210032	Ref	SkyGuard Red Beacon Kit (Counterweight Mounted)	
	1001210040	NLA	SkyGuard Red Beacon Kit (Hood Mounted) (Use p/n 1001218501)	
	1001218501	Ref	SkyGuard Red Beacon Kit (Hood Mounted)	
	1001200316	Ref	Telematics Installations (Customer Supplied)	
	1001210089	Ref	Telematics - CAT	
	1001228363	Ref	Telematics - Herc	
	1001209282	Ref	Telematics - Loxam	
	1001210090	Ref	Telematics - Riwal	
	1001195610	Ref	Telematics - United Rentals	
	1001239564	Ref	Upper Powertrack Service Kit	
	1001241264	Ref	Wear Pad Kit E300AJ ( <b>Prior to SN 0300157823</b> )	
	1001241265	Ref	Wear Pad Kit E300AJ ( <b>SN 0300157823 to Present</b> )	
	1001241266	Ref	Wear Pad Kit E300AJP ( <b>Prior to SN 0300157823</b> )	

## SECTION 10 - SPECIAL OPTIONS

ITEM	PART NUMBER	QTY	DESCRIPTION	REV
	1001241267	Ref	Wear Pad Kit E300AJP (SN 0300157823 to Present)	
		Ref	Tools for Service	
	2901443	1	Analyzer Kit	
	8896941	1	Wire Stripper	
	7002821	1	Wire Crimper (To install wire ends to wires)	
	7002823	1	Pin/Socket Extractor - Universal (To Remove Pins/Sockets from Connectors)	
	4460467	1	Extractor - 16-18 Gauge (For Removal of Pin/Sockets from Deutsch Connectors)	
	4460510	1	Extractor - 12-14 Gauge (For Removal of Pin/Sockets from Deutsch Connectors)	
	7016652	1	Huck Fastener Tool (Small Fasteners Only)	
	7002822	1	Screwdriver, Potentiometer (To Adjust Drive Controllers)	
	7016654	1	Screwdriver, Magnetic	
	7004275	1	Seal Installation Tool - 1in	
	7004276	1	Seal Installation Tool - 1 1/2in	
	7002826	1	Seal Installation Tool - 2in	
	7016655	1	Wire Rope Sheave Gauge	
	2915230	1	Battery Charger Reprogram Controller	
	1001137005	1	Software Cable Kit	
	0259044	Ref	Weld Leads Installations (E300AJ without UL Specs Only)	
	1001231954	Ref	White Noise Alarm Installation	
	1001231958	Ref	White Noise Ambient Alarm Installation	
	1001235850	Ref	White Noise Alarm Service Kit	

**PART NUMBER INDEX**

# PART NUMBER INDEX

0060044.....127, 129, 131	352, 356, 360, 364,	0761014 .... 115, 117, 141	1001107583..... 117, 121
0060065.....129, 133	368, 372	0761015 ..... 141	1001107584..... 117
0100009.... 167, 171, 175,	0641407 ... 139, 255, 257,	0761215 .... 115, 117, 137	1001107650..... 59
179, 183, 187, 191, 195	259, 261, 263	0811608 ..... 49, 51	1001107712..... 13, 17
0100011 .... 13, 19, 23, 35,	0641408 19, 23, 151, 153,	0840031 ..... 39, 41	1001107781..... 59, 61, 67
37, 39, 41, 45, 49, 51,	155, 157, 159, 161,	0840032 ..... 39, 41	1001107820..... 69
69, 71, 73, 75, 77, 79,	163, 165	0860038 ..... 251, 253	1001107854..... 329
81, 91, 93, 95, 111,	0641414 ... 167, 171, 175,	0860520 ... 344, 348, 352,	1001107886..... 119, 121,
115, 117, 119, 121,	179, 183, 187, 191,	356, 360, 364, 368, 372	225
123, 125, 129, 135,	195, 209, 211	0861375 ..... 23	1001108274..... 69
137, 139, 141, 147,	0641416 ... 139, 255, 257,	0861731 .... 319, 321, 323	1001108290..... 123, 125
149, 209, 275, 279	259, 261, 263, 275, 279	0861781 ..... 315, 317	1001108310..... 13, 229
0100019..... 19, 23, 59, 61	0641418 ... 71, 73, 75, 77,	0861880 ..... 273	1001108387..... 115, 119
0100020..... 20, 24, 205	79, 81, 147, 149, 275,	0902919 ..... 139	1001108429..... 127, 129,
0100035..... 175, 191	279	0902920 ..... 139	221
0100048.... 35, 37, 39, 41,	0641505 ..... 19, 23, 39	0903530 ..... 49, 51	1001108553..... 115
139, 380	0641507 ..... 49, 51	0940036 ..... 111	1001108726..... 380
0100051 ..... 35, 37, 39, 41	0641511 ..... 275, 279	0940048 ..... 119, 121	1001109126..... 49, 51
0100071 .... 211, 217, 219,	0641512 ..... 41	0940049 ..... 49, 51	1001109446..... 51, 57
221, 223, 225, 227,	0641514 ... 35, 37, 39, 213	0961845 ..... 147, 149	1001109447..... 49, 55
229, 231, 233	0641520 ..... 275, 279	0961947 ..... 131	1001109503... 83, 85, 87,
0100075.... 167, 171, 179,	0641604 ... 255, 257, 259,	0961948 ... 119, 121, 123,	89
183, 187, 195	261, 263	125	1001109528..... 115, 117
0100081 ..... 275, 279	0641606 ... 35, 37, 39, 41,	0961951 15, 17, 127, 129,	1001109682..... 242
0140011 .... 167, 171, 175,	45, 69, 71, 73, 75, 77,	219	1001109683..... 242
179, 183, 187, 191, 195	79, 81, 111, 115, 117,	0962140 ..... 15, 17	1001109686..... 238, 242
0140043..... 99	119, 121	0962233 .... 35, 37, 39, 41	1001109687..... 238, 242
0257728..... 213, 381	0641607 . 13, 49, 51, 115,	0962257 ..... 131	1001109688..... 238, 242
0258986..... 33	117	0962259 ..... 119, 121	1001109690..... 238, 242
0259044..... 382	0641608 49, 51, 115, 117,	0962292 ..... 127, 129	1001109709..... 380
0259250..... 380	119, 121, 275	0962449 ..... 287	1001109756..... 275, 279
0259384..... 380	0641610 . 13, 19, 23, 115,	0962450 ..... 139	1001109757..... 275, 279
0270432..... 375	117, 137, 151, 153,	1001094670 ..... 127, 129	1001109833..... 265, 267
0271897..... 380	155, 157, 159, 161,	1001095410 ..... 380	1001109892..... 19, 24
0272976..... 137	163, 165	1001096134 .... 329, 335,	1001110030..... 265, 267
0273147..... 381	0641613 ..... 49, 51	336	1001110066..... 265, 267
0274530..... 380	0641616 ..... 49, 51, 69	1001097150 ..... 273	1001110196..... 344, 348,
0275216..... 255, 315	0641618 ..... 43	1001097487 ..... 119, 121	352, 356, 360, 364,
0275217 ..... 257, 317	0641622 ..... 119, 121	1001098122 ..... 309, 311	368, 372
0275452 ..... 261, 321	0641806 ..... 119, 121	1001098828 ..... 141	1001110389..... 344, 352,
0275453 ..... 263, 323	0641808 ... 115, 117, 119,	1001098897 ..... 380	356, 360, 364, 368, 372
0275454 ..... 259, 319	121	1001099834 ..... 135	1001110434..... 167, 171,
0275663 ..... 295	0641810 ..... 119, 121	1001100341 ..... 315	175, 179, 183, 187,
0275664 ..... 297	0641812 19, 23, 115, 117,	1001100342 ..... 317	191, 195
0275665 ..... 293	137	1001100345 ..... 321	1001110541..... 251
0275666 ..... 289	0641822 ..... 139	1001100346 ..... 319	1001110542..... 249
0275667 ..... 291	0642024 ..... 139	1001100347 ..... 323	1001110543..... 253
0340048..... 24	0642208 ..... 23	1001102527 ..... 69	1001110613..... 375
0400055..... 41	0681608 .... 137, 139, 141	1001103012 ..... 329	1001110772..... 33
0440162..... 13	0682012 ..... 19, 23	1001103105 ... 91, 93, 95,	1001110873..... 251
0480100..... 213	0682040 ..... 59, 61	97	1001112461..... 344, 348,
0610131 .... 83, 85, 87, 89,	0682048 ..... 59, 61	1001103617 ..... 381	352, 356, 360, 364,
378	0700408 ... 255, 257, 259,	1001103646 .... 59, 63, 65	368, 372
0630568.... 168, 172, 176,	261, 263	1001104498 ..... 329	1001112607..... 115, 117
180, 184, 188, 192, 196	0700818 ..... 127, 129	1001105091 ..... 35, 37	1001112946..... 238, 242
0641403.... 35, 37, 39, 41,	0700820 ..... 275, 279	1001105153 .... 115, 117,	1001112947..... 238, 242
119, 121	0701018 ..... 127, 129	217	1001112948..... 238, 242
0641404.. 91, 93, 95, 167,	0701020 ..... 127, 129	1001105989 .... 115, 117,	1001113166..... 364
171, 175, 179, 183,	0711227 ..... 123, 125	227	1001113168..... 356
187, 191, 195	0721003 ..... 23	1001106757 ..... 275, 279	1001113169..... 360
0641405..... 139	0721006 .... 101, 275, 279	1001106879 ..... 125, 233	1001113170..... 352
0641406.... 13, 43, 69, 99,	0741408 ..... 119, 121	1001106880 .... 115, 117,	1001113171..... 372
151, 153, 155, 157,	0760610..... 141	223	1001113483..... 139
159, 161, 163, 165,	0760812 ..... 123, 125	1001107152 ..... 275, 279	1001113509..... 368
207, 255, 257, 259,	0761007 ..... 135	1001107217 ..... 119, 121	1001113680..... 352
261, 263, 344, 348,	0761011 ..... 115, 117	1001107567 ..... 119, 121	1001113961..... 335



## PART NUMBER INDEX

1001114757 ..... 69	1001129555..... 378	1001164642..... 49, 51	1001181325 .. 19, 24, 378
1001114782 ..... 39	1001131269..... 344, 360	1001164643..... 49, 51	1001181412 ..... 265, 269, 271
1001115980 ..... 375	1001132175..... 167, 171, 175, 179, 183, 187, 191, 195	1001164706..... 49, 51	1001181633 ... 83, 85, 87, 89
1001116006 ..... 39	1001137005..... 382	1001166538..... 167, 171, 175, 180, 183, 187, 191, 196, 199	1001181638 .... 77, 81, 87
1001116018 ..... 269	1001137673..... 209, 378	1001166539..... 167, 172, 175, 179, 183, 188, 191, 195, 201	1001181639 ... 71, 73, 75, 77, 79, 81
1001116550 ..... 127, 129	1001138494..... 147	1001168210..... 219	1001181643 ..... 45
1001116692 ..... 303	1001138514..... 147	1001169423..... 13	1001181644 ..... 45
1001116693 ..... 287, 303	1001140318..... 381	1001169423..... 13	1001181936 ..... 45
1001116720 ..... 313	1001140357..... 83, 87	1001170365..... 23, 378	1001182138 ..... 211
1001116732 ..... 335	1001140429..... 147, 149	1001170367 ... 19, 23, 378	1001182474 ... 71, 73, 75, 77, 79, 81, 339
1001116733 ..... 329, 335	1001141300..... 171, 175, 180, 187, 191, 196, 375	1001170485..... 19, 23	1001182475 ... 71, 73, 75, 77, 79, 81, 335
1001116734 ..... 329	1001141476..... 380	1001170838..... 168, 172, 176, 180, 184, 188, 192, 196	1001182550 .... 19, 24, 31
1001116810 ..... 336	1001142504..... 381	1001172663..... 141	1001182700 ... 71, 73, 75, 77, 79, 81, 378
1001116811 ..... 97	1001142505..... 381	1001172760..... 168, 172, 176, 180, 184, 188, 192, 196	1001182724 ..... 168, 172, 176, 184, 188, 192, 378
1001116812 .... 303, 329, 335	1001143431..... 103	1001173253..... 101	1001182959 ..... 19, 23
1001116813 ..... 336	1001143933..... 63	1001173387 ..... 335	1001182960 ..... 19, 23
1001116815 ..... 330	1001144147..... 333	1001174447 ... 71, 73, 75, 77, 79, 81	1001183062 ..... 275, 279, 287
1001116876 ..... 123	1001144433..... 171, 175, 180, 187, 191, 196	1001174455..... 307	1001183366 ..... 99
1001116877 ..... 123	1001144629..... 145	1001174991 ..... 49, 51	1001183395 .... 71, 75, 83
1001117023 ..... 335, 336	1001148902..... 380	1001175349..... 49, 51	1001183397 ..... 71
1001117024 ..... 335	1001148903..... 380	1001175350..... 49, 51	1001183501 ..... 151
1001117070 ..... 329	1001148904..... 380	1001175351..... 49, 51	1001183502 ..... 159
1001117172 ..... 205	1001148905..... 380	1001176372..... 381	1001183503 ..... 73
1001117885 ..... 115, 123	1001148906..... 380	1001176372..... 381	1001183504 ..... 79
1001118274 .... 123, 125, 275, 279	1001148971..... 381	1001176388..... 344	1001183506 ..... 275
1001118287 ..... 123	1001149561..... 381	1001176390..... 364	1001183507 ..... 279
1001118288 ..... 123	1001149563..... 381	1001176391..... 348	1001183508 ..... 91
1001118388 ..... 313	1001149564..... 381	1001176469..... 85, 89	1001183509 ..... 93
1001118394 ..... 127	1001151114..... 380	1001176482..... 368	1001183510 ..... 95
1001118482 ..... 127, 129	1001151286..... 381	1001176483..... 372	1001183510 ..... 95
1001118516 ..... 127, 129	1001151393... 83, 85, 87, 89	1001176488..... 352	1001183545 ..... 87, 89
1001119228 . 20, 23, 275, 279	1001153013..... 61, 65	1001176561..... 360	1001183546 ..... 83, 85
1001119504 ..... 135	1001153362..... 61	1001176595..... 356	1001183880 .... 275, 279, 285
1001119513 ..... 135	1001155044... 83, 85, 87, 89, 167, 171, 175, 179, 183, 187, 191, 195	1001177069..... 329	1001183881 .... 276, 279, 283
1001119527 ..... 135	1001155045... 83, 85, 87, 89, 167, 171, 175, 179, 183, 187, 191, 195, 378	1001177363..... 49, 51, 53	1001183917 ..... 73, 85
1001119962 ..... 380	1001155289..... 380	1001177590..... 39	1001183918 ..... 79, 89
1001120328 ..... 209	1001157890..... 303, 333, 335, 336	1001177626..... 41	1001184852 ..... 19, 24
1001120466 ..... 381	1001157891..... 329, 333, 336	1001177627..... 35	1001184854 ..... 19, 24
1001120974 .... 123, 231	1001159186..... 303, 309, 311	1001178339... 19, 23, 378	1001185281 .... 172, 176, 180, 188, 192, 196
1001121801 ..... 344	1001159256... 83, 85, 87, 89, 167, 171, 175, 179, 183, 187, 191, 195, 378	1001178380..... 238, 244	1001186231 ..... 336
1001121803 ..... 360	1001160232..... 238, 242	1001178381..... 242, 244	1001186375 ..... 147
1001121805 ..... 372	1001160529... 59, 61, 63, 65	1001178921 ..... 19, 23	1001186387 ..... 145
1001121808 ..... 364	1001161117..... 13, 378	1001179000..... 299, 301	1001186431 ..... 176, 192
1001121810 ..... 356	1001161710..... 167, 171, 175, 179, 183, 187, 191, 195, 378	1001179001..... 299, 301	1001186432 ..... 313
1001121816 ..... 360	1001162882..... 49, 51	1001179242..... 244	1001186517 ..... 209
1001121818 ..... 372	1001164238..... 111	1001179394..... 246	1001186860 ..... 19, 23
1001121823 ..... 356	1001164239..... 111	1001179774..... 19	1001188291 .... 276, 279, 283, 285
1001121918 ..... 368	1001164257..... 111	1001180028..... 77	1001188292 .... 276, 280, 285
1001121920 ..... 352	1001164280..... 111	1001180317..... 19, 23	1001188293 ..... 283
1001121921 ..... 368	1001164606..... 111	1001180675..... 19, 23	1001188354 .... 276, 279, 283, 285
1001121923 ..... 352		1001180906..... 13	1001188622 ..... 141
1001122600 .... 275, 279		1001180909..... 49	1001188844 ..... 141
1001123023 ..... 117, 125		1001180910..... 51	1001188889 ..... 209
1001123024 ..... 117, 129		1001180911..... 13, 15	
1001123025 ..... 115, 127		1001180913..... 13	
1001123026 ..... 125		1001180914..... 23	
1001123027 ..... 125		1001180915..... 13	
1001123044 ..... 125		1001181045..... 273, 378	
1001123045 ..... 125		1001181095... 71, 73, 75, 77, 79, 81, 303	
1001125235 ..... 115, 117			
1001125677 ..... 336			
1001126008 ..... 329			
1001126245 ..... 329			
1001128883 ..... 380			

# PART NUMBER INDEX

1001189039.....168, 172, 176, 180, 184, 188, 192, 196, 205	1001198374.....255	1001217250.....141	10837580.....231, 233
1001189882.....375	1001198375.....257	1001217253.....141	1271433.....119, 121
1001190577.....31, 329	1001198651.....380	1001217254.....141	1271463.....43
1001190797.....168, 172, 176, 180, 184, 188, 192, 196	1001199198.....381	1001217267.....141	1271538.....139
1001190985.....141	1001200316.....381	1001217621.....176, 192, 311	1320030.....238, 242
1001191139.....101	1001200491.....141	1001217842.....329, 335, 336	1320041.....69
1001191318.....168, 172, 180, 184, 188, 196, 309	1001200910.....105	1001217843.....329	1320043.....13, 275, 279
1001191708.....211	1001201642.....329	1001217844.....329, 335, 336	1320130.....275
1001192110.....19, 24, 329	1001201887.....168, 172, 180, 184, 188, 196	1001218068.....176, 192	1320136.....139, 141
1001192112.....19, 24, 333	1001202593.....153, 171	1001218244.....155, 175	1320159.....275, 279
1001192113.....13, 325	1001202595.....151, 167	1001218245.....163, 191	1320172.....265, 267, 269, 271
1001192212.....19, 23, 378	1001202596.....161, 187	1001218499.....381	1320224.....139
1001192283.....139, 307	1001202597.....159, 183	1001218500.....381	1320261.....275, 279
1001192292.....172, 180, 188, 196	1001203734.....335	1001218501.....381	1320262.....275, 279
1001192293.....43, 305	1001203949.....115, 117, 219	1001218720.....380	1320263.....255, 257, 259, 261, 263
1001192385.....139	1001204216.....275, 279	1001219016.....141	1580012.....207
1001192387.....209	1001205180.....339	1001219601.....19, 24	1600387.....139, 378
1001192401.....336	1001205184.....287	1001219722.....19, 23	1670878.....35, 37, 39, 41
1001193018.....255, 257, 259, 261, 263	1001205500.....105	1001220271.....19, 23	1670890.....35, 37, 39, 41
1001193545.....305	1001205501.....381	1001220486.....167, 171, 179, 183, 187, 195	1670899.....275, 279
1001193987.....168, 172, 176, 180, 184, 188, 192, 196	1001206996.....381	1001220657.....155	1670953.....43
1001194014.....101	1001207004.....109	1001220658.....163	1671176.....167, 171, 175, 179, 183, 187, 191, 195
1001194071.....101, 327	1001207312.....107	1001221844.....380	1701500.....344, 348, 352, 356, 360, 364, 368, 372
1001194283.....299, 301	1001209282.....381	1001222192.....380	1701504.....344, 348, 352, 356, 360, 364, 368, 372
1001194285.....299, 301	1001209414.....381	1001223055.....344	1701509.....344, 348, 352, 356, 360, 364, 368, 372
1001194288.....299, 301	1001209664.....209	1001223824.....380	1701517.....348
1001194654.....299, 301	1001210032.....381	1001223971.....360	1701518.....348
1001194655.....299, 301	1001210040.....381	1001224048.....368	1701529.....344, 348, 352, 356, 360, 364, 368, 372
1001194656.....299, 301	1001210089.....381	1001224049.....372	1701642.....344, 348, 352, 356, 360, 364, 368, 372
1001194657.....299, 301	1001210090.....381	1001224050.....356	1701644.....344, 348, 352, 356, 360, 364, 368, 372
1001194658.....299, 301	1001210577.....87	1001224052.....352	1702124.....238, 242
1001194659.....299, 301	1001210578.....83	1001224053.....364	1702155.....344, 348, 352, 356, 360, 364, 368, 372
1001194739.....299, 301	1001210587.....24	1001224891.....135	1702251.....375
1001194740.....299, 301	1001212200.....344, 348, 352, 356, 360, 364, 368, 372	1001225580.....176, 192, 313	1702300.....344, 348, 352, 356, 360, 364, 368, 372
1001194945.....39, 269	1001212359.....19, 23	1001226872.....149	1702391.....344
1001194946.....35, 265	1001212371.....37	1001227665.....49, 51	1702565.....167, 171, 175, 179, 183, 187, 191, 195
1001194947.....41, 271	1001212374.....37, 267	1001228215.....149	1702566.....167, 171, 175, 179, 183, 187, 191, 195
1001194989.....103	1001212376.....37, 267	1001228363.....381	1702773.....348, 375
1001195097.....20, 299	1001212415.....378	1001228370.....344, 360	1702774.....375
1001195304.....381	1001212416.....301	1001229107.....380	1702860.....375
1001195457.....45	1001212436.....301	1001229689.....380	1702868.....344, 380
1001195501.....43	1001212446.....24, 301	1001230634.....49, 51	1703175.....380
1001195610.....381	1001212450.....75, 81	1001231954.....382	1703683.....213
1001196708.....380	1001213447.....311	1001231958.....382	1703797.....344
1001196811.....344, 348, 352, 356, 360, 364, 368, 372	1001213480.....81	1001233237.....380	1703798.....344
1001197031.....153	1001213481.....75	1001235850.....382	1703804.....344
1001197032.....161	1001213625.....375	1001236999.....380	1703805.....344
1001197067.....107	1001213626.....24	1001239564.....381	1703813.....344
1001197583.....103, 105, 107, 109	1001213882.....176, 192	1001241264.....381	1703923.....372
1001197584.....255, 257, 259, 261, 263	1001214032.....380	1001241265.....381	1703924.....360
1001197875.....380	1001214667.....75, 81	1001241266.....381	1703925.....356
1001198371.....261	1001215835.....180, 196, 378	1001241267.....382	1703926.....364
1001198372.....263	1001216145.....157	1060092.....269, 271	1703927.....368
1001198373.....259	1001216146.....165	1060330.....205	1703928.....352
	1001216147.....165	1060379.....213	
	1001216151.....157, 179	1060494.....43	
	1001216152.....165, 195	1060689.....91, 93, 95	
	1001216630.....141	1060742.....271	
	1001217228.....141	1060743.....269, 271	
	1001217242.....141	1060801.....43	
	1001217243.....141	1060802.....43	
	1001217244.....141	1060908.....273	

# PART NUMBER INDEX

1703929.....	372	2220466.....	238, 242	3251813.....	344, 352, 356,	3422709.....	115, 117
1703930.....	360	2220472.....	238, 242	360, 364, 372		3422745.....	123, 125
1703931.....	356	2220473.....	238, 242	3252331.....	375	3422785.....	119, 121
1703932.....	364	2220502.....	238, 242	3252347.....	344	3422786.....	119, 121
1703933.....	368	2220582.....	238, 242	3252507.....	253, 257, 259,	3422787.....	115, 117
1703934.....	352	2220628.....	238, 242	261, 263		3422788.....	119, 121
1703935.....	372	2220883.....	219	3252780.....	375	3422789.....	119, 121
1703936.....	360	2220909.....	238, 242	3290405.....	255, 257, 259,	3422790.....	115, 117
1703937.....	356	2221033.....	238, 242	261, 263		3422791.....	127, 129
1703938.....	364	2221039.....	242	3290605.....	141	3422792.....	115, 117
1703939.....	368	2221048.....	238, 242	3290606.....	147	3422814.....	115, 117
1703940.....	352	2221086.....	238, 242	3290805.....	127, 129	3430616... 168, 172, 176,	
1703947.....	372	2300014.....	381	3291001.....	141	180, 184, 188, 192, 196	
1703948.....	360	2300019.....	381	3291005.....	127, 129, 141	3470003... 168, 172, 176,	
1703949.....	356	2300027.....	381	3291201.....	141	180, 184, 188, 192, 196	
1703950.....	364	2300028.....	381	3291205.....	137	3520026... 167, 179, 183,	
1703951.....	368	2300042.....	381	3300106.....	33	195	
1703952.....	352	2400044.....	19, 23	3300151.....	147, 149	3520027... 167, 171, 175,	
1703980.....	364	2400060... 309, 311, 336		3300353.....	43, 167, 171,	179, 183, 187, 191, 195	
1703981.....	368	2420202.....	139	175, 179, 183, 187,		3520028... 20, 23, 83, 85,	
1703982.....	356	2460037.....	43	191, 195		87, 89	
1703983.....	372	2540020... 35, 37, 39, 41		3300408....	167, 171, 175,	3520030... 167, 171, 175,	
1703984.....	360	2540037.....	23	179, 183, 187, 191, 195		179, 183, 187, 191, 195	
1703985.....	352	2560122... 71, 73, 75, 77,		3300426.....	19	3520033... 167, 171, 179,	
1704000.....	360, 380	79, 81		3300430.....	209, 211	183, 187, 195	
1704001.....	372	2560123... 71, 73, 75, 77,		3310805.....	275, 279	3520035.....	19, 23
1704002.....	352	79, 81		3311001.....	23	3520054... 167, 171, 175,	
1704199.....	375	2560136... 167, 171, 175,		3311005.....	69, 71, 73, 75,	179, 183, 187, 191, 195	
1704200.....	375	179, 183, 187, 191, 195		77, 79, 81, 101, 103,		3520072.... 145, 147, 149	
1704260... 167, 171, 175,		2600103.....	43	105, 107, 109, 275, 279		3520182.....	211
179, 183, 187, 191, 195		2600258.....	111	3311401....	19, 23, 35, 37,	3520198.... 145, 147, 149	
1704267.....	375	2600281.....	145	39, 41, 71, 73, 75, 77,		3572551.....	127, 129
1704277... 344, 348, 352,		2752473.....	238, 242	79, 81		3740080... 71, 73, 77, 79,	
356, 360, 364, 368, 372		2752613.....	238, 242	3311405....	13, 43, 69, 71,	378	
1704339.....	372	2752999.....	238, 242	73, 75, 77, 79, 81, 99,		3760115.....	123, 125
1704340.....	360	2753136.....	238, 242	139, 151, 153, 155,		3790012... 83, 85, 87, 89,	
1704341.....	352	2753137.....	238, 242	157, 159, 161, 163,		167, 171, 175, 179,	
1704342.....	364	2753276.....	238, 242	165, 255, 257, 259,		183, 187, 191, 195	
1704343.....	368	2753279.....	238, 242	261, 263, 275, 279,		3820001... 344, 348, 352,	
1704344.....	356	2753364.....	238, 242	344, 348, 352, 356,		356, 360, 364, 368,	
1704412... 344, 348, 352,		2753812.....	238, 242	360, 364, 368, 372		372, 375	
356, 360, 364, 368, 372		2754055.....	238, 242	3311502.....	49, 51	3820019.....	101
1704422... 167, 171, 175,		2780282.....	19, 23, 27	3311505....	35, 37, 39, 49,	3820020... 103, 105, 107,	
179, 183, 187, 191, 195		2820030.....	307	51, 213		109, 111, 145	
1704885.....	375	2820118.....	283, 285	3311601....	168, 172, 176,	3841143.... 13, 115, 117,	
1705325.....	255	2860030... 83, 85, 87, 89,		180, 184, 188, 192, 196		119, 121, 141	
1705351.....	344	378		3311605....	13, 43, 49, 51,	3841203... 115, 117, 119,	
1705426.....	364	2900756.....	55, 57	115, 117, 119, 121,		121	
1705427.....	368, 372	2900770... 217, 219, 221,		137, 151, 153, 155,		3900118.....	13
1705429.....	360	223, 225, 231, 233		157, 159, 161, 163,		3900255.....	13
1705430.....	356	2901443.....	382	165, 275		3900258... 71, 73, 75, 77,	
1705514.....	344, 360	2902549... 255, 257, 259,		3311805....	115, 117, 137,	79, 81	
1705670.....	348	261, 263, 273		139		3900266.... 35, 37, 39, 41	
1705822.....	348	2915230.....	97, 382	3312005....	13, 35, 37, 39,	3900283.....	49, 51, 139
1705828.....	348	2920151.....	139, 141	41, 139		3900349.....	175, 191
1705921.....	348	2940048.....	43	3340852....	35, 37, 39, 41	3910610.....	251, 253
1705961.....	348	2940073... 35, 37, 39, 41		3340854.....	115, 117	3911012... 103, 105, 107,	
1705968.....	356	2940074.....	145, 378	3340860.....	127, 129	109	
1705969.....	368	2940114... 35, 37, 39, 41		3340865.....	119, 121	3911018... 167, 171, 175,	
1705978.....	348	2940117.....	111	3340939.....	275, 279	179, 183, 187, 191, 195	
1706126... 344, 348, 352,		3000003... 35, 37, 39, 41		3380434....	151, 153, 155,	3930820.....	275, 279
356, 360, 364, 368, 372		3020008.....	19, 23, 380	157, 159, 161, 163, 165		3930828.....	275, 279
2080040.....	145	3020022... 123, 125, 381		3422181.....	13	3931010.....	69
2220124.....	49, 51	3020037... 19, 23, 49, 51,		3422424.....	119, 121	3931012... 71, 73, 75, 77,	
2220372.....	238, 242	380		3422562.....	13	79, 81	
2220408.....	238, 242	3251243... 344, 356, 360		3422582.....	115, 117	3931408.....	13, 209
2220415.....	238, 242			3422661.....	213	3931424.....	209

# PART NUMBER INDEX

3931430.....35, 37, 39, 41	4460226 ... 139, 141, 199,	4460806 ..... 303	4711500.... 168, 172, 184,
3931816.....129	202, 205, 303, 307,	4460836 .... 307, 333, 336	188
3931832.....59, 61	309, 311, 336	4460844 ..... 313	4711600.... 13, 19, 23, 35,
3960422.....251, 253	4460227 .... 69, 303, 307,	4460851 ..... 303	37, 39, 41, 45, 49, 51,
3960447.....45	309, 311, 335	4460866 .... 309, 311, 335	69, 71, 73, 75, 77, 79,
4010618.....147	4460233 ..... 253	4460868 ..... 303	81, 115, 117, 119, 121,
4031707.....19, 24	4460234 . 91, 93, 95, 101,	4460871 ... 303, 309, 311,	137, 139, 168, 172,
4031908.....275, 279	103, 105, 107, 109,	329, 335, 339	176, 180, 184, 188,
4060092.....253	167, 171, 175, 179,	4460872 ..... 339	192, 196, 275
4060804.....141	183, 187, 191, 195,	4460873 ... 309, 311, 329,	4711800..... 19, 23, 137
4060805.....141	276, 280	335	4712200.....23
4060808.....275, 279	4460259 .... 303, 309, 311	4460874 .... 309, 311, 335	4740086.... 13, 35, 37, 39,
4060865.....101	4460260 .... 303, 309, 311	4460875 .... 309, 311, 339	41
4060906.... 83, 85, 87, 89	4460265 ..... 199, 202	4460876 ..... 303	4740120..... 69
4060959.....381	4460267 ... 167, 171, 175,	4460877 ..... 303	4740171.....59, 61
4061054.....139	179, 183, 187, 191,	4460878 ..... 335	4740308.....49, 51
4070897.....123, 125	195, 303, 309, 311	4460879 ..... 309, 311	4740362.... 151, 153, 155,
4070898.....123, 125	4460313 ..... 303	4460884 ..... 329, 335	157, 159, 161, 163, 165
4070904.... 35, 37, 39, 41	4460320 ..... 69, 303	4460887 ..... 309, 311	4740397.. 83, 87, 89, 167,
4100026.....238, 242	4460346 ..... 251	4460888 ..... 309, 311	171, 175, 179, 183,
4100066.....275, 279	4460418 .... 303, 309, 311	4460891 ... 101, 287, 305,	187, 191, 195
4240018.....275, 279	4460419 .... 303, 309, 311	329, 333, 336, 339	4750800..... 275, 279
4240032.. 91, 93, 95, 101,	4460424 .... 139, 141, 336	4460894 ..... 311, 335	4751000..... 23, 101, 275,
103, 105, 107, 109,	4460426 ..... 43	4460897 ... 103, 105, 107,	279
167, 171, 175, 179,	4460428 ... 139, 167, 171,	109, 305, 327, 329,	4751400.... 35, 37, 39, 41,
183, 187, 191, 195,	175, 179, 183, 187,	333, 335	43, 139, 151, 153, 155,
276, 280	191, 195	4460899 ..... 313	157, 159, 161, 163,
4240033 20, 23, 101, 103,	4460434 .... 139, 309, 311	4460905 ... 303, 309, 311,	165, 167, 171, 175,
105, 109, 139, 209,	4460464 . 13, 97, 99, 105,	329, 335, 336, 339	179, 183, 187, 191,
275, 279, 283, 285	107, 109, 283, 287,	4460930 ..... 97, 309, 311	195, 207, 211, 344,
4240084.....19, 23	305, 309, 311, 313,	4460931 ..... 336	348, 352, 356, 360,
4240156.....275, 279	325, 327, 329, 333,	4460932 .... 287, 303, 325	364, 368, 372
4240175.....13	335, 336	4460933 ..... 307, 336	4751500.... 19, 23, 35, 37,
4360387 85, 89, 167, 171,	4460465 ... 101, 283, 285,	4460942 ..... 336	39, 41, 49, 51, 213
175, 179, 183, 187,	287, 305, 307, 309,	4460943 .... 103, 333, 335	4751600.... 19, 23, 43, 49,
191, 195, 378	311, 313, 325, 327,	4460944 ... 303, 307, 330,	51, 111, 115, 117, 151,
4360397.....85	329, 333, 335, 336, 339	333, 335	153, 155, 157, 159,
4360407.... 167, 171, 175,	4460466 ... 276, 280, 283,	4460945 ..... 330, 335	161, 163, 165, 255,
179, 183, 187, 191,	285, 303, 305, 307,	4460950 ..... 329, 333	257, 259, 261, 263
195, 378	309, 311, 313, 325,	4460956 ..... 273	4752200..... 19, 23
4360469.... 83, 85, 87, 89,	329, 330, 333, 335, 336	4460957 ..... 273	4760600..... 251, 253
378	4460467 ..... 382	4460968 .... 255, 257, 287	4761400..... 207
4360475.... 83, 85, 87, 89,	4460470 ... 167, 171, 175,	4461196 ..... 289, 315	4811400.... 255, 257, 259,
167, 171, 175, 179,	179, 183, 187, 191, 195	4461198 ..... 315	261, 263
183, 187, 191, 195, 378	4460471 ... 167, 171, 175,	4461199 ..... 291, 317	4811700..... 141, 147
4360476.... 83, 85, 87, 89,	179, 183, 187, 191, 195	4461201 ..... 317	4811900..... 275, 279
167, 171, 175, 179,	4460488 ... 167, 171, 175,	4461202 ..... 295, 321	4811902.... 123, 125, 127,
183, 187, 191, 195, 378	179, 183, 187, 191, 195	4461205 ... 295, 297, 321,	129
4360517..... 69, 378	4460508 .... 97, 283, 309,	323	4812000..... 135, 141
4360548..... 287, 378	311, 335	4461244 ..... 321	4812100..... 141
4420051..... 375	4460509 ..... 283, 285	4461245 ..... 323	4845582..... 213
4420062..... 213	4460510 ..... 382	4461246 ..... 319	4845923.... 35, 37, 39, 41
4460025.... 265, 267, 269,	4460516 ..... 31	4461249 ..... 293, 319	4845924.... 35, 37, 39, 41
271	4460536 ..... 13, 99	4567739 .... 35, 37, 39, 41	4845940..... 119, 121
4460042..... 205, 329	4460539 ... 325, 333, 335,	4568165 ..... 43	4845941..... 119
4460071.... 205, 251, 253	339	4640771 ..... 231, 233	4845942..... 119, 121
4460125..... 253	4460662 .... 259, 261, 263	4641129 ..... 55, 57	4845943..... 119, 121
4460134..... 43	4460670 ..... 329	4711000 ... 69, 71, 73, 75,	4846083..... 121
4460138..... 43, 91	4460708 ... 167, 171, 175,	77, 79, 81, 103, 105,	4846502..... 129
4460142..... 325	179, 183, 187, 191,	107, 109	4846608..... 137, 139
4460183..... 303	195, 309, 311	4711400 ... 13, 19, 23, 69,	4891600.... 137, 139, 141
4460205..... 251	4460709 ..... 275, 279	71, 73, 75, 77, 79, 81,	4891800..... 139
4460224.... 167, 171, 175,	4460710 ... 249, 251, 253,	91, 93, 95, 99, 119,	4892000.... 19, 23, 59, 61,
179, 183, 187, 191,	255, 257, 259, 261, 263	121, 139, 147, 149,	139
195, 311	4460761 ... 303, 309, 311,	209, 211, 255, 257,	5221000..... 135
4460225..... 309, 311	335	259, 261, 263, 275, 279	5241200.... 123, 125, 137
	4460805 ..... 93		5251008..... 141

## PART NUMBER INDEX

5251010 .....	123, 125	70002367 .....	233	70003114 .....	231	70005397 .....	31
5251012 .....	123, 125	70002368 .....	233	70003115 .....	231	70005398 .....	31
5251016 .....	141	70002369 .....	233	70003116 .....	231	70005399 .....	31
5260800 .....	275, 279	70002370 .....	221	70003117 .....	231	70005400 .....	31
5281920 .....	275, 279	70002371 .....	221	70003118 .....	231	70005401 .....	31
70000088 .....	67	70002373 .....	221, 229	70003119 .....	231	70005402 .....	31
70000089 .....	67	70002374 .....	221	70003131 .....	219	70005403 .....	31
70000340 .....	133	70002375 .....	221	70003528 .....	55, 57	70005404 .....	31
70000341 .....	131	70002376 .....	221	70003784 .....	167, 171, 175, 179, 183, 187, 191, 195	70005405 .....	31
70000681 .....	63, 65	70002379 .....	229	70004019 .....	55, 57	70005406 .....	31
70000865 .....	63, 65	70002380 .....	229	70004160 .....	65	70005407 .....	31
70001366 .....	27	70002381 .....	227, 229	70004228 .....	49, 51, 378	70005408 .....	31
70001367 .....	27	70002382 .....	229	70004323 .....	131	70005409 .....	31
70001368 .....	28	70002383 .....	229	70004323 .....	131	70005410 .....	31
70001369 .....	27	70002384 .....	229	70004738 .....	199	70005411 .....	31
70001370 .....	27	70002385 .....	233	70004739 .....	199	70005412 .....	31
70001371 .....	27	70002386 .....	223, 225, 378	70004740 .....	199	70005415 .....	19, 24
70001372 .....	27	70002387 .....	223, 225	70004741 .....	199	70005695 .....	219
70001373 .....	27	70002388 .....	217	70004742 .....	199	70005972 .....	219
70001374 .....	27	70002389 .....	221, 231, 233	70004743 .....	199	70005973 .....	219
70001375 .....	27	70002401 .....	53	70004747 .....	199	70005974 .....	219
70001376 .....	27	70002402 .....	53	70004748 .....	199	70006280 .....	135
70001377 .....	27	70002403 .....	53	70004749 .....	199	70006345 .....	49, 51
70001378 .....	27	70002404 .....	53	70004750 .....	199	70006574 .....	221
70001379 .....	27	70002405 .....	55, 57	70004751 .....	199	70006722 .....	221
70001380 .....	28	70002406 .....	55, 57	70004752 .....	201	70010346 .....	381
70001697 .....	131	70002409 .....	225	70004753 .....	201	70022586 .....	229
70001996 .....	135, 378	70002410 .....	225	70004754 .....	201	70022593 .....	223
70001998 .....	135	70002412 .....	223	70004755 .....	201	70023370 .....	231, 233
70002311 .....	67	70002413 .....	217, 219	70004756 .....	201	7002821 .....	382
70002312 .....	67	70002434 .....	15, 17	70004757 .....	201	7002822 .....	382
70002313 .....	67	70002435 .....	17	70004758 .....	201	7002823 .....	382
70002332 .....	225	70002525 .....	49, 51, 378	70004759 .....	201	7002826 .....	382
70002333 .....	217, 225, 227	70002526 .....	49, 51, 378	70004760 .....	201	7004035 .....	67
70002334 .....	225	70002643 .....	63, 65	70004761 .....	201	7004043 .....	67
70002335 .....	217, 219, 221, 225, 227, 229, 231, 233	70002644 .....	63, 65	70004762 .....	201	7004044 .....	67
70002336 .....	225	70002645 .....	63, 65	70004763 .....	201	7004275 .....	382
70002337 .....	225	70002646 .....	63, 65	70004764 .....	201	7004276 .....	382
70002338 .....	225	70002647 .....	63, 65	70004765 .....	201	7006269 .....	135
70002339 .....	225	70002648 .....	63, 65	70004766 .....	201	7007640 .....	27
70002340 .....	225	70002649 .....	63, 65	70004767 .....	201	7010542 .....	53
70002341 .....	223	70002650 .....	63, 65	70004768 .....	201	7010543 .....	53, 231, 233
70002342 .....	223	70002651 .....	63, 65	70004769 .....	201	7012540 .....	55, 57
70002343 .....	223	70002652 .....	63, 65	70004770 .....	201	7012904 .....	55, 57
70002344 .....	223	70002653 .....	63, 65	70004771 .....	201	7012914 .....	55, 57
70002345 .....	223	70002654 .....	63, 65	70004772 .....	201	7012918 .....	55, 57
70002346 .....	223	70002655 .....	63, 65	70004773 .....	201	7012955 .....	223, 225
70002347 .....	223	70002656 .....	63, 65	70004774 .....	201	7012959 .....	55, 57
70002348 .....	223	70002657 .....	63, 65	70004775 .....	201	7012967 .....	55, 57, 223, 225
70002349 .....	223	70002658 .....	63, 65	70004809 .....	31	7012972 .....	53
70002350 .....	217, 219, 227	70002659 .....	63, 65	70004811 .....	31	7012998 .....	53, 55, 57
70002352 .....	217, 227, 231, 233	70002660 .....	63, 65	70004820 .....	31	7016652 .....	382
70002354 .....	227	70002661 .....	63, 65	70005143 .....	221	7016654 .....	382
70002355 .....	227	70002662 .....	63, 65	70005159 .....	221	7016655 .....	382
70002357 .....	217	70002663 .....	63, 65	70005230 .....	199	7017007 .....	28
70002358 .....	217	70002664 .....	63, 65	70005385 .....	31	7017009 .....	27
70002359 .....	217, 219, 227	70002665 .....	63, 65	70005386 .....	31	7017022 .....	27
70002360 .....	217, 219	70002666 .....	63, 65	70005387 .....	31	701706 .....	55, 57
70002361 .....	217	70002667 .....	63, 65	70005388 .....	31	7017120 .....	131
70002362 .....	233	70002668 .....	63, 65	70005389 .....	31	7017121 .....	131
70002363 .....	229, 233	70002669 .....	63, 65	70005390 .....	31	7017122 .....	131
70002364 .....	231	70002670 .....	63, 65	70005391 .....	31	7017123 .....	131
70002365 .....	233	70002671 .....	63, 65	70005392 .....	31	7017126 .....	131
70002366 .....	217, 227, 231, 233	7000281 .....	27	70005393 .....	31	7017127 .....	131
		70002902 .....	205	70005394 .....	31	7017165 .....	133
		70002903 .....	205	70005395 .....	31	7017167 .....	133
		70002904 .....	205	70005396 .....	31	7017168 .....	133
		70002905 .....	205				

## PART NUMBER INDEX

7017172.....	131, 133	7020038.....	15, 17	7024380.....	67	7027359.....	63, 65
7017178.....	133	7020039.....	15, 17	7024381.....	67	7027900.....	131
7017179.....	133	7020040.....	15, 17	7024389.....	67	7027901.....	131
7017192.....	131, 133	7020041.....	15, 17	7024390.....	67	8220045.....	329
7017196.....	131	7020042.....	15, 17	7024453.....	67	8229234.....	329, 378
7017402.....	53, 55, 57	7020054.....	15, 17	7024738.....	27	8229235.....	329, 336, 378
7017406.....	53	7020055.....	15, 17	7024741.....	27	8229236.....	329, 378
7017418.....	55, 57	7020137.....	15, 17	7024883.....	53, 378	8229237.....	335, 378
7017421.....	55, 57	7020140.....	15, 17	7024884.....	223, 225	8229242.....	309, 311, 336, 378
7017433.....	53	7020175... 83, 85, 87, 89, 167, 171, 175, 179, 183, 187, 191, 195		7024885 .. 53, 55, 57, 378		8229261.....	378
7017452.....	55, 57			7026048.....	63, 65	8310668.....	135
7017471.....	55	7020176... 83, 85, 87, 89, 167, 171, 175, 179, 183, 187, 191, 195		7026049.....	63, 65	8750011.....	275, 279
7017488.....	53			7026052.....	63, 65	88662523.....	49, 51
7017489.....	53, 55, 57			7027350.....	63, 65	8896941.....	382
7017496.....	53, 55, 57			7027351.....	63, 65		
7020036.....	15, 17	7022391.....	55, 57	7027352.....	63, 65		
7020037.....	15, 17	7024379.....	67	7027353.....	63, 65		





3121721



An Oshkosh Corporation Company

**Corporate Office**  
**JLG Industries, Inc.**  
**1 JLG Drive**  
**McConnellsburg, PA 17233-9533 USA**  
**☎ (717) 485-5161 (Corporate)**  
**☎ (877) 554-5438 (Customer Support)**  
**☎ (717) 485-6417**

**Visit our website for JLG Worldwide Locations.**  
**[www.jlg.com](http://www.jlg.com)**