



Illustrated Parts Manual

Models **600S** **660SJ**

SN 0300235168* to Present
SN B300002655* to Present

* See Revision Log Page for exceptions

P/N
3121729

October 12, 2018 - Rev G

ANSI

CE



AS/NZS



An Oshkosh Corporation Company

REVISION LOG

NOTES:

NOTE: The 600S & 660SJ Boom Lifts are manufactured by JLG Industries in the following countries: USA and China. Refer to the Serial Number Tag to identify the country of manufacture. The country of manufacture may be determined by the Serial Number. Machines manufactured in the USA will have a serial number prefix of 03 (i.e. 03XXXXXXXX). Machines manufactured in the China will have a serial number prefix of B3 (i.e. B3XXXXXXXX).

NOTE :

List of SN exceptions:

Use Parts Manual 3121729 for these SNs also:

0300224266, 0300224267, 0300224755-0300224758, 0300233720-0300233722,
0300234973-0300234975, B300002216, B300002217, B300002339, B300002382,

PARTS MANUAL REVISION LOG:

July 15, 2017 - A - Original Issue of Manual (Manual edited to 1001188600 Revision O)

August 31, 2017 - B - Revised Manual (Manual edited to 1001188600 Revision O)

October 31, 2017 - C - Revised Manual (Manual Edited to 1001188600 Revision T) (Revision 2)

January 20, 2018 - D - Revised Manual (Manual Edited to 1001188600 Revision U) (Revision 2)

April 24, 2018 - E - Revised Manual (Manual Edited to 1001188600 Revision X) (Revision 2)

July 31, 2018 - F - Revised Manual (Manual Edited to 1001188600 Revision X) (Revision 2)

October 12, 2018 - G - Revised Manual (Manual Edited to 1001188600 Revision AC) (Revision 1)

GENERAL INFORMATION

SECTION 6 CYLINDER

FIGURE 6-3. LIFT CYLINDER ASSEMBLY

PG# Model Designation Manual #

SECTION 6 CYLINDER

FIGURE 6-3. LIFT CYLINDER ASSEMBLY

ITEM #	PART NUMBER	QTY	DESCRIPTION	REV.
	1001140104		LIFT CYLINDER ASSEMBLY	B
1	0100011	AR	Compound Locking	
2	0430535	3	Cap screw 1/4-20 x 1-1/8	
3	0701005	1	Screw #10-24 x 3/8	
4	0901897	1	Bushing, Tapped	
5	1301136	1	Camp, Cable	
6	1653063	1	Head	
7	2200893	1	Plug, O-Ring	
8	2200888	2	Plug, O-Ring	
9	2200896	1	Plug, O-Ring	
10	3000039	AR	Lubricant	
11	3490292	1	Platen	
12	3700371	1	Ring, Washer	
13	3931420	8	Cap screw 1/4-20 x 1-1/4	
14	3931824	8	Cap screw 1/2-13 x 1-1/2	
15	3951903	1	Set screw #10-24 x 3/8	
16	4100099	1	Spacer	
17	4640996	1	Cartridge, Holding Valve (Non Vented)	
17	2300732		Kit, Seal - 4640999 Cartridge Valve	
18	4641248	1	Cartridge, Counterbalance Valve (Non Vented)	
18	4641248		Kit, Seal - 4641249 Cartridge Valve	
19	70004180	1	Sensor, Cylinder Length	
19	100117991	1	Cap, Retainer	
20	100118070	1	Barrel	
21	100118054	1	Bushing	
21A	0901950	2	Flod	
22	100118096	1	Bushing	
22A	0901950	2	Kit, Seal (includes items 101-109)	
100	1001139996	1	Ring, Wear (Note: Use pin 1001139996)	
101	See Note	2	Ring, Back-Up (Note: Use pin 1001139996)	
102	See Note	1	Ring, Lock (Note: Use pin 1001139996)	
103	See Note	2	Ring, Back-Up (Note: Use pin 1001139996)	
104	See Note	2	O-Ring (Note: Use pin 1001139996)	
105	See Note	2	O-Ring (Note: Use pin 1001139996)	
106	See Note	1	Seal (Note: Use pin 1001139996)	
107	See Note	1	Wiper, Rod (Note: Use pin 1001139996)	
108	See Note	1	Seal (Note: Use pin 1001139996)	
109	See Note	2	Kit, Sensor Magnet (includes items 201-203)	
200	100118108	1	Sleeve, Spacer (Note: Use pin 100118108)	
201	See Note	NSS	Magnet, Sensor	
202	100118096	1	Ring, Internal Retaining	
203	100118096	1		

Manual # Model Designation PG#

1) MACHINE IDENTIFICATION

Machines are identified by model and in some cases a combination of models, serial number (SN) or regional standard (i.e. ANSI, CE, CSA). Components may also be identified by SN or manufacturer. common components that may be identified by these characteristics are engines and hydraulic components.

2) PARTS MANUAL ORGANIZATION

Product information in this manual is organized under section titles. Frame, Cylinder, Hydraulic and Electrical are a few examples. Each section is organized by figure and page number. The information within the Figure is then organized by item number, part number, description and corresponding illustration (s).

3) TABLE OF CONTENTS

A table of contents is found toward the beginning of the manual. Figure number, description and page number are provided for quick reference to the page containing the related information.

4) RECOMMENDED SPARE PARTS

The Recommended Spare Parts, located near the end of the manual, reference most frequently used maintenance parts.

5) PART NUMBER INDEX

A numerical index listing all part numbers and the corresponding page number(s) appears at the back of the manual.

GENERAL INFORMATION

6) NON-SERVICED PARTS

In some instances, it is necessary to display non-serviced parts, assemblies or installations. In the case of assemblies and installations there will be a Ref in the Qty column. In case of parts that are not available for service within assemblies or components, there will be a NSS (Not Sold Separately) or NLA (No Longer Available) listed in the Qty. column of the manual.

7) PARTS LIST ITEM NUMBERS

Numbers shown in the item# column correspond to numbers used in the associated illustration (s). Item numbers which are missing from the sequence in the parts list are not used on that page

8) INDENTED PARTS DESCRIPTION

An indented part description is included in the item under which it is indented.

9) ABB REVIATION AND SYMBOLS

AC.....	..Alternating Current	LCD.....	..Liquid Crystal Display
ADE.....	..Advanced Design Electronics	LED.....	..Light Emitting Diodes
ANSI.....	..American National Standards Institute	LH.....	..Left Hand
AR.....	..As Required	LSS.....	..Load Sensing System
ASSY.....	..Assembly	M(m).....	..Metric/Meter
AUX.....	..Auxiliary	MM (mm).....	..Milimeter
AWG.....	..American WireGauge	mA.....	..Miliamps
B/M.....	..Bill of Material	NLA.....	..No Longer Available
CE.....	..European Conformity	NPT.....	..National Pipe Threads
CCW.....	..Counter Clockwise	NSS.....	..Not So Id Separately
cm.....	..Centimeter	OD.....	..Outside Diameter
CW.....	..Clockwise	ORB.....	..O-Ring Boss
CSA.....	..Canadian Standards Association	ORFS.....	..O-Ring Face Seal
CYL.....	..Cylinder	OZ (oz).....	..Ounces
DIA.....	..Diameter	PG.....	..Page
DC.....	..Direct Current	P/N.....	..Part Number
EMS.....	..Emergency Stop	qt.....	..Quarts
ENG.....	..Engine	QTY.....	..Quantity
FT(ft).....	..Feet	REF.....	..Reference
GA(Ga).....	..Gauge	REV.....	..Revision Level
HYD.....	..Hydraulic	RH.....	..Right Hand
Hz.....	..Hertz	SAE.....	..Society of A utomotive Engineers
ID.....	..Inside Diameter	SN.....	..Serial Number
in.....	..inches	SPEC(S).....	..Specifications
ISO.....	..International Organization for Standards	T/T.....	..Turntable
JIC.....	..Joint Industry Council	UGM.....	..Universal Ground Module
KG.....	..Kilogram	V.....	..Volts
L.....	..Liter	W.....	..Watts
LB.....	..Pounds	#.....	..Number

10) ILLUSTRATION REFERENCE LETTERS

When necessary, illustrations may contain reference letters that are intended to track information (i. e. hoses, harnesses) from one point to another or to track visual enlargement of components to show details that may be located in another area on the illustration.

Note: Due to continuous product improvements, JLG Industries, Inc. reserves the right to make specification changes without prior notification. Contact JLG Industries, Inc. for updated information.

TABLE OF CONTENTS

SECTION 1 - FRAME.....	13
FIGURE 1-1. AXLE INSTALLATION - FRONT.....	14
FIGURE 1-2. AXLE INSTALLATION - REAR (4WS ONLY).....	16
FIGURE 1-3. STEER INSTALLATION - WITHOUT TOW PACKAGE.....	18
FIGURE 1-4. STEER INSTALLATION - WITH TOW PACKAGE.....	20
FIGURE 1-5. WHEEL DRIVE INSTALLATION - 4WD/2WS.....	22
FIGURE 1-6. WHEEL DRIVE INSTALLATION - 4WD/4WS.....	24
FIGURE 1-7. DRIVE HUB ASSEMBLY.....	26
FIGURE 1-8. DRIVE MOTOR ASSEMBLY.....	30
FIGURE 1-9. TRACTION VALVE ASSEMBLY.....	32
FIGURE 1-10. TIRE & WHEEL INSTALLATION - IN355-55 D625 PNEUMATIC (AVAILABLE ON ALL SPECS EXCEPT AUSTRALIAN, CE & CHINA SPECS).....	34
FIGURE 1-11. TIRE & WHEEL INSTALLATION - IN355-55 D625 PNEUMATIC NON-MARKING (AVAILABLE ON ALL SPECS EXCEPT AUSTRALIAN, CE & CHINA SPECS).....	36
FIGURE 1-12. TIRE & WHEEL INSTALLATION - IN355-55 D625 PNEUMATIC WITH TIRE SEALANT (AVAILABLE ON ALL SPECS EXCEPT AUSTRALIAN, CE & CHINA SPECS).....	38
FIGURE 1-13. TIRE & WHEEL INSTALLATION - IN355-55 D625 FOAM FILLED (AVAILABLE ON ALL SPECS).....	40
FIGURE 1-14. TIRE & WHEEL INSTALLATION - IN355-55 D625 FOAM FILLED NON-MARKING (AVAILABLE ON ALL SPECS).....	42
FIGURE 1-15. TIRE & WHEEL INSTALLATION - 41-18LL X 22.5 PNEUMATIC TURF & SAND (AVAILABLE ON ALL SPECS EXCEPT AUSTRALIAN, CE & CHINA SPECS).....	44
FIGURE 1-16. TIRE & WHEEL INSTALLATION - 41-18LL X 22.5 FOAM FILLED TURF & SAND (AVAILABLE ON ALL SPECS EXCEPT AUSTRALIAN & CE SPECS).....	46
FIGURE 1-17. FRAME COVERS INSTALLATION - 2WS.....	48
FIGURE 1-18. FRAME COVERS INSTALLATION - 4WS.....	50
FIGURE 1-19. TOW BAR INSTALLATION (OPTIONAL).....	52
SECTION 2 - TURNTABLE.....	55
FIGURE 2-1. VALVE INSTALLATION - 600S WITH 2WS.....	56
FIGURE 2-2. VALVE INSTALLATION - 600S WITH 4WS.....	58
FIGURE 2-3. VALVE INSTALLATION - 660SJ WITH 2WS.....	60
FIGURE 2-4. VALVE INSTALLATION - 660SJ WITH 4WS.....	62
FIGURE 2-5. MAIN VALVE ASSEMBLY - 2WS.....	64
FIGURE 2-6. MAIN VALVE ASSEMBLY - 4WS.....	68
FIGURE 2-7. AXLE VALVE ASSEMBLY.....	72
FIGURE 2-8. SWING DRIVE INSTALLATION.....	74
FIGURE 2-9. SWING MOTOR/HUB ASSEMBLY.....	76
FIGURE 2-10. TURNTABLE BEARING AND LUBE INSTALLATION.....	80
FIGURE 2-11. TURNTABLE LOCK INSTALLATION.....	82
FIGURE 2-12. ROTARY COUPLING INSTALLATION - 2WS.....	84
FIGURE 2-13. ROTARY COUPLING ASSEMBLY - 2WS.....	86
FIGURE 2-14. ROTARY COUPLING INSTALLATION - 4WS.....	88
FIGURE 2-15. TANKS INSTALLATION - DIESEL MACHINES (POLY FUEL TANK).....	90
FIGURE 2-16. TANKS INSTALLATION - DIESEL MACHINES (STEEL FUEL TANK).....	92
FIGURE 2-17. TANKS INSTALLATION - GAS MACHINES.....	94
FIGURE 2-18. HYDRAULIC TANK ASSEMBLY.....	96
FIGURE 2-19. BATTERY AND AUXILIARY PUMP INSTALLATION.....	98
FIGURE 2-20. ELECTRICAL COMPONENTS INSTALLATION - 600S WITH 2WS.....	100
FIGURE 2-21. ELECTRICAL COMPONENTS INSTALLATION - 600S WITH 4WS.....	102
FIGURE 2-22. ELECTRICAL COMPONENTS INSTALLATION - 660SJ WITH 2WS.....	104
FIGURE 2-23. ELECTRICAL COMPONENTS INSTALLATION - 660SJ WITH 4WS.....	106
FIGURE 2-24. GROUND CONTROL PANEL ASSEMBLY - 600S.....	108
FIGURE 2-25. GROUND CONTROL PANEL ASSEMBLY - 660SJ.....	110
FIGURE 2-26. KEYSWITCH INSTALLATION - 600S (ALL SPECS EXCEPT AUSTRALIAN AND CE SPECS).....	112
FIGURE 2-27. KEYSWITCH INSTALLATION - 600S (CE SPECS).....	114
FIGURE 2-28. KEYSWITCH INSTALLATION - 660SJ (ALL SPECS EXCEPT CE SPECS).....	116
FIGURE 2-29. KEYSWITCH INSTALLATION - 660SJ (CE SPECS).....	118
FIGURE 2-30. STROBE LIGHT INSTALLATION - AMBER (OPTIONAL).....	120
FIGURE 2-31. STROBE LIGHT INSTALLATION - BLUE (OPTIONAL).....	122
FIGURE 2-32. STROBE LIGHT INSTALLATION - RED (OPTIONAL).....	124
FIGURE 2-33. HOODS INSTALLATIONS - ABS.....	126
FIGURE 2-34. HOOD ASSEMBLY - TANK SIDE (ABS).....	130
FIGURE 2-35. HOOD ASSEMBLY - ENGINE SIDE (ABS).....	132
FIGURE 2-36. HOODS INSTALLATIONS - STEEL.....	134

TABLE OF CONTENTS

FIGURE 2-37. HOOD ASSEMBLY - TANK SIDE (STEEL).....	138
FIGURE 2-38. HOOD ASSEMBLY - ENGINE SIDE (STEEL).....	140
FIGURE 2-39. COVERS INSTALLATION.....	142
SECTION 3 - ENGINE.....	145
FIGURE 3-1. DEUTZ D2011 ENGINE INSTALLATION - WITHOUT ARCTIC PACKAGE.....	146
FIGURE 3-2. DEUTZ D2011 ENGINE AND PUMPS SUB-ASSEMBLY - WITHOUT ARCTIC PACKAGE.....	150
FIGURE 3-3. DEUTZ D2011 ENGINE ASSEMBLY - WITHOUT ARCTIC PACKAGE.....	152
FIGURE 3-4. DEUTZ D2011 ENGINE INSTALLATION - WITH ARCTIC PACKAGE.....	156
FIGURE 3-5. DEUTZ D2011 ENGINE AND PUMPS SUB-ASSEMBLY - WITH ARCTIC PACKAGE.....	160
FIGURE 3-6. DEUTZ D2011 ENGINE ASSEMBLY - WITH ARCTIC PACKAGE.....	162
FIGURE 3-7. DEUTZ D2011 ENGINE COMPONENTS.....	166
FIGURE 3-8. DEUTZ TD2.9L4 ENGINE INSTALLATION - WITHOUT ARCTIC PACKAGE.....	170
FIGURE 3-9. DEUTZ TD2.9L4 ENGINE AND PUMPS SUB-ASSEMBLY - WITHOUT ARCTIC PACKAGE.....	174
FIGURE 3-10. DEUTZ TD2.9L4 ENGINE ASSEMBLY - WITHOUT ARCTIC PACKAGE.....	176
FIGURE 3-11. DEUTZ TD2.9L4 ENGINE INSTALLATION - WITH ARCTIC PACKAGE.....	182
FIGURE 3-12. DEUTZ TD2.9L4 ENGINE AND PUMPS SUB-ASSEMBLY - WITH ARCTIC PACKAGE.....	186
FIGURE 3-13. DEUTZ TD2.9L4 ENGINE ASSEMBLY - WITH ARCTIC PACKAGE.....	188
FIGURE 3-14. DEUTZ TD2.9L4 ENGINE COMPONENTS.....	194
FIGURE 3-15. BREATHER HEATER INSTALLATION - DEUTZ D2.9L4 ENGINE WITH ARCTIC PACKAGE.....	200
FIGURE 3-16. DEUTZ D2011 (STAGE V) ENGINE INSTALLATION.....	202
FIGURE 3-17. DEUTZ D2011 (STAGE V) ENGINE AND PUMPS SUB-ASSEMBLY.....	204
FIGURE 3-18. DEUTZ D2011 (STAGE V) ENGINE ASSEMBLY.....	206
FIGURE 3-19. DEUTZ D2011 (STAGE V) ENGINE COMPONENTS.....	210
FIGURE 3-20. FORD ENGINE INSTALLATION - WITHOUT ARCTIC PACKAGE.....	214
FIGURE 3-21. FORD ENGINE AND PUMPS SUB-ASSEMBLY - WITHOUT ARCTIC PACKAGE.....	218
FIGURE 3-22. FORD ENGINE ASSEMBLY - WITHOUT ARCTIC PACKAGE.....	220
FIGURE 3-23. FORD ENGINE INSTALLATION - WITH ARCTIC PACKAGE.....	226
FIGURE 3-24. FORD ENGINE AND PUMPS SUB-ASSEMBLY - WITH ARCTIC PACKAGE.....	230
FIGURE 3-25. FORD ENGINE ASSEMBLY - WITH ARCTIC PACKAGE.....	232
FIGURE 3-26. FORD ENGINE PREP ASSEMBLY - PUMP COUPLING.....	238
FIGURE 3-27. FORD ENGINE COMPONENTS.....	240
FIGURE 3-28. PUMP COUPLING KIT (DEUTZ ENGINES).....	244
FIGURE 3-29. PISTON PUMP ASSEMBLY.....	246
FIGURE 3-30. FUEL FILTER INSTALLATION (POLY FUEL TANK).....	250
FIGURE 3-31. FUEL FILTER INSTALLATION (STEEL FUEL TANK) (DEUTZ D2011 ENGINES).....	252
FIGURE 3-32. FUEL PUMP AND FILTER INSTALLATION (STEEL FUEL TANK) (DEUTZ TD2.9L4 ENGINES).....	254
FIGURE 3-33. LP TANK AND BRACKETS INSTALLATION (FORD ENGINE).....	256
FIGURE 3-34. MUFFLER INSTALLATION - SPARK ARRESTING (DEUTZ D2011 ENGINES) (OPTIONAL).....	258
FIGURE 3-35. MUFFLER INSTALLATION - CATALYTIC (DEUTZ D2011 ENGINES) (OPTIONAL).....	260
FIGURE 3-36. MUFFLER INSTALLATION - SPARK ARRESTING (FORD ENGINES) (OPTIONAL).....	262
FIGURE 3-37. EXHAUST PIPE INSTALLATION (DEUTZ D2011 ENGINES).....	264
FIGURE 3-38. ENGINE HOOD BAFFLES INSTALLATION - ABS HOODS.....	266
FIGURE 3-39. ENGINE HOOD BAFFLES INSTALLATION - STEEL HOODS.....	268
FIGURE 3-40. SOUND REDUCTION PACKAGE.....	270
FIGURE 3-41. TRAY JACK INSTALLATION.....	272
FIGURE 3-42. MOTOR MOUNT INSTALLATION - WITHOUT GENERATOR (DEUTZ D2011 ENGINES).....	274
FIGURE 3-43. MOTOR MOUNT INSTALLATION - WITH GENERATOR (DEUTZ D2011 ENGINES).....	276
FIGURE 3-44. MOTOR MOUNT INSTALLATION - WITHOUT GENERATOR (DEUTZ TD2.9L4 ENGINES).....	278
FIGURE 3-45. MOTOR MOUNT INSTALLATION - WITH GENERATOR (DEUTZ TD2.9L4 ENGINES).....	280
FIGURE 3-46. BELT WITHOUT GENERATOR INSTALLATION (FORD ENGINES).....	282
FIGURE 3-47. 2500W GENERATOR INSTALLATION - 220V/50HZ (DEUTZ D2011 ENGINES) (OPTIONAL).....	284
FIGURE 3-48. 2500W GENERATOR INSTALLATION - 110V/60HZ (DEUTZ D2011 ENGINES) (OPTIONAL).....	286
FIGURE 3-49. 2500W GENERATOR INSTALLATION - 110V/60HZ (DEUTZ TD2.9L4 ENGINES) (OPTIONAL).....	288
FIGURE 3-50. 2500W GENERATOR INSTALLATION - 110V/60HZ (FORD ENGINES) (OPTIONAL).....	292
FIGURE 3-51. 4000W GENERATOR INSTALLATION - 220V/50HZ (DEUTZ D2011 ENGINES) (OPTIONAL).....	294
FIGURE 3-52. 4000W GENERATOR INSTALLATION - 110V/60HZ (DEUTZ D2011 ENGINES) (OPTIONAL).....	298
FIGURE 3-53. 4000W GENERATOR INSTALLATION - 110V/60HZ (DEUTZ TD2.9L4 ENGINES) (OPTIONAL).....	302
FIGURE 3-54. 7500W SKYPOWER GENERATOR INSTALLATION - 220V/50HZ (DEUTZ D2011 ENGINES) (OPTIONAL).....	306
FIGURE 3-55. 7500W SKYPOWER GENERATOR INSTALLATION - 110/60HZ (DEUTZ D2011 ENGINES) (OPTIONAL).....	310
FIGURE 3-56. 7500W SKYPOWER GENERATOR INSTALLATION - 110V/60HZ (DEUTZ TD2.9L4 ENGINES) (OPTIONAL).....	314
FIGURE 3-57. 7500W SKYPOWER GENERATOR INSTALLATION - 110V/60HZ (FORD ENGINES) (OPTIONAL).....	318
SECTION 4 - BOOM.....	321
FIGURE 4-1. BOOM INSTALLATION - 600S.....	322

TABLE OF CONTENTS

FIGURE 4-2. BOOM INSTALLATION - 660SJ	326
FIGURE 4-3. BOOM ASSEMBLY - 600S	330
FIGURE 4-4. BOOM ASSEMBLY - 660SJ	334
FIGURE 4-5. JIB ASSEMBLY - 660SJ (USA BUILT MACHINES)	338
FIGURE 4-6. JIB ASSEMBLY - 660SJ (CHINA BUILT MACHINES).....	340
FIGURE 4-7. PLATFORM ROTATOR ASSEMBLY - 600S	342
FIGURE 4-8. PLATFORM ROTATOR ASSEMBLY - 660SJ	344
FIGURE 4-9. POWER TRACK INSTALLATION	346
FIGURE 4-10. BOOM VALVES INSTALLATION - 600S WITH 2WS	348
FIGURE 4-11. BOOM VALVES INSTALLATION - 600S WITH 4WS	350
FIGURE 4-12. BOOM VALVES INSTALLATION - 660SJ WITH 2WS.....	352
FIGURE 4-13. BOOM VALVES INSTALLATION - 660SJ WITH 4WS.....	354
FIGURE 4-14. PLATFORM VALVE ASSEMBLY - 600S	356
FIGURE 4-15. PLATFORM VALVE ASSEMBLY - 660SJ	358
FIGURE 4-16. BOOM SENSORS INSTALLATION - 600S.....	360
FIGURE 4-17. BOOM SENSORS INSTALLATION - 660SJ.....	362
FIGURE 4-18. PLATFORM SUPPORT INSTALLATION - WITHOUT LSS (SN 0300235168 through 0300251320, SN B300002655 through B300003386).....	364
FIGURE 4-19. PLATFORM SUPPORT INSTALLATION - WITHOUT LSS (SN 0300251321 to Present, SN B300003387 to Present)	366
FIGURE 4-20. PLATFORM SUPPORT INSTALLATION - WITH LSS	368
 SECTION 5 - PLATFORM.....	 371
FIGURE 5-1. PLATFORM ASSEMBLY - 30IN X 3FT (76CM X .91M) - DROP BAR ENTRY	372
FIGURE 5-2. PLATFORM ASSEMBLY - 30IN X 4FT (76CM X 1.22M) WITH SWING GATE.....	374
FIGURE 5-3. PLATFORM ASSEMBLY - 30IN X 4FT (76CM X 1.22M) WITH DROP BAR.....	376
FIGURE 5-4. PLATFORM ASSEMBLY - 30IN X 5FT (76CM X 1.52M) WITH SWING GATE.....	378
FIGURE 5-5. PLATFORM ASSEMBLY - 30IN X 5FT (76CM X 1.52M) WITH DROP BAR.....	380
FIGURE 5-6. PLATFORM ASSEMBLY - 36IN X 6FT (91.5CM X 1.83M) WITH SWING GATE.....	382
FIGURE 5-7. PLATFORM ASSEMBLY - 36IN X 6FT (91.5CM X 1.83M) WITH DROP BAR.....	384
FIGURE 5-8. PLATFORM ASSEMBLY - 36IN X 6FT (91.5CM X 1.83M) WITH FALL ARREST (ANSI, ANSI EXPORT, CHINA AND CSA SPECS)	386
FIGURE 5-9. PLATFORM ASSEMBLY - 36IN X 6FT (91.5CM X 1.83M) TRI-ENTRY WITH SWING GATE.....	388
FIGURE 5-10. PLATFORM ASSEMBLY - 36IN X 6FT (91.5CM X 1.83M) TRI-ENTRY WITH DROP BAR.....	390
FIGURE 5-11. PLATFORM ASSEMBLY - 36IN X 8FT (91.5CM X 2.44M) WITH SWING GATE.....	392
FIGURE 5-12. PLATFORM ASSEMBLY - 36IN X 8FT (91.5CM X 2.44M) WITH DROP BAR.....	394
FIGURE 5-13. PLATFORM ASSEMBLY - 36IN X 8FT (91.5CM X 2.44M) WITH FALL ARREST.....	396
FIGURE 5-14. TRAY ASSEMBLY	398
FIGURE 5-15. PLATFORM CONSOLE AND FOOTSWITCH INSTALLATION	400
FIGURE 5-16. CONSOLE BOX ASSEMBLY	402
FIGURE 5-17. DECAL AND LIGHT PANEL INSTALLATION - 600S (ALL SPECS EXCEPT AUSTRALIAN AND CE SPECS) ..	406
FIGURE 5-18. DECAL AND LIGHT PANEL INSTALLATION - 600S (CE SPECS).....	408
FIGURE 5-19. DECAL AND LIGHT PANEL INSTALLATION - 660SJ (ALL SPECS EXCEPT AUSTRALIAN AND CE SPECS) 410	
FIGURE 5-20. DECAL AND LIGHT PANEL INSTALLATION - 660SJ (AUSTRALIAN AND CE SPECS)	412
FIGURE 5-21. STEER SWITCH INSTALLATION WITHOUT TOW PACKAGE (4WD/4WS MACHINES)	414
FIGURE 5-22. STEER SWITCH INSTALLATION WITH TOW PACKAGE (4WD/4WS MACHINES).....	416
FIGURE 5-23. CONTROLLER ASSEMBLY (DRIVE AND STEER).....	418
FIGURE 5-24. CONTROLLER ASSEMBLY (LIFT AND SWING).....	420
FIGURE 5-25. FOOTSWITCH ASSEMBLY.....	424
FIGURE 5-26. SKYGUARD INSTALLATION	426
FIGURE 5-27. CROSS RAIL INSTALLATION	428
FIGURE 5-28. SKYEYE INSTALLATION	430
FIGURE 5-29. SOFT TOUCH INSTALLATION - 6FT (1.83M) PLATFORM (OPTIONAL).....	432
FIGURE 5-30. SOFT TOUCH INSTALLATION - 6FT (1.83M) FALL ARREST PLATFORM (600S) (OPTIONAL).....	434
FIGURE 5-31. SOFT TOUCH INSTALLATION - 8FT (2.4M) PLATFORM (OPTIONAL).....	436
FIGURE 5-32. SOFT TOUCH INSTALLATION - 8FT (2.4M) FALL ARREST PLATFORM (600S) (OPTIONAL).....	438
FIGURE 5-33. SOFT TOUCH INSTALLATION - OVERHEAD (CHINESE AND KOREAN SPECS) (OPTIONAL).....	440
FIGURE 5-34. SKYGLAZIER INSTALLATION - 600S & 660SJ (ANSI, AUSTRALIAN AND CSA SPECS)	442
FIGURE 5-35. SKYGLAZIER INSTALLATION - 600S (BRAZIL SPECS).....	444
FIGURE 5-36. SKYGLAZIER INSTALLATION - 600S (LATIN AMERICAN SPECS)	446
FIGURE 5-37. SKYLINE INSTALLATION	448
FIGURE 5-38. SKYWELDER INSTALLATION (50HZ).....	450
FIGURE 5-39. SKYWELDER INSTALLATION (60HZ)	452
FIGURE 5-40. SKYWELDER PREP PACKAGE (60HZ)	454
FIGURE 5-41. WELDER ASSEMBLY	456
FIGURE 5-42. PIPE RACK INSTALLATION (ANSI AND CSA SPECS).....	458

TABLE OF CONTENTS

FIGURE 5-43. PIPE RACK INSTALLATION (AUSTRALIAN SPECS)	460
FIGURE 5-44. FALL ARREST INSTALLATION (BOLT-ON EXTERNAL) (6FT/1.82M PLATFORM)	462
FIGURE 5-45. FALL ARREST INSTALLATION (BOLT-ON EXTERNAL) (6FT/1.82M TRI-ENTRY PLATFORM)	464
FIGURE 5-46. FALL ARREST INSTALLATION (BOLT-ON EXTERNAL) (8FT/2.4M PLATFORM)	466
SECTION 6 - CYLINDER.....	469
FIGURE 6-1. AXLE LOCKOUT CYLINDER ASSMBLY	470
FIGURE 6-2. LEVEL CYLINDER ASSEMBLY - PLATFORM SLAVE (600S)	472
FIGURE 6-3. LEVEL CYLINDER ASSEMBLY - PLATFORM SLAVE (660SJ)	474
FIGURE 6-4. LIFT CYLINDER ASSEMBLY - BOOM.....	476
FIGURE 6-5. LIFT CYLINDER ASSEMBLY - JIB (660SJ) (ORIGINAL EQUIPMENT) (SN 0300235168 through 03000237971, SN B300002216 through B300002338)	478
FIGURE 6-6. LIFT CYLINDER ASSEMBLY - JIB (660SJ) (SERVICE REPLACEMENT) (SN 0300235168 through 03000237971, SN B300002216 through B300002338)	480
FIGURE 6-7. LIFT CYLINDER ASSEMBLY - JIB (660SJ) (SERVICE REPLACEMENT) (SN 0300235168 through 03000237971, SN B300002216 through B300002338)	482
FIGURE 6-8. LIFT CYLINDER ASSEMBLY - JIB (660SJ) (SN 0300237972 through 0300245222, SN B300002339 to Present).....	484
FIGURE 6-9. LIFT CYLINDER ASSEMBLY - JIB (660SJ) (SN 0300237157 to Present)	486
FIGURE 6-10. STEER CYLINDER ASSEMBLY	488
FIGURE 6-11. TELESCOPE CYLINDER ASSEMBLY (SN 0300235168 through 0300237156, SN B300002655 through B300002781).....	490
FIGURE 6-12. TELESCOPE CYLINDER ASSEMBLY (SN 0300237157 through 0300250001, SN B300002782 through B300003104).....	492
FIGURE 6-13. TELESCOPE CYLINDER ASSEMBLY (SN 0300250002 to Present, SN B300003105 to Present).....	494
SECTION 7 - HYDRAULIC	497
FIGURE 7-1. DRIVE HYDRAULIC DIAGRAM (2WS WITHOUT ARCTIC PACKAGE)	498
FIGURE 7-2. DRIVE HYDRAULIC DIAGRAM (2WS WITH ARCTIC PACKAGE)	502
FIGURE 7-3. DRIVE HYDRAULIC DIAGRAM (4WS)	506
FIGURE 7-4. STANDARD HYDRAULIC DIAGRAM (600S 2WS)	510
FIGURE 7-5. STANDARD HYDRAULIC DIAGRAM (600S 4WS)	516
FIGURE 7-6. STANDARD HYDRAULIC DIAGRAM (660SJ 2WS)	522
FIGURE 7-7. STANDARD HYDRAULIC DIAGRAM (660SJ 4WS)	528
FIGURE 7-8. HYDRAULIC DIAGRAM LIST.....	534
SECTION 8 - ELECTRICAL.....	535
FIGURE 8-1. ELECTRICAL DIAGRAM LIST	536
FIGURE 8-2. AC BOX AT PLATFORM INSTALLATION - 110V (ALL SPECS EXCEPT AUSTRALIAN & CE SPECS)	538
FIGURE 8-3. AC BOX AT PLATFORM INSTALLATION - 110V IEC YELLOW (CE SPECS WITHOUT 4000W/50HZ GENERATOR)	540
FIGURE 8-4. AC BOX AT PLATFORM INSTALLATION - 110V IEC YELLOW (CE SPECS WITH 4000W/50HZ GENERATOR)	542
FIGURE 8-5. AC BOX AT PLATFORM INSTALLATION - 220V IEC BLUE (CE SPECS WITHOUT 4000W/50HZ GENERATOR)	544
FIGURE 8-6. AC BOX AT PLATFORM INSTALLATION - 220V IEC BLUE (CE SPECS WITH 4000W/50HZ GENERATOR).....	546
FIGURE 8-7. AC BOX AT PLATFORM INSTALLATION - 220V CEE7 2IN X 4IN POST GROUND (CE SPECS WITHOUT 4000W/50HZ GENERATOR)	548
FIGURE 8-8. AC BOX AT PLATFORM INSTALLATION - 220V CEE7 2IN X 4IN POST GROUND (CE SPECS WITH 4000W/50HZ GENERATOR)	550
FIGURE 8-9. AC BOX AT PLATFORM INSTALLATION - 220V CEE7 2IN X 4IN SIDE GROUND (CE SPECS WITHOUT 4000W/50HZ GENERATOR)	552
FIGURE 8-10. AC BOX AT PLATFORM INSTALLATION - 220V CEE7 2IN X 4IN SIDE GROUND (CE SPECS WITH 4000W/50HZ GENERATOR)	554
FIGURE 8-11. AC BOX AT PLATFORM INSTALLATION - 220V AFSINT107 (CE SPECS WITHOUT 4000W/50HZ GENERATOR)	556
FIGURE 8-12. AC BOX AT PLATFORM INSTALLATION - 220V AFSINT107 (CE SPECS WITH 4000W/50HZ GENERATOR)	558
FIGURE 8-13. AC BOX AT PLATFORM INSTALLATION - 220V CUSTOMER SUPPLIED COMPONENTS (ANSI EXPORT, CE AND CHINA SPECS)	560
FIGURE 8-14. AC BOX AT PLATFORM INSTALLATION - 240V (WITH 4000W GENERATOR) (ALL SPECS EXCEPT AUSTRALIAN & CE SPECS)	562
FIGURE 8-15. AC BOX AT PLATFORM INSTALLATION - 240V (WITH 7500W SKYPOWER GENERATOR) (ALL SPECS EXCEPT AUSTRALIAN & CE SPECS).....	564
FIGURE 8-16. AC BREAKER BOX INSTALLATION - SINGLE DOUBLE POLE BREAKER	566
FIGURE 8-17. AC BREAKER BOX INSTALLATION - 3 BREAKERS	568

TABLE OF CONTENTS

FIGURE 8-18. AC CABLES AND CLAMPS INSTALLATION - 600S WITHOUT GENERATOR (ANSI, CSA AND JAPANESE SPECS)	570
FIGURE 8-19. AC CABLES AND CLAMPS INSTALLATION - 600S WITHOUT GENERATOR (ANSI EXPORT, CE AND CHINA SPECS)	572
FIGURE 8-20. AC CABLES AND CLAMPS INSTALLATION - 600S WITH 2500W GENERATOR (ALL SPECS EXCEPT AUSTRALIAN AND CE SPECS)	574
FIGURE 8-21. AC CABLES AND CLAMPS INSTALLATION - 600S WITH 4000W/60HZ GENERATOR (ALL SPECS EXCEPT AUSTRALIAN, CE AND CHINA SPECS)	576
FIGURE 8-22. AC CABLES AND CLAMPS INSTALLATION - 600S WITH 4000W/50HZ GENERATOR (ANSI EXPORT, CE AND CHINA SPECS)	578
FIGURE 8-23. AC CABLES AND CLAMPS INSTALLATION - 600S WITH 7500W SKYPOWER GENERATOR	580
FIGURE 8-24. AC CABLES AND CLAMPS INSTALLATION - 660SJ WITHOUT GENERATOR (ANSI, CSA AND JAPANESE SPECS)	582
FIGURE 8-25. AC CABLES AND CLAMPS INSTALLATION - 660SJ WITHOUT GENERATOR (ANSI EXPORT, AUSTRALIAN, CE AND CHINA SPECS).....	584
FIGURE 8-26. AC CABLES AND CLAMPS INSTALLATION - 660SJ WITH 2500W GENERATOR (ALL SPECS EXCEPT CE SPECS)	586
FIGURE 8-27. AC CABLES AND CLAMPS INSTALLATION - 660SJ WITH 4000W/60HZ GENERATOR (ALL SPECS EXCEPT AUSTRALIAN, CE AND CHINA SPECS)	588
FIGURE 8-28. AC CABLES AND CLAMPS INSTALLATION - 660SJ WITH 4000W/50HZ GENERATOR (ANSI EXPORT, AUSTRALIAN AND CE SPECS)	590
FIGURE 8-29. AC CABLES AND CLAMPS INSTALLATION - 660SJ WITH 7500W SKYPOWER GENERATOR	592
FIGURE 8-30. BREAKER BOX KIT - SINGLE DOUBLE POLE BREAKER (WITHOUT 4000W/50HZ GENERATOR)	594
FIGURE 8-31. BREAKER BOX KIT - SINGLE DOUBLE POLE BREAKER (WITH 4000W/50HZ GENERATOR)	596
FIGURE 8-32. BREAKER BOX KIT - 3 BREAKERS (SN 0300235168 through 0300237156)	598
FIGURE 8-33. BREAKER BOX KIT - 3 BREAKERS (SN 0300237157 to Present).....	600
FIGURE 8-34. BOOM ANGLE SENSOR HARNESS.....	602
FIGURE 8-35. BOOM CABLE - LOWER	604
FIGURE 8-36. BOOM CABLE - UPPER (600S)	606
FIGURE 8-37. BOOM CABLE - UPPER (660SJ)	608
FIGURE 8-38. CAPACITY PROXIMITY HARNESS	610
FIGURE 8-39. ELECTRICAL COMPONENTS INSTALLATION - 600S WITH 2WS.....	612
FIGURE 8-40. ELECTRICAL COMPONENTS INSTALLATION - 600S WITH 4WS.....	614
FIGURE 8-41. ELECTRICAL COMPONENTS INSTALLATION - 660SJ WITH 2WS.....	616
FIGURE 8-42. ELECTRICAL COMPONENTS INSTALLATION - 660SJ WITH 4WS.....	618
FIGURE 8-43. ENGINE HARNESS - DEUTZ D2011 ENGINES	620
FIGURE 8-44. ENGINE HARNESS - DEUTZ TD2.9L4 ENGINES (SN 0300235168 through 0300237156, SN B300002655 through B300002681).....	622
FIGURE 8-45. ENGINE HARNESS - DEUTZ TD2.9L4 ENGINES (SN 0300237156 to Present, SN B300002682 to Present) ...	626
FIGURE 8-46. ENGINE HARNESS - FORD ENGINES.....	630
FIGURE 8-47. FUEL PUMP HARNESS - DEUTZ TD2.9L4 ENGINE	632
FIGURE 8-48. GENERATOR HARNESS - 2500W.....	634
FIGURE 8-49. GENERATOR HARNESS - 4000W.....	636
FIGURE 8-50. GENERATOR HARNESS - 7500W SKYPOWER.....	638
FIGURE 8-51. GENERATOR RECEPTACLE BOX TO AC PLUG HARNESS (2500W GENERATOR) (SN 0300235168 through 0300255131, SN B300002655 to Present).....	640
FIGURE 8-52. GENERATOR TO ENGINE HARNESS - 7500W SKYPOWER GENERATOR (DEUTZ D2011 ONLY)	642
FIGURE 8-53. GROUND CONTROL HARNESS	644
FIGURE 8-54. LIFT CYLINDER HARNESS	646
FIGURE 8-55. MAIN VALVE HARNESS (2WS)	648
FIGURE 8-56. MAIN VALVE HARNESS (4WS)	650
FIGURE 8-57. PLATFORM CONSOLE HARNESS.....	652
FIGURE 8-58. PLATFORM VALVE HARNESS (600S).....	656
FIGURE 8-59. PLATFORM VALVE HARNESS (660SJ).....	658
FIGURE 8-60. RECEPTACLE BOX KIT - 110V IEC YELLOW (CE SPEC).....	660
FIGURE 8-61. RECEPTACLE BOX KIT - 220V IEC BLUE (CE SPEC)	662
FIGURE 8-62. RECEPTACLE BOX KIT - 220V CEE7 POST GROUND 2X4 BOX (CE SPEC).....	664
FIGURE 8-63. RECEPTACLE BOX KIT - 220V CEE7 SIDE GROUND (CE SPEC)	666
FIGURE 8-64. RECEPTACLE BOX KIT - 220V AFSINT 107 (CE SPEC).....	668
FIGURE 8-65. SKYEYE INTERMEDIATE HARNESS.....	670
FIGURE 8-66. SKYEYE EMITTER HARNESS.....	672
FIGURE 8-67. SKYEYE RECEIVER HARNESS	674
FIGURE 8-68. SKYLINE HARNESS.....	676
FIGURE 8-69. STROBE LIGHT CONTROL HARNESS (BLUE LIGHT).....	678
FIGURE 8-70. TELE PROXIMITY HARNESS	680
FIGURE 8-71. TURNTABLE HARNESS	682

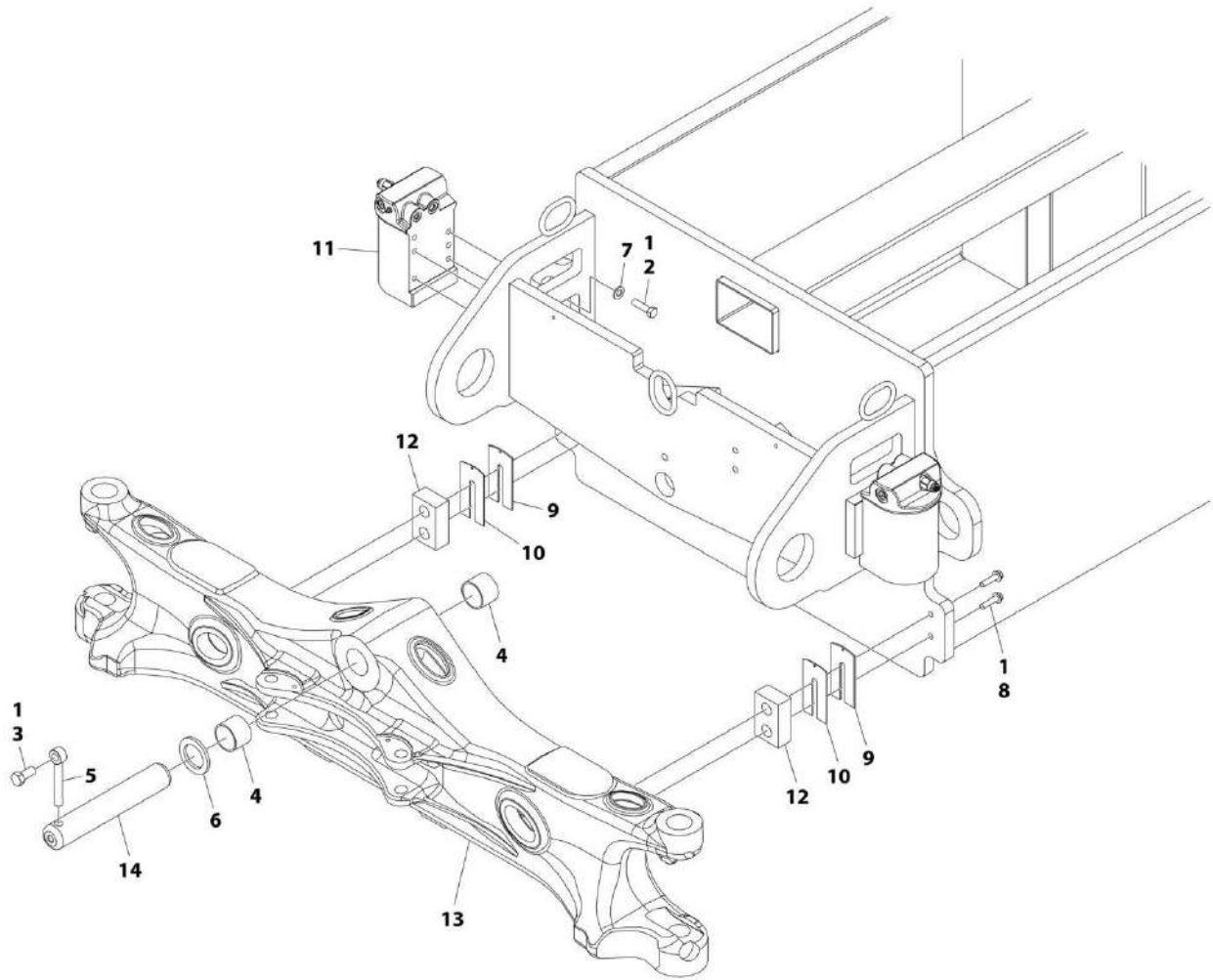
TABLE OF CONTENTS

SECTION 9 - DECALS	685
FIGURE 9-1. DECAL INSTALLATION - 600S (ANSI SPECS - ENGLISH LANGUAGE)	686
FIGURE 9-2. DECAL INSTALLATION - 600S (BRAZIL SPECS - PORTUGUESE/SPANISH LANGUAGES).....	688
FIGURE 9-3. DECAL INSTALLATION - 600S (CE SPECS - ENGLISH LANGUAGE)	690
FIGURE 9-4. DECAL INSTALLATION - 600S (CHINESE SPECS - ENGLISH/SIMPLIFIED CHINESE LANGUAGES)	692
FIGURE 9-5. DECAL INSTALLATION - 600S (CHINESE SPECS - ENGLISH/TRADITIONAL CHINESE LANGUAGES).....	694
FIGURE 9-6. DECAL INSTALLATION - 600S (CSA SPECS - ENGLISH/FRENCH LANGUAGES).....	696
FIGURE 9-7. DECAL INSTALLATION - 600S (JAPANESE SPECS - ENGLISH/JAPANESE LANGUAGES).....	698
FIGURE 9-8. DECAL INSTALLATION - 600S (KOREAN SPECS - ENGLISH/KOREAN LANGUAGES)	700
FIGURE 9-9. DECAL INSTALLATION - 600S (LATIN AMERICAN SPECS - ENGLISH/SPANISH LANGUAGES)	702
FIGURE 9-10. DECAL INSTALLATION - 660SJ (ANSI SPECS - ENGLISH LANGUAGE)	704
FIGURE 9-11. DECAL INSTALLATION - 660SJ (AUSTRALIAN SPECS - ENGLISH LANGUAGE)	706
FIGURE 9-12. DECAL INSTALLATION - 660SJ (BRAZIL SPECS - PORTUGUESE/SPANISH LANGUAGES)	708
FIGURE 9-13. DECAL INSTALLATION - 660SJ (CE SPECS - ENGLISH LANGUAGE).....	710
FIGURE 9-14. DECAL INSTALLATION - 660SJ (CHINESE SPECS - ENGLISH/SIMPLIFIED CHINESE LANGUAGES).....	712
FIGURE 9-15. DECAL INSTALLATION - 660SJ (CHINESE SPECS - ENGLISH/TRADITIONAL CHINESE LANGUAGES)	714
FIGURE 9-16. DECAL INSTALLATION - 660SJ (CSA SPECS - ENGLISH/FRENCH LANGUAGES)	716
FIGURE 9-17. DECAL INSTALLATION - 660SJ (JAPANESE SPECS - ENGLISH/JAPANESE LANGUAGES)	718
FIGURE 9-18. DECAL INSTALLATION - 660SJ (KOREAN SPECS - ENGLISH/KOREAN LANGUAGES)	720
FIGURE 9-19. DECAL INSTALLATION - 660SJ (LATIN AMERICAN SPECS - ENGLISH/SPANISH LANGUAGES).....	722
FIGURE 9-20. DECALS INSTALLATION - OPTIONS.....	724
FIGURE 9-21. DECAL INSTALLATION - TOW (ANSI SPECS).....	728
FIGURE 9-22. DECAL INSTALLATION - TOW (CSA SPECS).....	730
FIGURE 9-23. DECAL INSTALLATION - TOW (ANSI EXPORT & CE SPECS).....	732
SECTION 10 - RECOMMENDED SERVICE PARTS STOCK.....	735
FIGURE 10-1. RECOMMENDED SERVICE PARTS STOCK.....	736
SECTION 11 - SPECIAL OPTIONS	739
FIGURE 11-1. SPECIAL OPTIONS	740
PART NUMBER INDEX.....	745

SECTION 1 - FRAME

SECTION 1 - FRAME

FIGURE 1-1. AXLE INSTALLATION - FRONT



ART_1001181774

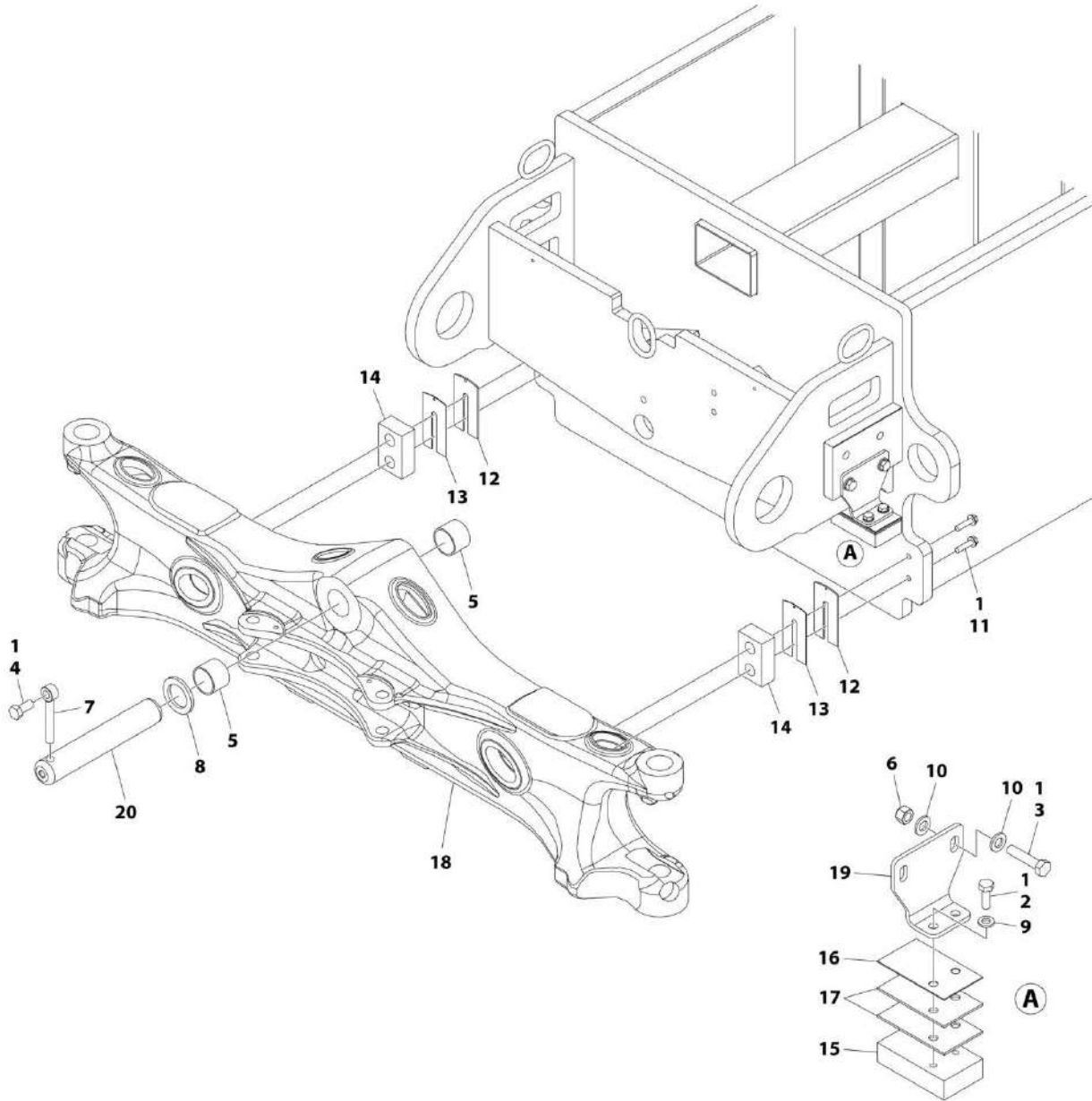
SECTION 1 - FRAME

FIGURE 1-1. AXLE INSTALLATION - FRONT

ITEM	PART NUMBER	QTY	DESCRIPTION	REV
	1001181774	Ref	AXLE INSTALLATION	B
1	0100011	AR	Compound, Locking	
2	0701217	8	Bolt M12 x 45	
3	0761615	1	Bolt M16 x 35	
4	0961950	2	Bearing	
5	3841258	1	Keeper, Pin	
6	4740158	1	Washer	
7	5241200	8	Washer M12	
8	5251016	4	Bolt M10 x 40	
9	1001150324	2	Shim (3mm)	
10	1001150326	2	Shim (1.2mm)	
11	1001219040	2	Axle Lockout Cylinder (See Separate Breakdown in CYLINDER SECTION)	
12	1001166563	2	Pad, Wear	
13	1001184209	1	Axle	
14	1001185030	1	Pin	

SECTION 1 - FRAME

FIGURE 1-2. AXLE INSTALLATION - REAR (4WS ONLY)



ART_1001181775

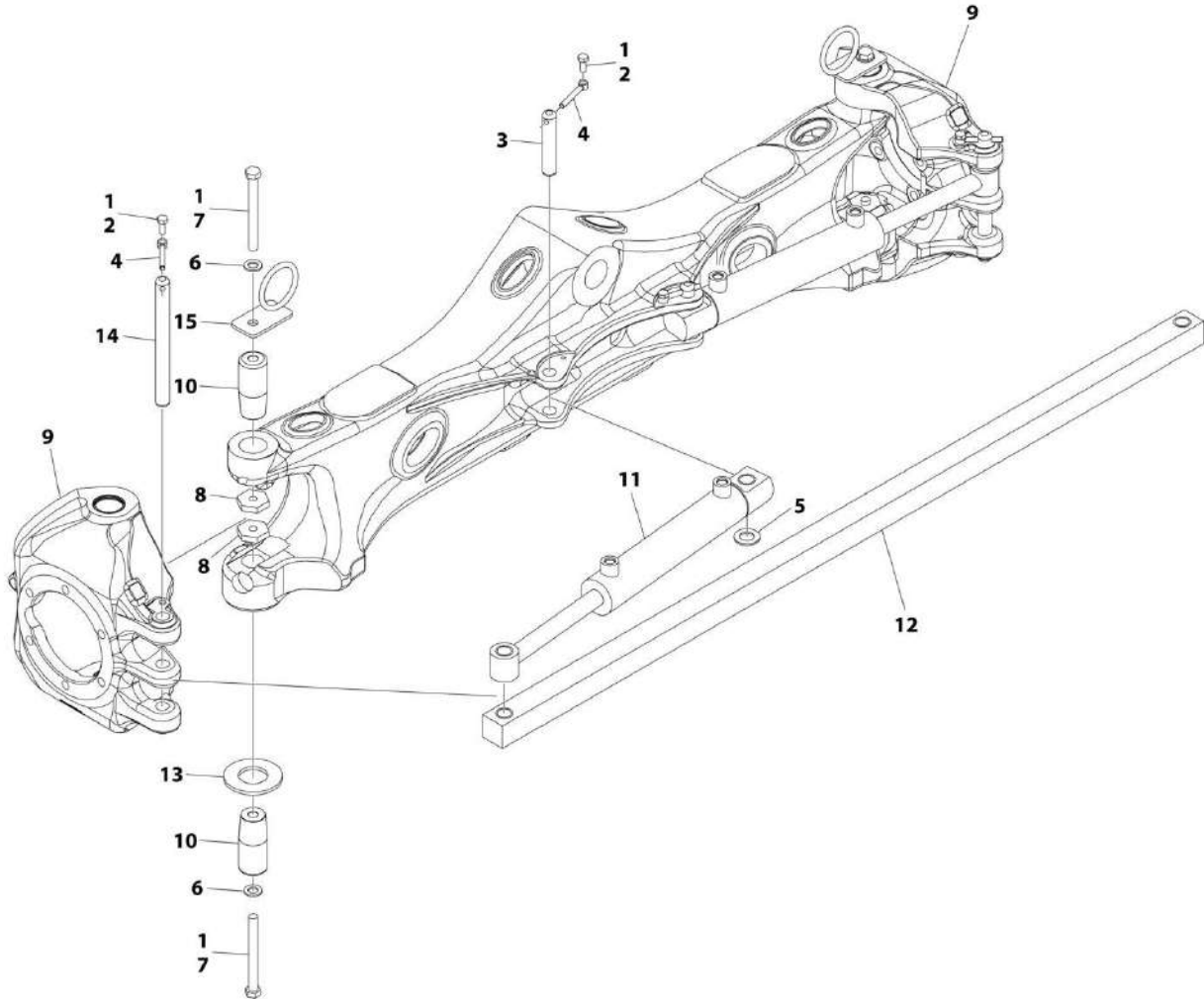
SECTION 1 - FRAME

FIGURE 1-2. AXLE INSTALLATION - REAR (4WS ONLY)

ITEM	PART NUMBER	QTY	DESCRIPTION	REV
	1001181775	Ref	AXLE INSTALLATION	A
	1001184691	Ref	AXLE INSTALLATION - REAR	D
1	0100011	AR	Compound, Locking	
2	0701014	4	Bolt M10 x 30	
3	0701219	4	Bolt M12 x 55	
4	0761615	1	Bolt M16 x 35	
5	0961950	2	Bearing	
6	3291205	4	Nut M12	
7	3841258	1	Keeper, Pin	
8	4740158	1	Washer	
9	5241000	4	Washer M10	
10	5241200	8	Washer M12	
11	5251016	4	Bolt M10 x 40	
12	1001150324	2	Shim (3mm)	
13	1001150326	2	Shim (1.2mm)	
14	1001166563	2	Pad, Wear	
15	1001209431	2	Block, Stop	
16	1001180315	2	Shim (1.5mm)	
17	1001180316	4	Shim (3mm)	
18	1001184209	1	Axle	
19	1001184216	2	Bracket	
20	1001185030	1	Pin	

SECTION 1 - FRAME

FIGURE 1-3. STEER INSTALLATION - WITHOUT TOW PACKAGE



ART_1001181770

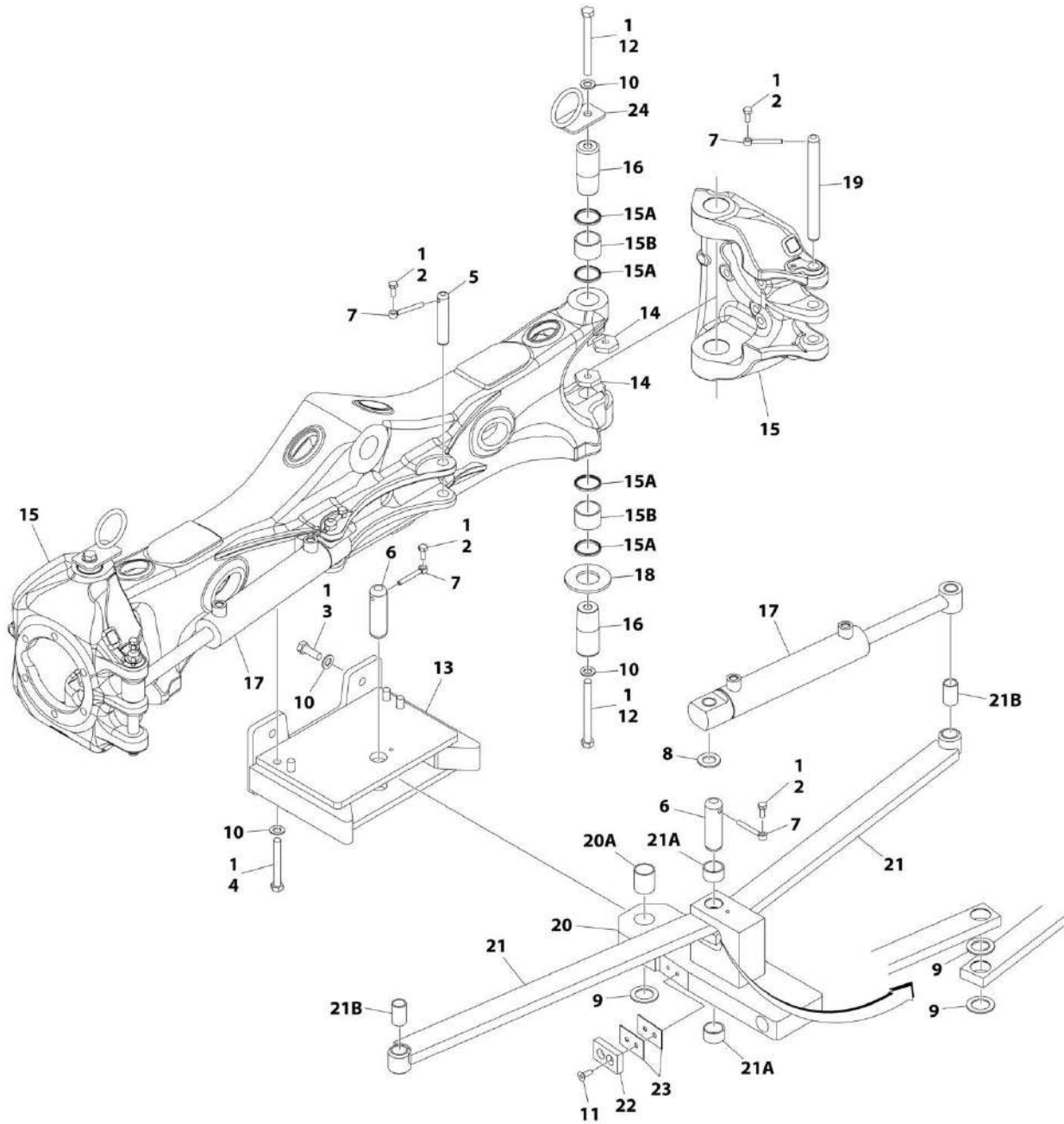
SECTION 1 - FRAME

FIGURE 1-3. STEER INSTALLATION - WITHOUT TOW PACKAGE

ITEM	PART NUMBER	QTY	DESCRIPTION	REV
	1001181770	Ref	STEER INSTALLATION	C
1	0100011	AR	Compound, Locking	
2	0701012	4	Bolt M10 x 25	
3	3422351	2	Pin	
4	3841143	4	Keeper, Pin	
5	4740111	2	Washer	
6	5241600	4	Washer M16	
7	1001096456	4	Bolt M16 x 160	
8	1001176848	4	Nut M16	
9	1001181787	2	Knuckle	
9	1001181791	8	Seal (4 Per Assembly)	
9	1001182694	4	Bearing (2 Per Assembly)	
10	1001181790	4	Kingpin	
11	1001181792	2	Steer Cylinder Assembly (See Separate Breakdown in CYLINDER SECTION)	
12	1001181793	1	Tie-Rod	
12	1001182695	2	Bearing	
13	1001190194	2	Bearing	
14	1001182697	2	Pin	
15	1001196390	2	Bracket	

SECTION 1 - FRAME

FIGURE 1-4. STEER INSTALLATION - WITH TOW PACKAGE



ART_1001181772

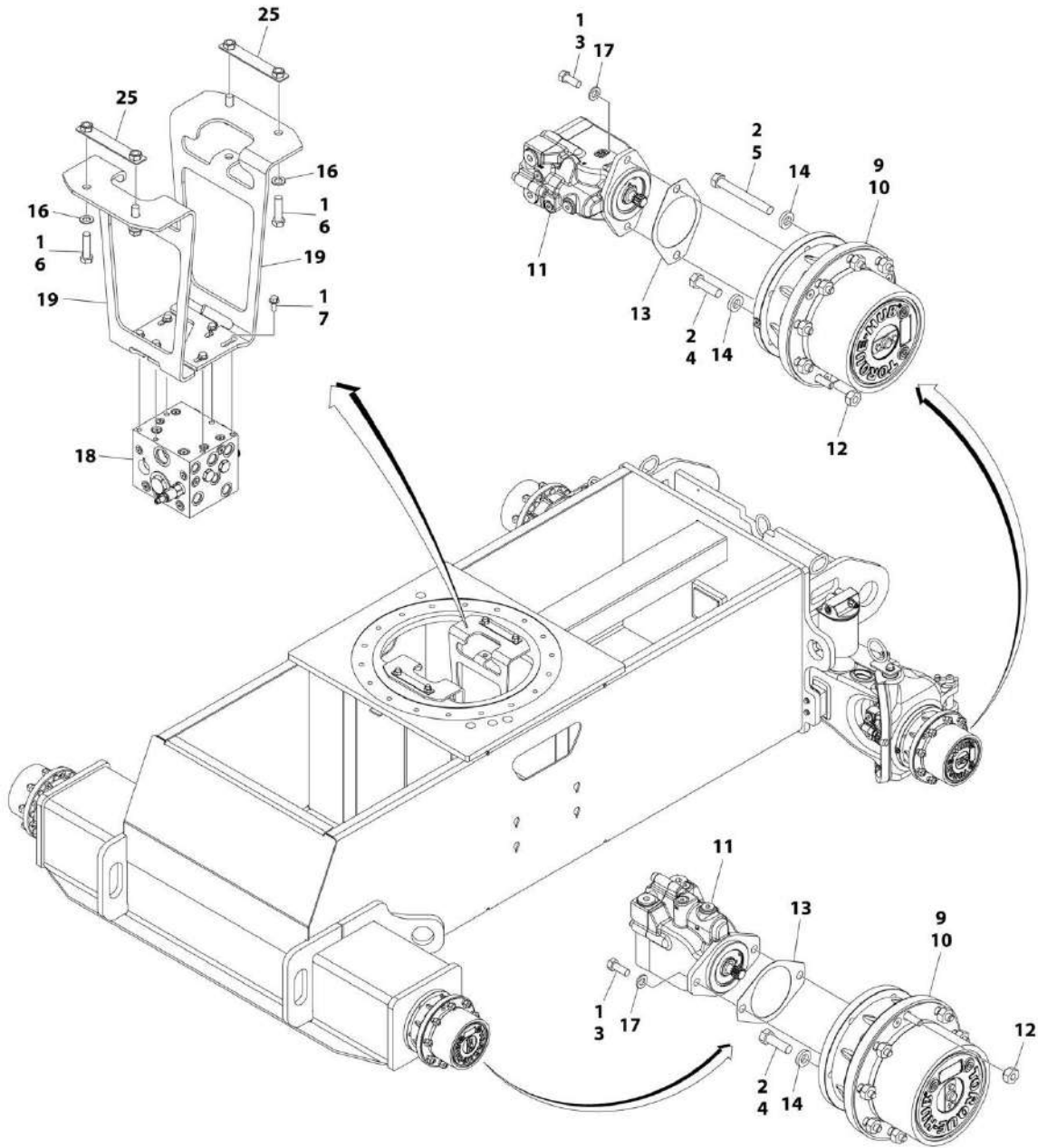
SECTION 1 - FRAME

FIGURE 1-4. STEER INSTALLATION - WITH TOW PACKAGE

ITEM	PART NUMBER	QTY	DESCRIPTION	REV
	1001181772	Ref	STEER INSTALLATION	C
1	0100011	AR	Compound, Locking	
2	0701012	6	Bolt M10 x 25	
3	0701617	2	Bolt M16 x 45	
4	0711629	4	Bolt M16 x 120	
5	3422351	2	Pin	
6	3422848	2	Pin	
7	3841143	6	Keeper, Pin	
8	4740111	2	Washer	
9	4740155	3	Washer	
10	5241600	10	Washer M16	
11	8310614	4	Screw M10 x 30	
12	1001096456	4	Bolt M16 x 160	
13	1001163717	1	Bracket	
14	1001176848	4	Nut M16	
15	1001181787	2	Knuckle	
15A	1001181791	8	Seal (4 Per Assembly)	
15B	1001182694	4	Bearing (2 Per Assembly)	
16	1001181790	4	Kingpin	
17	1001181792	2	Steer Cylinder Assembly (See Separate Breakdown in CYLINDER SECTION)	
18	1001190194	2	Bearing	
19	1001182697	2	Pin	
20	1001188503	1	Link	
20A	0962348	1	Bearing	
21	1001184213	2	Link	
21A	0962181	1	Bushing 1-1/2in ID	
21B	1001182695	1	Bearing 1in ID	
22	1001185906	2	Block, Stop	
23	1001185907	4	Shim (1.5mm)	
24	1001196390	2	Bracket	

SECTION 1 - FRAME

FIGURE 1-5. WHEEL DRIVE INSTALLATION - 4WD/2WS



ART_1001186443

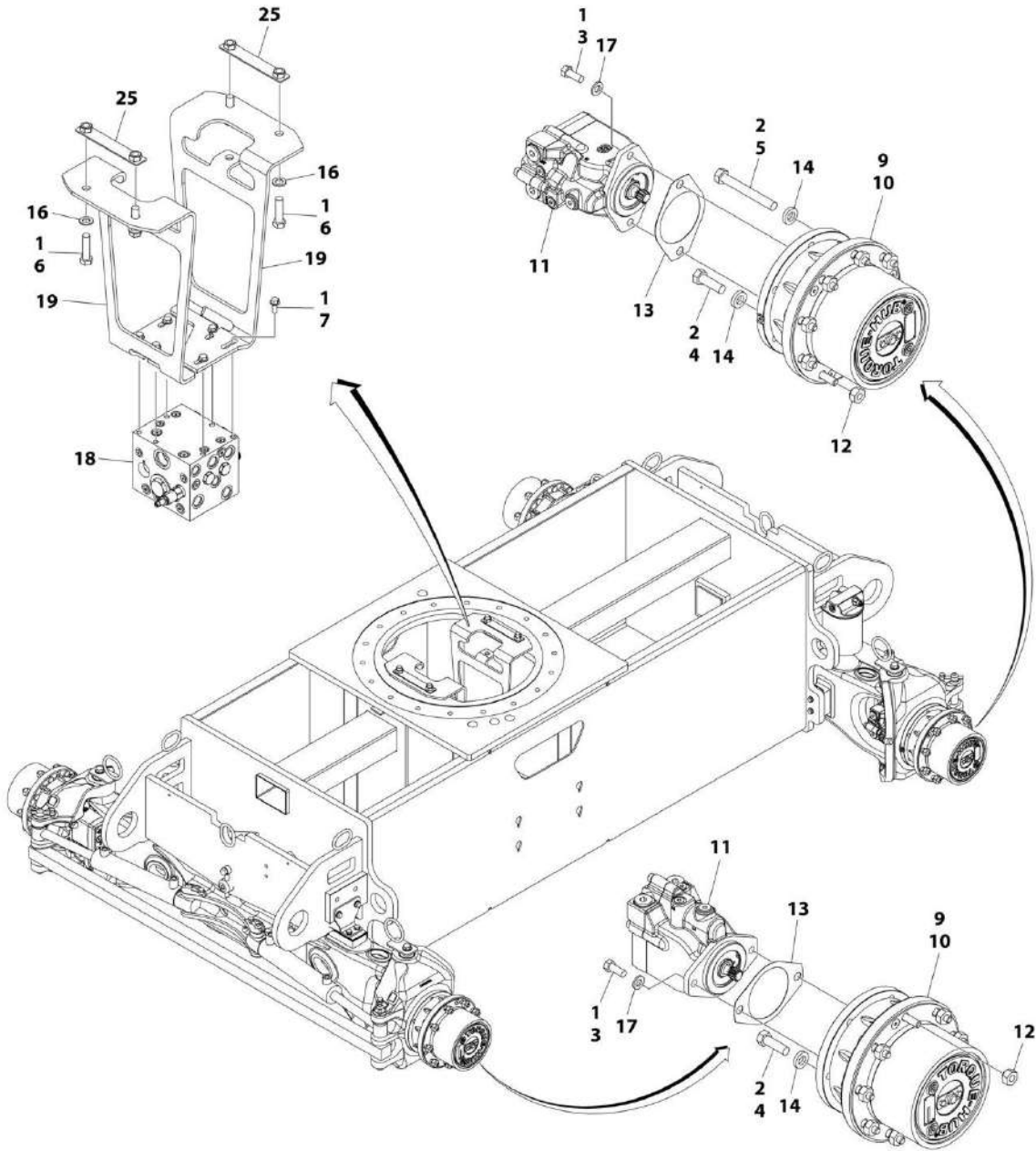
SECTION 1 - FRAME

FIGURE 1-5. WHEEL DRIVE INSTALLATION - 4WD/2WS

ITEM	PART NUMBER	QTY	DESCRIPTION	REV
	1001186443	Ref	WHEEL DRIVE INSTALLATION	F
1	0100011	AR	Compound, Locking	
2	0100019	AR	Compound, Locking	
3	0681810	8	Bolt 1/2 x 1-1/4	
4	0682016	20	Bolt 5/8 x 2	
5	0682040	4	Bolt 5/8 x 5	
6	0701620	4	Bolt M16 x 60	
7	5251012	6	Bolt M10 x 25	
9	2780269	4	Drive Hub Assembly (See Separate Breakdown in this Section)	
10	3020008	AR	Lubricant	
11	3160350	4	Drive Motor Assembly (See Separate Breakdown in this Section)	
12	3300106	36	Lugnut	
13	3960526	4	Gasket	
14	4740393	24	Washer	
16	4812300	4	Washer M16	
17	5241200	8	Washer M12	
18	1001187521	1	Traction Valve Assembly (See Separate Breakdown in this Section)	
19	1001191008	NLA	Bracket (Use p/n 1001232292) (SN 0300235168 through 0300234974)	
19	1001232292	2	Bracket (SN 0300234975 to Present, SN B300002655 to Present)	
25	1001198631	2	Bracket	

SECTION 1 - FRAME

FIGURE 1-6. WHEEL DRIVE INSTALLATION - 4WD/4WS



ART_1001188340

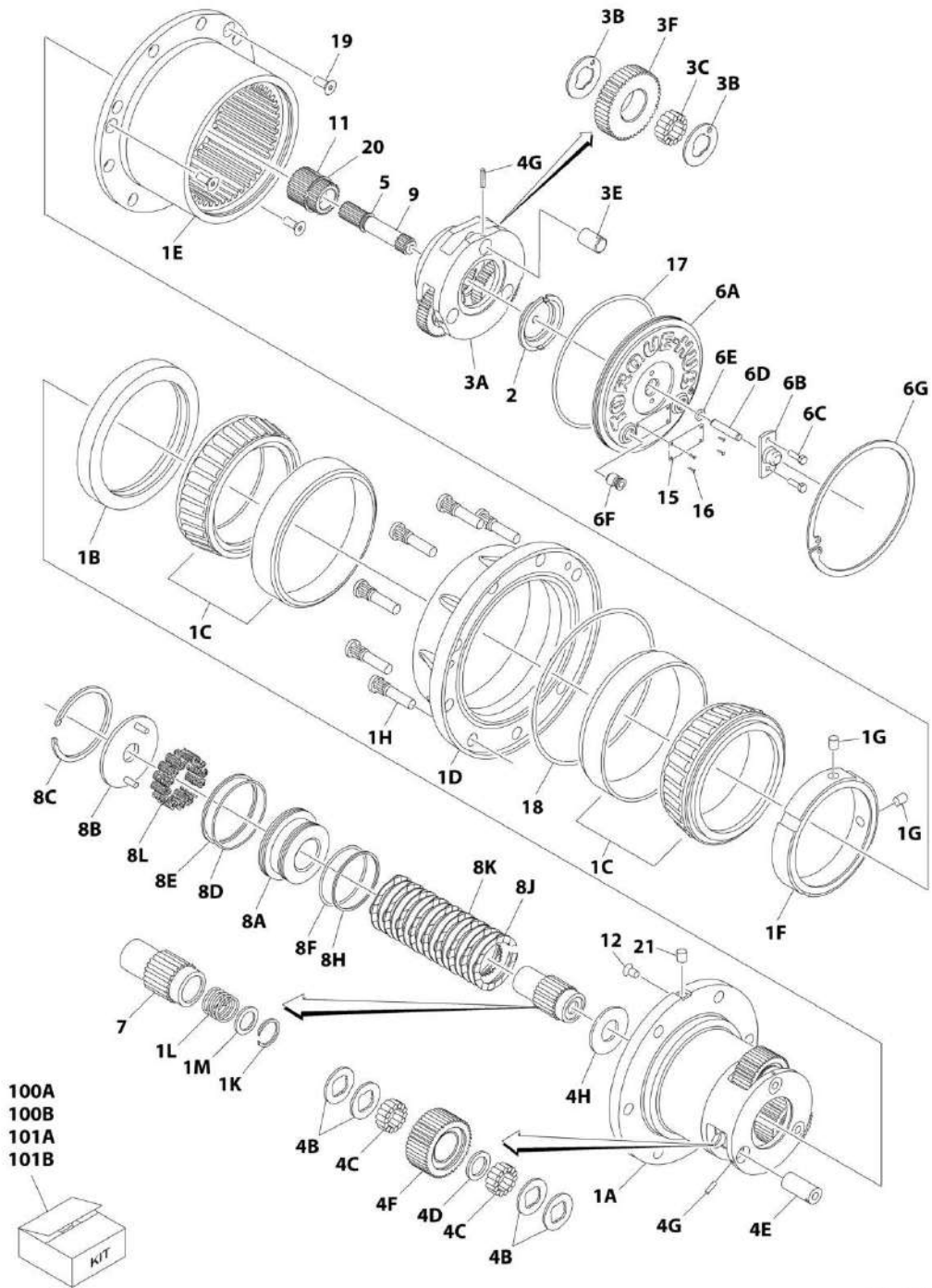
SECTION 1 - FRAME

FIGURE 1-6. WHEEL DRIVE INSTALLATION - 4WD/4WS

ITEM	PART NUMBER	QTY	DESCRIPTION	REV
	1001188340	Ref	WHEEL DRIVE INSTALLATION	G
1	0100011	AR	Compound, Locking	
2	0100019	AR	Compound, Locking	
3	0681810	8	Bolt 1/2 x 1-1/4	
4	0682016	16	Bolt 5/8 x 2	
5	0682040	8	Bolt 5/8 x 5	
6	0701620	4	Bolt M16 x 60	
7	5251012	6	Bolt M10 x 25	
9	2780269	4	Drive Hub Assembly (See Separate Breakdown in this Section)	
10	3020008	AR	Lubricant	
11	3160350	4	Drive Motor Assembly (See Separate Breakdown in this Section)	
12	3300106	36	Lugnut	
13	3960526	4	Gasket	
14	4740393	24	Washer	
16	4812300	4	Washer M16	
17	5241200	8	Washer M12	
18	1001187521	1	Traction Valve Assembly (See Separate Breakdown in this Section)	
19	1001191008	NLA	Bracket (Use p/n 1001232292) (SN 0300235168 through 0300234974)	
19	1001232292	2	Bracket (SN 0300234975 to Present, SN B300002655 to Present)	
25	1001198631	2	Bracket	

SECTION 1 - FRAME

FIGURE 1-7. DRIVE HUB ASSEMBLY



ART_2780269

SECTION 1 - FRAME

FIGURE 1-7. DRIVE HUB ASSEMBLY

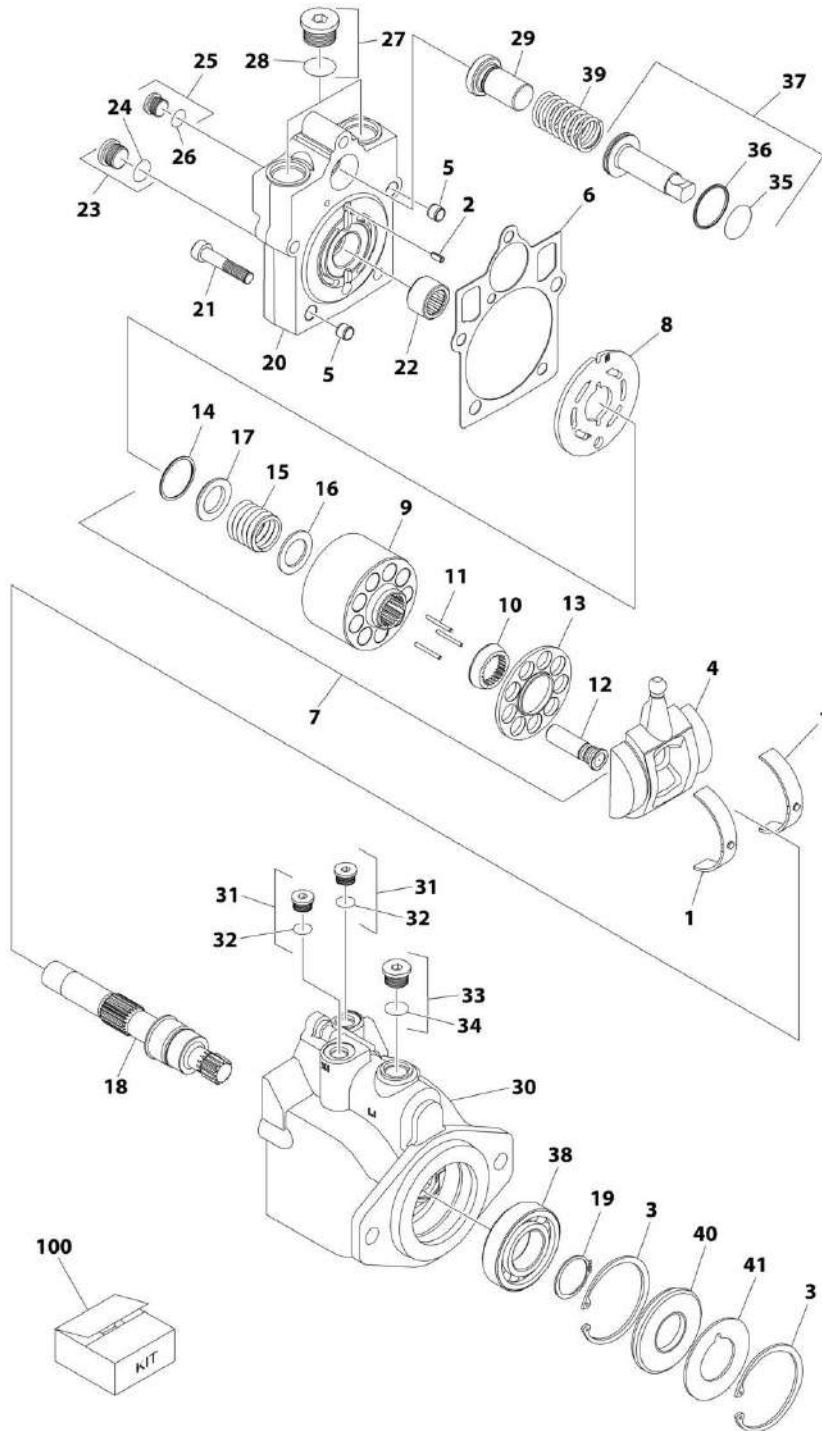
ITEM	PART NUMBER	QTY	DESCRIPTION	REV
	2780269	Ref	DRIVE HUB ASSEMBLY	E
1	See Note	NSS	Spindle/Housing Assembly (Note: Not Available - Purchase p/n 2780269 Complete Replacement. See 1A-1M for Available Components)	
1A	7024729	1	Spindle	
1B	70001119	1	Seal	
1C	7024735	2	Bearing (Includes Cup and Cone)	
1D	2780269	1	Housing (Note: Not Available for Purchase)	
1E	7024730	1	Ring, Gear	
1F	See Note	NSS	Nut, Bearing (Note: Use Item 100A)	
1G	See Note	NSS	Setscrew 1/4in-28NF x 1/2in (Note: Use Item 100A, 100B, 101A or 101B)	
1H	7024732	9	Stud, Wheel	
1K	7024125	1	Ring, Retaining	
1L	7024124	1	Spring	
1M	7024129	1	Thrustwasher	
2	7024741	1	Thrustwasher	
3	See Note	NSS	Carrier Assembly (Note: Not Available for Purchase. See 3A-3F for Available Components)	
3A	7024725	1	Carrier	
3B	7024127	6	Thrustwasher	
3C	7024733	42	Bearing, Needle	
3E	7024724	3	Shaft, Planet	
3F	7024727	3	Gear, Planet	
4	See Note	NSS	Planet Gear Sub-Assembly (Note: Not Available for Purchase. See 4B-4H for Available Components)	
4B	7024740	12	Thrustwasher	
4C	7024734	84	Bearing, Needle	
4D	7024736	3	Spacer, Thrust	
4E	7024726	3	Shaft, Planet	
4F	7024728	3	Gear, Planet	
4G	7001913	6	Rollpin	
4H	7024742	1	Thrustwasher	
5	7017027	1	Ring, Retaining	
6	See Note	NSS	Cover Assembly (Note: Not Available for Purchase. See 6A-6G for Available Components)	
6A	7024731	1	Plate, Cover	
6B	7017093	1	Cap, Disengage	
6C	7000216	2	Bolt 1/2in-20NC x 1/2in	
6D	7024739	1	Pin, Dowel	
6E	7017095	1	O-Ring	
6F	7017072	2	Plug, Pipe	
6G	7024738	1	Ring, Retaining	
7	7024722	1	Coupling	
8	See Note	NSS	Brake, Input (Note: Not Available for Purchase. See 8A-8L for Available Components)	
8A	70000782	1	Piston, Brake	
8B	7024743	1	Plate, Pressure	
8C	See Note	NSS	Ring, Retaining (Note: Use Item 100B, 101A or 101B)	
8D	See Note	NSS	O-Ring (Note: Use Item 100B or 101A)	
8E	See Note	NSS	Ring, Back-up (Note: Use Item 100B or 101A)	

SECTION 1 - FRAME

ITEM	PART NUMBER	QTY	DESCRIPTION	REV
8F	See Note	NSS	O-Ring (Note: Use Item 100B or 101A)	
8H	See Note	NSS	Ring, Back-up (Note: Use Item 100B or 101A)	
8J	See Note	NSS	Rotor, Brake (Note: Use Item 101A)	
8K	See Note	NSS	Stator, Brake (Note: Use Item 101A)	
8L	See Note	NSS	Spring, Brake (Note: Use Item 101B)	
9	7024721	1	Shaft, Input	
11	7024723	1	Gear, Sun	
12	See Note	NSS	Plug (Note: Not Available - Purchase Locally)	
15	See Note	NSS	Plate, ID (Not Shown) (Note: Not Available for Purchase)	
16	7000281	4	Screw, Drive	
17	7024134	1	O-Ring	
18	See Note	NSS	O-Ring (Note: Use Item 100A)	
19	7017022	3	Screw, Countersunk 3/8in-16NC	
20	7024737	1	Ring, Retaining	
21	See Note	NSS	Plug (Note: Not Available - Purchase Locally)	
100		Ref	Seal Kit Options:	
100A	7024744	1	Hub Seal Kit (Includes Items 1B, 1F, 1G, 17, 18 & 19)	
100B	7024765	1	Brake Seal Kit (Includes Items 1G, 8C, 8D, 8E, 8F & 8H)	
101		Ref	Repair Kit Options:	
101A	7024764	1	Brake Lining Kit (Includes Items 1G, 8C, 8D, 8E, 8F, 8H, 8J & 8K)	
101B	7024766	1	Brake Spring Kit (Includes Items 1G, 8C & 8L)	

SECTION 1 - FRAME

FIGURE 1-8. DRIVE MOTOR ASSEMBLY



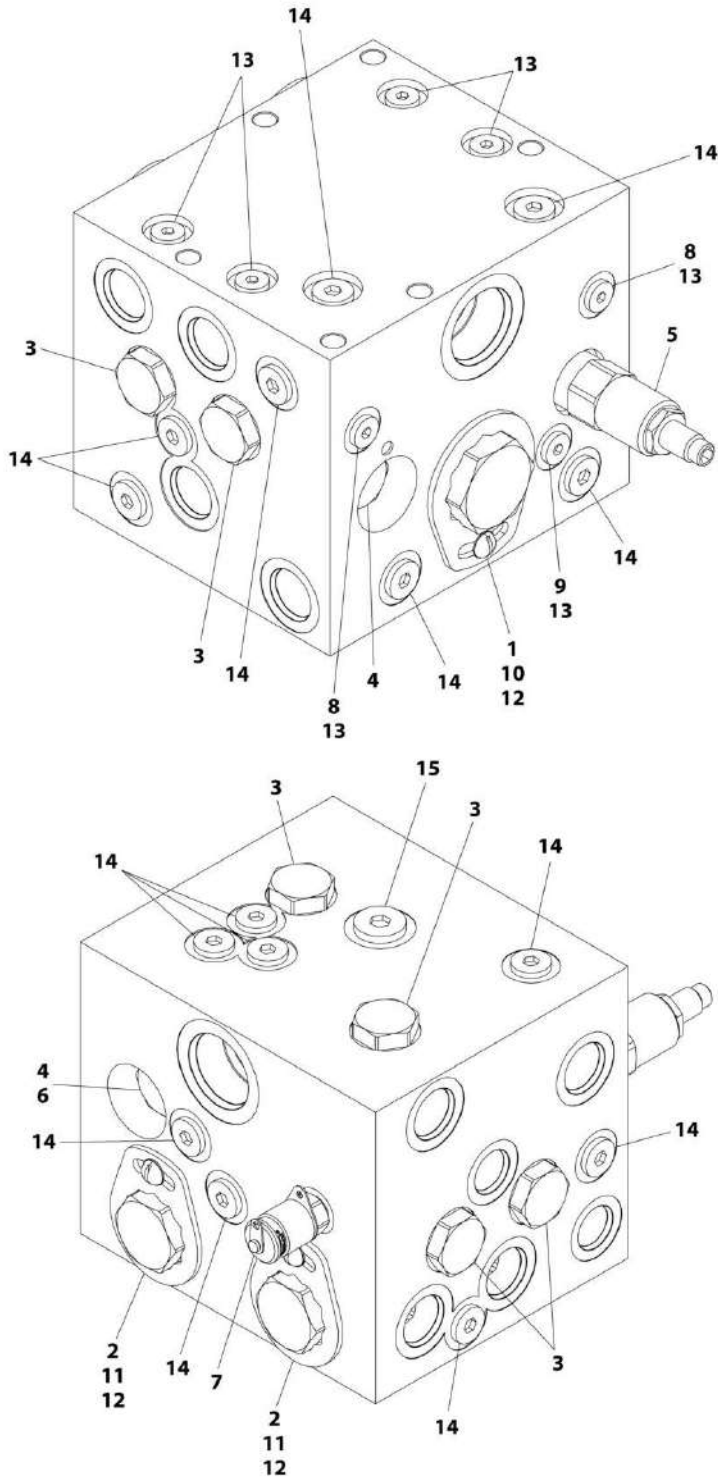
ART_3160350

FIGURE 1-8. DRIVE MOTOR ASSEMBLY

ITEM	PART NUMBER	QTY	DESCRIPTION	REV
	3160350	Ref	DRIVE MOTOR ASSEMBLY	B
1	7022302	2	Bearing, Journal	
2	7007446	1	Pin	
3	7007438	2	Ring, Retaining	
4	70000794	1	Swash Plate	
5	See Note	NSS	Pin (Note: Not Available for Purchase)	
6	See Note	NSS	Gasket (Note: Use Item 100)	
7	7027740	1	Cylinder Block Kit (Includes Items 9-17)	
8	7024862	1	Plate, Valve	
9	See Note	NSS	Block, Cylinder (Note: Use Item 7)	
10	See Note	NSS	Guide, Slipper Retainer (Note: Use Item 7)	
11	7021275	3	Pin, Slipper Hold Down	
12	7024865	9	Piston Assembly	
13	See Note	NSS	Retainer, Slipper (Note: Use Item 7)	
14	7022311	1	Ring, Retaining	
15	7024867	1	Spring	
16	7022313	1	Washer	
17	7022314	1	Retainer, Spring	
18	7023910	1	Shaft	
19	7007439	1	Ring, Retaining	
20	70000795	1	Cap, End - Axial	
21	7022368	5	Screw	
22	7021249	1	Bearing, Needle	
23	2220886	1	Plug (Includes Item 24)	
24	See Note	NSS	O-Ring (Note: Use Item 23 or 100)	
25	2220883	1	Plug (Includes Item 26)	
26	See Note	NSS	O-Ring (Note: Use Item 25 or 100)	
27	7027419	2	Plug (Includes Item 28)	
28	See Note	NSS	O-Ring (Note: Use Item 27 or 100)	
29	7022372	1	Seat, Spring	
30	See Note	NSS	Housing (Note: Not Available - Purchase Complete Drive Motor Assembly)	
31	2220883	2	Plug (Includes Item 32)	
32	See Note	NSS	O-Ring (Note: Use Item 31 or 100)	
33	2220886	1	Plug (Includes Item 34)	
34	See Note	NSS	O-Ring (Note: Use Item 33 or 100)	
35	See Note	NSS	O-Ring (Note: Use Item 100)	
36	See Note	NSS	Ring, Seal (Note: Use Item 100)	
37	7024871	1	Piston, Servo	
38	7007437	1	Bearing	
39	7022326	1	Spring	
40	See Note	NSS	Seal, Lip (Note: Use Item 100)	
41	7022371	1	Washer, Support	
100	7022328	1	Seal Kit (Includes Items 6, 24, 26, 28, 32, 34, 35, 36 & 40)	

SECTION 1 - FRAME

FIGURE 1-9. TRACTION VALVE ASSEMBLY



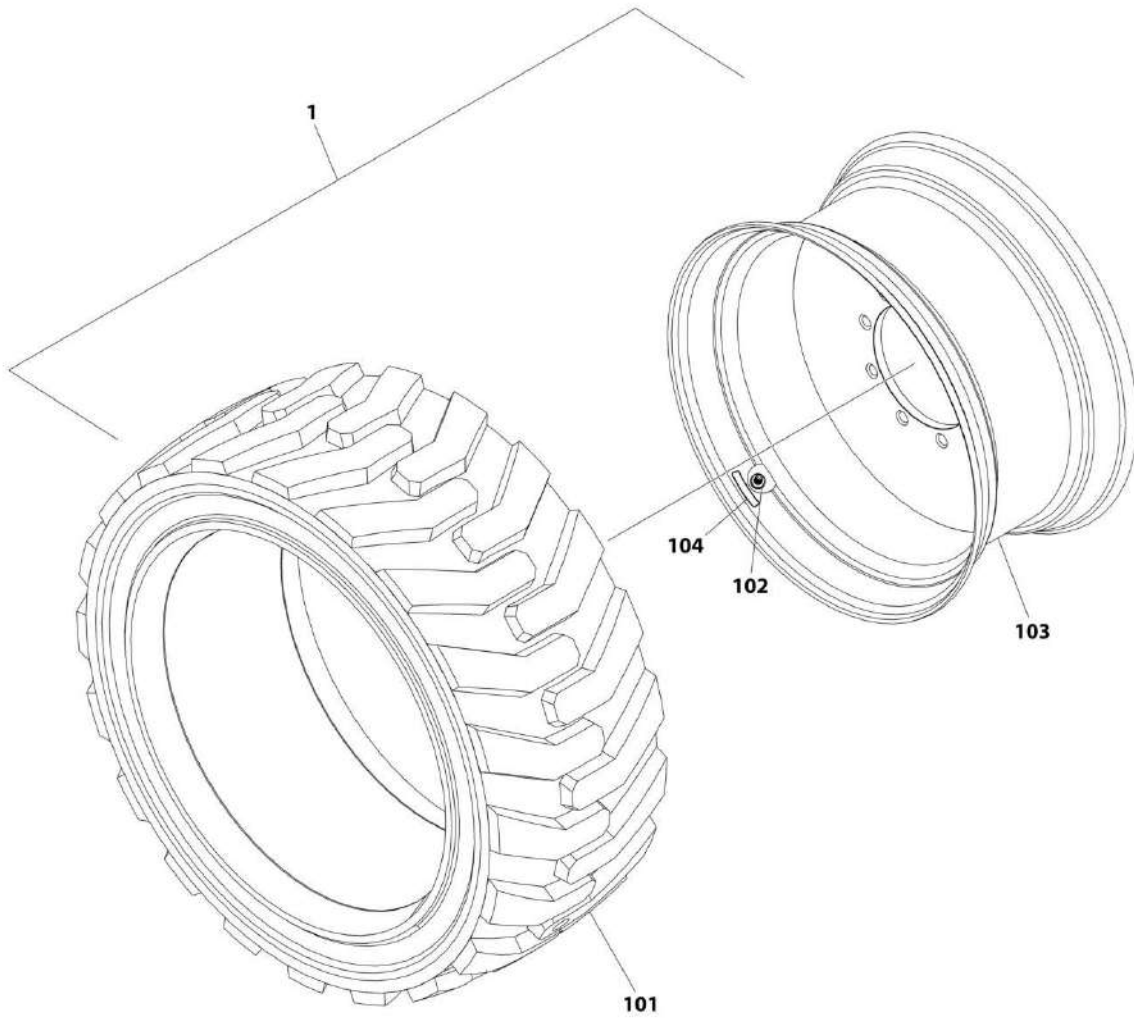
ART_1001187521

FIGURE 1-9. TRACTION VALVE ASSEMBLY

ITEM	PART NUMBER	QTY	DESCRIPTION	REV
	1001187521	Ref	TRACTION VALVE ASSEMBLY	G
1	70005668	1	Valve, Flow Divider	
1	7021625	1	Seal Kit - 70005668 Valve	
2	70005669	2	Valve, Flow Divider	
2	70004577	2	Seal Kit - 70005669 Valve	
3	7022397	6	Valve, Check	
3	7022399	6	Seal Kit - 7022397 Valve	
4	7021639	2	Valve, Check	
4	2900756	2	Seal Kit - 7021639 Valve	
5	70005670	1	Valve, Relief	
5	7012998	1	Seal Kit - 70005670 Valve	
6	7024881	1	Piston	
7	2221086	1	Fitting, Test	
8	70003975	2	Orifice	
9	70002209	1	Orifice	
10	70000781	1	Lock Down Kit	
11	70002962	2	Lock Down Kit	
12	70004888	3	Screw	
13	2220883	7	Plug	
14	2220885	15	Plug	
15	2220886	1	Plug	

SECTION 1 - FRAME

FIGURE 1-10. TIRE & WHEEL INSTALLATION - IN355-55 D625 PNEUMATIC (AVAILABLE ON ALL SPECS EXCEPT AUSTRALIAN, CE & CHINA SPECS)



ART_1001223665

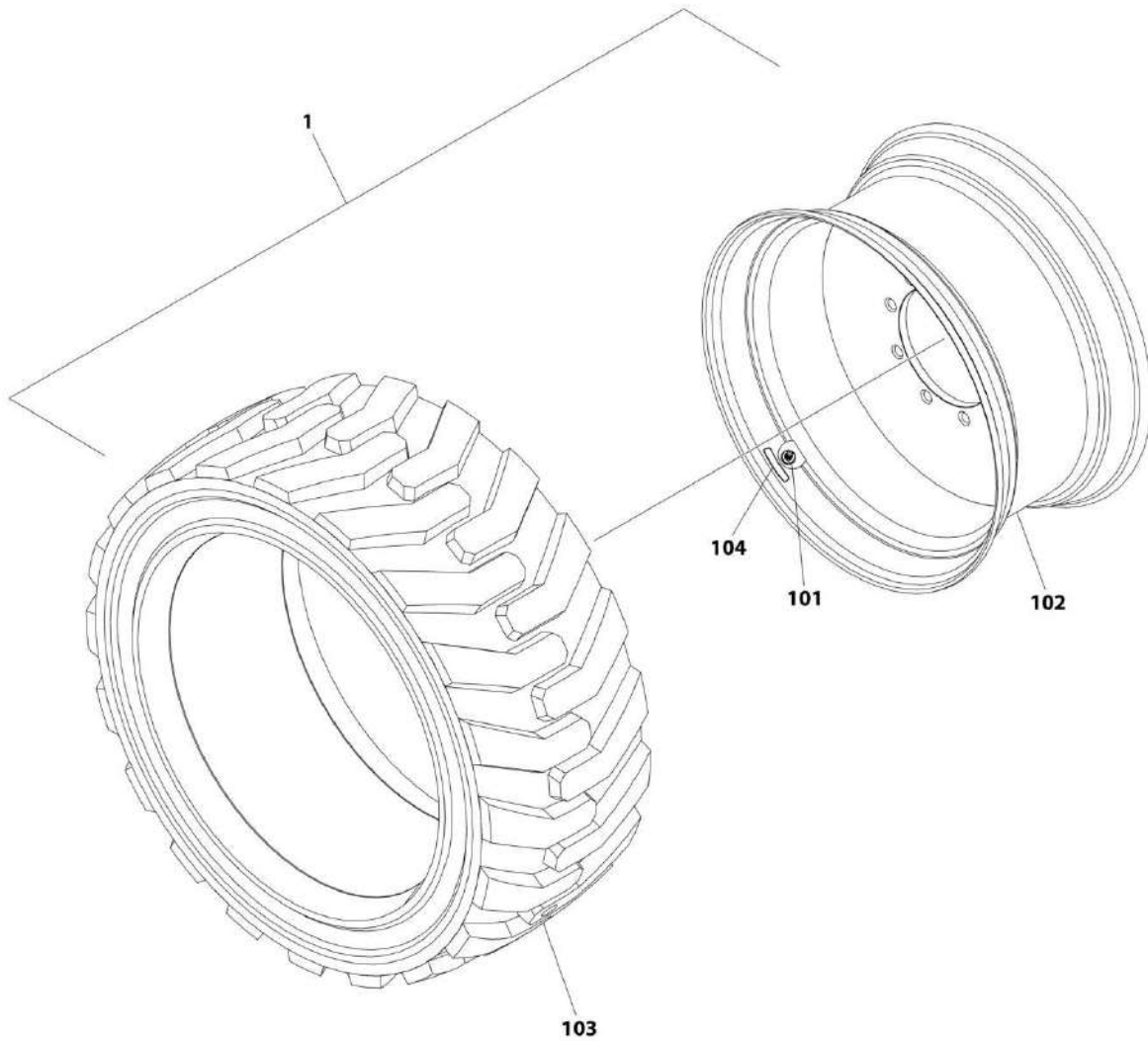
SECTION 1 - FRAME

FIGURE 1-10. TIRE & WHEEL INSTALLATION - IN355-55 D625 PNEUMATIC (AVAILABLE ON ALL SPECS EXCEPT AUSTRALIAN, CE & CHINA SPECS)

ITEM	PART NUMBER	QTY	DESCRIPTION	REV
	1001223665	Ref	TIRE & WHEEL INSTALLATION	A
1	1001223666	Ref	Tire and Wheel Assembly (LH Side)	B
1	1001223667	Ref	Tire and Wheel Assembly (RH Side)	B
101	4520288	4	Tire - IN355-55 D625	
102	4641122	4	Valve	
103	1001181797	4	Rim, Wheel	
104	1001223726	4	Decal - Tire Pressure	

SECTION 1 - FRAME

FIGURE 1-11. TIRE & WHEEL INSTALLATION - IN355-55 D625 PNEUMATIC NON-MARKING
(AVAILABLE ON ALL SPECS EXCEPT AUSTRALIAN, CE & CHINA SPECS)



ART_1001223668

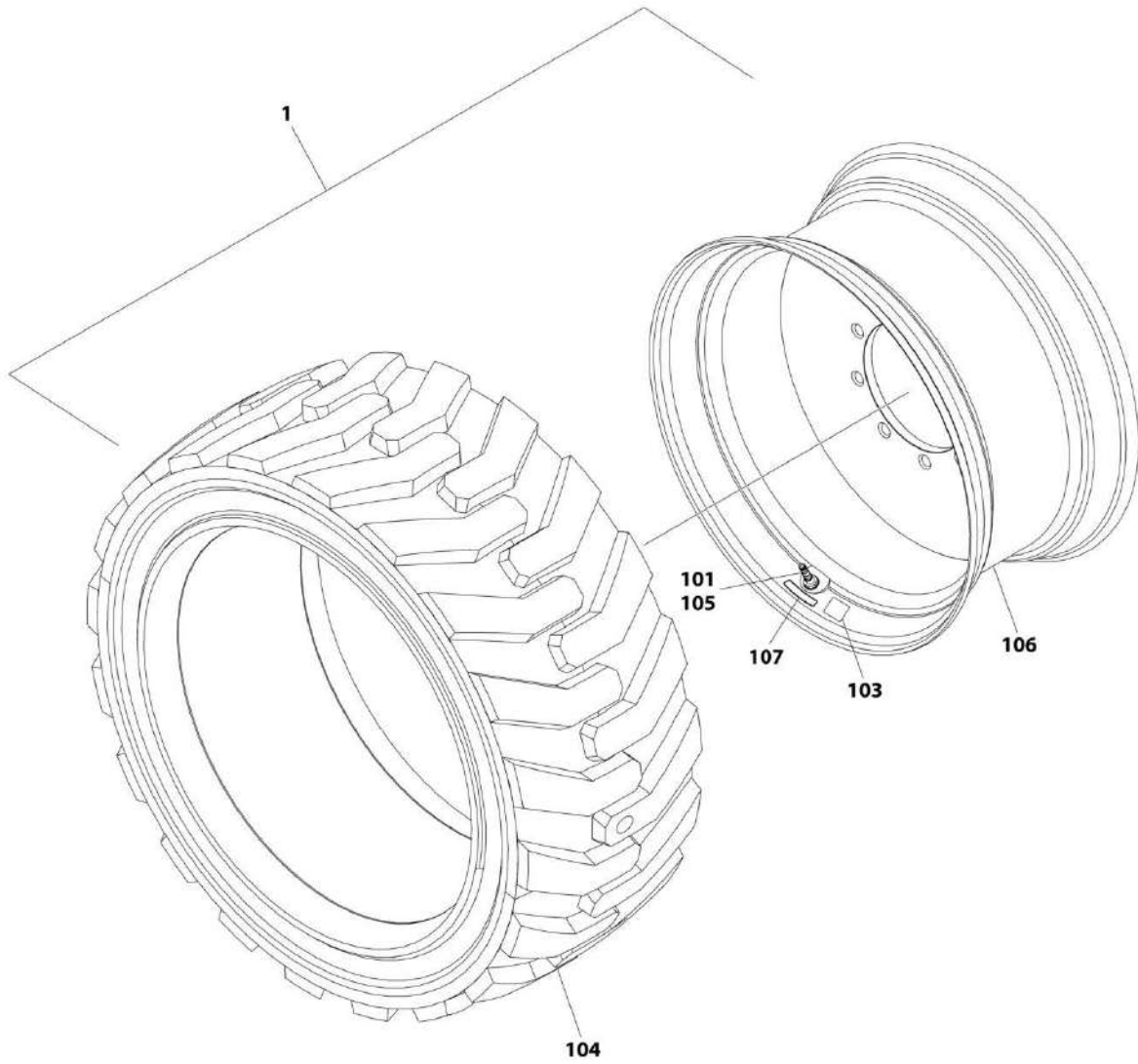
SECTION 1 - FRAME

**FIGURE 1-11. TIRE & WHEEL INSTALLATION - IN355-55 D625 PNEUMATIC NON-MARKING
(AVAILABLE ON ALL SPECS EXCEPT AUSTRALIAN, CE & CHINA SPECS)**

ITEM	PART NUMBER	QTY	DESCRIPTION	REV
	1001223668	Ref	TIRE & WHEEL INSTALLATION	A
1	1001223669	Ref	Tire and Wheel Assembly (LH Side)	B
1	1001223670	Ref	Tire and Wheel Assembly (RH Side)	B
101	4641122	4	Valve	
102	1001181797	4	Rim, Wheel	
103	1001184881	4	Tire - IN355-55 D625	
104	1001223726	4	Decal - Tire Pressure	

SECTION 1 - FRAME

FIGURE 1-12. TIRE & WHEEL INSTALLATION - IN355-55 D625 PNEUMATIC WITH TIRE SEALANT
(AVAILABLE ON ALL SPECS EXCEPT AUSTRALIAN, CE & CHINA SPECS)



ART_1001223751

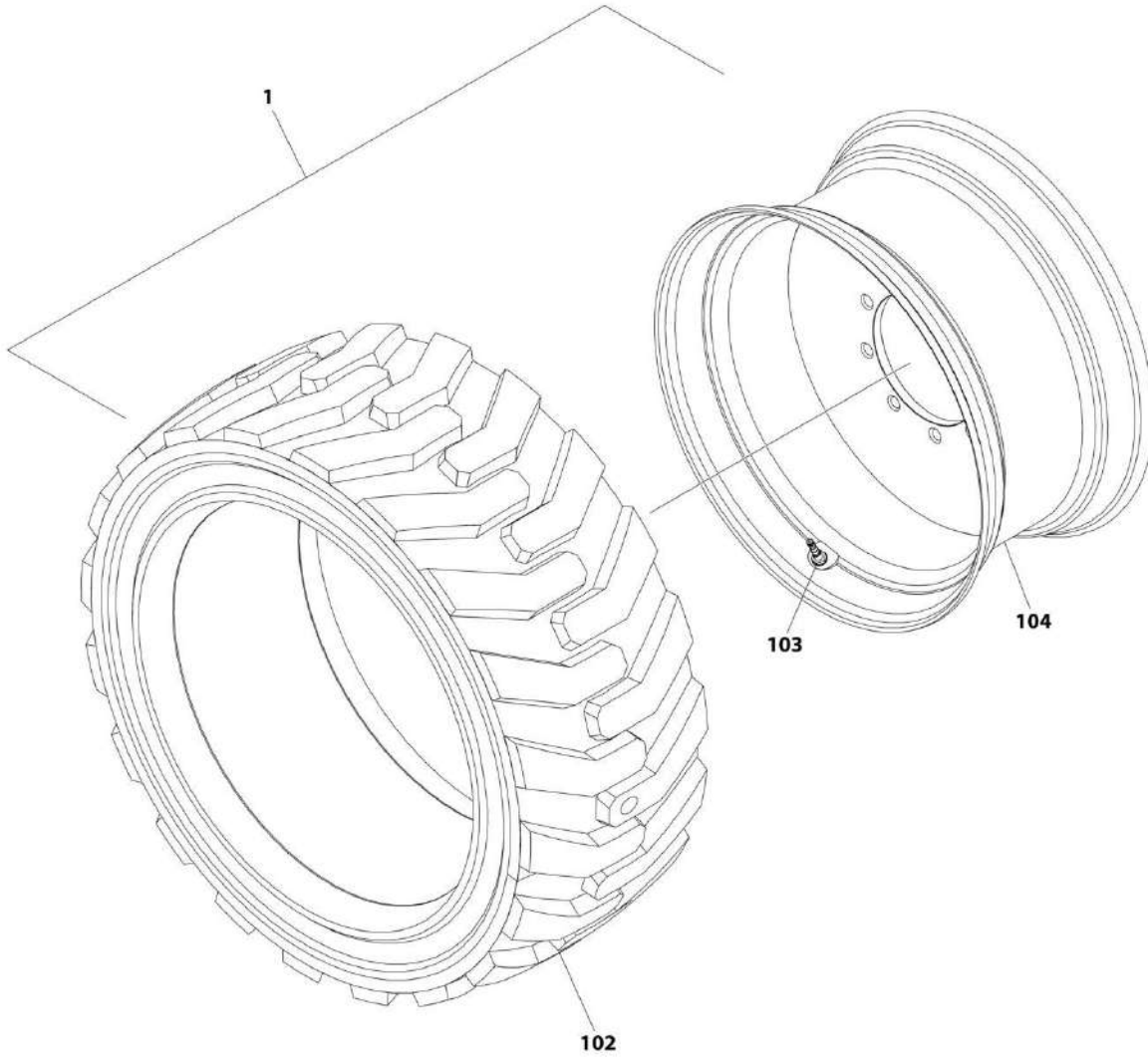
SECTION 1 - FRAME

**FIGURE 1-12. TIRE & WHEEL INSTALLATION - IN355-55 D625 PNEUMATIC WITH TIRE SEALANT
(AVAILABLE ON ALL SPECS EXCEPT AUSTRALIAN, CE & CHINA SPECS)**

ITEM	PART NUMBER	QTY	DESCRIPTION	REV
	1001223751	Ref	TIRE & WHEEL INSTALLATION	A
		Ref	Note: Not Available on Shipyard Machines.	
1	1001223752	2	Tire and Wheel Assembly (LH Side)	B
1	1001223753	2	Tire and Wheel Assembly (RH Side)	B
101	1120552	4	Cap, Valve Stem (Green)	
103	1705364	4	Decal - Tire Sealant	
104	4520288	4	Tire - IN355-55 D625	
105	4641122	4	Valve, Air	
106	1001181797	4	Rim, Wheel	
107	1001223726	4	Decal - Tire Pressure	

SECTION 1 - FRAME

FIGURE 1-13. TIRE & WHEEL INSTALLATION - IN355-55 D625 FOAM FILLED (AVAILABLE ON ALL SPECS)



ART_1001185596

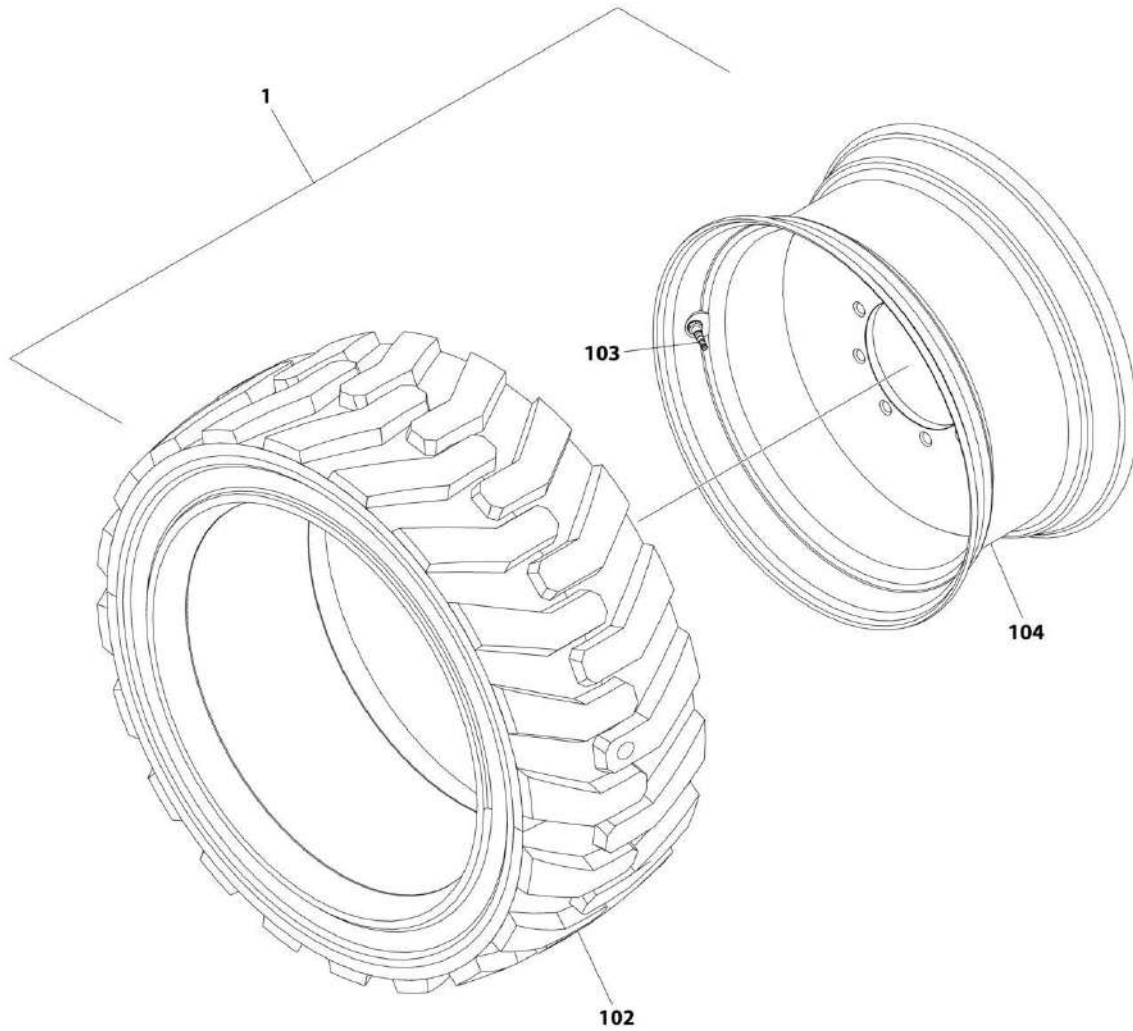
SECTION 1 - FRAME

FIGURE 1-13. TIRE & WHEEL INSTALLATION - IN355-55 D625 FOAM FILLED (AVAILABLE ON ALL SPECS)

ITEM	PART NUMBER	QTY	DESCRIPTION	REV
	1001185596	Ref	TIRE & WHEEL INSTALLATION	A
		Ref	Note: Assemblies may require ballast/foam filling to manufacturer's specifications prior to installing on a machine. Refer to Operation and Safety or Service and Maintenance Manuals.	
		Ref	Note: Purchase individual tire and/or rim only if able to foam fill tire and wheel assembly, otherwise, purchase complete assembly.	
1	1001181795	Ref	Tire and Wheel Assembly (LH Side)	D
1	1001181796	Ref	Tire and Wheel Assembly (RH Side)	D
102	4520288	4	Tire - IN355-55 D625	
103	4641122	4	Valve	
104	1001181797	4	Rim, Wheel	

SECTION 1 - FRAME

FIGURE 1-14. TIRE & WHEEL INSTALLATION - IN355-55 D625 FOAM FILLED NON-MARKING
(AVAILABLE ON ALL SPECS)



ART_1001185597

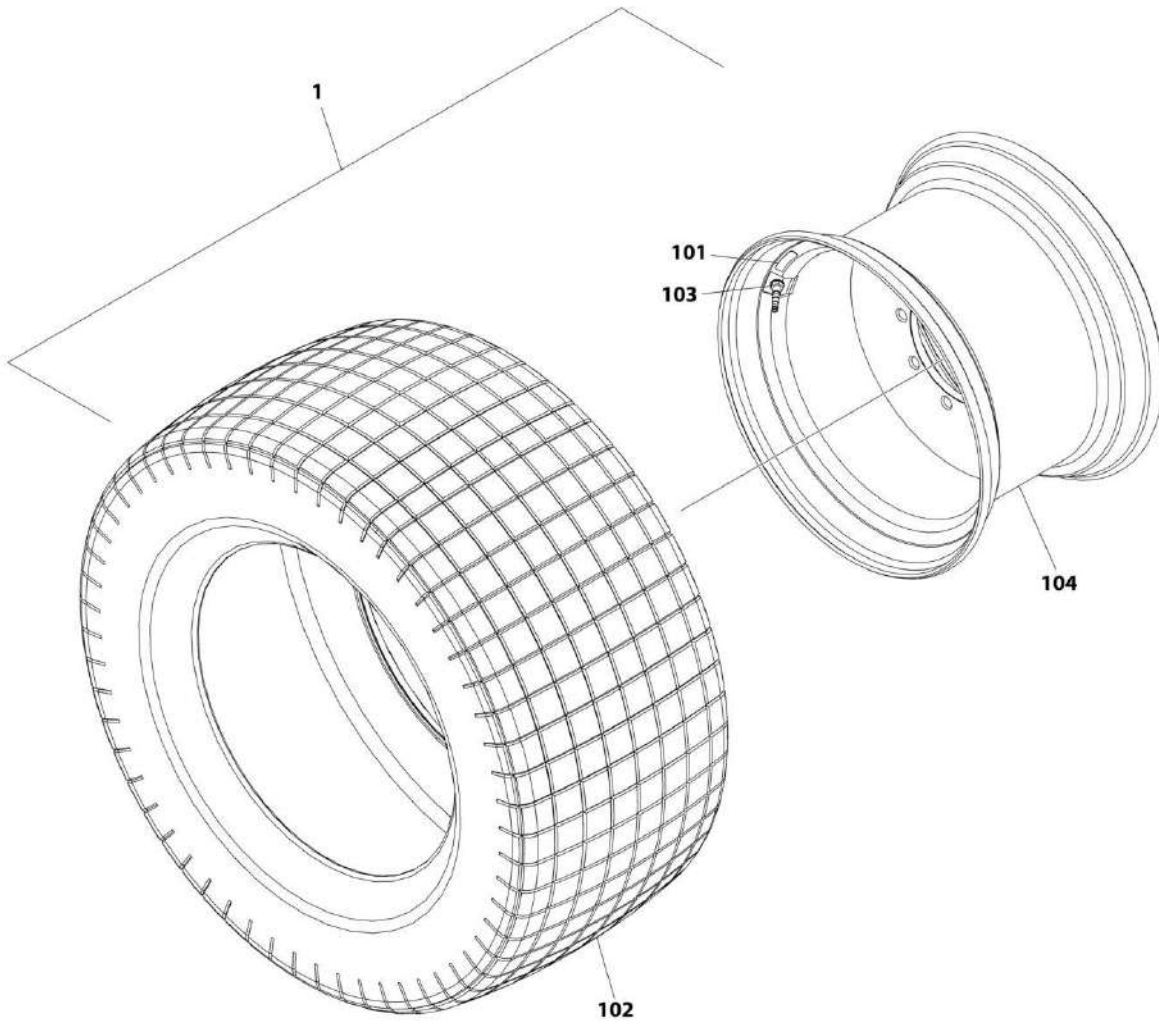
SECTION 1 - FRAME

**FIGURE 1-14. TIRE & WHEEL INSTALLATION - IN355-55 D625 FOAM FILLED NON-MARKING
(AVAILABLE ON ALL SPECS)**

ITEM	PART NUMBER	QTY	DESCRIPTION	REV
	1001185597	Ref	TIRE & WHEEL INSTALLATION	A
		Ref	Note: Assemblies may require ballast/foam filling to manufacturer's specifications prior to installing on a machine. Refer to Operation and Safety or Service and Maintenance Manuals.	
		Ref	Note: Purchase individual tire and/or rim only if able to foam fill tire and wheel assembly, otherwise, purchase complete assembly.	
1	1001184727	Ref	Tire and Wheel Assembly (RH Side)	E
1	1001184728	1	Tire and Wheel Assembly (LH Side)	E
102	1001184881	4	Tire - IN355-55 D625	
103	4641122	4	Valve	
104	1001181797	4	Rim, Wheel	

SECTION 1 - FRAME

FIGURE 1-15. TIRE & WHEEL INSTALLATION - 41-18LL X 22.5 PNEUMATIC TURF & SAND
(AVAILABLE ON ALL SPECS EXCEPT AUSTRALIAN, CE & CHINA SPECS)



ART_1001223671

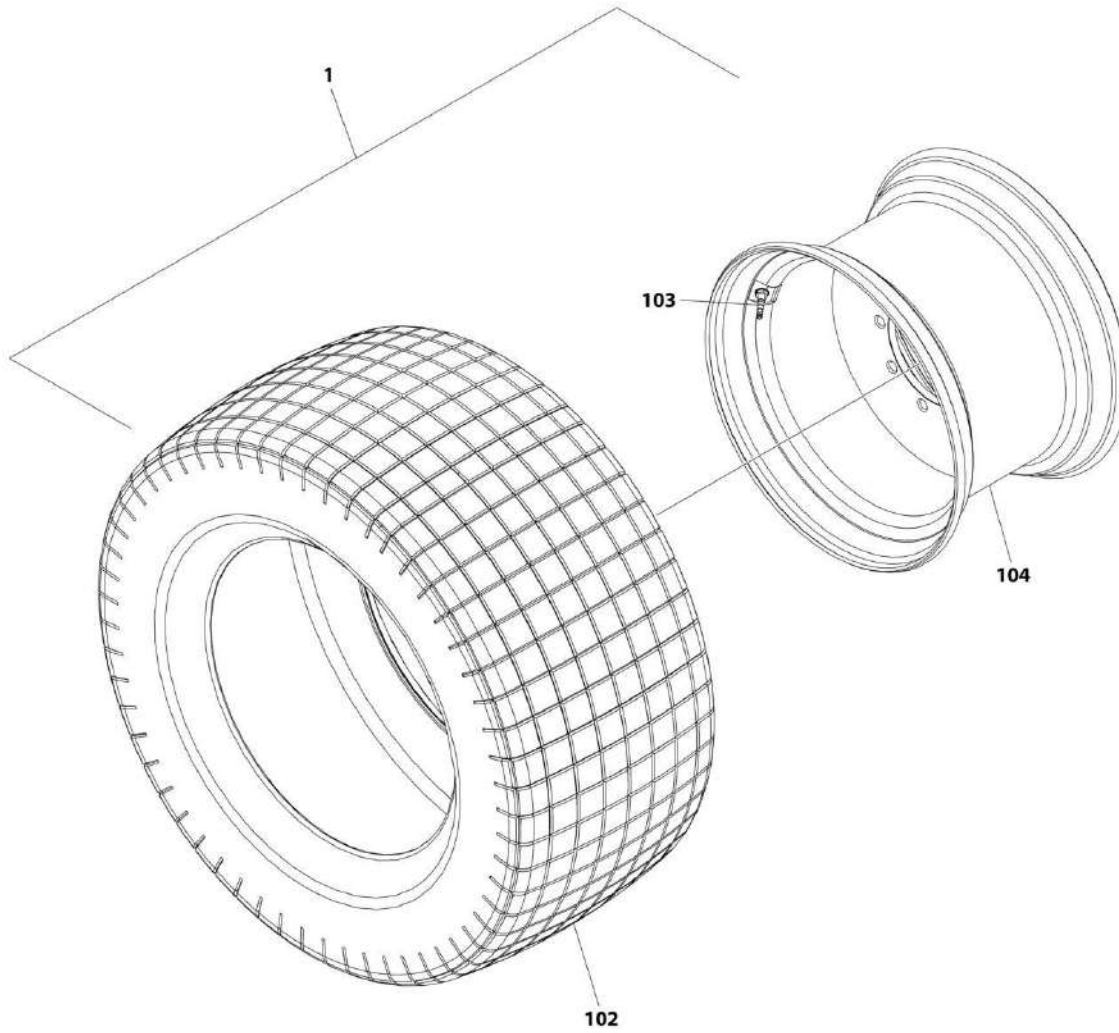
SECTION 1 - FRAME

**FIGURE 1-15. TIRE & WHEEL INSTALLATION - 41-18LL X 22.5 PNEUMATIC TURF & SAND
(AVAILABLE ON ALL SPECS EXCEPT AUSTRALIAN, CE & CHINA SPECS)**

ITEM	PART NUMBER	QTY	DESCRIPTION	REV
	1001223671	Ref	TIRE AND WHEEL INSTALLATION	A
		Ref	Note: Not Available on Shipyard Machines.	
		Ref	Note: Turf/Sand Tires Required Additional Chassis Counterweight. See SPECIAL OPTIONS SECTION Before Installing this Option.	
1	1001223672	Ref	Tire and Wheel Assembly - Turf and Sand	A
101	1701643	4	Decal - Tire Pressure	
102	4520256	4	Tire - 41-18LL x 22.5	
103	4641122	4	Valve	
104	1001208017	4	Rim, Wheel	

SECTION 1 - FRAME

FIGURE 1-16. TIRE & WHEEL INSTALLATION - 41-18LL X 22.5 FOAM FILLED TURF & SAND (AVAILABLE ON ALL SPECS EXCEPT AUSTRALIAN & CE SPECS)



ART_1001216195

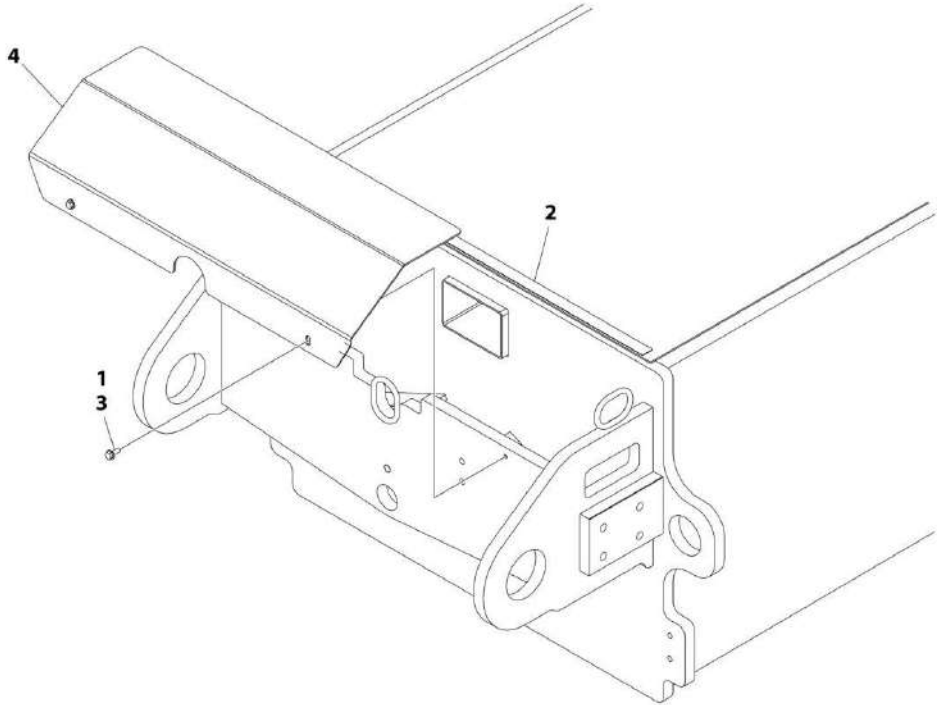
SECTION 1 - FRAME

**FIGURE 1-16. TIRE & WHEEL INSTALLATION - 41-18LL X 22.5 FOAM FILLED TURF & SAND
(AVAILABLE ON ALL SPECS EXCEPT AUSTRALIAN & CE SPECS)**

ITEM	PART NUMBER	QTY	DESCRIPTION	REV
	1001216195	Ref	TIRE & WHEEL INSTALLATION	A
		Ref	Note: Not Available on Shipyard Machines.	
		Ref	Note: Turf/Sand Tires Required Additional Chassis Counterweight. See SPECIAL OPTIONS SECTION Before Installing this Option.	
		Ref	Note: Assemblies may require ballast/foam filling to manufacturer's specifications prior to installing on a machine. Refer to Operation and Safety or Service and Maintenance Manuals.	
		Ref	Note: Purchase individual tire and/or rim only if able to foam fill tire and wheel assembly, otherwise, purchase complete assembly.	
1	1001216196	Ref	Tire and Wheel Assembly - Turf and Sand	B
102	4520256	4	Tire - 41-18LL x 22.5	
103	4641122	4	Valve	
104	1001208017	4	Rim, Wheel	

SECTION 1 - FRAME

FIGURE 1-17. FRAME COVERS INSTALLATION - 2WS



ART_1001187864

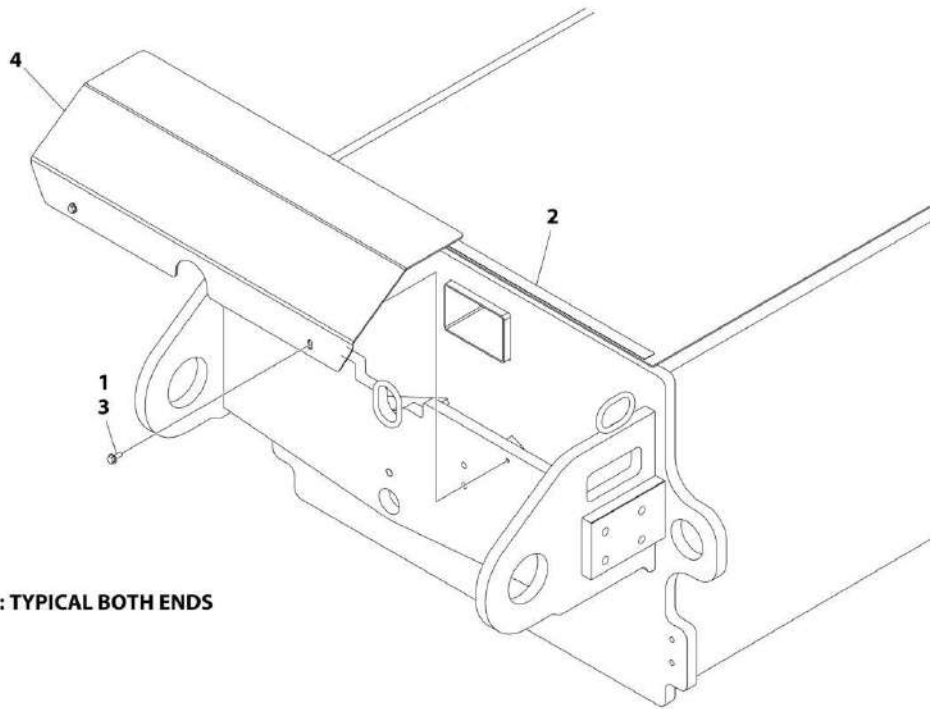
SECTION 1 - FRAME

FIGURE 1-17. FRAME COVERS INSTALLATION - 2WS

ITEM	PART NUMBER	QTY	DESCRIPTION	REV
	1001187864	Ref	FRAME COVERS INSTALLATION	B
1	0100011	AR	Compound, Locking	
2	4280296	32 in/ 80cm	Tape	
3	5250810	2	Bolt M8 x 20	
4	1001187870	1	Cover	

SECTION 1 - FRAME

FIGURE 1-18. FRAME COVERS INSTALLATION - 4WS



ART_1001187866

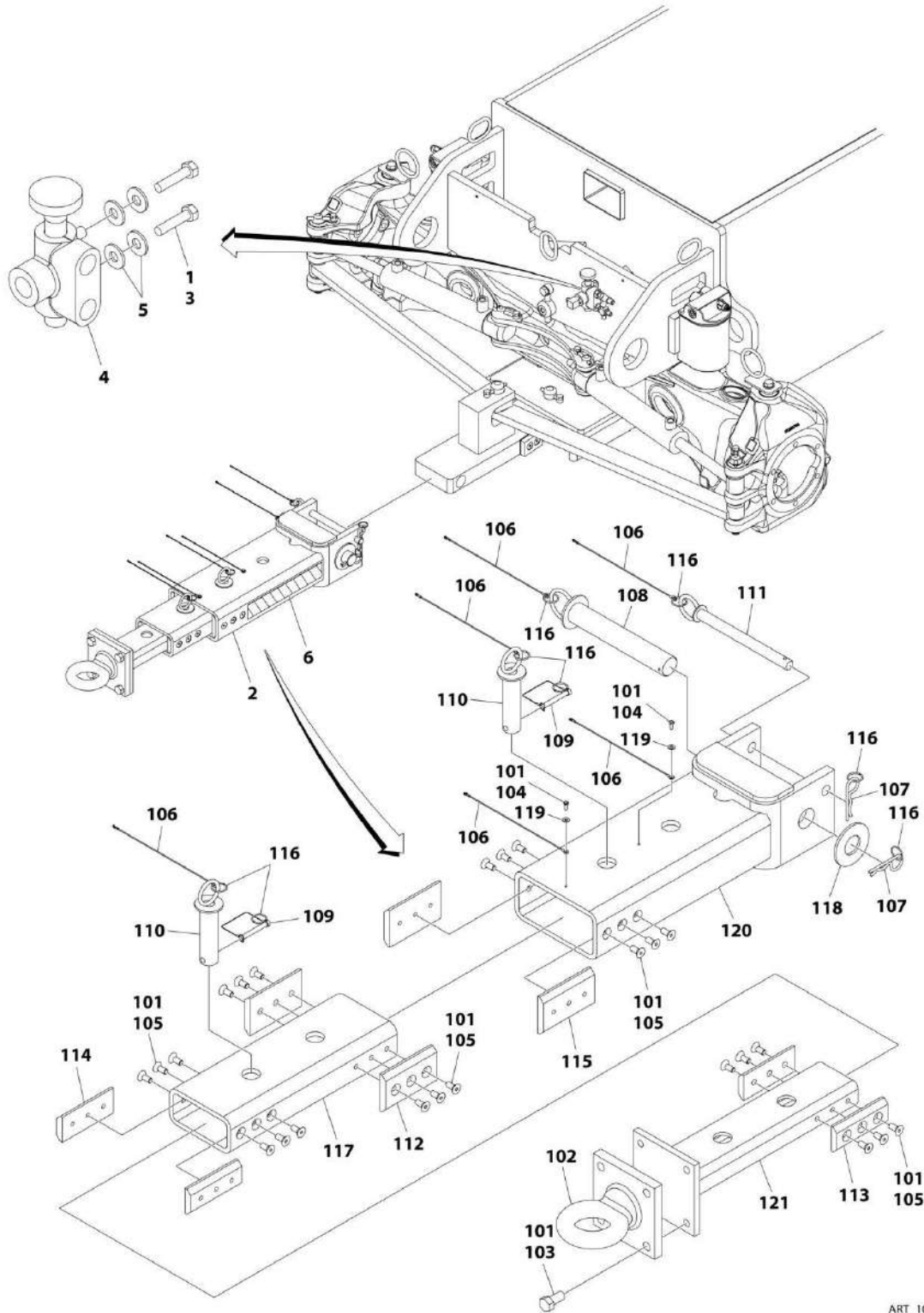
SECTION 1 - FRAME

FIGURE 1-18. FRAME COVERS INSTALLATION - 4WS

ITEM	PART NUMBER	QTY	DESCRIPTION	REV
	1001187866	Ref	FRAME COVERS INSTALLATION	B
	1001187864	Ref	FRAME COVERS INSTALLATION	B
1	0100011	AR	Compound, Locking	
2	4280296	64 in/ 160cm	Tape	
3	5250810	4	Bolt M8 x 20	
4	1001187870	2	Cover	

SECTION 1 - FRAME

FIGURE 1-19. TOW BAR INSTALLATION (OPTIONAL)



ART_1001188893

SECTION 1 - FRAME

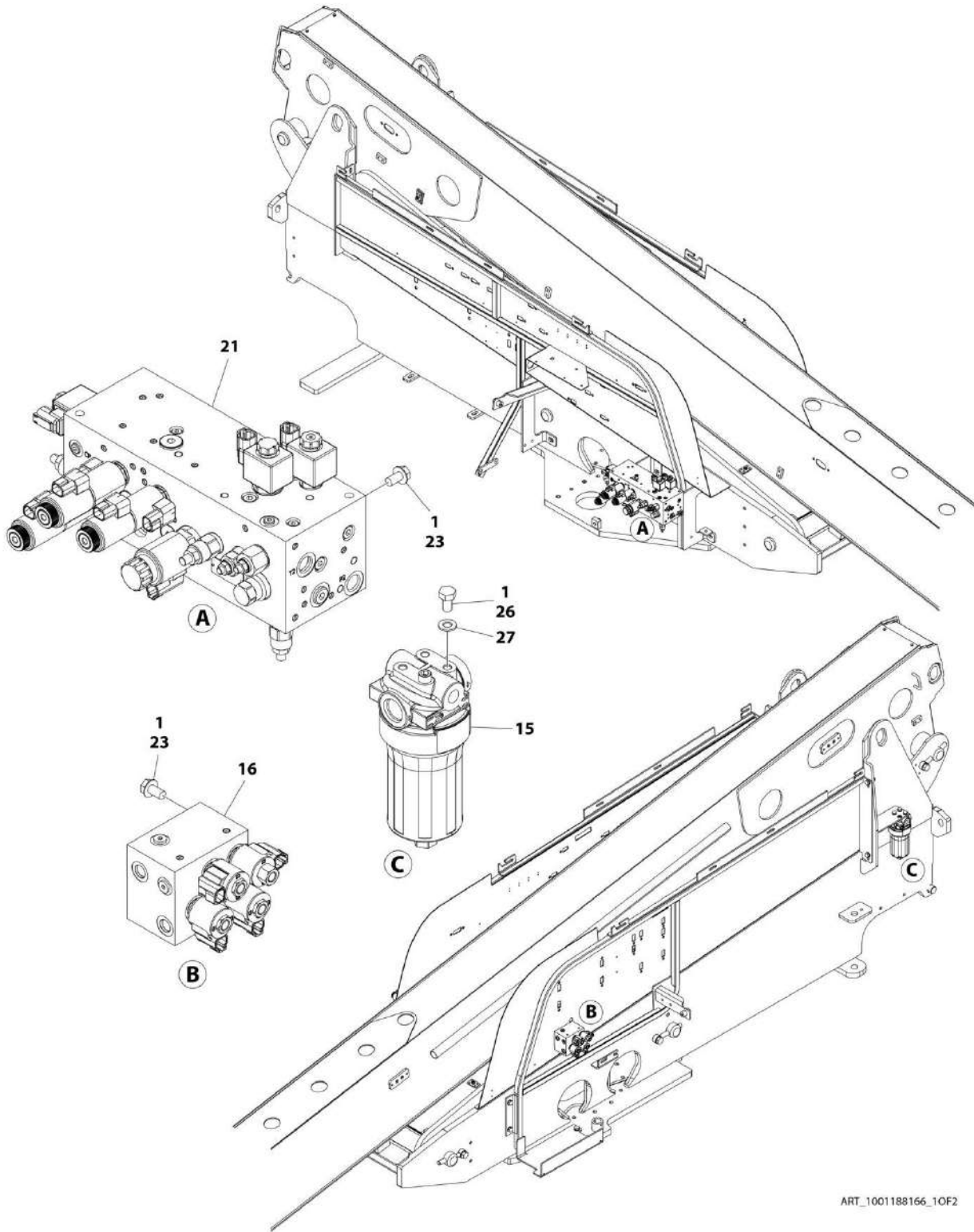
FIGURE 1-19. TOW BAR INSTALLATION (OPTIONAL)

ITEM	PART NUMBER	QTY	DESCRIPTION	REV
	1001188893	Ref	TOW BAR INSTALLATION	B
		Ref	USA Built Machines:	
	1001150571	Ref	ANSI Spec	D
	1001150570	Ref	CSA Spec	D
	1001150569	Ref	CE Spec	A
		Ref	China Built Machines:	
	1001150571	Ref	ANSI Export Spec	D
1	0100011	AR	Compound, Locking	
2	0270528	1	Tow Bar Assembly (See Items 101-121 for Breakdown)	
3	0641511	2	Bolt 5/6 x 1-3/8	
4	4640261	1	Valve, Select	
5	4751500	4	Washer 5/16	
6	4420051	2 ft/.61m	Tape, Safety	
	0270528	Ref	Tow Bar Assembly	A
101	0100011	AR	Compound, Locking	
102	0362910	1	Pintle, Draw Eye	
103	0642010	4	Bolt 5/8 x 1-1/4	
104	0721004	2	Screw	
105	0741607	24	Screw 3/8 x 7/8	
106	1060584	6	Lanyard	
107	3420372	2	Pin, Cotter	
108	3420447	1	Pin	
109	3421565	2	Snap - Pin	
110	3422841	2	Pin	
111	3422847	1	Pin	
112	3572009	2	Plate, Slide Stop	
113	3572010	2	Plate, Slide Stop	
114	3572011	2	Plate, Slide Stop	
115	3572012	2	Plate, Slide Stop	
116	3760170	8	Ring, Split	
117	4568133	1	Tube, Tow Bar	
118	4740036	1	Washer	
119	4751000	2	Washer #10	
120	4846295	1	Tube, Tow Bar Attach	
121	4846296	1	Tube, Pintle Attach	

SECTION 2 - TURNTABLE

SECTION 2 - TURNTABLE

FIGURE 2-1. VALVE INSTALLATION - 600S WITH 2WS



ART_1001188166_10F2

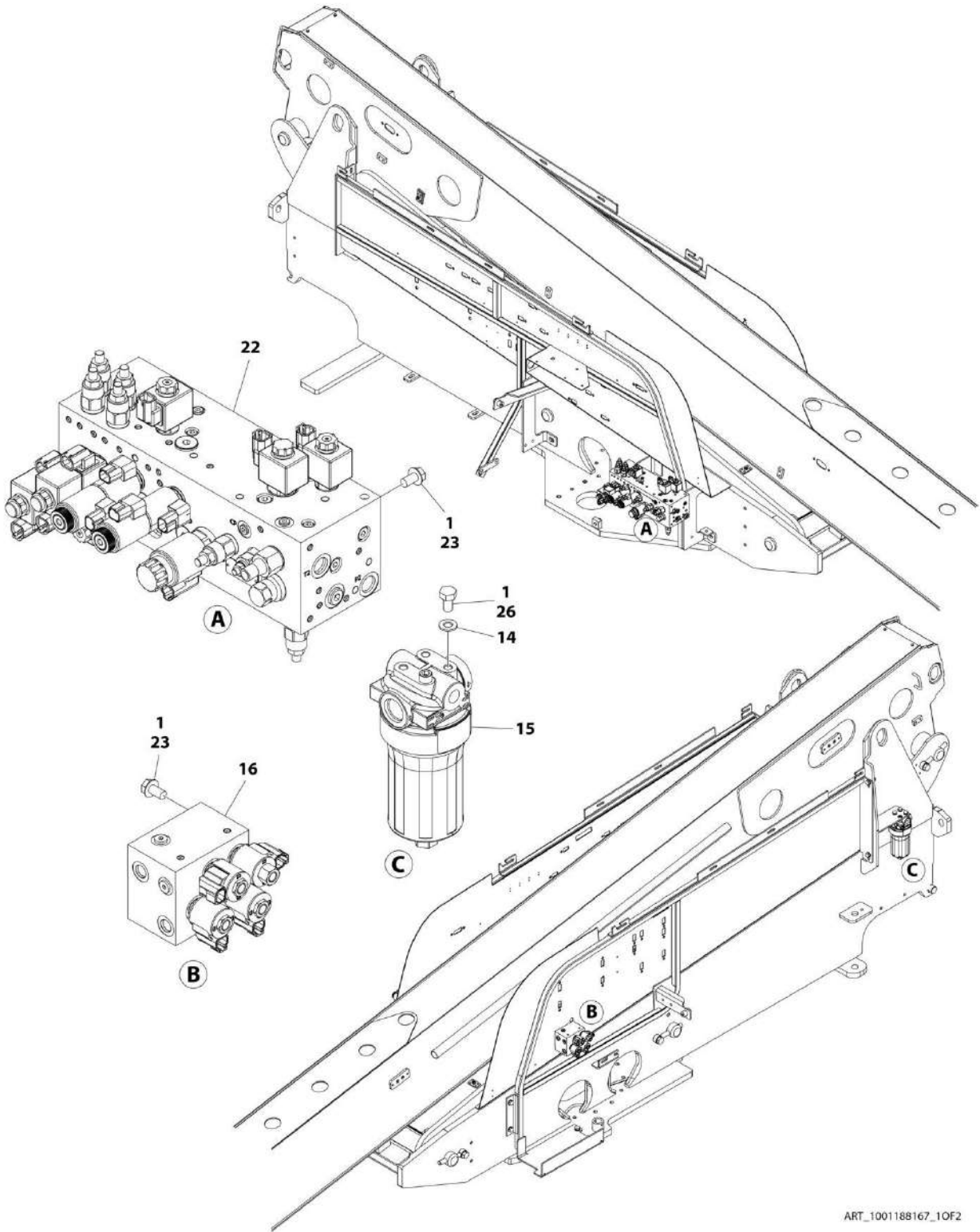
SECTION 2 - TURNTABLE

FIGURE 2-1. VALVE INSTALLATION - 600S WITH 2WS

ITEM	PART NUMBER	QTY	DESCRIPTION	REV
	1001188166	Ref	VALVE INSTALLATION	G
1	0100011	AR	Compound, Locking	
15	1001208874	1	Filter, Hydraulic	
15	70010383	1	Element, Filter	
16	1001162538	1	Axle Valve Assembly (See Separate Breakdown in this Section)	
21	1001190169	1	Main Valve Assembly (See Separate Breakdown in this Section)	
23	5251009	6	Bolt M10 x 18	
26	0761009	3	Bolt M10 x 18	
27	4812000	3	Washer M10	

SECTION 2 - TURNTABLE

FIGURE 2-2. VALVE INSTALLATION - 600S WITH 4WS



ART_1001188167_10F2

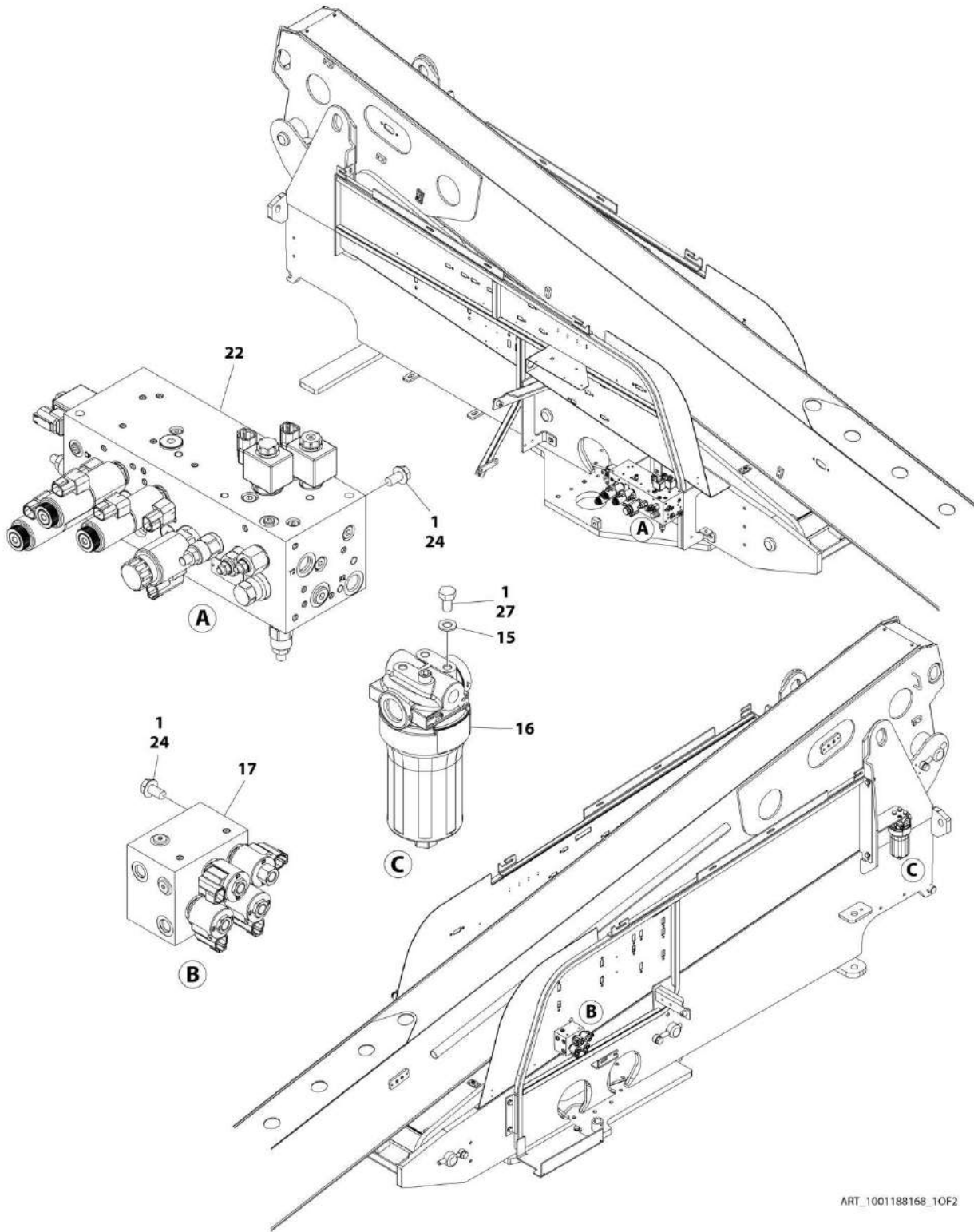
SECTION 2 - TURNTABLE

FIGURE 2-2. VALVE INSTALLATION - 600S WITH 4WS

ITEM	PART NUMBER	QTY	DESCRIPTION	REV
	1001188167	Ref	VALVE INSTALLATION	G
1	0100011	AR	Compound, Locking	
14	4812000	3	Washer M10	
15	1001208874	1	Filter, Hydraulic	
15	70010383	1	Element, Filter	
16	1001162538	1	Axle Valve Assembly (See Separate Breakdown in this Section)	
22	1001190326	1	Main Valve Assembly (See Separate Breakdown in this section)	
23	5251009	6	Bolt M10 x 18	
26	0761009	3	Bolt M10 x 18	

SECTION 2 - TURNTABLE

FIGURE 2-3. VALVE INSTALLATION - 660SJ WITH 2WS



ART_1001188168_10F2

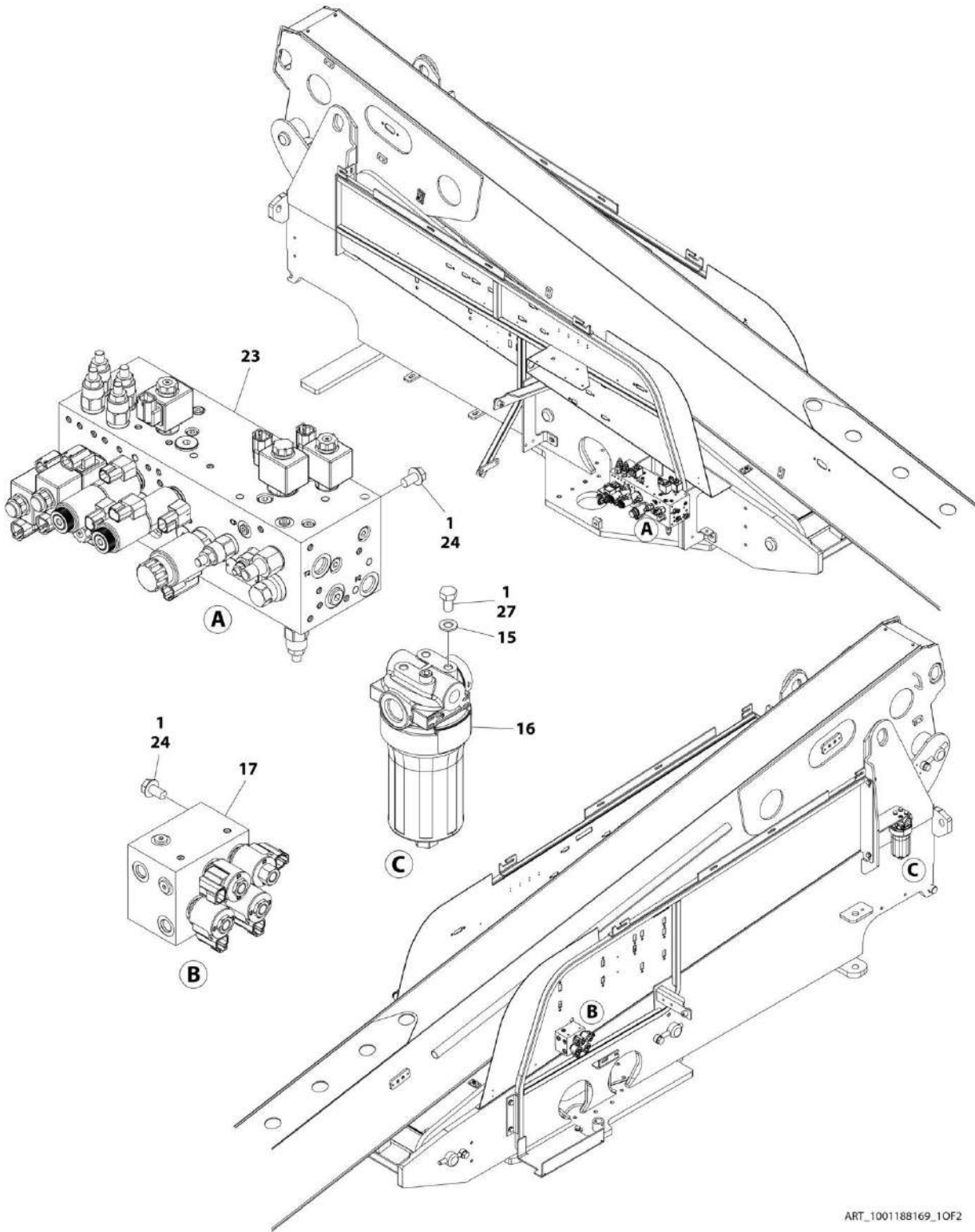
SECTION 2 - TURNTABLE

FIGURE 2-3. VALVE INSTALLATION - 660SJ WITH 2WS

ITEM	PART NUMBER	QTY	DESCRIPTION	REV
	1001188168	Ref	VALVE INSTALLATION	G
1	0100011	AR	Compound, Locking	
15	4812000	3	Washer M10	
16	1001208874	1	Filter, Hydraulic	
16	70010383	1	Element, Filter	
17	1001162538	1	Axle Valve Assembly (See Separate Breakdown in this Section)	
22	1001190169	1	Main Valve Assembly (See Separate Breakdown in this Section)	
24	5251009	6	Bolt M10 x 18	
27	0761009	3	Bolt M10 x 18	

SECTION 2 - TURNTABLE

FIGURE 2-4. VALVE INSTALLATION - 660SJ WITH 4WS



ART_1001188169_10F2

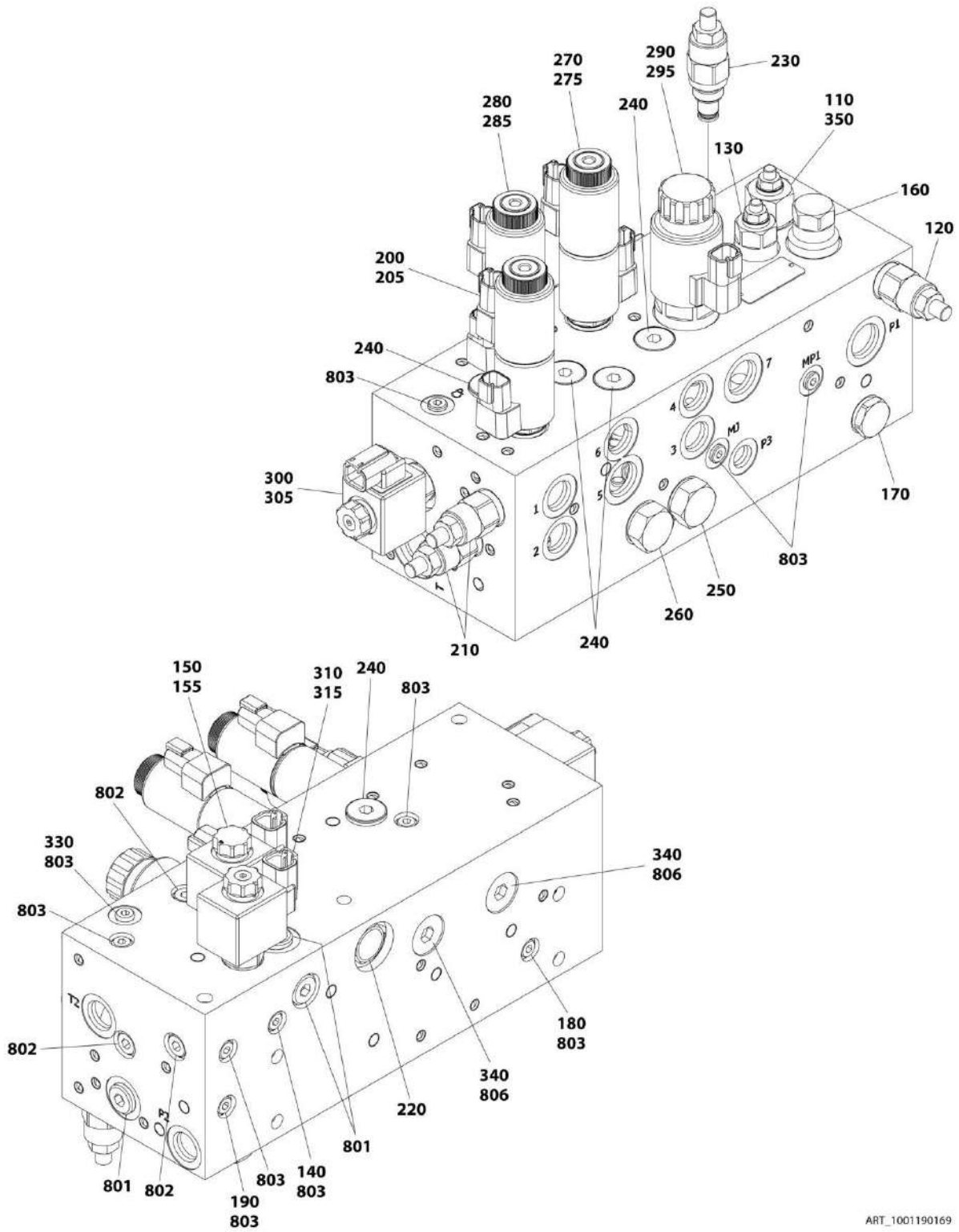
SECTION 2 - TURNTABLE

FIGURE 2-4. VALVE INSTALLATION - 660SJ WITH 4WS

ITEM	PART NUMBER	QTY	DESCRIPTION	REV
	1001188169	Ref	VALVE INSTALLATION	G
1	0100011	AR	Compound, Locking	
15	4812000	3	Washer M10	
16	1001208874	1	Filter, Hydraulic	
16	70010383	1	Element, Filter	
17	1001162538	1	Axle Valve Assembly (See Separate Breakdown in this Section)	
23	1001190326	1	Main Valve Assembly (See Separate Breakdown in this Section)	
24	5251009	6	Bolt M10 x 18	
27	0761009	3	Bolt M10 x 18	

SECTION 2 - TURNTABLE

FIGURE 2-5. MAIN VALVE ASSEMBLY - 2WS



ART_1001190169

SECTION 2 - TURNTABLE

FIGURE 2-5. MAIN VALVE ASSEMBLY - 2WS

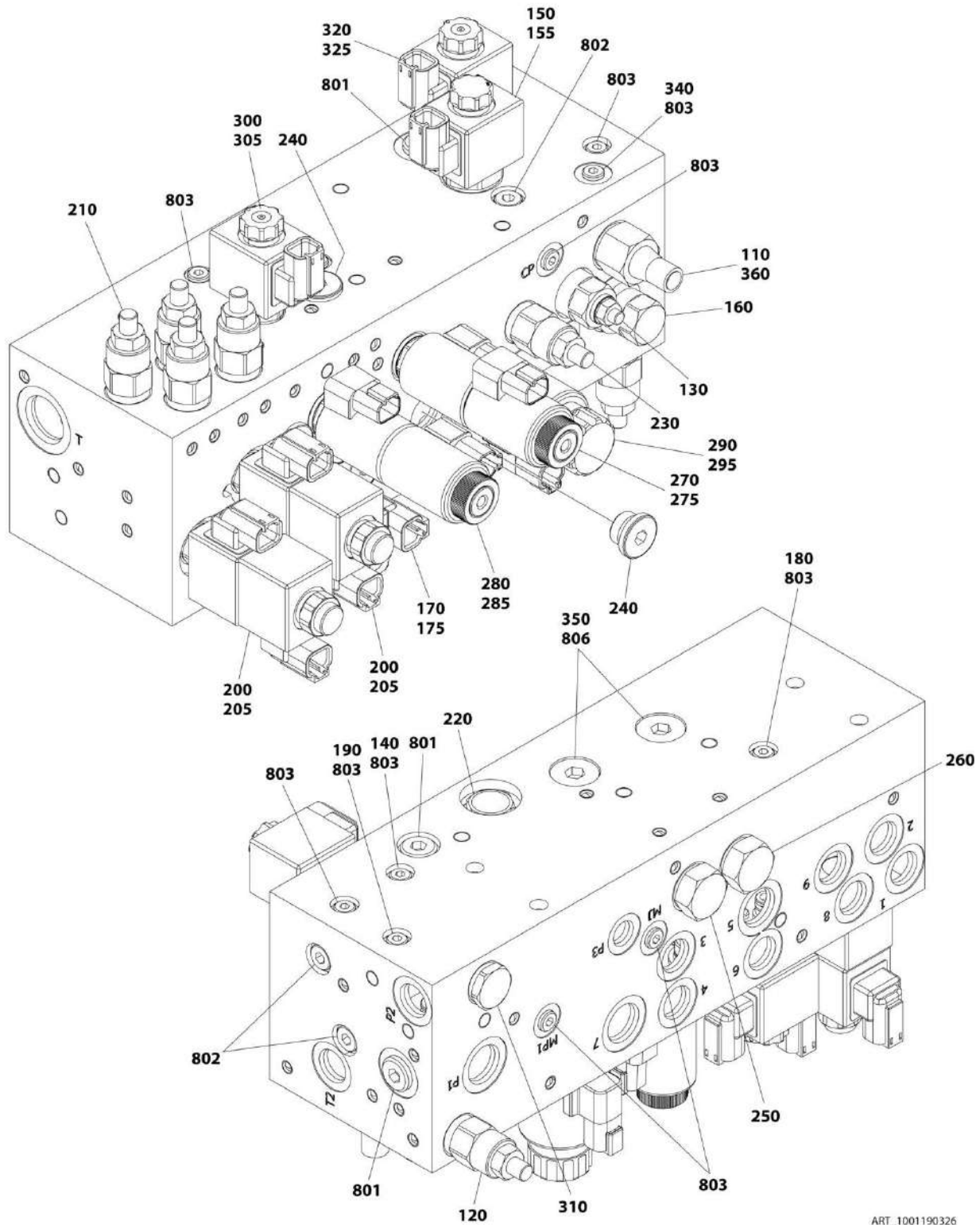
ITEM	PART NUMBER	QTY	DESCRIPTION	REV
	1001190169	Ref	MAIN VALVE ASSEMBLY	F
110	70006109	1	Valve, Flow/Pressure Control	
110	70004656	1	Seal Kit - 70006109 Valve	
120	70003019	1	Valve, Relief	
120	70004052	1	Seal Kit - 70003019 Valve	
130	70004607	1	Valve, Relief	
130	70004602	1	Seal Kit - 70004607 Valve	
140	70004668	1	Orifice	
150	70006111	1	Valve, Solenoid Without Coil	
150	70004584	1	Seal Kit - 70006111 Valve	
150	70004051	1	Coil Nut & Pole Tube O-Ring Kit	
155	70004653	1	Coil	
160	70006112	1	Valve, Load Sense	
160	70006113	1	Seal Kit - 70006112 Valve	
170	70005952	1	Valve, Check	
170	70004052	1	Seal Kit - 70005952 Valve	
180	7022527	1	Orifice 2mm	
190	7022527	1	Orifice 2mm	
200	70004659	1	Valve, Solenoid Without Coil (Steer)	
200	70004660	1	Seal Kit	
200	70004661	1	Nut, Coil	
200	70024457	1	O-Ring at Coil Nut	
200	70004662	1	O-Ring at Bottom of Pole Tube	
205	80434249	2	Coil	
210	70003019	2	Valve, Relief	
210	70004052	2	Seal Kit - 70003019 Valve	
220	70003027	1	Valve, Flow/Pressure Control	
220	70004052	1	Seal Kit - 70003027 Valve	
230	70003019	1	Valve, Relief	
230	70004052	1	Seal Kit - 70003019 Valve	
240	70023859	5	Valve, Relief	
240	70023860	5	Seal Kit - 70023859 Valve	
250	70006114	1	Valve, Pressure Compensator	
250	70004656	1	Seal Kit - 70006114 Valve	
260	70006114	1	Valve, Pressure Compensator	
260	70004656	1	Seal Kit - 70006114 Valve	
270	70006115	1	Valve, Solenoid Without Coil (Swing)	
270	70006116	1	Seal Kit - 70006115 Valve	
270	70004661	1	Nut, Coil	
270	70024457	1	O-Ring at Coil Nut	
270	70004662	1	O-Ring at Bottom of Pole Tube	
275	80434249	2	Coil	
280	70006117	1	Valve, Solenoid Without Coil (Tele)	
280	70006116	1	Seal Kit - 70006117 Valve	
280	70004661	1	Nut, Coil	
280	70024457	1	O-Ring at Coil Nut	
280	70004662	1	O-Ring at Bottom of Pole Tube	
285	80434249	2	Coil	
290	70004657	1	Valve, Solenoid (Lift)	
290	70004594	1	Seal Kit - 70004657 Valve	

SECTION 2 - TURNTABLE

ITEM	PART NUMBER	QTY	DESCRIPTION	REV
290	70004597	1	Nut, Coil	
290	70004596	1	O-Ring at Coil Nut	
295	70004595	1	Coil	
300	70004598	1	Valve, Solenoid (Lift)	
300	70004055	1	Seal Kit - 70004598 Valve	
300	70005947	1	Coil Nut & Pole Tube O-Ring Kit	
305	70004653	1	Coil	
310	70006118	1	Valve, Solenoid (Lift)	
310	70004052	1	Seal Kit - 70006118 Valve	
310	70004051	1	Coil Nut & Pole Tube O-Ring Kit	
315	70004653	1	Coil	
330	7023821	1	Orifice 0.8mm	
340	70006119	2	Valve, Check	
350	70006357	1	Orifice 4mm	
801	70002759	3	Plug	
802	70004617	3	Plug	
803	70002758	10	Plug	
806	70006120	2	Plug	

SECTION 2 - TURNTABLE

FIGURE 2-6. MAIN VALVE ASSEMBLY - 4WS



ART_1001190326

SECTION 2 - TURNTABLE

FIGURE 2-6. MAIN VALVE ASSEMBLY - 4WS

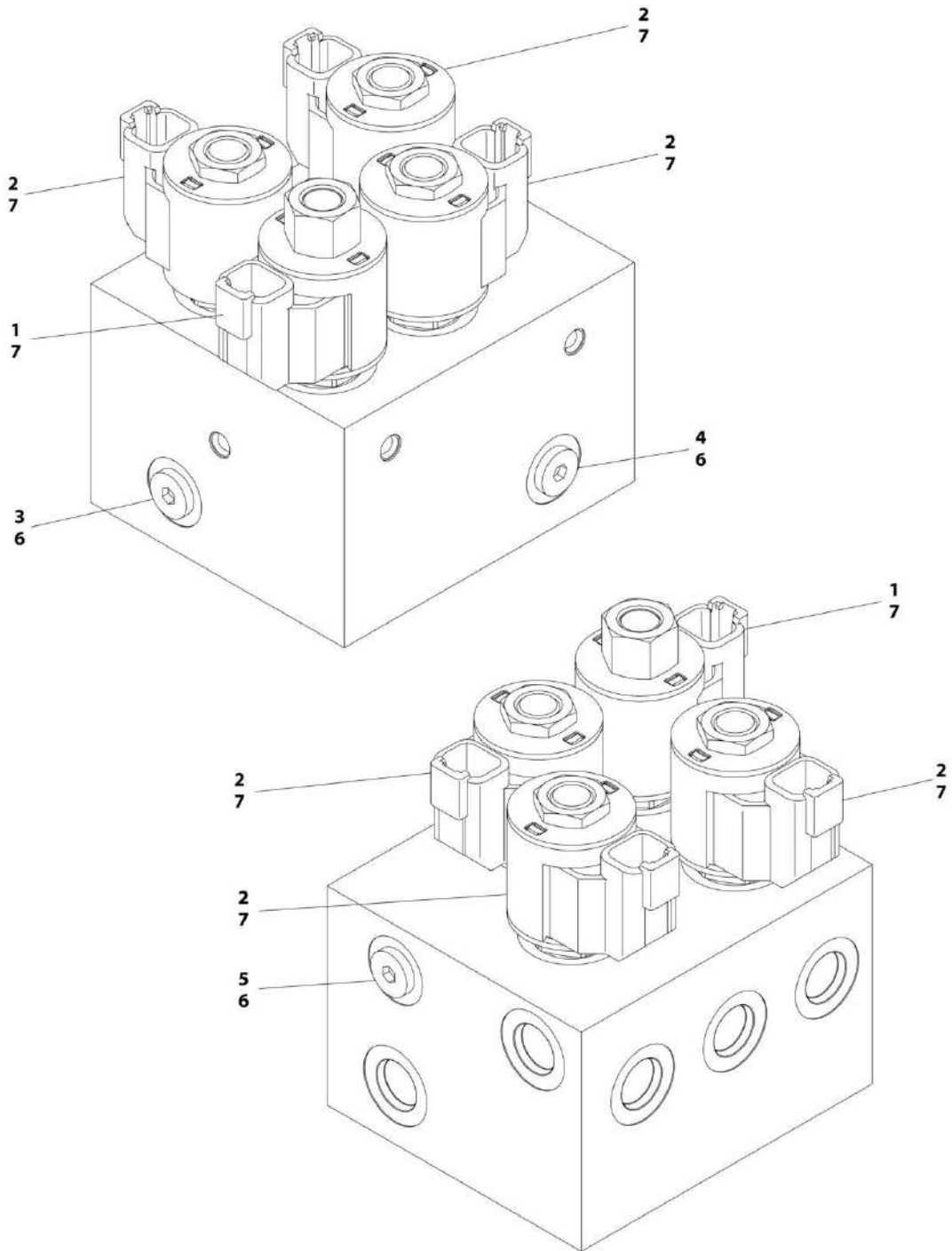
ITEM	PART NUMBER	QTY	DESCRIPTION	REV
	1001190326	Ref	MAIN VALVE ASSEMBLY	F
110	70006109	1	Valve, Flow/Pressure Control	
110	70004656	1	Seal Kit - 70006109 Valve	
120	70003019	1	Valve, Relief	
120	70004052	1	Seal Kit - 70003019 Valve	
130	70004607	1	Valve, Relief	
130	70004602	1	Seal Kit - 70004607 Valve	
140	70004668	1	Orifice	
150	70006111	1	Valve, Solenoid without Coil	
150	70004584	1	Seal Kit - 70006111 Valve	
150	70004051	1	Coil Nut & Pole Tube O-Ring Kit	
155	70004653	1	Coil	
160	70006112	1	Valve, Load Sense	
160	70006113	1	Seal Kit - 70006112 Valve	
170	70006128	1	Valve, Solenoid without Coil	
170	70004055	1	Seal Kit - 70006128 Valve	
170	70005947	1	Coil Nut & Pole Tube O-Ring Kit	
175	70004653	1	Coil	
180	7022527	1	Orifice 2mm	
190	7022527	1	Orifice 2mm	
200	70006124	2	Valve, Solenoid without Coil	
200	70004053	2	Seal Kit - 70006124 Valve	
200	70006123	2	Coil Nut & Pole Tube O-Ring Kit	
205	70004653	4	Coil	
210	70003019	4	Valve, Relief	
210	70004052	4	Seal Kit - 70003019 Valve	
220	70003027	1	Valve, Flow/Pressure Control	
220	70004052	1	Seal Kit - 70003027 Valve	
230	70003019	1	Valve, Relief	
230	70004052	1	Seal Kit - 70003019 Valve	
240	70023859	5	Valve, Relief	
240	70023860	5	Seal Kit - 70023859 Valve	
250	70006114	1	Valve, Pressure Compensator	
250	70004656	1	Seal Kit - 70006114 Valve	
260	70006114	1	Valve, Pressure Compensator	
260	70004656	1	Seal Kit - 70006114 Valve	
270	70006115	1	Valve, Solenoid without Coil (Swing)	
270	70006116	1	Seal Kit - 70006115 Valve	
270	70004661	1	Nut, Coil	
270	70024457	1	O-Ring at Coil Nut	
270	70004662	1	O-Ring at Bottom of Pole Tube	
275	80434249	2	Coil	
280	70006117	1	Valve, Solenoid without Coil (Tele)	
280	70006116	1	Seal Kit - 70006117 Valve	
280	70004661	1	Nut, Coil	
280	70024457	1	O-Ring at Coil Nut	
280	70004662	1	O-Ring at Bottom of Pole Tube	
285	80434249	2	Coil	
290	70004657	1	Valve, Solenoid (Lift)	
290	70004594	1	Seal Kit - 70004657 Valve	

SECTION 2 - TURNTABLE

ITEM	PART NUMBER	QTY	DESCRIPTION	REV
290	70004597	1	Nut, Coil	
290	70004596	1	O-Ring at Coil Nut	
295	70004595	1	Coil	
300	70004598	1	Valve, Solenoid (Lift)	
300	70004055	1	Seal Kit - 70004598 Valve	
300	70005947	1	Coil Nut & Pole Tube O-Ring Kit	
305	70004653	1	Coil	
310	70005952	1	Valve, Check	
310	70004052	1	Seal Kit - 70005952 Valve	
320	70006118	1	Valve, Solenoid (Lift)	
320	70004052	1	Seal Kit - 70006118 Valve	
320	70004051	1	Coil Nut & Pole Tube O-Ring Kit	
325	70004653	1	Coil	
340	7023821	1	Orifice .8mm	
350	70006119	2	Valve, Check	
360	70006357	1	Orifice 4mm	
801	70002759	3	Plug	
802	70004617	3	Plug	
803	70002758	11	Plug	
806	70006120	2	Plug	

SECTION 2 - TURNTABLE

FIGURE 2-7. AXLE VALVE ASSEMBLY



ART_1001162538

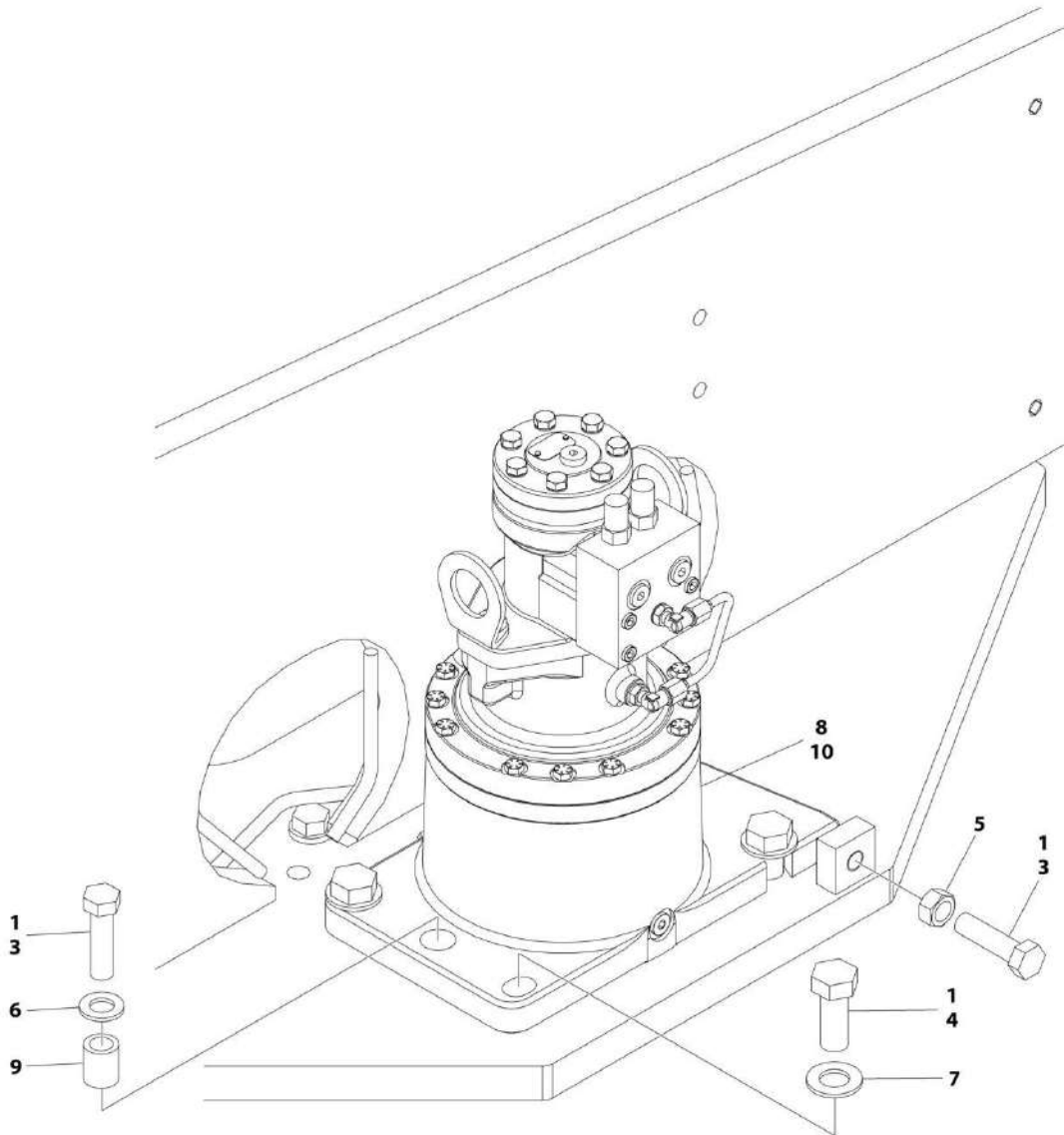
SECTION 2 - TURNTABLE

FIGURE 2-7. AXLE VALVE ASSEMBLY

ITEM	PART NUMBER	QTY	DESCRIPTION	REV
	1001162538	Ref	AXLE VALVE ASSEMBLY	D
1	7017410	1	Cartridge, Solenoid Valve Less Coil (Secondary Axle Release)	
1	7012967	1	Seal Kit - 7017410 Valve	
2	7012941	3	Cartridge, Solenoid Valve Less Coil (Brake Release, Primary Axle Release and 2 Speed)	
2	7010543	3	Seal Kit - 7012941 Valve	
3	70004883	1	Orifice	
4	70004884	1	Orifice	
5	70002063	1	Orifice	
6	2220883	3	Plug, O-Ring #4	
7	70002386	4	Coil	

SECTION 2 - TURNTABLE

FIGURE 2-8. SWING DRIVE INSTALLATION



ART_1001185842

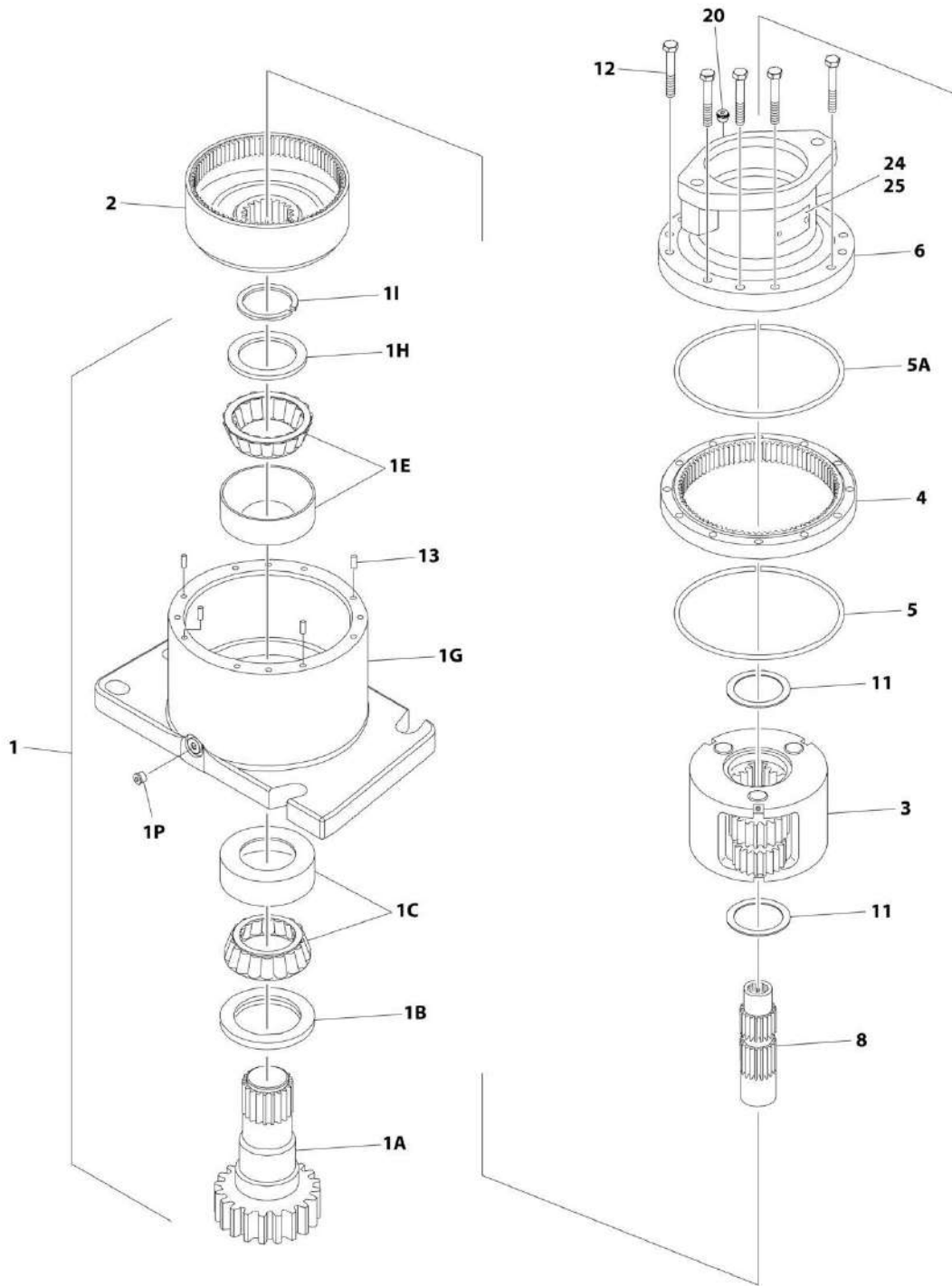
SECTION 2 - TURNTABLE

FIGURE 2-8. SWING DRIVE INSTALLATION

ITEM	PART NUMBER	QTY	DESCRIPTION	REV
	1001185842	Ref	SWING DRIVE INSTALLATION	B
1	0100019	AR	Compound, Locking	
3	0771620	2	Bolt M16 x 60	
4	0772018	4	Bolt M20 x 50	
5	3291601	1	Nut M16	
6	5241600	1	Washer M16	
7	5242000	4	Washer M20	
8	1001125492	1	Shim	
9	1001134543	1	Spacer	
10	1001187855	1	Swing Motor/Hub Assembly (See Separate Breakdown in this Section)	

SECTION 2 - TURNTABLE

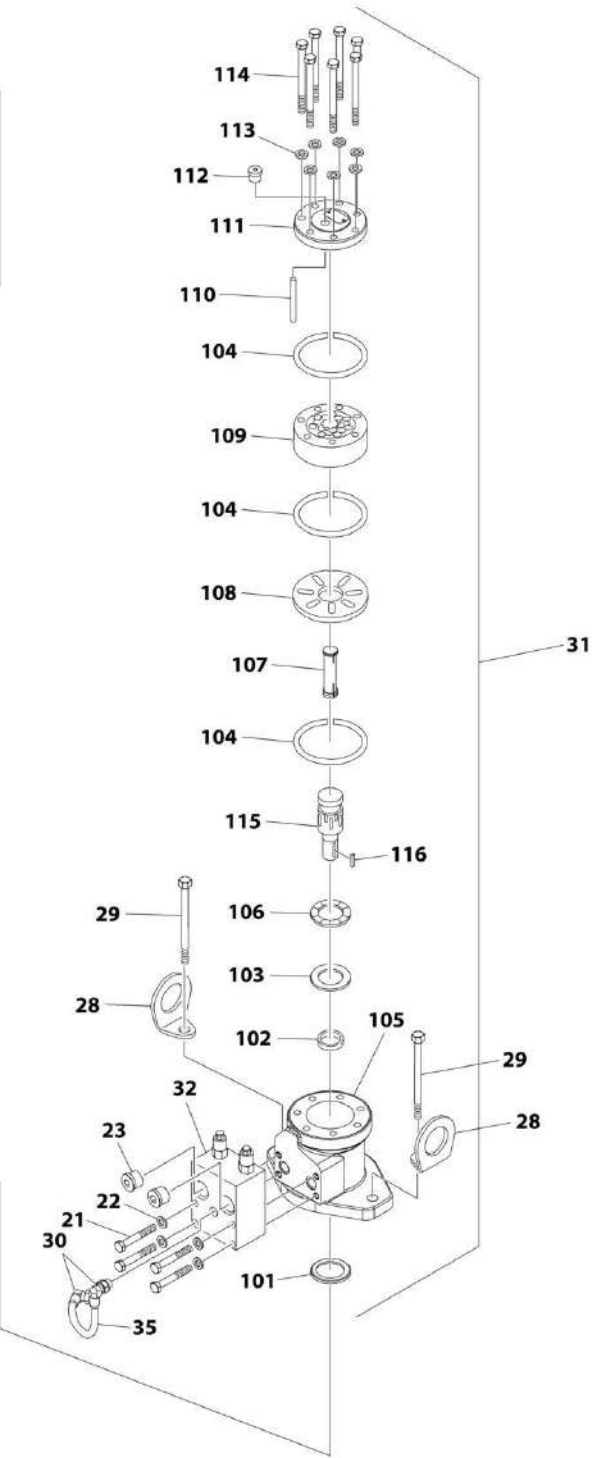
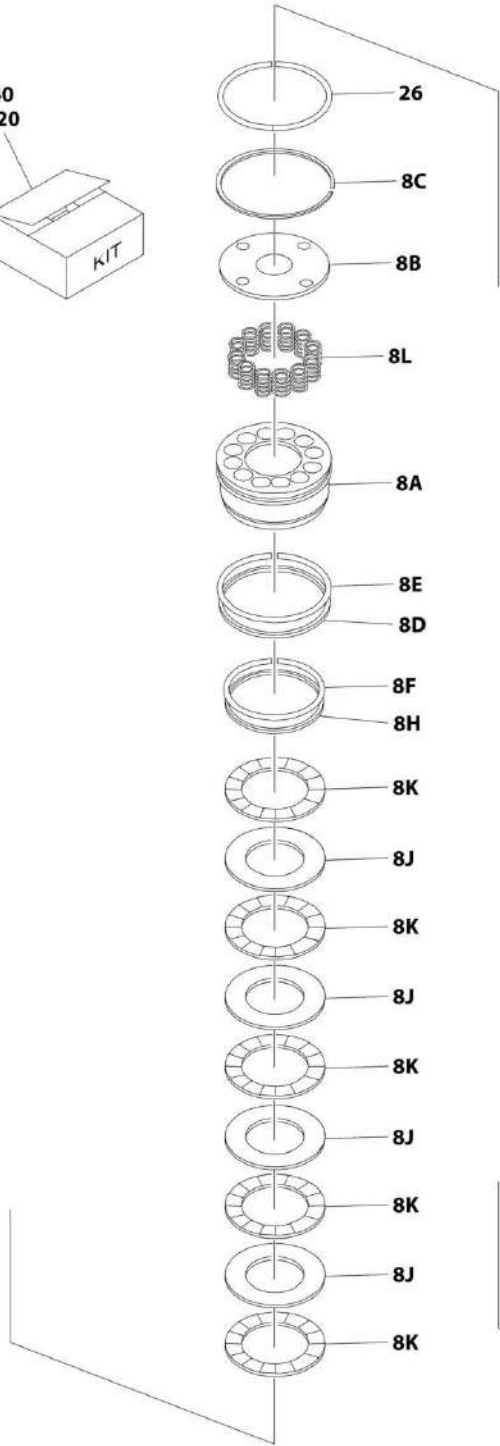
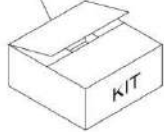
FIGURE 2-9. SWING MOTOR/HUB ASSEMBLY



ART_1001187855_10F2

SECTION 2 - TURNTABLE

40
120



ART_1001187855_20F2

SECTION 2 - TURNTABLE

FIGURE 2-9. SWING MOTOR/HUB ASSEMBLY

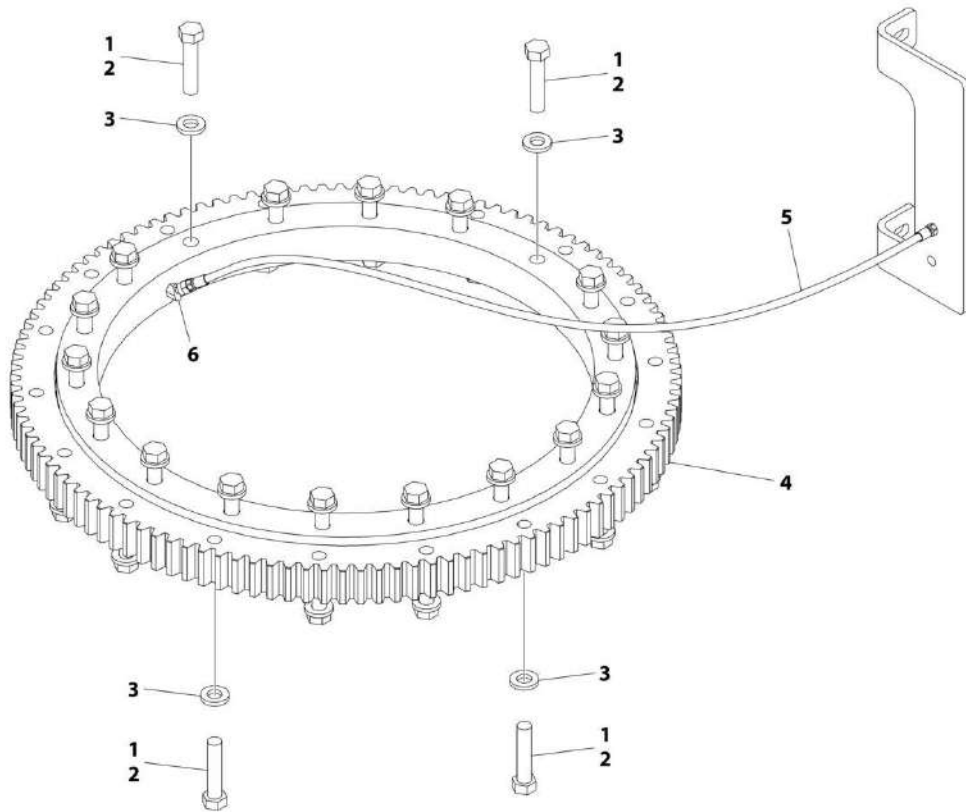
ITEM	PART NUMBER	QTY	DESCRIPTION	REV
	1001187855	Ref	SWING MOTOR/HUB ASSEMBLY	D
1	See Note	NSS	Housing/Shaft Assembly (Note: Not Available - Purchase Complete Swing Motor/Hub Assembly)	
1A	7010492	1	Shaft, Output	
1B	7000228	1	Seal, Lip	
1C	7000255	1	Bearing Kit (Includes Cup and Cone)	
1E	7000257	1	Bearing Kit (Includes Cup and Cone)	
1G	See Note	1	Housing (Note: Not Available for Purchase)	
1H	7007633	1	Thrustwasher	
1I	7000229	1	Ring, Retaining	
1P	7017072	1	Plug, Pipe	
2	7000246	1	Gear, Internal	
3	7000247	1	Carrier Assembly	
3A	7001931	1	Carrier	
3B	7001985	6	Washer, Tanged	
3C	7001909	96	Bearing, Needle	
3D	7000263	3	Thrustwasher	
3E	7001911	3	Shaft, Planet	
3F	7001912	3	Gear, Cluster	
3G	7010474	3	Roll Pin	
4	7000248	1	Gear, Ring	
5	7000230	1	O-Ring (Black)	
5A	7017070	1	O-Ring (White)	
6	See Note	NSS	Housing, Brake (Note: Not Available for Purchase)	
7	70005203	1	Gear, Sun	
8		Ref	Brake Components	
8A	70004037	1	Piston, Brake	
8B	7024743	1	Plate, Pressure	
8C	70004039	1	Ring, Retaining	
8D	70004041	1	O-Ring	
8E	70004044	1	Ring, Back-up	
8F	70004042	1	O-Ring	
8H	70004043	1	Ring, Back-up	
8J	See Note	NSS	Rotor, Brake (Note: Use p/n 70002085)	
8K	See Note	NSS	Stator, Brake (Note: Use p/n 70002085)	
8L	70002066	7	Spring, Brake	
11	7000253	2	Thrustwasher	
12	7000217	12	Bolt, 5/16 x 2-1/4 Grade 8	
13	7017080	4	Pin, Dowel	
20	7017072	1	Plug, Pipe	
21	7024704	4	Bolt 5/16 x 2 Grade 8	
22	70004045	4	Lockwasher	
23	7017023	2	Plug, Pipe	
24	See Note	NSS	Plate, ID (Note: Not Available for Purchase)	
25	See Note	NSS	Rivet	
26	7024763	1	O-Ring	
28	See Note	NSS	Lug, Lifting (Note: Not Available for Purchase)	
29	70004040	2	Bolt 1/2 x 1-1/2 Grade 8	
30	7017085	2	Elbow	
31	70006304	1	Motor Assembly (See Items 101-120 for Breakdown)	

SECTION 2 - TURNTABLE

ITEM	PART NUMBER	QTY	DESCRIPTION	REV
32	7024784	1	Valve (No Serviceable Parts)	
33	7017082	1	Plug, Pipe (Not Shown)	
35	70004047	1	Tube	
40	7024100	1	Seal Kit - Hub (Includes Items 1B, 1I, 5, 5A & 11)	
	70006304	Ref	Motor Assembly	
101	See Note	NSS	Seal, Dust (Note: Use Item 120)	
102	See Note	NSS	Seal, Shaft (Note: Use Item 120)	
103	See Note	NSS	Thrustwasher (Note: Use Item 120)	
104	See Note	NSS	Seal, Ring (Note: Use Item 120)	
105	See Note	NSS	Housing (Note: Purchase Complete Assembly)	
106	70006306	1	Bearing, Thrust	
107	7005889	1	Link, Drive	
108	70006307	1	Plate, Wear	
109	70006310	1	Rotor Set	
110	7005891	1	Pin	
111	70006308	1	Cover, End	
112	See Note	NSS	Plug (Note: Purchase Complete Assembly)	
113	70006309	1	Washer Kit (Includes 7 Washers)	
114	70006313	1	Bolt Kit (Includes 7 Bolts)	
115	See Note	NSS	Shaft (Note: Purchase Complete Assembly)	
116	See Note	NSS	Key (Note: Purchase Complete Assembly)	
120	70006305	1	Seal Kit - Motor (Includes Items 101-104)	

SECTION 2 - TURNTABLE

FIGURE 2-10. TURNTABLE BEARING AND LUBE INSTALLATION



ART_1001185709

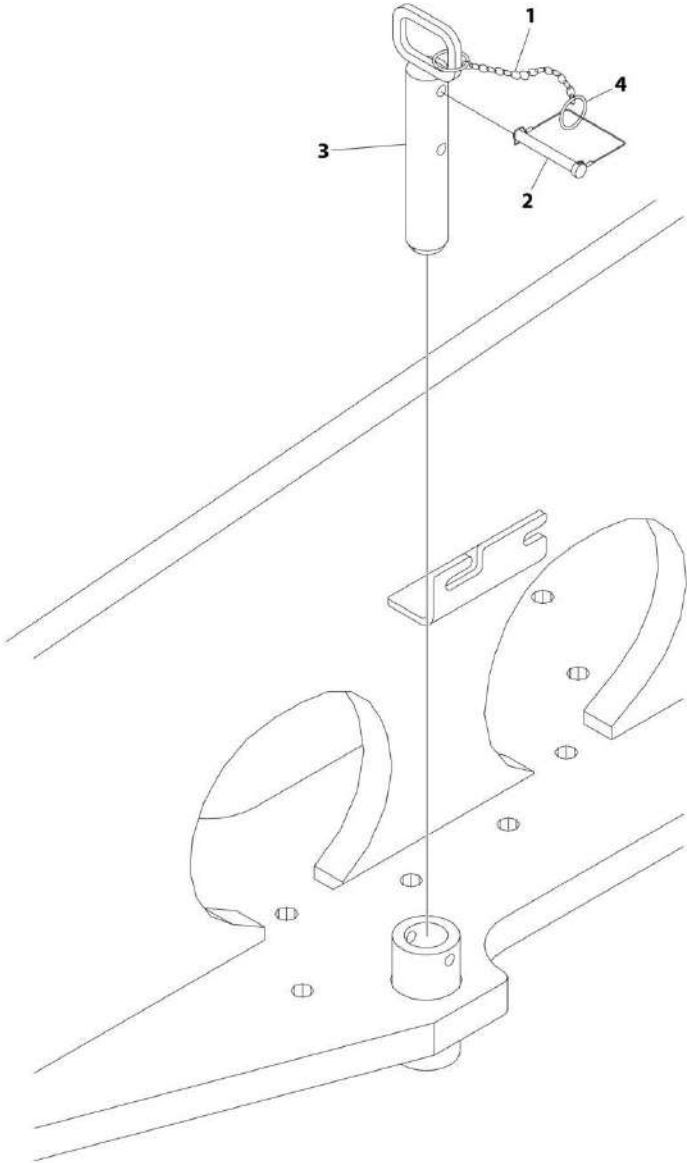
SECTION 2 - TURNTABLE

FIGURE 2-10. TURNTABLE BEARING AND LUBE INSTALLATION

ITEM	PART NUMBER	QTY	DESCRIPTION	REV
	1001185709	Ref	TURNTABLE BEARING AND LUBE INSTALLATION	D
1	0100019	AR	Compound, Locking	
2	0682023	36	Bolt 5/8 x 2-7/8	
3	4892000	36	Washer 5/8	
4	0440233	1	Bearing, Turntable	
5	1001188125	1	Hose	
6	2220124	1	Fitting, 45	

SECTION 2 - TURNTABLE

FIGURE 2-11. TURNTABLE LOCK INSTALLATION



ART_1001187022

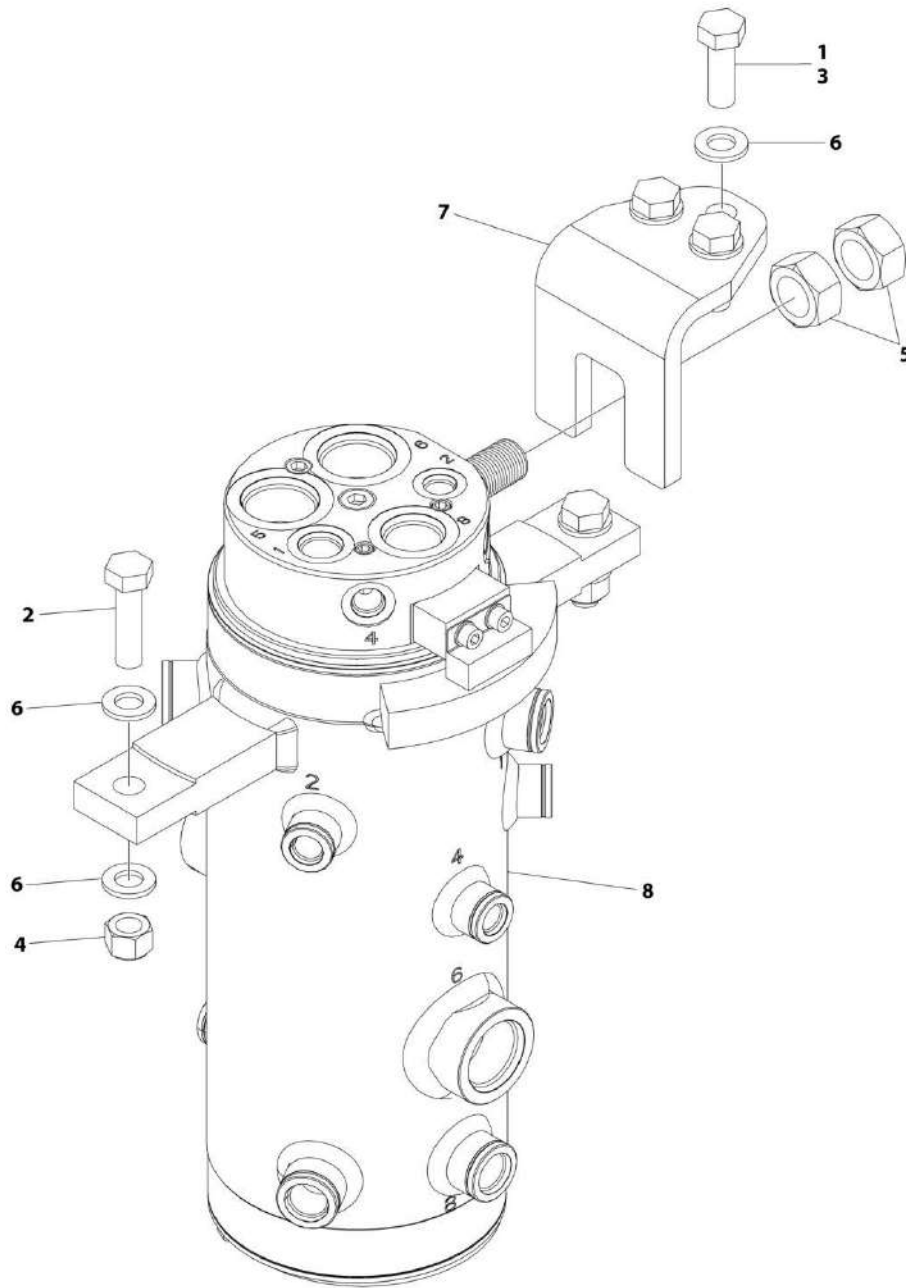
SECTION 2 - TURNTABLE

FIGURE 2-11. TURNTABLE LOCK INSTALLATION

ITEM	PART NUMBER	QTY	DESCRIPTION	REV
	1001187022	Ref	TURNTABLE LOCK INSTALLATION	B
1	1260017	9 in/23cm	Chain	
2	3421565	1	Snap-Pin	
3	3421627	NLA	Pin, Lock (Use p/n 1001169582) (SN 0300235168 through 0300255131, SN B300002655 through B300003487)	
3	1001169582	1	Pin, Lock (SN 0300255132 to Present, SN B300003488 to Present)	
4	3760170	2	Ring	

SECTION 2 - TURNTABLE

FIGURE 2-12. ROTARY COUPLING INSTALLATION - 2WS



ART_1001188337

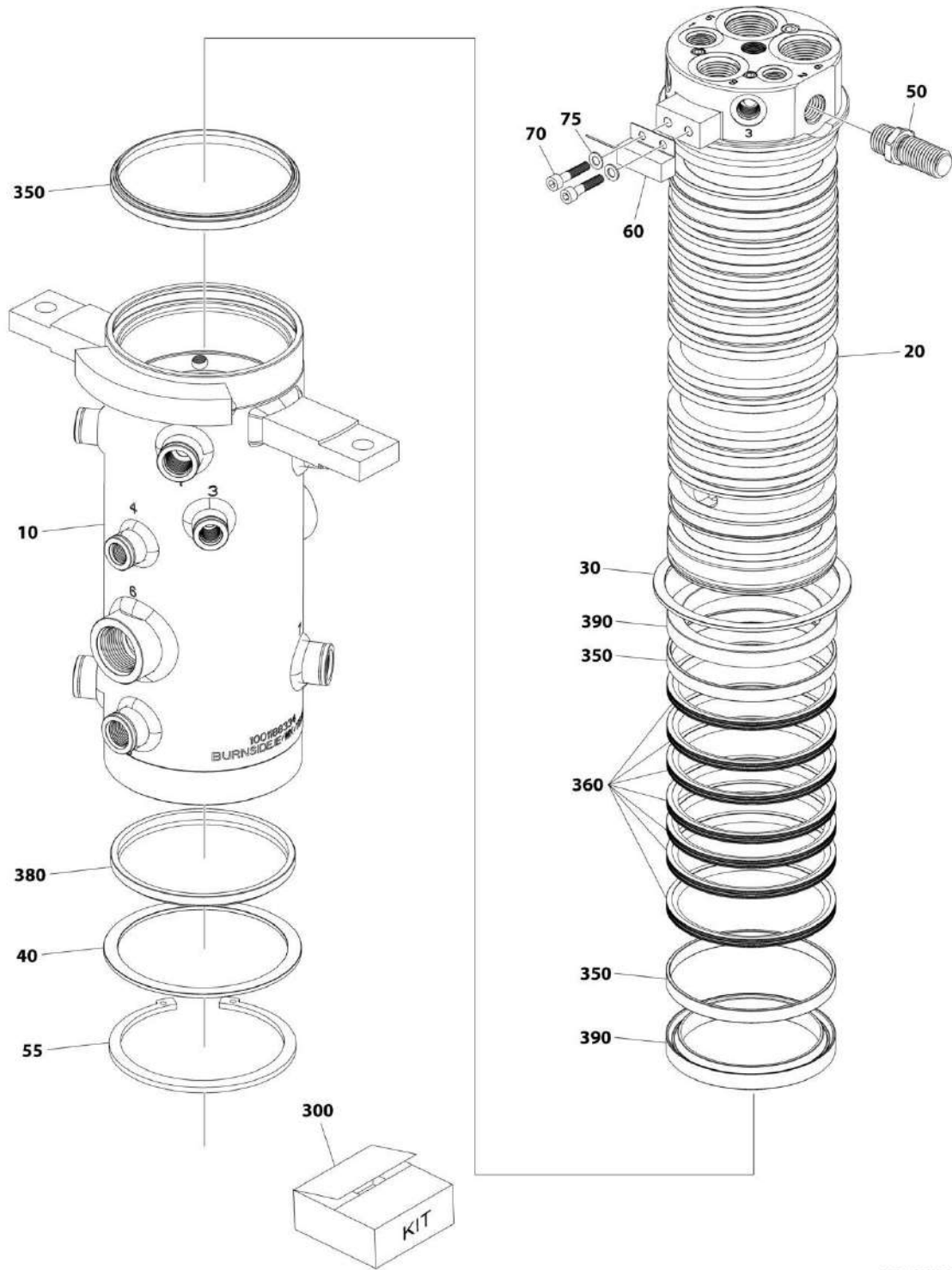
SECTION 2 - TURNTABLE

FIGURE 2-12. ROTARY COUPLING INSTALLATION - 2WS

ITEM	PART NUMBER	QTY	DESCRIPTION	REV
	1001188337	Ref	ROTARY COUPLING INSTALLATION	B
1	0100011	AR	Compound, Locking	
2	0701217	2	Bolt M12 x 45	
3	0761215	3	Bolt M12 x 35	
4	3291205	2	Nut M12	
5	3292001	2	Nut M20	
6	4812100	7	Washer M12	
7	1001187953	1	Mount	
8	1001188334	1	Rotary Coupling Assembly (See Separate Breakdown in this Section)	

SECTION 2 - TURNTABLE

FIGURE 2-13. ROTARY COUPLING ASSEMBLY - 2WS



ART_1001188334

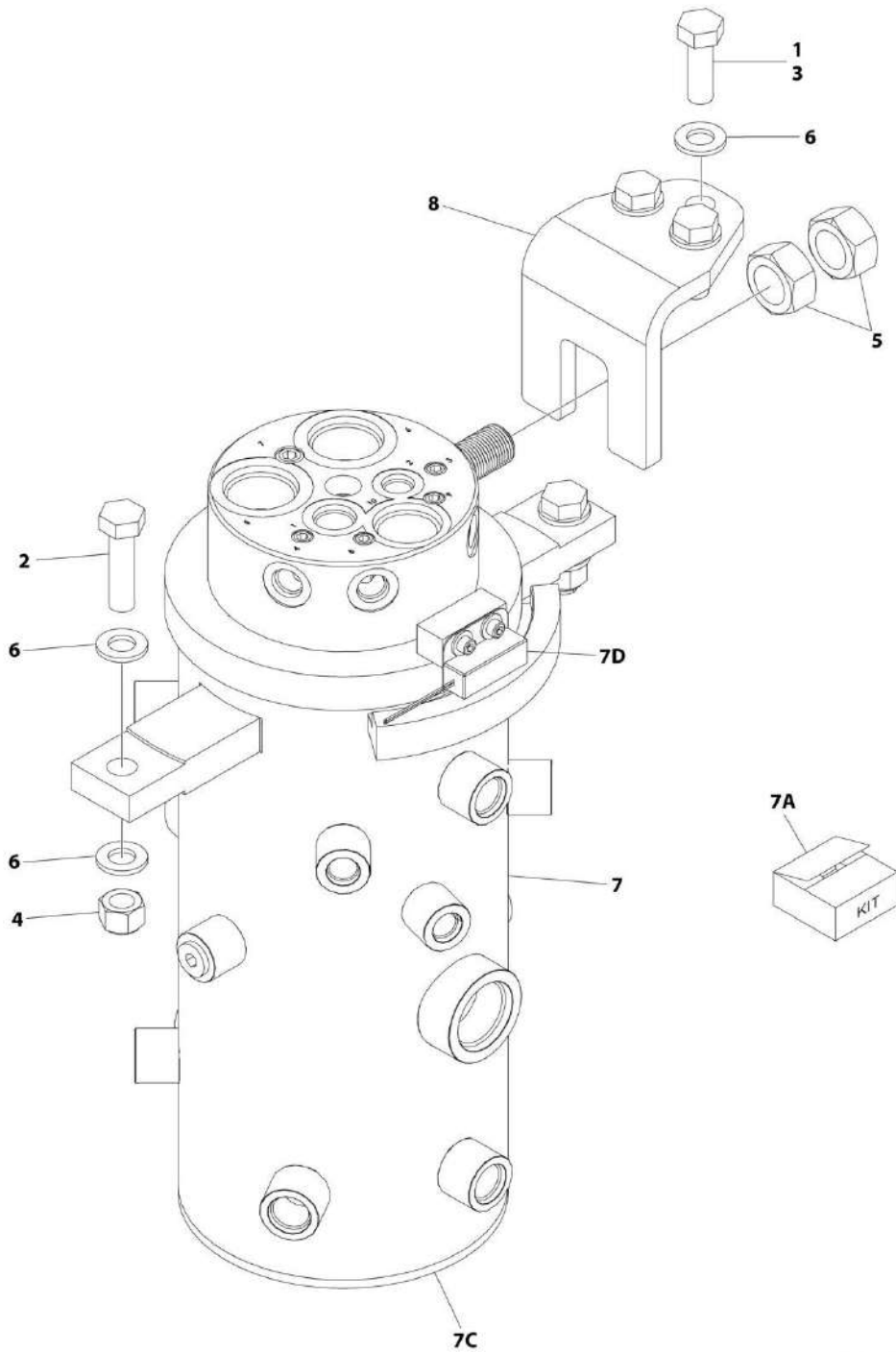
SECTION 2 - TURNTABLE

FIGURE 2-13. ROTARY COUPLING ASSEMBLY - 2WS

ITEM	PART NUMBER	QTY	DESCRIPTION	REV
	1001188334	Ref	ROTARY COUPLING ASSEMBLY	G
10	See Note	NSS	Housing (Note: Purchase Complete Assembly)	
20	See Note	NSS	Shaft (Note: Purchase Complete Assembly)	
30	70005710	1	Spacer	
40	70005711	1	Spacer	
50	70005712	1	Fitting	
55	70005713	1	Circlip	
60	4360517	1	Sensor	
60	4460320	1	Plug, Male - 2 Position	
60	4460227	2	Socket, Female	
70	70006537	2	Bolt	
75	70006538	2	Washer	
300	70005716	1	Seal Kit (Includes Items 350-390)	
350	See Note	NSS	Ring, Wear (Note: Use Item 300)	
360	See Note	NSS	Seal (Note: Use Item 300)	
370	See Note	NSS	Wiper (Note: Use Item 300) (Not Shown)	
380	See Note	NSS	Wiper (Note: Use Item 300)	
390	See Note	NSS	Seal, Rod (Note: Use Item 300)	

SECTION 2 - TURNTABLE

FIGURE 2-14. ROTARY COUPLING INSTALLATION - 4WS



ART_1001188336

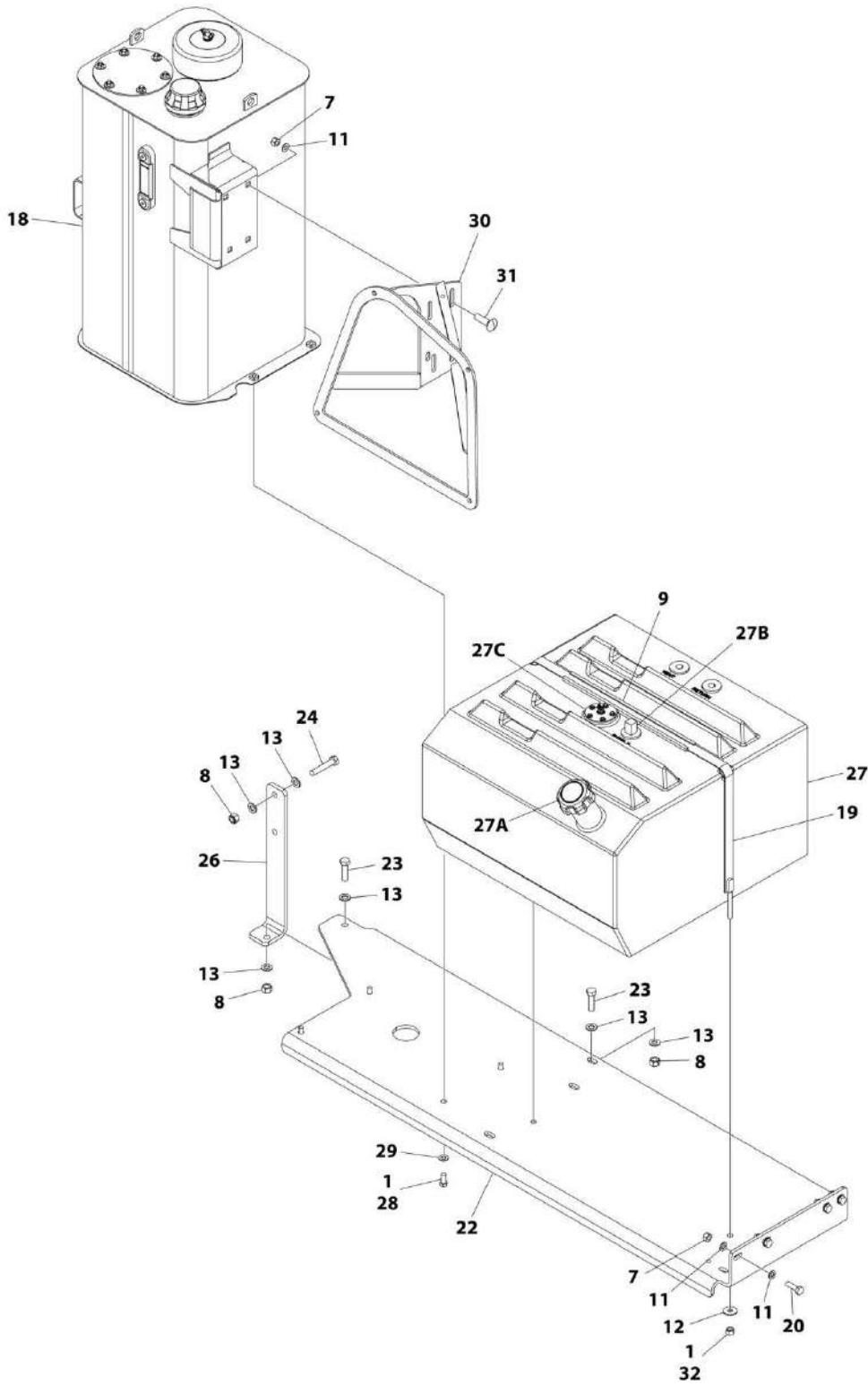
SECTION 2 - TURNTABLE

FIGURE 2-14. ROTARY COUPLING INSTALLATION - 4WS

ITEM	PART NUMBER	QTY	DESCRIPTION	REV
	1001188336	Ref	ROTARY COUPLING INSTALLATION	D
1	0100011	AR	Compound, Locking	
2	0701217	2	Bolt M12 x 45	
3	0761215	3	Bolt M12 x 35	
4	3291205	2	Nut M12	
5	3292001	2	Nut M20	
6	4812100	7	Washer M12	
7	1001187470	1	Coupling Assembly - 4WS	
7A	70005680	1	Seal Kit	
7B	70005681	2	Poly Seal (Not Shown)	
7C	7013189	1	Ring, Retaining	
7C	7026511	2	Ring	
7D	4360517	1	Sensor, Proximity	
7D	4460320	1	Plug, Male - 2 Position	
7D	4460227	2	Socket, Female	
8	1001187953	1	Mount	

SECTION 2 - TURNTABLE

FIGURE 2-15. TANKS INSTALLATION - DIESEL MACHINES (POLY FUEL TANK)



ART_1001168257

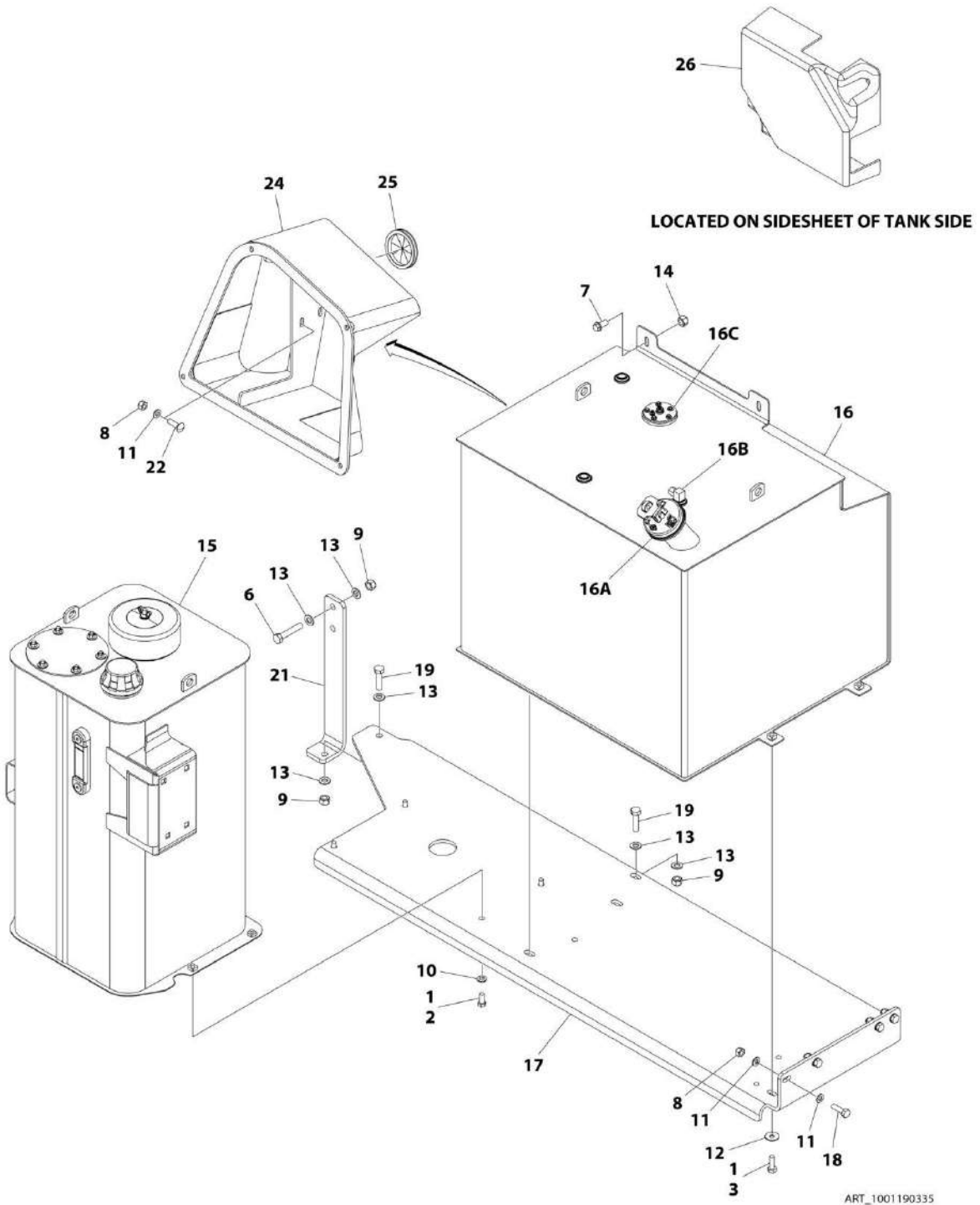
SECTION 2 - TURNTABLE

FIGURE 2-15. TANKS INSTALLATION - DIESEL MACHINES (POLY FUEL TANK)

ITEM	PART NUMBER	QTY	DESCRIPTION	REV
	1001188257	Ref	TANKS INSTALLATION	1
1	0100011	AR	Compound, Locking	
7	3291005	8	Nut M10	
8	3291205	4	Nut M12	
9	4280295	48 in/ 122cm	Strip, Protector	
11	4812000	12	Washer M10	
12	4812002	2	Washer M10	
13	4812100	8	Washer M12	
18	1001178057	1	Hydraulic Tank Assembly (See Separate Breakdown in this Section)	
19	1001189119	1	Strap	
20	0701015	4	Bolt M10 x 35	
22	1001199933	1	Tray	
23	0701217	2	Bolt M12 x 45	
24	0701221	2	Bolt M12 x 65	
26	1001199883	1	Support	
27	1001201325	1	Tank, Fuel	
27A	70004414	1	Cap, Fill	
27B	7020043	1	Tube, Pickup	
27C	1001148607	1	Sender, Fuel Level	
27C	0731005	5	Screw #10 x 5/8	
27C	4751000	5	Washer #10	
28	0641607	4	Bolt 3/8 x 7/8	
28	0641608	4	Bolt 3/8 x 1	
29	4711600	4	Washer 3/8	
30	1001213251	1	Support, Ground Control	
31	1001228406	4	Bolt M10 x 35	
31	0630613	4	Bolt M10 x 30	
32	3291005	2	Nut M10	
32	3291001	2	Nut M10	

SECTION 2 - TURNTABLE

FIGURE 2-16. TANKS INSTALLATION - DIESEL MACHINES (STEEL FUEL TANK)



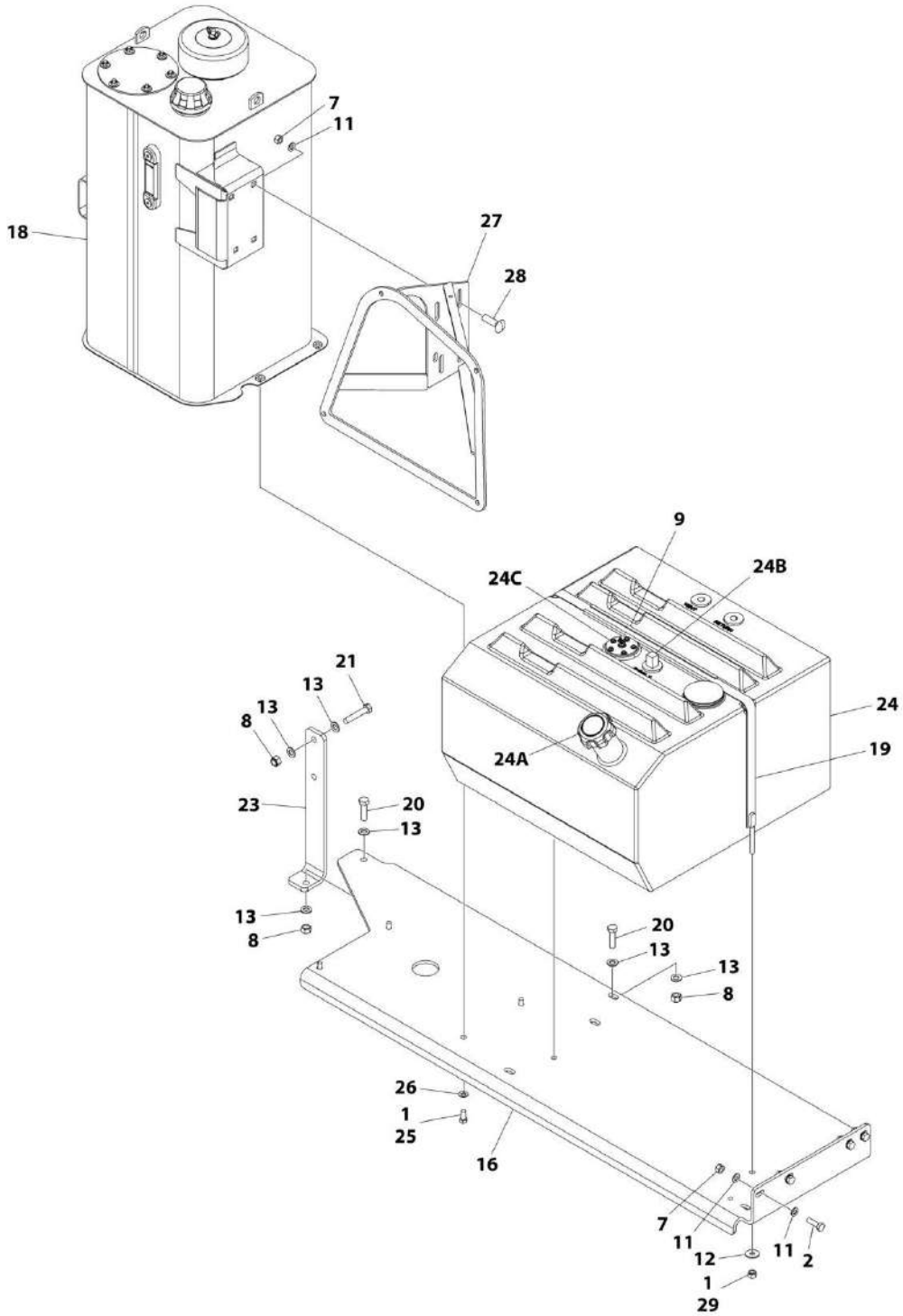
SECTION 2 - TURNTABLE

FIGURE 2-16. TANKS INSTALLATION - DIESEL MACHINES (STEEL FUEL TANK)

ITEM	PART NUMBER	QTY	DESCRIPTION	REV
	1001190335	Ref	TANKS INSTALLATION	H
1	0100011	AR	Compound, Locking	
2	0641607	4	Bolt 3/8 x 7/8	
2	0641608	4	Bolt 3/8 x 1	
3	0761014	4	Bolt M10 x 30	
6	0701221	2	Bolt M12 x 65	
7	5251012	2	Bolt M10 x 25	
8	3291005	8	Nut M10	
9	3291205	4	Nut M12	
10	4711600	4	Washer 3/8	
11	4812000	12	Washer M10	
12	4812002	4	Washer M10	
13	4812100	8	Washer M12	
14	1001118972	1	Nut, Tinnerman M10	
15	1001178057	1	Hydraulic Tank Assembly (See Separate Breakdown in this Section)	
16	1001189764	1	Tank, Fuel	
16A	1001080707	1	Cap, Fill	
16B	70006314	1	Tube, Pickup	
16C	1001189800	1	Sender, Fuel Level	
16C	0731005	5	Screw #10 x 5/8	
16C	4751000	5	Washer #10	
17	1001199933	1	Tray	
18	0701015	4	Bolt M10 x 35	
19	0701217	2	Bolt M12 x 45	
21	1001199883	1	Support	
22	1001228406	4	Bolt M10 x 35	
22	0630613	4	Bolt M10 x 30	
24	1001229572	1	Mount, Ground Control	
25	1001218676	1	Grommet	
26	1001218539	1	Cover	

SECTION 2 - TURNTABLE

FIGURE 2-17. TANKS INSTALLATION - GAS MACHINES



ART_1001189228

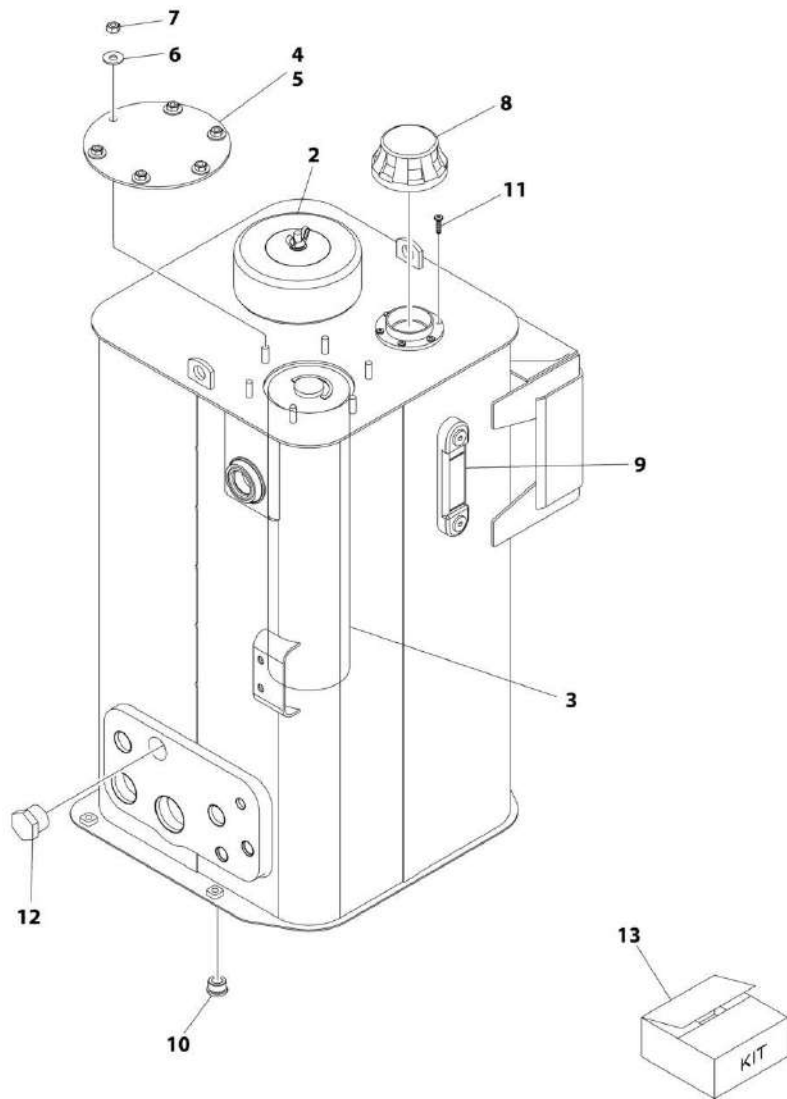
SECTION 2 - TURNTABLE

FIGURE 2-17. TANKS INSTALLATION - GAS MACHINES

ITEM	PART NUMBER	QTY	DESCRIPTION	REV
	1001189228	Ref	TANKS INSTALLATION	F
1	0100011	AR	Compound, Locking	
2	0701015	4	Bolt M10 x 35	
7	3291005	8	Nut M10	
8	3291205	4	Nut M12	
9	4280295	48 in/ 122cm	Strip, Protector	
11	4812000	12	Washer M10	
12	4812002	2	Washer M10	
13	4812100	8	Washer M12	
16	1001199933	1	Tray	
18	1001178057	1	Hydraulic Tank Assembly (See Separate Breakdown in this Section)	
19	1001189119	1	Strap, Tank	
20	0701217	2	Bolt M12 x 45	
21	0701221	2	Bolt M12 x 65	
23	1001199883	1	Support	
24	1001201326	1	Tank, Fuel	
24A	70001103	1	Cap, Fill	
24B	7020043	1	Tube, Pickup	
24C	1001148607	1	Sender, Fuel Level	
24C	0731005	5	Screw #10 x 5/8	
24C	4751000	5	Washer #10	
25	0641607	4	Bolt 3/8 x 7/8	
25	0641608	4	Bolt 3/8 x 1	
26	4711600	4	Washer 3/8	
27	1001213251	1	Support, Ground Control	
28	1001228406	4	Bolt M10 x 35	
28	0630613	4	Bolt M10 x 30	
29	3291005	2	Nut M10	
29	3291001	2	Nut M10	

SECTION 2 - TURNTABLE

FIGURE 2-18. HYDRAULIC TANK ASSEMBLY



ART_1001178057

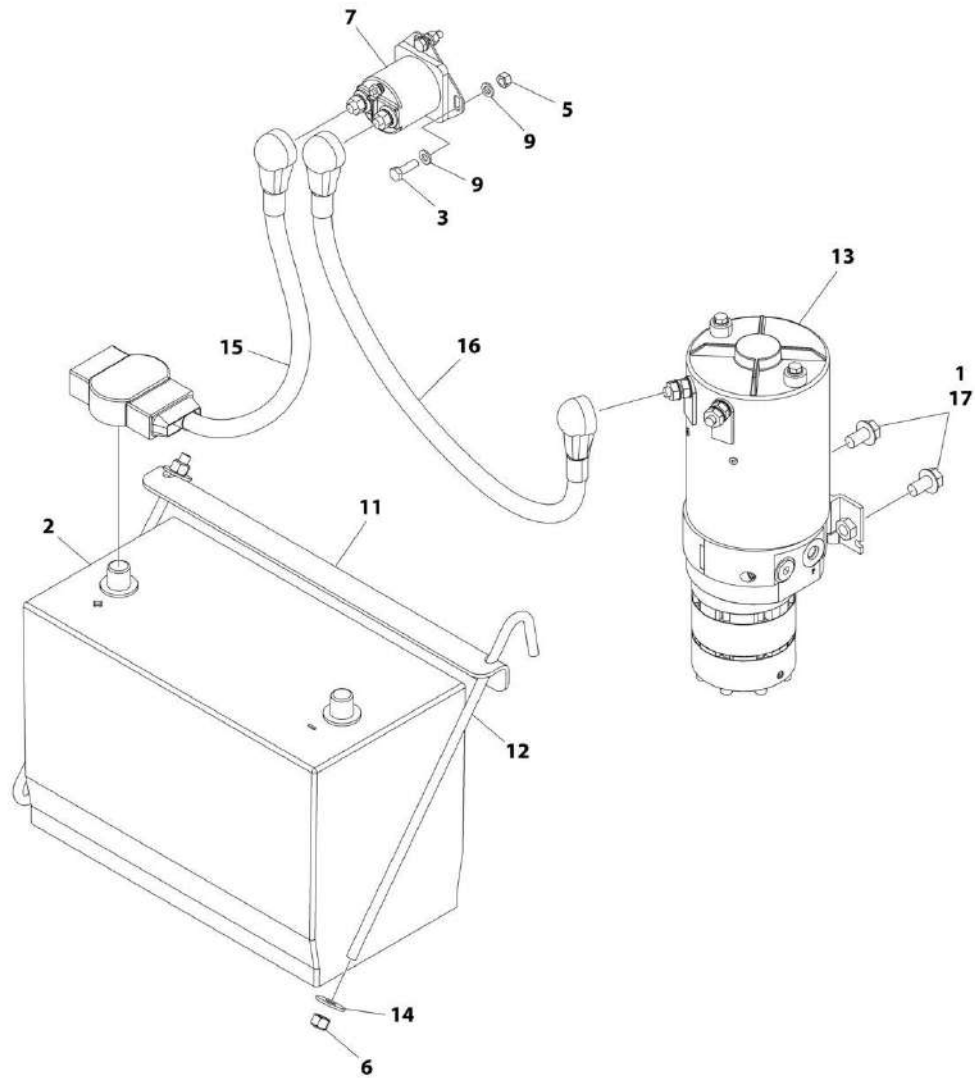
SECTION 2 - TURNTABLE

FIGURE 2-18. HYDRAULIC TANK ASSEMBLY

ITEM	PART NUMBER	QTY	DESCRIPTION	REV
	1001178057	Ref	HYDRAULIC TANK ASSEMBLY	D
2	70005708	1	Breather Assembly (Includes Breather, Element and Wingnut)	
2	See Note	NSS	Element, Breather (Note: Use p/n 70005708 or Item 13)	
3	See Note	NSS	Element, Hydraulic (Note: Use Item 13)	
4	70002839	1	Gasket	
5	See Note	NSS	Cover (Note: Not Available for Purchase)	
6	83304173	6	Washer 5/16	
7	70004199	6	Nut 5/16	
8	70002838	1	Cap, Fill	
9	7024441	1	Gauge, Level	
10	70002112	1	Plug	
11	70004795	6	Screw #10 x 3/4	
12	See Note	NSS	Plug (Note: Not Available - Purchase Locally)	
13	70002814	1	Hydraulic Tank Service Kit (Includes Items 2-4)	

SECTION 2 - TURNTABLE

FIGURE 2-19. BATTERY AND AUXILIARY PUMP INSTALLATION



ART_1001186346

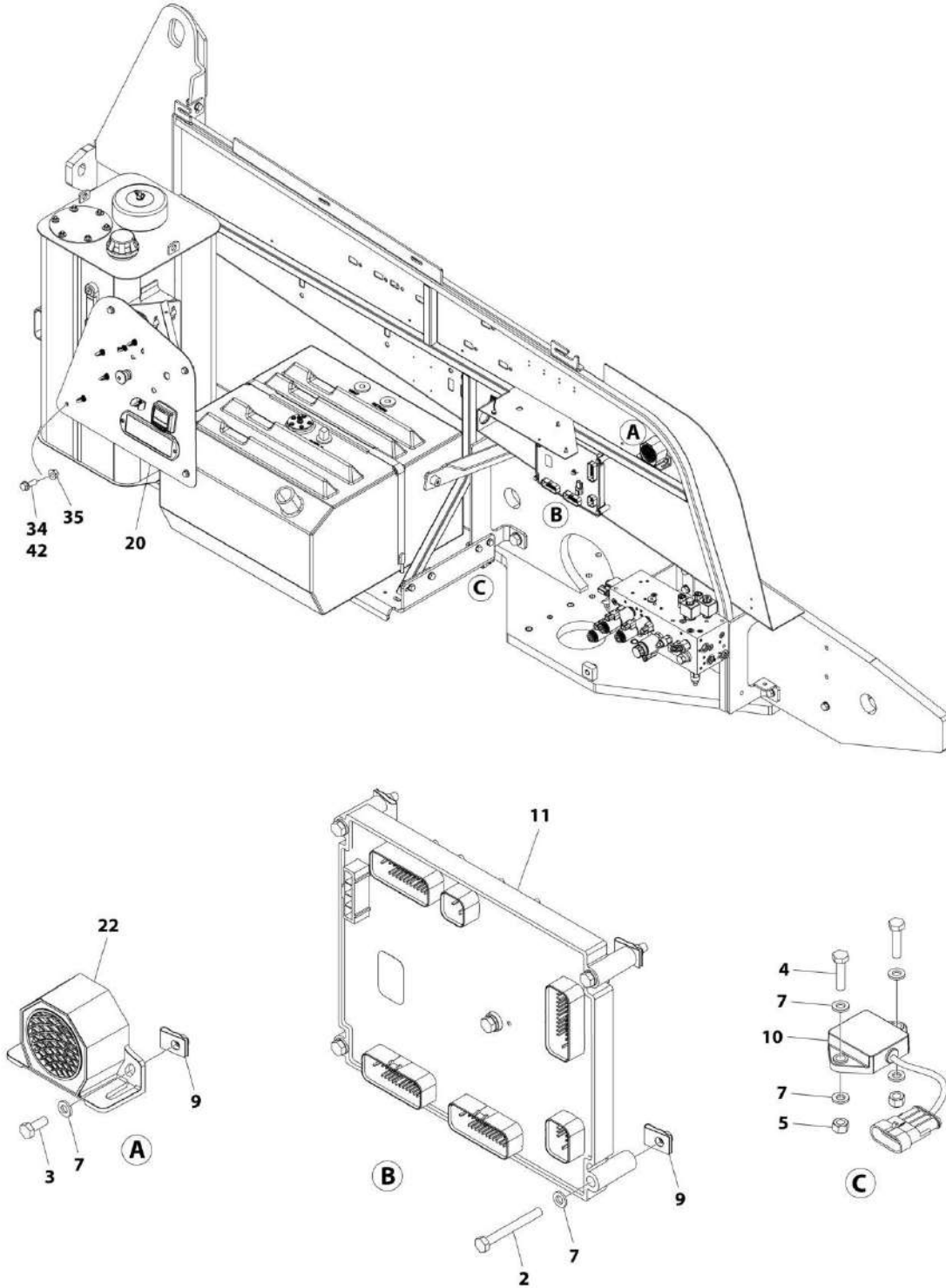
SECTION 2 - TURNTABLE

FIGURE 2-19. BATTERY AND AUXILIARY PUMP INSTALLATION

ITEM	PART NUMBER	QTY	DESCRIPTION	REV
	1001186346	Ref	BATTERY AND AUXILIARY PUMP INSTALLATION	F
1	0100011	AR	Compound, Locking	
2	0400075	1	Battery	
3	0700610	2	Bolt M6 x 20	
5	3290605	2	Nut M6	
6	3290805	2	Nut M8	
7	3740067	1	Relay	
9	4811700	4	Washer M6	
11	91401281	1	Bracket, Hold Down	
12	1001192012	2	J-Bolt	
13	1001187808	1	Auxiliary Pump/Motor Assembly (Note: Replacement Motor is only Service Component Available. For Other Components, Replace Complete Assembly.)	
13	70003998	1	Motor, Replacement	
14	4811902	2	Washer M8	
15	1001188664	1	Cable, Battery (+)	
16	1001188666	1	Cable, Aux Relay to Aux Pump	
17	5251009	2	Bolt M10 x 18	

SECTION 2 - TURNTABLE

FIGURE 2-20. ELECTRICAL COMPONENTS INSTALLATION - 600S WITH 2WS



ART_1001191211_TOF2

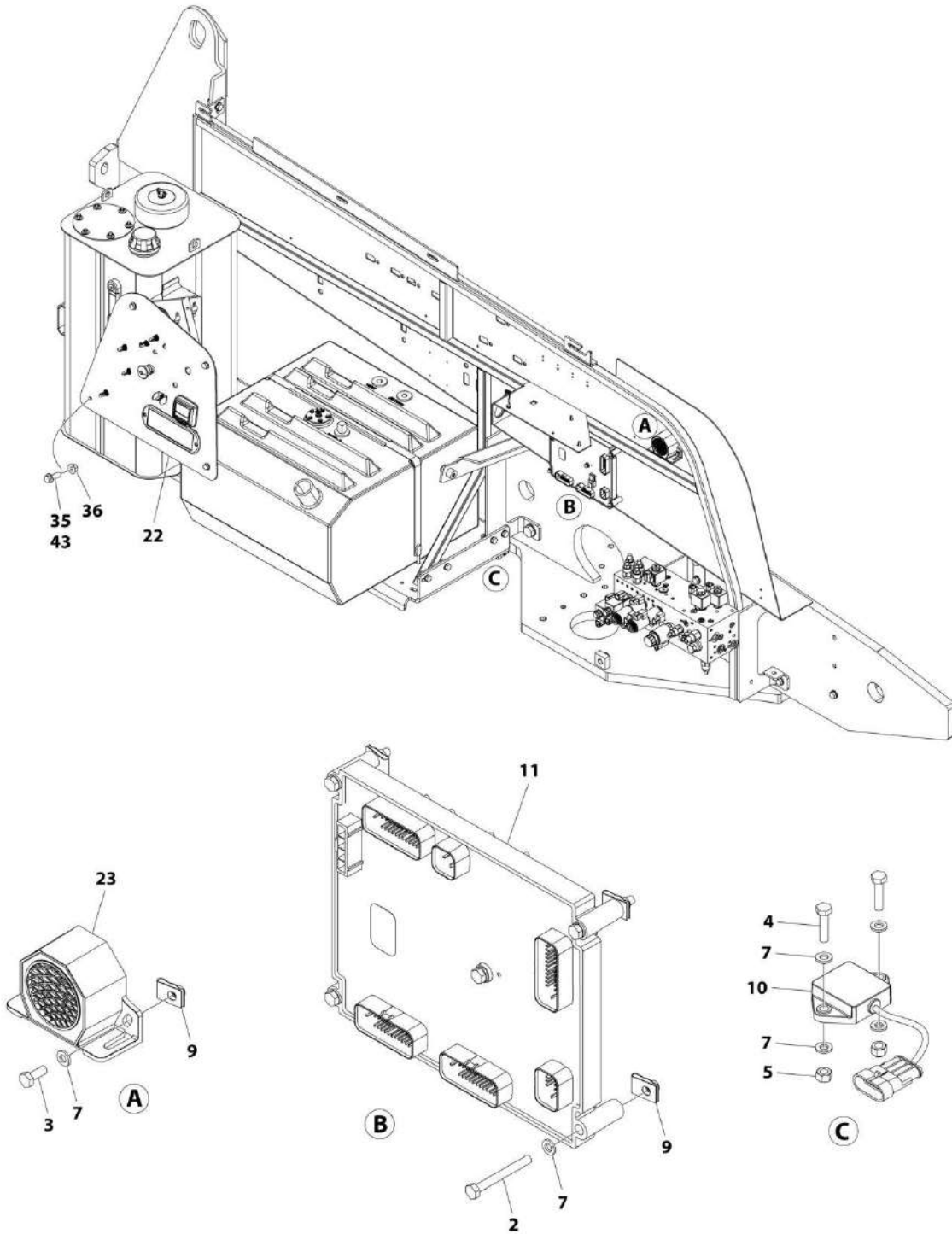
SECTION 2 - TURNTABLE

FIGURE 2-20. ELECTRICAL COMPONENTS INSTALLATION - 600S WITH 2WS

ITEM	PART NUMBER	QTY	DESCRIPTION	REV
	1001191211	Ref	ELECTRICAL COMPONENTS INSTALLATION	L
2	0700619	5	Bolt M6 x 55	
3	0700608	5	Bolt M6 x 16	
4	0760612	2	Bolt M6 x 25	
5	3290605	3	Nut M6	
7	4811700	15	Washer M6	
9	1001130220	7	Nut, Tinnerman M6	
10	1001181325	1	Sensor (SN 0300235168 through 0300237156, SN B300002655 through B300002654)	
10	1001219601	1	Sensor (SN 0300237157 to Present, SN B300002655 to Present)	
11	1001187200	1	Module, Ground Control (Note: Re-calibration Required when Replaced)	
20	1001192108	1	Ground Control Panel Assembly (See Separate Breakdown in this Section)	
22	0140043	1	Alarm	
34	5251014	4	Bolt M10 x 30	
35	5261018	4	Nut M10 Class 10	
35	5261000	4	Nut M10 Class 10	
42	0100011	AR	Compound, Locking (SN 0300237157 to Present, SN B300002716 to Present)	

SECTION 2 - TURNTABLE

FIGURE 2-21. ELECTRICAL COMPONENTS INSTALLATION - 600S WITH 4WS



ART_1001192990_10F2

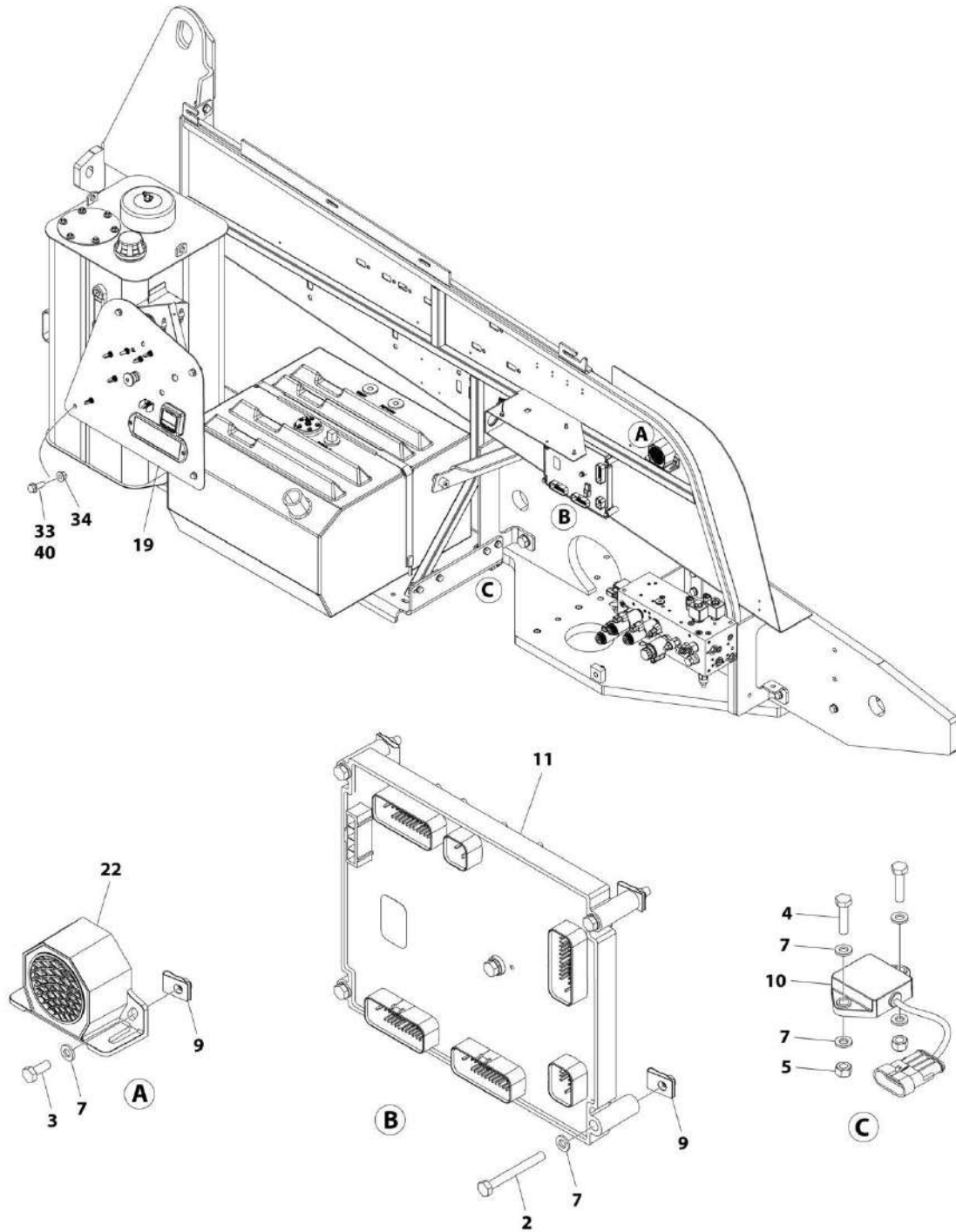
SECTION 2 - TURNTABLE

FIGURE 2-21. ELECTRICAL COMPONENTS INSTALLATION - 600S WITH 4WS

ITEM	PART NUMBER	QTY	DESCRIPTION	REV
	1001192990	Ref	ELECTRICAL COMPONENTS INSTALLATION	L
2	0700619	5	Bolt M6 x 55	
3	0700608	5	Bolt M6 x 16	
4	0760612	1	Bolt M6 x 25	
5	3290605	3	Nut M6	
7	4811700	16	Washer M6	
9	1001130220	7	Nut, Tinnerman M6	
10	1001181325	1	Sensor (SN 0300235168 through 0300237156, SN B300002655 through B300002654)	
10	1001219601	1	Sensor (SN 0300237157 to Present, SN B300002655 to Present)	
11	1001187200	1	Module, Ground Control (Note: Re-calibration Required when Replaced)	
22	1001192108	1	Ground Control Panel Assembly (See Separate Breakdown in this Section)	
23	0140043	1	Alarm	
35	5251014	4	Bolt M10 x 30	
36	5261018	4	Nut M10 Class 10	
36	5261000	4	Nut M10 Class 10	
43	0100011	AR	Compound, Locking (SN 0300237157 to Present, SN B300002716 to Present)	

SECTION 2 - TURNTABLE

FIGURE 2-22. ELECTRICAL COMPONENTS INSTALLATION - 660SJ WITH 2WS



ART_1001192989_10F2

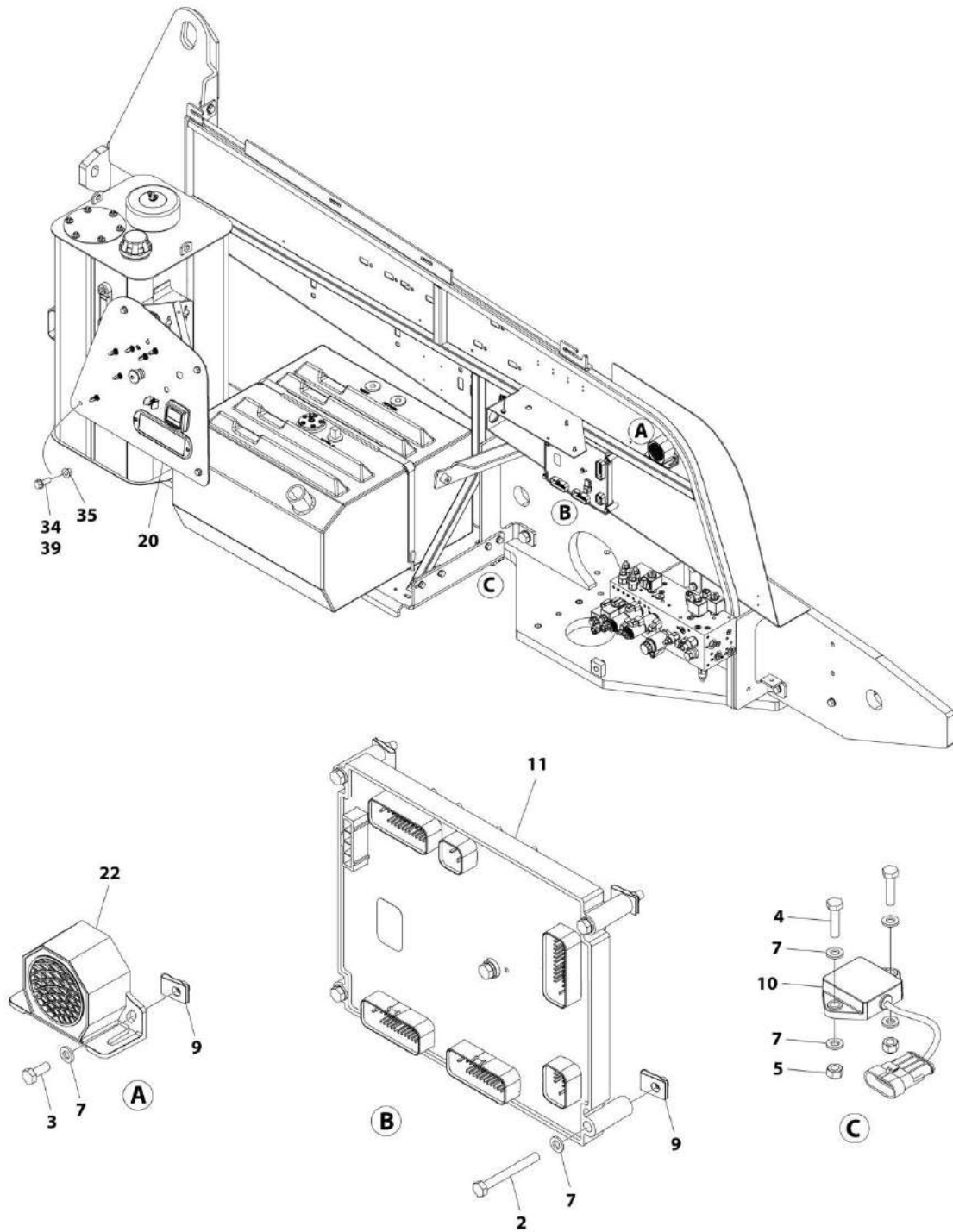
SECTION 2 - TURNTABLE

FIGURE 2-22. ELECTRICAL COMPONENTS INSTALLATION - 660SJ WITH 2WS

ITEM	PART NUMBER	QTY	DESCRIPTION	REV
	1001192989	Ref	ELECTRICAL COMPONENTS INSTALLATION	L
2	0700619	5	Bolt M6 x 55	
3	0700608	5	Bolt M6 x 16	
4	0760612	2	Bolt M6 x 25	
5	3290605	3	Nut M6	
7	4811700	16	Washer M6	
9	1001130220	7	Nut, Tinnerman M6	
10	1001181325	1	Sensor (SN 0300235168 through 0300237156, SN B300002655 through B300002654)	
10	1001219601	1	Sensor (SN 0300237157 to Present, SN B300002655 to Present)	
11	1001187200	1	Module, Ground Control (Note: Re-calibration Required when Replaced)	
19	1001191115	1	Ground Control Panel Assembly (See Separate Breakdown in this Section)	
22	0140043	1	Alarm	
33	5251014	4	Bolt M10 x 30	
34	5261018	4	Nut M10 Class 10	
34	5261000	4	Nut M10 Class 10	
40	0100011	AR	Compound, Locking (SN 0300237157 to Present, SN B300002716 to Present)	

SECTION 2 - TURNTABLE

FIGURE 2-23. ELECTRICAL COMPONENTS INSTALLATION - 660SJ WITH 4WS



ART_1001191210_10F2

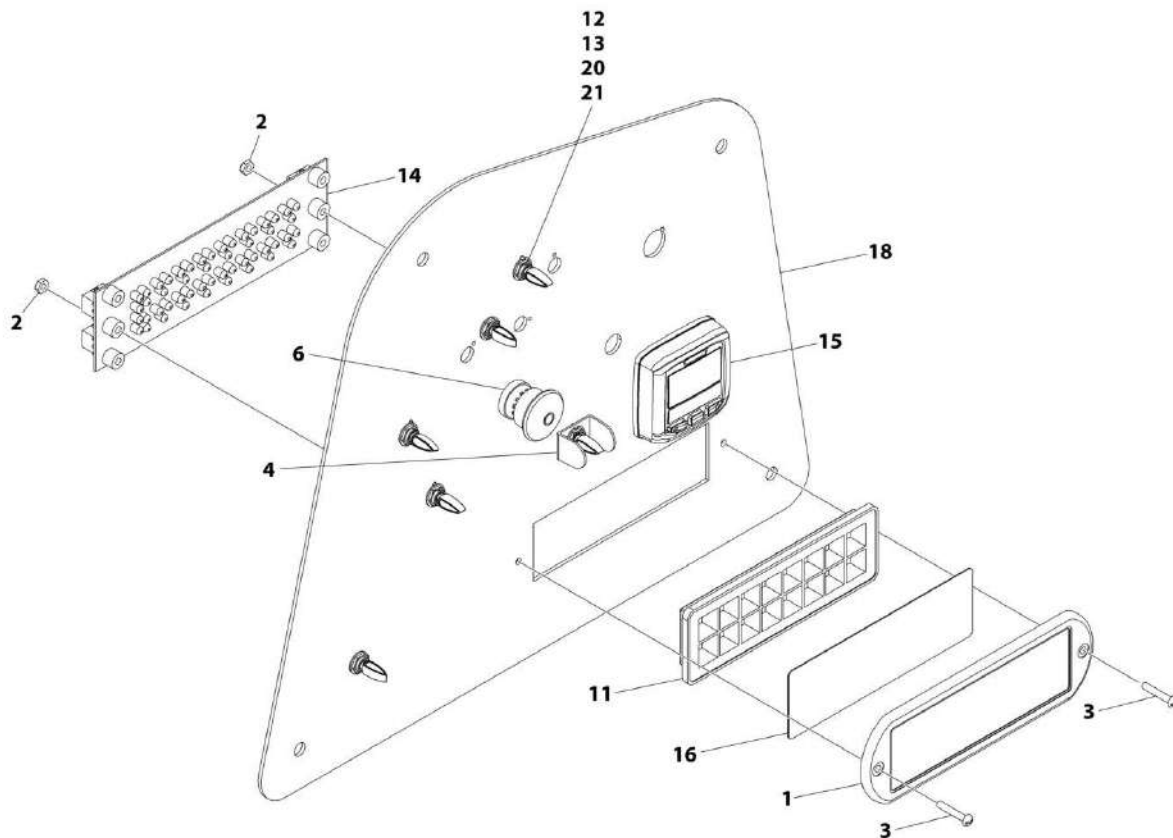
SECTION 2 - TURNTABLE

FIGURE 2-23. ELECTRICAL COMPONENTS INSTALLATION - 660SJ WITH 4WS

ITEM	PART NUMBER	QTY	DESCRIPTION	REV
	1001191210	Ref	ELECTRICAL COMPONENTS INSTALLATION	M
2	0700619	5	Bolt M6 x 55	
3	0700608	5	Bolt M6 x 16	
4	0760612	2	Bolt M6 x 25	
5	3290605	3	Nut M6	
7	4811700	15	Washer M6	
9	1001130220	7	Nut, Tinnerman M6	
10	1001181325	1	Sensor (SN 0300235168 through 0300237156, SN B300002655 through B300002654)	
10	1001219601	1	Sensor (SN 0300237157 to Present, SN B300002655 to Present)	
11	1001187200	1	Module, Ground Control (Note: Re-calibration Required when Replaced)	
20	1001191115	1	Ground Control Panel Assembly (See Separate Breakdown in this Section)	
22	0140043	1	Alarm	
34	5251014	4	Bolt M10 x 30	
35	5261018	4	Nut M10 Class 10	
35	5261000	4	Nut M10 Class 10	
39	0100011	AR	Compound, Locking (SN 0300237157 to Present, SN B300002716 to Present)	

SECTION 2 - TURNTABLE

FIGURE 2-24. GROUND CONTROL PANEL ASSEMBLY - 600S



ART_1001192108

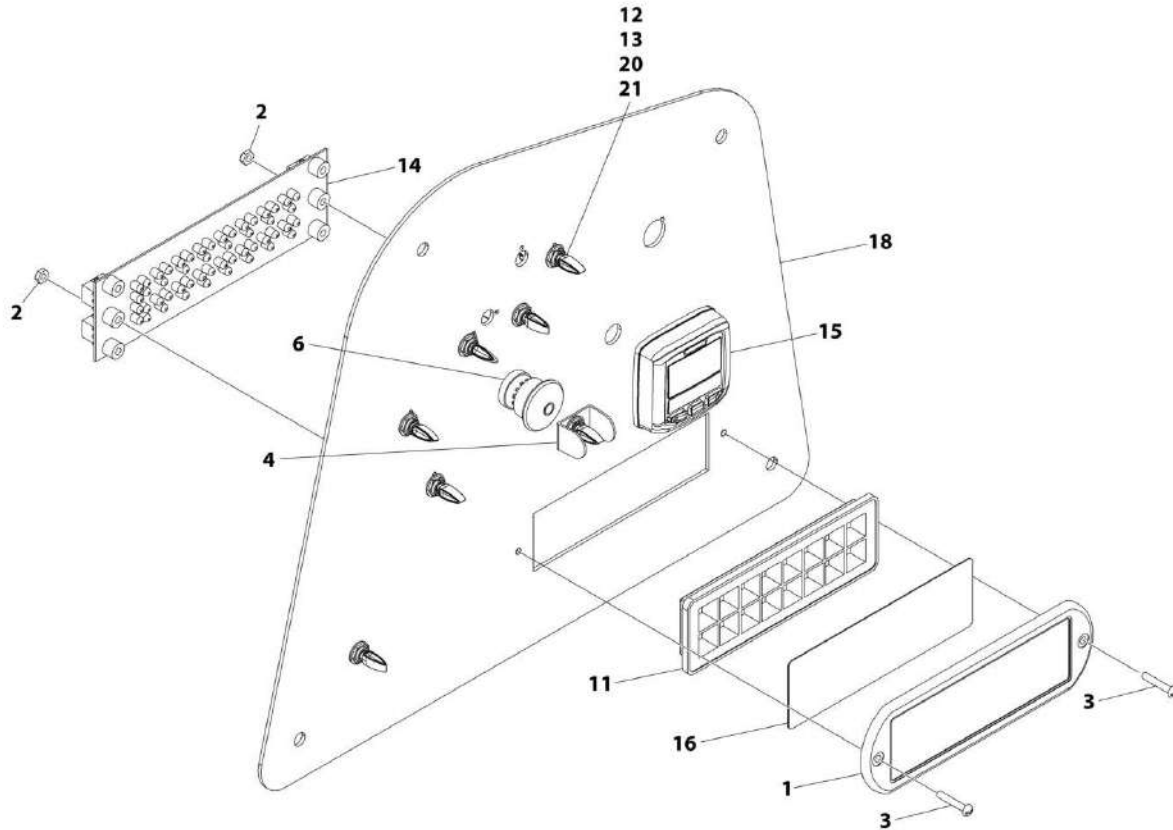
SECTION 2 - TURNTABLE

FIGURE 2-24. GROUND CONTROL PANEL ASSEMBLY - 600S

ITEM	PART NUMBER	QTY	DESCRIPTION	REV
	1001192108	Ref	GROUND CONTROL PANEL ASSEMBLY	D
1	1670829	1	Bezel	
2	3300408	2	Nut	
3	3911018	2	Screw #10 x 1-1/8	
4	4060906	1	Guard, Switch	
6	4360475	1	Switch, Emergency Stop	
6	7020175	1	Cap	
6	7020176	1	Block, Contact	
11	1001146220	1	Housing, Display	
12	1001155043	6	Washer	
13	1001155044	6	Nut 15/32	
14	1001170838	1	Panel, LED	
15	1001171482	1	Gauge	
16	1001173529	1	Decal - Display Panel	
18	1001191126	1	Plate	
20	4740397	6	Washer	
21	1001155045	6	Switch, Toggle	

SECTION 2 - TURNTABLE

FIGURE 2-25. GROUND CONTROL PANEL ASSEMBLY - 660SJ



ART_1001191115

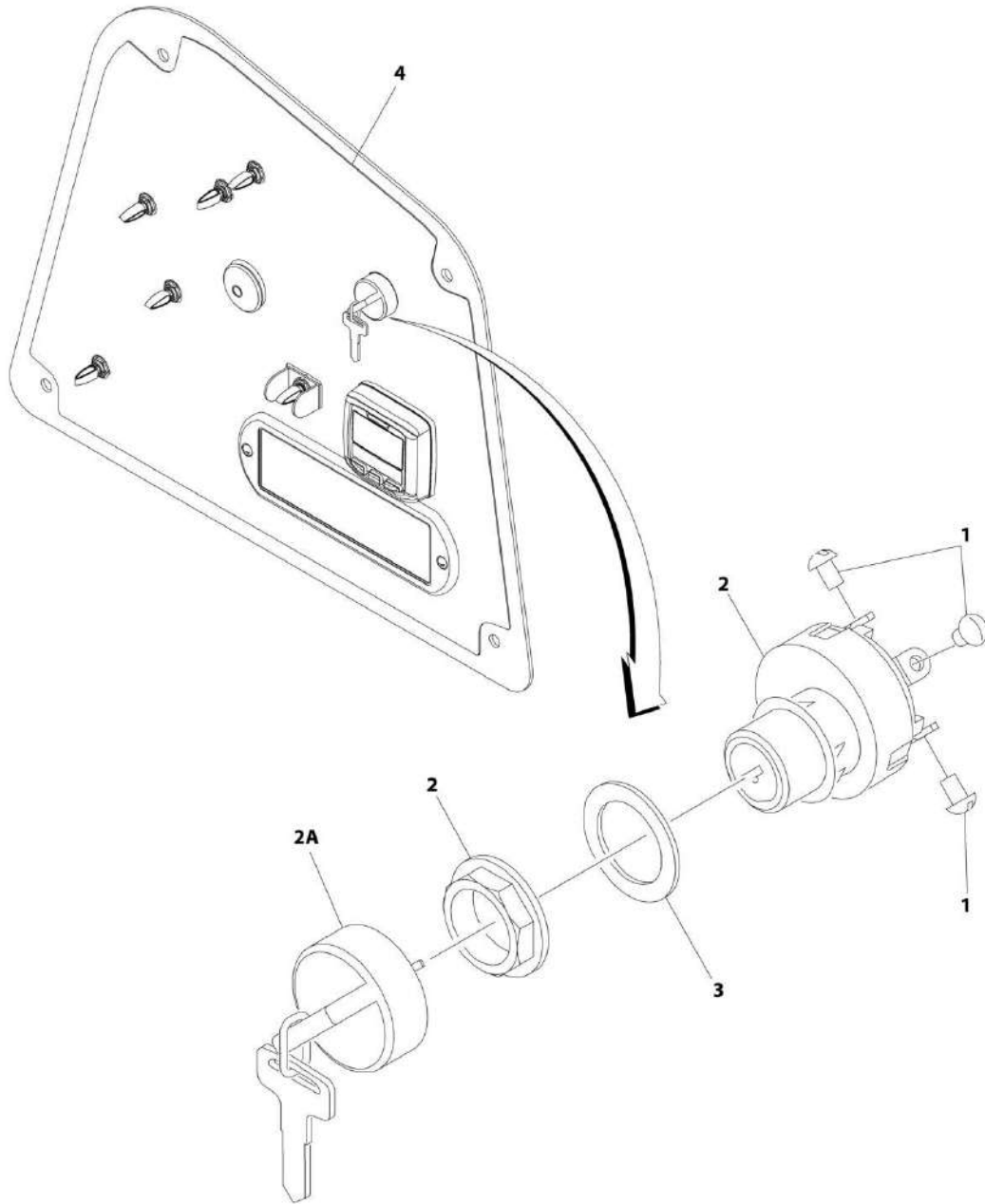
SECTION 2 - TURNTABLE

FIGURE 2-25. GROUND CONTROL PANEL ASSEMBLY - 660SJ

ITEM	PART NUMBER	QTY	DESCRIPTION	REV
	1001191115	Ref	GROUND CONTROL PANEL ASSEMBLY	D
1	1670829	1	Bezel	
2	3300408	2	Nut	
3	3911018	2	Screw #10 x 1-1/8	
4	4060906	1	Guard, Switch	
6	4360475	1	Switch, Emergency Stop	
6	7020175	1	Cap	
6	7020176	1	Block, Contact	
11	1001146220	1	Housing, Display	
12	1001155043	7	Washer	
13	1001155044	7	Nut 15/32	
14	1001170838	1	Panel, LED	
15	1001171482	1	Gauge	
16	1001173529	1	Decal - Display Panel	
18	1001191126	1	Plate	
20	4740397	7	Washer	
21	1001155045	7	Switch, Toggle	

SECTION 2 - TURNTABLE

FIGURE 2-26. KEYSWITCH INSTALLATION - 600S (ALL SPECS EXCEPT AUSTRALIAN AND CE SPECS)



ART_1001192086

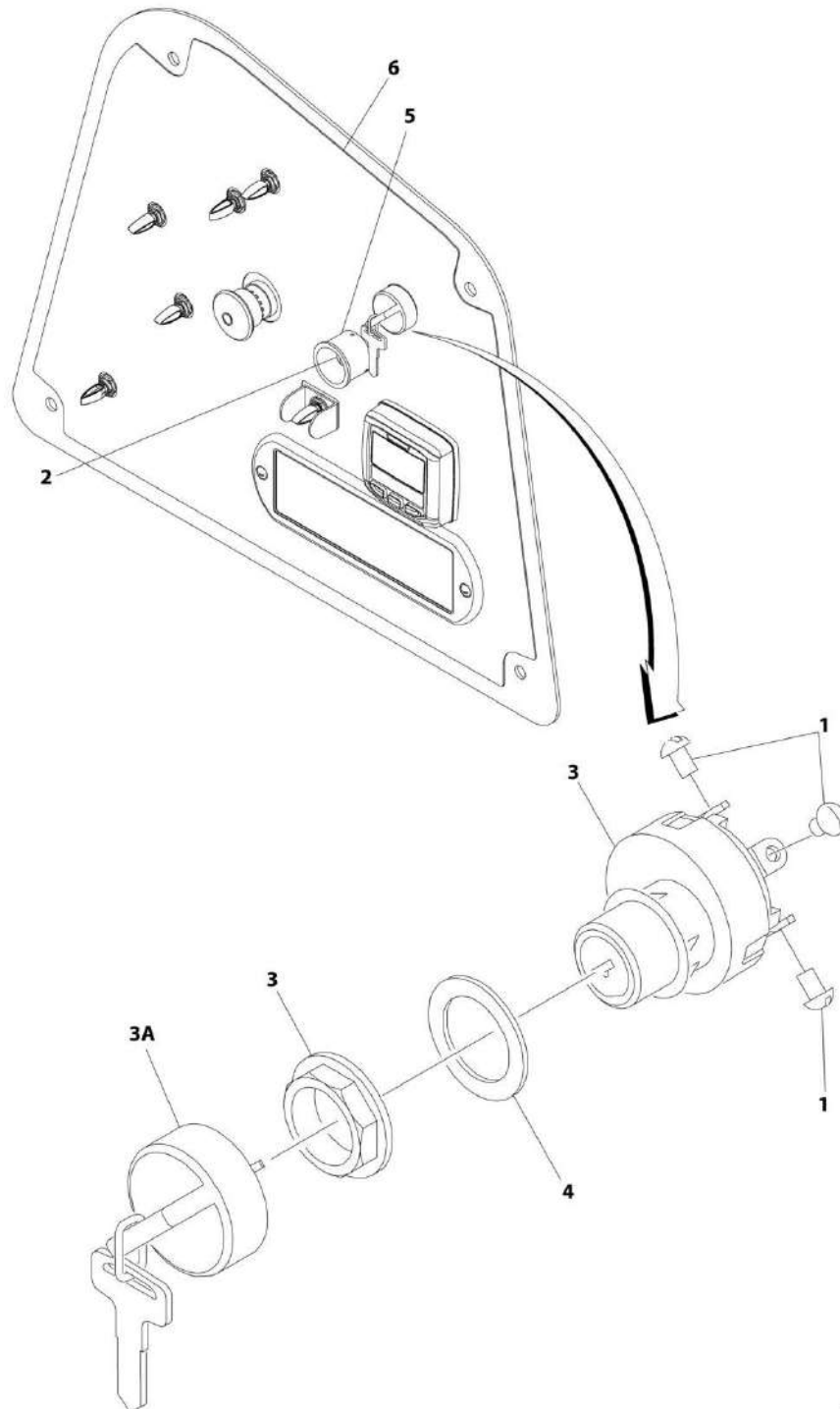
SECTION 2 - TURNTABLE

FIGURE 2-26. KEYSWITCH INSTALLATION - 600S (ALL SPECS EXCEPT AUSTRALIAN AND CE SPECS)

ITEM	PART NUMBER	QTY	DESCRIPTION	REV
	1001192086	Ref	KEYSWITCH INSTALLATION	B
1	3910804	6	Screw #8 x 1/4	
2	4360469	1	Switch, Key	
2A	2860030	1 Set	Key, Replacement	
3	1001151393	1	Shim	
4	1001192776	1	Decal - Ground Control Panel	

SECTION 2 - TURNTABLE

FIGURE 2-27. KEYSWITCH INSTALLATION - 600S (CE SPECS)



ART_1001192281

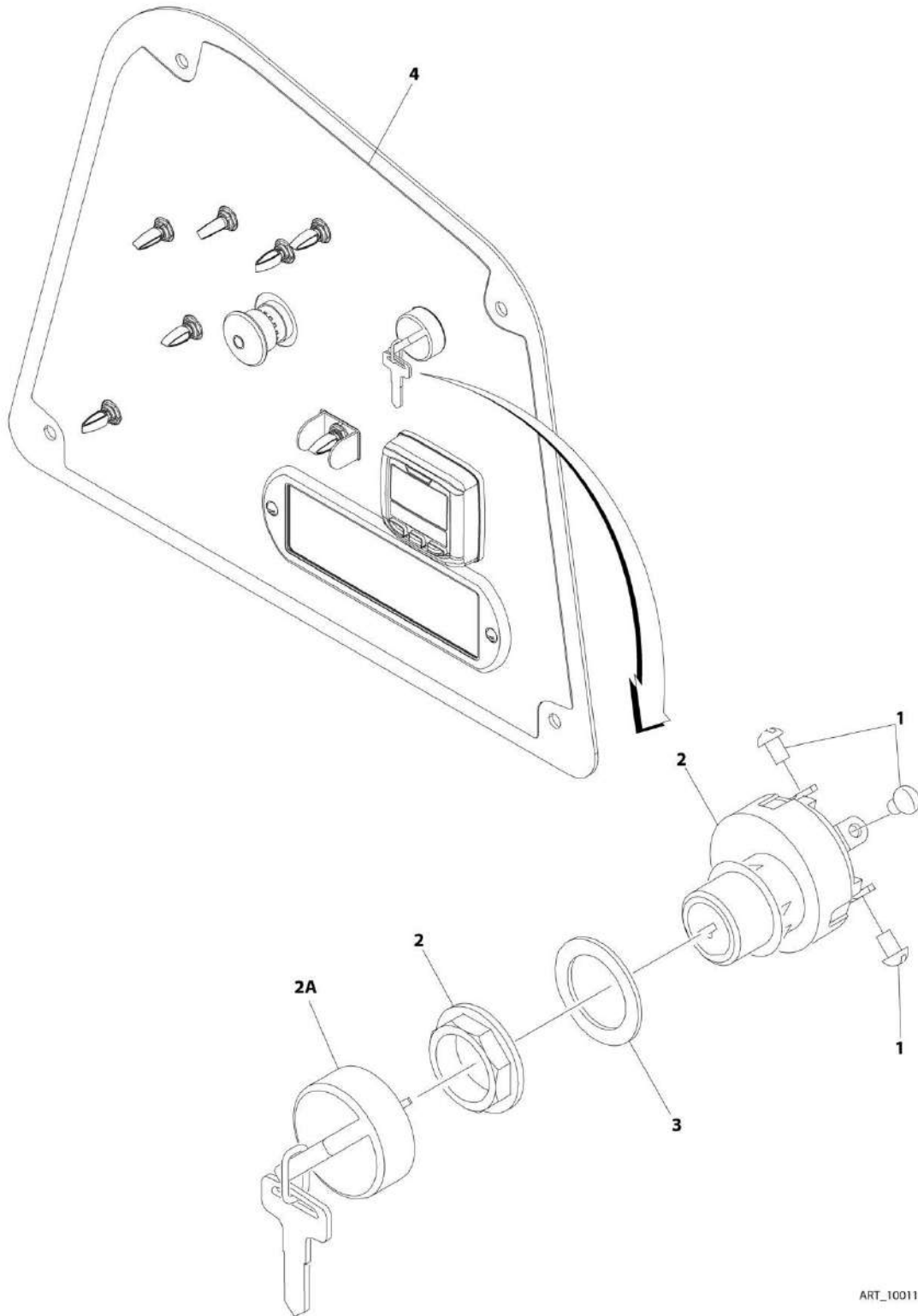
SECTION 2 - TURNTABLE

FIGURE 2-27. KEYSWITCH INSTALLATION - 600S (CE SPECS)

ITEM	PART NUMBER	QTY	DESCRIPTION	REV
	1001192281	Ref	KEYSWITCH INSTALLATION	B
1	3910804	6	Screw #8-32 x 1/4	
2	4360387	1	Switch, Push Button	
3	4360469	1	Switch, Key	
3A	2860030	1 Set	Key, Replacement	
4	1001151393	1	Shim	
5	1001176469	1	Shroud, Switch	
6	1001192264	1	Decal - Ground Control Panel	

SECTION 2 - TURNTABLE

FIGURE 2-28. KEYSWITCH INSTALLATION - 660SJ (ALL SPECS EXCEPT CE SPECS)



ART_1001192087

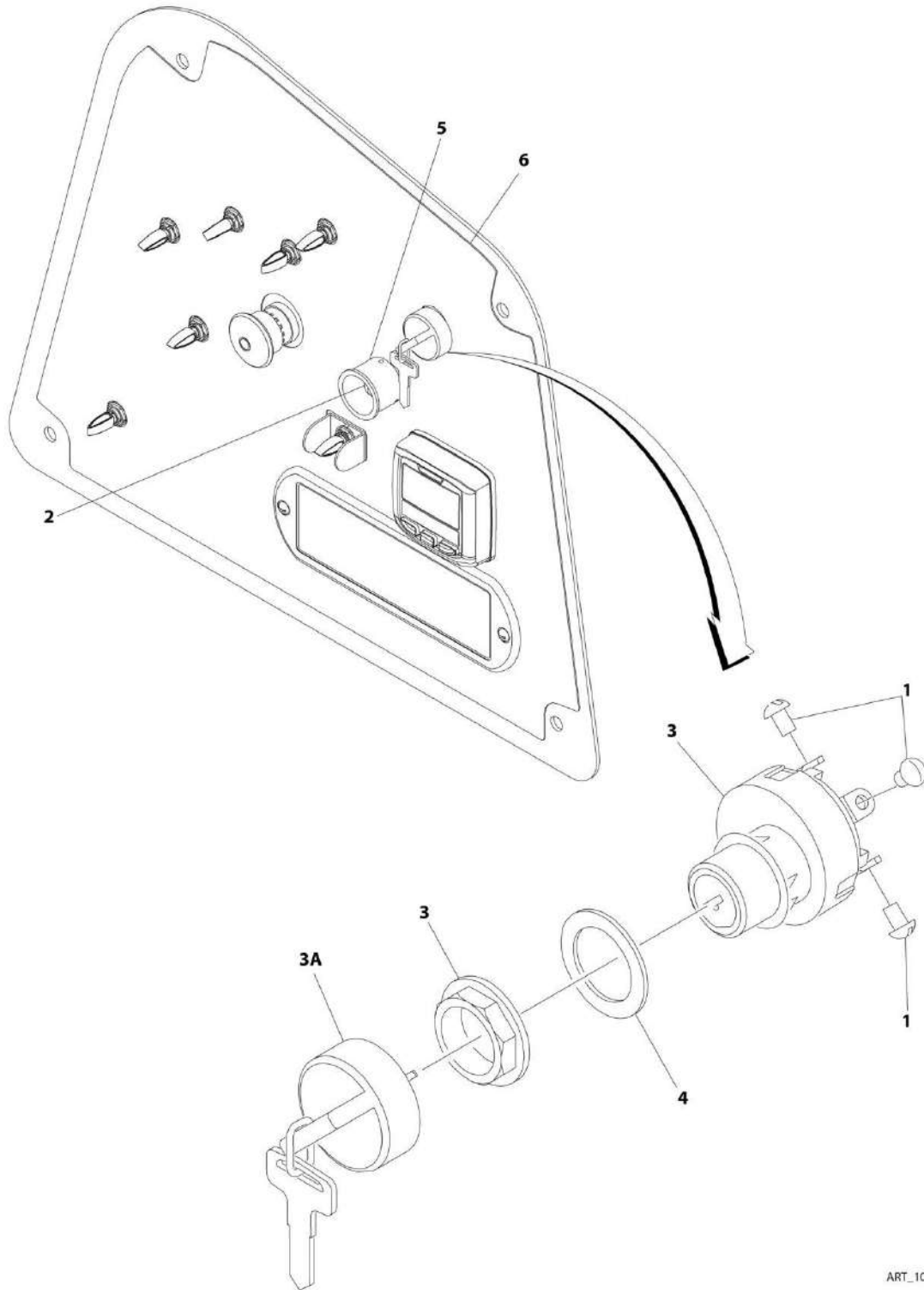
SECTION 2 - TURNTABLE

FIGURE 2-28. KEYSWITCH INSTALLATION - 660SJ (ALL SPECS EXCEPT CE SPECS)

ITEM	PART NUMBER	QTY	DESCRIPTION	REV
	1001192087	Ref	KEYSWITCH INSTALLATION	B
1	3910804	6	Screw #8 x 1/4	
2	4360469	1	Switch, Key	
2A	2860030	1 Set	Key, Replacement	
3	1001151393	1	Shim	
4	1001192775	1	Decal - Ground Control Panel	

SECTION 2 - TURNTABLE

FIGURE 2-29. KEYSWITCH INSTALLATION - 660SJ (CE SPECS)



ART_1001192282

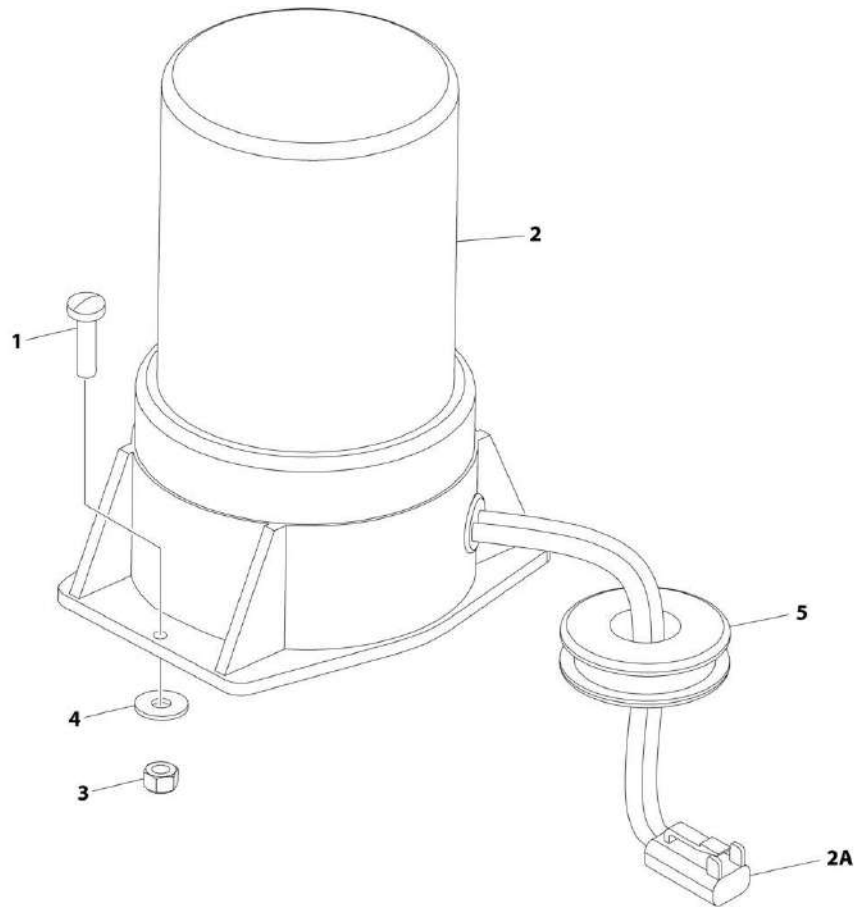
SECTION 2 - TURNTABLE

FIGURE 2-29. KEYSWITCH INSTALLATION - 660SJ (CE SPECS)

ITEM	PART NUMBER	QTY	DESCRIPTION	REV
	1001192282	Ref	KEYSWITCH INSTALLATION	B
1	3910804	6	Screw #8 x 1/4	
2	4360387	1	Switch, Push Button	
3	4360469	1	Switch, Key	
3A	2860030	1 Set	Key, Replacement	
4	1001151393	1	Shim	
5	1001176469	1	Shroud, Switch	
6	1001192088	1	Decal - Ground Control Panel	

SECTION 2 - TURNTABLE

FIGURE 2-30. STROBE LIGHT INSTALLATION - AMBER (OPTIONAL)



ART_1001191557

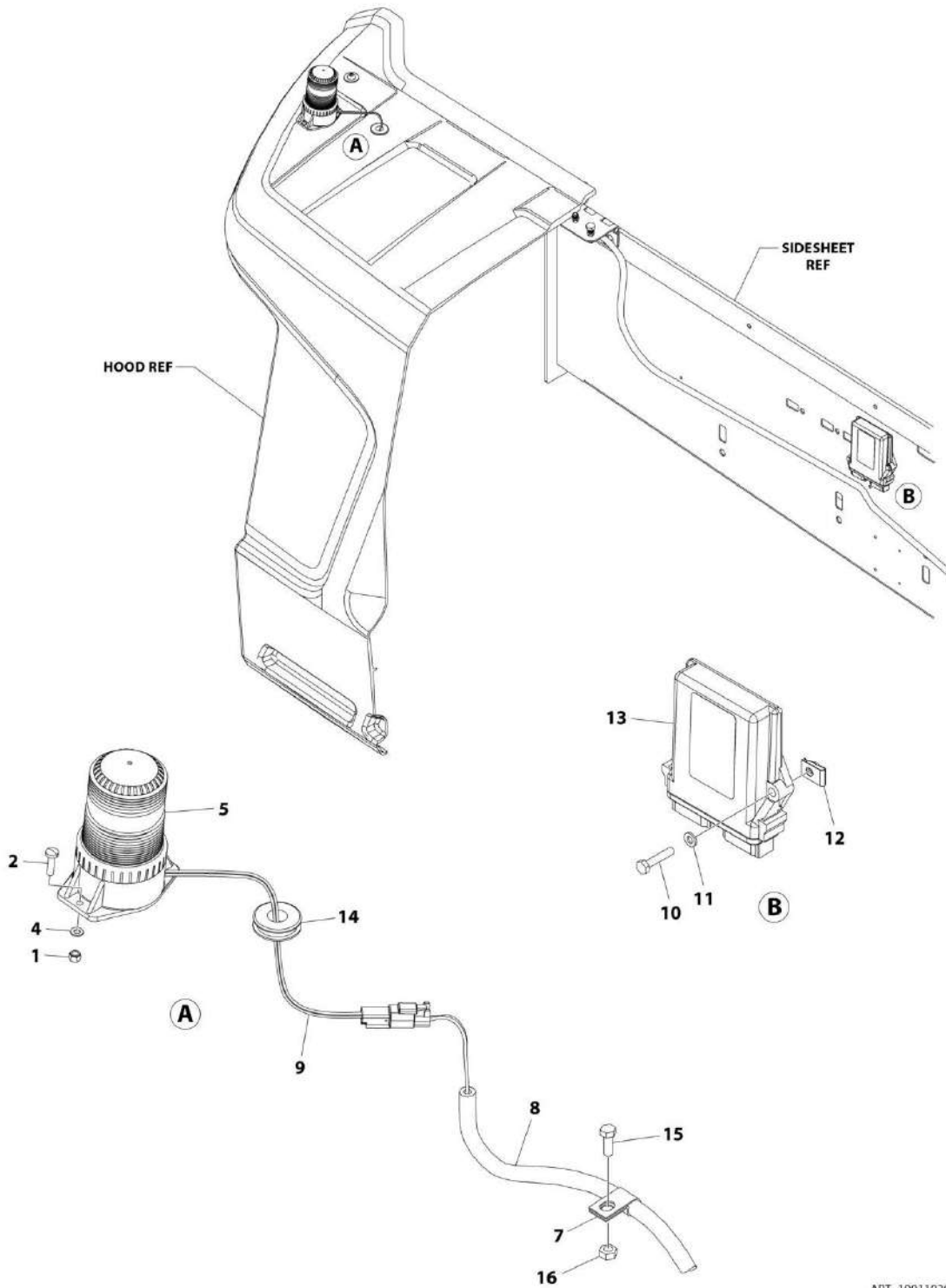
SECTION 2 - TURNTABLE

FIGURE 2-30. STROBE LIGHT INSTALLATION - AMBER (OPTIONAL)

ITEM	PART NUMBER	QTY	DESCRIPTION	REV
	1001191557	Ref	STROBE LIGHT INSTALLATION	D
1	4010510	2	Screw M5 x 20	
2	2920161	1	Light Strobe (Amber)	
2	7016319	1	Bulb	
2	7016372	1	Lens	
2A	4460891	1	Plug, Male - 2 Position	
2A	4460465	2	Socket, Female	
3	3290505	2	Nut M5	
4	4811600	2	Washer M5	
5	2540020	1	Grommet	
7	4240099	1	Tie-Strap (Not Shown)	

SECTION 2 - TURNTABLE

FIGURE 2-31. STROBE LIGHT INSTALLATION - BLUE (OPTIONAL)



ART_1001193944

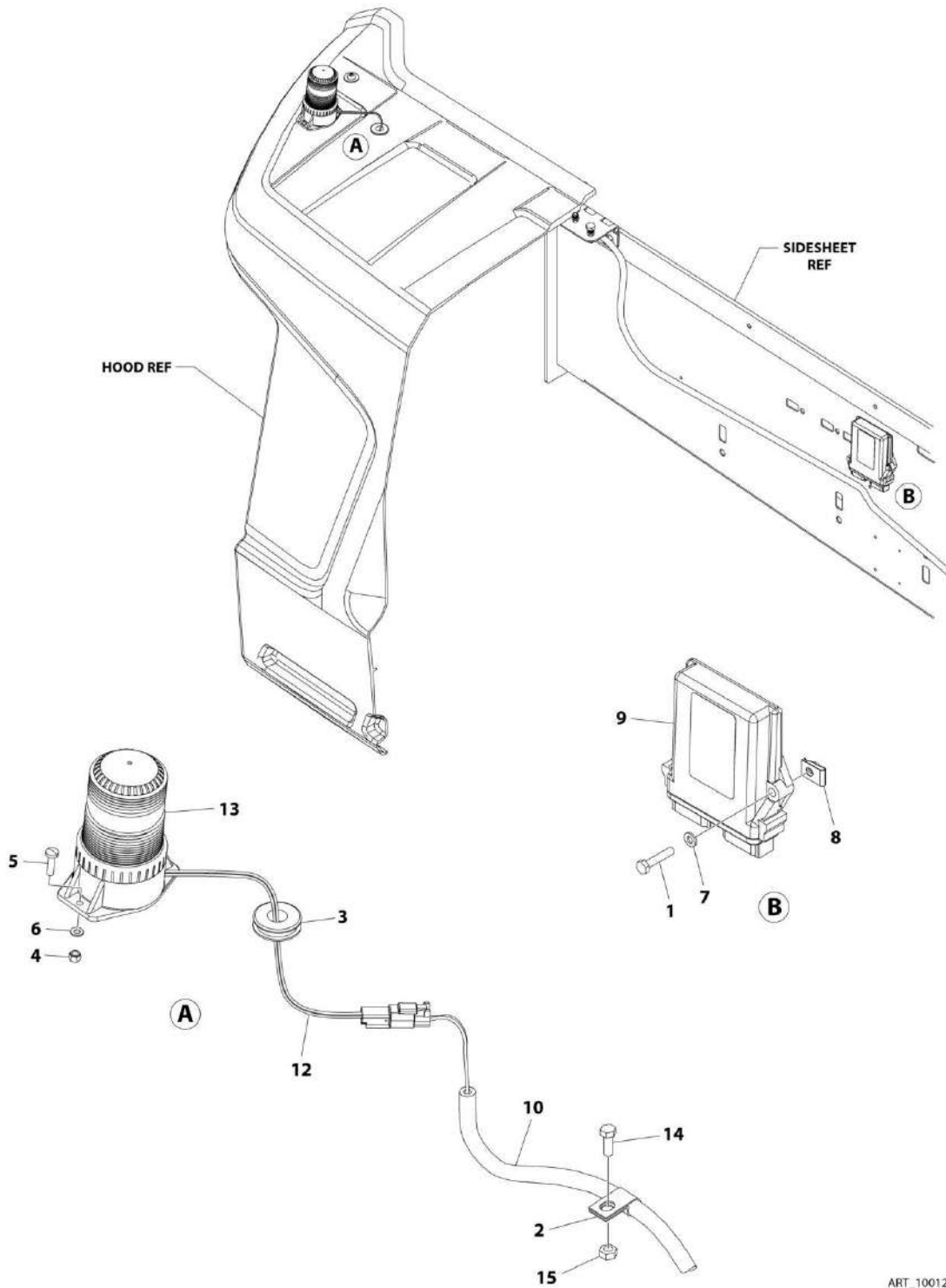
SECTION 2 - TURNTABLE

FIGURE 2-31. STROBE LIGHT INSTALLATION - BLUE (OPTIONAL)

ITEM	PART NUMBER	QTY	DESCRIPTION	REV
	1001193944	Ref	STROBE LIGHT INSTALLATION	H
1	3290505	2	Nut M5	
2	4010510	2	Screw M5 x 20	
4	4811600	2	Washer M5	
5	1001200910	1	Light, Strobe (Blue)	
5	4460897	2	Receptacle, Female - 2 Position	
5	4460464	4	Pin, Male	
7	8406110	1	Clip	
8	1001142736	1	Strobe Light Control Harness (See Separate Breakdown in ELECTRICAL SECTION)	
9	1001196458	1	Strobe Light Extension Harness	
9	4460891	1	Plug, Male - 4 Position	
9	4460465	2	Socket, Female	
9	4460897	2	Receptacle, Female - 2 Position	
9	4460464	4	Pin, Male	
10	0760614	2	Bolt M6 x 30	
11	4811700	2	Washer M6	
12	1001130220	2	Nut, Tinnerman M6	
13	1001142683	1	Module, Beacon Control	
14	2540020	1	Grommet	
15	0761016	1	Bolt M10 x 40	
16	3291005	1	Nut M10	

SECTION 2 - TURNTABLE

FIGURE 2-32. STROBE LIGHT INSTALLATION - RED (OPTIONAL)



ART_1001212192

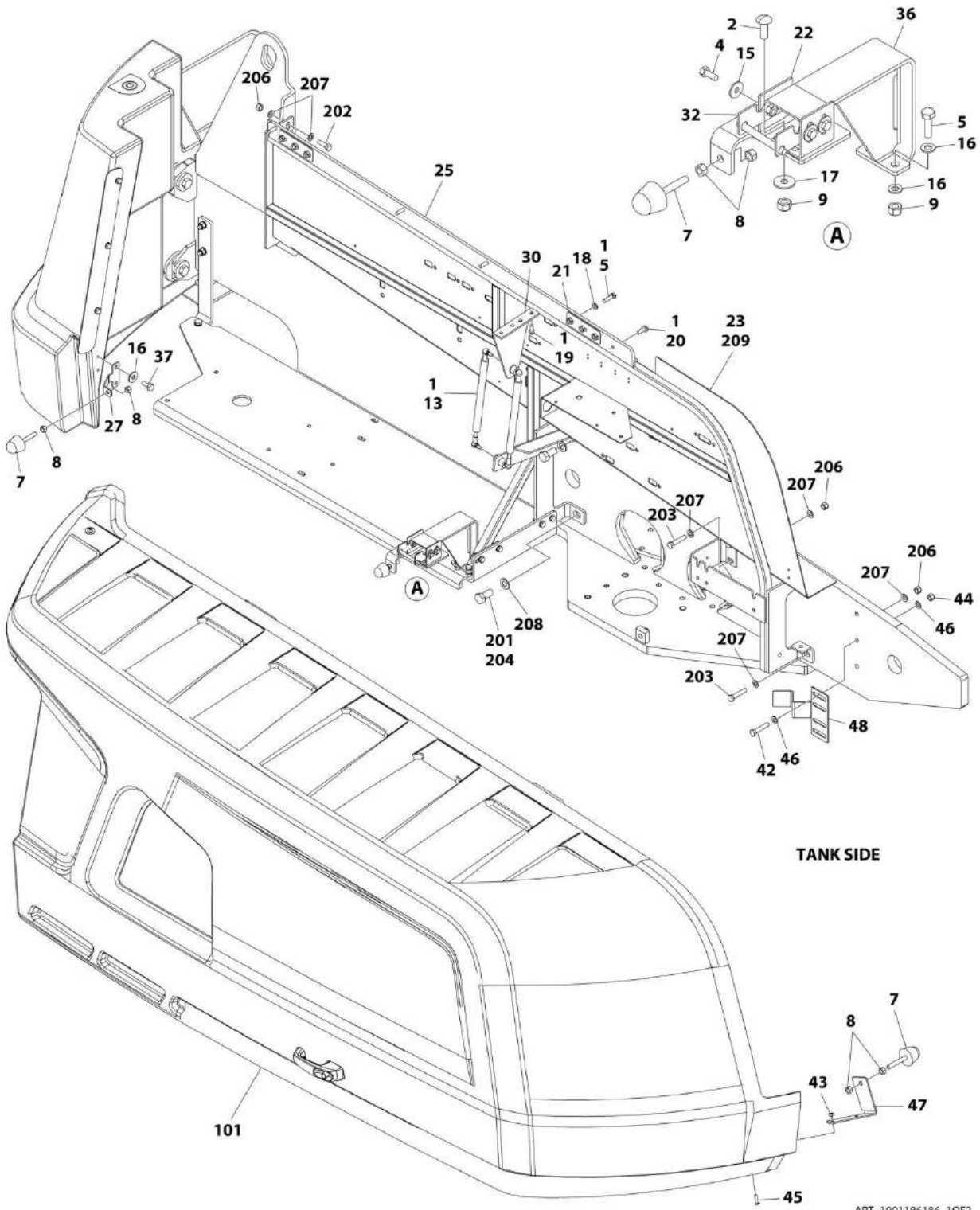
SECTION 2 - TURNTABLE

FIGURE 2-32. STROBE LIGHT INSTALLATION - RED (OPTIONAL)

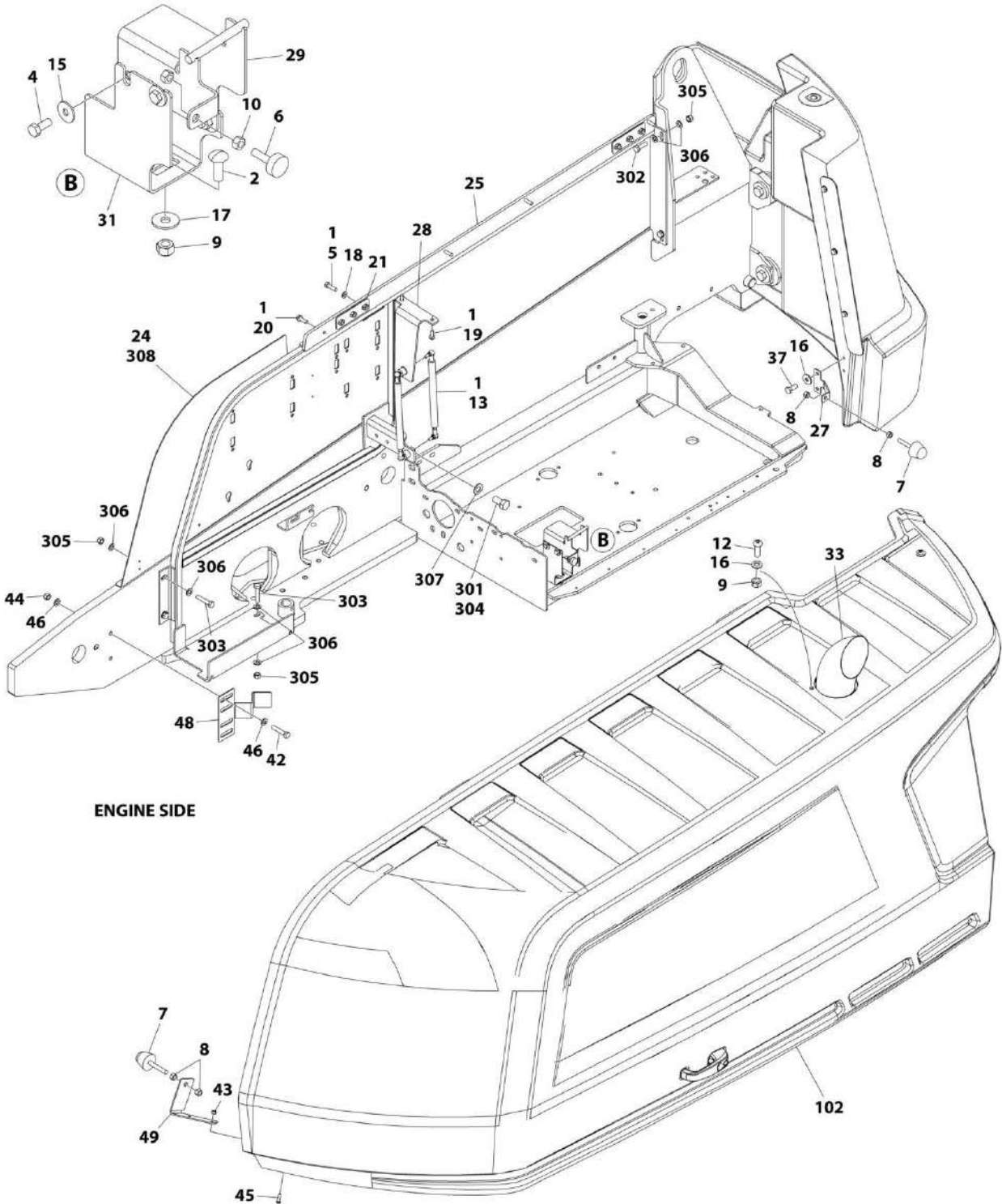
ITEM	PART NUMBER	QTY	DESCRIPTION	REV
	1001212192	Ref	STROBE LIGHT INSTALLATION	C
1	0760614	2	Bolt M6 x 30	
2	8406110	1	Clip	
3	2540020	1	Grommet	
4	3290505	2	Nut M5	
5	4010510	2	Screw M5 x 20	
6	4811600	2	Washer M5	
7	4811700	2	Washer M6	
8	1001130220	2	Nut, Tinnerman M6	
9	1001142683	1	Module, Beacon Control	
10	1001142736	1	Strobe Light Control Harness (See Separate Breakdown in ELECTRICAL SECTION)	
12	1001196458	1	Strobe Light Extension Harness	
12	4460891	1	Plug, Male - 4 Position	
12	4460465	2	Socket, Female	
12	4460897	2	Receptacle, Female - 2 Position	
12	4460464	4	Pin, Male	
13	1001207004	1	Light, Strobe (Red)	
13	4460897	2	Receptacle, Female - 2 Position	
13	4460464	4	Pin, Male	
14	0761016	1	Bolt M10 x 40	
15	3291005	1	Nut M10	

SECTION 2 - TURNTABLE

FIGURE 2-33. HOODS INSTALLATIONS - ABS



SECTION 2 - TURNTABLE



ENGINE SIDE

ART_1001186186_20F2

SECTION 2 - TURNTABLE

FIGURE 2-33. HOODS INSTALLATIONS - ABS

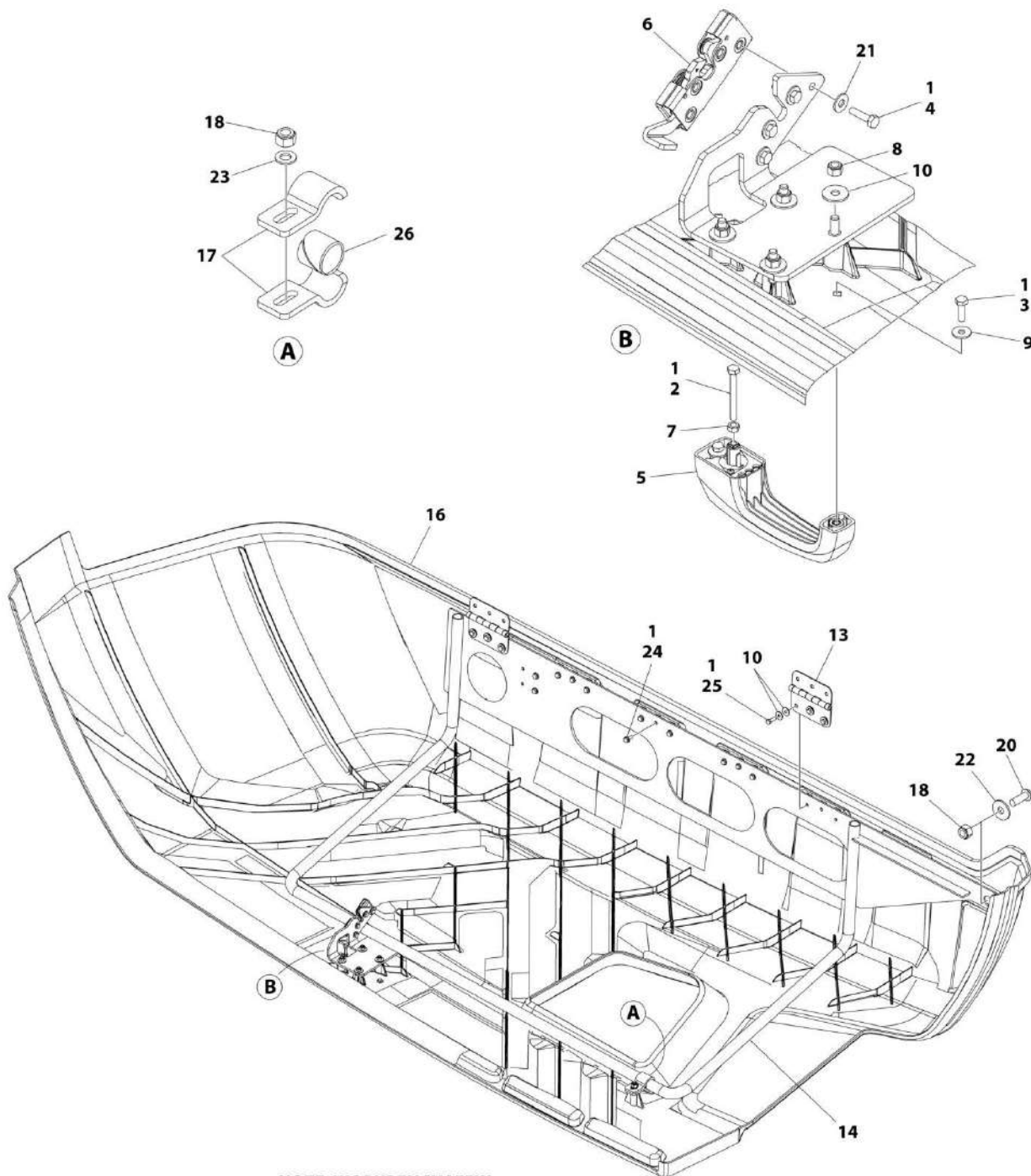
ITEM	PART NUMBER	QTY	DESCRIPTION	REV
	1001186186	Ref	HOODS INSTALLATIONS	F
1	0100011	AR	Compound, Locking	
2	0630613	4	Bolt M10 x 30	
4	0760810	8	Bolt M8 x 20	
5	0761015	14	Bolt M10 x 35	
6	0940049	1	Stopper	
7	1001206314	5	Bumper	
8	3311601	10	Nut 3/8	
9	3291005	8	Nut M10	
10	3311501	2	Nut 5/16	
12	1001174673	2	Screw M10 x 30	
13	1001210762	4	Spring, Gas	
15	4811902	8	Washer M8	
16	4812000	6	Washer M10	
17	4812002	6	Washer M10	
18	5241000	12	Washer M10	
19	5250812	4	Bolt M8 x 25	
20	5251014	8	Bolt M10 x 30	
21	1001169046	4	Nut, Hinge	
22	1001172615	1	Mount	
23	1001187950	1	Side-Sheet Assembly - Tank Side (See Items 201-209 for Breakdown)	
24	1001187951	1	Side-Sheet Assembly - Engine Side (See Items 301-308 for Breakdown)	
25	1001189067	2	Mount	
27	1001190338	2	Bracket	
28	1001190476	1	Bracket	
29	1001190756	1	Support	
30	1001192841	1	Bracket	
31	1001192842	1	Mount	
32	1001192843	1	Support	
33	1001193760	1	Pipe, Exhaust	
36	1001206880	1	Support	
37	0701012	2	Bolt M10 x 25	
42	0701220	2	Bolt M12 x 60	
43	3290605	4	Nut M6	
44	3291205	2	Nut M12	
45	3900364	4	Screw M6 x 20	
46	4812100	4	Washer M12	
47	1001213543	1	Bracket	
48	1001231310	2	Bracket	
49	1001213744	1	Bracket	
100	1001227887	1	Hood Kit (Not Shown)	
101	1001195454	1	Hood Assembly - Tank Side (See Separate Breakdown in this Section)	
102	1001195455	1	Hood Assembly - Engine Side (See Separate Breakdown in this Section)	
	1001187950	Ref	SIDE-SHEET ASSEMBLY - TANK SIDE	C
201	0100011	AR	Compound, Locking	
202	0701216	2	Bolt M12 x 40	

SECTION 2 - TURNTABLE

ITEM	PART NUMBER	QTY	DESCRIPTION	REV
203	0701220	4	Bolt M12 x 60	
204	0762016	2	Bolt M20 x 40	
206	3291205	6	Nut M12	
207	4812100	12	Washer M12	
208	4812500	2	Washer M20	
209	1001188194	1	Side-Sheet, Tank Side	
	1001187951	Ref	SIDE-SHEET ASSEMBLY - ENGINE SIDE	B
301	0100011	AR	Compound, Locking	
302	0701216	2	Bolt M12 x 40	
303	0701220	3	Bolt M12 x 60	
304	0762016	1	Bolt M20 x 40	
305	3291205	5	Nut M12	
306	4812100	10	Washer M12	
307	4812500	1	Washer M20	
308	1001188187	1	Side-Sheet, Engine Side	

SECTION 2 - TURNTABLE

FIGURE 2-34. HOOD ASSEMBLY - TANK SIDE (ABS)



NOTE: WORKBENCH VIEW

ART_1001195454

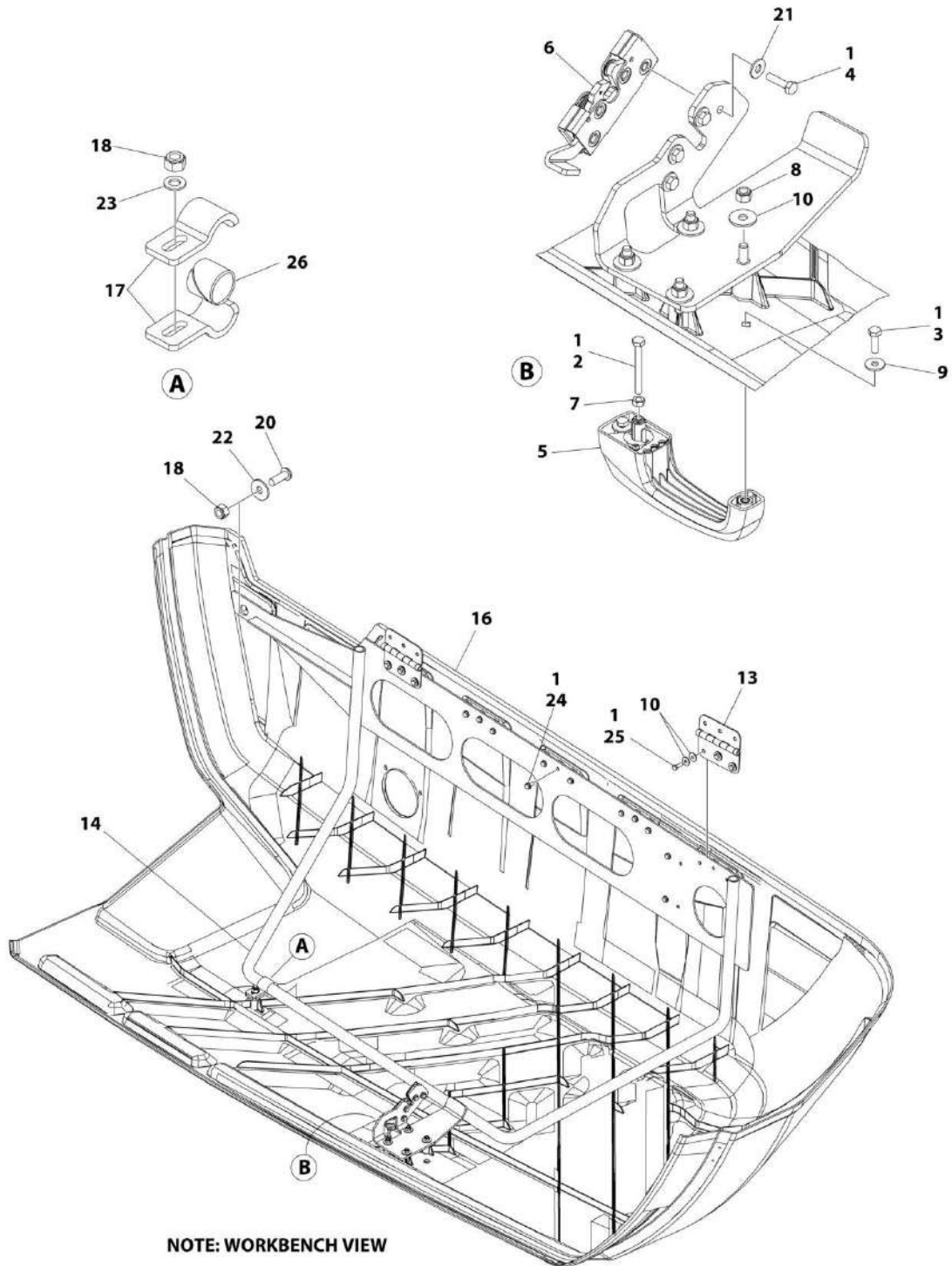
SECTION 2 - TURNTABLE

FIGURE 2-34. HOOD ASSEMBLY - TANK SIDE (ABS)

ITEM	PART NUMBER	QTY	DESCRIPTION	REV
	1001195454	Ref	HOOD ASSEMBLY	E
1	0100011	AR	Compound, Locking	
2	0700619	1	Bolt M6 x 55	
3	0760610	2	Bolt M6 x 20	
4	0641408	4	Bolt 1/4 x 1	
5	2560187	1	Handle, Push Button	
6	2940173	1	Latch, Rotary	
7	3290601	1	Nut M6	
8	3290805	4	Nut M8	
9	4811702	2	Washer M6	
10	4811902	16	Washer M8	
13	1001139384	2	Hinge	
14	1001204303	1	Support	
16	1001193168	1	Hood	
17	1321384	2	Clamp	
18	3291005	2	Nut M10	
20	1001174673	1	Screw M10 x 30	
21	4751400	4	Washer 1/4	
22	4812002	1	Washer M10	
23	4812000	1	Washer M10	
24	5250810	11	Bolt M8 x 20	
25	0760812	6	Bolt M8 x 25	
26	1001227367	1	Bearing	

SECTION 2 - TURNTABLE

FIGURE 2-35. HOOD ASSEMBLY - ENGINE SIDE (ABS)



ART_1001195455

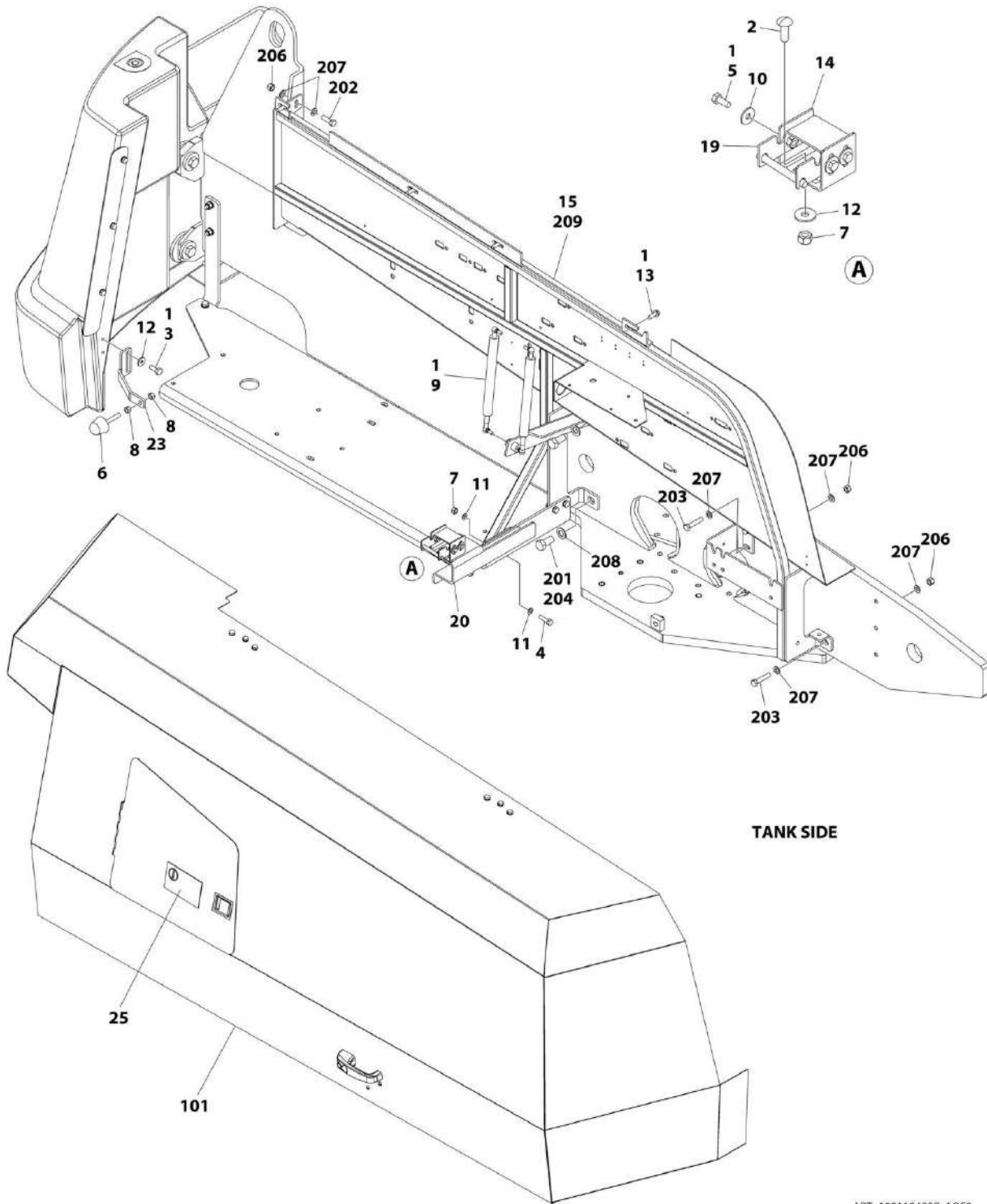
SECTION 2 - TURNTABLE

FIGURE 2-35. HOOD ASSEMBLY - ENGINE SIDE (ABS)

ITEM	PART NUMBER	QTY	DESCRIPTION	REV
	1001195455	Ref	HOOD ASSEMBLY	E
1	0100011	AR	Compound, Locking	
2	0700619	1	Bolt M6 x 55	
3	0760610	2	Bolt M6 x 20	
4	0641408	4	Bolt 1/4 x 1	
5	2560187	1	Handle, Push Button	
6	2940173	1	Latch, Rotary	
7	3290601	1	Nut M6	
8	3290805	4	Nut M8	
9	4811702	2	Washer M6	
10	4811902	16	Washer M8	
13	1001139384	2	Hinge	
14	1001204251	1	Support	
16	1001193169	1	Hood	
17	1321384	2	Clamp	
18	3291005	2	Nut M10	
20	1001174673	1	Screw M10 x 30	
21	4751400	4	Washer 1/4	
22	4812002	1	Washer M10	
23	4812000	1	Washer M10	
24	5250810	11	Bolt M8 x 20	
25	0760812	6	Bolt M8 x 25	
26	1001227367	1	Bearing	

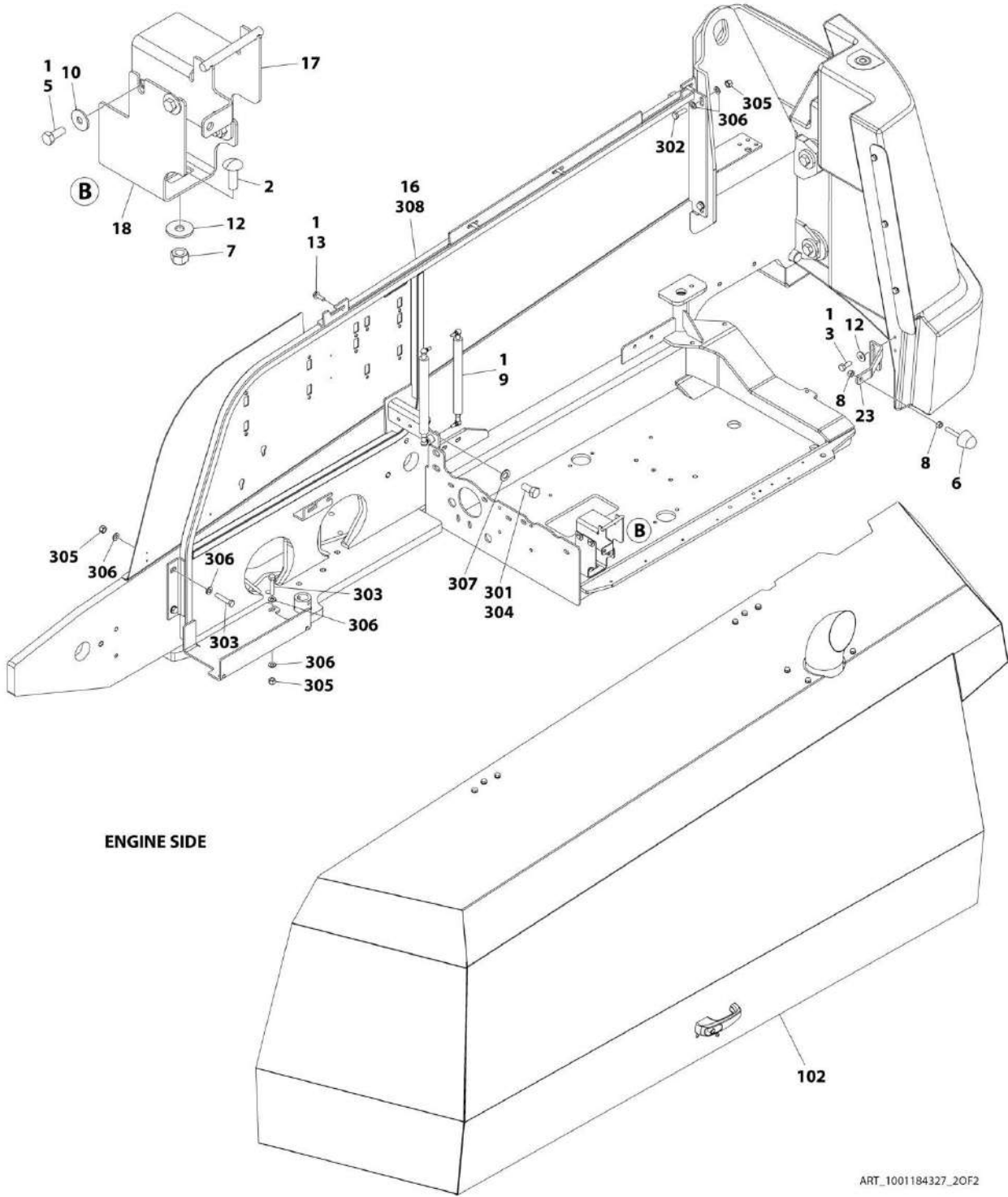
SECTION 2 - TURNTABLE

FIGURE 2-36. HOODS INSTALLATIONS - STEEL



ART_1001184327_10F2

SECTION 2 - TURNTABLE



ENGINE SIDE

ART_1001184327_20F2

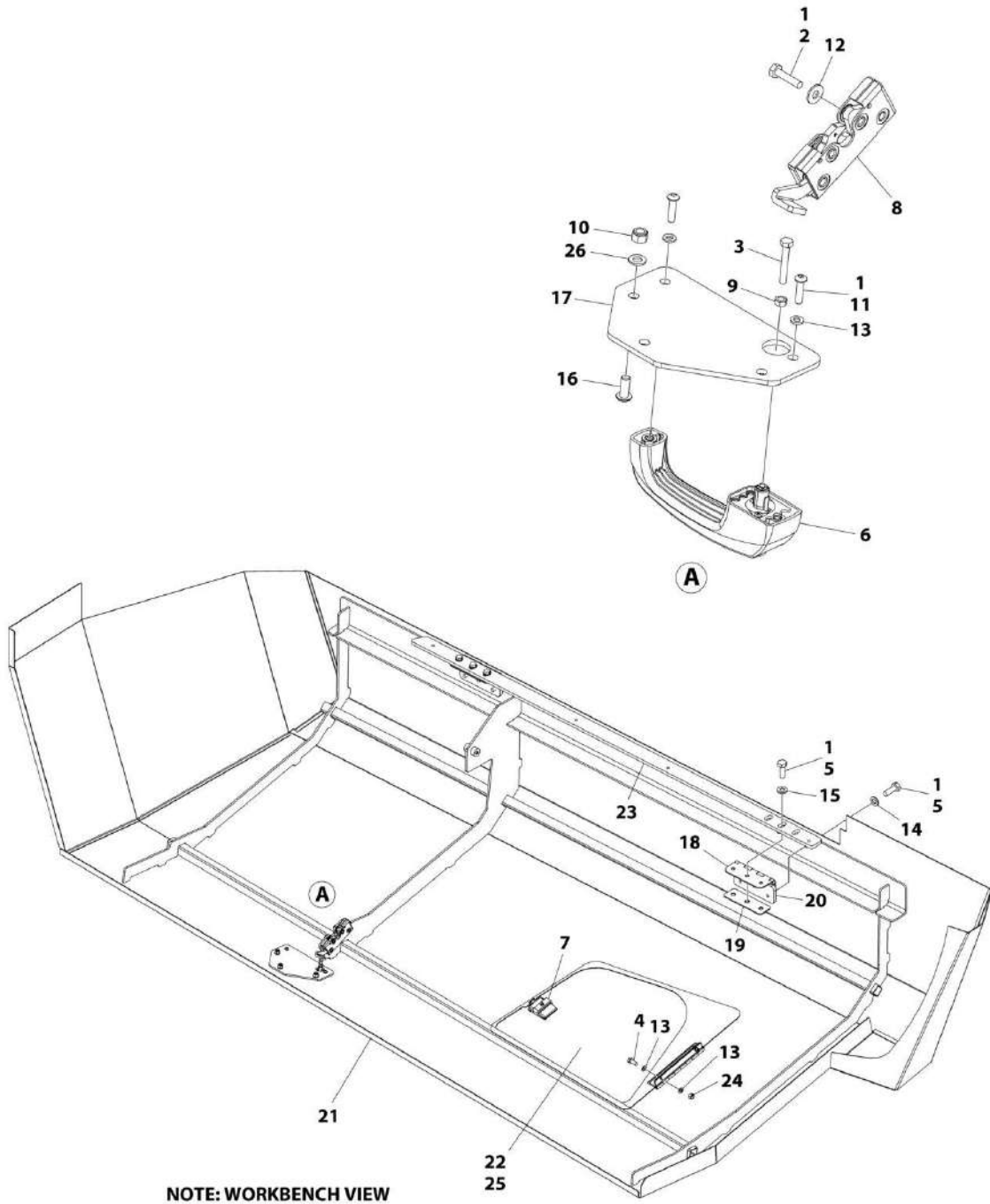
SECTION 2 - TURNTABLE

FIGURE 2-36. HOODS INSTALLATIONS - STEEL

ITEM	PART NUMBER	QTY	DESCRIPTION	REV
	1001184327	Ref	HOODS INSTALLATIONS	J
1	0100011	AR	Compound, Locking	
2	0630613	4	Bolt M10 x 30	
3	0701012	4	Bolt M10 x 25	
4	0701016	2	Bolt M10 x 40	
5	0760810	8	Bolt M8 x 20	
6	1001206314	2	Bumper	
7	3291005	6	Nut M10	
8	3311601	4	Nut 3/8	
9	1001219138	4	Spring, Gas	
10	4811902	8	Washer M8	
11	4812000	4	Washer M10	
12	4812002	8	Washer M10	
13	5251014	8	Bolt M10 x 30	
14	1001172615	1	Mount	
15	1001187950	1	Side-Sheet Assembly - Tank Side (See Items 201-209 for Breakdown)	
16	1001187951	1	Side-Sheet Assembly - Engine Side (See Items 301-308 for Breakdown)	
17	1001190756	1	Support	
18	1001192842	1	Mount	
19	1001192843	1	Support	
20	1001195535	1	Mount	
23	1001212333	2	Bracket	
25	1001117307	1	Decal - Emergency Stop	
100	1001227888	1	Hood Kit (Not Shown)	
101	1001211762	1	Hood Assembly - Tank Side (See Separate Breakdown in this Section)	
102	1001211774	1	Hood Assembly - Engine Side (See Separate Breakdown in this Section)	
	1001187950	Ref	SIDE-SHEET ASSEMBLY - TANK SIDE	C
201	0100011	AR	Compound, Locking	
202	0701216	2	Bolt M12 x 40	
203	0701220	4	Bolt M12 x 60	
204	0762016	2	Bolt M20 x 40	
206	3291205	6	Nut M12	
207	4812100	12	Washer M12	
208	4812500	2	Washer M20	
209	1001188194	1	Side-Sheet, Tank Side	
	1001187951	Ref	SIDE-SHEET ASSEMBLY - ENGINE SIDE	B
301	0100011	AR	Compound, Locking	
302	0701216	2	Bolt M12 x 40	
303	0701220	3	Bolt M12 x 60	
304	0762016	1	Bolt M20 x 40	
305	3291205	5	Nut M12	
306	4812100	10	Washer M12	
307	4812500	1	Washer M20	
308	1001188187	1	Side-Sheet, Engine Side	

SECTION 2 - TURNTABLE

FIGURE 2-37. HOOD ASSEMBLY - TANK SIDE (STEEL)



ART_1001211762

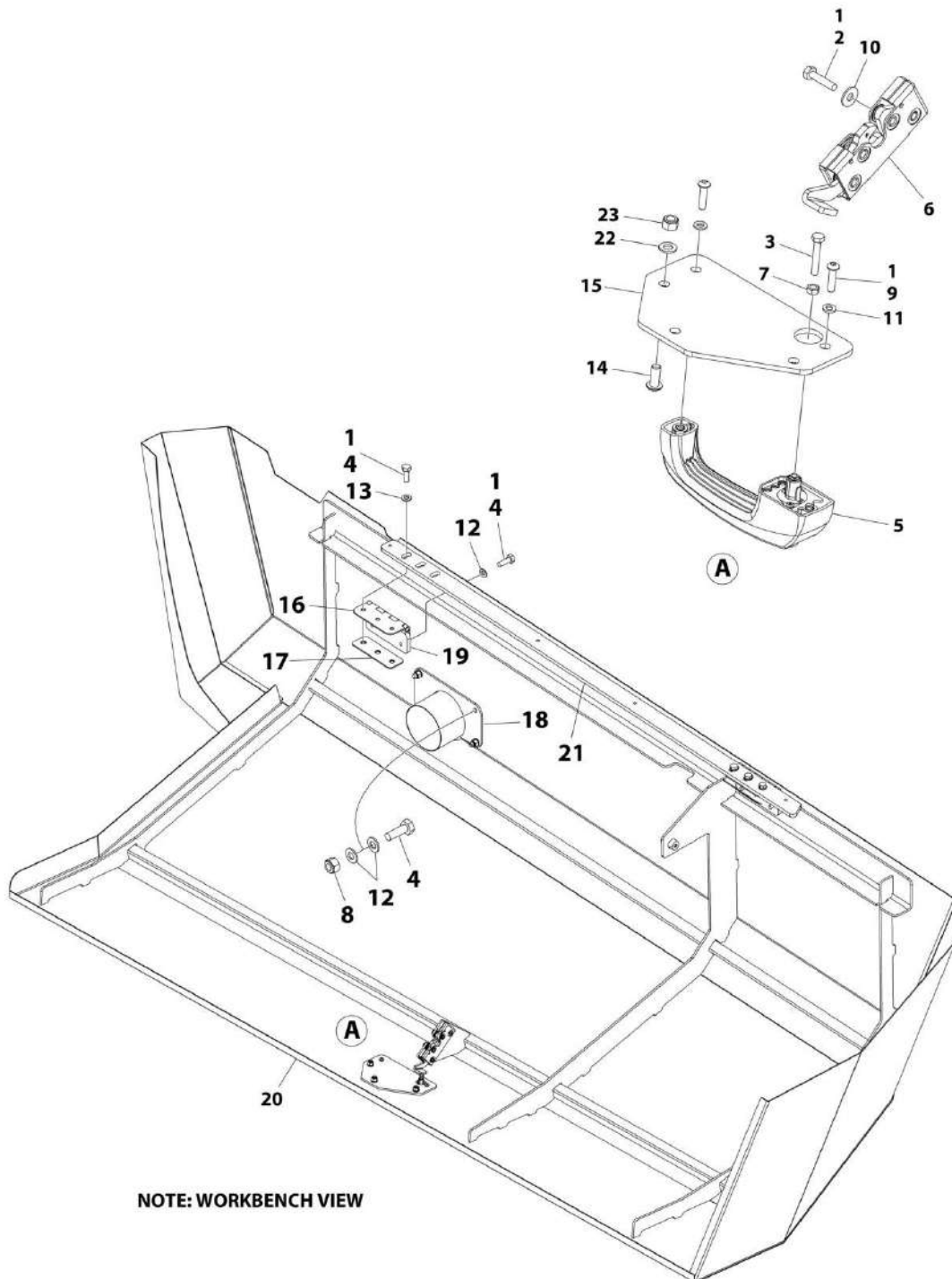
SECTION 2 - TURNTABLE

FIGURE 2-37. HOOD ASSEMBLY - TANK SIDE (STEEL)

ITEM	PART NUMBER	QTY	DESCRIPTION	REV
	1001211762	Ref	HOOD ASSEMBLY	H
1	0100011	AR	Compound, Locking	
2	0641409	4	Bolt 1/4 x 1-1/8	
3	0700616	1	Bolt M6 x 40	
4	0760608	2	Bolt M6 x 16	
5	0761014	12	Bolt M10 x 30	
6	2560187	1	Handle, Push Button	
7	2940045	1	Latch, Paddle	
8	2940173	1	Latch, Rotary	
9	3290601	1	Nut M6	
10	3290805	3	Nut M8	
11	3900363	2	Screw M6 x 25	
12	4751400	4	Washer 1/4	
13	4811700	6	Washer M6	
14	4812000	6	Washer M10	
15	5241000	6	Washer M10	
16	1001164726	3	Screw M8 x 20	
17	1001116290	1	Plate	
18	1001139384	2	Hinge	
19	1001169046	2	Nut, Hinge	
20	1001202333	2	Plate, Nut	
21	1001211752	1	Hood	
22	1001211760	1	Door	
23	1001211761	1	Plate	
24	3290605	2	Nut M6	
25	1001113047	78 in/ 2m	Seal	
26	4811900	3	Washer M8	

SECTION 2 - TURNTABLE

FIGURE 2-38. HOOD ASSEMBLY - ENGINE SIDE (STEEL)



NOTE: WORKBENCH VIEW

ART_1001211774

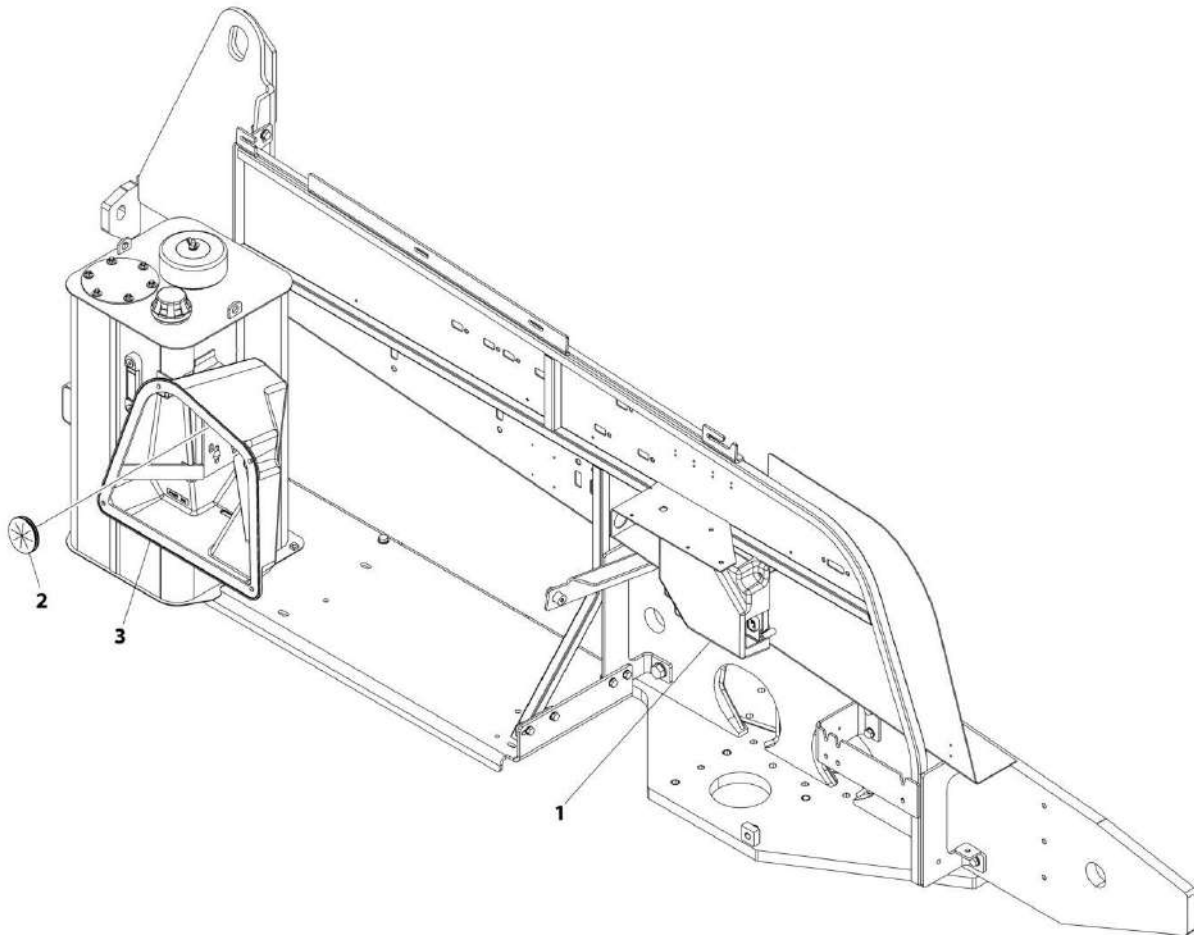
SECTION 2 - TURNTABLE

FIGURE 2-38. HOOD ASSEMBLY - ENGINE SIDE (STEEL)

ITEM	PART NUMBER	QTY	DESCRIPTION	REV
	1001211774	Ref	HOOD ASSEMBLY	G
1	0100011	AR	Compound, Locking	
2	0641409	4	Bolt 1/4 x 1-1/8	
3	0700615	1	Bolt M6 x 35	
4	0761014	16	Bolt M10 x 30	
5	2560187	1	Handle , Push Button	
6	2940173	1	Latch, Rotary	
7	3290601	1	Nut M6	
8	3291005	4	Nut M10	
9	3900363	2	Screw M6 x 25	
10	4751400	4	Washer 1/4	
11	4811700	2	Washer M6	
12	4812000	14	Washer M10	
13	5241000	6	Washer M10	
14	1001164726	3	Screw M8 x 20	
15	1001116290	1	Plate	
16	1001139384	2	Hinge	
17	1001169046	2	Nut, Hinge	
18	1001194888	1	Pipe, Exhaust	
19	1001202333	2	Plate, Nut	
20	1001211767	1	Hood	
21	1001211773	1	Plate	
22	4811900	3	Washer M8	
23	3290805	3	Nut M8	

SECTION 2 - TURNTABLE

FIGURE 2-39. COVERS INSTALLATION



ART_1001219128

SECTION 2 - TURNTABLE

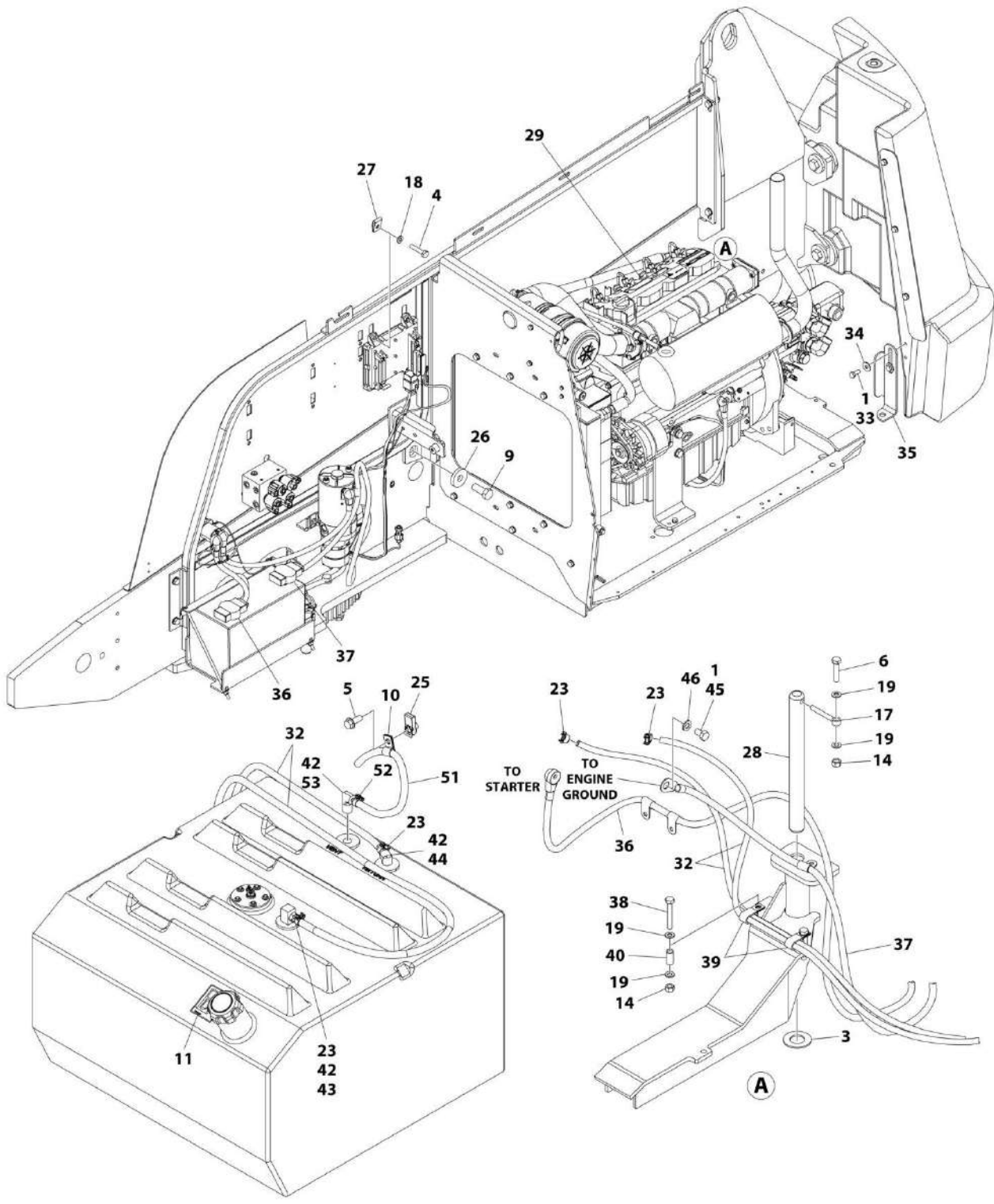
FIGURE 2-39. COVERS INSTALLATION

ITEM	PART NUMBER	QTY	DESCRIPTION	REV
	1001219128	Ref	COVERS INSTALLATION	A
1	1001218539	1	Cover, Controller	
2	1001218676	1	Grommet	
3	1001220638	1	Cover, Ground Control	

SECTION 3 - ENGINE

SECTION 3 - ENGINE

FIGURE 3-1. DEUTZ D2011 ENGINE INSTALLATION - WITHOUT ARCTIC PACKAGE



ART_1001186808

SECTION 3 - ENGINE

FIGURE 3-1. DEUTZ D2011 ENGINE INSTALLATION - WITHOUT ARCTIC PACKAGE

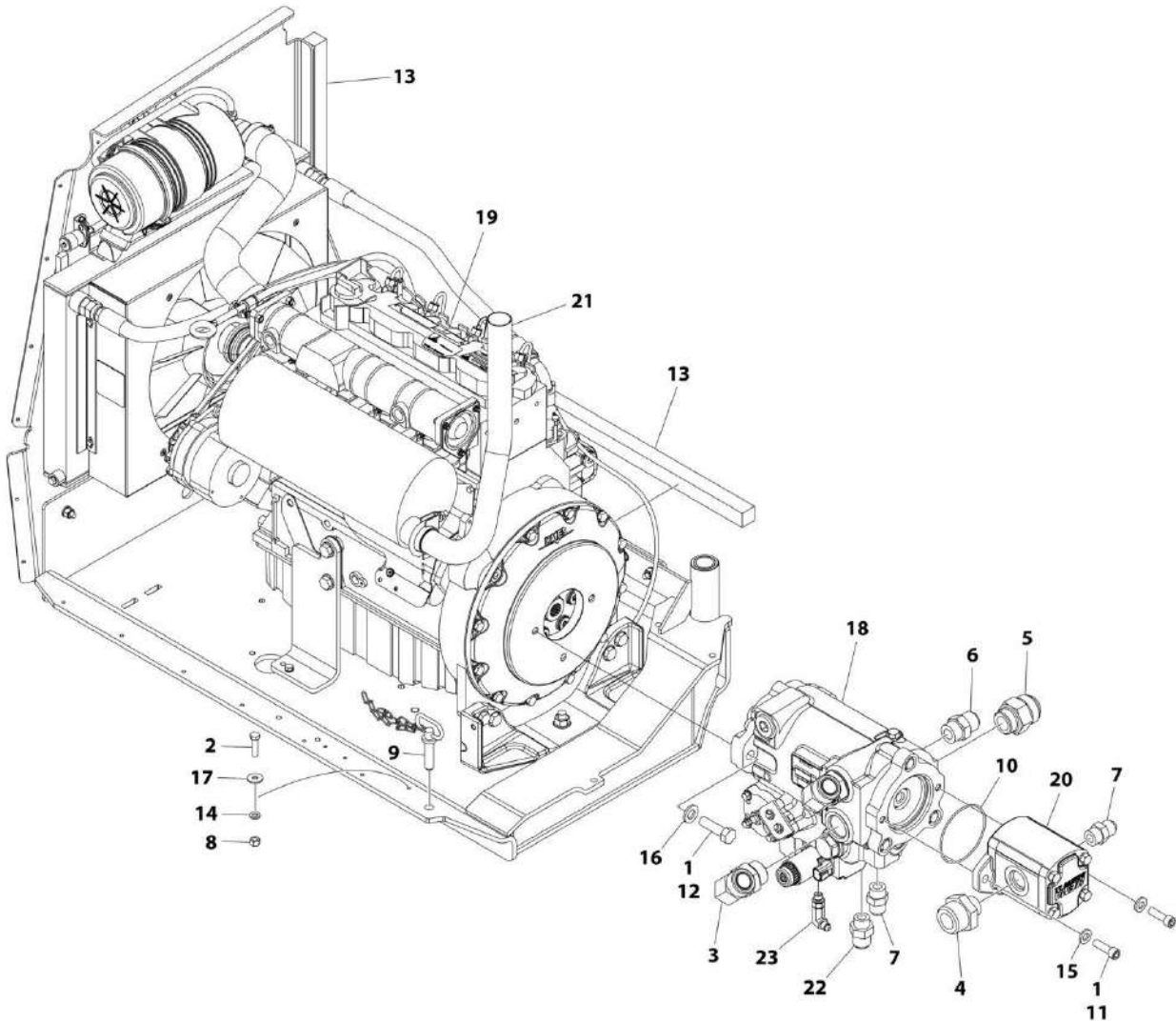
ITEM	PART NUMBER	QTY	DESCRIPTION	REV
	1001186808	Ref	DEUTZ D2011 ENGINE INSTALLATION	N
1	0100011	AR	Compound, Locking	
3	0440162	1	Bearing	
4	0700614	4	Bolt M6 x 30	
5	5251012	1	Bolt M10 x 25	
6	0711018	1	Bolt M10 x 50	
9	0772018	1	Bolt M20 x 50	
10	8406110	1	Clip (SN 0300235168 through 0300237156, SN B300002655 through B300002979)	
10	1320061	1	Clamp (SN 0300237157 to Present, SN B300002980 to Present)	
11	1701505	1	Decal - Diesel Fuel	
14	3291005	3	Nut M10	
17	3841143	1	Keeper, Pin	
18	4811700	4	Washer M6	
19	4812000	6	Washer M10	
23	1001174486	AR	Clamp	
25	1001118972	1	Nut, Tinnerman M10	
26	1001119051	1	Washer	
27	1001130220	4	Nut, Tinnerman M6	
28	1001155094	1	Pin	
29	1001186815	1	Deutz D2011 Engine and Pumps Sub-Assembly (See Separate Breakdown in this Section)	
32	2720058	288 in/ 7.3m	Hose, Fuel	
33	0701012	2	Bolt M10 x 70	
34	4812002	2	Washer M10	
35	1001196398	1	Bracket	
36	1001188667	1	Cable, Battery (+) to Aux Relay to Starter	
37	1001188670	1	Cable, Battery (-) to Aux Pump and Ground	
38	0701022	2	Bolt M10 x 70	
39	1001026127	2	Clamp	
40	1001200731	2	Tube	
41	4240099	6	Tie-Strap (Not Shown)	
42	0100020	AR	Sealant	
43	2180348	1	Fitting, Straight NPT x Barb	
44	2221176	AR	Fitting, 90 Barbed	
45	0761210	1	Bolt M12 x 20	
46	4812100	1	Washer M12	
47	1001192690	1	Hose (Case Drain) (Drive Pump Case Gauge Port to Tank) (Not Shown)	
48	1001203431	1	Hose (Case Drain) (Drive Pump Case Outlet Port to Tank) (Not Shown)	
49	1001203432	1	Hose (Function Suction) (Not Shown)	
50	1001203433	1	Hose (Drive Suction) (Not Shown)	
51	2720058	20 in/ 0.5m	Hose, Fuel (SN 0300235168 through 0300237156, SN B300002655 through B300002979)	
51	1001165035	20 in/ 0.5m	Hose (SN 0300237157 to Present, SN B300002980 to Present)	
52	1001174486	1	Clamp (SN 0300235168 through 0300237156, SN B300002655 through B300002979)	
52	1001136975	1	Clamp (SN 0300237157 to Present, SN B300002980 to Present)	

SECTION 3 - ENGINE

ITEM	PART NUMBER	QTY	DESCRIPTION	REV
53	2221176	1	Fitting, 90 Barbed (SN 0300235168 through 0300237156, SN B300002655 through B300002979)	
53	2220313	1	Fitting, 90 NPTF/Barb (SN 0300237157 to Present, SN B300002980 to Present)	
100	1001235699	1	Battery Cable Kit (Includes Items 36 & 37) (Not Shown) (SN 0300237157 to Present, SN B300002980 to Present)	

SECTION 3 - ENGINE

FIGURE 3-2. DEUTZ D2011 ENGINE AND PUMPS SUB-ASSEMBLY - WITHOUT ARCTIC PACKAGE



ART_1001186815

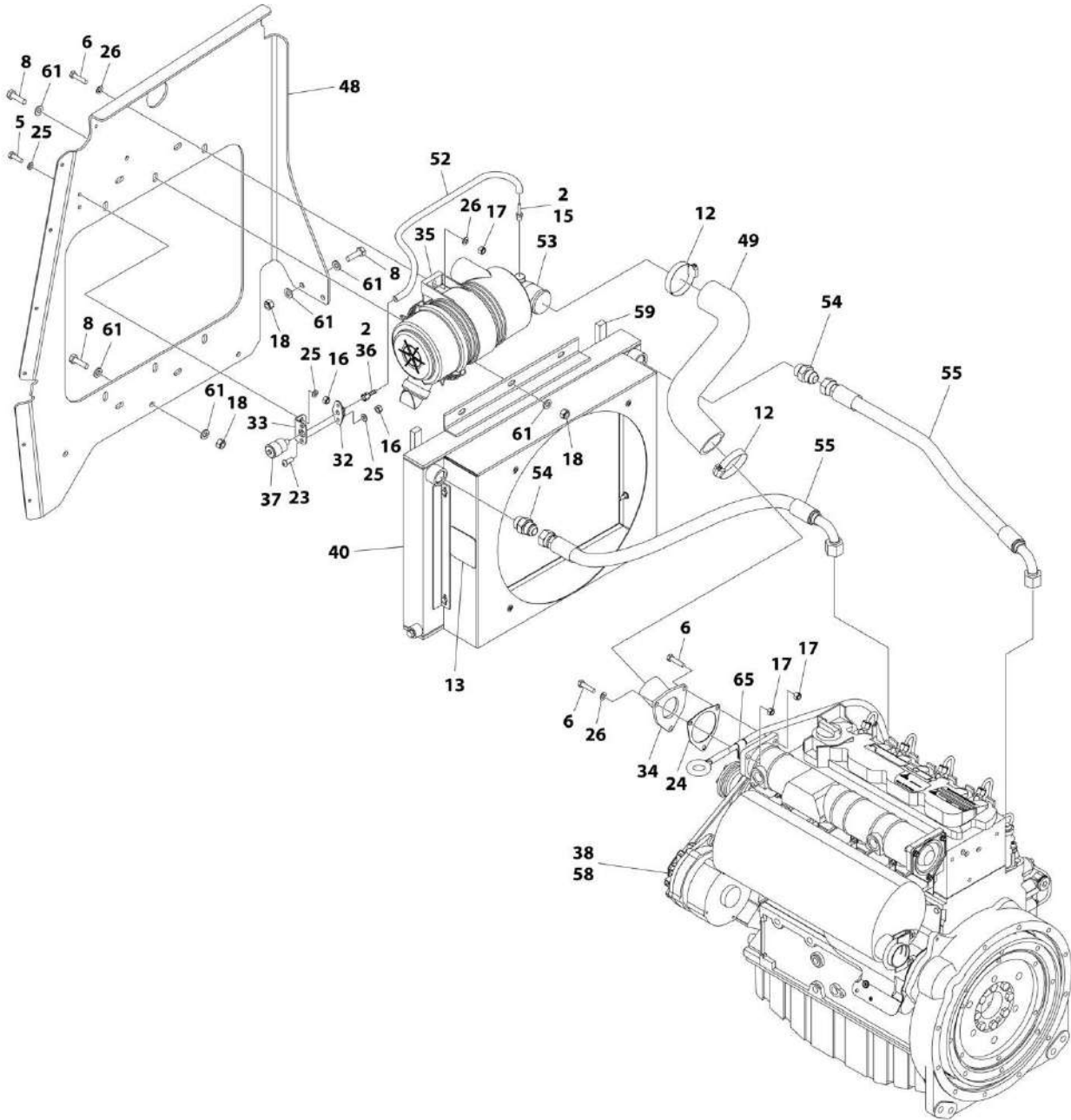
SECTION 3 - ENGINE

FIGURE 3-2. DEUTZ D2011 ENGINE AND PUMPS SUB-ASSEMBLY - WITHOUT ARCTIC PACKAGE

ITEM	PART NUMBER	QTY	DESCRIPTION	REV
	1001186815	Ref	DEUTZ D2011 ENGINE AND PUMPS SUB-ASSEMBLY	G
1	0100011	AR	Compound, Locking	
2	0760612	1	Bolt M6 x 25	
3	2131616	2	Fitting, 90 ORFS/ORB	
4	2220946	1	Fitting, Straight JIC/ORB	
5	2220479	1	Fitting, Straight JIC/ORB	
6	2220451	1	Fitting, Straight JIC/ORB	
7	2220947	2	Fitting, Straight JIC/ORB	
8	3290605	1	Nut M6	
9	3422532	1	Pin	
10	3790152	1	O-Ring	
11	3931620	2	Capscrew 3/8 x 1-1/4	
11	3931618	2	Capscrew 3/8 x 1-1/8	
12	0641814	2	Bolt 1/2 x 1-3/4	
13	3960469	2	Seal	
14	4811700	1	Washer M6	
15	5241000	2	Washer M10	
16	5241200	2	Washer M12	
17	4811702	1	Washer M6	
18	1001184930	1	Piston Pump Assembly (See Separate Breakdown in this Section)	
19	1001186816	1	Deutz D2011 Engine Assembly (See Separate Breakdown in this Section)	
20	1001190143	1	Gear Pump Assembly	
20	70006356	1	Seal Kit - 1001190143 Pump	
21	1001191273	1	Pipe, Exhaust (SN 0300235168 through 0300247539, SN B300002655 through B300002979)	
22	2220408	1	Fitting, Straight JIC/ORB	
23	2220940	1	Fitting, 90 JIC/ORB	

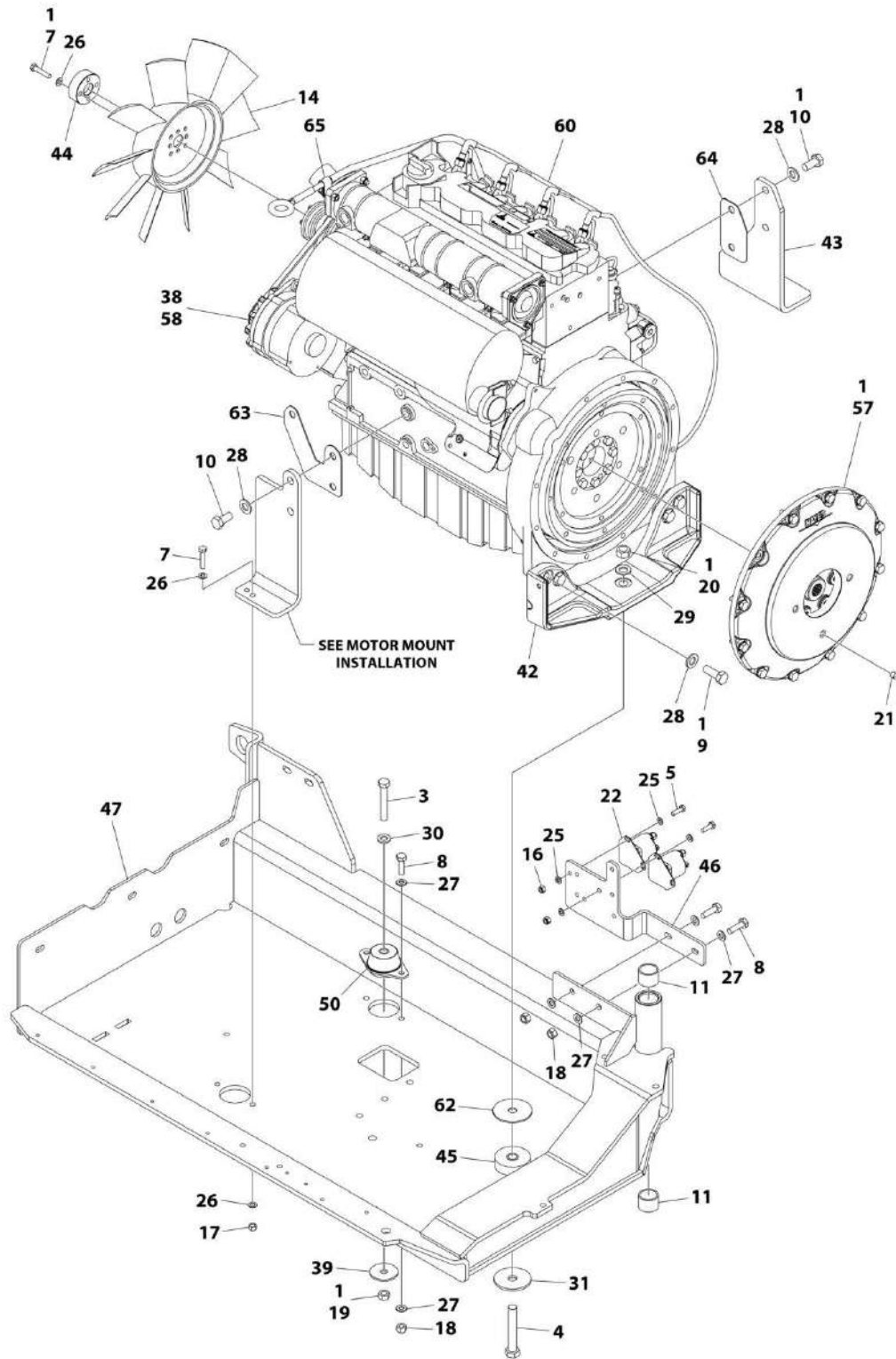
SECTION 3 - ENGINE

FIGURE 3-3. DEUTZ D2011 ENGINE ASSEMBLY - WITHOUT ARCTIC PACKAGE



ART_1001186816_1QF2

SECTION 3 - ENGINE



ART_1001186816_20F2

SECTION 3 - ENGINE

FIGURE 3-3. DEUTZ D2011 ENGINE ASSEMBLY - WITHOUT ARCTIC PACKAGE

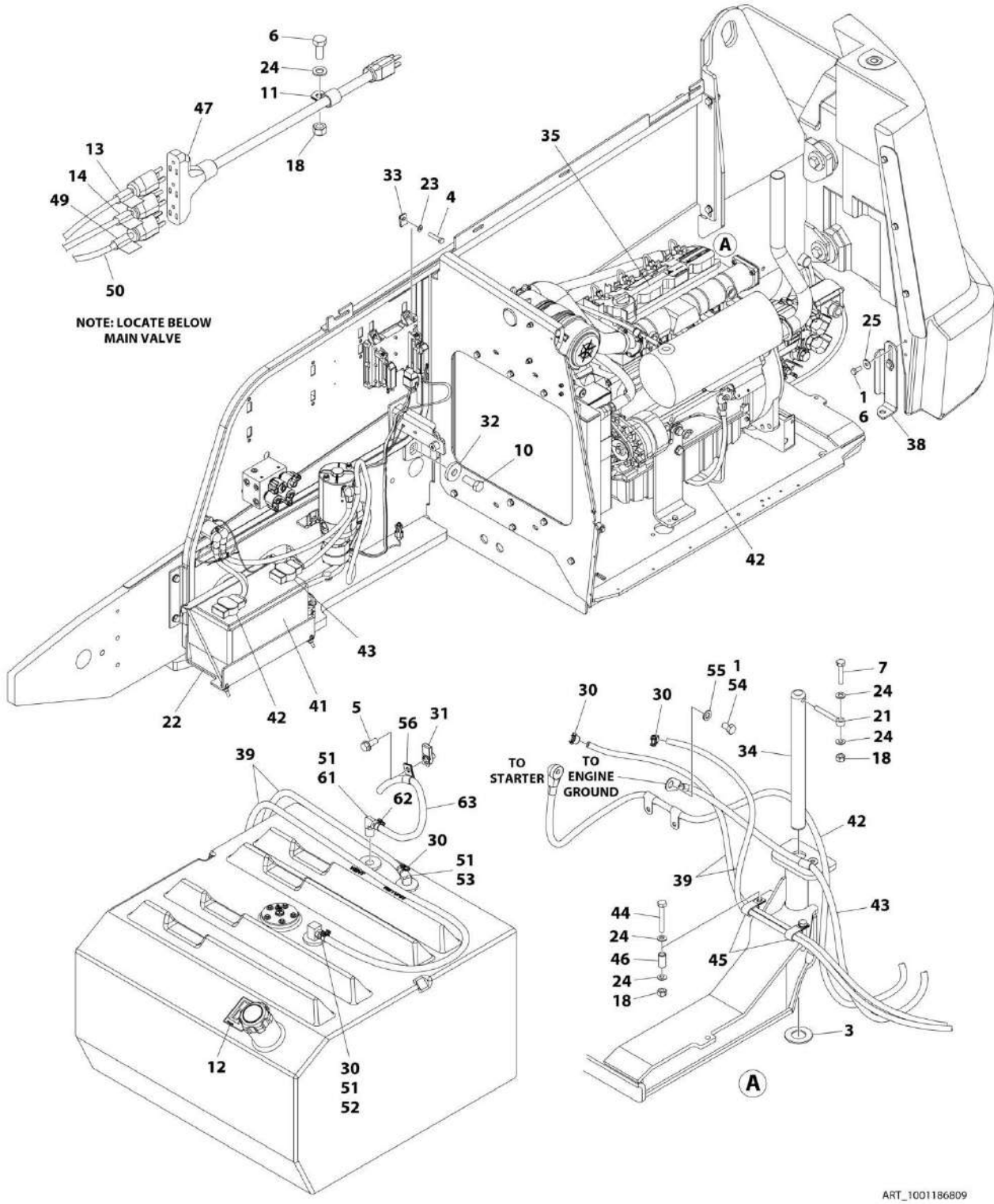
ITEM	PART NUMBER	QTY	DESCRIPTION	REV
	1001186816	Ref	DEUTZ D2011 ENGINE ASSEMBLY	T
1	0100011	AR	Compound, Locking	
2	0100020	AR	Sealant	
3	0711224	1	Bolt M12 x 80	
4	0711627	1	Bolt M16 x 100	
5	0760610	6	Bolt M6 x 20	
6	0760815	5	Bolt M8 x 35	
7	0760816	5	Bolt M8 x 40	
8	0761015	15	Bolt M10 x 35	
9	0771416	4	Bolt M14 x 40	
10	0771414	4	Bolt M14 x 30	
11	0961951	2	Bushing	
12	8405202	2	Clamp	
13	1703162	2	Decal - Fan Blade	
14	2060025	1	Fan	
15	2220315	1	Fitting, Straight Barbed	
16	3290605	8	Nut M6	
17	3290805	6	Nut M8	
18	3291005	15	Nut M10	
19	3331211	1	Nut M12	
20	3331611	1	Nut M16	
21	3520054	2	Plug	
22	3740067	2	Relay	
23	3900357	2	Screw M6 x 16	
24	3960407	1	Gasket, Air Intake Adapter	
25	4811700	14	Washer M6	
26	4811900	11	Washer M8	
27	4812000	8	Washer M10	
28	5241400	8	Washer M14	
29	4812300	1	Washer M16	
30	5241200	1	Washer M12	
31	7300435	1	Washer	
32	1001138173	1	Support	
33	1001138175	1	Bracket	
34	1001139819	1	Adapter	
35	1001141694	1	Clamp, Air Cleaner	
36	1001141995	1	Fitting, Straight NPT/Barbed	
37	1001143390	1	Indicator, Air Filter Service	
38	1001146368	1	Deutz D2011 Engine (See Separate Breakdown in this Section)	
39	1001168018	1	Washer	
40	1001187082	1	Radiator	
41	1001188236	1	Engine Harness - Deutz D2011 Engines (Not Shown) (See Separate Breakdown in ELECTRICAL SECTION)	
42	1001188535	1	Bracket, Engine - Rear	
43	1001189026	1	Bracket, Engine - Right	
44	1001189161	1	Adapter, Fan	
45	1001190164	1	Mount, Motor	
46	1001203885	1	Plate	
47	1001200435	1	Tray	
48	1001200791	NLA	Support, Radiator (Use p/n 1001236499) (SN 0300235168)	

SECTION 3 - ENGINE

ITEM	PART NUMBER	QTY	DESCRIPTION	REV
48	1001236499	1	through 0300237156, SN B300002655 through B300003104) Support, Radiator (SN 0300237157 to Present, SN B300003105 to Present)	
49	1001191271	1	Hose	
50	1001191610	1	Mount, Motor	
52	1001138248	21.7 in/ 0.6m	Tube	
53	1001165388	1	Filter, Air	
53	70003783	1	Element, Filter	
54	2220451	2	Fitting, Straight ORB/JIC	
55	2720398	2	Hose	
57	2902065	1	Pump Coupling Kit (See Separate Breakdown in this Section)	
58	3020016	AR	Oil, Motor 15W-40	
59	1001168166	2	Seal	
60	4923379	1	Glow Plug Harness (SN 0300235168 through 0300237156, SN B300002655 through B300003104)	
60	1001234396	1	Glow Plug Harness (SN 0300237157 to Present, SN B300003105 to Present)	
61	5241000	22	Washer M10	
62	1001197725	1	Spacer	
63	1001201843	1	Shim .079	
64	1001201844	1	Shim .079	
65	1320070	1	Clamp	

SECTION 3 - ENGINE

FIGURE 3-4. DEUTZ D2011 ENGINE INSTALLATION - WITH ARCTIC PACKAGE



SECTION 3 - ENGINE

FIGURE 3-4. DEUTZ D2011 ENGINE INSTALLATION - WITH ARCTIC PACKAGE

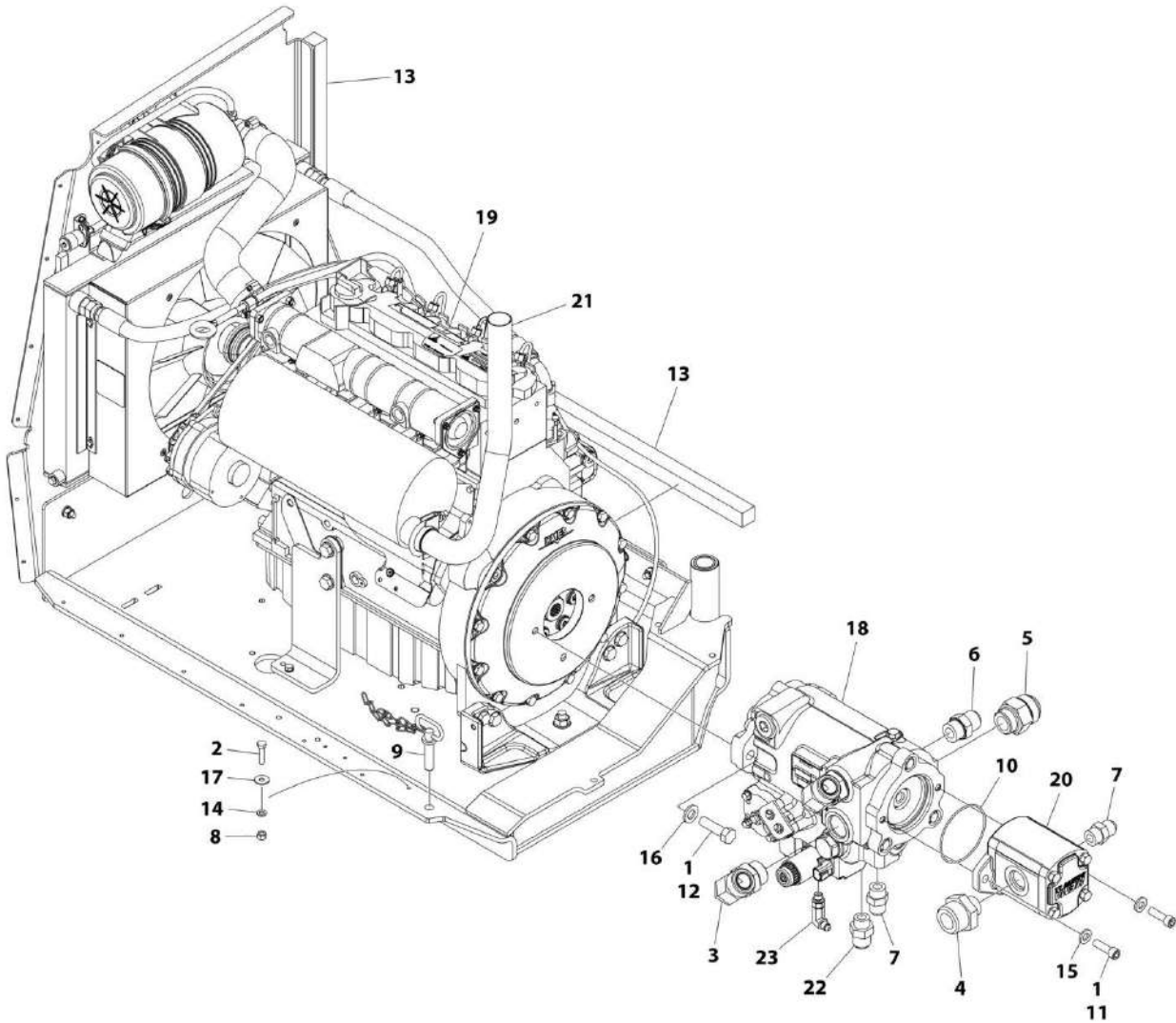
ITEM	PART NUMBER	QTY	DESCRIPTION	REV
	1001186809	Ref	DEUTZ D2011 ENGINE INSTALLATION	N
1	0100011	AR	Compound, Locking	
3	0440162	1	Bearing	
4	0700614	4	Bolt M6 x 30	
5	5251012	1	Bolt M10 x 25	
6	0701012	3	Bolt M10 x 25	
7	0711018	1	Bolt M10 x 50	
10	0772018	1	Bolt M20 x 50	
11	1320061	AR	Clamp	
12	1701505	1	Decal - Diesel Fuel	
13	1702941	1	Decal - Battery Heater	
14	1702943	1	Decal - Hydraulic Tank Heater	
17	1001188972	1	Heater, Immersion (Not Shown - Located on Hydraulic Tank)	
18	3291005	4	Nut M10	
21	3841143	1	Keeper, Pin	
22	3980007	1	Seal, Battery	
23	4811700	4	Washer M6	
24	4812000	7	Washer M10	
25	4812002	2	Washer M10	
30	1001174486	AR	Clamp	
31	1001118972	1	Nut, Tinnerman M10	
32	1001119051	1	Washer	
33	1001130220	4	Nut, Tinnerman M6	
34	1001155094	1	Pin	
35	1001186817	1	Deutz D2011 Engine and Pumps Sub-Assembly (See Separate Breakdown in this Section)	
38	1001196398	1	Bracket	
39	2720058	208 in/ 7.3m	Hose, Fuel	
41	2580024	1	Heater, Battery	
42	1001188667	1	Cable, Battery (+) to Aux Relay to Starter	
43	1001188670	1	Cable, Battery (-) to Aux Pump and Ground	
44	0701022	2	Bolt M10 x 70	
45	1001026127	2	Clamp	
46	1001200731	2	Tube	
47	1060626	1	Plug, 3 Way	
48	4240099	1	Tie-Strap (Not Shown)	
49	1702942	1	Decal - Engine Block Heater	
50	1001150918	1	Cable, Extension	
51	0100020	AR	Sealant	
52	2180348	1	Fitting, Straight NPT/Barbed	
53	2221176	AR	Fitting, 90 Barbed	
54	0761210	1	Bolt M12 x 20	
55	4812100	1	Washer M12	
56	8406110	1	Clip (SN 0300235168 through 0300237156, SN B300002655 through B300002979)	
57	1001192690	1	Hose (Case Drain) (Drive Pump Case Gauge Port to Tank) (Not Shown)	
58	1001203431	1	Hose (Case Drain) (Drive Pump Case Outlet Port to Tank) (Not Shown)	
59	1001203432	1	Hose (Function Suction) (Not Shown)	

SECTION 3 - ENGINE

ITEM	PART NUMBER	QTY	DESCRIPTION	REV
60	1001203433	1	Hose (Drive Suction) (Not Shown)	
61	2221176	1	Fitting, 90 Barbed (SN 0300235168 through 0300237156, SN B300002655 through B300002979)	
61	2220313	1	Fitting, 90 NPTF/Barb (SN 0300237157 to Present, SN B300002980 to Present)	
62	1001174486	1	Clamp (SN 0300235168 through 0300237156, SN B300002655 through B300002979)	
62	1001136975	1	Clamp (SN 0300237157 to Present, SN B300002980 to Present)	
63	2720058	20 in/ 0.5m	Hose, Fuel (SN 0300235168 through 0300237156, SN B300002655 through B300002979)	
63	1001165035	20 in/ 0.5m	Hose (SN 0300237157 to Present, SN B300002980 to Present)	
100	1001235699	1	Battery Cable Kit (Includes Items 42 & 43) (Not Shown) (SN 0300237157 to Present, SN B300002980 to Present)	

SECTION 3 - ENGINE

FIGURE 3-5. DEUTZ D2011 ENGINE AND PUMPS SUB-ASSEMBLY - WITH ARCTIC PACKAGE



ART_1001186817

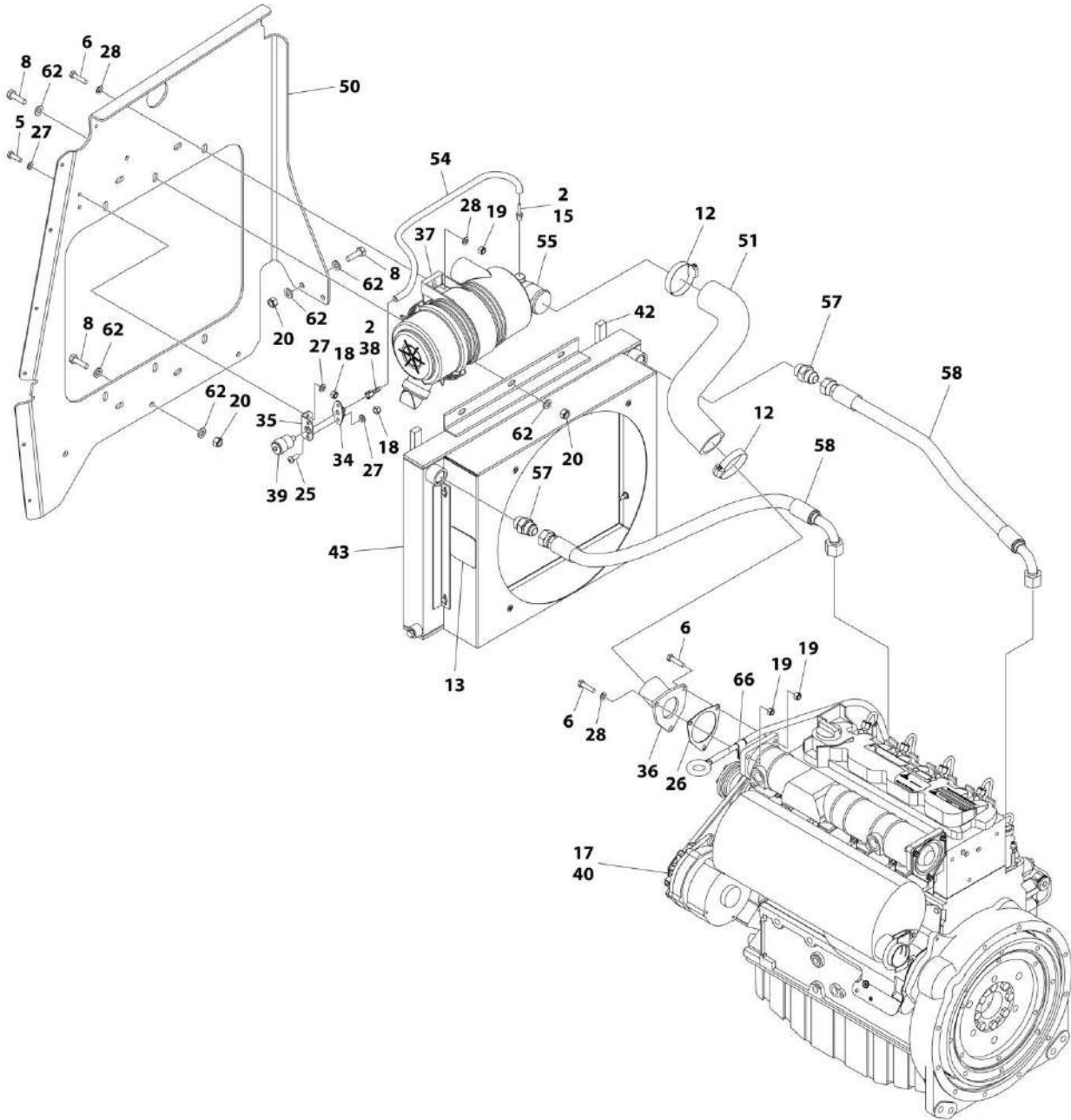
SECTION 3 - ENGINE

FIGURE 3-5. DEUTZ D2011 ENGINE AND PUMPS SUB-ASSEMBLY - WITH ARCTIC PACKAGE

ITEM	PART NUMBER	QTY	DESCRIPTION	REV
	1001186817	Ref	DEUTZ D2011 ENGINE AND PUMPS SUB-ASSEMBLY	G
1	0100011	AR	Compound, Locking	
2	0760612	1	Bolt M6 x 25	
3	2131616	2	Fitting, 90 ORFS/ORB	
4	2220946	1	Fitting, Straight JIC/ORB	
5	2220479	1	Fitting, Straight JIC/ORB	
6	2220451	1	Fitting, Straight JIC/ORB	
7	2220947	2	Fitting, Straight JIC/ORB	
8	3290605	1	Nut M6	
9	3422532	1	Pin	
10	3790152	1	O-Ring	
11	3931620	2	Capscrew 3/8 x 1-1/4	
11	3931618	2	Capscrew 3/8 x 1-1/8	
12	0641814	2	Bolt 1/2 x 1-3/4	
13	3960469	2	Seal	
14	4811700	1	Washer M6	
15	5241000	2	Washer M10	
16	5241200	2	Washer M12	
17	4811702	1	Washer M6	
18	1001184930	1	Piston Pump Assembly (See Separate Breakdown in this Section)	
19	1001186818	1	Deutz D2011 Engine Assembly (See Separate Breakdown in this Section)	
20	1001190143	1	Gear Pump Assembly	
20	70006356	1	Seal Kit - 1001190143 Pump	
21	1001191273	1	Pipe, Exhaust (SN 0300235168 through 0300247539, SN B300002655 through B300002979)	
22	2220408	1	Fitting, Straight JIC/ORB	
23	2220940	1	Fitting, 90 JIC/ORB	

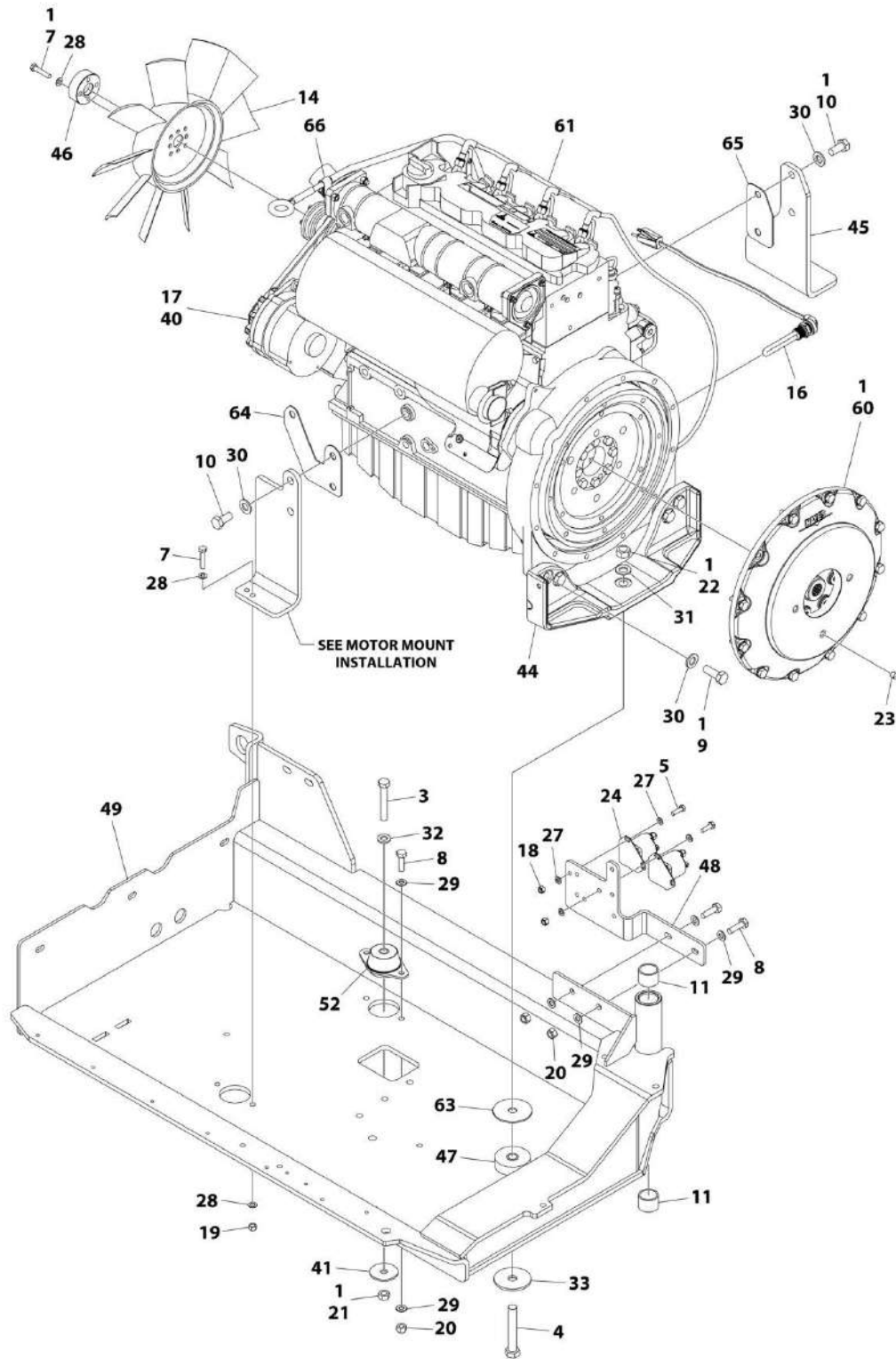
SECTION 3 - ENGINE

FIGURE 3-6. DEUTZ D2011 ENGINE ASSEMBLY - WITH ARCTIC PACKAGE



ART_1001186818_1QF2

SECTION 3 - ENGINE



ART_1001186818_20F2

SECTION 3 - ENGINE

FIGURE 3-6. DEUTZ D2011 ENGINE ASSEMBLY - WITH ARCTIC PACKAGE

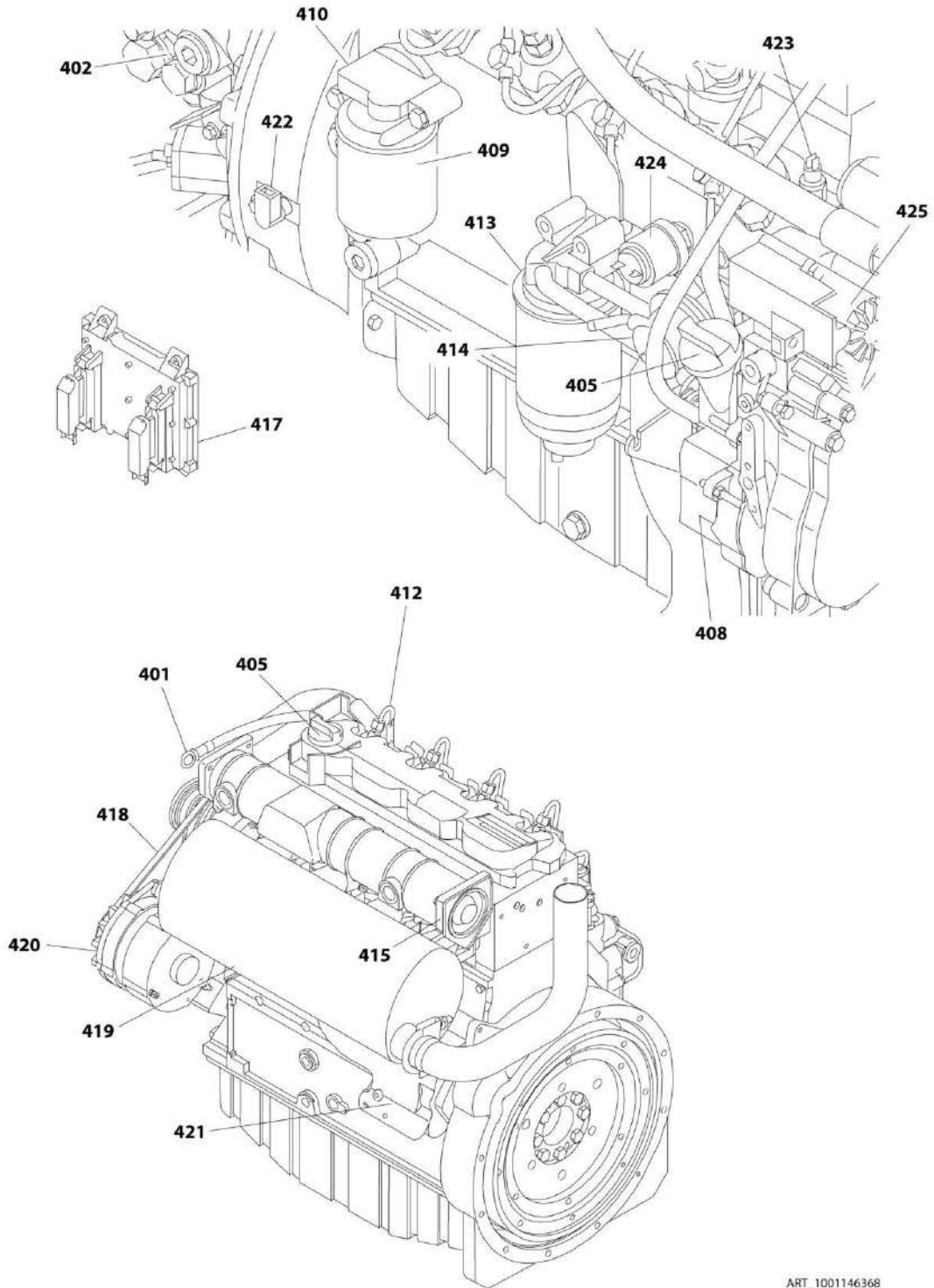
ITEM	PART NUMBER	QTY	DESCRIPTION	REV
	1001186818	Ref	DEUTZ D2011 ENGINE ASSEMBLY	S
1	0100011	AR	Compound, Locking	
2	0100020	AR	Sealant	
3	0711224	1	Bolt M12 x 80	
4	0711627	1	Bolt M16 x 100	
5	0760610	6	Bolt M6 x 20	
6	0760815	5	Bolt M8 x 35	
7	0760816	5	Bolt M8 x 40	
8	0761015	15	Bolt M10 x 35	
9	0771416	4	Bolt M14 x 40	
10	0771414	4	Bolt M14 x 30	
11	0961951	2	Bushing	
12	8405202	2	Clamp	
13	1703162	2	Decal - Fan Blade	
14	2060025	1	Fan	
15	2220315	1	Fitting, Straight Barbed	
16	2580062	1	Heater, Engine Block	
17	3020044	AR	Oil, Engine 0W-40	
18	3290605	8	Nut M6	
19	3290805	6	Nut M8	
20	3291005	15	Nut M10	
21	3331211	1	Nut M12	
22	3331611	1	Nut M16	
23	3520054	2	Plug	
24	3740067	2	Relay	
25	3900357	2	Screw M6 x 16	
26	3960407	1	Gasket, Air Intake Adapter	
27	4811700	14	Washer M6	
28	4811900	11	Washer M8	
29	4812000	8	Washer M10	
30	5241400	8	Washer M14	
31	4812300	1	Washer M16	
32	5241200	1	Washer M12	
33	7300435	1	Washer	
34	1001138173	1	Support	
35	1001138175	1	Bracket	
36	1001139819	1	Adapter	
37	1001141694	1	Clamp, Air Cleaner	
38	1001141995	1	Fitting, Straight NPT/Barbed	
39	1001143390	1	Indicator, Air Filter Service	
40	1001146368	1	Deutz D2011 Engine (See Separate Breakdown in this Section)	
41	1001168018	1	Washer	
42	1001168166	2	Seal	
43	1001187082	1	Radiator	
44	1001188535	1	Bracket, Engine - Rear	
45	1001189026	1	Bracket, Engine - Right	
46	1001189161	1	Adapter, Fan	
47	1001190164	1	Mount, Motor	
48	1001203885	1	Plate	
49	1001200435	1	Tray	

SECTION 3 - ENGINE

ITEM	PART NUMBER	QTY	DESCRIPTION	REV
50	1001200791	NLA	Support, Radiator (Use p/n 1001236499) (SN 0300235168 through 0300237156, SN B300002655 through B300003104)	
50	1001236499	1	Support, Radiator (SN 0300237157 to Present, SN B300003105 to Present)	
51	1001191271	1	Hose	
52	1001191610	1	Mount, Motor	
54	1001138248	21.7 in/ 0.6m	Tube	
55	1001165388	1	Filter, Air Cleaner	
55	70003783	1	Element, Filter	
56	1001188236	1	Engine Harness - Deutz D2011 Engines (Not Shown) (See Separate Breakdown in ELECTRICAL SECTION)	
57	2220451	2	Fitting, Straight ORB/JIC	
58	2720398	2	Hose	
60	2902065	1	Pump Coupling Kit (See Separate Breakdown in this Section)	
61	4923379	1	Glow Plug Harness (SN 0300235168 through 0300237156, SN B300002655 to Present)	
61	1001234396	1	Glow Plug Harness (SN 0300237157 to Present)	
62	5241000	22	Washer M10	
63	1001197725	1	Spacer	
64	1001201843	1	Shim .079	
65	1001201844	1	Shim .079	
66	1320070	1	Clamp	

SECTION 3 - ENGINE

FIGURE 3-7. DEUTZ D2011 ENGINE COMPONENTS



ART_1001146368

SECTION 3 - ENGINE

FIGURE 3-7. DEUTZ D2011 ENGINE COMPONENTS

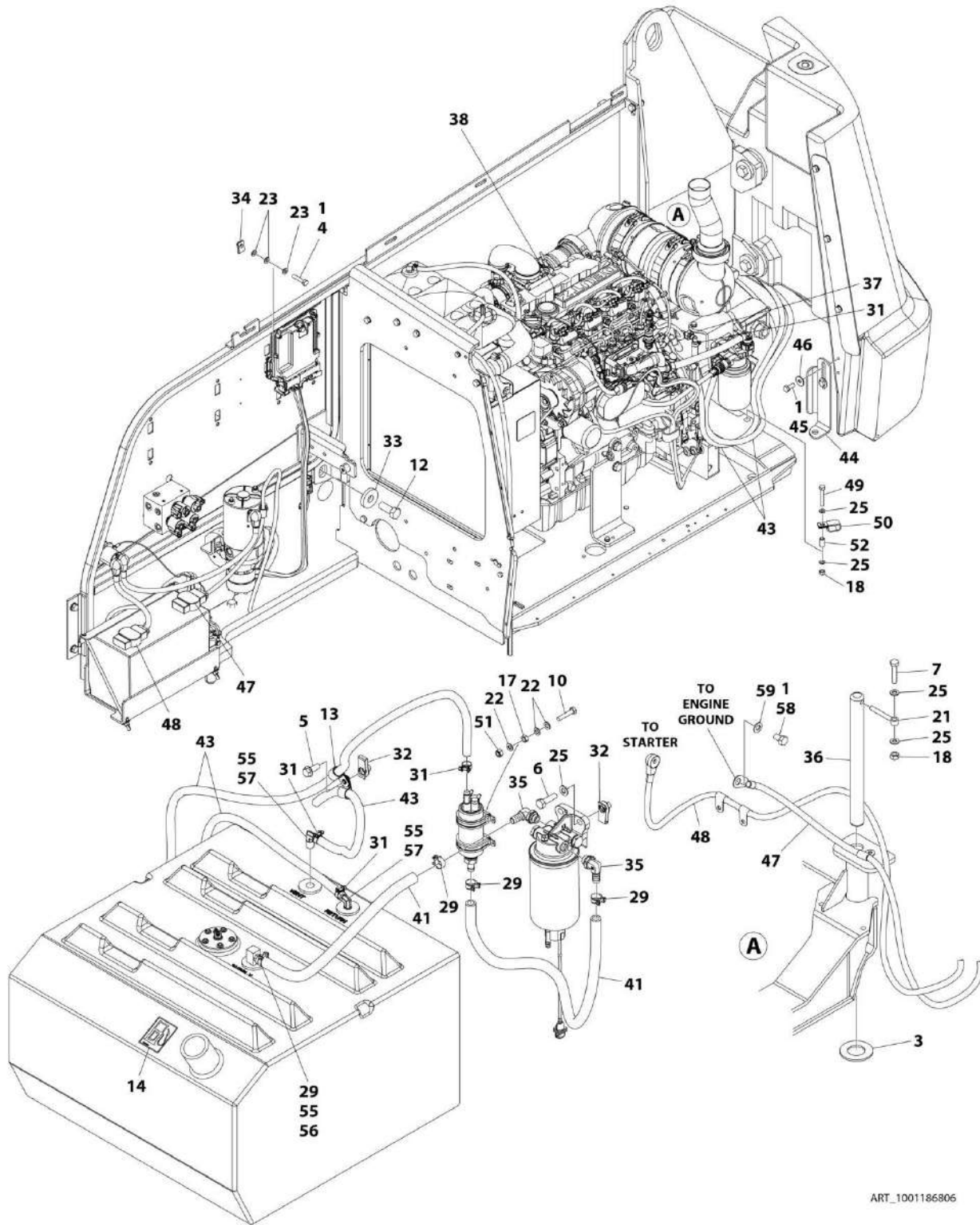
ITEM	PART NUMBER	QTY	DESCRIPTION	REV
	1001146368	Ref	DEUTZ D2011 ENGINE COMPONENTS	D
401	7026631	1	Dipstick	
401	7020487	1	Seal, Dipstick	
401	70001002	1	Tube, Dipstick	
401	7020403	1	Seal, Dipstick Tube	
402	70003475	1	Thermostat	
403	70002718	1	Seal, Rear Main (Not Shown)	
404	70001870	1	Flywheel (Not Shown)	
404	7024579	1	Ring Gear (Located on Flywheel - Not Shown)	
405	7020465	2	Cap, Filler	
406		Ref	Gasket, Head Options (Not Shown):	
406	70003456	1	Gasket with 1 Notch	
406	70003457	1	Gasket with 2 Notches	
406	70003003	1	Gasket with 3 Notches	
406	7020431	1	Gasket, Valve Cover (Not Shown)	
406	70004273	1	Gasket Kit (Note: Does not include Head Gasket)	
407	70000800	1	Kit, Timing Belt/Idler (Not Shown)	
408	70001850	1	Pump, Oil Lube	
408	7020468	1	Seal Between Oil Pump and Engine Block (Not Shown)	
409	7016331	1	Filter, Oil	
410	70003472	1	Bracket, Oil Filter	
410	7027236	1	Sender, Temperature	
410	70003473	1	Gasket, Bracket to Engine Block	
411	70004268	2	Connector, Radiator Hose (Not Shown)	
411	70004269	2	Ring, Sealing (Not Shown)	
412	70003478	4	Injector, Fuel	
412	70003136	4	Seal	
412		Ref	Pump, Injector Options:	
412	70000912	4	Series A Injector	
412	70000913	4	Series B Injector	
412	70000914	4	Series C Injector	
412	70000915	4	Series D Injector	
412	70003464	4	O-Ring	
413	7016328	1	Filter, Fuel	
413	70001423	1	Bracket, Fuel Filter	
414	70000916	1	Pump Fuel Supply	
414	70001435	1	Repair Kit for 70000916 Pump	
414	70000919	1	Hand Pump	
414	70000918	1	Seal, Hand Pump	
414	70000917	1	O-Seal Between Fuel Pump and Engine Block	
415		Ref	Intake Manifold Components	
415	70003469	1	Flange, Blanking	
415	70003468	1	Seal (Flange to Air Intake Manifold)	
415	70001871	4	Gasket, Intake Manifold to Engine Block (Not Shown)	
415	70003470	8	Screw, Torx Head (Not Shown)	
416	70001847	1	Breather Valve (Not Shown - Located On Front Cover)	
416	70001126	1	Seal, Breather Valve	
417	7027795	1	Module, Control	
417		Ref	Left Module Connections:	
417	7027796	1	Cable, Interconnect (Module to 70001872 Cable)	

SECTION 3 - ENGINE

ITEM	PART NUMBER	QTY	DESCRIPTION	REV
417	70004060	1	Plug, Connector	
417	70001872	1	Cable, Harness	
417	70004103	1	Cable (Alternator to 70001872 Cable)	
417	70004271	1	Cable (Starter to 70001872 Cable)	
417		Ref	Right Module Connections:	
417	70004059	1	Plug, Diagnostic	
418	7020408	1	V-Belt	
419		Ref	Muffler Options:	
419	7000695	1	Standard Muffler (Supplied with Engine)	
419	See Note	1	Spark Arrester Muffler (Note: See Separate Breakdown in this Section)	
419	See Note	1	Catalytic Muffler (Note: See Separate Breakdown in this Section)	
419		Ref	Muffler Components:	
419	1320176	1	Clamp, Saddle	
419	70001017	1	Clamp	
419	7024560	1	Plug, Brass	
419	See Note	1	Pipe, Exhaust Standard Muffler (Note: Purchase Locally)	
419	7024398	1	Pipe, Exhaust	
419	7020471	4	Gasket, Exhaust Manifold to Engine Block	
419	70004270	8	Stud, Muffler	
420	70004056	1	Alternator	
420	70001868	1	Regulator, Voltage (Not Shown)	
420	70001866	1	Seal, Gasket for Voltage Regulator (Not Shown)	
420	70000851	1	Bracket, Mounting (Not Shown)	
420	70002234	1	Bracket, Adjusting (Not Shown)	
421	7020479	1	Starter	
421	70004058	1	Relay	
421	70001498	1	Shield, Starter Heat	
422	70004272	1	Sensor, Speed	
422	70003932	1	Spacer, Sensor	
423	7027791	1	Transmitter, Temperature	
424	7027790	1	Sensor, Oil Pressure	
425	7027792	1	Actuator, Throttle	
425	7027276	2	Spring, Actuator	
426	70000345	4	Plug, Glow (Not Shown)	
427	70005479	1	Pulley, Crankshaft (Not Shown)	

SECTION 3 - ENGINE

FIGURE 3-8. DEUTZ TD2.9L4 ENGINE INSTALLATION - WITHOUT ARCTIC PACKAGE



ART_1001186806

SECTION 3 - ENGINE

FIGURE 3-8. DEUTZ TD2.9L4 ENGINE INSTALLATION - WITHOUT ARCTIC PACKAGE

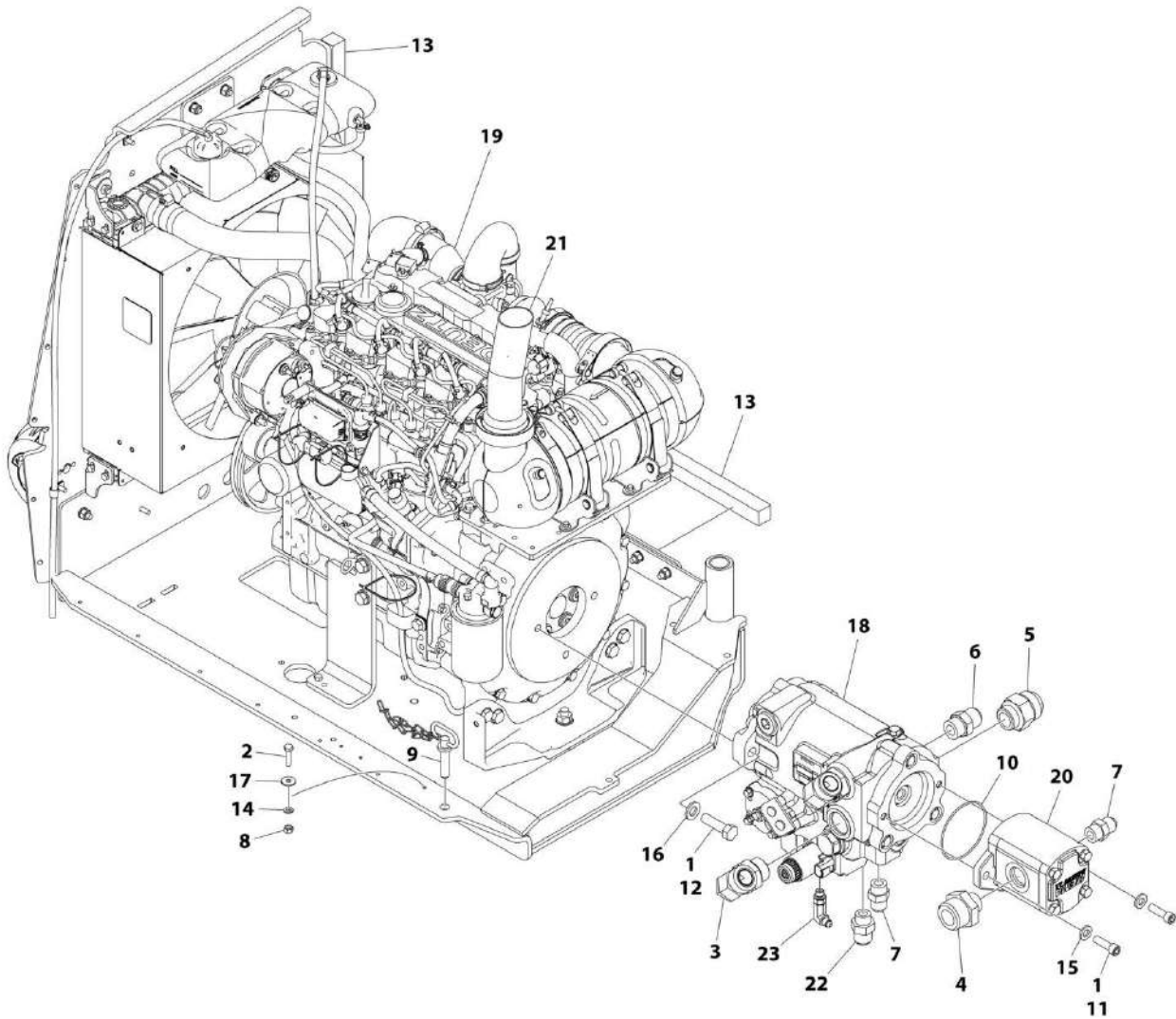
ITEM	PART NUMBER	QTY	DESCRIPTION	REV
	1001186806	Ref	DEUTZ TD2.9L4 ENGINE INSTALLATION	N
1	0100011	AR	Compound, Locking	
3	0440162	1	Bearing	
4	0700614	4	Bolt M6 x 30	
5	5251012	1	Bolt M10 x 25	
6	0701015	2	Bolt M10 x 35	
7	0711018	1	Bolt M10 x 50	
10	0760512	4	Bolt M5 x 25	
12	0772018	1	Bolt M20 x 50	
13	1320061	2	Clamp	
14	1701505	1	Decal - Diesel Fuel	
17	3290501	4	Nut M5	
18	3291005	2	Nut M10	
21	3841143	1	Keeper, Pin	
22	4811600	12	Washer M5	
23	4811700	12	Washer M6	
25	4812000	6	Washer M10	
29	1001175568	4	Clip	
31	1001136975	5	Clamp	
32	1001118972	3	Nut, Tinnerman M10	
33	1001119051	1	Washer	
34	1001130220	4	Nut, Tinnerman M6	
35	1001142501	2	Fitting, 90 Barbed	
36	1001155094	1	Pin	
37	1001155823	1	Fitting, 90 Quick Connect	
38	1001186811	1	Deutz TD2.9L4 T4F Engine and Pump Sub-Assembly (See Separate Breakdown in this Section)	
41	1001154405	33 in/ 0.8cm	Hose	
43	1001165035	27 ft/ 8.2m	Hose	
44	1001196398	1	Bracket	
45	0701012	2	Bolt M10 x 25	
46	4812002	2	Washer M10	
47	1001188668	1	Cable, Battery (-) to Aux Pump and Ground	
48	1001188669	1	Cable, Battery (+) to Aux Relay to Starter	
49	0701022	1	Bolt M10 x 70	
50	1001026127	1	Clamp	
51	3290505	4	Nut M5	
52	1001200731	1	Tube	
53	4240099	1	Tie-Strap (Not Shown)	
54	1001190444	1	Fuel Pump Harness - Deutz TD2.9L4 Engine (Not Shown) (See Separate Breakdown in ELECTRICAL SECTION)	
55	0100020	AR	Sealant	
56	2180832	1	Fitting, Straight Barbed	
57	2220313	2	Fitting, 90 NPTF/Barb	
58	0761210	1	Bolt M12 x 20	
59	4812100	1	Washer M12	
60	1001192690	1	Hose (Case Drain) (Drive Pump Case Gauge Port to Tank) (Not Shown)	
61	1001203431	1	Hose (Case Drain) (Drive Pump Case Outlet Port to Tank) (Not	

SECTION 3 - ENGINE

ITEM	PART NUMBER	QTY	DESCRIPTION	REV
62	1001203432	1	Shown) Hose (Function Suction) (Not Shown)	
63	1001203433	1	Hose (Drive Suction) (Not Shown)	
100	1001235532	1	Battery Cable Kit (Includes Items 47 & 48) (Not Shown) (SN 0300237157 to Present)	

SECTION 3 - ENGINE

FIGURE 3-9. DEUTZ TD2.9L4 ENGINE AND PUMPS SUB-ASSEMBLY - WITHOUT ARCTIC PACKAGE



ART_1001186811

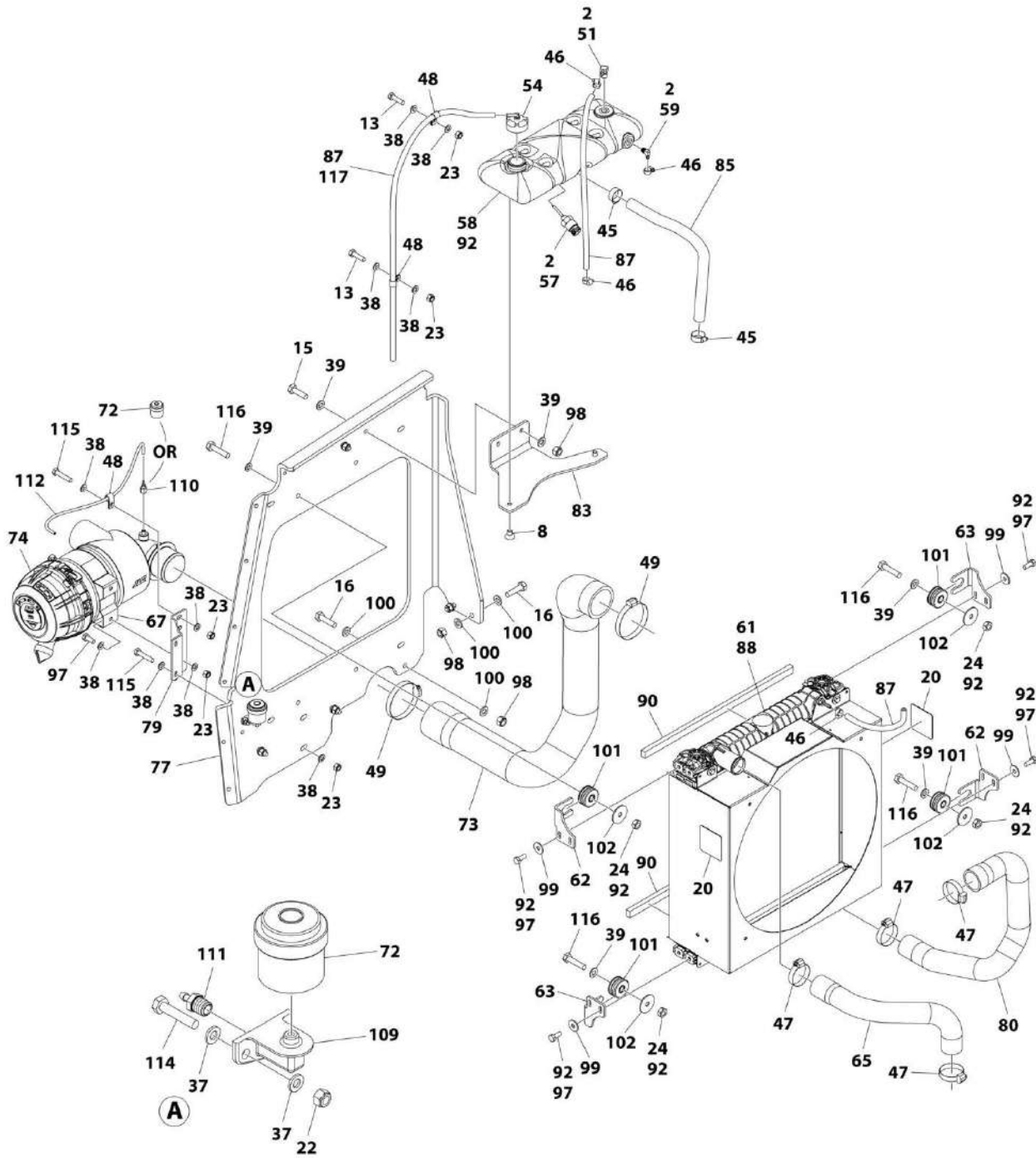
SECTION 3 - ENGINE

FIGURE 3-9. DEUTZ TD2.9L4 ENGINE AND PUMPS SUB-ASSEMBLY - WITHOUT ARCTIC PACKAGE

ITEM	PART NUMBER	QTY	DESCRIPTION	REV
	1001186811	Ref	DEUTZ TD2.9L4 ENGINE AND PUMPS SUB-ASSEMBLY	I
1	0100011	AR	Compound, Locking	
2	0760612	1	Bolt M6 x 25	
3	2131616	2	Fitting, 90 ORFS/ORB	
4	2220946	1	Fitting, Straight JIC/ORB	
5	2220479	1	Fitting, Straight JIC/ORB	
6	2220451	1	Fitting, Straight JIC/ORB	
7	2220947	2	Fitting, Straight JIC/ORB	
8	3290605	1	Nut M6	
9	3422532	1	Pin	
10	3790152	1	O-Ring	
11	3931620	2	Capscrew 3/8 x 1-1/4	
11	3931618	2	Capscrew 3/8 x 1-1/8	
12	0641814	2	Bolt 1/2 x 1-3/4	
13	3960469	1	Seal	
14	4811700	1	Washer M6	
15	5241000	2	Washer M10	
16	5241200	2	Washer M12	
17	4811702	1	Washer M6	
18	1001184930	1	Piston Pump Assembly (See Separate Breakdown in this Section)	
19	1001186812	1	Deutz TD2.9L4 Engine Assembly (See Separate Breakdown in this Section)	
20	1001190143	1	Gear Pump Assembly	
20	70006356	1	Seal Kit - 1001190143 Pump	
21	1001211042	NLA	Pipe, Exhaust (Use p/n 1001239207) (SN 0300235168 through 0300254984)	
21	1001239207	1	Pipe, Exhaust (SN 0300254985 to Present)	
22	2220408	1	Fitting, Straight JIC/ORB	
23	2220940	1	Fitting, 90 JIC/ORB	

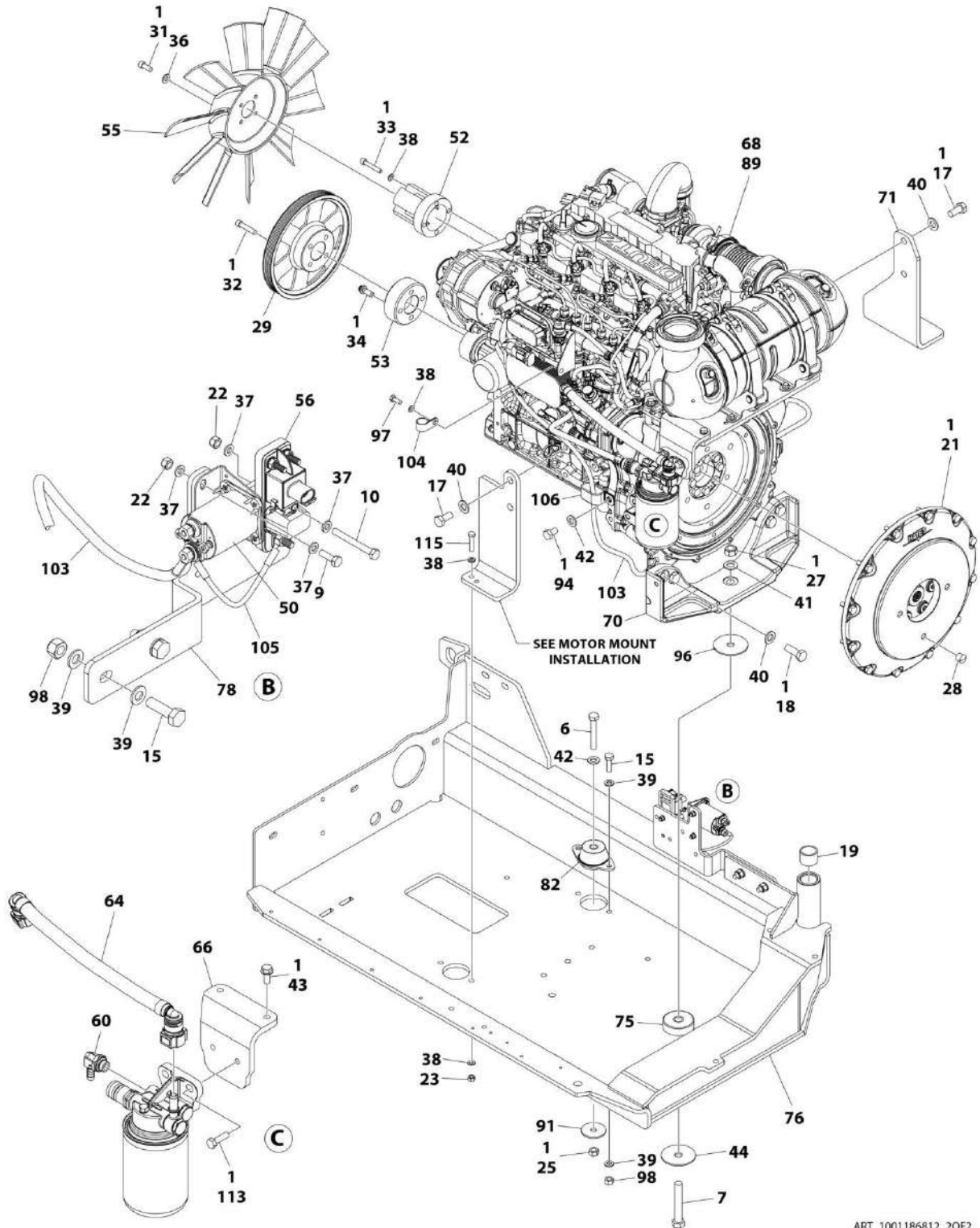
SECTION 3 - ENGINE

FIGURE 3-10. DEUTZ TD2.9L4 ENGINE ASSEMBLY - WITHOUT ARCTIC PACKAGE



ART_1001186812_1OF2

SECTION 3 - ENGINE



ART_1001186812_20F2

SECTION 3 - ENGINE

FIGURE 3-10. DEUTZ TD2.9L4 ENGINE ASSEMBLY - WITHOUT ARCTIC PACKAGE

ITEM	PART NUMBER	QTY	DESCRIPTION	REV
	1001186812	Ref	DEUTZ TD2.9L4 ENGINE ASSEMBLY	T
1	0100011	AR	Compound, Locking	
2	0100020	AR	Sealant	
6	0711224	1	Bolt M12 x 80	
7	0711627	1	Bolt M16 x 100	
8	0741605	2	Screw 3/8 x 5/8	
9	0760610	2	Bolt M6 x 20	
10	0760619	1	Bolt M6 x 55	
13	0760814	AR	Bolt M8 x 30	
15	0761015	6	Bolt M10 x 35	
16	0761016	5	Bolt M10 x 40	
17	0771414	4	Bolt M14 x 30	
18	0771416	4	Bolt M14 x 40	
19	0961951	2	Bushing	
20	1703162	2	Decal - Fan Blade	
21	2902065	1	Pump Coupling Kit (See Separate Breakdown in this Section)	
22	3290605	AR	Nut M6	
23	3290805	AR	Nut M8	
24	3291001	4	Nut M10	
25	3331211	1	Nut M12	
27	3331611	1	Nut M16	
28	3520054	1	Plug	
29	3580320	1	Pulley	
31	3931512	4	Capscrew 5/16 x 3/4	
32	3931628	4	Capscrew 3/8 x 1-3/4	
33	4031914	4	Capscrew M8 x 50	
34	4032014	4	Capscrew M10 x 50	
36	4711500	4	Washer 5/16	
37	4811700	AR	Washer M6	
38	4811900	AR	Washer M8	
39	4812000	20	Washer M10	
40	5241400	8	Washer M14	
41	4812300	1	Washer M16	
42	5241200	2	Washer M12	
43	5250810	2	Bolt M8 x 20	
44	7300435	1	Washer	
45	8405007	2	Clamp	
46	8405009	4	Clamp	
47	8405104	4	Clamp	
48	8406109	AR	Clip	
49	8410011	2	Clamp	
50	1001117308	1	Contactator	
51	1001134488	1	Fitting, 90 Barbed (Part of Item 58)	
52	1001135138	1	Adapter, Fan	
53	1001135679	1	Adapter	
54	1001136834	1	Cap, Tank	
55	1001137276	1	Fan	
56	1001138228	1	Relay	
57	1001138827	1	Sensor, Coolant Level (Part of Item 58)	
58	1001140535	NLA	Tank, Surge (Use p/n 1001230635) (SN 0300235168 through	

SECTION 3 - ENGINE

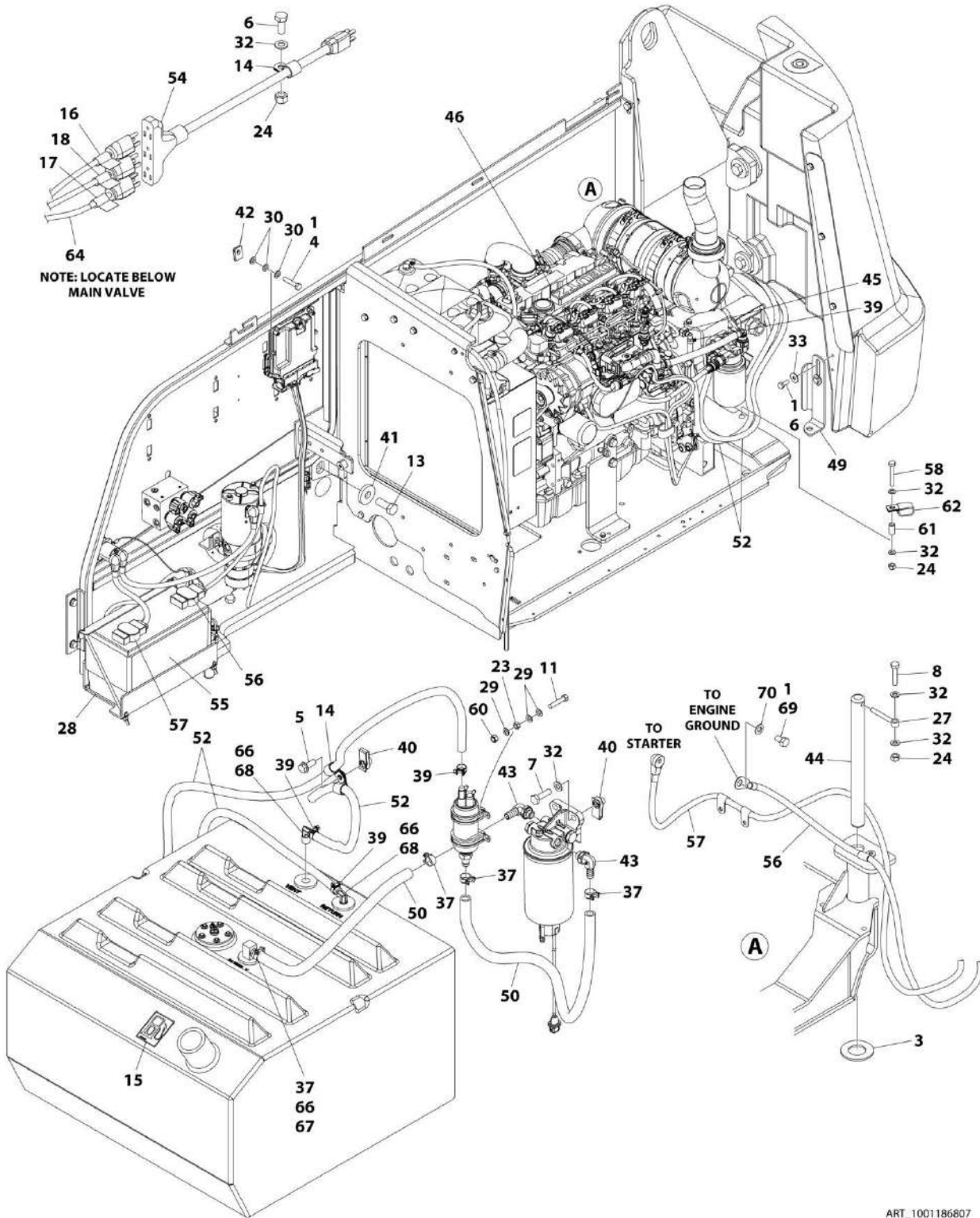
ITEM	PART NUMBER	QTY	DESCRIPTION	REV
			0300237156)	
58	1001230635	1	Tank, Surge (Include Items 51, 57 & 59) (SN 0300237157 to Present)	
59	1001140564	1	Fitting, 90 Barbed (Part of Item 58)	
60	1001152489	1	Fitting, 90 Barbed	
61	1001167042	1	Radiator	
62	1001169967	2	Bracket	
63	1001170035	2	Bracket	
64	1001177359	1	Hose	
65	1001177844	1	Hose, Radiator (Top)	
66	1001227059	NLA	Mount (Use p/n 1001231805) (SN 0300235168 through 0300237156)	
66	1001231805	1	Mount (SN 0300237157 to Present)	
67	1001186426	1	Clamp, Air Cleaner	
68	1001186902	1	Deutz TD2.9L4 Engine (See Separate Breakdown in this Section)	
69	1001188237	NLA	Engine Harness - Deutz TD2.9L4 Engines (Not Shown) (Use pn 1001233895) (See Separate Breakdown in ELECTRICAL Section) (SN 0300235168 through 0300237156)	
69	1001233895	1	Engine Harness - Deutz TD2.9L4 Engines (Not Shown) (See Separate Breakdown in ELECTRICAL Section) (SN 0300237157 to Present)	
70	1001188535	1	Bracket, Engine - Rear	
71	1001189026	1	Bracket, Engine - Right	
72	1001166716	1	Restriction, Indicator	
73	1001189913	1	Hose	
74	1001189979	1	Filter, Air	
74	70005008	1	Element, Filter	
75	1001190164	1	Mount, Motor	
76	1001200745	1	Tray	
77	1001229091	1	Support, Radiator	
78	1001203885	1	Plate	
79	1001190942	1	Support	
80	1001191025	1	Hose, Radiator (Bottom)	
82	1001191610	1	Mount, Motor	
83	1001192400	1	Bracket	
85	1001193049	1	Hose	
87	2720015	AR	Hose	
88	2300004	AR	Coolant	
89	1001136079	AR	Oil, Motor 15W-40	
90	1001168166	2	Seal	
91	1001168018	1	Washer	
92	1001180620	AR	Adhesive	
94	0761210	1	Bolt M12 x 20	
96	1001197725	1	Spacer	
97	0760810	11	Bolt M8 x 20	
98	3291005	11	Nut M10	
99	4811902	8	Washer M8	
100	5241000	10	Washer M10	
101	1001169054	4	Isolator	
102	1001169138	4	Pad, Snubbing	
103	1001190442	1	Harness, Alternator Power	
103	1001098764	1	Boot - Red	
104	1320202	1	Clamp	

SECTION 3 - ENGINE

ITEM	PART NUMBER	QTY	DESCRIPTION	REV
105	1001141304	1	Harness, Glow Fuse	
106	1001181899	1	Clamp	
108	4240099	1	Tie-Strap (Not Shown)	
109	1001223254	1	Bracket (SN 0300235168 through 0300254984)	
110	1001223255	1	Fitting, Straight FNPT (SN 0300235168 through 0300254984)	
111	1001223256	1	Fitting, Straight MNPT (SN 0300235168 through 0300254984)	
112	1001223257	24 in/.6m	Hose (SN 0300235168 through 0300254984)	
113	5251012	2	Bolt M10 x 25	
114	0760614	2	Bolt M6 x 30 (SN 0300235168 through 0300254984)	
115	0760816	3	Bolt M8 x 40	
116	0761017	4	Bolt M10 x 45	
117	1001138248	4 ft/1.25m	Tube (SN 0300254985 to Present)	

SECTION 3 - ENGINE

FIGURE 3-11. DEUTZ TD2.9L4 ENGINE INSTALLATION - WITH ARCTIC PACKAGE



SECTION 3 - ENGINE

FIGURE 3-11. DEUTZ TD2.9L4 ENGINE INSTALLATION - WITH ARCTIC PACKAGE

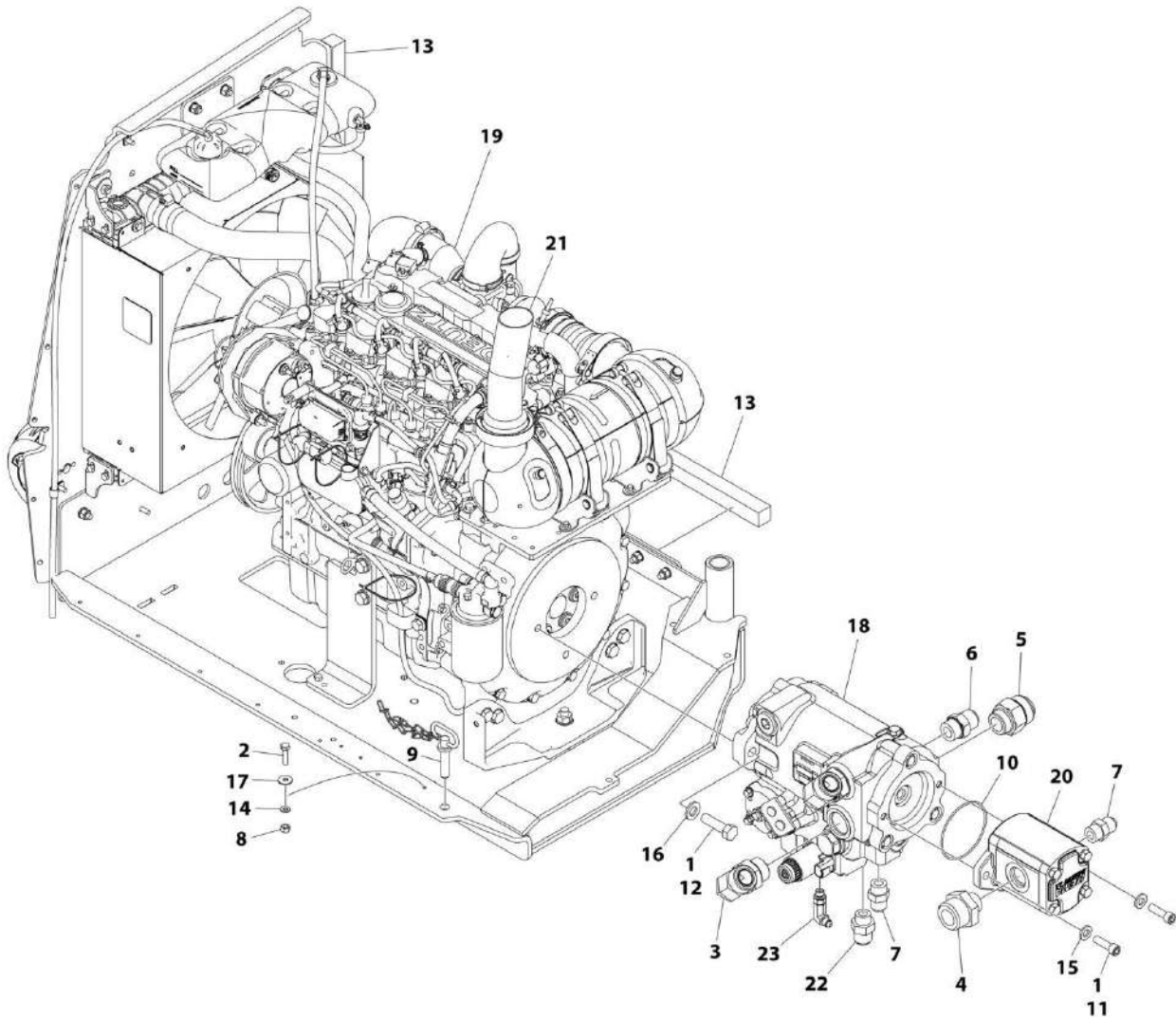
ITEM	PART NUMBER	QTY	DESCRIPTION	REV
	1001186807	Ref	DEUTZ TD2.9L4 ENGINE INSTALLATION	N
1	0100011	AR	Compound, Locking	
3	0440162	1	Bearing	
4	0700614	4	Bolt M6 x 30	
5	5251012	1	Bolt M10 x 25	
6	0701012	3	Bolt M10 x 25	
7	0701015	2	Bolt M10 x 35	
8	0711018	1	Bolt M10 x 50	
11	0760512	4	Bolt M5 x 25	
13	0772018	1	Bolt M20 x 50	
14	1320061	3	Clamp	
15	1701505	1	Decal - Diesel Fuel	
16	1702941	1	Decal - Battery Heater	
17	1702942	1	Decal - Engine Block Heater	
18	1702943	1	Decal - Hydraulic Tank Heater	
22	1001188972	1	Heater, Immersion (Not Shown - Located on Hydraulic Tank)	
23	3290501	4	Nut M5	
24	3291005	3	Nut M10	
27	3841143	1	Keeper, Pin	
28	3980007	1	Seat, Battery	
29	4811600	12	Washer M5	
30	4811700	12	Washer M6	
32	4812000	7	Washer M10	
33	4812002	2	Washer M10	
37	1001175568	4	Clip	
39	1001136975	5	Clamp	
40	1001118972	3	Nut, Tinnerman M10	
41	1001119051	1	Washer	
42	1001130220	4	Nut, Tinnerman M6	
43	1001142501	2	Fitting, 90 Barbed	
44	1001155094	1	Pin	
45	1001155823	1	Fitting, 90 Quick Connect	
46	1001186813	1	Deutz TD2.9L4 Engine and Pumps Sub-Assembly (See Separate Breakdown in this Section)	
49	1001196398	1	Bracket	
50	1001154405	33 in/ 0.8cm	Hose	
52	1001165035	27 ft/ 8.2m	Hose	
54	1060626	1	Plug, 3 Way	
55	2580024	1	Heater, Battery	
56	1001188668	1	Cable, Battery (-) to Aux Pump and Ground	
57	1001188669	1	Cable, Battery (+) to Aux Relay to Starter	
58	0701022	1	Bolt M10 x 70	
60	3290505	4	Nut M5	
61	1001200731	1	Tube	
62	1001026127	1	Clamp	
63	4240099	1	Tie-Strap (Not Shown)	
64	1001150918	1	Cable, Extension	
65	1001190444	1	Engine Harness - Deutz TD2.9L4 Engines (Not Shown) (See	

SECTION 3 - ENGINE

ITEM	PART NUMBER	QTY	DESCRIPTION	REV
			Separate Breakdown in ELECTRICAL SECTION)	
66	0100020	AR	Sealant	
67	2180832	1	Fitting, Straight Barbed	
68	2220313	2	Fitting, 90 NPTF/Barb	
69	0761210	1	Bolt M12 x 20	
70	4812100	1	Washer M12	
71	1001192690	1	Hose (Case Drain) (Drive Pump Case Gauge Port to Tank) (Not Shown)	
72	1001203431	1	Hose (Case Drain) (Drive Pump Case Outlet Port to Tank) (Not Shown)	
73	1001203432	1	Hose (Function Suction) (Not Shown)	
74	1001203433	1	Hose (Drive Suction) (Not Shown)	
75	1001233763	1	Deutz Breather Heater Installation (Not Shown) (See Separate Breakdown in this Section) (SN 0300237157 to Present)	
75	4240099	AR	Tie-Strap	
75	1001196634	1	Fuse 2amp	
75	1001232842	1	Heater, Deutz Breather Kit	
75	2400060	1	Fuse, Holder	
100	1001235532	1	Battery Cable Kit (Includes Items 56 & 57) (Not Shown) (SN 0300237157 to Present)	

SECTION 3 - ENGINE

FIGURE 3-12. DEUTZ TD2.9L4 ENGINE AND PUMPS SUB-ASSEMBLY - WITH ARCTIC PACKAGE



ART_1001186813

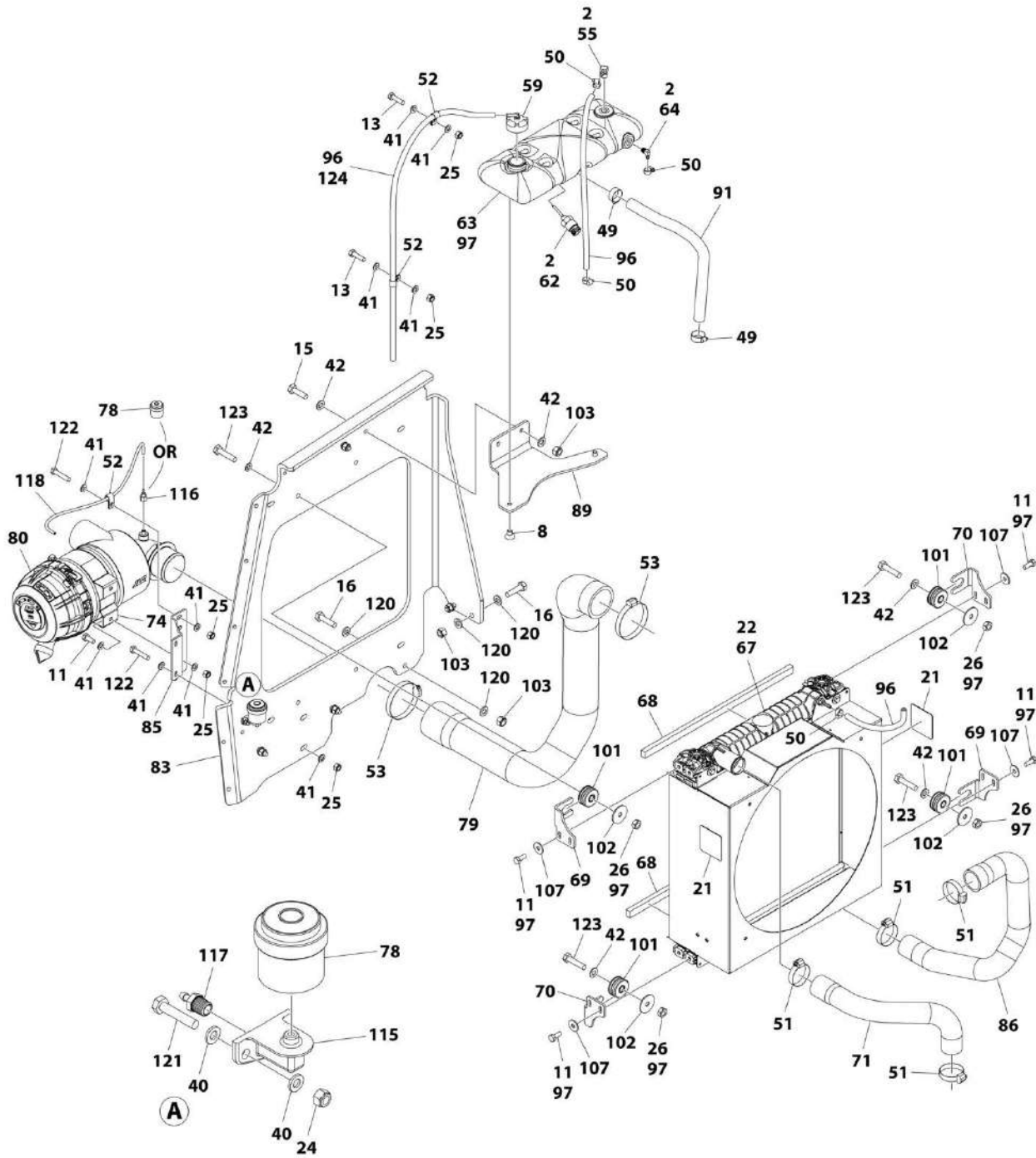
SECTION 3 - ENGINE

FIGURE 3-12. DEUTZ TD2.9L4 ENGINE AND PUMPS SUB-ASSEMBLY - WITH ARCTIC PACKAGE

ITEM	PART NUMBER	QTY	DESCRIPTION	REV
	1001186813	Ref	DEUTZ TD2.9L4 ENGINE AND PUMPS SUB-ASSEMBLY	I
1	0100011	AR	Compound, Locking	
2	0760612	1	Bolt M6 x 25	
3	2131616	2	Fitting, 90 ORFS/ORB	
4	2220946	1	Fitting, Straight JIC/ORB	
5	2220479	1	Fitting, Straight JIC/ORB	
6	2220451	1	Fitting, Straight JIC/ORB	
7	2220947	2	Fitting, Straight JIC/ORB	
8	3290605	1	Nut M6	
9	3422532	1	Pin	
10	3790152	1	O-Ring	
11	3931620	2	Capscrew 3/8 x 1-1/4	
11	3931618	2	Capscrew 3/8 x 1-1/8	
12	0641814	2	Bolt 1/2 x 1-3/4	
13	3960469	2	Seal	
14	4811700	1	Washer M6	
15	5241000	2	Washer M10	
16	5241200	2	Washer M12	
17	4811702	1	Washer M6	
18	1001184930	1	Piston Pump Assembly (See Separate Breakdown in this Section)	
19	1001186814	1	Deutz TD2.9L4 Engine Assembly (See Separate Breakdown in this Section)	
20	1001190143	1	Gear Pump Assembly	
20	70006356	1	Seal Kit - 1001190143 Pump	
21	1001211042	NLA	Pipe, Exhaust (Use p/n 1001239207) (SN 0300235168 through 0300254984)	
21	1001239207	1	Pipe, Exhaust (SN 0300254985 to Present)	
22	2220408	1	Fitting, Straight JIC/ORB	
23	2220940	1	Fitting, 90 JIC/ORB	

SECTION 3 - ENGINE

FIGURE 3-13. DEUTZ TD2.9L4 ENGINE ASSEMBLY - WITH ARCTIC PACKAGE



ART_1001186814_1OF2

SECTION 3 - ENGINE

FIGURE 3-13. DEUTZ TD2.9L4 ENGINE ASSEMBLY - WITH ARCTIC PACKAGE

ITEM	PART NUMBER	QTY	DESCRIPTION	REV
	1001186814	Ref	DEUTZ TD2.9L4 ENGINE ASSEMBLY	T
1	0100011	AR	Compound, Locking	
2	0100020	AR	Sealant	
6	0711224	1	Bolt M12 x 80	
7	0711627	1	Bolt M16 x 100	
8	0741605	2	Screw 3/8 x 5/8	
9	0760610	2	Bolt M6 x 20	
10	0760619	1	Bolt M6 x 55	
11	0760810	11	Bolt M8 x 20	
13	0760814	AR	Bolt M8 x 30	
15	0761015	6	Bolt M10 x 35	
16	0761016	5	Bolt M10 x 40	
17	0761210	1	Bolt M12 x 20	
18	0771414	4	Bolt M14 x 30	
19	0771416	4	Bolt M14 x 40	
20	0961951	2	Bushing	
21	1703162	2	Decal - Fan Blade	
22	2300041	AR	Coolant	
23	2902065	1	Pump Coupling Kit (See Separate Breakdown in this Section)	
24	3290605	AR	Nut M6	
25	3290805	AR	Nut M8	
26	3291001	4	Nut M10	
27	3331211	1	Nut M12	
29	3331611	1	Nut M16	
30	3520054	1	Plug	
31	3580320	1	Pulley	
33	3931512	4	Capscrew 5/16 x 3/4	
34	3931628	4	Capscrew 3/8 x 1-3/4	
35	4031914	4	Capscrew M8 x 50	
36	4032014	4	Capscrew M10 x 50	
39	4711500	4	Washer 5/16	
40	4811700	AR	Washer M6	
41	4811900	AR	Washer M8	
42	4812000	20	Washer M10	
44	5241400	8	Washer M14	
45	4812300	1	Washer M16	
46	5241200	2	Washer M12	
47	5250810	2	Bolt M8 x 20	
48	7300435	1	Washer	
49	8405007	2	Clamp	
50	8405009	4	Clamp	
51	8405104	4	Clamp	
52	8406109	AR	Clip	
53	8410011	2	Clamp	
54	1001117308	1	Contactactor	
55	1001134488	1	Fitting, 90 Barbed (Part of Item 63)	
56	1001135138	1	Adapter	
57	1001135679	1	Adapter	
58	1001136172	AR	Oil, Motor 5W-40	
59	1001136834	1	Cap, Tank	

SECTION 3 - ENGINE

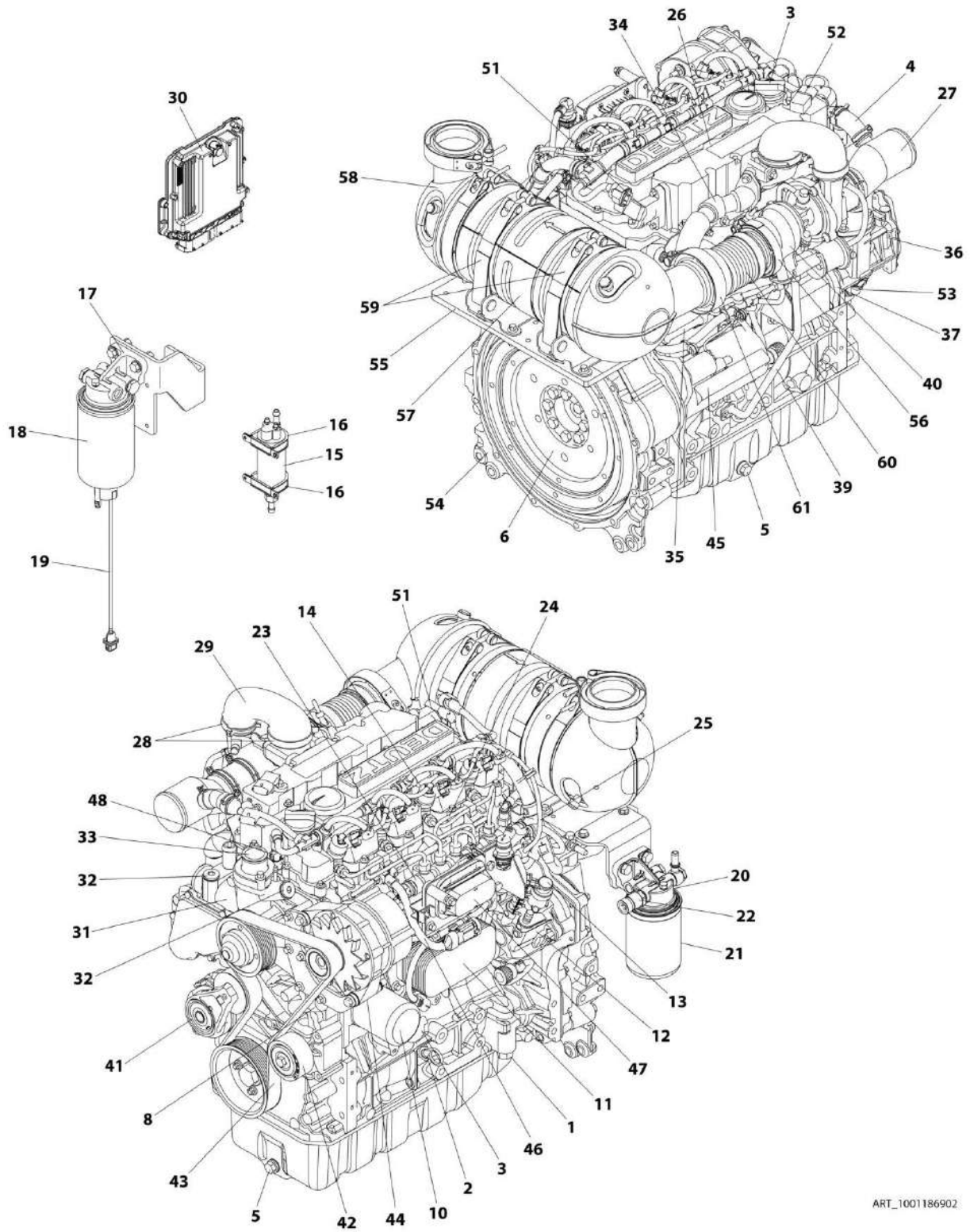
ITEM	PART NUMBER	QTY	DESCRIPTION	REV
60	1001137276	1	Fan	
61	1001138228	1	Relay	
62	1001138827	1	Sensor, Coolant Level (Part of Item 63)	
63	1001140535	NLA	Tank, Surge (Use p/n 1001230635) (SN 0300235168 through 0300237156)	
63	1001230635	1	Tank, Surge (Includes Items 55, 62 & 64) (SN 0300237157 to Present)	
64	1001140564	1	Fitting, 90 Barbed (Part of Item 63)	
65	1001152489	1	Fitting, 90 Pipe/Barbed	
67	1001167042	1	Radiator	
68	1001168166	2	Seal	
69	1001169967	2	Bracket	
70	1001170035	2	Bracket	
71	1001177844	1	Hose, Radiator (Top)	
72	1001227059	NLA	Mount (Use p/n 1001231805) (SN 0300235168 through 0300237156)	
72	1001231805	1	Mount (SN 0300237157 to Present)	
74	1001186426	1	Clamp, Air Cleaner	
75	1001186902	1	Deutz TD2.9L4 Engine (See Separate Breakdown in this Section)	
76	1001188535	1	Bracket, Engine - Rear	
77	1001189026	1	Bracket, Engine - Right	
78	1001166716	1	Restriction, Indicator	
79	1001189913	1	Hose	
80	1001189979	1	Filter, Air	
80	70005008	1	Element, Filter	
81	1001190164	1	Mount, Motor	
82	1001200745	1	Tray	
83	1001229091	1	Support, Radiator	
84	1001203885	1	Plate	
85	1001190942	1	Support	
86	1001191025	1	Hose, Radiator (Bottom)	
88	1001191610	1	Mount, Motor	
89	1001192400	1	Bracket	
91	1001193049	1	Hose	
92	1001140312	1	Heater, Engine Block	
93	1001177359	1	Hose	
94	1001188237	NLA	Engine Harness - Deutz TD2.9L4 Engines (Not Shown) (Use pn 1001233895) (See Separate Breakdown in ELECTRICAL SECTION) (SN 0300235168 through 0300237156)	
94	1001233895	1	Engine Harness - Deutz TD2.9L4 Engines (Not Shown) (See Separate Breakdown in ELECTRICAL SECTION) (SN 0300237157 to Present)	
96	2720015	AR	Hose	
97	1001180620	AR	Adhesive	
98	1001168018	1	Washer	
99	1001197725	1	Spacer	
101	1001169054	4	Isolator	
102	1001169138	4	Pad, Snubbing	
103	3291005	11	Nut M10	
107	4811902	8	Washer M8	
108	1001181895	AR	Adhesive	
109	1001190442	1	Harness, Alternator Power	
109	1001098764	1	Boot - Red	

SECTION 3 - ENGINE

ITEM	PART NUMBER	QTY	DESCRIPTION	REV
110	1320202	1	Clamp	
111	1001141304	1	Harness, Glow Fuse	
112	1001181899	1	Clamp	
114	4240099	1	Tie-Strap (Not Shown)	
115	1001223254	1	Bracket (SN 0300235168 through 0300254984)	
116	1001223255	1	Fitting, Straight FNPT (SN 0300235168 through 0300254984)	
117	1001223256	1	Fitting, Straight MNPT (SN 0300235168 through 0300254984)	
118	1001223257	24 in/.6m	Hose (SN 0300235168 through 0300254984)	
119	5251012	2	Bolt M10 x 25	
120	5241000	10	Washer M10	
121	0760614	2	Bolt M6 x 30 (SN 0300235168 through 0300254984)	
122	0760816	3	Bolt M8 x 40	
123	0761017	4	Bolt M10 x 45	
124	1001138248	4 ft/1.25m	Tube (SN 0300254985 to Present)	

SECTION 3 - ENGINE

FIGURE 3-14. DEUTZ TD2.9L4 ENGINE COMPONENTS



ART_1001186902

SECTION 3 - ENGINE

FIGURE 3-14. DEUTZ TD2.9L4 ENGINE COMPONENTS

ITEM	PART NUMBER	QTY	DESCRIPTION	REV
	1001186902	Ref	DEUTZ TD2.9L4 ENGINE COMPONENTS	D
1	70025660	1	Plug	
1	70006264	1	Valve, Plunger	
1	70006265	1	Spring	
1	70006266	1	Seal	
2	70024904	1	Dipstick	
2	70024905	2	Seal	
3	7020465	2	Cap, Fill	
4	70005920	1	Line, Breather	
4	70025111	2	Clamp	
5	70006941	2	Plug	
5	70005942	2	Seal	
6	70001870	1	Flywheel	
6	7024579	1	Ring Gear	
6	70025139	8	Bolt	
7		Ref	Gasket & Seal Options (Not Shown):	
7	70005938	1	Gasket Kit	
7	70024906	1	Gasket, Head	
7	70005922	1	Gasket, Valve Cover	
7	70028185	1	Gasket, Front Cover	
7	70004280	1	Seal, Front Main	
7	70002718	1	Seal, Rear Main	
8	70025091	1	Plug	
8	70025076	1	Valve, Plunger	
8	70025176	1	Spring	
8	70025082	1	Seal	
9	70005172	1	Pump, Lube (Not Shown - Located RH Rear)	
9	70025135	1	O-Seal	
9	70005173	1	Gasket	
10	7016331	1	Filter, Oil	
10	70025137	1	Bushing, Oil Filter	
11	70024494	1	Cooler, Oil	
11	70024925	1	Gasket, Oil Filter	
12	70024924	1	Pump, High Pressure	
12	70025152	1	Gasket (Spacer to Pump)	
12	70024488	1	Spacer	
12	70024517	1	Gasket (Spacer to Block)	
12	70004505	1	Valve, Overflow	
12	70004506	1	Gasket, Overflow	
12	70004507	1	Gasket, Overflow	
13	70004508	1	Valve, Volume Control	
13	70004509	1	O-Ring	
13	70004510	1	Gasket	
14	70025181	4	Injector	
14	70025140	4	Washer, Sealing	
14	70025146	4	Clamp	
14	70025145	4	O-Seal	
14	70025154	4	Shoe/Pad, Clamping	
15	1001226098	1	Pump, Fuel Supply (was p/n 70005174 & 70006144)	
16	70025144	2	Clip, Clamp	

SECTION 3 - ENGINE

ITEM	PART NUMBER	QTY	DESCRIPTION	REV
17	70024961	1	Fuel Filter Assembly	
18	70025153	1	Element, Filter	
19	70024513	1	Cable, Sensor	
19	70025239	1	Seal, Ring	
20	70025160	1	Fuel Filter Assembly	
20	70004513	2	Seal (at Hollow Bolt)	
21	70025161	1	Element, Filter	
22	70024504	1	Sensor, Pressure	
22	70024920	1	O-Seal	
23	70025151	1	Rail, Fuel	
23	70025235	1	Repair Kit - Fuel Rail	
23	70025240	1	O-Ring	
24	70025182	1	Tube, Fuel - Cylinders 1 & 2	
24	70025183	1	Tube, Fuel - Cylinders 3 & 4	
24	70025184	1	Tube, Fuel	
25	70024502	1	Pipe, Fuel Leakage	
25	70025185	1	Hose, Fuel	
25	70025158	1	Manifold	
25	70025109	2	Clamp, Spring	
25	70025115	1	Clamp	
25	70025133	1	Hose	
25	70025101	2	Clamp	
25	70025148	1	Connector, Plug-in	
26	70005923	1	Manifold, Charger Air	
26	70005177	1	Gasket, Charger Air Manifold	
26	70005924	1	Seal (Manifold to Elbow)	
26	70005925	1	Line, Breather (Not Shown)	
26	70005181	1	O-Seal (Breather to Manifold)	
27	70005926	1	Elbow	
27	70025112	2	Clamp	
27	70004501	1	Sleeve, Rubber	
28	70005927	1	Sleeve	
28	70025107	2	Clamp	
29	70005928	1	Elbow, Air Charge	
30	70025210	1	Module, ECU	
31	70024910	1	Pump, Coolant	
31	70025200	1	Ring, Sealing (Pump to Block)	
32	70025084	2	Plug	
32	7020492	2	Ring, Sealing	
33	70005929	1	Thermostat	
33	70005184	1	O-Seal (Thermostat to Housing)	
33	70005930	1	Housing, Thermostat	
33	70005931	1	O-Seal (Thermostat to Pump)	
33	70025124	2	Bolt	
34	70025178	1	Tube	
34	70025179	2	Gasket (at Either End of Tube)	
35	70025768	1	Valve, Shuttle	
35	70025180	1	Gasket	
35	70025174	1	Housing, Shuttle Valve	
35	70025175	1	Cap, Shuttle Valve	
36	70025203	1	Module, EGR	

SECTION 3 - ENGINE

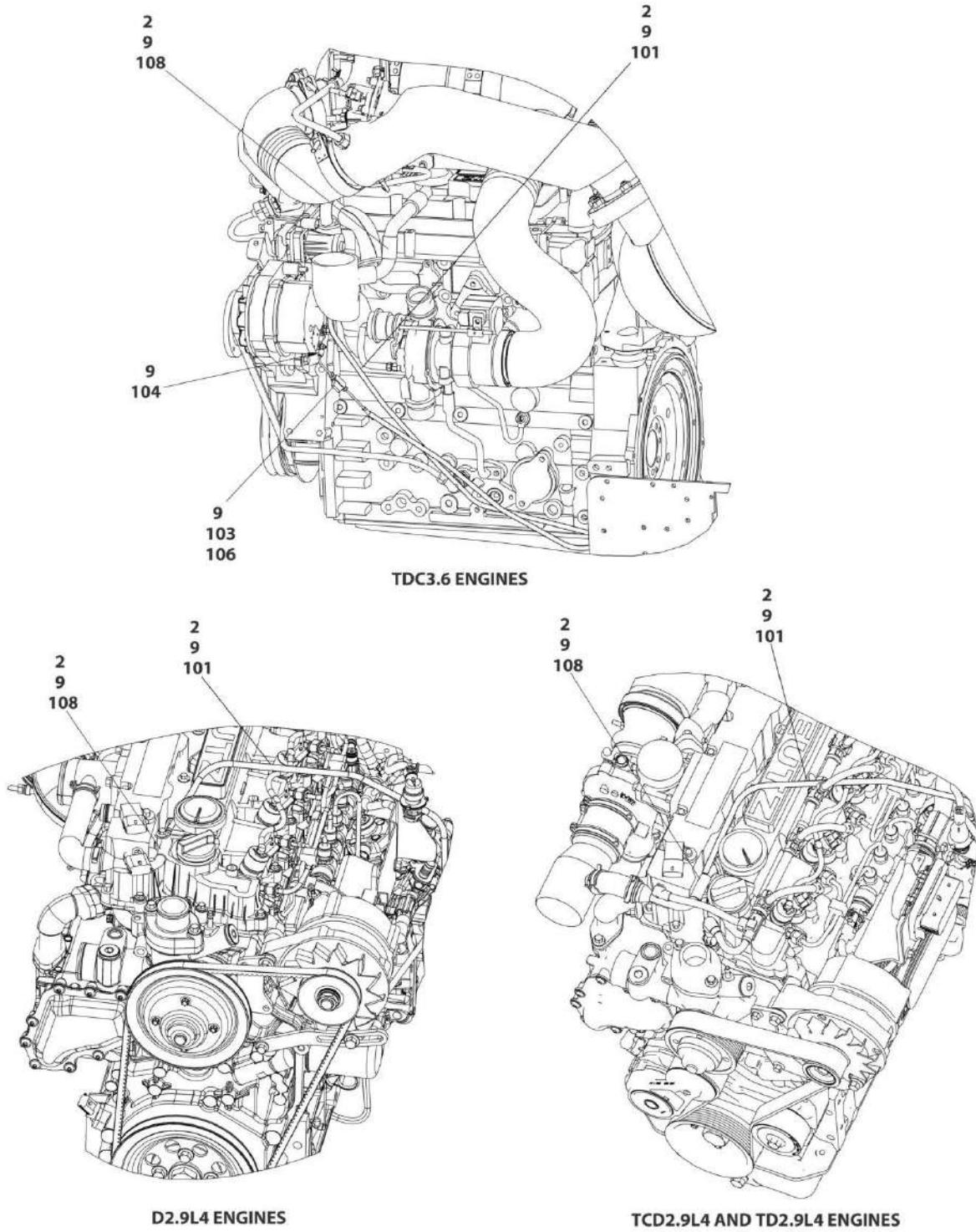
ITEM	PART NUMBER	QTY	DESCRIPTION	REV
36	70025155	1	Plug (Not Shown)	
37	70005188	1	Valve, EGR Control	
37	70005189	1	Seal (Valve to Module)	
38	70004282	1	Manifold, Exhaust (Not Shown)	
38	70025164	1	Gasket, Manifold to Head (Not Shown)	
38	70025130	8	Bolt, Manifold (Not Shown)	
38	70026995	1	Elbow, Exhaust (Not Shown)	
38	70025179	2	Gasket, Manifold to Elbow (Not Shown)	
39	70005932	1	Tube, Oil Return	
39	70025132	1	O-Seal	
40	70004276	1	Turbocharger	
40	70024509	1	Gasket (Turbocharger to Oil Return Tube Housing)	
40	1001191599	1	Gasket (Turbocharger to Exhaust)	
41	70025477	1	Tensioner, Belt	
42	70024484	1	Roller, Idler	
43	70004277	1	Belt	
44	70025733	1	Pulley, Alternator	
44	70024914	1	Alternator	
44	70025149	1	Controller	
44	70025131	1	Fan	
45	70024915	1	Starter	
45	70005647	1	Switch, Solenoid	
45	70005648	1	Relay	
46	70000345	4	Glow Plug	
46	70025231	1	Harness, Glow Plug	
46	70025233	1	Connector, Plug-in	
47	70025077	1	Harness, Engine	
48	70024918	1	Sender, Temperature	
49	70024504	1	Sensor, Pressure (Not Shown - RH Front)	
49	70024920	1	O-Seal	
50	70026210	1	Sensor, Speed (Not Shown - Front)	
50	70005191	1	Ring, Seal	
51	70024507	1	Sensor, Pressure	
51	70025120	1	O-Seal	
51	70005933	1	Adapter	
51	70005934	1	O-Seal	
52	70024922	1	Sender, Temperature	
52	70025212	1	O-Seal	
53	70026210	1	Sensor, Speed (Not Shown - Front)	
53	70024917	1	O-Seal	
54	70025192	1	Housing	
55	70005935	1	Bracket	
56	70025877	1	Clip	
56	70025242	1	Gasket	
56	70025877	1	Clip	
56	70025242	1	Gasket	
57	70005937	1	Muffler, DOC	
58	70025246	1	Outlet, Muffler	
59	70025245	2	Clamp	
60	70004504	1	Compensator	
60	70025242	1	Gasket	

SECTION 3 - ENGINE

ITEM	PART NUMBER	QTY	DESCRIPTION	REV
60	70005527	1	Clip	
61	70025877	1	Clip	

SECTION 3 - ENGINE

FIGURE 3-15. BREATHER HEATER INSTALLATION - DEUTZ D2.9L4 ENGINE WITH ARCTIC PACKAGE



ART_1001233763

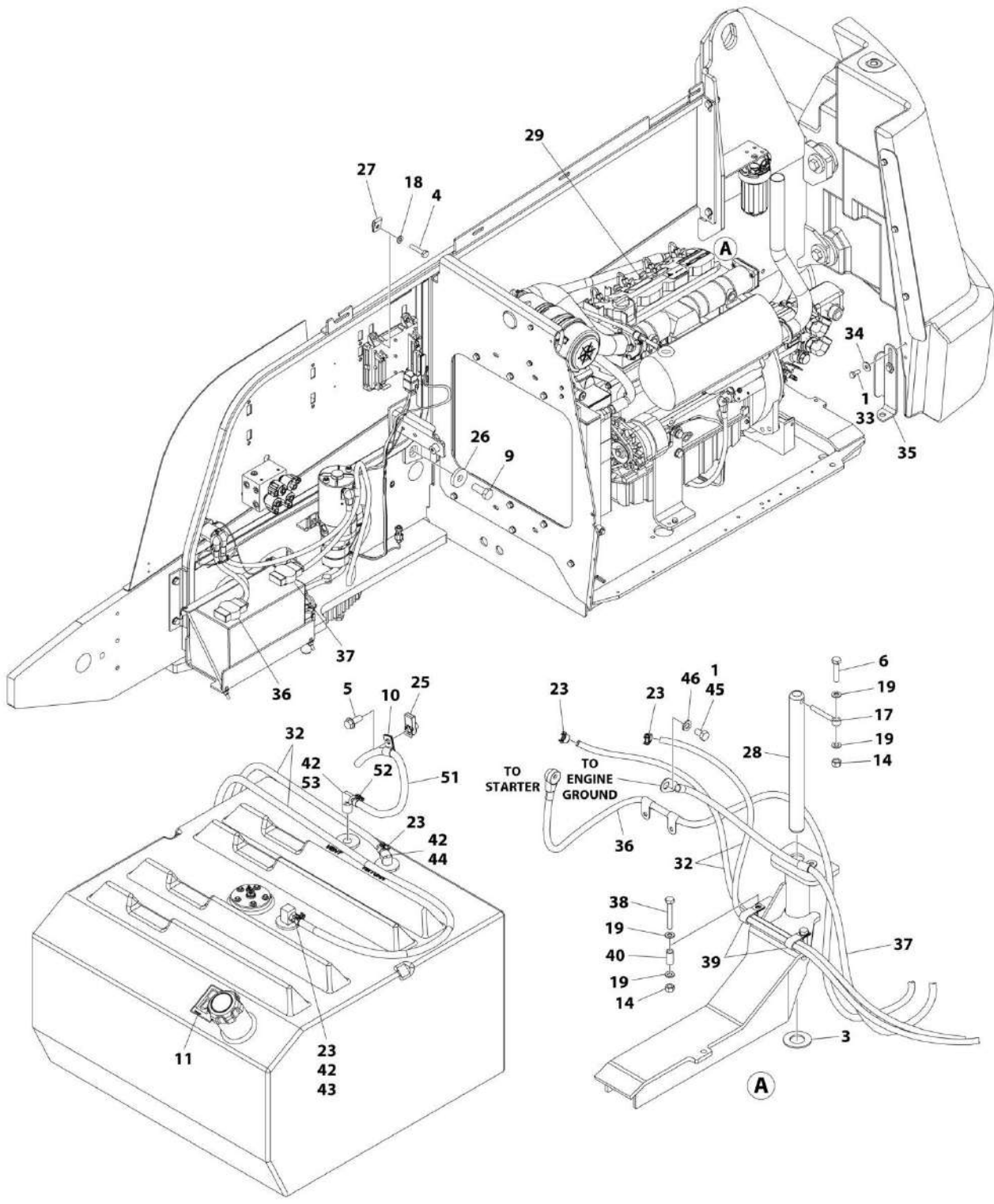
SECTION 3 - ENGINE

FIGURE 3-15. BREATHER HEATER INSTALLATION - DEUTZ D2.9L4 ENGINE WITH ARCTIC PACKAGE

ITEM	PART NUMBER	QTY	DESCRIPTION	REV
	1001233763	Ref	BREATHER HEATER INSTALLATION - DEUTZ ENGINES	C
2	4240099	AR	Tie-Strap	
9	1001243895	1	Breather Heater Harness	
101	2820035	10 ft/ 3m	Insulation	
103	2400060	1	Fuseholder with Cover	
104	4460043	1	Terminal, Ring	
105	4460722	1	Terminal, Ring (Not Shown)	
106	1001196634	1	Fuse - 2 Amp	
108	1001232842	1	Breather Heater Kit	

SECTION 3 - ENGINE

FIGURE 3-16. DEUTZ D2011 (STAGE V) ENGINE INSTALLATION



ART_1001235469

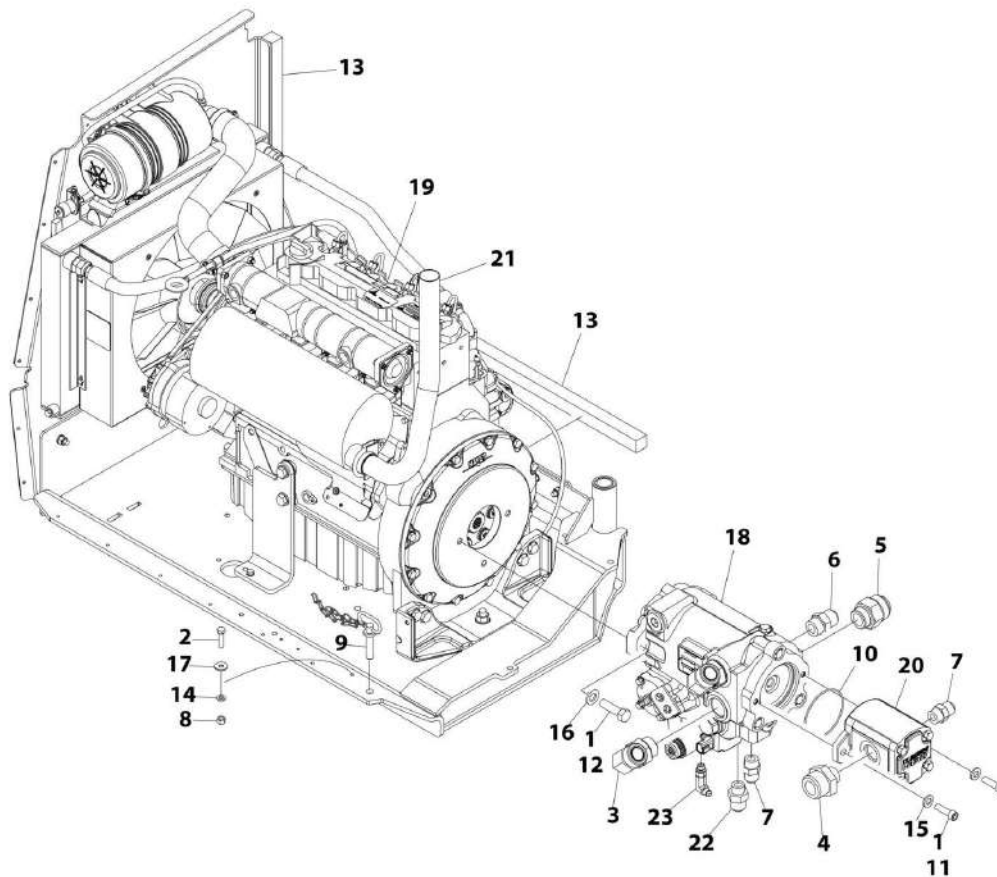
SECTION 3 - ENGINE

FIGURE 3-16. DEUTZ D2011 (STAGE V) ENGINE INSTALLATION

ITEM	PART NUMBER	QTY	DESCRIPTION	REV
	1001235469	Ref	DEUTZ D2011 (STAGE V) ENGINE INSTALLATION	A
1	0100011	AR	Compound, Locking	
3	0440162	1	Bearing	
4	0700614	4	Bolt M6 x 30	
5	5251012	1	Bolt M10 x 25	
6	0711018	1	Bolt M10 x 50	
9	0772018	1	Bolt M20 x 50	
10	8406110	1	Clip	
11	1701505	1	Decal - Diesel Fuel	
14	3291005	3	Nut M10	
17	3841143	1	Keeper, Pin	
18	4811700	4	Washer M6	
19	4812000	6	Washer M10	
23	1001174486	4	Clamp	
25	1001118972	1	Nut, Tinnerman M10	
26	1001119051	1	Washer	
27	1001130220	4	Nut, Tinnerman M6	
28	1001155094	1	Pin	
29	1001235470	1	Deutz D2011 (Stage V) Engine and Pumps Sub-Assembly (See Separate Breakdown in this Section)	
32	2720058	288 in/ 7.3m	Hose, Fuel	
33	0701012	2	Bolt M10 x 70	
34	4812002	2	Washer M10	
35	1001196398	1	Bracket	
36	1001188667	1	Cable, Battery (+) to Aux Relay to Starter	
37	1001188670	1	Cable, Battery (-) to Aux Pump and Ground	
38	0701022	2	Bolt M10 x 70	
39	1001026127	2	Clamp	
40	1001200731	2	Tube	
41	4240099	6	Tie-Strap (Not Shown)	
42	0100020	AR	Sealant	
43	2180348	1	Fitting, Straight NPT x Barb	
44	2221176	2	Fitting, 90 Barbed	
45	0761210	1	Bolt M12 x 20	
46	4812100	1	Washer M12	
47	1001192690	1	Hose (Case Drain) (Drive Pump Case Gauge Port to Tank) (Not Shown)	
48	1001203431	1	Hose (Case Drain) (Drive Pump Case Outlet Port to Tank) (Not Shown)	
49	1001203432	1	Hose (Function Suction) (Not Shown)	
50	1001203433	1	Hose (Drive Suction) (Not Shown)	
51	1001165035	20 in/ 0.5m	Hose	
52	1001136975	1	Clamp	
53	2220313	1	Fitting, 90 NPTF/Barb	
100	1001235699	1	Battery Cable Kit (Includes Items 36 & 37) (Not Shown)	

SECTION 3 - ENGINE

FIGURE 3-17. DEUTZ D2011 (STAGE V) ENGINE AND PUMPS SUB-ASSEMBLY



ART. 1001235470

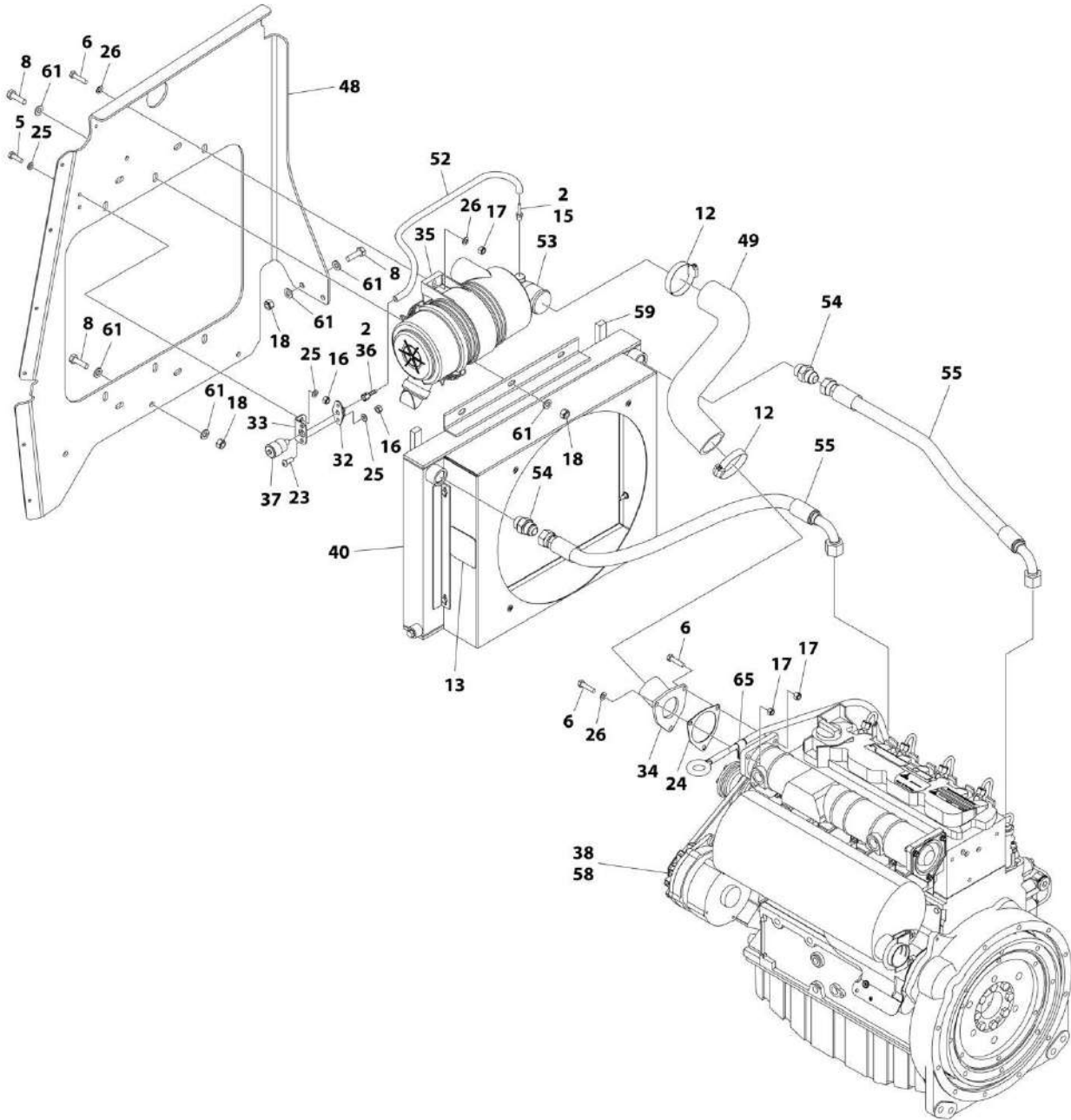
SECTION 3 - ENGINE

FIGURE 3-17. DEUTZ D2011 (STAGE V) ENGINE AND PUMPS SUB-ASSEMBLY

ITEM	PART NUMBER	QTY	DESCRIPTION	REV
	1001235470	Ref	DEUTZ D2011 (STAGE V) ENGINE AND PUMPS SUB-ASSEMBLY	A
1	0100011	AR	Compound, Locking	
2	0760612	1	Bolt M6 x 25	
3	2131616	2	Fitting, 90 ORFS/ORB	
4	2220946	1	Fitting, Straight JIC/ORB	
5	2220479	1	Fitting, Straight JIC/ORB	
6	2220451	1	Fitting, Straight JIC/ORB	
7	2220947	2	Fitting, Straight JIC/ORB	
8	3290605	1	Nut M6	
9	3422532	1	Pin	
10	3790152	1	O-Ring	
11	3931618	2	Capscrew 3/8 x 1-1/8	
12	0641814	2	Bolt 1/2 x 1-3/4	
13	3960469	2	Seal	
14	4811700	1	Washer M6	
15	5241000	2	Washer M10	
16	5241200	2	Washer M12	
17	4811702	1	Washer M6	
18	1001184930	1	Piston Pump Assembly (See Separate Breakdown in this Section)	
19	1001235471	1	Deutz D2011 (Stage V) Engine Assembly (See Separate Breakdown in this Section)	
20	1001190143	1	Gear Pump Assembly	
20	70006356	1	Seal Kit - 1001190143 Pump	
21	1001191273	1	Pipe, Exhaust	
22	2220408	1	Fitting, Straight JIC/ORB	
23	2220940	1	Fitting, 90 JIC/ORB	

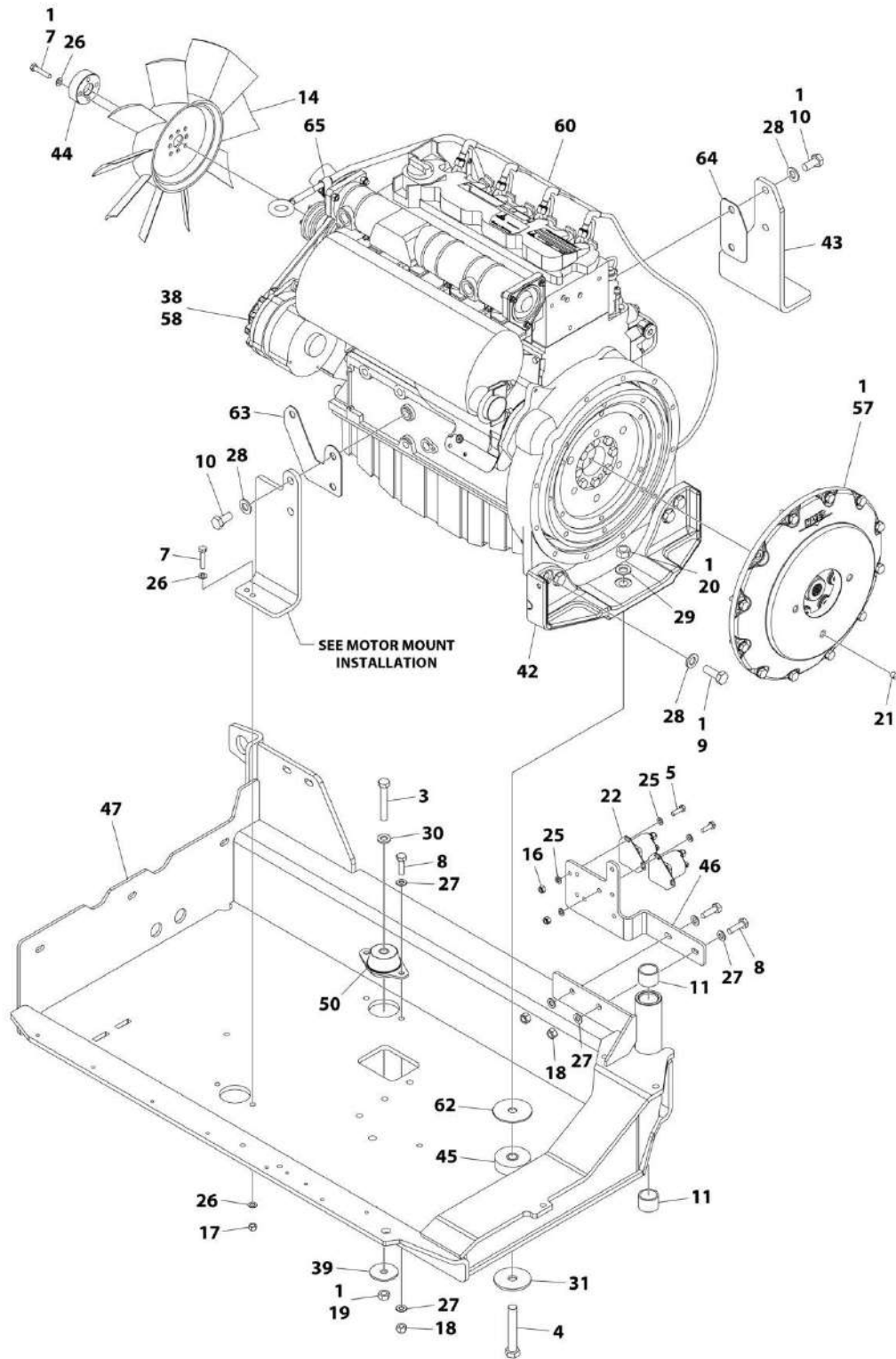
SECTION 3 - ENGINE

FIGURE 3-18. DEUTZ D2011 (STAGE V) ENGINE ASSEMBLY



ART_1001235471_1OF2

SECTION 3 - ENGINE



ART_1001235471_20F2

SECTION 3 - ENGINE

FIGURE 3-18. DEUTZ D2011 (STAGE V) ENGINE ASSEMBLY

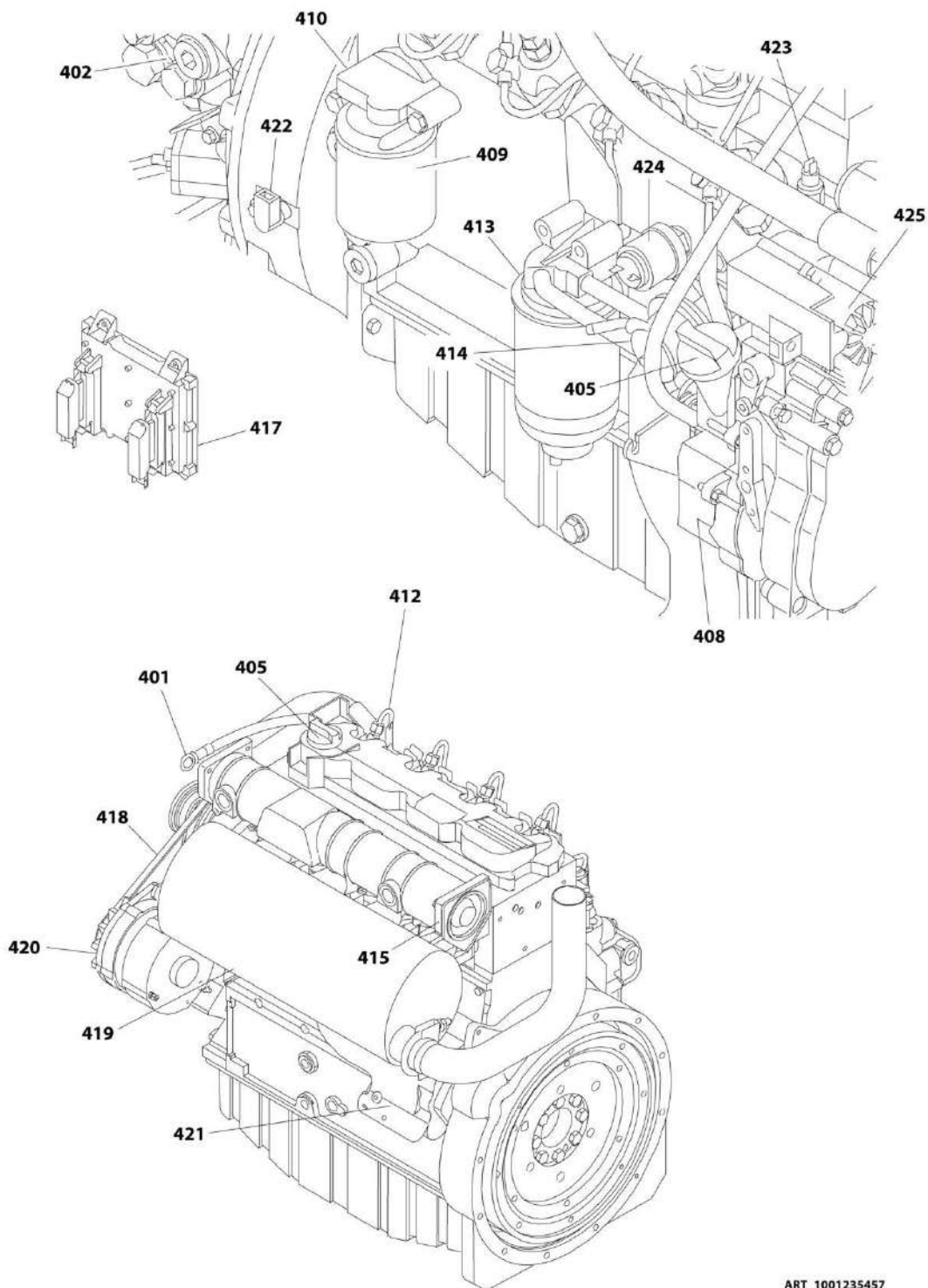
ITEM	PART NUMBER	QTY	DESCRIPTION	REV
	1001235471	Ref	DEUTZ D2011 (STAGE V) ENGINE ASSEMBLY	A
1	0100011	AR	Compound, Locking	
2	0100020	AR	Sealant	
3	0711224	1	Bolt M12 x 80	
4	0711627	1	Bolt M16 x 100	
5	0760610	6	Bolt M6 x 20	
6	0760815	5	Bolt M8 x 35	
7	0760816	5	Bolt M8 x 40	
8	0761015	15	Bolt M10 x 35	
9	0771416	4	Bolt M14 x 40	
10	0771414	4	Bolt M14 x 30	
11	0961951	2	Bushing	
12	8405202	2	Clamp	
13	1703162	2	Decal - Fan Blade	
14	2060025	1	Fan	
15	2220315	1	Fitting, Straight Barbed	
16	3290605	8	Nut M6	
17	3290805	6	Nut M8	
18	3291005	15	Nut M10	
19	3331211	1	Nut M12	
20	3331611	1	Nut M16	
21	3520054	2	Plug	
22	3740067	2	Relay	
23	3900357	2	Screw M6 x 16	
24	3960407	1	Gasket, Air Intake Adapter	
25	4811700	14	Washer M6	
26	4811900	11	Washer M8	
27	4812000	8	Washer M10	
28	5241400	8	Washer M14	
29	4812300	1	Washer M16	
30	5241200	1	Washer M12	
31	7300435	1	Washer	
32	1001138173	1	Support	
33	1001138175	1	Bracket	
34	1001139819	1	Adapter	
35	1001141694	1	Clamp, Air Cleaner	
36	1001141995	1	Fitting, Straight NPT/Barbed	
37	1001143390	1	Indicator, Air Filter Service	
38	1001235457	1	Deutz D2011 (Stage V) Engine Components (See Separate Breakdown in this Section)	
39	1001168018	1	Washer	
40	1001187082	1	Radiator	
41	1001188236	1	Engine Harness - Deutz D2011 Engines (Not Shown) (See Separate Breakdown in ELECTRICAL SECTION)	
42	1001188535	1	Bracket, Engine - Rear	
43	1001189026	1	Bracket, Engine - Right	
44	1001189161	1	Adapter, Fan	
45	1001190164	1	Mount, Motor	
46	1001203885	1	Plate	
47	1001200435	1	Tray	

SECTION 3 - ENGINE

ITEM	PART NUMBER	QTY	DESCRIPTION	REV
48	1001200791	1	Support, Radiator	
49	1001191271	1	Hose	
50	1001191610	1	Mount, Motor	
52	1001138248	21.7 in/ 0.6m	Tube	
53	1001165388	1	Filter, Air	
53	70003783	1	Element, Filter	
54	2220451	2	Fitting, Straight ORB/JIC	
55	2720398	2	Hose	
57	2902065	1	Pump Coupling Kit (See Separate Breakdown in this Section)	
58	3020016	AR	Oil, Motor 15W-40	
59	1001168166	2	Seal	
60	1001234396	1	Glow Plug Harness	
61	5241000	22	Washer M10	
62	1001197725	1	Spacer	
63	1001201843	1	Shim .079	
64	1001201844	1	Shim .079	
65	1320070	1	Clamp	

SECTION 3 - ENGINE

FIGURE 3-19. DEUTZ D2011 (STAGE V) ENGINE COMPONENTS



ART_1001235457

SECTION 3 - ENGINE

FIGURE 3-19. DEUTZ D2011 (STAGE V) ENGINE COMPONENTS

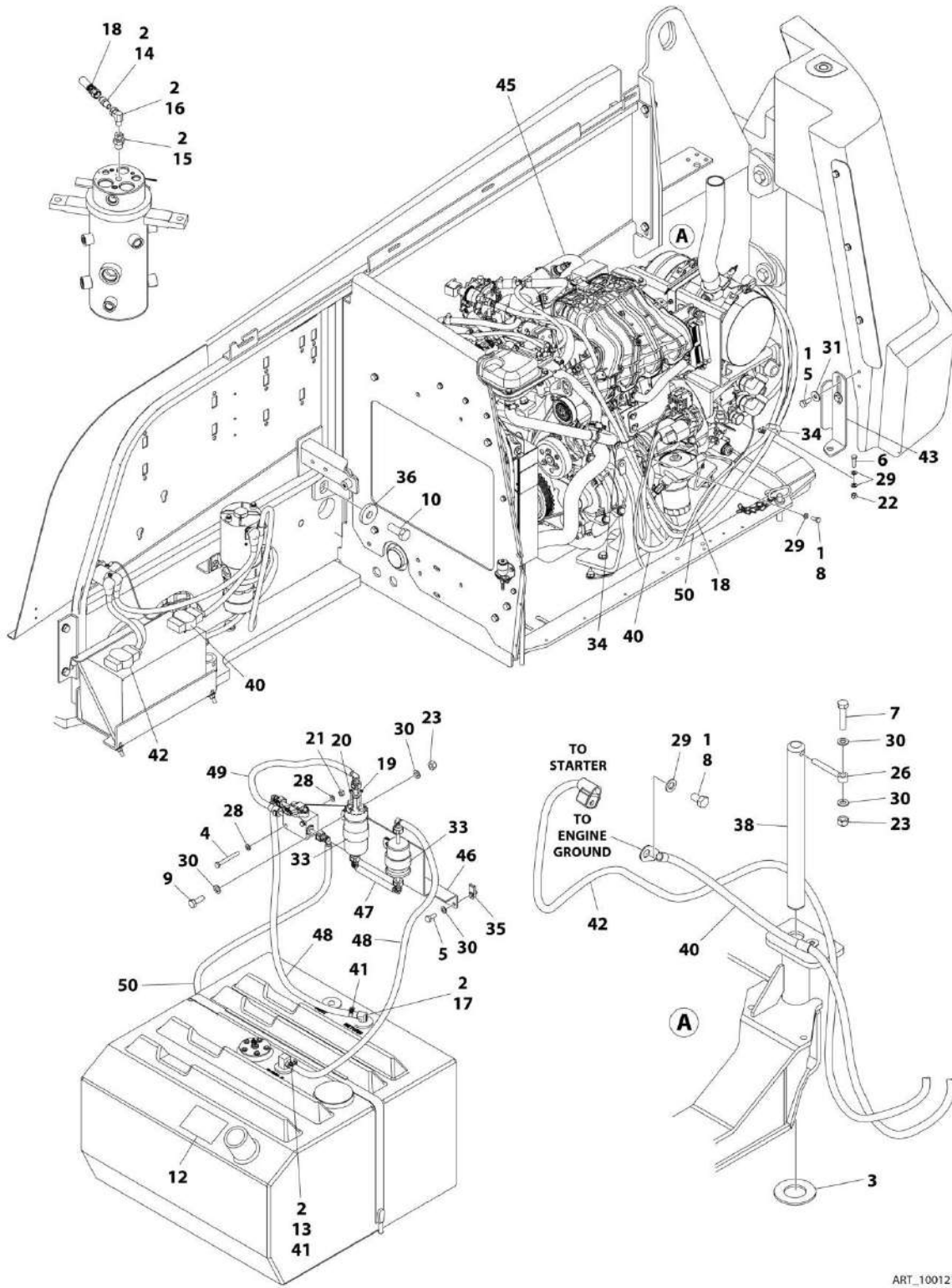
ITEM	PART NUMBER	QTY	DESCRIPTION	REV
	1001235457	Ref	DEUTZ D2011 (STAGE V) ENGINE COMPONENTS	D
401	7026631	1	Dipstick	
401	7020487	1	Seal, Dipstick	
401	70001002	1	Tube, Dipstick	
401	7020403	1	Seal, Dipstick Tube	
402	70003475	1	Thermostat	
403	70002718	1	Seal, Rear Main (Not Shown)	
404	70001870	1	Flywheel (Not Shown)	
404	7024579	1	Ring Gear (Located on Flywheel - Not Shown)	
405	7020465	2	Cap, Filler	
406		Ref	Gasket, Head Options (Not Shown):	
406	70003456	1	Gasket with 1 Notch	
406	70003457	1	Gasket with 2 Notches	
406	70003003	1	Gasket with 3 Notches	
406	7020431	1	Gasket, Valve Cover (Not Shown)	
406	70004273	1	Gasket Kit (Note: Does not include Head Gasket)	
407	70000800	1	Kit, Timing Belt/Idler (Not Shown)	
408	70001850	1	Pump, Oil Lube	
408	7020468	1	Seal Between Oil Pump and Engine Block (Not Shown)	
409	7016331	1	Filter, Oil	
410	70003472	1	Bracket, Oil Filter	
410	7027236	1	Sender, Temperature	
410	70003473	1	Gasket, Bracket to Engine Block	
411	70004268	2	Connector, Radiator Hose (Not Shown)	
411	70004269	2	Ring, Sealing (Not Shown)	
412	70003478	4	Injector, Fuel	
412	70003136	4	Seal	
412		Ref	Pump, Injector Options:	
412	70000912	Ref	Series A Injector	
412	70000913	4	Series B Injector	
412	70000914	4	Series C Injector	
412	70000915	4	Series D Injector	
412	70003464	4	O-Ring	
413	7016328	1	Filter, Fuel	
413	70001423	1	Bracket, Fuel Filter	
414	70000916	1	Pump Fuel Supply	
414	70001435	1	Repair Kit for 70000916 Pump	
414	70000919	1	Hand Pump	
414	70000918	1	Seal, Hand Pump	
414	70000917	1	O-Seal Between Fuel Pump and Engine Block	
415		Ref	Intake Manifold Components	
415	70003469	1	Flange, Blanking	
415	70003468	1	Seal (Flange to Air Intake Manifold)	
415	70001871	4	Gasket, Intake Manifold to Engine Block (Not Shown)	
415	70003470	8	Screw, Torx Head (Not Shown)	
416	70001847	1	Breather Valve (Not Shown - Located On Front Cover)	
416	70001126	1	Seal, Breather Valve	
417	7027795	1	Module, Control	
417		Ref	Left Module Connections:	
417	7027796	1	Cable, Interconnect (Module to 70001872 Cable)	

SECTION 3 - ENGINE

ITEM	PART NUMBER	QTY	DESCRIPTION	REV
417	70004060	1	Plug, Connector	
417	70001872	1	Cable, Harness	
417	70004103	1	Cable (Alternator to 70001872 Cable)	
417	70004271	1	Cable (Starter to 70001872 Cable)	
417		Ref	Right Module Connections:	
417	70004059	1	Plug, Diagnostic	
418	7020408	1	V-Belt	
419		Ref	Muffler Options:	
419	7000695	1	Standard Muffler (Supplied with Engine)	
419	See Note	1	Spark Arrester Muffler (Note: See Separate Breakdown in this Section)	
419	See Note	1	Catalytic Muffler (Note: See Separate Breakdown in this Section)	
419		Ref	Muffler Components:	
419	1320176	1	Clamp, Saddle	
419	70001017	1	Clamp	
419	7024560	1	Plug, Brass	
419	See Note	1	Pipe, Exhaust Standard Muffler (Note: Purchase Locally)	
419	7024398	1	Pipe, Exhaust	
419	7020471	4	Gasket, Exhaust Manifold to Engine Block	
419	70004270	8	Stud, Muffler	
420	70004056	1	Alternator	
420	70001868	1	Regulator, Voltage (Not Shown)	
420	70001866	1	Seal, Gasket for Voltage Regulator (Not Shown)	
420	70000851	1	Bracket, Mounting (Not Shown)	
420	70002234	1	Bracket, Adjusting (Not Shown)	
421	7020479	1	Starter	
421	70004058	1	Relay	
421	70001498	1	Shield, Starter Heat	
422	70004272	1	Sensor, Speed	
422	70003932	1	Spacer, Sensor	
423	7027791	1	Transmitter, Temperature	
424	7027790	1	Sensor, Oil Pressure	
425	7027792	1	Actuator, Throttle	
425	7027276	2	Spring, Actuator	
426	70000345	4	Plug, Glow (Not Shown)	
427	70005479	1	Pulley, Crankshaft (Not Shown)	

SECTION 3 - ENGINE

FIGURE 3-20. FORD ENGINE INSTALLATION - WITHOUT ARCTIC PACKAGE



ART_1001215608

SECTION 3 - ENGINE

FIGURE 3-20. FORD ENGINE INSTALLATION - WITHOUT ARCTIC PACKAGE

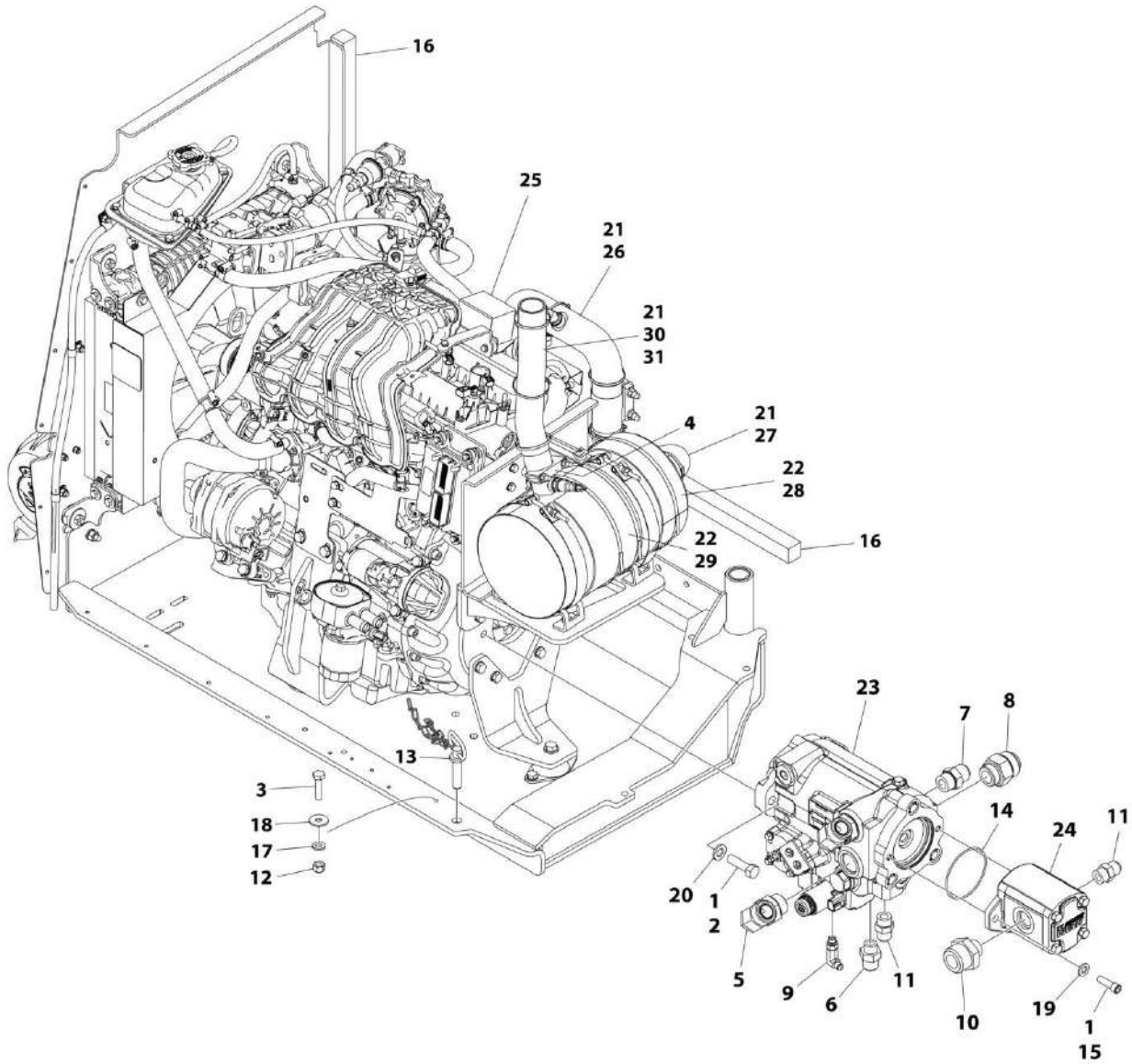
ITEM	PART NUMBER	QTY	DESCRIPTION	REV
	1001215608	Ref	FORD ENGINE INSTALLATION	G
1	0100011	AR	Compound, Locking	
2	0100020	AR	Sealant	
3	0440162	1	Bearing	
4	0700619	2	Bolt M6 x 55	
5	0701012	4	Bolt M10 x 25	
6	0760814	1	Bolt M8 x 30	
7	0711018	1	Bolt M10 x 50	
8	0760810	2	Bolt M8 x 20	
9	0761014	2	Bolt M10 x 30	
10	0772018	1	Bolt M20 x 50	
12	1701542	1	Decal - Gas	
13	2180348	1	Fitting, Straight NPT/BARB	
14	2180418	1	Fitting, Straight	
15	2220005	1	Fitting, Straight NPTM	
16	2220064	1	Fitting, Straight	
17	2221176	1	Fitting, 90	
18	1001222133	1	Hose	
19	3290405	1	Nut M4	
20	3290505	1	Nut M5	
21	3290605	2	Nut M6	
22	3290805	1	Nut M8	
23	3291005	3	Nut M10	
25	3790012	1	O-Ring (Not Shown - Located on Platform Console)	
26	3841143	1	Keeper, Pin	
27	4740397	1	Spacer (Not Shown - Located on Platform Console)	
28	4811700	4	Washer M6	
29	4811900	4	Washer M8	
30	4812000	8	Washer M10	
31	4812002	2	Washer M10	
33	85941018	2	Clamp	
34	1321283	2	Clamp	
35	1001118972	2	Nut, Tinnerman	
36	1001119051	1	Washer	
37	1001115044	1	Nut 15/32 (Not Shown - Located on Platform Console)	
38	1001155094	1	Pin	
39	1001161710	1	Switch, Toggle (Not Shown - Located on Platform Console)	
40	1001215220	1	Cable, Battery (-) to Aux Pump to Ground	
41	1001174486	2	Clamp	
42	1001215219	1	Cable, Battery (+) to Aux Ready to Starter	
43	1001196398	1	Bracket	
45	1001215610	1	Ford Engine and Pumps Sub-Assembly (See Separate Breakdown in this Section)	
46	1001219005	1	Bracket	
47	1001219015	1	Hose	
48	1001219021	2	Hose	
49	1001219022	1	Hose	
50	1001219024	1	Hose	
52	1001203432	1	Hose (Drive Suction) (Not Shown)	
53	1001221942	1	Hose (Function Suction) (Not Shown)	

SECTION 3 - ENGINE

ITEM	PART NUMBER	QTY	DESCRIPTION	REV
54	1001221943	1	Hose (Case Drain) (Drive Pump Case Outlet Port to Tank) (Not Shown)	
55	1001221944	1	Hose (Case Drain) (Drive Pump Case Gauge Port to Tank) (Not Shown)	
56	1701543	2	Decal - LPG (Not Shown - See DECALS INSTALLATION - OPTIONS for Locations)	
57	4240099	1	Tie-Strap (Not Shown)	
100	1001236136	1	Battery Cable Kit (Includes Items 40 & 42) (Not Shown) (SN 0300237157 to Present)	

SECTION 3 - ENGINE

FIGURE 3-21. FORD ENGINE AND PUMPS SUB-ASSEMBLY - WITHOUT ARCTIC PACKAGE



ART_1001215610

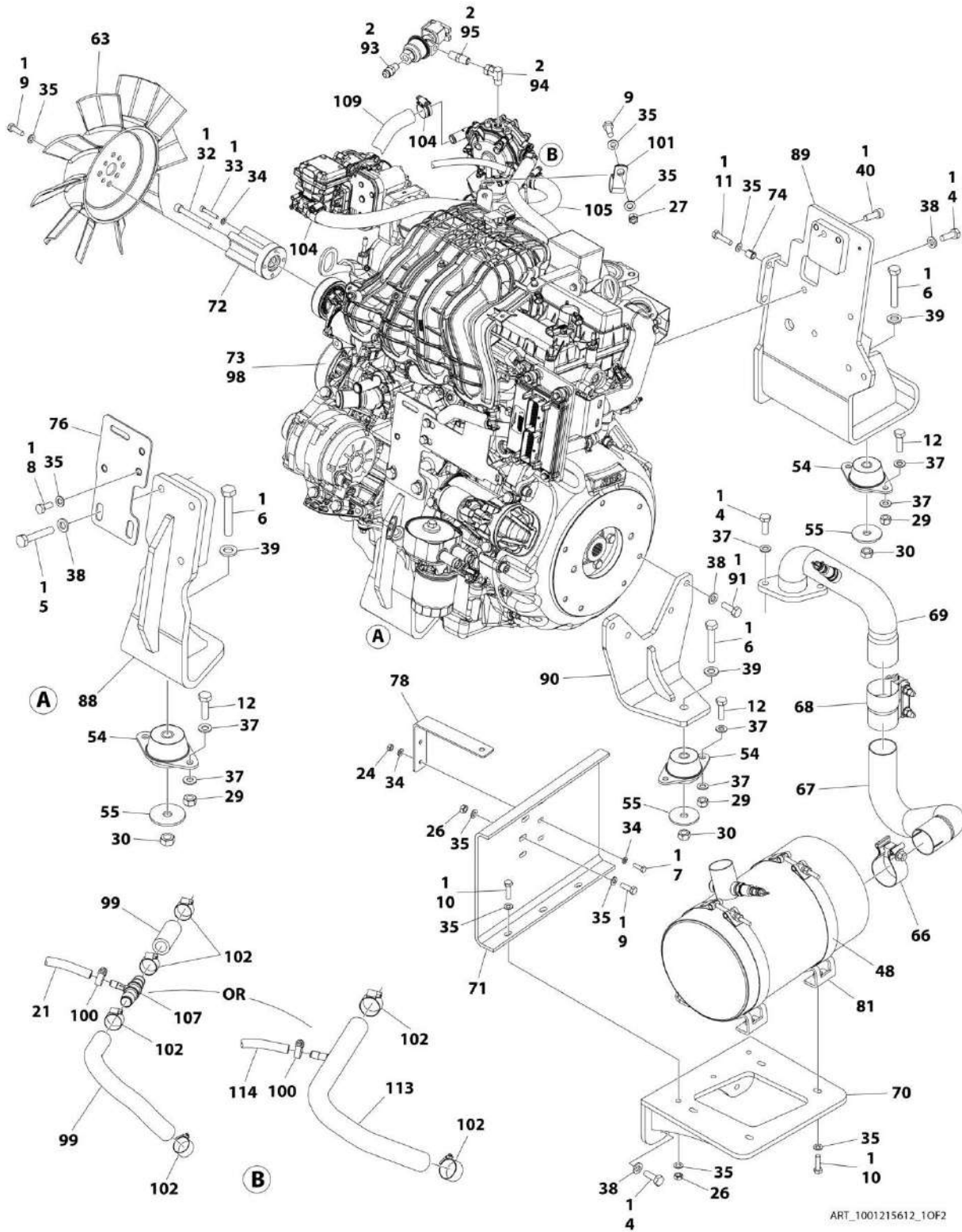
SECTION 3 - ENGINE

FIGURE 3-21. FORD ENGINE AND PUMPS SUB-ASSEMBLY - WITHOUT ARCTIC PACKAGE

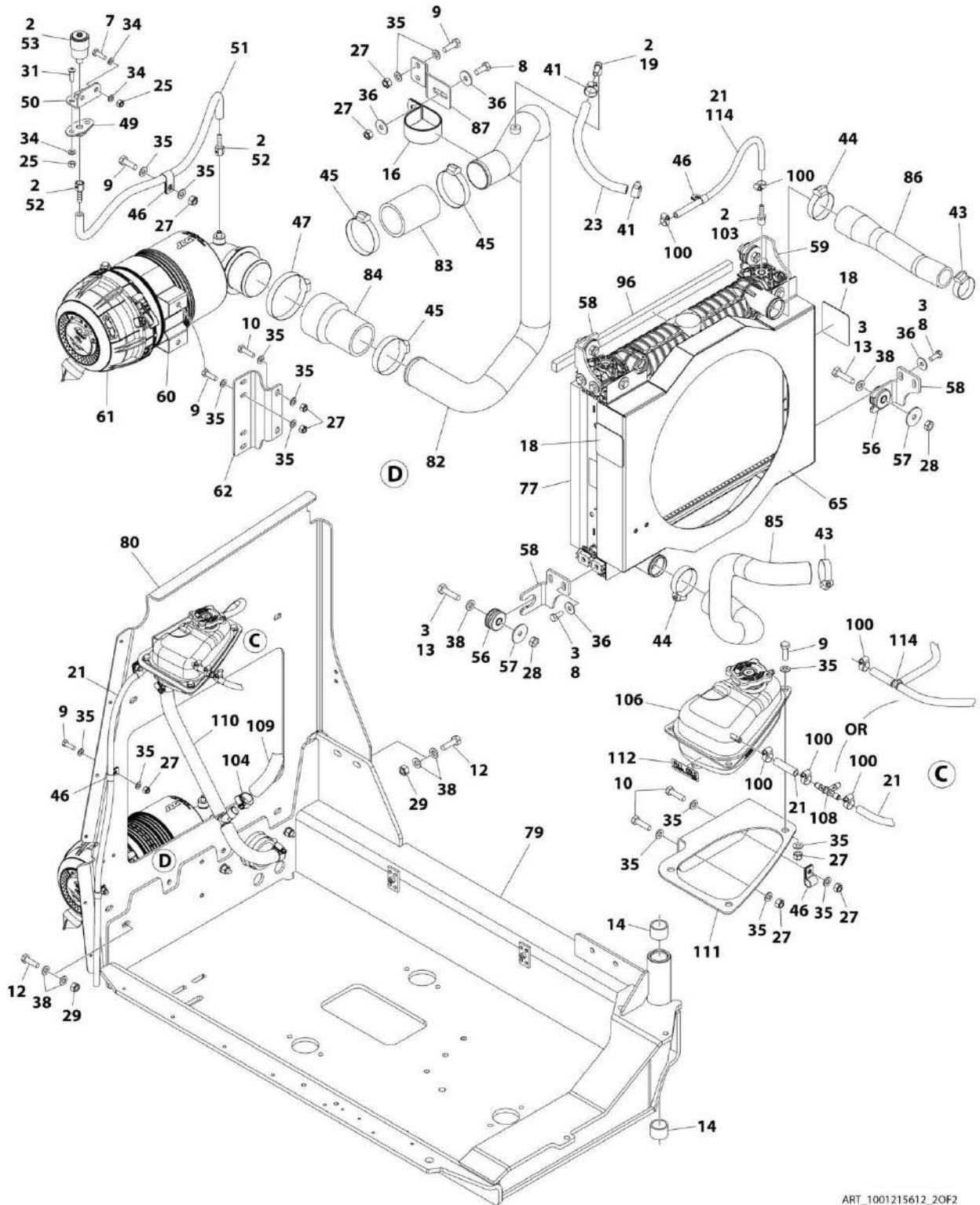
ITEM	PART NUMBER	QTY	DESCRIPTION	REV
	1001215610	Ref	FORD ENGINE AND PUMPS SUB-ASSEMBLY	F
1	0100011	AR	Compound, Locking	
2	0641814	2	Bolt 1/2 x 1-3/4	
3	0760612	1	Bolt M6 x 25	
4	1001221397	1	Clamp	
5	2131616	2	Fitting, 90 ORFS/ORB	
6	2220408	1	Fitting, Straight JIC/ORB	
7	2220451	1	Fitting, Straight ORB/JIC	
8	2220479	1	Fitting, Straight JIC/ORB	
9	2220940	1	Fitting, 90 JIC/ORB	
10	2220946	1	Fitting, Straight JIC/ORB	
11	2220947	2	Fitting, Straight JIC/ORB	
12	3290605	1	Nut M6	
13	3422532	1	Pin	
14	3790152	1	O-Ring	
15	3931620	2	Capscrew 3/8 x 1-1/4	
15	3931618	2	Capscrew 3/8 x 1-1/8	
16	3960469	2	Seal	
17	4811700	1	Washer M6	
18	4811702	1	Washer M6	
19	5241000	2	Washer M10	
20	5241200	2	Washer M12	
21	1001100825	9	Strap	
22	1001221464	3	Strap	
23	1001184930	1	Piston Pump Assembly (See Separate Breakdown in this Section)	
24	1001190143	1	Gear Pump Assembly	
24	70006356	1	Seal Kit - 1001190143 Pump	
25	1001215612	1	Ford Engine Assembly (See Separate Breakdown in this Section)	
26	1001216532	1	Insulate, Exhaust	
27	1001216533	1	Insulate, Exhaust	
28	1001216534	1	Insulate, Muffler	
29	1001216535	1	Insulate, Muffler	
30	1001216947	1	Pipe, Exhaust	
31	1001217563	1	Insulate, Exhaust	

SECTION 3 - ENGINE

FIGURE 3-22. FORD ENGINE ASSEMBLY - WITHOUT ARCTIC PACKAGE



SECTION 3 - ENGINE



ART_1001215612_20F2

SECTION 3 - ENGINE

FIGURE 3-22. FORD ENGINE ASSEMBLY - WITHOUT ARCTIC PACKAGE

ITEM	PART NUMBER	QTY	DESCRIPTION	REV
	1001215612	Ref	FORD ENGINE ASSEMBLY	H
1	0100011	AR	Compound, Locking	
2	0100020	AR	Sealant	
3	1001180620	AR	Adhesive	
4	0711014	10	Bolt M10 x 30	
5	0711020	3	Bolt M10 x 60	
6	0711223	3	Bolt M12 x 75	
7	0760610	4	Bolt M6 x 20	
8	0760810	11	Bolt M8 x 20	
9	0760812	18	Bolt M8 x 25	
10	0760814	11	Bolt M8 x 30	
11	0760815	2	Bolt M8 x 35	
12	0761015	11	Bolt M10 x 35	
13	0761016	4	Bolt M10 x 40	
14	0961951	2	Bushing	
16	1320110	1	Clamp	
18	1703162	2	Decal - Fan Blade	
19	2180467	1	Fitting, Straight NPT/Barb	
21	2720058	AR	Hose, Fuel	
23	2720551	11 in/ 28cm	Hose (SN 0300235168 through 0300243994)	
23	1001165035	11 in/ 28cm	Hose (SN 0300243995 to Present)	
24	3290601	2	Nut M6	
25	3290605	4	Nut M6	
26	3290801	5	Nut M8	
27	3290805	17	Nut M8	
28	3291001	4	Nut M10	
29	3291005	11	Nut M10	
30	3331211	3	Nut M12	
31	3900364	2	Capscrew M6 x 20	
32	3931648	1	Capscrew 3/8 x 3	
33	4031711	1	Capscrew M6 x 35	
34	4811700	14	Washer M6	
35	4811900	54	Washer M8	
36	4811902	10	Washer M8	
37	4812000	14	Washer M10	
38	5241000	29	Washer M10	
39	5241200	3	Washer M12	
40	5272010	1	Capscrew M10 x 30	
41	8405006	2	Clamp	
43	8405102	2	Clamp	
44	8405104	2	Clamp	
45	8405203	3	Clamp	
46	8406109	AR	Clip	
47	8410011	1	Clamp	
48	1001128901	2	Strap	
49	1001138173	1	Support	
50	1001138175	1	Bracket	
51	1001138248	23 in/.6m	Hose	

SECTION 3 - ENGINE

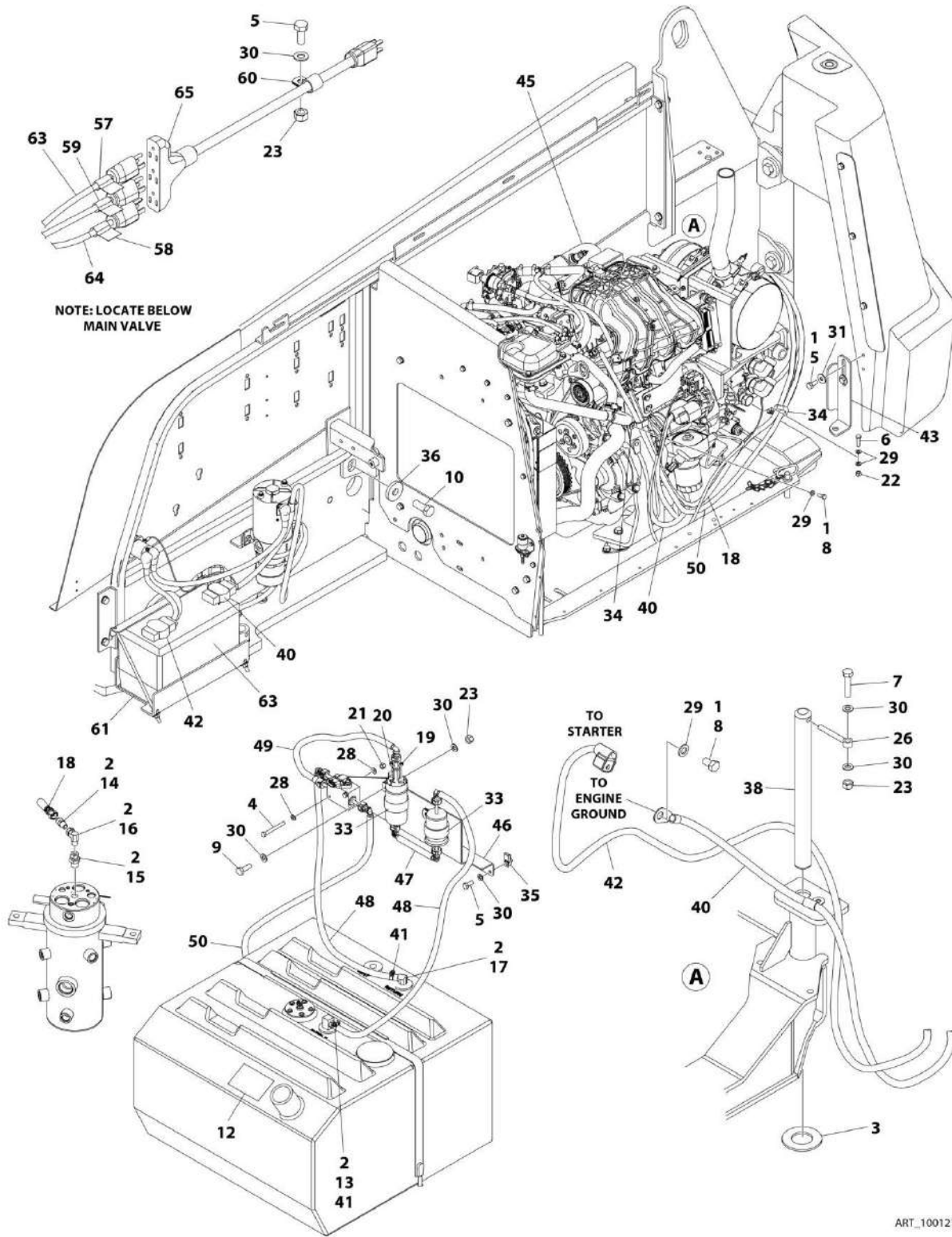
ITEM	PART NUMBER	QTY	DESCRIPTION	REV
52	1001141995	2	Fitting, Straight NPT/Barbed	
53	1001149639	1	Indicator, Restriction	
54	1001191610	3	Mount, Motor	
55	1001168018	3	Washer	
56	1001169054	4	Isolator	
57	1001169138	4	Pad, Snubbing	
58	1001169967	3	Bracket	
59	1001170035	1	Bracket	
60	1001186426	1	Clamp	
61	1001189979	1	Filter, Air	
61	70005008	1	Element, Filter	
62	1001190942	1	Support	
63	1001223042	1	Fan	
64	1001215218	1	Engine Harness - Ford Engines (Not Shown) (See Separate Breakdown in ELECTRICAL SECTION)	
65	1001223923	1	Radiator	
66	1001215681	1	Clamp	
67	1001215899	1	Pipe, Exhaust	
68	1001215974	1	Clamp	
69	1001216075	1	Pipe, Exhaust	
70	1001216086	1	Bracket	
71	1001216092	1	Shield, Heat	
72	1001216201	1	Adapter	
73	1001216910	1	Ford Engine Prep Assembly (See Separate Breakdown in this Section)	
74	1001216919	2	Sleeve	
76	1001222033	1	Plate	
77	1001217185	2	Seal	
78	1001217186	1	Support	
79	1001217450	1	Tray	
80	1001217453	1	Support, Radiator	
81	1001217543	2	Mount	
82	1001217593	1	Pipe, Air Intake	
83	1001217594	1	Pipe, Air Intake	
84	1001217595	1	Pipe, Air Intake	
85	1001217647	1	Hose, Radiator (Lower)	
86	1001217648	1	Hose, Radiator (Upper)	
87	1001218471	1	Bracket	
88	1001218559	1	Mount, Engine (RH Front)	
89	1001218565	1	Mount, Engine (LH Front)	
90	1001218575	1	Mount, Engine (Rear)	
91	0761014	4	Bolt M10 x 30	
92	1001187781	1	Tie-Strap (Not Shown)	
93	2180418	1	Fitting	
94	2220064	1	Fitting	
95	2220261	1	Fitting	
96	1001217183	2	Seal	
97	2300004	AR	Coolant (Not Shown)	
98	1001190775	AR	Oil, Motor 5W-30 Non Synthetic	
99	82033995	14 in/ 34cm	Heater Hose (SN 0300235168 through 0300243994)	
100	8405009	AR	Gear	

SECTION 3 - ENGINE

ITEM	PART NUMBER	QTY	DESCRIPTION	REV
101	8406201	1	Clip	
102	8410009	AR	Clamp	
103	8420231	1	Fitting, Barb	
104	1001173535	6	Clamp	
105	1001216531	25 in/ 63cm	Hose	
106	1001223584	1	Tank, Surge	
107	1001224431	1	Fitting, Tee (SN 0300235168 through 0300243994)	
108	1001224432	1	Fitting, Tee Barbed (SN 0300235168 through 0300243994)	
109	1001224486	1	Hose	
110	1001224489	1	Hose	
111	1001225442	1	Bracket	
112	1001225510	1	Decal - Full Cold, Surge Tank	
113	1001227666	1	Hose (SN 0300243995 to Present)	
114	1001227667	1	Hose (SN 0300243995 to Present)	

SECTION 3 - ENGINE

FIGURE 3-23. FORD ENGINE INSTALLATION - WITH ARCTIC PACKAGE



ART_1001215608

SECTION 3 - ENGINE

FIGURE 3-23. FORD ENGINE INSTALLATION - WITH ARCTIC PACKAGE

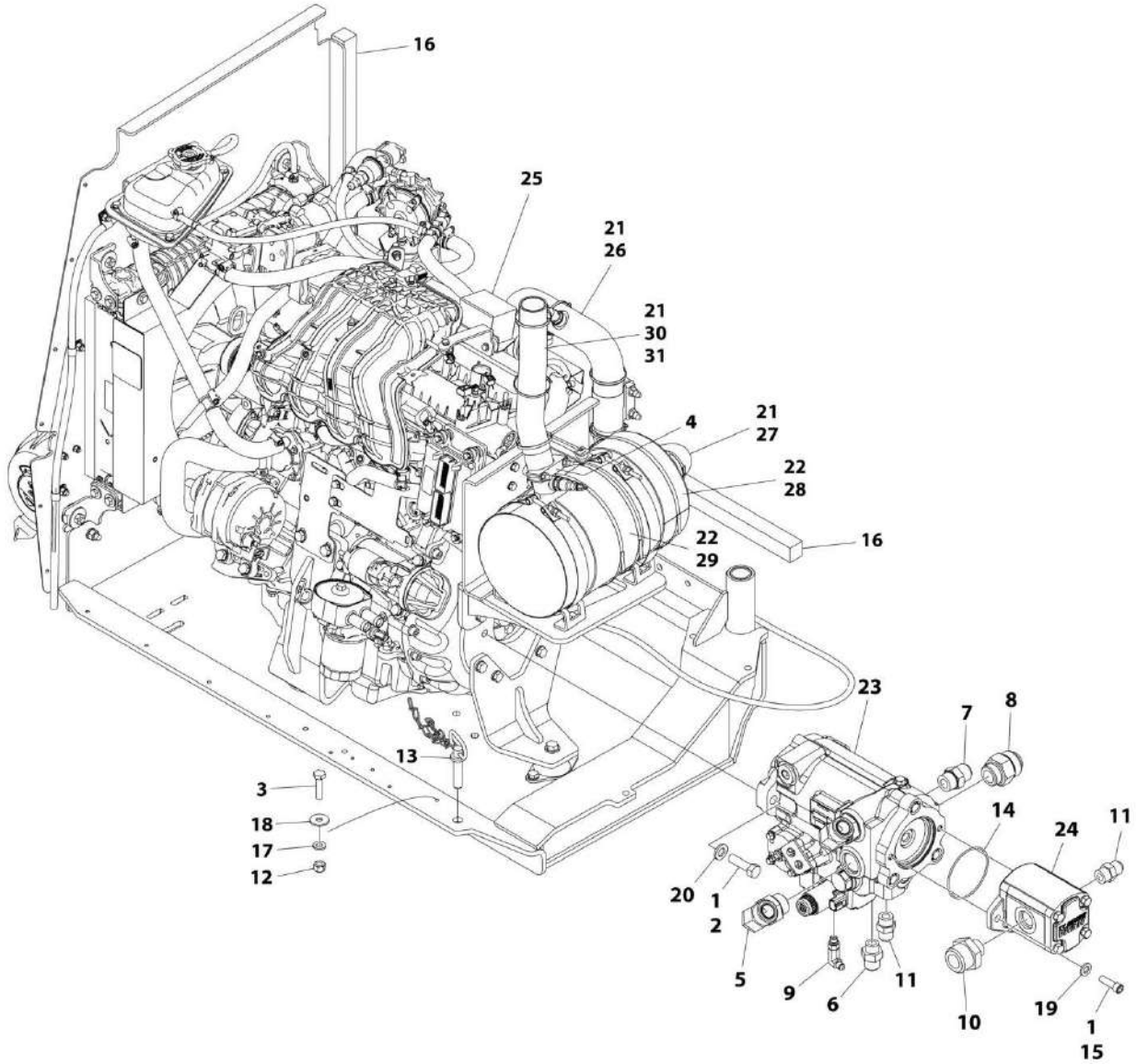
ITEM	PART NUMBER	QTY	DESCRIPTION	REV
	1001215609	Ref	FORD ENGINE INSTALLATION	E
1	0100011	AR	Compound, Locking	
2	0100020	AR	Sealant	
3	0440162	1	Bearing	
4	0700619	2	Bolt M6 x 55	
5	0701012	5	Bolt M10 x 25	
6	0760814	1	Bolt M8 x 30	
7	0711018	1	Bolt M10 x 50	
8	0760810	2	Bolt M8 x 20	
9	0761014	2	Bolt M10 x 30	
10	0772018	1	Bolt M20 x 50	
12	1701542	1	Decal - Gas	
13	2180348	1	Fitting, Straight NPT/BARB	
14	2180418	1	Fitting, Straight	
15	2220005	1	Fitting, Straight NPTM	
16	2220064	1	Fitting, Straight	
17	2221176	1	Fitting, 90	
18	1001222133	1	Hose	
19	3290405	1	Nut M4	
20	3290505	1	Nut M5	
21	3290605	2	Nut M6	
22	3290805	1	Nut M8	
23	3291005	4	Nut M10	
25	3790012	1	O-Ring (Not Shown - Located on Platform Console)	
26	3841143	1	Keeper, Pin	
27	4740397	1	Spacer (Not Shown - Located on Platform Console)	
28	4811700	4	Washer M6	
29	4811900	4	Washer M8	
30	4812000	9	Washer M10	
31	4812002	2	Washer M10	
33	85941018	2	Clamp	
34	1321283	2	Clamp	
35	1001118972	2	Nut, Tinnerman	
36	1001119051	1	Washer	
37	1001115044	1	Nut 15/32 (Not Shown - Located on Platform Console)	
38	1001155094	1	Pin	
39	1001161710	1	Switch, Toggle (Not Shown - Located on Platform Console)	
40	1001215220	1	Cable, Battery (-) to Aux Pump to Ground	
41	1001174486	2	Clamp	
42	1001215219	1	Cable, Battery (+) to Aux Ready to Starter	
43	1001196398	1	Bracket	
45	1001215611	1	Ford Engine and Pumps Sub-Assembly (See Separate Breakdown in this Section)	
46	1001219005	1	Bracket	
47	1001219015	1	Hose	
48	1001219021	2	Hose	
49	1001219022	1	Hose	
50	1001219024	1	Hose	
52	1001203432	1	Hose (Drive Suction) (Not Shown)	
53	1001221942	1	Hose (Function Suction) (Not Shown)	

SECTION 3 - ENGINE

ITEM	PART NUMBER	QTY	DESCRIPTION	REV
54	1001221943	1	Hose (Case Drain) (Drive Pump Case Outlet Port to Tank) (Not Shown)	
55	1001221944	1	Hose (Case Drain) (Drive Pump Case Gauge Port to Tank) (Not Shown)	
56	1701543	2	Decal - LPG (Not Shown - See DECALS INSTALLATION - OPTIONS for Locations)	
57	1702941	1	Decal - Battery Heater	
58	1702942	1	Decal - Engine Block Heater	
59	1702943	1	Decal - Hydraulic Tank Heater	
60	1320061	1	Clamp	
61	3980007	1	Seat, Battery	
62	1001188972	1	Heater, Immersion (Not Shown - Located on Hydraulic Tank)	
63	2580024	1	Heater, Battery	
64	4923174	1	Cable, Extension Cord (SN 0300235168 through 0300237156)	
64	1001150918	1	Cable, Extension Cord (SN 0300237157 to Present)	
65	1060626	1	Plug, 3 Way	
66	4240099	AR	Tie-Strap (Not Shown)	
100	1001236136	1	Battery Cable Kit (Includes Items 40 & 42) (Not Shown) (SN 0300237157 to Present)	

SECTION 3 - ENGINE

FIGURE 3-24. FORD ENGINE AND PUMPS SUB-ASSEMBLY - WITH ARCTIC PACKAGE



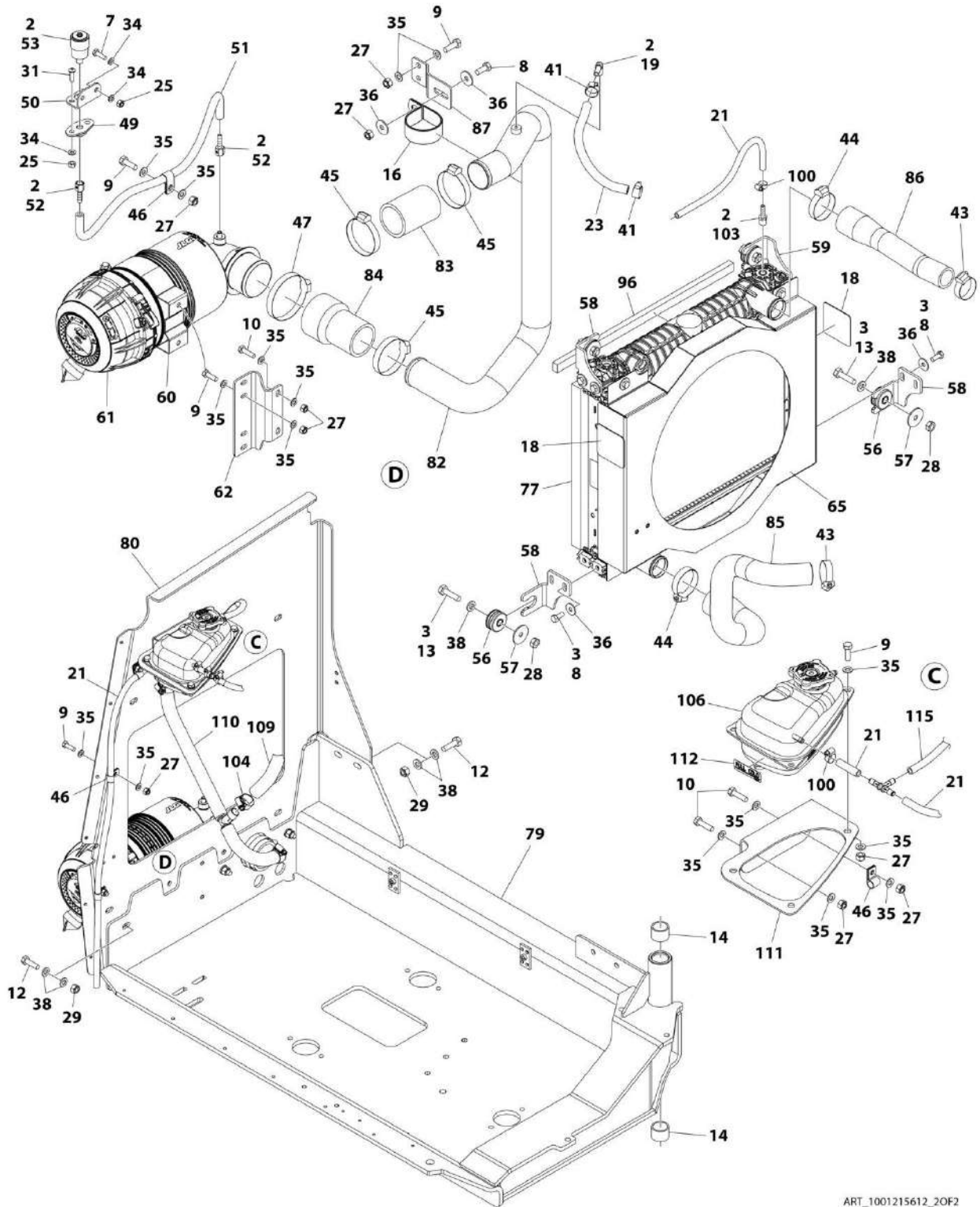
ART_1001215611

SECTION 3 - ENGINE

FIGURE 3-24. FORD ENGINE AND PUMPS SUB-ASSEMBLY - WITH ARCTIC PACKAGE

ITEM	PART NUMBER	QTY	DESCRIPTION	REV
	1001215611	Ref	FORD ENGINE AND PUMPS SUB-ASSEMBLY	C
1	0100011	AR	Compound, Locking	
2	0641814	2	Bolt 1/2 x 1-3/4	
3	0760612	1	Bolt M6 x 25	
4	1001221397	1	Clamp	
5	2131616	2	Fitting, 90 ORFS/ORB	
6	2220408	1	Fitting, Straight JIC/ORB	
7	2220451	1	Fitting, Straight ORB/JIC	
8	2220479	1	Fitting, Straight JIC/ORB	
9	2220940	1	Fitting, 90 JIC/ORB	
10	2220946	1	Fitting, Straight JIC/ORB	
11	2220947	2	Fitting, Straight JIC/ORB	
12	3290605	1	Nut M6	
13	3422532	1	Pin	
14	3790152	1	O-Ring	
15	3931620	2	Capscrew 3/8 x 1-1/4	
15	3931618	2	Capscrew 3/8 x 1-1/8	
16	3960469	2	Seal	
17	4811700	1	Washer M6	
18	4811702	1	Washer M6	
19	5241000	2	Washer M10	
20	5241200	2	Washer M12	
21	1001100825	9	Strap	
22	1001221464	3	Strap	
23	1001184930	1	Piston Pump Assembly (See Separate Breakdown in this Section)	
24	1001190143	1	Gear Pump Assembly	
24	70006356	1	Seal Kit - 1001190143 Pump	
25	1001215613	1	Ford Engine Assembly (See Separate Breakdown in this Section)	
26	1001216532	1	Insulate, Exhaust	
27	1001216533	1	Insulate, Exhaust	
28	1001216534	1	Insulate, Muffler	
29	1001216535	1	Insulate, Muffler	
30	1001216947	1	Pipe, Exhaust	
31	1001217563	1	Insulate, Exhaust	

SECTION 3 - ENGINE



ART_1001215612_20F2

SECTION 3 - ENGINE

FIGURE 3-25. FORD ENGINE ASSEMBLY - WITH ARCTIC PACKAGE

ITEM	PART NUMBER	QTY	DESCRIPTION	REV
	1001215613	Ref	FORD ENGINE ASSEMBLY	D
1	0100011	AR	Compound, Locking	
2	0100020	AR	Sealant	
3	1001180620	AR	Adhesive	
4	0711014	10	Bolt M10 x 30	
5	0711020	3	Bolt M10 x 60	
6	0711223	3	Bolt M12 x 75	
7	0760610	4	Bolt M6 x 20	
8	0760810	11	Bolt M8 x 20	
9	0760812	18	Bolt M8 x 25	
10	0760814	11	Bolt M8 x 30	
11	0760815	2	Bolt M8 x 35	
12	0761015	11	Bolt M10 x 35	
13	0761016	4	Bolt M10 x 40	
14	0961951	2	Bushing	
16	1320110	1	Clamp	
18	1703162	2	Decal - Fan Blade	
19	2180467	1	Fitting, Straight NPT/Barb	
21	2720058	95 in/2.5m	Hose, Fuel	
23	1001165035	1	Hose	
24	3290601	2	Nut M6	
25	3290605	4	Nut M6	
26	3290801	5	Nut M8	
27	3290805	17	Nut M8	
28	3291001	4	Nut M10	
29	3291005	11	Nut M10	
30	3331211	3	Nut M12	
31	3900364	2	Capscrew M6 x 20	
32	3931648	1	Capscrew 3/8 x 3	
33	4031711	4	Capscrew M6 x 35	
34	4811700	14	Washer M6	
35	4811900	54	Washer M8	
36	4811902	10	Washer M8	
37	4812000	14	Washer M10	
38	5241000	29	Washer M10	
39	5241200	3	Washer M12	
40	5272010	1	Capscrew M10 x 30	
41	8405006	2	Clamp	
43	8405102	2	Clamp	
44	8405104	2	Clamp	
45	8405203	3	8405203	
46	8406109	6	Clip	
47	8410011	1	Clamp	
48	1001128901	2	Strap	
49	1001138173	1	Support	
50	1001138175	1	Bracket	
51	1001138248	23 in/.6m	Hose	
52	1001141995	2	Fitting, Straight NPT/Barbed	
53	1001149639	1	Indicator, Restriction	
54	1001191610	3	Mount, Motor	

SECTION 3 - ENGINE

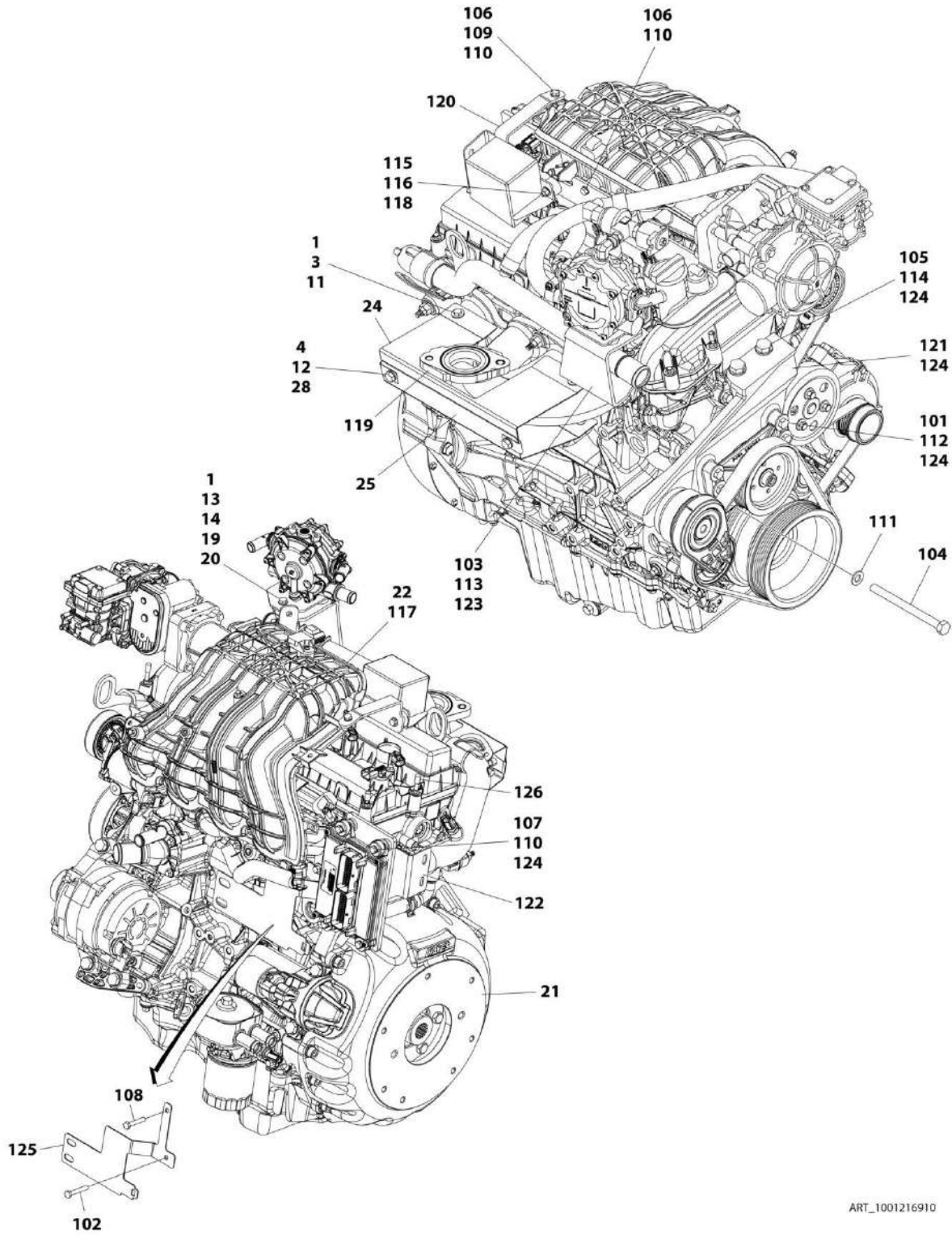
ITEM	PART NUMBER	QTY	DESCRIPTION	REV
55	1001168018	3	Washer	
56	1001169054	4	Isolator	
57	1001169138	4	Pad, Snubbing	
58	1001169967	3	Bracket	
59	1001170035	1	Bracket	
60	1001186426	1	Clamp	
61	1001189979	1	Filter, Air	
61	70005008	1	Element, Filter	
62	1001190942	1	Support	
63	1001223042	1	Fan	
64	1001215218	1	Engine Harness - Ford Engines (Not Shown) (See Separate Breakdown in ELECTRICAL SECTION)	
65	1001223923	1	Radiator	
66	1001215681	1	Clamp	
67	1001215899	1	Pipe, Exhaust	
68	1001215974	1	Clamp	
69	1001216075	1	Pipe, Exhaust	
70	1001216086	1	Bracket	
71	1001216092	1	Shield, Heat	
72	1001216201	1	Adapter	
73	1001216910	1	Ford Engine Prep Assembly (See Separate Breakdown in this Section)	
74	1001216919	2	Sleeve	
76	1001222033	1	Plate	
77	1001217185	2	Seal	
78	1001217186	1	Support	
79	1001217450	1	Tray	
80	1001217453	1	Support, Radiator	
81	1001217543	2	Mount	
82	1001217593	1	Pipe, Air Intake	
83	1001217594	1	Pipe, Air Intake	
84	1001217595	1	Pipe, Air Intake	
85	1001217647	1	Hose, Radiator (Lower)	
86	1001217648	1	Hose, Radiator (Upper)	
87	1001218471	1	Bracket	
88	1001218559	1	Mount, Engine (RH Front)	
89	1001218565	1	Mount, Engine (LH Front)	
90	1001218575	1	Mount, Engine (Rear)	
91	0761014	4	Bolt M10 x 30	
92	1001187781	1	Tie-Strap (Not Shown)	
93	2180418	1	Fitting	
94	2220064	1	Fitting	
95	2220261	1	Fitting	
96	1001217183	2	Seal	
97	2300041	AR	Coolant (Not Shown)	
98	1001190775	AR	Oil, Motor 5W-30 Non Synthetic	
100	8405009	3	Gear	
101	8406201	1	Clip	
102	8410009	2	Clamp	
103	8420231	1	Fitting, Barb	
104	1001173535	6	Clamp	
105	1001216531	25 in/	Hose	

SECTION 3 - ENGINE

ITEM	PART NUMBER	QTY	DESCRIPTION	REV
		63cm		
106	1001223584	1	Tank, Surge	
109	1001224486	1	Hose	
110	1001224489	1	Hose	
111	1001225442	1	Bracket	
112	1001225510	1	Decal - Full Cold, Surge Tank	
113	1001216393	1	Heater, Block	
114	1001227666	1	Hose	
115	1001227667	1	Hose	

SECTION 3 - ENGINE

FIGURE 3-26. FORD ENGINE PREP ASSEMBLY - PUMP COUPLING



ART_1001216910

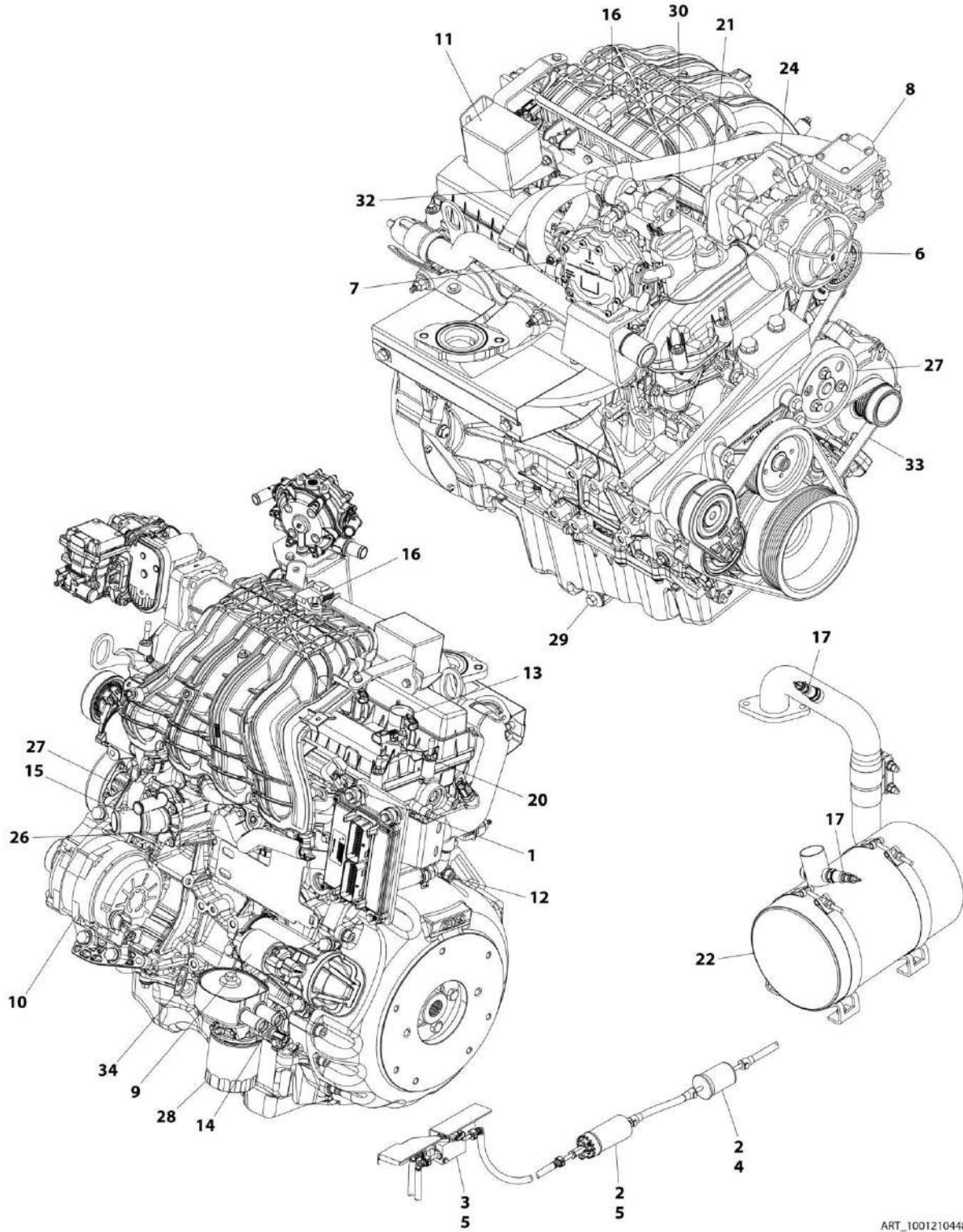
SECTION 3 - ENGINE

FIGURE 3-26. FORD ENGINE PREP ASSEMBLY - PUMP COUPLING

ITEM	PART NUMBER	QTY	DESCRIPTION	REV
	1001216910	Ref	FORD ENGINE PREP ASSEMBLY	F
1	0100011	AR	Compound, Locking	
3	0760605	4	Bolt M6 x 10	
4	0760807	2	Bolt M8 x 14	
11	4811702	4	Washer M6	
12	4811900	2	Washer M8	
13	5250605	3	Bolt M6 x 10	
14	5260600	1	Nut M6 Class 10	
19	1001211794	3	Mount, Isolator	
20	1001227769	1	Plate	
21	1001213810	1	Pump Coupling Kit	
21	70006134	1	Coupling	
21	70006135	1	Housing	
21	70006136	1	Hardware Kit	
22	1001216065	1	Ford Engine Assembly	
24	1001216768	1	Bracket	
25	1001216769	1	Bracket	
28	1001149160	2	Nut, Tinnerman M8	
	1001216065	Ref	FORD ENGINE PREP ASSEMBLY - BRACKETS/EXHAUST MANIFOLD	I
101	0700816	4	Bolt M8 x 40	
102	0700818	1	Bolt M8 x 50	
103	0701014	2	Bolt M10 x 30	
104	0710827	1	Bolt M8 x 100 Grade 10.9	
105	0711216	2	Bolt M12 x 40	
106	0760610	3	Bolt M6 x 20	
107	0760615	4	Bolt M6 x 35	
108	0760817	1	Bolt M8 x 45	
109	3290601	1	Nut M6	
110	4811700	8	Washer M6	
111	4811900	1	Washer M8	
112	4811902	4	Washer M8	
113	4812000	1	Washer M10	
114	4812100	2	Washer M12	
115	5250605	2	Bolt M6 x 10	
116	5260600	2	Nut M6 Class 10	
117	1001210448	1	Engine, Ford 2.5L (See Seperate Breakdown in this Section)	
118	1001211794	2	Mount	
119	1001214827	1	Manifold, Exhaust	
120	1001215384	1	Bracket	
121	1001216071	1	Bracket	
122	1001216144	1	Support, Muffler	
123	1001227772	1	Mount, Vaporizer	
124	0100011	AR	Compound, Locking	
125	1001221545	1	Plate	
126	1001222641	6	Cap	

SECTION 3 - ENGINE

FIGURE 3-27. FORD ENGINE COMPONENTS



ART_1001210448

SECTION 3 - ENGINE

FIGURE 3-27. FORD ENGINE COMPONENTS

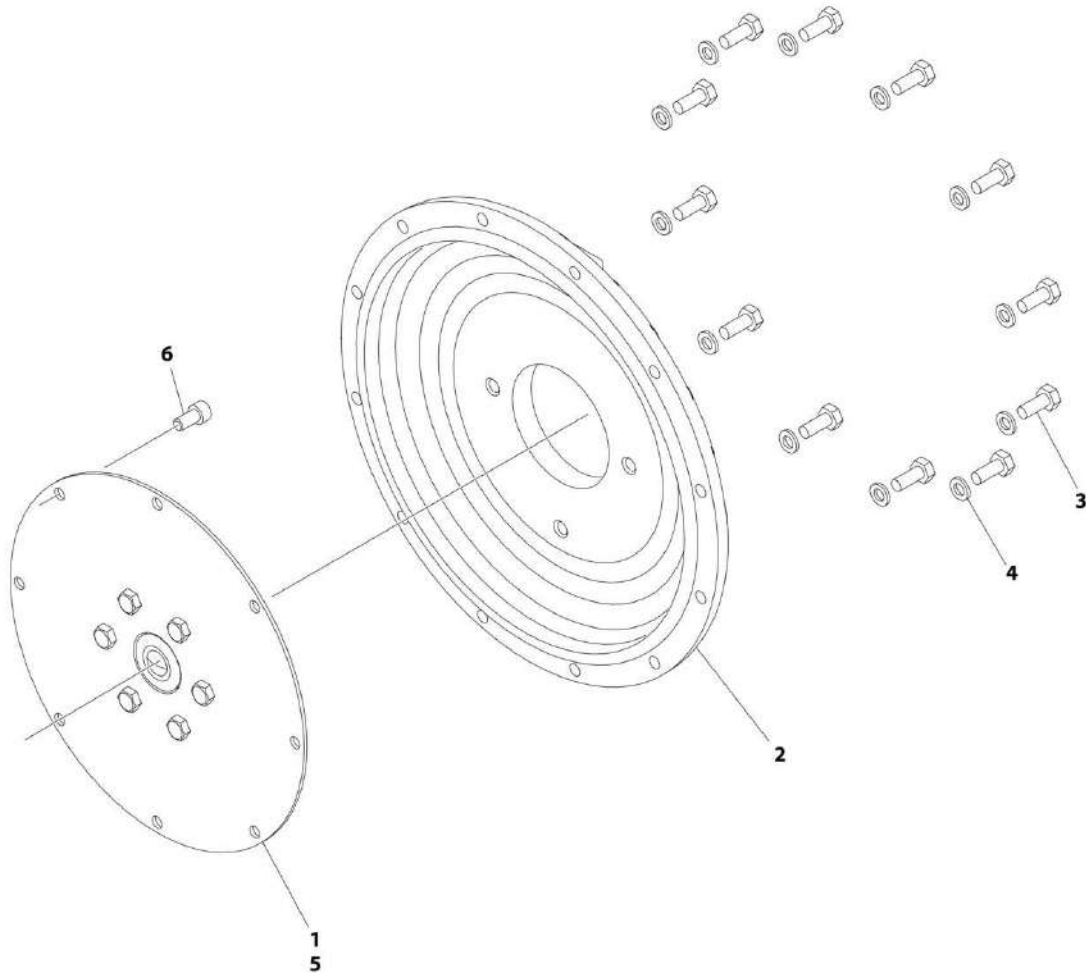
ITEM	PART NUMBER	QTY	DESCRIPTION	REV
	1001210448	Ref	FORD ENGINE COMPONENTS	E
1	70006145	4	Injector, Fuel	
1	70006147	1	Rail, Fuel	
2	70006150	1	Pump, Fuel	
2	70006154	1	Fitting M10	
3	70006151	1	Block, Fuel	
3	70006152	2	Fitting SAE6	
3	70006153	1	Fitting SAE3	
3	70006189	1	Harness, Fuel Block	
4	70006155	1	Filter, Fuel	
5	7022162	8	Clamp	
5	70006157	8	Clip, Fuel Quick Disconnect	
6	70006158	1	Mixer, LP	
6	70006168	1	Mixer Diaphragm Replacement Kit	
6	70006159	1	Adapter, Mixer to Governor	
6	70006160	1	O-Ring, Mixer to Adapter	
6	70006161	1	Seal, Mixer to Adapter	
7	70006162	1	Regulator, LP Vapor	
7	70006166	2	Fitting	
7	70006167	1	Fitting, Straight	
7	70006165	2	Isolator, Rubber	
8	70006163	1	Regulator, Direct Electronic Pressure	
8	70006164	1	Adapter, Fitting 90	
9	70006169	1	Starter	
9	70006233	1	Harness, Alternator/Starter	
10	70006170	1	Alternator	
11	70006173	1	Cover, Relay Box	
11	70006171	2	Relay (Fuel Pump & Power)	
11	70006172	1	Relay (Starter)	
11	70006175	1	Fuse - 20Amp (Starter)	
11	70006174	1	Decal - Relay Box Cover	
11	70006188	1	Harness, Engine	
11	70006165	2	Isolator, Rubber	
12	70006176	1	Module - Engine Control Unit (ECU/GCP)	
12	70006191	1	Software & Diagnostic Cable	
13	70006177	4	Coil and Boot Assembly	
13	70006178	4	Plug, Spark	
14	70006179	1	Switch, Oil Pressure	
15	70006180	1	Sensor, Knock	
16	70006181	1	Sensor, TMAP	
17	70006182	2	Sensor, O2	
18	70006183	1	Sensor, Coolant Temperature (Not Shown - Located Rear of Engine Block)	
19	70006184	1	Sensor, Crank Position (Not Shown - Located at Front RH Side of Block)	
20	70006185	1	Sensor, Cam Position	
21	70006186	1	Solenoid, Timing	
21	70006187	1	Grommet, Rubber	
22	70006194	1	Muffler	
22	70006195	1	Plug (Located at Muffler Outlet)	

SECTION 3 - ENGINE

ITEM	PART NUMBER	QTY	DESCRIPTION	REV
23		Ref	Gasket Options (Not Shown)	
23	70006196	1	Gasket, Exhaust Manifold to Head	
23	70006197	1	Gasket, Exhaust Manifold Outlet	
23	70006200	1	Gasket, Intake Manifold to Head	
23	70006219	1	Gasket Set - Camshaft Cover	
23	70006225	1	Gasket, Cylinder Head	
24	70006198	1	Governor	
24	7027404	1	Gasket, Governor Actuator	
24	70006199	1	Gasket, Governor to Intake Manifold Adapter	
25	70006203	1	Flywheel (Not Shown)	
26	70006205	1	Thermostat (Includes Housing)	
26	70006206	1	Gasket, Water Inlet	
27	70006207	1	Pump, Water	
27	70006208	1	O-Ring, Water Pump	
27	See Note	NSS	Pulley, Water Pump (Note: Not Available for Purchase at This Time)	
28	70006213	1	Filter, Oil	
29	70006215	1	Plug, Oil Drain	
29	70006217	1	Gasket, Oil Drain Plug	
30	70006221	1	Cap, Oil Fill	
31	70006232	1	Sensor, Crank (Not Shown)	
32	70006235	1	Valve, Lock-Off (Includes Filter)	
33	70006202	1	Belt	
34	70006236	1	Dipstick	

SECTION 3 - ENGINE

FIGURE 3-28. PUMP COUPLING KIT (DEUTZ ENGINES)



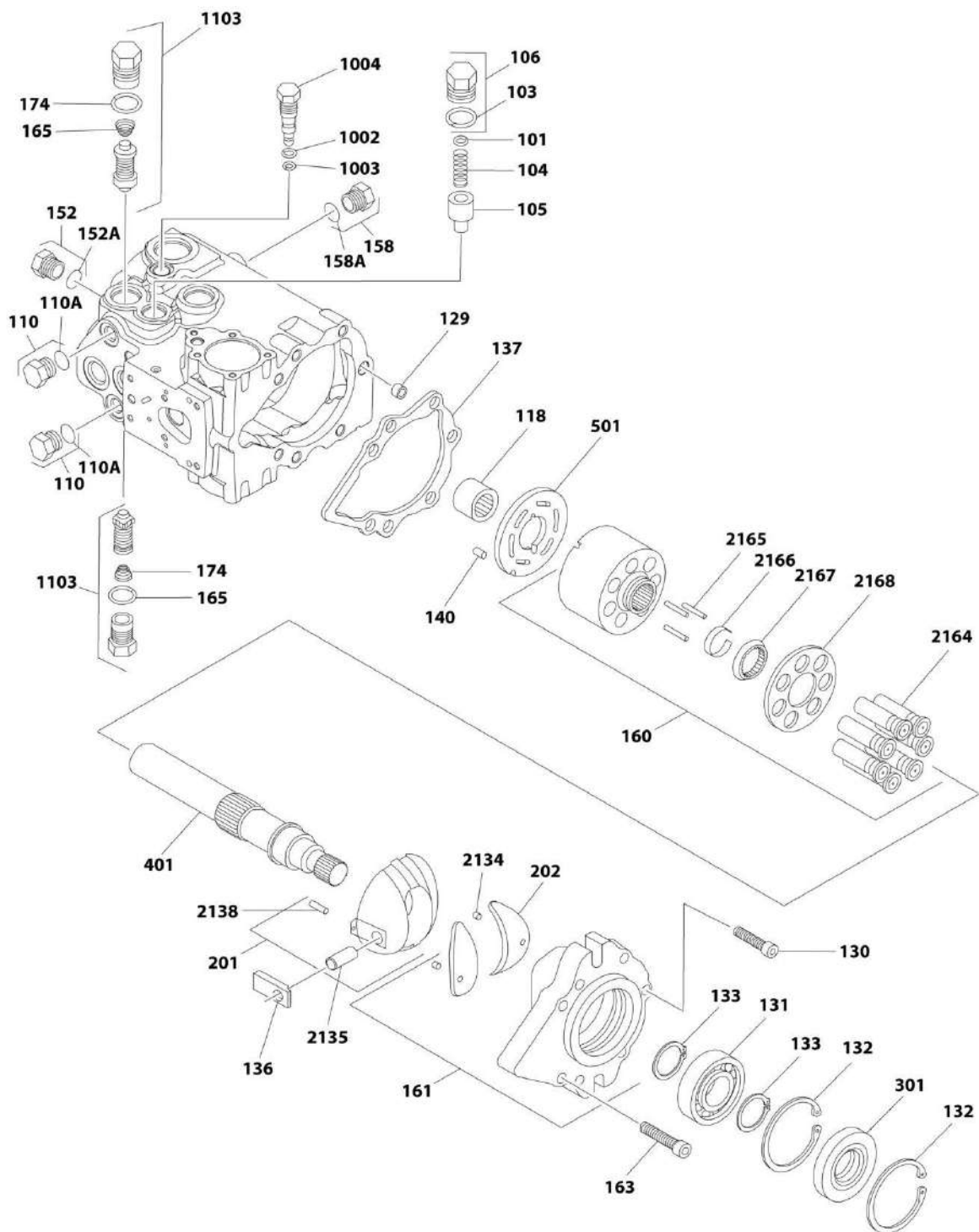
ART_2902065

FIGURE 3-28. PUMP COUPLING KIT (DEUTZ ENGINES)

ITEM	PART NUMBER	QTY	DESCRIPTION	REV
	2902065	Ref	PUMP COUPLING KIT	K
1	70000793	1	Coupling, Hayes	
2	See Note	NSS	Plate, Pump Adapter (Note: Use p/n 2902065)	
3	See Note	NSS	Bolt, M10 x 30 Grade 10.9 (Note: Use p/n 2902065)	
4	See Note	NSS	Washer M10 (Note: Use p/n 2902065)	
5	3020021	AR	Grease, Coupling	
6	See Note	NSS	Capscrew M10 x 20 Grade 10.9 (Note: Use p/n 2902065)	

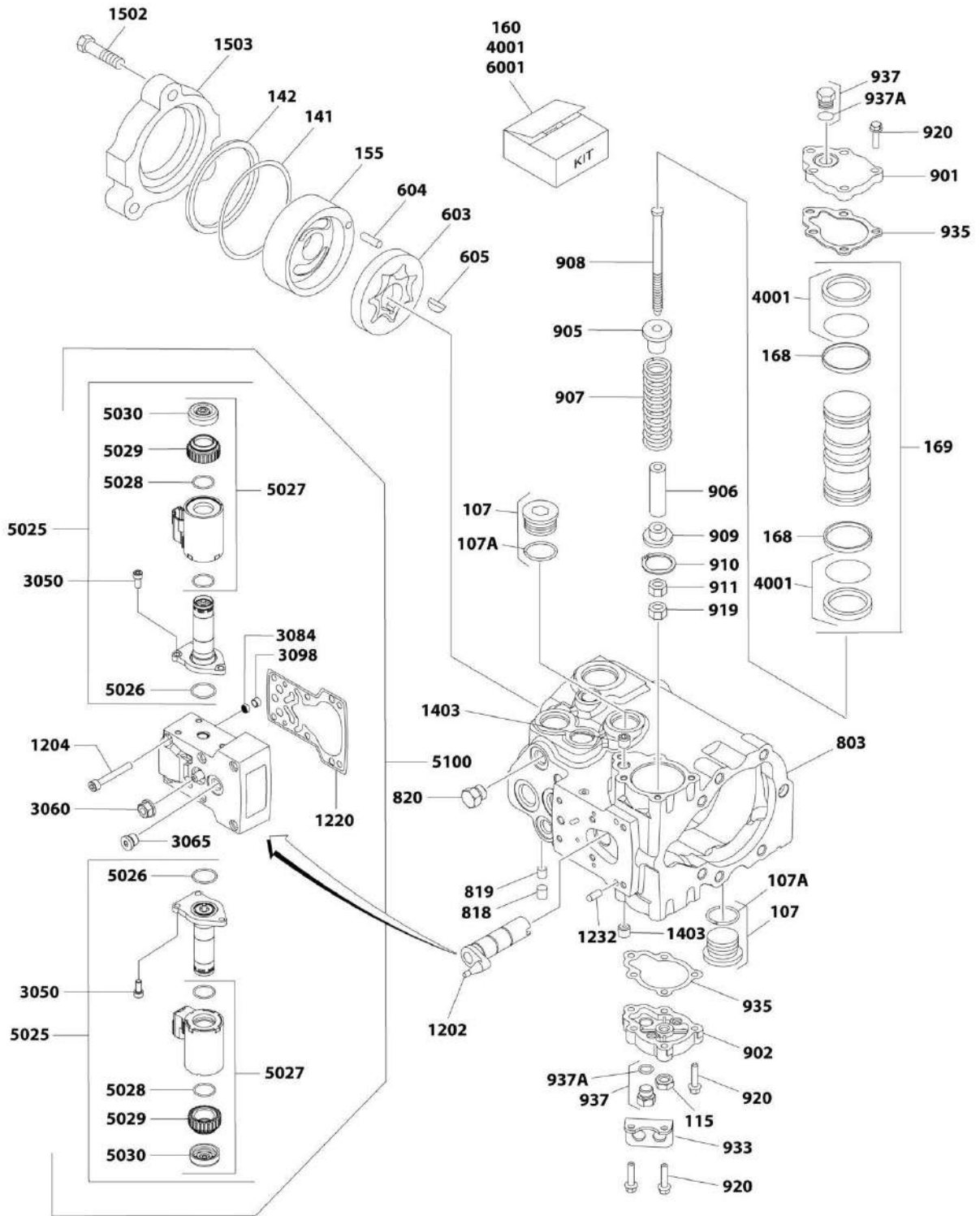
SECTION 3 - ENGINE

FIGURE 3-29. PISTON PUMP ASSEMBLY



ART_1001184930_10F2

SECTION 3 - ENGINE



ART_1001184930_20F2

SECTION 3 - ENGINE

FIGURE 3-29. PISTON PUMP ASSEMBLY

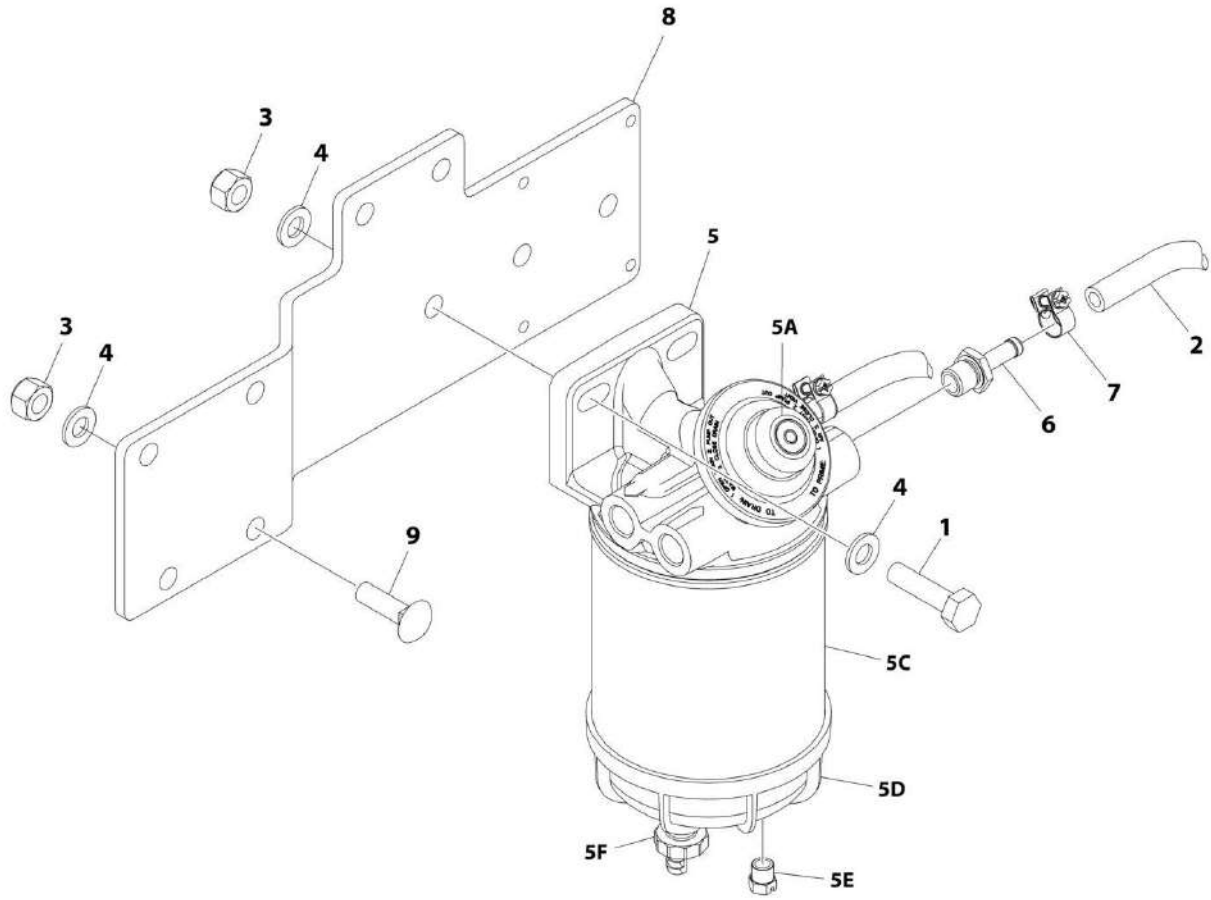
ITEM	PART NUMBER	QTY	DESCRIPTION	REV
	1001184930	Ref	PISTON PUMP ASSEMBLY	C
101	7007413	1	Shim Kit	
103	7007415	1	O-Ring (Part of Item 106)	
104	7021200	1	Spring, Relief Valve	
105	7007417	1	Valve, Relief	
106	7024874	2	Plug (Includes Item 103)	
107	7007419	2	Plug	
107A	7007418	2	O-Ring	
110	7007420	2	Plug	
110A	7021256	2	O-Ring	
115	7007423	1	Nut, Special	
118	7007425	1	Bearing, Needle	
129	7007435	1	Pin, Spring	
130	7021202	1	Screw	
131	70002176	1	Bearing, Ball	
132	7007438	2	Ring, Retainer	
133	7007439	2	Ring	
136	7007442	1	Sleeve, Bearing	
137	7007443	1	Gasket, Front Cover	
140	7007446	1	Pin	
141	7021233	1	O-Ring	
142	7007448	1	Ring, Load Temper	
152	7007420	1	Plug, Assembly	
152A	7021256	1	O-Ring	
155	70005466	1	Cover, Gerotor	
158	7007208	1	Plug	
158A	7007207	1	O-Ring	
160	7010116	1	Cylinder Block Kit (Includes Items 2164-2168)	
161	7024875	1	Cover Assembly - Front (Includes Items 202 & 2134)	
163	7021207	6	Screw	
165	70005467	2	Spring	
168	7021210	2	Bearing	
169	70005468	1	Servo Piston Assembly (Includes Items 168 & QB)	
174	7007418	2	O-Ring	
201	7007457	1	Swash Plate Assembly (Includes Items 2135 & 2138)	
202	7021212	1	Journal, Bearing	
301	7007459	1	Seal, Lip	
401	7010121	1	Shaft, Main Pump	
501	7021214	1	Plate, Valve	
603	7007463	1	Gerotor Assembly	
604	7007464	1	Pin	
605	7007465	1	Key, Woodruff	
803	See Note	NSS	Housing, Pump (Note: Use p/n 1001184930)	
818	70005469	1	Plug	
819	70005470	1	Plug	
820	70005469	1	Plug	
901	7021219	1	Cover, Servo (With Adjuster)	
902	7021220	1	Cover, Servo (Without Adjuster)	
905	7023979	1	Guide, Spring	
906	7007484	1	Stop, Servo	

SECTION 3 - ENGINE

ITEM	PART NUMBER	QTY	DESCRIPTION	REV
907	7007485	1	Spring	
908	7021221	1	Screw	
909	7007487	1	Guide, Spring	
910	7007488	1	Ring, Retaining	
911	7021222	1	Locknut	
919	7021206	1	Nut	
920	7021223	10	Screw	
933	7021201	1	Bracket, Lifting	
935	7007422	2	Gasket, Servo Cover	
937	7007420	2	Plug	
937A	7021256	2	O-Ring	
1002	7007450	1	Ring, Back-up	
1003	70005471	1	O-Ring	
1004	7024877	1	Valve, Bypass	
1103	7024851	2	Valve, Pressure Relief (Includes Items 165 & 174)	
1202	70005472	1	Sleeve	
1204	70002156	6	Screw	
1220	70002154	1	Gasket	
1232	70002157	2	Pin	
1403	7007477	2	Plug, Orifice	
1502	7007453	3	Bolt, Hex	
1503	7007476	1	Adapter, Auxiliary Pump	
2134	7021203	2	Pin, Spring	
2135	7007441	1	Handle, Pin	
2138	7007444	1	Pin	
2164	7010117	7	Piston Assembly	
2165	7007431	3	Pin, Slipper Holddown	
2166	7007430	1	Retainer	
2167	7007434	1	Guide, Retainer	
2168	7010119	1	Retainer, Slipper	
3050	70002150	6	Screw	
3060	7022301	1	Nut, Seal	
3065	70002151	1	Plug	
3084	70002134	1	Screen	
3098	70002153	1	Ring	
4001	7007412	1	Seal Kit - Servo Piston	
5025	70002147	2	Solenoid Assembly (Includes Items 5026-5030)	
5026	70002148	2	O-Ring	
5027	70002149	2	Coil Assembly (Includes Items 5028-5030)	
5028	70005474	2	O-Ring	
5029	70005475	2	Screw	
5030	70005476	2	Cap	
5100	70002146	1	EDC Assembly (Includes Items 1204, 1220, 3050-3098 & 5025-5030)	
6001	7021232	1	Seal Kit - Complete (Includes Items 103, 137, 141, 142, 168, 174, 301, 935, 1002, 1003, 4001 and Plug O-Ring)	

SECTION 3 - ENGINE

FIGURE 3-30. FUEL FILTER INSTALLATION (POLY FUEL TANK)



ART_1001224200

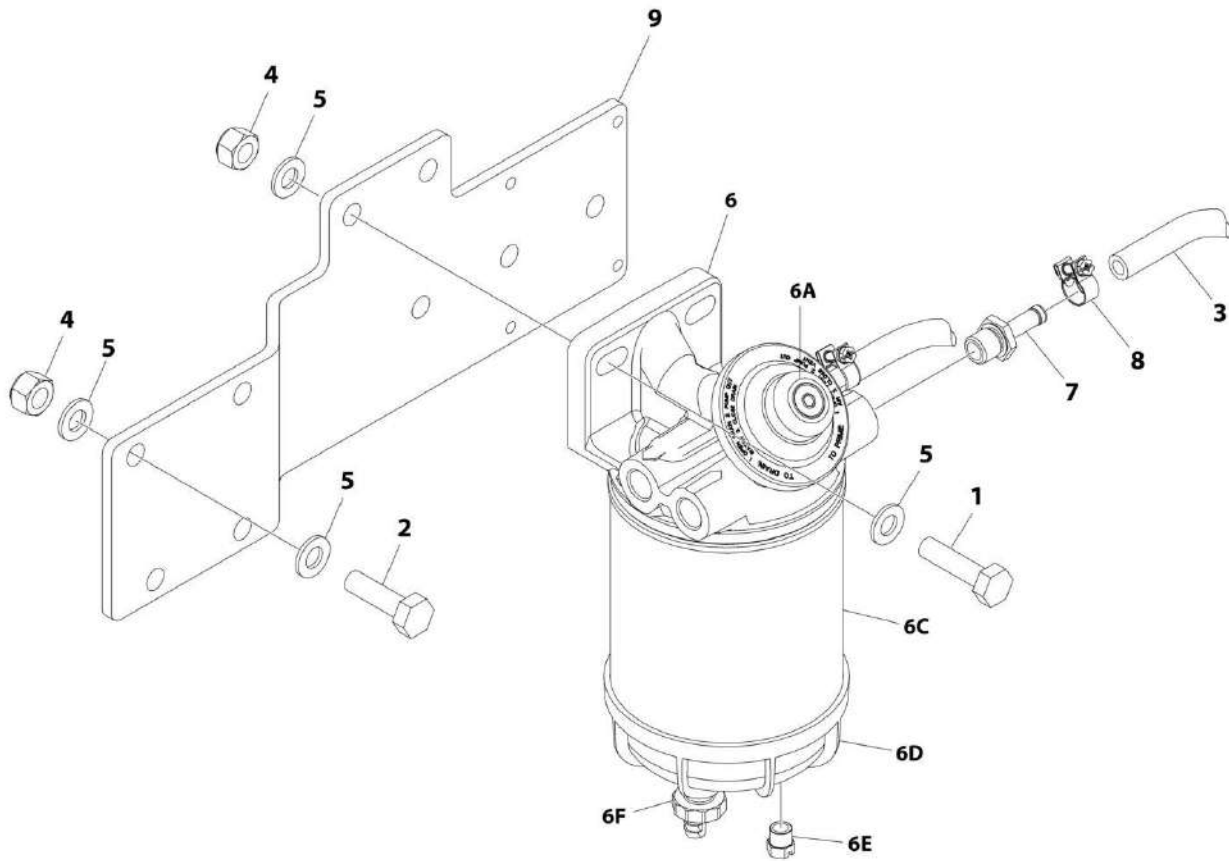
SECTION 3 - ENGINE

FIGURE 3-30. FUEL FILTER INSTALLATION (POLY FUEL TANK)

ITEM	PART NUMBER	QTY	DESCRIPTION	REV
	1001224200	Ref	FUEL FILTER INSTALLATION	B
1	0761016	2	Bolt M10 x 40	
2	2720058	46 in/1.2m	Hose, Fuel Line	
3	3291005	4	Nut M10	
4	4812000	6	Washer M10	
5	1001149452	1	Fuel Filter/Water Separator Assembly	
5A	See Note	NSS	Indicator, Restriction (Note: Use p/n 1001149452)	
5B	70004064	1	Bypass Valve Kit (Not Shown)	
5C	70004065	1	Gasket, Head to Element	
5C	70004066	1	Element, Filter	
5D	70004067	1	Gasket Element to Bowl	
5D	70004068	1	Bowl Kit (Includes Bowl, Element and Plug)	
5E	70004069	1	Plug	
5F	70004070	1	Drain	
6	1001149469	2	Fitting, Straight Barbed	
7	1001174486	2	Clamp	
8	1001224967	1	Bracket	
9	1001228406	2	Bolt M10 x 35	

SECTION 3 - ENGINE

FIGURE 3-31. FUEL FILTER INSTALLATION (STEEL FUEL TANK) (DEUTZ D2011 ENGINES)



ART_1001225054

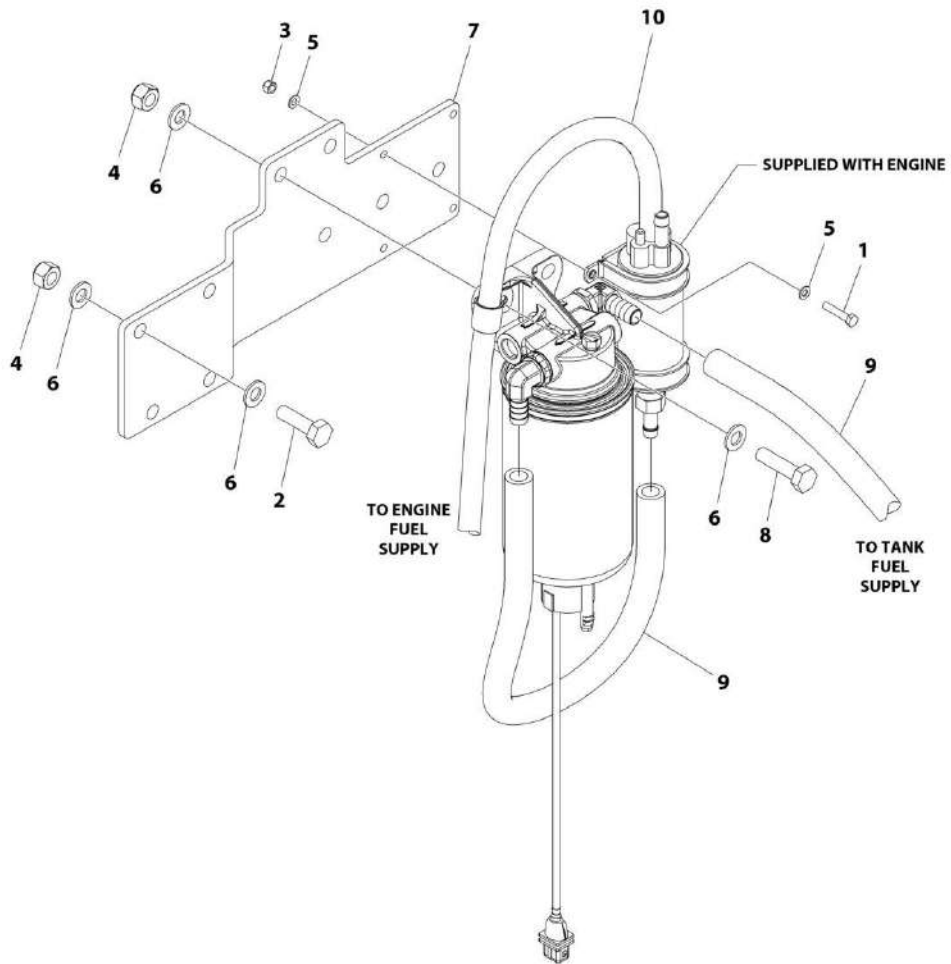
SECTION 3 - ENGINE

FIGURE 3-31. FUEL FILTER INSTALLATION (STEEL FUEL TANK) (DEUTZ D2011 ENGINES)

ITEM	PART NUMBER	QTY	DESCRIPTION	REV
	1001225054	Ref	FUEL FILTER INSTALLATION	B
1	0761016	2	Bolt M10 x 40	
2	0761015	2	Bolt M10 x 35	
2	1001228406	2	Bolt M10 x 35	
3	2720058	32 in/ 80cm	Hose, Fuel Line	
4	3291005	4	Nut M10	
5	4812000	AR	Washer M10	
6	1001149452	1	Fuel Filter/Water Separator Assembly	
6A	See Note	NSS	Indicator, Restriction (Note: Use p/n 1001149452)	
6B	70004064	1	Bypass Valve Kit (Not Shown)	
6C	70004065	1	Gasket, Head to Element	
6C	70004066	1	Element, Filter	
6D	70004067	1	Gasket, Element to Bowl	
6D	70004068	1	Bowl Kit (Includes Bowl, Element and Plug)	
6E	70004069	1	Plug	
6F	70004070	1	Drain	
7	1001149469	2	Fitting, Straight Barbed	
8	1001174486	2	Clamp	
9	1001224967	1	Bracket	

SECTION 3 - ENGINE

FIGURE 3-32. FUEL PUMP AND FILTER INSTALLATION (STEEL FUEL TANK) (DEUTZ TD2.9L4 ENGINES)



ART_1001204902

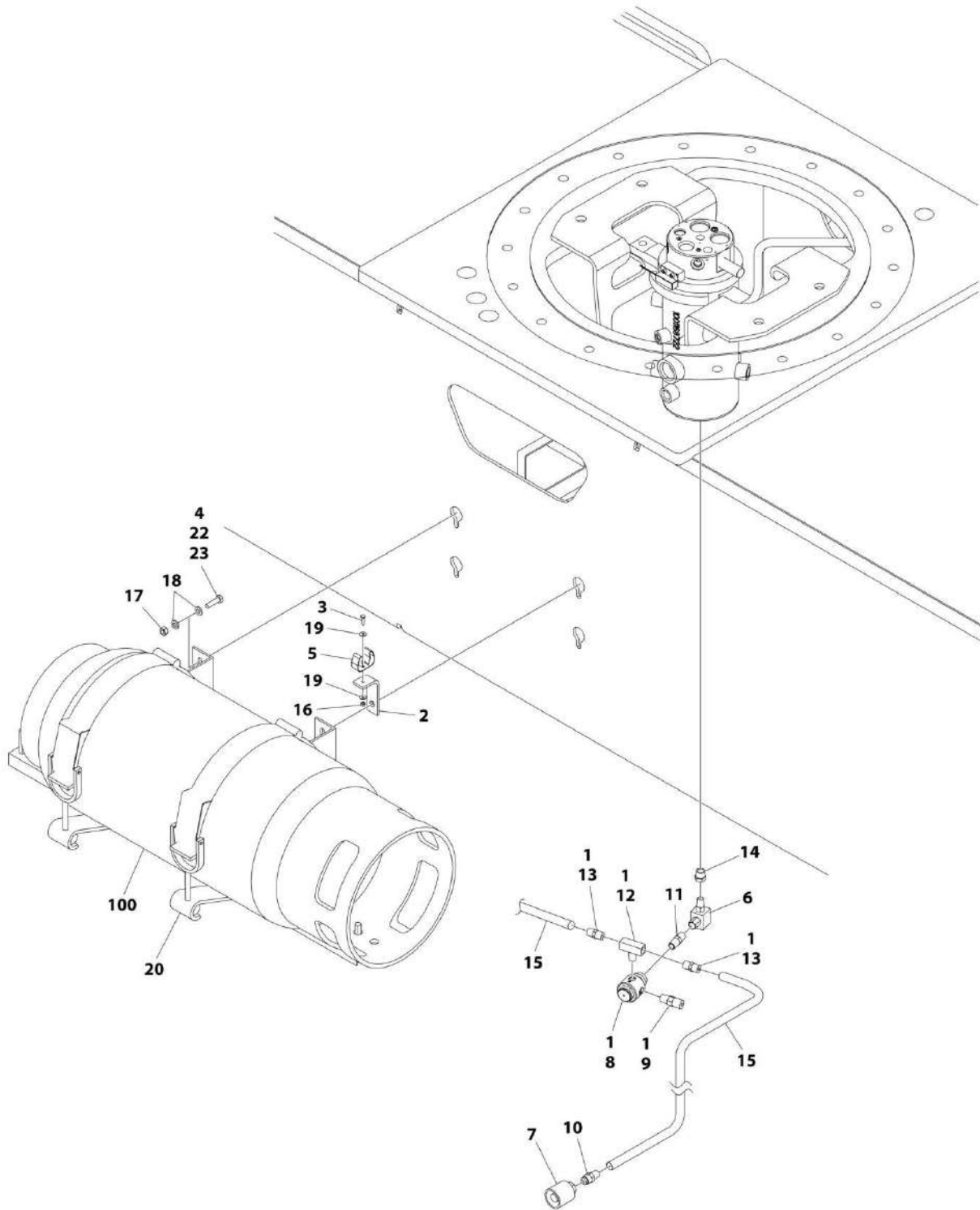
SECTION 3 - ENGINE

FIGURE 3-32. FUEL PUMP AND FILTER INSTALLATION (STEEL FUEL TANK) (DEUTZ TD2.9L4 ENGINES)

ITEM	PART NUMBER	QTY	DESCRIPTION	REV
	1001204902	Ref	FUEL PUMP AND FILTER INSTALLATION	D
1	0760512	4	Bolt M5 x 25	
2	0761015	2	Bolt M10 x 35	
2	1001228406	2	Bolt M10 x 35	
3	3290505	4	Nut M5	
4	3291005	4	Nut M10	
5	4811600	8	Washer M5	
6	4812000	AR	Washer M10	
7	1001224967	1	Bracket	
8	0701016	2	Bolt M10 x 40	
9	1001154405	2.3 ft/ 70cm	Hose	
10	1001165035	2.5 ft/ 75cm	Hose	

SECTION 3 - ENGINE

FIGURE 3-33. LP TANK AND BRACKETS INSTALLATION (FORD ENGINE)



ART_1001185598

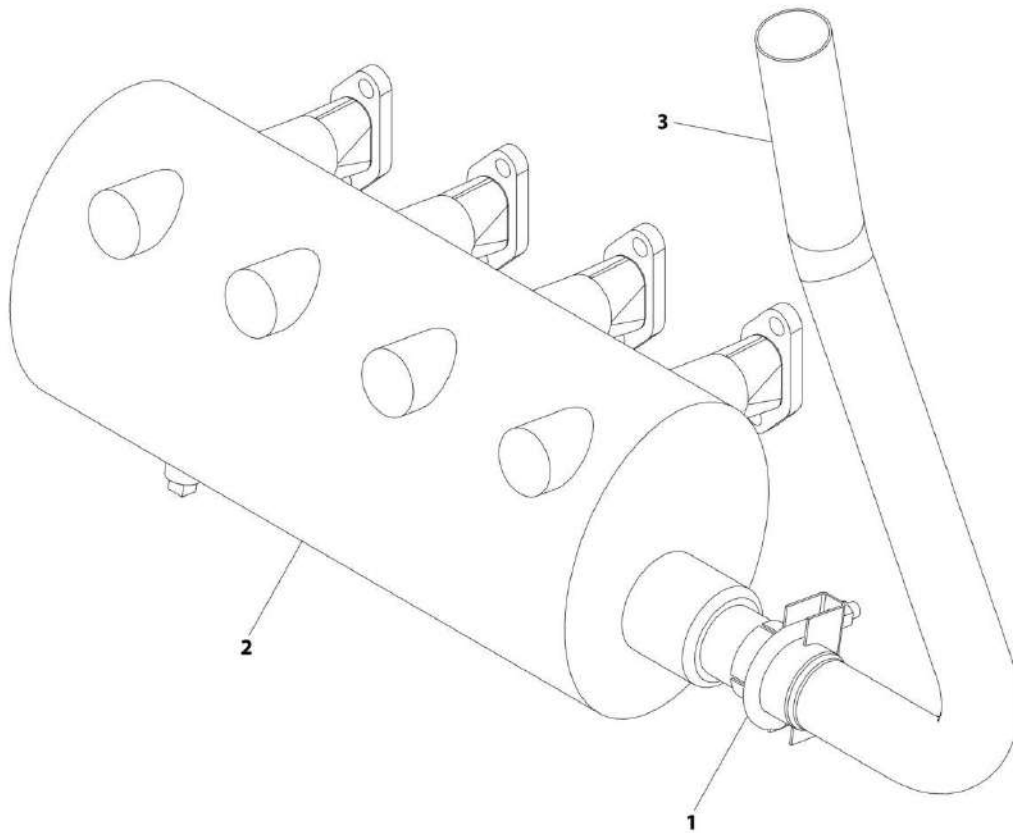
SECTION 3 - ENGINE

FIGURE 3-33. LP TANK AND BRACKETS INSTALLATION (FORD ENGINE)

ITEM	PART NUMBER	QTY	DESCRIPTION	REV
	1001185598	Ref	LP TANK AND BRACKETS INSTALLATION	C
1	0100020	AR	Sealant	
2	0181949	2	Angle	
3	0760408	2	Bolt M4 x 16	
4	0760816	8	Bolt M8 x 40	
5	1320218	2	Clamp	
6	2180125	1	Fitting, 90	
7	2180387	2	Fitting, Tank Connector	
8	2180388	1	Fitting, Bulkhead	
9	2180389	1	Valve, Relief	
10	2180418	2	Fitting, Straight	
11	2220261	1	Fitting, Nipple	
12	2220418	1	Fitting, Tee	
13	2221024	2	Fitting, Ball Check	
14	2221197	1	Fitting, Straight	
15	2720144	2	Hose	
16	3290405	2	Nut M4	
17	3290805	8	Nut M8	
18	5240800	16	Washer M8	
19	1001091102	4	Washer M4	
20	1001184725	2	Clamp Kit	
20	1320127	2	Clamp, Toggle (1 Per Strap)	
21	4240018	2	Tie-Strap (Not Shown)	
22	0100011	AR	Compound, Locking	
23	0760814	8	Bolt M8 x 30	
100	4400275	2	Tank, LP	

SECTION 3 - ENGINE

FIGURE 3-34. MUFFLER INSTALLATION - SPARK ARRESTING (DEUTZ D2011 ENGINES)
(OPTIONAL)



ART_1001192284

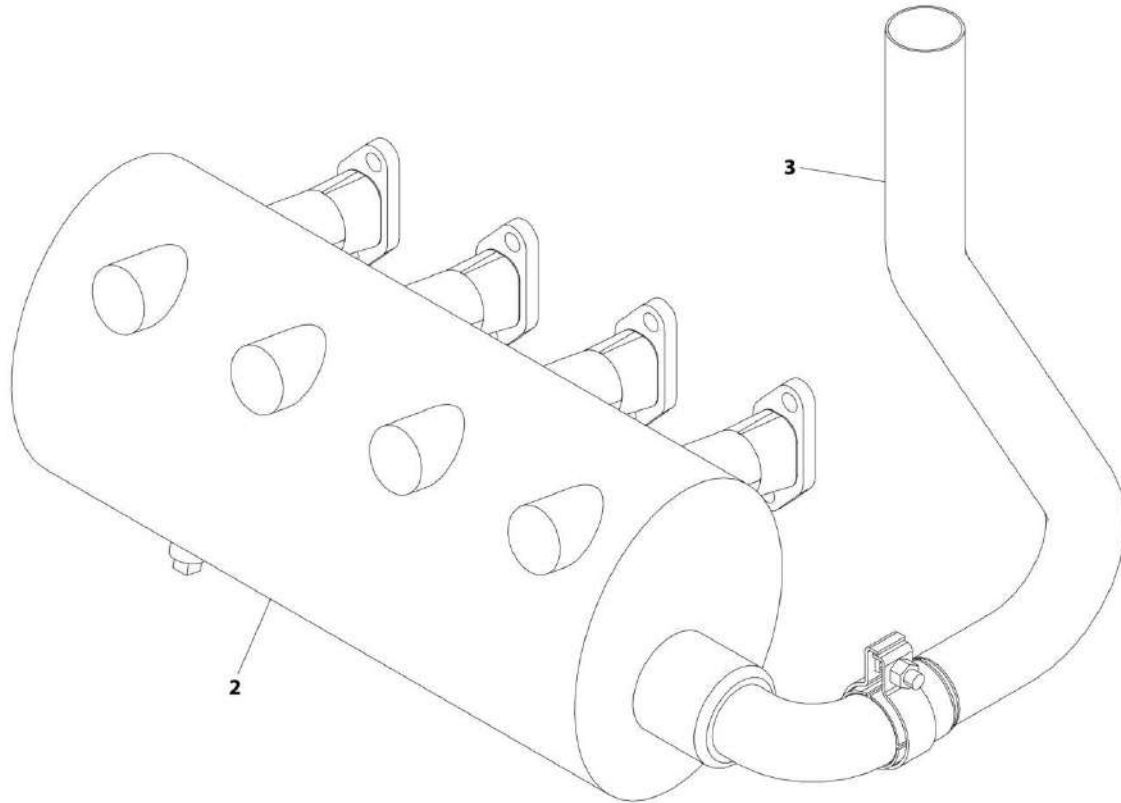
SECTION 3 - ENGINE

**FIGURE 3-34. MUFFLER INSTALLATION - SPARK ARRESTING (DEUTZ D2011 ENGINES)
(OPTIONAL)**

ITEM	PART NUMBER	QTY	DESCRIPTION	REV
	1001192284	Ref	MUFFLER INSTALLATION	B
1	1320176	1	Clamp	
2	1001195763	1	Pipe, Exhaust	
3	1001191156	1	Muffler, Spark Arresting	

SECTION 3 - ENGINE

FIGURE 3-35. MUFFLER INSTALLATION - CATALYTIC (DEUTZ D2011 ENGINES) (OPTIONAL)



ART_1001192285

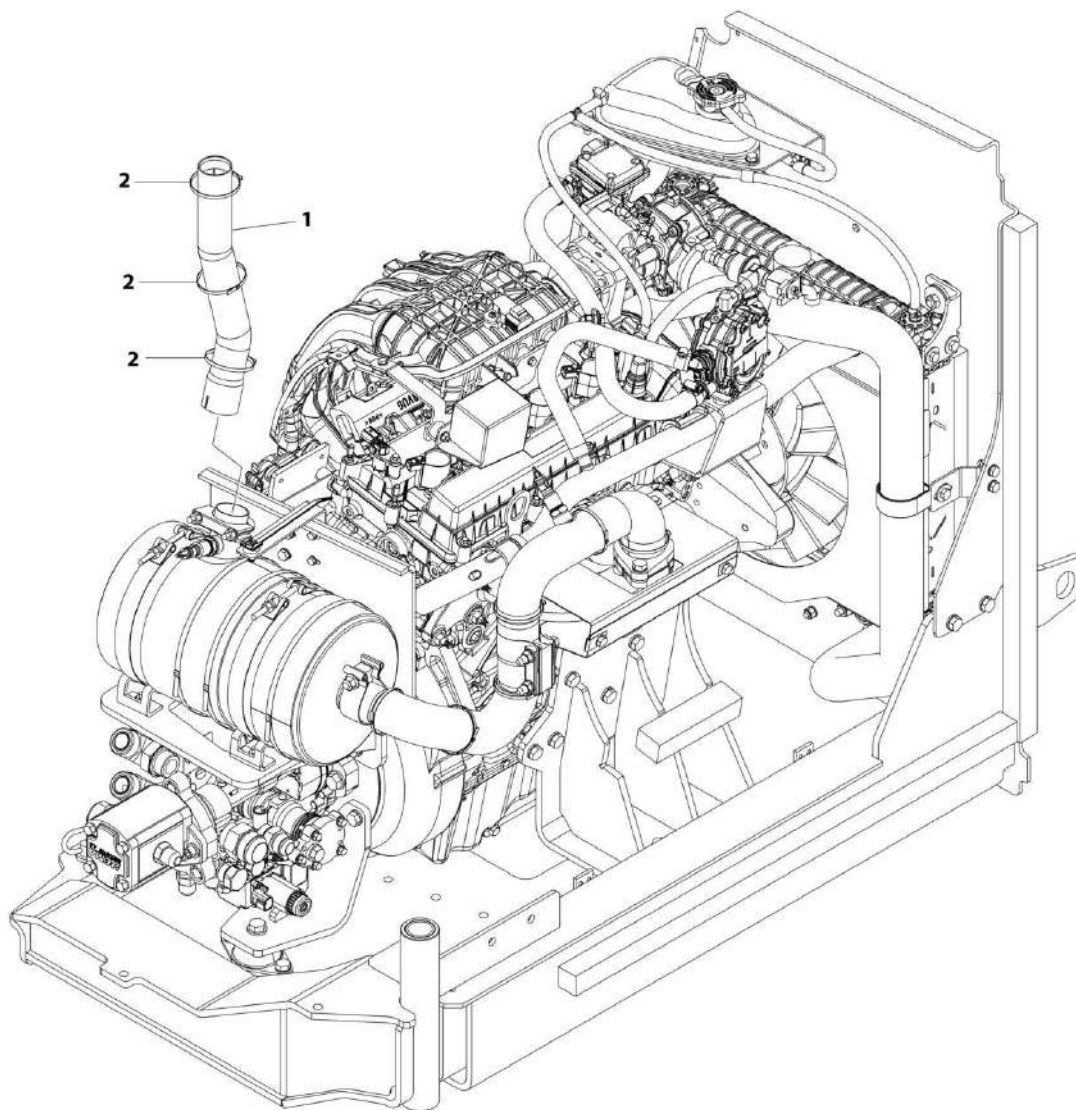
SECTION 3 - ENGINE

FIGURE 3-35. MUFFLER INSTALLATION - CATALYTIC (DEUTZ D2011 ENGINES) (OPTIONAL)

ITEM	PART NUMBER	QTY	DESCRIPTION	REV
	1001192285	Ref	MUFFLER INSTALLATION - CATALYTIC	B
2	3220104	1	Muffler, Catalytic	
3	1001236263	1	Pipe, Exhaust	

SECTION 3 - ENGINE

FIGURE 3-36. MUFFLER INSTALLATION - SPARK ARRESTING (FORD ENGINES) (OPTIONAL)



ART_1001217439

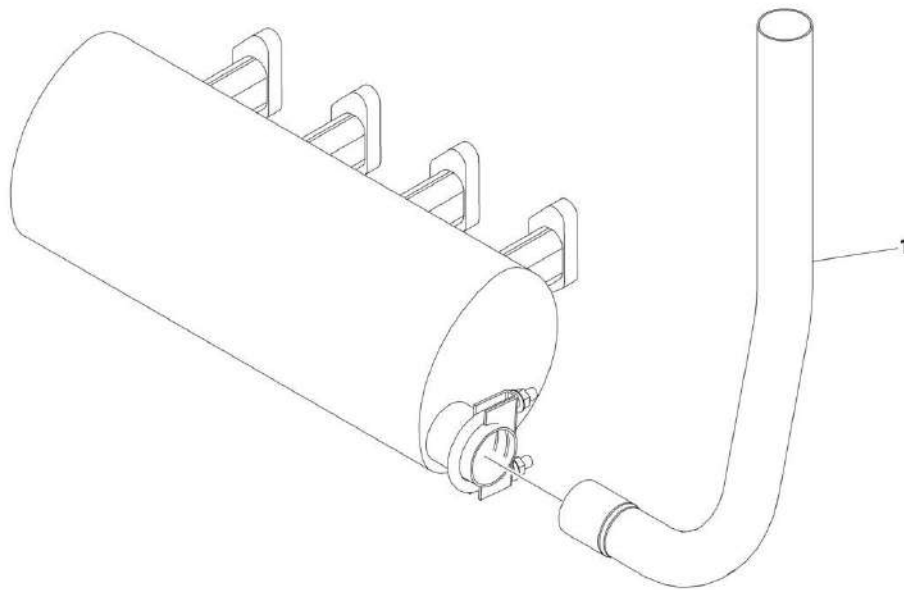
SECTION 3 - ENGINE

FIGURE 3-36. MUFFLER INSTALLATION - SPARK ARRESTING (FORD ENGINES) (OPTIONAL)

ITEM	PART NUMBER	QTY	DESCRIPTION	REV
	1001217439	Ref	MUFFLER INSTALLATION	A
1	1001216392	1	Pipe, Exhaust	
2	1001100825	3	Tie-Strap	

SECTION 3 - ENGINE

FIGURE 3-37. EXHAUST PIPE INSTALLATION (DEUTZ D2011 ENGINES)



ART_1001239563

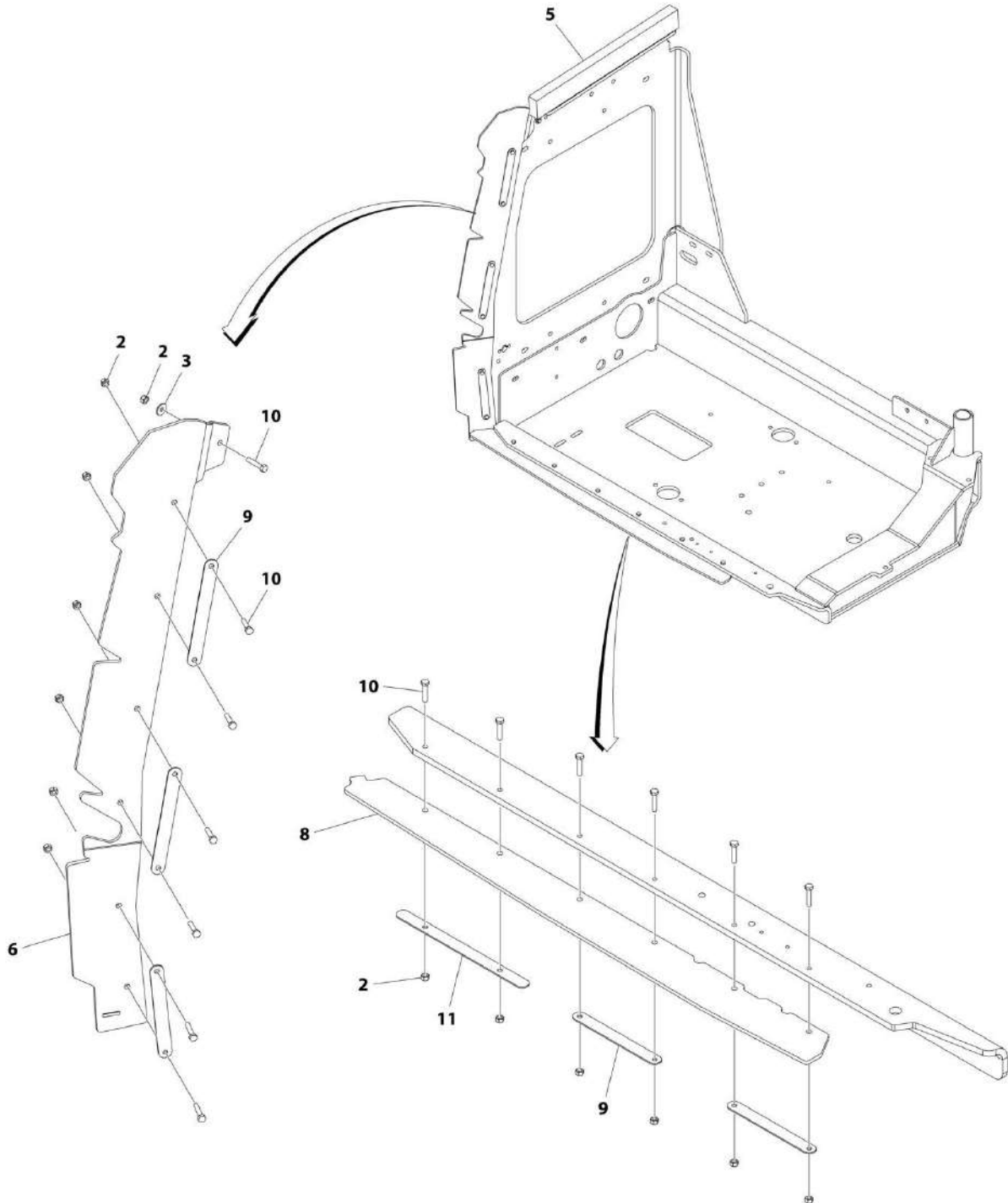
SECTION 3 - ENGINE

FIGURE 3-37. EXHAUST PIPE INSTALLATION (DEUTZ D2011 ENGINES)

ITEM	PART NUMBER	QTY	DESCRIPTION	REV
1	1001239563 1001191273	Ref 1	MUFFLER INSTALLATION Pipe, Exhaust	A

SECTION 3 - ENGINE

FIGURE 3-38. ENGINE HOOD Baffles INSTALLATION - ABS HOODS



ART_1001197268

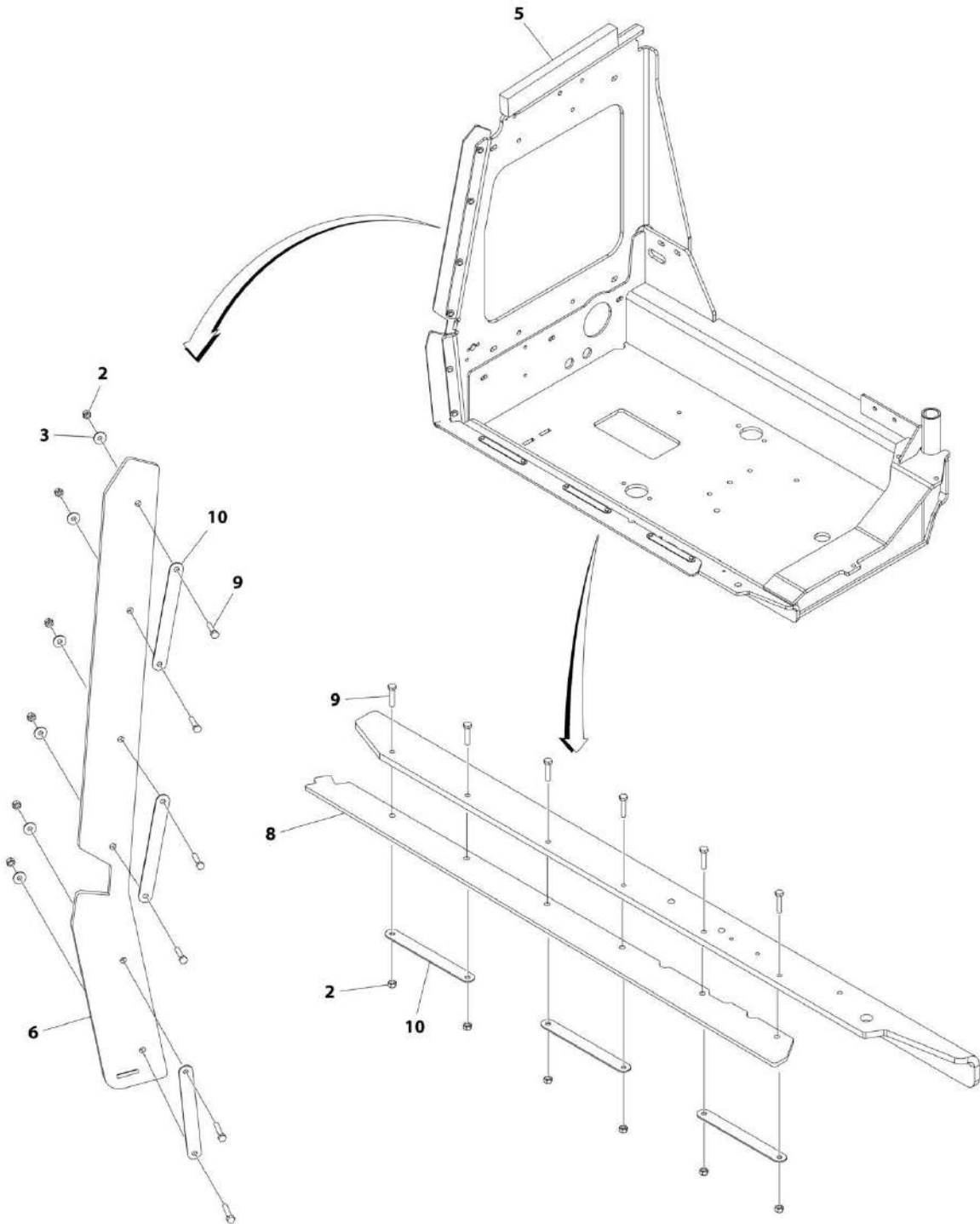
SECTION 3 - ENGINE

FIGURE 3-38. ENGINE HOOD BAFFLES INSTALLATION - ABS HOODS

ITEM	PART NUMBER	QTY	DESCRIPTION	REV
	1001197268	Ref	ENGINE HOOD BAFFLES INSTALLATION	G
2	3290605	13	Nut M6	
3	4811702	8	Washer M6	
5	1001197389	1	Seal	
6	1001197386	1	Seal (600S SN 0300235168 through 0300237156, SN B300002655 to Present)	
6	1001197386	1	Seal (660SJ SN 0300235168 through 0300237156, SN B300002655 to Present)	
6	1001234370	1	Seal (600S SN 0300237157 to Present)	
6	1001234370	1	Seal (660SJ SN 0300237157 to Present)	
8	1001197388	1	Seal (600S SN 0300235168 through 0300237156, SN B300002655 to Present)	
8	1001197388	1	Seal (660SJ SN 0300235168 through 0300237156, SN B300002655 to Present)	
8	1001234371	1	Seal (600S SN 0300237157 to Present)	
8	1001234371	1	Seal (660SJ SN 0300237157 to Present)	
9	1001167164	5	Support	
10	0760614	13	Bolt M6 x 30	
11	1001233429	1	Support	

SECTION 3 - ENGINE

FIGURE 3-39. ENGINE HOOD Baffles INSTALLATION - STEEL HOODS



ART_1001197269

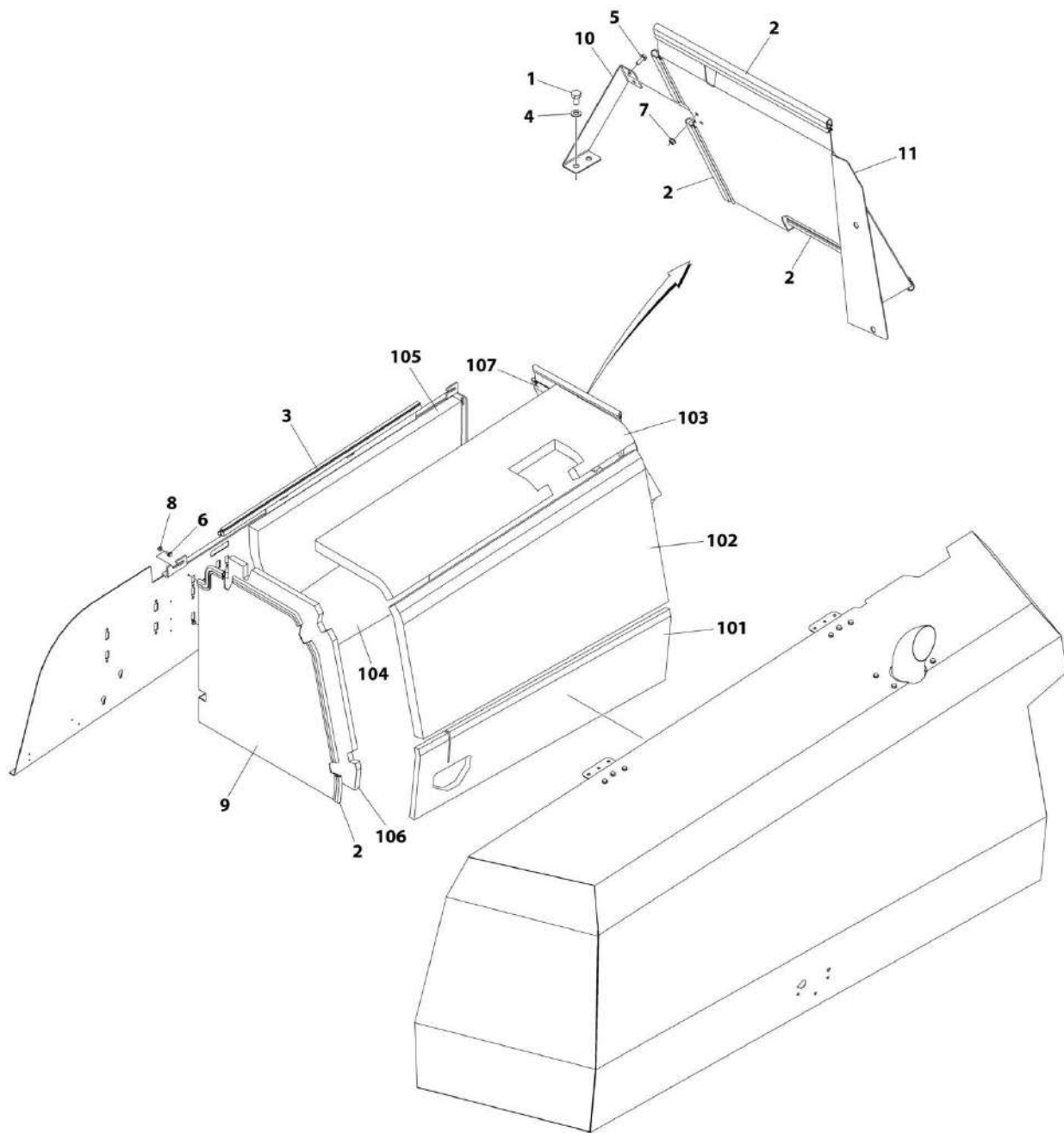
SECTION 3 - ENGINE

FIGURE 3-39. ENGINE HOOD BAFFLES INSTALLATION - STEEL HOODS

ITEM	PART NUMBER	QTY	DESCRIPTION	REV
	1001197269	Ref	ENGINE HOOD BAFFLES INSTALLATION	F
2	3290605	AR	Nut M6	
3	4811702	AR	Washer M6	
5	1001197389	1	Seal (600S SN 0300235168 through 0300237156, SN B300002655 to Present)	
5	1001197389	1	Seal (660SJ SN 0300235168 through 0300237156, SN B300002655 to Present)	
5	1001234281	1	Seal (600S SN 0300237157 to Present)	
5	1001234281	1	Seal (660SJ SN 0300237157 to Present)	
6	1001197390	1	Seal (600S SN 0300235168 through 0300237156, SN B300002655 to Present)	
6	1001197390	1	Seal (660SJ SN 0300235168 through 0300237156, SN B300002655 to Present)	
6	1001234299	1	Seal (600S SN 0300237157 to Present)	
6	1001234299	1	Seal (660SJ SN 0300237157 to Present)	
8	1001197392	1	Seal (600S SN 0300235168 through 0300237156, SN B300002655 to Present)	
8	1001197392	1	Seal (660SJ SN 0300235168 through 0300237156, SN B300002655 to Present)	
8	1001234283	1	Seal (600S SN 0300237157 to Present)	
8	1001234283	1	Seal (660SJ SN 0300237157 to Present)	
9	0760614	AR	Bolt M6 x 30	
10	1001167164	6	Support	

SECTION 3 - ENGINE

FIGURE 3-40. SOUND REDUCTION PACKAGE



ART_1001234080

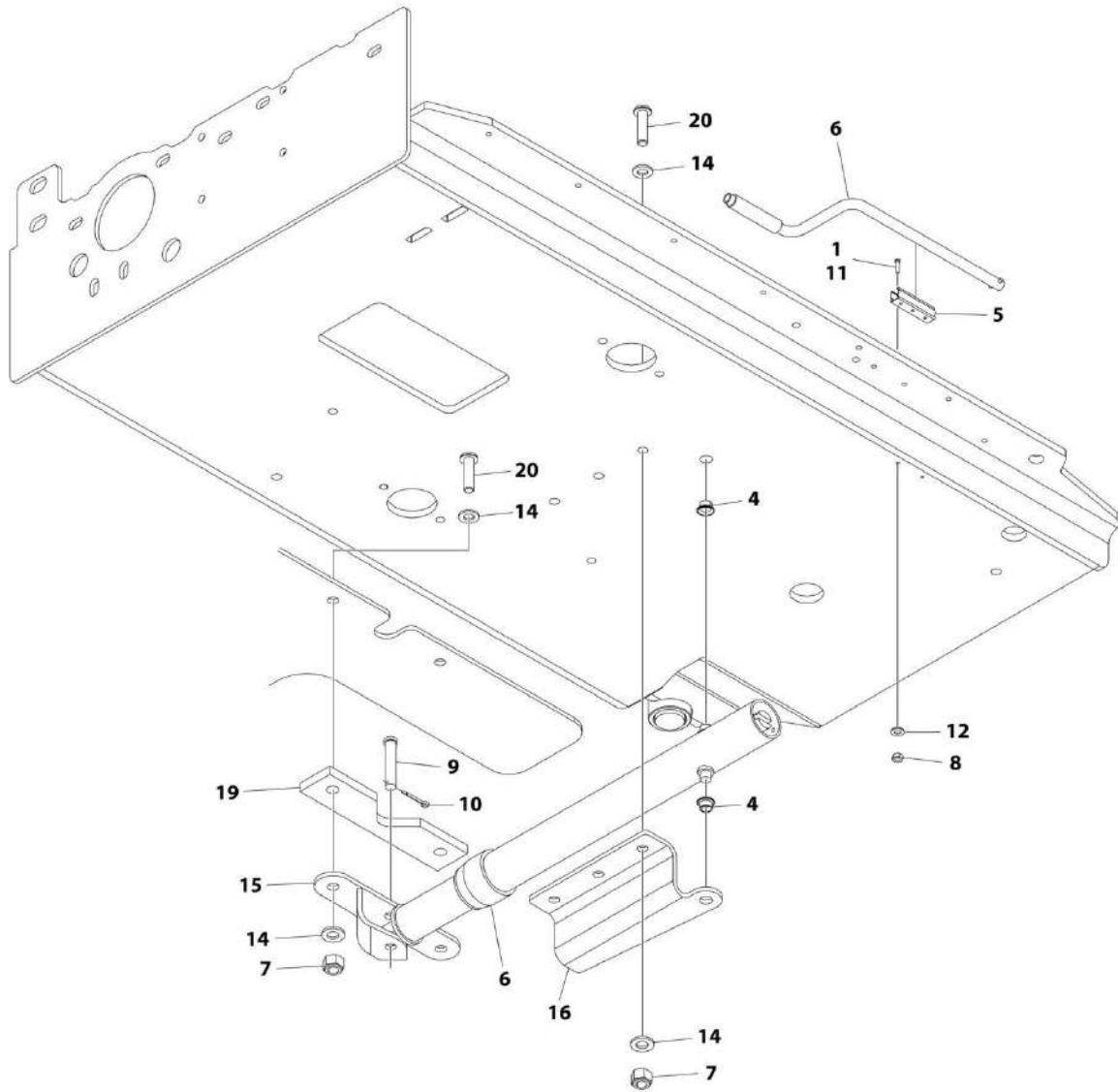
SECTION 3 - ENGINE

FIGURE 3-40. SOUND REDUCTION PACKAGE

ITEM	PART NUMBER	QTY	DESCRIPTION	REV
	1001234080	Ref	SOUND REDUCTION PACKAGE	B
1	0761009	2	Bolt M10 x 18	
2	3960389	8.2 ft/ 2.49m	Seal	
3	3960464	3.6 ft/ 1.10m	Seal	
4	4812000	2	Washer M10	
5	5250608	2	Bolt M6 x 16	
6	5250808	2	Bolt M8 x 16	
7	5260600	2	Nut M6	
8	5260800	2	Nut M8	
9	1001241729	1	Plate	
10	1001233948	1	Bracket	
11	1001233949	1	Plate	
100	1001237550	1	Sound Foam Insulate Kit (Includes Items 101-107)	B
101	1001233953	1	Insulate	
102	1001233954	1	Insulate	
103	1001233955	1	Insulate	
104	1001233966	1	Insulate	
105	1001233967	1	Insulate	
106	1001234269	1	Insulate	
107	1001234270	1	Insulate	

SECTION 3 - ENGINE

FIGURE 3-41. TRAY JACK INSTALLATION



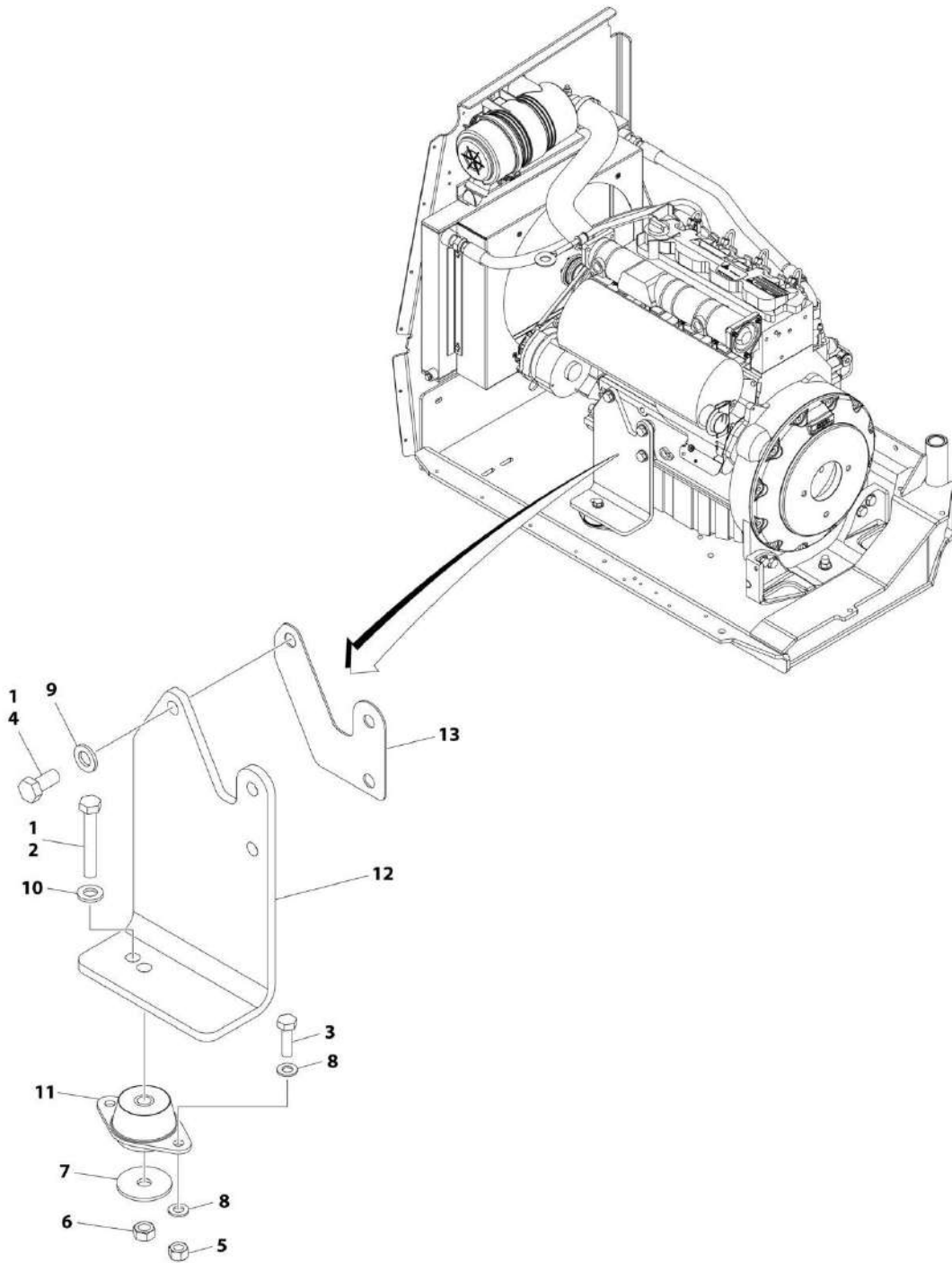
ART_1001186980

FIGURE 3-41. TRAY JACK INSTALLATION

ITEM	PART NUMBER	QTY	DESCRIPTION	REV
	1001186980	Ref	TRAY JACK INSTALLATION	E
1	0100011	AR	Compound, Locking	
4	0962051	2	Bearing	
5	1380147	1	Clip	
6	2840016	1	Jack and Handle Assembly	
6	7024598	1	Handle	
7	3291205	5	Nut M12	
8	3290301	2	Nut M3	
9	3430820	1	Pin	
10	3450404	1	Pin (SN 0300235168 through 0300250001, SN B300002655 through B300003386)	
10	1001236121	1	Pin (SN 0300250002 to Present, SN B300003387 to Present)	
11	4010308	2	Screw M3 x 16	
12	4811400	2	Washer M4	
14	4812100	10	Washer M12	
15	1001166894	1	Support	
16	1001175073	1	Support	
19	1001186981	1	Plate	
20	1001102978	5	Screw M12 x 45 Grade 10.9	

SECTION 3 - ENGINE

FIGURE 3-42. MOTOR MOUNT INSTALLATION - WITHOUT GENERATOR (DEUTZ D2011 ENGINES)



ART_1001192443

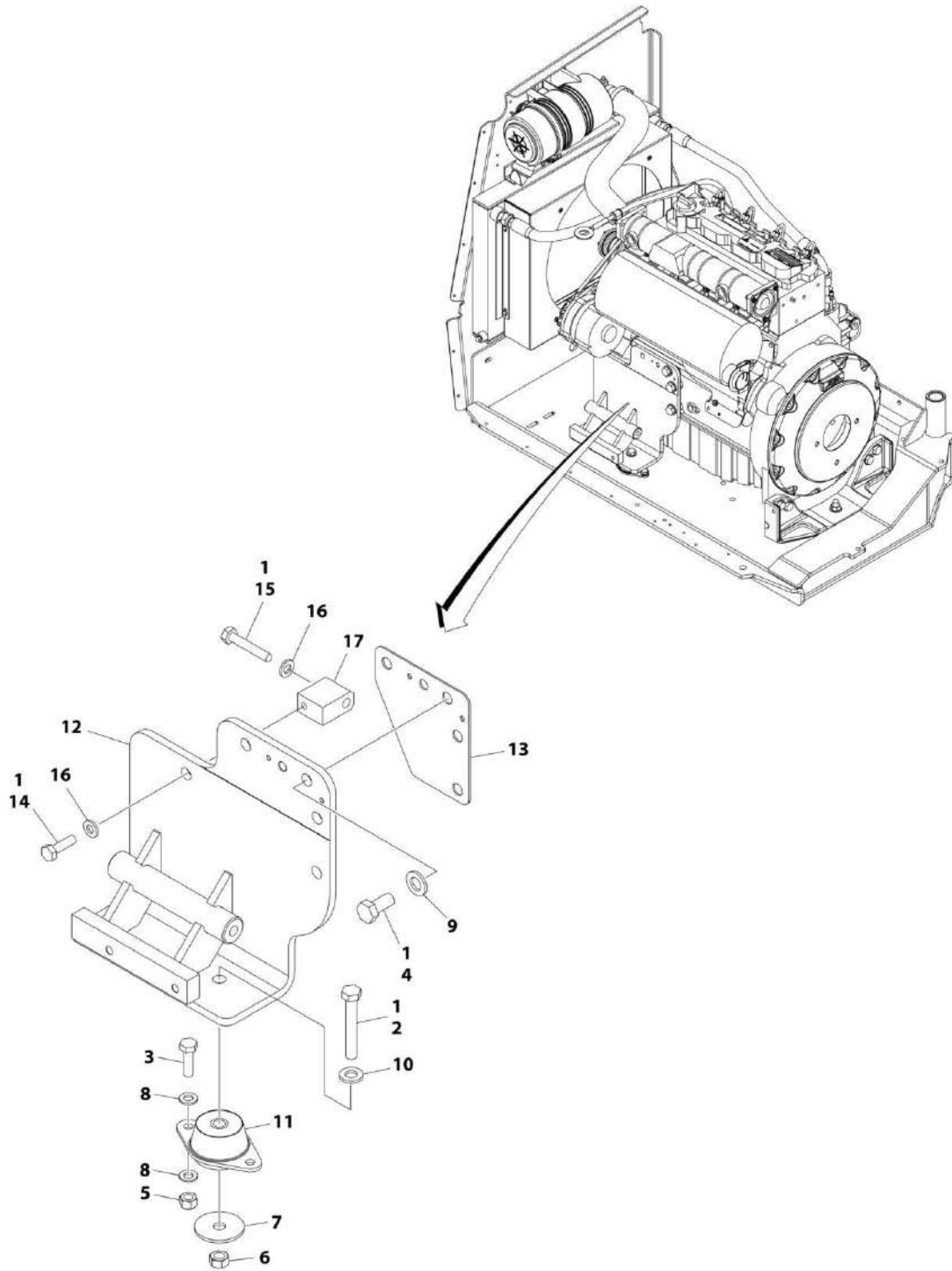
SECTION 3 - ENGINE

FIGURE 3-42. MOTOR MOUNT INSTALLATION - WITHOUT GENERATOR (DEUTZ D2011 ENGINES)

ITEM	PART NUMBER	QTY	DESCRIPTION	REV
	1001192443	Ref	MOTOR MOUNT INSTALLATION	D
1	0100011	AR	Compound, Locking	
2	0711224	1	Bolt M12 x 80	
3	0761015	2	Bolt M10 x 35	
4	0771414	3	Bolt M14 x 30	
5	3291005	2	Nut M10	
6	3331211	1	Nut M12	
7	1001168018	1	Washer	
8	4812000	4	Washer M10	
9	5241400	3	Washer M14	
10	5241200	1	Washer M12	
11	1001191610	1	Mount, Motor	
12	1001189227	1	Mount	
13	1001201843	1	Shim	

SECTION 3 - ENGINE

FIGURE 3-43. MOTOR MOUNT INSTALLATION - WITH GENERATOR (DEUTZ D2011 ENGINES)



ART_1001191856

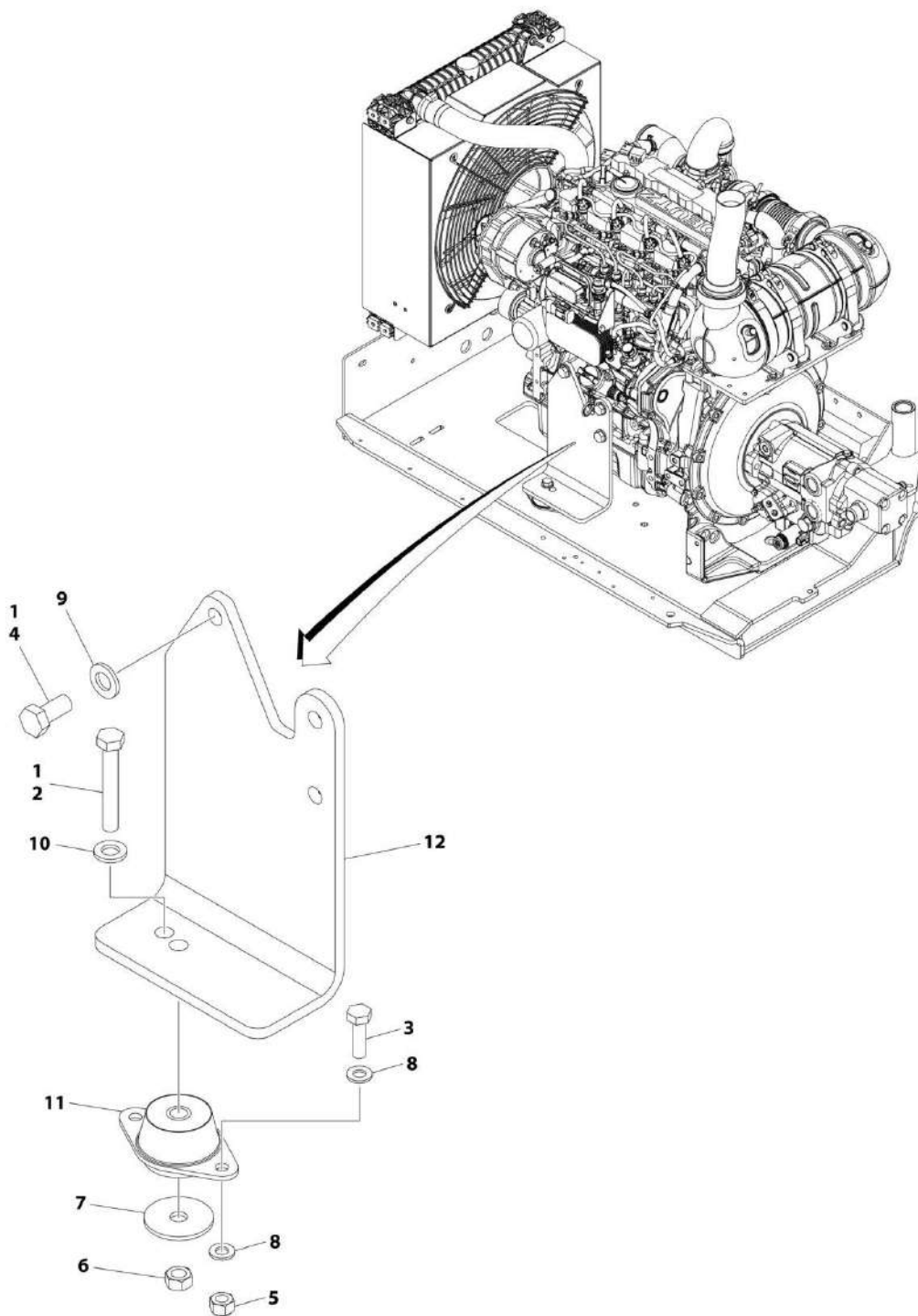
SECTION 3 - ENGINE

FIGURE 3-43. MOTOR MOUNT INSTALLATION - WITH GENERATOR (DEUTZ D2011 ENGINES)

ITEM	PART NUMBER	QTY	DESCRIPTION	REV
	1001191856	Ref	MOTOR MOUNT INSTALLATION	F
1	0100011	AR	Compound, Locking	
2	0711224	1	Bolt M12 x 80	
3	0761015	2	Bolt M10 x 35	
4	0771415	3	Bolt M14 x 35	
5	3291005	2	Nut M10	
6	3331211	1	Nut M12	
7	1001168018	1	Washer	
8	4812000	4	Washer M10	
9	5241400	3	Washer M14	
10	5241200	1	Washer M12	
11	1001191610	1	Mount, Engine	
12	1001239710	1	Bracket	
13	1001205957	1	Shim	
14	0711015	1	Bolt M10 x 35	
15	0711020	1	Bolt M10 x 60	
16	5241000	2	Washer M10	
17	1001239715	1	Block	

SECTION 3 - ENGINE

FIGURE 3-44. MOTOR MOUNT INSTALLATION - WITHOUT GENERATOR (DEUTZ TD2.9L4 ENGINES)



ART_1001192442

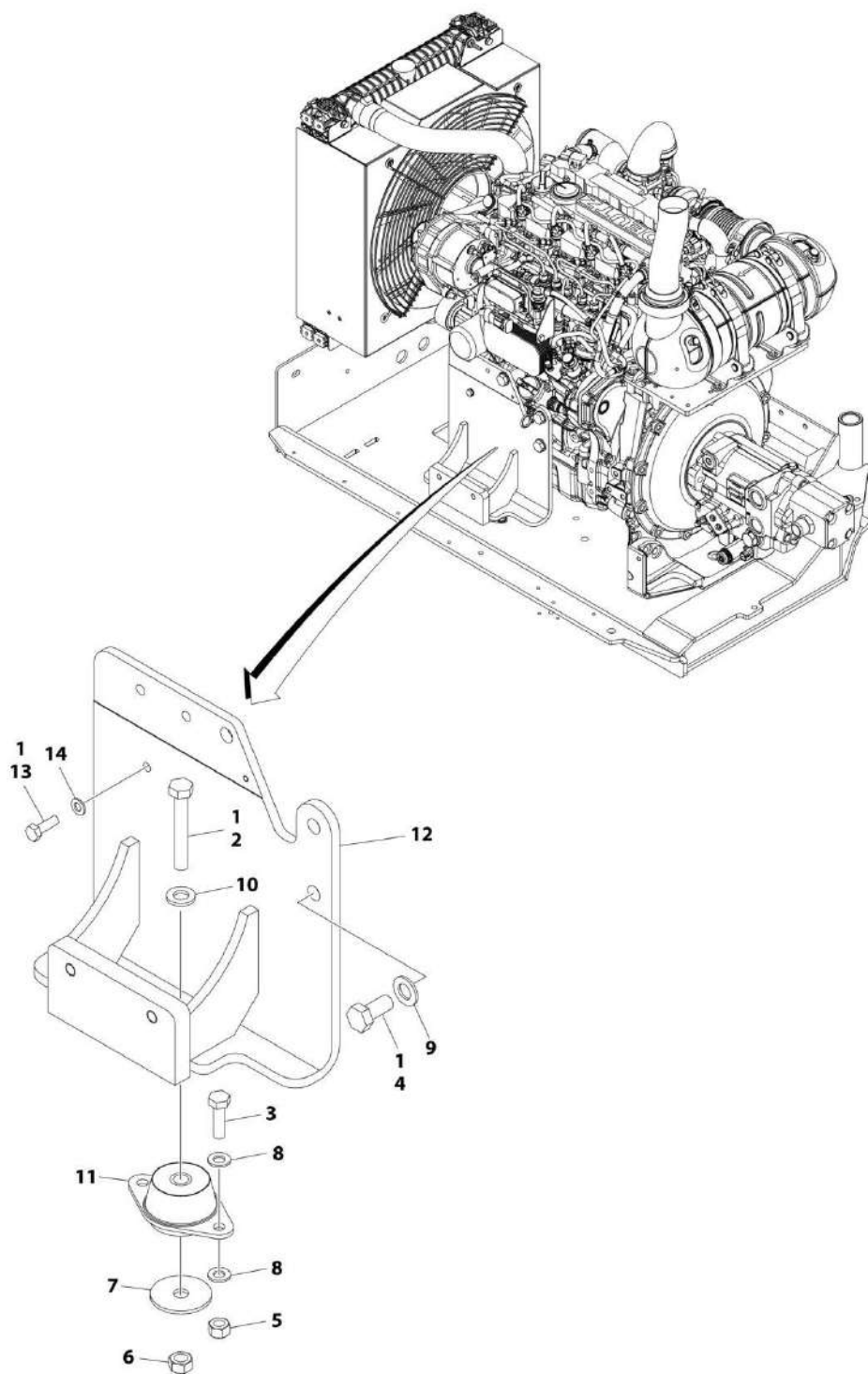
SECTION 3 - ENGINE

FIGURE 3-44. MOTOR MOUNT INSTALLATION - WITHOUT GENERATOR (DEUTZ TD2.9L4 ENGINES)

ITEM	PART NUMBER	QTY	DESCRIPTION	REV
	1001192442	Ref	MOTOR MOUNT INSTALLATION	D
1	0100011	AR	Compound, Locking	
2	0711224	1	Bolt M12 x 80	
3	0761015	2	Bolt M10 x 35	
4	0771414	3	Bolt M14 x 30	
5	3291005	2	Nut M10	
6	3331211	1	Nut M12	
7	1001168018	1	Washer	
8	4812000	4	Washer M10	
9	5241400	3	Washer M14	
10	5241200	1	Washer M12	
11	1001191610	1	Mount, Motor	
12	1001189227	1	Mount	

SECTION 3 - ENGINE

FIGURE 3-45. MOTOR MOUNT INSTALLATION - WITH GENERATOR (DEUTZ TD2.9L4 ENGINES)



ART_1001192008

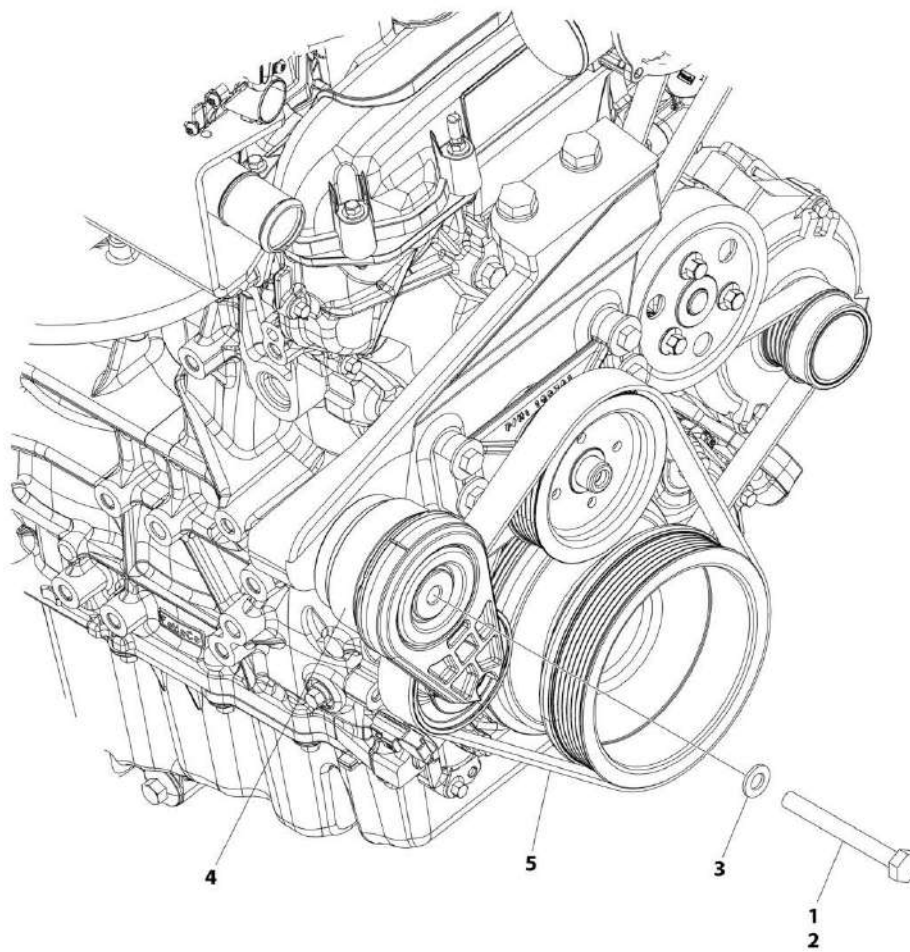
SECTION 3 - ENGINE

FIGURE 3-45. MOTOR MOUNT INSTALLATION - WITH GENERATOR (DEUTZ TD2.9L4 ENGINES)

ITEM	PART NUMBER	QTY	DESCRIPTION	REV
	1001192008	Ref	MOTOR MOUNT INSTALLATION	F
1	0100011	AR	Compound, Locking	
2	0711224	1	Bolt M12 x 80	
3	0761015	2	Bolt M10 x 35	
4	0771415	3	Bolt M14 x 35	
5	3291005	2	Nut M10	
6	3331211	1	Nut M12	
7	1001168018	1	Washer	
8	4812000	4	Washer M10	
9	5241400	3	Washer M14	
10	5241200	1	Washer M12	
11	1001191610	1	Mount, Motor	
12	1001209016	1	Mount	
13	0770814	1	Bolt M8 x 30	
14	5240800	1	Washer M8	

SECTION 3 - ENGINE

FIGURE 3-46. BELT WITHOUT GENERATOR INSTALLATION (FORD ENGINES)



ART_1001220404

SECTION 3 - ENGINE

FIGURE 3-46. BELT WITHOUT GENERATOR INSTALLATION (FORD ENGINES)

ITEM	PART NUMBER	QTY	DESCRIPTION	REV
	1001220404	Ref	BELT WITHOUT GENERATOR INSTALLATION	C
1	0100011	AR	Compound, Locking	
2	0701026	1	Bolt M10 x 90	
3	4812000	1	Washer M10 (Prior to SN 0300246304)	
3	4812002	AR	Washer M10 (SN 0300246304 to Present)	
4	1001216300	1	Pulley	
5	1001216619	1	V-Belt	

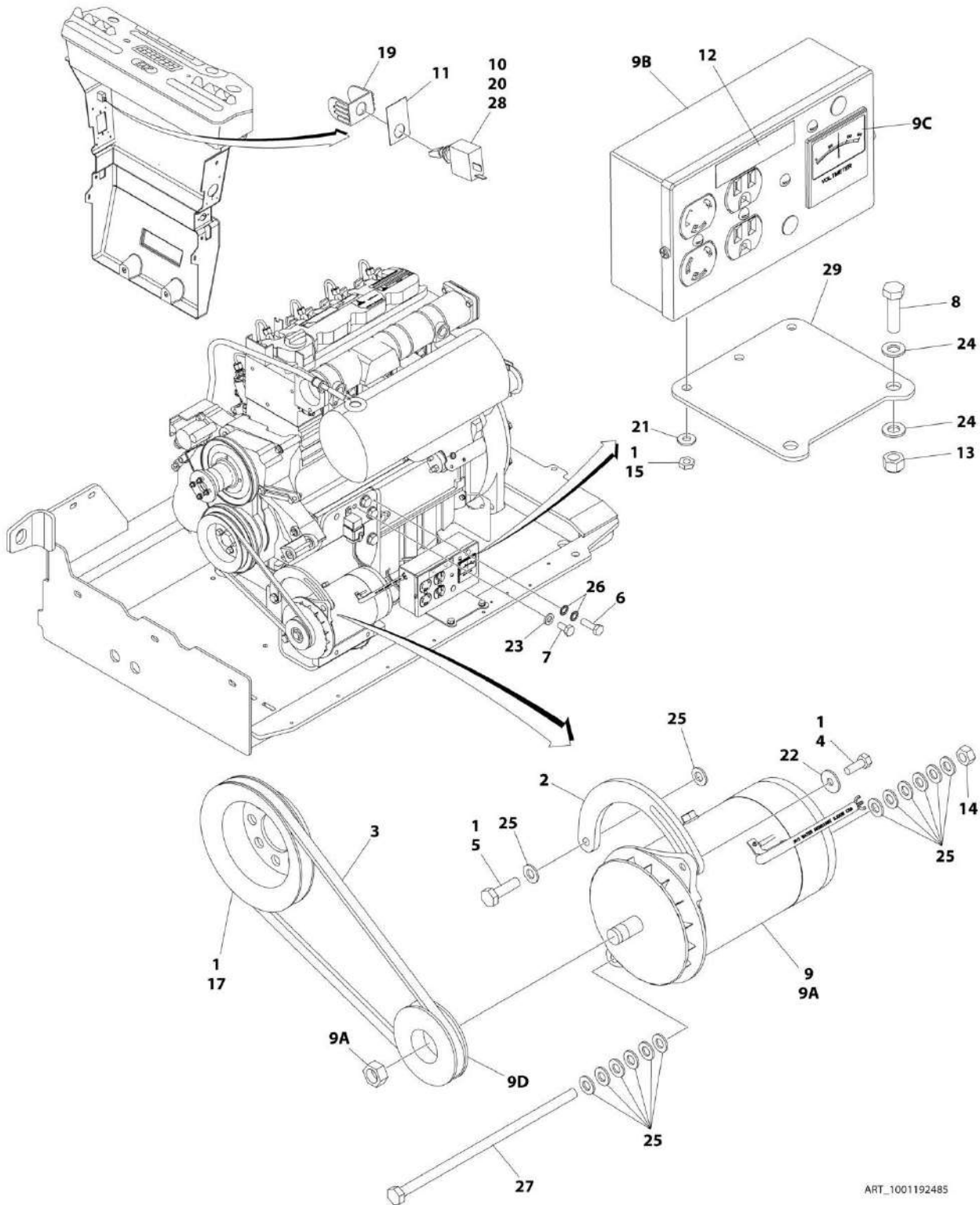
SECTION 3 - ENGINE

**FIGURE 3-47. 2500W GENERATOR INSTALLATION - 220V/50HZ (DEUTZ D2011 ENGINES)
(OPTIONAL)**

ITEM	PART NUMBER	QTY	DESCRIPTION	REV
	1001192488	Ref	2500W GENERATOR INSTALLATION	E
1	0100011	AR	Compound, Locking	
2	1001239716	1	Arm, Adjusting	
3	0480124	1	Belt, Generator	
4	0641508	1	Bolt 5/16 x 1	
5	0761012	1	Bolt M10 x 25	
6	0700610	1	Bolt M6 x 20	
7	0760606	1	Bolt M6 x 12	
8	0760814	2	Bolt M8 x 30	
9	0962449	1	Bushing	
10	2820031	AR	Heat Shrink	
11	3251102	1	Nameplate - Generator On/Off	
12	3252507	1	Decal - 220 Volt	
13	3290505	1	Nut M5	
14	3290805	2	Nut M8	
15	3291007	1	Nut M10	
17	3580158	1	Pulley	
19	4031608	1	Capscrew M5 x 20	
20	4060802	1	Guard, Switch	
21	4360336	1	Switch, Toggle	
22	4420060	1	Tape	
23	4460968	3	Connector, Strain Relief	
24	4811902	1	Washer M8	
25	4811600	1	Washer M5	
26	4811700	1	Washer M6	
27	4811900	4	Washer M8	
28	4812000	14	Washer M10	
29	4871700	2	Washer M6	
30	1001099869	1	Box, Junction	
31	1001100234	1	Lamp, Red	
32	1001100321	1	Generator Assembly	
32A		Ref	Note: Replacement Generators come standard with p/n 3580134 pulley. This pulley may not be correct for all applications. Refer to pulley options below.	
32A	70000123	1	Armature with Slip Rings	
32A	7012513	4	Cap, Brush Holder	
32A	7020108	4	Brush	
32A	7020109	4	Holder, Brush	
32A	7012514	1	Fan	
32A	7020110	1	Bell, Front	
32A	7020111	1	Bell, Rear	
32A	7020190	2	Bearing	
32B	3580134	1	Pulley	
32B	7027887	1	Key, Woodruff	
33	1001119280	1	Bolt M10 x 260	
34	4922641	1	Generator Switch Harness	
35	1001193167	1	Plate	
36	1001194114	1	Generator Harness - 2500W (Not Shown) (See Separate Breakdown in ELECTRICAL SECTION)	

SECTION 3 - ENGINE

FIGURE 3-48. 2500W GENERATOR INSTALLATION - 110V/60HZ (DEUTZ D2011 ENGINES) (OPTIONAL)



ART_1001192485

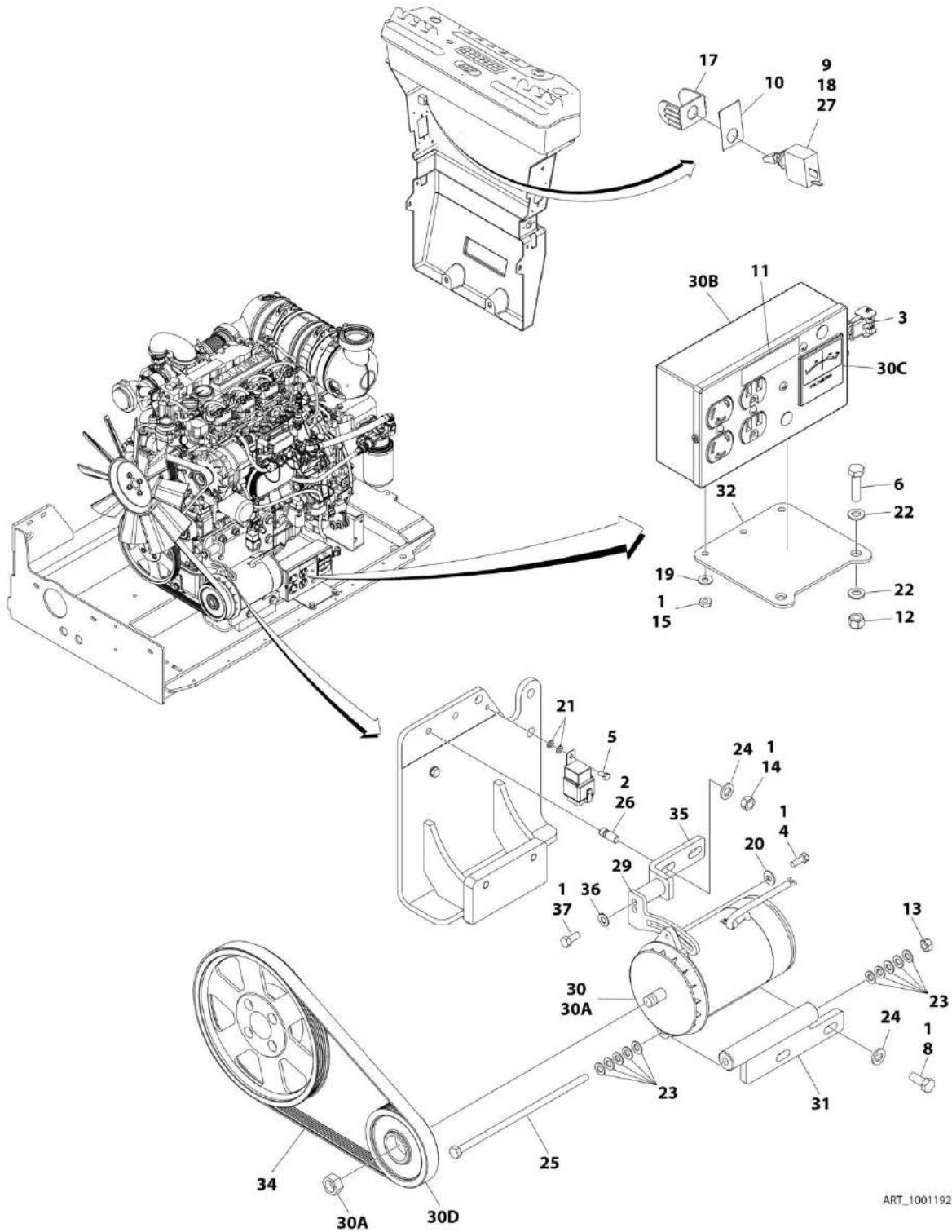
SECTION 3 - ENGINE

**FIGURE 3-48. 2500W GENERATOR INSTALLATION - 110V/60HZ (DEUTZ D2011 ENGINES)
(OPTIONAL)**

ITEM	PART NUMBER	QTY	DESCRIPTION	REV
	1001192485	Ref	2500W GENERATOR INSTALLATION	E
1	0100011	AR	Compound, Locking	
2	1001239716	1	Arm, Adjusting	
3	0480124	1	Belt	
4	0641508	1	Bolt 5/16 x 1	
5	0761012	1	Bolt M10 x 25	
6	0700610	1	Bolt M6 x 20	
7	0760606	1	Bolt M6 x 12	
8	0760814	2	Bolt M8 x 30	
9	2460055	1	Generator and Control Box Assembly	
9A	7012558	1	Generator, Replacement	
9A		Ref	Note: Replacement Generators come standard with p/n 3580134 pulley. This pulley may not be correct for all applications. Refer to pulley options below.	
9A	7012513	4	Cap, Brush Holder	
9A	7020108	4	Brush	
9A	7020109	4	Holder, Brush	
9A	7012514	1	Fan	
9A	7020190	2	Bearing	
9A	7020110	1	Bell, Front	
9A	7020111	1	Bell, Rear	
9B	7019680	1	Box, Control	
9B	4360542	1	Breaker, Circuit	
9B	4460190	AR	Receptacle, Standard	
9B	4460027	AR	Receptacle, Twistlock	
9C	2420203	1	Voltmeter	
9D	3580276	1	Pulley	
9D	7027887	1	Key, Woodruff	
10	2820031	AR	Heat Shrink	
11	3251102	1	Nameplate - Generator On/Off	
12	3251243	1	Decal - 120V-60Hz	
13	3290805	2	Nut M8	
14	3291007	1	Nut M10	
15	3311001	2	Nut #10	
17	3580158	1	Pulley	
19	4060802	1	Guard, Switch	
20	4360336	1	Switch, Toggle	
21	4751000	1	Washer #10	
22	4811902	1	Washer M8	
23	4811700	1	Washer M6	
24	4811900	4	Washer M8	
25	4812000	14	Washer M10	
26	4871700	2	Washer M6	
27	1001119280	1	Bolt M10 x 260	
28	4922641	1	Generator Switch Harness	
29	1001193167	1	Plate, Mounting	
30	1001194114	1	Generator Harness - 2500W (Not Shown) (See Separate Breakdown in ELECTRICAL SECTION)	

SECTION 3 - ENGINE

FIGURE 3-49. 2500W GENERATOR INSTALLATION - 110V/60HZ (DEUTZ TD2.9L4 ENGINES) (OPTIONAL)



ART_1001192280

SECTION 3 - ENGINE

**FIGURE 3-49. 2500W GENERATOR INSTALLATION - 110V/60HZ (DEUTZ TD2.9L4 ENGINES)
(OPTIONAL)**

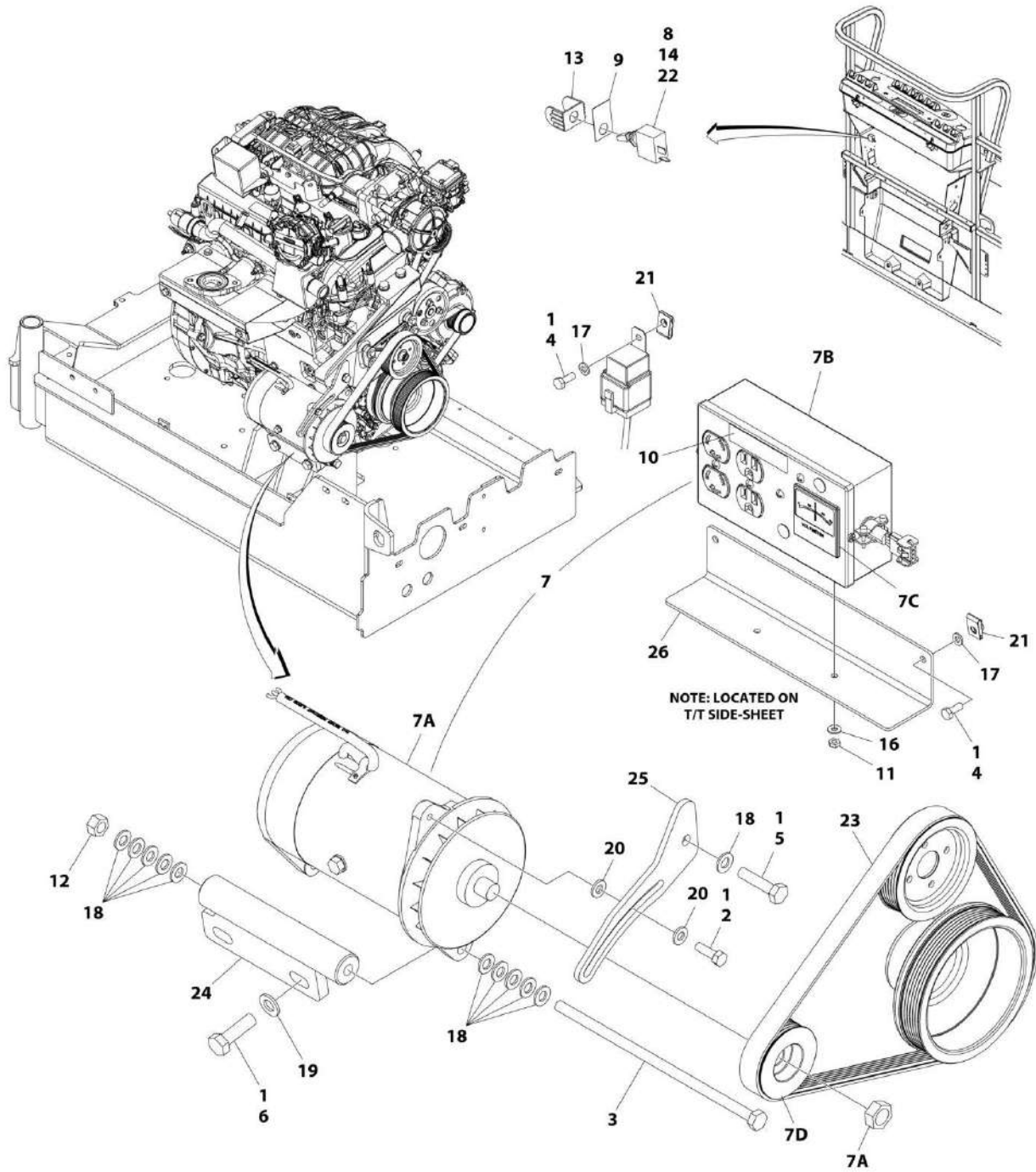
ITEM	PART NUMBER	QTY	DESCRIPTION	REV
	1001192280	Ref	2500W GENERATOR INSTALLATION	E
1	0100011	AR	Compound, Locking	
2	0100019	AR	Compound, Locking	
3	0100048	AR	Silicone	
4	0641507	1	Bolt 5/16 x 7/8	
5	0760606	1	Bolt M6 x 12	
6	0760814	2	Bolt M8 x 30	
8	0761214	2	Bolt M12 x 30	
9	2820031	AR	Heat Shrink	
10	3251102	1	Nameplate - Generator On/Off	
11	3251243	1	Decal - 120V-60Hz	
12	3290805	2	Nut M8	
13	3291007	1	Nut M10	
14	3291201	2	Nut M12	
15	3311001	2	Nut #10	
17	4060802	1	Guard, Switch	
18	4360336	1	Switch, Toggle	
19	4751000	2	Washer #10	
20	4751500	1	Washer 5/16	
21	4811700	2	Washer M6	
22	4811900	4	Washer M8	
23	4812000	10	Washer M10	
24	5241200	4	Washer M12	
25	1001119280	1	Bolt M10 x 260	
26	1001196382	2	Stud	
27	4922641	1	Generator Switch Harness	
29	1001179837	1	Arm, Adjusting	
30	1001180001	1	Generator and Control Box Assembly	
30A	7012558	1	Generator, Replacement	
30A		Ref	Note: Replacement Generators come standard with p/n 3580134 pulley. This Pulley may not be correct for all applications. Refer to Pulley options below.	
30A	7026199	1	Armature with Slip Rings	
30A	7012513	4	Cap, Brush Holder	
30A	7020108	4	Brush	
30A	7020109	4	Holder, Brush	
30A	7012514	1	Fan	
30A	7020110	1	Bell, Front	
30A	7020111	1	Bell, Rear	
30A	7020190	2	Bearing	
30B	7019680	1	Box, Control	
30B		Ref	Receptacle Options:	
30B	4460190	1	Receptacle, Standard	
30B	4460027	1	Receptacle, Twistlock	
30B	4360542	1	Breaker, Circuit	
30B	3520028	1	Plug, Hole	
30C	2420203	1	Voltmeter	
30D	3580276	1	Pulley	
30D	7027887	1	Key, Woodruff	

SECTION 3 - ENGINE

ITEM	PART NUMBER	QTY	DESCRIPTION	REV
31	1001181243	1	Mount (Lower)	
32	1001193167	1	Plate	
33	1001194114	1	Generator Harness - 2500W (Not Shown) (See Separate Breakdown in ELECTRICAL SECTION)	
34	1001148138	1	Belt	
35	1001216015	1	Mount (Upper)	
36	4711600	1	Washer 3/8	
37	0641607	1	Bolt 3/8 x 7/8	

SECTION 3 - ENGINE

FIGURE 3-50. 2500W GENERATOR INSTALLATION - 110V/60HZ (FORD ENGINES) (OPTIONAL)



ART_1001219853

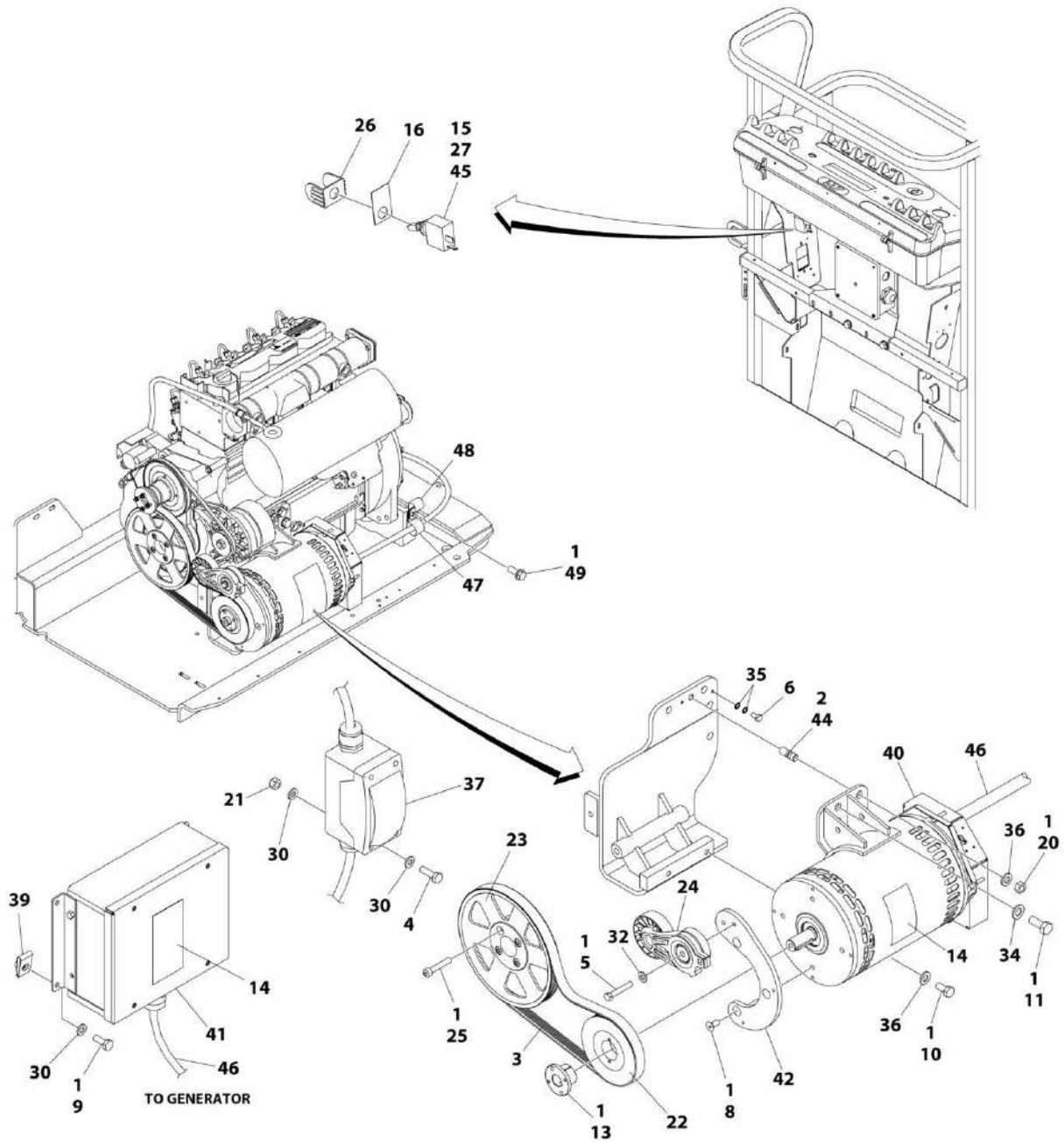
SECTION 3 - ENGINE

FIGURE 3-50. 2500W GENERATOR INSTALLATION - 110V/60HZ (FORD ENGINES) (OPTIONAL)

ITEM	PART NUMBER	QTY	DESCRIPTION	REV
	1001219853	Ref	2500W GENERATOR INSTALLATION	C
1	0100011	AR	Compound, Locking	
2	0641508	1	Bolt 5/16 x 1	
3	1001119280	1	Bolt M10 x 260	
4	0760608	3	Bolt M6 x 16	
5	0761016	1	Bolt M10 x 40	
6	0761216	2	Bolt M12 x 40	
7	2460051	1	Generator and Control Box Assembly	
7A	7012558	1	Generator, Replacement	
		Ref	Note: Replacement Generators come standard with p/n 3580134 pulley. This pulley may not be correct for all applications. Refer to pulley options below.	
7A	7026199	1	Armature with Slip Rings	
7A	7012513	4	Cap, Brush Holder	
7A	7020108	4	Brush	
7A	7020109	4	Holder, Brush	
7A	7012514	1	Fan	
7A	7020110	1	Bell, Front	
7A	7020111	1	Bell, Rear	
7A	7020190	2	Bearing	
7B	7019680	1	Box, Control	
7B		Ref	Receptacle Options:	
7B	4460190	1	Receptacle, Standard	
7B	4460027	1	Receptacle, Twistlock	
7B	4360542	1	Breaker, Circuit	
7B	3520028	1	Plug, Hole	
7C	2420203	1	Voltmeter	
7D	3580324	1	Pulley	
7D	7027887	1	Key, Woodruff	
8	2820031	AR	Heat Shrink	
9	3251102	1	Nameplate - Generator On/Off	
10	3251243	1	Decal - 120V-60Hz	
11	3311005	2	Nut #10	
12	3291007	1	Nut M10	
13	4060802	1	Guard, Switch	
14	4360336	1	Switch, Toggle	
16	4751000	2	Washer #10	
17	4811700	3	Washer M6	
18	4812000	11	Washer M10	
19	4812100	2	Washer M12	
20	4891500	2	Washer 5/16	
21	1001130220	3	Nut, Tinnerman M6	
22	4922641	1	Generator Switch Harness	
23	1001216391	1	Belt	
24	1001219630	1	Mount (Lower)	
25	1001219632	1	Arm, Adjusting	
26	1001220728	1	Bracket	
27	1001194114	1	Generator Harness - 2500W (Not Shown) (See Separate Breakdown in ELECTRICAL SECTION)	

SECTION 3 - ENGINE

FIGURE 3-51. 4000W GENERATOR INSTALLATION - 220V/50HZ (DEUTZ D2011 ENGINES) (OPTIONAL)



ART_1001192487

SECTION 3 - ENGINE

**FIGURE 3-51. 4000W GENERATOR INSTALLATION - 220V/50HZ (DEUTZ D2011 ENGINES)
(OPTIONAL)**

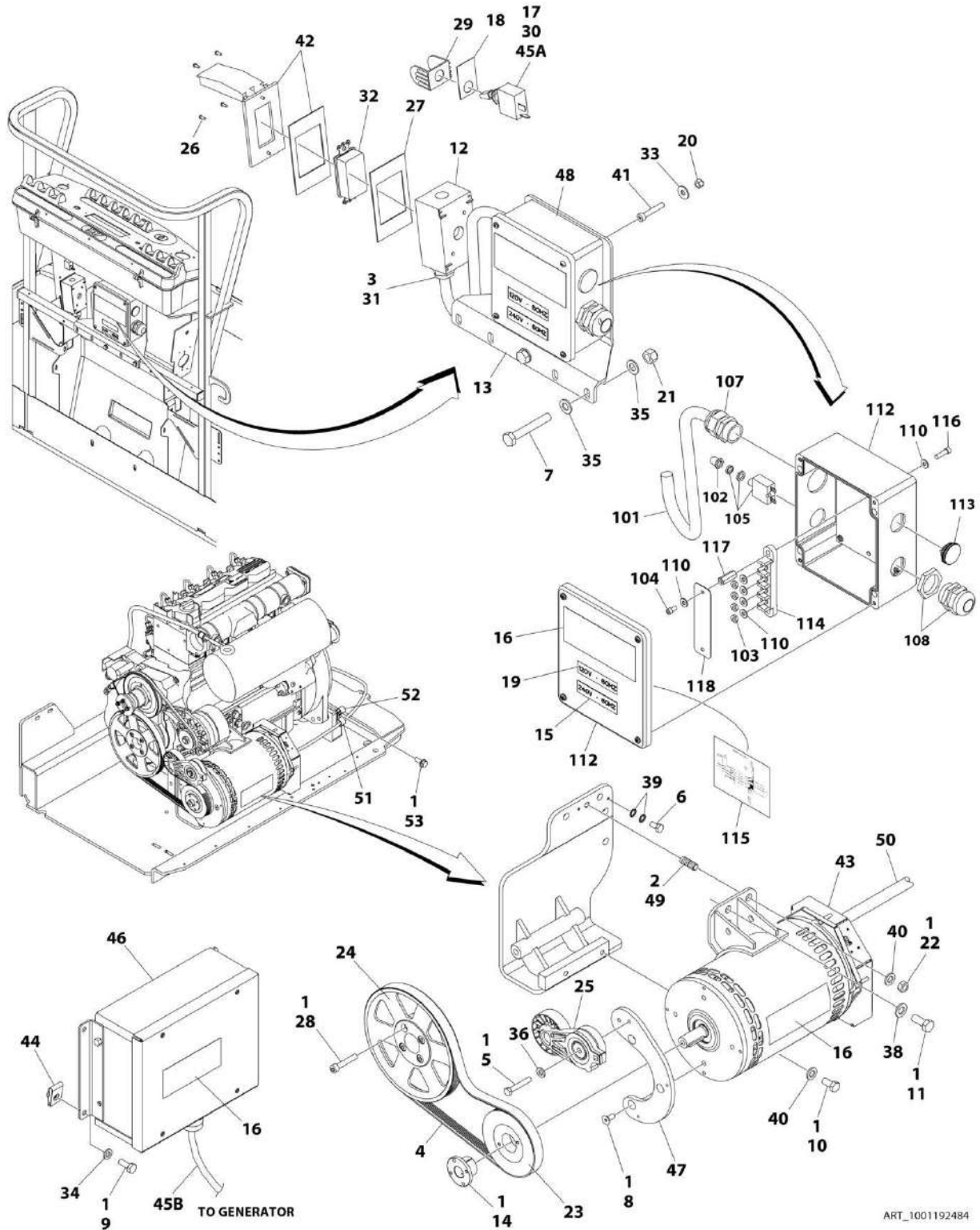
ITEM	PART NUMBER	QTY	DESCRIPTION	REV
	1001192487	Ref	4000W GENERATOR INSTALLATION	G
1	0100011	AR	Compound, Locking	
2	0100019	AR	Compound, Locking	
3	1001141814	1	Belt	
4	0760610	2	Bolt M6 x 20	
5	0641618	1	Bolt 3/8 x 2-1/4	
6	0760606	1	Bolt M6 x 12	
8	0741607	3	Screw 3/8 x 7/8	
9	0760608	4	Bolt M6 x 16	
10	0761212	2	Bolt M12 x 25	
11	0761415	1	Bolt 14 x 35	
13	0962520	1	Bushing, Split	
14	1705489	2	Decal - Hazardous Voltage	
15	2820031	AR	Heat Shrink	
16	3251102	1	Nameplate - Generator On/Off	
20	3291201	1	Nut M12	
21	3290605	2	Nut M6	
22	3580319	1	Pulley	
23	3580320	1	Pulley	
24	3580317	1	Tensioner, Belt	
25	4032015	4	Capscrew M10 x 55	
26	4060802	1	Guard, Switch	
27	4360336	1	Switch, Toggle	
30	4811700	8	Washer M6	
32	5241000	1	Washer M10	
34	5241400	1	Washer M14	
35	4871700	2	Washer M6	
36	5241200	3	Washer M12	
37	1001096070	1	Breaker Box Kit (See Separate Breakdown in ELECTRICAL SECTION)	
39	1001130220	4	Nut, Tinnerman M6	
40	1001138565	1	Generator Assembly (50Hz)	
40	70003709	1	Ring, Retaining (External)	
40	70003708	1	Ring, Retaining (Internal)	
40	70001966	1	Bearing	
40	70004092	1	Endbell (Shaft End)	
40	70004171	1	Key	
40	70004676	1	Rotor	
40	70004677	1	Stator	
40	70004678	1	Endbell (Rear)	
40	70004679	1	Cover, Endbell (Rear)	
40	70004680	1	Enclosure, Wiring	
40	70004681	1	Cover, Enclosure	
40	70004682	1	Switch, Reset (Located on Enclosure Cover)	
40	70004683	1	Connector, Strain Relief (Located on Enclosure Cover)	
41	1001138566	1	Box, Control	
41	70006552	1	Capacitor	
41	70006553	1	Relay	
42	1001139357	1	Mount	

SECTION 3 - ENGINE

ITEM	PART NUMBER	QTY	DESCRIPTION	REV
44	1001196382	1	Stud	
45	4922641	1	Generator Switch Harness	
46	1001152532	1	Generator Harness (See Separate Breakdown in ELECTRICAL SECTION)	
47	7274000040	1	Clamp	
48	1320061	1	Clamp	
49	5251012	1	Bolt M10 x 25	

SECTION 3 - ENGINE

FIGURE 3-52. 4000W GENERATOR INSTALLATION - 110V/60HZ (DEUTZ D2011 ENGINES) (OPTIONAL)



ART_1001192484

SECTION 3 - ENGINE

**FIGURE 3-52. 4000W GENERATOR INSTALLATION - 110V/60HZ (DEUTZ D2011 ENGINES)
(OPTIONAL)**

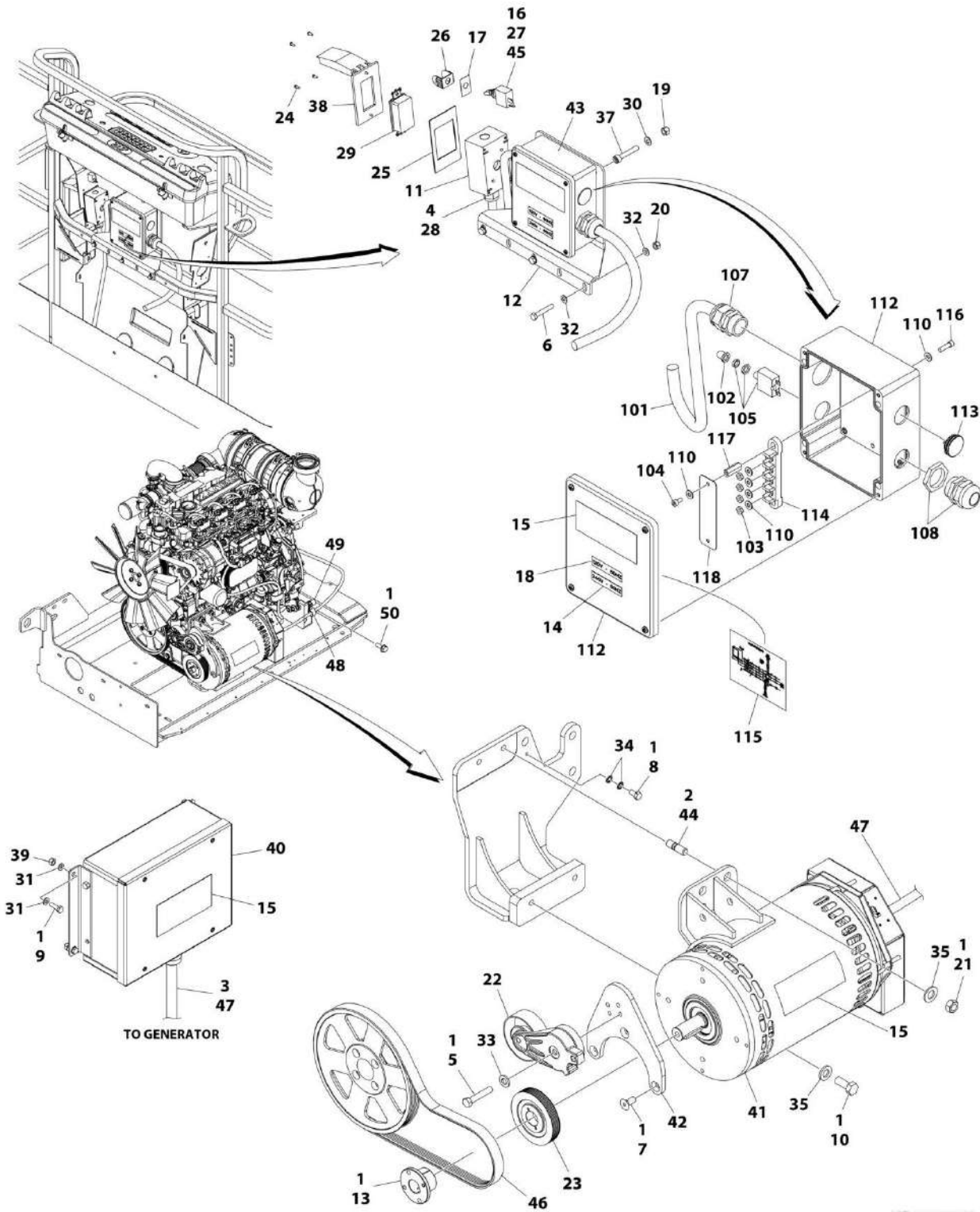
ITEM	PART NUMBER	QTY	DESCRIPTION	REV
	1001192484	Ref	4000W GENERATOR INSTALLATION	G
1	0100011	AR	Compound, Locking	
2	0100019	AR	Compound, Locking	
3	0100079	AR	Sealant	
4	1001136356	1	Belt	
5	0641618	1	Bolt 3/8 x 2-1/4	
6	0760606	1	Bolt M6 x 12	
7	0700819	1	Bolt M8 x 55	
8	0741607	3	Screw 3/8 x 7/8	
9	0760608	4	Bolt M6 x 16	
10	0761212	2	Bolt M12 x 25	
11	0761415	1	Bolt M14 x 35	
12	0860038	1	Box, Receptacle	
13	0902888	1	Bracket	
14	0962520	1	Bushing, Split	
15	1705374	1	Decal - 240V-60Hz	
16	1705387	3	Decal - Hazardous Voltage	
17	2820031	AR	Heat Shrink	
18	3251102	1	Nameplate - Generator On/Off	
19	3251243	1	Decal - 120V-60Hz	
20	3290505	4	Nut M5	
21	3290805	2	Nut M8	
22	3291201	1	Nut M12	
23	3580318	1	Pulley	
24	3580320	1	Pulley	
25	3580317	1	Tensioner, Belt	
26	3910606	4	Screw #6 x 3/8	
27	3960422	1	Gasket	
28	4032015	4	Capscrew M10 x 55	
29	4060802	1	Guard, Switch	
30	4360336	1	Switch, Toggle	
31	4460071	1	Connector, Strain Relief	
32	4460346	1	Receptacle	
33	4811602	4	Washer M5	
34	4811700	4	Washer M6	
35	4811900	4	Washer M8	
36	5241000	1	Washer M10	
38	5241400	1	Washer M14	
39	4871700	2	Washer M6	
40	5241200	3	Washer M12	
41	1001104029	4	Capscrew M5 x 30 Grade 12.9	
42	1001110873	1	Cover, Receptacle	
43	1001129858	1	Generator Assembly (60Hz)	
43	70003709	1	Ring, Retaining (External)	
43	70003708	1	Ring, Retaining (Internal)	
43	70001966	1	Bearing	
43	70004092	1	Endbell (Shaft End)	
43	70004171	1	Key	
43	70004676	1	Rotor	

SECTION 3 - ENGINE

ITEM	PART NUMBER	QTY	DESCRIPTION	REV
43	70004684	1	Stator	
43	70004678	1	Endbell (Rear)	
43	70004679	1	Cover, Endbell (Rear)	
43	70004680	1	Enclosure, Wiring	
43	70004685	1	Cover, Enclosure	
43	70004682	1	Switch, Reset (Located on Enclosure Cover)	
43	70004098	1	Connector, Strain Relief (Located on Enclosure Cover)	
44	1001130220	4	Nut, Tinnerman M6	
45A	4922641	1	Generator Switch Harness	
45B	1001153197	1	Generator to Engine Harness	
45B	4460967	1	Connector - 3 Position	
45B	4460465	2	Socket, Female	
46	1001138566	1	Box, Control	
46	70006552	1	Capacitor	
46	70006553	1	Relay	
47	1001139357	1	Mount	
48	1001152457	1	Junction Box Assembly (See Items 101-118 for Breakdown)	
49	1001196382	1	Stud	
50	1001152532	1	Generator Harness (See Separate Breakdown in ELECTRICAL SECTION)	
51	7274000040	1	Clamp	
52	1320061	1	Clamp	
53	5251012	1	Bolt M10 x 25	
	1001152457	Ref	JUNCTION BOX ASSEMBLY	
101	1001179154	2.5 ft/ 0.8m	Cable, Electrical - 12/3	
102	3300396	1	Cover, Breaker	
103	3311001	4	Nut #10	
104	3900300	2	Screw	
105	4360070	1	Breaker, Circuit - 15Amp	
107	4460425	1	Connector, Strain Relief (LH Side)	
108	4460426	1	Connector, Strain Relief (RH Side)	
110	4711000	8	Washer #10	
112	1001152456	1	Box, Junction	
113	1001152525	1	Plug	
114	1001152530	1	Terminal, Block	
115	1001153260	1	Decal - Wiring Diagram	
116	3900267	2	Screw	
117	1001158008	2	Stand-Off	
118	1001158363	1	Cover, Terminal Block	

SECTION 3 - ENGINE

FIGURE 3-53. 4000W GENERATOR INSTALLATION - 110V/60HZ (DEUTZ TD2.9L4 ENGINES) (OPTIONAL)



SECTION 3 - ENGINE

**FIGURE 3-53. 4000W GENERATOR INSTALLATION - 110V/60HZ (DEUTZ TD2.9L4 ENGINES)
(OPTIONAL)**

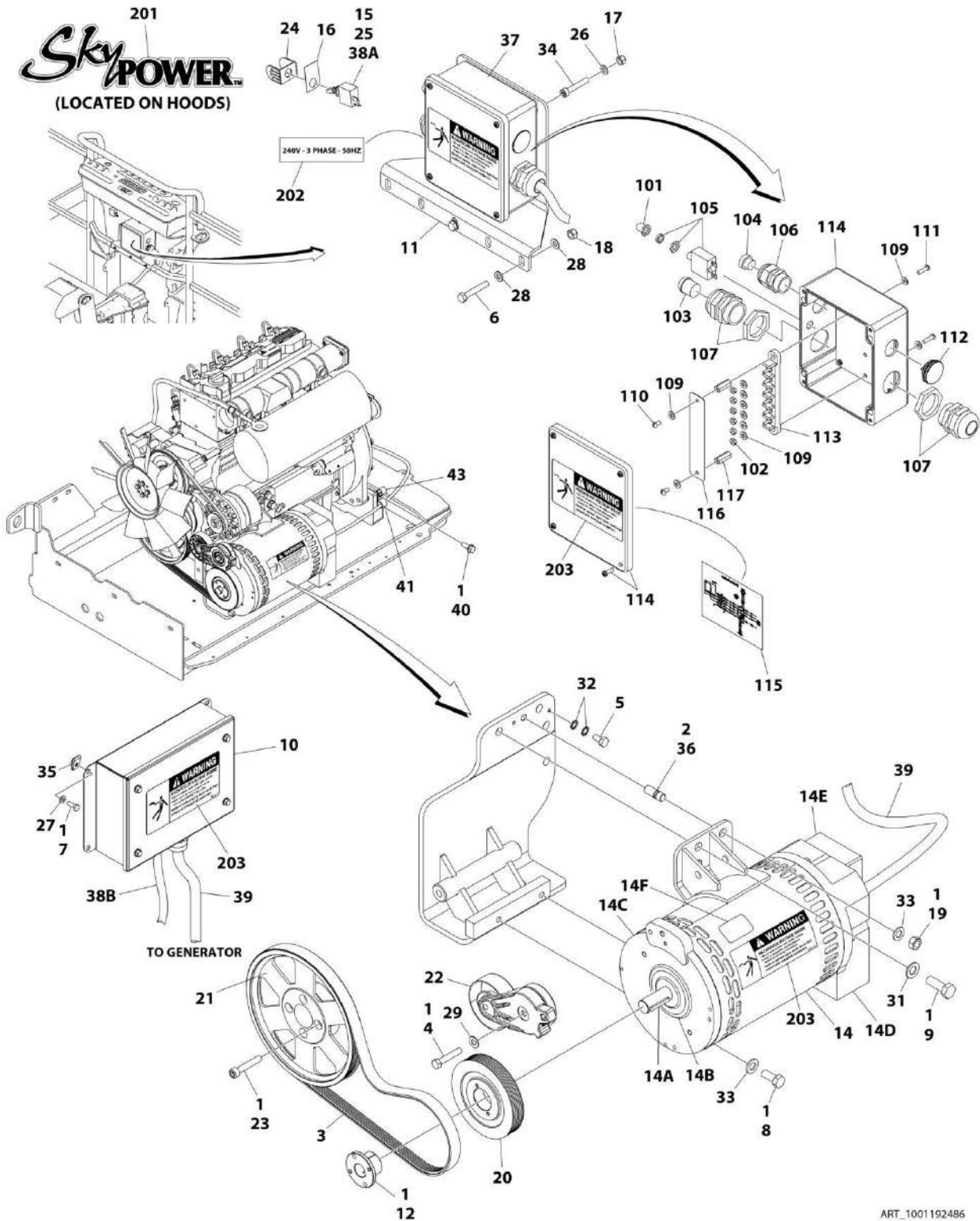
ITEM	PART NUMBER	QTY	DESCRIPTION	REV
	1001192279	Ref	4000W GENERATOR INSTALLATION	F
1	0100011	AR	Compound, Locking	
2	0100019	AR	Compound, Locking	
3	0100048	AR	Compound, Locking	
4	0100079	AR	Sealant	
5	0641616	1	Bolt 3/8 x 2	
6	0700819	2	Bolt M8 x 55	
7	0741607	3	Screw 3/8 x 7/8	
8	0760606	1	Bolt M6 x 12	
9	0760608	4	Bolt M6 x 16	
10	0761212	2	Bolt M12 x 25	
11	0860038	1	Box, Receptacle	
12	0902888	1	Bracket	
13	0962520	1	Bushing, Split	
14	1705374	1	Decal - 240V-60Hz	
15	1705387	3	Decal - Hazardous Voltage	
16	2820031	AR	Heat Shrink	
17	3251102	1	Nameplate - Generator On/Off	
18	3251243	1	Decal - 120V-60Hz	
19	3290505	4	Nut M5	
20	3290805	2	Nut M8	
21	3291201	2	Nut M12	
22	3580317	1	Tensioner, Belt	
23	3580318	1	Pulley	
24	3910606	4	Screw #6 x 3/8	
25	3960422	1	Gasket	
26	4060802	1	Guard, Switch	
27	4360336	1	Switch, Toggle	
28	4460071	1	Connector, Strain Relief	
29	4460346	1	Receptacle	
30	4811602	4	Washer M5	
31	4811700	4	Washer M6	
32	4811900	4	Washer M8	
33	5241000	1	Washer M10	
34	4871700	2	Washer M6	
35	5241200	4	Washer M12	
37	1001104029	4	Capscrew M5 x 30 Grade 12.9	
38	1001110873	1	Cover	
39	1001130220	4	Nut, Tinnerman M6	
40	1001138566	1	Box, Control	
40	70006552	1	Capacitor	
40	70006553	1	Relay	
41	1001140346	1	Generator Assembly (60Hz)	
41	70003709	1	Ring, Retaining (External)	
41	70003708	1	Ring, Retaining (Internal)	
41	70001966	1	Bearing	
41	70004092	1	Endbell (Shaft End)	
41	70004099	1	Key	
41	70004676	1	Rotor	

SECTION 3 - ENGINE

ITEM	PART NUMBER	QTY	DESCRIPTION	REV
41	70004687	1	Stator	
41	70004678	1	Endbell (Rear)	
41	70004679	1	Cover, Endbell (Rear)	
41	70004680	1	Enclosure, Wiring	
41	70004685	1	Cover, Enclosure	
41	70004682	1	Switch, Reset (Located on Enclosure Cover)	
41	70004098	1	Connector, Strain Relief (Located on Enclosure Cover)	
42	1001142643	1	Support	
43	1001152457	1	Junction Box Assembly (See Items 101-118 for Breakdown)	
44	1001196382	2	Stud	
45	4922641	1	Generator Switch Harness	
46	1001142646	1	Belt	
47	1001152532	1	Generator Harness (See Separate Breakdown in ELECTRICAL SECTION)	
48	7274000040	1	Clamp	
49	1320061	1	Clamp	
50	5251012	1	Bolt M10 x 25	
	1001152457	Ref	JUNCTION BOX ASSEMBLY	
101	1001179154	2.5 ft/ 0.8m	Cable, Electrical - 12/3	
102	3300396	1	Cover, Breaker	
103	3311001	4	Nut #10	
104	3900300	2	Screw	
105	4360070	1	Breaker, Circuit - 15Amp	
107	4460425	1	Connector, Strain Relief (LH Side)	
108	4460426	1	Connector, Strain Relief (RH Side)	
110	4711000	8	Washer #10	
112	1001152456	1	Box, Junction	
113	1001152525	1	Plug	
114	1001152530	1	Terminal, Block	
115	1001153260	1	Decal - Wiring Diagram	
116	3900267	2	Screw	
117	1001158008	2	Stand-Off	
118	1001158363	1	Cover, Terminal Block	

SECTION 3 - ENGINE

FIGURE 3-54. 7500W SKYPOWER GENERATOR INSTALLATION - 220V/50HZ (DEUTZ D2011 ENGINES) (OPTIONAL)



SECTION 3 - ENGINE

FIGURE 3-54. 7500W SKYPOWER GENERATOR INSTALLATION - 220V/50HZ (DEUTZ D2011 ENGINES) (OPTIONAL)

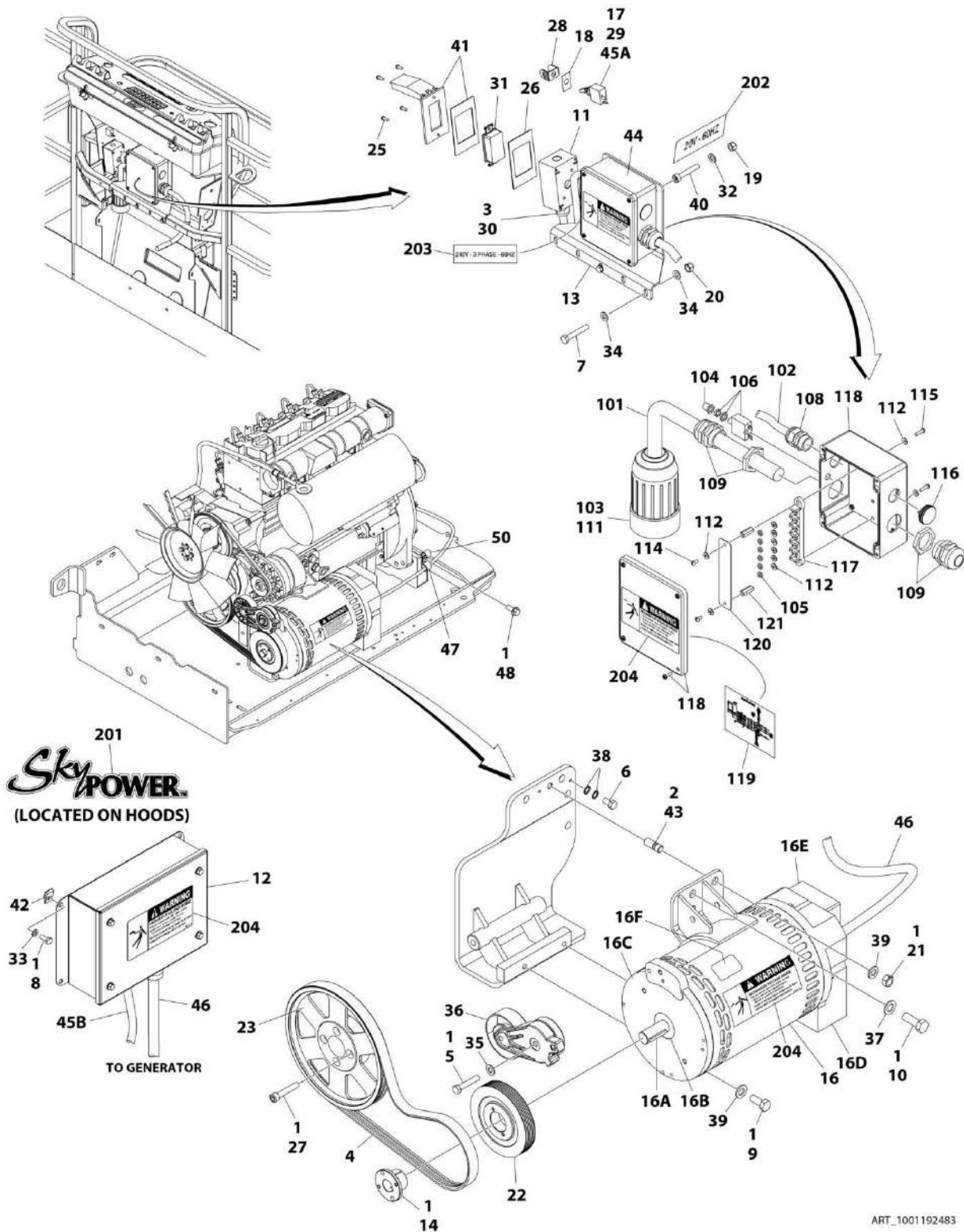
ITEM	PART NUMBER	QTY	DESCRIPTION	REV
	1001192486	Ref	7500W SKYPOWER GENERATOR INSTALLATION	H
1	0100011	AR	Compound, Locking	
2	0100019	AR	Compound, Locking	
3	1001141814	1	Belt	
4	0641618	1	Bolt 3/8 x 2-1/4	
5	0760606	1	Bolt M6 x 12	
6	0700819	2	Bolt M8 x 55	
7	0760608	4	Bolt M6 x 16	
8	0761212	2	Bolt M12 x 25	
9	0761415	1	Bolt M14 x 35	
10	0861572	1	Control Box Assembly	
10	7024488	1	Card, Circuit - Generator Power	
10	See Note	NSS	Fuse (Note: Not Available - Purchase Locally)	
10	7024489	1	Card, Circuit - Control	
10	70000619	1	Harness, Control Box (Internal)	
11	0902888	1	Bracket	
12	0962520	1	Bushing, Split	
14	2460048	1	Generator Assembly	
14	70001100	1	Rotor (Includes p/n 70001384 & 70000863) (Not Shown)	
14	70001384	1	Bearing, Ball Radial (Not Shown)	
14	70000863	1	Fan (Not Shown)	
14	70002088	1	Stator (Not Shown)	
14	70002297	1	Stud	
14	70003631	1	Brushholder Assembly (Not Shown)	
14A	70004171	1	Key	
14B	70001966	1	Bearing, Ball Radial (Located in Belt Tensioner Endbell)	
14B	70003708	1	Ring, Internal Retaining (Located in Belt Tensioner Endbell)	
14B	70003709	1	Ring, External Retaining (Located in Belt Tensioner Endbell)	
14C	70001953	1	Endbell, Belt Tensioner	
14D	70004169	1	Endbell, Brush Block	
14E	70004169	1	Shroud	
14E	See Note	NSS	Insulator, Endbell (Note: Not Available for Purchase)	
14E	7027799	1	Block, Connector 6 Position (Not Shown)	
14E	70002460	1	Nut, Brass (Attaches p/n 7027799 to Cover) (Not Shown)	
14E	7024485	1	Breaker, Circuit 30Amp (Not Shown)	
14E	70001696	1	Boot, Breaker (Not Shown)	
14E	7026626	1	Connector, 6 Position (Includes Seal) (Not Shown - Plugs into Item 39)	
14E	7026597	1	Connector, with Leads (Not Shown)	
14E	7026188	1	Clamp, Cable Options (Not Shown)	
14E	70004169	1	Plate, End Panel	
14E	70001974	1	Decal - Terminal Connections	
14F	70001973	1	Decal - Warning Moving Parts	
15	2820031	AR	Heat Shrink	
16	3252764	1	Nameplate - AC & Weld	
17	3290505	4	Nut M5	
18	3290805	2	Nut M8	
19	3291201	1	Nut M12	

SECTION 3 - ENGINE

ITEM	PART NUMBER	QTY	DESCRIPTION	REV
20	3580319	1	Pulley	
21	3580320	1	Pulley	
22	3580317	1	Tensioner, Belt	
23	4032015	4	Capscrew M10 x 55	
24	4060802	1	Guard, Switch	
25	4360336	1	Switch, Toggle	
26	4811602	4	Washer M5	
27	4811700	4	Washer M6	
28	4811900	4	Washer M8	
29	5241000	1	Washer M10	
31	5241400	1	Washer M14	
32	4871700	2	Washer M6	
33	5241200	3	Washer M12	
34	1001104029	4	Capscrew M5 x 30 Grade 12.9	
35	1001130220	4	Nut, Tinnerman M6	
36	1001196382	1	Stud	
37	1001157525	1	Junction Box Assembly (See Items 101-117 for Breakdown)	
38A	4922641	1	Generator Switch Harness	
38B	1001152429	1	Generator to Engine Harness (See Separate Breakdown in ELECTRICAL SECTION)	
39	4922925	1	Generator Harness (See Separate Breakdown in ELECTRICAL SECTION)	
40	5251012	1	Bolt M10 x 25	
41	7274000040	1	Clamp	
43	1320061	1	Clamp	
	1001157525	Ref	JUNCTION BOX ASSEMBLY	B
101	3300396	1	Cover, Fuse	
102	3311001	6	Nut #10	
103	3520189	1	Plug	
104	3520192	1	Plug	
105	4360070	1	Circuit Breaker - 15Amp	
106	4460425	1	Connector, Strain Relief	
107	4460426	2	Connector, Strain Relief	
109	4711000	10	Washer #10	
110	10702077	2	Screw #10 x 3/8	
111	10702082	2	Screw #10 x 3/4	
112	1001152525	1	Plug	
113	1001152520	1	Block, Terminal	
114	1001157521	1	Box, Junction	
115	1001157528	1	Decal - Wiring Schematic	
116	1001158007	1	Cover, PVC	
117	1001158008	2	Stand-Off	
	0272589	Ref	DECAL INSTALLATION	A
201	1705460	2	Decal - SkyPower	
202	1705461	1	Decal - 240V - 3 Phase - 50Hz	
203	1705489	3	Decal - Hazardous Voltage	

SECTION 3 - ENGINE

FIGURE 3-55. 7500W SKYPOWER GENERATOR INSTALLATION - 110/60HZ (DEUTZ D2011 ENGINES) (OPTIONAL)



SECTION 3 - ENGINE

**FIGURE 3-55. 7500W SKYPOWER GENERATOR INSTALLATION - 110/60HZ (DEUTZ D2011 ENGINES)
(OPTIONAL)**

ITEM	PART NUMBER	QTY	DESCRIPTION	REV
	1001192483	Ref	7500W SKYPOWER GENERATOR INSTALLATION	H
1	0100011	AR	Compound, Locking	
2	0100019	AR	Compound, Locking	
3	0100079	AR	Sealant	
4	1001136356	1	Belt	
5	0641618	1	Bolt 3/8 x 2-1/4	
6	0760606	1	Bolt M6 x 12	
7	0700819	2	Bolt M8 x 55	
8	0760608	4	Bolt M6 x 16	
9	0761212	2	Bolt M12 x 25	
10	0761415	1	Bolt M14 x 35	
11	0860038	1	Box, Receptacle	
12	0861538	1	Control Box Assembly	
12	7024488	1	Card, Circuit - Generator Power	
12	See Note	NSS	Fuse (Note: Not Available - Purchase Locally)	
12	7024489	1	Card, Circuit - Control	
12	70000619	1	Harness, Control Box (Internal)	
13	0902888	1	Bracket	
14	0962520	1	Bushing, Split	
16	2460048	1	Generator Assembly	
16	70001100	1	Rotor (Includes p/n 70001384 & 70000863) (Not Shown)	
16	70001384	1	Bearing, Ball Radial (Not Shown)	
16	70000863	1	Fan (Not Shown)	
16	70002088	1	Stator (Not Shown)	
16	70002297	1	Stud	
16	70003631	1	Brushholder Assembly (Not Shown)	
16A	70004171	1	Key	
16B	70001966	1	Bearing, Ball Radial (Located in Belt Tensioner Endbell)	
16B	70003708	1	Ring, Internal Retaining (Located in Belt Tensioner Endbell)	
16B	70003709	1	Ring, External Retaining (Located in Belt Tensioner Endbell)	
16C	70001953	1	Endbell, Belt Tensioner	
16D	70004169	1	Endbell, Brush Block	
16E	70004169	1	Shroud	
16E	See Note	NSS	Insulator, Endbell (Note: Not Available for Purchase)	
16E	7027799	1	Block, Connector - 6 Position (Not Shown)	
16E	70002460	1	Nut, Brass (Attaches p/n 7027799 to Cover) (Not Shown)	
16E	7024485	1	Breaker, Circuit 30Amp (Not Shown)	
16E	70001696	1	Boot, Breaker (Not Shown)	
16E	7026626	1	Connector, 6 Position (Includes Seal) (Not Shown - Plugs into Item 39)	
16E	7026597	1	Connector, with Leads (Not Shown)	
16E	7026188	1	Clamp, Cable Options (Not Shown)	
16E	70004169	1	Plate, End Panel	
16E	70001974	1	Decal - Terminal Connections	
16F	70001973	1	Decal - Warning Moving Parts	
17	2820031	AR	Heat Shrink	
18	3252764	1	Nameplate - AC & Weld	
19	3290505	4	Nut M5	
20	3290805	2	Nut M8	

SECTION 3 - ENGINE

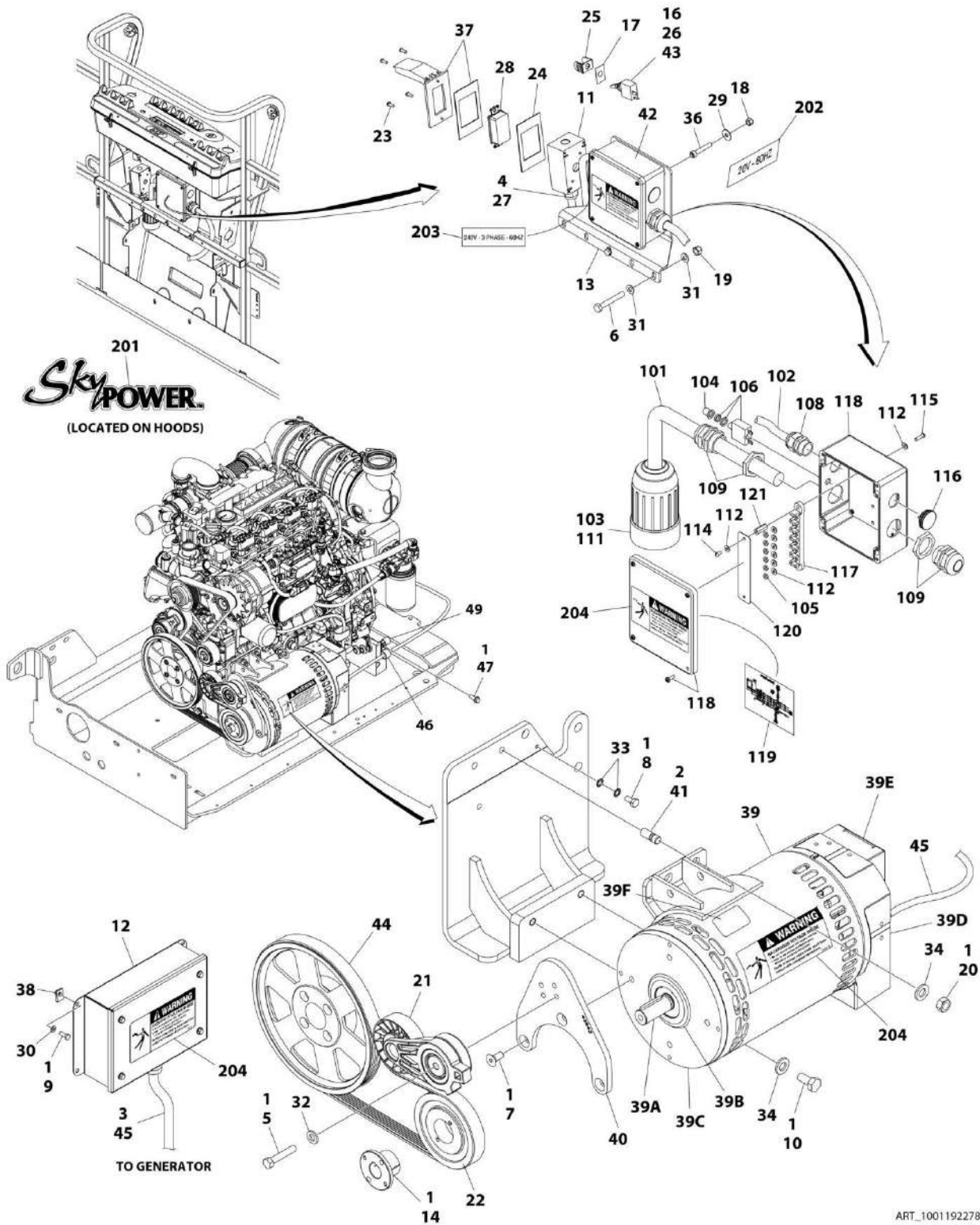
ITEM	PART NUMBER	QTY	DESCRIPTION	REV
21	3291201	1	Nut M12	
22	3580318	1	Pulley	
23	3580320	1	Pulley	
25	3910606	4	Screw #6 x 3/8	
26	3960422	1	Gasket	
27	4032015	4	Capscrew M10 x 55	
28	4060802	1	Guard, Switch	
29	4360336	1	Switch, Toggle	
30	4460071	1	Connector, Strain Relief	
31	4460346	1	Receptacle	
32	4811602	4	Washer M5	
33	4811700	4	Washer M6	
34	4811900	4	Washer M8	
35	5241000	1	Washer M10	
36	3580317	1	Tensioner, Belt	
37	5241400	1	Washer M14	
38	4871700	2	Washer M6	
39	5241200	3	Washer M12	
40	1001104029	4	Capscrew M5 x 30 Grade 12.9	
41	1001110873	1	Cover	
42	1001130220	4	Nut, Tinnerman M6	
43	1001196382	1	Stud	
44	1001157592	1	Junction Box Assembly (See Items 101-121 for Breakdown)	
45A	4922641	1	Generator Switch Harness	
45B	1001152429	1	Generator to Engine Harness (See Separate Breakdown in ELECTRICAL SECTION)	
46	4922925	1	Generator Harness (See Separate Breakdown in ELECTRICAL SECTION)	
47	7274000040	1	Clamp	
48	5251012	1	Bolt M10 x 25	
50	1320061	1	Clamp	
	1001157592	Ref	JUNCTION BOX ASSEMBLY	C
101	1060343	1.5 ft/ 0.5m	Cable, Electrical 10/4	
102	1001179154	2.5 ft/ 0.8m	Cable, Electrical 12/3	
103	1671092	1	Cover	
104	3300396	1	Cover, Fuse	
105	3311001	6	Nut #10	
106	4360070	1	Circuit Breaker - 15Amp	
108	4460425	1	Connector, Strain Relief	
109	4460426	2	Connector, Strain Relief	
111	4460963	1	Connector	
112	4711000	10	Washer #10	
114	10702077	2	Screw #10 x 3/8	
115	10702082	2	Screw #10 x 3/4	
116	1001152525	1	Plug	
117	1001157520	1	Block, Terminal	
118	1001157521	1	Box, Junction	
119	1001157528	1	Decal - Wiring Schematic	
120	1001158007	1	Cover, PVC	
121	1001158008	2	Stand-Off	

SECTION 3 - ENGINE

ITEM	PART NUMBER	QTY	DESCRIPTION	REV
	0272435	Ref	DECAL INSTALLATION	D
201	1705460	2	Decal - SkyPower	
202	3251243	1	Decal - 120V-60Hz	
203	1705375	1	Decal - 240V - 3 Phase - 60Hz	
204	1705387	3	Decal - Hazardous Voltage	

SECTION 3 - ENGINE

FIGURE 3-56. 7500W SKYPOWER GENERATOR INSTALLATION - 110V/60HZ (DEUTZ TD2.9L4 ENGINES) (OPTIONAL)



SECTION 3 - ENGINE

FIGURE 3-56. 7500W SKYPOWER GENERATOR INSTALLATION - 110V/60HZ (DEUTZ TD2.9L4 ENGINES) (OPTIONAL)

ITEM	PART NUMBER	QTY	DESCRIPTION	REV
	1001192278	Ref	7500W SKYPOWER GENERATOR INSTALLATION	G
1	0100011	AR	Compound, Locking	
2	0100019	AR	Compound, Locking	
3	0100048	AR	Compound Terminal	
4	0100079	AR	Sealant	
5	0641616	1	Bolt 3/8 x 2	
6	0700819	2	Bolt M8 x 55	
7	0741607	3	Screw 3/8 x 7/8	
8	0760606	1	Bolt M6 x 12	
9	0760608	4	Bolt M6 x 16	
10	0761212	2	Bolt M12 x 25	
11	0860038	1	Box, Receptacle	
12	0861538	1	Control Box Assembly	
12	7024488	1	Card, Circuit - Generator Power	
12	See Note	NSS	Fuse (Note: Not Available - Purchase Locally)	
12	7024489	1	Card, Circuit - Control	
12	70000619	1	Harness, Control Box (Internal)	
		Ref	Note: Same Circuit Card (P/N 7024489) is used for both 60Hz and 50Hz. When replacing card, rocker switch on card must be set for required application.	
13	0902888	1	Bracket	
14	0962520	1	Bushing, Split	
16	2820031	AR	Heat Shrink	
17	3252764	1	Nameplate - AC & Weld	
18	3290505	4	Nut M5	
19	3290805	2	Nut M8	
20	3291201	2	Nut M12	
21	3580317	1	Tensioner, Belt	
22	3580318	1	Pulley	
23	3910606	4	Screw #6 x 3/8	
24	3960422	1	Gasket	
25	4060802	1	Guard, Switch	
26	4360336	1	Switch, Toggle	
27	4460071	1	Connector, Strain Relief	
28	4460346	1	Receptacle	
29	4811602	4	Washer M5	
30	4811700	4	Washer M6	
31	4811900	4	Washer M8	
32	5241000	1	Washer M10	
33	4871700	2	Washer M6	
34	5241200	4	Washer M12	
36	1001104029	1	Capscrew M5 x 30 Grade 12.9	
37	1001110873	1	Cover	
38	1001130220	4	Nut, Tinnerman M6	
39	1001212223	1	Generator Assembly	
39	70001100	1	Rotor (Includes p/n 70001384 & 70000863) (Not Shown)	
39	70001384	1	Bearing, Ball Radial (Not Shown)	
39	70000863	1	Fan (Not Shown)	

SECTION 3 - ENGINE

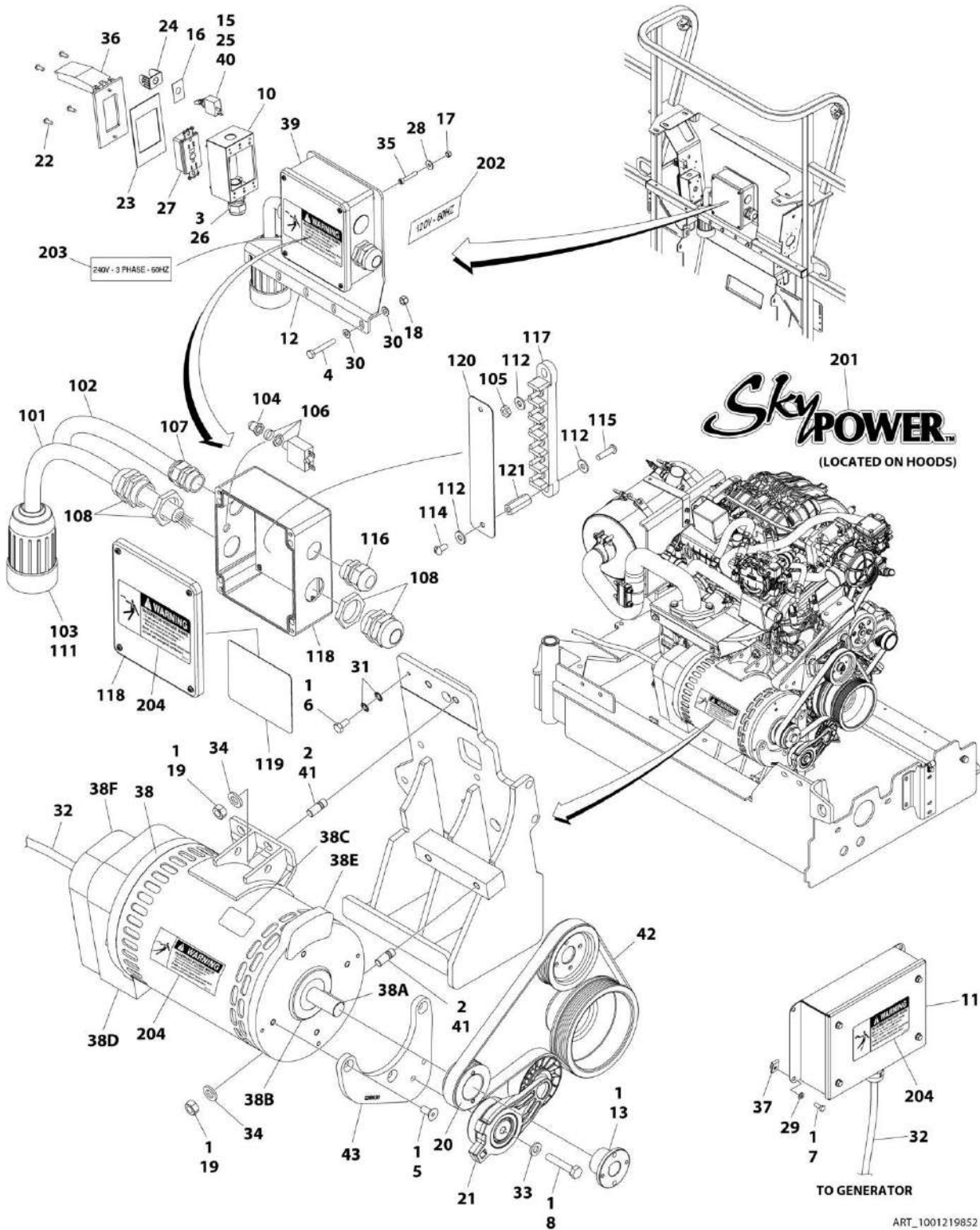
ITEM	PART NUMBER	QTY	DESCRIPTION	REV
39	70006093	1	Stator (Not Shown)	
39	70002297	1	Stud	
39	70003631	1	Brushholder Assembly (Not Shown) (was p/n 7024484)	
39A	70004099	1	Key	
39B	70001966	1	Bearing, Ball Radial (Located in Belt Tensioner Endbell)	
39B	70003708	1	Ring, Internal Retaining (Located in Belt Tensioner Endbell)	
39B	70003709	1	Ring, External Retaining (Located in Belt Tensioner Endbell)	
39C	70004092	1	Endbell, Belt Tensioner	
39D	70004094	1	Endbell, Brush Block	
39E	70006094	1	Shroud	
39E	70002291	1	Insulator, Endbell	
39E	7027799	1	Block, Connector - 6 Position (Not Shown)	
39E	70002460	1	Nut, Brass (Attaches p/n 7027799 to Cover) (Not Shown)	
39E	70006095	1	Breaker, Circuit 30Amp (Not Shown)	
39E	70006096	1	Boot, Breaker (Not Shown)	
39E	7026626	1	Connector, 6 Position (Includes Seal) (Not Shown - Plugs into Item 45)	
39E	7026597	1	Connector with Leads (Not Shown)	
39E	70004098	1	Clamp, Cable (Not Shown)	
39E	70006097	1	Plate, End Panel	
39E	70001974	1	Decal - Terminal Connections	
39F	70001973	1	Decal - Warning Moving Parts	
40	1001142643	1	Support	
41	1001196382	2	Stud	
42	1001157592	1	Junction Box Assembly (See Items 101-121 for Breakdown)	
43	4922641	1	Generator Switch Harness	
44	1001142646	1	Belt	
45	4922925	1	Generator Harness (See Separate Breakdown in ELECTRICAL SECTION)	
46	7274000040	1	Clamp	
47	5251012	1	Bolt M10 x 25	
49	1320061	1	Clamp	
	1001157592	Ref	JUNCTION BOX ASSEMBLY	C
101	1060343	1.5 ft/ 0.5m	Cable, Electrical 10/4	
102	1001179154	2.5 ft/ 76cm	Cable, Electrical 12/3	
103	1671092	1	Cover, Connector	
104	3300396	1	Cover, Fuse	
105	3311001	6	Nut #10	
106	4360070	1	Circuit Breaker - 15Amp	
108	4460425	1	Connector, Strain Relief	
109	4460426	2	Connector, Strain Relief	
111	4460963	1	Connector	
112	4711000	4	Washer #10	
114	10702077	2	Screw #10 x 3/8	
115	10702082	2	Screw #10 x 3/4	
116	1001152525	1	Plug	
117	1001157520	1	Block, Terminal	
118	1001157521	1	Box, Junction	
119	1001157528	1	Decal - Wiring Schematic	
120	1001158007	1	Cover, PVC	

SECTION 3 - ENGINE

ITEM	PART NUMBER	QTY	DESCRIPTION	REV
121	1001158008	1	Stand-Off	D
	0272435	Ref	DECAL INSTALLATION	
201	1705460	2	Decal - SkyPower	
202	3251243	1	Decal - 120V-60Hz	
203	1705375	1	Decal - 240V - 3 Phase - 60Hz	
204	1705387	3	Decal - Hazardous Voltage	

SECTION 3 - ENGINE

FIGURE 3-57. 7500W SKYPOWER GENERATOR INSTALLATION - 110V/60HZ (FORD ENGINES) (OPTIONAL)



SECTION 3 - ENGINE

**FIGURE 3-57. 7500W SKYPOWER GENERATOR INSTALLATION - 110V/60HZ (FORD ENGINES)
(OPTIONAL)**

ITEM	PART NUMBER	QTY	DESCRIPTION	REV
	1001219852	Ref	7500W SKYPOWER GENERATOR INSTALLATION	C
1	0100011	AR	Compound, Locking	
2	0100019	AR	Compound, Locking	
3	0100079	AR	Sealant	
4	0700819	2	Bolt M8 x 55	
5	0741607	3	Screw 3/8 x 7/8	
6	0760606	1	Bolt M6 x 12	
7	0760608	4	Bolt M6 x 16	
8	0761019	1	Bolt M10 x 55	
10	0860038	1	Box, Receptacle	
11	0861538	1	Control Box Assembly	
11	7024488	1	Card, Circuit - Generator Power	
11	See Note	NSS	Fuse (Note: Not Available - Purchase Locally)	
11	7024489	1	Card, Circuit - Control	
11	70000619	1	Harness, Control Box (Internal)	
12	0902888	1	Bracket	
13	0962520	1	Bushing, Split	
15	2820031	AR	Heat Shrink	
16	3252764	1	Nameplate - AC & Weld	
17	3290505	4	Nut M5	
18	3290805	2	Nut M8	
19	3291201	4	Nut M12	
20	3580314	1	Pulley	
21	3580317	1	Tensioner, Belt	
22	3910606	4	Screw #6 x 3/8	
23	3960422	1	Gasket	
24	4060802	1	Guard, Switch	
25	4360336	1	Switch, Toggle	
26	4460071	1	Connector, Strain Relief	
27	4460346	1	Receptacle	
28	4811602	4	Washer M5	
29	4811700	4	Washer M6	
30	4811900	4	Washer M8	
31	4871700	2	Washer M6	
32	4922925	1	Generator Harness (See Separate Breakdown in ELECTRICAL SECTION)	
33	5241000	1	Washer M10	
34	5241200	4	Washer M12	
35	1001104029	4	Capscrew M5 x 30 Grade 12.9	
36	1001110873	1	Cover	
37	1001130220	4	Nut, Tinnerman M6	
38	1001136104	1	Generator Assembly	
38	70003631	1	Brushholder Assembly (Not Shown) (was p/n 7024484)	
38	7024485	1	Breaker, Circuit 30Amp (Not Shown)	
38	70001696	1	Boot, Breaker (was p/n 7024486 - Not Shown)	
38	70001966	1	Bearing, Ball Radial (Located in Belt Tensioner Endbell - Not Shown)	
38	7027799	1	Block, Connector - 6 Position (Not Shown)	
38	70002460	6	Nut, Brass (Attaches p/n 7027799 to Cover) (Not Shown)	

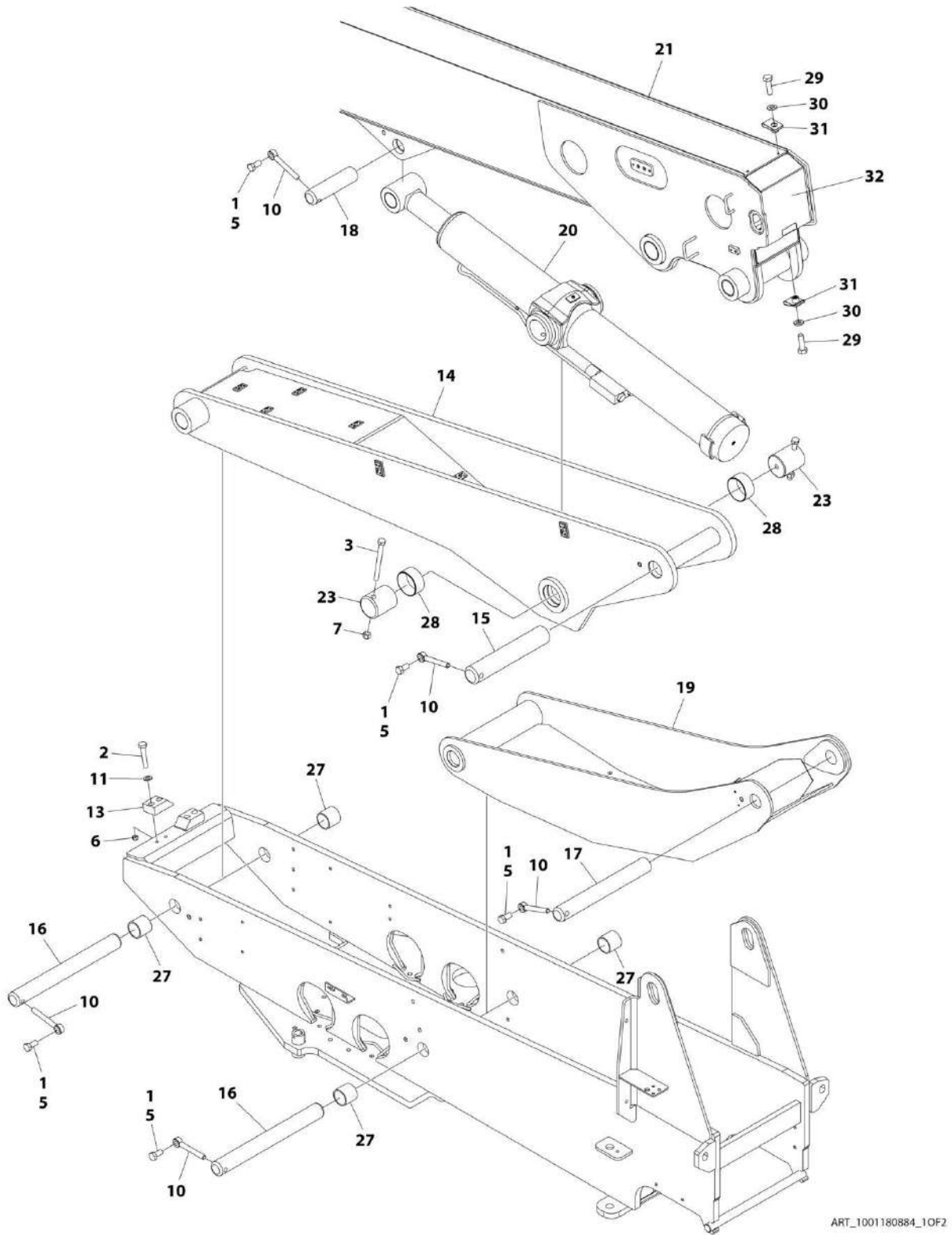
SECTION 3 - ENGINE

ITEM	PART NUMBER	QTY	DESCRIPTION	REV
38	7026188	1	Clamp, Cable (Not Shown)	
38	7026597	1	Connector, with Leads (Not Shown)	
38	7026626	1	Connector - 6 Position with Seal (Not Shown)	
38	70002088	1	Stator (Not Shown)	
38	70004169	1	Panel, End (Not Shown) (was p/n 70002255)	
38	70001974	1	Decal - Terminal Connections (Not Shown)	
38	70000863	1	Fan (Not Shown)	
38	70002297	4	Stud (Not Shown)	
38A	70004171	1	Key (was p/n 7024561)	
38A	70001100	1	Armature, Generator (Includes Radial Ball Bearing on End with Brushes and Fan)	
38A	70001384	1	Bearing, Ball Radial	
38B	70001966	1	Bearing, Radial Ball	
38B	70003708	1	Ring, Internal Retaining (Located in Belt Tensioner Endbell)	
38B	70003709	1	Ring, External Retaining (Located in Belt Tensioner Endbell)	
38C	70001973	1	Decal - Warning Moving Parts	
38D	70004169	1	Endbell, Brush Block (was p/n 70001385)	
38E	70001953	1	Endbell, Belt Tensioner	
38F	70004169	1	Endbell, Shroud Assembly (was p/n 70002290)	
39	1001157592	1	Junction Box Assembly (See Items 101-121 for Breakdown)	
40	4922641	1	Generator Switch Harness	
41	1001196382	4	Stud	
42	1001216390	1	Belt	
43	1001218930	1	Mount	
	1001157592	Ref	JUNCTION BOX ASSEMBLY	C
101	1060343	1.5 ft/ 0.5m	Cable, Electrical - 10/4	
102	1001179154	2.5 ft/ 0.8m	Cable, Electrical - 12/3	
103	1671092	1	Cover, Connector	
104	3300396	1	Cover, Fuse	
105	3311001	6	Nut #10	
106	4360070	1	Breaker, Circuit 15Amp	
107	4460425	1	Connector, Strain Relief	
108	4460426	2	Connector, Strain Relief	
111	4460963	1	Receptacle	
112	4711000	10	Washer #10	
114	10702077	2	Screw #10 x 3/8	
115	10702082	2	Screw #10 x 3/4	
116	1001152525	1	Plug, Hole	
117	1001157520	1	Block, Terminal Pole	
118	1001157521	1	Box, Junction	
119	1001157528	1	Decal - Box Junction	
120	1001158007	1	Cover	
121	1001158008	2	Stand-Off	
	0272435	Ref	DECAL INSTALLATION	D
201	1705460	2	Decal - SkyPower	
202	3251243	1	Decal - 120V/60Hz (Located on Opposite Side)	
203	1705375	1	Decal - 240V - 3 Phase	
204	1705387	3	Decal - Hazardous Voltage	

SECTION 4 - BOOM

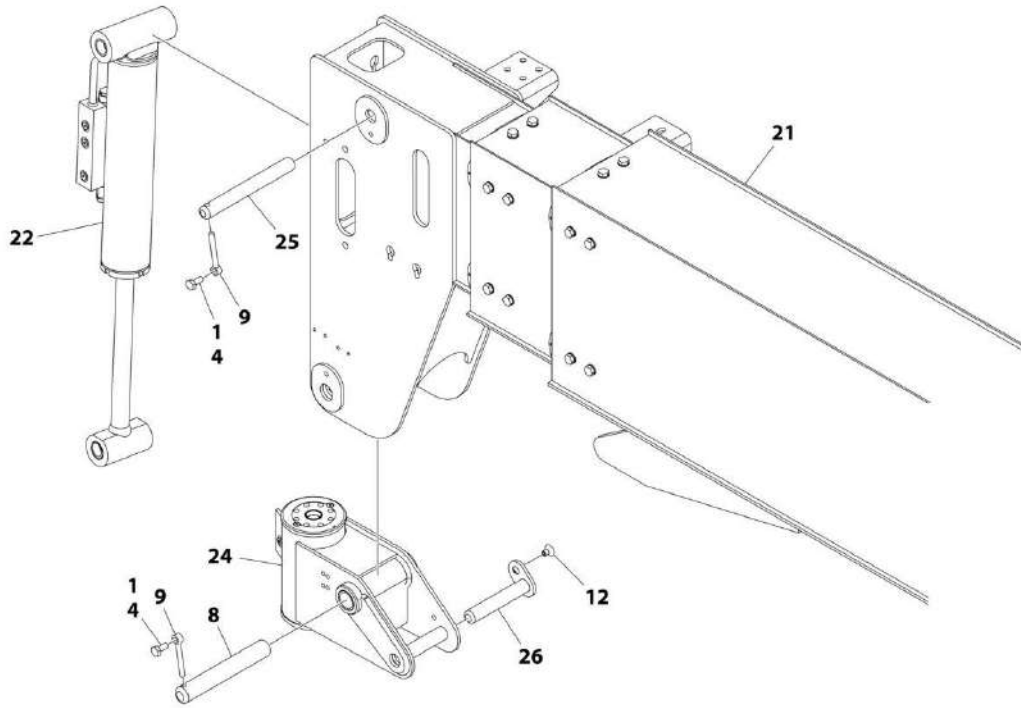
SECTION 4 - BOOM

FIGURE 4-1. BOOM INSTALLATION - 600S



ART_1001180884_10F2

SECTION 4 - BOOM



ART_1001180884_2OF2

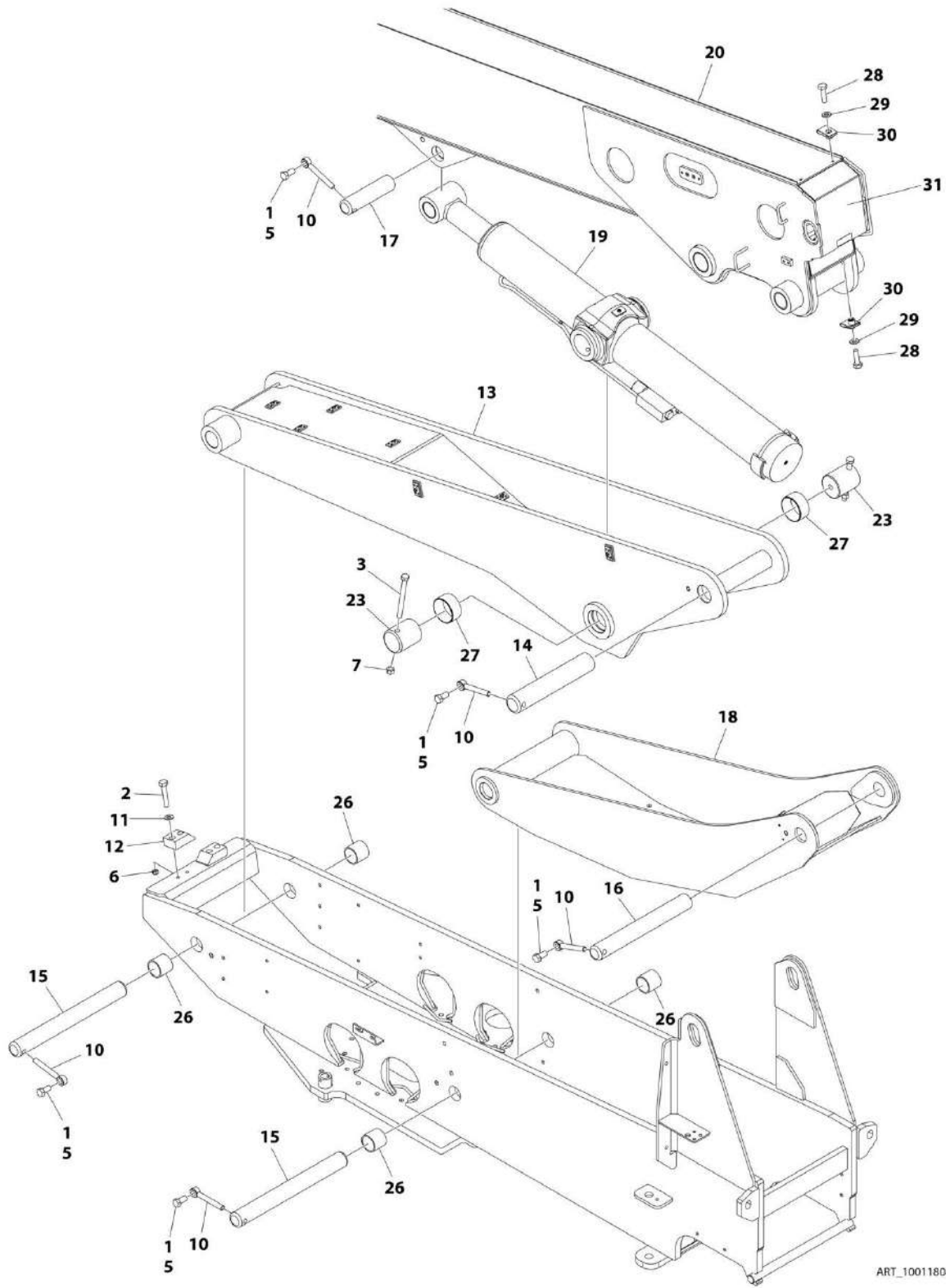
SECTION 4 - BOOM

FIGURE 4-1. BOOM INSTALLATION - 600S

ITEM	PART NUMBER	QTY	DESCRIPTION	REV
	1001180884	Ref	BOOM INSTALLATION	F
1	0100011	AR	Compound, Locking	
2	0701019	4	Bolt M10 x 55	
3	0711635	2	Bolt M16 x 180	
4	0761011	2	Bolt M10 x 22	
5	0762016	5	Bolt M20 x 40	
6	3291005	4	Nut M10	
7	3291605	2	Nut M16	
8	3422582	1	Pin	
9	3841143	2	Keeper, Pin	
10	3841287	5	Keeper, Pin	
11	4812000	4	Washer M10	
12	1001137032	1	Screw M10 x 16	
13	1001138459	2	Pad	
14	1001174231	1	Link	
15	1001174250	1	Pin	
16	1001174252	2	Pin	
17	1001174253	1	Pin	
18	1001174254	1	Pin	
19	1001174256	1	Link	
20	1001184500	1	Lift Cylinder Assembly (See Separate Breakdown in CYLINDER SECTION)	
21	1001180883	1	Boom Assembly (See Separate Breakdown in CYLINDER SECTION)	
22	1001184954	1	Level Cylinder Assembly - Platform Slave (See Separate Breakdown in CYLINDER SECTION)	
23	1001183926	2	Pin	
24	1001187348	1	Platform Rotator Assembly (See Separate Breakdown in this Section)	
25	1001192910	1	Pin	
26	1001192991	1	Pin	
27	0962423	4	Bearing	
28	1001174251	2	Bearing	
29	0760610	4	Bolt M6 x 20	
30	4811700	4	Washer M6	
31	1001130220	4	Nut, Tinnerman M6	
32	1001228177	1	Cover	

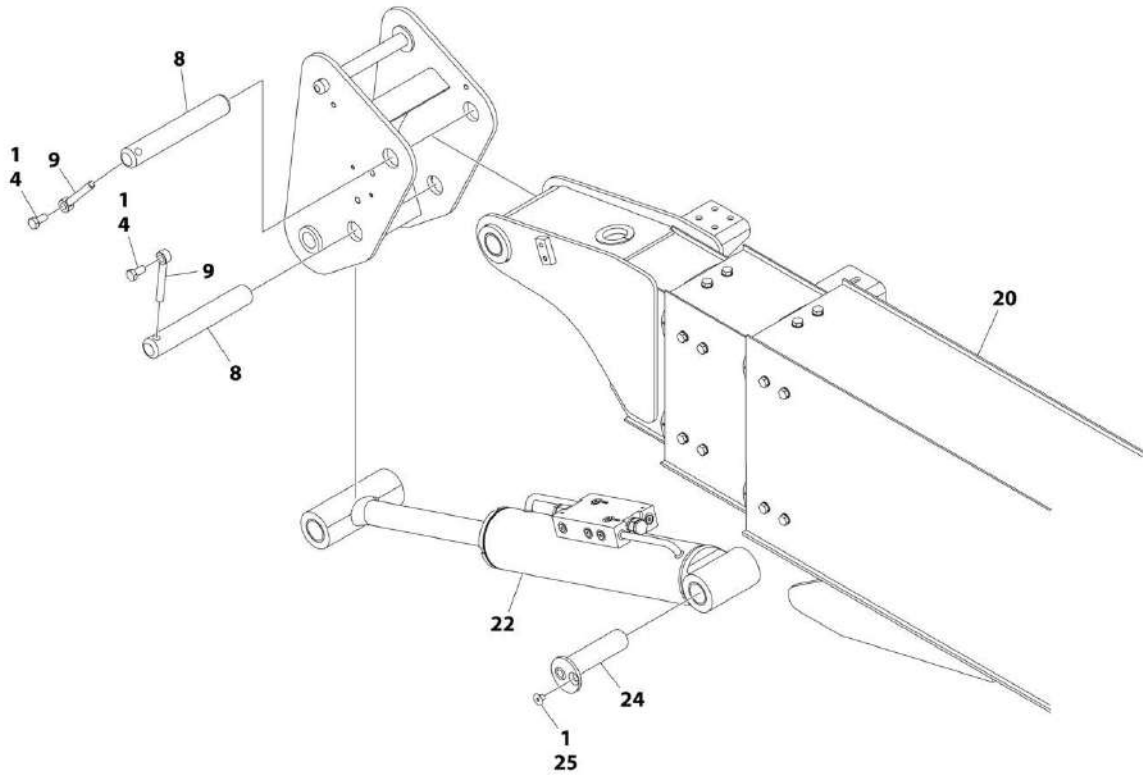
SECTION 4 - BOOM

FIGURE 4-2. BOOM INSTALLATION - 660SJ



ART_1001180885_10F2

SECTION 4 - BOOM



ART_1001180885_2OF2

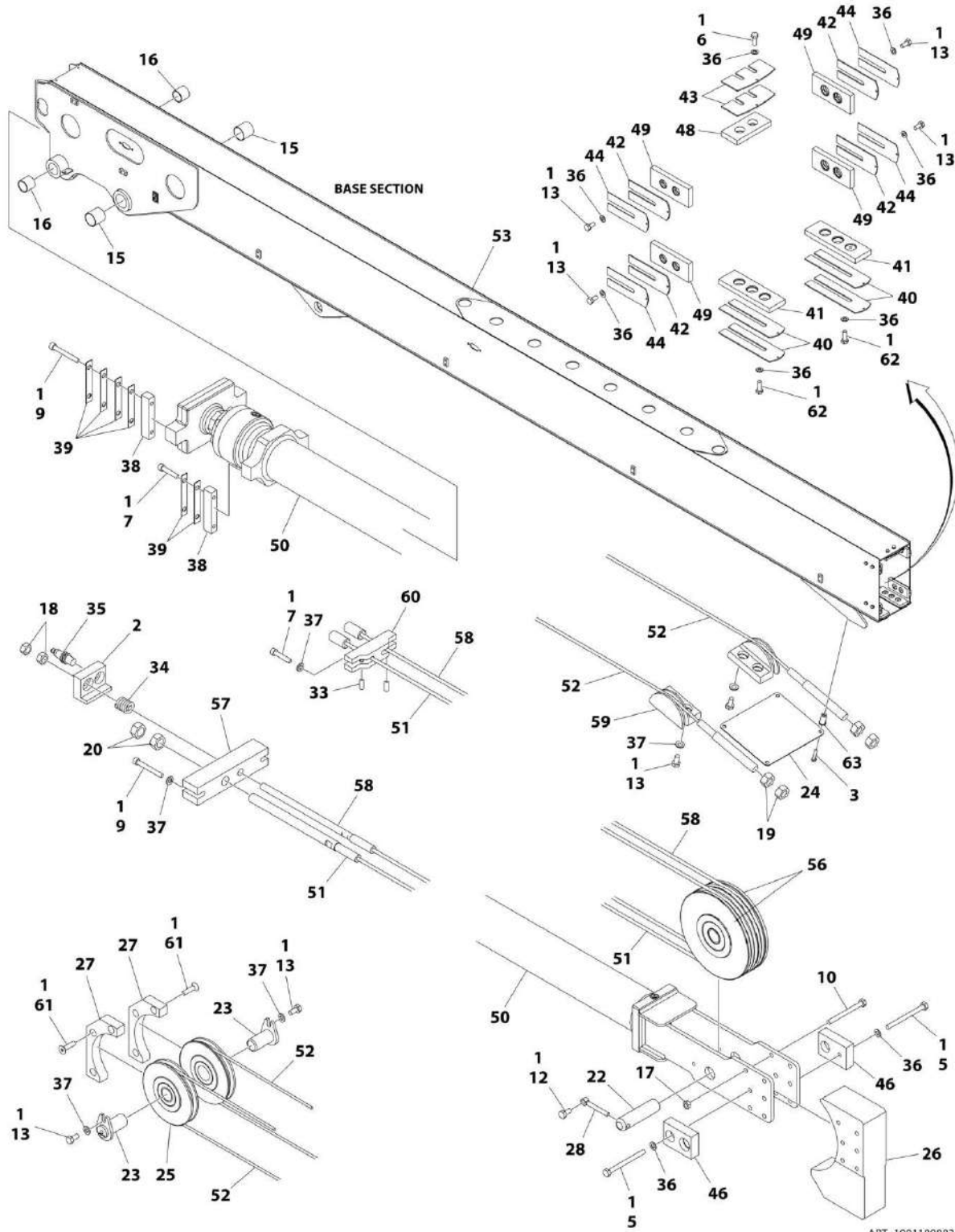
SECTION 4 - BOOM

FIGURE 4-2. BOOM INSTALLATION - 660SJ

ITEM	PART NUMBER	QTY	DESCRIPTION	REV
	1001180885	Ref	BOOM INSTALLATION	F
1	0100011	AR	Compound, Locking	
2	0701019	4	Bolt M10 x 55	
3	0711635	2	Bolt M16 x 180	
4	0761212	2	Bolt M12 x 25	
5	0762016	5	Bolt M20 x 40	
6	3291005	4	Nut M10	
7	3291605	2	Nut M16	
8	3422793	2	Pin	
9	3841203	2	Keeper, Pin	
10	3841287	5	Keeper, Pin	
11	4812000	4	Washer M10	
12	1001138459	2	Pad	
13	1001174231	1	Link	
14	1001174250	1	Pin	
15	1001174252	2	Pin	
16	1001174253	1	Pin	
17	1001174254	1	Pin	
18	1001174256	1	Link	
19	1001184500	1	Lift Cylinder Assembly (See Separate Breakdown in CYLINDER SECTION)	
20	1001176217	1	Boom Assembly (See Separate Breakdown in this Section)	
22	1001184957	1	Level Cylinder Assembly - Platform Slave (See Separate Breakdown in CYLINDER SECTION)	
23	1001183926	2	Pin	
24	1001192052	1	Pin	
25	1001192027	1	Screw M10 x 12	
26	0962423	4	Bearing	
27	1001174251	2	Bearing	
28	0760610	4	Bolt M6 x 20	
29	4811700	4	Washer M6	
30	1001130220	4	Nut - Tinnerman M6	
31	1001228177	1	Cover	

SECTION 4 - BOOM

FIGURE 4-3. BOOM ASSEMBLY - 600S



ART_1001180883_10F2

SECTION 4 - BOOM

FIGURE 4-3. BOOM ASSEMBLY - 600S

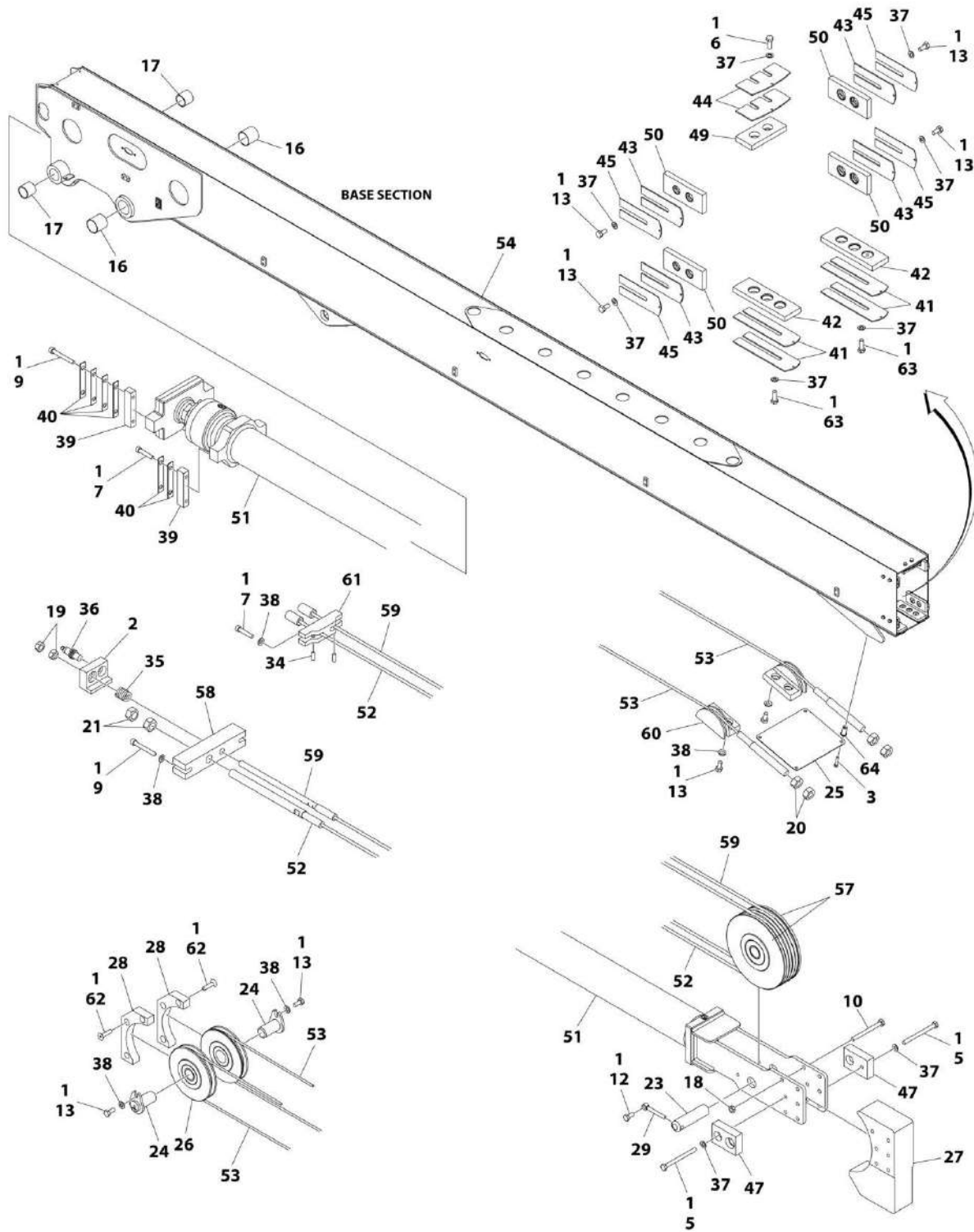
ITEM	PART NUMBER	QTY	DESCRIPTION	REV
	1001180883	Ref	BOOM ASSEMBLY	K
1	0100011	AR	Compound, Locking	
2	0561508	1	Block	
3	0760614	4	Bolt M6 x 30	
5	0701029	2	Bolt M10 x 120	
6	0701013	8	Bolt M10 x 28	
7	4032014	6	Capscrew M10 x 50	
9	4032020	6	Capscrew M10 x 80	
10	0701028	4	Bolt M10 x 110	
11	0761009	10	Bolt M10 x 18	
12	0761010	9	Bolt M10 x 20	
13	0761011	22	Bolt M10 x 22	
14	0761012	6	Bolt M10 x 25	
15	0962033	2	Bushing	
16	0962423	2	Bearing	
17	3291001	4	Nut M10	
18	3291601	2	Nut M16	
19	3292001	4	Nut M20	
20	3292201	2	Nut M22	
21	1001191385	2	Pad, Wear	
22	3422417	1	Pin	
23	3422424	2	Pin	
24	3539622	1	Cover	
25	3580243	2	Sheave, Retract	
25	0961951	2	Bushing (1 Per Sheave)	
26	3580248	1	Guard, Sheave (Extend)	
27	3580249	1	Guard, Sheave (Retract)	
28	3841143	1	Keeper, Pin	
29	4070895	6	Shim 16Ga	
30	4070896	2	Shim .06	
31	4070939	1	Shim 16Ga	
32	4070940	1	Shim 16Ga	
33	4092009	2	Setscrew M10 x 25	
34	4160149	1	Spring	
35	1001214831	1	Switch, Proximity	
36	4812000	38	Washer M10	
37	5241000	10	Washer M10	
38	1001135488	4	Block	
39	1001136571	12	Shim 16Ga	
40	1001136575	9	Shim 11Ga	
41	1001136583	5	Pad, Wear	
42	1001136592	16	Shim 11Ga	
43	1001138436	4	Shim 11Ga	
44	1001143713	16	Shim 18Ga	
45	1001148650	2	Pad, Wear	
46	1001191384	2	Pad, Wear	
48	1001136587	2	Pad, Wear	
49	1001153398	16	Pad, Wear	
50	1001175850	NLA	Telescope Cylinder Assembly (Use p/n 1001251079) (See Separate Breakdown in CYLINDER SECTION) (SN 0300235168)	

SECTION 4 - BOOM

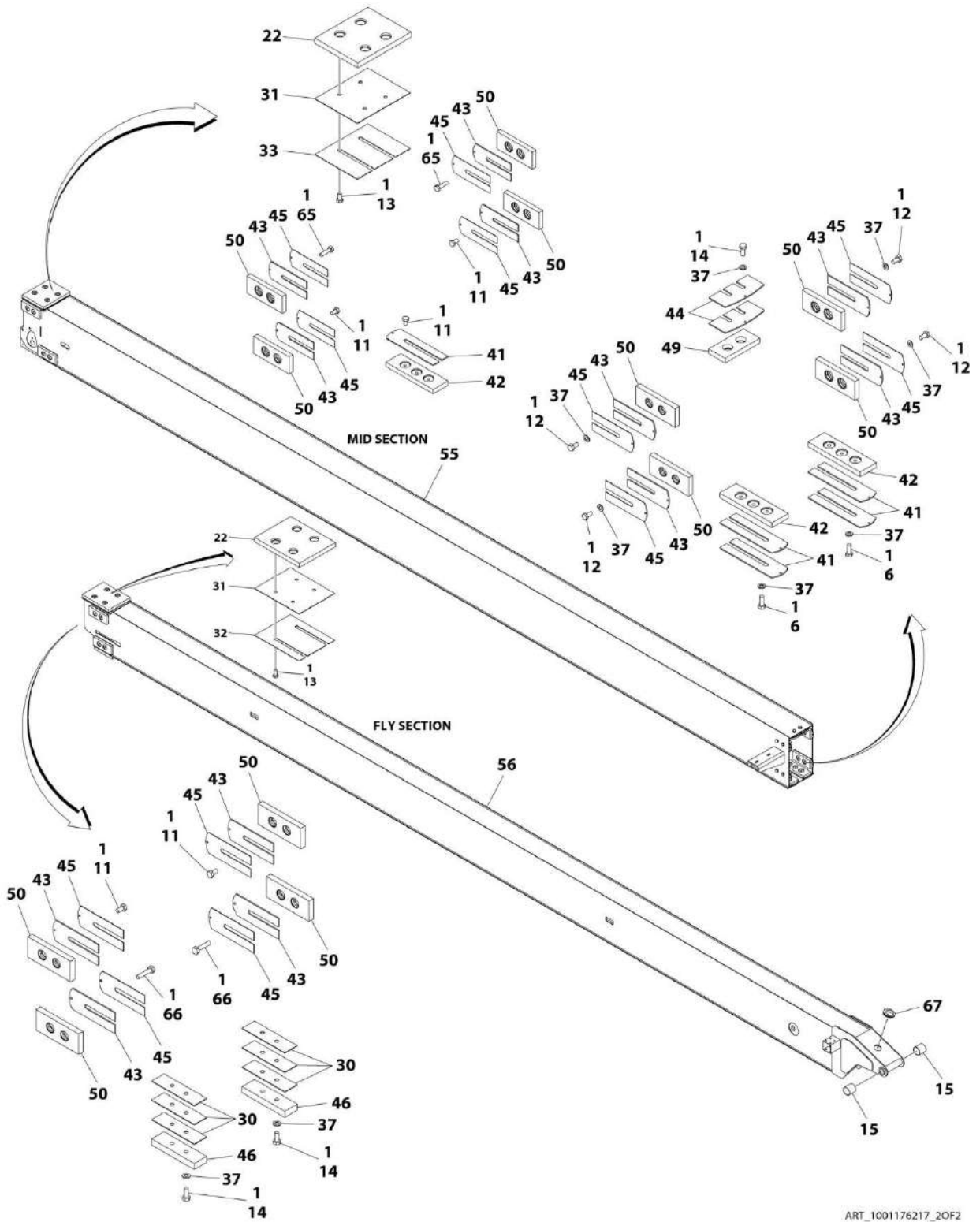
ITEM	PART NUMBER	QTY	DESCRIPTION	REV
50	1001228079	NLA	through 0300237156, SN B300002655 through B300002781) Telescope Cylinder Assembly (Use p/n 1001251079) (See Separate Breakdown in CYLINDER SECTION) (SN 0300237157 through 0300250001, SN B300002782 through B300003104)	
50	1001251079	1	Telescope Cylinder Assembly (See Separate Breakdown in CYLINDER SECTION) (SN 0300250002 to Present, SN B300003105 to Present)	
51	1001175998	1	Rope, Wire (Extend)	
52	1001175999	2	Rope, Wire (Retract)	
53	1001176208	1	Base, Boom	
54	1001176212	1	Mid, Boom	
55	1001180882	1	Fly, Boom	
56	1001184913	2	Sheave, Extend	
56	1001184918	2	Bushing (1 Per Sheave)	
56	1001184917	2	Sleeve, Bronze (1 Per Sheave)	
56	1001184915	2	Ring, Retaining (1 Per Sheave)	
57	1001186541	1	Block	
58	1001189859	1	Rope, Wire (Extend)	
59	1001191048	2	Sheave, Block	
60	1001191202	1	Block	
61	1001191205	6	Screw M10 x 40	
62	0761014	6	Bolt M10 x 30	
63	1001203719	4	Wellnut M6	
64	0761016	4	Bolt M10 x 40	
65	0761017	4	Bolt M10 x 45	

SECTION 4 - BOOM

FIGURE 4-4. BOOM ASSEMBLY - 660SJ



SECTION 4 - BOOM



ART_1001176217_20F2

SECTION 4 - BOOM

FIGURE 4-4. BOOM ASSEMBLY - 660SJ

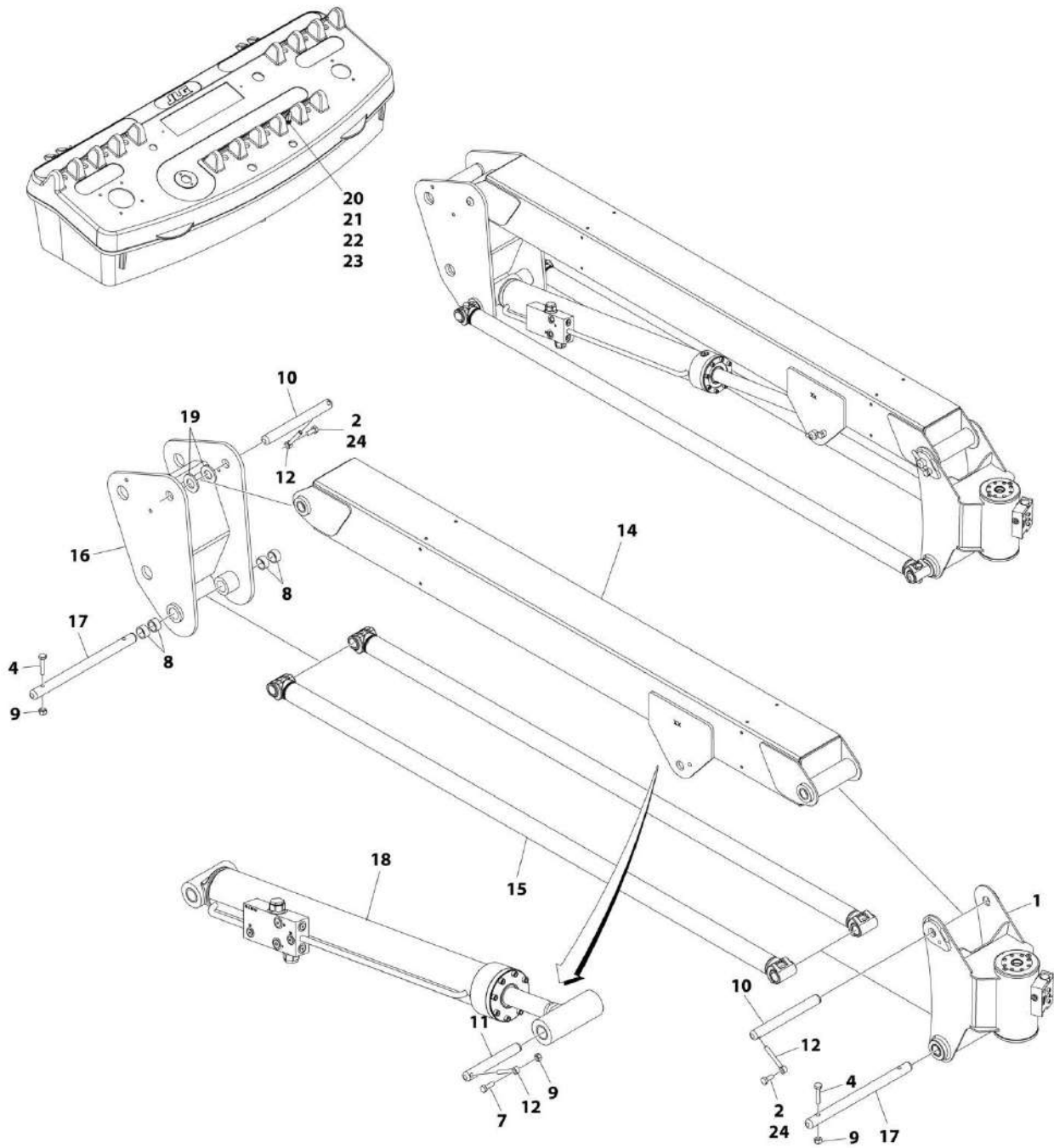
ITEM	PART NUMBER	QTY	DESCRIPTION	REV
	1001176217	Ref	BOOM ASSEMBLY	L
1	0100011	AR	Compound, Locking	
2	0561508	1	Block	
3	0760614	4	Bolt M6 x 30	
5	0701029	2	Bolt M10 x 120	
6	0701013	8	Bolt M10 x 28	
7	4032014	6	Capscrew M10 x 50	
9	4032020	6	Capscrew M10 x 80	
10	0701028	4	Bolt M10 x 110	
11	0761009	10	Bolt M10 x 18	
12	0761010	9	Bolt M10 x 20	
13	0761011	22	Bolt M10 x 22	
14	0761012	6	Bolt M10 x 25	
15	0961948	2	Bearing	
16	0962033	2	Bushing	
17	0962423	2	Bearing	
18	3291001	4	Nut M10	
19	3291601	2	Nut M16	
20	3292001	4	Nut M20	
21	3292201	2	Nut M22	
22	1001191385	2	Pad, Wear	
23	3422417	1	Pin	
24	3422424	2	Pin	
25	3539622	1	Cover	
25	0961951	2	Bushing (1 Per Sheave)	
26	3580243	2	Sheave, Retract	
27	3580248	1	Guard, Sheave (Extend)	
28	3580249	2	Guard, Sheave (Retract)	
29	3841143	1	Keeper, Pin	
30	4070895	6	Shim 16Ga	
31	4070896	2	Shim .06	
32	4070939	1	Shim 16Ga	
33	4070940	1	Shim 16Ga	
34	4092009	2	Setscrew M10 x 25	
35	4160149	1	Spring	
36	1001214831	1	Switch, Proximity	
37	4812000	38	Washer M10	
38	5241000	10	Washer M10	
39	1001135488	4	Block	
40	1001136571	12	Shim 16Ga	
41	1001136575	9	Shim 11Ga	
42	1001136583	5	Pad, Wear	
43	1001136592	16	Shim 11Ga	
44	1001138436	4	Shim 11Ga	
45	1001143713	16	Shim 18Ga	
46	1001148650	2	Pad, Wear	
47	1001191384	2	Pad, Wear	
49	1001136587	2	Pad, Wear	
50	1001153398	16	Pad, Wear	
51	1001175850	NLA	Telescope Cylinder Assembly (Use p/n 1001251079) (See	

SECTION 4 - BOOM

ITEM	PART NUMBER	QTY	DESCRIPTION	REV
51	1001228079	NLA	Separate Breakdown in CYLINDER SECTION) (SN 0300235168 through 0300237156, SN B300002655 through B300002781) Telescope Cylinder Assembly (Use p/n 1001251079) (See Separate Breakdown in CYLINDER SECTION) (SN 0300237157 through 0300250001, SN B300002782 through B300003104)	
51	1001251079	1	Telescope Cylinder Assembly (See Separate Breakdown in CYLINDER SECTION) (SN 0300250002 to Present, SN B300003105 to Present)	
52	1001175998	1	Rope, Wire (Extend)	
53	1001175999	2	Rope, Wire (Retract)	
54	1001176208	1	Base, Boom	
55	1001176212	1	Mid, Boom	
56	1001176216	1	Fly, Boom	
57	1001184913	2	Sheave, Extend	
57	1001184918	2	Bushing (1 per Sheave)	
57	1001184917	2	Sleeve, Bronze (1 per Sheave)	
57	1001184915	2	Ring, Retaining (1 per Sheave)	
58	1001186541	1	Block	
59	1001189859	1	Rope, Wire (Extend)	
60	1001191048	2	Sheave, Block	
61	1001191202	1	Block	
62	1001191205	6	Screw M10 x 40	
63	0761014	6	Bolt M10 x 30	
64	1001203719	4	Wellnut M6	
65	0761016	4	Bolt M10 x 40	
66	0761017	4	Bolt M10 x45	
67	4060805	6 in/ 16cm	Flex - Trim	

SECTION 4 - BOOM

FIGURE 4-5. JIB ASSEMBLY - 660SJ (USA BUILT MACHINES)



ART_1001182046

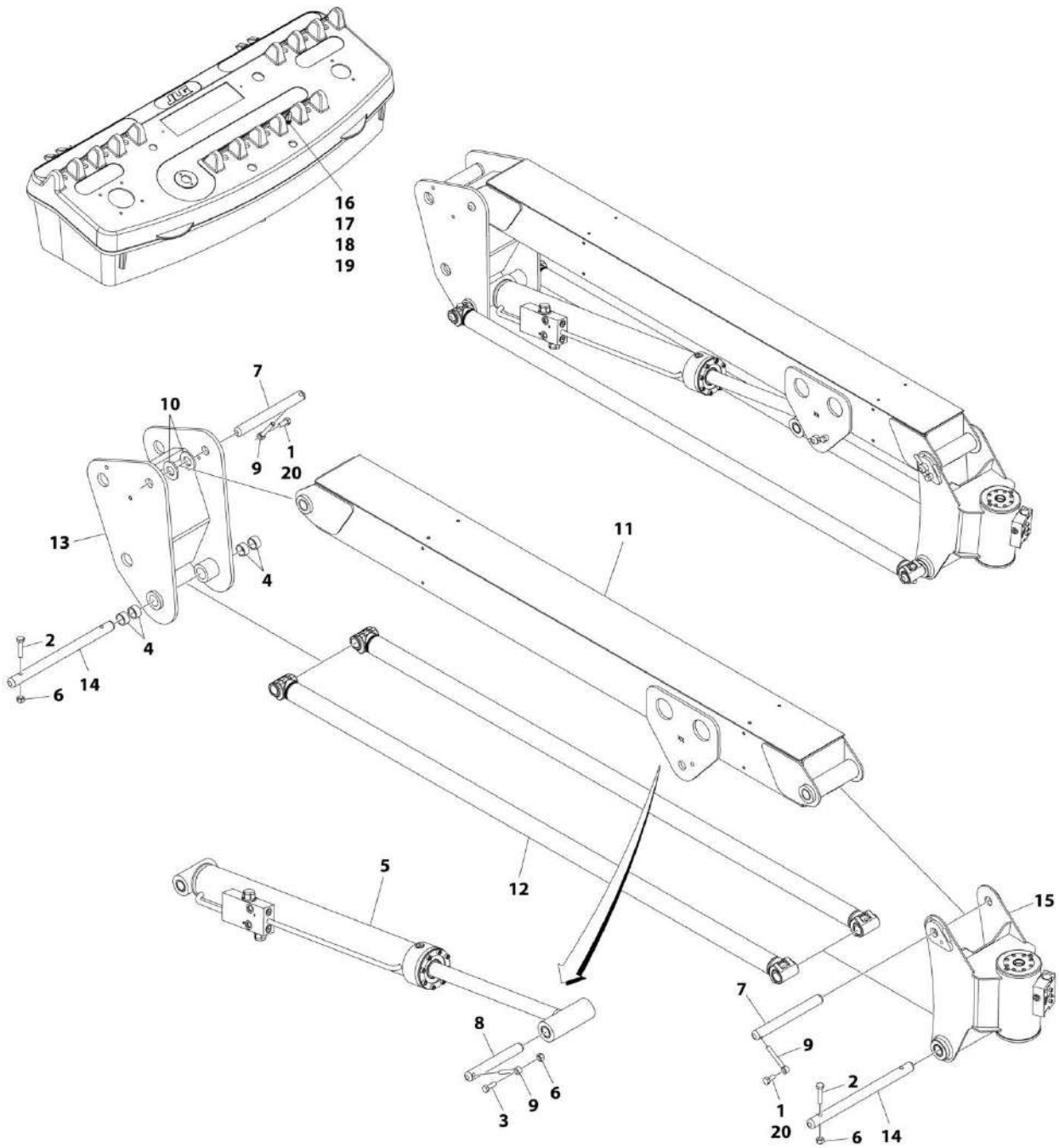
SECTION 4 - BOOM

FIGURE 4-5. JIB ASSEMBLY - 660SJ (USA BUILT MACHINES)

ITEM	PART NUMBER	QTY	DESCRIPTION	REV
	1001182046	Ref	JIB ASSEMBLY	G
1	1001190580	1	Platform Rotator Assembly (See Separate Breakdown in this Section)	
2	0100011	AR	Compound, Locking	
4	0701018	4	Bolt M10 x 50	
7	0761014	1	Bolt M10 x 30	
8	0961947	4	Bearing	
9	3291005	1	Nut M10	
10	3422860	2	Pin	
11	3422867	1	Pin	
12	3841143	3	Keeper, Pin	
14	4844816	1	Tube, JIB	
14	0962335	4	Bushing	
15	1001181960	2	Link	
16	1001181962	1	Pivot	
17	1001182064	2	Pin	
18	1683609	NLA	Lift Cylinder Assembly - JIB (Use p/n 1001248012) (See Separate Breakdown in CYLINDER SECTION) (Original Equipment) (SN 0300235168 through 0300237971)	
18	1001231956	1	Lift Cylinder Assembly - JIB (See Separate Breakdown in CYLINDER SECTION) (SN 0300237972 through 0300245222)	
18	1001228013	1	Lift Cylinder Assembly - JIB (See Separate Breakdown in CYLINDER SECTION) (SN 0300245223 to Present)	
19	4740439	2	Washer	
20	3790012	1	O-Ring	
21	4740397	1	Spacer	
22	1001155044	1	Nut 15/32	
23	1001155045	1	Switch, Toggle	
24	0761012	2	Bolt M10 x 25	

SECTION 4 - BOOM

FIGURE 4-6. JIB ASSEMBLY - 660SJ (CHINA BUILT MACHINES)



ART_1001202531

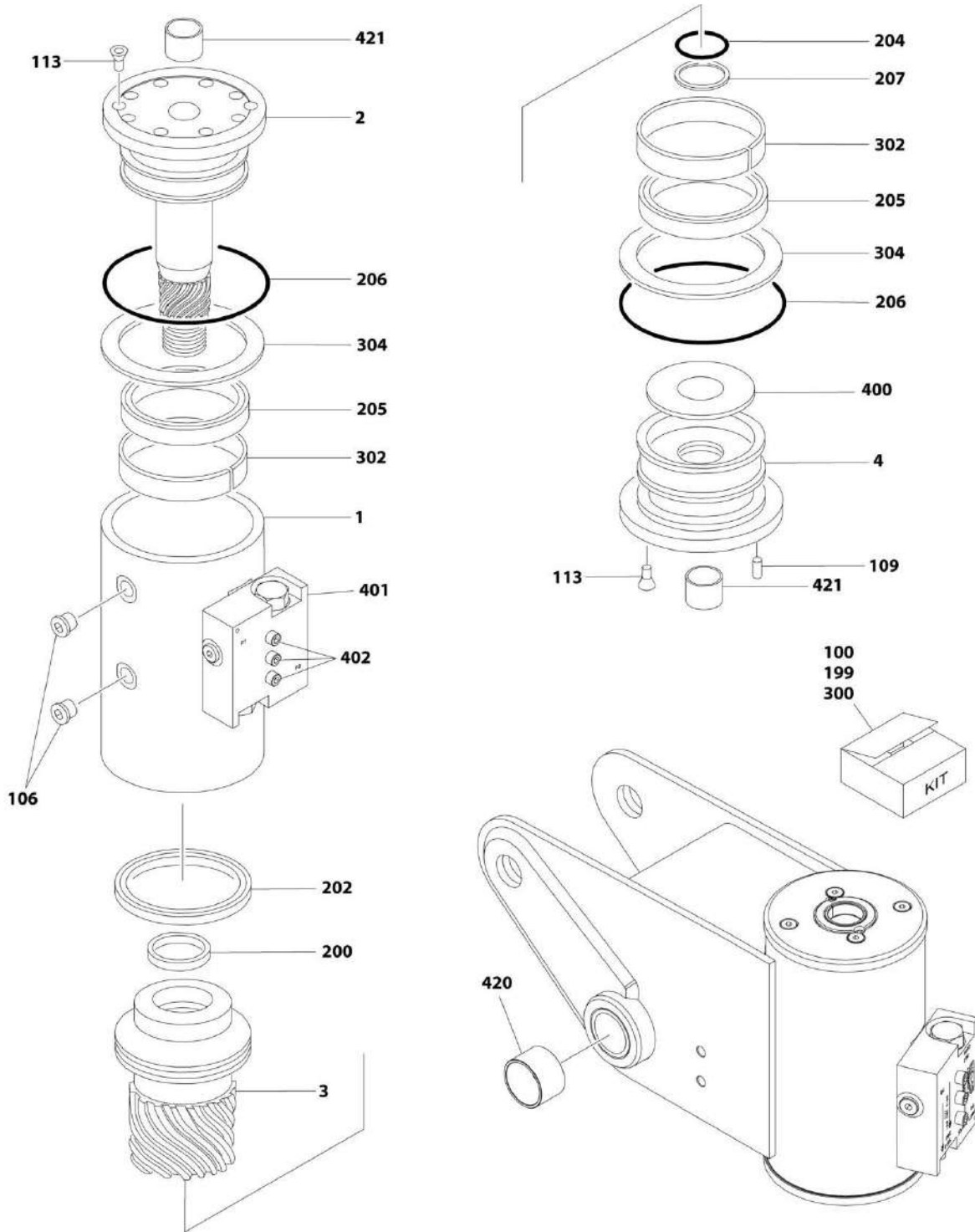
SECTION 4 - BOOM

FIGURE 4-6. JIB ASSEMBLY - 660SJ (CHINA BUILT MACHINES)

ITEM	PART NUMBER	QTY	DESCRIPTION	REV
	1001202531	Ref	JIB ASSEMBLY	F
1	0100011	AR	Compound, Locking	
2	0701018	4	Bolt M10 x 50	
3	0761014	1	Bolt M10 x 30	
4	0961947	4	Bearing	
5	1683609	NLA	Lift Cylinder Assembly - JIB (Use p/n 1001248012) (See Separate Breakdown in CYLINDER SECTION) (Original Equipment) (SN B300002216 through B300002338)	
5	1001231956	1	Lift Cylinder Assembly - JIB (See Separate Breakdown in CYLINDER SECTION) (SN B300002339 to Present)	
6	3291005	5	Nut M10	
7	3422860	2	Pin	
8	3422867	1	Pin	
9	3841143	3	Keeper, Pin	
10	4740439	2	Washer	
11	1001113386	1	Tube, JIB	
11	0962355	4	Bushing	
12	1001181960	2	Link	
13	1001181962	1	Pivot	
14	1001182064	2	Pin	
15	1001190580	1	Platform Rotator Assembly (See Separate Breakdown in this Section)	
16	3790012	1	O-Ring	
17	4740397	1	Spacer	
18	1001155044	1	Nut 15/32	
19	1001155045	1	Switch, Toggle	
20	0761012	2	Bolt M10 x 25	

SECTION 4 - BOOM

FIGURE 4-7. PLATFORM ROTATOR ASSEMBLY - 600S



ART_1001187348

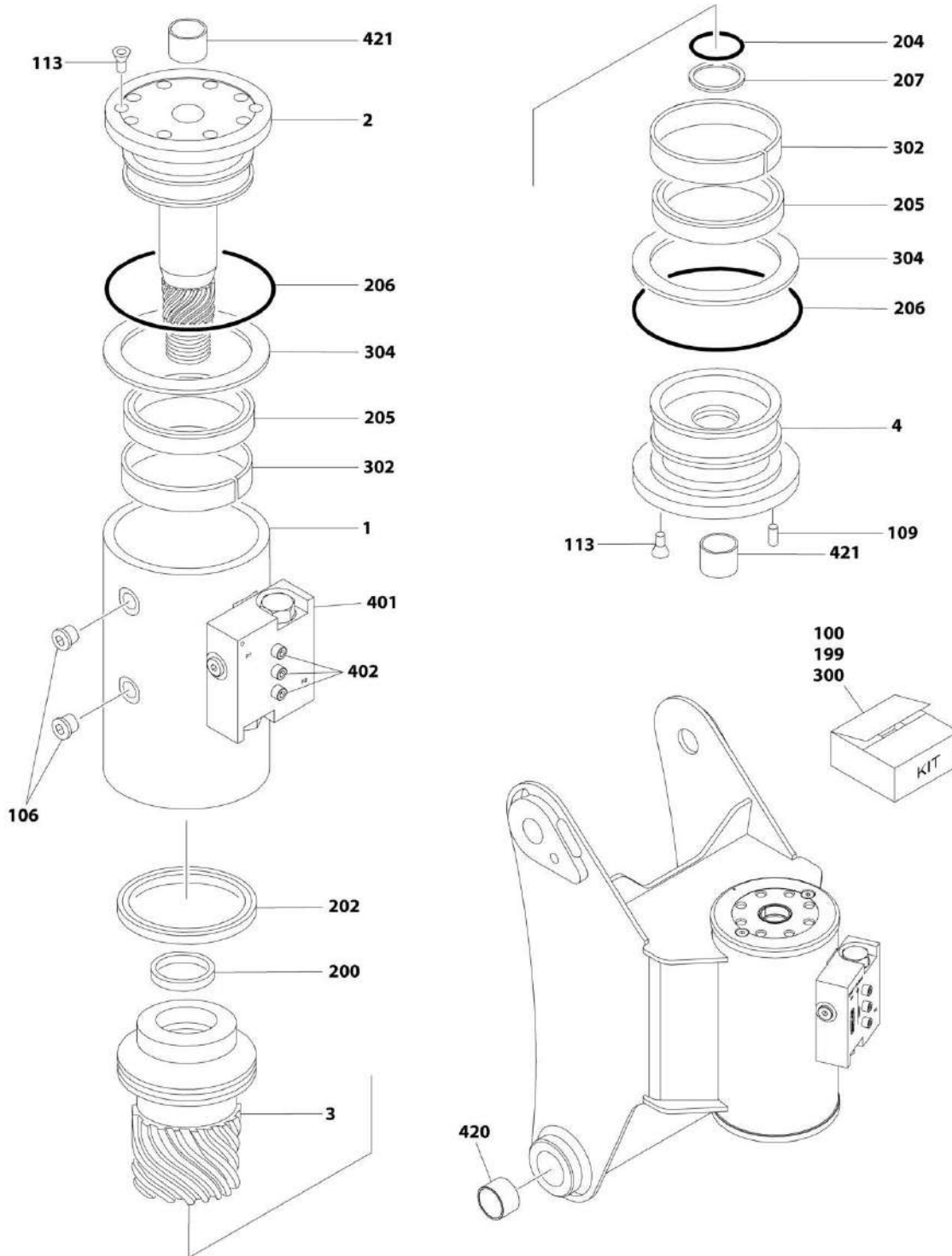
SECTION 4 - BOOM

FIGURE 4-7. PLATFORM ROTATOR ASSEMBLY - 600S

ITEM	PART NUMBER	QTY	DESCRIPTION	REV
	1001187348	Ref	PLATFORM ROTATOR ASSEMBLY	E
1	See Note	NSS	Housing/Ring Gear (Note: Purchase Complete Assembly)	
2	7017162	1	Shaft	
3	7017163	1	Piston	
4	7017164	1	Cap	
100	7017142	1	Hardware Kit (Includes Items 106-109)	
106	See Note	NSS	Plug (Note: Use Item 100)	
109	See Note	NSS	Pin, Dowel (Note: Use Item 100)	
113	70001697	6	Screw 1/4 x 3/8	
199	70000342	1	Seal Kit - Low Temperature (Includes Items 200-207)	
200	See Note	NSS	T-Seal (Note: Use Item 199)	
202	See Note	NSS	T-Seal (Note: Use Item 199)	
204	See Note	NSS	O-Ring (Note: Use Item 199)	
205	See Note	NSS	Seal (Note: Use Item 199)	
206	See Note	NSS	O-Ring (Note: Use Item 199)	
207	See Note	NSS	Ring, Back-up (Note: Use Item 199)	
300	7017159	1	Bearing Kit (Includes Items 302-304)	
302	See Note	NSS	Bearing (Note: Use Item 300)	
304	See Note	NSS	Washer, Thrust (Note: Use Item 300)	
400	70005671	1	Stop	
401	7017172	1	Valve, Control (Note: Sold as Assembly Only)	
401	7017192	2	Cartridge, Valve - Counterbalance (Seal Kit Not Available)	
401	See Note	1	Cartridge, Valve - Check (Seal Kit Not Available) (Note: Use p/n 7017172)	
402	See Note	1	Bolt 1/4 x 1-1/2 Grade 8 (Note: Purchase Locally)	
420	0961951	2	Bushing	
421	7017195	2	Bushing	

SECTION 4 - BOOM

FIGURE 4-8. PLATFORM ROTATOR ASSEMBLY - 660SJ



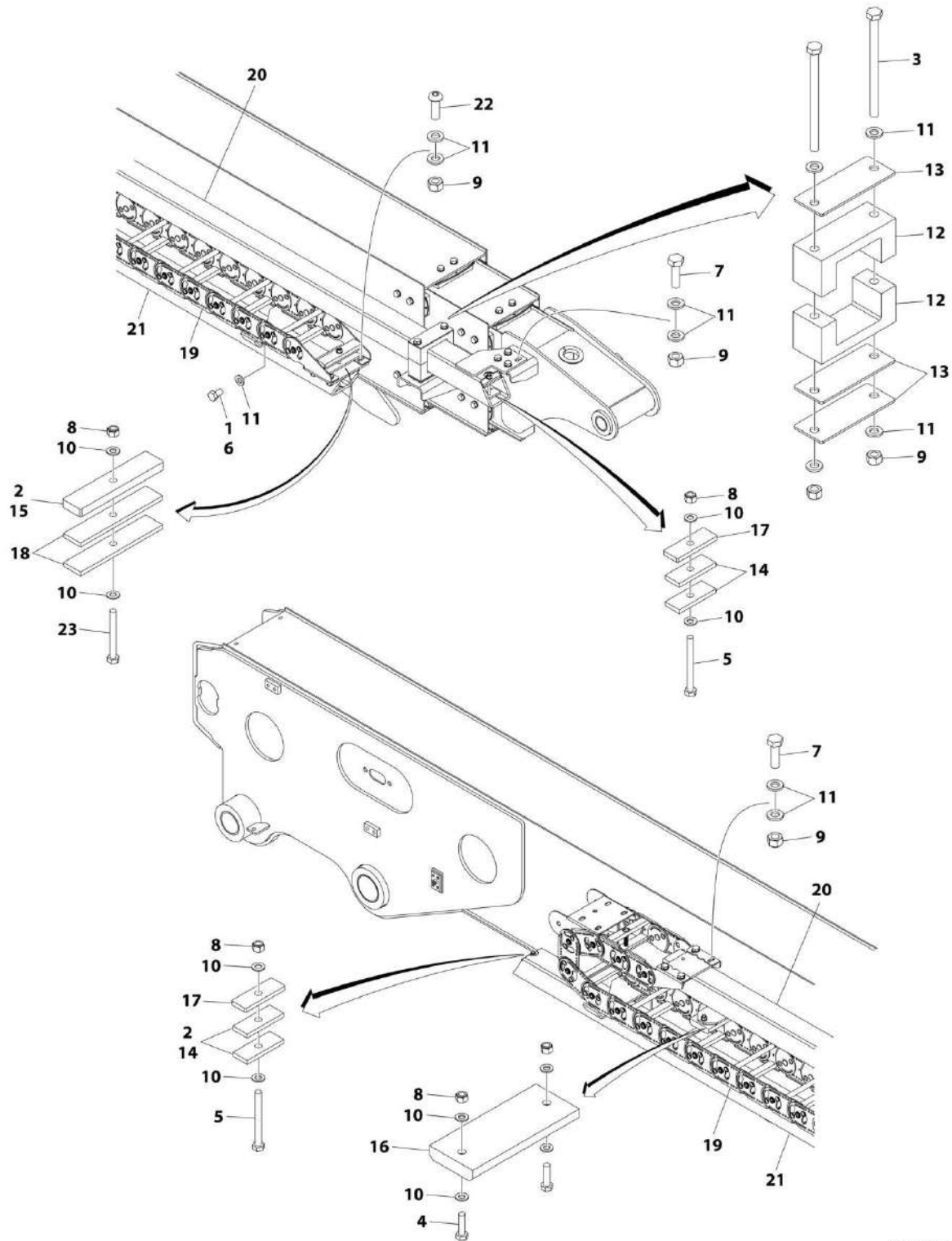
ART_1001190580

FIGURE 4-8. PLATFORM ROTATOR ASSEMBLY - 660SJ

ITEM	PART NUMBER	QTY	DESCRIPTION	REV
	1001190580	Ref	PLATFORM ROTATOR ASSEMBLY	F
1	See Note	NSS	Housing/Ring Gear (Note: Purchase Complete Assembly)	
2	7017162	1	Shaft	
3	7017163	1	Piston	
4	7017164	1	Cap	
100	7017142	1	Hardware Kit (Includes Items 106-109)	
106	See Note	NSS	Plug (Note: Use Item 100)	
109	See Note	NSS	Pin, Dowel (Note: Use Item 100)	
113	70001697	6	Screw 1/4 x 3/8	
199	70000342	1	Seal Kit - Low Temperature (Includes Items 200-207)	
200	See Note	NSS	T-Seal (Note: Use Item 199)	
202	See Note	NSS	T-Seal (Note: Use Item 199)	
204	See Note	NSS	O-Ring (Note: Use Item 199)	
205	See Note	NSS	Seal (Note: Use Item 199)	
206	See Note	NSS	Ring, Back-up (Note: Use Item 199)	
207	See Note	NSS	Ring, Back-up (Note: Use Item 199)	
300	7017159	1	Bearing Kit (Includes Items 302-304)	
302	See Note	NSS	Bearing (Note: Use Item 300)	
304	See Note	NSS	Washer, Thrust (Note: Use Item 300)	
401	7017172	1	Valve, Control (Note: Sold as Assembly Only)	
401	7017192	2	Cartridge, Valve - Counterbalance (Seal Kit Not Available)	
401	See Note	1	Cartridge, Valve - Check (Seal Kit Not Available) (Note: Use p/n 7017172)	
402	See Note	NSS	Bolt 1/4 x 1-1/2 Grade 8 (Note: Purchase Locally)	
420	0961947	2	Bushing	
421	7017195	1	Bushing	

SECTION 4 - BOOM

FIGURE 4-9. POWER TRACK INSTALLATION



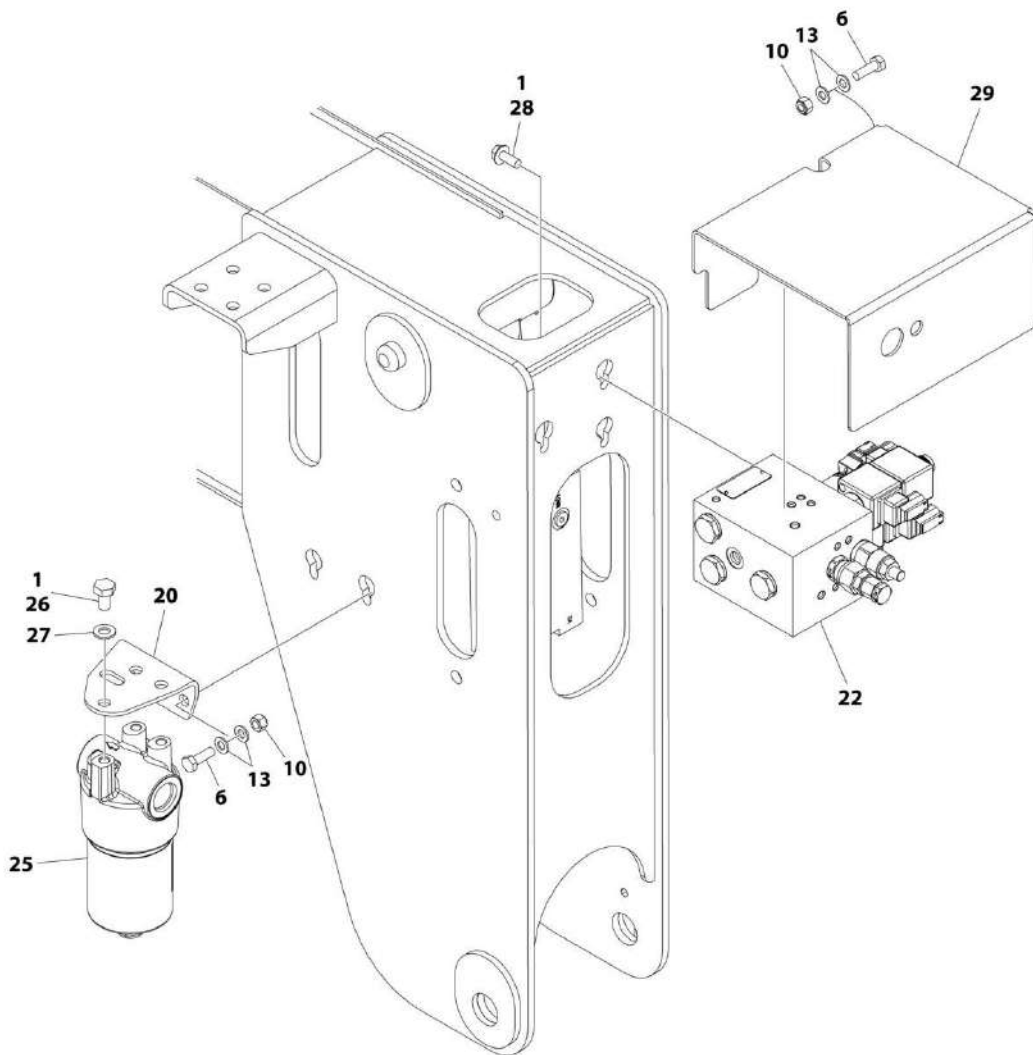
ART_1001174630

FIGURE 4-9. POWER TRACK INSTALLATION

ITEM	PART NUMBER	QTY	DESCRIPTION	REV
	1001174630	Ref	POWER TRACK INSTALLATION	F
1	0100011	AR	Compound, Locking	
2	0100081	AR	Adhesive	
3	0701032	2	Bolt M10 x 150	
4	0760814	2	Bolt M8 x 30	
5	0760824	2	Bolt M8 x 80	
6	0761009	8	Bolt M10 x 18	
7	0761015	8	Bolt M10 x 35	
8	3290805	5	Nut M8	
9	3291005	14	Nut M10	
10	4811900	10	Washer M8	
11	5241000	36	Washer M10	
12	1001136398	2	Pad	
13	1001136400	AR	Plate	
14	1001136402	4	Pad	
15	1001136461	1	Plate	
16	1001136469	NLA	Pad, Wear (Use p/n 3340787) (SN 0300235168 through 0300247539, SN B300002655 through B300002844)	
16	3340787	1	Pad, Wear (SN 0300247540 to Present, SN B300002845 to Present)	
17	1001139078	2	Plate	
18	1001151192	2	Pad	
19	1001174631	1	Powertrack Assembly	
19	70005683	AR	Repair Section - Power Track	
19	70005684	1	Mounting Kit - Power Track (Includes Mounting Feet and Hardware)	
20	1001174632	1	Tube, Push	
21	1001174636	1	Support	
22	1001174673	4	Screw M10 x 30	
23	0760822	1	Bolt M8 x 70	

SECTION 4 - BOOM

FIGURE 4-10. BOOM VALVES INSTALLATION - 600S WITH 2WS



ART_1001188166_20F2

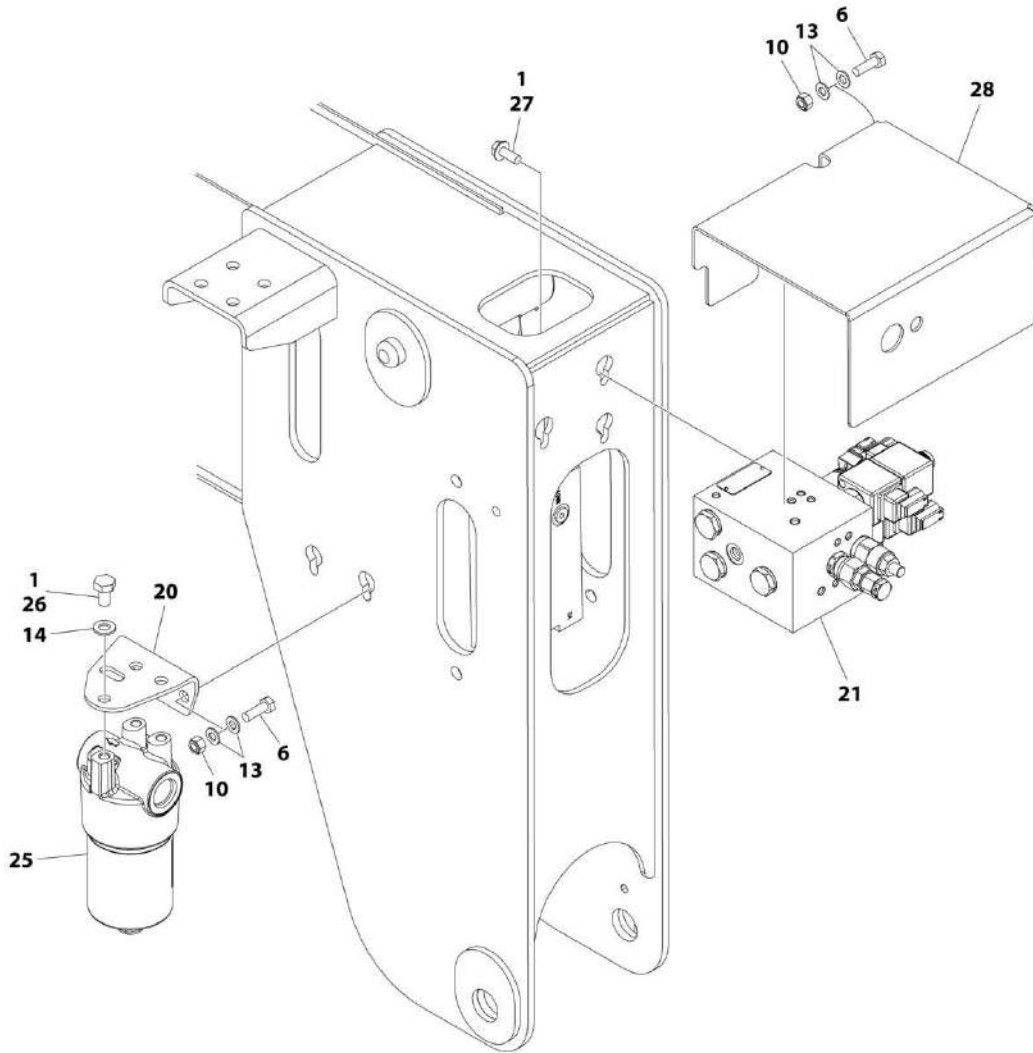
SECTION 4 - BOOM

FIGURE 4-10. BOOM VALVES INSTALLATION - 600S WITH 2WS

ITEM	PART NUMBER	QTY	DESCRIPTION	REV
	1001188166	Ref	BOOM VALVES INSTALLATION	G
1	0100011	AR	Compound, Locking	
6	0760812	AR	Bolt M8 x 25	
6	0760814	AR	Bolt M8 x 30	
10	3290805	3	Nut M8	
13	4811900	6	Washer M8	
20	1001188302	1	Plate	
22	1001190287	1	Platform Valve Assembly (See Separate Breakdown in this Section)	
25	1001201511	1	Filter, High Pressure	
25	70005335	1	Element, Filter	
25	70005682	1	Repair Kit (Includes Element & Bowl O-Rings & Back-up Rings)	
26	0761009	3	Bolt M10 x 18	
27	4812000	3	Washer M10	
28	5250810	3	Bolt M8 x 20	
29	1001204529	1	Cover	

SECTION 4 - BOOM

FIGURE 4-11. BOOM VALVES INSTALLATION - 600S WITH 4WS



ERT_1001188167_20F2

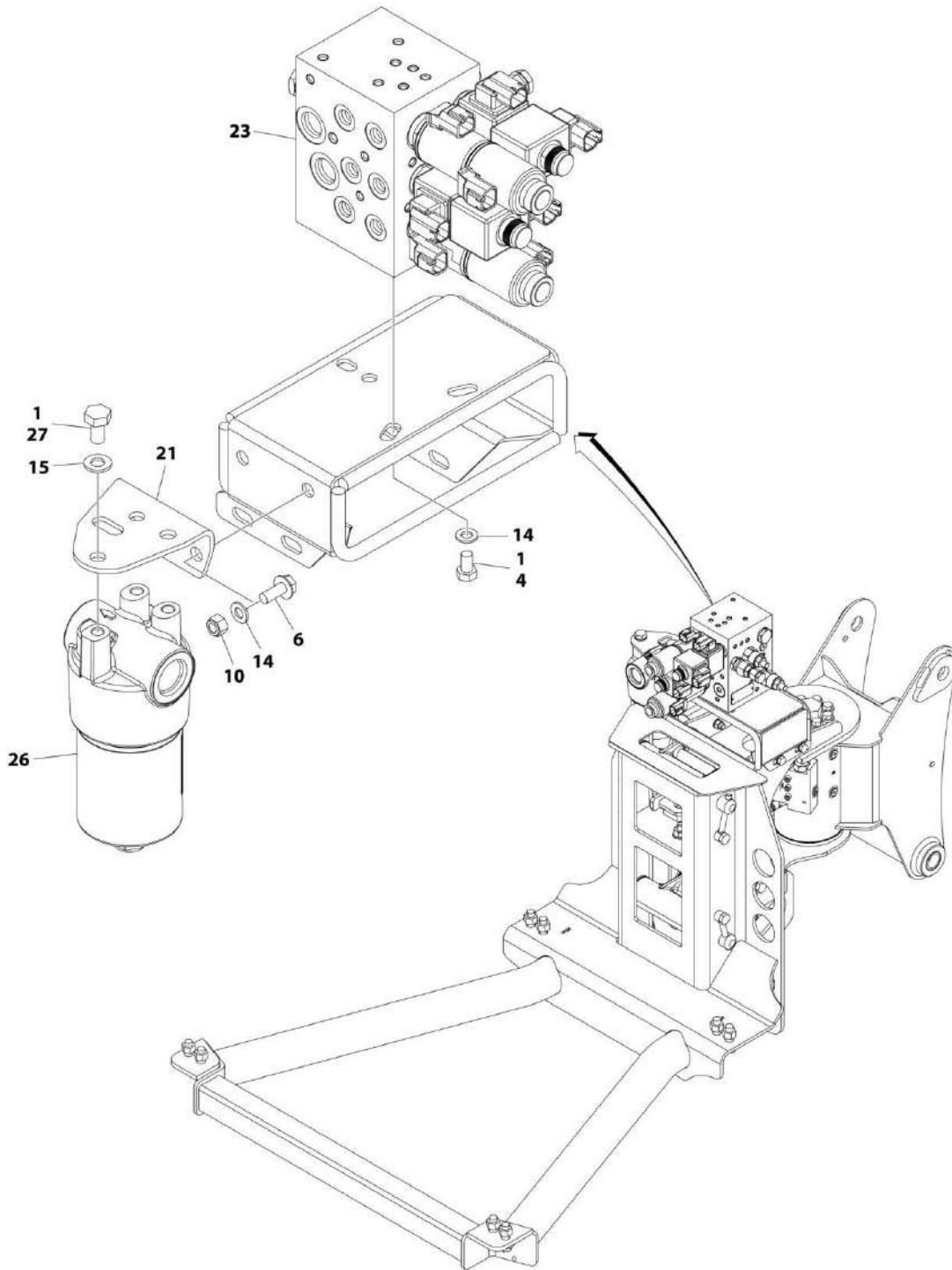
SECTION 4 - BOOM

FIGURE 4-11. BOOM VALVES INSTALLATION - 600S WITH 4WS

ITEM	PART NUMBER	QTY	DESCRIPTION	REV
	1001188167	Ref	BOOM VALVES INSTALLATION	G
1	0100011	AR	Compound, Locking	
6	0760812	AR	Bolt M8 x 25	
6	0760814	AR	Bolt M8 x 30	
10	3290805	3	Nut M8	
13	4811900	6	Washer M8	
14	4812000	3	Washer M10	
20	1001188302	1	Plate	
21	1001190287	1	Platform Valve Assembly (See Separate Breakdown in this Section)	
25	1001201511	1	Filter, High Pressure	
25	70005335	1	Element, Filter	
25	70005682	1	Repair Kit (Includes Element & Bowl O-Rings & Back-up Rings)	
26	0761009	3	Bolt M10 x 18	
27	5250810	3	Bolt M8 x 20	
28	1001204529	1	Cover	

SECTION 4 - BOOM

FIGURE 4-12. BOOM VALVES INSTALLATION - 660SJ WITH 2WS



ART_1001188168_20F2

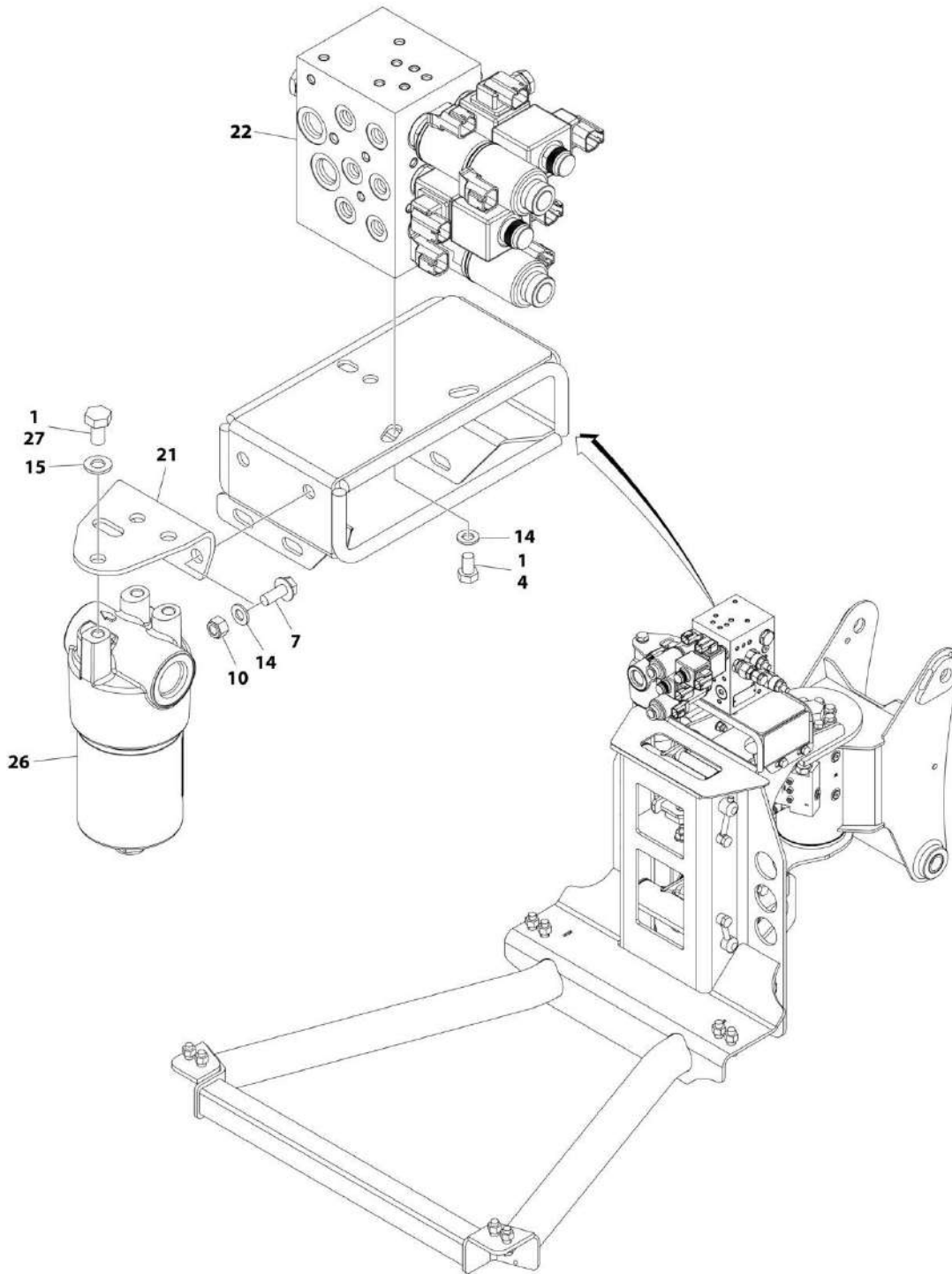
SECTION 4 - BOOM

FIGURE 4-12. BOOM VALVES INSTALLATION - 660SJ WITH 2WS

ITEM	PART NUMBER	QTY	DESCRIPTION	REV
	1001188168	Ref	BOOM VALVES INSTALLATION	G
1	0100011	AR	Compound, Locking	
4	0760807	3	Bolt M8 x 14	
6	5250810	2	Bolt M8 x 20	
10	3290805	2	Nut M8	
14	4811900	5	Washer M8	
15	4812000	3	Washer M10	
21	1001188302	1	Plate	
23	1001190286	1	Platform Valve Assembly (See Separate Breakdown in this Section)	
26	1001201511	1	Filter, High Pressure	
26	70005335	1	Element, Filter	
26	70005682	1	Repair Kit (Includes Element & Bowl O-Rings & Back-up Rings)	
27	0761009	3	Bolt M10 x 18	

SECTION 4 - BOOM

FIGURE 4-13. BOOM VALVES INSTALLATION - 660SJ WITH 4WS



ART_1001188169_20F2

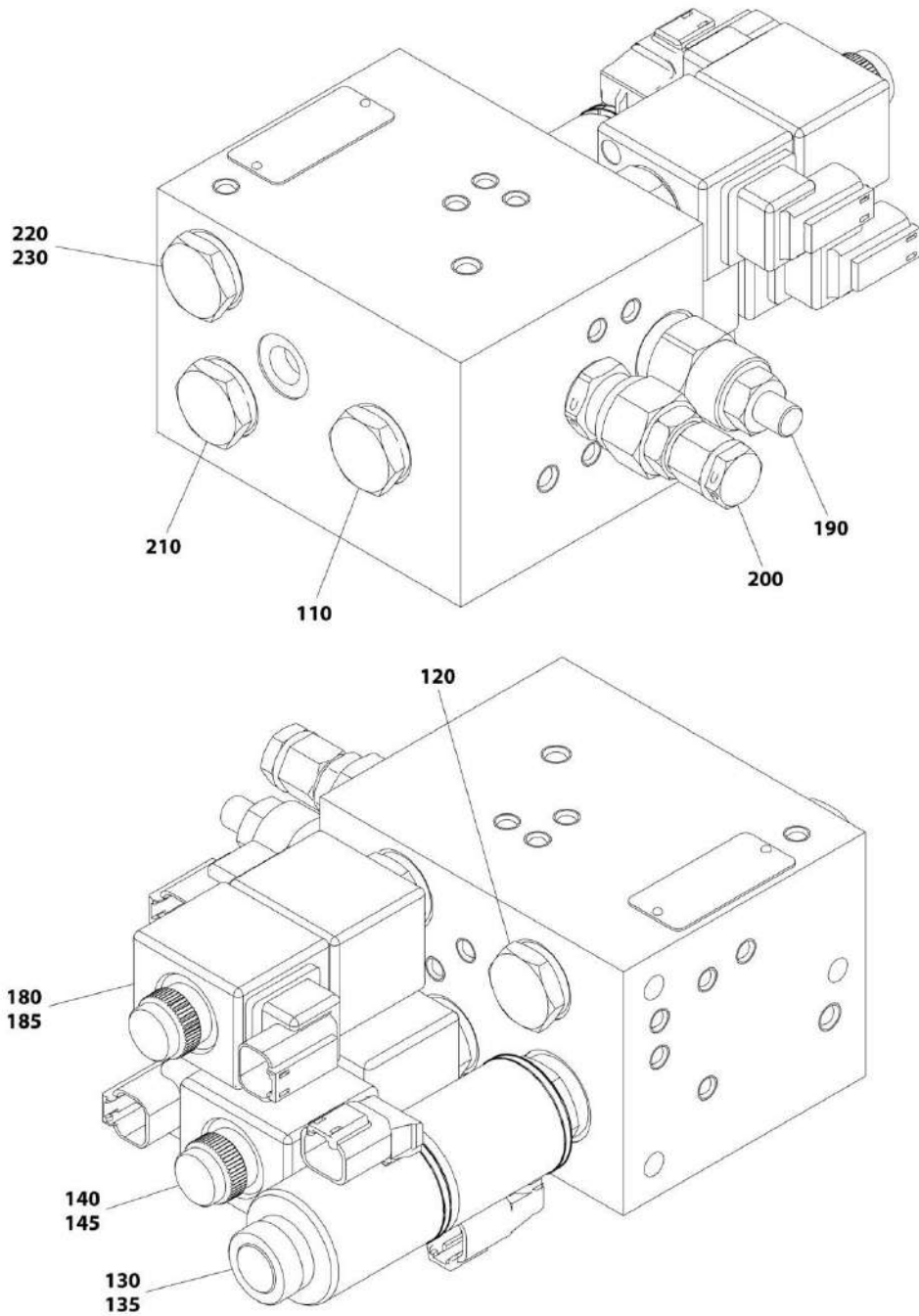
SECTION 4 - BOOM

FIGURE 4-13. BOOM VALVES INSTALLATION - 660SJ WITH 4WS

ITEM	PART NUMBER	QTY	DESCRIPTION	REV
	1001188169	Ref	BOOM VALVES INSTALLATION	G
1	0100011	AR	Compound, Locking	
4	0760807	3	Bolt M8 x 14	
7	5250810	2	Bolt M8 x 20	
10	3290805	2	Nut M8	
14	4811900	5	Washer M8	
15	4812000	3	Washer M10	
21	1001188302	1	Plate	
22	1001190286	1	Platform Valve Assembly (See Separate Breakdown in this Section)	
26	1001201511	1	Filter, High Pressure	
26	70005335	1	Element, Filter	
26	70005682	1	Repair Kit (Includes Element & Bowl O-Rings & Back-up Rings)	
27	0761009	3	Bolt M10 x 18	

SECTION 4 - BOOM

FIGURE 4-14. PLATFORM VALVE ASSEMBLY - 600S



ART_1001190287

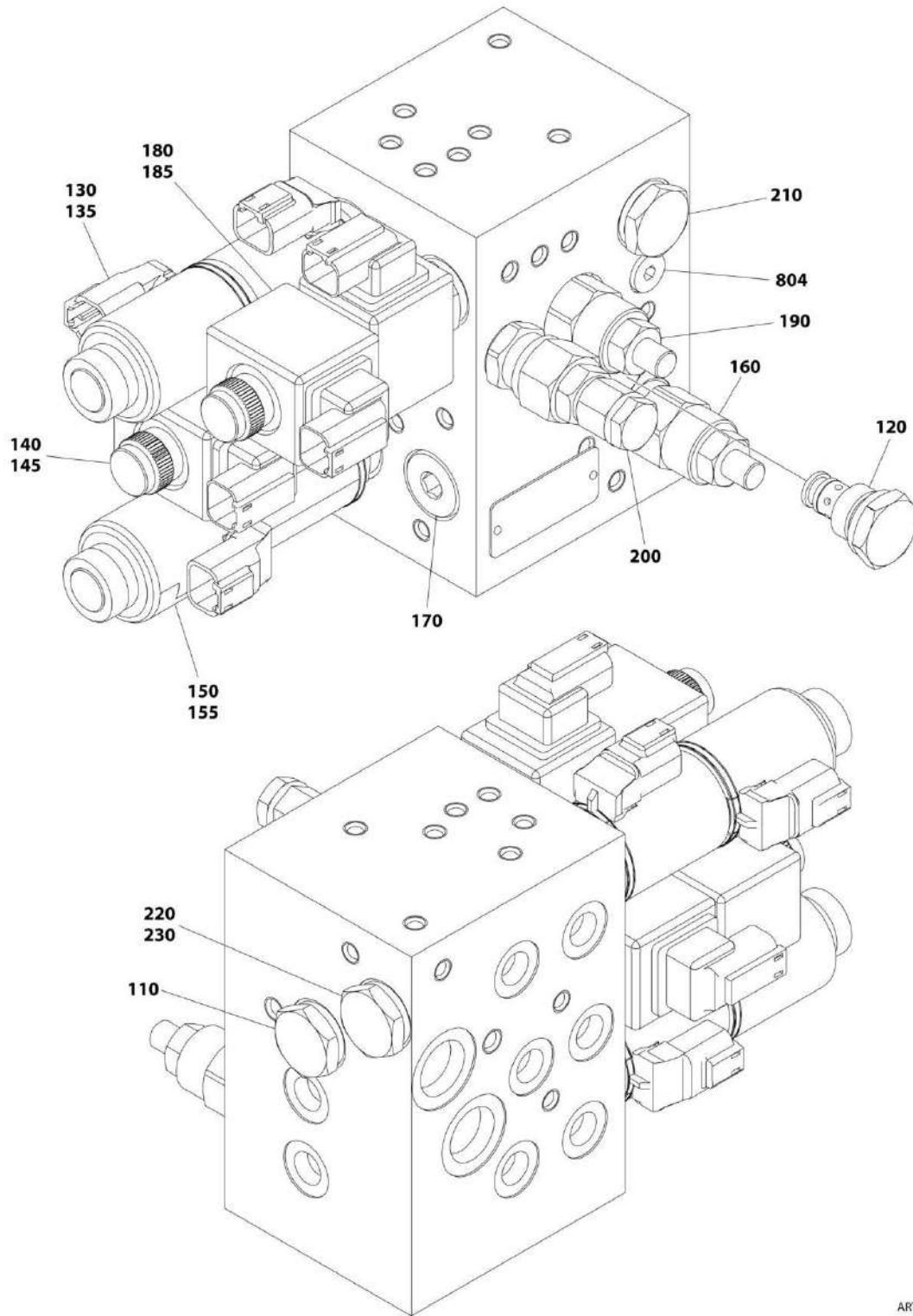
SECTION 4 - BOOM

FIGURE 4-14. PLATFORM VALVE ASSEMBLY - 600S

ITEM	PART NUMBER	QTY	DESCRIPTION	REV
	1001190287	Ref	PLATFORM VALVE ASSEMBLY	E
110	70005951	1	Valve, Check	
110	70004052	1	Seal Kit - 70005951 Valve	
120	70003027	1	Valve, Flow/Pressure Control	
120	70004052	1	Seal Kit - 70003027 Valve	
130	70006121	1	Valve, Solenoid (Platform Level)	
130	70006116	1	Seal Kit - 70006121 Valve	
135	70006122	2	Coil	
140	70005627	1	Valve, Solenoid (Platform Swing)	
140	70004053	1	Seal Kit - 70005627 Valve	
140	70006123	1	Coil Nut & Pole Tube O-Ring Kit	
145	70004653	2	Coil	
180	70006124	1	Valve, Solenoid	
180	70023862	1	Seal Kit - 70006124 Valve	
180	70006123	1	Coil Nut & Pole Tube O-Ring Kit	
185	70004653	2	Coil	
190	70003019	1	Valve, Relief	
190	70004052	1	Seal Kit - 70003019 Valve	
200	70006125	1	Valve, Relief	
200	70006126	1	Seal Kit - 70006125 Valve	
210	70005952	1	Valve, Check	
210	70004052	1	Seal Kit - 70005952 Valve	
220	7022524	1	Orifice 0.5mm	
230	70005952	1	Valve, Check	
230	70004052	1	Seal Kit - 70005952 Valve	

SECTION 4 - BOOM

FIGURE 4-15. PLATFORM VALVE ASSEMBLY - 660SJ



ART_1001190286

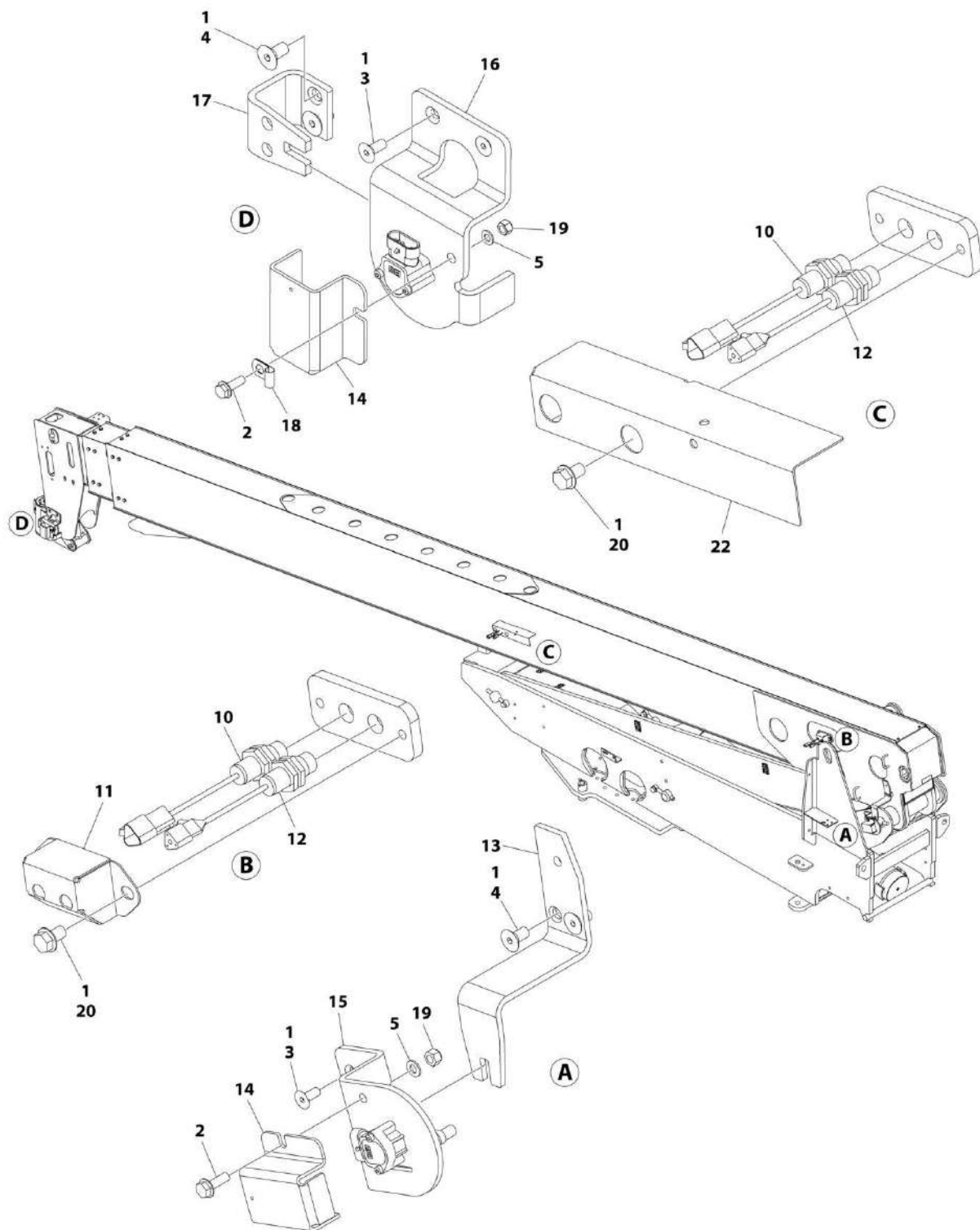
SECTION 4 - BOOM

FIGURE 4-15. PLATFORM VALVE ASSEMBLY - 660SJ

ITEM	PART NUMBER	QTY	DESCRIPTION	REV
	1001190286	Ref	PLATFORM VALVE ASSEMBLY	D
110	70005951	1	Valve, Check	
110	70004052	1	Seal Kit - 70005951 Valve	
120	70003027	1	Valve, Flow/Pressure Control	
120	70004052	1	Seal Kit - 70003027 Valve	
130	70006121	1	Valve, Solenoid (Platform Level)	
130	70006116	1	Seal Kit - 70006121 Valve	
135	70006122	2	Coil	
140	70005627	1	Valve, Solenoid (Platform Swing)	
140	70004053	1	Seal Kit - 70005627 Valve	
140	70006123	1	Coil Nut & Pole Tube O-Ring Kit	
145	70004653	2	Coil	
150	70006121	1	Valve, Solenoid (JIB Up/Down)	
150	70006116	1	Seal Kit - 70006121 Valve	
155	70006122	2	Coil	
160	70003019	1	Valve, Relief	
160	70004052	1	Seal Kit - 70003019 Valve	
170	70004613	1	Valve, Relief	
170	70023860	1	Seal Kit - 70004613 Valve	
180	70006124	1	Valve, Solenoid	
180	70023862	1	Seal Kit - 70006124 Valve	
180	70006123	1	Coil Nut & Pole Tube O-Ring Kit	
185	70004653	2	Coil	
190	70003019	1	Valve, Relief	
190	70004052	1	Seal Kit - 70003019 Valve	
200	70006125	1	Valve, Relief	
200	70006126	1	Seal Kit - 70006125 Valve	
210	70005952	1	Valve, Check	
210	70004052	1	Seal Kit - 70003019 Valve	
220	7022524	1	Orifice 0.5mm	
230	70005952	1	Valve, Check	
230	70004052	1	Seal Kit - 70005952 Valve	
804	70005200	1	Plug	

SECTION 4 - BOOM

FIGURE 4-16. BOOM SENSORS INSTALLATION - 600S



ART_1001187605

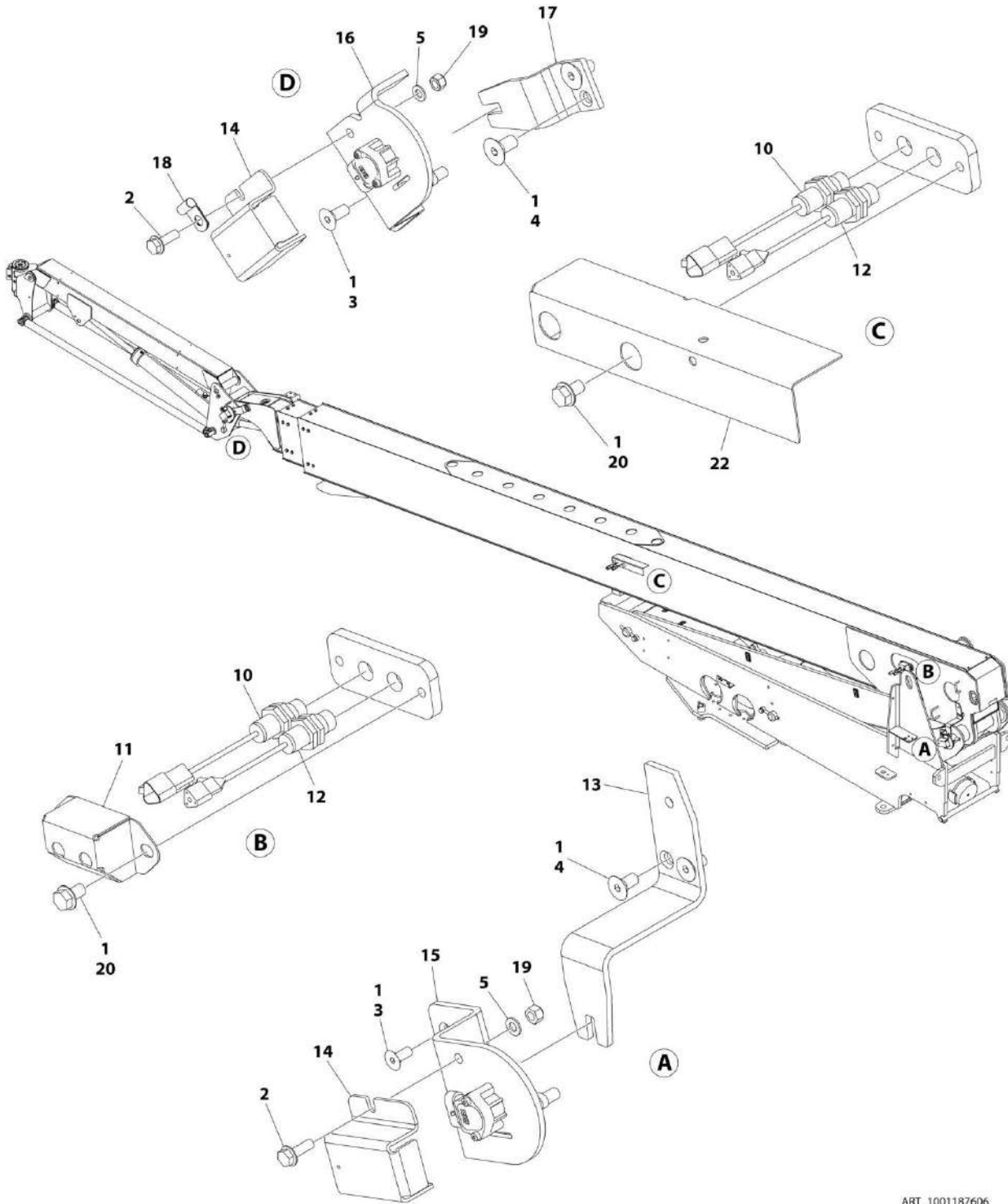
SECTION 4 - BOOM

FIGURE 4-16. BOOM SENSORS INSTALLATION - 600S

ITEM	PART NUMBER	QTY	DESCRIPTION	REV
	1001187605	Ref	BOOM SENSORS INSTALLATION	E
1	0100011	AR	Compound, Locking	
2	5250812	2	Bolt M8 x 25	
3	1001137125	4	Screw M8 x 20	
4	1001155441	4	Screw M10 x 20 Grade 10.9	
5	4811900	2	Washer M8	
10	1001170847	2	Sensor, Proximity	
11	1001204715	1	Bracket	
12	1001182570	2	Sensor, Proximity	
13	1001211585	1	Plate	
14	1001211588	2	Shield	
15	1001211577	1	Sensor (Lower)	
15	4010303	1	Screw Posi-drive M3 x 6	
15	1001204939	1	Sensor, Angle	
15	1001211580	1	Bracket	
15	1001211582	1	Link, Angle Sensor Arm	
16	1001211578	1	Sensor (Upper)	
16	4010303	1	Screw Posi-drive M3 x 6	
16	1001191020	1	Sensor, Angle	
16	1001211581	1	Bracket	
16	1001211583	1	Link, Angle Sensor Arm	
17	1001211586	1	Plate	
18	8406003	1	Clip	
19	3290805	2	Nut M8	
20	5251008	4	Bolt M10 x 16	
21	4240033	2	Tie-Strap (Not Shown)	
22	1001227792	1	Plate	

SECTION 4 - BOOM

FIGURE 4-17. BOOM SENSORS INSTALLATION - 660SJ



ART_1001187606

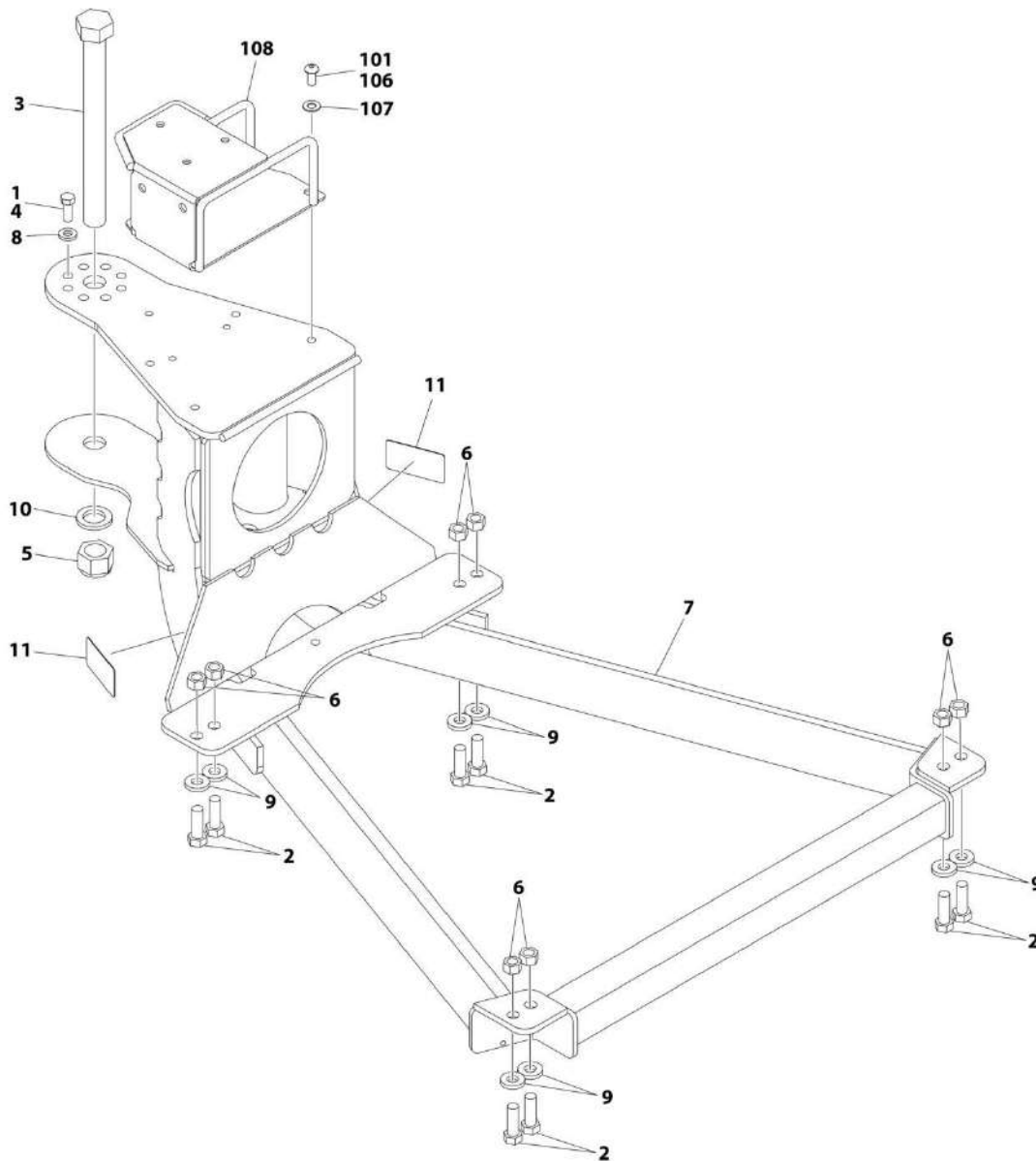
SECTION 4 - BOOM

FIGURE 4-17. BOOM SENSORS INSTALLATION - 660SJ

ITEM	PART NUMBER	QTY	DESCRIPTION	REV
	1001187606	Ref	BOOM SENSORS INSTALLATION	E
1	0100011	AR	Compound, Locking	
2	5250812	2	Bolt M8 x 25	
3	1001137125	4	Screw M8 x 20	
4	1001155441	4	Screw M10 x 20 Grade 10.9	
5	4811900	2	Washer M8	
10	1001170847	2	Sensor, Proximity	
11	1001204715	1	Bracket	
12	1001182570	2	Sensor, Proximity	
13	1001211585	1	Plate	
14	1001211588	2	Shield	
15	1001211577	1	Sensor (Lower)	
15	4010303	1	Screw Posi-drive M3 x 6	
15	1001204939	1	Sensor, Angle	
15	1001211580	1	Bracket	
15	1001211582	1	Link, Angle Sensor Arm	
16	1001211579	1	Sensor (Upper)	
16	4010303	1	Screw Posi-drive M3 x 6	
16	1001191020	1	Sensor, Angle	
16	1001211581	1	Bracket	
16	1001211584	1	Link, Angle Sensor Arm	
17	1001211587	1	Plate	
18	8406003	1	Clip	
19	3290805	2	Nut M8	
20	5251008	4	Bolt M10 x 16	
21	4240033	2	Tie-Strap (Not Shown)	
22	1001227792	1	Plate	

SECTION 4 - BOOM

FIGURE 4-18. PLATFORM SUPPORT INSTALLATION - WITHOUT LSS (SN 0300235168 through 0300251320, SN B300002655 through B300003386)



ART_0272070

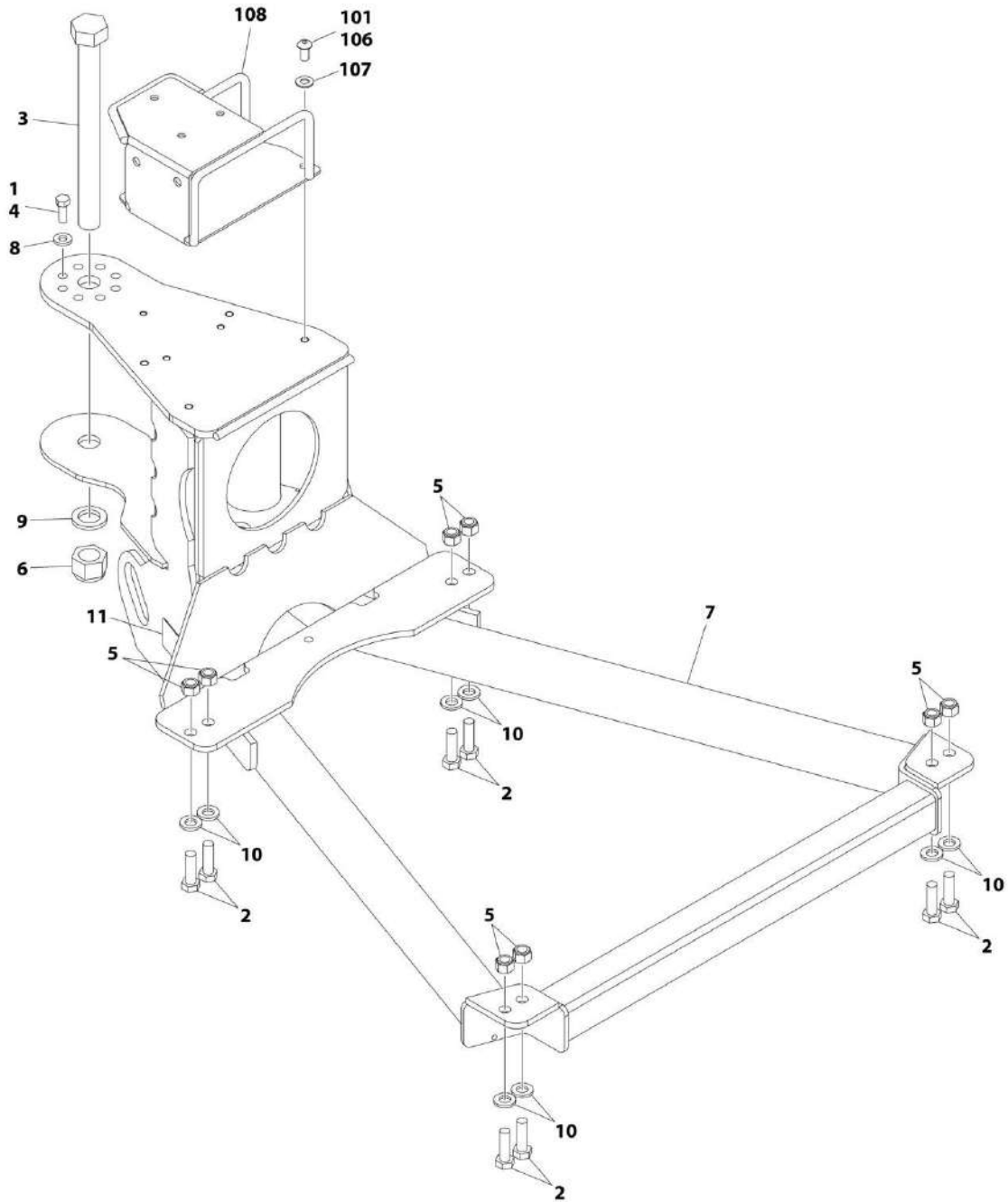
SECTION 4 - BOOM

FIGURE 4-18. PLATFORM SUPPORT INSTALLATION - WITHOUT LSS (SN 0300235168 through 0300251320, SN B300002655 through B300003386)

ITEM	PART NUMBER	QTY	DESCRIPTION	REV
	0272070	Ref	PLATFORM SUPPORT INSTALLATION	H
1	0100011	AR	Compound, Locking	
2	0641812	8	Bolt 1/2 x 1-1/2	
3	0642684	1	Bolt 1 x 10-1/2	
4	0681608	8	Bolt 3/8 x 1	
5	3300243	1	Nut 1	
6	3311805	8	Nut 1/2	
7	4846573	1	Support	
8	4891600	8	Washer 3/8	
9	4891800	8	Washer 1/2	
10	4892600	1	Washer 1	
11	1001216630	2	Decal - Tie Down/No Lift	
	1001202688	Ref	VALVE MOUNT INSTALLATION	C
101	0100011	AR	Compound, Locking	
106	3900283	4	Screw 3/8 x 3/4	
107	4711600	4	Washer 3/8	
108	1001206920	1	Mount, Valve	

SECTION 4 - BOOM

FIGURE 4-19. PLATFORM SUPPORT INSTALLATION - WITHOUT LSS (SN 0300251321 to Present, SN B300003387 to Present)



ART_1001235513

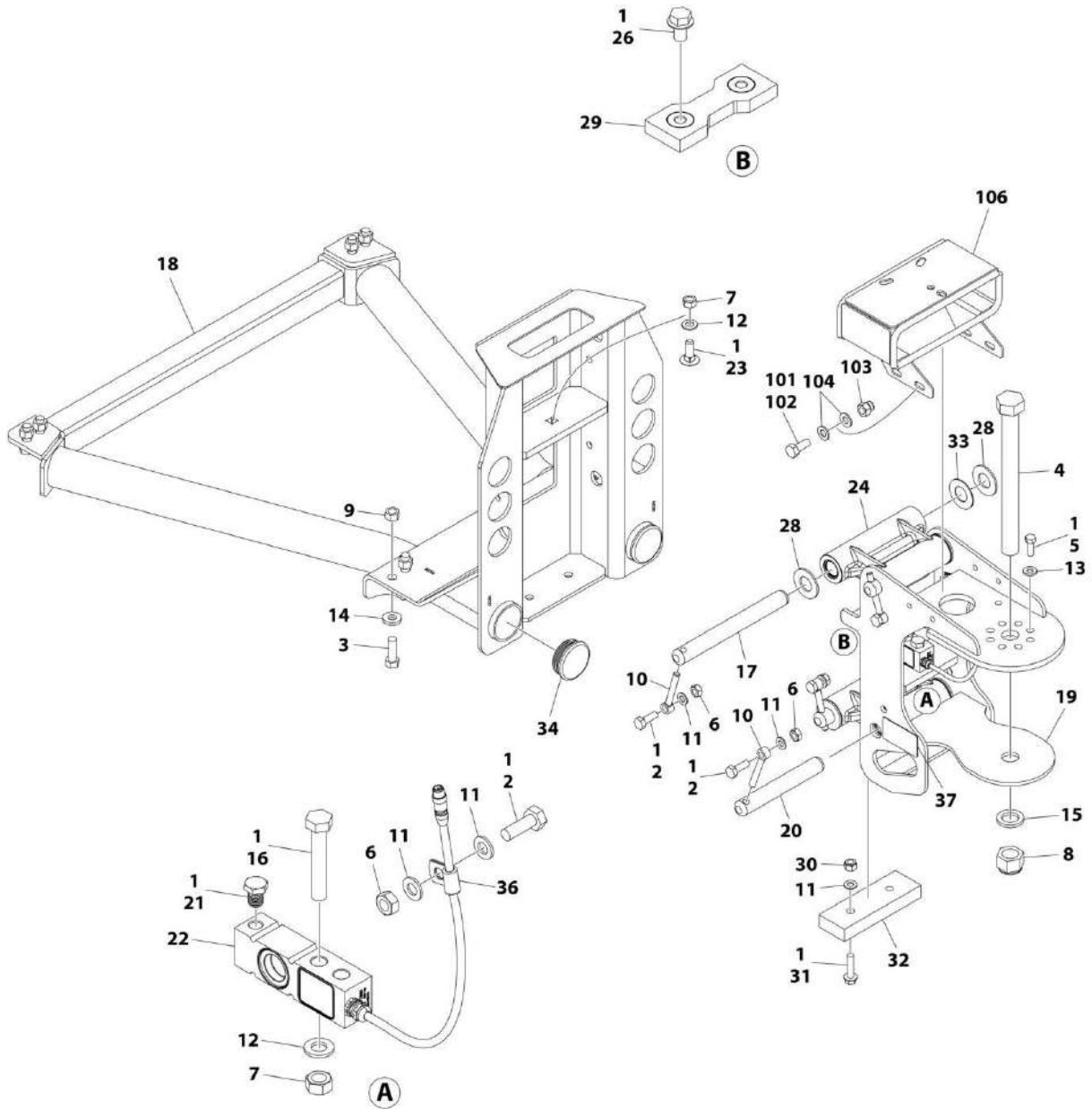
SECTION 4 - BOOM

FIGURE 4-19. PLATFORM SUPPORT INSTALLATION - WITHOUT LSS (SN 0300251321 to Present, SN B300003387 to Present)

ITEM	PART NUMBER	QTY	DESCRIPTION	REV
	1001235513	1	PLATFORM SUPPORT INSTALLATION	A
1	0100011	AR	Compound, Locking	
2	0761216	8	Bolt M12 x 40	
3	0642684	1	Bolt 1 x 10-1/2	
4	0681608	8	Bolt 3/8 x 1	
5	3291205	8	Nut M12	
6	3300243	1	Nut 1	
7	4846573	1	Support	
8	4891600	8	Washer 3/8	
9	4892600	1	Washer 1	
10	5241200	8	Washer M12	
11	1001216630	2	Decal - Tie Down/No Lift	
	1001202688	1	VALVE MOUNT INSTALLATION	C
101	0100011	AR	Compound, Locking	
106	3900283	4	Screw 3/8 x 3/4	
107	4711600	4	Washer 3/8	
108	1001206920	1	Mount, Valve	

SECTION 4 - BOOM

FIGURE 4-20. PLATFORM SUPPORT INSTALLATION - WITH LSS



ART_1001167596

SECTION 4 - BOOM

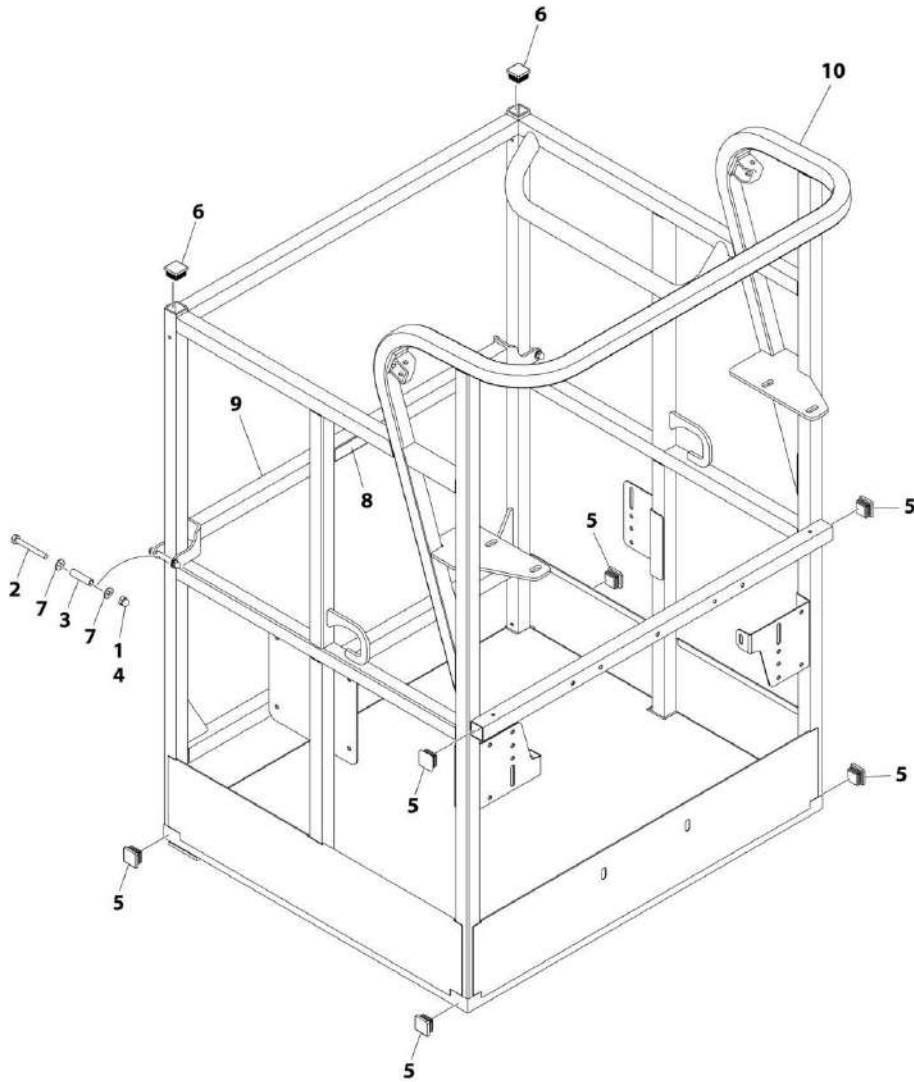
FIGURE 4-20. PLATFORM SUPPORT INSTALLATION - WITH LSS

ITEM	PART NUMBER	QTY	DESCRIPTION	REV
	1001167596	Ref	PLATFORM SUPPORT INSTALLATION	J
1	0100011	AR	Compound, Locking	
2	0761014	5	Bolt M10 x 30	
3	0641812	8	Bolt 1/2 x 1-1/2	
3	0761216	8	Bolt M12 x 40	
4	0642684	1	Bolt 1 x 10-1/2	
5	0681608	8	Bolt 3/8 x 1	
6	3291001	5	Nut M10	
7	3291201	3	Nut M12	
8	3300243	1	Nut 1	
9	3311805	8	Nut 1/2	
9	3291205	8	Nut M12	
10	3841143	4	Keeper, Pin	
11	4812000	8	Washer M10	
12	4812100	3	Washer M12	
13	4891600	8	Washer 3/8	
14	4891800	8	Washer 1/2	
14	5241200	8	Washer M12	
15	4892600	1	Washer 1	
16	1001098828	2	Bolt M12 x 70 Grade 10.9	
17	1001167565	2	Pin	
18	1001200494	1	Support, Platform	
19	1001167567	1	Support, Rotator	
20	1001168402	2	Pin	
21	1001188622	1	Screw	
22	1001172663	1	Gauge, Load Sensing	
23	1001188844	1	Bolt M12 x 35	
24	1001201351	2	Link	
26	5251008	2	Bolt M10 x 16	
28	1001189002	8	Bearing	
29	1001190985	1	Pad, Wear	
30	3291005	2	Nut M10	
31	5251016	2	Bolt M10 x 40	
32	1001200491	1	Pad, Wear	
33	1001189001	4	Bearing	
34	1001204725	2	Plug	
36	91203039	1	Clamp	
37	1001216630	2	Decal - Tie Down/No Lift	
	1001202687	Ref	VALVE MOUNT INSTALLATION	B
101	0100011	AR	Compound, Locking	
102	0760810	4	Bolt M8 x 20	
103	3290806	4	Nut M8	
104	4811900	8	Washer M8	
106	1001208994	1	Mount, Valve	

SECTION 5 - PLATFORM

SECTION 5 - PLATFORM

FIGURE 5-1. PLATFORM ASSEMBLY - 30IN X 3FT (76CM X .91M) - DROP BAR ENTRY



ART_1001228215

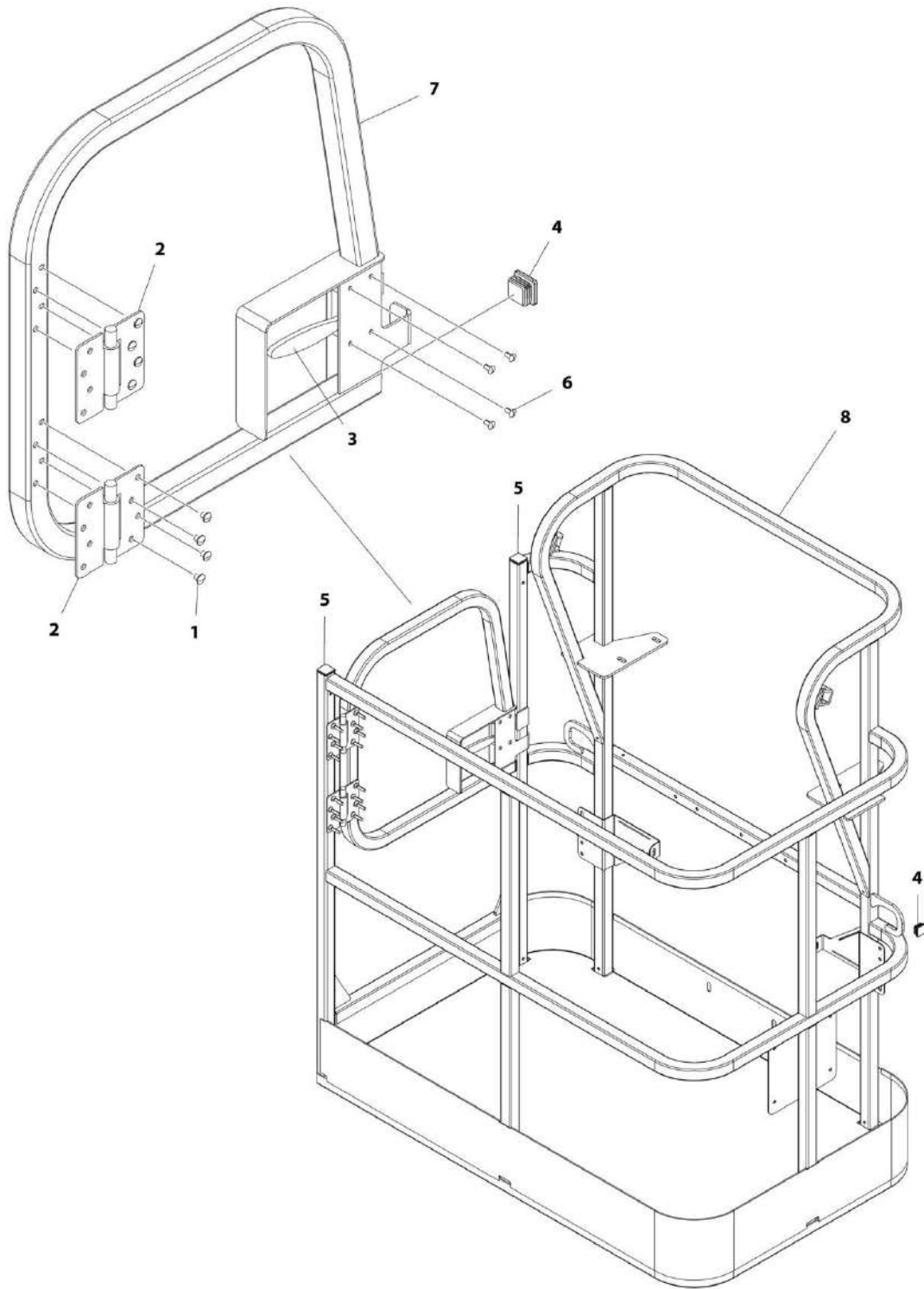
SECTION 5 - PLATFORM

FIGURE 5-1. PLATFORM ASSEMBLY - 30IN X 3FT (76CM X .91M) - DROP BAR ENTRY

ITEM	PART NUMBER	QTY	DESCRIPTION	REV
	1001228215	Ref	PLATFORM ASSEMBLY - 30IN X 3FT (76CM X .91M) - DROP BAR ENTRY	A
	See Note	Ref	Note: Platform and Mesh must be ordered separately for Platforms with Mesh. See SPECIAL OPTIONS SECTION for Mesh Installations.	
	See Note	Ref	Note: Replacement Decals Must be Ordered Separately - See DECAL SECTION.	
1	0100011	AR	Compound, Locking	
2	0641418	2	Bolt 1/4 x 2-1/4	
3	0961845	2	Bushing	
4	3300151	2	Nut 1/4	
5	3520072	6	Cap, Plug	
6	3520198	2	Cap, Plug	
7	4711400	4	Washer 1/4	
8	1001140429	1	Decal - Drop Bar	
9	1001226872	1	Bar, Drop	
10	See Note	NSS	Platform, Weldment (Note: Not Available - Purchase Platform Assembly)	

SECTION 5 - PLATFORM

FIGURE 5-2. PLATFORM ASSEMBLY - 30IN X 4FT (76CM X 1.22M) WITH SWING GATE



ART_1001186387

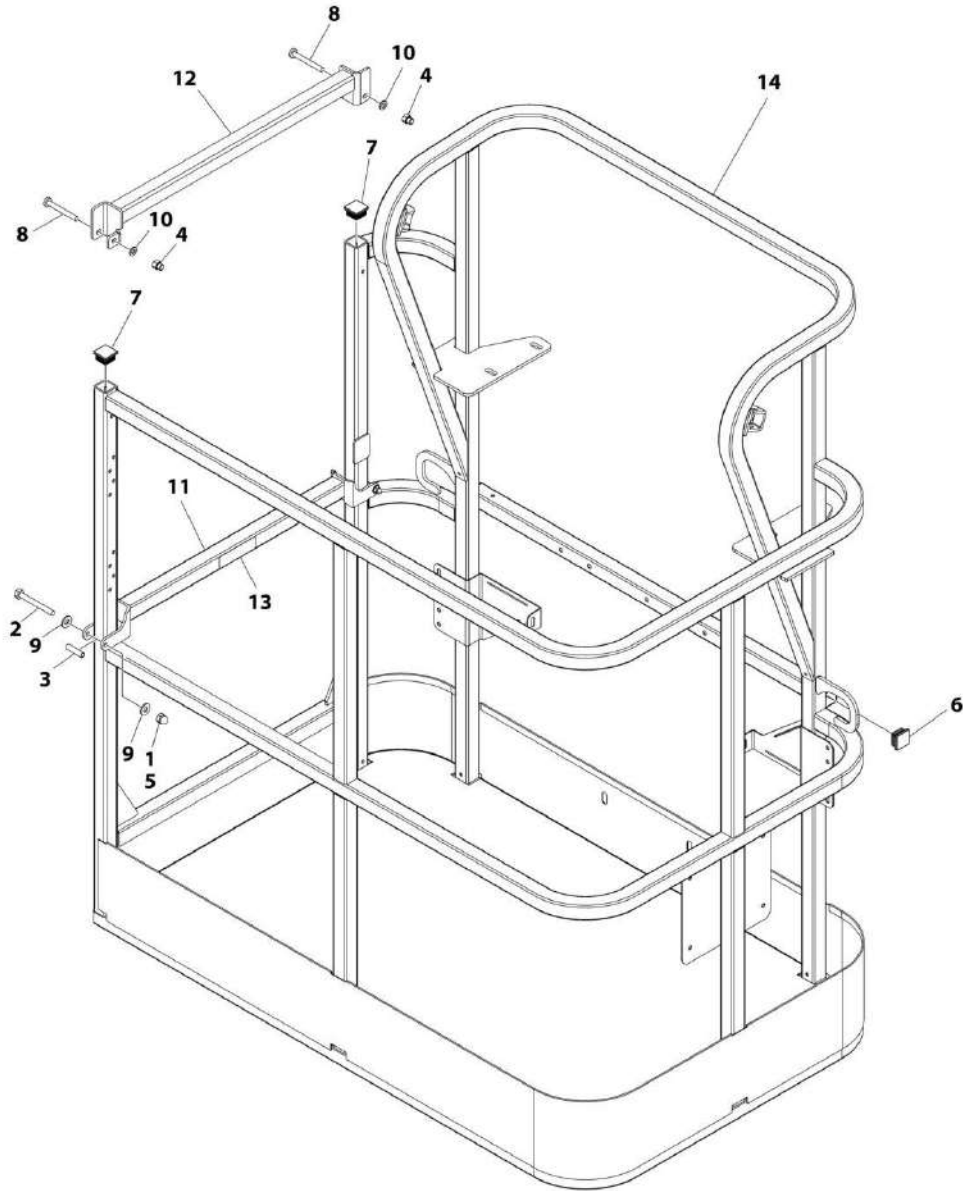
SECTION 5 - PLATFORM

FIGURE 5-2. PLATFORM ASSEMBLY - 30IN X 4FT (76CM X 1.22M) WITH SWING GATE

ITEM	PART NUMBER	QTY	DESCRIPTION	REV
	1001186387	Ref	PLATFORM ASSEMBLY	B
		Ref	Note: Platform and Mesh must be ordered separately for Platforms with Mesh. See SPECIAL OPTIONS SECTION for Mesh Installations.	
		Ref	Note: Replacement Decals Must be Ordered Separately - See DECALS SECTION.	
1	2080040	16	Fastener, Huck	
2	2600281	2	Hinge	
3	2940074	1	Latch	
4	3520072	3	Plug	
5	3520198	2	Plug	
6	3820020	4	Rivet	
7	1001144629	1	Gate	
8	See Note	1	Platform (Note: Not Available - Purchase Platform Assembly)	

SECTION 5 - PLATFORM

FIGURE 5-3. PLATFORM ASSEMBLY - 30IN X 4FT (76CM X 1.22M) WITH DROP BAR



ART_1001186375

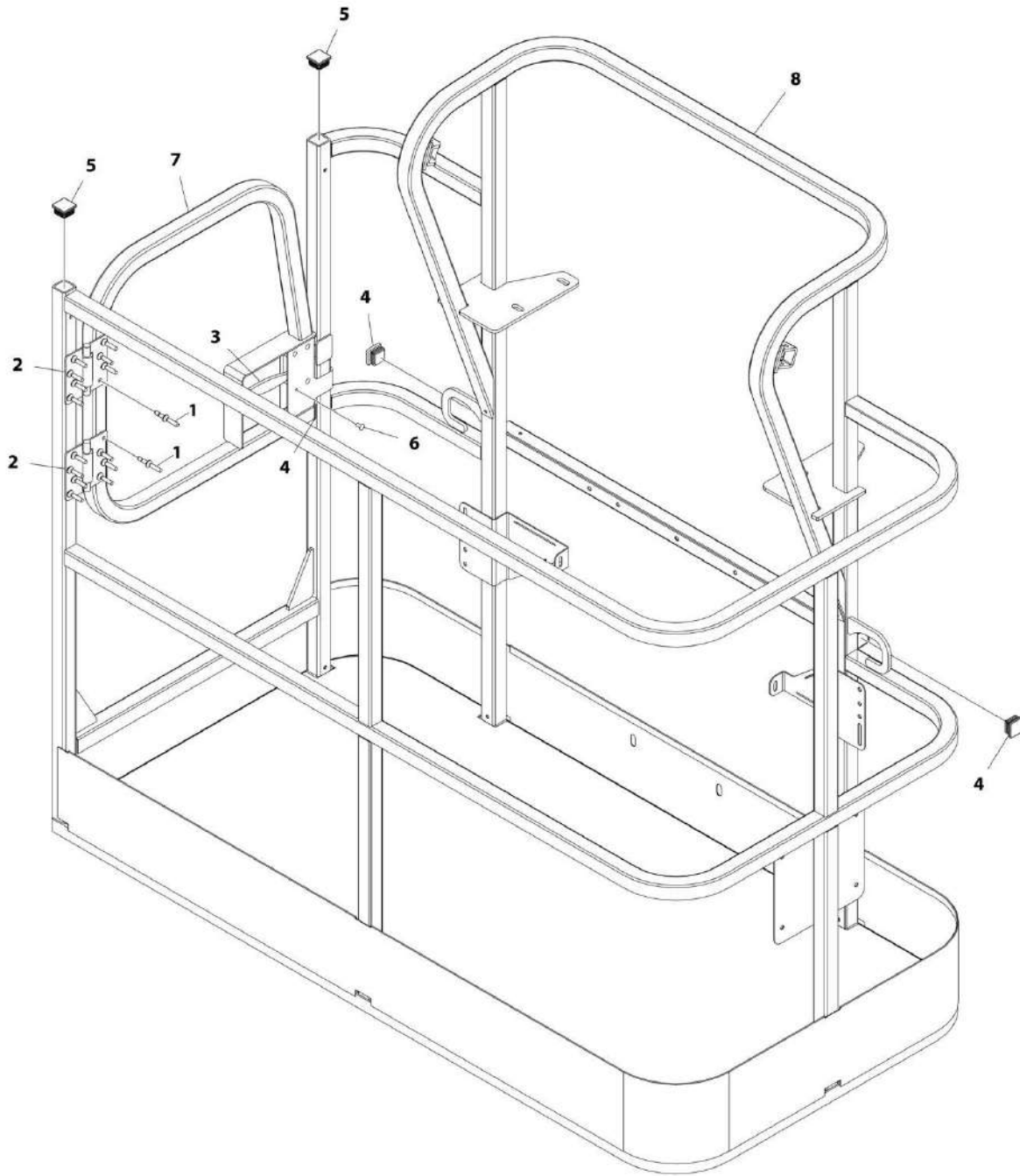
SECTION 5 - PLATFORM

FIGURE 5-3. PLATFORM ASSEMBLY - 30IN X 4FT (76CM X 1.22M) WITH DROP BAR

ITEM	PART NUMBER	QTY	DESCRIPTION	REV
	1001186375	Ref	PLATFORM ASSEMBLY	B
		Ref	Note: Replacement Decals Must be Ordered Separately - See DECALS SECTION.	
1	0100011	AR	Compound, Locking	
2	0641418	2	Bolt 1/4 x 2-1/4	
3	0961845	2	Bushing	
4	3290606	2	Nut M6	
5	3300151	2	Nut 1/4	
6	3520072	2	Plug	
7	3520198	2	Plug	
8	4010618	2	Screw M6 x 50	
9	4711400	4	Washer 1/4	
10	4811700	2	Washer M6	
11	1001138494	1	Bar, Drop	
12	1001138514	1	Rail - Top	
13	1001140429	1	Decal - Drop Bar	
14	See Note	1	Platform (Note: Not Available - Purchase Platform Assembly)	

SECTION 5 - PLATFORM

FIGURE 5-4. PLATFORM ASSEMBLY - 30IN X 5FT (76CM X 1.52M) WITH SWING GATE



ART_1001186386

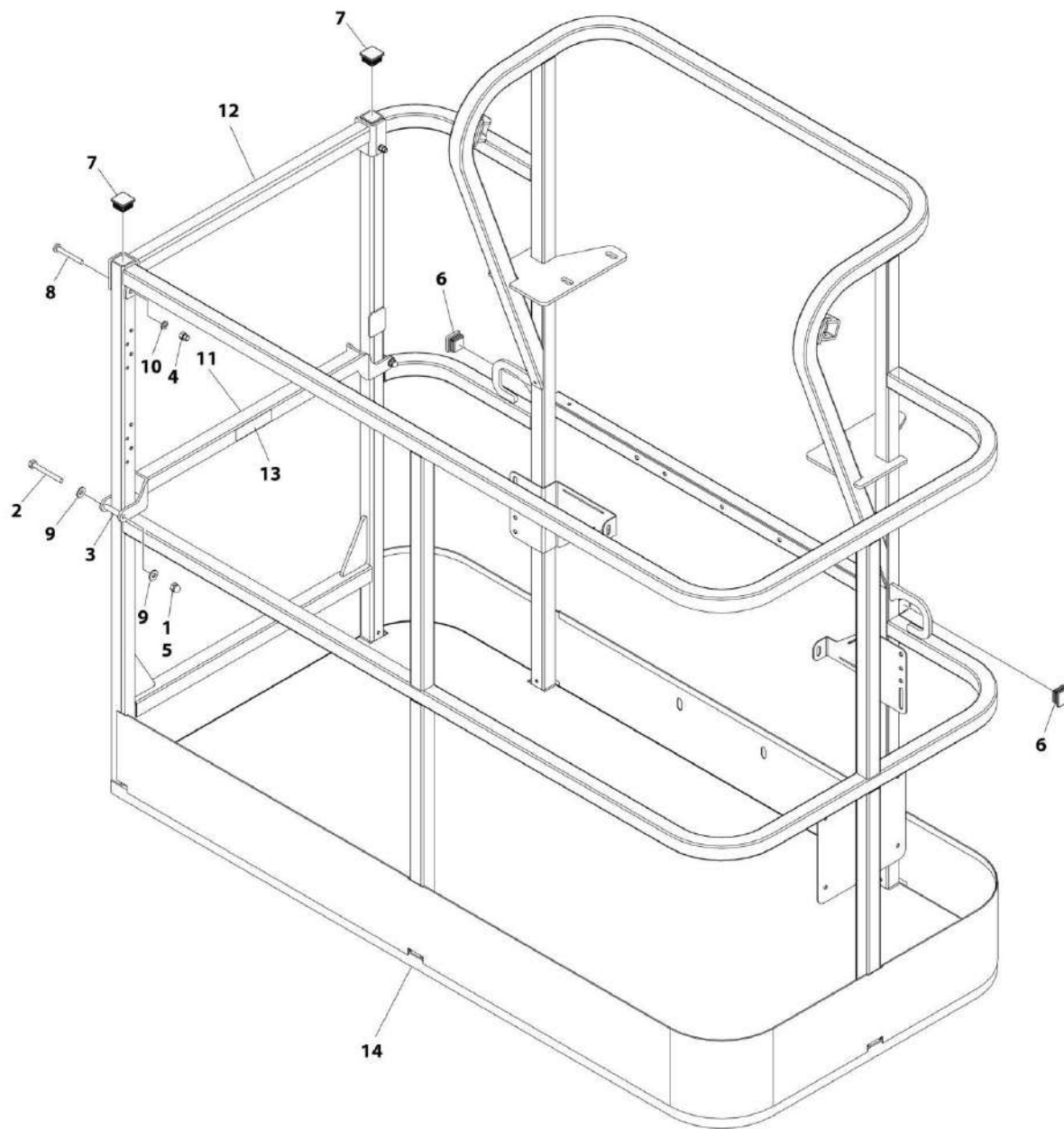
SECTION 5 - PLATFORM

FIGURE 5-4. PLATFORM ASSEMBLY - 30IN X 5FT (76CM X 1.52M) WITH SWING GATE

ITEM	PART NUMBER	QTY	DESCRIPTION	REV
	1001186386	Ref	PLATFORM ASSEMBLY	C
		Ref	Note: Platform and Mesh must be ordered separately for Platforms with Mesh. See SPECIAL OPTIONS SECTION for Mesh Installations.	
		Ref	Note: Replacement Decals Must be Ordered Separately - See DECALS SECTION.	
1	2080040	16	Fastener, Huck	
2	2600281	2	Hinge, Self-Closing	
3	2940074	1	Latch	
4	3520072	3	Plug	
5	3520198	2	Plug	
6	3820020	4	Rivet	
7	1001144629	1	Gate	
8	See Note	NSS	Platform (Note: Use p/n 1001186386)	

SECTION 5 - PLATFORM

FIGURE 5-5. PLATFORM ASSEMBLY - 30IN X 5FT (76CM X 1.52M) WITH DROP BAR



ART_1001186377

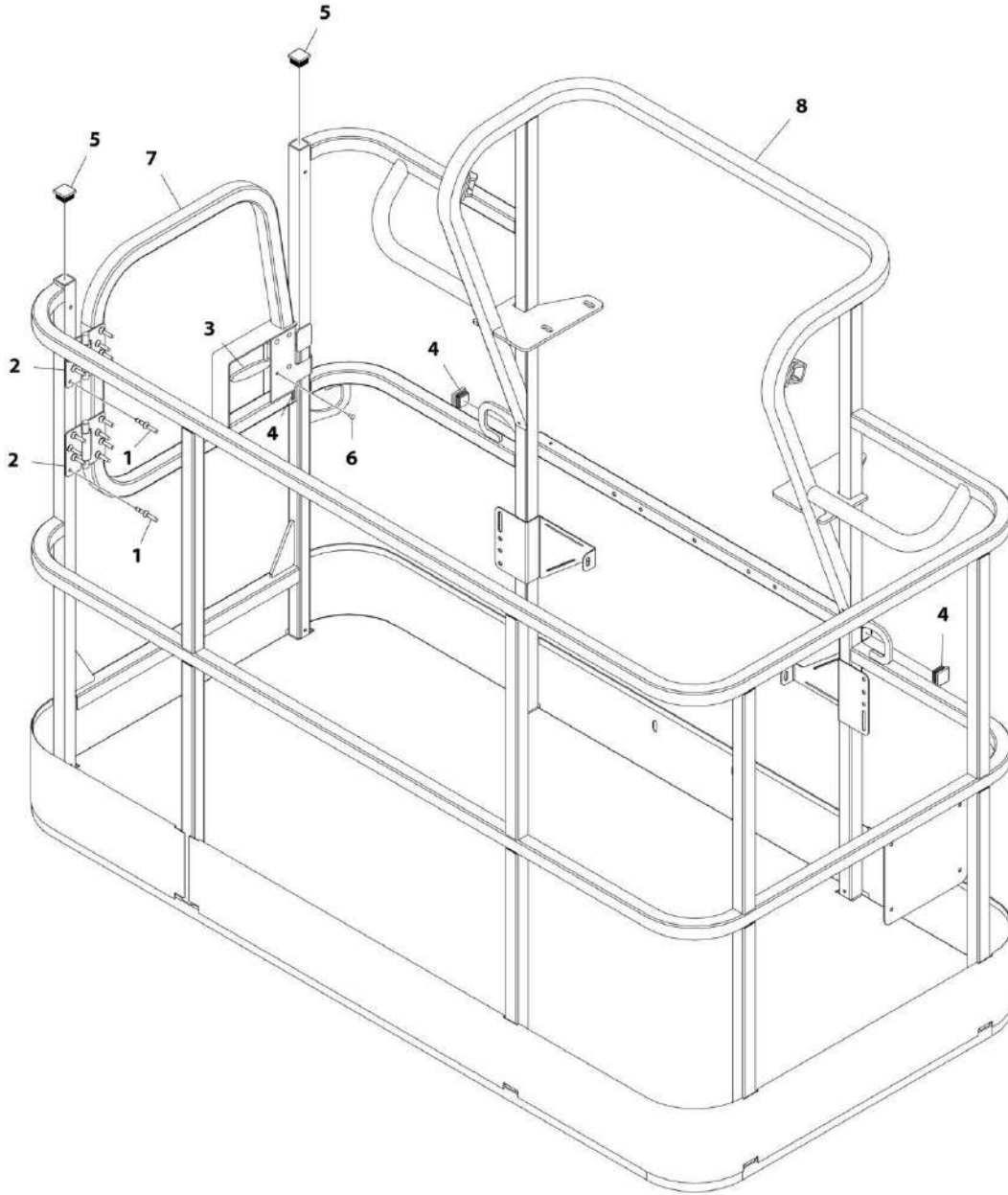
SECTION 5 - PLATFORM

FIGURE 5-5. PLATFORM ASSEMBLY - 30IN X 5FT (76CM X 1.52M) WITH DROP BAR

ITEM	PART NUMBER	QTY	DESCRIPTION	REV
	1001186377	Ref	PLATFORM ASSEMBLY	C
		Ref	Note: Platform and Mesh must be ordered separately for Platforms with Mesh. See SPECIAL OPTIONS SECTION for Mesh Installations.	
		Ref	Note: Replacement Decals Must be Ordered Separately - See DECALS SECTION.	
1	0100011	AR	Compound, Locking	
2	0641420	2	Bolt 1/4 x 2-1/2	
3	0961845	2	Bushing	
4	3290606	2	Nut M6	
5	3300151	2	Nut 1/4	
6	3520072	2	Plug	
7	3520198	2	Plug	
8	4010618	2	Screw M6 x 50	
9	4711400	4	Washer 1/4	
10	4811700	2	Washer M6	
11	1001138494	1	Bar, Drop	
12	1001138514	1	Rail (Top)	
13	1001140429	1	Decal - Drop Bar	
14	See Note	NSS	Platform (Note: Use p/n 100186377)	

SECTION 5 - PLATFORM

FIGURE 5-6. PLATFORM ASSEMBLY - 36IN X 6FT (91.5CM X 1.83M) WITH SWING GATE



ART_1001186384

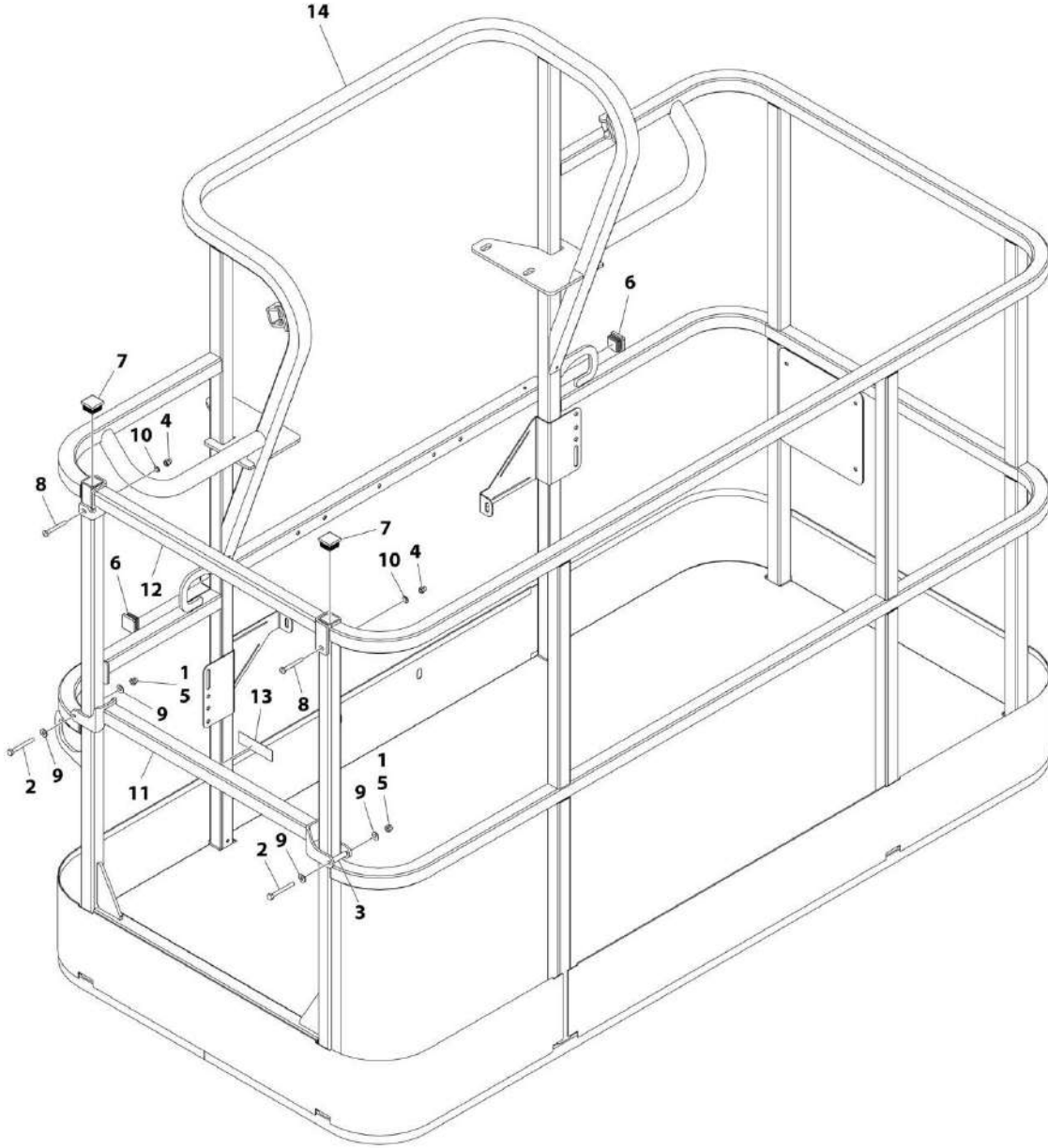
SECTION 5 - PLATFORM

FIGURE 5-6. PLATFORM ASSEMBLY - 36IN X 6FT (91.5CM X 1.83M) WITH SWING GATE

ITEM	PART NUMBER	QTY	DESCRIPTION	REV
	1001186384	Ref	PLATFORM ASSEMBLY - 36IN X 6FT (91.5CM X 1.83M) WITH SWING GATE	C
	See Note	Ref	Note: Platform and Mesh must be ordered separately for Platforms with Mesh. See SPECIAL OPTIONS SECTION for Mesh Installations.	
	See Note	Ref	Note: Replacement Decals Must be Ordered Separately - See DECALS SECTION.	
1	2080040	16	Fastener, Huck	
2	2600281	2	Hinge	
3	2940074	1	Latch	
4	3520072	3	Plug	
5	3520198	2	Plug	
6	3820020	4	Rivet	
7	1001144629	1	Gate	
8	See Note	1	Platform (Note: Not Available - Purchase Platform Assembly)	

SECTION 5 - PLATFORM

FIGURE 5-7. PLATFORM ASSEMBLY - 36IN X 6FT (91.5CM X 1.83M) WITH DROP BAR



ART_1001186379

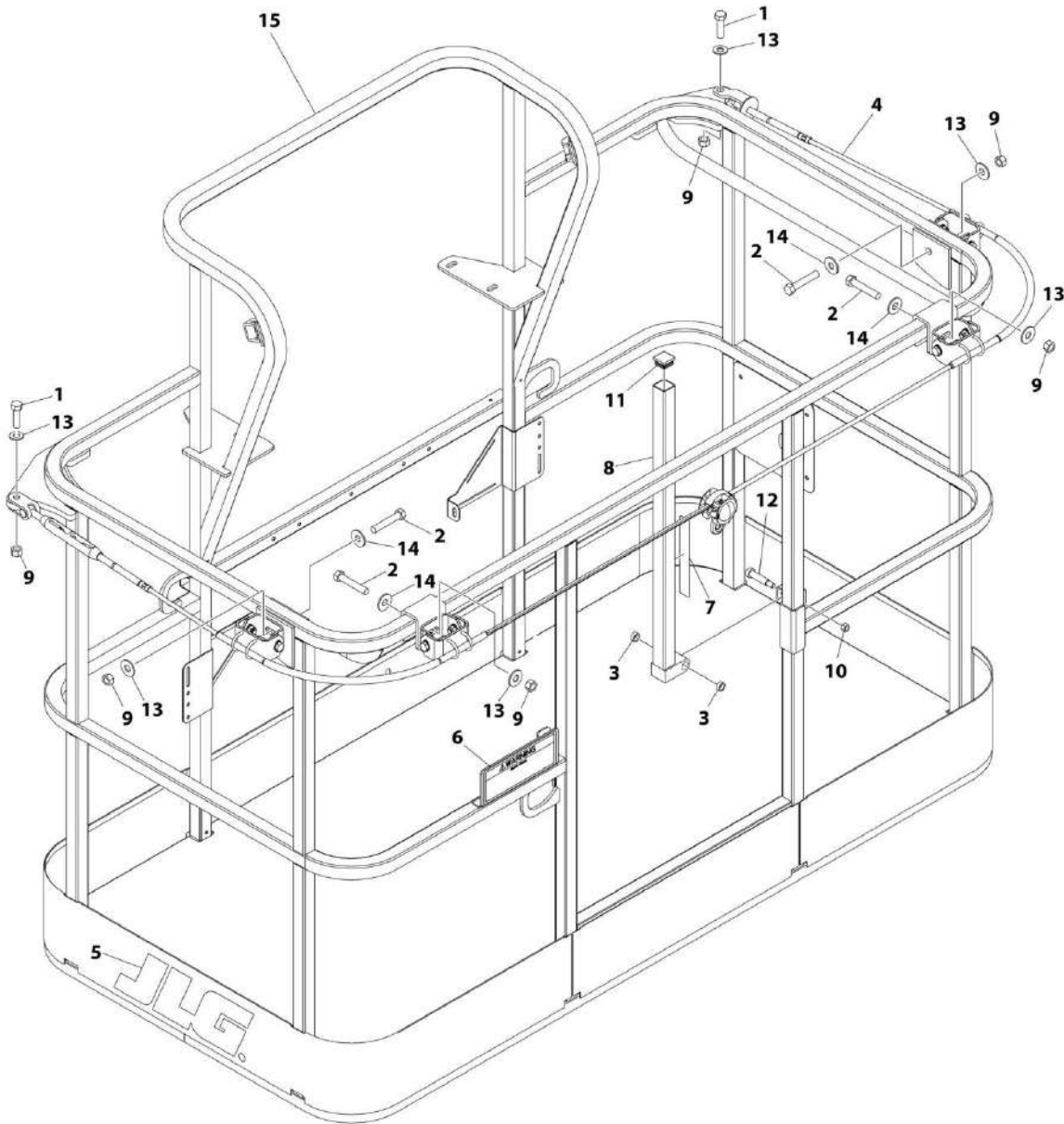
SECTION 5 - PLATFORM

FIGURE 5-7. PLATFORM ASSEMBLY - 36IN X 6FT (91.5CM X 1.83M) WITH DROP BAR

ITEM	PART NUMBER	QTY	DESCRIPTION	REV
	1001186379	Ref	PLATFORM ASSEMBLY	B
		Ref	Note: Platform and Mesh must be ordered separately for Platforms with Mesh. See SPECIAL OPTIONS SECTION for Mesh Installations.	
		Ref	Note: Replacement Decals Must be Ordered Separately - See DECALS SECTION.	
1	0100011	AR	Compound, Locking	
2	0641418	2	Bolt 1/4 x 2-1/4	
3	0961845	2	Bushing	
4	3290606	2	Nut M6	
5	3300151	2	Nut 1/4	
6	3520072	2	Plug	
7	3520198	2	Plug	
8	4010618	2	Screw M6 x 50	
9	4711400	4	Washer 1/4	
10	4811700	2	Washer M6	
11	1001138494	1	Bar, Drop	
12	1001138514	1	Rail (Top)	
13	1001140429	1	Decal - Drop Bar	
14	See Note	1	Platform (Note: Not Available - Purchase Platform Assembly)	

SECTION 5 - PLATFORM

FIGURE 5-8. PLATFORM ASSEMBLY - 36IN X 6FT (91.5CM X 1.83M) WITH FALL ARREST (ANSI, ANSI EXPORT, CHINA AND CSA SPECS)



ART_1001186333

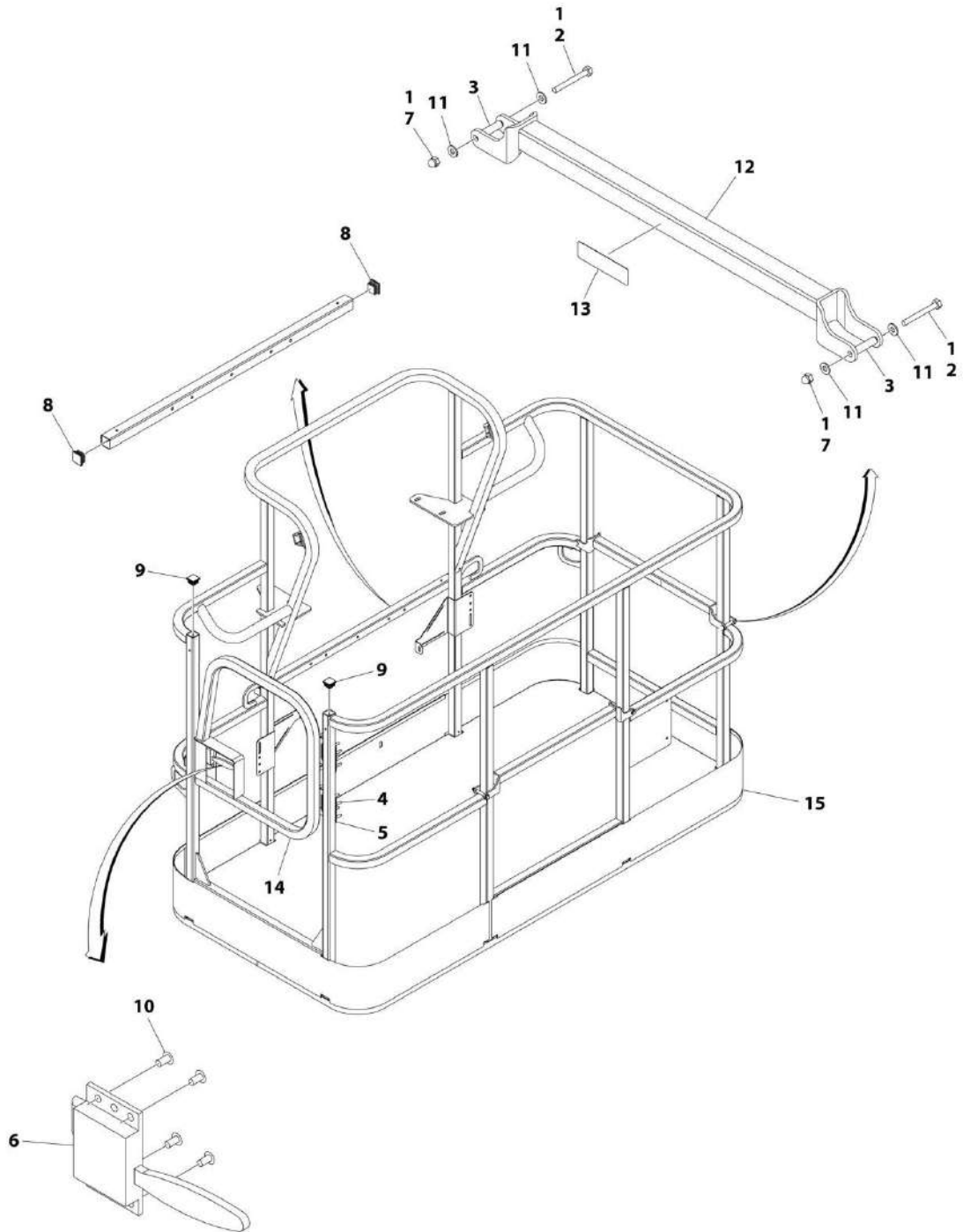
SECTION 5 - PLATFORM

FIGURE 5-8. PLATFORM ASSEMBLY - 36IN X 6FT (91.5CM X 1.83M) WITH FALL ARREST (ANSI, ANSI EXPORT, CHINA AND CSA SPECS)

ITEM	PART NUMBER	QTY	DESCRIPTION	REV
	1001186333	Ref	PLATFORM ASSEMBLY	C
		Ref	Note: Fall Arrest Not Available on Australian and CE Specs.	
		Ref	Note: Replacement Decals Must be Ordered Separately - See DECALS SECTION.	
1	0681814	2	Bolt 1/2 x 1-3/4 Grade 8	
2	0681822	4	Bolt 1/2 x 2-3/4 Grade 8	
3	0962270	2	Bearing	
4	1001203655	1	Cable	
5	1702773	1	Decal - JLG	
6	1705014	1	Decal - Safety	
7	1706385	1	Decal - Drop Bar	
8	2410014	1	Bar, Drop	
9	3271805	6	Nut 1/2 Grade 8	
10	3311605	1	Nut 3/8	
11	3520072	1	Plug	
12	3900054	1	Bolt 1/2 x 1-3/4	
13	4711800	8	Washer 1/2	
14	4751800	4	Washer 1/2	
15	See Note	1	Platform (Note: Not Available - Purchase Platform Assembly)	

SECTION 5 - PLATFORM

FIGURE 5-9. PLATFORM ASSEMBLY - 36IN X 6FT (91.5CM X 1.83M) TRI-ENTRY WITH SWING GATE



ART_1001228376

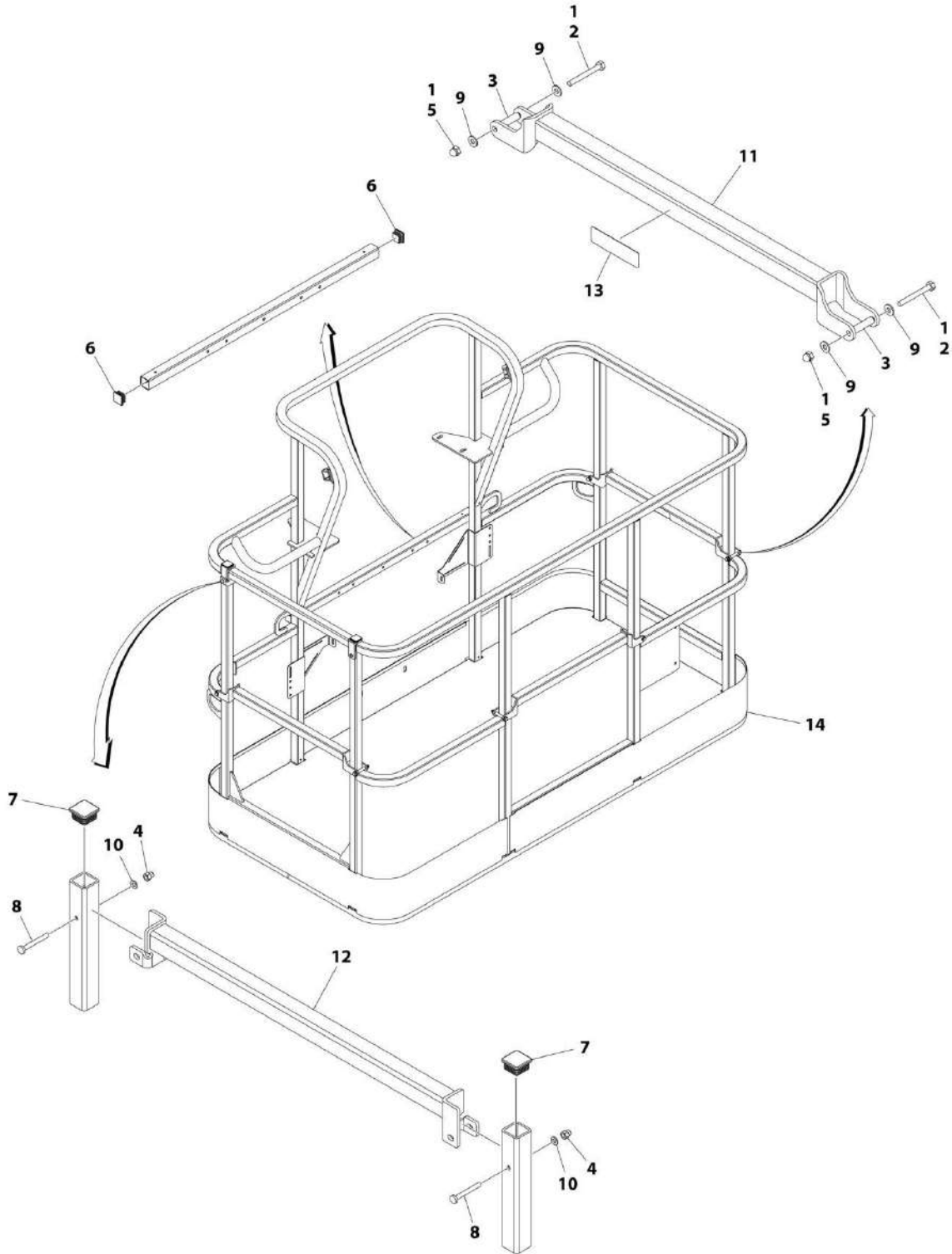
SECTION 5 - PLATFORM

FIGURE 5-9. PLATFORM ASSEMBLY - 36IN X 6FT (91.5CM X 1.83M) TRI-ENTRY WITH SWING GATE

ITEM	PART NUMBER	QTY	DESCRIPTION	REV
	1001228376	Ref	PLATFORM ASSEMBLY - 36IN x 6FT (91.5CM x 1.83M)	A
		Ref	Note: Platform and Mesh must be ordered separately for Platforms with Mesh. See SPECIAL OPTIONS SECTION for Mesh Installations.	
		Ref	Note: Replacement Decals Must be Ordered Separately - See DECAL SECTION.	
1	0100011	AR	Compound, Locking	
2	0641418	4	Bolt 1/4 x 2-1/4	
3	0961845	4	Bushing	
4	2080040	16	Fastener	
5	2600281	2	Hinge	
6	2940074	1	Latch	
7	3300151	4	Nut 1/4	
8	3520072	3	Plug	
9	3520198	2	Plug	
10	3820020	4	Rivet	
11	4711400	8	Washer 1/4	
12	1001138494	2	Bar, Drop	
13	1001140429	2	Decal - Drop Bar	
14	1001144629	1	Gate	
15	See Note	NSS	Platform (Note: Not Available - Purchase Platform Assembly)	

SECTION 5 - PLATFORM

FIGURE 5-10. PLATFORM ASSEMBLY - 36IN X 6FT (91.5CM X 1.83M) TRI-ENTRY WITH DROP BAR



ART_1001228377

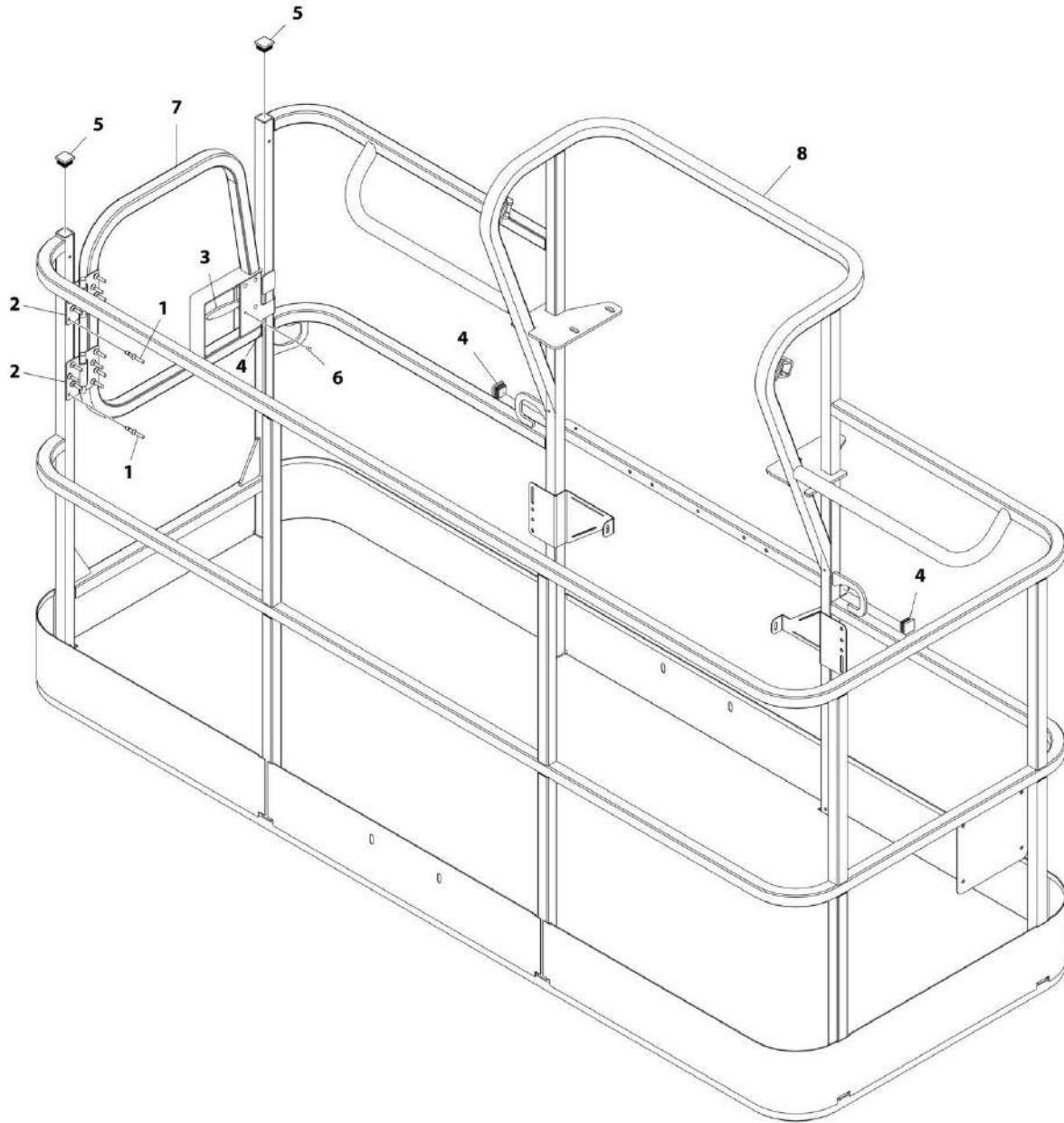
SECTION 5 - PLATFORM

FIGURE 5-10. PLATFORM ASSEMBLY - 36IN X 6FT (91.5CM X 1.83M) TRI-ENTRY WITH DROP BAR

ITEM	PART NUMBER	QTY	DESCRIPTION	REV
	1001228377	Ref	PLATFORM ASSEMBLY - 36IN x 6FT (91.5CM x 1.83M)	A
		Ref	Note: Platform and Mesh must be ordered separately for Platforms with Mesh. See SPECIAL OPTIONS SECTION for Mesh Installations.	
		Ref	Note: Replacement Decals Must be Ordered Separately - See DECAL SECTION.	
1	0100011	1	Compound, Locking	
2	0641418	6	Bolt 1/4 x 2-1/4	
3	0961845	6	Bushing	
4	3290606	2	Nut M6	
5	3300151	6	Nut 1/4	
6	3520072	2	Plug	
7	3520198	2	Plug	
8	4010618	2	Screw M6 x 50	
9	4711400	12	Washer 1/4	
10	4811700	2	Washer M6	
11	1001138494	3	Bar, Drop	
12	1001138514	1	Rail (Top)	
13	1001140429	3	Decal - Drop Bar	
14	See Note	NSS	Platform, Weldment (Note: Not Available - Purchase Platform Assembly)	

SECTION 5 - PLATFORM

FIGURE 5-11. PLATFORM ASSEMBLY - 36IN X 8FT (91.5CM X 2.44M) WITH SWING GATE



ART_1001186383

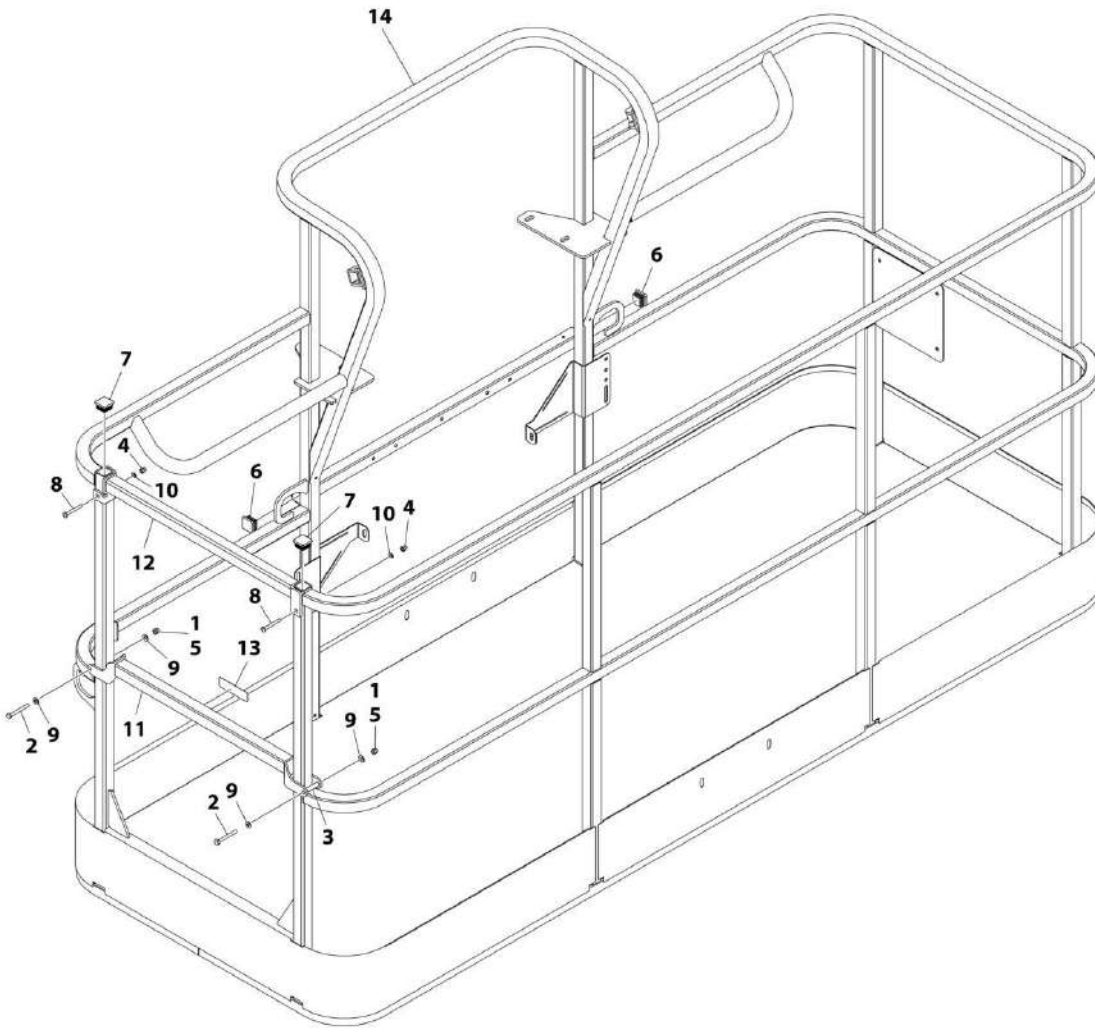
SECTION 5 - PLATFORM

FIGURE 5-11. PLATFORM ASSEMBLY - 36IN X 8FT (91.5CM X 2.44M) WITH SWING GATE

ITEM	PART NUMBER	QTY	DESCRIPTION	REV
	1001186383	Ref	PLATFORM ASSEMBLY	C
		Ref	Note: Platform and Mesh must be ordered separately for Platforms with Mesh. See SPECIAL OPTIONS SECTION for Mesh Installations.	
		Ref	Note: Replacement Decals Must be Ordered Separately - See DECALS SECTION.	
1	2080040	16	Fastener, Huck	
2	2600281	2	Hinge	
3	2940074	1	Latch	
4	3520072	3	Plug	
5	3520198	2	Plug	
6	3820020	4	Rivet	
7	1001144629	1	Gate	
8	See Note	1	Platform (Note: Not Available - Purchase Platform Assembly)	

SECTION 5 - PLATFORM

FIGURE 5-12. PLATFORM ASSEMBLY - 36IN X 8FT (91.5CM X 2.44M) WITH DROP BAR



ART_1001186382

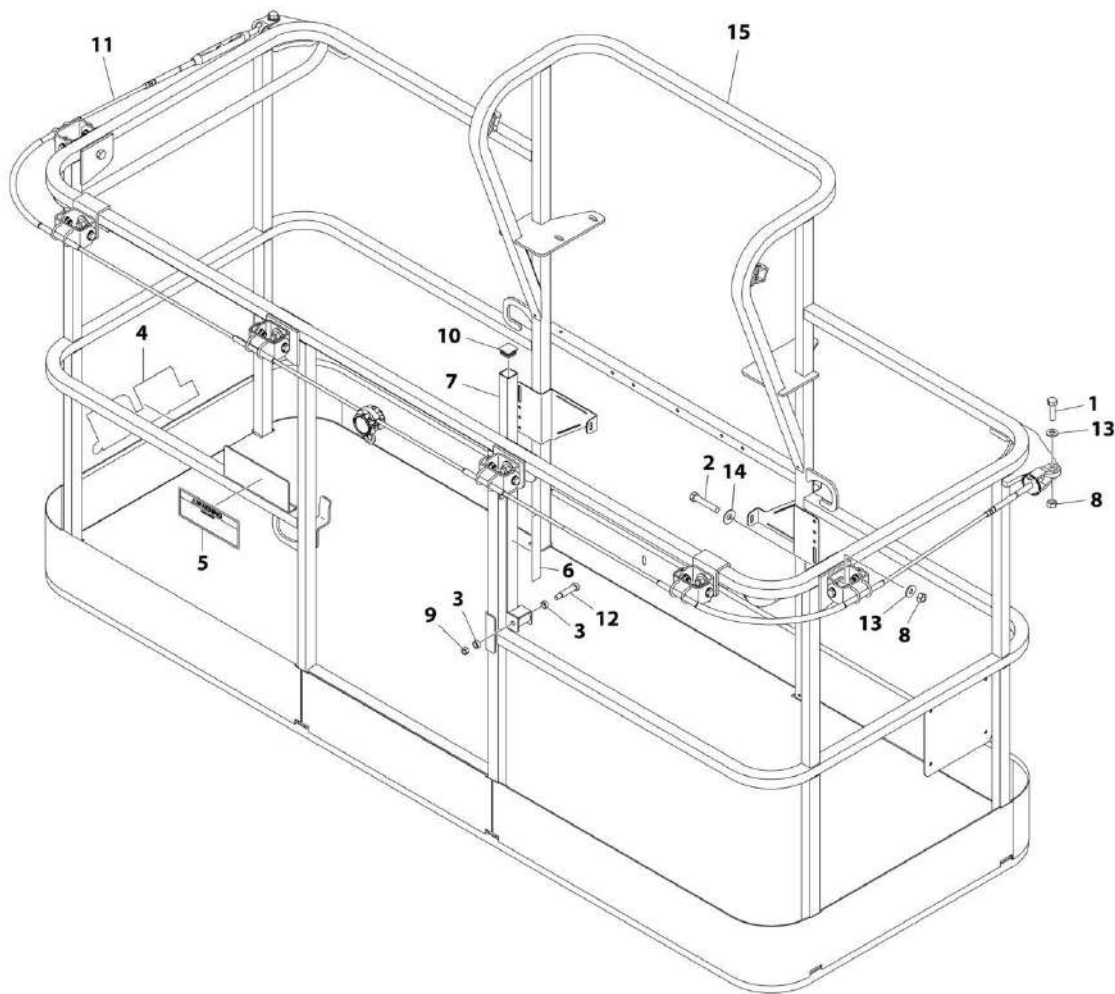
SECTION 5 - PLATFORM

FIGURE 5-12. PLATFORM ASSEMBLY - 36IN X 8FT (91.5CM X 2.44M) WITH DROP BAR

ITEM	PART NUMBER	QTY	DESCRIPTION	REV
	1001186382	Ref	PLATFORM ASSEMBLY	C
		Ref	Note: Platform and Mesh must be ordered separately for Platforms with Mesh. See SPECIAL OPTIONS SECTION for Mesh Installations.	
		Ref	Note: Replacement Decals Must be Ordered Separately - See DECALS SECTION.	
1	0100011	AR	Compound, Locking	
2	0641418	2	Bolt 1/4 x 2-1/4	
3	0961845	2	Bushing	
4	3290606	2	Nut M6	
5	3300151	2	Nut 1/4	
6	3520072	2	Plug	
7	3520198	2	Plug	
8	4010618	2	Screw M6 x 50	
9	4711400	4	Washer 1/4	
10	4811700	2	Washer M6	
11	1001138494	1	Bar, Drop	
12	1001138514	1	Rail (Top)	
13	1001140429	1	Decal - Drop Bar	
14	See Note	NSS	Platform (Note: Not Available - Purchase Platform Assembly)	

SECTION 5 - PLATFORM

FIGURE 5-13. PLATFORM ASSEMBLY - 36IN X 8FT (91.5CM X 2.44M) WITH FALL ARREST



ART_1001186334

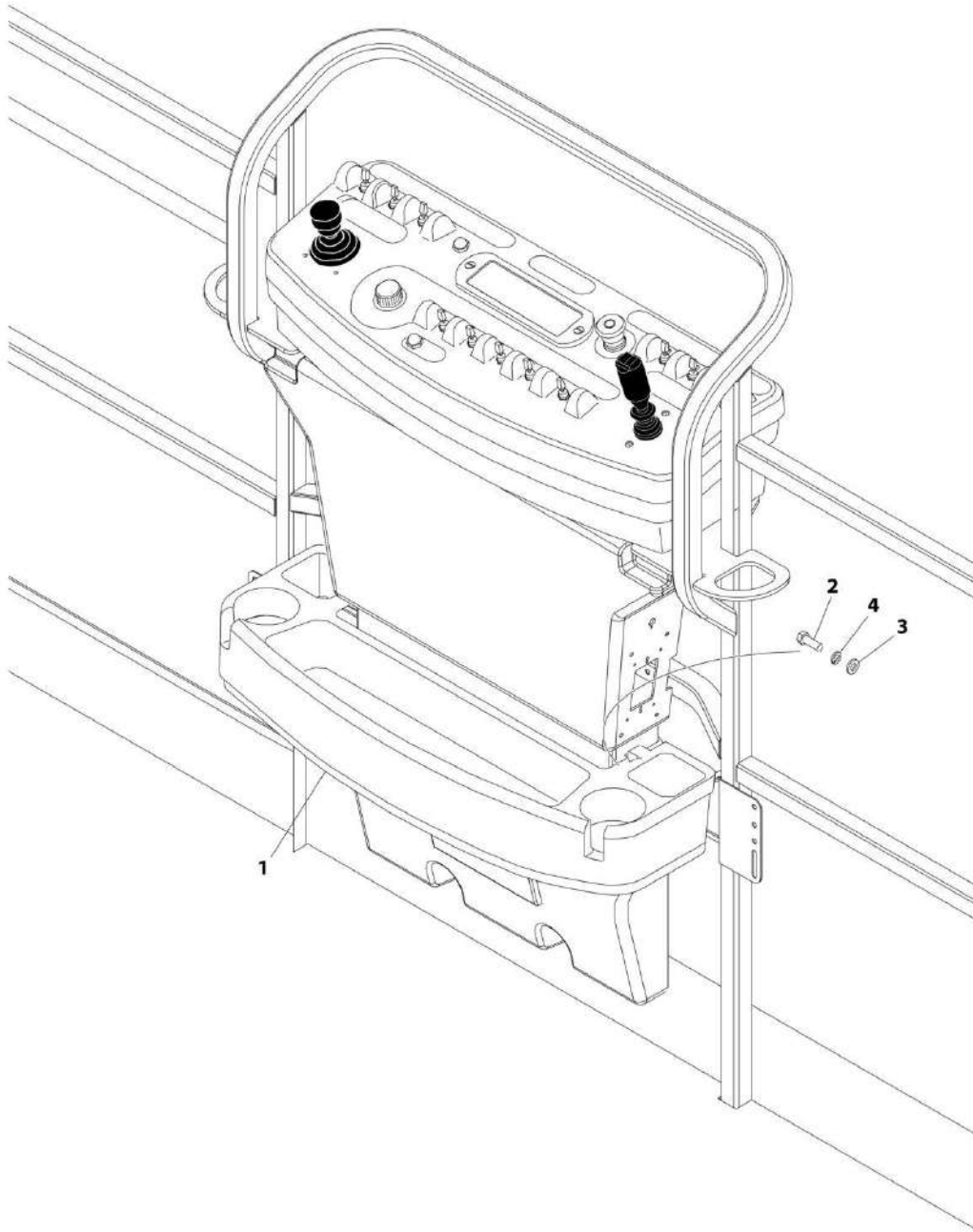
SECTION 5 - PLATFORM

FIGURE 5-13. PLATFORM ASSEMBLY - 36IN X 8FT (91.5CM X 2.44M) WITH FALL ARREST

ITEM	PART NUMBER	QTY	DESCRIPTION	REV
	1001186334	Ref	PLATFORM ASSEMBLY	D
		Ref	Note: Replacement Decals Must be Ordered Separately - See DECALS SECTION.	
		Ref	Note: Fall Arrest Not Available on Australian and CE Specs.	
1	0681814	2	Bolt 1/2 x 1-3/4 Grade 8	
2	0681822	6	Bolt 1/2 x 2-3/4 Grade 8	
3	0962270	2	Bearing	
4	1702773	1	Decal - JLG	
5	1705014	1	Decal - Safety	
6	1706385	1	Decal - Drop Bar	
7	2410014	1	Bar, Drop	
8	3271805	8	Nut 1/2 Grade 8	
9	3311605	1	Nut 3/8	
10	3520072	1	Plug	
11	1001203656	1	Cable	
12	3900054	1	Bolt 1/2 x 1-3/4	
13	4711800	2	Washer 1/2	
14	4751800	6	Washer 1/2	
15	See Note	NSS	Platform (Note: Purchase Platform Assembly)	

SECTION 5 - PLATFORM

FIGURE 5-14. TRAY ASSEMBLY



ART_1580012

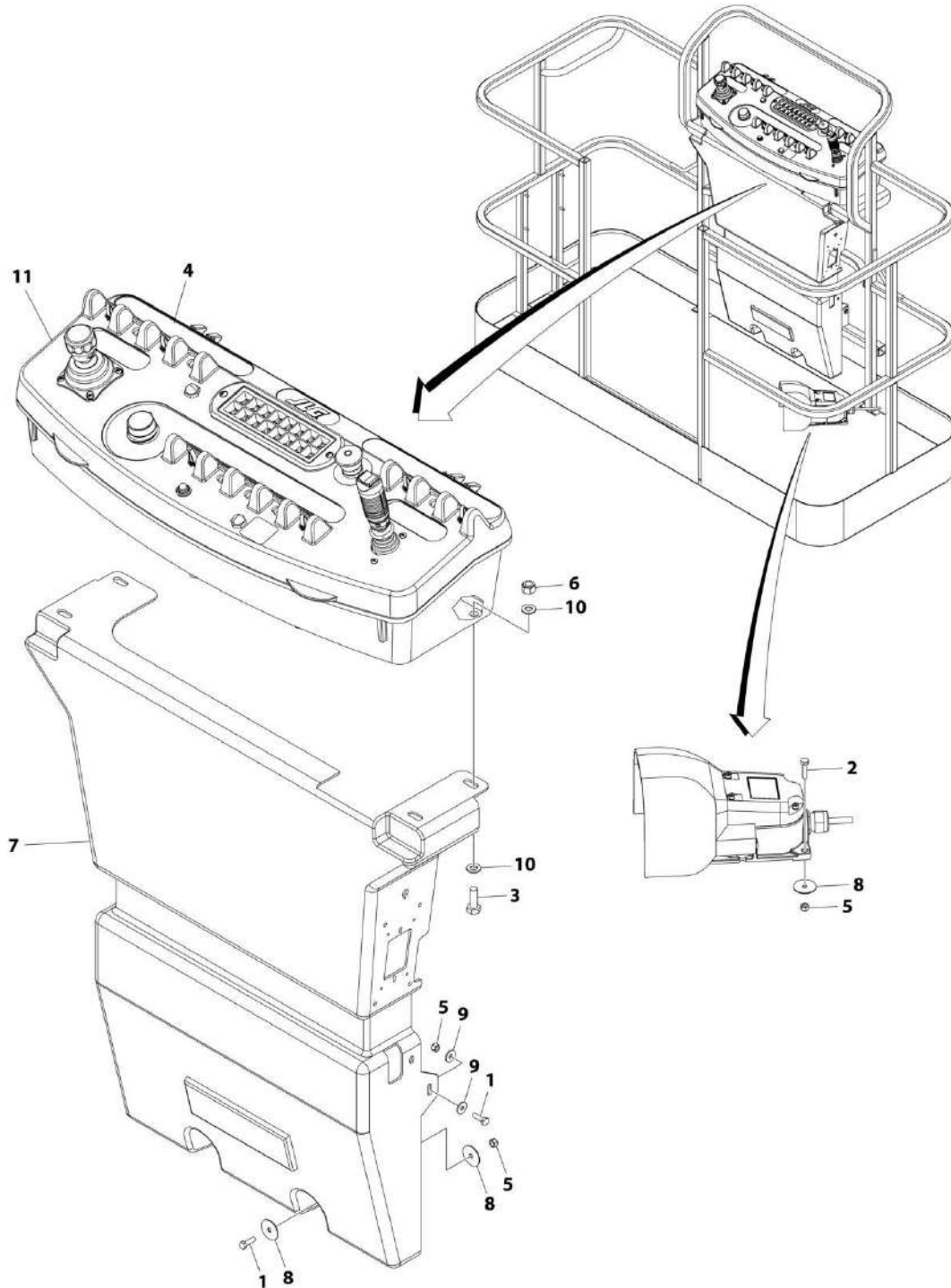
SECTION 5 - PLATFORM

FIGURE 5-14. TRAY ASSEMBLY

ITEM	PART NUMBER	QTY	DESCRIPTION	REV
	1580012	Ref	TRAY ASSEMBLY	C
1	See Note	1	Tray, Storage (Center) (Note: Purchase p/n 1580012)	
2	0641406	2	Bolt 1/4 x 3/4	
3	4751400	2	Washer 1/4	
4	4761400	2	Washer 1/4	

SECTION 5 - PLATFORM

FIGURE 5-15. PLATFORM CONSOLE AND FOOTSWITCH INSTALLATION



ART_1001192466

SECTION 5 - PLATFORM

FIGURE 5-15. PLATFORM CONSOLE AND FOOTSWITCH INSTALLATION

ITEM	PART NUMBER	QTY	DESCRIPTION	REV
	1001192466	Ref	PLATFORM CONSOLE AND FOOTSWITCH INSTALLATION	C
1	0700610	4	Bolt M6 x 20	
2	0700612	3	Bolt M6 x 25	
3	0701014	4	Bolt M10 x 30	
4	1001184626	1	Decal - Horn	
5	3290605	7	Nut M6	
6	3291005	4	Nut M10	
7	3380434	1	Panel	
8	4740362	7	Washer	
9	4811702	4	Washer M6	
10	4812000	8	Washer M10	
11	1001202587	1	Platform Console Assembly (See Separate Breakdown in this Section)	

SECTION 5 - PLATFORM

FIGURE 5-16. CONSOLE BOX ASSEMBLY

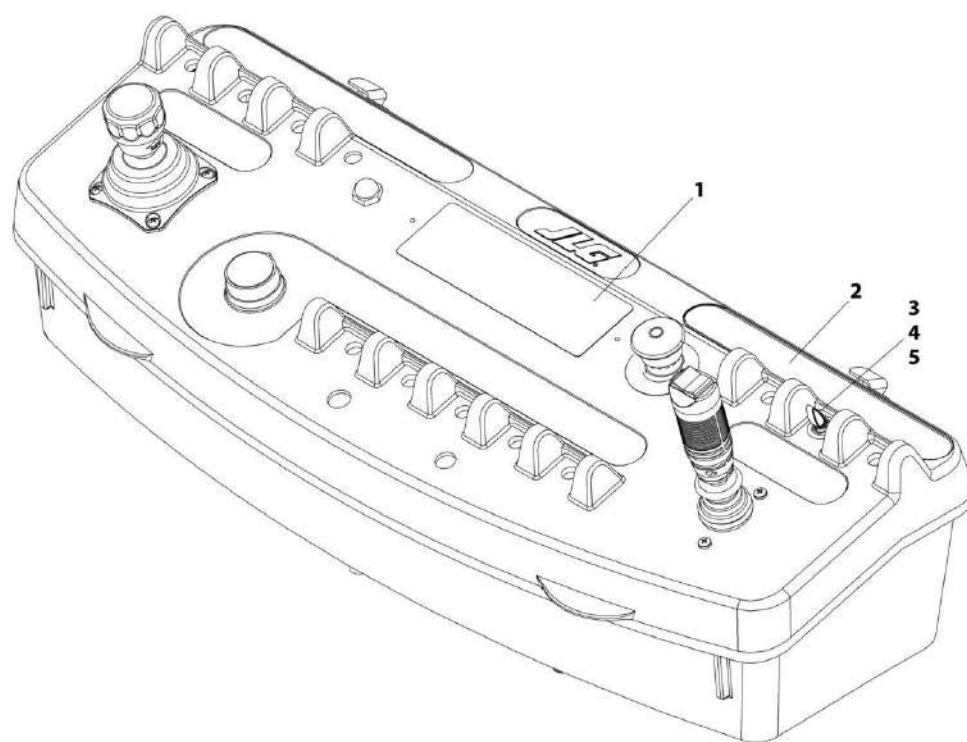
ITEM	PART NUMBER	QTY	DESCRIPTION	REV
	1001202587	Ref	CONSOLE BOX ASSEMBLY	F
1	0100009	AR	Sealant	
2	0100035	AR	Compound, Locking	
3	0100048	AR	Grease, Dielectric	
4	0100081	AR	Adhesive	
5	0140011	1	Alarm	
6	0641404	4	Bolt 1/4 x 1/2	
7	0641414	4	Bolt 1/4 x 1-3/4	
8	1670829	1	Bezel	
9	1702565	1	Decal - Drive and Steer	
10	1702566	1	Decal - Lift and Swing	
11	1702567	1	Decal - Function Speed	
12	1704260	1	Decal - Emergency Stop	
13	2560136	1	Handle, Knob	
14	2920028	1	Light, Indicator	
15	2920029	1	Bulb, Light	
16	1001170838	1	Gauge, LED	
17	3300353	4	Nut, Tinnerman	
18	3311005	2	Nut #10	
19	1001213882	1	Mount, Connector	
20	3520054	7	Plug	
21	3790012	6	O-Ring	
22	3911018	2	Screw #10 x 1-1/8	
23	4360387	2	Switch, Push Button	
24	4360407	1	Controller, Speed	
24	4460224	1	Receptacle, Female - 6 Position	
24	4460226	6	Socket, Female	
24	See Note	1	Gasket "Top Hat" (Included with Switch) (Note: Not Available - Purchase Complete Controller)	
24	70003784	1	Seal	
25	4360475	1	Switch, Emergency Stop	
25	7020175	1	Cap, Red	
25	7020176	1	Block, Contact	
27	4460234	3	Mount, Tie-Strap	
28	4460428	2	Connector, Strain Relief	
29	4460470	1	Nut, Terminal	
30	4460471	1	Washer, Terminal	
31	4460496	1	Washer, Terminal	
32	4460497	1	Nut, Terminal	
33	4740397	6	Washer	
34	4751400	8	Washer 1/4	
35	1001117174	1	Footswitch Assembly (See Separate Breakdown in this Section)	
37	1001144433	1	Decal - No Weight SkyGuard	
38	1001146220	1	Fixture, Light	
39	1001155044	6	Nut 15/32	
40	1001155045	5	Switch, Toggle	
41	1001159256	1	Switch, Toggle	
42	1001161709	1	Switch, Toggle	
43	1001166538	NLA	Controller Assembly (Drive and Steer) (Use p/n 1001212415) (See Separate Breakdown in this Section)	

SECTION 5 - PLATFORM

ITEM	PART NUMBER	QTY	DESCRIPTION	REV
44	1001166539	NLA	Controller Assembly (Lift and Swing) (Use p/n 10012129555) (See Separate Breakdown in this Section)	
45	1001172760	4	Bracket	
46	1001185281	1	Plug	
47	1001185726	1	Module, Platform (Note: Re-calibration Required when Replaced)	
48	1001196222	1	Platform Console Harness (See Separate Breakdown in ELECTRICAL SECTION)	
49	1001215228	1	Console Box Assembly	
49A	0630568	1	Capscrew 3/8 x 4-1/2	
49B	3311601	1	Nut 3/8	
49C	3430616	2	Pin	
49D	3470003	2	Hairpin	
49E	4711600	2	Washer 3/8	
50	3900349	8	Capscrew M2.5 x 8	

SECTION 5 - PLATFORM

FIGURE 5-17. DECAL AND LIGHT PANEL INSTALLATION - 600S (ALL SPECS EXCEPT AUSTRALIAN AND CE SPECS)



ART_1001167963

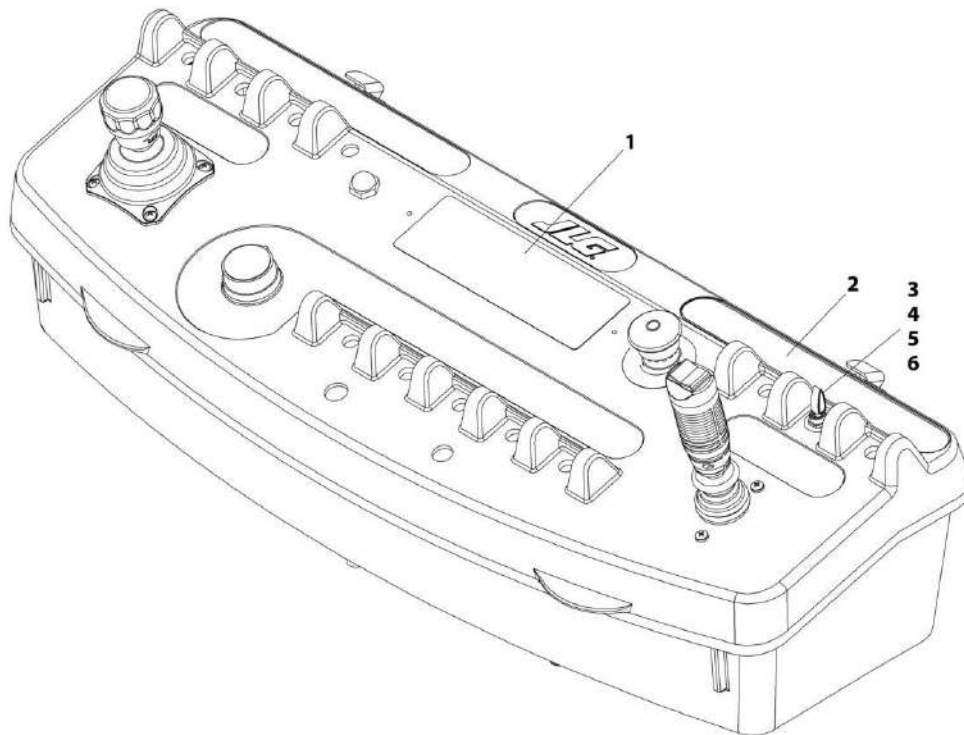
SECTION 5 - PLATFORM

FIGURE 5-17. DECAL AND LIGHT PANEL INSTALLATION - 600S (ALL SPECS EXCEPT AUSTRALIAN AND CE SPECS)

ITEM	PART NUMBER	QTY	DESCRIPTION	REV
	1001167963	Ref	DECAL AND LIGHT PANEL INSTALLATION	C
1	1001167962	1	Decal - Display	
2	1001195947	1	Decal - Stop and Aux Power	
3	3790012	1	O-Ring	
4	1001155044	1	Nut 15/32	
5	1001161710	1	Switch, Toggle	

SECTION 5 - PLATFORM

FIGURE 5-18. DECAL AND LIGHT PANEL INSTALLATION - 600S (CE SPECS)



ART_1001184620

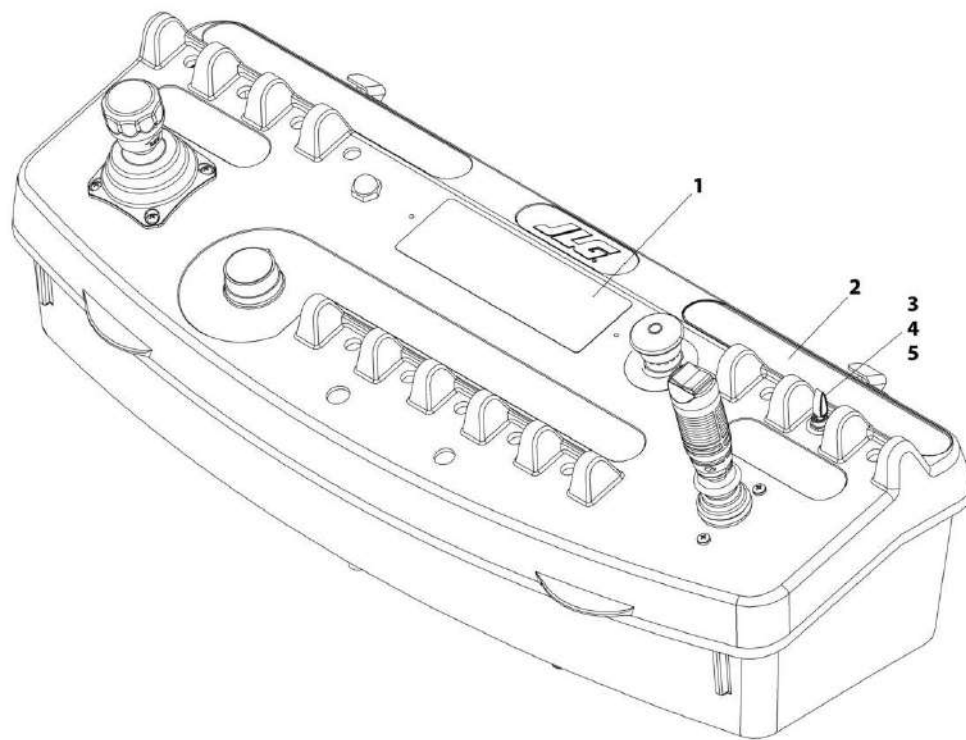
SECTION 5 - PLATFORM

FIGURE 5-18. DECAL AND LIGHT PANEL INSTALLATION - 600S (CE SPECS)

ITEM	PART NUMBER	QTY	DESCRIPTION	REV
	1001184620	Ref	DECAL AND LIGHT PANEL INSTALLATION	B
1	1001184621	1	Decal - Display	
2	1001184619	1	Decal - Stop and Aux Power	
3	3790012	1	O-Ring	
4	1001155044	1	Nut 15/32	
5	1001161710	1	Switch, Toggle	
6	4740397	1	Spacer	

SECTION 5 - PLATFORM

FIGURE 5-19. DECAL AND LIGHT PANEL INSTALLATION - 660SJ (ALL SPECS EXCEPT AUSTRALIAN AND CE SPECS)



ART_1001193238

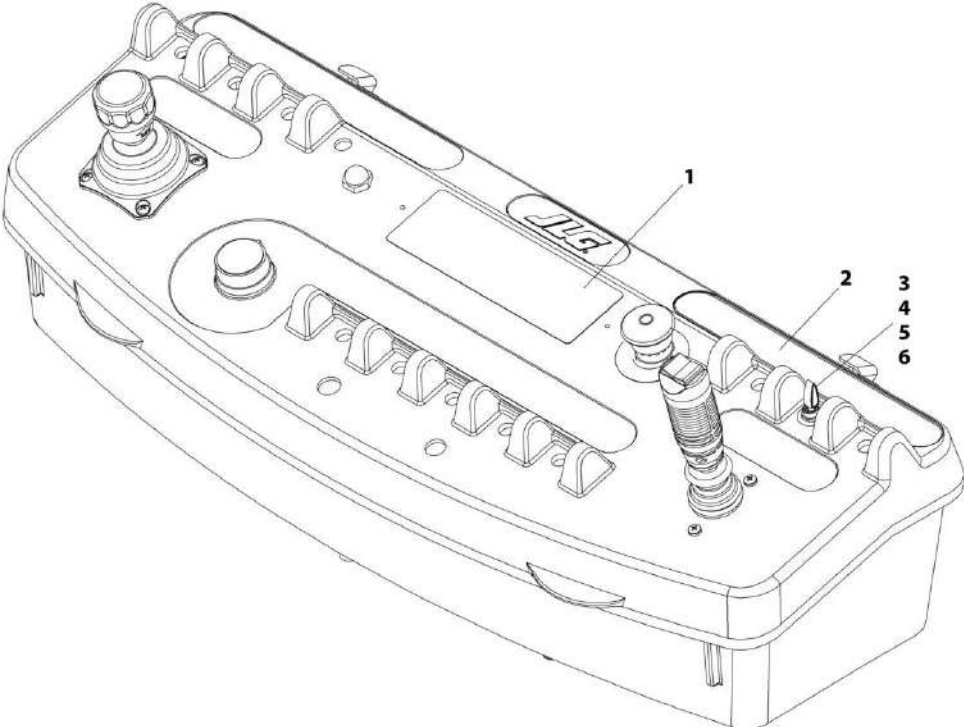
SECTION 5 - PLATFORM

FIGURE 5-19. DECAL AND LIGHT PANEL INSTALLATION - 660SJ (ALL SPECS EXCEPT AUSTRALIAN AND CE SPECS)

ITEM	PART NUMBER	QTY	DESCRIPTION	REV
	1001193238	Ref	DECAL AND LIGHT PANEL INSTALLATION	B
1	1001193756	1	Decal - Display	
2	1001207105	1	Decal - Stop and Aux Power	
3	3790012	1	O-Ring	
4	1001155044	1	Nut 15/32	
5	1001161710	1	Switch, Toggle	

SECTION 5 - PLATFORM

FIGURE 5-20. DECAL AND LIGHT PANEL INSTALLATION - 660SJ (AUSTRALIAN AND CE SPECS)



ART_1001193239

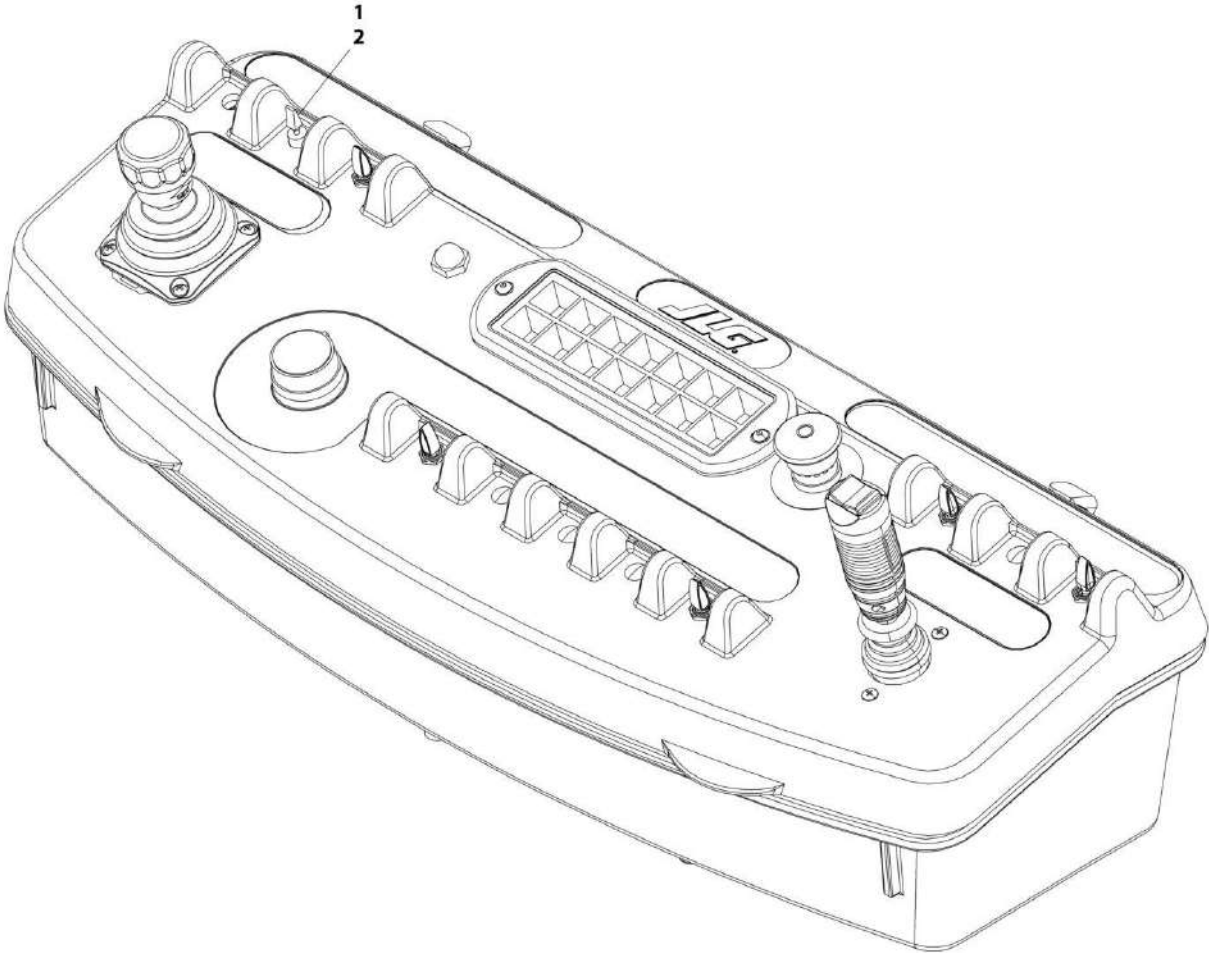
SECTION 5 - PLATFORM

FIGURE 5-20. DECAL AND LIGHT PANEL INSTALLATION - 660SJ (AUSTRALIAN AND CE SPECS)

ITEM	PART NUMBER	QTY	DESCRIPTION	REV
	1001193239	Ref	DECAL AND LIGHT PANEL INSTALLATION	B
1	1001193757	1	Decal - Display	
2	1001193758	1	Decal - Stop and Aux Power	
3	3790012	1	O-Ring	
4	1001155044	1	Nut 15/32	
5	1001161710	1	Switch, Toggle	
6	4740397	1	Washer	

SECTION 5 - PLATFORM

FIGURE 5-21. STEER SWITCH INSTALLATION WITHOUT TOW PACKAGE (4WD/4WS MACHINES)



ART_1001181771

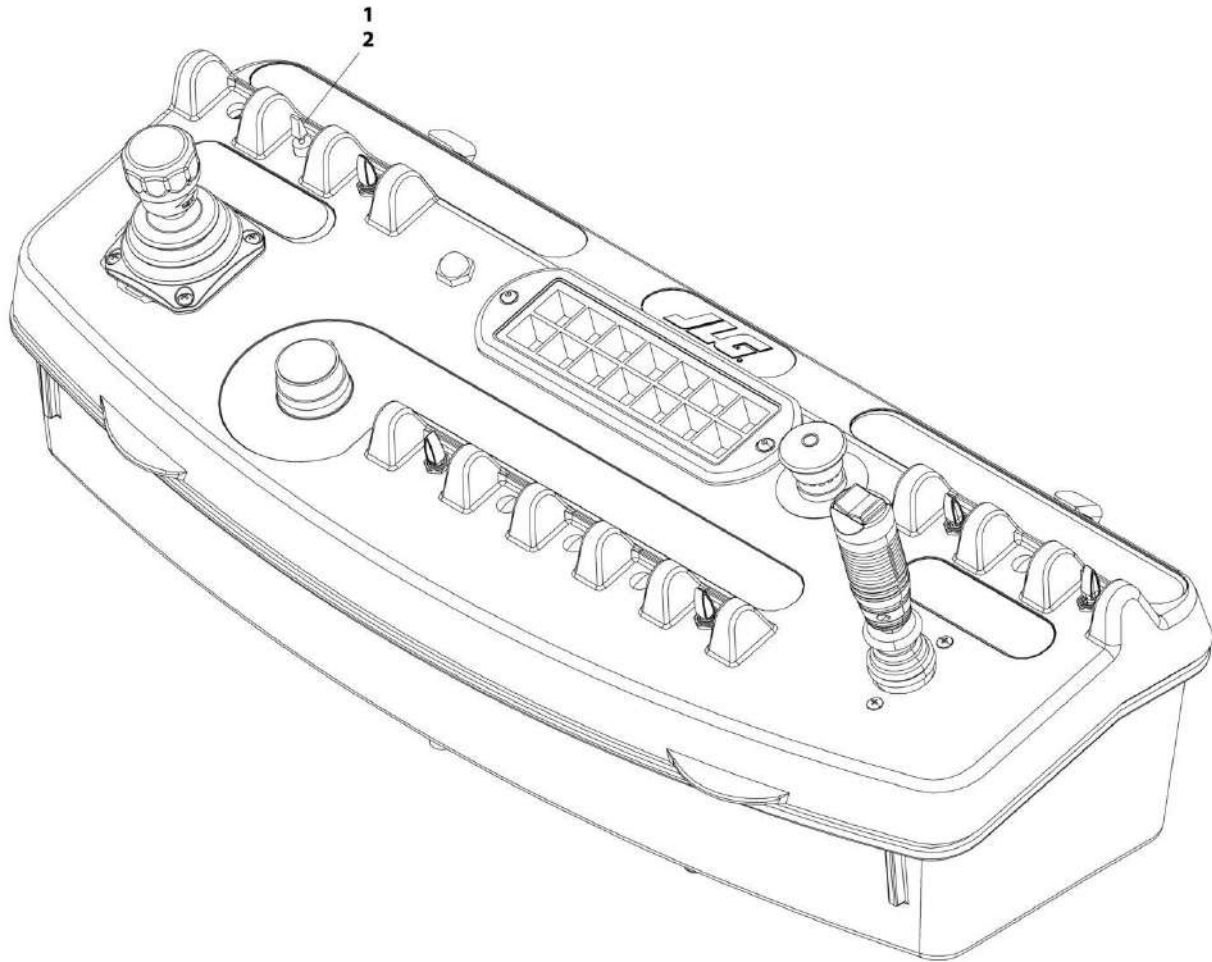
SECTION 5 - PLATFORM

FIGURE 5-21. STEER SWITCH INSTALLATION WITHOUT TOW PACKAGE (4WD/4WS MACHINES)

ITEM	PART NUMBER	QTY	DESCRIPTION	REV
	1001181771	Ref	STEER SWITCH INSTALLATION	A
1	3790012	1	O-Ring	
2	4360331	1	Switch, Toggle	

SECTION 5 - PLATFORM

FIGURE 5-22. STEER SWITCH INSTALLATION WITH TOW PACKAGE (4WD/4WS MACHINES)



ART_1001181773

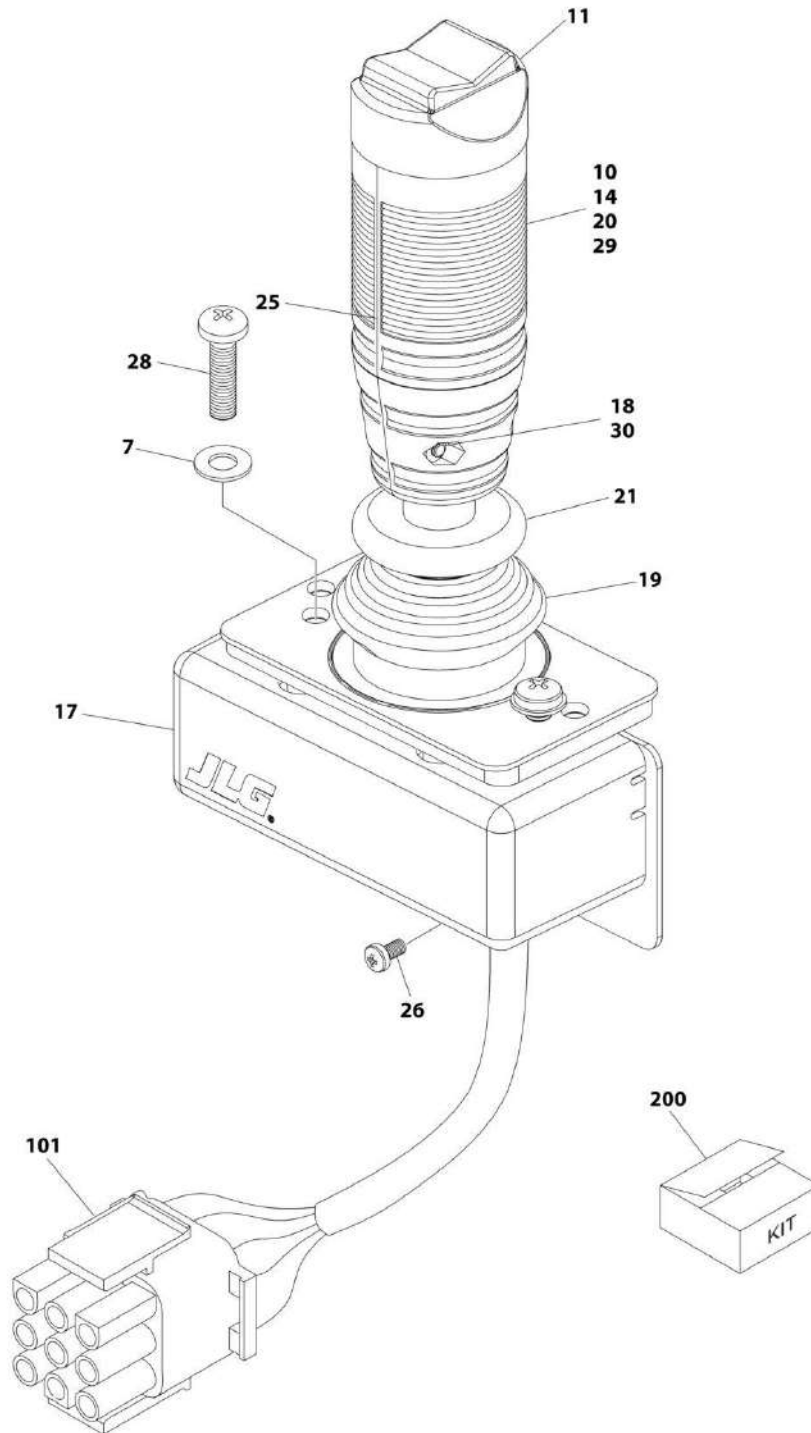
SECTION 5 - PLATFORM

FIGURE 5-22. STEER SWITCH INSTALLATION WITH TOW PACKAGE (4WD/4WS MACHINES)

ITEM	PART NUMBER	QTY	DESCRIPTION	REV
	1001181773	Ref	STEER SWITCH INSTALLATION	A
1	3790012	1	O-Ring	
2	4360331	1	Switch, Toggle	

SECTION 5 - PLATFORM

FIGURE 5-23. CONTROLLER ASSEMBLY (DRIVE AND STEER)



ART_1001166538

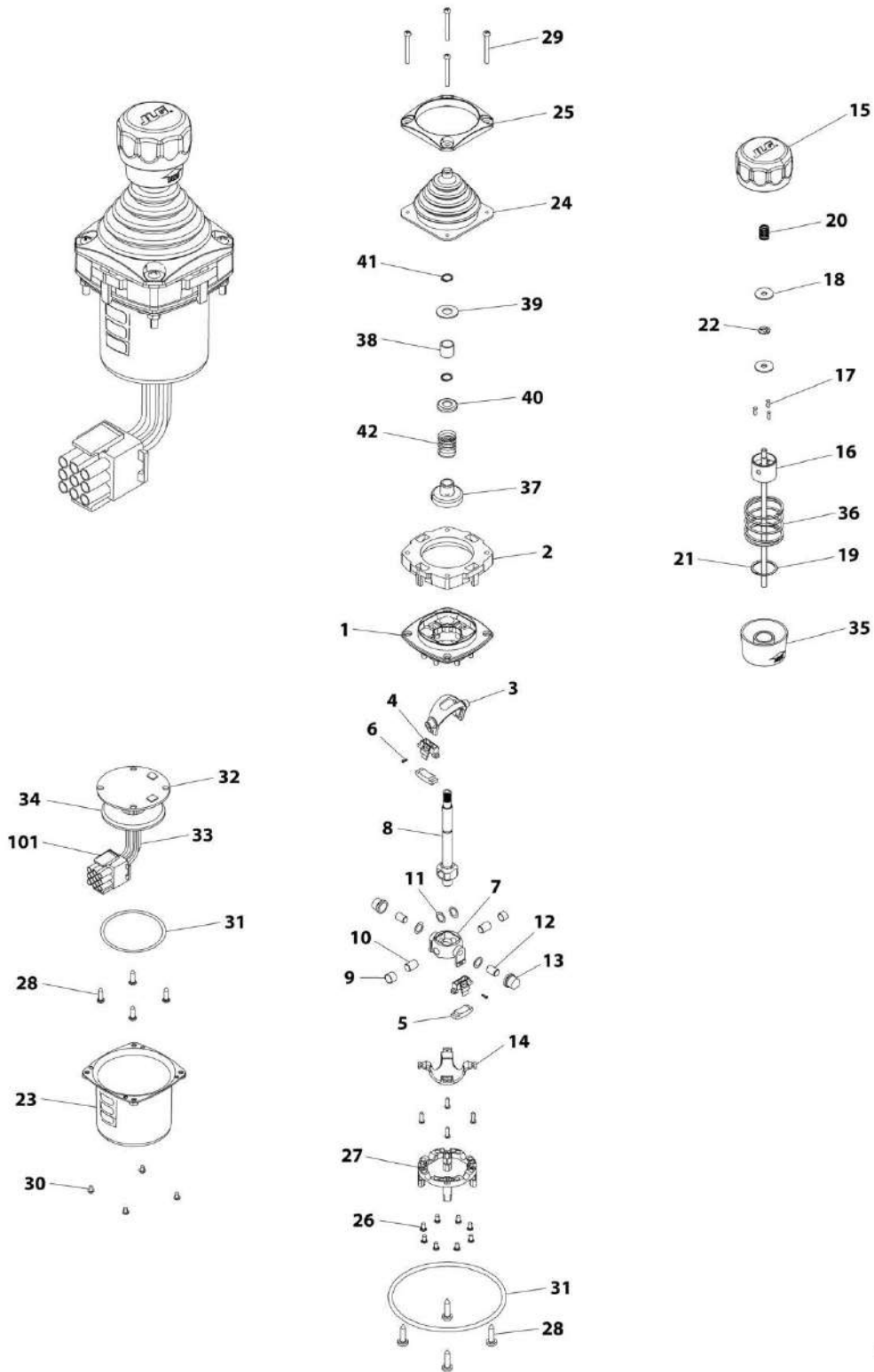
SECTION 5 - PLATFORM

FIGURE 5-23. CONTROLLER ASSEMBLY (DRIVE AND STEER)

ITEM	PART NUMBER	QTY	DESCRIPTION	REV
	1001166538	Ref	CONTROLLER ASSEMBLY	G
		Ref	Note : Use p/n 1001212415 Kit as Replacement.	
7	70004738	2	Washer	
10	70004739	1	Roller	
11	70004740	1	Boot, Switch	
14	70004741	2	Half, Handle	
17	70004742	1	Enclosure	
18	70004743	4	Nut	
19	70004744	NLA	Boot, Controller (Note: Use Item 200)	
20	70004745	NLA	Tube, Locking (Note: Use Item 200)	
21	70004746	NLA	Disc, Locking (Note: Use Item 200)	
25	70004747	2	Seal, Rope	
26	70004748	1	Screw M3 x 6	
28	70004749	2	Screw M5 x 20	
29	70004750	1	Pin, Dowel	
30	70004751	4	Screw M3 x 16	
101	4460265	1	Connector - 9 Position	
101	4460226	7	Socket, Female	
200	70005230	1	Boot Kit (Includes Items 19-21)	

SECTION 5 - PLATFORM

FIGURE 5-24. CONTROLLER ASSEMBLY (LIFT AND SWING)



ART_1001166539

SECTION 5 - PLATFORM

FIGURE 5-24. CONTROLLER ASSEMBLY (LIFT AND SWING)

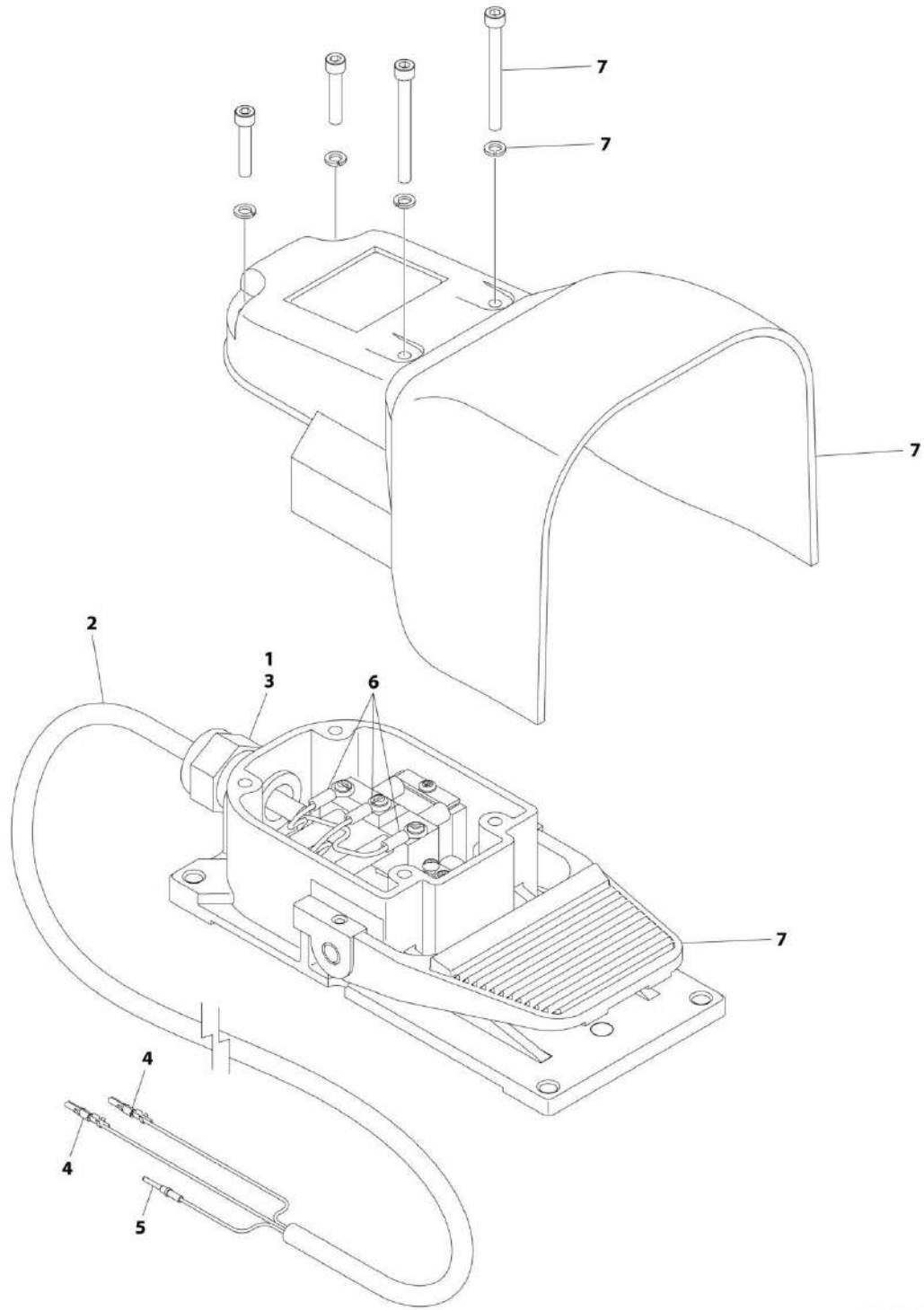
ITEM	PART NUMBER	QTY	DESCRIPTION	REV
	1001166539	Ref	CONTROLLER ASSEMBLY	D
		Ref	Note: Use p/n 1001129555 as Replacement.	
1	See Note	NSS	Main Cast Body (Note: Not Available - Purchase Complete Assembly)	
2	70004752	1	Adapter	
3	See Note	NSS	Pivot Arm, Plastic (Note: Not Available - Purchase Complete Assembly)	
4	See Note	NSS	Holder, Magnet (Note: Not Available - Purchase Complete Assembly)	
5	See Note	NSS	Arc, Magnet (Note: Not Available - Purchase Complete Assembly)	
6	See Note	NSS	Screw (Note: Not Available for Purchase)	
7	See Note	NSS	Pivot Arm, Cast (Note: Not Available - Purchase Complete Assembly)	
8	See Note	NSS	Shaft, Main (Note: Not Available - Purchase Complete Assembly)	
9	See Note	NSS	Bearing (Note: Not Available - Purchase Complete Assembly)	
10	See Note	NSS	Pin (Note: Not Available - Purchase Complete Assembly)	
11	See Note	NSS	Shim (Note: Not Available - Purchase Complete Assembly)	
12	See Note	NSS	Pin (Note: Not Available - Purchase Complete Assembly)	
13	See Note	NSS	Bearing (Note: Not Available - Purchase Complete Assembly)	
14	See Note	NSS	Dome, Centering (Note: Not Available - Purchase Complete Assembly)	
15	70004753	1	Cap	
16	70004754	1	Insert, Cap	
17	70004755	3	Pin	
18	70004756	2	Washer	
19	70004757	1	Pin, Centering	
20	70004758	1	Spring	
21	70004759	1	Ring, Retaining	
22	70004760	1	E-Ring	
23	70004761	1	Can, Enclosure	
24	70004762	1	Boot	
25	70004763	1	Bezel	
26	See Note	NSS	Screw (Note: Not Available for Purchase)	
27	See Note	NSS	Base Mounting (Note: Not Available - Purchase Complete Assembly)	
28	See Note	NSS	Screw (Note: Not Available for Purchase)	
29	70004764	4	Screw	
30	70004765	4	Screw	
31	70004766	1	O-Ring	
32	See Note	NSS	Plate (Note: Not Available - Purchase Complete Assembly)	
33	See Note	NSS	Harness (Note: Not Available - Purchase Complete Assembly)	
34	70004767	1	Grommet, Rubber	
35	70004768	1	Housing	
36	70004769	1	Spring	
37	70004770	1	Stopper	
38	70004771	1	Spacer	
39	70004772	1	Washer	
40	70004773	1	Disc	
41	70004774	2	Ring, Retaining	
42	70004775	1	Spring	

SECTION 5 - PLATFORM

ITEM	PART NUMBER	QTY	DESCRIPTION	REV
101	4460265	1	Connector - 9 Position	
101	4460226	6	Socket, Female	

SECTION 5 - PLATFORM

FIGURE 5-25. FOOTSWITCH ASSEMBLY



ART_1001117174

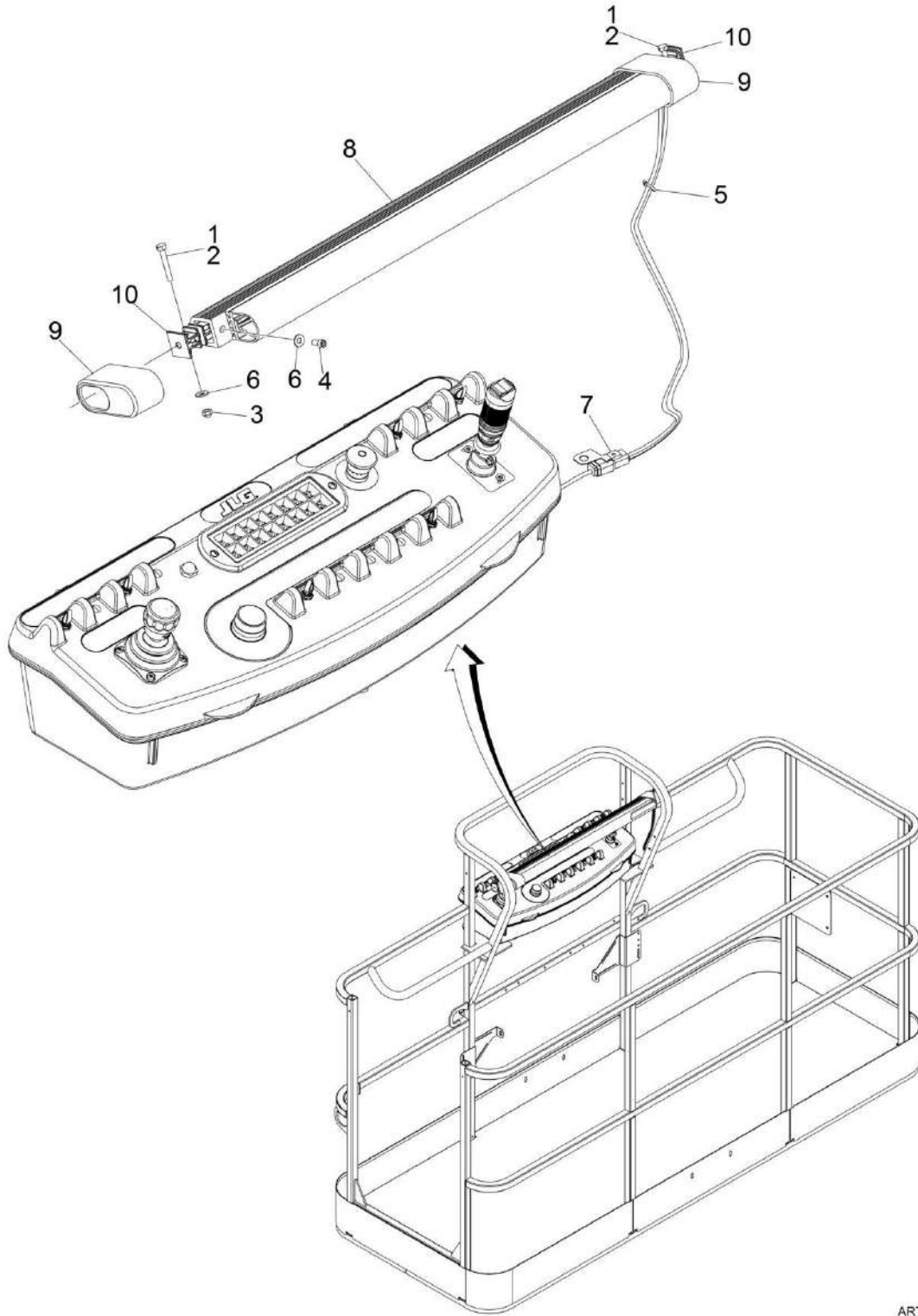
SECTION 5 - PLATFORM

FIGURE 5-25. FOOTSWITCH ASSEMBLY

ITEM	PART NUMBER	QTY	DESCRIPTION	REV
	1001117174	Ref	FOOTSWITCH ASSEMBLY	B
1	0100020	AR	Sealant	
2	1060918	7.5 ft/ 2.3m	Cable, Electrical - 18/3	
3	4460071	1	Connector, Strain Relief	
4	4460226	2	Socket, Female	
5	4460464	1	Pin, Male	
6	1001098122	3	Terminal	
7	1001117172	1	Footswitch	
7	70002902	1	Switch, 20Amp	
7	70002903	1	Gasket	
7	70002905	1	Cover	
7	70002904	1	Kit, Replacement Bolt	

SECTION 5 - PLATFORM

FIGURE 5-26. SKYGUARD INSTALLATION



ART_1001187508

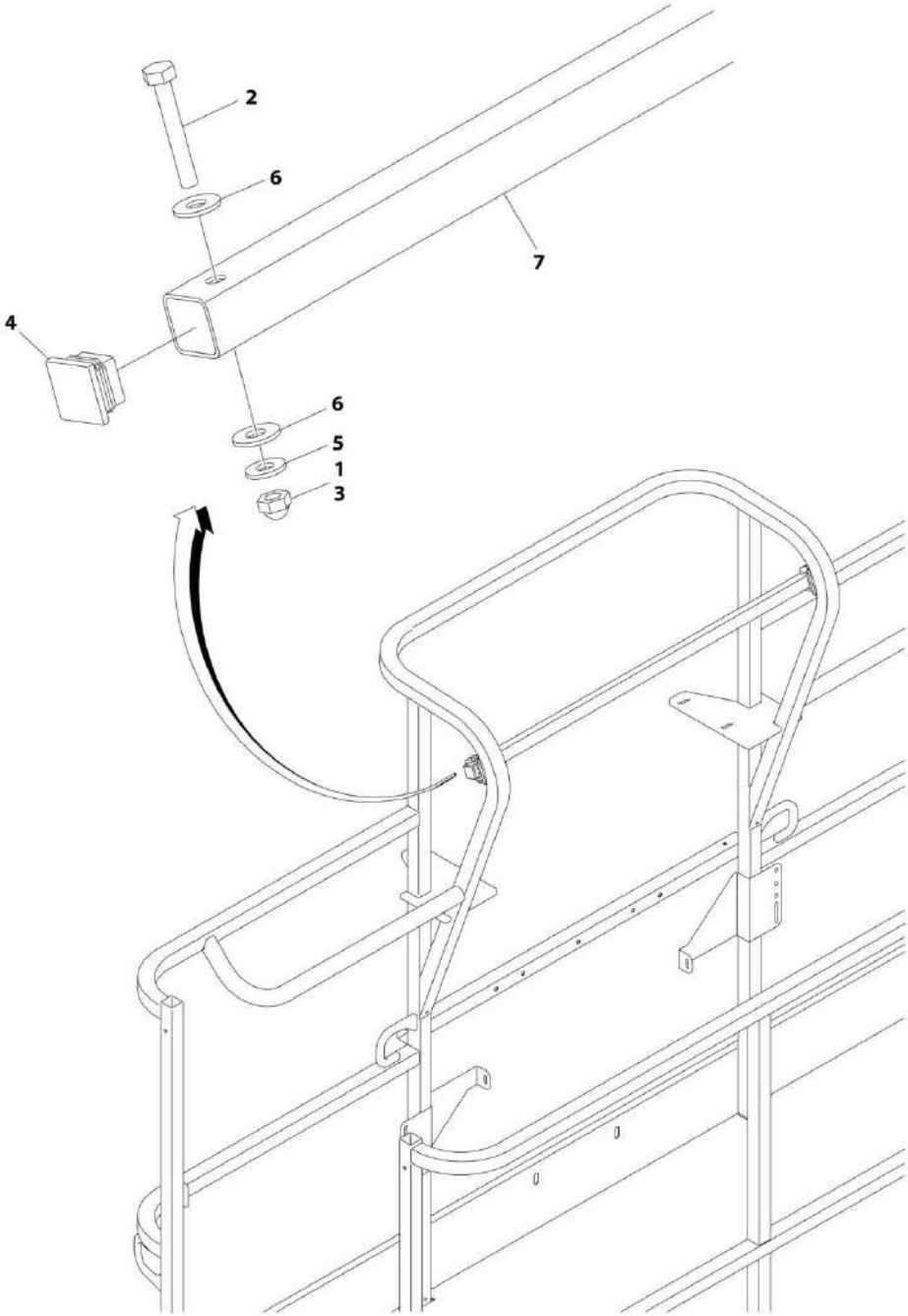
SECTION 5 - PLATFORM

FIGURE 5-26. SKYGUARD INSTALLATION

ITEM	PART NUMBER	QTY	DESCRIPTION	REV
	1001187508	Ref	SKYGUARD INSTALLATION	C
1	0100011	AR	Compound, Locking	
2	0641414	2	Bolt 1/4 x 1-3/4	
3	3300430	2	Nut 1/4	
4	3931424	2	Capscrew 1/4 x 1-1/2	
4	3931408	2	Capscrew 1/4 x 1/2	
5	4240033	AR	Tie-Strap	
6	4711400	AR	Washer 1/4	
7	1001120328	1	Mount	
8	1001137673	1	SkyGuard Switch Assembly	
9	1001186517	2	Cover, Platform Sensor	
10	1001188889	2	Support, Block (SN 0300235168 through 0300237156, SN B300002655 through B300002764)	
10	1001209664	2	Support, Block (SN 0300237157 to Present, SN B300002765 to Present)	

SECTION 5 - PLATFORM

FIGURE 5-27. CROSS RAIL INSTALLATION



ART_1001182138

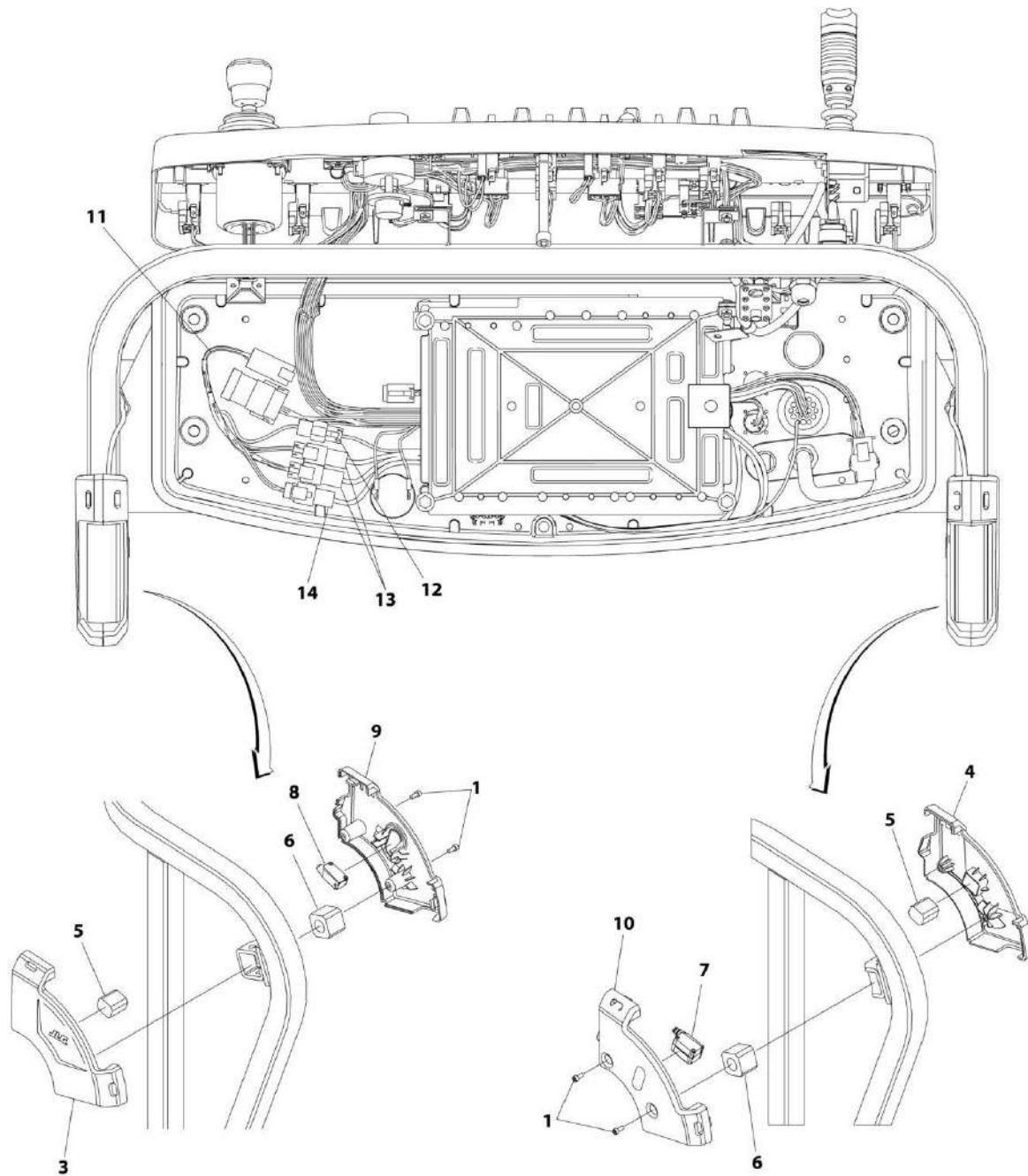
SECTION 5 - PLATFORM

FIGURE 5-27. CROSS RAIL INSTALLATION

ITEM	PART NUMBER	QTY	DESCRIPTION	REV
	1001182138	Ref	CROSS RAIL INSTALLATION	A
1	0100071	AR	Compound, Locking	
2	0641414	2	Bolt 1/4 x 1-3/4	
3	3300430	2	Nut 1/4	
4	3520182	2	Plug	
5	4711400	2	Washer 1/4	
6	4751400	4	Washer 1/4	
7	1001191708	1	Bar	

SECTION 5 - PLATFORM

FIGURE 5-28. SKYEYE INSTALLATION



ART_1001229341

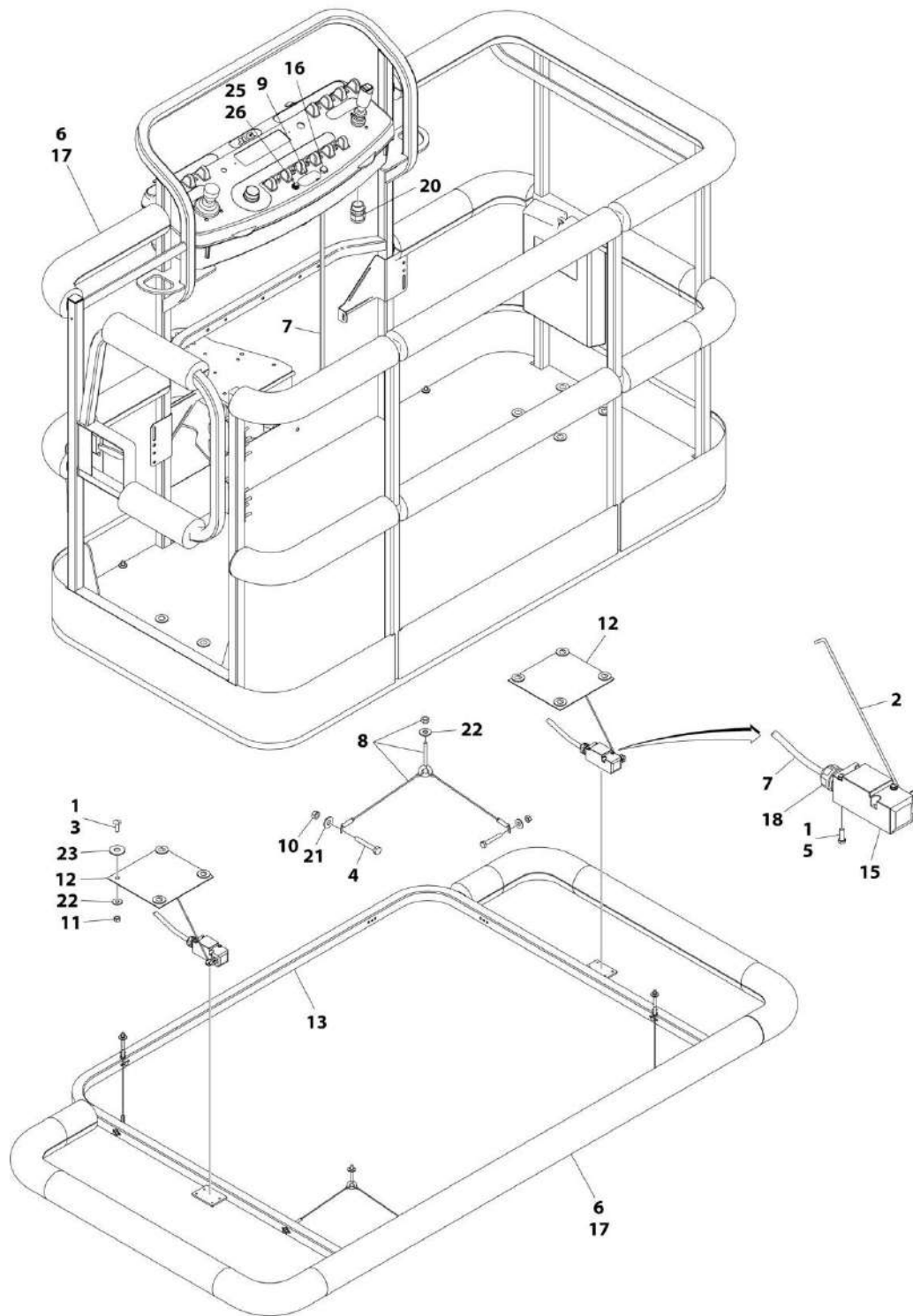
SECTION 5 - PLATFORM

FIGURE 5-28. SKYEYE INSTALLATION

ITEM	PART NUMBER	QTY	DESCRIPTION	REV
	1001229341	Ref	SKYEYE INSTALLATION	A
1	4031505	4	Bolt M4 x 10	
2	4240033	AR	Tie-Strap (Not Shown)	
3	1001227633	1	Housing, LH Outer	
4	1001227634	1	Housing, RH Outer	
5	1001227985	2	Shim	
6	1001227987	2	Shim	
7	1001228224	2	Sensor, Receiver	
8	1001228225	1	Sensor, Emitter	
9	1001232164	1	Housing, LH Inner	
10	1001232165	1	Housing, RH Inner	
11	1001237865	1	Harness, Skyeeye Intermediate (See Separate Breakdown in ELECTRICAL SECTION)	
12	1001238319	1	Harness, Skyeeye Drain Jumper	
12	1001187674	1	Plug, Male - 2 Position	
12	4460942	1	Terminal	
12	4460466	1	Plug, Terminal	
12	4460508	1	Pin, Male	
13	1001237863	2	Harness, Skyeeye Receiver (See Separate Breakdown in ELECTRICAL SECTION)	
14	1001237864	1	Harness, Skyeeye Emitter (See Separate Breakdown in ELECTRICAL SECTION)	

SECTION 5 - PLATFORM

FIGURE 5-29. SOFT TOUCH INSTALLATION - 6FT (1.83M) PLATFORM (OPTIONAL)



ART_0273824

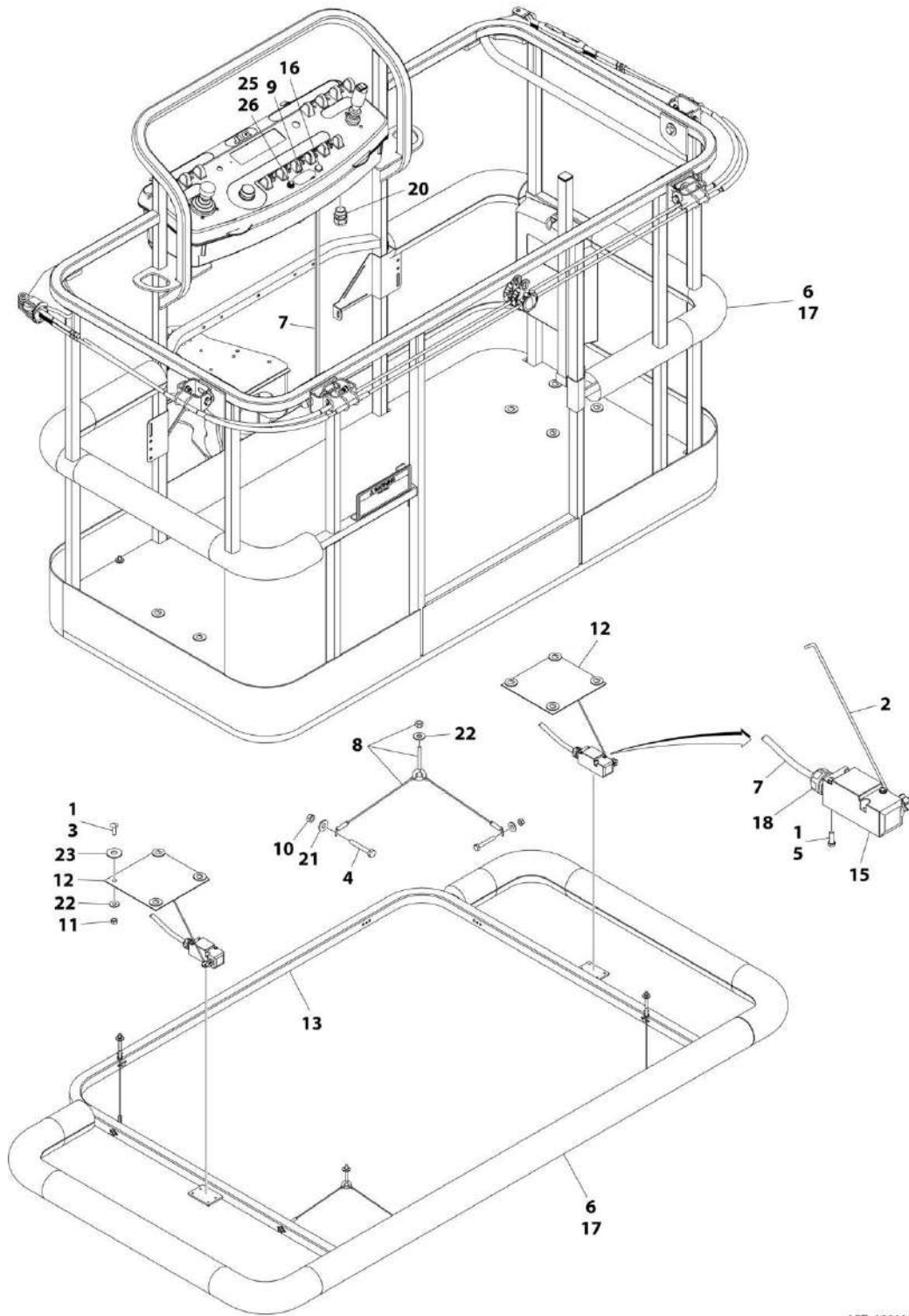
SECTION 5 - PLATFORM

FIGURE 5-29. SOFT TOUCH INSTALLATION - 6FT (1.83M) PLATFORM (OPTIONAL)

ITEM	PART NUMBER	QTY	DESCRIPTION	REV
	0273824	Ref	SOFT TOUCH INSTALLATION	D
1	0100011	AR	Compound, Locking	
2	0200048	2	Arm, Switch	
3	0630462	8	Bolt	
4	0641414	8	Bolt 1/4 x 1-3/4	
5	0721005	4	Bolt #10 x 5/8	
6	0940103	1	Bumper Kit (Includes Corners and Enough Straight Material for One Platform)	
6	0940092	12	Bumper (Corner)	
6	0940094	AR	Bumper (12ft Length)	
7	1060341	23 ft/7m	Cable, Electrical - 16/2	
8	1060903	4	Wire Rope and Eyebolt Assembly	
9	1702938	1	Decal - Soft Touch Override	
10	3311401	8	Nut 1/4	
11	3311501	8	Nut 5/16	
12	3575359	2	Plate, Switch Strike	
13	3641569	1	Rail, Soft Touch	
14	4240099	7	Tie-Strap (Not Shown)	
15	4360057	2	Switch, Limit	
16	4360387	1	Switch, Push Button	
17	4420068	AR	Tape, Adhesive	
17	1001197017	AR	Tie-Strap	
18	4460049	2	Connector, Strain Relief	
19	4460234	7	Tie-Strap (Not Shown)	
20	4460425	1	Connector, Strain Relief	
21	4751400	8	Washer 1/4	
22	4751500	12	Washer 5/16	
23	4751800	8	Washer 1/2	
25	2920028	1	Light, Indicator	
26	2920029	1	Bulb, Light	

SECTION 5 - PLATFORM

FIGURE 5-30. SOFT TOUCH INSTALLATION - 6FT (1.83M) FALL ARREST PLATFORM (600S) (OPTIONAL)



ART_1001108256

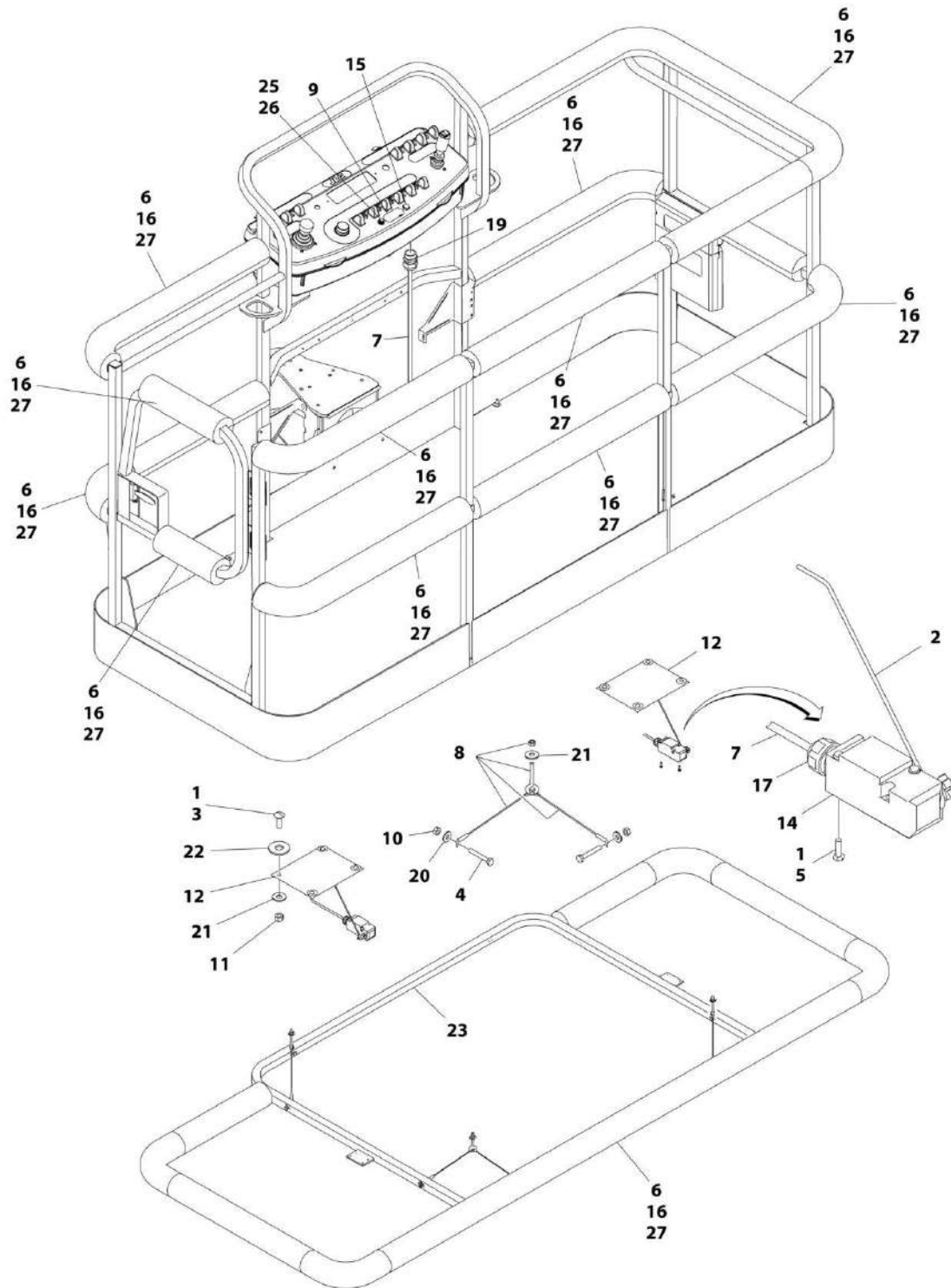
SECTION 5 - PLATFORM

**FIGURE 5-30. SOFT TOUCH INSTALLATION - 6FT (1.83M) FALL ARREST PLATFORM (600S)
(OPTIONAL)**

ITEM	PART NUMBER	QTY	DESCRIPTION	REV
	1001108256	Ref	SOFT TOUCH INSTALLATION	C
1	0100011	AR	Compound, Locking	
2	0200048	2	Arm, Switch	
3	0630462	8	Bolt	
4	0641414	8	Bolt 1/4 x 1-3/4	
5	0721005	4	Bolt #10 x 5/8	
6	0940177	1	Bumper Kit (Includes Corners and Enough Straight Material for One Platform)	
6	0940092	8	Bumper (Corner)	
6	0940094	AR	Bumper (12ft Length)	
7	1060341	23 ft/7m	Cable, Electrical - 16/2	
8	1060903	4	Wire Rope and Eyebolt Assembly	
9	1702938	1	Decal - Soft Touch Override	
10	3311401	8	Nut 1/4	
11	3311501	8	Nut 5/16	
12	3575359	2	Plate, Switch Strike	
13	3641569	1	Rail, Soft Touch	
14	4240099	7	Tie-Strap (Not Shown)	
15	4360057	2	Switch, Limit	
16	4360387	1	Switch, Push Button	
17	4420068	AR	Tape, Adhesive	
17	1001197017	AR	Tie-Strap	
18	4420069	2	Connector, Strain Relief	
19	4460234	7	Tie-Strap (Not Shown)	
20	4460425	1	Connector, Strain Relief	
21	4751400	8	Washer 1/4	
22	4751500	9	Washer 5/16	
23	4751800	8	Washer 1/2	
25	2920028	1	Light, Indicator	
26	2920029	1	Bulb, Light	

SECTION 5 - PLATFORM

FIGURE 5-31. SOFT TOUCH INSTALLATION - 8FT (2.4M) PLATFORM (OPTIONAL)



ART_0272427

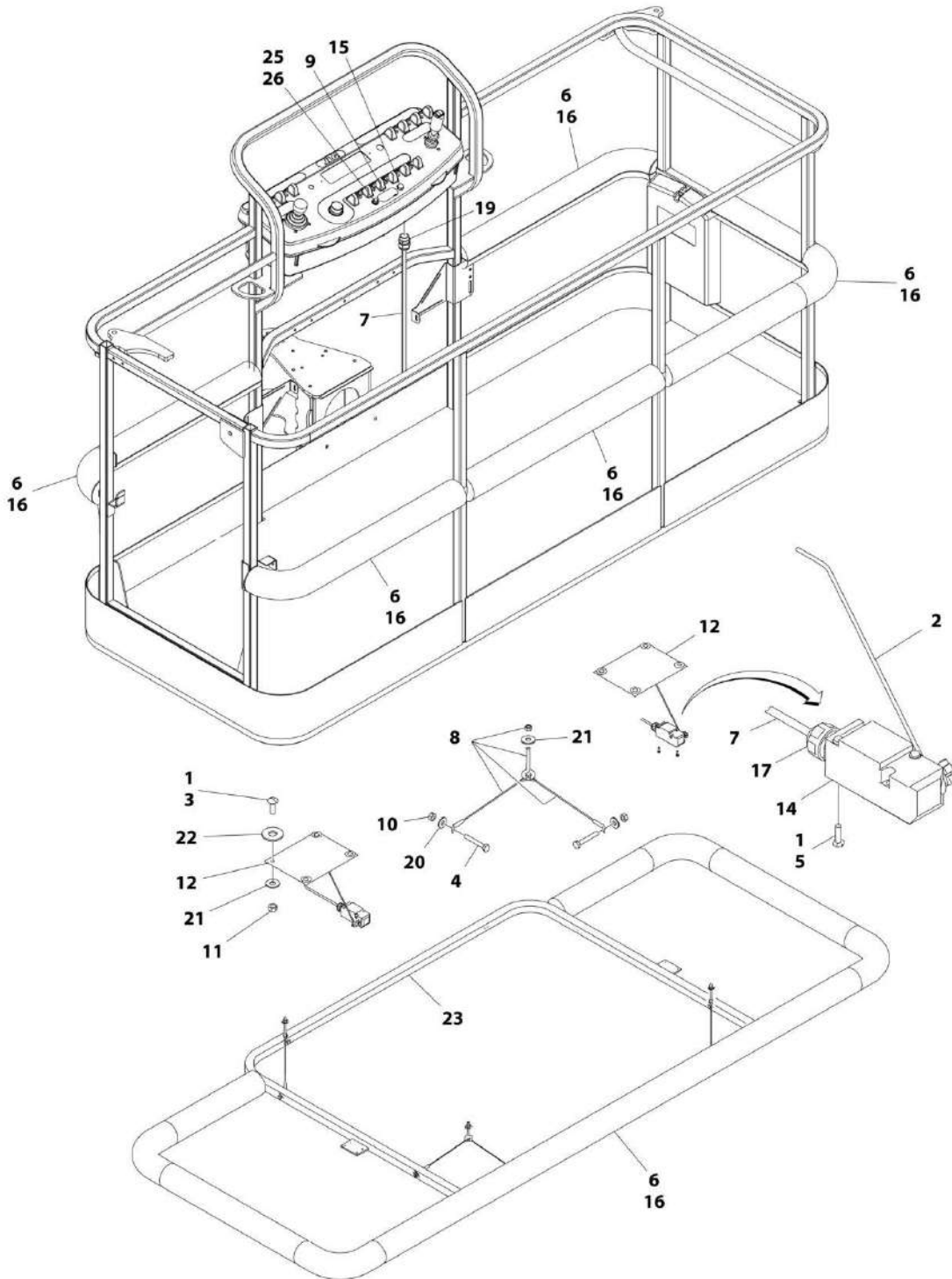
SECTION 5 - PLATFORM

FIGURE 5-31. SOFT TOUCH INSTALLATION - 8FT (2.4M) PLATFORM (OPTIONAL)

ITEM	PART NUMBER	QTY	DESCRIPTION	REV
	0272427	Ref	SOFT TOUCH INSTALLATION	G
1	0100011	AR	Compound, Locking	
2	0200048	2	Arm, Switch	
3	0630462	8	Bolt	
4	0641414	8	Bolt 1/4 x 1-3/4	
5	0721005	4	Bolt #10 x 5/8	
6	0940103	1	Bumper Kit (Includes Corners and Enough Straight Material for One Platform)	
6	0940092	12	Bumper (Corner)	
6	0940094	AR	Bumper (12ft Length)	
7	1060341	23 ft/7m	Cable, Electrical - 16/2	
8	1060903	4	Wire Rope and Eyebolt Assembly	
9	1702938	1	Decal - Soft Touch Override	
10	3311401	8	Nut 1/4	
11	3311501	8	Nut 5/16	
12	3574091	2	Plate, Switch Strike	
13	4240099	7	Tie-Strap (Not Shown)	
14	4360057	2	Switch, Limit	
15	4360387	1	Switch, Push Button	
16	4420068	AR	Tape, Adhesive	
16	1001197017	AR	Tie-Strap	
17	4460049	2	Connector, Strain Relief	
18	4460234	7	Tie-Strap (Not Shown)	
19	4460425	1	Connector, Strain Relief	
20	4751400	8	Washer 1/4	
21	4751500	12	Washer 5/16	
22	4751800	8	Washer 1/2	
23	4846673	1	Rail, Soft Touch	
25	2920028	1	Light, Indicator	
26	2920029	1	Bulb, Light	

SECTION 5 - PLATFORM

FIGURE 5-32. SOFT TOUCH INSTALLATION - 8FT (2.4M) FALL ARREST PLATFORM (600S)
(OPTIONAL)



ART_0273706

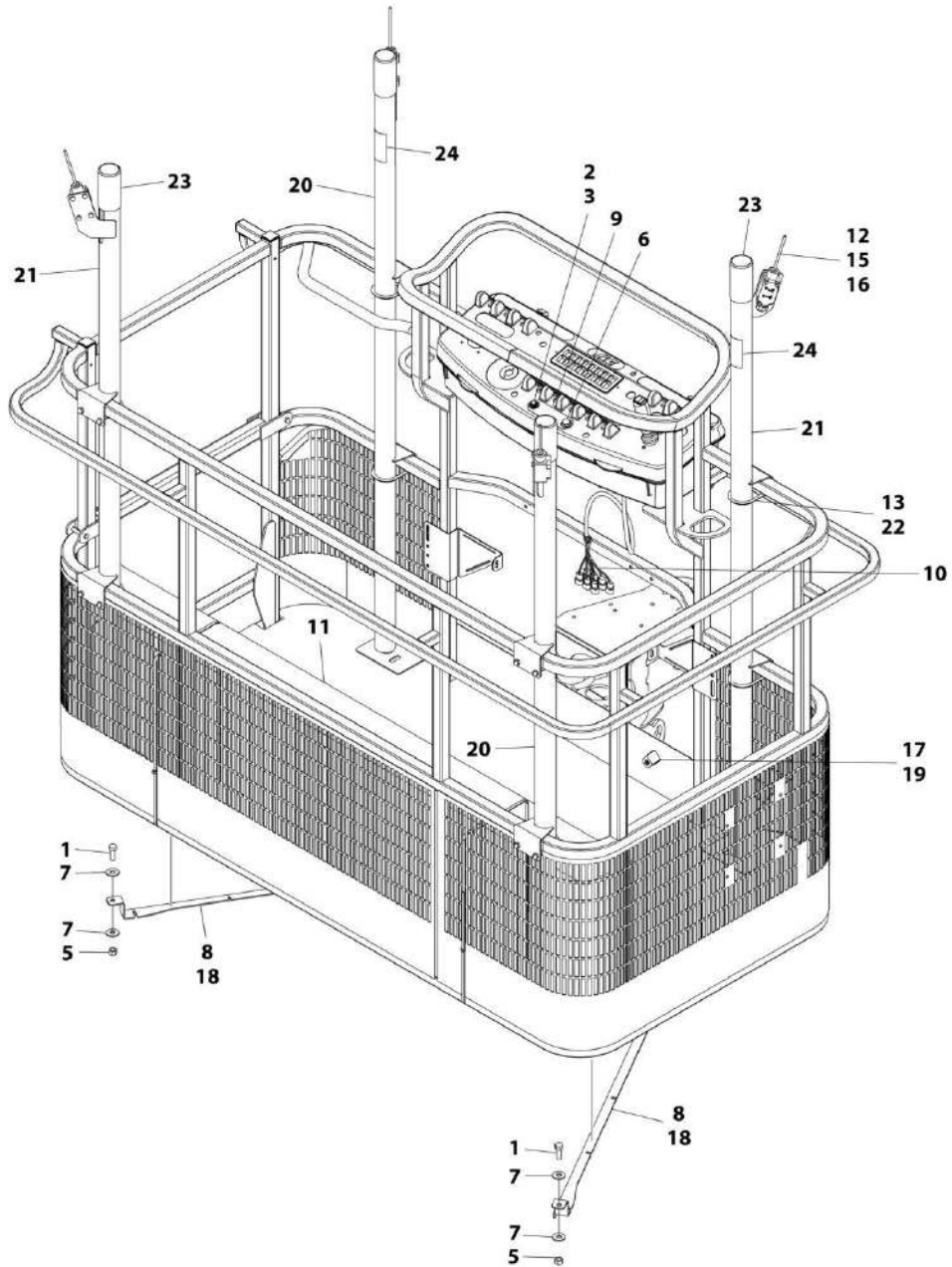
SECTION 5 - PLATFORM

**FIGURE 5-32. SOFT TOUCH INSTALLATION - 8FT (2.4M) FALL ARREST PLATFORM (600S)
(OPTIONAL)**

ITEM	PART NUMBER	QTY	DESCRIPTION	REV
	0273706	Ref	SOFT TOUCH INSTALLATION	D
1	0100011	AR	Compound, Locking	
2	0200048	2	Arm, Switch	
3	0630462	8	Bolt	
4	0641414	8	Bolt 1/4 x 1-3/4	
5	0721005	4	Bolt #10 x 5/8	
6	0940133	1	Bumper Kit (Includes Corners and Enough Straight Material for One Platform)	
6	0940092	8	Bumper (Corner)	
6	0940094	AR	Bumper (12ft Length)	
7	1060341	23 ft/7m	Cable, Electrical - 16/2	
8	1060903	4	Wire Rope and Eyebolt Assembly	
9	1702938	1	Decal - Soft Touch Override	
10	3311401	8	Nut 1/4	
11	3311501	8	Nut 5/16	
12	3574091	2	Plate, Switch Strike	
13	4240099	7	Tie-Strap (Not Shown)	
14	4360057	2	Switch, Limit	
15	4360387	1	Switch, Push Button	
16	4420068	AR	Tape, Adhesive	
16	1001197017	AR	Tie-Strap	
17	4460049	2	Connector, Strain Relief	
18	4460234	7	Tie-Strap (Not Shown)	
19	4460425	1	Connector, Strain Relief	
20	4751400	8	Washer 1/4	
21	4751500	12	Washer 5/16	
22	4751800	8	Washer 1/2	
23	4846673	1	Rail, Soft Touch	
25	2920028	1	Light, Indicator	
26	2920029	1	Bulb, Light	

SECTION 5 - PLATFORM

FIGURE 5-33. SOFT TOUCH INSTALLATION - OVERHEAD (CHINESE AND KOREAN SPECS) (OPTIONAL)



ART_1001110926

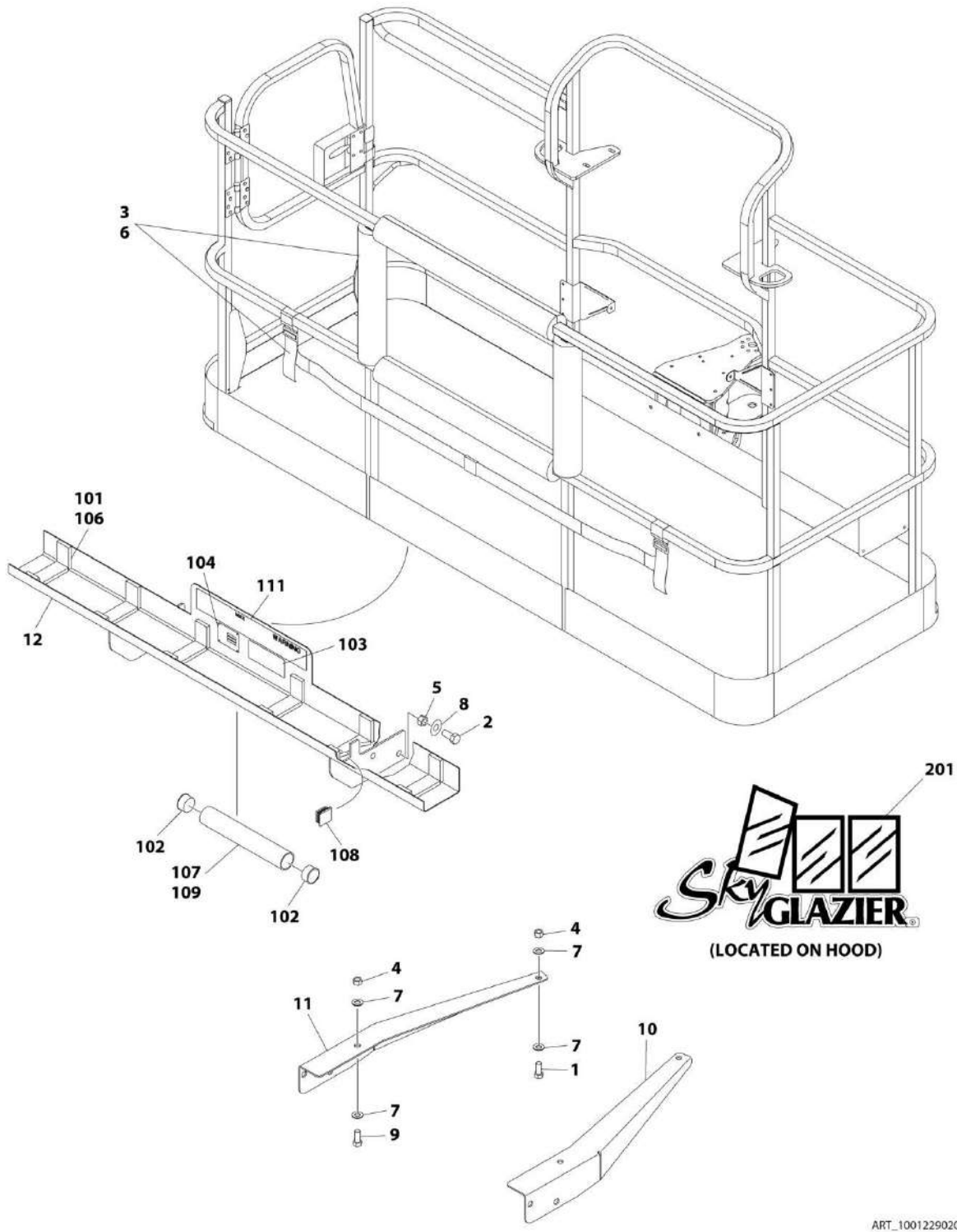
SECTION 5 - PLATFORM

**FIGURE 5-33. SOFT TOUCH INSTALLATION - OVERHEAD (CHINESE AND KOREAN SPECS)
(OPTIONAL)**

ITEM	PART NUMBER	QTY	DESCRIPTION	REV
	1001110926	Ref	SOFT TOUCH INSTALLATION	C
1	0641608	4	Bolt 3/8 x 1	
2	2920028	1	Light, Indicator	
3	2920029	1	Bulb, Light	
5	3311605	4	Nut 3/8	
6	4360387	1	Switch, Push Button	
7	4751600	8	Washer 3/8	
8	1001113643	2	Bracket	
9	1001113691	1	Decal - Soft Touch Override	
10	1001113857	1	Soft Touch Harness - Overhead	
10	4460897	4	Receptacle, Female - 2 Position	
10	4460464	8	Pin, Male	
11	1001113856	Ref	Overhead Soft Touch Kit	
12	0641405	16	Bolt 1/4 x 5/8	
13	3300356	16	Nut 5/16	
14	4240099	16	Tie, Wire (Not Shown)	
15	4360477	4	Switch, Proximity	
16	4460662	4	Connector, Strain Relief	
17	4711400	2	Washer 1/4	
18	1001090615	4	Grommet	
19	1001102858	2	Clamp	
20	1001110935	2	Tube	
21	1001113741	2	Tube	
22	1001113743	8	Bolt 5/16 x 3.65	
23	1001113774	4	Cap	
24	1001131802	4	Decal - Weight	

SECTION 5 - PLATFORM

FIGURE 5-34. SKYGLAZIER INSTALLATION - 600S & 660SJ (ANSI, AUSTRALIAN AND CSA SPECS)



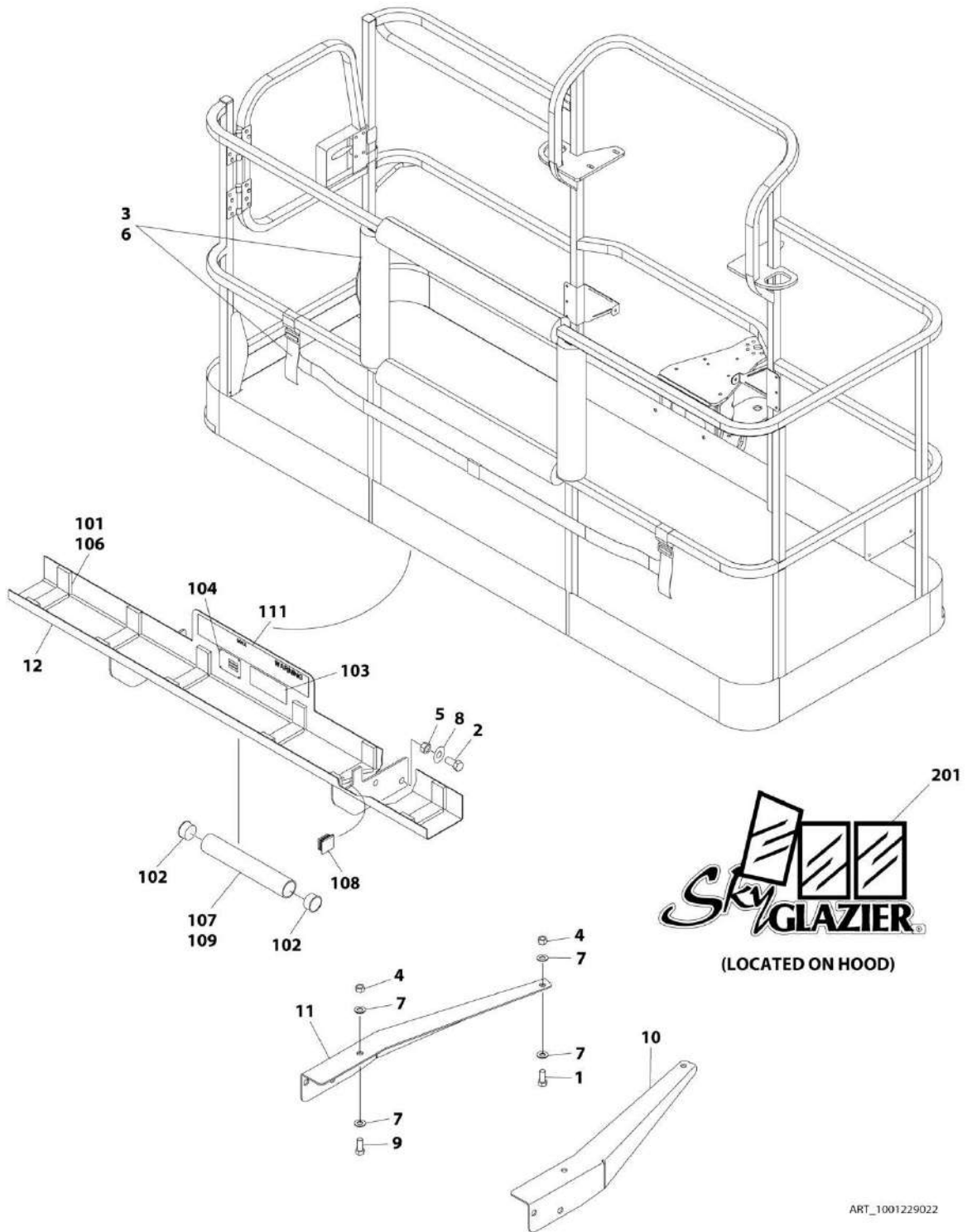
SECTION 5 - PLATFORM

FIGURE 5-34. SKYGLAZIER INSTALLATION - 600S & 660SJ (ANSI, AUSTRALIAN AND CSA SPECS)

ITEM	PART NUMBER	QTY	DESCRIPTION	REV
	1001229020	Ref	SKYGLAZIER INSTALLATION	A
1	0642012	2	Bolt 5/8 x 1-1/2	
2	0642212	4	Bolt 3/4 x 1-1/2	
3	2902212	1	Bumpers and Strap Kit	
3	0940102	1	Bumper Only	
3	4240149	1	Strap Only	
4	3312005	4	Nut 5/8	
5	3312205	4	Nut 3/4	
6	4420014	AR	Tape	
7	4712000	6	Washer 5/8	
8	4712200	8	Washer 3/4	
9	8310129	2	Bolt 3/4 x 2-1/2	
10	1001099366	1	Support	
11	1001099367	1	Support	
12	1001229082	1	Tray Assembly (See Items 101-111 for Breakdown)	
	1001229082	Ref	TRAY ASSEMBLY	A
101	0100081	AR	Adhesive	
102	1120555	2	Cap, Tube	
103	1701509	1	Decal - Manual	
104	See Note	NSS	Nameplate - Serial Number (Note: Not Available for Purchase)	
106	3340956	1	Pad Kit	
107	3460334	1	Tube	
108	3520071	2	Plug	
109	4420066	AR	Tape, Double Sided	
111	1001199035	2	Decal - Glazier Capacity	
	0272418	Ref	SKYGLAZIER DECAL INSTALLATION	4
201	1705358	2	Decal - SkyGlazier	

SECTION 5 - PLATFORM

FIGURE 5-35. SKYGLAZIER INSTALLATION - 600S (BRAZIL SPECS)



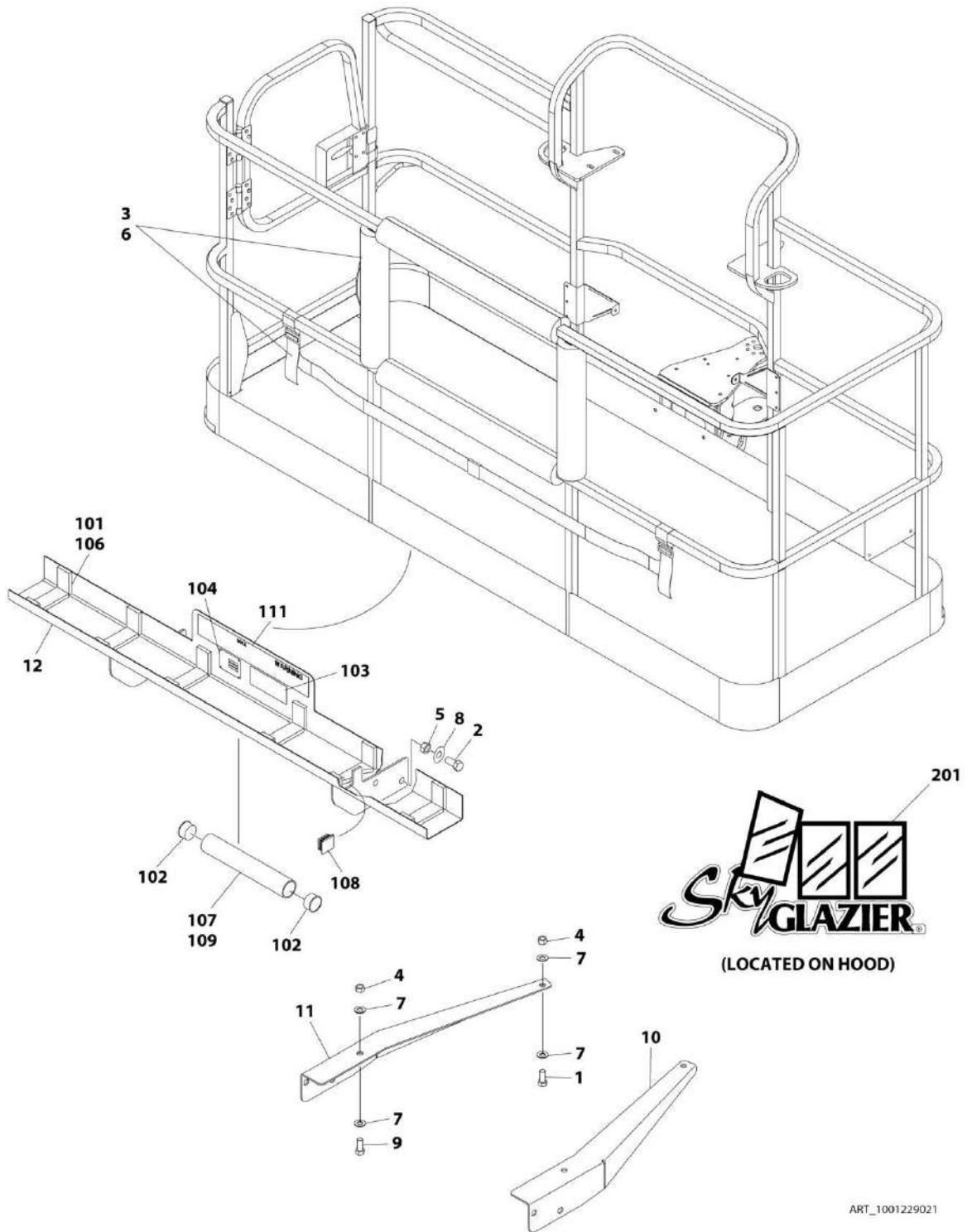
SECTION 5 - PLATFORM

FIGURE 5-35. SKYGLAZIER INSTALLATION - 600S (BRAZIL SPECS)

ITEM	PART NUMBER	QTY	DESCRIPTION	REV
	1001229022	Ref	SKYGLAZIER INSTALLATION	A
1	0642012	2	Bolt 5/8 x 1-1/2	
2	0642212	4	Bolt 3/4 x 1-1/2	
3	2902212	1	Bumpers and Strap Kit	
3	0940102	1	Bumper Only	
3	4240149	1	Strap Only	
4	3312005	4	Nut 5/8	
5	3312205	4	Nut 3/4	
6	4420014	AR	Tape	
7	4712000	6	Washer 5/8	
8	4712200	8	Washer 3/4	
9	8310129	2	Bolt 3/4 x 2-1/2	
10	1001099366	1	Support	
11	1001099367	1	Support	
12	1001229118	1	Tray Assembly (See Items 101-111 for Breakdown)	
	1001229118	Ref	TRAY ASSEMBLY	A
101	0100081	AR	Adhesive	
102	1120555	2	Cap, Tube	
103	1701509	1	Decal - Manual	
104	See Note	NSS	Nameplate - Serial Number (Note: Not Available for Purchase)	
106	3340956	1	Pad Kit	
107	3460334	1	Tube	
108	3520071	2	Plug	
109	4420066	AR	Tape, Double Sided	
111	1001229112	2	Decal - Glazier Capacity	
	0272418	Ref	SKYGLAZIER DECAL INSTALLATION	4
201	1705358	2	Decal - SkyGlazier	

SECTION 5 - PLATFORM

FIGURE 5-36. SKYGLAZIER INSTALLATION - 600S (LATIN AMERICAN SPECS)



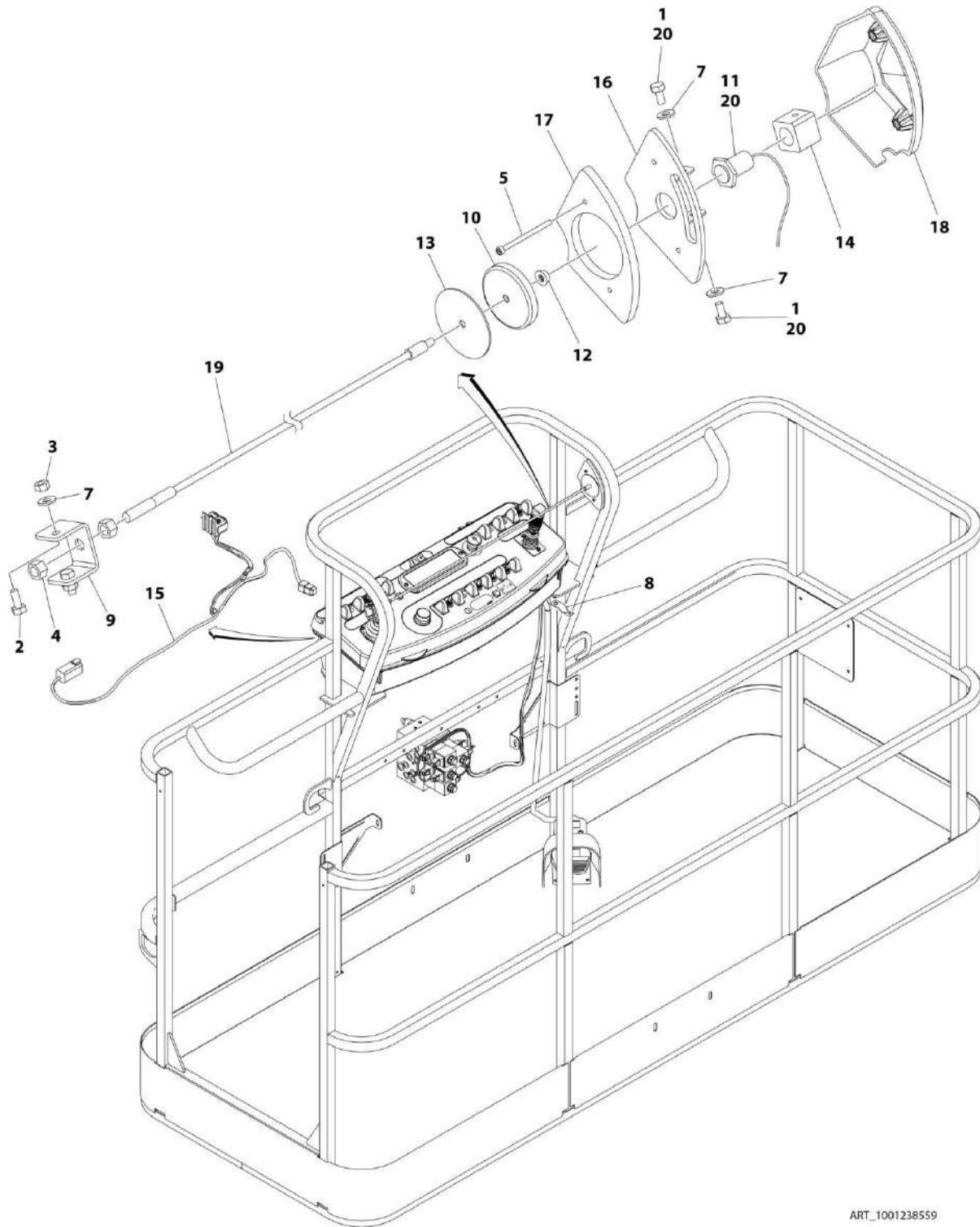
SECTION 5 - PLATFORM

FIGURE 5-36. SKYGLAZIER INSTALLATION - 600S (LATIN AMERICAN SPECS)

ITEM	PART NUMBER	QTY	DESCRIPTION	REV
	1001229021	Ref	SKYGLAZIER INSTALLATION	A
1	0642012	2	Bolt 5/8 x 1-1/2	
2	0642212	4	Bolt 3/4 x 1-1/2	
3	2902212	1	Bumpers and Strap Kit	
3	0940102	1	Bumper Only	
3	4240149	1	Strap Only	
4	3312005	4	Nut 5/8	
5	3312205	4	Nut 3/4	
6	4420014	AR	Tape	
7	4712000	6	Washer 5/8	
8	4712200	8	Washer 3/4	
9	8310129	2	Bolt 3/4 x 2-1/2	
10	1001099366	1	Support	
11	1001099367	1	Support	
12	1001229108	1	Tray Assembly (See Items 101-111 for Breakdown)	
	1001229108	Ref	TRAY ASSEMBLY	A
101	0100081	AR	Adhesive	
102	1120555	2	Cap, Tube	
103	1701509	1	Decal - Manual	
104	See Note	NSS	Nameplate - Serial Number (Note: Not Available for Purchase)	
106	3340956	1	Pad Kit	
107	3460334	1	Tube	
108	3520071	2	Plug	
109	4420066	AR	Tape, Double Sided	
111	1001229111	2	Decal - Glazier Capacity	
	0272418	Ref	SKYGLAZIER DECAL INSTALLATION	4
201	1705358	2	Decal - SkyGlazier	

SECTION 5 - PLATFORM

FIGURE 5-37. SKYLINE INSTALLATION



ART_1001238559

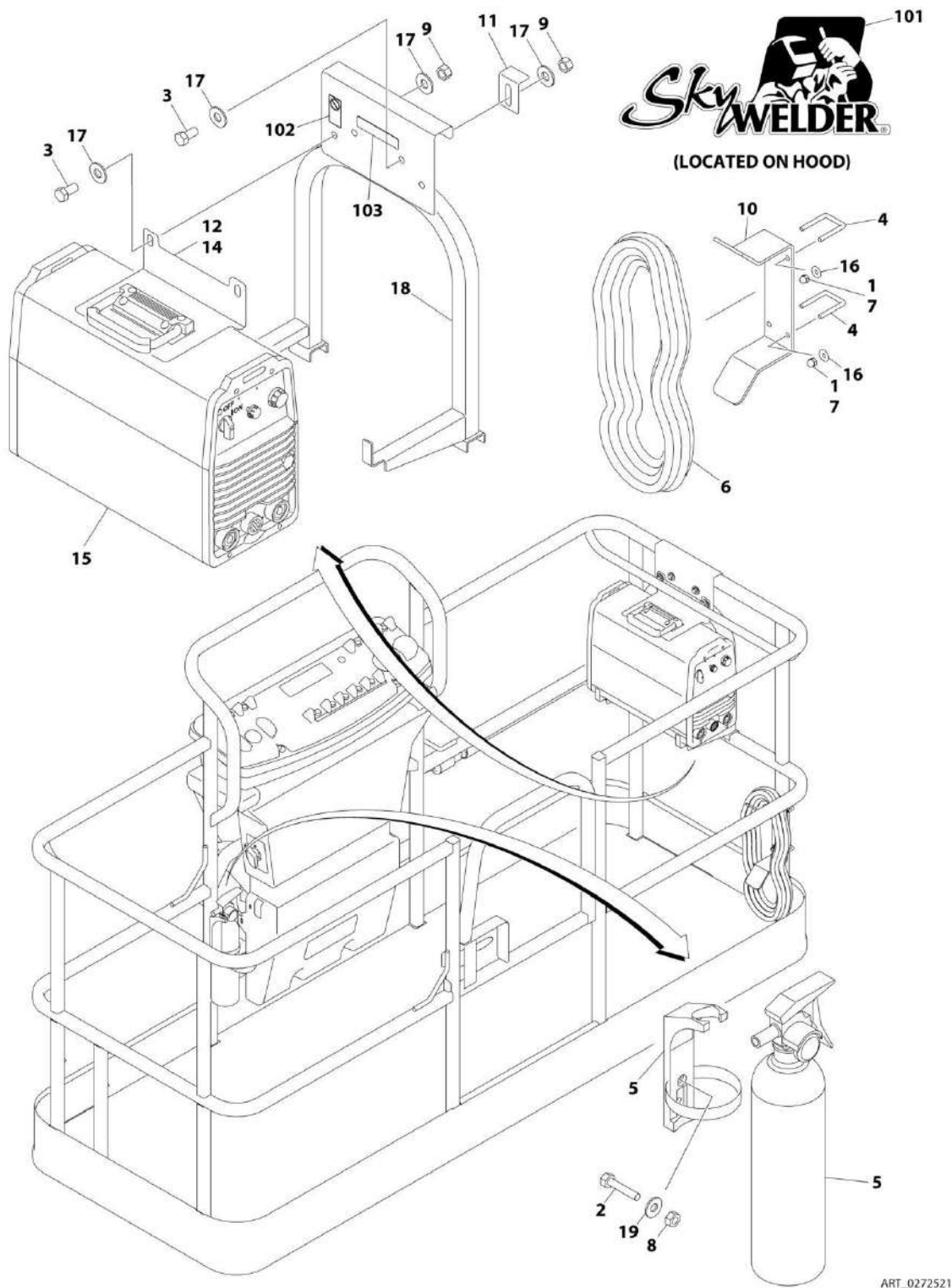
SECTION 5 - PLATFORM

FIGURE 5-37. SKYLINE INSTALLATION

ITEM	PART NUMBER	QTY	DESCRIPTION	REV
	1001238559	Ref	SKYLINE INSTALLATION	B
1	0641404	2	Bolt 1/4 x 1/2	
2	0641405	2	Bolt 1/4 x 5/8	
3	3311405	2	Nut 1/4	
4	3311601	2	Nut 3/8	
5	4031516	2	Capscrew M4 x 60	
6	4240033	AR	Tie-Strap (Not Shown)	
7	4711400	4	Washer 1/4	
8	1001120328	1	Mount	
9	1001232642	1	Bracket	
10	1001232650	1	Magnet	
11	1001232667	1	Sensor, Proximity	
12	1001235011	1	Nut	
13	1001235013	1	Washer	
14	1001236552	1	Block	
15	1001238418	1	Harness, Skyline (See Separate Breakdown in ELECTRICAL SECTION)	
16	1001238472	1	Mount	
17	1001238477	1	Housing, LH	
18	1001241965	1	Housing, RH	
19	1001238824	1	Rope	
20	0100011	AR	Compound, Locking	

SECTION 5 - PLATFORM

FIGURE 5-38. SKYWELDER INSTALLATION (50HZ)



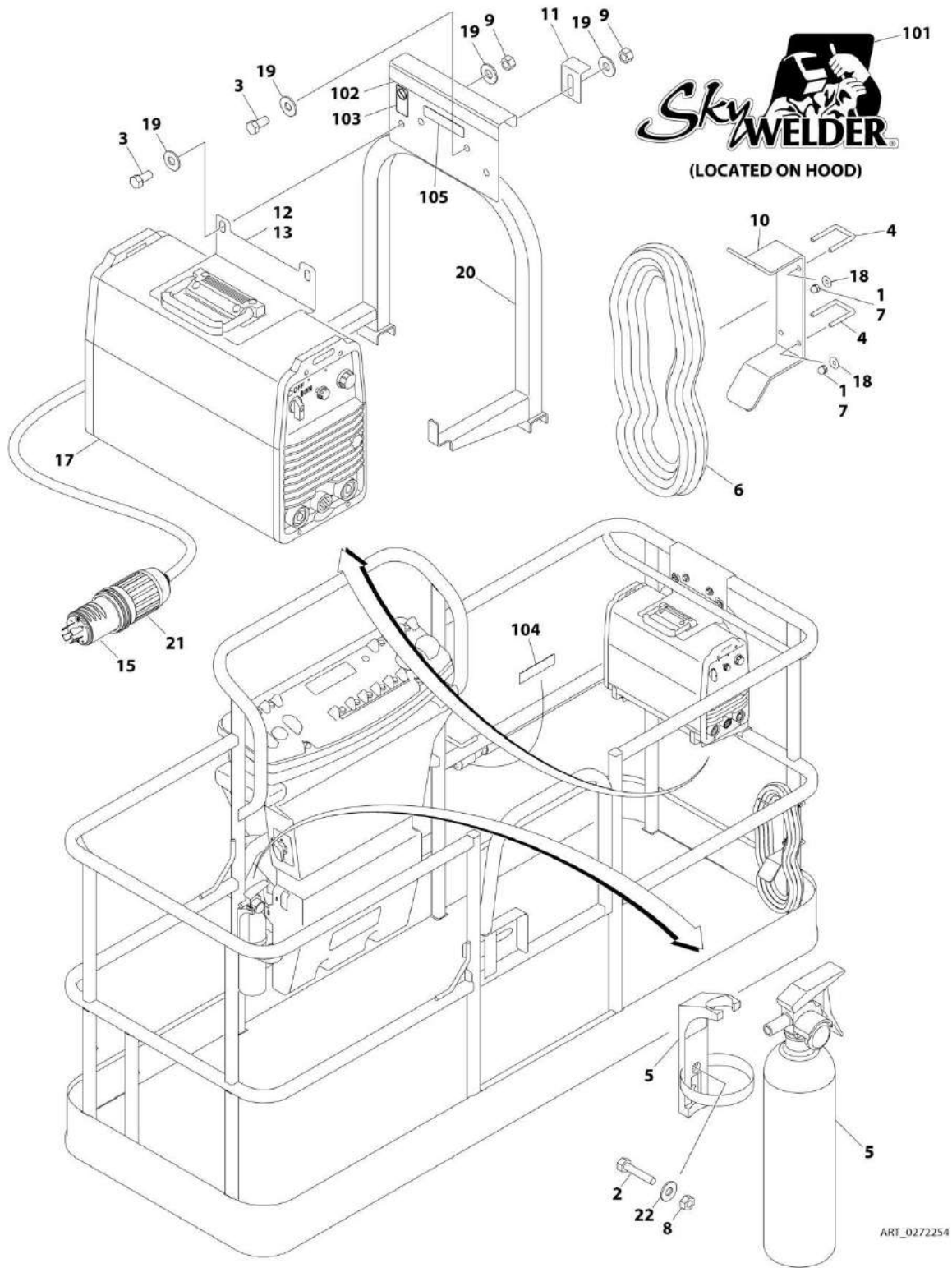
SECTION 5 - PLATFORM

FIGURE 5-38. SKYWELDER INSTALLATION (50HZ)

ITEM	PART NUMBER	QTY	DESCRIPTION	REV
	0272521	Ref	SKYWELDER INSTALLATION	F
1	0100011	AR	Compound, Locking	
2	0630518	2	Screw #10 x 3/4	
3	0641606	4	Bolt 3/8 x 3/4	
4	1320302	2	U-Clamp	
5	2030010	1	Extinguisher, Fire	
6	2902217	1	Weld Leads Kit	
7	3300151	4	Nut 1/4	
8	3311005	2	Nut #10	
9	3311605	4	Nut 3/8	
10	3573400	1	Bracket	
11	3577121	2	Angle	
12	3573642	1	Plate	
13	4240099	AR	Tie-Strap (Not Shown)	
14	4420037	AR	Tape	
15	4530028	1	Welder Assembly (See WELDER ASSEMBLY for Breakdown)	
16	4751400	4	Washer 1/4	
17	4751600	8	Washer 3/8	
18	4846627	1	Support	
19	4751000	2	Washer #10	
	0272588	Ref	SKYWELDER DECAL INSTALLATION	B
101	1705355	1	Decal - SkyWelder	
102	1705305	1	Decal - Weld Lead	
103	1001228988	1	Decal - Weight	

SECTION 5 - PLATFORM

FIGURE 5-39. SKYWELDER INSTALLATION (60HZ)



ART_0272254

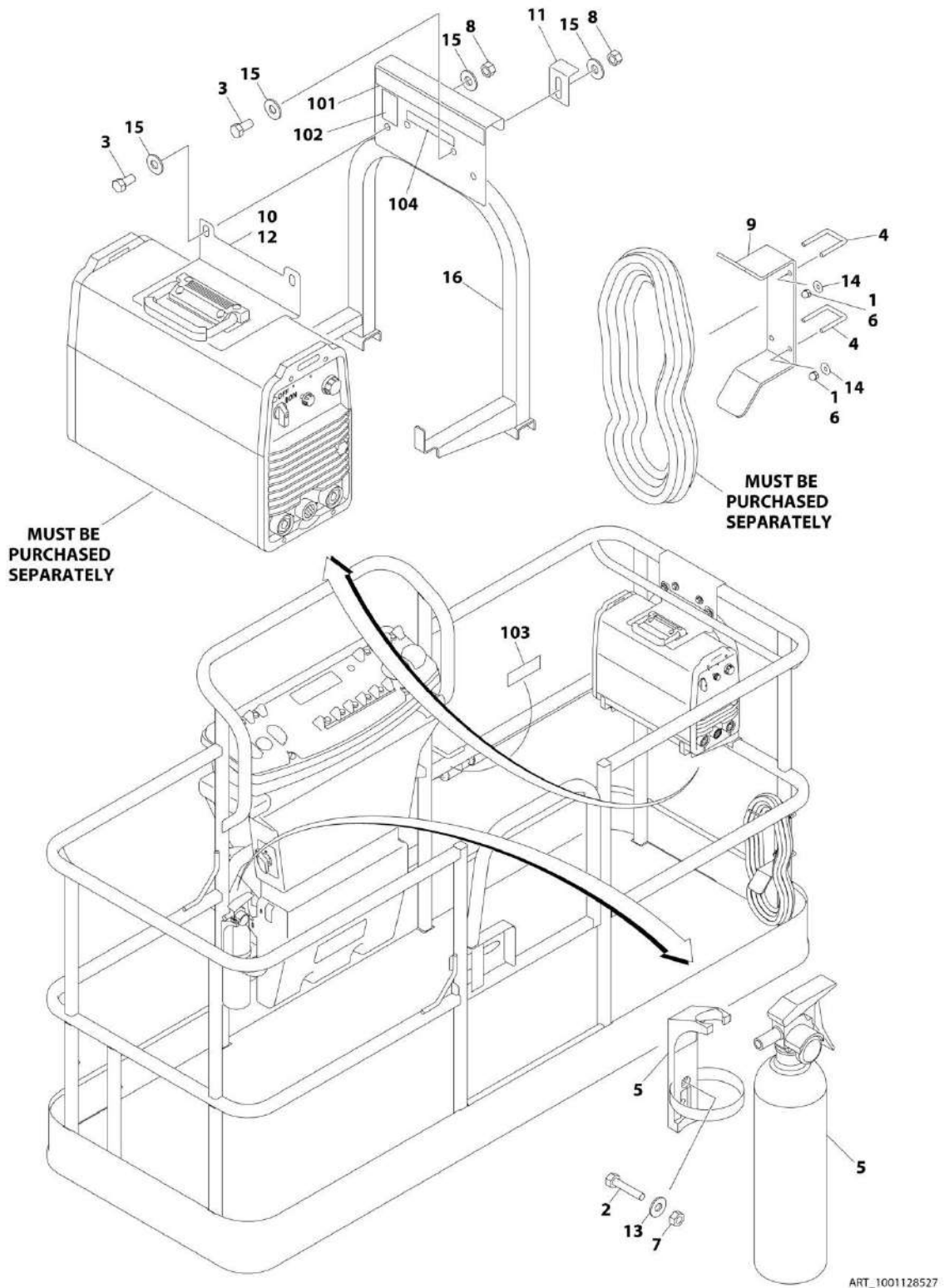
SECTION 5 - PLATFORM

FIGURE 5-39. SKYWELDER INSTALLATION (60HZ)

ITEM	PART NUMBER	QTY	DESCRIPTION	REV
	0272254	Ref	SKYWELDER INSTALLATION	I
1	0100011	AR	Compound, Locking	
2	0630518	2	Screw #10 x 3/4	
3	0641606	4	Bolt 3/8 x 3/4	
4	1320302	2	U-Clamp	
5	2030010	1	Extinguisher, Fire	
6	2902217	1	Weld Leads Kit	
7	3300151	4	Nut 1/4	
8	3311005	2	Nut #10	
9	3311605	4	Nut 3/8	
10	3573400	1	Bracket	
11	3577121	2	Angle	
12	3573642	1	Plate	
13	4420037	AR	Tape	
14	4240099	AR	Tie-Strap (Not Shown)	
15	4460962	1	Plug, Male Twistlock	
17	4530028	1	Welder Assembly (See WELDER ASSEMBLY for Breakdown)	
18	4751400	4	Washer 1/4	
19	4751600	8	Washer 3/8	
20	4846627	1	Support	
21	1671093	1	Cover, Plug	
22	4751000	2	Washer #10	
	0272448	Ref	SKYWELDER DECAL INSTALLATION	B
101	1705355	2	Decal - SkyWelder	
102	1702868	1	Decal - No Hands	
103	1705305	1	Decal - Weld Lead	
104	1705375	1	Decal - 240V - 3 Phase - 60Hz	
105	1001228988	1	Decal - Weight	

SECTION 5 - PLATFORM

FIGURE 5-40. SKYWELDER PREP PACKAGE (60HZ)



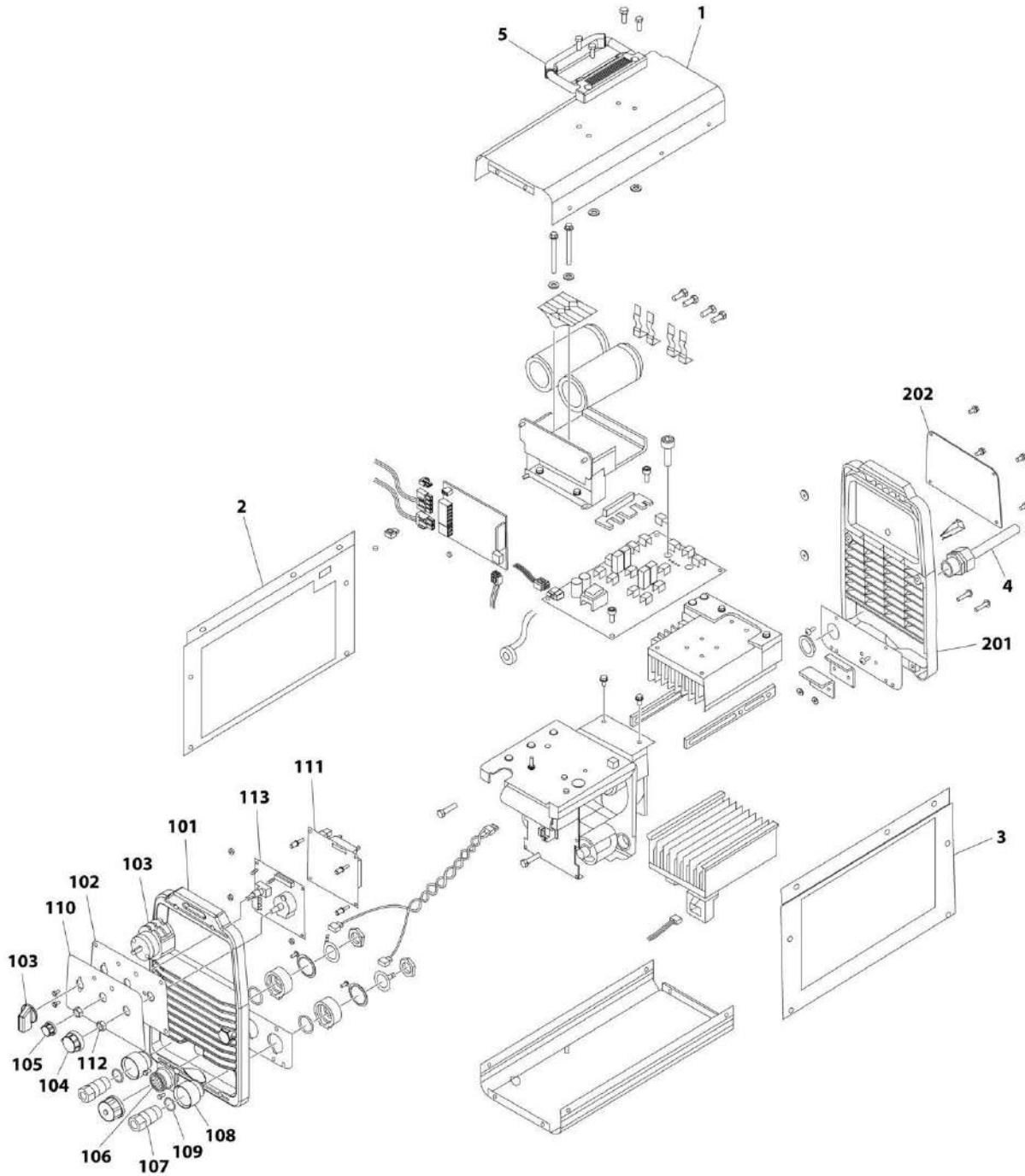
SECTION 5 - PLATFORM

FIGURE 5-40. SKYWELDER PREP PACKAGE (60HZ)

ITEM	PART NUMBER	QTY	DESCRIPTION	REV
	1001128527	Ref	SKYWELDER PREP PACKAGE	B
1	0100011	AR	Compound, Locking	
2	0630518	2	Screw #10 x 3/4	
3	0641606	4	Bolt 3/8 x 3/4	
4	1320302	2	U-Clamp	
5	2030010	1	Extinguisher, Fire	
6	3300151	4	Nut 1/4	
7	3311005	2	Nut #10	
8	3311605	4	Nut 3/8	
9	3573400	1	Bracket	
10	3573642	1	Plate	
11	3577121	2	Angle	
12	4420037	AR	Tape	
13	4751000	2	Washer #10	
14	4751400	4	Washer 1/4	
15	4751600	8	Washer 3/8	
16	4846627	1	Support	
	1001128556	Ref	SKYWELDER DECAL INSTALLATION	B
101	1702868	1	Decal - No Hands	
102	1705305	1	Decal - Weld Lead	
103	1705375	1	Decal - 240V - 3 Phase - 60Hz	
104	1001228988	1	Decal - Weight	

SECTION 5 - PLATFORM

FIGURE 5-41. WELDER ASSEMBLY



ART_4530028

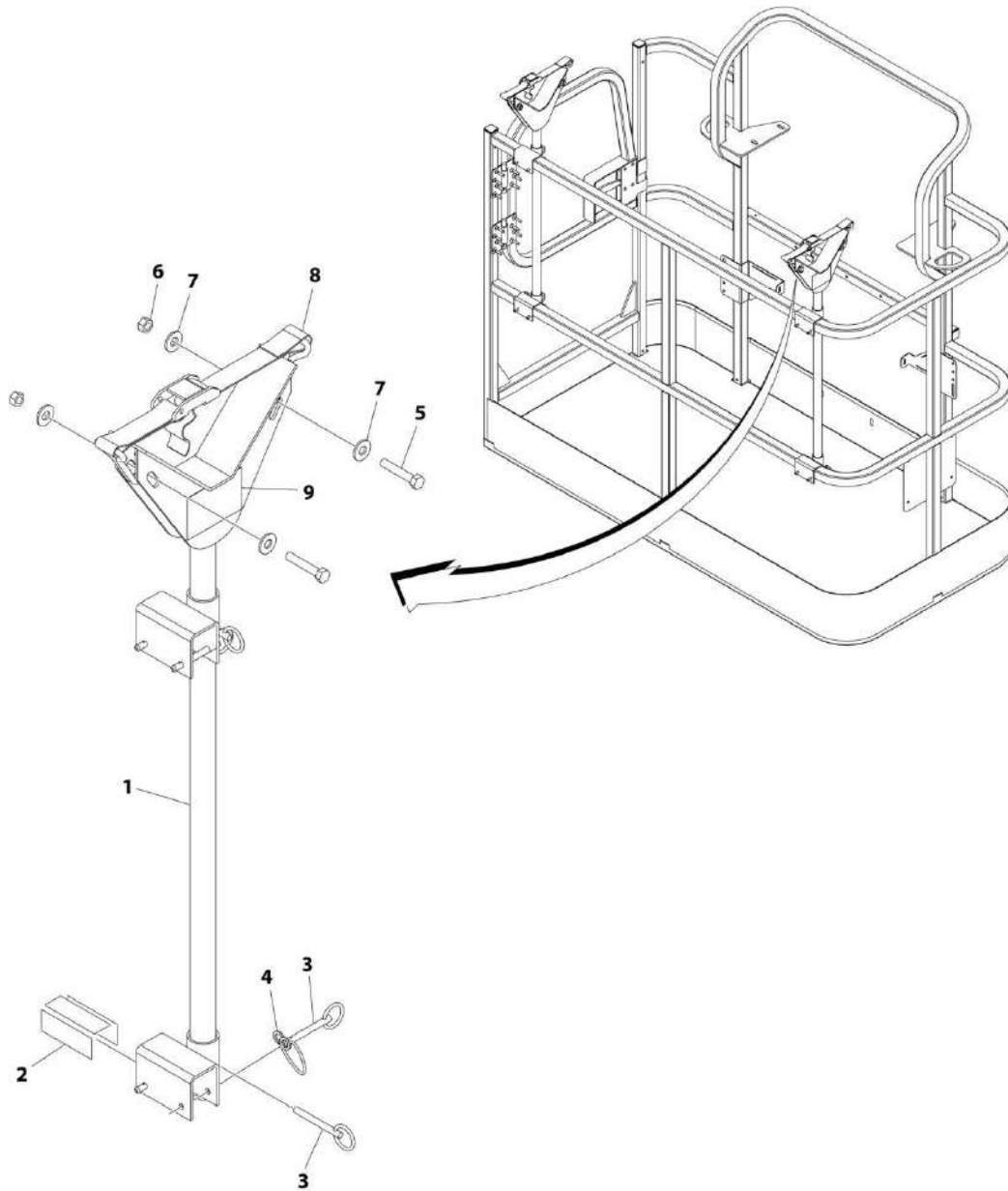
SECTION 5 - PLATFORM

FIGURE 5-41. WELDER ASSEMBLY

ITEM	PART NUMBER	QTY	DESCRIPTION	REV
	4530028	Ref	WELDER ASSEMBLY	B
		Ref	Note: For Other Components, contact your Miller Welder Dealer.	
1	7027773	1	Cover, Top	
1	7027774	1	Decal - Static Precautionary Warning	
2	See Note	NSS	Panel, LH Side (Note: Part of Item 1. Purchase Item 1)	
3	See Note	NSS	Panel, RH Side (Note: Part of Item 1. Purchase Item 1)	
4	7024467	1	Cable, Power	
4	7027775	1	Decal - Electrical Shock Warning (Not Shown)	
5	7027776	1	Handle, Carrying	
101	7024462	1	Panel, Front	
102	7024463	1	Panel, Console	
103	7024469	1	Switch with Lead	
104	7024470	1	Knob	
105	7024471	1	Knob	
106	7024472	1	Receptacle with Leads and Plugs	
107	7024473	2	Receptacle, Twistlock Female	
108	7024474	2	Insulator	
109	7024475	2	O-Ring	
110	7027777	1	Nameplate	
111	7027779	1	Circuit Card Assembly (Process Control)	
112	7024478	2	Nut	
113	7027778	1	Circuit Card Assembly (Operator Interface)	
201	7024462	1	Panel, Rear	
202	7027780	1	Panel, Cover	

SECTION 5 - PLATFORM

FIGURE 5-42. PIPE RACK INSTALLATION (ANSI AND CSA SPECS)



ART_0257728

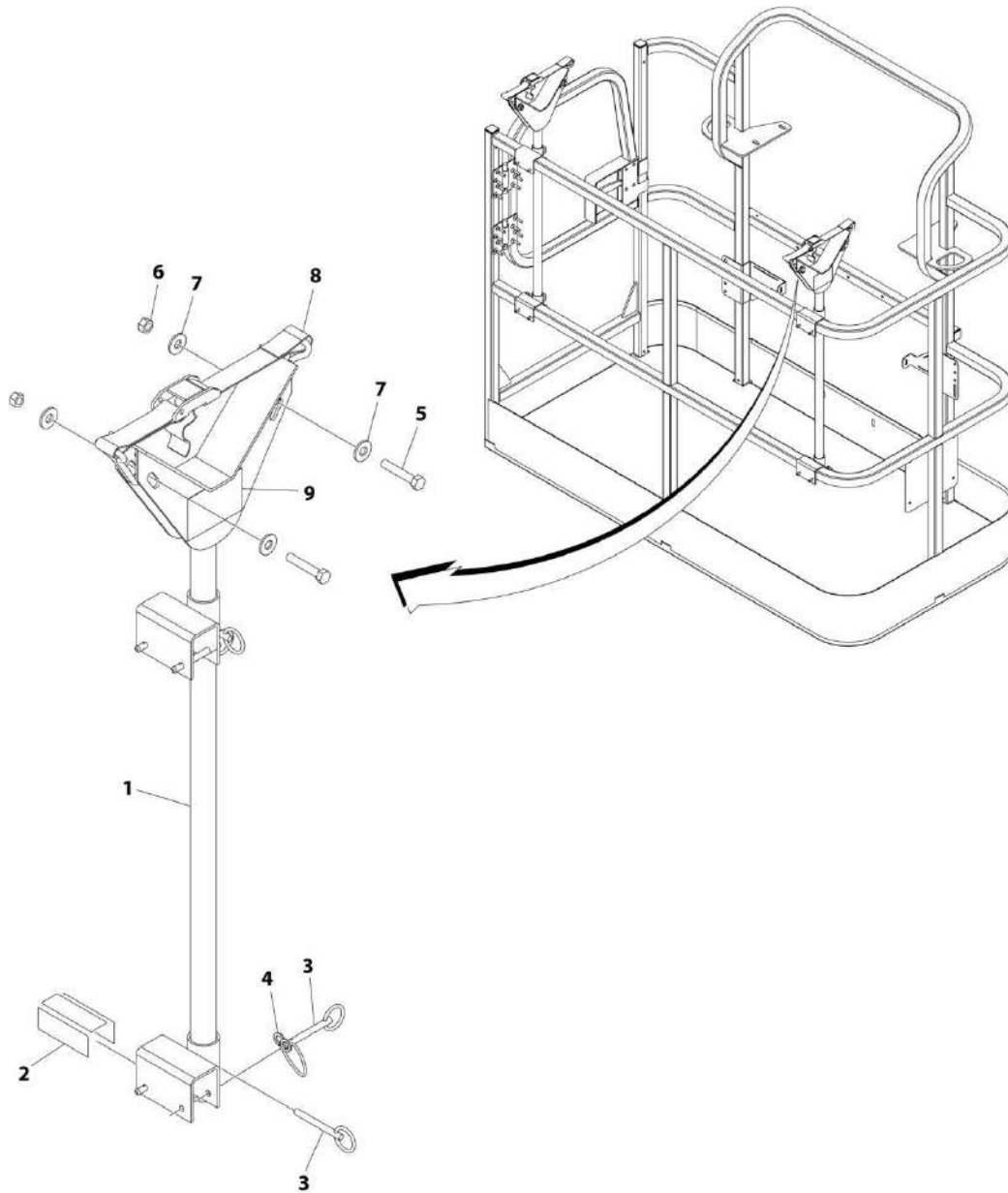
SECTION 5 - PLATFORM

FIGURE 5-42. PIPE RACK INSTALLATION (ANSI AND CSA SPECS)

ITEM	PART NUMBER	QTY	DESCRIPTION	REV
	0257728	Ref	PIPE RACK INSTALLATION	2/C
1	4845582	2	Rack, Pipe	
2	4420062	AR	Tape	
3	3422661	10	Pin	
4	1060379	4	Lanyard	
5	0641514	4	Bolt 5/16 x 1-3/4	
6	3311505	4	Nut 5/16	
7	4751500	8	Washer 5/16	
8	0480100	2	Tie-Down	
9	1703683	2	Decal - Capacity	

SECTION 5 - PLATFORM

FIGURE 5-43. PIPE RACK INSTALLATION (AUSTRALIAN SPECS)



ART_1001229019

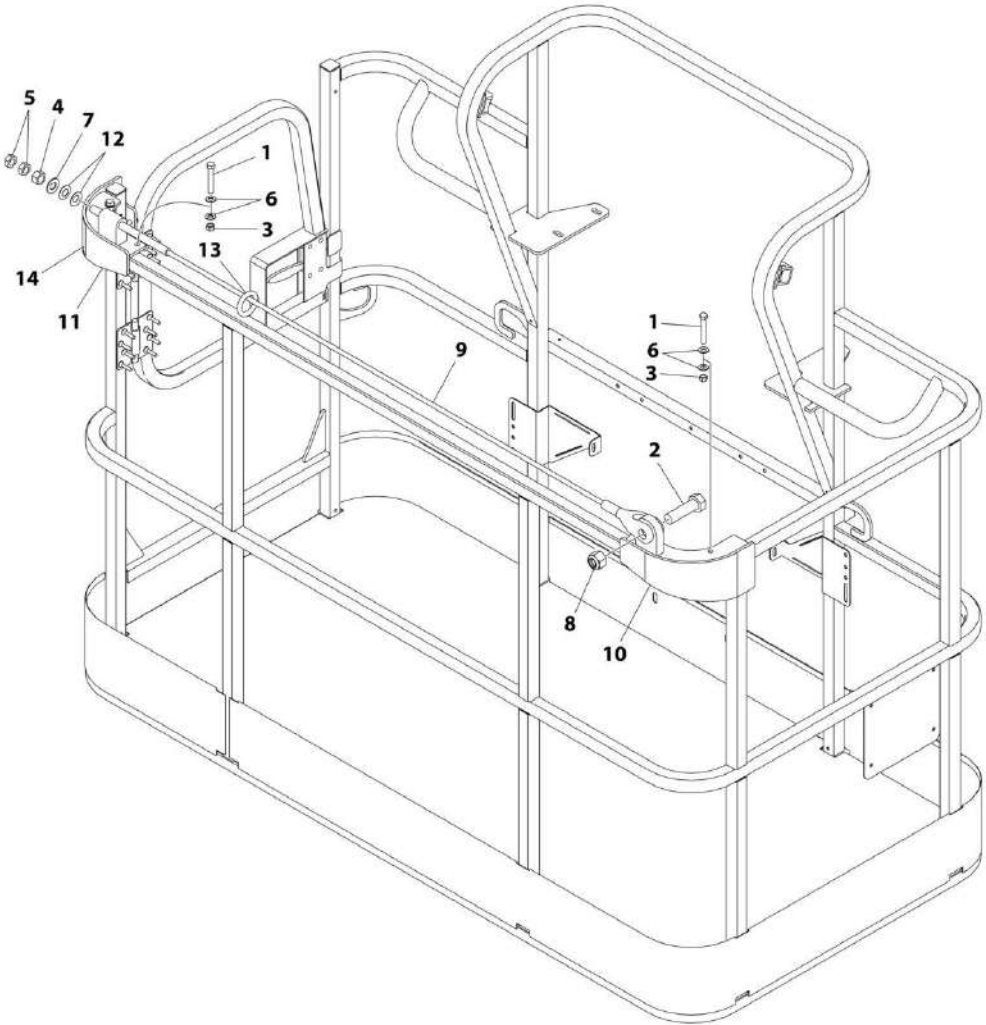
SECTION 5 - PLATFORM

FIGURE 5-43. PIPE RACK INSTALLATION (AUSTRALIAN SPECS)

ITEM	PART NUMBER	QTY	DESCRIPTION	REV
	1001229019	Ref	PIPE RACK INSTALLATION	A
1	4845582	2	Rack, Pipe	
2	4420062	AR	Tape	
3	3422661	10	Pin	
4	1060379	4	Lanyard	
5	0641514	4	Bolt 5/16 x 1-3/4	
6	3311505	4	Nut 5/16	
7	4751500	8	Washer 5/16	
8	0480100	2	Tie-Down	
9	1001229090	2	Decal - Capacity	

SECTION 5 - PLATFORM

FIGURE 5-44. FALL ARREST INSTALLATION (BOLT-ON EXTERNAL) (6FT/1.82M PLATFORM)



ART_1001236747

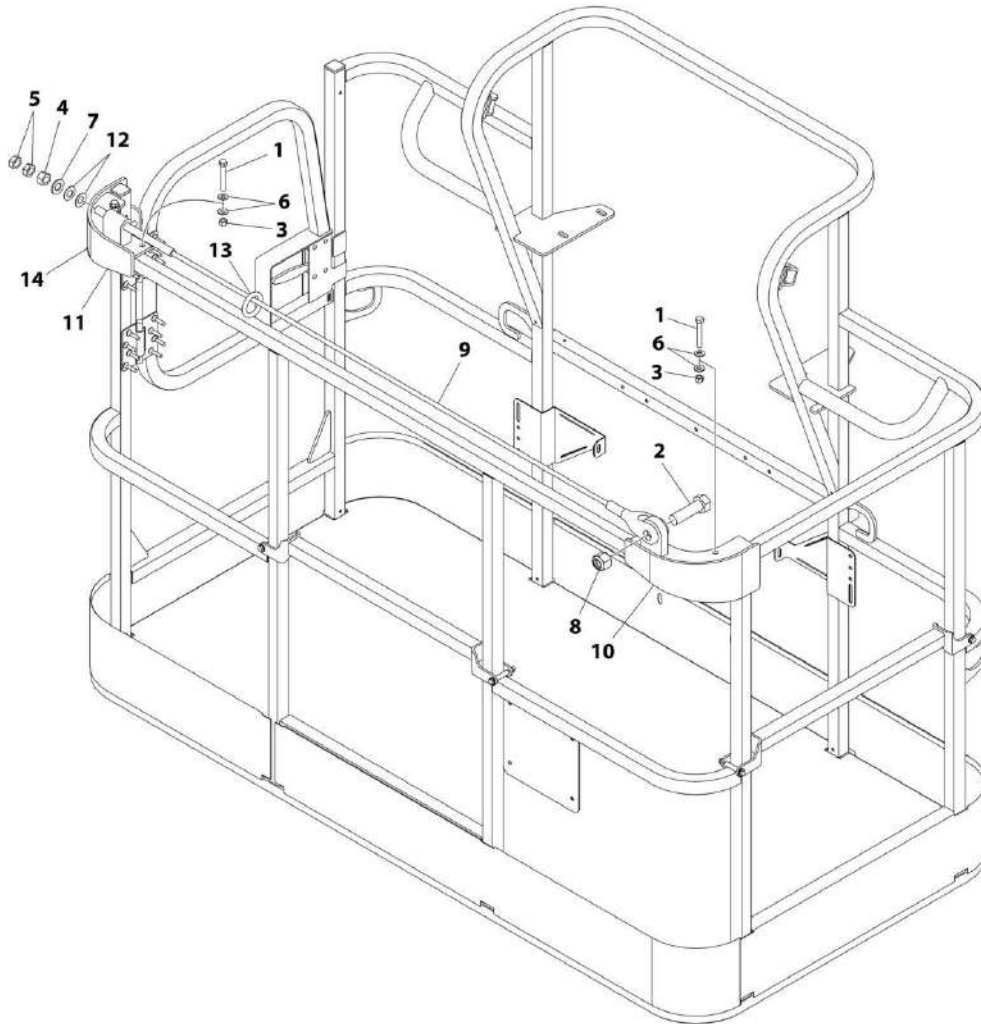
SECTION 5 - PLATFORM

FIGURE 5-44. FALL ARREST INSTALLATION (BOLT-ON EXTERNAL) (6FT/1.82M PLATFORM)

ITEM	PART NUMBER	QTY	DESCRIPTION	REV
	1001236747	Ref	FALL ARREST INSTALLATION (BOLT - ON) 6FT/1.82M PLATFORM	A
1	0681620	6	Bolt 3/8 x 2-1/2	
2	0682424	1	Bolt 7/8 x 3	
3	3271605	6	Nut 3/8	
4	3272001	1	Nut 5/8	
5	3312002	2	Nut 5/8	
6	4711600	12	Washer 3/8	
7	4712000	1	Washer 5/8	
8	88521214	1	Nut 7/8	
9	1001231950	1	Rope	
10	1001232010	1	Bracket (RH)	
11	1001232011	1	Bracket (LH)	
12	1001236891	2	Washer	
13	1001236895	1	Ring	
14	1001238263	1	Decal - Warning Falling Hazard	

SECTION 5 - PLATFORM

FIGURE 5-45. FALL ARREST INSTALLATION (BOLT-ON EXTERNAL) (6FT/1.82M TRI-ENTRY PLATFORM)



ART_1001238463

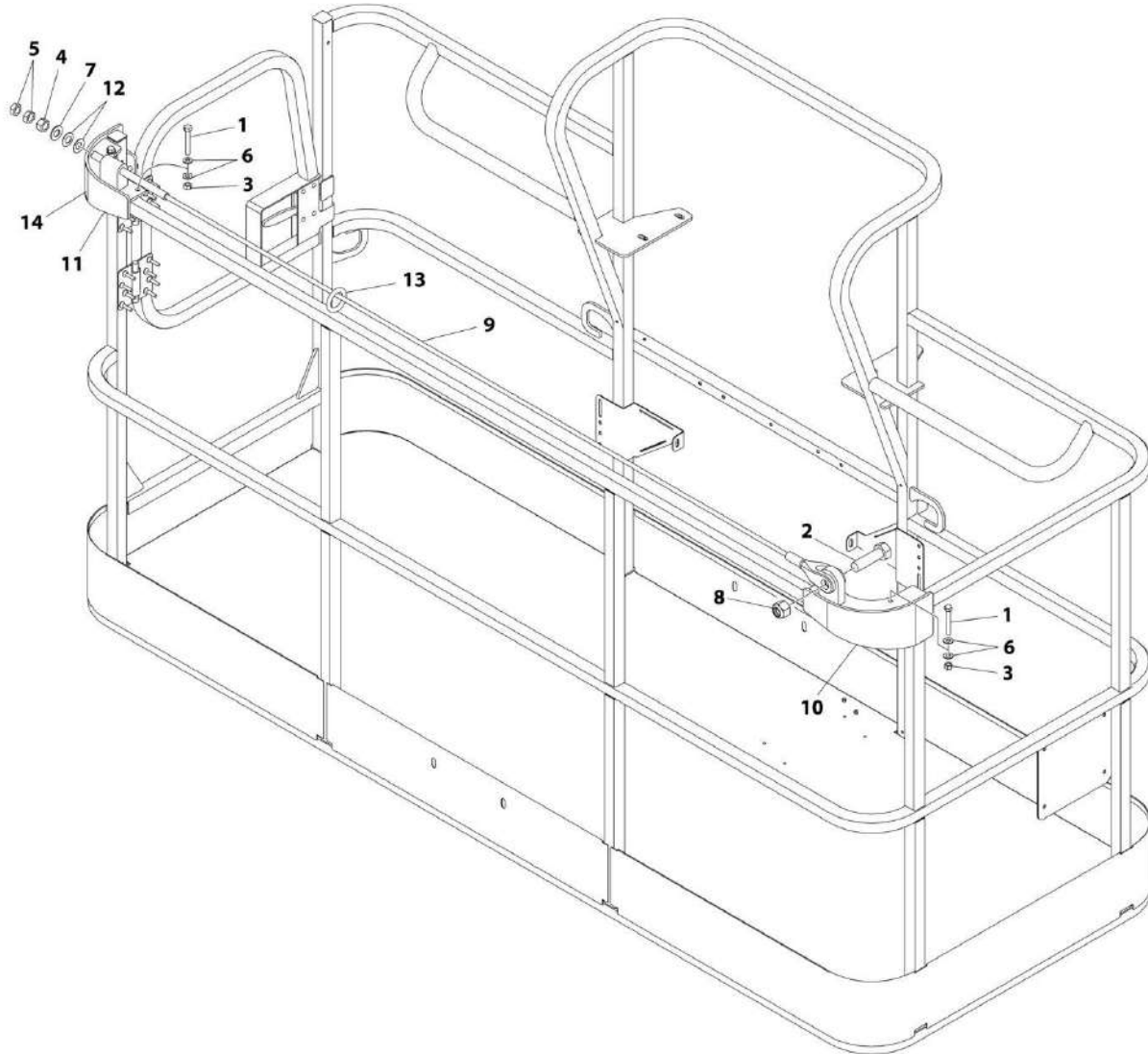
SECTION 5 - PLATFORM

FIGURE 5-45. FALL ARREST INSTALLATION (BOLT-ON EXTERNAL) (6FT/1.82M TRI-ENTRY PLATFORM)

ITEM	PART NUMBER	QTY	DESCRIPTION	REV
	1001238463	Ref	FALL ARREST INSTALLATION (BOLT - ON) 6FT/1.82M PLATFORM	B
1	0681620	6	Bolt 3/8 x 2-1/2	
2	0682424	1	Bolt 7/8 x 3	
3	3271605	6	Nut 3/8	
4	3272001	1	Nut 5/8	
5	3312002	2	Nut 5/8	
6	4711600	12	Washer 3/8	
7	4712000	1	Washer 5/8	
8	88521214	1	Nut 7/8	
9	1001231950	1	Rope	
10	1001232010	1	Bracket (RH)	
11	1001232011	1	Bracket (LH)	
12	1001236891	2	Washer	
13	1001236895	1	Ring	
14	1001238263	1	Decal - Warning Falling Hazard	

SECTION 5 - PLATFORM

FIGURE 5-46. FALL ARREST INSTALLATION (BOLT-ON EXTERNAL) (8FT/2.4M PLATFORM)



ART_1001236746

SECTION 5 - PLATFORM

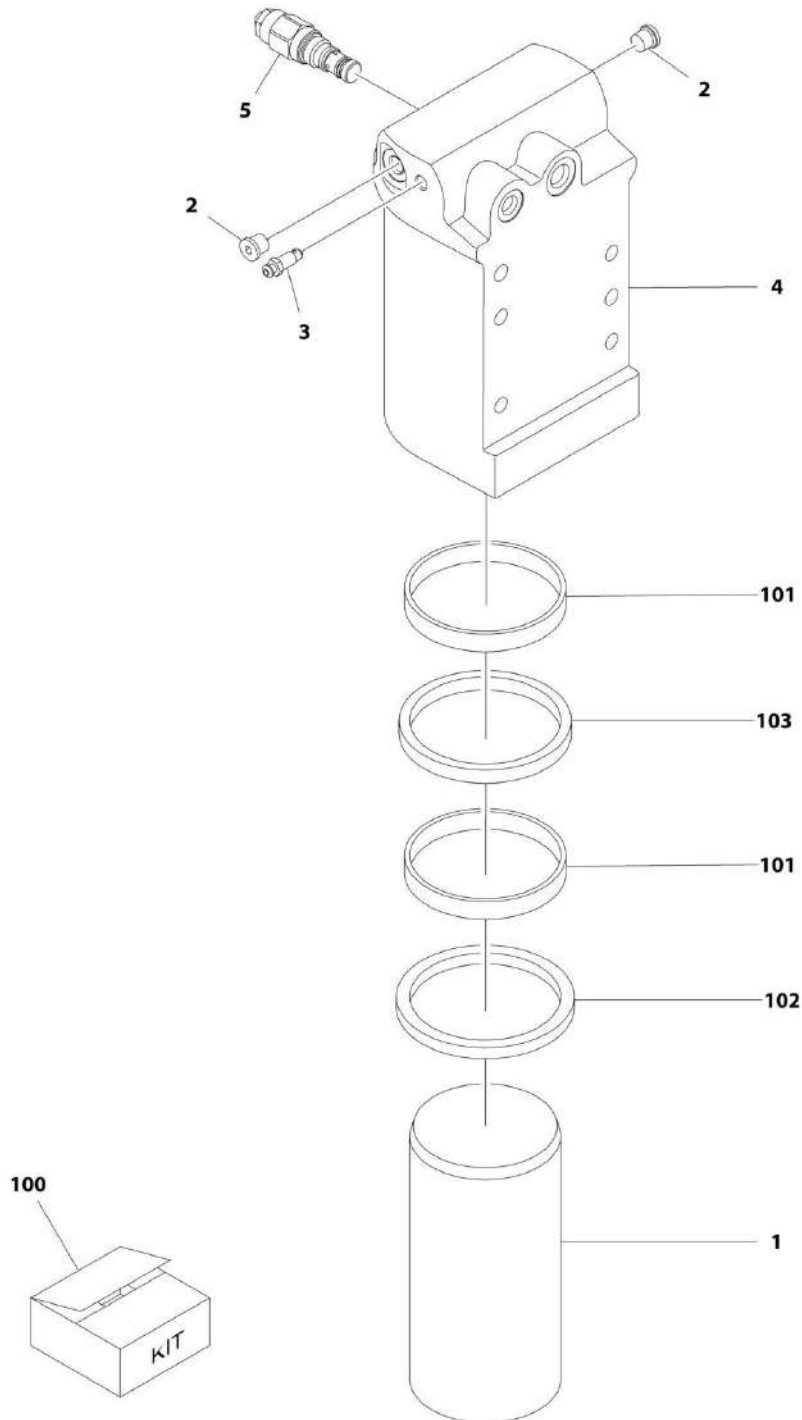
FIGURE 5-46. FALL ARREST INSTALLATION (BOLT-ON EXTERNAL) (8FT/2.4M PLATFORM)

ITEM	PART NUMBER	QTY	DESCRIPTION	REV
	1001236746	Ref	FALL ARREST INSTALLATION (BOLT - ON) 8FT/2.4M PLATFORM	A
1	0681620	6	Bolt 3/8 x 2-1/2	
2	0682424	1	Bolt 7/8 x 3	
3	3271605	6	Nut 3/8	
4	3272001	1	Nut 5/8	
5	3312002	2	Nut 5/8	
6	4711600	12	Washer 3/8	
7	4712000	1	Washer 5/8	
8	88521214	1	Nut 7/8	
9	1001231949	1	Rope	
10	1001232010	1	Bracket (RH)	
11	1001232011	1	Bracket (LH)	
12	1001236891	2	Washer	
13	1001236895	1	Ring	
14	1001238263	1	Decal - Warning Falling Hazard	

SECTION 6 - CYLINDER

SECTION 6 - CYLINDER

FIGURE 6-1. AXLE LOCKOUT CYLINDER ASSEMBLY



ART_10D1219040

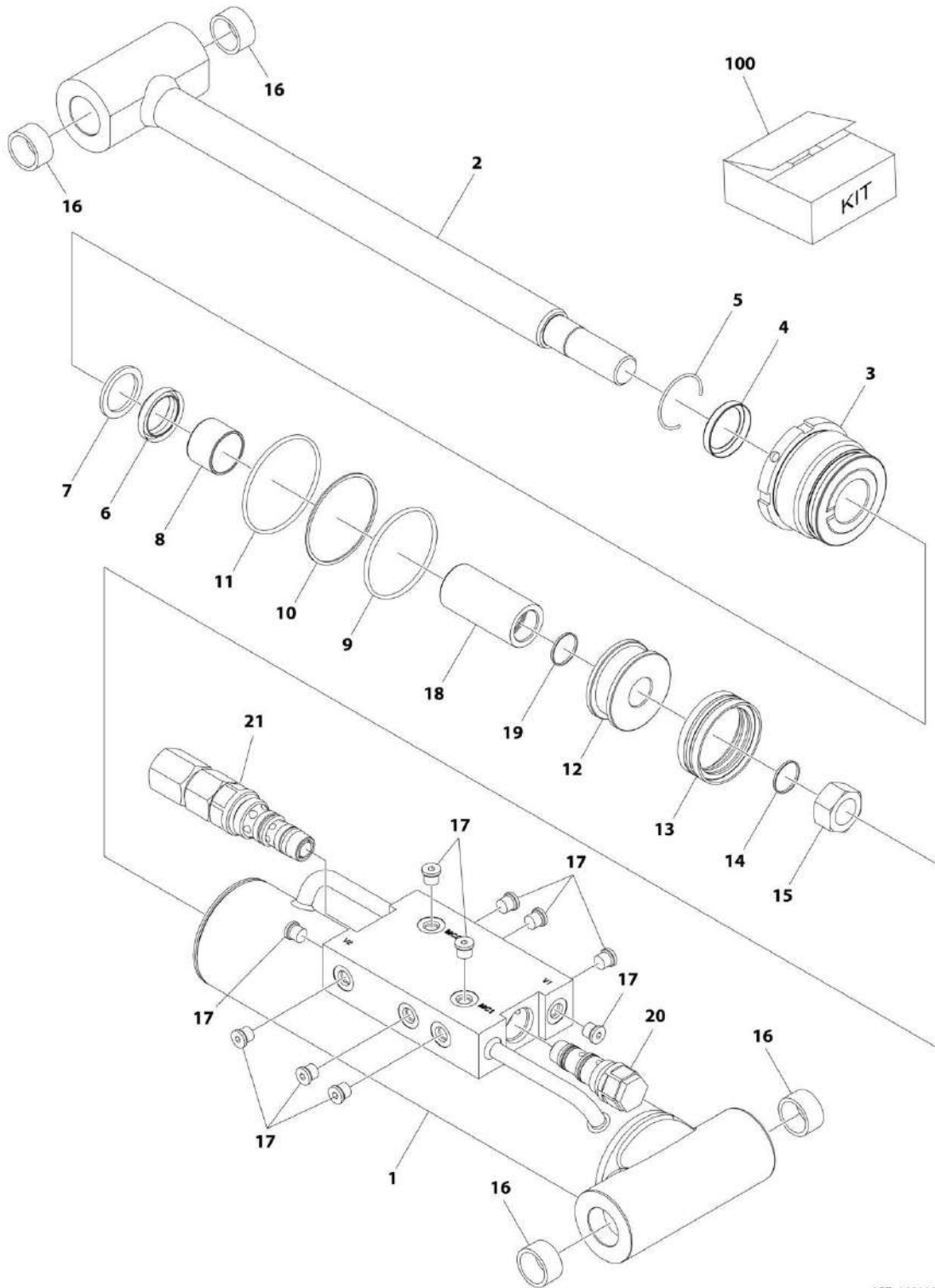
SECTION 6 - CYLINDER

FIGURE 6-1. AXLE LOCKOUT CYLINDER ASSMBLY

ITEM	PART NUMBER	QTY	DESCRIPTION	REV
	1001219040	Ref	AXLE LOCKOUT CYLINDER ASSEMBLY	A
1	1684290	1	Rod	
2	2220883	2	Plug #4	
3	4640858	1	Valve, Bleeder	
4	1001164817	1	Barrel	
5	1001218594	1	Cartridge, Valve	
5	70002842	1	Seal Kit - 1001218594 Valve	
100	2902266	1	Seal Kit - 1001219040 Cylinder (Includes Items 101-103)	
101	See Note	NSS	Ring, Wear	
102	See Note	NSS	Seal	
103	See Note	NSS	Wiper	

SECTION 6 - CYLINDER

FIGURE 6-2. LEVEL CYLINDER ASSEMBLY - PLATFORM SLAVE (600S)



ART_1001184954

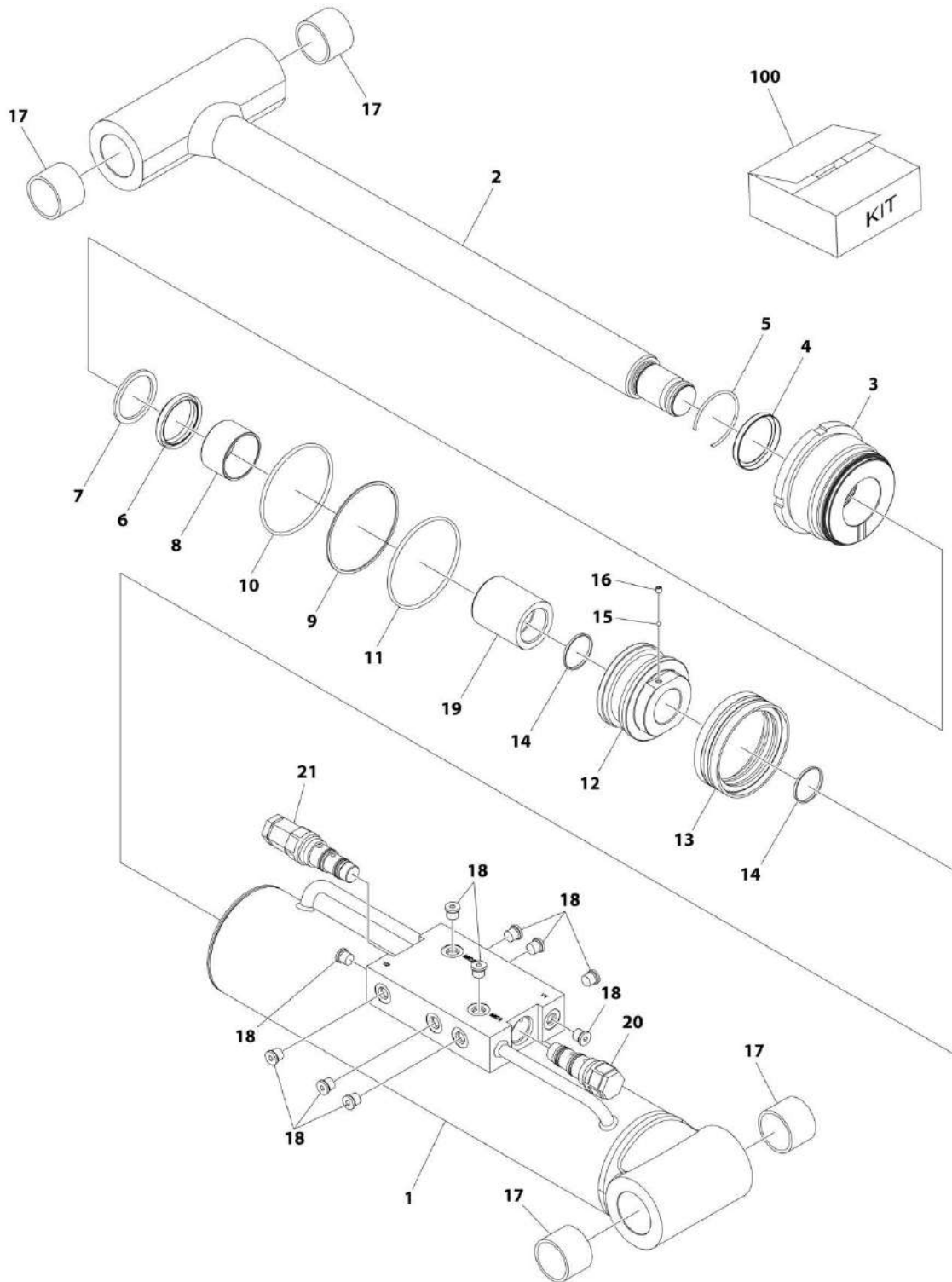
SECTION 6 - CYLINDER

FIGURE 6-2. LEVEL CYLINDER ASSEMBLY - PLATFORM SLAVE (600S)

ITEM	PART NUMBER	QTY	DESCRIPTION	REV
	1001184954	Ref	LEVEL CYLINDER ASSEMBLY	E
1	70005693	1	Barrel	
2	70005694	1	Rod	
3	70003085	1	Head	
4	See Note	NSS	Wiper (Note: Use Item 100)	
5	70002366	1	Ring, Retaining	
6	See Note	NSS	Seal, Rod (Note: Use Item 100)	
7	See Note	NSS	Ring, Back-up (Note: Use Item 100)	
8	70005695	1	Bearing	
9	See Note	NSS	O-Ring (Note: Use Item 100)	
10	See Note	NSS	Ring, Back-up (Note: Use Item 100)	
11	See Note	NSS	O-Ring (Note: Use Item 100)	
12	70002381	1	Piston	
13	See Note	NSS	Seal, Piston (Note: Use Item 100)	
14	See Note	NSS	O-Ring (Note: Use Item 100)	
15	70002335	1	Nut	
16	0961947	4	Bearing	
17	2220883	10	Plug	
18	70005696	1	Spacer	
19	See Note	NSS	O-Ring (Note: Use Item 100)	
20	4640999	1	Valve, Counterbalance	
20	2900792	1	Seal Kit - 4640999 Valve	
21	1001232117	1	Valve, Counterbalance	
21	7011112	1	Seal Kit - 1001232117 Valve	
100	70005697	1	Seal Kit - 1001184954 Cylinder (Includes Items 4, 6, 7, 9, 10, 11, 13, 14 & 19)	

SECTION 6 - CYLINDER

FIGURE 6-3. LEVEL CYLINDER ASSEMBLY - PLATFORM SLAVE (660SJ)



ART_1001184957

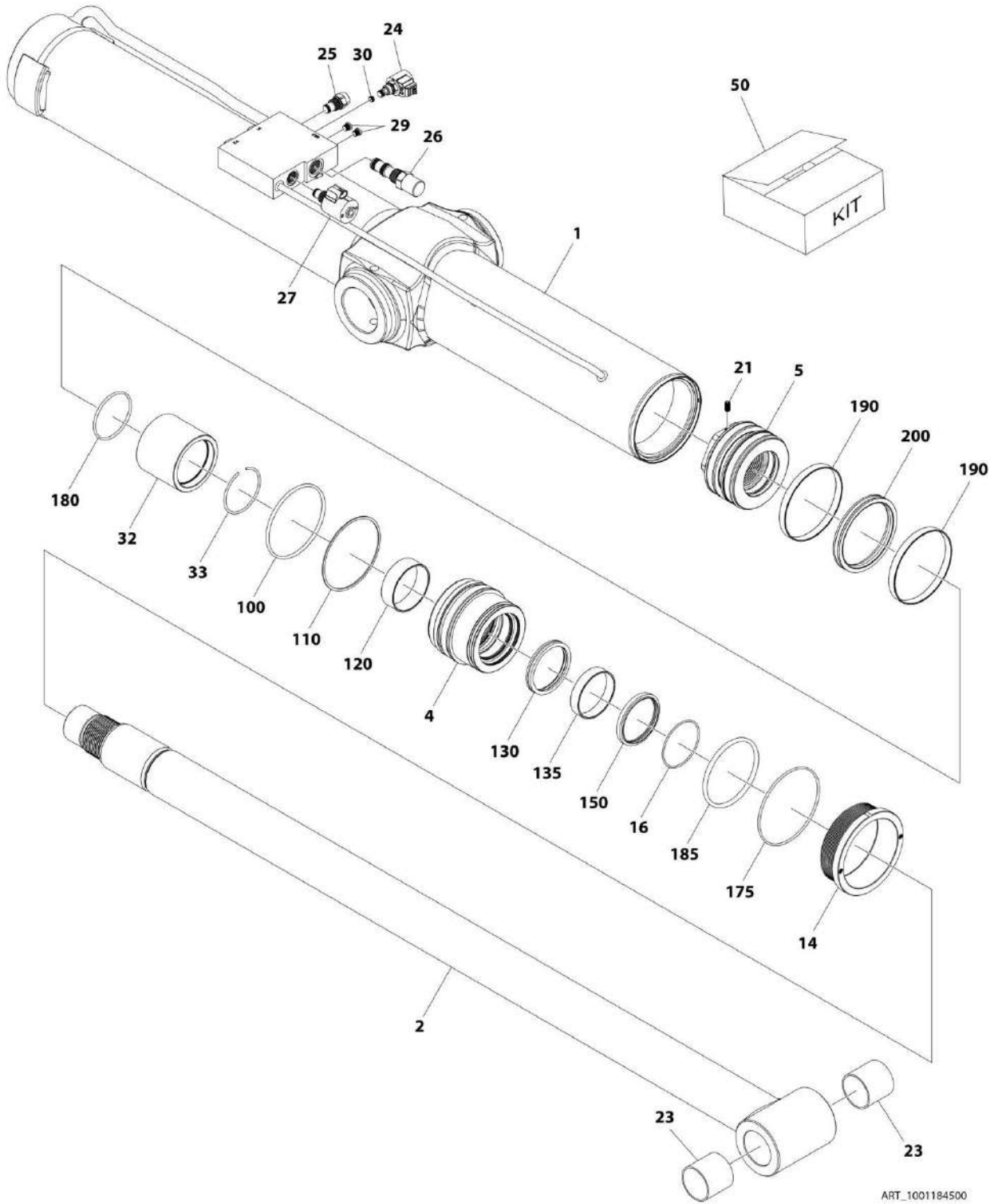
SECTION 6 - CYLINDER

FIGURE 6-3. LEVEL CYLINDER ASSEMBLY - PLATFORM SLAVE (660SJ)

ITEM	PART NUMBER	QTY	DESCRIPTION	REV
	1001184957	Ref	LEVEL CYLINDER ASSEMBLY	D
1	70005698	1	Barrel	
2	70005699	1	Rod	
3	70005700	1	Head	
4	See Note	NSS	Wiper (Note: Use Item 100)	
5	70002410	1	Ring, Retaining	
6	See Note	NSS	Seal, Rod (Note: Use Item 100)	
7	See Note	NSS	Ring, Back-up (Note: Use Item 100)	
8	70004237	1	Bearing	
9	See Note	NSS	O-Ring (Note: Use Item 100)	
10	See Note	NSS	Ring, Back-up (Note: Use Item 100)	
11	See Note	NSS	O-Ring (Note: Use Item 100)	
12	70005701	1	Piston	
13	See Note	NSS	Seal, Piston (Note: Use Item 100)	
14	See Note	NSS	O-Ring (Note: Use Item 100)	
15	70022564	1	Ball	
16	70023369	1	Setscrew	
17	0961948	4	Bearing	
18	2220883	10	Plug	
19	70005702	1	Spacer	
20	4640999	1	Valve, Counterbalance	
20	2900792	1	Seal Kit - 4640999 Valve	
21	4640932	1	Valve, Counterbalance	
21	7011112	1	Seal Kit - 4640932 Valve	
100	70005703	1	Seal Kit - 1001184957 Cylinder (Include Items 4, 6, 7, 9, 10, 11, 13 & 14)	

SECTION 6 - CYLINDER

FIGURE 6-4. LIFT CYLINDER ASSEMBLY - BOOM



ART_1001184500

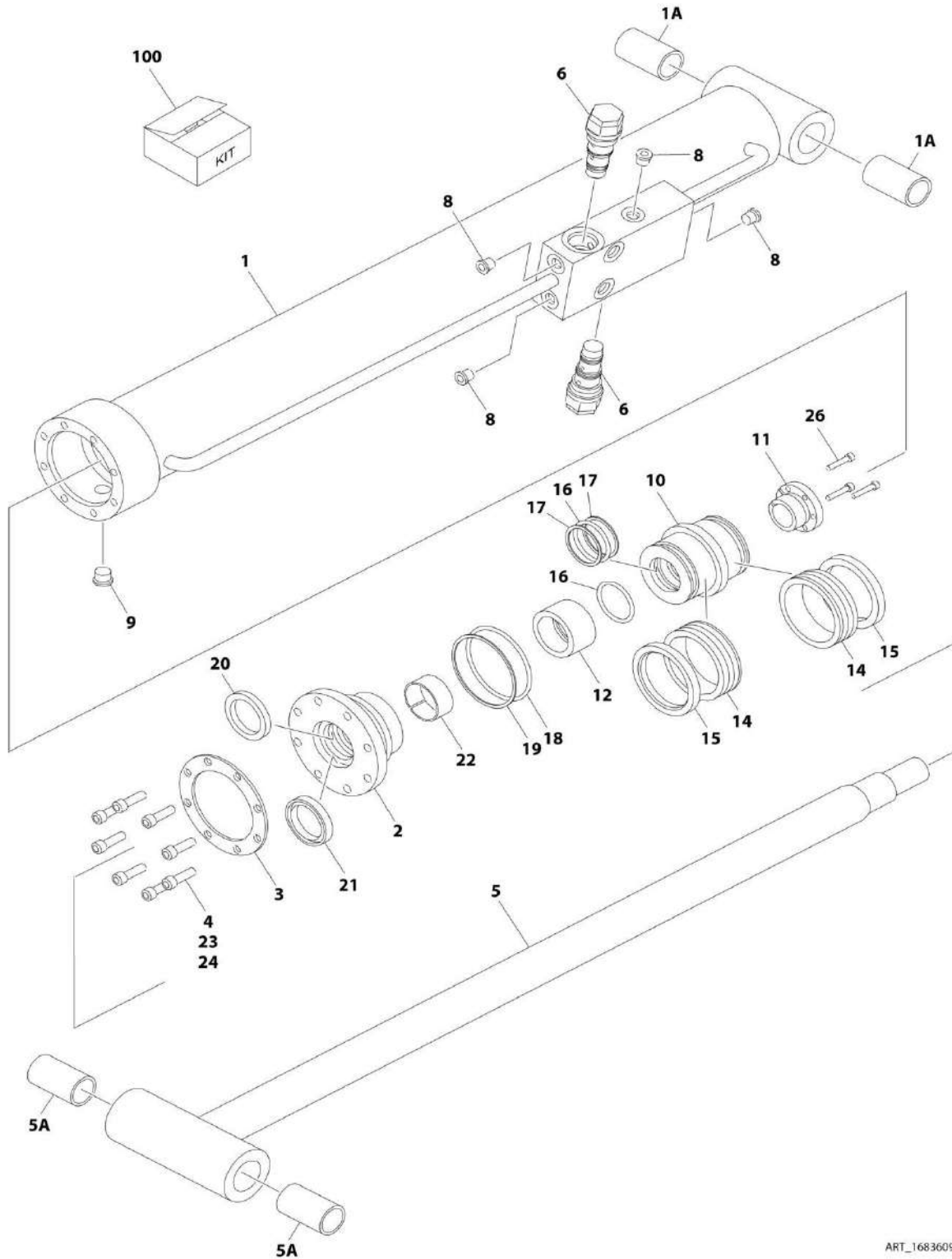
SECTION 6 - CYLINDER

FIGURE 6-4. LIFT CYLINDER ASSEMBLY - BOOM

ITEM	PART NUMBER	QTY	DESCRIPTION	REV
	1001184500	Ref	LIFT CYLINDER ASSEMBLY	J
1	70005570	1	Barrel	
2	70005571	1	Rod	
4	70005572	1	Head	
5	70025580	1	Head	
14	70026164	1	Collar, Locking	
16	70000699	1	Ring, Retaining	
21	70025582	1	Setscrew	
23	0962423	2	Bushing	
24	1001195382	1	Valve, Solenoid	
24	7017467	1	Cartridge Less Coil	
24	7012967	1	Seal Kit - 1001195382 & 7017467 Valves	
24	70005576	1	Coil	
25	4641390	1	Valve, Check	
25	7017496	1	Seal Kit - 4641930 Valve	
26	1001203628	1	Valve, Pressure Compensator	
26	7012925	1	Seal Kit - 1001203628 Valve	
27	1001218037	1	Valve, Solenoid	
27	70006003	1	Cartridge Less Coil	
27	70006005	1	Seal Kit - 1001218037 & 70006003 Valve	
27	70006004	1	Coil	
27	70006006	1	Coil Nut Kit	
29	70025619	2	Plug	
30	70006261	1	Orifice	
32	70006260	1	Spacer	
33	70005575	1	Wire, Retaining	
50	70005563	1	Seal Kit - 1001184500 Cylinder (Includes Items 100-200)	
100	See Note	NSS	O-Ring (Note: Use Item 50)	
110	See Note	NSS	Ring, Back-up (Note: Use Item 50)	
120	See Note	NSS	Ring, Bearing (Note: Use Item 50)	
130	See Note	NSS	Seal, Rod (Note: Use Item 50)	
135	See Note	NSS	Ring, Bearing (Note: Use Item 50)	
150	See Note	NSS	Wiper (Note: Use Item 50)	
175	See Note	NSS	O-Ring (Note: Use Item 50)	
180	See Note	NSS	O-Ring (Note: Use Item 50)	
185	See Note	NSS	O-Ring (Note: Use Item 50)	
190	See Note	NSS	Ring, Bearing (Note: Use Item 50)	
200	See Note	NSS	Seal, Piston (Note: Use Item 50)	

SECTION 6 - CYLINDER

FIGURE 6-5. LIFT CYLINDER ASSEMBLY - JIB (660SJ) (ORIGINAL EQUIPMENT) (SN 0300235168 through 03000237971, SN B300002216 through B300002338)



ART_1683609

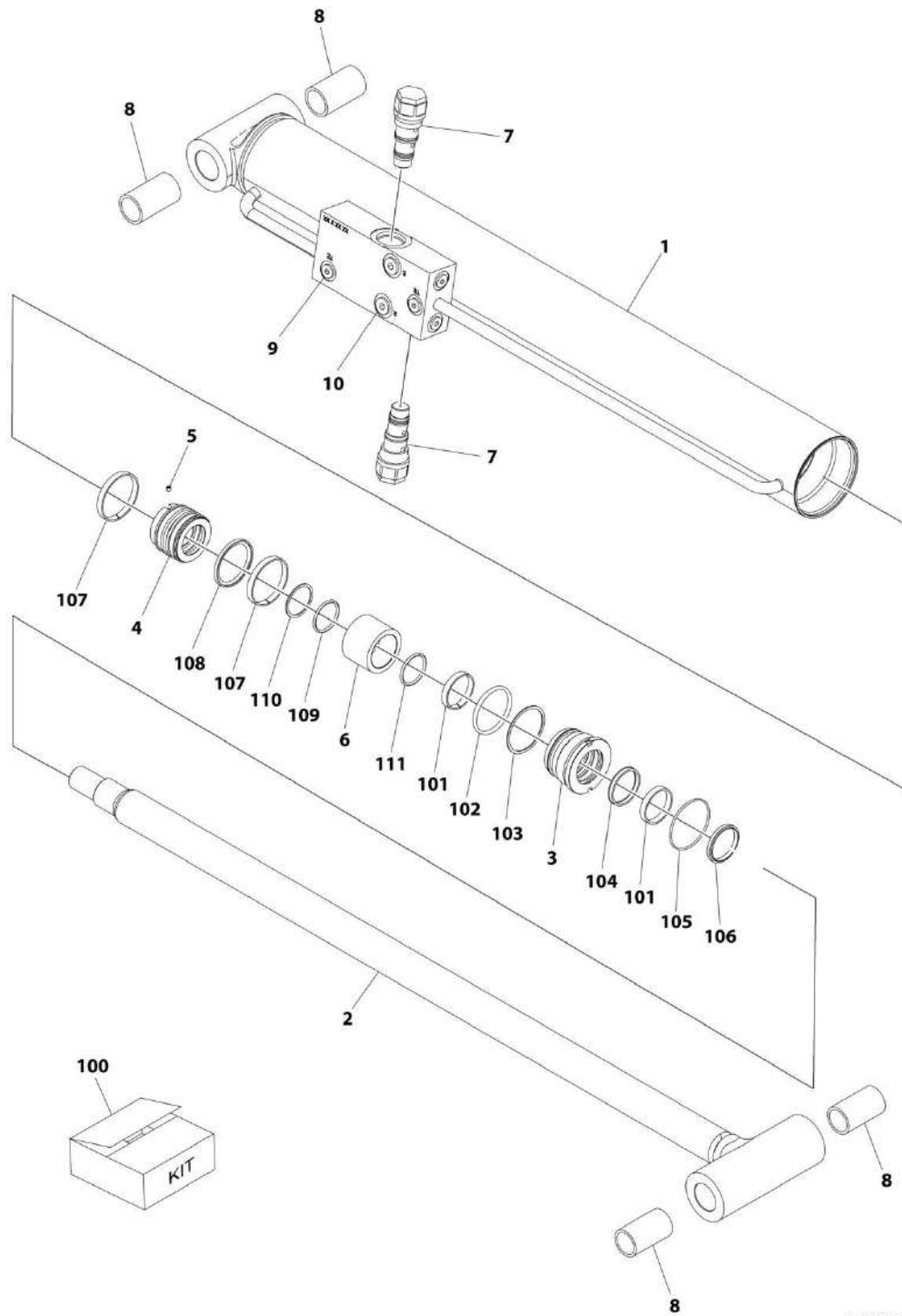
SECTION 6 - CYLINDER

FIGURE 6-5. LIFT CYLINDER ASSEMBLY - JIB (660SJ) (ORIGINAL EQUIPMENT) (SN 0300235168 through 03000237971, SN B300002216 through B300002338)

ITEM	PART NUMBER	QTY	DESCRIPTION	REV
	1683609	Ref	LIFT CYLINDER ASSEMBLY	L
		Ref	Note: Original Cylinder may have been replaced with Service Replacement. Identify PN Stamped on Cylinder Before Ordering Parts.	
1	1684089	1	Barrel	
1A	0962336	2	Bushing	
2	1683053	1	Head	
3	3760368	1	Ring, Washer	
4	3931516	8	Capscrew 5/16in-18NC x 1in	
5	1684090	1	Rod	
5A	0962336	2	Bushing	
6	4640509	2	Cartridge, Valve	
6	2900792	2	Seal Kit - 4640509 Valve	
8	2220883	2	Plug #4	
9	2220885	1	Plug #6	
10	3480210	1	Piston	
11	0961893	1	Bushing, Tapered	
12	4100100	1	Spacer, Tube	
14	See Note	NSS	Seal (Note: Use Item 100)	
15	See Note	NSS	Ring, Lock (Note: Use Item 100)	
16	See Note	NSS	O-Ring (Note: Use Item 100)	
17	See Note	NSS	Ring, Back-up (Note: Use Item 100)	
18	See Note	NSS	O-Ring (Note: Use Item 100)	
19	See Note	NSS	Ring, Back-up (Note: Use Item 100)	
20	See Note	NSS	Seal, Rod (Note: Use Item 100)	
21	See Note	NSS	Wiper (Note: Use Item 100)	
22	See Note	NSS	Ring, Wear (Note: Use Item 100)	
23	0100011	AR	Compound, Locking	
24	0100038	AR	Primer, Locking	
26	0630534	3	Bolt #10-24NC x 1in	
100	2901303	1	Seal Kit (Includes Items 14-22)	

SECTION 6 - CYLINDER

FIGURE 6-6. LIFT CYLINDER ASSEMBLY - JIB (660SJ) (SERVICE REPLACEMENT) (SN 0300235168 through 03000237971, SN B300002216 through B300002338)



ART_1001228012

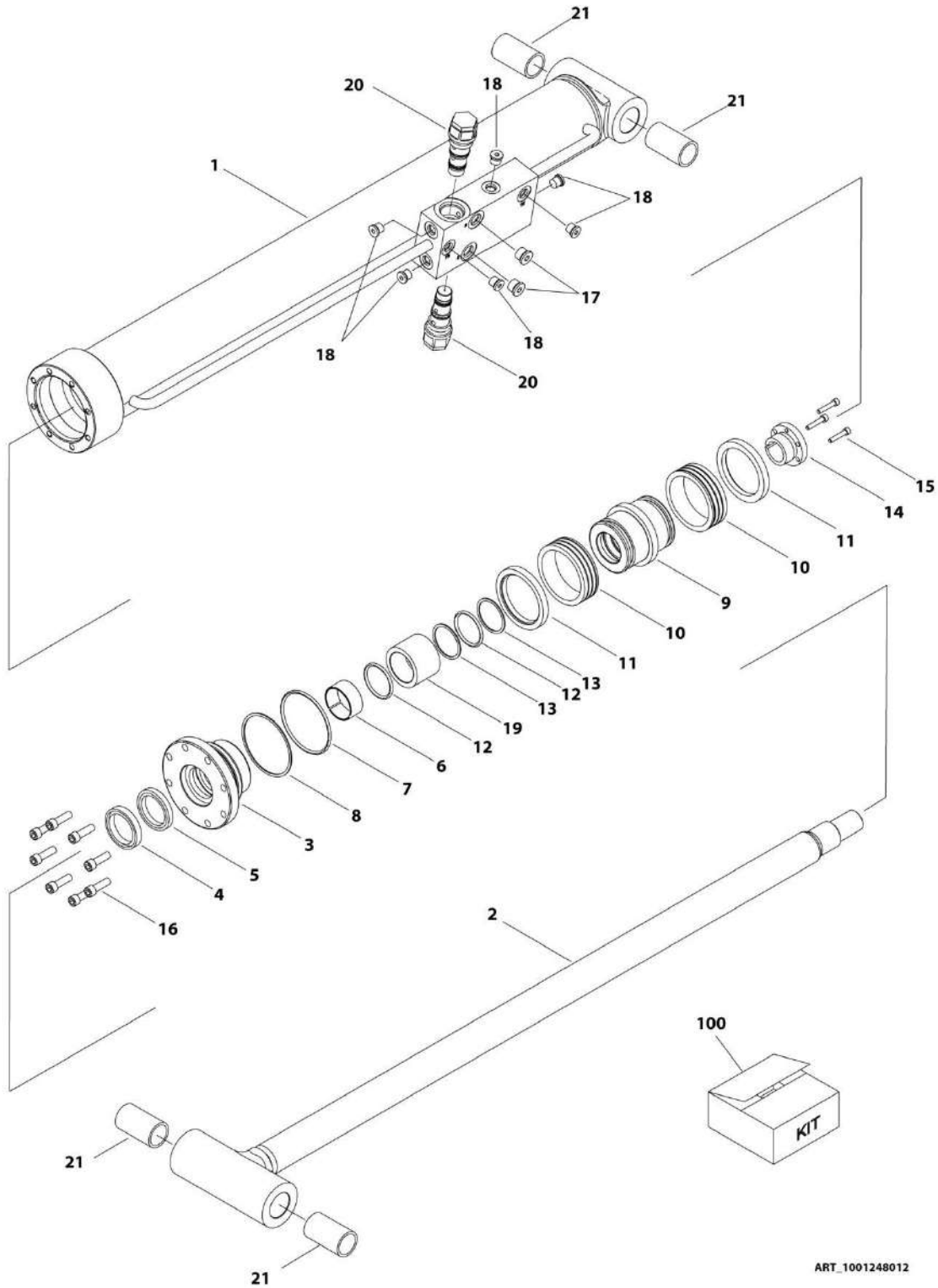
SECTION 6 - CYLINDER

FIGURE 6-6. LIFT CYLINDER ASSEMBLY - JIB (660SJ) (SERVICE REPLACEMENT) (SN 0300235168 through 03000237971, SN B300002216 through B300002338)

ITEM	PART NUMBER	QTY	DESCRIPTION	REV
	1001228012	Ref	LIFT CYLINDER ASSEMBLY - JIB	A
		Ref	Note: Original Cylinder May Have Been Replaced with Service Replacement. Identify PN Stamped on Cylinder Before Ordering Parts.	
1	See Note	NSS	Barrel (Note: Not Available for Purchase)	
2	70006572	1	Rod	
3	70006571	1	Head	
4	70006570	1	Piston	
5	70023915	1	Screw	
6	70006569	1	Spacer	
7	4640509	2	Cartridge, Valve	
7	2900792	2	Seal Kit - 4640509 Valve	
8	0962336	4	Bushing	
9	2220883	6	Plug, O-Ring	
10	2220885	2	Plug, O-Ring	
100	70006568	1	Seal Kit (Includes Items 101-111)	
101	See Note	NSS	Ring, Wear (Note: Use Item 100)	
102	See Note	NSS	O-Ring (Note: Use Item 100)	
103	See Note	NSS	Ring, Back-up (Note: Use Item 100)	
104	See Note	NSS	Seal, Rod (Note: Use Item 100)	
105	See Note	NSS	O-Ring (Note: Use Item 100)	
106	See Note	NSS	Wiper (Note: Use Item 100)	
107	See Note	NSS	Ring, Wear (Note: Use Item 100)	
108	See Note	NSS	Seal (Note: Use Item 100)	
109	See Note	NSS	O-Ring (Note: Use Item 100)	
110	See Note	NSS	Ring, Back-up (Note: Use Item 100)	
111	See Note	NSS	O-Ring (Note: Use Item 100)	

SECTION 6 - CYLINDER

FIGURE 6-7. LIFT CYLINDER ASSEMBLY - JIB (660SJ) (SERVICE REPLACEMENT) (SN 0300235168 through 03000237971, SN B300002216 through B300002338)



ART_1001248012

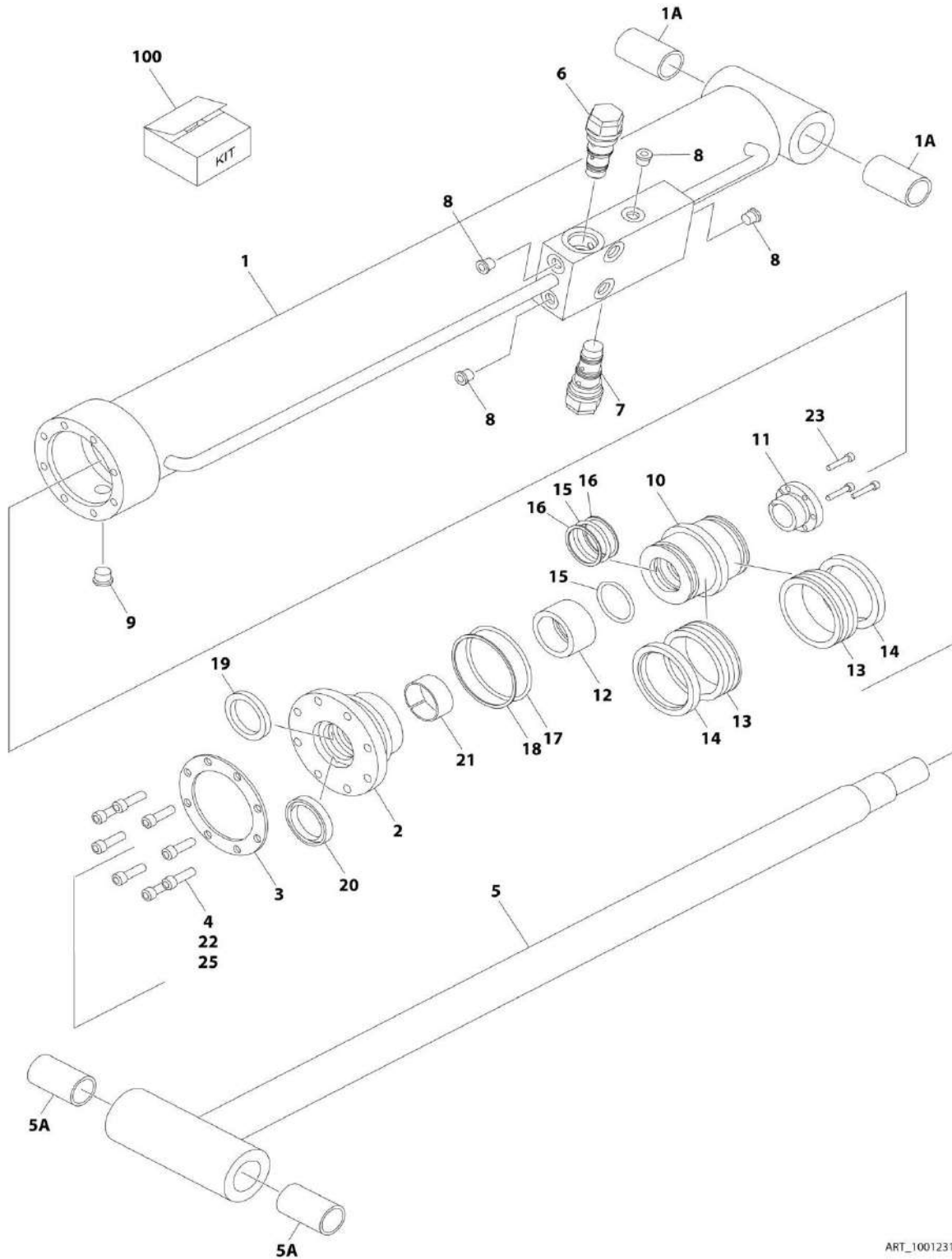
SECTION 6 - CYLINDER

FIGURE 6-7. LIFT CYLINDER ASSEMBLY - JIB (660SJ) (SERVICE REPLACEMENT) (SN 0300235168 through 03000237971, SN B300002216 through B300002338)

ITEM	PART NUMBER	QTY	DESCRIPTION	REV
	1001248012	Ref	LIFT CYLINDER ASSEMBLY - JIB	B
		Ref	Note: Original Cylinder May Have Been Replaced with Service Replacement. Identify PN Stamped on Cylinder Before Ordering Parts.	
1	See Note	NSS	Barrel (Note: Not Available for Purchase)	
2	70006734	1	Rod	
3	70006649	1	Head	
4	See Note	NSS	Wiper (Note: Use Item 100)	
5	See Note	NSS	Seal, Rod (Note: Use Item 100)	
6	See Note	NSS	Ring, Wear (Note: Use Item 100)	
7	See Note	NSS	O-Ring (Note: Use Item 100)	
8	See Note	NSS	Ring, Back-up (Note: Use Item 100)	
9	70006650	1	Piston	
10	See Note	NSS	Seal (Note: Use Item 100)	
11	See Note	NSS	Ring, Lock (Note: Use Item 100)	
12	See Note	NSS	O-Ring (Note: Use Item 100)	
13	See Note	NSS	Ring, Back-up (Note: Use Item 100)	
14	0961893	1	Bushing, Tapered	
15	0630534	3	Capscrew, Socket Head #10 x 1	
16	70006735	8	Capscrew 5/16	
17	2220885	2	Plug, O-Ring	
18	2220883	6	Plug, O-Ring	
19	70006736	1	Spacer	
20	4640509	2	Cartridge, Valve	
20	2900792	2	Seal Kit - 4640509 Valve	
21	0962336	4	Bushing	
100	1001138795	1	Seal Kit (Includes Items 4-8 & 10-13)	

SECTION 6 - CYLINDER

FIGURE 6-8. LIFT CYLINDER ASSEMBLY - JIB (660SJ) (SN 0300237972 through 0300245222, SN B300002339 to Present)



ART_1001231956

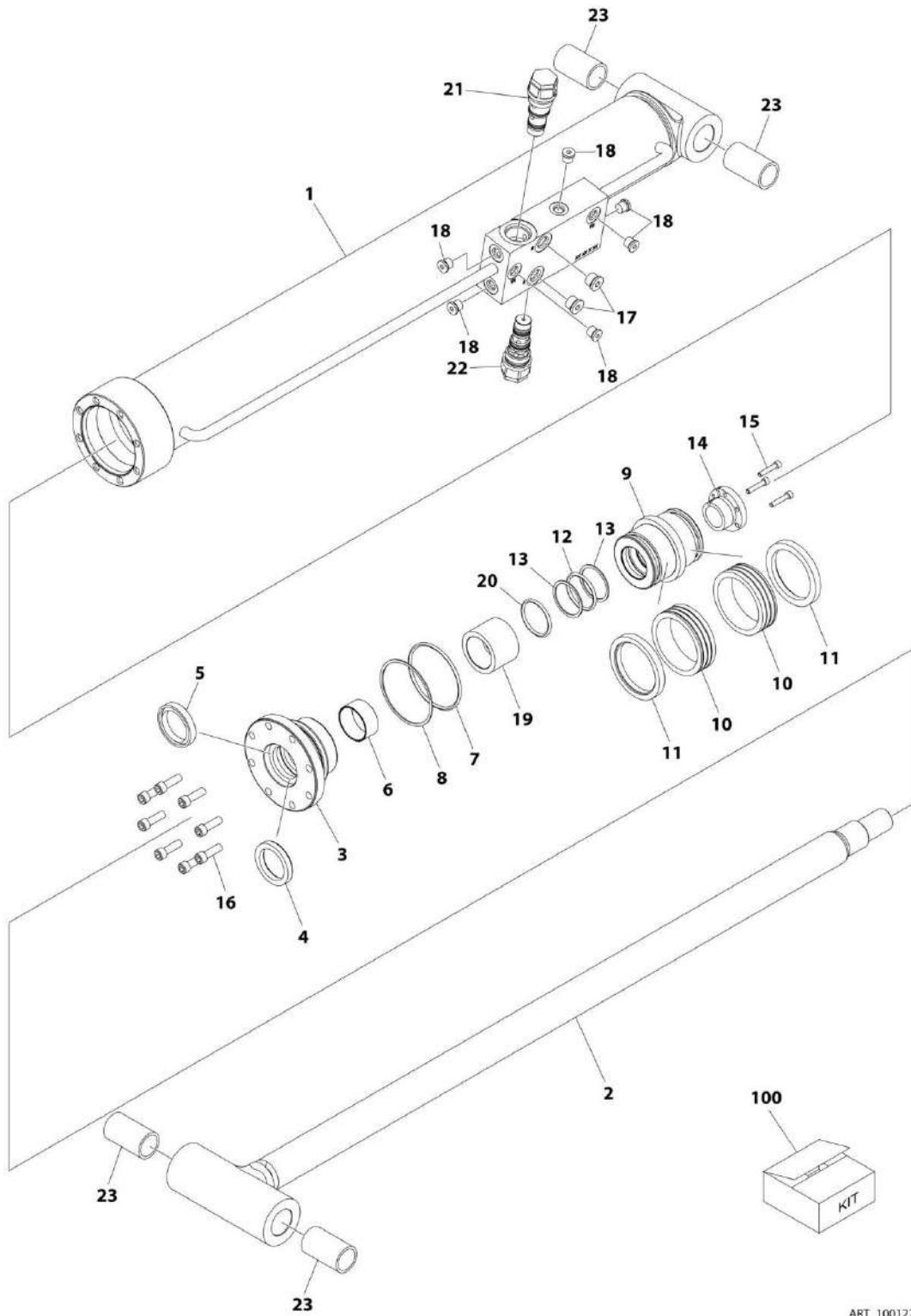
SECTION 6 - CYLINDER

FIGURE 6-8. LIFT CYLINDER ASSEMBLY - JIB (660SJ) (SN 0300237972 through 0300245222, SN B300002339 to Present)

ITEM	PART NUMBER	QTY	DESCRIPTION	REV
	1001231956	Ref	LIFT CYLINDER ASSEMBLY	C
		Ref	Note: Original Cylinder May Have Been Replaced with Service Replacement. Identify PN Stamped on Cylinder Before Ordering Parts.	
1	1684089	1	Barrel	
1A	0962336	2	Bushing	
2	1683053	1	Head	
3	3760368	1	Ring, Washer	
4	3931516	8	Capscrew 5/16in-18NC x 1in	
5	1684090	1	Rod	
5A	0962336	2	Bushing	
6	4640509	1	Cartridge, Valve	
6	2900792	1	Seal Kit - 4640509 Valve	
7	1001231963	1	Cartridge, Valve	
7	70004186	1	Seal Kit - 1001231963 Valve	
8	2220883	4	Plug, O-Ring #4	
9	2220885	1	Plug, O-Ring #6	
10	3480210	1	Piston	
11	0961893	1	Bushing, Tapered	
12	4100100	1	Spacer, Tube	
13	See Note	NSS	Seal (Note: Use Item 100)	
14	See Note	NSS	Ring, Lock (Note: Use Item 100)	
15	See Note	NSS	O-Ring (Note: Use Item 100)	
16	See Note	NSS	Ring, Back-up (Note: Use Item 100)	
17	See Note	NSS	O-Ring (Note: Use Item 100)	
18	See Note	NSS	Ring, Back-up (Note: Use Item 100)	
19	See Note	NSS	Seal, Rod (Note: Use Item 100)	
20	See Note	NSS	Wiper (Note: Use Item 100)	
21	See Note	NSS	Ring, Wear (Note: Use Item 100)	
22	0100011	AR	Compound, Locking	
23	0630534	3	Bolt #10-24NC x 1in	
25	0100038	AR	Primer, Locking	
100	2901303	1	Seal Kit (Includes Items 13-21)	

SECTION 6 - CYLINDER

FIGURE 6-9. LIFT CYLINDER ASSEMBLY - JIB (660SJ) (SN 0300237157 to Present)



ART_1001228013

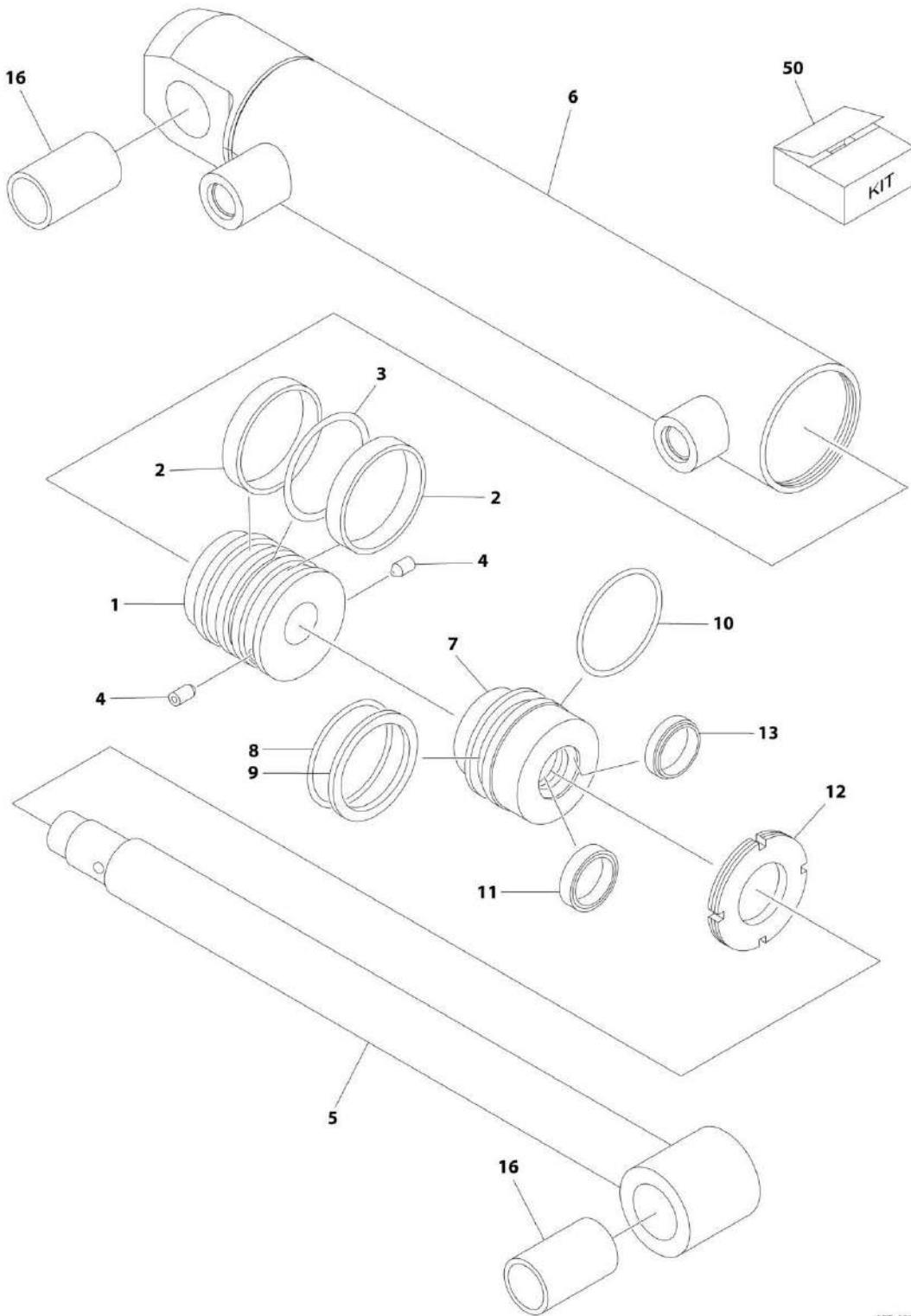
SECTION 6 - CYLINDER

FIGURE 6-9. LIFT CYLINDER ASSEMBLY - JIB (660SJ) (SN 0300237157 to Present)

ITEM	PART NUMBER	QTY	DESCRIPTION	REV
	1001228013	Ref	LIFT CYLINDER ASSEMBLY	B
		Ref	Note: Original Cylinder May Have Been Replaced with Service Replacement. Identify PN Stamped on Cylinder Before Ordering Parts.	
1	See Note	NSS	Barrel (Note: Not Available for Purchase)	
2	70006734	1	Rod	
3	70006649	1	Head	
4	See Note	NSS	Wiper (Note: Use Item 100)	
5	See Note	NSS	Seal, Rod (Note: Use Item 100)	
6	See Note	NSS	Ring, Wear (Note: Use Item 100)	
7	See Note	NSS	O-Ring (Note: Use Item 100)	
8	See Note	NSS	Ring, Back-up (Note: Use Item 100)	
9	70006650	1	Piston	
10	See Note	NSS	Seal (Note: Use Item 100)	
11	See Note	NSS	Ring, Lock (Note: Use Item 100)	
12	See Note	NSS	O-Ring (Note: Use Item 100)	
13	See Note	NSS	Ring, Back-up (Note: Use Item 100)	
14	0961893	1	Bushing, Tapered	
15	0630534	3	Bolt #10-24NC x 1in	
16	70006735	8	Capscrew 5/16 x 1	
17	2220885	2	Plug, O-Ring #6	
18	2220883	6	Plug, O-Ring #4	
19	70006736	1	Spacer, Tube	
20	See Note	NSS	O-Ring (Note: Use Item 100)	
21	4640509	1	Cartridge, Valve	
21	2900792	1	Seal Kit - 4640509 Valve	
22	1001231963	1	Cartridge, Valve	
22	70004186	1	Seal Kit - 1001231963 Valve	
23	0962336	4	Bushing	
100	2901303	1	Seal Kit (Includes Items 4-8, 10-13 & 20)	

SECTION 6 - CYLINDER

FIGURE 6-10. STEER CYLINDER ASSEMBLY



ART_1001181792

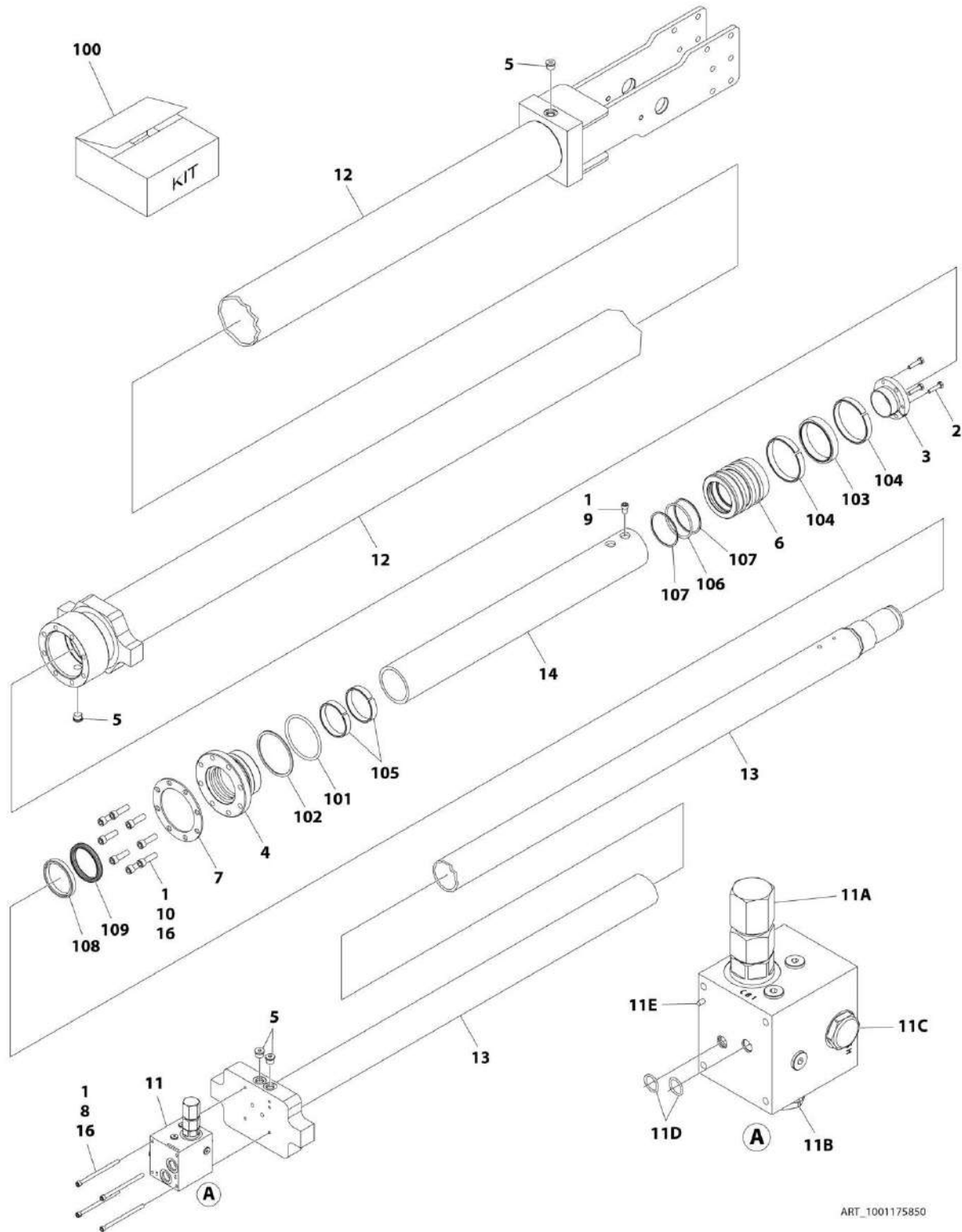
SECTION 6 - CYLINDER

FIGURE 6-10. STEER CYLINDER ASSEMBLY

ITEM	PART NUMBER	QTY	DESCRIPTION	REV
	1001181792	Ref	STEER CYLINDER ASSEMBLY	F
1	70006106	1	Piston	
2	See Note	NSS	Ring, Wear (Note: Use Item 50)	
3	See Note	NSS	Seal, Piston (Note: Use Item 50)	
4	70002745	2	Setscrew	
5	70006107	1	Rod	
6	See Note	NSS	Barrel	
7	70002755	1	Head	
8	See Note	1	O-Ring (Note: Use Item 50)	
9	See Note	NSS	Ring, Back-up (Note: Use Item 50)	
10	See Note	NSS	Ring (Note: Use Item 50)	
11	See Note	NSS	Seal, Rod (Note: Use Item 50)	
12	70002756	1	Nut, Spanner (Note: Use Item 50)	
13	See Note	NSS	Wiper (Note: Use Item 50)	
16	1001182695	2	Bearing	
50	70006108	1	Seal Kit - 1001181792 (Includes Items 2, 3, 8-11 & 13)	

SECTION 6 - CYLINDER

FIGURE 6-11. TELESCOPE CYLINDER ASSEMBLY (SN 0300235168 through 0300237156, SN B300002655 through B300002781)



ART_1001175850

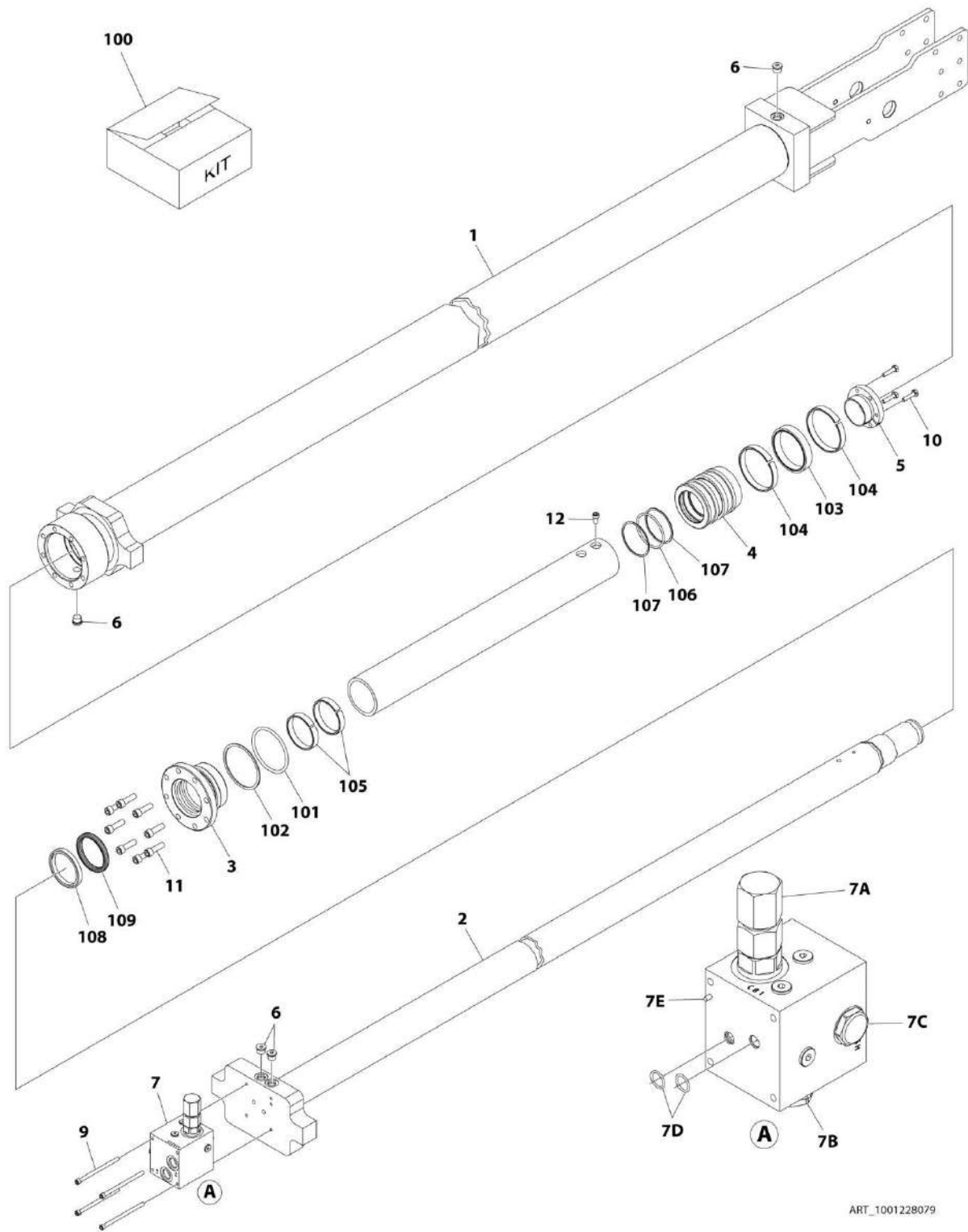
SECTION 6 - CYLINDER

FIGURE 6-11. TELESCOPE CYLINDER ASSEMBLY (SN 0300235168 through 0300237156, SN B300002655 through B300002781)

ITEM	PART NUMBER	QTY	DESCRIPTION	REV
	1001175850	Ref	TELESCOPE CYLINDER ASSEMBLY	E
		Ref	Note: Original Cylinder may have been replaced with Service Replacement. Identify PN Stamped on Cylinder Before Ordering Parts.	
1	0100011	AR	Compound, Locking	
2	0630535	3	Bolt 1/4 x 1-1/8	
3	0961897	1	Bushing, Tapered	
4	1683057	1	Head	
5	2220885	4	Plug #6	
6	3480205	1	Piston	
7	3760369	1	Ring, Washer	
8	3931464	4	Capscrew 1/4 x 4	
9	3931508	1	Capscrew 5/16 x 1/2	
10	3931620	8	Capscrew 3/8 x 1-1/4	
11	1001133245	1	Valve Assembly	
11A	70003926	1	Cartridge, Valve	
11A	70004186	1	Seal Kit - 70003926 Valve	
11B	70004155	1	Cartridge, Valve	
11B	70004186	1	Seal Kit - 70004155 Valve	
11C	70003928	1	Cartridge, Valve	
11C	70003929	1	Seal Kit - 70003928 Valve	
11D	70003982	1	Seal	
11E	70003930	1	Roll Pin	
12	1001175346	1	Barrel	
13	1001175852	1	Rod	
14	1001176339	1	Spacer	
16	0100038	AR	Primer	
100	1001177519	1	Seal Kit - 1001175850 (Includes Item 101-109)	
101	1001177520	NSS	O-Ring (Note: Use Item 100)	
102	1001177521	NSS	Ring, Back-up (Note: Use Item 100)	
103	1001177522	NSS	Seal (Note: Use Item 100)	
104	3960361	NSS	Ring, Wear (Note: Use Item 100)	
105	3760132	NSS	Ring, Wear (Note: Use Item 100)	
106	1001138915	NSS	O-Ring (Note: Use Item 100)	
107	3760356	NSS	Seal, Back-up (Note: Use Item 100)	
108	3960158	NSS	Wiper (Note: Use Item 100)	
109	1001215321	NSS	Seal, Rod (Note: Use Item 100)	

SECTION 6 - CYLINDER

FIGURE 6-12. TELESCOPE CYLINDER ASSEMBLY (SN 0300237157 through 0300250001, SN B300002782 through B300003104)



ART_1001228079

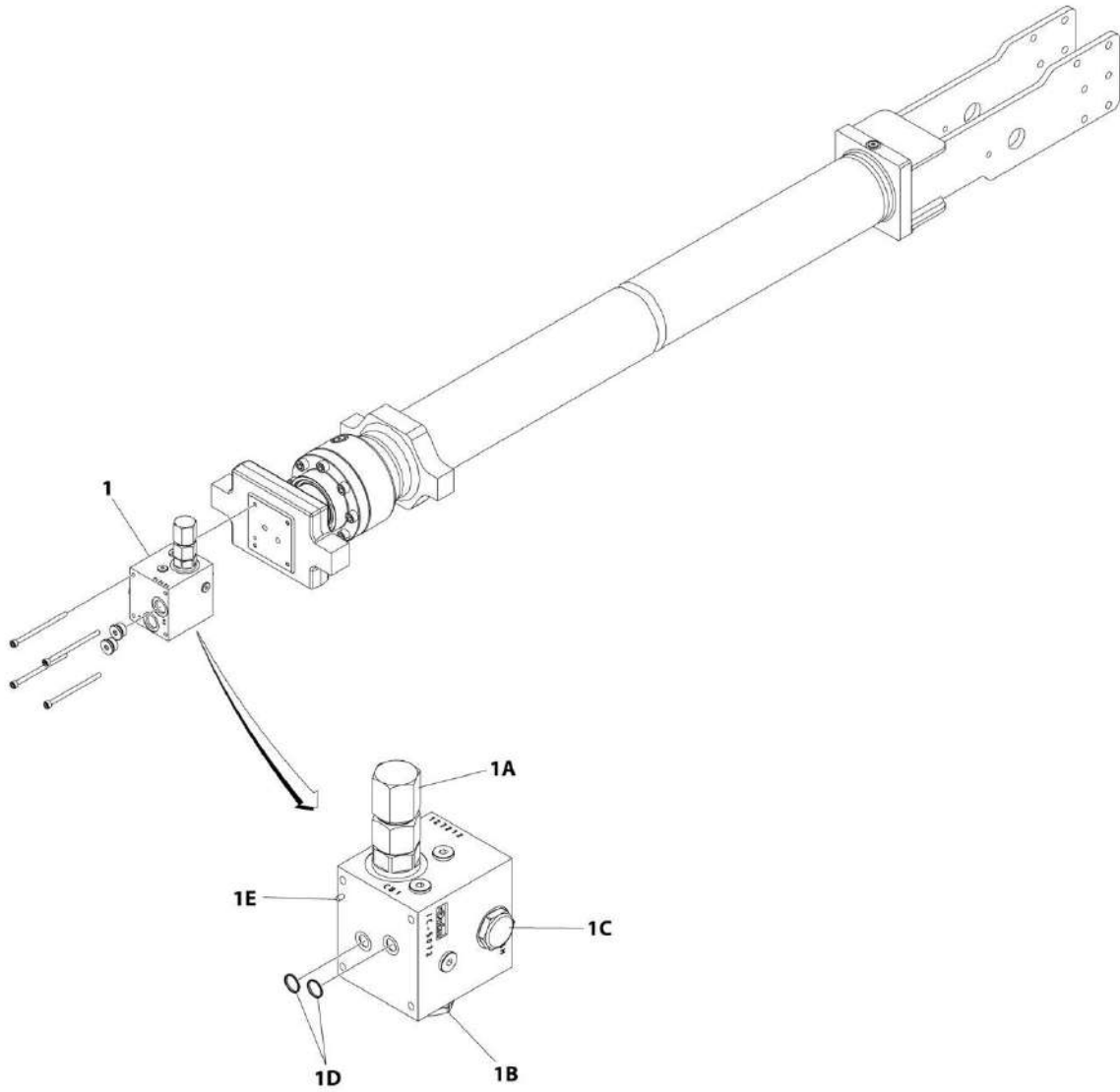
SECTION 6 - CYLINDER

FIGURE 6-12. TELESCOPE CYLINDER ASSEMBLY (SN 0300237157 through 0300250001, SN B300002782 through B300003104)

ITEM	PART NUMBER	QTY	DESCRIPTION	REV
	1001228079	Ref	TELESCOPE CYLINDER ASSEMBLY	B
		Ref	Note: Original Cylinder may have been replaced with Service Replacement. Identify PN Stamped on Cylinder Before Ordering Parts.	
1	See Note	NSS	Barrel (Note: Not Available for Purchase)	
2	70006441	1	Rod	
3	70006440	1	Head	
4	70006439	1	Piston	
5	70006438	1	Bushing, Tapered	
6	2220885	4	Plug #6	
7	1001133245	1	Valve Assembly	
7A	70003926	1	Cartridge, Valve	
7A	70004186	1	Seal Kit - 70003926 Valve	
7B	70004155	1	Cartridge, Valve	
7B	70004186	1	Seal Kit - 70004155 Valve	
7C	70003928	1	Cartridge, Valve	
7C	70003929	1	Seal Kit - 70003928 Valve	
7D	70003982	1	Seal	
7E	70003930	1	Roll Pin	
9	3931464	4	Capscrew 1/4 x 4	
10	0630535	3	Bolt 1/4 x 1-1/8	
11	3931620	8	Capscrew 3/8 x 1-1/4	
12	3931508	1	Capscrew 5/16 x 1/2	
100	1001177519	1	Seal Kit - 1001228079 (Includes Item 101-109)	
101	1001177520	NSS	O-Ring (Note: Use Item 100)	
102	1001177521	NSS	Ring, Back-up (Note: Use Item 100)	
103	1001177522	NSS	Seal (Note: Use Item 100)	
104	3960361	NSS	Ring, Wear (Note: Use Item 100)	
105	3760132	NSS	Ring, Wear (Note: Use Item 100)	
106	1001138915	NSS	O-Ring (Note: Use Item 100)	
107	3760356	NSS	Seal, Back-up (Note: Use Item 100)	
108	3960158	NSS	Wiper (Note: Use Item 100)	
109	1001215321	NSS	Seal, Rod (Note: Use Item 100)	

SECTION 6 - CYLINDER

FIGURE 6-13. TELESCOPE CYLINDER ASSEMBLY (SN 0300250002 to Present, SN B300003105 to Present)



ART_1001251079

SECTION 6 - CYLINDER

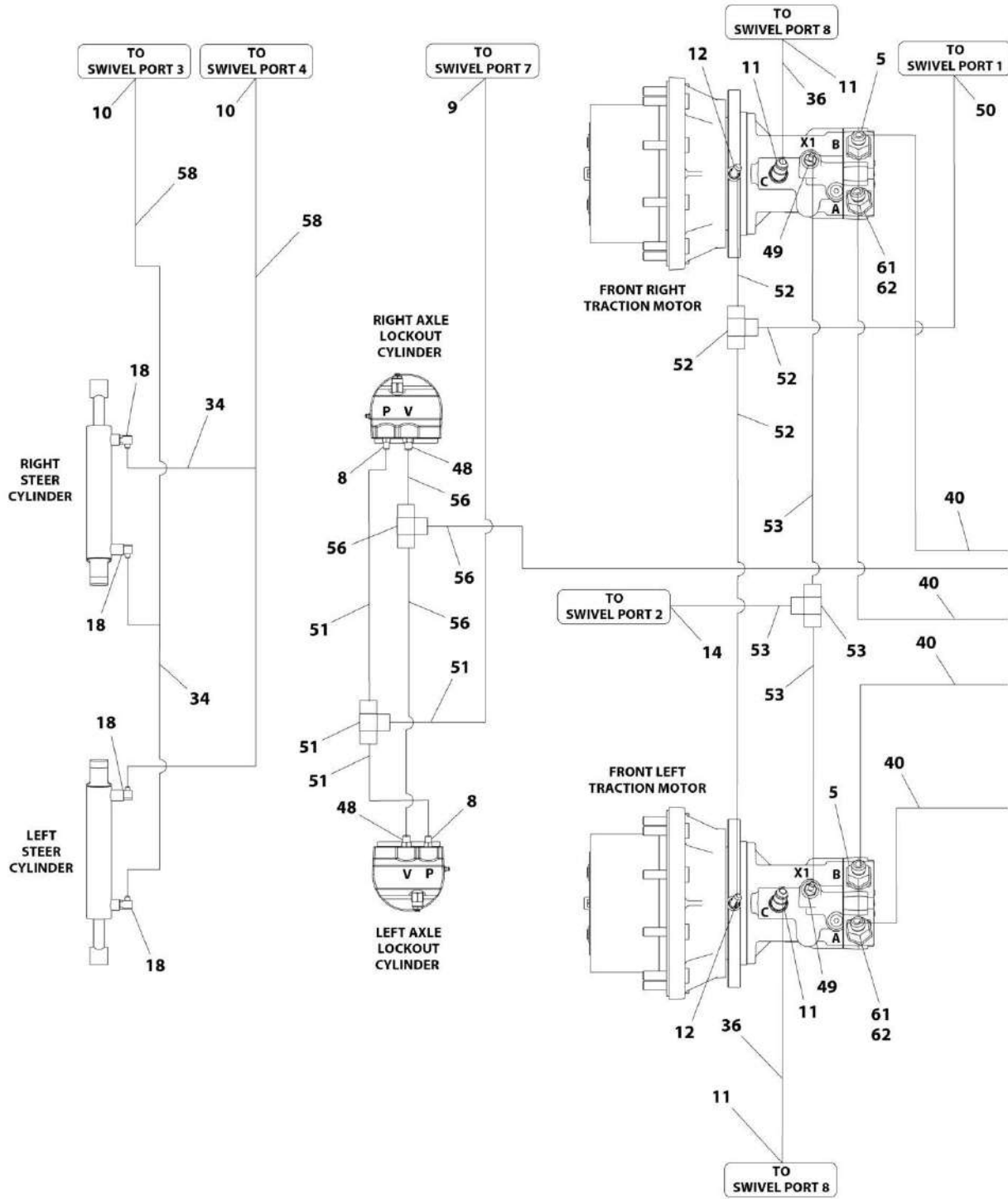
FIGURE 6-13. TELESCOPE CYLINDER ASSEMBLY (SN 0300250002 to Present, SN B300003105 to Present)

ITEM	PART NUMBER	QTY	DESCRIPTION	REV
	1001251079	Ref	TELESCOPE CYLINDER ASSEMBLY	A
	See Note	Ref	Note: Original Cylinder may have been replaced with Service Replacement. Identify PN Stamped on Cylinder Before Ordering Parts.	
	See Note	Ref	Note: No Service Parts Available at time of Printing	
1	1001133245	1	Valve Assembly	
1A	70003926	1	Cartridge, Valve	
1A	70004186	1	Seal Kit - 70003926 Valve	
1B	70004155	1	Cartridge, Valve	
1B	70004186	1	Seal Kit - 70004155 Valve	
1C	70003928	1	Cartridge, Valve	
1C	70003929	1	Seal Kit - 70003928 Valve	
1D	70003982	2	Seal	
1E	70003930	1	Roll Pin	

SECTION 7 - HYDRAULIC

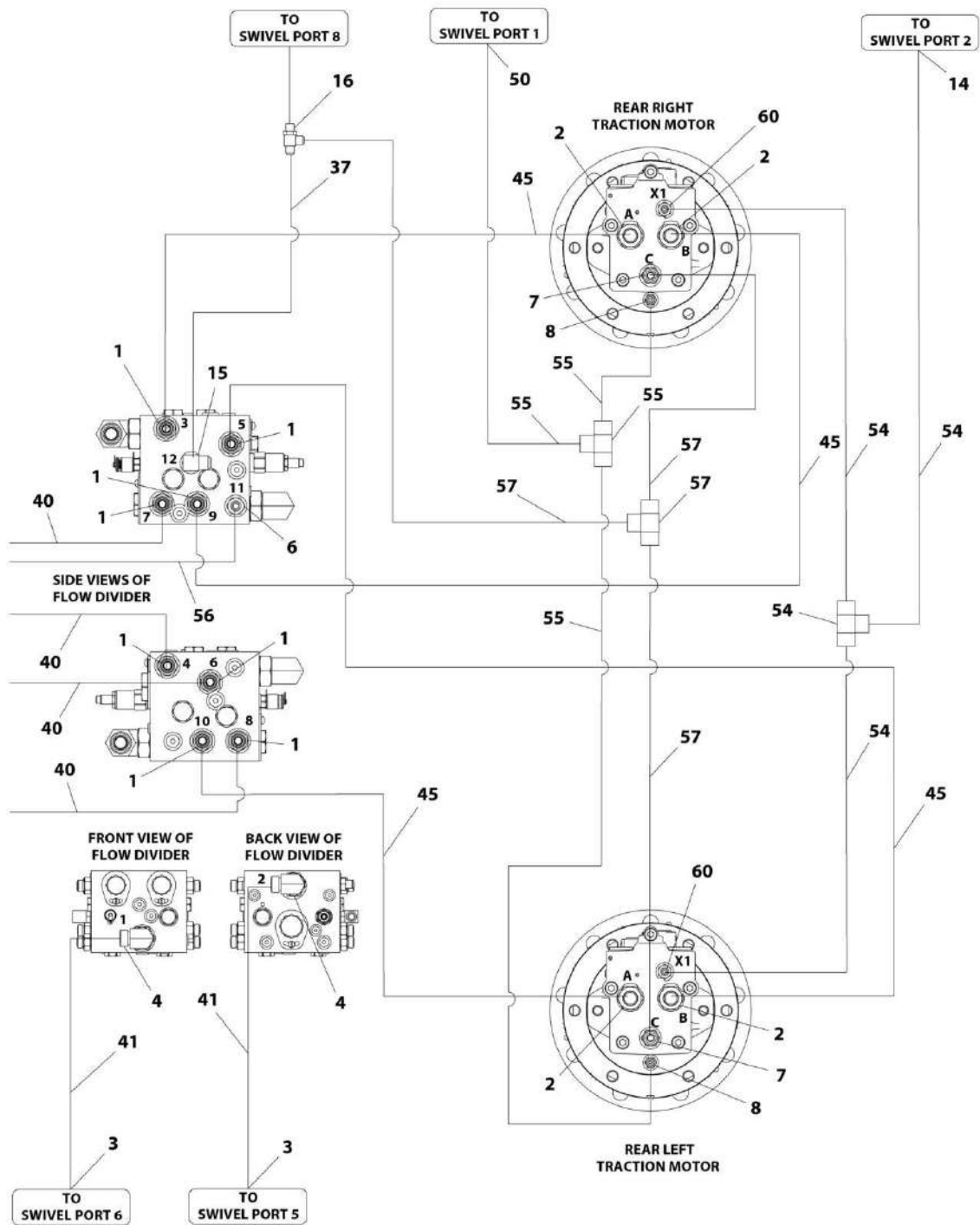
SECTION 7 - HYDRAULIC

FIGURE 7-1. DRIVE HYDRAULIC DIAGRAM (2WS WITHOUT ARCTIC PACKAGE)



ART_1001188342_10F2

SECTION 7 - HYDRAULIC



ART_1001188342_2OF2

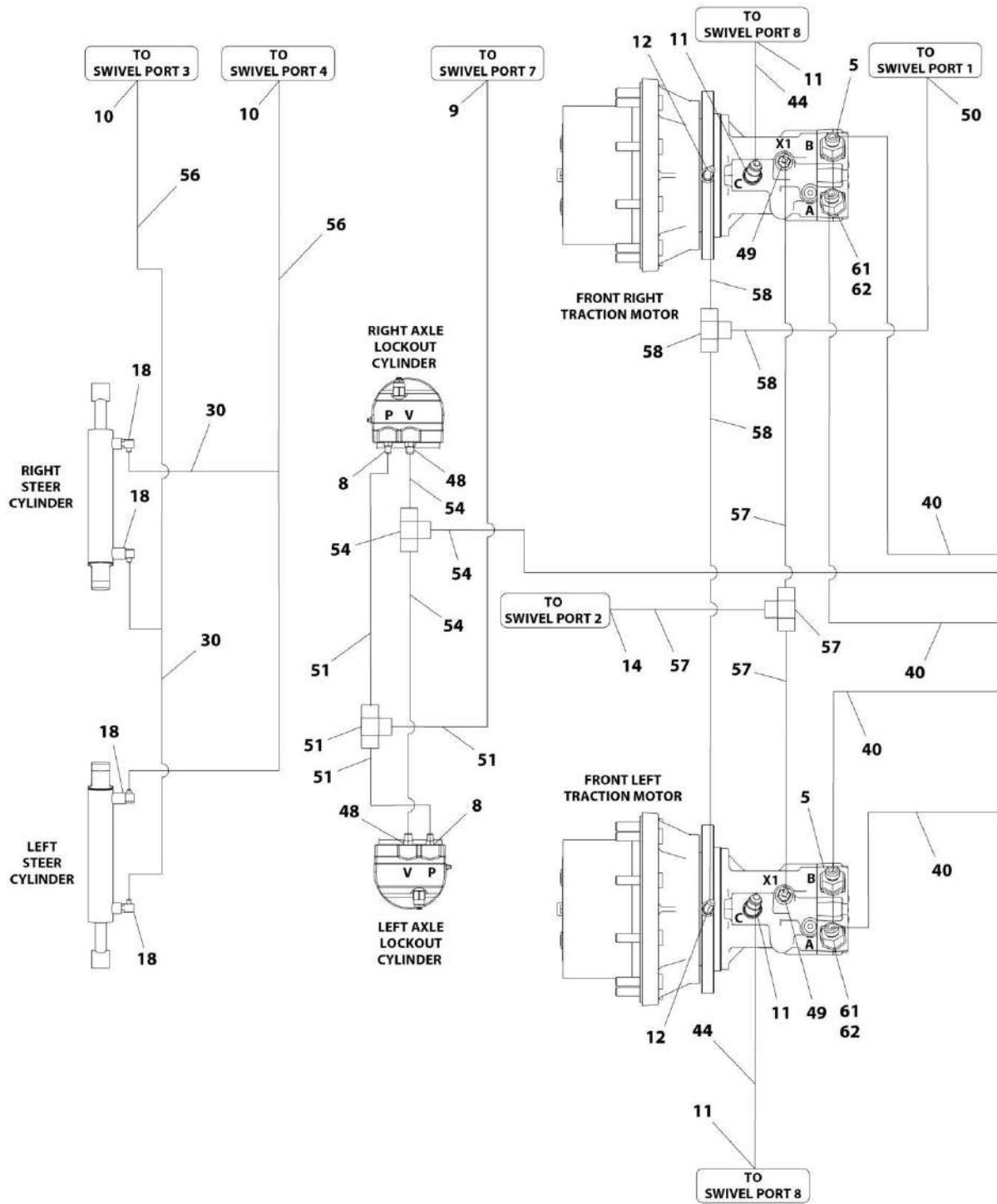
SECTION 7 - HYDRAULIC

FIGURE 7-1. DRIVE HYDRAULIC DIAGRAM (2WS WITHOUT ARCTIC PACKAGE)

ITEM	PART NUMBER	QTY	DESCRIPTION	REV
	1001188342	Ref	DRIVE HYDRAULIC DIAGRAM	F
1	2110810	8	Fitting, Straight ORFS/ORB	
2	2110812	4	Fitting, Straight ORFS/ORB	
3	2111216	2	Fitting, Straight ORFS/ORB	
4	2131216	2	Fitting, 90 ORFS/ORB	
5	2150812	2	Fitting, 45 ORFS/ORB	
6	2220372	1	Fitting, Straight JIC ORB	
7	2220373	2	Fitting, Straight JIC/ORB	
8	2220415	4	Fitting, Straight JIC/ORB	
9	2220468	1	Fitting, Straight JIC/ORB	
10	2220501	2	Fitting, 45 JIC/ORB	
11	2220500	4	Fitting, 45 JIC/ORB	
12	2220502	2	Fitting, 45 JIC/ORB	
14	2220472	2	Fitting, 90 JIC/ORB	
15	2220596	1	Fitting, 90 JIC/ORB	
16	2220602	1	Fitting, Tee JIC/ORB/JIC	
18	2220628	4	Fitting, 90 JIC/ORB	
23	4240018	21	Tie-Strap (Not Shown)	
34	1001187308	2	Hose	
36	1001187311	2	Hose	
37	1001187312	1	Hose	
40	1001187317	4	Hose	
41	1001187318	2	Hose	
45	1001188763	4	Hose	
48	2220371	2	Fitting, Straight JIC/ORB	
49	2221040	2	Fitting, 45 JIC/ORB	
50	1001197045	2	Fitting, 90 JIC/ORB	
51	1001199654	1	Hose	
52	1001199655	1	Hose	
53	1001199656	1	Hose	
54	1001199657	1	Hose	
55	1001199658	1	Hose	
56	1001199661	1	Hose	
57	1001199662	1	Hose	
58	1001200432	2	Hose	
59	4240033	2	Tie-Strap (Not Shown)	
60	2220582	2	Fitting, Straight JIC/ORB	
61	2150812	2	Fitting, 45 ORFS/ORB (SN 0300235168 through 0300236291)	
61	2150808	2	Fitting, 45 ORFS/ORB (SN 0300236292 to Present, SN B300002655 to Present)	
62	2220811	2	Fitting, Straight FORB/ORB (SN 0300236292 to Present, SN B300002655 to Present)	

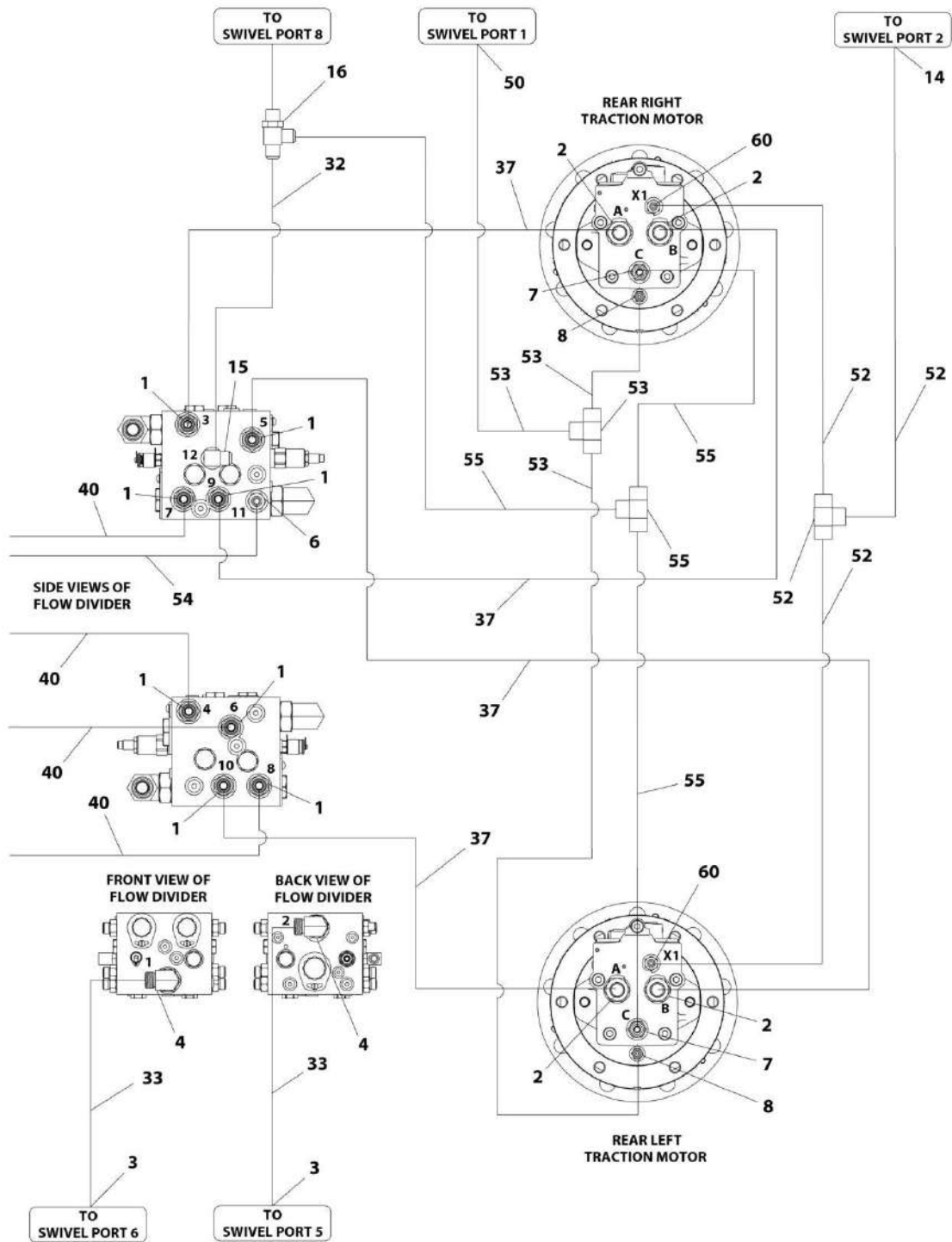
SECTION 7 - HYDRAULIC

FIGURE 7-2. DRIVE HYDRAULIC DIAGRAM (2WS WITH ARCTIC PACKAGE)



ART_1001192265_1OF2

SECTION 7 - HYDRAULIC



ART_1001192265_2OF2

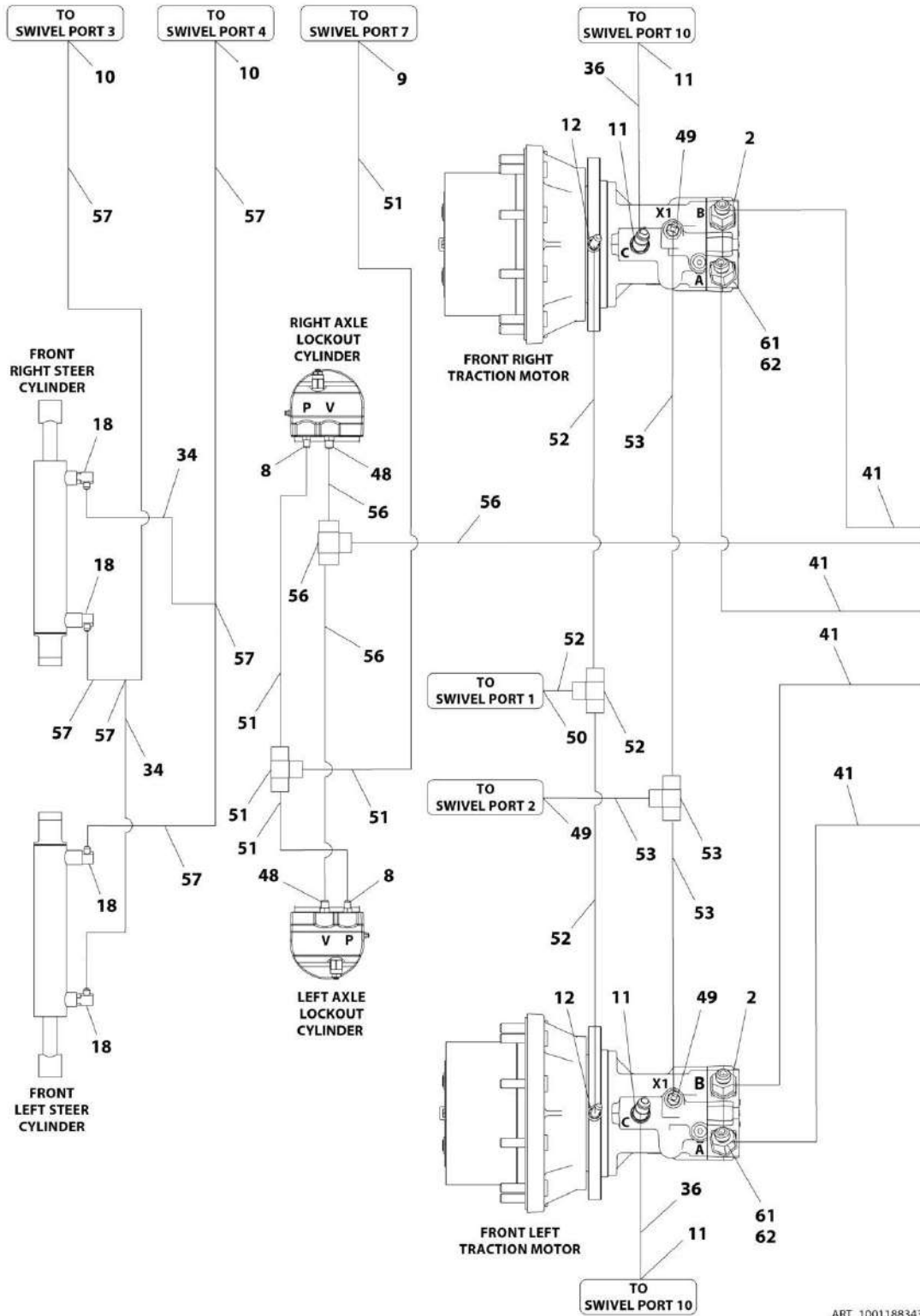
SECTION 7 - HYDRAULIC

FIGURE 7-2. DRIVE HYDRAULIC DIAGRAM (2WS WITH ARCTIC PACKAGE)

ITEM	PART NUMBER	QTY	DESCRIPTION	REV
	1001192265	Ref	DRIVE HYDRAULIC DIAGRAM	E
1	2110810	8	Fitting, Straight ORFS/ORB	
2	2110812	4	Fitting, Straight ORFS/ORB	
3	2111216	2	Fitting, Straight ORFS/ORB	
4	2131216	2	Fitting, 90 ORFS/ORB	
5	2150812	2	Fitting, 45 ORFS/ORB	
6	2220372	1	Fitting, Straight JIC/ORB	
7	2220373	2	Fitting, Straight JIC/ORB	
8	2220415	4	Fitting, Straight JIC/ORB	
9	2220468	1	Fitting, Straight JIC/ORB	
10	2220501	2	Fitting, 45 JIC/ORB	
11	2220500	4	Fitting, 45 JIC/ORB	
12	2220502	2	Fitting, 45 JIC/ORB	
14	2220472	2	Fitting, 90 JIC/ORB	
15	2220596	1	Fitting, 90 JIC/ORB	
16	2220602	1	Fitting, Tee JIC/ORB/JIC	
18	2220628	4	Fitting, 90 JIC/ORB	
23	4240018	21	Tie-Strap (Not Shown)	
30	1001203853	2	Hose	
32	1001187312	1	Hose	
33	1001187318	2	Hose	
37	1001188763	4	Hose	
40	1001193611	4	Hose	
44	1001193610	2	Hose	
48	2220371	2	Fitting, Straight JIC/ORB	
49	2221040	2	Fitting, 45 JIC/ORB	
50	1001197045	2	Fitting, 90 JIC/ORB	
51	1001199654	1	Hose	
52	1001199657	1	Hose	
53	1001199658	1	Hose	
54	1001169661	1	Hose	
55	1001199662	1	Hose	
56	1001203854	2	Hose	
57	1001203859	1	Hose	
58	1001203860	1	Hose	
59	4240033	2	Tie-Strap (Not Shown)	
60	2220582	2	Fitting, Straight JIC/ORB	
61	2150812	2	Fitting, 45 ORFS/ORB (SN 0300235168 through 0300236291)	
61	2150808	2	Fitting, 45 ORFS/ORB (SN 0300236292 to Present, SN B300002655 to Present)	
62	2220811	2	Fitting, Straight FORB/ORB (SN 0300236292 to Present, SN B300002655 to Present)	

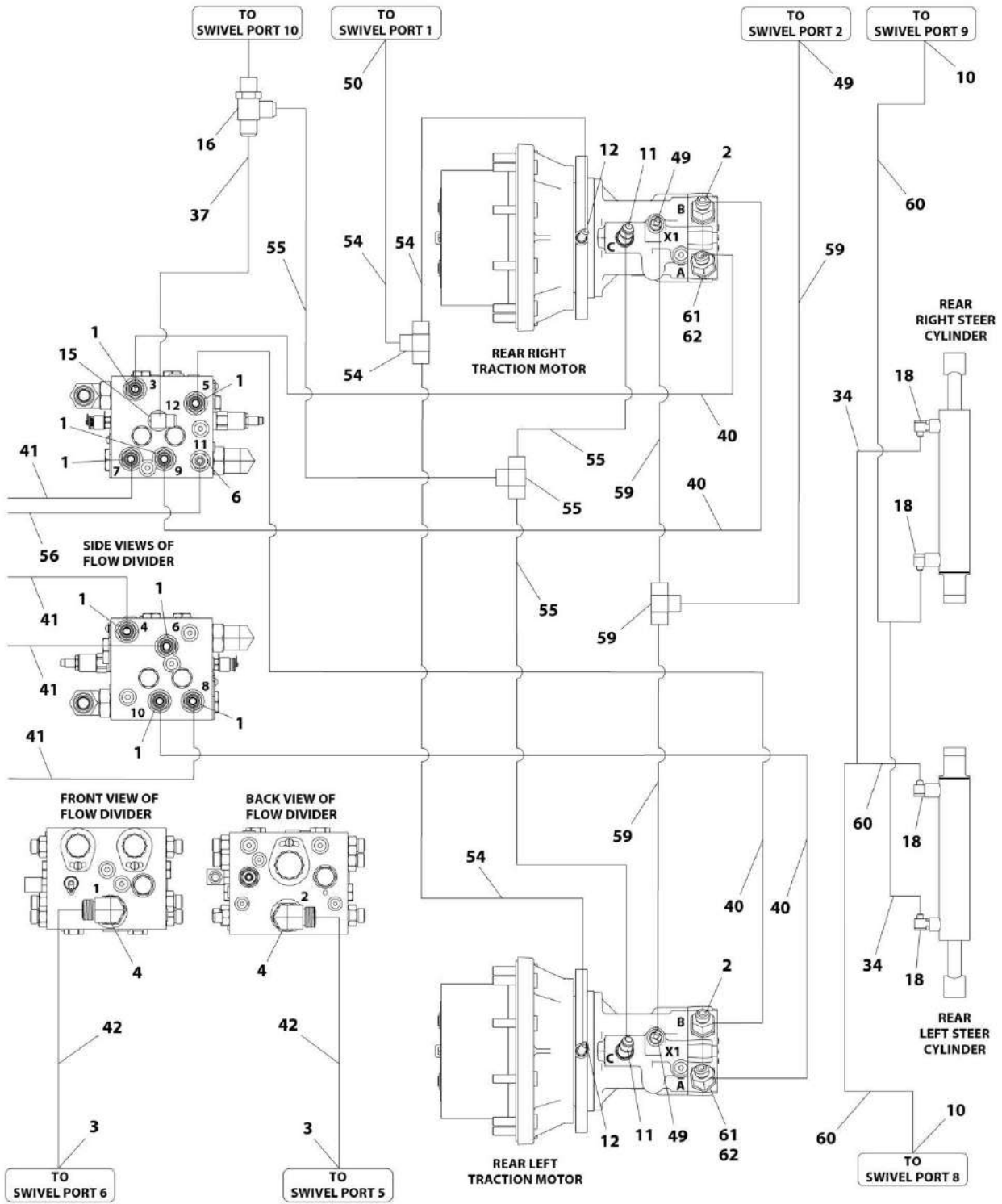
SECTION 7 - HYDRAULIC

FIGURE 7-3. DRIVE HYDRAULIC DIAGRAM (4WS)



ART_1001188343_10F2

SECTION 7 - HYDRAULIC



ART_1001188343_2OF2

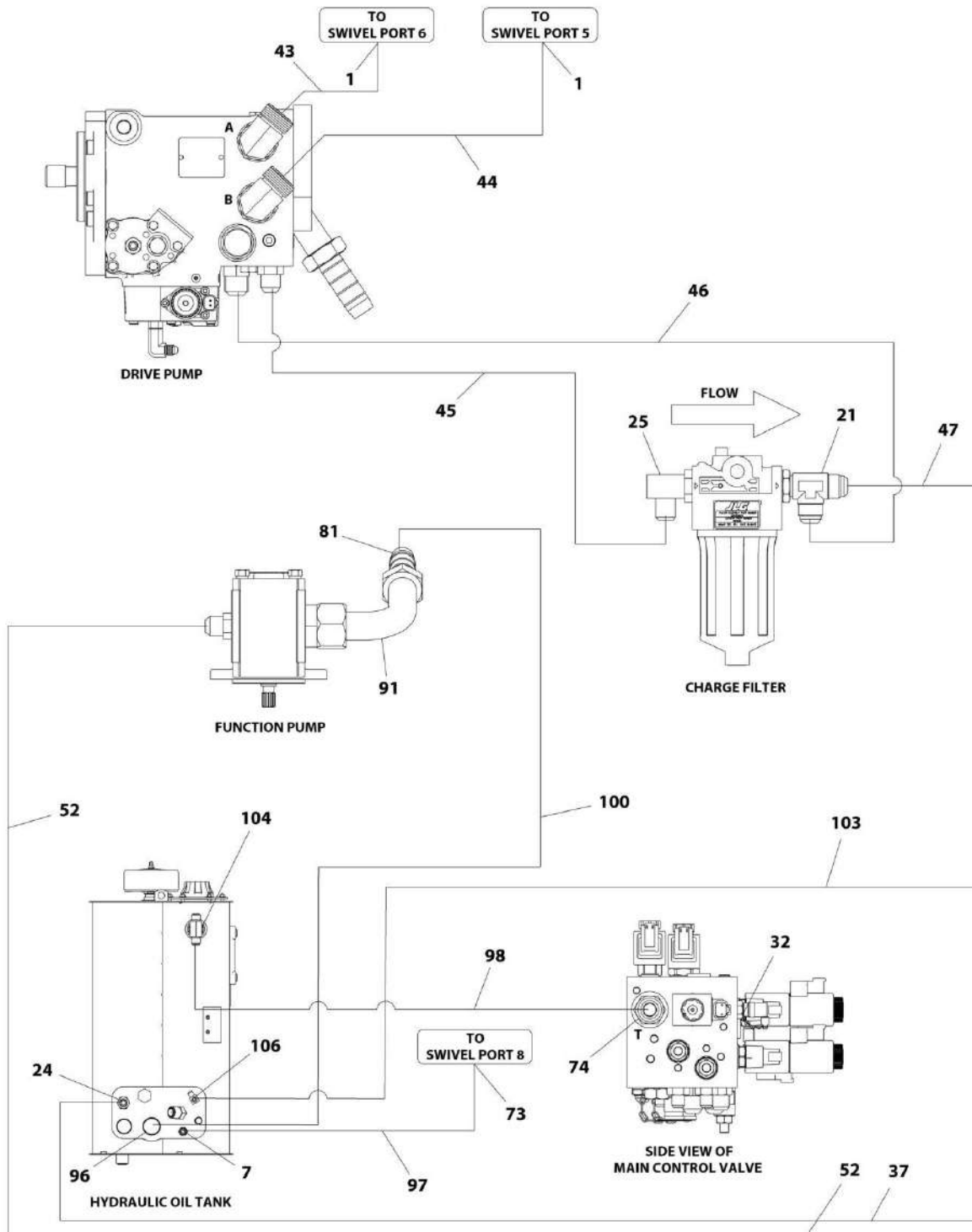
SECTION 7 - HYDRAULIC

FIGURE 7-3. DRIVE HYDRAULIC DIAGRAM (4WS)

ITEM	PART NUMBER	QTY	DESCRIPTION	REV
	1001188343	Ref	DRIVE HYDRAULIC DIAGRAM	F
1	2110810	8	Fitting, Straight ORFS/ORB	
2	2150812	4	Fitting, 45 ORFS/ORB	
3	2111216	2	Fitting, Straight ORFS/ORB	
4	2131216	2	Fitting, 90 ORFS/ORB	
6	2220372	1	Fitting, Straight JIC/ORB	
8	2220415	2	Fitting, Straight JIC/ORB	
9	2220468	1	Fitting, Straight JIC/ORB	
10	2220501	4	Fitting, 45 JIC/ORB	
11	2220500	6	Fitting, 45 JIC/ORB	
12	2220502	4	Fitting, 45 JIC/ORB	
15	2220596	1	Fitting, 90 JIC/ORB	
16	2220602	1	Fitting, Tee JIC/ORB/JIC	
18	2220628	8	Fitting, 90 JIC/ORB	
23	4240018	30	Tie-Strap (Not Shown)	
34	1001187308	4	Hose	
36	1001187311	2	Hose	
37	1001187312	1	Hose	
40	1001187316	4	Hose	
41	1001187317	4	Hose	
42	1001187318	2	Hose	
48	2220371	2	Fitting, Straight JIC/ORB	
49	2221040	6	Fitting, 45 JIC/ORB	
50	2221344	2	Fitting, 45 JIC/ORB	
51	1001199654	1	Hose	
52	1001199655	1	Hose	
53	1001199656	1	Hose	
54	1001199659	1	Hose	
55	1001199663	1	Hose	
56	1001199661	1	Hose	
57	1001200432	2	Hose	
58	4240033	4	Tie-Strap (Not Shown)	
59	1001199660	1	Hose	
60	1001200433	2	Hose	
61	2150812	4	Fitting, 45 ORFS/ORB (SN 0300235168 through 0300236291)	
61	2150808	4	Fitting, 45 ORFS/ORB (SN 0300236292 to Present, SN B300002655 to Present)	
62	2220811	4	Fitting, Straight FORB/ORB (SN 0300236292 to Present, SN B300002655 to Present)	

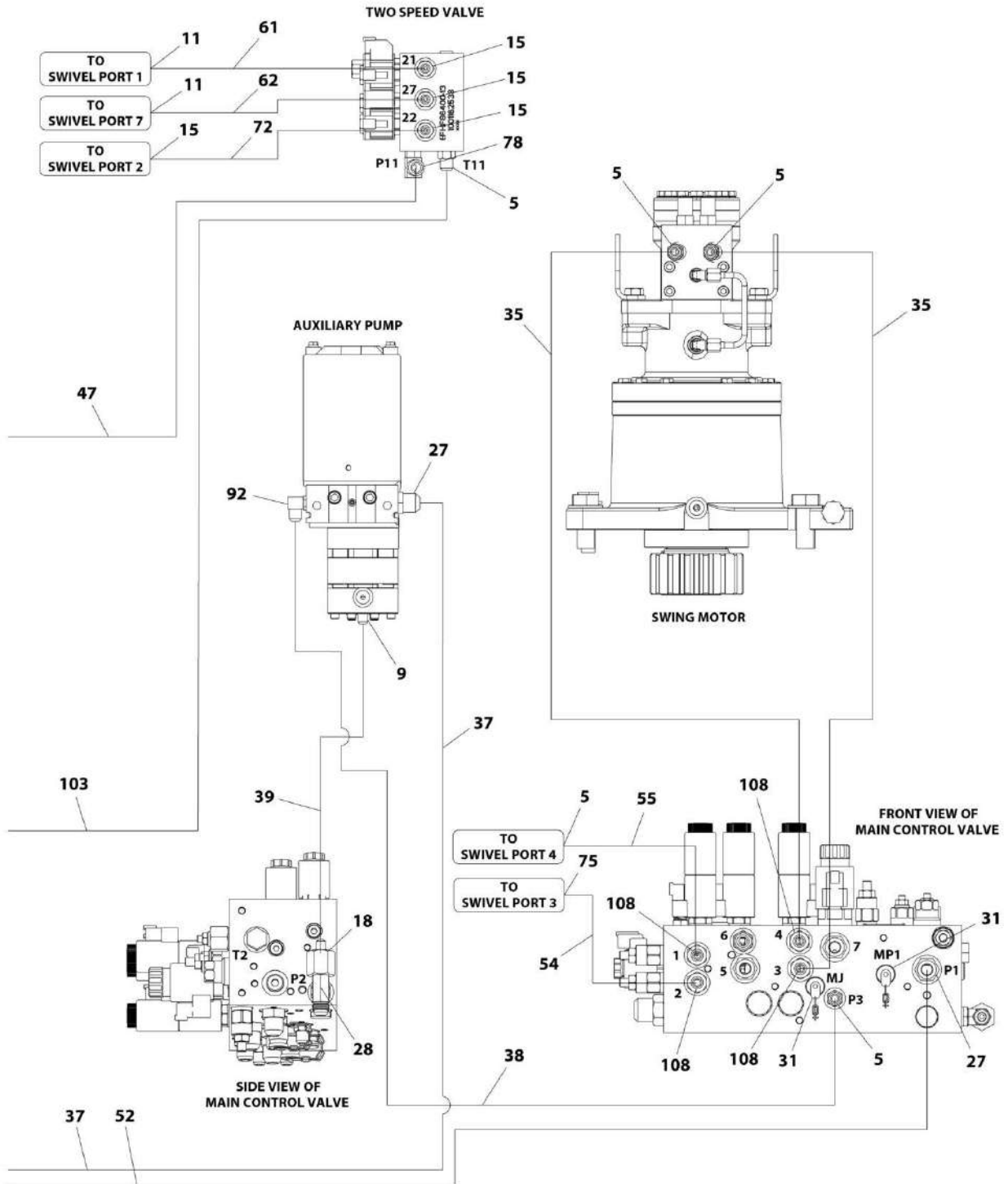
SECTION 7 - HYDRAULIC

FIGURE 7-4. STANDARD HYDRAULIC DIAGRAM (600S 2WS)



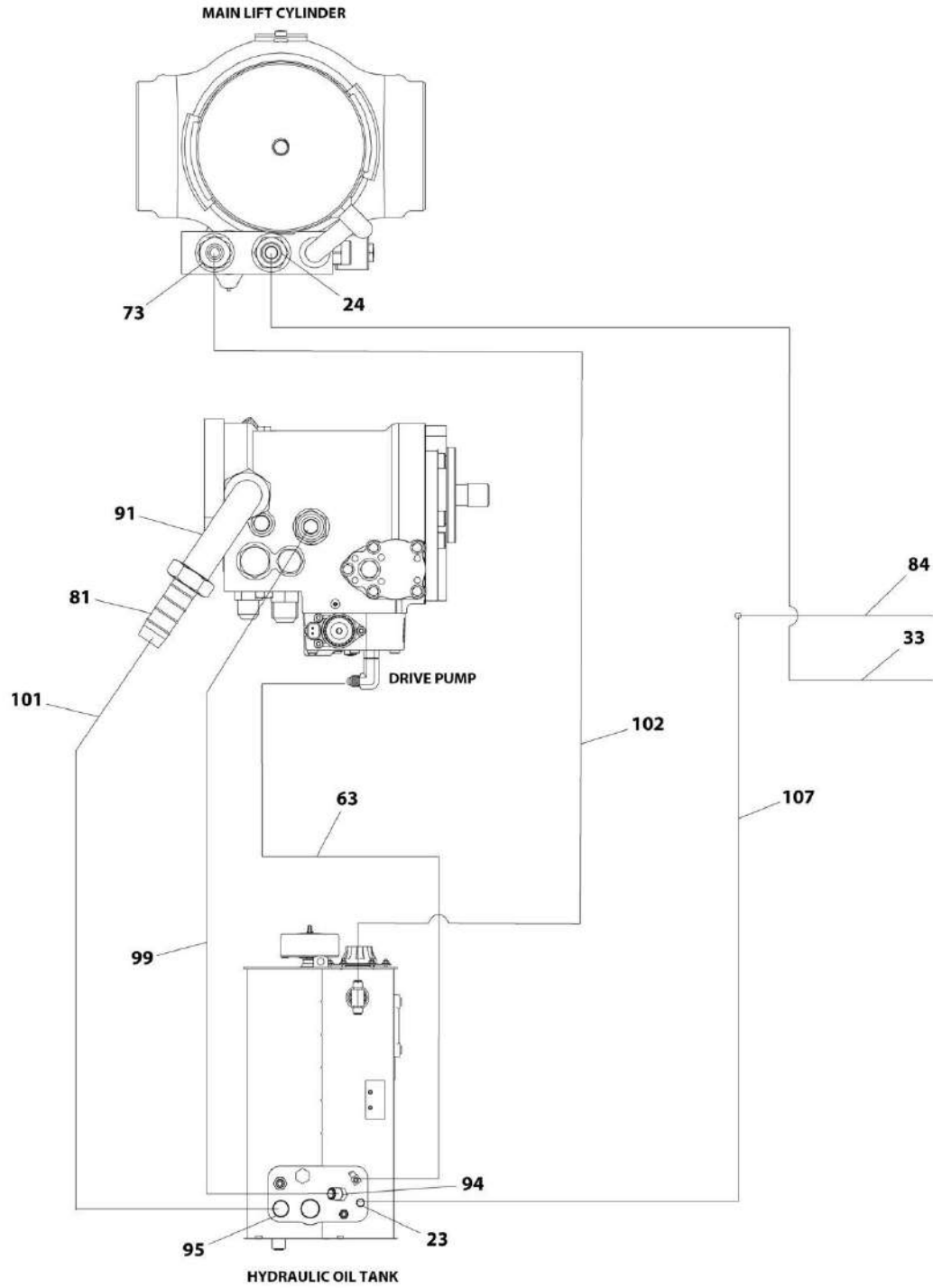
ART_1001193247_10F4

SECTION 7 - HYDRAULIC



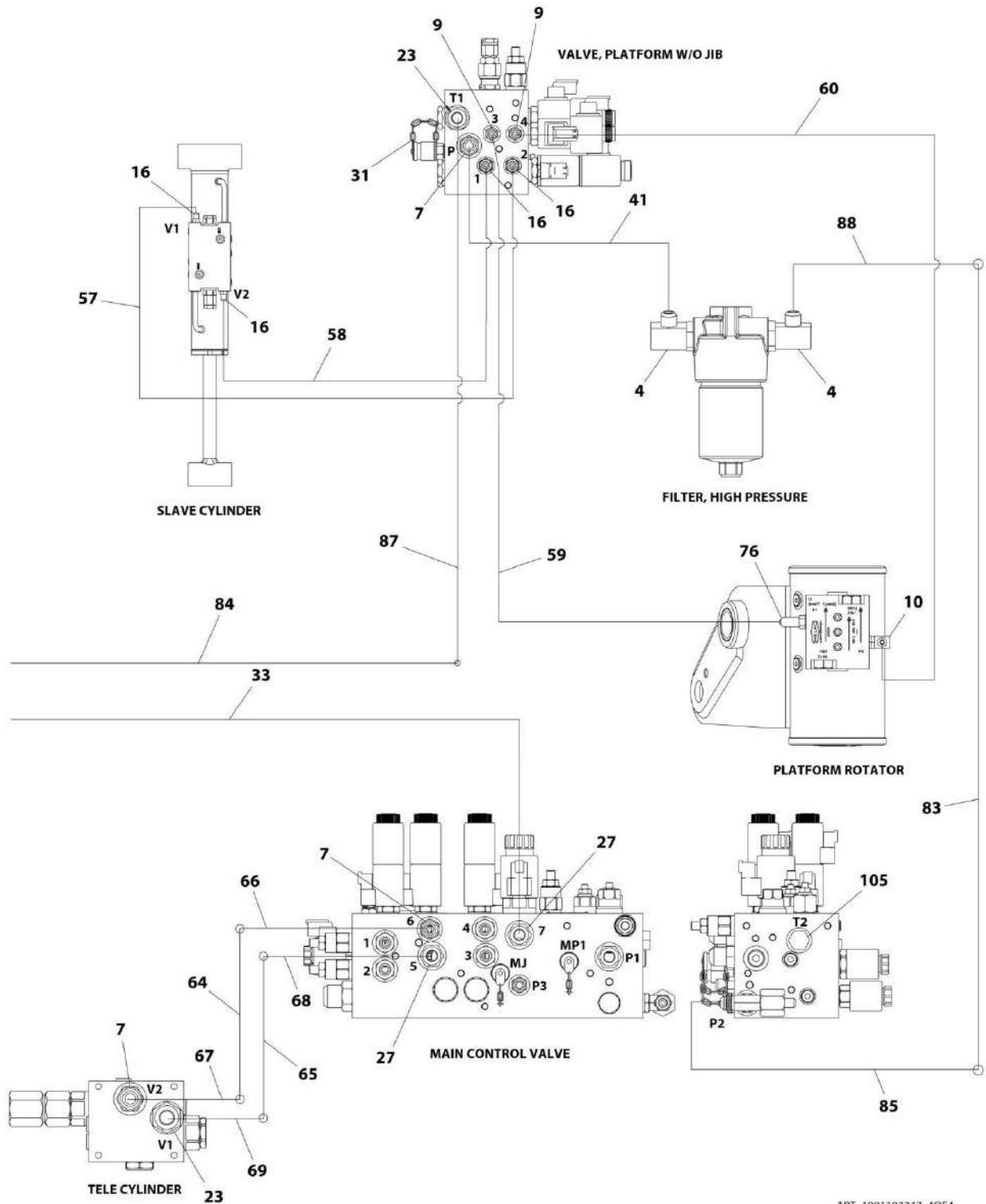
ART_1001193247_2OF4

SECTION 7 - HYDRAULIC



ART_1001193247_3OF4

SECTION 7 - HYDRAULIC



ART_1001193247_40F4

SECTION 7 - HYDRAULIC

FIGURE 7-4. STANDARD HYDRAULIC DIAGRAM (600S 2WS)

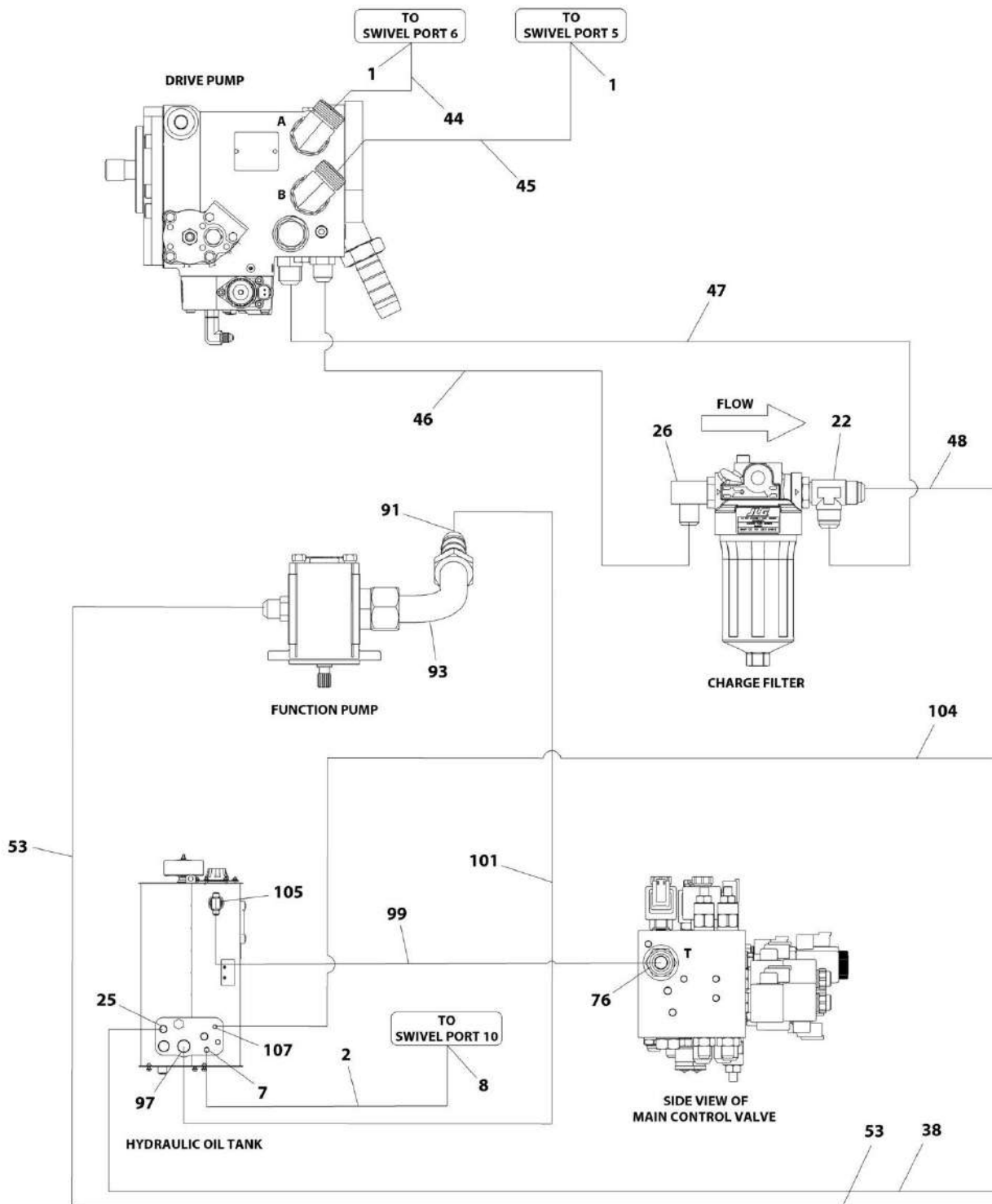
ITEM	PART NUMBER	QTY	DESCRIPTION	REV
	1001193247	Ref	STANDARD HYDRAULIC DIAGRAM	H
1	2111616	2	Fitting, Straight ORFS/ORB	
4	2220366	2	Fitting, 90 JIC/ORB	
5	2220371	5	Fitting, Straight JIC/ORB	
7	2220373	4	Fitting, Straight JIC/ORB	
9	2220415	3	Fitting, Straight JIC/ORB	
10	2220466	1	Fitting, 90 JIC/ORB	
11	2220468	2	Fitting, Straight JIC/ORB	
15	2220582	4	Fitting, Straight JIC/ORB	
16	2220603	4	Fitting, Straight JIC/ORB	
18	2220618	1	Fitting, Straight JIC/FSJIC	
21	2220738	1	Fitting, Tee JIC/ORB/JIC	
23	2220852	3	Fitting, Straight JIC/ORB	
24	2220865	2	Fitting, Straight JIC/ORB	
25	2220906	1	Fitting, 90 JIC/ORB	
27	2220947	4	Fitting, Straight JIC/ORB	
28	2220999	1	Fitting, Tee JIC/ORB/JIC	
31	2221086	3	Fitting, Test	
32	1001119455	1	Valve, Oil Sampling	
33	1001192641	1	Hose	
35	1001192651	1	Hose	
37	1001228226	1	Hose	
38	1001192654	1	Hose	
39	1001192655	1	Hose	
41	1001192658	1	Hose	
43	1001192661	1	Hose	
44	1001192663	1	Hose	
45	1001192667	1	Hose	
46	1001192669	1	Hose	
47	1001192673	1	Hose	
52	1001192679	1	Hose	
54	1001192681	1	Hose	
55	1001192682	1	Hose	
57	1001192684	1	Hose	
58	1001192685	1	Hose	
59	1001192686	1	Hose	
60	1001192687	1	Hose	
61	1001192688	1	Hose	
62	1001192689	1	Hose	
63	1001192690	1	Hose	
64	1001192693	1	Pipe	
65	1001192694	1	Pipe	
66	1001192695	1	Hose	
67	1001192696	1	Hose	
68	1001192698	1	Hose	
69	1001192699	1	Hose	
72	1001192758	1	Hose	
73	2220375	2	Fitting, Straight JIC/ORB	
74	2220451	1	Fitting, Straight JIC/ORB	
75	2220473	1	Fitting, 90 JIC/ORB	

SECTION 7 - HYDRAULIC

ITEM	PART NUMBER	QTY	DESCRIPTION	REV
76	2220502	1	Fitting, 45 JIC/ORB	
78	2220726	1	Fitting, 90 JIC/ORB	
81	80633030	2	Clamp	
83	1001201255	1	Pipe	
84	1001220903	1	Pipe	
85	1001203424	1	Hose	
87	1001220941	1	Hose	
88	1001204389	1	Hose	
91	1001205824	2	Fitting, 90 Barb	
92	2220775	1	Fitting, 90 JIC/ORB	
94	2220637	1	Fitting, 45 JIC/ORB	
95	2220380	1	Fitting, Straight JIC/ORB	
96	2220733	1	Fitting, Straight JIC/ORB	
97	1001203423	1	Hose	
98	1001203430	1	Hose	
99	1001203431	1	Hose	
100	1001203432	1	Hose	
101	1001203433	1	Hose	
102	1001204645	1	Hose	
103	1001214149	1	Hose	
104	1001214408	1	Fitting, Tee JIC/ORB/JIC	
105	2220238	1	Plug	
106	2220606	1	Fitting, Tee JIC/ORB/JIC	
107	1001220912	1	Hose	
108	2220372	4	Fitting, Straight JIC/ORB	

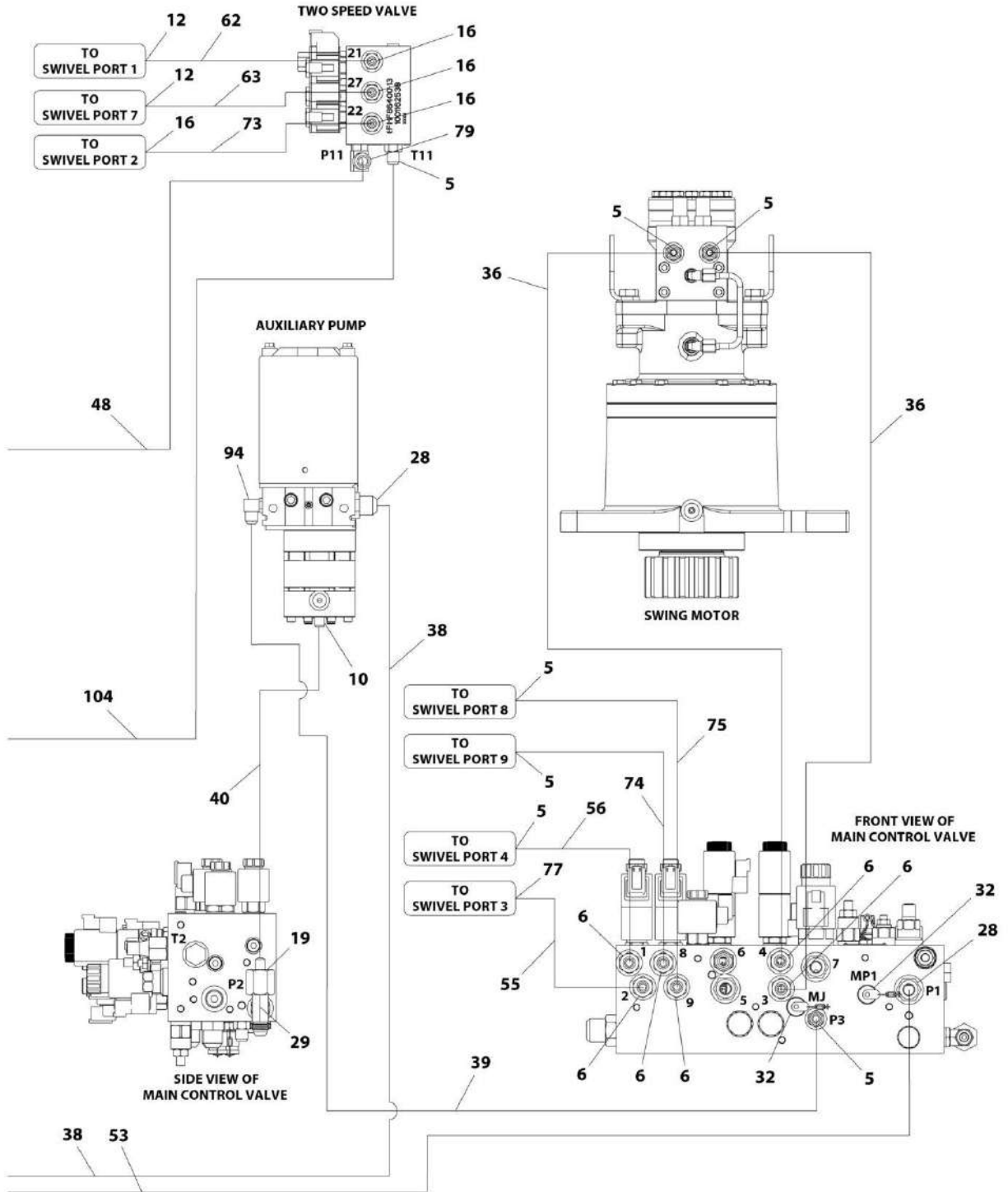
SECTION 7 - HYDRAULIC

FIGURE 7-5. STANDARD HYDRAULIC DIAGRAM (600S 4WS)



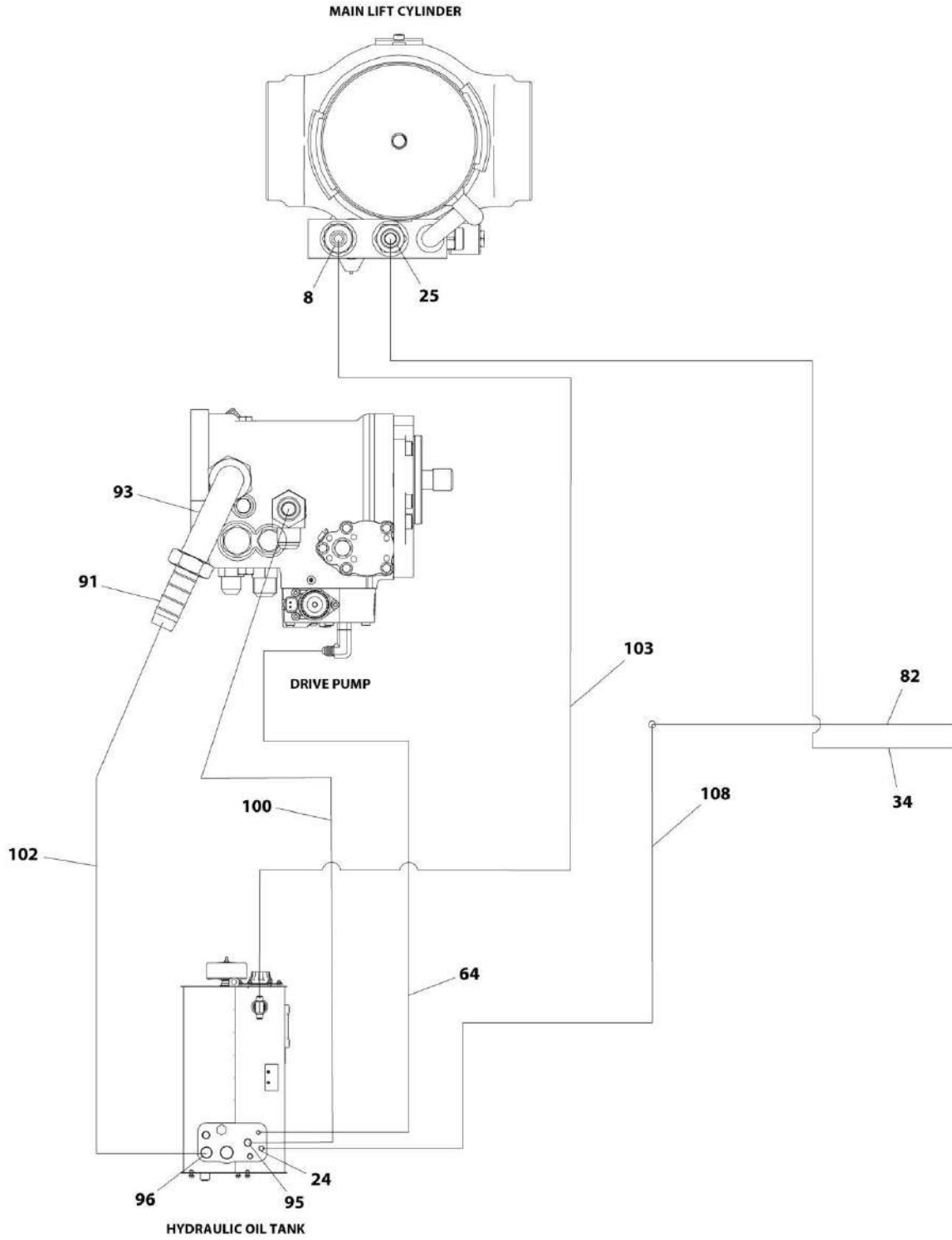
ART_1001194096_TOF4

SECTION 7 - HYDRAULIC



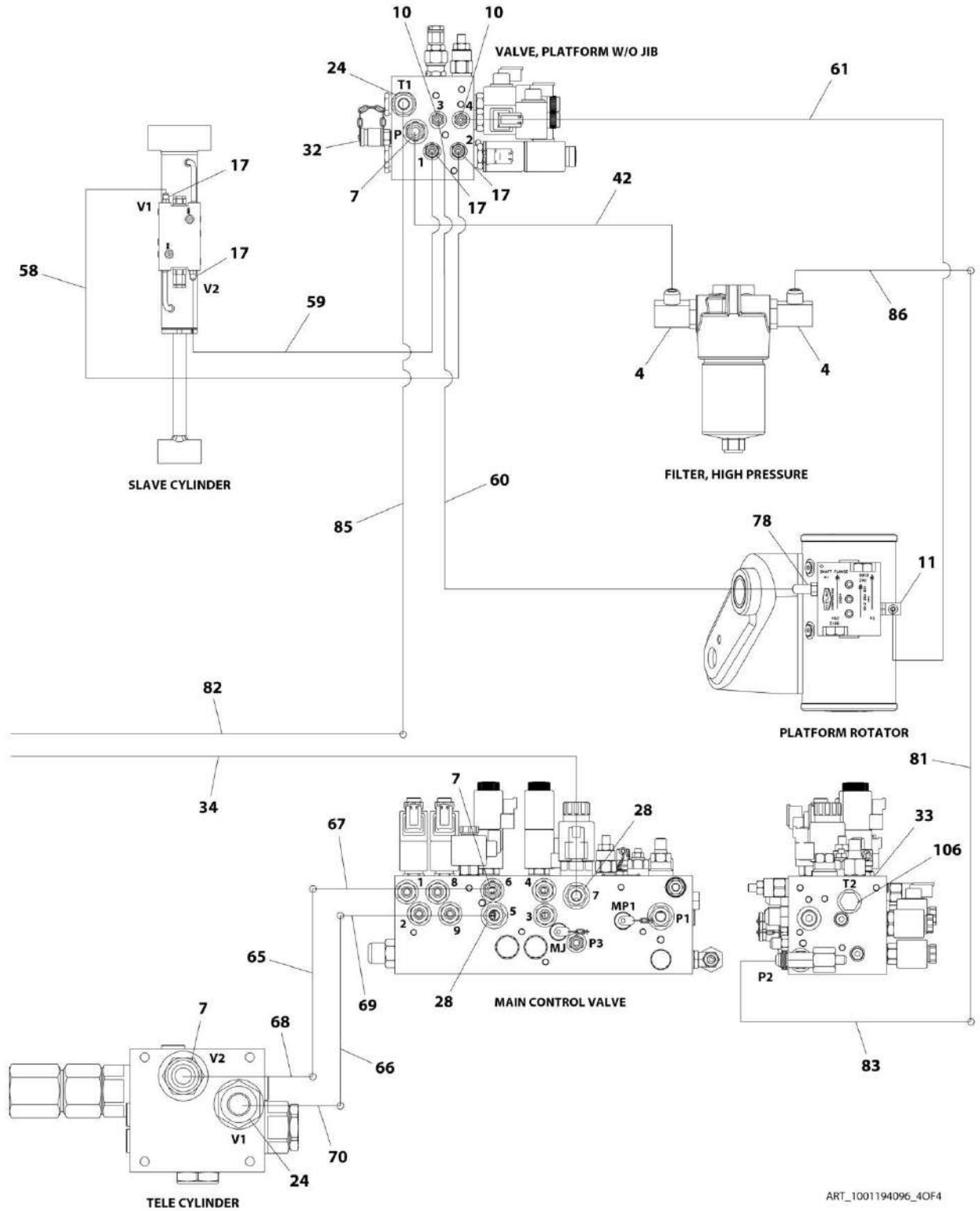
ART_1001194096_2OF4

SECTION 7 - HYDRAULIC



ART_1001194096_3OF4

SECTION 7 - HYDRAULIC



SECTION 7 - HYDRAULIC

FIGURE 7-5. STANDARD HYDRAULIC DIAGRAM (600S 4WS)

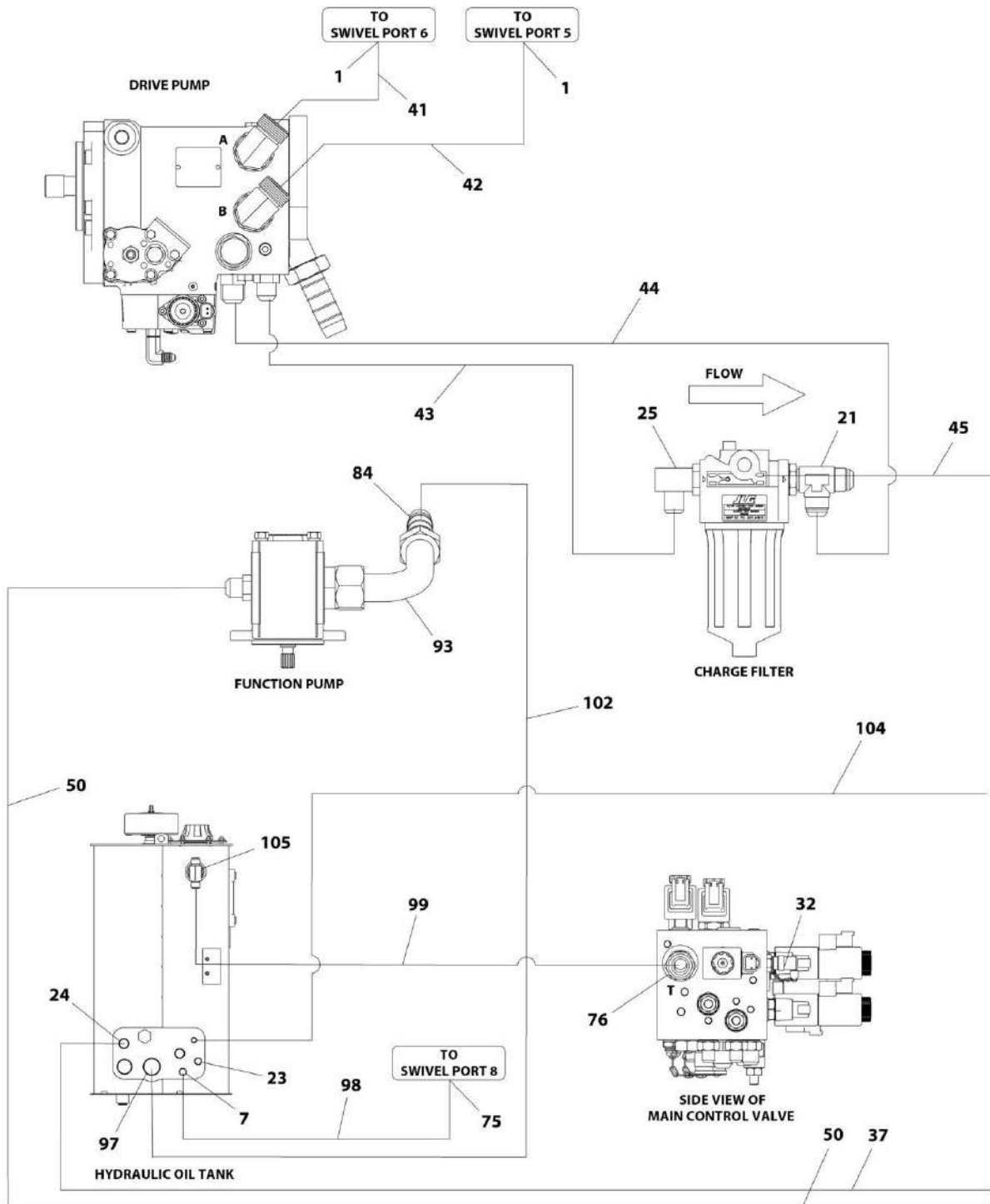
ITEM	PART NUMBER	QTY	DESCRIPTION	REV
	1001194096	Ref	STANDARD HYDRAULIC DIAGRAM	H
1	2111616	2	Fitting, Straight ORFS/ORB	
2	1001203423	1	Hose	
4	2220366	2	Fitting, 90 JIC/ORB	
5	2220371	7	Fitting, Straight JIC/ORB	
6	2220372	6	Fitting, Straight JIC/ORB	
7	2220373	4	Fitting, Straight JIC/ORB	
8	2220375	2	Fitting, Straight JIC/ORB	
10	2220415	3	Fitting, Straight JIC/ORB	
11	2220466	1	Fitting, 90 JIC/ORB	
12	2220468	2	Fitting, Straight JIC/ORB	
16	2220582	4	Fitting, Straight JIC/ORB	
17	2220603	4	Fitting, Straight JIC/ORB	
19	2220618	1	Fitting, Straight JIC/FSJIC	
22	2220738	1	Fitting, Tee JIC/ORB/JIC	
24	2220852	3	Fitting, Straight JIC/ORB	
25	2220865	2	Fitting, Straight JIC/ORB	
26	2220906	1	Fitting, 90 JIC/ORB	
28	2220947	4	Fitting, Straight JIC/ORB	
29	2220999	1	Fitting, Tee JIC/ORB/JIC	
32	2221086	3	Fitting, Test	
33	1001119455	1	Valve, Oil Sampling	
34	1001192641	1	Hose	
36	1001192651	2	Hose	
38	1001228226	1	Hose	
39	1001192654	1	Hose	
40	1001192655	1	Hose	
42	1001192658	1	Hose	
44	1001192661	1	Hose	
45	1001192663	1	Hose	
46	1001192667	1	Hose	
47	1001192669	1	Hose	
48	1001192673	1	Hose	
53	1001192679	1	Hose	
55	1001192681	1	Hose	
56	1001192682	1	Hose	
58	1001192684	1	Hose	
59	1001192685	1	Hose	
60	1001192686	1	Hose	
61	1001192687	1	Hose	
62	1001192688	1	Hose	
63	1001192689	1	Hose	
64	1001192690	1	Hose	
65	1001192693	1	Pipe	
66	1001192694	1	Pipe	
67	1001192695	1	Hose	
68	1001192696	1	Hose	
69	1001192698	1	Hose	
70	1001192699	1	Hose	
73	1001192758	1	Hose	

SECTION 7 - HYDRAULIC

ITEM	PART NUMBER	QTY	DESCRIPTION	REV
74	1001194329	1	Hose	
75	1001194330	1	Hose	
76	2220451	1	Fitting, Straight JIC/ORB	
77	2220473	1	Fitting, 90 JIC/ORB	
78	2220502	1	Fitting, 45 JIC/ORB	
79	2220726	1	Fitting, 90 JIC/ORB	
81	1001201255	1	Pipe	
82	1001220903	1	Pipe	
83	1001203424	1	Hose	
85	1001220941	1	Hose	
86	1001204389	1	Hose	
91	80633030	2	Clamp	
93	1001205824	2	Fitting, 90 Barb	
94	2220775	1	Fitting, 90 JIC/ORB	
95	2220637	1	Fitting, 45 JIC/ORB	
96	2220380	1	Fitting, Straight JIC/ORB	
97	2220733	1	Fitting, Straight JIC/ORB	
99	1001203430	1	Hose	
100	1001203431	1	Hose	
101	1001203432	1	Hose	
102	1001203433	1	Hose	
103	1001204645	1	Hose	
104	1001214149	1	Hose	
105	1001214408	1	Fitting, Tee JIC/ORB/JIC	
106	2220238	1	Plug	
107	2220606	1	Fitting, Tee JIC/ORB/JIC	
108	1001220912	1	Hose	

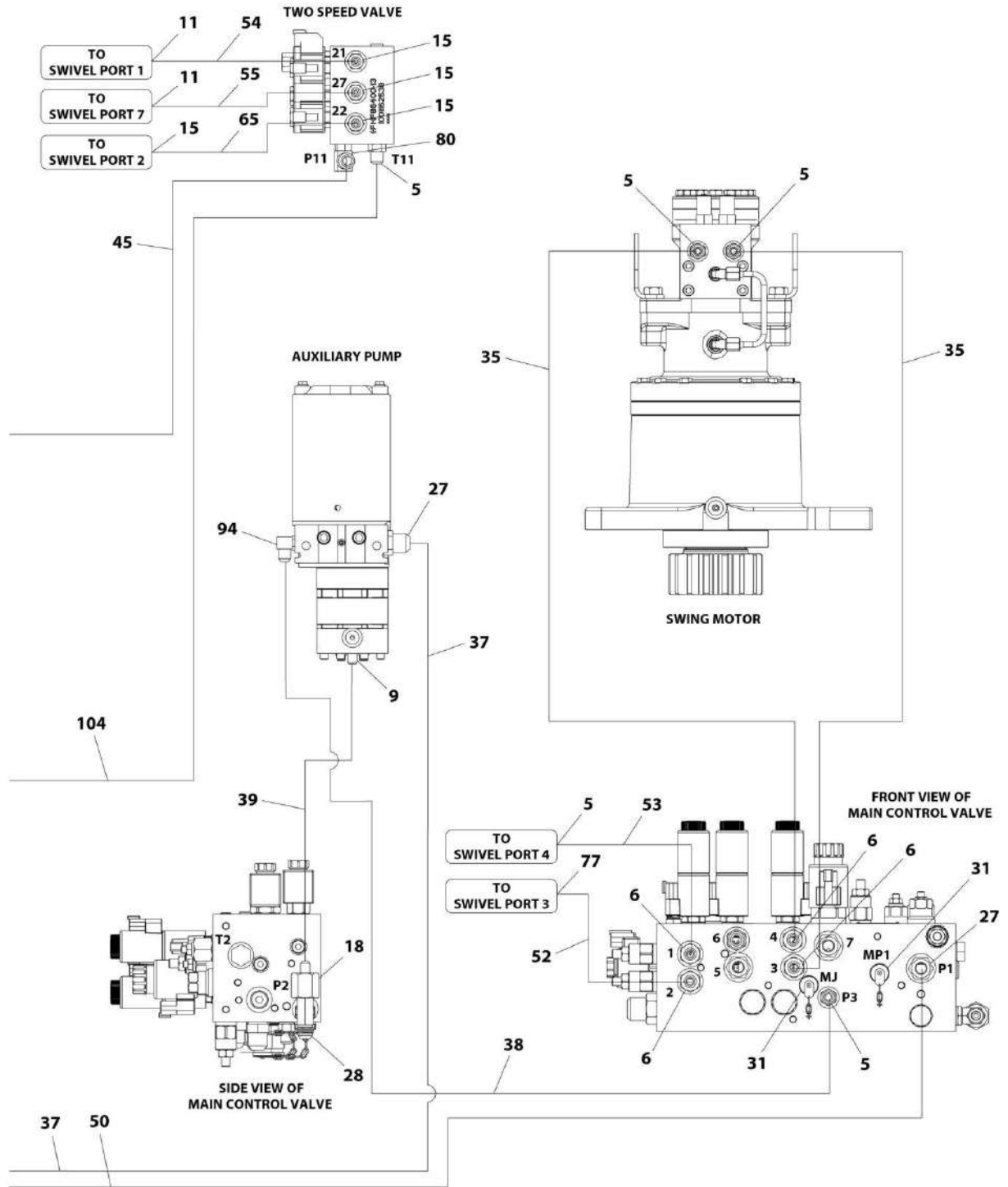
SECTION 7 - HYDRAULIC

FIGURE 7-6. STANDARD HYDRAULIC DIAGRAM (660SJ 2WS)



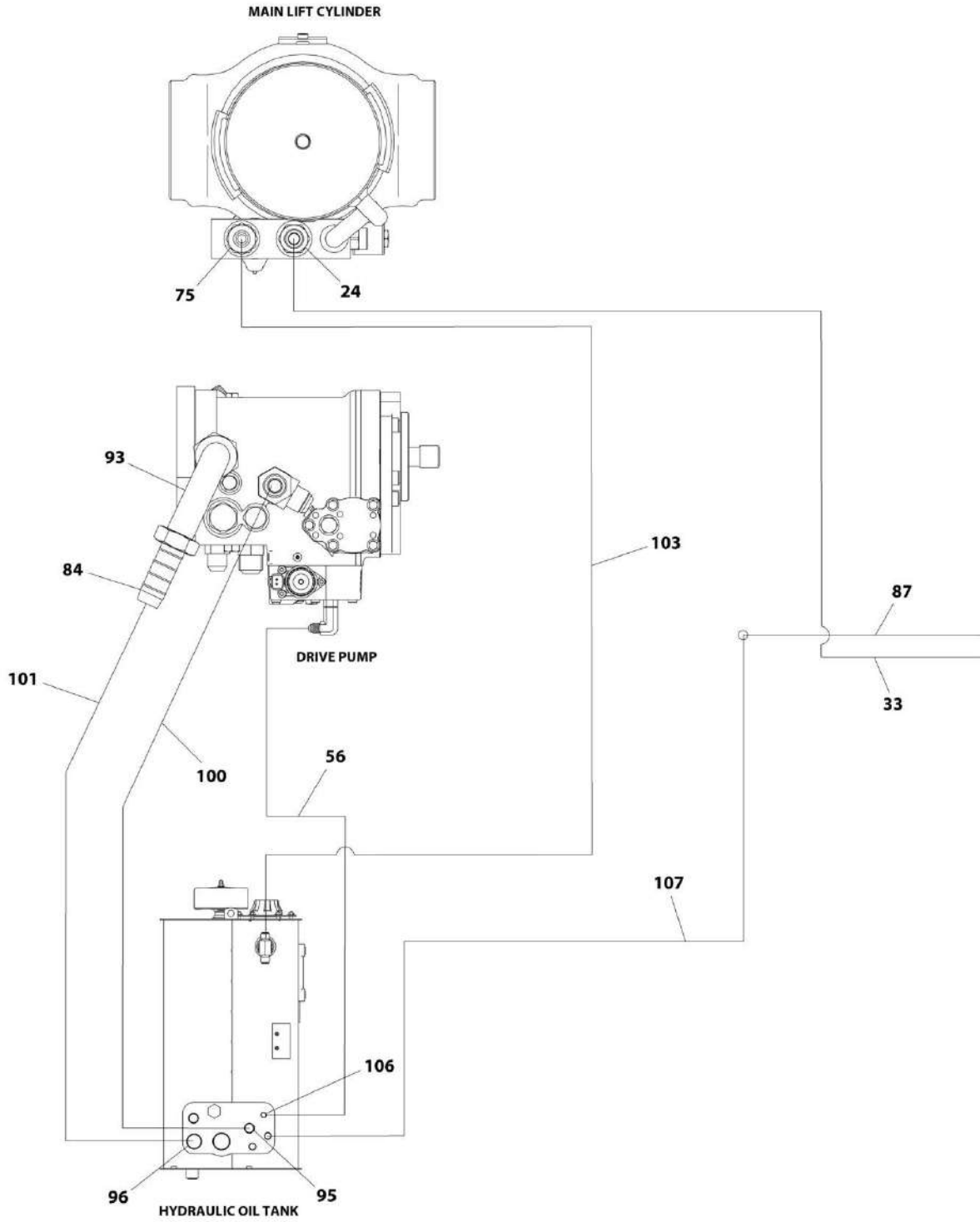
ART_1001193759_TOF4

SECTION 7 - HYDRAULIC



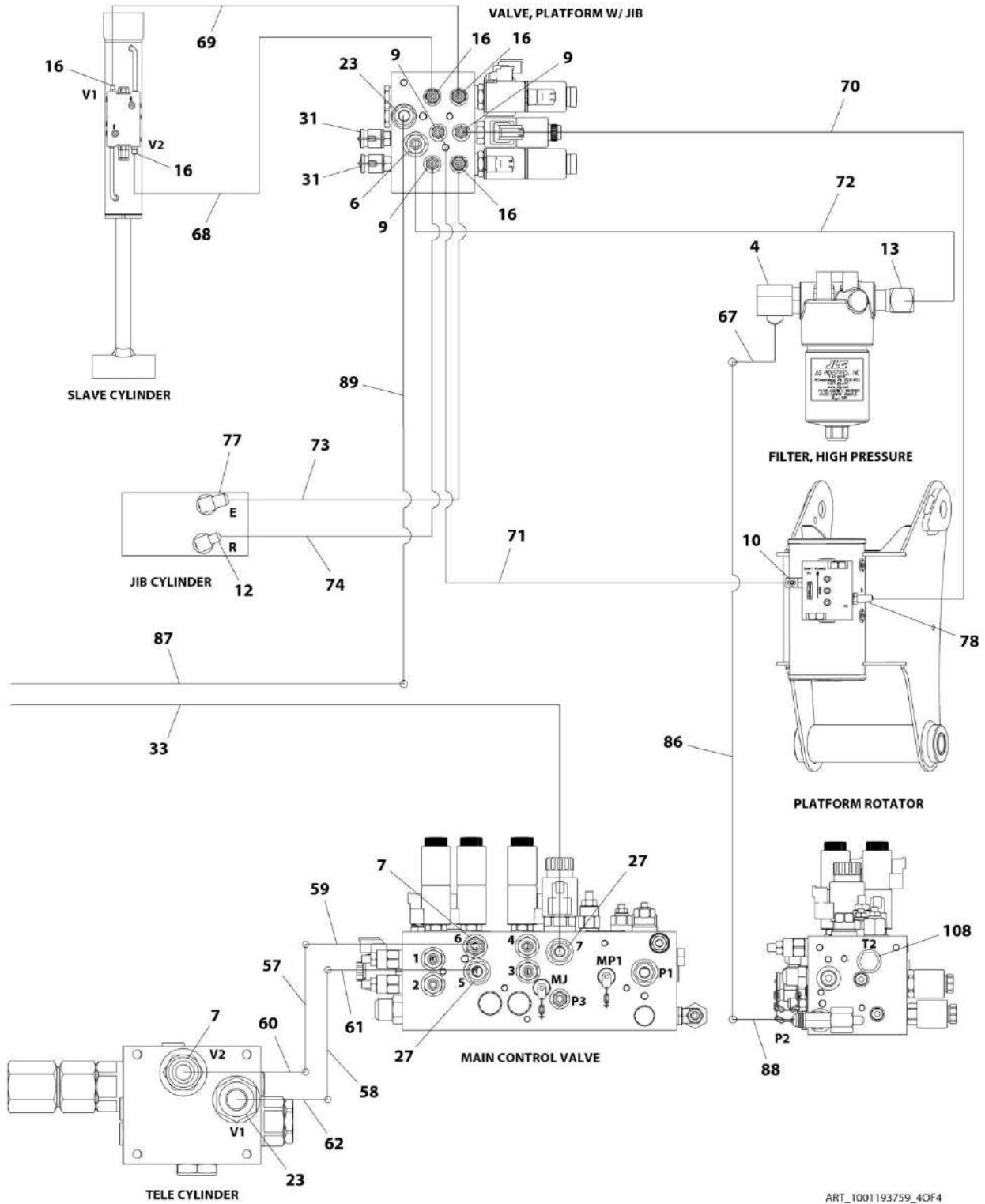
ART_1001193759_2OF4

SECTION 7 - HYDRAULIC



ART_1001193759_3OF4

SECTION 7 - HYDRAULIC



SECTION 7 - HYDRAULIC

FIGURE 7-6. STANDARD HYDRAULIC DIAGRAM (660SJ 2WS)

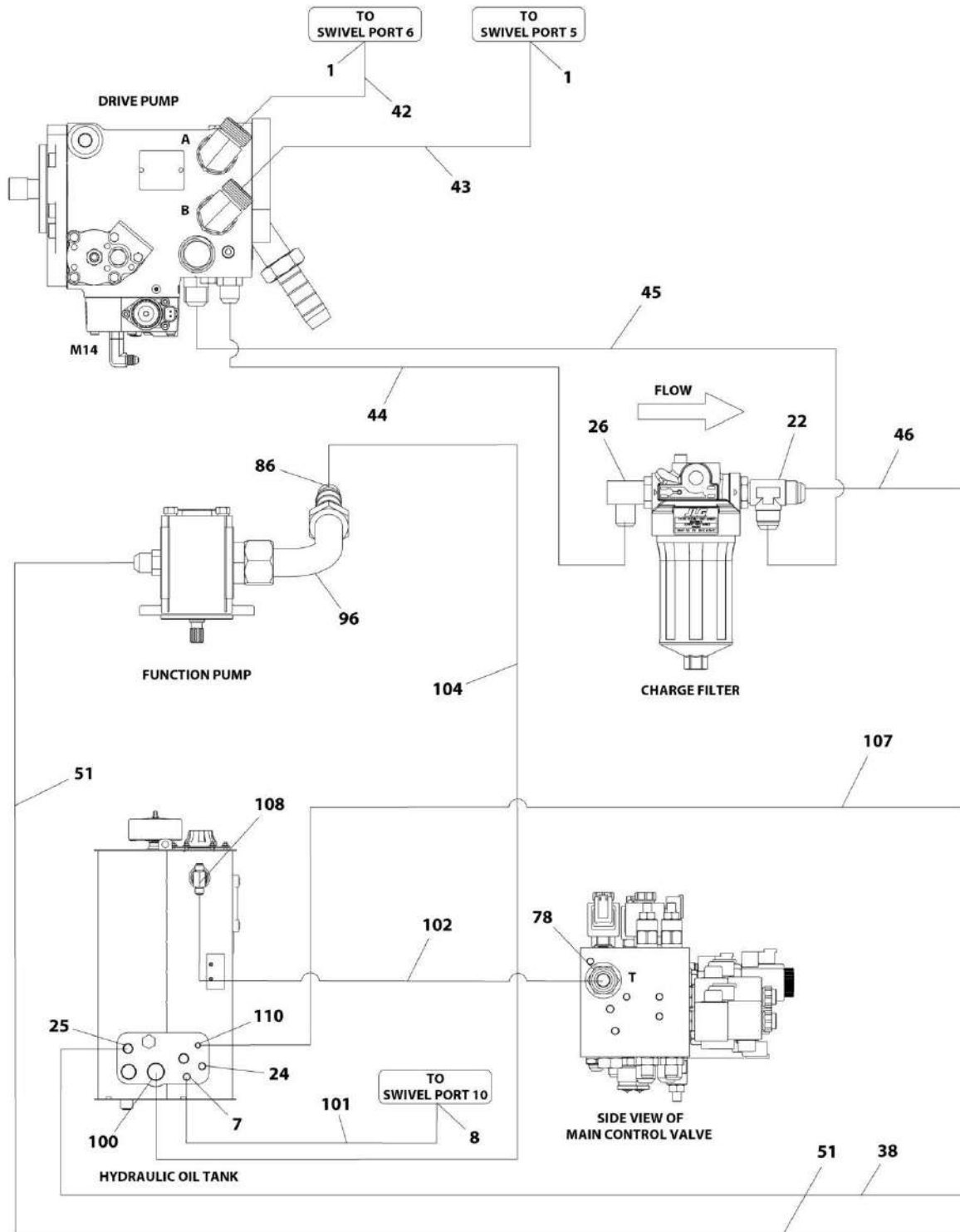
ITEM	PART NUMBER	QTY	DESCRIPTION	REV
	1001193759	Ref	STANDARD HYDRAULIC DIAGRAM	I
1	2111616	2	Fitting, Straight ORFS/ORB	
4	2220366	1	Fitting, 90 JIC/ORB	
5	2220371	5	Fitting, Straight JIC/ORB	
6	2220372	5	Fitting, Straight JIC/ORB	
7	2220373	3	Fitting, Straight JIC/ORB	
9	2220415	4	Fitting, Straight JIC/ORB	
10	2220466	1	Fitting, 90 JIC/ORB	
11	2220468	2	Fitting, Straight JIC/ORB	
12	2220472	1	Fitting, 90 JIC/ORB	
13	2221048	1	Fitting, 90 JIC/ORB	
15	2220582	4	Fitting, Straight JIC/ORB	
16	2220603	5	Fitting, Straight JIC/ORB	
18	2220618	1	Fitting, Straight JIC/FSJIC	
21	2220738	1	Fitting, Tee JIC/ORB/JIC	
23	2220852	3	Fitting, Straight JIC/ORB	
24	2220865	2	Fitting, Straight JIC/ORB	
25	2220906	1	Fitting, 90 JIC/ORB	
27	2220947	4	Fitting, Straight JIC/ORB	
28	2220999	1	Fitting, Tee JIC/ORB/JIC	
31	2221086	4	Fitting, Test	
32	1001119455	1	Valve, Oil Sampling	
33	1001192641	1	Hose	
35	1001192651	2	Hose	
37	1001228226	1	Hose	
38	1001192654	1	Hose	
39	1001192655	1	Hose	
41	1001192661	1	Hose	
42	1001192663	1	Hose	
43	1001192667	1	Hose	
44	1001192669	1	Hose	
45	1001192673	1	Hose	
50	1001192679	1	Hose	
52	1001192681	1	Hose	
53	1001192682	1	Hose	
54	1001192688	1	Hose	
55	1001192689	1	Hose	
56	1001192690	1	Hose	
57	1001192693	1	Pipe	
58	1001192694	1	Pipe	
59	1001192695	1	Hose	
60	1001192696	1	Hose	
61	1001192698	1	Hose	
62	1001192699	1	Hose	
65	1001192758	1	Hose	
67	1001203426	1	Hose	
68	1001193927	1	Hose	
69	1001193928	1	Hose	
70	1001193929	1	Hose	
71	1001193930	1	Hose	

SECTION 7 - HYDRAULIC

ITEM	PART NUMBER	QTY	DESCRIPTION	REV
72	1001222522	1	Hose	
73	1001193932	1	Hose	
74	1001193933	1	Hose	
75	2220375	2	Fitting, Straight JIC/ORB	
76	2220451	1	Fitting, Straight JIC/ORB	
77	2220473	2	Fitting, 90 JIC/ORB	
78	2220502	1	Fitting, 45 JIC/ORB	
80	2220726	1	Fitting, 90 JIC/ORB	
84	80633030	2	Clamp	
86	1001201255	1	Pipe	
87	1001220903	1	Pipe	
88	1001203424	1	Hose	
89	1001221016	1	Hose	
93	1001205824	2	Fitting, 90 Barb	
94	2220775	1	Fitting, 90 JIC/ORB	
95	2220637	1	Fitting, 45 JIC/ORB	
96	2220380	1	Fitting, Straight JIC/ORB	
97	2220733	1	Fitting, Straight JIC/ORB	
98	1001203423	1	Hose	
99	1001203430	1	Hose	
100	1001203431	1	Hose	
101	1001203433	1	Hose	
102	1001203432	1	Hose	
103	1001204645	1	Hose	
104	1001214149	1	Hose	
105	1001214408	1	Fitting, Tee JIC/ORB/JIC	
106	2220606	1	Fitting, Tee JIC/ORB/JIC	
107	1001220912	1	Hose	
108	2220238	1	Plug	

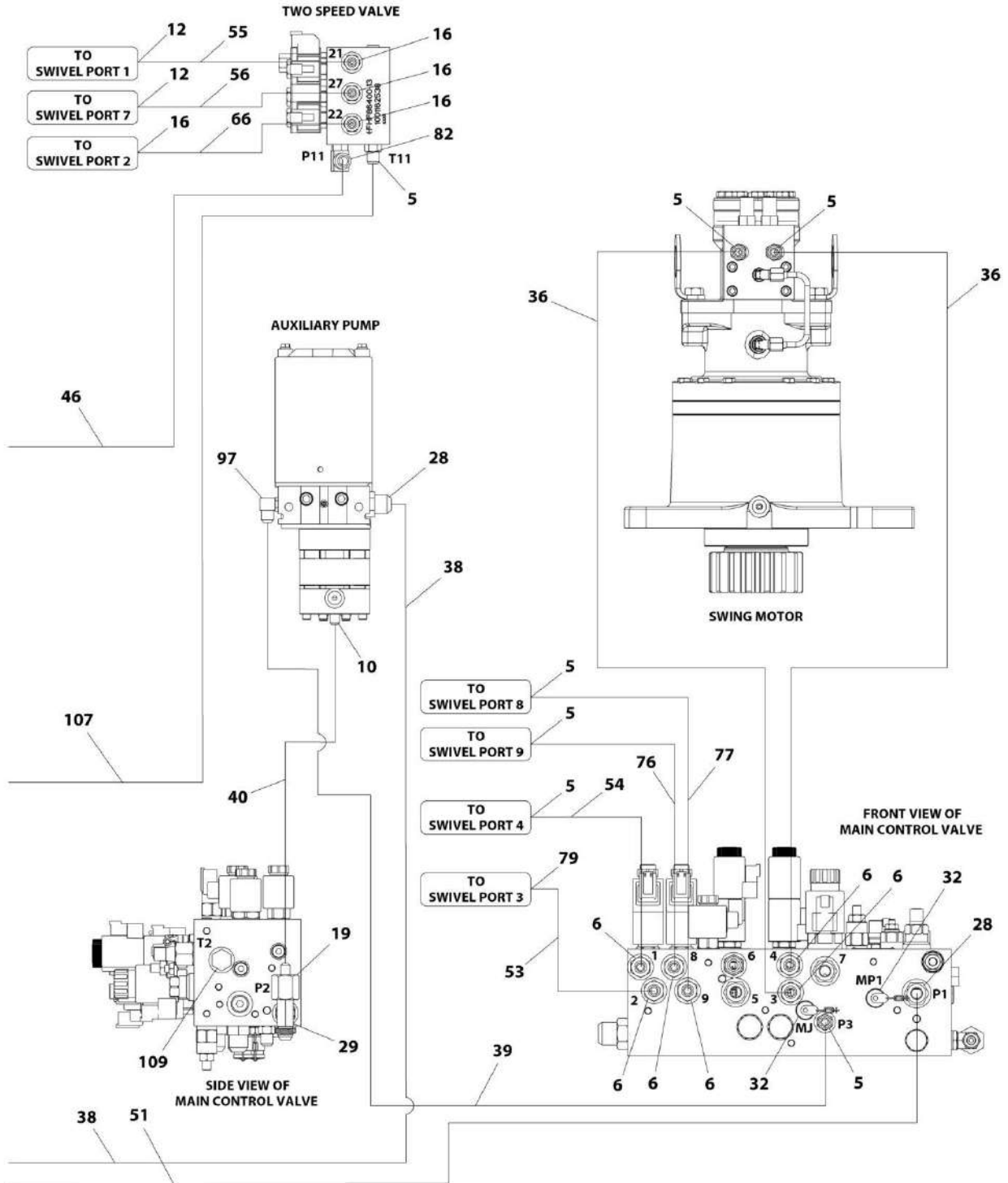
SECTION 7 - HYDRAULIC

FIGURE 7-7. STANDARD HYDRAULIC DIAGRAM (660SJ 4WS)



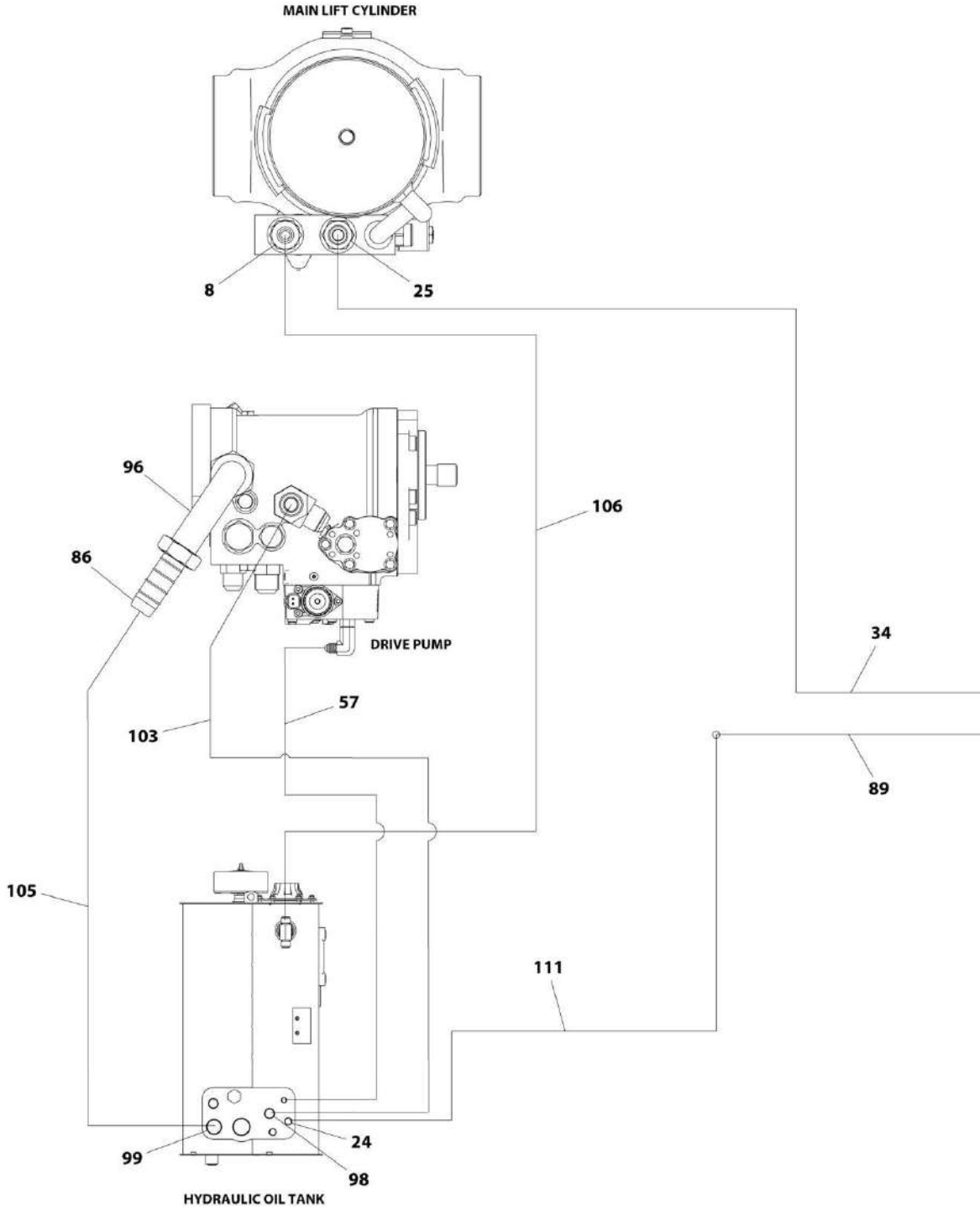
ART_1001194097_TOF4

SECTION 7 - HYDRAULIC



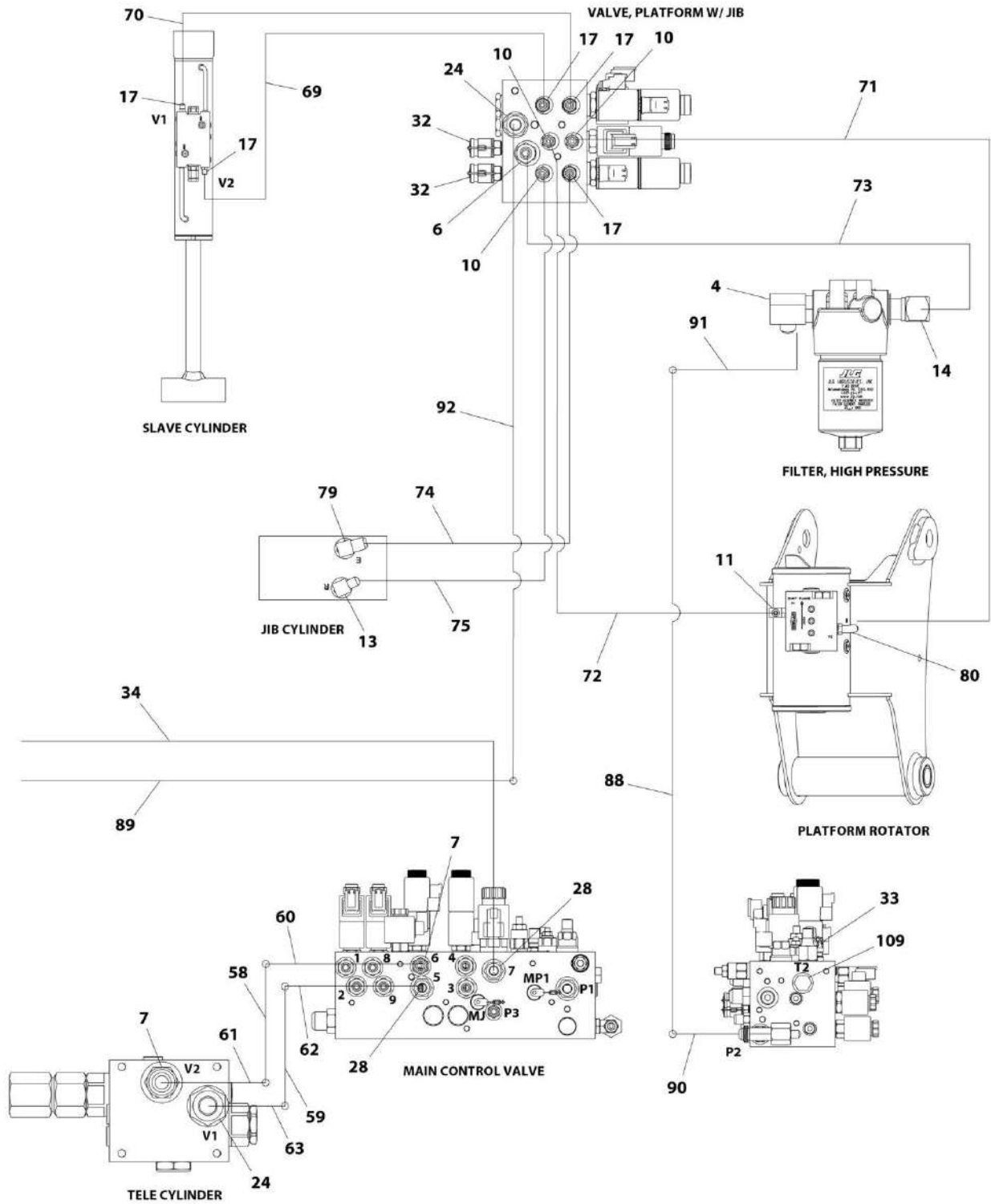
ART_1001194097_2OF4

SECTION 7 - HYDRAULIC



ART_1001194097_3OF4

SECTION 7 - HYDRAULIC



ART_1001194097_4OF4

SECTION 7 - HYDRAULIC

FIGURE 7-7. STANDARD HYDRAULIC DIAGRAM (660SJ 4WS)

ITEM	PART NUMBER	QTY	DESCRIPTION	REV
	1001194097	Ref	STANDARD HYDRAULIC DIAGRAM	H
1	2111616	2	Fitting, Straight JIC/ORB	
4	2220366	1	Fitting, 90 JIC/ORB	
5	2220371	7	Fitting, Straight JIC/ORB	
6	2220372	7	Fitting, Straight JIC/ORB	
7	2220373	3	Fitting, Straight JIC/ORB	
8	2220375	2	Fitting, Straight JIC/ORB	
10	2220415	4	Fitting, Straight JIC/ORB	
11	2220466	1	Fitting, 90 JIC/ORB	
12	2220468	2	Fitting, Straight JIC/ORB	
13	2220472	1	Fitting, 90 JIC/ORB	
14	2221048	1	Fitting, 90 JIC/ORB	
16	2220582	4	Fitting, Straight JIC/ORB	
17	2220603	5	Fitting, Straight JIC/ORB	
19	2220618	1	Fitting, Straight JIC/FSJIC	
22	2220738	1	Fitting, Tee JIC/ORB/JIC	
24	2220852	3	Fitting, Straight JIC/ORB	
25	2220865	2	Fitting, Straight JIC/ORB	
26	2220906	1	Fitting, 90 JIC/ORB	
28	2220947	4	Fitting, Straight JIC/ORB	
29	2220999	1	Fitting, Tee JIC/ORB/JIC	
32	2221086	4	Fitting, Test	
33	1001119455	1	Valve, Oil Sampling	
34	1001192641	1	Hose	
36	1001192651	2	Hose	
38	1001228226	1	Hose	
39	1001192654	1	Hose	
40	1001192655	1	Hose	
42	1001192661	1	Hose	
43	1001192663	1	Hose	
44	1001192667	1	Hose	
45	1001192669	1	Hose	
46	1001192673	1	Hose	
51	1001192679	1	Hose	
53	1001192681	1	Hose	
54	1001192682	1	Hose	
55	1001192688	1	Hose	
56	1001192689	1	Hose	
57	1001192690	1	Hose	
58	1001192693	1	Pipe	
59	1001192694	1	Pipe	
60	1001192695	1	Hose	
61	1001192696	1	Hose	
62	1001192698	1	Hose	
63	1001192699	1	Hose	
66	1001192758	1	Hose	
69	1001193927	1	Hose	
70	1001193928	1	Hose	
71	1001193929	1	Hose	
72	1001193930	1	Hose	

SECTION 7 - HYDRAULIC

ITEM	PART NUMBER	QTY	DESCRIPTION	REV
73	1001222522	1	Hose	
74	1001193932	1	Hose	
75	1001193933	1	Hose	
76	1001194329	1	Hose	
77	1001194330	1	Hose	
78	2220451	1	Fitting, Straight JIC/ORB	
79	2220473	2	Fitting, 90 JIC/ORB	
80	2220502	1	Fitting, 45 JIC/ORB	
82	2220726	1	Fitting, 90 JIC/ORB	
86	80633030	2	Clamp	
88	1001201255	1	Pipe	
89	1001220903	1	Pipe	
90	1001203424	1	Hose	
91	1001203426	1	Hose	
92	1001221016	1	Hose	
96	1001205824	2	Fitting, 90 Barb	
97	2220775	1	Fitting, 90 JIC/ORB	
98	2220637	1	Fitting, 45 JIC/ORB	
99	2220380	1	Fitting, Straight JIC/ORB	
100	2220733	1	Fitting, Straight JIC/ORB	
101	1001203423	1	Hose	
102	1001203430	1	Hose	
103	1001203431	1	Hose	
104	1001203432	1	Hose	
105	1001203433	1	Hose	
106	1001204645	1	Hose	
107	1001214149	1	Hose	
108	1001214408	1	Fitting, Tee JIC/ORB/JIC	
109	2220238	1	Plug	
110	2220606	1	Fitting, Tee JIC/ORB/JIC	
111	1001220912	1	Hose	

SECTION 7 - HYDRAULIC

FIGURE 7-8. HYDRAULIC DIAGRAM LIST

ITEM	PART NUMBER	QTY	DESCRIPTION	REV
		Ref	HYDRAULIC DIAGRAM LIST	
		Ref	Note: Diagrams that are not shown are available from the JLG Service Department. See Service and Maintenance Manual for Schematics.	
		Ref	HYDRAULIC DIAGRAMS - DRIVE:	
	1001188342	Ref	Drive Hydraulic Diagram (2WS Without Arctic Package)	
	1001192265	Ref	Drive Hydraulic Diagram (2WS With Arctic Package)	
	1001188343	Ref	Drive Hydraulic Diagram (4WS)	
		Ref	HYDRAULIC DIAGRAM - STANDARD	
	1001193247	Ref	Standard Hydraulic Diagram (600S 2WS)	
	1001194096	Ref	Standard Hydraulic Diagram (600S 4WS)	
	1001193759	Ref	Standard Hydraulic Diagram (660SJ 2WS)	
	1001194097	Ref	Standard Hydraulic Diagram (660SJ 4WS)	
	1001188898	Ref	HYDRAULIC SCHEMATIC	

SECTION 8 - ELECTRICAL

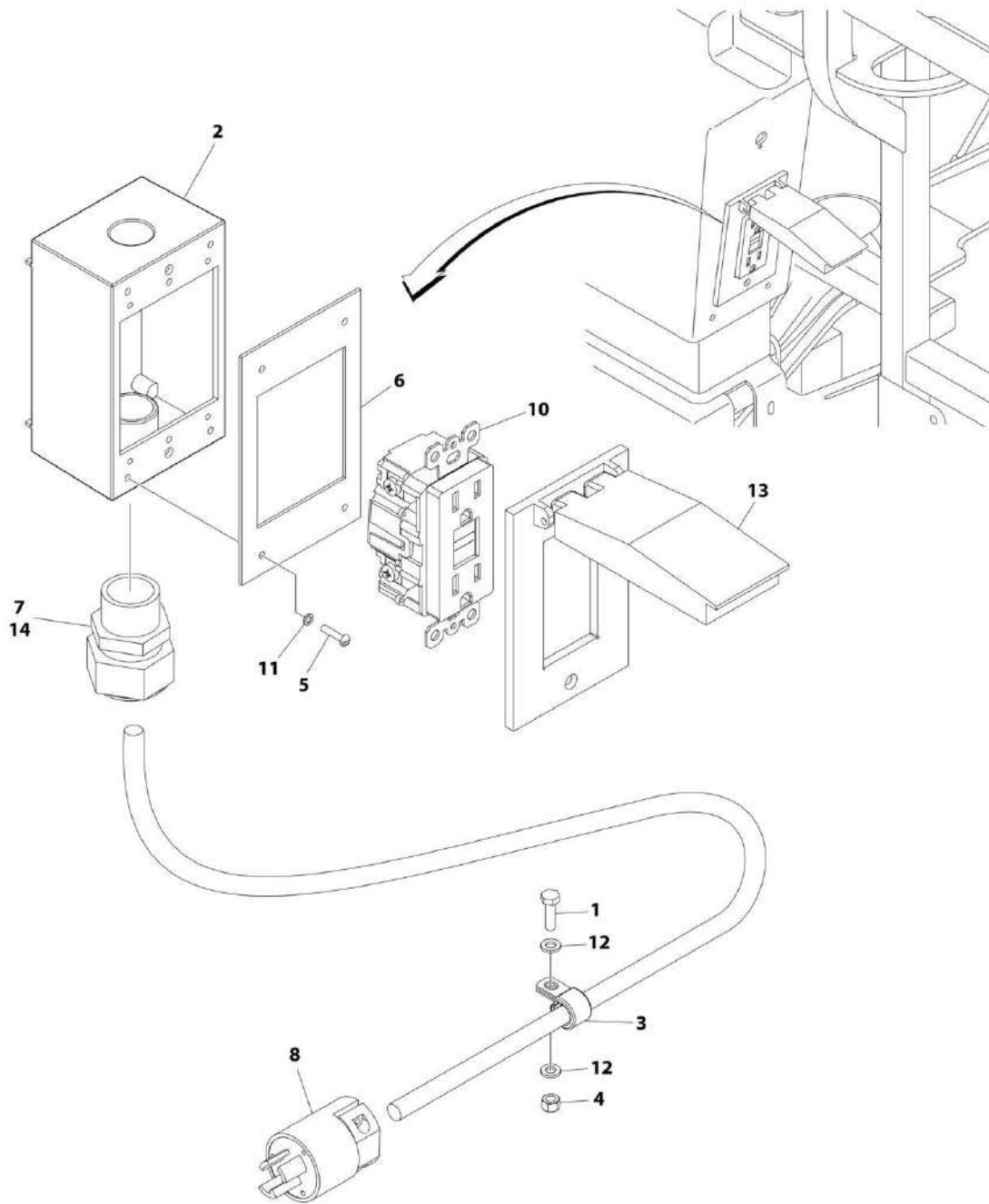
SECTION 8 - ELECTRICAL

FIGURE 8-1. ELECTRICAL DIAGRAM LIST

ITEM	PART NUMBER	QTY	DESCRIPTION	REV
		Ref	ELECTRICAL DIAGRAM LIST	
		Ref	Note: Diagrams that are not shown are available from the JLG Service Department. See Service and Maintenance Manual for Schematics.	
		Ref	GENERATOR ELECTRICAL DIAGRAMS	
		Ref	2500W Generator Electrical Diagram Options:	
	1001188732	Ref	Machines with 110V/60Hz Generators	
	1001188731	Ref	Machines with 220V/50Hz Generators	
		Ref	4000W Generator Electrical Diagram Options:	
	1001175631	Ref	Machines with 110V/60Hz Generators (Deutz Engines)	
	1001175632	Ref	Machines with 220V/50Hz Generators (Deutz D2011 Engines)	
		Ref	7500W SkyPower Generator Electrical Diagram Options:	
	1001174675	Ref	All Machines	
	4933218	Ref	PLATFORM SOFT TOUCH SYSTEM ELECTRICAL DIAGRAM	
	1001186701	Ref	STANDARD ELECTRICAL SCHEMATIC	

SECTION 8 - ELECTRICAL

FIGURE 8-2. AC BOX AT PLATFORM INSTALLATION - 110V (ALL SPECS EXCEPT AUSTRALIAN & CE SPECS)



ART_1001190773

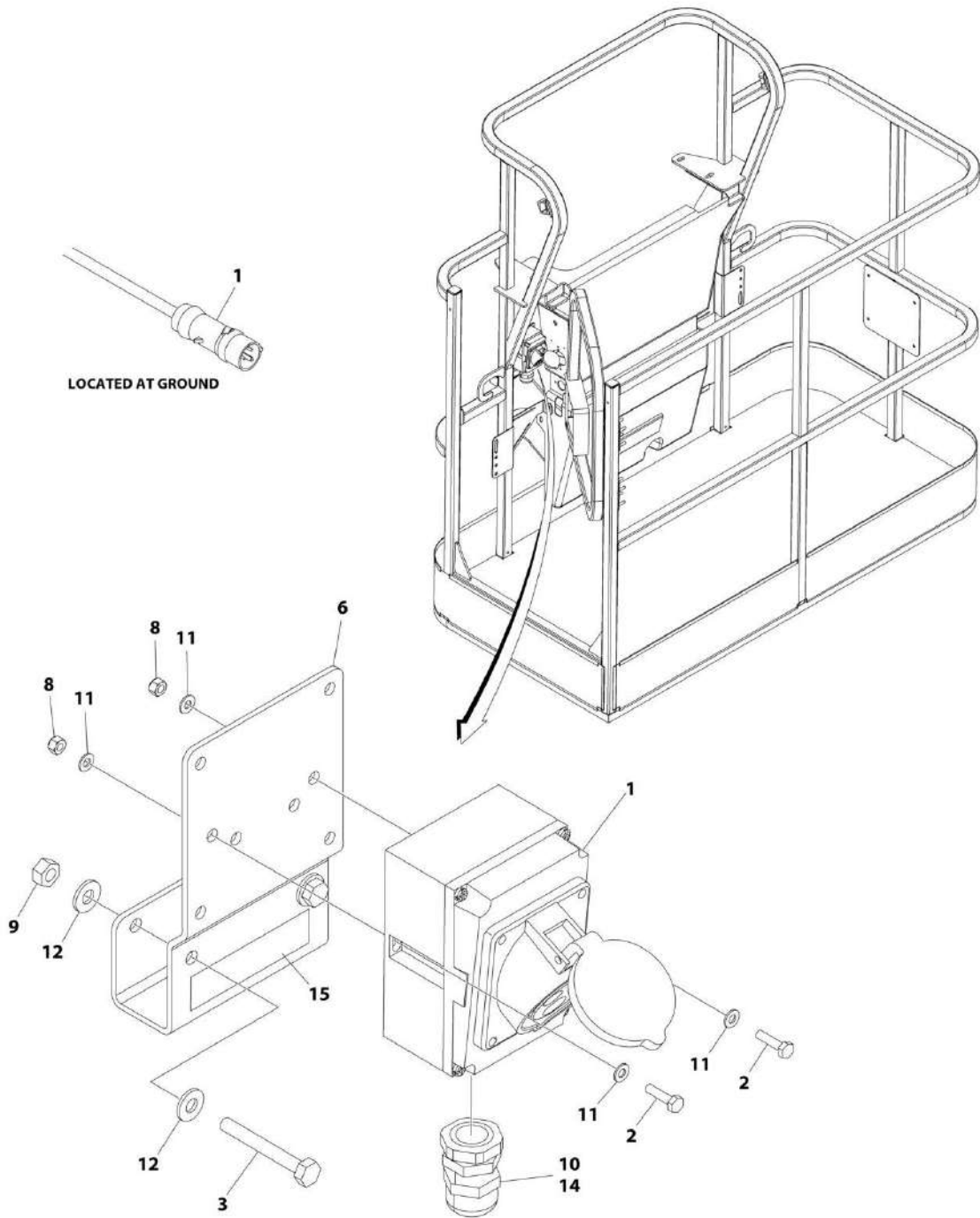
SECTION 8 - ELECTRICAL

FIGURE 8-2. AC BOX AT PLATFORM INSTALLATION - 110V (ALL SPECS EXCEPT AUSTRALIAN & CE SPECS)

ITEM	PART NUMBER	QTY	DESCRIPTION	REV
	1001190773	Ref	AC BOX AT PLATFORM INSTALLATION	C
1	0760610	1	Bolt M6 x 20	
2	0860038	1	Box, Switch	
3	1320041	1	Clamp	
4	3290605	1	Nut M6	
5	3910610	4	Screw #6 x 5/8	
6	3960422	1	Gasket	
7	4460071	1	Connector, Strain Relief	
8	4460205	1	Plug, Male	
9	4460315	1	Terminal, Spade (Not Shown)	
10	4460346	1	Receptacle	
11	4760600	4	Washer #6	
12	4811700	2	Washer M6	
13	1001110873	1	Shield, Cover	
14	0100079	AR	Sealant	

SECTION 8 - ELECTRICAL

FIGURE 8-3. AC BOX AT PLATFORM INSTALLATION - 110V IEC YELLOW (CE SPECS WITHOUT 4000W/50HZ GENERATOR)



ART_1001190493

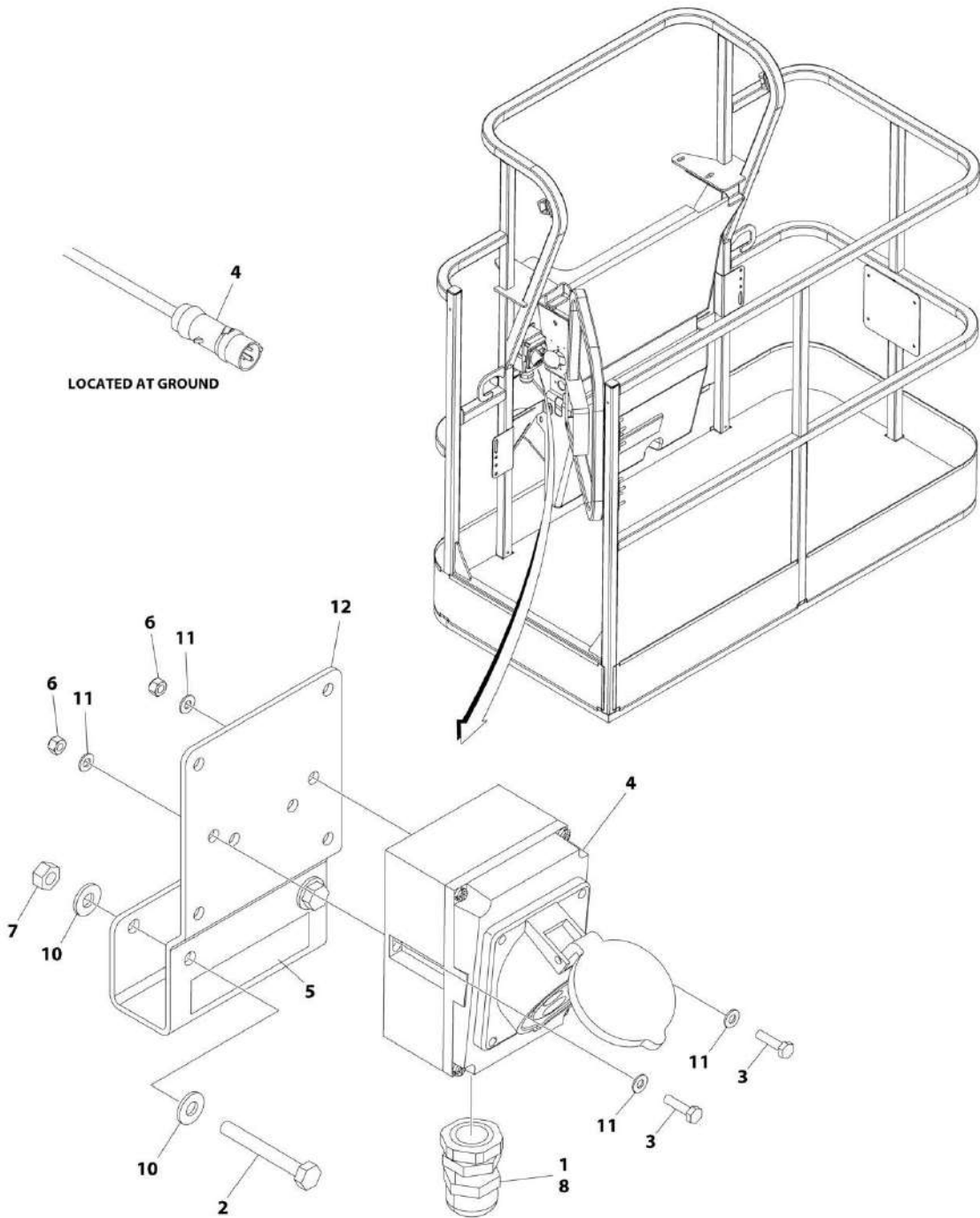
SECTION 8 - ELECTRICAL

FIGURE 8-3. AC BOX AT PLATFORM INSTALLATION - 110V IEC YELLOW (CE SPECS WITHOUT 4000W/50HZ GENERATOR)

ITEM	PART NUMBER	QTY	DESCRIPTION	REV
	1001190493	Ref	AC BOX AT PLATFORM INSTALLATION	C
1	0275216	1	Receptacle Box Kit - 110V IEC Yellow (See Separate Breakdown in this Section)	
2	0700408	2	Bolt M4 x 16	
3	0700618	2	Bolt M6 x 50	
6	1001193018	1	Bracket	
8	3290405	2	Nut M4	
9	3290605	2	Nut M6	
10	4460968	1	Connector, Strain Relief	
11	4811400	4	Washer M4	
12	4811700	4	Washer M6	
14	0100079	AR	Sealant	
15	1705325	1	Decal - 110V	

SECTION 8 - ELECTRICAL

FIGURE 8-4. AC BOX AT PLATFORM INSTALLATION - 110V IEC YELLOW (CE SPECS WITH 4000W/50HZ GENERATOR)



ART_1001194203

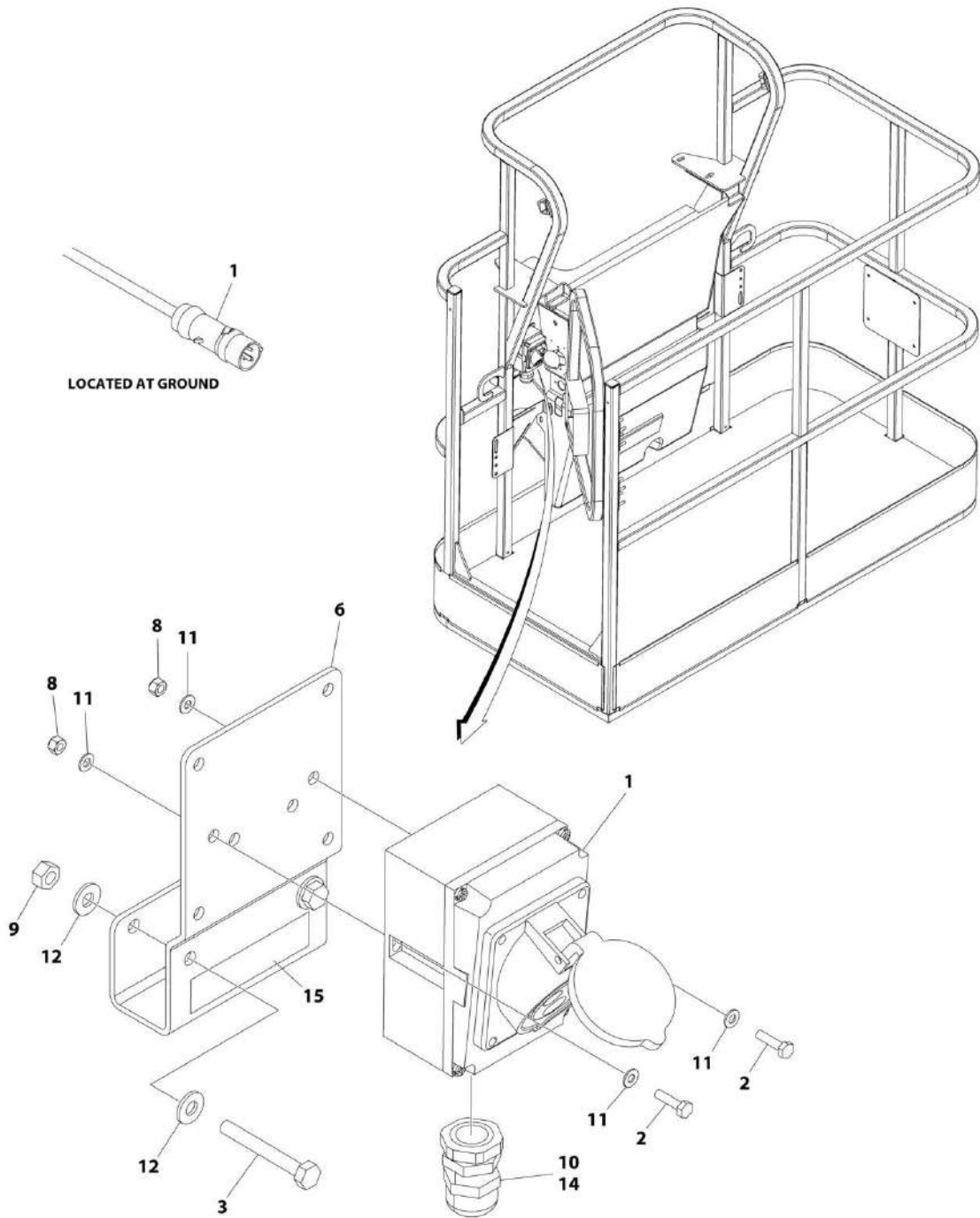
SECTION 8 - ELECTRICAL

FIGURE 8-4. AC BOX AT PLATFORM INSTALLATION - 110V IEC YELLOW (CE SPECS WITH 4000W/50HZ GENERATOR)

ITEM	PART NUMBER	QTY	DESCRIPTION	REV
	1001194203	Ref	AC BOX AT PLATFORM INSTALLATION	B
1	0100020	AR	Sealant	
2	0641416	2	Bolt 1/4 x 2	
3	0700408	2	Bolt M4 x 16	
4	0275216	1	Receptacle Box Kit - 110V IEC Yellow (See Separate Breakdown in this Section)	
5	1705325	1	Decal - 110V	
6	3290405	2	Nut M4	
7	3311405	2	Nut 1/4	
8	4460968	1	Connector, Strain Relief	
10	4711400	4	Washer 1/4	
11	4811400	4	Washer M4	
12	1001193018	1	Bracket	

SECTION 8 - ELECTRICAL

FIGURE 8-5. AC BOX AT PLATFORM INSTALLATION - 220V IEC BLUE (CE SPECS WITHOUT 4000W/50HZ GENERATOR)



ART_1001190495

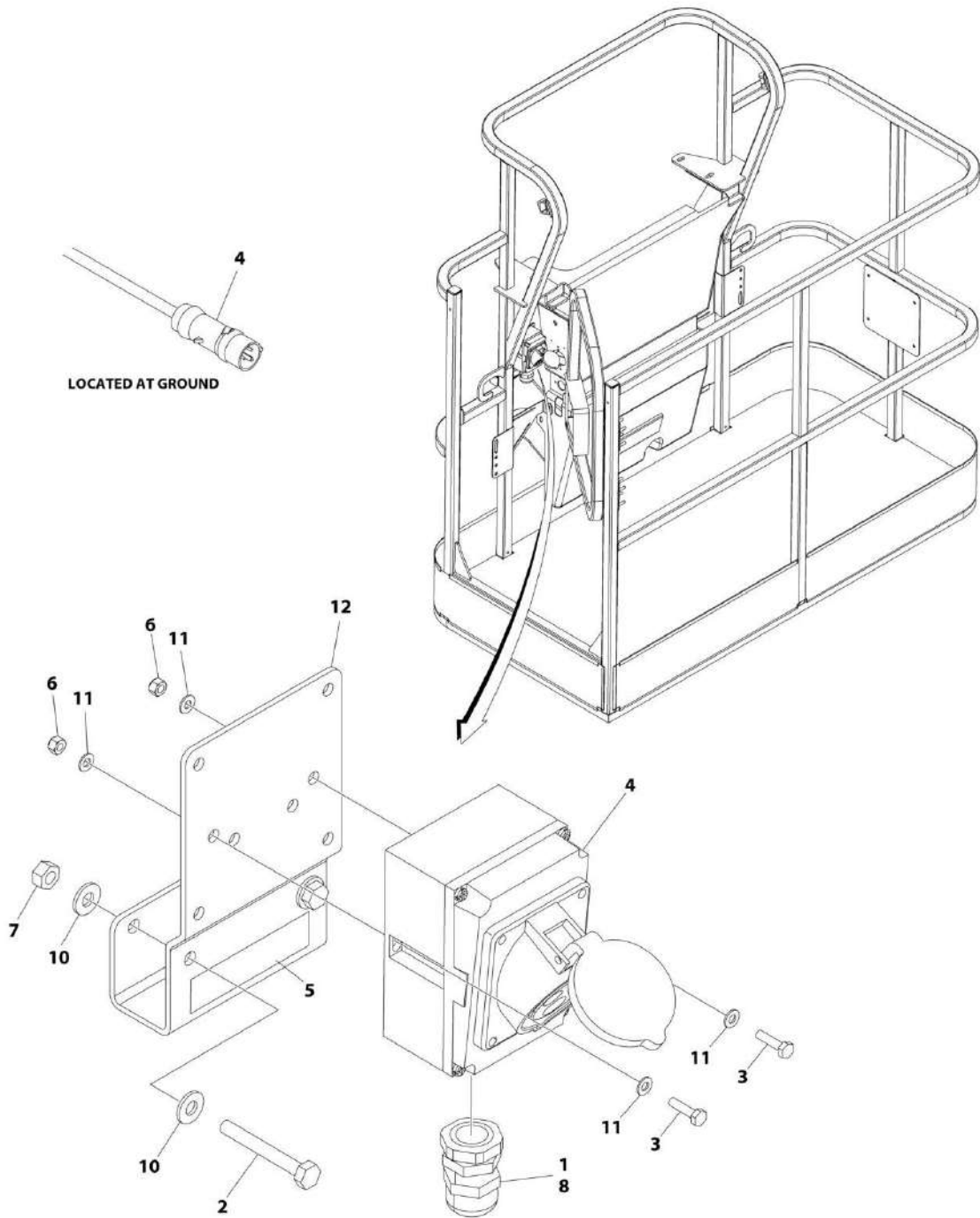
SECTION 8 - ELECTRICAL

FIGURE 8-5. AC BOX AT PLATFORM INSTALLATION - 220V IEC BLUE (CE SPECS WITHOUT 4000W/50HZ GENERATOR)

ITEM	PART NUMBER	QTY	DESCRIPTION	REV
	1001190495	Ref	AC BOX AT PLATFORM INSTALLATION	C
1	0275217	1	Receptacle Box Kit - 220V IEC Blue (See Separate Breakdown in this Section)	
2	0700408	2	Bolt M4 x 16	
3	0700618	2	Bolt M6 x 50	
6	1001193018	1	Bracket	
8	3290405	2	Nut M4	
9	3290605	2	Nut M6	
10	4460968	1	Connector, Strain Relief	
11	4811400	4	Washer M4	
12	4811700	4	Washer M6	
14	0100079	AR	Sealant	
15	3252507	1	Decal - 220 Volt	

SECTION 8 - ELECTRICAL

FIGURE 8-6. AC BOX AT PLATFORM INSTALLATION - 220V IEC BLUE (CE SPECS WITH 4000W/50HZ GENERATOR)



ART_1001194204

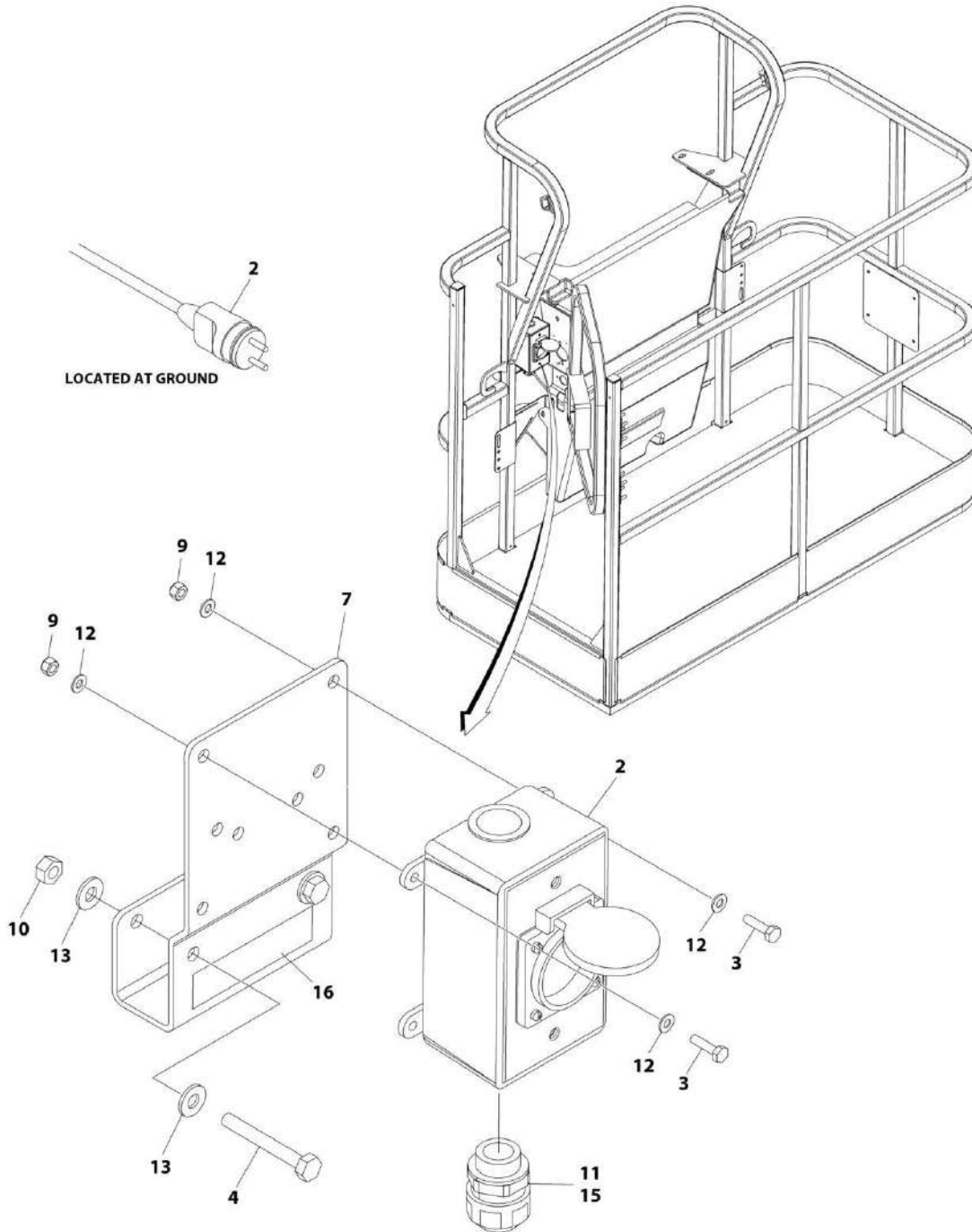
SECTION 8 - ELECTRICAL

FIGURE 8-6. AC BOX AT PLATFORM INSTALLATION - 220V IEC BLUE (CE SPECS WITH 4000W/50HZ GENERATOR)

ITEM	PART NUMBER	QTY	DESCRIPTION	REV
	1001194204	Ref	AC BOX AT PLATFORM INSTALLATION	B
1	0100020	AR	Sealant	
2	0641416	2	Bolt 1/4 x 2	
3	0700408	2	Bolt M4 x 16	
4	0275217	1	Receptacle Box Kit - 220V IEC Blue (See Separate Breakdown in this Section)	
5	3251242	1	Decal - 240V/50Hz	
6	3290405	2	Nut M4	
7	3311405	2	Nut 1/4	
8	4460968	1	Connector, Strain Relief	
10	4711400	4	Washer 1/4	
11	4811400	4	Washer M4	
12	1001193018	1	Bracket	

SECTION 8 - ELECTRICAL

FIGURE 8-7. AC BOX AT PLATFORM INSTALLATION - 220V CEE7 2IN X 4IN POST GROUND (CE SPECS WITHOUT 4000W/50HZ GENERATOR)



ART_1001190441

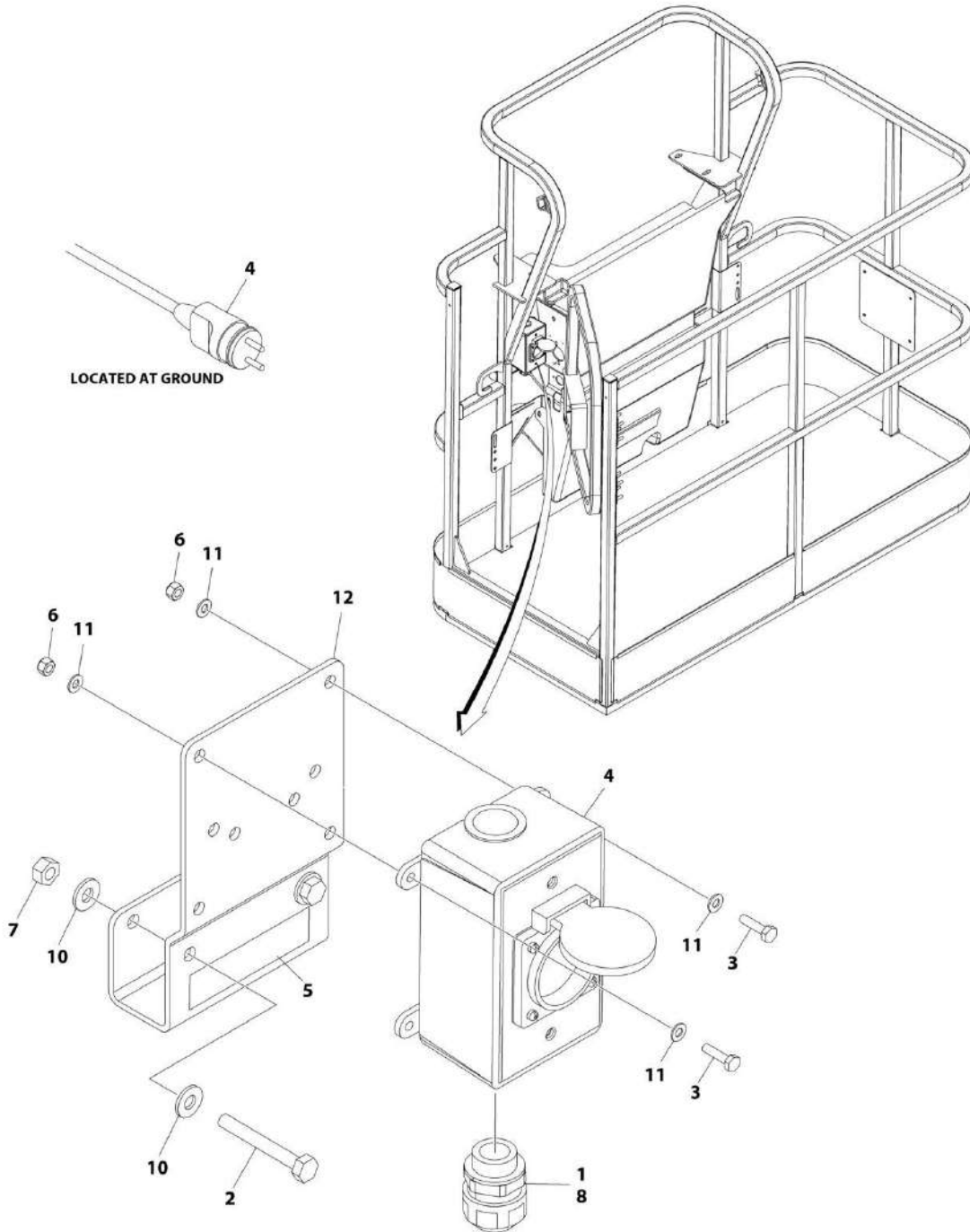
SECTION 8 - ELECTRICAL

FIGURE 8-7. AC BOX AT PLATFORM INSTALLATION - 220V CEE7 2IN X 4IN POST GROUND (CE SPECS WITHOUT 4000W/50HZ GENERATOR)

ITEM	PART NUMBER	QTY	DESCRIPTION	REV
	1001190441	Ref	AC BOX AT PLATFORM INSTALLATION	D
2	0275452	1	Receptacle Box Kit - 220V CEE7 Post Ground 2in x 4in (See Separate Breakdown in this Section)	
3	0700408	4	Bolt M4 x 16	
4	0700618	2	Bolt M6 x 50	
7	1001193018	1	Bracket	
9	3290405	4	Nut M4	
10	3290605	2	Nut M6	
11	4460662	1	Connector, Strain Relief	
12	4811400	8	Washer M4	
13	4811700	4	Washer M6	
15	0100079	AR	Sealant	
16	3252507	1	Decal - 220 Volt	

SECTION 8 - ELECTRICAL

FIGURE 8-8. AC BOX AT PLATFORM INSTALLATION - 220V CEE7 2IN X 4IN POST GROUND (CE SPECS WITH 4000W/50HZ GENERATOR)



ART_1001194197

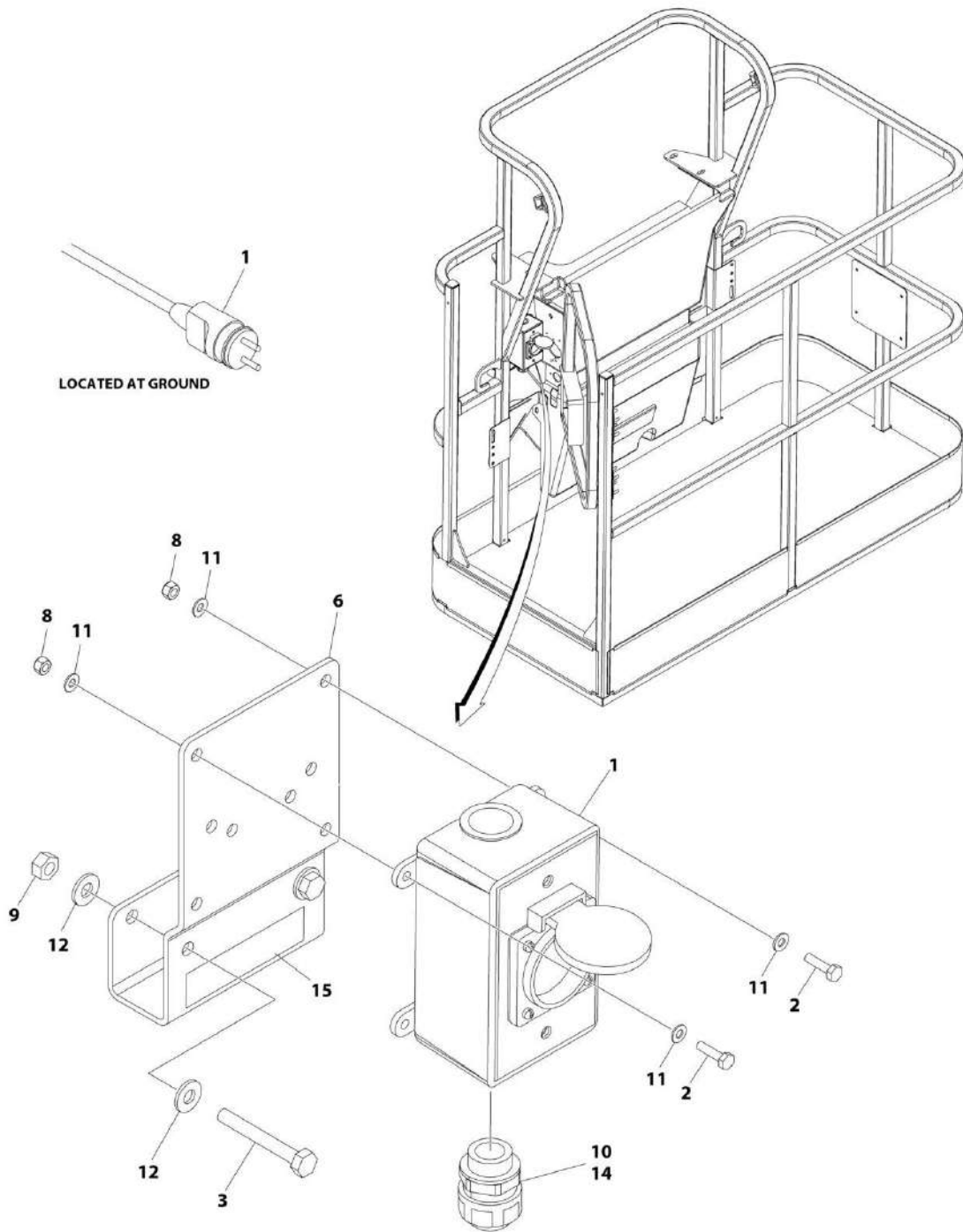
SECTION 8 - ELECTRICAL

FIGURE 8-8. AC BOX AT PLATFORM INSTALLATION - 220V CEE7 2IN X 4IN POST GROUND (CE SPECS WITH 4000W/50HZ GENERATOR)

ITEM	PART NUMBER	QTY	DESCRIPTION	REV
	1001194197	Ref	AC BOX AT PLATFORM INSTALLATION	B
1	0100020	AR	Sealant	
2	0641416	2	Bolt 1/4 x 2	
3	0700408	4	Bolt M4 x 16	
4	0275452	1	Receptacle Box Kit - 220V CEE7 Post Ground 21in x 4in (See Separate Breakdown in this Section)	
5	3251242	1	Decal - 240V/50Hz	
6	3290405	4	Nut M4	
7	3311405	2	Nut 1/4	
8	4460662	1	Connector, Strain Relief	
10	4711400	4	Washer 1/4	
11	4811400	8	Washer M4	
12	1001193018	1	Bracket	

SECTION 8 - ELECTRICAL

FIGURE 8-9. AC BOX AT PLATFORM INSTALLATION - 220V CEE7 2IN X 4IN SIDE GROUND (CE SPECS WITHOUT 4000W/50HZ GENERATOR)



ART_1001190484

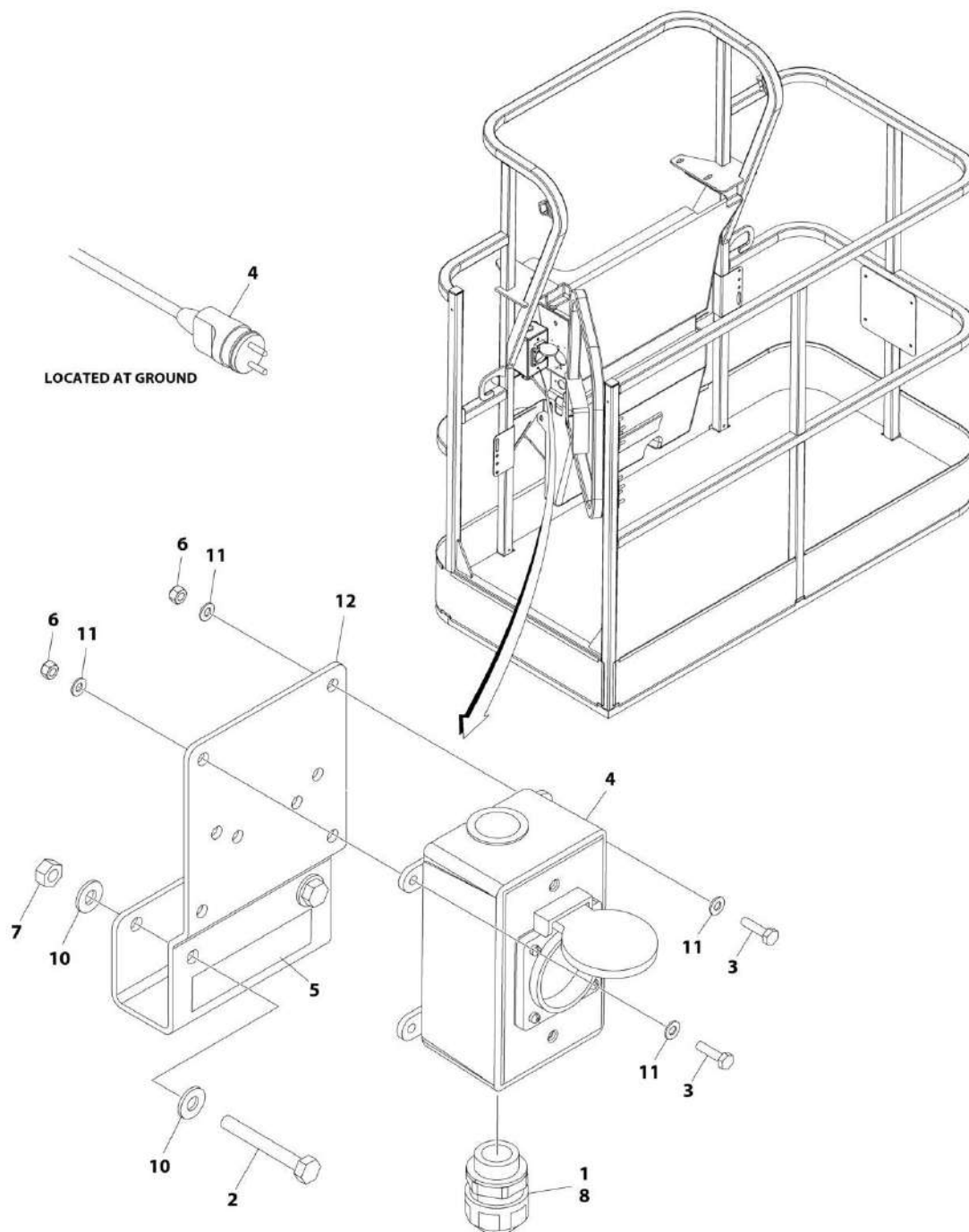
SECTION 8 - ELECTRICAL

FIGURE 8-9. AC BOX AT PLATFORM INSTALLATION - 220V CEE7 2IN X 4IN SIDE GROUND (CE SPECS WITHOUT 4000W/50HZ GENERATOR)

ITEM	PART NUMBER	QTY	DESCRIPTION	REV
	1001190484	Ref	AC BOX AT PLATFORM INSTALLATION	D
1	0275453	1	Receptacle Box Kit - 220V CEE7 Side Ground 2in x 4in (See Separate Breakdown in this Section)	
2	0700408	4	Bolt M4 x 16	
3	0700618	2	Bolt M6 x 50	
6	1001193018	1	Bracket	
8	3290405	4	Nut M4	
9	3290605	2	Nut M6	
10	4460662	1	Connector, Strain Relief	
11	4811400	8	Washer M4	
12	4811700	4	Washer M6	
14	0100079	AR	Sealant	
15	3252507	1	Decal - 220 Volt	

SECTION 8 - ELECTRICAL

FIGURE 8-10. AC BOX AT PLATFORM INSTALLATION - 220V CEE7 2IN X 4IN SIDE GROUND (CE SPECS WITH 4000W/50HZ GENERATOR)



ART_1001194198

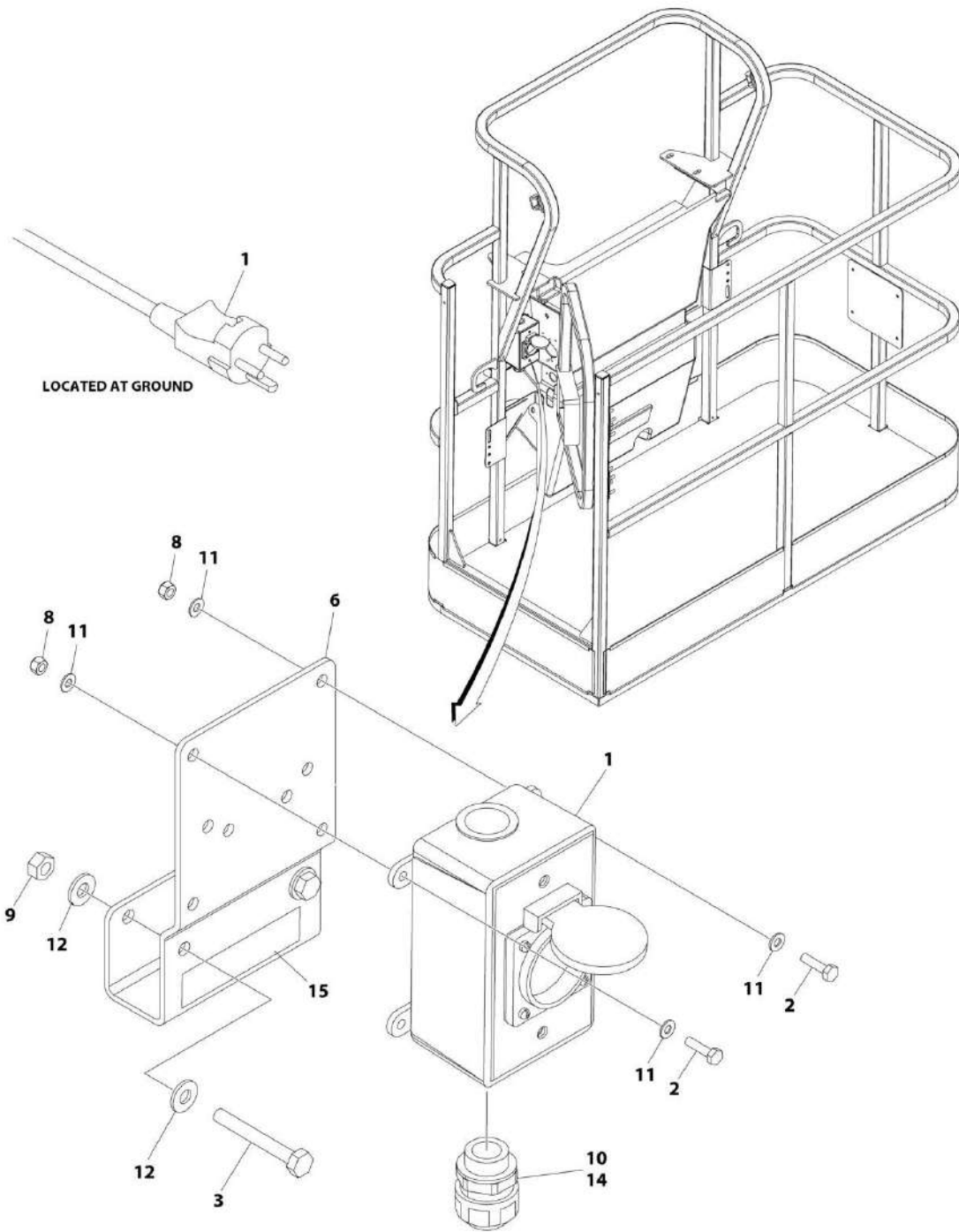
SECTION 8 - ELECTRICAL

FIGURE 8-10. AC BOX AT PLATFORM INSTALLATION - 220V CEE7 2IN X 4IN SIDE GROUND (CE SPECS WITH 4000W/50HZ GENERATOR)

ITEM	PART NUMBER	QTY	DESCRIPTION	REV
	1001194198	Ref	AC BOX AT PLATFORM INSTALLATION	B
1	0100020	AR	Sealant	
2	0641416	2	Bolt 1/4 x 2	
3	0700408	4	Bolt M4 x 16	
4	0275453	1	Receptacle Box Kit - 220V CEE7 Side Ground 2in x 4in (See Separate Breakdown in this Section)	
5	3251242	1	Decal - 240V/50Hz	
6	3290405	4	Nut M4	
7	3311405	2	Nut 1/4	
8	4460662	1	Connector, Strain Relief	
10	4711400	4	Washer 1/4	
11	4811400	8	Washer M4	
12	1001193018	1	Bracket	

SECTION 8 - ELECTRICAL

FIGURE 8-11. AC BOX AT PLATFORM INSTALLATION - 220V AFSINT107 (CE SPECS WITHOUT 4000W/50HZ GENERATOR)



ART_1001190485

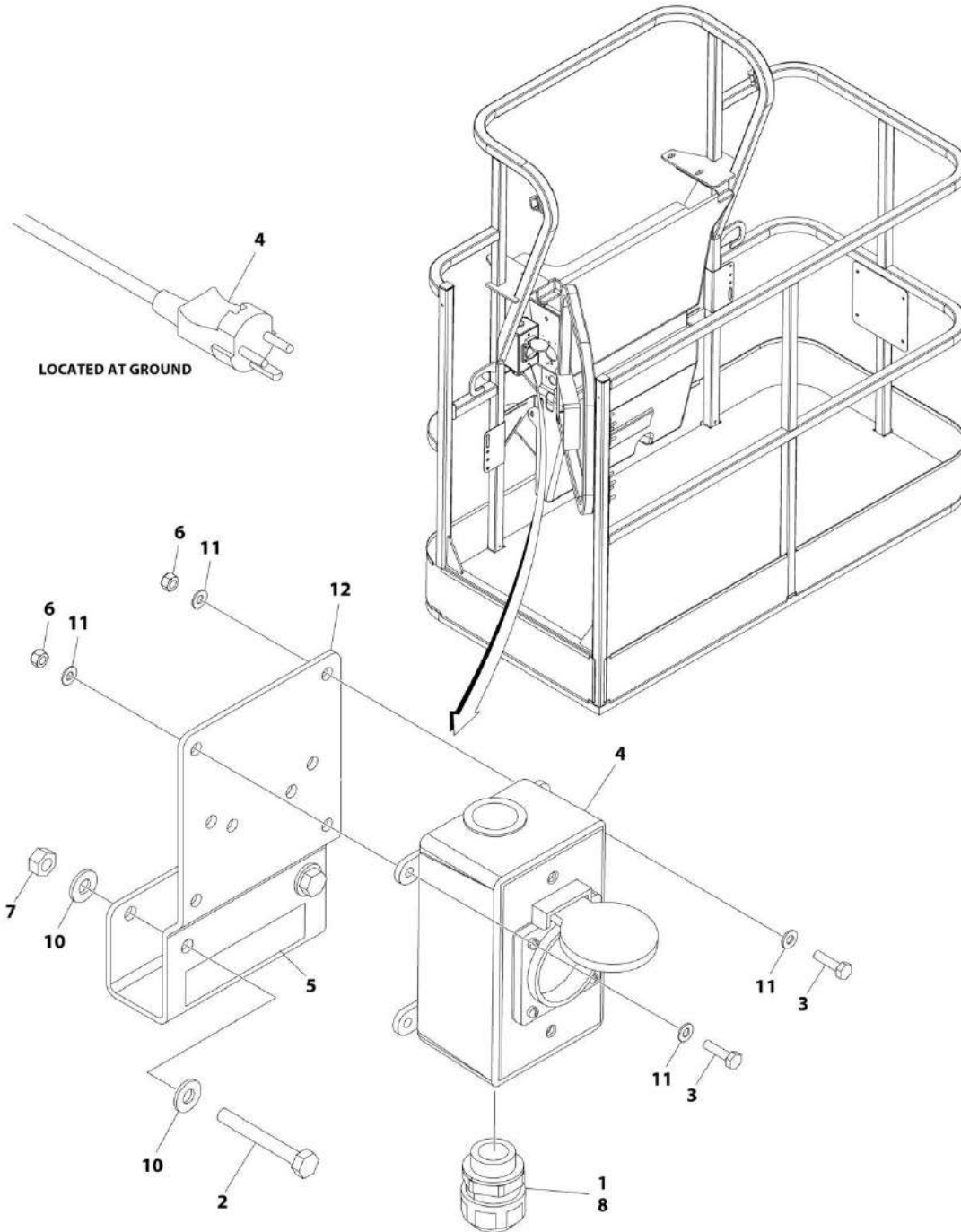
SECTION 8 - ELECTRICAL

FIGURE 8-11. AC BOX AT PLATFORM INSTALLATION - 220V AFSINT107 (CE SPECS WITHOUT 4000W/50HZ GENERATOR)

ITEM	PART NUMBER	QTY	DESCRIPTION	REV
	1001190485	Ref	AC BOX AT PLATFORM INSTALLATION	C
1	0275454	1	Receptacle Box Kit - 220V AFSINT107 (See Separate Breakdown in this Section)	
2	0700408	4	Bolt M4 x 16	
3	0700618	2	Bolt M6 x 50	
6	1001193018	1	Bracket	
8	3290405	4	Nut M4	
9	3290605	2	Nut M6	
10	4460662	1	Connector, Strain Relief	
11	4811400	8	Washer M4	
12	4811700	4	Washer M6	
14	0100079	AR	Sealant	
15	3252507	1	Decal - 220 Volt	

SECTION 8 - ELECTRICAL

FIGURE 8-12. AC BOX AT PLATFORM INSTALLATION - 220V AFSINT107 (CE SPECS WITH 4000W/50HZ GENERATOR)



ART_1001194200

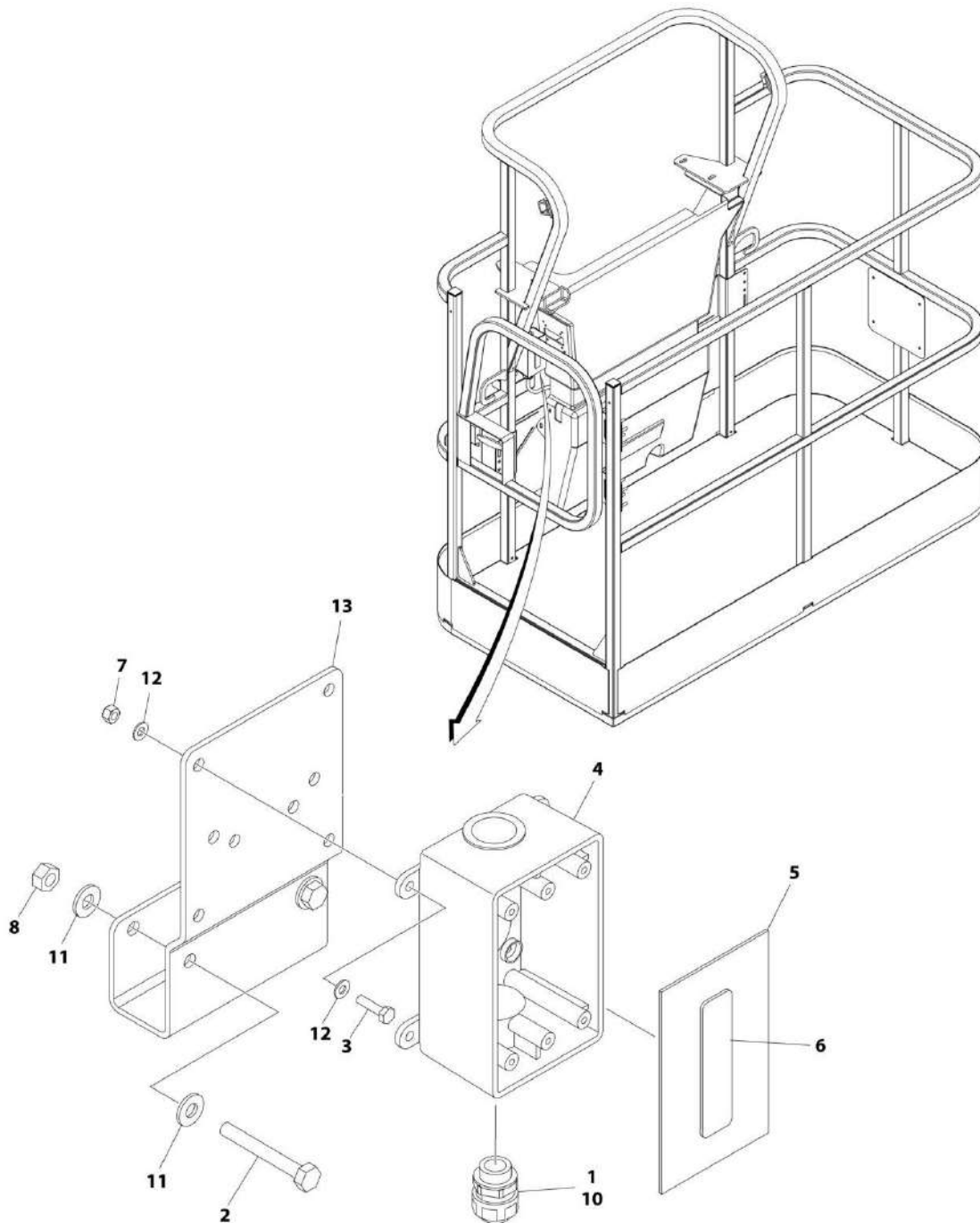
SECTION 8 - ELECTRICAL

FIGURE 8-12. AC BOX AT PLATFORM INSTALLATION - 220V AFSINT107 (CE SPECS WITH 4000W/50HZ GENERATOR)

ITEM	PART NUMBER	QTY	DESCRIPTION	REV
	1001194200	Ref	AC BOX AT PLATFORM INSTALLATION	B
1	0100020	AR	Sealant	
2	0641416	2	Bolt 1/4 x 2	
3	0700408	4	Bolt M4 x 16	
4	0275454	1	Receptacle Box Kit - 220V AFSINT107 (See Separate Breakdown in this Section)	
5	3251242	1	Decal - 240V/50Hz	
6	3290405	4	Nut M4	
7	3311405	2	Nut 1/4	
8	4460662	1	Connector, Strain Relief	
10	4711400	4	Washer 1/4	
11	4811400	8	Washer M4	
12	1001193018	1	Bracket	

SECTION 8 - ELECTRICAL

FIGURE 8-13. AC BOX AT PLATFORM INSTALLATION - 220V CUSTOMER SUPPLIED COMPONENTS
(ANSI EXPORT, CE AND CHINA SPECS)



ART_1001194365

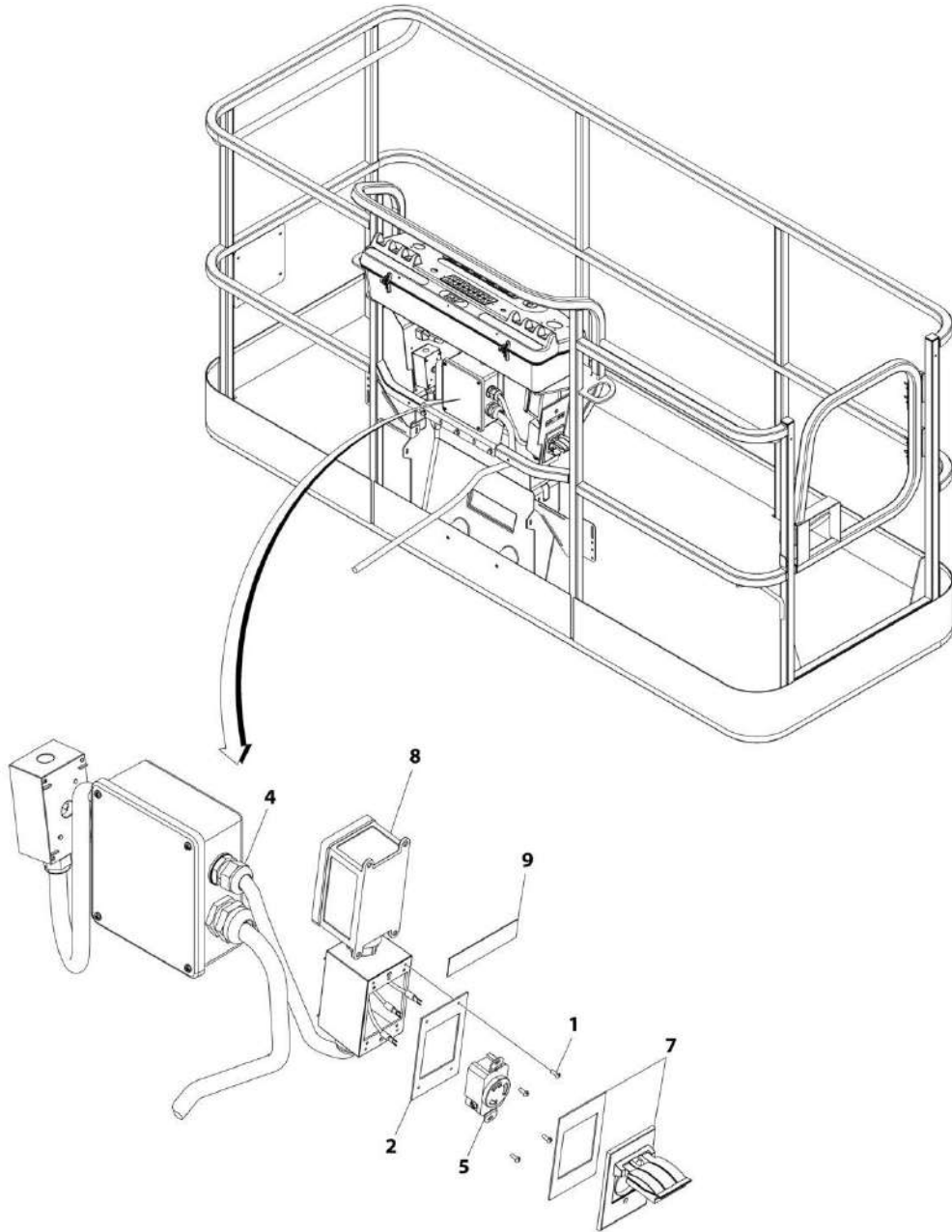
SECTION 8 - ELECTRICAL

**FIGURE 8-13. AC BOX AT PLATFORM INSTALLATION - 220V CUSTOMER SUPPLIED COMPONENTS
(ANSI EXPORT, CE AND CHINA SPECS)**

ITEM	PART NUMBER	QTY	DESCRIPTION	REV
	1001194365	Ref	AC BOX AT PLATFORM INSTALLATION	A
1	0100020	AR	Sealant	
2	0641416	2	Bolt 1/4 x 2	
3	0700408	4	Bolt M4 x 16	
4	0861731	1	Box, Receptacle	
5	1670603	1	Cover	
6	3251242	1	Decal - 240V/50Hz	
7	3290405	4	Nut M4	
8	3311405	2	Nut 1/4	
10	4460662	1	Connector, Strain Relief	
11	4711400	4	Washer 1/4	
12	4811400	8	Washer M4	
13	1001193018	1	Bracket	

SECTION 8 - ELECTRICAL

FIGURE 8-14. AC BOX AT PLATFORM INSTALLATION - 240V (WITH 4000W GENERATOR) (ALL SPECS EXCEPT AUSTRALIAN & CE SPECS)



ART_1001171131

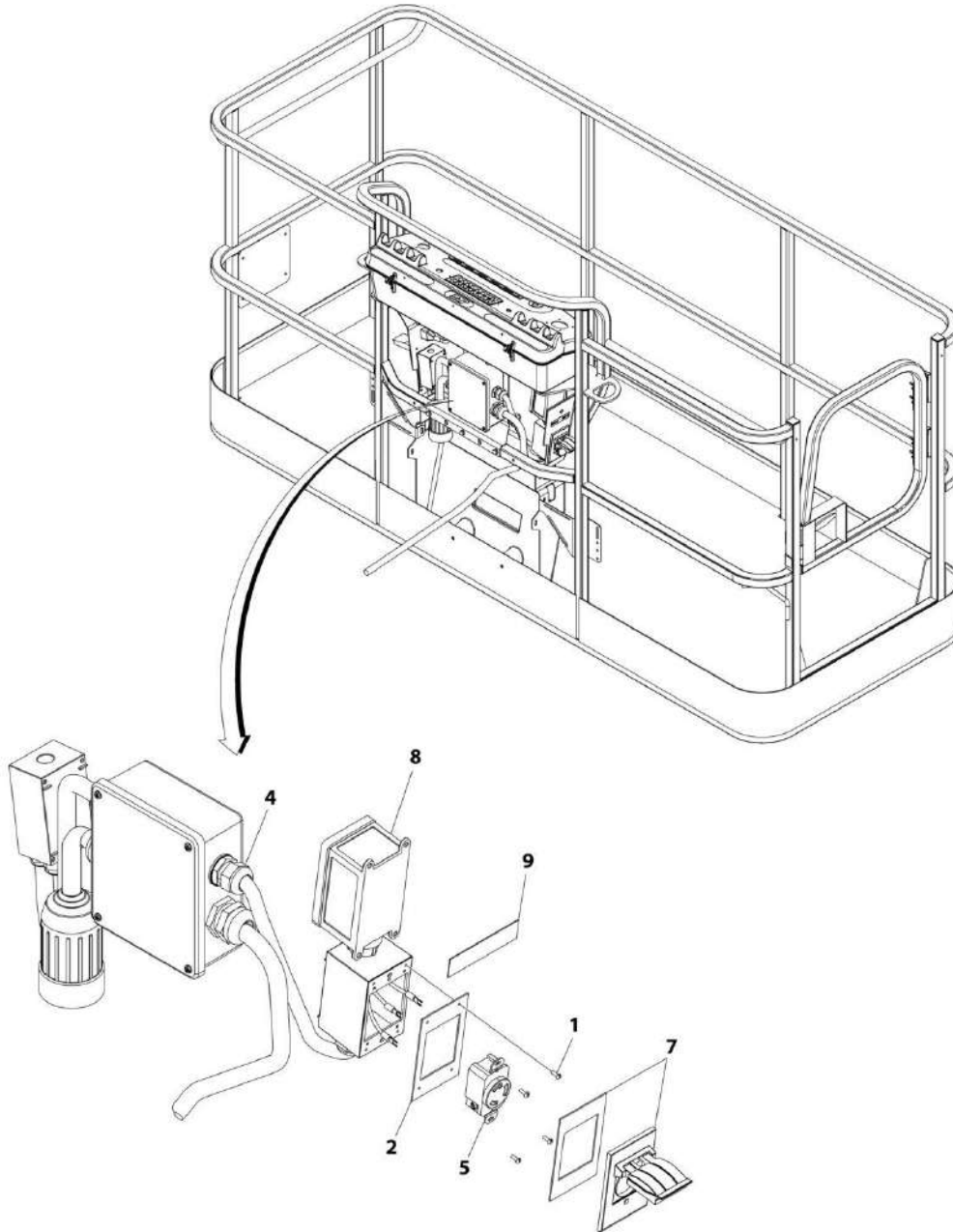
SECTION 8 - ELECTRICAL

FIGURE 8-14. AC BOX AT PLATFORM INSTALLATION - 240V (WITH 4000W GENERATOR) (ALL SPECS EXCEPT AUSTRALIAN & CE SPECS)

ITEM	PART NUMBER	QTY	DESCRIPTION	REV
	1001171131	Ref	AC BOX AT PLATFORM INSTALLATION - 240V RECEPTACLE	B
1	3910606	4	Screw #6 x 3/8	
2	3960422	1	Gasket	
3	4240018	AR	Tie-Strap (Not Shown)	
4	4460425	1	Connector, Strain Relief	
5	1001176862	1	Receptacle	
7	1001110872	1	Cover, Receptacle	
8	1001159120	1	Box, Breaker	
9	1705374	1	Decal - 240V/60Hz	

SECTION 8 - ELECTRICAL

FIGURE 8-15. AC BOX AT PLATFORM INSTALLATION - 240V (WITH 7500W SKYPOWER GENERATOR) (ALL SPECS EXCEPT AUSTRALIAN & CE SPECS)



ART_1001159121

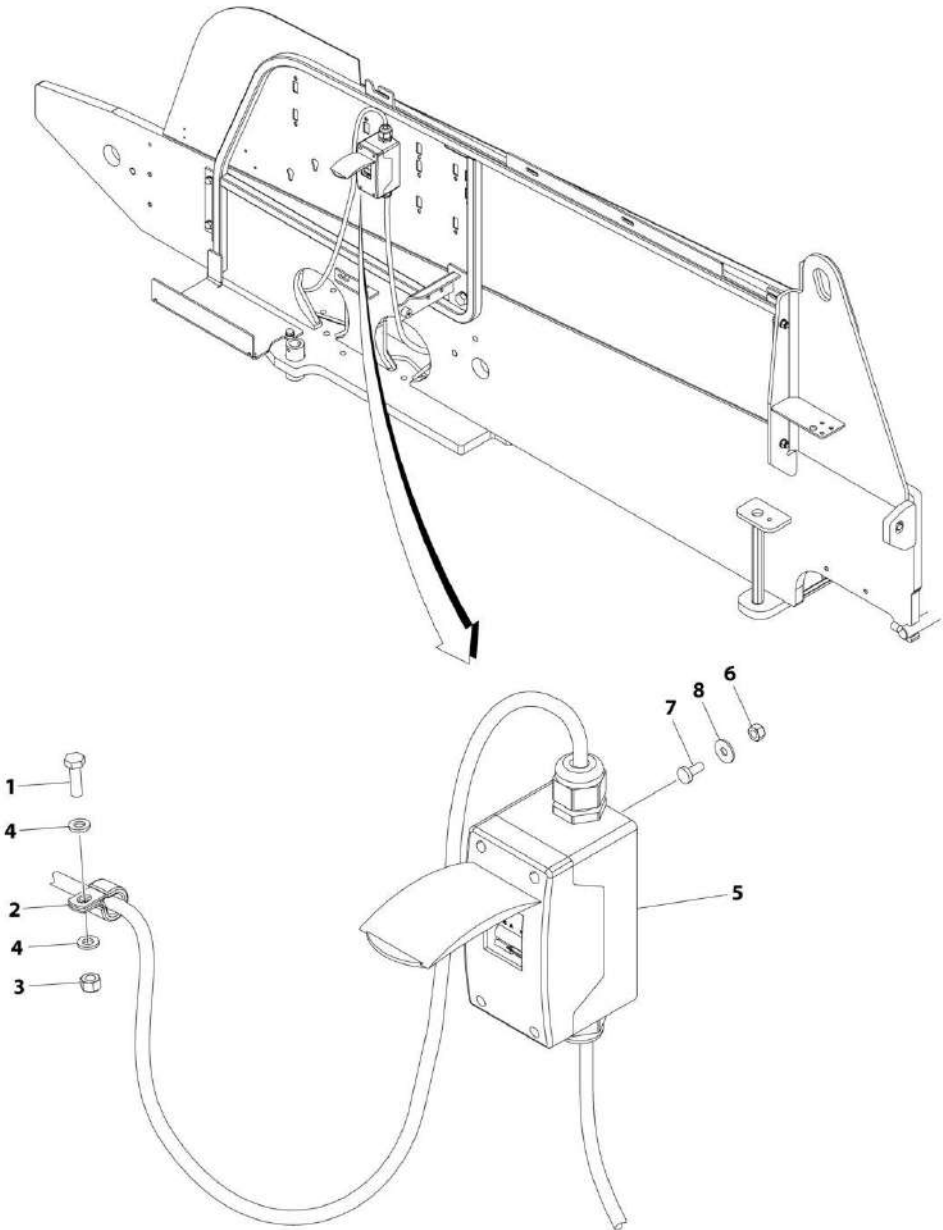
SECTION 8 - ELECTRICAL

FIGURE 8-15. AC BOX AT PLATFORM INSTALLATION - 240V (WITH 7500W SKYPOWER GENERATOR) (ALL SPECS EXCEPT AUSTRALIAN & CE SPECS)

ITEM	PART NUMBER	QTY	DESCRIPTION	REV
	1001159121	Ref	AC BOX AT PLATFORM INSTALLATION - 240V RECEPTACLE	B
1	3910606	4	Screw #6 x 3/8	
2	3960422	1	Gasket	
3	4240018	AR	Tie-Strap (Not Shown)	
4	4460425	1	Connector, Strain Relief	
5	4460958	1	Receptacle	
7	1001110872	1	Cover, Receptacle	
8	1001159120	1	Box, Breaker	
9	1705374	1	Decal - 240V/60Hz	

SECTION 8 - ELECTRICAL

FIGURE 8-16. AC BREAKER BOX INSTALLATION - SINGLE DOUBLE POLE BREAKER



ART_1001190774

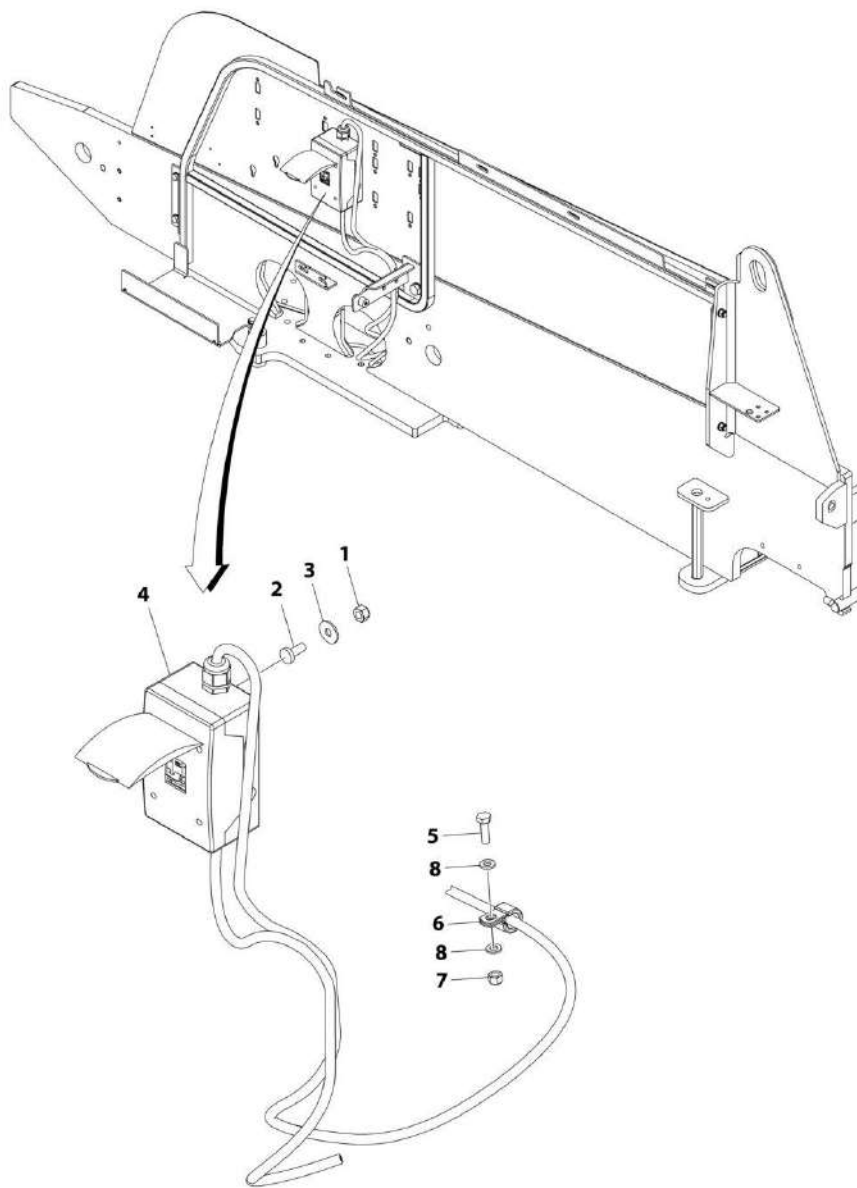
SECTION 8 - ELECTRICAL

FIGURE 8-16. AC BREAKER BOX INSTALLATION - SINGLE DOUBLE POLE BREAKER

ITEM	PART NUMBER	QTY	DESCRIPTION	REV
	1001190774	Ref	AC BREAKER BOX INSTALLATION	C
1	0760610	1	Bolt M6 x 20	
2	1320041	1	Clamp	
3	3290605	1	Nut M6	
4	4811700	2	Washer M6	
5	2902549	1	Breaker Box Kit - Single Double Pole Breaker (See Separate Breakdown in this Section)	
6	3290405	2	Nut M4	
7	4010405	2	Screw M4 x 10	
8	1001091102	2	Washer M4	

SECTION 8 - ELECTRICAL

FIGURE 8-17. AC BREAKER BOX INSTALLATION - 3 BREAKERS



ART_1001211049

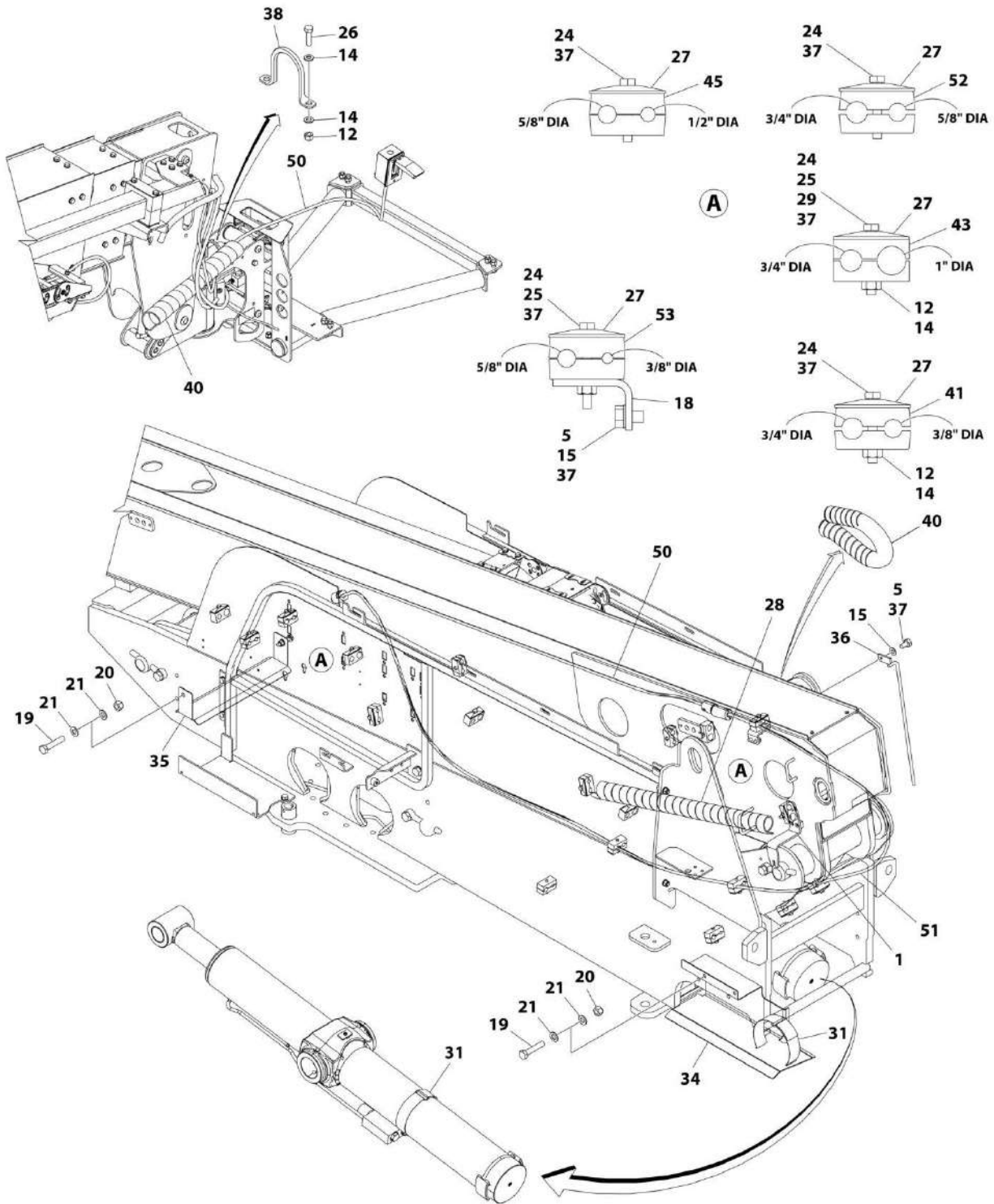
SECTION 8 - ELECTRICAL

FIGURE 8-17. AC BREAKER BOX INSTALLATION - 3 BREAKERS

ITEM	PART NUMBER	QTY	DESCRIPTION	REV
	1001211049	Ref	AC BREAKER BOX INSTALLATION	C
1	3290405	2	Nut M4	
2	4010405	2	Screw M4 x 10	
3	1001091102	2	Washer M4	
4	1001152485	1	Breaker Box Kit - 3 Breakers (See Separate Breakdown in this Section) (600S SN 0300235168 through 0300237156)	
4	1001152485	1	Breaker Box Kit - 3 Breakers (See Separate Breakdown in this Section) (660SJ SN 0300235168 through 0300237156)	
4	1001152486	1	Breaker Box Kit - 3 Breakers (See Separate Breakdown in this Section) (600S SN 0300237157 to Present)	
4	1001152486	1	Breaker Box Kit - 3 Breakers (See Separate Breakdown in this Section) (660SJ SN 0300237157 to Present)	
5	0760610	1	Bolt M6 x 20	
6	1320041	1	Clamp	
7	3290605	1	Nut M6	
8	4811700	2	Washer M6	

SECTION 8 - ELECTRICAL

FIGURE 8-18. AC CABLES AND CLAMPS INSTALLATION - 600S WITHOUT GENERATOR (ANSI, CSA AND JAPANESE SPECS)



ART_1001193207

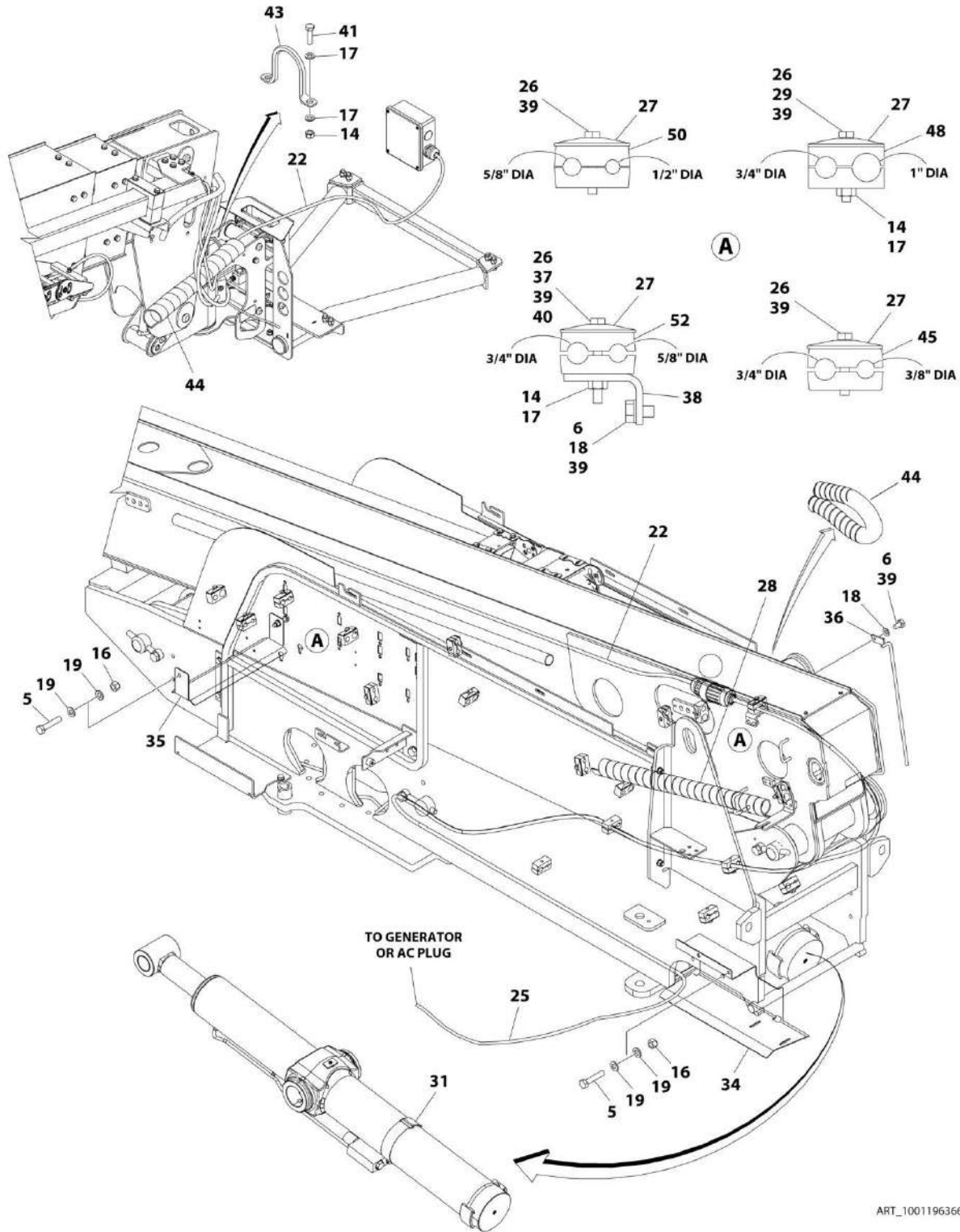
SECTION 8 - ELECTRICAL

FIGURE 8-18. AC CABLES AND CLAMPS INSTALLATION - 600S WITHOUT GENERATOR (ANSI, CSA AND JAPANESE SPECS)

ITEM	PART NUMBER	QTY	DESCRIPTION	REV
	1001193207	Ref	AC CABLES AND CLAMPS INSTALLATION	K
1	1001211585	1	Bracket	
5	0761009	3	Bolt M10 x 18	
12	3290805	4	Nut M8	
14	4811900	5	Washer M8	
15	4812000	3	Washer M10	
16	1001146588	4	Tie-Strap (Not Shown)	
18	1001229637	1	Bracket	
19	0701220	4	Bolt M12 x 60	
20	3291205	4	Nut M12	
21	4812100	8	Washer M12	
24	0700818	16	Bolt M8 x 50	
25	0700822	2	Bolt M8 x 70	
26	0760814	2	Bolt M8 x 30	
27	77133137	19	Cover, Clamp	
28	1001204690	1	Shield, Tube	
29	5281918	1	Capscrew M8 x 70	
31	1001143645	2	Strap, Cinch	
34	1001199881	1	Support	
35	1001201342	1	Support	
36	1001202936	1	Guide	
37	0100011	AR	Compound, Locking	
38	3841340	1	Loop, Hose	
39	4240018	3	Tie-Strap (Not Shown)	
40	1001181923	AR	Shield, Tube	
41	1001209948	3	Clamp	
43	1001209951	6	Clamp	
45	1001209953	3	Clamp	
46	4240099	2	Tie-Strap (Not Shown)	
50	1001195227	1	AC Ground to Platform Cable (Upper)	
50	1001120204	1	Plug, Male	
51	1001195525	1	AC Ground to Platform Cable (Lower)	
51	1001120205	1	Receptacle, Female	
52	1001209949	3	Clamp	
53	1001228809	4	Clamp	

SECTION 8 - ELECTRICAL

FIGURE 8-19. AC CABLES AND CLAMPS INSTALLATION - 600S WITHOUT GENERATOR (ANSI EXPORT, CE AND CHINA SPECS)



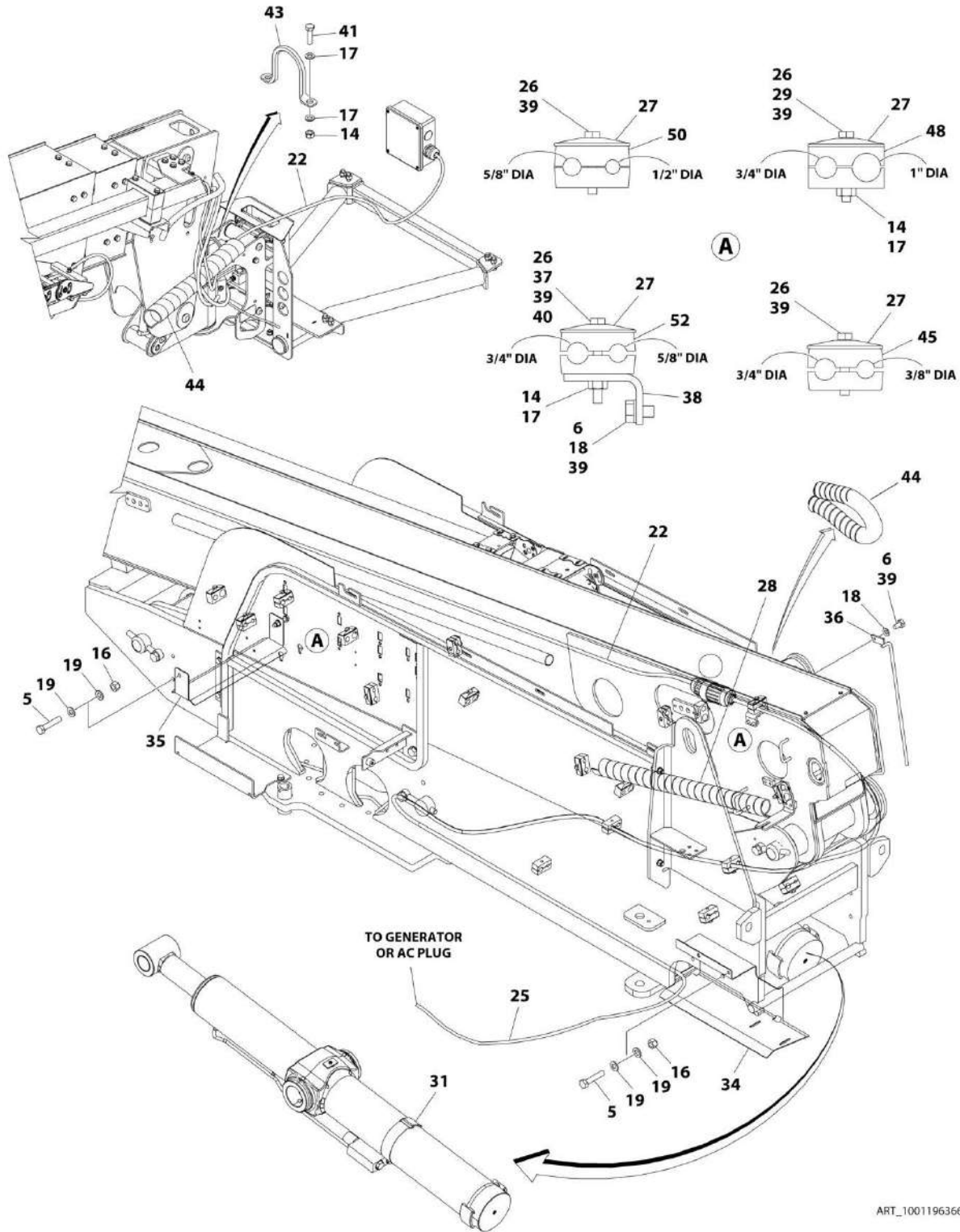
SECTION 8 - ELECTRICAL

FIGURE 8-19. AC CABLES AND CLAMPS INSTALLATION - 600S WITHOUT GENERATOR (ANSI EXPORT, CE AND CHINA SPECS)

ITEM	PART NUMBER	QTY	DESCRIPTION	REV
	1001196366	Ref	AC CABLES AND CLAMPS INSTALLATION	I
5	0701220	4	Bolt M12 x 60	
6	0761009	2	Bolt M10 x 18	
14	3290805	4	Nut M8	
16	3291205	4	Nut M12	
17	4811900	5	Washer M8	
18	4812000	3	Washer M10	
19	4812100	8	Washer M12	
20	1001146588	4	Tie-Strap (Not Shown)	
22	1001195225	1	AC Ground to Platform Cable (Upper)	
22	1001214095	1	Plug, Male	
25	1001196368	1	AC Ground to Platform Cable (Lower)	
25	1001214096	1	Receptacle, Female	
26	0700818	16	Bolt M8 x 50	
27	77133137	19	Cover, Clamp	
28	1001204690	1	Shield, Tube	
29	5281918	1	Capscrew M8 x 70	
31	1001143645	2	Strap, Cinch	
34	1001199881	1	Support	
35	1001201342	1	Support	
36	1001202936	1	Guide	
37	0700822	1	Bolt M8 x 70	
38	1001229637	1	Bracket	
39	0100011	AR	Compound, Locking	
40	0760822	1	Bolt M8 x 70	
41	0760814	2	Bolt M8 x 30	
42	4240018	3	Tie-Strap (Not Shown)	
43	3841340	1	Loop, Hose	
44	1001181923	AR	Shield, Tube	
45	1001209948	3	Clamp	
48	1001209951	6	Clamp	
50	1001209953	7	Clamp	
51	4240099	2	Tie-Strap (Not Shown)	
52	1001209949	3	Clamp	

SECTION 8 - ELECTRICAL

FIGURE 8-20. AC CABLES AND CLAMPS INSTALLATION - 600S WITH 2500W GENERATOR (ALL SPECS EXCEPT AUSTRALIAN AND CE SPECS)



ART_1001196366

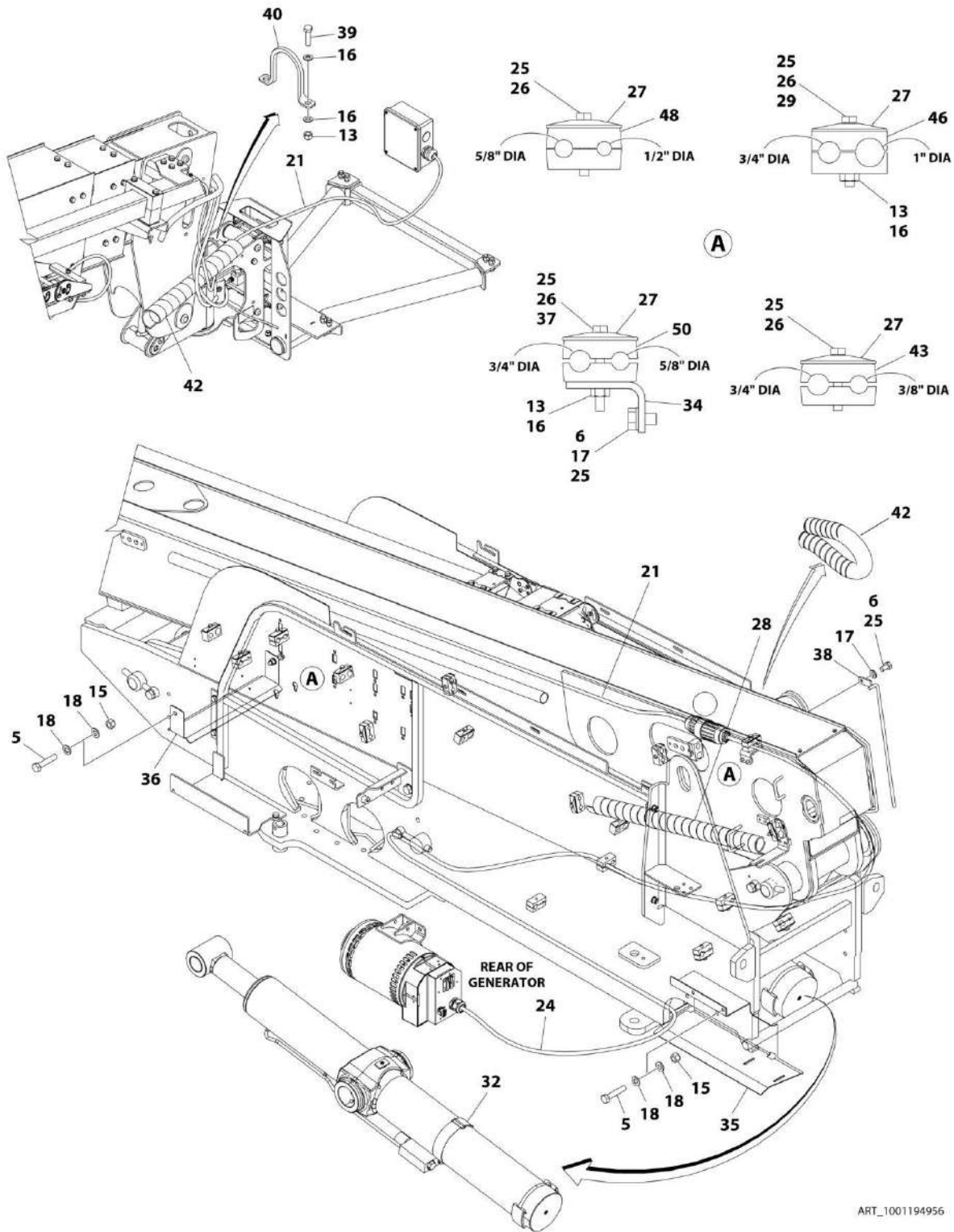
SECTION 8 - ELECTRICAL

FIGURE 8-20. AC CABLES AND CLAMPS INSTALLATION - 600S WITH 2500W GENERATOR (ALL SPECS EXCEPT AUSTRALIAN AND CE SPECS)

ITEM	PART NUMBER	QTY	DESCRIPTION	REV
	1001196366	Ref	AC CABLES AND CLAMPS INSTALLATION	I
5	0701220	4	Bolt M12 x 60	
6	0761009	2	Bolt M10 x 18	
14	3290805	4	Nut M8	
16	3291205	4	Nut M12	
17	4811900	5	Washer M8	
18	4812000	3	Washer M10	
19	4812100	8	Washer M12	
20	1001146588	4	Tie-Strap (Not Shown)	
22	1001195225	1	AC Ground to Platform Cable (Upper)	
22	1001214095	1	Plug, Male	
25	1001196368	1	AC Ground to Platform Cable (Lower)	
25	1001214096	1	Receptacle, Female	
26	0700818	16	Bolt M8 x 50	
27	77133137	19	Cover, Clamp	
28	1001204690	1	Shield, Tube	
29	5281918	1	Capscrew M8 x 70	
31	1001143645	2	Strap, Cinch	
34	1001199881	1	Support	
35	1001201342	1	Support	
36	1001202936	1	Guide	
37	0700822	1	Bolt M8 x 70	
38	1001229637	1	Bracket	
39	0100011	AR	Compound, Locking	
40	0760822	1	Bolt M8 x 70	
41	0760814	2	Bolt M8 x 30	
42	4240018	3	Tie-Strap (Not Shown)	
43	3841340	1	Loop, Hose	
44	1001181923	AR	Shield, Tube	
45	1001209948	3	Clamp	
48	1001209951	6	Clamp	
50	1001209953	7	Clamp	
51	4240099	2	Tie-Strap (Not Shown)	
52	1001209949	3	Clamp	

SECTION 8 - ELECTRICAL

FIGURE 8-21. AC CABLES AND CLAMPS INSTALLATION - 600S WITH 4000W/60HZ GENERATOR (ALL SPECS EXCEPT AUSTRALIAN, CE AND CHINA SPECS)



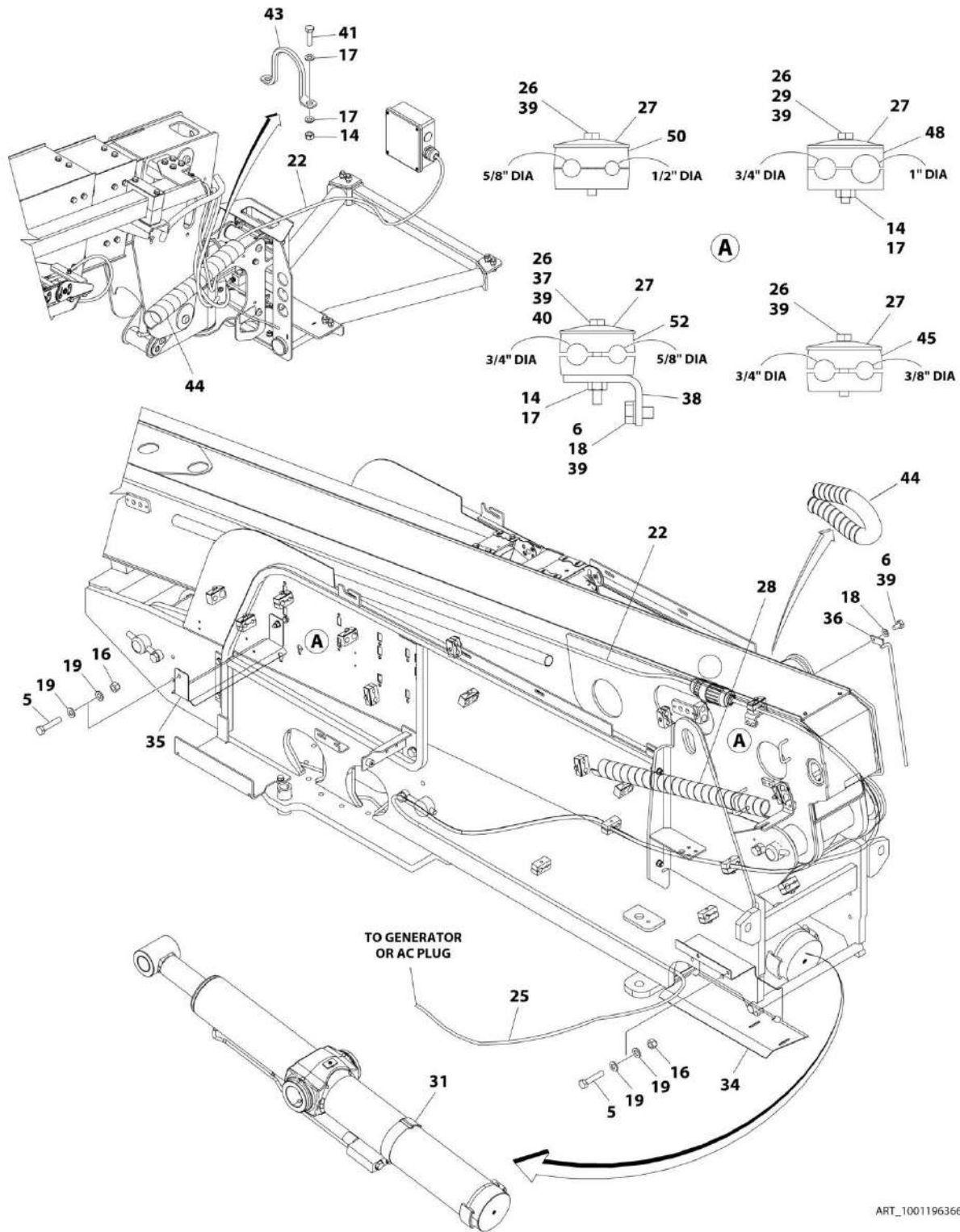
SECTION 8 - ELECTRICAL

**FIGURE 8-21. AC CABLES AND CLAMPS INSTALLATION - 600S WITH 4000W/60HZ GENERATOR
(ALL SPECS EXCEPT AUSTRALIAN, CE AND CHINA SPECS)**

ITEM	PART NUMBER	QTY	DESCRIPTION	REV
	1001194956	Ref	AC CABLES AND CLAMPS INSTALLATION	I
5	0701220	4	Bolt M12 x 60	
6	0761009	3	Bolt M10 x 18	
13	3290805	4	Nut M8	
15	3291205	4	Nut M12	
16	4811900	5	Washer M8	
17	4812000	3	Washer M10	
18	4812100	8	Washer M12	
19	1001146588	4	Tie-Strap (Not Shown)	
21	1001228186	1	AC Ground to Platform Cable (Upper)	
21	4460959	1	Plug, Male	
21	1671093	1	Cover, Plug	
24	1001228188	1	AC Ground to Platform Cable (Lower)	
24	4460960	1	Receptacle, Female	
24	1671092	1	Cover, Receptacle	
25	0100011	AR	Compound, Locking	
26	0700818	16	Bolt M8 x 50	
27	77133137	19	Cover, Clamp	
28	1001204690	1	Shield, Tube	
29	5281918	1	Capscrew M8 x 70	
32	1001143645	2	Strap, Cinch	
34	1001229637	1	Bracket	
35	1001199881	1	Support	
36	1001201342	1	Support	
37	0700822	2	Bolt M8 x 70	
38	1001202936	1	Guide	
39	0760814	2	Bolt M8 x 30	
40	3841340	1	Loop, Hose	
41	4240018	3	Tie-Strap (Not Shown)	
42	1001181923	AR	Shield, Tube	
43	1001209948	3	Clamp	
46	1001209951	6	Clamp	
48	1001209953	7	Clamp	
49	4240099	2	Tie-Strap (Not Shown)	
50	1001209949	3	Clamp	

SECTION 8 - ELECTRICAL

FIGURE 8-22. AC CABLES AND CLAMPS INSTALLATION - 600S WITH 4000W/50HZ GENERATOR (ANSI EXPORT, CE AND CHINA SPECS)



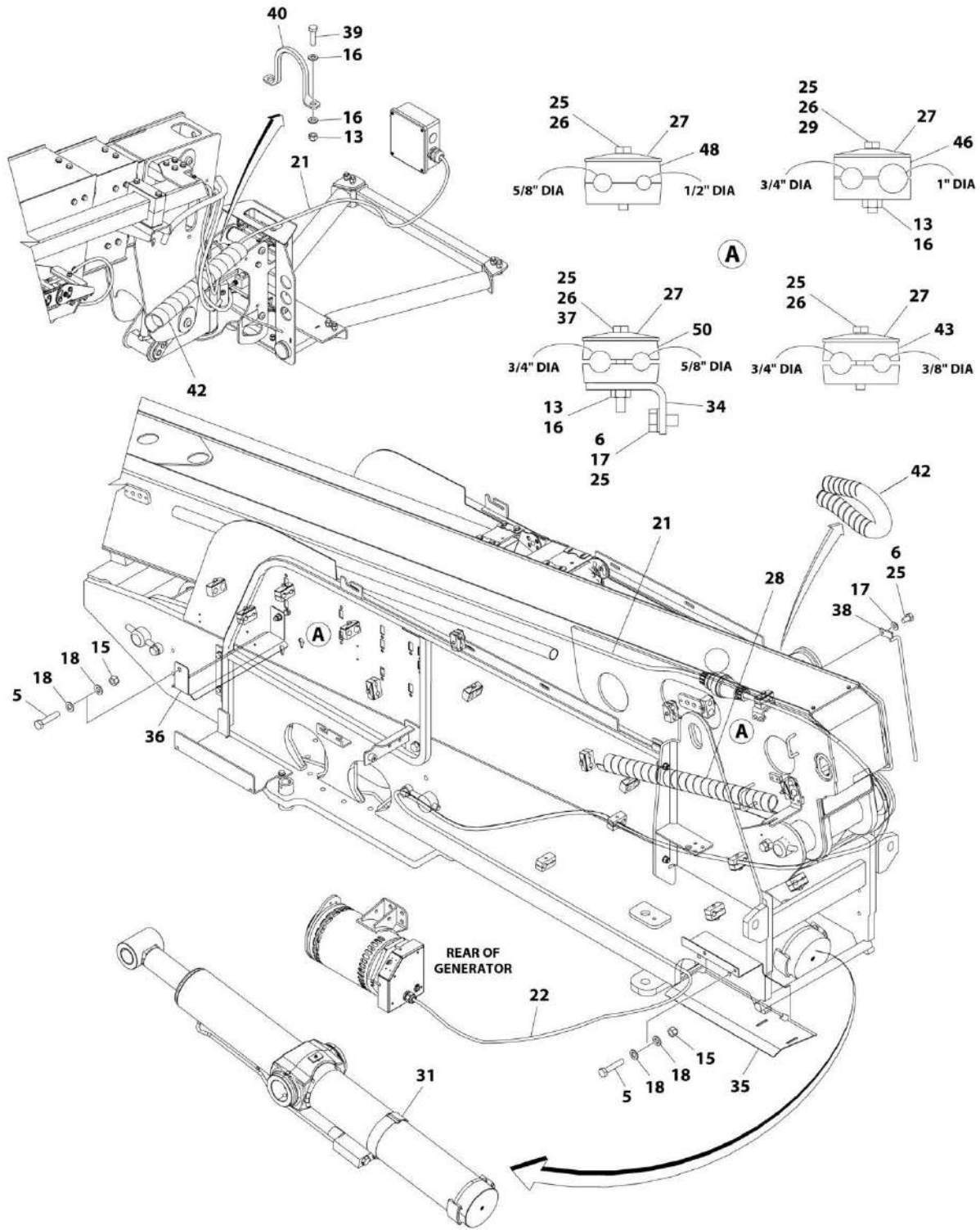
SECTION 8 - ELECTRICAL

**FIGURE 8-22. AC CABLES AND CLAMPS INSTALLATION - 600S WITH 4000W/50HZ GENERATOR
(ANSI EXPORT, CE AND CHINA SPECS)**

ITEM	PART NUMBER	QTY	DESCRIPTION	REV
	1001196366	Ref	AC CABLES AND CLAMPS INSTALLATION	I
5	0701220	4	Bolt M12 x 60	
6	0761009	2	Bolt M10 x 18	
14	3290805	4	Nut M8	
16	3291205	4	Nut M12	
17	4811900	5	Washer M8	
18	4812000	3	Washer M10	
19	4812100	8	Washer M12	
20	1001146588	4	Tie-Strap (Not Shown)	
22	1001195225	1	AC Ground to Platform Cable (Upper)	
22	1001214095	1	Plug, Male	
25	1001196368	1	AC Ground to Platform Cable (Lower)	
25	1001214096	1	Receptacle, Female	
26	0700818	16	Bolt M8 x 50	
27	77133137	19	Cover, Clamp	
28	1001204690	1	Shield, Tube	
29	5281918	1	Capscrew M8 x 70	
31	1001143645	2	Strap, Cinch	
34	1001199881	1	Support	
35	1001201342	1	Support	
36	1001202936	1	Guide	
37	0700822	1	Bolt M8 x 70	
38	1001229637	1	Bracket	
39	0100011	AR	Compound, Locking	
40	0760822	1	Bolt M8 x 70	
41	0760814	2	Bolt M8 x 30	
42	4240018	3	Tie-Strap (Not Shown)	
43	3841340	1	Loop, Hose	
44	1001181923	AR	Shield, Tube	
45	1001209948	3	Clamp	
48	1001209951	6	Clamp	
50	1001209953	7	Clamp	
51	4240099	2	Tie-Strap (Not Shown)	
52	1001209949	3	Clamp	

SECTION 8 - ELECTRICAL

FIGURE 8-23. AC CABLES AND CLAMPS INSTALLATION - 600S WITH 7500W SKYPOWER GENERATOR



ART_1001194961

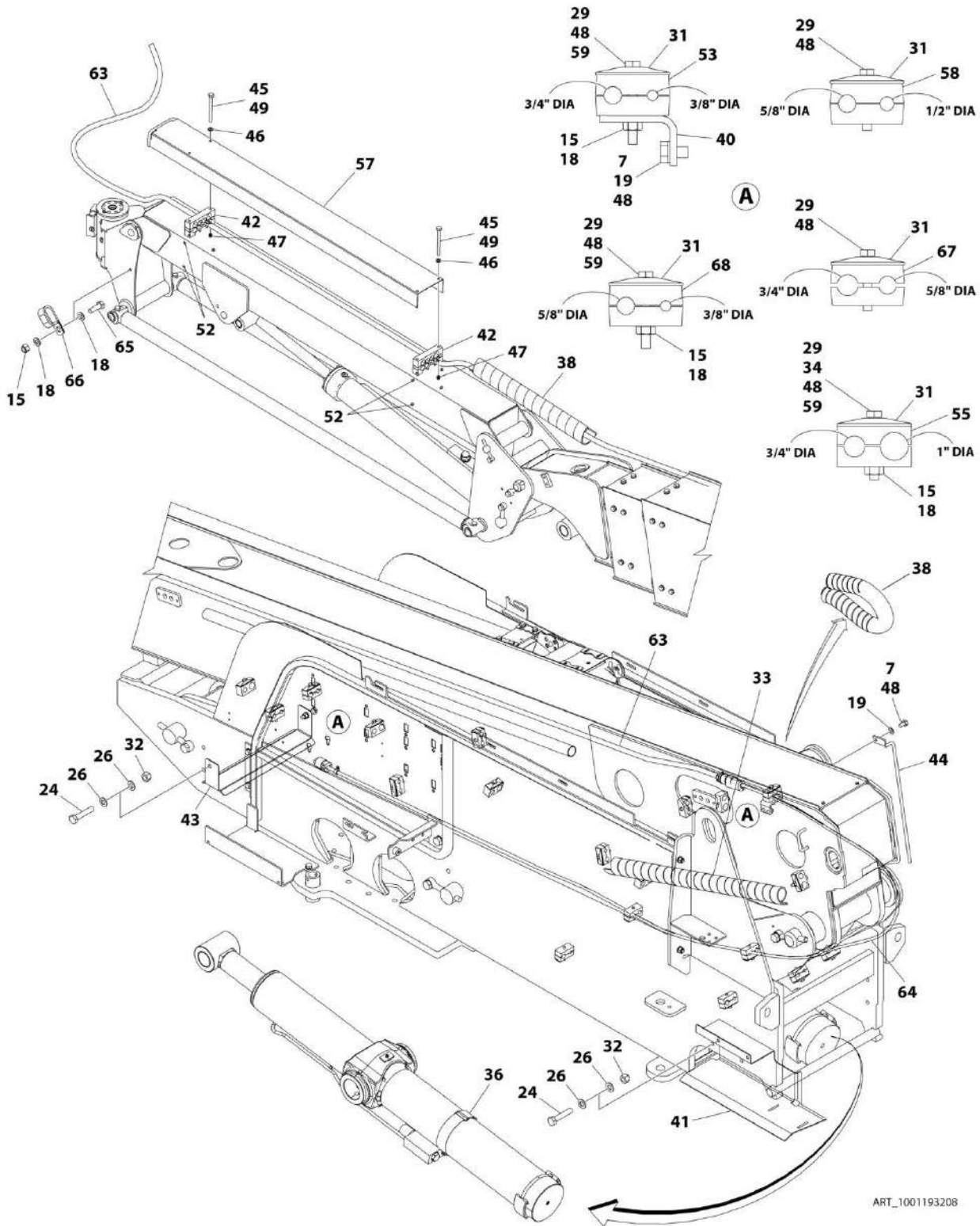
SECTION 8 - ELECTRICAL

FIGURE 8-23. AC CABLES AND CLAMPS INSTALLATION - 600S WITH 7500W SKYPOWER GENERATOR

ITEM	PART NUMBER	QTY	DESCRIPTION	REV
	1001194961	Ref	AC CABLES AND CLAMPS INSTALLATION	J
5	0701220	4	Bolt M12 x 60	
6	0761009	3	Bolt M10 x 18	
13	3290805	4	Nut M8	
15	3291205	4	Nut M12	
16	4811900	5	Washer M8	
17	4812000	3	Washer M10	
18	4812100	8	Washer M12	
19	1001146588	4	Tie-Strap (Not Shown)	
21	1001195229	1	AC Ground to Platform Cable (Upper)	
21	4460959	1	Plug, Male	
21	1671093	1	Cover, Plug	
22	1001195357	1	AC Ground to Platform Cable (Lower)	
22	4460960	1	Receptacle, Female	
22	1671092	1	Cover, Female	
25	0100011	AR	Compound, Locking	
26	0700818	16	Bolt M8 x 50	
27	77133137	19	Cover, Clamp	
28	1001204690	1	Shield, Tube	
29	5281918	1	Capscrew M8 x 70	
31	1001143645	2	Strap, Cinch	
34	1001229637	1	Bracket	
35	1001199881	1	Support	
36	1001201342	1	Support	
37	0700822	2	Bolt M8 x 70	
38	1001202936	1	Guide	
39	0760814	2	Bolt M8 x 30	
40	3841340	1	Loop, Hose	
41	4240018	3	Tie-Strap (Not Shown)	
42	1001181923	AR	Shield, Tube	
43	1001209948	3	Clamp	
46	1001209951	6	Clamp	
48	1001209953	3	Clamp	
49	4240099	2	Tie-Strap (Not Shown)	
50	1001209949	7	Clamp	

SECTION 8 - ELECTRICAL

FIGURE 8-24. AC CABLES AND CLAMPS INSTALLATION - 660SJ WITHOUT GENERATOR (ANSI, CSA AND JAPANESE SPECS)



ART_1001193208

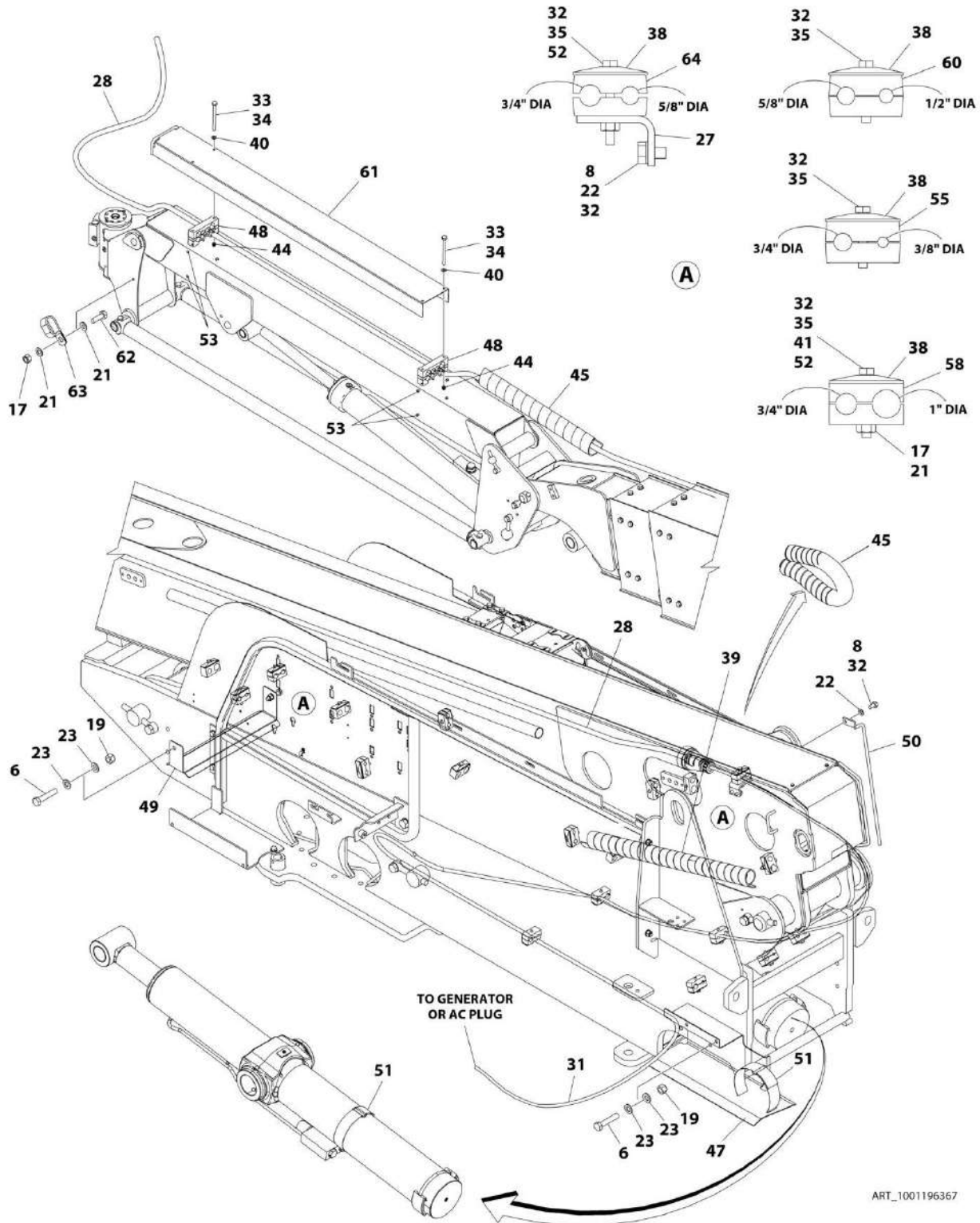
SECTION 8 - ELECTRICAL

FIGURE 8-24. AC CABLES AND CLAMPS INSTALLATION - 660SJ WITHOUT GENERATOR (ANSI, CSA AND JAPANESE SPECS)

ITEM	PART NUMBER	QTY	DESCRIPTION	REV
	1001193208	Ref	AC CABLES AND CLAMPS INSTALLATION	K
7	0761009	3	Bolt M10 x 18	
15	3290805	3	Nut M8	
18	4811900	3	Washer M8	
19	4812000	3	Washer M10	
20	1001146588	4	Tie-Strap (Not Shown)	
24	0701220	4	Bolt M12 x 60	
26	4812100	8	Washer M12	
29	0700818	16	Bolt M8 x 50	
31	77133137	19	Cover, Clamp	
32	3291205	4	Nut M12	
33	1001204690	1	Shield, Tube	
34	5281918	1	Capscrew M8 x 70	
36	1001143645	2	Strap, Cinch	
38	1001181923	AR	Shield, Tube	
40	1001229637	1	Bracket	
41	1001199881	1	Support	
42	1001201090	2	Block, Clamp	
43	1001201342	1	Support	
44	1001202936	1	Guide	
45	0641424	4	Bolt 1/4 x 3	
46	4811700	4	Washer M6	
47	2080044	4	Rivet - Nut 1/4	
48	0100011	AR	Compound, Locking	
49	0100035	AR	Compound, Locking	
51	4240018	4	Tie-Strap (Not Shown)	
52	3520034	8	Plug	
53	1001209948	3	Clamp	
55	1001209951	6	Clamp	
57	1001209957	1	Cover	
58	1001209953	3	Clamp	
59	0700822	2	Bolt M8 x 70	
63	1001195228	1	AC Ground to Platform Cable (Upper)	
63	1001120204	1	Plug, Male	
64	1001195525	1	AC Ground to Platform Cable (Lower)	
64	1001120205	1	Receptacle, Female	
65	0760812	1	Bolt M8 x 25	
66	1001116792	1	Clamp	
67	1001209949	3	Clamp	
68	1001228809	4	Clamp	

SECTION 8 - ELECTRICAL

FIGURE 8-25. AC CABLES AND CLAMPS INSTALLATION - 660SJ WITHOUT GENERATOR (ANSI EXPORT, AUSTRALIAN, CE AND CHINA SPECS)



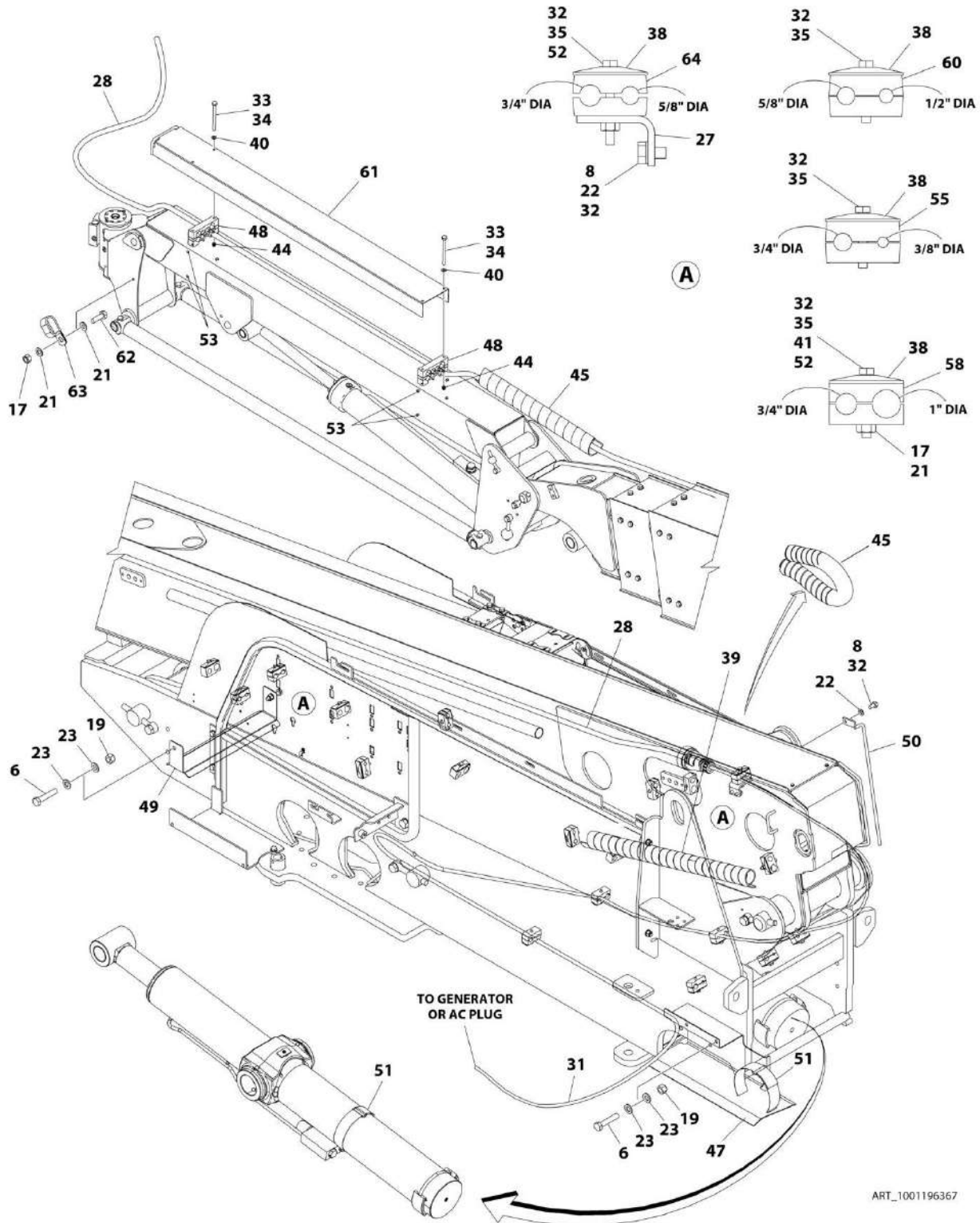
SECTION 8 - ELECTRICAL

FIGURE 8-25. AC CABLES AND CLAMPS INSTALLATION - 660SJ WITHOUT GENERATOR (ANSI EXPORT, AUSTRALIAN, CE AND CHINA SPECS)

ITEM	PART NUMBER	QTY	DESCRIPTION	REV
	1001196367	Ref	AC CABLES AND CLAMPS INSTALLATION	I
6	0701220	4	Bolt M12 x 60	
8	0761009	3	Bolt M10 x 18	
17	3290805	4	Nut M8	
19	3291205	4	Nut M12	
21	4811900	5	Washer M8	
22	4812000	3	Washer M10	
23	4812100	8	Washer M12	
24	1001146588	4	Tie-Strap (Not Shown)	
27	1001229637	1	Bracket	
28	1001195226	1	AC Ground to Platform Cable (Upper)	
28	1001214095	1	Plug, Male	
31	1001196368	1	AC Ground to Platform Cable (Lower)	
31	1001214096	1	Receptacle, Female	
32	0100011	AR	Compound, Locking	
33	0100035	AR	Compound, Locking	
34	0641424	4	Bolt 1/4 x 3	
35	0700818	16	Bolt M8 x 50	
38	77133137	19	Cover, Clamp	
39	1001204690	1	Shield, Tube	
40	4811700	4	Washer M6	
41	5281918	1	Capscrew M8 x 70	
44	2080044	4	Rivet - Nut 1/4	
45	1001181923	AR	Shield, Tube	
47	1001199881	1	Support	
48	1001201090	2	Block, Clamp	
49	1001201342	1	Support	
50	1001202936	1	Guide	
51	1001143645	2	Strap, Cinch	
52	0700822	2	Bolt M8 x 70	
53	3520034	8	Plug	
54	4240018	4	Tie-Strap (Not Shown)	
55	1001209948	3	Clamp	
58	1001209951	6	Clamp	
60	1001209953	7	Clamp	
61	1001209957	1	Cover	
62	0760812	1	Bolt M8 x 25	
63	1001116792	1	Clamp	
64	1001209949	3	Clamp	

SECTION 8 - ELECTRICAL

FIGURE 8-26. AC CABLES AND CLAMPS INSTALLATION - 660SJ WITH 2500W GENERATOR (ALL SPECS EXCEPT CE SPECS)



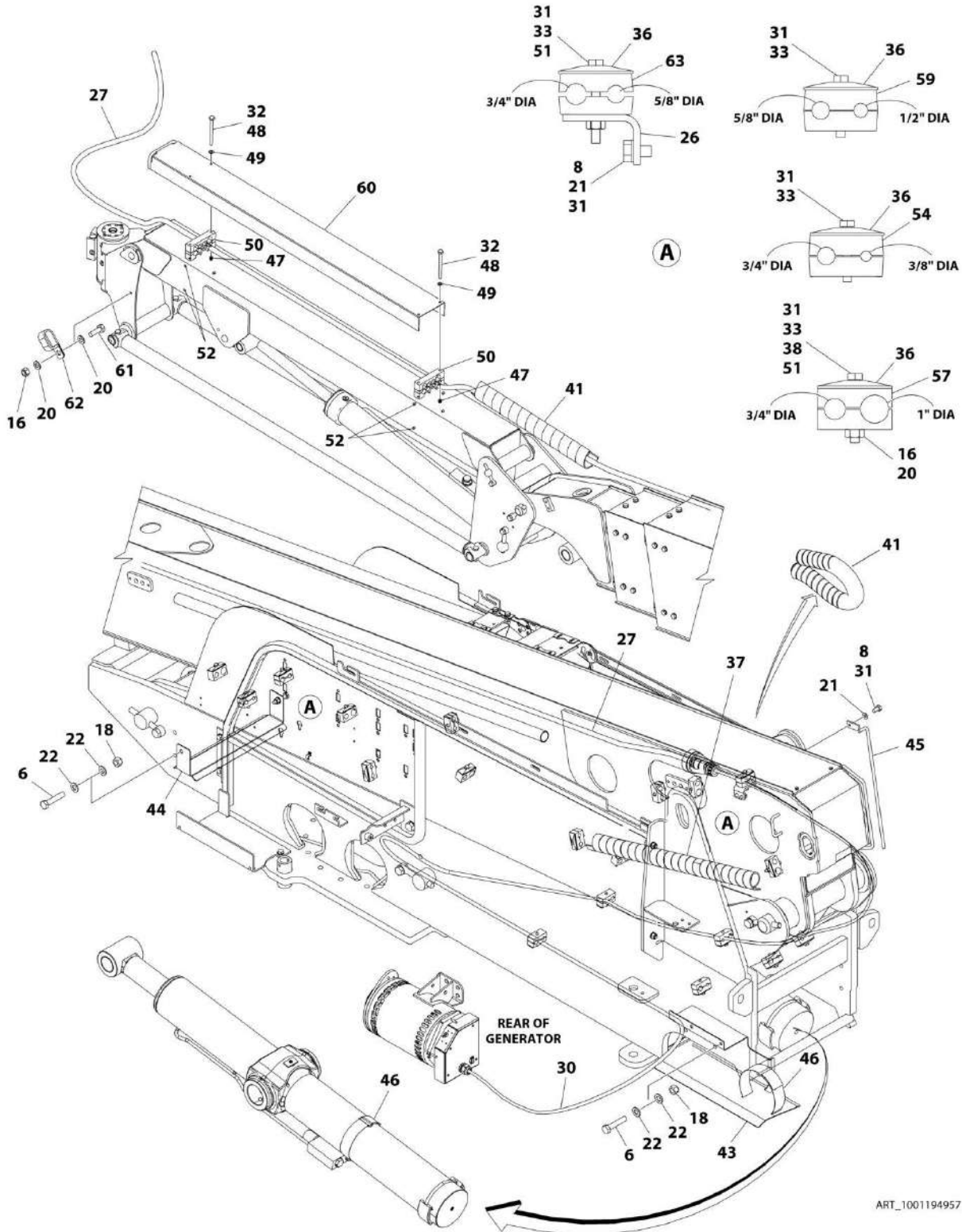
SECTION 8 - ELECTRICAL

FIGURE 8-26. AC CABLES AND CLAMPS INSTALLATION - 660SJ WITH 2500W GENERATOR (ALL SPECS EXCEPT CE SPECS)

ITEM	PART NUMBER	QTY	DESCRIPTION	REV
	1001196367	Ref	AC CABLES AND CLAMPS INSTALLATION	I
6	0701220	4	Bolt M12 x 60	
8	0761009	3	Bolt M10 x 18	
17	3290805	4	Nut M8	
19	3291205	4	Nut M12	
21	4811900	5	Washer M8	
22	4812000	3	Washer M10	
23	4812100	8	Washer M12	
24	1001146588	4	Tie-Strap (Not Shown)	
27	1001229637	1	Bracket	
28	1001195226	1	AC Ground to Platform Cable (Upper)	
28	1001214095	1	Plug, Male	
31	1001196368	1	AC Ground to Platform Cable (Lower)	
31	1001214096	1	Receptacle, Female	
32	0100011	AR	Compound, Locking	
33	0100035	AR	Compound, Locking	
34	0641424	4	Bolt 1/4 x 3	
35	0700818	16	Bolt M8 x 50	
38	77133137	19	Cover, Clamp	
39	1001204690	1	Shield, Tube	
40	4811700	4	Washer M6	
41	5281918	1	Capscrew M8 x 70	
44	2080044	4	Rivet - Nut 1/4	
45	1001181923	AR	Shield, Tube	
47	1001199881	1	Support	
48	1001201090	2	Block, Clamp	
49	1001201342	1	Support	
50	1001202936	1	Guide	
51	1001143645	2	Strap, Cinch	
52	0700822	2	Bolt M8 x 70	
53	3520034	8	Plug	
54	4240018	4	Tie-Strap (Not Shown)	
55	1001209948	3	Clamp	
58	1001209951	6	Clamp	
60	1001209953	7	Clamp	
61	1001209957	1	Cover	
62	0760812	1	Bolt M8 x 25	
63	1001116792	1	Clamp	
64	1001209949	3	Clamp	

SECTION 8 - ELECTRICAL

FIGURE 8-27. AC CABLES AND CLAMPS INSTALLATION - 660SJ WITH 4000W/60HZ GENERATOR
(ALL SPECS EXCEPT AUSTRALIAN, CE AND CHINA SPECS)



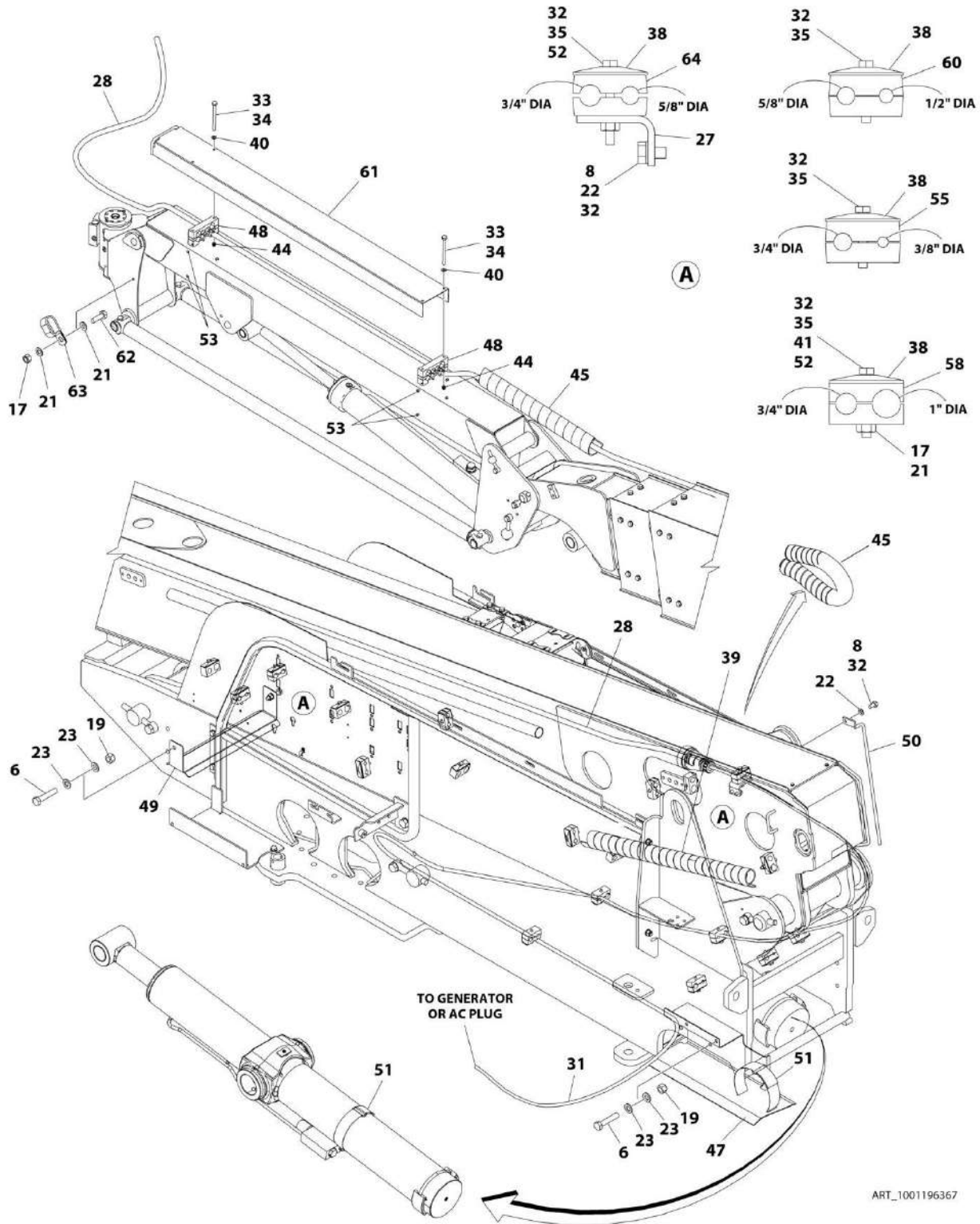
SECTION 8 - ELECTRICAL

**FIGURE 8-27. AC CABLES AND CLAMPS INSTALLATION - 660SJ WITH 4000W/60HZ GENERATOR
(ALL SPECS EXCEPT AUSTRALIAN, CE AND CHINA SPECS)**

ITEM	PART NUMBER	QTY	DESCRIPTION	REV
	1001194957	Ref	AC CABLES AND CLAMPS INSTALLATION	I
6	0701220	4	Bolt M12 x 60	
8	0761009	3	Bolt M10 x 18	
16	3290805	4	Nut M8	
18	3291205	4	Nut M12	
20	4811900	5	Washer M8	
21	4812000	3	Washer M10	
22	4812100	8	Washer M12	
23	1001146588	4	Tie-Strap (Not Shown)	
26	1001229637	1	Bracket	
27	1001228187	1	AC Ground to Platform Cable (Upper)	
27	4460959	1	Plug, Male	
27	1671093	1	Cover, Plug	
30	1001228188	1	AC Ground to Platform Cable (Lower)	
30	4460960	1	Receptacle, Female	
30	1671092	1	Cover, Receptacle	
31	0100011	AR	Compound, Locking	
32	0100035	AR	Compound, Locking	
33	0700818	16	Bolt M8 x 50	
36	77133137	19	Cover, Clamp	
37	1001204690	1	Shield, Tube	
38	5281918	1	Capscrew M8 x 70	
41	1001181923	AR	Shield, Tube	
43	1001199881	1	Support	
44	1001201342	1	Support	
45	1001202936	1	Guide	
46	1001143645	2	Strap, Cinch	
47	2080044	4	Rivet - Nut 1/4	
48	0641424	4	Bolt 1/4 x 3	
49	4811700	4	Washer M6	
50	1001201090	2	Block, Clamp	
51	0700822	2	Bolt M8 x 70	
52	3520034	8	Plug	
53	4240018	4	Tie-Strap (Not Shown)	
54	1001209948	3	Clamp	
57	1001209951	6	Clamp	
59	1001209953	7	Clamp	
60	1001209957	1	Cover	
61	0760812	1	Bolt M8 x 25	
62	1001116792	1	Clamp	
63	1001209949	3	Clamp	

SECTION 8 - ELECTRICAL

FIGURE 8-28. AC CABLES AND CLAMPS INSTALLATION - 660SJ WITH 4000W/50HZ GENERATOR (ANSI EXPORT, AUSTRALIAN AND CE SPECS)



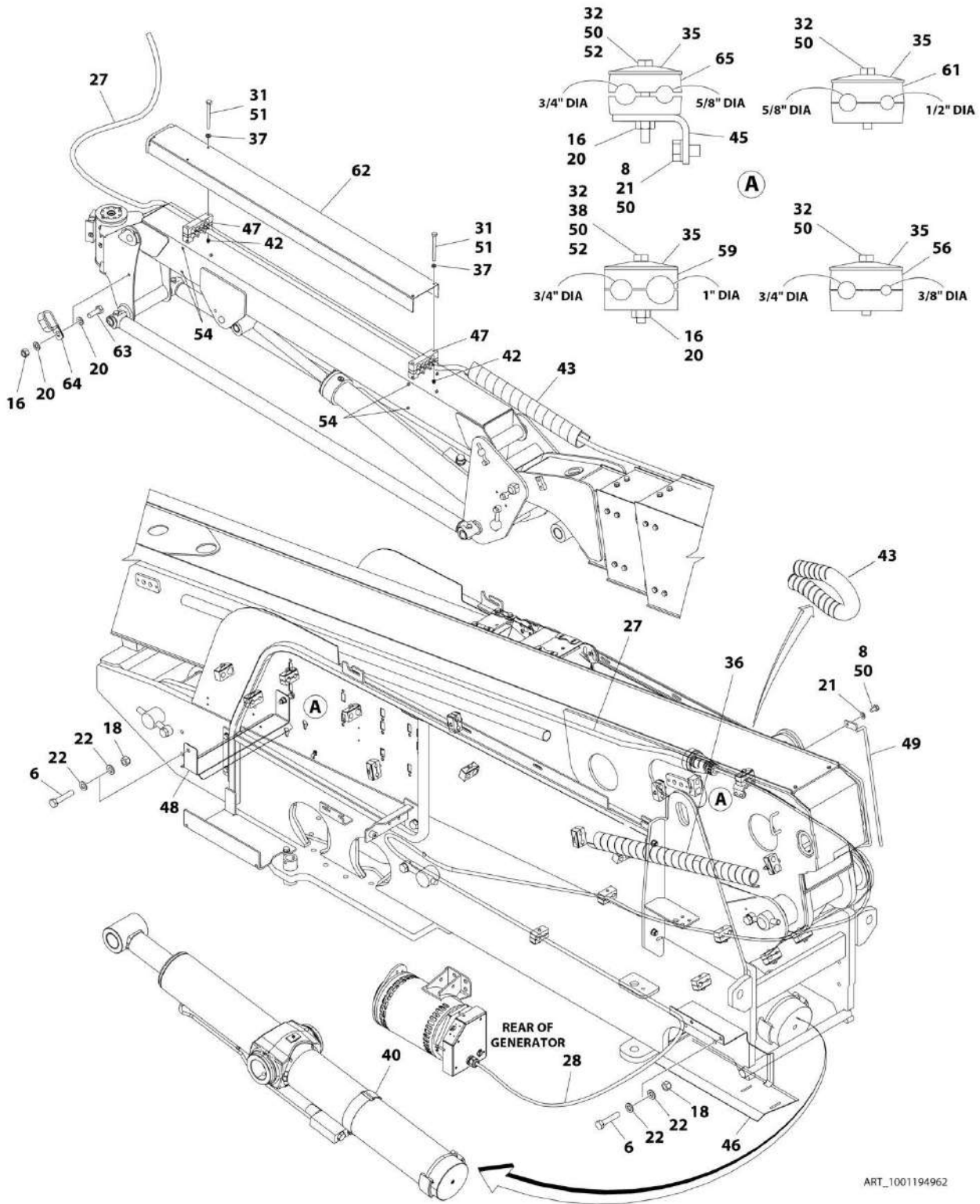
SECTION 8 - ELECTRICAL

**FIGURE 8-28. AC CABLES AND CLAMPS INSTALLATION - 660SJ WITH 4000W/50HZ GENERATOR
(ANSI EXPORT, AUSTRALIAN AND CE SPECS)**

ITEM	PART NUMBER	QTY	DESCRIPTION	REV
	1001196367	Ref	AC CABLES AND CLAMPS INSTALLATION	I
6	0701220	4	Bolt M12 x 60	
8	0761009	3	Bolt M10 x 18	
17	3290805	4	Nut M8	
19	3291205	4	Nut M12	
21	4811900	5	Washer M8	
22	4812000	3	Washer M10	
23	4812100	8	Washer M12	
24	1001146588	4	Tie-Strap (Not Shown)	
27	1001229637	1	Bracket	
28	1001195226	1	AC Ground to Platform Cable (Upper)	
28	1001214095	1	Plug, Male	
31	1001196368	1	AC Ground to Platform Cable (Lower)	
31	1001214096	1	Receptacle, Female	
32	0100011	AR	Compound, Locking	
33	0100035	AR	Compound, Locking	
34	0641424	4	Bolt 1/4 x 3	
35	0700818	16	Bolt M8 x 50	
38	77133137	19	Cover, Clamp	
39	1001204690	1	Shield, Tube	
40	4811700	4	Washer M6	
41	5281918	1	Capscrew M8 x 70	
44	2080044	4	Rivet - Nut 1/4	
45	1001181923	AR	Shield, Tube	
47	1001199881	1	Support	
48	1001201090	2	Block, Clamp	
49	1001201342	1	Support	
50	1001202936	1	Guide	
51	1001143645	2	Strap, Cinch	
52	0700822	2	Bolt M8 x 70	
53	3520034	8	Plug	
54	4240018	4	Tie-Strap (Not Shown)	
55	1001209948	3	Clamp	
58	1001209951	6	Clamp	
60	1001209953	7	Clamp	
61	1001209957	1	Cover	
62	0760812	1	Bolt M8 x 25	
63	1001116792	1	Clamp	
64	1001209949	3	Clamp	

SECTION 8 - ELECTRICAL

FIGURE 8-29. AC CABLES AND CLAMPS INSTALLATION - 660SJ WITH 7500W SKYPOWER GENERATOR



ART_1001194962

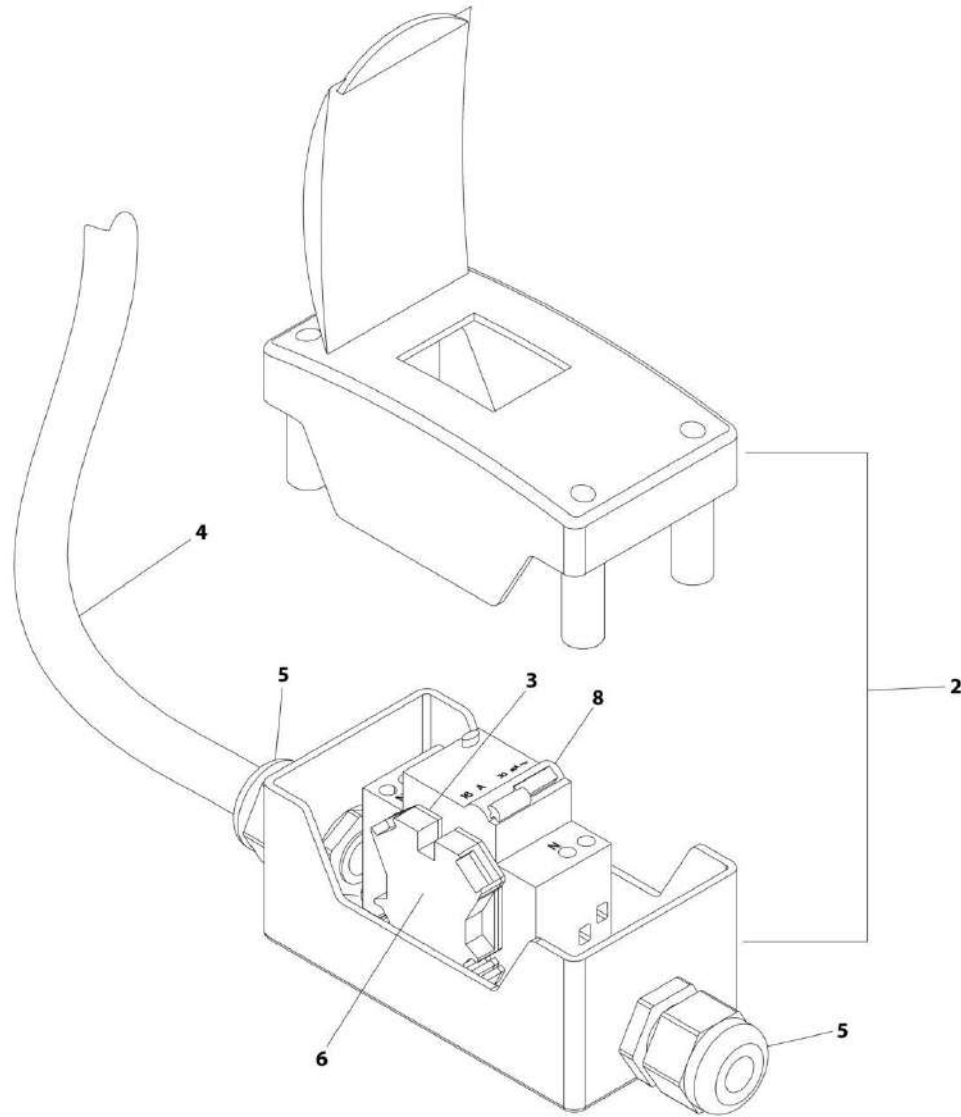
SECTION 8 - ELECTRICAL

FIGURE 8-29. AC CABLES AND CLAMPS INSTALLATION - 660SJ WITH 7500W SKYPOWER GENERATOR

ITEM	PART NUMBER	QTY	DESCRIPTION	REV
	1001194962	Ref	AC CABLES AND CLAMPS INSTALLATION	J
6	0701220	4	Bolt M12 x 60	
8	0761009	3	Bolt M10 x 18	
16	3290805	4	Nut M8	
18	3291205	4	Nut M12	
20	4811900	5	Washer M8	
21	4812000	3	Washer M10	
22	4812100	8	Washer M12	
23	1001146588	4	Tie-Strap (Not Shown)	
27	1001227075	1	AC Ground to Platform Cable (Upper)	
27	4460959	1	Plug, Male	
27	1671093	1	Cover, Plug	
28	1001226304	1	AC Ground to Platform Cable (Lower)	
28	4460960	1	Receptacle, Female	
28	1671092	1	Cover, Receptacle	
31	0641424	4	Bolt 1/4 x 3	
32	0700818	16	Bolt M8 x 50	
35	77133137	19	Cover, Clamp	
36	1001204690	1	Shield, Tube	
37	4811700	4	Washer M6	
38	5281918	1	Capscrew M8 x 70	
40	1001143645	2	Strap, Cinch	
42	2080044	4	Rivet - Nut 1/4	
43	1001181923	AR	Shield, Tube	
45	1001229637	1	Bracket	
46	1001199881	1	Support	
47	1001201090	2	Block, Clamp	
48	1001201342	1	Support	
49	1001202936	1	Guide	
50	0100011	AR	Compound, Locking	
51	0100035	AR	Compound, Locking	
52	0700822	2	Bolt M8 x 70	
54	3520034	8	Plug	
55	4240018	4	Tie-Strap (Not Shown)	
56	1001209948	3	Clamp	
59	1001209951	6	Clamp	
61	1001209953	3	Clamp	
62	1001209957	1	Cover	
63	0760812	1	Bolt M8 x 25	
64	1001116792	1	Clamp	
65	1001209949	7	Clamp	
66	0700819	1	Bolt M8 x 55 (Not Shown)	

SECTION 8 - ELECTRICAL

FIGURE 8-30. BREAKER BOX KIT - SINGLE DOUBLE POLE BREAKER (WITHOUT 4000W/50HZ GENERATOR)



ART_2902549

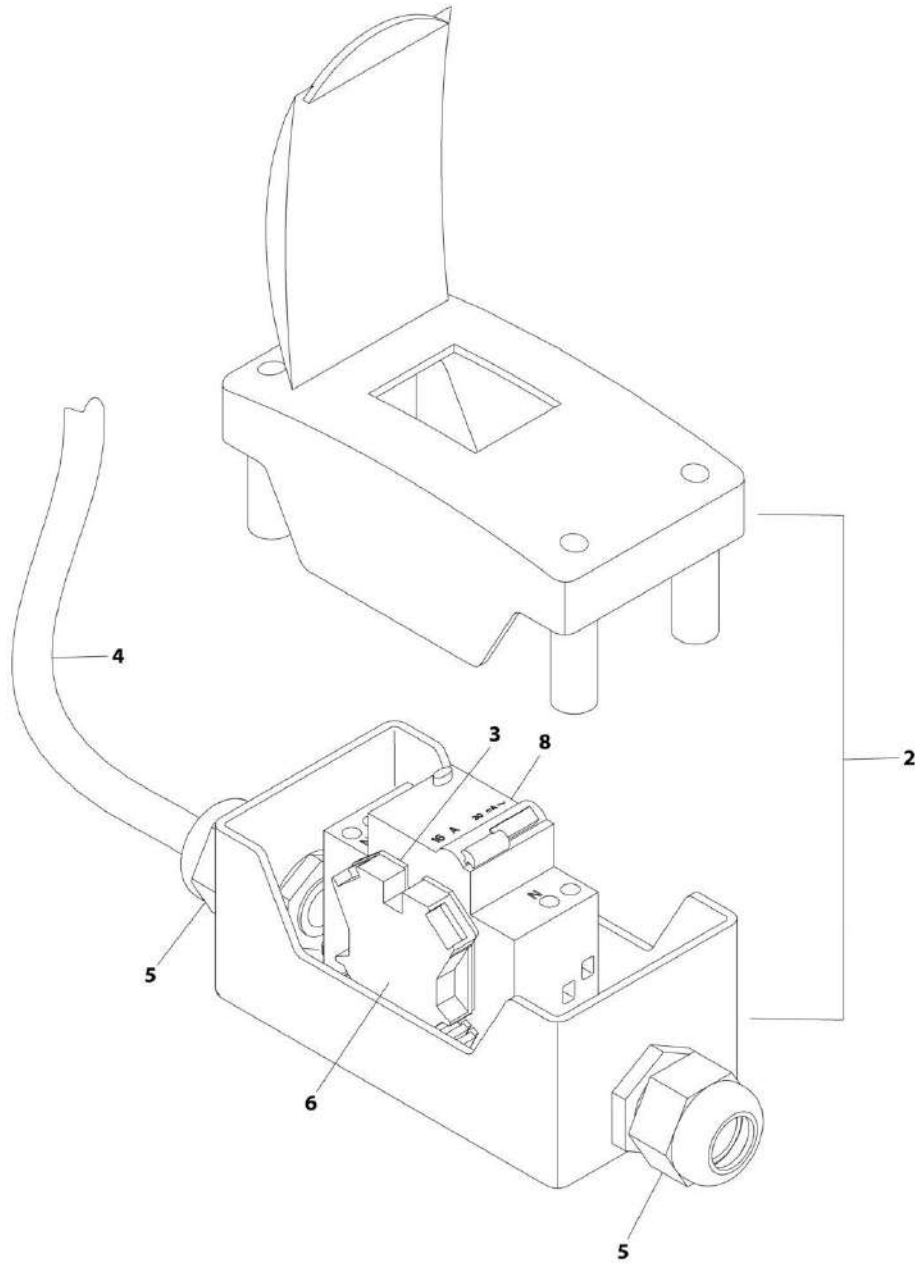
SECTION 8 - ELECTRICAL

FIGURE 8-30. BREAKER BOX KIT - SINGLE DOUBLE POLE BREAKER (WITHOUT 4000W/50HZ GENERATOR)

ITEM	PART NUMBER	QTY	DESCRIPTION	REV
	2902549	Ref	BREAKER BOX KIT	F
2	0861880	1	Box	
3	4460956	1	Barrier, Terminal	
4	1060908	6 ft/ 1.8m	Cable, 12/3	
5	1001097150	2	Connector, Strain Relief	
6	4460957	1	Block, Terminal	
8	1001181045	1	Breaker, 16Amp	

SECTION 8 - ELECTRICAL

FIGURE 8-31. BREAKER BOX KIT - SINGLE DOUBLE POLE BREAKER (WITH 4000W/50HZ GENERATOR)



ART_1001096070

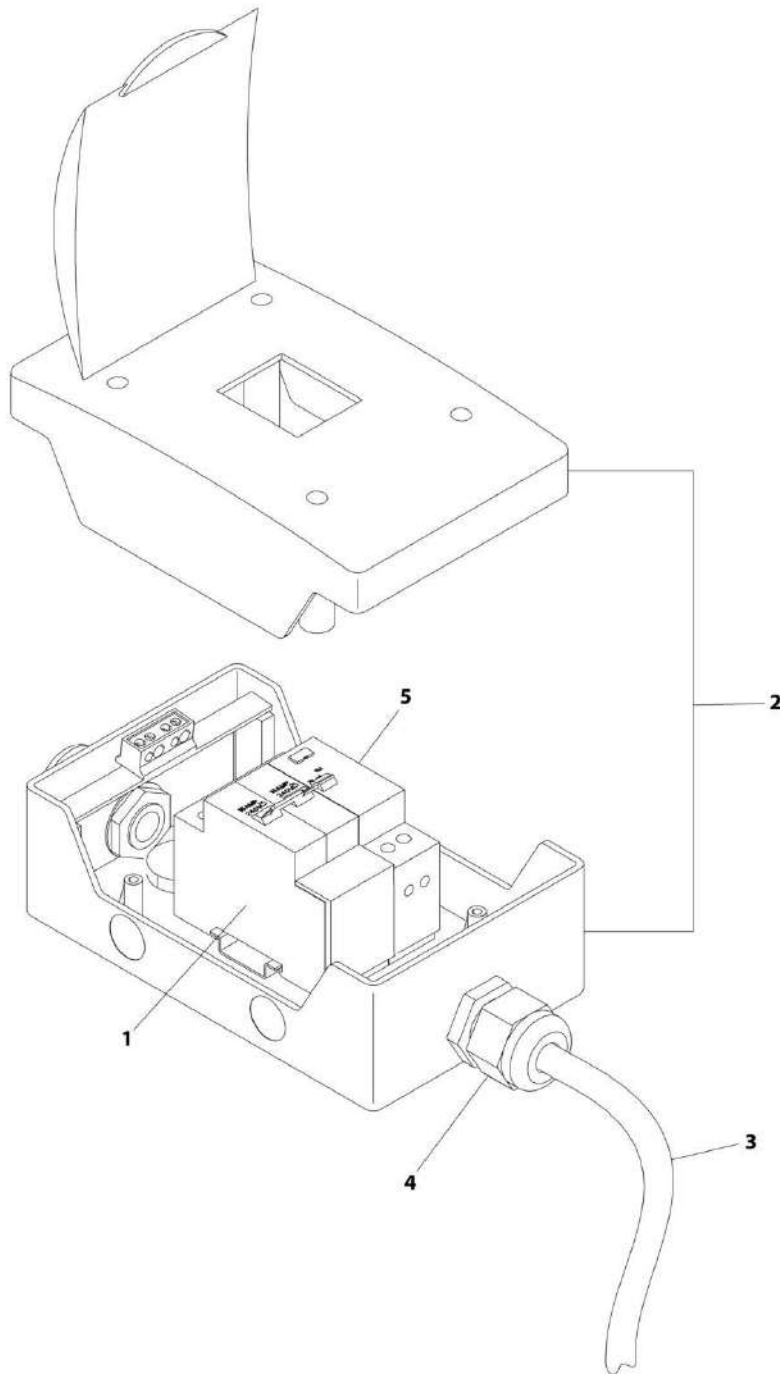
SECTION 8 - ELECTRICAL

FIGURE 8-31. BREAKER BOX KIT - SINGLE DOUBLE POLE BREAKER (WITH 4000W/50HZ GENERATOR)

ITEM	PART NUMBER	QTY	DESCRIPTION	REV
	1001096070	Ref	BREAKER BOX KIT	E
2	0861880	1	Box, Breaker	
3	4460956	1	Barrier, Terminal Block End	
4	1060908	12 ft/3.6m	Cable, Electrical 12/3	
5	1001097150	2	Connector, Strain Relief	
6	4460957	1	Block, Terminal	
8	1001181045	1	Breaker, Double 30mA/16Amp	

SECTION 8 - ELECTRICAL

FIGURE 8-32. BREAKER BOX KIT - 3 BREAKERS (SN 0300235168 through 0300237156)



ART_1001152485

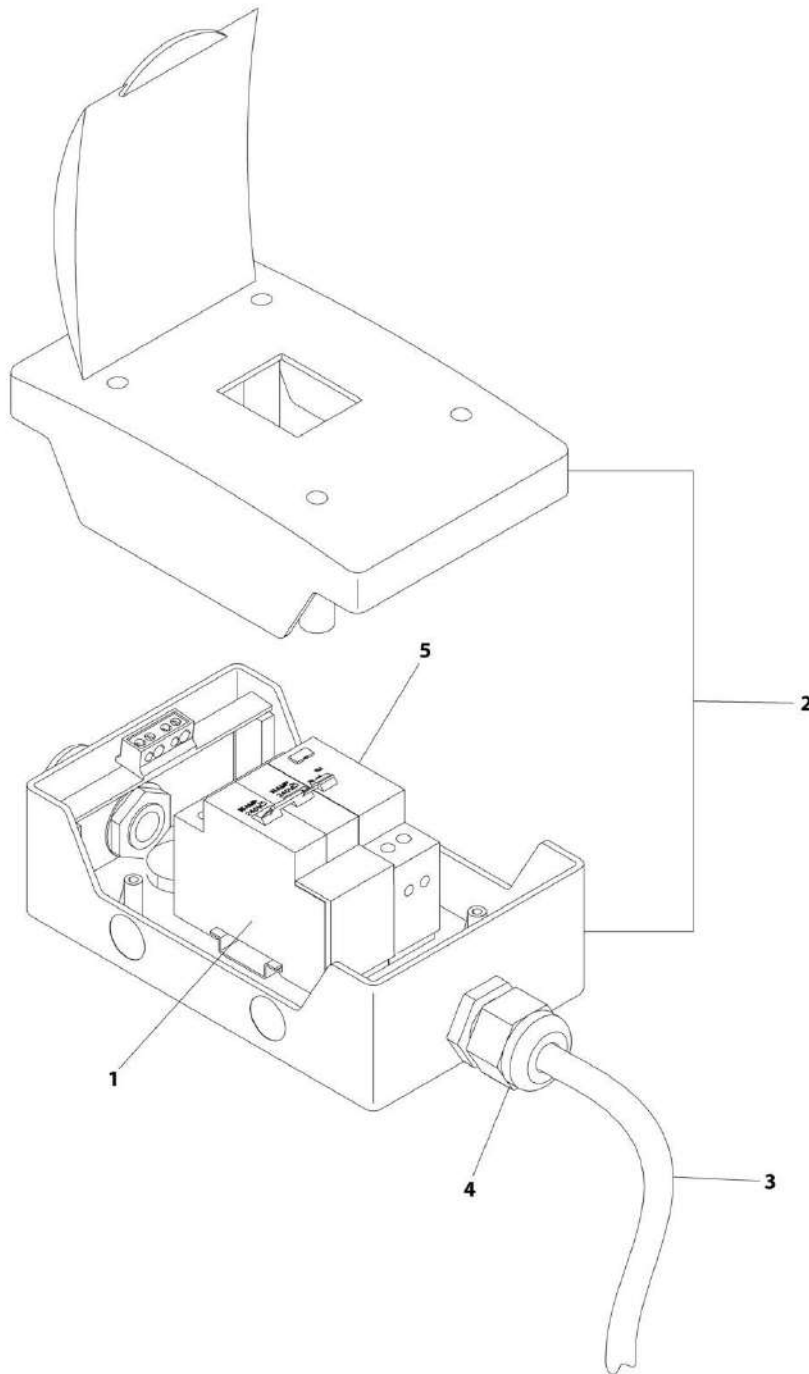
SECTION 8 - ELECTRICAL

FIGURE 8-32. BREAKER BOX KIT - 3 BREAKERS (SN 0300235168 through 0300237156)

ITEM	PART NUMBER	QTY	DESCRIPTION	REV
	1001152485	Ref	BREAKER BOX KIT	A
1	1001152479	1	Breaker, 16 Amp (Double)	
2	1001152483	1	Box	
3	1060908	6 ft/1.8m	Cable, 12/3	
4	1001097150	1	Connector, Strain Relief	
5	1001152482	1	Breaker, 30mA	

SECTION 8 - ELECTRICAL

FIGURE 8-33. BREAKER BOX KIT - 3 BREAKERS (SN 0300237157 to Present)



ART_1001152486

SECTION 8 - ELECTRICAL

FIGURE 8-33. BREAKER BOX KIT - 3 BREAKERS (SN 0300237157 to Present)

ITEM	PART NUMBER	QTY	DESCRIPTION	REV
	1001152486	Ref	BREAKER BOX KIT	A
1	1001152479	1	Breaker, 16 Amp (Double)	
2	1001152483	1	Box	
3	1060908	12 ft/ 3.66m	Cable, 12/3	
4	1001097150	1	Connector, Strain Relief	
5	1001152482	1	Breaker, 30mA	

SECTION 8 - ELECTRICAL

FIGURE 8-34. BOOM ANGLE SENSOR HARNESS



ART_1001189005

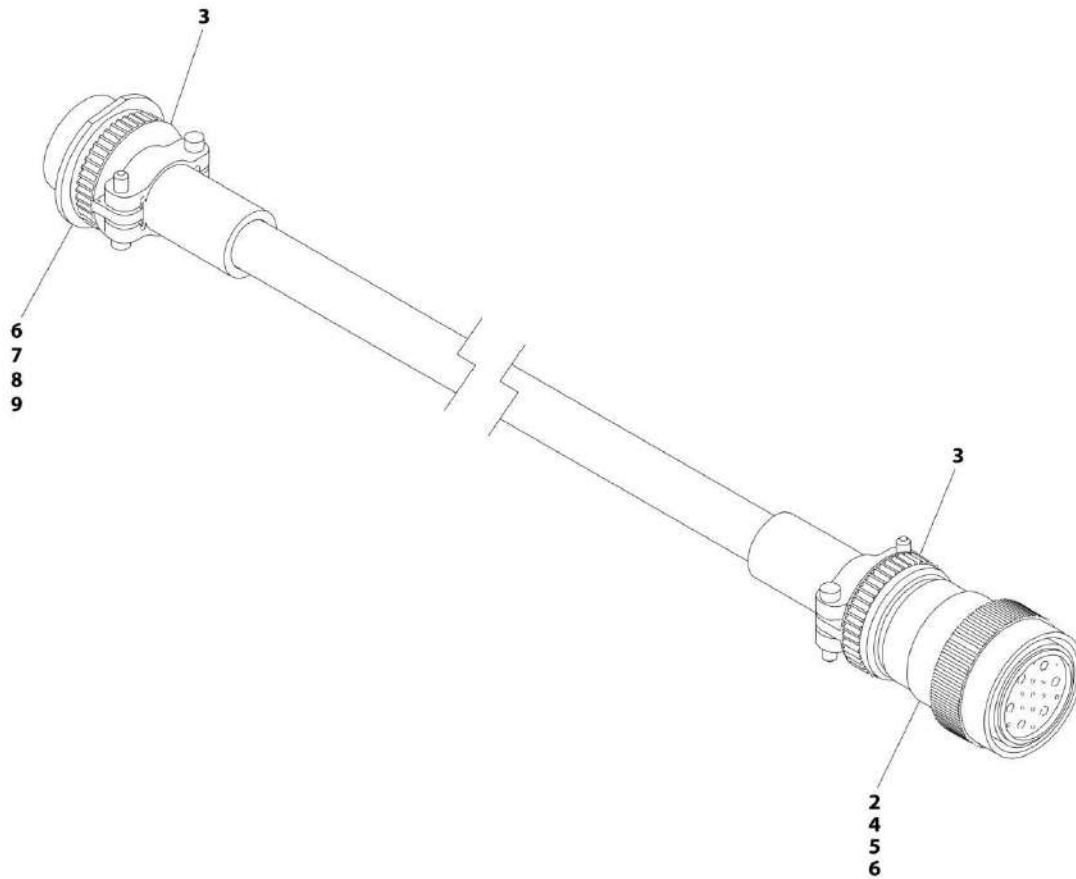
SECTION 8 - ELECTRICAL

FIGURE 8-34. BOOM ANGLE SENSOR HARNESS

ITEM	PART NUMBER	QTY	DESCRIPTION	REV
	1001189005	Ref	BOOM ANGLE SENSOR HARNESS	D
1	1001230931	1	Plug, Male - 6 Position	
1	1001116748	6	Terminal	
2	4460932	1	Receptacle, Female - 4 Position	
2	4460464	4	Pin, Male	

SECTION 8 - ELECTRICAL

FIGURE 8-35. BOOM CABLE - LOWER



ART_1001206082

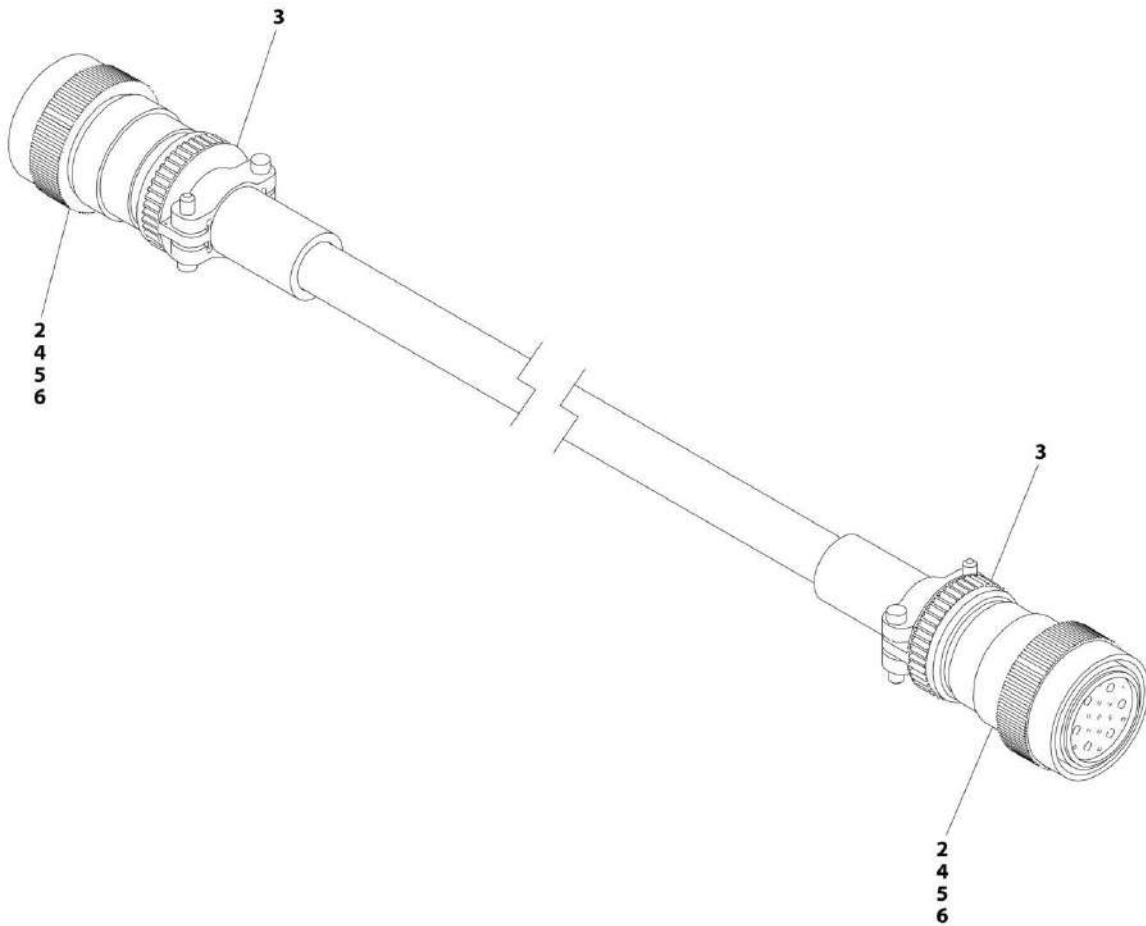
SECTION 8 - ELECTRICAL

FIGURE 8-35. BOOM CABLE - LOWER

ITEM	PART NUMBER	QTY	DESCRIPTION	REV
	1001206082	Ref	BOOM CABLE	C
2	4460865	1	Connector - 19 Position	
3	4460473	2	Clamp	
4	4460465	10	Socket, Female	
5	4460509	4	Socket, Female	
6	4460466	10	Plug, Socket	
7	4460866	1	Connector - 19 Position	
8	4460508	4	Pin, Male	
9	4460464	10	Pin, Male	

SECTION 8 - ELECTRICAL

FIGURE 8-36. BOOM CABLE - UPPER (600S)



ART_1001186533

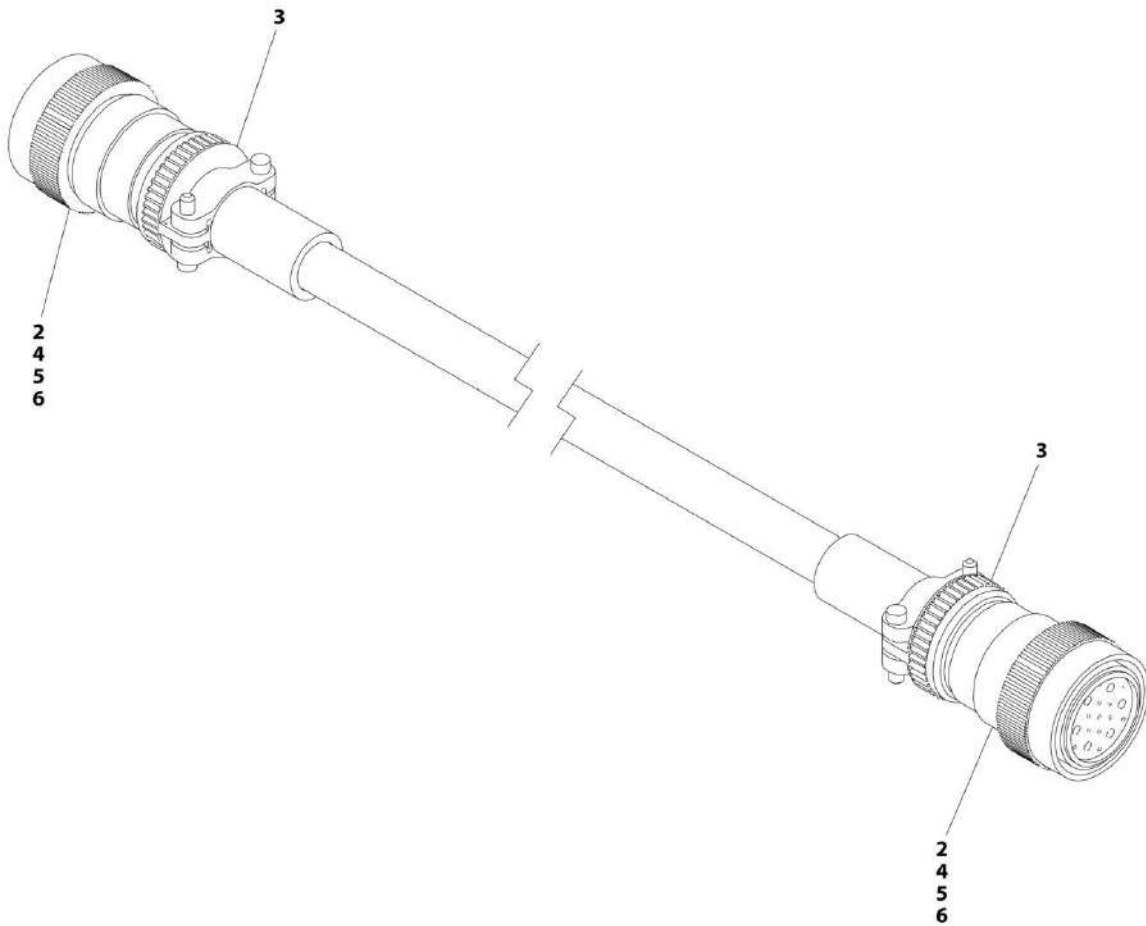
SECTION 8 - ELECTRICAL

FIGURE 8-36. BOOM CABLE - UPPER (600S)

ITEM	PART NUMBER	QTY	DESCRIPTION	REV
	1001188533	Ref	BOOM CABLE	C
2	4460865	2	Connector - 19 Position	
3	4460473	2	Clamp	
4	4460465	20	Socket, Female	
5	4460509	8	Socket, Female	
6	4460466	10	Plug, Socket	
7	1001226400	2	Heat Shrink (Not Shown)	

SECTION 8 - ELECTRICAL

FIGURE 8-37. BOOM CABLE - UPPER (660SJ)



ART_1001186534

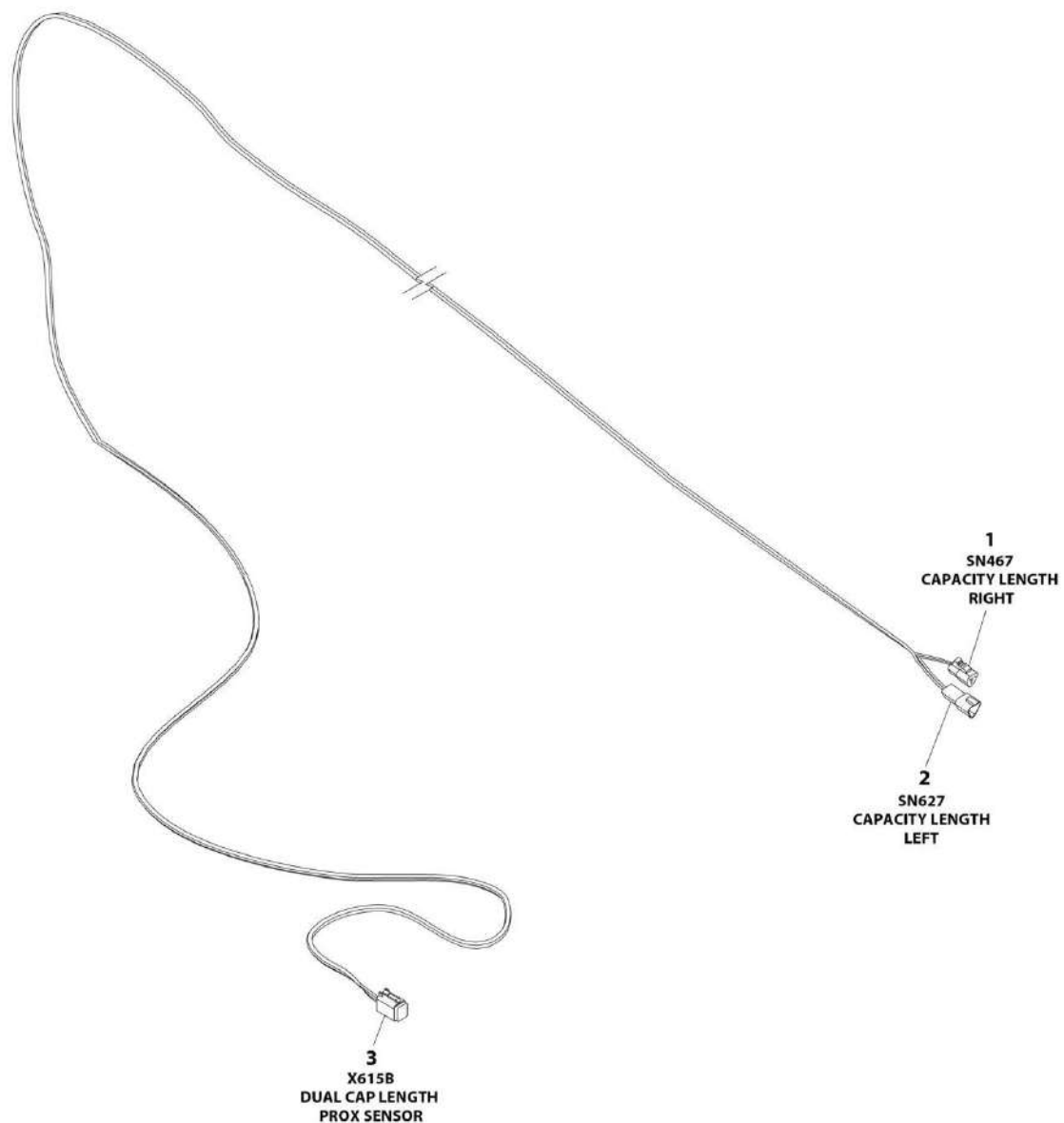
SECTION 8 - ELECTRICAL

FIGURE 8-37. BOOM CABLE - UPPER (660SJ)

ITEM	PART NUMBER	QTY	DESCRIPTION	REV
	1001188534	Ref	BOOM CABLE	C
2	4460865	2	Connector - 19 Position	
3	4460473	2	Clamp	
4	4460465	20	Socket, Female	
5	4460509	8	Socket, Female	
6	4460466	10	Plug, Socket	
7	1001226400	2	Heat Shrink (Not Shown)	

SECTION 8 - ELECTRICAL

FIGURE 8-38. CAPACITY PROXIMITY HARNESS



ART_1001189004

SECTION 8 - ELECTRICAL

FIGURE 8-38. CAPACITY PROXIMITY HARNESS

ITEM	PART NUMBER	QTY	DESCRIPTION	REV
	1001189004	Ref	CAPACITY PROXIMITY HARNESS	D
1	4460539	1	Plug, Male - 3 Position	
1	4460465	3	Socket, Female	
2	4460536	1	Receptacle, Female - 3 Position	
2	4640464	3	Pin, Male	
3	4460894	1	Plug, Male - 6 Position	
3	4460465	6	Socket, Female	

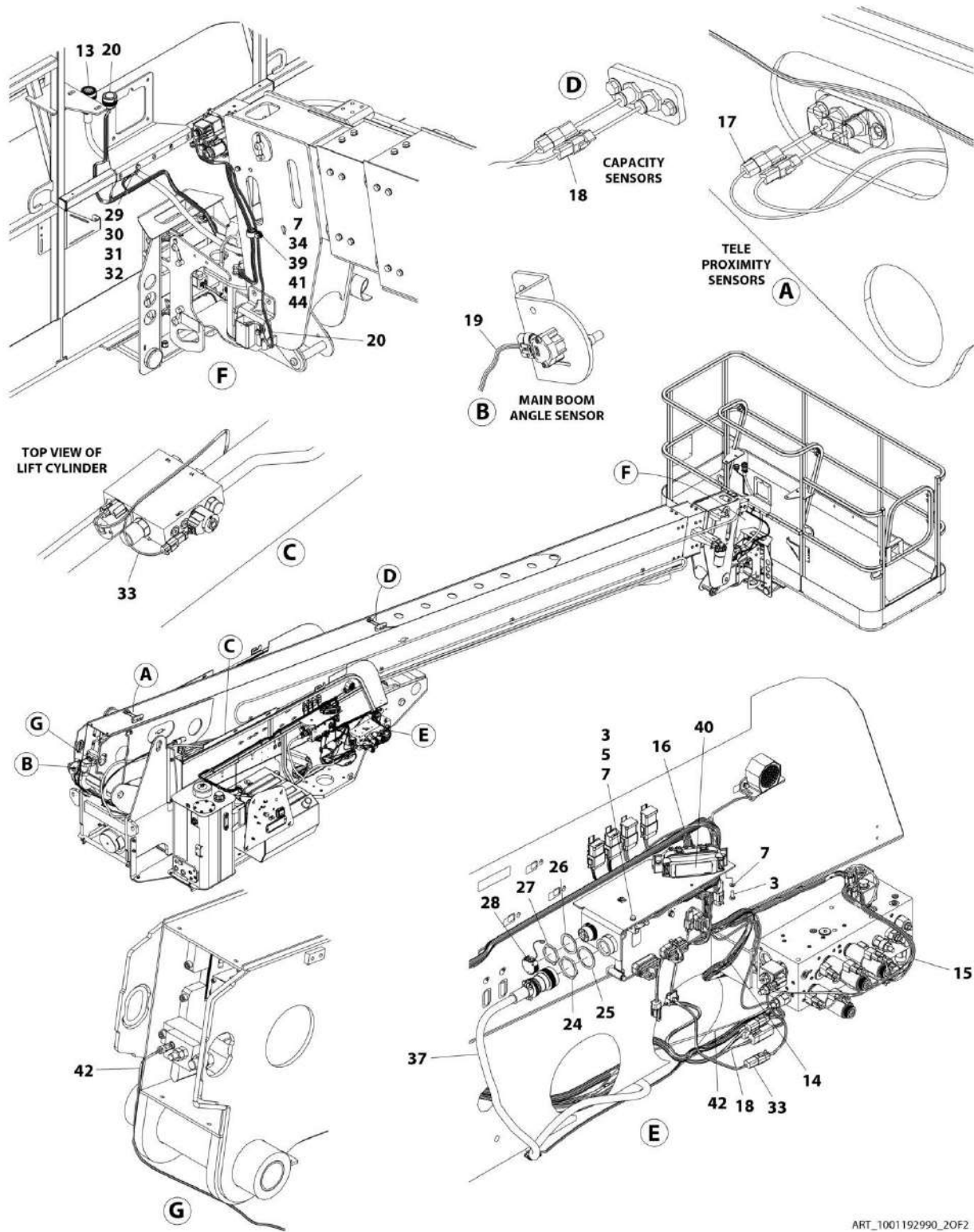
SECTION 8 - ELECTRICAL

FIGURE 8-39. ELECTRICAL COMPONENTS INSTALLATION - 600S WITH 2WS

ITEM	PART NUMBER	QTY	DESCRIPTION	REV
	1001191211	Ref	ELECTRICAL COMPONENTS INSTALLATION	L
3	0760608	5	Bolt M6 x 16	
5	3290605	3	Nut M6	
7	4811700	16	Washer M6	
12	1001188533	1	Boom Cable - Upper (See Separate Breakdown in this Section)	
13	1001188642	1	Turntable Harness (See Separate Breakdown in this Section)	
14	1001188644	1	Ground Control Harness (See Separate Breakdown in this Section)	
15	1001189003	1	Tele Proximity Harness (See Separate Breakdown in this Section)	
16	1001189004	1	Capacity Proximity Harness (See Separate Breakdown in this Section)	
17	1001189005	1	Boom Angle Sensor Harness (See Separate Breakdown in this Section)	
18	1001191328	1	Platform Valve Harness (See Separate Breakdown in this Section)	
21	1001192909	1	Main Valve Harness (See Separate Breakdown in this Section)	
23	4460470	1	Nut, Terminal	
24	4460471	1	Washer, Terminal	
25	4460496	1	Washer, Terminal	
26	4460497	1	Nut, Terminal	
27	1001106736	1	Cap, Dust	
28	0700819	1	Bolt M8 x 55	
29	3290805	1	Nut M8	
30	4811900	2	Washer M8	
31	1001120328	2	Mount	
32	1001205923	1	Lift Cylinder Harness (See Separate Breakdown in this Section)	
33	4240099	AR	Tie-Strap (Not Shown)	
36	1320041	1	Clamp	
37	1001206082	1	Boom Cable - Lower (See Separate Breakdown in this Section)	
38	0760615	1	Bolt M6 x 35	
39	1001231846	1	Decal - Fuse Box	
40	1001203719	1	Nut M6	
41	1001227527	1	Service Cable	
43	1320043	1	Clamp (SN 0300237157 to Present, SN B300002716 to Present)	

SECTION 8 - ELECTRICAL

FIGURE 8-40. ELECTRICAL COMPONENTS INSTALLATION - 600S WITH 4WS



ART_1001192990_20F2

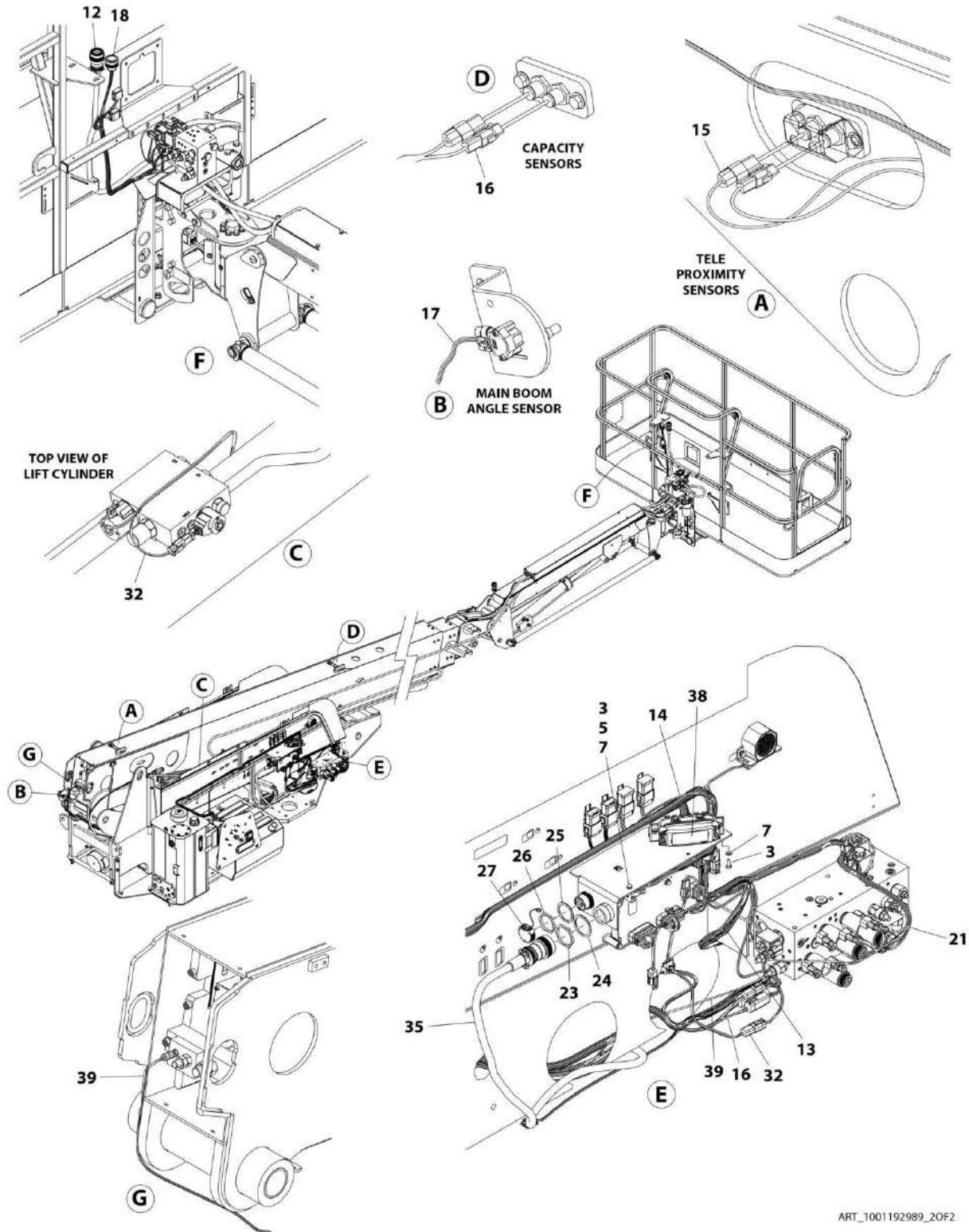
SECTION 8 - ELECTRICAL

FIGURE 8-40. ELECTRICAL COMPONENTS INSTALLATION - 600S WITH 4WS

ITEM	PART NUMBER	QTY	DESCRIPTION	REV
	1001192990	Ref	ELECTRICAL COMPONENTS INSTALLATION	L
3	0760608	5	Bolt M6 x 16	
5	3290605	3	Nut M6	
7	4811700	16	Washer M6	
13	1001188533	1	Boom Cable - Upper (See Separate Breakdown in this Section)	
14	1001188642	1	Turntable Harness (See Separate Breakdown in this Section)	
15	1001188643	1	Main Valve Harness (See Separate Breakdown in this Section)	
16	1001188644	1	Ground Control Harness (See Separate Breakdown in this Section)	
17	1001189003	1	Tele Proximity Harness (See Separate Breakdown in this Section)	
18	1001189004	1	Capacity Proximity Harness (See Separate Breakdown in this Section)	
19	1001189005	1	Boom Angle Sensor Harness (See Separate Breakdown in this Section)	
20	1001191328	1	Platform Valve Harness (See Separate Breakdown in this Section)	
24	4460470	1	Nut, Terminal	
25	4460471	1	Washer, Terminal	
26	4460496	1	Washer, Terminal	
27	4460497	1	Nut, Terminal	
28	1001106736	1	Cap, Dust	
29	0700819	1	Bolt M8 x 55	
30	3290805	1	Nut M8	
31	4811900	2	Washer M8	
32	1001120328	2	Mount	
33	1001205923	1	Lift Cylinder Harness (See Separate Breakdown in this Section)	
34	1320041	1	Clamp	
37	1001206082	1	Boom Cable - Lower (See Separate Breakdown in this Section)	
38	4240099	AR	Tie-Strap (Not Shown)	
39	0760615	1	Bolt M6 x 35	
40	1001231846	1	Decal - Fuse Box	
41	1001203719	1	Nut M6	
42	1001227527	1	Cable, Service	
44	1320043	1	Clamp (SN 0300237157 to Present, SN B300002716 to Present)	

SECTION 8 - ELECTRICAL

FIGURE 8-41. ELECTRICAL COMPONENTS INSTALLATION - 660SJ WITH 2WS



ART_1001192989_20F2

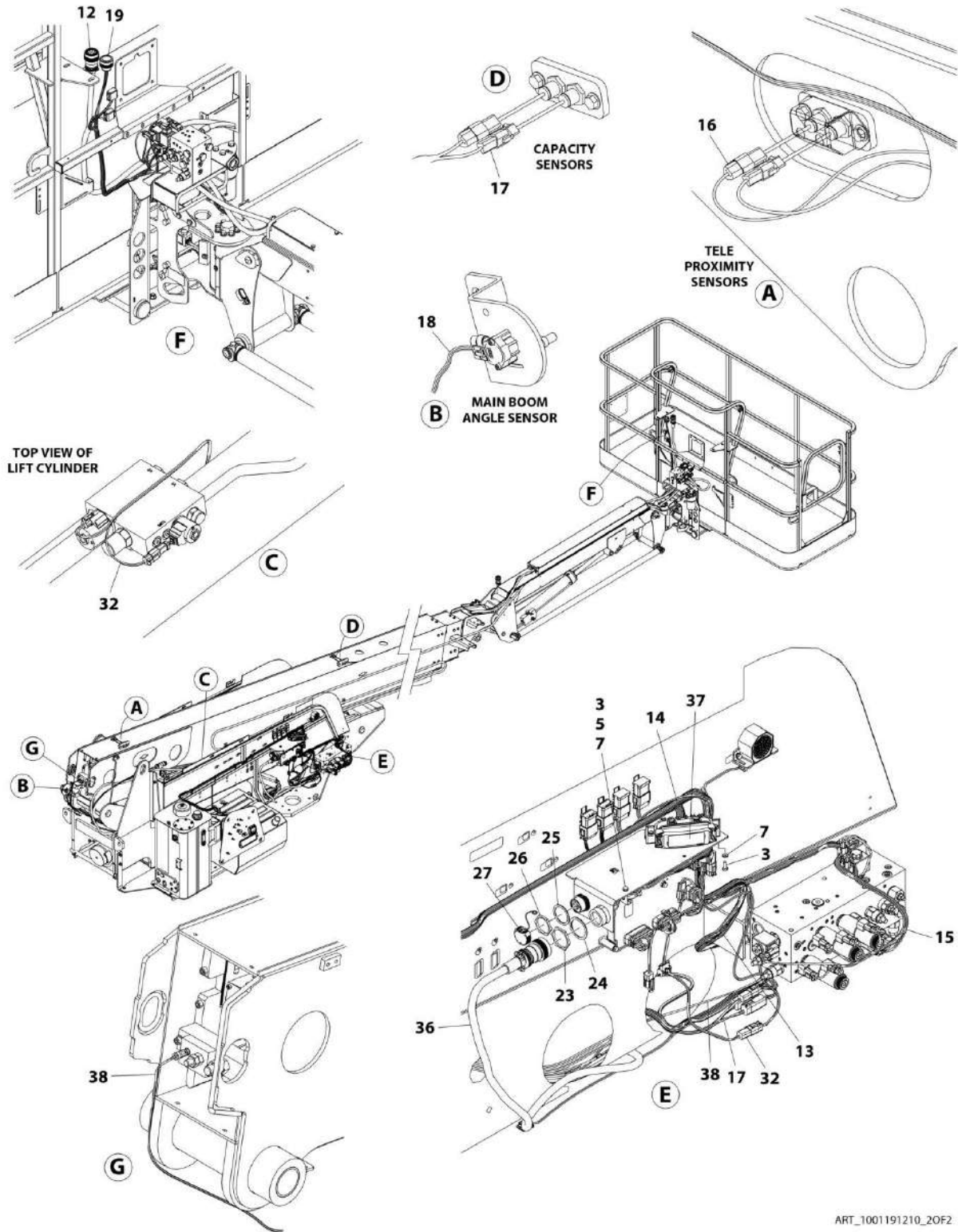
SECTION 8 - ELECTRICAL

FIGURE 8-41. ELECTRICAL COMPONENTS INSTALLATION - 660SJ WITH 2WS

ITEM	PART NUMBER	QTY	DESCRIPTION	REV
	1001192989	Ref	ELECTRICAL COMPONENTS INSTALLATION	L
3	0760608	5	Bolt M6 x 16	
5	3290605	3	Nut M6	
7	4811700	15	Washer M6	
12	1001188534	1	Boom Cable - Upper (See Separate Breakdown in this Section)	
13	1001188642	1	Turntable Harness (See Separate Breakdown in this Section)	
14	1001188644	1	Ground Control Harness (See Separate Breakdown in this Section)	
15	1001189003	1	Tele Proximity Harness (See Separate Breakdown in this Section)	
16	1001189004	1	Capacity Proximity Harness (See Separate Breakdown in this Section)	
17	1001189005	1	Boom Angle Sensor Harness (See Separate Breakdown in this Section)	
18	1001189111	1	Platform Valve Harness (See Separate Breakdown in this Section)	
21	1001192909	1	Main Valve Harness (See Separate Breakdown in this Section)	
23	4460470	1	Nut, Terminal	
24	4460471	1	Washer, Terminal	
25	4460496	1	Washer, Terminal	
26	4460497	1	Nut, Terminal	
27	1001106736	1	Cap, Dust	
32	1001205923	1	Lift Cylinder Harness (See Separate Breakdown in this Section)	
35	1001206082	1	Boom Cable - Lower (See Separate Breakdown in this Section)	
36	4240099	10	Tie-Strap (Not Shown)	
38	1001231846	1	Decal - Fuse Box	
39	1001227527	1	Cable, Service	

SECTION 8 - ELECTRICAL

FIGURE 8-42. ELECTRICAL COMPONENTS INSTALLATION - 660SJ WITH 4WS



ART_1001191210_20F2

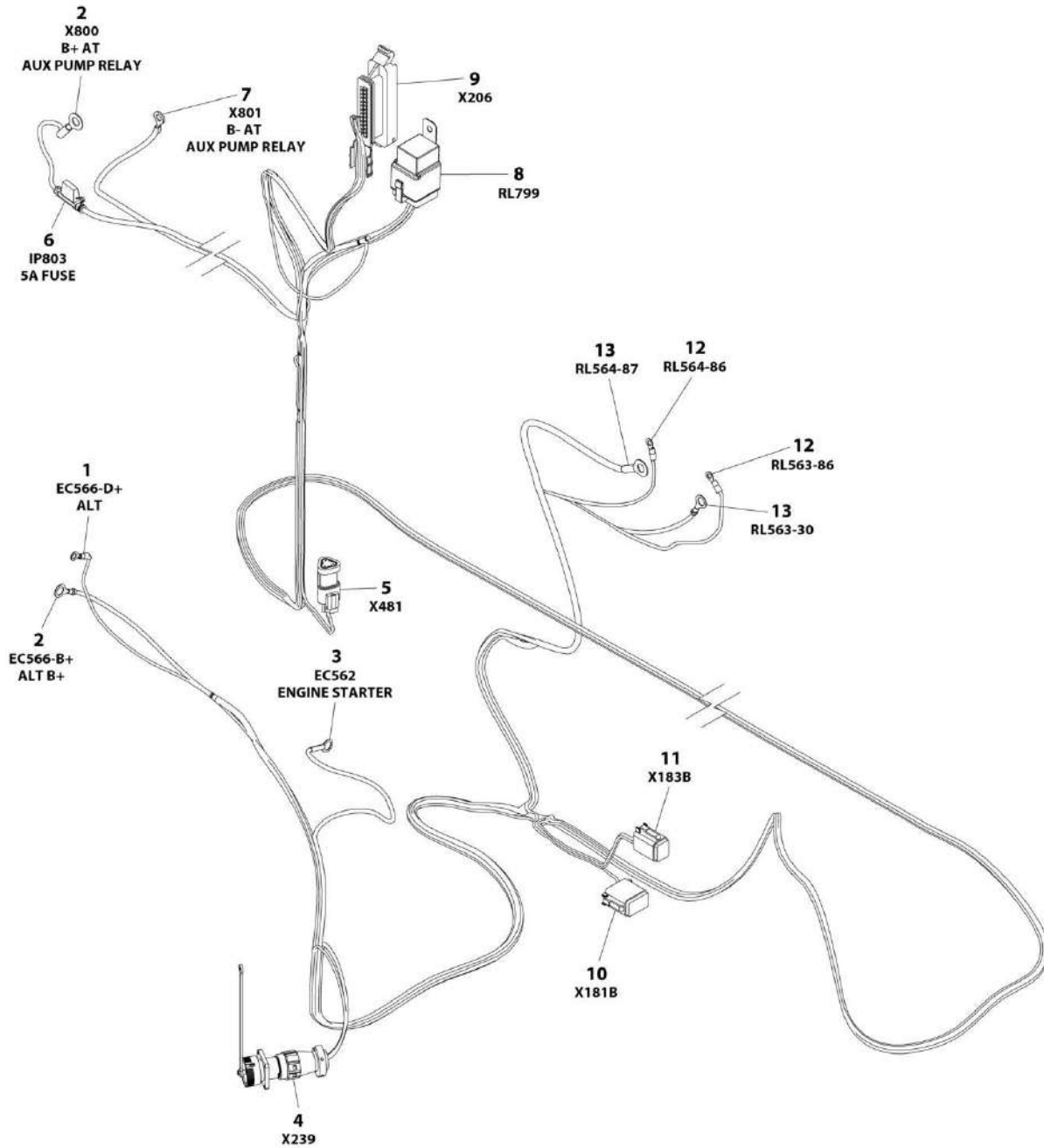
SECTION 8 - ELECTRICAL

FIGURE 8-42. ELECTRICAL COMPONENTS INSTALLATION - 660SJ WITH 4WS

ITEM	PART NUMBER	QTY	DESCRIPTION	REV
	1001191210	Ref	ELECTRICAL COMPONENTS INSTALLATION	M
3	0760608	5	Bolt M6 x 16	
5	3290605	3	Nut M6	
7	4811700	15	Washer M6	
12	1001188534	1	Boom Cable - Upper (See Separate Breakdown in this Breakdown)	
13	1001188642	1	Turntable Harness (See Separate Breakdown in this Breakdown)	
14	1001188643	1	Main Valve Harness (See Separate Breakdown in this Section)	
15	1001188644	1	Ground Control Harness (See Separate Breakdown in this Section)	
16	1001189003	1	Tele Proximity Harness (See Separate Breakdown in this Section)	
17	1001189004	1	Capacity Proximity Harness (See Separate Breakdown in this Section)	
18	1001189005	1	Boom Angle Sensor Harness (See Separate Breakdown in this Section)	
19	1001189111	1	Platform Valve Harness (See Separate Breakdown in this Section)	
23	4460470	1	Nut, Terminal	
24	4460471	1	Washer, Terminal	
25	4460496	1	Washer, Terminal	
26	4460497	1	Nut, Terminal	
27	1001106736	1	Cap, Dust	
32	1001205923	1	Lift Cylinder Harness (See Separate Breakdown in this Section)	
33	4240099	1	Tie-Strap (Not Shown)	
36	1001206082	1	Boom Cable - Lower (See Separate Breakdown in this Section)	
37	1001231846	1	Decal - Fuse Box	
38	1001227527	1	Cable, Service	

SECTION 8 - ELECTRICAL

FIGURE 8-43. ENGINE HARNESS - DEUTZ D2011 ENGINES



ART_1001188236

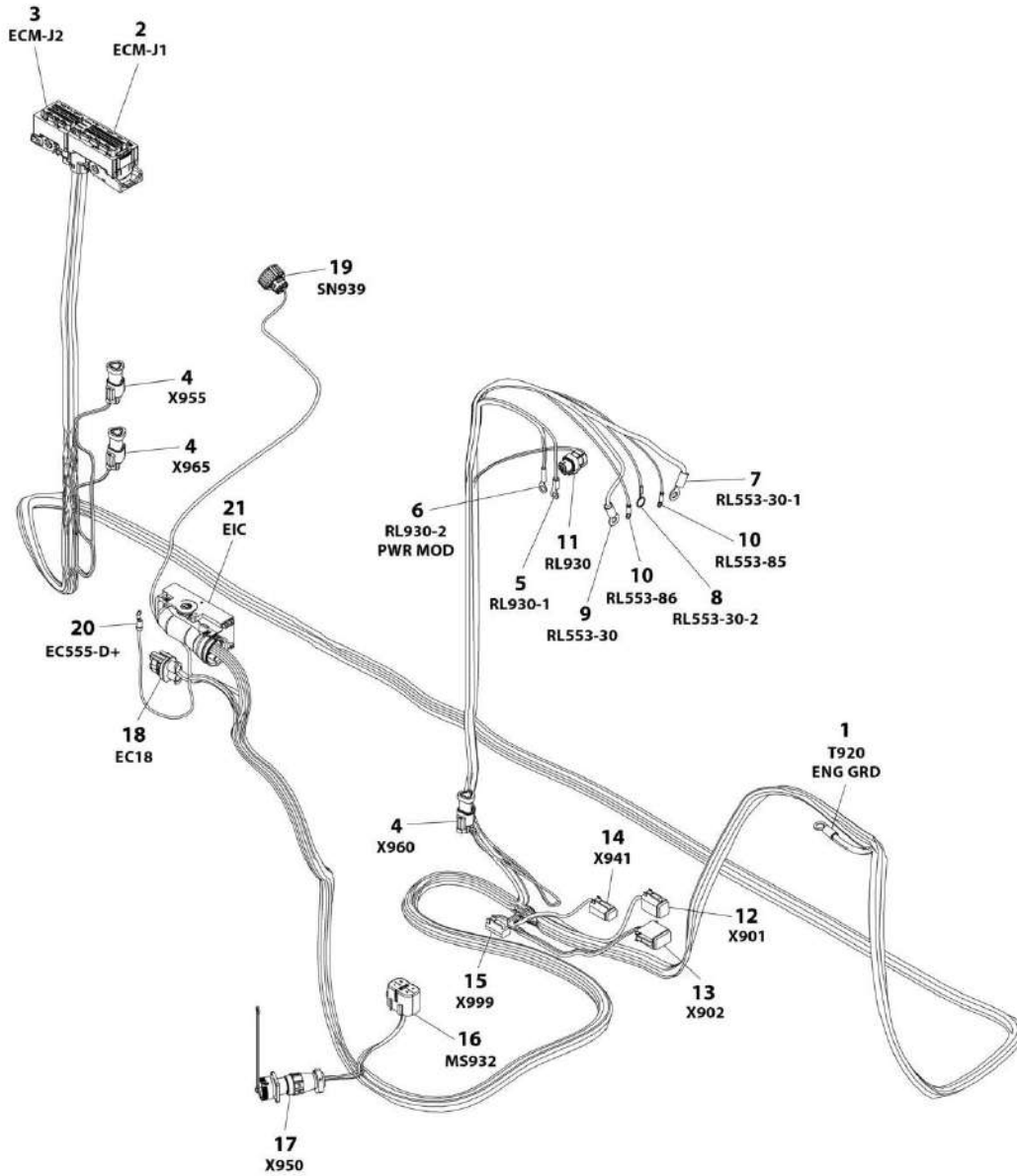
SECTION 8 - ELECTRICAL

FIGURE 8-43. ENGINE HARNESS - DEUTZ D2011 ENGINES

ITEM	PART NUMBER	QTY	DESCRIPTION	REV
	1001188236	Ref	ENGINE HARNESS	F
1	4460042	1	Terminal, Ring	
2	8220045	2	Terminal, Ring	
3	4460142	1	Terminal, Ring	
4	2902443	1	Receptacle Kit	
4	4461073	1	Cap, Dust	
5	4461095	1	Plug, Male - 3 Position	
5	4460944	2	Socket, Female	
5	4460466	1	Plug, Terminal	
5	4461070	1	Receptacle, Female - 3 Position	
5	4460943	3	Pin, Male	
6	2600066	2	Fuseholder with 5Amp Fuse	
6	See Note	NSS	Fuse - 5Amp (Note: Purchase Locally)	
7	4460312	1	Terminal, Ring	
8	1001118282	1	Plug, Relay (SN 0300235168 through 0300237156, SN B300002655 through B300002681)	
8	1001117025	1	Plug, Relay (SN 0300237157 to Present, SN B300002682 to Present)	
8	1001116734	1	Terminal	
8	1001116732	3	Terminal	
8	1001128128	1	Plug, Terminal	
9	4461052	1	Connector - 25 Position	
9	4461060	1	Terminal	
9	4461005	6	Terminal	
9	4461008	18	Plug, Terminal	
9	4461054	1	Seal	
9	4461006	6	Seal	
9	4461053	1	Cover	
10	4460930	1	Plug, Male - 8 Position	
10	4460465	8	Socket, Female	
10	4460466	7	Plug, Terminal	
11	4460894	1	Plug, Male - 6 Position	
11	4460465	3	Socket, Female	
11	4460944	2	Socket, Female	
11	4460466	1	Plug, Terminal	
12	4460313	2	Terminal, Ring	
13	8220164	2	Terminal, Ring	

SECTION 8 - ELECTRICAL

FIGURE 8-44. ENGINE HARNESS - DEUTZ TD2.9L4 ENGINES (SN 0300235168 through 0300237156, SN B300002655 through B300002681)



ART_1001188237

SECTION 8 - ELECTRICAL

FIGURE 8-44. ENGINE HARNESS - DEUTZ TD2.9L4 ENGINES (SN 0300235168 through 0300237156, SN B300002655 through B300002681)

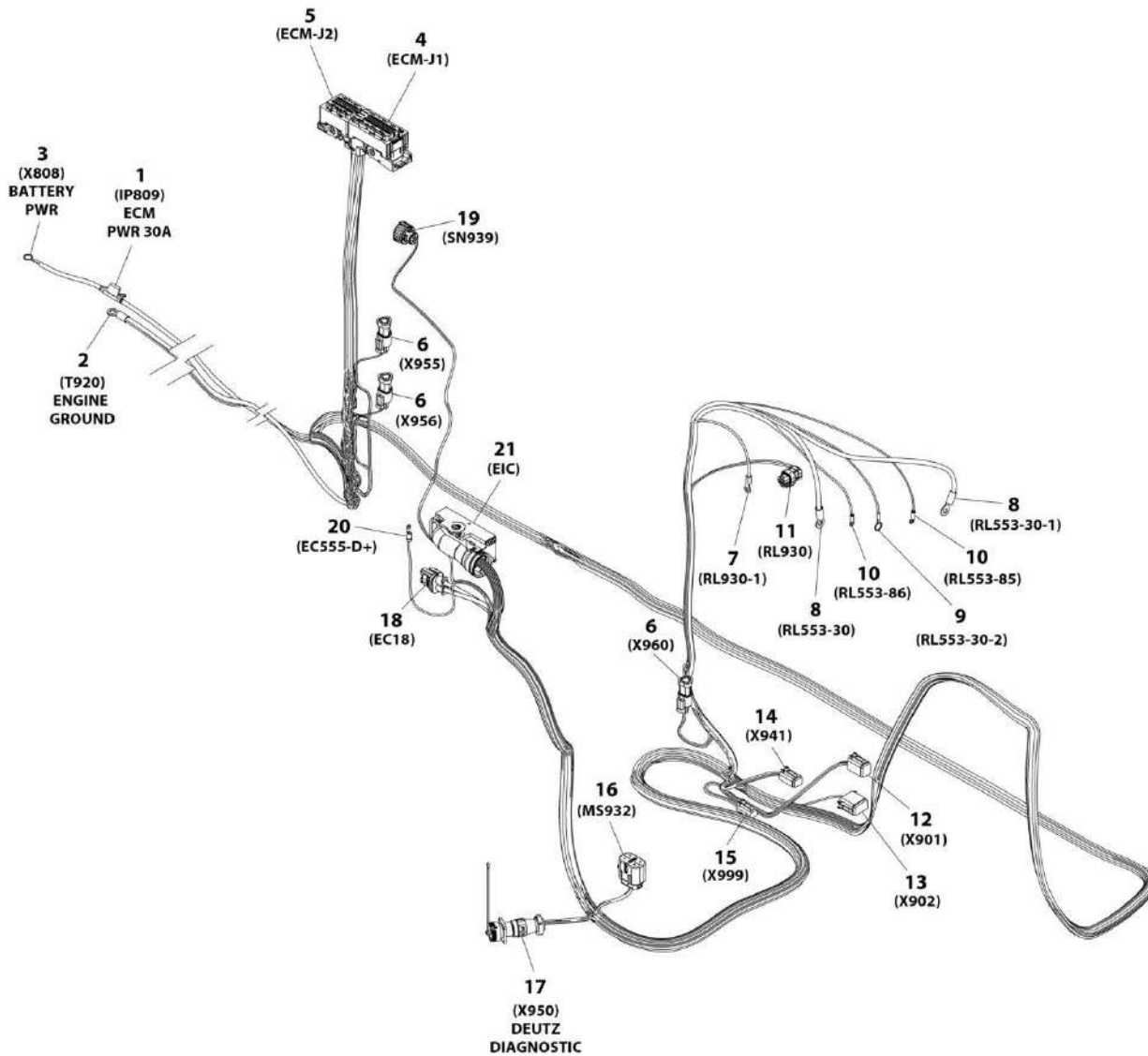
ITEM	PART NUMBER	QTY	DESCRIPTION	REV
	1001188237	Ref	ENGINE HARNESS	G
1	8220115	1	Terminal, Ring	
2	1001133956	1	Connector - 94 Position	
2	1001126351	1	Terminal	
2	1001126352	6	Terminal	
2	1001126384	21	Terminal	
2	1001126357	1	Plug, Terminal	
2	1001126356	65	Plug, Terminal	
3	1001133956	1	Connector - 60 Position	
3	1001126351	13	Terminal	
3	1001126384	17	Terminal	
3	1001126357	11	Plug, Terminal	
3	1001126356	19	Plug, Terminal	
4	4461095	3	Plug, Male - 3 Position	
4	4460944	6	Socket, Female	
4	4460466	3	Plug, Terminal	
4	4461070	3	Receptacle, Female - 3 Position	
4	4460943	9	Pin, Male	
5	4460043	1	Terminal, Ring	
6	1001117106	1	Terminal, Ring	
7	1001117107	1	Terminal, Ring	
8	4460703	1	Terminal, Ring	
9	8220164	1	Terminal, Ring	
10	4460313	2	Terminal, Ring	
11	1001116952	1	Plug, Male - 2 Position	
11	4460465	2	Socket, Female	
12	4460894	1	Plug, Male - 6 Position	
12	4460465	3	Socket, Female	
12	4460944	2	Socket, Female	
12	4460466	1	Plug, Terminal	
13	4460930	1	Plug, Male - 8 Position	
13	4460465	1	Socket, Female	
13	4460466	7	Plug, Terminal	
14	4460884	1	Plug, Male - 4 Position	
14	4460465	2	Socket, Female	
14	4460942	2	Socket, Female	
15	4460891	6	Plug, Male - 4 Position	
15	4460465	10	Socket, Female	
16	80484084	1	Plug, Male - 8 Position	
16	8229242	1	Fuse - 5Amp	
16	80983191	1	Fuse - 10Amp	
16	1001116728	4	Socket, Female	
16	1001116727	4	Plug, Terminal	
17	2902443	1	Receptacle Kit	
17	4461073	1	Cap, Dust	
17	4461071	6	Terminal	
18	1001142938	1	Plug, Male - 2 Position	
18	1001142941	2	Terminal	
19	1001133714	1	Connector - 4 Position	

SECTION 8 - ELECTRICAL

ITEM	PART NUMBER	QTY	DESCRIPTION	REV
19	1001133715	13	Terminal	
19	1001135651	11	Plug, Terminal	
20	4460042	1	Terminal, Ring	
21	1001126362	1	Connector - 62 Position	
21	1001126363	35	Terminal	
21	1001126365	2	Terminal	
21	1001126391	20	Plug, Terminal	
21	4461008	4	Plug, Terminal	
21	1001151856	1	Elbow	

SECTION 8 - ELECTRICAL

FIGURE 8-45. ENGINE HARNESS - DEUTZ TD2.9L4 ENGINES (SN 0300237156 to Present, SN B300002682 to Present)



ART_1001233895

SECTION 8 - ELECTRICAL

FIGURE 8-45. ENGINE HARNESS - DEUTZ TD2.9L4 ENGINES (SN 0300237156 to Present, SN B300002682 to Present)

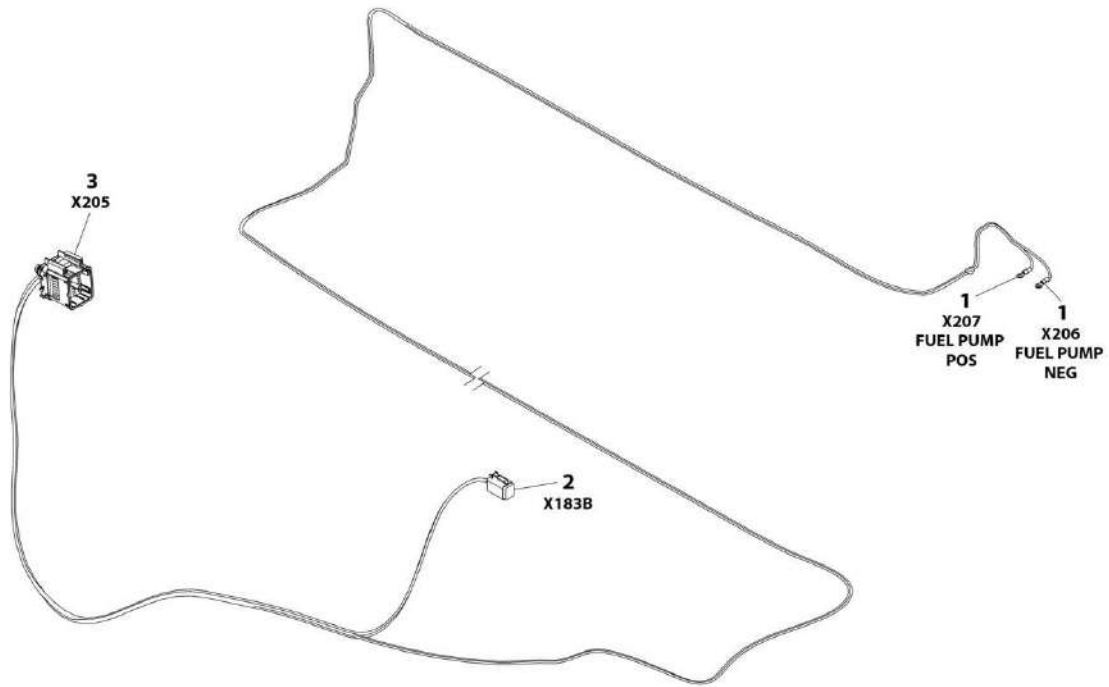
ITEM	PART NUMBER	QTY	DESCRIPTION	REV
	1001233895	Ref	ENGINE HARNESS	F
1	1001172064	1	Fuseholder with 30Amp Fuse	
1	1001172065	1	Fuse - 30A	
2	8220115	1	Terminal, Ring	
3	4460019	1	Terminal, Ring	
4	1001133956	1	Connector - 94 Position	
4	1001126351	2	Terminal	
4	1001126352	6	Terminal	
4	1001126384	21	Terminal	
4	1001126357	2	Plug, Terminal	
4	1001126356	63	Plug, Terminal	
5	1001133957	1	Connector - 60 Position	
5	1001126351	13	Terminal	
5	1001126384	17	Terminal	
5	1001126357	11	Plug, Terminal	
5	1001126356	19	Plug, Terminal	
6	4461095	3	Plug, Male - 3 Position	
6	4460944	6	Socket, Female	
6	4460466	3	Plug, Terminal	
6	4461070	3	Receptacle, Female - 3 Position	
6	4460943	9	Pin, Male	
7	4460043	1	Terminal, Ring	
8	1001117107	2	Terminal, Ring	
9	4460703	1	Terminal, Ring	
10	4460313	2	Terminal, Ring	
11	1001116952	1	Plug, Male - 2 Position	
11	4460465	2	Socket, Female	
12	4460894	1	Plug, Male - 6 Position	
12	4460465	3	Socket, Female	
12	4460944	2	Socket, Female	
12	4460466	1	Plug, Terminal	
13	4460930	1	Plug, Male - 8 Position	
13	4460465	1	Socket, Female	
13	4460466	7	Plug, Terminal	
14	4460884	1	Plug, Male - 4 Position (SN 0300235168 through 0300254984)	
14	1001220379	1	Plug, Male - 4 Position (SN 0300254985 to Present)	
14	4460465	2	Socket, Female	
14	4460942	2	Socket, Female	
15	4460891	1	Plug, Male - 4 Position	
15	4460465	2	Socket, Female	
16	80484084	1	Plug, Male - 8 Position	
16	8229242	1	Fuse - 5Amp	
16	80983191	1	Fuse - 10Amp	
16	1001116728	4	Socket, Female	
16	1001116727	4	Plug, Terminal	
16	1001147264	1	Cap	
17	2902443	1	Receptacle Kit	
17	4461073	1	Cap, Dust	
17	4461071	6	Terminal	

SECTION 8 - ELECTRICAL

ITEM	PART NUMBER	QTY	DESCRIPTION	REV
18	1001142938	1	Plug, Male - 2 Position	
18	1001142940	2	Terminal	
18	1001142941	2	Seal	
19	1001133714	1	Connector - 4 Position	
19	1001133715	13	Terminal	
19	1001135651	11	Plug, Terminal	
20	4460042	1	Terminal, Ring	
21	1001126362	1	Connector - 62 Position	
21	1001126363	35	Terminal	
21	1001126365	2	Terminal	
21	1001126391	20	Plug, Terminal	
21	4461008	4	Plug, Terminal	
21	1001151856	1	Elbow	

SECTION 8 - ELECTRICAL

FIGURE 8-46. ENGINE HARNESS - FORD ENGINES



ART_1001215218

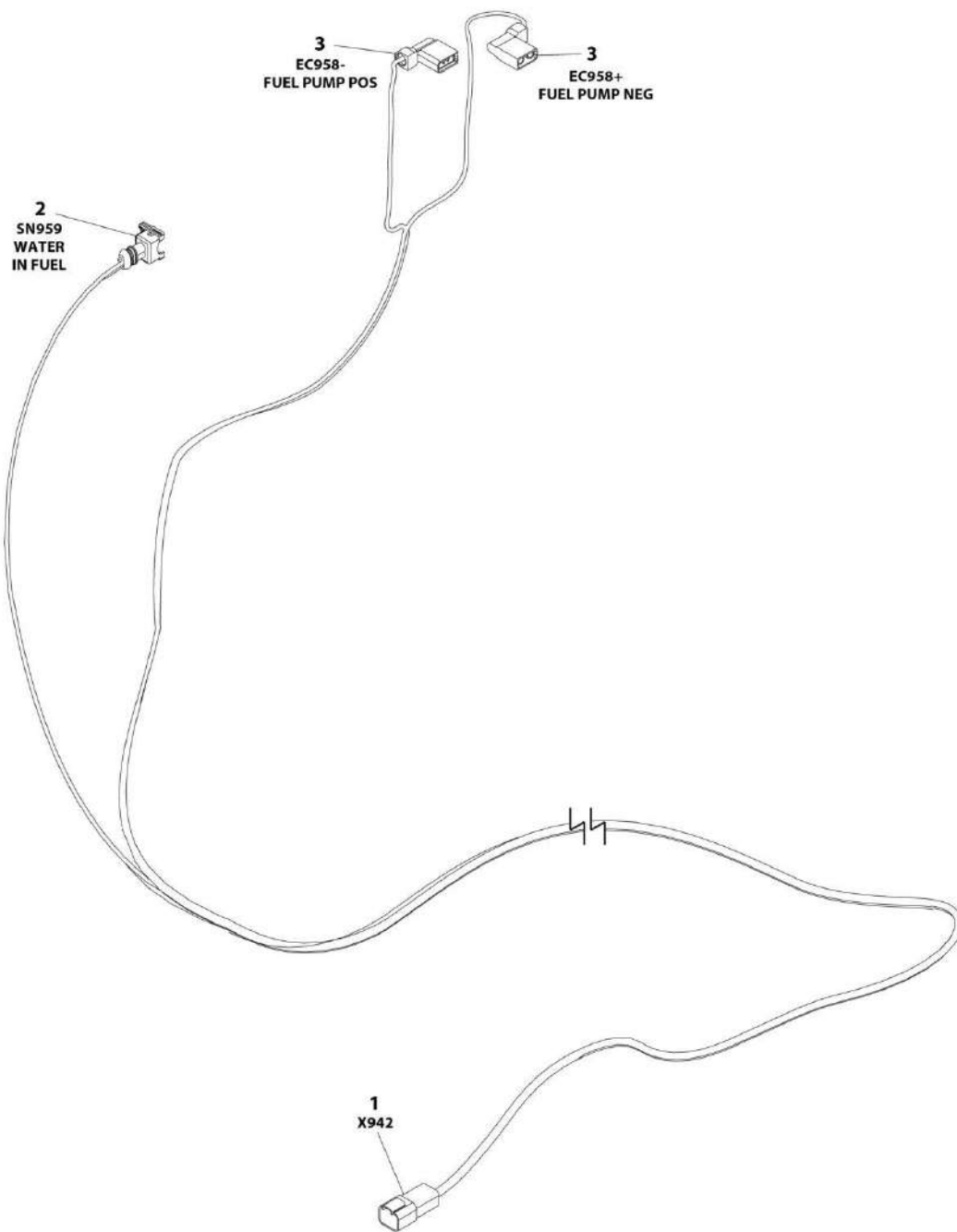
SECTION 8 - ELECTRICAL

FIGURE 8-46. ENGINE HARNESS - FORD ENGINES

ITEM	PART NUMBER	QTY	DESCRIPTION	REV
	1001215218	Ref	ENGINE HARNESS	C
1	4460042	2	Terminal, Ring	
2	4460894	1	Plug, Male - 6 Position	
2	4460465	4	Socket, Female	
2	4460466	2	Plug, Terminal	
3	1001215016	1	Connector - 42 Position	
3	1001216212	1	Terminal	
3	1001221210	2	Terminal	
3	1001215091	3	Terminal	
3	1001216213	2	Plug, Terminal	
3	1001215534	34	Plug, Terminal	

SECTION 8 - ELECTRICAL

FIGURE 8-47. FUEL PUMP HARNESS - DEUTZ TD2.9L4 ENGINE



ART_1001190444

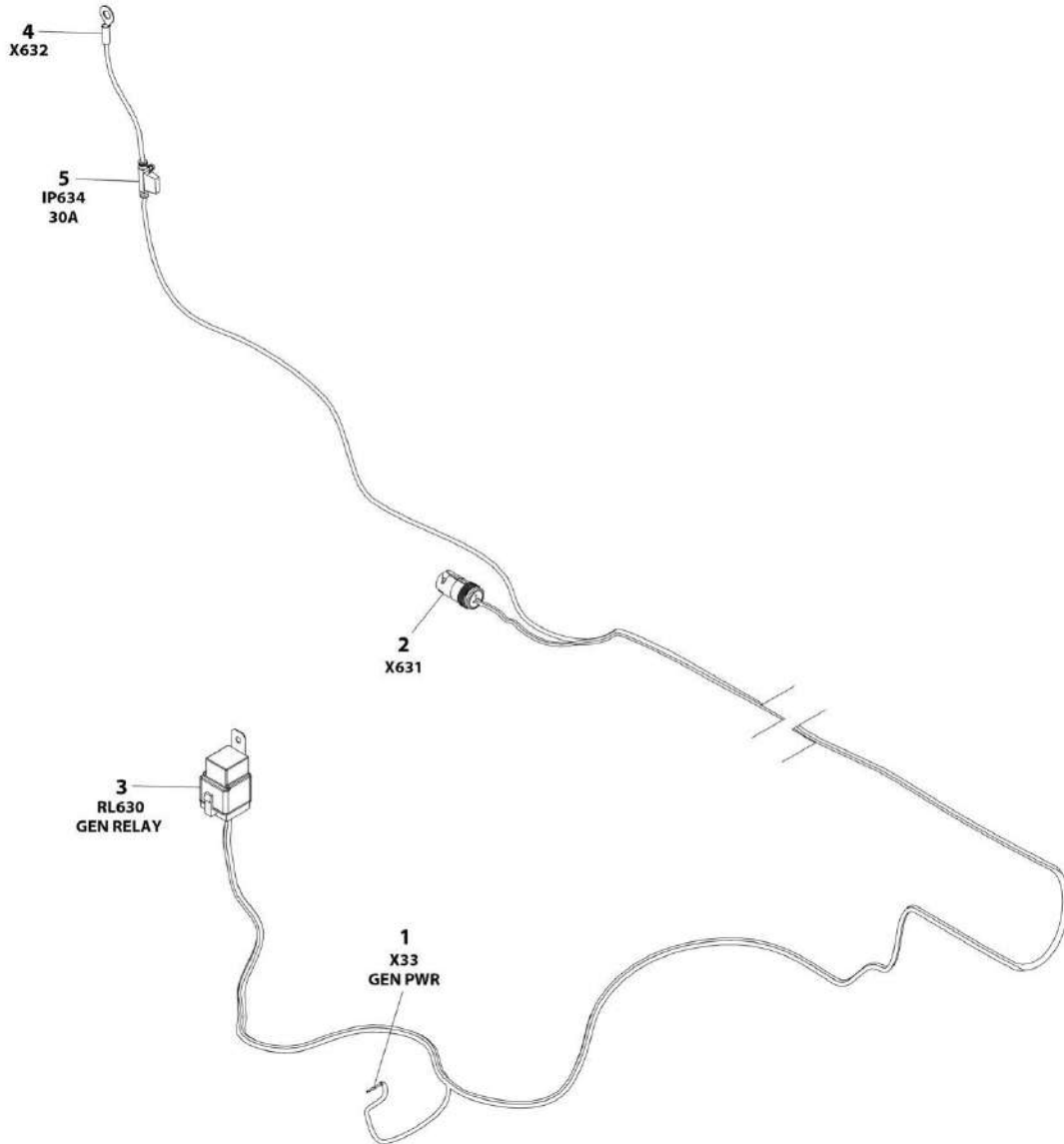
SECTION 8 - ELECTRICAL

FIGURE 8-47. FUEL PUMP HARNESS - DEUTZ TD2.9L4 ENGINE

ITEM	PART NUMBER	QTY	DESCRIPTION	REV
	1001190444	Ref	FUEL PUMP HARNESS	D
1	4460932	1	Receptacle, Female - 4 Position	
1	4460941	4	Pin, Male	
2	1001116983	1	Plug, Male - 2 Posiiton	
2	4461054	2	Socket, Female	
3	1001223045	2	Connector	

SECTION 8 - ELECTRICAL

FIGURE 8-48. GENERATOR HARNESS - 2500W



ART_1001194114

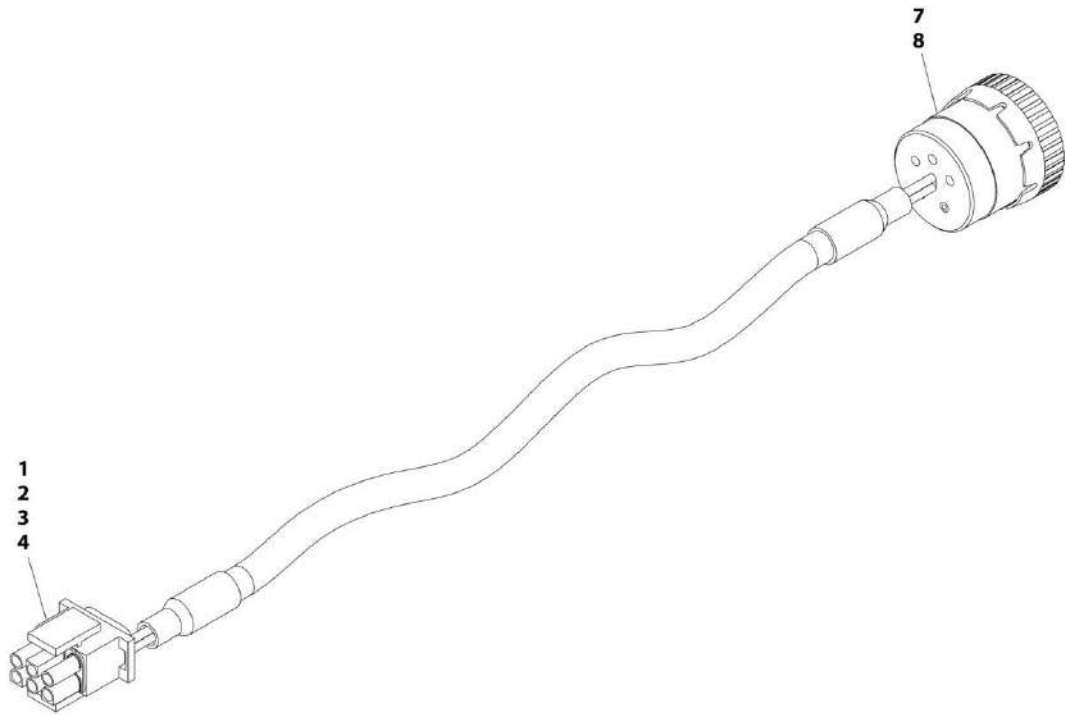
SECTION 8 - ELECTRICAL

FIGURE 8-48. GENERATOR HARNESS - 2500W

ITEM	PART NUMBER	QTY	DESCRIPTION	REV
	1001194114	Ref	GENERATOR HARNESS	B
1	4460906	1	Socket, Female	
2	1001154726	1	Receptacle, Female - 3 Position	
2	4460464	2	Pin, Male	
2	4460466	1	Plug, Terminal	
3	1001117057	1	Connector, Relay (SN 0300235168 through 0300237156)	
3	1001120851	1	Connector, Relay (SN 0300237157 to Present)	
3	1001117057	1	Connector, Relay (SN B300002655 to Present)	
3	1001116734	2	Terminal	
3	1001116732	2	Terminal	
3	3740080	1	Relay	
4	8220045	1	Terminal, Ring	
5	2400060	1	Fuseholder - 30Amp (Includes Cover)	
5	8229245	1	Fuse - 30Amp	

SECTION 8 - ELECTRICAL

FIGURE 8-49. GENERATOR HARNESS - 4000W



ART_1001152532

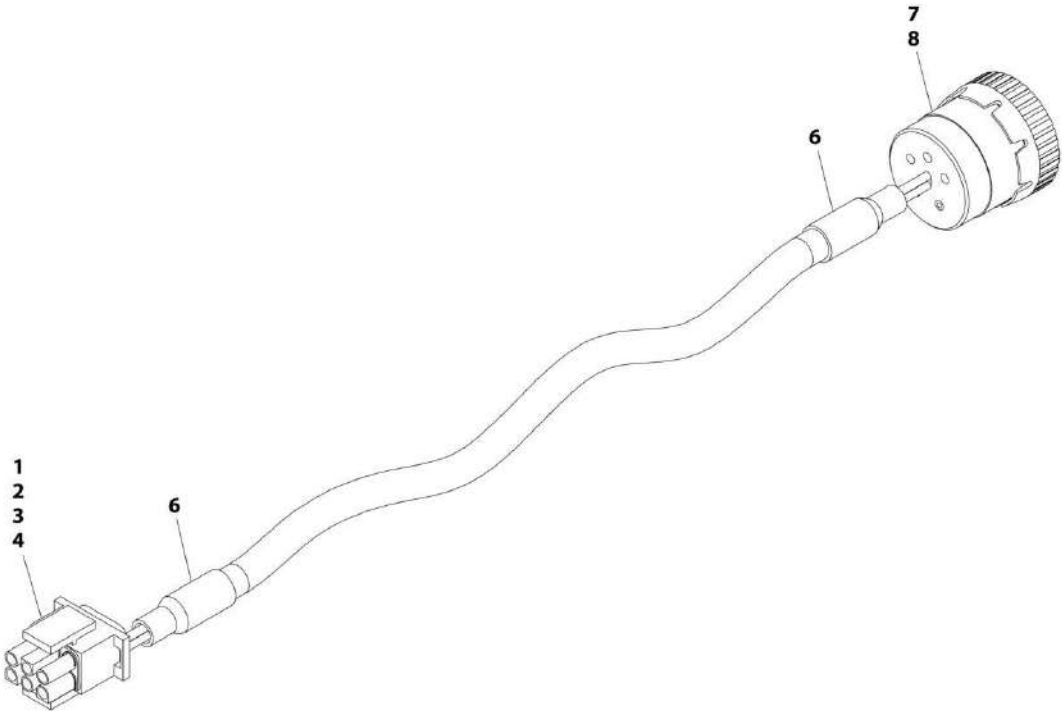
SECTION 8 - ELECTRICAL

FIGURE 8-49. GENERATOR HARNESS - 4000W

ITEM	PART NUMBER	QTY	DESCRIPTION	REV
	1001152532	Ref	GENERATOR HARNESS	A
1	4460225	1	Plug, Male - 2 Position	
2	4460268	2	Socket, Female	
3	4460807	1	Seal	
4	4460808	1	Seal	
7	4460465	2	Socket, Female	
8	77363233	1	Connector - 6 Position	

SECTION 8 - ELECTRICAL

FIGURE 8-50. GENERATOR HARNESS - 7500W SKYPOWER



ART_4922925

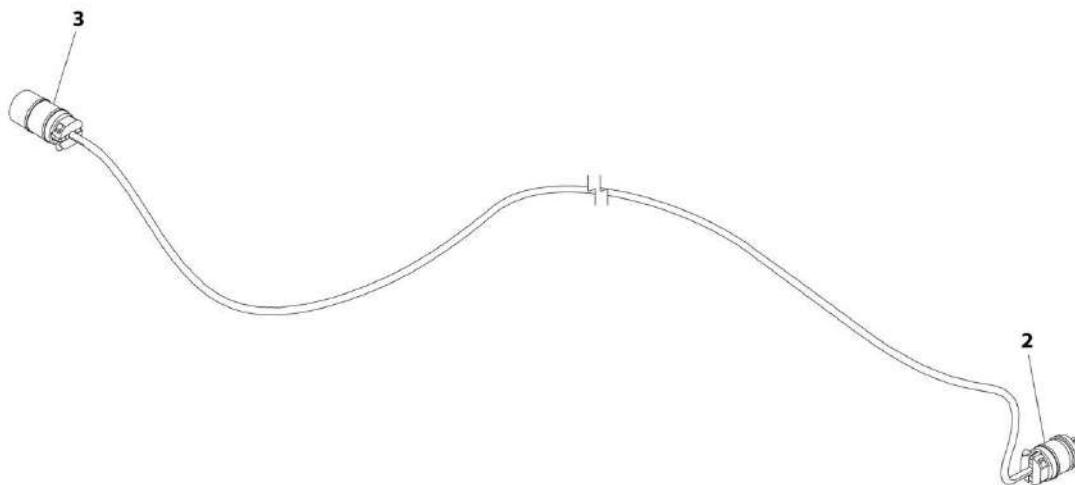
SECTION 8 - ELECTRICAL

FIGURE 8-50. GENERATOR HARNESS - 7500W SKYPOWER

ITEM	PART NUMBER	QTY	DESCRIPTION	REV
	4922925	Ref	GENERATOR HARNESS - 7500W SKYPOWER	C
1	4460225	1	Plug, Male - 2 Position	
2	4460268	6	Socket, Female	
3	4460807	1	Seal	
4	4460808	1	Seal	
6	2820019	AR	Heat Shrink	
7	4460465	6	Socket, Female	
8	77363233	1	Connector - 6 Position	

SECTION 8 - ELECTRICAL

FIGURE 8-51. GENERATOR RECEPTACLE BOX TO AC PLUG HARNESS (2500W GENERATOR) (SN 0300235168 through 0300255131, SN B300002655 to Present)



ART_4921827

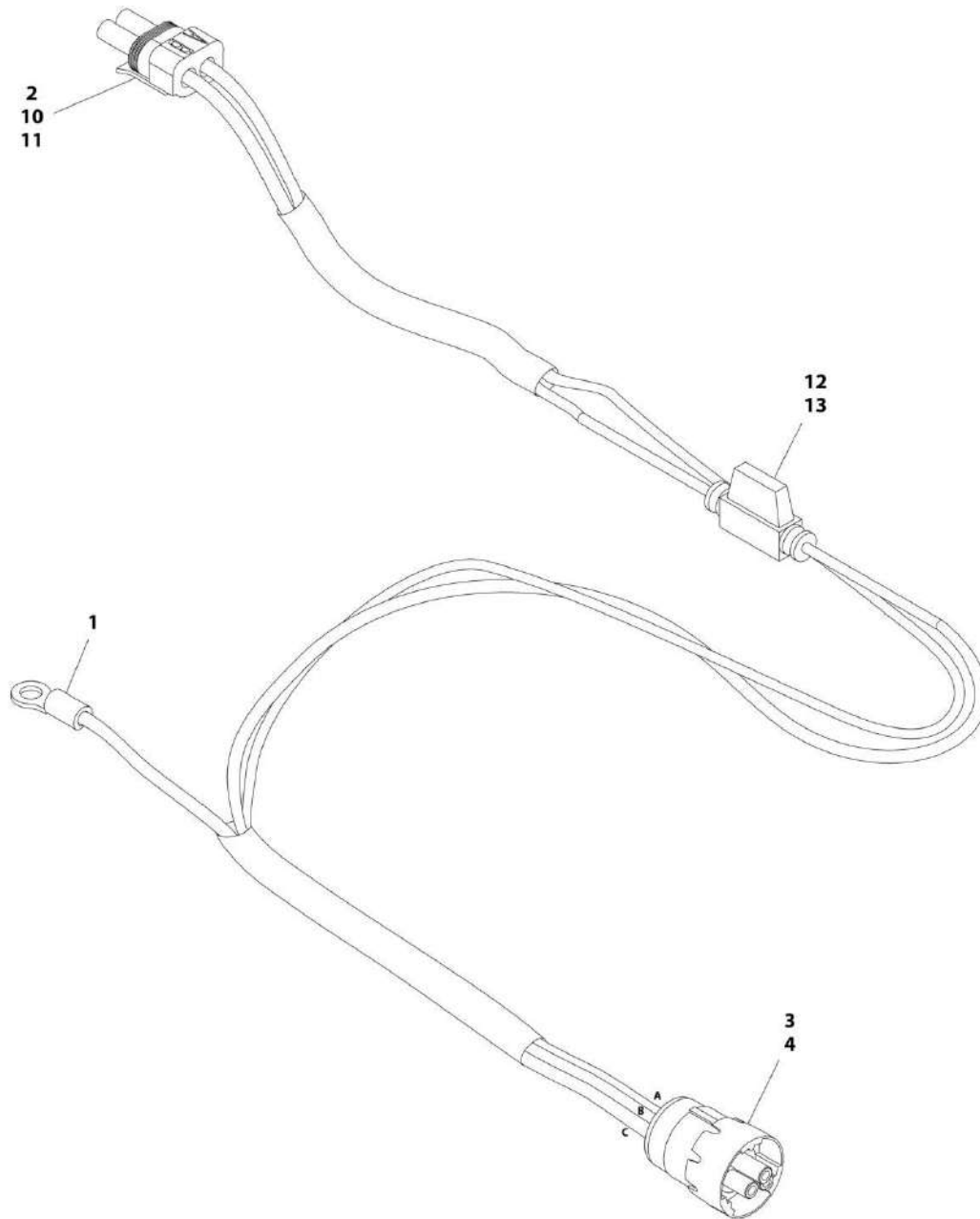
SECTION 8 - ELECTRICAL

FIGURE 8-51. GENERATOR RECEPTACLE BOX TO AC PLUG HARNESS (2500W GENERATOR) (SN 0300235168 through 0300255131, SN B300002655 to Present)

ITEM	PART NUMBER	QTY	DESCRIPTION	REV
	4921827	Ref	GENERATOR RECEPTACLE BOX TO AC PLUG HARNESS	1/A
2	4460205	1	Plug, Male	
3	4460134	1	Receptacle, Female	

SECTION 8 - ELECTRICAL

FIGURE 8-52. GENERATOR TO ENGINE HARNESS - 7500W SKYPOWER GENERATOR (DEUTZ D2011 ONLY)



ART_1001152429

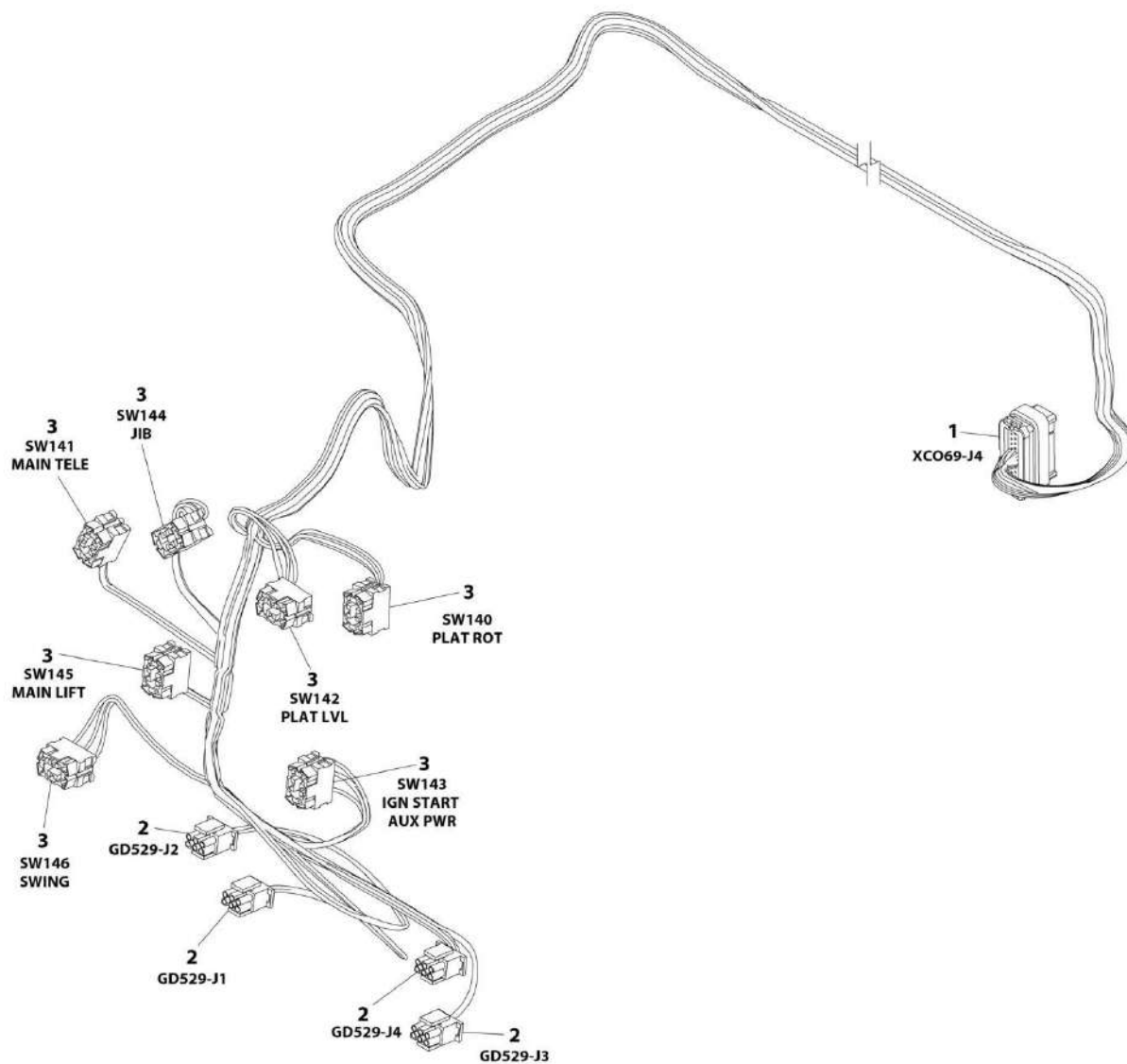
SECTION 8 - ELECTRICAL

FIGURE 8-52. GENERATOR TO ENGINE HARNESS - 7500W SKYPOWER GENERATOR (DEUTZ D2011 ONLY)

ITEM	PART NUMBER	QTY	DESCRIPTION	REV
	1001152429	Ref	GENERATOR TO ENGINE HARNESS	C
1	4460043	1	Terminal, Ring	
2	4460742	1	Plug, Male - 2 Position	
3	4460967	1	Connector - 3 Position	
4	4460465	3	Socket, Female	
10	4460743	2	Terminal, Female	
11	4460458	2	Seal	
12	2400060	1	Fuseholder (Includes Cover)	
13	2400064	1	Fuse - 5Amp	

SECTION 8 - ELECTRICAL

FIGURE 8-53. GROUND CONTROL HARNESS



ART_1001188644

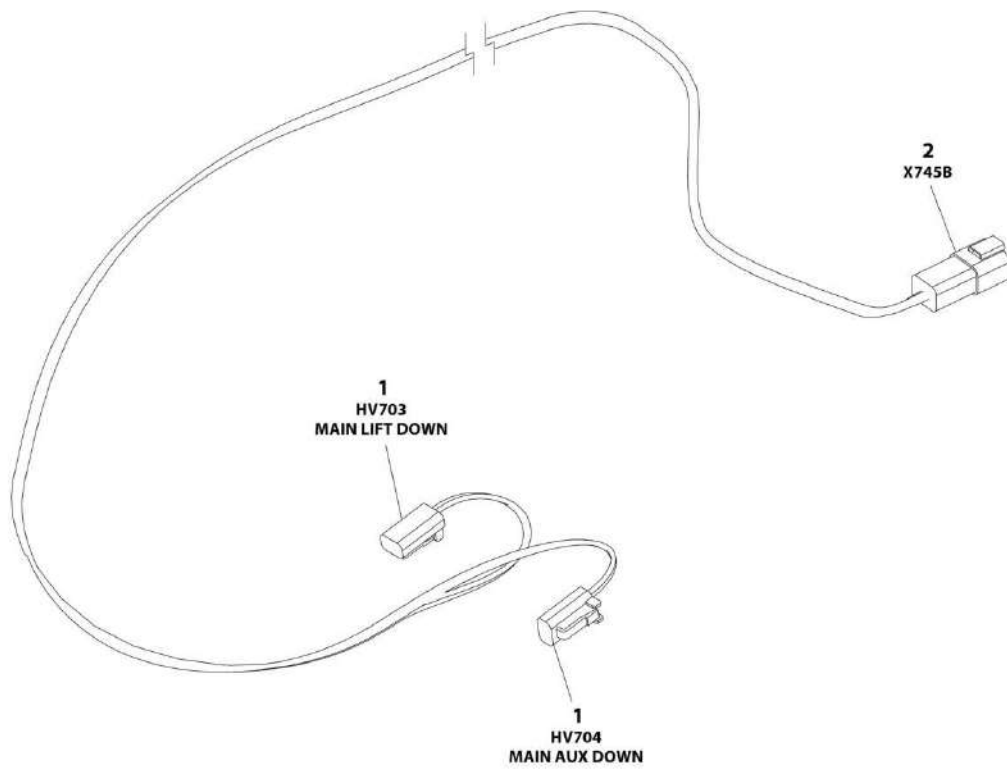
SECTION 8 - ELECTRICAL

FIGURE 8-53. GROUND CONTROL HARNESS

ITEM	PART NUMBER	QTY	DESCRIPTION	REV
	1001188644	Ref	GROUND CONTROL HARNESS	E
1	4460876	1	Connector - 35 Position	
1	4460871	25	Socket, Female	
1	4460905	10	Plug, Terminal	
2	4460225	4	Plug, Male - 6 Position	
2	4460226	10	Socket, Female	
3	4460418	7	Connector, Switch	
3	4460419	12	Terminal	
3	1001159186	15	Terminal	

SECTION 8 - ELECTRICAL

FIGURE 8-54. LIFT CYLINDER HARNESS



ART_1001205923

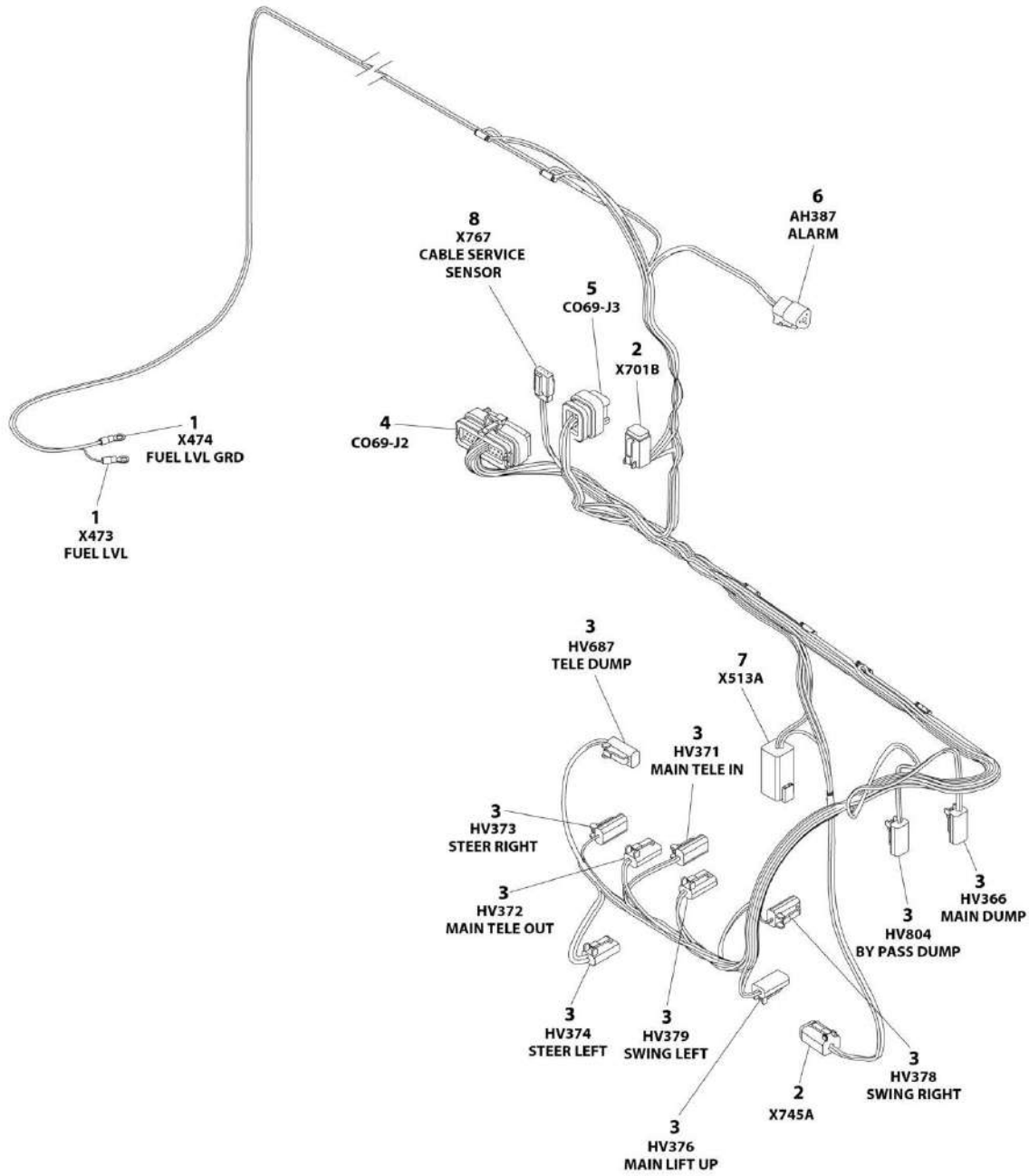
SECTION 8 - ELECTRICAL

FIGURE 8-54. LIFT CYLINDER HARNESS

ITEM	PART NUMBER	QTY	DESCRIPTION	REV
	1001205923	Ref	LIFT CYLINDER HARNESS	A
1	4460891	2	Plug, Male - 2 Position	
1	4460465	4	Socket, Female	
2	4460932	1	Receptacle, Female - 4 Position	
2	4460464	4	Pin, Male	

SECTION 8 - ELECTRICAL

FIGURE 8-55. MAIN VALVE HARNESS (2WS)



ART_1001192909

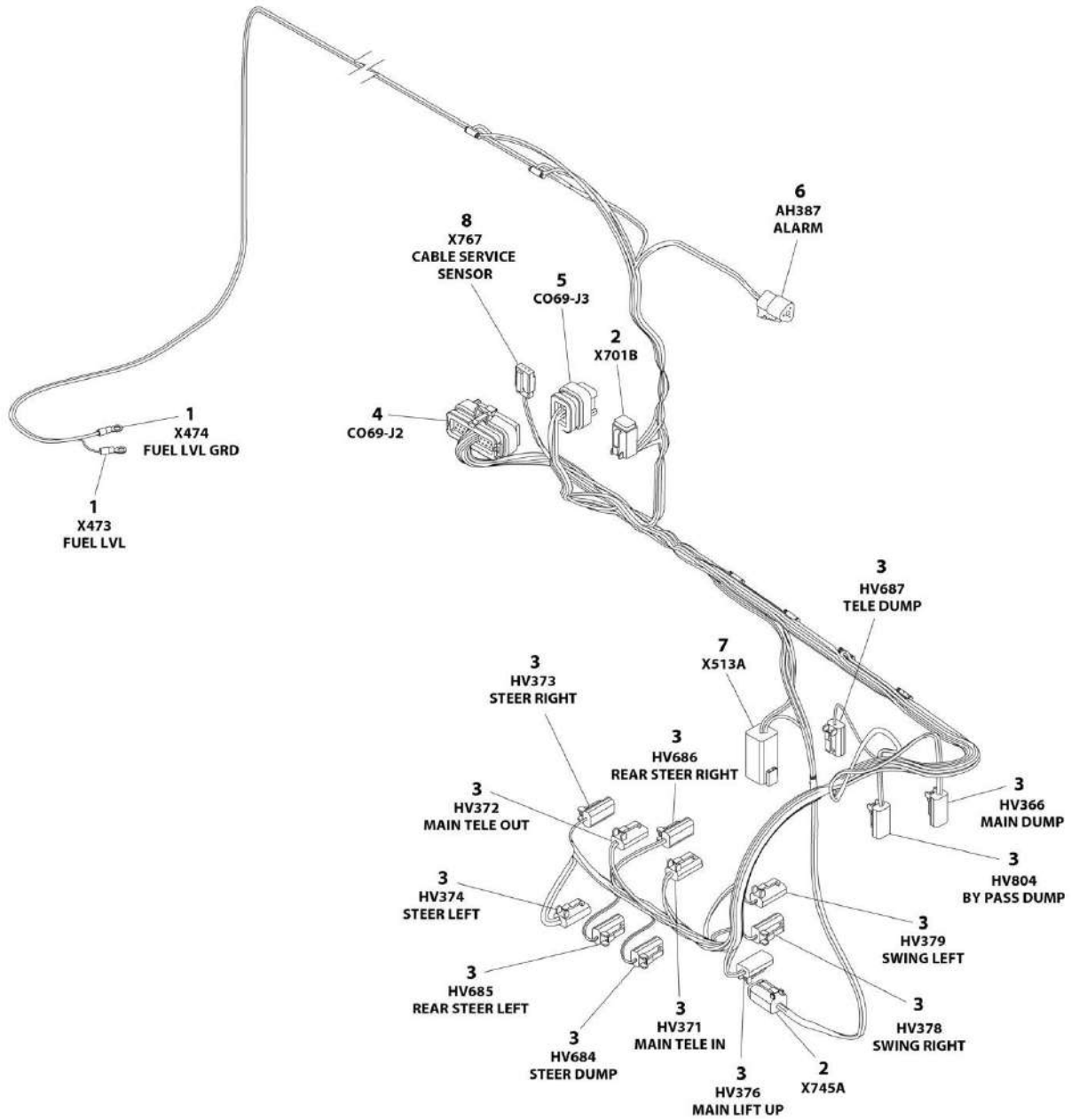
SECTION 8 - ELECTRICAL

FIGURE 8-55. MAIN VALVE HARNESS (2WS)

ITEM	PART NUMBER	QTY	DESCRIPTION	REV
	1001192909	Ref	MAIN VALVE HARNESS	G
1	4460313	2	Terminal, Ring	
2	4460884	2	Plug, Male - 4 Position	
2	4460465	8	Socket, Female	
3	4460891	10	Plug, Male - 2 Position	
3	4460465	20	Socket, Female	
4	4460875	1	Connector - 35 Position	
4	4460871	23	Socket, Female	
4	4460905	12	Plug, Terminal	
5	4460872	1	Connector - 14 Position	
5	4460871	7	Socket, Female	
5	4460905	7	Plug, Terminal	
6	4460539	1	Plug, Male - 3 Position	
6	4460465	3	Socket, Female	
7	4460899	1	Receptacle, Female - 6 Position	
7	4460464	4	Pin, Male	
7	4460466	2	Plug, Terminal	
8	4460911	1	Plug, Male - 3 Position	
8	1001116694	3	Socket, Female	

SECTION 8 - ELECTRICAL

FIGURE 8-56. MAIN VALVE HARNESS (4WS)



ART_1001188643

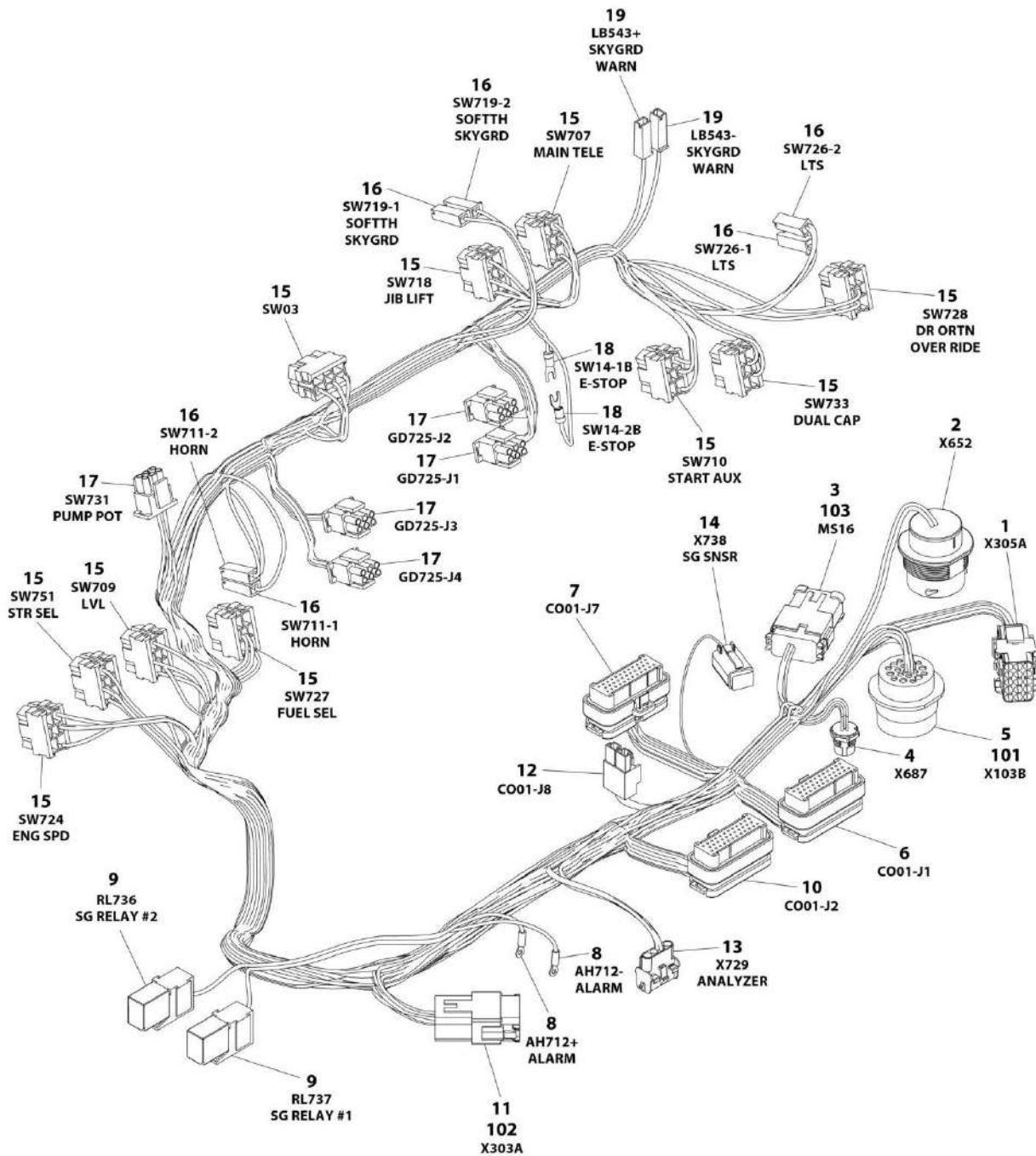
SECTION 8 - ELECTRICAL

FIGURE 8-56. MAIN VALVE HARNESS (4WS)

ITEM	PART NUMBER	QTY	DESCRIPTION	REV
	1001188643	Ref	MAIN VALVE HARNESS	F
1	4460313	2	Terminal, Ring	
2	4460884	2	Plug, Male - 4 Position	
2	4460465	8	Socket, Female	
3	4460891	13	Plug, Male - 2 Position	
3	4460465	26	Socket, Female	
4	4460875	1	Connector - 35 Position	
4	4460871	23	Socket, Female	
4	4460905	12	Plug, Terminal	
5	4460872	1	Connector - 14 Position	
5	4460871	7	Socket, Female	
5	4460905	7	Plug, Terminal	
6	4460539	1	Plug, Male - 3 Position	
6	4460465	3	Socket, Female	
7	4460899	1	Receptacle, Female - 6 Position	
7	4460464	4	Pin, Male	
7	4460466	2	Plug, Terminal	
8	4460911	1	Plug, Male - 3 Position	
8	1001116694	3	Socket, Female	

SECTION 8 - ELECTRICAL

FIGURE 8-57. PLATFORM CONSOLE HARNESS



ART_1001196222

SECTION 8 - ELECTRICAL

FIGURE 8-57. PLATFORM CONSOLE HARNESS

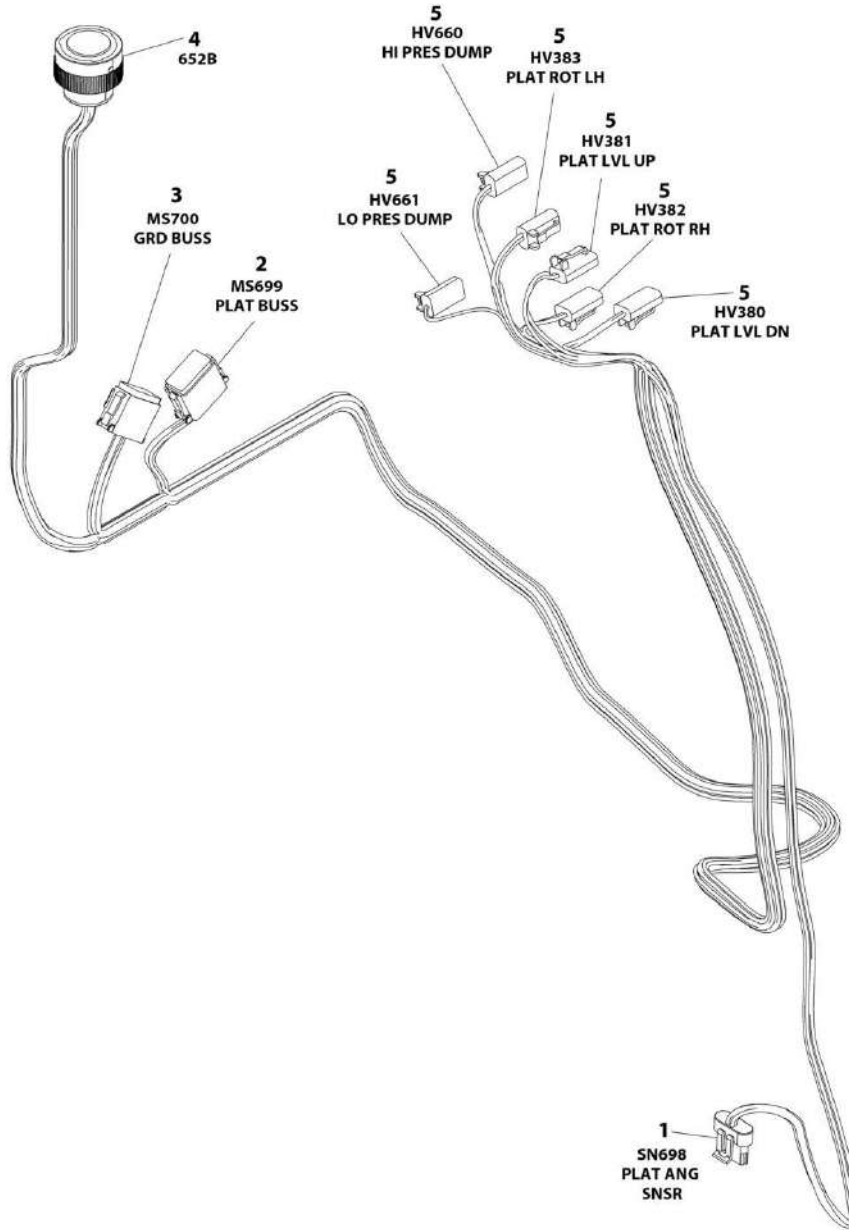
ITEM	PART NUMBER	QTY	DESCRIPTION	REV
	1001196222	Ref	PLATFORM CONSOLE HARNESS	H
1	4460434	1	Connector - 15 Position	
1	4460267	8	Pin, Male	
2	4460925	1	Connector - 21 Position	
2	1001116695	13	Pin, Male	
2	4460466	8	Plug, Terminal	
3	4460933	1	Plug, Male - 12 Position	
3	4460465	8	Socket, Female	
3	4460466	4	Plug, Terminal	
4	1001213447	1	Connector - 4 Position	
4	See Note	NSS	Terminal (Note: Purchase p/n 1001213447)	
5	4460866	1	Connector - 19 Position	
5	4460464	7	Pin, Male	
5	4460943	2	Pin, Male	
5	1001157891	2	Pin, Male	
5	4460466	8	Plug, Terminal	
6	4460874	1	Connector - 35 Position	
6	4460871	28	Socket, Female	
6	4460905	7	Plug, Terminal	
7	4460873	1	Connector - 35 Position	
7	4460871	24	Socket, Female	
7	4460905	11	Plug, Terminal	
8	1001098122	2	Terminal, Ring	
9	1001186431	2	Relay	
9	1001186432	2	Connector, Relay	
9	1001118384	3	Terminal	
9	1001118388	2	Terminal	
10	4460876	1	Connector - 35 Position	
10	4460871	27	Socket, Female	
10	4460905	8	Plug, Terminal	
11	4460970	1	Receptacle, Female - 12 Position	
11	1001116693	11	Pin, Male	
11	4460466	1	Plug, Terminal	
12	4460879	1	Plug, Male - 2 Position	
12	4460887	2	Terminal	
13	4460761	1	Receptacle, Female - 4 Position	
13	4460267	4	Pin, Male	
14	4460884	1	Plug, Male - 4 Position	
14	4460944	4	Socket, Female	
15	4460418	10	Connector - 6 Position	
15	4460419	20	Terminal	
15	1001159186	17	Terminal	
16	4460260	6	Housing, Terminal	
16	4460259	6	Terminal	
17	4460225	5	Plug, Male - 6 Position	
17	4460227	6	Pin, Male (Note: Used on Pump Potentiometer Connection Only)	
17	4460226	19	Socket, Female	
18	4460183	2	Terminal, Fork	
19	1001116705	2	Terminal	
101	4460708	1	Connector - 12 Position	

SECTION 8 - ELECTRICAL

ITEM	PART NUMBER	QTY	DESCRIPTION	REV
102	4460933	1	Plug, Male - 12 Position	
103	1001125677	1	Connector, Bussbar	

SECTION 8 - ELECTRICAL

FIGURE 8-58. PLATFORM VALVE HARNESS (600S)



ART_1001191328

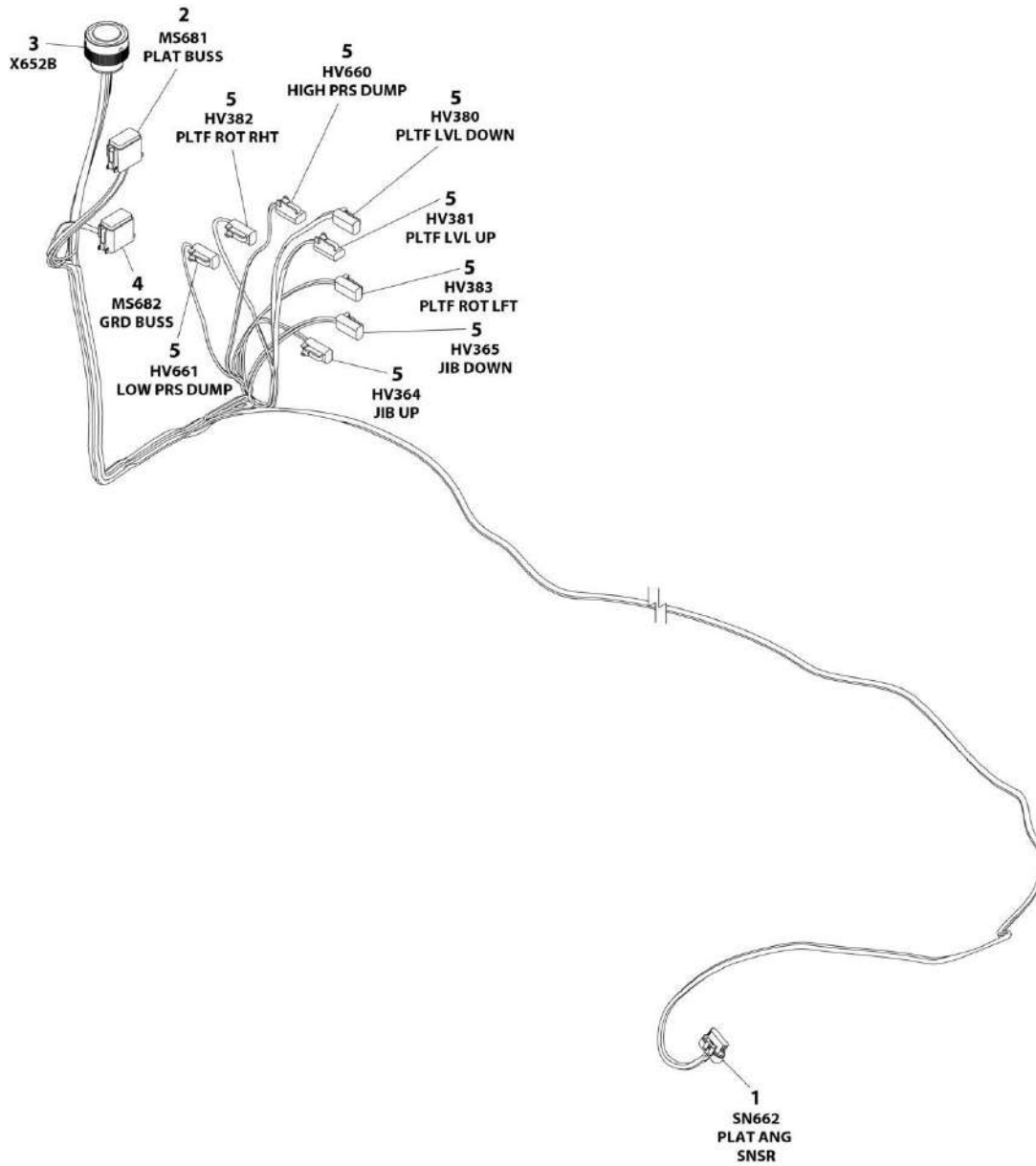
SECTION 8 - ELECTRICAL

FIGURE 8-58. PLATFORM VALVE HARNESS (600S)

ITEM	PART NUMBER	QTY	DESCRIPTION	REV
	1001191328	Ref	PLATFORM VALVE HARNESS	F
1	1001230931	1	Plug, Male - 6 Position	
1	1001116748	6	Terminal	
2	4460933	1	Plug, Male - 12 Position	
2	4460465	6	Socket, Female	
2	4460466	6	Plug, Terminal	
2	1001125677	1	Connector, Bussbar	
2	1001120328	1	Mount, Connector	
3	4460836	1	Plug, Male - 12 Posiiton	
3	4460465	7	Socket, Female	
3	4460466	5	Plug, Terminal	
3	4460837	1	Connector, Bussbar	
3	1001120328	1	Mount, Connector	
4	4460926	1	Connector - 21 Position	
4	4460465	11	Socket, Female	
4	4460466	10	Plug, Terminal	
5	4460891	6	Plug, Male - 2 Position	
5	4460465	12	Socket, Female	

SECTION 8 - ELECTRICAL

FIGURE 8-59. PLATFORM VALVE HARNESS (660SJ)



ART_1001189111

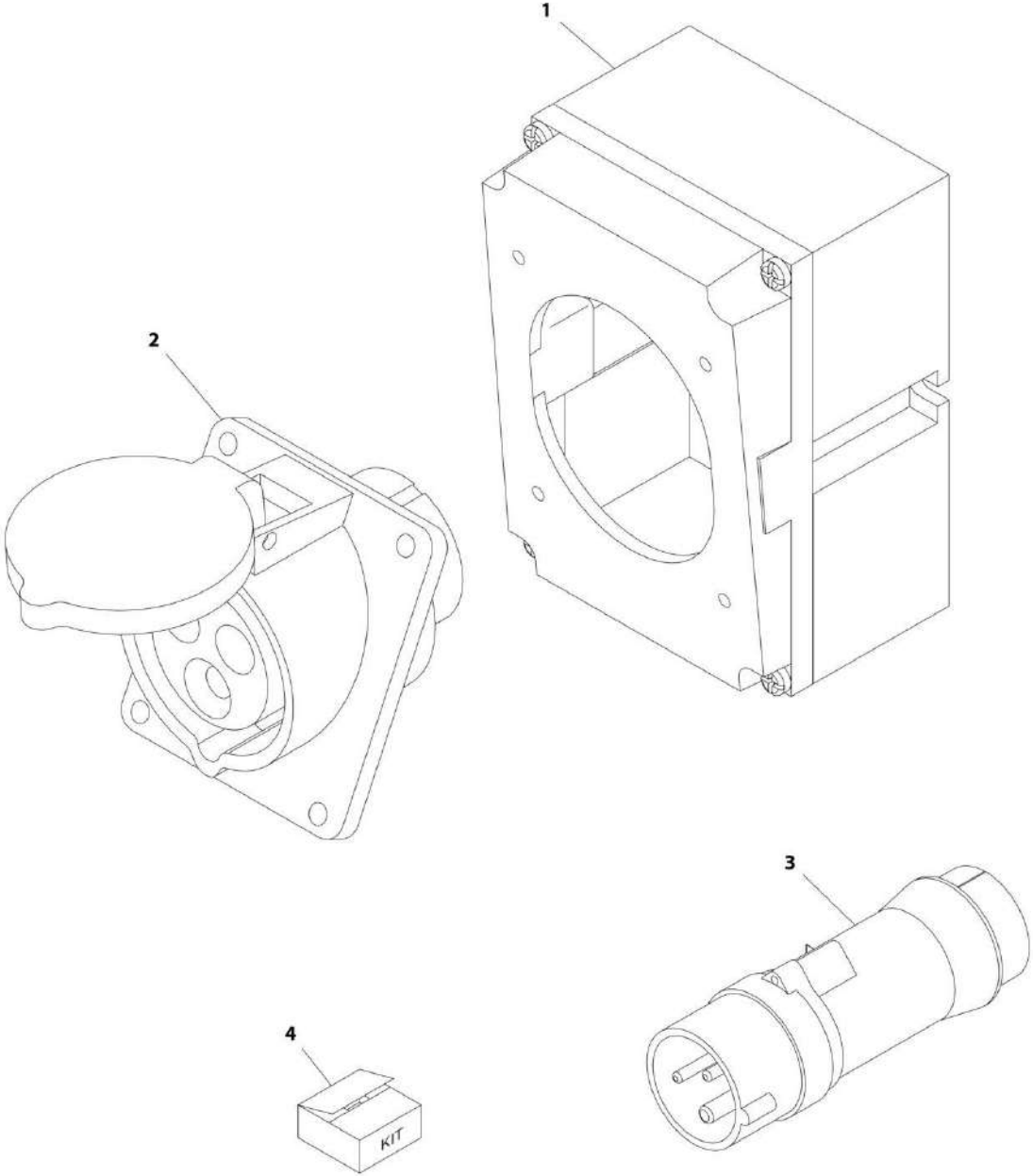
SECTION 8 - ELECTRICAL

FIGURE 8-59. PLATFORM VALVE HARNESS (660SJ)

ITEM	PART NUMBER	QTY	DESCRIPTION	REV
	1001189111	Ref	PLATFORM VALVE HARNESS	1
1	1001230931	1	Plug, Male - 6 Position	
1	1001116748	6	Terminal	
2	4460933	1	Plug, Male - 12 Position	
2	4460465	6	Socket, Female	
2	4460466	6	Plug, Terminal	
2	1001125677	1	Connector, Bussbar	
3	4460926	1	Connector - 21 Position	
3	4460928	13	Socket, Female	
3	4460518	8	Plug, Terminal	
4	4460836	1	Plug, Male - 12 Position	
4	4460465	9	Socket, Female	
4	4460466	3	Plug, Terminal	
4	4460837	1	Connector, Bussbar	
5	4460891	8	Plug, Male - 2 Position	
5	4460465	16	Socket, Female	

SECTION 8 - ELECTRICAL

FIGURE 8-60. RECEPTACLE BOX KIT - 110V IEC YELLOW (CE SPEC)



ART_0275216

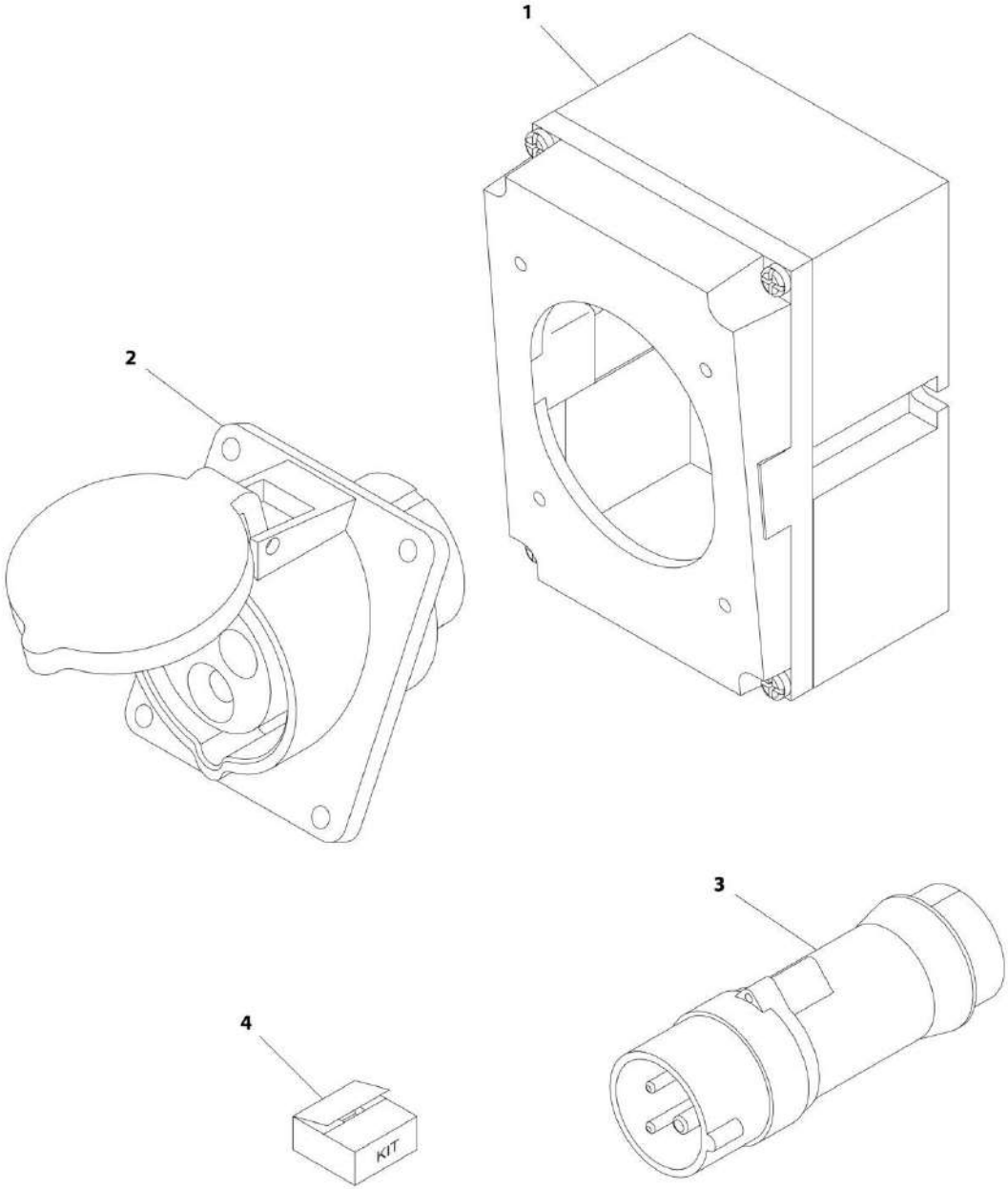
SECTION 8 - ELECTRICAL

FIGURE 8-60. RECEPTACLE BOX KIT - 110V IEC YELLOW (CE SPEC)

ITEM	PART NUMBER	QTY	DESCRIPTION	REV
	0275216	Ref	RECEPTACLE BOX KIT - 110V IEC YELLOW (CE SPEC)	B
1	0861781	1	Box, Switch	
2	4461198	1	Receptacle	
3	4461196	1	Plug, Male	
4	1001100341	1	Plug and Socket Kit (Includes Items 1-3 and Female Plug p/n 4461197)	

SECTION 8 - ELECTRICAL

FIGURE 8-61. RECEPTACLE BOX KIT - 220V IEC BLUE (CE SPEC)



ART_0275217

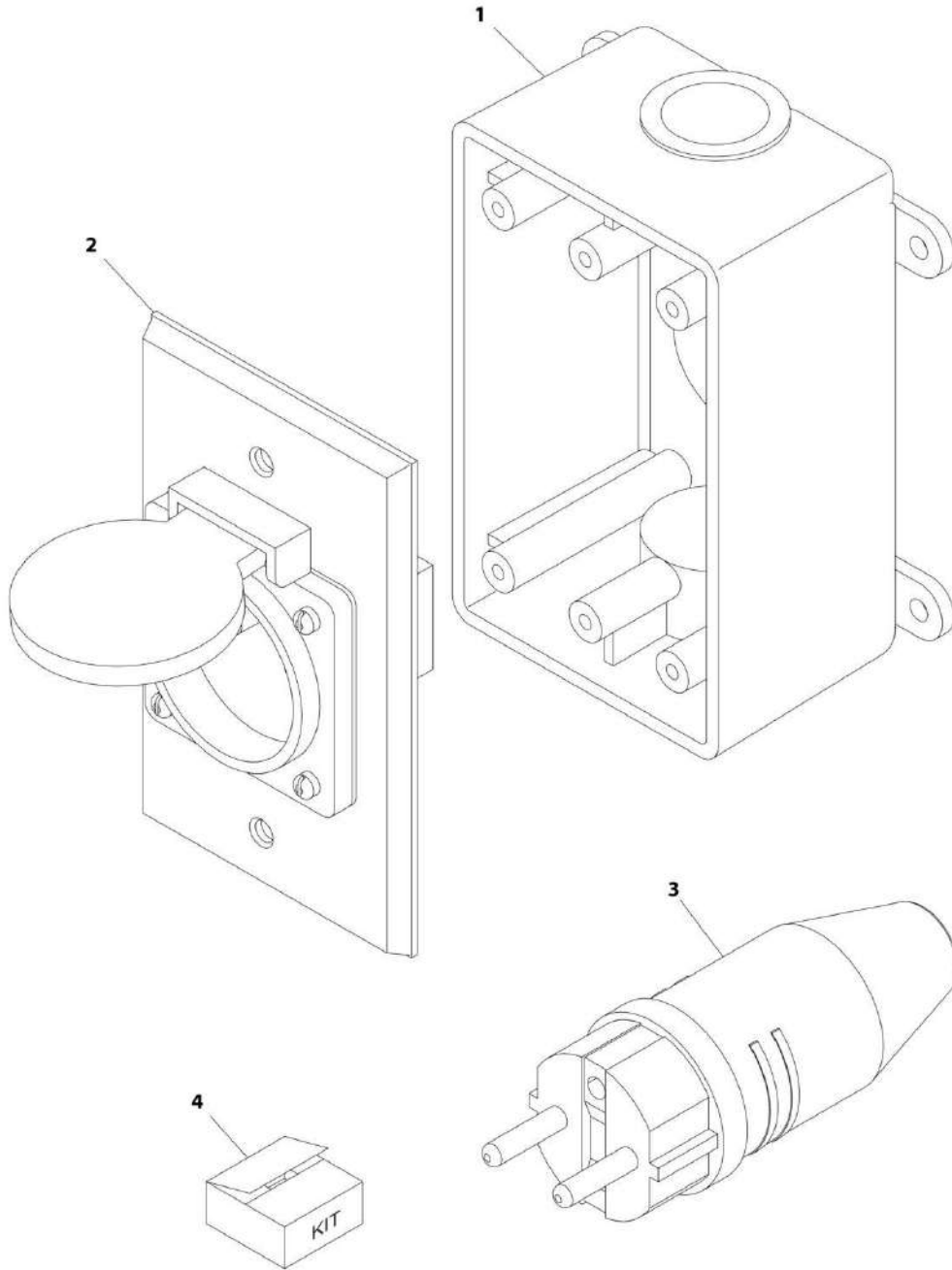
SECTION 8 - ELECTRICAL

FIGURE 8-61. RECEPTACLE BOX KIT - 220V IEC BLUE (CE SPEC)

ITEM	PART NUMBER	QTY	DESCRIPTION	REV
	0275217	Ref	RECEPTACLE BOX KIT - 220V IEC BLUE (CE SPEC)	B
1	0861781	1	Box, Switch	
2	4461201	1	Receptacle	
3	4461199	1	Plug, Male	
4	1001100342	1	Plug and Socket Kit (Includes Items 1-3 and Female Plug p/n 4461200)	

SECTION 8 - ELECTRICAL

FIGURE 8-62. RECEPTACLE BOX KIT - 220V CEE7 POST GROUND 2X4 BOX (CE SPEC)



ART_0275452

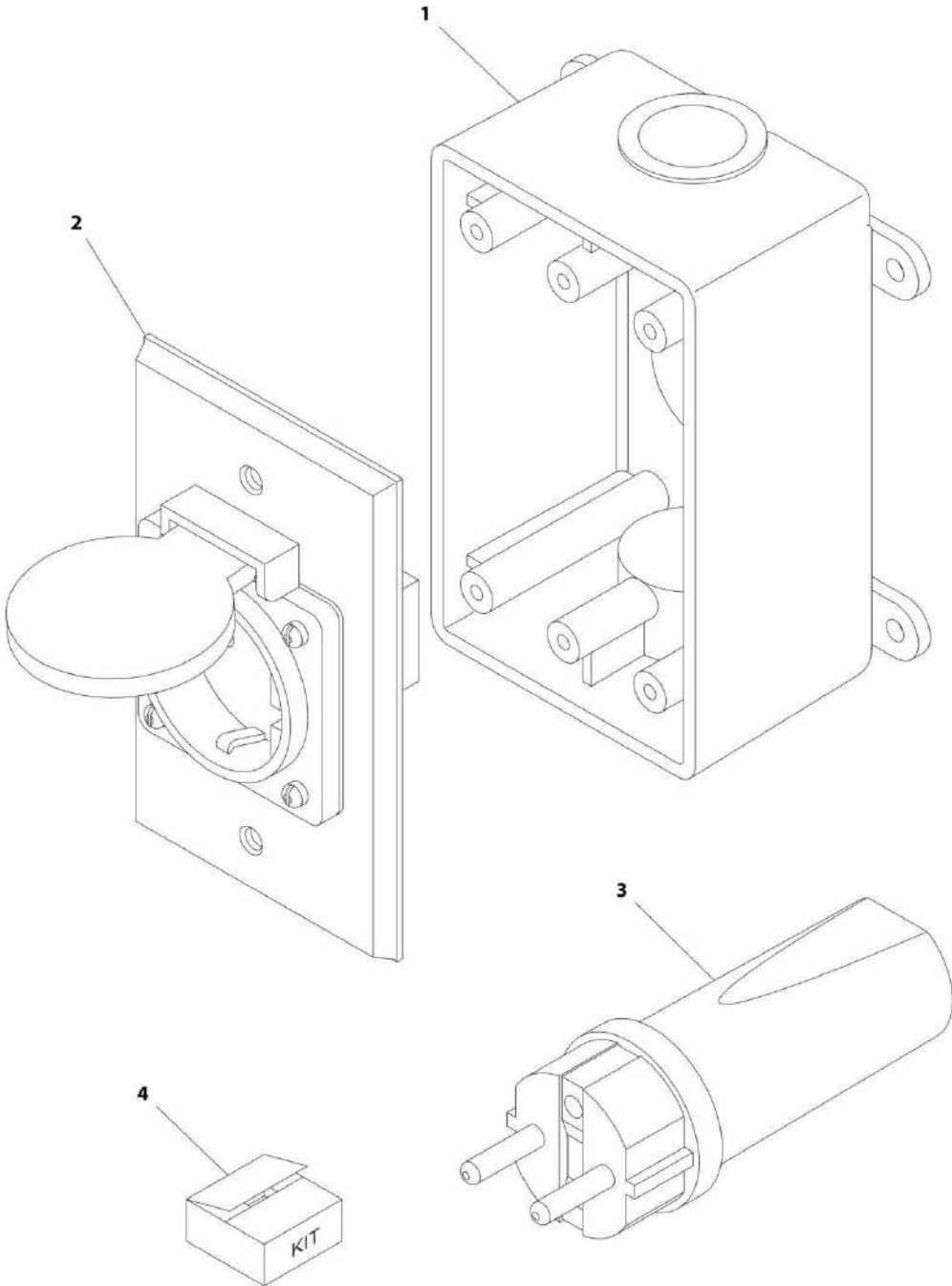
SECTION 8 - ELECTRICAL

FIGURE 8-62. RECEPTACLE BOX KIT - 220V CEE7 POST GROUND 2X4 BOX (CE SPEC)

ITEM	PART NUMBER	QTY	DESCRIPTION	REV
	0275452	Ref	RECEPTACLE BOX KIT - 220V CEE7 POST GROUND (CE SPEC)	C
1	0861731	1	Box, Switch	
2	4461244	1	Receptacle	
3	4461205	1	Plug, Male	
4	1001100345	1	Plug and Socket Kit (Includes Items 1-3 and Female Plug p/n 4461206)	

SECTION 8 - ELECTRICAL

FIGURE 8-63. RECEPTACLE BOX KIT - 220V CEE7 SIDE GROUND (CE SPEC)



ART_0275453

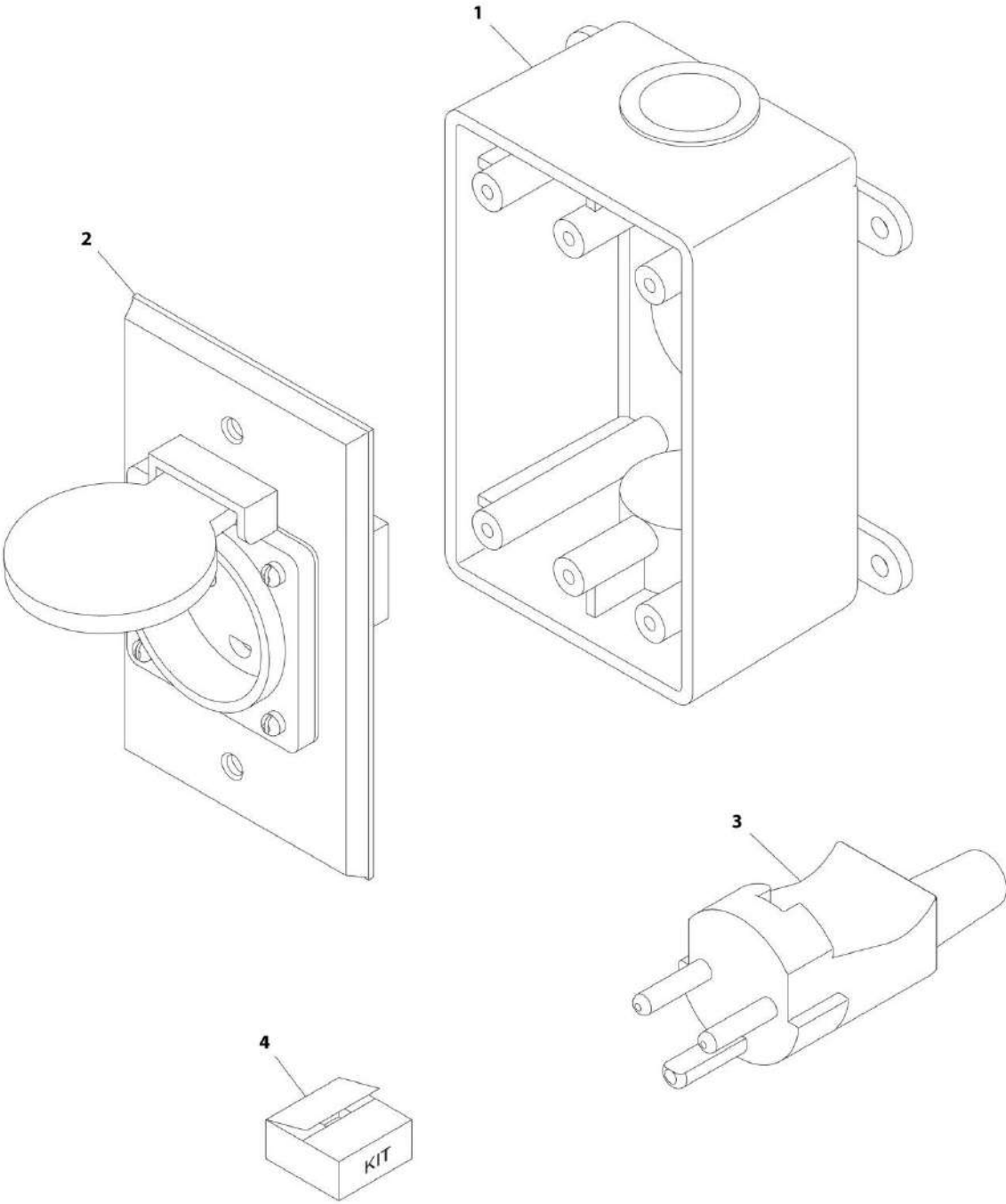
SECTION 8 - ELECTRICAL

FIGURE 8-63. RECEPTACLE BOX KIT - 220V CEE7 SIDE GROUND (CE SPEC)

ITEM	PART NUMBER	QTY	DESCRIPTION	REV
	0275453	Ref	RECEPTACLE BOX KIT - 220V CEE7 SIDE GROUND (CE SPEC)	B
1	0861731	1	Box, Switch	
2	4461245	1	Receptacle	
3	4461205	1	Plug, Male	
4	1001100347	1	Plug and Socket Kit (Includes Items 1-3 and Female Plug p/n 4461206)	

SECTION 8 - ELECTRICAL

FIGURE 8-64. RECEPTACLE BOX KIT - 220V AFSINT 107 (CE SPEC)



ART_0275454

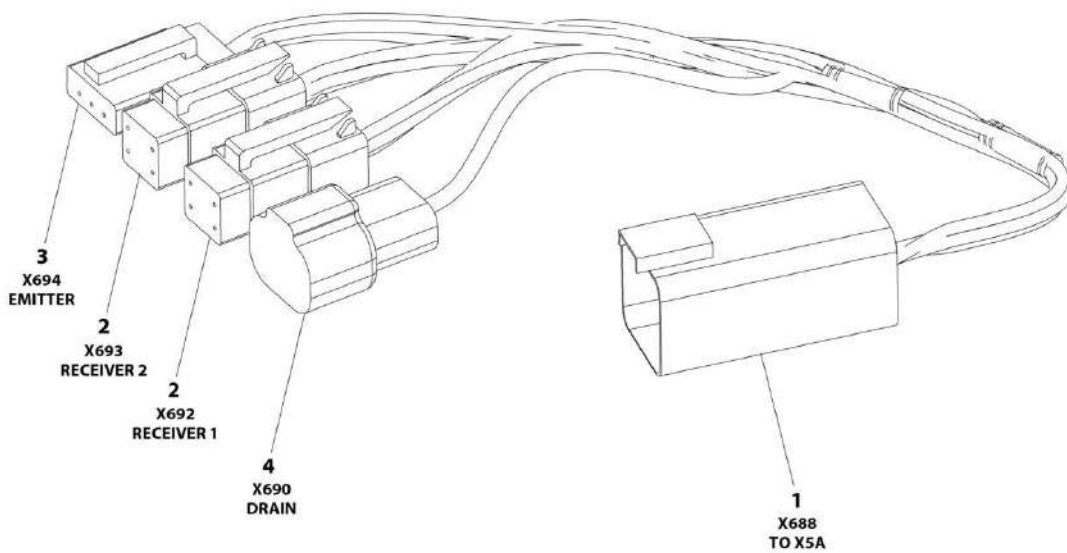
SECTION 8 - ELECTRICAL

FIGURE 8-64. RECEPTACLE BOX KIT - 220V AFSINT 107 (CE SPEC)

ITEM	PART NUMBER	QTY	DESCRIPTION	REV
	0275454	Ref	RECEPTACLE BOX KIT - 220V AFSINT 107 (CE SPEC)	B
1	0861731	1	Box, Switch	
2	4461246	1	Receptacle	
3	4461249	1	Plug, Male	
4	1001100346	1	Plug and Socket Kit (Includes Items 1-3 and Female Plug p/n 4461250)	

SECTION 8 - ELECTRICAL

FIGURE 8-65. SKYEYE INTERMEDIATE HARNESS



ART_1001237865

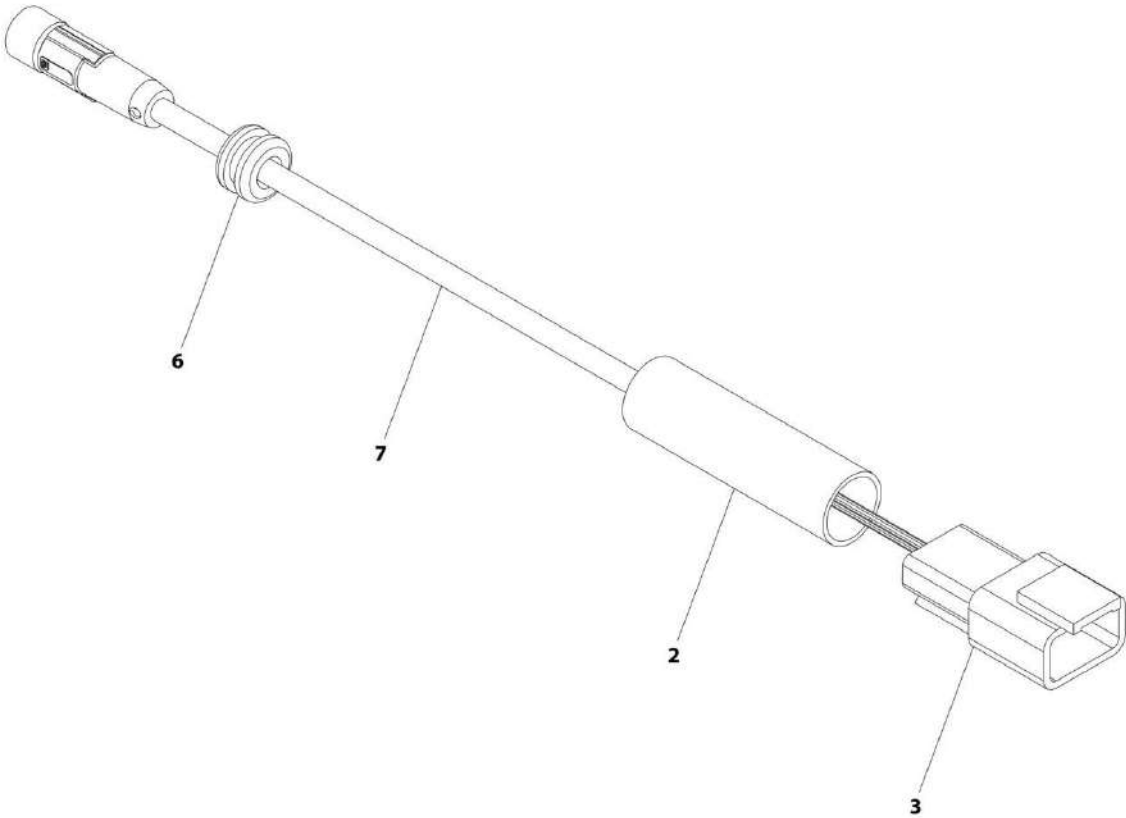
SECTION 8 - ELECTRICAL

FIGURE 8-65. SKYEYE INTERMEDIATE HARNESS

ITEM	PART NUMBER	QTY	DESCRIPTION	REV
	1001237865	Ref	SKYEYE INTERMEDIATE HARNESS	A
1	4460899	1	Connector - 6 Position	
1	4460943	4	Pin, Male	
1	4460466	2	Plug, Terminal	
2	4461077	2	Connector - 4 Position	
2	1001119619	8	Socket, Female	
3	4460911	1	Connector - 3 Position	
3	1001119619	3	Socket, Female	
4	1001187681	1	Connector - 2 Position	
4	4460941	1	Pin, Male	
4	4460466	1	Plug, Terminal	

SECTION 8 - ELECTRICAL

FIGURE 8-66. SKYEYE EMITTER HARNESS



ART_1001237864

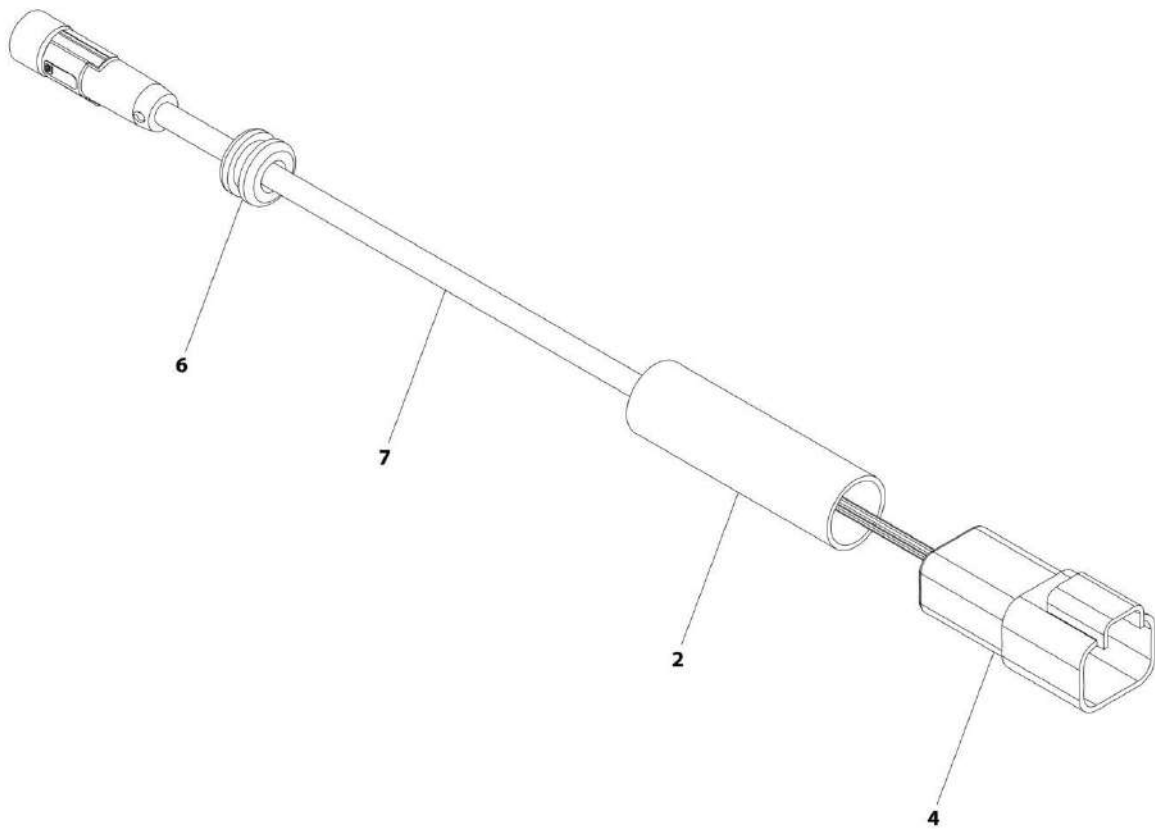
SECTION 8 - ELECTRICAL

FIGURE 8-66. SKYEYE EMITTER HARNESS

ITEM	PART NUMBER	QTY	DESCRIPTION	REV
	1001237864	Ref	SKYEYE EMITTER HARNESS	A
2	2820247	AR	Tubing, Heat Shrink	
3	4460910	1	Connector - 3 Position	
3	1001119620	3	Pin, Male	
6	1001227996	1	Grommet	
7	1001237862	1	Cable, M8 Female Cordset	

SECTION 8 - ELECTRICAL

FIGURE 8-67. SKYEYE RECEIVER HARNESS



ART_1001237863

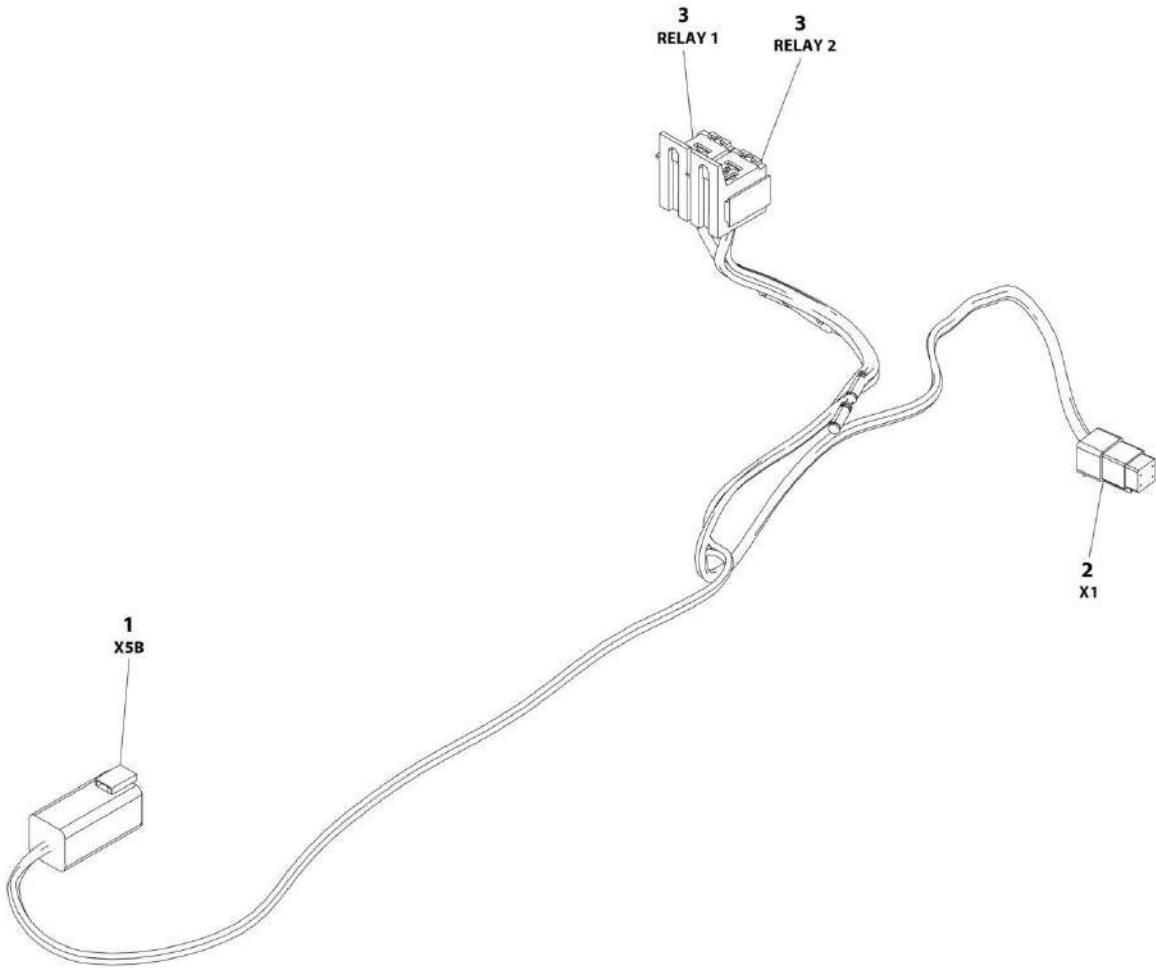
SECTION 8 - ELECTRICAL

FIGURE 8-67. SKYEYE RECEIVER HARNESS

ITEM	PART NUMBER	QTY	DESCRIPTION	REV
	1001237863	Ref	SKYEYE RECEIVER HARNESS	A
2	2820247	AR	Tubing, Heat Shrink	
4	1001097051	1	Connector - 4 Position	
4	1001119620	4	Pin, Male	
6	1001227996	1	Grommet	
7	1001237862	1	Cable, M8 Female Cordset	

SECTION 8 - ELECTRICAL

FIGURE 8-68. SKYLINE HARNESS



ART_1001238418

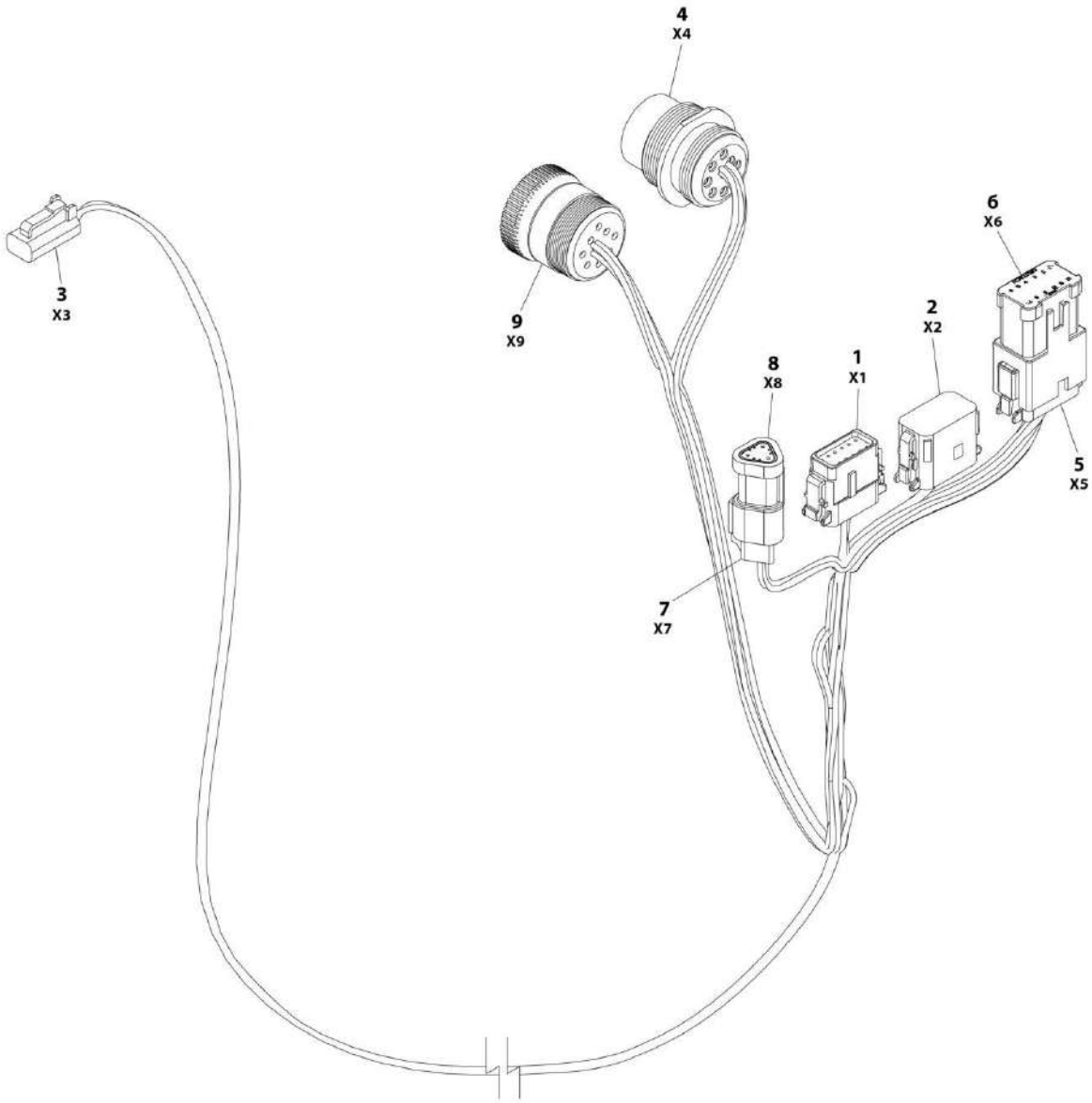
SECTION 8 - ELECTRICAL

FIGURE 8-68. SKYLINE HARNESS

ITEM	PART NUMBER	QTY	DESCRIPTION	REV
	1001238418	Ref	SKYLINE HARNESS	A
1	4460899	1	Connector - 6 Position	
1	4460464	4	Pin, Male	
1	4460466	2	Plug, Terminal	
2	4461077	1	Connector - 4 Position	
2	1001126009	4	Socket, Female	
3	1001186432	2	Plug, Relay	
3	1001118388	5	Terminal	
3	1001118384	3	Terminal	
3	3740086	2	Relay	
3	3990013	2	Diode	

SECTION 8 - ELECTRICAL

FIGURE 8-69. STROBE LIGHT CONTROL HARNESS (BLUE LIGHT)



ART_1001142736

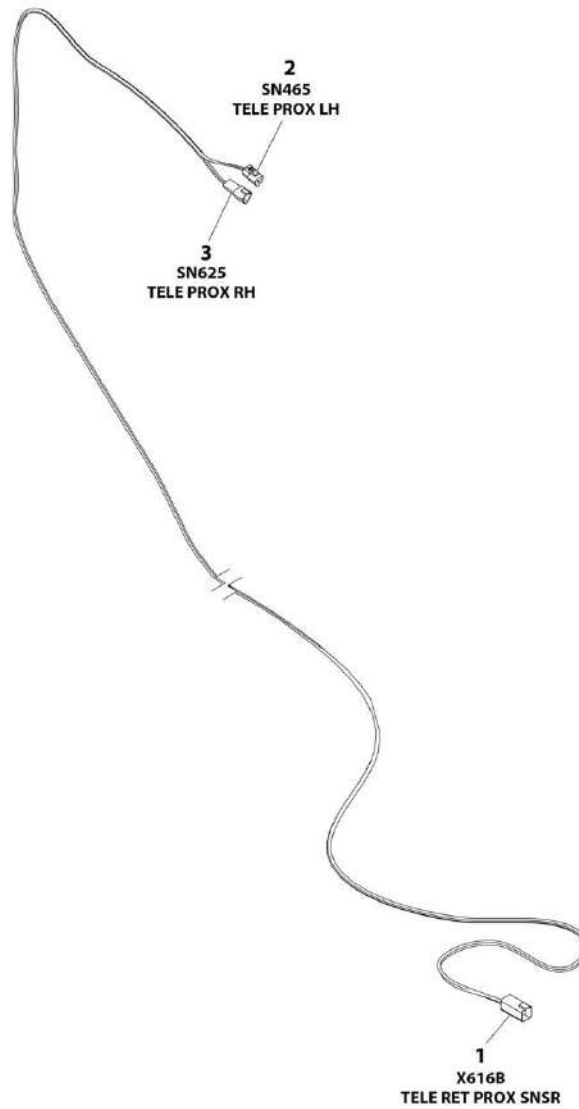
SECTION 8 - ELECTRICAL

FIGURE 8-69. STROBE LIGHT CONTROL HARNESS (BLUE LIGHT)

ITEM	PART NUMBER	QTY	DESCRIPTION	REV
	1001142736	Ref	STROBE LIGHT CONTROL HARNESS (BLUE & RED LIGHTS)	F
1	1001116808	1	Plug, Male - 12 Position	
1	4460928	3	Socket, Female	
1	4460518	9	Plug, Terminal	
2	1001116774	1	Plug, Male - 12 Position	
2	4460928	3	Socket, Female	
2	4460518	9	Plug, Terminal	
3	4460891	1	Plug, Male - 2 Position	
3	4460465	2	Socket, Female	
4	1001112612	1	Connector - 9 Position	
4	4460464	6	Pin, Male	
4	4460466	3	Plug, Terminal	
5	4460933	1	Plug, Male - 12 Position	
5	4460465	12	Socket, Female	
6	1001119020	1	Bussbar - 12 Position	
7	4461095	1	Plug, Male - 3 Position	
7	4460465	3	Socket, Female	
8	4461070	1	Bussbar - 3 Position	
9	1001112796	1	Connector - 9 Position	
9	4460465	6	Socket, Female	
9	4460466	3	Plug, Terminal	

SECTION 8 - ELECTRICAL

FIGURE 8-70. TELE PROXIMITY HARNESS



ART_1001189003

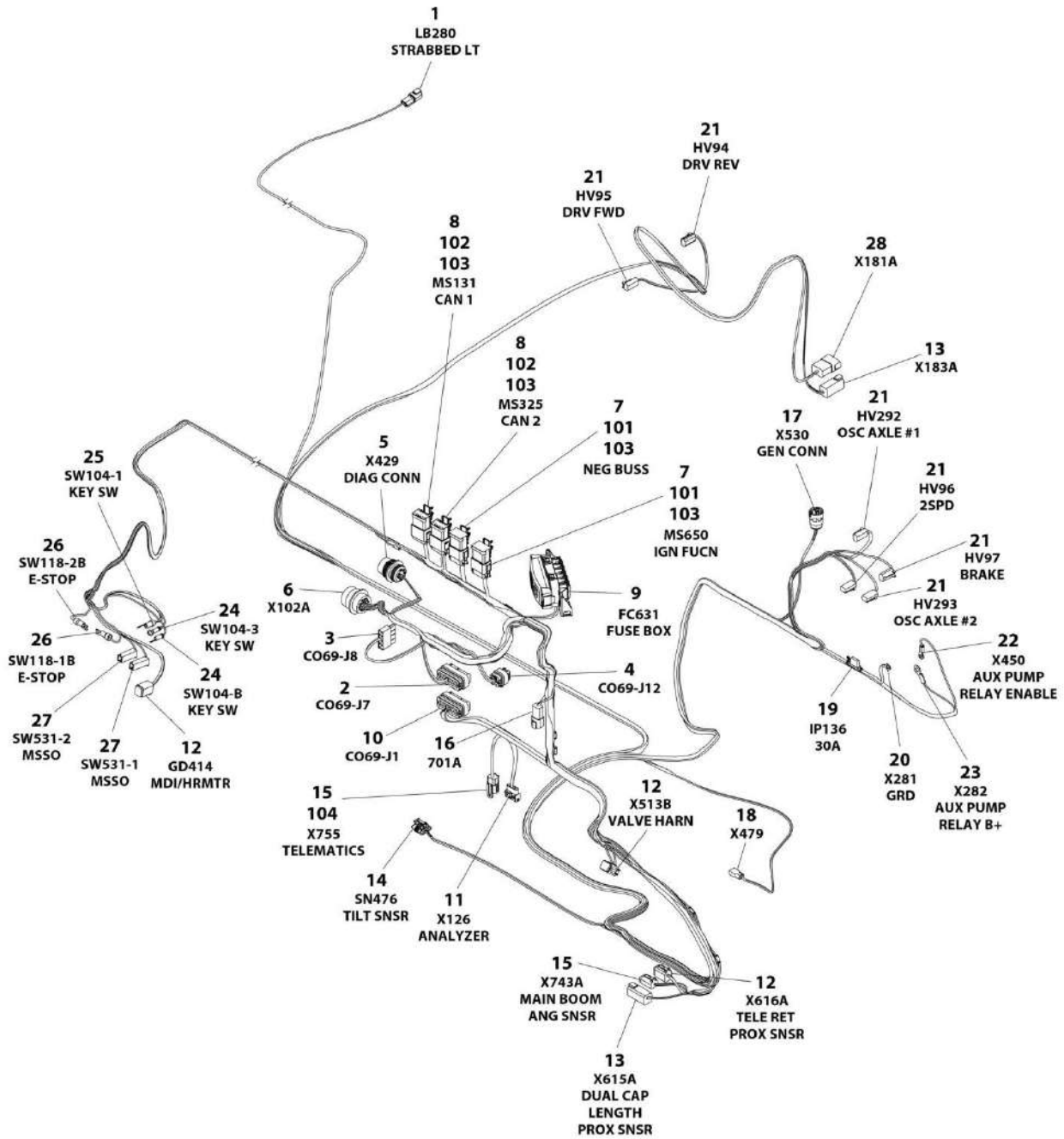
SECTION 8 - ELECTRICAL

FIGURE 8-70. TELE PROXIMITY HARNESS

ITEM	PART NUMBER	QTY	DESCRIPTION	REV
	1001189003	Ref	TELE PROXIMITY HARNESS	D
1	4460899	1	Receptacle, Female - 6 Position	
1	4460464	6	Pin, Male	
2	4460539	1	Plug, Male - 3 Position	
2	4460465	3	Socket, Female	
3	4460536	1	Receptacle, Female - 3 Position	
3	4460464	3	Pin, Male	

SECTION 8 - ELECTRICAL

FIGURE 8-71. TURNTABLE HARNESS



ART_1001188642

SECTION 8 - ELECTRICAL

FIGURE 8-71. TURNTABLE HARNESS

ITEM	PART NUMBER	QTY	DESCRIPTION	REV
	1001188642	Ref	TURNTABLE HARNESS	H
1	4460897	1	Receptacle, Female - 2 Position	
1	4460464	9	Pin, Male	
2	4460873	1	Connector - 35 Position	
2	4460871	25	Socket, Female	
2	4460905	10	Plug, Terminal	
3	4460878	1	Plug, Male - 4 Position	
3	4460887	3	Socket, Female	
3	4461271	1	Socket, Female	
4	1001113961	1	Connector - 8 Position	
4	4460871	5	Socket, Female	
4	4460905	3	Plug, Terminal	
5	1001112612	1	Connector - 9 Position	
5	4460464	5	Pin, Male	
5	4460466	4	Plug, Terminal	
6	4460866	1	Connector - 19 Position	
6	4460464	7	Pin, Male	
6	4460508	2	Pin, Male	
6	4460943	2	Pin, Male	
6	4460466	7	Plug, Terminal	
7	4460836	2	Plug, Male - 12 Position	
7	4460465	12	Socket, Female	
7	4460466	12	Plug, Terminal	
8	4460933	2	Plug, Male - 12 Position	
8	4460944	14	Socket, Female	
8	4460466	10	Plug, Terminal	
9	1001185964	1	Box, Fuse Less Fuses	
9	1001196635	1	Fuse 3Amp	
9	8229242	3	Fuse 5Amp	
9	8229244	2	Fuse 15Amp	
9	1001095704	1	Relay	
9	1001129285	2	Diode	
9	1001116728	14	Terminal	
9	4460458	14	Seal, Terminal	
9	8220125	7	Terminal	
9	80963067	7	Seal, Terminal	
9	4460748	27	Plug, Terminal	
10	4460874	1	Connector - 35 Position	
10	4460871	20	Socket, Female	
10	4460905	15	Plug, Terminal	
11	1001119032	1	Receptacle, Female - 4 Position	
11	1001118378	4	Pin, Male	
12	4460894	3	Plug, Male - 6 Position	
12	4460465	10	Socket, Female	
12	4460464	2	Pin, Male	
12	4460466	6	Plug, Terminal	
13	4460899	2	Receptacle, Female - 6 Position	
13	4460464	8	Pin, Male	
14	1001103012	1	Plug, Male - 4 Position	
14	1001107854	4	Terminal	

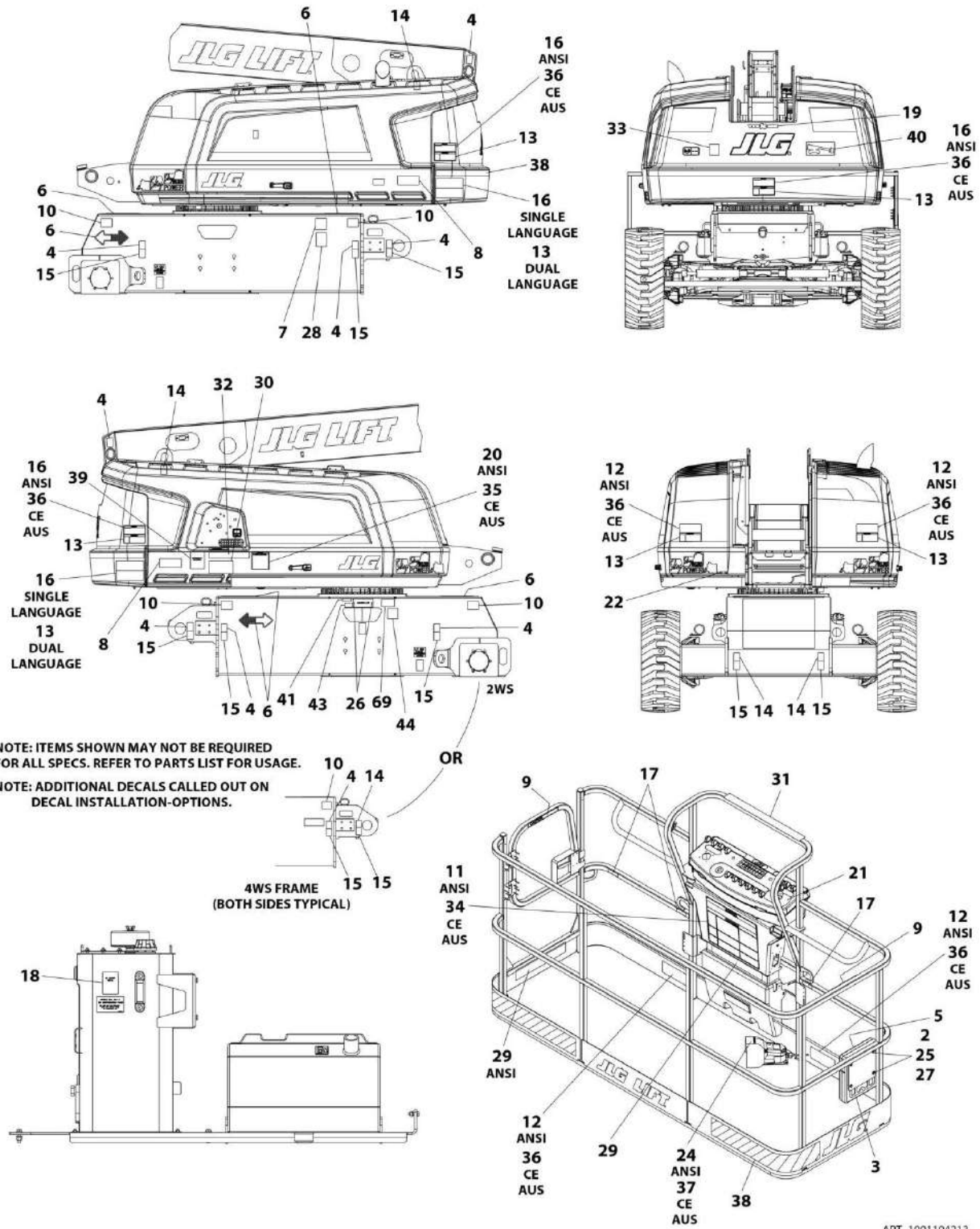
SECTION 8 - ELECTRICAL

ITEM	PART NUMBER	QTY	DESCRIPTION	REV
14	1001104498	4	Seal, Terminal	
15	4460884	2	Plug, Male - 4 Position	
15	4460465	8	Socket, Female	
16	4460932	1	Receptacle, Female - 4 Position	
16	4460464	4	Pin, Male	
17	4460967	1	Plug, Male - 3 Position	
17	4460465	3	Socket, Female	
18	4460424	1	Receptacle, Female - 2 Position	
18	4460226	6	Socket, Female	
19	1001172064	1	Fuseholder (Includes Cover)	
19	8229245	1	Fuse 30Amp	
20	4460312	1	Terminal, Ring	
21	4460891	6	Plug, Male - 2 Position	
21	4460465	12	Socket, Female	
22	4460043	1	Terminal, Ring	
23	8220045	1	Terminal, Ring	
24	4460247	2	Terminal, Ring	
25	4460042	1	Terminal, Ring	
26	4460183	2	Terminal, Ring	
27	4460260	2	Cover, Terminal	
27	4460259	2	Terminal	
28	4460931	2	Receptacle, Female - 8 Position	
28	4460464	3	Pin, Male	
28	4460466	5	Plug, Terminal	
101	4460837	2	Connector, Bussbar	
102	1001125677	2	Connector, Bussbar	
103	1001121172	4	Mount, Connector	
104	1001192401	1	Cap, Dust	

SECTION 9 - DECALS

SECTION 9 - DECALS

FIGURE 9-1. DECAL INSTALLATION - 600S (ANSI SPECS - ENGLISH LANGUAGE)



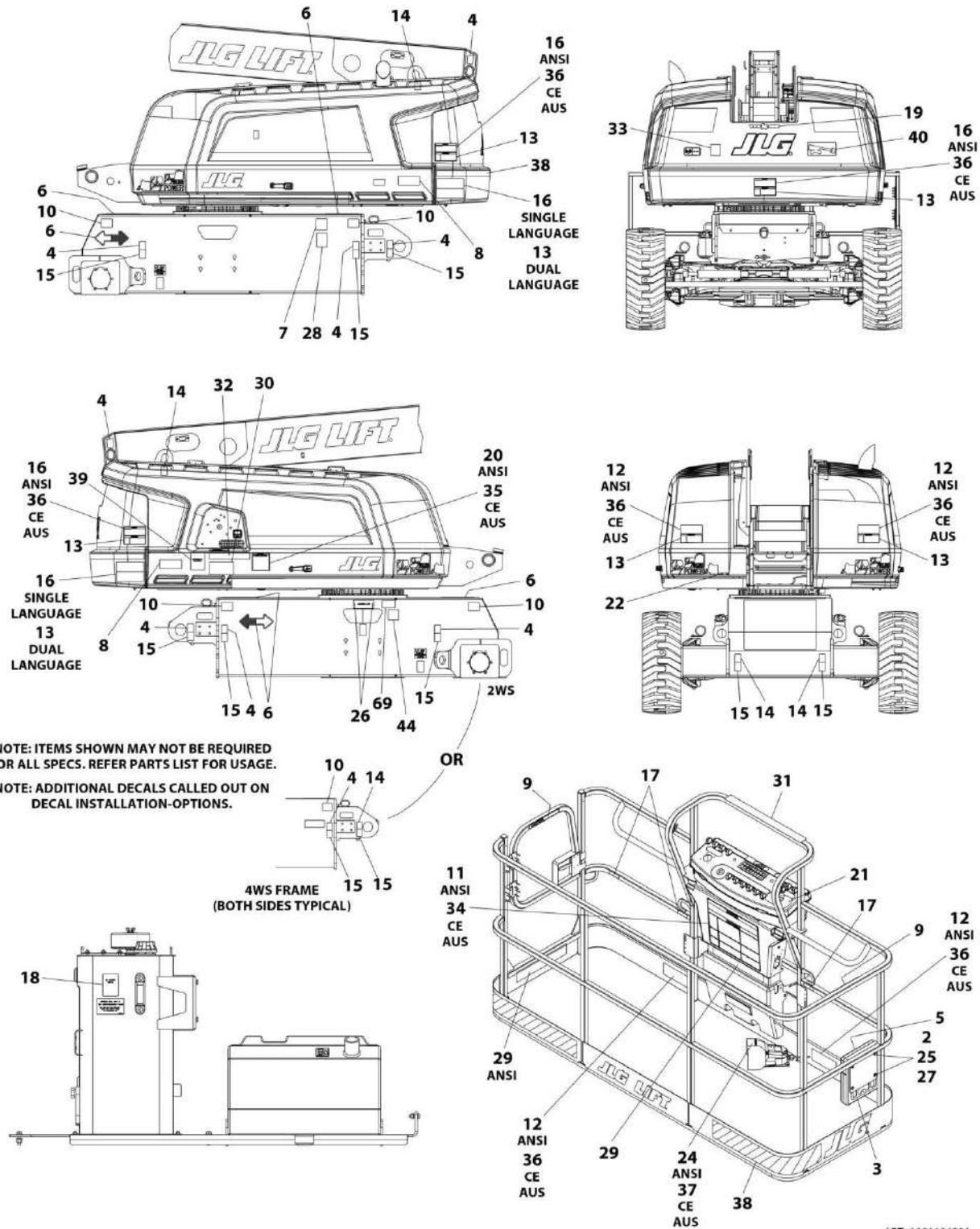
SECTION 9 - DECALS

FIGURE 9-1. DECAL INSTALLATION - 600S (ANSI SPECS - ENGLISH LANGUAGE)

ITEM	PART NUMBER	QTY	DESCRIPTION	REV
	1001194213	Ref	DECAL INSTALLATION	G
2	0700610	4	Bolt M6 x 20	
3	91403230	1	Box, Manual Storage	
4	1701499	8	Decal - No Tie Down/Lift	
5	1701509	1	Decal, Manual	
6	1701529	4	Decal - Arrow	
7	See Note	NSS	Decal - Bar Code (Note: Not Available for Purchase)	
8	1702815	2	Decal - 600S	
9	1702868	2	Decal - No Hands	
10	1001216059	4	Decal - Maximum Tire Load	
11	1703797	1	Decal - Danger/Warning	
12	1703804	4	Decal - Warning/Crushing	
13	1703805	1	Decal - Electrocution	
14	1703811	4	Decal - Lifting Lug	
15	1703814	8	Decal -Tie Down	
16	1703953	3	Decal - Warning/Crushing	
17	1704277	3	Decal - Lanyard Attach	
18	1704412	1	Decal - Hydraulic Oil	
19	1704885	1	Decal - Website	
20	1705336	1	Decal - Danger/Warning	
21	1705351	1	Decal - Drive/Steer Instruction	
22	3251243	1	Decal - 120V/60Hz	
24	3252347	1	Nameplate - Footswitch	
25	3290605	4	Nut M6	
26	3820001	2	Rivet	
27	4811700	8	Washer M6	
28	1001131269	1	Decal - Patent	
29	1001171335	2	Decal - Warning Dual Capacity	
30	1001171336	1	Decal - Warning Dual Capacity	
31	1001173262	1	Decal - Legend	
32	1001174313	1	Decal - Legend	
40	1001215615	1	Decal - Lift Diagram	
41	1705514	1	Decal - CSA	
43	1001228370	1	Decal - ICES (Canada) (SN 0300235168 through 0300237156, SN B300002655 through B300002668)	
43	1001223453	1	Decal - ICES (Canada) (SN 0300237157 to Present, SN B300002669 to Present)	
44	1001223055	1	Decal - Yearly Inspection	

SECTION 9 - DECALS

FIGURE 9-2. DECAL INSTALLATION - 600S (BRAZIL SPECS - PORTUGUESE/SPANISH LANGUAGES)



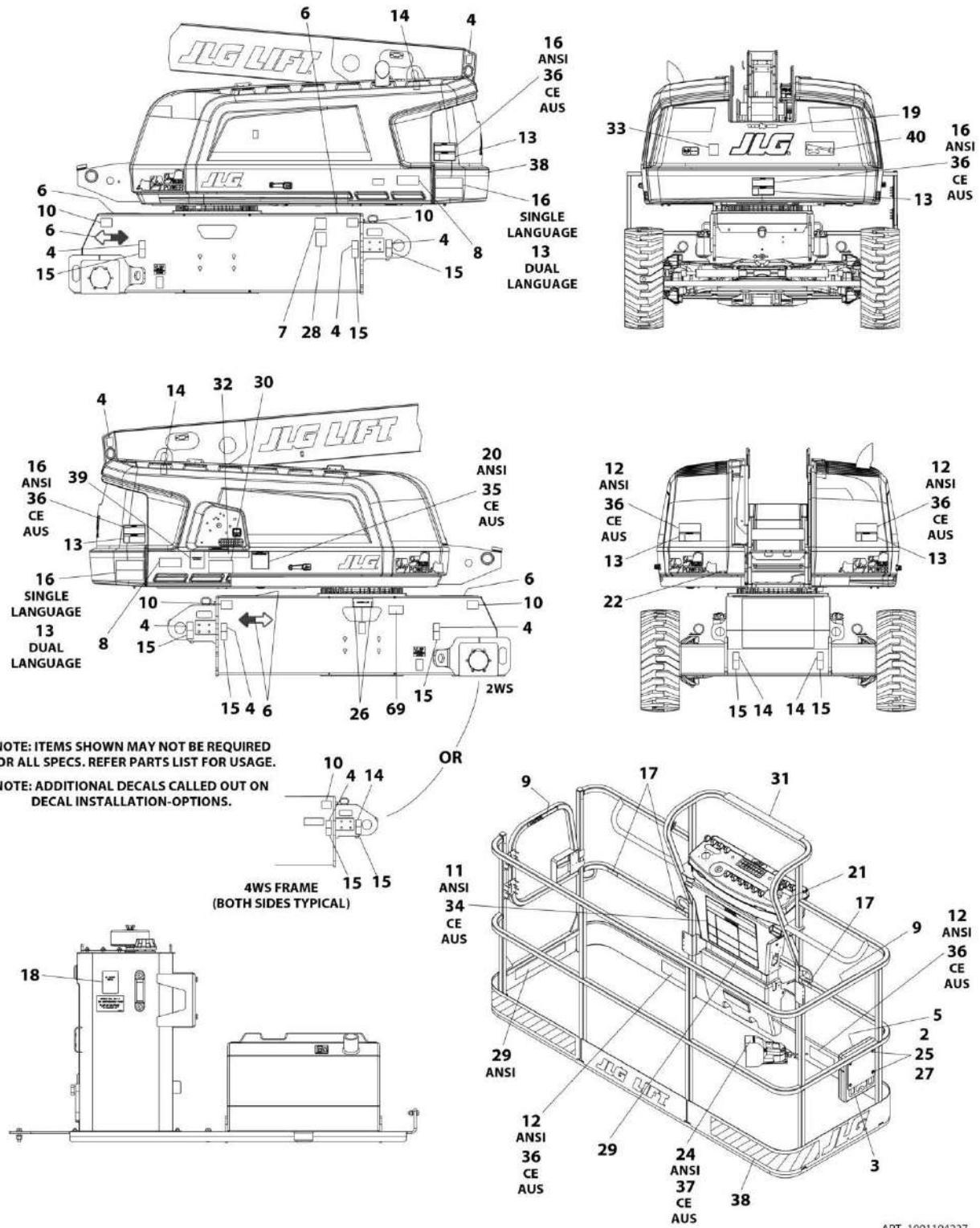
SECTION 9 - DECALS

FIGURE 9-2. DECAL INSTALLATION - 600S (BRAZIL SPECS - PORTUGUESE/SPANISH LANGUAGES)

ITEM	PART NUMBER	QTY	DESCRIPTION	REV
	1001194221	Ref	DECAL INSTALLATION	D
2	0700610	4	Bot M6 x 20	
3	91403230	1	Box, Manual Storage	
4	1701499	8	Decal - No Tie Down/Lift	
5	1701509	1	Decal - Manual	
6	1701529	4	Decal - Arrow	
7	See Note	NSS	Decal - Bar Code (Note: Not Available For Purchase)	
8	1702815	2	Decal - 600S	
9	1704002	2	Decal - No Hands	
10	1001216059	4	Decal - Maximum Tire Load	
11	1703928	1	Decal - Danger/Warning	
12	1703952	4	Decal - Warning/Crushing	
13	1703940	5	Decal - Electrocutation	
14	1703811	4	Decal - Lifting Lug	
15	1703814	8	Decal - Tie Down	
16	1703946	3	Decal - Warning/Crushing	
17	1704277	3	Decal - Lanyard Attach	
18	1704412	1	Decal - Hydraulic Oil	
19	1704885	1	Decal - Website	
20	1705349	1	Decal - Warning/Inspection	
21	1001113680	1	Decal - Drive/Steer Instruction	
22	3251243	1	Decal - 120V/60Hz	
24	1703985	1	Nameplate - Footswitch	
25	3290605	4	Nut M6	
26	3820001	2	Rivet	
27	4811700	8	Washer M6	
29	1001171359	2	Decal - Warning Dual Capacity	
30	1001171360	1	Decal - Warning Dual Capacity	
31	1001173262	1	Decal - Legend	
32	1001174313	1	Decal - Legend	
40	1001215615	1	Decal - Lift Diagram	
44	1001224052	1	Decal - Yearly Inspection	

SECTION 9 - DECALS

FIGURE 9-3. DECAL INSTALLATION - 600S (CE SPECS - ENGLISH LANGUAGE)



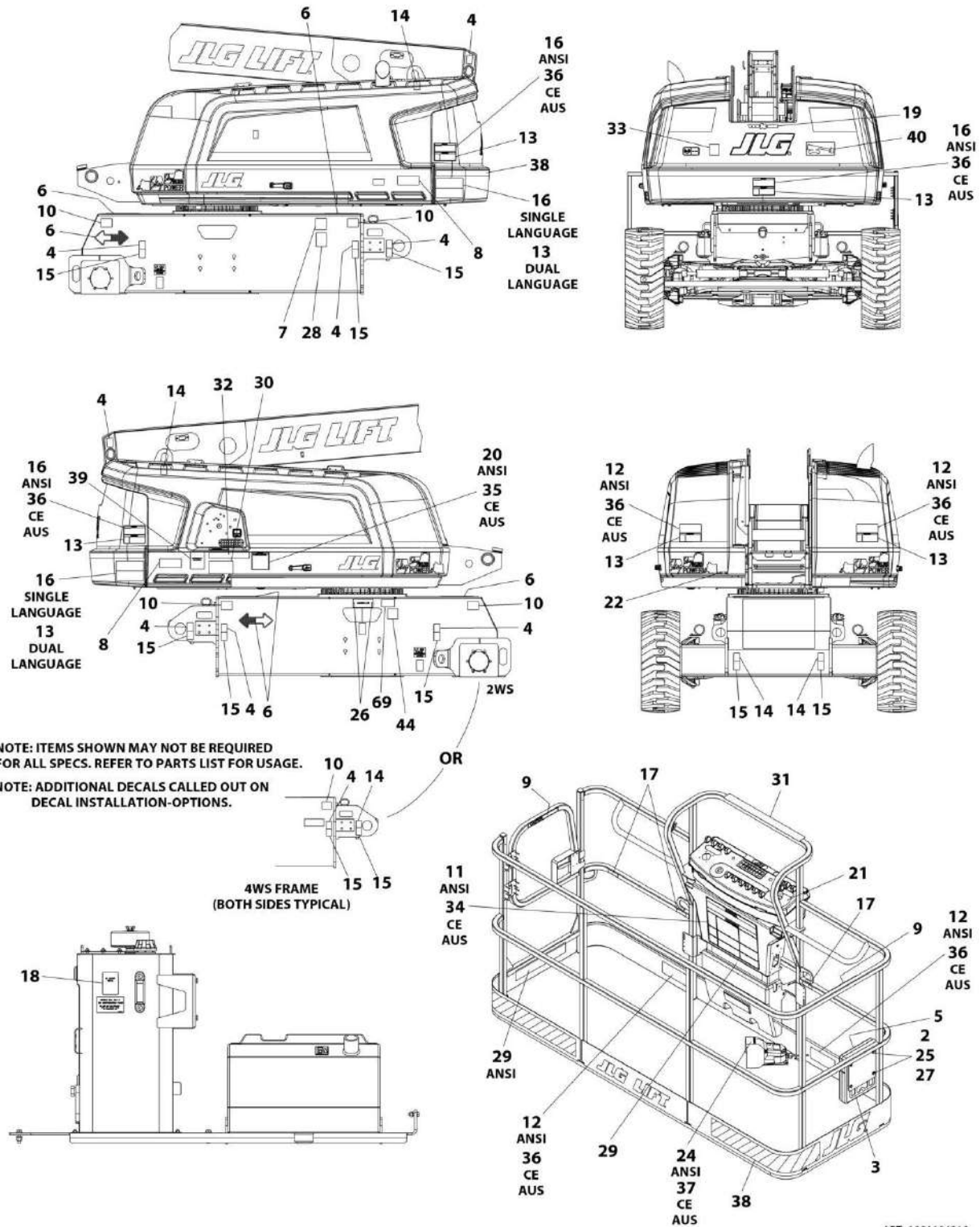
SECTION 9 - DECALS

FIGURE 9-3. DECAL INSTALLATION - 600S (CE SPECS - ENGLISH LANGUAGE)

ITEM	PART NUMBER	QTY	DESCRIPTION	REV
	1001194227	Ref	DECAL INSTALLATION	G
2	0700610	4	Bolt M6 x 20	
3	91403230	1	Box, Manual Storage	
4	1701499	8	Decal - No Tie Down/Lift	
5	1701509	1	Decal - Manual	
6	1701529	4	Decal - Arrow	
7	See Note	NSS	Decal - Bar Code (Note: Not Available For Purchase)	
8	1702815	2	Decal - 600S	
10	1001216059	4	Decal - Maximum Tire Load	
13	1705961	5	Decal - Electrocutation	
14	1703811	4	Decal - Lifting Lug	
15	1703814	8	Decal - Tie Down	
17	1704277	3	Decal - Lanyard Attach	
18	1704412	1	Decal - Hydraulic Oil	
25	3290605	4	Nut M6	
26	3820001	2	Rivet	
27	4811700	8	Washer M6	
29	1001185237	1	Decal - Warning Maximum Capacity	
30	1001185237	1	Decal - Warning Maximum Capacity	
34	1705921	1	Decal - Tipping/Electrocutation	
35	1705822	1	Decal - Electrocutation/Safety Manual	
36	1701518	7	Decal - Crushing	
37	1705828	1	Nameplate - Footswitch	
38	4420051	208 in/ 5.3m	Tape, Safety	
40	1001215615	1	Decal - Lift Diagram	

SECTION 9 - DECALS

FIGURE 9-4. DECAL INSTALLATION - 600S (CHINESE SPECS - ENGLISH/SIMPLIFIED CHINESE LANGUAGES)



ART_1001194219

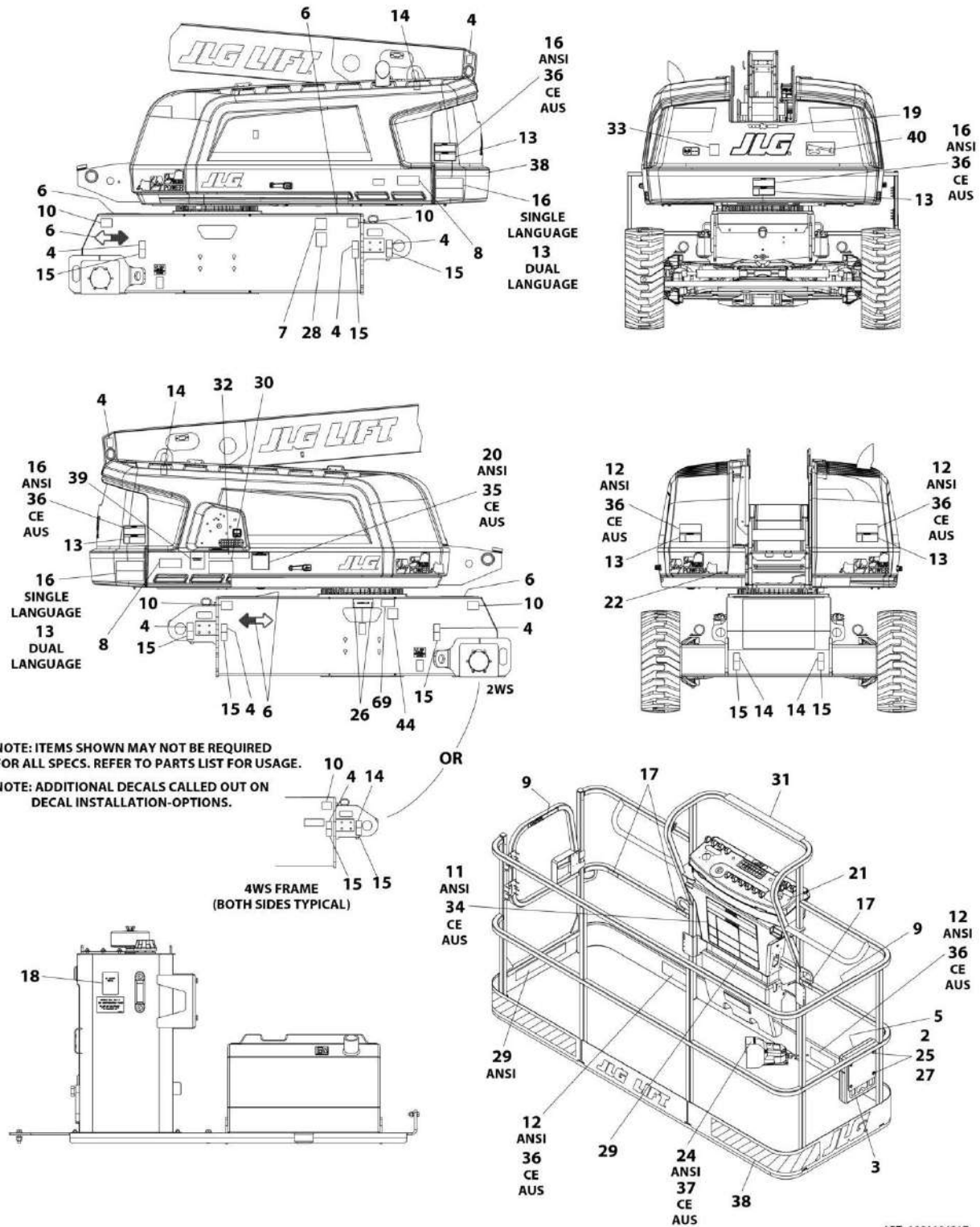
SECTION 9 - DECALS

FIGURE 9-4. DECAL INSTALLATION - 600S (CHINESE SPECS - ENGLISH/SIMPLIFIED CHINESE LANGUAGES)

ITEM	PART NUMBER	QTY	DESCRIPTION	REV
	1001194219	Ref	DECAL INSTALLATION	D
2	0700610	4	Bolt M6 x 20	
3	91403230	1	Box, Manual Storage	
4	1701499	8	Decal - No Tie Down/Lift	
5	1701509	1	Decal - Manual	
6	1701529	4	Decal - Arrow	
7	See Note	1	Decal - Bar Code (Note: Not Available for Purchase)	
8	1702815	2	Decal - 600S	
9	1705968	2	Decal - No Hands	
10	1001216059	4	Decal - Maximum Tire Load	
11	1001116847	1	Decal - Warning	
12	1001116850	4	Decal - Warning/Crushing	
13	1703937	5	Decal - Electrocutation	
14	1703811	4	Decal - Lifting Lug	
15	1703814	8	Decal - Tie Down	
16	1001116845	3	Decal - Warning/Crushing	
17	1704277	3	Decal - Lanyard Attach	
18	1704412	1	Decal - Hydraulic Oil	
19	1704885	1	Decal - Website	
20	1001116848	1	Decal - Warning/Inspection	
21	1705430	1	Decal - Drive Steer	
22	3251243	1	Decal - 120V/60Hz	
24	1001116852	1	Decal - Footswitch	
25	3290605	4	Nut M6	
26	3820001	2	Rivet	
27	4811700	8	Washer M6	
29	1001216739	2	Decal - Warning Dual Capacity	
30	1001216740	1	Decal - Warning Dual Capacity	
31	1001173262	1	Decal - Legend	
32	1001174313	1	Decal - Legend	
38	4420051	208 ft/ 5.3m	Tape, Safety	
40	1001215615	1	Decal - Lift Diagram	
44	1001224051	1	Decal - Yearly Inspection	

SECTION 9 - DECALS

FIGURE 9-5. DECAL INSTALLATION - 600S (CHINESE SPECS - ENGLISH/TRADITIONAL CHINESE LANGUAGES)



ART_1001194217

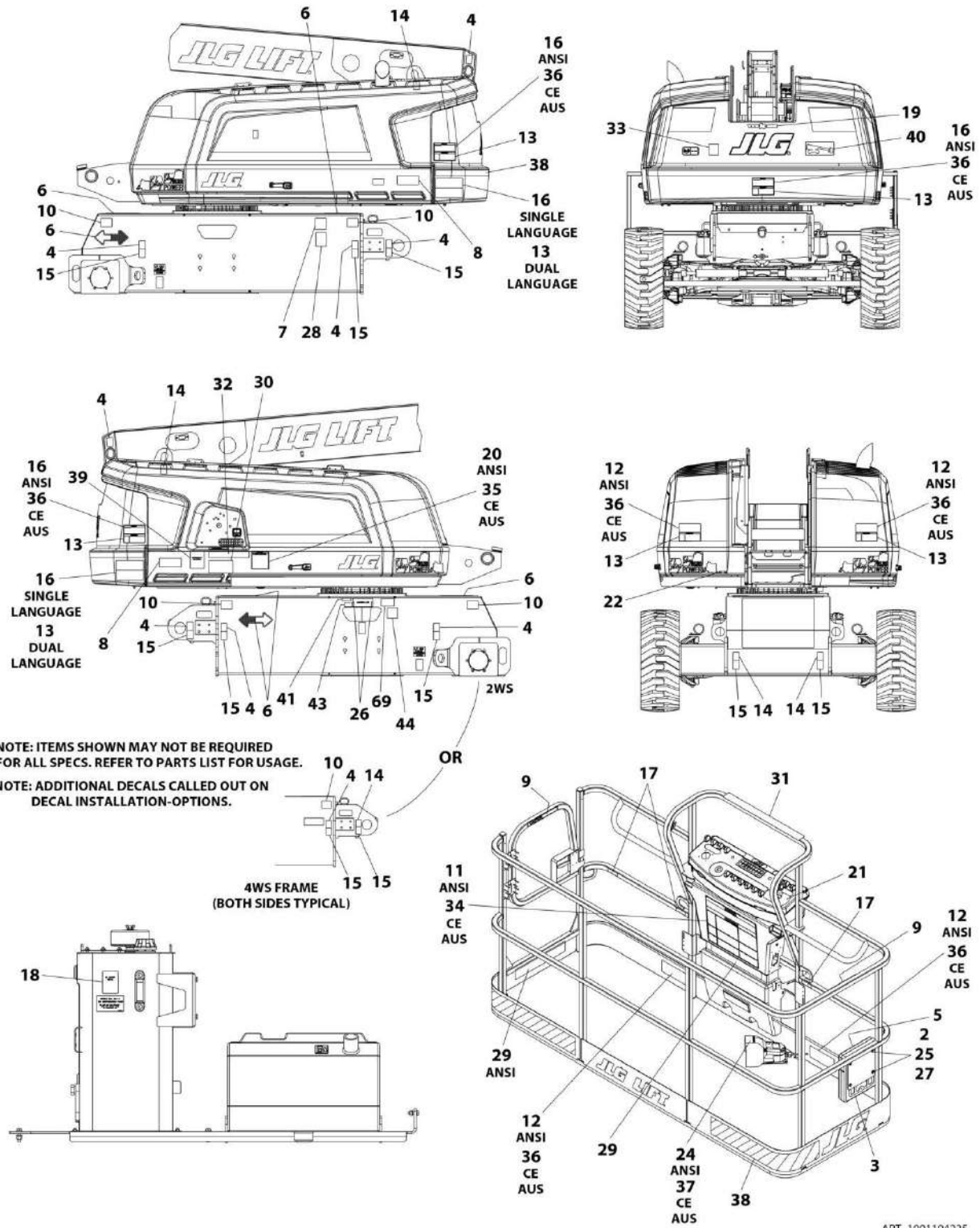
SECTION 9 - DECALS

FIGURE 9-5. DECAL INSTALLATION - 600S (CHINESE SPECS - ENGLISH/TRADITIONAL CHINESE LANGUAGES)

ITEM	PART NUMBER	QTY	DESCRIPTION	REV
	1001194217	Ref	DECAL INSTALLATION	D
2	0700610	4	Bolt M6 x 20	
3	91403230	1	Box, Manual Storage	
4	1701499	8	Decal - No Tie Down/Lift	
5	1701509	1	Decal - Manual	
6	1701529	4	Decal - Arrow	
7	See Note	1	Decal - Bar Code (Note: Not Available For Purchase)	
8	1702815	2	Decal - 600S	
9	1001116846	2	Decal - No Hands	
10	1001216059	4	Decal - Maximum Tire Load	
11	1703925	1	Decal - Danger/Warning	
12	1703949	4	Decal - Crushing	
13	1001116851	5	Decal - Electrocution	
14	1703811	4	Decal - Lifting Lug	
15	1703814	8	Decal - Tie Down	
16	1703943	3	Decal - Warning/Crushing	
17	1704277	3	Decal - Lanyard Attach	
18	1704412	1	Decal - Hydraulic Oil	
19	1704885	1	Decal - Website	
20	1001116849	1	Decal - Warning/Inspection	
21	1001116863	1	Decal - Drive/Steer Instruction	
22	3251243	1	Decal - 120V/60Hz	
24	1703982	1	Nameplate - Footswitch	
25	3290605	4	Nut M6	
26	3820001	2	Rivet	
27	4811700	8	Washer M6	
29	1001171355	2	Decal - Warning Dual Capacity	
30	1001171356	1	Decal - Warning Dual Capacity	
31	1001173262	1	Decal - Legend	
32	1001174313	1	Decal - Legend	
38	4420051	208 in/ 5.3m	Tape, Safety	
40	1001215615	1	Decal - Lift Diagram	
44	1001224050	1	Decal - Yearly Inspection	

SECTION 9 - DECALS

FIGURE 9-6. DECAL INSTALLATION - 600S (CSA SPECS - ENGLISH/FRENCH LANGUAGES)



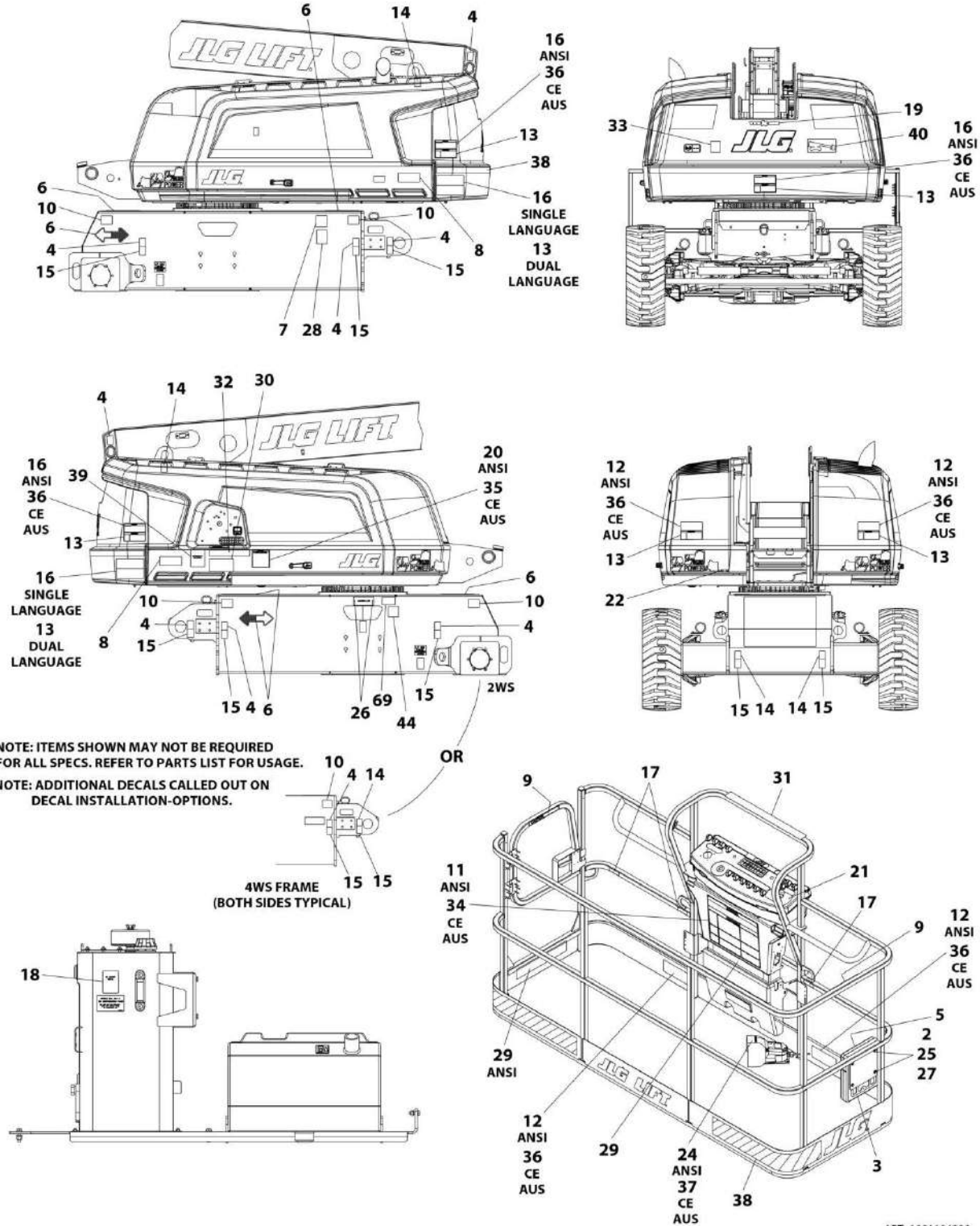
SECTION 9 - DECALS

FIGURE 9-6. DECAL INSTALLATION - 600S (CSA SPECS - ENGLISH/FRENCH LANGUAGES)

ITEM	PART NUMBER	QTY	DESCRIPTION	REV
	1001194225	Ref	DECAL INSTALLATION	E
2	0700610	4	Bolt M6 x 20	
3	91403230	1	Box, Manual Storage	
4	1701499	8	Decal - No Tie Down/Lift	
5	1701509	1	Decal - Manual	
6	1701529	4	Decal - Arrow	
7	See Note	NSS	Decal - Bar Code (Note: Not Available For Purchase)	
8	1702815	2	Decal - 600S	
9	1704000	2	Decal - No Hands	
10	1001216059	4	Decal - Maximum Tire Load	
11	1703924	1	Decal - Danger/Warning	
12	1703948	4	Decal - Warning/Crushing	
13	1703936	5	Decal - Electrocution	
14	1703811	4	Decal - Lifting Lug	
15	1703814	8	Decal - Tie Down	
16	1703942	3	Decal - Crushing	
17	1704277	3	Decal - Lanyard Attach	
18	1704412	1	Decal - Hydraulic Oil	
19	1704885	1	Decal - Website	
20	1705347	1	Decal - Warning/Inspection	
21	1705429	1	Decal - Drive/Steer Instruction	
22	3251243	1	Decal - 120V/60Hz	
24	1703984	1	Nameplate - Footswitch	
25	3290605	4	Nut M6	
26	3820001	2	Rivet	
27	4811700	8	Washer M6	
28	1001131269	1	Decal - Patent	
29	1001171351	2	Decal - Warning Dual Capacity	
30	1001171352	1	Decal - Warning Dual Capacity	
31	1001173262	1	Decal - Legend	
32	1001174313	1	Decal - Legend	
40	1001215615	1	Decal - Lift Diagram	
41	1705514	1	Decal - CSA	
43	1001228370	1	Decal - ICES (Canada) (SN 0300235168 through 0300237156)	
43	1001223453	1	Decal - ICES (Canada) (SN 0300237157 to Present)	
44	1001223971	1	Decal - Yearly Inspection	

SECTION 9 - DECALS

FIGURE 9-7. DECAL INSTALLATION - 600S (JAPANESE SPECS - ENGLISH/JAPANESE LANGUAGES)



ART_1001194229

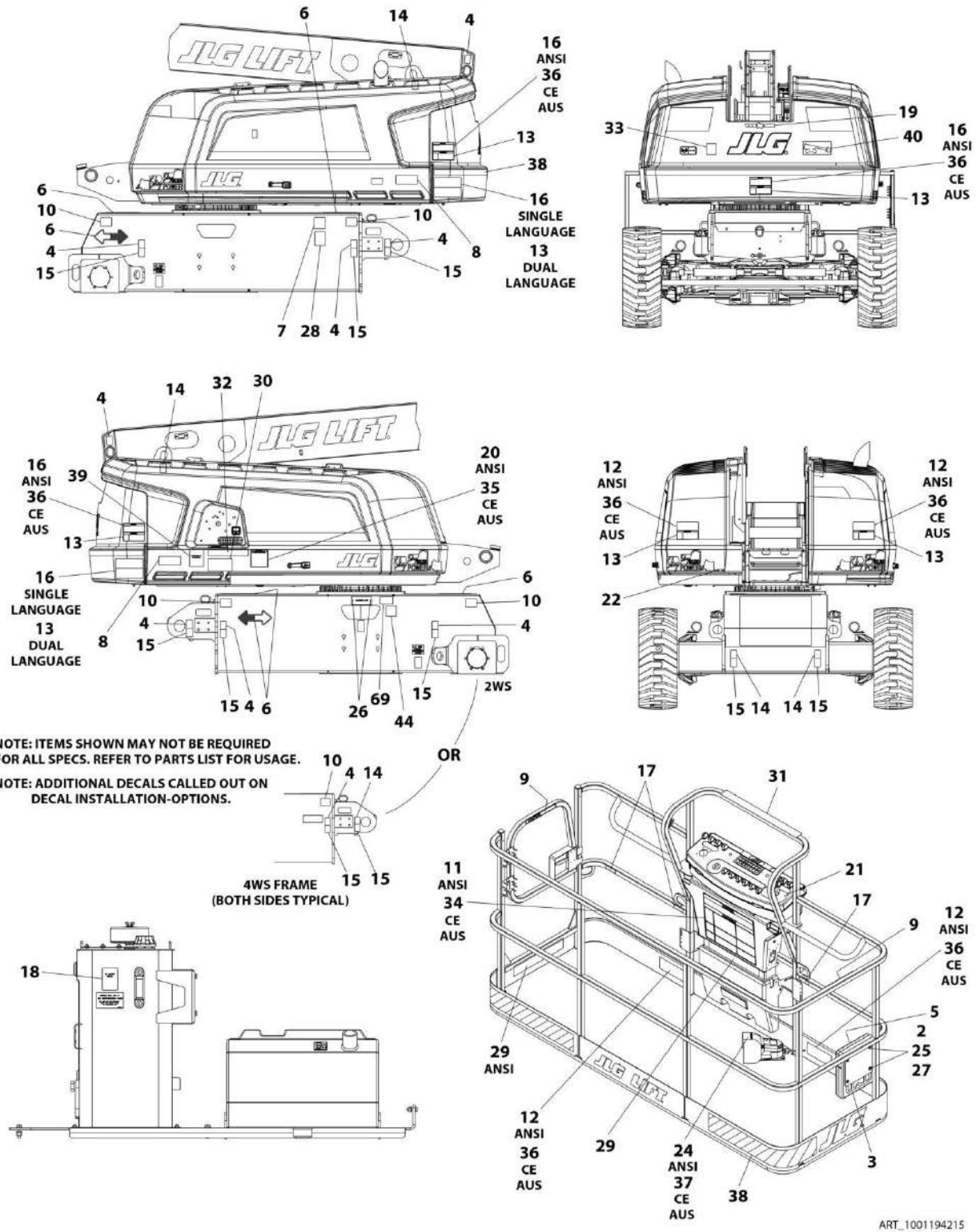
SECTION 9 - DECALS

FIGURE 9-7. DECAL INSTALLATION - 600S (JAPANESE SPECS - ENGLISH/JAPANESE LANGUAGES)

ITEM	PART NUMBER	QTY	DESCRIPTION	REV
	1001194229	Ref	DECAL INSTALLATION	D
2	0700610	4	Bolt M6 x 20	
3	91403230	1	Box, Manual Storage	
4	1701499	8	Decal - No Tie Down/Lift	
5	1701509	1	Decal - Manual	
6	1701529	4	Decal - Arrow	
7	See Note	NSS	Decal - Bar Code (Note: Not Available For Purchase)	
8	1702815	2	Decal - 600S	
10	1001216059	4	Decal - Maximum Tire Load	
11	1703926	1	Decal - Danger/Warning	
12	1703950	4	Decal - Crushing	
13	1703938	5	Decal - Electrocution	
14	1703811	4	Decal - Lifting Lug	
15	1703814	8	Decal - Tie Down	
16	1703944	3	Decal - Warning/Crushing	
17	1704277	3	Decal - Lanyard Attach	
18	1704412	1	Decal - Hydraulic Oil	
19	1704885	1	Decal - Website	
20	1705344	1	Decal - Warning/Inspection	
21	1705426	1	Decal - Drive/Steer Instruction	
22	3251243	1	Decal - 120V/60Hz	
24	1703980	1	Nameplate - Footswitch	
25	3290605	4	Nut M6	
26	3820001	2	Rivet	
27	4811700	8	Washer M6	
29	1001171341	2	Decal - Warning Dual Capacity	
30	1001171342	1	Decal - Warning Dual Capacity	
31	1001173262	1	Decal - Legend	
32	1001174313	1	Decal - Legend	
40	1001215615	1	Decal - Lift Diagram	
44	1001224053	1	Decal - Yearly Inspection	

SECTION 9 - DECALS

FIGURE 9-8. DECAL INSTALLATION - 600S (KOREAN SPECS - ENGLISH/KOREAN LANGUAGES)



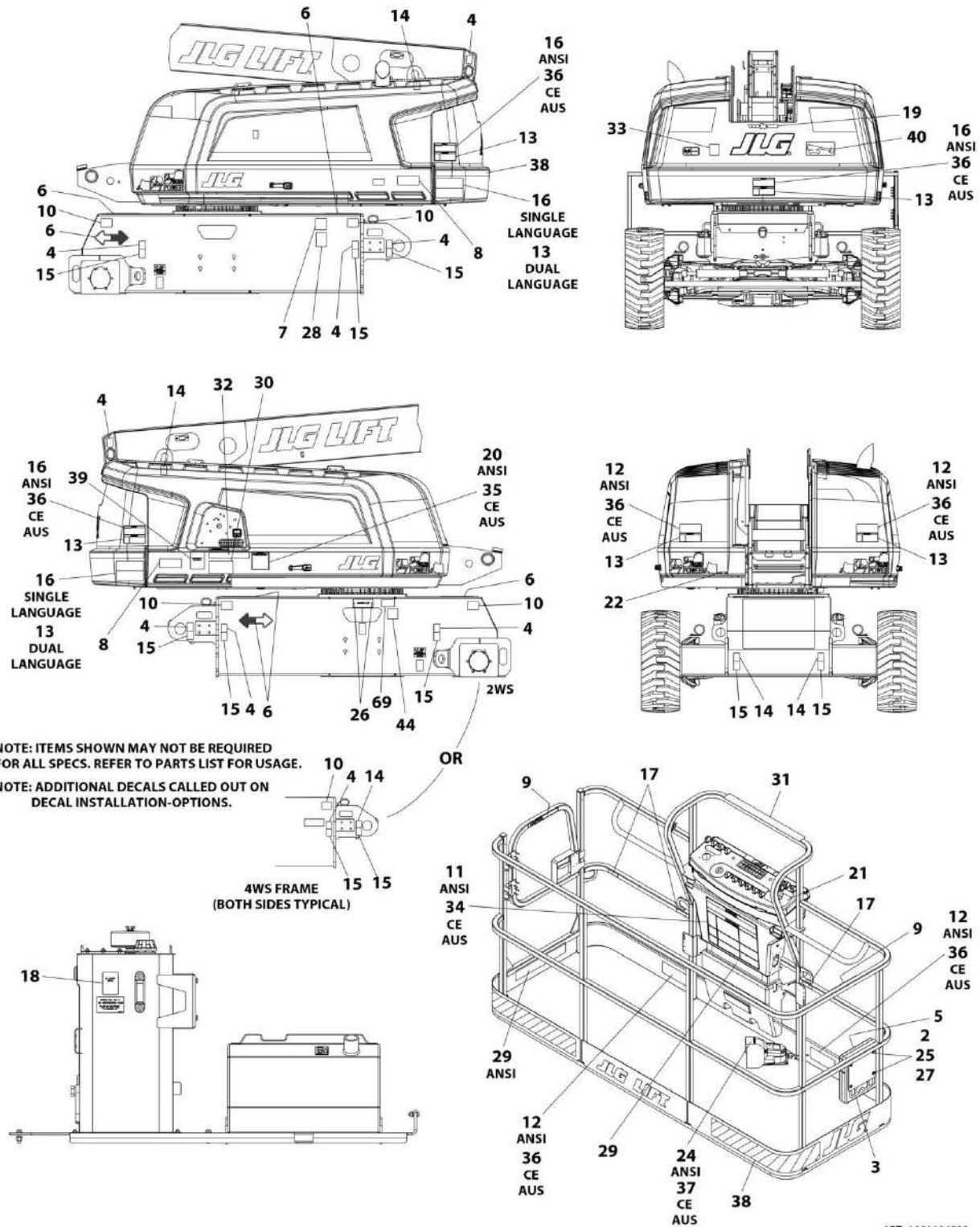
SECTION 9 - DECALS

FIGURE 9-8. DECAL INSTALLATION - 600S (KOREAN SPECS - ENGLISH/KOREAN LANGUAGES)

ITEM	PART NUMBER	QTY	DESCRIPTION	REV
	1001194215	Ref	DECAL INSTALLATION	D
2	0700610	4	Bolt M6 x 20	
3	91403230	1	Box, Manual Storage	
4	1701499	8	Decal - No Tie Down/Lift	
5	1701509	1	Decal - Manual	
6	1701529	4	Decal - Arrow	
7	See Note	NSS	Decal - Bar Code (Note: Not Available for Purchase)	
8	1702815	2	Decal - 600S	
9	1705969	2	Decal - No Hands	
10	1001216059	4	Decal - Maximum Tire Load	
11	1703927	1	Decal - Warning/Danger	
12	1703951	4	Decal - Warning/Crushing	
13	1703939	5	Decal - Danger Electricution	
14	1703811	4	Decal - Lifting Lug	
15	1703814	8	Decal - Tie Down	
16	1703945	3	Decal - Warning Crushing	
17	1704277	3	Decal - Lanyard Attach Graphic	
18	1704412	1	Decal - Hydraulic Oil	
19	1704885	1	Decal - Website	
20	1705345	1	Decal - Warning/Inspection	
21	1705427	1	Decal - Drive/Steer Instruction	
24	1703981	1	Nameplate - Footswitch	
25	3290605	4	Nut M6	
26	3820001	2	Rivet	
27	4811700	8	Washer M6	
29	1001171345	2	Decal - Warning Dual Capacity	
30	1001171346	1	Decal - Warning Dual Capacity	
31	1001173262	1	Decal - Legend	
32	1001174313	1	Decal - Legend	
40	1001215615	1	Decal - Lift Diagram	
44	1001224048	1	Decal - Yearly Inspection	

SECTION 9 - DECALS

FIGURE 9-9. DECAL INSTALLATION - 600S (LATIN AMERICAN SPECS - ENGLISH/SPANISH LANGUAGES)



ART_1001194223

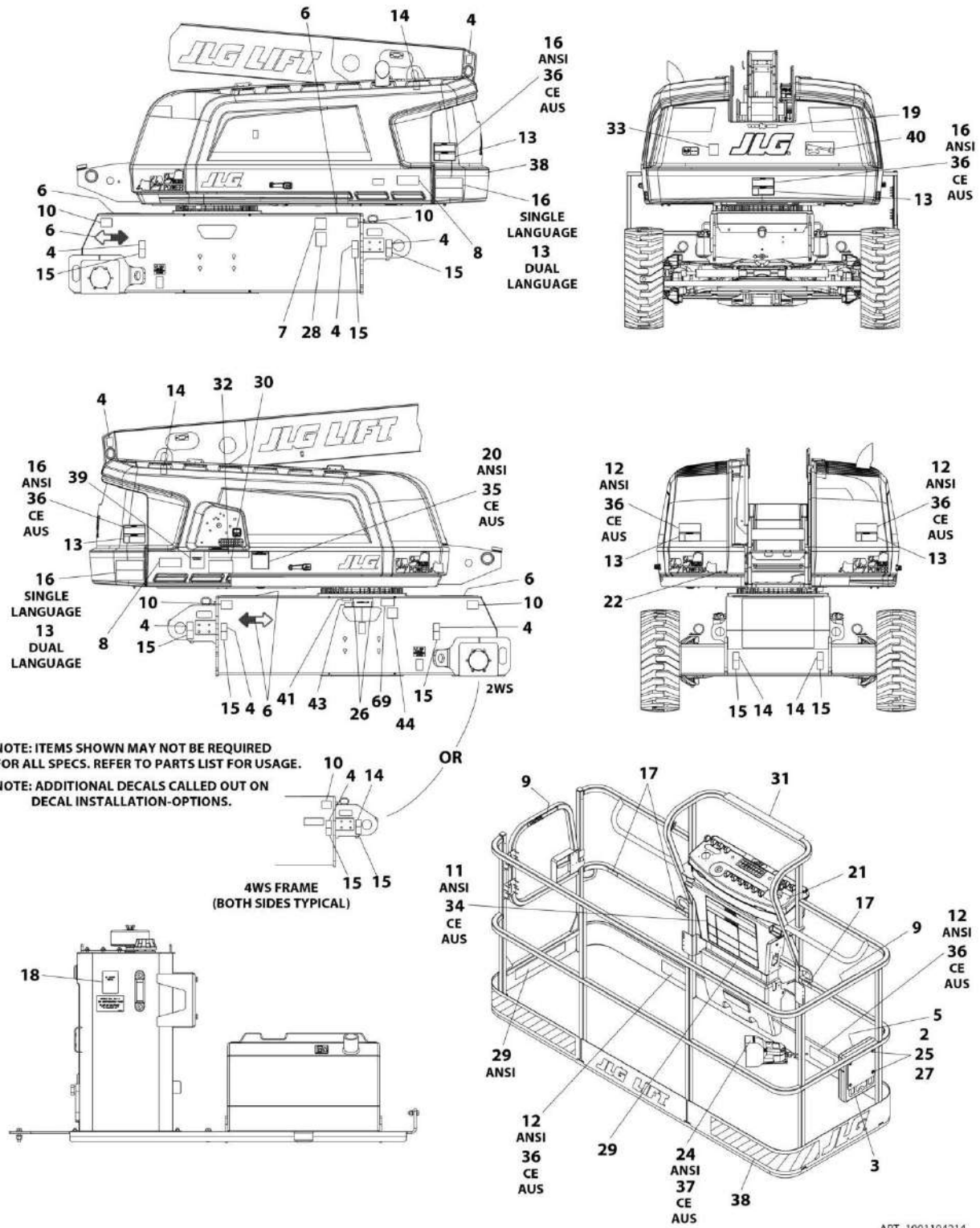
SECTION 9 - DECALS

FIGURE 9-9. DECAL INSTALLATION - 600S (LATIN AMERICAN SPECS - ENGLISH/SPANISH LANGUAGES)

ITEM	PART NUMBER	QTY	DESCRIPTION	REV
	1001194223	Ref	DECAL INSTALLATION	D
2	0700610	4	Bolt M6 x 20	
3	91403230	1	Box, Manual Storage	
4	1701499	8	Decal - No Tie Down/Lift	
5	1701509	1	Decal - Manual	
6	1701529	4	Decal - Arrow	
7	See Note	NSS	Decal - Bar Code (Note: Not Available for Purchase)	
8	1702815	2	Decal - 600S	
9	1704001	2	Decal - No Hands	
10	1001216059	4	Decal - Maximum Tire Load	
11	1703923	1	Decal - Warning/Danger	
12	1703947	4	Decal - Warning/Crushing	
13	1703935	5	Decal - Electrocutation	
14	1703811	4	Decal - Lifting Lug	
15	1703814	8	Decal - Tie Down	
16	1703941	3	Decal - Warning/Crushing	
17	1704277	3	Decal - Lanyard Attach	
18	1704412	1	Decal - Hydraulic Oil	
19	1704885	1	Decal - Website	
20	1705917	1	Decal - Warning/Inspection	
21	1705910	1	Decal - Drive/Steer Instruction	
22	3251243	1	Decal - 120V/60Hz	
24	1703983	1	Nameplate - Footswitch	
25	3290605	4	Nut M6	
26	3820001	2	Rivet	
27	4811700	8	Washer M6	
29	1001171349	2	Decal - Warning Dual Capacity	
30	1001171350	1	Decal - Warning Dual Capacity	
31	1001173262	1	Decal - Legend	
32	1001174313	1	Decal - Legend	
40	1001215615	1	Decal - Lift Diagram	
44	1001224049	1	Decal - Yearly Inspection	

SECTION 9 - DECALS

FIGURE 9-10. DECAL INSTALLATION - 660SJ (ANSI SPECS - ENGLISH LANGUAGE)



ART_1001194214

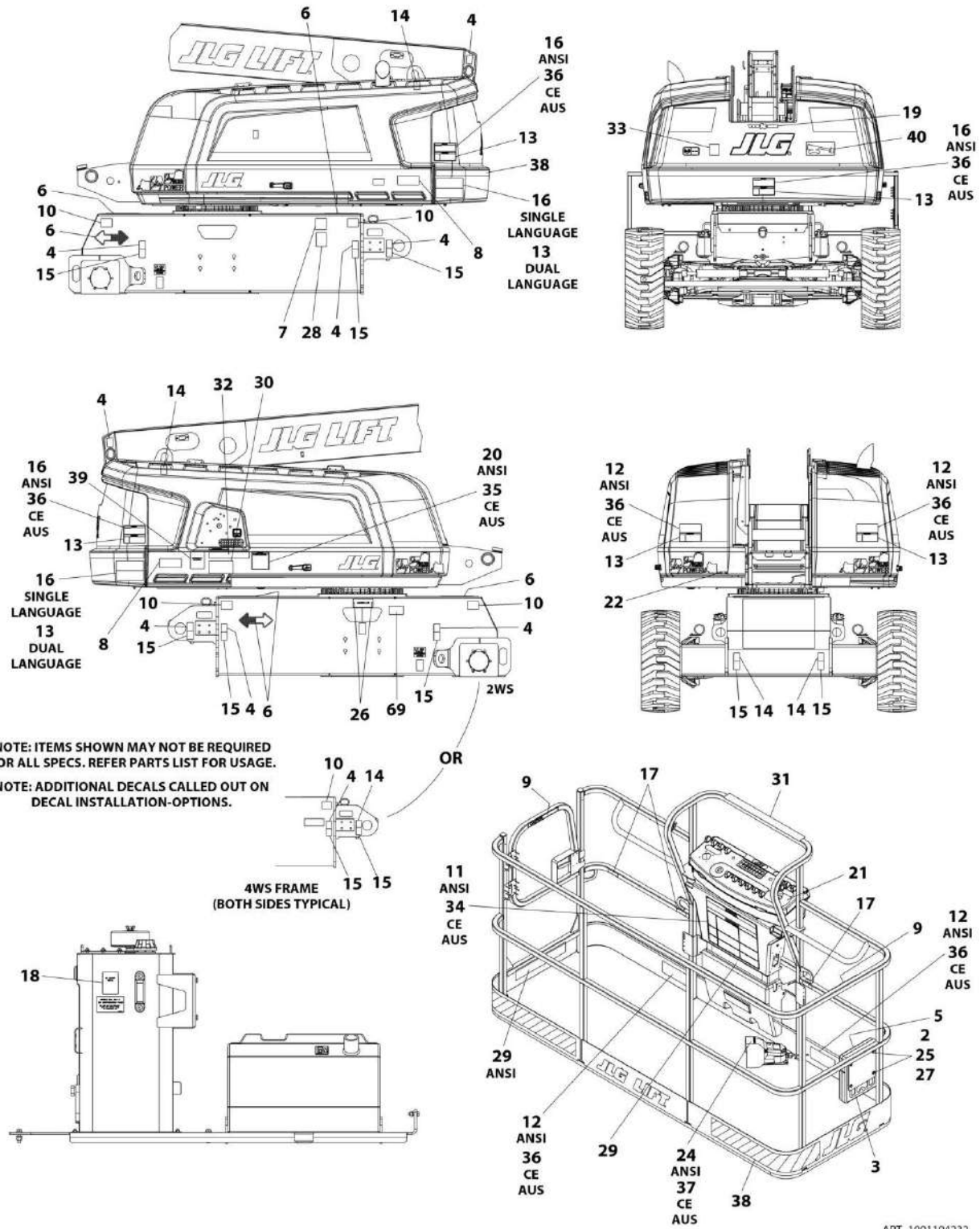
SECTION 9 - DECALS

FIGURE 9-10. DECAL INSTALLATION - 660SJ (ANSI SPECS - ENGLISH LANGUAGE)

ITEM	PART NUMBER	QTY	DESCRIPTION	REV
	1001194214	Ref	DECAL INSTALLATION	G
2	0700610	4	Bolt M6 x 20	
3	91403230	1	Box, Manual Storage	
4	1701499	8	Decal - No Tie Down/Lift	
5	1701509	1	Decal - Manual	
6	1701529	4	Decal - Arrow	
7	See Note	NSS	Decal - Bar Code (Note: Not Available for Purchase)	
8	1702817	2	Decal - 660SJ	
9	1702868	2	Decal - No Hands	
10	1001216060	4	Decal - Maximum Tire Load	
11	1703797	1	Decal - Danger/Warning	
12	1703804	4	Decal - Warning/Crushing	
13	1703805	5	Decal - Electrocution	
14	1703811	4	Decal - Lifting Hug	
15	1703814	8	Decal - Tie Down	
16	1703953	3	Decal - Warning/Crushing	
17	1704277	3	Decal - Lanyard Attach	
18	1704412	1	Decal - Hydraulic Oil	
19	1704885	1	Decal - Website	
20	1705336	1	Decal - Danger/Warning	
21	1705351	1	Decal - Drive/Steer Instruction	
22	3251243	1	Decal - 120V/60Hz	
24	3252347	1	Nameplate - Footswitch	
25	3290605	4	Nut M6	
26	3280001	2	Rivet	
27	4811700	8	Washer M6	
28	1001131269	1	Decal - Patent	
29	1001194234	2	Decal - Warning Dual Capacity	
30	1001194235	1	Decal - Warning Dual Capacity	
31	1001173262	1	Decal - Legend	
32	1001174313	1	Decal - Legend	
40	1001215615	1	Decal - Lift Diagram	
41	1705514	1	Decal - CSA	
43	1001228370	1	Decal - ICES (Canada) (SN 0300235168 through 0300237156, SN B300002655 through B300002668)	
43	1001223453	1	Decal - ICES (Canada) (SN 0300237157 to Present, SN B300002669 to Present)	
44	1001223055	1	Decal - Yearly Inspection	

SECTION 9 - DECALS

FIGURE 9-11. DECAL INSTALLATION - 660SJ (AUSTRALIAN SPECS - ENGLISH LANGUAGE)



ART_1001194232

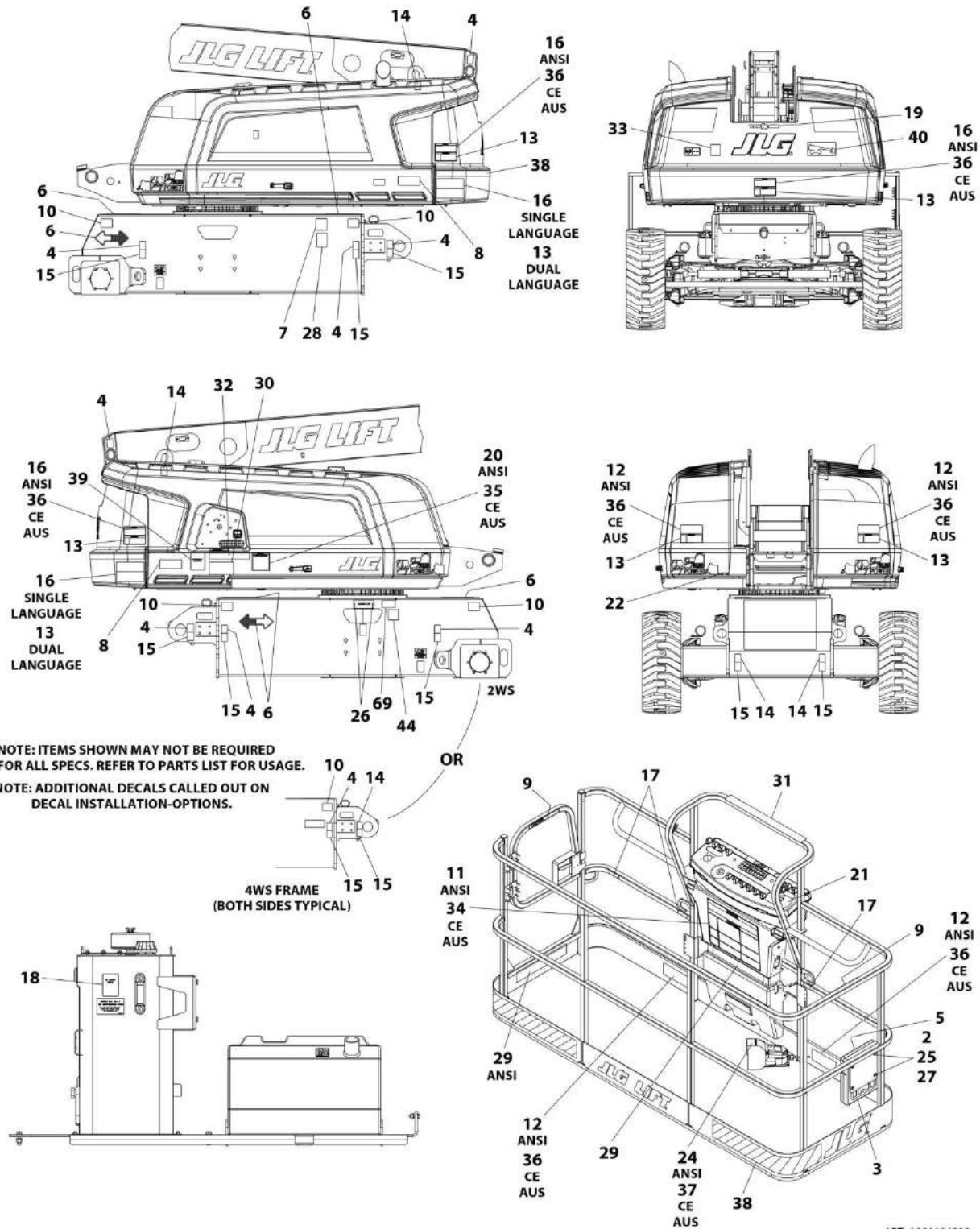
SECTION 9 - DECALS

FIGURE 9-11. DECAL INSTALLATION - 660SJ (AUSTRALIAN SPECS - ENGLISH LANGUAGE)

ITEM	PART NUMBER	QTY	DESCRIPTION	REV
	1001194232	Ref	DECAL INSTALLATION	G
2	0700610	4	Bolt M6 x 20	
3	91403230	1	Box, Manual Storage	
4	1701499	8	Decal - No Tie Down/Lift	
5	1701509	1	Decal - Manual	
6	1701529	4	Decal - Arrow	
7	See Note	NSS	Decal - Bar Code (Note: Not Available For Purchase)	
8	1702817	1	Decal - 660SJ	
10	1001216060	4	Decal - Maximum Tire Load	
13	1705961	5	Decal - Electrocution	
14	1703811	4	Decal - Lifting Lug	
15	1703814	8	Decal - Tie Down	
17	1704277	3	Decal - Lanyard Attach	
18	1704412	1	Decal - Hydraulic Oil	
19	1704885	1	Decal - Website	
25	3290605	4	Nut M6	
26	3820001	2	Rivet	
27	4811700	8	Washer M6	
29	1001194236	1	Decal - Capacity	
30	1001194236	1	Decal - Capacity	
34	1705921	1	Decal - Tipping/Electrocution	
35	1705822	1	Decal - Electrocution/Safety Manual	
36	1701518	7	Decal - Crushing	
37	1705828	1	Nameplate - Footswitch	
38	4420051	208 in/ 5.3m	Tape, Safety	
39	1001112551	1	Decal - Emergency Controls	
40	1001215615	1	Decal - Lifting Diagram	
69	1001231422	1	Decal - Wheel Assembly Mass	

SECTION 9 - DECALS

FIGURE 9-12. DECAL INSTALLATION - 660SJ (BRAZIL SPECS - PORTUGUESE/SPANISH LANGUAGES)



ART_1001194222

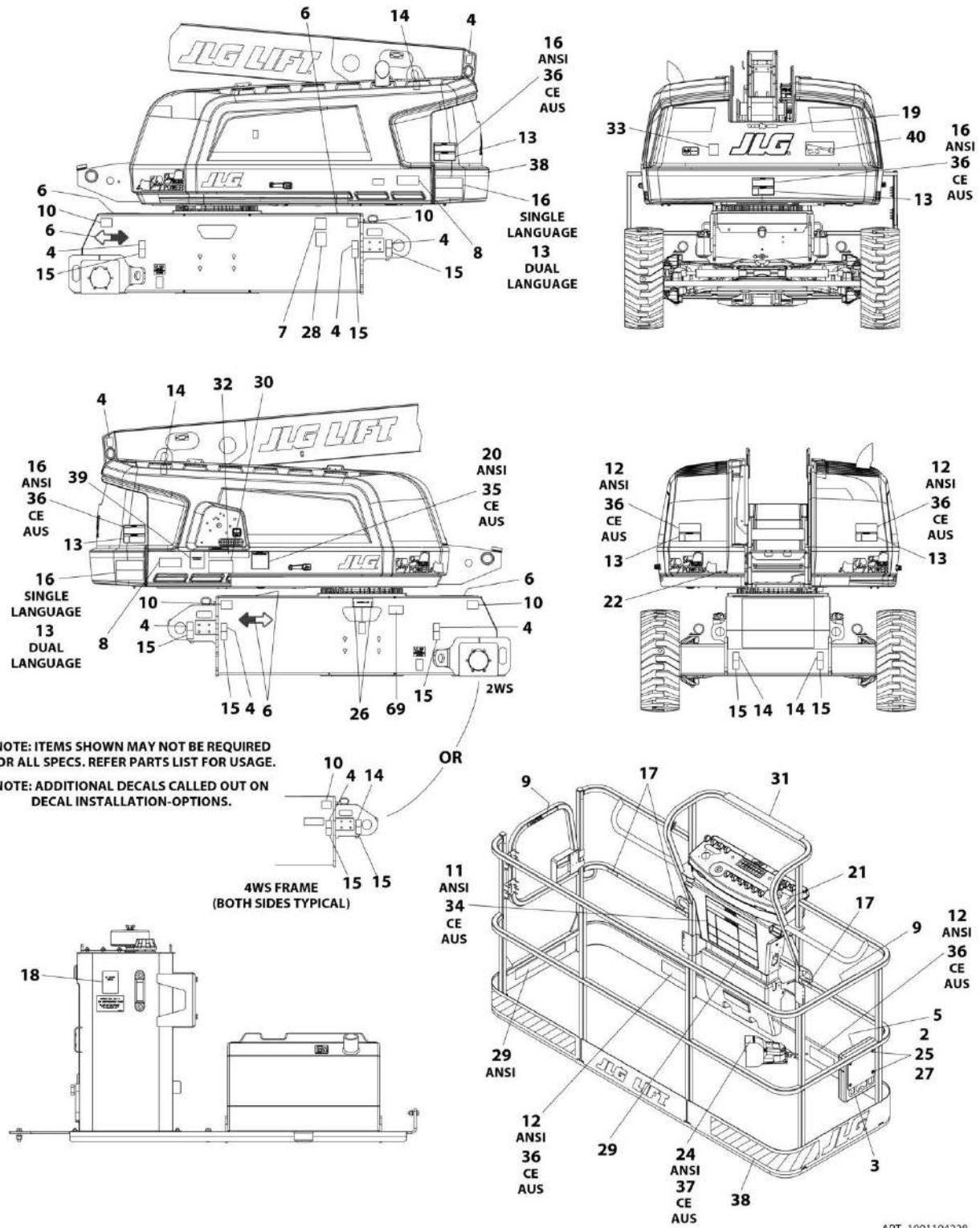
SECTION 9 - DECALS

FIGURE 9-12. DECAL INSTALLATION - 660SJ (BRAZIL SPECS - PORTUGUESE/SPANISH LANGUAGES)

ITEM	PART NUMBER	QTY	DESCRIPTION	REV
	1001194222	Ref	DECAL INSTALLATION	D
2	0700610	4	Bolt M6 x 20	
3	91403230	1	Box, Manual Storage	
4	1701499	8	Decal - No Tie Down/Lift	
5	1701509	1	Decal - Manual	
6	1701529	4	Decal - Arrow	
7	See Note	1	Decal - Bar Code (Note: Not Available For Purchase)	
8	1702817	2	Decal - 660SJ	
9	1704002	2	Decal - No Hands	
10	1001216060	4	Decal - Maximum Tire Load	
11	1703928	1	Decal - Danger/Warning	
12	1703952	4	Decal - Warning/Crushing	
13	1703940	5	Decal - Electrocutation	
14	1703811	4	Decal - Lifting Lug	
15	1703814	8	Decal - Tie Down	
16	1703946	3	Decal - Warning/Crushing	
17	1704277	3	Decal - Lanyard Attach	
18	1704412	1	Decal - Hydraulic Oil	
19	1704885	1	Decal - Website	
20	1705349	1	Decal - Warning/Inspection	
21	1001113680	1	Decal - Drive/Steer Instruction	
22	3251243	1	Decal - 120V/60Hz	
24	1703985	1	Nameplate - Footswitch	
25	3290605	4	Nut M6	
26	2820001	2	Rivet	
27	4811700	8	Washer M6	
29	1001216745	2	Decal - Warning Dual Capacity	
30	1001216746	1	Decal - Warning Dual Capacity	
31	1001173262	1	Decal - Legend	
32	1001174313	1	Decal - Legend	
40	1001215615	1	Decal - Lift Diagram	
44	1001224052	1	Decal - Yearly Inspection	

SECTION 9 - DECALS

FIGURE 9-13. DECAL INSTALLATION - 660SJ (CE SPECS - ENGLISH LANGUAGE)



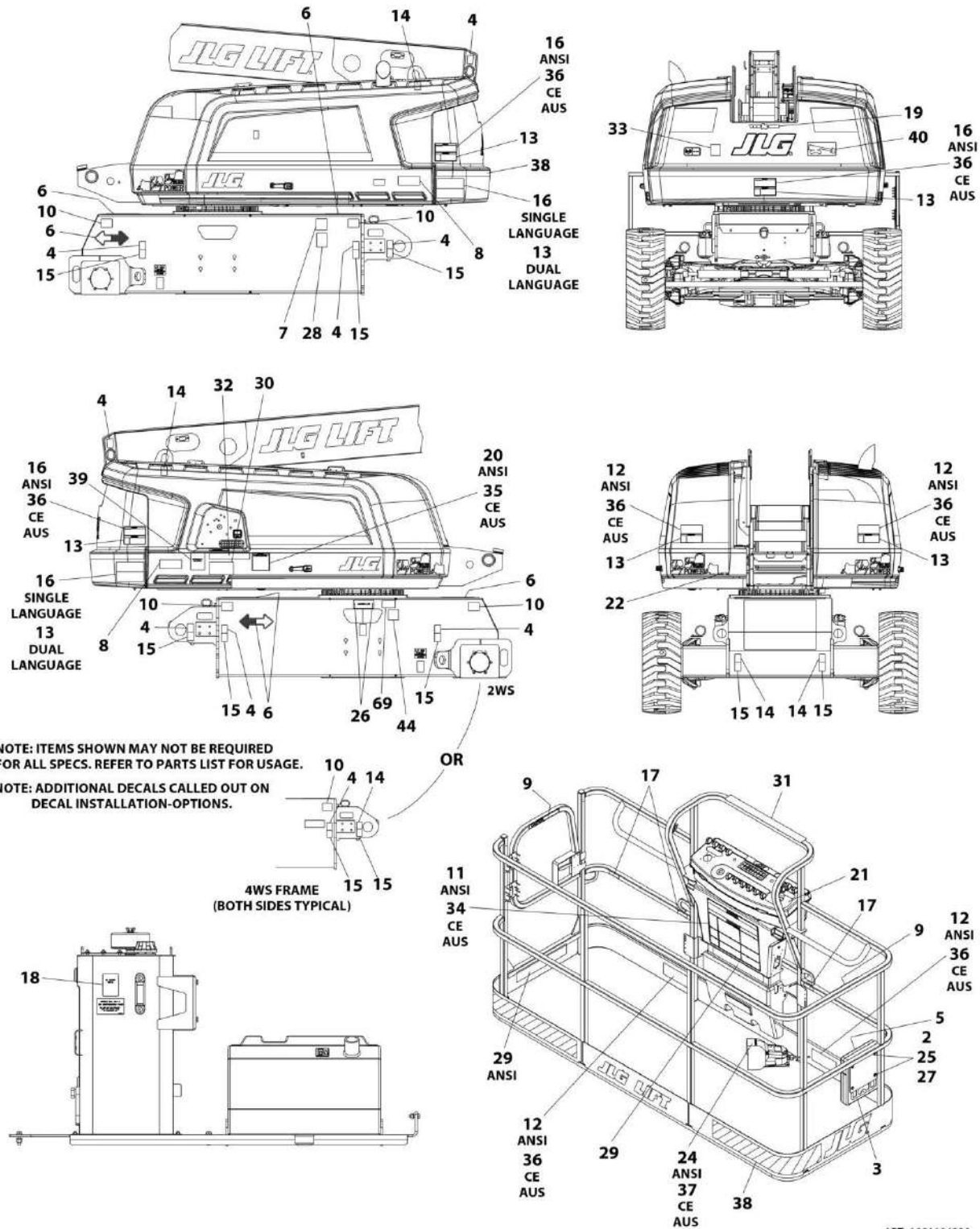
SECTION 9 - DECALS

FIGURE 9-13. DECAL INSTALLATION - 660SJ (CE SPECS - ENGLISH LANGUAGE)

ITEM	PART NUMBER	QTY	DESCRIPTION	REV
	1001194228	Ref	DECAL INSTALLATION	G
2	0700610	4	Bolt M6 x 20	
3	91403230	1	Box, Manual Storage	
4	1701499	8	Decal - No Tie Down/Lift	
5	1701509	1	Decal - Manual	
6	1701529	4	Decal - Arrow	
7	See Note	NSS	Decal - Bar Code (Note: Not Available For Purchase)	
8	1702817	2	Decal - 660SJ	
10	1001216060	4	Decal - Maximum Tire Load	
13	1703940	5	Decal - Electrocution	
14	1703811	4	Decal - Lifting Lug	
15	1703814	8	Decal - Tie Down	
17	1704277	3	Decal - Lanyard Attach	
18	1704412	1	Decal - Hydraulic Oil	
25	3290605	4	Nut M6	
26	3820001	2	Rivet	
27	4811700	8	Washer M6	
29	1001194236	1	Decal - Capacity	
30	1001194236	1	Decal - Capacity	
34	1705921	1	Decal - Tipping/Electrocution	
35	1705822	1	Decal - Electrocution/Safety Manual	
36	1701518	7	Decal - Crushing	
37	1705828	1	Nameplate - Footswitch	
38	4420051	208 in/ 5.3m	Tape, Safety	
40	1001215615	1	Decal - Lift Diagram	

SECTION 9 - DECALS

FIGURE 9-14. DECAL INSTALLATION - 660SJ (CHINESE SPECS - ENGLISH/SIMPLIFIED CHINESE LANGUAGES)



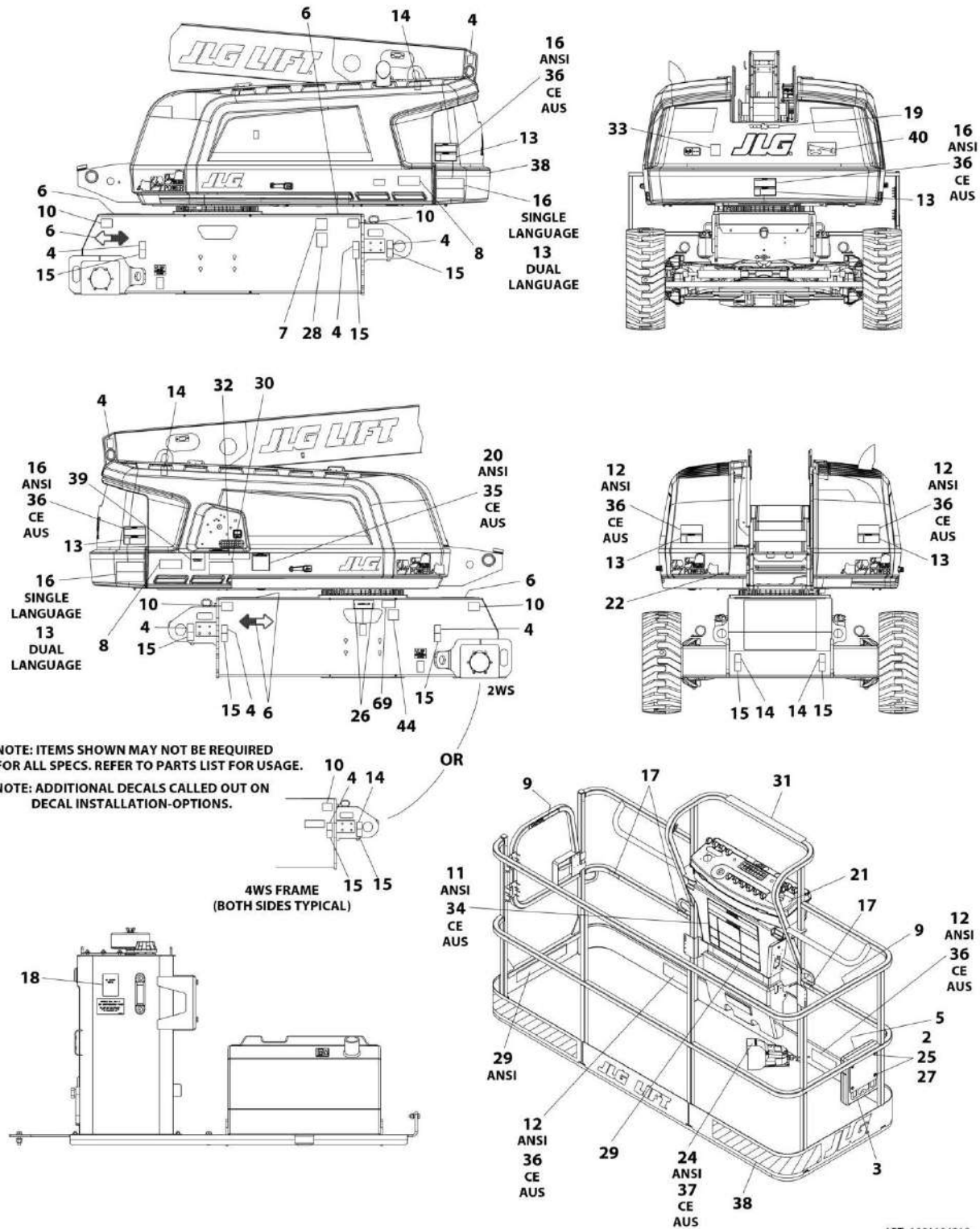
SECTION 9 - DECALS

FIGURE 9-14. DECAL INSTALLATION - 660SJ (CHINESE SPECS - ENGLISH/SIMPLIFIED CHINESE LANGUAGES)

ITEM	PART NUMBER	QTY	DESCRIPTION	REV
	1001194220	Ref	DECAL INSTALLATION	D
2	0700610	4	Bolt M6 x 20	
3	91403230	1	Box, Manual Storage	
4	1701499	8	Decal - No Tie Down/Lift	
5	1701509	1	Decal - Manual	
6	1701529	1	Decal - Arrow	
7	See Note	NSS	Decal - Bar Code (Note: Not Available for Purchase)	
8	1702817	2	Decal - 660SJ	
9	1705968	2	Decal - No Hands	
10	1001216060	1	Decal - Maximum Tire Load	
11	1001116847	1	Decal - Warning	
12	1001116850	4	Decal - Warning	
13	1703937	5	Decal - Electrocution	
14	1703811	4	Decal - Lifting Lug	
15	1703814	8	Decal - Tie Down	
16	1001116845	3	Decal - Warning/Crushing	
17	1704277	3	Decal - Lanyard Attach	
18	1704412	1	Decal - Hydraulic Oil	
19	1704885	1	Decal - Website	
20	1001116848	1	Decal - Warning/Inspection	
21	1705430	1	Decal - Drive/Steer	
22	3251243	1	Decal - 120V/60Hz	
24	1001116852	1	Nameplate - Footswitch	
25	3290605	4	Nut M6	
26	3820001	2	Rivet	
27	4811700	8	Washer M6	
29	1001216741	2	Decal - Warning Dual Capacity	
30	1001216742	1	Decal - Warning Dual Capacity	
31	1001173262	1	Decal - Legend	
32	1001174313	1	Decal - Legend	
38	4420051	208 in/ 5.3m	Tape, Safety	
40	1001215615	1	Decal - Lift Diagram	
44	1001224051	1	Decal - Yearly Inspection	

SECTION 9 - DECALS

FIGURE 9-15. DECAL INSTALLATION - 660SJ (CHINESE SPECS - ENGLISH/TRADITIONAL CHINESE LANGUAGES)



ART_1001194218

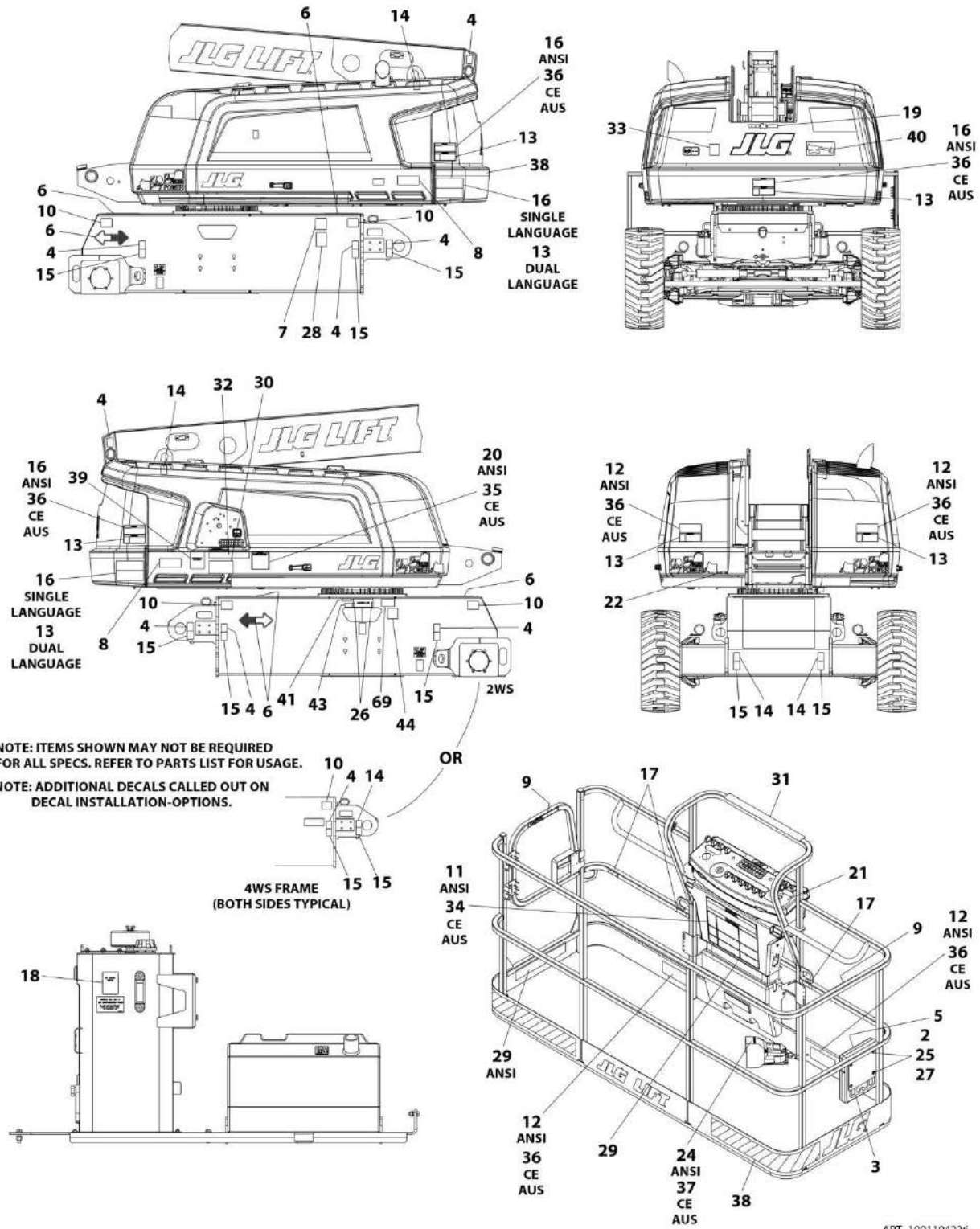
SECTION 9 - DECALS

FIGURE 9-15. DECAL INSTALLATION - 660SJ (CHINESE SPECS - ENGLISH/TRADITIONAL CHINESE LANGUAGES)

ITEM	PART NUMBER	QTY	DESCRIPTION	REV
	1001194218	Ref	DECAL INSTALLATION	D
2	0700610	4	Bolt M6 x 20	
3	91403230	1	Box, Manual Storage	
4	1701499	8	Decal - No Tie Down/Lift	
5	1701509	1	Decal - Manual	
6	1701529	4	Decal - Arrow	
7	See Note	NSS	Decal - Bar Code (Note: Not Available for Purchase)	
8	1702817	2	Decal - 660SJ	
9	1001116846	2	Decal - No Hands	
10	1001216060	4	Decal - Maximum Tire Load	
11	1703925	1	Decal - Warning/Danger	
12	1703949	4	Decal - Crushing	
13	1001116851	5	Decal - Electrocutation	
14	1703811	4	Decal - Lifting Lug	
15	1703814	8	Decal - Tie Down	
16	1703943	3	Decal - Warning/Crushing	
17	1704277	3	Decal - Lanyard Attach	
18	1704412	1	Decal - Hydraulic Oil	
19	1704885	1	Decal - Website	
20	1001116849	1	Decal - Warning/Inspection	
21	1001116863	1	Decal - Drive/Steer Instruction	
22	3251243	1	Decal - 120V/60Hz	
24	1703982	1	Nameplate - Footswitch	
25	3290605	4	Nut M6	
26	3820001	2	Rivet	
27	4811700	8	Washer M6	
29	1001216736	2	Decal - Warning Dual Capacity	
30	1001216737	1	Decal - Warning Dual Capacity	
31	1001173262	1	Decal - Legend	
32	1001174313	1	Decal - Legend	
38	4420051	208 in/ 5.3m	Tape, Safety	
40	1001215615	1	Decal - Lift Diagram	
44	1001224050	1	Decal - Yearly Inspection	

SECTION 9 - DECALS

FIGURE 9-16. DECAL INSTALLATION - 660SJ (CSA SPECS - ENGLISH/FRENCH LANGUAGES)



ART_1001194226

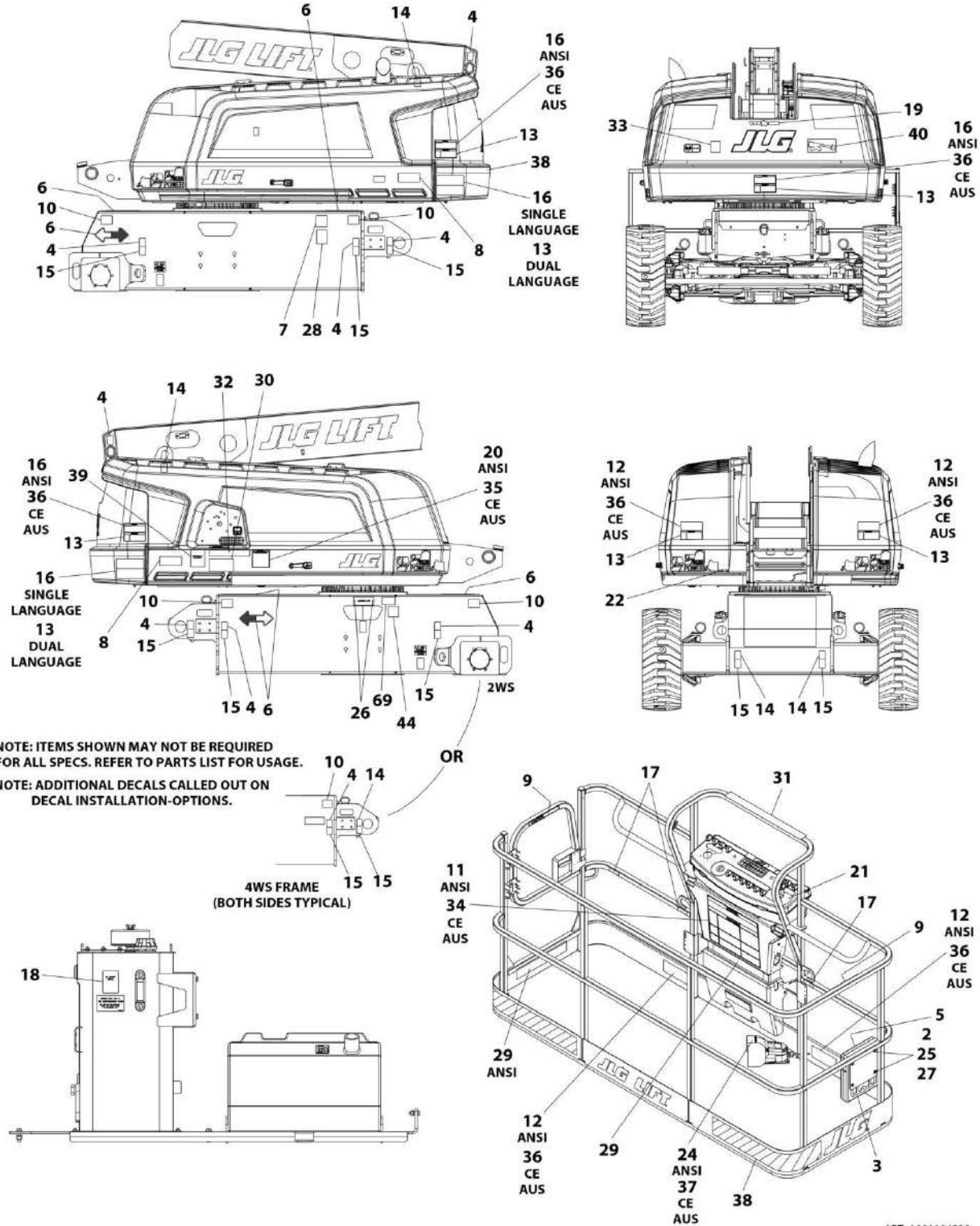
SECTION 9 - DECALS

FIGURE 9-16. DECAL INSTALLATION - 660SJ (CSA SPECS - ENGLISH/FRENCH LANGUAGES)

ITEM	PART NUMBER	QTY	DESCRIPTION	REV
	1001194226	Ref	DECAL INSTALLATION	E
2	0700610	4	Bolt M6 x 20	
3	91403230	1	Box, Manual Storage	
4	1701499	8	Decal - No Tie Down/Lift	
5	1701509	1	Decal - Manual	
6	1701529	4	Decal - Arrow	
7	See Note	1	Decal - Bar Code (Note: Not Available For Purchase)	
8	1702817	2	Decal - 660SJ	
9	1704000	2	Decal - No Hands	
10	1001216060	4	Decal - Maximum Tire Load	
11	1703924	1	Decal - Danger/Warning	
12	1703948	4	Decal - Warning/Crushing	
13	1703936	5	Decal - Electrocution	
14	1703811	4	Decal - Lifting Lug	
15	1703814	8	Decal - Tie Down	
16	1703942	3	Decal - Crushing	
17	1704277	3	Decal - Lanyard Attach	
18	1704412	1	Decal - Hydraulic Oil	
19	1704885	1	Decal - Website	
20	1705347	1	Decal - Warning/Inspection	
21	1705429	1	Decal - Drive/Steer Instruction	
22	3251243	1	Decal - 120V/60Hz	
24	1703984	1	Nameplate - Footswitch	
25	3290605	4	Nut M6	
26	3820001	2	Rivet	
27	4811700	8	Washer M6	
28	1001131269	1	Decal - Patent	
29	1001216749	2	Decal - Warning Dual Capacity	
30	1001216750	1	Decal - Warning Dual Capacity	
31	1001173262	1	Decal - Legend	
32	1001174313	1	Decal - Legend	
40	1001215615	1	Decal - Lift Diagram	
41	1705514	1	Decal - CSA	
43	1001228370	1	Decal - ICES (Canada) (SN 0300235168 through 0300237156)	
43	1001223453	1	Decal - ICES (Canada) (SN 0300237157 to Present)	
44	1001223971	1	Decal - Yearly Inspection	

SECTION 9 - DECALS

FIGURE 9-17. DECAL INSTALLATION - 660SJ (JAPANESE SPECS - ENGLISH/JAPANESE LANGUAGES)



ART_1001194230

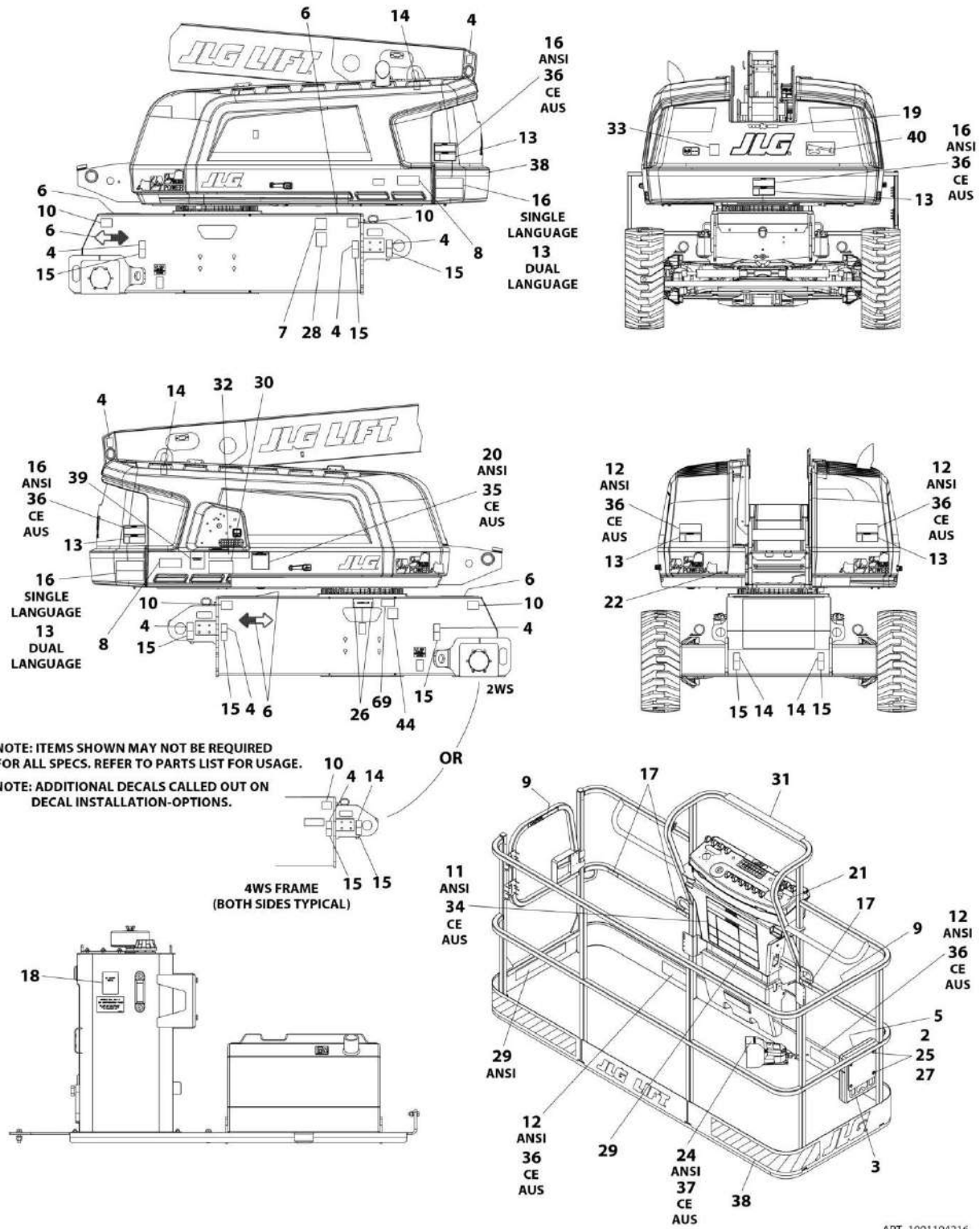
SECTION 9 - DECALS

FIGURE 9-17. DECAL INSTALLATION - 660SJ (JAPANESE SPECS - ENGLISH/JAPANESE LANGUAGES)

ITEM	PART NUMBER	QTY	DESCRIPTION	REV
	1001194230	Ref	DECAL INSTALLATION	D
2	0700610	4	Bolt M6 x 20	
3	91403230	1	Box, Manual Storage	
4	1701499	8	Decal - No Tie Down/Lift	
5	1701509	1	Decal - Manual	
6	1701529	4	Decal - Arrow	
7	See Note	NSS	Decal - Bar Code (Note: Not Available for Purchase)	
8	1702817	2	Decal - 660SJ	
10	1001216060	4	Decal - Maximum Tire Load	
11	1703926	1	Decal - Danger/Warning	
12	1703950	4	Decal - Crushing	
13	1703938	5	Decal - Electrocution	
14	1703811	4	Decal - Lifting Lug	
15	1703814	8	Decal - Tie Down	
16	1703944	3	Decal - Warning/Crushing	
17	1704277	2	Decal - Lanyard Attach	
18	1704412	1	Decal - Hydraulic Oil	
19	1704885	1	Decal - Website	
20	1705344	1	Decal - Warning/Inspection	
21	1705426	1	Decal - Drive/Steer Instruction	
22	3251243	1	Decal - 120V/60Hz	
24	1703980	1	Nameplate - Footswitch	
25	3290605	4	Nut M6	
26	3820001	2	Rivet	
27	4811700	8	Washer M6	
29	1001216751	2	Decal - Warning Dual Capacity	
30	1001216752	1	Decal - Warning Dual Capacity	
31	1001173262	1	Decal - Legend	
32	1001174313	1	Decal - Legend	
40	1001215615	1	Decal - Lift Diagram	
44	1001224053	1	Decal - Yearly Inspection	

SECTION 9 - DECALS

FIGURE 9-18. DECAL INSTALLATION - 660SJ (KOREAN SPECS - ENGLISH/KOREAN LANGUAGES)



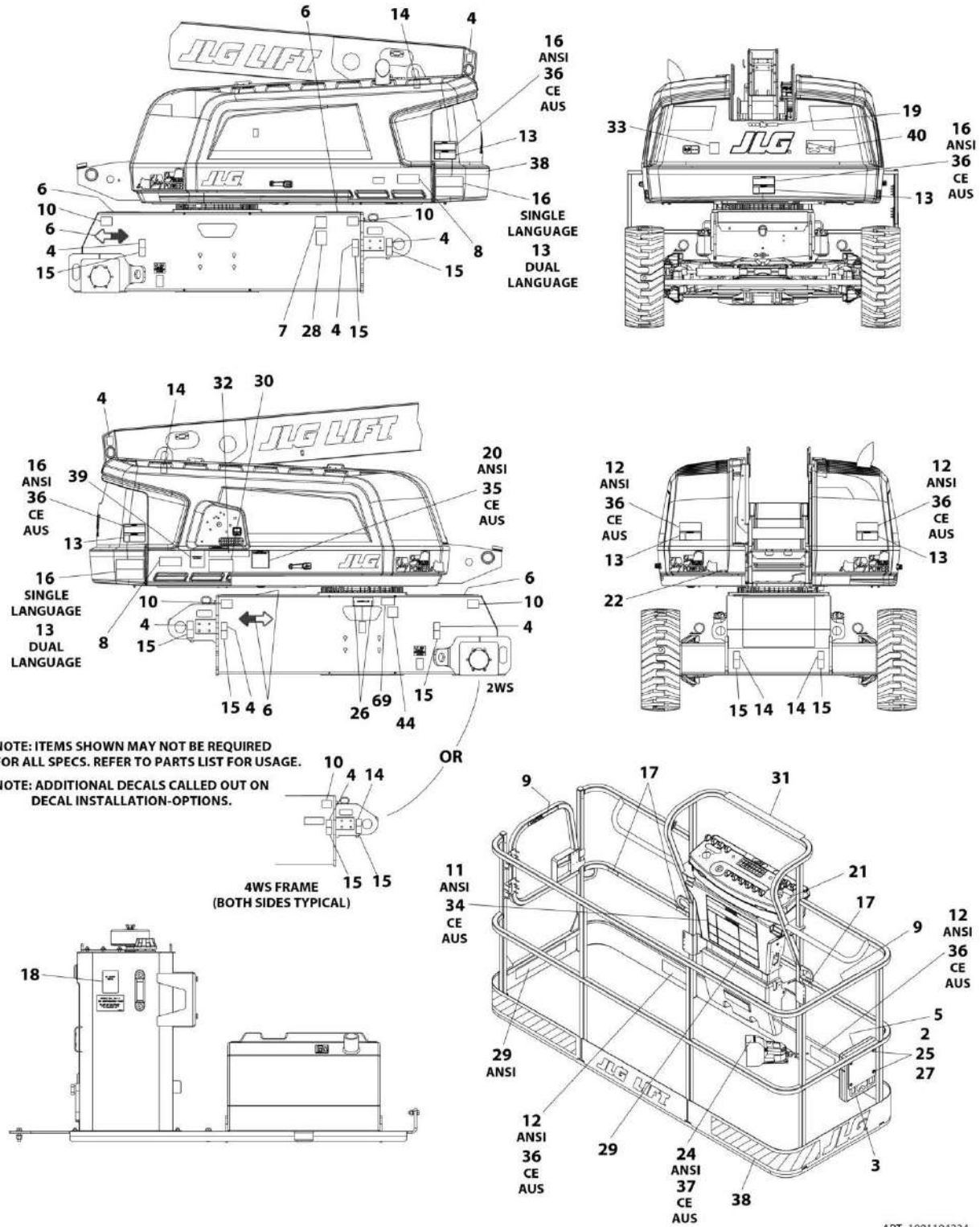
SECTION 9 - DECALS

FIGURE 9-18. DECAL INSTALLATION - 660SJ (KOREAN SPECS - ENGLISH/KOREAN LANGUAGES)

ITEM	PART NUMBER	QTY	DESCRIPTION	REV
	1001194216	Ref	DECAL INSTALLATION	D
2	0700610	4	Bolt M6 x 20	
3	91403230	1	Box, Manual Storage	
4	1701499	8	Decal - No Tie Down/Lift	
5	1701509	1	Decal - Manual	
6	1701529	4	Decal - Arrow	
7	See Note	NSS	Decal - Bar Code (Note: Not Available for Purchase)	
8	1702817	2	Decal - 600SJ	
9	1705969	2	Decal - No Hands	
10	1001216060	4	Decal - Maximum Tire Load	
11	1703927	1	Decal - Warning/Danger	
12	1703951	4	Decal - Warning/Crushing	
13	1703939	5	Decal - Danger Electrocution	
14	1703811	4	Decal - Lifting Lug	
15	1703814	8	Decal - Tie Down	
16	1703945	3	Decal - Warning Crushing	
17	1704277	3	Decal - Lanyard Attach	
18	1704412	1	Decal - Hydraulic Oil	
19	1704885	1	Decal - Website	
20	1705345	1	Decal - Warning/Inspection	
21	1705427	1	Decal - Drive/Steer Instruction	
24	1703981	1	Nameplate - Footswitch	
25	3290605	4	Nut M6	
26	3820001	2	Rivet	
27	4811700	8	Washer M6	
29	1001216734	2	Decal - Warning Dual Capacity	
30	1001216735	1	Decal - Warning Dual Capacity	
31	1001173262	1	Decal - Legend	
32	1001174313	1	Decal - Legend	
40	1001215615	1	Decal - Lift Diagram	
44	1001224048	1	Decal - Yearly Inspection	

SECTION 9 - DECALS

FIGURE 9-19. DECAL INSTALLATION - 660SJ (LATIN AMERICAN SPECS - ENGLISH/SPANISH LANGUAGES)



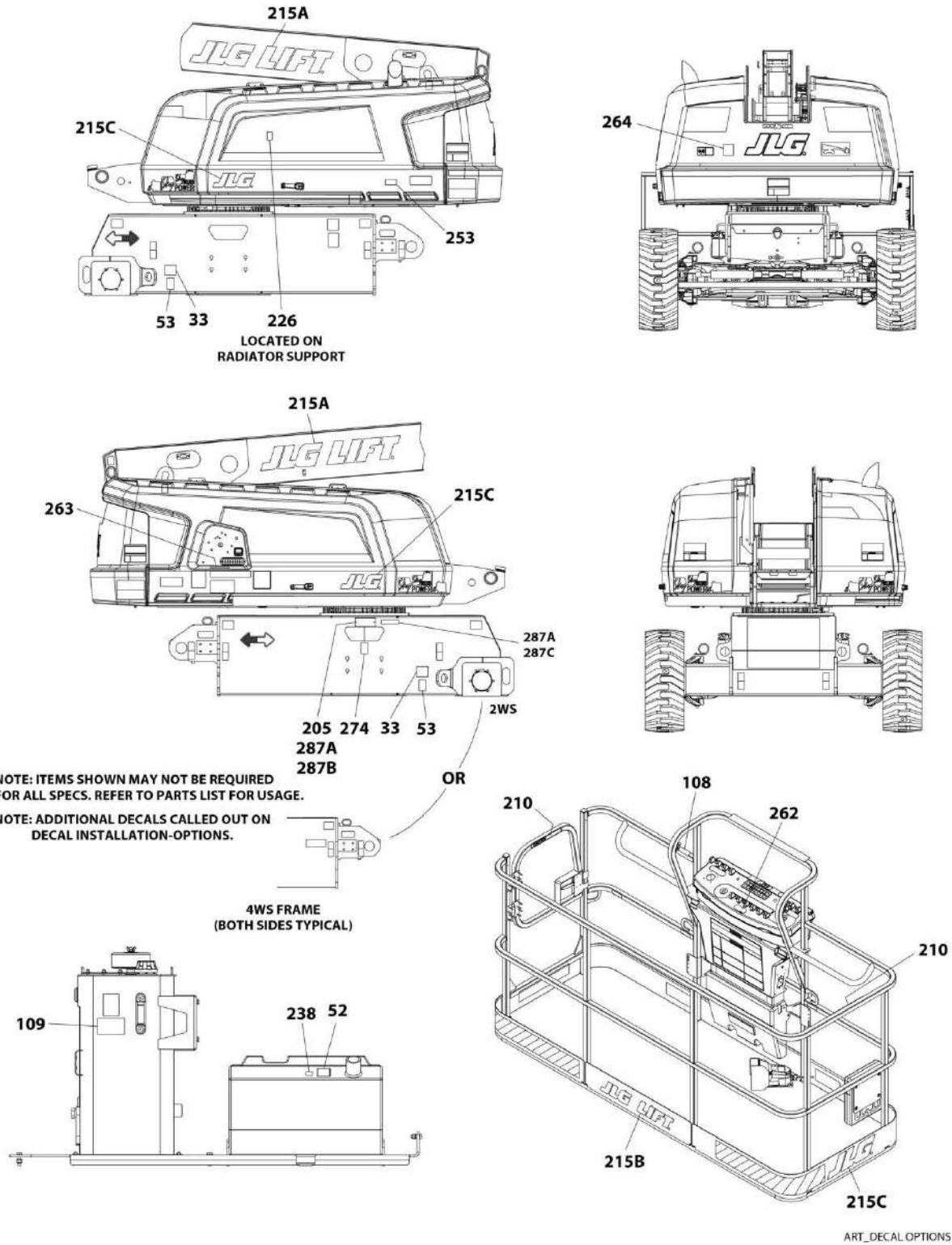
SECTION 9 - DECALS

FIGURE 9-19. DECAL INSTALLATION - 660SJ (LATIN AMERICAN SPECS - ENGLISH/SPANISH LANGUAGES)

ITEM	PART NUMBER	QTY	DESCRIPTION	REV
	1001194224	Ref	DECAL INSTALLATION	D
2	0700610	4	Bolt M6 x 20	
3	91403230	1	Box, Manual Storage	
4	1701499	8	Decal - No Tie Down/Lift	
5	1701509	1	Decal - Manual	
6	1701529	4	Decal - Arrow	
7	See Note	NSS	Decal - Bar Code (Note: Not Available for Purchase)	
8	1702817	2	Decal - 660SJ	
9	1704001	2	Decal - No Hands	
10	1001216060	4	Decal - Maximum Tire Load	
11	1703923	1	Decal - Warning/Danger	
12	1703947	4	Decal - Warning/Crushing	
13	1703935	5	Decal - Electrocutation	
14	1703811	4	Decal - Lifting Lug	
15	1703814	8	Decal - Tie Down	
16	1703941	3	Decal - Warning/Crushing	
17	1704277	3	Decal - Lanyard Attach	
18	1704412	1	Decal - Hydraulic Oil	
19	1704885	1	Decal - Website	
20	1705917	1	Decal - Warning/Inspection	
21	1705910	1	Decal - Drive/Steer Instruction	
22	3251243	1	Decal - 120V/60Hz	
24	1703983	1	Nameplate - Footswitch	
25	3290605	4	Nut M6	
26	3820001	2	Rivet	
27	4811700	8	Washer M6	
29	1001216747	2	Decal - Warning Dual Capacity	
30	1001216748	1	Decal - Warning Dual Capacity	
31	1001173262	1	Decal - Legend	
32	1001174313	1	Decal - Legend	
40	1001215615	1	Decal - Lift Diagram	
44	1001224049	1	Decal - Yearly Inspection	

SECTION 9 - DECALS

FIGURE 9-20. DECALS INSTALLATION - OPTIONS



SECTION 9 - DECALS

FIGURE 9-20. DECALS INSTALLATION - OPTIONS

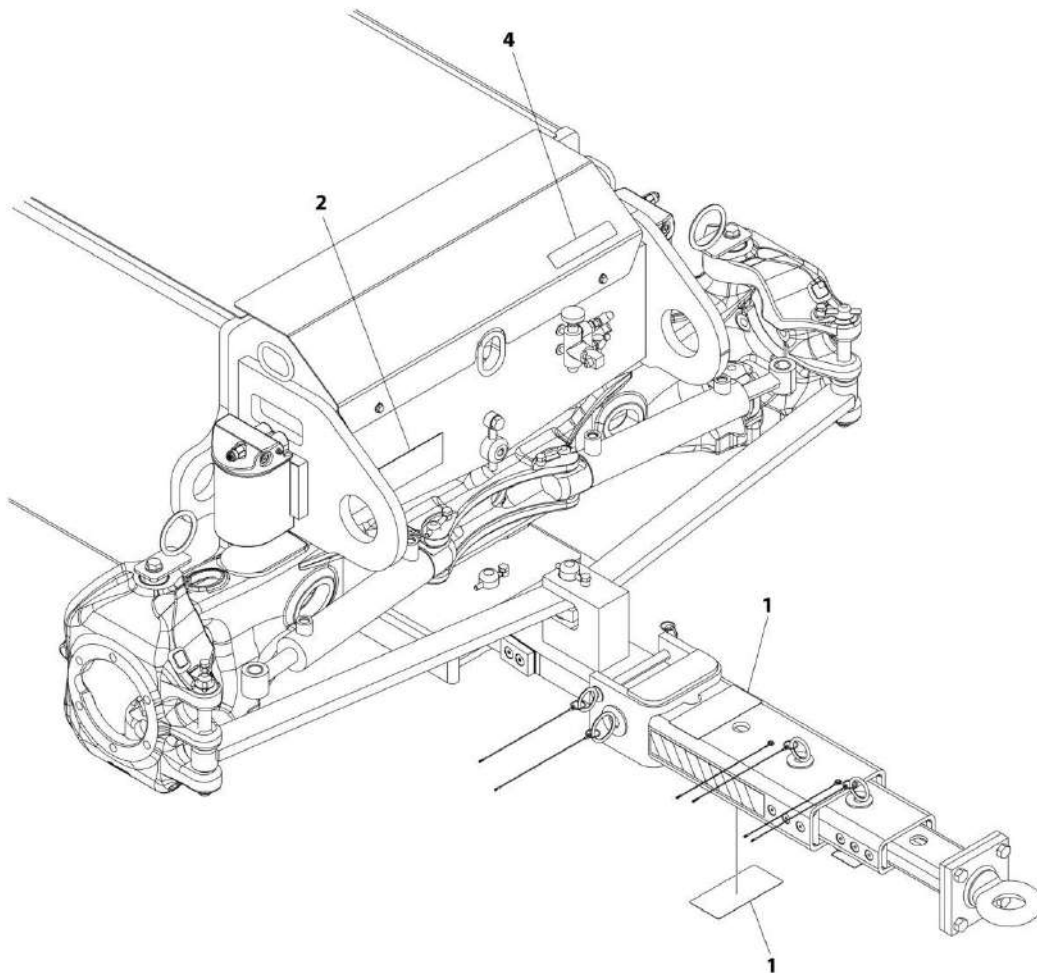
ITEM	PART NUMBER	QTY	DESCRIPTION	REV
	1001194233	Ref	DECAL INSTALLATION - REFERENCE CHART	L
	1001188600	Ref	DECAL INSTALLATION - OPTIONS	U
33	1700818	2	Decal - LP Gas Liquid Withdrawal System (ANSI & ANSI Export Specs)	
33	1704271	2	Decal - LP Gas Liquid Withdrawal System (CSA Spec)	
33	1702720	2	Decal - LP Gas Liquid Withdrawal System (ANSI Export Specs)	
33	1001119661	1	Decal - LP Gas Liquid Withdrawal System (ANSI, ANSI Export and China Specs)	
52	1701542	1	Decal - Gas	
52	1701505	1	Decal - Diesel Fuel	
53	1701543	1	Decal - LPG (Gas Machines Only)	
108	0256487	Ref	Proposition 65 Warning Decal Installation (Diesel Machines) (SN 0300235168 through 0300247539)	
108	1702962	1	Decal - Proposition 65 (Diesel Machines)	
108	1001231801	Ref	Decal - Proposition 65 Warning (Diesel Engines) (SN 0300247540 to Present)	
108	0256488	Ref	Proposition 65 Warning Decal Installation (Gas Machines) (SN 0300235168 through 0300247539)	
108	1702961	1	Decal - Proposition 65 (Gas Machines)	
108	1001231801	Ref	Decal - Proposition 65 Warning (Gas Engines) (SN 0300247540 to Present)	
109	1702788	1	Decal - Biodegradeable Hydraulic Fluid (All Specs except German Spec)	
109	1703479	1	Decal - Biodegradeable Hydraulic Fluid (German Spec)	
109	1704174	1	Decal - SYN Biodegradeable Hydraulic Fluid (All Specs except German Spec)	
109	1704175	1	Decal - SYN Biodegradeable Hydraulic Fluid (German Spec)	
188	0272312	Ref	Decal Installation - Tire Sealant (Not Shown)	
188	2902203	1	Decal Kit - Tire Sealant (Machines with Tire Sealant) (Not Shown)	
205	See Note	NSS	Nameplate - Manufacturers Serial Number (Note: Not Available for Purchase)	
210		Ref	Decal - No Hands Options (Machines with Platform Mesh/Soft-Touch Options):	
210	1702868	2	Decal - No Hands (ANSI/ANSI Export/Australian/CE Specs) (English Language)	
210	1704002	1	Decal - No Hands (Brazil Specs) (Portuguese & Spanish Languages)	
210	1705968	2	Decal - No Hands (China Specs) (English & Simplified Chinese Languages)	
210	1001116846	2	Decal - No Hands (China Specs) (English & Traditional Chinese Languages)	
210	1704000	2	Decal - No Hands (CSA Specs) (English & French Languages)	
210	1705969	2	Decal - No Hands (Korean Specs) (English & Korean Languages)	
210	1704001	2	Decal - No Hands (Latin American Specs) (English & Spanish Languages)	
	1001206816	Ref	Decal Installation - JLG Logo (Not Shown)	A
215A	1702861	AR	Decal - JLG Lift	
215B	1702774	1	Decal - JLG Lift	
215C	1702773	AR	Decal - JLG	
226		Ref	Decal - Warning Explosion/Fire Options (Diesel Engine Machines Only):	

SECTION 9 - DECALS

ITEM	PART NUMBER	QTY	DESCRIPTION	REV
226	1704972	1	Decal - Warning Explosion/Fire (ANSI/ANSI Export Spec)	
226	1706098	1	Decal - Warning Explosion/Fire (Australian and CE Specs)	
226	1706059	1	Decal - Warning Explosion/Fire (Brazil Spec - Dual Language English/Portuguese)	
226	1706060	1	Decal - Warning Explosion/Fire (Chinese Spec - Dual Language English/Chinese)	
226	1706064	1	Decal - Warning Explosion/Fire (CSA Spec - Dual Language English/French)	
226	1706062	1	Decal - Warning Explosion/Fire (Japanese Spec - Dual Language English/Japanese)	
226	1706061	1	Decal - Warning Explosion/Fire (Korean Spec - Dual Language English/Korean)	
226	1706063	1	Decal - Warning Explosion/Fire (Latin American - Dual Language English/Spanish)	
238	1001125387	1	Decal - Ultra Low Sulfur Fuel (ANSI & CSA Specs)	
238	1001139654	1	Decal - Ultra Low Sulfur Fuel (ANSI Export HRC & Japanese Specs)	
253	1001143852	1	Decal - Emission Compliance (Machines with Diesel Engines) (ANSI Export, Australian, CE and China Specs) (Not Shown)	
262	1001141300	1	Decal - SkyGuard Override (Without Soft-Touch)	
262	1001141302	1	Decal - SkyGuard Override (With Soft-Touch)	
263	1001197408	1	Decal - MSSO (CE Specs)	
264	1001130492	1	Decal - Sound Power (Deutz D2011 Engines) (Australian and CE Specs)	
264	1705515	1	Decal - Sound Power (Deutz DT2.9L4 Engines) (Australian and CE Specs)	
274	1001214030	1	Decal - EAC Installation (CIS and Russia Specs)	
274A	1001173703	1	Decal - EAC	
	1001239371	1	ECO Label Installation	A
287A	3820001	8	Rivet	
287B	See Note	NSS	Decal – ECO Label (Note: Not Available for Purchase)	
287C	See Note	NSS	Decal – Plate Mein Code (Note: Not Available for Purchase)	

SECTION 9 - DECALS

FIGURE 9-21. DECAL INSTALLATION - TOW (ANSI SPECS)



ART_1001188894

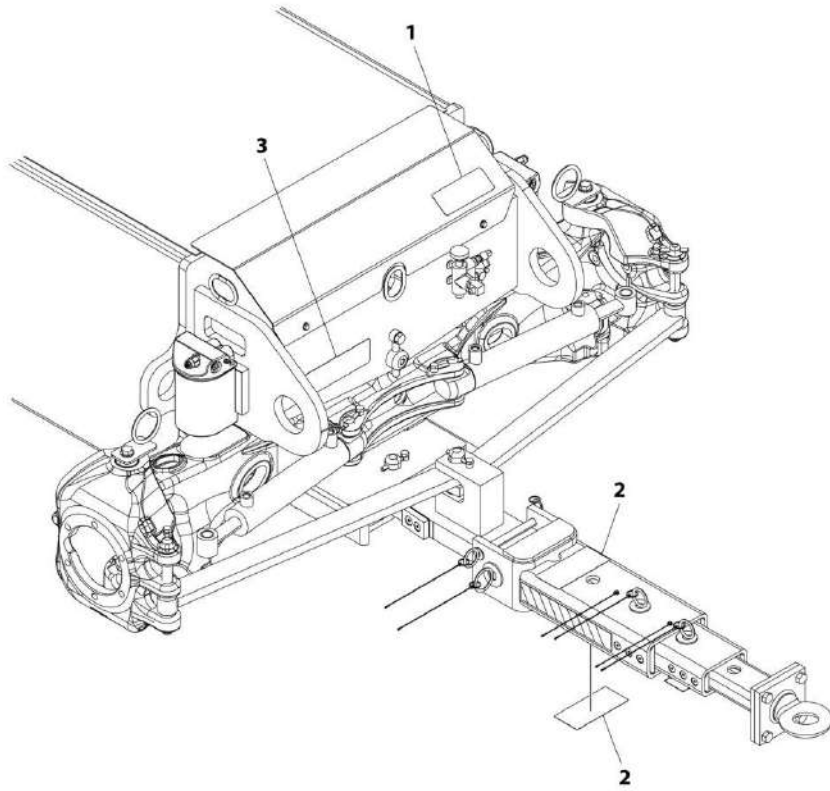
SECTION 9 - DECALS

FIGURE 9-21. DECAL INSTALLATION - TOW (ANSI SPECS)

ITEM	PART NUMBER	QTY	DESCRIPTION	REV
	1001188894	Ref	DECAL INSTALLATION	B
1	1704578	2	Decal - Crushing	
2	1705090	1	Decal - Towing Instructions	
4	1001190159	1	Decal - Steer/Tow Select Valve	

SECTION 9 - DECALS

FIGURE 9-22. DECAL INSTALLATION - TOW (CSA SPECS)



ART_1001188895

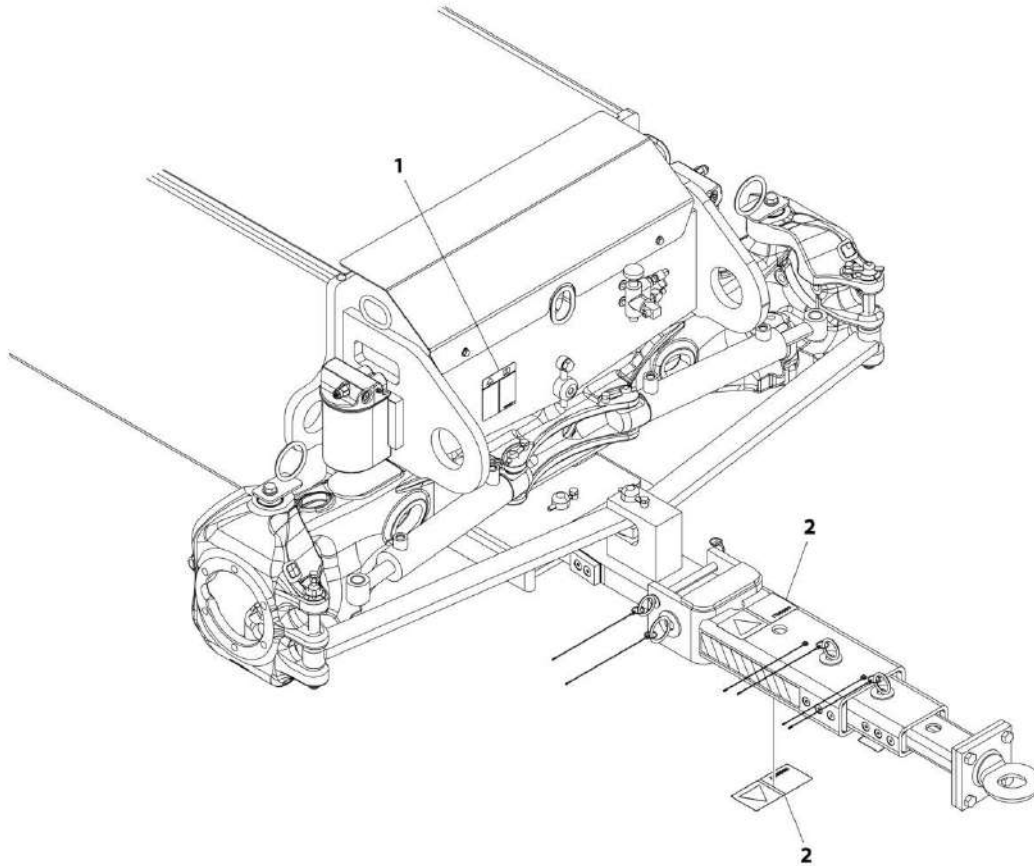
SECTION 9 - DECALS

FIGURE 9-22. DECAL INSTALLATION - TOW (CSA SPECS)

ITEM	PART NUMBER	QTY	DESCRIPTION	REV
	1001188895	Ref	DECAL INSTALLATION	B
1	1704272	1	Decal - Steer/Tow Select Valve	
2	1704578	2	Decal - Crushing	
3	1705820	1	Decal - Towing Instructions	

SECTION 9 - DECALS

FIGURE 9-23. DECAL INSTALLATION - TOW (ANSI EXPORT & CE SPECS)



ART_1001188896

SECTION 9 - DECALS

FIGURE 9-23. DECAL INSTALLATION - TOW (ANSI EXPORT & CE SPECS)

ITEM	PART NUMBER	QTY	DESCRIPTION	REV
	1001188896	Ref	DECAL INSTALLATION	C
1	1706957	1	Decal - Tow Bar and Steer Select	
2	1706960	2	Decal - Tow Bar Crushing	

SECTION 10 - RECOMMENDED SERVICE PARTS STOCK

SECTION 10 - RECOMMENDED SERVICE PARTS STOCK

SECTION 10 - RECOMMENDED SERVICE PARTS STOCK

FIGURE 10-1. RECOMMENDED SERVICE PARTS STOCK

ITEM	PART NUMBER	QTY	DESCRIPTION	REV
		Ref	Note: The following list will service one machine (built to current production per date on the front cover) with emergency repair parts which can be installed in the field. Parts from the list should be replaced when inventory is depleted to keep service parts stock supplied. For further information, contact your JLG dealer or the JLG Industries Parts Department.	
		Ref	STANDARD PARTS	
	70010383	1	Element, Filter (Includes O-Ring)	
	70004653	1	Coil	
	80434249	1	Coil	
	70004595	1	Coil	
	70002386	1	Coil	
	70002814	12	Hydraulic Tank Service Kit	
	4360475	1	Switch, Mushroom	
	1001155045	1	Switch, Toggle	
	4360469	1	Switch, Key	
	2860030	1 Set	Key, Replacement	
	70004066	12	Element, Filter	
	70005683	1	Repair Section - Powertrack	
	70005335	12	Element, High Pressure Filter	
	70006122	1	Coil	
	4360407	1	Controller, Speed	
	4360387	1	Switch, Push Button	
	1001117174	1	Footswitch Assembly	
	1001159256	1	Switch, Toggle	
	1001161709	1	Switch, Toggle	
	1001212415	1	Controller, Drive and Steer	
	1001129555	1	Controller, Lift and Swing	
	1001161710	1	Switch, Toggle	
	1001137673	1	Switch, SkyGuard	
	70006004	1	Coil	
	1001196635	2	Fuse 3Amp	
	8229242	2	Fuse 5Amp	
	8229244	2	Fuse 15Amp	
	1001095704	1	Relay	
	1001129285	2	Diode	
	8229245	2	Fuse 30Amp	
		Ref	VARIABLE PARTS	
	1001219601	1	Sensor	
	1001187200	1	Module, Ground Control	
	1001142683	1	Module (Used with Blue or Red Beacons)	
	3740067	1	Relay (Deutz D2011 Engines)	
	70003783	12	Element, AC Filter (Deutz D2011 Engines)	
	7016331	12	Element, Oil Filter (Deutz D2011 Engine)	
	7016328	12	Filter, Fuel (Deutz D2011 Engines)	
	7027795	1	Module, Engine Control (ECU) (Deutz D2011 Engines)	
	1001138228	1	Relay (Deutz TD2.9L4 Engines)	
	70005008	12	Element, AC Filter (Deutz TD2.9L4 Engines)	
	7016331	12	Filter, Oil (Deutz DT2.9L4 Engines)	

SECTION 10 - RECOMMENDED SERVICE PARTS STOCK

ITEM	PART NUMBER	QTY	DESCRIPTION	REV
	70025153	12	Element, Fuel Filter (Deutz TD2.9L4 Engines)	
	70025210	1	Module, Engine Control (ECM/ECU) (Deutz TD2.9L4 Engines)	
	70005008	12	Element, AC Filter (Ford Engines)	
	70006213	12	Filter, Oil (Ford Engines)	
	70006155	1	Filter, Fuel (Ford Engines)	
	70006176	1	Module, Engine Control (ECU/GCP)	
	70006178	1	Plug, Spark (Ford Engines)	
	4360336	1	Switch, Toggle (Generator Options)	
	4360070	1	Circuit Breaker 15Amp (Machines with 4000W or 7500W Generator)	
	1001214831	1	Switch, Proximity (Boom)	
	1001170847	1	Sensor, Proximity	
	1001182570	1	Sensor, Proximity	
	1001211577	1	Sensor (Lower)	
	1001211578	1	Sensor (Upper) (600S)	
	1001211579	1	Sensor (Upper) (660SJ)	
	2940074	1	Latch (Machines with Gate Entry Platform)	
	1001185726	1	Module, Platform	
	4360331	1	Switch, Toggle (Machines with 4WS)	
	4360057	1	Switch, Limit (Machines with Soft-Touch Option)	
	4360477	1	Switch, Proximity (Machines with Overhead Soft-Touch Option)	
	1001181045	1	Breaker, Circuit 16A (CE Specs Machines with Single Breaker Box)	
	1001152479	1	Breaker, Circuit 16A Double (CE Specs Machines with 3 Breaker Box)	
	1001152482	1	Breaker, Circuit 30mA (CE Specs Machines with 3 Breaker Box)	
	80983191	2	Fuse - 10Amp (Deutz TD2.9L4 Engines)	
	3740080	1	Relay (Machines with 2500W Generator)	
	2400064	2	Fuse 5A (Deutz D2011 Engine Machines with 7500W SkyPower Generator)	

SECTION 11 - SPECIAL OPTIONS

SECTION 11 - SPECIAL OPTIONS

FIGURE 11-1. SPECIAL OPTIONS

ITEM	PART NUMBER	QTY	DESCRIPTION	REV
	Note	Ref	Note: This list is to accommodate machines ordered with special equipment. Options may not be applicable to all models. For more specific parts information contact JLG Parts Department.	
		Ref	MISCELLANEOUS SPECIAL OPTIONS	
		Ref	Airline to Platform Installation Options:	
	1001192931	Ref	Airline Installation (600S)	
	1001194110	Ref	Airline Installation (600S Arctic Package)	
	1001193215	Ref	Airline Installation (660SJ)	
	1001194045	Ref	Airline Installation (660SJ Arctic Package)	
	1001194205	Ref	Airline Installation - Dual Lines (600S) (ANSI, ANSI Export, China & CSA Specs)	
	1001235884	Ref	Air Intake Shutoff Valve (Deutz TD2.9L4 Engines)	
	1001205017	Ref	Arctic Package Installation Kit - With Deutz TD2.9L4 Engines and Without SkyPower (600S)	
	1001205016	Ref	Arctic Package Installation Kit - With Deutz TD2.9L4 Engines and Without With SkyPower (600S)	
	1001205021	Ref	Arctic Package Installation Kit - With Deutz TD2.9L4 Engines and Without SkyPower (660SJ)	
	1001205020	Ref	Arctic Package Installation Kit - With Deutz TD2.9L4 Engines and Without With SkyPower (660SJ)	
	1001189169	Ref	Bellows Installation - Boom (600S)	
	1001189170	Ref	Bellows Installation - Boom (660SJ)	
	1001181778	Ref	Bellows Installation - Chassis (2WS)	
	1001181779	Ref	Bellows Installation - Chassis (4WS)	
	1001198884	Ref	Boom Cable/Hose Protection Installation (600S)	
	1001199095	Ref	Boom Cable/Hose Protection Installation (660SJ)	
	1001195235	Ref	Boom Wipers Installation (Standard Machines)	
	1001195236	Ref	Boom Wipers Installation (600S Shipyard Machines) (All Specs except Australian & CE Specs)	
	1001233047	Ref	Breather Heater Kit (Deutz Engines)	
		Ref	ClearSky (Telematics) Installations (Dealer Installed)	
	1001234099	Ref	ClearSky Telematics Kit (Dealer Installed) (CE Specs)	
		Ref	ClearSky Telematics (Factory Installed)	
	1001227404	Ref	ClearSky Telematics Installation - Canbus Connection (Factory Installed) (ANSI & CSA Specs)	
	1001228947	Ref	ClearSky Telematics Installation - Canbus Connection (Factory Installed) (CE Specs)	
	1001229107	Ref	ClearSky Telematics Installation - 3 Wire Connection (Factory Installed) (ANSI & CSA Specs)	
	1001233237	Ref	ClearSky Telematics Installation - 3 Wire Connection (Factory Installed) (CE Specs)	
		Ref	Cold Weather Package Installation Options:	
	1001192489	Ref	Cold Weather Package Installation (Deutz TD2011L04 Engine Machines)	
	1001192475	Ref	Cold Weather Package Installation (Deutz TD2.9L4 Engine Machines)	
	1001219855	Ref	Cold Weather Package Installation (Ford Engine Machines)	
	1001239526	Ref	Container Transport Installation	
	1001195224	Ref	Counterweight Installation - Chassis (Required for Turf Tires)	
	1001191019	Ref	Cribbing Switch installation	
		Ref	Decal Installations Options:	

SECTION 11 - SPECIAL OPTIONS

ITEM	PART NUMBER	QTY	DESCRIPTION	REV
	1001120992	Ref	Decal - ClearSky (ANSI Spec) (ANSI, Australian, Brazilian and CSA Specs Only)	
	0257195	Ref	Decal - Government Warranty	
	1001200131	Ref	Decal - Quick Reference (Danish) (Lomax Rentals)	
	1001200129	Ref	Decal - Quick Reference (Dutch) (Lomax Rentals)	
	1001181145	Ref	Decal - Quick Reference (English) (Lomax Rentals)	
	1001200128	Ref	Decal - Quick Reference (French) (Lomax Rentals)	
	1001200130	Ref	Decal - Quick Reference (German) (Lomax Rentals)	
	1001200134	Ref	Decal - Quick Reference (Norwegian) (Lomax Rentals)	
	1001200133	Ref	Decal - Quick Reference (Spanish) (Lomax Rentals)	
	1001200132	Ref	Decal - Quick Reference (Swedish) (Lomax Rentals)	
	1001195220	Ref	Decal - Soft-Touch (600S) (ANSI, ANSI Export & CSA Specs)	
	1001195221	Ref	Decal - Soft-Touch (600S) (CE Specs)	
	1001195222	Ref	Decal - Soft-Touch (660SJ) (ANSI, ANSI Export & CSA Specs)	
	1001195223	Ref	Decal - Soft-Touch (660SJ) (Australian & CE Specs)	
		Ref	Decal Kits	
	1001108718	Ref	Platform Decal Kit (600S)	
	1001238895	Ref	Platform Decal Kit (660SJ)	
	1001119562	Ref	Platform Console Box Decal Kit (600S)	
		Ref	Electrical Connector Kits	
	1001148902	Ref	Amp/Tyco Electrical Connector Kit	
	1001148903	Ref	Deutsch DT Electrical Connector Kit	
	1001148904	Ref	Deutsch HD Electrical Connector Kit	
	1001148905	Ref	Packard Electrical Connector Kit	
	1001148906	Ref	Various Electrical Connectors Kit	
	1001220390	Ref	Engine Block Heater Installation (Ford Engine Machines)	
	1001192610	Ref	Fan Grille Installation (Deutz D2011 Engines)	
	1001192482	Ref	Fan Grille Installation (Deutz DT2.9L4 Engines)	
		Ref	Filter Kits:	
		Ref	Combined Filter Kit (Hydraulic/Air and Fuel/Engine Oil)	
	1001238957	1	Deutz D2011 Engines	
	1001238961	1	Deutz TD2.9L4 Engines	
	1001238960	1	Ford Engines	
	1001109692	1	Hydraulic/Air Filter	
	1001110133	1	Fuel/Engine Oil Filter (Deutz Engines Only)	
	1001139099	Ref	Fire Extinguisher installation (Platform Mounted)	
		Ref	Fluids	
		Ref	Coolant Options:	
	2300004	Ref	Machines without Arctic Package	
	2300041	Ref	Machines with Arctic Package	
	3020021	Ref	Engine Coupling Grease	
		Ref	Engine Oil Options:	
	3020016	Ref	Motor Oil (Deutz TD2011 Engine Machines without Arctic Package)	
	3020044	Ref	Motor Oil (Deutz TD2011 Engine Machines with Arctic Package)	
	1001136079	Ref	Motor Oil (Deutz T2.9L4 Engine Machines without Arctic Package)	
	1001136172	Ref	Motor Oil (Deutz T2.9L4 Engine Machines with Arctic Package)	
	1001190775	Ref	Motor Oil (Ford Engine Machines)	
		Ref	Hydraulic Fluids:	
	2300014	Ref	Mobil 424	

SECTION 11 - SPECIAL OPTIONS

ITEM	PART NUMBER	QTY	DESCRIPTION	REV
	2300027	Ref	Mobil 224H Bio	
	2300029	Ref	Mobil EAL ISO 46 Bio	
	2300016	Ref	Mobil DTE 10 EXCEL 32	
	2300019	Ref	Quaker State Quintolubric 888-46 Fire Resistant	
	2300039	Ref	Exxon Univis Hvi 26 (Machines with Arctic Package)	
	1001237883	Ref	Fall Arrest (Bolt-on) Add-on Kit (6ft/1.82m Platform (ANSI, ANSI Export, China, CSA & Japanese Specs Only) (Fits Platform p/ns 1001186384 & 1001228376)	
	1001237882	Ref	Fall Arrest (Bolt-on) Add-on Kit (8ft/2.4m Platform (ANSI, ANSI Export, China, CSA & Japanese Specs Only) (Fits Platform p/ns 1001186383)	
	1001117294	Ref	Footswitch Shield (Note: Move Decal to Shield)	
	1001202749	Ref	Fuel Cap Cover Installation (Black) (Note: Lock p/n 1001102157 must be Purchased Separately)	
	1001191395	Ref	Fuel Cap Cover Installation (Green) (Diesel Machines) (Note: Lock p/n 1001102157 must be Purchased Separately)	
	1001191394	Ref	Fuel Cap Cover Installation (Red) (Gas Machines) (Note: Lock p/n 1001102157 must be Purchased Separately)	
		Ref	Hood (Steel) Replacement Kit	
	1001126286	Ref	Deutz Engine Machines	
		Ref	Hostile Environment Installation Options:	
	1001238927	Ref	Hostile Environment Installation (600S - 2WS)	
	1001238928	Ref	Hostile Environment Installation (600S - 4WS)	
	1001238929	Ref	Hostile Environment Installation (660SJ - 2WS)	
	1001238930	Ref	Hostile Environment Installation (660SJ - 4WS)	
	1001195237	Ref	Hostile Package (Extreme) Installation (600S/660SJ - 2WS)	
	1001195238	Ref	Hostile Package (Extreme) Installation (600S/660SJ - 4WS)	
	1001189615	Ref	Kingpin Removal Kit	
	1001148971	Ref	Lanyard (Bolt-On) Kit Installation	
		Ref	Light Options:	
	1001190761	Ref	Chassis Illumination Lights Installation	
	1001190717	Ref	Headlights & Taillights Installation	
	1001120467	Ref	Platform Floodlights Installation	
	1001178951	Ref	Platform Mounted Strobe Light Installation	
	1001193521	Ref	Platform/Ground Dual Located Mounted Strobe Light Installation	
	1001120466	Ref	Platform Worklights Installation	
	1001183407	Ref	Low Temperature Cutout Installation (Russian Specs)	
		Ref	Oil Cooler Options:	
	1001195355	Ref	Oil Cooler Installation (Deutz TD2011 Engine)	
	1001195354	Ref	Oil Cooler Installation (Deutz TD2.9L4 Engine)	
	1001219854	Ref	Oil Cooler Installation (Ford Engine)	
	1001110982	Ref	Platform Bumpers Installation (Shipyard Spec Machines)	
		Ref	Platform Console Cover Installations	
	1001195304	Ref	Platform Console Cover Installation (Clear Polycarbonate)	
	1001110974	Ref	Platform Console Cover Installation (Steel) (All Specs)	
	1001125230	Ref	Platform Console Cover Installation (Steel) (Chinese Specs)	
	1001125229	Ref	Platform Console Cover Installation (Steel) (Korean Specs)	
		Ref	Platform Entry Kit	
	1001142504	Ref	Kit, Replace Swing Gate with Drop Bar	
	1001142505	Ref	Kit, Replace Drop Bar with Swing Gate	
		Ref	Platform Extension (Top Rail)	
	0272733	Ref	36in x 72in Platforms	
	0272725	Ref	36in x 96in Platforms	

SECTION 11 - SPECIAL OPTIONS

ITEM	PART NUMBER	QTY	DESCRIPTION	REV
		Ref	Platform Mesh to Top Rail Add-on Kits:	
	1001214552	Ref	30in x 4ft (76cm x 1.22m) with Gate	
	1001214559	Ref	30in x 5ft (76cm x 1.52m) with Gate	
	1001214560	Ref	30in x 6ft (91.5cm x 1.83m) with Gate	
	1001214561	Ref	36in x 6ft (91.5cm x 1.83m) with Gate	
	1001214562	Ref	36in x 8ft (91.5cm x 2.44m) with Gate	
		Ref	Platform Mesh to Top Rail Installations	
	0273147	Ref	30in x 4ft (76cm x 1.22m)	
	0273146	Ref	30in x 5ft (76cm x 1.52m)	
	0273149	Ref	36in x 6ft (91.5cm x 1.83m)	
	0273145	Ref	36in x 8ft (91.5cm x 2.44m)	
		Ref	Platform Mesh to Mid Rail Add-on Kits:	
	1001214478	Ref	30in x 4ft (76cm x 1.22m) with Gate	
	1001214515	Ref	30in x 5ft (76cm x 1.52m) with Gate	
	1001214540	Ref	36in x 6ft (91.5cm x 1.83m) with Gate	
	1001214548	Ref	36in x 8ft (91.5cm x 2.44m) with Gate	
		Ref	Platform Mesh to Mid Rail Installation	
	1001140318	Ref	30in x 4ft (76cm x 1.22m)	
	1001140315	Ref	30in x 5ft (76cm x 1.52m)	
	1001138772	Ref	36in x 6ft (91.5cm x 1.83m)	
	1001138773	Ref	36in x 8ft (91.5cm x 2.44m)	
	1580013	Ref	Platform Storage Tray (Corner Mounted)	
	1001238903	Ref	Platform Valve Hose Kit - 600S	
	1001238906	Ref	Platform Valve Hose Kit - 660SJ	
	1001233035	Ref	Pinion Shield Installation	
	2902232	Ref	SkyGlazier Kit (Includes 36in x 8ft (91.5cm x 2.44m) Platform)	
	1001101422	Ref	SkyGlazier Kit (Platform not Included)	
	1001137672	Ref	SkyGuard Installation Kit (Old Style Platform)	
	1001197016	Ref	SkyGuard Installation Kit (New Style Platform)	
	1001206311	Ref	SkyGuard Blue Beacon Installation Kit	
	1001217055	Ref	SkyPower Kit (Deutz TD2.9L4 Engine)	
	1001231235	Ref	SkyWelder Locking Bracket Installation	
		Ref	Tools for Service	
	7002840	1	Anti-Rotation Pin Removal Tool	
	8896941	1	Wire Stripper	
	7002821	1	Wire Crimper (To install wire ends to wires)	
	7002823	1	Pin/Socket Extractor - Universal (To Remove Pins/Sockets from Connectors)	
	4460467	1	Extractor - 16-18 Gauge (For Removal of Pin/Sockets from Deutsch Connectors)	
	4460510	1	Extractor - 12-14 Gauge (For Removal of Pin/Sockets from Deutsch Connectors)	
	7002822	1	Screwdriver, Potentiometer (To Adjust Drive Controllers)	
	7016654	1	Screwdriver, Magnetic	
	7004275	1	Seal Installation Tool - 1in	
	7004276	1	Seal Installation Tool - 1-1/2in	
	7002826	1	Seal Installation Tool - 2in	
	7016655	1	Wire Rope Sheave Gauge	
	7016652	1	Huck Bolt Faster (For Small Huck Bolts Only)	
	1001137005	1	Software Cable Kit	
	2915096	Ref	Turntable Bearing Kit	
	1001238902	Ref	Upper Power Track Hose Kit - 600S	

SECTION 11 - SPECIAL OPTIONS

ITEM	PART NUMBER	QTY	DESCRIPTION	REV
	1001238904	Ref	Upper Power Track Hose Kit - 660SJ	
	1001238898	Ref	Wear Pad Kit	
	1001238907	Ref	Wire Rope Kit	

PART NUMBER INDEX

PART NUMBER INDEX

0100009.....403	0272448 453	0681620 463, 465, 467	0710827.....239
0100011.... 15, 17, 19, 21, 23, 25, 49, 51, 53, 57, 59, 61, 63, 85, 89, 91, 93, 95, 99, 101, 103, 105, 107, 128, 129, 131, 133, 136, 139, 141, 147, 151, 154, 157, 161, 164, 171, 175, 178, 183, 187, 190, 203, 205, 208, 215, 219, 222, 227, 231, 234, 239, 257, 273, 275,277, 279, 281, 283, 285, 287, 289, 293, 295, 299, 303, 307, 311, 315, 319, 324, 328, 332, 336, 339, 341, 347, 349, 351, 353, 355, 361, 363, 365, 367, 369, 373, 377, 381, 385, 389, 391, 395, 427, 433, 435, 437, 439, 449, 451, 453, 455, 479, 485, 491, 571, 573, 575, 577, 579, 581, 583, 585, 587, 589, 591, 593	0272521 451 0272588 451 0272589 308 0272725 742 0272733 742 0273145 743 0273146 743 0273147 743 0273149 743 0273706 439 0273824 433 0275216 541, 543, 661 0275217 ... 545, 547, 663 0275452 549, 551, 665 0275453 553, 555, 667 0275454 557, 559, 669 0362910 53 0400075 99 0440162 ... 147, 157, 171, 183, 203, 215, 227 0440233 81 0480100 459, 461 0480124 285, 287 0561508 332, 336 0630462 ... 433, 435, 437, 439 0630518 451, 453, 455 0630534 ... 479, 483, 485, 487 0630535 491, 493 0630568 404 0630613. 91, 93, 95, 128, 136 0641404 403, 449 0641405 441, 449 0641406 399 0641408 131, 133 0641409 139, 141 0641414 ... 403, 427, 429, 433, 435, 437, 439 0641416 ... 543, 547, 551, 555, 559, 561 0641418 ... 373, 377, 385, 389, 391, 395 0641420 381 0641424 ... 583, 585, 587, 589, 591, 593 0641507 289 0641508 ... 285, 287, 293 0641511 53 0641514 459, 461 0641606 451, 453, 455 0641607 ...91, 93, 95, 290 0641608 ...91, 93, 95, 441 0641616 303, 315 0641618 ... 295, 299, 307, 311 0641812 365, 369 0641814 ... 151, 161, 175, 187, 205, 219, 231 0642010 53 0642012 443, 445, 447 0642212 443, 445, 447 0642684 365, 367, 369 0681608 365, 367, 369	0681810 23, 25 0681814 387, 397 0681822 387, 397 0682016 23, 25 0682023 81 0682040 23, 25 0682424 463, 465, 467 0700408 ... 541, 543, 545, 547, 549, 551, 553, 555, 557, 559, 561 0700608 ... 101, 103, 105, 107 0700610 99, 285, 287, 401, 687, 689, 691, 693, 695, 697, 699, 701, 703, 705, 707, 709, 711, 713, 715, 717, 719, 721, 723 0700612 401 0700614 ... 147, 157, 171, 183, 203 0700615 141 0700616 139 0700618 ... 541, 545, 549, 553, 557 0700619 ... 101, 103, 105, 107, 131, 133, 215, 227 0700816 239 0700818 ... 239, 571, 573, 575, 577, 579, 581, 583, 585, 587, 589, 591, 593 0700819 ... 299, 303, 307, 311, 315, 319, 593, 613, 615 0700822 ... 571, 573, 575, 577, 579, 581, 583, 585, 587, 589, 591, 593 0701012 19, 21, 128, 136, 147, 157, 171, 183, 203, 215, 227 0701013 332, 336 0701014 17, 239, 401 0701015 .91, 93, 95, 171, 183 0701016 136, 255 0701018 339, 341 0701019 324, 328 0701022 ... 147, 157, 171, 183, 203 0701026 283 0701028 332, 336 0701029 332, 336 0701032 347 0701216 128, 129, 136 0701217 ... 15, 85, 89, 91, 93, 95 0701219 17 0701220 ... 128, 129, 136, 571, 573, 575, 577, 579, 581, 583, 585, 587, 589, 591, 593 0701221 91, 93, 95 0701617 21 0701620 23, 25	0711014.....222, 234 0711015.....277 0711018.... 147, 157, 171, 183, 203, 215, 227 0711020.... 222, 234, 277 0711216.....239 0711223.....222, 234 0711224.... 154, 164, 178, 190, 208, 275, 277, 279, 281 0711627.... 154, 164, 178, 190, 208 0711629.....21 0711635.....324, 328 0721004.....53 0721005.... 433, 435, 437, 439 0731005.....91, 93, 95 0741605.....178, 190 0741607.....53, 295, 299, 303, 315, 319 0760408.....257 0760512.... 171, 183, 255 0760605.....239 0760606.... 285, 287, 289, 295, 299, 303, 307, 311, 315, 319 0760608.... 139, 293, 295, 299, 303, 307, 311, 315, 319, 613, 615, 617, 619 0760610.... 131, 133, 154, 164, 178, 190, 208, 222, 234, 239, 295, 324, 328, 539, 567, 569 0760612.... 101, 103, 105, 107, 151, 161, 175, 187, 205, 219, 231 0760614.... 123, 125, 180, 192, 267, 269, 332, 336 0760615.... 239, 613, 615 0760619.....178, 190 0760807.... 239, 353, 355 0760810.... 128, 136, 179, 190, 215, 222, 227, 234, 369 0760812.... 131, 133, 222, 234, 349, 351, 583, 585, 587, 589, 591, 593 0760814.... 178, 190, 215, 222, 227, 234, 257, 285, 287, 289, 347, 349, 351, 571, 573, 575, 577, 579, 581 0760815.... 154, 164, 208, 222, 234 0760816.... 154, 164, 180, 192, 208, 257 0760817.....239 0760822.... 347, 573, 575, 579 0760824.....347 0761009.... 57, 59, 61, 63, 271, 332, 336, 347, 349, 351, 353, 355,

PART NUMBER INDEX

571, 573, 575, 577, 579, 581, 583, 585, 587, 589, 591, 593	0961948 336, 475	1001110974 742	1001119455 514, 520, 526, 532
0761010 332, 336	0961950 15, 17	1001110982 742	1001119562 741
0761011 324, 332, 336	0961951 ... 154, 164, 178, 190, 208, 222, 234, 332, 336, 343	1001112551 707	1001119619 671
0761012 ... 285, 287, 332, 336, 339, 341	0962033 332, 336	1001112612 679, 683	1001119620 673, 675
0761014 93, 139, 141, 215, 223, 227, 235, 333, 337, 339, 341, 369	0962051 273	1001112796 679	1001119661 725
0761015 ... 128, 154, 164, 178, 190, 208, 222, 234, 253, 255, 275, 277, 279, 281, 347	0962181 21	1001113047 139	1001120204 571, 583
0761016 ... 123, 125, 178, 190, 222, 234, 251, 253, 293, 333, 337	0962270 387, 397	1001113386 341	1001120205 571, 583
0761017 ... 180, 192, 333, 337	0962335 339	1001113643 441	1001120328 427, 449, 613, 615, 657
0761019 319	0962336 ... 479, 481, 483, 485, 487	1001113680 689, 709	1001120466 742
0761210 ... 147, 157, 171, 179, 184, 190, 203	0962348 21	1001113741 441	1001120467 742
0761212 ... 295, 299, 303, 307, 311, 315, 328	0962355 341	1001113743 441	1001120851 635
0761214 289	0962423 ... 324, 328, 332, 336, 477	1001113774 441	1001120992 741
0761215 85, 89	0962449 285	1001113856 441	1001121172 684
0761216 293, 367, 369	0962520 ... 295, 299, 303, 307, 311, 315, 319	1001113857 441	1001125229 742
0761415 ... 295, 299, 307, 311	1001026127 147, 157, 171, 183, 203	1001113961 683	1001125230 742
0761615 15, 17	1001080707 93	1001115044 215, 227	1001125387 726
0762016 ... 129, 136, 324, 328	1001090615 441	1001116290 139, 141	1001125492 75
0770814 281	1001091102 257, 567, 569	1001116693 653	1001125677 654, 657, 659, 684
0771414 ... 154, 164, 178, 190, 208, 275, 279	1001095704 683, 736	1001116694 649, 651	1001126009 677
0771415 277, 281	1001096070 295, 597	1001116695 653	1001126286 742
0771416 ... 154, 164, 178, 190, 208	1001096456 19, 21	1001116705 653	1001126351 623, 627
0771620 75	1001097051 675	1001116727 623, 627	1001126352 623, 627
0772018 75, 147, 157, 171, 183, 203, 215, 227	1001097150 595, 597, 599, 601	1001116732 621, 635	1001126356 623, 627
0860038 ... 299, 303, 311, 315, 319, 539	1001098122 425, 653	1001116734 621, 635	1001126357 623, 627
0861538 311, 315, 319	1001098764 179, 191	1001116748 603, 657, 659	1001126363 624, 628
0861572 307	1001098828 369	1001116774 679	1001126365 624, 628
0861731 ... 561, 665, 667, 669	1001099366 443, 445, 447	1001116792 583, 585, 587, 589, 591, 593	1001126384 623, 627
0861781 661, 663	1001099367 443, 445, 447	1001116808 679	1001126391 624, 628
0861880 595, 597	1001099869 285	1001116845 693, 713	1001128128 621
0902888 ... 299, 303, 307, 311, 315, 319	1001100234 285	1001116846 695, 715, 725	1001128527 455
0940049 128	1001100321 285	1001116847 693, 713	1001128556 455
0940092 ... 433, 435, 437, 439	1001100341 661	1001116848 693, 713	1001128901 222, 234
0940094 ... 433, 435, 437, 439	1001100342 663	1001116849 695, 715	1001129285 683, 736
0940102 443, 445, 447	1001100345 665	1001116850 693, 713	1001129555 736
0940103 433, 437	1001100346 669	1001116851 695, 715	1001129858 299
0940133 439	1001100347 667	1001116852 693, 713	1001130220 101, 103, 105, 107, 123, 125, 147, 157, 171, 183, 203, 293, 295, 300, 303, 308, 312, 315, 319, 324, 328
0940177 435	1001100825 219, 231, 263	1001116863 695, 715	1001130492 726
0961845 ... 373, 377, 381, 385, 389, 391, 395	1001101422 743	1001116952 623, 627	1001131269 687, 697, 705, 717
0961893 ... 479, 483, 485, 487	1001102858 441	1001116983 633	1001131802 441
0961897 491	1001102978 273	1001117025 621	1001133245 491, 493, 495
0961947 ... 339, 341, 345, 473	1001103012 683	1001117057 635	1001133714 623, 628
	1001104029 299, 303, 308, 312, 315, 319	1001117106 623	1001133715 624, 628
	1001104498 684	1001117107 623, 627	1001133956 623, 627
	1001106736 613, 615, 617, 619	1001117172 425	1001133957 627
	1001107854 683	1001117174 403, 425, 736	1001134488 178, 190
	1001108256 435	1001117294 742	1001134543 75
	1001108718 741	1001117307 136	1001135138 178, 190
	1001109692 741	1001117308 178, 190	1001135488 332, 336
	1001110133 741	1001118282 621	1001135651 624, 628
	1001110872 563, 565	1001118378 683	1001135679 178, 190
	1001110873 299, 303, 312, 315, 319, 539	1001118384 653, 677	1001136079 179, 741
	1001110926 441	1001118388 653, 677	1001136104 319
	1001110935 441	1001118972 93, 147, 157, 171, 183, 203, 215, 227	1001136172 190, 741
		1001119020 679	1001136356 299, 311
		1001119032 683	1001136398 347
		1001119051 147, 157, 171, 183, 203, 215, 227	1001136400 347
		1001119280 285, 287, 289, 293	

PART NUMBER INDEX

1001136402.....347	1001142646..... 304, 316	1001152530 300, 304	1001168166..... 155, 164,
1001136461.....347	1001142683 123, 125,	1001152532 296, 300,	179, 191, 209
1001136469.....347	736	304, 637	1001168402.....369
1001136571.....332, 336	1001142736 123, 125,	1001153197 300	1001169046..... 128, 139,
1001136575.....332, 336	679	1001153260 300, 304	141
1001136583.....332, 336	1001142938 623, 628	1001153398 332, 336	1001169054..... 179, 191,
1001136587.....332, 336	1001142940 628	1001154405 171, 183,	223, 235
1001136592.....332, 336	1001142941 623, 628	255	1001169138..... 179, 191,
1001136834..... 178, 190	1001143390 154, 164,	1001154726 635	223, 235
1001136975..... 147, 158,	208	1001155043 109, 111	1001169582..... 83
171, 183, 203	1001143645 571, 573,	1001155044 109, 111,	1001169661..... 504
1001137005..... 743	575, 577, 579, 581,	339, 341, 403, 407,	1001169967..... 179, 191,
1001137032..... 324	583, 585, 587, 589,	409, 411, 413	223, 235
1001137125..... 361, 363	591, 593	1001155045 109, 111,	1001170035..... 179, 191,
1001137276..... 178, 191	1001143713 332, 336	339, 341, 403, 736	223, 235
1001137672..... 743	1001143852 726	1001155094 147, 157,	1001170838..... 109, 111,
1001137673..... 427, 736	1001144433 403	171, 183, 203, 215, 227	403
1001138173..... 154, 164,	1001144629 375, 379,	1001155441 361, 363	1001170847..... 361, 363,
208, 222, 234	383, 389, 393	1001155823 171, 183	737
1001138175..... 154, 164,	1001146220 109, 111,	1001157520 312, 316,	1001171131..... 563
208, 222, 234	403	320	1001171335..... 687
1001138228..... 178, 191,	1001146368 154, 164,	1001157521 308, 312,	1001171336..... 687
736	167	316, 320	1001171341..... 699
1001138248..... 155, 165,	1001146588 571, 573,	1001157525 308	1001171342..... 699
180, 192, 209, 222, 234	575, 577, 579, 581,	1001157528 308, 312,	1001171345..... 701
1001138436..... 332, 336	583, 585, 587, 589,	316, 320	1001171346..... 701
1001138459..... 324, 328	591, 593	1001157592 312, 316,	1001171349..... 703
1001138494..... 377, 381,	1001147264 627	320	1001171350..... 703
385, 389, 391, 395	1001148138 290	1001157891 653	1001171351..... 697
1001138514..... 377, 381,	1001148607 91, 95	1001158007 308, 312,	1001171352..... 697
385, 391, 395	1001148650 332, 336	316, 320	1001171355..... 695
1001138565..... 295	1001148902 741	1001158008 300, 304,	1001171356..... 695
1001138566..... 295, 300,	1001148903 741	308, 312, 317, 320	1001171359..... 689
303	1001148904 741	1001158363 300, 304	1001171360..... 689
1001138772..... 743	1001148905 741	1001159120 563, 565	1001171482..... 109, 111
1001138773..... 743	1001148906 741	1001159121 565	1001172064..... 627, 684
1001138795..... 483	1001148971 742	1001159186 645, 653	1001172065..... 627
1001138827..... 178, 191	1001149160 239	1001159256 403, 736	1001172615..... 128, 136
1001138915..... 491, 493	1001149452 251, 253	1001161709 403, 736	1001172663..... 369
1001139078..... 347	1001149469 251, 253	1001161710 215, 227,	1001172760..... 404
1001139099..... 741	1001149639 223, 234	407, 409, 411, 413, 736	1001173262..... 687, 689,
1001139357..... 295, 300	1001150324 15, 17	1001162538 57, 59, 61,	693, 695, 697, 699,
1001139384..... 131, 133,	1001150326 15, 17	63, 73	701, 703, 705, 709,
139, 141	1001150569 53	1001163717 21	713, 715, 717, 719,
1001139654..... 726	1001150570 53	1001164726 139, 141	721, 723
1001139819..... 154, 164,	1001150571 53	1001164817 471	1001173529..... 109, 111
208	1001150918 157, 183,	1001165035 147, 158,	1001173535..... 224, 235
1001140312..... 191	228	171, 183, 203, 222,	1001173703..... 726
1001140315..... 743	1001151192 347	234, 255	1001174231..... 324, 328
1001140318..... 743	1001151393 113, 115,	1001165388 155, 165,	1001174250..... 324, 328
1001140346..... 303	117, 119	209	1001174251..... 324, 328
1001140429..... 373, 377,	1001151856 624, 628	1001166538 403, 419	1001174252..... 324, 328
381, 385, 389, 391, 395	1001152429 308, 312,	1001166539 404, 421	1001174253..... 324, 328
1001140535..... 178, 191	643	1001166563 15, 17	1001174254..... 324, 328
1001140564..... 179, 191	1001152456 300, 304	1001166716 179, 191	1001174256..... 324, 328
1001141300..... 726	1001152457 300, 304	1001166894 273	1001174313..... 687, 689,
1001141302..... 726	1001152479 599, 601,	1001167042 179, 191	693, 695, 697, 699,
1001141304..... 180, 192	737	1001167164 267, 269	701, 703, 705, 709,
1001141694..... 154, 164,	1001152482 599, 601,	1001167565 369	713, 715, 717, 719,
208	737	1001167567 369	721, 723
1001141814..... 295, 307	1001152483 599, 601	1001167596 369	1001174486..... 147, 157,
1001141995..... 154, 164,	1001152485 569, 599	1001167962 407	158, 203, 215, 227,
208, 223, 234	1001152486 569, 601	1001167963 407	251, 253
1001142501..... 171, 183	1001152489 179, 191	1001168018 154, 164,	1001174630..... 347
1001142504..... 742	1001152520 308	179, 191, 208, 223,	1001174631..... 347
1001142505..... 742	1001152525 300, 304,	235, 275, 277, 279, 281	1001174632..... 347
1001142643..... 304, 316	308, 312, 316, 320		1001174636..... 347

PART NUMBER INDEX

1001174673 128, 131, 133, 347	1001181923..... 571, 573, 575, 577, 579, 581, 583, 585, 587, 589, 591, 593	1001186432..... 653, 677	1001188336 89
1001174675 536	1001181960..... 339, 341	1001186443..... 23	1001188337 85
1001175073 273	1001181962..... 339, 341	1001186517..... 427	1001188340 25
1001175346 491	1001182046..... 339	1001186541..... 333, 337	1001188342 500, 534
1001175568 171, 183	1001182064..... 339, 341	1001186701..... 536	1001188343 508, 534
1001175631 536	1001182138..... 429	1001186806..... 171	1001188503 21
1001175632 536	1001182570..... 361, 363, 737	1001186807..... 183	1001188533 607, 613, 615
1001175850 332, 336, 491	1001182694..... 19, 21	1001186808..... 147	1001188534 609, 617, 619
1001175852 491	1001182695... 19, 21, 489	1001186811..... 171, 175	1001188535 154, 164, 179, 191, 208
1001175998 333, 337	1001182697..... 19, 21	1001186812..... 175, 178	1001188600 725
1001175999 333, 337	1001183407..... 742	1001186813..... 183, 187	1001188622 369
1001176208 333, 337	1001183926..... 324, 328	1001186814..... 187, 190	1001188642 613, 615, 617, 619, 683
1001176212 333, 337	1001184209..... 15, 17	1001186815..... 147, 151	1001188643 615, 619, 651
1001176216 337	1001184213..... 21	1001186816..... 151, 154	1001188644 613, 615, 617, 619, 645
1001176217 328, 336	1001184216..... 17	1001186817..... 157, 161	1001188664 99
1001176339 491	1001184327..... 136	1001186818..... 161, 164	1001188666 99
1001176469 115, 119	1001184500..... 324, 328, 477	1001186902..... 179, 191, 195	1001188667 147, 157, 203
1001176848 19, 21	1001184619..... 409	1001186980 273	1001188668 171, 183
1001176862 563	1001184620..... 409	1001186981 273	1001188669 171, 183
1001177359 179, 191	1001184621..... 409	1001187022..... 83	1001188670 147, 157, 203
1001177519 491, 493	1001184626..... 401	1001187082..... 154, 164, 208	1001188731 536
1001177520 491, 493	1001184691..... 17	1001187200..... 101, 103, 105, 107, 736	1001188732 536
1001177521 491, 493	1001184725..... 257	1001187308..... 500, 508	1001188763 500, 504
1001177522 491, 493	1001184727..... 43	1001187311..... 500, 508	1001188844 369
1001177844 179, 191	1001184728..... 43	1001187312..... 500, 504, 508	1001188889 427
1001178057 ... 91, 93, 95, 97	1001184881..... 37, 43	1001187316..... 508	1001188893 53
1001178951 742	1001184913..... 333, 337	1001187317..... 500, 508	1001188894 729
1001179154 300, 304, 312, 316, 320	1001184915..... 333, 337	1001187318..... 500, 504, 508	1001188895 731
1001179837 289	1001184917..... 333, 337	1001187348..... 324, 343	1001188896 733
1001180001 289	1001184918..... 333, 337	1001187470..... 89	1001188898 534
1001180315 17	1001184930..... 151, 161, 175, 187, 205, 219, 231, 248	1001187508..... 427	1001188972 157, 183, 228
1001180316 17	1001184954..... 324, 473	1001187521 23, 25, 33	1001189001 369
1001180620 179, 191, 222, 234	1001184957..... 328, 475	1001187605 361	1001189002 369
1001180882 333	1001185030..... 15, 17	1001187606 363	1001189003 613, 615, 617, 619, 681
1001180883 324, 332	1001185237..... 691	1001187674 431	1001189004 611, 613, 615, 617, 619
1001180884 324	1001185281..... 404	1001187681 671	1001189005 603, 613, 615, 617, 619
1001180885 328	1001185596..... 41	1001187781 223, 235	1001189026 154, 164, 179, 191, 208
1001181045 595, 597, 737	1001185597..... 43	1001187808 99	1001189067 128
1001181145 741	1001185598..... 257	1001187855 75, 78	1001189111 617, 619, 659
1001181243 290	1001185709..... 81	1001187864 49, 51	1001189119 91, 95
1001181325 101, 103, 105, 107	1001185726..... 404, 737	1001187866 51	1001189161 154, 164, 208
1001181770 19	1001185842..... 75	1001187870 49, 51	1001189169 740
1001181771 415	1001185906..... 21	1001187950 128, 136	1001189170 740
1001181772 21	1001185907..... 21	1001187951 128, 129, 136	1001189227 275, 279
1001181773 417	1001185964..... 683	1001187953 85, 89	1001189228 95
1001181774 15	1001186186..... 128	1001188125 81	1001189615 742
1001181775 17	1001186333..... 387	1001188166 57, 349	1001189764 93
1001181778 740	1001186334..... 397	1001188167 59, 351	1001189800 93
1001181779 740	1001186346..... 99	1001188168 61, 353	1001189859 333, 337
1001181787 19, 21	1001186375..... 377	1001188169 63, 355	1001189913 179, 191
1001181790 19, 21	1001186377..... 381	1001188187 129, 136	1001189979 179, 191, 223, 235
1001181791 19, 21	1001186379..... 385	1001188194 129, 136	
1001181792 .. 19, 21, 489	1001186382..... 395	1001188236 154, 165, 208, 621	
1001181793 19	1001186383..... 393	1001188237 179, 191, 623	
1001181795 41	1001186384..... 383	1001188257 91	
1001181796 41	1001186386..... 379	1001188302..... 349, 351, 353, 355	
1001181797 ... 35, 37, 39, 41, 43	1001186387..... 375	1001188334 85, 87	
1001181895 191	1001186426..... 179, 191, 223, 235		
1001181899 180, 192	1001186431..... 653		

PART NUMBER INDEX

1001190143.....151, 161, 175, 187, 205, 219, 231	1001192027 328	1001192693 514, 520, 526, 532	1001194213.....687
1001190159.....729	1001192052 328	1001192694 514, 520, 526, 532	1001194214.....705
1001190164.....154, 164, 179, 191, 208	1001192086 113	1001192695 514, 520, 526, 532	1001194215.....701
1001190169.....57, 61, 65	1001192087 117	1001192696 514, 520, 526, 532	1001194216.....721
1001190194.....19, 21	1001192088 119	1001192698 514, 520, 526, 532	1001194217.....695
1001190286.....353, 355, 359	1001192108 101, 103, 109	1001192758 514, 520, 526, 532	1001194218.....715
1001190287349, 351, 357	1001192264 115	1001192775 117	1001194219.....693
1001190326.....59, 63, 69	1001192265 504, 534	1001192776 113	1001194220.....689
1001190335.....93	1001192278 315	1001192841 128	1001194222.....709
1001190338 128	1001192279 303	1001192842 128, 136	1001194223.....703
1001190441549	1001192280 289	1001192843 128, 136	1001194224.....723
1001190442 179, 191	1001192281 115	1001192909 613, 617, 649	1001194225.....697
1001190444171, 183, 633	1001192282 119	1001192910 324	1001194226.....717
1001190476 128	1001192284 259	1001192931 740	1001194227.....691
1001190484553	1001192285 261	1001192989 105, 617	1001194228.....711
1001190485557	1001192400 179, 191	1001192990 103, 615	1001194229.....699
1001190493541	1001192401 684	1001193018 541, 543, 545, 547, 549, 551, 553, 555, 557, 559, 561	1001194230.....719
1001190495545	1001192442 279	1001193049 179, 191	1001194232.....707
1001190580339, 341, 345	1001192443 275	1001193167 285, 287, 290	1001194233.....725
1001190717742	1001192466 401	1001193168 131	1001194234.....705
1001190756 128, 136	1001192475 740	1001193169 133	1001194235.....705
1001190761742	1001192482 741	1001193207 571	1001194236.....707, 711
1001190773539	1001192483 311	1001193208 583	1001194329.....521, 533
1001190774567	1001192484 299	1001193215 740	1001194330.....521, 533
1001190775223, 235, 741	1001192485 287	1001193238 411	1001194365.....561
1001190942179, 191, 223, 235	1001192486 307	1001193239 413	1001194888.....141
1001190985369	1001192487 295	1001193247 514, 534	1001194956.....577
100119100823, 25	1001192488 285	1001193521 742	1001194957.....589
1001191019740	1001192489 740	1001193610 504	1001194961.....581
1001191020361, 363	1001192610 741	1001193611 504	1001194962.....593
1001191025179, 191	1001192641 514, 520, 526, 532	1001193756 411	1001195220.....741
1001191048333, 337	1001192651 514, 520, 526, 532	1001193757 413	1001195221.....741
1001191115105, 107, 111	1001192654 514, 520, 526, 532	1001193758 413	1001195222.....741
1001191126 109, 111	1001192655 514, 520, 526, 532	1001193759 526, 534	1001195223.....741
1001191156259	1001192658 514, 520	1001193760 128	1001195224.....740
1001191202333, 337	1001192661 514, 520, 526, 532	1001193927 526, 532	1001195225.....573, 575, 579
1001191205333, 337	1001192663 514, 520, 526, 532	1001193928 526, 532	1001195226.....585, 587, 591
1001191210 107, 619	1001192667 514, 520, 526, 532	1001193929 526, 532	1001195227.....571
1001191211 101, 613	1001192669 514, 520, 526, 532	1001193930 526, 532	1001195228.....583
1001191271155, 165, 209	1001192673 514, 520, 526, 532	1001193932 527, 533	1001195229.....581
1001191273151, 161, 205, 265	1001192679 514, 520, 526, 532	1001193933 527, 533	1001195235.....740
1001191328613, 615, 657	1001192681 514, 520, 526, 532	1001193944 123	1001195236.....740
1001191384332, 336	1001192682 514, 520, 526, 532	1001194045 740	1001195237.....742
1001191385332, 336	1001192684 514, 520	1001194096 520, 534	1001195238.....742
1001191394742	1001192685 514, 520	1001194097 532, 534	1001195304.....742
1001191395742	1001192686 514, 520	1001194110 740	1001195354.....742
1001191557 121	1001192687 514, 520	1001194114 285, 287, 290, 293, 635	1001195355.....742
1001191599 197	1001192688 514, 520, 526, 532	1001194197 551	1001195357.....581
1001191610155, 165, 179, 191, 209, 223, 234, 275, 277, 279, 281	1001192689 514, 520, 526, 532	1001194198 555	1001195382.....477
1001191708429	1001192690 147, 157, 171, 184, 203, 514, 520, 526, 532	1001194200 559	1001195454.....128, 131
1001191856277		1001194203 543	1001195455.....128, 133
1001192008281		1001194204 547	1001195525.....571, 583
100119201299		1001194205 740	1001195535.....136

PART NUMBER INDEX

1001196382 289, 296, 300, 304, 308, 312, 316, 320	1001201325..... 91	1001205021..... 740	1001212223 315
1001196390 19, 21	1001201326..... 95	1001205824..... 515, 521, 527, 533	1001212333 136
1001196398 147, 157, 171, 183, 203, 215, 227	1001201342..... 571, 573, 575, 577, 579, 581, 583, 585, 587, 589, 591, 593	1001205923..... 613, 615, 617, 619, 647	1001212415 736
1001196458 123, 125	1001201351..... 369	1001205957 277	1001213251 91, 95
1001196634 184, 201	1001201511..... 349, 351, 353, 355	1001206082..... 605, 613, 615, 617, 619	1001213447 653
1001196635 683, 736	1001201843..... 155, 165, 209, 275	1001206311 743	1001213543 128
1001197016 743	1001201844..... 155, 165, 209	1001206314..... 128, 136	1001213744 128
1001197017 433, 435, 437, 439	1001202333..... 139, 141	1001206816..... 725	1001213810 239
1001197045 500, 504	1001202531..... 341	1001206880..... 128	1001213882 403
1001197268 267	1001202587..... 401, 403	1001206920..... 365, 367	1001214030 726
1001197269 269	1001202687..... 369	1001207004..... 125	1001214095 573, 575, 579, 585, 587, 591
1001197386 267	1001202688..... 365, 367	1001207105..... 411	1001214096 573, 575, 579, 585, 587, 591
1001197388 267	1001202749..... 742	1001208017 45, 47	1001214149 515, 521, 527, 533
1001197389 267, 269	1001202936..... 571, 573, 575, 577, 579, 581, 583, 585, 587, 589, 591, 593	1001208874..... 57, 59, 61, 63	1001214408 515, 521, 527, 533
1001197390 269	1001203423..... 515, 520, 527, 533	1001208994 369	1001214478 743
1001197392 269	1001203424..... 515, 521, 527, 533	1001209016 281	1001214515 743
1001197408 726	1001203426..... 526, 533	1001209431 17	1001214540 743
1001197725 155, 165, 179, 191, 209	1001203430..... 515, 521, 527, 533	1001209664 427	1001214548 743
1001198631 23, 25	1001203431..... 147, 157, 171, 184, 203, 515, 521, 527, 533	1001209948..... 571, 573, 575, 577, 579, 581, 583, 585, 587, 589, 591, 593	1001214552 743
1001198884 740	1001203432..... 147, 157, 172, 184, 203, 215, 227, 515, 521, 527, 533	1001209949..... 571, 573, 575, 577, 579, 581, 583, 585, 587, 589, 591, 593	1001214559 743
1001199035 443	1001203433..... 147, 158, 172, 184, 203, 515, 521, 527, 533	1001209951..... 571, 573, 575, 577, 579, 581, 583, 585, 587, 589, 591, 593	1001214560 743
1001199095 740	1001203628..... 477	1001209953..... 571, 573, 575, 577, 579, 581, 583, 585, 587, 589, 591, 593	1001214561 743
1001199654 500, 504, 508	1001203655..... 387	1001210448..... 239, 241	1001214562 743
1001199655 500, 508	1001203656..... 397	1001210762..... 128	1001214827 239
1001199656 500, 508	1001203719..... 333, 337, 613, 615	1001211042..... 175, 187	1001214831 332, 336, 737
1001199657 500, 504	1001203853..... 504	1001211049..... 569	1001215016 631
1001199658 500, 504	1001203854..... 504	1001211577 361, 363, 737	1001215091 631
1001199659 508	1001203859..... 504	1001211578..... 361, 737	1001215218 223, 235, 631
1001199660 508	1001203860..... 504	1001211579..... 363, 737	1001215219 215, 227
1001199661 500, 508	1001203885..... 154, 164, 179, 191, 208	1001211580..... 361, 363	1001215220 215, 227
1001199662 500, 504	1001204251..... 133	1001211581..... 361, 363	1001215228 404
1001199663 508	1001204303..... 131	1001211582..... 361, 363	1001215321 491, 493
1001199881 571, 573, 575, 577, 579, 581, 583, 585, 587, 589, 591, 593	1001204389..... 515, 521	1001211583..... 361, 363	1001215384 239
1001199883 91, 93, 95	1001204529..... 349, 351	1001211584..... 361, 363, 571	1001215534 631
1001199933 91, 93, 95	1001204645..... 515, 521, 527, 533	1001211585..... 361, 363	1001215608 215
1001200128 741	1001204690..... 571, 573, 575, 577, 579, 581, 583, 585, 587, 589, 591, 593	1001211586..... 361	1001215609 227
1001200129 741	1001204715..... 361, 363	1001211587..... 363	1001215610 215, 219
1001200130 741	1001204725..... 369	1001211588..... 361, 363	1001215611 227, 231
1001200131 741	1001204902..... 255	1001211589..... 361, 363	1001215612 219, 222
1001200132 741	1001204939..... 361, 363	1001211594..... 239	1001215613 231, 234
1001200133 741	1001205016..... 740	1001211752..... 139	1001215615 687, 689, 691, 693, 695, 697, 699, 701, 703, 705, 707, 709, 711, 713, 715, 717, 719, 721, 723
1001200134 741	1001205017..... 740	1001211760..... 139	1001215681 223, 235
1001200432 500, 508	1001205020..... 740	1001211761..... 139	1001215899 223, 235
1001200433 508		1001211762..... 136, 139	1001215974 223, 235
1001200435 154, 164, 208		1001211767 141	1001216015 290
1001200491 369		1001211773..... 141	1001216059 687, 689, 691, 693, 695, 697, 699, 701, 703
1001200494 369		1001211774..... 136, 141	1001216060 705, 707, 709, 711, 713, 715, 717, 719, 721, 723
1001200731 147, 157, 171, 183, 203		1001211794..... 239	1001216065 239
1001200745 179, 191		1001212192..... 125	1001216071 239
1001200791 154, 165, 209			1001216075 223, 235
1001200910 123			1001216086 223, 235
1001201090 583, 585, 587, 589, 591, 593			1001216092 223, 235
1001201255 515, 521, 527, 533			1001216144 239

PART NUMBER INDEX

1001216195.....47	1001219024 215, 227	1001224486 224, 236	1001229637..... 571, 573,
1001216196.....47	1001219040 15, 471	1001224489 224, 236	575, 577, 579, 581,
1001216201 223, 235	1001219128 143	1001224967 251, 253,	583, 585, 587, 589,
1001216212 631	1001219138 136	255	591, 593
1001216213 631	1001219601 101, 103,	1001225054 253	1001230635..... 179, 191
1001216300 283	105, 107, 736	1001225442 224, 236	1001230931..... 603, 657,
1001216390 320	1001219630 293	1001225510 224, 236	659
1001216391 293	1001219632 293	1001226098 195	1001231235..... 743
1001216392 263	1001219852 319	1001226304 593	1001231310 128
1001216393 236	1001219853 293	1001226400 607, 609	1001231422..... 707
1001216531 224, 235	1001219854 742	1001226872 373	1001231801..... 725
1001216532 219, 231	1001219855 740	1001227059 179, 191	1001231805..... 179, 191
1001216533 219, 231	1001220379 627	1001227075 593	1001231846..... 613, 615,
1001216534 219, 231	1001220390 741	1001227367 131, 133	617, 619
1001216535 219, 231	1001220404 283	1001227404 740	1001231949..... 467
1001216619 283	1001220638 143	1001227527 613, 615,	1001231950..... 463, 465
1001216630 365, 367,	1001220728 293	617, 619	1001231956..... 339, 341,
369	1001220903 515, 521,	1001227633 431	485
1001216734 721	527, 533	1001227634 431	1001231963..... 485, 487
1001216735 721	1001220912 515, 521,	1001227666 224, 236	1001232010..... 463, 465,
1001216736 715	527, 533	1001227667 224, 236	467
1001216737 715	1001220941 515, 521	1001227769 239	1001232011..... 463, 465,
1001216739 693	1001221016 527, 533	1001227772 239	467
1001216740 693	1001221210 631	1001227792 361, 363	1001232117..... 473
1001216741 713	1001221397 219, 231	1001227887 128	1001232164..... 431
1001216742 713	1001221464 219, 231	1001227888 136	1001232165..... 431
1001216745 709	1001221545 239	1001227985 431	1001232292..... 23, 25
1001216746 709	1001221942 215, 227	1001227987 431	1001232642..... 449
1001216747 723	1001221943 216, 228	1001227996 673, 675	1001232650..... 449
1001216748 723	1001221944 216, 228	1001228012 481	1001232667..... 449
1001216749 717	1001222033 223, 235	1001228013 339, 487	1001232842..... 184, 201
1001216750 717	1001222133 215, 227	1001228079 333, 337,	1001233035..... 743
1001216751 719	1001222522 527, 533	493	1001233047..... 740
1001216752 719	1001222641 239	1001228177 324, 328	1001233237..... 740
1001216768 239	1001223042 223, 235	1001228186 577	1001233429..... 267
1001216769 239	1001223045 633	1001228187 589	1001233763..... 184, 201
1001216910 223, 235,	1001223055 687, 705	1001228188 577, 589	1001233895..... 179, 191,
239	1001223254 180, 192	1001228215 373	627
1001216919 223, 235	1001223255 180, 192	1001228224 431	1001233948..... 271
1001216947 219, 231	1001223256 180, 192	1001228225 431	1001233949..... 271
1001217055 743	1001223257 180, 192	1001228226 514, 520,	1001233953..... 271
1001217183 223, 235	1001223453 687, 697,	526, 532	1001233954..... 271
1001217185 223, 235	705, 717	1001228370 687, 697,	1001233955..... 271
1001217186 223, 235	1001223584 224, 236	705, 717	1001233966..... 271
1001217439 263	1001223665 35	1001228376 389	1001233967..... 271
1001217450 223, 235	1001223666 35	1001228377 391	1001234080..... 271
1001217453 223, 235	1001223667 35	1001228406 91, 93, 95,	1001234099..... 740
1001217543 223, 235	1001223668 37	251, 253, 255	1001234269..... 271
1001217563 219, 231	1001223669 37	1001228809 571, 583	1001234270..... 271
1001217593 223, 235	1001223670 37	1001228947 740	1001234281..... 269
1001217594 223, 235	1001223671 45	1001228988 451, 453,	1001234283..... 269
1001217595 223, 235	1001223672 45	455	1001234299..... 269
1001217647 223, 235	1001223726 35, 37, 39	1001229019 461	1001234370..... 267
1001217648 223, 235	1001223751 39	1001229020 443	1001234371..... 267
1001218037 477	1001223752 39	1001229021 447	1001234396..... 155, 165,
1001218471 223, 235	1001223753 39	1001229022 445	209
1001218539 93, 143	1001223923 223, 235	1001229082 443	1001235011..... 449
1001218559 223, 235	1001223971 697, 717	1001229090 461	1001235013..... 449
1001218565 223, 235	1001224048 701, 721	1001229091 179, 191	1001235457..... 208, 211
1001218575 223, 235	1001224049 703, 723	1001229107 740	1001235469..... 203
1001218594 471	1001224050 695, 715	1001229108 447	1001235470..... 203, 205
1001218676 93, 143	1001224051 693, 713	1001229111 447	1001235471..... 205, 208
1001218930 320	1001224052 689, 709	1001229112 445	1001235513..... 367
1001219005 215, 227	1001224053 699, 719	1001229118 445	1001235532..... 172, 184
1001219015 215, 227	1001224200 251	1001229341 431	1001235699..... 148, 158,
1001219021 215, 227	1001224431 224	1001229572 93	203
1001219022 215, 227	1001224432 224		1001235884..... 740

PART NUMBER INDEX

1001236121 273	10702082 . 308, 312, 316, 320	1702815....687, 689, 691, 693, 695, 697, 699, 701, 703	1704174 725
1001236136 216, 228	1120552 39	1702817 705, 707, 709, 711, 713, 715, 717, 719, 721, 723	1704175 725
1001236263 261	1120555 443, 445, 447	1702861 725	1704260 403
1001236499 155, 165	1260017 83	1702868....453, 455, 687, 705, 725	1704271 725
1001236552 449	1320041 ... 539, 567, 569, 613, 615	1702938....433, 435, 437, 439	1704272 731
1001236746 467	1320043 613, 615	1702941 157, 183, 228	1704277 ... 687, 689, 691, 693, 695, 697, 699, 701, 703, 705, 707, 709, 711, 713, 715, 717, 719, 721, 723
1001236747 463	1320061 ... 147, 157, 171, 183, 228, 296, 300, 304, 308, 312, 316	1702942 157, 183, 228	1704412 ... 687, 689, 691, 693, 695, 697, 699, 701, 703, 705, 707, 709, 711, 713, 715, 717, 719, 721, 723
1001236891 463, 465, 467	1320070 155, 165, 209	1702943 157, 183, 228	1704578 729, 731
1001236895 463, 465, 467	1320110 222, 234	1702961 725	1704885 ... 687, 689, 693, 695, 697, 699, 701, 703, 705, 707, 709, 713, 715, 717, 719, 721, 723
1001237550 271	1320127 257	1702962 725	1704972 726
1001237862 673, 675	1320176 168, 212, 259	1703162....154, 164, 178, 190, 208, 222, 234	1705014 387, 397
1001237863 431, 675	1320202 179, 192	1703479 725	1705090 729
1001237864 431, 673	1320218 257	1703683 459	1705305 451, 453, 455
1001237865 431, 671	1320302 451, 453, 455	1703797 687, 705	1705325 541, 543
1001237882 742	1321283 215, 227	1703804 687, 705	1705336 687, 705
1001237883 742	1321384 131, 133	1703805 687, 705	1705344 699, 719
1001238263 463, 465, 467	1380147 273	1703811 687, 689, 691, 693, 695, 697, 699, 701, 703, 705, 707, 709, 711, 713, 715, 717, 719, 721, 723	1705345 701, 721
1001238319 431	1580012 399	1703814....687, 689, 691, 693, 695, 697, 699, 701, 703, 705, 707, 709, 711, 713, 715, 717, 719, 721, 723	1705347 697, 717
1001238418 449, 677	1580013 743	1703923 703, 723	1705349 689, 709
1001238463 465	1670603 561	1703924 697, 717	1705351 687, 705
1001238472 449	1670829 109, 111, 403	1703925 695, 715	1705355 451, 453
1001238477 449	1671092 ... 312, 316, 320, 577, 581, 589, 593	1703926 699, 719	1705358 443, 445, 447
1001238559 449	1671093 ... 453, 577, 581, 589, 593	1703927 701, 721	1705364 39
1001238824 449	1683053 479, 485	1703928 689, 709	1705374 ... 299, 303, 563, 565
1001238895 741	1683057 491	1703935 703, 723	1705375 ... 313, 317, 320, 453, 455
1001238898 744	1683609 339, 341, 479	1703936 697, 717	1705387 ... 299, 303, 313, 317, 320
1001238902 743	1684089 479, 485	1703937 693, 713	1705426 699, 719
1001238903 743	1684090 479, 485	1703938 699, 719	1705427 701, 721
1001238904 744	1684290 471	1703939 701, 721	1705429 697, 717
1001238906 743	1700818 725	1703940 689, 709, 711	1705430 693, 713
1001238907 744	1701499 ... 687, 689, 691, 693, 695, 697, 699, 701, 703, 705, 707, 709, 711, 713, 715, 717, 719, 721, 723	1703941 703, 723	1705460 ... 308, 313, 317, 320
1001238927 742	1688053 479, 485	1703942 697, 717	1705461 308
1001238928 742	1688057 491	1703943 695, 715	1705489 295, 308
1001238929 742	1683609 339, 341, 479	1703944 699, 719	1705514 ... 687, 697, 705, 717
1001238930 742	1684089 479, 485	1703945 701, 721	1705515 726
1001238957 741	1684090 479, 485	1703946 689, 709	1705820 731
1001238960 741	1684290 471	1703947 703, 723	1705822 691, 707, 711
1001238961 741	1700818 725	1703948 697, 717	1705828 691, 707, 711
1001239207 175, 187	1701499 ... 687, 689, 691, 693, 695, 697, 699, 701, 703, 705, 707, 709, 711, 713, 715, 717, 719, 721, 723	1703949 695, 715	1705910 703, 723
1001239371 726	1701505 ... 147, 157, 171, 183, 203, 725	1703950 699, 719	1705917 703, 723
1001239526 740	1701509 ... 443, 445, 447, 687, 689, 691, 693, 695, 697, 699, 701, 703, 705, 707, 709, 711, 713, 715, 717, 719, 721, 723	1703951 701, 721	1705921 691, 707, 711
1001239563 265	1701518 691, 707, 711	1703952 689, 709	1705961 691, 707
1001239710 277	1701529 ... 687, 689, 691, 693, 695, 697, 699, 701, 703, 705, 707, 709, 711, 713, 715, 717, 719, 721, 723	1703953 687, 705	1705968 693, 713, 725
1001239715 277	1701542 215, 227, 725	1703954 699, 719	1705969 701, 721, 725
1001239716 285, 287	1701543 216, 228, 725	1703955 687, 705	1706059 726
1001241729 271	1701643 45	1703956 699, 719	1706060 726
1001241965 449	1702565 403	1703957 701, 721	1706061 726
1001243895 201	1702566 403	1703958 695, 715	1706062 726
1001248012 483	1702567 403	1703959 703, 723	1706063 726
1001251079 333, 337, 495	1702720 725	1703960 689, 709	1706064 726
1060341 ... 433, 435, 437, 439	1702773 387, 397, 725	1703961 701, 721	
1060343 312, 316, 320	1702774 725	1703962 697, 717	
1060379 459, 461	1702788 725	1703963 689, 705	
1060584 53		1703964 699, 719	
1060626 157, 183, 228		1703965 701, 721	
1060903 ... 433, 435, 437, 439		1703966 689, 709	
1060908 ... 595, 597, 599, 601		1703967 695, 715	
1060918 425		1703968 703, 723	
10702077 . 308, 312, 316, 320		1703969 697, 717	
		1703970 689, 709	
		1703971 701, 721	
		1703972 695, 715	
		1703973 703, 723	
		1703974 697, 717	
		1703975 689, 705	
		1703976 699, 719	
		1703977 701, 721	
		1703978 695, 715	
		1703979 703, 723	
		1703980 697, 717	
		1703981 689, 709	
		1703982 695, 715	
		1703983 703, 723	
		1703984 697, 717	
		1703985 689, 709	
		1704000 697, 717, 725	
		1704001 703, 723, 725	
		1704002 689, 709, 725	

PART NUMBER INDEX

1706098.....726	2220473 ... 514, 521, 527, 533	2300041 190, 235, 741	3251242....547, 551, 555, 559, 561
1706385.....387, 397	2220479 ... 151, 161, 175, 187, 205, 219, 231	2400060 ... 184, 201, 635, 643	3251243....287, 289, 293, 299, 303, 313, 317, 320, 687, 689, 693, 695, 697, 699, 703, 705, 709, 713, 715, 717, 719, 723
1706957.....733	2220500 500, 504, 508	2400064 643, 737	3252347.....687, 705
1706960.....733	2220501 500, 504, 508	2410014 387, 397	3252507....285, 545, 549, 553, 557
2030010.....451, 453, 455	2220502 ... 500, 504, 508, 515, 521, 527, 533	2420203 287, 289, 293	3252764....307, 311, 315, 319
2060025.....154, 164, 208	2220582 ... 500, 504, 514, 520, 526, 532	2460048 307, 311	3271605....463, 465, 467
2080040....375, 379, 383, 389, 393	2220596 500, 504, 508	2460051 293	3271805.....387, 397
2080044....583, 585, 587, 589, 591, 593	2220602 500, 504, 508	2460055 287	3272001....463, 465, 467
2110810.....500, 504, 508	2220603 ... 514, 520, 526, 532	2540020 121, 123, 125	3280001.....705
2110812.....500, 504	2220606 ... 515, 521, 527, 533	2560136 403	3290301.....273
2111216.....500, 504, 508	2220618 ... 514, 520, 526, 532	2560187 ... 131, 133, 139, 141	3290405....215, 227, 257, 541, 543, 545, 547, 549, 551, 553, 555, 557, 559, 561, 567, 569
2111616....514, 520, 526, 532	2220628 500, 504, 508	2580024 157, 183, 228	3290501.....171, 183
2131216....500, 504, 508	2220637 ... 515, 521, 527, 533	2580062 164	3290505....121, 123, 125, 171, 183, 215, 227, 255, 285, 299, 303, 307, 311, 315, 319
2131616....151, 161, 175, 187, 205, 219, 231	2220618 ... 514, 520, 526, 532	2600066 621	3290601....131, 133, 139, 141, 222, 234, 239
2150808....500, 504, 508	2220628 500, 504, 508	2600281 ... 375, 379, 383, 389, 393	3290605....99, 101, 103, 105, 107, 128, 139, 151, 154, 161, 164, 175, 178, 187, 190, 205, 208, 215, 219, 222, 227, 231, 234, 267, 269, 295, 401, 539, 541, 545, 549, 553, 557, 567, 569, 613, 615, 617, 619, 687, 689, 691, 693, 695, 697, 699, 701, 703, 705, 707, 709, 711, 713, 715, 717, 719, 721, 723
2150812....500, 504, 508	2220628 500, 504, 508	2720015 179, 191	3290606....377, 381, 385, 391, 395
2180125.....257	2220637 ... 515, 521, 527, 533	2720058 ... 147, 157, 158, 203, 222, 234, 251, 253	3290801.....222, 234
2180348....147, 157, 203, 215, 227	2220726 ... 515, 521, 527, 533	2720144 257	3290805....99, 131, 133, 139, 141, 154, 164, 178, 190, 208, 215, 222, 227, 234, 257, 285, 287, 289, 299, 303, 307, 311, 315, 319, 347, 349, 351, 353, 355, 361, 363, 571, 573, 575, 577, 579, 581, 583, 585, 587, 589, 591, 593, 613, 615
2180387.....257	2220733 ... 515, 521, 527, 533	2720398 155, 165, 209	3290806.....369
2180388.....257	2220738 ... 514, 520, 526, 532	2720551 222	329100191, 95, 178, 190, 222, 234, 332, 336, 369
2180389.....257	2220775 ... 515, 521, 527, 533	2780269 23, 25, 27	3291005..91, 93, 95, 123, 125, 128, 131, 133, 136, 141, 147, 154, 157, 164, 171, 179, 183, 191, 203, 208,
2180418....215, 223, 227, 235, 257	2220811 500, 504, 508	2820001 709	
2180467.....222, 234	2220852 ... 514, 520, 526, 532	2820019 639	
2180832.....171, 184	2220865 ... 514, 520, 526, 532	2820031 ... 285, 287, 289, 293, 295, 299, 303, 307, 311, 315, 319	
2220005.....215, 227	2220883. 31, 33, 73, 471, 473, 475, 479, 481, 483, 485, 487	2820035 201	
2220064....215, 223, 227, 235	2220885 33, 479, 481, 483, 485, 487, 491, 493	2820247 673, 675	
2220124.....81	2220886 31, 33	2840016 273	
2220238....515, 521, 527, 533	2220906 ... 514, 520, 526, 532	2860030 ... 113, 115, 117, 119, 736	
2220261223, 235, 257	2220940 ... 151, 161, 175, 187, 205, 219, 231	2900756 33	
2220313....148, 158, 171, 184, 203	2220946 ... 151, 161, 175, 187, 205, 219, 231	2900792 ... 473, 475, 479, 481, 483, 485, 487	
2220315.....154, 164, 208	2220947 ... 151, 161, 175, 187, 205, 219, 231, 514, 520, 526, 532	2901303 479, 485, 487	
2220366....514, 520, 526, 532	2220999 ... 514, 520, 526, 532	2902065 ... 155, 165, 178, 190, 209, 245	
2220371....500, 504, 508, 514, 520, 526, 532	2221024 257	2902203 725	
2220372....500, 504, 508, 515, 520, 526, 532	2221040 500, 504, 508	2902212 443, 445, 447	
2220373....500, 504, 514, 520, 526, 532	2221048 526, 532	2902217 451, 453	
2220375....514, 520, 527, 532	2221086 33, 514, 520, 526, 532	2902232 743	
2220380....515, 521, 527, 533	2221176 ... 147, 148, 157, 158, 203, 215, 227	2902266 471	
2220408....151, 161, 175, 187, 205, 219, 231	2221197 257	2902443 621, 623, 627	
2220415....500, 504, 508, 514, 520, 526, 532	2221344 508	2902549 567, 595	
2220418.....257	2300004 179, 223, 741	2915096 743	
2220451....151, 155, 161, 165, 175, 187, 205, 209, 219, 231, 514, 521, 527, 533	2300014 741	2920028 ... 403, 433, 435, 437, 439, 441	
2220466....514, 520, 526, 532	2300016 742	2920029 ... 403, 433, 435, 437, 439, 441	
2220468....500, 504, 508, 514, 520, 526, 532	2300019 742	2920161 121	
2220472....500, 504, 526, 532	2300027 742	2940045 139	
	2300029 742	2940074 ... 375, 379, 383, 389, 393, 737	
	2300039 742	2940173 ... 131, 133, 139, 141	
		3020008 23, 25	
		3020016 155, 209, 741	
		3020021 245, 741	
		3020044 164, 741	
		3160350 23, 25, 31	
		3220104 261	
		3251102 ... 285, 287, 289, 293, 295, 299, 303	

PART NUMBER INDEX

215, 222, 227, 234, 251, 253, 255, 275, 277, 279, 281, 324, 328, 339, 341, 347, 369, 401	3422582 324	3790012.....215, 227, 339, 341, 403, 407, 409, 411, 413, 415, 417	4031608 285
3291007 ... 285, 287, 289, 293	3422661 459, 461	3790152....151, 161, 175, 187, 205, 219, 231	4031711 222, 234
3291201 ... 289, 295, 299, 303, 307, 312, 315, 319, 369	3422793 328	3820001....687, 689, 691, 693, 695, 697, 699, 701, 703, 707, 711, 713, 715, 717, 719, 721, 723, 726	4031914..... 178, 190
3291205 ... 17, 85, 89, 91, 93, 95, 128, 129, 136, 273, 367, 369, 571, 573, 575, 577, 579, 581, 583, 585, 587, 589, 591, 593	3422841 53	3820020....375, 379, 383, 389, 393	4032014... 178, 190, 332, 336
3291601 75, 332, 336	3422847 53	3841143 19, 21, 147, 157, 171, 183, 203, 215, 227, 324, 332, 336, 339, 341, 369	4032015 ... 295, 299, 308, 312
3291605 324, 328	3422848 21	3841203.....328	4032020 332, 336
3292001 85, 89, 332, 336	3422860 339, 341	3841258..... 15, 17	4060802... 285, 287, 289, 293, 295, 299, 303, 308, 312, 315, 319
3292201 332, 336	3422867 339, 341	3841287.....324, 328	4060805 337
3300106 23, 25	3430616 404	3841340....571, 573, 575, 577, 579, 581	4060906 109, 111
3300151 ... 373, 377, 381, 385, 389, 391, 395, 451, 453, 455	3430820 273	3900054.....387, 397	4070895 332, 336
3300243 365, 367, 369	3450404 273	3900267.....300, 304	4070896 332, 336
3300353 403	3460334 443, 445, 447	3900283.....365, 367	4070939 332, 336
3300356 441	3470003 404	3900300.....300, 304	4070940 332, 336
3300396 ... 300, 304, 308, 312, 316, 320	3480205 491	3900349 404	4092009 332, 336
3300408 109, 111	3480210 479, 485	3900357.... 154, 164, 208	4100100 479, 485
3300430 427, 429	3520028 289, 293	3900363.....139, 141	4160149 332, 336
3311001 ... 287, 289, 300, 304, 308, 312, 316, 320	3520034 ... 583, 585, 587, 589, 591, 593	3900364.....128, 222, 234	4240018 ... 257, 500, 504, 508, 563, 565, 571, 573, 575, 577, 579, 581, 583, 585, 587, 589, 591, 593
3311005 ... 293, 403, 451, 453, 455	3520054 ... 154, 164, 178, 190, 208, 403	3910606....299, 303, 312, 315, 319, 563, 565	4240033 ... 361, 363, 427, 431, 449, 500, 504, 508
3311401 ... 433, 435, 437, 439	3520071 ... 443, 445, 447	3910804....113, 115, 117, 119	4240099 ... 121, 147, 157, 171, 180, 183, 184, 192, 201, 203, 216, 228, 433, 435, 437, 439, 441, 451, 453, 571, 573, 575, 577, 579, 581, 613, 615, 617, 619
3311405 ... 449, 543, 547, 551, 555, 559, 561	3520072 ... 373, 375, 377, 379, 381, 383, 385, 387, 389, 391, 393, 395, 397	3911018....109, 111, 403	4240149 443, 445, 447
3311501 ... 128, 433, 435, 437, 439	3520182 429	3931408.....427	4280295 91, 95
3311505 459, 461	3520189 308	3931424.....427	4280296 49, 51
3311601 ... 128, 136, 404, 449	3520192 308	3931464 491, 493	4360057 ... 433, 435, 437, 439, 737
3311605 ... 387, 397, 441, 451, 453, 455	3520198 ... 373, 375, 377, 379, 381, 383, 385, 389, 391, 393, 395	3931508.....491, 493	4360070 ... 300, 304, 308, 312, 316, 320, 737
3311805 365, 369	3539622 332, 336	3931512.....178, 190	4360331 415, 417, 737
3312002 463, 465, 467	3572009 53	3931516.....479, 485	4360336 ... 285, 287, 289, 293, 295, 299, 303, 308, 312, 315, 319, 737
3312005 443, 445, 447	3572010 53	3931618....151, 161, 175, 187, 205, 219, 231	4360387 ... 115, 119, 403, 433, 435, 437, 439, 441, 736
3312205 443, 445, 447	3572011 53	3931620....151, 161, 175, 187, 219, 231, 491, 493	4360407 403, 736
3331211 ... 154, 164, 178, 190, 208, 222, 234, 275, 277, 279, 281	3572012 53	3931628.....178, 190	4360469... 113, 115, 117, 119, 736
3331611 ... 154, 164, 178, 190, 208	3573400 451, 453, 455	3931648.....222, 234	4360475 ... 109, 111, 403, 736
3340787 347	3573642 451, 453, 455	3960158.....491, 493	4360477 441, 737
3340956 443, 445, 447	3574091 437, 439	3960361.....491, 493	4360517 87, 89
3380434 401	3575359 433, 435	3960389.....271	4360542 287, 289, 293
3420372 53	3577121 451, 453, 455	3960407....154, 164, 208	4400275 257
3420447 53	3580134 285	3960422....299, 303, 312, 315, 319, 539, 563, 565	4420014 443, 445, 447
3421565 53, 83	3580158 285, 287	3960464.....271	4420037 ... 451, 453, 455
3421627 83	3580243 332, 336	3960469....151, 161, 175, 187, 205, 219, 231	4420051 53, 691, 693, 695, 707, 711, 713, 715
3422351 19, 21	3580248 332, 336	3960526.....23, 25	4420060 285
3422417 332, 336	3580276 287, 289	3980007....157, 183, 228	4420062 459, 461
3422424 332, 336	3580314 319	3990013.....677	4420066 443, 445, 447
3422532 ... 151, 161, 175, 187, 205, 219, 231	3580317 ... 295, 299, 303, 308, 312, 315, 319	4010303.....361, 363	4420068 ... 433, 435, 437, 439
	3580318 ... 299, 303, 312, 315	4010308.....273	
	3580319 295, 308	4010405.....567, 569	
	3580320 ... 178, 190, 295, 299, 308, 312	4010510....121, 123, 125	
	3580324 293	4010618....377, 381, 385, 391, 395	
	3641569 433, 435	4031505.....431	
	3740067 99, 154, 164, 208, 736	4031516.....449	
	3740080 635, 737		
	3740086 677		
	3760132 491, 493		
	3760170 53, 83		
	3760356 491, 493		
	3760368 479, 485		
	3760369 491		

PART NUMBER INDEX

4420069.....435	4460471 ... 403, 613, 615, 617, 619	4460943 ... 621, 623, 627, 653, 671, 683	4712000....443, 445, 447, 463, 465, 467
4460019.....627	4460473 605, 607, 609	4460944 ... 621, 623, 627, 653, 683	4712200....443, 445, 447
4460027.....287, 289, 293	4460496 ... 403, 613, 615, 617, 619	4460956 595, 597	4740036.....53
4460042....621, 624, 628, 631, 684	4460497 ... 403, 613, 615, 617, 619	4460957 595, 597	4740111.....19, 21
4460043....201, 623, 627, 643, 684	4460508 431, 605, 683	4460958 565	4740155.....21
4460049.....433, 437, 439	4460509 605, 607, 609	4460959 ... 577, 581, 589, 593	4740158.....15, 17
4460071....299, 303, 312, 315, 319, 425, 539	4460510 743	4460960 ... 577, 581, 589, 593	4740362.....401
4460134.....641	4460518 659, 679	4460962 453	4740397....109, 111, 215, 227, 339, 341, 403, 409, 413
4460142.....621	4460536 611, 681	4460963 312, 316, 320	4740439.....339, 341
4460183.....653, 684	4460539 ... 611, 649, 651, 681	4460967 300, 643, 684	4751000....53, 91, 93, 95, 287, 289, 293, 451, 453, 455
4460190.....287, 289, 293	4460662 ... 441, 549, 551, 553, 555, 557, 559, 561	4460968 ... 285, 541, 543, 545, 547	4751400....131, 133, 139, 141, 399, 403, 429, 433, 435, 437, 439, 451, 453, 455
4460205.....539, 641	4460703 623, 627	4460970 653	4751500.....53, 289, 433, 435, 437, 439, 459, 461
4460224.....403	4460708 653	4461005 621	4751600....441, 451, 453, 455
4460225....637, 639, 645, 653	4460722 201	4461006 621	4751800....387, 397, 433, 435, 437, 439
4460226....403, 419, 422, 425, 645, 653, 684	4460742 643	4461008 ... 621, 624, 628	4760600.....539
4460227.....87, 89, 653	4460743 643	4461052 621	4761400.....399
4460234....403, 433, 435, 437, 439	4460748 683	4461053 621	4811400....273, 541, 543, 545, 547, 549, 551, 553, 555, 557, 559, 561
4460247684	4460761 653	4461054 621, 633	4811600....121, 123, 125, 171, 183, 255, 285
4460259.....653, 684	4460807 637, 639	4461060 621	4811602....299, 303, 308, 312, 315, 319
4460260.....653, 684	4460808 637, 639	4461070 ... 621, 623, 627, 679	4811700.....99, 101, 103, 105, 107, 123, 125, 139, 141, 147, 151, 154, 157, 161, 164, 171, 175, 178, 183, 187, 190, 203, 205, 208, 215, 219, 222, 227, 231, 234, 239, 285, 287, 289, 293, 295, 299, 303, 308, 312, 315, 319, 324, 328, 377, 381, 385, 391, 395, 539, 541, 545, 549, 553, 557, 567, 569, 583, 585, 587, 589, 591, 593, 613, 615, 617, 619, 687, 689, 691, 693, 695, 697, 699, 701, 703, 705, 707, 709, 711, 713, 715, 717, 719, 721, 723
4460265.....419, 422	4460836 ... 657, 659, 683	4461071 623, 627	4811900....139, 141, 154, 164, 178, 190, 208, 215, 222, 227, 234, 239, 285, 287, 289, 299, 303, 308, 312, 315, 319, 347, 349,
4460267.....653	4460837 ... 657, 659, 684	4461073 621, 623, 627	
4460268.....637, 639	4460865 605, 607, 609	4461077 671, 677	
4460312.....621, 684	4460866 ... 605, 653, 683	4461095 ... 621, 623, 627, 679	
4460313....621, 623, 627, 649, 651	4460871 ... 645, 649, 651, 653, 683	4461196 661	
4460315.....539	4460872 649, 651	4461198 661	
4460320.....87, 89	4460873 653, 683	4461199 663	
4460346....299, 303, 312, 315, 319, 539	4460874 653, 683	4461201 663	
4460418.....645, 653	4460875 649, 651	4461205 665, 667	
4460419.....645, 653	4460876 645, 653	4461244 665	
4460424.....684	4460878 683	4461245 667	
4460425....300, 304, 308, 312, 316, 320, 433, 435, 437, 439, 563, 565	4460879 653	4461246 669	
4460426....300, 304, 308, 312, 316, 320	4460884 ... 623, 627, 649, 651, 653, 684	4461249 669	
4460428.....403	4460887 653, 683	4461271 683	
4460434.....653	4460891 ... 121, 123, 125, 623, 627, 647, 649, 651, 657, 659, 679, 684	4520256 45, 47	
4460458.....643, 683	4460894 ... 611, 621, 623, 627, 631, 683	4520288 35, 39, 41	
4460464....123, 125, 425, 441, 603, 605, 635, 647, 649, 651, 653, 677, 679, 681, 683, 684	4460897 ... 123, 125, 441, 683	4530028 451, 453, 457	
4460465....121, 123, 125, 300, 605, 607, 609, 611, 621, 623, 627, 631, 637, 639, 643, 647, 649, 651, 653, 657, 659, 679, 681, 683, 684	4460899 ... 649, 651, 671, 677, 681, 683	4568133 53	
4460466....431, 605, 607, 609, 621, 623, 627, 631, 635, 649, 651, 653, 657, 659, 671, 677, 679, 683, 684	4460905 ... 645, 649, 651, 653, 683	4640261 53	
4460467743	4460906 635	4640464 611	
4460470....403, 613, 615, 617, 619	4460910 673	4640509 ... 479, 481, 483, 485, 487	
	4460911 ... 649, 651, 671	4640858 471	
	4460925 653	4640932 475	
	4460926 657, 659	4640999 473, 475	
	4460928 659, 679	4641122 ... 35, 37, 39, 41, 43, 45, 47	
	4460930 621, 623, 627	4641390 477	
	4460931 684	4711000 ... 300, 304, 308, 312, 316, 320	
	4460932 ... 603, 633, 647, 684	4711400 ... 373, 377, 381, 385, 389, 391, 395, 427, 429, 441, 449, 543, 547, 551, 555, 559, 561	
	4460933 ... 653, 654, 657, 659, 679, 683	4711500 178, 190	
	4460941 633, 671	4711600 . 91, 93, 95, 290, 365, 367, 404, 463, 465, 467	
	4460942 431, 623, 627	4711800 387, 397	

PART NUMBER INDEX

351, 353, 355, 361, 363, 369, 571, 573, 575, 577, 579, 581, 583, 585, 587, 589, 591, 593, 613, 615	222, 231, 234, 277, 295, 299, 303, 308, 312, 315, 319, 332, 336, 347	70000919.....167, 211	7000257.....78
4811902.....99, 128, 131, 133, 136, 179, 191, 222, 234, 239, 285, 287	5241200...15, 17, 23, 25, 151, 154, 161, 164, 175, 178, 187, 190, 205, 208, 219, 222, 231, 234, 275, 277, 279, 281, 289, 295, 299, 303, 308, 312, 315, 319, 367, 369	70001002.....167, 211	7000263.....78
4812000...57, 59, 61, 63, 91, 93, 95, 128, 131, 133, 136, 139, 141, 147, 154, 157, 164, 171, 178, 183, 190, 203, 208, 215, 222, 227, 234, 239, 251, 253, 255, 271, 275, 277, 279, 281, 283, 285, 287, 289, 293, 324, 328, 332, 336, 349, 351, 353, 355, 369, 401, 571, 573, 575, 577, 579, 581, 583, 585, 587, 589, 591, 593	5241400...154, 164, 178, 190, 208, 275, 277, 279, 281, 295, 299, 308, 312	70001017.....168, 212	70002718..167, 195, 211
4812002..91, 93, 95, 128, 131, 133, 136, 147, 157, 171, 183, 203, 215, 227, 283	5241600.....19, 21, 75	70001100..307, 311, 315, 320	70002745.....489
4812100...85, 89, 91, 93, 95, 128, 129, 136, 147, 157, 171, 184, 203, 239, 273, 293, 369, 571, 573, 575, 577, 579, 581, 583, 585, 587, 589, 591, 593	5242000.....75	70001103.....95	70002755.....489
481230023, 25, 154, 164, 178, 190, 208	5250605.....239	70001119.....27	70002756.....489
4812500.....129, 136	5250608.....271	70001126.....167, 211	70002758.....66, 70
4844816.....339	5250808.....271	70001384..307, 311, 315, 320	70002759.....66, 70
4845582.....459, 461	525081049, 51, 131, 133, 178, 190, 349, 351, 353, 355	70001423.....167, 211	7000281.....28
4846295.....53	5250812....128, 361, 363	70001435.....167, 211	70002814.....97, 736
4846296.....53	5251008....361, 363, 369	70001498.....168, 212	70002838.....97
4846573.....365, 367	5251009...57, 59, 61, 63, 99	70001696...307, 311, 319	70002839.....97
4846627....451, 453, 455	5251012..23, 25, 93, 147, 157, 171, 180, 183, 192, 203, 296, 300, 304, 308, 312, 316	70001697.....343, 345	70002842.....471
4846673.....437, 439	5251014...101, 103, 105, 107, 128, 136	70001847.....167, 211	70002902.....425
4871700...285, 287, 295, 299, 303, 308, 312, 315, 319	5251016.....15, 17, 369	70001850.....167, 211	70002903.....425
4891500.....293	5260600.....239, 271	70001866.....168, 212	70002904.....425
4891600....365, 367, 369	5260800.....271	70001870...167, 195, 211	70002905.....425
4891800.....365, 369	5261000...101, 103, 105, 107	70001871.....167, 211	70002962.....33
4892000.....81	5261018...101, 103, 105, 107	70001872.....168, 212	70003003.....167, 211
4892600....365, 367, 369	5272010.....222, 234	70001953...307, 311, 320	70003019.....65, 69, 357, 359
4921827.....641	5281918...571, 573, 575, 577, 579, 581, 583, 585, 587, 589, 591, 593	70001966..295, 299, 303, 307, 311, 316, 319, 320	70003027....65, 69, 357, 359
4922641...285, 287, 289, 293, 296, 300, 304, 308, 312, 316, 320	70000123.....285	70001973..307, 311, 316, 320	70003085.....473
4922925...308, 312, 316, 319, 639	70000342.....343, 345	70001974..307, 311, 316, 320	70003136.....167, 211
4923174.....228	70000345..168, 197, 212	70002063.....73	70003456.....167, 211
4923379.....155, 165	70000619..307, 311, 315, 319	70002066.....78	70003457.....167, 211
4933218.....536	70000699.....477	70002088...307, 311, 320	70003464.....167, 211
5240800.....257, 281	70000781.....33	70002112.....97	70003468.....167, 211
5241000....17, 128, 139, 141, 151, 155, 161, 165, 175, 179, 187, 192, 205, 209, 219,	70000782.....27	70002134.....249	70003469.....167, 211
	70000793.....245	70002146.....249	70003472.....167, 211
	70000794.....31	70002147.....249	70003473.....167, 211
	70000795.....31	70002148.....249	70003475.....167, 211
	70000800.....167, 211	70002149.....249	70003478.....167, 211
	70000851.....168, 212	70002150.....249	70003631..307, 311, 316, 319
	70000863..307, 311, 315, 320	70002151.....249	70003708..295, 299, 303, 307, 311, 316, 320
	70000912.....167, 211	70002153.....249	70003709..295, 299, 303, 307, 311, 316, 320
	70000913.....167, 211	70002154.....249	70003783..155, 165, 209, 736
	70000914.....167, 211	70002156.....249	70003784.....403
	70000915.....167, 211	70002157.....249	70003926..491, 493, 495
	70000916.....167, 211	7000216.....27	70003928..491, 493, 495
	70000917.....167, 211	7000217.....78	70003929..491, 493, 495
	70000918.....167, 211	70002176.....248	70003930..491, 493, 495
		70002209.....33	70003932.....168, 212
		70002234.....168, 212	70003975.....33
		7000228.....78	70003982..491, 493, 495
		7000229.....78	70003998.....99
		70002291.....316	70004037.....78
		70002297..307, 311, 316, 320	70004039.....78
		7000230.....78	70004040.....78
		70002335.....473	70004041.....78
		70002366.....473	70004042.....78
		70002381.....473	70004043.....78
		70002386.....73, 736	70004044.....78
		70002410.....475	70004045.....78
		7000246.....78	70004047.....79
		70002460..307, 311, 316, 319	70004051..65, 66, 69, 70
		7000247.....78	70004052..65, 66, 69, 70, 357, 359
		7000248.....78	70004053....69, 357, 359
		7000253.....78	70004055.....66, 69, 70
		7000255.....78	70004056.....168, 212

PART NUMBER INDEX

70004058.....168, 212	70004679.. 295, 300, 304	70005468 248	70005952.....65, 70, 357, 359
70004059.....168, 212	70004680.. 295, 300, 304	70005469 248	70006003.....477
70004060.....168, 212	70004681 295	70005470 248	70006004.....477, 736
70004064.....251, 253	70004682.. 295, 300, 304	70005471 249	70006005.....477
70004065.....251, 253	70004683 295	70005472 249	70006006.....477
70004066...251, 253, 736	70004684 300	70005474 249	70006009.....316
70004067.....251, 253	70004685 300, 304	70005475 249	70006094.....316
70004068.....251, 253	70004687 304	70005476 249	70006095.....316
70004069.....251, 253	70004738 419	70005479 168, 212	70006096.....316
70004070.....251, 253	70004739 419	70005527 198	70006097.....316
70004092..295, 299, 303, 316	70004740 419	70005563 477	70006106.....489
70004094.....316	70004741 419	70005570 477	70006107.....489
70004098...300, 304, 316	70004742 419	70005571 477	70006108.....489
70004099.....303, 316	70004743 419	70005572 477	70006109.....65, 69
70004103.....168, 212	70004744 419	70005575 477	70006111.....65, 69
70004155...491, 493, 495	70004745 419	70005576 477	70006112.....65, 69
70004169...307, 311, 320	70004746 419	70005627 357, 359	70006113.....65, 69
70004171..295, 299, 307, 311, 320	70004747 419	70005647 197	70006114.....65, 69
70004186..485, 487, 491, 493, 495	70004748 419	70005648 197	70006115.....65, 69
70004199.....97	70004749 419	70005668 33	70006116.....65, 69, 357, 359
70004237.....475	70004750 419	70005669 33	70006117.....65, 69
70004268.....167, 211	70004751 419	70005670 33	70006118.....66, 70
70004269.....167, 211	70004752 421	70005671 343	70006119.....66, 70
70004270.....168, 212	70004753 421	70005680 89	70006120.....66, 70
70004271.....168, 212	70004754 421	70005681 89	70006121.....357, 359
70004272.....168, 212	70004755 421	70005682 . 349, 351, 353, 355	70006122...357, 359, 736
70004273.....167, 211	70004756 421	70005683 347, 736	70006123.....69, 357, 359
70004276.....197	70004757 421	70005684 347	70006124.....69, 357, 359
70004277.....197	70004758 421	70005693 473	70006125.....357, 359
70004280.....195	70004759 421	70005694 473	70006126.....357, 359
70004282.....197	70004760 421	70005695 473	70006128.....69
70004414.....91	70004761 421	70005696 473	70006134.....239
70004501.....196	70004762 421	70005697 473	70006135.....239
70004504.....197	70004763 421	70005698 475	70006136.....239
70004505.....195	70004764 421	70005699 475	70006145.....241
70004506.....195	70004765 421	70005700 475	70006147.....241
70004507.....195	70004766 421	70005701 475	70006150.....241
70004508.....195	70004767 421	70005702 475	70006151.....241
70004509.....195	70004768 421	70005703 475	70006152.....241
70004510.....195	70004769 421	70005708 97	70006153.....241
70004513.....196	70004770 421	70005710 87	70006154.....241
70004577.....33	70004771 421	70005711 87	70006155.....241, 737
70004584.....65, 69	70004772 421	70005712 87	70006157.....241
70004594.....65, 69	70004773 421	70005713 87	70006158.....241
70004595.....66, 70, 736	70004774 421	70005716 87	70006159.....241
70004596.....66, 70	70004775 421	70005920 195	70006160.....241
70004597.....66, 70	70004795 97	70005922 195	70006161.....241
70004598.....66, 70	70004883 73	70005923 196	70006162.....241
70004602.....65, 69	70004884 73	70005924 196	70006163.....241
70004607.....65, 69	70004888 33	70005925 196	70006164.....241
70004613.....359	70005008 . 179, 191, 223, 235, 736, 737	70005926 196	70006165.....241
70004617.....66, 70	70005172 195	70005927 196	70006166.....241
70004653..65, 66, 69, 70, 357, 359, 736	70005173 195	70005928 196	70006167.....241
70004656.....65, 69	70005177 196	70005929 196	70006168.....241
70004657.....65, 69	70005181 196	70005930 196	70006169.....241
70004659.....65	70005184 196	70005931 196	70006170.....241
70004660.....65	70005188 197	70005932 197	70006171.....241
70004661.....65, 69	70005189 197	70005933 197	70006172.....241
70004662.....65, 69	70005191 197	70005934 197	70006173.....241
70004668.....65, 69	70005200 359	70005935 197	70006174.....241
70004676...295, 299, 303	70005203 78	70005937 197	70006175.....241
70004677.....295	70005230 419	70005938 195	70006176.....241, 737
70004678...295, 300, 304	70005335 . 349, 351, 353, 355, 736	70005942 195	70006177.....241
	70005466 248	70005947 66, 69, 70	70006178.....241, 737
	70005467 248	70005951 357, 359	70006179.....241

PART NUMBER INDEX

70006180	241	70006735	483, 487	70025151	196	7007431	249
70006181	241	70006736	483, 487	70025152	195	7007434	249
70006182	241	70006941	195	70025153	196, 737	7007435	248
70006183	241	7000695	168, 212	70025154	195	7007437	31
70006184	241	70010383	57, 59, 61, 63, 736	70025155	197	7007438	31, 248
70006185	241	7001909	78	70025158	196	7007439	31, 248
70006186	241	7001911	78	70025160	196	7007441	249
70006187	241	7001912	78	70025161	196	7007442	248
70006188	241	7001913	27	70025164	197	7007443	248
70006189	241	7001931	78	70025174	196	7007444	249
70006191	241	7001985	78	70025175	196	7007446	31, 248
70006194	241	70022564	475	70025176	195	7007448	248
70006195	241	70023369	475	70025178	196	7007450	249
70006196	242	70023859	65, 69	70025179	196, 197	7007453	249
70006197	242	70023860	65, 69, 359	70025180	196	7007457	248
70006198	242	70023862	357, 359	70025181	195	7007459	248
70006199	242	70023915	481	70025182	196	7007463	248
70006200	242	70024457	65, 69	70025183	196	7007464	248
70006202	242	70024484	197	70025184	196	7007465	248
70006203	242	70024488	195	70025185	196	7007476	249
70006205	242	70024494	195	70025192	197	7007477	249
70006206	242	70024502	196	70025200	196	7007484	248
70006207	242	70024504	196, 197	70025203	196	7007485	249
70006208	242	70024507	197	70025210	196, 737	7007487	249
70006213	242, 737	70024509	197	70025212	197	7007488	249
70006215	242	70024513	196	70025231	197	7007633	78
70006217	242	70024517	195	70025233	197	7010116	248
70006219	242	70024904	195	70025235	196	7010117	249
70006221	242	70024905	195	70025239	196	7010119	249
70006225	242	70024906	195	70025240	196	7010121	248
70006232	242	70024910	196	70025242	197	7010474	78
70006233	241	70024914	197	70025245	197	7010492	78
70006235	242	70024915	197	70025246	197	7010543	73
70006236	242	70024917	197	70025477	197	7011112	473, 475
70006260	477	70024918	197	70025580	477	7012513 ...	285, 287, 289, 293
70006261	477	70024920	196, 197	70025582	477	7012514 ...	285, 287, 289, 293
70006264	195	70024922	197	70025619	477	7012558 ...	287, 289, 293
70006265	195	70024924	195	70025660	195	7012925	477
70006266	195	70024925	195	70025733	197	7012941	73
70006304	78, 79	70024925	195	70025768	196	7012967	73, 477
70006305	79	70024961	196	70025877	197, 198	7012998	33
70006306	79	70025076	195	70026164	477	7013189	89
70006307	79	70025077	197	70026210	197	7016319	121
70006308	79	70025082	195	70026995	197	7016328 ...	167, 211, 736
70006309	79	70025084	196	70028185	195	7016331 ...	167, 195, 211, 736
70006310	79	70025091	195	7002821	743	7016372	121
70006313	79	70025101	196	7002822	743	7016652	743
70006314	93	70025107	196	7002823	743	7016654	743
70006356	151, 161, 175, 187, 205, 219, 231	70025107	196	7002826	743	7016655	743
70006357	66, 70	70025109	196	7002840	743	7017022	28
70006438	493	70025111	195	7004275	743	7017023	78
70006439	493	70025112	196	7004276	743	7017027	27
70006440	493	70025115	196	7004276	743	7017070	78
70006441	493	70025120	197	7005889	79	7017072	27, 78
70006537	87	70025124	196	7005891	79	7017080	78
70006538	87	70025130	197	7007207	248	7017082	79
70006552	295, 300, 303	70025131	197	7007208	248	7017085	78
70006553	295, 300, 303	70025132	197	7007412	249	7017093	27
70006568	481	70025133	196	7007413	248	7017095	27
70006569	481	70025135	195	7007415	248	7017142	343, 345
70006570	481	70025137	195	7007417	248	7017159	343, 345
70006571	481	70025139	195	7007418	248	7017162	343, 345
70006572	481	70025140	195	7007419	248	7017163	343, 345
70006649	483, 487	70025144	195	7007420	248, 249	7017164	343, 345
70006650	483, 487	70025145	195	7007422	249		
70006734	483, 487	70025146	195	7007423	248		
		70025148	196	7007425	248		
		70025149	197	7007430	249		

PART NUMBER INDEX

7017172.....	343, 345	7022314.....	31	7024735.....	27	7274000040.....	296, 300,
7017192.....	343, 345	7022326.....	31	7024736.....	27	304, 308, 312, 316	
7017195.....	343, 345	7022328.....	31	7024737.....	28	7300435....	154, 164, 178,
7017410.....	73	7022368.....	31	7024738.....	27	190, 208	
7017467.....	477	7022371.....	31	7024739.....	27	77133137..	571, 573, 575,
7017496.....	477	7022372.....	31	7024740.....	27	577, 579, 581, 583,	
7019680.....	287, 289, 293	7022397.....	33	7024741.....	27	585, 587, 589, 591, 593	
7020043.....	91, 95	7022399.....	33	7024742.....	27	77363233.....	637, 639
7020108.....	285, 287, 289,	7022524.....	357, 359	7024743.....	27, 78	80434249.....	65, 69, 736
293		7022527.....	65, 69	7024744.....	28	80484084.....	623, 627
7020109....	285, 287, 289,	7023821.....	66, 70	7024763.....	78	80633030..	515, 521, 527,
293		7023910.....	31	7024764.....	28	533	
7020110....	285, 287, 289,	7023979.....	248	7024765.....	28	80963067.....	683
293		7024100.....	79	7024766.....	28	80983191...	623, 627, 737
7020111....	285, 287, 289,	7024124.....	27	7024784.....	79	82033995.....	223
293		7024125.....	27	7024851.....	249	8220045.....	621, 635, 684
7020175....	109, 111, 403	7024127.....	27	7024862.....	31	8220115.....	623, 627
7020176....	109, 111, 403	7024129.....	27	7024865.....	31	8220125.....	683
7020190....	285, 287, 289,	7024134.....	28	7024867.....	31	8220164.....	621, 623
293		7024398.....	168, 212	7024871.....	31	8229242....	623, 627, 683,
7020403.....	167, 211	7024441.....	97	7024874.....	248	736	
7020408.....	168, 212	7024462.....	457	7024875.....	248	8229244.....	683, 736
7020431.....	167, 211	7024463.....	457	7024877.....	249	8229245....	635, 684, 736
7020465....	167, 195, 211	7024467.....	457	7024881.....	33	8310129....	443, 445, 447
7020468.....	167, 211	7024469.....	457	7026188	307, 311, 320	8310614.....	21
7020471.....	168, 212	7024470.....	457	7026199	289, 293	83304173.....	97
7020479.....	168, 212	7024471.....	457	7026511.....	89	8405006.....	222, 234
7020487.....	167, 211	7024472.....	457	7026597 ...	307, 311, 316,	8405007.....	178, 190
7020492.....	196	7024473.....	457	320		8405009....	178, 190, 223,
7021200.....	248	7024474.....	457	7026626 ...	307, 311, 316,	235	
7021201.....	249	7024475.....	457	320		8405102.....	222, 234
7021202.....	248	7024478.....	457	7026631	167, 211	8405104....	178, 190, 222,
7021203.....	249	7024485	307, 311, 319	7027236	167, 211	234	
7021206.....	249	7024488 ...	307, 311, 315,	7027276	168, 212	8405202....	154, 164, 208
7021207.....	248	319		7027404	242	8405203.....	222, 234
7021210.....	248	7024489 ...	307, 311, 315,	7027419	31	8406003.....	361, 363
7021212.....	248	319		7027740	31	8406109....	178, 190, 222,
7021214.....	248	7024560	168, 212	7027773	457	234	
7021219.....	248	7024579	167, 195, 211	7027774	457	8406110....	123, 125, 147,
7021220.....	248	7024598	273	7027775	457	157, 203	
7021221.....	249	7024704	78	7027776	457	8406201.....	224, 235
7021222.....	249	7024721	28	7027777	457	8410009.....	224, 235
7021223.....	249	7024722	27	7027778	457	8410011....	178, 190, 222,
7021232.....	249	7024723	28	7027779	457	234	
7021233.....	248	7024724	27	7027780	457	8420231.....	224, 235
7021249.....	31	7024725	27	7027790	168, 212	85941018.....	215, 227
7021256.....	248, 249	7024726	27	7027791	168, 212	88521214...	463, 465, 467
7021275.....	31	7024727	27	7027792	168, 212	8896941.....	743
7021625.....	33	7024728	27	7027795 ...	167, 211, 736	91203039.....	369
7021639.....	33	7024729	27	7027796	167, 211	91401281.....	99
7022162.....	241	7024730	27	7027799 ...	307, 311, 316,	91403230..	687, 689, 691,
7022301.....	249	7024731	27	319		693, 695, 697, 699,	
7022302.....	31	7024732	27	7027887 ...	285, 287, 289,	701, 703, 705, 707,	
7022311.....	31	7024733	27	293		709, 711, 713, 715,	
7022313.....	31	7024734	27			717, 719, 721, 723	



3121729



An Oshkosh Corporation Company

Corporate Office
JLG Industries, Inc.
1 JLG Drive
McConnellsburg, PA 17233-9533 USA
☎ (717) 485-5161 (Corporate)
☎ (877) 554-5438 (Customer Support)
☎ (717) 485-6417

Visit our website for JLG Worldwide Locations.
www.jlg.com