



Illustrated Parts Manual

***Model
1500SJ***

SN 0300209000 to Present

**P/N
3121733**

October 19, 2018 - Rev K

ANSI

CE



An Oshkosh Corporation Company

REVISION LOG

April 1, 2016 - A - Original Issue Of Manual (Edited to B/M 1001160120 Revision AI)
July 30, 2016 - B - Revised Manual (Edited to B/M 1001160120 Revision AK)
October 31, 2016 - C - Revised Manual (Edited to B/M 1001160120 Revision AK)
January 20, 2017 - D - Revised Manual (Edited to B/M 1001160120 Revision AP)
April 28, 2017 - E - Revised Manual (Edited to B/M 1001160120 Revision AP)
July 28, 2017 - F - Revised Manual (Edited to B/M 1001160120 Revision AT)
October 20, 2017 - G - Revised Manual (Edited to B/M 1001160120 Revision AU)
January 26, 2018 - H - Revised Manual (Edited to B/M 1001160120 Revision AU)
April 20, 2018 - I - Revised Manual (Edited to B/M 1001160120 Revision AU)
July 6, 2018 - J - Revised Manual (Edited to B/M 1001160120 Revision BB) (Revision 1)
October 19, 2018 - K - Revised Manual (Edited to B/M 1001160120 Revision BF)

GENERAL INFORMATION

SECTION 6 CYLINDER

FIGURE 6-3. LIFT CYLINDER ASSEMBLY

PG# Model Designation Manual #

SECTION 6 CYLINDER

FIGURE 6-3. LIFT CYLINDER ASSEMBLY

ITEM #	PART NUMBER	QTY	DESCRIPTION	REV.
	1001140104		LIFT CYLINDER ASSEMBLY	B
1	0100011	AR	Compound Locking	
2	0430535	3	Cap screw 1/4-20 x 1-1/8	
3	0701005	1	Screw #10-24 x 3/8	
4	0901897	1	Bushing, Tapped	
5	1301136	1	Clamp, Cable	
6	1653063	1	Head	
7	2200893	1	Plug, O-Ring	
8	2200888	2	Plug, O-Ring	
9	2200896	1	Plug, O-Ring	
10	3000039	AR	Lubricant	
11	3490292	1	Platen	
12	3700371	1	Ring, Washer	
13	3931420	8	Cap screw 1/4-20 x 1-1/4	
14	3931824	8	Cap screw 1/2-13 x 1-1/2	
15	3981903	1	Subscrew #10-24 x 3/8	
16	4100099	1	Spacer	
17	4640996	1	Cartridge, Holding Valve (Non Vented)	
17	2300732		Kit, Seal - 4640999 Cartridge Valve	
18	4641248	1	Cartridge, Counterbalance Valve (Non Vented)	
18			Kit, Seal - 4641248 Cartridge Valve	
19	70004180	1	Sensor, Cylinder Length	
19	1001117991	1	Cap, Flatener	
20	1001118070	1	Barrel	
21	1001118054	1	Bushing	
21A	0901950	2	Flod	
22	1001118096	1	Bushing	
22A	0901950	2	Kit, Seal (includes items 101-109)	
100	1001139996	1	Ring, Wear (Note: Use pin 1001139996)	
101	See Note	2	Ring, Back-Up (Note: Use pin 1001139996)	
102	See Note	1	Ring, Lock (Note: Use pin 1001139996)	
103	See Note	2	Ring, Back-Up (Note: Use pin 1001139996)	
104	See Note	2	O-Ring (Note: Use pin 1001139996)	
105	See Note	2	O-Ring (Note: Use pin 1001139996)	
106	See Note	1	Seal (Note: Use pin 1001139996)	
107	See Note	1	Wiper, Rod (Note: Use pin 1001139996)	
108	See Note	1	Seal (Note: Use pin 1001139996)	
109	See Note	2	Kit, Sensor Magnet (includes items 201-203)	
200	1001118108	1	Sleeve, Spacer (Note: Use pin 1001118108)	
201	See Note	NSS	Magnet, Sensor	
202	1001118096	1	Ring, Internal Retaining	
203	1001118096	1		

Manual # Model Designation PG#

1) MACHINE IDENTIFICATION

Machines are identified by model and in some cases a combination of models, serial number (SN) or regional standard (i.e. ANSI, CE, CSA). Components may also be identified by SN or manufacturer. Common components that may be identified by these characteristics are engines and hydraulic components.

2) PARTS MANUAL ORGANIZATION

Product information in this manual is organized under section titles. Frame, Cylinder, Hydraulic and Electrical are a few examples. Each section is organized by figure and page number. The information within the Figure is then organized by item number, part number, description and corresponding illustration(s).

3) TABLE OF CONTENTS

A table of contents is found toward the beginning of the manual. Figure number, description and page number are provided for quick reference to the page containing the related information.

4) RECOMMENDED SPARE PARTS

The Recommended Spare Parts, located near the end of the manual, reference most frequently used maintenance parts.

5) PART NUMBER INDEX

A numerical index listing all part numbers and the corresponding page number(s) appears at the back of the manual.

GENERAL INFORMATION

6) NON-SERVICED PARTS

In some instances, it is necessary to display non-serviced parts, assemblies or installations. In the case of assemblies and installations there will be a Ref in the Qty column. In case of parts that are not available for service within assemblies or components, there will be a NSS (Not Sold Separately) or NLA (No Longer Available) listed in the Qty. column of the manual.

7) PARTS LIST ITEM NUMBERS

Numbers shown in the item# column correspond to numbers used in the associated illustration (s). Item numbers which are missing from the sequence in the parts list are not used on that page

8) INDENTED PARTS DESCRIPTION

An indented part description is included in the item under which it is indented.

9) ABB REVIATION AND SYMBOLS

AC.....	..Alternating Current	LCD.....	..Liquid Crystal Display
ADE.....	..Advanced Design Electronics	LED.....	..Light Emitting Diodes
ANSI.....	..American National Standards Institute	LH.....	..Left Hand
AR.....	..As Required	LSS.....	..Load Sensing System
ASSY.....	..Assembly	M(m).....	..Metric/Meter
AUX.....	..Auxiliary	MM (mm).....	..Milimeter
AWG.....	..American WireGauge	mA.....	..Miliamps
B/M.....	..Bill of Material	NLA.....	..No Longer Available
CE.....	..European Conformity	NPT.....	..National Pipe Threads
CCW.....	..Counter Clockwise	NSS.....	..Not So Id Separately
cm.....	..Centimeter	OD.....	..Outside Diameter
CW.....	..Clockwise	ORB.....	..O-Ring Boss
CSA.....	..Canadian Standards Association	ORFS.....	..O-Ring Face Seal
CYL.....	..Cylinder	OZ (oz).....	..Ounces
DIA.....	..Diameter	PG.....	..Page
DC.....	..Direct Current	P/N.....	..Part Number
EMS.....	..Emergency Stop	qt.....	..Quarts
ENG.....	..Engine	QTY.....	..Quantity
FT(ft).....	..Feet	REF.....	..Reference
GA(Ga).....	..Gauge	REV.....	..Revision Level
HYD.....	..Hydraulic	RH.....	..Right Hand
Hz.....	..Hertz	SAE.....	..Society of A utomotive Engineers
ID.....	..Inside Diameter	SN.....	..Serial Number
in.....	..inches	SPEC(S).....	..Specifications
ISO.....	..International Organization for Standards	T/T.....	..Turntable
JIC.....	..Joint Industry Council	UGM.....	..Universal Ground Module
KG.....	..Kilogram	V.....	..Volts
L.....	..Liter	W.....	..Watts
LB.....	..Pounds	#.....	..Number

10) ILLUSTRATION REFERENCE LETTERS

When necessary, illustrations may contain reference letters that are intended to track information (i. e. hoses, harnesses) from one point to another or to track visual enlargement of components to show details that may be located in another area on the illustration.

Note: Due to continuous product improvements, JLG Industries, Inc. reserves the right to make specification changes without prior notification. Contact JLG Industries, Inc. for updated information.

TABLE OF CONTENTS

SECTION 1 - FRAME.....	13
FIGURE 1-1. AXLE INSTALLATION - FIXED.....	14
FIGURE 1-2. AXLE INSTALLATION - OSCILLATING.....	18
FIGURE 1-3. STEER INSTALLATION.....	22
FIGURE 1-4. WHEEL DRIVE INSTALLATION - BONFIGLIOLI.....	24
FIGURE 1-5. WHEEL DRIVE INSTALLATION - REGGIANA RIDUTTORI.....	26
FIGURE 1-6. DRIVE HUB ASSEMBLY - BONFIGLIOLI.....	28
FIGURE 1-7. DRIVE HUB ASSEMBLY - REGGIANA RIDUTTORI.....	32
FIGURE 1-8. DRIVE MOTOR ASSEMBLY.....	36
FIGURE 1-9. TIRE AND WHEEL INSTALLATION - FOAM FILLED.....	38
FIGURE 1-10. TIRE AND WHEEL INSTALLATION - SOLID.....	40
FIGURE 1-11. VALVES AND MODULES INSTALLATION - FRAME MOUNTED (ANSI, CSA AND JAPANESE SPECS).....	42
FIGURE 1-12. VALVES AND MODULES INSTALLATION - FRAME MOUNTED (WITH 1 CELL LSS) (CE AND AUSTRALIAN SPECS) (SN 0300234294 to Present).....	44
FIGURE 1-13. STEER VALVE ASSEMBLY.....	46
FIGURE 1-14. TRACTION VALVE ASSEMBLY.....	48
FIGURE 1-15. FRAME COVERS INSTALLATION - PLASTIC.....	50
FIGURE 1-16. FRAME COVERS INSTALLATION - STEEL.....	52
SECTION 2 - TURNTABLE.....	55
FIGURE 2-1. VALVE, MODULE AND FILTER INSTALLATION - TURNTABLE MOUNTED (ANSI, CSA AND JAPANESE SPECS).....	56
FIGURE 2-2. VALVE, MODULE AND FILTER INSTALLATION - TURNTABLE MOUNTED (WITH 1 CELL LSS) (CE AND AUSTRALIAN SPECS) (SN 0300234294 to Present).....	58
FIGURE 2-3. BATTERY, HORN AND AUXILIARY PUMP INSTALLATION.....	60
FIGURE 2-4. MAIN VALVE ASSEMBLY.....	62
FIGURE 2-5. AUXILIARY PUMP ASSEMBLY (SN 0300209000 through 0300243453).....	66
FIGURE 2-6. SWING DRIVE INSTALLATION (SN 0300209000 through 0300254531).....	68
FIGURE 2-7. SWING DRIVE INSTALLATION (SN 0300254532 to Present).....	70
FIGURE 2-8. TURNTABLE BEARING AND LUBE INSTALLATION.....	72
FIGURE 2-9. TURNTABLE LOCK INSTALLATION.....	74
FIGURE 2-10. SWING MOTOR/HUB ASSEMBLY (SN 0300209000 through 0300254531).....	76
FIGURE 2-11. SWING MOTOR/HUB ASSEMBLY (SN 0300254532 to Present).....	80
FIGURE 2-12. ROTARY COUPLING AND COLLECTOR RING INSTALLATION.....	84
FIGURE 2-13. TANK INSTALLATION - WITH 31 GAL/117.31 L FUEL TANK.....	86
FIGURE 2-14. TANK INSTALLATION - WITH 58.2 GAL/200 L FUEL TANK.....	88
FIGURE 2-15. HYDRAULIC OIL COOLER INSTALLATION - DEUTZ TD2011 ENGINES WITH REXROTH PUMPS (OPTIONAL).....	90
FIGURE 2-16. HYDRAULIC OIL COOLER INSTALLATION - DEUTZ TD2011 ENGINES WITH SAUER PUMPS (OPTIONAL).....	92
FIGURE 2-17. HYDRAULIC OIL COOLER INSTALLATION - DEUTZ TCD2.9L4 ENGINES WITH REXROTH PUMPS (OPTIONAL).....	94
FIGURE 2-18. HYDRAULIC OIL COOLER INSTALLATION - DEUTZ TCD2.9L4 ENGINES WITH REXROTH PUMPS (OPTIONAL) (CHINA SPEC ONLY).....	96
FIGURE 2-19. HYDRAULIC OIL COOLER INSTALLATION - DEUTZ TCD2.9L4 ENGINES WITH SAUER PUMPS (OPTIONAL).....	98
FIGURE 2-20. HYDRAULIC OIL COOLER INSTALLATION - DEUTZ TCD2.9L4 ENGINES WITH SAUER PUMPS (OPTIONAL) (CHINA SPEC ONLY).....	100
FIGURE 2-21. GROUND CONTROL BOX INSTALLATION - TD2011 ENGINES WITH REXROTH PUMPS (ANSI EXPORT (LRC), AUSTRALIAN AND CHINA SPECS).....	102
FIGURE 2-22. GROUND CONTROL BOX INSTALLATION - TD2011 ENGINES WITH REXROTH PUMPS (CE (LRC) SPECS).....	104
FIGURE 2-23. GROUND CONTROL BOX INSTALLATION - TD2011 ENGINES WITH SAUER PUMPS (ANSI EXPORT (LRC), AUSTRALIAN AND CHINA SPECS).....	106
FIGURE 2-24. GROUND CONTROL BOX INSTALLATION - TD2011 ENGINES WITH SAUER PUMPS (CE (LRC) SPECS).....	108
FIGURE 2-25. GROUND CONTROL BOX INSTALLATION - TCD2.9L4 ENGINES WITH REXROTH PUMPS (ANSI, ANSI EXPORT (HRC), CHINA, CSA AND JAPANESE SPECS).....	110
FIGURE 2-26. GROUND CONTROL BOX INSTALLATION - TCD2.9L4 ENGINES WITH REXROTH PUMPS (CE SPECS).....	112
FIGURE 2-27. GROUND CONTROL BOX ASSEMBLY (ALL SPECS EXCEPT CE SPECS).....	114
FIGURE 2-28. GROUND CONTROL BOX ASSEMBLY (CE SPECS).....	118
FIGURE 2-29. KEYSWITCH INSTALLATION.....	122
FIGURE 2-30. LIGHT PANEL INSTALLATION (ALL SPECS EXCEPT AUSTRALIAN, CE AND CE (LRC) SPECS).....	124
FIGURE 2-31. LIGHT PANEL INSTALLATION (AUSTRALIAN, CE AND CE (LRC) SPECS).....	126
FIGURE 2-32. ALARMS INSTALLATION.....	128
FIGURE 2-33. STROBE LIGHT INSTALLATION (AMBER).....	130

TABLE OF CONTENTS

FIGURE 2-34. BEACON LIGHT INSTALLATION (BLUE) (SN 0300209000 through 0300217093)	132
FIGURE 2-35. STROBE LIGHT INSTALLATION (BLUE) (SN 0300217094 to Present)	134
FIGURE 2-36. BEACON LIGHT INSTALLATION (RED) (SN 0300209000 through 0300217093)	136
FIGURE 2-37. STROBE LIGHT INSTALLATION (RED) (SN 0300217094 to Present)	138
FIGURE 2-38. PINION SHIELD INSTALLATION	140
FIGURE 2-39. ENGINE TRAY JACK INSTALLATION - DEUTZ TD2011 ENGINES	142
FIGURE 2-40. ENGINE TRAY JACK INSTALLATION - DEUTZ TCD2.9L4 ENGINES	144
FIGURE 2-41. HOOD INSTALLATION - DEUTZ TD2011 ENGINES	146
FIGURE 2-42. HOOD INSTALLATION - DEUTZ TCD2.9L4 ENGINES	150
SECTION 3 - ENGINE	155
FIGURE 3-1. DEUTZ TD2011 ENGINE INSTALLATION - WITH REXROTH PUMPS (WITHOUT SKYPOWER AND WITHOUT COLD WEATHER PLUS PACKAGE)	156
FIGURE 3-2. DEUTZ TD2011 ENGINE ASSEMBLY - WITH REXROTH PUMPS (WITHOUT SKYPOWER AND WITHOUT COLD WEATHER PLUS PACKAGE)	160
FIGURE 3-3. DEUTZ TD2011 ENGINE INSTALLATION - WITH REXROTH PUMPS (WITH SKYPOWER AND WITHOUT COLD WEATHER PLUS PACKAGE)	164
FIGURE 3-4. DEUTZ TD2011 ENGINE ASSEMBLY - WITH REXROTH PUMPS (WITH SKYPOWER AND WITHOUT COLD WEATHER PLUS PACKAGE)	168
FIGURE 3-5. DEUTZ TD2011 ENGINE INSTALLATION - WITH REXROTH PUMPS (WITH SKYPOWER AND WITH COLD WEATHER PLUS PACKAGE)	172
FIGURE 3-6. DEUTZ TD2011 ENGINE ASSEMBLY - WITH REXROTH PUMPS (WITH SKYPOWER AND WITH COLD WEATHER PLUS PACKAGE)	176
FIGURE 3-7. DEUTZ TD2011 ENGINE INSTALLATION - WITH SAUER PUMPS (WITHOUT SKYPOWER AND WITHOUT COLD WEATHER PLUS PACKAGE)	180
FIGURE 3-8. DEUTZ TD2011 ENGINE ASSEMBLY - WITH SAUER PUMPS (WITHOUT SKYPOWER AND WITHOUT COLD WEATHER PLUS PACKAGE)	184
FIGURE 3-9. DEUTZ TD2011 ENGINE INSTALLATION - WITH SAUER PUMPS (WITH SKYPOWER AND WITHOUT COLD WEATHER PLUS PACKAGE)	188
FIGURE 3-10. DEUTZ TD2011 ENGINE ASSEMBLY - WITH SAUER PUMPS (WITH SKYPOWER AND WITHOUT COLD WEATHER PLUS PACKAGE)	192
FIGURE 3-11. DEUTZ TD2011 ENGINE INSTALLATION - WITH SAUER PUMPS (WITH SKYPOWER AND WITH COLD WEATHER PLUS PACKAGE)	196
FIGURE 3-12. DEUTZ TD2011 ENGINE ASSEMBLY - WITH SAUER PUMPS (WITH SKYPOWER AND WITH COLD WEATHER PLUS PACKAGE)	200
FIGURE 3-13. ENGINE COMPONENTS - DEUTZ TD2011 ENGINE	204
FIGURE 3-14. DEUTZ TCD2.9L4 ENGINE INSTALLATION - WITH REXROTH PUMPS (WITHOUT COLD WEATHER PLUS PACKAGE)	208
FIGURE 3-15. DEUTZ TCD2.9L4 ENGINE SUB-ASSEMBLY - WITH REXROTH PUMPS (WITHOUT COLD WEATHER PLUS PACKAGE)	212
FIGURE 3-16. DEUTZ TCD2.9L4 ENGINE INSTALLATION - WITH REXROTH PUMPS (WITHOUT COLD WEATHER PLUS PACKAGE) (CHINA SPEC ONLY)	214
FIGURE 3-17. DEUTZ TCD2.9L4 ENGINE SUB-ASSEMBLY - WITH REXROTH PUMPS (WITHOUT COLD WEATHER PLUS PACKAGE) (CHINA SPEC ONLY)	218
FIGURE 3-18. DEUTZ TCD2.9L4 ENGINE INSTALLATION - WITH REXROTH PUMPS (WITH COLD WEATHER PLUS PACKAGE)	220
FIGURE 3-19. DEUTZ TCD2.9L4 ENGINE SUB-ASSEMBLY - WITH REXROTH PUMPS (WITH COLD WEATHER PLUS PACKAGE)	224
FIGURE 3-20. DEUTZ TCD2.9L4 ENGINE INSTALLATION - WITH SAUER PUMPS (WITHOUT COLD WEATHER PLUS PACKAGE)	226
FIGURE 3-21. DEUTZ TCD2.9L4 ENGINE SUB-ASSEMBLY - WITH SAUER PUMPS (WITHOUT COLD WEATHER PLUS PACKAGE)	230
FIGURE 3-22. DEUTZ TCD2.9L4 ENGINE INSTALLATION - WITH SAUER PUMPS (WITHOUT COLD WEATHER PLUS PACKAGE) (CHINA SPEC ONLY)	232
FIGURE 3-23. DEUTZ TCD2.9L4 ENGINE SUB-ASSEMBLY - WITH SAUER PUMPS (WITHOUT COLD WEATHER PLUS PACKAGE) (CHINA SPEC ONLY)	236
FIGURE 3-24. DEUTZ TCD2.9L4 ENGINE INSTALLATION - WITH SAUER PUMPS (WITH COLD WEATHER PLUS PACKAGE)	238
FIGURE 3-25. DEUTZ TCD2.9L4 ENGINE SUB-ASSEMBLY - WITH SAUER PUMPS (WITH COLD WEATHER PLUS PACKAGE)	242
FIGURE 3-26. DEUTZ TCD2.9L4 ENGINE ASSEMBLY - WITHOUT COLD WEATHER PLUS PACKAGE	244
FIGURE 3-27. DEUTZ TCD2.9L4 ENGINE ASSEMBLY - WITHOUT COLD WEATHER PLUS PACKAGE (CHINA SPEC ONLY)	250
FIGURE 3-28. DEUTZ TCD2.9L4 ENGINE ASSEMBLY - WITH COLD WEATHER PLUS PACKAGE	256
FIGURE 3-29. ENGINE COMPONENTS - DEUTZ TCD2.9L4 ENGINE	262
FIGURE 3-30. ENGINE COMPONENTS - DEUTZ TCD2.9L4 ENGINE (CHINA SPEC ONLY)	266

TABLE OF CONTENTS

FIGURE 3-31. DEUTZ TCD2.9L4 DIESEL ENGINE (STAGE V) INSTALLATION - WITH SAUER PUMPS (WITHOUT COLD WEATHER PLUS PACKAGE).....	270
FIGURE 3-32. DEUTZ TCD2.9L4 DIESEL ENGINE (STAGE V) INSTALLATION - WITH REXROTH PUMPS (WITHOUT COLD WEATHER PLUS PACKAGE).....	274
FIGURE 3-33. DEUTZ TCD2.9L4 ENGINE (STAGE V) SUB-ASSEMBLY - WITH SAUER PUMP (WITHOUT COLD WEATHER PLUS PACKAGE).....	278
FIGURE 3-34. DEUTZ TCD2.9L4 ENGINE (STAGE V) SUB-ASSEMBLY - WITH REXROTH PUMP (WITHOUT COLD WEATHER PLUS PACKAGE).....	280
FIGURE 3-35. DEUTZ TCD2.9L4 ENGINE (STAGE V) ASSEMBLY (WITHOUT COLD WEATHER PLUS PACKAGE).....	282
FIGURE 3-36. DEUTZ TCD2.9L4 ENGINE COMPONENTS (STAGE V).....	288
FIGURE 3-37. PUMP ASSEMBLY (REXROTH) (DEUTZ TD2011 ENGINES).....	292
FIGURE 3-38. PUMP ASSEMBLY (REXROTH) (DEUTZ TCD2.9L4 ENGINES).....	298
FIGURE 3-39. PUMP ASSEMBLY (SAUER TANDEM).....	304
FIGURE 3-40. PUMP ASSEMBLY (SAUER PISTON).....	308
FIGURE 3-41. PUMP ASSEMBLY (SAUER GEAR).....	312
FIGURE 3-42. PUMP COUPLING KIT.....	314
FIGURE 3-43. FUEL-WATER SEPARATOR INSTALLATION - DEUTZ TD2011 (OPTIONAL).....	316
FIGURE 3-44. FUEL PUMP/FILTER BRACKET ASSEMBLY (DEUTZ TCD2.9L4 ENGINE).....	318
FIGURE 3-45. FUEL PUMP/FILTER BRACKET ASSEMBLY - DEUTZ TCD2.9L4 ENGINE (SN 0300239675 to Present).....	320
FIGURE 3-46. FUEL FILTER/WATER SEPARATOR INSTALLATION - DEUTZ TCD2.9L4 ENGINE (CHINA SPECS ONLY).....	322
FIGURE 3-47. BREATHER HEATER INSTALLATION - DEUTZ D2.9L4 ENGINE WITH ARCTIC PACKAGE.....	324
FIGURE 3-48. SPARK ARRESTOR INSTALLATION - DEUTZ TCD2.9L4 ENGINES (OPTIONAL).....	326
FIGURE 3-49. 4000W GENERATOR INSTALLATION - 60HZ SPECS (DEUTZ TD2011 ENGINES).....	328
FIGURE 3-50. 4000W GENERATOR INSTALLATION - 50HZ SPECS (DEUTZ TD2011 ENGINES).....	332
FIGURE 3-51. 4000W GENERATOR INSTALLATION - 60HZ SPEC (DEUTZ TCD2.9L4 ENGINES).....	334
FIGURE 3-52. 4000W GENERATOR INSTALLATION - 50HZ SPEC (DEUTZ TCD2.9L4 ENGINES).....	338
FIGURE 3-53. 7500W SKYPOWER GENERATOR INSTALLATION - 60HZ SPEC (DEUTZ TD2011 ENGINES) (OPTIONAL).....	342
FIGURE 3-54. 7500W SKYPOWER GENERATOR INSTALLATION - 50HZ SPEC (DEUTZ TD2011 ENGINES) (OPTIONAL).....	346
FIGURE 3-55. 7500W SKYPOWER GENERATOR INSTALLATION - 60HZ SPEC (DEUTZ TCD2.9L4 ENGINES) (OPTIONAL).....	350
FIGURE 3-56. 7500W SKYPOWER GENERATOR INSTALLATION - 50HZ SPEC (DEUTZ TCD2.9L4 ENGINES) (OPTIONAL).....	354
SECTION 4 - BOOM.....	359
FIGURE 4-1. BOOM INSTALLATION - WITHOUT COLD WEATHER PLUS PACKAGE.....	360
FIGURE 4-2. BOOM INSTALLATION - WITH COLD WEATHER PLUS PACKAGE.....	362
FIGURE 4-3. BOOM ASSEMBLY - WITHOUT COLD WEATHER PLUS PACKAGE.....	364
FIGURE 4-4. BOOM ASSEMBLY - WITH COLD WEATHER PLUS PACKAGE.....	370
FIGURE 4-5. WIRE ROPE TOOLS INSTALLATION (OPTIONAL).....	376
FIGURE 4-6. JIB INSTALLATION.....	378
FIGURE 4-7. JIB BOOM ASSEMBLY.....	382
FIGURE 4-8. PLATFORM ROTATE ACTUATOR ASSEMBLY.....	384
FIGURE 4-9. JIB ROTATE ACTUATOR ASSEMBLY.....	386
FIGURE 4-10. POWER TRACK INSTALLATION.....	388
FIGURE 4-11. BOOM SENSORS AND SWITCHES INSTALLATION.....	392
FIGURE 4-12. VALVES (BOOM MOUNTED) INSTALLATION (ANSI, CSA AND JAPANESE SPECS).....	396
FIGURE 4-13. VALVES (BOOM MOUNTED) INSTALLATION (WITH 1 CELL LSS) (CE AND AUSTRALIAN SPECS).....	398
FIGURE 4-14. PLATFORM VALVE ASSEMBLY.....	400
FIGURE 4-15. JIB VALVE ASSEMBLY.....	402
FIGURE 4-16. ENCLOSURE BOX ASSEMBLY.....	406
FIGURE 4-17. PLATFORM SUPPORT INSTALLATION - WITHOUT LSS.....	408
FIGURE 4-18. PLATFORM SUPPORT INSTALLATION - WITH 4 CELL LSS.....	410
FIGURE 4-19. PLATFORM SUPPORT INSTALLATION - WITH 1 CELL LSS.....	412
SECTION 5 - PLATFORM.....	415
FIGURE 5-1. PLATFORM ASSEMBLY - 30IN X 3FT (76CM X .91M) - DROP BAR ENTRY.....	416
FIGURE 5-2. PLATFORM ASSEMBLY - 30IN X 4FT (76CM X 1.22M) - SIDE GATE ENTRY.....	418
FIGURE 5-3. PLATFORM ASSEMBLY - 36IN X 6FT (91.5CM X 1.83M) WITH SWING GATE.....	420
FIGURE 5-4. PLATFORM ASSEMBLY - 36IN X 6FT (91.5CM X 1.83M) TRI-ENTRY WITH SWING GATE.....	422
FIGURE 5-5. PLATFORM ASSEMBLY - 36IN X 8FT (91.5CM X 2.44M) WITH SWING GATE.....	424
FIGURE 5-6. PLATFORM ASSEMBLY - 36IN X 8FT (91.5CM X 2.44M) WITH TRI-ENTRY (1 GATE/2 DROP BARS).....	426
FIGURE 5-7. PLATFORM ASSEMBLY - 30IN X 4FT (76CM X 1.22M) WITH DROP BAR.....	428
FIGURE 5-8. PLATFORM ASSEMBLY - 36IN X 6FT (91.5CM X 1.83M) WITH DROP BAR.....	430
FIGURE 5-9. PLATFORM ASSEMBLY - 36IN X 6FT (91.5CM X 1.83M) TRI-ENTRY WITH DROPBAR.....	432
FIGURE 5-10. PLATFORM ASSEMBLY - 36IN X 8FT (91.5CM X 2.44M) WITH DROP BAR.....	434

TABLE OF CONTENTS

FIGURE 5-11. PLATFORM ASSEMBLY - 36IN X 8FT (91.5CM X 2.44M) WITH TRI-ENTRY (3 DROP BARS).....	436
FIGURE 5-12. PLATFORM ASSEMBLY - 36IN X 8FT (91.5CM X 2.44M) WITH FALL ARREST (ANSI SPECS)	438
FIGURE 5-13. PLATFORM ASSEMBLY - 36IN X 8FT (91.5CM X 2.44M) WITH FALL ARREST (AUSTRALIAN AND CE SPECS)	440
FIGURE 5-14. PLATFORM CONSOLE BOX INSTALLATION - WITHOUT SKYGUARD (SN 0300209000 through 0300226076)	442
FIGURE 5-15. PLATFORM CONSOLE BOX INSTALLATION - WITH SKYGUARD (WITH 4 CELL LSS)	444
FIGURE 5-16. PLATFORM CONSOLE BOX INSTALLATION - WITH SKYGUARD (WITH 1 CELL LSS)	446
FIGURE 5-17. PLATFORM CONSOLE ASSEMBLY - WITHOUT SKYGUARD (SN 0300209000 through 0300220151)	448
FIGURE 5-18. PLATFORM CONSOLE ASSEMBLY - WITHOUT SKYGUARD (SN 0300220152 through 0300226076)	452
FIGURE 5-19. PLATFORM CONSOLE ASSEMBLY - WITH SKYGUARD (SN 0300209000 through 0300220151)	456
FIGURE 5-20. PLATFORM CONSOLE ASSEMBLY - WITH SKYGUARD (WITH 4 CELL LSS)	460
FIGURE 5-21. PLATFORM CONSOLE ASSEMBLY - WITH SKYGUARD (WITH 1 CELL LSS)	464
FIGURE 5-22. DECAL AND LIGHT PANEL (ANSI SPECS)	468
FIGURE 5-23. DECAL AND LIGHT PANEL (CE SPECS)	470
FIGURE 5-24. LCD DISPLAY INSTALLATION (SN 0300209000 through 0300248232)	472
FIGURE 5-25. LCD DISPLAY INSTALLATION (SN 0300248233 to Present)	474
FIGURE 5-26. CONTROLLER ASSEMBLY - LIFT AND SWING	476
FIGURE 5-27. CONTROLLER ASSEMBLY - DRIVE AND STEER	480
FIGURE 5-28. FOOTSWITCH ASSEMBLY	482
FIGURE 5-29. TRAY INSTALLATION	484
FIGURE 5-30. SKYGUARD SYSTEM INSTALLATION	486
FIGURE 5-31. CROSS RAIL INSTALLATION	488
FIGURE 5-32. SKYGLAZIER INSTALLATIONS (ANSI AND CSA SPECS)	490
FIGURE 5-33. SKYGLAZIER INSTALLATION (AUSTRALIAN SPECS) (SN 0300209000 through 0300234293)	492
FIGURE 5-34. SKYWELDER/SKYCUTTER COMBO INSTALLATION (60HZ)	494
FIGURE 5-35. SKYWELDER INSTALLATION (50HZ)	498
FIGURE 5-36. SKYWELDER INSTALLATION (60HZ)	500
FIGURE 5-37. SKYWELDER PREP PACKAGE (60HZ)	502
FIGURE 5-38. WELDER ASSEMBLY	504
FIGURE 5-39. SKYCUTTER INSTALLATION	506
FIGURE 5-40. PIPE RACK INSTALLATION (ANSI AND CSA SPECS)	508
FIGURE 5-41. PIPE RACK INSTALLATION (AUSTRALIAN AND CE SPEC)	510
FIGURE 5-42. FALL ARREST INSTALLTION (BOLT-ON EXTERNAL) (6FT/1.82M PLATFORM)	512
FIGURE 5-43. FALL ARREST INSTALLTION (BOLT-ON EXTERNAL) (6FT/1.82M TRI-ENTRY PLATFORM)	514
FIGURE 5-44. FALL ARREST INSTALLTION (BOLT-ON EXTERNAL) (8FT/2.4M PLATFORM)	516
SECTION 6 - CYLINDER	519
FIGURE 6-1. AXLE EXTENSION CYLINDER ASSEMBLY (SN 0300209000 through 0300239674)	520
FIGURE 6-2. AXLE EXTENSION CYLINDER ASSEMBLY (SN 0300239675 to Present)	522
FIGURE 6-3. AXLE LOCKOUT CYLINDER ASSEMBLY (SN 0300209000 through 0300239674)	524
FIGURE 6-4. AXLE LOCKOUT CYLINDER ASSEMBLY (SN 0300239675 to Present)	526
FIGURE 6-5. LEVEL (JIB) CYLINDER ASSEMBLY - WITHOUT COLD WEATHER PLUS PACKAGE (SN 0300209000 through 0300239990)	528
FIGURE 6-6. LEVEL (JIB) CYLINDER ASSEMBLY - WITH COLD WEATHER PLUS PACKAGE (SN 0300209000 through 0300239990)	530
FIGURE 6-7. LEVEL (JIB) CYLINDER ASSEMBLY - WITH OR WITHOUT COLD WEATHER PLUS PACKAGE (SN 0300239991 to Present)	532
FIGURE 6-8. LEVEL (PLATFORM) CYLINDER ASSEMBLY (SN 0300209000 through 0300239674)	534
FIGURE 6-9. LEVEL (PLATFORM) CYLINDER ASSEMBLY (SN 0300239675 to Present)	536
FIGURE 6-10. LIFT (BOOM) CYLINDER ASSEMBLY (SN 0300209000 through 0300239990)	538
FIGURE 6-11. LIFT (BOOM) CYLINDER ASSEMBLY (SN 0300239991 to Present)	540
FIGURE 6-12. LIFT (JIB) CYLINDER ASSEMBLY (SN 0300209000 through 0300239990)	542
FIGURE 6-13. LIFT (JIB) CYLINDER ASSEMBLY (SN 0300239991 to Present)	544
FIGURE 6-14. LOCK (JIB) CYLINDER ASSEMBLY (SN 0300209000 through 0300239674)	546
FIGURE 6-15. LOCK (JIB) CYLINDER ASSEMBLY (SN 0300239675 to Present)	548
FIGURE 6-16. STEER CYLINDER ASSEMBLY (SN 0300209000 through 0300238017)	550
FIGURE 6-17. STEER CYLINDER ASSEMBLY (SN 0300238018 to Present)	552
FIGURE 6-18. TELESCOPE (JIB) CYLINDER ASSEMBLY (SN 0300209000 through 0300213726)	554
FIGURE 6-19. TELESCOPE (JIB) CYLINDER ASSEMBLY (SN 0300213727 through 0300244704)	556
FIGURE 6-20. TELESCOPE (JIB) CYLINDER ASSEMBLY (SN 0300244705 to Present)	558
FIGURE 6-21. TELESCOPE (MAIN BOOM) CYLINDER ASSEMBLY (SN 0300209000 through 0300244704)	560
FIGURE 6-22. TELESCOPE (MAIN BOOM) CYLINDER ASSEMBLY (SN 0300244705 to Present)	562
SECTION 7 - HYDRAULIC	565

TABLE OF CONTENTS

FIGURE 7-1. HYDRAULIC DIAGRAM - BOOM	566
FIGURE 7-2. HYDRAULIC DIAGRAM - DRIVE	570
FIGURE 7-3. HYDRAULIC DIAGRAM - OSCILLATING AXLE	574
FIGURE 7-4. HYDRAULIC DIAGRAM - STEER	576
FIGURE 7-5. HYDRAULIC DIAGRAM - TURNTABLE (DEUTZ TD2011 ENGINE MACHINES WITH REXROTH PUMPS)	578
FIGURE 7-6. HYDRAULIC DIAGRAM - TURNTABLE (DEUTZ TCD2.9L4 ENGINE MACHINES WITH REXROTH PUMPS)	580
FIGURE 7-7. HYDRAULIC DIAGRAM - TURNTABLE (DEUTZ TD2011 AND DEUTZ TCD2.9L4 ENGINE MACHINES WITH SAUER PUMPS)	582
FIGURE 7-8. HYDRAULIC DIAGRAM LIST	584
 SECTION 8 - ELECTRICAL	 587
FIGURE 8-1. AC BOX AT PLATFORM - 110V (ANSI SPECS)	588
FIGURE 8-2. AC BOX AT PLATFORM - 110V GFI RECEPTACLE (ANSI SPECS)	590
FIGURE 8-3. AC BOX AT PLATFORM - 220V GFI RECEPTACLE (ANSI SPECS)	592
FIGURE 8-4. AC BOX AT PLATFORM INSTALLATION - BOX WITH COVER (2X4 BOX) WITH 4000W GENERATOR (ANSI EXPORT SPECS) (SN 0300209000 through 0300214023)	594
FIGURE 8-5. AC BOX AT PLATFORM INSTALLATION - BOX WITH COVER (2X4 BOX) WITH 4000W GENERATOR (ANSI EXPORT SPECS) (SN 0300214024 to Present)	596
FIGURE 8-6. AC BOX AT PLATFORM INSTALLATION - 110V IEC 60309 YELLOW WITHOUT 2500W GENERATOR (CE SPECS)	598
FIGURE 8-7. AC BOX AT PLATFORM INSTALLATION - 110V IEC 60309 YELLOW WITH 4000W GENERATOR (CE SPECS) (SN 0300209000 through 0300214023)	600
FIGURE 8-8. AC BOX AT PLATFORM INSTALLATION - 110V IEC 60309 YELLOW WITH 4000W GENERATOR (CE SPECS) (SN 0300214024 to Present)	602
FIGURE 8-9. AC BOX AT PLATFORM INSTALLATION - 220V IEC 60309 BLUE WITHOUT 2500W GENERATOR (CE SPECS)	604
FIGURE 8-10. AC BOX AT PLATFORM INSTALLATION - 220V IEC 60309 BLUE WITH 4000W GENERATOR (CE SPECS) (SN 0300209000 through 0300214023)	606
FIGURE 8-11. AC BOX AT PLATFORM INSTALLATION - 220V IEC 60309 BLUE WITH 4000W GENERATOR (CE SPECS) (SN 0300214024 to Present)	608
FIGURE 8-12. AC BOX AT PLATFORM INSTALLATION - 220V CEE7 POST GROUND (2X4 BOX) WITHOUT 2500W GENERATOR (CE SPECS)	610
FIGURE 8-13. AC BOX AT PLATFORM INSTALLATION - 220V CEE7 POST GROUND (2X4 BOX) WITH 4000W GENERATOR (CE SPECS) (SN 0300209000 through 0300214023)	612
FIGURE 8-14. AC BOX AT PLATFORM INSTALLATION - 220V CEE7 POST GROUND (2X4 BOX) WITH 4000W GENERATOR (CE SPECS) (SN 0300214024 to Present)	614
FIGURE 8-15. AC BOX AT PLATFORM INSTALLATION - 220V CEE7 SIDE GROUND (2X4 BOX) WITHOUT 2500W GENERATOR (CE SPECS)	616
FIGURE 8-16. AC BOX AT PLATFORM INSTALLATION - 220V CEE7 SIDE GROUND (2X4 BOX) WITH 4000W GENERATOR (CE SPECS) (SN 0300209000 through 0300214023)	618
FIGURE 8-17. AC BOX AT PLATFORM INSTALLATION - 220V CEE7 SIDE GROUND (2X4 BOX) WITH 4000W GENERATOR (CE SPECS) (SN 0300214024 to Present)	620
FIGURE 8-18. AC BOX AT PLATFORM INSTALLATION - 220V AFSINT 107 KEYED GROUND (2X4 BOX) WITHOUT 2500W GENERATOR (CE SPECS)	622
FIGURE 8-19. AC BOX AT PLATFORM INSTALLATION - 220V AFSINT 107 KEYED GROUND (2X4 BOX) WITH 4000W GENERATOR (CE SPECS) (SN 0300209000 through 0300214023)	624
FIGURE 8-20. AC BOX AT PLATFORM INSTALLATION - 220V AFSINT 107 KEYED GROUND (2X4 BOX) WITH 4000W GENERATOR (CE SPECS) (SN 0300214024 to Present)	626
FIGURE 8-21. AC 16 AMP/30MA BREAKER BOX INSTALLATION	628
FIGURE 8-22. AC 16 AMP BREAKER BOX INSTALLATION (CE SPECS)	630
FIGURE 8-23. AXLE POWER TRACK HARNESS ASSEMBLY	632
FIGURE 8-24. BEACON CONTROL HARNESS (BLUE BEACON LIGHT ONLY)	634
FIGURE 8-25. BEACON LIGHT HARNESS (BLUE BEACON LIGHT ONLY)	636
FIGURE 8-26. B.L.A.M. HARNESS	638
FIGURE 8-27. B.L.A.M. TO BOOM LENGTH SENSOR HARNESS	640
FIGURE 8-28. B.L.A.M. TO BOOM ANGLE SENSOR HARNESS (LEFT SIDE)	642
FIGURE 8-29. B.L.A.M. TO BOOM ANGLE SENSOR HARNESS (RIGHT SIDE)	644
FIGURE 8-30. BOOM CABLES INSTALLATION (ANSI, CSA AND JAPANESE SPECS)	646
FIGURE 8-31. BOOM CABLES INSTALLATION - WITH 4000W 60HZ GENERATOR (ANSI AND ANSI EXPORT SPECS)	648
FIGURE 8-32. BOOM CABLES INSTALLATION - WITH 4000W 50HZ GENERATOR (CE SPECS)	650
FIGURE 8-33. BOOM CABLES INSTALLATION - WITH 7500W GENERATOR	652
FIGURE 8-34. BOOM CYLINDER ANGLE HARNESS	654
FIGURE 8-35. BREAKER BOX KIT - 16 AMP	656
FIGURE 8-36. BREAKER BOX KIT - 16 AMP (4000W GENERATOR)	658
FIGURE 8-37. BREAKER BOX KIT - 16 AMP/30MA	660
FIGURE 8-38. CHASSIS HARNESS ASSEMBLY	662

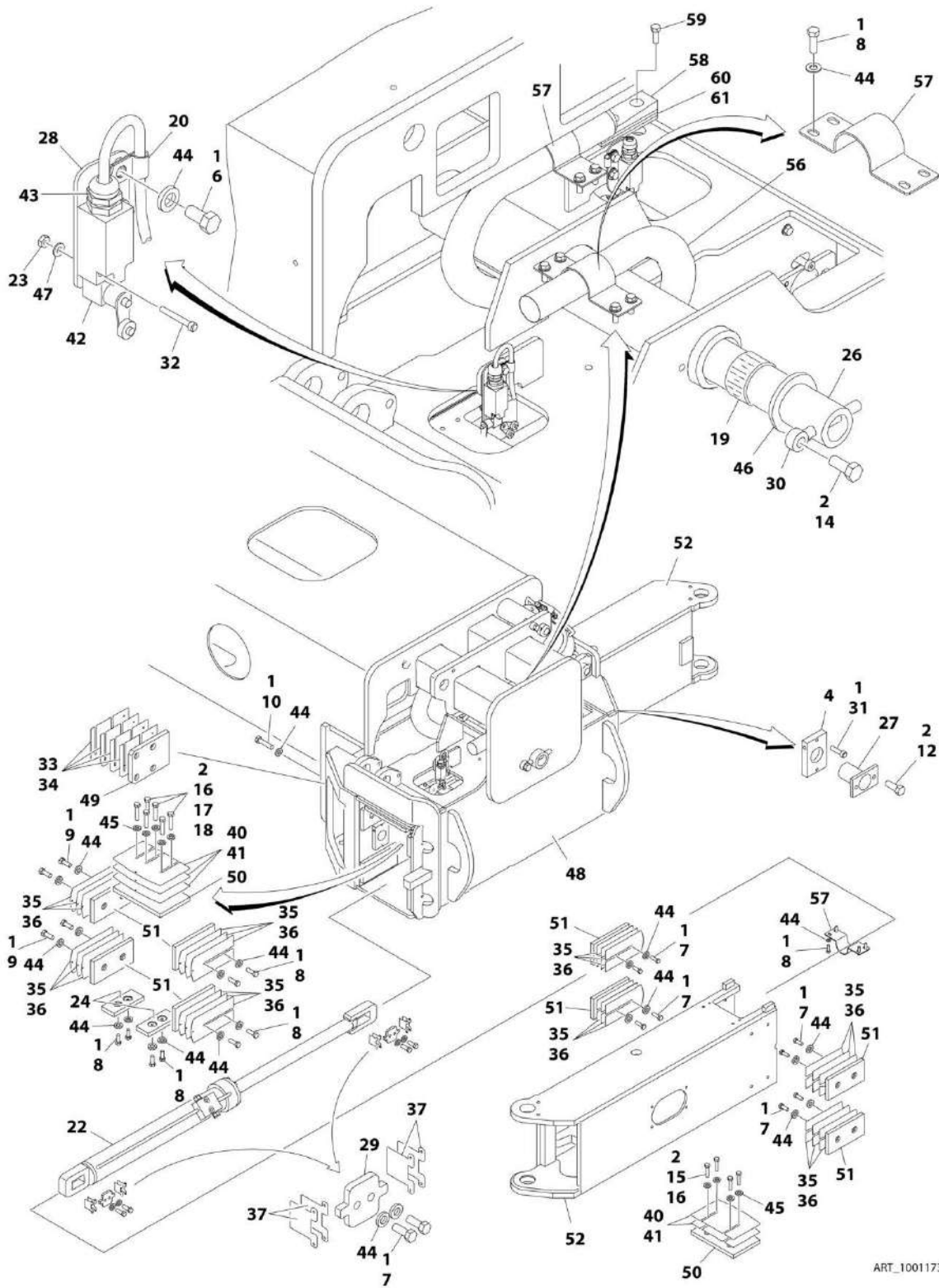
TABLE OF CONTENTS

FIGURE 8-39. ENGINE HARNESS - DEUTZ TD2011 ENGINES.....	664
FIGURE 8-40. ENGINE HARNESS - DEUTZ TCD2.9L4 ENGINES	666
FIGURE 8-41. FUEL FILTER HARNESS - DEUTZ TCD2.9L4 ENGINES	670
FIGURE 8-42. FUEL HARNESS - DEUTZ TCD2.9L4 ENGINES.....	672
FIGURE 8-43. GENERATOR HARNESS - 4000W GENERATOR	674
FIGURE 8-44. GENERATOR HARNESS - 7500W GENERATOR	676
FIGURE 8-45. GROUND CONTROL BOX HARNESS ASSEMBLY (ALL SPECS EXCEPT CE SPECS)	678
FIGURE 8-46. GROUND CONTROL BOX HARNESS ASSEMBLY (CE SPECS).....	682
FIGURE 8-47. JIB BOOM CONTROL HARNESS.....	686
FIGURE 8-48. JIB ENABLE HARNESS	688
FIGURE 8-49. JIB VALVE HARNESS.....	690
FIGURE 8-50. LCD DISPLAY HARNESS (SN 0300209000 through 0300248232).....	692
FIGURE 8-51. LCD DISPLAY HARNESS (SN 0300248233 to Present).....	694
FIGURE 8-52. LOAD SENSING PIN HARNESS	696
FIGURE 8-53. MAIN BOOM CONTROL HARNESS	698
FIGURE 8-54. PLATFORM CONSOLE BOX HARNESS ASSEMBLY - WITHOUT SKYGUARD.....	700
FIGURE 8-55. PLATFORM CONSOLE BOX HARNESS ASSEMBLY - WITH SKYGUARD (WITH 4 CELL LSS) (SN 0300220152 through 0300234293).....	702
FIGURE 8-56. PLATFORM CONSOLE BOX HARNESS ASSEMBLY - WITH SKYGUARD (WITH 1 CELL LSS) (SN 0300234294 to Present).....	706
FIGURE 8-57. PLATFORM VALVE HARNESS	708
FIGURE 8-58. PUMP HARNESS	710
FIGURE 8-59. PUMP ADAPTER HARNESS - SAUER PUMP TO REXROTH PUMP.....	712
FIGURE 8-60. RECEPTACLE BOX KIT - 110V IEC YELLOW WITHOUT 2500W GENERATOR (CE SPECS)	714
FIGURE 8-61. RECEPTACLE BOX KIT - 220V IEC BLUE WITHOUT 2500W GENERATOR (CE SPECS).....	716
FIGURE 8-62. RECEPTACLE BOX KIT - 220V CEE7 POST GROUND WITHOUT 2500W GENERATOR (2X4 BOX) (CE SPECS).....	718
FIGURE 8-63. RECEPTACLE BOX KIT - 220V CEE7 SIDE GROUND WITHOUT 2500W GENERATOR (2X4 BOX) (CE SPECS).....	720
FIGURE 8-64. RECEPTACLE BOX KIT - 220V AFSINT 107 KEYED GROUND WITHOUT 2500W GENERATOR (2X4 BOX) (CE SPECS).....	722
FIGURE 8-65. STROBE LIGHT HARNESS (AMBER).....	724
FIGURE 8-66. TURNTABLE HARNESS ASSEMBLY.....	726
FIGURE 8-67. ELECTRICAL DIAGRAM LIST	730
SECTION 9 - DECALS	731
FIGURE 9-1. DECAL INSTALLATION - ANSI SPEC	732
FIGURE 9-2. DECAL INSTALLATION - AUSTRALIAN SPEC.....	734
FIGURE 9-3. DECAL INSTALLATION - BRAZIL SPEC (PORTUGUESE/ENGLISH).....	736
FIGURE 9-4. DECAL INSTALLATION - CE SPEC	738
FIGURE 9-5. DECAL INSTALLATION - CSA SPEC (FRENCH/ENGLISH)	740
FIGURE 9-6. DECAL INSTALLATION - CHINESE SPEC (ENGLISH)	742
FIGURE 9-7. DECAL INSTALLATION - JAPANESE SPEC (JAPANESE/ENGLISH).....	744
FIGURE 9-8. DECAL INSTALLATION - KOREAN SPEC (KOREAN/ENGLISH)	746
FIGURE 9-9. DECAL INSTALLATION - LATIN AMERICAN SPEC (SPANISH/ENGLISH).....	748
FIGURE 9-10. DECAL INSTALLATION - OPTIONS.....	750
SECTION 10 - RECOMMENDED SERVICE PARTS STOCK.....	753
FIGURE 10-1. RECOMMENDED SERVICE PARTS STOCK.....	754
SECTION 11 - SPECIAL OPTIONS	757
FIGURE 11-1. SPECIAL OPTIONS	758
PART NUMBER INDEX.....	765

SECTION 1 - FRAME

SECTION 1 - FRAME

FIGURE 1-1. AXLE INSTALLATION - FIXED



SECTION 1 - FRAME

FIGURE 1-1. AXLE INSTALLATION - FIXED

ITEM	PART NUMBER	QTY	DESCRIPTION	REV
	1001173914	Ref	AXLE INSTALLATION - FIXED	I
1	0100011	AR	Compound, Locking	
2	0100019	AR	Compound, Locking	
4	0363037	4	Bar, Stop	
6	0641606	8	Bolt 3/8 x 3/4	
7	0641608	48	Bolt 3/8 x 1	
8	0641609	64	Bolt 3/8 x 1-1/8	
9	0641611	16	Bolt 3/8 x 1-3/8	
10	0641613	8	Bolt 3/8 x 1-5/8	
12	0641808	8	Bolt 1/2 x 1	
14	0642214	1	Bolt 3/4 x 1-3/4	
15	0681813	12	Bolt 1/2 x 1-5/8 Grade 8	
16	0681814	18	Bolt 1/2 x 1-3/4 Grade 8	
17	0681815	12	Bolt 1/2 x 1-7/8 Grade 8	
18	0681816	6	Bolt 1/2 x 2 Grade 8	
19	0962033	2	Bushing	
20	1320263	4	Clamp, Cable	
22	1684102	NLA	Axle Extension Cylinder Assembly (Use p/n 1001228020) (See CYLINDER SECTION for Breakdown) (SN 0300209000 through 0300239674)	
22	1001228020	4	Axle Extension Cylinder Assembly (See CYLINDER SECTION for Breakdown) (SN 0300239675 to Present)	
23	3310805	8	Nut #8	
24	3340881	8	Pad, Wear	
26	3422918	1	Pin	
27	3422960	4	Pin	
28	3573294	4	Plate	
29	3573335	8	Plate	
30	3841287	1	Keeper, Pin	
31	3900270	4	Bolt 1/2 x 1-1/2	
32	3930820	8	Capscrew #8 x 1-1/4	
33	4071035	2	Shim #18 Gauge	
34	4071036	4	Shim #11 Gauge	
35	4071039	10	Shim #18 Gauge	
36	4071040	36	Shim #11 Gauge	
37	4071042	24	Shim #16 Gauge	
40	4071054	8	Shim #18 Gauge	
41	4071055	12	Shim #11 Gauge	
42	4360578	4	Switch, Limit	
43	4460968	4	Connector, Strain Relief	
44	4711600	144	Washer 3/8	
45	4711800	48	Washer 1/2	
46	4740461	1	Thrustwasher	
47	4750800	8	Washer #8	
48	4846383	1	Box, Axle Pivot	
49	1001161401	2	Pad, Axle	
50	1001161402	8	Pad, Wear	
51	1001161403	32	Pad, Wear	
52	4846637	4	Extension, Axle	
55	4240155	6	Tie-Strap (Not Shown)	

SECTION 1 - FRAME

ITEM	PART NUMBER	QTY	DESCRIPTION	REV
56	1001193674	4	Sleeve (Not Shown - Located on Axle Hydraulic Hoses)	
57	1001191541	8	Bracket, Hose Mount	
58	0363076	2	Bar, Stop (SN 0300215910 to Present)	
59	0641814	4	Bolt 1/2 x 1-3/4 (SN 0300215910 to Present)	
60	4071049	4	Shim #11 Gauge (SN 0300215910 to Present)	
61	4071050	2	Shim #16 Gauge (SN 0300215910 to Present)	
62	2220235	1	Plug (Not Shown - Located on Junction Manifold Valve) (SN 0300218861 to Present)	

SECTION 1 - FRAME

FIGURE 1-2. AXLE INSTALLATION - OSCILLATING

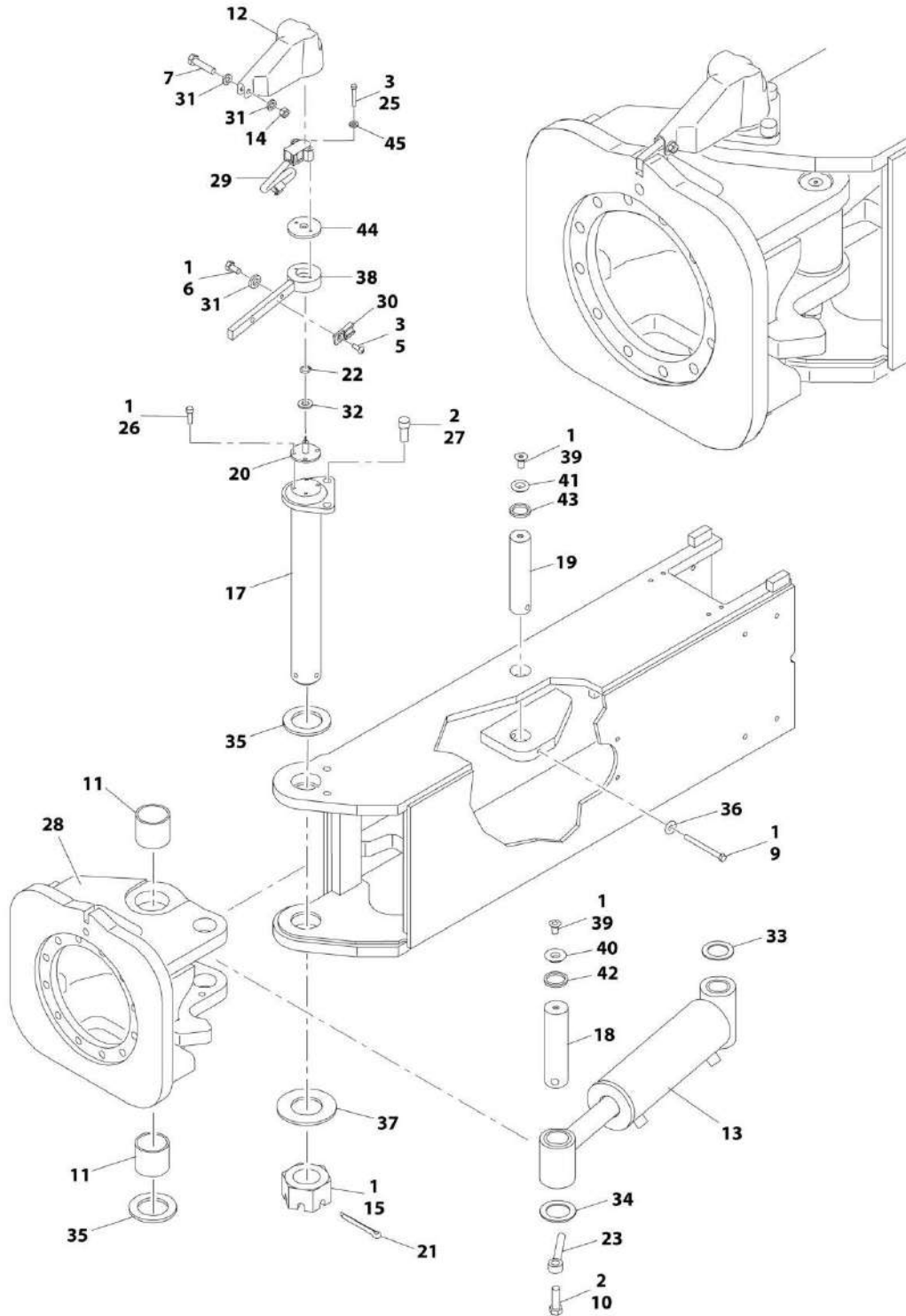
ITEM	PART NUMBER	QTY	DESCRIPTION	REV
	1001173913	Ref	AXLE INSTALLATION - OSCILLATING	H
1	0100011	AR	Compound, Locking	
2	0100019	AR	Compound, Locking	
4	0363037	4	Bar, Stop	
5	0641606	8	Bolt 3/8 x 3/4	
6	0641608	48	Bolt 3/8 x 1	
7	0641609	64	Bolt 3/8 x 1-1/8	
8	0641611	16	Bolt 3/8 x 1-3/8	
9	0641613	8	Bolt 3/8 x 1-5/8	
11	0641808	8	Bolt 1/2 x 1	
12	0642020	4	Bolt 5/8 x 2-1/2	
13	0642214	1	Bolt 3/4 x 1-3/4	
14	0681813	12	Bolt 1/2 x 1-5/8 Grade 8	
15	0681814	18	Bolt 1/2 x 1-3/4 Grade 8	
16	0681815	12	Bolt 1/2 x 1-7/8 Grade 8	
17	0681816	6	Bolt 1/2 x 2 Grade 8	
18	0962033	2	Bushing	
19	1320263	4	Clamp, Cable	
21	1684081	NLA	Axle Lockout Cylinder Assembly (Use p/n 1001228019) (See CYLINDER SECTION for Breakdown) (SN 0300209000 through 0300239674)	
21	1001228019	2	Axle Lockout Cylinder Assembly (See CYLINDER SECTION for Breakdown) (SN 0300239675 to Present)	
22	1684102	NLA	Axle Extension Cylinder Assembly (Use p/n 1001228020) (See CYLINDER SECTION for Breakdown) (SN 0300209000 through 0300239674)	
22	1001228020	4	Axle Extension Cylinder Assembly (See CYLINDER SECTION for Breakdown) (SN 0300239675 to Present)	
23	3310805	8	Nut #8	
24	3312005	4	Nut 5/8	
25	3340881	8	Pad, Wear	
27	3422833	2	Pin	
28	3422915	2	Pin	
29	3422918	1	Pin	
30	3422960	4	Pin	
31	3520054	4	Plug	
32	3573294	4	Plate	
33	3573335	8	Plate	
34	3841258	4	Keeper, Pin	
35	3841287	1	Keeper, Pin	
36	3900270	4	Bolt 1/2 x 1-1/2	
37	3930820	8	Capscrew #8 x 1-1/4	
38	4071035	2	Shim #18 Gauge	
39	4071036	4	Shim #11 Gauge	
40	4071039	10	Shim #18 Gauge	
41	4071040	36	Shim #11 Gauge	
42	4071042	24	Shim #16 Gauge	
43	4071054	8	Shim #18 Gauge	
44	4071055	12	Shim #11 Gauge	
45	4360578	4	Switch, Limit	
46	4460968	4	Connector, Strain Relief	

SECTION 1 - FRAME

ITEM	PART NUMBER	QTY	DESCRIPTION	REV
47	4711600	144	Washer 3/8	
48	4711800	48	Washer 1/2	
49	4712000	4	Washer 5/8	
50	4740461	1	Thrustwasher	
51	4750800	8	Washer #8	
52	4846383	1	Box, Axle Pivot	
53	1001161401	2	Pad, Axle	
54	1001161402	8	Pad, Wear	
55	1001161403	32	Pad, Wear	
56	4846637	4	Extension, Axle	
59	4240155	6	Tie-Strap (Not Shown)	
60	1001193674	4	Sleeve (Not Shown - Located on Axle Hydraulic Hoses)	
61	1001191541	8	Bracket, Hose Mount	

SECTION 1 - FRAME

FIGURE 1-3. STEER INSTALLATION



ART_0271520

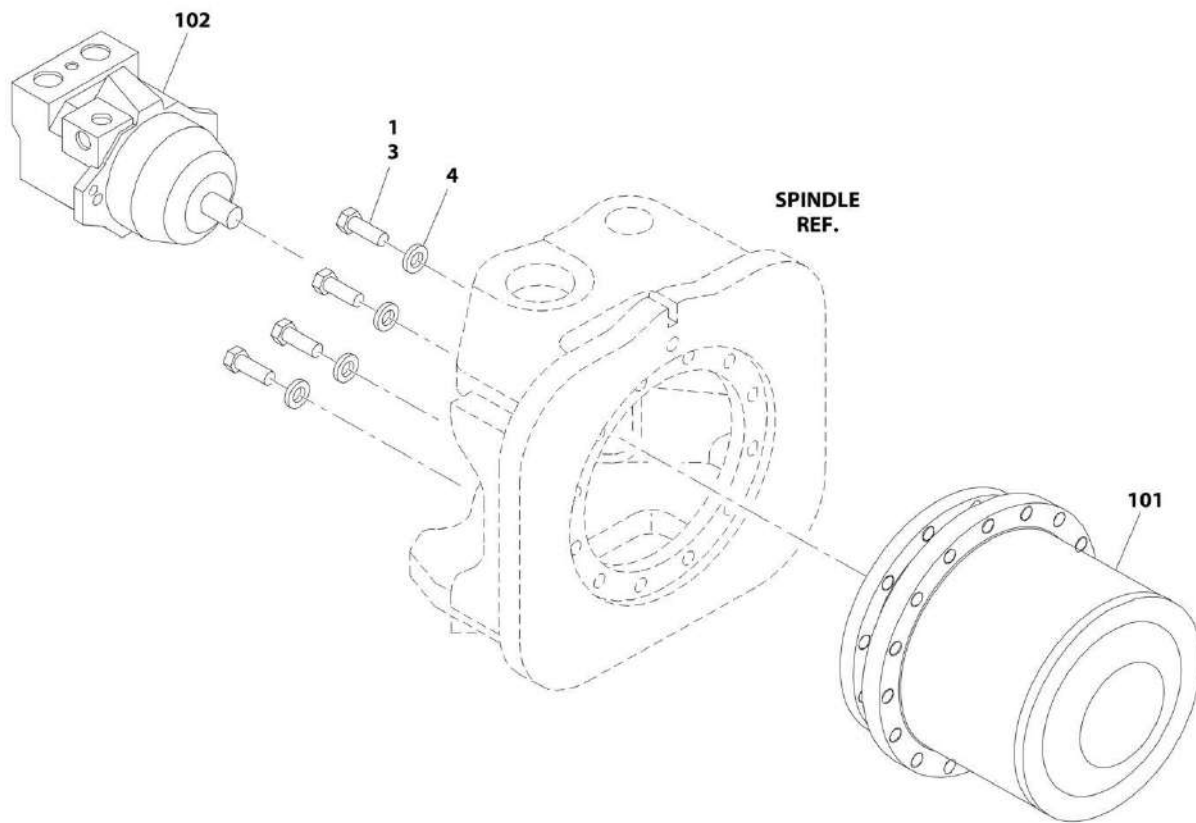
SECTION 1 - FRAME

FIGURE 1-3. STEER INSTALLATION

ITEM	PART NUMBER	QTY	DESCRIPTION	REV
	0271520	Ref	STEER INSTALLATION	L
1	0100011	AR	Compound, Locking	
2	0100019	AR	Compound, Locking	
3	0100035	AR	Compound, Locking	
5	0630464	4	Screw #10 x 1/2	
6	0641505	4	Bolt 5/16 x 5/8	
7	0641511	4	Bolt 5/16 x 1-3/8	
9	0641634	4	Bolt 3/8 x 4-1/4	
10	0642016	4	Bolt 5/8 x 2	
11	0962423	8	Bushing	
12	1671040	4	Cover, Sensor	
13	1684314	NLA	Steer Cylinder Assembly (Use p/n 1001228031) (See CYLINDER SECTION for Breakdown) (SN 0300209000 through 0300238017)	
13	1001228031	4	Steer Cylinder Assembly (See CYLINDER SECTION for Breakdown) (SN 0300238018 to Present)	
14	3311505	4	Nut 5/16	
15	3300464	4	Nut	
17	3422917	4	Kingpin	
18	3422940	4	Pin, Steer Cylinder (Outer)	
19	3422941	4	Pin, Steer Cylinder (Inner)	
20	3423256	4	Pin, Sensor	
21	3451214	4	Pin, Cotter 3/8 x 3-1/2	
22	3760383	4	Ring, Retaining	
23	3841258	4	Keeper, Pin	
25	3931020	8	Capscrew #10 x 1-1/4	
26	3931412	16	Capscrew 1/4 x 3/4	
27	3932024	8	Capscrew 5/8 x 1-1/2	
28	1001099632	4	Spindle	
29	4360505	4	Switch, Rotary Angle Sensor (Steer)	
29	4460536	1	Receptacle, Female - 2 Position	
29	4460464	2	Pin, Male	
30	4460914	4	Terminal	
31	4711500	12	Washer 5/16	
32	4711800	4	Washer 1/2	
33	4740181	4	Thrustwasher	
34	4740229	4	Thrustwasher	
35	4740505	8	Thrustwasher	
36	4751600	4	Washer 3/8	
37	4755000	4	Washer 2-1/2	
38	0200833	4	Arm, Steer	
39	0741606	8	Screw 3/8 x 3/4	
40	1120549	4	Cap, Seal (Outer)	
41	1120550	4	Cap, Seal (Inner)	
42	3960551	4	Seal (Outer)	
43	3960552	4	Seal (Inner)	
44	0080277	4	Adapter, Angle Sensor Pilot	
45	4750800	8	Washer M8	
45	4811600	8	Washer M5	

SECTION 1 - FRAME

FIGURE 1-4. WHEEL DRIVE INSTALLATION - BONFIGLIOLI



ART_0275685

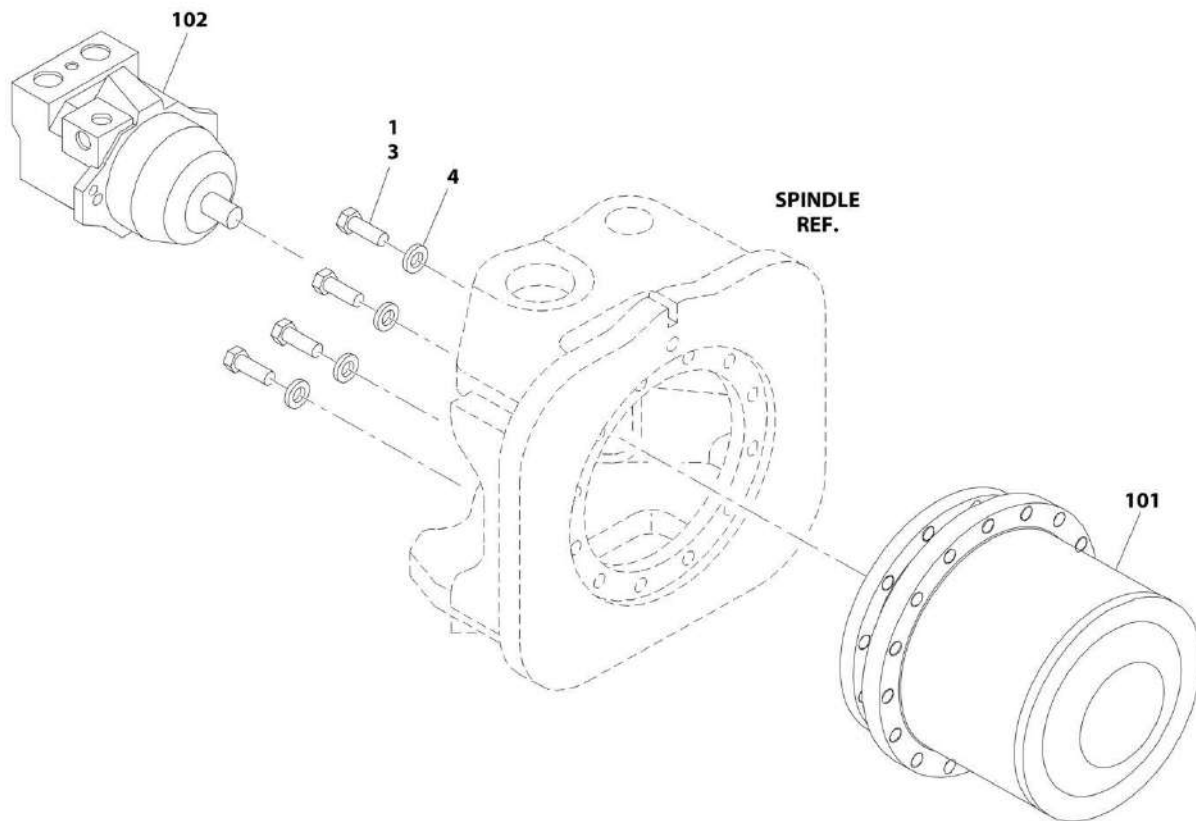
SECTION 1 - FRAME

FIGURE 1-4. WHEEL DRIVE INSTALLATION - BONFIGLIOLI

ITEM	PART NUMBER	QTY	DESCRIPTION	REV
	0275685	Ref	WHEEL DRIVE INSTALLATION - BONFIGLIOLI	C
1	0100019	AR	Compound, Locking	
3	0701617	48	Bolt M16 x 45 (12 Per Wheel)	
4	4892000	48	Washer 5/8 (12 Per Wheel)	
	2780286	Ref	HUB AND MOTOR ASSEMBLY - BONFIGLIOLI	D
101	1001093243	4	Drive Hub Assembly - Bonfiglioli (See DRIVE HUB ASSEMBLY - BONFIGLIOLI for Breakdown)	
		Ref	Note: Various brands used. When replacing complete hub, note that all 4 hubs must be the same brand.	
		Ref	Note: Various brands used. Identify brand before ordering replacement parts.	
102	3160339	4	Drive Motor Assembly (See DRIVE MOTOR ASSEMBLY for Breakdown)	

SECTION 1 - FRAME

FIGURE 1-5. WHEEL DRIVE INSTALLATION - REGGIANA RIDUTTORI



ART_1001104324

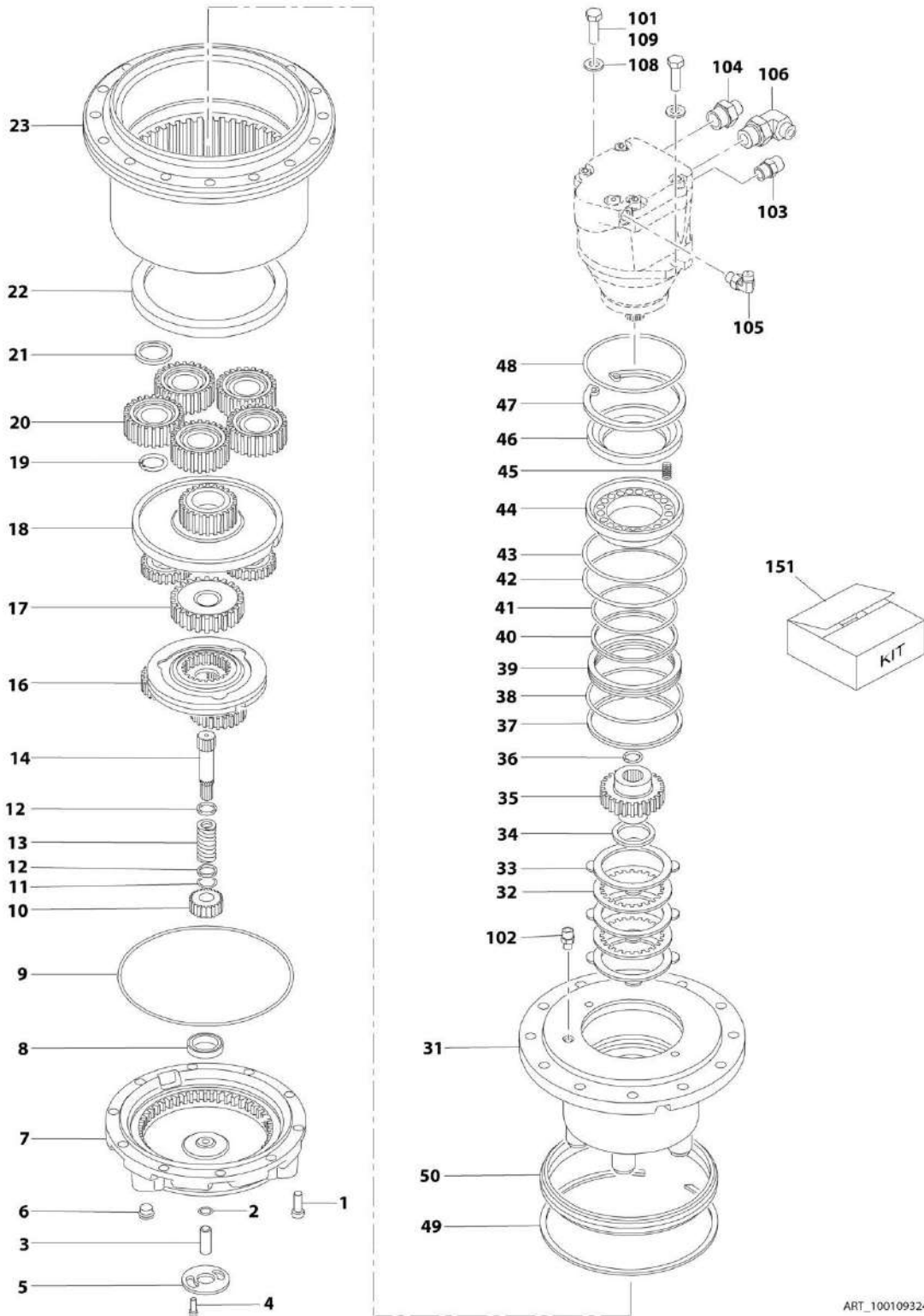
SECTION 1 - FRAME

FIGURE 1-5. WHEEL DRIVE INSTALLATION - REGGIANA RIDUTTORI

ITEM	PART NUMBER	QTY	DESCRIPTION	REV
	1001104324	Ref	WHEEL DRIVE INSTALLATION - REGGIANA RIDUTTORI	B
1	0100019	AR	Compound, Locking	
3	0701617	48	Bolt M16 x 45 (12 Per Wheel)	
4	4892000	48	Washer 5/8 (12 Per Wheel)	
	1001104315	Ref	HUB AND MOTOR ASSEMBLY - REGGIANA RIDUTTORI	B
101	1001104325	4	Drive Hub Assembly - Reggiana Riduttori (See DRIVE HUB ASSEMBLY - REGGIANA RIDUTTORI for Breakdown)	
		Ref	Note: Various brands used. When replacing complete hub, note that all 4 hubs must be the same brand.	
		Ref	Note: Various brands used. Identify brand before ordering replacement parts.	
102	3160339	4	Drive Motor Assembly (See DRIVE MOTOR ASSEMBLY for Breakdown)	

SECTION 1 - FRAME

FIGURE 1-6. DRIVE HUB ASSEMBLY - BONFIGLIOLI



ART_1001093243

SECTION 1 - FRAME

FIGURE 1-6. DRIVE HUB ASSEMBLY - BONFIGLIOLI

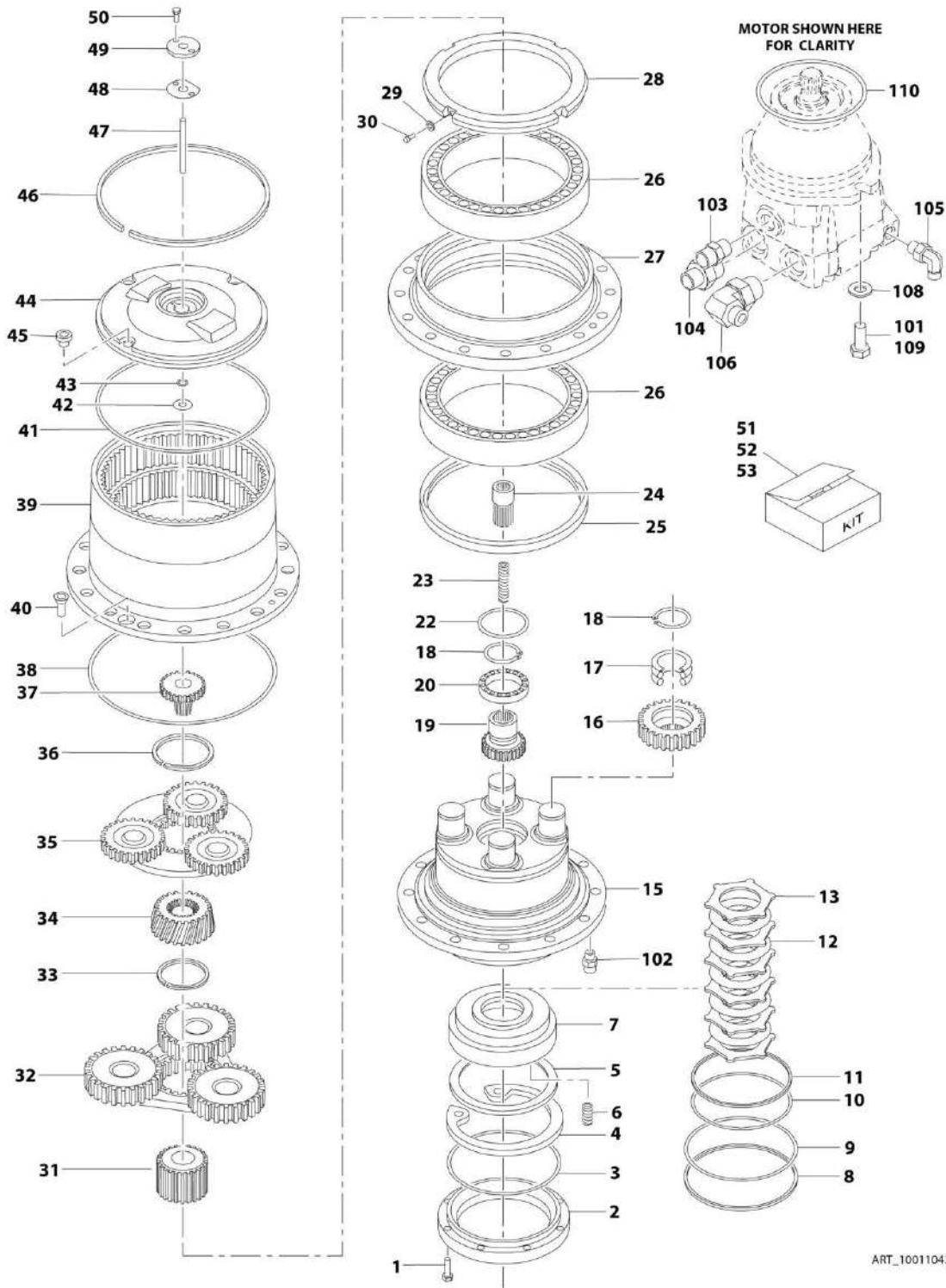
ITEM	PART NUMBER	QTY	DESCRIPTION	REV
	1001093243	Ref	DRIVE HUB ASSEMBLY - BONFIGLIOLI	D
		Ref	Note: Various brands used. Identify brand before ordering replacement parts.	
	1001093242	1	Hub, Torque Less Fittings	
1	70000810	10	Bolt M10 x 25	
2	70000811	1	O-Ring	
3	70000812	1	Pin	
4	70000813	2	Bolt M8 x 16	
5	70002393	1	Cap, Disconnect	
6	See Note	NSS	Plug (Note: Purchase Locally)	
7	70002394	1	Cover Assembly (Includes Items 2-6 & 8)	
8	70000816	1	Pad	
9	70000817	1	O-Ring	
10	70000818	1	Gear, Primary Sun	
11	See Note	1	Ring, Neoprene (Note: Use Item 151)	
12	See Note	2	Washer (Note: Use Item 151)	
13	See Note	1	Spring (Note: Use Item 151)	
14	See Note	1	Shaft (Note: Use Item 151)	
16	70000820	1	Reduction Assembly, Primary	
17	70000821	1	Gear, Secondary Sun	
18	70000822	1	Reduction Assembly, Secondary	
19	70000823	5	Snap Ring	
20	70000824	5	Gear Assembly, Planetary	
21	70000825	5	Spacer	
22	70000826	1	Nut	
23	70002395	1	Housing, Hub (Includes Bearing)	
23	See Note	NSS	Bearing (Note: Use p/n 70002395)	
31	See Note	NSS	Spindle (Note: Use p/n 1001093242)	
32	70000834	4	Disc, Steel	
33	70000835	5	Disc, Lined	
34	70000836	1	Spacer	
35	70002398	1	Shaft, Brake	
36	70000838	1	Snap Ring	
37	70000839	1	Ring, Back-up	
38	70000840	1	O-Ring	
39	70000841	1	Spacer	
40	70000842	1	Ring, Back-up	
41	70000843	1	O-Ring	
42	70000844	1	O-Ring	
43	70000845	1	Ring, Back-up	
44	70000846	1	Piston, Brake	
45	70000847	15	Spring	
46	70000848	1	Plate, Spring Retainer	
47	70000849	1	Snap Ring	
48	70002399	1	O-Ring	
49	70002396	1	Circlip	
50	70002397	1	Seal	
101	0761215	2	Bolt M12 x 35	
102	2110404	1	Fitting, Adapter ORFS/ORB	
103	2110808	1	Fitting, Adapter ORFS/ORB	

SECTION 1 - FRAME

ITEM	PART NUMBER	QTY	DESCRIPTION	REV
104	2110812	1	Fitting, Adapter ORFS/ORB	
105	2130406	1	Fitting, 90 Adapter ORFS/ORB	
106	2130812	1	Fitting, 90 Adapter ORFS/ORB	
108	5241200	2	Washer M12	
109	0100011	AR	Compound, Locking	
111	3020008	17 oz /0.5L	Lubricant HD 80W-90 (Not Shown)	
151	70000819	1	Brake Shaft Kit (Includes Items 11-14)	

SECTION 1 - FRAME

FIGURE 1-7. DRIVE HUB ASSEMBLY - REGGIANA RIDUTTORI



ART_1001104325

SECTION 1 - FRAME

FIGURE 1-7. DRIVE HUB ASSEMBLY - REGGIANA RIDUTTORI

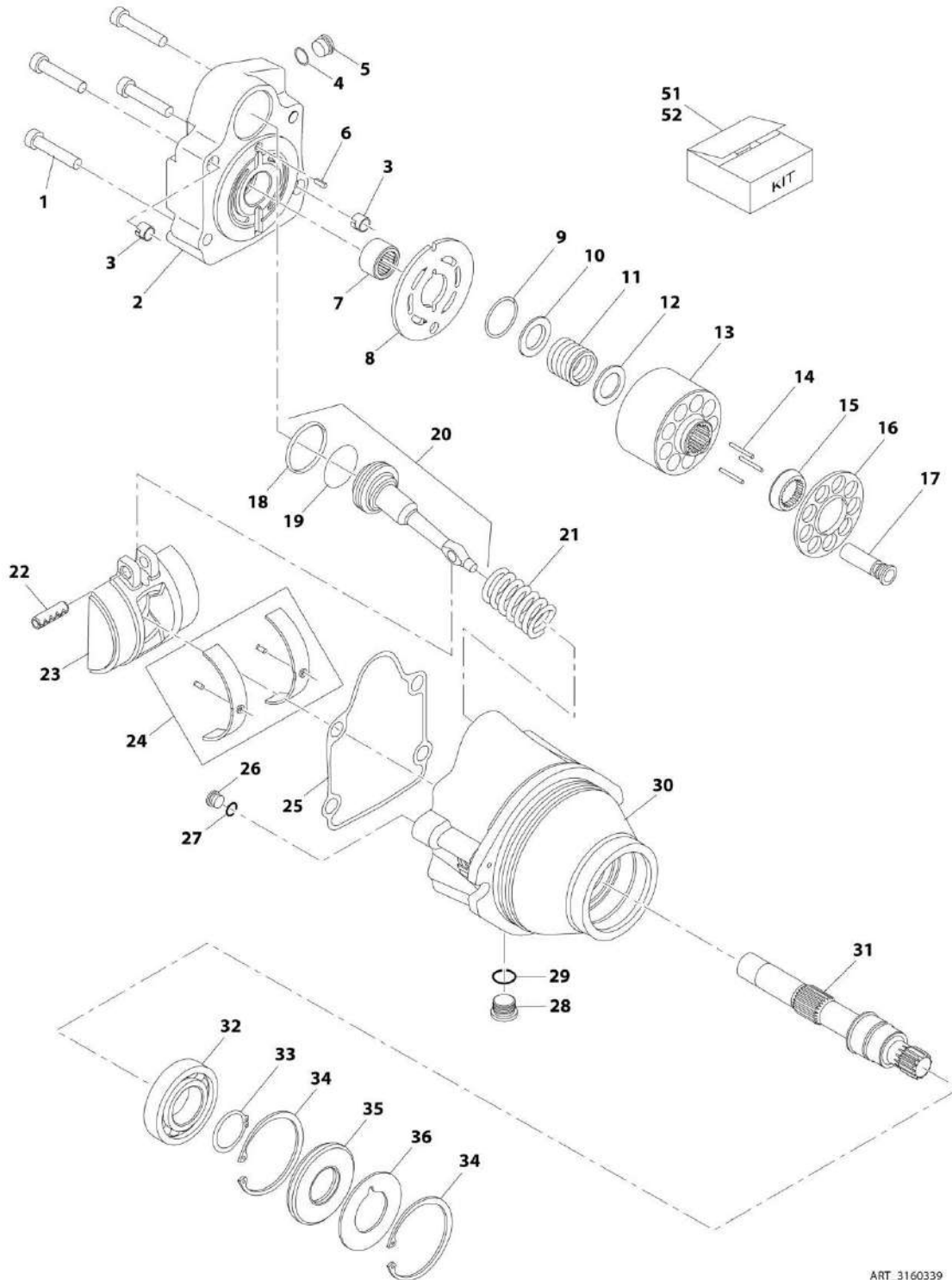
ITEM	PART NUMBER	QTY	DESCRIPTION	REV
	1001104325	Ref	DRIVE HUB ASSEMBLY - REGGIANA RIDUTTORI	E
		Ref	Note: Various brands used. Identify brand before ordering replacement parts.	
	1001101550	1	Hub, Torque Less Fittings	
1	70002015	8	Bolt M8 x 25	
2	70002016	1	Ring, Motor Support	
3	See Note	NSS	O-Ring (Note: Use Item 51)	
4	See Note	NSS	Snap Ring (Note: Use Item 53)	
5	See Note	NSS	Retainer, Spring (Note: Use Item 53)	
6	70002020	9	Spring	
7	See Note	NSS	Piston (Note: Use Item 53)	
8	See Note	NSS	Ring, Back-up (Note: Use Item 51 or 53)	
9	See Note	NSS	O-Ring (Note: Use Item 51 or 53)	
10	See Note	NSS	O-Ring (Note: Use Item 51 or 53)	
11	See Note	1	Ring, Back-up (Note: Use Item 51 or 53)	
12	70002026	5	Disc, Friction	
13	70002027	6	Disc, Steel	
15	70002029	1	Spindle	
16	70002030	4	Gear, Planetary	
17	70002031	4	Bearing	
18	70002032	5	Snap Ring	
19	70002033	1	Gear, Brake/Input	
20	70002034	1	Bearing	
22	70002035	1	Ring, Wear	
23	70002036	1	Spring	
24	70002037	1	Shaft, Engagement	
25	See Note	NSS	Seal (Note: Use Item 51)	
26	70002039	2	Bearing Assembly	
27	70002040	1	Support, Hub	
28	70002041	1	Nut, Retaining	
29	70002674	4	Washer	
30	70002674	4	Screw	
31	70002044	1	Gear, Planetary Sun	
32	70002045	1	Reduction Assembly, Secondary	
33	70002046	1	Snap Ring	
34	70002047	1	Gear, Secondary Input Sun	
35	70002048	1	Reduction Assembly, Primary	
36	70002049	1	Snap Ring	
37	70002050	1	Gear, Primary Input Sun	
38	See Note	NSS	O-Ring (Note: Use Item 51)	
39	Not Available	1	Housing, Hub	
40	70002052	2	Screw, Countersunk	
41	See Note	NSS	O-Ring (Note: Use Item 51 or 52)	
42	See Note	NSS	Thrustwasher (Note: Use Item 52)	
43	See Note	NSS	O-Ring (Note: Use Item 51 or 52)	
44	See Note	NSS	Cover, Hub (Note: Use Item 52)	
45	See Note	NSS	Plug (Note: Use Item 52)	
46	See Note	NSS	Snap Ring (Note: Use Item 52)	
47	See Note	NSS	Pin, Engagement (Note: Use Item 52)	
48	See Note	NSS	Gasket (Note: Use Item 51 or 52)	

SECTION 1 - FRAME

ITEM	PART NUMBER	QTY	DESCRIPTION	REV
49	See Note	NSS	Cover, Engagement (Note: Use Item 52)	
50	See Note	NSS	Screw (Note: Use Item 52)	
51	70002248	1	Seal Kit (Includes Items 3, 8-11, 25, 38, 41, 43 & 48)	
52	70002247	1	Cover Kit (Includes Items 41-50)	
53	70002249	1	Brake Kit (Includes Items 4-13)	
101	0761214	2	Bolt M12 x 30	
102	2110404	1	Fitting, Adapter ORFS/ORB	
103	2110808	1	Fitting, Adapter ORFS/ORB	
104	2110812	1	Fitting, Adapter ORFS/ORB	
105	2130406	1	Fitting, 90 Adapter ORFS/ORB	
106	2130812	1	Fitting, 90 Adapter ORFS/ORB	
108	5241200	2	Washer M12	
109	0100011	AR	Compound, Locking	
110	3790158	1	O-Ring	
111	3020008	1.58 qt/ 1.5L	Lubricant HD 80W-90 (Not Shown)	

SECTION 1 - FRAME

FIGURE 1-8. DRIVE MOTOR ASSEMBLY



ART_3160339

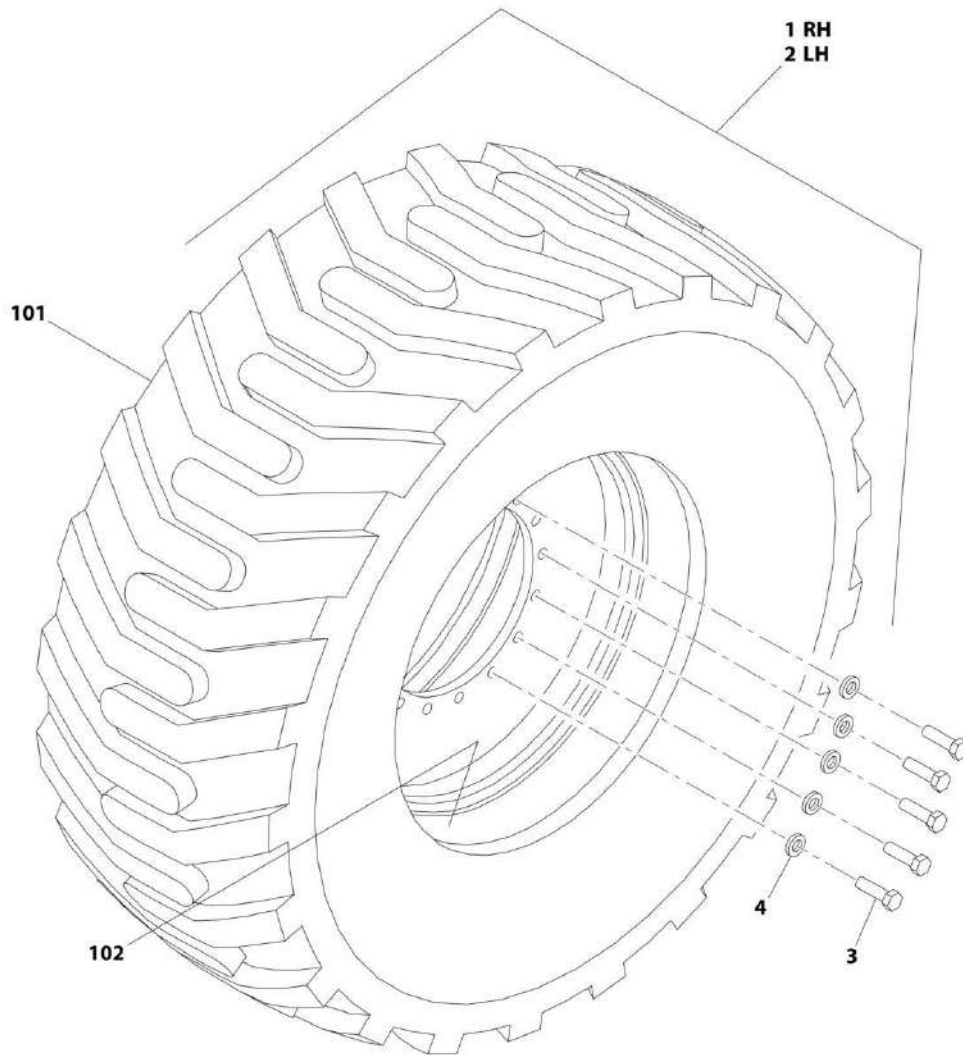
SECTION 1 - FRAME

FIGURE 1-8. DRIVE MOTOR ASSEMBLY

ITEM	PART NUMBER	QTY	DESCRIPTION	REV
	3160339	Ref	DRIVE MOTOR ASSEMBLY	D
1	7022368	4	Bolt	
2	70000859	1	End Cap, Motor	
3	70003628	2	Locating Pin	
4	See Note	NSS	O-Ring (Note: Use Item 5 or 51)	
5	7007420	1	Plug (Includes Item 4)	
6	7007446	1	Pin, Dowel	
7	7021249	1	Bearing, Needle	
8	70000854	1	Plate, Valve	
9	7022311	1	Snap Ring	
10	7022314	1	Retainer, Spring	
11	7024867	1	Spring	
12	7024868	1	Washer	
13	70000855	1	Block, Cylinder	
14	7021275	3	Pin, Slipper	
15	70000856	1	Guide	
16	70000857	1	Retainer, Slipper	
17	7024865	9	Piston, Cylinder	
18	See Note	NSS	Ring, Piston (Note: Use Item 20 or 51)	
19	See Note	NSS	O-Ring (Note: Use Item 20 or 51)	
20	70000860	1	Piston, Servo (Includes Items 18 & 19)	
21	70000861	1	Spring	
22	See Note	NSS	Pin (Note: Not Available for Purchase)	
23	70000853	1	Swashplate	
24	70000852	1	Bearing Kit	
25	See Note	NSS	Gasket (Note: Use Item 51)	
26	See Note	NSS	Plug (Note: Not Available for Purchase)	
27	See Note	NSS	O-Ring (Note: Use Item 51)	
28	7022321	1	Plug (Includes Item 29)	
29	See Note	NSS	O-Ring (Note: Use Item 28 or 51)	
30	See Note	NSS	Housing (Note: Use p/n 3160339)	
31	70000858	1	Shaft	
32	7007437	1	Bearing	
33	7007439	1	Snap Ring	
34	7007438	2	Snap Ring	
35	See Note	NSS	Seal (Note: Use Item 51)	
36	7022371	1	Washer, Seal Support	
51	70000862	1	Motor Seal Kit (Includes Items 4, 18, 19, 25, 27, 29 & 35)	
52	7027740	1	Cylinder Block Kit (Includes Items 9-17)	

SECTION 1 - FRAME

FIGURE 1-9. TIRE AND WHEEL INSTALLATION - FOAM FILLED



ART_0271852

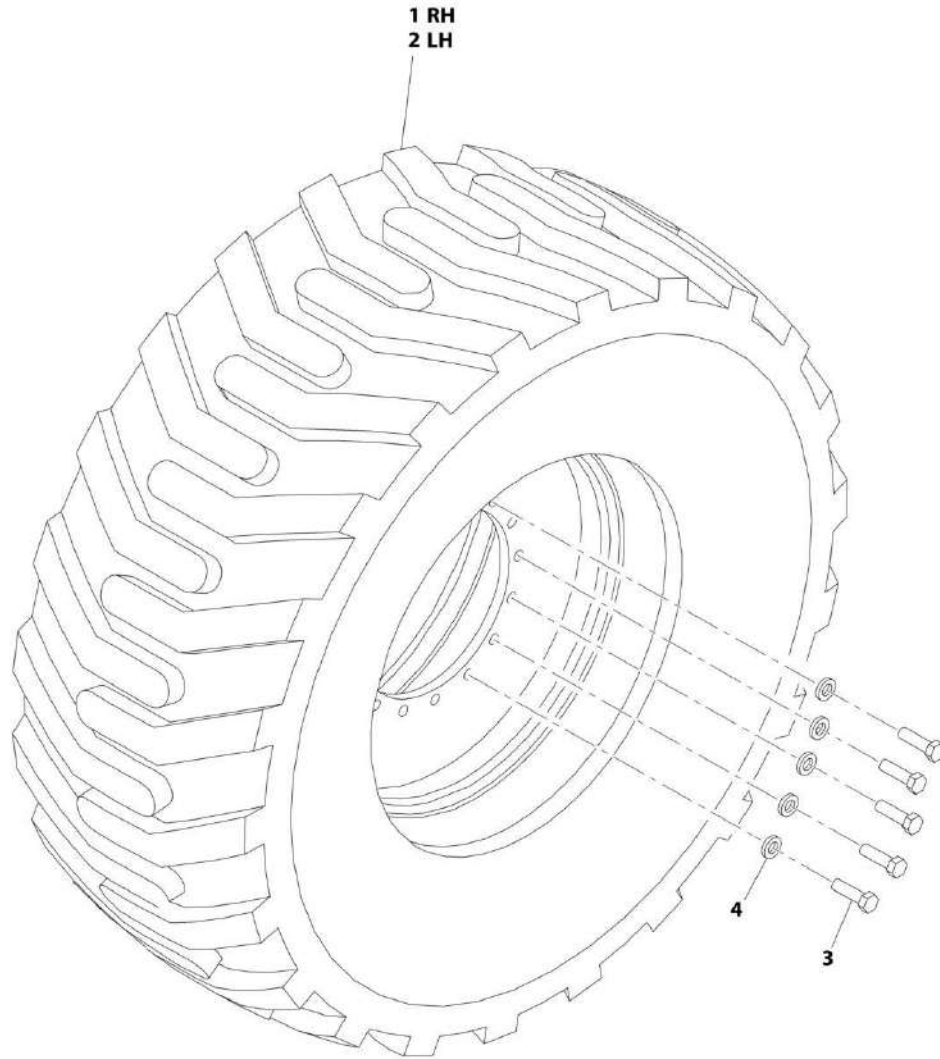
SECTION 1 - FRAME

FIGURE 1-9. TIRE AND WHEEL INSTALLATION - FOAM FILLED

ITEM	PART NUMBER	QTY	DESCRIPTION	REV
	0271852	Ref	TIRE AND WHEEL INSTALLATION - FOAM FILLED	B
		Ref	Note: Assemblies may require ballast/foam filling to manufacturer's specifications prior to installing on a machine. Refer to Operation and Safety or Service and Maintenance Manuals. Purchase individual tire and/or rim only if able to foam fill tire and wheel assembly, otherwise, purchase complete assembly.	
1	0272055	2	Tire and Wheel Assembly - RH Side (See Items 101-102 for Breakdown)	
2	0272056	2	Tire and Wheel Assembly - LH Side (See Items 101-102 for Breakdown)	
3	0701619	64	Bolt M16 x 55 (16 Per Wheel)	
4	4892000	64	Washer 5/8 (16 Per Wheel)	
		Ref	TIRE AND WHEEL ASSEMBLY COMPONENTS	
101	4520261	4	Tire 445/50D710 (For Foam Filling)	
102	4860236	4	Rim, Wheel	

SECTION 1 - FRAME

FIGURE 1-10. TIRE AND WHEEL INSTALLATION - SOLID



ART_1001115961

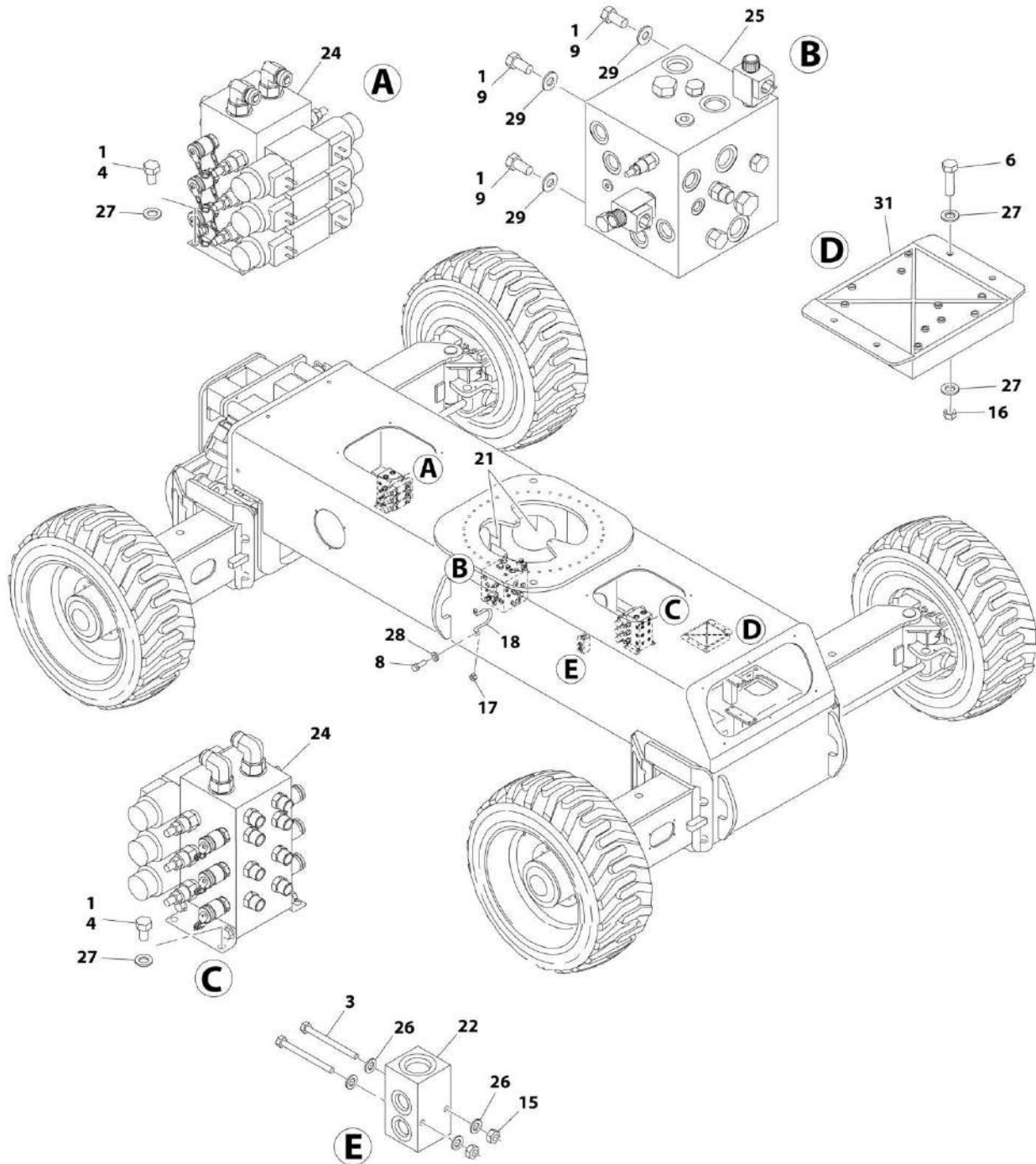
SECTION 1 - FRAME

FIGURE 1-10. TIRE AND WHEEL INSTALLATION - SOLID

ITEM	PART NUMBER	QTY	DESCRIPTION	REV
1	1001115961	Ref	TIRE AND WHEEL INSTALLATION - SOLID	A
	1001112716	2	Tire and Wheel Assembly - RH Side (Note: Sold as Assembly Only)	
2	1001112669	2	Tire and Wheel Assembly - LH Side (Note: Sold as Assembly Only)	
3	0701619	64	Bolt M16 x 55 (16 Per Wheel)	
4	4892000	64	Washer 5/8 (16 Per Wheel)	

SECTION 1 - FRAME

FIGURE 1-11. VALVES AND MODULES INSTALLATION - FRAME MOUNTED (ANSI, CSA AND JAPANESE SPECS)



ART_1001119717_1OF3

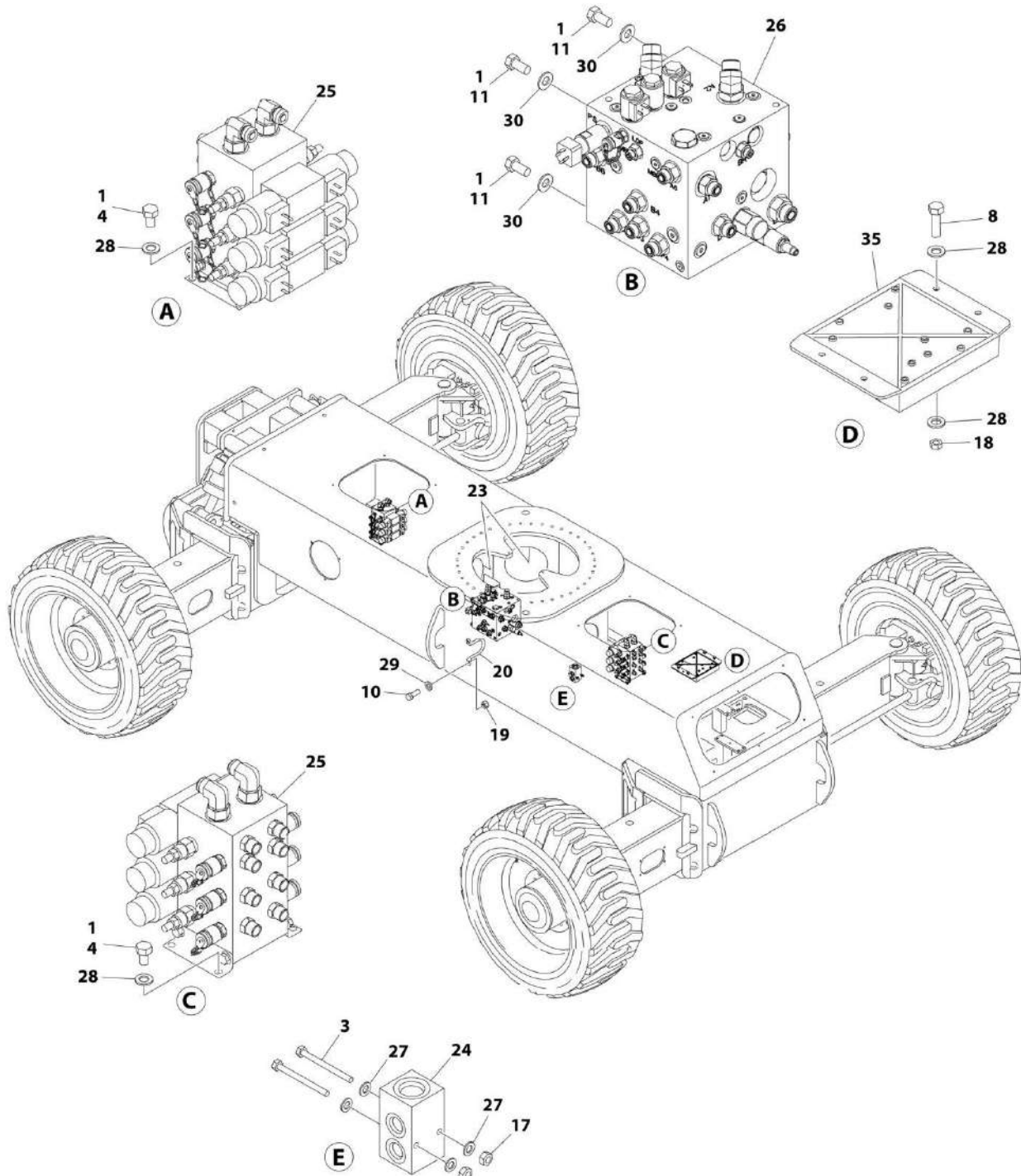
SECTION 1 - FRAME

FIGURE 1-11. VALVES AND MODULES INSTALLATION - FRAME MOUNTED (ANSI, CSA AND JAPANESE SPECS)

ITEM	PART NUMBER	QTY	DESCRIPTION	REV
	1001119717	Ref	VALVES AND MODULES INSTALLATION - FRAME MOUNTED (ANSI, CSA AND JAPANESE SPECS)	G
1	0100011	AR	Compound, Locking	
3	0641424	2	Bolt 1/4 x 3	
4	0641504	8	Bolt 5/16 x 1/2	
6	0641509	4	Bolt 5/16 x 1-1/8	
8	0641608	20	Bolt 3/8 x 1	
9	0641808	4	Bolt 1/2 x 1	
15	3311405	2	Nut 1/4	
16	3311505	9	Nut 5/16	
17	3311605	4	Nut 3/8	
18	3841340	2	Loop, Hose	
21	4060808	124 in/ 3.2m	Flex-Trim	
22	4641155	1	Manifold, Junction	
24	4641268	2	Steer Valve Assembly (See STEER VALVE ASSEMBLY for Breakdown)	
25	4641454	1	Traction Valve Assembly (See TRACTION VALVE ASSEMBLY for Breakdown)	
26	4711400	8	Washer 1/4	
27	4711500	31	Washer 5/16	
28	4711600	26	Washer 3/8	
29	4711800	4	Washer 1/2	
31	1001112758	1	Module, Chassis (Note: Re-calibration Required when Replaced)	

SECTION 1 - FRAME

FIGURE 1-12. VALVES AND MODULES INSTALLATION - FRAME MOUNTED (WITH 1 CELL LSS) (CE AND AUSTRALIAN SPECS) (SN 0300234294 to Present)



ART_1001219992_1OF3

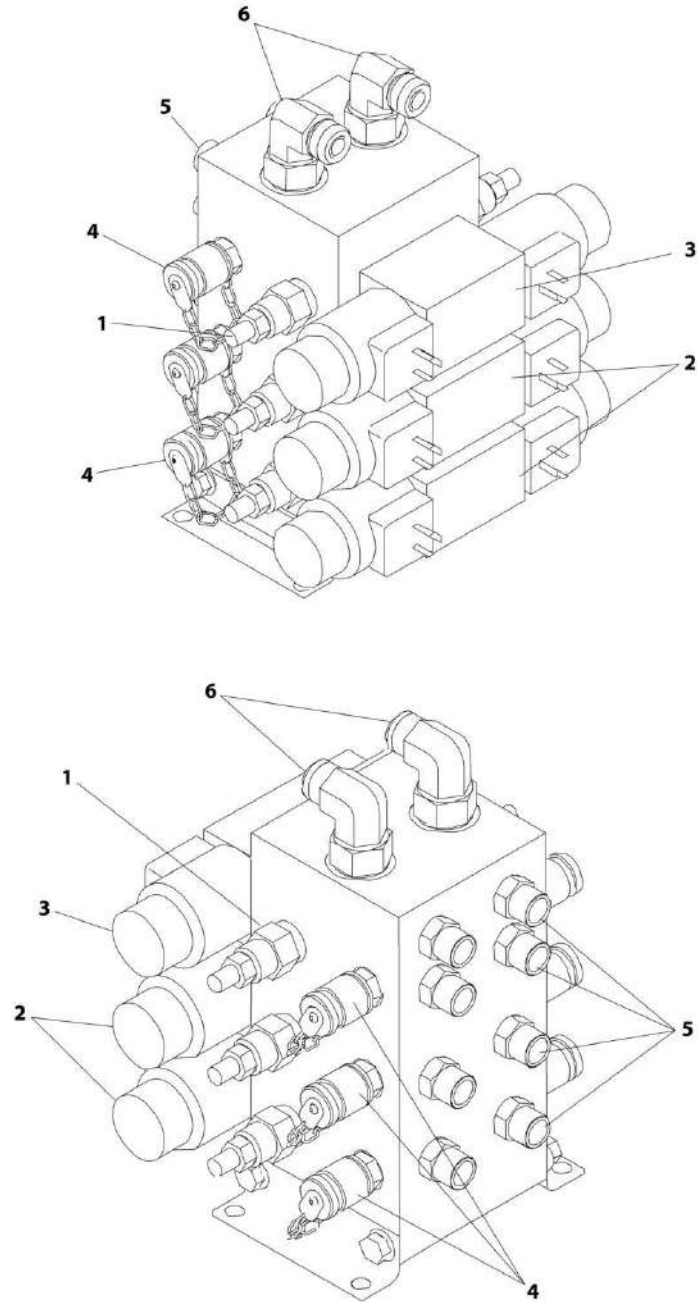
SECTION 1 - FRAME

FIGURE 1-12. VALVES AND MODULES INSTALLATION - FRAME MOUNTED (WITH 1 CELL LSS) (CE AND AUSTRALIAN SPECS) (SN 0300234294 to Present)

ITEM	PART NUMBER	QTY	DESCRIPTION	REV
	1001219992	Ref	VALVES AND MODULES INSTALLATION - FRAME MOUNTED (WITH 1 CELL LSS) (CE AND AUSTRALIAN SPECS) (SN 0300234294 to Present)	A
1	0100011	AR	Compound, Locking	
3	0641424	2	Bolt 1/4 x 3	
4	0641504	8	Bolt 5/16 x 1/2	
8	0641509	4	Bolt 5/16 x 1-1/8	
10	0641608	20	Bolt 3/8 x 1	
11	0641808	4	Bolt 1/2 x 1	
17	3311405	2	Nut 1/4	
18	3311505	9	Nut 5/16	
19	3311605	4	Nut 3/8	
20	3841340	2	Loop, Hose	
23	4060808	124 in/ 3.2m	Flex-Trim	
24	4641155	1	Manifold, Junction	
25	4641268	2	Steer Valve Assembly (See STEER VALVE ASSEMBLY for Breakdown)	
26	4641454	1	Traction Valve Assembly (See TRACTION VALVE ASSEMBLY for Breakdown)	
27	4711400	8	Washer 1/4	
28	4711500	43	Washer 5/16	
29	4711600	24	Washer 3/8	
30	4711800	4	Washer 1/2	
35	100112758	1	Module, Chassis (Note: Re-calibration Required when Replaced)	

SECTION 1 - FRAME

FIGURE 1-13. STEER VALVE ASSEMBLY



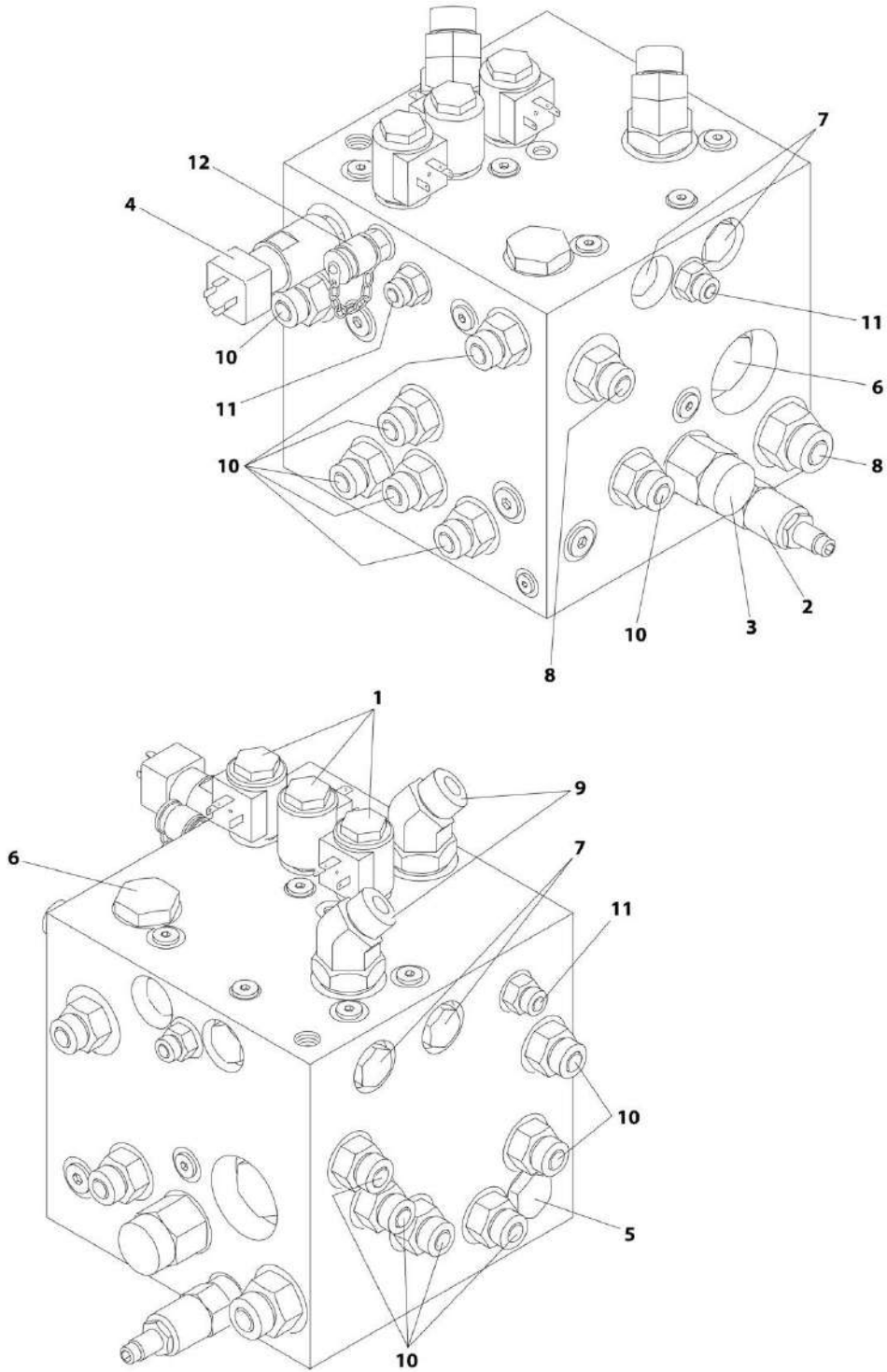
ART_4641268

FIGURE 1-13. STEER VALVE ASSEMBLY

ITEM	PART NUMBER	QTY	DESCRIPTION	REV
	4641268	Ref	STEER VALVE ASSEMBLY	B
1	7026028	6	Cartridge	
1	7011346	6	Seal Kit - 7026028 Cartridge	
2	7024927	2	Valve	
2	7012773	2	Seal Kit - 7024927 Valve	
2	7018991	4	Coil (2 Per Valve)	
3	70001976	1	Valve	
3	7012773	1	Seal Kit - 70001976 Valve	
3	7018991	2	Coil	
4	2221086	6	Check, Pressure	
5	2110606	8	Fitting, Straight ORFS/ORB	
6	2130810	2	Fitting, 90 ORFS/ORB	

SECTION 1 - FRAME

FIGURE 1-14. TRACTION VALVE ASSEMBLY



ART_4641454

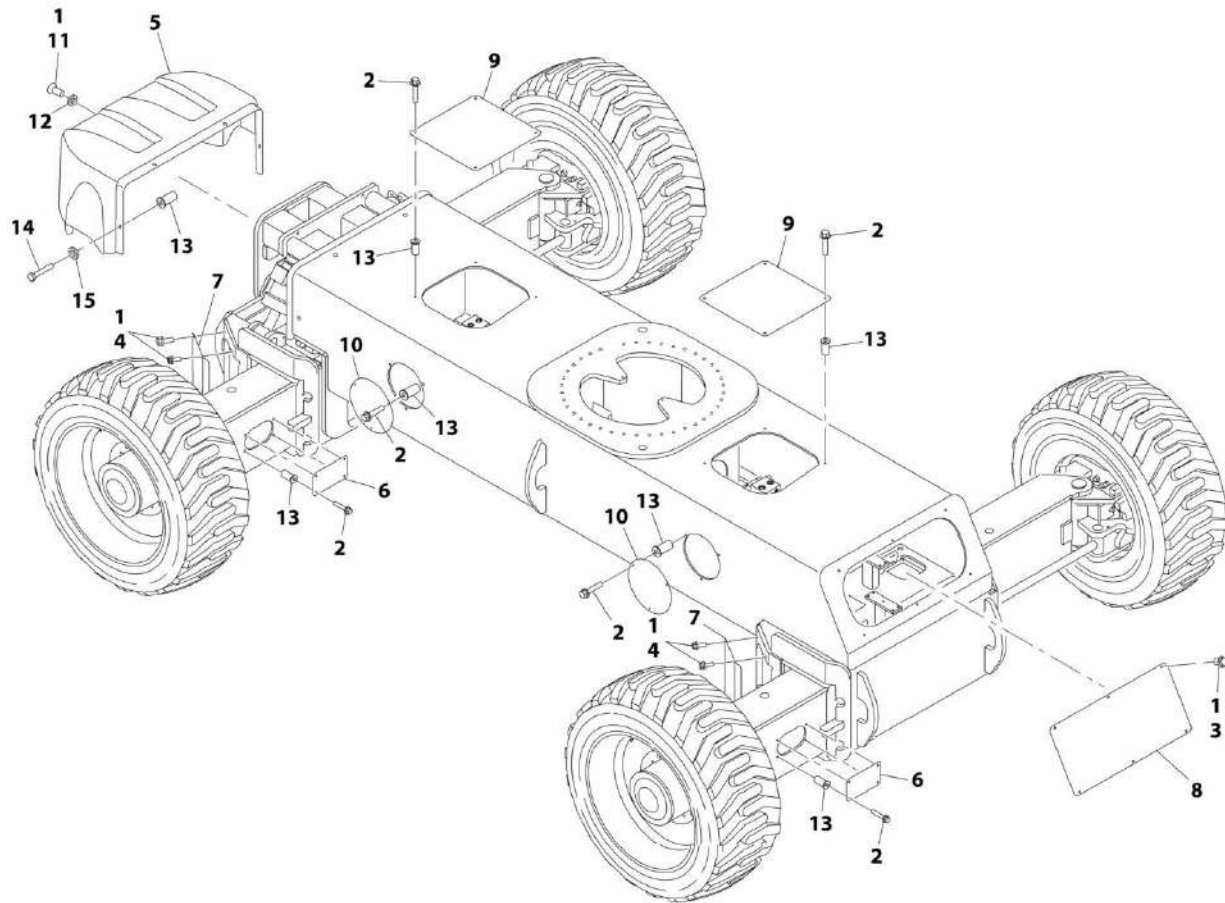
SECTION 1 - FRAME

FIGURE 1-14. TRACTION VALVE ASSEMBLY

ITEM	PART NUMBER	QTY	DESCRIPTION	REV
	4641454	Ref	TRACTION VALVE ASSEMBLY	E
1	7012941	3	Cartridge, Solenoid Valve (Steer, Brake and Axle Lockout)	
1	7010543	3	Seal Kit - 7012941 Cartridge	
1	7012944	2	Coil	
2	70000801	1	Cartridge, Valve (Relief)	
2	7012998	1	Seal Kit - 70000801 Cartridge	
3	70000802	1	Cartridge, Valve (Pilot)	
3	7012942	1	Seal Kit - 70000802 Cartridge	
4	70000803	1	Pressure Switch	
5	70000804	1	Cartridge, Valve (Shuttle)	
5	70000805	1	Seal Kit - 70000804 Cartridge	
6	70000806	2	Cartridge, Valve (Flow Divider)	
6	7017405	2	Seal Kit - 70000806 Cartridge	
7	7012955	4	Cartridge, Valve (Check)	
7	7012967	4	Seal Kit - 7012955 Cartridge	
8	2111012	2	Fitting, Straight ORFS/ORB	
9	2151012	2	Fitting, 45 ORFS/ORB	
10	2110810	13	Fitting, Straight ORFS/ORB	
11	2110406	3	Fitting, Straight ORFS/ORB	
12	2221086	1	Check, Pressure	
13	2220883	1	Plug #4 (Not Shown)	

SECTION 1 - FRAME

FIGURE 1-15. FRAME COVERS INSTALLATION - PLASTIC



ART_1001176346

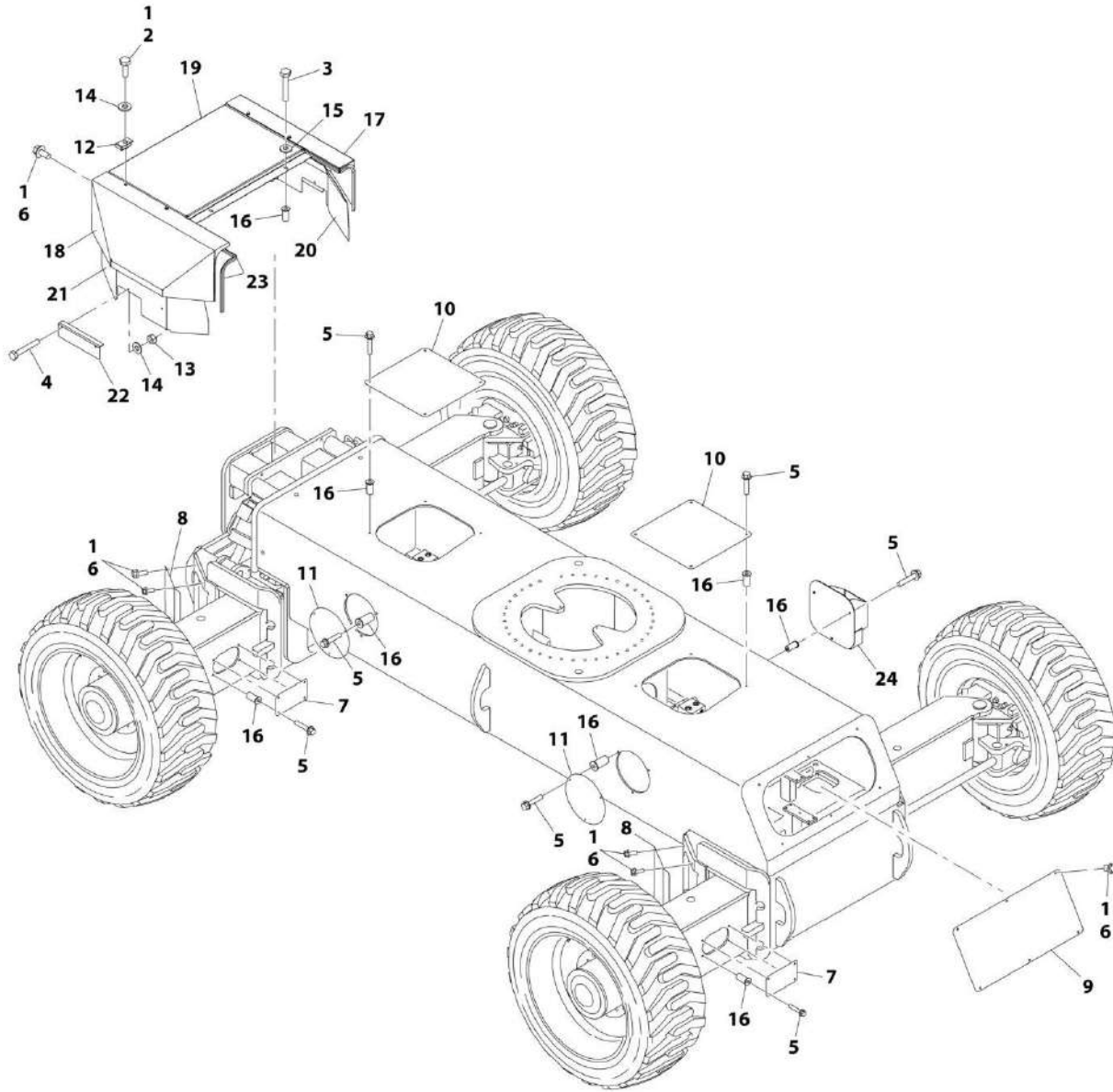
SECTION 1 - FRAME

FIGURE 1-15. FRAME COVERS INSTALLATION - PLASTIC

ITEM	PART NUMBER	QTY	DESCRIPTION	REV
	1001176346	Ref	FRAME COVERS INSTALLATION - PLASTIC	C
1	0100011	AR	Compound, Locking	
2	0791410	36	Screw 1/4 x 1-1/4	
3	0791604	6	Screw 3/8 x 1/2	
4	0791607	16	Screw 3/8 x 7/8	
5	1670996	1	Cover (Frame Front)	
6	1671045	4	Plate, Cover (Axle Side)	
7	1671046	4	Plate, Cover (Axle Corner)	
8	1671047	1	Plate, Cover (Rear)	
9	1671048	2	Plate, Cover (Frame Top)	
10	1671049	4	Plate, Cover (Frame Side)	
11	3900283	3	Screw 3/8 x 3/4	
12	4751600	3	Washer 3/8	
13	8580420	40	Nut, Well	
14	0641412	4	Bolt 1/4 x 1-1/2	
15	4740430	4	Washer, Fender	

SECTION 1 - FRAME

FIGURE 1-16. FRAME COVERS INSTALLATION - STEEL



ART_1001176347

SECTION 1 - FRAME

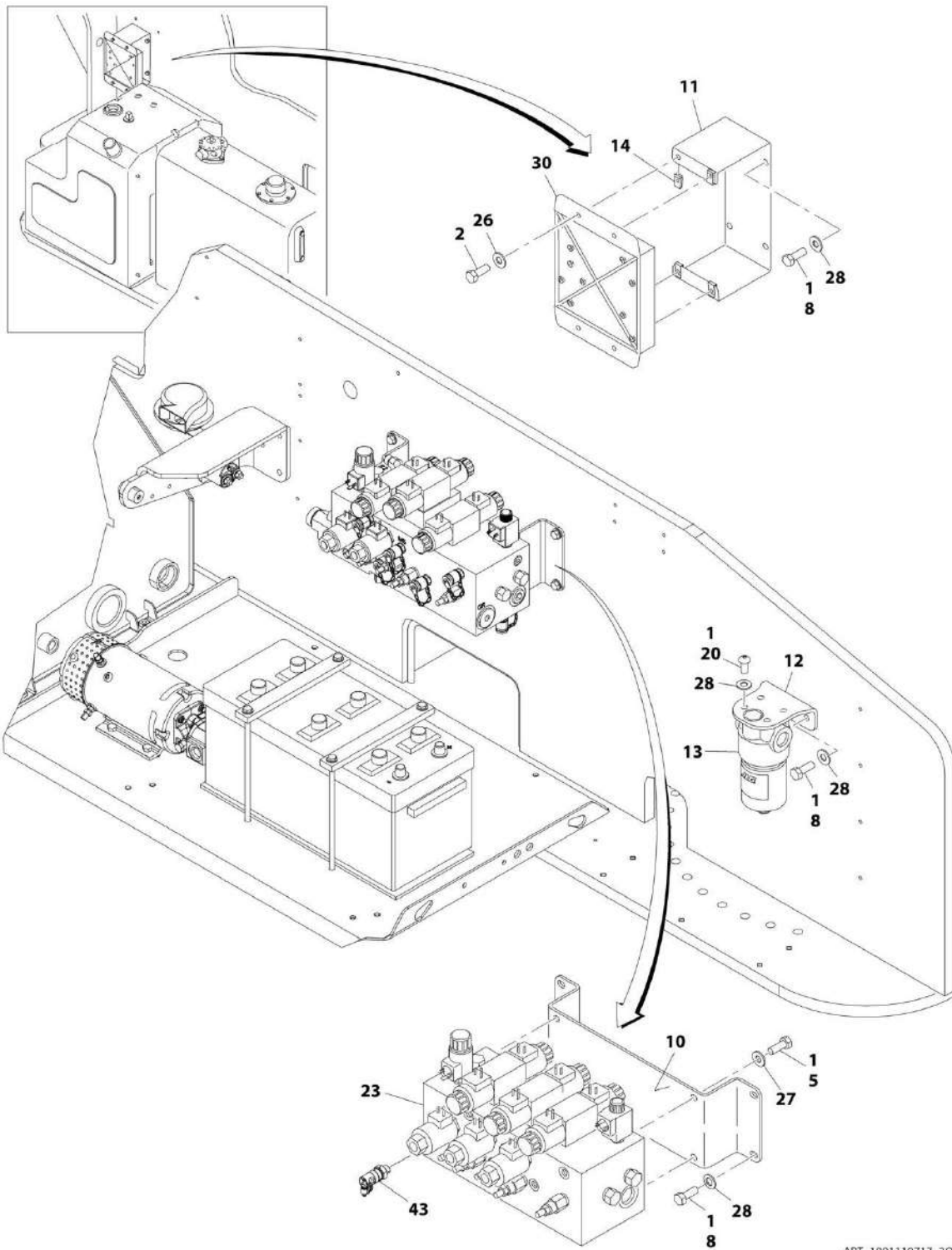
FIGURE 1-16. FRAME COVERS INSTALLATION - STEEL

ITEM	PART NUMBER	QTY	DESCRIPTION	REV
	1001176347	Ref	FRAME COVERS INSTALLATION - STEEL	C
1	0100011	AR	Compound, Locking	
2	0641406	8	Screw 1/4 x 3/4	
3	0641412	2	Bolt 1/4 x 1-1/2	
4	0641414	4	Screw 1/4 x 1-3/4	
5	0791410	36	Screw 1/4 x 1-1/4	
6	0791604	25	Screw 3/8 x 1/2	
7	1671045	4	Plate, Cover (Axle Side)	
8	1671046	4	Plate, Cover (Axle Corner)	
9	1671047	1	Plate, Cover (Rear)	
10	1671048	2	Plate, Cover (Frame Top)	
11	1671049	3	Plate, Cover (Frame Side)	
12	3300454	8	Nut, Retainer 1/4	
13	3311405	4	Nut 1/4	
14	4711400	12	Washer 1/4	
15	4740430	2	Washer, Fender	
16	8580420	38	Nut, Well	
17	1001110108	1	Cover - RH Side	
18	1001110109	1	Cover - LH Side	
19	1001110110	1	Cover - Center Side	
20	1001110111	1	Shift - RH Side	
21	1001110112	1	Shift - LH Side	
22	1001110113	2	Plate	
23	1001110513	51 in/5.5m	Seal	
24	1001110877	1	Mount, Fire Extinguisher	

SECTION 2 - TURNTABLE

SECTION 2 - TURNTABLE

FIGURE 2-1. VALVE, MODULE AND FILTER INSTALLATION - TURNTABLE MOUNTED (ANSI, CSA AND JAPANESE SPECS)



ART_100119717_20F3

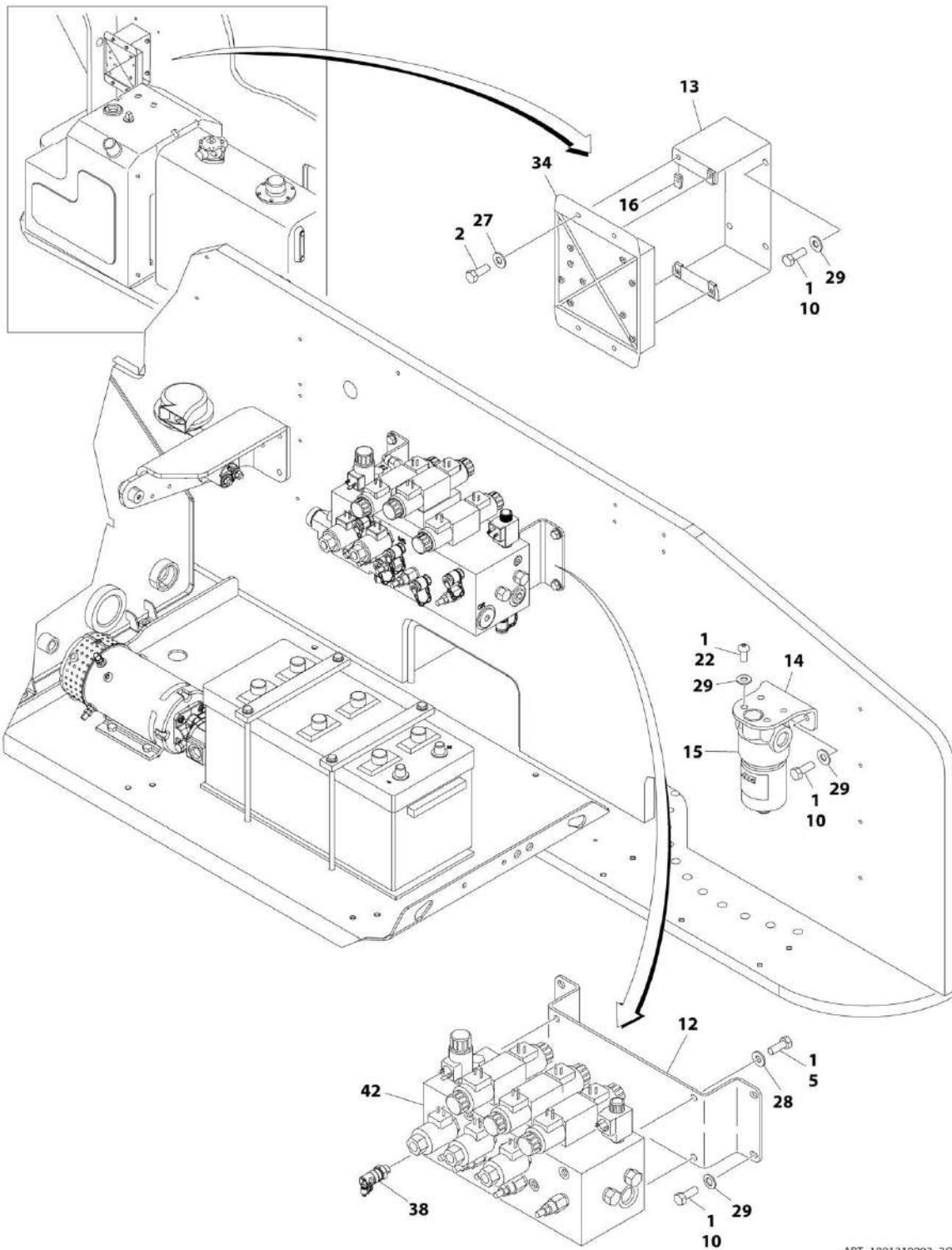
SECTION 2 - TURNTABLE

FIGURE 2-1. VALVE, MODULE AND FILTER INSTALLATION - TURNTABLE MOUNTED (ANSI, CSA AND JAPANESE SPECS)

ITEM	PART NUMBER	QTY	DESCRIPTION	REV
	100119717	Ref	VALVE, MODULE AND FILTER INSTALLATION - TURNTABLE MOUNTED (ANSI, CSA AND JAPANESE SPECS)	H
1	0100011	AR	Compound, Locking	
2	0641406	4	Bolt 1/4 x 3/4	
5	0641506	4	Bolt 5/16 x 3/4	
8	0641608	20	Bolt 3/8 x 1	
10	0902755	1	Bracket, Valve Mounting	
11	0902800	1	Bracket, Module Mounting	
12	0903530	1	Bracket, Filter Mounting	
13	2120217	1	Filter, Pressure	
13	70002097	1	Element	
13	70004328	1	Plug, Indicator	
14	3300454	4	Nut, Retainer	
20	3900283	4	Screw 3/8 x 3/4	
23	1001132194	1	Main Valve Assembly (See MAIN VALVE ASSEMBLY for Breakdown)	
26	4711400	8	Washer 1/4	
27	4711500	31	Washer 5/16	
28	4711600	26	Washer 3/8	
30	1001112757	NLA	Module, B.L.A.M. (Use p/n 1001227960) (Note: Control System must be recalibrated when Module is replaced) (SN 0300209000 through 0300248621)	
30	1001227960	1	Module, B.L.A.M. (Note: Control System must be recalibrated when Module is replaced) (SN 0300248622 to Present)	
43	1001119455	1	Valve, Oil Sampling	

SECTION 2 - TURNTABLE

FIGURE 2-2. VALVE, MODULE AND FILTER INSTALLATION - TURNTABLE MOUNTED (WITH 1 CELL LSS) (CE AND AUSTRALIAN SPECS) (SN 0300234294 to Present)



ART_1001219992_20F3

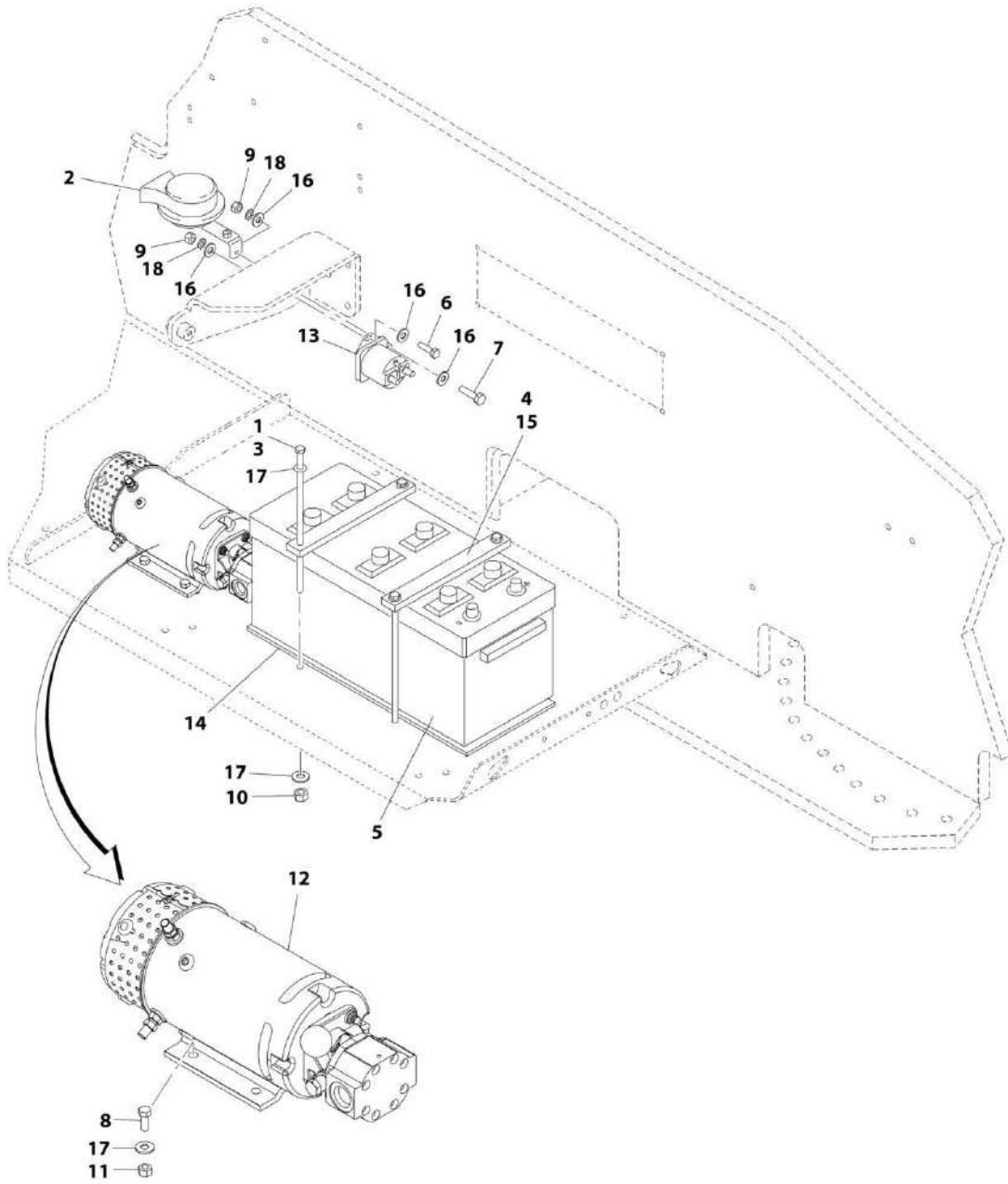
SECTION 2 - TURNTABLE

FIGURE 2-2. VALVE, MODULE AND FILTER INSTALLATION - TURNTABLE MOUNTED (WITH 1 CELL LSS) (CE AND AUSTRALIAN SPECS) (SN 0300234294 to Present)

ITEM	PART NUMBER	QTY	DESCRIPTION	REV
	1001219992	Ref	VALVE, MODULE AND FILTER INSTALLATION - TURNTABLE MOUNTED (WITH 1 CELL LSS) (CE AND AUSTRALIAN SPECS) (SN 0300234294 to Present)	B
1	0100011	AR	Compound, Locking	
2	0641406	4	Bolt 1/4 x 3/4	
5	0641506	4	Bolt 5/16 x 3/4	
10	0641608	20	Bolt 3/8 x 1	
12	0902755	1	Bracket, Valve Mounting	
13	0902800	1	Bracket, Module Mounting	
14	0903530	1	Bracket, Filter Mounting	
15	2120217	1	Filter, Pressure	
15	70002097	1	Element	
15	70004328	1	Plug, Indicator	
16	3300454	4	Nut, Retainer	
22	3900283	4	Screw 3/8 x 3/4	
27	4711400	8	Washer 1/4	
28	4711500	43	Washer 5/16	
29	4711600	24	Washer 3/8	
34	1001112757	NLA	Module, B.L.A.M. (Use p/n 1001227960) (Note: Control System must be re-calibrated when Module is replaced) (SN 0300209000 through 0300248621)	
34	1001227960	1	Module, B.L.A.M. (Note: Control System must be recalibrated when Module is replaced) (SN 0300248622 to Present)	
38	1001119455	1	Valve, Oil Sampling	
42	1001132194	1	Main Valve Assembly (See MAIN VALVE ASSEMBLY for Breakdown)	

SECTION 2 - TURNTABLE

FIGURE 2-3. BATTERY, HORN AND AUXILIARY PUMP INSTALLATION



ART_1001119952

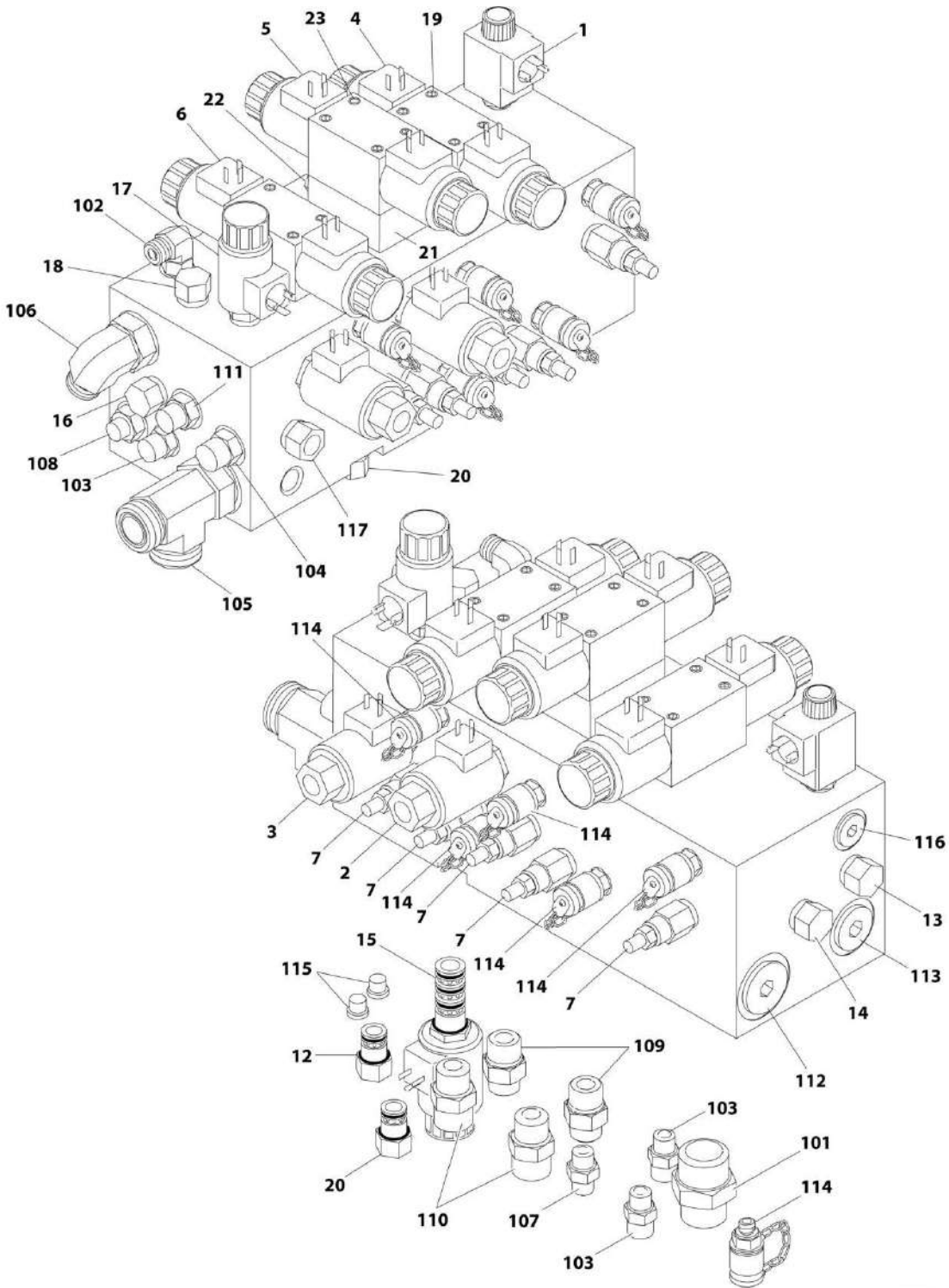
SECTION 2 - TURNTABLE

FIGURE 2-3. BATTERY, HORN AND AUXILIARY PUMP INSTALLATION

ITEM	PART NUMBER	QTY	DESCRIPTION	REV
	1001119952	Ref	BATTERY, HORN AND AUXILIARY PUMP INSTALLATION	B
1	0100011	AR	Compound, Locking	
2	0140001	1	Horn	
3	0236768	4	Bolt, Hold-down	
4	0363062	2	Bar, Battery	
5	0400020	1	Battery	
6	0641408	1	Bolt 1/4 x 1	
7	0641412	1	Bolt 1/4 x 1-1/2	
8	0641607	4	Bolt 3/8 x 7/8	
9	3311405	3	Nut 1/4	
10	3311601	4	Nut 3/8	
11	3311605	4	Nut 3/8	
12	3600465	1	Auxiliary Pump Assembly (See AUXILIARY PUMP ASSEMBLY for Breakdown) (SN 0300209000 through 0300243453)	
12	1001224066	1	Auxiliary Pump Assembly (See AUXILIARY PUMP ASSEMBLY for Breakdown) (Note: Not Available at time of printing) (SN 0300243454 to Present)	
13	3740067	1	Relay	
14	3980006	1	Seat, Battery	
15	4420037	17 in/ 43cm	Tape, Insulation	
16	4711400	4	Washer 1/4	
17	4711600	12	Washer 3/8	
18	4791400	2	Washer 1/4	

SECTION 2 - TURNTABLE

FIGURE 2-4. MAIN VALVE ASSEMBLY



ART_1001132194

SECTION 2 - TURNTABLE

FIGURE 2-4. MAIN VALVE ASSEMBLY

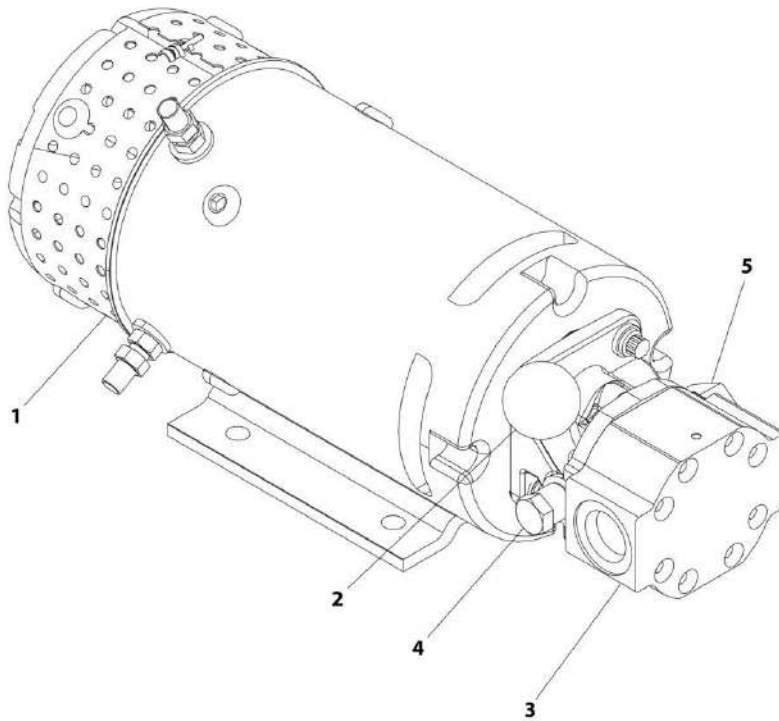
ITEM	PART NUMBER	QTY	DESCRIPTION	REV
	1001132194	Ref	MAIN VALVE ASSEMBLY	B
1	7024573	1	Cartridge, Solenoid Valve (Dump)	
1	7024574	1	Seal Kit - Cartridge	
1	7011354	1	Coil	
2	7021636	1	Cartridge, Solenoid Valve (Lift Flow)	
2	7017495	1	Seal Kit - Cartridge	
2	7017451	1	Coil	
3	7021636	1	Cartridge, Solenoid Valve (Tele Flow)	
3	7017495	1	Seal Kit - Cartridge	
3	7017451	1	Coil	
4	7024924	1	Control Valve Assembly (Swing)	
4	7012773	1	Seal Kit - Valve	
4	7018991	2	Coil	
4	7021375	2	Nut, Coil	
5	7024925	1	Control Valve Assembly (Lift)	
5	7012773	1	Seal Kit - Valve	
5	7018991	2	Coil	
5	7021375	2	Nut, Coil	
6	70001976	1	Control Valve Assembly (Tele)	
6	7012773	1	Seal Kit - Valve	
6	7018991	2	Coil	
6	7021375	2	Nut, Coil	
7	7026007	5	Cartridge, Relief Valve (Swing/Lift Up/Lift Down/Tele In/Tele Out)	
7	7024574	1	Seal Kit - Cartridge	
12	7026000	1	Cartridge, Check Valve	
12	7011311	1	Seal Kit - Cartridge	
13	7026001	1	Cartridge, Check Valve	
13	7011311	1	Seal Kit - Cartridge	
14	7026002	1	Cartridge, Shuttle Valve	
14	2900770	1	Seal Kit - Cartridge	
15	7024570	1	Cartridge, Solenoid Valve (Aux Lift Down Select)	
15	70001930	1	Seal Kit - Cartridge	
15	7024571	1	Coil	
16	7026003	1	Cartridge, Pilot Valve	
16	7026004	1	Seal Kit - Cartridge	
17	7026005	1	Cartridge, Solenoid Valve (Aux Lift Down)	
17	7026006	1	Seal Kit - Cartridge	
17	7024571	1	Coil	
18	7026008	1	Cartridge, Check Valve	
18	7011346	1	Seal Kit - Cartridge	
19	7018942	8	Capscrew #10 x 2	
20	7026016	1	Cartridge, Valve	
20	7011346	1	Seal Kit - Cartridge	
21	70003630	1	Valve, Flow Sandwich	
21	7018968	4	O-Ring	
22	70003021	1	Cartridge, Valve	
22	70003018	1	Seal Kit - Cartridge	
23	7018986	4	Capscrew #10 x 3-1/2	
101	2111216	1	Fitting, Straight ORFS/ORB	
102	2130606	1	Fitting, 90 ORFS/ORB	

SECTION 2 - TURNTABLE

ITEM	PART NUMBER	QTY	DESCRIPTION	REV
103	2110606	3	Fitting, Straight ORFS/ORB	
104	2110808	1	Fitting, Straight ORFS/ORB	
105	2170316	1	Fitting, Tee ORFS/ORB/ORFS	
106	2131012	1	Fitting, 90 ORFS/ORB	
107	2110406	1	Fitting, Straight ORFS/ORB	
108	2110408	1	Fitting, Straight ORFS/ORB	
109	2110810	2	Fitting, Straight ORFS/ORB	
110	2111010	2	Fitting, Straight ORFS/ORB	
111	2110608	1	Fitting, Straight ORFS/ORB	
112	2220890	1	Plug	
113	70002760	1	Plug	
114	2221086	6	Check, Pressure	
115	70002758	2	Fitting, Plug	
116	70002759	1	Plug with O-Ring	
117	1001137354	1	Fitting, Straight FORB/ORB	

SECTION 2 - TURNTABLE

FIGURE 2-5. AUXILIARY PUMP ASSEMBLY (SN 0300209000 through 0300243453)



ART_3600465

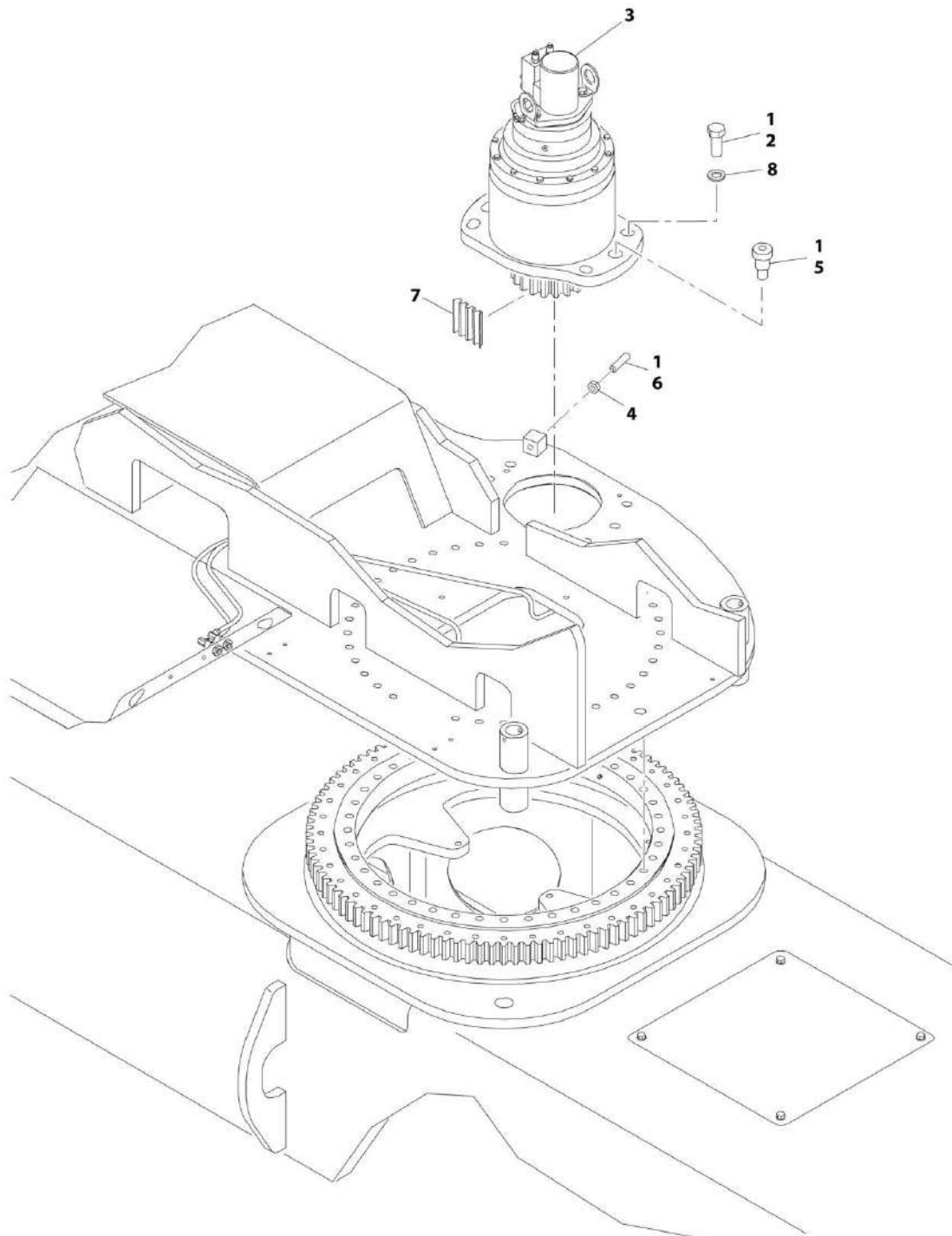
SECTION 2 - TURNTABLE

FIGURE 2-5. AUXILIARY PUMP ASSEMBLY (SN 0300209000 through 0300243453)

ITEM	PART NUMBER	QTY	DESCRIPTION	REV
	3600465	Ref	AUXILIARY PUMP ASSEMBLY (SN 0300209000 through 0300243453)	D
1	7010924	1	Motor	
1	7010639	2	Brush	
1	7010640	8	Spring, Brush	
1	7011044	1	Gasket, Adapter to Motor	
2	70000998	1	Coupling	
2	70000999	1	Key, Woodruff	
2	See Note	NSS	Adapter (Note: Not Available for Purchase)	
3	70001001	1	Pump Kit (Includes Pump, Adapter to Motor Gasket p/n 7011044 and Mounting Hardware)	
3	7011043	4	Screw	
3	7011048	4	Washer	
3	70001000	1	Seal Kit (Includes Adapter to Motor Gasket p/n 7011044, Pump to Adapter Gasket, Shaft Seal and O-Rings for Hex Caps on Adapter)	
4	See Note	NSS	Ball (Note: Not Available for Purchase)	
4	See Note	NSS	Spring (Note: Not Available for Purchase)	
4	See Note	NSS	Screw, Valve Adjustment (Note: Not Available for Purchase)	
5	See Note	NSS	Ball and Spring Assembly (Note: Not Available for Purchase)	
5	See Note	NSS	Plug (Note: Not Available for Purchase)	

SECTION 2 - TURNTABLE

FIGURE 2-6. SWING DRIVE INSTALLATION (SN 0300209000 through 0300254531)



ART_0271596

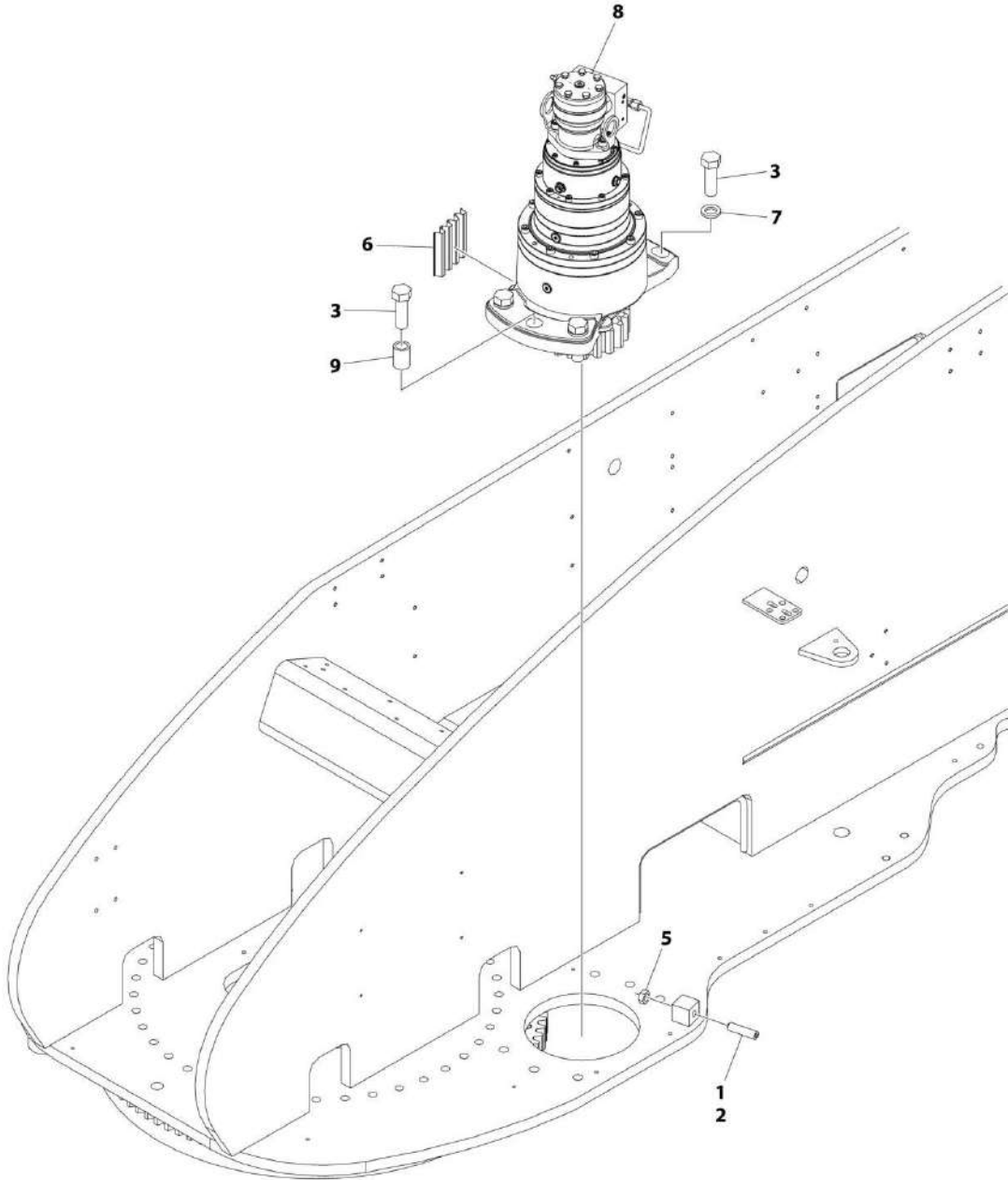
SECTION 2 - TURNTABLE

FIGURE 2-6. SWING DRIVE INSTALLATION (SN 0300209000 through 0300254531)

ITEM	PART NUMBER	QTY	DESCRIPTION	REV
	0271596	Ref	SWING DRIVE INSTALLATION	E
1	0100019	AR	Compound, Locking	
2	0682418	5	Bolt 7/8 x 2-1/4 Grade 8	
3	1001134098	Ref	Swing Motor/Hub Assembly (See SWING MOTOR/HUB ASSEMBLY for Breakdown)	
4	3312002	1	Nut 5/8	
5	3900223	1	Screw, Shoulder	
6	3952020	1	Setscrew 5/8 x 2-1/2	
7	4071041	1	Shim	
8	4892400	5	Washer 7/8	

SECTION 2 - TURNTABLE

FIGURE 2-7. SWING DRIVE INSTALLATION (SN 0300254532 to Present)



ART_1001228617

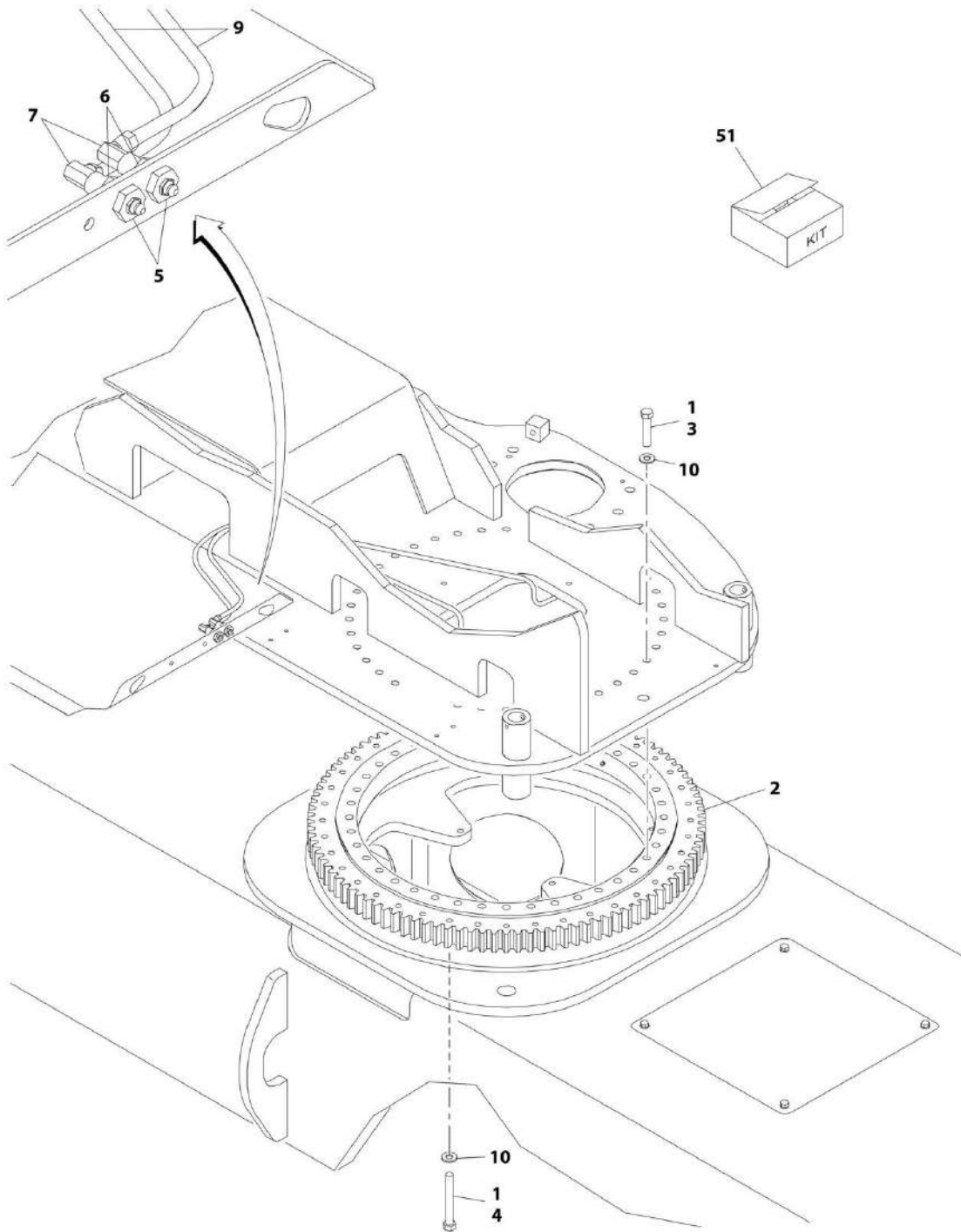
SECTION 2 - TURNTABLE

FIGURE 2-7. SWING DRIVE INSTALLATION (SN 0300254532 to Present)

ITEM	PART NUMBER	QTY	DESCRIPTION	REV
	1001228617	Ref	SWING DRIVE INSTALLATION	D
1	0100019	AR	Compound, Locking	
2	3952020	1	Setscrew 5/8 x 2-1/2	
3	0682422	6	Bolt 7/8 x 2-3/4 Grade 8	
5	3312002	1	Nut 5/8	
6	4071041	1	Shim	
7	4892400	5	Washer 7/8	
8	1001228488	1	Swing Motor/Hub Assembly (See Separate Breakdown in this Section)	
9	1001229058	1	Sleeve	

SECTION 2 - TURNTABLE

FIGURE 2-8. TURNTABLE BEARING AND LUBE INSTALLATION



ART_0271512

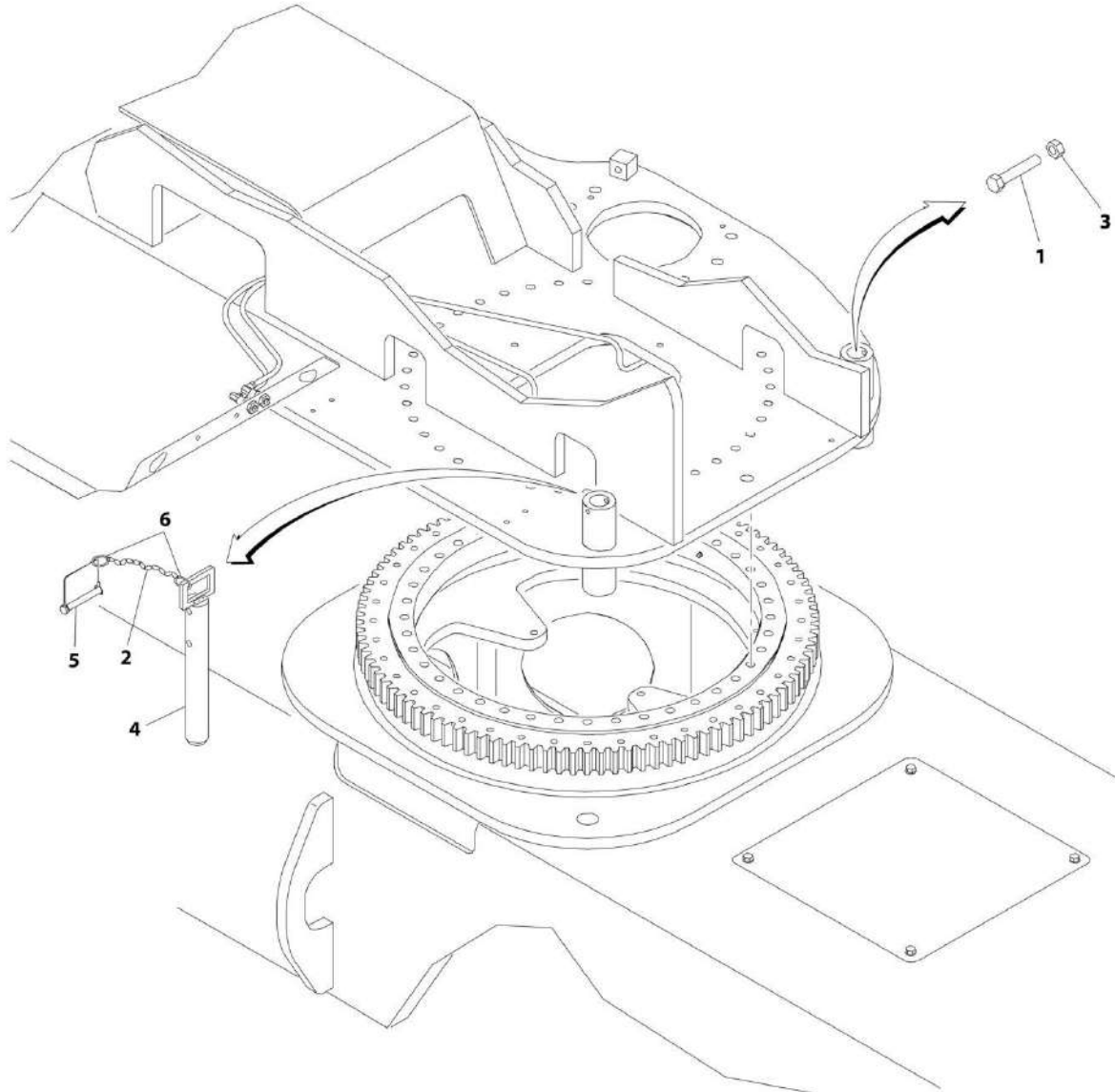
SECTION 2 - TURNTABLE

FIGURE 2-8. TURNTABLE BEARING AND LUBE INSTALLATION

ITEM	PART NUMBER	QTY	DESCRIPTION	REV
	0271512	Ref	TURNTABLE BEARING AND LUBE INSTALLATION	B
1	0100019	AR	Compound, Locking	
2	0440251	1	Bearing, Turntable	
3	0682026	40	Bolt 5/8 x 3-1/4 Grade 8	
4	0682040	40	Bolt 5/8 x 5 Grade 8	
5	2180002	2	Fitting, Grease	
6	2180344	2	Fitting, Bulkhead	
7	2220063	2	Fitting, Adapter	
9	2750528	2	Hose	
10	4892000	80	Washer 5/8	
51	2915072	1	Kit Bearing (Includes Items 2, 3, 4 & 10)	

SECTION 2 - TURNTABLE

FIGURE 2-9. TURNTABLE LOCK INSTALLATION



ART_1001110186

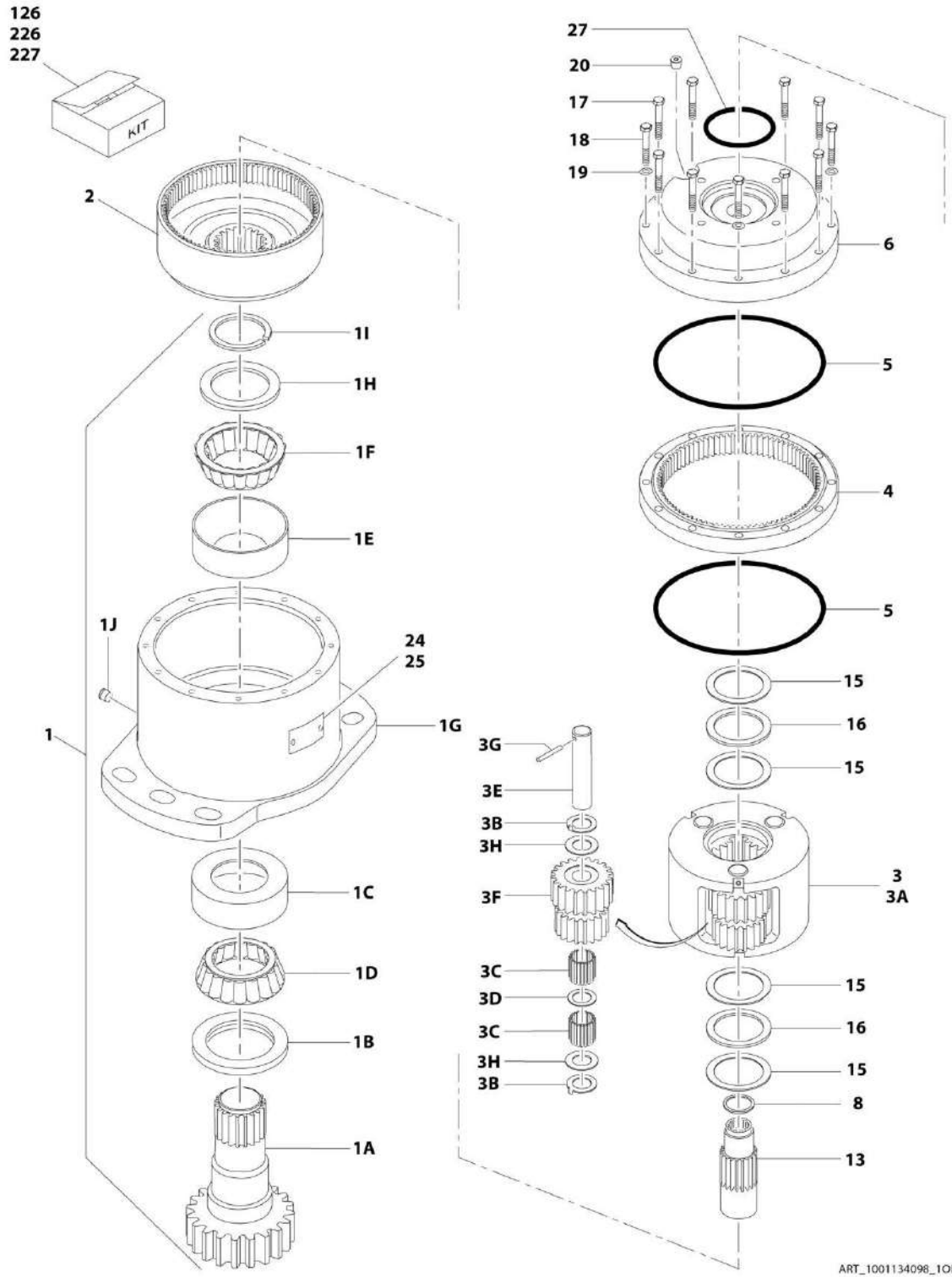
SECTION 2 - TURNTABLE

FIGURE 2-9. TURNTABLE LOCK INSTALLATION

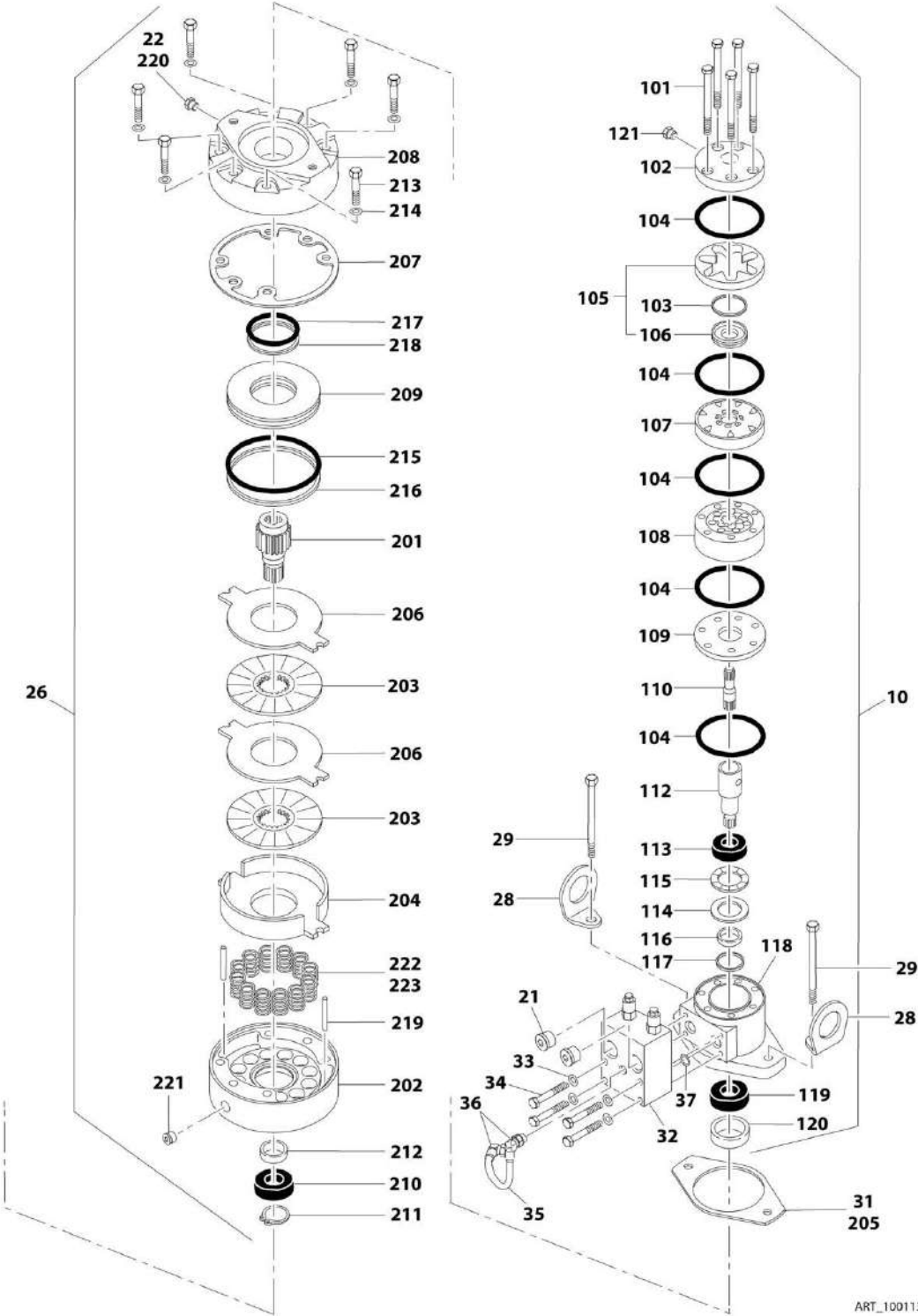
ITEM	PART NUMBER	QTY	DESCRIPTION	REV
	1001110186	Ref	TURNTABLE LOCK INSTALLATION	C
1	0641524	1	Bolt 5/16 x 3	
2	1260017	9 in/23cm	Chain - #3	
3	3311505	1	Nut 5/16	
4	3421563	1	Pin, Turntable Lock	
5	3421565	1	Pin, Snap	
6	3760170	2	Ring, Quick Release	

SECTION 2 - TURNTABLE

FIGURE 2-10. SWING MOTOR/HUB ASSEMBLY (SN 0300209000 through 0300254531)



SECTION 2 - TURNTABLE



ART_1D01134098_2OF2

SECTION 2 - TURNTABLE

FIGURE 2-10. SWING MOTOR/HUB ASSEMBLY (SN 0300209000 through 0300254531)

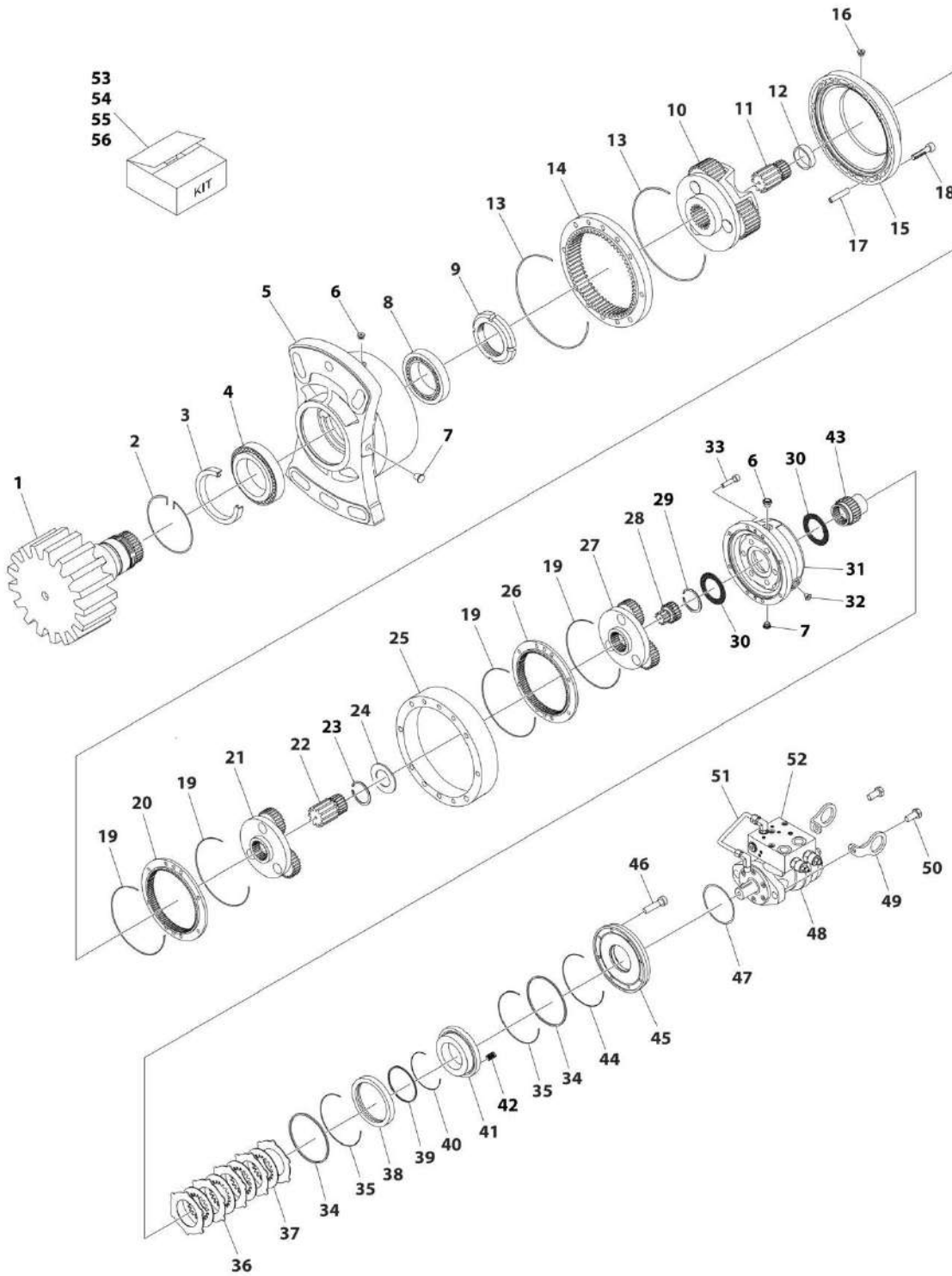
ITEM	PART NUMBER	QTY	DESCRIPTION	REV
	1001134098	Ref	SWING MOTOR/HUB ASSEMBLY	D
1	See Note	1	Housing/Shaft Assembly (Note: Not Available for Purchase)	
1A	7024183	1	Shaft, Output	
1B	7000236	1	Seal, Lip	
1C	1001091460	1	Cup, Bearing	
1D	1001091460	1	Cone, Bearing	
1E	1001091461	1	Cup, Bearing	
1F	1001091461	1	Cone, Bearing	
1G	7024184	1	Housing	
1H	7000239	1	Thrustwasher	
1I	7000240	1	Ring, Retaining	
1J	7017072	1	Plug, Pipe	
2	7001917	1	Gear, Internal	
3	7001918	1	Carrier Assembly	
3A	7001900	1	Carrier	
3B	7007645	6	Washer, Tanged	
3C	7001902	84	Bearing, Needle	
3D	7007646	3	Thrustwasher	
3E	7001904	3	Shaft, Planet	
3F	7001927	3	Gear, Cluster	
3G	7001906	3	Rollpin	
3H	7007648	6	Washer	
4	7010467	1	Gear, Ring	
5	7000224	2	O-Ring	
6	7001920	1	Cover, Input	
8	7001922	1	Thrustwasher	
10	7024188	1	Motor Assembly (See Items 101-121 for Breakdown)	
13	7001921	1	Gear, Sun	
15	7000287	4	Thrustwasher	
16	7000288	2	Bearing, Thrust	
17	7001923	8	Bolt 3/8 x 3 Grade 8	
18	7001924	4	Bolt 3/8 x 2-3/4 Grade 8	
19	7001929	4	Washer (Used with Item 18 Only)	
20	7017094	1	Plug, Pipe	
21	7001926	2	Plug, Pipe	
22	7017082	1	Plug, Pipe	
24	See Note	1	Plate, ID (Note: Not Available for Purchase)	
25	7000281	2	Screw, Drive	
26	70003524	1	Brake Assembly (See Items 201-223 for Breakdown)	
27	7024763	1	O-Ring	
28	See Note	NSS	Lug, Lifting (Note: Not Available for Purchase)	
29	7024185	2	Bolt 1/2 x 5 Grade 8	
31	7000731	1	Gasket	
32	70003523	1	Valve	
32	70003629	2	Cartridge	
33	See Note	4	Washer (Note: Not Available - Purchase Locally)	
34	7024135	4	Bolt 5/16 x 2-1/2 Grade 8	
35	7024186	1	Tube	
36	7017085	2	Elbow	
37	7000213	2	O-Ring	

SECTION 2 - TURNTABLE

ITEM	PART NUMBER	QTY	DESCRIPTION	REV
	7024188	Ref	MOTOR ASSEMBLY	
101	7024391	5	Bolt	
102	7004035	1	Cover, End	
103	See Note	NSS	Seal, Commutator (Note: Use Item 126)	
104	See Note	NSS	Seal, Ring (Note: Use Item 126)	
105	7024453	1	Commutator and Ring Assembly	
106	7004453	1	Ring	
107	7024379	1	Manifold	
108	7024392	1	Rotor Set	
109	7024380	1	Plate, Wear	
110	7024393	1	Link, Drive	
112	7024395	1	Shaft, Coupling	
113	7024381	1	Bushing, Bronze	
114	7004043	1	Thrustwasher	
115	7004044	1	Bearing, Thrust	
116	See Note	NSS	Seal, Inner (Note: Use Item 126)	
117	See Note	NSS	Washer, Back-up (Note: Use Item 126)	
118	7024394	1	Housing	
119	7024390	1	Bearing	
120	See Note	NSS	Seal (Note: Use Item 126)	
121	7010795	1	Plug, O-Ring	
126	7024389	1	Seal Kit - 7024188 Motor (Includes Items 103, 104, 116, 117 & 120)	
	70003524	Ref	BRAKE ASSEMBLY	
201	7024189	1	Shaft	
202	See Note	1	Housing (Note: Not Available - Purchase Complete Assembly)	
203	See Note	NSS	Plate, Friction (Note: Use Item 227)	
204	See Note	NSS	Plate, Pressure (Note: Use Item 227)	
205	7000731	1	Gasket	
206	See Note	NSS	Plate, Outer (Note: Use Item 227)	
207	See Note	NSS	Gasket (Note: Use Item 226 or 227)	
208	7024191	1	Cylinder	
209	7024192	1	Piston	
210	See Note	NSS	Bearing, Ball (Note: Use Item 227)	
211	See Note	NSS	Ring, Retaining (Note: Use Item 227)	
212	See Note	NSS	Seal, Shaft (Note: Use Item 227)	
213	See Note	6	Capscrew (Note: Not Available - Purchase Locally)	
214	See Note	6	Washer (Note: Not Available - Purchase Locally)	
215	See Note	NSS	O-Ring (Note: Use Item 226)	
216	See Note	NSS	Ring, Back-up (Note: Use Item 226)	
217	See Note	NSS	O-Ring (Note: Use Item 226)	
218	See Note	NSS	Ring, Back-up (Note: Use Item 226)	
219	7024190	2	Pin, Dowel	
220	See Note	1	Plug (Note: Not Available - Purchase Locally)	
221	See Note	1	Plug (Note: Not Available - Purchase Locally)	
222	See Note	NSS	Spring (Natural) (Note: Use Item 227)	
223	See Note	NSS	Spring (Blue) (Note: Use Item 227)	
226	7024194	1	Seal Kit - Brake (Includes Items 205, 207 & 215-218)	
227	7024196	1	Spring Kit - Brake (Includes 12 Natural and 2 Blue Colored Springs)	
227	7024193	1	Friction Disc Kit - Brake (Includes Items 203, 204, 206 & 207)	
227	7024197	1	Bearing Kit - Brake (Includes Items 207 & 210-212)	

SECTION 2 - TURNTABLE

FIGURE 2-11. SWING MOTOR/HUB ASSEMBLY (SN 0300254532 to Present)



ART_1001228488

SECTION 2 - TURNTABLE

FIGURE 2-11. SWING MOTOR/HUB ASSEMBLY (SN 0300254532 to Present)

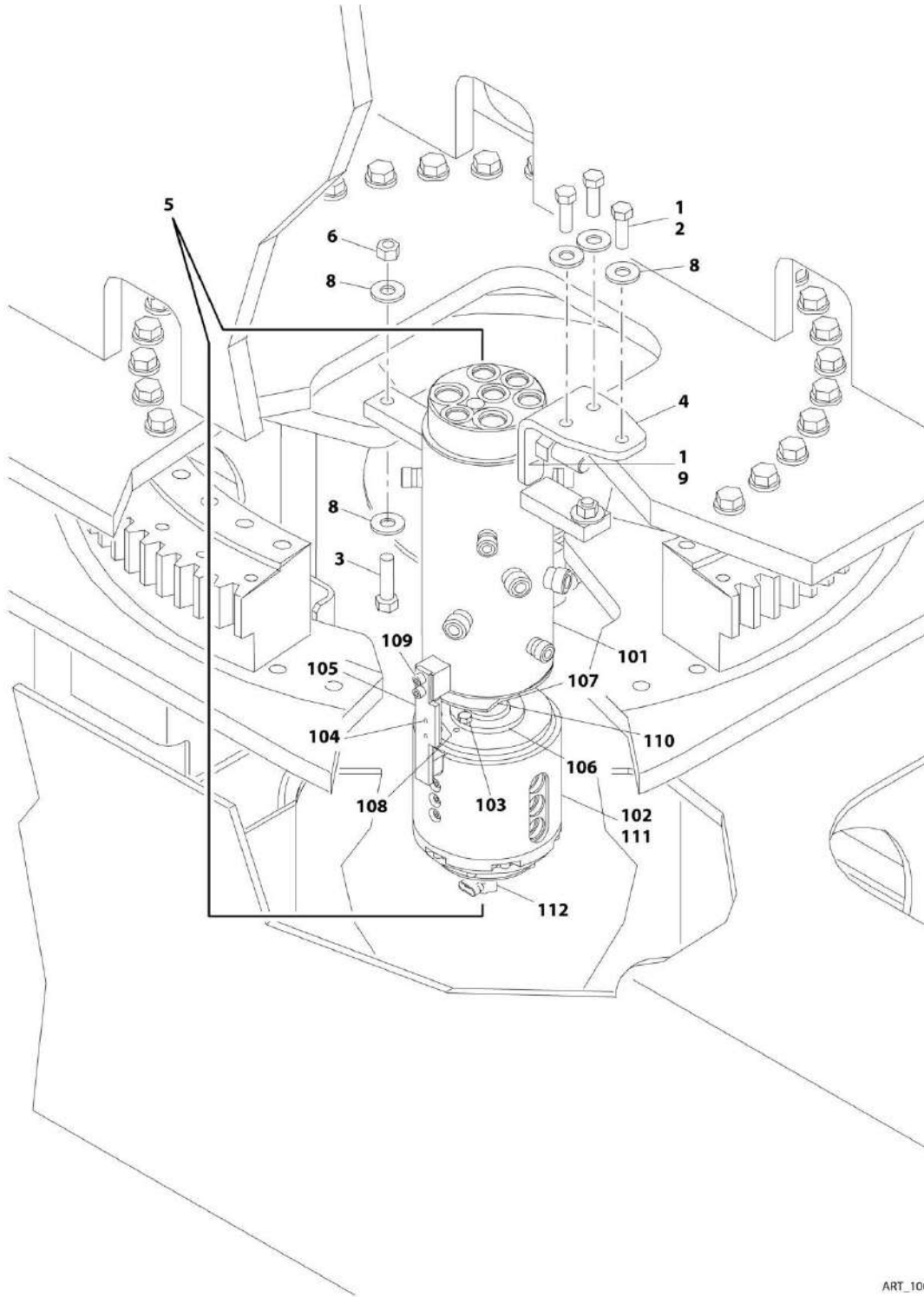
ITEM	PART NUMBER	QTY	DESCRIPTION	REV
	1001228488	Ref	SWING MOTOR/HUB ASSEMBLY	B
1	See Note	NSS	Shaft (Note: Use Item 56)	
2	70004467	1	Ring	
3	See Note	NSS	Seal, Oil (Note: Use Item 53)	
4	See Note	NSS	Bearing (Note: Use Item 55)	
5	See Note	NSS	Support, Output (Note: Not Available for Purchase)	
6	70002057	5	Plug with O-Ring	
7	70004469	2	Plug with O-Ring	
8	See Note	NSS	Bearing (Note: Use Item 55)	
9	See Note	NSS	Nut, Ring (Note: Use Item 56)	
10	70006986	1	Reduction, Gear - Complete	
11	70006987	1	Pinion	
12	70004477	1	Spacer	
13	See Note	NSS	O-Ring (Note: Use Item 53)	
14	70004474	1	Ring, Planetary	
15	70006988	1	Spacer	
16	70002057	2	Plug with O-Ring	
17	70006989	4	Pin, Spring	
18	70004480	8	Capscrew M10 x 55	
19	See Note	NSS	O-Ring (Note: Use Item 53)	
20	70006990	1	Ring, Planetary	
21	70006991	1	Reduction, Gear - Complete	
22	70006992	1	Pinion	
23	70002032	1	Ring	
24	70006993	1	Spacer	
25	70006994	1	Spacer	
26	70004481	1	Ring, Planetary	
27	70006995	1	Reduction, Gear - Complete	
28	70006996	1	Pinion	
29	70006997	1	Ring	
30	70006998	1	Washer	
31	See Note	NSS	Housing, Brake (Note: Not Available for Purchase)	
32	70006999	1	Plug	
33	70007000	8	Capscrew M8 x 90	
34	See Note	NSS	Seal (Note: Use Item 53 or 54)	
35	See Note	NSS	O-Ring (Note: Use Item 53 or 54)	
36	See Note	NSS	Disc, Steel (Note: Use Item 54)	
37	See Note	NSS	Disc (Note: Use Item 54)	
38	70005317	1	Spacer	
39	See Note	NSS	Seal (Note: Use Item 53 or 54)	
40	See Note	NSS	O-Ring (Note: Use Item 53 or 54)	
41	70005318	1	Piston, Brake	
42	See Note	NSS	Spring, Brake (Note: Use Item 54)	
43	70007001	1	Shaft, Input	
44	See Note	NSS	O-Ring (Note: Use Item 53 or 54)	
45	70007002	1	Cover	
46	70007003	8	Screw M6 x 25	
47	See Note	NSS	O-Ring (Note: Use Item 53)	
48	70007009	1	Motor	
48	70007011	1	Seal Kit	

SECTION 2 - TURNTABLE

ITEM	PART NUMBER	QTY	DESCRIPTION	REV
49	See Note	NSS	Lug, Lifting (Note: Not Available for Purchase)	
50	70004494	2	Capscrew M12 x 35	
51	70007004	1	Brake, Valve Adapter	
52	70007010	1	Valve	
52	70007012	1	Seal Kit	
52	70007013	1	Hardware Kit	
53	70007005	1	Seal Kit – Brake and Hub (Includes Items 3, 13, 19, 34, 35, 39, 40, 44 & 47)	
54	70007006	1	Seal Kit – Brake (Includes Items 34-37, 39, 40, 42 & 44)	
55	70007007	1	Bearing Kit (Includes Items 4 & 8)	
56	70007008	1	Output Shaft Kit (Includes Items 1 & 9)	

SECTION 2 - TURNTABLE

FIGURE 2-12. ROTARY COUPLING AND COLLECTOR RING INSTALLATION



ART_1001119273

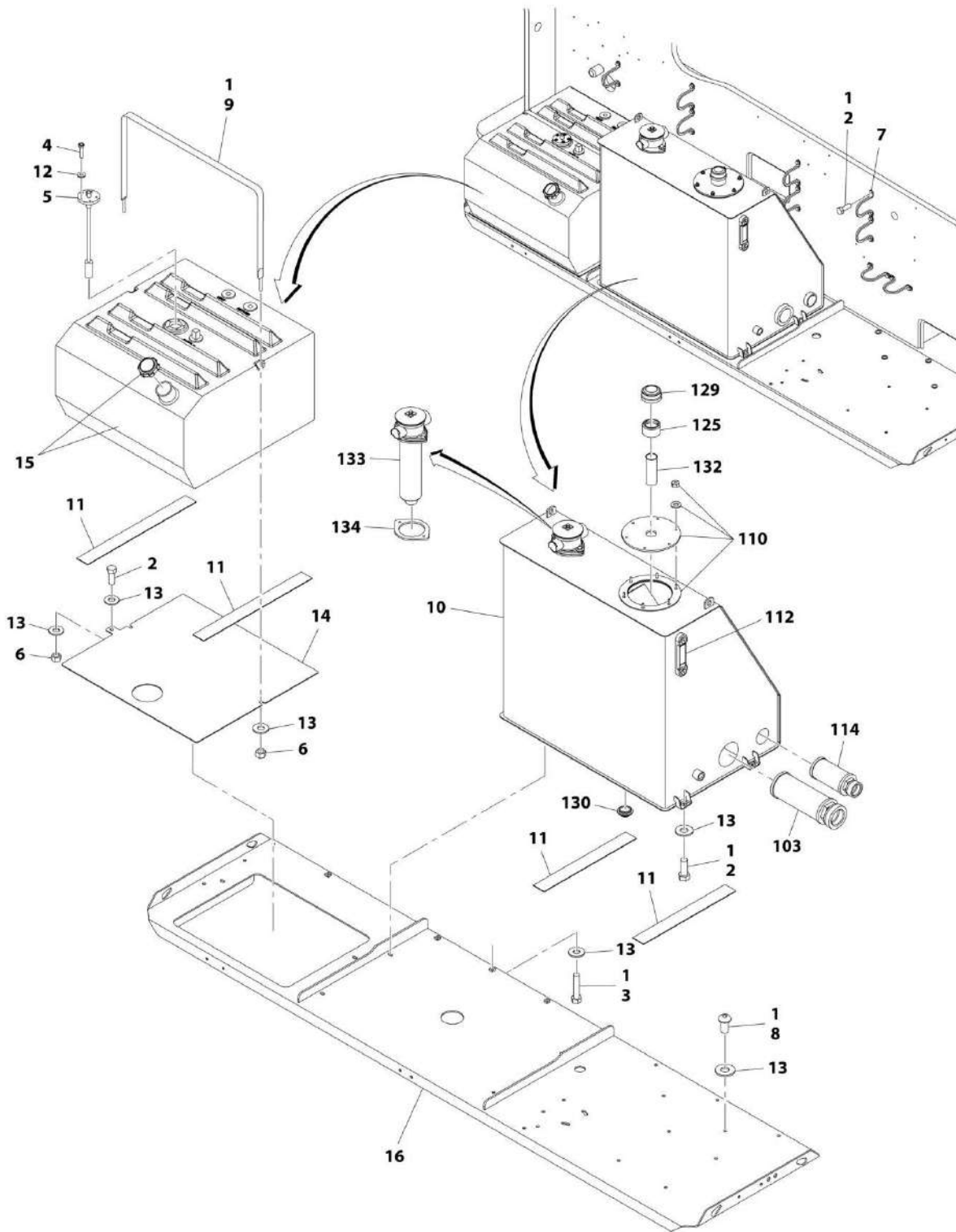
SECTION 2 - TURNTABLE

FIGURE 2-12. ROTARY COUPLING AND COLLECTOR RING INSTALLATION

ITEM	PART NUMBER	QTY	DESCRIPTION	REV
	1001119273	Ref	ROTARY COUPLING AND COLLECTOR RING INSTALLATION	B
1	0100011	AR	Compound, Locking	
2	0641812	3	Bolt 1/2 x 1-1/2	
3	0641820	2	Bolt 1/2 x 2-1/2	
4	0902790	1	Bracket, Swivel (SN 0300209000 through 0300227066)	
4	0902915	1	Bracket, Swivel (SN 0300227067 to Present)	
5	1001119040	1	Rotary Coupling and Collector Ring Assembly (See Items 101-112 for Breakdown)	
6	3311805	2	Nut 1/2	
8	4751800	7	Washer 1/2	
9	3322201	2	Nut 3/4	
	1001119040	Ref	ROTARY COUPLING AND COLLECTOR RING ASSEMBLY	C
101	70001102	1	Coupling, Rotary	
101	See Note	NSS	Bearing (Note: Not Available for Purchase)	
101	70001101	1	Seal Kit - Coupling	
102	70003485	1	Contactora, Rotary Circuit (Does not include connector or pins)	
103	0641506	4	Bolt 5/16 x 3/4	
104	3931512	2	Capscrew 5/16 x 3/4	
105	70003484	1	Arm, Torque	
106	80334251	1	Adapter	
107	7026030	1	Plate, Cam	
108	7026031	1	Sensor, Proximity	
109	3931008	2	Capscrew #10 x 1/2	
110	7026032	1	Pin, Dowel	
111	0100048	AR	Grease, Silicone (Apply to Contactora Connector)	
112	1001133759	1	Sensor, Angle	

SECTION 2 - TURNTABLE

FIGURE 2-13. TANK INSTALLATION - WITH 31 GAL/117.31 L FUEL TANK



ART_1001173915

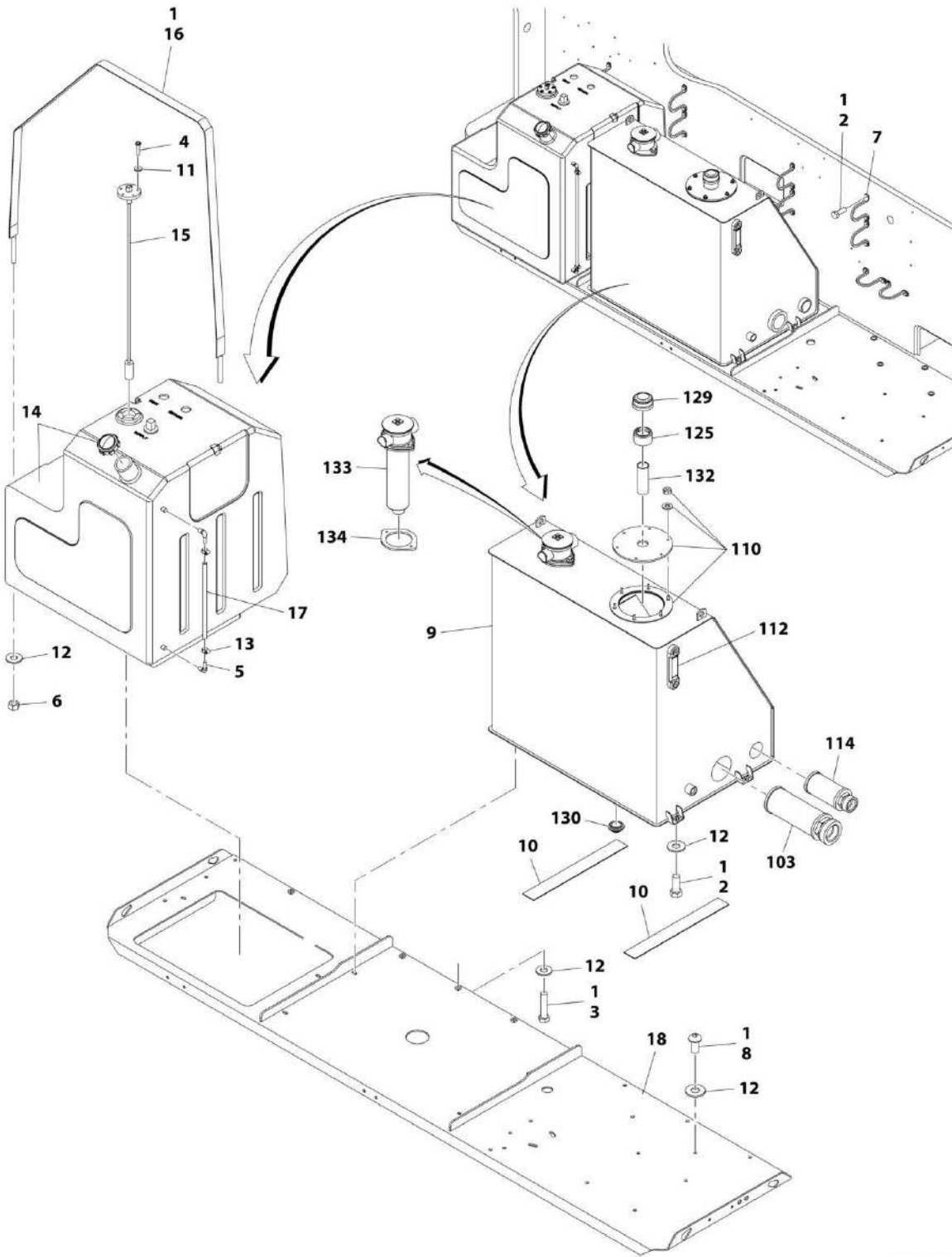
SECTION 2 - TURNTABLE

FIGURE 2-13. TANK INSTALLATION - WITH 31 GAL/117.31 L FUEL TANK

ITEM	PART NUMBER	QTY	DESCRIPTION	REV
	1001173915	Ref	TANK INSTALLATION - WITH 31 GAL/117.31 L FUEL TANK	C
1	0100011	AR	Compound, Locking	
2	0641608	23	Bolt 3/8 x 1	
3	0641614	10	Bolt 3/8 x 1-3/4	
4	0731007	5	Screw #10 x 7/8	
5	2420191	1	Gauge, Fuel	
5	3960525	1	Gasket	
6	3311601	3	Nut 3/8	
7	3841340	9	Loop, Hose	
8	3900283	6	Screw 3/8 x 3/4	
9	4240139	1	Strap, Tank	
10	4400457	1	Tank, Hydraulic Oil (See Items 103-134 for Breakdown)	
11	4420038	75 in/1.9m	Tape	
12	4751000	5	Washer #10	
13	4751600	24	Washer 3/8	
14	1001117359	1	Plate	
15	1001160567	1	Tank, Fuel	
15	70004414	1	Cap, Fuel	
15	7020043	1	Tube, Pickup	
16	1001173171	1	Tray	
	4400457	Ref	HYDRAULIC OIL TANK ASSEMBLY	E
103	7026571	1	Strainer, Suction	
110	7024439	1	Cover	
110	7023306	1	Seal, Cover Plate	
110	7024440	1	Gasket	
112	7024441	1	Gauge, Sight	
114	7024442	1	Strainer	
125	7024445	1	Strainer (Filler Neck)	
129	7024444	1	Breather Filter/Fill Cap	
130	7024446	1	Plug, Magnetic	
132	7024443	1	Neck, Filler	
133	7024374	1	Filter, Hydraulic Oil	
133	7024375	1	Element, Filter	
134	7023347	1	Gasket, Filter Mounting Flange	

SECTION 2 - TURNTABLE

FIGURE 2-14. TANK INSTALLATION - WITH 58.2 GAL/200 L FUEL TANK



ART_1001173918

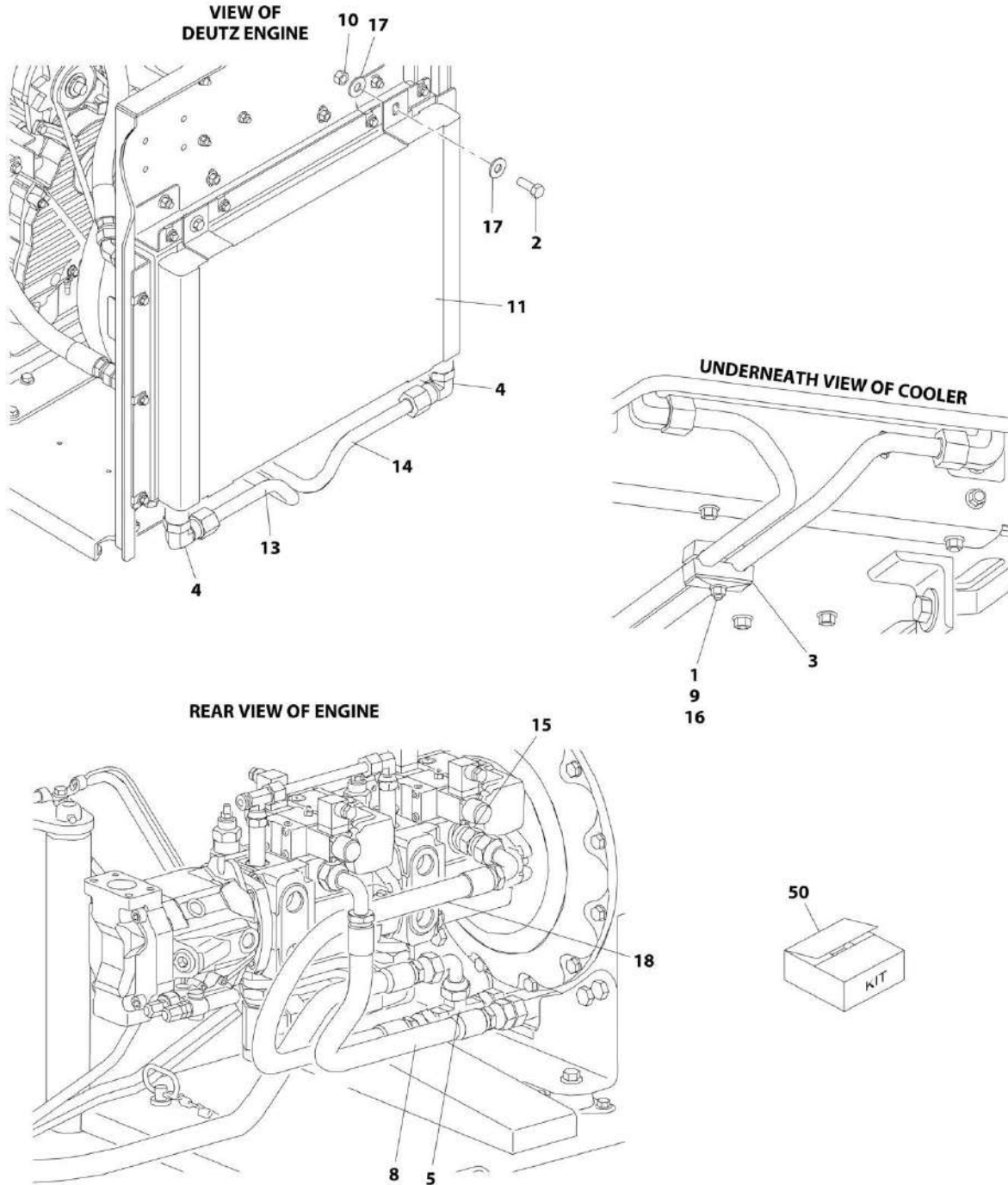
SECTION 2 - TURNTABLE

FIGURE 2-14. TANK INSTALLATION - WITH 58.2 GAL/200 L FUEL TANK

ITEM	PART NUMBER	QTY	DESCRIPTION	REV
	1001173918	Ref	TANK INSTALLATION - WITH 58.2 GAL/200 L FUEL TANK	C
1	0100011	AR	Compound, Locking	
2	0641608	22	Bolt 3/8 x 1	
3	0641614	10	Bolt 3/8 x 1-3/4	
4	0731007	5	Screw #10 x 7/8	
5	2180467	2	Fitting, 90 Barbed	
6	3311601	2	Nut 3/8	
7	3841340	9	Loop, Hose	
8	3900283	6	Screw 3/8 x 3/4	
9	4400457	1	Tank, Hydraulic Oil (See Items 103-134 for Breakdown)	
10	4420038	34 in/.9m	Tape	
11	4751000	5	Washer #10	
12	4751600	22	Washer 3/8	
13	8405009	2	Clamp	
14	1001108579	1	Tank, Fuel	
14	7016314	1	Cap, Fuel	
14	70004413	1	Tube, Pickup	
15	1001109048	1	Gauge, Fuel	
16	1001110059	1	Strap, Tank	
17	1001113103	19.5 in /.5m	Tube, Sight	
18	1001173171	1	Tray	
	4400457	Ref	HYDRAULIC OIL TANK ASSEMBLY	E
103	7026571	1	Strainer, Suction	
110	7024439	1	Cover	
110	7023306	1	Seal, Cover Plate	
110	7024440	1	Gasket	
112	7024441	1	Gauge, Sight	
114	7024442	1	Strainer	
125	7024445	1	Strainer (Filler Neck)	
129	7024444	1	Breather Filter/Fill Cap	
130	7024446	1	Plug, Magnetic	
132	7024443	1	Neck, Filler	
133	7024374	1	Filter, Hydraulic Oil	
133	7024375	1	Element, Filter	
134	7023347	1	Gasket, Filter Mounting Flange	

SECTION 2 - TURNTABLE

FIGURE 2-15. HYDRAULIC OIL COOLER INSTALLATION - DEUTZ TD2011 ENGINES WITH REXROTH PUMPS (OPTIONAL)



ART_0272080

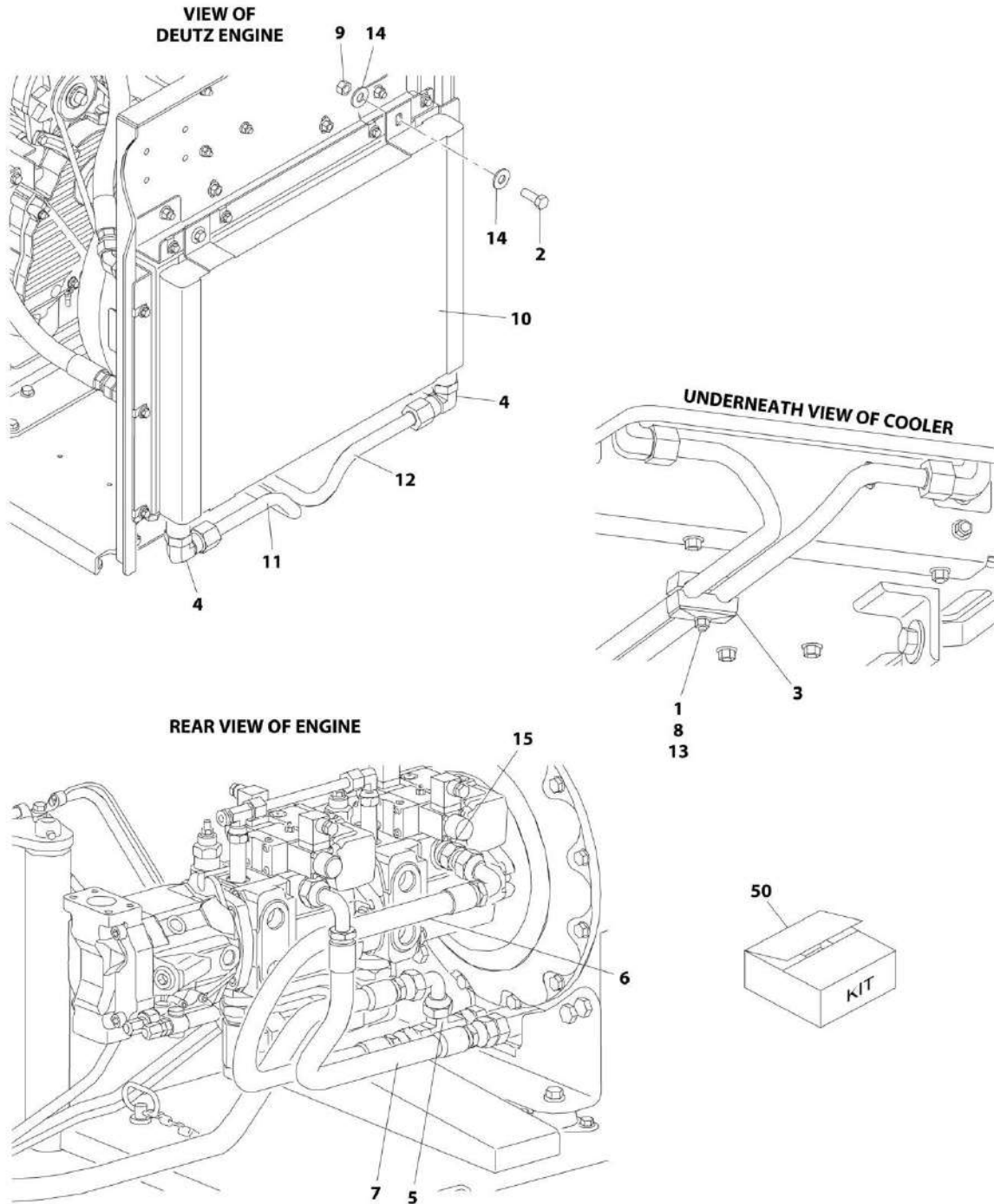
SECTION 2 - TURNTABLE

FIGURE 2-15. HYDRAULIC OIL COOLER INSTALLATION - DEUTZ TD2011 ENGINES WITH REXROTH PUMPS (OPTIONAL)

ITEM	PART NUMBER	QTY	DESCRIPTION	REV
	0272080	Ref	HYDRAULIC OIL COOLER INSTALLATION - DEUTZ TD2011 ENGINES WITH REXROTH PUMPS (OPTIONAL)	B
1	0641520	2	Bolt 5/16 x 2-1/2	
2	0641608	4	Bolt 3/8 x 1	
3	1320162	2	Clamp, Hose	
4	2131212	2	Fitting, 90 ORFS/ORB	
5	2170712	1	Fitting, Tee ORFS/FSORFS/ORFS	
8	2753778	1	Hose	
9	3311505	2	Nut 5/16	
10	3311605	4	Nut 3/8	
11	3620034	1	Cooler, Hydraulic Oil	
13	4568426	1	Tube	
14	4568427	1	Tube	
15	4641247	1	Valve, Check	
16	4711500	4	Washer 5/16	
17	4751600	8	Washer 3/8	
18	2753843	1	Hose	
50	1001120564	1	Oil Cooler Add-on Kit (Includes Items 1-18)	

SECTION 2 - TURNTABLE

FIGURE 2-16. HYDRAULIC OIL COOLER INSTALLATION - DEUTZ TD2011 ENGINES WITH SAUER PUMPS (OPTIONAL)



ART_1001118957

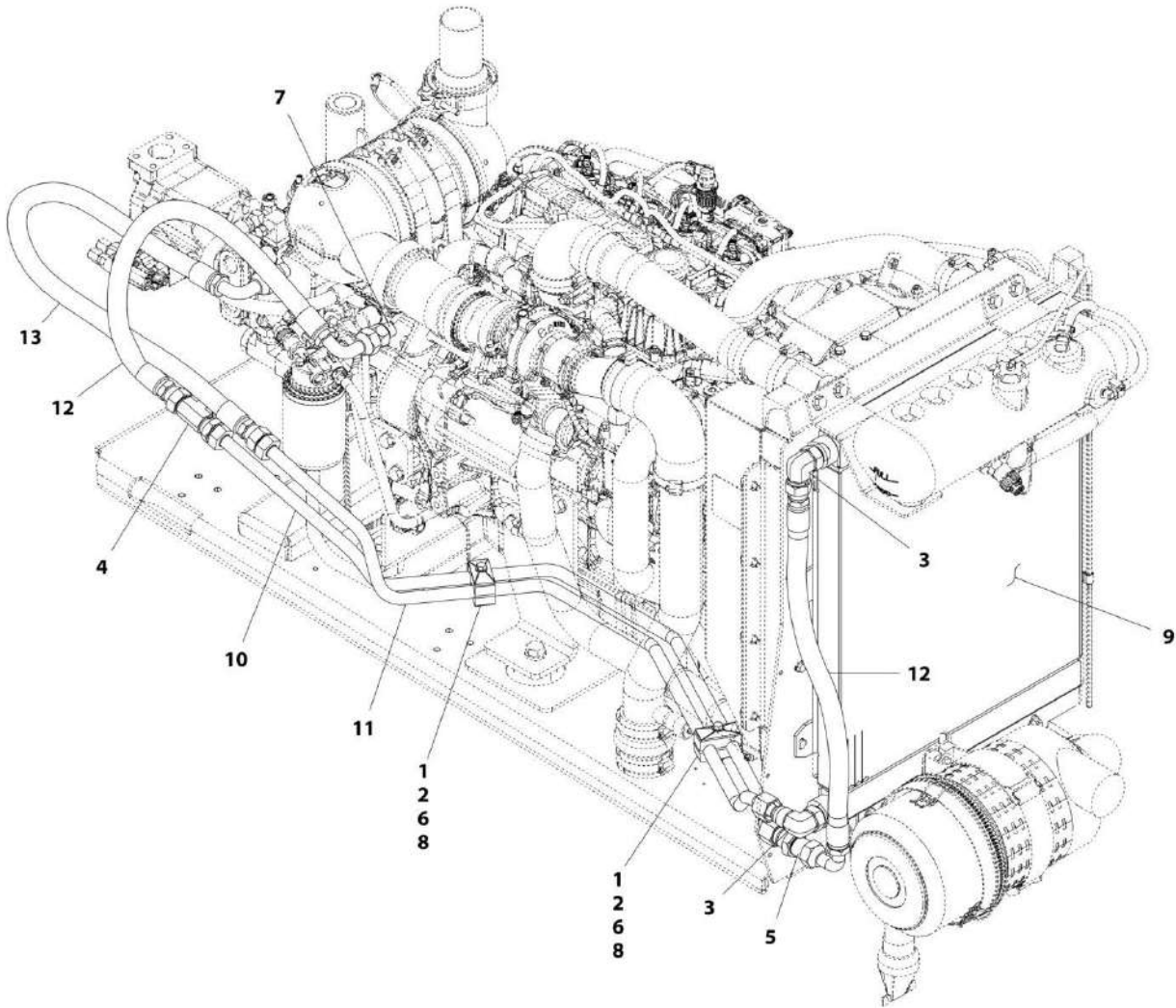
SECTION 2 - TURNTABLE

FIGURE 2-16. HYDRAULIC OIL COOLER INSTALLATION - DEUTZ TD2011 ENGINES WITH SAUER PUMPS (OPTIONAL)

ITEM	PART NUMBER	QTY	DESCRIPTION	REV
	1001118957	Ref	HYDRAULIC OIL COOLER INSTALLATION - DEUTZ TD2011 ENGINES WITH SAUER PUMPS (OPTIONAL)	B
1	0641520	2	Bolt 5/16 x 2-1/2	
2	0641608	4	Bolt 3/8 x 1	
3	1320162	2	Clamp, Hose	
4	2131212	2	Fitting, 90 ORFS/ORB	
5	2170712	1	Fitting, Tee ORFS/FSORFS/ORFS	
6	2753778	1	Hose	
7	2753999	1	Hose	
8	3311505	2	Nut 5/16	
9	3311605	4	Nut 3/8	
10	3620034	1	Cooler, Hydraulic Oil	
11	4568426	1	Tube	
12	4568427	1	Tube	
13	4711500	4	Washer 5/16	
14	4751600	8	Washer 3/8	
15	1001109677	1	Valve, Check	
50	1001120564	1	Oil Cooler Add-on Kit (Includes Items 1-15)	

SECTION 2 - TURNTABLE

FIGURE 2-17. HYDRAULIC OIL COOLER INSTALLATION - DEUTZ TCD2.9L4 ENGINES WITH REXROTH PUMPS (OPTIONAL)



ART_1001139494

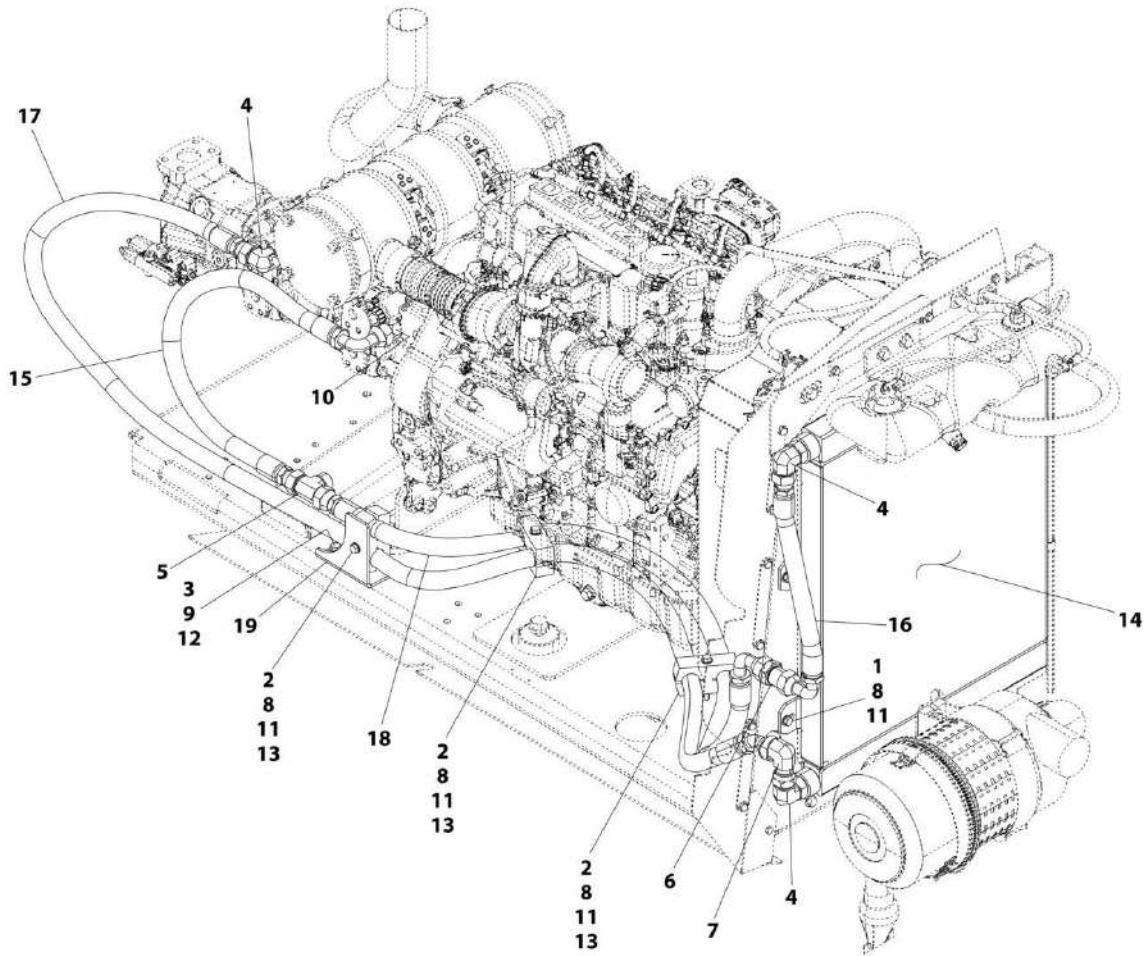
SECTION 2 - TURNTABLE

FIGURE 2-17. HYDRAULIC OIL COOLER INSTALLATION - DEUTZ TCD2.9L4 ENGINES WITH REXROTH PUMPS (OPTIONAL)

ITEM	PART NUMBER	QTY	DESCRIPTION	REV
	1001139494	Ref	HYDRAULIC OIL COOLER INSTALLATION - DEUTZ TCD2.9L4 ENGINES WITH REXROTH PUMPS (OPTIONAL)	E
1	0641520	2	Bolt 5/16 x 2-1/2	
2	1320162	2	Clamp, Hose	
3	2131212	2	Fitting, 90 ORFS/ORB	
4	2170712	1	Fitting, Tee ORFS/FSORFS/ORFS	
5	2171112	1	Fitting, Straight ORFS/ORFS	
6	3311505	2	Nut 5/16	
7	4641247	1	Valve	
8	4711500	4	Washer 5/16	
9	1001135124	1	Cooler, Hydraulic Oil	
10	1001154214	1	Tube (SN 0300209000 through 0300237552)	
10	1001139665	1	Tube (SN 0300237553 to Present)	
11	1001139666	1	Tube	
12	1001143087	2	Hose	
13	1001143123	1	Hose	

SECTION 2 - TURNTABLE

FIGURE 2-18. HYDRAULIC OIL COOLER INSTALLATION - DEUTZ TCD2.9L4 ENGINES WITH REXROTH PUMPS (OPTIONAL) (CHINA SPEC ONLY)



ART_1001221802

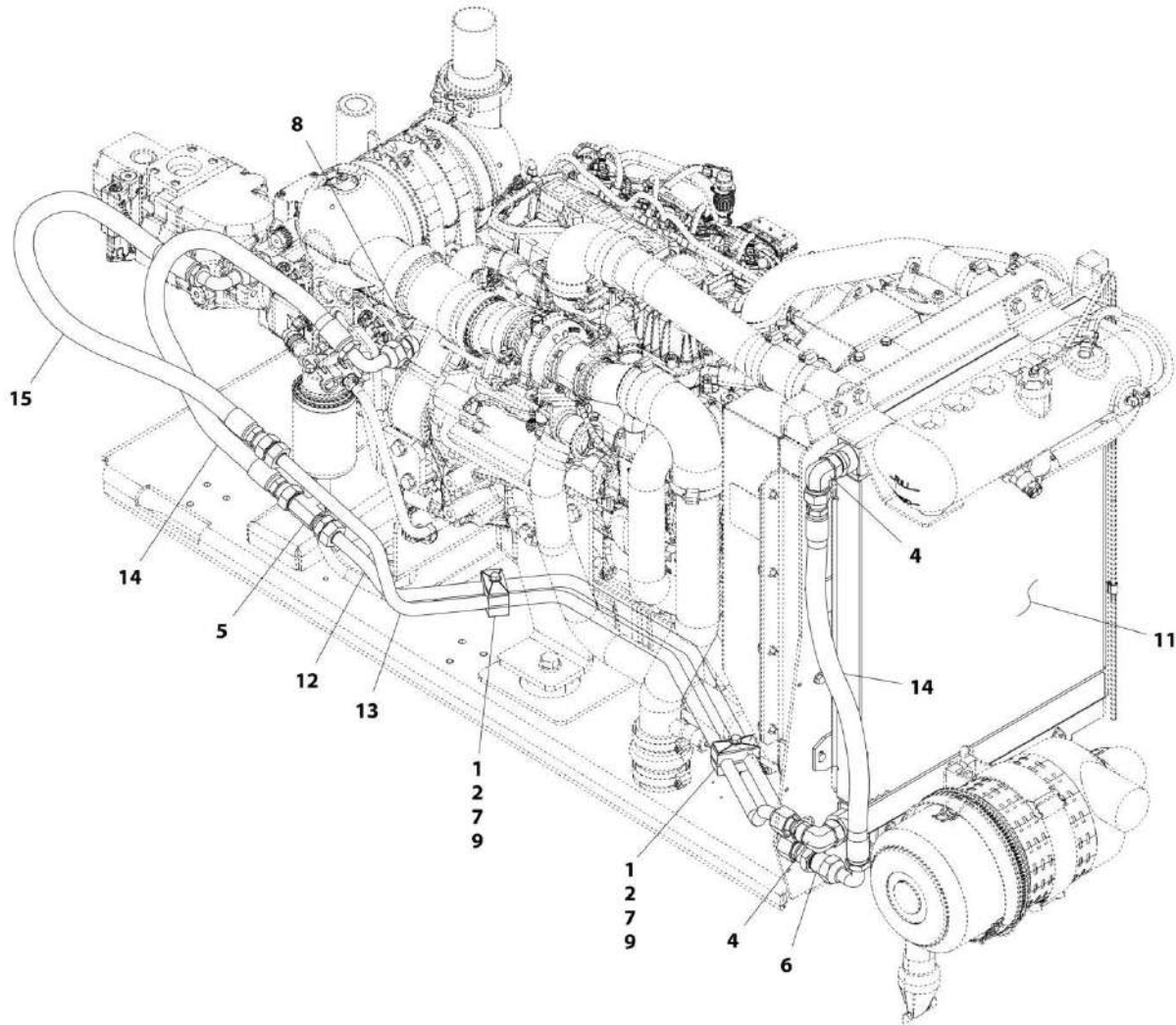
SECTION 2 - TURNTABLE

FIGURE 2-18. HYDRAULIC OIL COOLER INSTALLATION - DEUTZ TCD2.9L4 ENGINES WITH REXROTH PUMPS (OPTIONAL) (CHINA SPEC ONLY)

ITEM	PART NUMBER	QTY	DESCRIPTION	REV
	1001221802	Ref	HYDRAULIC OIL COOLER INSTALLATION - DEUTZ TCD2.9L4 ENGINES WITH REXROTH PUMPS (OPTIONAL) (CHINA SPEC ONLY)	A
1	0641508	4	Bolt 5/16 x 1	
2	0641524	3	Bolt 5/16 x 3	
3	0641609	2	Bolt 3/8 x 1-1/8	
4	2131212	3	Fitting, 90 ORFS/ORB	
5	2170512	1	Fitting, Tee ORFS/ORFS/ORFS	
6	2171112	1	Fitting, Straight ORFS/ORFS	
7	2172112	1	Fitting, 90 ORFS/FSORFS	
8	3311505	7	Nut 5/16	
9	3311605	2	Nut 3/8	
10	4641247	1	Valve	
11	4711500	14	Washer 5/16	
12	4711600	4	Washer 3/8	
13	8750024	3	Clamp	
14	1001135124	1	Cooler, Hydraulic Oil	
15	1001143087	1	Hose	
16	1001181129	1	Hose	
17	1001188376	1	Hose	
18	1001188382	1	Hose	
19	1001220560	1	Bracket	

SECTION 2 - TURNTABLE

FIGURE 2-19. HYDRAULIC OIL COOLER INSTALLATION - DEUTZ TCD2.9L4 ENGINES WITH SAUER PUMPS (OPTIONAL)



ART_1001139492

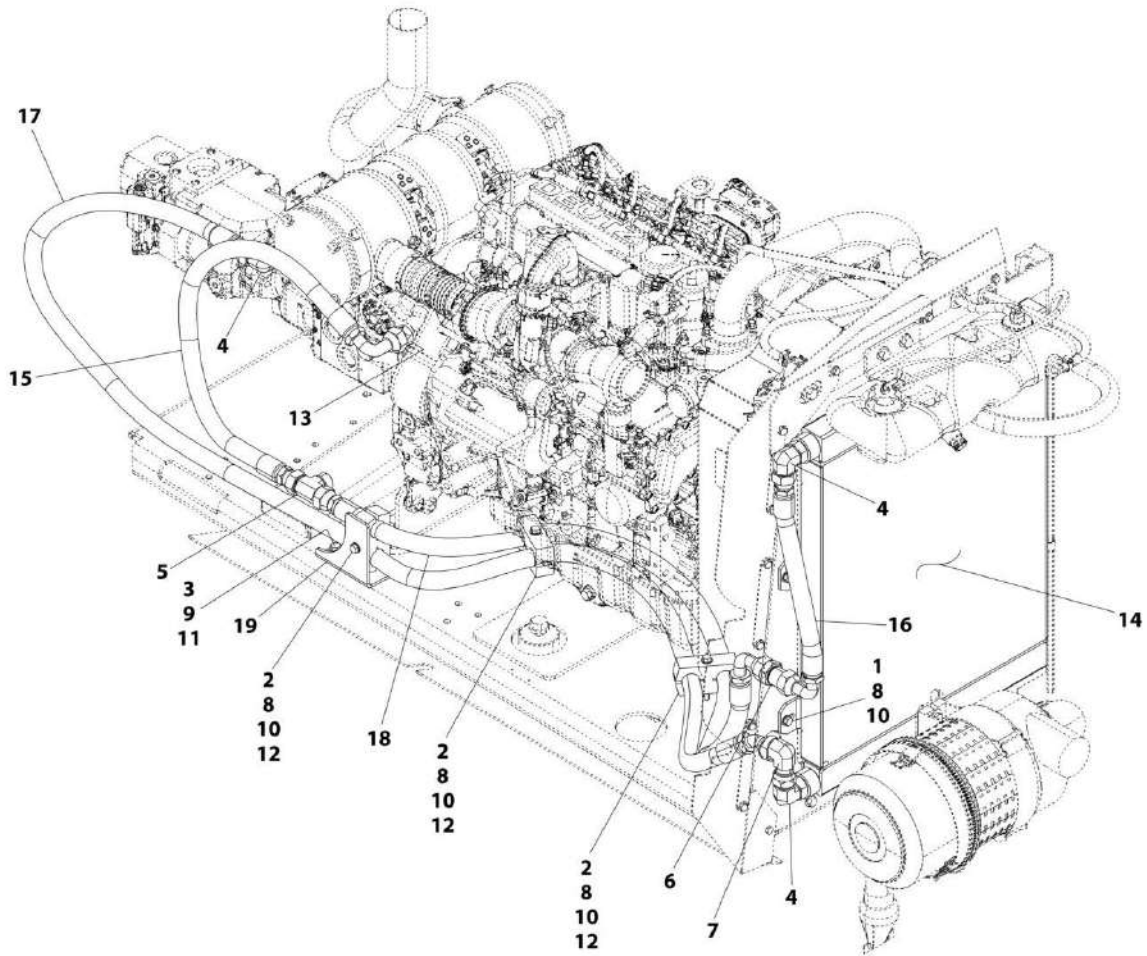
SECTION 2 - TURNTABLE

FIGURE 2-19. HYDRAULIC OIL COOLER INSTALLATION - DEUTZ TCD2.9L4 ENGINES WITH SAUER PUMPS (OPTIONAL)

ITEM	PART NUMBER	QTY	DESCRIPTION	REV
	1001139492	Ref	HYDRAULIC OIL COOLER INSTALLATION - DEUTZ TCD2.9L4 ENGINES WITH SAUER PUMPS (OPTIONAL)	E
1	0641520	2	Bolt 5/16 x 2-1/2	
2	1320162	2	Clamp, Hose	
4	2131212	2	Fitting, 90 ORFS/ORB	
5	2170712	1	Fitting, Tee ORFS/FSORFS/ORFS	
6	2171112	1	Fitting, Straight ORFS/ORFS	
7	3311505	2	Nut 5/16	
8	1001109677	1	Valve	
9	4711500	4	Washer 5/16	
11	1001135124	1	Cooler, Hydraulic Oil	
12	1001139665	1	Tube	
13	1001139666	1	Tube	
14	1001143087	2	Hose	
15	1001143123	1	Hose	

SECTION 2 - TURNTABLE

FIGURE 2-20. HYDRAULIC OIL COOLER INSTALLATION - DEUTZ TCD2.9L4 ENGINES WITH SAUER PUMPS (OPTIONAL) (CHINA SPEC ONLY)



ART_1001221666

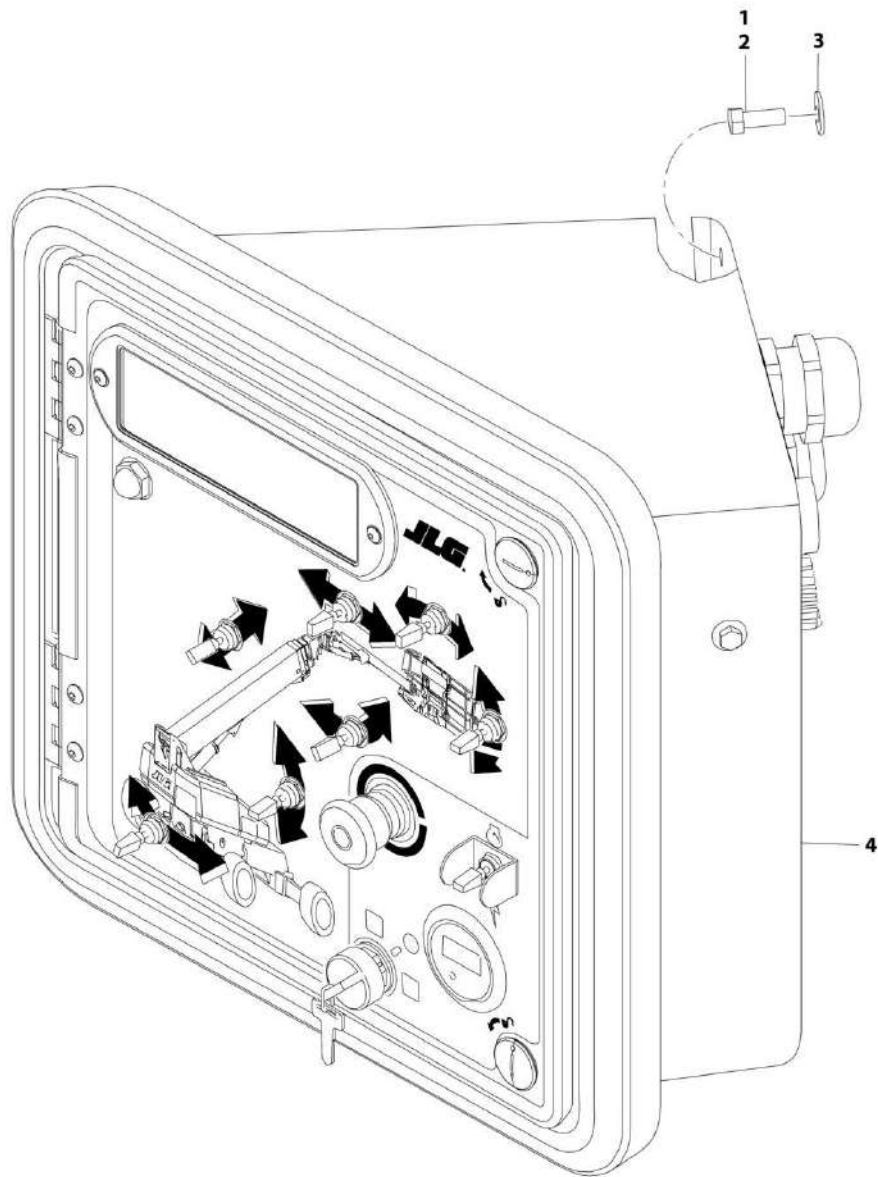
SECTION 2 - TURNTABLE

FIGURE 2-20. HYDRAULIC OIL COOLER INSTALLATION - DEUTZ TCD2.9L4 ENGINES WITH SAUER PUMPS (OPTIONAL) (CHINA SPEC ONLY)

ITEM	PART NUMBER	QTY	DESCRIPTION	REV
	1001221666	Ref	HYDRAULIC OIL COOLER INSTALLATION - DEUTZ TCD2.9L4 ENGINES WITH SAUER PUMPS (OPTIONAL) (CHINA SPEC ONLY)	A
1	0641508	4	Bolt 5/16 x 1	
2	0641524	3	Bolt 5/16 x 3	
3	0641609	2	Bolt 3/8 x 1-1/8	
4	2131212	3	Fitting, 90 ORFS/ORB	
5	2170512	1	Fitting, Tee ORFS/ORFS/ORFS	
6	2171112	1	Fitting, Straight ORFS/ORFS	
7	2172112	1	Fitting, 90 ORFS/FSORFS	
8	3311505	7	Nut 5/16	
9	3311605	2	Nut 3/8	
10	4711500	14	Washer 5/16	
11	4711600	4	Washer 3/8	
12	8750024	3	Clamp	
13	1001109677	1	Valve	
14	1001135124	1	Cooler, Hydraulic Oil	
15	1001143087	1	Hose	
16	1001181129	1	Hose	
17	1001188376	1	Hose	
18	1001188382	1	Hose	
19	1001220560	1	Bracket	

SECTION 2 - TURNTABLE

FIGURE 2-21. GROUND CONTROL BOX INSTALLATION - TD2011 ENGINES WITH REXROTH PUMPS
(ANSI EXPORT (LRC), AUSTRALIAN AND CHINA SPECS)



ART_1001120361

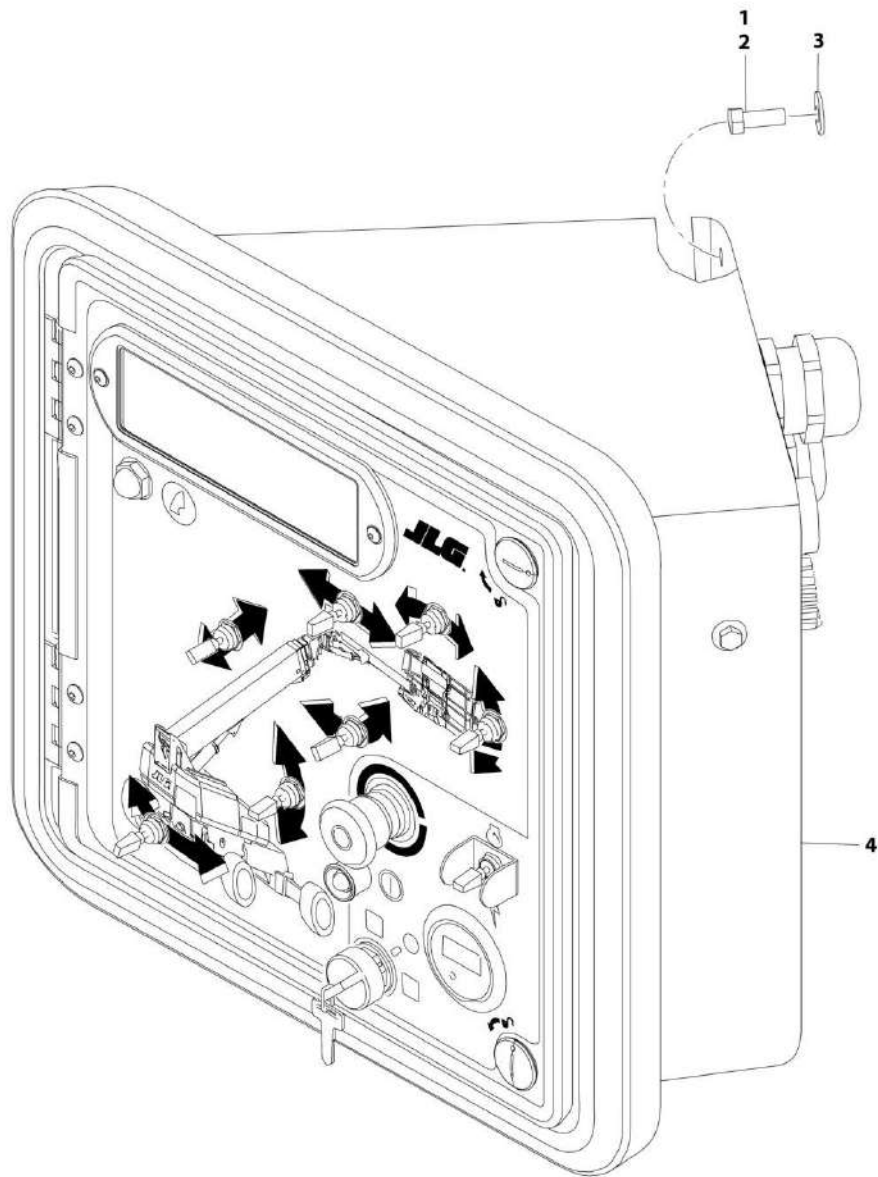
SECTION 2 - TURNTABLE

**FIGURE 2-21. GROUND CONTROL BOX INSTALLATION - TD2011 ENGINES WITH REXROTH PUMPS
(ANSI EXPORT (LRC), AUSTRALIAN AND CHINA SPECS)**

ITEM	PART NUMBER	QTY	DESCRIPTION	REV
	1001120361	Ref	GROUND CONTROL BOX INSTALLATION - TD2011 ENGINES WITH REXROTH PUMPS (ANSI EXPORT (LRC), AUSTRALIAN AND CHINA SPECS)	B
1	0100011	AR	Compound, Locking	
2	3931616	4	Bolt 3/8 x 3/4	
3	4751600	4	Washer 3/8	
4	1001119651	1	Ground Control Box Assembly (See GROUND CONTROL BOX ASSEMBLY (ALL SPECS EXCEPT CE SPECS) for Breakdown)	
5	1001119456	2	Harness, Pump - Sauer to Rexroth Jumper Harness (Not Shown - See ELECTRICAL SECTION for Breakdown)	
6	1001119470	1	Harness, Engine - Deutz TD2011 Engines (Not Shown - See ELECTRICAL SECTION for Breakdown)	

SECTION 2 - TURNTABLE

FIGURE 2-22. GROUND CONTROL BOX INSTALLATION - TD2011 ENGINES WITH REXROTH PUMPS
(CE (LRC) SPECS)



ART_1001193684

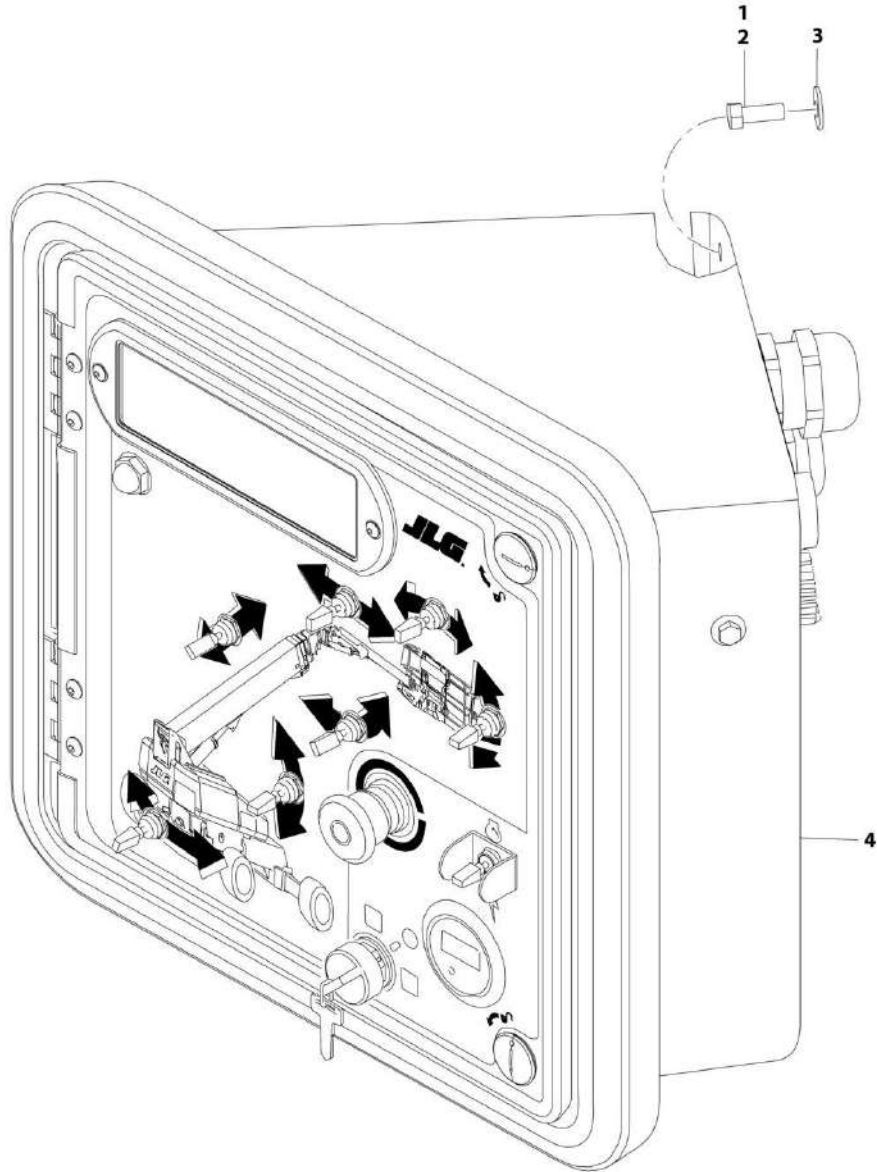
SECTION 2 - TURNTABLE

FIGURE 2-22. GROUND CONTROL BOX INSTALLATION - TD2011 ENGINES WITH REXROTH PUMPS (CE (LRC) SPECS)

ITEM	PART NUMBER	QTY	DESCRIPTION	REV
	1001193684	Ref	GROUND CONTROL BOX INSTALLATION - TD2011 ENGINES WITH REXROTH PUMPS (CE (LRC) SPECS)	A
1	0100011	AR	Compound, Locking	
2	3931616	4	Bolt 3/8 x 3/4	
3	4751600	4	Washer 3/8	
4	1001184787	1	Ground Control Box Assembly (See GROUND CONTROL BOX ASSEMBLY (CE SPECS) for Breakdown)	
5	1001119456	2	Harness, Pump - Sauer to Rexroth Jumper Harness (Not Shown - See ELECTRICAL SECTION for Breakdown)	
6	1001119470	1	Harness, Engine - Deutz TD2011 Engines (Not Shown - See ELECTRICAL SECTION for Breakdown)	

SECTION 2 - TURNTABLE

FIGURE 2-23. GROUND CONTROL BOX INSTALLATION - TD2011 ENGINES WITH SAUER PUMPS
(ANSI EXPORT (LRC), AUSTRALIAN AND CHINA SPECS)



ART_1001130025

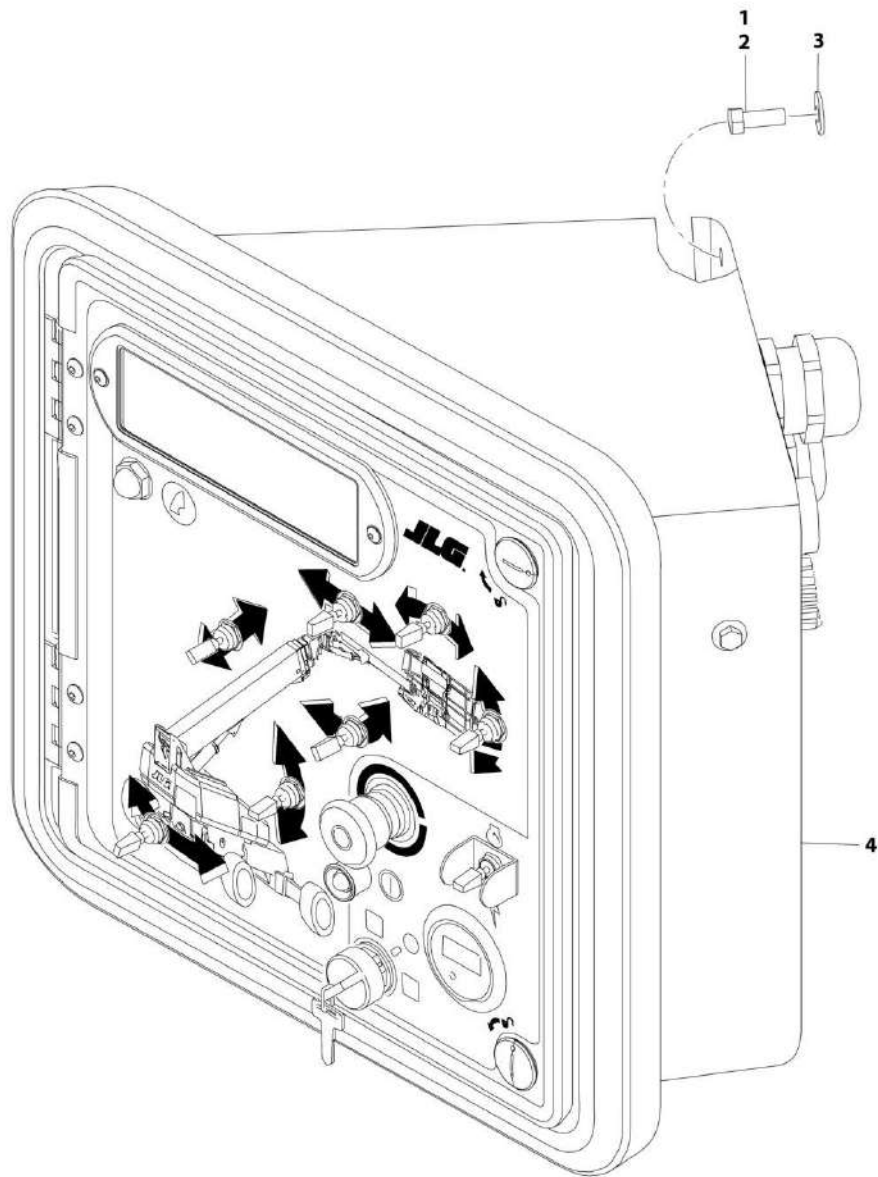
SECTION 2 - TURNTABLE

FIGURE 2-23. GROUND CONTROL BOX INSTALLATION - TD2011 ENGINES WITH SAUER PUMPS (ANSI EXPORT (LRC), AUSTRALIAN AND CHINA SPECS)

ITEM	PART NUMBER	QTY	DESCRIPTION	REV
	1001130025	Ref	GROUND CONTROL BOX INSTALLATION - TD2011 ENGINES WITH SAUER PUMPS (ANSI EXPORT (LRC), AUSTRALIAN AND CHINA SPECS)	B
1	0100011	AR	Compound, Locking	
2	3931616	4	Bolt 3/8 x 3/4	
3	4751600	4	Washer 3/8	
4	1001119651	1	Ground Control Box Assembly (See GROUND CONTROL BOX ASSEMBLY (ALL SPECS EXCEPT CE SPECS) for Breakdown)	
5	1001119470	1	Harness, Engine - Deutz TD2011 Engines (Not Shown - See ELECTRICAL SECTION for Breakdown)	

SECTION 2 - TURNTABLE

FIGURE 2-24. GROUND CONTROL BOX INSTALLATION - TD2011 ENGINES WITH SAUER PUMPS
(CE (LRC) SPECS)



ART_1001193685

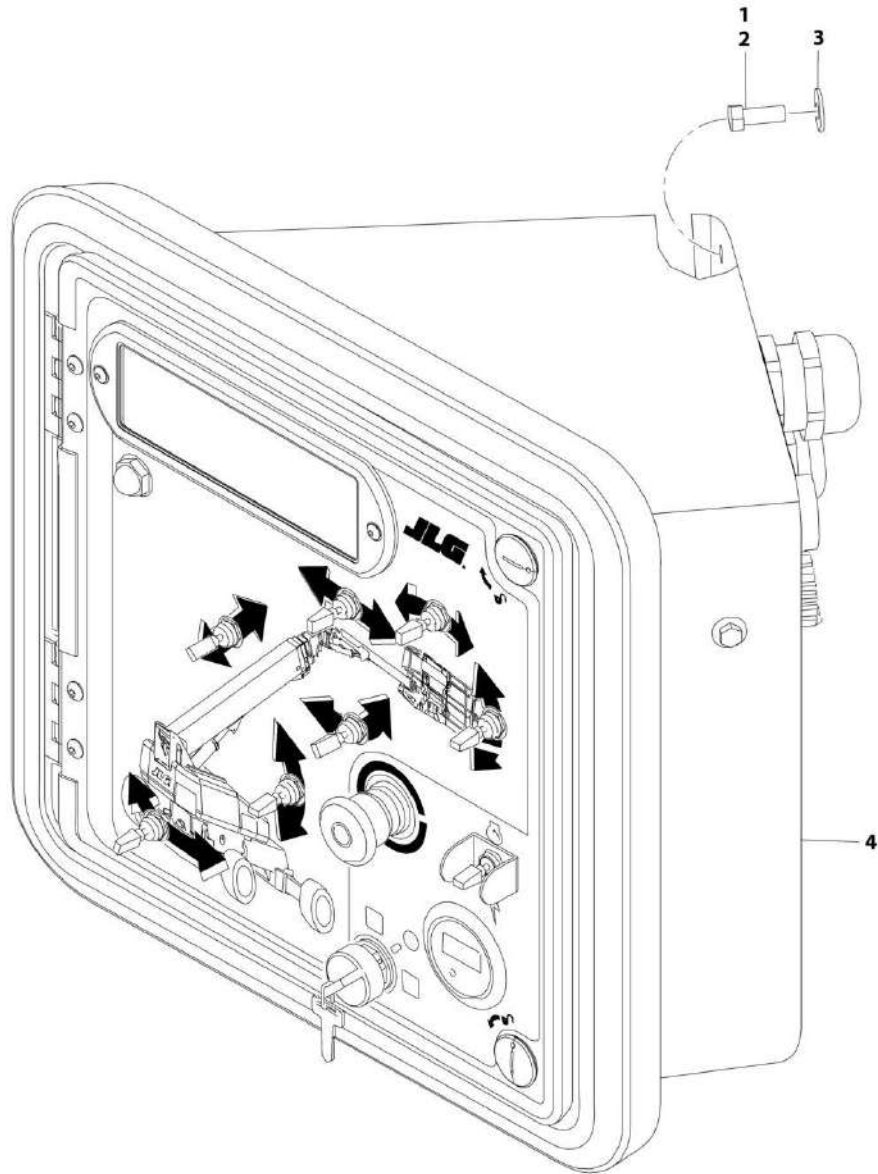
SECTION 2 - TURNTABLE

**FIGURE 2-24. GROUND CONTROL BOX INSTALLATION - TD2011 ENGINES WITH SAUER PUMPS
(CE (LRC) SPECS)**

ITEM	PART NUMBER	QTY	DESCRIPTION	REV
	1001193685	Ref	GROUND CONTROL BOX INSTALLATION - TD2011 ENGINES WITH SAUER PUMPS (CE (LRC) SPECS)	A
1	0100011	AR	Compound, Locking	
2	3931616	4	Bolt 3/8 x 3/4	
3	4751600	4	Washer 3/8	
4	1001184787	1	Ground Control Box Assembly (See GROUND CONTROL BOX ASSEMBLY (CE SPECS) for Breakdown)	
5	1001119470	1	Harness, Engine - Deutz TD2011 Engines (Not Shown - See ELECTRICAL SECTION for Breakdown)	

SECTION 2 - TURNTABLE

FIGURE 2-25. GROUND CONTROL BOX INSTALLATION - TCD2.9L4 ENGINES WITH REXROTH PUMPS (ANSI, ANSI EXPORT (HRC), CHINA, CSA AND JAPANESE SPECS)



ART_1001144346

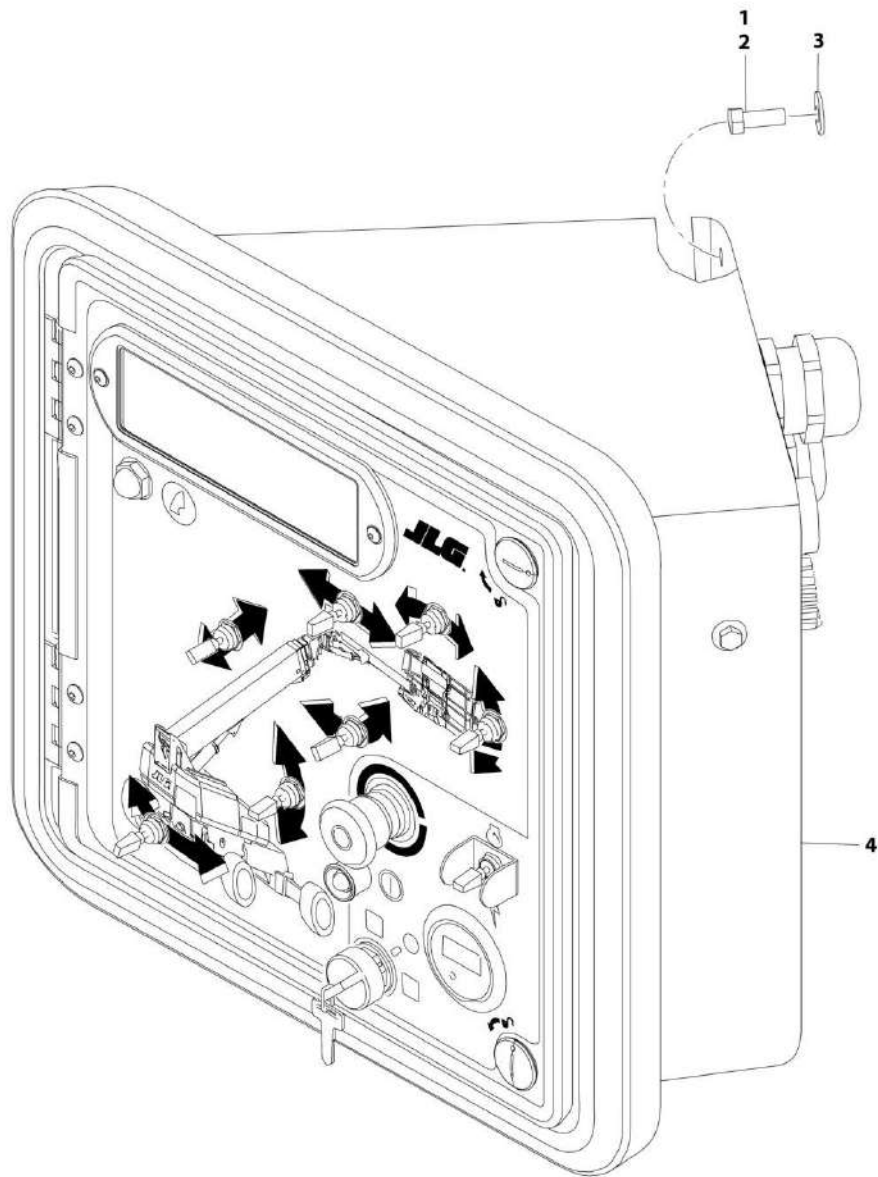
SECTION 2 - TURNTABLE

FIGURE 2-25. GROUND CONTROL BOX INSTALLATION - TCD2.9L4 ENGINES WITH REXROTH PUMPS (ANSI, ANSI EXPORT (HRC), CHINA, CSA AND JAPANESE SPECS)

ITEM	PART NUMBER	QTY	DESCRIPTION	REV
	1001144346	Ref	GROUND CONTROL BOX INSTALLATION - TCD2.9L4 ENGINES WITH REXROTH PUMPS (ANSI, ANSI EXPORT (HRC), CHINA, CSA AND JAPANESE SPECS)	B
1	0100011	AR	Compound, Locking	
2	3931616	4	Bolt 3/8 x 3/4	
3	4751600	4	Washer 3/8	
4	1001119651	1	Ground Control Box Assembly (See GROUND CONTROL BOX ASSEMBLY (ALL SPECS EXCEPT CE SPECS) for Breakdown)	

SECTION 2 - TURNTABLE

FIGURE 2-26. GROUND CONTROL BOX INSTALLATION - TCD2.9L4 ENGINES WITH REXROTH PUMPS (CE SPECS)



ART_1001184788

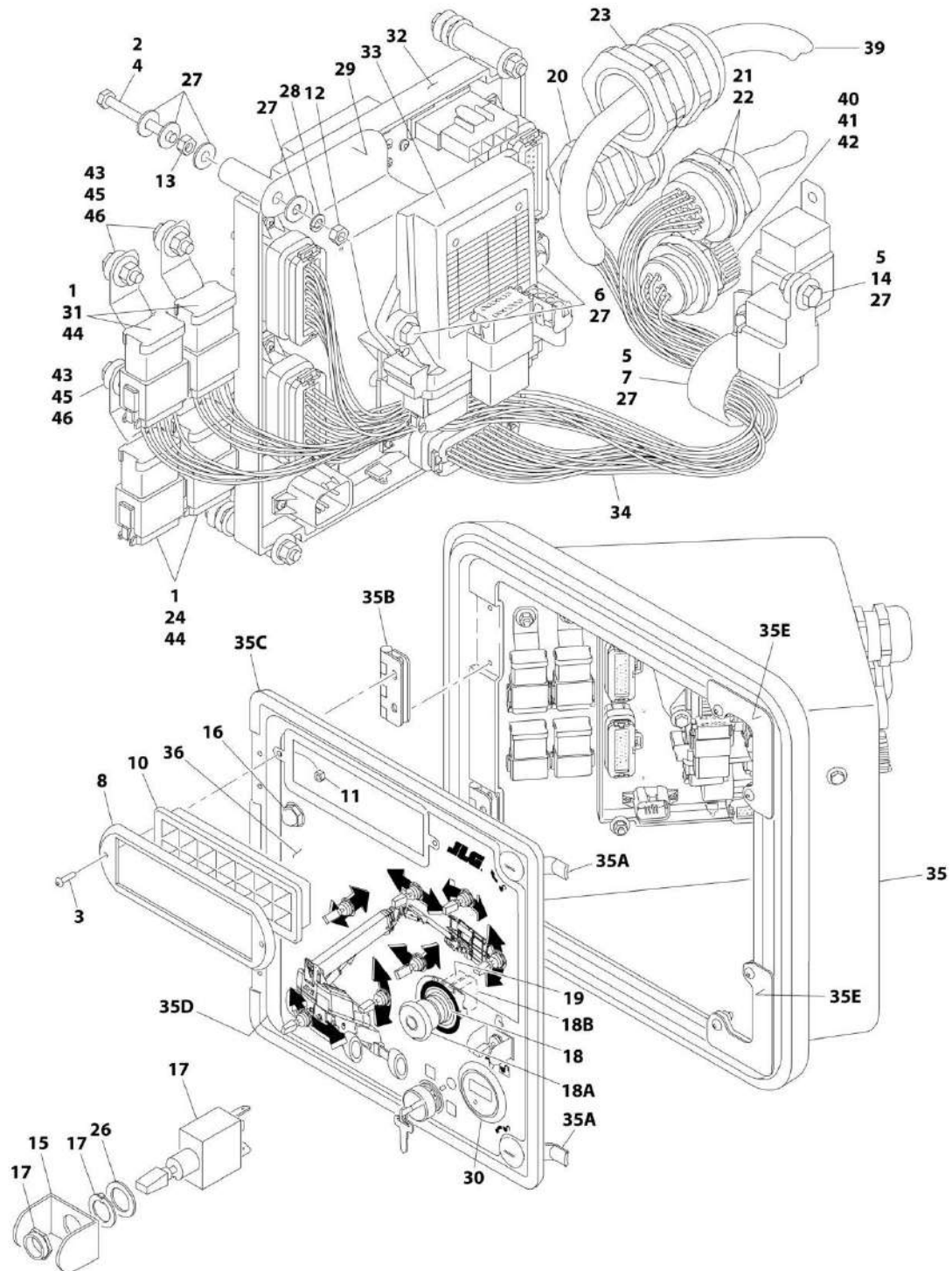
SECTION 2 - TURNTABLE

FIGURE 2-26. GROUND CONTROL BOX INSTALLATION - TCD2.9L4 ENGINES WITH REXROTH PUMPS (CE SPECS)

ITEM	PART NUMBER	QTY	DESCRIPTION	REV
	1001184788	Ref	GROUND CONTROL BOX INSTALLATION - TCD2.9L4 ENGINES WITH REXROTH PUMPS (CE SPECS)	A
1	0100011	AR	Compound, Locking	
2	3931616	4	Bolt 3/8 x 3/4	
3	4751600	4	Washer 3/8	
4	1001184787	1	Ground Control Box Assembly (See GROUND CONTROL BOX ASSEMBLY (CE SPECS) for Breakdown)	

SECTION 2 - TURNTABLE

FIGURE 2-27. GROUND CONTROL BOX ASSEMBLY (ALL SPECS EXCEPT CE SPECS)



ART_1001119651

SECTION 2 - TURNTABLE

FIGURE 2-27. GROUND CONTROL BOX ASSEMBLY (ALL SPECS EXCEPT CE SPECS)

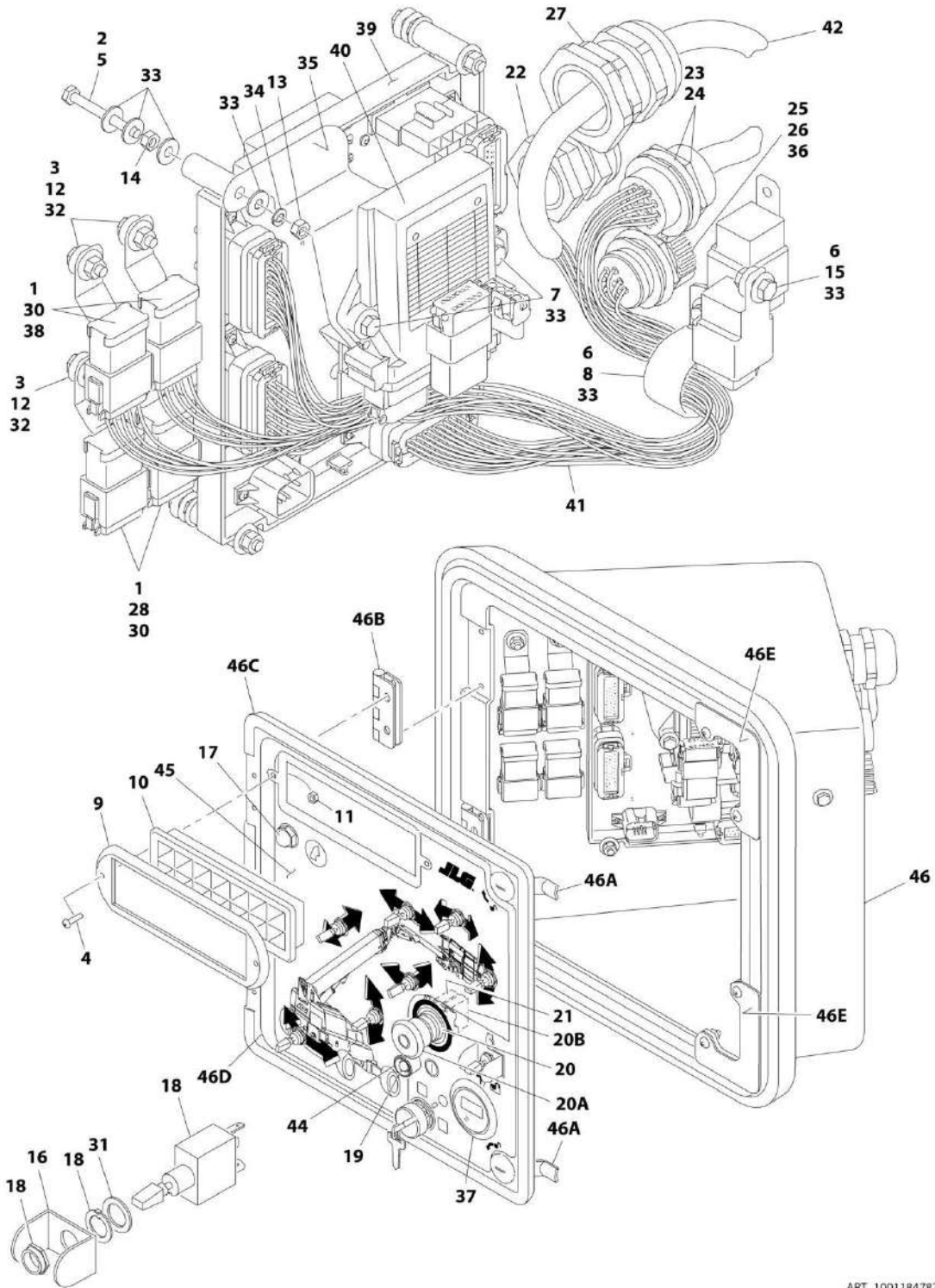
ITEM	PART NUMBER	QTY	DESCRIPTION	REV
	1001119651	Ref	GROUND CONTROL BOX ASSEMBLY (ALL SPECS EXCEPT CE SPECS)	L
1	0100048	AR	Grease, Dielectric	
2	0100081	AR	Adhesive	
3	0630518	2	Screw #10 x 3/4	
4	0630548	5	Screw, Self Tapping	
5	0641406	2	Bolt 1/4 x 3/4	
6	0641410	2	Bolt 1/4 x 1-1/4	
7	1320095	1	Clamp	
8	1670829	1	Bezel	
10	2760105	1	Housing, Light	
11	3300408	2	Nut, Nylon	
12	3311401	5	Nut 1/4	
13	3311402	5	Nut 1/4	
14	3311405	4	Nut 1/4	
15	4060906	1	Guard, Switch	
16	4360274	1	Switch, Pushbutton	
17	4360328	8	Switch, Toggle	
18	4360475	1	Switch, Push-Pull Emergency	
18A	7020175	1	Cap	
18B	7020176	1	Block, Contact	
19	4360476	1	Block, Contact	
20	4460426	1	Connector, Strain Relief	
21	4460470	1	Nut, Terminal	
22	4460471	1	Washer, Terminal	
23	4460526	1	Connector, Strain Relief	
24	4460837	2	Connector - 12 Position	
25	4460905	4	Plug, Seal (Not Shown)	
26	4740444	8	Washer, Special	
27	4751400	28	Washer 1/4	
28	4761400	5	Washer 1/4	
29	1001100434	1	Mount, Module	
30	1001109503	1	Gauge, Indicator	
31	1001119020	2	Connector - 12 Position	
32	1001119509	1	Module, Ground Control (Note: Re-calibration Required when Replaced)	
33	1001119512	1	Module, Repeater	
34	1001119652	1	Harness, Ground Control Box (See ELECTRICAL SECTION for Breakdown)	
35	1001120309	1	Box Assembly	D
35A	2940139	2	Latch	
35B	2600279	2	Hinge	
35C	3960418	53 in/1.4m	Seal	
35D	1001120311	1	Panel, Front	
35E	3573144	1	Plate, Latch	
36	1001120323	1	Decal - Lid	
38	1001120332	1	Wiring Diagram (Not Shown) (See ELECTRICAL SECTION for Breakdown)	
39	1001119653	1	Harness, Turntable (See ELECTRICAL SECTION for Breakdown)	
40	4460496	1	Washer, Terminal	

SECTION 2 - TURNTABLE

ITEM	PART NUMBER	QTY	DESCRIPTION	REV
41	4460497	1	Nut, Terminal	
42	1001106736	1	Cap, Dust	
43	4751000	4	Washer #10	
44	4460914	4	Mount, Base	
45	3311001	4	Nut #10	
46	0630464	4	Bolt #10 x 1/2	

SECTION 2 - TURNTABLE

FIGURE 2-28. GROUND CONTROL BOX ASSEMBLY (CE SPECS)



ART_1001184787

SECTION 2 - TURNTABLE

FIGURE 2-28. GROUND CONTROL BOX ASSEMBLY (CE SPECS)

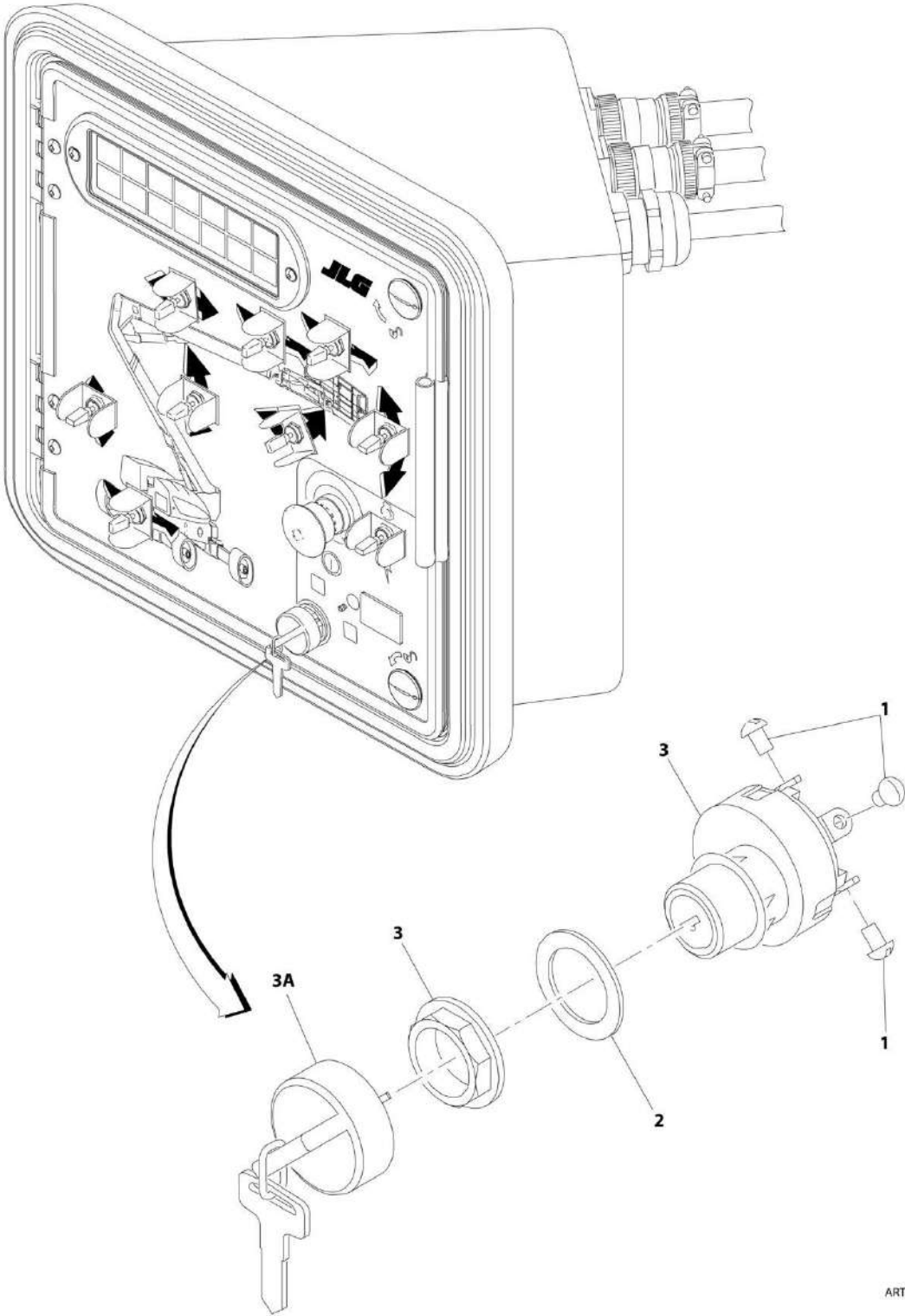
ITEM	PART NUMBER	QTY	DESCRIPTION	REV
	1001184787	Ref	GROUND CONTROL BOX ASSEMBLY (CE SPECS)	A
1	0100048	AR	Grease, Dielectric	
2	0100081	AR	Adhesive	
3	0630464	4	Bolt #10 x 1/2	
4	0630518	2	Screw #10 x 3/4	
5	0630548	5	Screw, Self Tapping	
6	0641406	2	Bolt 1/4 x 3/4	
7	0641410	2	Bolt 1/4 x 1-1/4	
8	1320095	1	Clamp	
9	1670829	1	Bezel	
10	2760105	1	Housing, Light	
11	3300408	2	Nut, Nylon	
12	3311001	4	Nut #10	
13	3311401	5	Nut 1/4	
14	3311402	5	Nut 1/4	
15	3311405	4	Nut 1/4	
16	4060906	1	Guard, Switch	
17	4360274	1	Switch, Pushbutton	
18	4360328	8	Switch, Toggle	
19	4360387	1	Switch, Pushbutton	
20	4360475	1	Switch, Push-Pull Emergency	
20A	7020175	1	Cap	
20B	7020176	1	Block, Contact	
21	4360476	1	Block, Contact	
22	4460426	1	Connector, Strain Relief	
23	4460470	1	Nut, Terminal	
24	4460471	1	Washer, Terminal	
25	4460496	1	Washer, Terminal	
26	4460497	1	Nut, Terminal	
27	4460526	1	Connector, Strain Relief	
28	4460837	2	Connector - 12 Position	
29	4460905	4	Plug, Seal (Not Shown)	
30	4460914	4	Mount, Base	
31	4740444	8	Washer, Special	
32	4751000	4	Washer #10	
33	4751400	28	Washer 1/4	
34	4761400	5	Washer 1/4	
35	1001100434	1	Mount, Module	
36	1001106736	1	Cap, Dust	
37	1001109503	1	Gauge, Indicator	
38	1001119020	2	Connector - 12 Position	
39	1001119509	1	Module, Ground Control (Note: Re-calibration Required when Replaced)	
40	1001119512	1	Module, Repeater	
41	1001186903	1	Harness, Ground Control Box (See ELECTRICAL SECTION for Breakdown)	
42	1001119653	1	Harness, Turntable (See ELECTRICAL SECTION for Breakdown)	
43	1001120332	1	Wiring Diagram (Not Shown) (See ELECTRICAL SECTION for Breakdown)	
44	1001176469	1	Shroud	

SECTION 2 - TURNTABLE

ITEM	PART NUMBER	QTY	DESCRIPTION	REV
45	1001179830	1	Decal - Lid	A
46	1001184786	1	Box Assembly	
46A	2940139	2	Latch	
46B	2600279	2	Hinge	
46C	3960418	53 in/1.4m	Seal	
46D	1001184785	1	Panel, Front	
46E	3573144	1	Plate, Latch	

SECTION 2 - TURNTABLE

FIGURE 2-29. KEYSWITCH INSTALLATION



ART_0259666

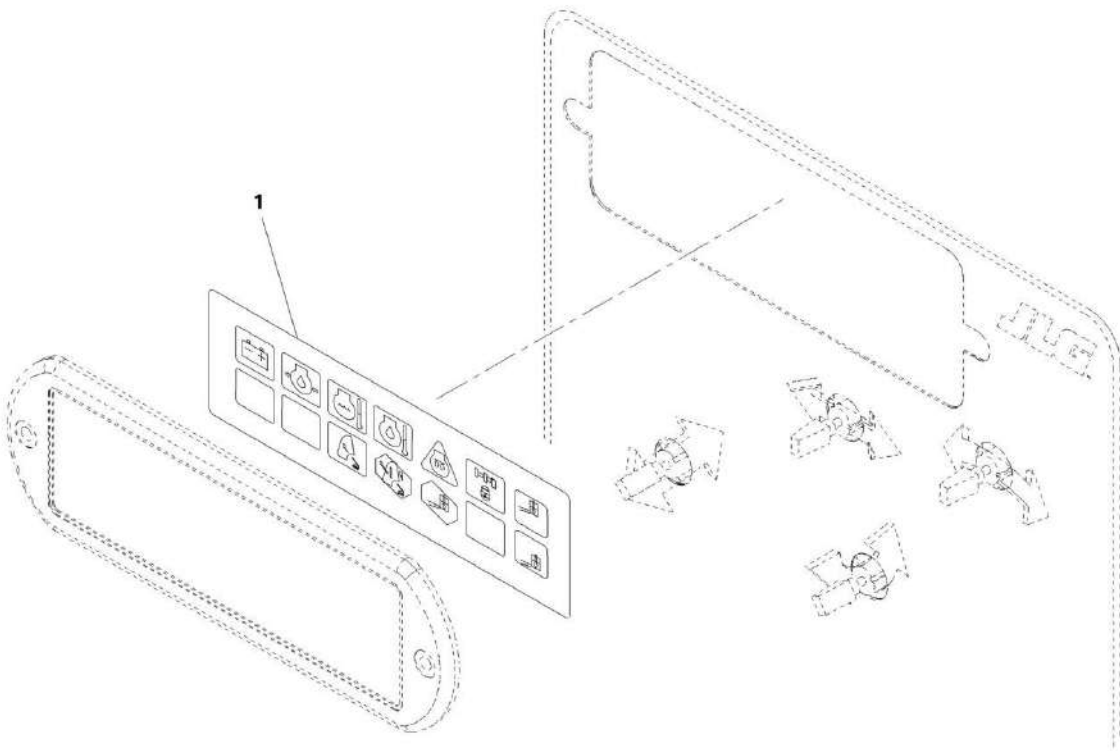
SECTION 2 - TURNTABLE

FIGURE 2-29. KEYSWITCH INSTALLATION

ITEM	PART NUMBER	QTY	DESCRIPTION	REV
	0259666	Ref	KEYSWITCH INSTALLATION	B
1	3910804	6	Screw #8 x 1/8	
2	1001151393	1	Shim .063	
3	4360469	1	Keyswitch	
3A	2860030	1	Key, Replacement	

SECTION 2 - TURNTABLE

FIGURE 2-30. LIGHT PANEL INSTALLATION (ALL SPECS EXCEPT AUSTRALIAN, CE AND CE (LRC) SPECS)



ART_1001121826_10F2

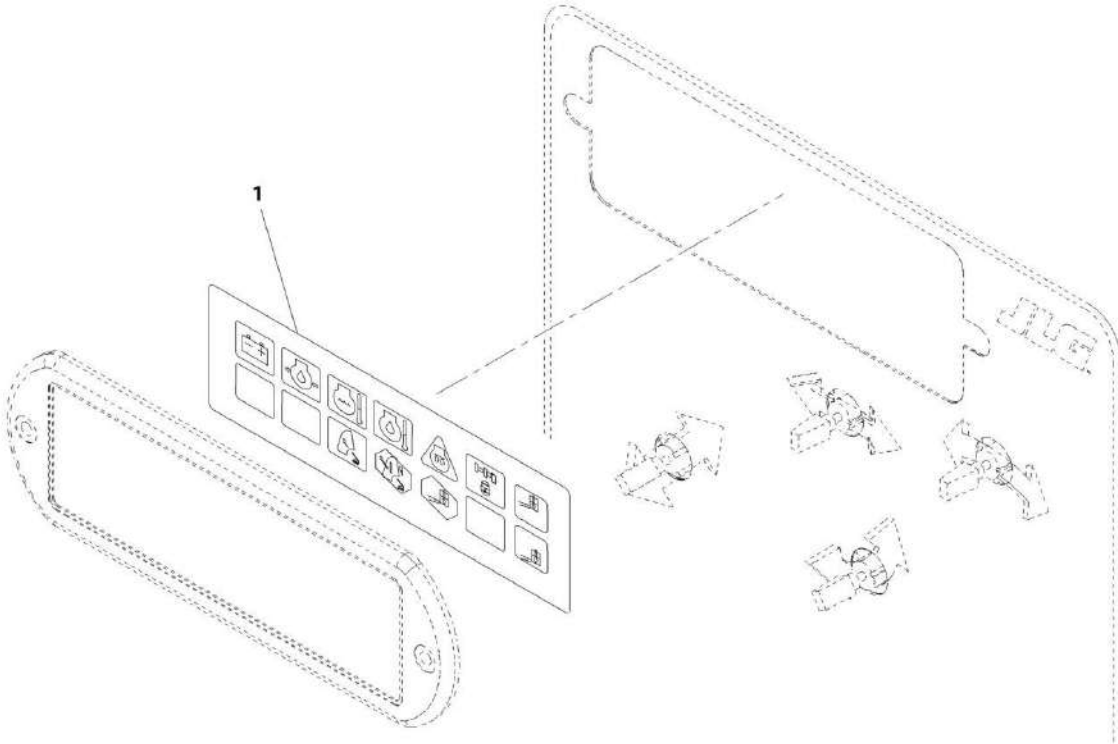
SECTION 2 - TURNTABLE

FIGURE 2-30. LIGHT PANEL INSTALLATION (ALL SPECS EXCEPT AUSTRALIAN, CE AND CE (LRC) SPECS)

ITEM	PART NUMBER	QTY	DESCRIPTION	REV
	1001121826	Ref	LIGHT PANEL INSTALLATION (ALL SPECS EXCEPT AUSTRALIAN, CE AND CE (LRC) SPECS)	A
1	1001122383	1	Decal - Light Panel	

SECTION 2 - TURNTABLE

FIGURE 2-31. LIGHT PANEL INSTALLATION (AUSTRALIAN, CE AND CE (LRC) SPECS)



ART_1001121827_10F2

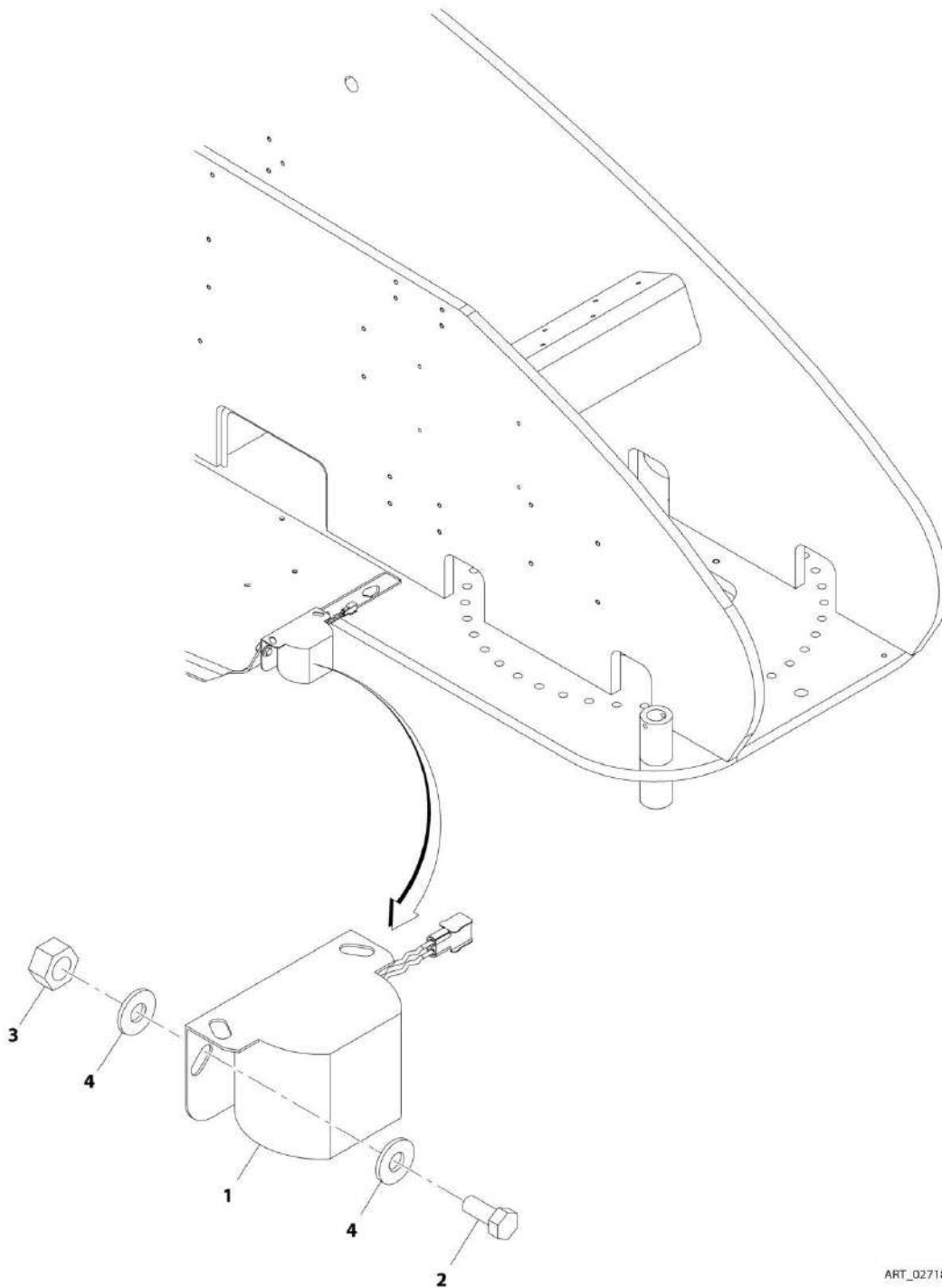
SECTION 2 - TURNTABLE

FIGURE 2-31. LIGHT PANEL INSTALLATION (AUSTRALIAN, CE AND CE (LRC) SPECS)

ITEM	PART NUMBER	QTY	DESCRIPTION	REV
1	1001121827 1705174	Ref 1	LIGHT PANEL INSTALLATION (AUSTRALIAN, CE AND CE (LRC) SPECS) Decal - Light Panel	A

SECTION 2 - TURNTABLE

FIGURE 2-32. ALARMS INSTALLATION



ART_0271806

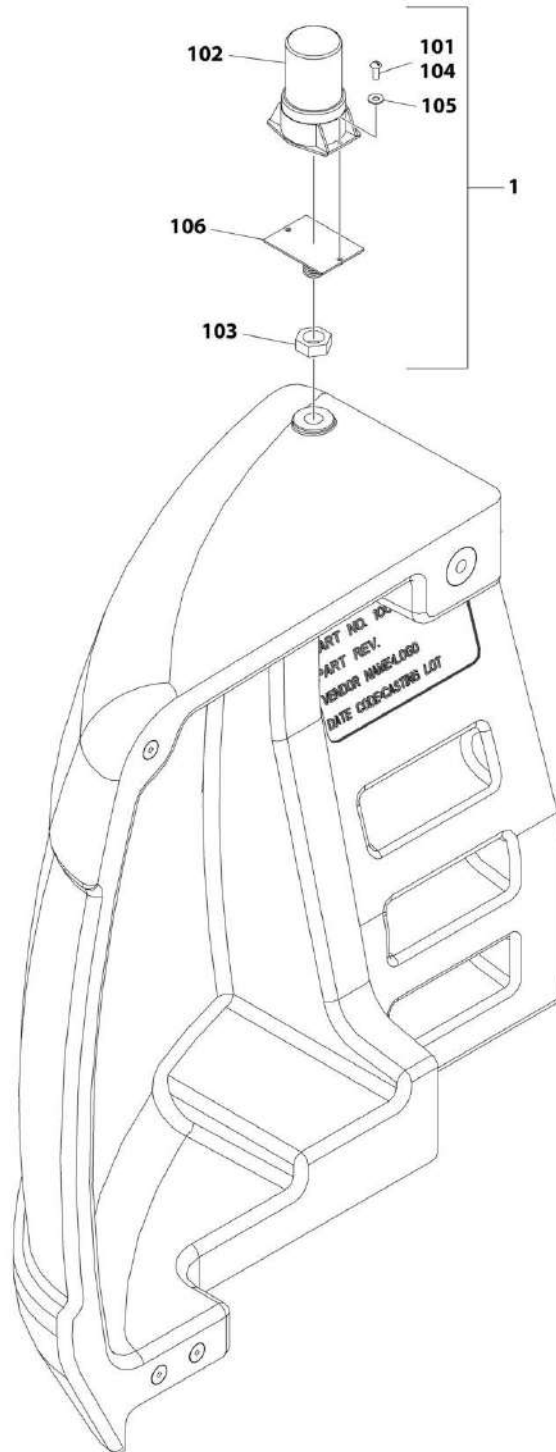
SECTION 2 - TURNTABLE

FIGURE 2-32. ALARMS INSTALLATION

ITEM	PART NUMBER	QTY	DESCRIPTION	REV
	0271806	Ref	ALARMS INSTALLATION	A
1	0257887	1	Alarm	
1	0140032	1	Alarm	
1	2820035	6 in/15cm	Loom	
1	4460424	1	Plug	
1	4460268	2	Socket, Female	
2	0641506	2	Bolt 5/16 x 3/4	
3	3311505	2	Nut 5/16	
4	4751500	4	Washer 5/16	

SECTION 2 - TURNTABLE

FIGURE 2-33. STROBE LIGHT INSTALLATION (AMBER)



ART_1001149955

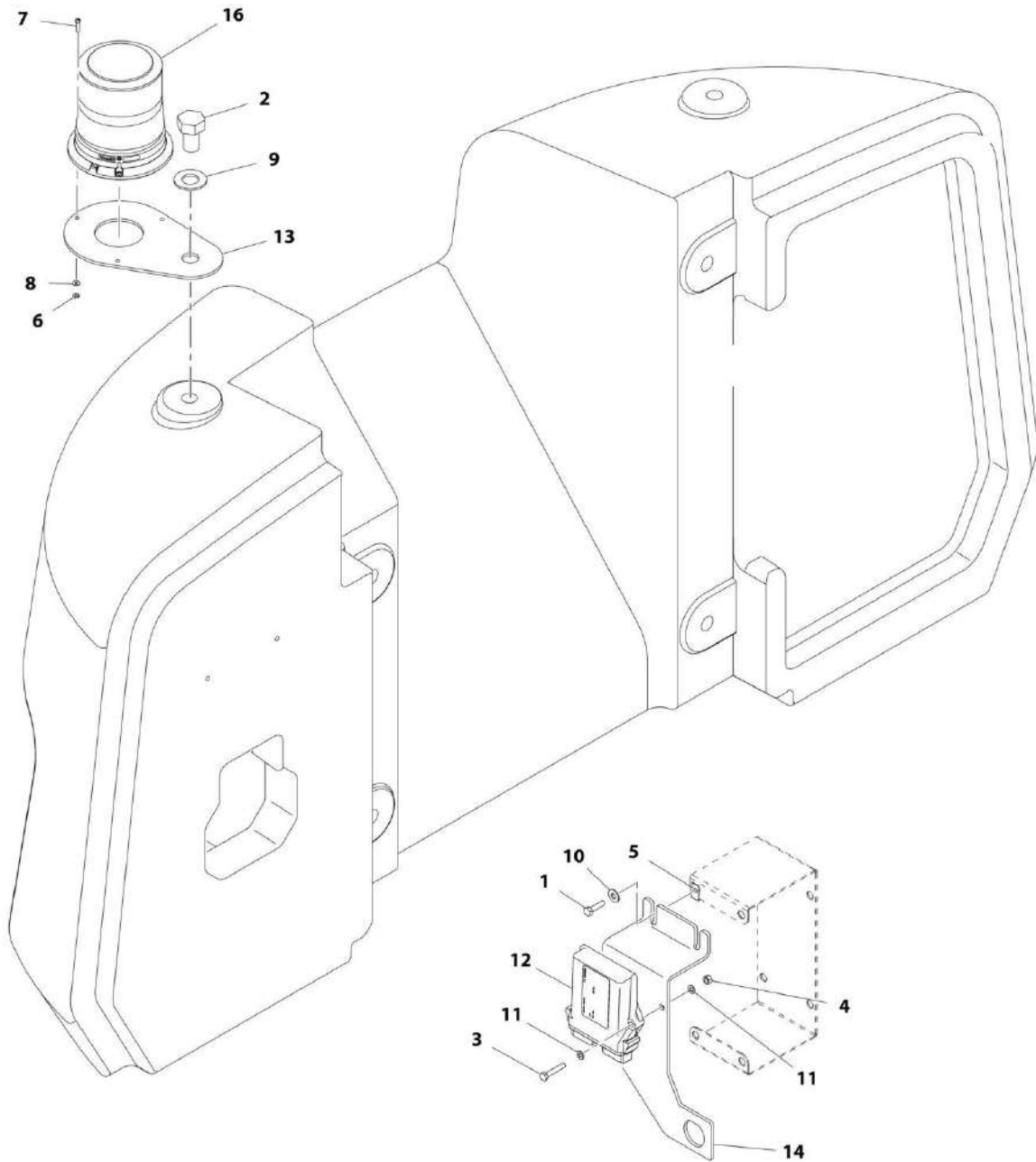
SECTION 2 - TURNTABLE

FIGURE 2-33. STROBE LIGHT INSTALLATION (AMBER)

ITEM	PART NUMBER	QTY	DESCRIPTION	REV
	1001149955	Ref	STROBE LIGHT INSTALLATION (AMBER)	B
1	1001150406	1	Strobe Light Assembly (See Items 101-106 for Breakdown)	
2	1001149818	1	Harness, Strobe Light (Not Shown - See ELECTRICAL SECTION for Breakdown)	
	1001150406	Ref	STROBE LIGHT ASSEMBLY	B
101	0100035	AR	Compound, Locking	
102	2920161	1	Lamp, Strobe	
102	4460891	1	Connector - 2 Position	
102	4460465	2	Socket, Female	
103	3312602	1	Nut 1-8	
104	3900085	2	Screw #10 x 1/2	
105	4751000	2	Washer #10	
106	1001149994	1	Mount, Strobe	

SECTION 2 - TURNTABLE

FIGURE 2-34. BEACON LIGHT INSTALLATION (BLUE) (SN 0300209000 through 0300217093)



ART_1001189176

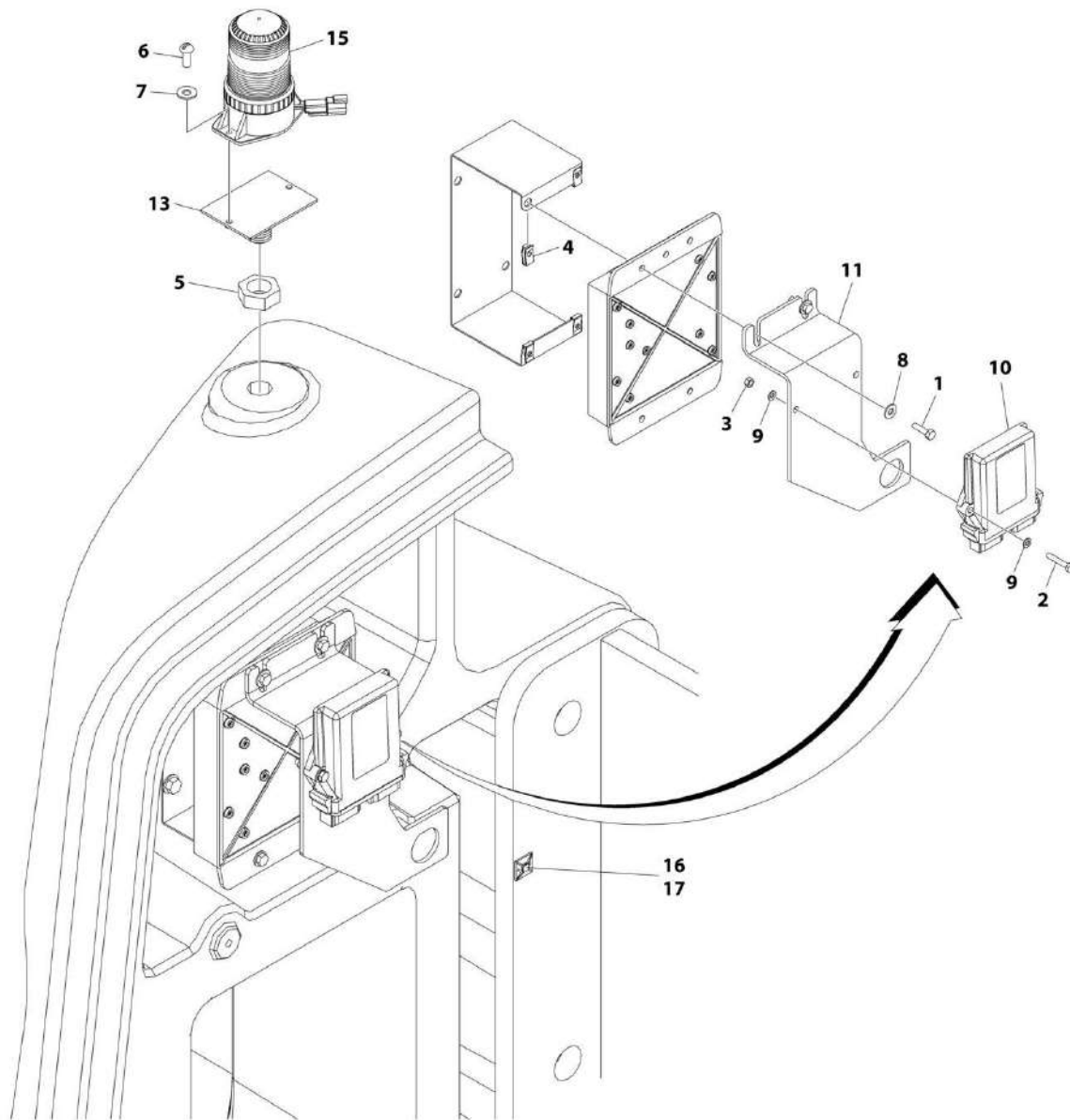
SECTION 2 - TURNTABLE

FIGURE 2-34. BEACON LIGHT INSTALLATION (BLUE) (SN 0300209000 through 0300217093)

ITEM	PART NUMBER	QTY	DESCRIPTION	REV
	1001189176	Ref	BEACON LIGHT INSTALLATION (BLUE) (SN 0300209000 through 0300217093)	B
1	0641408	2	Bolt 1/4 x 1	
2	0642612	1	Bolt 1 x 1-1/2	
3	0700615	2	Bolt M6 x 35	
4	3290607	2	Nut M6 x 1	
5	3300454	2	Nut	
6	3311005	3	Nut #10	
7	3911012	3	Screw 10 x 3/4	
8	4711000	3	Washer #10	
9	4712600	1	Washer 1	
10	4751400	2	Washer 1/4	
11	4811700	4	Washer M6	
12	1001142683	1	Control, Beacon Module	
13	1001142694	1	Bracket, Beacon Mounting	
14	1001142719	1	Bracket, Beacon Module Ultra	
15	1001142736	1	Harness, Beacon Control (Not Shown) (See ELECTRICAL SECTION for Breakdown)	
16	1001143431	NLA	Lamp, Beacon (Use p/n 1001210693 & 1001200910)	
16	7028909	1	Connector - 2 Position	
16	4460943	2	Pin, Male	
17	1001150944	1	Harness, Beacon Control (Not Shown) (See ELECTRICAL SECTION for Breakdown)	

SECTION 2 - TURNTABLE

FIGURE 2-35. STROBE LIGHT INSTALLATION (BLUE) (SN 0300217094 to Present)



ART_1001205401

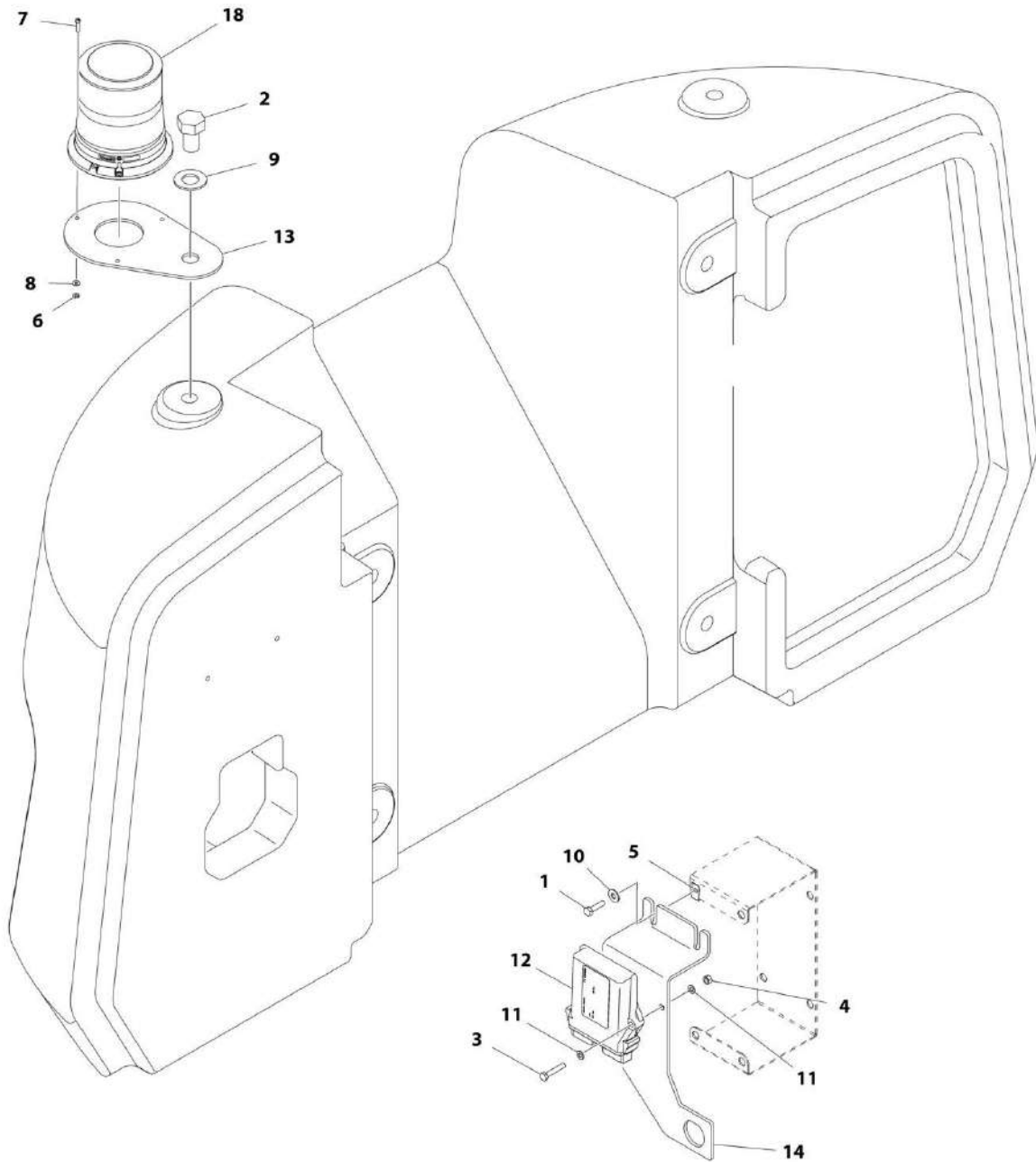
SECTION 2 - TURNTABLE

FIGURE 2-35. STROBE LIGHT INSTALLATION (BLUE) (SN 0300217094 to Present)

ITEM	PART NUMBER	QTY	DESCRIPTION	REV
	1001205401	Ref	STROBE LIGHT INSTALLATION (BLUE) (SN 0300217094 to Present)	E
1	0641408	2	Bolt 1/4 x 1	
2	0700615	2	Bolt M6 x 35	
3	3290607	2	Nut M6 x 1	
4	3300454	2	Nut 1/4	
5	3312602	1	Nut 1/4	
6	3900085	2	Screw 10 x 1/2	
7	4751000	2	Washer #10	
8	4751400	2	Washer 1/4	
9	4811700	4	Washer M6	
10	1001142683	1	Module, Control Beacon	
11	1001142719	1	Bracket	
12	1001142736	1	Harness, Beacon Control (Not Shown) (See ELECTRICAL SECTION for Breakdown)	
13	1001149994	1	Mount, Beacon	
15	1001200910	1	Light, Strobe	
15	7028909	1	Connector - 2 Position	
15	4460943	2	Pin, Male	
16	4240032	AR	Tie-Strap (SN 0300225824 to Present)	
17	4460488	AR	Mounting Base (SN 0300225824 to Present)	
18	1001217005	1	Blue Beacon Light Kit (Not Shown - Includes Items 5, 6, 7, 13 & 15) (SN 0300225824 to Present)	

SECTION 2 - TURNTABLE

FIGURE 2-36. BEACON LIGHT INSTALLATION (RED) (SN 0300209000 through 0300217093)



ART_1001207309

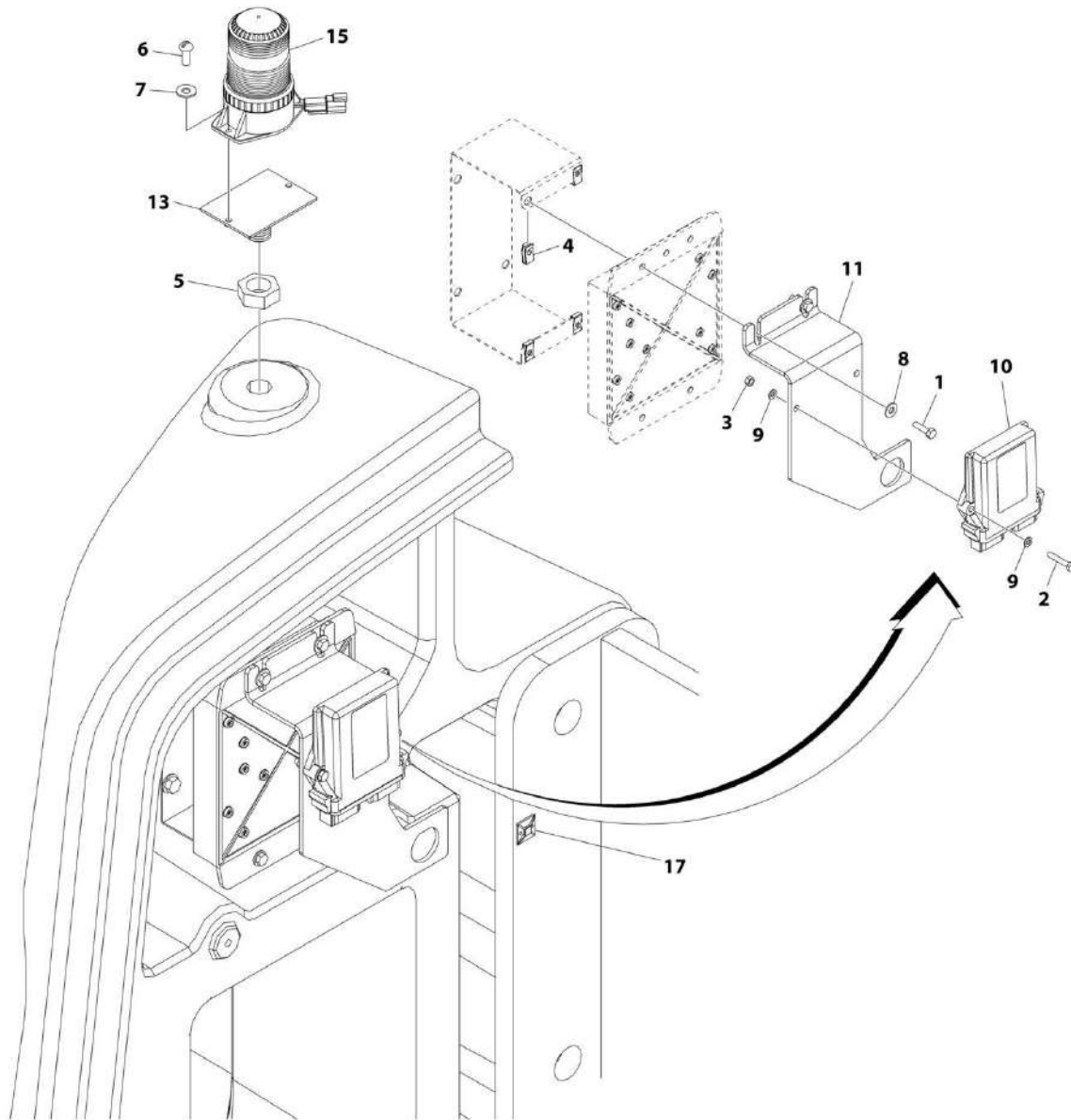
SECTION 2 - TURNTABLE

FIGURE 2-36. BEACON LIGHT INSTALLATION (RED) (SN 0300209000 through 0300217093)

ITEM	PART NUMBER	QTY	DESCRIPTION	REV
	1001207309	Ref	BEACON LIGHT INSTALLATION (RED) (SN 0300209000 through 0300217093)	B
1	0641408	2	Bolt 1/4 x 1	
2	0642612	1	Bolt 1 x 1-1/2	
3	0700615	2	Bolt M6 x 35	
4	3290607	2	Nut M6 x 1	
5	3300454	2	Nut	
6	3311005	3	Nut #10	
7	3911012	3	Screw #10 x 3/4	
8	4711000	3	Washer #10	
9	4712600	1	Washer 1	
10	4751400	2	Washer 1/4	
11	4811700	4	Washer M6	
12	1001142683	1	Control, Beacon Module	
13	1001142694	1	Bracket, Beacon Mounting	
14	1001142719	1	Bracket, Beacon Module Ultra	
15	1001142736	1	Harness, Beacon Control (Not Shown) (See ELECTRICAL SECTION for Breakdown)	
18	1001197067	NLA	Lamp, Beacon (Use p/n 1001210693 & 1001207004)	
18	7028909	1	Connector - 2 Position	
18	4460943	2	Pin, Male	

SECTION 2 - TURNTABLE

FIGURE 2-37. STROBE LIGHT INSTALLATION (RED) (SN 0300217094 to Present)



ART_1001209873

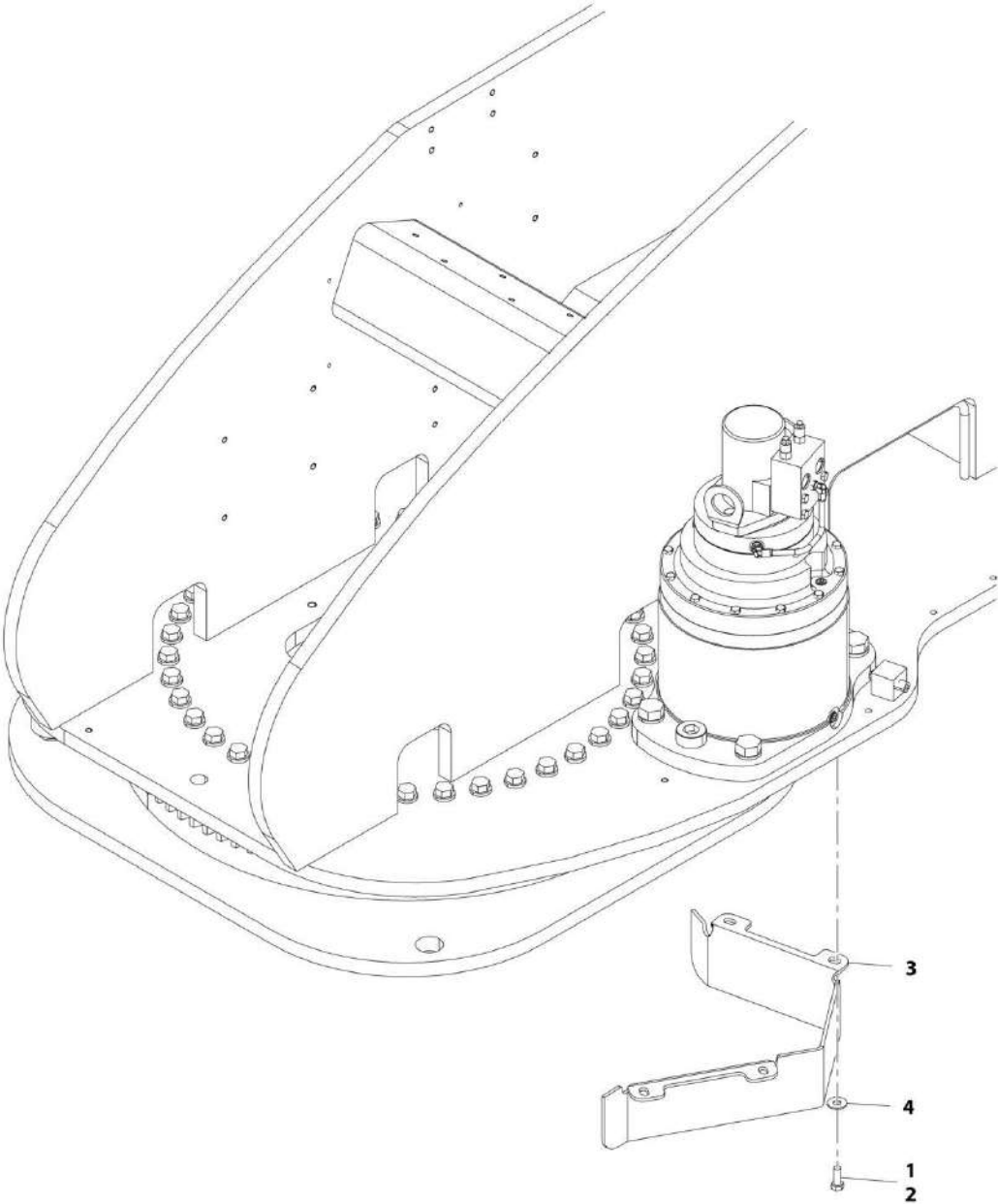
SECTION 2 - TURNTABLE

FIGURE 2-37. STROBE LIGHT INSTALLATION (RED) (SN 0300217094 to Present)

ITEM	PART NUMBER	QTY	DESCRIPTION	REV
	1001209873	Ref	STROBE LIGHT INSTALLATION (RED) (SN 0300217094 to Present)	D
1	0641408	2	Bolt 1/4 x 1	
2	0700615	2	Bolt M6 x 35	
3	3290607	2	Nut M6 x 1	
4	3300454	2	Nut	
5	3312602	1	Nut 1	
6	3900085	2	Screw 10 x 1/2	
7	4751000	2	Washer #10	
8	4751400	2	Washer 1/4	
9	4811700	4	Washer M6	
10	1001142683	1	Module, Control Beacon	
11	1001142719	1	Bracket	
12	1001142736	1	Harness, Beacon Control (Not Shown) (See ELECTRICAL SECTION for Breakdown)	
13	1001149994	1	Mount, Beacon	
15	1001207004	1	Light, Strobe	
15	7028909	1	Connector - 2 Position	
15	4460943	2	Pin, Male	
16	4240032	AR	Tie-Strap (Not Shown) (SN 0300223781 to Present)	
17	4460488	AR	Mounting Base (SN 0300223781 to Present)	

SECTION 2 - TURNTABLE

FIGURE 2-38. PINION SHIELD INSTALLATION



ART_0271874

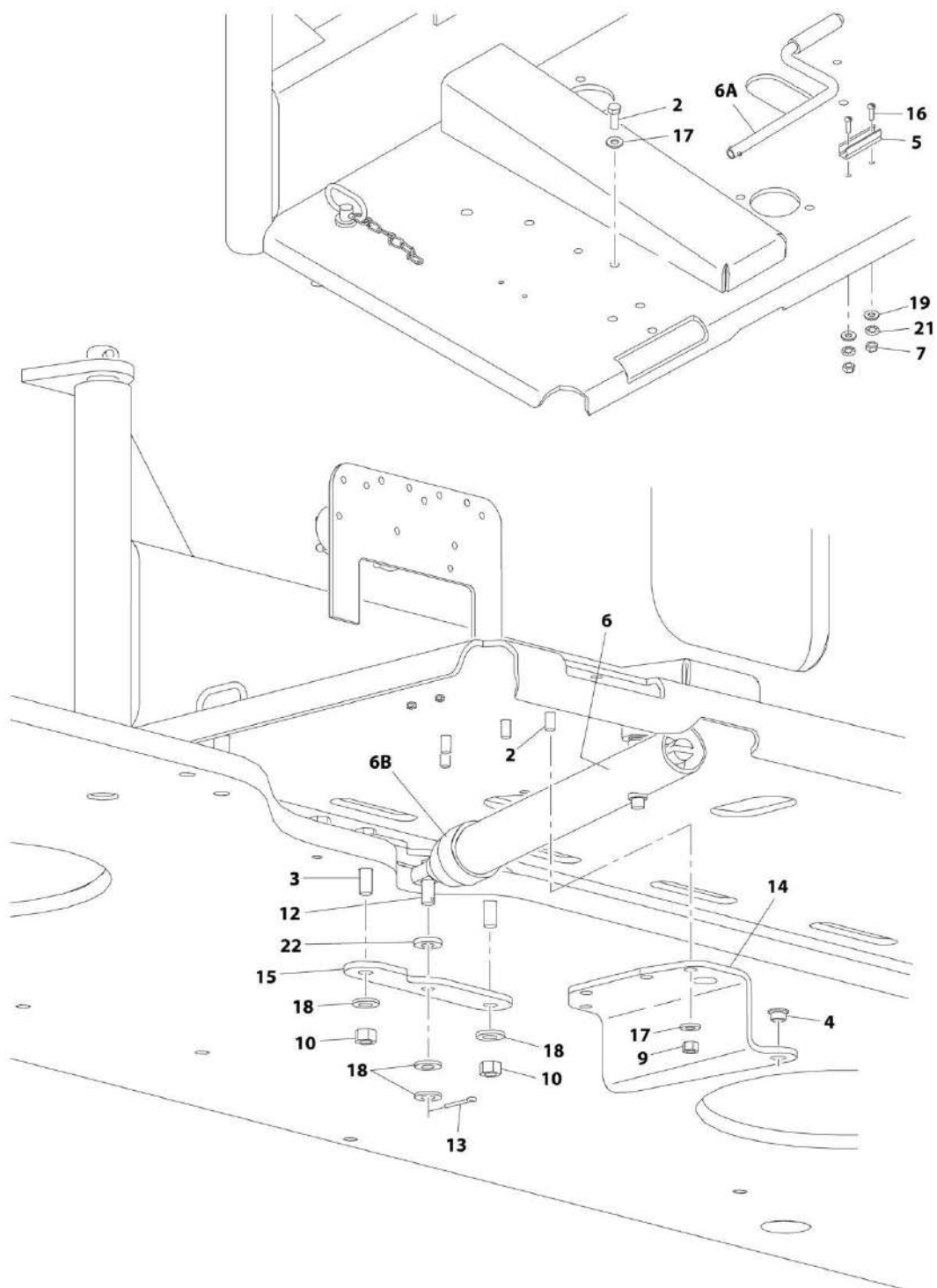
SECTION 2 - TURNTABLE

FIGURE 2-38. PINION SHIELD INSTALLATION

ITEM	PART NUMBER	QTY	DESCRIPTION	REV
	0271874	Ref	PINION SHIELD INSTALLATION	A
1	0100011	AR	Compound, Locking	
2	0641608	4	Bolt 3/8 x 1	
3	3573355	1	Plate, Pinion	
4	4751600	4	Washer 3/8	

SECTION 2 - TURNTABLE

FIGURE 2-39. ENGINE TRAY JACK INSTALLATION - DEUTZ TD2011 ENGINES



ART_0272064

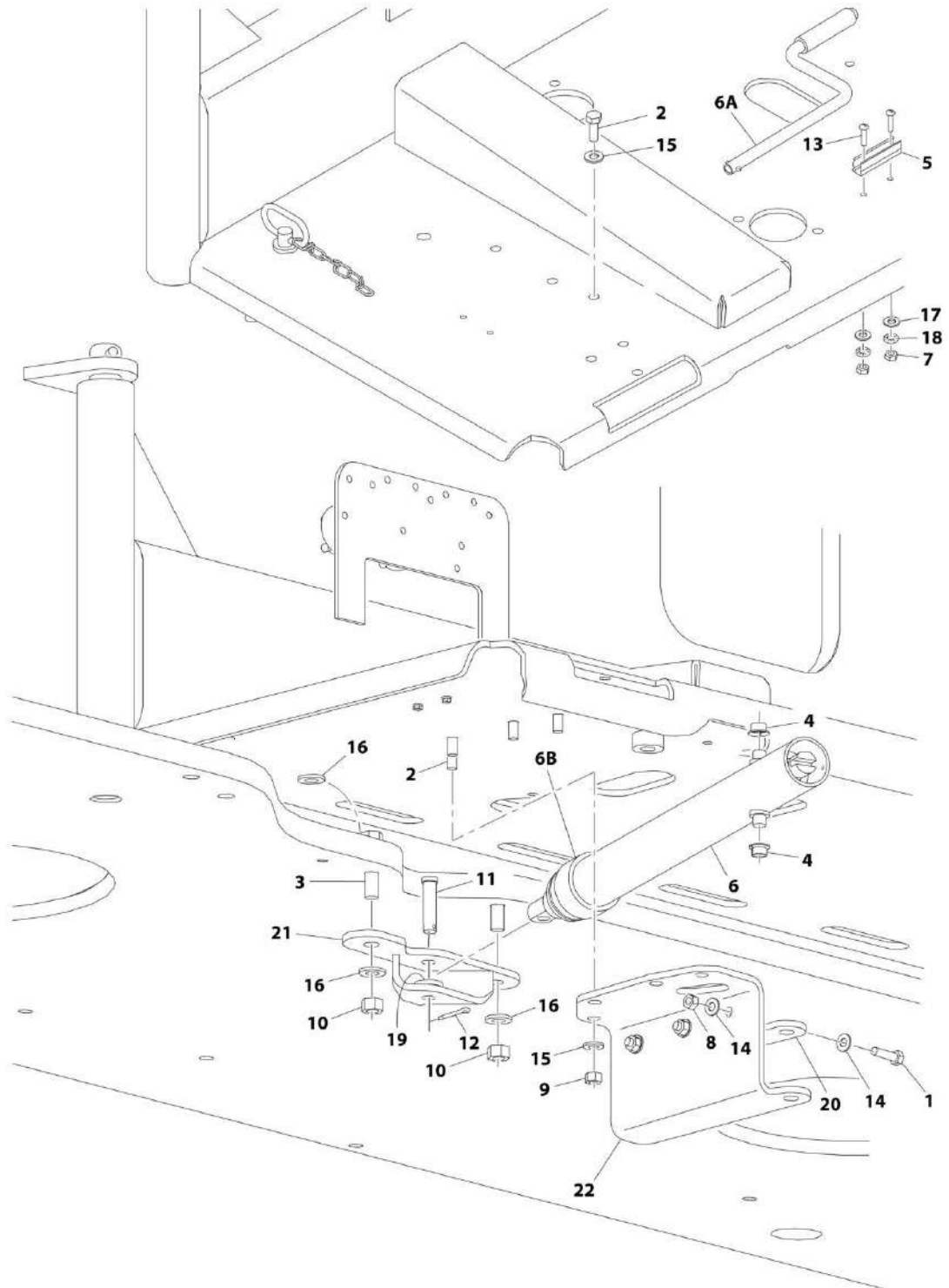
SECTION 2 - TURNTABLE

FIGURE 2-39. ENGINE TRAY JACK INSTALLATION - DEUTZ TD2011 ENGINES

ITEM	PART NUMBER	QTY	DESCRIPTION	REV
	0272064	Ref	ENGINE TRAY JACK INSTALLATION - DEUTZ TD2011 ENGINES	C
2	0641608	4	Bolt 3/8 x 1	
3	0641818	2	Bolt 1/2 x 2-1/4	
4	0962051	2	Bearing, Flanged	
5	1380147	1	Clip, Spring	
6	2840016	1	Jack and Handle Assembly	
6A		Ref	Handle Options:	
6A	7016374	1	Burr Manufacturing Brand (identified by 4 handle offset)	
6A	7024598	1	Hammerblow Corp Brand (identified by 4-1/2 handle offset)	
6B	7016322	1	Wiper (Burr Manufacturing Brand Only)	
7	3310601	2	Nut #6	
9	3311605	4	Nut 3/8	
10	3311805	2	Nut 1/2	
12	3430816	1	Pin, Clevis	
13	3450404	1	Pin, Cotter 1/8 x 1	
14	3537445	1	Bracket	
15	3573454	2	Bracket	
16	3910608	2	Screw #6 x 1/2	
17	4711600	8	Washer 3/8	
18	4711800	4	Washer 1/2	
19	4750600	2	Washer #6	
21	4770600	2	Washer #6	
22	4891800	1	Washer 1/2	

SECTION 2 - TURNTABLE

FIGURE 2-40. ENGINE TRAY JACK INSTALLATION - DEUTZ TCD2.9L4 ENGINES



ART_1001143294

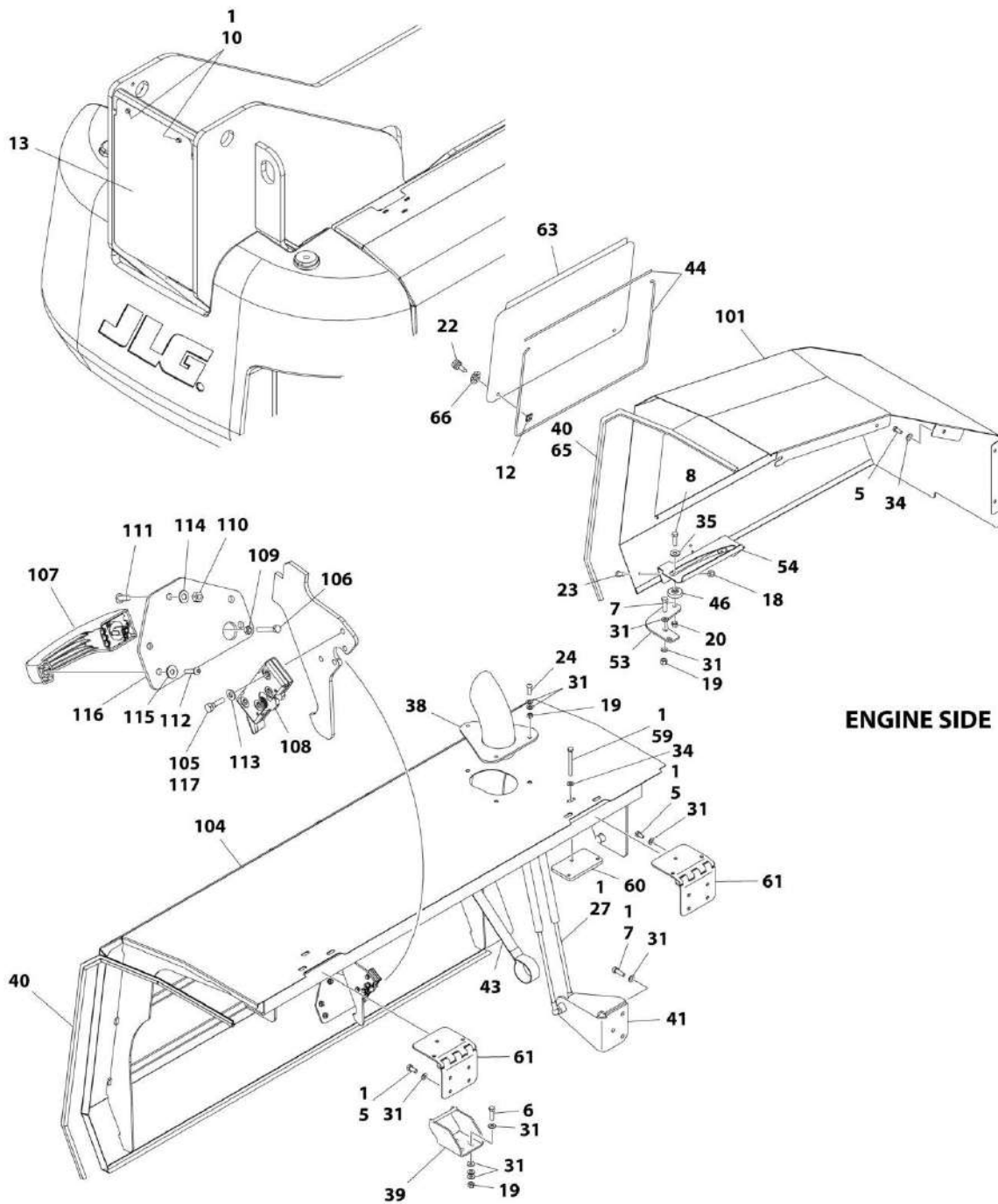
SECTION 2 - TURNTABLE

FIGURE 2-40. ENGINE TRAY JACK INSTALLATION - DEUTZ TCD2.9L4 ENGINES

ITEM	PART NUMBER	QTY	DESCRIPTION	REV
	1001143294	Ref	ENGINE TRAY JACK INSTALLATION - DEUTZ TCD2.9L4 ENGINES	A
1	0641509	3	Bolt 5/16 x 1-1/8	
2	0641608	4	Bolt 3/8 x 1	
3	0641816	2	Bolt 1/2 x 2	
4	0962051	2	Bearing, Flanged	
5	1380147	1	Clip, Spring	
6	2840016	1	Jack and Handle Assembly	
6A		Ref	Handle Options:	
6A	7016374	1	Burr Manufacturing Brand (identified by 4 handle offset)	
6A	7024598	1	Hammerblow Corp Brand (identified by 4-1/2 handle offset)	
6B	7016322	1	Wiper (Burr Manufacturing Brand Only)	
7	3310601	2	Nut #6	
8	3311505	3	Nut 5/16	
9	3311605	4	Nut 3/8	
10	3311805	2	Nut 1/2	
11	3430816	1	Pin, Clevis	
12	3450404	1	Pin, Cotter 1/8 x 1	
13	3910608	2	Screw #6 x 1/2	
14	4711500	6	Washer 5/16	
15	4711600	8	Washer 3/8	
16	4711800	4	Washer 1/2	
17	4750600	2	Washer #6	
18	4770600	2	Washer #6	
19	4891800	1	Washer 1/2	
20	1001131482	1	Plate, Jack Bracket	
21	1001135663	1	Support, Engine Tray Jack	
22	1001143298	1	Plate, Jack Bracket	

SECTION 2 - TURNTABLE

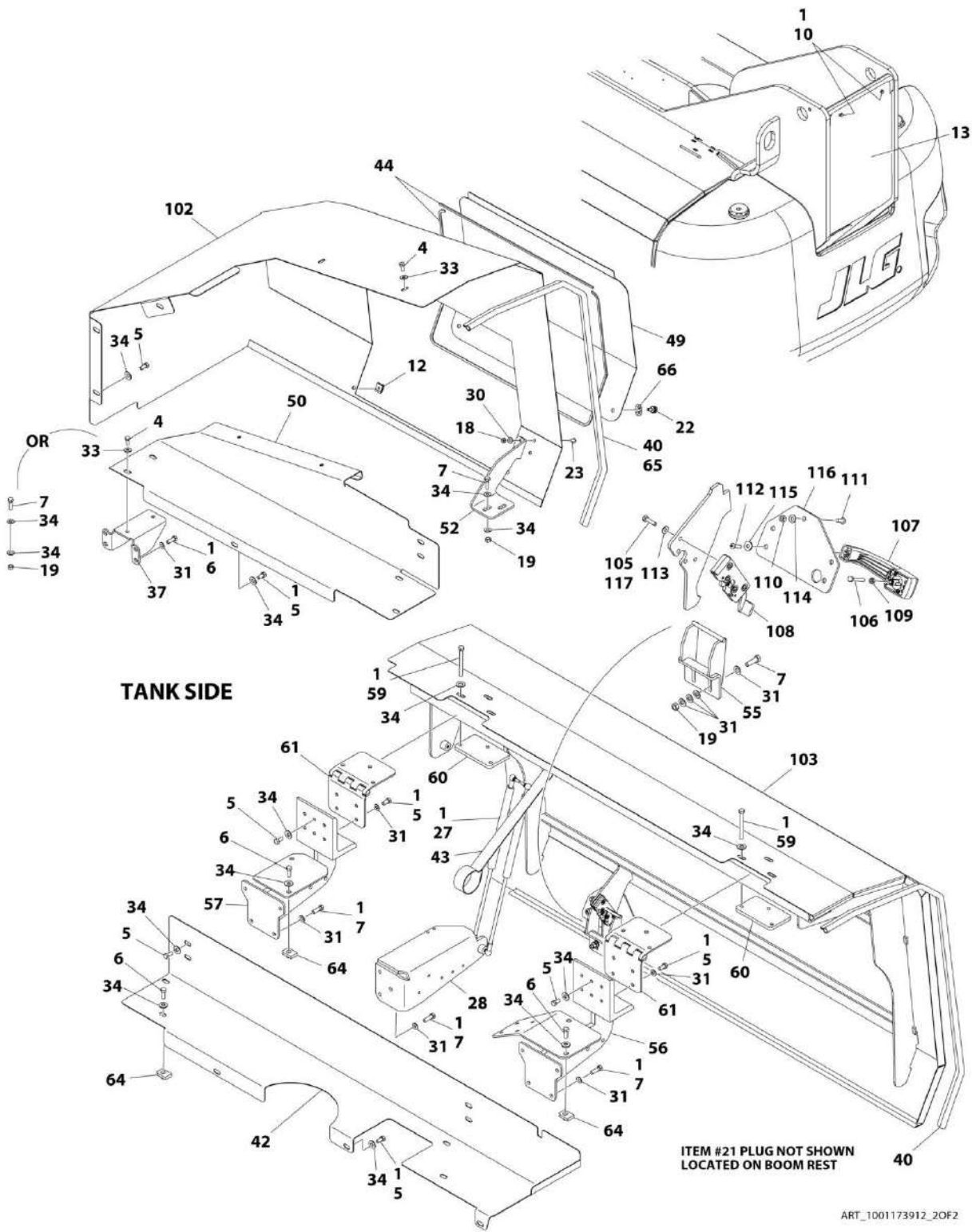
FIGURE 2-41. HOOD INSTALLATION - DEUTZ TD2011 ENGINES



ENGINE SIDE

ART_1001173912_TOF2

SECTION 2 - TURNTABLE



SECTION 2 - TURNTABLE

FIGURE 2-41. HOOD INSTALLATION - DEUTZ TD2011 ENGINES

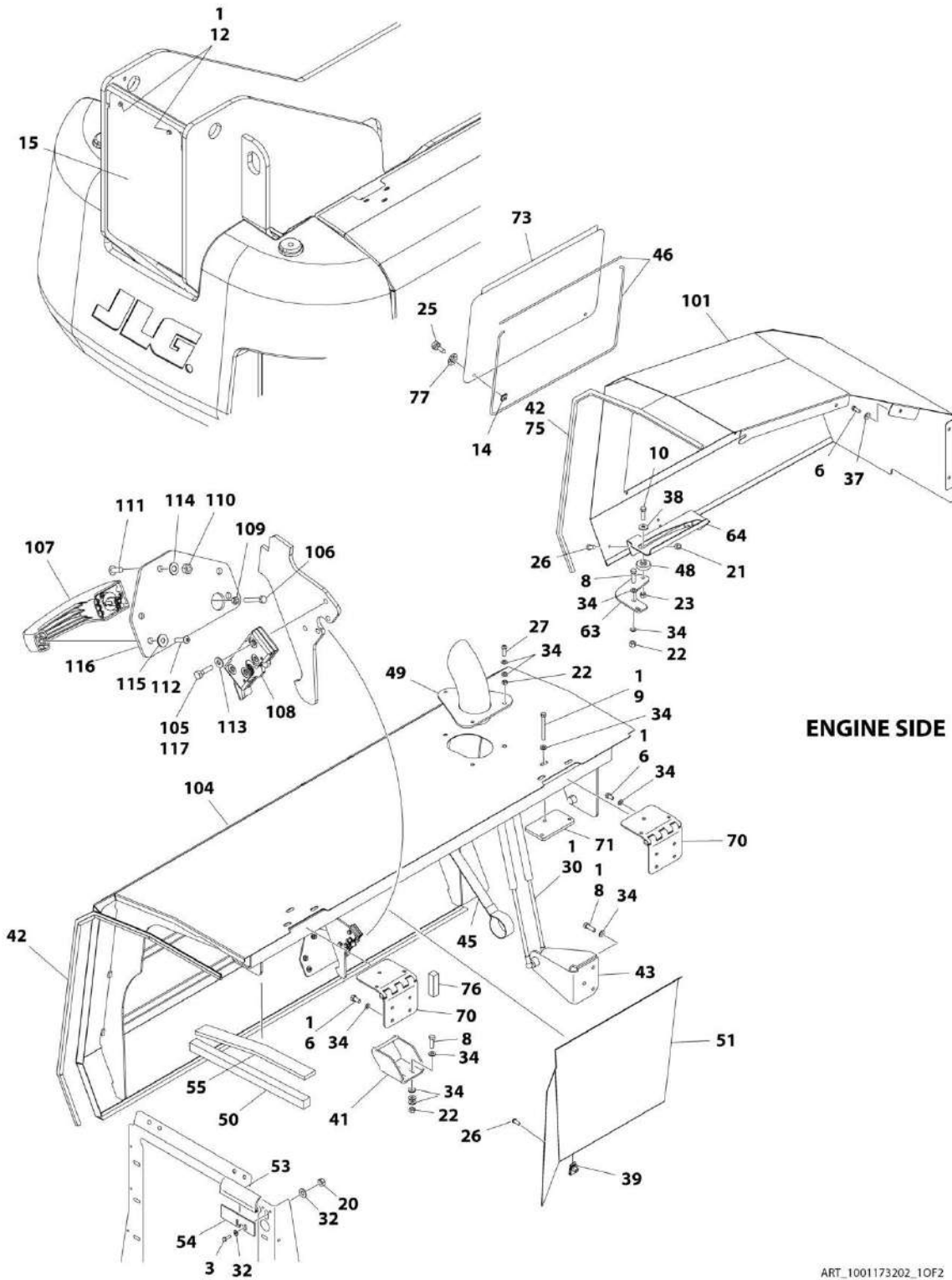
ITEM	PART NUMBER	QTY	DESCRIPTION	REV
	1001173912	Ref	HOOD INSTALLATION - DEUTZ TD2011 ENGINES	H
		Ref	Note: Replacement Decals Must be Ordered Separately - See DECAL SECTION.	
1	0100011	AR	Compound, Locking	
4	0641506	AR	Bolt 5/16 x 3/4	
5	0641606	32	Bolt 3/8 x 3/4	
6	0641608	8	Bolt 3/8 x 1	
7	0641610	AR	Bolt 3/8 x 1-1/4	
8	0641813	1	Bolt 1/2 x 1-5/8	
10	0791604	2	Screw 3/8 x 1/2	
12	1380169	4	Clip	
13	1671038	1	Cover	
18	3311505	5	Nut 5/16	
19	3311605	AR	Nut 3/8	
20	3311805	1	Nut 1/2	
21	3520034	2	Plug, Hole	
22	3900174	4	Screw, Thumb	
23	3900210	5	Screw 5/16 x 3/4	
24	3900232	3	Screw 3/8 x 1-1/4	
27	4160194	4	Spring, Gas	
28	4340999	1	Mount, Gas Spring	
30	4711500	2	Washer 5/16	
31	4711600	64	Washer 3/8	
33	4751500	AR	Washer 5/16	
34	4751600	AR	Washer 3/8	
35	4751800	1	Washer 1/2	
37	1001109759	1	Support, Power Track Trough (SN 0300209000 through 0300225823)	
37	3573232	1	Support, Power Track Trough (SN 0300225824 to Present)	
38	1001110027	1	Stack, Exhaust	
39	1001110194	1	Bracket, Striker	
40	1001110433	9 ft/ 2.9m	Seal	
41	1001110486	1	Mount, Gas Spring	
42	1001175859	1	Plate, Power Track Trough	
43	1001112691	2	Strap, Hand Pull	
44	1001113047	14.5 ft/ 4.4mm	Seal	
46	1001131462	1	Pad, Hood Slide	
49	1001173166	1	Cover, Access (Tank Side)	
50	1001173170	1	Plate, Power Track Trough	
52	1001173185	1	Plate, Mounting	
53	1001173186	1	Bracket, Engine Tray	
54	1001173187	1	Bracket, Engine Tray	
55	1001173188	1	Bracket, Hood Latch	
56	1001173647	1	Support, Front Hood	
57	1001173651	1	Support, Front Hood	
59	0641630	12	Bolt 3/8 x 3-3/4	
60	1001175880	4	Plate	
61	1001175879	4	Hinge, Offset Hood	
63	1001180051	1	Cover, Access (Engine Side)	

SECTION 2 - TURNTABLE

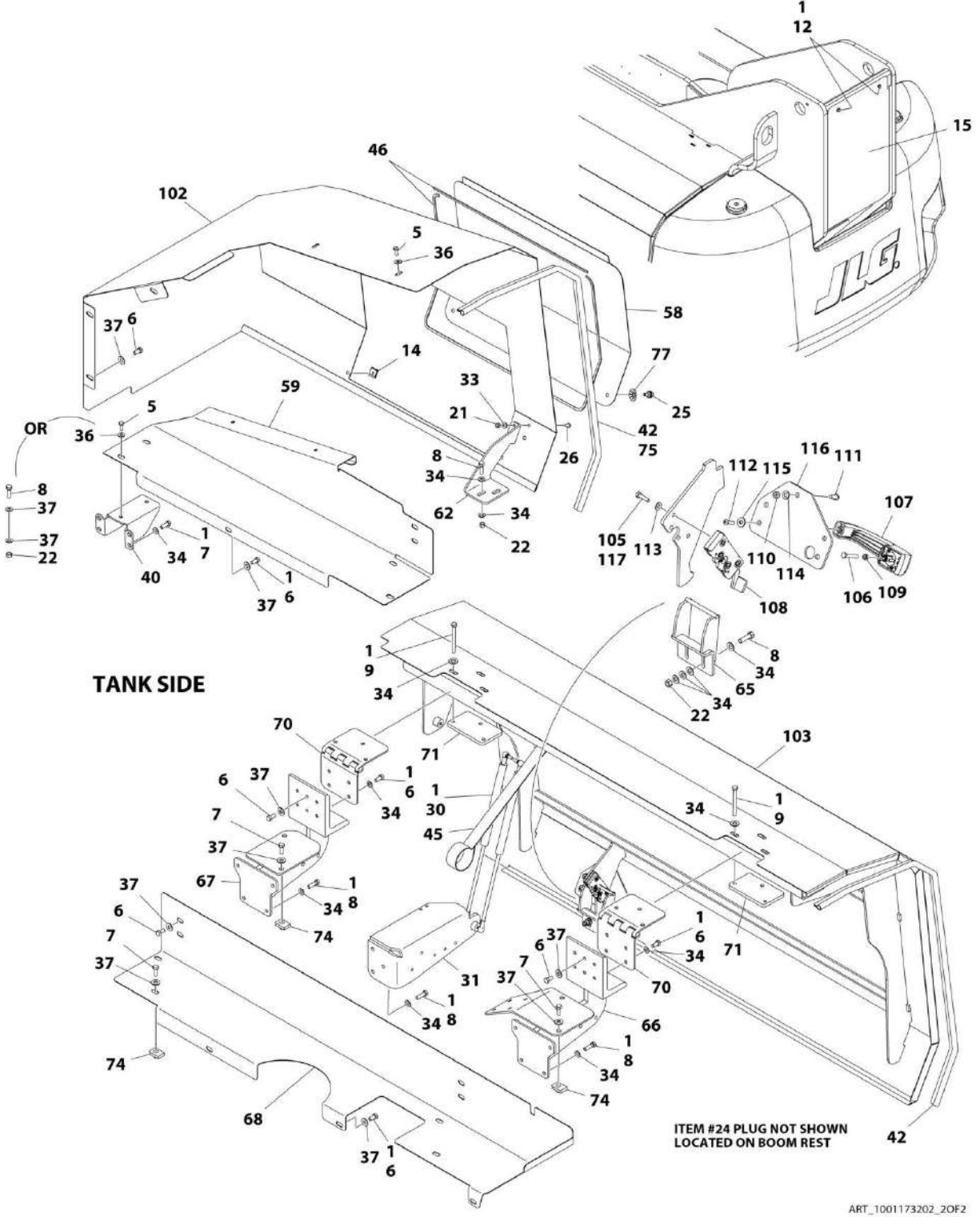
ITEM	PART NUMBER	QTY	DESCRIPTION	REV
64	88662523	4	Nut, Tinnerman	
65	3960447	9.8 ft/ 3.0m	Seal	
66	3760308	4	Retainer (SN 0300243066 to Present)	
100	1001175250	1	Kit, Hood	
101	1001173163	1	Hood, Engine Side - Rear	
102	1001173164	1	Hood, Tank Side - Rear	
103	1001173183	1	Hood, Tank Side - Front	
104	1001174331	1	Hood, Engine Side - Front	
105	0641408	8	Bolt 1/4 x 1	
106	0700616	2	Bolt M6 x 40	
107	2560187	2	Handle, Push Button	
108	2940173	2	Latch, Rotary	
109	3290601	2	Nut M6	
110	3311505	6	Nut 5/16	
111	3900210	6	Screw 5/16 x 3/4	
112	3900363	4	Screw M6 x 1 x 25	
113	4711400	8	Washer 1/4	
114	4711500	6	Washer 5/16	
115	4751400	4	Washer 1/4	
116	1001116290	2	Plate, Latch Mounting	
117	0100011	AR	Compound, Locking	

SECTION 2 - TURNTABLE

FIGURE 2-42. HOOD INSTALLATION - DEUTZ TCD2.9L4 ENGINES



SECTION 2 - TURNTABLE



ART_1001173202_20F2

SECTION 2 - TURNTABLE

FIGURE 2-42. HOOD INSTALLATION - DEUTZ TCD2.9L4 ENGINES

ITEM	PART NUMBER	QTY	DESCRIPTION	REV
	1001173202	Ref	HOOD INSTALLATION - DEUTZ TCD2.9L4 ENGINES	I
		Ref	Note: Replacement Decals Must be Ordered Separately - See DECAL SECTION.	
1	0100011	AR	Compound, Locking	
3	0641406	2	Bolt 1/4 x 3/4	
5	0641506	AR	Bolt 5/16 x 3/4	
6	0641606	32	Bolt 3/8 x 3/4	
7	0641608	8	Bolt 3/8 x 1	
8	0641610	AR	Bolt 3/8 x 1-1/4	
9	0641630	12	Bolt 3/8 x 3-3/4	
10	0641813	1	Bolt 1/2 x 1-5/8	
12	0791604	2	Screw 3/8 x 1/2	
14	1380169	4	Clip	
15	1671038	1	Cover	
20	3311405	2	Nut 1/4	
21	3311505	5	Nut 5/16	
22	3311605	AR	Nut 3/8	
23	3311805	1	Nut 1/2	
24	3520034	2	Plug, Hole	
25	3900174	4	Screw, Thumb	
26	3900210	10	Screw 5/16 x 3/4	
27	3900232	3	Screw 3/8 x 1-1/4	
30	4160194	4	Spring, Gas	
31	4340999	1	Mount, Gas Spring	
32	4711400	4	Washer 1/4	
33	4711500	2	Washer 5/16	
34	4711600	82	Washer 3/8	
36	4751500	AR	Washer 5/16	
37	4751600	AR	Washer 3/8	
38	4751800	1	Washer 1/2	
39	8310658	5	Nut, Retainer .312 x 1	
40	1001109759	1	Support, Power Track Trough (SN 0300209000 through 0300225823)	
40	3573232	1	Support, Power Track Trough (SN 0300225824 to Present)	
41	1001110194	1	Bracket, Striker	
42	1001110433	9 ft/ 2.9m	Seal	
43	1001110486	1	Mount, Gas Spring	
45	1001112691	2	Strap, Hand Pull	
46	1001113047	14.5 ft/ 4.4mm	Seal	
48	1001131462	1	Pad, Hood Slide	
49	1001139778	1	Stack, Exhaust	
50	1001140485	1	Seal	
51	1001145162	1	Panel, Heat Deflector	
53	1001146178	1	Seal	
54	1001146183	1	Plate	
55	1001146244	1	Seal	
58	1001173166	1	Cover, Access (Tank Side)	
59	1001173170	1	Plate, Power Track Trough	
62	1001173185	1	Plate, Mounting	

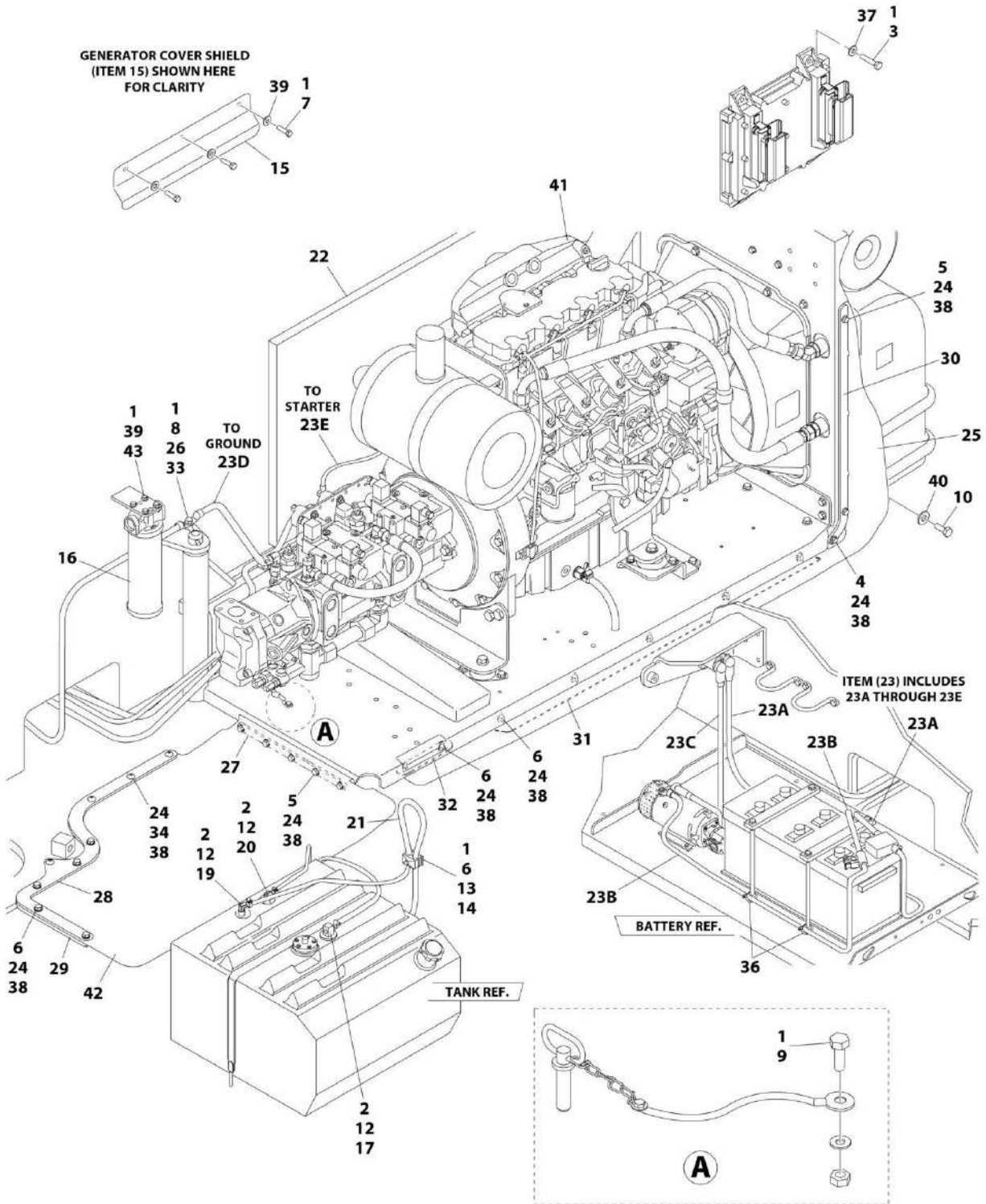
SECTION 2 - TURNTABLE

ITEM	PART NUMBER	QTY	DESCRIPTION	REV
63	1001173186	1	Bracket, Engine Tray	
64	1001173187	1	Bracket, Engine Tray	
65	1001173188	1	Bracket, Hood Latch	
66	1001173647	1	Support, Front Hood	
67	1001173651	1	Support, Front Hood	
68	1001175859	1	Plate, Power Track Trough	
70	1001175879	4	Hinge, Offset Hood	
71	1001175880	4	Plate	
73	1001180051	1	Cover, Access (Engine Side)	
74	88662523	4	Nut, Tinnerman	
75	3960447	9.8 ft/ 3.0m	Seal	
76	1001146132	1	Seal (SN 0300219197 to Present)	
77	3760308	4	Retainer (SN 0300243066 to Present)	
100	1001175237	1	Kit, Hood	
101	1001173163	1	Hood, Engine Side - Rear	
102	1001173164	1	Hood, Tank Side - Rear	
103	1001173183	1	Hood, Tank Side - Front	
104	1001173184	1	Hood, Engine Side - Front	
105	0641408	8	Bolt 1/4 x 1	
106	0700616	2	Bolt M6 x 40	
107	2560187	2	Handle, Push Button	
108	2940173	2	Latch, Rotary	
109	3290601	2	Nut M6	
110	3311505	6	Nut 5/16	
111	3900210	6	Screw 5/16 x 3/4	
112	3900363	4	Screw M6 x 1 x 25	
113	4711400	8	Washer 1/4	
114	4711500	6	Washer 5/16	
115	4751400	4	Washer 1/4	
116	1001116290	2	Plate, Latch Mounting	
117	0100011	1	Compound, Locking	

SECTION 3 - ENGINE

SECTION 3 - ENGINE

FIGURE 3-1. DEUTZ TD2011 ENGINE INSTALLATION - WITH REXROTH PUMPS (WITHOUT SKYPOWER AND WITHOUT COLD WEATHER PLUS PACKAGE)



ART_1001117370

SECTION 3 - ENGINE

FIGURE 3-1. DEUTZ TD2011 ENGINE INSTALLATION - WITH REXROTH PUMPS (WITHOUT SKYPOWER AND WITHOUT COLD WEATHER PLUS PACKAGE)

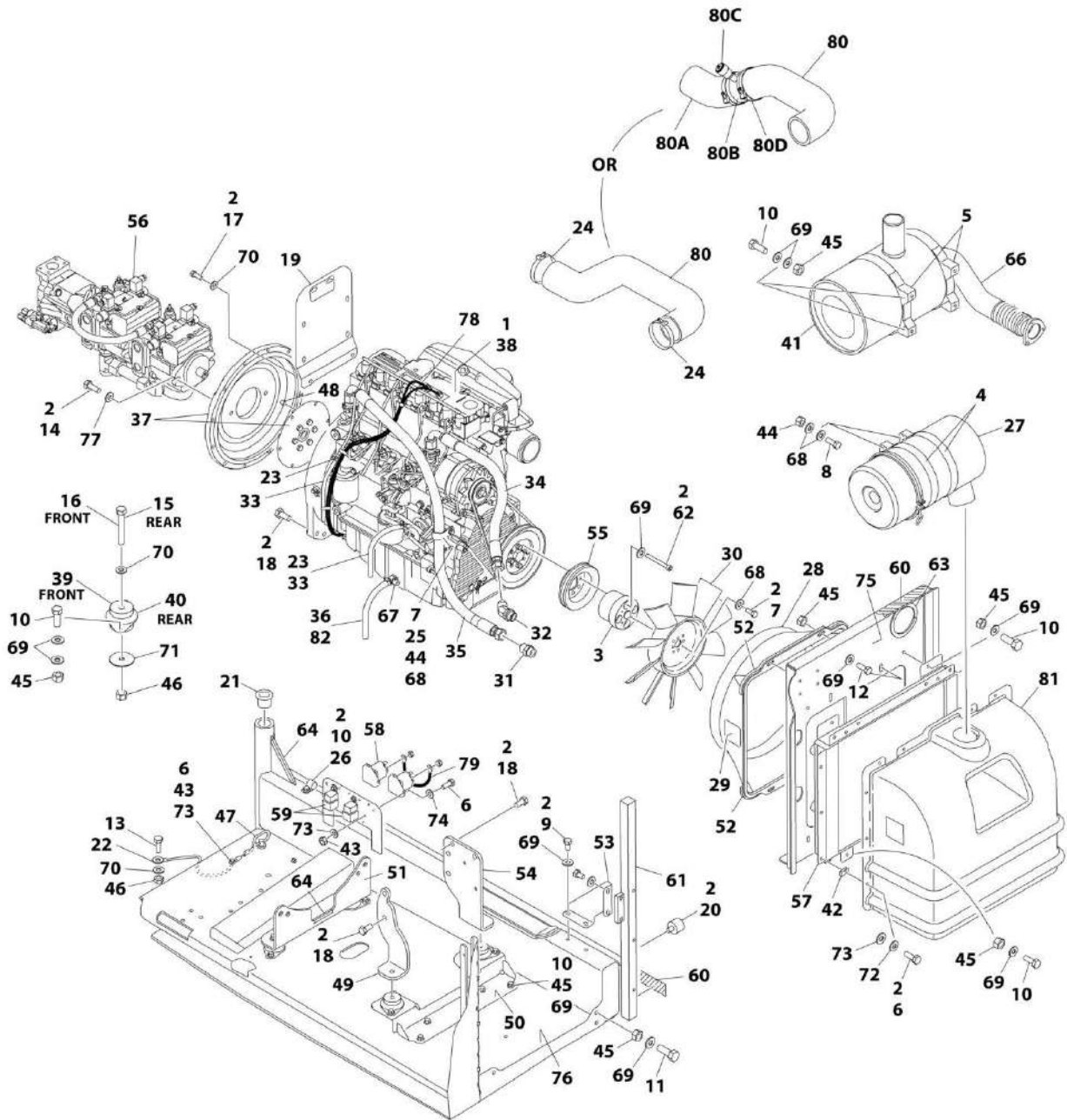
ITEM	PART NUMBER	QTY	DESCRIPTION	REV
	1001117370	Ref	DEUTZ TD2011 ENGINE INSTALLATION - WITH REXROTH PUMPS (WITHOUT SKYPOWER AND WITHOUT COLD WEATHER PLUS PACKAGE)	D
1	0100011	AR	Compound, Locking	
2	0100079	AR	Sealant, Pipe	
3	0641410	4	Bolt 1/4 x 1-1/4	
4	0641506	1	Bolt 5/16 x 3/4	
5	0641509	7	Bolt 5/16 x 1-1/8	
6	0641511	13	Bolt 5/16 x 1-3/8	
7	0641605	3	Bolt 3/8 x 5/8	
8	0641610	1	Bolt 3/8 x 1-1/4	
9	0641808	1	Bolt 1/2 x 1	
10	0642010	1	Bolt 5/8 x 1-1/4	
12	1320022	3	Clamp	
13	1320187	1	Clamp	
14	1320190	1	Clamp, Cover Plate	
15	1671121	1	Cover, Generator	
16	1001108617	1	Filter, Hydraulic	
16	70002231	1	Element, Filter	
17	2180348	1	Fitting, Straight Barbed	
18	2200222	1	Plug (Not Shown - Located in Bottom of Fuel Tank) (SN 0300209000 through 0300237553)	
19	2220313	1	Fitting, 90 Barbed	
20	2221176	1	Fitting, 90 Barbed	
21	2750532	5 ft/ 1.5m	Hose	
22	2820170	1	Insulation	
23	2902099	1	Battery Cable Kit	D
23A	7024580	1	Cable, Red (To Aux Pump Relay, Battery Positive Terminal and Start Relay)	
23B	7024581	1	Cable, Black (To Aux Pump, Battery Negative Terminal and Ground at Tray Pivot)	
23C	7024582	1	Cable, Red (Aux Pump Relay to Aux Pump)	
23D	7024583	1	Cable, Black (Tray Pivot to Engine Mount)	
23E	7024584	1	Cable, Red (Start Relay to Starter)	
24	3311505	24	Nut 5/16	
25	3380473	1	Panel, Rubber	
26	3422446	1	Pin	
27	3573644	1	Plate, Tray Clamp	
28	1001112878	1	Plate, Top Clamp	
29	1001112879	1	Plate, Bottom Clamp	
30	3573669	1	Plate, Clamp	
31	1001112880	1	Plate, Tray Clamp	
32	3573728	1	Plate, Tray Clamp	
33	3841143	1	Keeper, Pin	
34	3900272	4	Screw 5/16 x 1-3/4	
35	4240018	2	Tie-Strap (Not Shown)	
36	4240099	AR	Tie-Strap	
37	4711400	4	Washer 1/4	
38	4711500	44	Washer 5/16	
39	4711600	7	Washer 3/8	

SECTION 3 - ENGINE

ITEM	PART NUMBER	QTY	DESCRIPTION	REV
40	4752000	1	Washer 5/8	
41	1001098513	1	Deutz TD2011 Engine Assembly (See DEUTZ TD2011 ENGINE ASSEMBLY - WITH REXROTH PUMPS (WITHOUT SKYPOWER AND WITHOUT COLD WEATHER PLUS PACKAGE) for Breakdown)	
42	1001111132	1	Panel, Rubber	
43	0641606	4	Bolt 3/8 x 3/4	

SECTION 3 - ENGINE

FIGURE 3-2. DEUTZ TD2011 ENGINE ASSEMBLY - WITH REXROTH PUMPS (WITHOUT SKYPOWER AND WITHOUT COLD WEATHER PLUS PACKAGE)



ART_1001098513

SECTION 3 - ENGINE

FIGURE 3-2. DEUTZ TD2011 ENGINE ASSEMBLY - WITH REXROTH PUMPS (WITHOUT SKYPOWER AND WITHOUT COLD WEATHER PLUS PACKAGE)

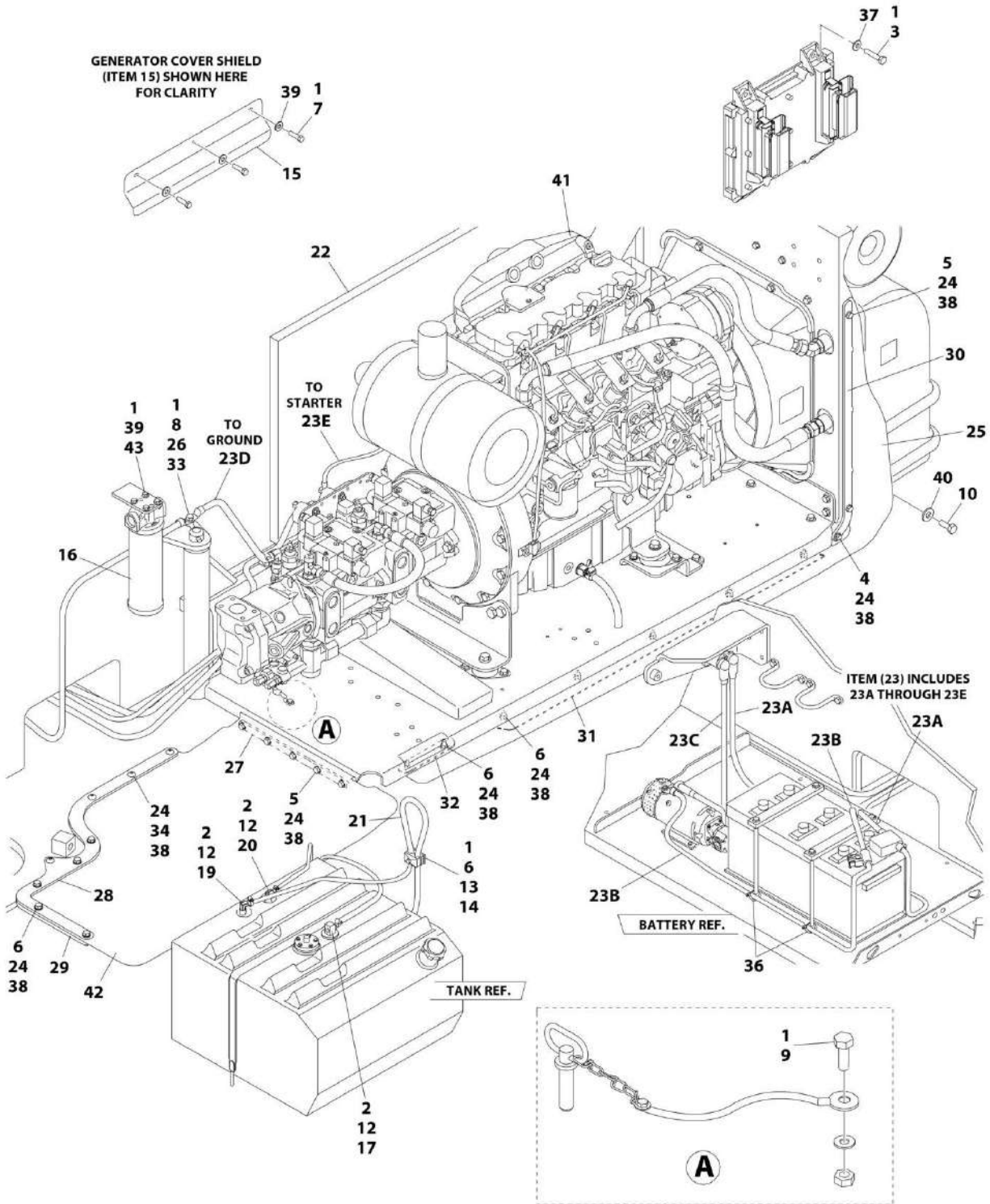
ITEM	PART NUMBER	QTY	DESCRIPTION	REV
	1001098513	Ref	DEUTZ TD2011 ENGINE ASSEMBLY - WITH REXROTH PUMPS (WITHOUT SKYPOWER AND WITHOUT COLD WEATHER PLUS PACKAGE)	H
1	1001098601	1	Engine Components - Deutz TD2011 (See ENGINE COMPONENTS - DEUTZ TD2011 ENGINE for Breakdown)	
2	0100011	AR	Compound, Locking	
3	0080237	1	Spacer, Fan	
4	0340003	2	Band, Air Cleaner	
5	0340051	2	Band, Muffler	
6	0641406	15	Bolt 1/4 x 3/4	
7	0641506	5	Bolt 5/16 x 3/4	
8	0641507	4	Bolt 5/16 x 7/8	
9	0641605	4	Bolt 3/8 x 5/8	
10	0641608	25	Bolt 3/8 x 1	
11	0641609	2	Bolt 3/8 x 1-1/8	
12	0641610	4	Bolt 3/8 x 1-1/4	
13	0641808	1	Bolt 1/2 x 1	
14	0641812	2	Bolt 1/2 x 1-1/2	
15	0641818	2	Bolt 1/2 x 2-1/4	
16	0641826	2	Bolt 1/2 x 3-1/4	
17	0711214	2	Bolt M12 x 30	
18	0771414	10	Bolt M14 x 30	
19	1001112766	1	Bracket, Muffler	
20	0940070	1	Bumper	
21	0961986	2	Bushing, Flanged	
22	1001131542	1	Lanyard	
23	1320022	3	Clamp	
24	1320058	2	Clamp	
25	1320060	1	Clamp	
26	1320223	1	J-Clip	
27	1340065	1	Air Cleaner Assembly	
27	7003655	1	Element, Air Cleaner	
28	1671023	1	Shroud, Fan	
29	1703162	2	Decal - Fan Blade	
30	2060025	1	Fan	
31	2220451	1	Fitting, Straight	
32	2220498	1	Fitting, 45	
33	2720058	34 ft/ 10.3m	Hose	
34	2720500	1	Hose, Oil Cooler (Top)	
35	2720501	1	Hose, Oil Cooler (Bottom)	
36	2750532	9 in/ 23cm	Hose	
37	2902065	1	Pump Coupling Kit (See PUMP COUPLING KIT for Breakdown)	
38	3020016	33 gal/ 12.3L	Oil, Engine 15W-40	
39	3200362	2	Mount, Motor (Front)	
40	3200401	2	Mount, Motor (Rear)	
41		Ref	Muffler Options:	
41	3220126	1	Standard Muffler	
41	3220130	1	Optional Catalytic Muffler	

SECTION 3 - ENGINE

ITEM	PART NUMBER	QTY	DESCRIPTION	REV
41	70001017	1	Clamp (Used on p/n 3220130)	
42	3300454	10	Nut	
43	3311405	5	Nut 1/4	
44	3311505	5	Nut 5/16	
45	3311605	30	Nut 3/8	
46	3311805	5	Nut 1/2	
47	3422532	1	Pin, Hitch	
48	3520054	2	Plug, Hole	
49	3537416	1	Plate, Mounting (Front Right)	
50	3539971	1	Bracket, Engine Mounting (Front)	
51	3573142	1	Bracket, Engine Mounting (Rear)	
52	3573411	2	Plate, Clamp	
53	3573412	1	Plate, Gusset	
54	3573529	1	Plate, Mounting (Front Left)	
55	3580158	1	Pulley	
56	3600339	1	Pump Assembly (Rexroth) (See PUMP ASSEMBLY (REXROTH) (DEUTZ TD2011 ENGINES) for Breakdown)	
57	1001145382	1	Cooler, Engine Oil	
58	3740067	2	Relay	
59	3740080	2	Relay	
60	3960543	1	Seal	
61	3960544	1	Seal	
62	4032022	4	Capscrew M10 x 90	
63	4060804	12 in/ 30cm	Flex-Trim	
64	4060805	8 in/ 20cm	Flex-Trim	
65	4240099	AR	Tie, Wire (Not Shown)	
66	4568293	1	Pipe, Exhaust	
67	4640751	1	Valve, Oil Drain	
68	4711500	13	Washer 5/16	
69	4711600	68	Washer 3/8	
70	4711800	7	Washer 1/2	
71	4740274	4	Washer, Snubbing	
72	4740518	10	Washer, Nylon	
73	4751400	20	Washer 1/4	
74	4791400	4	Starwasher 1/4	
75	4846552	1	Plate, Oil Cooler Mounting	
76	4846946	1	Tray	
77	4891800	2	Washer 1/2	
78	4923468	1	Harness, Glow Plugs	
79	4923592	1	Harness, Cable, Jumper	
80	1001092856	1	Hose, Turbo (SN 0300209000 through 0300234293)	
80	1001225118	1	Hose, Turbo (SN 0300234294 to Present)	
80A	1001151284	1	Hose	
80B	1001149740	1	Pipe	
80C	1001149639	1	Indicator	
80D	1320058	2	Clamp	
81	0272060	1	Box, Air Intake	
82	8410013	1	Clamp	

SECTION 3 - ENGINE

FIGURE 3-3. DEUTZ TD2011 ENGINE INSTALLATION - WITH REXROTH PUMPS (WITH SKYPOWER AND WITHOUT COLD WEATHER PLUS PACKAGE)



ART_1001117371

SECTION 3 - ENGINE

FIGURE 3-3. DEUTZ TD2011 ENGINE INSTALLATION - WITH REXROTH PUMPS (WITH SKYPOWER AND WITHOUT COLD WEATHER PLUS PACKAGE)

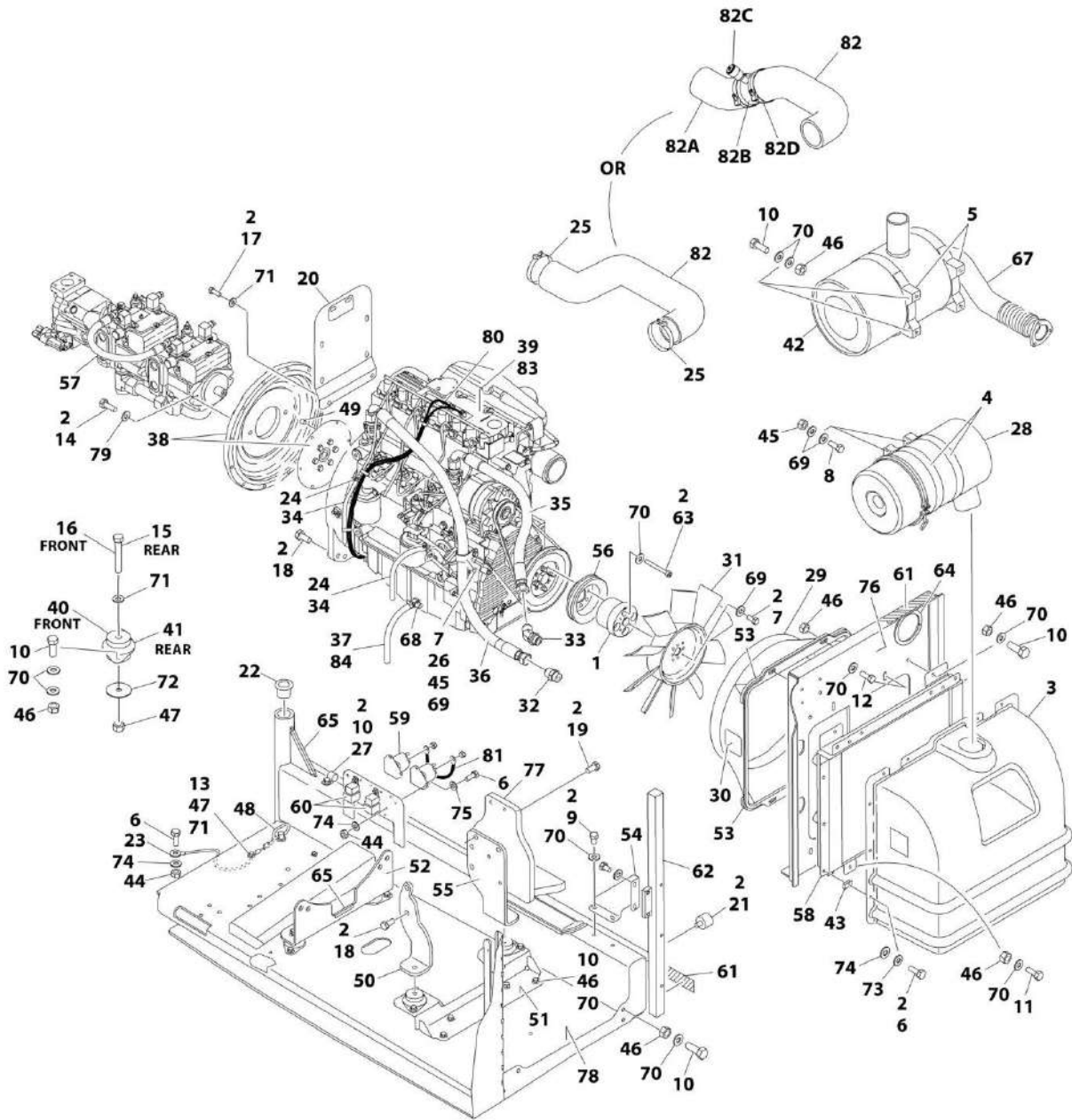
ITEM	PART NUMBER	QTY	DESCRIPTION	REV
	1001117371	Ref	DEUTZ TD2011 ENGINE INSTALLATION - WITH REXROTH PUMPS (WITH SKYPOWER AND WITHOUT COLD WEATHER PLUS PACKAGE)	D
1	0100011	AR	Compound, Locking	
2	0100079	AR	Sealant, Pipe	
3	0641410	4	Bolt 1/4 x 1-1/4	
4	0641506	1	Bolt 5/16 x 3/4	
5	0641509	7	Bolt 5/16 x 1-1/8	
6	0641511	13	Bolt 5/16 x 1-3/8	
7	0641605	3	Bolt 3/8 x 5/8	
8	0641610	1	Bolt 3/8 x 1-1/4	
9	0641808	1	Bolt 1/2 x 1	
10	0642010	1	Bolt 5/8 x 1-1/4	
12	1320022	3	Clamp	
13	1320187	1	Clamp	
14	1320190	1	Clamp, Cover Plate	
15	1671121	1	Cover, Generator	
16	1001108617	1	Filter, Hydraulic	
16	70002231	1	Element, Filter	
17	2180348	1	Fitting, Straight Barbed	
18	2200222	1	Plug (Not Shown - Located in Bottom of Fuel Tank) (SN 0300209000 through 0300237553)	
19	2220313	1	Fitting, 90 Barbed	
20	2221176	1	Fitting, 90 Barbed	
21	2750532	5 ft/ 1.5m	Hose	
22	2820170	1	Insulation	
23	2902099	1	Battery Cable Kit	D
23A	7024580	1	Cable, Red (To Aux Pump Relay, Battery Positive Terminal and Start Relay)	
23B	7024581	1	Cable, Black (To Aux Pump, Battery Negative Terminal and Ground at Tray Pivot)	
23C	7024582	1	Cable, Red (Aux Pump Relay to Aux Pump)	
23D	7024583	1	Cable, Black (Tray Pivot to Engine Mount)	
23E	7024584	1	Cable, Red (Start Relay to Starter)	
24	3311505	24	Nut 5/16	
25	3380473	1	Panel, Rubber	
26	3422446	1	Pin	
27	3573644	1	Plate, Tray Clamp	
28	1001112878	1	Plate, Top Clamp	
29	1001112879	1	Plate, Bottom Clamp	
30	3573669	1	Plate, Clamp	
31	1001112880	1	Plate, Tray Clamp	
32	3573728	1	Plate, Tray Clamp	
33	3841143	1	Keeper, Pin	
34	3900272	4	Screw 5/16 x 1-3/4	
35	4240018	2	Tie-Strap (Not Shown)	
36	4240099	AR	Tie-Strap	
37	4711400	4	Washer 1/4	
38	4711500	44	Washer 5/16	
39	4711600	7	Washer 3/8	

SECTION 3 - ENGINE

ITEM	PART NUMBER	QTY	DESCRIPTION	REV
40	4752000	1	Washer 5/8	
41	1001098530	1	Deutz TD2011 Engine Assembly (See DEUTZ TD2011 ENGINE ASSEMBLY - WITH REXROTH PUMPS (WITH SKYPOWER AND WITHOUT COLD WEATHER PLUS PACKAGE) for Breakdown)	
42	1001111132	1	Panel, Rubber	
43	0641606	4	Bolt 3/8 x 3/4	

SECTION 3 - ENGINE

FIGURE 3-4. DEUTZ TD2011 ENGINE ASSEMBLY - WITH REXROTH PUMPS (WITH SKYPOWER AND WITHOUT COLD WEATHER PLUS PACKAGE)



ART_1001098530

SECTION 3 - ENGINE

FIGURE 3-4. DEUTZ TD2011 ENGINE ASSEMBLY - WITH REXROTH PUMPS (WITH SKYPOWER AND WITHOUT COLD WEATHER PLUS PACKAGE)

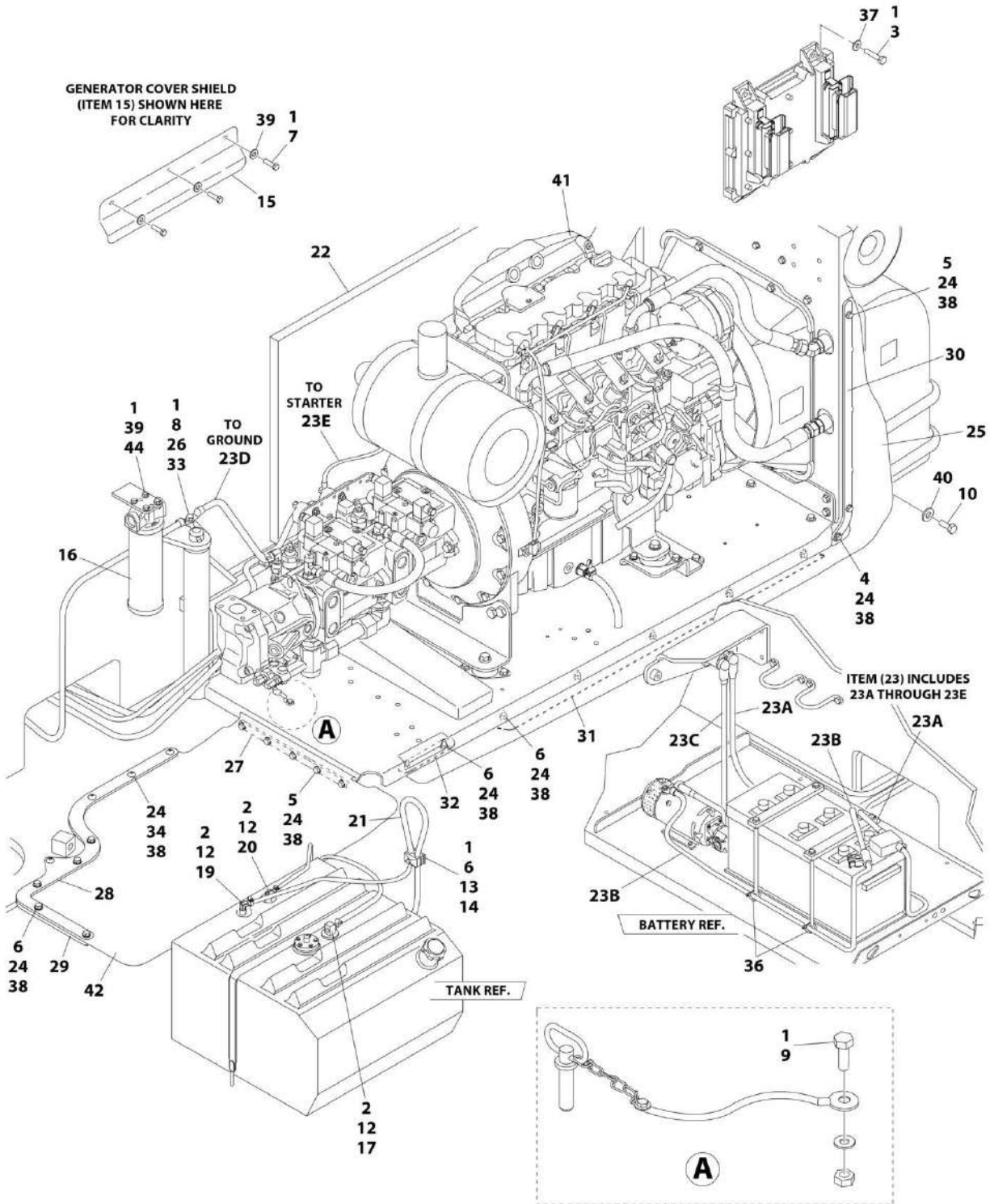
ITEM	PART NUMBER	QTY	DESCRIPTION	REV
	1001098530	Ref	DEUTZ TD2011 ENGINE ASSEMBLY - WITH REXROTH PUMPS (WITH SKYPOWER AND WITHOUT COLD WEATHER PLUS PACKAGE)	I
1	0080244	1	Spacer, Fan	
2	0100011	AR	Compound, Locking	
3	0272060	1	Box, Air Intake	
4	0340003	2	Band, Air Cleaner	
5	0340051	2	Band, Muffler	
6	0641406	15	Bolt 1/4 x 3/4	
7	0641506	5	Bolt 5/16 x 3/4	
8	0641507	4	Bolt 5/16 x 7/8	
9	0641605	4	Bolt 3/8 x 5/8	
10	0641608	25	Bolt 3/8 x 1	
11	0641609	2	Bolt 3/8 x 1-1/8	
12	0641610	4	Bolt 3/8 x 1-1/4	
13	0641808	1	Bolt 1/2 x 1	
14	0641812	2	Bolt 1/2 x 1-1/2	
15	0641818	2	Bolt 1/2 x 2-1/4	
16	0641826	2	Bolt 1/2 x 3-1/4	
17	0711214	2	Bolt M12 x 30	
18	0771414	6	Bolt M14 x 30	
19	0711417	4	Bolt M14 x 45	
20	1001112766	1	Bracket, Muffler	
21	0940070	1	Bumper	
22	0961986	2	Bushing, Flanged	
23	1001131542	1	Lanyard	
24	1320022	2	Clamp	
25	1320058	2	Clamp	
26	1320060	1	Clamp	
27	1320223	1	J-Clip	
28	1340065	1	Air Cleaner Assembly	
28	7003655	1	Element, Air Cleaner	
29	1671023	1	Shroud, Fan	
30	1703162	2	Decal - Fan Blade	
31	2060025	1	Fan	
32	2220451	1	Fitting, Straight	
33	2220498	1	Fitting, 45	
34	2720058	34 ft/ 10.3m	Hose	
35	2720500	1	Hose, Oil Cooler (Top)	
36	2720501	1	Hose, Oil Cooler (Bottom)	
37	2750532	9 in/ 23cm	Hose	
38	2902065	1	Pump Coupling Kit (See PUMP COUPLING KIT for Breakdown)	
39	3020016	33 gl/ 12.3L	Oil, Engine 15W-40	
40	3200362	2	Mount, Motor (Front)	
41	3200401	2	Mount, Motor (Rear)	
42		Ref	Muffler Options:	
42	3220126	1	Standard Muffler	
42	3220130	1	Optional Catalytic Muffler	

SECTION 3 - ENGINE

ITEM	PART NUMBER	QTY	DESCRIPTION	REV
42	70001017	1	Clamp (Used on p/n 3220130)	
43	3300454	10	Nut	
44	3311405	5	Nut 1/4	
45	3311505	5	Nut 5/16	
46	3311605	30	Nut 3/8	
47	3311805	5	Nut 1/2	
48	3422532	1	Pin, Hitch	
49	3520054	2	Plug, Hole	
50	3537416	1	Plate, Mounting (Front Right)	
51	3539971	1	Bracket, Engine Mounting (Front)	
52	3573142	1	Bracket, Engine Mounting (Rear)	
53	3573411	2	Plate, Clamp	
54	3573412	1	Plate, Gusset	
55	3573529	1	Plate, Mounting (Front Left)	
56	3580320	1	Pulley	
57	3600339	1	Pump Assembly (Rexroth) (See PUMP ASSEMBLY (REXROTH) (DEUTZ TD2011 ENGINES) for Breakdown)	
58	1001145382	1	Cooler, Engine Oil	
59	3740067	2	Relay	
60	3740080	2	Relay	
61	3960543	1	Seal	
62	3960544	1	Seal	
63	4032022	4	Capscrew M10 x 90	
64	4060804	12 in/ 30cm	Flex-Trim	
65	4060805	8 in/ 20cm	Flex-Trim	
66	4240099	AR	Tie, Wire (Not Shown)	
67	4568293	1	Pipe, Exhaust	
68	4640751	1	Valve, Oil Drain	
69	4711500	13	Washer 5/16	
70	4711600	68	Washer 3/8	
71	4711800	7	Washer 1/2	
72	4740274	4	Washer, Snubbing	
73	4740518	10	Washer, Nylon	
74	4751400	20	Washer 1/4	
75	4791400	4	Washer, Star 1/4	
76	4846552	1	Plate, Oil Cooler Mounting	
77	4846945	1	Mount, Generator	
78	4846946	1	Tray	
79	4891800	2	Washer 1/2	
80	4923468	1	Harness, Glow Plugs	
81	4923592	1	Harness, Cable, Jumper	
82	1001092856	1	Hose, Turbo (SN 0300209000 through 0300234293)	
82	1001225118	1	Hose, Turbo (SN 0300234294 to Present)	
82A	1001151284	1	Hose	
82B	1001149740	1	Pipe	
82C	1001149639	1	Indicator	
82D	1320058	2	Clamp	
83	1001098601	1	Engine Components - Deutz TD2011 (See ENGINE COMPONENTS - DEUTZ TD2011 ENGINE for Breakdown)	
84	8410013	1	Clamp	

SECTION 3 - ENGINE

FIGURE 3-5. DEUTZ TD2011 ENGINE INSTALLATION - WITH REXROTH PUMPS (WITH SKYPOWER AND WITH COLD WEATHER PLUS PACKAGE)



ART_1001116015

SECTION 3 - ENGINE

FIGURE 3-5. DEUTZ TD2011 ENGINE INSTALLATION - WITH REXROTH PUMPS (WITH SKYPOWER AND WITH COLD WEATHER PLUS PACKAGE)

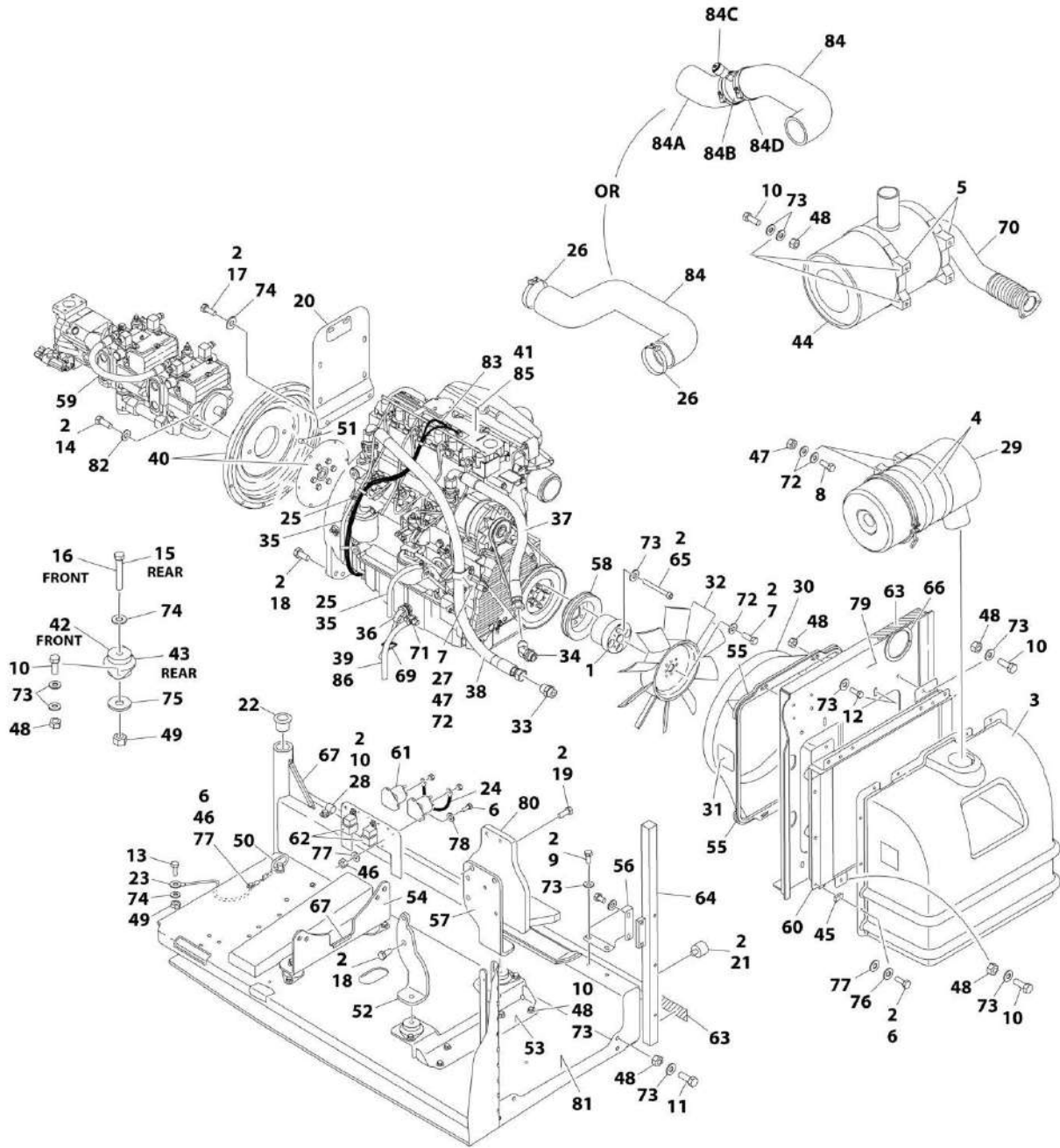
ITEM	PART NUMBER	QTY	DESCRIPTION	REV
	1001116015	Ref	DEUTZ TD2011 ENGINE INSTALLATION - WITH REXROTH PUMPS (WITH SKYPOWER AND WITH COLD WEATHER PLUS PACKAGE)	D
1	0100011	AR	Compound, Locking	
2	0100079	AR	Sealant, Pipe	
3	0641410	4	Bolt 1/4 x 1-1/4	
4	0641506	1	Bolt 5/16 x 3/4	
5	0641509	7	Bolt 5/16 x 1-1/8	
6	0641511	13	Bolt 5/16 x 1-3/8	
7	0641605	3	Bolt 3/8 x 5/8	
8	0641610	1	Bolt 3/8 x 1-1/4	
9	0641808	1	Bolt 1/2 x 1	
10	0642010	1	Bolt 5/8 x 1-1/4	
12	1320022	3	Clamp	
13	1320187	1	Clamp	
14	1320190	1	Clamp, Cover Plate	
15	1671121	1	Cover, Generator	
16	1001108617	1	Filter, Hydraulic	
16	70002231	1	Element, Filter	
17	2180348	1	Fitting, Straight Barbed	
18	2200222	1	Plug (Not Shown - Located in Bottom of Fuel Tank) (SN 0300209000 through 0300237553)	
19	2220313	1	Fitting, 90 Barbed	
20	2221176	1	Fitting, 90 Barbed	
21	2750532	5 ft/ 1.5m	Hose	
22	2820170	1	Insulation	
23	2902099	1	Battery Cable Kit	D
23A	7024580	1	Cable, Red (To Aux Pump Relay, Battery Positive Terminal and Start Relay)	
23B	7024581	1	Cable, Black (To Aux Pump, Battery Negative Terminal and Ground at Tray Pivot)	
23C	7024582	1	Cable, Red (Aux Pump Relay to Aux Pump)	
23D	7024583	1	Cable, Black (Tray Pivot to Engine Mount)	
23E	7024584	1	Cable, Red (Start Relay to Starter)	
24	3311505	24	Nut 5/16	
25	3380473	1	Panel, Rubber	
26	3422446	1	Pin	
27	3573644	1	Plate, Tray Clamp	
28	1001112878	1	Plate, Top Clamp	
29	1001112879	1	Plate, Bottom Clamp	
30	3573669	1	Plate, Clamp	
31	1001112880	1	Plate, Tray Clamp	
32	3573728	1	Plate, Tray Clamp	
33	3841143	1	Keeper, Pin	
34	3900272	4	Screw 5/16 x 1-3/4	
35	4240018	2	Tie-Strap (Not Shown)	
36	4240099	AR	Tie-Strap	
37	4711400	4	Washer 1/4	
38	4711500	44	Washer 5/16	
39	4711600	7	Washer 3/8	

SECTION 3 - ENGINE

ITEM	PART NUMBER	QTY	DESCRIPTION	REV
40	4752000	1	Washer 5/8	
41	1001098531	1	Deutz TD2011 Engine Assembly (See DEUTZ TD2011 ENGINE ASSEMBLY - WITH REXROTH PUMPS (WITH SKYPOWER AND WITH COLD WEATHER PLUS PACKAGE) for Breakdown)	
42	1001111132	1	Panel, Rubber	
43	1702942	1	Decal - Block Heater (Not Shown)	
44	0641606	4	Bolt 3/8 x 3/4	

SECTION 3 - ENGINE

FIGURE 3-6. DEUTZ TD2011 ENGINE ASSEMBLY - WITH REXROTH PUMPS (WITH SKYPOWER AND WITH COLD WEATHER PLUS PACKAGE)



ART_1001098531

SECTION 3 - ENGINE

FIGURE 3-6. DEUTZ TD2011 ENGINE ASSEMBLY - WITH REXROTH PUMPS (WITH SKYPOWER AND WITH COLD WEATHER PLUS PACKAGE)

ITEM	PART NUMBER	QTY	DESCRIPTION	REV
	1001098531	Ref	DEUTZ TD2011 ENGINE ASSEMBLY - WITH REXROTH PUMPS (WITH SKYPOWER AND WITH COLD WEATHER PLUS PACKAGE)	H
1	0080244	1	Spacer, Fan	
2	0100011	AR	Compound, Locking	
3	0272060	1	Box, Air Intake	
4	0340003	2	Band, Air Cleaner	
5	0340051	2	Band, Muffler	
6	0641406	15	Bolt 1/4 x 3/4	
7	0641506	5	Bolt 5/16 x 3/4	
8	0641507	4	Bolt 5/16 x 7/8	
9	0641605	4	Bolt 3/8 x 5/8	
10	0641608	25	Bolt 3/8 x 1	
11	0641609	2	Bolt 3/8 x 1-1/8	
12	0641610	4	Bolt 3/8 x 1-1/4	
13	0641808	1	Bolt 1/2 x 1	
14	0641812	2	Bolt 1/2 x 1-1/2	
15	0641818	2	Bolt 1/2 x 2-1/4	
16	0641826	2	Bolt 1/2 x 3-1/4	
17	0711214	2	Bolt M12 x 30	
18	0771414	6	Bolt M14 x 30	
19	0711417	4	Bolt M14 x 45	
20	1001112766	1	Bracket, Muffler	
21	0940070	1	Bumper	
22	0961986	2	Bushing, Flanged	
23	1001131542	1	Lanyard	
24	1060904	1	Cable, Jumper	
25	1320022	2	Clamp	
26	1320058	2	Clamp	
27	1320060	1	Clamp	
28	1320223	1	J-Clip	
29	1340065	1	Air Cleaner Assembly	
29	7003655	1	Element, Air Cleaner	
30	1671023	1	Shroud, Fan	
31	1703162	2	Decal - Fan Blade	
32	2060025	1	Fan	
33	2220451	1	Fitting, Straight	
34	2220498	1	Fitting, 45	
35	2720058	34 ft/ 10.3m	Hose	
36	2580062	1	Heater, Engine Block	
37	2720500	1	Hose, Oil Cooler (Top)	
38	2720501	1	Hose, Oil Cooler (Bottom)	
39	2750532	9 in/ 23cm	Hose	
40	2902065	1	Pump Coupling Kit (See PUMP COUPLING KIT for Breakdown)	
41	3020044	33 gl/ 12.3L	Oil, Engine 0W-40	
42	3200362	2	Mount, Motor (Front)	
43	3200401	2	Mount, Motor (Rear)	
44		Ref	Muffler Options:	

SECTION 3 - ENGINE

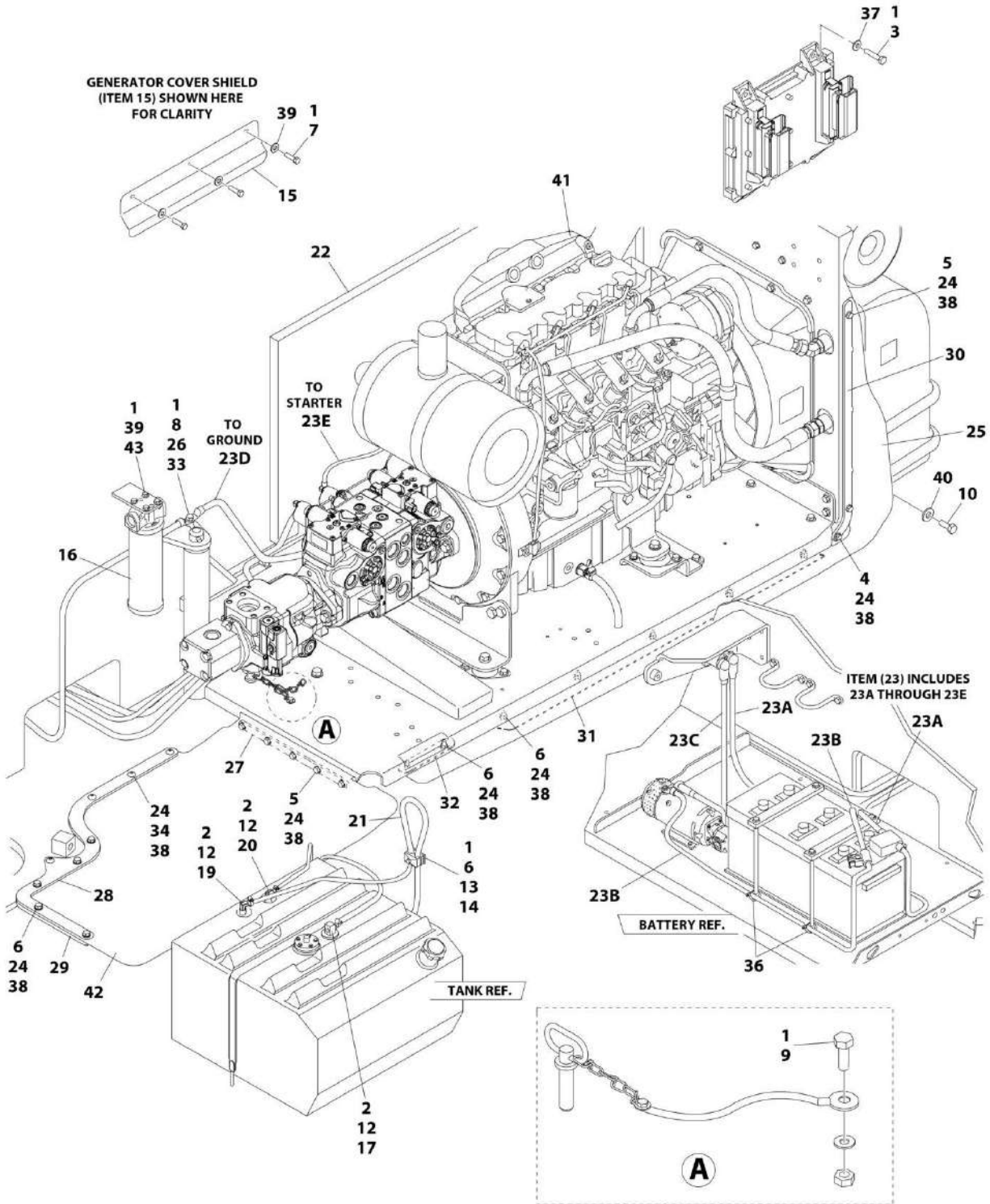
ITEM	PART NUMBER	QTY	DESCRIPTION	REV
44	3220126	1	Standard Muffler	
44	3220130	1	Optional Catalytic Muffler	
44	70001017	1	Clamp (Used on p/n 3220130)	
45	3300454	10	Nut	
46	3311405	5	Nut 1/4	
47	3311505	5	Nut 5/16	
48	3311605	30	Nut 3/8	
49	3311805	5	Nut 1/2	
50	3422532	1	Pin, Hitch	
51	3520054	2	Plug, Hole	
52	3537416	1	Plate, Mounting (Front Right)	
53	3539971	1	Bracket, Engine Mounting (Front)	
54	3573142	1	Bracket, Engine Mounting (Rear)	
55	3573411	2	Plate, Clamp	
56	3573412	1	Plate, Gusset	
57	3573529	1	Plate, Mounting (Front Left)	
58	3580320	1	Pulley	
59	3600339	1	Pump Assembly (Rexroth) (See PUMP ASSEMBLY (REXROTH) (DEUTZ TD2011 ENGINES) for Breakdown)	
60	1001145382	1	Cooler, Engine Oil	
61	3740067	2	Relay	
62	3740080	2	Relay	
63	3960543	1	Seal	
64	3960544	1	Seal	
65	4032022	4	Capscrew M10 x 90	
66	4060804	12 in/ 30cm	Flex-Trim	
67	4060805	8 in/ 20cm	Flex-Trim	
68	4240099	AR	Tie, Wire (Not Shown)	
69	4460234	3	Mount, Wire Tie	
70	4568293	1	Pipe, Exhaust	
71	4640751	1	Valve, Oil Drain	
72	4711500	13	Washer 5/16	
73	4711600	68	Washer 3/8	
74	4711800	7	Washer 1/2	
75	4740274	4	Washer, Snubbing	
76	4740518	10	Washer, Nylon	
77	4751400	20	Washer 1/4	
78	4791400	4	Washer, Star 1/4	
79	4846552	1	Plate, Oil Cooler Mounting	
80	4846945	1	Mount, Generator	
81	4846946	1	Tray	
82	4891800	2	Washer 1/2	
83	4923468	1	Harness, Glow Plugs	
84	1001092856	1	Hose, Turbo (SN 0300209000 through 0300234293)	
84	1001225118	1	Hose, Turbo (SN 0300234294 to Present)	
84A	1001151284	1	Hose	
84B	1001149740	1	Pipe	
84C	1001149639	1	Indicator	
84D	1320058	2	Clamp	
85	1001098601	1	Engine Components - Deutz TD2011 (See ENGINE COMPONENTS - DEUTZ TD2011 ENGINE for Breakdown)	

SECTION 3 - ENGINE

ITEM	PART NUMBER	QTY	DESCRIPTION	REV
86	8410013	1	Clamp	

SECTION 3 - ENGINE

FIGURE 3-7. DEUTZ TD2011 ENGINE INSTALLATION - WITH SAUER PUMPS (WITHOUT SKYPOWER AND WITHOUT COLD WEATHER PLUS PACKAGE)



ART_1001119052

SECTION 3 - ENGINE

FIGURE 3-7. DEUTZ TD2011 ENGINE INSTALLATION - WITH SAUER PUMPS (WITHOUT SKYPOWER AND WITHOUT COLD WEATHER PLUS PACKAGE)

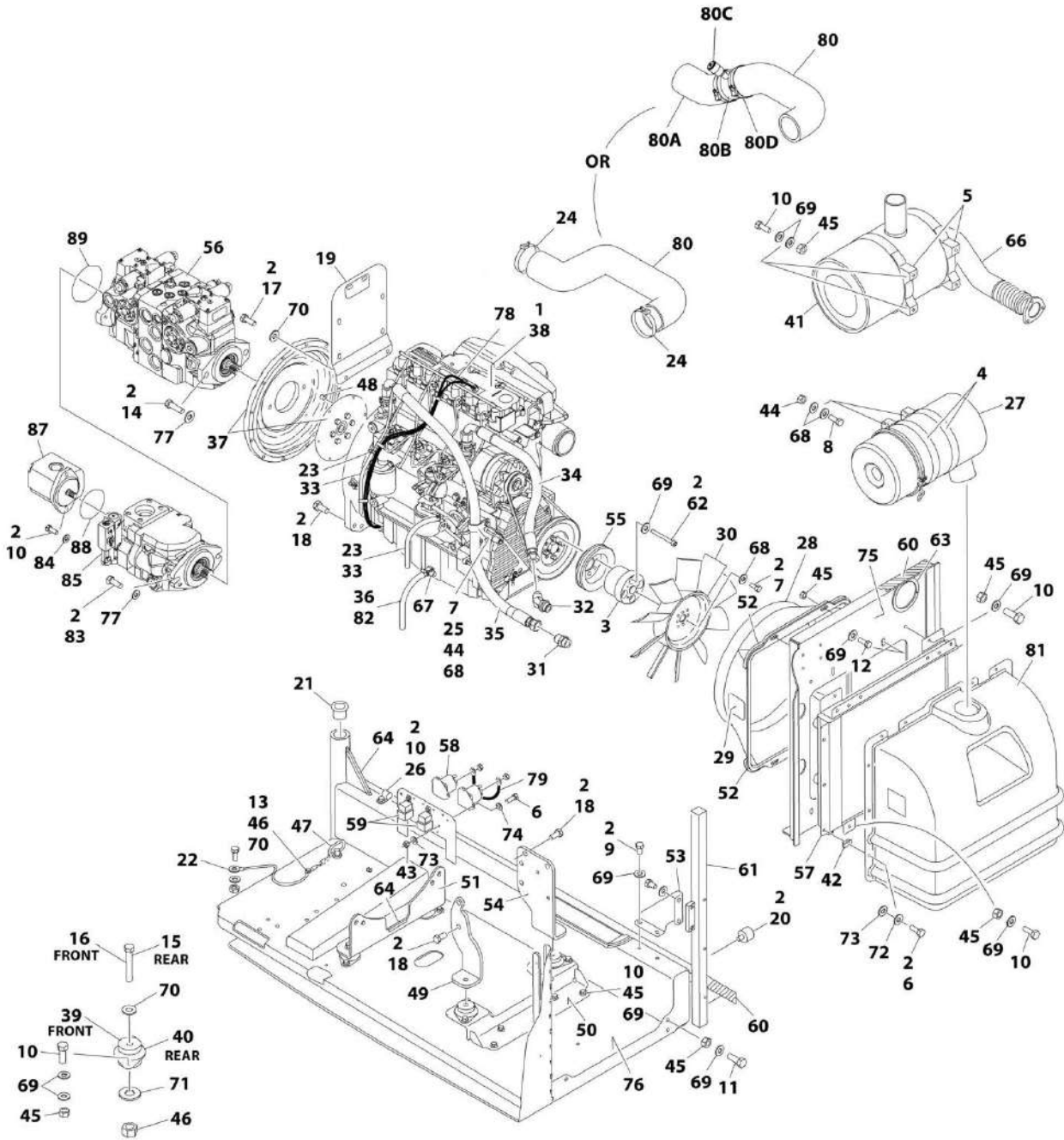
ITEM	PART NUMBER	QTY	DESCRIPTION	REV
	1001119052	Ref	DEUTZ TD2011 ENGINE INSTALLATION - WITH SAUER PUMPS (WITHOUT SKYPOWER AND WITHOUT COLD WEATHER PLUS PACKAGE)	D
1	0100011	AR	Compound, Locking	
2	0100079	AR	Sealant, Pipe	
3	0641410	4	Bolt 1/4 x 1-1/4	
4	0641506	1	Bolt 5/16 x 3/4	
5	0641509	7	Bolt 5/16 x 1-1/8	
6	0641511	13	Bolt 5/16 x 1-3/8	
7	0641605	3	Bolt 3/8 x 5/8	
8	0641610	1	Bolt 3/8 x 1-1/4	
9	0641808	1	Bolt 1/2 x 1	
10	0642010	1	Bolt 5/8 x 1-1/4	
12	1320022	3	Clamp	
13	1320187	1	Clamp	
14	1320190	1	Clamp, Cover Plate	
15	1671121	1	Cover, Generator	
16	1001108617	1	Filter, Hydraulic	
16	70002231	1	Element, Filter	
17	2180348	1	Fitting, Straight Barbed	
18	2200222	1	Plug (Not Shown - Located in Bottom of Fuel Tank) (SN 0300209000 through 0300237553)	
19	2220313	1	Fitting, 90 Barbed	
20	2221176	1	Fitting, 90 Barbed	
21	2750532	5 ft/ 1.5m	Hose	
22	2820170	1	Insulation	
23	2902099	1	Battery Cable Kit	D
23A	7024580	1	Cable, Red (To Aux Pump Relay, Battery Positive Terminal and Start Relay)	
23B	7024581	1	Cable, Black (To Aux Pump, Battery Negative Terminal and Ground at Tray Pivot)	
23C	7024582	1	Cable, Red (Aux Pump Relay to Aux Pump)	
23D	7024583	1	Cable, Black (Tray Pivot to Engine Mount)	
23E	7024584	1	Cable, Red (Start Relay to Starter)	
24	3311505	24	Nut 5/16	
25	3380473	1	Panel, Rubber	
26	3422446	1	Pin	
27	3573644	1	Plate, Tray Clamp	
28	1001112878	1	Plate, Top Clamp	
29	1001112879	1	Plate, Bottom Clamp	
30	3573669	1	Plate, Clamp	
31	1001112880	1	Plate, Tray Clamp	
32	3573728	1	Plate, Tray Clamp	
33	3841143	1	Keeper, Pin	
34	3900272	4	Screw 5/16 x 1-3/4	
35	4240018	2	Tie-Strap (Not Shown)	
36	4240099	AR	Tie-Strap	
37	4711400	4	Washer 1/4	
38	4711500	44	Washer 5/16	
39	4711600	7	Washer 3/8	

SECTION 3 - ENGINE

ITEM	PART NUMBER	QTY	DESCRIPTION	REV
40	4752000	1	Washer 5/8	
41	1001107971	1	Deutz TD2011 Engine Assembly (See DEUTZ TD2011 ENGINE ASSEMBLY - WITH SAUER PUMPS (WITHOUT SKYPOWER AND WITHOUT COLD WEATHER PLUS PACKAGE) for Breakdown)	
42	1001111132	1	Panel, Rubber	
43	0641606	4	Bolt 3/8 x 3/4	

SECTION 3 - ENGINE

FIGURE 3-8. DEUTZ TD2011 ENGINE ASSEMBLY - WITH SAUER PUMPS (WITHOUT SKYPOWER AND WITHOUT COLD WEATHER PLUS PACKAGE)



ART_1001107971

SECTION 3 - ENGINE

FIGURE 3-8. DEUTZ TD2011 ENGINE ASSEMBLY - WITH SAUER PUMPS (WITHOUT SKYPOWER AND WITHOUT COLD WEATHER PLUS PACKAGE)

ITEM	PART NUMBER	QTY	DESCRIPTION	REV
	1001107971	Ref	DEUTZ TD2011 ENGINE ASSEMBLY - WITH SAUER PUMPS (WITHOUT SKYPOWER AND WITHOUT COLD WEATHER PLUS PACKAGE)	H
1	1001098601	1	Engine Components - Deutz TD2011 (See ENGINE COMPONENTS - DEUTZ TD2011 ENGINE for Breakdown)	
2	0100011	AR	Compound, Locking	
3	0080237	1	Spacer, Fan	
4	0340003	2	Band, Air Cleaner	
5	0340051	2	Band, Muffler	
6	0641406	15	Bolt 1/4 x 3/4	
7	0641506	5	Bolt 5/16 x 3/4	
8	0641507	4	Bolt 5/16 x 7/8	
9	0641605	4	Bolt 3/8 x 5/8	
10	0641608	27	Bolt 3/8 x 1	
11	0641609	2	Bolt 3/8 x 1-1/8	
12	0641610	4	Bolt 3/8 x 1-1/4	
13	0641808	1	Bolt 1/2 x 1	
14	0641814	2	Bolt 1/2 x 1-3/4	
15	0641818	2	Bolt 1/2 x 2-1/4	
16	0641826	2	Bolt 1/2 x 3-1/4	
17	0711214	2	Bolt M12 x 30	
18	0771414	10	Bolt M14 x 30	
19	1001112766	1	Bracket, Muffler	
20	0940070	1	Bumper	
21	0961986	2	Bushing, Flanged	
22	1001131542	1	Lanyard	
23	1320022	3	Clamp	
24	1320058	2	Clamp	
25	1320060	1	Clamp	
26	1320223	1	J-Clip	
27	1340065	1	Air Cleaner Assembly	
27	7003655	1	Element, Air Cleaner	
28	1671023	1	Shroud, Fan	
29	1703162	2	Decal - Fan Blade	
30	2060025	1	Fan	
31	2220451	1	Fitting, Straight	
32	2220498	1	Fitting, 45	
33	2720058	34 ft/ 10.3m	Hose	
34	2720500	1	Hose, Oil Cooler (Top)	
35	2720501	1	Hose, Oil Cooler (Bottom)	
36	2750532	9 in/ 23cm	Hose	
37	2902065	1	Pump Coupling Kit (See PUMP COUPLING KIT for Breakdown)	
38	3020016	3.3 gal/ 12.3L	Oil, Engine 15W-40	
39	3200362	2	Mount, Motor (Front)	
40	3200401	2	Mount, Motor (Rear)	
41		Ref	Muffler Options:	
41	3220126	1	Standard Muffler	
41	3220130	1	Optional Catalytic Muffler	

SECTION 3 - ENGINE

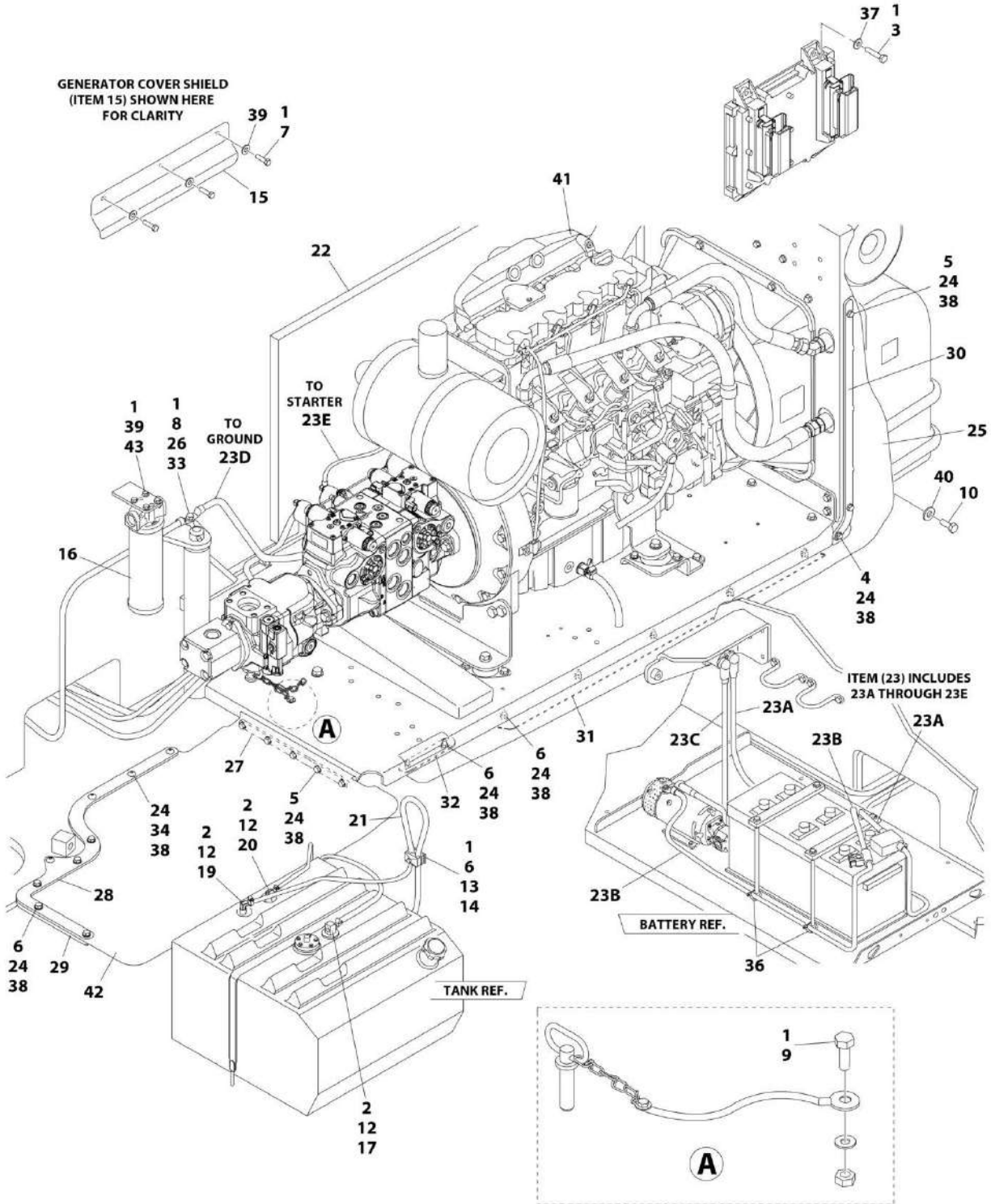
ITEM	PART NUMBER	QTY	DESCRIPTION	REV
41	70001017	1	Clamp (Used on p/n 3220130)	
42	3300454	10	Nut	
43	3311405	5	Nut 1/4	
44	3311505	5	Nut 5/16	
45	3311605	30	Nut 3/8	
46	3311805	5	Nut 1/2	
47	3422532	1	Pin, Hitch	
48	3520054	2	Plug, Hole	
49	3537416	1	Plate, Mounting (Front Right)	
50	3539971	1	Bracket, Engine Mounting (Front)	
51	3573142	1	Bracket, Engine Mounting (Rear)	
52	3573411	2	Plate, Clamp	
53	3573412	1	Plate, Gusset	
54	3573529	1	Plate, Mounting (Front Left)	
55	3580158	1	Pulley	
56	1001108616	1	Sauer Tandem Pump Assembly (See PUMP ASSEMBLY (SAUER TANDEM) for Breakdown)	
57	1001145382	1	Cooler, Engine Oil	
58	3740067	2	Relay	
59	3740080	2	Relay	
60	3960543	1	Seal	
61	3960544	1	Seal	
62	4032022	4	Capscrew M10 x 90	
63	4060804	12 in/ 30cm	Flex-Trim	
64	4060805	8 in/20cm	Flex-Trim	
65	4240099	AR	Tie, Wire (Not Shown)	
66	4568293	1	Pipe, Exhaust	
67	4640751	1	Valve, Oil Drain	
68	4711500	13	Washer 5/16	
69	4711600	68	Washer 3/8	
70	4711800	7	Washer 1/2	
71	4740274	4	Washer, Snubbing	
72	4740518	10	Washer, Nylon	
73	4751400	20	Washer 1/4	
74	4791400	4	Washer, Star 1/4	
75	4846552	1	Plate, Oil Cooler Mounting	
76	4846946	1	Tray	
77	4891800	4	Washer 1/2	
78	4923468	1	Harness, Glow Plugs	
79	4923592	1	Harness, Cable, Jumper	
80	1001092856	1	Hose, Turbo (SN 0300209000 through 0300234293)	
80	1001225118	1	Hose, Turbo (SN 0300234294 to Present)	
80A	1001151284	1	Hose	
80B	1001149740	1	Pipe	
80C	1001149639	1	Indicator	
80D	1320058	2	Clamp	
81	0272060	1	Box, Air Intake	
82	8410013	1	Clamp	
83	0761215	2	Bolt M14 x 30	
84	4891600	2	Washer 3/8	
85	1001171095	1	Sauer Piston Pump Assembly (See PUMP ASSEMBLY (SAUER	

SECTION 3 - ENGINE

ITEM	PART NUMBER	QTY	DESCRIPTION	REV
87	1001112927	1	PISTON) for Breakdown) Sauer Gear Pump Assembly (See PUMP ASSEMBLY (SAUER GEAR) for Breakdown)	
88	3790152	1	O-Ring	
89	3790155	1	O-Ring	

SECTION 3 - ENGINE

FIGURE 3-9. DEUTZ TD2011 ENGINE INSTALLATION - WITH SAUER PUMPS (WITH SKYPOWER AND WITHOUT COLD WEATHER PLUS PACKAGE)



ART_1001119053

SECTION 3 - ENGINE

FIGURE 3-9. DEUTZ TD2011 ENGINE INSTALLATION - WITH SAUER PUMPS (WITH SKYPOWER AND WITHOUT COLD WEATHER PLUS PACKAGE)

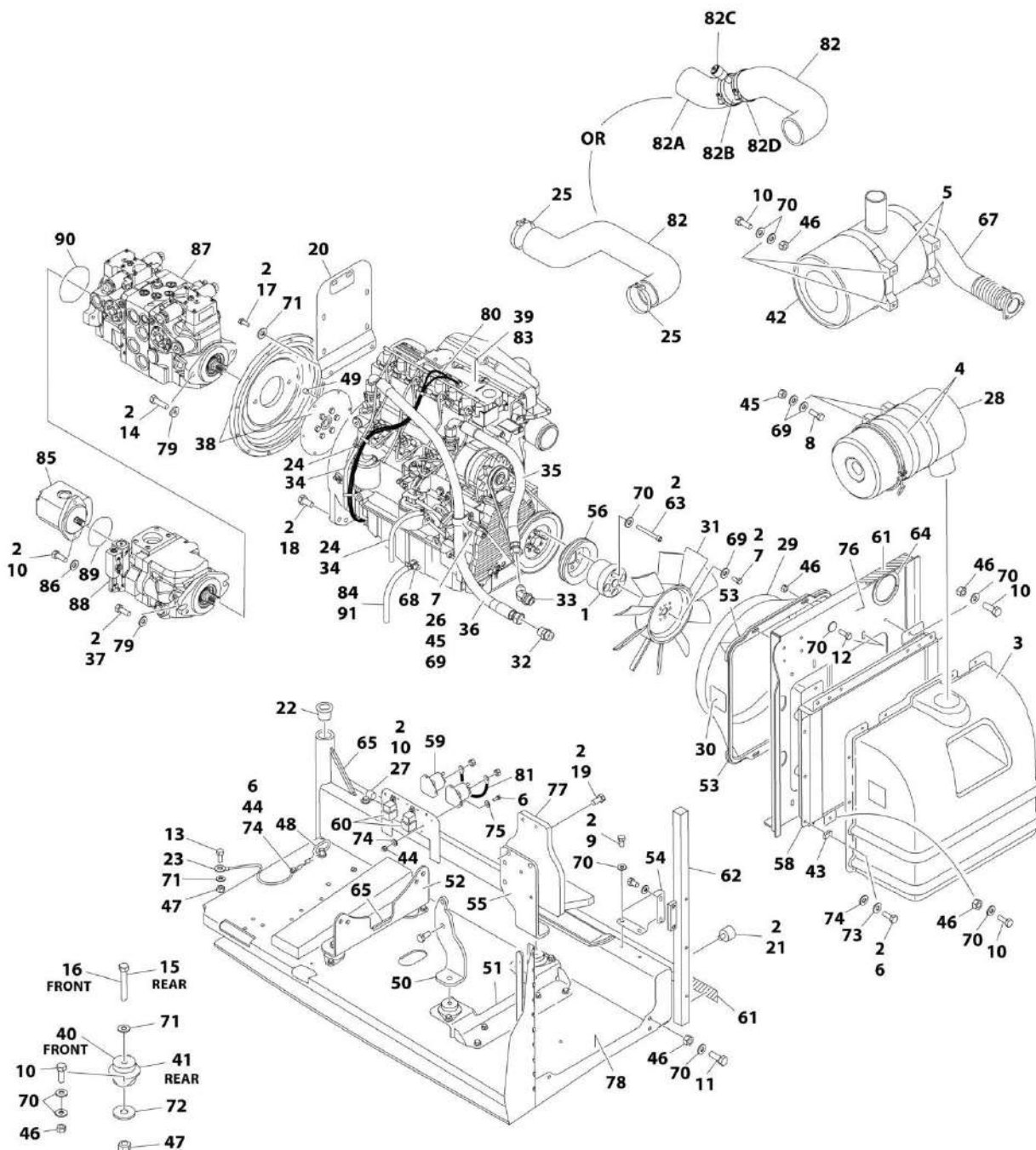
ITEM	PART NUMBER	QTY	DESCRIPTION	REV
	1001119053	Ref	DEUTZ TD2011 ENGINE INSTALLATION - WITH SAUER PUMPS (WITH SKYPOWER AND WITHOUT COLD WEATHER PLUS PACKAGE)	D
1	0100011	AR	Compound, Locking	
2	0100079	AR	Sealant, Pipe	
3	0641410	4	Bolt 1/4 x 1-1/4	
4	0641506	1	Bolt 5/16 x 3/4	
5	0641509	7	Bolt 5/16 x 1-1/8	
6	0641511	13	Bolt 5/16 x 1-3/8	
7	0641605	3	Bolt 3/8 x 5/8	
8	0641610	1	Bolt 3/8 x 1-1/4	
9	0641808	1	Bolt 1/2 x 1	
10	0642010	1	Bolt 5/8 x 1-1/4	
12	1320022	3	Clamp	
13	1320187	1	Clamp	
14	1320190	1	Clamp, Cover Plate	
15	1671121	1	Cover, Generator	
16	1001108617	1	Filter, Hydraulic	
16	70002231	1	Element, Filter	
17	2180348	1	Fitting, Straight Barbed	
18	2200222	1	Plug (Not Shown - Located in Bottom of Fuel Tank) (SN 0300209000 through 0300237553)	
19	2220313	1	Fitting, 90 Barbed	
20	2221176	1	Fitting, 90 Barbed	
21	2750532	5 ft/ 1.5m	Hose	
22	2820170	1	Insulation	
23	2902099	1	Battery Cable Kit	D
23A	7024580	1	Cable, Red (To Aux Pump Relay, Battery Positive Terminal and Start Relay)	
23B	7024581	1	Cable, Black (To Aux Pump, Battery Negative Terminal and Ground at Tray Pivot)	
23C	7024582	1	Cable, Red (Aux Pump Relay to Aux Pump)	
23D	7024583	1	Cable, Black (Tray Pivot to Engine Mount)	
23E	7024584	1	Cable, Red (Start Relay to Starter)	
24	3311505	24	Nut 5/16	
25	3380473	1	Panel, Rubber	
26	3422446	1	Pin	
27	3573644	1	Plate, Tray Clamp	
28	1001112878	1	Plate, Top Clamp	
29	1001112879	1	Plate, Bottom Clamp	
30	3573669	1	Plate, Clamp	
31	1001112880	1	Plate, Tray Clamp	
32	3573728	1	Plate, Tray Clamp	
33	3841143	1	Keeper, Pin	
34	3900272	4	Screw 5/16 x 1-3/4	
35	4240018	2	Tie-Strap (Not Shown)	
36	4240099	AR	Tie-Strap	
37	4711400	4	Washer 1/4	
38	4711500	44	Washer 5/16	
39	4711600	7	Washer 3/8	

SECTION 3 - ENGINE

ITEM	PART NUMBER	QTY	DESCRIPTION	REV
40	4752000	1	Washer 5/8	
41	1001107973	1	Deutz TD2011 Engine Assembly (See DEUTZ TD2011 ENGINE ASSEMBLY - WITH SAUER PUMPS (WITH SKYPOWER AND WITHOUT COLD WEATHER PLUS PACKAGE) for Breakdown)	
42	1001111132	1	Panel, Rubber	
43	0641606	4	Bolt 3/8 x 3/4	

SECTION 3 - ENGINE

FIGURE 3-10. DEUTZ TD2011 ENGINE ASSEMBLY - WITH SAUER PUMPS (WITH SKYPOWER AND WITHOUT COLD WEATHER PLUS PACKAGE)



ART_1001107973

SECTION 3 - ENGINE

FIGURE 3-10. DEUTZ TD2011 ENGINE ASSEMBLY - WITH SAUER PUMPS (WITH SKYPOWER AND WITHOUT COLD WEATHER PLUS PACKAGE)

ITEM	PART NUMBER	QTY	DESCRIPTION	REV
	1001107973	Ref	DEUTZ TD2011 ENGINE ASSEMBLY - WITH SAUER PUMPS (WITH SKYPOWER AND WITHOUT COLD WEATHER PLUS PACKAGE)	H
1	0080244	1	Spacer, Fan	
2	0100011	AR	Compound, Locking	
3	0272060	1	Box, Air Intake	
4	0340003	2	Band, Air Cleaner	
5	0340051	2	Band, Muffler	
6	0641406	15	Bolt 1/4 x 3/4	
7	0641506	5	Bolt 5/16 x 3/4	
8	0641507	4	Bolt 5/16 x 7/8	
9	0641605	4	Bolt 3/8 x 5/8	
10	0641608	27	Bolt 3/8 x 1	
11	0641609	2	Bolt 3/8 x 1-1/8	
12	0641610	4	Bolt 3/8 x 1-1/4	
13	0641808	1	Bolt 1/2 x 1	
14	0641814	2	Bolt 1/2 x 1-3/4	
15	0641818	2	Bolt 1/2 x 2-1/4	
16	0641826	2	Bolt 1/2 x 3-1/4	
17	0711214	2	Bolt M12 x 30	
18	0771414	6	Bolt M14 x 30	
19	0711417	4	Bolt M14 x 45	
20	1001112766	1	Bracket, Muffler	
21	0940070	1	Bumper	
22	0961986	2	Bushing, Flanged	
23	1001131542	1	Lanyard	
24	1320022	2	Clamp	
25	1320058	2	Clamp	
26	1320060	1	Clamp	
27	1320223	1	J-Clip	
28	1340065	1	Air Cleaner Assembly	
28	7003655	1	Element, Air Cleaner	
29	1671023	1	Shroud, Fan	
30	1703162	2	Decal - Fan Blade	
31	2060025	1	Fan	
32	2220451	1	Fitting, Straight	
33	2220498	1	Fitting, 45	
34	2720058	34 ft/ 10.3m	Hose	
35	2720500	1	Hose, Oil Cooler (Top)	
36	2720501	1	Hose, Oil Cooler (Bottom)	
37	0761215	2	Bolt M14 x 30	
38	2902065	1	Pump Coupling Kit (See PUMP COUPLING KIT for Breakdown)	
39	3020016	3.3 gal/ 12.3L	Oil, Engine 15W-40	
40	3200362	2	Mount, Motor (Front)	
41	3200401	2	Mount, Motor (Rear)	
42		Ref	Muffler Options:	
42	3220126	1	Standard Muffler	
42	3220130	1	Optional Catalytic Muffler	

SECTION 3 - ENGINE

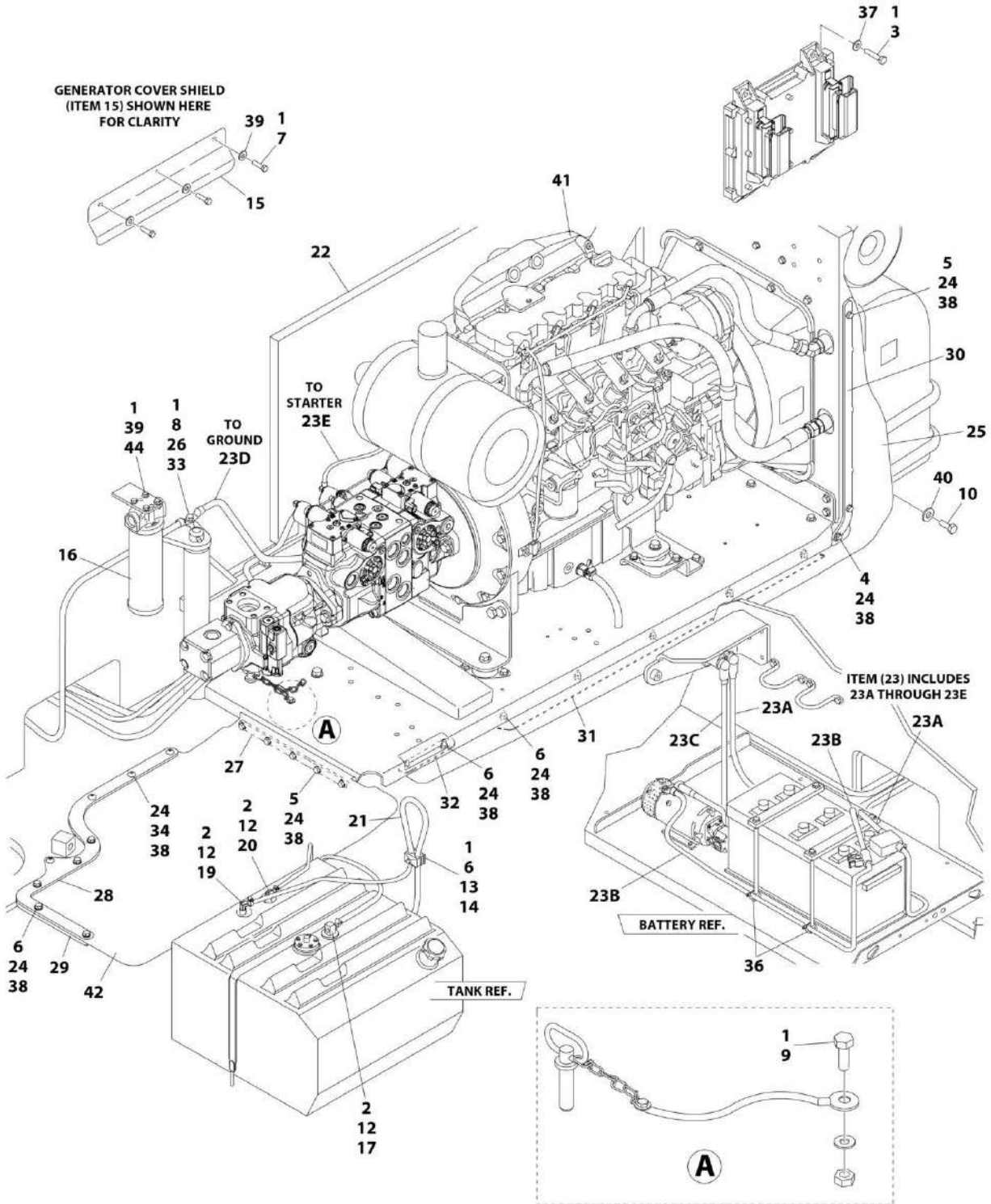
ITEM	PART NUMBER	QTY	DESCRIPTION	REV
42	70001017	1	Clamp (Used on p/n 3220130)	
43	3300454	10	Nut	
44	3311405	5	Nut 1/4	
45	3311505	5	Nut 5/16	
46	3311605	30	Nut 3/8	
47	3311805	5	Nut 1/2	
48	3422532	1	Pin, Hitch	
49	3520054	2	Plug, Hole	
50	3537416	1	Plate, Mounting (Front Right)	
51	3539971	1	Bracket, Engine Mounting (Front)	
52	3573142	1	Bracket, Engine Mounting (Rear)	
53	3573411	2	Plate, Clamp	
54	3573412	1	Plate, Gusset	
55	3573529	1	Plate, Mounting (Front Left)	
56	3580320	1	Pulley	
58	1001145382	1	Cooler, Engine Oil	
59	3740067	2	Relay	
60	3740080	2	Relay	
61	3960543	1	Seal	
62	3960544	1	Seal	
63	4032022	4	Capscrew M10 x 90	
64	4060804	12 in/ 30cm	Flex-Trim	
65	4060805	8 in/20cm	Flex-Trim	
66	4240099	AR	Tie, Wire (Not Shown)	
67	4568293	1	Pipe, Exhaust	
68	4640751	1	Valve, Oil Drain	
69	4711500	13	Washer 5/16	
70	4711600	68	Washer 3/8	
71	4711800	7	Washer 1/2	
72	4740274	4	Washer, Snubbing	
73	4740518	10	Washer, Nylon	
74	4751400	20	Washer 1/4	
75	4791400	4	Washer, Star 1/4	
76	4846552	1	Plate, Oil Cooler Mounting	
77	4846945	1	Mount, Generator	
78	4846946	1	Tray	
79	4891800	8	Washer 1/2	
80	4923468	1	Harness, Glow Plugs	
81	4923592	1	Harness, Cable, Jumper	
82	1001092856	1	Hose, Turbo (SN 0300209000 through 0300234293)	
82	1001225118	1	Hose, Turbo (SN 0300234294 to Present)	
82A	1001151284	1	Hose	
82B	1001149740	1	Pipe	
82C	1001149639	1	Indicator	
82D	1320058	2	Clamp	
83	1001098601	1	Engine Components - Deutz TD2011 (See ENGINE COMPONENTS - DEUTZ TD2011 ENGINE for Breakdown)	
84	8410013	1	Clamp	
85	1001112927	1	Sauer Gear Pump Assembly (See PUMP ASSEMBLY (SAUER GEAR) for Breakdown)	
86	4891600	2	Washer 3/8	

SECTION 3 - ENGINE

ITEM	PART NUMBER	QTY	DESCRIPTION	REV
87	1001108616	1	Sauer Tandem Pump Assembly (See PUMP ASSEMBLY (SAUER TANDEM) for Breakdown)	
88	1001171095	1	Sauer Piston Pump Assembly (See PUMP ASSEMBLY (SAUER PISTON) for Breakdown)	
89	3790152	1	O-Ring	
90	3790155	1	O-Ring	
91	2750532	0.8 ft/ 0.2m	Hose	

SECTION 3 - ENGINE

FIGURE 3-11. DEUTZ TD2011 ENGINE INSTALLATION - WITH SAUER PUMPS (WITH SKYPOWER AND WITH COLD WEATHER PLUS PACKAGE)



ART_1001119054

SECTION 3 - ENGINE

FIGURE 3-11. DEUTZ TD2011 ENGINE INSTALLATION - WITH SAUER PUMPS (WITH SKYPOWER AND WITH COLD WEATHER PLUS PACKAGE)

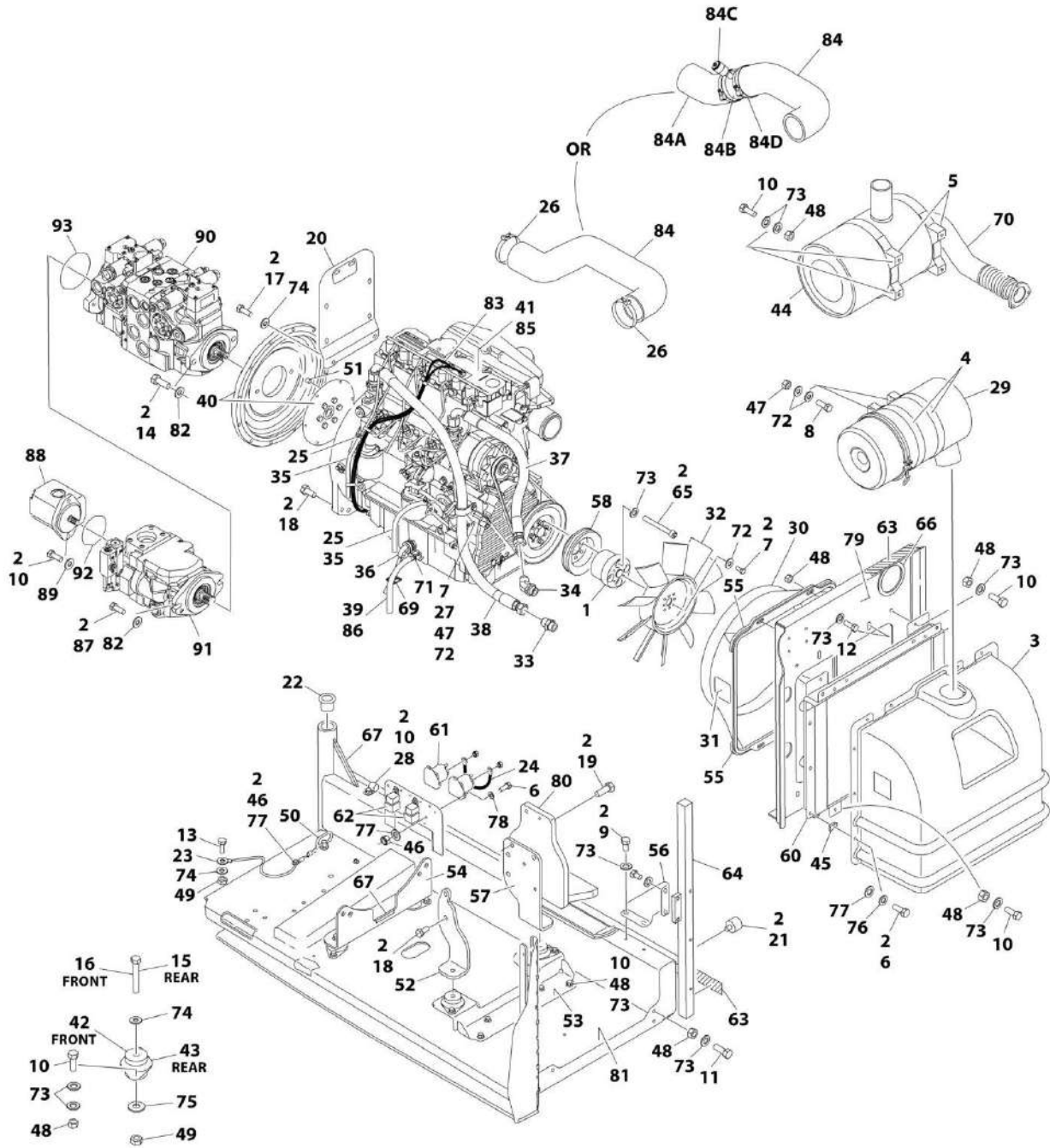
ITEM	PART NUMBER	QTY	DESCRIPTION	REV
	1001119054	Ref	DEUTZ TD2011 ENGINE INSTALLATION - WITH SAUER PUMPS (WITH SKYPOWER AND WITH COLD WEATHER PLUS PACKAGE)	D
1	0100011	AR	Compound, Locking	
2	0100079	AR	Sealant, Pipe	
3	0641410	4	Bolt 1/4 x 1-1/4	
4	0641506	1	Bolt 5/16 x 3/4	
5	0641509	7	Bolt 5/16 x 1-1/8	
6	0641511	13	Bolt 5/16 x 1-3/8	
7	0641605	3	Bolt 3/8 x 5/8	
8	0641610	1	Bolt 3/8 x 1-1/4	
9	0641808	1	Bolt 1/2 x 1	
10	0642010	1	Bolt 5/8 x 1-1/4	
12	1320022	3	Clamp	
13	1320187	1	Clamp	
14	1320190	1	Clamp, Cover Plate	
15	1671121	1	Cover, Generator	
16	1001108617	1	Filter, Hydraulic	
16	70002231	1	Element, Filter	
17	2180348	1	Fitting, Straight Barbed	
18	2200222	1	Plug (Not Shown - Located in Bottom of Fuel Tank) (SN 0300209000 through 0300237553)	
19	2220313	1	Fitting, 90 Barbed	
20	2221176	1	Fitting, 90 Barbed	
21	2750532	5 ft/ 1.5m	Hose	
22	2820170	1	Insulation	
23	2902099	1	Battery Cable Kit	D
23A	7024580	1	Cable, Red (To Aux Pump Relay, Battery Positive Terminal and Start Relay)	
23B	7024581	1	Cable, Black (To Aux Pump, Battery Negative Terminal and Ground at Tray Pivot)	
23C	7024582	1	Cable, Red (Aux Pump Relay to Aux Pump)	
23D	7024583	1	Cable, Black (Tray Pivot to Engine Mount)	
23E	7024584	1	Cable, Red (Start Relay to Starter)	
24	3311505	24	Nut 5/16	
25	3380473	1	Panel, Rubber	
26	3422446	1	Pin	
27	3573644	1	Plate, Tray Clamp	
28	1001112878	1	Plate, Top Clamp	
29	1001112879	1	Plate, Bottom Clamp	
30	3573669	1	Plate, Clamp	
31	1001112880	1	Plate, Tray Clamp	
32	3573728	1	Plate, Tray Clamp	
33	3841143	1	Keeper, Pin	
34	3900272	4	Screw 5/16 x 1-3/4	
35	4240018	2	Tie-Strap (Not Shown)	
36	4240099	AR	Tie-Strap	
37	4711400	4	Washer 1/4	
38	4711500	44	Washer 5/16	
39	4711600	7	Washer 3/8	

SECTION 3 - ENGINE

ITEM	PART NUMBER	QTY	DESCRIPTION	REV
40	4752000	1	Washer 5/8	
41	1001107975	1	Deutz TD2011 Engine Assembly (See DEUTZ TD2011 ENGINE ASSEMBLY - WITH SAUER PUMPS (WITH SKYPOWER AND WITH COLD WEATHER PLUS PACKAGE) for Breakdown)	
42	1001111132	1	Panel, Rubber	
43	1702942	1	Decal - Block Heater (Not Shown)	
44	0641606	4	Bolt 3/8 x 3/4	

SECTION 3 - ENGINE

FIGURE 3-12. DEUTZ TD2011 ENGINE ASSEMBLY - WITH SAUER PUMPS (WITH SKYPOWER AND WITH COLD WEATHER PLUS PACKAGE)



ART_1001107975

SECTION 3 - ENGINE

FIGURE 3-12. DEUTZ TD2011 ENGINE ASSEMBLY - WITH SAUER PUMPS (WITH SKYPOWER AND WITH COLD WEATHER PLUS PACKAGE)

ITEM	PART NUMBER	QTY	DESCRIPTION	REV
	1001107975	Ref	DEUTZ TD2011 ENGINE ASSEMBLY - WITH SAUER PUMPS (WITH SKYPOWER AND WITH COLD WEATHER PLUS PACKAGE)	H
1	0080244	1	Spacer, Fan	
2	0100011	AR	Compound, Locking	
3	0272060	1	Box, Air Intake	
4	0340003	2	Band, Air Cleaner	
5	0340051	2	Band, Muffler	
6	0641406	15	Bolt 1/4 x 3/4	
7	0641506	5	Bolt 5/16 x 3/4	
8	0641507	4	Bolt 5/16 x 7/8	
9	0641605	4	Bolt 3/8 x 5/8	
10	0641608	27	Bolt 3/8 x 1	
11	0641609	2	Bolt 3/8 x 1-1/8	
12	0641610	4	Bolt 3/8 x 1-1/4	
13	0641808	1	Bolt 1/2 x 1	
14	0641814	2	Bolt 1/2 x 1-3/4	
15	0641818	2	Bolt 1/2 x 2-1/4	
16	0641826	2	Bolt 1/2 x 3-1/4	
17	0711214	2	Bolt M12 x 30	
18	0771414	6	Bolt M14 x 30	
19	0711417	4	Bolt M14 x 45	
20	1001112766	1	Bracket, Muffler	
21	0940070	1	Bumper	
22	0961986	2	Bushing, Flanged	
23	1001131542	1	Lanyard	
24	1060904	1	Cable, Jumper	
25	1320022	2	Clamp	
26	1320058	2	Clamp	
27	1320060	1	Clamp	
28	1320223	1	J-Clip	
29	1340065	1	Air Cleaner Assembly	
29	7003655	1	Element, Air Cleaner	
30	1671023	1	Shroud, Fan	
31	1703162	2	Decal - Fan Blade	
32	2060025	1	Fan	
33	2220451	1	Fitting, Straight	
34	2220498	1	Fitting, 45	
35	2720058	34 ft/ 10.3m	Hose	
36	2580062	1	Heater, Engine Block	
37	2720500	1	Hose, Oil Cooler (Top)	
38	2720501	1	Hose, Oil Cooler (Bottom)	
39	2750532	89 in/ 2.3m	Hose	
40	2902065	1	Pump Coupling Kit (See PUMP COUPLING KIT for Breakdown)	
41	3020044	3.3 gal/ 12.3L	Oil, Engine 0W-40	
42	3200362	2	Mount, Motor (Front)	
43	3200401	2	Mount, Motor (Rear)	

SECTION 3 - ENGINE

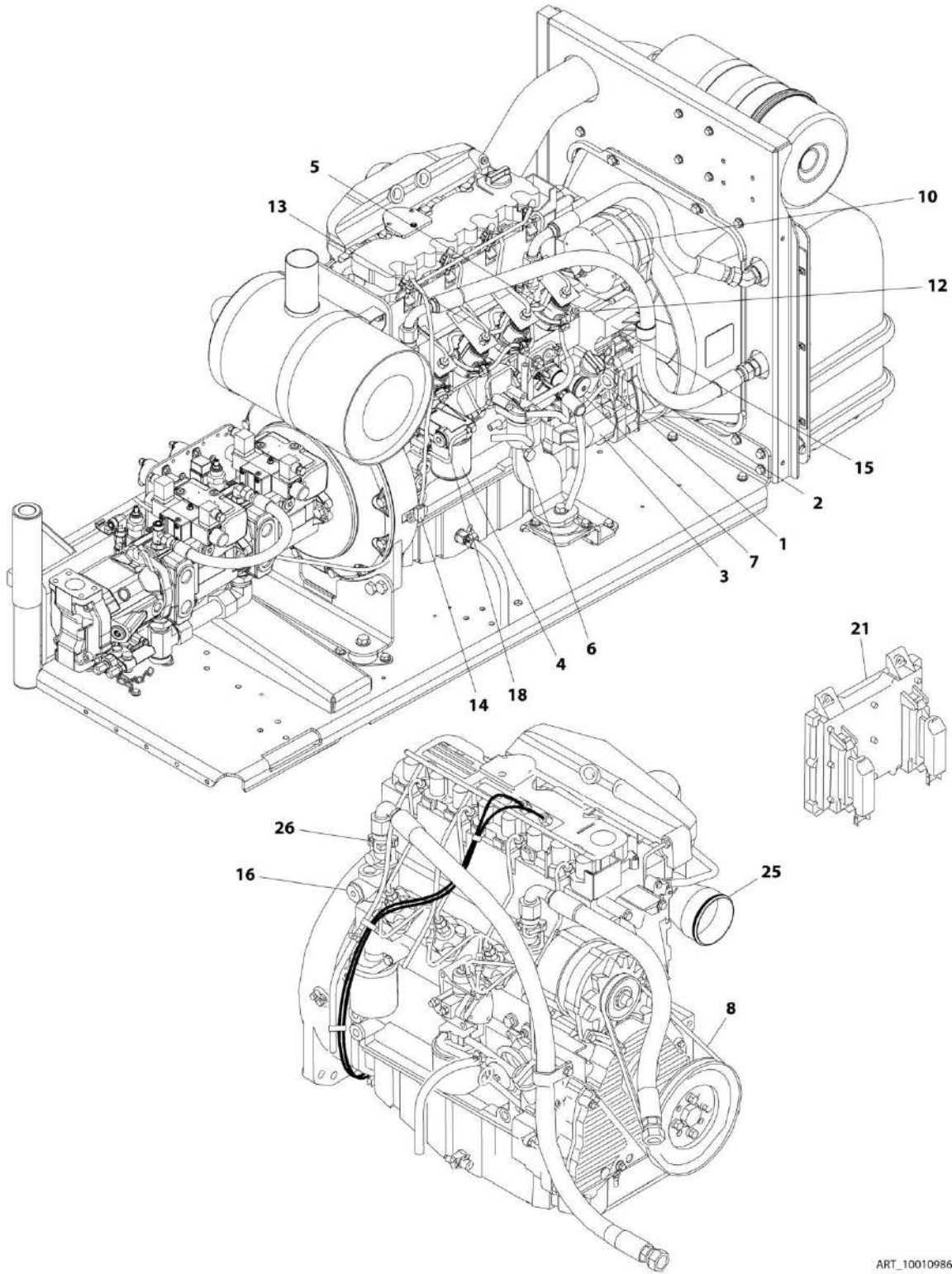
ITEM	PART NUMBER	QTY	DESCRIPTION	REV
44		Ref	Muffler Options:	
44	3220126	1	Standard Muffler	
44	3220130	1	Optional Catalytic Muffler	
44	70001017	1	Clamp (Used on p/n 3220130)	
45	3300454	10	Nut	
46	3311405	5	Nut 1/4	
47	3311505	5	Nut 5/16	
48	3311605	30	Nut 3/8	
49	3311805	5	Nut 1/2	
50	3422532	1	Pin, Hitch	
51	3520054	2	Plug, Hole	
52	3537416	1	Plate, Mounting (Front Right)	
53	3539971	1	Bracket, Engine Mounting (Front)	
54	3573142	1	Bracket, Engine Mounting (Rear)	
55	3573411	2	Plate, Clamp	
56	3573412	1	Plate, Gusset	
57	3573529	1	Plate, Mounting (Front Left)	
58	3580320	1	Pulley	
60	1001145382	1	Cooler, Engine Oil	
61	3740067	2	Relay	
62	3740080	2	Relay	
63	3960543	1	Seal	
64	3960544	1	Seal	
65	4032022	4	Capscrew M10 x 90	
66	4060804	12 in/ 30cm	Flex-Trim	
67	4060805	8 in/20cm	Flex-Trim	
68	4240099	AR	Tie, Wire (Not Shown)	
69	4460234	3	Mount, Wire Tie	
70	4568293	1	Pipe, Exhaust	
71	4640751	1	Valve, Oil Drain	
72	4711500	13	Washer 5/16	
73	4711600	68	Washer 3/8	
74	4711800	7	Washer 1/2	
75	4740274	4	Washer, Snubbing	
76	4740518	10	Washer, Nylon	
77	4751400	20	Washer 1/4	
78	4791400	4	Washer, Star 1/4	
79	4846552	1	Plate, Oil Cooler Mounting	
80	4846945	1	Mount, Generator	
81	4846946	1	Tray	
82	4891800	4	Washer 1/2	
83	4923468	1	Harness, Glow Plugs	
84	1001092856	1	Hose, Turbo (SN 0300209000 through 0300234293)	
84	1001225118	1	Hose, Turbo (SN 0300234294 to Present)	
84A	1001151284	1	Hose	
84B	1001149740	1	Pipe	
84C	1001149639	1	Indicator	
84D	1320058	2	Clamp	
85	1001098601	1	Engine Components - Deutz TD2011 Engine (See ENGINE COMPONENTS - DEUTZ TD2011 ENGINE for Breakdown)	
86	8410013	1	Clamp	

SECTION 3 - ENGINE

ITEM	PART NUMBER	QTY	DESCRIPTION	REV
87	0761215	2	Bolt M14 x 30	
88	1001112927	1	Sauer Gear Pump Assembly (See PUMP ASSEMBLY (SAUER GEAR) for Breakdown)	
89	4891600	2	Washer 3/8	
90	1001108616	1	Sauer Tandem Pump Assembly (See PUMP ASSEMBLY (SAUER TANDEM) for Breakdown)	
91	1001171095	1	Sauer Piston Pump Assembly (See PUMP ASSEMBLY (SAUER PISTON) for Breakdown)	
92	3790152	1	O-Ring	
93	3790155	1	O-Ring	

SECTION 3 - ENGINE

FIGURE 3-13. ENGINE COMPONENTS - DEUTZ TD2011 ENGINE



ART_1001098601

SECTION 3 - ENGINE

FIGURE 3-13. ENGINE COMPONENTS - DEUTZ TD2011 ENGINE

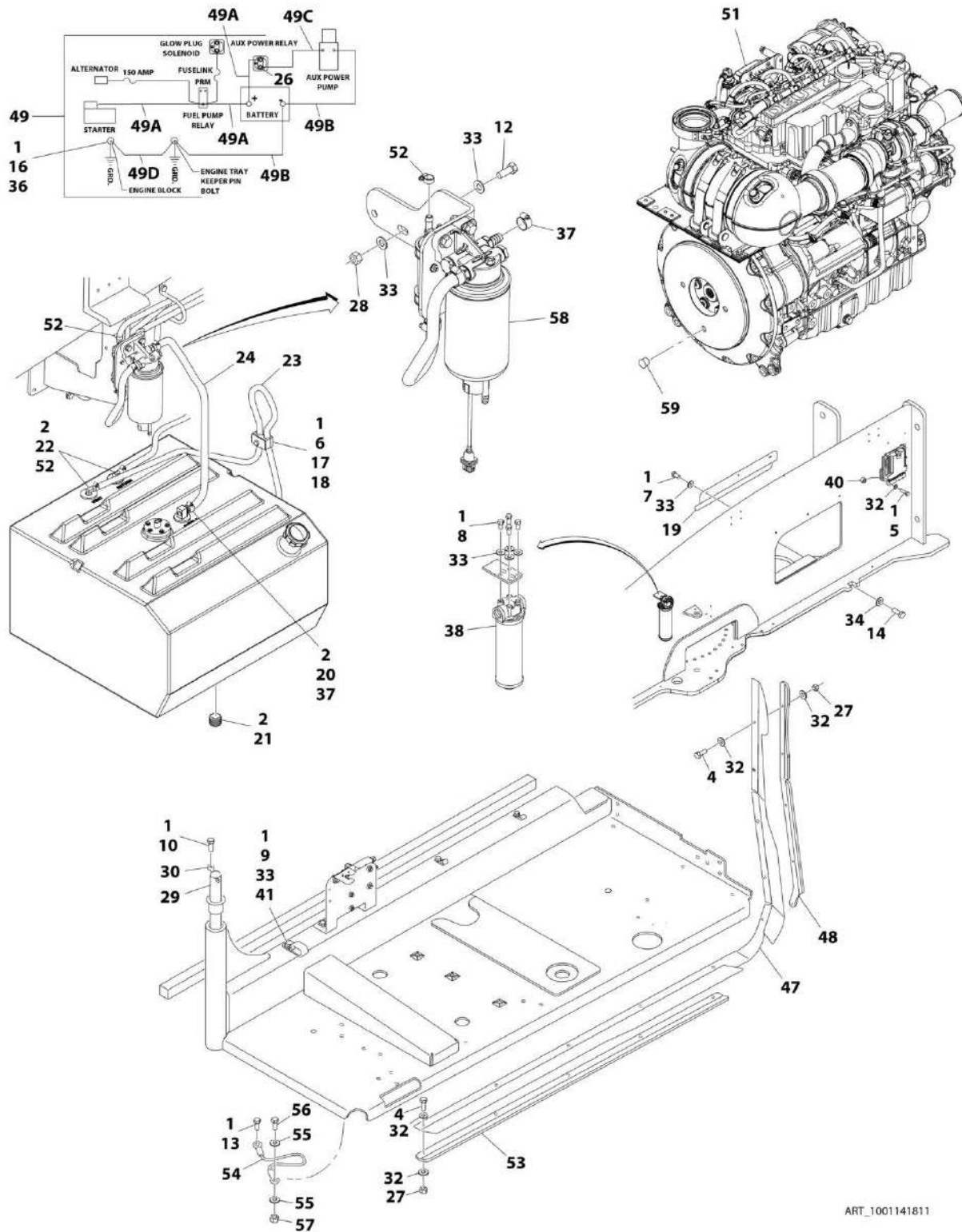
ITEM	PART NUMBER	QTY	DESCRIPTION	REV
	1001098601	Ref	ENGINE COMPONENTS - DEUTZ TD2011 ENGINE	C
1	7027235	1	Dipstick	
1	70000044	1	O-Ring	
2	7020465	1	Cap, Filler	
3	70001850	1	Pump, Oil Lube	
3	7020468	1	Seal Between Oil Pump and Engine Block (Not Shown)	
4	7016331	1	Filter, Oil	
5		Ref	Injector Pump Options:	
		Ref	Note: Series Letter is shown on label at base of Injector Pump.	
5	70001128	AR	"A" Series	
5	70001129	AR	"B" Series	
5	70001130	AR	"C" Series	
5	70001131	AR	"D" Series	
6	7016328	1	Filter, Fuel	
7	70000916	1	Pump Fuel Supply	
7	70001435	1	Repair Kit	
7	70000917	1	O-Seal Between Fuel Pump and Engine Block (Not Shown)	
7	70000919	1	Pump, Hand (Not Shown)	
8	7020414	1	V-Belt	
9	7020471	4	Gasket, Exhaust Manifold to Cylinder Head (Not Shown)	
9	7020486	1	Gasket, Exhaust Manifold to Exhaust Pipe (Not Shown)	
10	70001867	1	Alternator	
10	70001868	1	Regulator, Voltage (Not Shown)	
10	70001866	1	Seal (Not Shown)	
11	7020479	1	Starter (Not Shown - Located on Right Side of Engine)	
11	7026608	1	Solenoid	
11	70001498	1	Baffle, Cooling (Not Shown)	
12	7027791	1	Sender, Coolant Temperature	
13	7027790	1	Sensor, Oil Pressure	
14	7024565	1	Sensor, Speed	
15	7027792	1	Actuator, Throttle	
15	7027276	2	Spring	
16	70003475	1	Thermostat	
17	70001870	1	Flywheel (Not Shown)	
17	7024579	1	Gear, Ring (Not Shown)	
18	70003472	1	Bracket, Oil Filter (Includes Temperature Sensor Components)	
18	7027236	1	Sensor, Temperature	
18	700025082	1	Ring, Sealing	
18	70003473	1	Gasket, Bracket to Engine Block (Not Shown)	
19	7027239	1	Solenoid, Start (Not Shown)	
20	7027240	1	Turbocharger (Not Shown)	
20	70001857	1	Flange, Turbocharger (Not Shown)	
20	70001135	1	Gasket (Not Shown)	
20	70002675	2	Clamp (Not Shown - Used on Sleeve rising vertically from Turbo)	
20	70002676	1	Sleeve, Rubber (Not Shown - Rises vertically from Turbo)	
21	7027795	1	Module, Engine Control	
21	7027796	1	Harness, Controller (Not Shown)	
22		Ref	Gasket Options (Not Shown):	
22	70000068	1	Gasket, Breather Pipe	
22	70002677	1	Gasket, Valve Cover	

SECTION 3 - ENGINE

ITEM	PART NUMBER	QTY	DESCRIPTION	REV
22		Ref	Gasket, Cylinder Head	
22	70002415	1	1 Notch	
22	70002416	1	2 Notches	
22	70002417	1	3 Notches	
22	70001871	4	Gasket, Air Intake Manifold	
23	70001847	1	Valve, Breather (Located - Front Cover) (Not Shown)	
23	70001125	1	Cap, Breather (Located - Cylinder Head Cover) (Not Shown)	
23	70001126	1	O-Ring (Not Shown)	
24	70000345	4	Plug, Glow (Not Shown)	
25	70001124	1	Pipe, Breather	
25	70000068	1	Gasket, Breather Pipe	
26	70004268	2	Connector, Radiator	
26	70004269	2	Ring, Sealing	
27	70002718	1	Seal, Rear Main (Not Shown)	
28	70001869	1	Engine Harness (Not Shown) (For other replacement parts refer to Deutz TD2011 engine dealer)	

SECTION 3 - ENGINE

FIGURE 3-14. DEUTZ TCD2.9L4 ENGINE INSTALLATION - WITH REXROTH PUMPS (WITHOUT COLD WEATHER PLUS PACKAGE)



ART_1001141811

SECTION 3 - ENGINE

FIGURE 3-14. DEUTZ TCD2.9L4 ENGINE INSTALLATION - WITH REXROTH PUMPS (WITHOUT COLD WEATHER PLUS PACKAGE)

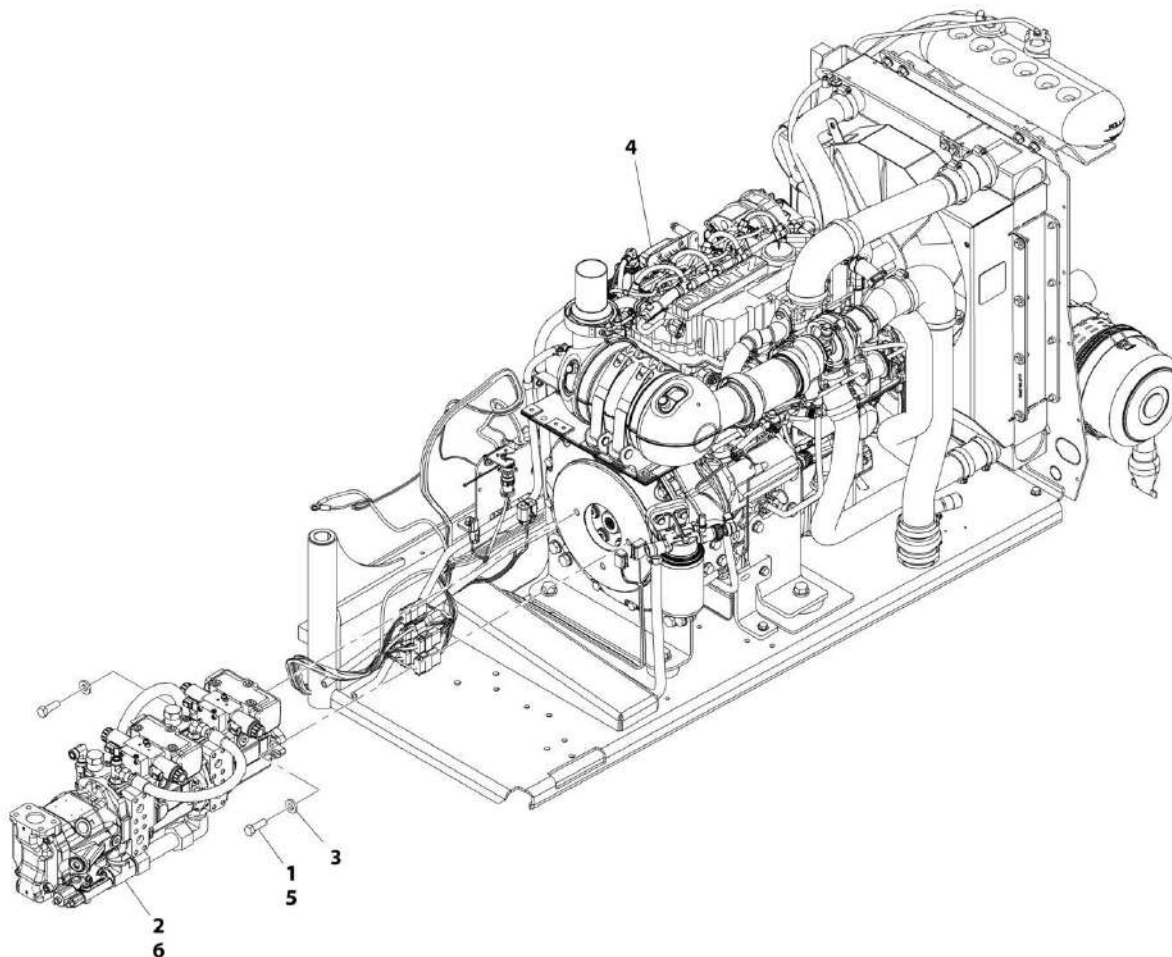
ITEM	PART NUMBER	QTY	DESCRIPTION	REV
	1001141811	Ref	DEUTZ TCD2.9L4 ENGINE INSTALLATION - WITH REXROTH PUMPS (WITHOUT COLD WEATHER PLUS PACKAGE)	J
1	0100011	AR	Compound, Locking	
2	0100079	AR	Sealant, Pipe	
4	0641408	10	Bolt 1/4 x 1	
5	0641410	4	Bolt 1/4 x 1-1/4	
6	0641511	1	Bolt 5/16 x 1-3/8	
7	0641605	3	Bolt 3/8 x 5/8	
8	0641606	4	Bolt 3/8 x 3/4	
9	0641608	1	Bolt 3/8 x 1	
10	0641610	1	Bolt 3/8 x 1-1/4	
12	0641612	2	Bolt 3/8 x 1-1/2	
13	0641808	1	Bolt 1/2 x 1	
14	0642010	1	Bolt 5/8 x 1-1/4	
16	0761210	1	Bolt M12 x 20	
17	1320187	1	Clamp	
18	1320190	1	Cover, Clamp	
19	1671121	1	Cover	
20	2180832	1	Fitting, Barbed	
21	2200222	1	Plug, Pipe (SN 0300209000 through 0300237553)	
22	2220313	2	Fitting, 90 Barbed	
23	1001165035	5 ft/1.5m	Hose (SN 0300209000 through 0300217396)	
23	2750532	5 ft/1.5m	Hose (SN 0300217397 to Present)	
24	1001154405	2 ft/0.6m	Hose	
26	3300220	2	Nut 5/16	
27	3311405	10	Nut 1/4	
28	3311605	2	Nut 3/8	
29	3422446	1	Pin, Pivot	
30	3841143	1	Pin, Keeper	
31	4240018	2	Strap, Tie (Not Shown)	
32	4711400	24	Washer 1/4	
33	4711600	12	Washer 3/8	
34	4752000	1	Washer 5/8	
36	4812100	1	Washer M12	
37	8405006	2	Clamp	
38	1001108617	1	Filter	
38	70002231	1	Element, Filter	
40	1001110425	4	Spacer	
41	1001116792	1	Clamp	
43	1001138491	1	Harness, Fuel (Not Shown - See ELECTRICAL SECTION for Breakdown)	
47	1001140604	1	Panel, Rubber	
48	1001145089	1	Clamp	
49	1001141225	1	Battery Cable Kit	E
49A	7027042	1	Cable, Battery (Red) (Battery + to Relays and Starter)	
49B	7027043	1	Cable, Battery (Black) (Battery - to Tray Pivot Grd) and Aux Pump	
49C	7027044	1	Cable (Red) (Aux Relay to Aux Pump)	
49D	7027045	1	Cable, Battery (Black) (Engine to Tray Pivot Grd)	

SECTION 3 - ENGINE

ITEM	PART NUMBER	QTY	DESCRIPTION	REV
51	1001141812	1	Deutz TCD2.9L4 Engine Sub-Assembly (See DEUTZ TCD2.9L4 ENGINE SUB-ASSEMBLY - WITH REXROTH PUMPS (WITHOUT COLD WEATHER PLUS PACKAGE) for Breakdown)	
52	1320022	3	Clamp	
53	1001145842	1	Plate, Clamping	
54	1001131542	1	Lanyard	
55	4711700	2	Washer 7/16	
56	0641708	1	Bolt 7/16 x 1	
57	3311705	1	Nut 7/16	
58	1001165101	1	Bracket, Fuel Pump/Filter Assembly (See FUEL PUMP/FILTER BRACKET ASSEMBLY (DEUTZ TCD2.9L4 ENGINE) for Breakdown)	
59	3520054	1	Plug, Hole	

SECTION 3 - ENGINE

FIGURE 3-15. DEUTZ TCD2.9L4 ENGINE SUB-ASSEMBLY - WITH REXROTH PUMPS (WITHOUT COLD WEATHER PLUS PACKAGE)



ART_1001141812

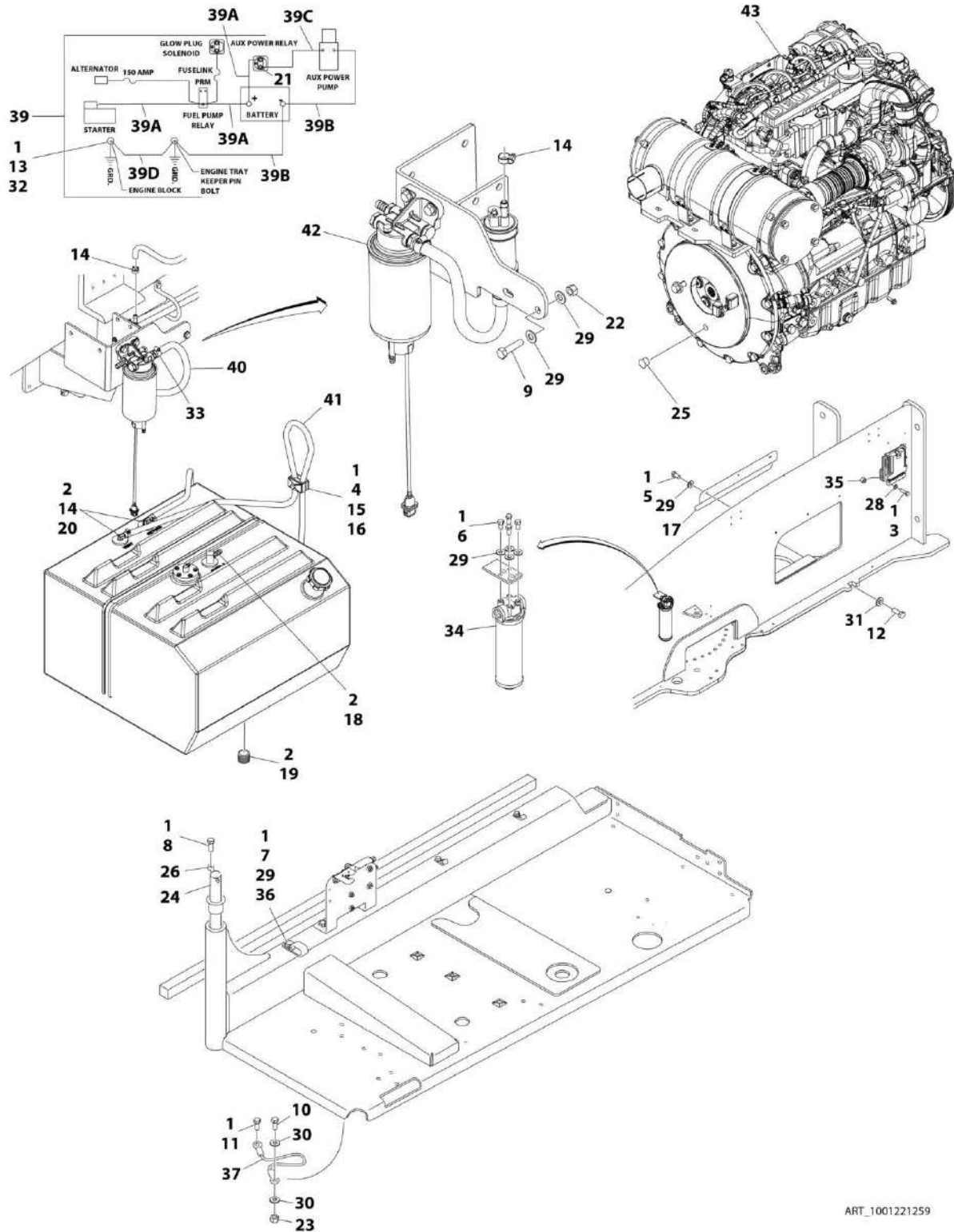
SECTION 3 - ENGINE

FIGURE 3-15. DEUTZ TCD2.9L4 ENGINE SUB-ASSEMBLY - WITH REXROTH PUMPS (WITHOUT COLD WEATHER PLUS PACKAGE)

ITEM	PART NUMBER	QTY	DESCRIPTION	REV
	1001141812	Ref	DEUTZ TCD2.9L4 ENGINE SUB-ASSEMBLY - WITH REXROTH PUMPS (WITHOUT COLD WEATHER PLUS PACKAGE)	Y
1	0641812	2	Bolt 1/2 x 1-1/2	
2	3020037	AR	Grease, Pump Coupling	
3	4891800	2	Washer 1/2	
4	1001134392	1	Deutz TCD2.9L4 Engine Assembly (See DEUTZ TCD2.9L4 ENGINE ASSEMBLY – WITHOUT COLD WEATHER PLUS PACKAGE for Breakdown)	
5	0100011	AR	Compound, Locking	
6	1001152963	1	Pump Assembly - Rexroth (See PUMP ASSEMBLY (REXROTH) (DEUTZ TCD2.9L4 ENGINES) for Breakdown)	

SECTION 3 - ENGINE

FIGURE 3-16. DEUTZ TCD2.9L4 ENGINE INSTALLATION - WITH REXROTH PUMPS (WITHOUT COLD WEATHER PLUS PACKAGE) (CHINA SPEC ONLY)



ART_1001221259

SECTION 3 - ENGINE

FIGURE 3-16. DEUTZ TCD2.9L4 ENGINE INSTALLATION - WITH REXROTH PUMPS (WITHOUT COLD WEATHER PLUS PACKAGE) (CHINA SPEC ONLY)

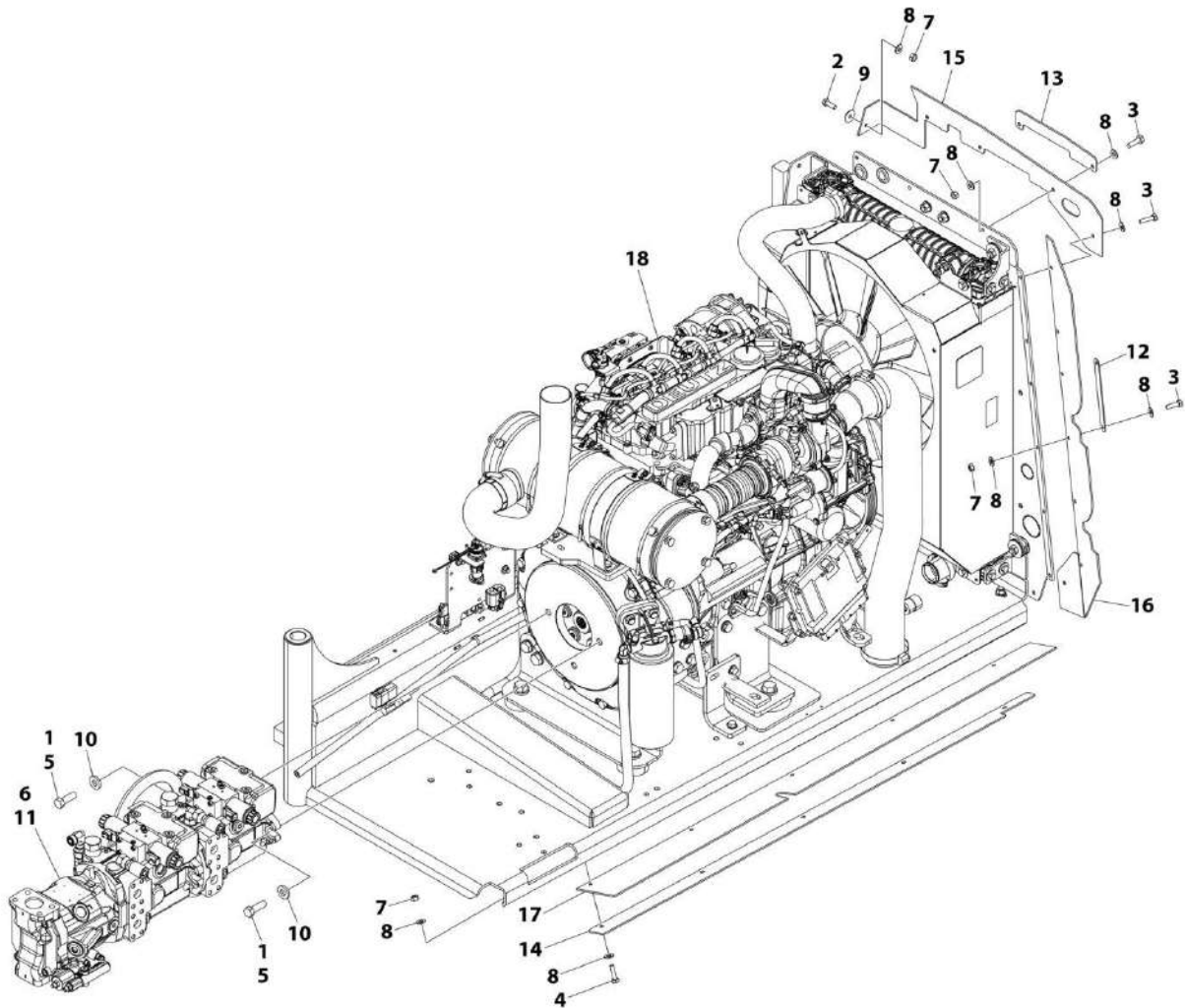
ITEM	PART NUMBER	QTY	DESCRIPTION	REV
	1001221259	Ref	DEUTZ TCD2.9L4 ENGINE INSTALLATION - WITH REXROTH PUMPS (WITHOUT COLD WEATHER PLUS PACKAGE) (CHINA SPEC ONLY)	C
1	0100011	AR	Compound, Locking	
2	0100079	AR	Sealant, Pipe	
3	0641410	4	Bolt 1/4 x 1-1/4	
4	0641511	1	Bolt 5/16 x 1-3/8	
5	0641605	3	Bolt 3/8 x 5/8	
6	0641606	4	Bolt 3/8 x 3/4	
7	0641608	1	Bolt 3/8 x 1	
8	0641610	1	Bolt 3/8 x 1-1/4	
9	0641612	2	Bolt 3/8 x 1-1/2	
10	0641708	1	Bolt 7/16 x 1	
11	0641808	1	Bolt 1/2 x 1	
12	0642010	1	Bolt 5/8 x 1-1/4	
13	0761210	1	Bolt M12 x 20	
14	1320022	3	Clamp	
15	1320187	1	Clamp	
16	1320190	1	Cover, Clamp	
17	1671121	1	Cover	
18	2180832	1	Fitting, Barbed	
19	2200222	1	Plug, Pipe (SN 0300209000 through 0300239674)	
20	2220313	2	Fitting, 90 Barbed	
21	3300220	2	Nut 5/16	
22	3311605	2	Nut 3/8	
23	3311705	1	Nut 7/16	
24	3422446	1	Pin, Pivot	
25	3520054	1	Plug, Hole	
26	3841143	1	Pin, Keeper	
27	4240018	2	Strap, Tie (Not Shown)	
28	4711400	4	Washer 1/4	
29	4711600	12	Washer 3/8	
30	4711700	2	Washer 7/16	
31	4752000	1	Washer 5/8	
32	4812100	1	Washer M12	
33	8405006	2	Clamp (SN 0300209000 through 0300239674)	
34	1001108617	1	Filter	
34	70002231	1	Element, Filter	
35	1001110425	4	Spacer	
36	1001116792	1	Clamp	
37	1001131542	1	Lanyard	
38	1001138491	1	Harness, Fuel (Not Shown - See ELECTRICAL SECTION for Breakdown)	
39	1001141225	1	Battery Cable Kit	E
39A	7027042	1	Cable, Battery (Red) (Battery + to Relays and Starter)	
39B	7027043	1	Cable, Battery (Black) (Battery - to Tray Pivot Grd) and Aux Pump	
39C	7027044	1	Cable (Red) (Aux Relay to Aux Pump)	
39D	7027045	1	Cable, Battery (Black) (Engine to Tray Pivot Grd)	
40	1001154405	2 ft/ 0.6m	Hose (SN 0300209000 through 0300239674)	

SECTION 3 - ENGINE

ITEM	PART NUMBER	QTY	DESCRIPTION	REV
41	1001165035	5 ft/ 1.5m	Hose (SN 0300209000 through 0300239674)	
41	2750532	5 ft/ 1.5m	Hose (SN 0300239675 to Present)	
42	1001165101	1	Bracket, Fuel Pump/Filter Assembly (See FUEL PUMP/FILTER BRACKET ASSEMBLY (DEUTZ TCD2.9L4 ENGINE) for Breakdown) (SN 0300209000 through 0300239674)	
42	1001227606	1	Bracket, Fuel Pump/Filter Assembly (See FUEL PUMP/FILTER BRACKET ASSEMBLY (DEUTZ TCD2.9L4 ENGINE) for Breakdown) (SN 0300239675 to Present)	
43	1001221263	1	Deutz TCD2.9L4 Engine Sub-Assembly (See DEUTZ TCD2.9L4 ENGINE SUB-ASSEMBLY - WITH REXROTH PUMPS (WITHOUT COLD WEATHER PLUS PACKAGE) for Breakdown)	

SECTION 3 - ENGINE

FIGURE 3-17. DEUTZ TCD2.9L4 ENGINE SUB-ASSEMBLY - WITH REXROTH PUMPS (WITHOUT COLD WEATHER PLUS PACKAGE) (CHINA SPEC ONLY)



ART_1001221263

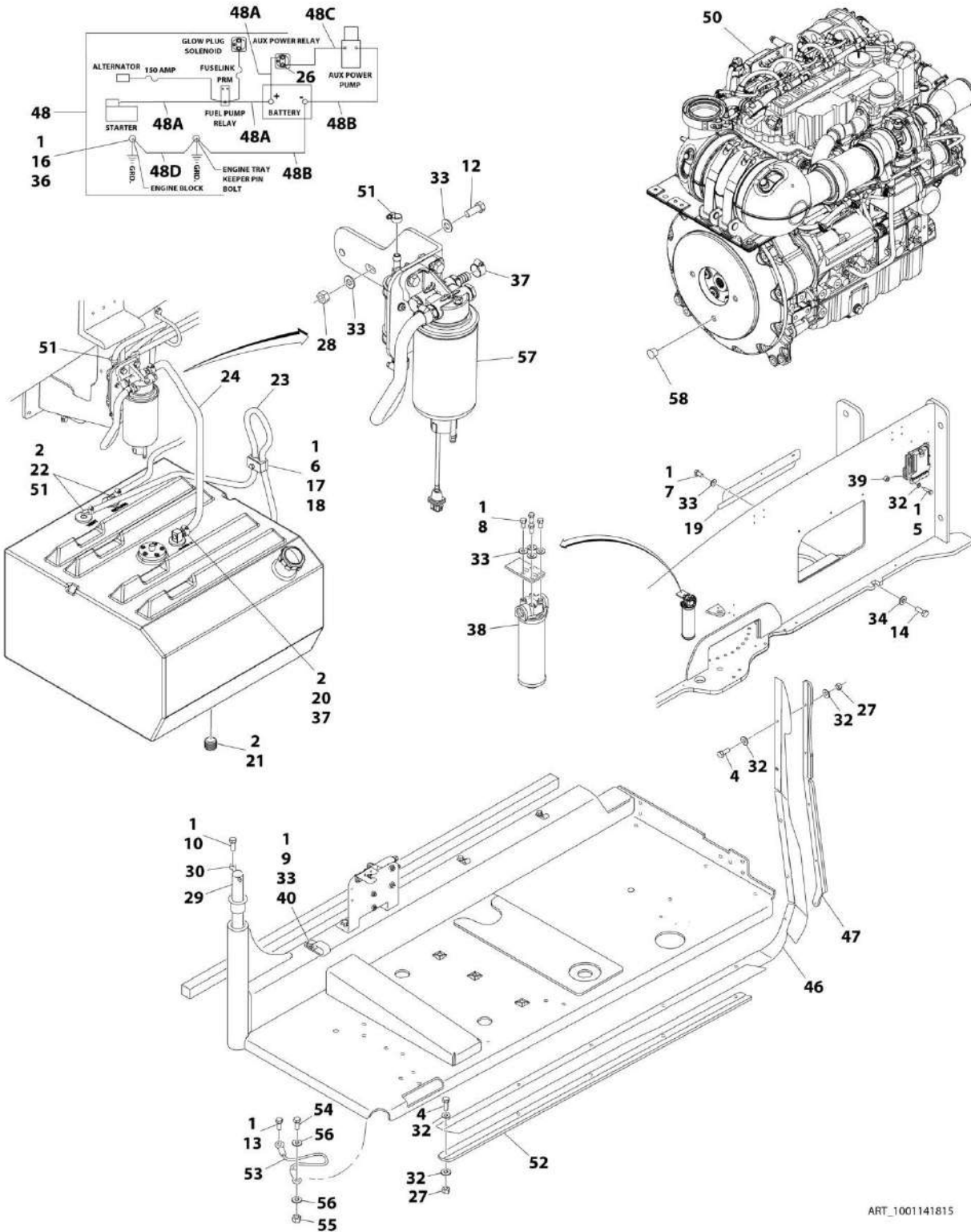
SECTION 3 - ENGINE

FIGURE 3-17. DEUTZ TCD2.9L4 ENGINE SUB-ASSEMBLY - WITH REXROTH PUMPS (WITHOUT COLD WEATHER PLUS PACKAGE) (CHINA SPEC ONLY)

ITEM	PART NUMBER	QTY	DESCRIPTION	REV
	1001221263	Ref	DEUTZ TCD2.9L4 ENGINE SUB-ASSEMBLY - WITH REXROTH PUMPS (WITHOUT COLD WEATHER PLUS PACKAGE) (CHINA SPEC ONLY)	G
1	0100011	AR	Compound, Locking	
2	0641406	AR	Bolt 1/4 x 3/4	
3	0641407	8	Bolt 1/4 x 7/8	
4	0641408	AR	Bolt 1/4 x 1	
5	0641812	2	Bolt 1/2 x 1-1/2	
6	3020037	AR	Grease, Pump Coupling (SN 0300209000 through 0300239674)	
7	3311405	16	Nut 1/4	
8	4711400	AR	Washer 1/4	
9	4740430	AR	Washer, Fender	
10	4891800	2	Washer 1/2	
11	1001152963	1	Pump Assembly - Rexroth (See PUMP ASSEMBLY (REXROTH) (DEUTZ TCD2.9L4 ENGINES) for Breakdown)	
12	1001167164	3	Plate, Support	
13	1001177945	1	Bracket	
14	1001177946	1	Bracket	
15	1001177957	1	Seal, Rubber Baffle	
16	1001177958	1	Seal, Rubber Baffle	
17	1001177959	1	Seal, Rubber Baffle	
18	1001220735	1	Deutz TCD2.9L4 Engine Assembly (See DEUTZ TCD2.9L4 ENGINE ASSEMBLY - WITHOUT COLD WEATHER PLUS PACKAGE for Breakdown)	

SECTION 3 - ENGINE

FIGURE 3-18. DEUTZ TCD2.9L4 ENGINE INSTALLATION - WITH REXROTH PUMPS (WITH COLD WEATHER PLUS PACKAGE)



ART_1001141815

SECTION 3 - ENGINE

FIGURE 3-18. DEUTZ TCD2.9L4 ENGINE INSTALLATION - WITH REXROTH PUMPS (WITH COLD WEATHER PLUS PACKAGE)

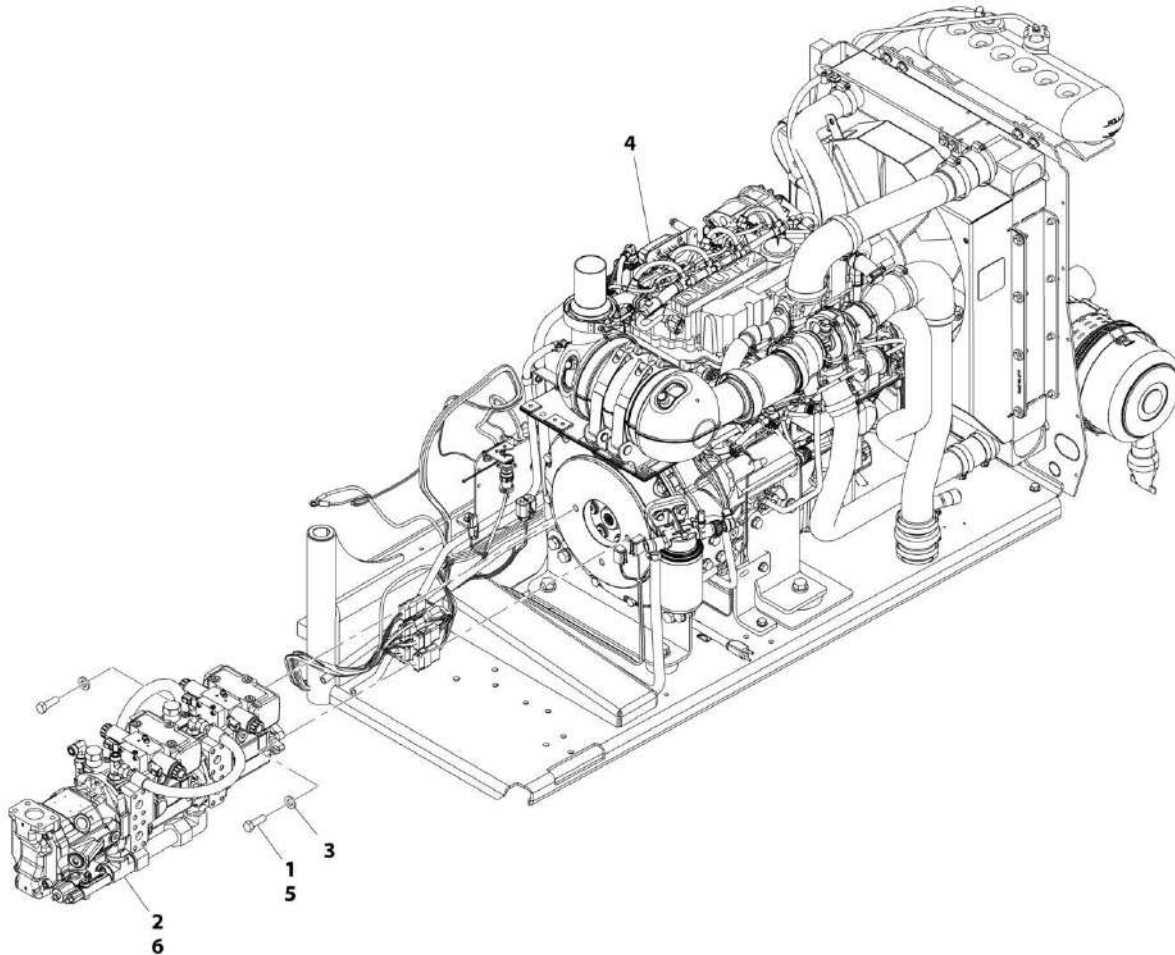
ITEM	PART NUMBER	QTY	DESCRIPTION	REV
	1001141815	Ref	DEUTZ TCD2.9L4 ENGINE INSTALLATION - WITH REXROTH PUMPS (WITH COLD WEATHER PLUS PACKAGE)	L
1	0100011	AR	Compound, Locking	
2	0100079	AR	Sealant, Pipe	
4	0641408	10	Bolt 1/4 x 1	
5	0641410	4	Bolt 1/4 x 1-1/4	
6	0641511	1	Bolt 5/16 x 1-3/8	
7	0641605	3	Bolt 3/8 x 5/8	
8	0641606	4	Bolt 3/8 x 3/4	
9	0641608	1	Bolt 3/8 x 1	
10	0641610	1	Bolt 3/8 x 1-1/4	
12	0641612	2	Bolt 3/8 x 1-1/2	
13	0641808	1	Bolt 1/2 x 1	
14	0642010	1	Bolt 5/8 x 1-1/4	
16	0761210	1	Bolt M12 x 20	
17	1320187	1	Clamp	
18	1320190	1	Cover, Clamp	
19	1671121	1	Cover	
20	2180832	1	Fitting, Barbed	
21	2200222	1	Plug, Pipe (SN 0300209000 through 0300237553)	
22	2220313	2	Fitting, 90 Barbed	
23	1001165035	5 ft/1.5m	Hose (SN 0300209000 through 0300217396)	
23	2750532	5 ft/1.5m	Hose (SN 0300217397 to Present)	
24	1001154405	2 ft/0.6m	Hose	
26	3300220	2	Nut 5/16	
27	3311405	10	Nut 1/4	
28	3311605	2	Nut 3/8	
29	3422446	1	Pin, Pivot	
30	3841143	1	Pin, Keeper	
31	4240018	2	Strap, Tie (Not Shown)	
32	4711400	24	Washer 1/4	
33	4711600	12	Washer 3/8	
34	4752000	1	Washer 5/8	
36	4812100	1	Washer M12	
37	8405006	2	Clamp	
38	1001108617	1	Filter	
38	70002231	1	Element, Filter	
39	1001110425	4	Spacer	
40	1001116792	1	Clamp	
42	1001138491	1	Harness, Fuel (Not Shown - See ELECTRICAL SECTION for Breakdown)	
46	1001140604	1	Panel, Rubber	
47	1001145089	1	Clamp	
48	1001141225	1	Battery Cable Kit	E
48A	7027042	1	Cable, Battery (Red) (Battery + to Relays and Starter)	
48B	7027043	1	Cable, Battery (Black) (Battery - to Tray Pivot Grd) and Aux Pump	
48C	7027044	1	Cable (Red) (Aux Relay to Aux Pump)	
48D	7027045	1	Cable, Battery (Black) (Engine to Tray Pivot Grd)	

SECTION 3 - ENGINE

ITEM	PART NUMBER	QTY	DESCRIPTION	REV
50	1001141813	1	Deutz TCD2.9L4 Engine Sub-Assembly (See DEUTZ TCD2.9L4 ENGINE SUB-ASSEMBLY - WITH REXROTH PUMPS (WITH COLD WEATHER PLUS PACKAGE) for Breakdown)	
51	1320022	3	Clamp	
52	1001145842	1	Plate, Clamping	
53	1001131542	1	Lanyard	
54	0641708	1	Bolt 7/16 x 1	
55	3311705	1	Nut 7/16	
56	4711700	2	Washer 7/16	
57	1001165101	1	Bracket, Fuel Pump/Filter Assembly (See FUEL PUMP/FILTER BRACKET ASSEMBLY (DEUTZ TCD2.9L4 ENGINE) for Breakdown)	
58	3520054	1	Plug, Hole	

SECTION 3 - ENGINE

FIGURE 3-19. DEUTZ TCD2.9L4 ENGINE SUB-ASSEMBLY - WITH REXROTH PUMPS (WITH COLD WEATHER PLUS PACKAGE)



ART_1001141813

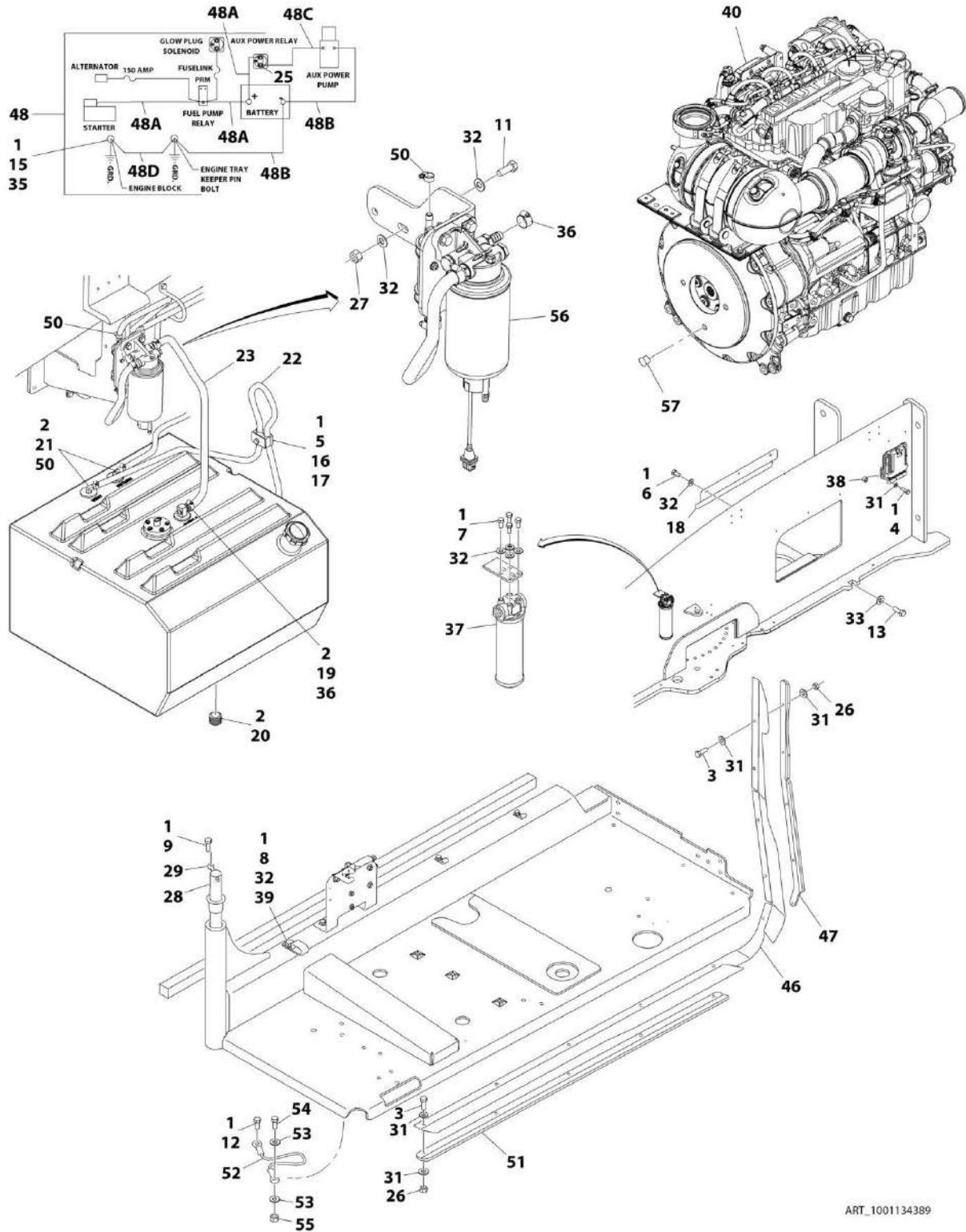
SECTION 3 - ENGINE

FIGURE 3-19. DEUTZ TCD2.9L4 ENGINE SUB-ASSEMBLY - WITH REXROTH PUMPS (WITH COLD WEATHER PLUS PACKAGE)

ITEM	PART NUMBER	QTY	DESCRIPTION	REV
	1001141813	Ref	DEUTZ TCD2.9L4 ENGINE SUB-ASSEMBLY - WITH REXROTH PUMPS (WITH COLD WEATHER PLUS PACKAGE)	AA
1	0641812	2	Bolt 1/2 x 1-1/2	
2	3020037	AR	Grease, Pump Coupling	
3	4740171	2	Washer 1/2	
4	1001141746	1	Deutz TCD2.9L4 Engine Assembly (See DEUTZ TCD2.9L4 ENGINE ASSEMBLY – WITH COLD WEATHER PLUS PACKAGE for Breakdown)	
5	0100011	AR	Compound, Locking	
6	1001152963	1	Pump Assembly - Rexroth (See PUMP ASSEMBLY (REXROTH) (DEUTZ TCD2.9L4 ENGINES) for Breakdown)	

SECTION 3 - ENGINE

FIGURE 3-20. DEUTZ TCD2.9L4 ENGINE INSTALLATION - WITH SAUER PUMPS (WITHOUT COLD WEATHER PLUS PACKAGE)



ART_1001134389

SECTION 3 - ENGINE

FIGURE 3-20. DEUTZ TCD2.9L4 ENGINE INSTALLATION - WITH SAUER PUMPS (WITHOUT COLD WEATHER PLUS PACKAGE)

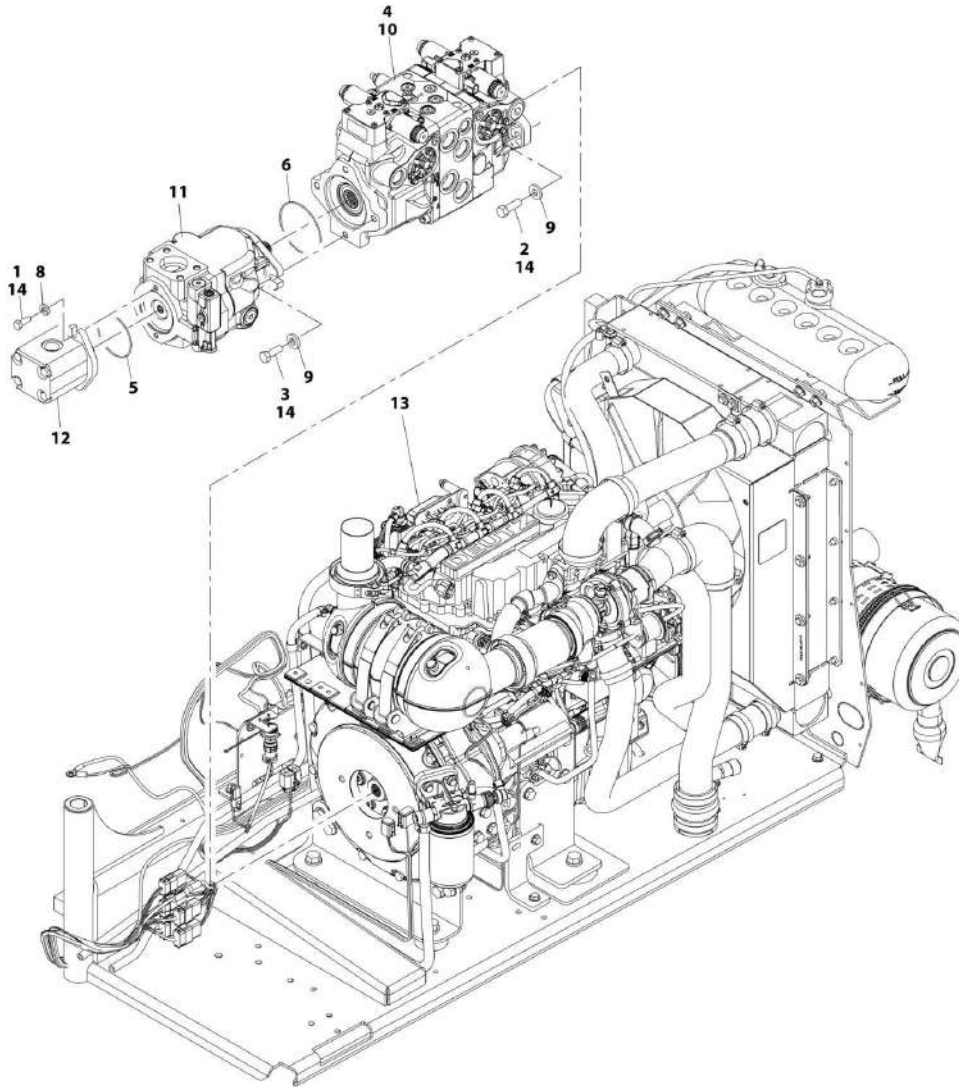
ITEM	PART NUMBER	QTY	DESCRIPTION	REV
	1001134389	Ref	DEUTZ TCD2.9L4 ENGINE INSTALLATION - WITH SAUER PUMPS (WITHOUT COLD WEATHER PLUS PACKAGE)	J
1	0100011	AR	Compound, Locking	
2	0100079	AR	Sealant, Pipe	
3	0641408	10	Bolt 1/4 x 1	
4	0641410	4	Bolt 1/4 x 1-1/4	
5	0641511	1	Bolt 5/16 x 1-3/8	
6	0641605	3	Bolt 3/8 x 5/8	
7	0641606	4	Bolt 3/8 x 3/4	
8	0641608	1	Bolt 3/8 x 1	
9	0641610	1	Bolt 3/8 x 1-1/4	
11	0641612	2	Bolt 3/8 x 1-1/2	
12	0641808	1	Bolt 1/2 x 1	
13	0642010	1	Bolt 5/8 x 1-1/4	
15	0761210	1	Bolt M12 x 20	
16	1320187	1	Clamp	
17	1320190	1	Cover, Clamp	
18	1671121	1	Cover	
19	2180832	1	Fitting, Barbed	
20	2200222	1	Plug, Pipe (SN 0300209000 through 0300237553)	
21	2220313	2	Fitting, 90 Barbed	
22	1001165035	5 ft/1.5m	Hose (SN 0300209000 through 0300217396)	
22	2750532	5 ft/1.5m	Hose (SN 0300217397 to Present)	
23	1001154405	2 ft/0.6m	Hose	
25	3300220	2	Nut 5/16	
26	3311405	10	Nut 1/4	
27	3311605	2	Nut 3/8	
28	3422446	1	Pin, Pivot	
29	3841143	1	Pin, Keeper	
30	4240018	2	Strap, Tie (Not Shown)	
31	4711400	24	Washer 1/4	
32	4711600	12	Washer 3/8	
33	4752000	1	Washer 5/8	
35	4812100	1	Washer M12	
36	8405006	2	Clamp	
37	1001108617	1	Filter	
37	70002231	1	Element, Filter	
38	1001110425	4	Spacer	
39	1001116792	1	Clamp	
40	1001134390	1	Deutz TCD2.9L4 Engine Sub-Assembly (See DEUTZ TCD2.9L4 ENGINE SUB-ASSEMBLY - WITH SAUER PUMPS (WITHOUT COLD WEATHER PLUS PACKAGE) for Breakdown)	
42	1001138491	1	Harness, Fuel (Not Shown - See ELECTRICAL SECTION for Breakdown)	
46	1001140604	1	Panel, Rubber	
47	1001145089	1	Clamp	
48	1001141225	1	Battery Cable Kit	E
48A	7027042	1	Cable, Battery (Red) (Battery + to Relays and Starter)	
48B	7027043	1	Cable, Battery (Black) (Battery - to Tray Pivot Grd) and Aux Pump	

SECTION 3 - ENGINE

ITEM	PART NUMBER	QTY	DESCRIPTION	REV
48C	7027044	1	Cable (Red) (Aux Relay to Aux Pump)	
48D	7027045	1	Cable, Battery (Black) (Engine to Tray Pivot Grd)	
50	1320022	3	Clamp	
51	1001145842	1	Plate, Clamping	
52	1001131542	1	Lanyard	
53	4711700	2	Washer 7/16	
54	0641708	1	Bolt 7/16 x 1	
55	3311705	1	Nut 7/16	
56	1001165101	1	Bracket, Fuel Pump/Filter Assembly (See FUEL PUMP/FILTER BRACKET ASSEMBLY (DEUTZ TCD2.9L4 ENGINE) for Breakdown)	
57	3520054	1	Plug, Hole	

SECTION 3 - ENGINE

FIGURE 3-21. DEUTZ TCD2.9L4 ENGINE SUB-ASSEMBLY - WITH SAUER PUMPS (WITHOUT COLD WEATHER PLUS PACKAGE)



ART_1001134390

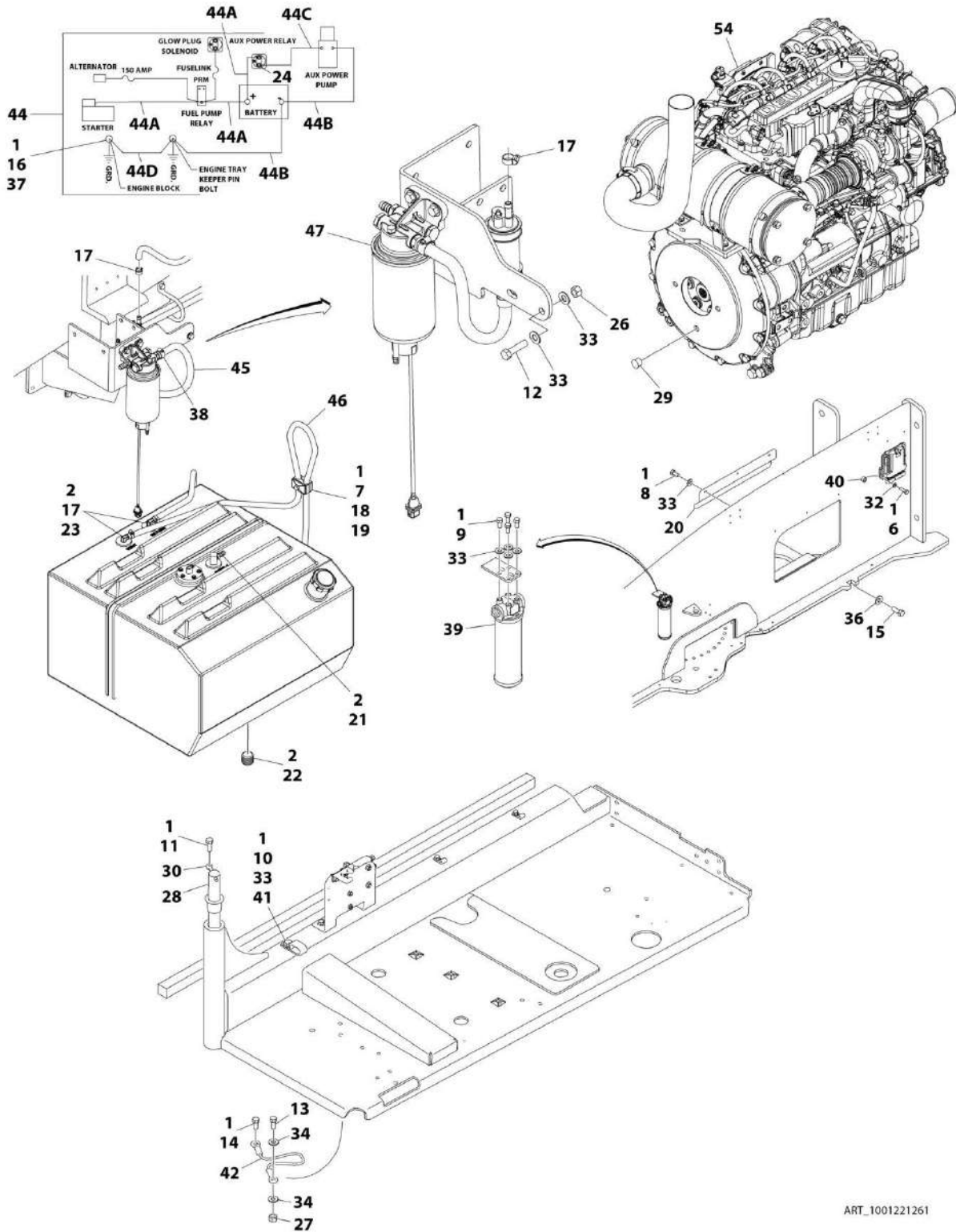
SECTION 3 - ENGINE

FIGURE 3-21. DEUTZ TCD2.9L4 ENGINE SUB-ASSEMBLY - WITH SAUER PUMPS (WITHOUT COLD WEATHER PLUS PACKAGE)

ITEM	PART NUMBER	QTY	DESCRIPTION	REV
	1001134390	Ref	DEUTZ TCD2.9L4 ENGINE SUB-ASSEMBLY - WITH SAUER PUMPS (WITHOUT COLD WEATHER PLUS PACKAGE)	Y
1	0641608	2	Bolt 3/8 x 1	
2	0641812	2	Bolt 1/2 x 1-1/2	
3	0761215	2	Bolt M12 x 35	
4	3020037	AR	Grease, Pump Coupling	
5	3790152	1	O-Ring	
6	3790155	1	O-Ring	
8	4891600	2	Washer 3/8	
9	4891800	4	Washer 1/2	
10	1001108616	1	Pump Assembly (Sauer Tandem) (See PUMP ASSEMBLY (SAUER TANDEM) for Breakdown)	
11	1001171095	1	Pump Assembly (Sauer Piston) (See PUMP ASSEMBLY (SAUER PISTON) for Breakdown)	
12	1001112927	1	Pump Assembly (Sauer Gear) (See PUMP ASSEMBLY (SAUER GEAR) for Breakdown)	
13	1001134392	1	Deutz TCD2.9L4 Engine Assembly (See DEUTZ TCD2.9L4 ENGINE ASSEMBLY – WITHOUT COLD WEATHER PLUS PACKAGE for Breakdown)	
14	0100011	AR	Compound, Locking	

SECTION 3 - ENGINE

FIGURE 3-22. DEUTZ TCD2.9L4 ENGINE INSTALLATION - WITH SAUER PUMPS (WITHOUT COLD WEATHER PLUS PACKAGE) (CHINA SPEC ONLY)



ART_1001221261

SECTION 3 - ENGINE

FIGURE 3-22. DEUTZ TCD2.9L4 ENGINE INSTALLATION - WITH SAUER PUMPS (WITHOUT COLD WEATHER PLUS PACKAGE) (CHINA SPEC ONLY)

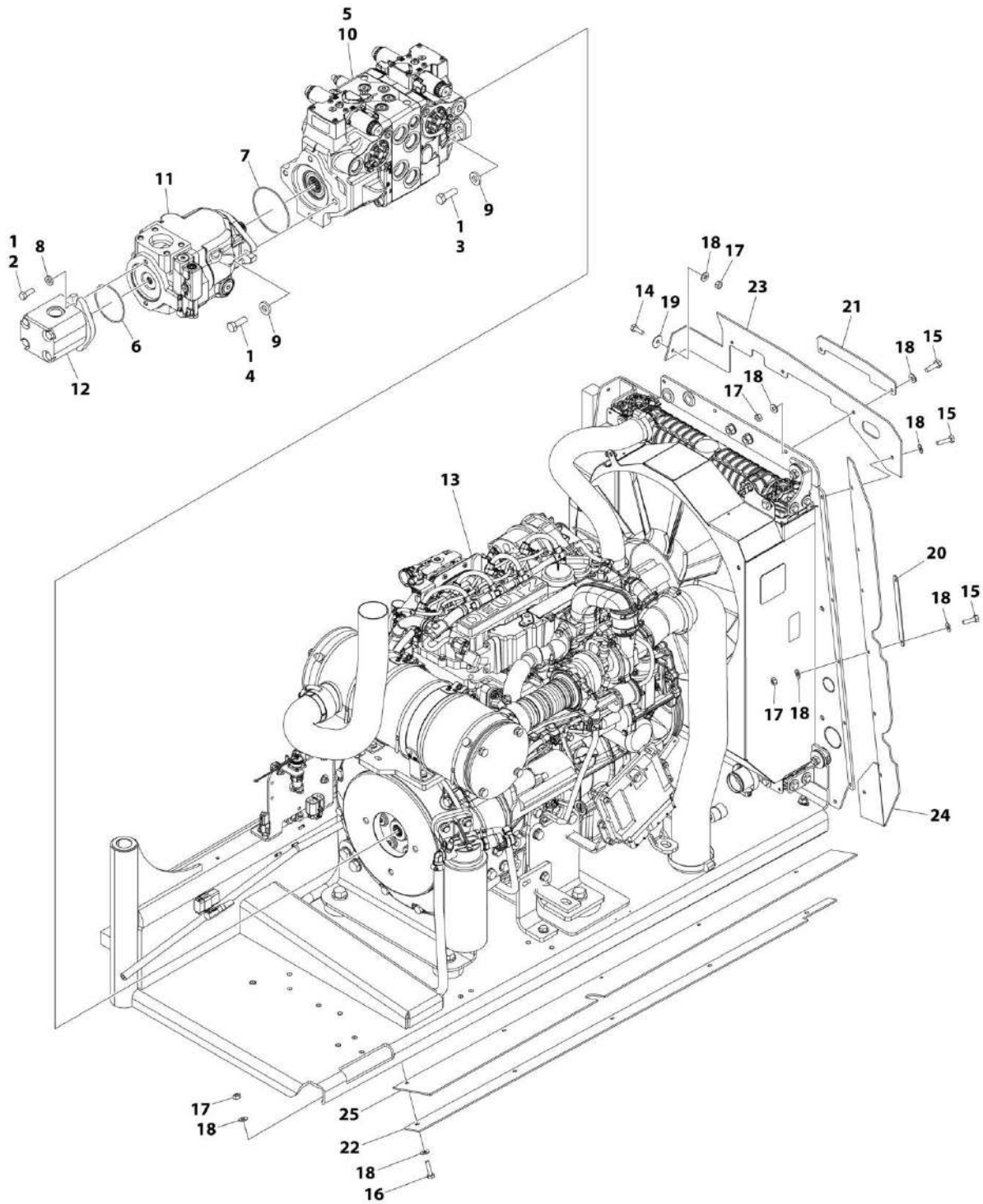
ITEM	PART NUMBER	QTY	DESCRIPTION	REV
	1001221261	Ref	DEUTZ TCD2.9L4 ENGINE INSTALLATION - WITH SAUER PUMPS (WITHOUT COLD WEATHER PLUS PACKAGE) (CHINA SPEC ONLY)	D
1	0100011	AR	Compound, Locking	
2	0100079	AR	Sealant, Pipe	
6	0641410	4	Bolt 1/4 x 1-1/4	
7	0641511	1	Bolt 5/16 x 1-3/8	
8	0641605	3	Bolt 3/8 x 5/8	
9	0641606	4	Bolt 3/8 x 3/4	
10	0641608	1	Bolt 3/8 x 1	
11	0641610	1	Bolt 3/8 x 1-1/4	
12	0641612	2	Bolt 3/8 x 1-1/2	
13	0641708	1	Bolt 7/16 x 1	
14	0641808	1	Bolt 1/2 x 1	
15	0642010	1	Bolt 5/8 x 1-1/4	
16	0761210	1	Bolt M12 x 20	
17	1320022	3	Clamp	
18	1320187	1	Clamp	
19	1320190	1	Cover, Clamp	
20	1671121	1	Cover	
21	2180832	1	Fitting, Barbed	
22	2200222	1	Plug, Pipe (SN 0300209000 through 0300239674)	
23	2220313	2	Fitting, 90 Barbed	
24	3300220	2	Nut 5/16	
26	3311605	2	Nut 3/8	
27	3311705	1	Nut 7/16	
28	3422446	1	Pin, Pivot	
29	3520054	1	Plug, Hole	
30	3841143	1	Pin, Keeper	
31	4240018	2	Strap, Tie (Not Shown)	
32	4711400	4	Washer 1/4	
33	4711600	12	Washer 3/8	
34	4711700	2	Washer 7/16	
36	4752000	1	Washer 5/8	
37	4812100	1	Washer M12	
38	8405006	2	Clamp (SN 0300209000 through 0300239674)	
39	1001108617	1	Filter	
39	70002231	1	Element, Filter	
40	1001110425	4	Spacer	
41	1001116792	1	Clamp	
42	1001131542	1	Lanyard	
43	1001138491	1	Harness, Fuel (Not Shown - See ELECTRICAL SECTION for Breakdown)	
44	1001141225	1	Battery Cable Kit	E
44A	7027042	1	Cable, Battery (Red) (Battery + to Relays and Starter)	
44B	7027043	1	Cable, Battery (Black) (Battery - to Tray Pivot Grd) and Aux Pump	
44C	7027044	1	Cable (Red) (Aux Relay to Aux Pump)	
44D	7027045	1	Cable, Battery (Black) (Engine to Tray Pivot Grd)	
45	1001154405	2 ft/ 0.6m	Hose (SN 0300209000 through 0300239674)	

SECTION 3 - ENGINE

ITEM	PART NUMBER	QTY	DESCRIPTION	REV
46	1001165035	5 ft/ 1.5m	Hose (SN 0300209000 through 0300239674)	
46	2750532	5 ft/ 1.5m	Hose (SN 0300239675 to Present)	
47	1001165101	1	Bracket, Fuel Pump/Filter Assembly (See FUEL PUMP/FILTER BRACKET ASSEMBLY (DEUTZ TCD2.9L4 ENGINE) for Breakdown) (SN 0300209000 through 0300239674)	
47	1001227606	1	Bracket, Fuel Pump/Filter Assembly (See FUEL PUMP/FILTER BRACKET ASSEMBLY (DEUTZ TCD2.9L4 ENGINE) for Breakdown) (SN 0300239675 to Present)	
54	1001221265	1	Deutz TCD2.9L4 Engine Sub-Assembly (See DEUTZ TCD2.9L4 ENGINE SUB-ASSEMBLY - WITH SAUER PUMPS (WITHOUT COLD WEATHER PLUS PACKAGE) for Breakdown)	

SECTION 3 - ENGINE

FIGURE 3-23. DEUTZ TCD2.9L4 ENGINE SUB-ASSEMBLY - WITH SAUER PUMPS (WITHOUT COLD WEATHER PLUS PACKAGE) (CHINA SPEC ONLY)



ART_1001221265

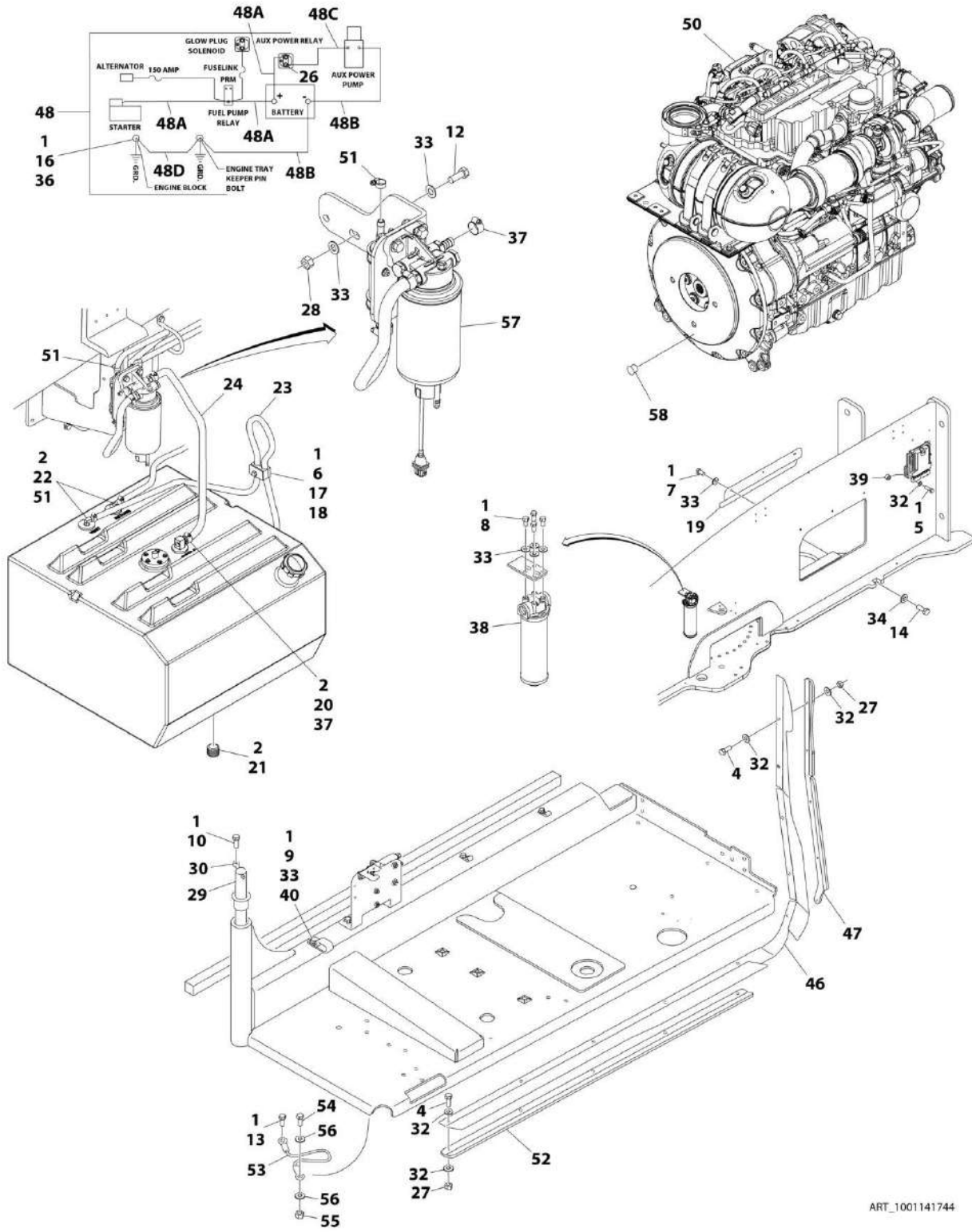
SECTION 3 - ENGINE

FIGURE 3-23. DEUTZ TCD2.9L4 ENGINE SUB-ASSEMBLY - WITH SAUER PUMPS (WITHOUT COLD WEATHER PLUS PACKAGE) (CHINA SPEC ONLY)

ITEM	PART NUMBER	QTY	DESCRIPTION	REV
	1001221265	Ref	DEUTZ TCD2.9L4 ENGINE SUB-ASSEMBLY - WITH SAUER PUMPS (WITHOUT COLD WEATHER PLUS PACKAGE) (CHINA SPEC ONLY)	H
1	0100011	AR	Compound, Locking	
2	0641608	2	Bolt 3/8 x 1	
3	0641812	2	Bolt 1/2 x 1-1/2	
4	0761215	2	Bolt M12 x 35	
5	3020037	AR	Grease, Pump Coupling (SN 0300209000 through 0300239674)	
6	3790152	1	O-Ring	
7	3790155	1	O-Ring	
8	4891600	2	Washer 3/8	
9	4891800	4	Washer 1/2	
10	1001108616	1	Pump Assembly (Sauer Tandem) (See PUMP ASSEMBLY (SAUER TANDEM) for Breakdown)	
11	1001171095	1	Pump Assembly (Sauer Piston) (See PUMP ASSEMBLY (SAUER PISTON) for Breakdown)	
12	1001112927	1	Pump Assembly (Sauer Gear) (See PUMP ASSEMBLY (SAUER GEAR) for Breakdown)	
13	1001220735	1	Deutz TCD2.9L4 Engine Assembly (See DEUTZ TCD2.9L4 ENGINE ASSEMBLY - WITHOUT COLD WEATHER PLUS PACKAGE for Breakdown)	
14	0641406	AR	Bolt 1/4 x 3/4	
15	0641407	8	Bolt 1/4 x 7/8	
16	0641408	AR	Bolt 1/4 x 1	
17	3311405	16	Nut 1/4	
18	4711400	AR	Washer 1/4	
19	4740430	AR	Washer, Fender	
20	1001167164	3	Plate, Support	
21	1001177945	1	Bracket	
22	1001177946	1	Bracket	
23	1001177957	1	Seal, Rubber Baffle	
24	1001177958	1	Seal, Rubber Baffle	
25	1001177959	1	Seal, Rubber Baffle	

SECTION 3 - ENGINE

FIGURE 3-24. DEUTZ TCD2.9L4 ENGINE INSTALLATION - WITH SAUER PUMPS (WITH COLD WEATHER PLUS PACKAGE)



ART_1001141744

SECTION 3 - ENGINE

FIGURE 3-24. DEUTZ TCD2.9L4 ENGINE INSTALLATION - WITH SAUER PUMPS (WITH COLD WEATHER PLUS PACKAGE)

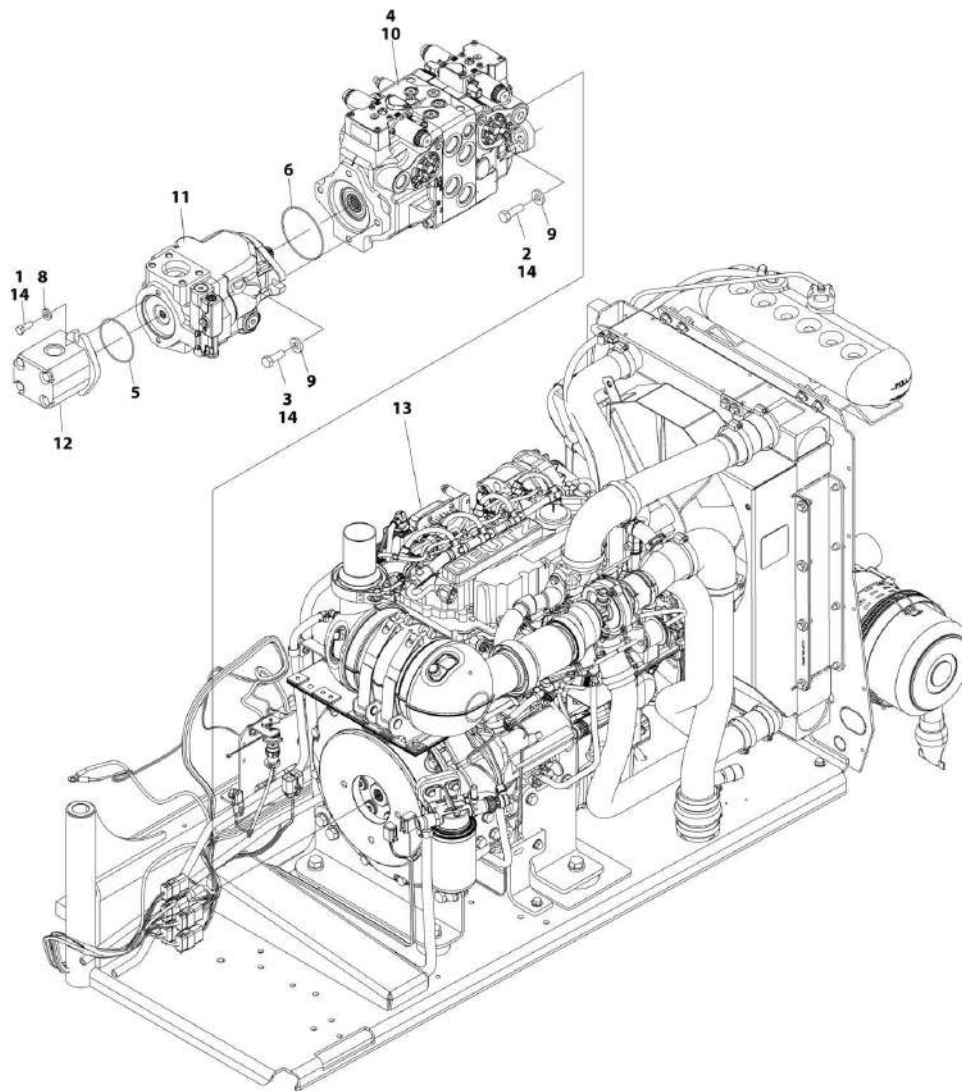
ITEM	PART NUMBER	QTY	DESCRIPTION	REV
	1001141744	Ref	DEUTZ TCD2.9L4 ENGINE INSTALLATION - WITH SAUER PUMPS (WITH COLD WEATHER PLUS PACKAGE)	L
1	0100011	AR	Compound, Locking	
2	0100079	AR	Sealant, Pipe	
4	0641408	10	Bolt 1/4 x 1	
5	0641410	4	Bolt 1/4 x 1-1/4	
6	0641511	1	Bolt 5/16 x 1-3/8	
7	0641605	3	Bolt 3/8 x 5/8	
8	0641606	4	Bolt 3/8 x 3/4	
9	0641608	1	Bolt 3/8 x 1	
10	0641610	1	Bolt 3/8 x 1-1/4	
12	0641612	2	Bolt 3/8 x 1-1/2	
13	0641808	1	Bolt 1/2 x 1	
14	0642010	1	Bolt 5/8 x 1-1/4	
16	0761210	1	Bolt M12 x 20	
17	1320187	1	Clamp	
18	1320190	1	Cover, Clamp	
19	1671121	1	Cover	
20	2180832	1	Fitting, Barbed	
21	2200222	1	Plug, Pipe (SN 0300209000 through 0300237553)	
22	2220313	2	Fitting, 90 Barbed	
23	1001165035	5 ft/ 1.5m	Hose (SN 0300209000 through 0300217396)	
23	2750532	5 ft/ 1.5m	Hose (SN 0300217397 to Present)	
24	1001154405	2 ft/ 0.6m	Hose	
26	3300220	2	Nut 5/16	
27	3311405	10	Nut 1/4	
28	3311605	2	Nut 3/8	
29	3422446	1	Pin, Pivot	
30	3841143	1	Pin, Keeper	
31	4240018	2	Strap, Tie (Not Shown)	
32	4711400	24	Washer 1/4	
33	4711600	12	Washer 3/8	
34	4752000	1	Washer 5/8	
36	4812100	1	Washer M12	
37	8405006	2	Clamp	
38	1001108617	1	Filter	
38	70002231	1	Element, Filter	
39	1001110425	4	Spacer	
40	1001116792	1	Clamp	
42	1001138491	1	Harness, Fuel (Not Shown - See ELECTRICAL SECTION for Breakdown)	
46	1001140604	1	Panel, Rubber	
47	1001145089	1	Clamp	
48	1001141225	1	Battery Cable Kit	E
48A	7027042	1	Cable, Battery (Red) (Battery + to Relays and Starter)	
48B	7027043	1	Cable, Battery (Black) (Battery - to Tray Pivot Grd) and Aux Pump	
48C	7027044	1	Cable (Red) (Aux Relay to Aux Pump)	
48D	7027045	1	Cable, Battery (Black) (Engine to Tray Pivot Grd)	

SECTION 3 - ENGINE

ITEM	PART NUMBER	QTY	DESCRIPTION	REV
50	1001141745	1	Deutz TCD2.9L4 Engine Sub-Assembly (See DEUTZ TCD2.9L4 ENGINE SUB-ASSEMBLY - WITH SAUER PUMPS (WITH COLD WEATHER PLUS PACKAGE) for Breakdown)	
51	1320022	3	Clamp	
52	1001145842	1	Plate, Clamping	
53	1001131542	1	Lanyard	
54	0641708	1	Bolt 7/16 x 1	
55	3311705	1	Nut 7/16	
56	4711700	2	Washer 7/16	
57	1001165101	1	Bracket, Fuel Pump/Filter Assembly (See FUEL PUMP/FILTER BRACKET ASSEMBLY (DEUTZ TCD2.9L4 ENGINE) for Breakdown)	
58	3520054	1	Plug, Hole	

SECTION 3 - ENGINE

FIGURE 3-25. DEUTZ TCD2.9L4 ENGINE SUB-ASSEMBLY - WITH SAUER PUMPS (WITH COLD WEATHER PLUS PACKAGE)



ART_1001141745

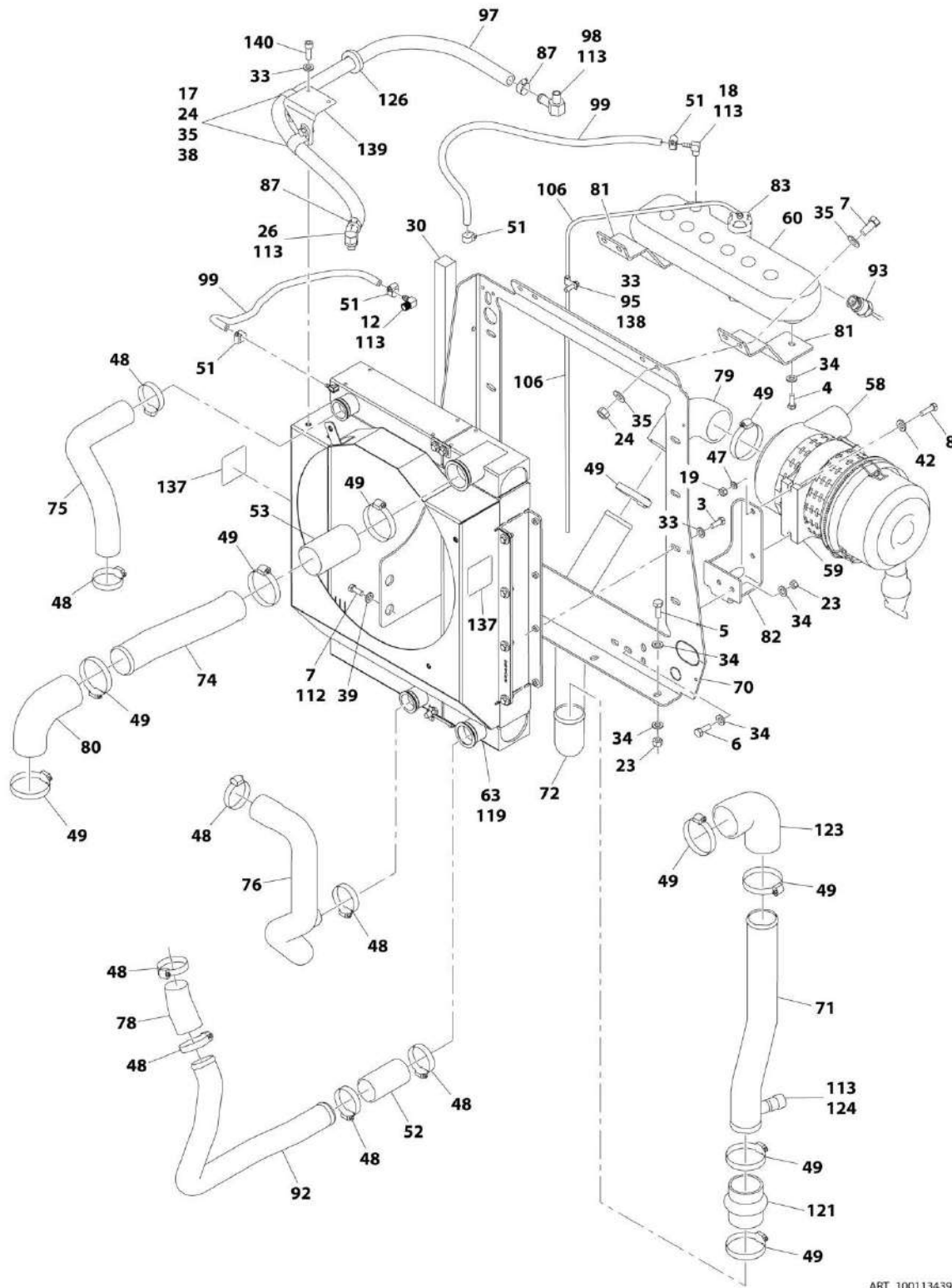
SECTION 3 - ENGINE

FIGURE 3-25. DEUTZ TCD2.9L4 ENGINE SUB-ASSEMBLY - WITH SAUER PUMPS (WITH COLD WEATHER PLUS PACKAGE)

ITEM	PART NUMBER	QTY	DESCRIPTION	REV
	1001141745	Ref	DEUTZ TCD2.9L4 ENGINE SUB-ASSEMBLY - WITH SAUER PUMPS (WITH COLD WEATHER PLUS PACKAGE)	Y
1	0641608	2	Bolt 3/8 x 1	
2	0641812	2	Bolt 1/2 x 1-1/2	
3	0761215	2	Bolt M12 x 35	
4	3020037	AR	Grease, Pump Coupling	
5	3790152	1	O-Ring	
6	3790155	1	O-Ring	
8	4891600	2	Washer 3/8	
9	4891800	4	Washer 1/2	
10	1001108616	1	Pump Assembly (Sauer Tandem) (See PUMP ASSEMBLY (SAUER TANDEM) for Breakdown)	
11	1001171095	1	Pump Assembly (Sauer Piston) (See PUMP ASSEMBLY (SAUER PISTON) for Breakdown)	
12	1001112927	1	Pump Assembly (Sauer Gear) (See PUMP ASSEMBLY (SAUER GEAR) for Breakdown)	
13	1001141746	1	Deutz TCD2.9L4 Engine Assembly (See DEUTZ TCD2.9L4 ENGINE ASSEMBLY – AND WITH COLD WEATHER PLUS PACKAGE for Breakdown)	
14	0100011	AR	Compound, Locking	

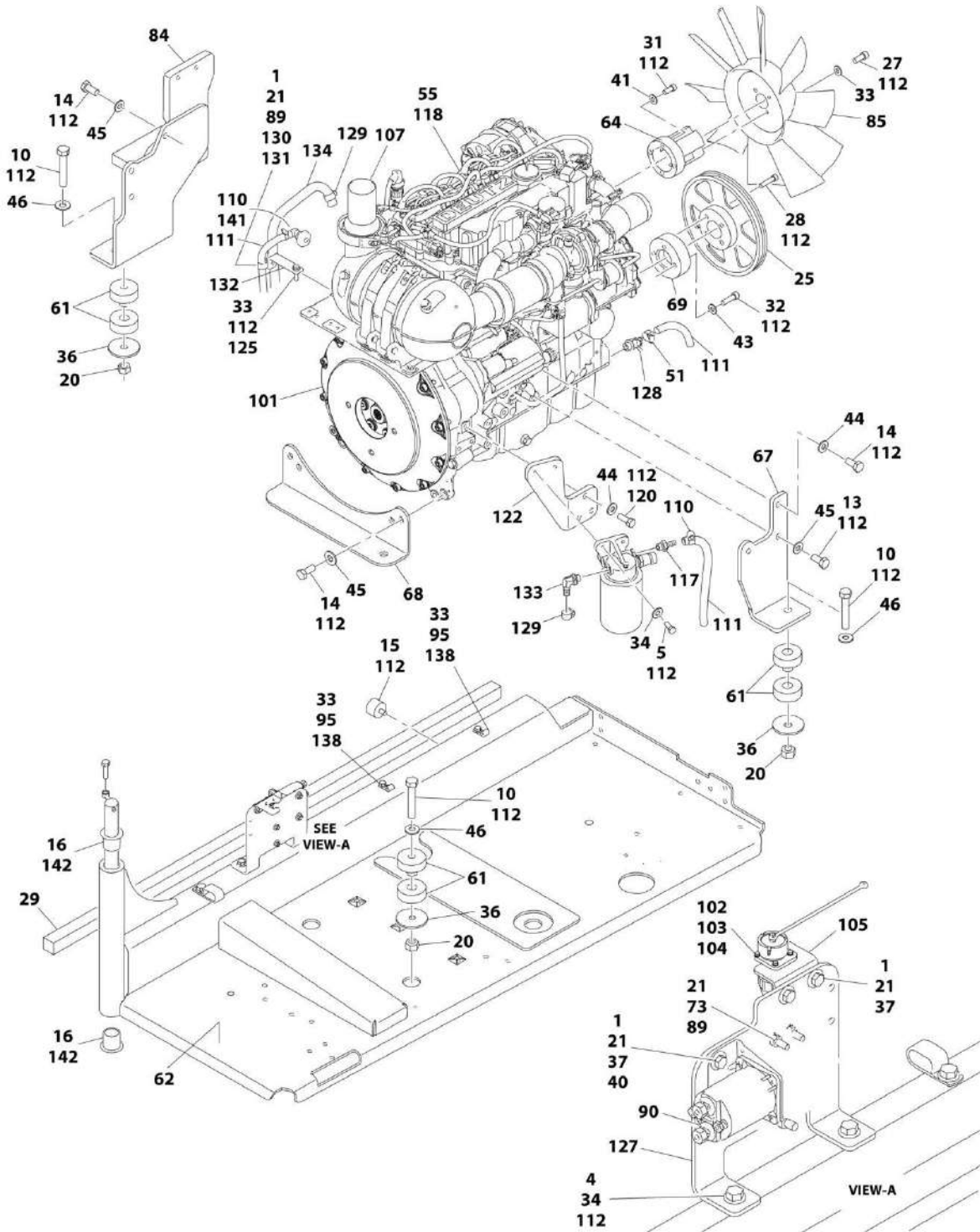
SECTION 3 - ENGINE

FIGURE 3-26. DEUTZ TCD2.9L4 ENGINE ASSEMBLY - WITHOUT COLD WEATHER PLUS PACKAGE



ART_1001134392_10F2

SECTION 3 - ENGINE



ART_1001134392_20F2

SECTION 3 - ENGINE

FIGURE 3-26. DEUTZ TCD2.9L4 ENGINE ASSEMBLY - WITHOUT COLD WEATHER PLUS PACKAGE

ITEM	PART NUMBER	QTY	DESCRIPTION	REV
	1001134392	Ref	DEUTZ TCD2.9L4 ENGINE ASSEMBLY - WITHOUT COLD WEATHER PLUS PACKAGE	AI
1	0641406	5	Bolt 1/4 x 3/4	
3	0641508	8	Bolt 5/16 x 1	
4	0641606	5	Bolt 3/8 x 3/4	
5	0641608	9	Bolt 3/8 x 1	
6	0641610	2	Bolt 3/8 x 1-1/4	
7	0641708	6	Bolt 7/16 x 1	
8	0700815	2	Bolt M8 x 35	
10	0682028	4	Bolt 5/8 x 3-1/2 Grade 8	
12	1001140564	1	Fitting, Elbow Barbed	
13	0771212	1	Bolt M12 x 25 Grade 10.9	
14	0771414	9	Bolt M14 x 30 Grade 10.9	
15	0940070	1	Bumper	
16	0961986	2	Bushing, Flanged	
17	0641706	2	Bolt 7/16 x 3/4	
18	1001134488	1	Fitting, Elbow Barbed	
19	3290801	2	Nut M8	
20	3272001	4	Nut 5/8 Grade 8	
21	3311405	6	Nut 1/4	
23	3311605	9	Nut 3/8	
24	3311705	5	Nut 7/16	
25	3580320	1	Pulley	
26	1001141719	1	Fitting, Elbow Barbed	
27	3931512	4	Capscrew 5/16 x 3/4	
28	3931628	4	Capscrew 3/8 x 1-3/4	
29	3960543	1	Seal	
30	3960544	1	Seal	
31	4031914	4	Bolt M8 x 50	
32	4032014	4	Bolt M10 x 50	
33	4711500	19	Washer 5/16	
34	4711600	25	Washer 3/8	
35	4711700	10	Washer 7/16	
36	1001146219	4	Washer Special	
37	4751400	8	Washer 1/4	
38	8406302	2	Clamp	
39	4751700	2	Washer 7/16	
40	4791400	2	Washer, Star 1/4	
41	4811900	4	Washer M8	
42	4811902	2	Washer M8	
43	4812000	4	Washer M10	
44	4812100	4	Washer M12	
45	4812200	9	Washer M14	
46	4892000	4	Washer 5/8	
47	4831900	2	Washer M8	
48	8405201	8	Clamp	
49	8405204	10	Clamp	
51	8410013	5	Clamp	
52	91563070	1	Coupling, Rubber	
53	1001114495	1	Hose	

SECTION 3 - ENGINE

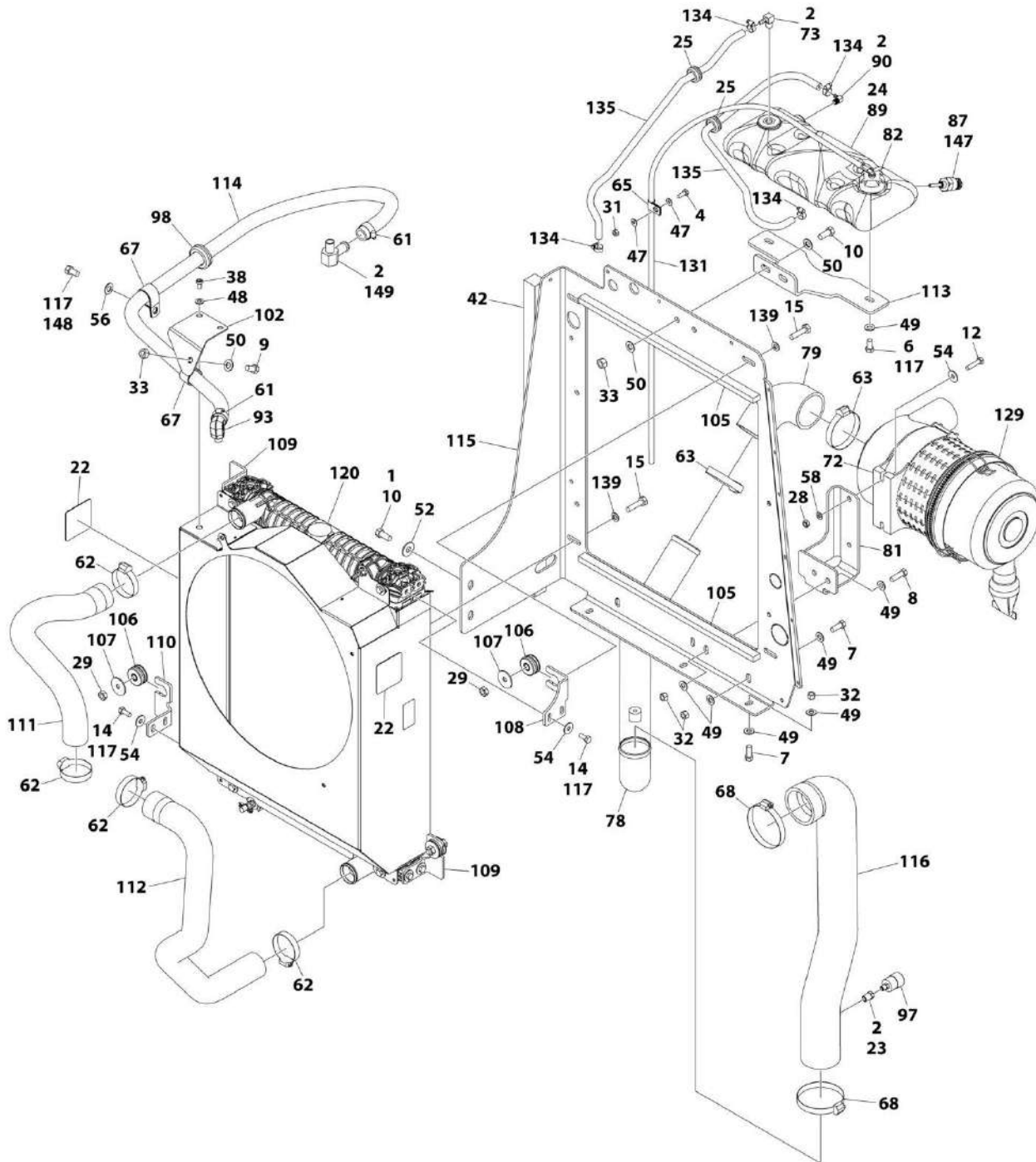
ITEM	PART NUMBER	QTY	DESCRIPTION	REV
55	1001128947	1	Engine Components - Deutz TCD2.9L4 Engine (See ENGINE COMPONENTS - DEUTZ TCD2.9L4 ENGINE for Breakdown)	
58	1001133633	1	Air Cleaner Assembly	
58	70024190	1	Element, Air Filter	
59	1001133634	1	Clamp	
60	1001166393	1	Tank, Surge	
61	1001155575	4	Mount, Motor	
62	1001134485	NLA	Tray (Use p/n 1001191272) (SN 0300209000 through 0300230067)	
62	1001191272	1	Tray (SN 0300230068 to Present)	
63	1001135090	1	Radiator	
64	1001135138	1	Spacer, Fan	
67	1001135560	1	Support, Engine	
68	1001135562	1	Support, Engine - Rear	
69	1001135679	1	Spacer, Pulley	
70	1001135680	1	Support, Radiator	
71	1001135901	1	Pipe, Air Intake	
72	1001135903	1	Pipe, Air Intake	
73	3931432	1	Capscrew 1/4 x 2	
74	1001135914	1	Pipe, Air Cleaner to Intake	
75	1001135924	1	Hose, Radiator (Upper)	
76	1001135926	1	Hose, Radiator (Lower)	
78	1001135943	1	Coupling, Rubber	
79	1001135946	1	Elbow, Rubber	
80	1001136292	1	Pipe, Elbow	
81	1001136626	2	Bracket	
82	1001136665	1	Bracket	
83	1001136834	1	Cap, Tank	
84	1001142398	1	Support, Engine	
85	1001137276	1	Fan	
87	8405007	2	Clamp	
89	4711400	3	Washer 1/4	
90	1001117308	1	Relay	
92	1001135913	1	Pipe, Turbo to Air Cleaner	
93	1001138827	1	Sensor, Coolant Level	
94	1001138228	1	Module, Power	
94	70023592	1	Fuse 20Amp	
94	70023593	1	Fuse 30Amp	
95	1001138253	5	Clamp	
96	1001138346	1	Harness, Engine (Not Shown - See ELECTRICAL SECTION for Breakdown)	
97	1001138524	1	Hose	
98	1001138559	1	Fitting, Elbow	
99	2720015	4.5 ft/ 1.4m	Hose	
101	2902065	1	Pump Coupling Kit (See PUMP COUPLING KIT for Breakdown)	
102	3310401	3	Nut #4	
103	3910408	3	Screw #4 x 1/2	
104	4710400	3	Washer #4	
105	1001139240	1	Bracket	
106	1001138248	4 ft/1.2m	Tubing	
107	1001153024	1	Pipe, Exhaust	

SECTION 3 - ENGINE

ITEM	PART NUMBER	QTY	DESCRIPTION	REV
110	1320022	2	Clamp	
111	1001165035	30.5 ft/ 9.3m	Hose	
112	0100011	AR	Compound, Locking	
113	0100020	AR	Sealant	
114	1001141304	1	Wire, Glow Plug (Not Shown)	
115	1001135779	1	Cable, Alternator Positive (Not Shown)	
117	1001141717	1	Fitting, Straight	
118	1001136079	2.4 gal/9L	Oil, Motor 15W-40	
119	2300004	3.2 gal/ 12.1L	Anti-freeze	
120	0761214	3	Bolt M12 x 30	
121	1001142637	1	Hose, Hump	
122	1001142685	1	Bracket	
123	1001165820	1	Pipe, Elbow	
124	1001143390	1	Indicator, Air Filter Service	
125	0760810	2	Bolt M8 x 20	
126	1001144089	1	Grommet	
127	1001145154	1	Plate, Mounting	
128	4640751	1	Valve, Oil Drain	
129	8405006	2	Clamp	
130	8406102	2	Clip	
131	8406112	1	Clip	
132	1001138717	1	Bracket	
133	1001142501	1	Fitting, Elbow Barbed	
134	1001154405	5 ft/1.5m	Hose	
135	1001148843	1	Harness, Fuel Filter (Not Shown - See ELECTRICAL SECTION for Breakdown)	
137	1703162	2	Decal - Fan	
138	0641503	3	Bolt 5/16 x 3/8	
139	1001153387	1	Plate	
140	3931508	2	Capscrew 5/16 x 1/2	
141	1001155823	1	Coupling	
142	0100062	AR	Adhesive, Loctite #680	
143	4240099	AR	Tie-Strap (Not Shown)	

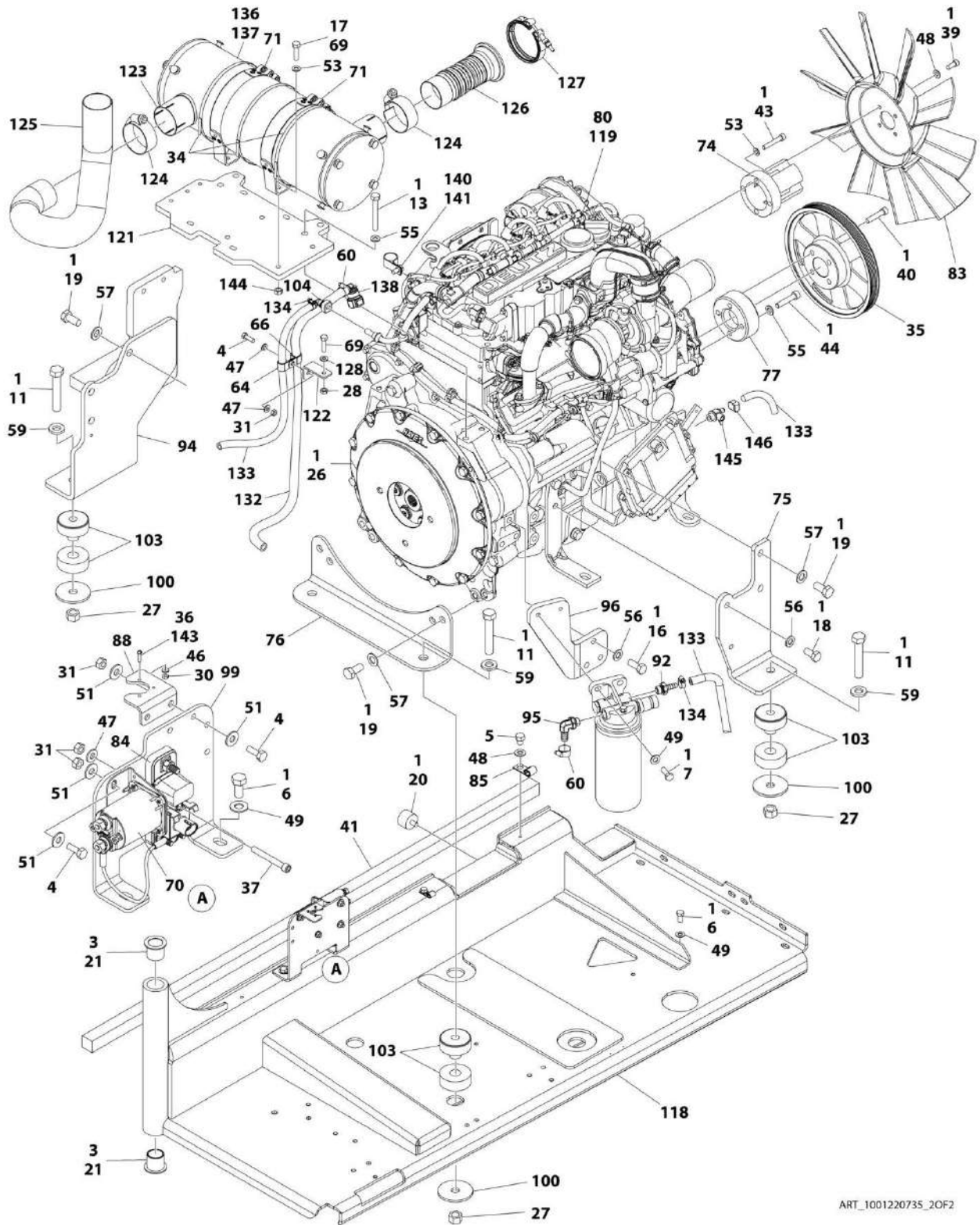
SECTION 3 - ENGINE

FIGURE 3-27. DEUTZ TCD2.9L4 ENGINE ASSEMBLY - WITHOUT COLD WEATHER PLUS PACKAGE (CHINA SPEC ONLY)



ART_1001220735_10F2

SECTION 3 - ENGINE



ART_1001220735_20F2

SECTION 3 - ENGINE

FIGURE 3-27. DEUTZ TCD2.9L4 ENGINE ASSEMBLY - WITHOUT COLD WEATHER PLUS PACKAGE (CHINA SPEC ONLY)

ITEM	PART NUMBER	QTY	DESCRIPTION	REV
	1001220735	Ref	DEUTZ TCD2.9L4 ENGINE ASSEMBLY - WITHOUT COLD WEATHER PLUS PACKAGE (CHINA SPEC ONLY)	I
1	0100011	AR	Compound, Locking	
2	0100020	AR	Sealant	
3	0100062	AR	Adhesive, Loctite #680	
4	0641406	7	Bolt 1/4 x 3/4	
5	0641503	2	Bolt 5/16 x 3/8	
6	0641606	5	Bolt 3/8 x 3/4	
7	0641608	7	Bolt 3/8 x 1	
8	0641610	2	Bolt 3/8 x 1-1/4	
9	0641706	AR	Bolt 7/16 x 3/4	
10	0641708	4	Bolt 7/16 x 1	
11	0682028	4	Bolt 5/8 x 3-1/2 Grade 8	
12	0700815	2	Bolt M8 x 35	
13	0701024	4	Bolt M10 x 80	
14	0760810	8	Bolt M8 x 20	
15	0761016	4	Bolt M10 x 40	
16	0761214	3	Bolt M12 x 30	
17	0770814	4	Bolt M8 x 30 (SN 0300209000 through 0300227047)	
18	0771212	1	Bolt M12 x 25 Grade 10.9	
19	0771414	9	Bolt M14 x 30 Grade 10.9	
20	0940070	1	Bumper	
21	0961986	2	Bushing, Flanged	
22	1703162	2	Decal - Fan	
23	2220273	1	Fitting, Reducer	
24	2300004	3.2 gal/ 12.1L	Anti-freeze	
25	2540038	2	Grommet	
26	2902065	1	Pump Coupling Kit (See PUMP COUPLING KIT for Breakdown)	
27	3272001	4	Nut 5/8 Grade 8	
28	3290801	AR	Nut M8	
29	3291001	4	Nut M10	
29	3291007	4	Nut M10	
30	3310401	3	Nut #4	
31	3311405	8	Nut 1/4	
32	3311605	7	Nut 3/8	
33	3311705	3	Nut 7/16	
34	1001137336	AR	Strap	
35	3580320	1	Pulley	
36	3910408	3	Screw #4 x 1/2	
37	3931432	1	Capscrew 1/4 x 2	
38	3931508	2	Capscrew 5/16 x 1/2	
38	4031907	2	Capscrew M8 x 16	
39	3931512	4	Capscrew 5/16 x 3/4	
40	3931628	4	Capscrew 3/8 x 1-3/4	
41	3960543	1	Seal	
42	3960544	1	Seal	
43	4031914	4	Bolt M8 x 50	
44	4032014	4	Bolt M10 x 50	

SECTION 3 - ENGINE

ITEM	PART NUMBER	QTY	DESCRIPTION	REV
45	4240099	AR	Tie-Strap (Not Shown)	
46	4710400	3	Washer #4	
47	4711400	7	Washer 1/4	
48	4711500	AR	Washer 5/16	
49	4711600	21	Washer 3/8	
50	4711700	6	Washer 7/16	
51	4751400	8	Washer 1/4	
52	4751700	2	Washer 7/16	
53	4811900	AR	Washer M8	
54	4811902	10	Washer M8	
55	4812000	AR	Washer M10	
56	4812100	AR	Washer M12	
57	4812200	9	Washer M14	
58	4831900	2	Washer M8 (SN 0300209000 through 0300227047)	
59	4892000	4	Washer 5/8	
60	8405006	2	Clamp	
61	8405007	2	Clamp	
62	8405201	4	Clamp	
63	8405204	2	Clamp	
64	8406102	1	Clip	
65	8406110	2	Clip (SN 0300209000 through 0300227047)	
65	8406109	2	Clip (SN 0300227048 to Present)	
66	8406112	1	Clip	
67	8406302	2	Clamp	
68	8410011	2	Clamp	
69	0760814001	AR	Bolt M8 x 30	
69	0760814	AR	Bolt M8 x 30	
70	1001117308	1	Relay	
71	1001119727	2	Clamp	
72	1001133634	1	Clamp	
73	1001134488	1	Fitting, Elbow Barbed	
74	1001135138	1	Spacer, Fan	
75	1001135560	1	Support, Engine	
76	1001135562	1	Support, Engine - Rear	
77	1001135679	1	Spacer, Pulley	
78	1001135903	1	Pipe, Air Intake	
79	1001135946	1	Elbow, Rubber	
80	1001136079	2.4 gal/9L	Oil, Motor 15W-40	
80	1001136172	2.4 gal/9L	Oil, Motor	
81	1001136665	1	Bracket	
82	1001136834	1	Cap, Tank	
83	1001137276	1	Fan	
84	1001138228	1	Module, Power	
84	70023592	1	Fuse 20Amp	
84	70023593	1	Fuse 30Amp	
85	1001138253	2	Clamp	
86	1001138346	1	Harness, Engine (Not Shown - See ELECTRICAL SECTION for Breakdown)	
87	1001138827	1	Sensor, Coolant Level	
88	1001139240	1	Bracket	
89	1001140535	1	Tank (SN 0300209000 through 0300239674)	
89	1001166393	1	Tank, Surge (SN 0300239675 to Present)	

SECTION 3 - ENGINE

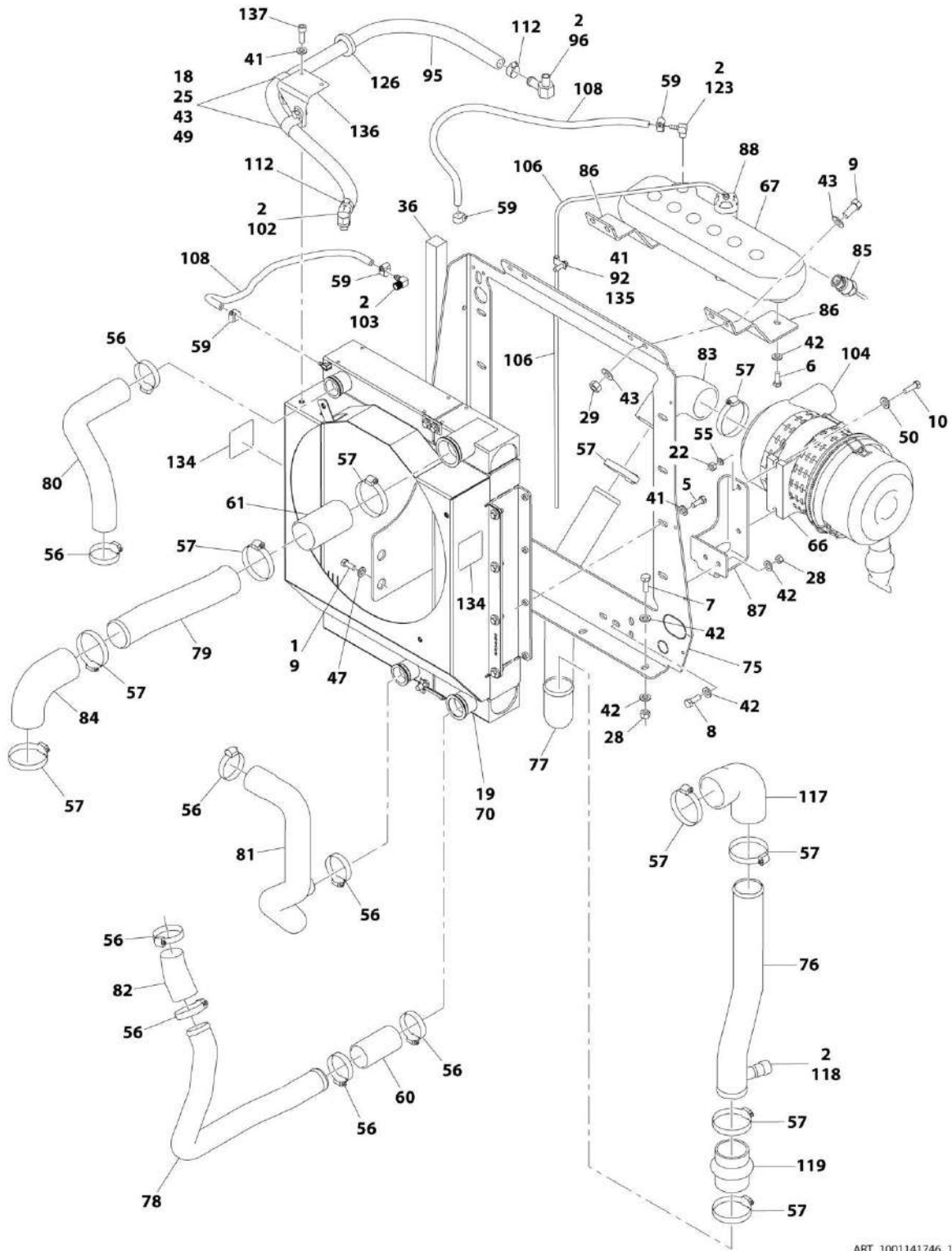
ITEM	PART NUMBER	QTY	DESCRIPTION	REV
90	1001140564	1	Fitting, Elbow Barbed	
91	1001141304	1	Wire, Glow Plug (Not Shown)	
92	1001141717	1	Fitting, Straight	
93	1001141719	1	Fitting, Elbow Barbed	
94	1001142398	1	Support, Engine	
95	1001142501	1	Fitting, Elbow Barbed	
96	1001142685	1	Bracket	
97	1001143390	1	Indicator, Air Filter Service	
98	1001144089	1	Grommet	
99	1001145154	1	Plate, Mounting	
100	1001146219	4	Washer Special	
101	1001148843	1	Harness, Fuel Filter (Not Shown - See ELECTRICAL SECTION for Breakdown)	
102	1001153387	1	Plate (SN 0300209000 through 0300239674)	
102	1001229600	1	Plate (SN 0300239675 to Present)	
103	1001155575	4	Mount, Motor	
104	1001155823	1	Coupling	
105	1001168166	2	Seal	
106	1001169054	4	Isolator	
107	1001169138	4	Washer, Snubbing	
108	1001170035	1	Bracket	
109	1001176329	2	Bracket	
110	1001176330	1	Bracket	
111	1001176415	1	Hose, Radiator (Upper)	
112	1001176416	1	Hose, Radiator (Lower)	
113	1001176940	1	Bracket (SN 0300209000 through 0300239674)	
113	1001229599	1	Bracket (SN 0300239675 to Present)	
114	1001177094	1	Hose (SN 0300209000 through 0300239674)	
114	1001138524	1	Hose (SN 0300239675 to Present)	
115	1001178236	1	Bracket	
116	1001178894	1	Hose	
117	1001180620	AR	Adhesive	
118	1001187011	1	Tray	
119	1001219642	1	Engine Components - Deutz TCD2.9L4 Engine (See ENGINE COMPONENTS - DEUTZ TCD2.9L4 ENGINE (CHINA SPEC ONLY) for Breakdown)	
120	1001220770	1	Radiator	
121	1001221203	1	Bracket	
122	1001221205	1	Bracket	
123	1001221207	1	Muffler	
124	1001221212	2	Clamp	
125	1001221213	1	Pipe, Exhaust	
126	1001221217	1	Pipe, Flex	
127	1001221219	1	Clamp	
128	4811900001	1	Washer M8	
128	4811900	1	Washer M8	
129	1001133633	1	Air Cleaner Assembly	
129	70024190	1	Element, Air Filter	
130	1001135779	1	Cable, Alternator Positive (Not Shown)	
131	1001138248	4 ft/ 1.2m	Tubing	
132	1001154405	5 ft/ 1.5m	Hose	

SECTION 3 - ENGINE

ITEM	PART NUMBER	QTY	DESCRIPTION	REV
133	1001165035	30.5 ft/ 9.3m	Hose	
134	1320022	6	Clamp	
135	2720015	5 ft/ 1.52m	Hose	
136	1001221427	1	Muffler-Wrap	
137	4920385	AR	Wire, Safety (SN 0300227048 to Present)	
138	1001170982	1	Adapter (SN 0300227048 to Present)	
139	4812000	4	Washer M10	
139	4812002	4	Washer M10	
140	1320130	1	Clamp	
141	5250808	1	Bolt M8 x 16	
142	3290805	2	Nut M8	
143	0100035	AR	Compound, Locking	
144	3290807	4	Nut M8 (SN 0300239675 to Present)	
145	4640751	1	Valve, Oil Drain (SN 0300239675 to Present)	
146	8410013	1	Clamp (SN 0300239675 to Present)	
147	1001182997	AR	Adhesive (SN 0300239675 to Present)	
148	0761210	1	Bolt M12 x 20 (SN 0300239675 to Present)	
149	1001138559	1	Fitting, Elbow (SN 0300239675 to Present)	

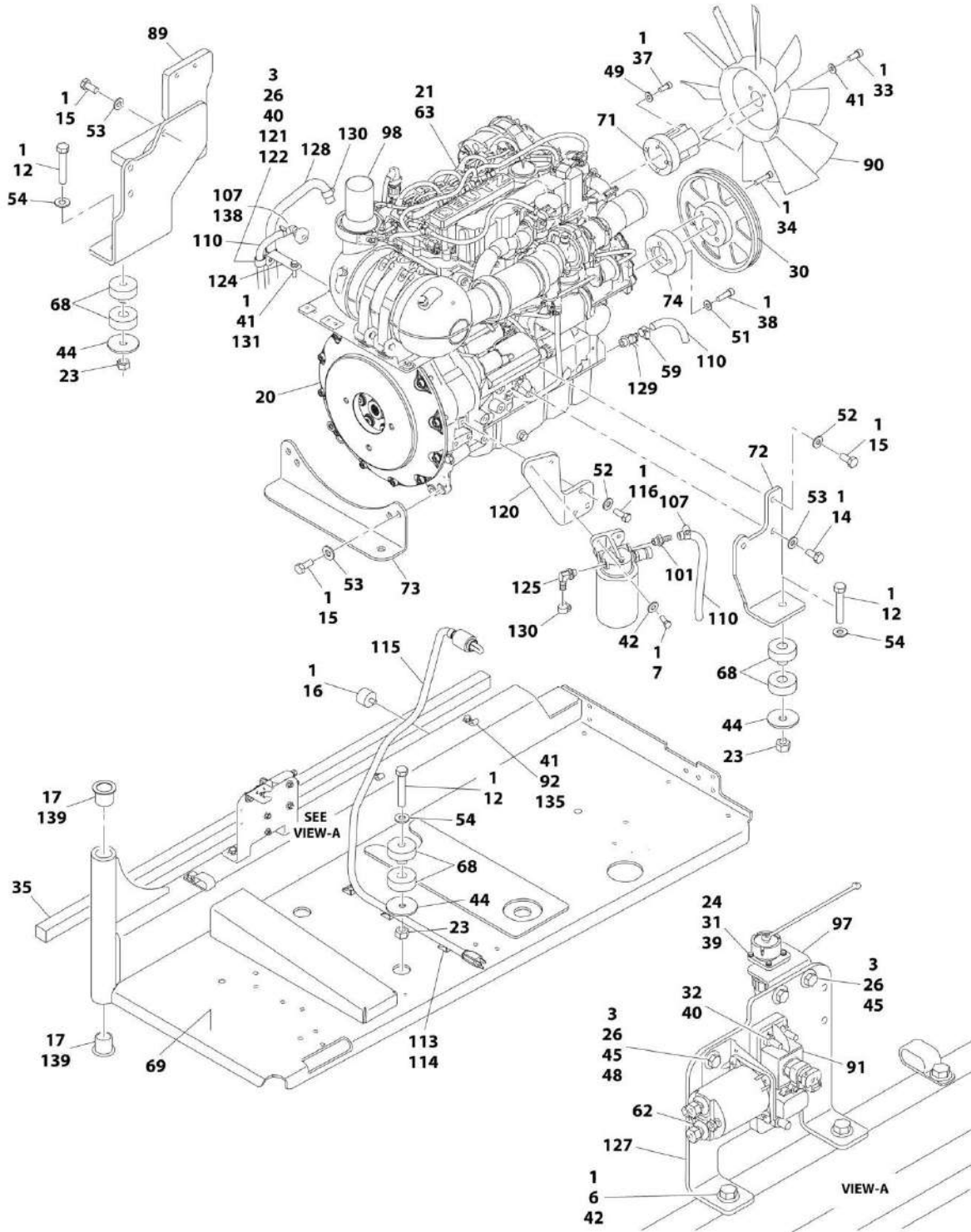
SECTION 3 - ENGINE

FIGURE 3-28. DEUTZ TCD2.9L4 ENGINE ASSEMBLY - WITH COLD WEATHER PLUS PACKAGE



ART_1001141746_10F2

SECTION 3 - ENGINE



ART_1001141746_2OF2

SECTION 3 - ENGINE

FIGURE 3-28. DEUTZ TCD2.9L4 ENGINE ASSEMBLY - WITH COLD WEATHER PLUS PACKAGE

ITEM	PART NUMBER	QTY	DESCRIPTION	REV
	1001141746	Ref	DEUTZ TCD2.9L4 ENGINE ASSEMBLY - WITH COLD WEATHER PLUS PACKAGE	AG
1	0100011	AR	Compound, Locking	
2	0100020	AR	Sealant	
3	0641406	5	Bolt 1/4 x 3/4	
5	0641508	8	Bolt 5/16 x 1	
6	0641606	5	Bolt 3/8 x 3/4	
7	0641608	9	Bolt 3/8 x 1	
8	0641610	2	Bolt 3/8 x 1-1/4	
9	0641708	6	Bolt 7/16 x 1	
10	0700815	2	Bolt M8 x 35	
12	0682028	4	Bolt 5/8 x 3-1/2 Grade 8	
14	0771212	1	Bolt M12 x 25 Grade 10.9	
15	0771414	9	Bolt M14 x 30 Grade 10.9	
16	0940070	1	Bumper	
17	0961986	2	Bushing, Flanged	
18	0641706	2	Bolt 7/16 x 3/4	
19	2300041	3.2 gal/ 12.1L	Anti-freeze	
20	2902065	1	Pump Coupling Kit (See PUMP COUPLING KIT for Breakdown)	
21	1001136172	2.4 gal/9L	Oil, Motor 5W-40	
22	3290801	2	Nut M8	
23	3272001	4	Nut 5/8 Grade 8	
24	3310401	3	Nut #4	
25	8406302	2	Clamp	
26	3311405	6	Nut 1/4	
28	3311605	9	Nut 3/8	
29	3311705	5	Nut 7/16	
30	3580320	1	Pulley	
31	3910408	3	Screw #4 x 1/2	
32	3931432	1	Capscrew 1/4 x 2	
33	3931512	4	Capscrew 5/16 x 3/4	
34	3931628	4	Capscrew 3/8 x 1-3/4	
35	3960543	1	Seal	
36	3960544	1	Seal	
37	4031914	4	Bolt M8 x 50	
38	4032014	4	Bolt M10 x 50	
39	4710400	3	Washer #4	
40	4711400	3	Washer 1/4	
41	4711500	19	Washer 5/16	
42	4711600	25	Washer 3/8	
43	4711700	10	Washer 7/16	
44	1001146219	4	Washer Special	
45	4751400	8	Washer 1/4	
47	4751700	2	Washer 7/16	
48	4791400	2	Washer, Star 1/4	
49	4811900	4	Washer M8	
50	4811902	2	Washer M8	
51	4812000	4	Washer M10	
52	4812100	4	Washer M12	

SECTION 3 - ENGINE

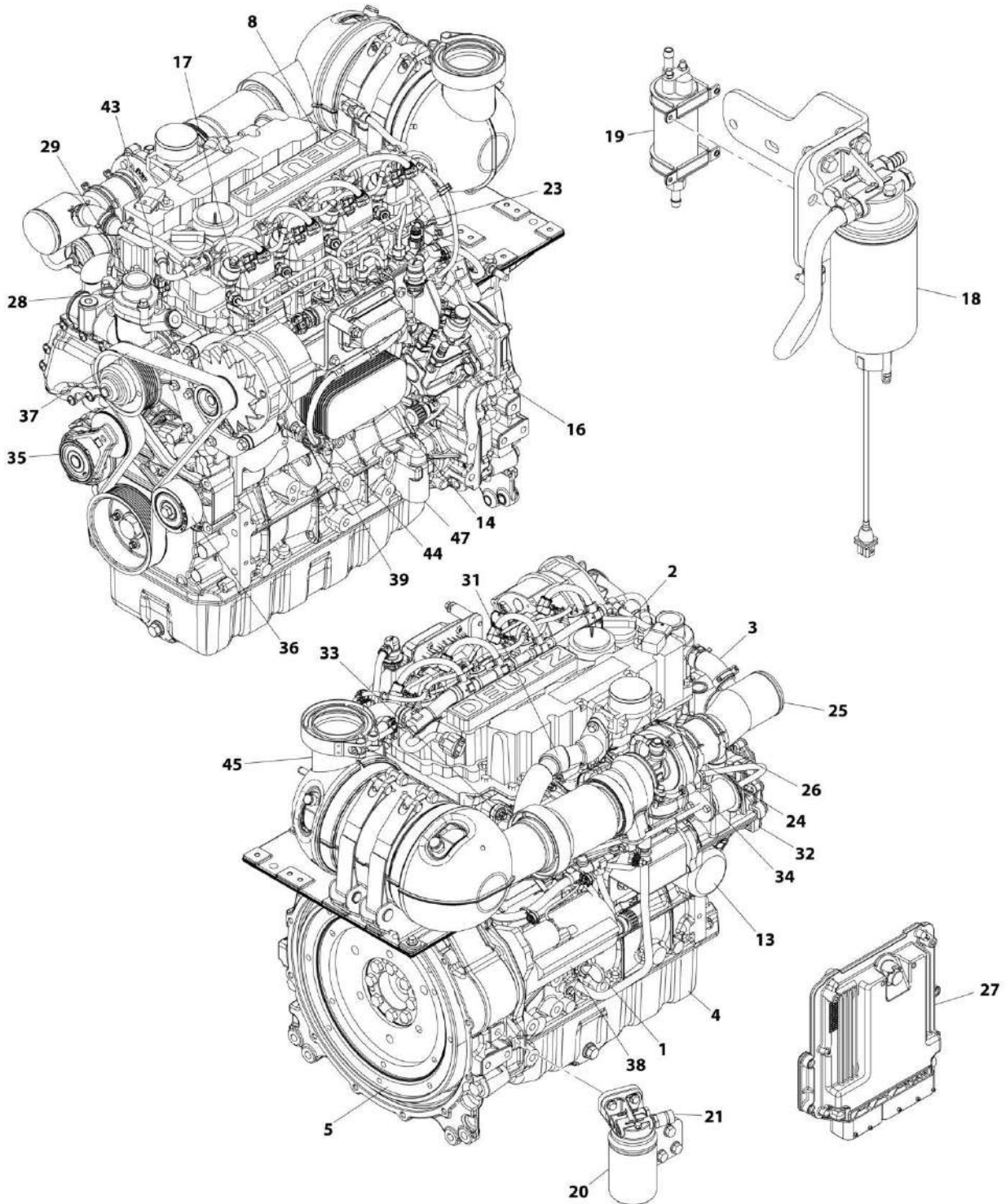
ITEM	PART NUMBER	QTY	DESCRIPTION	REV
53	4812200	9	Washer M14	
54	4892000	4	Washer 5/8	
55	4831900	2	Washer M8	
56	8405201	8	Clamp	
57	8405204	10	Clamp	
59	8410013	5	Clamp	
60	91563070	1	Coupling, Rubber	
61	1001114495	1	Hose	
62	1001117308	1	Relay	
63	1001128947	1	Engine Components - Deutz TCD2.9L4 Engine (See ENGINE COMPONENTS - DEUTZ TCD2.9L4 ENGINE for Breakdown)	
66	1001133634	1	Clamp	
67	1001166393	1	Tank, Surge	
68	1001155575	4	Mount, Motor	
69	1001134485	NLA	Tray (Use p/n 1001191272) (SN 0300209000 through 0300230067)	
69	1001191272	1	Tray (SN 0300230068 to Present)	
70	1001135090	1	Radiator	
71	1001135138	1	Spacer, Fan	
72	1001135560	1	Support, Engine	
73	1001135562	1	Support, Engine - Rear	
74	1001135679	1	Spacer, Pulley	
75	1001135680	1	Support, Radiator	
76	1001135901	1	Pipe, Air Intake	
77	1001135903	1	Pipe, Air Intake	
78	1001135913	1	Pipe, Turbo to Air Cleaner	
79	1001135914	1	Pipe, Air Cleaner to Intake	
80	1001135924	1	Hose, Radiator (Upper)	
81	1001135926	1	Hose, Radiator (Lower)	
82	1001135943	1	Coupling, Rubber	
83	1001135946	1	Elbow, Rubber	
84	1001136292	1	Pipe, Elbow	
85	1001138827	1	Sensor, Coolant Level	
86	1001136626	2	Bracket	
87	1001136665	1	Bracket	
88	1001136834	1	Cap, Tank	
89	1001142398	1	Support, Engine	
90	1001137276	1	Fan	
91	1001138228	1	Module, Power	
91	70023592	1	Fuse 20Amp	
91	70023593	1	Fuse 30Amp	
92	1001138253	5	Clamp	
94	1001138346	1	Harness, Engine (Not Shown - See ELECTRICAL SECTION for Breakdown)	
95	1001138524	1	Hose	
96	1001138559	1	Fitting, Elbow	
97	1001139240	1	Bracket	
98	1001153024	1	Pipe, Exhaust	
100	1001141304	1	Wire, Glow Plug (Not Shown)	
101	1001141717	1	Fitting, Straight	
102	1001141719	1	Fitting, Elbow Barbed	
103	1001140564	1	Fitting, Elbow Barbed	

SECTION 3 - ENGINE

ITEM	PART NUMBER	QTY	DESCRIPTION	REV
104	1001133633	1	Air Cleaner Assembly	
104	70024190	1	Element, Air Filter	
105	1001135779	1	Cable, Alternator Positive (Not Shown)	
106	1001138248	4 ft/ 1.2m	Tubing	
107	1320022	2	Clamp	
108	2720015	4.5 ft/ 1.4m	Hose	
110	1001165035	30.5 ft/ 9.3m	Hose	
112	8405007	2	Clamp	
113	4240099	AR	Tie-Strap	
114	4460234	3	Mount, Wire Tie	
115	1001140312	1	Heater, Block	
116	0761214	3	Bolt M12 x 30	
117	1001165820	1	Pipe, Elbow	
118	1001143390	1	Indicator, Air Filter Service	
119	1001142637	1	Hose, Hump	
120	1001142685	1	Bracket	
121	8406102	2	Clip	
122	8406112	1	Clip	
123	1001134488	1	Fitting, Elbow Barbed	
124	1001138717	1	Bracket	
125	1001142501	1	Fitting, Elbow Barbed	
126	1001144089	1	Grommet	
127	1001145154	1	Plate, Mounting	
128	1001154405	5 ft/ 1.5m	Hose	
129	4640751	1	Valve, Oil Drain	
130	8405006	2	Clamp	
131	0760810	2	Bolt M8 x 20	
132	1001148843	1	Harness, Fuel Filter (Not Shown - See ELECTRICAL SECTION for Breakdown)	
134	1703162	2	Decal - Fan	
135	0641503	3	Bolt 5/16 x 3/8	
136	1001153387	1	Plate	
137	3931508	2	Capscrew 5/16 x 1/2	
138	1001155823	1	Coupling	
139	0100062	AR	Adhesive, Loctite #680	
140	1001181895	AR	Adhesive, Loctite #640 (Not Shown - Apply to Block Heater)	

SECTION 3 - ENGINE

FIGURE 3-29. ENGINE COMPONENTS - DEUTZ TCD2.9L4 ENGINE



ART_1001128947

SECTION 3 - ENGINE

FIGURE 3-29. ENGINE COMPONENTS - DEUTZ TCD2.9L4 ENGINE

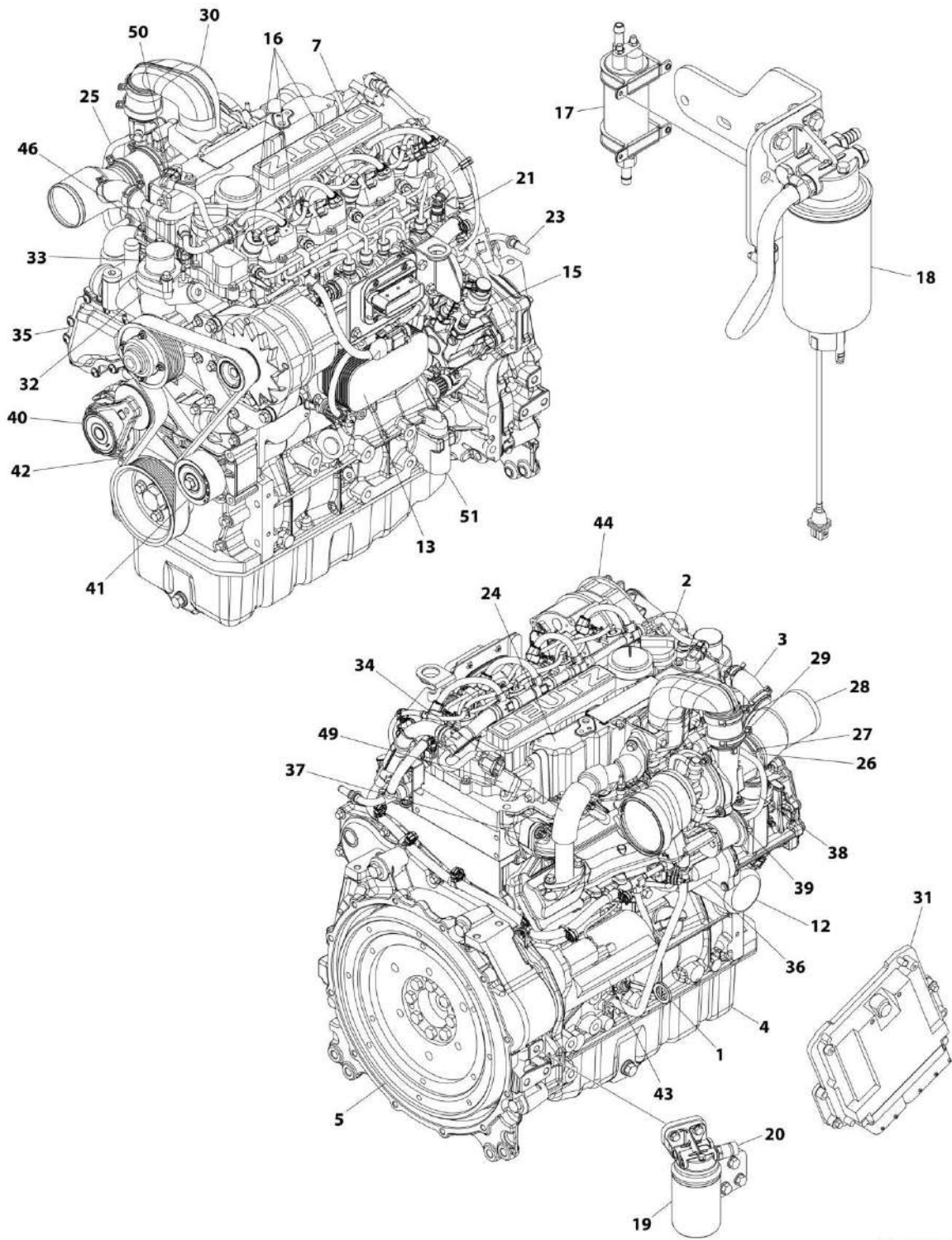
ITEM	PART NUMBER	QTY	DESCRIPTION	REV
	1001128947	Ref	ENGINE COMPONENTS - DEUTZ TCD2.9L4 ENGINE	K
1	70024904	1	Dipstick	
1	70024905	1	O-Ring	
2	7020465	2	Cap, Filler	
3	70025111	2	Clamp	
4	70025162	1	Pan, Oil	
4	70025088	2	Plug	
4	7020404	2	Washer, Sealing	
5	70001870	1	Flywheel	
5	7024579	1	Gear, Ring	
6	70024906	1	Gasket, Head (Not Shown)	
7	70025204	1	Shield, Heat (Not Shown)	
8	70025163	1	Cover, Valve	
8	70025205	1	Gasket	
8	70025206	1	Gasket, Small Valve Cover	
8	70025207	1	Gasket, Large Valve Cover	
8	70025208	1	Gasket	
9	70025076	1	Valve (Not Shown - Located on Right Side of Front Engine Cover)	
9	70025176	1	Spring	
9	70025082	1	Ring, Sealing	
9	70025091	1	Plug	
10	70025190	1	Cover, Front (Not Shown - Located on Front of Engine)	
10	70024907	1	Gasket, Front Cover	
10	70004280	1	Seal, Shaft - Front	
11	70002718	1	Seal, Shaft - Rear (Not Shown)	
12	70025202	1	Pump, Oil Lube (Not Shown)	
12	70025135	1	O-Ring	
12	70025136	1	Gasket	
13	7016331	1	Filter, Oil	
13	70025137	1	Bushing	
14	70004275	1	Cooler, Engine Oil (Not Shown - Located on Right Side)	
14	70024925	1	Gasket	
15	70025171	1	Oil Suction Pump (Not Shown - Located Inside of Engine Oil Pan)	
16	70024924	1	Pump, Fuel (Not Shown - Located on Right Side)	
16	70025152	1	O-Ring	
16	70025080	1	Washer	
16	70024488	1	Spacer	
16	70024517	1	O-Ring	
17	70025181	4	Injector, Fuel (Not Shown - Located on Right Side)	
17	70025140	4	Washer, Sealing	
17	70025146	4	Clamp (Top of Injector)	
17	70025145	4	O-Ring	
17	70025154	4	Shoe, Clamping	
17	70000345	1	Plug, Glow (Not Shown)	
17	70025231	1	Harness, Glow Plug (Not Shown)	
18	70024961	1	Fuel Filter Assembly	
18	70025153	1	Filter, Fuel	
18	70024513	1	Cable, Sensor	
18	70025239	1	Ring, Sealing	
19	70024486	1	Pump, Fuel	

SECTION 3 - ENGINE

ITEM	PART NUMBER	QTY	DESCRIPTION	REV
19	70025144	2	Clamp	
20	70025160	1	Filter with Head	
20	70025161	1	Filter, Fuel	
21	70024504	1	Sensor, Pressure	
21	70024920	1	O-Ring	
21	70025103	1	Retainer	
22	70025151	1	Rail, Fuel (Not Shown)	
22	70025235	1	Repair Kit	
23	70025182	1	Fuel Line - High Pressure (Cylinder 1 & 2) (Not Shown)	
23	70025183	1	Fuel Line - High Pressure (Cylinder 3 & 4) (Not Shown)	
23	70025184	1	Fuel Line - High Pressure (Supply) (Not Shown)	
24	70004501	1	Sleeve, Rubber	
25	70004502	1	Pipe, Intake	
26	70025112	2	Clamp	
27	70025210	1	ECU (Engine Control Unit)	
28	70024910	1	Pump, Water	
28	70025200	1	Ring, Sealing	
28	70025084	2	Plug	
28	7020492	2	Ring, Sealing	
29	70024473	1	Thermostat	
29	70025143	1	O-Ring	
29	70025142	1	Cover, Thermostat	
30	70025177	1	Pipe (Not Shown - Located on Left Side)	
30	70025179	2	Gasket	
31	70025178	1	Pipe	
31	70025156	1	Valve, Shuttle	
31	70025179	2	Gasket	
31	70025180	1	Gasket	
32	70025203	1	Module, EGR	
32	70025155	1	Plug	
33	70004282	1	Manifold, Exhaust (Not Shown)	
33	70025164	1	Gasket, Exhaust Manifold to Head	
34	70004503	1	Turbocharger	
34	70024912	1	Gasket, Exhaust Manifold	
35	70025477	1	Tensioner, Belt (Not Shown - Located on Front of Engine)	
36	70024484	1	Idler Roller (Not Shown - Located on Front of Engine)	
37	70004277	1	Belt, Drive (Not Shown)	
38	70024915	1	Starter	
39	70025533	1	Generator	
39	70025149	1	Regulator, Voltage	
40	70004284	1	Harness, Engine (Not Shown)	
41	70024507	1	Sensor, Pressure (Not Shown - Located Top Rear)	
41	70025120	1	O-Ring	
42	70024503	1	Sensor, Speed (Not Shown - Located Left Side Front and Flywheel Housing)	
42	70024917	1	O-Ring	
43	70024918	1	Sender, Temperature (Not Shown - Located Top Front)	
44	70024919	1	Sensor, Pressure (Not Shown - Located on Right Side)	
44	70024920	1	O-Ring	
45	70005445	1	Outlet, Muffler	
46	70004279	1	Gasket Kit (Not Shown)	
47	70025660	1	Screw	

SECTION 3 - ENGINE

FIGURE 3-30. ENGINE COMPONENTS - DEUTZ TCD2.9L4 ENGINE (CHINA SPEC ONLY)



ART_1001219642

SECTION 3 - ENGINE

FIGURE 3-30. ENGINE COMPONENTS - DEUTZ TCD2.9L4 ENGINE (CHINA SPEC ONLY)

ITEM	PART NUMBER	QTY	DESCRIPTION	REV
	1001219642	Ref	ENGINE COMPONENTS - DEUTZ TCD2.9L4 ENGINE (CHINA SPEC ONLY)	C
1	70006127	1	Dipstick	
1	70024905	1	O-Ring	
2	7020465	2	Cap, Filler	
3	70005920	1	Hose	
3	70025111	2	Clamp	
4	70025162	1	Pan, Oil	
4	70005941	2	Plug	
4	70005942	2	Washer, Sealing	
5	70001870	1	Flywheel	
5	7024579	1	Gear, Ring	
6	70024906	1	Gasket, Head (Not Shown)	
7	70005921	1	Cover, Valve	
7	70025205	1	Gasket	
7	70005171	1	Gasket	
8	70025076	1	Valve (Not Shown - Located on Right Side of Front Engine Cover)	
8	70025176	1	Spring	
8	70025082	1	Ring, Sealing	
8	70025091	1	Plug	
9	70004280	1	Seal, Shaft - Front	
10	70002718	1	Seal, Shaft - Rear (Not Shown)	
11	70005172	1	Pump, Oil Lube (Not Shown)	
11	70025135	1	O-Ring	
11	70005173	1	Gasket	
12	7016331	1	Filter, Oil	
12	70025137	1	Bushing	
13	70024494	1	Cooler, Engine Oil (Not Shown - Located on Right Side)	
13	70024925	1	Gasket	
14	70025171	1	Oil Suction Pump (Not Shown - Located Inside of Engine Oil Pan)	
15	70024924	1	Pump, Fuel	
15	70025152	1	O-Ring	
15	70025080	1	Washer	
15	70024488	1	Spacer	
15	70024517	1	O-Ring	
16	70025181	4	Injector, Fuel (Not Shown - Located on Right Side)	
16	70025140	4	Washer, Sealing	
16	70025146	4	Clamp (Top of Injector)	
16	70025145	4	O-Ring	
16	70025154	4	Shoe, Clamping	
16	70000345	1	Plug, Glow (Not Shown)	
16	70025231	1	Harness, Glow Plug (Not Shown)	
17	70005174	NLA	Pump, Fuel (Use p/n 1001226098)	
17	70025144	2	Clamp	
18	70024961	1	Fuel Filter Assembly	
18	70025153	1	Filter, Fuel	
18	70024513	1	Cable, Sensor	
18	70025239	1	Ring, Sealing	
19	70004511	1	Filter with Head	
19	70004512	1	Filter, Fuel	

SECTION 3 - ENGINE

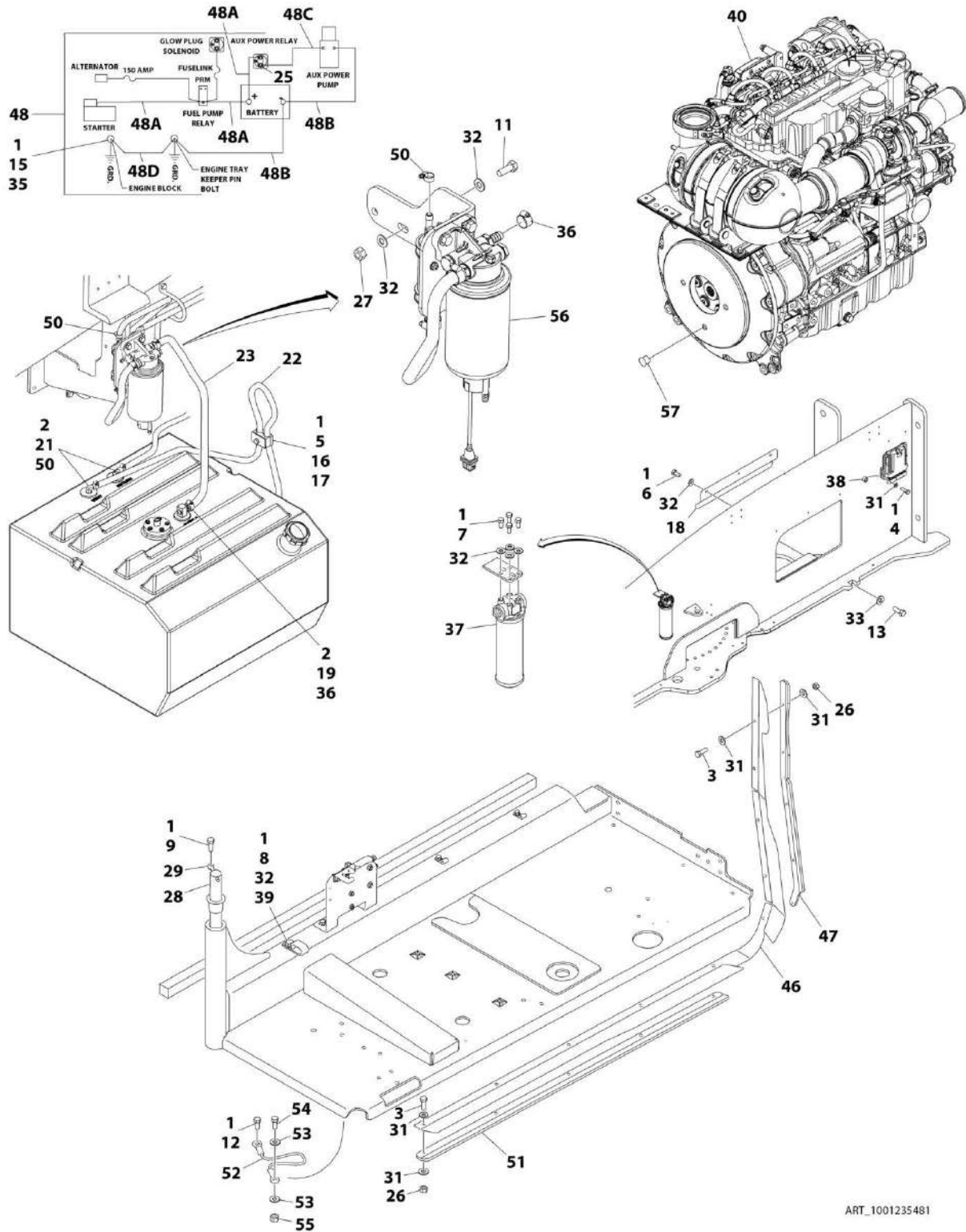
ITEM	PART NUMBER	QTY	DESCRIPTION	REV
20	70024504	1	Sensor, Pressure	
20	70024920	1	O-Ring	
21	70025151	1	Rail, Fuel	
21	70025235	1	Repair Kit	
21	70025240	1	O-Ring	
22	70025182	1	Fuel Line - High Pressure (Cylinder 1 & 2) (Not Shown)	
22	70025183	1	Fuel Line - High Pressure (Cylinder 3 & 4) (Not Shown)	
22	70025184	1	Fuel Line - High Pressure (Supply) (Not Shown)	
23	70025158	1	Manifold, Fuel	
23	70025109	2	Clamp	
23	70025115	1	Clamp	
23	70025133	1	Hose	
23	70024502	1	Pipe	
23	70025185	1	Hose	
23	70025101	2	Clamp	
24	70005923	1	Charge Air Pipe	
24	70005924	1	O-Ring	
24	70005177	1	Gasket	
25	70005925	1	Breather Line	
25	70005181	1	O-Ring	
26	70004501	1	Sleeve, Rubber	
27	70025112	2	Clamp	
28	70005926	1	Elbow Connector	
29	70005927	1	Sleeve, Rubber	
29	70025107	2	Clamp	
30	70005928	1	Charge Air Elbow	
31	70025210	1	ECU (Engine Control Unit)	
32	70024910	1	Pump, Water	
32	70025200	1	Ring, Sealing	
32	70025084	2	Plug	
32	7020492	2	Ring, Sealing	
33	70005929	1	Thermostat	
33	70005184	1	O-Ring	
33	70025142	1	Cover, Thermostat	
33	70025931	1	Gasket	
34	70025178	1	Pipe	
34	70025768	1	Valve, Shuttle	
34	70025179	2	Gasket	
34	70025180	1	Gasket	
35	70025203	1	Module, EGR (Includes Item 36)	
35	70025155	1	Plug	
36	70005188	1	Control Valve	
36	70005189	1	Seal	
37	70004282	1	Manifold, Exhaust	
37	70025164	1	Gasket, Exhaust Manifold to Head	
38	70026995	1	Pipe (Not Shown - Located on Left Side)	
38	70021895	2	Gasket	
39	70004276	1	Turbocharger	
39	70024912	1	Gasket, Exhaust Manifold	
39	70024509	1	Gasket, Return Line	
40	70025477	1	Tensioner, Belt	

SECTION 3 - ENGINE

ITEM	PART NUMBER	QTY	DESCRIPTION	REV
41	70024484	1	Idler Roller	
42	70004277	1	Belt, Drive	
43	70024915	1	Starter	
43	70005647	1	Switch, Solenoid	
43	70005648	1	Relay	
44	70025533	1	Generator	
44	70025149	1	Regulator, Voltage	
45	70025077	1	Harness, Engine (Not Shown)	
46	70024918	1	Sender, Temperature	
47	70024504	1	Sensor, Pressure (Not Shown - Located on Right Side)	
47	70024920	1	O-Ring	
48	70026210	2	Sensor, Speed (Not Shown - Located Left Side Front and Flywheel Housing)	
48	70005191	2	O-Ring	
49	70024507	1	Sensor, Pressure (Not Shown - Located Top Rear)	
49	70025120	1	O-Ring	
50	70024922	1	Temperature, Transmitter	
50	70035212	1	O-Ring	
51	70025660	1	Screw	

SECTION 3 - ENGINE

FIGURE 3-31. DEUTZ TCD2.9L4 DIESEL ENGINE (STAGE V) INSTALLATION - WITH SAUER PUMPS (WITHOUT COLD WEATHER PLUS PACKAGE)



ART_1001235481

SECTION 3 - ENGINE

**FIGURE 3-31. DEUTZ TCD2.9L4 DIESEL ENGINE (STAGE V) INSTALLATION - WITH SAUER PUMPS
(WITHOUT COLD WEATHER PLUS PACKAGE)**

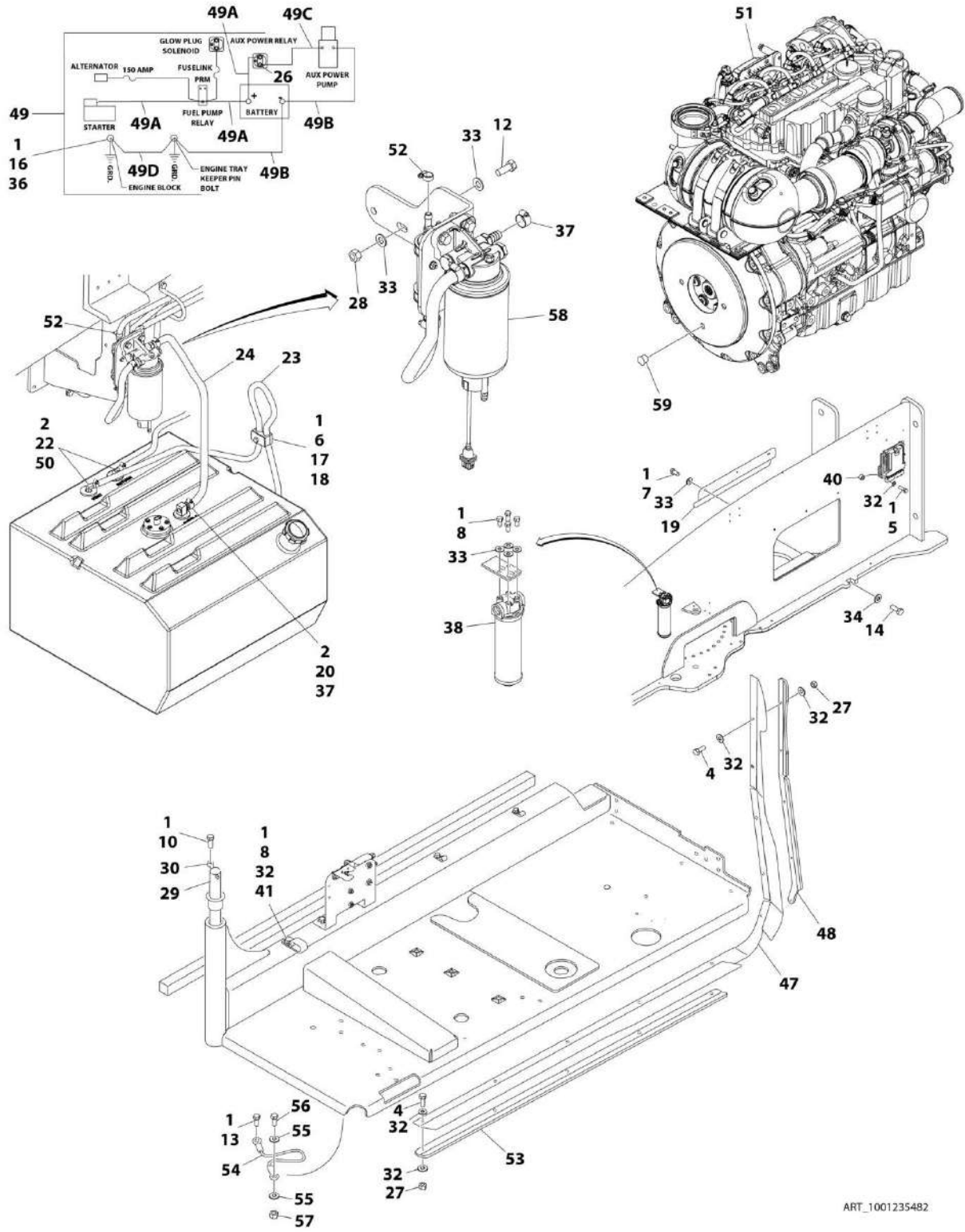
ITEM	PART NUMBER	QTY	DESCRIPTION	REV
	1001235481	Ref	DEUTZ TCD2.9L4 DIESEL ENGINE (STAGE V) INSTALLATION - WITH SAUER PUMPS (WITHOUT COLD WEATHER PLUS PACKAGE)	B
1	0100011	AR	Compound, Locking	
2	0100079	AR	Sealant, Pipe	
3	0641408	10	Bolt 1/4 x 1	
4	0641410	4	Bolt 1/4 x 1-1/4	
5	0641511	1	Bolt 5/16 x 1-3/8	
6	0641605	3	Bolt 3/8 x 5/8	
7	0641606	4	Bolt 3/8 x 3/4	
8	0641608	1	Bolt 3/8 x 1	
9	0641610	1	Bolt 3/8 x 1-1/4	
11	0641612	2	Bolt 3/8 x 1-1/2	
12	0641808	1	Bolt 1/2 x 1	
13	0642010	1	Bolt 5/8 x 1-1/4	
15	0761210	1	Bolt M12 x 20	
16	1320187	1	Clamp	
17	1320190	1	Cover, Clamp	
18	1671121	1	Cover	
19	2180832	1	Fitting, Barbed	
21	2220313	2	Fitting, 90 Barbed	
22	2750532	5 ft/ 1.5m	Hose	
23	1001154405	2 ft/ 0.6m	Hose	
25	3300220	2	Nut 5/16	
26	3311405	10	Nut 1/4	
27	3311605	2	Nut 3/8	
28	3422446	1	Pin, Pivot	
29	3841143	1	Pin, Keeper	
30	4240018	2	Strap, Tie (Not Shown)	
31	4711400	24	Washer 1/4	
32	4711600	12	Washer 3/8	
33	4752000	1	Washer 5/8	
35	4812100	1	Washer M12	
36	8405006	2	Clamp	
37	1001108617	1	Filter	
37	70002231	1	Element, Filter	
38	1001110425	4	Spacer	
39	1001116792	1	Clamp	
40	1001235476	1	Engine Sub-Assembly (See Separate Breakdown in this Section)	
42	1001138491	NLA	Harness, Fuel (Use p/n 1001222665) (Not Shown - See Separate Breakdown in ELECTRICAL SECTION)	
46	1001140604	1	Panel, Rubber	
47	1001145089	1	Clamp	
48	1001141225	1	Battery Cable Kit	E
48A	7027042	1	Cable, Battery (Red) (Battery + to Relays and Starter)	
48B	7027043	1	Cable, Battery (Black) (Battery - to Tray Pivot Grd and Aux Pump)	
48C	7027044	1	Cable (Red) (Aux Relay to Aux Pump)	
48D	7027045	1	Cable, Battery (Black) (Engine to Tray Pivot Grd)	
50	1320022	3	Clamp	

SECTION 3 - ENGINE

ITEM	PART NUMBER	QTY	DESCRIPTION	REV
51	1001145842	1	Plate, Clamping	
52	1001131542	1	Lanyard	
53	4711700	2	Washer 7/16	
54	0641708	1	Bolt 7/16 x 1	
55	3311705	1	Nut 7/16	
56	1001165101	1	Bracket, Fuel Pump Filter Assembly (See Separate Breakdown in this Section)	
57	3520054	1	Plug	
58	1001241835	1L	Fluid, Diesel Fuel Additive (Not Shown)	

SECTION 3 - ENGINE

FIGURE 3-32. DEUTZ TCD2.9L4 DIESEL ENGINE (STAGE V) INSTALLATION - WITH REXROTH PUMPS (WITHOUT COLD WEATHER PLUS PACKAGE)



ART_1001235482

SECTION 3 - ENGINE

FIGURE 3-32. DEUTZ TCD2.9L4 DIESEL ENGINE (STAGE V) INSTALLATION - WITH REXROTH PUMPS (WITHOUT COLD WEATHER PLUS PACKAGE)

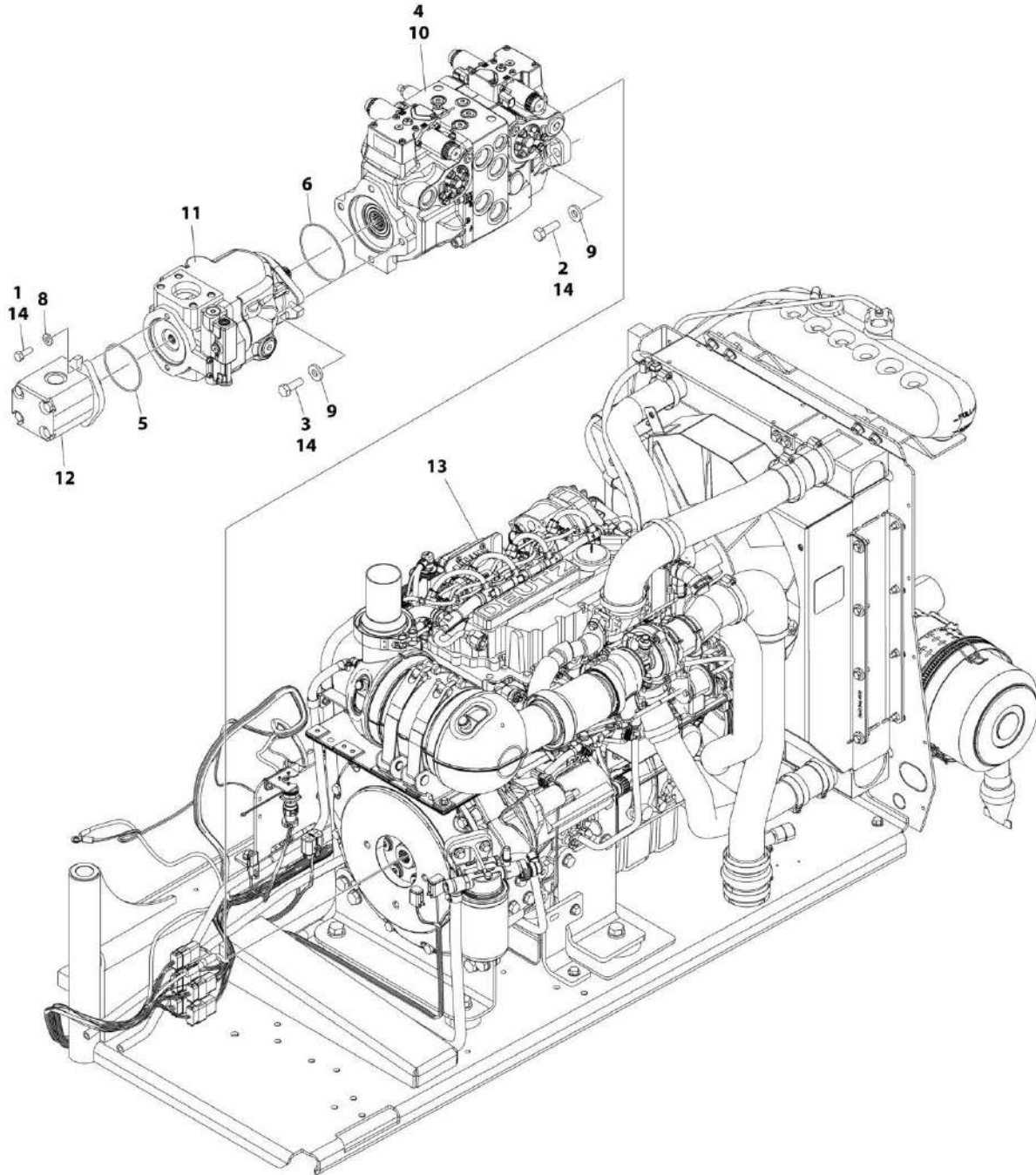
ITEM	PART NUMBER	QTY	DESCRIPTION	REV
	1001235482	Ref	DEUTZ TCD2.9L4 DIESEL ENGINE (STAGE V) INSTALLATION - WITH REXROTH PUMPS (WITHOUT COLD WEATHER PLUS PACKAGE)	B
1	0100011	AR	Compound, Locking	
2	0100079	AR	Sealant, Pipe	
4	0641408	10	Bolt 1/4 x 1	
5	0641410	4	Bolt 1/4 x 1-1/4	
6	0641511	1	Bolt 5/16 x 1-3/8	
7	0641605	3	Bolt 3/8 x 5/8	
8	0641606	4	Bolt 3/8 x 3/4	
9	0641608	1	Bolt 3/8 x 1	
10	0641610	1	Bolt 3/8 x 1-1/4	
12	0641612	2	Bolt 3/8 x 1-1/2	
13	0641808	1	Bolt 1/2 x 1	
14	0642010	1	Bolt 5/8 x 1-1/4	
16	0761210	1	Bolt M12 x 20	
17	1320187	1	Clamp	
18	1320190	1	Cover, Clamp	
19	1671121	1	Cover	
20	2180832	1	Fitting, Barbed	
22	2220313	2	Fitting, 90 Barbed	
23	2750532	5 ft/ 1.5m	Hose	
24	1001154405	2 ft/ 0.6m	Hose	
26	3300220	2	Nut 5/16	
27	3311405	10	Nut 1/4	
28	3311605	2	Nut 3/8	
29	3422446	1	Pin, Pivot	
30	3841143	1	Pin, Keeper	
31	4240018	2	Strap, Tie (Not Shown)	
32	4711400	24	Washer 1/4	
33	4711600	12	Washer 3/8	
34	4752000	1	Washer 5/8	
36	4812100	1	Washer M12	
37	8405006	2	Clamp	
38	1001108617	1	Filter	
38	70002231	1	Element, Filter	
40	1001110425	4	Spacer	
41	1001116792	1	Clamp	
43	1001138491	NLA	Harness, Fuel (Use p/n 1001222665) (Not Shown - See Separate Breakdown in ELECTRICAL SECTION)	
47	1001140604	1	Panel, Rubber	
48	1001145089	1	Clamp	
49	1001141225	1	Battery Cable Kit	
49A	7027042	1	Cable, Battery (Red) (Battery + to Relays and Starter)	
49B	7027043	1	Cable, Battery (Black) (Battery - to Tray Pivot Grd and Aux Pump)	
49C	7027044	1	Cable (Red) (Aux Relay to Aux Pump)	
49D	7027045	1	Cable, Battery (Black) (Engine to Tray Pivot Grd)	
51	1001235479	1	Engine Sub-Assembly (See Separate Breakdown in this Section)	
52	1320022	3	Clamp	

SECTION 3 - ENGINE

ITEM	PART NUMBER	QTY	DESCRIPTION	REV
53	1001145842	1	Plate, Clamping	
54	1001131542	1	Lanyard	
55	4711700	2	Washer 7/16	
56	0641708	1	Bolt 7/16 x 1	
57	3311705	1	Nut 7/16	
58	1001165101	1	Bracket, Fuel Pump Filter Assembly (See Separate Breakdown in this Section)	
59	3520054	1	Plug	
60	1001241835	1L	Fluid, Diesel Fuel Additive (Not Shown)	

SECTION 3 - ENGINE

FIGURE 3-33. DEUTZ TCD2.9L4 ENGINE (STAGE V) SUB-ASSEMBLY - WITH SAUER PUMP
(WITHOUT COLD WEATHER PLUS PACKAGE)



ART_1001235476

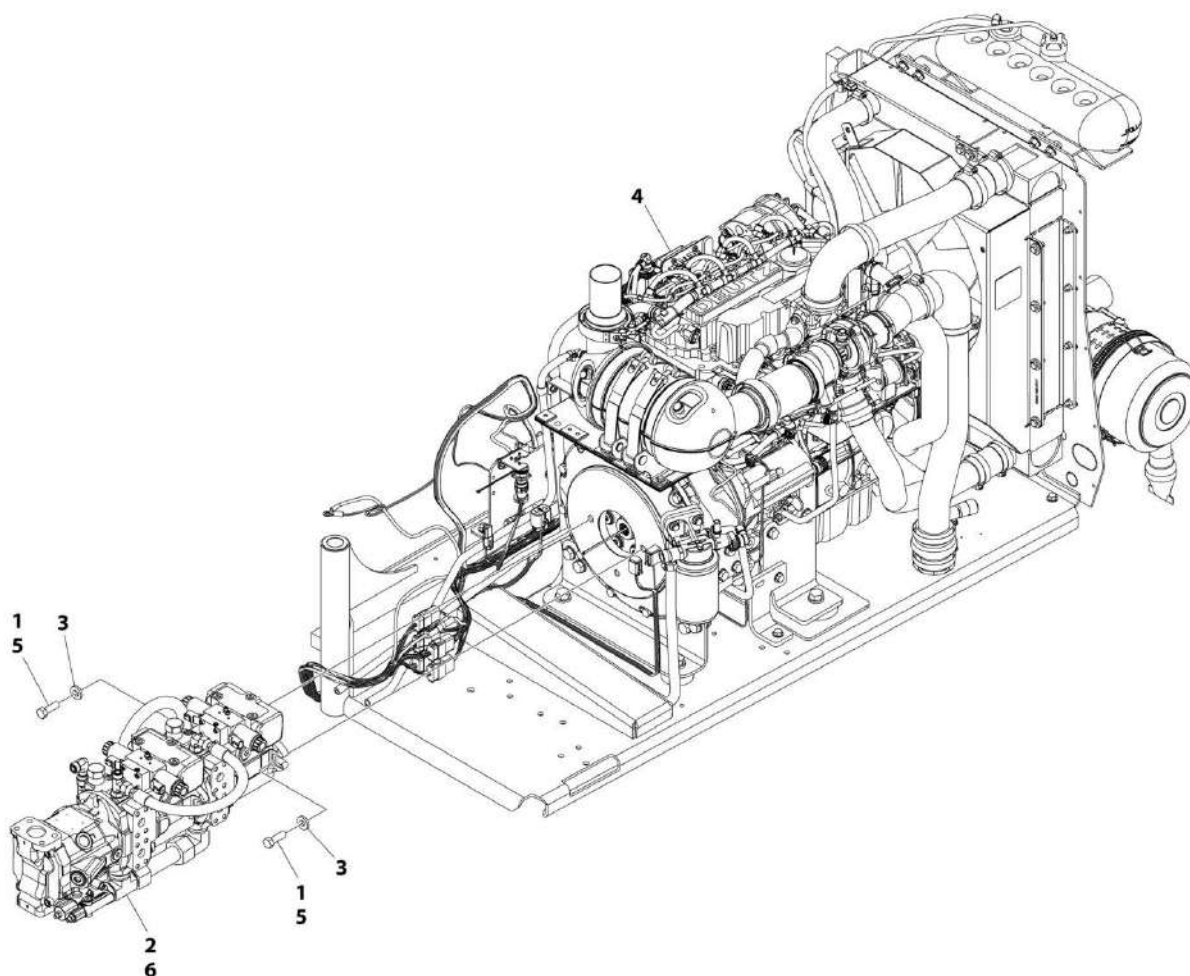
SECTION 3 - ENGINE

**FIGURE 3-33. DEUTZ TCD2.9L4 ENGINE (STAGE V) SUB-ASSEMBLY - WITH SAUER PUMP
(WITHOUT COLD WEATHER PLUS PACKAGE)**

ITEM	PART NUMBER	QTY	DESCRIPTION	REV
	1001235476	Ref	DEUTZ TCD2.9L4 ENGINE (STAGE V) SUB-ASSEMBLY - WITH SAUER PUMP (WITHOUT COLD WEATHER PLUS PACKAGE)	C
1	0641608	2	Bolt 3/8 x 1	
2	0641812	2	Bolt 1/2 x 1-1/2	
3	0761215	2	Bolt M12 x 35	
4	3020037	AR	Grease, Pump Coupling	
5	3790152	1	O-Ring	
6	3790155	1	O-Ring	
8	4891600	2	Washer 3/8	
9	4891800	4	Washer 1/2	
10	1001108616	1	Pump Assembly - Sauer Tandem (See Separate Breakdown in this Section)	
11	1001171095	1	Pump Assembly - Sauer Piston (See Separate Breakdown in this Section)	
12	1001112927	1	Pump Assembly - Sauer Gear (See Separate Breakdown in this Section)	
13	1001235477	1	Engine Assembly (See Separate Breakdown in this Section)	
14	0100011	AR	Compound, Locking	

SECTION 3 - ENGINE

FIGURE 3-34. DEUTZ TCD2.9L4 ENGINE (STAGE V) SUB-ASSEMBLY - WITH REXROTH PUMP
(WITHOUT COLD WEATHER PLUS PACKAGE)



ART_1001235479

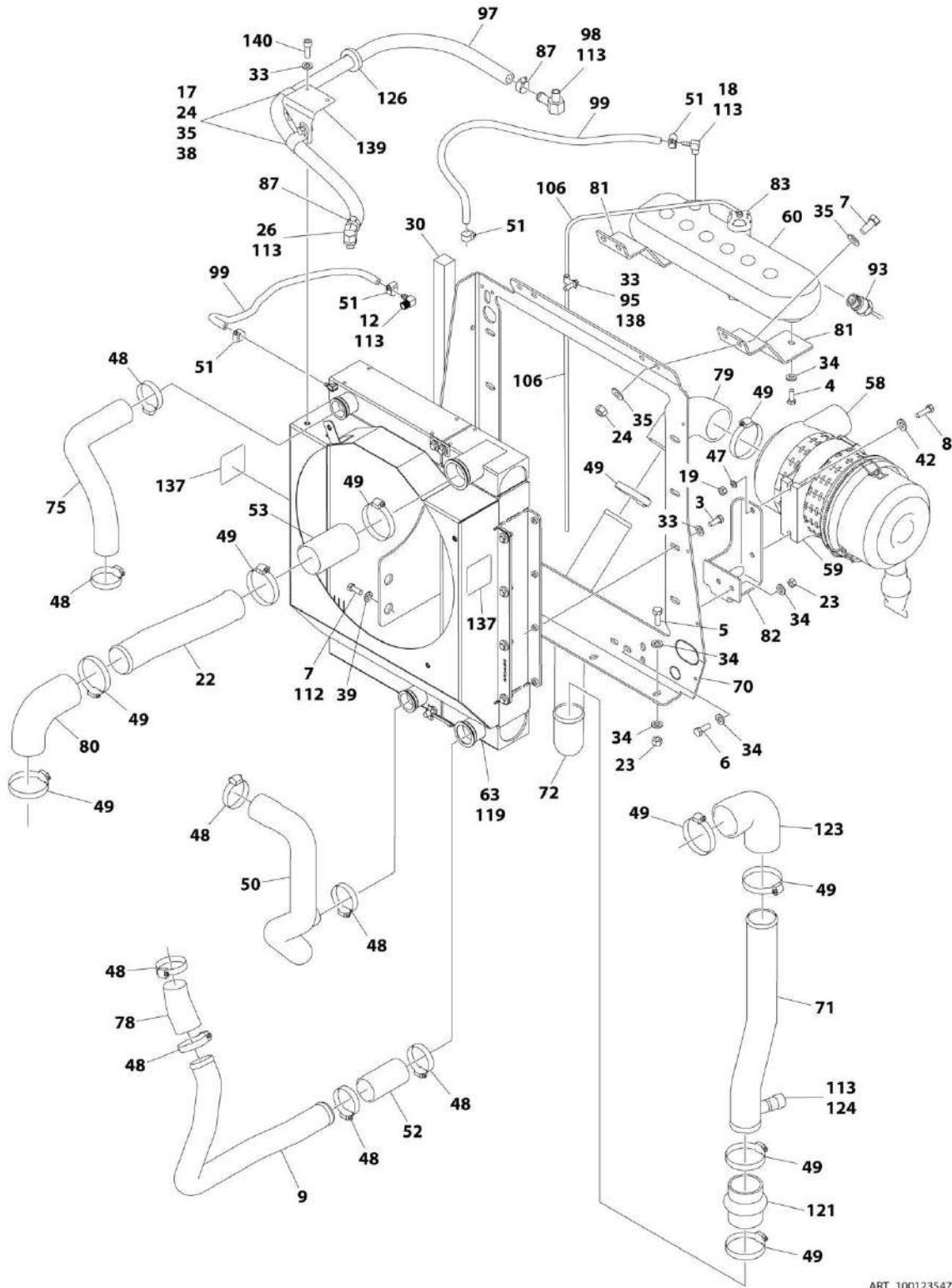
SECTION 3 - ENGINE

**FIGURE 3-34. DEUTZ TCD2.9L4 ENGINE (STAGE V) SUB-ASSEMBLY - WITH REXROTH PUMP
(WITHOUT COLD WEATHER PLUS PACKAGE)**

ITEM	PART NUMBER	QTY	DESCRIPTION	REV
	1001235479	Ref	DEUTZ TCD2.9L4 ENGINE (STAGE V) SUB-ASSEMBLY - WITH REXROTH PUMP (WITHOUT COLD WEATHER PLUS PACKAGE)	C
1	0641812	2	Bolt 1/2 x 1-1/2	
2	3020037	AR	Grease, Pump Coupling	
3	4891800	2	Washer 1/2	
4	1001235477	1	Engine Assembly (See Separate Breakdown in this Section)	
5	0100011	AR	Compound, Locking	
6	1001152963	1	Pump Assembly - Rexroth (See Separate Breakdown in this Section)	

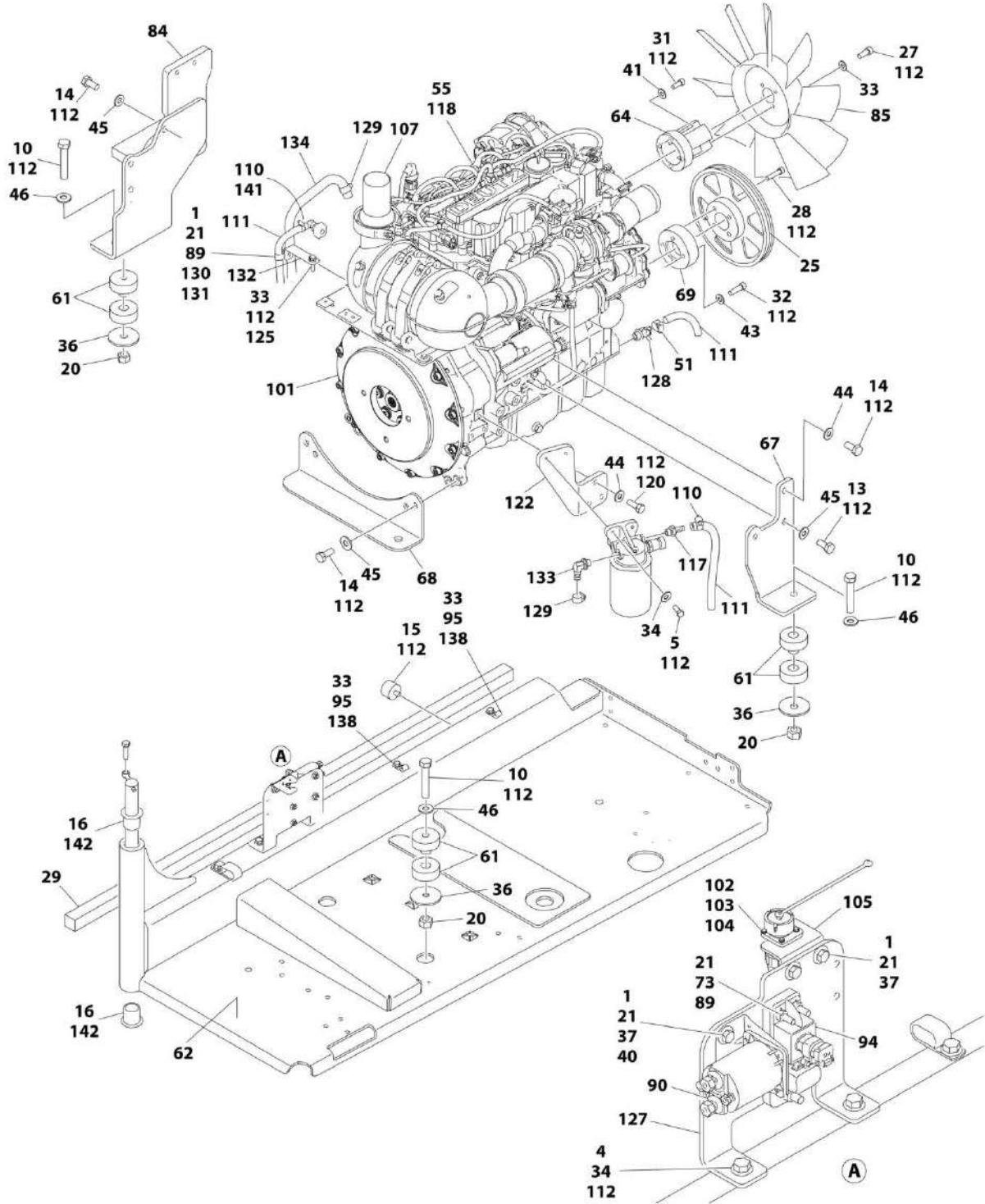
SECTION 3 - ENGINE

FIGURE 3-35. DEUTZ TCD2.9L4 ENGINE (STAGE V) ASSEMBLY (WITHOUT COLD WEATHER PLUS PACKAGE)



ART_1001235477_10F2

SECTION 3 - ENGINE



ART_1001235477_20F2

SECTION 3 - ENGINE

FIGURE 3-35. DEUTZ TCD2.9L4 ENGINE (STAGE V) ASSEMBLY (WITHOUT COLD WEATHER PLUS PACKAGE)

ITEM	PART NUMBER	QTY	DESCRIPTION	REV
	1001235477	Ref	DEUTZ TCD2.9L4 ENGINE (STAGE V) ASSEMBLY (WITHOUT COLD WEATHER PLUS PACKAGE)	C
1	0641406	5	Bolt 1/4 x 3/4	
3	0641508	8	Bolt 5/16 x 1	
4	0641606	5	Bolt 3/8 x 3/4	
5	0641608	9	Bolt 3/8 x 1	
6	0641610	2	Bolt 3/8 x 1-1/4	
7	0641708	6	Bolt 7/16 x 1	
8	0700815	2	Bolt M8 x 35	
9	1001135913	1	Pipe, Turbo to Air Cleaner	
10	0682028	4	Bolt 5/8 x 3-1/2 Grade 8	
12	1001140564	1	Fitting, 90 Barbed	
13	0771212	1	Bolt M12 x 25 Grade 10.9	
14	0771414	9	Bolt M14 x 30 Grade 10.9	
15	0940070	1	Bumper	
16	0961986	2	Bushing, Flanged	
17	0641706	2	Bolt 7/16 x 3/4	
18	1001134488	1	Fitting, 90 Barbed	
19	3290801	2	Nut M8	
20	3272001	4	Nut 5/8 Grade 8	
21	3311405	6	Nut 1/4	
22	1001135914	1	Pipe, Air Cleaner to Intake	
23	3311605	9	Nut 3/8	
24	3311705	5	Nut 7/16	
25	3580320	1	Pulley	
26	1001141719	1	Fitting, 90 Barbed	
27	3931512	4	Capscrew 5/16 x 3/4	
28	3931628	4	Capscrew 3/8 x 1-3/4	
29	3960543	1	Seal	
30	3960544	1	Seal	
31	4031914	4	Bolt M8 x 50	
32	4032014	4	Bolt M10 x 50	
33	4711500	19	Washer 5/16	
34	4711600	25	Washer 3/8	
35	4711700	10	Washer 7/16	
36	1001146219	4	Washer Special	
37	4751400	8	Washer 1/4	
38	8406302	2	Clamp	
39	4751700	2	Washer 7/16	
40	4791400	2	Starwasher 1/4	
41	4811900	4	Washer M8	
42	4811902	2	Washer M8	
43	4812000	4	Washer M10	
44	4812100	4	Washer M12	
45	4812200	9	Washer M14	
46	4892000	4	Washer 5/8	
47	4831900	2	Washer M8	
48	8405201	8	Clamp	
49	8405204	10	Clamp	

SECTION 3 - ENGINE

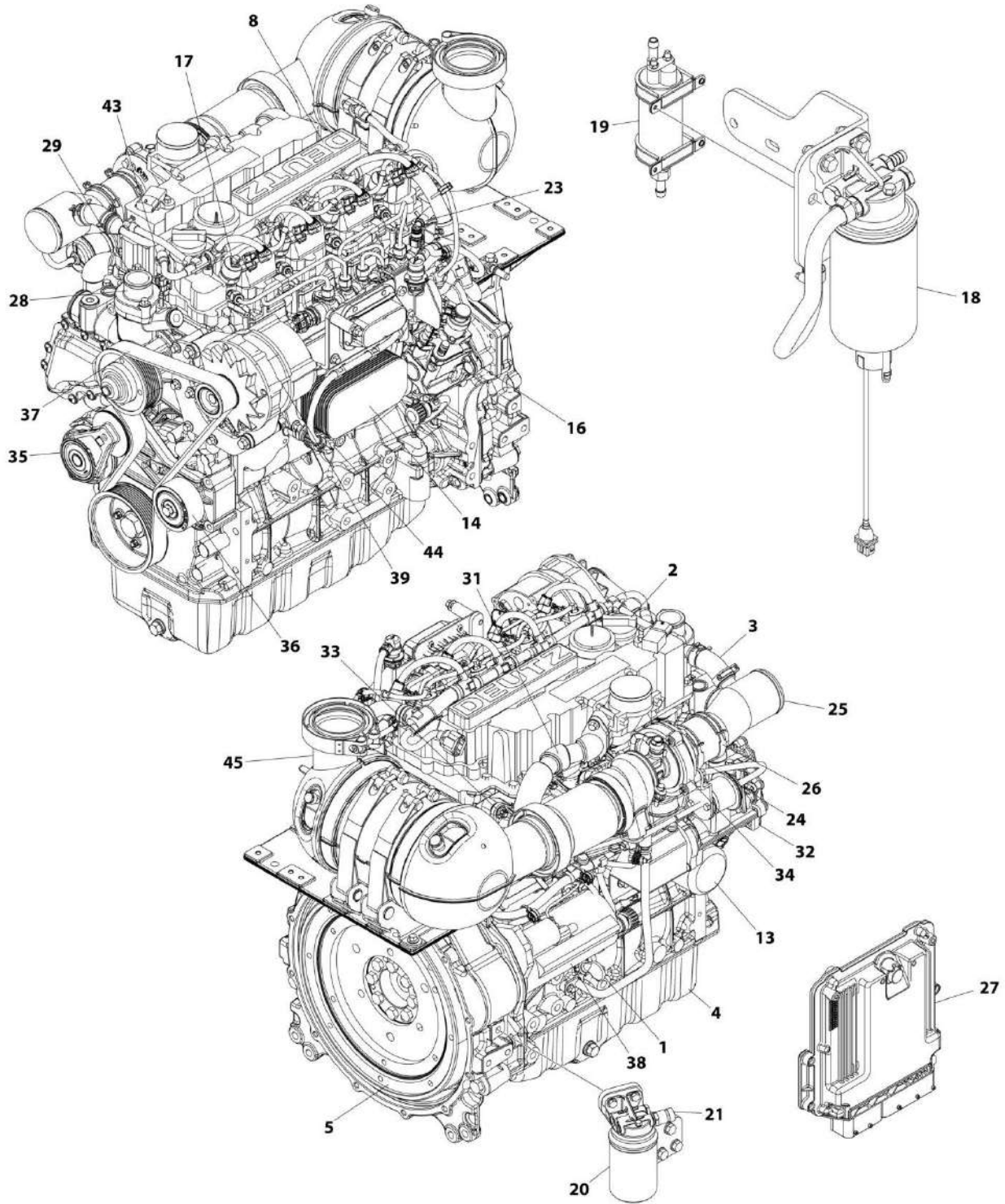
ITEM	PART NUMBER	QTY	DESCRIPTION	REV
50	1001135926	1	Pipe, Radiator (Lower)	
51	8410013	5	Clamp	
52	91563070	1	Coupling, Rubber	
53	1001114495	1	Hose	
55	1001235459	1	Engine, Deutz TCD2.9L4 (See Separate Breakdown in this Section)	
58	1001133633	1	Air Cleaner Assembly	
58	70024190	1	Element, Air Filter	
59	1001133634	1	Clamp	
60	1001166393	1	Tank, Surge	
61	1001155575	4	Mount, Motor	
62	1001191272	1	Tray	
63	1001135090	1	Radiator	
64	1001135138	1	Spacer, Fan	
67	1001135560	1	Support, Engine	
68	1001135562	1	Support, Engine - Rear	
69	1001135679	1	Spacer, Pulley	
70	1001135680	1	Support, Radiator	
71	1001135901	1	Pipe, Air Intake	
72	1001135903	1	Pipe, Air Intake	
73	3931432	1	Capscrew 1/4 x 2	
75	1001135924	1	Hose, Radiator (Upper)	
78	1001135943	1	Coupling, Rubber	
79	1001135946	1	Elbow, Rubber	
80	1001136292	1	Pipe, 90	
81	1001136626	2	Bracket	
82	1001136665	1	Bracket	
83	1001136834	1	Cap, Tank	
84	1001142398	1	Support, Engine	
85	1001137276	1	Fan	
87	8405007	2	Clamp	
89	4711400	3	Washer 1/4	
90	1001117308	1	Relay	
93	1001138827	1	Sensor, Coolant Level	
94	1001138228	1	Module, Power	
94	70023592	1	Fuse 20Amp (Switched Output)	
94	70023593	1	Fuse 30Amp (Battery Output)	
95	1001138253	5	Clamp	
96	1001138346	1	Harness, Engine (Not Shown - See Separate Breakdown in ELECTRICAL SECTION)	
97	1001138524	1	Hose	
98	1001138559	1	Fitting, 90	
99	2720015	4.5 ft/ 1.4m	Hose	
101	2902065	1	Pump Coupling Kit (See Separate Breakdown in this Section)	
102	3310401	3	Nut #4	
103	3910408	3	Screw #4 x 1/2	
104	4710400	3	Washer #4	
105	1001139240	1	Bracket	
106	1001138248	4 ft/ 1.2m	Tubing	
107	1001153024	1	Pipe, Exhaust	
110	1320022	2	Clamp	

SECTION 3 - ENGINE

ITEM	PART NUMBER	QTY	DESCRIPTION	REV
111	1001165035	30.5 ft/ 9.3m	Hose	
112	0100011	AR	Compound, Locking	
113	0100020	AR	Sealant	
114	1001141304	1	Wire, Glow Plug (Not Shown)	
115	1001135779	1	Cable, Alternator Positive (Not Shown)	
117	1001141717	1	Fitting, Straight	
118	1001136079	2.4 gal/ 9L	Oil, Motor	
119	2300004	3.2 gal/ 12.1L	Anti-freeze	
120	0761214	3	Bolt M12 x 30	
121	1001142637	1	Hose, Hump	
122	1001142685	1	Bracket	
123	1001165820	1	Pipe, Elbow	
124	1001143390	1	Indicator, Air Filter Service	
125	0760810	2	Bolt M8 x 20	
126	1001144089	1	Grommet	
127	1001145154	1	Plate, Mounting	
128	4640751	1	Valve, Oil Drain	
129	8405006	2	Clamp	
130	8406102	AR	Clip	
131	8406112	1	Clip	
132	1001138717	1	Bracket	
133	1001142501	1	Fitting, 90 Barbed	
134	1001154405	5 ft/ 1.5m	Hose	
135	1001148843	1	Harness, Fuel Filter (Not Shown - See Separate Breakdown in ELECTRICAL SECTION)	
137	1703162	2	Decal - Fan	
138	0641503	3	Bolt 5/16 x 3/8	
139	1001153387	1	Plate	
140	3931508	2	Capscrew 5/16 x 1/2	
141	1001155823	1	Coupling	
142	0100062	AR	Adhesive, Loctite #680	
143	4240099	AR	Tie-Strap (Not Shown)	

SECTION 3 - ENGINE

FIGURE 3-36. DEUTZ TCD2.9L4 ENGINE COMPONENTS (STAGE V)



ART_1001235459

SECTION 3 - ENGINE

FIGURE 3-36. DEUTZ TCD2.9L4 ENGINE COMPONENTS (STAGE V)

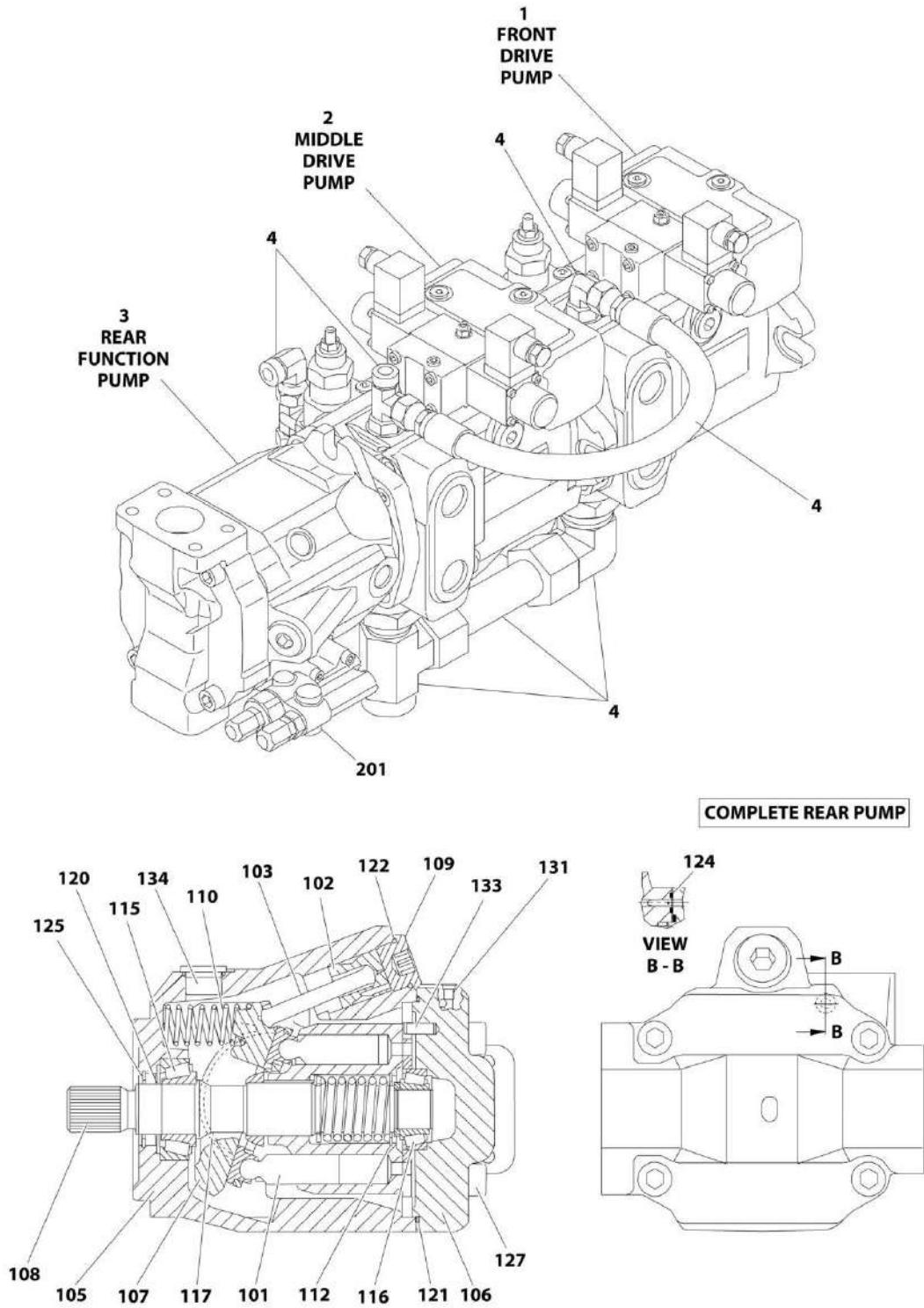
ITEM	PART NUMBER	QTY	DESCRIPTION	REV
	1001235459	Ref	DEUTZ TCD2.9L4 ENGINE COMPONENTS (STAGE V)	B
1	70024904	1	Dipstick	
1	70024905	1	O-Ring	
2	7020465	2	Cap, Filler	
3	7002511	2	Clamp	
4	70025162	1	Pan, Oil	
4	70025088	2	Plug	
4	7020404	2	Washer, Sealing	
5	70001870	1	Flywheel	
5	7024579	1	Gear, Ring	
6	70024906	1	Gasket, Head (Not Shown)	
7	70025204	1	Shield, Heat (Not Shown)	
8	70025163	1	Cover, Valve	
8	70025205	1	Gasket	
8	70025206	1	Gasket, Small Valve Cover	
8	70025207	1	Gasket, Large Valve Cover	
8	70025208	1	Gasket	
9	70025076	1	Valve (Not Shown - Located on Right Side of Front Engine Cover)	
9	70025176	1	Spring	
9	70025082	1	Ring, Sealing	
9	70025091	1	Plug	
10	70025190	1	Cover, Front (Not Shown - Located on Front of Engine)	
10	70024907	1	Gasket, Front Cover	
10	70004280	1	Seal, Shaft - Front	
11	70002718	1	Seal, Shaft - Rear (Not Shown)	
12	70025202	1	Pump, Oil Lube (Not Shown)	
12	70025135	1	O-Ring	
12	70025136	1	Gasket	
13	7016331	1	Filter, Oil	
13	70025137	1	Bushing	
14	70004275	1	Cooler, Engine Oil	
14	70024925	1	Gasket	
15	70025171	1	Oil Suction Pump (Not Shown - Located Inside of Engine Oil Pan)	
16	70024924	1	Pump, Fuel	
16	70025152	1	O-Ring	
16	70025080	1	Washer	
16	70024488	1	Spacer	
16	70024517	1	O-Ring	
17	70025181	4	Injector, Fuel	
17	70025140	4	Washer, Sealing	
17	70025146	4	Clamp (Top of Injector)	
17	70025145	4	O-Ring	
17	70025154	4	Shoe, Clamping	
17	70000345	1	Plug, Glow (Not Shown)	
17	70025231	1	Harness, Glow Plug (Not Shown)	
18	70024961	1	Fuel Filter Assembly	
18	70025153	NLA	Filter, Fuel (Use p/n 1001225430)	
18	70024513	1	Cable, Sensor	
18	70025239	1	Ring, Sealing	
19	70024486	2	Pump, Fuel	

SECTION 3 - ENGINE

ITEM	PART NUMBER	QTY	DESCRIPTION	REV
19	70025144	1	Clamp	
20	70025160	1	Filter with Head	
20	70025161	NLA	Filter, Fuel (Use p/n 1001225431)	
21	70024504	1	Sensor, Pressure	
21	70024920	1	O-Ring	
21	70025103	1	Retainer	
22	70025151	1	Rail, Fuel (Not Shown)	
22	70025235	1	Repair Kit (Not Shown)	
23	70025182	1	Fuel Line - High Pressure (Cylinder 1 & 2)	
23	70025183	1	Fuel Line - High Pressure (Cylinder 3 & 4)	
23	70025184	1	Fuel Line - High Pressure (Supply)	
24	70004501	1	Sleeve, Rubber	
25	70004502	1	Pipe, Intake	
26	70025112	2	Clamp	
27	70025210	1	ECU (Engine Control Unit)	
28	70024910	1	Pump, Water	
28	70025200	1	Ring, Sealing	
28	70025084	2	Plug	
28	7020492	2	Ring, Sealing	
29	70024473	1	Thermostat	
29	70025143	1	O-Ring	
29	70025142	1	Cover, Thermostat	
30	70025177	1	Pipe (Not Shown - Located on Left Side)	
30	70025179	2	Gasket (Not Shown)	
31	70025178	1	Pipe	
31	70025156	1	Valve, Shuttle	
31	70025179	2	Gasket	
31	70025180	1	Gasket	
32	70025203	1	Module, EGR	
32	70025155	1	Plug	
33	70004282	1	Manifold, Exhaust	
33	70025164	1	Gasket, Exhaust Manifold to Head	
34	70004503	1	Turbocharger	
34	70024912	1	Gasket, Exhaust Manifold	
35	70025477	1	Tensioner, Belt	
36	70024484	1	Idler Roller	
37	70004277	1	Belt, Drive	
38	70024915	1	Starter	
39	70025533	1	Generator	
39	70025149	1	Regulator, Voltage	
40	70004284	1	Harness, Engine (Not Shown)	
41	70024507	1	Sensor, Pressure (Not Shown - Located Top Rear)	
41	70025120	1	O-Ring	
42	70026210	1	Sensor (Not Shown - Located Left Side Front and Flywheel Housing)	
42	70024917	1	O-Ring	
43	70024918	1	Sender, Temperature	
44	70024919	1	Sensor, Pressure	
44	70024920	1	O-Ring	
45	70005445	1	Outlet, Muffler	
46	70004279	1	Gasket Kit (Not Shown)	

SECTION 3 - ENGINE

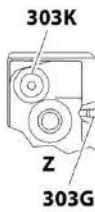
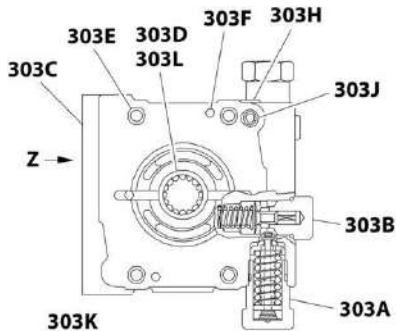
FIGURE 3-37. PUMP ASSEMBLY (REXROTH) (DEUTZ TD2011 ENGINES)



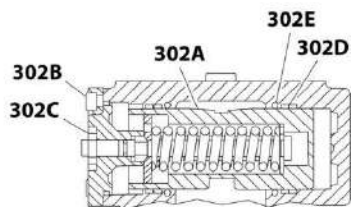
ART_3600339_10F2

SECTION 3 - ENGINE

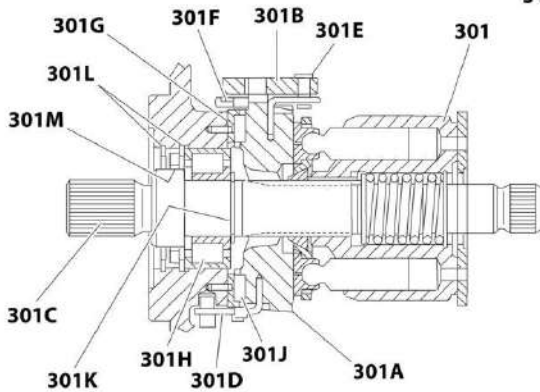
COMPLETE FRONT AND PUMPS



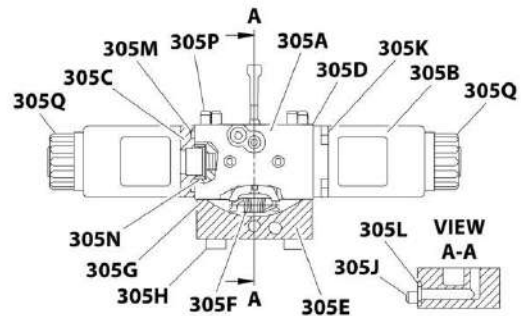
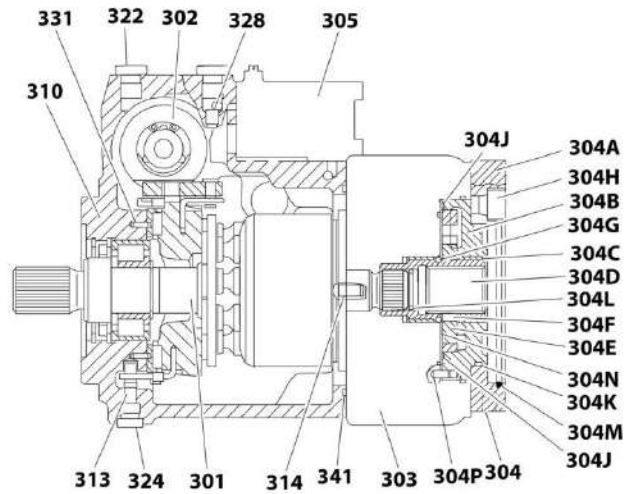
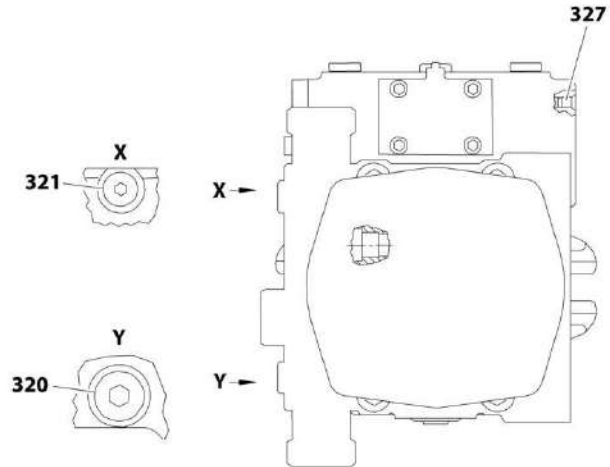
PORT PLATE SECTION FRONT AND MID PUMPS (DETAIL OF ITEM 303)



HYD. CONTROL FRONT AND MID PUMPS (DETAIL OF ITEM 302)



ROTARY GROUP FRONT AND MID PUMPS (DETAIL OF ITEM 301)



CONTROL MODULE FRONT AND MID PUMPS (DETAIL OF ITEM 305)

ART_3600339_20F2

SECTION 3 - ENGINE

FIGURE 3-37. PUMP ASSEMBLY (REXROTH) (DEUTZ TD2011 ENGINES)

ITEM	PART NUMBER	QTY	DESCRIPTION	REV
	3600339	Ref	PUMP ASSEMBLY (REXROTH) (DEUTZ TD2011 ENGINES)	D
1	7024042	1	Front Drive Pump Assembly (Includes Items 301-341)	
2	7024043	1	Middle Drive Pump Assembly (Includes Items 301-341)	
3	7024044	1	Rear Function Pump Assembly (Includes Items 101-201)	
4	70001952	1	Hydraulic Kit (Includes all Rexroth Supplied Hydraulic Fittings, Hoses and Tubes)	
	7024044	Ref	REAR FUNCTION PUMP ASSEMBLY	
101	7024914	1	Rotary Section	
102	See Note	NSS	Piston, Control (Note: Not Available - Purchase Complete Assembly)	
103	See Note	NSS	Rod, Piston (Note: Not Available - Purchase Complete Assembly)	
105	See Note	NSS	Housing, Pump (Note: Not Available - Purchase Complete Assembly)	
106	See Note	NSS	Plate, Port (Note: Not Available - Purchase Complete Assembly)	
107	7024915	1	Plate, Swash	
108	7024916	1	Driveshaft	
109	See Note	NSS	Plug (Note: Not Available for Purchase)	
110	See Note	NSS	Spring (Note: Not Available for Purchase)	
112	7012709	1	Shim	
115	7024038	1	Bearing, Roller	
116	7012706	1	Bearing, Roller	
117	7024917	2	Shell, Cradle	
120	7024918	1	Seal, Shaft	
121	7024919	1	O-Ring	
122	7024920	1	O-Ring	
124	7024921	1	Seal	
125	7012715	1	V-Ring	
127	See Note	NSS	Capscrew M12 x 45 Grade 10.9 (Note: Not Available for Purchase)	
131	See Note	NSS	Plug (Note: Not Available for Purchase)	
133	See Note	NSS	Pin, Dowel (Note: Not Available for Purchase)	
134	See Note	NSS	Plug (Note: Not Available for Purchase)	
201	7024913	Ref	Pilot Valve Assembly	
		Ref	Note: Two mounting designs of p/n 7024913 pilot valve exist. Early design uses qty. 3 o-rings. Late design uses qty 1 sealing plate. Seal designs cannot be interchanged. Verify seal design before ordering.	
201	7024922	3	O-Ring (Seals between Pilot Valve and Rear Pump)	
201	70021867	1	Plate, Sealing (Seals between Pilot Valve and Rear Pump)	
		Ref	FRONT DRIVE PUMP ASSEMBLIES	
	7024042	Ref	Front Drive Pump Assembly	
	7024043	Ref	Middle Drive Pump Assembly	
301	7024064	1	Rotary Group	
301A	See Note	NSS	Cradle (Note: Use Item 301)	
301B	See Note	NSS	Ring, Slide (Note: Use Item 301)	
301C	See Note	NSS	Driveshaft (Note: Use Item 301)	
301D	See Note	NSS	Wire (Note: Use Item 301)	
301E	See Note	NSS	Pin, Joint (Note: Use Item 301)	
301F	See Note	NSS	Wire (Note: Use Item 301)	
301G	See Note	NSS	Liner, Bearing (Note: Use Item 301)	
301H	See Note	NSS	Bearing, Roller (Note: Use Item 301)	
301J	See Note	NSS	Cradle Bearing Assembly (Note: Use Item 301)	

SECTION 3 - ENGINE

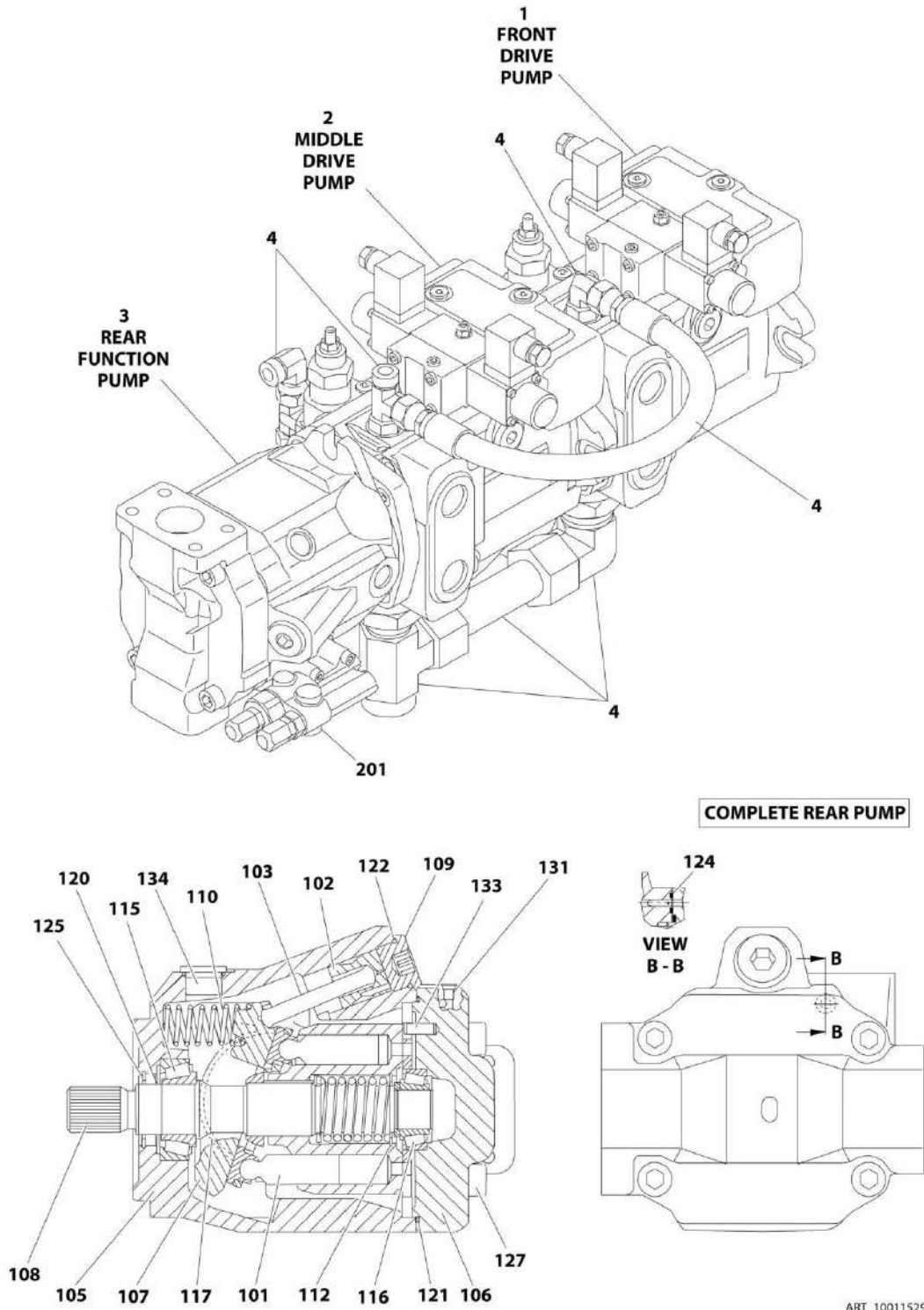
ITEM	PART NUMBER	QTY	DESCRIPTION	REV
301K	See Note	NSS	Ring, Retaining (Note: Use Item 301)	
301L	70001968	2	Ring, Retaining	
301M	7024070	1	Seal, Shaft Ring	
302	7024065	1	Control Group - Hydraulic	
302A	See Note	NSS	Piston, Positioning - Complete (Note: Use Item 302)	
302A	7024071	1	O-Ring, Outer Seal	
302A	7024072	1	O-Ring, Stem	
302B	See Note	4	Capscrew M6 x 12 (Note: Not Available - Purchase Locally)	
302C	See Note	NSS	Nut (Note: Use Item 302)	
302D	See Note	NSS	Ring, Guide (Note: Use Item 302)	
302E	See Note	NSS	Seal, O-Ring (Note: Use Item 302)	
303	7024911	1	Port Plate Group	
303A	7024073	2	Cartridge, Relief Valve (High Pressure)	
303A	7024075	1	O-Ring	
303A	7024076	1	Ring, Back-up	
303B		Ref	Cartridge Options:	
303B	7024097	1	Front Pump Cartridge (Lock Valve with Orifice) Note: Sold as an Assembly except Outer Seal.	
303B	7024075	1	O-Ring	
303B	7023881	1	Middle Pump Cartridge (Pressure Relief Valve) Note: Sold as an Assembly except Outer Seal.	
303B	7024077	1	O-Ring	
303C	See Note	NSS	Plate, Port (Note: Use Item 303)	
303D	See Note	NSS	Bushing, Bearing (Note: Use Item 303)	
303E	See Note	4	Capscrew M12 x 70 Grade10.9 (Note: Not Available - Purchase Locally)	
303F	See Note	NSS	Pin, Dowel (Note: Use Item 303)	
303G	See Note	NSS	Pin, Break-off (Note: Use Item 303)	
303H	See Note	1	Screw M10 x 1 (Note: Not Available - Purchase Locally)	
303J	7024908	2	O-Ring	
303K	See Note	2	Screw 7/16 (Note: Not Available - Purchase Locally)	
303L	See Note	NSS	Bearing, Roller (Note: Use Item 303)	
304	7024906	1	Internal Gear Pump	
304A	See Note	NSS	Flange, Intermediate (Note: Use Item 304)	
304B	See Note	NSS	IZP-Housing (Note: Use Item 304)	
304C	See Note	NSS	Bushing, Bearing (Note: Use Item 304)	
304D	See Note	NSS	Coupling, Driveshaft Through (Note: Use Item 304)	
304E	See Note	NSS	Gear Set (Note: Use Item 304)	
304F	See Note	NSS	Key, Driveshaft (Note: Use Item 304)	
304G	See Note	NSS	Ring, Retaining (Note: Use Item 304)	
304H	See Note	4	Capscrew M10 x 20 (Note: Not Available - Purchase Locally)	
304J	7024080	2	Seal	
304K	7024081	1	O-Ring	
304L	See Note	NSS	Ring, Retaining (Note: Use Item 304)	
304M	See Note	NSS	O-Ring (Note: Use Item 304)	
304N	7024005	1	Plate, Wear	
304P	See Note	NSS	Pin, Cylinder (Note: Use Item 304)	
305	7024068	1	Control Module	
305A	7024084	1	Valve Body, Lever and Internal Components	
305B	7024083	2	Coil, Solenoid	
305C	See Note	NSS	Spacer, Coil (Note: Use Item 305)	
305D	7024085	1	Gasket	

SECTION 3 - ENGINE

ITEM	PART NUMBER	QTY	DESCRIPTION	REV
305E	See Note	NSS	Cover (Note: Use Item 305)	
305F	See Note	NSS	Spring, Draw (Note: Use Item 305)	
305G	See Note	NSS	Gasket (Note: Use Item 305)	
305H	See Note	4	Capscrew M6 x 65 (Note: Not Available - Purchase Locally)	
305J	See Note	1	Capscrew M6 x 45 (Note: Not Available - Purchase Locally)	
305K	See Note	8	Capscrew M5 x 10 (Note: Not Available - Purchase Locally)	
305L	7024087	1	O-Ring	
305M	7024088	2	O-Ring	
305N	7024089	2	Cup, Spring	
305P	See Note	NSS	Pin, Cylinder (Note: Use Item 305)	
305Q	70002569	2	Nut, Coil	
310	See Note	1	Housing (Note: Not Available for Purchase)	
313	See Note	2	Pin, Dowel (Note: Not Available for Purchase)	
314	See Note	1	Pin, Cylinder (Note: Not Available for Purchase)	
320	See Note	1	Screw 7/8 (Front Drive Pump Only) (Note: Not Available - Purchase Locally)	
321	See Note	1	Screw 9/16 (Note: Not Available - Purchase Locally)	
322	See Note	1	Screw 7/16 (Note: Not Available - Purchase Locally)	
324	See Note	1	Screw M10 x 1 (Note: Not Available - Purchase Locally)	
327	See Note	1	Pin, Double Break-off (Note: Not Available for Purchase)	
328	7018936	2	Orifice	
331	See Note	2	Pin, Clamping (Note: Not Available for Purchase)	
341	7024069	1	O-Ring	

SECTION 3 - ENGINE

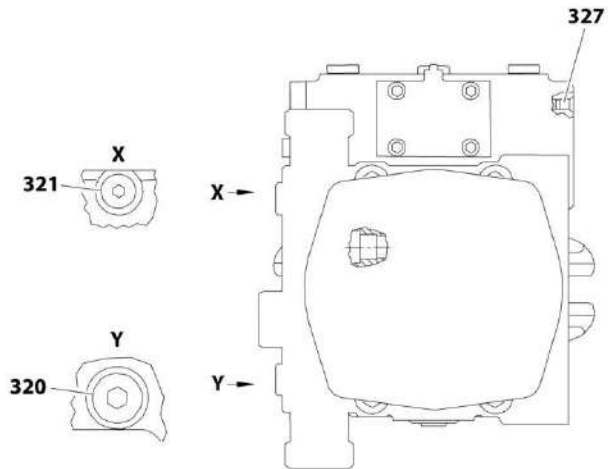
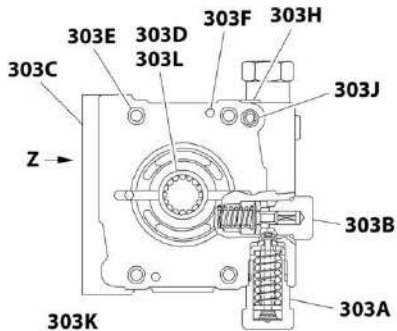
FIGURE 3-38. PUMP ASSEMBLY (REXROTH) (DEUTZ TCD2.9L4 ENGINES)



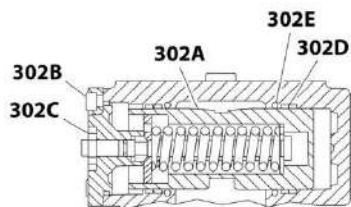
ART_1001152963_10F2

SECTION 3 - ENGINE

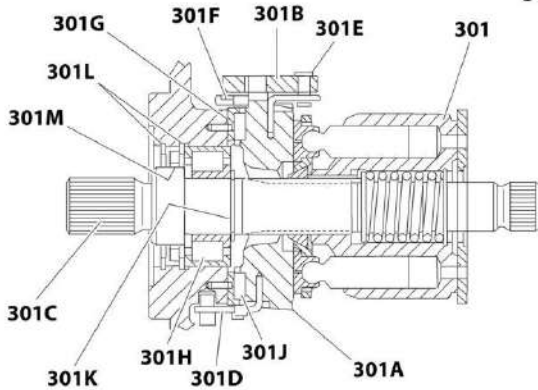
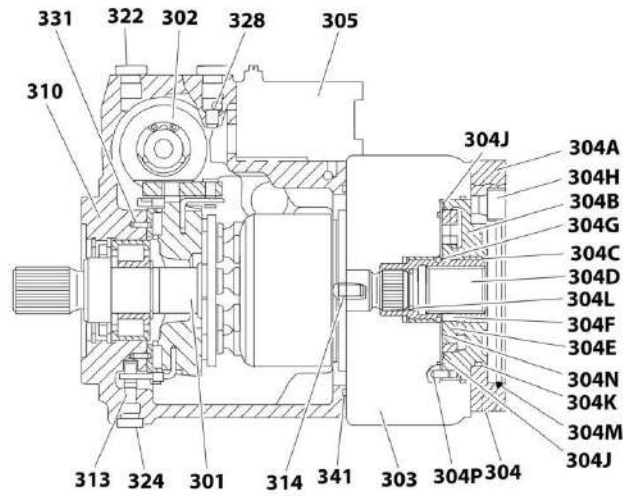
COMPLETE FRONT AND PUMPS



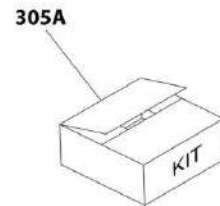
PORT PLATE SECTION FRONT AND MID PUMPS (DETAIL OF ITEM 303)



HYD. CONTROL FRONT AND MID PUMPS (DETAIL OF ITEM 302)



ROTARY GROUP FRONT AND MID PUMPS (DETAIL OF ITEM 301)



ART_1001152963_20F2

SECTION 3 - ENGINE

FIGURE 3-38. PUMP ASSEMBLY (REXROTH) (DEUTZ TCD2.9L4 ENGINES)

ITEM	PART NUMBER	QTY	DESCRIPTION	REV
	1001152963	Ref	PUMP ASSEMBLY (REXROTH) (DEUTZ TCD2.9L4 ENGINES)	C
1	70005480	1	Front Drive Pump Assembly (Includes Items 301-341)	
2	70005481	1	Middle Drive Pump Assembly (Includes Items 301-341)	
3	7024044	1	Rear Function Pump Assembly (Includes Items 101-201)	
4	See Note	NSS	Hydraulic Kit (Includes all Rexroth Supplied Hydraulic Fittings, Hoses and Tubes) (Note: Not Available for Purchase)	
	7024044	Ref	REAR FUNCTION PUMP ASSEMBLY	
101	7024914	1	Rotary Section	
102	See Note	NSS	Piston Control (Note: Not Available - Purchase Complete Assembly)	
103	See Note	NSS	Rod, Piston (Note: Not Available - Purchase Complete Assembly)	
105	See Note	NSS	Housing, Pump (Note: Not Available - Purchase Complete Assembly)	
106	See Note	NSS	Plate, Port (Note: Not Available - Purchase Complete Assembly)	
107	7024915	1	Plate, Swash	
108	7024916	1	Driveshaft	
109	See Note	NSS	Plug (Note: Not Available for Purchase)	
110	See Note	NSS	Spring (Note: Not Available for Purchase)	
112	7012709	1	Shim	
115	7024038	1	Bearing, Roller	
116	7012706	1	Bearing, Roller	
117	7024917	2	Shell, Cradle	
120	7024918	1	Seal, Shaft	
121	7024919	1	O-Ring	
122	7024920	1	O-Ring	
124	7024921	1	Seal	
125	7012715	1	V-Ring	
127	See Note	NSS	Capscrew M12 x 45 Grade 10.9 (Note: Not Available for Purchase)	
131	See Note	NSS	Plug (Note: Not Available for Purchase)	
133	See Note	NSS	Pin, Dowel (Note: Not Available for Purchase)	
134	See Note	NSS	Plug (Note: Not Available for Purchase)	
201	7024913	Ref	Pilot Valve Assembly	
		Ref	Note: Two mounting designs of p/n 7024913 pilot valve exist. Early design uses qty. 3 o-rings. Late design uses qty. 1 sealing plate. Seal designs cannot be interchanged. Verify seal design before ordering.	
201	7024922	3	O-Ring (Seals between Pilot Valve and Rear Pump)	
201	70021867	1	Plate, Sealing (Seals between Pilot Valve and Rear Pump)	
		Ref	FRONT DRIVE PUMP ASSEMBLIES	
	70005480	Ref	Front Drive Pump Assembly	
	70005481	Ref	Middle Drive Pump Assembly	
		Ref	Note: Service Parts not available at time of printing, call-out number on illustration for ref only.	
301	See Note	NSS	Rotary Group (Use p/n 70005480 or 70005481)	
301A	See Note	NSS	Cradle (Note: Use Item 301)	
301B	See Note	NSS	Ring, Slide (Note: Use Item 301)	
301C	See Note	NSS	Driveshaft (Note: Use Item 301)	
301D	See Note	NSS	Wire (Note: Use Item 301)	
301E	See Note	NSS	Pin, Joint (Note: Use Item 301)	
301F	See Note	NSS	Wire (Note: Use Item 301)	
301G	See Note	NSS	Liner, Bearing (Note: Use Item 301)	

SECTION 3 - ENGINE

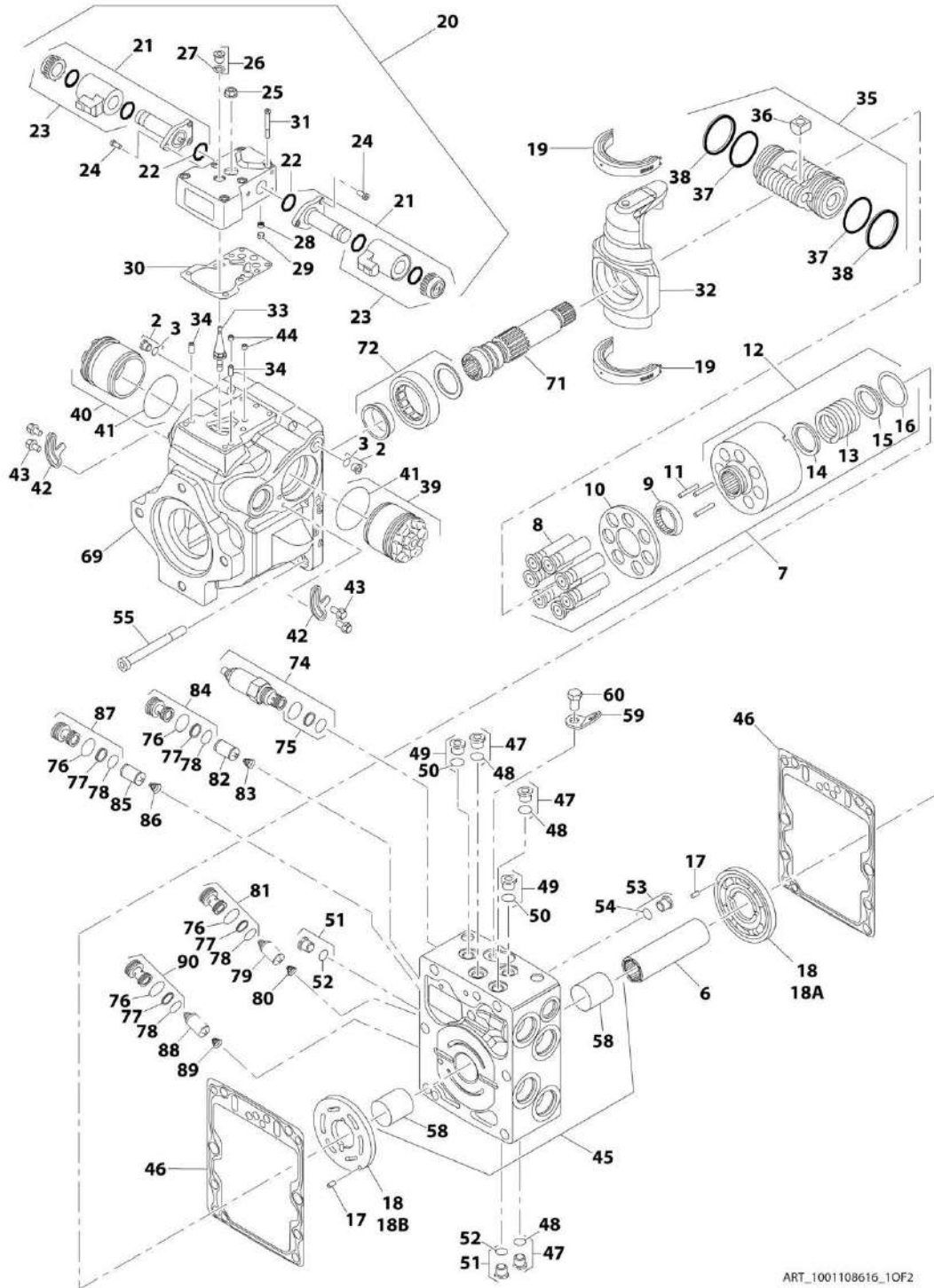
ITEM	PART NUMBER	QTY	DESCRIPTION	REV
301H	See Note	NSS	Bearing, Roller (Note: Use Item 301)	
301J	See Note	NSS	Cradle Bearing Assembly (Note: Use Item 301)	
301K	See Note	NSS	Ring, Retaining (Note: Use Item 301)	
301L	See Note	NSS	Ring, Retaining (Note: Not Available for Purchase)	
301M	See Note	NSS	Seal, Shaft Ring	
302	See Note	NSS	Control Group - Hydraulic (Use p/n 70005480 or 70005481)	
302A	See Note	NSS	Piston, Positioning - Complete (Note: Use Item 302)	
302A	See Note	NSS	O-Ring, Outer Seal (Note: Not Available for Purchase)	
302A	See Note	NSS	O-Ring, Stem (Note: Not Available for Purchase)	
302B	See Note	4	Capscrew M6 x 12 (Note: Not Available - Purchase Locally)	
302C	See Note	NSS	Nut (Note: Use Item 302)	
302D	See Note	NSS	Ring, Guide (Note: Use Item 302)	
302E	See Note	NSS	Seal, O-Ring (Note: Use Item 302)	
303	See Note	NSS	Port Plate Group (Use p/n 70005480 or 70005481)	
303A	See Note	NSS	Cartridge, Relief Valve (High Pressure) (Note: Not Available for Purchase)	
303A	See Note	NSS	O-Ring (Note: Not Available for Purchase)	
303A	See Note	NSS	Ring, Back-up (Note: Not Available for Purchase)	
303B		Ref	Cartridge Options:	
303B	See Note	NSS	Front Pump Cartridge (Lock Valve with Orifice) Note: Sold as an Assembly except Outer Seal. (Note: Not Available for Purchase)	
303B	See Note	NSS	O-Ring (Note: Not Available for Purchase)	
303B	See Note	NSS	Middle Pump Cartridge (Pressure Relief valve) Note: Sold as an Assembly except Outer Seal. (Note: Not Available for Purchase)	
303B	See Note	NSS	O-Ring	
303C	See Note	NSS	Plate, Port (Note: Use Item 303)	
303D	See Note	NSS	Bushing, Bearing (Note: Use Item 303)	
303E	See Note	4	Capscrew M12 x 70 Grade 10.9 (Note: Not Available - Purchase Locally)	
303F	See Note	NSS	Pin, Dowel (Note: Use Item 303)	
303G	See Note	NSS	Pin, Break-off (Note: Use Item 303)	
303H	See Note	1	Screw M10 x 1 (Note: Not Available - Purchase Locally)	
303J	See Note	NSS	O-Ring (Note: Not Available for Purchase)	
303K	See Note	2	Screw 7/16 (Note: Not Available - Purchase Locally)	
303L	See Note	NSS	Bearing, Roller (Note: Use Item 303)	
304	See Note	NSS	Internal Gear Pump (Use p/n 70005480 or 70005481)	
304A	See Note	NSS	Flange, Intermediate (Note: Use Item 304)	
304B	See Note	NSS	IZP-Housing (Note: Use Item 304)	
304C	See Note	NSS	Bushing, Bearing (Note: Use Item 304)	
304D	See Note	NSS	Coupling, Driveshaft Through (Note: Use Item 304)	
304E	See Note	NSS	Gear Set (Note: Use Item 304)	
304F	See Note	NSS	Key, Driveshaft (Note: Use Item 304)	
304G	See Note	NSS	Ring, Retaining (Note: Use Item 304)	
304H	See Note	4	Capscrew M10 x 20 (Note: Not Available - Purchase Locally)	
304J	See Note	NSS	Seal (Note: Not Available for Purchase)	
304K	See Note	NSS	O-Ring (Note: Not Available for Purchase)	
304L	See Note	NSS	Ring, Retaining (Note: Use Item 304)	
304M	See Note	NSS	O-Ring (Note: Use Item 304)	
304N	See Note	NSS	Plate, Wear (Note: Not Available for Purchase)	
304P	See Note	NSS	Pin, Cylinder (Note: Use Item 304)	
305	See Note	NSS	Control Module (Use p/n 70005480 or 70005481)	

SECTION 3 - ENGINE

ITEM	PART NUMBER	QTY	DESCRIPTION	REV
305	See Note	NSS	Coil, Solenoid (Note: Not Available for Purchase)	
305A	See Note	NSS	Seal Kit (Note: Not Available for Purchase)	
310	See Note	1	Housing (Note: Not Available for Purchase)	
313	See Note	2	Pin, Dowel (Note: Not Available for Purchase)	
314	See Note	1	Pin, Cylinder (Note: Not Available for Purchase)	
320	See Note	1	Screw 7/8 (Front Drive Pump Only) (Note: Not Available - Purchase Locally)	
321	See Note	1	Screw 9/16 (Note: Not Available - Purchase Locally)	
322	See Note	1	Screw 7/16 (Note: Not Available - Purchase Locally)	
324	See Note	1	Screw M10 x 1 (Note: Not Available - Purchase Locally)	
327	See Note	1	Pin, Double Break-off (Note: Not Available - Purchase Locally)	
328	See Note	NSS	Orifice (Note: Not Available for Purchase)	
331	See Note	2	Pin, Clamping (Note: Not Available for Purchase)	
341	See Note	NSS	O-Ring (Note: Not Available for Purchase)	

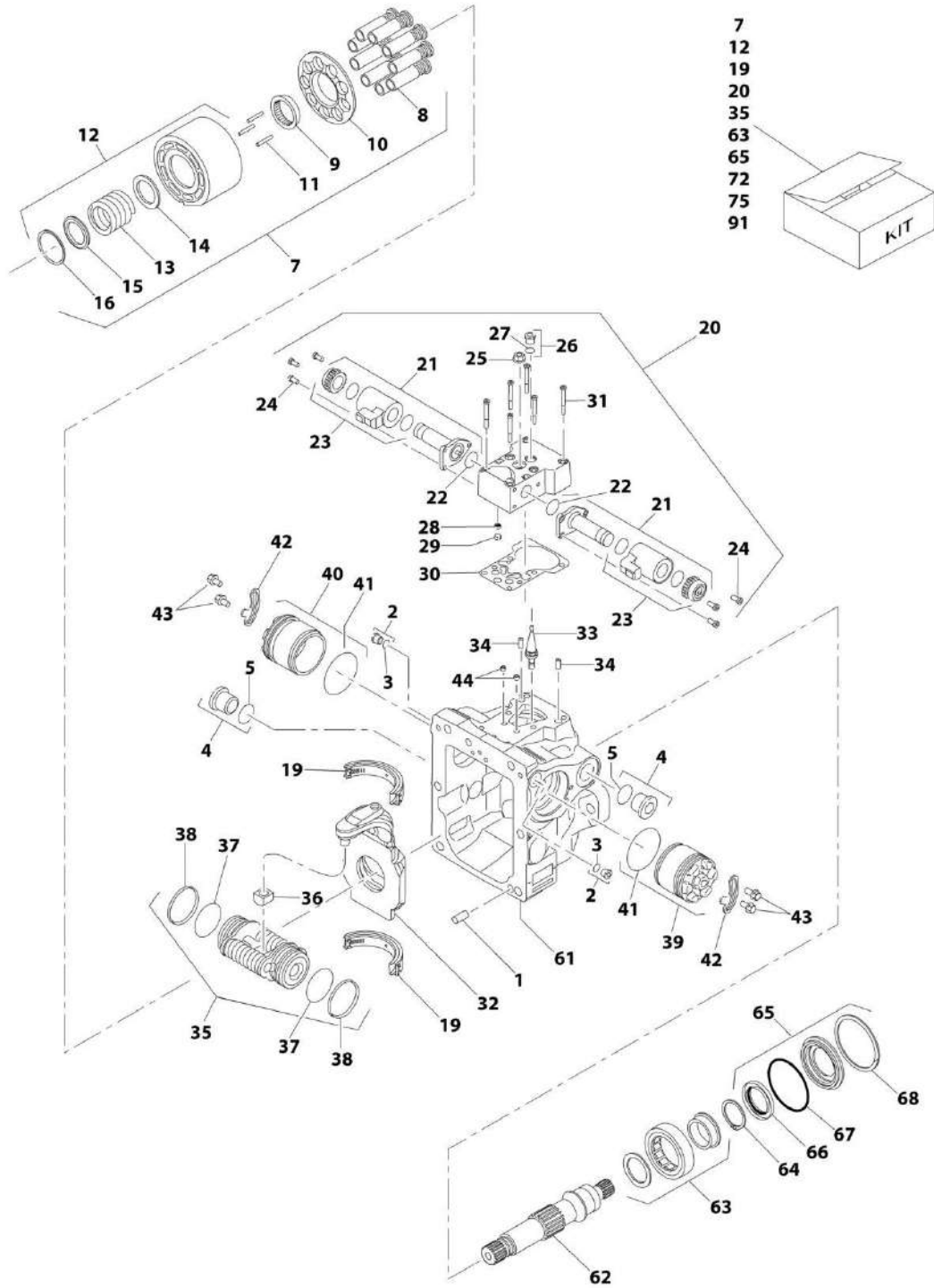
SECTION 3 - ENGINE

FIGURE 3-39. PUMP ASSEMBLY (SAUER TANDEM)



ART_1001108616_10F2

SECTION 3 - ENGINE



ART_1001108616_20F2

SECTION 3 - ENGINE

FIGURE 3-39. PUMP ASSEMBLY (SAUER TANDEM)

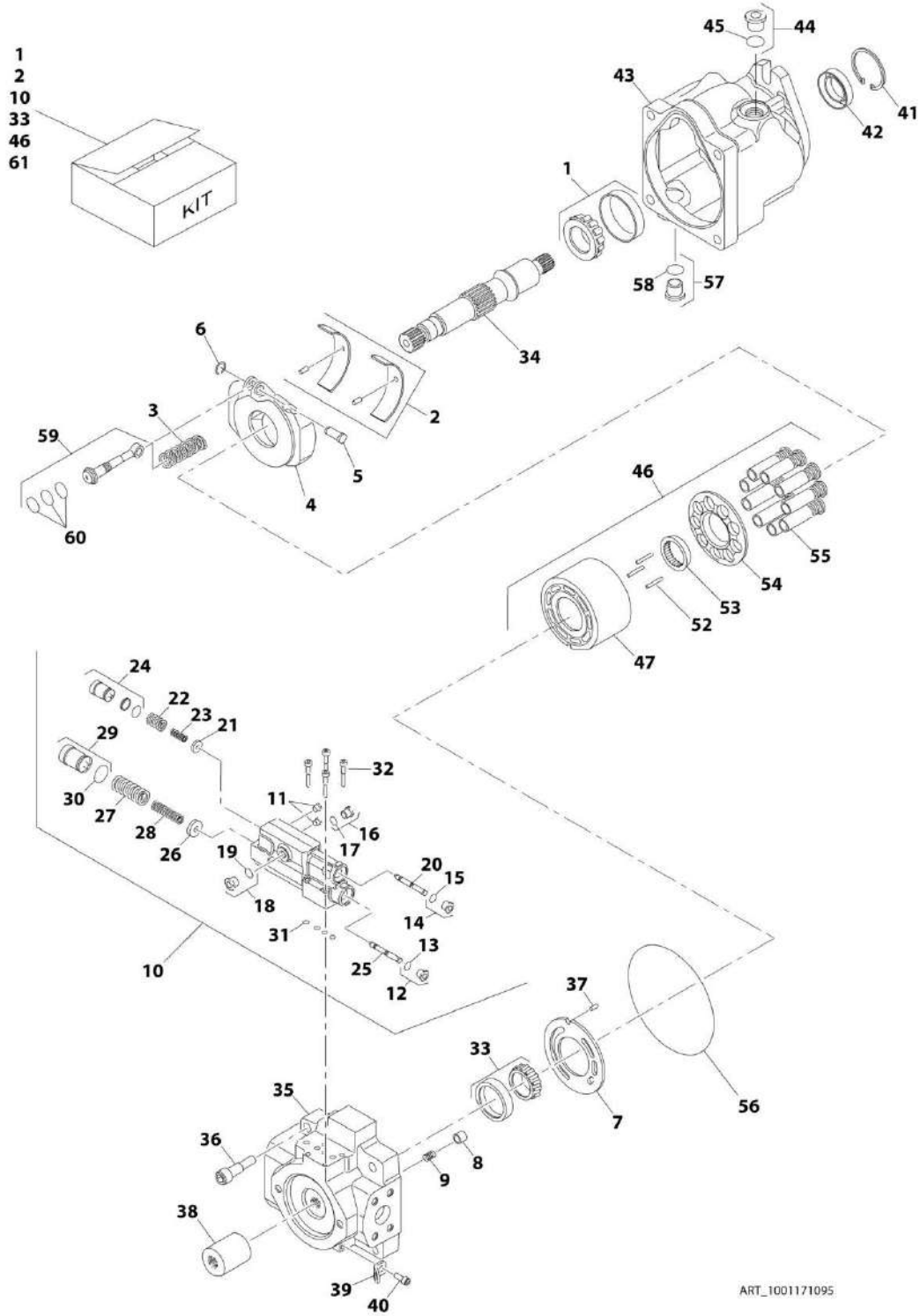
ITEM	PART NUMBER	QTY	DESCRIPTION	REV
	1001108616	Ref	PUMP ASSEMBLY (SAUER TANDEM)	D
1	70002132	4	Pin	
2	70002133	4	Plug Assembly (Includes Item 3)	
3	7007207	4	O-Ring (Part of Item 2)	
4	7007419	2	Plug Assembly (Includes Item 5)	
5	7007418	2	O-Ring (Part of Item 4)	
6	70002600	1	Coupling	
7	70002135	2	Cylinder Block Kit (Each Kit Includes Qty 1 of Items 8-10 & 12-16 & Qty 3 of Item 11)	
8	70002136	2	Piston Assembly Kit (Includes Qty 9 Piston Assemblies) (Part of Item 7)	
9	70002137	2	Guide, Slipper Retainer (Part of Item 7)	
10	70002138	2	Retainer, Slipper (Part of Item 7)	
11	7021275	6	Pin, Slipper Retainer Holddown (Part of Item 7)	
12	70002143	2	Cylinder Block Assembly (Includes Qty 1 of Items 13-16) (Part of Item 7)	
13	70002139	2	Spring (Part of Item 12)	
14	70002140	2	Washer (Part of Item 12)	
15	70002141	2	Washer (Part of Item 12)	
16	70002142	2	Ring, Retaining (Part of Item 12)	
17	7007446	2	Pin	
18		Ref	Plate, Valve Options:	
18A	70002601	1	Plate, CW Valve	
18B	70002602	1	Plate, CCW Valve	
19	70002145	2	Swashplate Bearing Kit (Includes Qty 2 Bearings)	
20	70002618	2	EDC Kit (Includes Items 21-31)	
21	70002619	4	Solenoid Valve Assembly (Includes Items 22 & 23) (Part of Item 20)	
22	70002148	4	O-Ring (2 Per EDC Assembly) (Part of Item 21)	
23	70002620	4	Coil, Nut and Seals Kit (2 Per EDC Assembly) (Part of Item 21)	
24	70002150	12	Screw (Part of Item 20)	
25	7022301	2	Nut, Seal (Part of Item 20)	
26	70002151	2	Plug Assembly (Part of Item 20) (Includes Item 27)	
27	7007207	2	O-Ring (Part of Item 26)	
28	70002134	2	Screen (Part of Item 20)	
29	70002153	2	Ring, Locking (Part of Item 20)	
30	70002154	2	Gasket, Control (Part of Item 20)	
31	70002156	12	Capscrew (Part of Item 20)	
32	70002152	2	Swashplate	
33	70002155	2	Link, Swashplate	
34	70002157	4	Pin, Dowel	
35	70002158	2	Servo Piston Assembly (Includes Items 36-38)	
36	70002159	2	Block, Slider (Part of Item 35)	
37	70002160	2	O-Ring (Part of Item 35)	
38	70002161	2	Ring, Piston (Part of Item 35)	
39	70002162	2	Cylinder, Servo	
40	70002162	2	Cylinder, Servo	
41	70002163	4	O-Ring	
42	70002164	4	Plate, Locking	
43	70002165	8	Screw	

SECTION 3 - ENGINE

ITEM	PART NUMBER	QTY	DESCRIPTION	REV
44	70002604	4	Orifice	
45	70002605	1	Center Section Assembly (Includes Item 58)	
46	70002168	2	Gasket, End Cap	
47	70001958	2	Plug Assembly (Includes Item 48)	
48	7021256	2	O-Ring (Part of Item 47)	
49	70001958	2	Plug Assembly (Includes Item 50)	
50	7021256	2	O-Ring (Part of Item 49)	
51	70001958	2	Plug Assembly (Includes Item 52)	
52	7021256	2	O-Ring (Part of Item 51)	
53	70001958	2	Plug Assembly (Includes Item 54)	
54	7021256	2	O-Ring (Part of Item 53)	
55	70002606	4	Capscrew	
58	70002607	2	Bearing, Journal (Part of Item 45)	
59	7022608	1	Bracket, Lifting	
60	70002609	1	Screw	
61	See Note	NSS	Housing (Note: Not Available for Purchase)	
62	70002175	1	Shaft	
63	70002610	1	Ball Bearing Kit	
64	70007439	1	Ring, Retaining	
65	70002174	1	Shaft Seal Kit (Includes Items 66-68) (Note: This is a universal kit and will contain extra pieces that are not used on this pump assembly)	
66	70002177	1	Seal, Lip	
67	70002178	1	O-Ring	
68	70002179	1	Ring, Retaining	
69	See Note	NSS	Housing (Note: Not Available for Purchase)	
71	70002612	1	Shaft	
72	70002610	1	Ball Bearing Kit	
74	70002621	1	High Pressure Relief Valve Cartridge Assembly (Includes Item 75)	
75	70002622	1	Seal Kit - 70002621 Valve (Part of Item 74)	
76	7007415	1	O-Ring (Part of Items 81, 84, 87 & 90)	
77	7021293	1	Ring, Back-up (Part of Items 81, 84, 87 & 90)	
78	7022300	1	O-Ring (Part of Items 81, 84, 87 & 90)	
79	70002616	1	SCR Valve Assembly	
80	7024800	1	Spring	
81	7021265	1	Plug Assembly (Includes Qty 1 of Items 76-78)	
82	70002616	1	SCR Valve Assembly	
83	7024800	1	Spring	
84	7021265	1	Plug Assembly (Includes Qty 1 of Items 76-78)	
85	70002616	1	SCR Valve Assembly	
86	7024800	1	Spring	
87	70002617	1	Plug Assembly (Includes Qty 1 of Items 76-78)	
88	70002616	1	SCR Valve Assembly	
89	7024800	1	Spring	
90	7021265	1	Plug Assembly (Includes Qty 1 of Items 76-78)	
91	70002623	1	Overhaul Seal Kit (Includes Items 3, 5, 22, 27, 30, 37, 38, 41, 46, 48, 50, 52, 54, 66, 67, 75, 76, 77 & 78)	

SECTION 3 - ENGINE

FIGURE 3-40. PUMP ASSEMBLY (SAUER PISTON)



ART_1001171095

SECTION 3 - ENGINE

FIGURE 3-40. PUMP ASSEMBLY (SAUER PISTON)

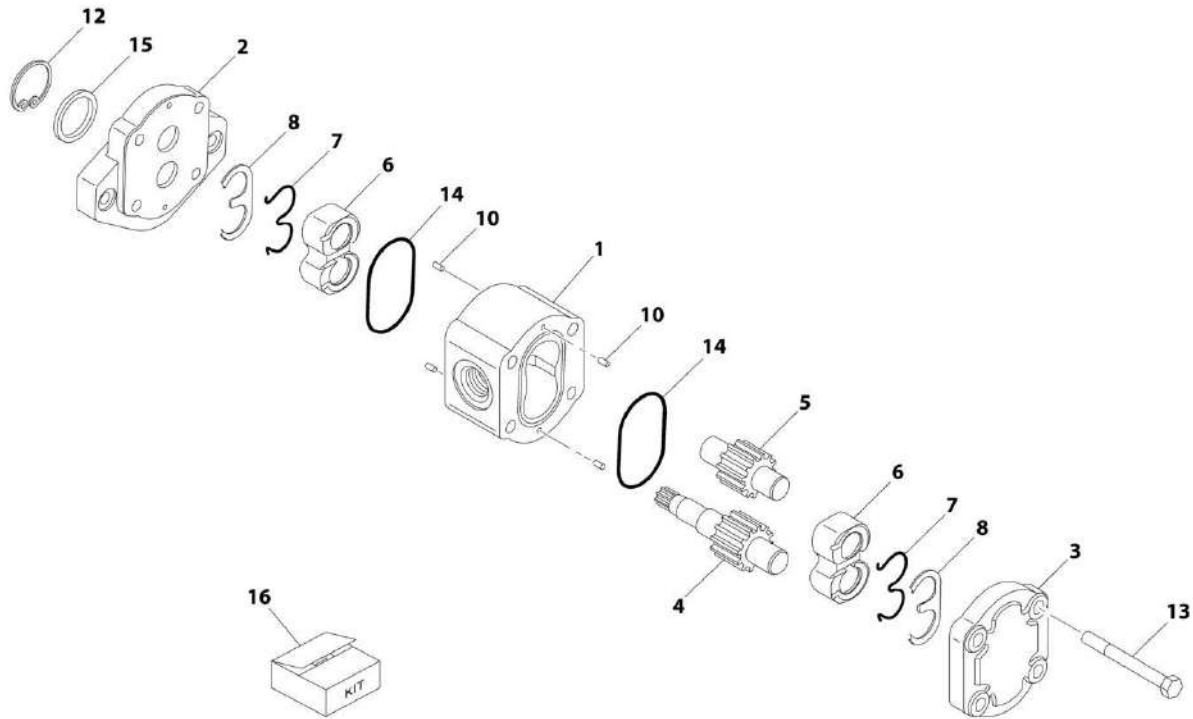
ITEM	PART NUMBER	QTY	DESCRIPTION	REV
	1001171095	Ref	PUMP ASSEMBLY (SAUER PISTON)	B
1	70002578	1	Bearing Kit - Front (Includes Cup and Cone)	
2	70004426	1	Swashplate Bearing Kit (Includes Qty 2 Bearings and Retainer Pins)	
3	70002580	1	Spring, Bias	
4	70004416	1	Swashplate Assembly	
5	70002582	1	Shaft	
6	70002583	1	Ring, Retaining	
7	70004417	1	Plate, Valve	
8	70001956	1	Poppet, Check Valve	
9	70001955	1	Spring	
10	70022286	1	Control Kit (Includes Items 11-32)	
11	See Note	NSS	Setscrew (Note: Use Item 10)	
12	70002133	1	Plug Assembly (Includes Item 13)	
13	7007207	1	O-Ring (Part of Item 12)	
14	70002133	1	Plug Assembly (Includes Item 15)	
15	7007207	1	O-Ring (Part of Item 14)	
16	70002133	1	Plug Assembly (Includes Item 17)	
17	7007207	1	O-Ring (Part of Item 16)	
18	70002133	1	Plug Assembly (Includes Item 19)	
19	7007207	1	O-Ring (Part of Item 18)	
20	See Note	NSS	Spool (Note: Use Item 10)	
21	See Note	NSS	Guide, Spring LS (Note: Use Item 10)	
22	See Note	NSS	Spring, Outer LS (Note: Use Item 10)	
23	See Note	NSS	Spring, Inner LS (Note: Use Item 10)	
24	See Note	NSS	Plug, Adjusting LS (Note: Use Item 10 or 61)	
25	See Note	NSS	Spool, Control (Note: Use Item 10)	
26	See Note	NSS	Guide, Spring PC (Note: Use Item 10)	
27	See Note	NSS	Spring, Outer PC (Note: Use Item 10)	
28	See Note	NSS	Spring, Inner PC (Note: Use Item 10)	
29	See Note	NSS	Plug, Adjusting PC (Note: Use Item 10)	
30	See Note	NSS	O-Ring (Note: Use Item 10 or 61)	
31	See Note	NSS	Ring, Seal (Note: Use Item 10 or 61)	
32	See Note	NSS	Capscrew (Note: Use Item 10)	
33	70002585	1	Bearing Kit - Rear (Includes Cup and Cone)	
34	70002586	1	Shaft	
35	70004420	1	Cap, End	
36	70002588	4	Capscrew	
37	7007446	1	Pin, Slotted	
38	70002589	1	Coupling	
39	7022340	1	Bracket, Lifting	
40	70002590	1	Capscrew	
41	7023962	1	Ring, Retaining	
42	See Note	NSS	Seal, Lip (Note: Use Item 61)	
43	See Note	NSS	Housing (Note: Not Available for Purchase)	
44	7023964	1	Plug Assembly (Includes Item 45)	
45	7007415	1	O-Ring (Part of Item 44)	
46	70004423	1	Cylinder Block Kit (Includes Items 47-55)	
47	70004421	1	Cylinder	
52	7021275	3	Pin, Hold-down	

SECTION 3 - ENGINE

ITEM	PART NUMBER	QTY	DESCRIPTION	REV
53	70002592	1	Guide, Slipper Retainer	
54	70002593	1	Retainer, Slipper	
55	70004422	1	Piston Assembly	
56	See Note	NSS	Seal, End Cap (Note: Use Item 61)	
57	7023964	1	Plug, O-Ring (Includes Item 58)	
58	7007415	1	O-Ring (Part of Item 57)	
59	70005418	1	Servo Piston Assembly (Includes Item 60)	
60	See Note	NSS	Ring, Piston (Part of Item 59) (Note: Use Item 61)	
61	70002599	1	Complete Seal Kit (Includes Items 13, 15, 17, 19, 24, 30, 31, 42, 45, 56, 58 & 60)	

SECTION 3 - ENGINE

FIGURE 3-41. PUMP ASSEMBLY (SAUER GEAR)



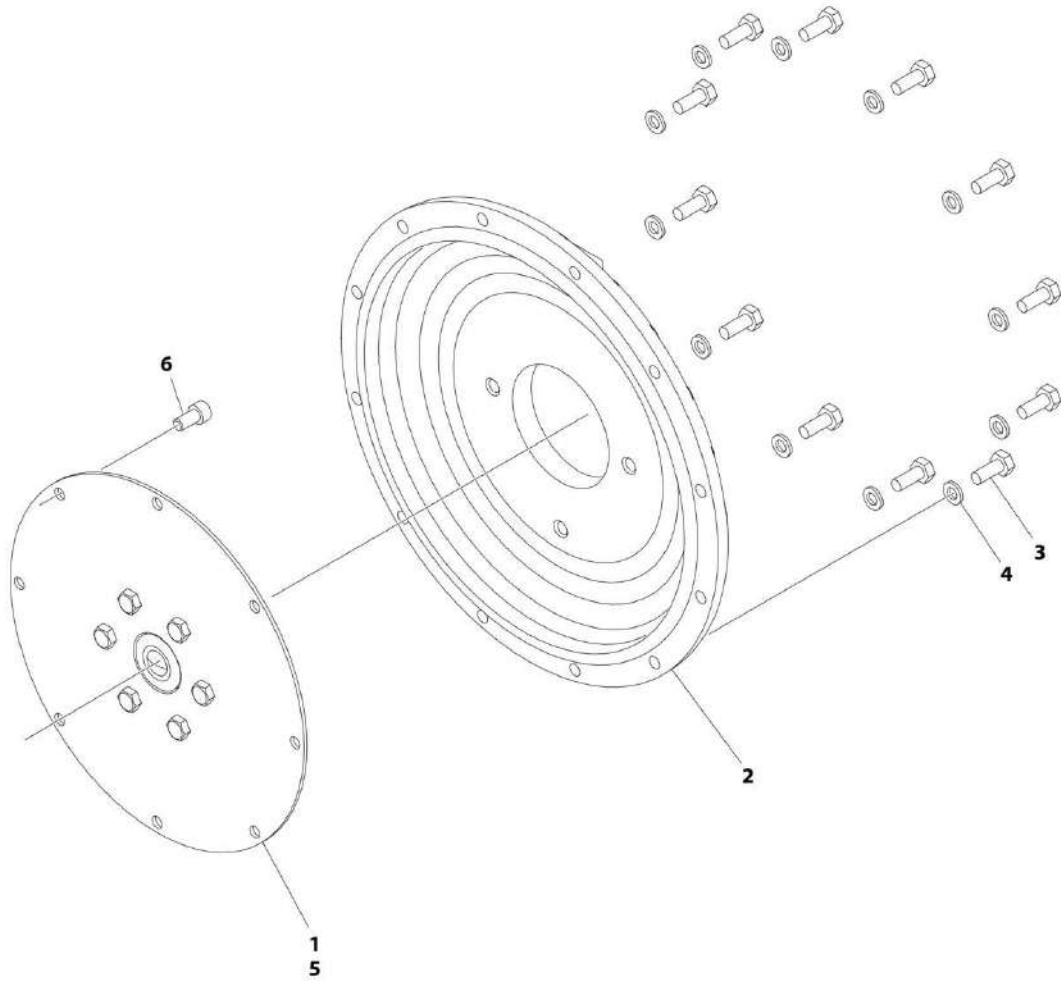
ART_1001112927

FIGURE 3-41. PUMP ASSEMBLY (SAUER GEAR)

ITEM	PART NUMBER	QTY	DESCRIPTION	REV
	1001112927	Ref	PUMP ASSEMBLY (SAUER GEAR)	A
1	See Note	NSS	Body (Note: Use p/n 1001112927)	
2	See Note	NSS	Cover, Front (Note: Use p/n 1001112927)	
3	See Note	NSS	Cover, Rear (Note: Use p/n 1001112927)	
4	See Note	NSS	Shaft, Gear (Note: Use p/n 1001112927)	
5	See Note	NSS	Gear, Idler (Note: Use p/n 1001112927)	
6	See Note	NSS	Block, Bearing (Note: Use p/n 1001112927)	
7	See Note	NSS	Ring, Anti-Extrusion (Note: Use Item 16)	
8	See Note	NSS	Ring, Seal (Note: Use Item 16)	
10	See Note	NSS	Pin, Dowel (Note: Not Available for Purchase)	
12	70002576	1	Ring, Retaining	
13	See Note	NSS	Capscrew (Note: Not Available for Purchase)	
14	See Note	NSS	O-Ring (Note: Use Item 16)	
15	See Note	NSS	Seal, Lip (Note: Use Item 16)	
16	7007489	1	Seal Kit - 1001112927 Pump (Includes Items 7, 8, 14 & 15)	

SECTION 3 - ENGINE

FIGURE 3-42. PUMP COUPLING KIT



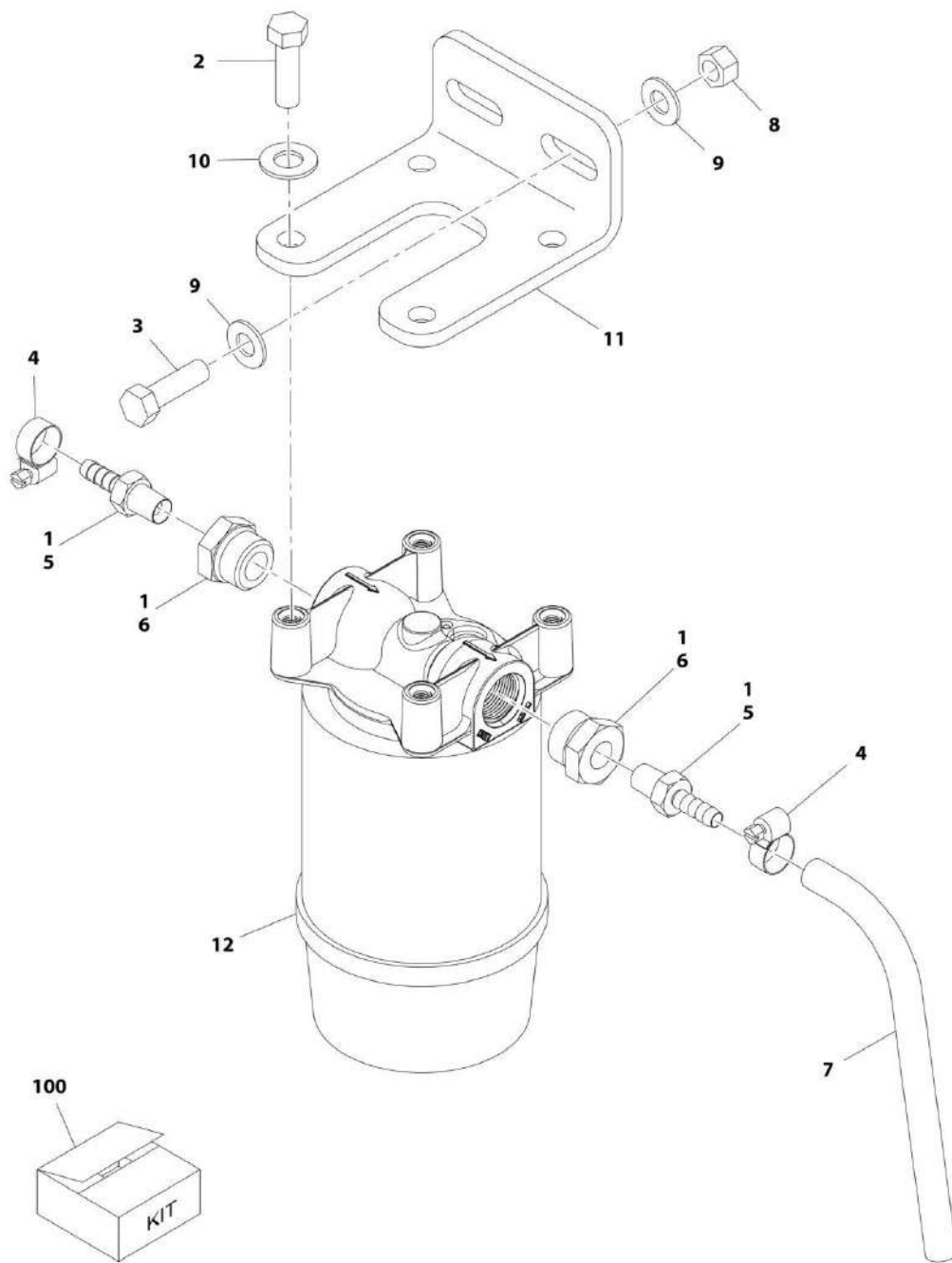
ART_2902065

FIGURE 3-42. PUMP COUPLING KIT

ITEM	PART NUMBER	QTY	DESCRIPTION	REV
	2902065	Ref	PUMP COUPLING KIT	K
1	70000793	1	Coupling, Hayes	
2	See Note	NSS	Plate, Pump Adapter (Note: Use p/n 2902065)	
3	See Note	NSS	Bolt M10 x 30 Grade 10.9 (Note: Use p/n 2902065)	
4	See Note	NSS	Washer M10 (Note: Use p/n 2902065)	
5	3020021	AR	Grease, Coupling	
6	See Note	NSS	Capscrew M10 x 20 Grade 10.9 (Note: Use p/n 2902065)	

SECTION 3 - ENGINE

FIGURE 3-43. FUEL-WATER SEPARATOR INSTALLATION - DEUTZ TD2011 (OPTIONAL)



ART_1001198751

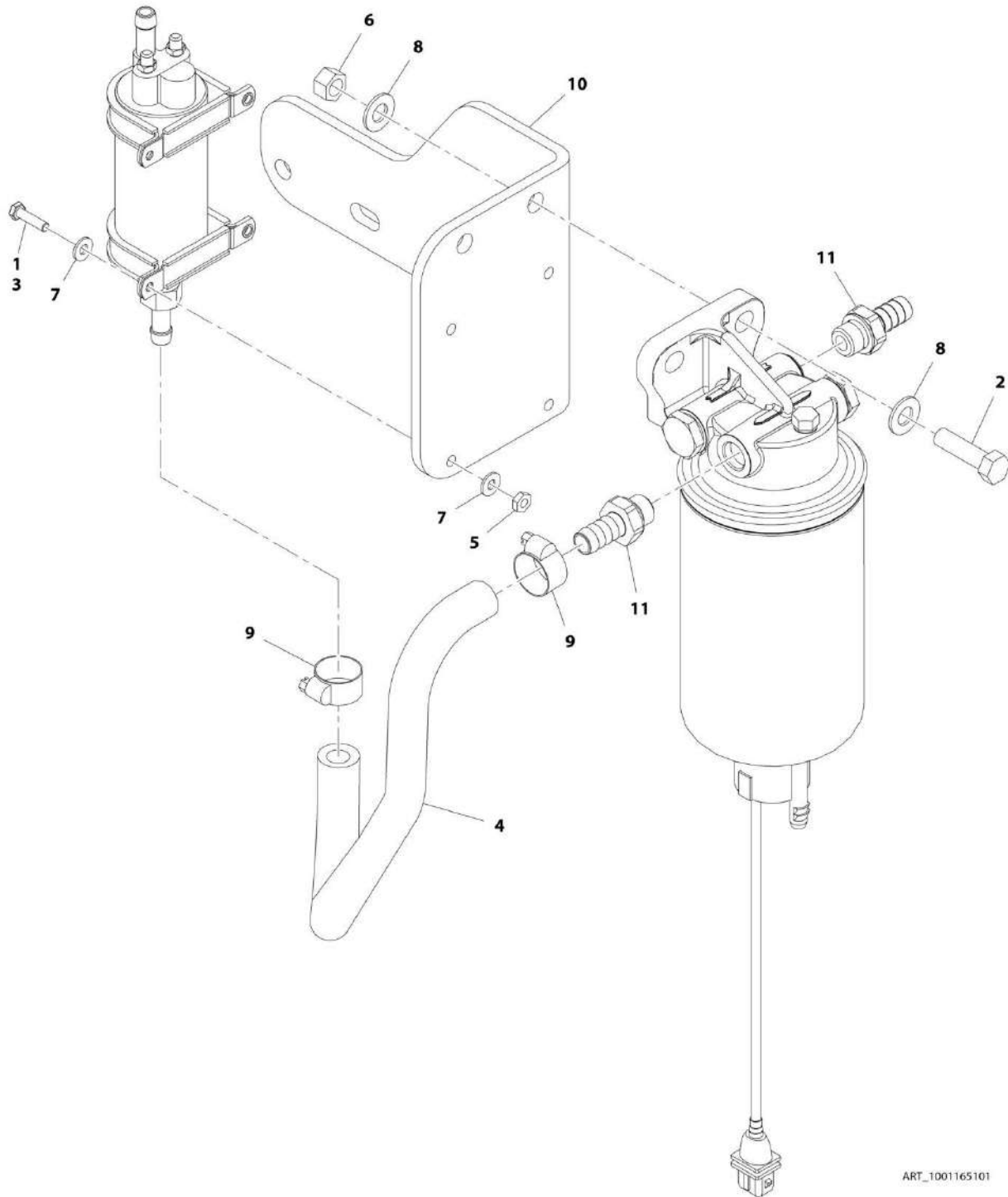
SECTION 3 - ENGINE

FIGURE 3-43. FUEL-WATER SEPARATOR INSTALLATION - DEUTZ TD2011 (OPTIONAL)

ITEM	PART NUMBER	QTY	DESCRIPTION	REV
	1001198751	Ref	FUEL-WATER SEPARATOR INSTALLATION - DEUTZ TD2011 (OPTIONAL)	A
1	0100079	AR	Sealant	
2	0641610	4	Bolt 3/8 x 1-1/4	
3	0641612	2	Bolt 3/8 x 1-1/2	
4	1320022	2	Clamp	
5	2180348	2	Fitting, Barbed Straight	
6	2220816	2	Fitting, Straight FNPTF/ORB	
7	2720058	4.5 ft /1.4m	Hose	
8	3271601	2	Nut 3/8	
9	4711600	4	Washer 3/8	
10	4711700	4	Washer 7/16	
11	1001188884	1	Bracket	
12	1001188887	1	Fuel/Water Separator Assembly	
12	1001202280	1	Head	
12	1001202281	1	Element	
100	1001203866	1	Water/Separator Add-on Kit	

SECTION 3 - ENGINE

FIGURE 3-44. FUEL PUMP/FILTER BRACKET ASSEMBLY (DEUTZ TCD2.9L4 ENGINE)



ART_1001165101

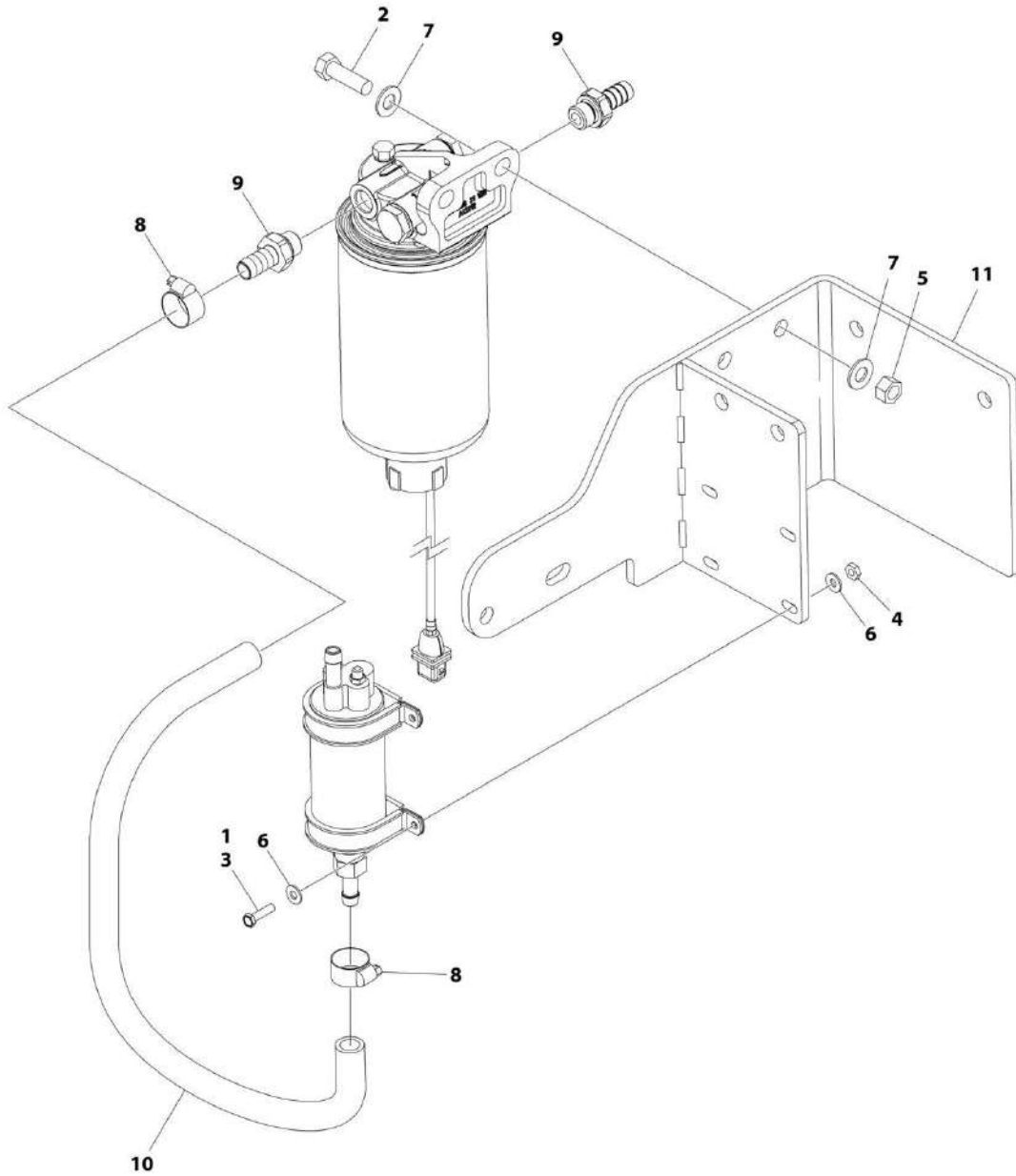
SECTION 3 - ENGINE

FIGURE 3-44. FUEL PUMP/FILTER BRACKET ASSEMBLY (DEUTZ TCD2.9L4 ENGINE)

ITEM	PART NUMBER	QTY	DESCRIPTION	REV
	1001165101	Ref	FUEL PUMP/FILTER BRACKET ASSEMBLY (DEUTZ TCD2.9L4 ENGINE)	C
1	0100011	AR	Compound, Locking	
2	0641611	2	Bolt 3/8 x 1-3/8	
3	0721006	4	Bolt #10 x 3/4	
4	1001154405	1.5 ft /0.4m	Hose	
5	3311001	4	Nut #10	
6	3311605	2	Nut 3/8	
7	4711000	8	Washer #10	
8	4711600	4	Washer 3/8	
9	8405006	2	Clamp	
10	1001140222	1	Bracket, Fuel Pump Mounting	
11	1001141718	2	Fitting, Barbed	

SECTION 3 - ENGINE

FIGURE 3-45. FUEL PUMP/FILTER BRACKET ASSEMBLY - DEUTZ TCD2.9L4 ENGINE (SN 0300239675 to Present)



ART_1001227606

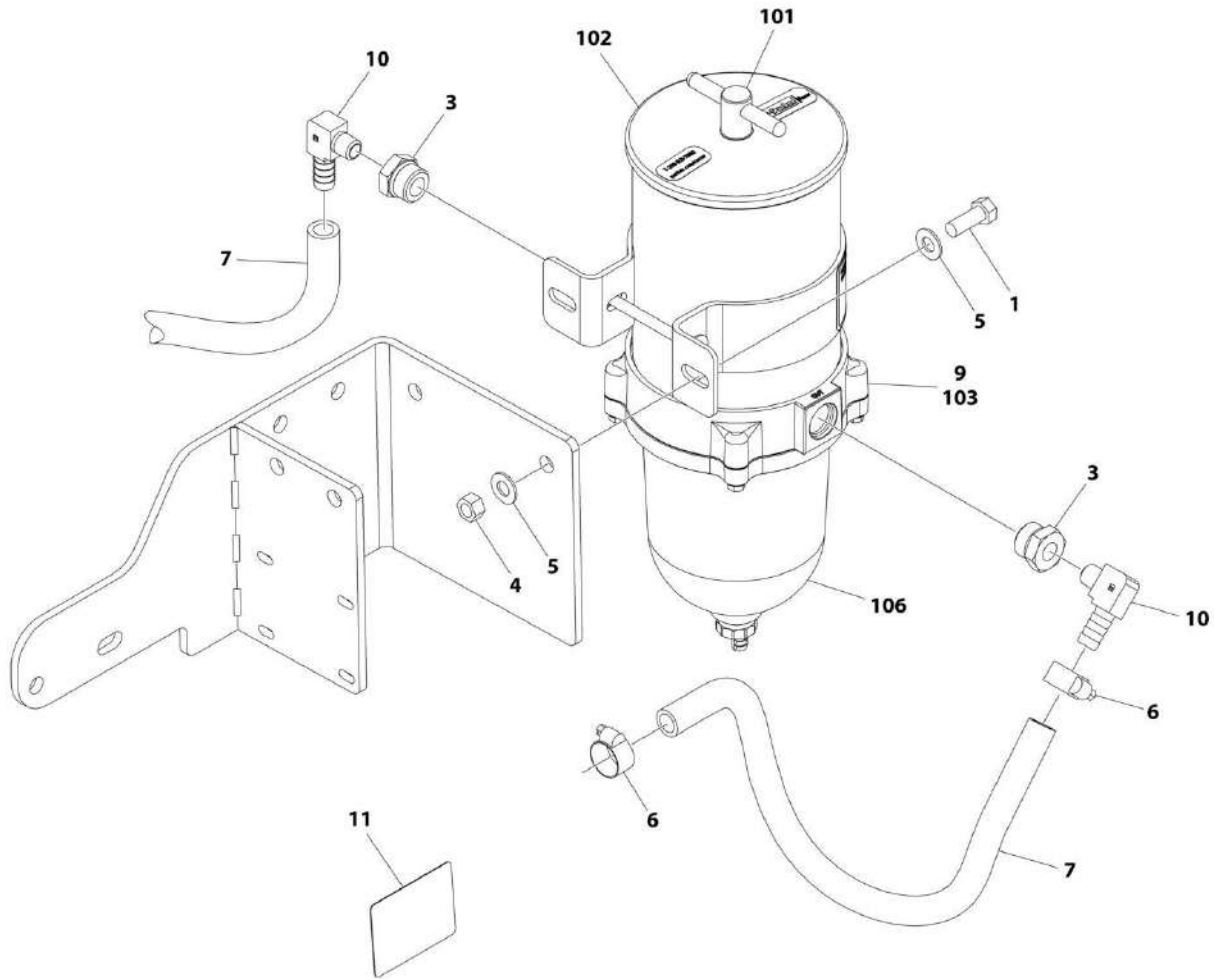
SECTION 3 - ENGINE

FIGURE 3-45. FUEL PUMP/FILTER BRACKET ASSEMBLY - DEUTZ TCD2.9L4 ENGINE (SN 0300239675 to Present)

ITEM	PART NUMBER	QTY	DESCRIPTION	REV
	1001227606	Ref	FUEL PUMP/FILTER BRACKET ASSEMBLY - DEUTZ TCD2.9L4 ENGINE	A
1	0100011	AR	Compound, Locking	
2	0641610	2	Bolt 3/8 x 1-1/4	
3	0721006	4	Bolt #10 x 3/4	
4	3311001	4	Nut #10	
5	3311605	2	Nut 3/8	
6	4711000	8	Washer #10	
7	4711600	4	Washer 3/8	
8	8405006	2	Clamp	
9	1001141718	2	Fitting, Barbed	
10	1001154405	1.5 ft/ 0.4m	Hose	
11	1001222773	1	Bracket, Fuel Pump Mounting	

SECTION 3 - ENGINE

FIGURE 3-46. FUEL FILTER/WATER SEPARATOR INSTALLATION - DEUTZ TCD2.9L4 ENGINE (CHINA SPECS ONLY)



NOTE: LOCATED ON HOOD

ART_1001223068

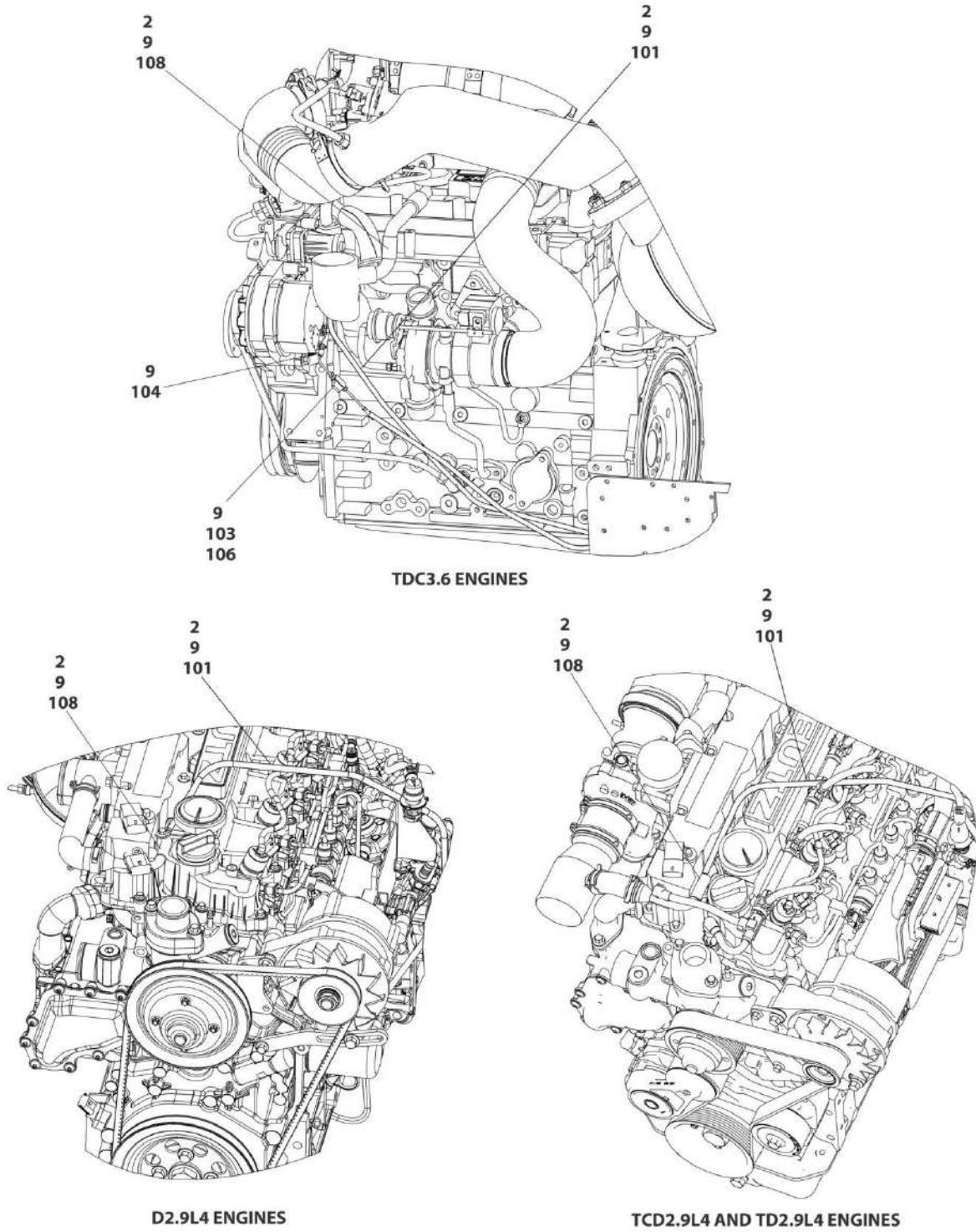
SECTION 3 - ENGINE

**FIGURE 3-46. FUEL FILTER/WATER SEPARATOR INSTALLATION - DEUTZ TCD2.9L4 ENGINE
(CHINA SPECS ONLY)**

ITEM	PART NUMBER	QTY	DESCRIPTION	REV
	1001223068	Ref	FUEL FILTER/WATER SEPARATOR INSTALLATION - DEUTZ TCD2.9L4 ENGINE (CHINA SPECS ONLY)	C
1	0641608	2	Bolt 3/8 x 1	
3	2220816	2	Fitting, Adapter FNPTF/ORB	
4	3311605	2	Nut 3/8	
5	4711600	4	Washer 3/8	
6	8405006	4	Clamp	
7	1001154405	4 ft/ 1.22m	Hose	
9	1001222817	1	Fuel Filter Assembly (See Items 101-107 for Breakdown)	
10	1001178797	2	Fitting, 90 Elbow	
11	1001226923	1	Decal - Fuel Water Separator	
	1001222817	Ref	FUEL FILTER ASSEMBLY	
101	70006403	1	T-Handle Kit (Includes O-Ring)	
102	70006404	1	Lid Kit (Includes Gasket)	
103	70006405	1	Element	
104	70006406	1	Checkball & Gasket Kit (Not Shown)	
105	70006407	1	Centrifuge and Baffle Kit (Not Shown)	
106	70006409	1	Bowl Kit (Includes Gasket, O-Ring and Drain)	
106	70006408	1	Gasket, Bowl	
107	70006410	1	Bowl Ring Kit (Includes Gasket & Hardware) (Not Shown)	

SECTION 3 - ENGINE

FIGURE 3-47. BREATHER HEATER INSTALLATION - DEUTZ D2.9L4 ENGINE WITH ARCTIC PACKAGE



ART_1001233763

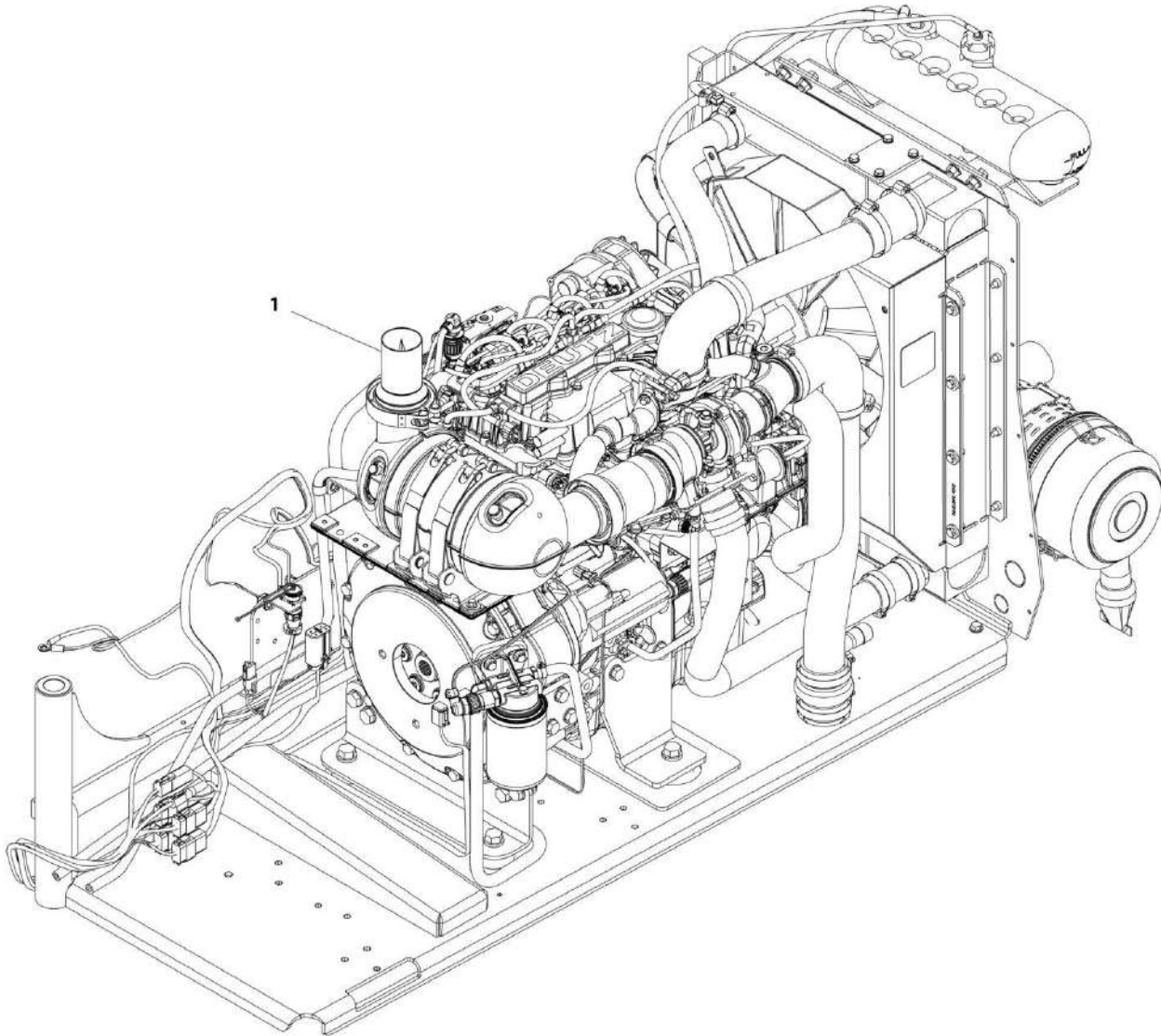
SECTION 3 - ENGINE

FIGURE 3-47. BREATHER HEATER INSTALLATION - DEUTZ D2.9L4 ENGINE WITH ARCTIC PACKAGE

ITEM	PART NUMBER	QTY	DESCRIPTION	REV
	1001233763	Ref	BREATHER HEATER INSTALLATION - DEUTZ ENGINES	C
2	4240099	AR	Tie-Strap	
9	1001243895	1	Breather Heater Harness	
101	2820035	10 ft/ 3m	Insulation	
103	2400060	1	Fuseholder with Cover	
104	4460043	1	Terminal, Ring	
105	4460722	1	Terminal, Ring (Not Shown)	
106	1001196634	1	Fuse - 2 Amp	
108	1001232842	1	Breather Heater Kit	

SECTION 3 - ENGINE

FIGURE 3-48. SPARK ARRESTOR INSTALLATION - DEUTZ TCD2.9L4 ENGINES (OPTIONAL)



ART_1001139930

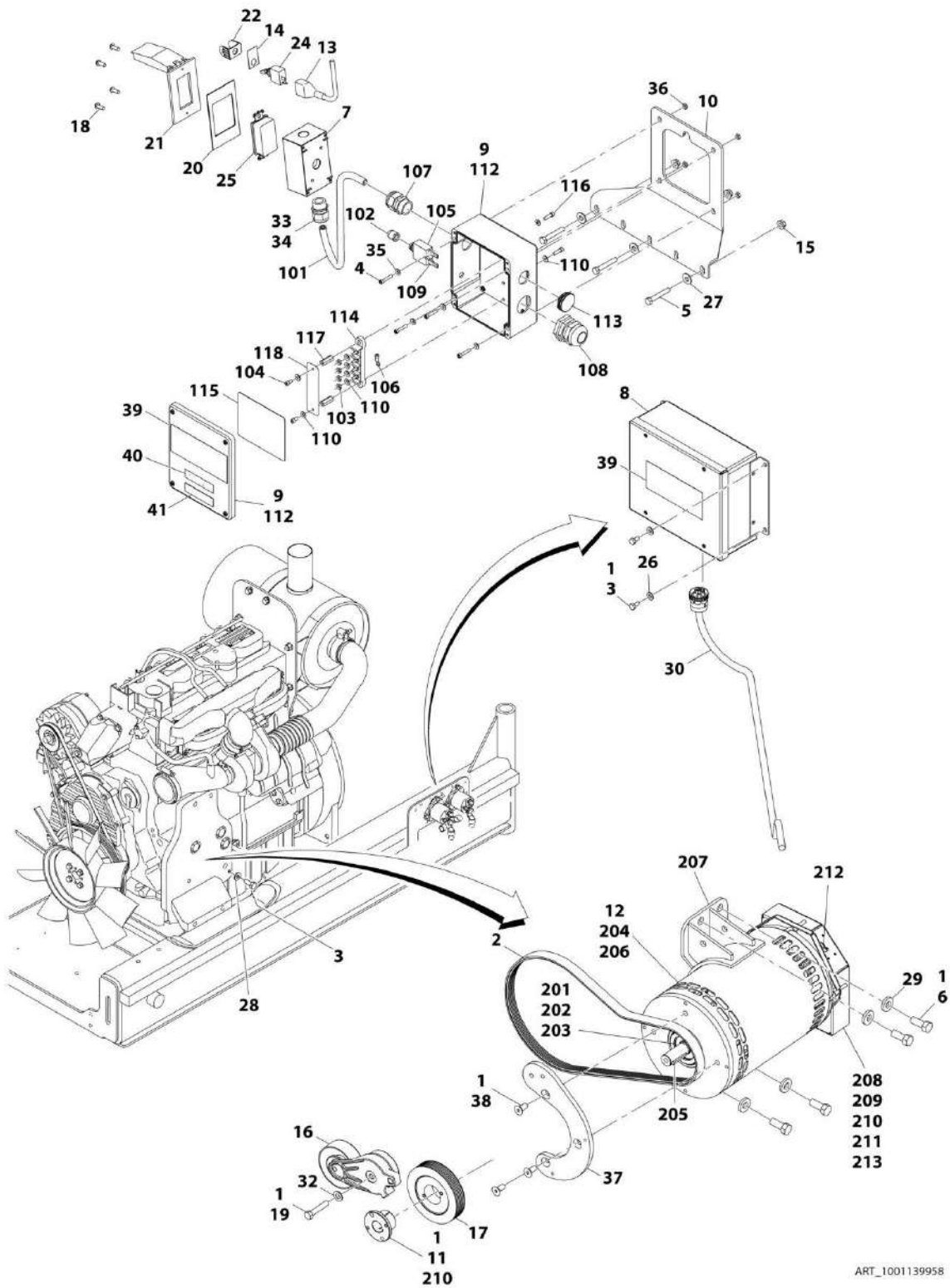
SECTION 3 - ENGINE

FIGURE 3-48. SPARK ARRESTOR INSTALLATION - DEUTZ TCD2.9L4 ENGINES (OPTIONAL)

ITEM	PART NUMBER	QTY	DESCRIPTION	REV
	1001139930	Ref	SPARK ARRESTOR INSTALLATION - DEUTZ TCD2.9L4 ENGINES (OPTIONAL)	C
1	1001154157	1	Arrestor, Spark	

SECTION 3 - ENGINE

FIGURE 3-49. 4000W GENERATOR INSTALLATION - 60HZ SPECS (DEUTZ TD2011 ENGINES)



ART_1001139958

SECTION 3 - ENGINE

FIGURE 3-49. 4000W GENERATOR INSTALLATION - 60HZ SPECS (DEUTZ TD2011 ENGINES)

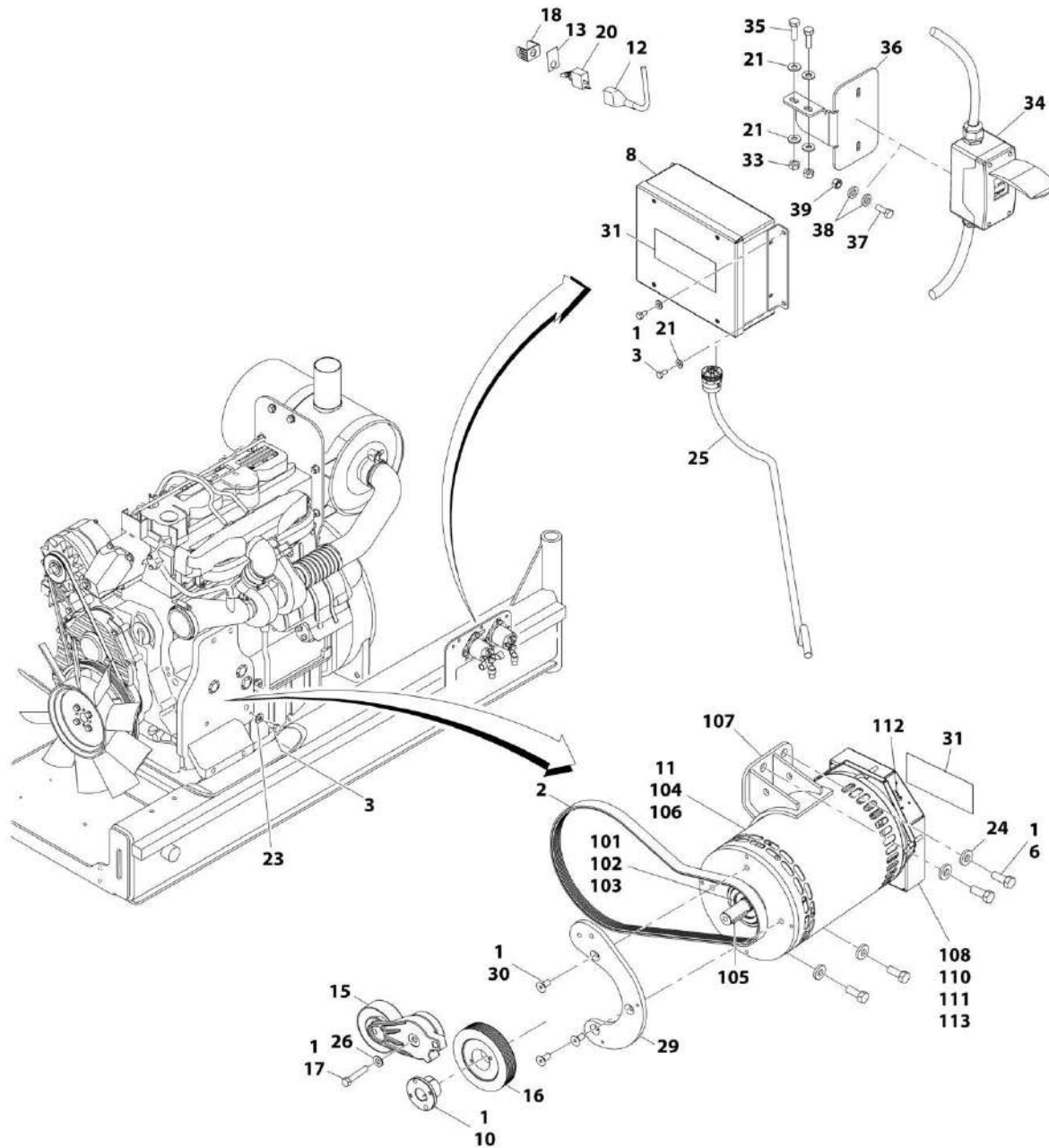
ITEM	PART NUMBER	QTY	DESCRIPTION	REV
	1001139958	Ref	4000W GENERATOR INSTALLATION - 60HZ SPECS (DEUTZ TD2011 ENGINES)	B
		Ref	Note: See ELECTRICAL SECTION for Boom Cable Installation.	
1	0100011	AR	Compound, Locking	
2	0480128	1	Belt, Generator	
3	0641404	5	Bolt 1/4 x 1/2	
4	3931016	4	Screw 1/4 x 1	
5	0641516	3	Bolt 5/16 x 2	
6	0641810	4	Bolt 1/2 x 1-1/4	
7	0860038	1	Box, Switch-Weatherhead	
8	1001138566	1	Box, Generator Control	
8	70006552	1	Capacitor	
8	70006553	1	Relay	
9	1001152457	1	Box, Junction Assembly (See Items 101-118 for Breakdown)	
10	0902888	1	Bracket, Generator Junction Box	
11	0962520	1	Bushing, Taper	
12	1001129858	1	Generator, 4000W Assembly (See Items 200-213 for Breakdown)	
13	2820031	AR	Insulator, Heat Shrink	
14	3251102	1	Nameplate, Generator	
15	3311508	3	Nut 5/16	
16	3580317	1	Pulley, Belt Tensioner	
17	3580318	1	Pulley, Generator	
18	3910606	4	Screw M6 x 3/8	
19	0641616	1	Bolt 3/8 x 2	
20	3960422	1	Gasket, AC Receptacle	
21	1001110873	1	Cover, Gang Vertical Receptacle GFCI	
22	4060802	1	Guard, Switch	
23	4240018	AR	Strap, Tie (Not Shown)	
24	4360336	1	Switch, Toggle	
25	4460346	1	Terminal, Receptacle	
26	4711400	4	Washer 1/4	
27	4751500	3	Washer 5/16	
28	4791400	2	Washer, Star 1/4	
29	4891800	4	Washer 1/2	
30	1001152533	1	Harness, Generator Cable (See ELECTRICAL SECTION for Breakdown)	
31	1001153257	1	Diagram, Generator Wiring (Not Shown)	
32	4711600	1	Washer 3/8	
33	0100020	AR	Sealant, Pipe (Not Shown)	
34	4460071	1	Connector, Strain Relief	
35	4751000	4	Washer #10	
36	3311005	4	Nut #10 Grade 2	
37	1001139357	1	Mount, Generator Tensioner	
38	0741607	3	Screw 3/8 x .88	
39	1705387	3	Decal - Hazardous Voltage	
40	3251243	1	Decal - 120V-60Hz	
41	1705374	1	Decal - 240V-60Hz	
	1001152457	Ref	JUNCTION BOX ASSEMBLY	B
101	1001179154	2.5 ft /0.8m	Cable, 12/3	

SECTION 3 - ENGINE

ITEM	PART NUMBER	QTY	DESCRIPTION	REV
102	3300396	1	Cover, Fuse	
103	3311001	4	Nut #10 Grade 2	
104	3900300	2	Screw, Spec, Cap	
105	4360070	1	Circuit Breaker, 15Amp	
106	4460068	3	Terminal, Ring	
107	4460425	1	Terminal, Strain Relief	
108	4460426	1	Connector, Strain Relief	
109	4460483	2	Terminal	
110	4711000	8	Washer #10	
112	1001152456	1	Box, Junction	
113	1001152525	1	Plug, Hole Plugit	
114	1001152530	1	Terminal, Block, 4 pole	
115	1001153260	1	Decal - Wiring 4000W Generator	
116	3900267	2	Screw, Spec, Cap	
117	1001158008	2	Stand-off, female, Threaded	
118	1001158363	1	Plate, Cover, PVC	
	1001129858	Ref	4000W GENERATOR ASSEMBLY	
201	70003709	1	Ring, Retaining	
202	70003708	1	Ring, Retaining	
203	70001966	1	Bearing, Ball	
204	70004092	1	Endbell	
205	70004171	1	Key	
206	70004676	1	Rotor Assembly	
207	70004684	1	Stator, Generator 4000W	
208	70004678	1	Endbell	
209	70004679	1	Cover, Endbell	
210	70004680	1	Enclosure	
211	70004685	1	Cover, Enclosure	
212	70004682	1	Protector, Supplementary, Manual reset	
213	70004098	1	Bushing, Strain Relief	

SECTION 3 - ENGINE

FIGURE 3-50. 4000W GENERATOR INSTALLATION - 50HZ SPECS (DEUTZ TD2011 ENGINES)



ART_1001139959

SECTION 3 - ENGINE

FIGURE 3-50. 4000W GENERATOR INSTALLATION - 50HZ SPECS (DEUTZ TD2011 ENGINES)

ITEM	PART NUMBER	QTY	DESCRIPTION	REV
	1001139959	Ref	4000W GENERATOR INSTALLATION - 50HZ SPECS (DEUTZ TD2011 ENGINES)	D
		Ref	Note: See ELECTRICAL SECTION for Boom Cable Installation.	
1	0100011	AR	Compound, Locking	
2	1001136356	1	Belt, Generator	
3	0641404	5	Bolt 1/4 x 1/2	
6	0641810	4	Bolt 1/2 x 1-1/4	
8	1001138566	1	Box, Generator Control	
8	70006552	1	Capacitor	
8	70006553	1	Relay	
10	0962520	1	Bushing, Taper	
11	1001138565	1	Generator, 4000W Assembly (See Items 100-113 for Breakdown)	
12	2820031	AR	Insulator, Heat Shrink	
13	3251102	1	Nameplate, Generator	
15	3580317	1	Pulley, Belt Tensioner	
16	3580319	1	Pulley, Generator	
17	0641616	1	Bolt 3/8 x 2	
18	4060802	1	Guard, Switch	
19	4240018	AR	Strap, Tie (Not Shown)	
20	4360336	1	Switch, Toggle	
21	4711400	8	Washer 1/4	
23	4791400	2	Washer, Star 1/4	
24	4891800	4	Washer 1/2	
25	1001152533	1	Harness, Generator Cable (See ELECTRICAL SECTION for Breakdown)	
26	4711600	1	Washer 3/8	
29	1001139357	1	Mount, Generator Tensioner	
30	0741607	3	Screw 3/8 x .88	
31	1705489	2	Decal - Hazardous Voltage	
33	3311405	2	Nut 1/4	
34	1001165368	1	Kit, Box and Breaker (See ELECTRICAL SECTION for Breakdown)	
35	0641407	2	Bolt 1/4 x 7/8	
36	1001094915	1	Bracket, AC Breaker Box	
37	4010408	2	Screw M4 x 16	
38	1001091102	4	Washer M4	
39	3290405	2	Nut M4	
	1001138565	Ref	4000W GENERATOR ASSEMBLY	
101	70003709	1	Ring, Retaining	
102	70003708	1	Ring, Retaining	
103	70001966	1	Bearing, Ball	
104	70004092	1	Endbell	
105	70004171	1	Key	
106	70004676	1	Rotor Assembly	
107	70004677	1	Stator, Generator 4000W	
108	70004678	1	Endbell	
110	70004680	1	Enclosure	
111	70004681	1	Cover, Enclosure	
112	70004682	1	Protector, Supplementary, Manual reset	
113	70004683	1	Bushing, Strain Relief	

SECTION 3 - ENGINE

FIGURE 3-51. 4000W GENERATOR INSTALLATION - 60HZ SPEC (DEUTZ TCD2.9L4 ENGINES)

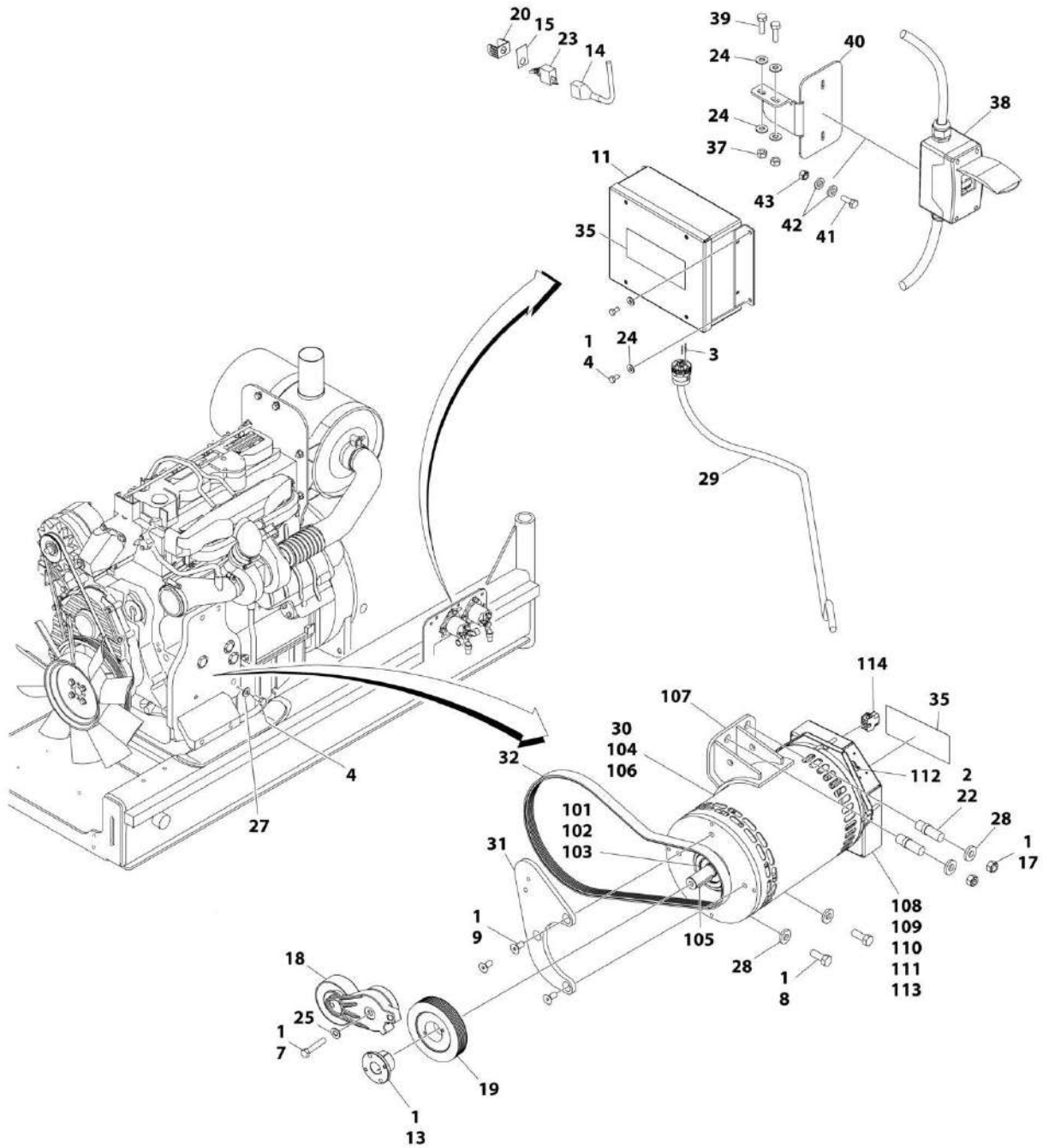
ITEM	PART NUMBER	QTY	DESCRIPTION	REV
	1001171130	Ref	4000W GENERATOR INSTALLATION - 60HZ SPEC (DEUTZ TCD2.9L4 ENGINES)	B
		Ref	Note: See ELECTRICAL SECTION for Boom Cable Installation.	
1	0100011	AR	Compound, Locking	
2	0100019	AR	Compound, Locking	
3	0100020	AR	Sealant, Pipe	
4	0100048	AR	Grease, Dielectric	
5	0641404	5	Bolt 1/4 x 1/2	
6	3931016	4	Screw 1/4 x 1	
7	0641516	3	Bolt 5/16 x 2	
8	0641618	1	Bolt 3/8 x 2-1/4	
9	0641810	2	Bolt 1/2 x 1-1/4	
10	0741607	3	Screw 3/8 x 0.88	
11	0860038	1	Box, Switch-Weatherhead	
12	1001138566	1	Box, Generator Control	
12	70006552	1	Capacitor	
12	70006553	1	Relay	
13	1001152457	1	Box, Junction Assembly (See Items 101-118 for Breakdown)	
14	0902888	1	Bracket, Generator Junction Box	
15	0962520	1	Bushing, Taper	
16	2820031	AR	Insulator, Heat Shrink	
17	3251102	1	Nameplate, Generator	
18	3311508	3	Nut 5/16	
19	3311801	2	Nut 1/2	
20	3580317	1	Pulley, Belt Tensioner	
21	3580318	1	Pulley, Generator	
22	3910606	4	Screw M6 x 3/8	
23	3960422	1	Gasket, AC Receptacle	
24	4060802	1	Guard, Switch	
25	4240018	AR	Strap, Tie (Not Shown)	
26	4300157	2	Stud	
27	4360336	1	Switch, Toggle	
28	4460071	1	Connector, Strain Relief	
29	4460346	1	Terminal, Receptacle	
30	4711400	4	Washer 1/4	
31	4711600	1	Washer 3/8	
32	4751500	3	Washer 5/16	
33	4791400	2	Washer, Star 1/4	
34	4891800	4	Washer 1/2	
35	1001140346	1	Generator, 4000W Assembly (See Items 200-213 for Breakdown)	
36	1001153257	1	Diagram, Generator Wiring (Not Shown)	
37	1001152533	1	Harness, Generator Cable (See ELECTRICAL SECTION for Breakdown)	
38	1001138011	1	Mount, Generator Tensioner	
39	1001110873	1	Cover, Gang Vertical Receptacle GFCI	
40	1001142645	1	Belt, Generator	
41	4751000	4	Washer #10	
42	3311005	4	Nut #10	
43	1705387	3	Decal - Hazardous Voltage	
44	1705374	1	Decal - 240V-60Hz	

SECTION 3 - ENGINE

ITEM	PART NUMBER	QTY	DESCRIPTION	REV
45	3251243	1	Decal - 120V-60Hz	B
	1001152457	Ref	JUNCTION BOX ASSEMBLY	
101	1001179154	2.5 ft /0.8m	Cable, Electrical 12/3	
102	3300396	1	Cover, Fuse	
103	3311001	4	Nut 10 Grade 2	
104	3900300	2	Screw, Spec, Cap	
105	4360070	1	Circuit Breaker, 15Amp	
106	4460068	3	Terminal, Ring	
107	4460425	1	Terminal, Strain Relief	
108	4460426	1	Connector, Strain Relief	
109	4460483	2	Terminal	
110	4711000	8	Washer #10	
112	1001152456	1	Box, Junction	
113	1001152525	1	Plug, Hole Plugit	
114	1001152530	1	Terminal, Block, 4 Pole	
115	1001153260	1	Decal - Wiring 4000W Generator	
116	3900267	2	Screw, Spec, Cap	
117	1001158008	2	Stand-off, Female, Threaded	
118	1001158363	1	Plate, Cover, PVC	
	1001140346	Ref	4000W GENERATOR ASSEMBLY	
201	70003709	1	Ring, Retaining	
202	70003708	1	Ring, Retaining	
203	70001966	1	Bearing, Ball	
204	70004092	1	Endbell	
205	70004099	1	Key	
206	70004676	1	Rotor Assembly	
207	70004687	1	Stator, Generator 4000W	
208	70004678	1	Endbell	
210	70004680	1	Enclosure	
211	70004685	1	Cover, Enclosure	
212	70004682	1	Protector, Supplementary, Manual Reset	
213	70004098	1	Bushing, Strain Relief	

SECTION 3 - ENGINE

FIGURE 3-52. 4000W GENERATOR INSTALLATION - 50HZ SPEC (DEUTZ TCD2.9L4 ENGINES)



ART_1001171273

SECTION 3 - ENGINE

FIGURE 3-52. 4000W GENERATOR INSTALLATION - 50HZ SPEC (DEUTZ TCD2.9L4 ENGINES)

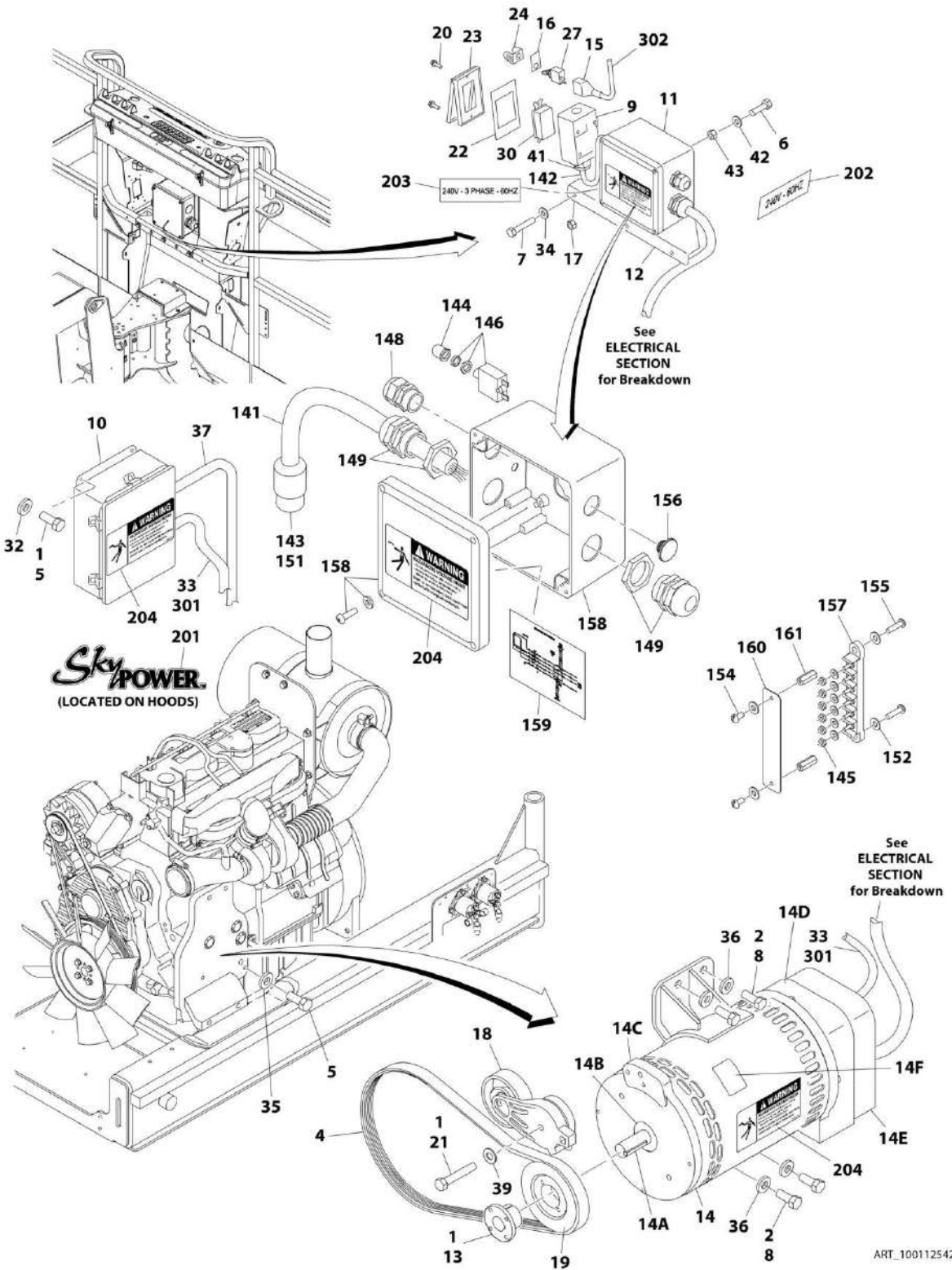
ITEM	PART NUMBER	QTY	DESCRIPTION	REV
	1001171273	Ref	4000W GENERATOR INSTALLATION - 50HZ SPEC (DEUTZ TCD2.9L4 ENGINES)	C
		Ref	Note: See ELECTRICAL SECTION for Boom Cable Installation.	
1	0100011	AR	Compound, Locking	
2	0100019	AR	Compound, Locking	
3	0100048	AR	Grease, Dielectric	
4	0641404	5	Bolt 1/4 x 1/2	
7	0641618	1	Bolt 3/8 x 2-1/4	
8	0641810	2	Bolt 1/2 x 1-1/4	
9	0741607	3	Screw 3/8 x .88	
11	1001138566	1	Box, Generator Control	
11	70006552	1	Capacitor	
11	70006553	1	Relay	
13	0962520	1	Bushing, Taper	
14	2820031	AR	Insulator, Heat Shrink	
15	3251102	1	Nameplate, Generator	
17	3311801	2	Nut 1/2	
18	3580317	1	Pulley, Belt Tensioner	
19	3580319	1	Pulley, Generator	
20	4060802	1	Guard, Switch	
21	4240018	AR	Strap, Tie (Not Shown)	
22	4300157	2	Stud	
23	4360336	1	Switch, Toggle	
24	4711400	8	Washer 1/4	
25	4711600	1	Washer 3/8	
27	4791400	2	Washer, Star 1/4	
28	4891800	4	Washer 1/2	
29	1001152533	1	Harness, Generator Cable (See ELECTRICAL SECTION for Breakdown)	
30	1001140347	1	Generator, 4000W Assembly (See Items 101-113 for Breakdown)	
31	1001138011	1	Mount, Generator Tensioner	
32	1001136357	1	Belt, Generator	
35	1705489	2	Decal - Hazardous Voltage	
37	3311405	2	Nut 1/4	
38	1001165368	1	Kit, Box and Breaker (See ELECTRICAL SECTION for Breakdown)	
39	0641407	2	Bolt 1/4 x 7/8	
40	1001094915	1	Bracket, AC Breaker Box	
41	4010408	2	Screw M4 x 16	
42	1001091102	4	Washer M4	
43	3290405	2	Nut M4	
	1001140347	Ref	4000W GENERATOR ASSEMBLY	
101	70003709	1	Ring, Retaining	
102	70003708	1	Ring, Retaining	
103	70001966	1	Bearing, Ball	
104	70004092	1	Endbell	
105	70004099	1	Key	
106	70004676	1	Rotor Assembly	
107	70004686	1	Stator, Generator 4000W	
108	70004678	1	Endbell	

SECTION 3 - ENGINE

ITEM	PART NUMBER	QTY	DESCRIPTION	REV
109	70004679	1	Cover, Endbell	
110	70004680	1	Enclosure	
111	70004681	1	Cover, Enclosure	
112	70004682	1	Protector, Supplementary, Manual reset	
113	70004683	1	Bushing, Strain Relief	
114	4460224	1	Connector - 6 Position	
114	4460294	6	Pin, Male	
114	4460807	1	Seal, Plug	
114	4460808	1	Seal, Plug	

SECTION 3 - ENGINE

FIGURE 3-53. 7500W SKYPOWER GENERATOR INSTALLATION - 60HZ SPEC (DEUTZ TD2011 ENGINES) (OPTIONAL)



SECTION 3 - ENGINE

FIGURE 3-53. 7500W SKYPOWER GENERATOR INSTALLATION - 60HZ SPEC (DEUTZ TD2011 ENGINES) (OPTIONAL)

ITEM	PART NUMBER	QTY	DESCRIPTION	REV
	1001125427	Ref	7500W SKYPOWER GENERATOR INSTALLATION - 60HZ SPEC (DEUTZ TD2011 ENGINES) (OPTIONAL)	D
		Ref	Note: See ELECTRICAL SECTION for Boom Cable Installation.	
1	0100011	AR	Compound, Locking	
2	0100019	AR	Compound, Locking	
4	0480128	1	Belt, Generator	
5	0641404	6	Bolt 1/4 x 1/2	
6	3931016	4	Bolt 10 x 1	
7	0641516	3	Bolt 5/16 x 2	
8	0641810	4	Bolt 1/2 x 1-1/4	
9	0860038	1	Box, Switch	
10	0861538	1	Box, Generator Control	
10	7024488	1	Card, Circuit - Generator Power (Not Shown)	
10	See Note	1	Fuse (Note: Not Available - Purchase Locally)	
10	7024489	1	Card, Circuit - Control (Not Shown)	
		Ref	Note: When replacing card, rocker switch on card must be set for required application.	
10	70000619	1	Harness, Circuit Card	
11	1001157592	1	Junction Box Assembly Options (See Items 141-161 for Breakdown)	
12	0902888	1	Bracket, Generator Junction Box	
13	0962520	1	Bushing, Taper	
14	2460048	1	Generator, 7500W	
14	70001100	1	Rotor (Includes p/n 70001384 & 70000863) (Not Shown)	
14	70001384	1	Bearing, Shaft (Rear) (Not Shown)	
14	70000863	1	Fan, Generator (Not Shown)	
14	70002088	1	Stator (Not Shown)	
14	70002297	2	Stud 1/4-20 x 12-7/8 (Not Shown)	
14	70003631	1	Brushholder Assembly (Not Shown)	
14A	70004171	1	Key	
14B	70001966	1	Bearing, Ball Radial (Located in Belt Tensioner Endbell)	
14B	70003709	1	Ring, Retaining (Small)	
14B	70003708	1	Ring, Retaining (Large)	
14C	70001953	1	Endbell, Belt Tensioner	
14D	70004169	1	Kit, Endbell (Includes Endbell, Brush Block and Shroud Assembly)	
14E	7027799	1	Block, Connector - 6 Position (Not Shown)	
14E	70002460	6	Nut, Brass (Attaches p/n 7027799 to Cover) (Not Shown)	
14E	7024485	1	Breaker, Circuit 30Amp (Not Shown)	
14E	70001696	1	Boot, Breaker (Not Shown)	
14E	7026597	1	Connector with Leads (Not Shown)	
14E	7026626	1	Connector with Pins (Not Shown)	
14E	7026188	1	Clamp, Cable (Not Shown)	
14E	70002255	1	Plate, End Panel (Not Shown)	
14E	See Note	NSS	Insulator, End Panel (Note: Not Available for Purchase)	
14E	70001974	1	Decal - Terminal Connections (Not Shown)	
14F	70001973	1	Decal - Warning Moving Parts	
15	2820031	AR	Insulator, Heat Shrink	
16	3251102	1	Nameplate, Generator	
17	3311508	3	Nut 5/16	

SECTION 3 - ENGINE

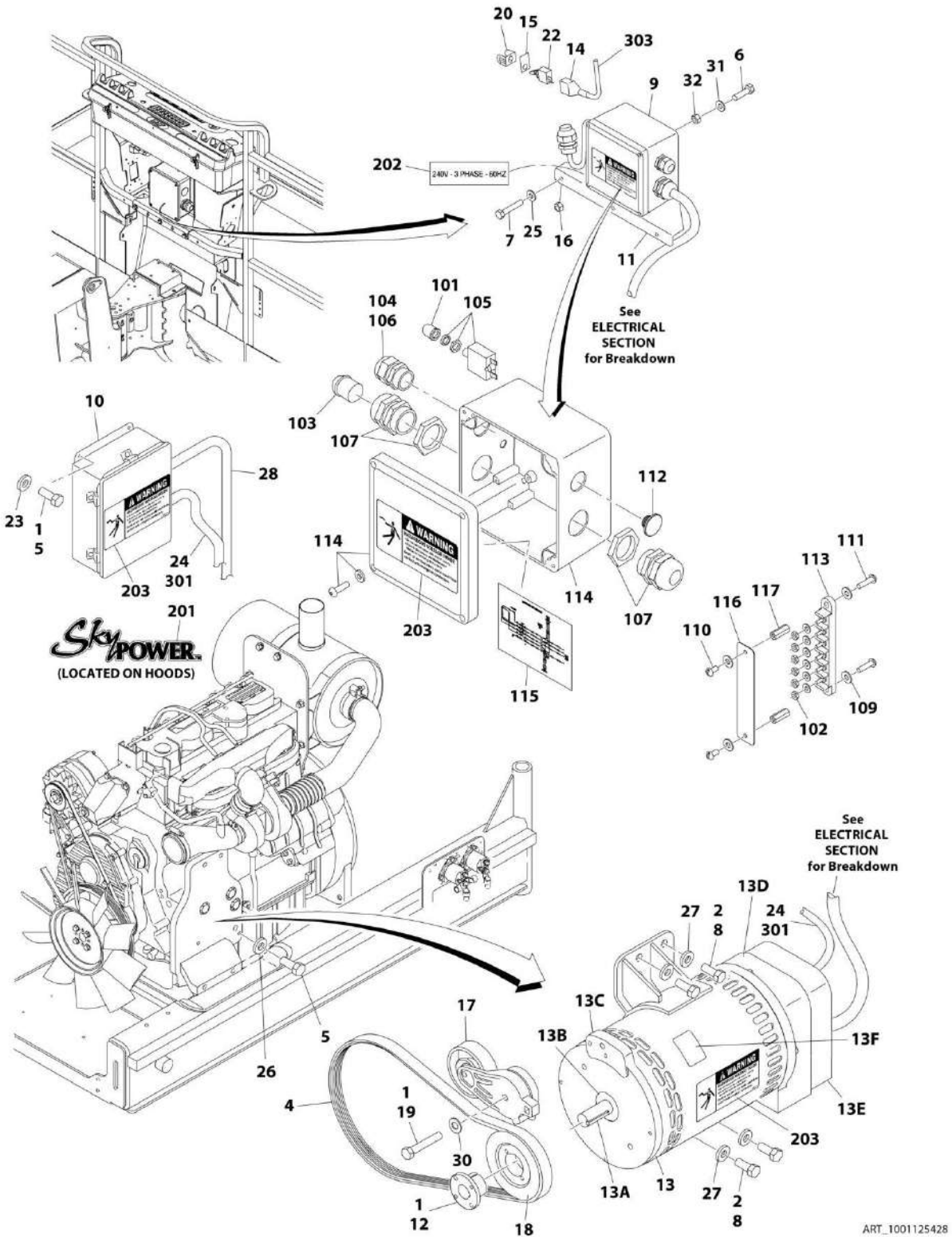
ITEM	PART NUMBER	QTY	DESCRIPTION	REV
18	3580317	1	Pulley, Belt Tensioner	
19	3580318	1	Pulley, Generator	
20	3910606	4	Screw #6 x 3/8	
21	0641618	1	Bolt 3/8 x 2	
22	3960422	1	Gasket, AC Receptacle	
23	1001110873	1	Shield, Receptacle Cover	
24	4060802	1	Guard, Switch	
26	4240018	AR	Strap, Tie (Not Shown)	
27	4360336	1	Switch, Toggle	
30	4460346	1	Terminal, Receptacle	
32	4711400	4	Washer 1/4	
33	0100048	AR	Grease, Dielectric	
34	4751500	3	Washer 5/16	
35	4791400	2	Washer, Star 1/4	
36	4891800	4	Washer 1/2	
37	4922972	1	Harness, Generator Cable (See ELECTRICAL SECTION for Breakdown)	
39	4711600	1	Washer 3/8	
40	0100020	AR	Sealant, Pipe (Not Shown)	
41	4460071	1	Connector, Strain Relief	
42	4751000	4	Washer #10	
43	3311005	4	Nut #10	
	1001157592	Ref	JUNCTION BOX ASSEMBLY	C
141	1060343	1.5 ft /0.5m	Cable, Electrical 10/4	
142	1001179154	2.5 ft /0.8m	Cable, Electrical 12/3	
143	1671092	1	Cover	
144	3300396	1	Cover, Fuse	
145	3311001	6	Nut #10	
146	4360070	1	Circuit Breaker - 15Amp	
148	4460425	1	Strain Relief, Terminal	
149	4460426	2	Connector, Strain Relief	
151	4460963	1	Connector	
152	4711000	10	Washer #10	
154	10702077	2	Screw #10 x 3/8	
155	10702082	2	Screw #10 x 3/4	
156	1001152525	1	Plug	
157	1001157520	1	Block, Terminal	
158	1001157521	1	Box, Junction	
159	1001157528	1	Decal - Wiring Schematic	
160	1001158007	1	Decal - PVC	
161	1001158008	2	Stand-off	
	0272435	Ref	DECAL INSTALLATION	D
201	1705460	2	Decal - SkyPower	
202	1705374	1	Decal - 240V-60Hz (SN 0300209000 through 0300202038)	
202	3251243	1	Decal - 120V-60Hz (SN 0300222674 to Present)	
203	1705375	1	Decal - 240V - 3 Phase	
204	1705387	3	Decal - Hazardous Voltage	
	1001122528	Ref	ELECTRICAL DIAGRAM COMPONENTS	B
301	1001119968	1	Generator Harness	C
301A	4460967	1	Plug, Male - 3 Position (Not Shown)	

SECTION 3 - ENGINE

ITEM	PART NUMBER	QTY	DESCRIPTION	REV
301A	4460465	6	Socket, Female	
301B	1001117078	1	Fuseholder with Fuse (Not Shown)	
302	4922641	1	Switch, Harness	

SECTION 3 - ENGINE

FIGURE 3-54. 7500W SKYPOWER GENERATOR INSTALLATION - 50HZ SPEC (DEUTZ TD2011 ENGINES) (OPTIONAL)



SECTION 3 - ENGINE

FIGURE 3-54. 7500W SKYPOWER GENERATOR INSTALLATION - 50HZ SPEC (DEUTZ TD2011 ENGINES) (OPTIONAL)

ITEM	PART NUMBER	QTY	DESCRIPTION	REV
	1001125428	Ref	7500W SKYPOWER GENERATOR INSTALLATION - 50HZ SPEC (DEUTZ TD2011 ENGINES) (OPTIONAL)	C
		Ref	Note: See ELECTRICAL SECTION for Boom Cable Installation.	
1	0100011	AR	Compound, Locking	
2	0100019	AR	Compound, Locking	
4	0480129	1	Belt, Generator	
5	0641404	5	Bolt 1/4 x 1/2	
6	3931016	4	Bolt M10 x 1	
7	0641516	3	Bolt 5/16 x 2	
8	0641810	4	Bolt 1/2 x 1-1/4	
9	1001157525	1	Junction Box Assembly (See Items 101-117 for Breakdown)	
10	0861572	1	Box, Generator Control	
10	7024488	1	Card, Circuit - Generator Power (Not Shown)	
10	See Note	1	Fuse (Note: Not Available - Purchase Locally)	
10	7024489	1	Card, Circuit - Control (Not Shown)	
		Ref	Note: When replacing card, rocker switch on card must be set for required application.	
10	70000619	1	Harness, Circuit Card	
11	0902888	1	Bracket, Generator Junction Box	
12	0962520	1	Bushing, Taper	
13	2460048	1	Generator, 7500W	
13	70001100	1	Rotor (Includes p/n 70001384 & 70000863) (Not Shown)	
13	70001384	1	Bearing, Shaft (Rear) (Not Shown)	
13	70000863	1	Fan, Generator (Not Shown)	
13	70002088	1	Stator (Not Shown)	
13	70002297	2	Stud 1/4-20 x 12-7/8	
13	70003631	1	Brushholder Assembly (Not Shown)	
13A	70004171	1	Key	
13B	70001966	1	Bearing, Ball Radial (Located in Belt Tensioner Endbell)	
13B	70003709	1	Ring, Retaining (Small)	
13B	70003708	1	Ring, Retaining (Large)	
13C	70001953	1	Endbell, Belt Tensioner	
13D	70004169	1	Kit, Endbell (Includes Endbell, Brush Block and Shroud Assembly)	
13E	7027799	1	Block, Connector - 6 Position (Not Shown)	
13E	70002460	6	Nut, Brass (Attaches p/n 7027799 to Cover) (Not Shown)	
13E	7024485	1	Breaker, Circuit 30Amp (Not Shown)	
13E	70001696	1	Boot, Breaker (Not Shown)	
13E	7026597	1	Connector with Lead (Not Shown)	
13E	7026626	1	Connector with Pins (Not Shown)	
13E	7026188	1	Clamp, Cable (Not Shown)	
13E	70002255	1	Plate, End Panel (Not Shown)	
13E	See Note	1	Insulator, End Panel (Not Shown) (Note: Not Available for Purchase)	
13E	70001974	1	Decal - Terminal Connections (Not Shown)	
13F	70001973	1	Decal - Warning Moving Parts	
14	2820031	AR	Insulator, Heat Shrink	
15	3251102	1	Nameplate, Generator	
16	3311508	3	Nut 5/16	
17	3580317	1	Pulley, Belt Tensioner	

SECTION 3 - ENGINE

ITEM	PART NUMBER	QTY	DESCRIPTION	REV
18	3580319	1	Pulley, Generator	
19	0641618	1	Bolt 3/8 x 2	
20	4060802	1	Guard, Switch	
21	4240018	AR	Strap, Tie (Not Shown)	
22	4360336	1	Switch, Toggle	
23	4711400	4	Washer 1/4	
24	0100048	AR	Grease, Dielectric	
25	4751500	3	Washer 5/16	
26	4791400	2	Washer, Star 1/4	
27	4891800	4	Washer 1/2	
28	4922972	1	Harness, Generator Cable (See ELECTRICAL SECTION for Breakdown)	
30	4711600	1	Washer 3/8	
31	4751000	4	Washer #10	
32	3311005	4	Nut #10	
	1001157525	Ref	JUNCTION BOX ASSEMBLY	B
101	3300396	1	Cover, Fuse	
102	3311001	6	Nut #10	
103	3520189	1	Plug	
104	3520192	1	Plug	
105	4360070	1	Circuit Breaker - 15Amp	
106	4460425	1	Strain Relief, Terminal	
107	4460426	2	Connector, Strain Relief	
109	4711000	10	Washer #10	
110	10702077	2	Screw #10 x 3/8	
111	10702082	2	Screw #10 x 3/4	
112	1001152525	1	Plug	
113	1001157520	1	Block, Terminal	
114	1001157521	1	Box, Junction	
115	1001157528	1	Decal - Wiring Schematic	
116	1001158007	1	Cover, PVC	
117	1001158008	2	Stand-off	
	0272589	Ref	DECAL INSTALLATION	A
201	1705460	2	Decal - SkyPower	
202	1705461	1	Decal - 240V - 3 Phase	
203	1705489	3	Decal - Hazardous Voltage	
	1001122528	Ref	ELECTRICAL DIAGRAM COMPONENTS	B
301	1001119968	1	Generator Harness	C
301A	4460967	1	Plug, Male - 3 Position (Not Shown)	
301A	4460465	6	Socket, Female	
301B	1001117078	1	Fuseholder with Fuse (Not Shown)	
303	4922641	1	Switch Harness	

SECTION 3 - ENGINE

FIGURE 3-55. 7500W SKYPOWER GENERATOR INSTALLATION - 60HZ SPEC (DEUTZ TCD2.9L4 ENGINES) (OPTIONAL)

ITEM	PART NUMBER	QTY	DESCRIPTION	REV
	1001137590	Ref	7500W SKYPOWER GENERATOR INSTALLATION - 60HZ SPEC (DEUTZ TCD2.9L4 ENGINES) (OPTIONAL)	G
		Ref	Note: See ELECTRICAL SECTION for Boom Cable Installation.	
1	0100011	AR	Compound, Locking	
2	0100019	AR	Compound, Locking	
3	0100020	AR	Sealant, Pipe	
4	0100048	AR	Grease, Dielectric	
5	0641404	5	Bolt 1/4 x 1/2	
6	3931016	4	Bolt 10 x 1	
7	0641516	3	Bolt 5/16 x 2	
8	0641618	1	Bolt 3/8 x 2	
9	0641810	2	Bolt 1/2 x 1-1/4	
10	0741607	3	Screw 3/8 x 7/8	
11	0860038	1	Box, Switch	
12	0861538	1	Box, Generator Control	
12	7024488	1	Card, Circuit - Generator Power (Not Shown)	
12	See Note	1	Fuse (Note: Not Available Purchase Locally)	
12	7024489	1	Card, Circuit - Control (Not Shown)	
		Ref	Note: When replacing card, rocker switch on card must be set for required application.	
12	70000619	1	Harness, Circuit Card	
13	1001157592	1	Junction Box Assembly (See Items 101-121 for Breakdown)	
14	0902888	1	Bracket, Generator Junction Box	
15	0962520	1	Bushing, Taper	
16	2820031	AR	Insulator, Heat Shrink	
17	3251102	1	Nameplate, Generator	
18	3311508	3	Nut 5/16	
19	3311801	2	Nut 1/2	
21	3580317	1	Pulley, Belt Tensioner	
22	3580318	1	Pulley, Generator	
23	3910606	4	Screw #6 x 3/8	
24	3960422	1	Gasket, AC Receptacle	
25	4060802	1	Guard, Switch	
26	4240018	AR	Strap, Tie (Not Shown)	
27	4300157	2	Stud 1/2-13	
28	4360336	1	Switch, Toggle	
29	4460071	1	Connector, Strain Relief	
31	4460346	1	Terminal, Receptacle	
32	4711400	4	Washer 1/4	
33	4711600	1	Washer 3/8	
34	4751500	3	Washer 5/16	
35	4791400	2	Washer, Star 1/4	
36	4891800	4	Washer 1/2	
37	4922972	1	Harness, Generator Cable (See ELECTRICAL SECTION for Breakdown)	
39	1001136988	NLA	Generator, 7500W (Use p/n 1001212223) (SN 0300209000 through 0300226075)	
39	1001212223	1	Generator Assembly (SN 0300226076 to Present)	
39	70001100	1	Rotor (Includes p/n 70001384 & 70000863) (Not Shown)	
39	70001384	1	Bearing, Shaft (Rear) (Not Shown)	

SECTION 3 - ENGINE

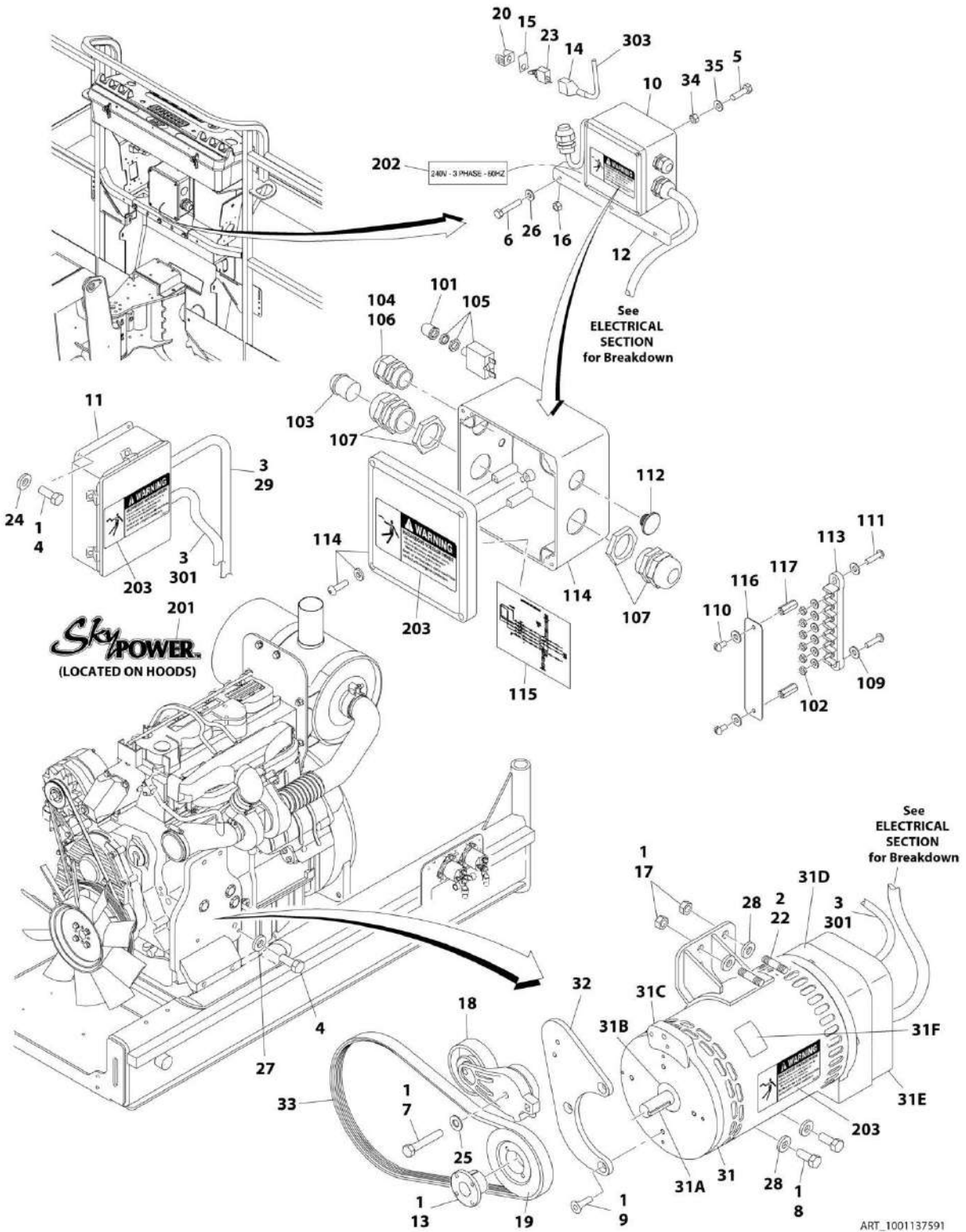
ITEM	PART NUMBER	QTY	DESCRIPTION	REV
39	7000863	1	Fan, Generator (Not Shown)	
39	70004093	1	Stator (Not Shown) (1001136988 Generator)	
39	70006093	1	Stator (Not Shown) (1001212223 Generator)	
39	70002297	2	Stud 1/4-20 x 12-7/8 (Not Shown)	
39	70003631	1	Brushholder Assembly (Not Shown)	
39A	70004099	1	Key	
39B	70001966	1	Bearing, Ball Radial (Located in Belt Tensioner Endbell)	
39B	70003709	1	Ring, Retaining (Small)	
39B	70003708	1	Ring, Retaining (Large)	
39C	70004092	1	Endbell, Belt Tensioner	
39D	70004094	1	Endbell, Brush Block	
39E	70004096	1	Shroud (1001136988 Generator)	
39E	70006094	1	Shroud (1001212223 Generator)	
39E	7027799	1	Block, Connector - 6 Position (Not Shown)	
39E	70002460	6	Nut, Brass (Attaches p/n 7027799 to Cover) (Not Shown)	
39E	7024485	1	Breaker, Circuit 30Amp (Not Shown) (1001136988 Generator)	
39E	70006095	1	Breaker, Circuit 30Amp (Not Shown) (1001212223 Generator)	
39E	70001696	1	Boot, Breaker (Not Shown) (1001136988 Generator)	
39E	70006096	1	Guard, Breaker (Not Shown) (1001212223 Generator)	
39E	7026597	1	Connector with Leads (Not Shown)	
39E	7026626	1	Connector with Pins (Not Shown)	
39E	70004098	1	Clamp, Cable (Not Shown)	
39E	70004095	1	Plate, End Panel (Not Shown) (1001136988 Generator)	
39E	70006097	1	Plate, End Panel (Not Shown) (1001212223 Generator)	
39E	70004097	1	Insulator, Endbell (Not Shown) (1001136988 Generator)	
39E	70002291	1	Insulator, Endbell (Not Shown) (1001212223 Generator)	
39E	70001974	1	Decal - Terminal Connections (Not Shown)	
39F	70001973	1	Decal - Warning Moving Parts	
40	1001138011	1	Bracket	
41	1001110873	1	Shield, Receptacle Cover	
42	1001142645	1	Belt, Generator	
43	4751000	4	Washer #10	
44	3311005	4	Nut #10	
	1001157592	Ref	JUNCTION BOX ASSEMBLY	C
101	1060343	1.5 ft /0.5m	Cable, Electrical 10/4	
102	1001179154	2.5 ft /0.8m	Cable, Electrical 12/3	
103	1671092	1	Cover	
104	3300396	1	Cover, Fuse	
105	3311001	6	Nut #10	
106	4360070	1	Circuit Breaker - 15Amp	
108	4460425	1	Strain Relief, Terminal	
109	4460426	2	Connector, Strain Relief	
111	4460963	1	Connector	
112	4711000	10	Washer #10	
114	10702077	2	Screw #10 x 3/8	
115	10702082	2	Screw #10 x 3/4	
116	1001152525	1	Plug	
117	1001157520	1	Block, Terminal	
118	1001157521	1	Box, Junction	
119	1001157528	1	Decal - Wiring Schematic	

SECTION 3 - ENGINE

ITEM	PART NUMBER	QTY	DESCRIPTION	REV
120	1001158007	1	Cover, PVC	
121	1001158008	2	Stand-off	
	0272435	Ref	DECAL INSTALLATION	D
201	1705460	2	Decal - SkyPower	
202	3251243	1	Decal - 120V-60Hz (Not Shown - Located at Platform Receptacle) (SN 0300222674 to Present)	
203	1705375	1	Decal - 240V - 3 Phase	
204	1705387	3	Decal - Hazardous Voltage	
	1001122528	Ref	ELECTRICAL DIAGRAM COMPONENTS	B
301	1001119968	1	Generator Harness	C
301A	4460967	1	Plug, Male - 3 Position (Not Shown)	
301A	4460465	6	Socket, Female	
301B	1001117078	1	Fuseholder with Fuse (Not Shown)	
302	4922641	1	Switch Harness	

SECTION 3 - ENGINE

FIGURE 3-56. 7500W SKYPOWER GENERATOR INSTALLATION - 50HZ SPEC (DEUTZ TCD2.9L4 ENGINES) (OPTIONAL)



SECTION 3 - ENGINE

FIGURE 3-56. 7500W SKYPOWER GENERATOR INSTALLATION - 50HZ SPEC (DEUTZ TCD2.9L4 ENGINES) (OPTIONAL)

ITEM	PART NUMBER	QTY	DESCRIPTION	REV
	1001137591	Ref	7500W SKYPOWER GENERATOR INSTALLATION - 50HZ SPEC (DEUTZ TCD2.9L4 ENGINES) (OPTIONAL)	D
		Ref	Note: See ELECTRICAL SECTION for Boom Cable Installation.	
1	0100011	AR	Compound, Locking	
2	0100019	AR	Compound, Locking	
3	0100048	AR	Grease, Dielectric	
4	0641404	5	Bolt 1/4 x 1/2	
5	3931016	4	Bolt #10 x 1	
6	0641516	3	Bolt 5/16 x 2	
7	0641618	1	Bolt 3/8 x 2	
8	0641810	2	Bolt 1/2 x 1-1/4	
9	0741607	3	Screw 3/8 x 7/8	
10	1001157525	1	Junction Box Assembly (See Items 101-117 for Breakdown)	
11	0861572	1	Box, Generator Control	
11	7024488	1	Card, Circuit - Generator Power (Not Shown)	
11	See Note	1	Fuse (Note: Not Available - Purchase Locally)	
11	7024489	1	Card, Circuit - Control (Not Shown)	
		Ref	Note: When replacing card, rocker switch on card must be set for required application.	
11	70000619	1	Harness, Circuit Card	
12	0902888	1	Bracket, Generator Junction Box	
13	0962520	1	Bushing, Taper	
14	2820031	AR	Insulator, Heat Shrink	
15	3251102	1	Nameplate, Generator	
16	3311508	3	Nut 5/16	
17	3311801	2	Nut 1/2	
18	3580317	1	Pulley, Belt Tensioner	
19	3580319	1	Pulley, Generator	
20	4060802	1	Guard, Switch	
21	4240018	AR	Strap, Tie (Not Shown)	
22	4300157	2	Stud 1/2-13	
23	4360336	1	Switch, Toggle	
24	4711400	4	Washer 1/4	
25	4711600	1	Washer 3/8	
26	4751500	3	Washer 5/16	
27	4791400	2	Washer, Star 1/4	
28	4891800	4	Washer 1/2	
29	4922972	1	Harness, Generator Cable (See ELECTRICAL SECTION for Breakdown)	
31	1001136988	NLA	Generator, 7500W (Use p/n 1001212223) (SN 0300209000 through 0300226075)	
31	1001212223	1	Generator Assembly (SN 0300226076 to Present)	
31	70001100	1	Rotor (Includes p/n 70001384 & 70000863) (Not Shown)	
31	70001384	1	Bearing, Shaft (Rear) (Not Shown)	
31	70000863	1	Fan, Generator (Not Shown)	
31	70004093	1	Stator (Not Shown) (1001136988 Generator)	
31	70006093	1	Stator (Not Shown) (1001212223 Generator)	
31	70002297	2	Stud 1/4-20 x 12-7/8 (Not Shown)	
31	70003631	1	Brushholder Assembly (Not Shown)	
31A	70004099	1	Key	

SECTION 3 - ENGINE

ITEM	PART NUMBER	QTY	DESCRIPTION	REV
31B	70001966	1	Bearing, Ball Radial (Located in Belt Tensioner Endbell)	
31B	70003709	1	Ring, Retaining (Small)	
31B	70003708	1	Ring, Retaining (Large)	
31C	70004092	1	Endbell, Belt Tensioner	
31D	70004094	1	Endbell, Brush Block	
31E	70004096	1	Shroud Assembly	
31E	7027799	1	Block, Connector - 6 Position (Not Shown)	
31E	70002460	6	Nut, Brass (Attaches p/n 7027799 to Cover) (Not Shown)	
31E	7024485	1	Breaker, Circuit 30Amp (Not Shown) (1001136988 Generator)	
31E	70006095	1	Breaker, Circuit 30Amp (Not Shown) (1001212223 Generator)	
31E	70001696	1	Boot, Breaker (Not Shown) (1001136988 Generator)	
31E	70006096	1	Guard, Breaker (Not Shown) (1001212223 Generator)	
31E	7026597	1	Connector with Leads (Not Shown)	
31E	7026626	1	Connector with Pins (Not Shown)	
31E	70004098	1	Clamp, Cable (Not Shown)	
31E	70004095	1	Plate, End Panel (Not Shown) (1001136988 Generator)	
31E	70006097	1	Plate, End Panel (Not Shown) (1001212223 Generator)	
31E	70004097	1	Insulator, Endbell (Not Shown) (1001136988 Generator)	
31E	70002291	1	Insulator, Endbell (Not Shown) (1001212223 Generator)	
31E	70001974	1	Decal - Terminal Connections (Not Shown)	
31F	70001973	1	Decal - Warning Moving Parts	
32	1001138011	1	Bracket	
33	1001136357	1	Belt, Generator	
34	3311005	4	Nut #10	
35	4751000	4	Washer #10	
	1001157525	Ref	JUNCTION BOX ASSEMBLY	B
101	3300396	1	Cover, Fuse	
102	3311001	6	Nut #10	
103	3520189	1	Plug (50Hz Spec Only)	
104	3520192	1	Plug	
105	4360070	1	Circuit Breaker - 15Amp	
106	4460425	1	Strain Relief, Terminal	
107	4460426	2	Connector, Strain Relief	
109	4711000	10	Washer #10	
110	10702077	2	Screw #10 x 3/8	
111	10702082	2	Screw #10 x 3/4	
112	1001152525	1	Plug	
113	1001157520	1	Block, Terminal	
114	1001157521	1	Box, Junction	
115	1001157528	1	Decal - Wiring Schematic	
116	1001158007	1	Cover, PVC	
117	1001158008	2	Stand-off	
	0272589	Ref	DECAL INSTALLATION	A
201	1705460	2	Decal - SkyPower	
202	1705461	1	Decal - 240V - 3 Phase	
203	1705489	3	Decal - Hazardous Voltage	
	1001122528	Ref	ELECTRICAL DIAGRAM COMPONENTS	B
301	1001119968	1	Generator Harness	C
301A	4460967	1	Plug, Male - 3 Position (Not Shown)	
301A	4460465	6	Socket, Female	
301B	1001117078	1	Fuseholder with Fuse (Not Shown)	

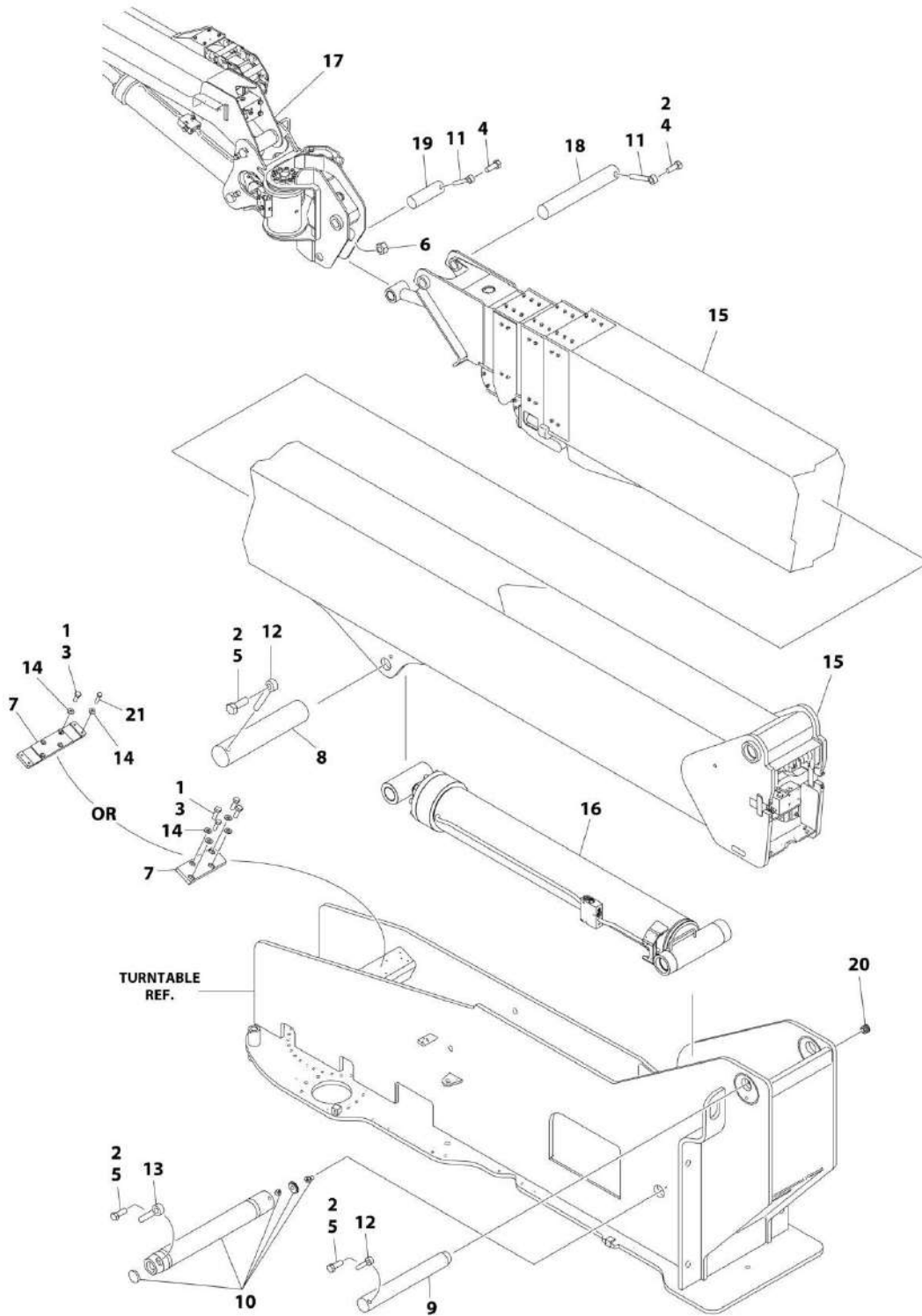
SECTION 3 - ENGINE

ITEM	PART NUMBER	QTY	DESCRIPTION	REV
303	4922641	1	Switch Harness	

SECTION 4 - BOOM

SECTION 4 - BOOM

FIGURE 4-1. BOOM INSTALLATION - WITHOUT COLD WEATHER PLUS PACKAGE



ART_1001119970

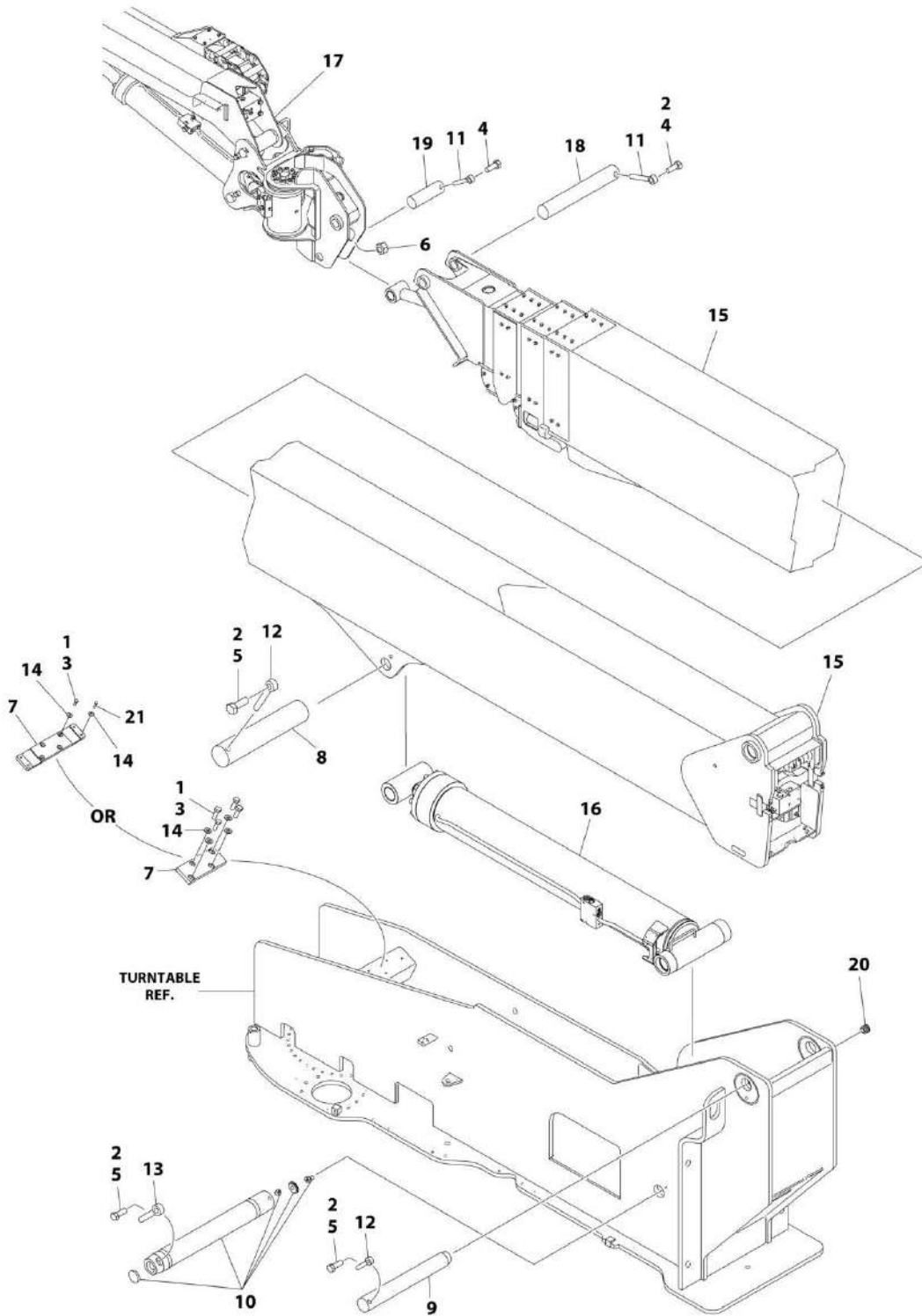
SECTION 4 - BOOM

FIGURE 4-1. BOOM INSTALLATION - WITHOUT COLD WEATHER PLUS PACKAGE

ITEM	PART NUMBER	QTY	DESCRIPTION	REV
	1001119970	Ref	BOOM INSTALLATION - WITHOUT COLD WEATHER PLUS PACKAGE	F
1	0100011	AR	Compound, Locking	
2	0100019	AR	Compound, Locking	
3	0641608	4	Bolt 3/8 x 1	
4	0642012	2	Bolt 5/8 x 1-1/2	
5	0642214	3	Bolt 3/4 x 1-3/4	
6	3312005	1	Nut 5/8	
7	3340927	1	Pad (SN 0300209000 through 0300251462)	
7	1001237755	1	Pad (SN 0300251463 to Present)	
8	3422955	1	Pin	
9	3422988	1	Pin	
10	3423208	1	Pin, Load Sensing	
11	3841258	2	Keeper, Pin	
12	3841287	2	Keeper, Pin	
13	3841581	1	Keeper, Pin	
14	4751600	AR	Washer 3/8	
15	1001117455	1	Boom Assembly (See BOOM ASSEMBLY - WITHOUT COLD WEATHER PLUS PACKAGE for Breakdown)	
16	1001118442	NLA	Lift Cylinder Assembly (Use p/n 1001228045) (See CYLINDER SECTION for Breakdown) (SN 0300209000 through 0300239990)	
16	1001228045	1	Lift Cylinder Assembly (See CYLINDER SECTION for Breakdown) (SN 0300239991 to Present)	
17	1001140108	1	Jib Installation (See JIB INSTALLATION for Breakdown)	
18	1001119899	1	Pin	
19	1001119999	1	Pin	
20	1001213705	1	Plug (SN 0300216196 to Present)	
21	0641612	4	Bolt 3/8 x 1-1/2	

SECTION 4 - BOOM

FIGURE 4-2. BOOM INSTALLATION - WITH COLD WEATHER PLUS PACKAGE



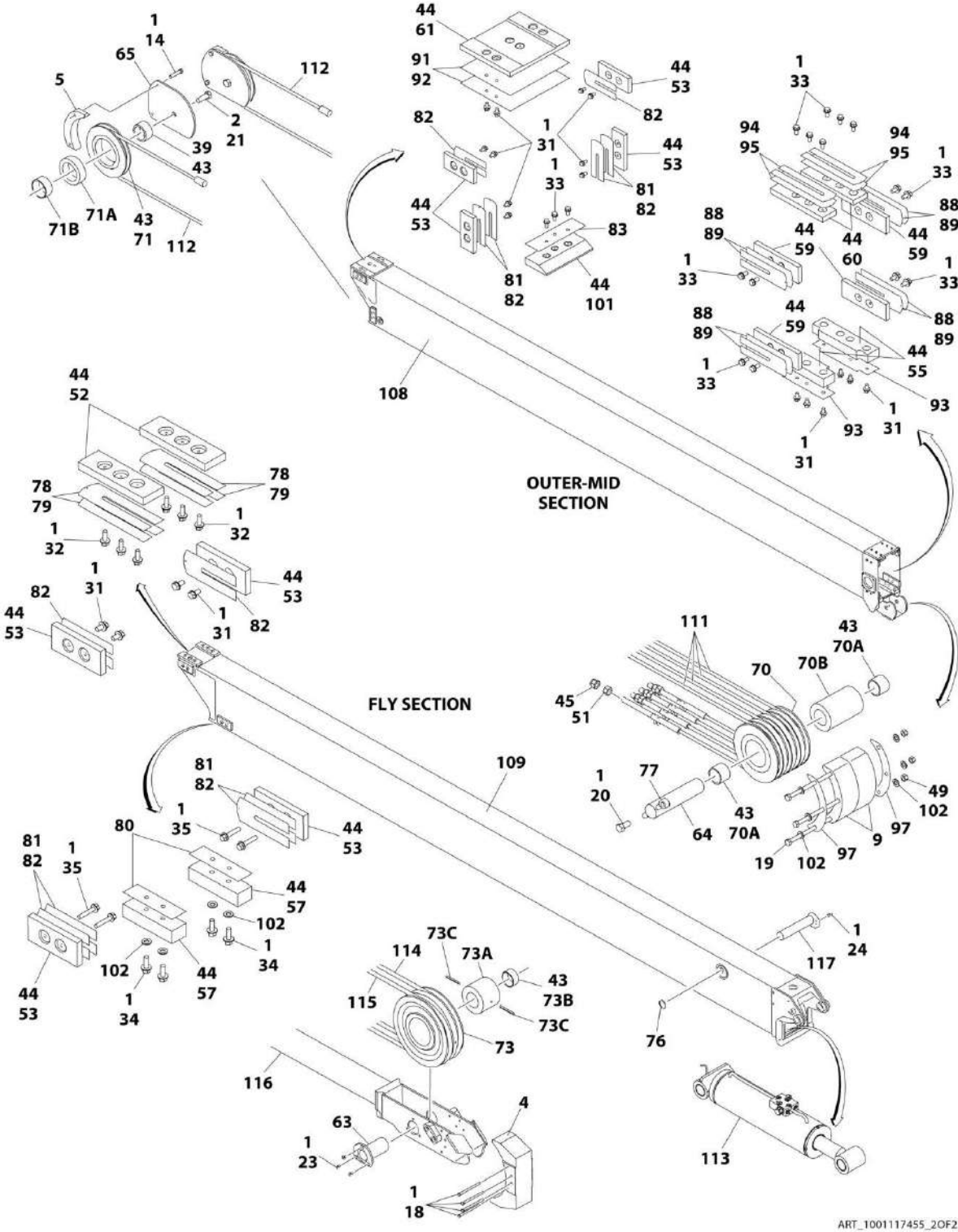
ART_1001140105

SECTION 4 - BOOM

FIGURE 4-2. BOOM INSTALLATION - WITH COLD WEATHER PLUS PACKAGE

ITEM	PART NUMBER	QTY	DESCRIPTION	REV
	1001140105	Ref	BOOM INSTALLATION - WITH COLD WEATHER PLUS PACKAGE	E
1	0100011	AR	Compound, Locking	
2	0100019	AR	Compound, Locking	
3	0641608	4	Bolt 3/8 x 1	
4	0642012	2	Bolt 5/8 x 1-1/2	
5	0642214	3	Bolt 3/4 x 1-3/4	
6	3312005	1	Nut 5/8	
7	3340927	1	Pad (SN 0300209000 through 0300251462)	
7	1001237755	1	Pad (SN 0300251463 to Present)	
8	3422955	1	Pin	
9	3422988	1	Pin	
10	3423208	1	Pin, Load Sensing	
11	3841258	2	Keeper, Pin	
12	3841287	2	Keeper, Pin	
13	3841581	1	Keeper, Pin	
14	4751600	AR	Washer 3/8	
15	1001140107	1	Boom Assembly (See BOOM ASSEMBLY - WITH COLD WEATHER PLUS PACKAGE for Breakdown)	
16	1001118442	NLA	Lift Cylinder Assembly (Use p/n 1001228045) (See CYLINDER SECTION for Breakdown) (SN 0300209000 through 0300239990)	
16	1001228045	1	Lift Cylinder Assembly (See CYLINDER SECTION for Breakdown) (SN 0300239991 to Present)	
17	1001140108	1	Jib Installation (See JIB INSTALLATION for Breakdown)	
18	1001119899	1	Pin	
19	1001119999	1	Pin	
20	1001213705	1	Plug (SN 0300216196 to Present)	
21	0641612	1	Bolt 3/8 x 1-1/2	

SECTION 4 - BOOM



ART_100117455_2OF2

SECTION 4 - BOOM

FIGURE 4-3. BOOM ASSEMBLY - WITHOUT COLD WEATHER PLUS PACKAGE

ITEM	PART NUMBER	QTY	DESCRIPTION	REV
	1001117455	Ref	BOOM ASSEMBLY - WITHOUT COLD WEATHER PLUS PACKAGE	J
1	0100011	AR	Compound, Locking	
2	0100019	AR	Compound, Locking	
3	0363066	2	Bar, Stabilizer	
4	0561431	1	Block, Rope Retainer	
5	0561437	2	Block, Rope Retainer	
6	0561439	1	Block, Outer Mid Extend	
7	0561444	2	Block, Cable Retainer	
8	0561454	1	Block, Switch Adjuster	
9	0561457	2	Block, Cable Retainer	
10	0561458	2	Block, Cable Retainer	
11	0561471	2	Block, Spacer	
12	0561482	2	Block, Trunnion Keeper	
13	0561500	2	Block, Trunnion Keeper	
14	0641615	4	Bolt 3/8 x 1-7/8	
15	0641618	6	Screw 3/8 x 2-1/4	
16	0641640	1	Bolt 3/8 x 5	
17	0641644	2	Bolt 3/8 x 5-1/2	
18	0641646	4	Bolt 3/8 x 5-3/4	
19	0641652	3	Bolt 3/8 x 6-1/2	
20	0641808	1	Bolt 1/2 x 1	
21	0642014	4	Bolt 5/8 x 1-3/4	
22	0642022	2	Bolt 5/8 x 2-3/4	
23	0741606	3	Screw 3/8 x 3/4	
24	0741806	1	Screw 1/2 x 3/4	
25	0791604	4	Screw 3/8 x 1/2	
26	0791605	6	Screw 3/8 x 5/8	
27	0791612	4	Screw 3/8 x 1-1/2	
28	0791618	4	Screw 3/8 x 2-1/4	
29	0791620	10	Screw 3/8 x 2-1/2	
30	0791624	4	Screw 3/8 x 3	
31	0811606	30	Screw 3/8 x 3/4	
32	0811607	24	Screw 3/8 x 7/8	
33	0811608	43	Screw 3/8 x 1	
34	0811610	10	Screw 3/8 x 1-1/4	
35	0811614	4	Screw 3/8 x 1-3/4	
36	0811616	6	Screw 3/8 x 2	
37	0962297	2	Bushing	
38	0962409	2	Bushing	
39	0962410	2	Bushing	
40	0962447	2	Bearing, Flanged	
41	1671032	1	Cover	
42	1671033	1	Cover	
43	3020039	AR	Lubricant, Moly	
44	3020042	AR	Lubricant with PTFE	
45	3300239	4	Nut, Nylon Insert	
46	3300458	1	Nut 1-12	
47	3300460	2	Nut 1-1/4-7	
48	3300461	3	Nut 1-3/8-6	

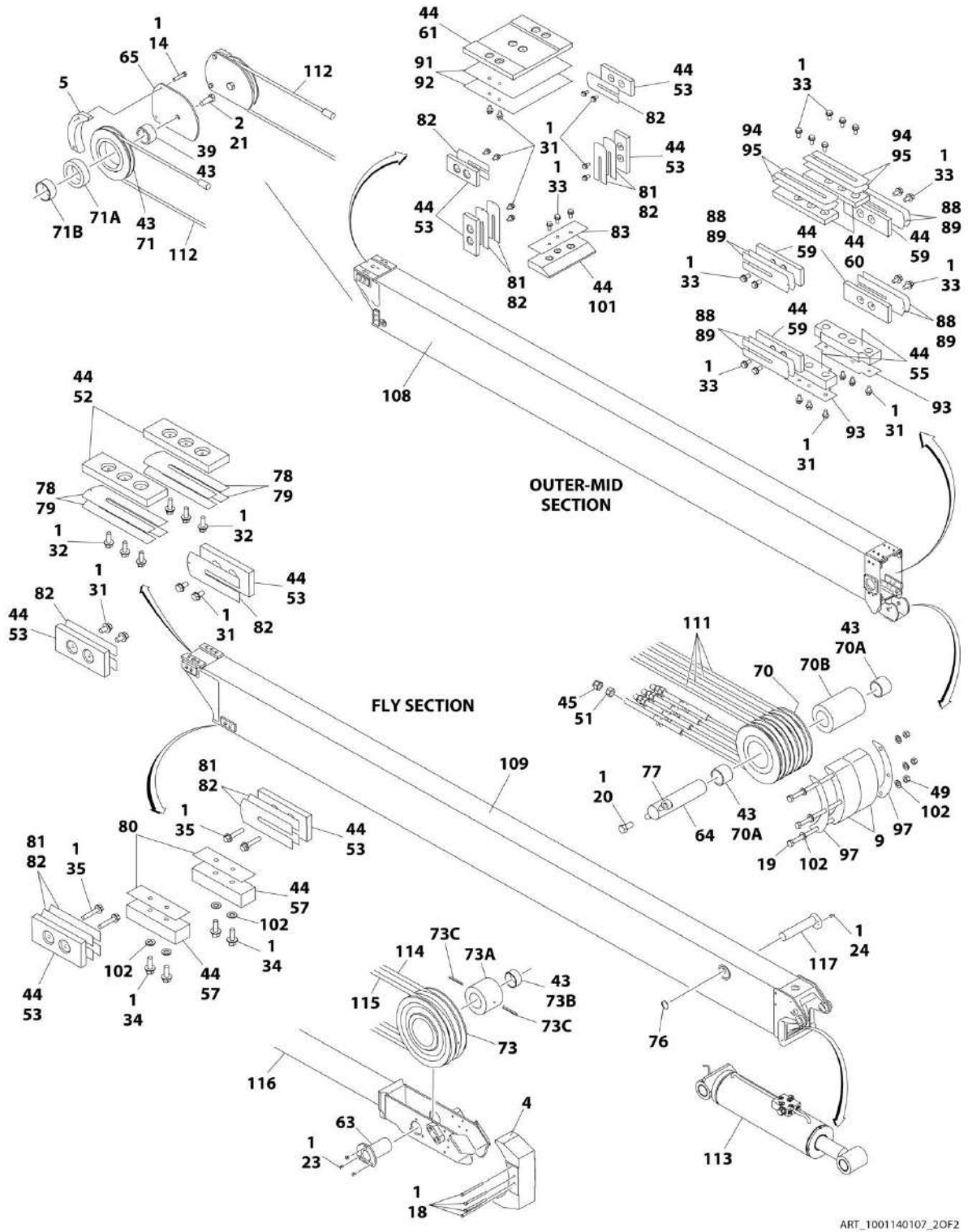
SECTION 4 - BOOM

ITEM	PART NUMBER	QTY	DESCRIPTION	REV
49	3311605	6	Nut 3/8-16	
50	3311608	8	Nut 3/8-16	
51	3311801	4	Nut 1/2-13	
52	3340871	2	Pad, Wear	
53	3340881	12	Pad, Wear	
54	3340910	1	Pad, Wear	
55	3340912	2	Pad, Wear	
56	3340916	2	Pad, Wear	
57	3340917	2	Pad, Wear	
58	3340918	2	Pad, Wear	
59	3340921	12	Pad, Wear	
60	3340922	6	Pad, Wear	
61	3340926	1	Pad, Wear	
62	3340955	1	Pad	
63	3422926	1	Pin	
64	3422959	1	Pin	
65	3572950	2	Plate, Cable Retract Retainer	
66	1001131292	1	Plate, Cable Retract Retainer (LH)	
67	3573437	1	Plate, Pulley Adjustment	
68	3573444	6	Plate, Lock	
69	1001131330	2	Sheave	
69A	0962402	2	Bushing (Outer)	
69B	0962406	2	Bushing (Inner)	
70	3580300	1	Sheave	
70A	1001139972	1	Bushing (Inner)	
70B	0962403	1	Bushing (Outer)	
71	3580302	2	Sheave	
71A	0962404	2	Bushing (Outer)	
71B	0962411	2	Bushing (Inner)	
72	3580306	4	Pulley	
73	1001154260	2	Sheave	
73A	1001154306	2	Bushing (Outer)	
73B	1001154304	2	Bushing (Inner)	
73C	1001154294	2	Ring, Retainer	
74	3580341	2	Sheave	
75	3580342	2	Sheave	
76	3760217	1	Ring, Retaining	
77	3841203	1	Keeper, Pin	
78	4070863	2	Shim #11 Gauge	
79	4070864	2	Shim #18 Gauge	
80	4070895	2	Shim #16 Gauge	
81	4070897	6	Shim #18 Gauge	
82	4070898	12	Shim #11 Gauge	
83	4071012	1	Shim #16 Gauge	
85	4071015	2	Shim #16 Gauge	
86	4071016	2	Shim #11 Gauge	
87	4071017	1	Shim #16 Gauge	
88	4071018	8	Shim #16 Gauge	
89	4071019	12	Shim #11 Gauge	
90	4071024	1	Shim #16 Gauge	
91	4071025	1	Shim #16 Gauge	

SECTION 4 - BOOM

ITEM	PART NUMBER	QTY	DESCRIPTION	REV
92	4071026	1	Shim #11 Gauge	
93	4071027	2	Shim #16 Gauge	
94	4071028	6	Shim #16 Gauge	
95	4071029	6	Shim #11 Gauge	
96	4071031	4	Shim #16 Gauge	
97	4071046	2	Shim #16 Gauge	
98	4160197	1	Spring	
99	4568423	4	Tube, Spacer	
100	1001131296	1	Pad, Wear	
101	4700039	1	Pad, Wear	
102	4711600	10	Washer 3/8	
103	4740509	2	Spacer	
104	4846453	1	Plate, Mounting	
105	4892000	2	Washer 5/8	
106	1001117456	1	Base, Boom	
107	1001117457	1	Mid, Inner	
108	1001117458	1	Mid, Outer	
109	1001117459	1	Fly, Boom	
110	1001117479	2	Cable, Outer Mid Retract	
111	1001117480	4	Cable, Fly Extend	
112	1001117481	2	Cable, Fly Retract	
113	1001118142	NLA	Jib Level Cylinder Assembly (Use p/n 1001228043) (See CYLINDER SECTION for Breakdown) (SN 0300209000 through 0300239990)	
113	1001228043	1	Jib Level Cylinder Assembly (See CYLINDER SECTION for Breakdown) (SN 0300239991 to Present)	
114	1001118430	1	Cable, Outer Mid Extend	
115	1001118431	1	Cable, Outer Mid Extend	
116	1001119497	NLA	Telescope Cylinder Assembly (Use p/n 1001228047) (See CYLINDER SECTION for Breakdown) (SN 0300209000 through 0300244704)	
116	1001228047	1	Telescope Cylinder Assembly (See CYLINDER SECTION for Breakdown) (SN 0300244705 to Present)	
117	1001119571	1	Pin	
118	1001131293	1	Plate, Cable Retract Retainer (RH)	
		Ref	Kit Options:	
	1001143929	1	Main Boom Wear Pad Kit (Includes Items 11, 31-36, 52-61, 78-95 & 101-102)	
	1001143927	1	Wire Rope Kit (Includes Items 14-23, 26-30, 38-40, 45-51, 63, 64, 69A, 69B, 70-73, 77, 99, 102, 105 & 110-115)	

SECTION 4 - BOOM



ART_1001140107_2OF2

SECTION 4 - BOOM

FIGURE 4-4. BOOM ASSEMBLY - WITH COLD WEATHER PLUS PACKAGE

ITEM	PART NUMBER	QTY	DESCRIPTION	REV
	1001140107	Ref	BOOM ASSEMBLY - WITH COLD WEATHER PLUS PACKAGE	D
1	0100011	AR	Compound, Locking	
2	0100019	AR	Compound, Locking	
3	0363066	2	Bar, Stabilizer	
4	0561431	1	Block, Rope Retainer	
5	0561437	2	Block, Rope Retainer	
6	0561439	1	Block, Outer Mid Extend	
7	0561444	2	Block, Cable Retainer	
8	0561454	1	Block, Switch Adjuster	
9	0561457	2	Block, Cable Retainer	
10	0561458	2	Block, Cable Retainer	
11	0561471	2	Block, Spacer	
12	0561482	2	Block, Trunnion Keeper	
13	0561500	2	Block, Trunnion Keeper	
14	0641615	4	Bolt 3/8 x 1-7/8	
15	0641618	6	Screw 3/8 x 2-1/4	
16	0641640	1	Bolt 3/8 x 5	
17	0641644	2	Bolt 3/8 x 5-1/2	
18	0641646	4	Bolt 3/8 x 5-3/4	
19	0641652	3	Bolt 3/8 x 6-1/2	
20	0641808	1	Bolt 1/2 x 1	
21	0642014	4	Bolt 5/8 x 1-3/4	
22	0642022	2	Bolt 5/8 x 2-3/4	
23	0741606	3	Screw 3/8 x 3/4	
24	0741806	1	Screw 1/2 x 3/4	
25	0791604	4	Screw 3/8 x 1/2	
26	0791605	6	Screw 3/8 x 5/8	
27	0791612	4	Screw 3/8 x 1-1/2	
28	0791618	4	Screw 3/8 x 2-1/4	
29	0791620	10	Screw 3/8 x 2-1/2	
30	0791624	4	Screw 3/8 x 3	
31	0811606	30	Screw 3/8 x 3/4	
32	0811607	24	Screw 3/8 x 7/8	
33	0811608	43	Screw 3/8 x 1	
34	0811610	10	Screw 3/8 x 1-1/4	
35	0811614	4	Screw 3/8 x 1-3/4	
36	0811616	6	Screw 3/8 x 2	
37	0962297	2	Bushing	
38	0962409	2	Bushing	
39	0962410	2	Bushing	
40	0962447	2	Bearing, Flanged	
41	1671032	1	Cover	
42	1671033	1	Cover	
43	3020039	AR	Lubricant, Moly	
44	3020042	AR	Lubricant with PTFE	
45	3300239	4	Nut, Nylon Insert	
46	3300458	1	Nut 1-12	
47	3300460	2	Nut 1-1/4-7	
48	3300461	3	Nut 1-3/8-6	
49	3311605	6	Nut 3/8-16	

SECTION 4 - BOOM

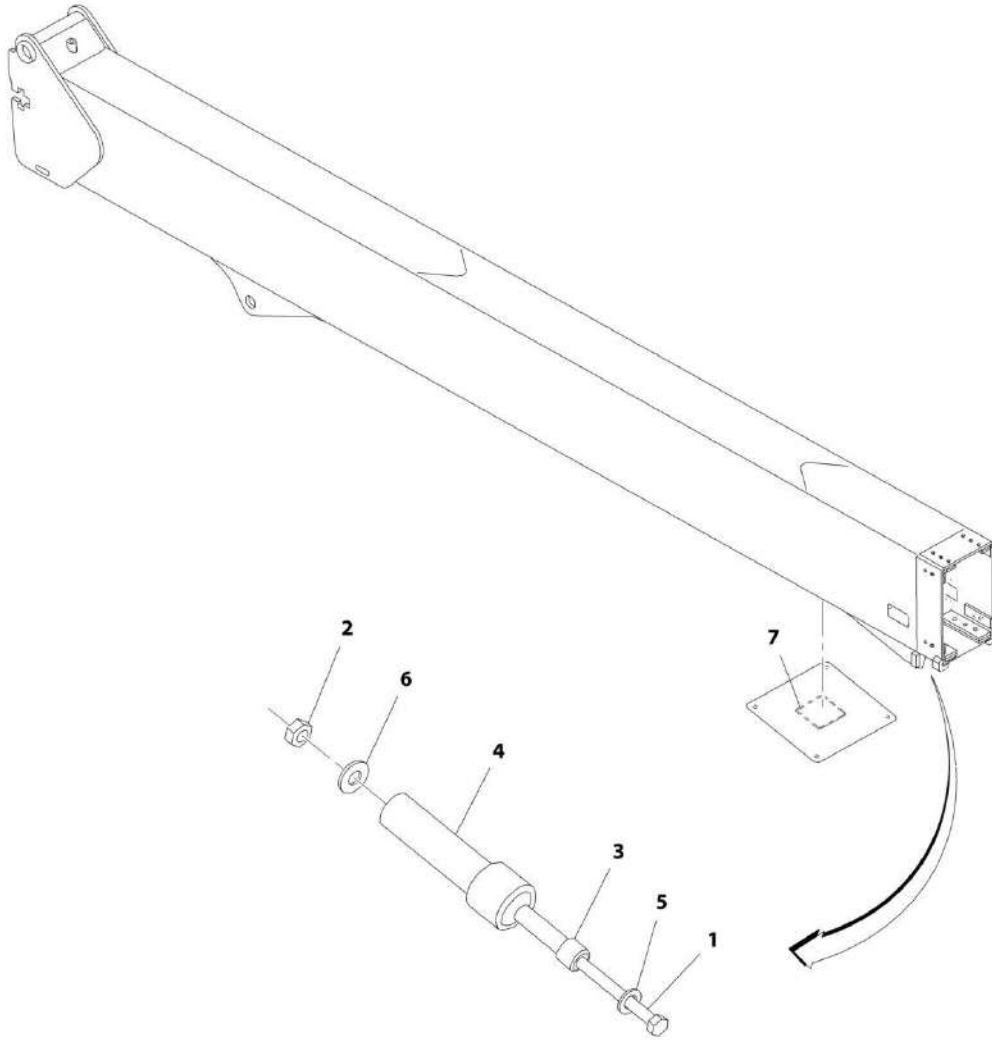
ITEM	PART NUMBER	QTY	DESCRIPTION	REV
50	3311608	8	Nut 3/8-16	
51	3311801	4	Nut 1/2-13	
52	3340871	2	Pad, Wear	
53	3340881	12	Pad, Wear	
54	3340910	1	Pad, Wear	
55	3340912	2	Pad, Wear	
56	3340916	2	Pad, Wear	
57	3340917	2	Pad, Wear	
58	3340918	2	Pad, Wear	
59	3340921	12	Pad, Wear	
60	3340922	6	Pad, Wear	
61	3340926	1	Pad, Wear	
62	3340955	1	Pad	
63	3422926	1	Pin	
64	3422959	1	Pin	
65	3572950	2	Plate, Cable Retract Retainer	
66	1001131292	1	Plate, Cable Retract Retainer (LH)	
67	3573437	1	Plate, Pulley Adjustment	
68	3573444	6	Plate, Lock	
69	1001131330	2	Sheave	
69A	0962402	2	Bushing (Outer)	
69B	0962406	2	Bushing (Inner)	
70	3580300	1	Sheave	
70A	1001139972	1	Bushing (Inner)	
70B	0962403	1	Bushing (Outer)	
71	3580302	2	Sheave	
71A	0962404	2	Bushing (Outer)	
71B	0962411	2	Bushing (Inner)	
72	3580306	4	Pulley	
73	1001154260	2	Sheave	
73A	1001154306	2	Bushing (Outer)	
73B	1001154304	2	Bushing (Inner)	
73C	1001154294	2	Ring, Retainer	
74	3580341	2	Sheave	
75	3580342	2	Sheave	
76	3760217	1	Ring, Retaining	
77	3841203	1	Keeper, Pin	
78	4070863	2	Shim #11 Gauge	
79	4070864	2	Shim #18 Gauge	
80	4070895	2	Shim #16 Gauge	
81	4070897	6	Shim #18 Gauge	
82	4070898	12	Shim #11 Gauge	
83	4071012	1	Shim #16 Gauge	
84	4071013	2	Shim #16 Gauge	
85	4071015	2	Shim #16 Gauge	
86	4071016	2	Shim #11 Gauge	
87	4071017	1	Shim #16 Gauge	
88	4071018	8	Shim #16 Gauge	
89	4071019	12	Shim #11 Gauge	
90	4071024	1	Shim #16 Gauge	
91	4071025	1	Shim #16 Gauge	

SECTION 4 - BOOM

ITEM	PART NUMBER	QTY	DESCRIPTION	REV
92	4071026	1	Shim #11 Gauge	
93	4071027	2	Shim #16 Gauge	
94	4071028	6	Shim #16 Gauge	
95	4071029	6	Shim #11 Gauge	
96	4071031	4	Shim #16 Gauge	
97	4071046	2	Shim #16 Gauge	
98	4160197	1	Spring	
99	4568423	4	Tube, Spacer	
100	1001131296	1	Pad, Wear	
101	4700039	1	Pad, Wear	
102	4711600	10	Washer 3/8	
103	4740509	2	Spacer	
104	4846453	1	Plate, Mounting	
105	4892000	2	Washer 5/8	
106	1001117456	1	Base, Boom	
107	1001117457	1	Mid, Inner	
108	1001117458	1	Mid, Outer	
109	1001117459	1	Fly, Boom	
110	1001117479	2	Cable, Outer Mid Retract	
111	1001117480	4	Cable, Fly Extend	
112	1001117481	2	Cable, Fly Retract	
113	1001139998	NLA	Jib Level Cylinder Assembly (Use p/n 1001228043) (See CYLINDER SECTION for Breakdown) (SN 0300209000 through 0300239990)	
113	1001228043	1	Jib Level Cylinder Assembly (See CYLINDER SECTION for Breakdown) (SN 0300239991 to Present)	
114	1001118430	1	Cable, Outer Mid Extend	
115	1001118431	1	Cable, Outer Mid Extend	
116	1001119497	NLA	Telescope Cylinder Assembly (Use p/n 1001228047) (See CYLINDER SECTION for Breakdown) (SN 0300209000 through 0300244704)	
116	1001228047	1	Telescope Cylinder Assembly (See CYLINDER SECTION for Breakdown) (SN 0300244705 to Present)	
117	1001119571	1	Pin	
118	1001131293	1	Plate, Cable Retract Retainer (RH)	
		Ref	Kit Options:	
	1001143929	1	Main Boom Wear Pad Kit (Includes Items 11, 31-36, 52-61, 78-95 & 101-102)	
	1001143927	1	Wire Rope Kit (Includes Items 14-23, 26-30, 38-40, 45-51, 63, 64, 69A, 69B, 70-73, 77, 99, 102, 105 & 110-115)	

SECTION 4 - BOOM

FIGURE 4-5. WIRE ROPE TOOLS INSTALLATION (OPTIONAL)



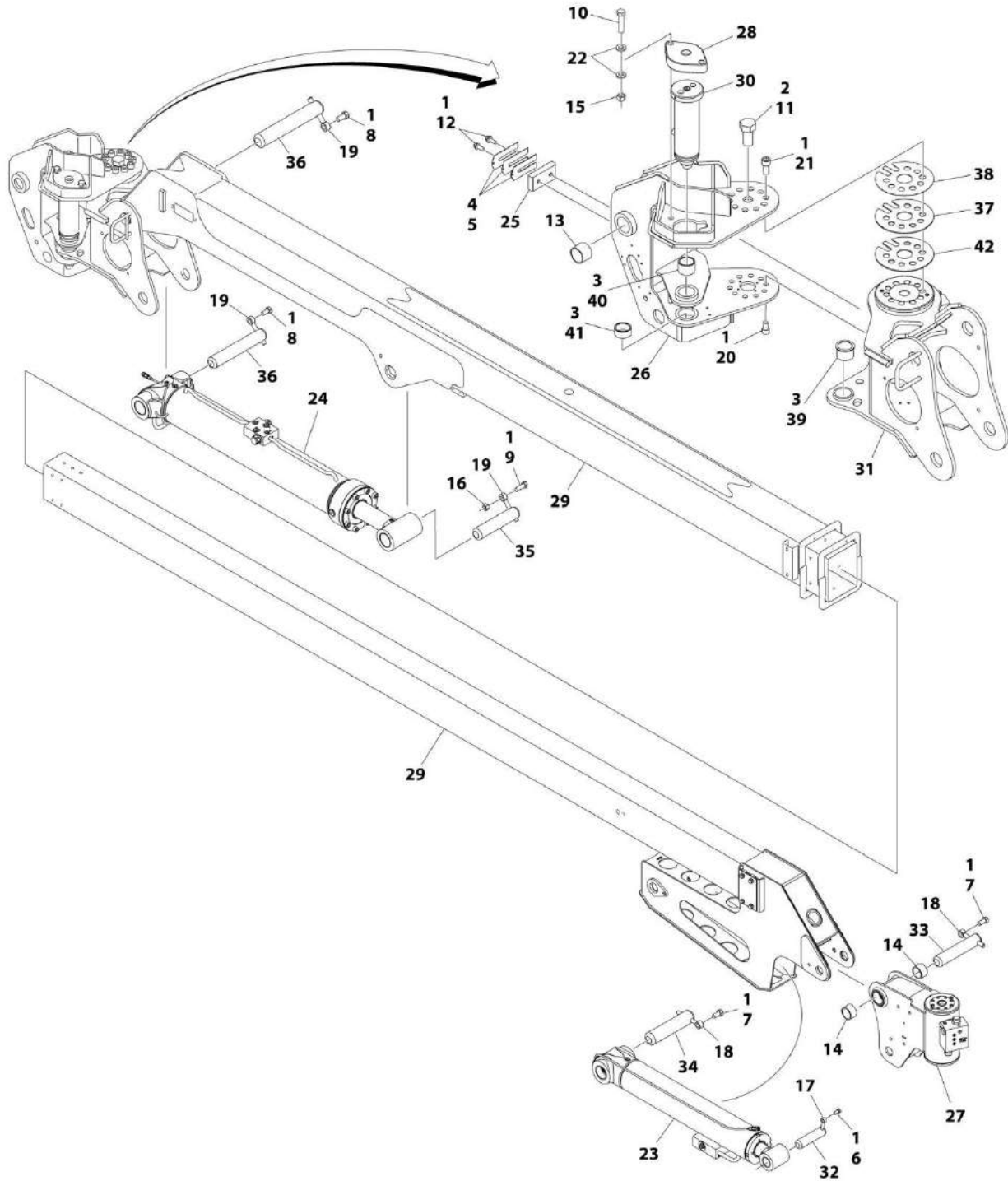
ART_0272048

FIGURE 4-5. WIRE ROPE TOOLS INSTALLATION (OPTIONAL)

ITEM	PART NUMBER	QTY	DESCRIPTION	REV
	0272048	Ref	WIRE ROPE TOOLS INSTALLATION (OPTIONAL)	B
1	0641676	1	Bolt 3/8 x 9-1/2	
2	3311605	1	Nut 3/8	
3	4120040	1	Socket 3/4	
4	4120043	1	Socket 2	
5	4711600	1	Washer 3/8	
6	4891600	1	Washer 3/8	
7	1705307	1	Decal - Tool Location	

SECTION 4 - BOOM

FIGURE 4-6. JIB INSTALLATION



ART_1001140108

FIGURE 4-6. JIB INSTALLATION

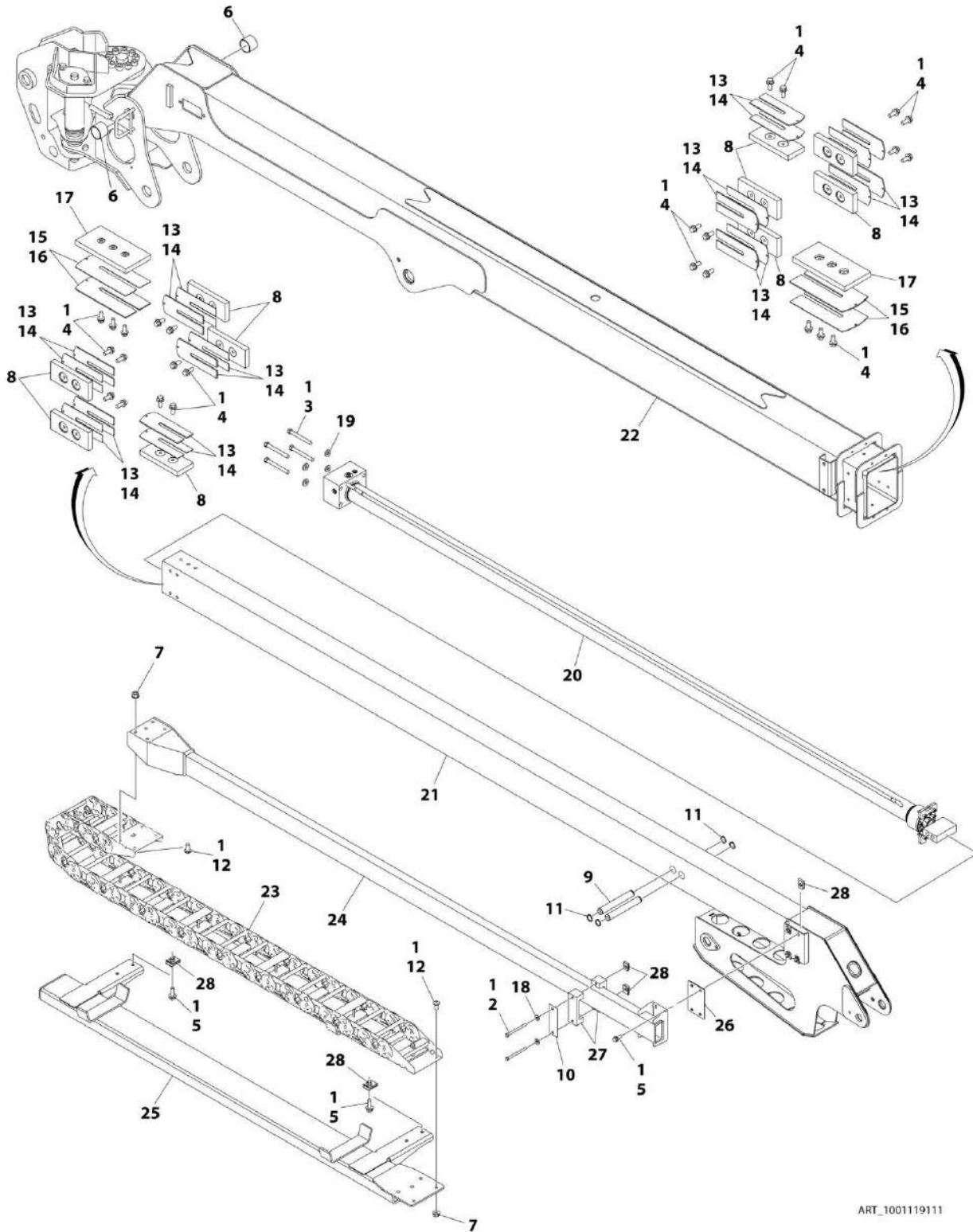
ITEM	PART NUMBER	QTY	DESCRIPTION	REV
	1001140108	Ref	JIB INSTALLATION	G
1	0100011	AR	Compound, Locking	
2	0100019	AR	Compound, Locking	
3	0100063	AR	Compound, Locking	
4	91471226	AR	Shim 16Ga	
5	91471227	AR	Shim 20Ga	
6	0641606	1	Bolt 3/8 x 3/4	
7	0641808	2	Bolt 1/2 x 1	
8	0642010	2	Bolt 5/8 x 1-1/4	
9	0642014	1	Bolt 5/8 x 1-3/4	
10	0682022	2	Bolt 5/8 x 2-3/4 Grade 8	
11	0683020	1	Bolt 1-1/4 x 2-1/4 Grade 8	
12	0811608	2	Screw 3/8 x 1	
13	0961950	2	Bushing	
14	0962181	2	Bushing	
15	3272005	2	Nut 5/8 Grade 8	
16	3312005	1	Nut 5/8	
17	3841143	1	Keeper, Pin	
18	3841203	2	Keeper, Pin	
19	3841258	3	Keeper, Pin	
20	3932016	10	Capscrew 5/8 x 1	
21	3932224	10	Capscrew 3/4 x 1-1/2	
22	4892000	4	Washer 5/8	
23	1001139999	NLA	Platform Level Cylinder Assembly (Use p/n 1001228057) (See CYLINDER SECTION for Breakdown) (SN 0300209000 through 0300239674)	
23	1001228057	1	Platform Level Cylinder Assembly (See CYLINDER SECTION for Breakdown) (SN 0300239675 to Present)	
24	1001140104	NLA	Jib Lift Cylinder Assembly (Use p/n 1001228058) (See CYLINDER SECTION for Breakdown) (SN 0300209000 through 0300239990)	
24	1001228058	1	Jib Lift Cylinder Assembly (See CYLINDER SECTION for Breakdown) (SN 0300239991 to Present)	
25	1001118369	1	Pad, Wear	
26	1001118564	1	Pivot, Jib	
27	1001178249	1	Platform Rotate Actuator Assembly (See PLATFORM ROTATE ACTUATOR ASSEMBLY for Breakdown)	
28	1001119042	1	Cap	
29	1001119111	1	Jib Boom Assembly (See JIB BOOM ASSEMBLY for Breakdown)	
30	1001119313	NLA	Jib Lock Cylinder Assembly (Use p/n 1001228046) (See CYLINDER SECTION for Breakdown) (SN 0300209000 through 0300239674)	
30	1001228046	1	Jib Lock Cylinder Assembly (See CYLINDER SECTION for Breakdown) (SN 0300239675 to Present)	
31	1001178250	1	Jib Rotate Actuator Assembly (See JIB ROTATE ACTUATOR ASSEMBLY for Breakdown)	
32	1001119985	1	Pin	
33	1001119990	1	Pin	
34	1001119991	1	Pin	
35	1001119998	1	Pin	
36	1001120000	2	Pin	
37	1001120014	1	Shim 11Ga	
38	1001120015	AR	Shim 18Ga	

SECTION 4 - BOOM

ITEM	PART NUMBER	QTY	DESCRIPTION	REV
39	1001120037	1	Bearing, Flange	
40	1001120038	1	Bearing	
41	1001120039	1	Bearing	
42	1001225266	AR	Shim (SN 0300230068 to Present)	

SECTION 4 - BOOM

FIGURE 4-7. JIB BOOM ASSEMBLY



ART_1001119111

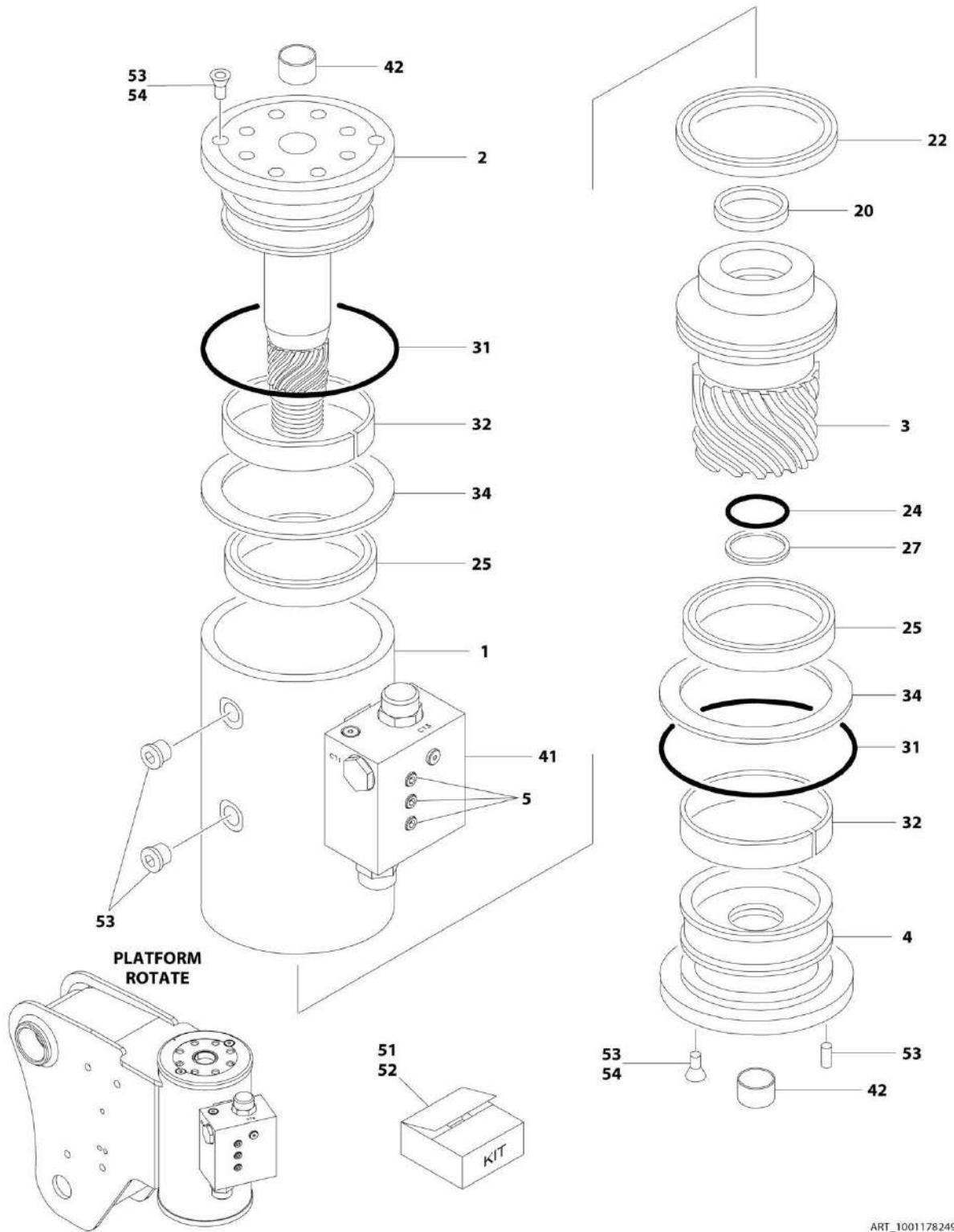
SECTION 4 - BOOM

FIGURE 4-7. JIB BOOM ASSEMBLY

ITEM	PART NUMBER	QTY	DESCRIPTION	REV
	1001119111	Ref	JIB BOOM ASSEMBLY	M
1	0100011	AR	Compound, Locking	
2	0641636	2	Bolt 3/8 x 4-1/2	
3	0681836	4	Bolt 1/2 x 4-1/2 Grade 8	
4	0811607	26	Screw 3/8 x 7/8	
5	0811608	8	Screw 3/8 x 1	
6	0961950	2	Bushing	
7	3311608	8	Nut 3/8	
8	3340881	10	Pad, Wear	
9	3423161	2	Pin	
10	3575889	1	Plate	
11	3760351	4	Ring, Retaining	
12	3900283	8	Screw 3/8 x 3/4	
13	4070897	10	Pad, Wear	
14	4070898	10	Pad, Wear	
15	4071039	2	Shim 18Ga	
16	4071040	2	Shim 11Ga	
17	1001129961	2	Pad, Wear	
18	4751600	2	Washer 3/8	
19	4891800	4	Washer 1/2	
20	1001118663	NLA	Jib Telescope Cylinder Assembly (See CYLINDER SECTION for Breakdown) (Use p/n 1001228048) (SN 0300209000 through 0300213726)	
20	1001121121	NLA	Jib Telescope Cylinder Assembly (Use p/n 1001228048) (See CYLINDER SECTION for Breakdown) (SN 0300213727 through 0300244704)	
20	1001228048	1	Jib Telescope Cylinder Assembly (See CYLINDER SECTION for Breakdown) (SN 0300244705 to Present)	
21	1001119413	1	Boom, Jib Fly	
22	1001119414	1	Boom, Jib Base	
23	1001134180	1	Power Track Assembly	
23	70003923	AR	Repair Section (Includes links, cross bars and mounting hardware)	
23	70003924	1	Mounting Bracket Repair Kit (Includes mounting feet for both ends of power track and attaching hardware)	
24	1001119654	1	Tube, Push	
25	1001119668	1	Support, Power Track	
26	1001119710	1	Shim, Push Tube	
27	1001119714	2	Pad, Push Tube	
28	88662523	10	Nut, Retainer	
	1001143928	1	Jib Wear Pad Kit (Includes Items 4, 5, 8 & 13-17)	

SECTION 4 - BOOM

FIGURE 4-8. PLATFORM ROTATE ACTUATOR ASSEMBLY



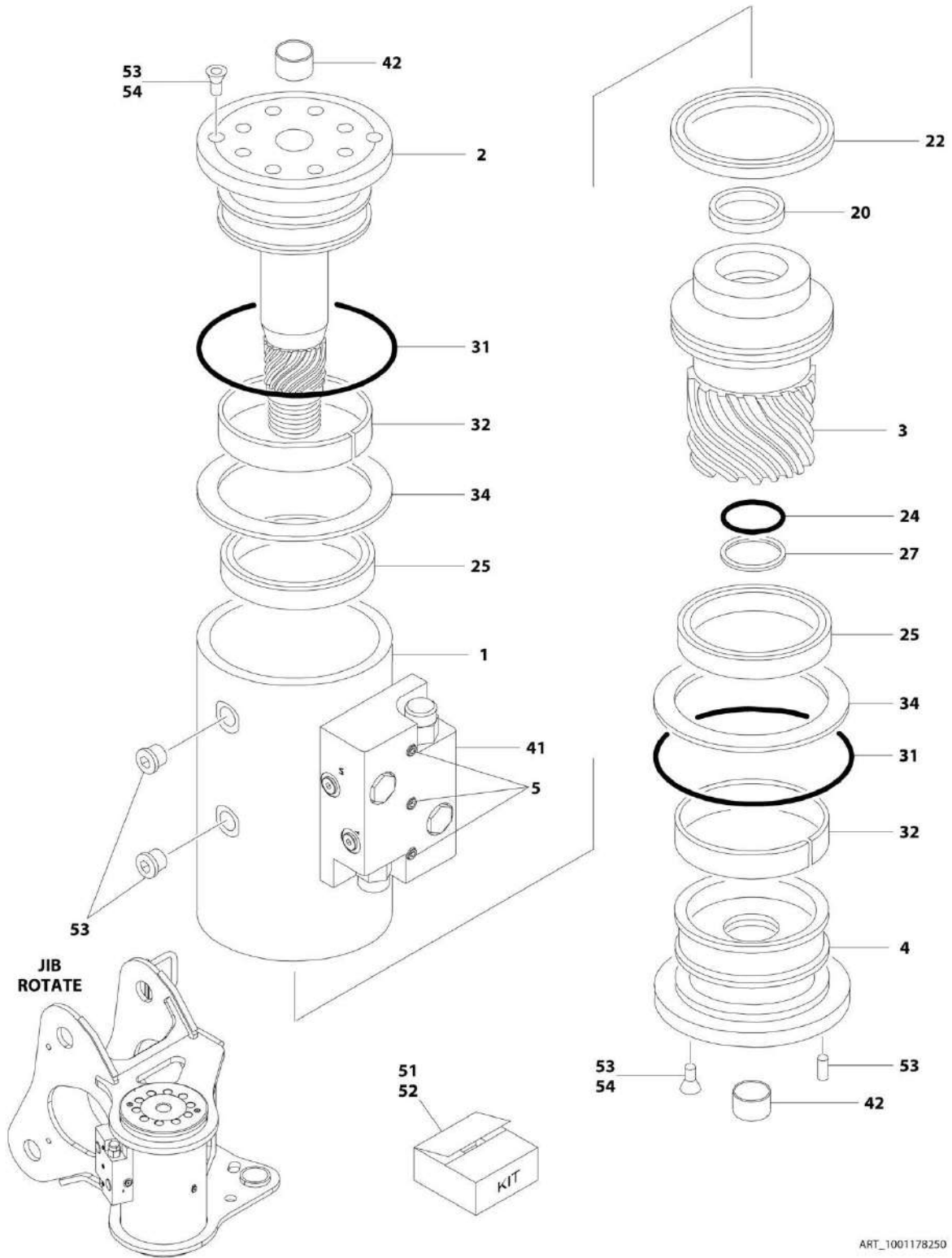
ART_1001178249

FIGURE 4-8. PLATFORM ROTATE ACTUATOR ASSEMBLY

ITEM	PART NUMBER	QTY	DESCRIPTION	REV
	1001178249	Ref	PLATFORM ROTATE ACTUATOR ASSEMBLY	A
1	See Note	NSS	Case/Bracket Weldment (Note: Use p/n 1001178249)	
2	7017162	1	Shaft	
3	7017163	1	Sleeve, Piston	
4	7017164	1	Cap, End	
5	See Note	NSS	Capscrew 1/4 x 1-1/2 Grade 8 (Note: Not Available for Purchase)	
20	See Note	NSS	Seal, Rod (Note: Use Item 52)	
22	See Note	NSS	Seal, Piston (Note: Use Item 52)	
24	See Note	NSS	Seal, Cap (Note: Use Item 52)	
25	See Note	NSS	Packing, Bearing (Note: Use Item 52)	
27	See Note	NSS	Ring, Cap Back-up (Note: Use Item 52)	
31	See Note	NSS	Seal (Note: Use Item 52)	
32	See Note	NSS	Bearing, Shaft (Note: Use Item 51)	
34	See Note	NSS	Thrustwasher (Note: Use Item 51)	
41		Ref	Motion Control Valve Assembly	
41	7017183	1	Valve Assembly for Platform Rotate Actuator	
41	7017193	2	Replacement Cartridge (Located on Top and Bottom of Valve) (Valve for Platform Rotate Actuator Only)	
41	See Note	2	Seal Kit - 7017193 Cartridge (Note: Not Available for Purchase)	
41	See Note	1	Replacement Cartridge (Not Shown - Located on Side of Valve) (Valve for Platform Rotate Actuator Only) (Note: Not Available for Purchase)	
41	See Note	1	Seal Kit - 7017193 Cartridge (Note: Not Available for Purchase)	
41	70002859	1	Valve Assembly for Jib Rotator Actuator (No Service Parts Available)	
42	7017195	2	Bushing, Shaft	
51	7017159	1	Bearing Kit (Includes Items 32 & 34)	
52	70000342	1	Seal Kit (Includes Items 20, 22, 24, 25, 27 & 31)	
53	7017142	1	Hardware Kit	
54	70001697	4	Screw 1/4 x 3/8 Grade 8	

SECTION 4 - BOOM

FIGURE 4-9. JIB ROTATE ACTUATOR ASSEMBLY



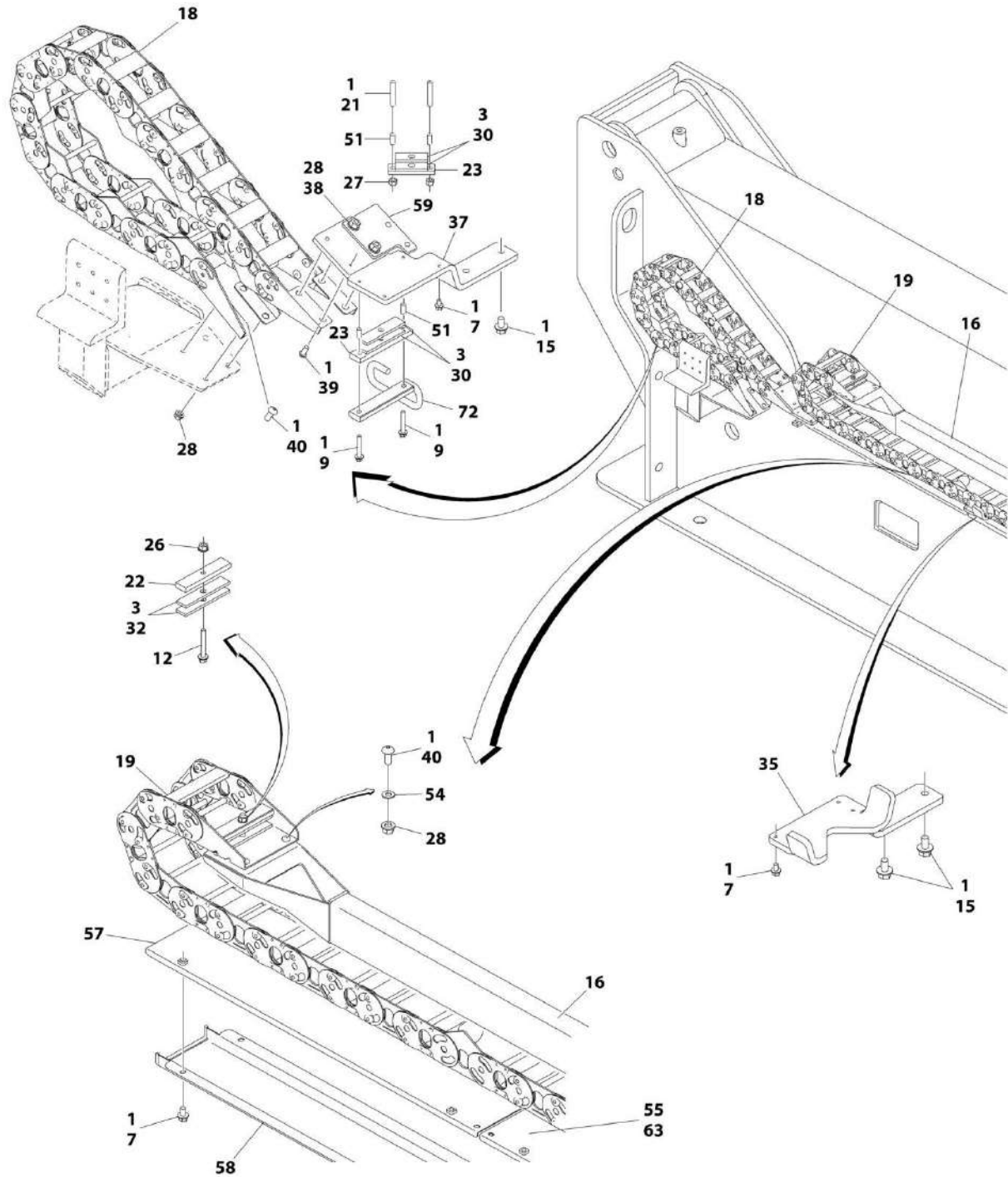
ART_1001178250

FIGURE 4-9. JIB ROTATE ACTUATOR ASSEMBLY

ITEM	PART NUMBER	QTY	DESCRIPTION	REV
	1001178250	Ref	JIB ROTATE ACTUATOR ASSEMBLY	A
1	See Note	NSS	Case/Bracket Weldment (Note: Use p/n 1001178250)	
2	70002853	1	Shaft	
3	70002854	1	Sleeve, Piston	
4	70002855	1	Cap, End	
5	See Note	NSS	Capscrew 1/4 x 1-1/2 Grade 8 (Note: Not Available for Purchase)	
20	See Note	NSS	Seal, Rod (Note: Use Item 52)	
22	See Note	NSS	Seal, Piston (Note: Use Item 52)	
24	See Note	NSS	Seal, Cap (Note: Use Item 52)	
25	See Note	NSS	Packing, Bearing (Note: Use Item 52)	
27	See Note	NSS	Ring, Cap Back-up (Note: Use Item 52)	
31	See Note	NSS	Seal (Note: Use Item 52)	
32	See Note	NSS	Bearing, Shaft (Note: Use Item 51)	
34	See Note	NSS	Thrustwasher (Note: Use Item 51)	
41	70002859	NSS	Motion Control Valve Assembly (No Service Parts Available)	
42	See Note	NSS	Bushing, Shaft (Note: Not Available for Purchase)	
51	70002857	1	Bearing Kit (Includes Items 32 & 34)	
52	70005170	1	Seal Kit (Includes Items 20, 22, 24, 25, 27 & 31)	
53	70002858	1	Hardware Kit	
54	70001697	4	Screw 1/4 x 3/8 Grade 8	

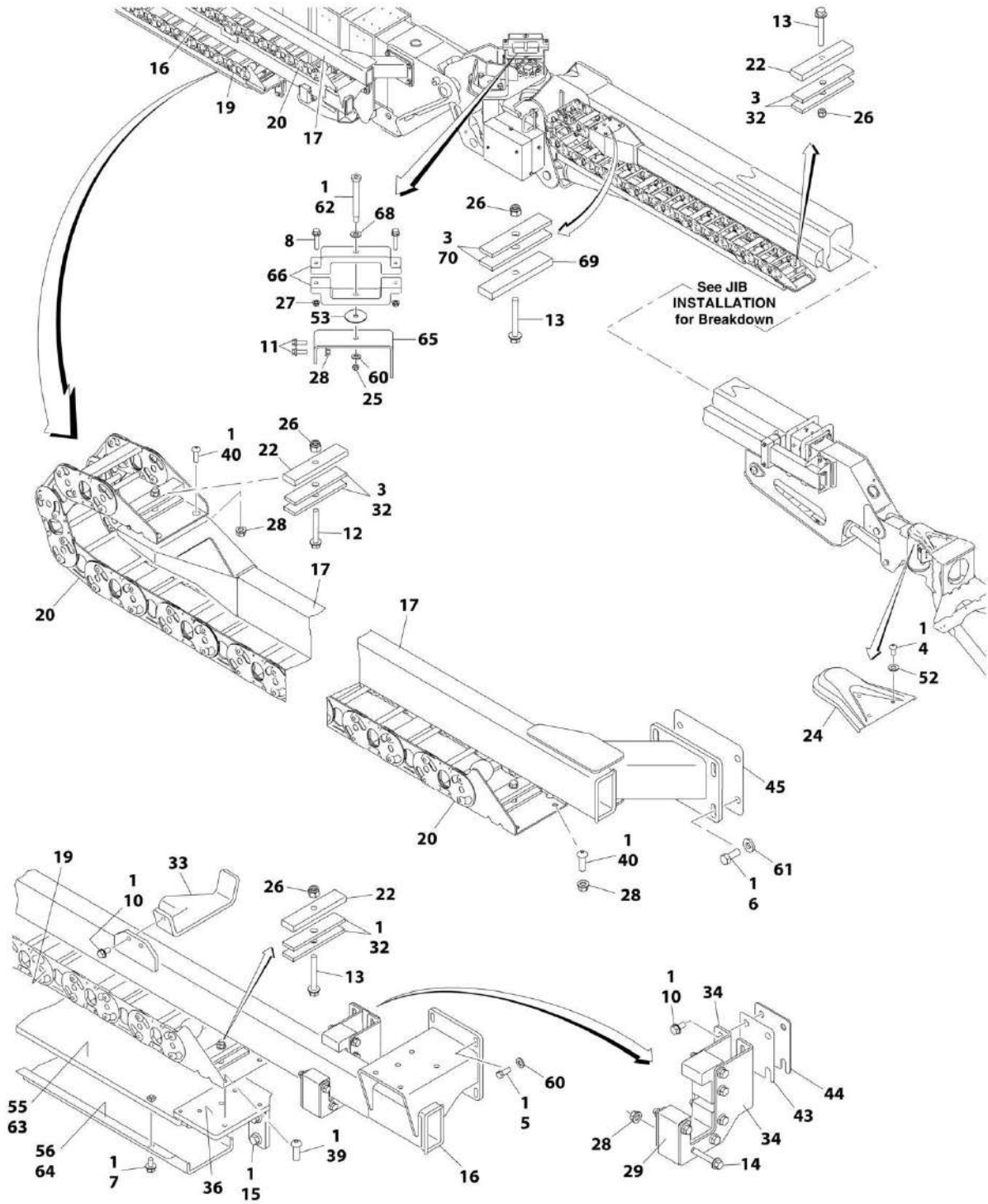
SECTION 4 - BOOM

FIGURE 4-10. POWER TRACK INSTALLATION



ART_1001119944_10F2

SECTION 4 - BOOM



ART_100119944_20F2

SECTION 4 - BOOM

FIGURE 4-10. POWER TRACK INSTALLATION

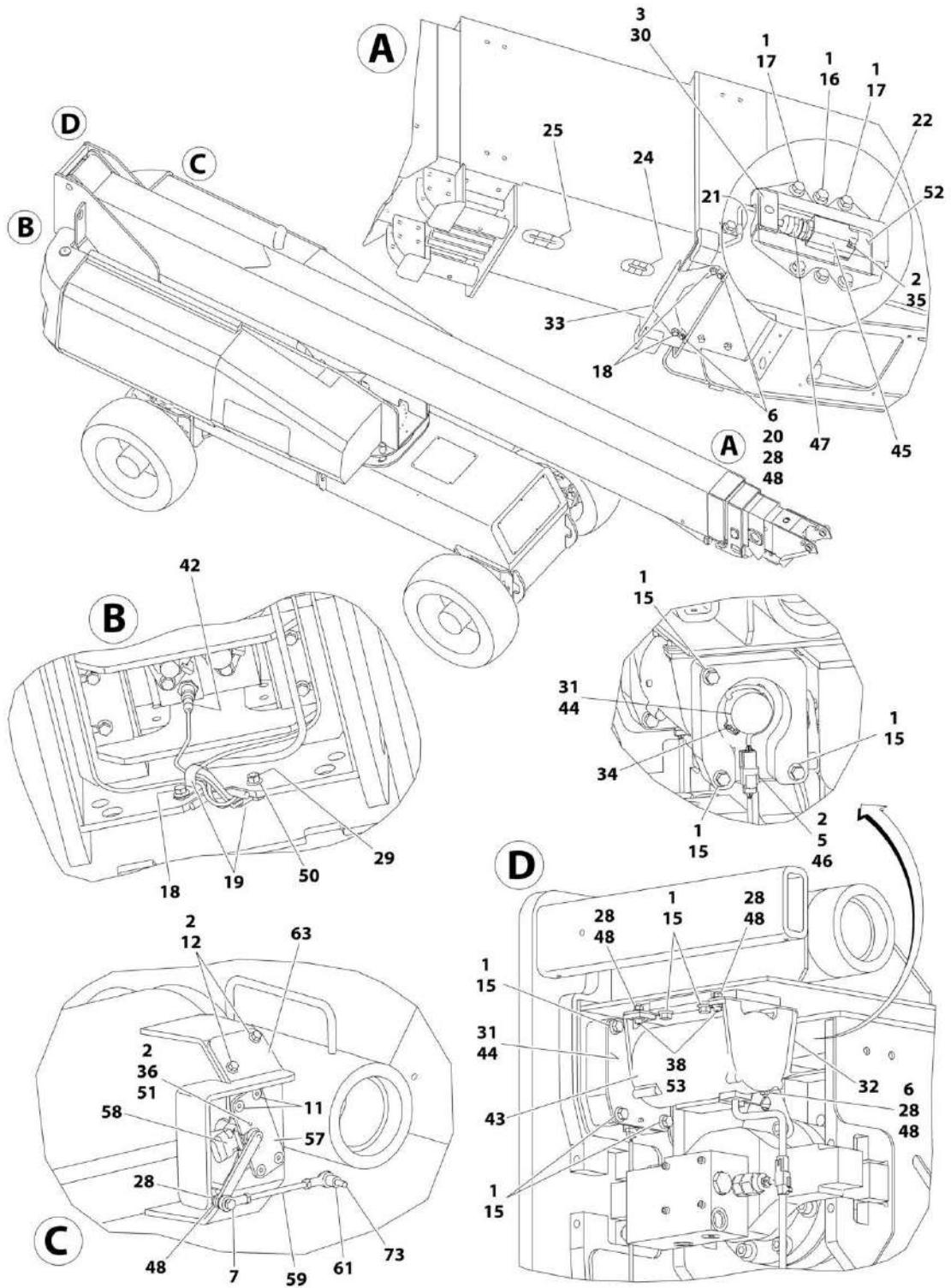
ITEM	PART NUMBER	QTY	DESCRIPTION	REV
	1001119944	Ref	POWER TRACK INSTALLATION	K
1	0100011	AR	Compound, Locking	
2	0100019	AR	Compound, Locking (Not Shown)	
3	0100081	AR	Adhesive #454	
4	0630467	3	Screw 5/16 x 1/2 (SN 0300209000 through 0300224867)	
5	0641608	4	Bolt 3/8 x 1	
6	0641810	4	Bolt 1/2 x 1-1/4	
7	0791504	66	Screw 5/16 x 1/2	
8	0791516	2	Screw 5/16 x 2	
9	0791520	2	Setscrew 5/16 x 2-1/2	
10	0791607	10	Screw 3/8 x 7/8	
11	0791609	2	Screw 3/8 x 1-1/8	
12	0791620	2	Screw 3/8 x 2-1/2	
13	0791622	4	Screw 3/8 x 2-3/4	
14	0791624	6	Screw 3/8 x 3	
15	0791808	16	Screw 1/2 x 1	
16	1180362	1	Tube, Push (Lower)	
17	1180363	1	Tube, Push (Upper)	
18	1001131620	1	Carrier (T/T to Boom)	
18	70003917	AR	Section Repair Kit (Includes Inner and Outer Links, Joining Bars and Rollers and Assembling Hardware)	
18	70003918	1	Mounting Bracket Kit (Includes Mounting Brackets for Both Ends, 1 Roller Assembly and Assembling Hardware)	
19	1001131733	1	Carrier (Lower)	
19	70003913	AR	Section Repair Kit (Includes Inner and Outer Links, Joining Bars and Rollers and Assembling Hardware)	
19	70003915	1	Mounting Bracket Kit (Includes Mounting Brackets for Both Ends, 1 Roller Assembly and Assembling Hardware)	
19	70003914	AR	Center Bracket Kit (Includes 1 Flat Bar, 1 Round Bar, 1 Roller and Assembling Hardware)	
20	1001131728	1	Carrier (Upper)	
20	70003913	AR	Section Repair Kit (Includes Inner and Outer Links, Joining Bars and Rollers and Assembling Hardware)	
20	70003915	1	Mounting Bracket Kit (Includes Mounting Brackets for Both Ends, 1 Roller Assembly and Assembling Hardware)	
20	70003914	AR	Center Bracket Kit (Includes 1 Flat Bar, 1 Round Bar, 1 Roller and Assembling Hardware)	
21	3951522	2	Setscrew 5/16 x 2-3/4	
22	1320294	5	Clamp, Bar	
23	1320295	AR	Clamp, Bar	
24	1670964	1	Cover, Support/Rotator (SN 0300209000 through 0300224867)	
25	3271601	2	Nut 3/8 Grade 8	
26	3300492	6	Nut, Nylon Insert	
27	3311508	4	Nut 5/16	
28	3311608	AR	Nut 3/8	
29	3340925	1	Pad	
30	3340940	4	Pad, Rubber	
32	3340942	10	Pad, Rubber	
33	3573016	3	Support, Track	
34	3573179	2	Plate, Mounting	
35	3573181	6	Support, Track	

SECTION 4 - BOOM

ITEM	PART NUMBER	QTY	DESCRIPTION	REV
36	3573194	1	Plate, Track Mounting	
37	3573210	1	Plate, Track Mounting	
38	3900232	2	Screw 3/8 x 1-1/4 (SN 0300209000 through 0300247535)	
39	3900283	AR	Screw 3/8 x 3/4	
40	3900316	16	Screw 3/8 x 1	
42	4060804	11 in /28cm	Shield, Flex Trim 3/16 (Not Shown)	
43	4071021	1	Shim, Adjusting 16Ga	
44	4071022	1	Shim, Adjusting 11Ga	
45	4071023	1	Shim, Adjusting 11Ga	
47	4240018	10	Tie-Strap (Not Shown)	
48	4240153	3	Strap, 4 Cinch (Not Shown)	
49	4240155	6	Strap, 8 Cinch (Not Shown)	
50	1001137263	1	Strap, 12 Cinch (Not Shown)	
51	4562516	AR	Tubing, Poly	
52	4711500	3	Washer 5/16 (SN 0300209000 through 0300224867)	
53	4740400	1	Washer, Special	
54	4751500	4	Washer 5/16	
55	4846423	5	Cover, Cable (Rear)	
56	4846429	5	Support, Cable (Rear)	
57	4846431	1	Cover, Cable (Front)	
58	4846485	1	Support, Cable (Front)	
59	4846753	1	Shield, Hose Protection (SN 0300209000 through 0300247535)	
60	4891600	5	Washer 3/8	
61	4891800	4	Washer 1/2	
62	8310235	1	Capscrew 3/8	
63	1001119521	1	Cover, Cable (Middle)	
64	1001119522	1	Support, Cable (Middle)	
65	1001120209	1	Bracket, Guide Block	
66	1001120257	2	Pad, Guide	
68	4711800	1	Washer 1/2	
69	1320298	1	Clamp, Bar	
70	3340939	2	Pad, Rubber	
71	1001137262	1	Strap, 4 Cinch (Not Shown)	
72	1001212790	1	Clamp (SN 0300247536 to Present)	

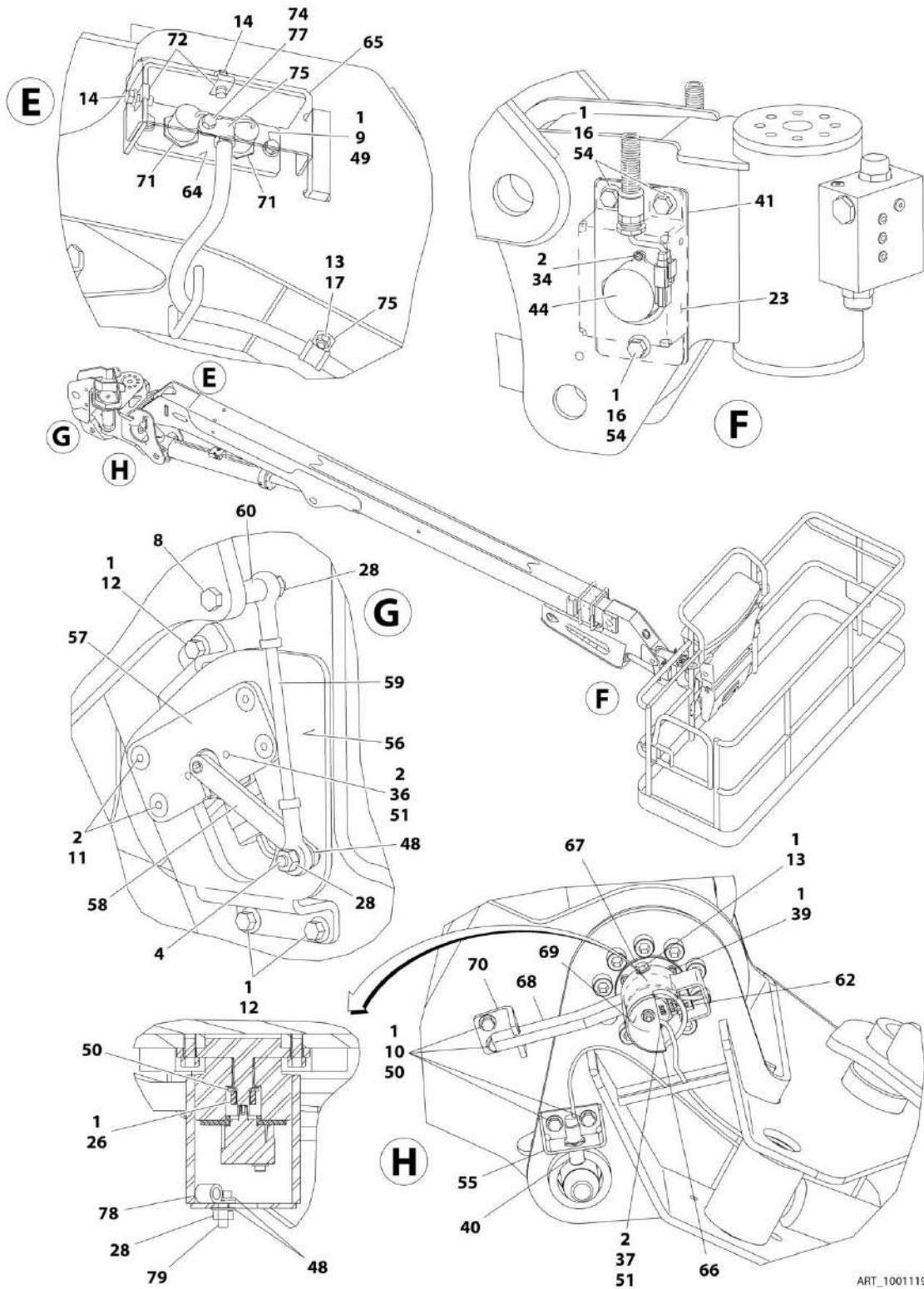
SECTION 4 - BOOM

FIGURE 4-11. BOOM SENSORS AND SWITCHES INSTALLATION



ART_1001119225_1OF2

SECTION 4 - BOOM



ART_1001119225_20F2

SECTION 4 - BOOM

FIGURE 4-11. BOOM SENSORS AND SWITCHES INSTALLATION

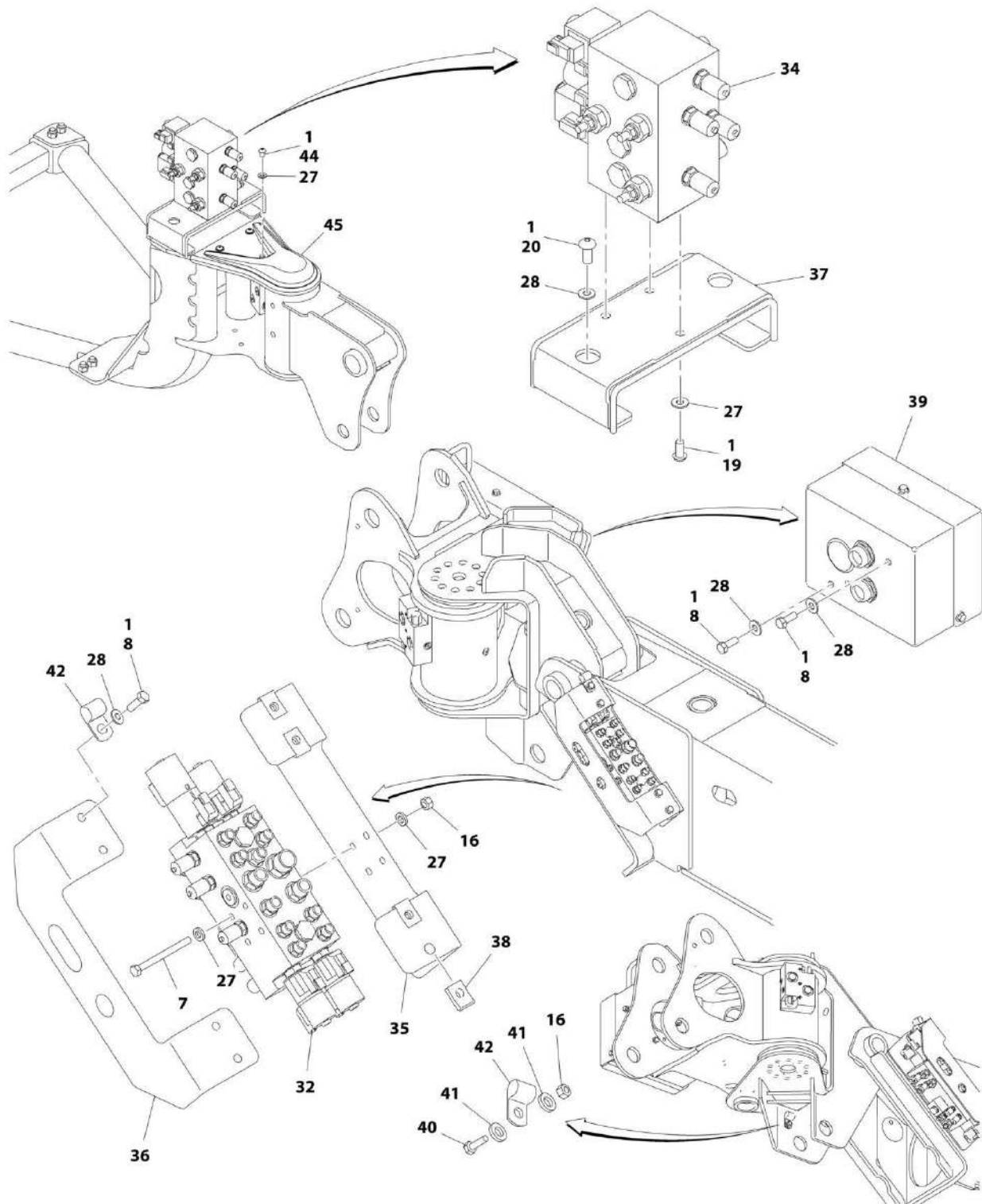
ITEM	PART NUMBER	QTY	DESCRIPTION	REV
	1001119225	Ref	BOOM SENSORS AND SWITCHES INSTALLATION	H
1	0100011	AR	Compound, Locking	
2	0100035	AR	Compound, Locking	
3	0100081	AR	Adhesive	
4	0630357	1	Screw 1/4 x 1	
5	0630464	2	Screw #10 x 1/2	
6	0641405	3	Bolt 1/4 x 5/8	
7	0641408	1	Bolt 1/4 x 1	
8	0641418	1	Bolt 1/4 x 2-1/4	
9	0641508	2	Bolt 5/16 x 1	
10	0641607	4	Bolt 3/8 x 7/8	
11	0741404	8	Screw 1/4 x 1/2	
12	0791406	5	Screw 1/4 x 3/4	
13	0791505	3	Screw 5/16 x 5/8	
14	0791506	2	Screw 5/16 x 3/4	
15	0791604	8	Screw 3/8 x 1/2	
16	0791605	10	Screw 3/8 x 5/8	
17	0791606	4	Screw 3/8 x 3/4	
18	0791608	2	Screw 3/8 x 1	
19	1320130	2	Clamp, Hose	
20	1320136	2	Clamp, Hose	
21	1320301	1	Clamp, Cable	
22	1671031	1	Cover, Limit Switch	
23	1671044	2	Cover, Level Sensor	
24	1705366	1	Decal - Boom Length (500LB Cap)	
25	1705367	1	Decal - Boom Length (1000LB Cap)	
26	3281601	1	Nut 3/8 Grade 8	
28	3311405	11	Nut 1/4	
29	3311605	2	Nut 3/8	
30	3340941	1	Pad, Rubber	
31	3573301	2	Plate, Sensor Mounting	
32	3574431	1	Plate, Switch Mounting	
33	3574616	1	Plate, Boom Length	
34	3930606	12	Capscrew #6 x 3/8	
35	3930816	2	Capscrew #8 x 1	
36	3930820	4	Capscrew #8 x 1-1/4	
37	3930824	2	Capscrew #8 x 1-1/2	
38	3931414	4	Capscrew 1/4 x 7/8	
39	3931508	4	Capscrew 5/16 x 1/2	
40	4000008	1	Sensor, Proximity (Jib Lock) (Note: Control System must be recalibrated when Sensor is replaced)	
41	4341158	2	Plate, Mounting Sensor	
42	4360527	1	Switch, Proximity (Cable Break) (Note: Control System must be recalibrated when Switch is replaced)	
43	4360543	1	Sensor, String (Boom Length) (Note: Control System must be recalibrated when Sensor is replaced)	
44	1001147479	4	Sensor, Angle Indicator (Platform Level and Main Boom Angle) (Note: Control System must be recalibrated when Sensor is replaced)	
45	4360578	1	Switch, Limit (Boom Length) (Note: Control System must be recalibrated when Switch is replaced)	

SECTION 4 - BOOM

ITEM	PART NUMBER	QTY	DESCRIPTION	REV
46	4460914	2	Terminal, Base	
47	4460968	1	Connector, Strain Relief	
48	4711400	15	Washer 1/4	
49	4711500	2	Washer 5/16	
50	4711600	7	Washer 3/8	
51	4750800	6	Washer 1/4	
52	4846484	1	Mount, Switch	
53	4891400	4	Washer 1/4	
54	8310070	6	Pushnut 3/8	
55	1001118373	1	Bracket, Sensor Mounting	
56	1001118930	1	Cover, Sensor	
57	1001118931	2	Mount, Sensor	
58	1001118971	2	Sensor, Angle Indicator (Main Boom Protractor) (Note: Control System must be recalibrated when Sensor is replaced)	
58	70005667	1	Arm (1 Per Sensor)	
59	1001119033	2	Link, Sensor	
60	1001119137	1	Sleeve, Spacer	
61	1001119141	1	Sleeve, Spacer	
62	1001135479	1	Sensor, Angle Indicator (Jib Rotate) (Note: Control System must be recalibrated when Sensor is replaced)	
63	1001119729	1	Cover, Sensor	
64	1001120028	1	Mount, Sensor	
65	1001120048	1	Cover, Sensor	
66	1001179510	1	Cover, Sensor	
67	1001135483	1	Pin, Angle Sensor	
68	1001120076	1	Mount, Sensor	
69	1001135484	1	Adapter	
70	1001120084	1	Bracket	
71	1001120104	2	Switch, Proximity (Jib Telescope) (Note: Control System must be recalibrated when Switch is replaced)	
72	88662530	2	Nut, Retainer	
73	0641412	1	Bolt 1/4 x 1-1/2	
74	0641504	1	Bolt 5/16 x 1/2	
75	1320061	2	Clamp, Cable	
77	3311505	2	Nut 5/16	
78	1321293	1	Clamp	
79	0641406	1	Bolt 1/4 x 3/4	

SECTION 4 - BOOM

FIGURE 4-12. VALVES (BOOM MOUNTED) INSTALLATION (ANSI, CSA AND JAPANESE SPECS)



ART_100119717_30F3

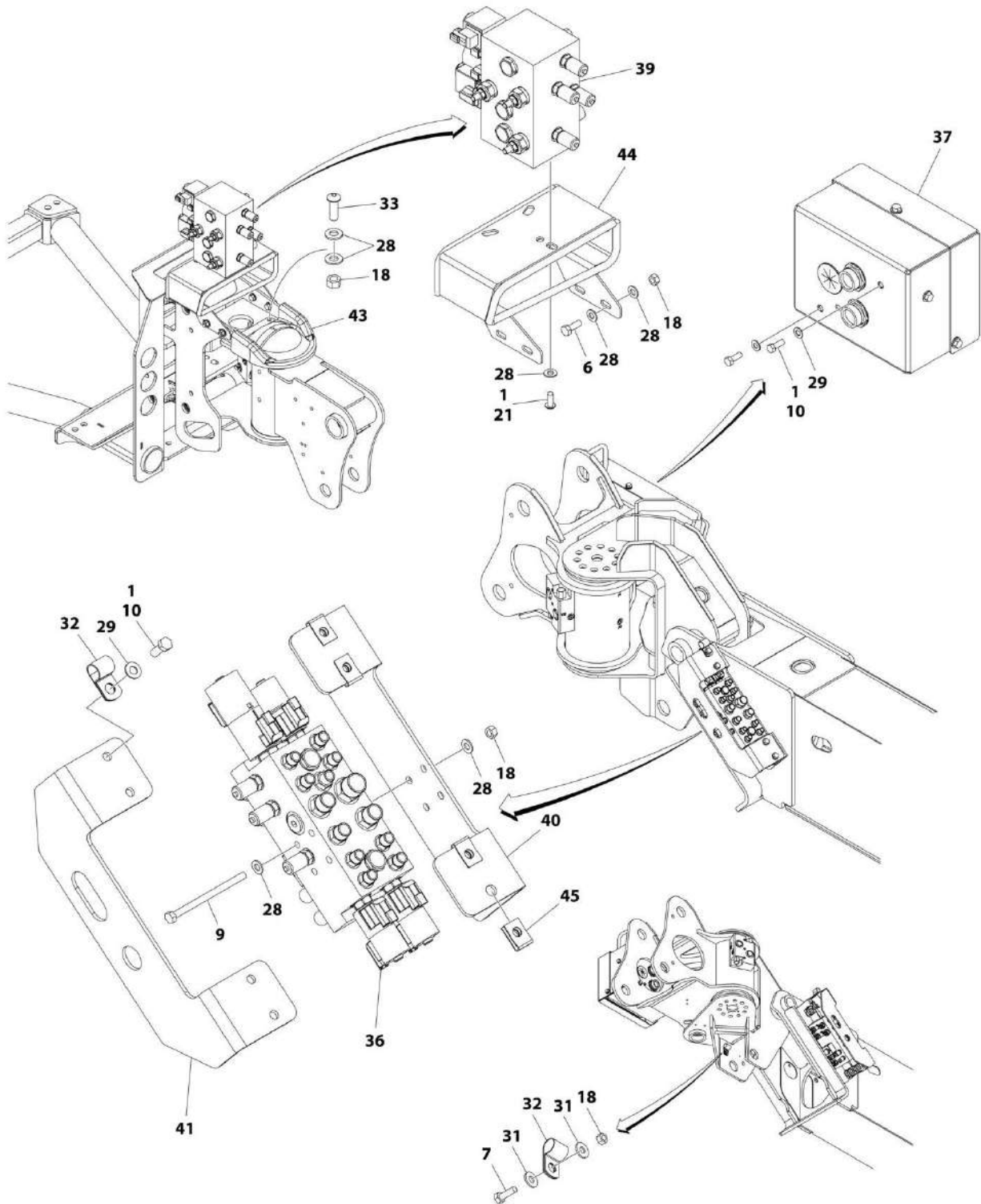
SECTION 4 - BOOM

FIGURE 4-12. VALVES (BOOM MOUNTED) INSTALLATION (ANSI, CSA AND JAPANESE SPECS)

ITEM	PART NUMBER	QTY	DESCRIPTION	REV
	1001119717	Ref	VALVES (BOOM MOUNTED) INSTALLATION (ANSI, CSA AND JAPANESE SPECS)	G
1	0100011	AR	Compound, Locking	
7	0641538	4	Bolt 5/16 x 4-3/4	
8	0641608	6	Bolt 3/8 x 1	
16	3311505	9	Nut 5/16	
19	3900210	3	Screw 5/16 x 3/4	
20	3900283	3	Screw 3/8 x 3/4	
27	4711500	AR	Washer 5/16	
28	4711600	8	Washer 3/8	
32	1001118286	1	Jib Valve Assembly (See JIB VALVE ASSEMBLY for Breakdown)	
34	1001119702	1	Platform Valve Assembly (See PLATFORM VALVE ASSEMBLY for Breakdown)	
35	1001119703	1	Plate, Valve Mounting	
36	1001119704	1	Plate, Valve Protection	
37	1001119706	1	Plate, Valve Mounting	
38	88662523	4	Nut, Retainer	
39	1001119212	1	Enclosure Box Assembly (See ENCLOSURE BOX ASSEMBLY for Breakdown)	
40	0641508	1	Bolt 5/16 x 1	
41	4751500	1	Washer 5/16	
42	8406105	2	Clamp	
44	0630467	3	Screw 5/16 x 1/2 (SN 0300224868 to Present)	
45	1670964	1	Cover (SN 0300224868 to Present)	

SECTION 4 - BOOM

FIGURE 4-13. VALVES (BOOM MOUNTED) INSTALLATION (WITH 1 CELL LSS) (CE AND AUSTRALIAN SPECS)



ART_1001219992_30F3

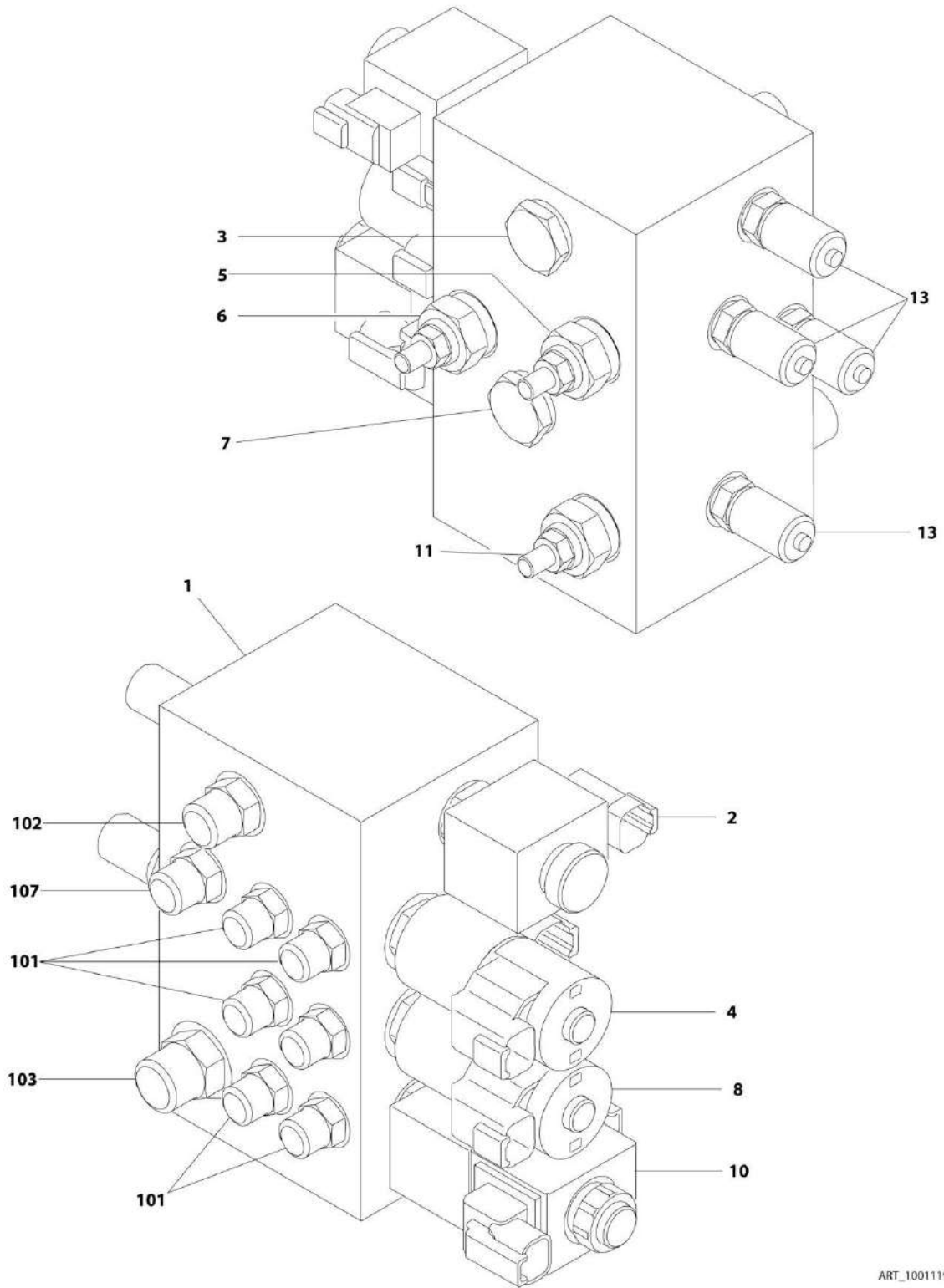
SECTION 4 - BOOM

FIGURE 4-13. VALVES (BOOM MOUNTED) INSTALLATION (WITH 1 CELL LSS) (CE AND AUSTRALIAN SPECS)

ITEM	PART NUMBER	QTY	DESCRIPTION	REV
	1001219992	Ref	VALVES (BOOM MOUNTED) INSTALLATION (WITH 1 CELL LSS) (CE AND AUSTRALIAN SPECS) (SN 0300234294 to Present)	A
1	0100011	AR	Compound, Locking	
6	0641507	4	Bolt 5/16 x 7/8	
7	0641508	1	Bolt 5/16 x 1	
9	0641538	4	Bolt 5/16 x 3/4	
10	0641608	20	Bolt 3/8 x 1	
18	3311505	15	Nut 5/16	
21	3900210	3	Screw 5/16 x 3/4	
28	4711500	43	Washer 5/16	
29	4711600	24	Washer 3/8	
31	4751500	2	Washer 5/16	
32	8406105	2	Clamp	
33	88261024	2	Screw 5/16 x 1	
36	1001118286	1	Jib Valve Assembly (See JIB VALVE ASSEMBLY for Breakdown)	
37	1001119212	1	Enclosure Box Assembly (See ENCLOSURE BOX ASSEMBLY for Breakdown)	
39	1001119702	1	Platform Valve Assembly (See PLATFORM VALVE ASSEMBLY for Breakdown)	
40	1001119703	1	Plate, Valve Mounting	
41	1001119704	1	Plate, Valve Protection	
43	1001207969	1	Cover	
44	1001208994	1	Mount, Valve	
45	88662523	4	Nut	

SECTION 4 - BOOM

FIGURE 4-14. PLATFORM VALVE ASSEMBLY



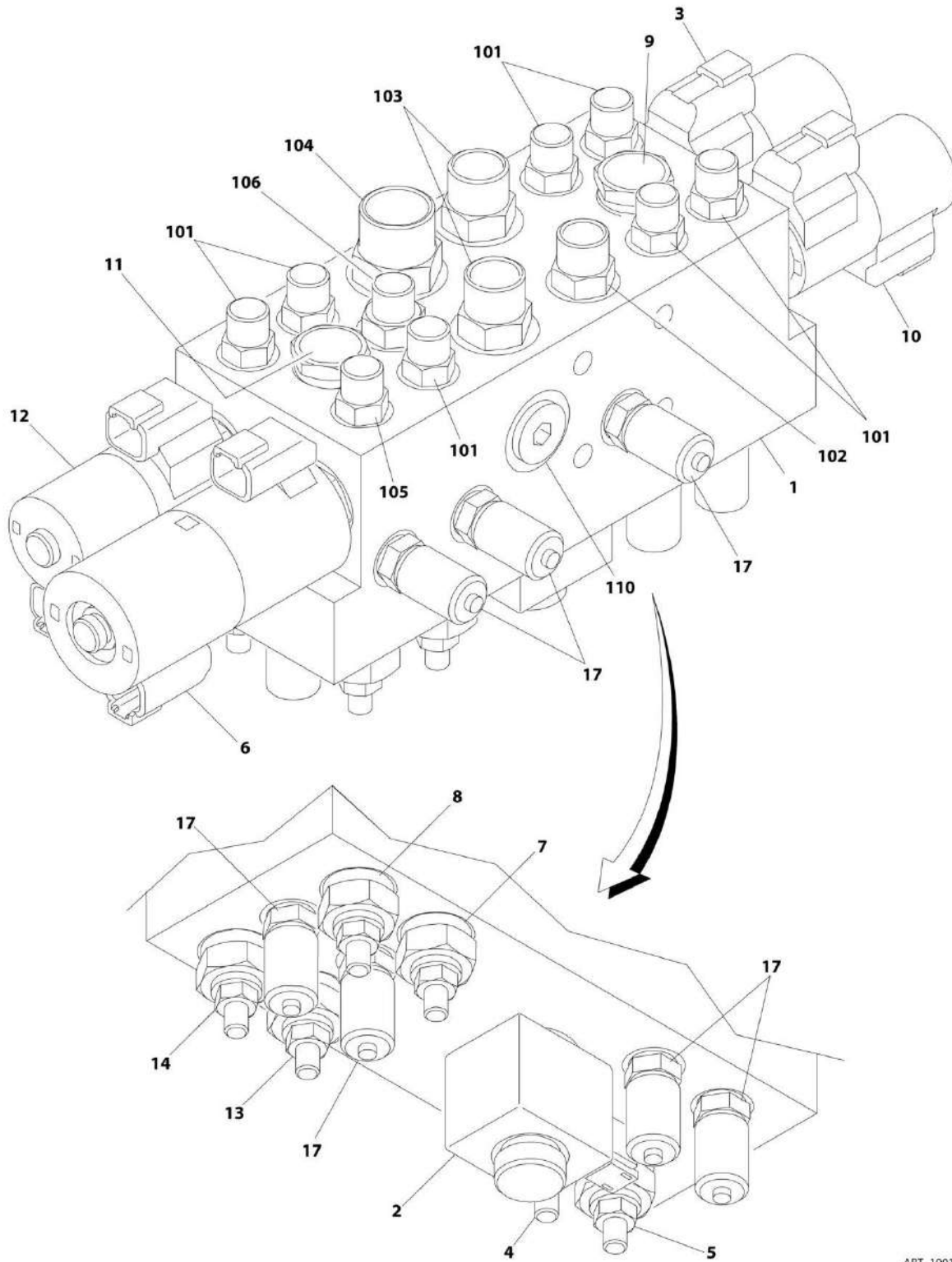
ART_100119702

FIGURE 4-14. PLATFORM VALVE ASSEMBLY

ITEM	PART NUMBER	QTY	DESCRIPTION	REV
	1001119702	Ref	PLATFORM VALVE ASSEMBLY	E
		Ref	Cartridges:	
1	See Note	NSS	Block, Valve (Note: Not Available for Purchase)	
2	70003025	1	Valve, Cartridge (Valve Inlet)	
2	70004050	1	Seal Kit - 70003025 Cartridge	
2	70004051	1	Nut, Coil	
2	70003026	1	Coil	
3	70003021	1	Valve, Cartridge (Valve Inlet)	
3	70004052	1	Seal Kit - 70003021 Cartridge	
4	7024899	1	Valve, Cartridge (Platform Level)	
4	7017402	1	Seal Kit - 7024899 Cartridge	
4	7022390	1	Nut, Coil	
4	70003023	1	Spacer, Coil	
4	7024885	2	Coil	
5	70003019	1	Valve, Cartridge (Platform Level)	
5	70004052	1	Seal Kit - 70003019 Cartridge	
6	70003019	1	Valve, Cartridge (Platform Level)	
6	70004052	1	Seal Kit - 70003019 Cartridge	
7	70003027	1	Valve, Cartridge (Platform Rotate)	
7	70004052	1	Seal Kit - 70003027 Cartridge	
8	7024899	1	Valve, Cartridge (Platform Rotate)	
8	7017402	1	Seal Kit - 7024899 Cartridge	
8	7022390	1	Nut, Coil	
8	70003023	1	Spacer, Coil	
8	7024885	2	Coil	
10	70003028	1	Valve, Cartridge (Jib Lock Pin)	
10	70004053	1	Seal Kit - 70003028 Cartridge	
10	70004054	1	Nut, Coil	
10	70003026	2	Coil	
11	70003019	1	Valve, Cartridge (Jib Lock Pin)	
11	70004052	1	Seal Kit - 70003019 Cartridge	
13	2221086	4	Check, Pressure	
		Ref	Fittings:	
101	2110404	6	Fitting, Straight ORFS/ORB	
102	2110606	1	Fitting, Straight ORFS/ORB	
103	2110808	1	Fitting, Straight ORFS/ORB	
107	2110406	1	Fitting, Straight ORFS/ORB	

SECTION 4 - BOOM

FIGURE 4-15. JIB VALVE ASSEMBLY



ART_1001118286

FIGURE 4-15. JIB VALVE ASSEMBLY

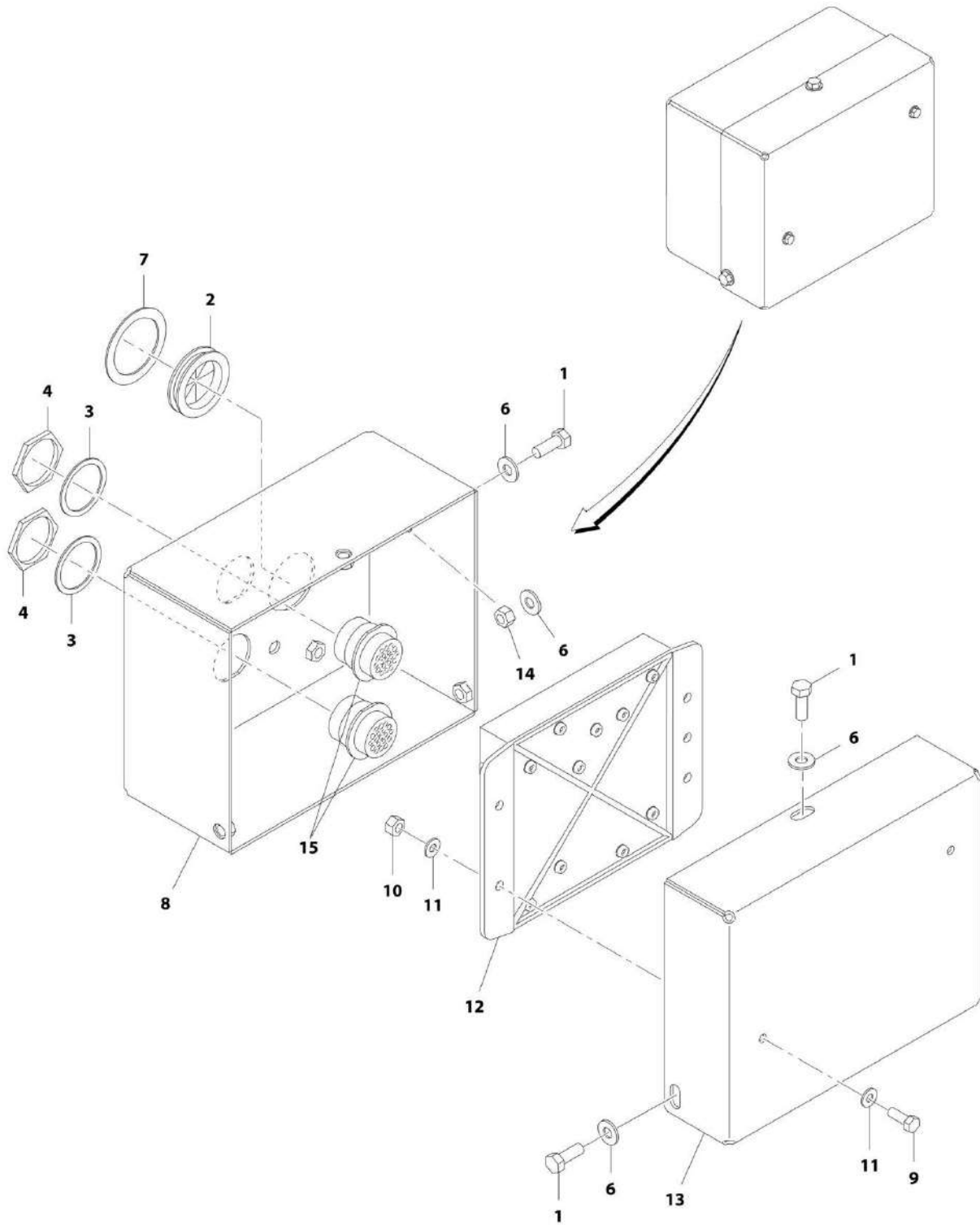
ITEM	PART NUMBER	QTY	DESCRIPTION	REV
	1001118286	Ref	JIB VALVE ASSEMBLY	D
		Ref	Cartridges:	
1	See Note	1	Block, Valve (Note: Not Available for Purchase)	
2	70003017	1	Valve, Cartridge (Valve Inlet)	
2	70004055	1	Seal Kit - 70003017 Cartridge	
2	70004051	1	Nut, Coil	
2	70022147	1	Coil	
3	7023922	1	Valve, Cartridge (Jib Level)	
3	7017402	1	Seal Kit - 7023922 Cartridge	
3	7022390	1	Nut, Coil	
3	70003023	1	Spacer, Coil	
3	7024885	2	Coil	
4	70003019	1	Valve, Cartridge (Jib Level)	
4	70004052	1	Seal Kit - 70003019 Cartridge	
5	70003019	1	Valve, Cartridge (Jib Level)	
5	70004052	1	Seal Kit - 70003019 Cartridge	
6	70003022	1	Valve, Cartridge (Jib Tele)	
6	7012903	1	Seal Kit - 70003022 Cartridge	
6	7022390	1	Nut, Coil	
6	70003024	1	Spacer, Coil	
6	7024883	2	Coil	
7	70003019	1	Valve, Cartridge (Jib Tele)	
7	70004052	1	Seal Kit - 70003019 Cartridge	
8	70003019	1	Valve, Cartridge (Jib Tele)	
8	70004052	1	Seal Kit - 70003019 Cartridge	
9	70003020	1	Valve, Cartridge (Jib Swing)	
9	70004052	1	Seal Kit - 70003020 Cartridge	
10	7024899	1	Valve, Cartridge (Jib Swing)	
10	7017402	1	Seal Kit - 7024899 Cartridge	
10	7022390	1	Nut, Coil	
10	70003023	1	Spacer, Coil	
10	7024885	2	Coil	
11	70003021	1	Valve, Cartridge (Jib Lift)	
11	70004052	1	Seal Kit - 70003021 Cartridge	
12	7023922	1	Valve, Cartridge (Jib Lift)	
12	7017402	1	Seal Kit - 7023922 Cartridge	
12	7022390	1	Nut, Coil	
12	70003023	1	Spacer, Coil	
12	7024885	2	Coil	
13	70003019	1	Valve, Cartridge (Jib Lift)	
13	70004052	1	Seal Kit - 70003019 Cartridge	
14	70003019	1	Valve, Cartridge (Jib Lift)	
14	70004052	1	Seal Kit - 70003019 Cartridge	
17	2221086	7	Check, Pressure	
		Ref	Fittings:	
101	2110404	7	Fitting, Straight ORFS/ORB	
102	2110606	1	Fitting, Straight ORFS/ORB	
103	2110808	2	Fitting, Straight ORFS/ORB	
104	2111010	1	Fitting, Straight ORFS/ORB	
105	2110604	1	Fitting, Straight ORFS/ORB	

SECTION 4 - BOOM

ITEM	PART NUMBER	QTY	DESCRIPTION	REV
106	2110406	1	Fitting, Straight ORFS/ORB	
110	70002759	1	Plug	

SECTION 4 - BOOM

FIGURE 4-16. ENCLOSURE BOX ASSEMBLY



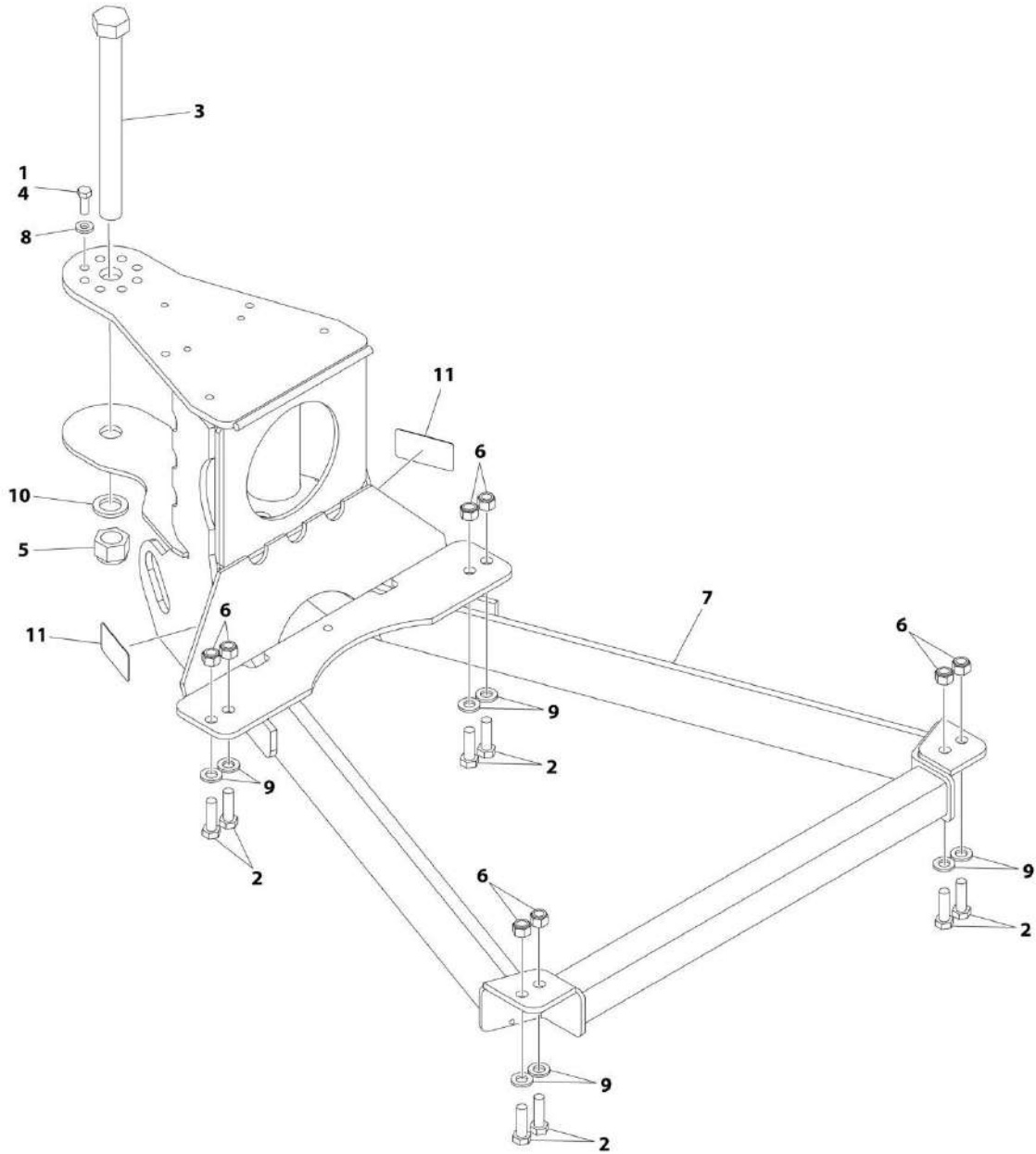
ART_1001119212

FIGURE 4-16. ENCLOSURE BOX ASSEMBLY

ITEM	PART NUMBER	QTY	DESCRIPTION	REV
	1001119212	Ref	ENCLOSURE BOX ASSEMBLY	D
1	0641608	5	Bolt 3/8 x 1	
2	2540045	1	Grommet	
3	4460470	2	Washer, Terminal	
4	4460971	2	Nut, Terminal	
6	4711600	7	Washer 3/8	
7	1001119211	1	Washer, Grommet	
8	1001119214	1	Box Assembly	
9	0641406	2	Bolt 1/4 x 3/4	
10	3311405	2	Nut 1/4	
11	4711400	4	Washer 1/4	
12	1001119262	1	Module, Jib Control (Note: Control System must be recalibrated when replaced)	
13	1001119215	1	Cover	
14	3311605	2	Nut 3/8	
15	1001119392	1	Harness, Jib Valve (See ELECTRICAL SECTION for Breakdown)	

SECTION 4 - BOOM

FIGURE 4-17. PLATFORM SUPPORT INSTALLATION - WITHOUT LSS



ART_0272070

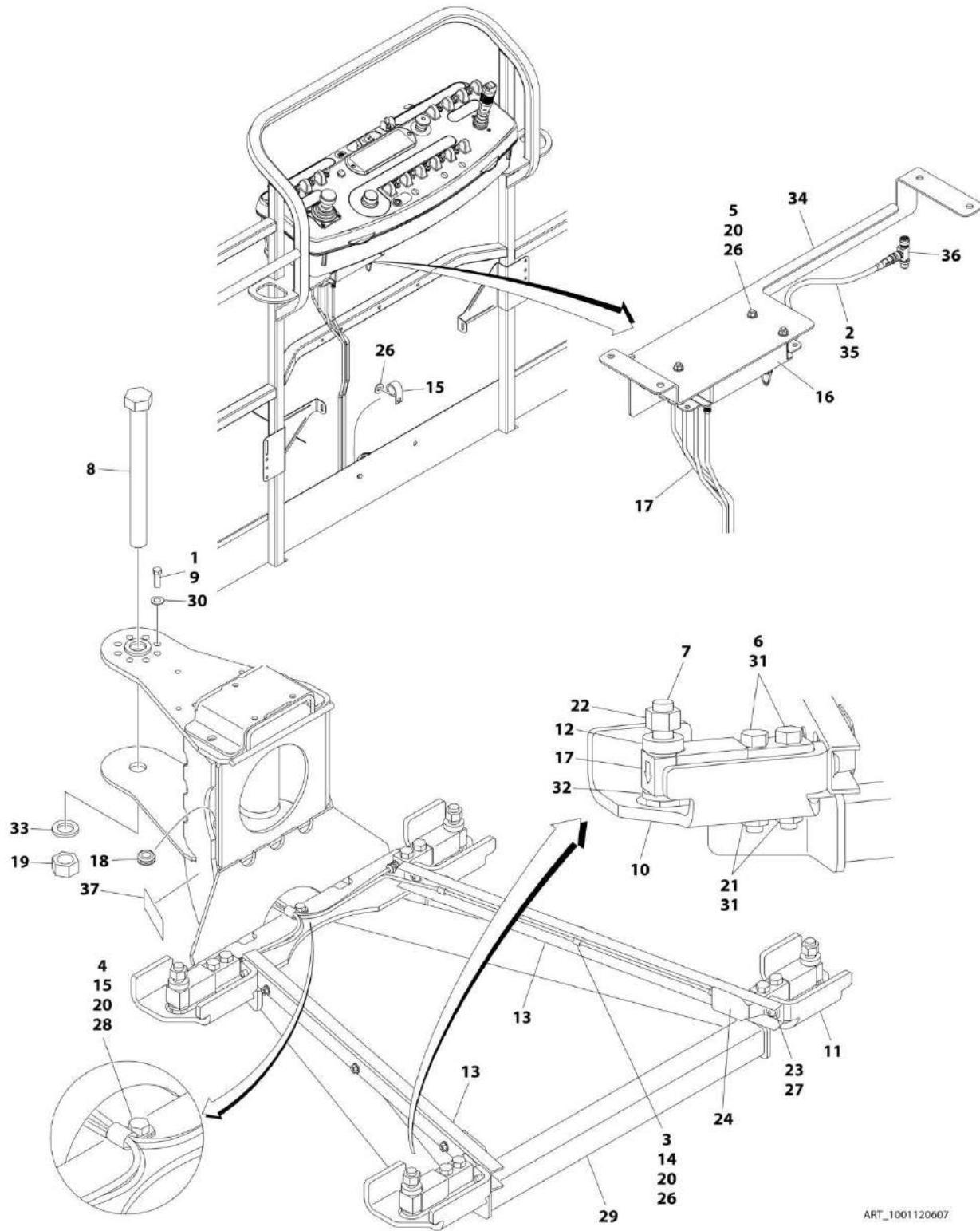
SECTION 4 - BOOM

FIGURE 4-17. PLATFORM SUPPORT INSTALLATION - WITHOUT LSS

ITEM	PART NUMBER	QTY	DESCRIPTION	REV
	0272070	Ref	PLATFORM SUPPORT INSTALLATION - WITHOUT LSS	I
	See Note	Ref	Machines without Load Sensing and with SkyGlazier (Note: For Replacement Parts, Contact JLG Customer Service and Request Manual p/n 3124242)	
1	0100011	AR	Compound, Locking	
2	0641812	8	Bolt 1/2 x 1-1/2	
2	0761216	8	Bolt M12 x 40	
3	0642684	1	Bolt 1 x 10-1/4	
4	0681608	8	Bolt 3/8 x 1 Grade 8	
5	3300243	1	Nut 1	
6	3311805	8	Nut 1/2	
6	3291205	8	Nut M12	
7	4846573	1	Support Weldment	
8	4891600	8	Washer 3/8	
9	4891800	8	Washer 1/2	
9	5241200	8	Washer M12	
10	4892600	1	Washer 1	
11	1001216630	2	Decal - Tie Down/No Lift (SN 0300224754 to Present)	

SECTION 4 - BOOM

FIGURE 4-18. PLATFORM SUPPORT INSTALLATION - WITH 4 CELL LSS



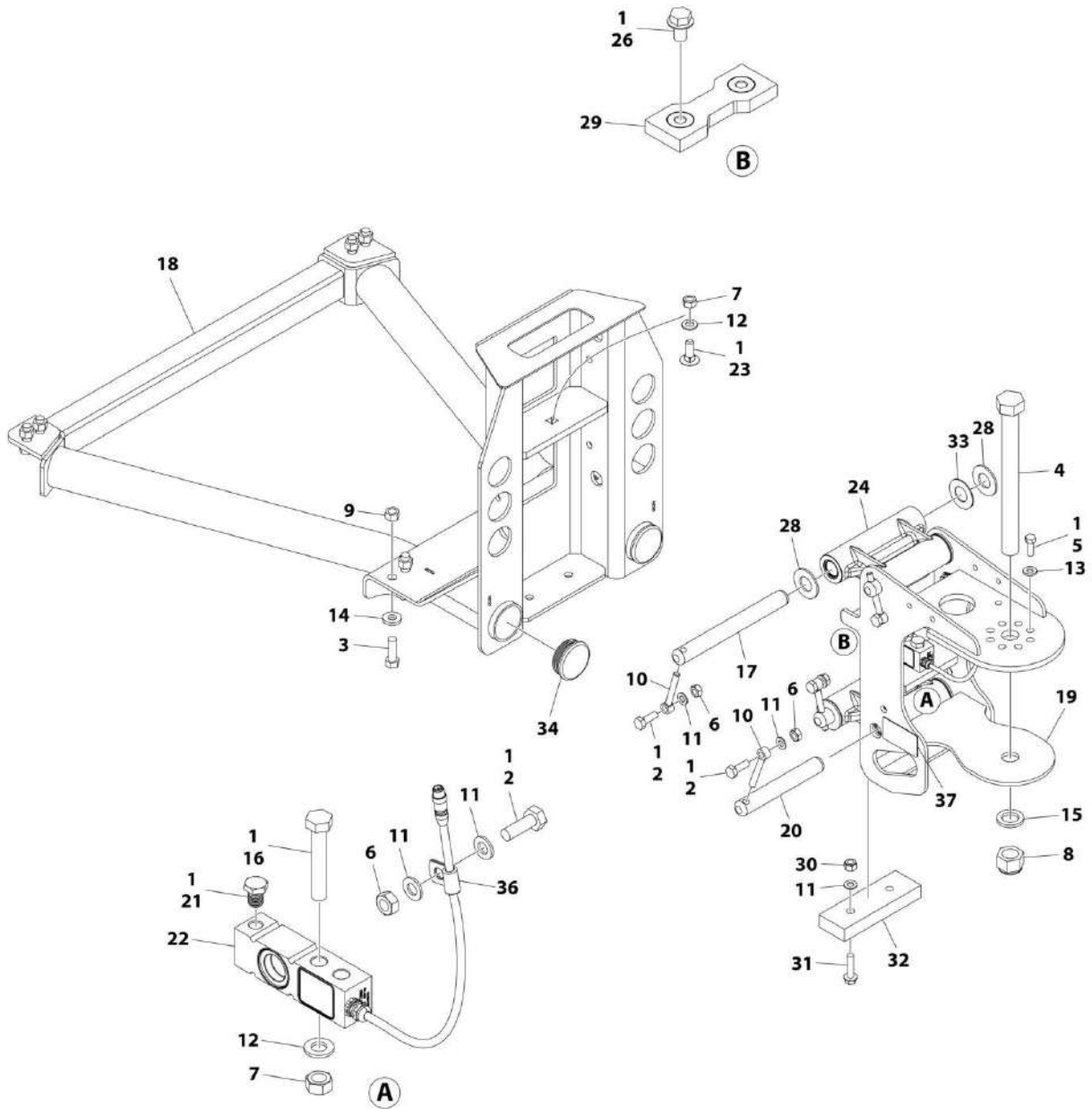
SECTION 4 - BOOM

FIGURE 4-18. PLATFORM SUPPORT INSTALLATION - WITH 4 CELL LSS

ITEM	PART NUMBER	QTY	DESCRIPTION	REV
	1001120607	Ref	PLATFORM SUPPORT INSTALLATION - WITH 4 CELL LSS (SN 0300209000 through 0300234293)	E
1	0100011	AR	Compound, Locking	
2	0100048	AR	Grease, Dielectric	
3	0641405	6	Bolt 1/4 x 5/8	
4	0641407	1	Bolt 1/4 x 7/8	
5	0641416	3	Bolt 1/4 x 2	
6	0641822	8	Bolt 1/2 x 2-3/4	
7	0642024	4	Bolt 5/8 x 3	
8	0642684	1	Bolt 1 x 10-1/2	
9	0681608	8	Bolt 3/8 x 1 Grade 8	
10	0902919	2	Bracket, Cell Guard	
11	0902920	2	Bracket, Cell Guard	
12	0962450	4	Bushing, Spacer	
13	1271538	2	Channel	
14	1320136	6	Clamp	
15	1320224	2	Clamp	
16	1600387	1	Module, Control - LSS (Note: Re-calibration Required When Replaced)	
17	2420202	4	Cell, Load (Includes Cable)	
18	2540038	1	Grommet	
19	3272605	1	Nut 1 Grade 8	
20	3311405	10	Nut 1/4	
21	3311805	8	Nut 1/2	
22	3312005	4	Nut 5/8	
23	3900283	4	Screw 3/8 x 3/4	
24	4061054	2	Shield	
25	4240033	AR	Tie-Strap (Not Shown)	
26	4711400	13	Washer 1/4	
27	4711600	4	Washer 3/8	
28	4751400	1	Washer 1/4	
29	4846573	1	Support, Platform	
30	4891600	8	Washer 3/8	
31	4891800	8	Washer 1/2	
32	4892000	4	Washer 5/8	
33	4892600	1	Washer 1	
34	1001113483	1	Bracket, Module Mount	
35	1001120608	1	LSS Harness	
35	1001120631	1	Connector, M12 Male Cordset	
35	4460836	1	Connector - 12 Position (Black) (J2)	
35	4460944	3	Socket, Female	
35	4460466	9	Plug, Terminal	
35	4460933	1	Connector - 12 Position (Grey) (J1)	
35	4460465	2	Socket, Female	
35	4460466	10	Plug, Terminal	
36	1001108122	1	Connector, M12 Tee Adapter	
37	1001216630	2	Decal - Tie Down/No Lift	

SECTION 4 - BOOM

FIGURE 4-19. PLATFORM SUPPORT INSTALLATION - WITH 1 CELL LSS



ART_1001167596

SECTION 4 - BOOM

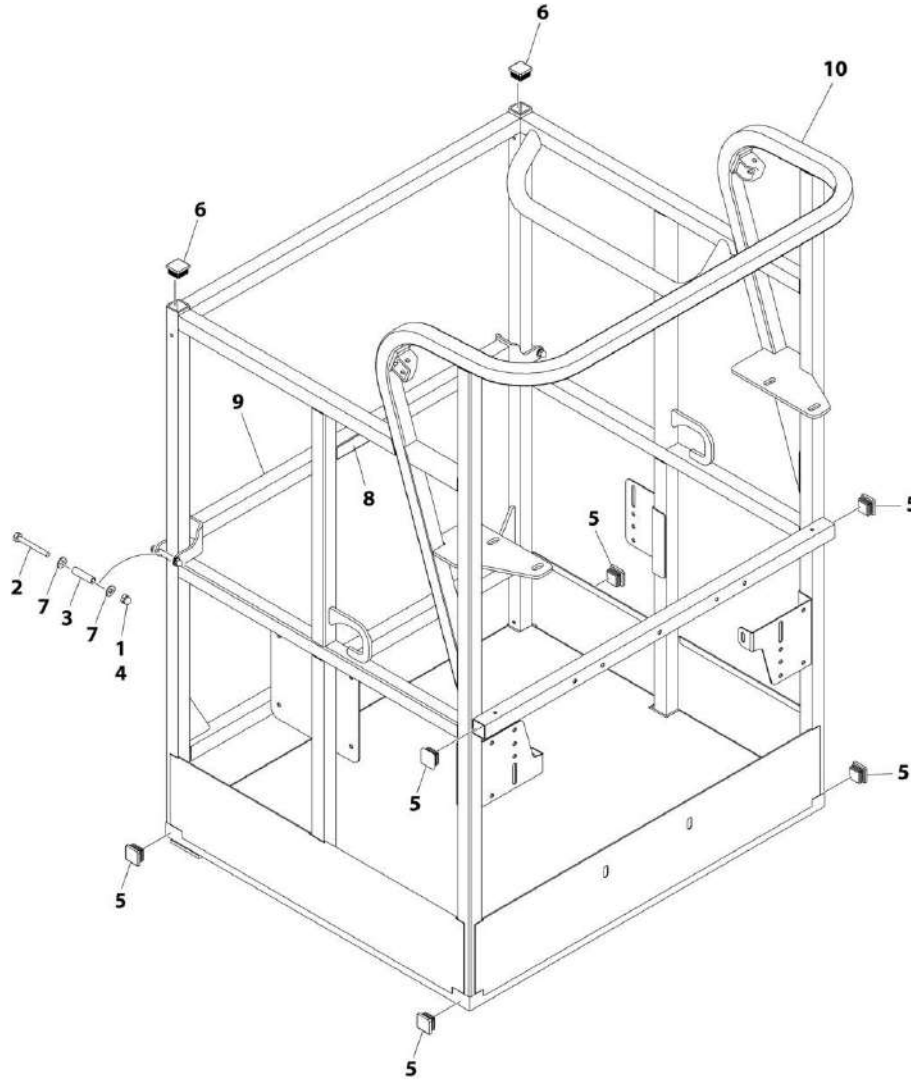
FIGURE 4-19. PLATFORM SUPPORT INSTALLATION - WITH 1 CELL LSS

ITEM	PART NUMBER	QTY	DESCRIPTION	REV
	1001167596	Ref	PLATFORM SUPPORT INSTALLATION - WITH 1 CELL LSS (SN 0300234294 to Present)	J
1	0100011	AR	Compound, Locking	
2	0761014	5	Bolt M10 x 30	
3	0641812	8	Bolt 1/2 x 1-1/2	
3	0761216	8	Bolt M12 x 40	
4	0642684	1	Bolt 1 x 10-1/2	
5	0681608	8	Bolt 3/8 x 1	
6	3291001	5	Nut M10	
7	3291201	3	Nut M12	
8	3300243	1	Nut 1	
9	3311805	8	Nut 1/2	
9	3291205	8	Nut M12	
10	3841143	1	Keeper, Pin	
11	4812000	8	Washer M10	
12	4812100	3	Washer M12	
13	4891600	8	Washer 3/8	
14	4891800	8	Washer 1/2	
14	5241200	8	Washer M12	
15	4892600	1	Washer 1	
16	1001098828	2	Bolt M12 x 70 Grade 10.9	
17	1001167565	2	Pin	
18	1001200494	1	Support, Platform	
19	1001167567	1	Support, Rotator	
20	1001168402	2	Pin	
21	1001188622	1	Screw	
22	1001172663	1	Gauge, Load Sensing	
23	1001188844	1	Bolt M12 x 35	
24	1001201351	2	Link, LSS Assembly	
26	5251008	2	Bolt M10 x 16	
28	1001189002	8	Bearing	
29	1001190985	1	Pad, Wear	
30	3291005	2	Nut M10	
31	5251016	2	Bolt M10 x 40	
32	1001200491	1	Pad, Wear	
33	1001189001	4	Bearing	
34	1001204725	2	Plug	
36	91203039	1	Clamp	
37	1001216630	2	Decal - Tie Down/No Lift	

SECTION 5 - PLATFORM

SECTION 5 - PLATFORM

FIGURE 5-1. PLATFORM ASSEMBLY - 30IN X 3FT (76CM X .91M) - DROP BAR ENTRY



ART_1001228215

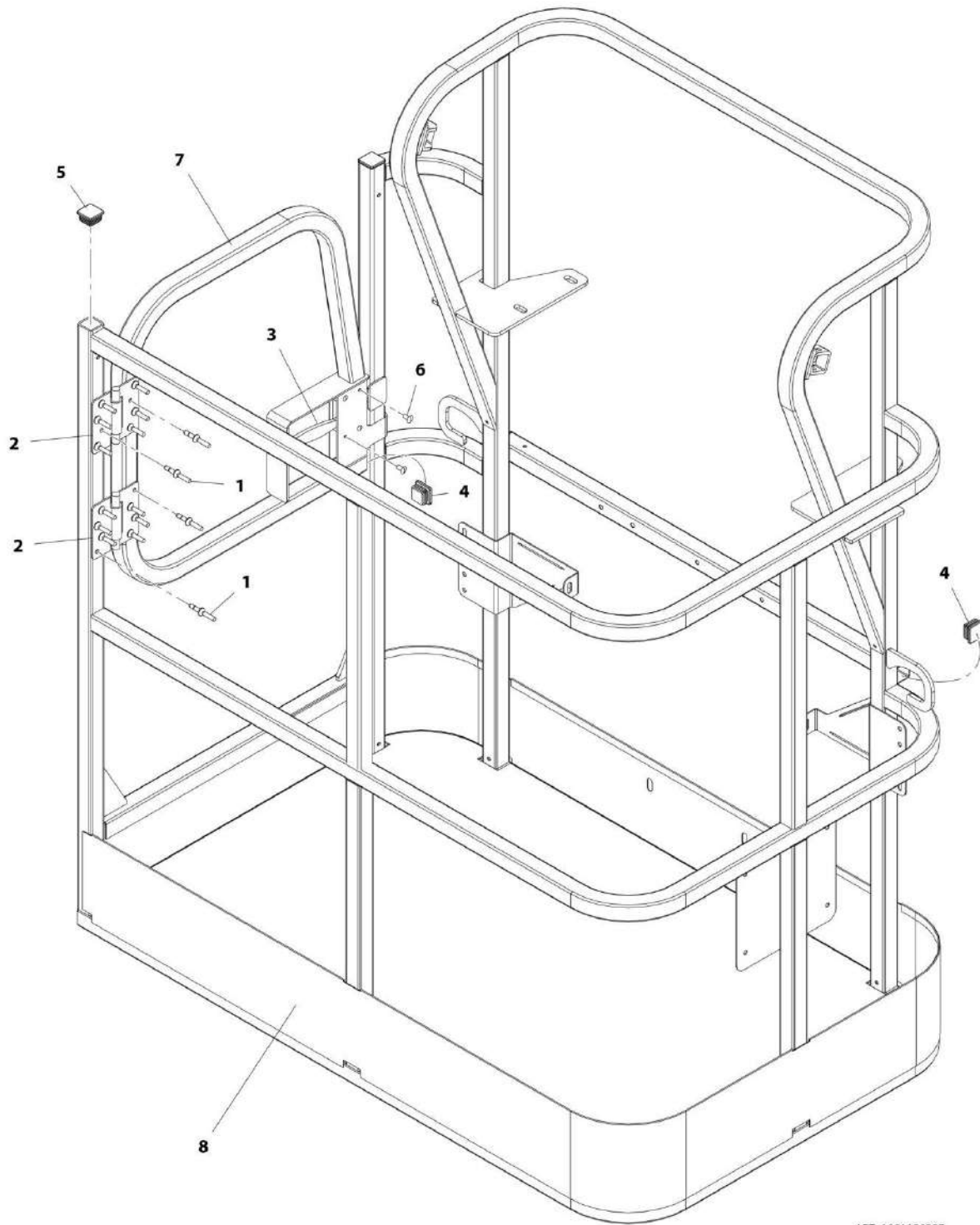
SECTION 5 - PLATFORM

FIGURE 5-1. PLATFORM ASSEMBLY - 30IN X 3FT (76CM X .91M) - DROP BAR ENTRY

ITEM	PART NUMBER	QTY	DESCRIPTION	REV
	1001228215	Ref	PLATFORM ASSEMBLY - 30IN X 3FT (76CM X .91M) - DROP BAR ENTRY	A
	See Note	Ref	Note: Platform and Mesh must be ordered separately for Platforms with Mesh. See SPECIAL OPTIONS SECTION for Mesh Installations.	
	See Note	Ref	Note: Replacement Decals Must be Ordered Separately - See DECAL SECTION.	
1	0100011	AR	Compound, Locking	
2	0641418	2	Bolt 1/4 x 2-1/4	
3	0961845	2	Bushing	
4	3300151	2	Nut 1/4	
5	3520072	6	Cap, Plug	
6	3520198	2	Cap, Plug	
7	4711400	4	Washer 1/4	
8	1001140429	1	Decal - Drop Bar	
9	1001226872	1	Bar, Drop	
10	See Note	NSS	Platform, Weldment (Note: Not Available - Purchase Platform Assembly)	

SECTION 5 - PLATFORM

FIGURE 5-2. PLATFORM ASSEMBLY - 30IN X 4FT (76CM X 1.22M) - SIDE GATE ENTRY



ART_1001186387

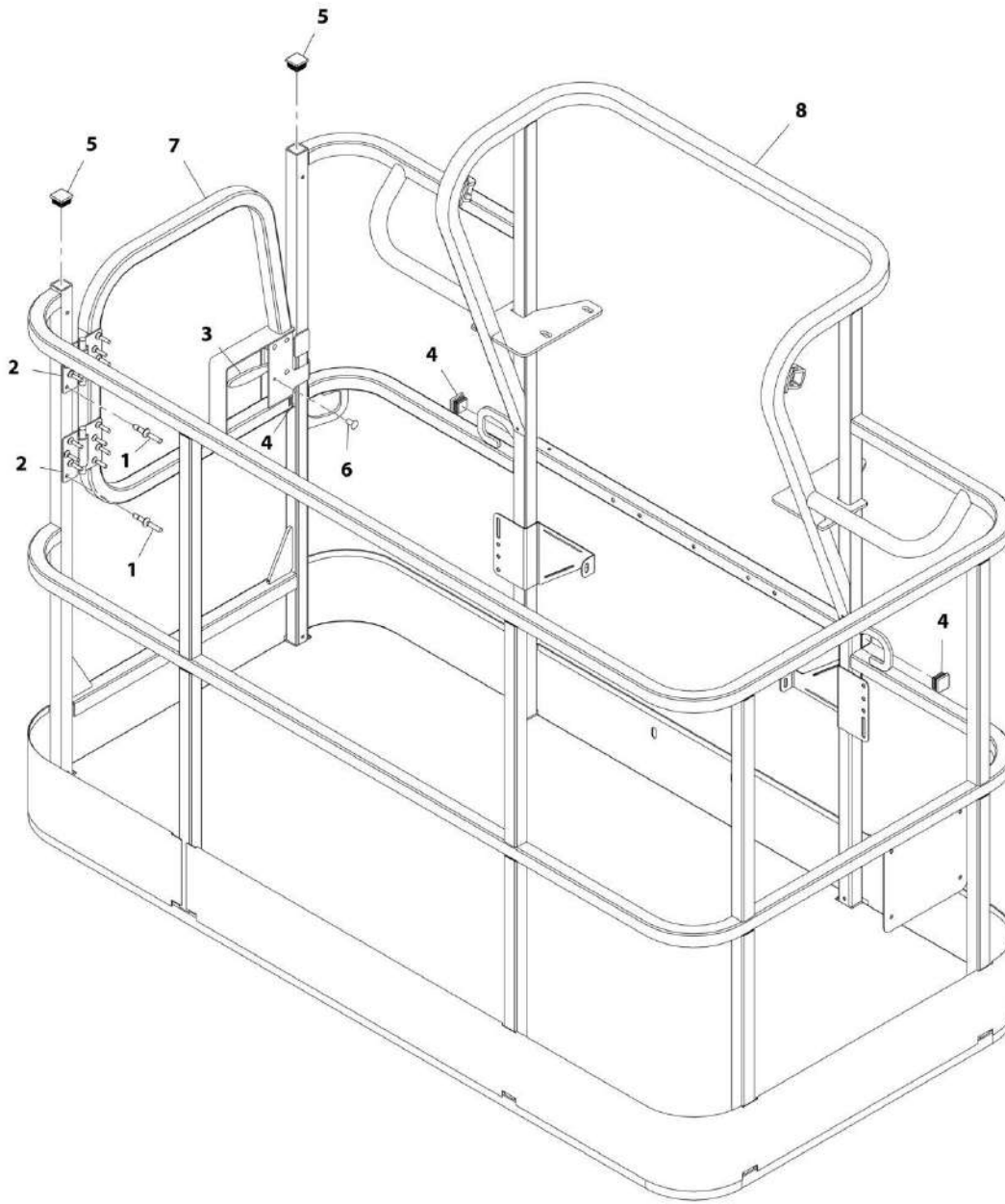
SECTION 5 - PLATFORM

FIGURE 5-2. PLATFORM ASSEMBLY - 30IN X 4FT (76CM X 1.22M) - SIDE GATE ENTRY

ITEM	PART NUMBER	QTY	DESCRIPTION	REV
	1001186387	Ref	PLATFORM ASSEMBLY - 30IN X 4FT (76CM X 1.22M) - SIDE GATE ENTRY	C
		Ref	Note: Platform and Mesh must be ordered separately for Platforms with Mesh. See SPECIAL OPTIONS SECTION for Mesh Installations.	
		Ref	Note: Replacement Decals Must be Ordered Separately - See DECALS SECTION.	
		Ref	Note: When replacing platform on machines with SkyCutter option, new bracket p/n 1001145405 must be purchased to accommodate SkyCutter components.	
1	2080040	16	Fastener, Huck	
2	2600281	2	Hinge, Self-Closing	
3	2940074	1	Latch	
4	3520072	3	Cap, Plug	
5	3520198	2	Cap, Plug	
6	3820020	4	Rivet	
7	1001144629	1	Gate, Weldment	
8	See Note	1	Platform (Note: Not Available - Purchase Platform Assembly)	

SECTION 5 - PLATFORM

FIGURE 5-3. PLATFORM ASSEMBLY - 36IN X 6FT (91.5CM X 1.83M) WITH SWING GATE



ART_1001186384

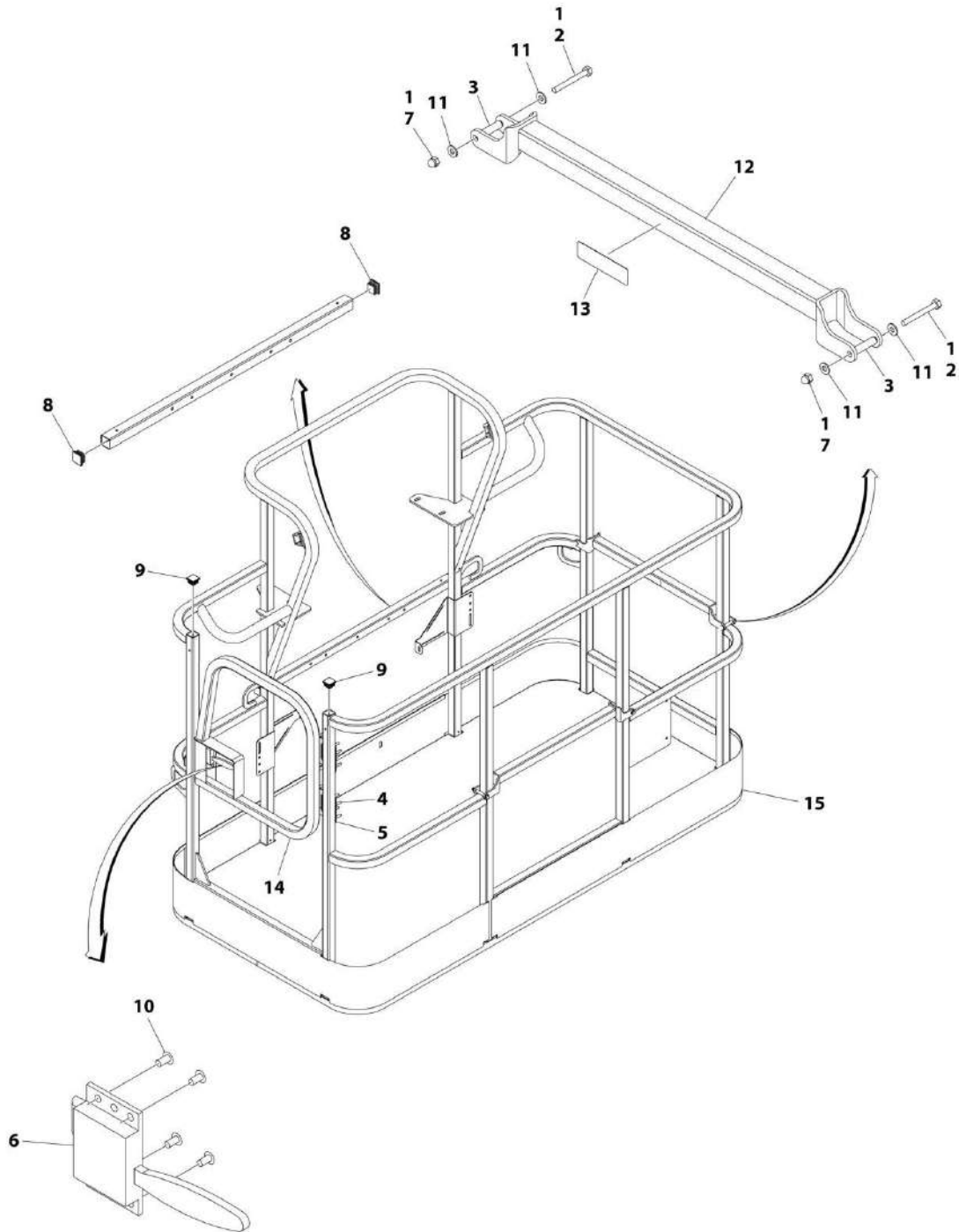
SECTION 5 - PLATFORM

FIGURE 5-3. PLATFORM ASSEMBLY - 36IN X 6FT (91.5CM X 1.83M) WITH SWING GATE

ITEM	PART NUMBER	QTY	DESCRIPTION	REV
	1001186384	Ref	PLATFORM ASSEMBLY - 36IN X 6FT (91.5CM X 1.83M) WITH SWING GATE	C
		Ref	Note: Platform and Mesh must be ordered separately for Platforms with Mesh. See SPECIAL OPTIONS SECTION for Mesh Installations.	
		Ref	Note: Replacement Decals Must be Ordered Separately - See DECALS SECTION.	
		Ref	Note: When replacing platform on machines with SkyCutter option, new bracket p/n 1001145405 must be purchased to accommodate SkyCutter components.	
1	2080040	16	Fastener, Huck	
2	2600281	2	Hinge, Self-Closing	
3	2940074	1	Latch	
4	3520072	3	Cap, Plug	
5	3520198	2	Cap, Plug	
6	3820020	4	Rivet	
7	1001144629	1	Gate, Weldment	
8	See Note	1	Platform (Note: Not Available - Purchase Platform Assembly)	

SECTION 5 - PLATFORM

FIGURE 5-4. PLATFORM ASSEMBLY - 36IN X 6FT (91.5CM X 1.83M) TRI-ENTRY WITH SWING GATE



ART_1001228376

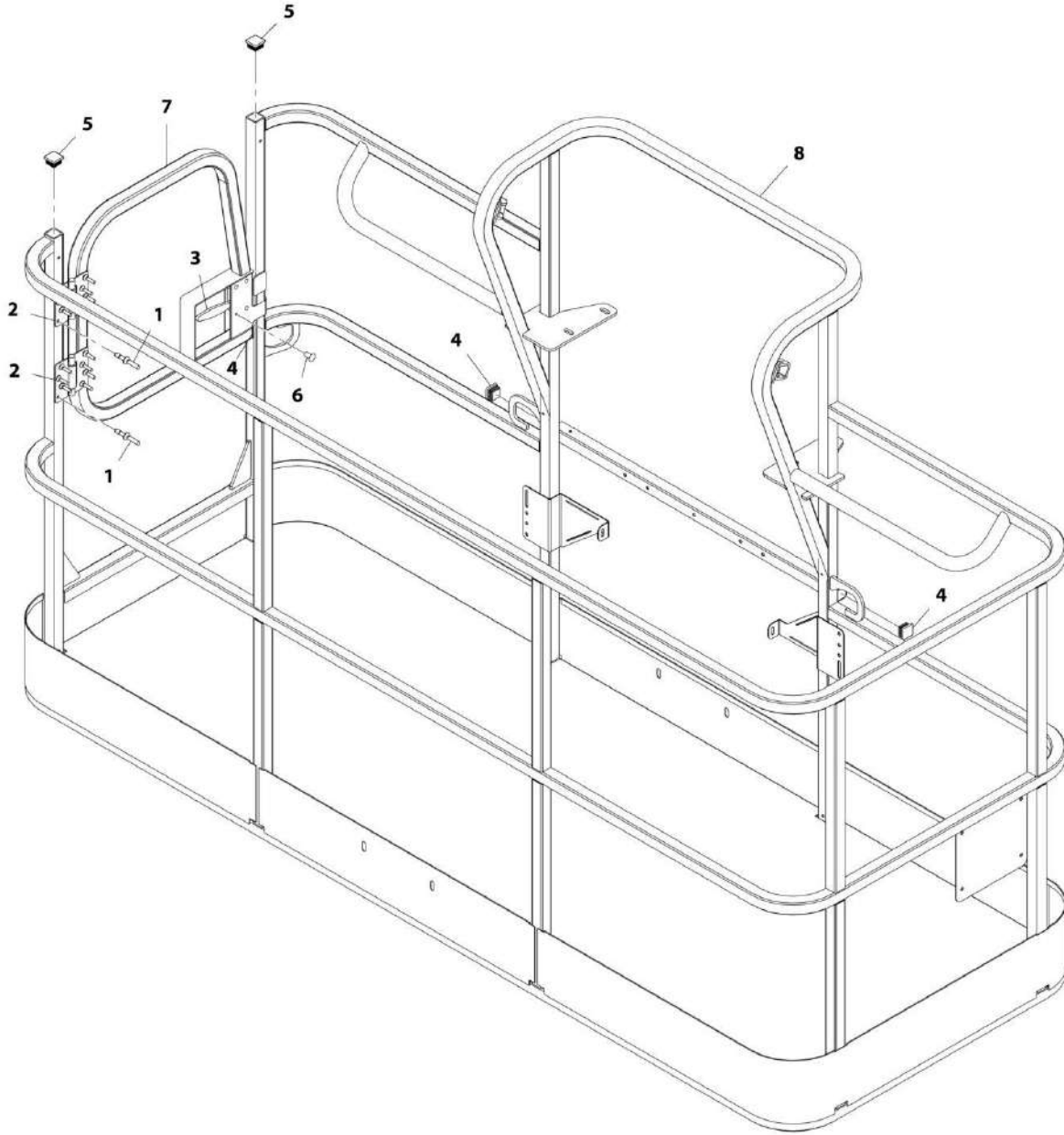
SECTION 5 - PLATFORM

FIGURE 5-4. PLATFORM ASSEMBLY - 36IN X 6FT (91.5CM X 1.83M) TRI-ENTRY WITH SWING GATE

ITEM	PART NUMBER	QTY	DESCRIPTION	REV
	1001228376	Ref	PLATFORM ASSEMBLY - 36IN x 6FT (91.5CM x 1.83M)	A
		Ref	Note: Platform and Mesh must be ordered separately for Platforms with Mesh. See SPECIAL OPTIONS SECTION for Mesh Installations.	
		Ref	Note: Replacement Decals Must be Ordered Separately - See DECAL SECTION.	
1	0100011	AR	Compound, Locking	
2	0641418	4	Bolt 1/4 x 2-1/4	
3	0961845	4	Bushing	
4	2080040	16	Fastener	
5	2600281	2	Hinge	
6	2940074	1	Latch	
7	3300151	4	Nut 1/4	
8	3520072	3	Plug	
9	3520198	2	Plug	
10	3820020	4	Rivet	
11	4711400	8	Washer 1/4	
12	1001138494	2	Bar, Drop	
13	1001140429	2	Decal - Drop Bar	
14	1001144629	1	Gate	
15	See Note	NSS	Platform (Note: Not Available - Purchase Platform Assembly)	

SECTION 5 - PLATFORM

FIGURE 5-5. PLATFORM ASSEMBLY - 36IN X 8FT (91.5CM X 2.44M) WITH SWING GATE



ART_1001186383

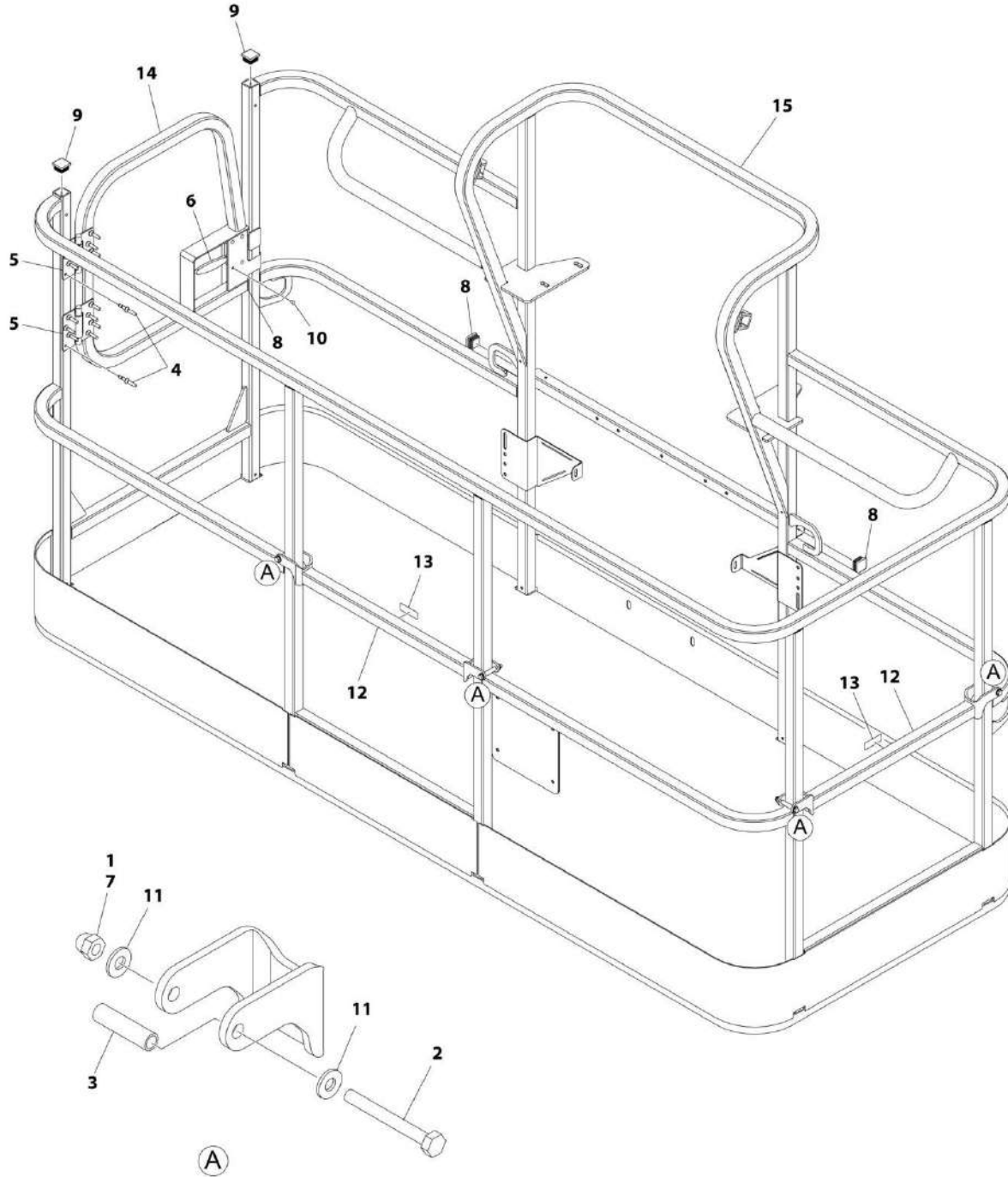
SECTION 5 - PLATFORM

FIGURE 5-5. PLATFORM ASSEMBLY - 36IN X 8FT (91.5CM X 2.44M) WITH SWING GATE

ITEM	PART NUMBER	QTY	DESCRIPTION	REV
	1001186383	Ref	PLATFORM ASSEMBLY - 36IN X 8FT (91.5CM X 2.44M) WITH SWING GATE	D
		Ref	Note: Platform and Mesh must be ordered separately for Platforms with Mesh. See SPECIAL OPTIONS SECTION for Mesh Installations.	
		Ref	Note: Replacement Decals Must be Ordered Separately - See DECALS SECTION.	
		Ref	Note: When replacing 8ft/2.44m platform with Soft Touch option, new Soft Touch Rail p/n 4846673 must be purchased to accommodate limit switch locations.	
		Ref	Note: When replacing platform on machines with SkyCutter option, new bracket p/n 1001145405 must be purchased to accommodate SkyCutter components.	
1	2080040	16	Fastener, Huck	
2	2600281	2	Hinge, Self-Closing	
3	2940074	1	Latch	
4	3520072	3	Cap, Plug	
5	3520198	2	Cap, Plug	
6	3820020	4	Rivet	
7	1001144629	1	Gate, Weldment	
8	See Note	1	Platform (Note: Not Available - Purchase Platform Assembly)	

SECTION 5 - PLATFORM

FIGURE 5-6. PLATFORM ASSEMBLY - 36IN X 8FT (91.5CM X 2.44M) WITH TRI-ENTRY (1 GATE/2 DROP BARS)



ART_1001228243

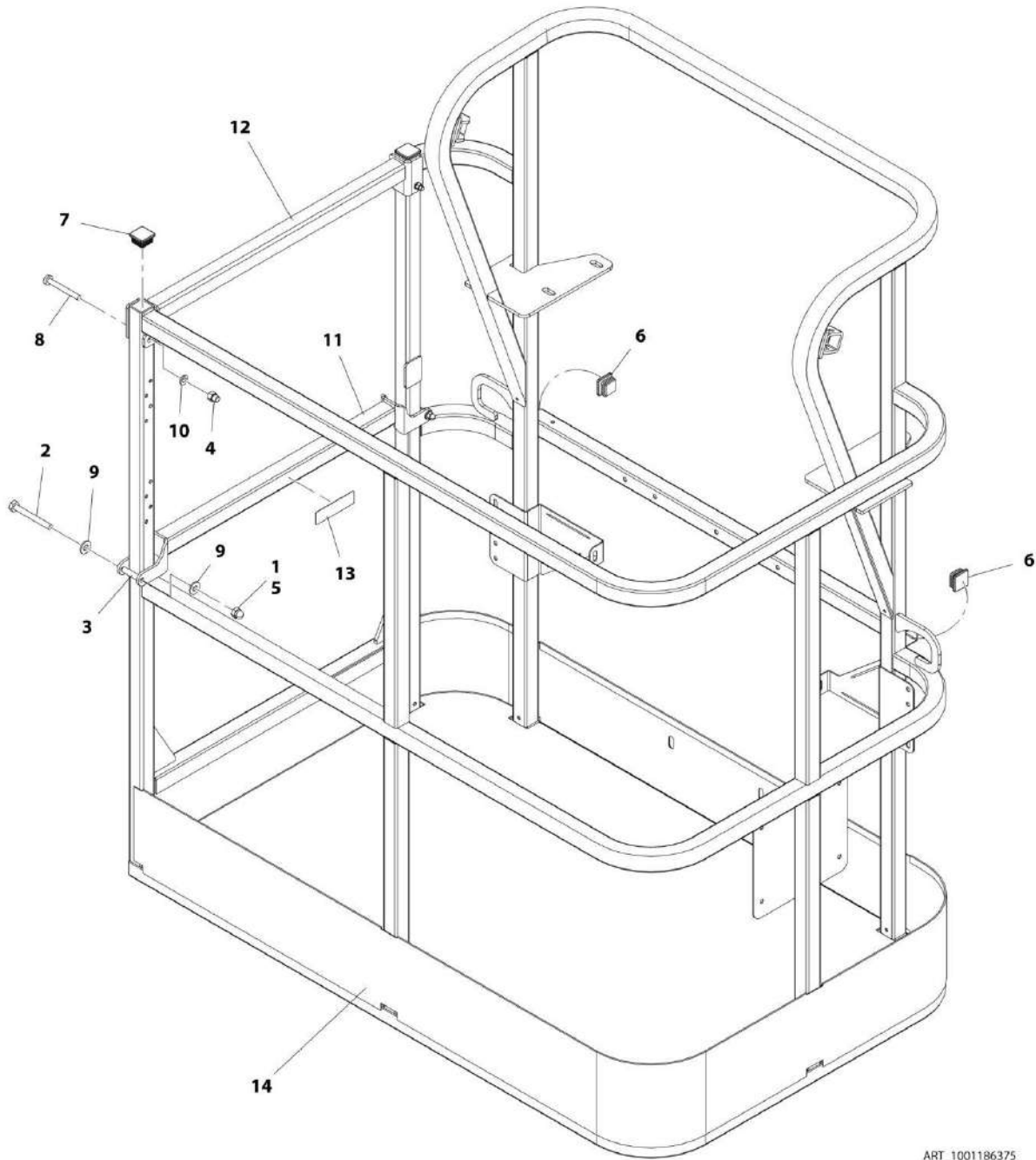
SECTION 5 - PLATFORM

FIGURE 5-6. PLATFORM ASSEMBLY - 36IN X 8FT (91.5CM X 2.44M) WITH TRI-ENTRY (1 GATE/2 DROP BARS)

ITEM	PART NUMBER	QTY	DESCRIPTION	REV
	1001228243	Ref	PLATFORM ASSEMBLY - 36IN X 8FT (91.5CM X 2.44M) WITH TRI-ENTRY (1 GATE/2 DROP BARS)	A
		Ref	Note: Replacement Decals Must be Ordered Separately - See DECALS SECTION.	
1	0100011	AR	Compound, Locking	
2	0641418	4	Bolt 1/4 x 2-1/4	
3	0961845	4	Bushing	
4	2080040	16	Fastener, Huck	
5	2600281	2	Hinge, Self-Closing	
6	2940074	1	Latch	
7	3300151	4	Nut 1/4	
8	3520072	3	Cap, Plug	
9	3520198	2	Cap, Plug	
10	3820020	4	Rivet	
11	4711400	8	Washer 1/4	
12	1001138494	2	Bar, Drop	
13	1001140429	2	Decal - Drop Bar	
14	1001144629	1	Gate, Weldment	
15	See Note	1	Platform (Note: Not Available - Purchase Platform Assembly)	

SECTION 5 - PLATFORM

FIGURE 5-7. PLATFORM ASSEMBLY - 30IN X 4FT (76CM X 1.22M) WITH DROP BAR



ART_1001186375

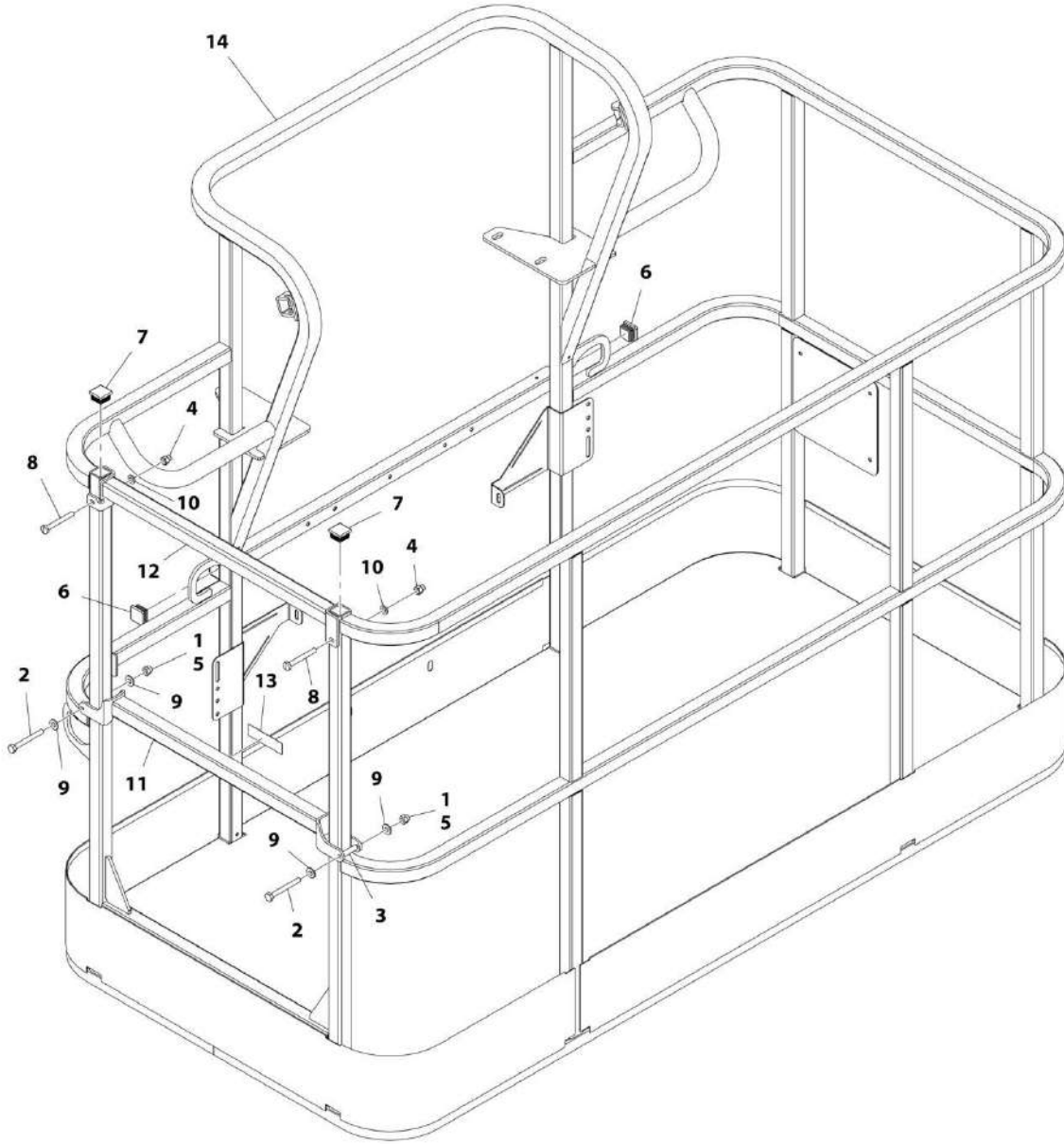
SECTION 5 - PLATFORM

FIGURE 5-7. PLATFORM ASSEMBLY - 30IN X 4FT (76CM X 1.22M) WITH DROP BAR

ITEM	PART NUMBER	QTY	DESCRIPTION	REV
	1001186375	Ref	PLATFORM ASSEMBLY - 30IN X 4FT (76CM X 1.22M) WITH DROP BAR	B
		Ref	Note: Replacement Decals Must be Ordered Separately - See DECALS SECTION.	
		Ref	Note: When replacing platform on machines with SkyCutter option, new bracket p/n 1001145405 must be purchased to accommodate SkyCutter components.	
1	0100011	AR	Compound, Locking	
2	0641418	2	Bolt 1/4 x 2-1/4	
3	0961845	2	Bushing	
4	3290606	2	Nut M6 x 1	
5	3300151	2	Nut 1/4	
6	3520072	2	Cap, Plug	
7	3520198	2	Cap, Plug	
8	4010618	2	Screw M6 x 50	
9	4711400	4	Washer 1/4	
10	4811700	2	Washer M6	
11	1001138494	1	Bar, Drop	
12	1001138514	1	Rail (Top)	
13	1001140429	1	Decal - Drop Bar	
14	See Note	1	Platform (Note: Not Available - Purchase Platform Assembly)	

SECTION 5 - PLATFORM

FIGURE 5-8. PLATFORM ASSEMBLY - 36IN X 6FT (91.5CM X 1.83M) WITH DROP BAR



ART_1001186379

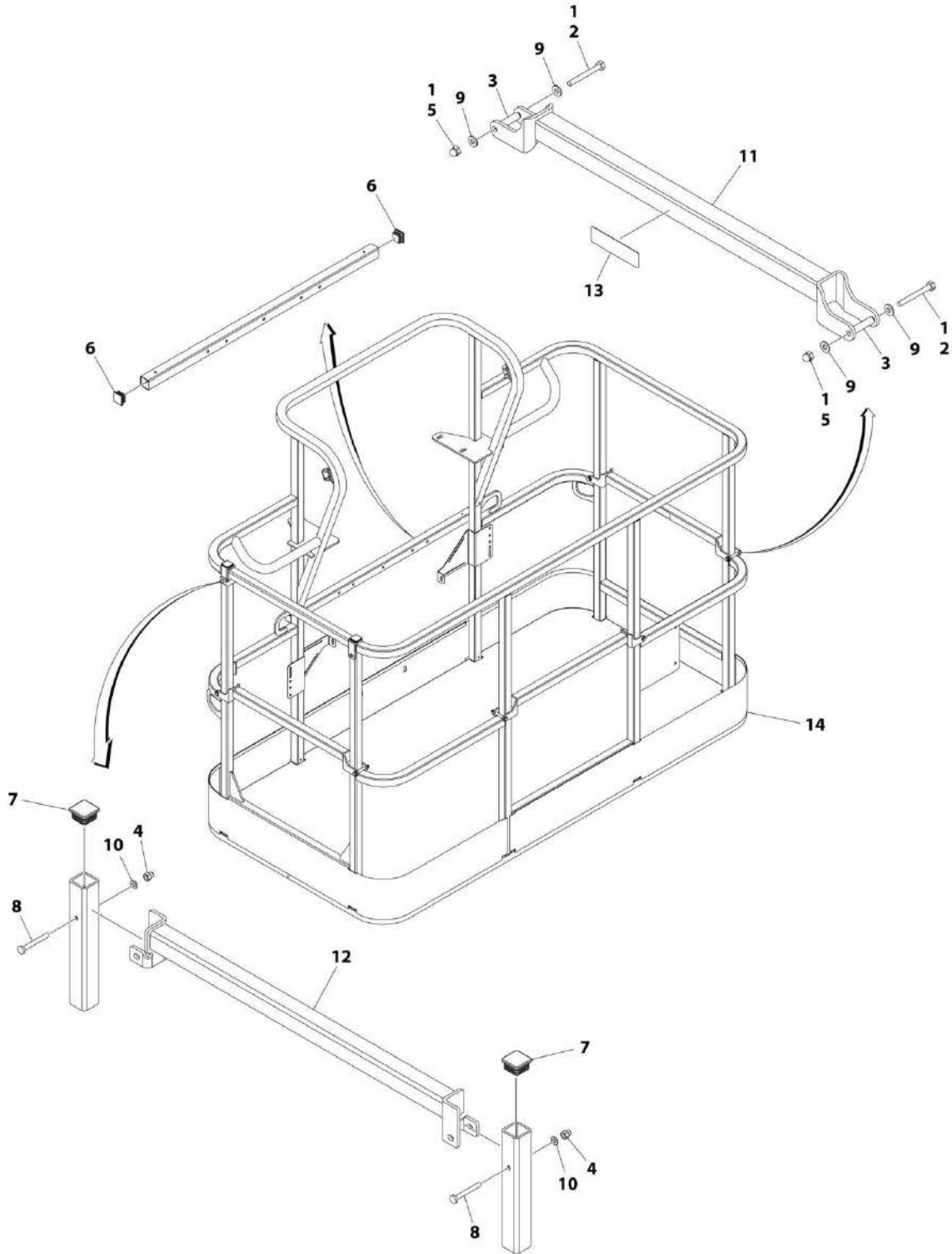
SECTION 5 - PLATFORM

FIGURE 5-8. PLATFORM ASSEMBLY - 36IN X 6FT (91.5CM X 1.83M) WITH DROP BAR

ITEM	PART NUMBER	QTY	DESCRIPTION	REV
	1001186379	Ref	PLATFORM ASSEMBLY - 36IN X 6FT (91.5CM X 1.83M) WITH DROP BAR	B
		Ref	Note: Replacement Decals Must be Ordered Separately - See DECALS SECTION.	
		Ref	Note: When replacing platform on machines with SkyCutter option, new bracket p/n 1001145405 must be purchased to accommodate SkyCutter components.	
1	0100011	AR	Compound, Locking	
2	0641418	2	Bolt 1/4 x 2-1/4	
3	0961845	2	Bushing	
4	3290606	2	Nut M6 x 1	
5	3300151	2	Nut 1/4	
6	3520072	2	Cap, Plug	
7	3520198	2	Cap, Plug	
8	4010618	2	Screw M6 x 50	
9	4711400	4	Washer 1/4	
10	4811700	2	Washer M6	
11	1001138494	1	Bar, Drop	
12	1001138514	1	Rail (Top)	
13	1001140429	1	Decal - Drop Bar	
14	See Note	1	Platform (Note: Not Available - Purchase Platform Assembly)	

SECTION 5 - PLATFORM

FIGURE 5-9. PLATFORM ASSEMBLY - 36IN X 6FT (91.5CM X 1.83M) TRI-ENTRY WITH DROPBAR



ART_1001228377

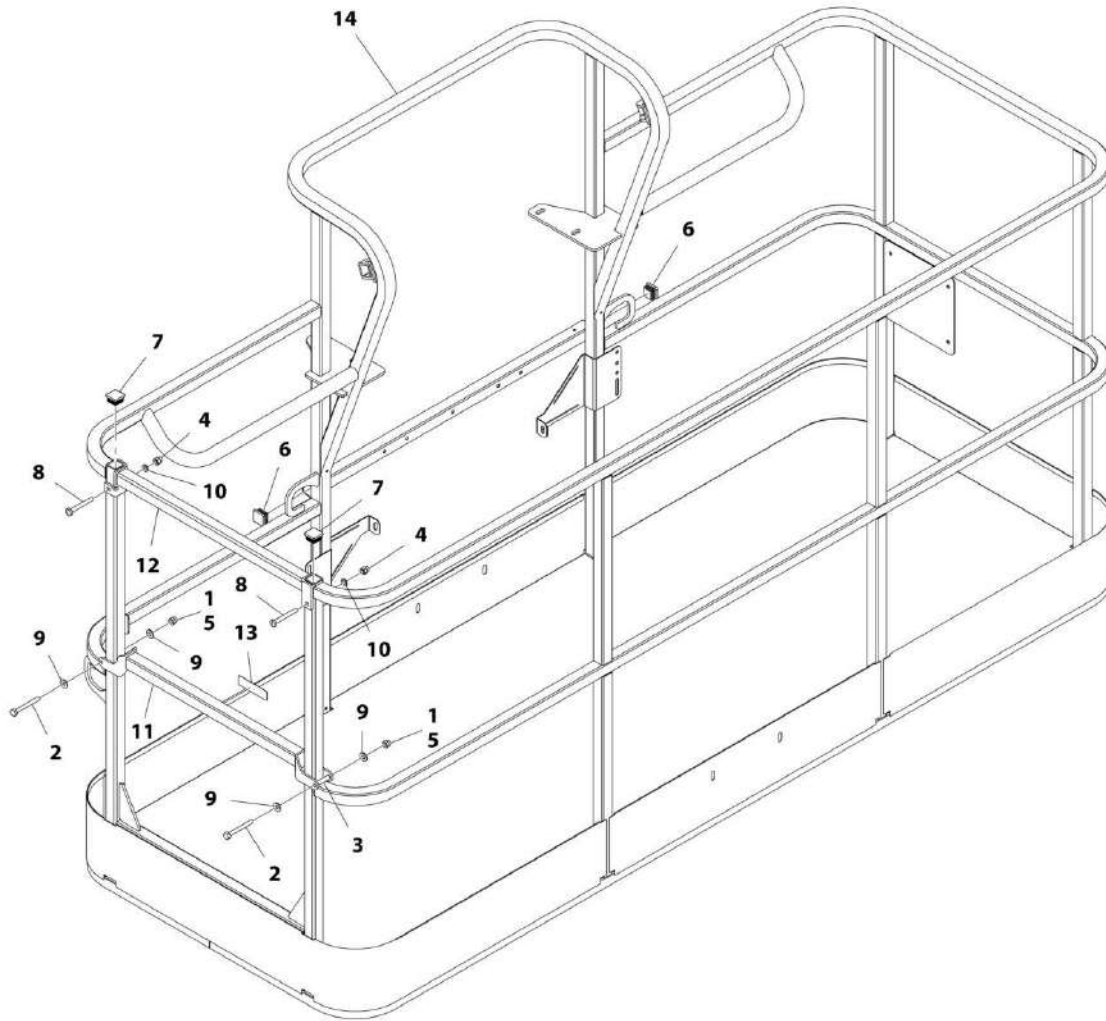
SECTION 5 - PLATFORM

FIGURE 5-9. PLATFORM ASSEMBLY - 36IN X 6FT (91.5CM X 1.83M) TRI-ENTRY WITH DROPBAR

ITEM	PART NUMBER	QTY	DESCRIPTION	REV
	1001228377	Ref	PLATFORM ASSEMBLY - 36IN x 6FT (91.5CM x 1.83M)	A
		Ref	Note: Platform and Mesh must be ordered separately for Platforms with Mesh. See SPECIAL OPTIONS SECTION for Mesh Installations.	
		Ref	Note: Replacement Decals Must be Ordered Separately - See DECAL SECTION.	
1	0100011	1	Compound, Locking	
2	0641418	6	Bolt 1/4 x 2-1/4	
3	0961845	6	Bushing	
4	3290606	2	Nut M6	
5	3300151	6	Nut 1/4	
6	3520072	2	Plug	
7	3520198	2	Plug	
8	4010618	2	Screw M6 x 50	
9	4711400	12	Washer 1/4	
10	4811700	2	Washer M6	
11	1001138494	3	Bar, Drop	
12	1001138514	1	Rail (Top)	
13	1001140429	3	Decal - Drop Bar	
14	See Note	NSS	Platform, Weldment (Note: Not Available - Purchase Platform Assembly)	

SECTION 5 - PLATFORM

FIGURE 5-10. PLATFORM ASSEMBLY - 36IN X 8FT (91.5CM X 2.44M) WITH DROP BAR



ART_1001186382

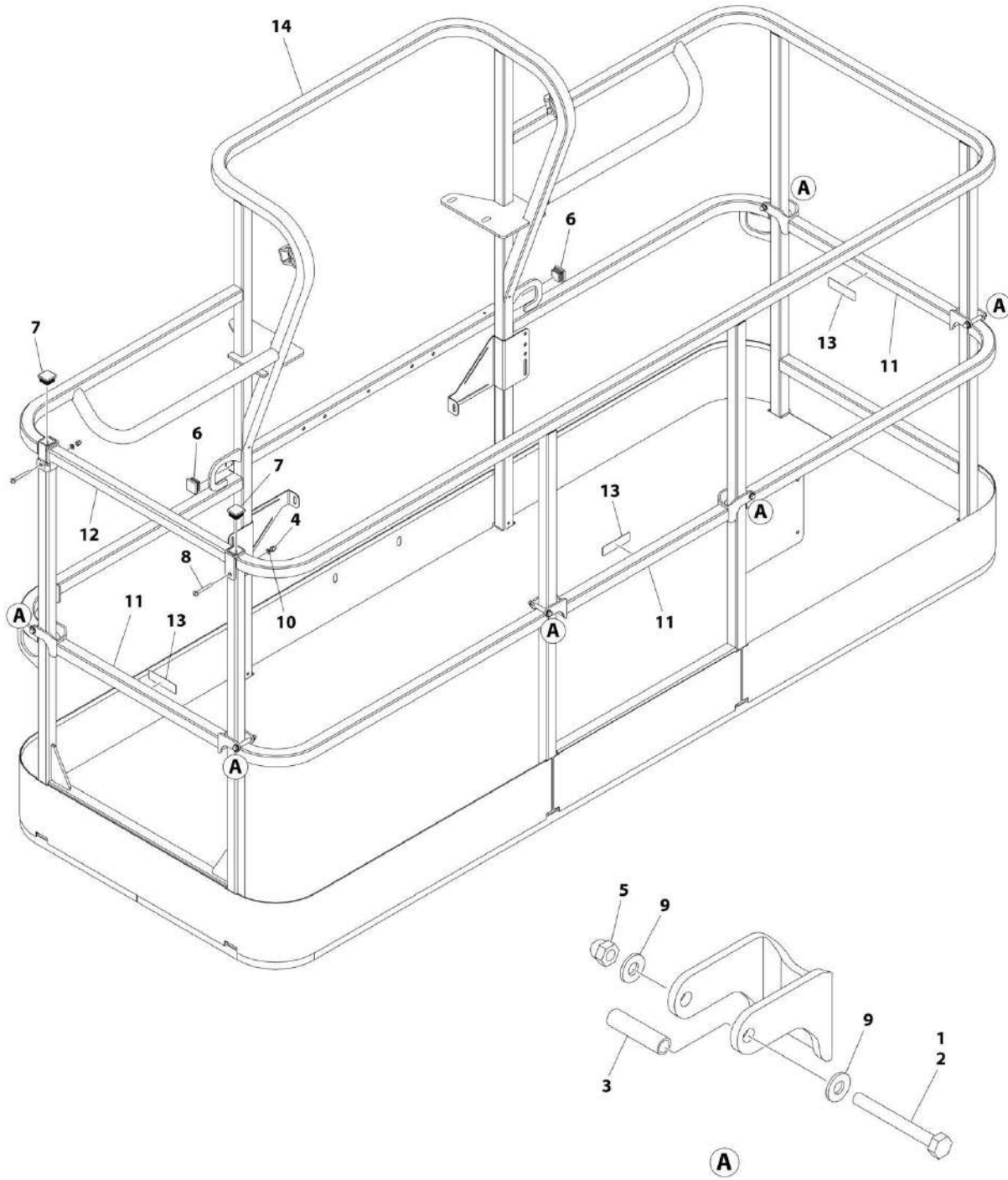
SECTION 5 - PLATFORM

FIGURE 5-10. PLATFORM ASSEMBLY - 36IN X 8FT (91.5CM X 2.44M) WITH DROP BAR

ITEM	PART NUMBER	QTY	DESCRIPTION	REV
	1001186382	Ref	PLATFORM ASSEMBLY - 36IN X 8FT (91.5CM X 2.44M) WITH DROP BAR	C
		Ref	Note: Replacement Decals Must be Ordered Separately - See DECALS SECTION.	
		Ref	Note: When replacing 8ft/2.44m platform with Soft Touch option, new Soft Touch Rail p/n 4846673 must be purchased to accommodate limit switch locations.	
		Ref	Note: When replacing platform on machines with SkyCutter option, new bracket p/n 1001145405 must be purchased to accommodate SkyCutter components.	
1	0100011	AR	Compound, Locking	
2	0641418	2	Bolt 1/4 x 2-1/4	
3	0961845	2	Bushing	
4	3290606	2	Nut M6 x 1	
5	3300151	2	Nut 1/4	
6	3520072	2	Cap, Plug	
7	3520198	2	Cap, Plug	
8	4010618	2	Screw M6 x 50	
9	4711400	4	Washer 1/4	
10	4811700	2	Washer M6	
11	1001138494	1	Bar, Drop	
12	1001138514	1	Rail (Top)	
13	1001140429	1	Decal - Drop Bar	
14	See Note	1	Platform (Note: Not Available - Purchase Platform Assembly)	

SECTION 5 - PLATFORM

FIGURE 5-11. PLATFORM ASSEMBLY - 36IN X 8FT (91.5CM X 2.44M) WITH TRI-ENTRY (3 DROP BARS)



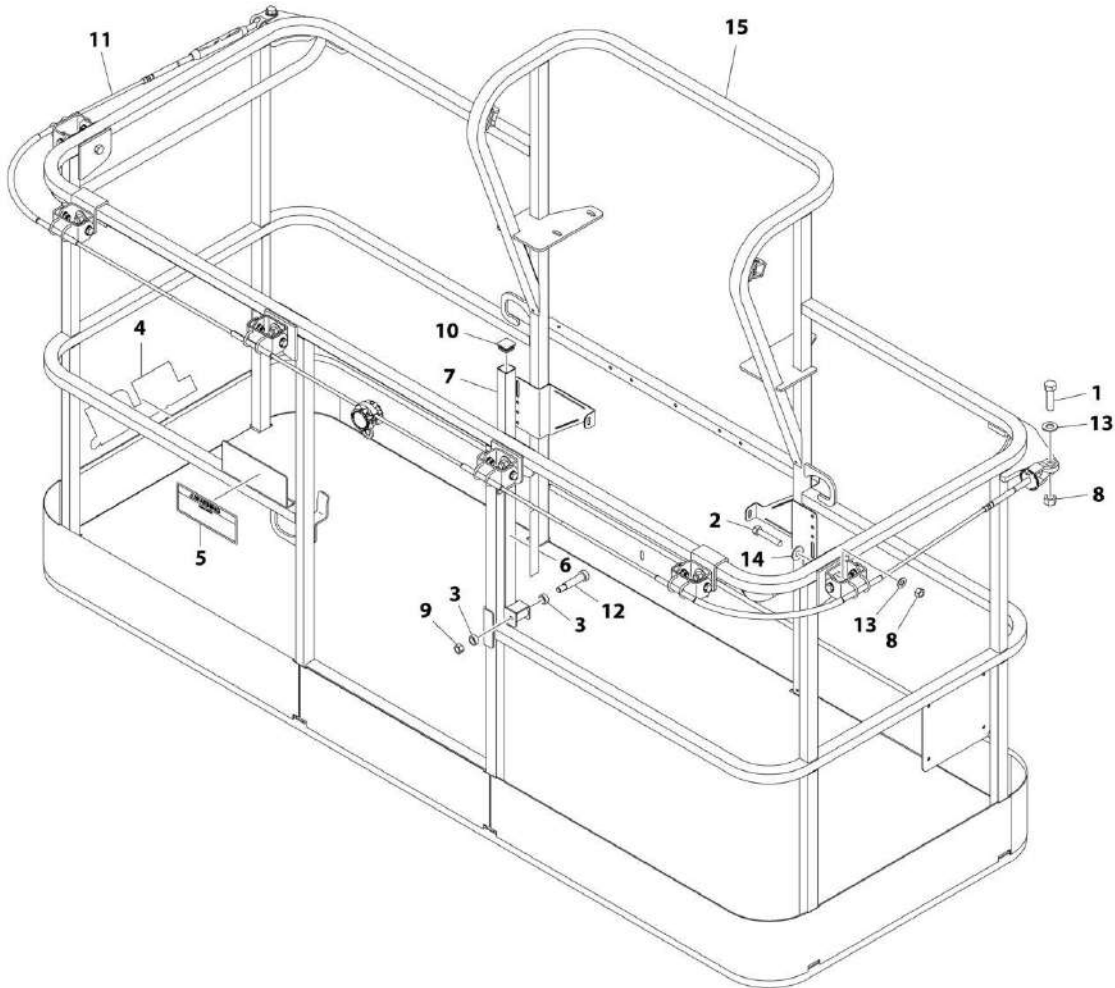
SECTION 5 - PLATFORM

FIGURE 5-11. PLATFORM ASSEMBLY - 36IN X 8FT (91.5CM X 2.44M) WITH TRI-ENTRY (3 DROP BARS)

ITEM	PART NUMBER	QTY	DESCRIPTION	REV
	1001228375	Ref	PLATFORM ASSEMBLY - 36IN X 8FT (91.5CM X 2.44M) WITH TRI-ENTRY (3 DROP BARS)	A
		Ref	Note: Replacement Decals Must be Ordered Separately - See DECALS SECTION.	
1	0100011	AR	Compound, Locking	
2	0641418	6	Bolt 1/4 x 2-1/4	
3	0961845	6	Bushing	
4	3290606	2	Nut M6 x 1	
5	3300151	6	Nut 1/4	
6	3520072	2	Cap, Plug	
7	3520198	2	Cap, Plug	
8	4010618	2	Screw M6 x 50	
9	4711400	12	Washer 1/4	
10	4811700	2	Washer M6	
11	1001138494	3	Bar, Drop	
12	1001138514	1	Rail (Top)	
13	1001140429	3	Decal - Drop Bar	
14	See Note	1	Platform (Note: Not Available - Purchase Platform Assembly)	

SECTION 5 - PLATFORM

FIGURE 5-12. PLATFORM ASSEMBLY - 36IN X 8FT (91.5CM X 2.44M) WITH FALL ARREST (ANSI SPECS)



ART_1001186334

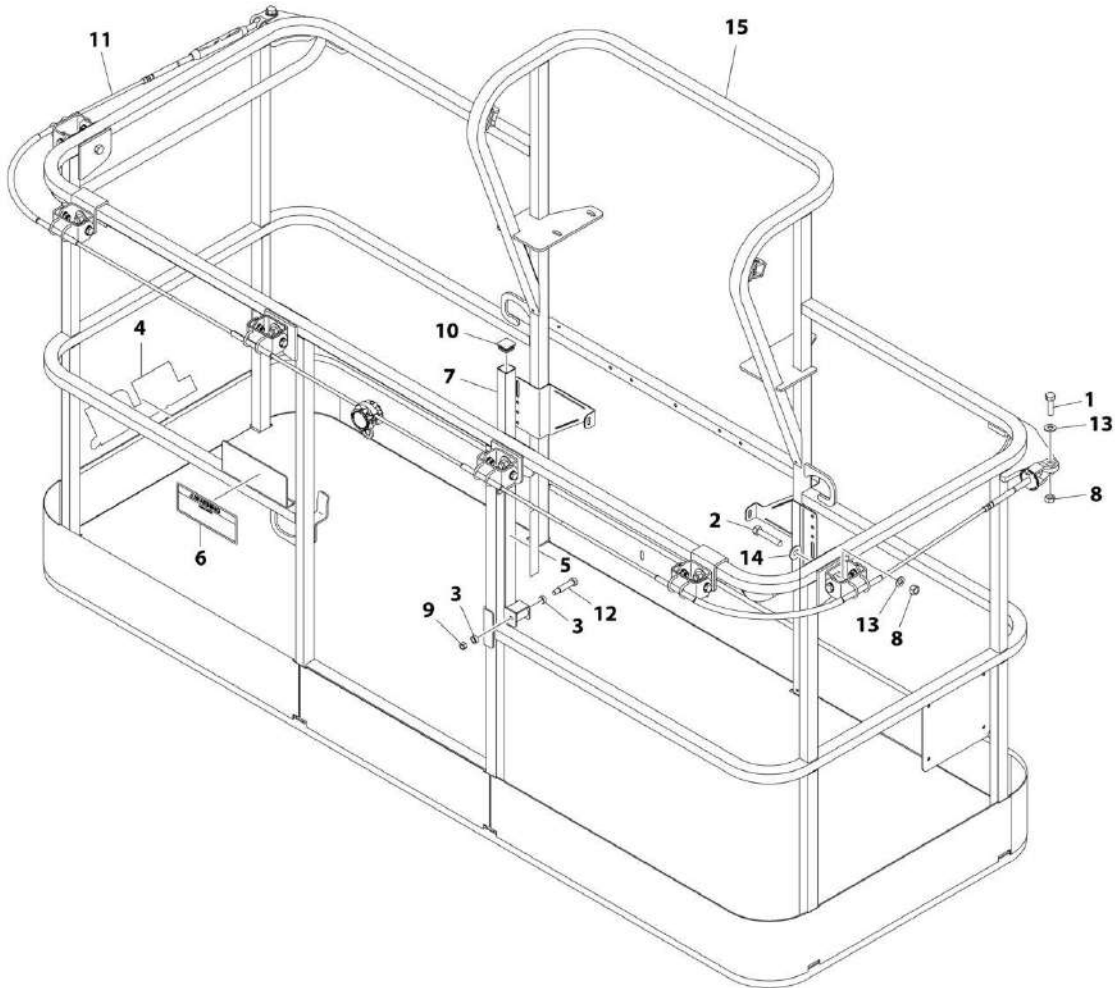
SECTION 5 - PLATFORM

FIGURE 5-12. PLATFORM ASSEMBLY - 36IN X 8FT (91.5CM X 2.44M) WITH FALL ARREST (ANSI SPECS)

ITEM	PART NUMBER	QTY	DESCRIPTION	REV
	1001186334	Ref	PLATFORM ASSEMBLY - 36IN X 8FT (91.5CM X 2.44M) WITH FALL ARREST (ANSI SPECS)	D
		Ref	Note: Replacement Decals Must be Ordered Separately - See DECALS SECTION.	
1	0681814	2	Bolt 1/2 x 1-3/4 Grade 8	
2	0681822	6	Bolt 1/2 x 2-3/4 Grade 8	
3	0962270	2	Bearing	
4	1702773	1	Decal - JLG	
5	1705014	1	Decal - Safety	
6	1706385	1	Decal - Drop Bar	
7	2410014	1	Gate	
8	3271805	8	Nut 1/2 Grade 8	
9	3311605	1	Nut 3/8	
10	3520072	1	Cap, Plug	
11	3890040	NLA	Cable, Fall Arrest (Use p/n 1001203656) (SN 0300209000 through 0300215909)	
11	1001203656	1	Cable, Fall Arrest (SN 0300215910 to Present)	
12	3900054	1	Bolt 1/2 x 1-3/4	
13	4711800	AR	Washer 1/2	
14	4751800	6	Washer 1/2	
15	See Note	NSS	Platform (Note: Purchase Platform Assembly)	

SECTION 5 - PLATFORM

FIGURE 5-13. PLATFORM ASSEMBLY - 36IN X 8FT (91.5CM X 2.44M) WITH FALL ARREST (AUSTRALIAN AND CE SPECS)



ART_1001186389

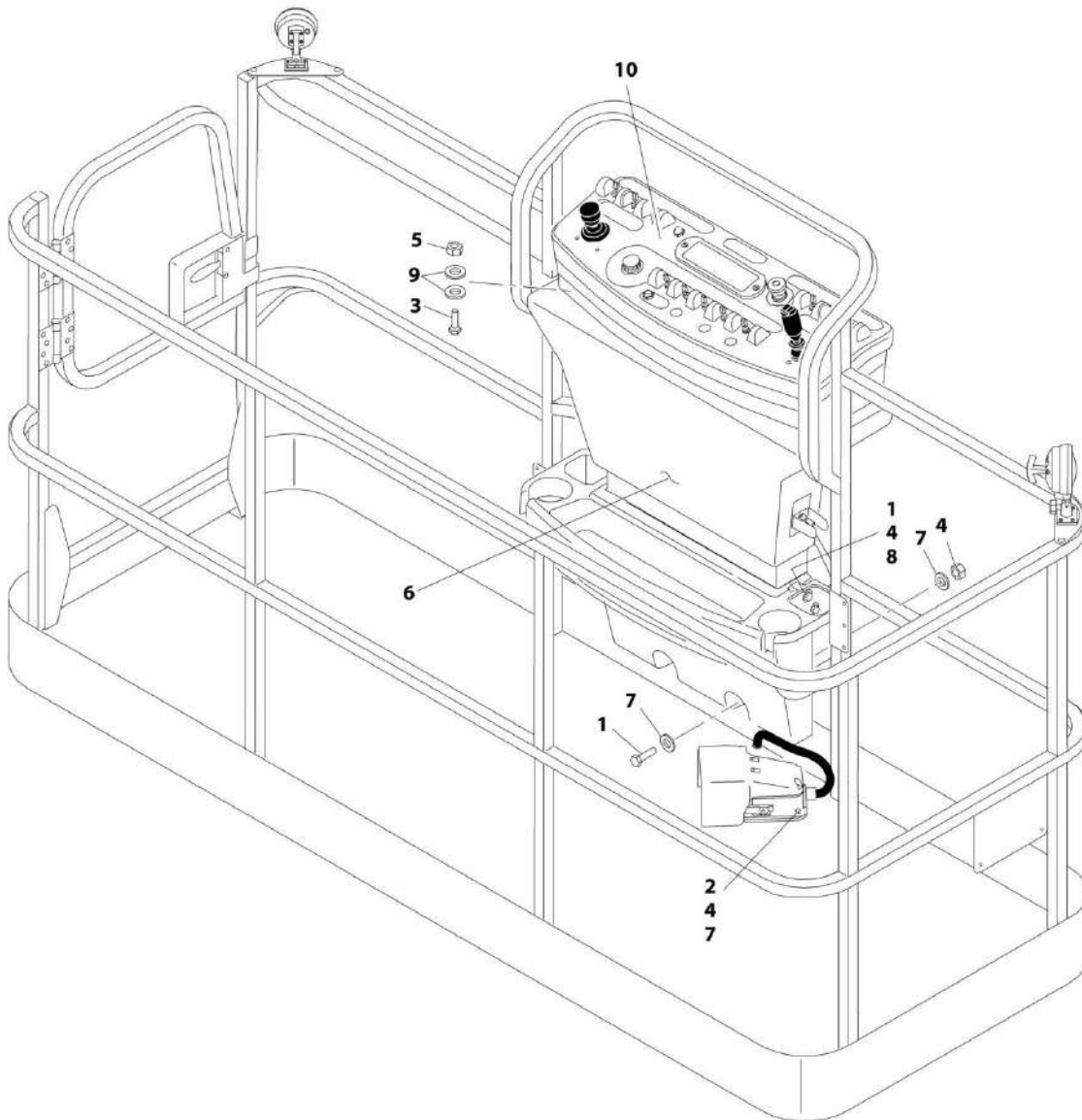
SECTION 5 - PLATFORM

**FIGURE 5-13. PLATFORM ASSEMBLY - 36IN X 8FT (91.5CM X 2.44M) WITH FALL ARREST
(AUSTRALIAN AND CE SPECS)**

ITEM	PART NUMBER	QTY	DESCRIPTION	REV
	1001186389	Ref	PLATFORM ASSEMBLY - 36IN X 8FT (91.5CM X 2.44M) WITH FALL ARREST (AUSTRALIAN AND CE SPECS)	D
		Ref	Note: Replacement Decals Must be Ordered Separately - See DECALS SECTION.	
1	0681814	2	Bolt 1/2 x 1-3/4 Grade 8	
2	0681822	6	Bolt 1/2 x 2-3/4 Grade 8	
3	0962270	2	Bearing	
4	1702773	1	Decal - JLG	
5	1706493	1	Decal - Drop Bar	
6	1706501	1	Decal - Safety	
7	2410014	1	Gate	
8	3271805	8	Nut 1/2	
9	3311605	1	Nut 3/8	
10	3520072	1	Cap, Plug	
11	3890040	NLA	Cable, Fall Arrest (Use p/n 1001203656) (SN 0300209000 through 0300214282)	
11	1001203656	1	Cable, Fall Arrest (SN 0300214283 to Present)	
12	3900054	1	Bolt 1/2 x 1-3/4	
13	4711800	AR	Washer 1/2	
14	4751800	6	Washer 1/2	
15	See Note	NSS	Platform (Note: Purchase Platform Assembly)	

SECTION 5 - PLATFORM

FIGURE 5-14. PLATFORM CONSOLE BOX INSTALLATION - WITHOUT SKYGUARD (SN 0300209000 through 0300226076)



ART_1001146042

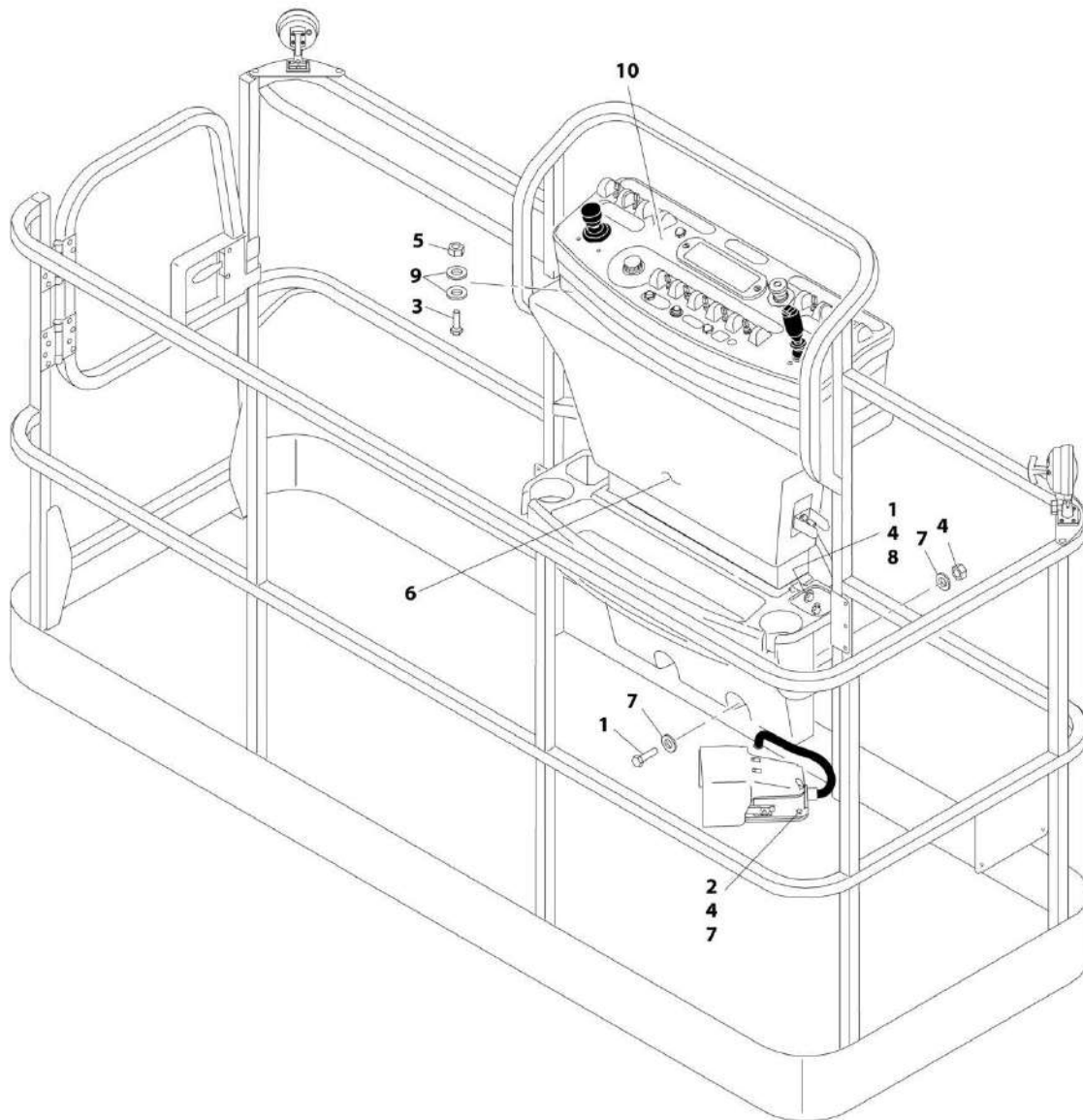
SECTION 5 - PLATFORM

FIGURE 5-14. PLATFORM CONSOLE BOX INSTALLATION - WITHOUT SKYGUARD (SN 0300209000 through 0300226076)

ITEM	PART NUMBER	QTY	DESCRIPTION	REV
	1001146042	Ref	PLATFORM CONSOLE BOX INSTALLATION - WITHOUT SKYGUARD (SN 0300209000 through 0300226076)	C
		Ref	Note: Replacement Decals Must be Ordered Separately - See DECALS SECTION.	
1	0641406	4	Bolt 1/4 x 3/4	
2	0641408	3	Bolt 1/4 x 1	
3	0641610	4	Bolt 3/8 x 1-1/4	
4	3311405	7	Nut 1/4	
5	3311605	4	Nut 3/8	
6	3380434	1	Panel, Molded	
7	4740362	7	Washer, Fender	
8	4751400	4	Washer 1/4	
9	4751600	8	Washer 3/8	
10	1001166664	NLA	Platform Console Box Assembly (See PLATFORM CONSOLE ASSEMBLY - WITHOUT SKYGUARD for Breakdown) (Use p/n 1001202561) (SN 0300209000 through 0300220151)	
10	1001202561	1	Platform Console Box Assembly (See PLATFORM CONSOLE ASSEMBLY - WITHOUT SKYGUARD for Breakdown) (SN 0300220152 through 0300226076)	

SECTION 5 - PLATFORM

FIGURE 5-15. PLATFORM CONSOLE BOX INSTALLATION - WITH SKYGUARD (WITH 4 CELL LSS)



ART_1001190110

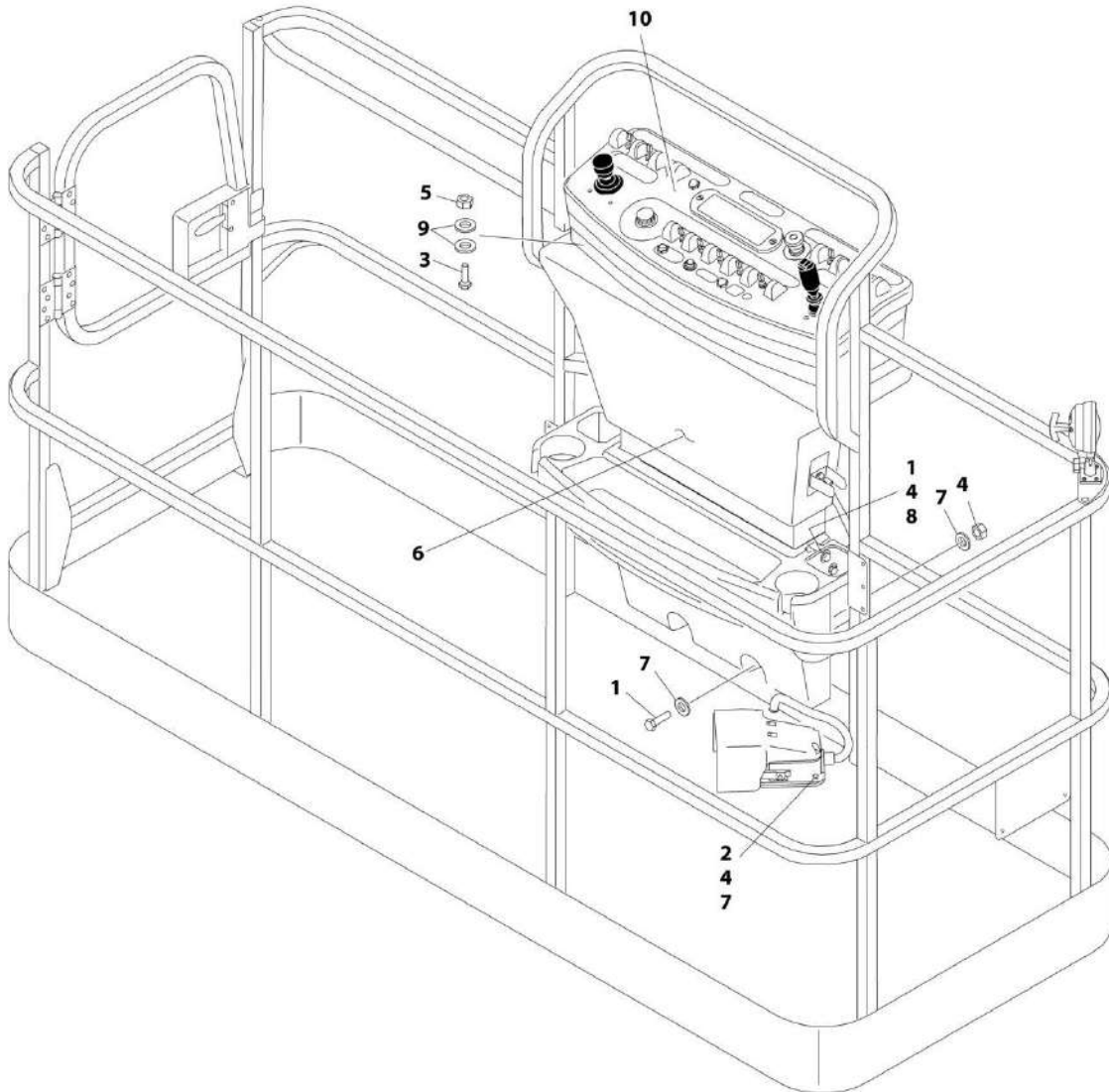
SECTION 5 - PLATFORM

FIGURE 5-15. PLATFORM CONSOLE BOX INSTALLATION - WITH SKYGUARD (WITH 4 CELL LSS)

ITEM	PART NUMBER	QTY	DESCRIPTION	REV
	1001190110	Ref	PLATFORM CONSOLE BOX INSTALLATION - WITH SKYGUARD (WITH 4 CELL LSS) (SN 0300209000 through 0300234293)	C
		Ref	Note: Replacement Decals Must be Ordered Separately - See DECALS SECTION.	
1	0641406	4	Bolt 1/4 x 3/4	
2	0641408	3	Bolt 1/4 x 1	
3	0641610	4	Bolt 3/8 x 1-1/4	
4	3311405	7	Nut 1/4	
5	3311605	4	Nut 3/8	
6	3380434	1	Panel, Molded	
7	4740362	7	Washer, Fender	
8	4751400	4	Washer 1/4	
9	4751600	8	Washer 3/8	
10	1001190097	NLA	Platform Console Box Assembly (See PLATFORM CONSOLE ASSEMBLY - WITH SKYGUARD for Breakdown) (Use p/n 1001202559) (SN 0300209000 through 0300220151)	
10	1001202559	1	Platform Console Box Assembly (See PLATFORM CONSOLE ASSEMBLY - WITH SKYGUARD for Breakdown) (SN 0300220152 to Present)	

SECTION 5 - PLATFORM

FIGURE 5-16. PLATFORM CONSOLE BOX INSTALLATION - WITH SKYGUARD (WITH 1 CELL LSS)



ART_1001221707

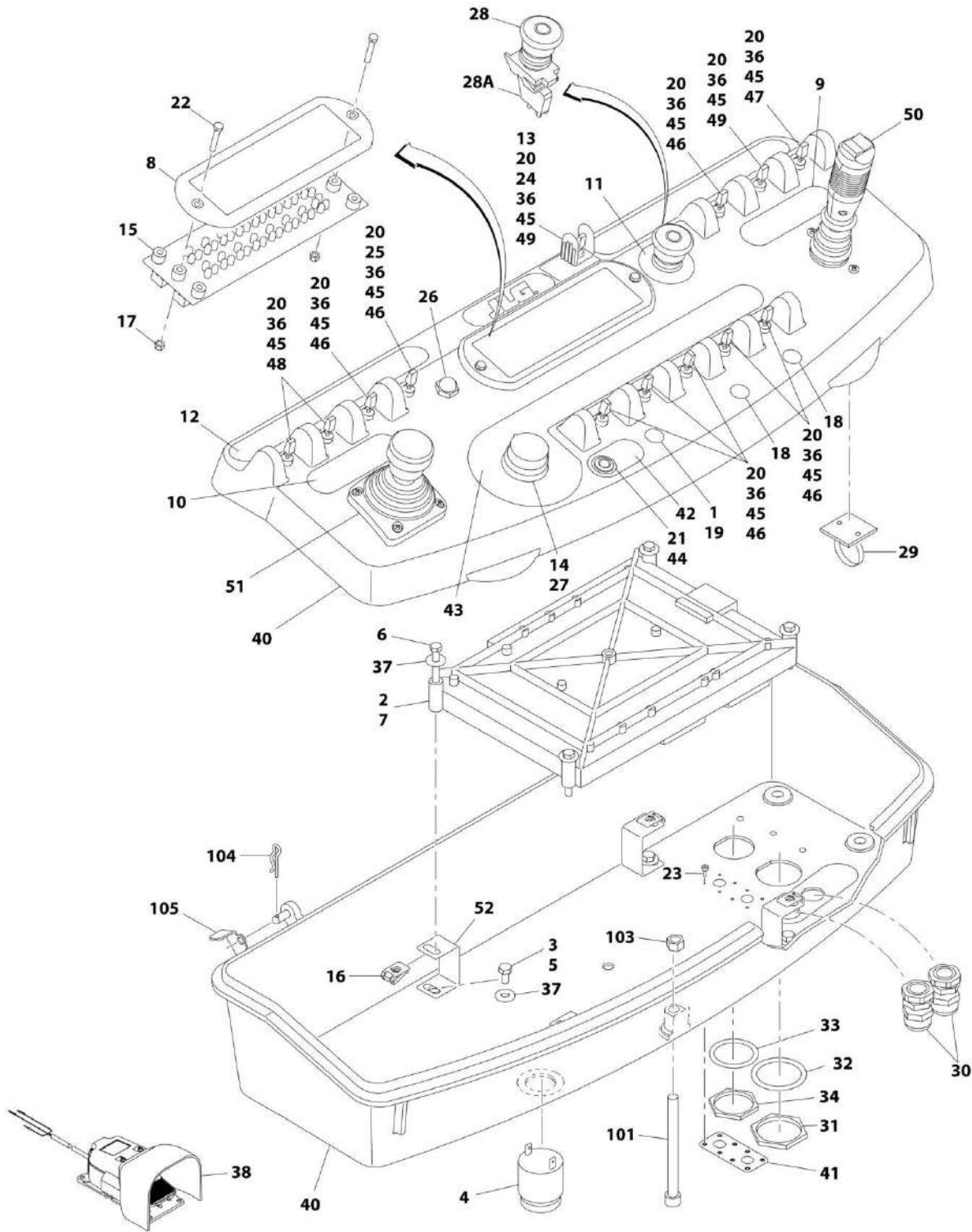
SECTION 5 - PLATFORM

FIGURE 5-16. PLATFORM CONSOLE BOX INSTALLATION - WITH SKYGUARD (WITH 1 CELL LSS)

ITEM	PART NUMBER	QTY	DESCRIPTION	REV
	1001221707	Ref	PLATFORM CONSOLE BOX INSTALLATION - WITH SKYGUARD (WITH 1 CELL LSS) (SN 0300234294 to Present)	A
		Ref	Note: Replacement Decals Must be Ordered Separately - See DECALS SECTION.	
1	0641406	4	Bolt 1/4 x 3/4	
2	0641408	3	Bolt 1/4 x 1	
3	0641610	4	Bolt 3/8 x 1-1/4	
4	3311405	7	Nut 1/4	
5	3311605	4	Nut 3/8	
6	3380434	1	Panel, Molded	
7	4740362	7	Washer, Fender	
8	4751400	4	Washer 1/4	
9	4751600	8	Washer 3/8	
10	1001219991	1	Platform Console Box Assembly (See Separate Breakdown in this Section)	

SECTION 5 - PLATFORM

FIGURE 5-17. PLATFORM CONSOLE ASSEMBLY - WITHOUT SKYGUARD (SN 0300209000 through 0300220151)



ART_1001166664

SECTION 5 - PLATFORM

FIGURE 5-17. PLATFORM CONSOLE ASSEMBLY - WITHOUT SKYGUARD (SN 0300209000 through 0300220151)

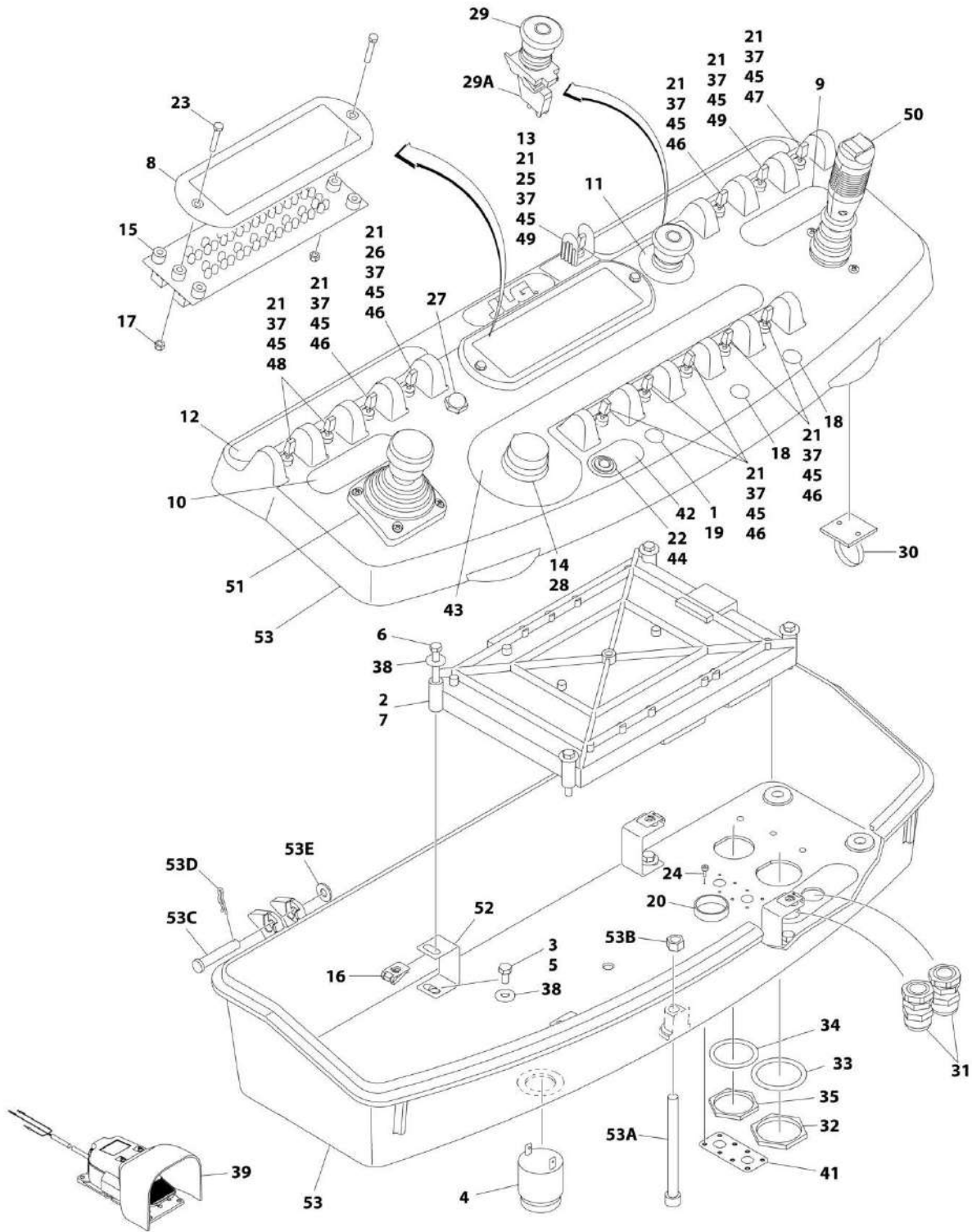
ITEM	PART NUMBER	QTY	DESCRIPTION	REV
	1001166664	Ref	PLATFORM CONSOLE ASSEMBLY - WITHOUT SKYGUARD (SN 0300209000 through 0300220151)	C
1	0100009	AR	Sealant	
2	0100048	AR	Grease, Dielectric	
3	0100081	AR	Adhesive	
4	0140011	1	Alarm	
5	0641404	4	Bolt 1/4 x 1/2	
6	0641414	4	Bolt 1/4 x 1-3/4	
7	1600343	1	Module, Control (Note: Re-calibration Required when Replaced)	
8	1671176	1	Bezel	
9	1702565	1	Decal - Drive and Steer	
10	1702566	1	Decal - Lift and Swing	
11	1704260	1	Decal - EMS	
12	1705744	1	Decal - Horn	
13	1706741	1	Decal - Jib Select	
14	2560136	1	Handle, Knob	
15	2920154	1	Panel, LED Light	
16	3300353	4	Nut, Retainer	
17	3300408	2	Nut	
18	3520026	2	Plug, Hole	
19	3520027	1	Plug, Hole	
20	3790012	13	O-Ring	
21	3790015	1	O-Ring	
22	3900183	2	Bolt #10 x 1-1/4	
23	3900349	8	Capscrew M2.5	
24	4060906	1	Guard, Switch	
25	4071074	1	Shim, Switch	
26	4360387	1	Switch, Pushbutton	
27	4360407	1	Controller, Speed	
27	See Note	NSS	Gasket "Top Hat" (Included with Switch) (Note: Not Available - Purchase Complete Controller)	
27	70003784	1	Seal	
28	4360475	1	Switch, Emergency Stop	
28	7020175	1	Cap, Red	
28A	7020176	1	Block, Contact	
29	4460234	3	Base, Mounting	
30	4460428	2	Connector, Strain Relief	
31	4460470	1	Nut, Terminal	
32	4460471	1	Washer, Terminal	
33	4460496	1	Washer, Terminal	
34	4460497	1	Nut, Terminal	
35	4460905	AR	Seal, Plug (Not Shown)	
36	4740397	13	Spacer	
37	4751400	8	Washer 1/4	
38	1001117174	1	Footswitch Assembly (See FOOTSWITCH ASSEMBLY for Breakdown)	
39	1001119389	1	Harness, Console Box (Not Shown - See ELECTRICAL SECTION for Breakdown)	
40	1001120300	1	Box, Console (See Items 101-105 for Breakdown)	
41	1001120338	1	Mount, Connector	

SECTION 5 - PLATFORM

ITEM	PART NUMBER	QTY	DESCRIPTION	REV
42	1001125194	1	Decal - Jib Stow	
43	1001125195	1	Decal - Function Speed	
44	1001137364	1	Lamp, Indicator	
45	1001155044	13	Nut 15/32-32	
46	1001155045	8	Switch, Toggle	
47	1001159256	1	Switch, Toggle	
48	1001161709	2	Switch, Toggle	
49	1001161710	2	Switch, Toggle	
50	1001166538	NLA	Controller Assembly - Drive and Steer (Use p/n 1001212415) (See CONTROLLER ASSEMBLY - DRIVE AND STEER for Breakdown)	
51	1001166539	NLA	Controller Assembly - Lift and Swing (Use p/n 1001129555) (See CONTROLLER ASSEMBLY - LIFT AND SWING for Breakdown)	
52	1001172760	4	Bracket, Support	
	1001120300	Ref	CONSOLE BOX ASSEMBLY	B
101	0630568	1	Screw 3/8 x 4-1/2	
103	3311601	1	Nut 3/8	
104	3470003	2	Pin, Cotter	
105	1001200575	2	Bracket, Stop	

SECTION 5 - PLATFORM

FIGURE 5-18. PLATFORM CONSOLE ASSEMBLY - WITHOUT SKYGUARD (SN 0300220152 through 0300226076)



ART_1001202561

SECTION 5 - PLATFORM

FIGURE 5-18. PLATFORM CONSOLE ASSEMBLY - WITHOUT SKYGUARD (SN 0300220152 through 0300226076)

ITEM	PART NUMBER	QTY	DESCRIPTION	REV
	1001202561	Ref	PLATFORM CONSOLE ASSEMBLY - WITHOUT SKYGUARD (SN 0300220152 through 0300226076)	B
1	0100009	AR	Sealant	
2	0100048	AR	Grease, Dielectric	
3	0100081	AR	Adhesive	
4	0140011	1	Alarm	
5	0641404	4	Bolt 1/4 x 1/2	
6	0641414	4	Bolt 1/4 x 1-3/4	
7	1600343	1	Module, Control (Note: Re-calibration Required when Replaced)	
8	1671176	1	Bezel	
9	1702565	1	Decal - Drive and Steer	
10	1702566	1	Decal - Lift and Swing	
11	1704260	1	Decal - EMS	
12	1705744	1	Decal - Horn	
13	1706741	1	Decal - Jib Select	
14	2560136	1	Handle, Knob	
15	2920154	1	Panel, LED Light	
16	3300353	4	Nut, Retainer	
17	3300408	2	Nut	
18	3520026	2	Plug, Hole	
19	3520027	1	Plug, Hole	
20	3520035	1	Plug, Cap	
21	3790012	13	O-Ring	
22	3790015	1	O-Ring	
23	3900183	2	Bolt #10 x 1-1/4	
24	3900349	8	Capscrew M2.5	
25	4060906	1	Guard, Switch	
26	4071074	1	Shim, Switch	
27	4360387	1	Switch, Pushbutton	
28	4360407	1	Controller, Speed	
28	See Note	NSS	Gasket "Top Hat" (Included with Switch) (Note: Not Available - Purchase Complete Controller)	
28	70003784	1	Seal	
29	4360475	1	Switch, Emergency Stop	
29	7020175	1	Cap, Red	
29A	7020176	1	Block, Contact	
30	4460234	3	Base, Mounting	
31	4460428	2	Connector, Strain Relief	
32	4460470	1	Nut, Terminal	
33	4460471	1	Washer, Terminal	
34	4460496	1	Washer, Terminal	
35	4460497	1	Nut, Terminal	
36	4460905	AR	Seal, Plug (Not Shown)	
37	4740397	13	Spacer	
38	4751400	8	Washer 1/4	
39	1001117174	1	Footswitch Assembly (See FOOTSWITCH ASSEMBLY for Breakdown)	
40	1001119389	1	Harness, Console Box (Not Shown - See ELECTRICAL SECTION for Breakdown)	
41	1001120338	1	Mount, Connector	

SECTION 5 - PLATFORM

ITEM	PART NUMBER	QTY	DESCRIPTION	REV
42	1001125194	1	Decal - Jib Stow	
43	1001125195	1	Decal - Function Speed	
44	1001137364	1	Lamp, Indicator	
45	1001155044	13	Nut 15/32-32	
46	1001155045	8	Switch, Toggle	
47	1001159256	1	Switch, Toggle	
48	1001161709	2	Switch, Toggle	
49	1001161710	2	Switch, Toggle	
50	1001166538	NLA	Controller Assembly - Drive and Steer (Use p/n 1001212415) (See CONTROLLER ASSEMBLY - DRIVE AND STEER for Breakdown)	
51	1001166539	NLA	Controller Assembly - Lift and Swing (Use p/n 1001129555) (See CONTROLLER ASSEMBLY - LIFT AND SWING for Breakdown)	
52	1001172760	4	Bracket, Support	
53	1001201888	1	Box, Console	B
53A	0630568	1	Screw 3/8 x 4-1/2	
53B	3311601	1	Nut 3/8	
53C	3430616	2	Pin, Clevis	
53D	3470003	2	Pin, Cotter	
53E	4711600	2	Washer, 3/8	

SECTION 5 - PLATFORM

FIGURE 5-19. PLATFORM CONSOLE ASSEMBLY - WITH SKYGUARD (SN 0300209000 through 0300220151)

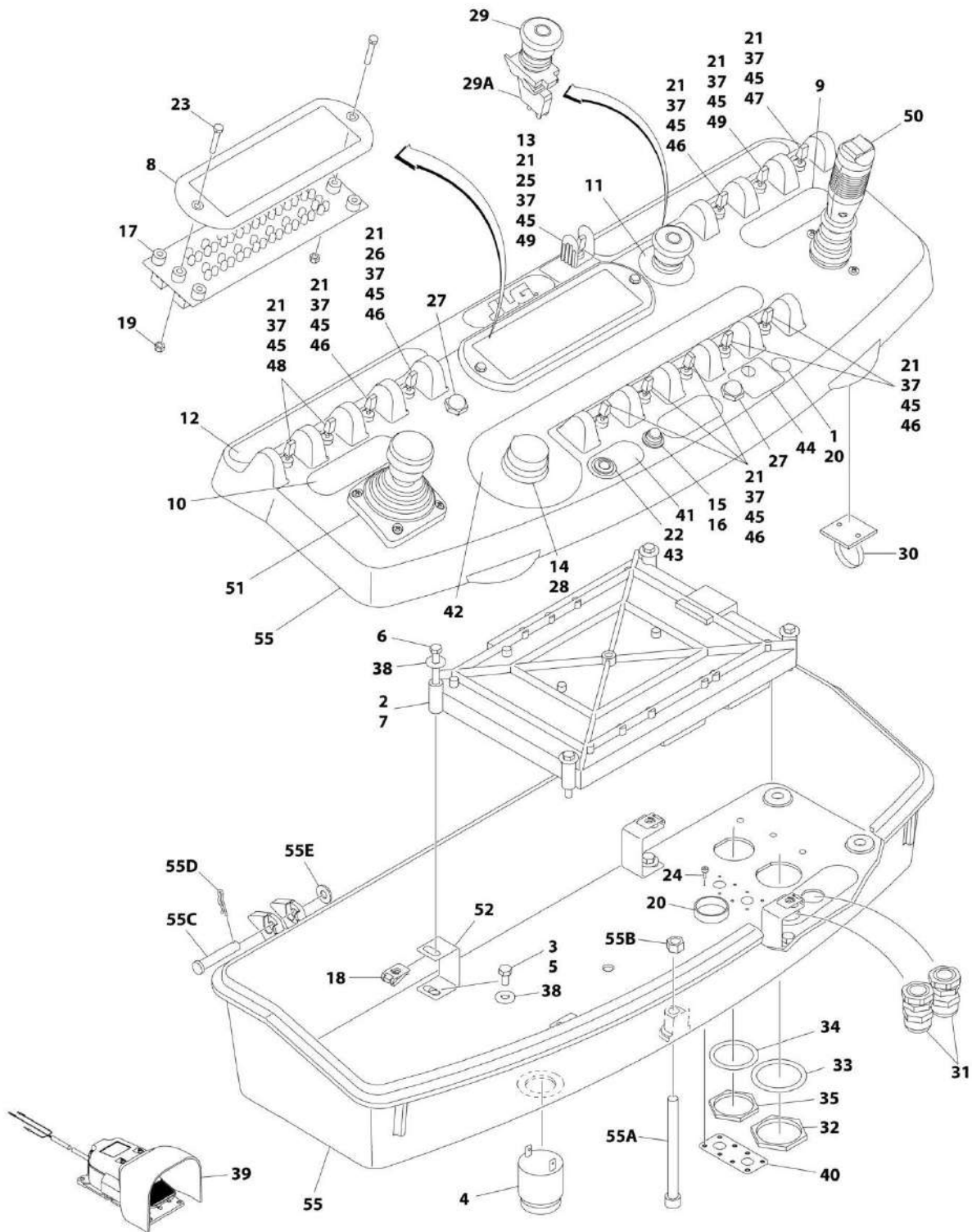
ITEM	PART NUMBER	QTY	DESCRIPTION	REV
	1001190097	Ref	PLATFORM CONSOLE ASSEMBLY - WITH SKYGUARD (SN 0300209000 through 0300220151)	D
1	0100009	AR	Sealant	
2	0100048	AR	Grease, Dielectric	
3	0100081	AR	Adhesive	
4	0140011	1	Alarm	
5	0641404	4	Bolt 1/4 x 1/2	
6	0641414	4	Bolt 1/4 x 1-3/4	
7	1600343	1	Module, Control (Note: Re-calibration Required when Replaced)	
8	1671176	1	Bezel	
9	1702565	1	Decal - Drive and Steer	
10	1702566	1	Decal - Lift and Swing	
11	1704260	1	Decal - EMS	
12	1705744	1	Decal - Horn	
13	1706741	1	Decal - Jib Select	
14	2560136	1	Handle, Knob	
15	2920028	1	Lamp, Indicator	
16	2920029	1	Bulb	
17	2920154	1	Panel, LED Light	
18	3300353	4	Nut, Retainer	
19	3300408	2	Nut	
20	3520026	1	Plug, Hole	
21	3790012	13	O-Ring	
22	3790015	1	O-Ring	
23	3900183	2	Bolt #10 x 1-1/4	
24	3900349	8	Capscrew M2.5	
25	4060906	1	Guard, Switch	
26	4071074	1	Shim, Switch	
27	4360387	2	Switch, Pushbutton	
28	4360407	1	Controller, Speed	
28	See Note	NSS	Gasket "Top Hat" (Included with Switch) (Note: Not Available - Purchase Complete Controller)	
28	70003784	1	Seal	
29	4360475	1	Switch, Emergency Stop	
29	7020175	1	Cap, Red	
29A	7020176	1	Block, Contact	
30	4460234	3	Base, Mounting	
31	4460428	2	Connector, Strain Relief	
32	4460470	1	Nut, Terminal	
33	4460471	1	Washer, Terminal	
34	4460496	1	Washer, Terminal	
35	4460497	1	Nut, Terminal	
36	4460905	AR	Seal, Plug (Not Shown)	
37	4740397	13	Spacer	
38	4751400	8	Washer 1/4	
39	1001117174	1	Footswitch Assembly (See FOOTSWITCH ASSEMBLY for Breakdown)	
40	1001120338	1	Mount, Connector	
41	1001125194	1	Decal - Jib Stow	

SECTION 5 - PLATFORM

ITEM	PART NUMBER	QTY	DESCRIPTION	REV
42	1001125195	1	Decal - Function Speed	
43	1001137364	1	Light, Indicator (Green)	
44	1001144433	1	Decal - No Weight SkyGuard	
45	1001155044	13	Nut 15/32-32	
46	1001155045	8	Switch, Toggle	
47	1001159256	1	Switch, Toggle	
48	1001161709	2	Switch, Toggle	
49	1001161710	2	Switch, Toggle	
50	1001166538	NLA	Controller Assembly - Drive and Steer (Use p/n 1001212415) (See CONTROLLER ASSEMBLY - DRIVE AND STEER for Breakdown)	
51	1001166539	NLA	Controller Assembly - Lift and Swing (Use p/n 1001129555) (See CONTROLLER ASSEMBLY - LIFT AND SWING for Breakdown)	
52	1001172760	4	Bracket, Support	
53	1001185281	1	Plug	
54	1001186905	1	Harness, Console Box (Not Shown - See ELECTRICAL SECTION for Breakdown)	
55	1001190105	1	Box, Console	
55A	0630568	1	Capscrew 3/8 x 4-1/2	
55B	3311601	1	Nut 3/8	
55C	3470003	2	Pin, Hair	
55D	1001200575	2	Bracket, Stop	

SECTION 5 - PLATFORM

FIGURE 5-20. PLATFORM CONSOLE ASSEMBLY - WITH SKYGUARD (WITH 4 CELL LSS)



ART_1001202559

SECTION 5 - PLATFORM

FIGURE 5-20. PLATFORM CONSOLE ASSEMBLY - WITH SKYGUARD (WITH 4 CELL LSS)

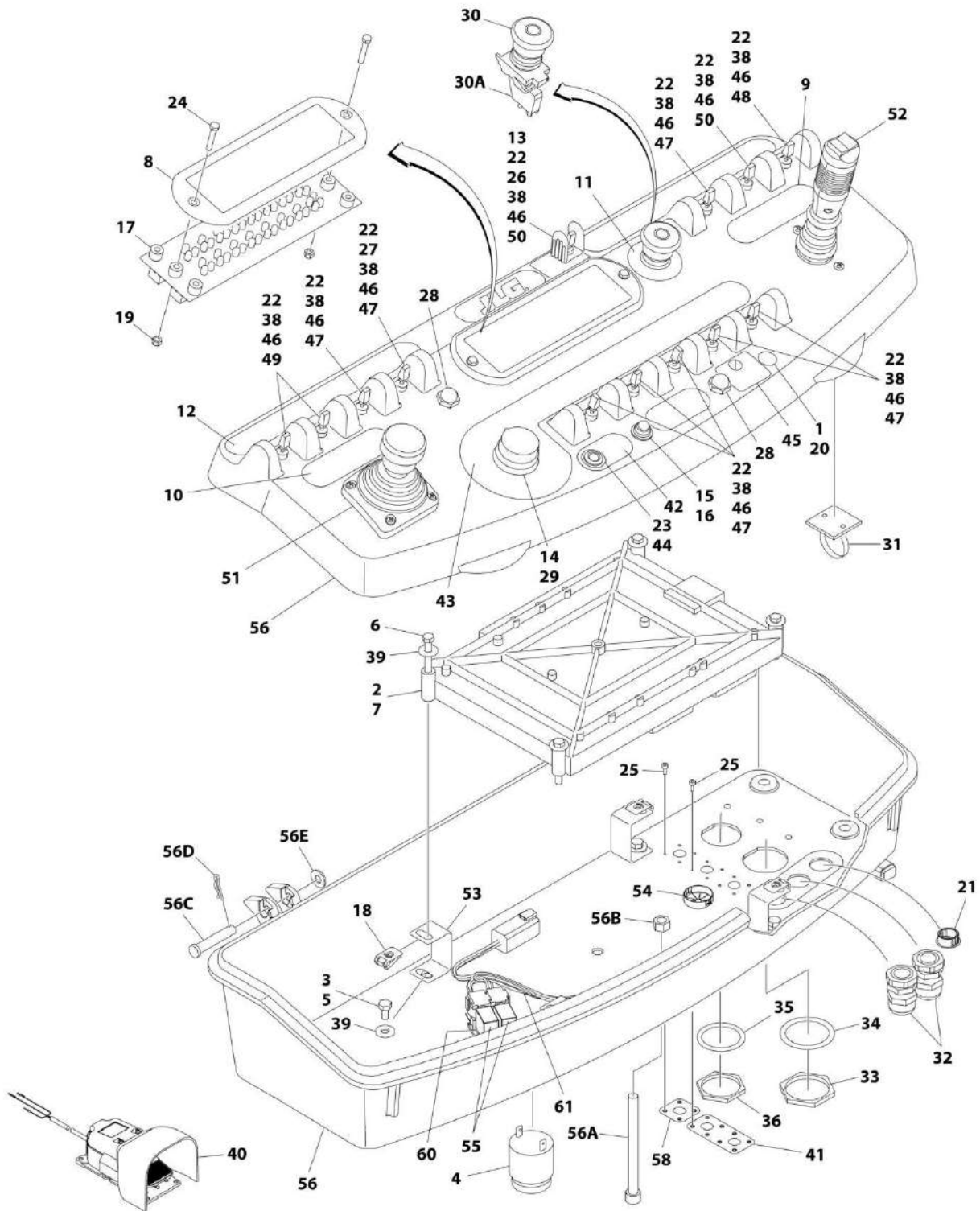
ITEM	PART NUMBER	QTY	DESCRIPTION	REV
	1001202559	Ref	PLATFORM CONSOLE ASSEMBLY - WITH SKYGUARD (WITH 4 CELL LSS) (SN 0300220152 through 0300234293)	C
1	0100009	AR	Sealant	
2	0100048	AR	Grease, Dielectric	
3	0100081	AR	Adhesive	
4	0140011	1	Alarm	
5	0641404	4	Bolt 1/4 x 1/2	
6	0641414	4	Bolt 1/4 x 1-3/4	
7	1600343	1	Module, Control (Note: Re-calibration Required when Replaced)	
8	1671176	1	Bezel	
9	1702565	1	Decal - Drive and Steer	
10	1702566	1	Decal - Lift and Swing	
11	1704260	1	Decal - EMS	
12	1705744	1	Decal - Horn	
13	1706741	1	Decal - Jib Select	
14	2560136	1	Handle, Knob	
15	2920028	1	Lamp, Indicator	
16	2920029	1	Bulb	
17	2920154	1	Panel, LED Light	
18	3300353	4	Nut, Retainer	
19	3300408	2	Nut	
20	3520026	1	Plug, Hole	
21	3790012	13	O-Ring	
22	3790015	1	O-Ring	
23	3900183	2	Bolt #10 x 1-1/4	
24	3900349	8	Capscrew M2.5	
25	4060906	1	Guard, Switch	
26	4071074	1	Shim, Switch	
27	4360387	2	Switch, Pushbutton	
28	4360407	1	Controller, Speed	
28	See Note	NSS	Gasket "Top Hat" (Included with Switch) (Note: Not Available - Purchase Complete Controller)	
28	70003784	1	Seal	
29	4360475	1	Switch, Emergency Stop	
29	7020175	1	Cap, Red	
29A	7020176	1	Block, Contact	
30	4460234	3	Base, Mounting	
31	4460428	2	Connector, Strain Relief	
32	4460470	1	Nut, Terminal	
33	4460471	1	Washer, Terminal	
34	4460496	1	Washer, Terminal	
35	4460497	1	Nut, Terminal	
36	4460905	AR	Seal, Plug (Not Shown)	
37	4740397	13	Spacer	
38	4751400	8	Washer 1/4	
39	1001117174	1	Footswitch Assembly (See FOOTSWITCH ASSEMBLY for Breakdown)	
40	1001120338	1	Mount, Connector	
41	1001125194	1	Decal - Jib Stow	
42	1001125195	1	Decal - Function Speed	

SECTION 5 - PLATFORM

ITEM	PART NUMBER	QTY	DESCRIPTION	REV
43	1001137364	1	Light, Indicator (Green)	
44	1001144433	1	Decal - No Weight SkyGuard	
45	1001155044	13	Nut 15/32-32	
46	1001155045	8	Switch, Toggle	
47	1001159256	1	Switch, Toggle	
48	1001161709	2	Switch, Toggle	
49	1001161710	2	Switch, Toggle	
50	1001166538	NLA	Controller Assembly - Drive and Steer (Use p/n 1001212415) (See CONTROLLER ASSEMBLY - DRIVE AND STEER for Breakdown)	
51	1001166539	NLA	Controller Assembly - Lift and Swing (Use p/n 1001129555) (See CONTROLLER ASSEMBLY - LIFT AND SWING for Breakdown)	
52	1001172760	4	Bracket, Support	
53	1001185281	1	Plug	
54	1001186905	1	Harness, Console Box (Not Shown - See ELECTRICAL SECTION for Breakdown)	
55	1001201888	1	Box, Console	B
55A	0630568	1	Capscrew 3/8 x 4-1/2	
55B	3311601	1	Nut 3/8	
55C	3430616	2	Pin, Clevis	
55D	3470003	2	Pin, Hair	
55E	4711600	2	Washer, 3/8	

SECTION 5 - PLATFORM

FIGURE 5-21. PLATFORM CONSOLE ASSEMBLY - WITH SKYGUARD (WITH 1 CELL LSS)



ART_1001219991

SECTION 5 - PLATFORM

FIGURE 5-21. PLATFORM CONSOLE ASSEMBLY - WITH SKYGUARD (WITH 1 CELL LSS)

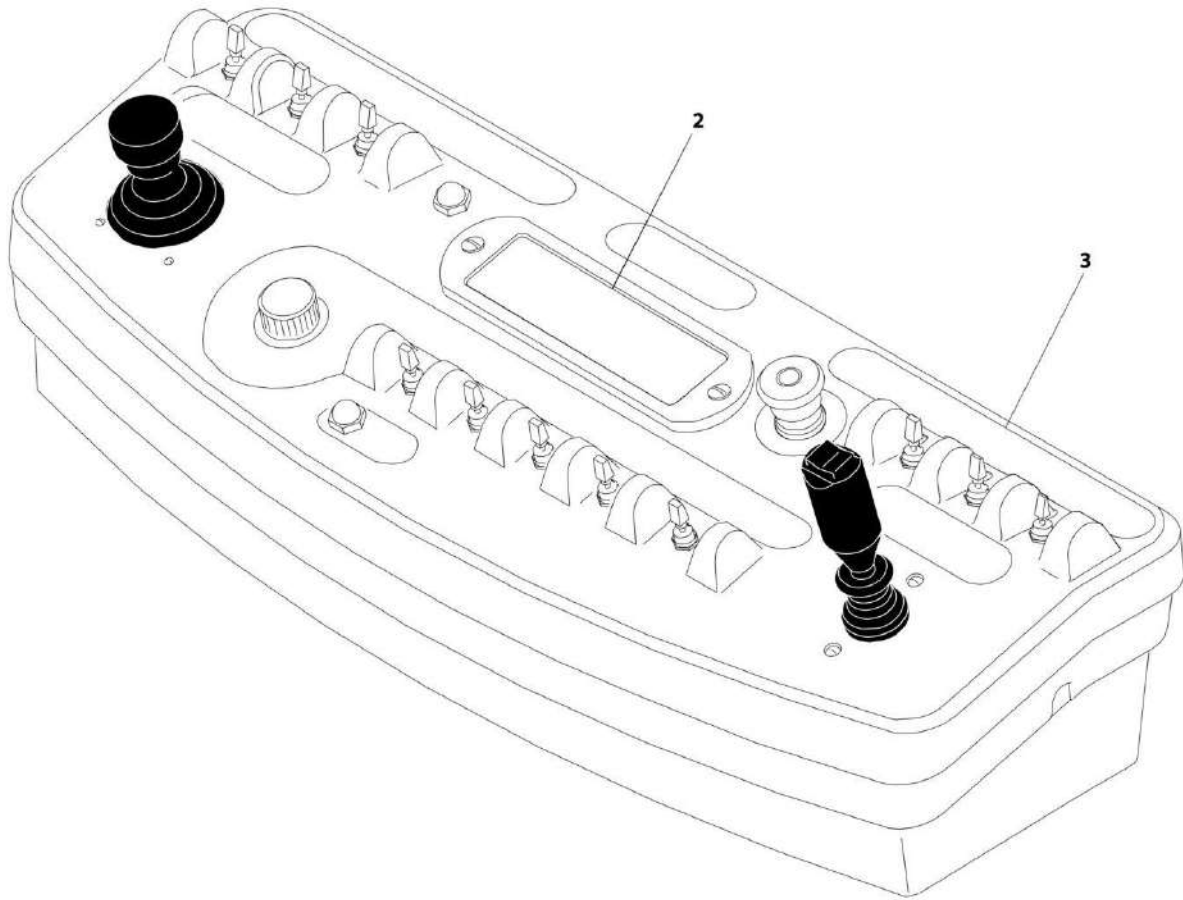
ITEM	PART NUMBER	QTY	DESCRIPTION	REV
	1001219991	Ref	PLATFORM CONSOLE ASSEMBLY - WITH SKYGUARD (WITH 1 CELL LSS) (SN 0300234294 to Present)	B
1	0100009	AR	Sealant	
2	0100048	AR	Grease, Dielectric	
3	0100035	AR	Compound, Locking	
4	0140011	1	Alarm	
5	0641404	4	Bolt 1/4 x 1/2	
6	0641414	4	Bolt 1/4 x 1-3/4	
7	1600343	1	Module, Control (Note: Re-calibration Required when Replaced)	
8	1671176	1	Bezel	
9	1702565	1	Decal - Drive and Steer	
10	1702566	1	Decal - Lift and Swing	
11	1704260	1	Decal - EMS	
12	1705744	1	Decal - Horn	
13	1706741	1	Decal - Jib Select	
14	2560136	1	Handle, Knob	
15	2920028	1	Lamp, Indicator	
16	2920029	1	Bulb	
17	2920154	1	Panel, LED Light	
18	3300353	4	Nut, Retainer	
19	3300408	2	Nut	
20	3520026	1	Plug, Hole	
21	3520030	1	Plug, Hole	
22	3790012	13	O-Ring	
23	3790015	1	O-Ring	
24	3900183	2	Bolt #10 x 1-1/4	
25	3900349	12	Capscrew M2.5	
26	4060906	1	Guard, Switch	
27	4071074	1	Shim, Switch	
28	4360387	2	Switch, Pushbutton	
29	4360407	1	Controller, Speed	
29	See Note	NSS	Gasket "Top Hat" (Included with Switch) (Note: Not Available - Purchase Complete Controller)	
29	70003784	1	Seal	
30	4360475	1	Switch, Emergency Stop	
30	7020175	1	Cap, Red	
30A	7020176	1	Block, Contact	
31	4460234	3	Base, Mounting	
32	4460428	2	Connector, Strain Relief	
33	4460470	1	Nut, Terminal	
34	4460471	1	Washer, Terminal	
35	4460496	1	Washer, Terminal	
36	4460497	1	Nut, Terminal	
37	4460905	AR	Seal, Plug (Not Shown)	
38	4740397	13	Seal, Plug (Not Shown)	
39	4751400	8	Washer 1/4	
40	1001117174	1	Footswitch Assembly (See FOOTSWITCH ASSEMBLY for Breakdown)	
41	1001120338	1	Mount, Connector	
42	1001125194	1	Decal - Jib Stow	

SECTION 5 - PLATFORM

ITEM	PART NUMBER	QTY	DESCRIPTION	REV
43	1001125195	1	Decal - Function Speed	
44	1001137364	1	Light, Indicator (Green)	
45	1001144433	1	Decal - No Weight SkyGuard	
46	1001155044	13	Nut 15/32-32	
47	1001155045	8	Switch, Toggle	
48	1001159256	1	Switch, Toggle	
49	1001161709	2	Switch, Toggle	
50	1001161710	2	Switch, Toggle	
51	1001166539	NLA	Controller Assembly - Lift and Swing (Use p/n 1001129555) (See CONTROLLER ASSEMBLY - LIFT AND SWING for Breakdown)	
52	1001166538	NLA	Controller Assembly - Drive and Steer (Use p/n 1001212415) (See CONTROLLER ASSEMBLY - DRIVE AND STEER for Breakdown)	
53	1001172760	4	Bracket, Support	
54	1001185281	1	Plug	
55	1001186431	2	Relay	
56	1001201889	1	Box, Console	C
56A	0630568	1	Capscrew 3/8 x 4-1/2	
56B	3311601	1	Nut 3/8	
56C	3430616	2	Pin, Clevis	
56D	3470003	2	Pin, Hair	
56E	4711600	2	Washer, 3/8	
57	1001220867	1	Harness, Console Box (Not Shown - See ELECTRICAL SECTION for Breakdown)	
58	1001220929	1	Mount, Connector	
59	4240032	1	Tie-Strap (Not Shown)	
60	4460488	1	Mounting Base	
61	1001225580	1	Generator 2 Platform Interface Harness	
61	4460899	1	Connector, Female - 6 Position	
61	1001186432	2	Relay	
61	4460884	1	Connector, Gray - 4 Position	

SECTION 5 - PLATFORM

FIGURE 5-22. DECAL AND LIGHT PANEL (ANSI SPECS)



ART_1001121826_20F2

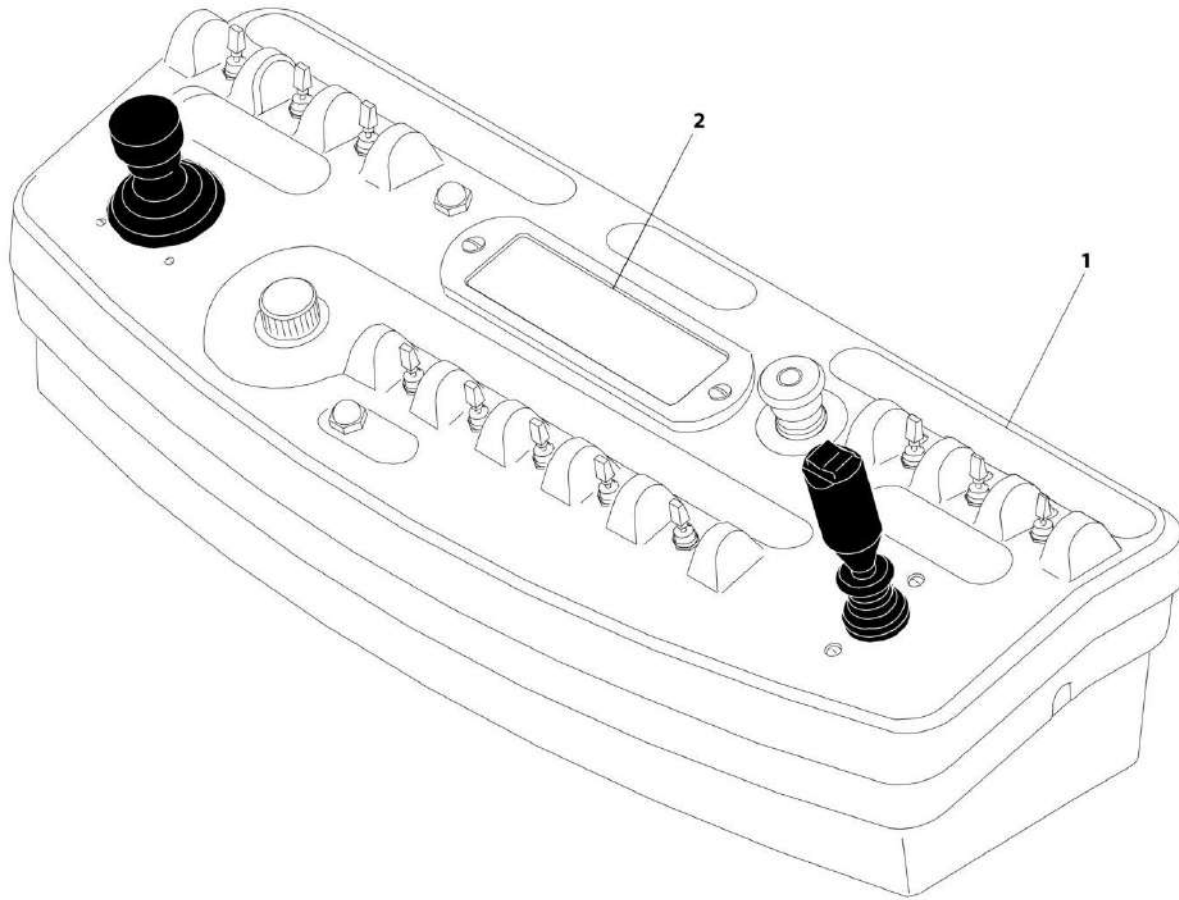
SECTION 5 - PLATFORM

FIGURE 5-22. DECAL AND LIGHT PANEL (ANSI SPECS)

ITEM	PART NUMBER	QTY	DESCRIPTION	REV
	1001121826	Ref	DECAL AND LIGHT PANEL (ANSI SPECS)	A
2	1001122384	1	Decal - Display	
3	1001122611	1	Decal - Stop	

SECTION 5 - PLATFORM

FIGURE 5-23. DECAL AND LIGHT PANEL (CE SPECS)



ART_1001121827_2OF2

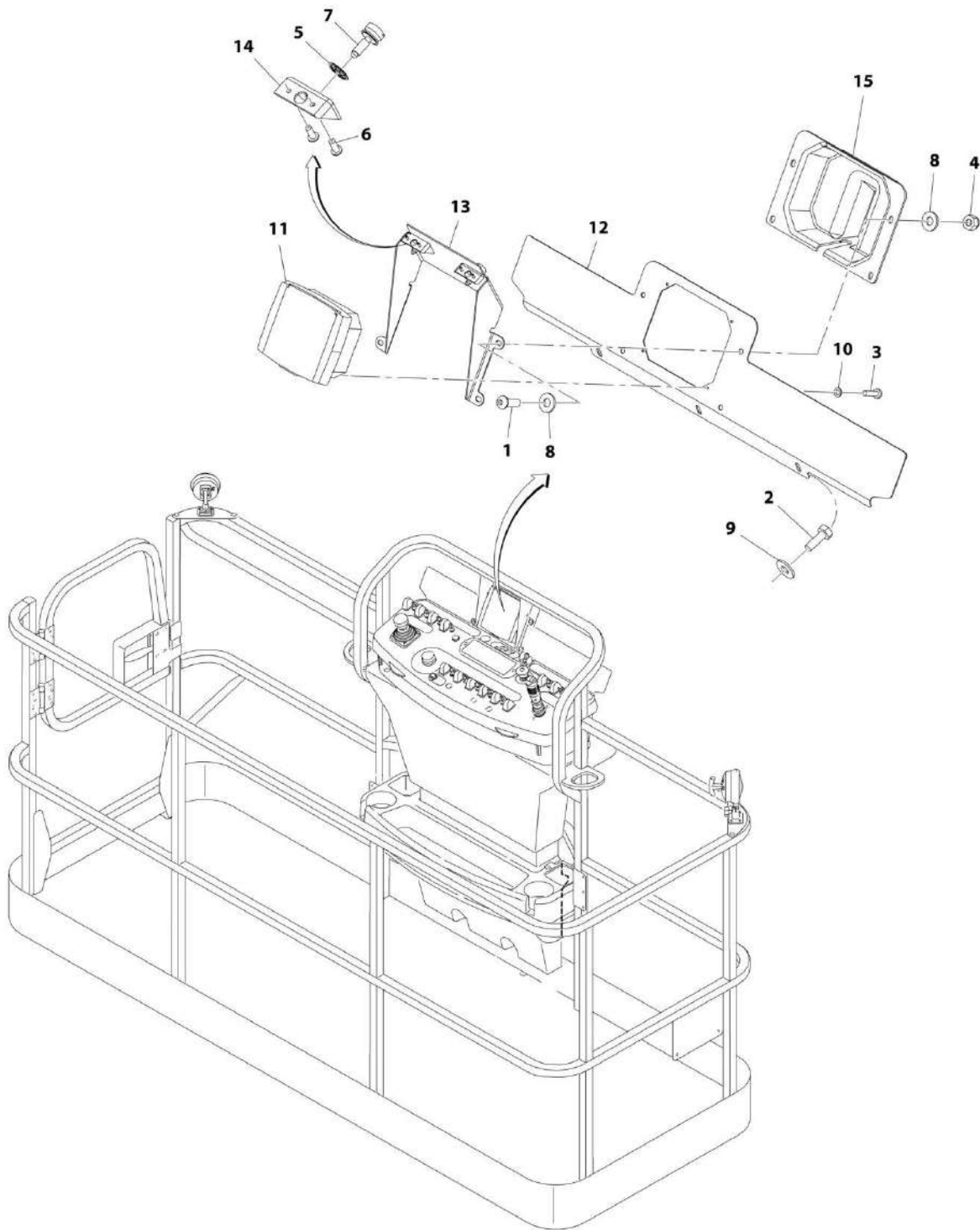
SECTION 5 - PLATFORM

FIGURE 5-23. DECAL AND LIGHT PANEL (CE SPECS)

ITEM	PART NUMBER	QTY	DESCRIPTION	REV
	1001121827	Ref	DECAL AND LIGHT PANEL (CE SPECS)	A
1	1705974	1	Decal - Stop	
2	1705973	1	Decal - Display	

SECTION 5 - PLATFORM

FIGURE 5-24. LCD DISPLAY INSTALLATION (SN 0300209000 through 0300248232)



ART_1001190586

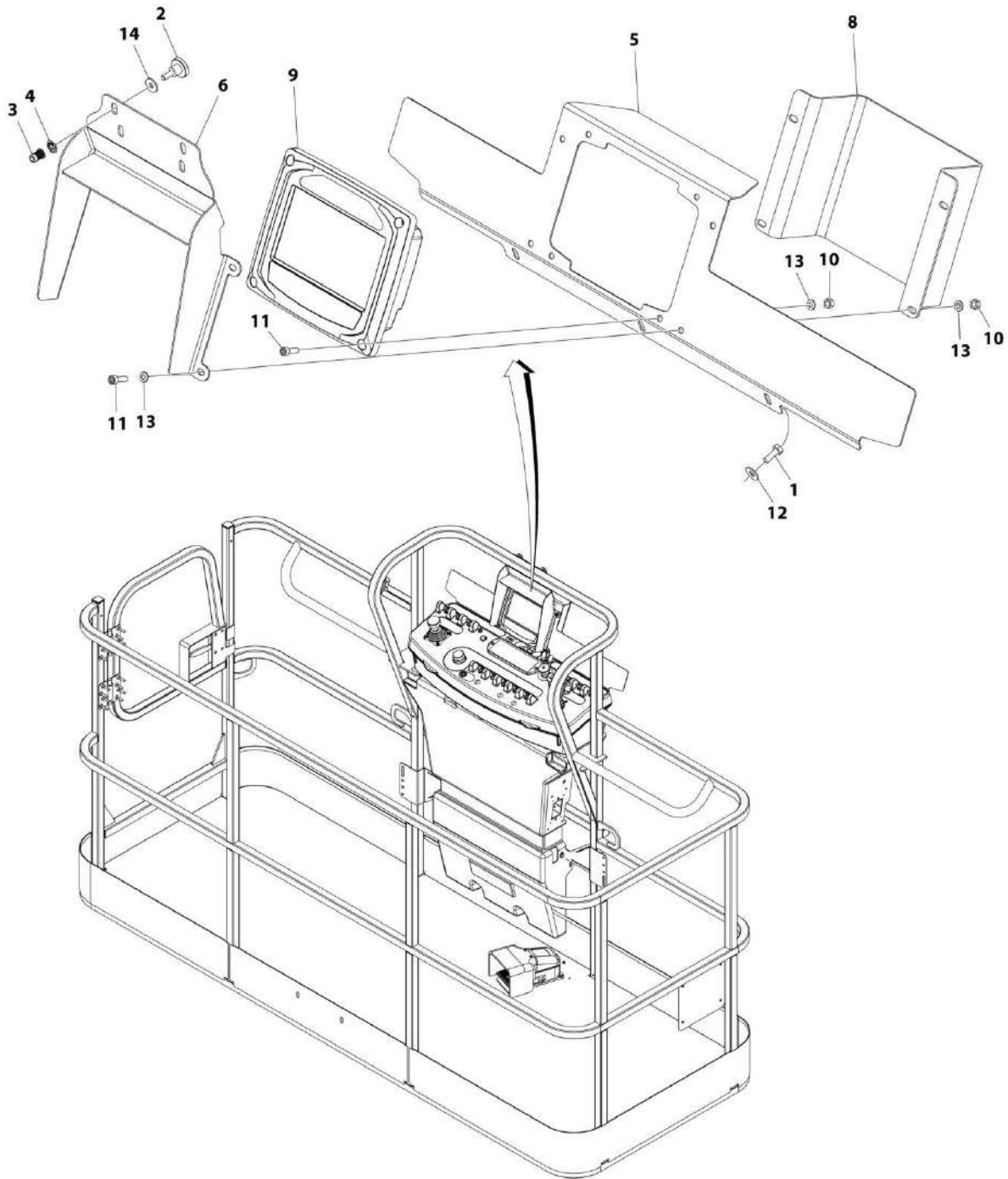
SECTION 5 - PLATFORM

FIGURE 5-24. LCD DISPLAY INSTALLATION (SN 0300209000 through 0300248232)

ITEM	PART NUMBER	QTY	DESCRIPTION	REV
	1001190586	Ref	LCD DISPLAY INSTALLATION	C
1	0630448	4	Screw 1/4 x 3/4	
2	0641406	3	Bolt 1/4 x 3/4	
3	4010408	4	Bolt M4 x 16	
4	3300449	4	Nut 1/4	
5	3760308	2	Nut, Retainer	
6	3820034	4	Rivet	
7	3900174	2	Screw, Thumb	
8	4711400	8	Washer 1/4	
9	4751400	3	Washer 1/4	
10	4831400	4	Washer M4	
11	1001121837	1	Gauge, LCD (SN 0300209000 through 0300216483)	
11	1001126300	1	Decal - Platform Display	
11	70003533	1	AR Film	
11	70003534	1	Cover	
11	70003535	1	Hinge	
11	70003536	AR	Screw, Hinge	
11	1001176778	1	Gauge, LCD (SN 0300216484 through 0300248232)	
11	1001176783	1	Decal - Platform Display	
11	70003533	1	AR Film	
11	70003534	1	Cover	
11	70003535	1	Hinge	
11	70003536	AR	Screw, Hinge	
12	1001121943	1	Bracket, Mounting	
13	1001190587	1	Bracket, Protector	
14	1001122235	2	Bracket, Mounting	
15	1001122242	1	Cover	
16	1001125293	1	Harness, LCD Display (Not Shown - See ELECTRICAL SECTION for Breakdown)	

SECTION 5 - PLATFORM

FIGURE 5-25. LCD DISPLAY INSTALLATION (SN 0300248233 to Present)



ART_1001215375

SECTION 5 - PLATFORM

FIGURE 5-25. LCD DISPLAY INSTALLATION (SN 0300248233 to Present)

ITEM	PART NUMBER	QTY	DESCRIPTION	REV
	1001215375	Ref	LCD DISPLAY INSTALLATION	A
1	0641406001	3	Bolt 1/4 x 3/4	
2	1001173609	2	Screw, Thumb M6 x 16	
3	1001176636	2	Rivet, Nut M6	
4	1001177635	2	Nut M6	
5	1001215379	1	Bracket, Mounting	
6	1001215380	1	Bracket, Visor	
7	1001220482	1	Harness, LCD Display (Not Shown - See ELECTRICAL SECTION for Breakdown)	
8	1001228976	1	Cover	
9	1001229485	1	Electrical Assembly	
9	1001220955	1	Gauge, LCD Display	
9	1001176582	1	Decal - Platform Display	
9	1001180491	4	Screw #10	
9	1001229922	1	Screen Protector, LCD Display	
10	3290605001	8	Nut M6	
11	4031708001	8	Bolt M6 x 20	
12	4751400001	3	Washer 1/4	
13	4811700001	12	Washer M6	
14	4811702001	2	Washer M6	

SECTION 5 - PLATFORM

FIGURE 5-26. CONTROLLER ASSEMBLY - LIFT AND SWING

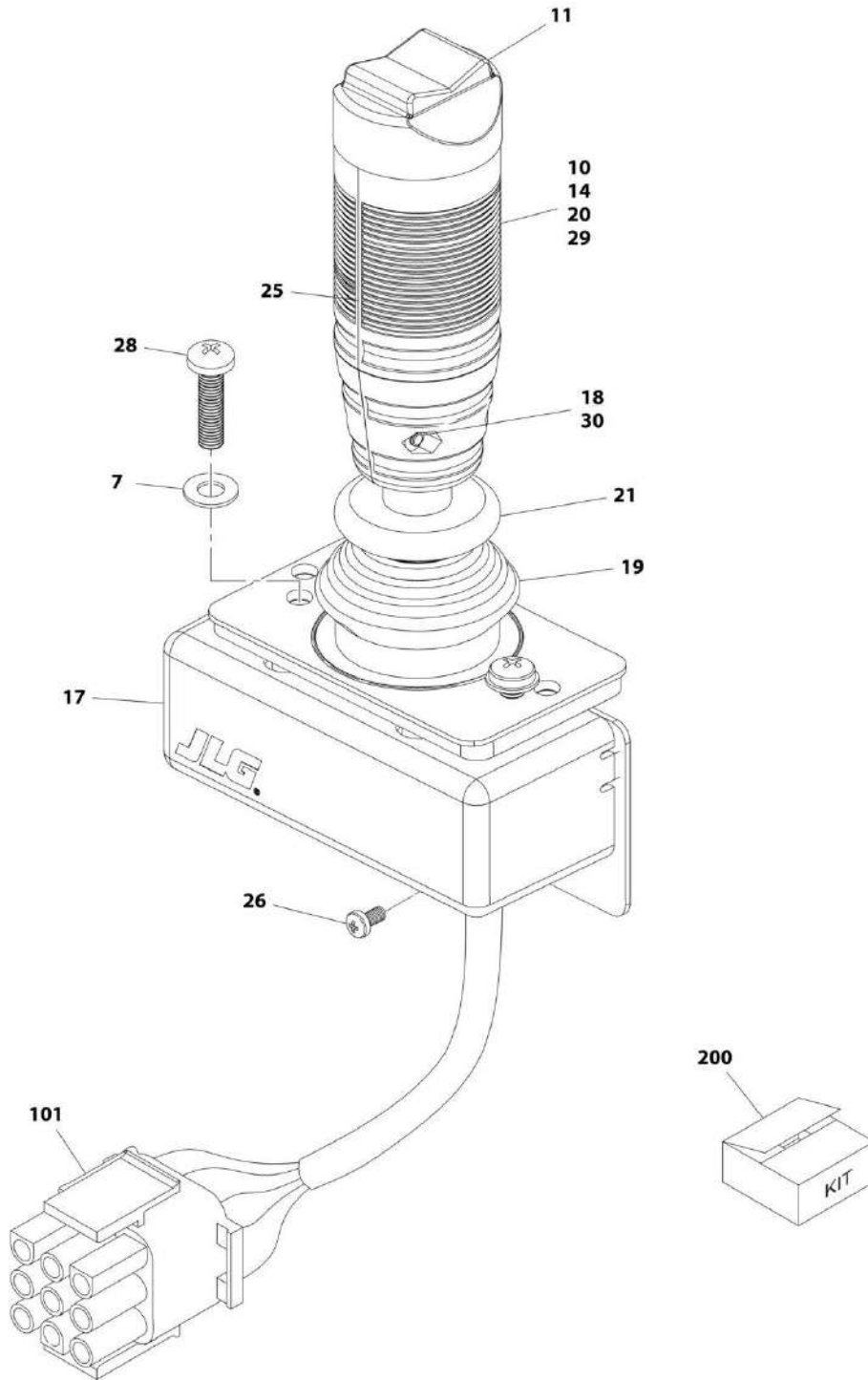
ITEM	PART NUMBER	QTY	DESCRIPTION	REV
	1001166539	Ref	CONTROLLER ASSEMBLY - LIFT AND SWING	D
		Ref	Note: Use p/n 1001129555 as replacement.	
1	See Note	1	Main Cast Body (Note: Not Available - Purchase Complete Assembly)	
2	70004752	1	Adapter	
3	See Note	1	Pivot Arm, Plastic (Note: Not Available - Purchase Complete Assembly)	
4	See Note	2	Holder, Magnet (Note: Not Available - Purchase Complete Assembly)	
5	See Note	2	Arc, Magnet (Note: Not Available - Purchase Complete Assembly)	
6	See Note	2	Screw (Note: Not Available for Purchase)	
7	See Note	1	Pivot Arm, Cast (Note: Not Available - Purchase Complete Assembly)	
8	See Note	1	Shaft, Main (Note: Not Available - Purchase Complete Assembly)	
9	See Note	2	Bearing (Note: Not Available - Purchase Complete Assembly)	
10	See Note	2	Pin (Note: Not Available - Purchase Complete Assembly)	
11	See Note	4	Shim (Note: Not Available - Purchase Complete Assembly)	
12	See Note	2	Pin (Note: Not Available - Purchase Complete Assembly)	
13	See Note	2	Bearing (Note: Not Available - Purchase Complete Assembly)	
14	See Note	1	Dome, Centering (Note: Not Available - Purchase Complete Assembly)	
15	70004753	1	Cap	
16	70004754	1	Insert, Cap	
17	70004755	3	Pin	
18	70004756	2	Washer	
19	70004757	1	Pin, Centering	
20	70004758	1	Spring	
21	70004759	1	Ring, Retaining	
22	70004760	1	E-Ring	
23	70004761	1	Can, Enclosure	
24	70004762	1	Boot	
25	70004763	1	Bezel	
26	See Note	8	Screw (Note: Not Available for Purchase)	
27	See Note	1	Base Mounting (Note: Not Available - Purchase Complete Assembly)	
28	See Note	4	Screw (Note: Not Available for Purchase)	
29	70004764	4	Screw	
30	70004765	4	Screw	
31	70004766	1	O-Ring	
32	See Note	1	Plate (Note: Not Available - Purchase Complete Assembly)	
33	See Note	1	Harness (Note: Not Available - Purchase Complete Assembly)	
34	70004767	1	Grommet, Rubber	
35	70004768	1	Housing	
36	70004769	1	Spring	
37	70004770	1	Stopper	
38	70004771	1	Spacer	
39	70004772	1	Washer	
40	70004773	1	Disc	
41	70004774	2	Ring, Retaining	
42	70004775	1	Spring	
101	4460265	1	Connector - 9 Position	

SECTION 5 - PLATFORM

ITEM	PART NUMBER	QTY	DESCRIPTION	REV
101	4460226	6	Socket, Female	

SECTION 5 - PLATFORM

FIGURE 5-27. CONTROLLER ASSEMBLY - DRIVE AND STEER



ART_1001166538

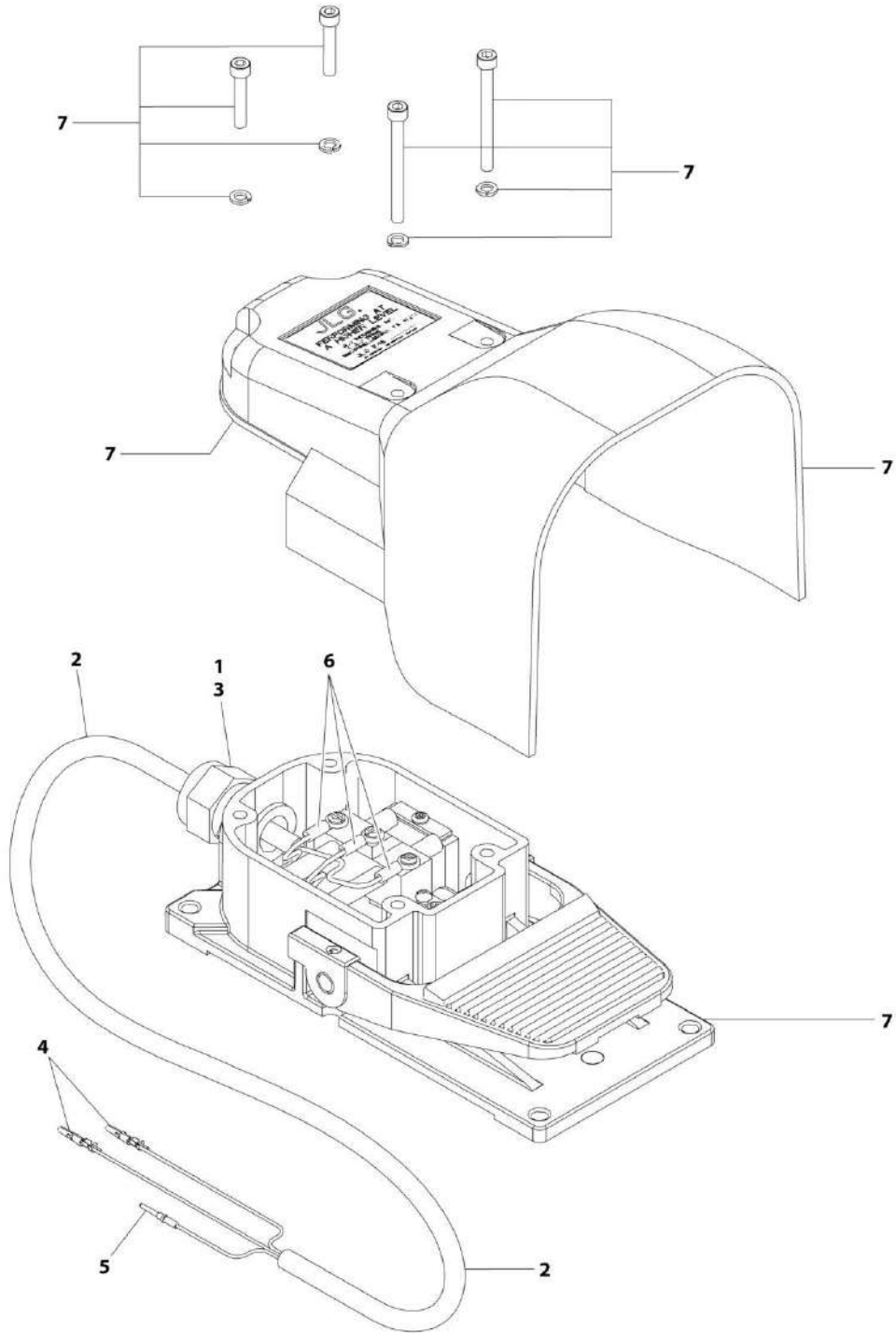
SECTION 5 - PLATFORM

FIGURE 5-27. CONTROLLER ASSEMBLY - DRIVE AND STEER

ITEM	PART NUMBER	QTY	DESCRIPTION	REV
	1001166538	Ref	CONTROLLER ASSEMBLY - DRIVE AND STEER	G
	See Note	Ref	Note: Use p/n 1001212415 Kit as Replacement.	
7	70004738	2	Washer	
10	70004739	1	Roller	
11	70004740	1	Boot, Switch	
14	70004741	2	Half, Handle	
17	70004742	1	Enclosure	
18	70004743	4	Nut	
19	70004744	NLA	Boot, Controller (Use Item 200)	
20	70004745	NLA	Tube, Locking (Use Item 200)	
21	70004746	NLA	Disc, Locking (Use Item 200)	
25	70004747	2	Seal, Rope	
26	70004748	1	Screw M3 x 6	
28	70004749	2	Screw M5 x 20	
29	70004750	1	Pin, Dowel	
30	70004751	4	Screw M3 x 16	
101	4460265	1	Connector - 9 Position	
101	4460226	7	Socket, Female	
200	70005230	1	Boot Kit (Includes Items 19-21)	

SECTION 5 - PLATFORM

FIGURE 5-28. FOOTSWITCH ASSEMBLY



ART_1001117174

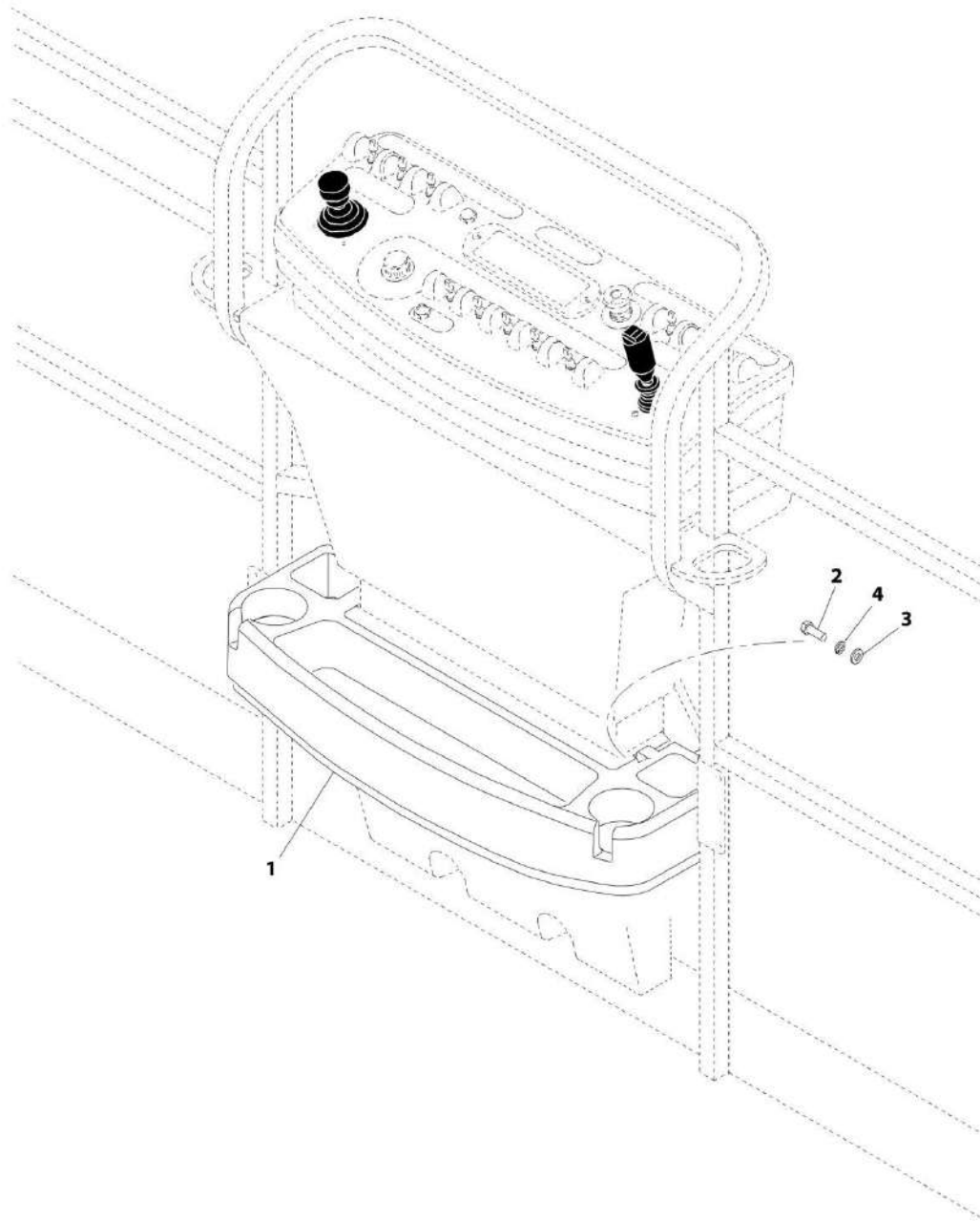
SECTION 5 - PLATFORM

FIGURE 5-28. FOOTSWITCH ASSEMBLY

ITEM	PART NUMBER	QTY	DESCRIPTION	REV
	1001117174	Ref	FOOTSWITCH ASSEMBLY	B
1	0100020	AR	Sealant	
2	1060918	7.5 ft /2.3m	Cable, Electrical - 18/3	
3	4460071	1	Connector, Strain Relief	
4	4460226	2	Socket, Female	
5	4460464	1	Pin, Male	
6	1001098122	3	Terminal	
7	1001117172	1	Footswitch	
7	70002902	1	Switch, 20A	
7	70002903	1	Gasket	
7	70002904	1	Kit, Replacement Bolt	
7	70002905	1	Cover	

SECTION 5 - PLATFORM

FIGURE 5-29. TRAY INSTALLATION



ART_1580012

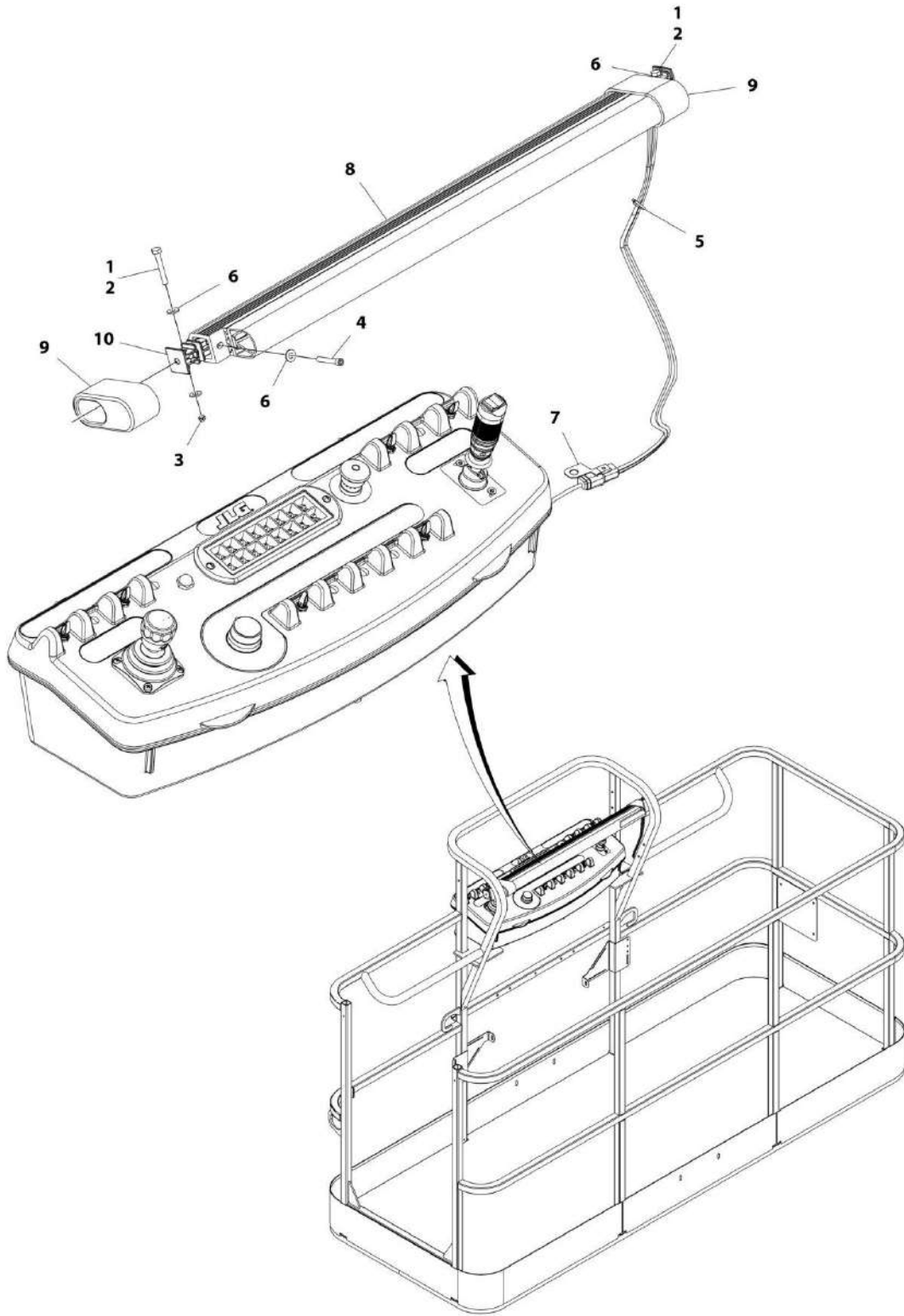
SECTION 5 - PLATFORM

FIGURE 5-29. TRAY INSTALLATION

ITEM	PART NUMBER	QTY	DESCRIPTION	REV
	1580012	Ref	TRAY INSTALLATION	C
1	See Note	1	Tray, Storage (Center) (Note: Purchase p/n 1580012)	
2	0641406	2	Bolt 1/4 x 3/4	
3	4751400	2	Washer 1/4	
4	4761400	2	Washer 1/4	

SECTION 5 - PLATFORM

FIGURE 5-30. SKYGUARD SYSTEM INSTALLATION



ART_1001187508

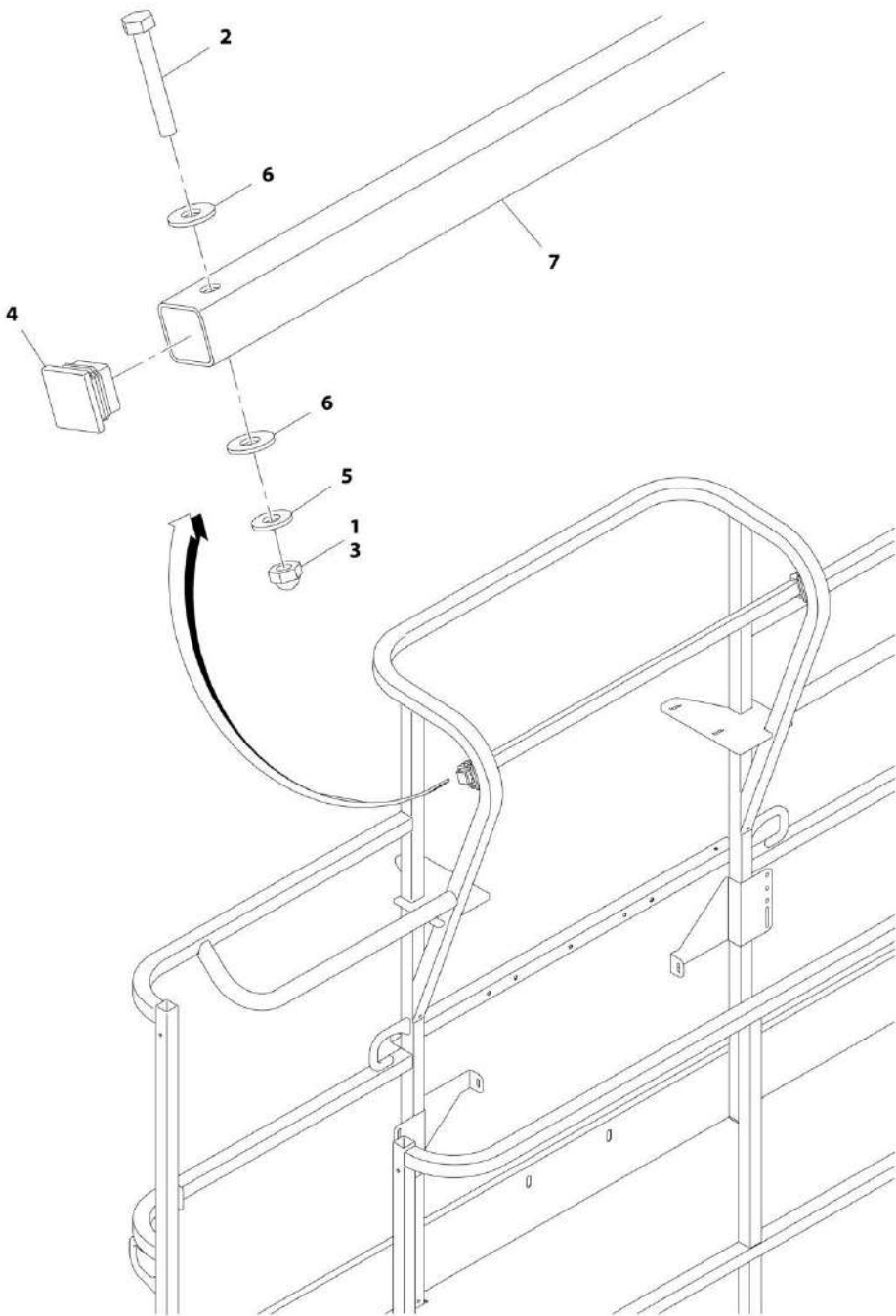
SECTION 5 - PLATFORM

FIGURE 5-30. SKYGUARD SYSTEM INSTALLATION

ITEM	PART NUMBER	QTY	DESCRIPTION	REV
	1001187508	Ref	SKYGUARD SYSTEM INSTALLATION	C
1	0100011	AR	Compound, Locking	
2	0641414	2	Bolt 1/4 x 1-3/4	
3	3300430	2	Nut 1/4	
4	3931424	2	Capscrew 1/4 x 1-1/2	
5	4240033	AR	Tie-Strap	
6	4711400	AR	Washer 1/4	
7	1001120328	1	Mount	
8	1001137673	1	Switch, SkyGuard Assembly	
9	1001186517	2	Cover, Platform Sensor	
10	1001188889	2	Support, Block (SN 0300209000 through 0300244704)	
10	1001209664	2	Support, Block (SN 030024705 to Present)	

SECTION 5 - PLATFORM

FIGURE 5-31. CROSS RAIL INSTALLATION



ART_1001182138

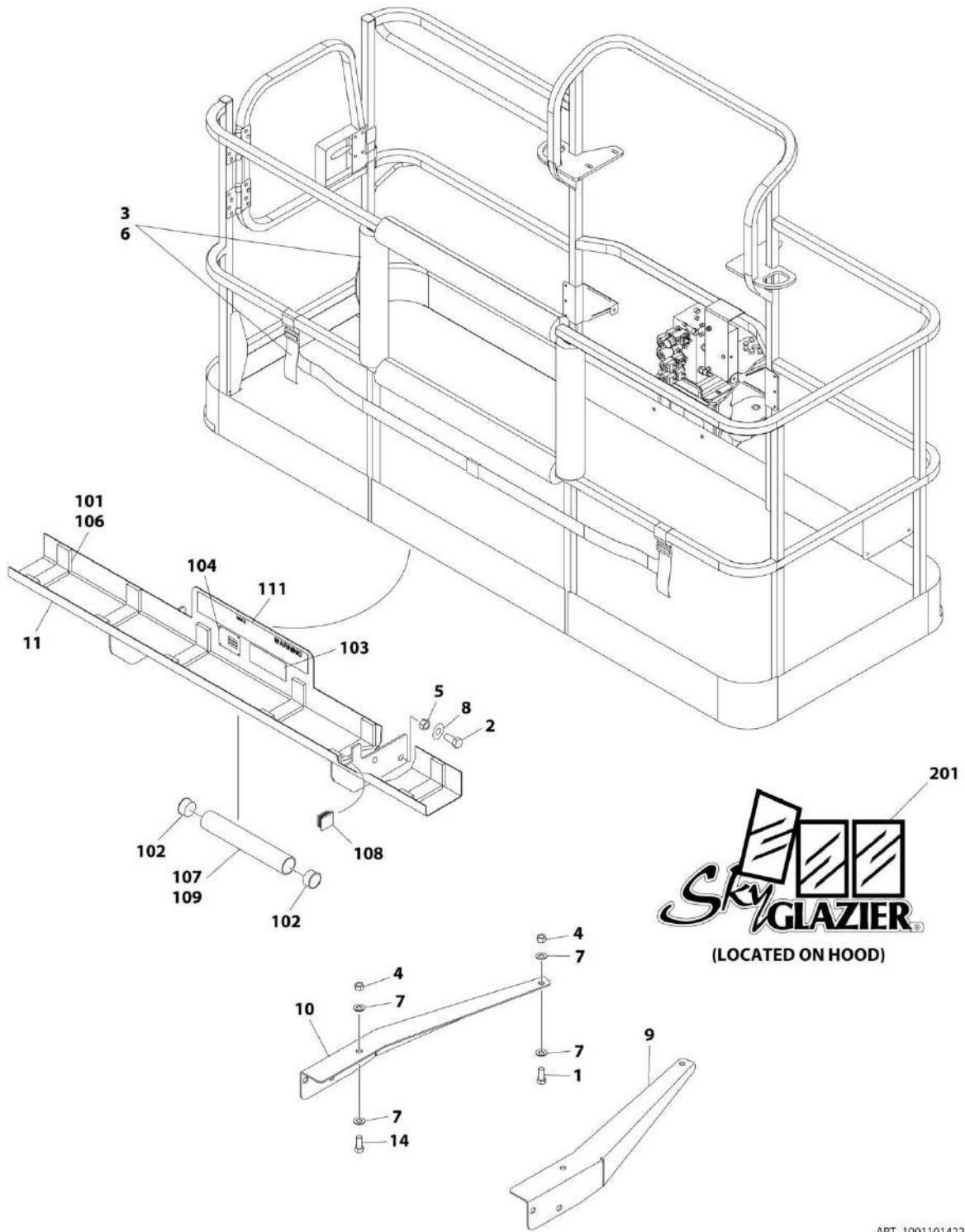
SECTION 5 - PLATFORM

FIGURE 5-31. CROSS RAIL INSTALLATION

ITEM	PART NUMBER	QTY	DESCRIPTION	REV
	1001182138	Ref	CROSS RAIL INSTALLATION	A
1	0100071	AR	Compound, Locking	
2	0641414	2	Bolt 1/4 x 1-3/4	
3	3300430	2	Nut 1/4	
4	3520182	2	Plug	
5	4711400	2	Washer 1/4	
6	4751400	4	Washer 1/4	
7	1001191708	1	Bar	

SECTION 5 - PLATFORM

FIGURE 5-32. SKYGLAZIER INSTALLATIONS (ANSI AND CSA SPECS)



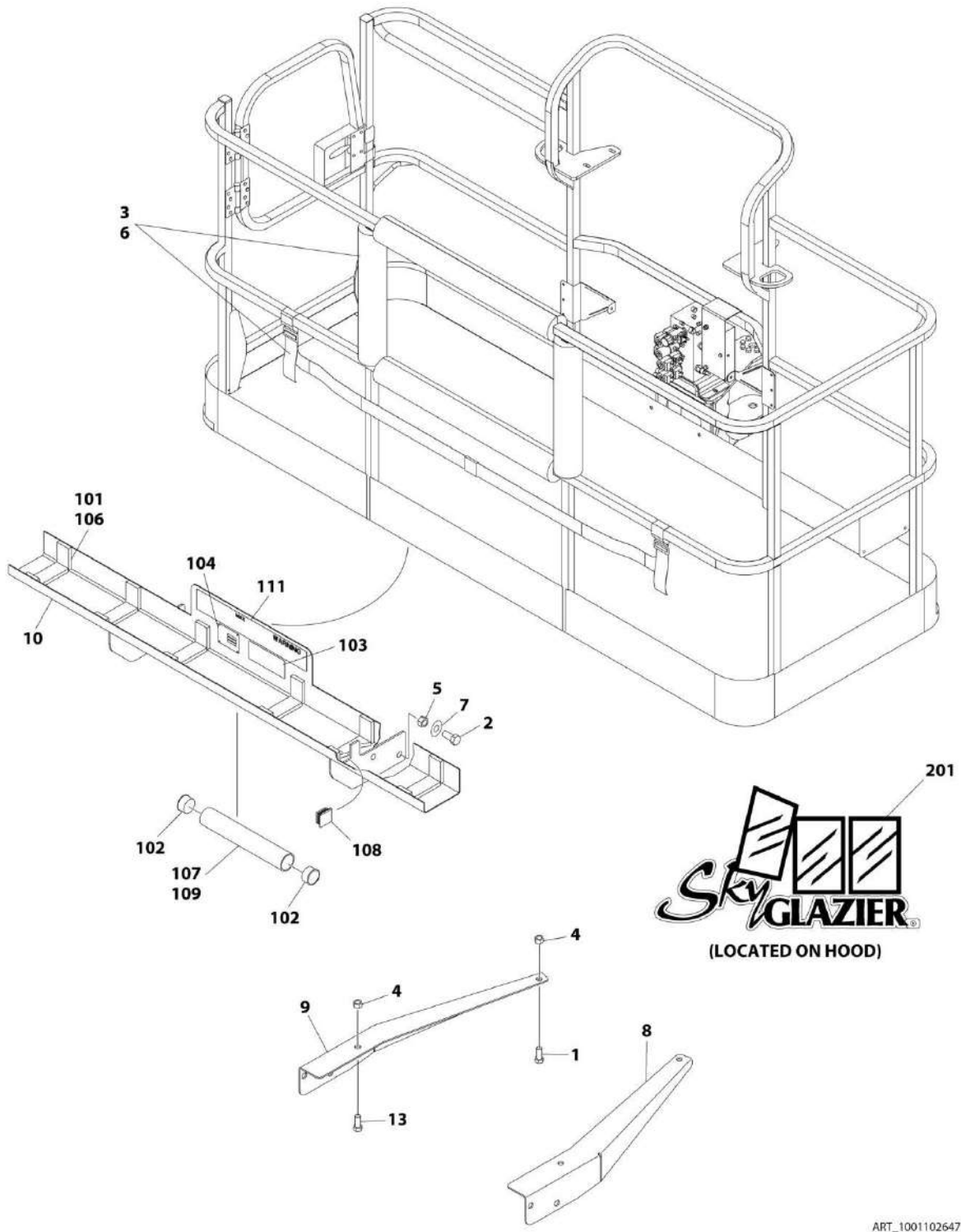
SECTION 5 - PLATFORM

FIGURE 5-32. SKYGLAZIER INSTALLATIONS (ANSI AND CSA SPECS)

ITEM	PART NUMBER	QTY	DESCRIPTION	REV
		Ref	SKYGLAZIER INSTALLATIONS (ANSI AND CSA SPECS)	
	1001101422	Ref	ANSI and CSA Specs	C
	1001101422	Ref	Australian Specs (SN 0300234294 to Present)	C
1	0642012	2	Bolt 5/8 x 1-1/2	
2	0642212	4	Bolt 3/4 x 1-1/2	
3	2902212	1	Bumpers and Strap Kit	
3	0940102	1	Bumper Only	
3	4240149	1	Strap Only	
4	3312005	4	Nut 5/8	
5	3312205	4	Nut 3/4	
6	4420014	AR	Tape	
7	4712000	6	Washer 5/8	
8	4712200	8	Washer 3/4	
9	1001099366	1	Support	
10	1001099367	1	Support	
11	1001101421	1	Tray Assembly (See Items 101-111 for Breakdown)	
14	8310129	2	Bolt 3/4 x 2-1/2	
	1001101421	Ref	TRAY ASSEMBLY	E
101	0100081	AR	Adhesive	
102	1120555	2	Cap, Tube	
103	1701509	1	Decal - Manual	
104	See Note	NSS	Nameplate - Serial Number (Note: Not Available for Purchase)	
106	3340956	1	Pad Kit	
107	3460334	1	Tube	
108	3520071	2	Plug	
109	4420066	AR	Tape, Double Sided	
111	1001163131	2	Decal - Glazier Capacity	
	0272418	Ref	SKYGLAZIER DECAL INSTALLATION	4
201	1705358	2	Decal - SkyGlazier	

SECTION 5 - PLATFORM

FIGURE 5-33. SKYGLAZIER INSTALLATION (AUSTRALIAN SPECS) (SN 0300209000 through 0300234293)



ART_1001102647

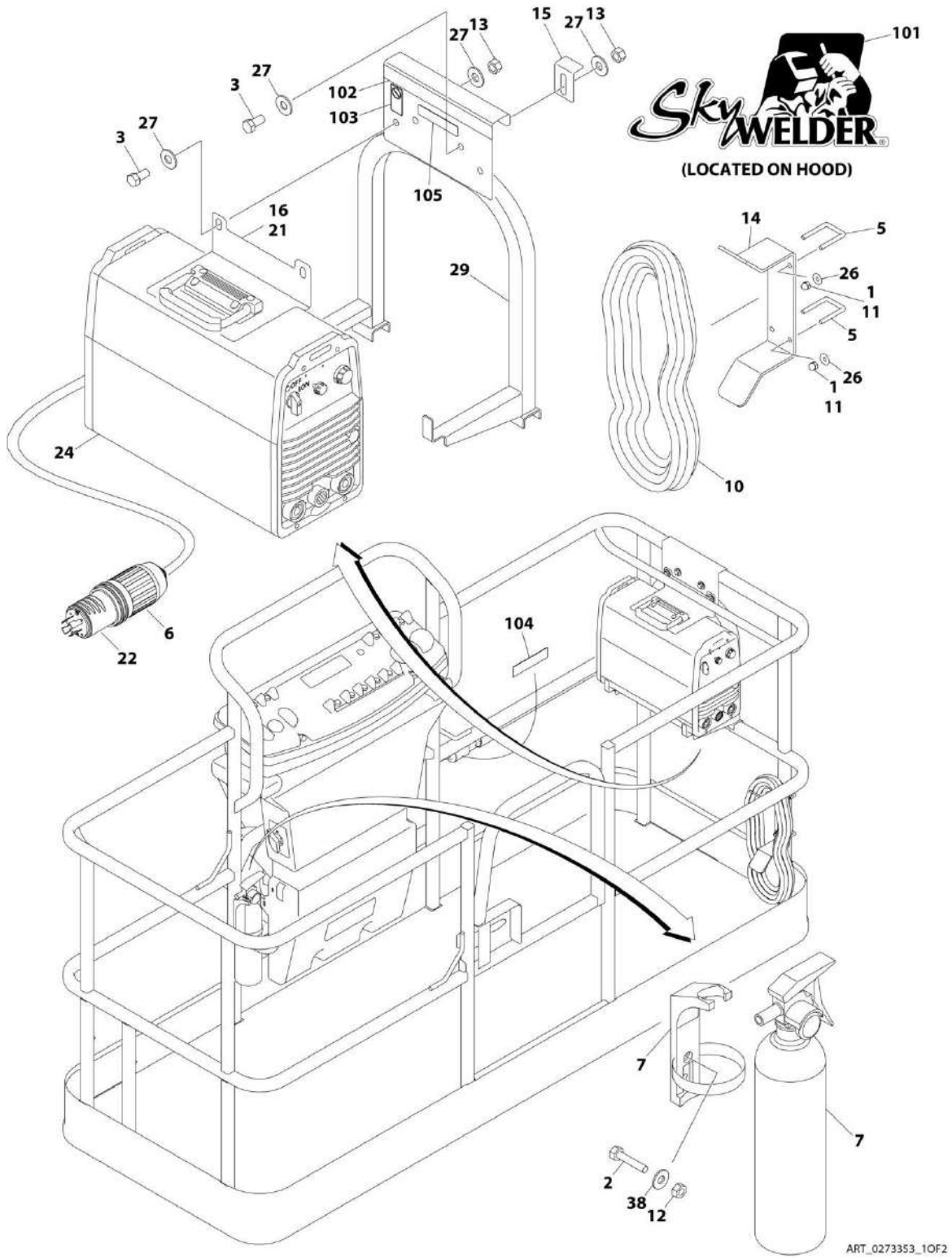
SECTION 5 - PLATFORM

FIGURE 5-33. SKYGLAZIER INSTALLATION (AUSTRALIAN SPECS) (SN 0300209000 through 0300234293)

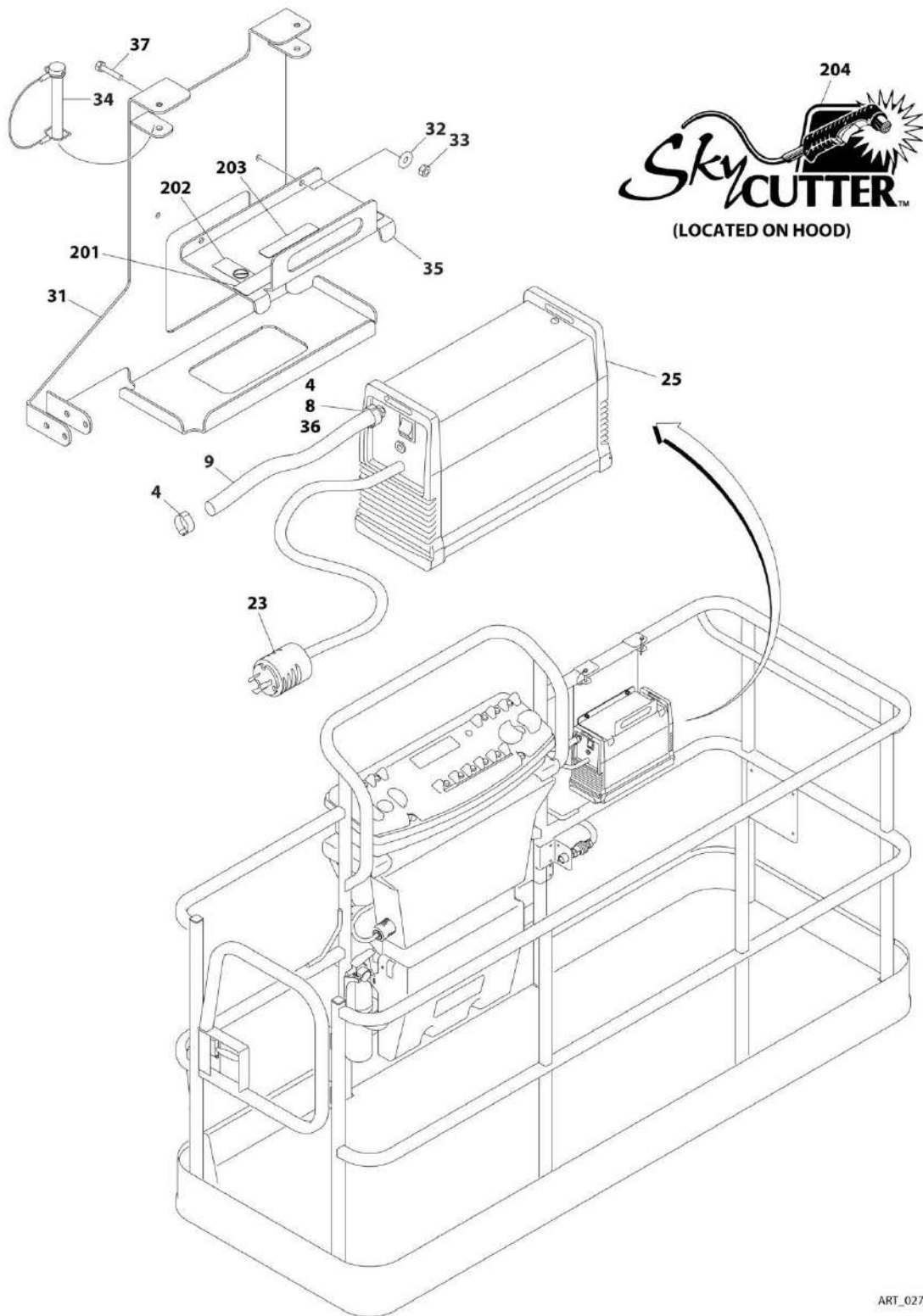
ITEM	PART NUMBER	QTY	DESCRIPTION	REV
	1001102647	Ref	SKYGLAZIER INSTALLATION (AUSTRALIAN SPECS) (SN 0300209000 through 0300234293)	C
1	0642026	2	Bolt 5/8 x 3-1/4	
2	0642212	4	Bolt 3/4 x 1-1/2	
3	2902212	1	Bumpers and Strap Kit	
3	0940102	1	Bumper Only	
3	4240149	1	Strap Only	
4	3312005	4	Nut 5/8	
5	3312205	4	Nut 3/4	
6	4420014	AR	Tape	
7	4712200	8	Washer 3/4	
8	1001099366	1	Support	
9	1001099367	1	Support	
10	1001101421	1	Tray Assembly (See Items 101-111 for Breakdown)	
13	8310230	2	Bolt 5/8 x 4	
	1001101421	Ref	TRAY ASSEMBLY	E
101	0100081	AR	Adhesive	
102	1120555	2	Cap, Tube	
103	1701509	1	Decal - Manual	
104	See Note	NSS	Nameplate - Serial Number (Note: Not Available for Purchase)	
106	3340956	1	Pad Kit	
107	3460334	1	Tube	
108	3520071	2	Plug	
101	4420066	AR	Tape, Double Sided	
111	1001163131	2	Decal - Glazier Capacity	
	0272418	Ref	SKYGLAZIER DECAL INSTALLATION	4
201	1705358	2	Decal - SkyGlazier	

SECTION 5 - PLATFORM

FIGURE 5-34. SKYWELDER/SKYCUTTER COMBO INSTALLATION (60HZ)



SECTION 5 - PLATFORM



ART_0273353_20F2

SECTION 5 - PLATFORM

FIGURE 5-34. SKYWELDER/SKYCUTTER COMBO INSTALLATION (60HZ)

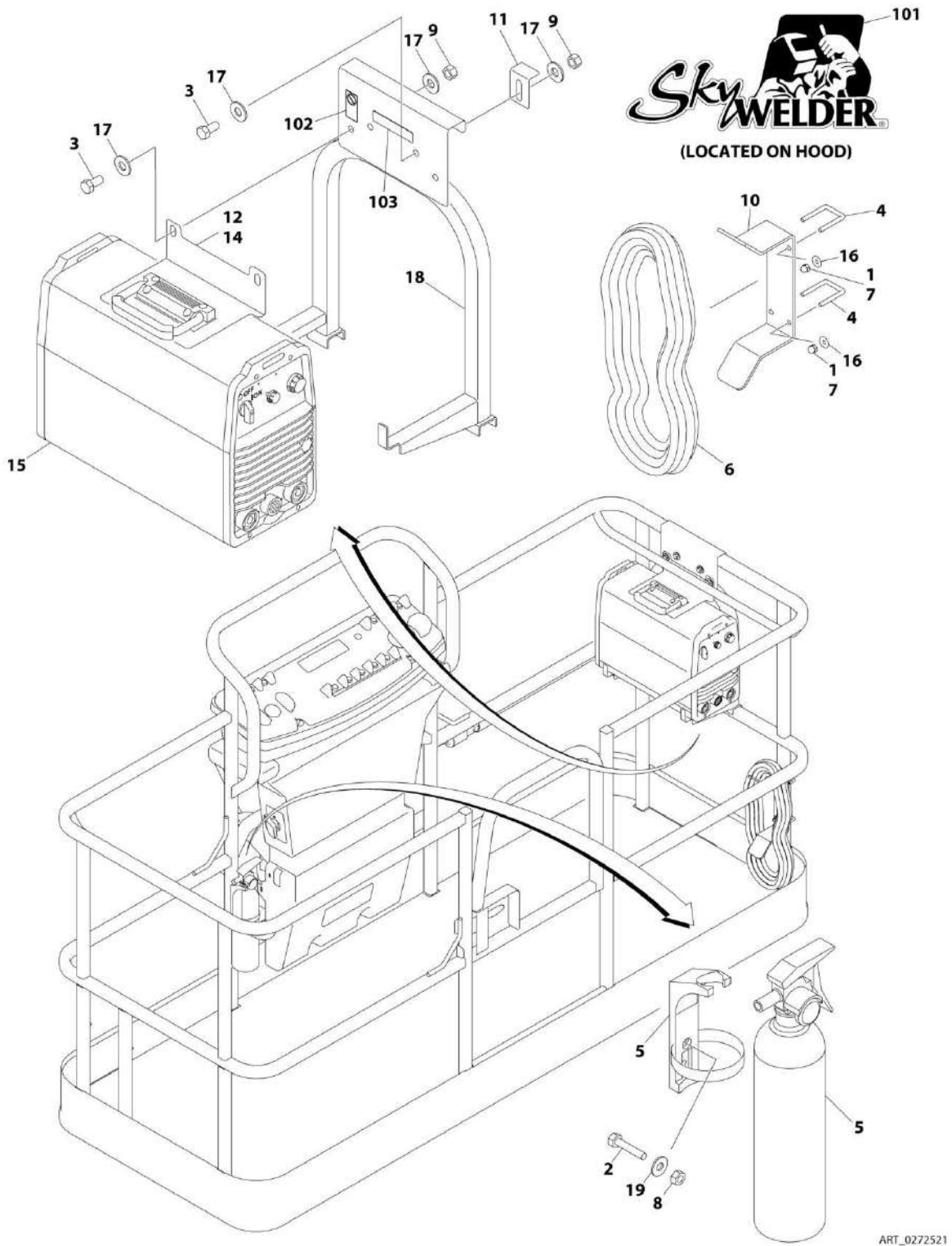
ITEM	PART NUMBER	QTY	DESCRIPTION	REV
	0273353	Ref	SKYWELDER/SKYCUTTER COMBO INSTALLATION (60HZ)	G
		Ref	Note: ANSI, ANSI Export and CSA Spec Only.	
1	0100011	AR	Compound, Locking	
2	0630518	2	Screw #10 x 3/4	
3	0641606	4	Bolt 3/8 x 3/4	
4	1320177	2	Clamp	
5	1320302	2	Clamp	
6	1671093	1	Cover, Plug	
7	2030010	1	Extinguisher, Fire	
8	2180832	1	Fitting, Barbed/NPT	
9	2720160	4.5 ft /1.4m	Hose	
10	2902217	1	Weld Leads Kit	
11	3300151	4	Nut 1/4	
12	3311005	2	Nut #10	
13	3311605	4	Nut 3/8	
14	3573400	1	Bracket	
15	3577121	2	Angle	
16	3573642	1	Plate	
20	4240099	AR	Tie-Strap (Not Shown)	
21	4420037	2.4 ft / .7m	Tape	
22	4460962	1	Plug, Twist Lock	
23	4460971	1	Plug, Twist Lock	
24	4530028	1	Welder Assembly (See WELDER ASSEMBLY for Breakdown)	
25	1001098012	1	Plasma Cutter Assembly (See PLASMA CUTTER ASSEMBLY for Breakdown)	
26	4751400	4	Washer 1/4	
27	4751600	8	Washer 3/8	
29	4846627	1	Support	
31	1001145405	1	Bracket	
32	4811700	2	Washer M6	
33	3290605	2	Nut M6	
34	3421453	3	Pin	
35	3576799	1	Plate, Hold-Down	
36	0100020	1	Sealant	
37	4010608	2	Screw M6 x 16	
38	4751000	2	Washer #10	
	0272448	Ref	SKYWELDER DECAL INSTALLATION	B
101	1705355	2	Decal - SkyWelder	
102	1702868	1	Decal - No Hands	
103	1705305	1	Decal - Weld Leads	
104	1705375	1	Decal - 240V - 3 Phase - 60Hz	
105	1705466	NLA	Decal - Weight (Use p/n 1001228988) (SN 0300209000 through 0300234293)	
105	1001228988	1	Decal - Weight (SN 0300234294 to Present)	
	0272599	Ref	SKYCUTTER DECAL INSTALLATION	B
201	1702868	1	Decal - No Hands	
202	1705305	1	Decal - Weld Leads	
203	1705466	NLA	Decal - Weight (Use p/n 1001228988) (SN 0300209000 through 0300234293)	

SECTION 5 - PLATFORM

ITEM	PART NUMBER	QTY	DESCRIPTION	REV
203	1001228988	1	Decal - Weight (SN 0300234294 to Present)	
204	1705490	2	Decal - SkyCutter	

SECTION 5 - PLATFORM

FIGURE 5-35. SKYWELDER INSTALLATION (50HZ)



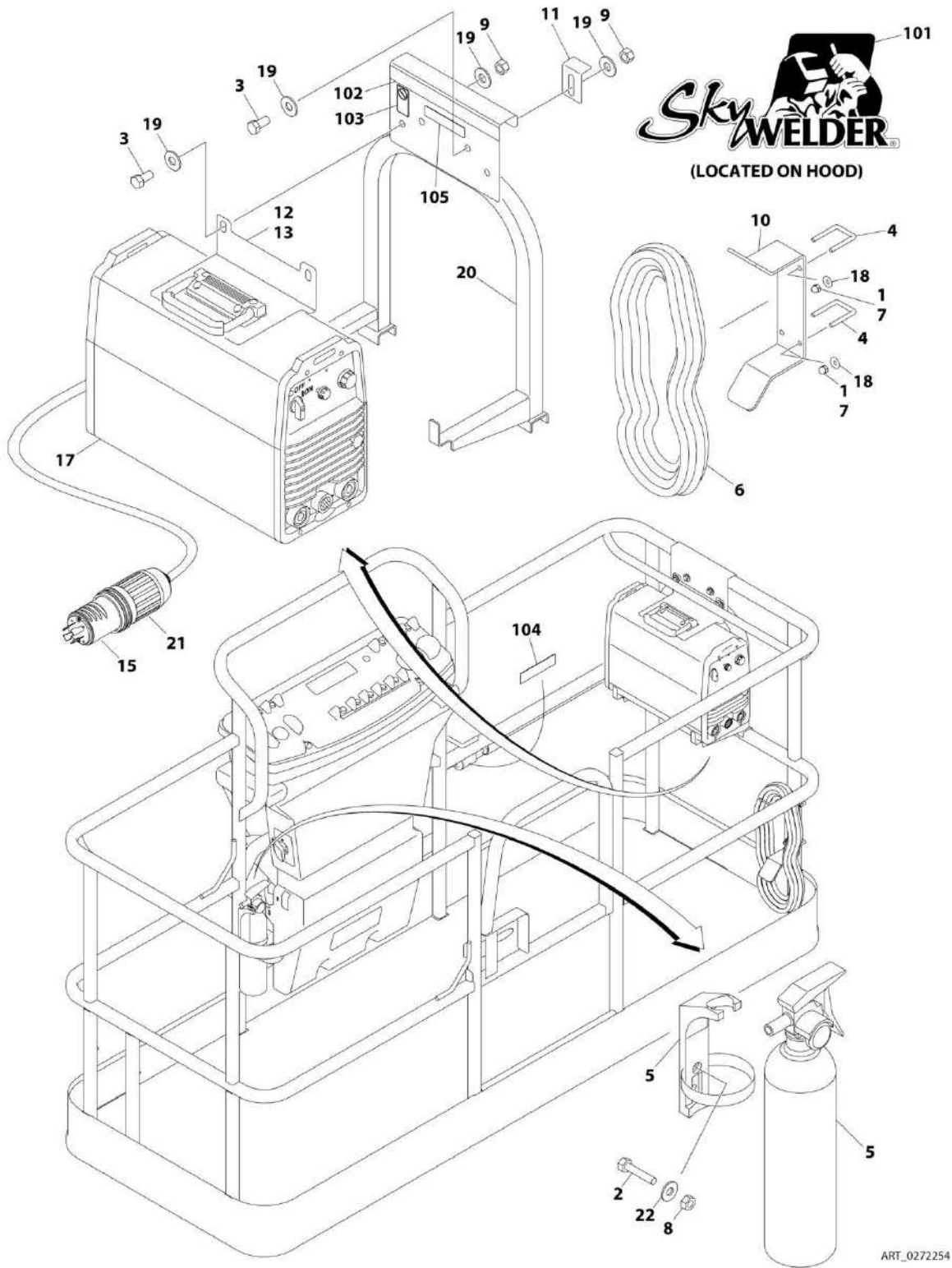
SECTION 5 - PLATFORM

FIGURE 5-35. SKYWELDER INSTALLATION (50HZ)

ITEM	PART NUMBER	QTY	DESCRIPTION	REV
	0272521	Ref	SKYWELDER INSTALLATION (50HZ)	F
		Ref	Note: Australian, CE and Japanese Specs Only.	
1	0100011	AR	Compound, Locking	
2	0630518	2	Screw #10 x 3/4	
3	0641606	4	Bolt 3/8 x 3/4	
4	1320302	2	U-Clamp	
5	2030010	1	Extinguisher, Fire	
6	2902217	1	Weld Leads Kit	
7	3300151	4	Nut 1/4	
8	3311005	2	Nut #10	
9	3311605	4	Nut 3/8	
10	3573400	1	Bracket	
11	3577121	2	Angle	
12	3573642	1	Plate	
13	4240099	AR	Tie-Strap (Not Shown)	
14	4420037	AR	Tape	
15	4530028	1	Welder Assembly (See WELDER ASSEMBLY for Breakdown)	
16	4751400	4	Washer 1/4	
17	4751600	8	Washer 3/8	
18	4846627	1	Support	
19	4751000	2	Washer #10	
	0272588	Ref	SKYWELDER DECAL INSTALLATION	B
101	1705355	2	Decal - SkyWelder	
102	1705305	1	Decal - Weld Lead	
103	1705466	NLA	Decal - Weight (Use p/n 1001228988) (SN 0300209000 through 0300234293)	
103	1001228988	1	Decal - Weight (SN 0300234294 to Present)	

SECTION 5 - PLATFORM

FIGURE 5-36. SKYWELDER INSTALLATION (60HZ)



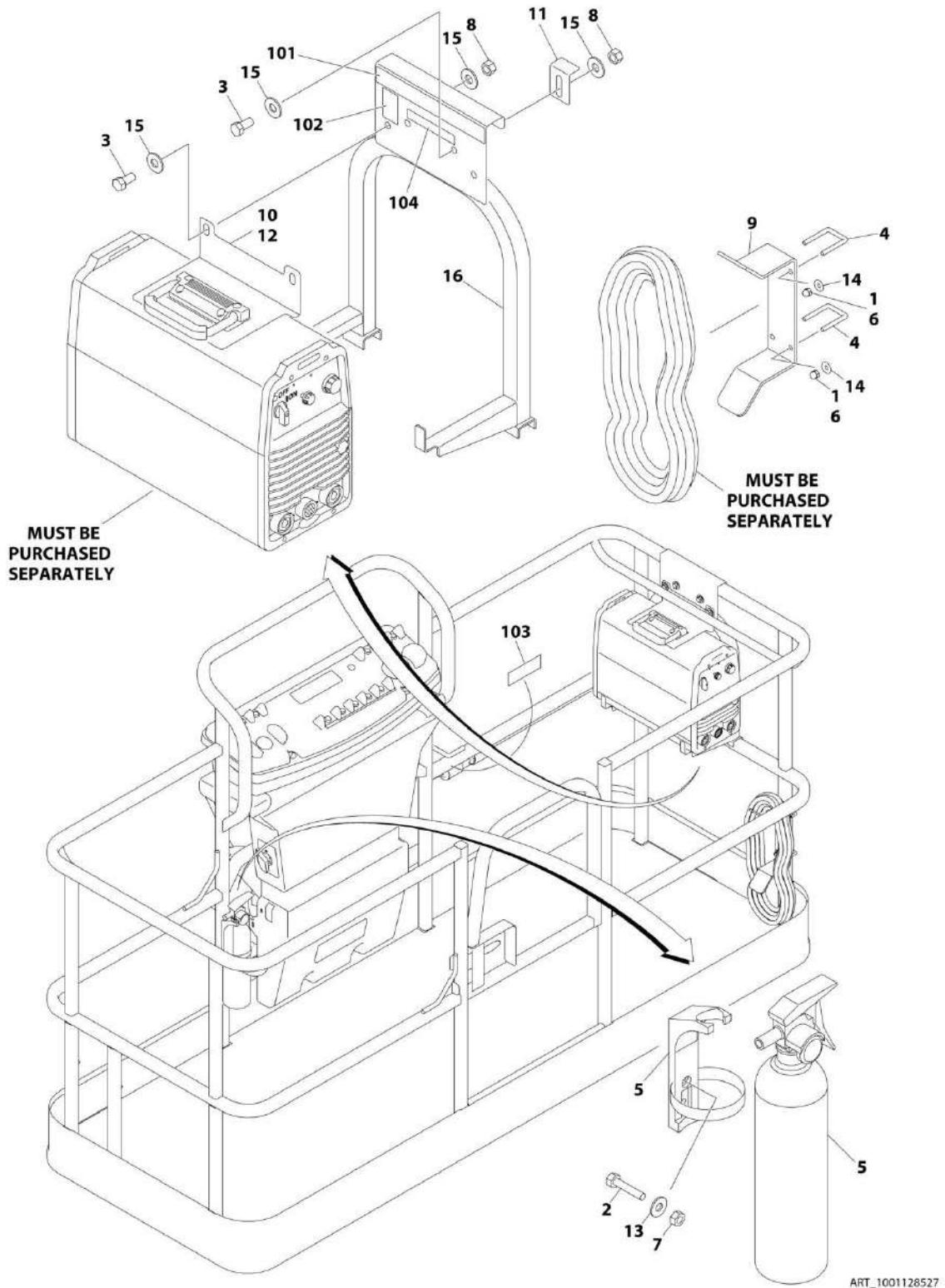
SECTION 5 - PLATFORM

FIGURE 5-36. SKYWELDER INSTALLATION (60HZ)

ITEM	PART NUMBER	QTY	DESCRIPTION	REV
	0272254	Ref	SKYWELDER INSTALLATION (60HZ)	I
		Ref	Note: ANSI, ANSI Export and CSA Specs Only.	
1	0100011	AR	Compound, Locking	
2	0630518	2	Screw #10 x 3/4	
3	0641606	4	Bolt 3/8 x 3/4	
4	1320302	2	U-Clamp	
5	2030010	1	Extinguisher, Fire	
6	2902217	1	Weld Leads Kit	
7	3300151	4	Nut 1/4	
8	3311005	2	Nut #10	
9	3311605	4	Nut 3/8	
10	3573400	1	Bracket	
11	3577121	2	Angle	
12	3573642	1	Plate	
13	4420037	AR	Tape	
14	4240099	AR	Tie-Strap (Not Shown)	
15	4460962	1	Plug, Male Twistlock	
17	4530028	1	Welder Assembly (See WELDER ASSEMBLY for Breakdown)	
18	4751400	4	Washer 1/4	
19	4751600	8	Washer 3/8	
20	4846627	1	Support	
21	1671093	1	Cover, Plug	
22	4751000	2	Washer #10	
	0272448	Ref	SKYWELDER DECAL INSTALLATION	B
101	1705355	2	Decal - SkyWelder	
102	1702868	1	Decal - No Hands	
103	1705305	1	Decal - Weld Lead	
104	1705375	1	Decal - 240V - 3 Phase - 60Hz	
105	1705466	NLA	Decal - Weight (Use p/n 1001228988) (SN 0300209000 through 0300234293)	
105	1001228988	1	Decal - Weight (SN 0300234294 to Present)	

SECTION 5 - PLATFORM

FIGURE 5-37. SKYWELDER PREP PACKAGE (60HZ)



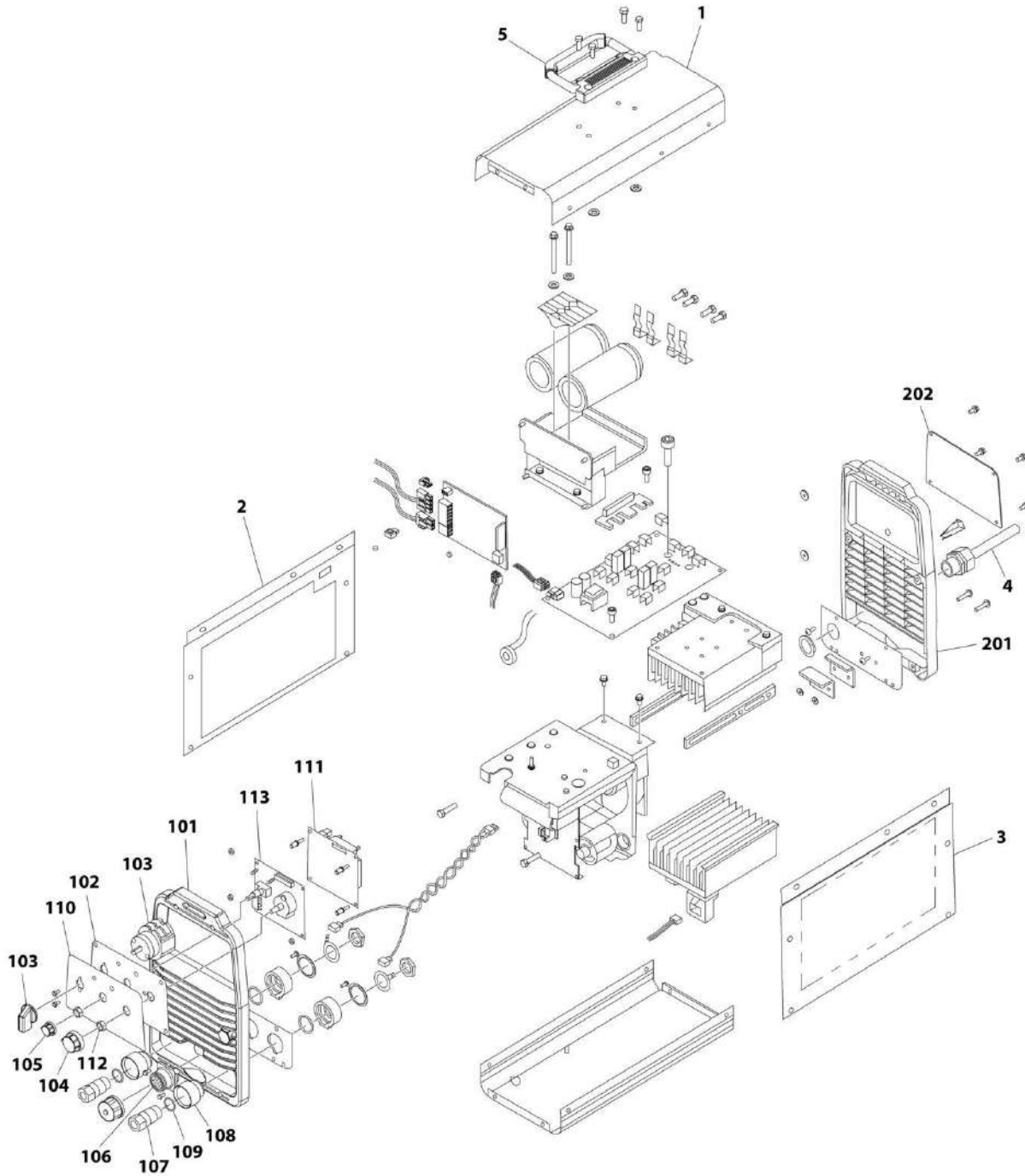
SECTION 5 - PLATFORM

FIGURE 5-37. SKYWELDER PREP PACKAGE (60HZ)

ITEM	PART NUMBER	QTY	DESCRIPTION	REV
	1001128527	Ref	SKYWELDER PREP PACKAGE (60HZ)	B
		Ref	Note: ANSI, ANSI Export and CSA Specs Only.	
1	0100011	AR	Compound, Locking	
2	0630518	2	Screw #10 x 3/4	
3	0641606	4	Bolt 3/8 x 3/4	
4	1320302	2	U-Clamp	
5	2030010	1	Extinguisher, Fire	
6	3300151	4	Nut 1/4	
7	3311005	2	Nut #10	
8	3311605	4	Nut 3/8	
9	3573400	1	Bracket	
10	3573642	1	Plate	
11	3577121	2	Angle	
12	4420037	AR	Tape	
13	4751000	2	Washer #10	
14	4751400	4	Washer 1/4	
15	4751600	8	Washer 3/8	
16	4846627	1	Support	
	1001128556	Ref	SKYWELDER DECAL INSTALLATION	B
101	1702868	1	Decal - No Hands	
102	1705305	1	Decal - Weld Lead	
103	1705375	1	Decal - 240V - 3 Phase - 60Hz	
104	1705466	1	Decal - Weight (Use p/n 1001228988) (SN 0300209000 through 0300234293)	
104	1001228988	1	Decal - Weight (SN 0300234294 to Present)	

SECTION 5 - PLATFORM

FIGURE 5-38. WELDER ASSEMBLY



ART_4530028

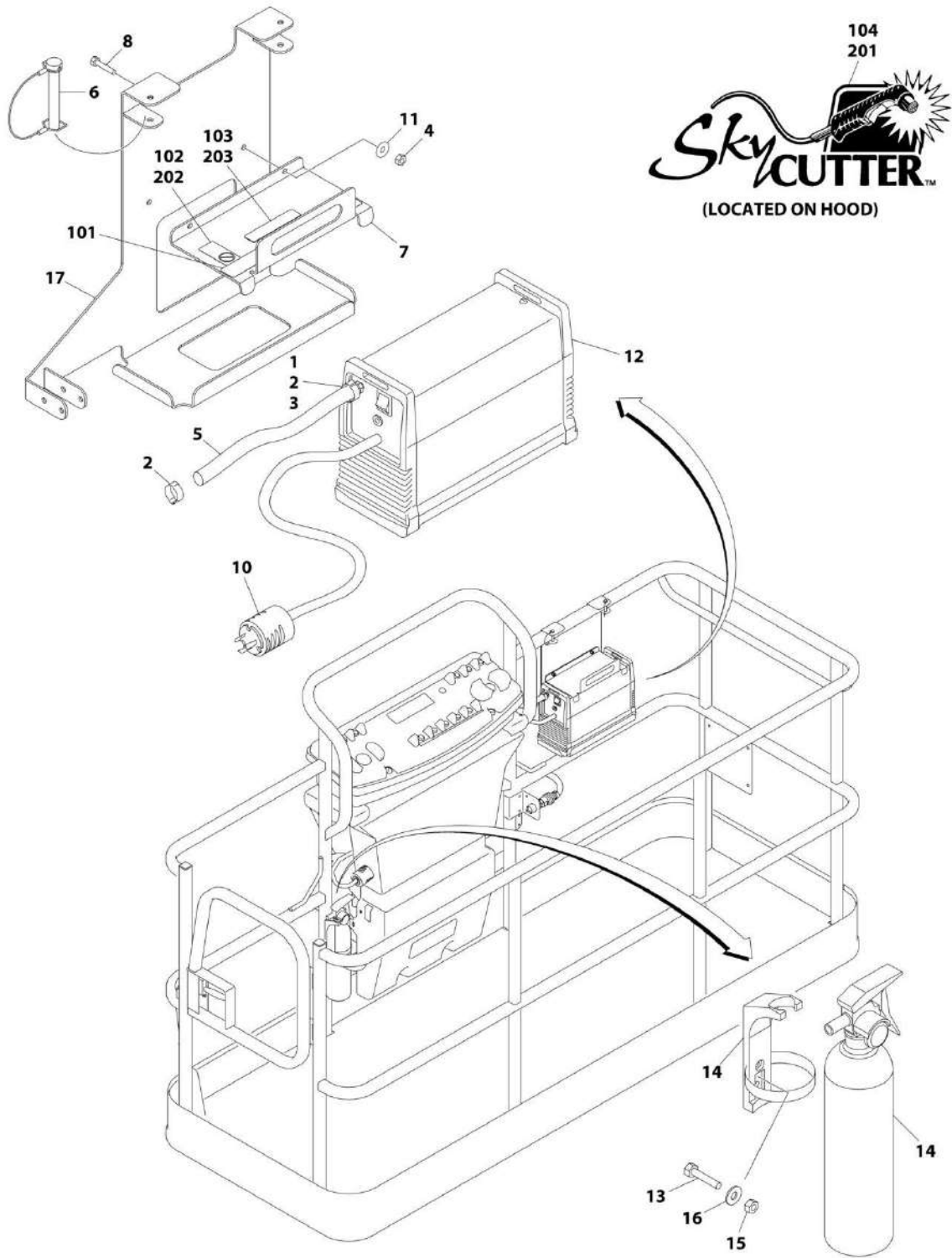
SECTION 5 - PLATFORM

FIGURE 5-38. WELDER ASSEMBLY

ITEM	PART NUMBER	QTY	DESCRIPTION	REV
	4530028	Ref	WELDER ASSEMBLY	B
		Ref	Note: For Other Components, contact your Miller Welder Dealer.	
1	7027773	1	Cover, Top	
1	7027774	1	Decal - Static Precautionary Warning	
2	See Note	NSS	Panel, LH Side (Note: Part of Item 1. Purchase Item 1)	
3	See Note	NSS	Panel, RH Side (Note: Part of Item 1. Purchase Item 1)	
4	7024467	1	Cable, Power	
4	7027775	1	Decal - Electrical Shock Warning (Not Shown)	
5	7027776	1	Handle, Carrying	
101	7024462	1	Panel, Front	
102	7024463	1	Panel, Console	
103	7024469	1	Switch with Lead	
104	7024470	1	Knob	
105	7024471	1	Knob	
106	7024472	1	Receptacle with Leads and Plugs	
107	7024473	2	Receptacle, Twistlock Female	
108	7024474	2	Insulator	
109	7024475	1	O-Ring	
110	7027777	1	Nameplate	
111	7027779	1	Circuit Card Assembly (Process Control)	
112	7024478	2	Nut	
113	7027778	1	Circuit Card Assembly (Operator Interface)	
201	7024462	1	Panel, Rear	
202	7027780	1	Panel, Cover	

SECTION 5 - PLATFORM

FIGURE 5-39. SKYCUTTER INSTALLATION



ART_1001098149

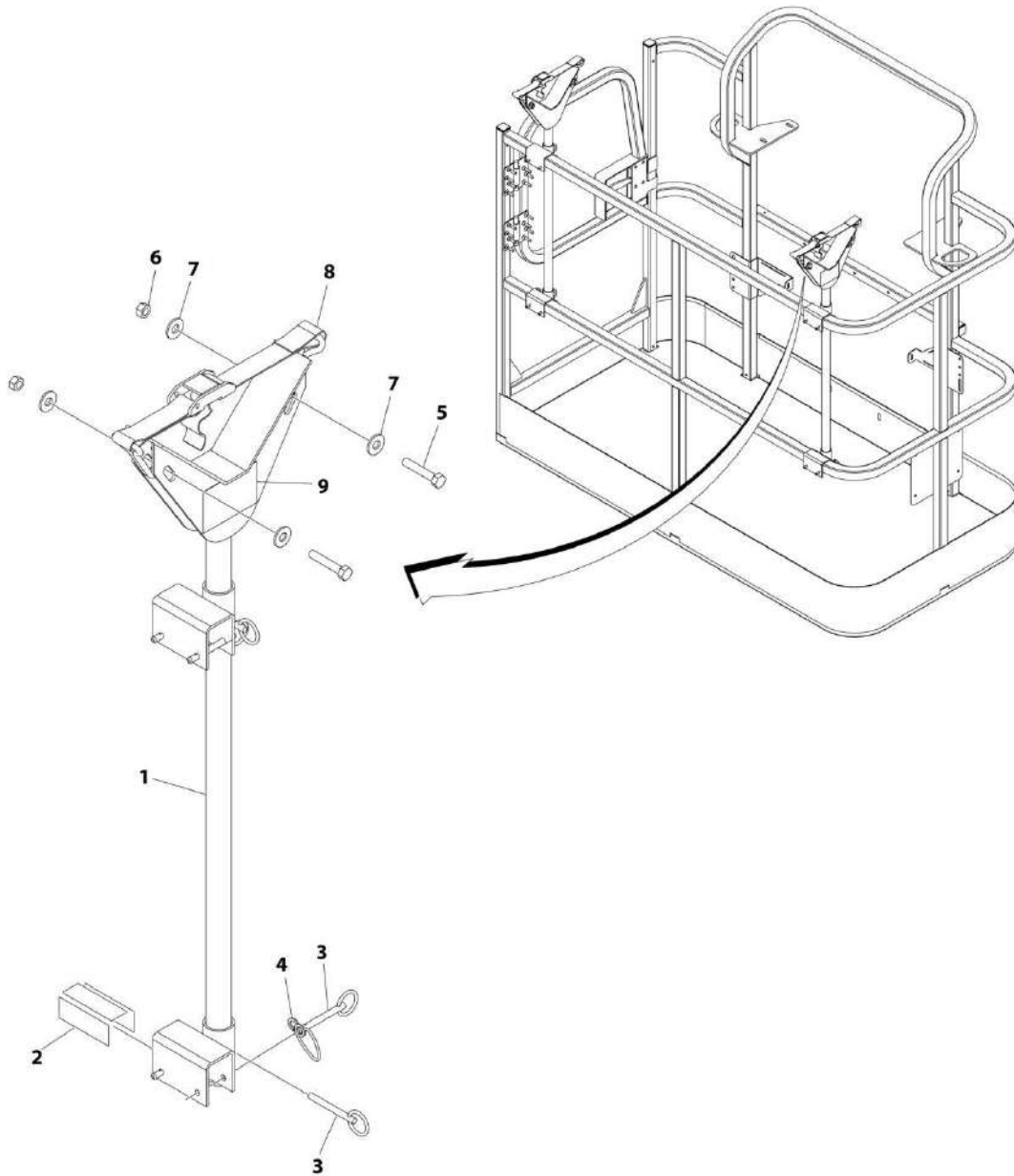
SECTION 5 - PLATFORM

FIGURE 5-39. SKYCUTTER INSTALLATION

ITEM	PART NUMBER	QTY	DESCRIPTION	REV
	1001098149	Ref	SKYCUTTER INSTALLATION	D
		Ref	Note: ANSI, ANSI Export, CSA and Japanese Specs Only.	
		Ref	Note: When replacing platform on machines with SkyCutter option, new bracket p/n 1001145405 must be purchased to accommodate SkyCutter components.	
1	0100020	AR	Sealant	
2	1320177	2	Clamp, Hose	
3	2180832	1	Fitting, NPT/Barbed	
4	3290605	2	Nut M6	
5	2720160	3 ft/.9m	Hose	
6	3421453	3	Pin	
7	3576799	1	Plate, Hold-Down	
8	4010608	2	Screw M6 x 16	
10	4460971	1	Plug, Twistlock	
11	4811700	2	Washer M6	
12	1001098012	1	Plasma Cutter Assembly (See PLASMA CUTTER ASSEMBLY for Breakdown)	
13	0630518	2	Screw #10 x 3/4	
14	2030010	1	Extinguisher, Fire	
15	3311005	2	Nut #10	
16	4751000	2	Washer #10	
17	1001145405	1	Support	
	0272599	Ref	SKYCUTTER DECAL INSTALLATION (ANSI, ANSI EXPORT AND CSA SPECS)	B
101	1702868	1	Decal - No Hands	
102	1705305	1	Decal - Weld Lead	
103	1705466	NLA	Decal - Weight (Use p/n 1001228988) (SN 0300209000 through 0300234293)	
103	1001228988	1	Decal - Weight (SN 0300234294 to Present)	
104	1705490	2	Decal - SkyCutter	
	0272607	Ref	SKYCUTTER DECAL INSTALLATION (JAPANESE SPECS)	B
201	1705490	2	Decal - SkyCutter	
202	1705305	1	Decal - Weld Lead	
203	1705466	NLA	Decal - Weight (Use p/n 1001228988) (SN 0300209000 through 0300234293)	
203	1001228988	1	Decal - Weight (SN 0300234294 to Present)	

SECTION 5 - PLATFORM

FIGURE 5-40. PIPE RACK INSTALLATION (ANSI AND CSA SPECS)



ART_0257728

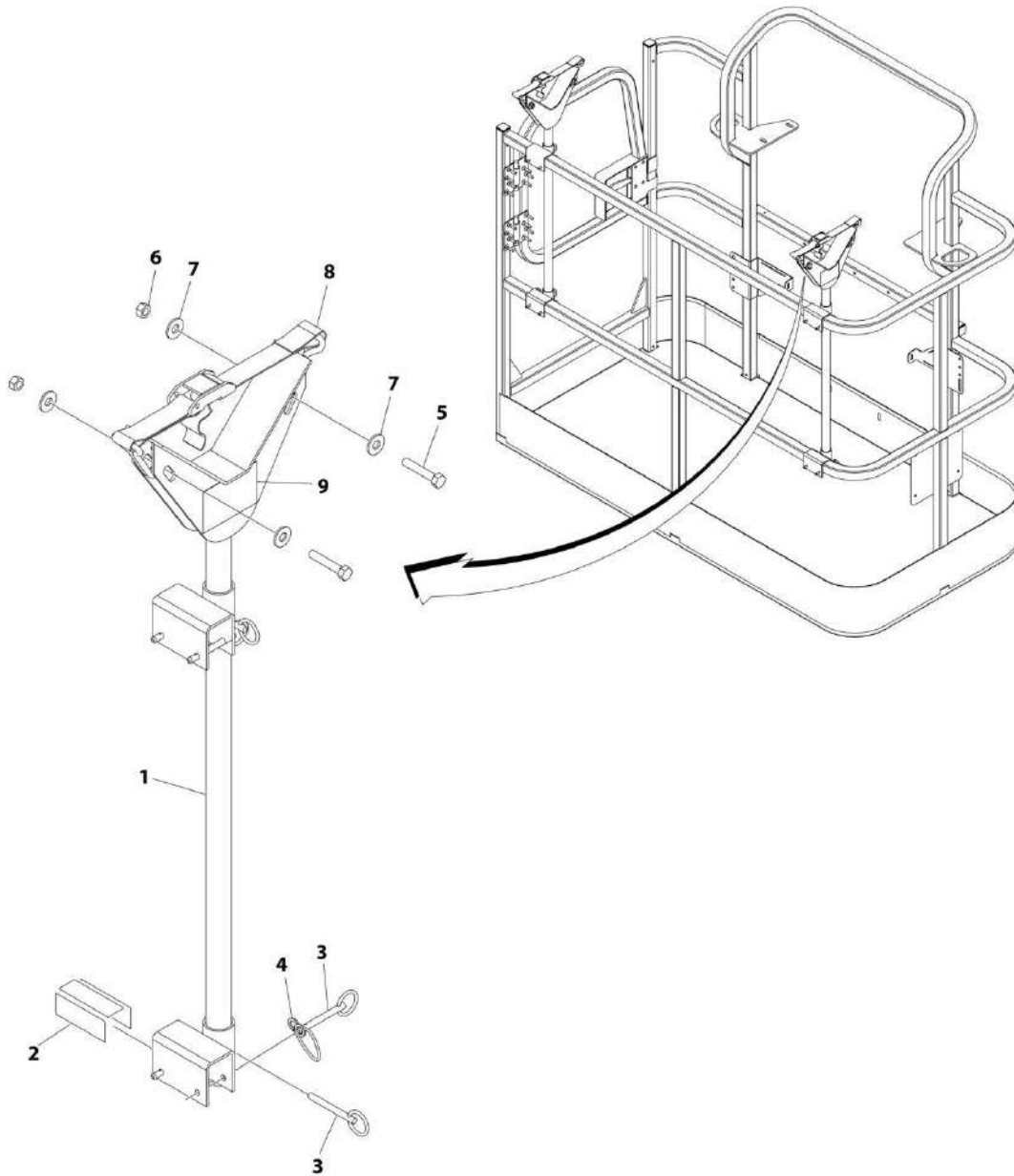
SECTION 5 - PLATFORM

FIGURE 5-40. PIPE RACK INSTALLATION (ANSI AND CSA SPECS)

ITEM	PART NUMBER	QTY	DESCRIPTION	REV
	0257728	Ref	PIPE RACK INSTALLATION (ANSI AND CSA SPECS)	2/C
1	4845582	2	Rack, Pipe	
2	4420062	AR	Tape	
3	3422661	10	Pin	
4	1060379	4	Lanyard	
5	0641514	4	Bolt 5/16 x 1-3/4	
6	3311505	4	Nut 5/16	
7	4751500	8	Washer 5/16	
8	0480100	2	Tie-Down	
9	1703683	2	Decal - Capacity	

SECTION 5 - PLATFORM

FIGURE 5-41. PIPE RACK INSTALLATION (AUSTRALIAN AND CE SPEC)



ART_0274661

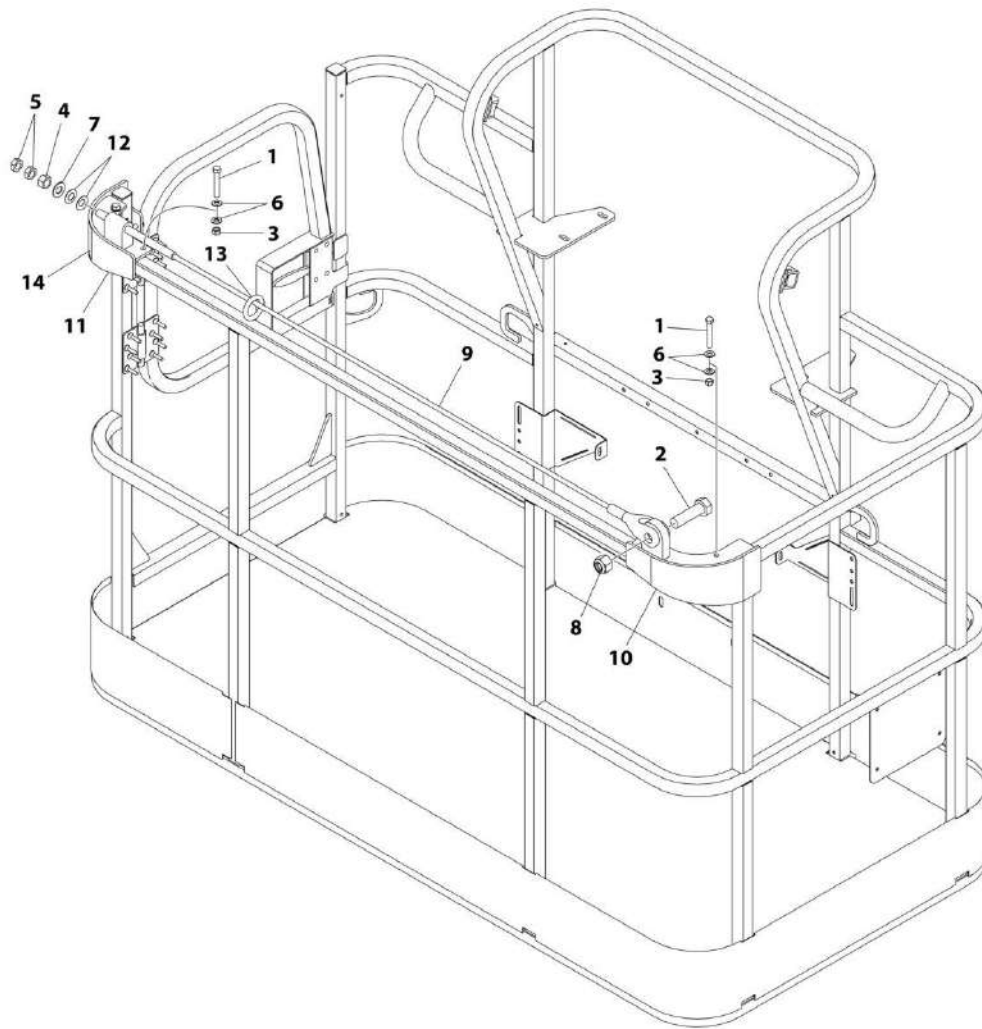
SECTION 5 - PLATFORM

FIGURE 5-41. PIPE RACK INSTALLATION (AUSTRALIAN AND CE SPEC)

ITEM	PART NUMBER	QTY	DESCRIPTION	REV
	0274661	Ref	PIPE RACK INSTALLATION (AUSTRALIAN AND CE SPEC)	1/A
1	4845582	2	Rack, Pipe	
2	4420062	AR	Tape	
3	3422661	10	Pin	
4	1060379	4	Lanyard	
5	0641514	4	Bolt 5/16 x 1-3/4	
6	3311505	4	Nut 5/16	
7	4751500	8	Washer 5/16	
8	0480100	2	Tie-Down	
9	1706510	2	Decal - Capacity	

SECTION 5 - PLATFORM

FIGURE 5-42. FALL ARREST INSTALLTION (BOLT-ON EXTERNAL) (6FT/1.82M PLATFORM)



ART_1001236747

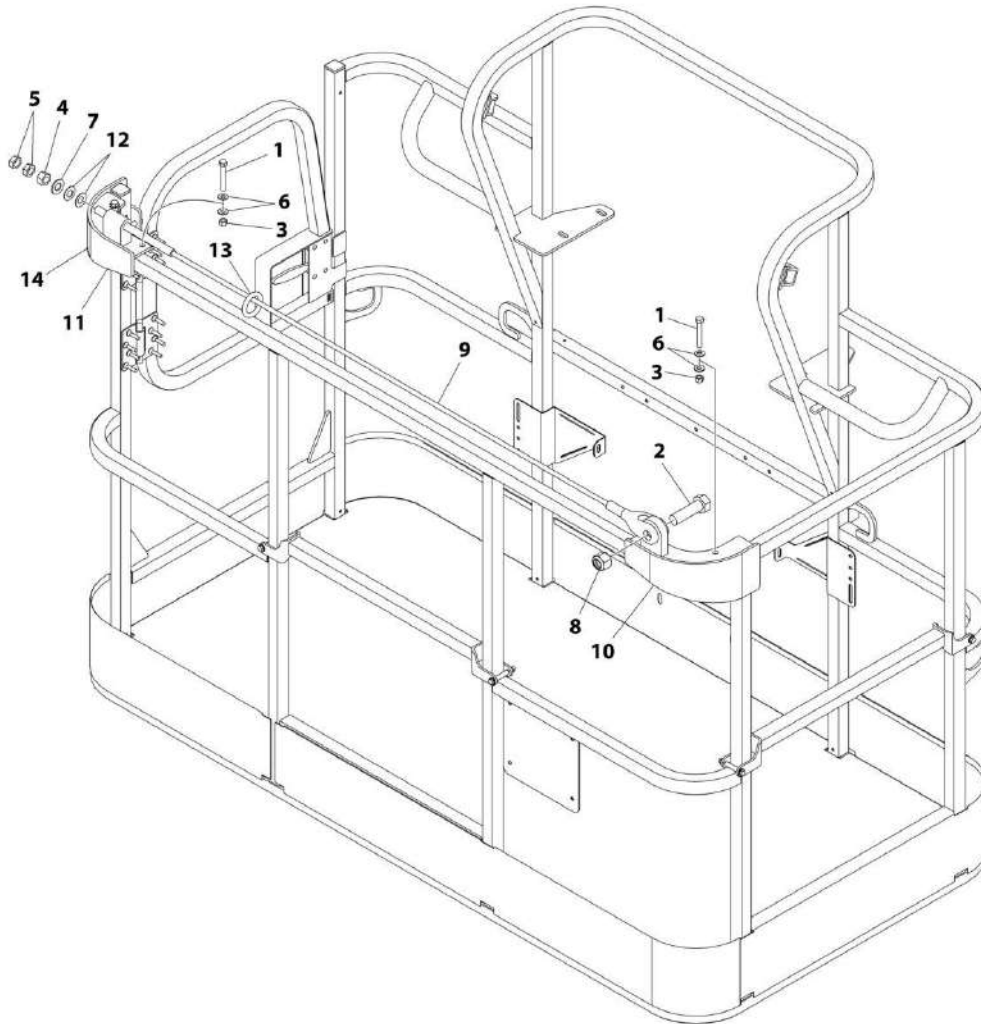
SECTION 5 - PLATFORM

FIGURE 5-42. FALL ARREST INSTALLTION (BOLT-ON EXTERNAL) (6FT/1.82M PLATFORM)

ITEM	PART NUMBER	QTY	DESCRIPTION	REV
	1001236747	Ref	FALL ARREST INSTALLATION (BOLT - ON) 6FT/1.82M PLATFORM	A
1	0681620	6	Bolt 3/8 x 2-1/2	
2	0682424	1	Bolt 7/8 x 3	
3	3271605	6	Nut 3/8	
4	3272001	1	Nut 5/8	
5	3312002	2	Nut 5/8	
6	4711600	12	Washer 3/8	
7	4712000	1	Washer 5/8	
8	88521214	1	Nut 7/8	
9	1001231950	1	Rope	
10	1001232010	1	Bracket (RH)	
11	1001232011	1	Bracket (LH)	
12	1001236891	2	Washer	
13	1001236895	1	Ring	
14	1001238263	1	Decal - Warning Falling Hazard	

SECTION 5 - PLATFORM

FIGURE 5-43. FALL ARREST INSTALLTION (BOLT-ON EXTERNAL) (6FT/1.82M TRI-ENTRY PLATFORM)



ART_1001238463

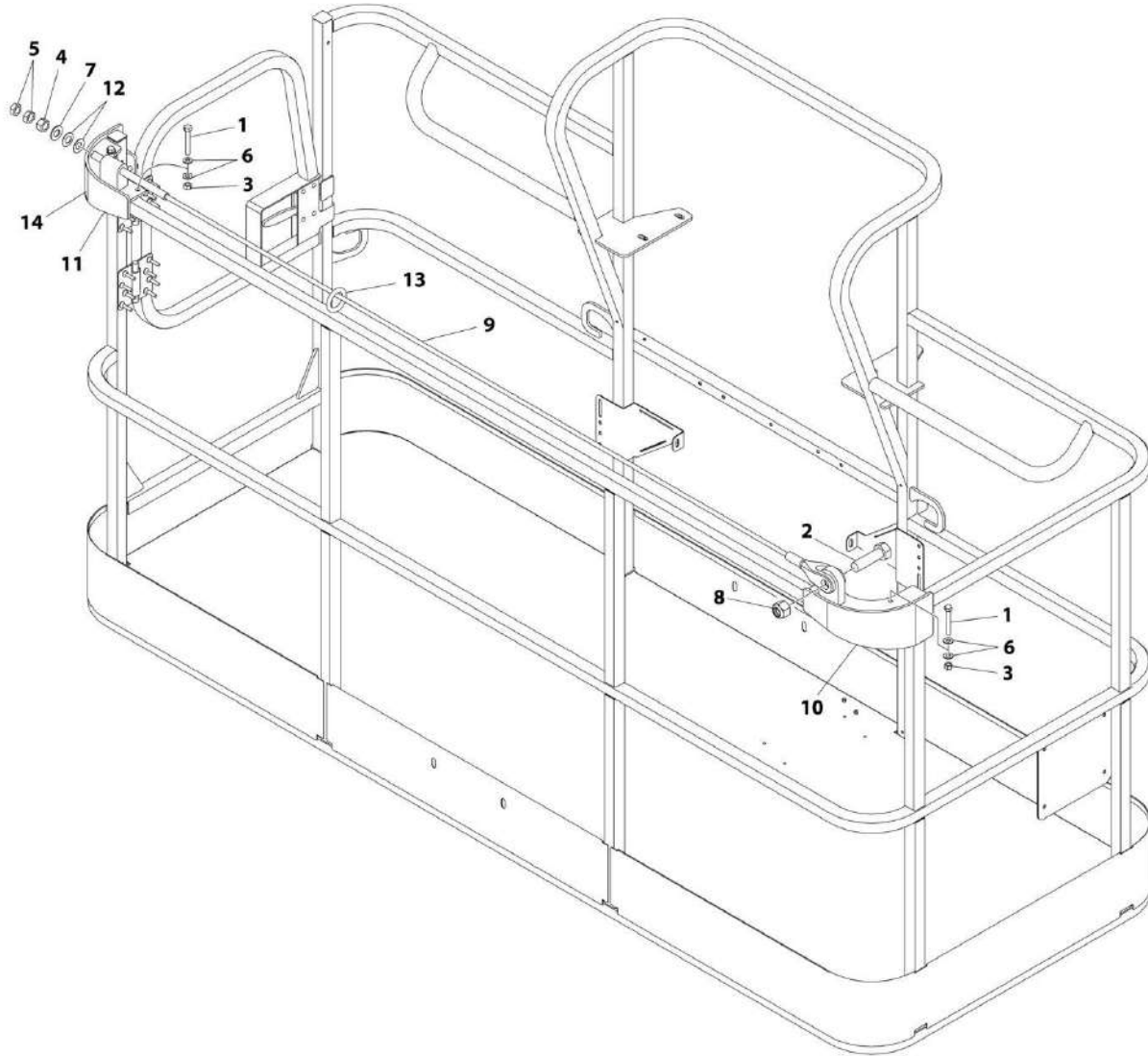
SECTION 5 - PLATFORM

FIGURE 5-43. FALL ARREST INSTALLTION (BOLT-ON EXTERNAL) (6FT/1.82M TRI-ENTRY PLATFORM)

ITEM	PART NUMBER	QTY	DESCRIPTION	REV
	1001238463	Ref	FALL ARREST INSTALLATION (BOLT - ON) 6FT/1.82M PLATFORM	B
1	0681620	6	Bolt 3/8 x 2-1/2	
2	0682424	1	Bolt 7/8 x 3	
3	3271605	6	Nut 3/8	
4	3272001	1	Nut 5/8	
5	3312002	2	Nut 5/8	
6	4711600	12	Washer 3/8	
7	4712000	1	Washer 5/8	
8	88521214	1	Nut 7/8	
9	1001231950	1	Rope	
10	1001232010	1	Bracket (RH)	
11	1001232011	1	Bracket (LH)	
12	1001236891	2	Washer	
13	1001236895	1	Ring	
14	1001238263	1	Decal - Warning Falling Hazard	

SECTION 5 - PLATFORM

FIGURE 5-44. FALL ARREST INSTALLTION (BOLT-ON EXTERNAL) (8FT/2.4M PLATFORM)



ART_1001236746

SECTION 5 - PLATFORM

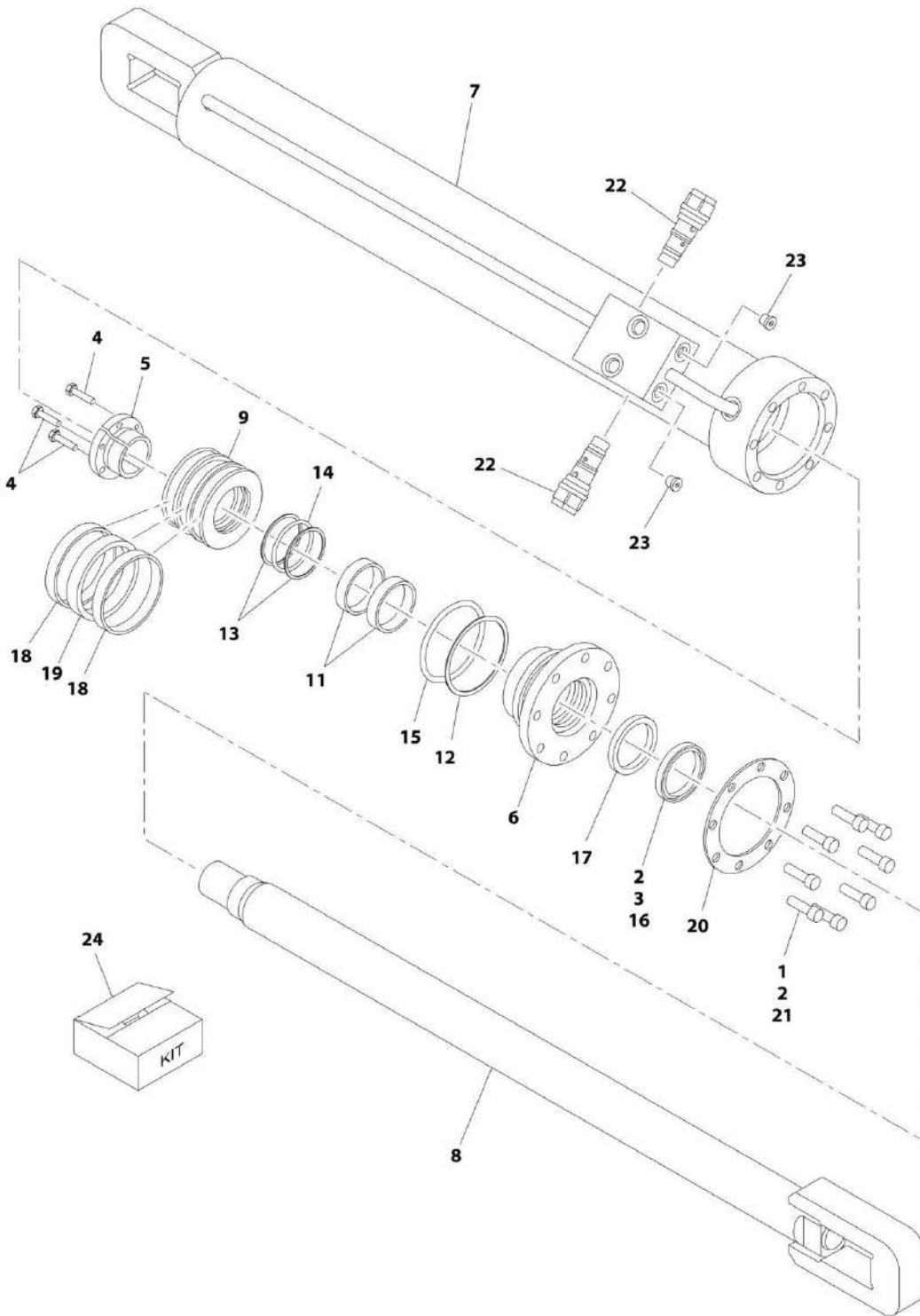
FIGURE 5-44. FALL ARREST INSTALLTION (BOLT-ON EXTERNAL) (8FT/2.4M PLATFORM)

ITEM	PART NUMBER	QTY	DESCRIPTION	REV
	1001236746	Ref	FALL ARREST INSTALLATION (BOLT - ON) 8FT/2.4M PLATFORM	A
1	0681620	6	Bolt 3/8 x 2-1/2	
2	0682424	1	Bolt 7/8 x 3	
3	3271605	6	Nut 3/8	
4	3272001	1	Nut 5/8	
5	3312002	2	Nut 5/8	
6	4711600	12	Washer 3/8	
7	4712000	1	Washer 5/8	
8	88521214	1	Nut 7/8	
9	1001231949	1	Rope	
10	1001232010	1	Bracket (RH)	
11	1001232011	1	Bracket (LH)	
12	1001236891	2	Washer	
13	1001236895	1	Ring	
14	1001238263	1	Decal - Warning Falling Hazard	

SECTION 6 - CYLINDER

SECTION 6 - CYLINDER

FIGURE 6-1. AXLE EXTENSION CYLINDER ASSEMBLY (SN 0300209000 through 0300239674)



ART_1684102

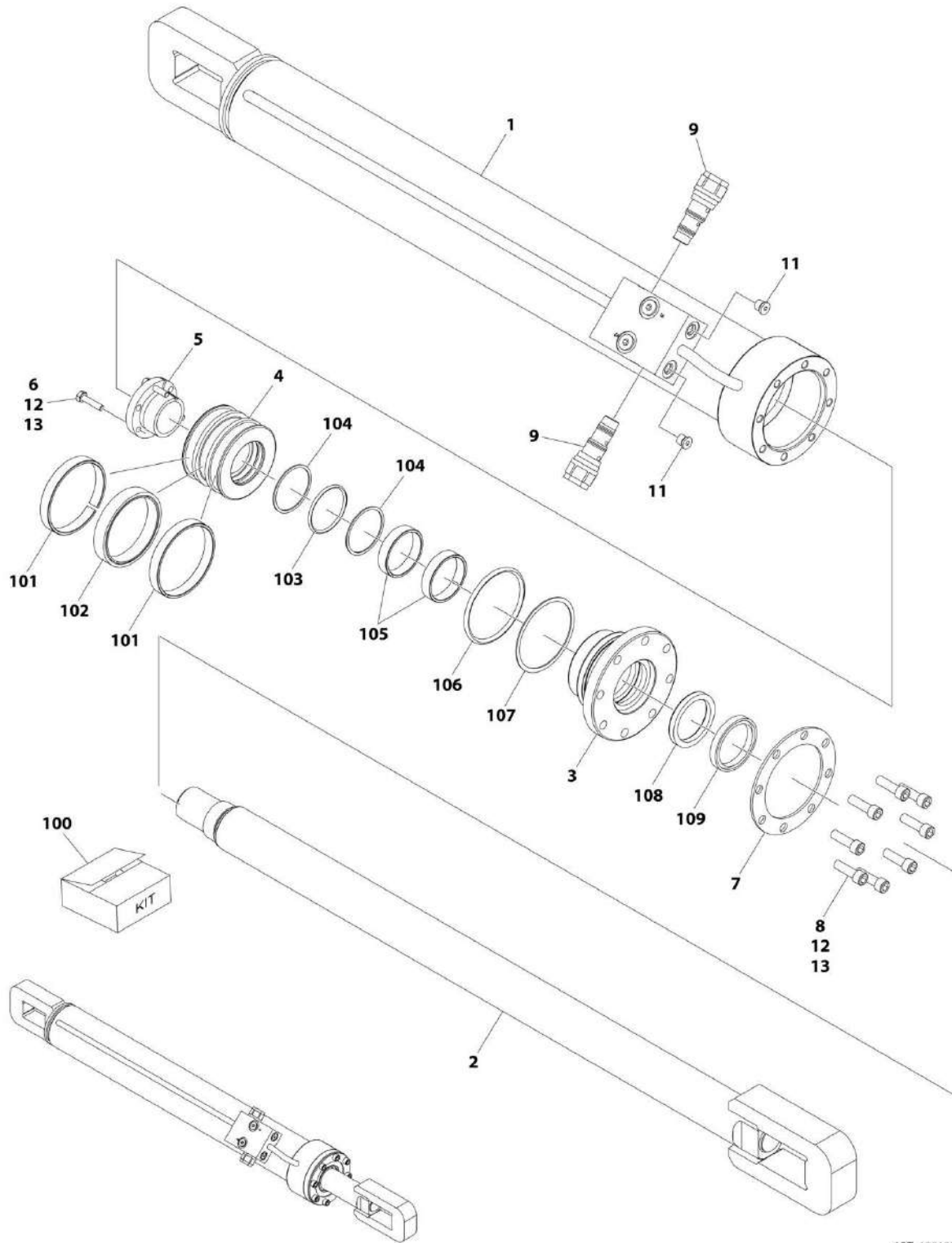
SECTION 6 - CYLINDER

FIGURE 6-1. AXLE EXTENSION CYLINDER ASSEMBLY (SN 0300209000 through 0300239674)

ITEM	PART NUMBER	QTY	DESCRIPTION	REV
	1684102	Ref	AXLE EXTENSION CYLINDER ASSEMBLY	E
		Ref	Note: Original Cylinder May Have Been Replaced with Service Replacement. Identify PN Stamped on Cylinder Before Ordering Parts.	
1	0100011	AR	Compound, Locking	
2	0100038	AR	Primer, Locking	
3	0100063	AR	Loctite #RC 609	
4	0630535	3	Capscrew 1/4 x 1-1/8	
5	0961896	1	Bushing, Tapered	
6	1683056	1	Head	
7	1684103	1	Barrel Weldment	
8	1684105	1	Rod Weldment	
9	3480272	1	Piston	
11	See Note	NSS	Ring, Wear (Note: Use Item 24)	
12	See Note	NSS	Ring, Back-up (Note: Use Item 24)	
13	See Note	NSS	Ring, Back-up (Note: Use Item 24)	
14	See Note	NSS	O-Ring (Note: Use Item 24)	
15	See Note	NSS	O-Ring (Note: Use Item 24)	
16	See Note	NSS	Wiper, Rod (Note: Use Item 24)	
17	See Note	NSS	Seal (Note: Use Item 24)	
18	See Note	NSS	Ring, Wear (Note: Use Item 24)	
19	See Note	NSS	T-Seal (Note: Use Item 24)	
20	3760369	1	Ring, Washer	
21	3931620	8	Bolt 3/8 x 1-1/4	
22	4640509	2	Cartridge, Holding Valve	
22	2900792	2	Seal Kit - 4640509 Cartridge Valve (1 Per Valve)	
23	2220883	2	Plug, O-Ring	
24	2901773	1	Seal Kit (Includes Items 11-19)	

SECTION 6 - CYLINDER

FIGURE 6-2. AXLE EXTENSION CYLINDER ASSEMBLY (SN 0300239675 to Present)



ART_1001228020

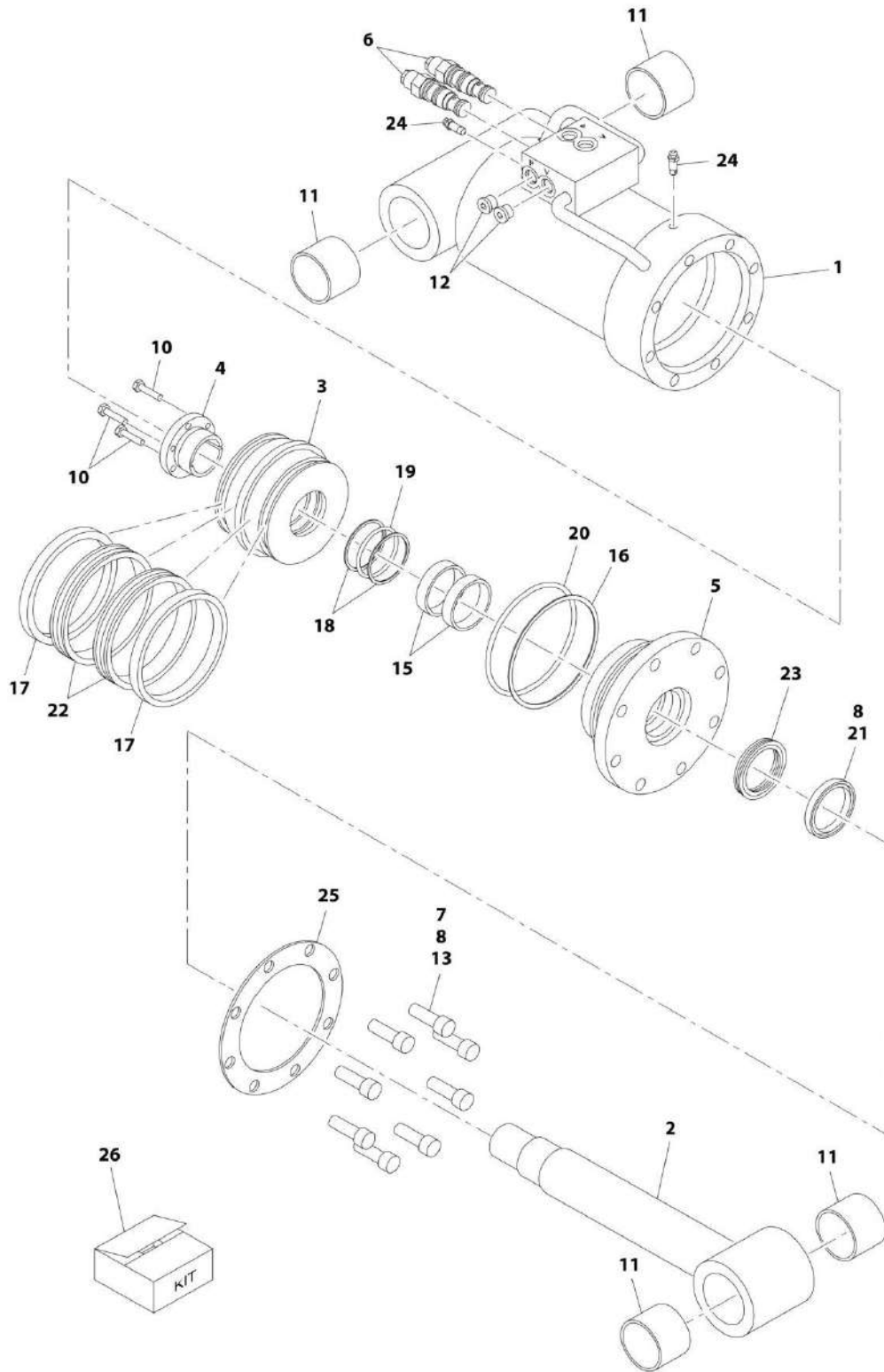
SECTION 6 - CYLINDER

FIGURE 6-2. AXLE EXTENSION CYLINDER ASSEMBLY (SN 0300239675 to Present)

ITEM	PART NUMBER	QTY	DESCRIPTION	REV
	1001228020	Ref	AXLE EXTENSION CYLINDER ASSEMBLY	D
1	See Note	NSS	Barrel Weldment (Note: Not Available for Purchase)	
2	70006363	1	Rod Weldment	
3	70006362	1	Head	
4	70006361	1	Piston	
5	70006360	1	Bushing, Tapered	
6	0630535	3	Capscrew 1/4 x 1-1/8	
7	70006359	1	Ring, Washer	
8	3931620	8	Bolt 3/8 x 1-1/4	
9	4640509	2	Cartridge, Holding Valve	
9	2900792	2	Seal Kit - 4640509 Cartridge Valve (1 Per Valve)	
11	2220883	2	Plug, O-Ring	
12	0100011	AR	Compound, Locking	
13	0100038	AR	Primer, Locking	
100	2901773	1	Seal Kit (Includes Items 101-109)	
101	See Note	NSS	Ring, Wear (Note: Use Item 100)	
102	See Note	NSS	T-Seal (Note: Use Item 100)	
103	See Note	NSS	O-Ring (Note: Use Item 100)	
104	See Note	NSS	Ring, Back-up (Note: Use Item 100)	
105	See Note	NSS	Ring, Wear (Note: Use Item 100)	
106	See Note	NSS	O-Ring (Note: Use Item 100)	
107	See Note	NSS	Ring, Back-up (Note: Use Item 100)	
108	See Note	NSS	Seal (Note: Use Item 100)	
109	See Note	NSS	Wiper, Rod (Note: Use Item 100)	

SECTION 6 - CYLINDER

FIGURE 6-3. AXLE LOCKOUT CYLINDER ASSEMBLY (SN 0300209000 through 0300239674)



ART_1684081

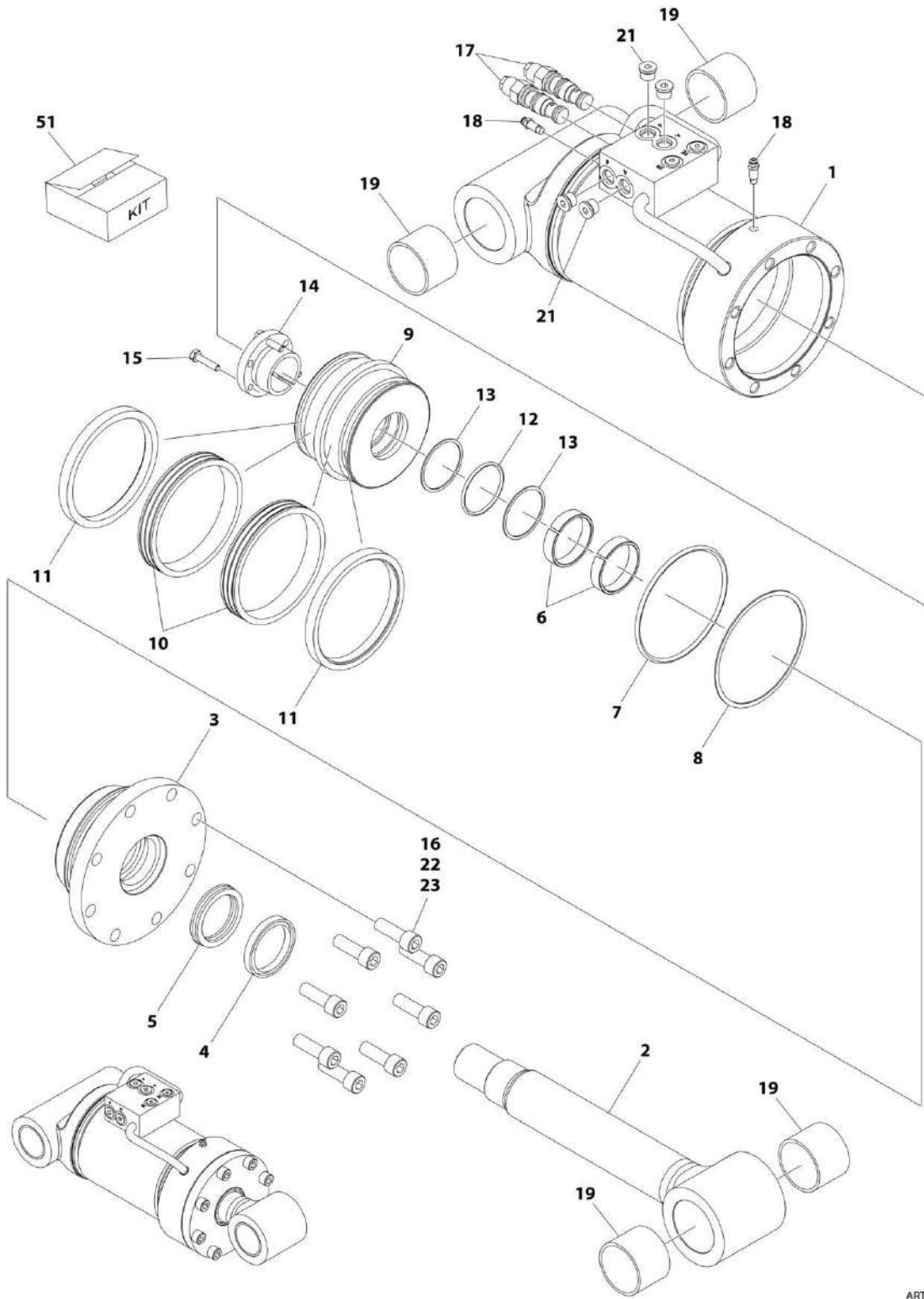
SECTION 6 - CYLINDER

FIGURE 6-3. AXLE LOCKOUT CYLINDER ASSEMBLY (SN 0300209000 through 0300239674)

ITEM	PART NUMBER	QTY	DESCRIPTION	REV
	1684081	Ref	AXLE LOCKOUT CYLINDER ASSEMBLY	F
		Ref	Note: Original Cylinder May Have Been Replaced with Service Replacement. Identify PN Stamped on Cylinder Before Ordering Parts.	
1	1684082	1	Barrel Weldment	
2	1684083	1	Rod Weldment	
3	3480269	1	Piston	
4	0961896	1	Bushing	
5	1683062	1	Head	
6	4641276	2	Cartridge, Valve (Counterbalance)	
6	2900770	2	Seal Kit - 4641276 Valve (1 Per Assembly)	
7	0100011	AR	Compound, Locking	
8	0100038	AR	Primer, Locking	
10	0630535	3	Bolt 1/4 x 1-1/8	
11	0961950	4	Bearing	
12	2220885	2	Plug, O-Ring	
13	3931824	8	Bolt 1/2 x 1-1/2	
15	See Note	NSS	Ring, Wear (Note: Use Item 26)	
16	See Note	NSS	Ring, Back-up (Note: Use Item 26)	
17	See Note	NSS	Ring, Lock (Note: Use Item 26)	
18	See Note	NSS	Ring, Back-up (Note: Use Item 26)	
19	See Note	NSS	O-Ring (Note: Use Item 26)	
20	See Note	NSS	O-Ring (Note: Use Item 26)	
21	See Note	NSS	Wiper (Note: Use Item 26)	
22	See Note	NSS	Seal (Note: Use Item 26)	
23	See Note	NSS	Seal, Rod (Note: Use Item 26)	
24	4640858	2	Valve, Bleeder	
25	3760371	1	Ring, Washer	
26	2902087	1	Seal Kit (Includes Items 15-23)	

SECTION 6 - CYLINDER

FIGURE 6-4. AXLE LOCKOUT CYLINDER ASSEMBLY (SN 0300239675 to Present)



ART_1001228019

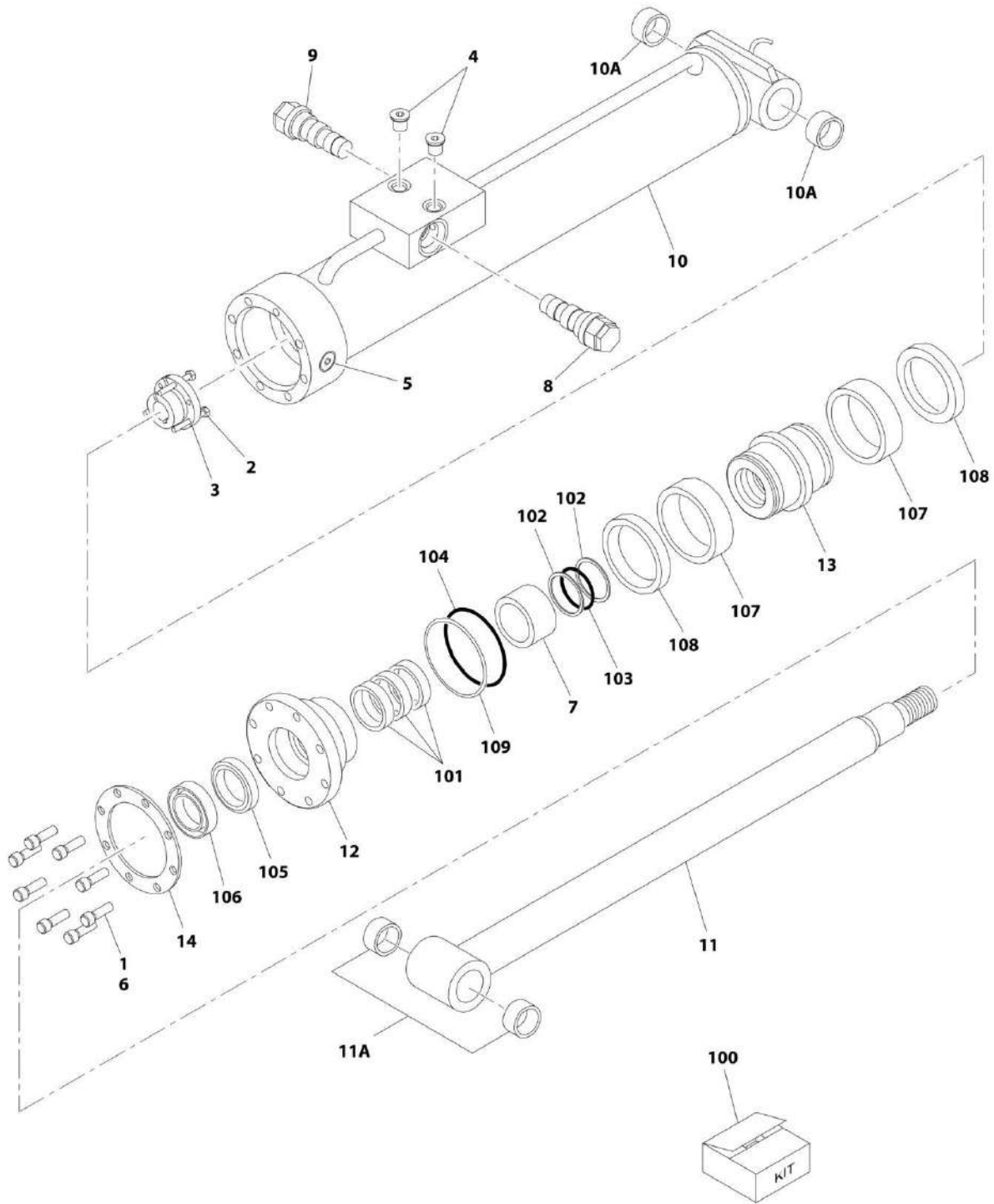
SECTION 6 - CYLINDER

FIGURE 6-4. AXLE LOCKOUT CYLINDER ASSEMBLY (SN 0300239675 to Present)

ITEM	PART NUMBER	QTY	DESCRIPTION	REV
	1001228019	Ref	AXLE LOCKOUT CYLINDER ASSEMBLY	C
1	See Note	NSS	Barrel Weldment (Note: Not Available for Purchase)	
2	70006520	1	Rod Weldment	
3	70006474	1	Head	
4	See Note	NSS	Wiper (Note: Use Item 51)	
5	See Note	NSS	Seal, Rod (Note: Use Item 51)	
6	See Note	NSS	Ring, Wear (Note: Use Item 51)	
7	See Note	NSS	O-Ring (Note: Use Item 51)	
8	See Note	NSS	Ring, Back-up (Note: Use Item 51)	
9	70006473	1	Piston	
10	See Note	NSS	Seal (Note: Use Item 51)	
11	See Note	NSS	Ring, Lock (Note: Use Item 51)	
12	See Note	NSS	O-Ring (Note: Use Item 51)	
13	See Note	NSS	Ring, Back-up (Note: Use Item 51)	
14	0961896	1	Bushing	
15	0630535	3	Bolt 1/4 x 1-1/8	
16	3931824	8	Bolt 1/2 x 1-1/2	
17	4641276	2	Cartridge, Valve Options: (Counterbalance)	
17	2900770	2	Seal Kit - 4641276 Valve (1 Per Assembly)	
18	4640858	2	Valve, Bleeder	
19	0961950	4	Bearing	
21	2220885	2	Plug, O-Ring	
22	0100011	AR	Compound, Locking	
23	0100038	AR	Primer, Locking	
51	2902087	1	Seal Kit (Includes Items 4-8 & 10-13)	

SECTION 6 - CYLINDER

FIGURE 6-5. LEVEL (JIB) CYLINDER ASSEMBLY - WITHOUT COLD WEATHER PLUS PACKAGE (SN 0300209000 through 0300239990)



ART_1001118142

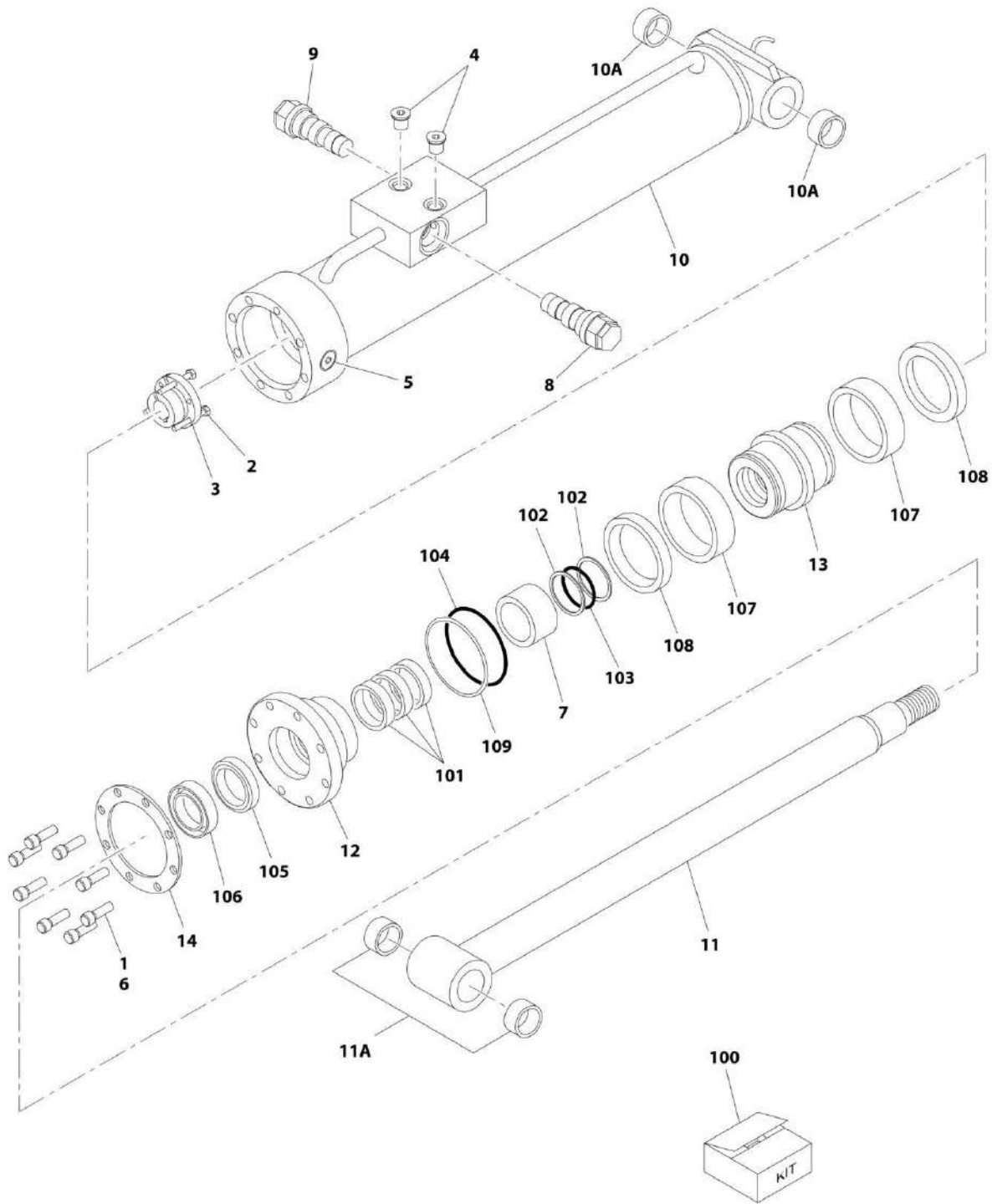
SECTION 6 - CYLINDER

FIGURE 6-5. LEVEL (JIB) CYLINDER ASSEMBLY - WITHOUT COLD WEATHER PLUS PACKAGE (SN 0300209000 through 0300239990)

ITEM	PART NUMBER	QTY	DESCRIPTION	REV
	1001118142	Ref	LEVEL (JIB) CYLINDER ASSEMBLY - WITHOUT COLD WEATHER PLUS PACKAGE	C
		Ref	Note: Original Cylinder May Have Been Replaced with Service Replacement. Identify PN Stamped on Cylinder Before Ordering Parts.	
1	0100011	AR	Compound, Locking	
2	0630535	3	Bolt 1/4 x 1-1/8	
3	0961897	1	Bushing, Tapered	
4	2220885	2	Plug, O-Ring	
5	2220886	1	Plug, O-Ring	
6	3932032	8	Capscrew 5/8 x 2	
7	4566667	1	Spacer	
8	4640999	1	Cartridge, Holding Valve (Non Vented)	
8	2900792	1	Seal Kit - 4640999 Cartridge Valve	
9	4641248	1	Cartridge, Counterbalance Valve (Non Vented)	
9	See Note	1	Seal Kit - 4641248 Cartridge Valve (Note: Not Available for Purchase)	
10	1001118143	1	Barrel Weldment	
10A	0961950	2	Bushing	
11	1001118145	1	Rod Weldment	
11A	0961950	2	Bushing	
12	1001118148	1	Head	
13	1001118149	1	Piston	
14	1001118177	1	Ring, Washer	
100	1001119647	1	Seal Kit (Includes Items 101-109)	
101	See Note	NSS	Ring, Wear (Note: Use Item 100)	
102	See Note	NSS	Ring, Back-up (Note: Use Item 100)	
103	See Note	NSS	O-Ring (Note: Use Item 100)	
104	See Note	NSS	O-Ring (Note: Use Item 100)	
105	See Note	NSS	Seal (Note: Use Item 100)	
106	See Note	NSS	Wiper, Rod (Note: Use Item 100)	
107	See Note	NSS	Seal (Note: Use Item 100)	
108	See Note	NSS	Ring, Guide (Note: Use Item 100)	
109	See Note	NSS	Ring, Back-up (Note: Use Item 100)	

SECTION 6 - CYLINDER

FIGURE 6-6. LEVEL (JIB) CYLINDER ASSEMBLY - WITH COLD WEATHER PLUS PACKAGE (SN 0300209000 through 0300239990)



ART_1001139998

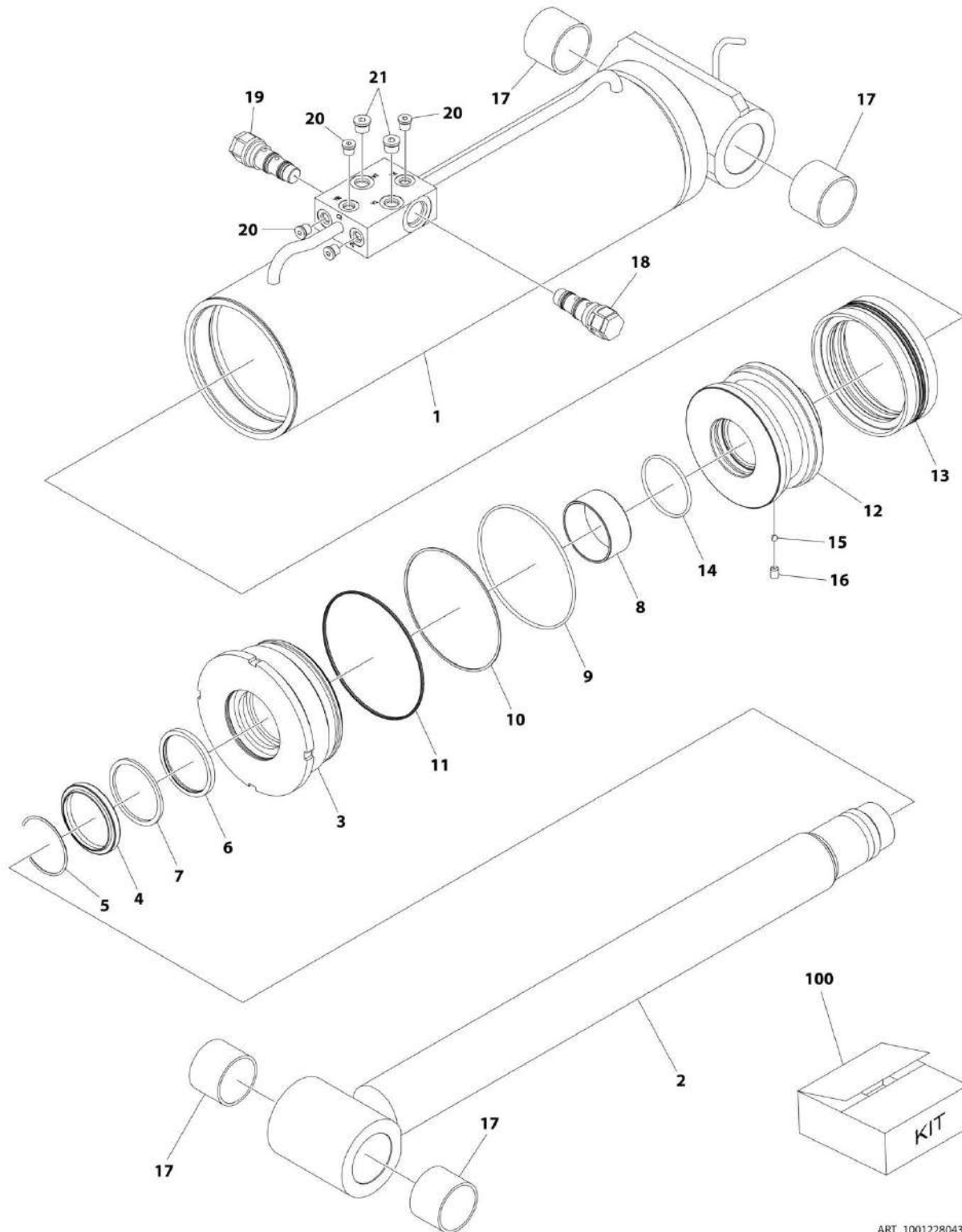
SECTION 6 - CYLINDER

FIGURE 6-6. LEVEL (JIB) CYLINDER ASSEMBLY - WITH COLD WEATHER PLUS PACKAGE (SN 0300209000 through 0300239990)

ITEM	PART NUMBER	QTY	DESCRIPTION	REV
	1001139998	Ref	LEVEL (JIB) CYLINDER ASSEMBLY - WITH COLD WEATHER PLUS PACKAGE	B
		Ref	Note: Original Cylinder May Have Been Replaced with Service Replacement. Identify PN Stamped on Cylinder Before Ordering Parts.	
1	0100011	AR	Compound, Locking	
2	0630535	3	Bolt 1/4 x 1-1/8	
3	0961897	1	Bushing, Tapered	
4	2220885	2	Plug, O-Ring	
5	2220886	1	Plug, O-Ring	
6	3932032	8	Capscrew 5/8 x 2	
7	4566667	1	Spacer	
8	4640999	1	Cartridge, Holding Valve (Non Vented)	
8	2900792	1	Seal Kit - 4640999 Cartridge Valve	
9	4641248	1	Cartridge, Counterbalance Valve (Non Vented)	
9	See Note	1	Seal Kit - 4641248 Cartridge Valve (Note: Not Available for Purchase)	
10	1001118143	1	Barrel Weldment	
10A	0961950	2	Bushing	
11	1001118145	1	Rod Weldment	
11A	0961950	2	Bushing	
12	1001118148	1	Head	
13	1001118149	1	Piston	
14	1001118177	1	Ring, Washer	
100	1001139994	1	Seal Kit (Includes Items 101-109)	
101	See Note	NSS	Ring, Wear (Note: Use Item 100)	
102	See Note	NSS	Ring, Back-up (Note: Use Item 100)	
103	See Note	NSS	O-Ring (Note: Use Item 100)	
104	See Note	NSS	O-Ring (Note: Use Item 100)	
105	See Note	NSS	Seal (Note: Use Item 100)	
106	See Note	NSS	Wiper, Rod (Note: Use Item 100)	
107	See Note	NSS	Seal (Note: Use Item 100)	
108	See Note	NSS	Ring, Guide (Note: Use Item 100)	
109	See Note	NSS	Ring, Back-up (Note: Use Item 100)	

SECTION 6 - CYLINDER

FIGURE 6-7. LEVEL (JIB) CYLINDER ASSEMBLY - WITH OR WITHOUT COLD WEATHER PLUS PACKAGE (SN 0300239991 to Present)



ART_1001228043

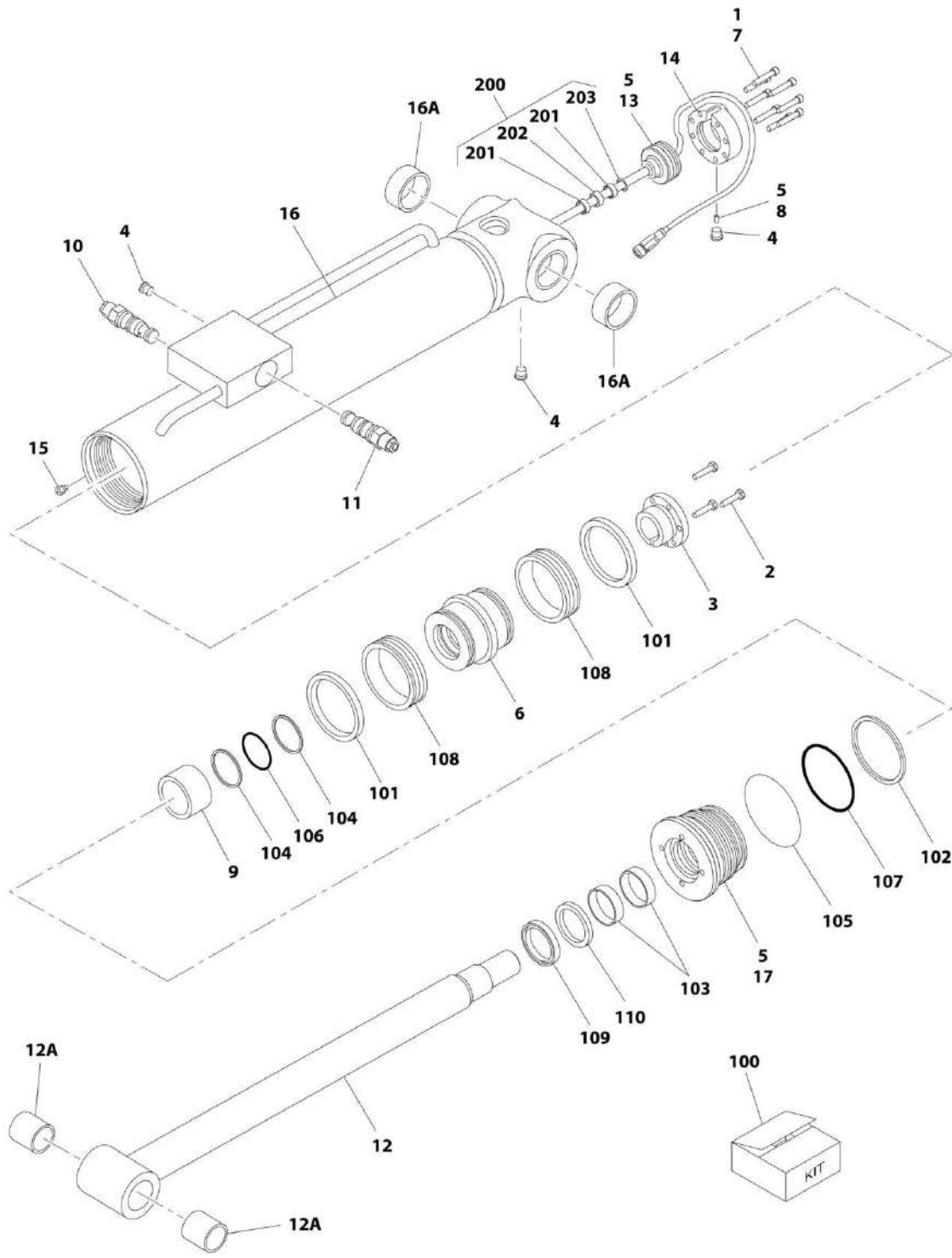
SECTION 6 - CYLINDER

FIGURE 6-7. LEVEL (JIB) CYLINDER ASSEMBLY - WITH OR WITHOUT COLD WEATHER PLUS PACKAGE (SN 0300239991 to Present)

ITEM	PART NUMBER	QTY	DESCRIPTION	REV
	1001228043	Ref	LEVEL (JIB) CYLINDER ASSEMBLY - WITH OR WITHOUT COLD WEATHER PLUS PACKAGE	B
		Ref	Note: Original Cylinder May Have Been Replaced with Service Replacement. Identify PN Stamped on Cylinder Before Ordering Parts.	
1	See Note	NSS	Barrel Weldment (Note: Not Available for Purchase)	
2	70006646	1	Rod Weldment	
3	70006635	1	Head	
4	See Note	NSS	Wiper, Rod (Note: Use Item 100)	
5	70050795	1	Ring, Retaining	
6	See Note	NSS	Seal, Rod (Note: Use Item 100)	
7	See Note	NSS	Ring, Back-up (Note: Use Item 100)	
8	70006636	1	Ring, Wear	
9	See Note	NSS	O-Ring (Note: Use Item 100)	
10	See Note	NSS	Ring, Back-up (Note: Use Item 100)	
11	See Note	NSS	O-Ring (Note: Use Item 100)	
12	70006637	1	Piston	
13	See Note	NSS	Seal, Piston (Note: Use Item 100)	
14	See Note	NSS	O-Ring (Note: Use Item 100)	
15	70006596	1	Ball, Steel	
16	70022564	1	Setscrew	
17	0961950	4	Bushing	
18	4640999	1	Cartridge, Holding Valve (Non Vented)	
18	2900792	1	Seal Kit - 4640999 Cartridge Valve	
19	4641248	1	Cartridge, Counterbalance Valve (Non Vented)	
19	See Note	1	Seal Kit - 4641248 Cartridge Valve (Note: Not Available for Purchase)	
20	2220883	4	Plug, O-Ring	
21	2220885	2	Plug, O-Ring	
100	70006647	1	Seal Kit (Includes Items 4, 6, 7, 9-11, 13 & 14)	

SECTION 6 - CYLINDER

FIGURE 6-8. LEVEL (PLATFORM) CYLINDER ASSEMBLY (SN 0300209000 through 0300239674)



ART_1001139999

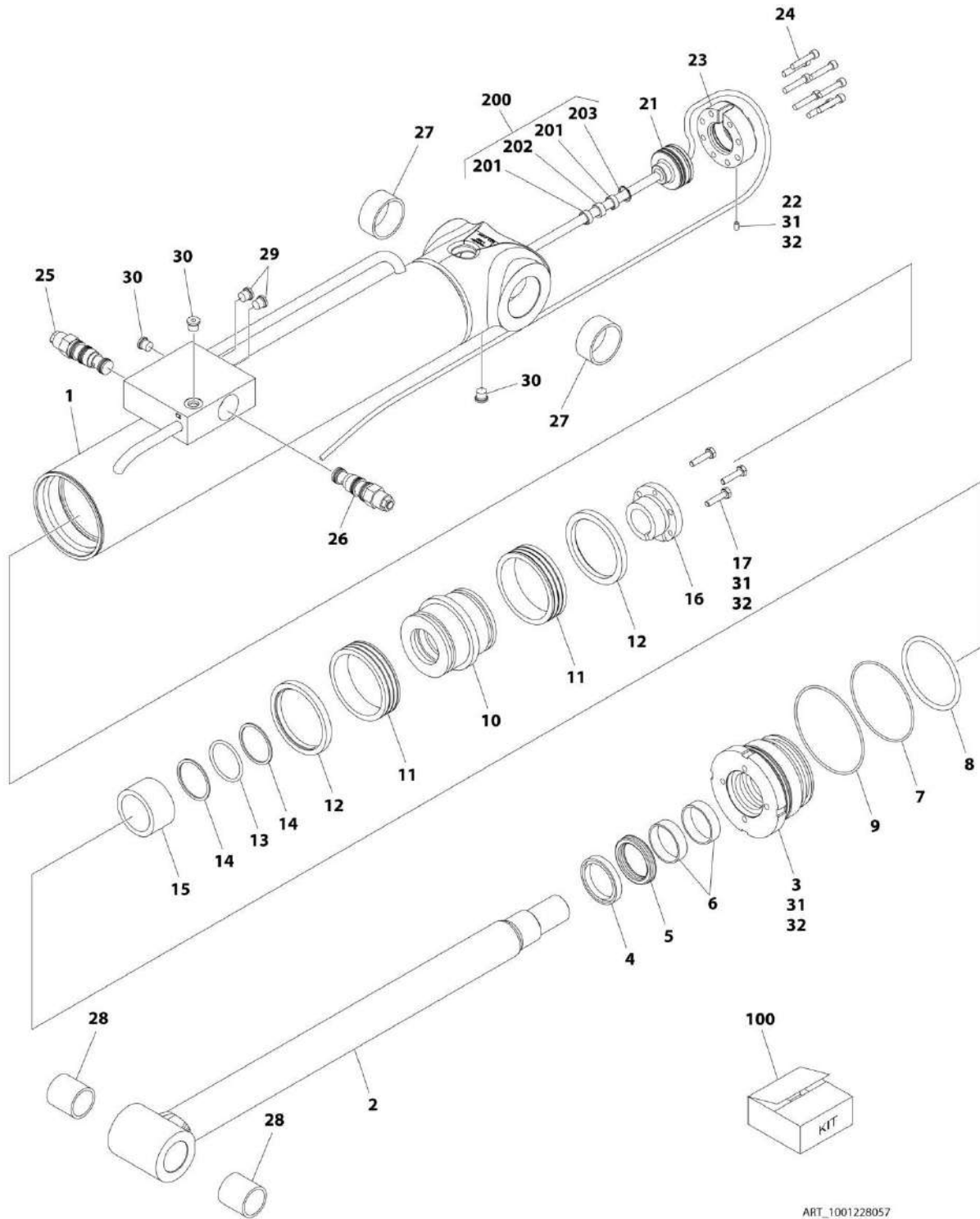
SECTION 6 - CYLINDER

FIGURE 6-8. LEVEL (PLATFORM) CYLINDER ASSEMBLY (SN 0300209000 through 0300239674)

ITEM	PART NUMBER	QTY	DESCRIPTION	REV
	1001139999	Ref	LEVEL (PLATFORM) CYLINDER ASSEMBLY	D
		Ref	Note: Original Cylinder May Have Been Replaced with Service Replacement. Identify PN Stamped on Cylinder Before Ordering Parts.	
1	0100011	AR	Compound, Locking	
2	0630535	3	Capscrew 1/4 x 1-1/8	
3	0961902	1	Bushing, Tapered	
4	2220883	2	Plug, O-Ring	
5	3020039	AR	Lubricant	
6	3480233	1	Piston	
7	3931420	8	Capscrew 1/4 x 1-1/4	
8	3951003	1	Setscrew #10 x 3/8	
9	4567434	1	Spacer	
10	4640489	1	Cartridge, Counterbalance Valve	
10	See Note	NSS	Seal Kit - 4640489 Cartridge Valve (1 Per Valve) (Note: Not Available for Purchase)	
11	4641260	1	Cartridge, Counterbalance Valve	
11	2900770	1	Seal Kit - 4641260 Cartridge Valve (1 Per Valve)	
12	1001117984	1	Rod Weldment	
12A	0962006	2	Bushing	
13	1001117990	1	Sensor, Cylinder Length	
14	1001118070	1	Cap, Retainer	
15	1001125137	1	Screw #8	
16	1001129920	1	Barrel Weldment	
16A	1001117969	2	Bushing	
17	1001129921	1	Head	
100	1001139995	1	Seal Kit (Includes Items 101-110)	
101	See Note	NSS	Ring, Lock (Note: Use Item 100)	
102	See Note	NSS	Ring, Back-up (Note: Use Item 100)	
103	See Note	NSS	Ring, Wear (Note: Use Item 100)	
104	See Note	NSS	Ring, Back-up (Note: Use Item 100)	
105	See Note	NSS	O-Ring (Note: Use Item 100)	
106	See Note	NSS	O-Ring (Note: Use Item 100)	
107	See Note	NSS	O-Ring (Note: Use Item 100)	
108	See Note	NSS	Seal (Note: Use Item 100)	
109	See Note	NSS	Wiper, Rod (Note: Use Item 100)	
110	See Note	NSS	Seal (Note: Use Item 100)	
200	1001119105	1	Sensor Magnet Kit (Includes Items 201-203)	
201	1001117994	2	Sleeve, Spacer	
202	1001118066	1	Magnet, Sensor	
203	1001118069	1	Ring, Internal Retaining	

SECTION 6 - CYLINDER

FIGURE 6-9. LEVEL (PLATFORM) CYLINDER ASSEMBLY (SN 0300239675 to Present)



ART_1001228057

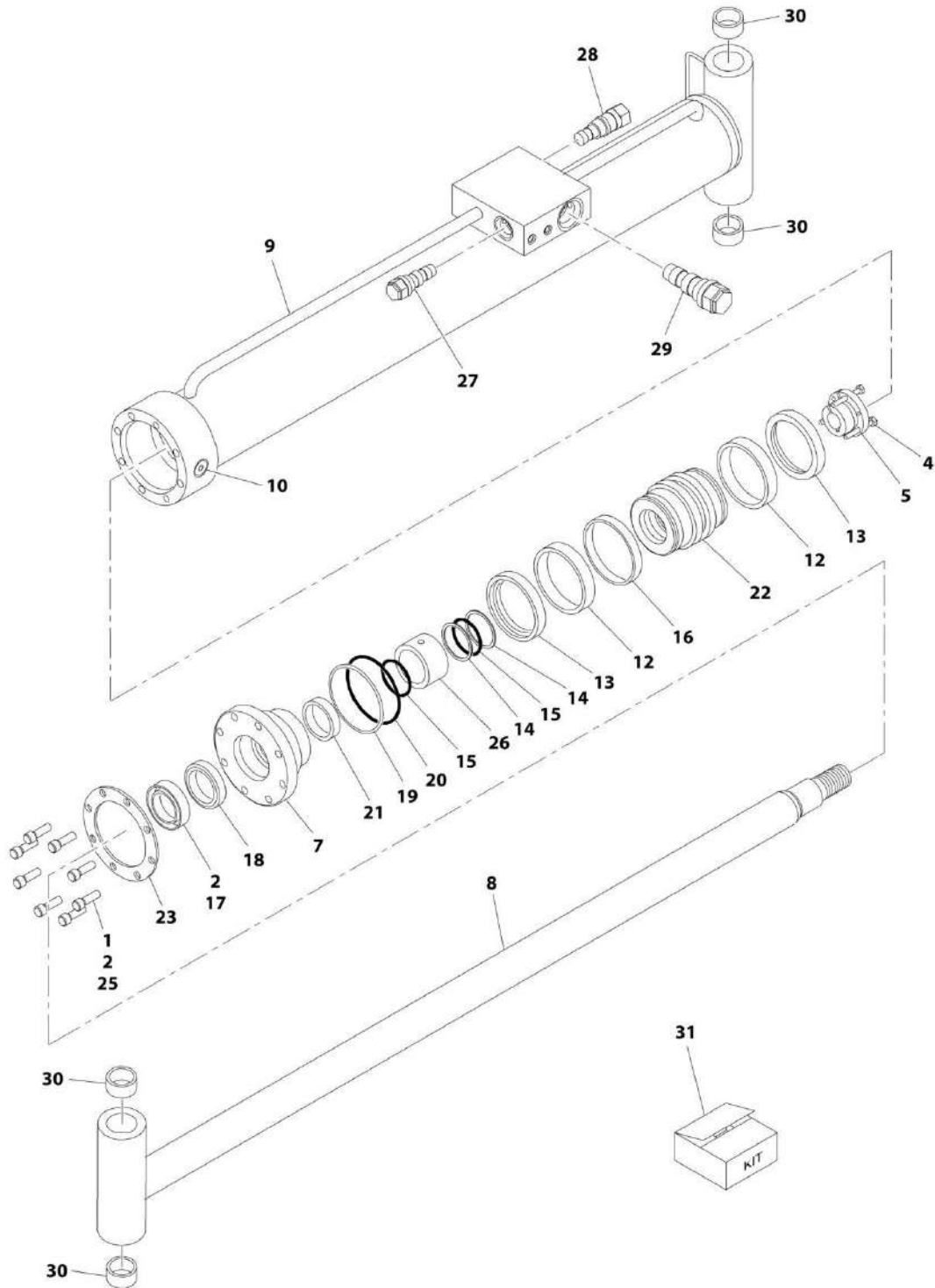
SECTION 6 - CYLINDER

FIGURE 6-9. LEVEL (PLATFORM) CYLINDER ASSEMBLY (SN 0300239675 to Present)

ITEM	PART NUMBER	QTY	DESCRIPTION	REV
	1001228057	Ref	LEVEL (PLATFORM) CYLINDER ASSEMBLY	B
1	See Note	NSS	Barrel Weldment (Note: Not Available for Purchase)	
2	70006519	1	Rod Weldment	
3	70006518	1	Head	
4	See Note	NSS	Wiper, Rod (Note: Use Item 100)	
5	See Note	NSS	Seal, Rod (Note: Use Item 100)	
6	See Note	NSS	Ring, Wear (Note: Use Item 100)	
7	See Note	NSS	O-Ring (Note: Use Item 100)	
8	See Note	NSS	Ring, Back-up (Note: Use Item 100)	
9	See Note	NSS	O-Ring (Note: Use Item 100)	
10	70006517	1	Piston	
11	See Note	NSS	Ring, Lock (Note: Use Item 100)	
12	See Note	NSS	Ring, Guide (Note: Use Item 100)	
13	See Note	NSS	O-Ring (Note: Use Item 100)	
14	See Note	NSS	Ring, Back-up (Note: Use Item 100)	
15	70006516	1	Spacer	
16	0961902	1	Bushing, Tapered	
17	0630535	3	Capscrew 1/4 x 1-1/8	
21	1001117990	1	Sensor, Cylinder Length	
22	70006464	1	Setscrew M5	
23	70006463	1	Cap, Retainer	
24	3931420	8	Capscrew 1/4 x 1-1/4	
25	4640489	1	Cartridge, Counterbalance Valve	
25	See Note	NSS	Seal Kit - 4640489 Cartridge Valve (1 Per Valve) (Note: Not Available for Purchase)	
26	4641260	1	Cartridge, Counterbalance Valve	
26	2900770	1	Seal Kit - 4641260 Cartridge Valve (1 Per Valve)	
27	1001117969	2	Bushing	
28	0962006	2	Bushing	
29	2220883	2	Plug, O-Ring	
30	2220883	3	Plug, O-Ring	
31	0100011	AR	Compound, Locking	
32	0100038	AR	Primer, Locking	
100	1001139995	1	Seal Kit (Includes Items 4-9 & 11-14)	
200	1001119105	1	Sensor Magnet Kit (Includes Items 201-203)	
201	1001117994	2	Sleeve, Spacer	
202	1001118066	1	Magnet, Sensor	
203	1001118069	1	Ring, Internal Retaining	

SECTION 6 - CYLINDER

FIGURE 6-10. LIFT (BOOM) CYLINDER ASSEMBLY (SN 0300209000 through 0300239990)



ART_100118442

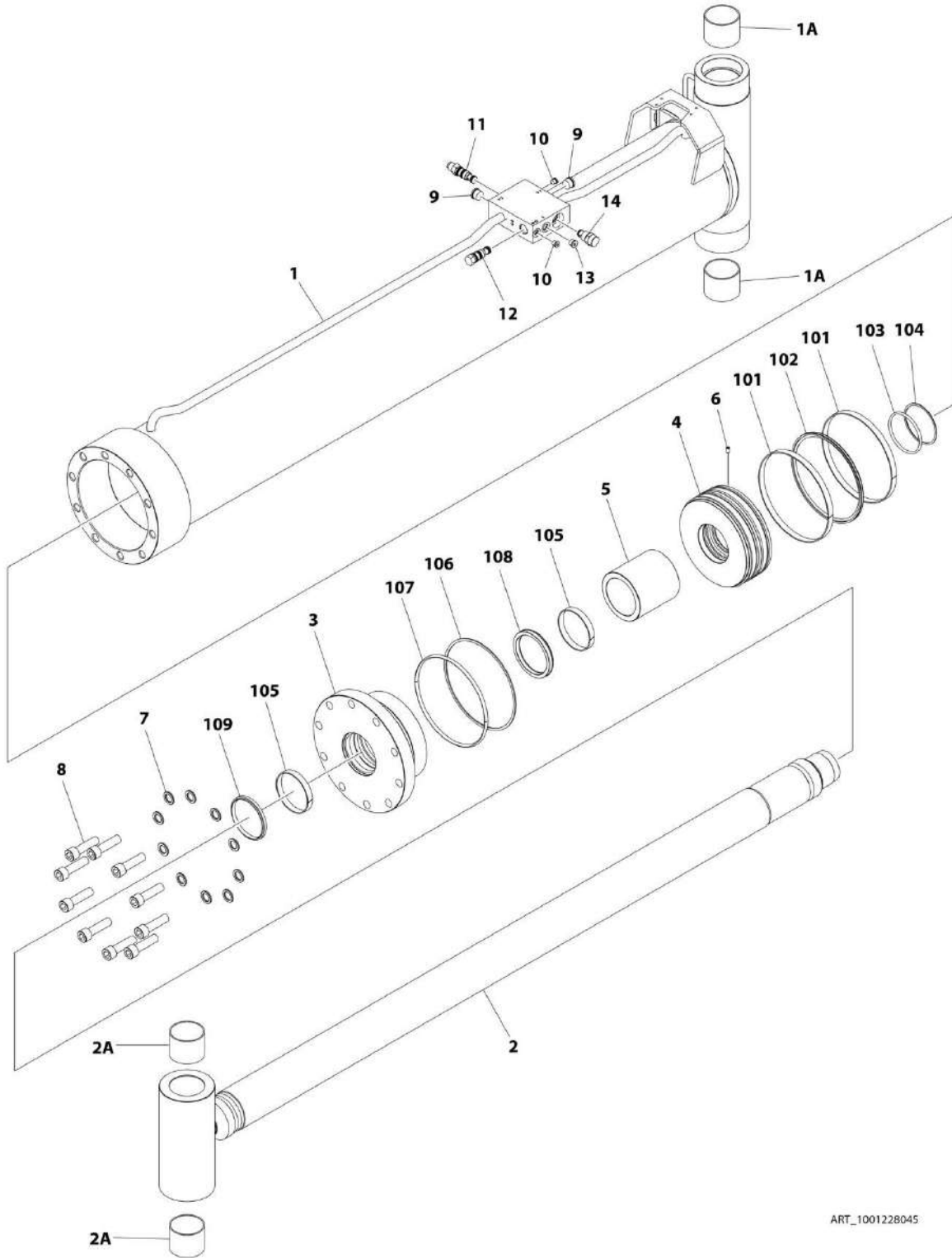
SECTION 6 - CYLINDER

FIGURE 6-10. LIFT (BOOM) CYLINDER ASSEMBLY (SN 0300209000 through 0300239990)

ITEM	PART NUMBER	QTY	DESCRIPTION	REV
	1001118442	Ref	LIFT (BOOM) CYLINDER ASSEMBLY	D
		Ref	Note: Original Cylinder May Have Been Replaced with Service Replacement. Identify PN Stamped on Cylinder Before Ordering Parts.	
1	0100011	AR	Compound, Locking	
2	0100038	AR	Primer, Locking	
4	0630537	3	Capscrew	
5	0961901	1	Bushing, Tapered	
7	1683072	1	Head	
8	1684159	1	Rod	
9	1001118443	1	Barrel	
10	2220888	1	Plug, O-Ring	
12	See Note	NSS	Ring, Guide (Note: Use Item 31)	
13	See Note	NSS	Ring, Lock (Note: Use Item 31)	
14	See Note	NSS	Ring, Back-up (Note: Use Item 31)	
15	See Note	NSS	O-Ring (Note: Use Item 31)	
16	See Note	NSS	Ring, Wear (Note: Use Item 31)	
17	See Note	NSS	Wiper, Rod (Note: Use Item 31)	
18	See Note	NSS	Seal, Rod (Note: Use Item 31)	
19	See Note	NSS	Ring, Back-up (Note: Use Item 31)	
20	See Note	NSS	O-Ring (Note: Use Item 31)	
21	See Note	NSS	Ring, Wear (Note: Use Item 31)	
22	3480270	1	Piston	
23	3760375	1	Ring, Washer	
25	3932244	8	Capscrew 3/4 x 2-3/4	
26	4568319	1	Spacer	
27	4640438	1	Cartridge, Check Valve	
27	2900770	1	Seal Kit - 4640438 Cartridge Valve	
28	1001125279	1	Cartridge, Valve	
28	2900770	1	Seal Kit - 1001125279 Cartridge Valve	
29	4641210	1	Cartridge, Pressure Regulator Valve	
29	7010545	1	Seal Kit - 4641210 Cartridge Valve	
30	0962297	4	Bushing	
31	1001174325	1	Seal Kit (Includes Items 12-21)	

SECTION 6 - CYLINDER

FIGURE 6-11. LIFT (BOOM) CYLINDER ASSEMBLY (SN 0300239991 to Present)



ART_1001228045

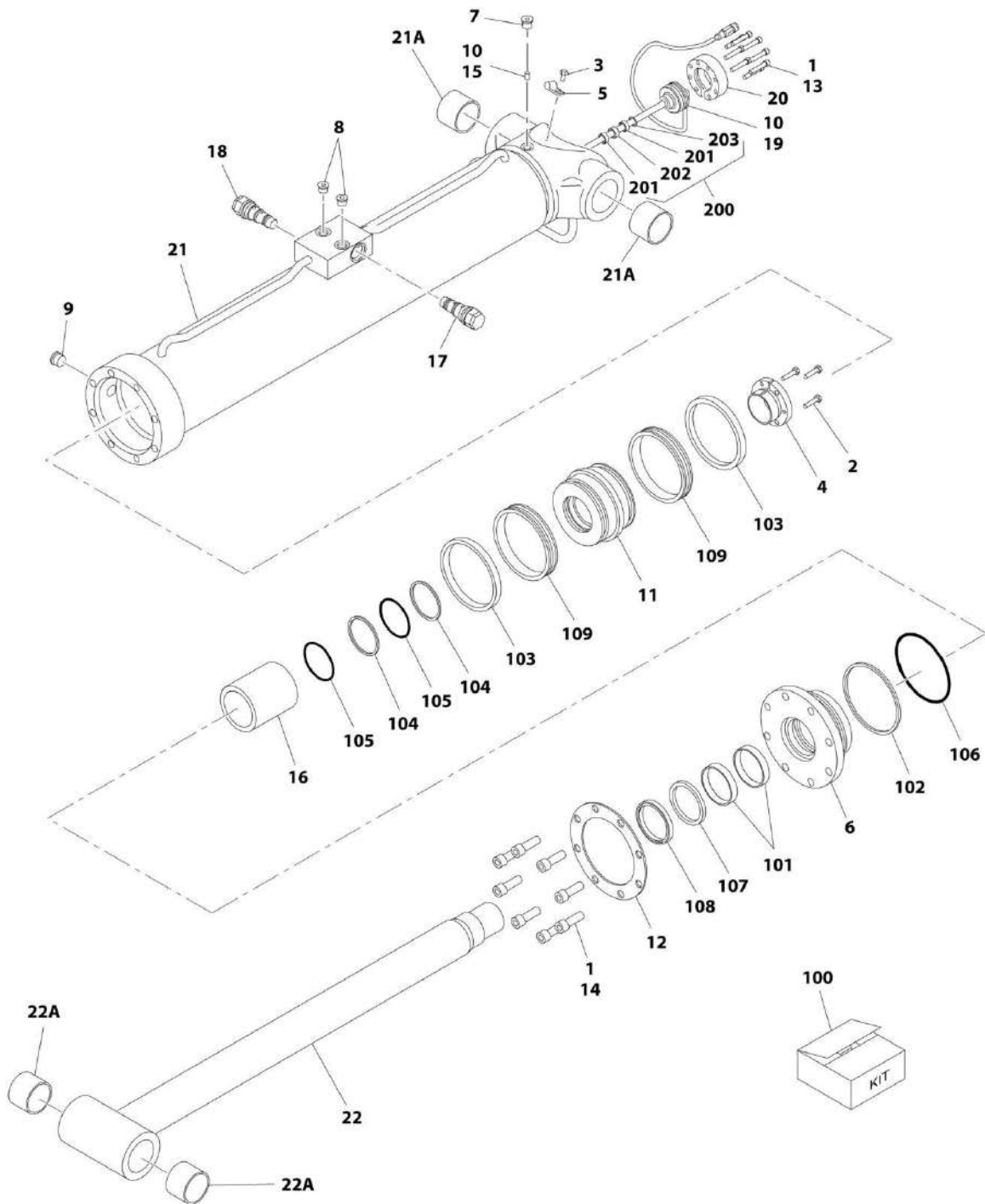
SECTION 6 - CYLINDER

FIGURE 6-11. LIFT (BOOM) CYLINDER ASSEMBLY (SN 0300239991 to Present)

ITEM	PART NUMBER	QTY	DESCRIPTION	REV
	1001228045	Ref	LIFT (BOOM) CYLINDER ASSEMBLY	B
1	See Note	NSS	Barrel (Note: Not Available for Purchase)	
1A	0962297	2	Bearing	
2	70006559	1	Rod	
2A	0962297	2	Bearing	
3	70006558	1	Head	
4	70006557	1	Piston	
5	70006556	1	Spacer	
6	70020438	1	Screw	
7	70006555	10	Washer	
8	70006554	10	Capscrew 3/4 x 2-3/4	
9	2220887	2	Plug, O-Ring	
10	2220883	2	Plug, O-Ring	
11	1001125279	1	Cartridge, Valve	
11	2900770	1	Seal Kit - 1001125279 Cartridge Valve	
12	4640438	1	Cartridge, Check Valve	
12	2900770	1	Seal Kit - 4640438 Cartridge Valve	
13	2220885	1	Plug, O-Ring	
14	4641210	1	Cartridge, Pressure Regulator Valve	
14	7010545	1	Seal Kit - 4641210 Cartridge Valve	
100	70006560	1	Seal Kit (Includes Items 12-21)	
101	See Note	NSS	Ring, Wear (Note: Use Item 100)	
102	See Note	NSS	Seal, Piston (Note: Use Item 100)	
103	See Note	NSS	Ring, Back-up (Note: Use Item 100)	
104	See Note	NSS	O-Ring (Note: Use Item 100)	
105	See Note	NSS	Ring, Wear (Note: Use Item 100)	
106	See Note	NSS	O-Ring (Note: Use Item 100)	
107	See Note	NSS	Ring, Back-up (Note: Use Item 100)	
108	See Note	NSS	Seal, Rod (Note: Use Item 100)	
109	See Note	NSS	Wiper, Rod (Note: Use Item 100)	

SECTION 6 - CYLINDER

FIGURE 6-12. LIFT (JIB) CYLINDER ASSEMBLY (SN 0300209000 through 0300239990)



ART_1001140104

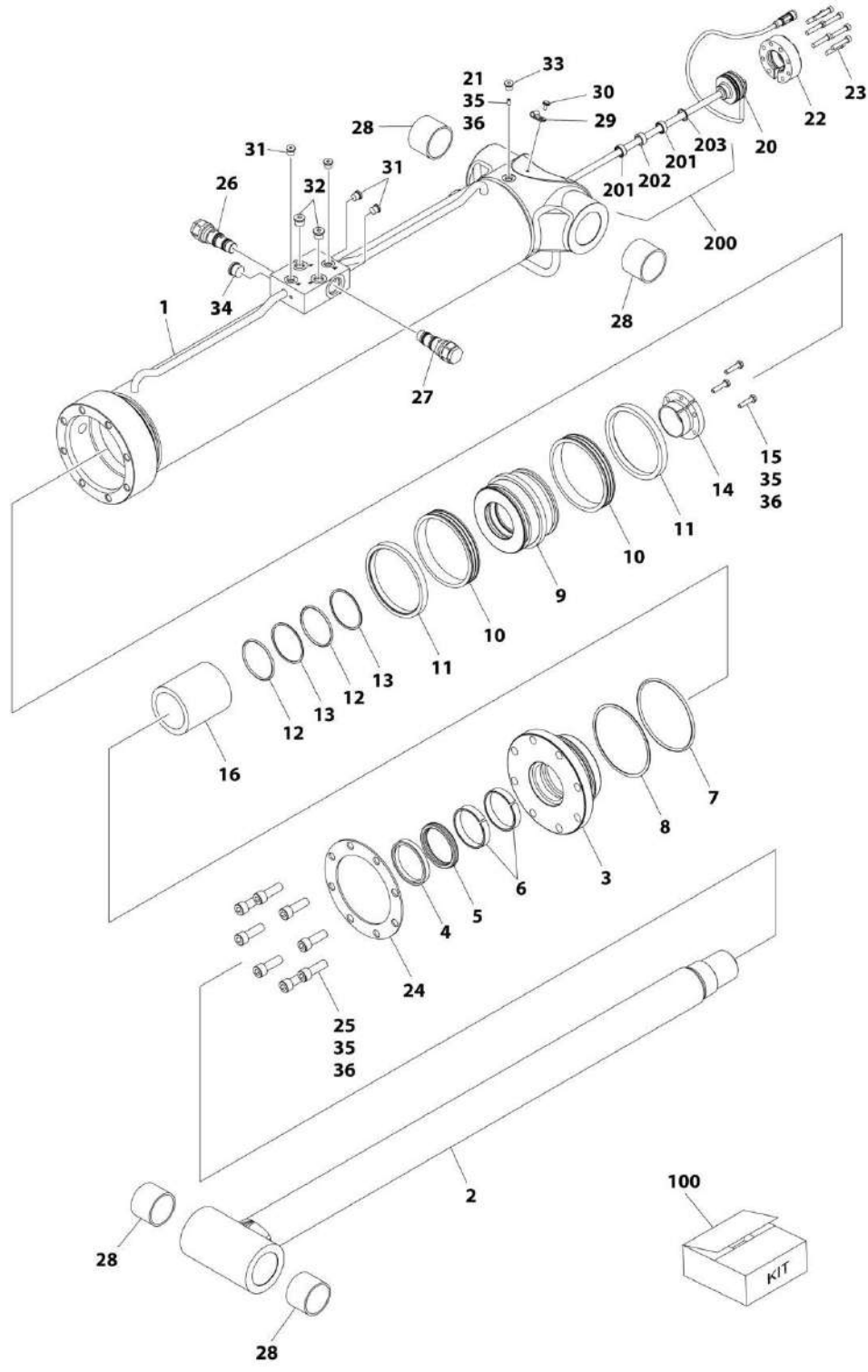
SECTION 6 - CYLINDER

FIGURE 6-12. LIFT (JIB) CYLINDER ASSEMBLY (SN 0300209000 through 0300239990)

ITEM	PART NUMBER	QTY	DESCRIPTION	REV
	1001140104	Ref	LIFT (JIB) CYLINDER ASSEMBLY	D
		Ref	Note: Original Cylinder May Have Been Replaced with Service Replacement. Identify PN Stamped on Cylinder Before Ordering Parts.	
1	0100011	AR	Compound, Locking	
2	0630535	3	Capscrew 1/4 x 1-1/8	
3	0791003	1	Screw #10 x 3/8	
4	0961897	1	Bushing, Tapered	
5	1320136	1	Clamp, Cable	
6	1683063	1	Head	
7	2220883	1	Plug, O-Ring	
8	2220885	2	Plug, O-Ring	
9	2220886	1	Plug, O-Ring	
10	3020039	AR	Lubricant	
11	3480282	1	Piston	
12	3760371	1	Ring, Washer	
13	3931420	8	Capscrew 1/4 x 1-1/4	
14	3931824	8	Capscrew 1/2 x 1-1/2	
15	3951003	1	Setscrew #10 x 3/8	
16	4100099	1	Spacer	
17	4640999	1	Cartridge, Holding Valve (Non Vented)	
17	2900792	1	Seal Kit - 4640999 Cartridge Valve	
18	4641248	1	Cartridge, Counterbalance Valve (Non Vented)	
18	See Note	1	Seal Kit - 4641248 Cartridge Valve (Note: Not Available for Purchase)	
19	1001117991	1	Sensor, Cylinder Length	
20	1001118070	1	Cap, Retainer	
21	1001118084	1	Barrel Weldment	
21A	0961950	2	Bushing	
22	1001118086	1	Rod Weldment	
22A	0961950	2	Bushing	
100	1001139996	1	Seal Kit (Includes Items 101-109)	
101	See Note	NSS	Ring, Wear (Note: Use Item 100)	
102	See Note	NSS	Ring, Back-up (Note: Use Item 100)	
103	See Note	NSS	Ring, Lock (Note: Use Item 100)	
104	See Note	NSS	Ring, Back-up (Note: Use Item 100)	
105	See Note	NSS	O-Ring (Note: Use Item 100)	
106	See Note	NSS	O-Ring (Note: Use Item 100)	
107	See Note	NSS	Seal (Note: Use Item 100)	
108	See Note	NSS	Wiper, Rod (Note: Use Item 100)	
109	See Note	NSS	Seal (Note: Use Item 100)	
200	1001119105	1	Sensor Magnet Kit (Includes Items 201-203)	
201	1001117994	2	Sleeve, Spacer	
202	1001118066	1	Magnet, Sensor	
203	1001118069	1	Ring, Internal Retaining	

SECTION 6 - CYLINDER

FIGURE 6-13. LIFT (JIB) CYLINDER ASSEMBLY (SN 0300239991 to Present)



ART_1001228058

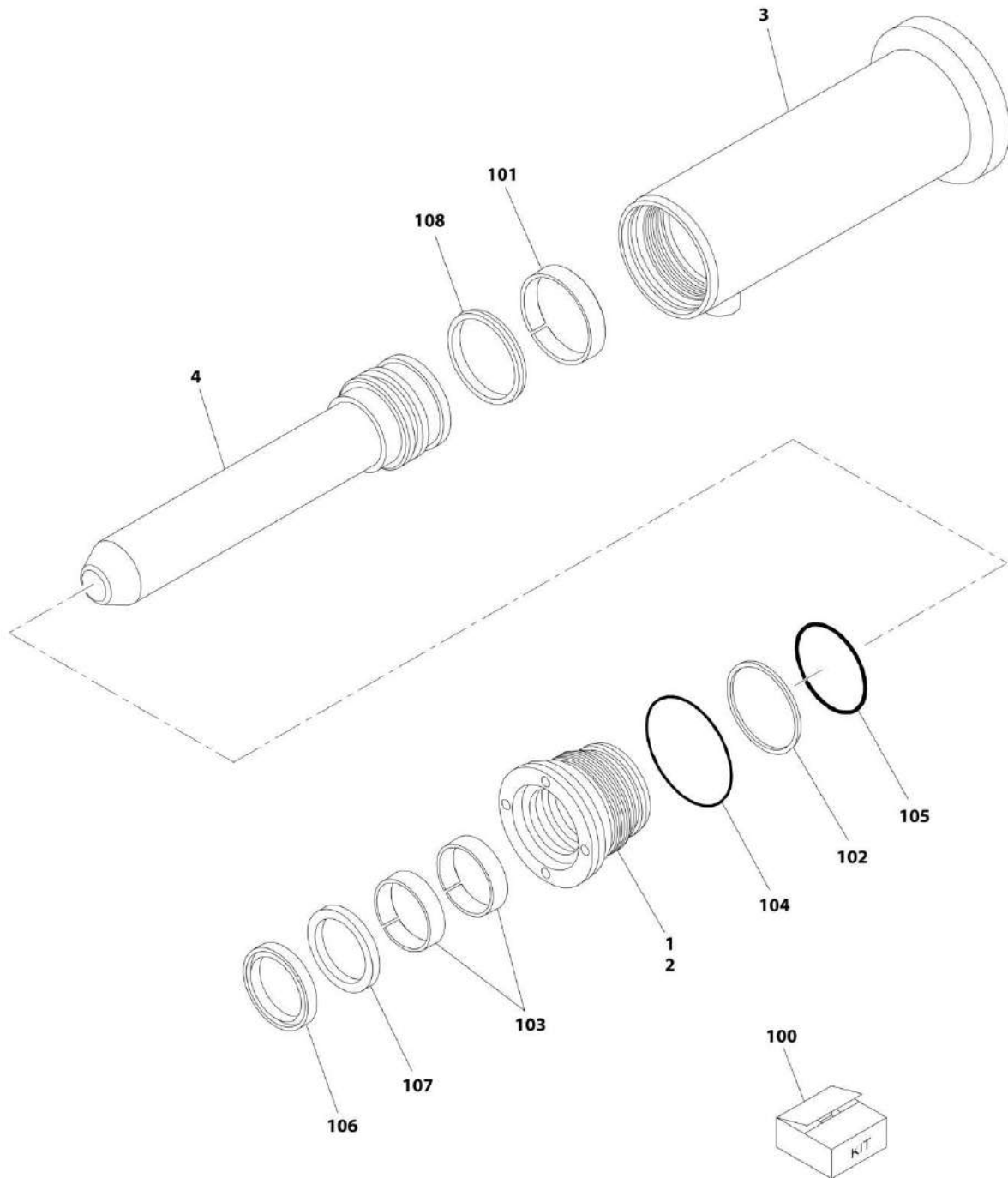
SECTION 6 - CYLINDER

FIGURE 6-13. LIFT (JIB) CYLINDER ASSEMBLY (SN 0300239991 to Present)

ITEM	PART NUMBER	QTY	DESCRIPTION	REV
	1001228058	Ref	LIFT (JIB) CYLINDER ASSEMBLY	D
1	See Note	NSS	Barrel Weldment (Note: Not Available for Purchase)	
2	70006468	1	Rod Weldment	
3	70006467	1	Head	
4	See Note	NSS	Wiper (Note: Use Item 100)	
5	See Note	NSS	Seal, Rod (Note: Use Item 100)	
6	See Note	NSS	Ring, Wear (Note: Use Item 100)	
7	See Note	NSS	O-Ring (Note: Use Item 100)	
8	See Note	NSS	Ring, Back-up (Note: Use Item 100)	
9	70006466	1	Piston	
10	See Note	NSS	Ring, Lock (Note: Use Item 100)	
11	See Note	NSS	Ring, Guide (Note: Use Item 100)	
12	See Note	NSS	O-Ring (Note: Use Item 100)	
13	See Note	NSS	Ring, Back-up (Note: Use Item 100)	
14	0961897	1	Bushing, Tapered	
15	0630535	3	Capscrew 1/4 x 1-1/8	
16	70006465	1	Spacer	
20	1001117991	1	Sensor, Cylinder Length	
21	70006464	1	Setscrew M5	
22	70006463	1	Cap, Retainer	
23	3931420	1	Capscrew 1/4 x 1-1/4	
24	3760371	1	Ring, Washer	
25	3931824	8	Capscrew 1/2 x 1-1/2	
26	4641248	1	Cartridge, Counterbalance Valve (Non Vented)	
26	See Note	NSS	Seal Kit - 4641248 Cartridge Valve (Note: Not Available for Purchase)	
27	4640999	1	Cartridge, Holding Valve (Non Vented)	
27	2900792	1	Seal Kit - 4640999 Cartridge Valve	
28	0961950	2	Bushing	
29	1320136	1	Clamp, Cable	
30	70006462	1	Bolt M5	
31	2220883	2	Plug, O-Ring	
32	2220885	2	Plug, O-Ring	
33	2220883	3	Plug, O-Ring	
34	2220886	1	Plug, O-Ring	
35	0100011	AR	Compound, Locking	
36	0100038	AR	Primer, Locking	
100	1001139996	1	Seal Kit (Includes Items 4-8 & 10-13)	
200	1001119105	1	Sensor Magnet Kit (Includes Items 201-203)	
201	1001117994	2	Sleeve, Spacer	
202	1001118066	1	Magnet, Sensor	
203	1001118069	1	Ring, Internal Retaining	

SECTION 6 - CYLINDER

FIGURE 6-14. LOCK (JIB) CYLINDER ASSEMBLY (SN 0300209000 through 0300239674)



ART_1001119313

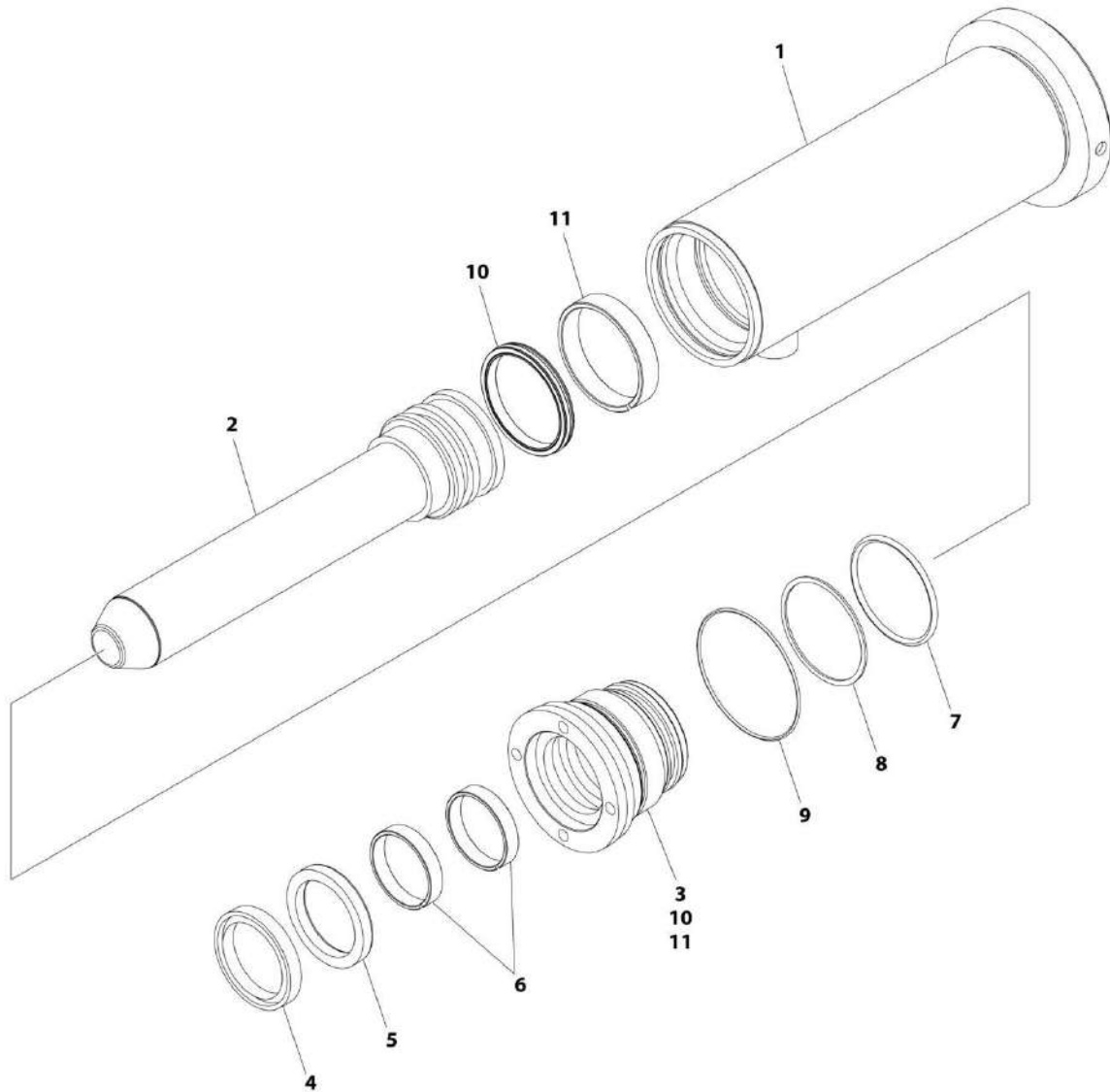
SECTION 6 - CYLINDER

FIGURE 6-14. LOCK (JIB) CYLINDER ASSEMBLY (SN 0300209000 through 0300239674)

ITEM	PART NUMBER	QTY	DESCRIPTION	REV
	1001119313	Ref	LOCK (JIB) CYLINDER ASSEMBLY	C
		Ref	Note: Original Cylinder May Have Been Replaced with Service Replacement. Identify PN Stamped on Cylinder Before Ordering Parts.	
1	2570008	1	Head	
2	3020043	AR	Lubricant	
3	1001119314	1	Barrel Weldment	
4	1001119318	1	Rod Weldment	
100	1001119452	1	Seal Kit (Includes Items 101-108)	
101	See Note	NSS	Ring, Wear (Note: Use Item 100)	
102	See Note	NSS	Ring, Back-up (Note: Use Item 100)	
103	See Note	NSS	Ring, Wear (Note: Use Item 100)	
104	See Note	NSS	O-Ring (Note: Use Item 100)	
105	See Note	NSS	O-Ring (Note: Use Item 100)	
106	See Note	NSS	Wiper, Rod (Note: Use Item 100)	
107	See Note	NSS	Seal (Note: Use Item 100)	
108	See Note	NSS	Seal (Note: Use Item 100)	

SECTION 6 - CYLINDER

FIGURE 6-15. LOCK (JIB) CYLINDER ASSEMBLY (SN 0300239675 to Present)



ART_1001228046

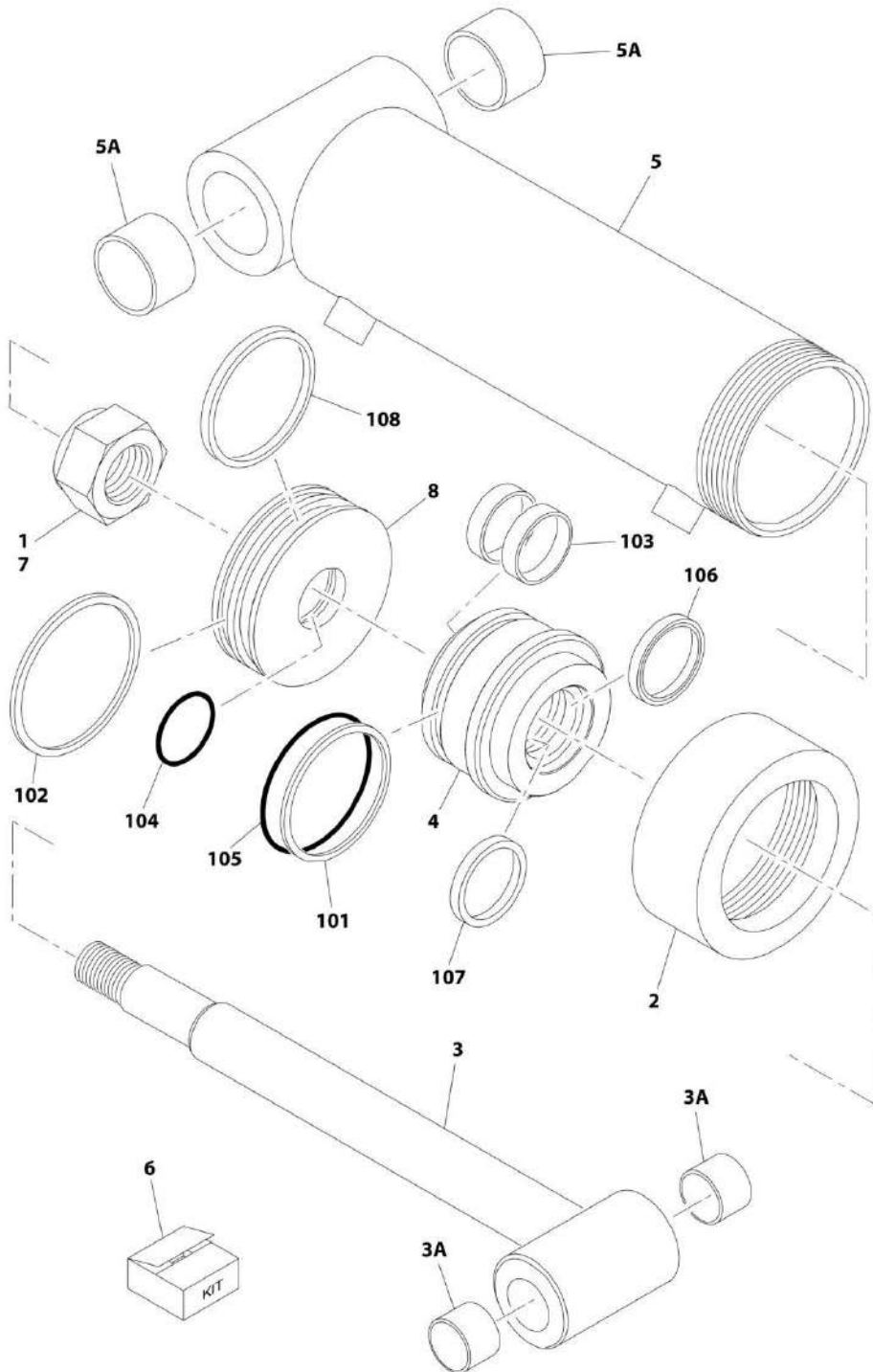
SECTION 6 - CYLINDER

FIGURE 6-15. LOCK (JIB) CYLINDER ASSEMBLY (SN 0300239675 to Present)

ITEM	PART NUMBER	QTY	DESCRIPTION	REV
	1001228046	Ref	LOCK (JIB) CYLINDER ASSEMBLY	B
1	See Note	NSS	Barrel Weldment (Note: Not Available for Purchase)	
2	70006449	1	Rod	
3	70006448	1	Head	
4	See Note	NSS	Ring, Wiper (Note: Use Item 100)	
5	See Note	NSS	Seal, Rod (Note: Use Item 100)	
6	See Note	NSS	Ring, Wear (Note: Use Item 100)	
7	See Note	NSS	O-Ring (Note: Use Item 100)	
8	See Note	NSS	Ring, Back-up (Note: Use Item 100)	
9	See Note	NSS	O-Ring (Note: Use Item 100)	
10	0100011	AR	Compound, Locking	
11	0100038	AR	Primer, Locking	
100	1001119452	1	Seal Kit (Includes Items 4-9)	

SECTION 6 - CYLINDER

FIGURE 6-16. STEER CYLINDER ASSEMBLY (SN 0300209000 through 0300238017)



ART_1684314

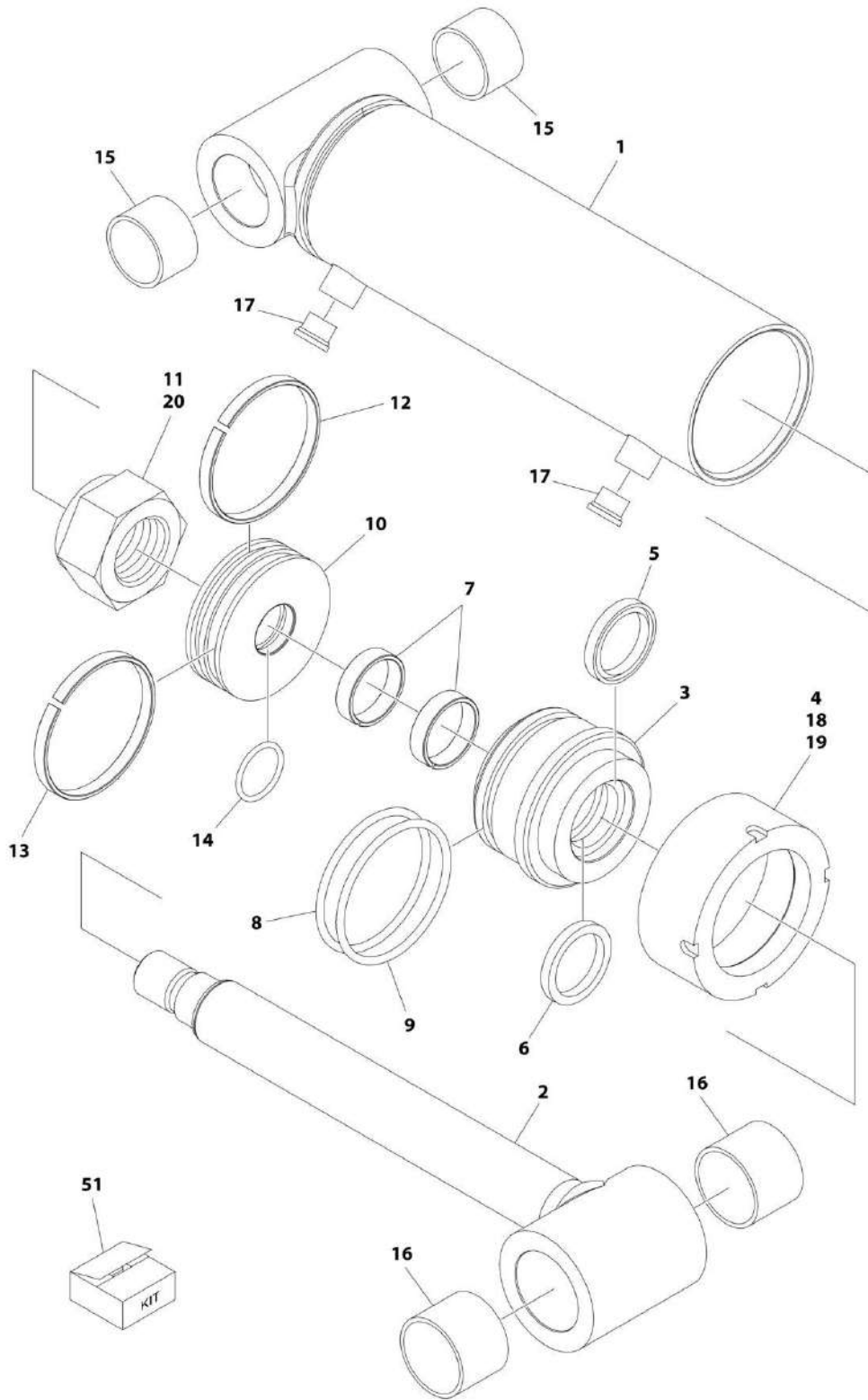
SECTION 6 - CYLINDER

FIGURE 6-16. STEER CYLINDER ASSEMBLY (SN 0300209000 through 0300238017)

ITEM	PART NUMBER	QTY	DESCRIPTION	REV
	1684314	Ref	STEER CYLINDER ASSEMBLY	F
1	0100035	AR	Compound, Locking	
2	1120094	1	Cap, Cylinder	
3	1684275	1	Rod	
3A	0961950	2	Bushing	
4	1684315	1	Head	
5	1684317	1	Barrel	
5A	0961949	2	Bushing	
6	2902257	1	Seal Kit (Includes Items 101-108)	
7	3300465	1	Nut	
8	3480278	1	Piston	
101	See Note	NSS	Ring, Back-up (Note: Use Item 6)	
102	See Note	NSS	Ring, Wear (Note: Use Item 6)	
103	See Note	NSS	Ring, Wear (Note: Use Item 6)	
104	See Note	NSS	O-Ring (Note: Use Item 6)	
105	See Note	NSS	O-Ring (Note: Use Item 6)	
106	See Note	NSS	Wiper (Note: Use Item 6)	
107	See Note	NSS	Seal, Rod (Note: Use Item 6)	
108	See Note	NSS	Seal, Piston (Note: Use Item 6)	

SECTION 6 - CYLINDER

FIGURE 6-17. STEER CYLINDER ASSEMBLY (SN 0300238018 to Present)



ART_1001228031

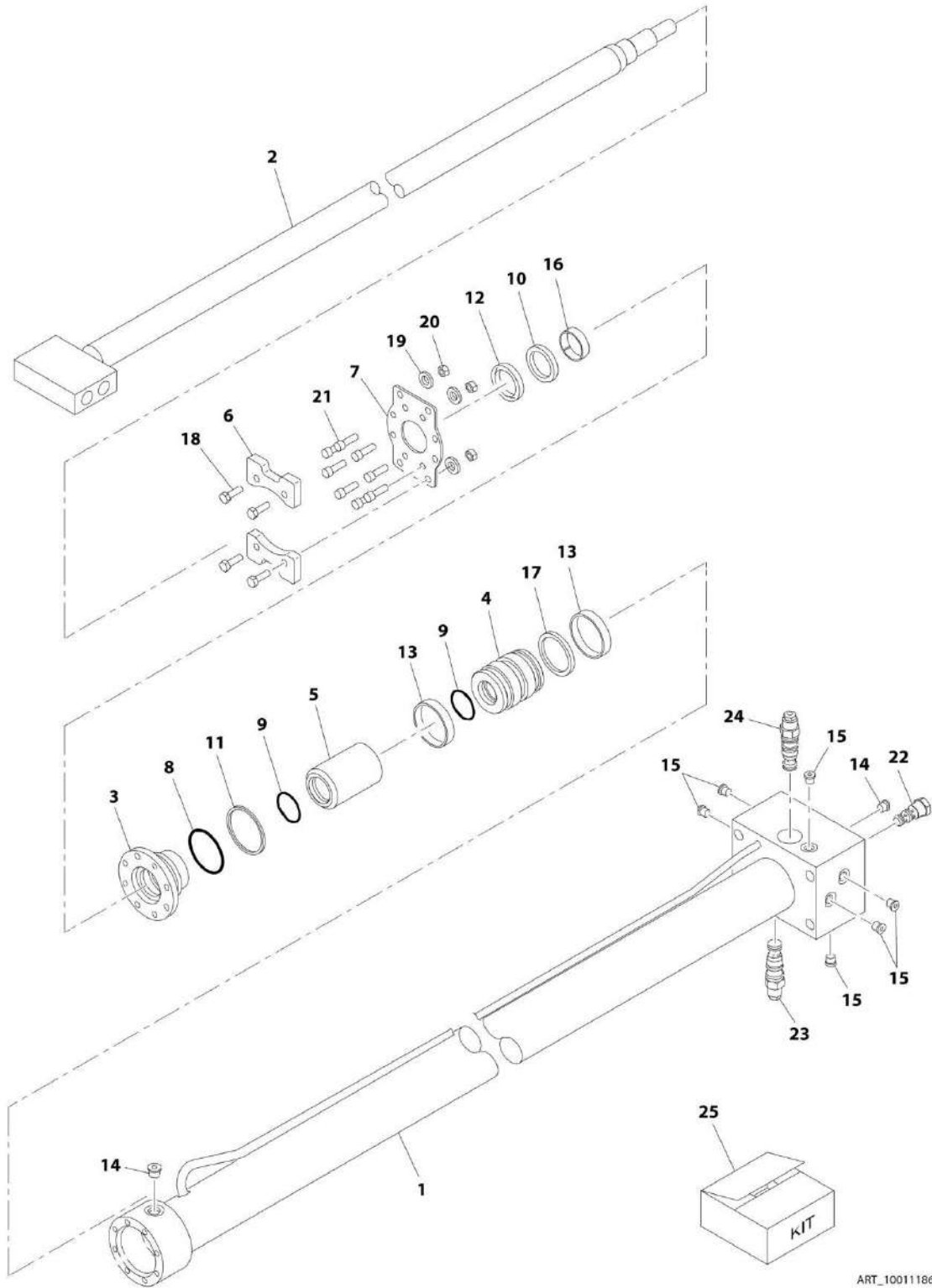
SECTION 6 - CYLINDER

FIGURE 6-17. STEER CYLINDER ASSEMBLY (SN 0300238018 to Present)

ITEM	PART NUMBER	QTY	DESCRIPTION	REV
	1001228031	Ref	STEER CYLINDER ASSEMBLY	A
1	See Note	NSS	Barrel (Note: Not Available for Purchase)	
2	70006493	1	Rod	
3	70006492	1	Head	
4	70006491	1	Cap, Cylinder	
5	See Note	NSS	Wiper (Note: Use Item 51)	
6	See Note	NSS	Seal, Rod (Note: Use Item 51)	
7	See Note	NSS	Ring, Wear (Note: Use Item 51)	
8	See Note	NSS	O-Ring (Note: Use Item 51)	
9	See Note	NSS	Ring, Back-up (Note: Use Item 51)	
10	70006490	1	Piston	
11	3300465	1	Nut	
12	See Note	NSS	Seal, Piston (Note: Use Item 51)	
13	See Note	NSS	Ring, Wear (Note: Use Item 51)	
14	See Note	NSS	O-Ring (Note: Use Item 51)	
15	0961949	2	Bushing	
16	0961950	2	Bushing	
17	2220885	2	Plug (With O-Ring)	
18	0100011	AR	Compound, Locking	
19	0100038	AR	Primer, Locking	
20	0100019	AR	Compound, Locking	
51	2902257	1	Seal Kit (Includes Items 5-9 & 12-14)	

SECTION 6 - CYLINDER

FIGURE 6-18. TELESCOPE (JIB) CYLINDER ASSEMBLY (SN 0300209000 through 0300213726)



ART_1001118663

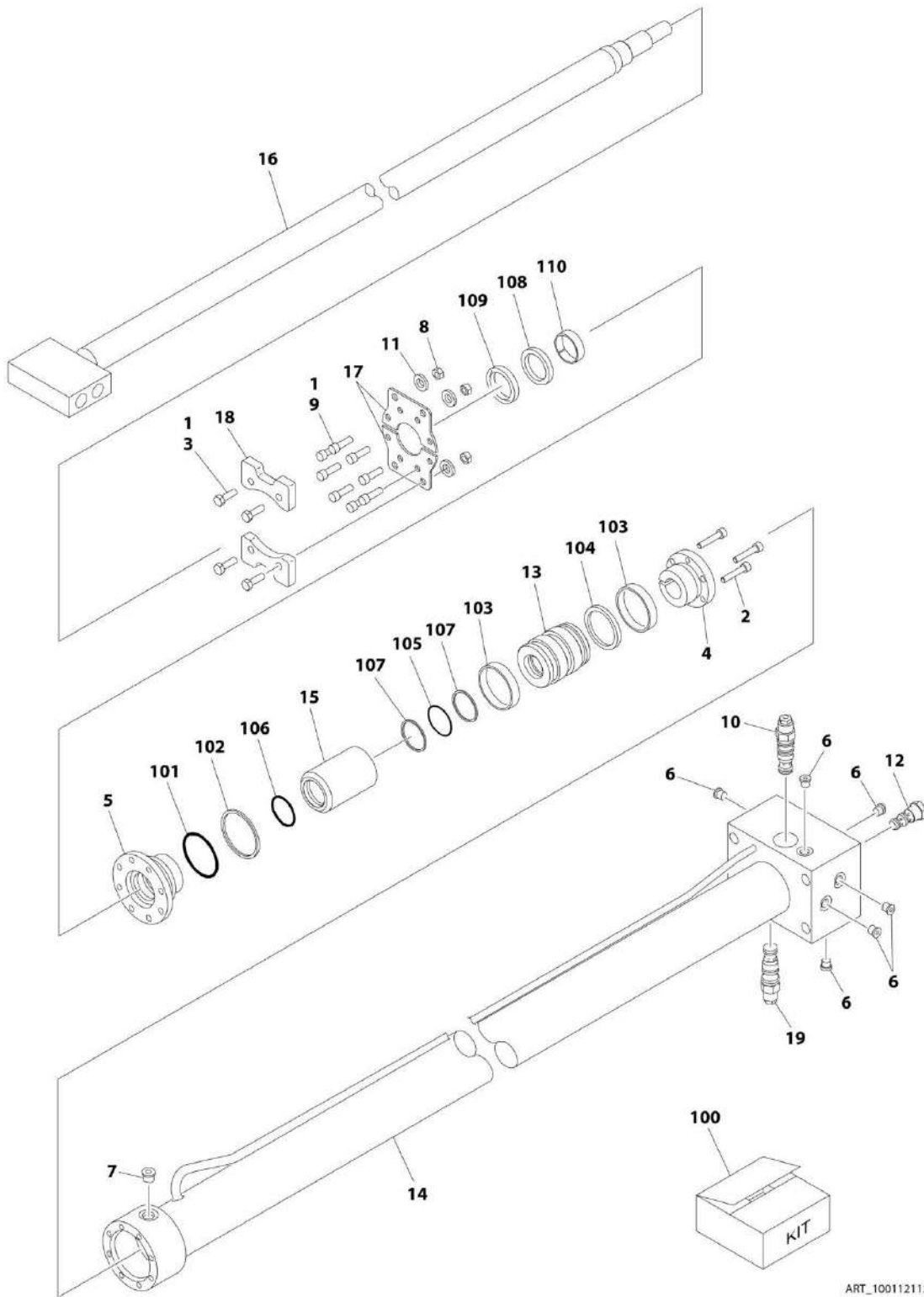
SECTION 6 - CYLINDER

FIGURE 6-18. TELESCOPE (JIB) CYLINDER ASSEMBLY (SN 0300209000 through 0300213726)

ITEM	PART NUMBER	QTY	DESCRIPTION	REV
	1001118663	Ref	TELESCOPE (JIB) CYLINDER ASSEMBLY	F
1	70003052	1	Barrel	
2	70003051	1	Rod	
3	70003050	1	Head	
4	70003049	1	Piston	
5	70003048	1	Spacer	
6	70003047	2	Pad, Wear	
7	70003046	1	Support, Wear Pad	
8	See Note	NSS	O-Ring (Note: Use Item 25)	
9	See Note	NSS	O-Ring (Note: Use Item 25)	
10	See Note	NSS	Seal (Note: Use Item 25)	
11	See Note	NSS	Ring, Back-up (Note: Use Item 25)	
12	See Note	NSS	Wiper (Note: Use Item 25)	
13	See Note	NSS	Ring, Wear (Note: Use Item 25)	
14	2220885	3	Plug (With O-Ring)	
15	2220883	6	Plug (With O-Ring)	
16	See Note	NSS	Ring, Wear (Note: Use Item 25)	
17	See Note	NSS	Seal (Note: Use Item 25)	
18	0641510	4	Bolt 5/16 x 1-1/4	
19	4761500	4	Washer 5/16	
20	3311501	4	Nut 5/16	
21	3931516	8	Capscrew 5/16 x 1	
22	10837580	1	Cartridge, Shuttle Valve	
22	7010543	1	Seal Kit - 10837580 Valve	
23	70003045	1	Cartridge, Counterbalance Valve	
23	2900770	1	Seal Kit - 70003045 Valve	
24	4640771	1	Cartridge, Counterbalance Valve	
24	2900770	1	Seal Kit - 4640771 Valve	
25	70003053	1	Seal Kit - 1001118663 Cylinder (Includes Items 8-13, 16 & 17)	

SECTION 6 - CYLINDER

FIGURE 6-19. TELESCOPE (JIB) CYLINDER ASSEMBLY (SN 0300213727 through 0300244704)



ART_1001121121

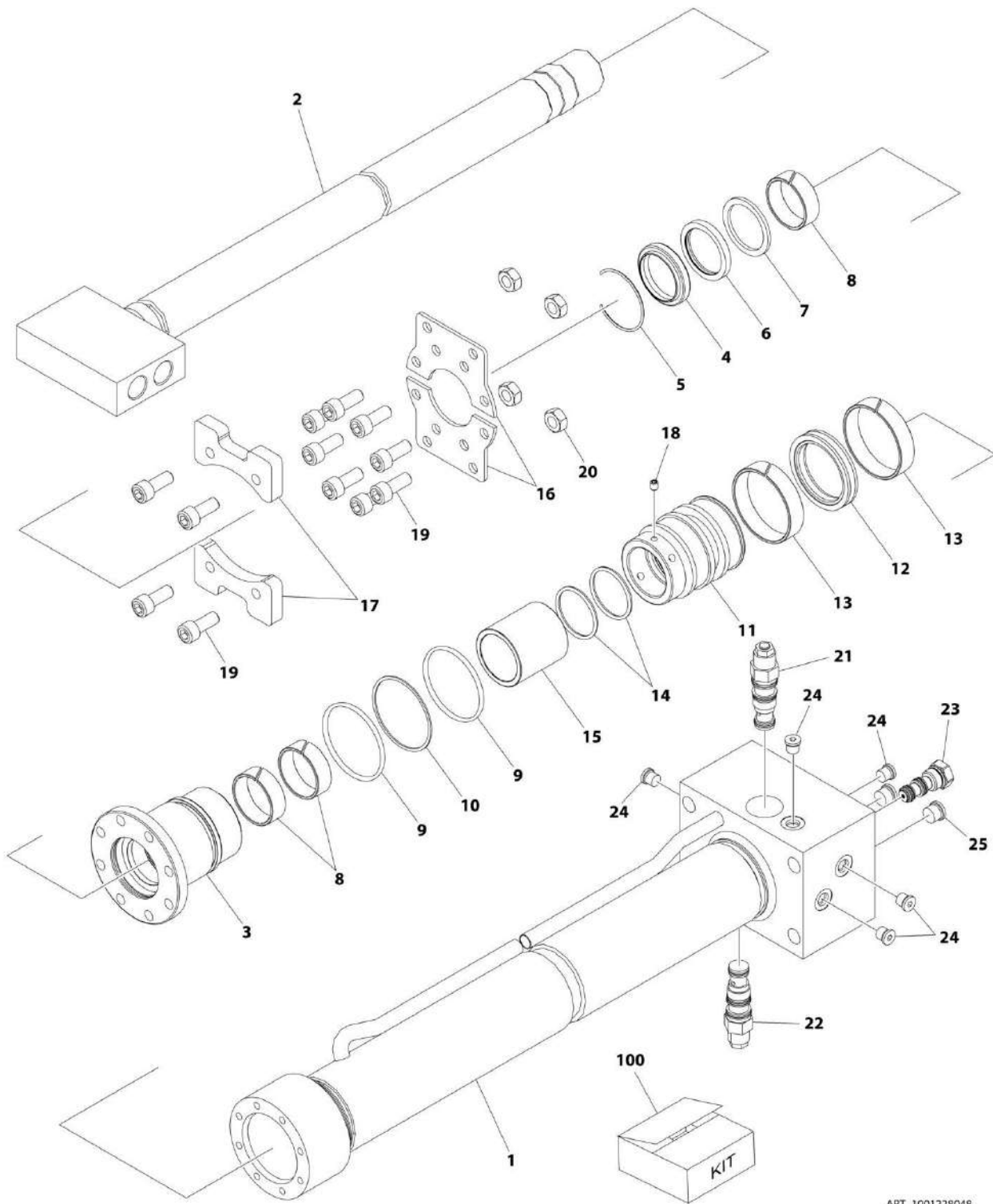
SECTION 6 - CYLINDER

FIGURE 6-19. TELESCOPE (JIB) CYLINDER ASSEMBLY (SN 0300213727 through 0300244704)

ITEM	PART NUMBER	QTY	DESCRIPTION	REV
	1001121121	Ref	TELESCOPE (JIB) CYLINDER ASSEMBLY (SN 0300213727 through 0300244704)	D
		Ref	Note: Original Cylinder May Have Been Replaced with Service Replacement. Identify PN Stamped on Cylinder Before Ordering Parts.	
1	0100011	AR	Compound, Locking	
2	0630534	3	Capscrew #10 x 1	
3	0641508	4	Bolt 5/16 x 1	
4	0962185	1	Bushing, Tapered	
5	1683051	1	Head	
6	2220883	6	Plug (With O-Ring)	
7	2220885	1	Plug (With O-Ring)	
8	3311505	4	Nut 5/16	
9	3931516	8	Capscrew 5/16 x 1	
10	4640771	1	Cartridge, Counterbalance Valve	
10	2900770	1	Seal Kit - 4640771 Valve	
11	4751500	4	Washer 5/16	
12	10837580	1	Cartridge, Shuttle Valve	
12	7010543	1	Seal Kit - 10837580 Valve	
13	1001120944	1	Piston	
14	1001120950	1	Barrel	
15	1001120952	1	Spacer	
16	1001120954	1	Rod	
17	1001120960	2	Support, Wear Pad	
18	1001120961	2	Pad, Wear	
19	1001121155	1	Cartridge, Counterbalance Valve	
19	2900770	1	Seal Kit - 1001121155 Valve	
100	1001121157	1	Seal Kit - 1001121121 Cylinder (Includes Items 101-110)	
101	See Note	NSS	O-Ring (Note: Use Item 100)	
102	See Note	NSS	Seal (Note: Use Item 100)	
103	See Note	NSS	Ring, Wear (Note: Use Item 100)	
104	See Note	NSS	Seal (Note: Use Item 100)	
105	See Note	NSS	O-Ring (Note: Use Item 100)	
106	See Note	NSS	O-Ring (Note: Use Item 100)	
107	See Note	NSS	Seal, Back-up (Note: Use Item 100)	
108	See Note	NSS	Seal, Rod (Note: Use Item 100)	
109	See Note	NSS	Seal, Wiper (Note: Use Item 100)	
110	See Note	NSS	Ring, Wear (Note: Use Item 100)	

SECTION 6 - CYLINDER

FIGURE 6-20. TELESCOPE (JIB) CYLINDER ASSEMBLY (SN 0300244705 to Present)



ART_1001228048

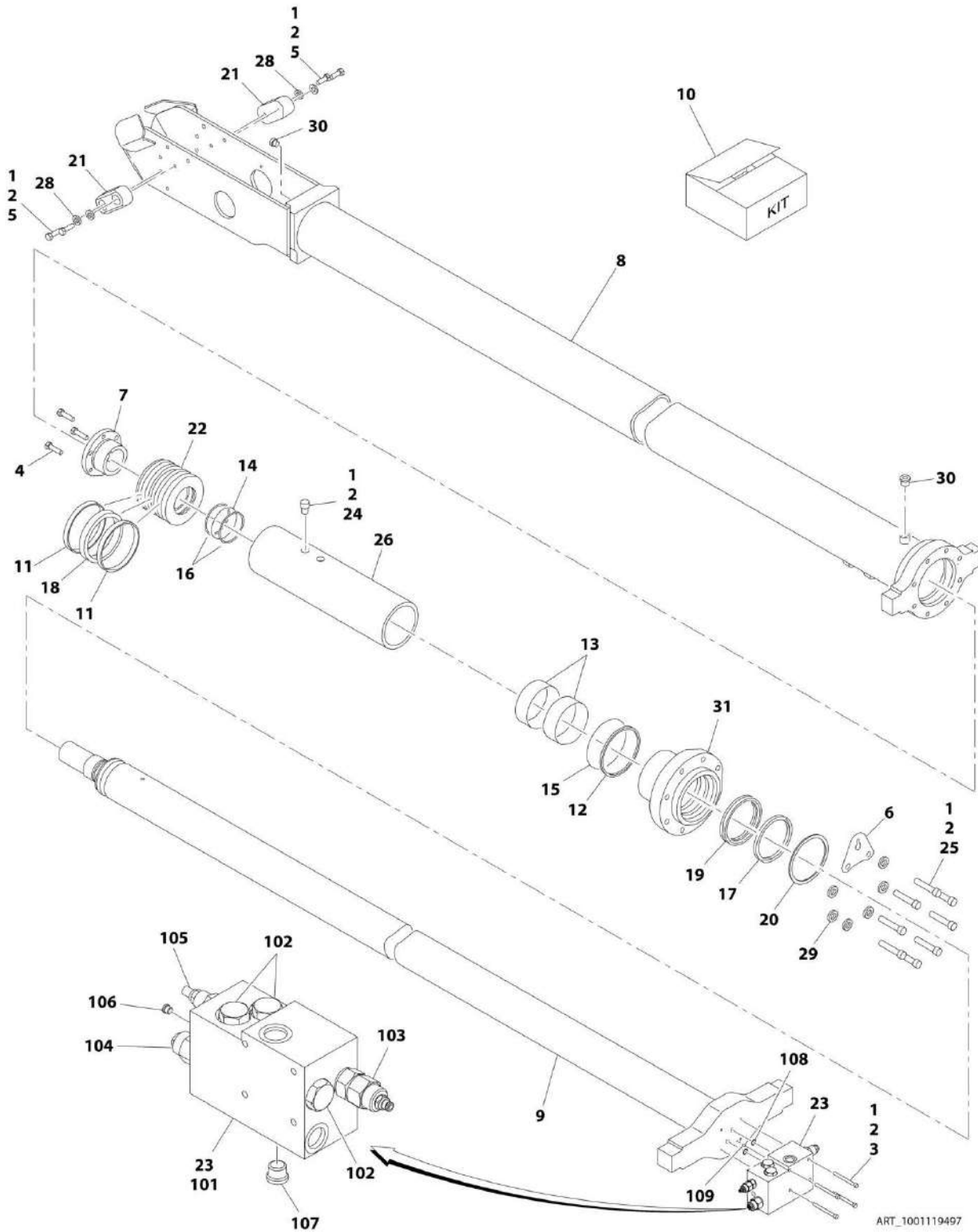
SECTION 6 - CYLINDER

FIGURE 6-20. TELESCOPE (JIB) CYLINDER ASSEMBLY (SN 0300244705 to Present)

ITEM	PART NUMBER	QTY	DESCRIPTION	REV
	1001228048	Ref	TELESCOPE (JIB) CYLINDER ASSEMBLY	A
		Ref	Note: Original Cylinder May Have Been Replaced with Service Replacement. Identify PN Stamped on Cylinder Before Ordering Parts.	
1	See Note	NSS	Barrel Weldment (Note: Not Available for Purchase)	
2	70006845	1	Rod Weldment	
3	70006846	1	Head	
4	See Note	NSS	Wiper, Rod (Note: Use Item 100)	
5	70002373	1	Ring, Retaining	
6	See Note	NSS	Seal, Rod (Note: Use Item 100)	
7	See Note	NSS	Ring, Back-up (Note: Use Item 100)	
8	See Note	NSS	Ring, Wear (Note: Use Item 100)	
9	See Note	NSS	O-Ring (Note: Use Item 100)	
10	See Note	NSS	Ring, Back-up (Note: Use Item 100)	
11	70006847	1	Piston	
12	See Note	NSS	Seal, Piston (Note: Use Item 100)	
13	See Note	NSS	Ring, Wear (Note: Use Item 100)	
14	70006848	2	O-Ring	
15	70006849	1	Spacer	
16	70006850	2	Plate	
17	70006851	2	Bracket	
18	70005879	1	Setscrew	
19	70005885	12	Capscrew M8	
20	70005594	4	Nut M8	
21	4640771	1	Cartridge, Counterbalance Valve	
21	2900770	1	Seal Kit - 4640771 Valve	
22	1001121155	1	Cartridge, Counterbalance Valve	
22	2900770	1	Seal Kit - 1001121155 Valve	
23	10837580	1	Cartridge, Shuttle Valve	
23	7010543	1	Seal Kit - 10837580 Valve	
24	2220883	6	Plug (With O-Ring)	
25	2220885	2	Plug (With O-Ring)	
100	70006852	1	Seal Kit (Includes Items 4, 6-10, 12 & 13)	

SECTION 6 - CYLINDER

FIGURE 6-21. TELESCOPE (MAIN BOOM) CYLINDER ASSEMBLY (SN 0300209000 through 0300244704)



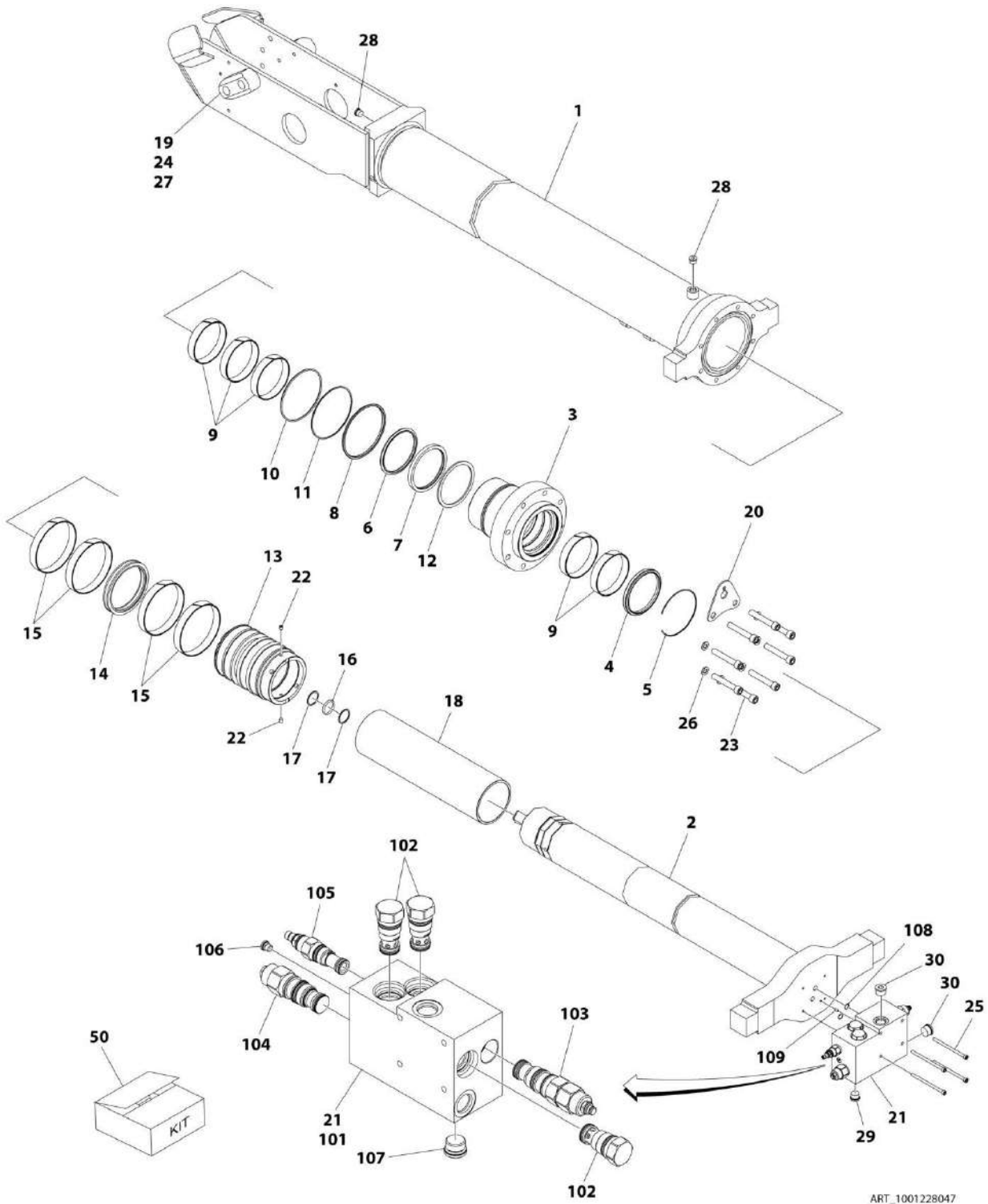
SECTION 6 - CYLINDER

FIGURE 6-21. TELESCOPE (MAIN BOOM) CYLINDER ASSEMBLY (SN 0300209000 through 0300244704)

ITEM	PART NUMBER	QTY	DESCRIPTION	REV
	1001119497	Ref	TELESCOPE (MAIN BOOM) CYLINDER ASSEMBLY (SN 0300209000 through 0300244704)	D
		Ref	Note: Original Cylinder May Have Been Replaced with Service Replacement. Identify PN Stamped on Cylinder Before Ordering Parts.	
1	0100011	AR	Compound, Locking	
2	0100038	AR	Primer, Locking	
3	3931456	4	Capscrew 1/4 x 3-1/2	
4	0630535	3	Capscrew	
5	0641608	4	Bolt 3/8 x 1	
6	0902743	1	Bracket	
7	0961903	1	Bushing, Tapered	
8	1001119498	1	Barrel Weldment	
9	1001119500	1	Rod Weldment	
10	2902081	1	Seal Kit (Includes Items 11-20)	
11	See Note	NSS	Ring, Wear (Note: Use Item 10)	
12	See Note	NSS	Ring, Back-up (Note: Use Item 10)	
13	See Note	NSS	Ring, Wear (Note: Use Item 10)	
14	See Note	NSS	O-Ring (Note: Use Item 10)	
15	See Note	NSS	O-Ring (Note: Use Item 10)	
16	See Note	NSS	Ring, Back-up (Note: Use Item 10)	
17	See Note	NSS	Wiper, Rod (Note: Use Item 10)	
18	See Note	NSS	T-Seal (Note: Use Item 10)	
19	See Note	NSS	Seal, Rod (Note: Use Item 10)	
20	See Note	NSS	Ring, Retaining (Note: Use Item 10)	
21	3340963	2	Pad, Wear	
22	3480268	1	Piston	
23	1001144398	1	Valve Assembly (See Items 101-109 for Breakdown)	
24	3931608	1	Capscrew 3/8 x 1	
25	3931840	8	Capscrew 1/2 x 2-1/2	
26	1001104922	1	Spacer	
28	4711600	4	Washer 3/8	
29	4891800	6	Washer 1/2	
30	2220885	2	Plug, O-Ring	
31	1684141	1	Head	
	1001144398	Ref	VALVE ASSEMBLY	A
101	See Note	NSS	Body, Valve (Note: Not Available for Purchase)	
102	7011368	3	Cartridge, Check Valve	
102	7011351	3	Seal Kit - 7011368 Cartridge	
103	70004029	1	Cartridge, Counterbalance Valve	
103	7011371	1	Seal Kit - 70004029 Cartridge	
104	4641289	1	Cartridge, Counterbalance Valve	
104	2900789	1	Seal Kit - 4641289 Cartridge	
105	70004030	1	Cartridge, Relief Valve	
105	7011311	1	Seal Kit - 70004030 Cartridge	
106	70003031	1	Plug, O-Ring	
107	70003030	1	Plug, O-Ring	
108	70003029	2	O-Ring	
109	See Note	NSS	Pin (Note: Not Available for Purchase)	

SECTION 6 - CYLINDER

FIGURE 6-22. TELESCOPE (MAIN BOOM) CYLINDER ASSEMBLY (SN 0300244705 to Present)



ART_1001228047

SECTION 6 - CYLINDER

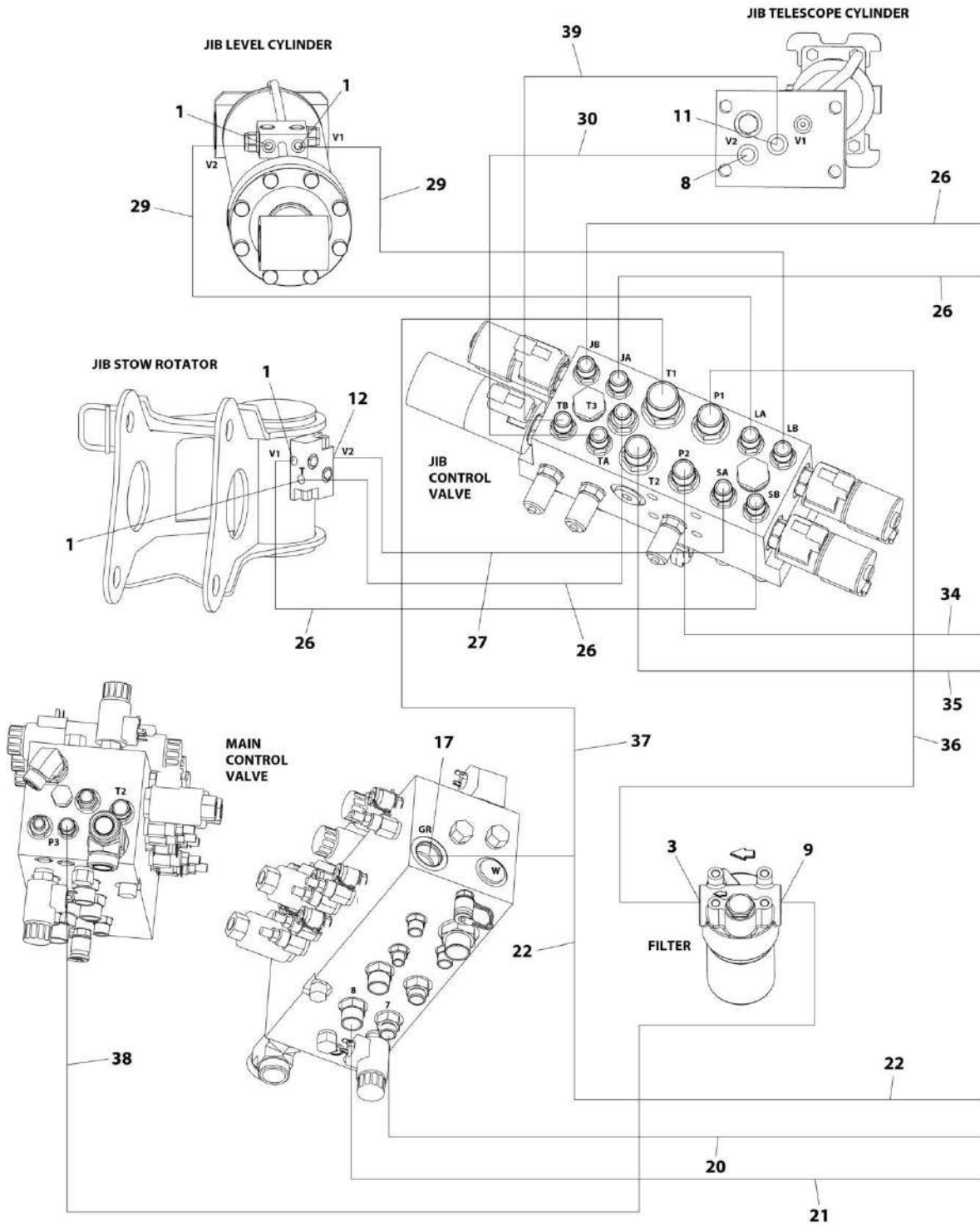
FIGURE 6-22. TELESCOPE (MAIN BOOM) CYLINDER ASSEMBLY (SN 0300244705 to Present)

ITEM	PART NUMBER	QTY	DESCRIPTION	REV
	1001228047	Ref	TELESCOPE (MAIN BOOM) CYLINDER ASSEMBLY	C
		Ref	Note: Original Cylinder May Have Been Replaced with Service Replacement. Identify PN Stamped on Cylinder Before Ordering Parts.	
1	See Note	NSS	Barrel (Note: Not Available for Purchase)	
2	70006824	1	Rod	
3	70006825	1	Head	
4	See Note	NSS	Wiper, Rod (Note: Use Item 50)	
5	70026283	1	Ring, Retaining	
6	See Note	NSS	Seal, Rod (Note: Use Item 50)	
7	See Note	NSS	Ring, Back-up (Note: Use Item 50)	
8	See Note	NSS	O-Ring (Note: Use Item 50)	
9	See Note	NSS	Ring, Wear (Note: Use Item 50)	
10	See Note	NSS	O-Ring (Note: Use Item 50)	
11	See Note	NSS	Ring, Back-up (Note: Use Item 50)	
12	See Note	NSS	O-Ring (Note: Use Item 50)	
13	70006826	1	Piston	
14	See Note	NSS	Seal, Piston (Note: Use Item 50)	
15	See Note	NSS	Ring, Wear (Note: Use Item 50)	
16	See Note	NSS	O-Ring (Note: Use Item 50)	
17	See Note	NSS	Ring, Back-up (Note: Use Item 50)	
18	70006827	1	Spacer	
19	70006828	2	Pad, Wear	
20	70006829	1	Bracket	
21	1001144398	1	Valve Assembly (See Items 101-109 for Breakdown)	
22	70006799	2	Setscrew	
23	70005882	8	Capscrew M12	
24	70005885	4	Capscrew	
25	70006830	4	Capscrew	
26	70005883	6	Washer M12	
27	70006344	4	Washer	
28	2220885	2	Plug, O-Ring	
29	2220886	1	Plug, O-Ring	
30	70005433	2	Plug, O-Ring	
50	70006831	1	Seal Kit (Includes Items 4, 6-12 & 14-17)	
	1001144398	Ref	VALVE ASSEMBLY	A
101	See Note	NSS	Body, Valve (Note: Not Available for Purchase)	
102	7011368	3	Cartridge, Check Valve	
102	7011351	3	Seal Kit - 7011368 Cartridge	
103	70004029	1	Cartridge, Counterbalance Valve	
103	7011371	1	Seal Kit - 70004029 Cartridge	
104	4641289	1	Cartridge, Counterbalance Valve	
104	2900789	1	Seal Kit - 4641289 Cartridge	
105	70004030	1	Cartridge, Relief Valve	
105	7011311	1	Seal Kit - 70004030 Cartridge	
106	70003031	1	Plug, O-Ring	
107	70003030	1	Plug, O-Ring	
108	70003029	2	O-Ring	
109	See Note	NSS	Pin (Note: Not Available for Purchase)	

SECTION 7 - HYDRAULIC

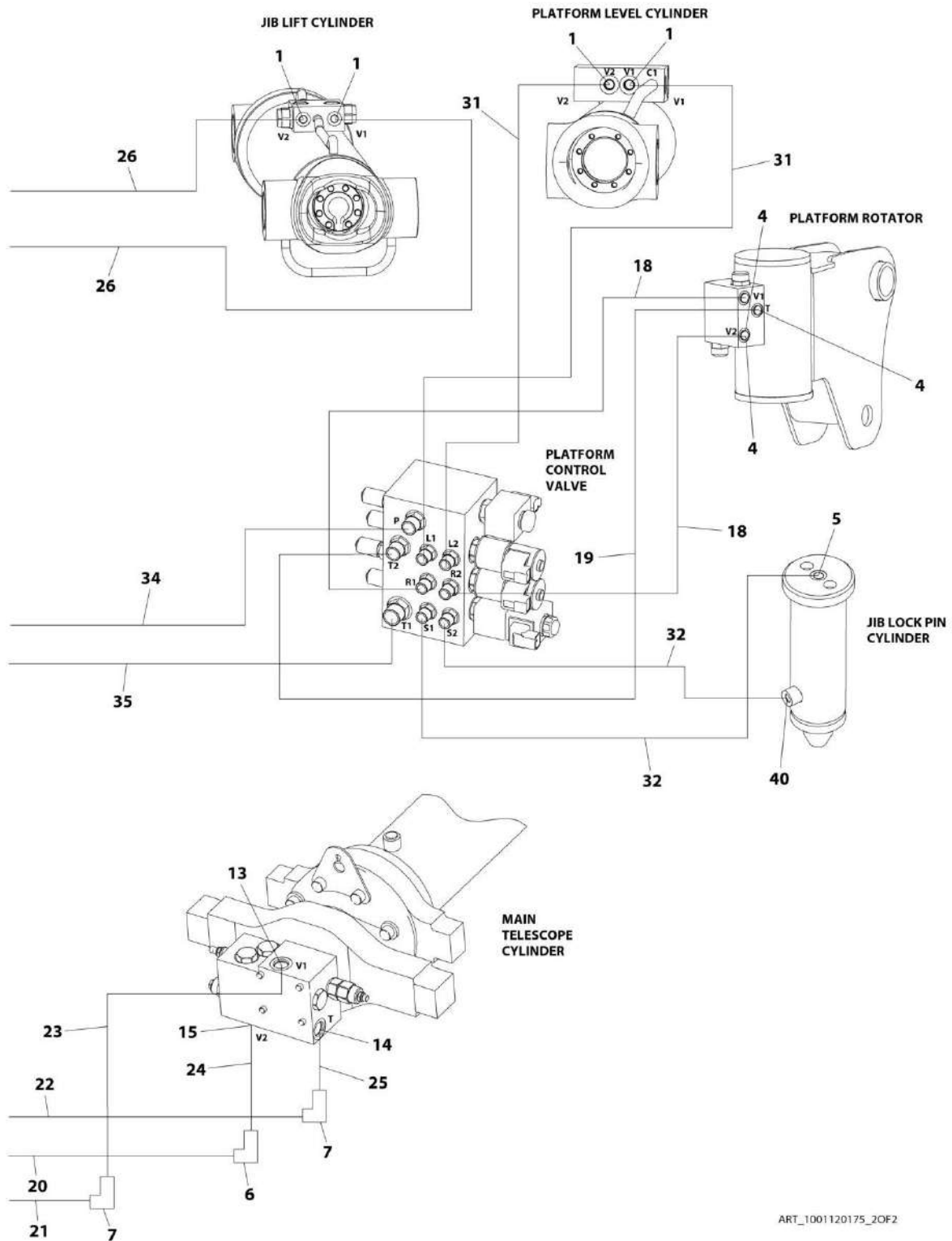
SECTION 7 - HYDRAULIC

FIGURE 7-1. HYDRAULIC DIAGRAM - BOOM



ART_1001120175_10F2

SECTION 7 - HYDRAULIC



ART_1001120175_20F2

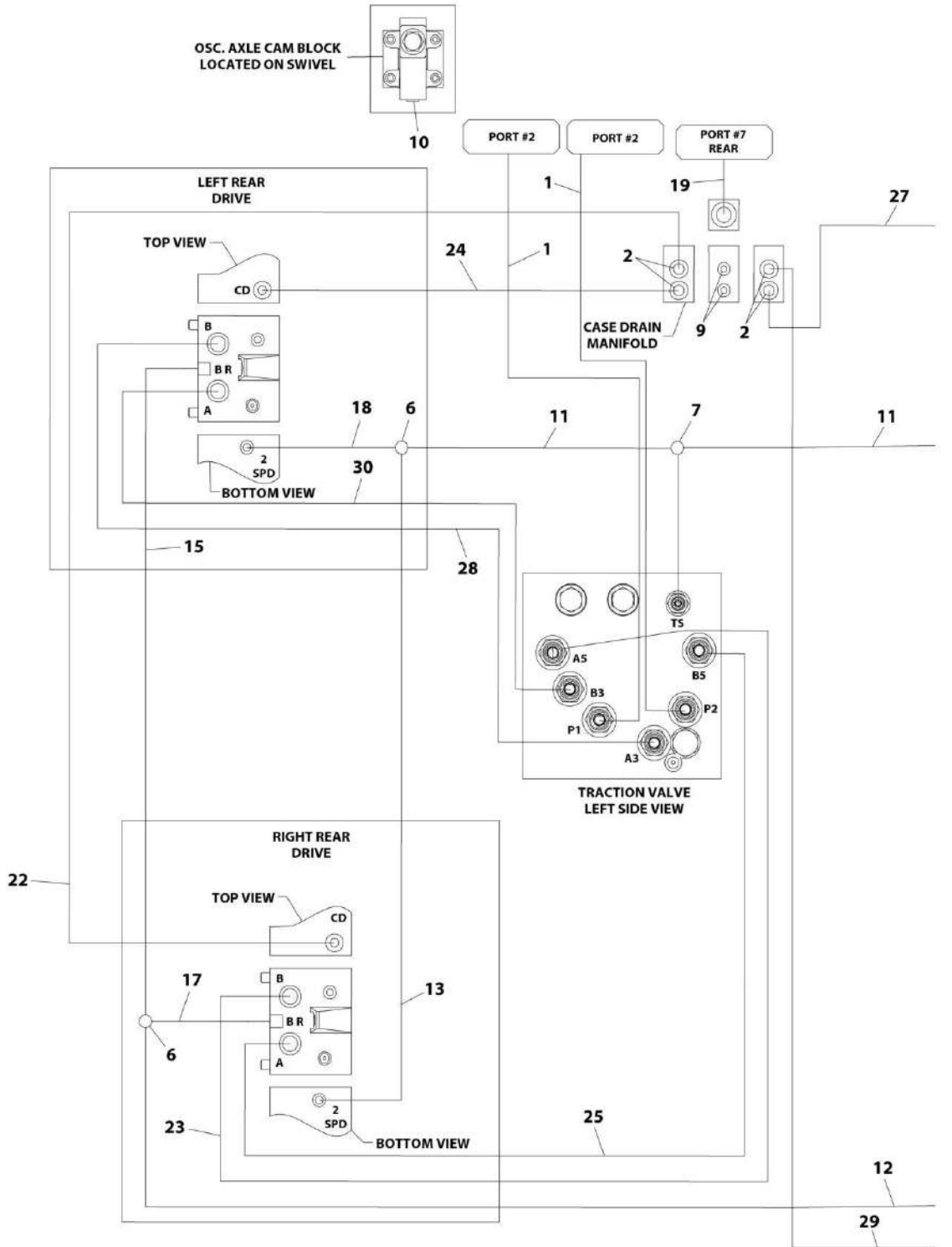
SECTION 7 - HYDRAULIC

FIGURE 7-1. HYDRAULIC DIAGRAM - BOOM

ITEM	PART NUMBER	QTY	DESCRIPTION	REV
		Ref	HYDRAULIC DIAGRAM - BOOM	
	1001120168	Ref	Hydraulic Diagram Chart for Deutz TD2011 Engine Machines with Rexroth Pumps	F
	1001152972	Ref	Hydraulic Diagram Chart for Deutz TCD2.9L4 Engine Machines with Rexroth Pumps	B
	1001120169	Ref	Hydraulic Diagram Chart for Deutz TD2011 & Deutz TCD2.9L4 Engine Machines with Sauer Pumps	E
	1001120175	Ref	Hydraulic Diagram - Main Boom and Jib	G
1	2110404	8	Fitting, Straight ORFS/ORB	
3	2110812	1	Fitting, Straight ORFS/ORB	
4	2150404	3	Fitting, 45 ORFS/ORB	
5	2110406	2	Fitting, Straight ORFS/ORB	
6	2171208	1	Fitting, 90 ORFS/ORB	
7	2171210	2	Fitting, 90 ORFS/ORB	
8	2130406	2	Fitting, 90 ORFS/ORB	
9	2130812	1	Fitting, 90 ORFS/ORB	
11	1001134728	1	Fitting, 90 with 0.090 Orifice	
12	2130404	1	Fitting, 90 ORFS/ORB	
13	2111010	1	Fitting, Straight ORFS/ORB	
14	2131010	1	Fitting, 90 ORFS/ORB	
15	2130808	1	Fitting, 90 ORFS/ORB	
17	2170710	1	Fitting, Straight Adapter ORFS/ORFS/ORB	
18	2753545	2	Hose	
19	1001120348	1	Hose	
20	2753755	1	Hose	
21	2753767	1	Hose	
22	1001120349	1	Hose	
23	2753763	1	Hose	
24	1001120350	1	Hose	
25	1001120351	1	Hose	
26	2753784	4	Hose	
27	2753675	1	Hose	
29	2753743	2	Hose	
30	1001118932	1	Hose (SN 0300209000 through 0300217093)	
30	1001213385	1	Hose (SN 0300217094 to Present)	
31	2754470	1	Hose	
32	1001120352	2	Hose	
34	1001120354	1	Hose	
35	1001120355	1	Hose	
36	1001120356	1	Hose	
37	1001120357	1	Hose	
38	1001120358	1	Hose (SN 0300209000 through 0300218860)	
38	1001119546	1	Hose (SN 0300218861 to Present)	
39	2717235	1	Hose	
40	2150406	1	Adapter ORFS/ORB	

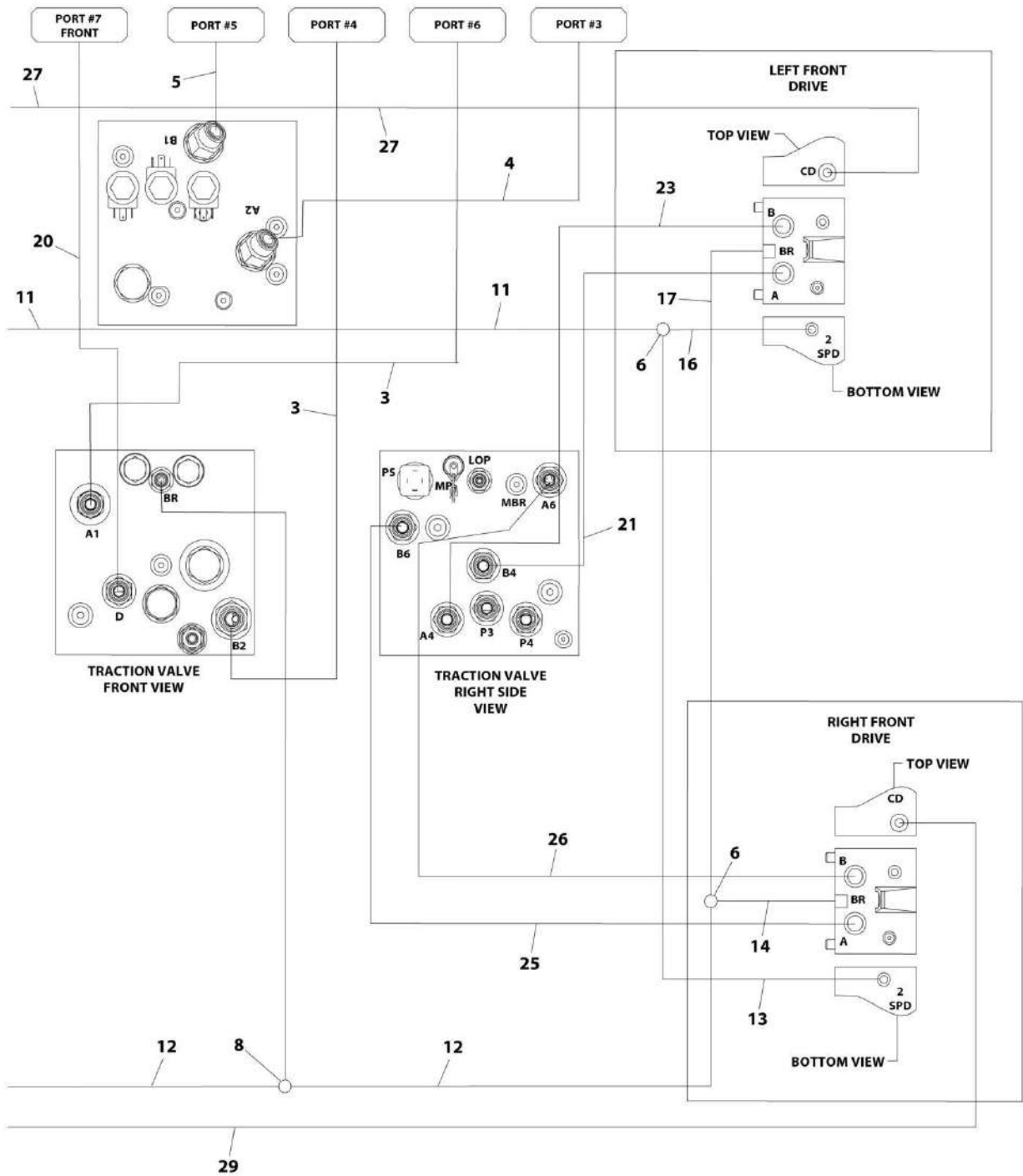
SECTION 7 - HYDRAULIC

FIGURE 7-2. HYDRAULIC DIAGRAM - DRIVE



ART_1001120172_1OF2

SECTION 7 - HYDRAULIC



ART_1001120172_2OF2

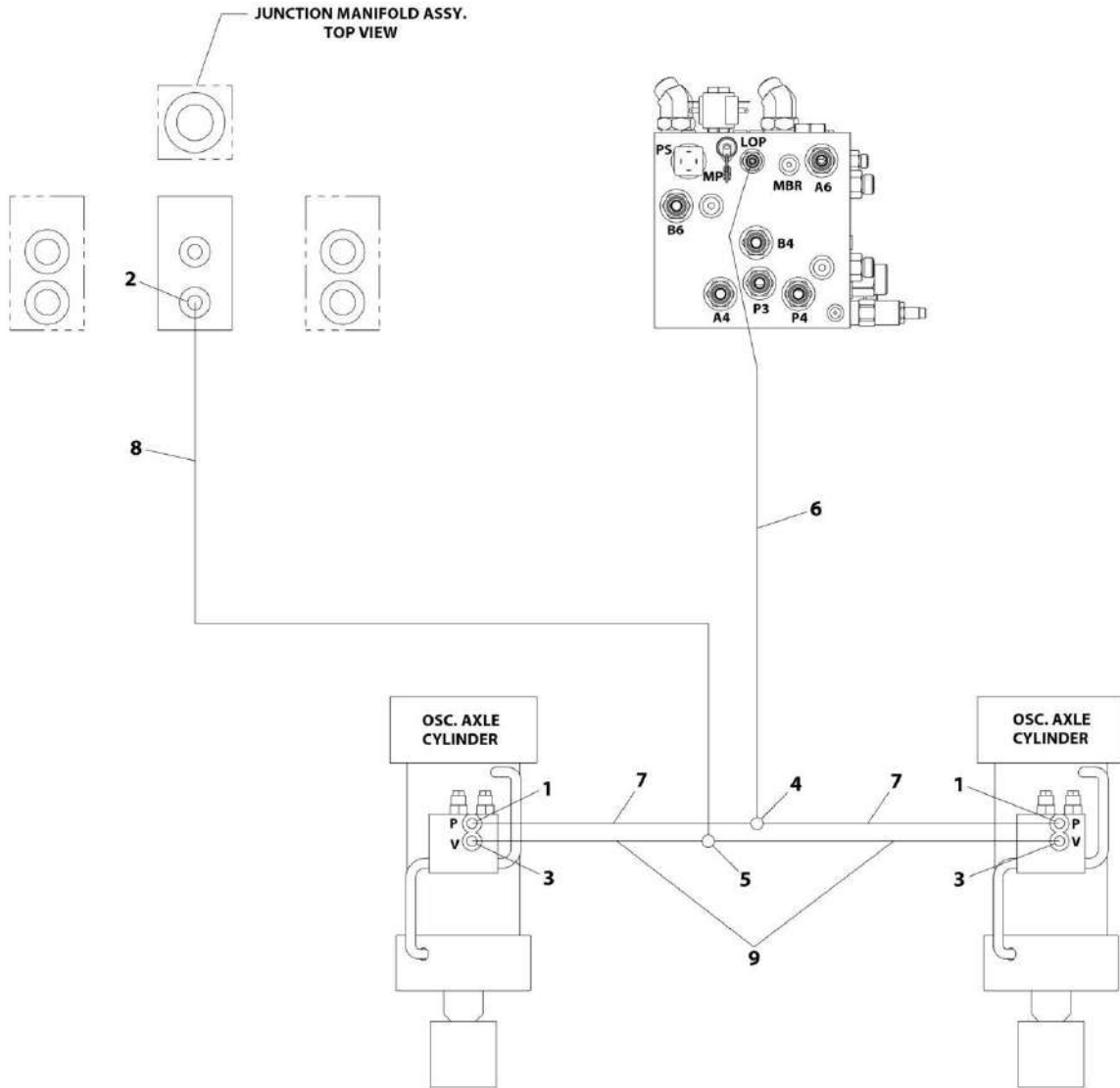
SECTION 7 - HYDRAULIC

FIGURE 7-2. HYDRAULIC DIAGRAM - DRIVE

ITEM	PART NUMBER	QTY	DESCRIPTION	REV
		Ref	HYDRAULIC DIAGRAM - DRIVE	
	1001120168	Ref	Hydraulic Diagram Chart for Deutz TD2011 Engine Machines with Rexroth Pumps	F
	1001152972	Ref	Hydraulic Diagram Chart for Deutz TCD2.9L4 Engine Machines with Rexroth Pumps	B
	1001120169	Ref	Hydraulic Diagram Chart for Deutz TD2011 & Deutz TCD2.9L4 Engine Machines with Sauer Pumps	E
	1001120172	Ref	Hydraulic Diagram - Drive	B
1	2753685	2	Hose	
2	2110808	4	Fitting, Straight ORFS/ORB	
3	2753703	2	Hose	
4	2753764	1	Hose	
5	2753768	1	Hose	
6	2170504	4	Fitting, Tee ORFS/ORFS/ORFS	
7	2170704	1	Fitting, Tee ORFS/ORB/ORFS	
8	2170804	1	Fitting, Tee ORFS/ORB/ORFS	
9	2220235	AR	Plug	
10	2220238	1	Plug (SN 0300209000 through 0300218861)	
11	2753541	2	Hose	
12	2753545	2	Hose	
13	2753677	2	Hose	
14	2753714	1	Hose	
15	2753713	1	Hose	
16	2753716	1	Hose	
17	2753715	2	Hose	
18	2753552	1	Hose	
19	2753752	1	Hose	
20	2753582	1	Hose	
21	2753756	1	Hose	
22	2753747	1	Hose	
23	2753757	2	Hose	
24	2753748	1	Hose	
25	2753759	2	Hose	
26	2753760	1	Hose	
27	2753749	1	Hose	
28	2753761	1	Hose	
29	2753750	1	Hose	
30	2753762	1	Hose	

SECTION 7 - HYDRAULIC

FIGURE 7-3. HYDRAULIC DIAGRAM - OSCILLATING AXLE



ART_1001120174

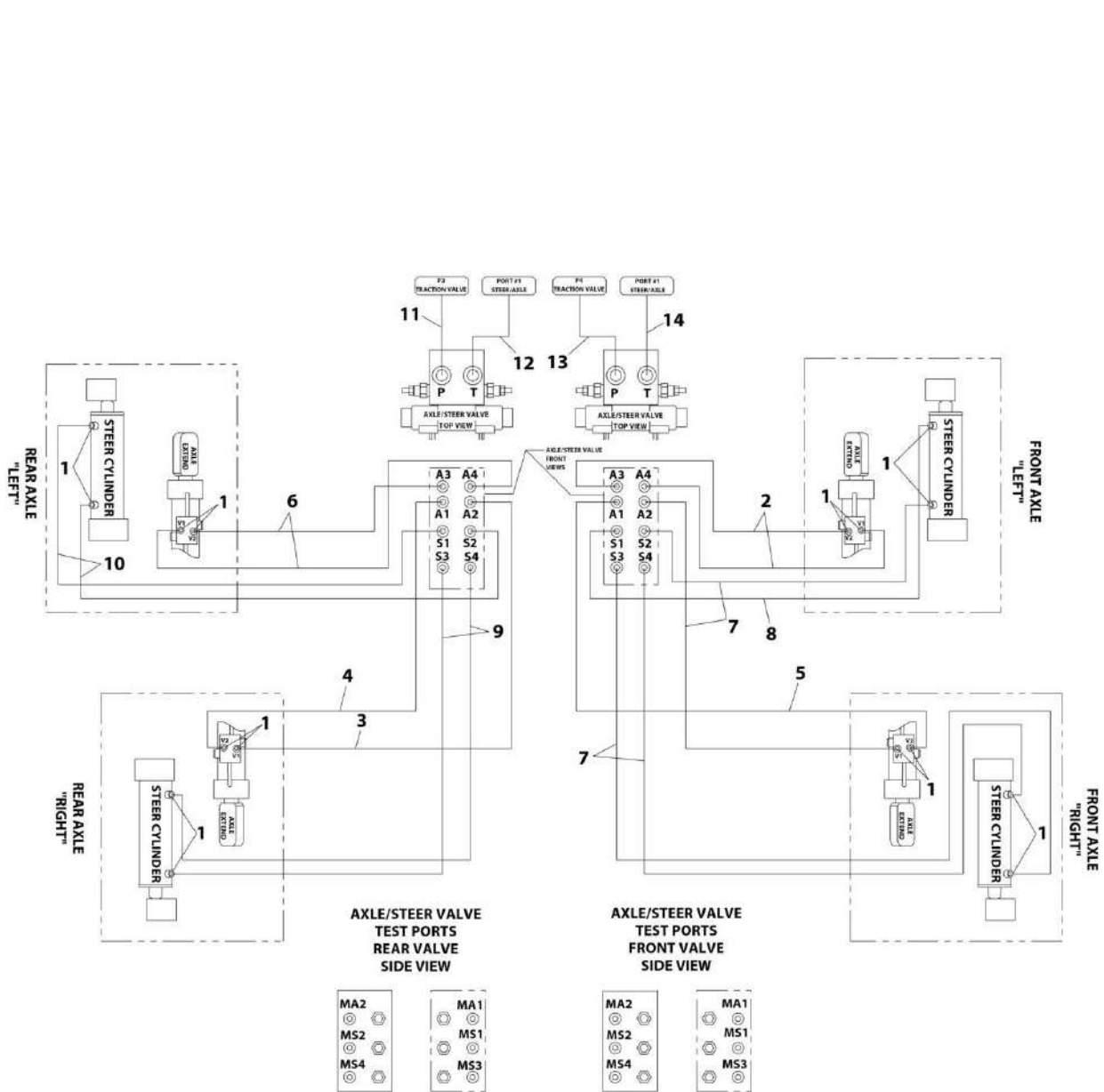
SECTION 7 - HYDRAULIC

FIGURE 7-3. HYDRAULIC DIAGRAM - OSCILLATING AXLE

ITEM	PART NUMBER	QTY	DESCRIPTION	REV
		Ref	HYDRAULIC DIAGRAM - OSCILLATING AXLE	
	1001120168	Ref	Hydraulic Diagram Chart for Deutz TD2011 Engine Machines with Rexroth Pumps	F
	1001152972	Ref	Hydraulic Diagram Chart for Deutz TCD2.9L4 Engine Machines with Rexroth Pumps	B
	1001120169	Ref	Hydraulic Diagram Chart for Deutz TD2011 & Deutz TCD2.9L4 Engine Machines with Sauer Pumps	E
	1001120174	Ref	Hydraulic Diagram - Oscillating Axle	1
1	2110406	2	Fitting, Straight ORFS/ORB	
2	2110604	1	Fitting, Straight ORFS/ORB	
3	2110606	2	Fitting, Straight ORFS/ORB	
4	2170504	1	Fitting, Tee ORFS/ORFS/ORFS	
5	2170506	1	Fitting, Tee ORFS/ORFS/ORFS	
6	2753726	1	Hose	
7	2753719	2	Hose	
8	2753727	1	Hose	
9	2753729	2	Hose	

SECTION 7 - HYDRAULIC

FIGURE 7-4. HYDRAULIC DIAGRAM - STEER



ART_1001120173

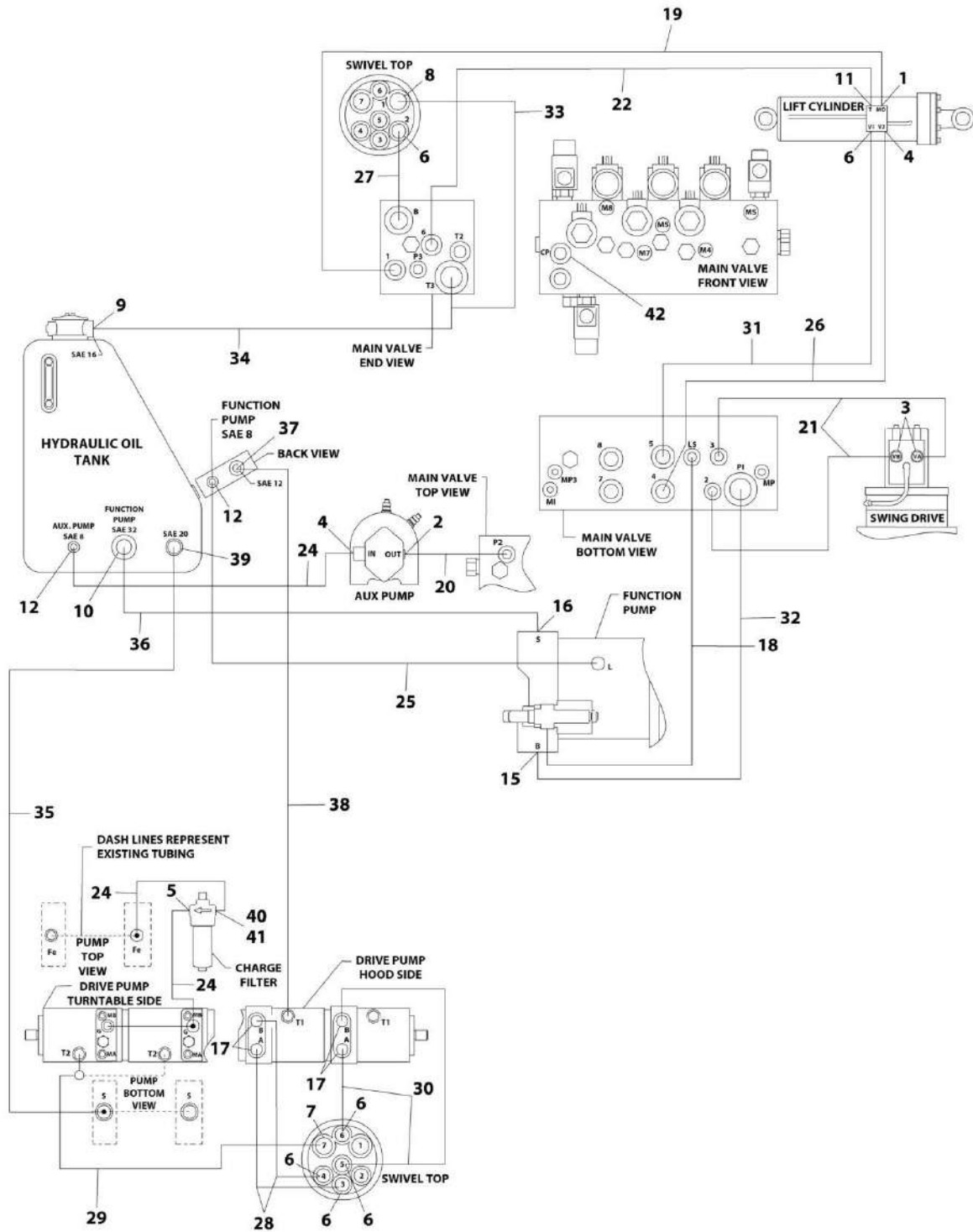
SECTION 7 - HYDRAULIC

FIGURE 7-4. HYDRAULIC DIAGRAM - STEER

ITEM	PART NUMBER	QTY	DESCRIPTION	REV
		Ref	HYDRAULIC DIAGRAM - STEER	
	1001120168	Ref	Hydraulic Diagram Chart for Deutz TD2011 Engine Machines with Rexroth Pumps	F
	1001152972	Ref	Hydraulic Diagram Chart for Deutz TCD2.9L4 Engine Machines with Rexroth Pumps	B
	1001120169	Ref	Hydraulic Diagram Chart for Deutz TD2011 & Deutz TCD2.9L4 Engine Machines with Sauer Pumps	E
	1001120173	Ref	Hydraulic Diagram - Steer	1
1	2130606	16	Fitting, 90 ORFS/ORB	
2	2753732	2	Hose	
3	2753733	1	Hose	
4	2753728	1	Hose	
5	2753734	1	Hose	
6	2753735	2	Hose	
7	2753736	4	Hose	
8	2753737	1	Hose	
9	2753738	2	Hose	
10	2753739	2	Hose	
11	2753753	1	Hose	
12	2753742	1	Hose	
13	2753754	1	Hose	
14	2753743	1	Hose	

SECTION 7 - HYDRAULIC

FIGURE 7-5. HYDRAULIC DIAGRAM - TURNTABLE (DEUTZ TD2011 ENGINE MACHINES WITH REXROTH PUMPS)



ART_1001120170

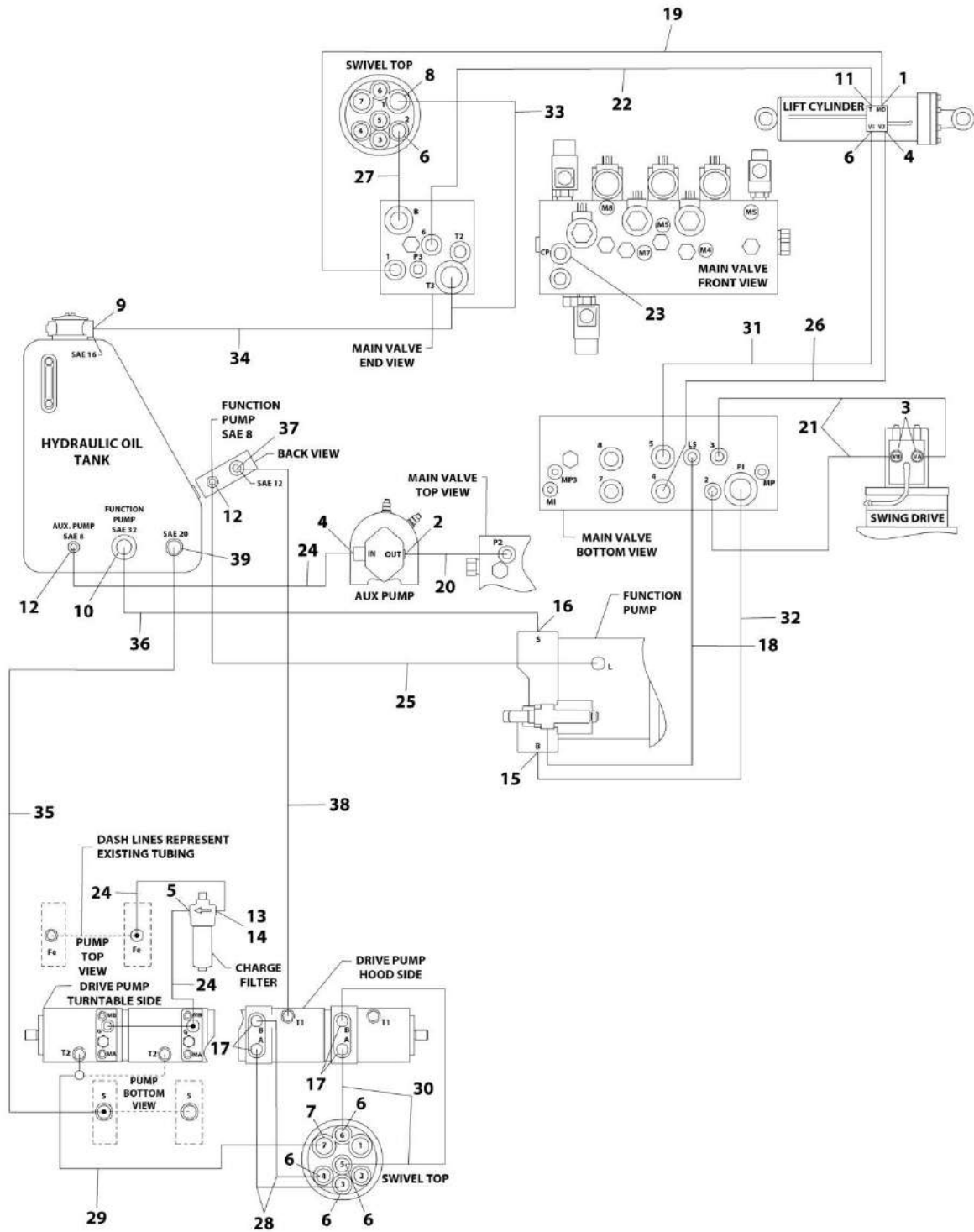
SECTION 7 - HYDRAULIC

FIGURE 7-5. HYDRAULIC DIAGRAM - TURNTABLE (DEUTZ TD2011 ENGINE MACHINES WITH REXROTH PUMPS)

ITEM	PART NUMBER	QTY	DESCRIPTION	REV
		Ref	HYDRAULIC DIAGRAM - TURNTABLE (DEUTZ TD2011 ENGINE MACHINES WITH REXROTH PUMPS)	
	1001120168	Ref	Hydraulic Diagram Chart for Deutz TD2011 Engine Machines with Rexroth Pumps	F
	1001120170	Ref	Hydraulic Diagram - Turntable	C
1	2110404	1	Fitting, Straight ORFS/ORB	
2	2110608	1	Fitting, Straight ORFS/ORB	
3	2110610	2	Fitting, Straight ORFS/ORB	
4	2110810	2	Fitting, Straight ORFS/ORB	
5	2110812	1	Fitting, Straight ORFS/ORB	
6	2111010	6	Fitting, Straight ORFS/ORB	
7	2111012	1	Fitting, Straight ORFS/ORB	
8	2111212	1	Fitting, Straight ORFS/ORB	
9	2111616	1	Fitting, Straight ORFS/ORB	
10	2113232	1	Fitting, Straight ORFS/ORB	
11	2130606	1	Fitting, 90 ORFS/ORB	
12	2130808	2	Fitting, 90 ORFS/ORB	
15	2220478	1	Flange Kit	
16	2220737	1	Flange Kit	
17	2221117	4	Flange Kit	
18	2753622	1	Hose (SN 0300209000 through 0300217093)	
18	1001213385	1	Hose (SN 0300217094 to Present)	
19	2753718	1	Hose	
20	2753730	1	Hose	
21	2753731	2	Hose	
22	2753734	1	Hose	
24	2753746	3	Hose	
25	2753741	1	Hose	
26	2753744	1	Hose	
27	2753766	1	Hose	
28	2753769	2	Hose	
29	2753708	1	Hose	
30	2753770	2	Hose	
31	2753765	1	Hose	
32	2753771	1	Hose	
33	2753772	1	Hose	
34	2753774	1	Hose	
35	2753775	1	Hose	
36	2753776	1	Hose	
37	2131212	1	Fitting, 90 ORFS/ORB	
38	2753773	1	Hose	
39	2112020	1	Fitting, Straight ORFS/ORB	
40	2221084	1	Fitting, Tee ORFS/ORB/ORFS	
41	2170908	1	Fitting, Cap ORFS	
42	1001119455	1	Valve, Oil Sampling	

SECTION 7 - HYDRAULIC

FIGURE 7-6. HYDRAULIC DIAGRAM - TURNTABLE (DEUTZ TCD2.9L4 ENGINE MACHINES WITH REXROTH PUMPS)



ART_1001152969

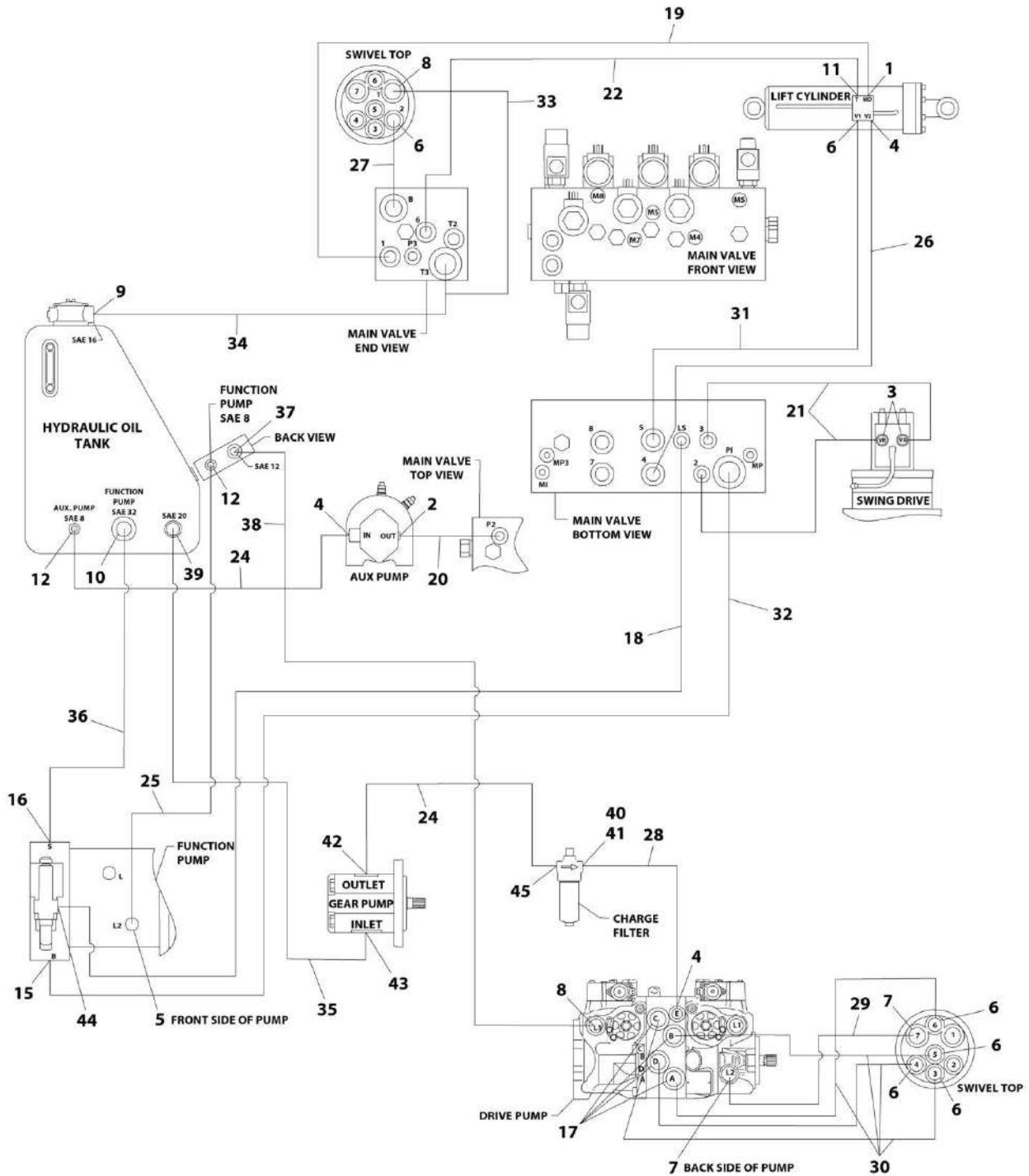
SECTION 7 - HYDRAULIC

FIGURE 7-6. HYDRAULIC DIAGRAM - TURNTABLE (DEUTZ TCD2.9L4 ENGINE MACHINES WITH REXROTH PUMPS)

ITEM	PART NUMBER	QTY	DESCRIPTION	REV
		Ref	HYDRAULIC DIAGRAM - TURNTABLE (DEUTZ TCD2.9L4 ENGINE MACHINES WITH REXROTH PUMPS)	
	1001152972	Ref	Hydraulic Diagram Chart for Deutz TCD2.9L4 Engine Machines with Rexroth Pumps	B
	1001152969	Ref	Hydraulic Diagram - Turntable	A
1	2110404	1	Fitting, Straight ORFS/ORB	
2	2110608	1	Fitting, Straight ORFS/ORB	
3	2110610	2	Fitting, Straight ORFS/ORB	
4	2110810	2	Fitting, Straight ORFS/ORB	
5	2110812	1	Fitting, Straight ORFS/ORB	
6	2111010	6	Fitting, Straight ORFS/ORB	
7	2111012	1	Fitting, Straight ORFS/ORB	
8	2111212	1	Fitting, Straight ORFS/ORB	
9	2111616	1	Fitting, Straight ORFS/ORB	
10	2113232	1	Fitting, Straight ORFS/ORB	
11	2130606	1	Fitting, 90 ORFS/ORB	
12	2130808	2	Fitting, 90 ORFS/ORB	
13	2221084	1	Fitting, Tee ORFS/ORB/ORFS	
14	2170908	1	Fitting, Cap ORFS	
15	2220478	1	Flange Kit	
16	2220737	1	Flange Kit	
17	2221117	4	Flange Kit	
18	2753622	1	Hose	
19	2753718	1	Hose	
20	2753730	1	Hose	
21	2753731	2	Hose	
22	2753734	1	Hose	
23	1001119455	1	Valve, Oil Sampling	
24	2753746	3	Hose	
25	2753741	1	Hose	
26	2753744	1	Hose	
27	2753766	1	Hose	
28	2753769	2	Hose	
29	2753708	1	Hose	
30	2753770	2	Hose	
31	2753765	1	Hose	
32	2753771	1	Hose	
33	2753772	1	Hose	
34	2753774	1	Hose	
35	1001152966	1	Hose	
36	2753776	1	Hose	
37	2131212	1	Fitting, 90 ORFS/ORB	
38	2753773	1	Hose	
39	2112020	1	Fitting, Straight ORFS/ORB	

SECTION 7 - HYDRAULIC

FIGURE 7-7. HYDRAULIC DIAGRAM - TURNTABLE (DEUTZ TD2011 AND DEUTZ TCD2.9L4 ENGINE MACHINES WITH SAUER PUMPS)



ART_1001120171

SECTION 7 - HYDRAULIC

FIGURE 7-7. HYDRAULIC DIAGRAM - TURNTABLE (DEUTZ TD2011 AND DEUTZ TCD2.9L4 ENGINE MACHINES WITH SAUER PUMPS)

ITEM	PART NUMBER	QTY	DESCRIPTION	REV
		Ref	HYDRAULIC DIAGRAM - TURNTABLE (DEUTZ TD2011 AND DEUTZ TCD2.9L4 ENGINE MACHINES WITH SAUER PUMPS)	
	1001120169	Ref	Hydraulic Diagram Chart for Deutz TD2011 and Deutz TCD2.9L4 Engine Machines with Sauer Pumps	E
	1001120171	Ref	Hydraulic Diagram - Turntable	E
1	2110404	1	Fitting, Straight ORFS/ORB	
2	2110608	1	Fitting, Straight ORFS/ORB	
3	2110610	2	Fitting, Straight ORFS/ORB	
4	2110810	3	Fitting, Straight ORFS/ORB	
5	2130810	1	Fitting, 90 ORFS/ORB	
6	2111010	6	Fitting, Straight ORFS/ORB	
7	2111012	2	Fitting, Straight ORFS/ORB	
8	2111212	1	Fitting, Straight ORFS/ORB	
9	2111616	1	Fitting, Straight ORFS/ORB	
10	2113232	1	Fitting, Straight ORFS/ORB	
11	2130606	1	Fitting, 90 ORFS/ORB	
12	2130808	AR	Fitting, 90 ORFS/ORB	
15	2220478	1	Flange Kit	
16	1001110604	1	Flange Kit	
17	2111016	4	Fitting, Straight ORFS/ORB	
18	1001118932	1	Hose (SN 0300209000 through 0300217093)	
18	1001213385	1	Hose (SN 0300217094 to Present)	
19	2753718	1	Hose	
20	2753730	1	Hose	
21	2753731	2	Hose	
22	2753734	1	Hose	
24	2753746	2	Hose	
25	1001118934	1	Hose	
26	2753744	1	Hose	
27	2753766	1	Hose	
28	1001118933	1	Hose	
29	2753708	1	Hose	
30	1001109468	4	Hose	
31	2753765	1	Hose	
32	2753771	1	Hose	
33	2753772	1	Hose	
34	2753774	1	Hose	
35	1001119817	1	Hose	
36	1001118935	1	Hose	
37	2131612	1	Fitting, 90 ORFS/ORB	
38	1001119138	1	Hose	
39	2112020	1	Fitting, Straight ORFS/ORB	
40	2221084	1	Fitting, Tee ORFS/ORFS/ORB	
41	2170908	1	Fitting, Cap ORFS	
42	2110812	1	Fitting, Straight ORFS/ORB	
43	2112016	1	Fitting, Straight ORFS/ORB	
44	2130404	1	Fitting, 90 ORFS/ORB	
45	2130812	1	Fitting, 90 ORFS/ORB	

SECTION 7 - HYDRAULIC

FIGURE 7-8. HYDRAULIC DIAGRAM LIST

ITEM	PART NUMBER	QTY	DESCRIPTION	REV
		Ref	HYDRAULIC DIAGRAM - BOOM	
	1001120168	Ref	Hydraulic Diagram Chart for Deutz TD2011 Engine Machines with Rexroth Pumps	
	1001152972	Ref	Hydraulic Diagram Chart for Deutz TCD2.9L4 Engine Machines with Rexroth Pumps	
	1001120169	Ref	Hydraulic Diagram Chart for Deutz TD2011 and Deutz TCD2.9L4 Engine Machines with Sauer Pumps	
	1001120175	Ref	Hydraulic Diagram - Main Boom and Jib	
		Ref	HYDRAULIC DIAGRAM - DRIVE	
	1001120168	Ref	Hydraulic Diagram Chart for Deutz TD2011 Engine Machines with Rexroth Pumps	
	1001152972	Ref	Hydraulic Diagram Chart for Deutz TCD2.9L4 Engine Machines with Rexroth Pumps	
	1001120169	Ref	Hydraulic Diagram Chart for Deutz TD2011 and Deutz TCD2.9L4 Engine Machines with Sauer Pumps	
	1001120172	Ref	Hydraulic Diagram - Drive	
		Ref	HYDRAULIC DIAGRAM - OSCILLATING AXLE	
	1001120168	Ref	Hydraulic Diagram Chart for Deutz TD2011 Engine Machines with Rexroth Pumps	
	1001152972	Ref	Hydraulic Diagram Chart for Deutz TCD2.9L4 Engine Machines with Rexroth Pumps	
	1001120169	Ref	Hydraulic Diagram Chart for Deutz TD2011 and Deutz TCD2.9L4 Engine Machines with Sauer Pumps	
	1001120174	Ref	Hydraulic Diagram - Oscillating Axle	
		Ref	HYDRAULIC DIAGRAM - STEER	
	1001120168	Ref	Hydraulic Diagram Chart for Deutz TD2011 Engine Machines with Rexroth Pumps	
	1001152972	Ref	Hydraulic Diagram Chart for Deutz TCD2.9L4 Engine Machines with Rexroth Pumps	
	1001120169	Ref	Hydraulic Diagram Chart for Deutz TD2011 and Deutz TCD2.9L4 Engine Machines with Sauer Pumps	
	1001120173	Ref	Hydraulic Diagram - Steer	
		Ref	HYDRAULIC DIAGRAMS - TURNTABLE (DEUTZ TD2011 ENGINE MACHINES WITH REXROTH PUMPS)	
	1001120168	Ref	Hydraulic Diagram Chart for Deutz TD2011 Engine Machines with Rexroth Pumps	
	1001120170	Ref	Hydraulic Diagram - Turntable	
		Ref	HYDRAULIC DIAGRAMS - TURNTABLE (DEUTZ TCD2.9L4 ENGINE MACHINES WITH REXROTH PUMPS)	
	1001152972	Ref	Hydraulic Diagram Chart for Deutz TCD2.9L4 Engine Machines with Rexroth Pumps	
	1001152969	Ref	Hydraulic Diagram - Turntable	
		Ref	HYDRAULIC DIAGRAMS - TURNTABLE (DEUTZ TD2011 AND DEUTZ TCD2.9L4 ENGINE MACHINES WITH SAUER PUMPS)	
	1001120169	Ref	Hydraulic Diagram Chart for Deutz TD2011 and Deutz TCD2.9L4 Engine Machines with Sauer Pumps	
	1001120171	Ref	Hydraulic Diagram - Turntable	
		Ref	Hydraulic Schematic - Oil Cooler Options (Not Shown):	
	0272080	Ref	Deutz TD2011 Engine Machines with Rexroth Pumps	
	1001139494	Ref	Deutz TCD2.9L4 Engine Machines with Rexroth Pumps	
	1001221802	Ref	Deutz TCD2.9L4 Engine Machines with Rexroth Pumps (China Spec Only)	

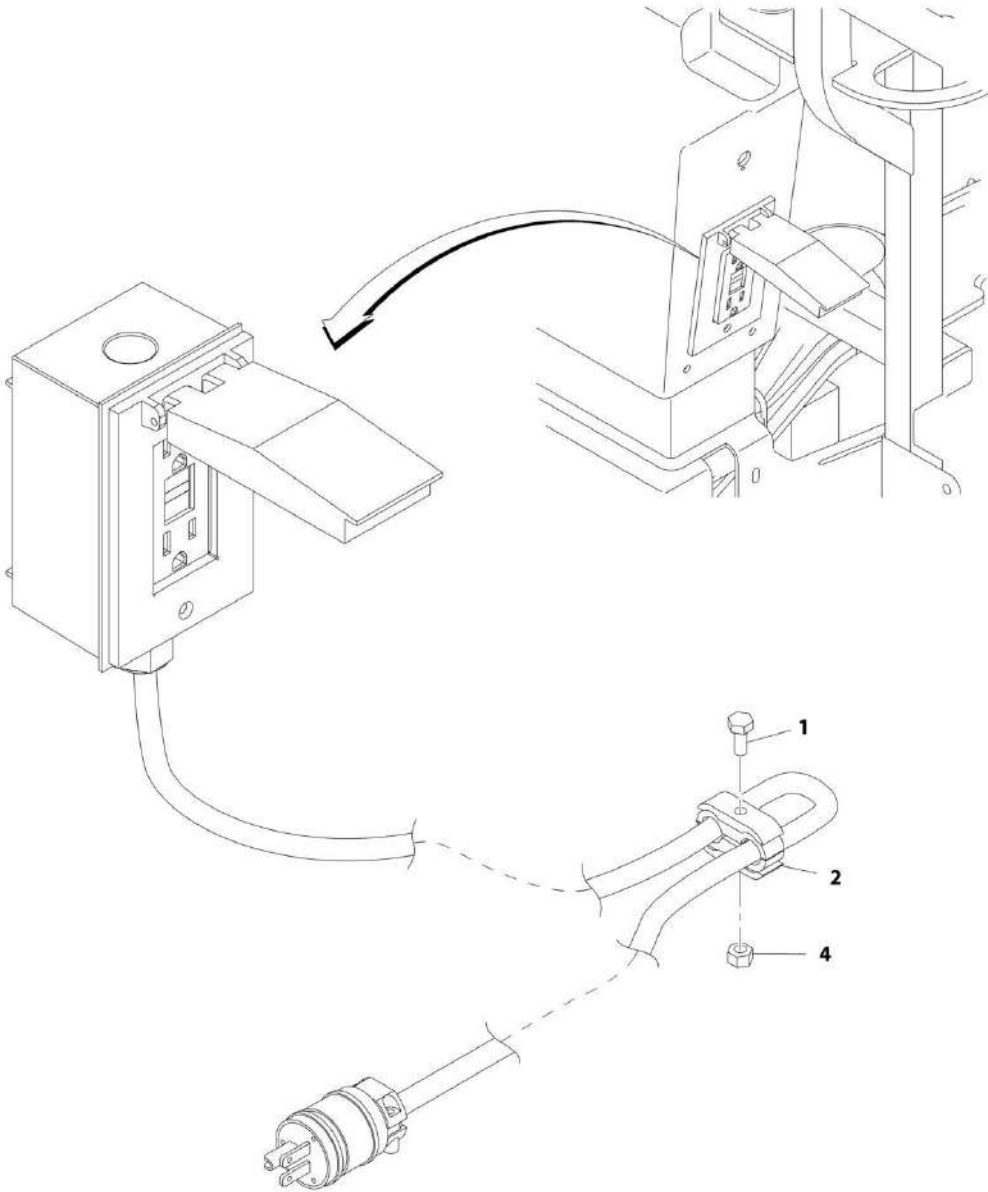
SECTION 7 - HYDRAULIC

ITEM	PART NUMBER	QTY	DESCRIPTION	REV
	1001118957	Ref	Deutz TD2011 Engine Machines with Sauer Pumps	
	1001139492	Ref	Deutz TCD2.9L4 Engine Machines with Sauer Pumps	
	1001221666	Ref	Deutz TCD2.9L4 Engine Machines with Sauer Pumps (China Spec Only)	
	1001120628	Ref	Hydraulic Schematic - Standard (Not Shown - See Service Manual)	

SECTION 8 - ELECTRICAL

SECTION 8 - ELECTRICAL

FIGURE 8-1. AC BOX AT PLATFORM - 110V (ANSI SPECS)



ART_0271955

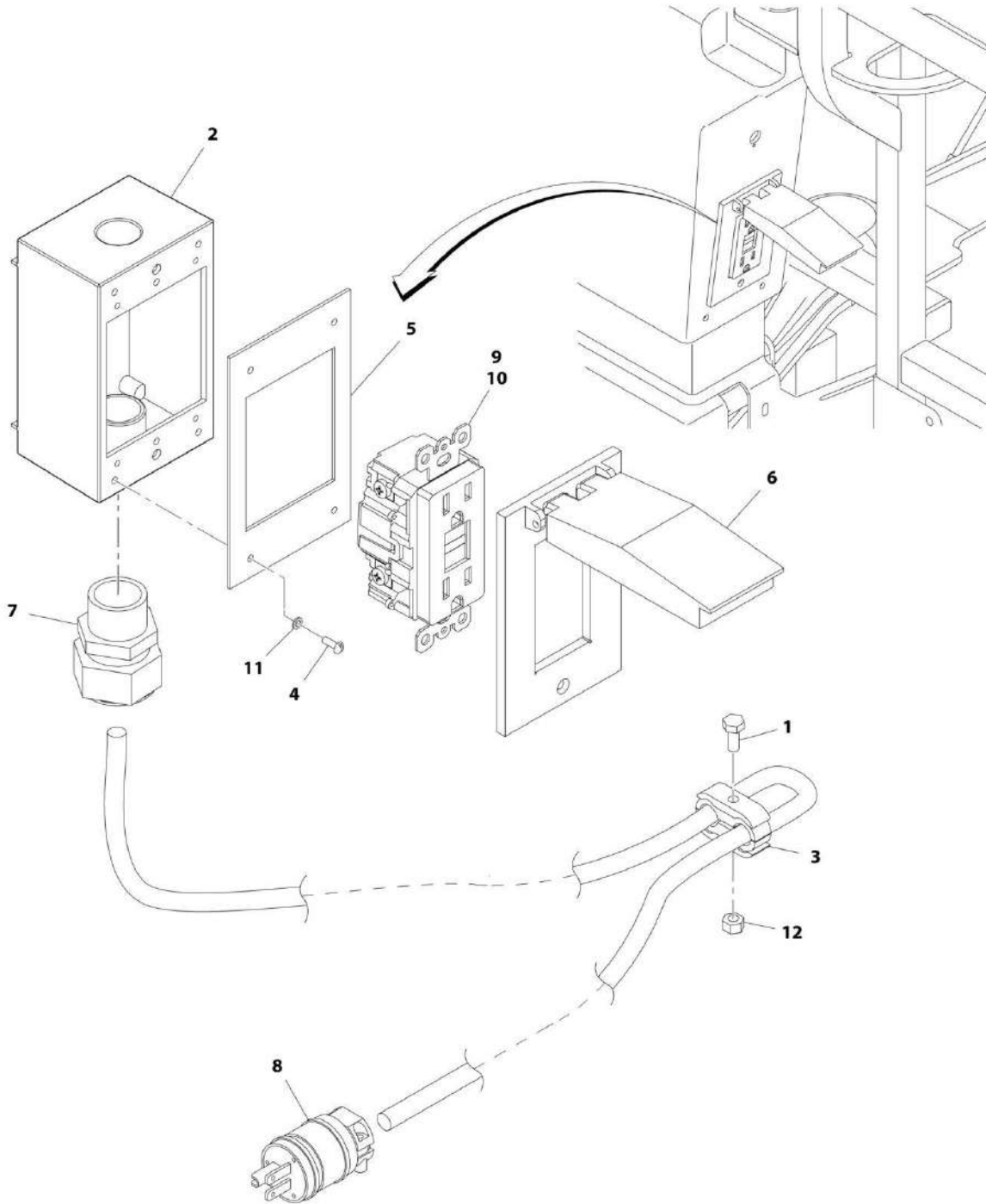
SECTION 8 - ELECTRICAL

FIGURE 8-1. AC BOX AT PLATFORM - 110V (ANSI SPECS)

ITEM	PART NUMBER	QTY	DESCRIPTION	REV
	0271955	Ref	AC BOX AT PLATFORM - 110V (ANSI SPECS)	C
1	0641416	1	Bolt 1/4 x 2	
2	1320146	1	Clamp	
4	3311405	1	Nut 1/4	

SECTION 8 - ELECTRICAL

FIGURE 8-2. AC BOX AT PLATFORM - 110V GFI RECEPTACLE (ANSI SPECS)



ART_0271953

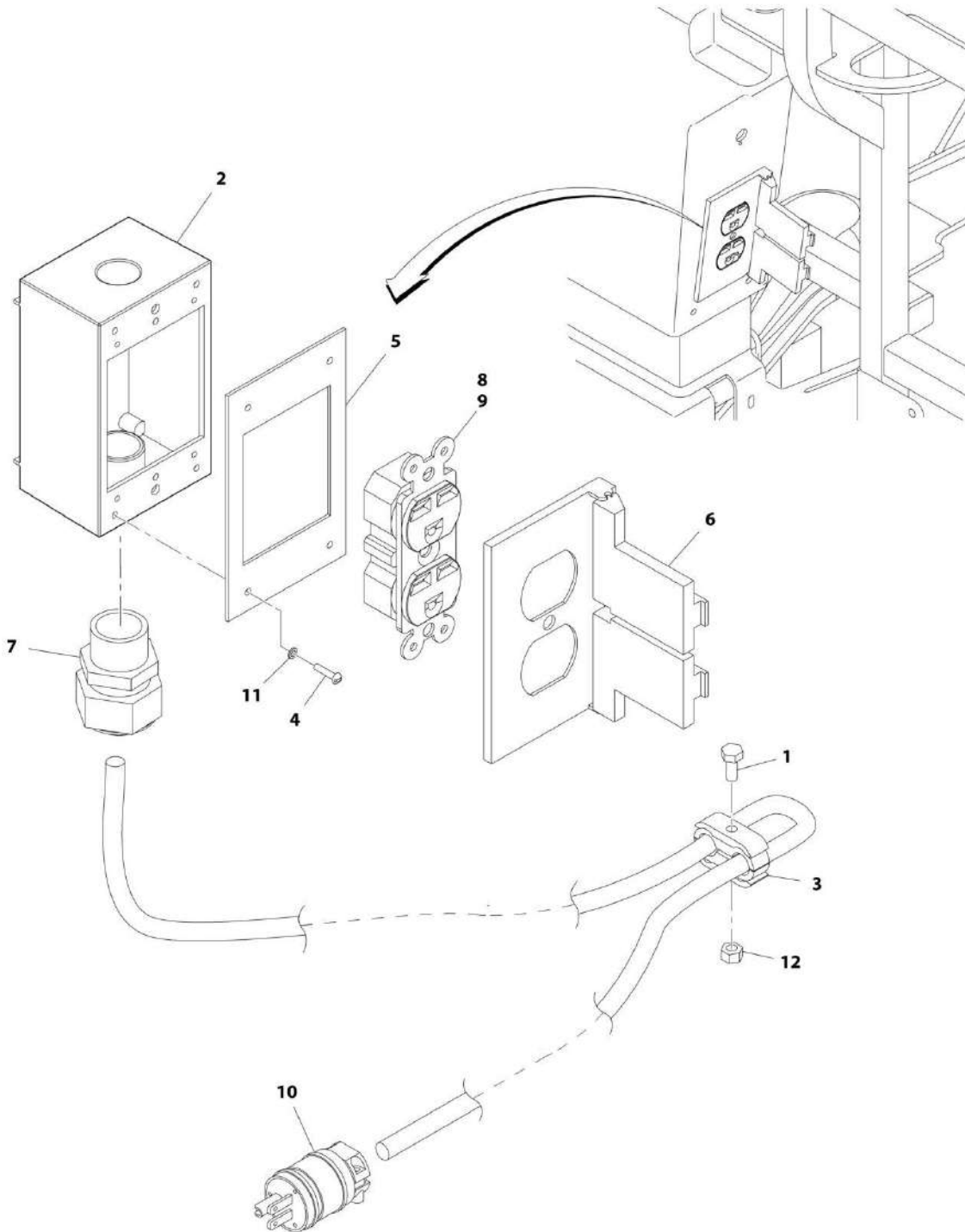
SECTION 8 - ELECTRICAL

FIGURE 8-2. AC BOX AT PLATFORM - 110V GFI RECEPTACLE (ANSI SPECS)

ITEM	PART NUMBER	QTY	DESCRIPTION	REV
	0271953	Ref	AC BOX AT PLATFORM - 110V GFI RECEPTACLE (ANSI SPECS)	D
1	0641416	1	Bolt 1/4 x 2	
2	0860038	1	Box, Switch	
3	1320146	1	Clamp	
4	3910606	4	Screw #6 x 3/8	
5	3960422	1	Gasket, AC Receptacle	
6	1001110873	1	Shield, Receptacle Cover	
7	4460051	1	Connector, Strain Relief	
8	4460205	1	Plug, Male	
9	4460315	1	Terminal, Spade	
10	4460346	1	Terminal, Receptacle	
11	4760600	4	Washer #6	
12	3311405	1	Nut 1/4	

SECTION 8 - ELECTRICAL

FIGURE 8-3. AC BOX AT PLATFORM - 220V GFI RECEPTACLE (ANSI SPECS)



ART_0271954

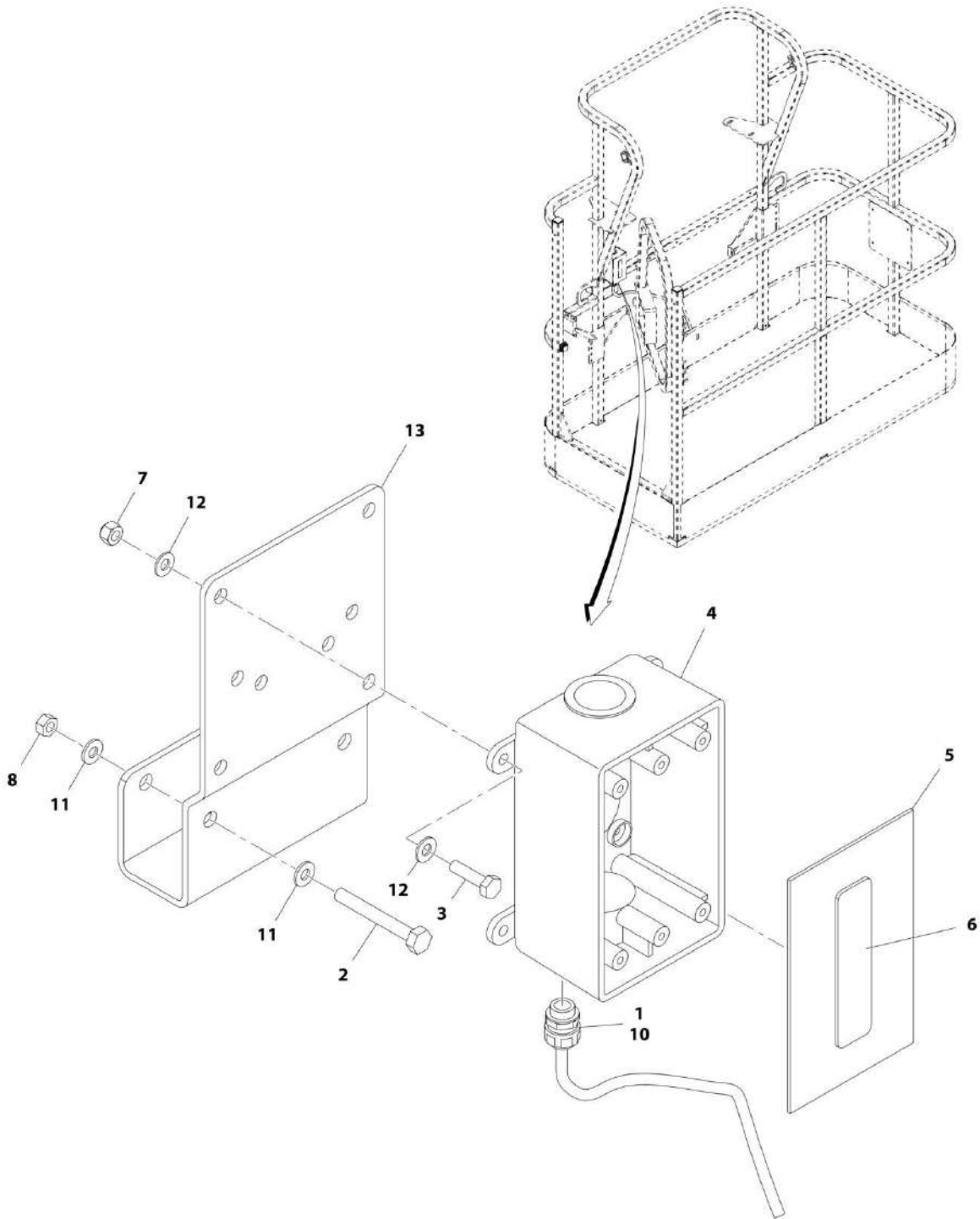
SECTION 8 - ELECTRICAL

FIGURE 8-3. AC BOX AT PLATFORM - 220V GFI RECEPTACLE (ANSI SPECS)

ITEM	PART NUMBER	QTY	DESCRIPTION	REV
	0271954	Ref	AC BOX AT PLATFORM - 220V GFI RECEPTACLE (ANSI SPECS)	C
1	0641416	1	Bolt 1/4 x 2	
2	0860038	1	Box, Switch	
3	1320146	1	Clamp	
4	3910606	4	Screw #6 x 3/8	
5	3960422	1	Gasket, AC Receptacle	
6	4060092	1	Shield, Receptacle Cover	
7	4460051	1	Connector, Strain Relief	
8	4460125	1	Terminal, Receptacle	
9	4460315	1	Terminal, Spade	
10	4460709	1	Plug, Male	
11	4760600	4	Washer #6	
12	3311405	1	Nut 1/4	

SECTION 8 - ELECTRICAL

FIGURE 8-4. AC BOX AT PLATFORM INSTALLATION - BOX WITH COVER (2X4 BOX) WITH 4000W GENERATOR (ANSI EXPORT SPECS) (SN 0300209000 through 0300214023)



ART_1001194365

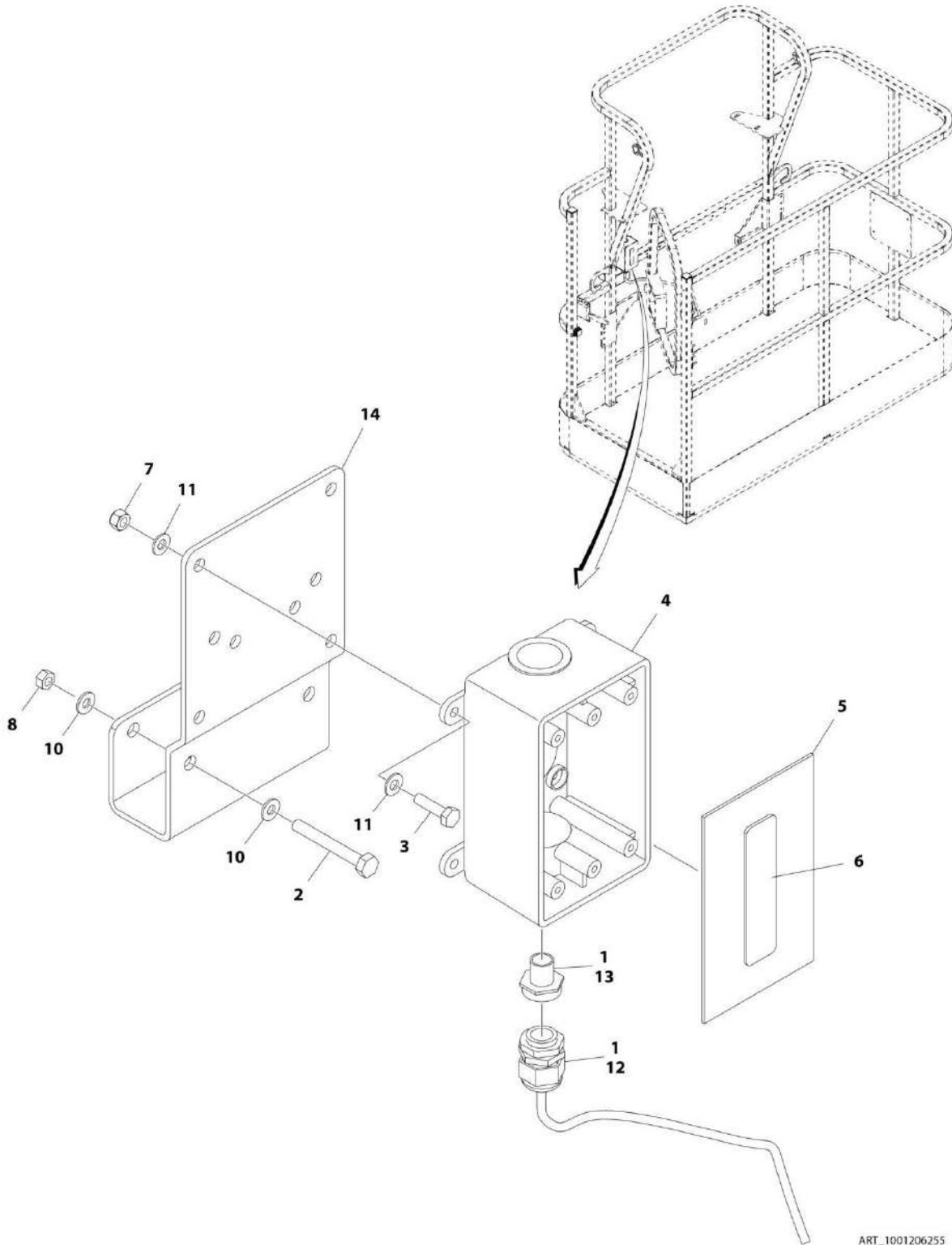
SECTION 8 - ELECTRICAL

FIGURE 8-4. AC BOX AT PLATFORM INSTALLATION - BOX WITH COVER (2X4 BOX) WITH 4000W GENERATOR (ANSI EXPORT SPECS) (SN 0300209000 through 0300214023)

ITEM	PART NUMBER	QTY	DESCRIPTION	REV
	1001194365	Ref	AC BOX AT PLATFORM INSTALLATION - BOX WITH COVER (2X4 BOX) WITH 4000W GENERATOR (ANSI EXPORT SPECS) (SN 0300209000 through 0300214023)	A
1	0100020	AR	Sealant, Pipe	
2	0641416	2	Bolt 1/4 x 2	
3	0700408	4	Bolt M4 x 16	
4	0861731	1	Box, Switch	
5	1670603	1	Cover	
6	3251242	1	Decal - 240V-50Hz	
7	3290405	4	Nut M4	
8	3311405	2	Nut 1/4	
9	4460384	3	Terminal (Not Shown)	
10	4460662	1	Connector, Strain Relief	
11	4711400	4	Washer 1/4	
12	4811400	8	Washer M4	
13	1001193018	1	Bracket, AC Receptacle	

SECTION 8 - ELECTRICAL

FIGURE 8-5. AC BOX AT PLATFORM INSTALLATION - BOX WITH COVER (2X4 BOX) WITH 4000W GENERATOR (ANSI EXPORT SPECS) (SN 0300214024 to Present)



ART_1001206255

SECTION 8 - ELECTRICAL

FIGURE 8-5. AC BOX AT PLATFORM INSTALLATION - BOX WITH COVER (2X4 BOX) WITH 4000W GENERATOR (ANSI EXPORT SPECS) (SN 0300214024 to Present)

ITEM	PART NUMBER	QTY	DESCRIPTION	REV
	1001206255	Ref	AC BOX AT PLATFORM INSTALLATION - BOX WITH COVER (2X4 BOX) WITH 4000W GENERATOR (ANSI EXPORT SPECS) (SN 0300214024 to Present)	A
1	0100020	AR	Sealant, Pipe	
2	0641416	2	Bolt 1/4 x 2	
3	0700408	4	Bolt M4 x 16	
4	0861731	1	Box, Switch	
5	1670603	1	Cover	
6	3251242	1	Decal - 240V-50Hz	
7	3290405	4	Nut M4	
8	3311405	2	Nut 1/4	
9	4460384	3	Terminal (Not Shown)	
10	4711400	4	Washer 1/4	
11	4811400	8	Washer M4	
12	1001101191	1	Connector, Strain Relief	
13	1001101197	1	Connector, Adapter	
14	1001193018	1	Bracket, AC Receptacle	

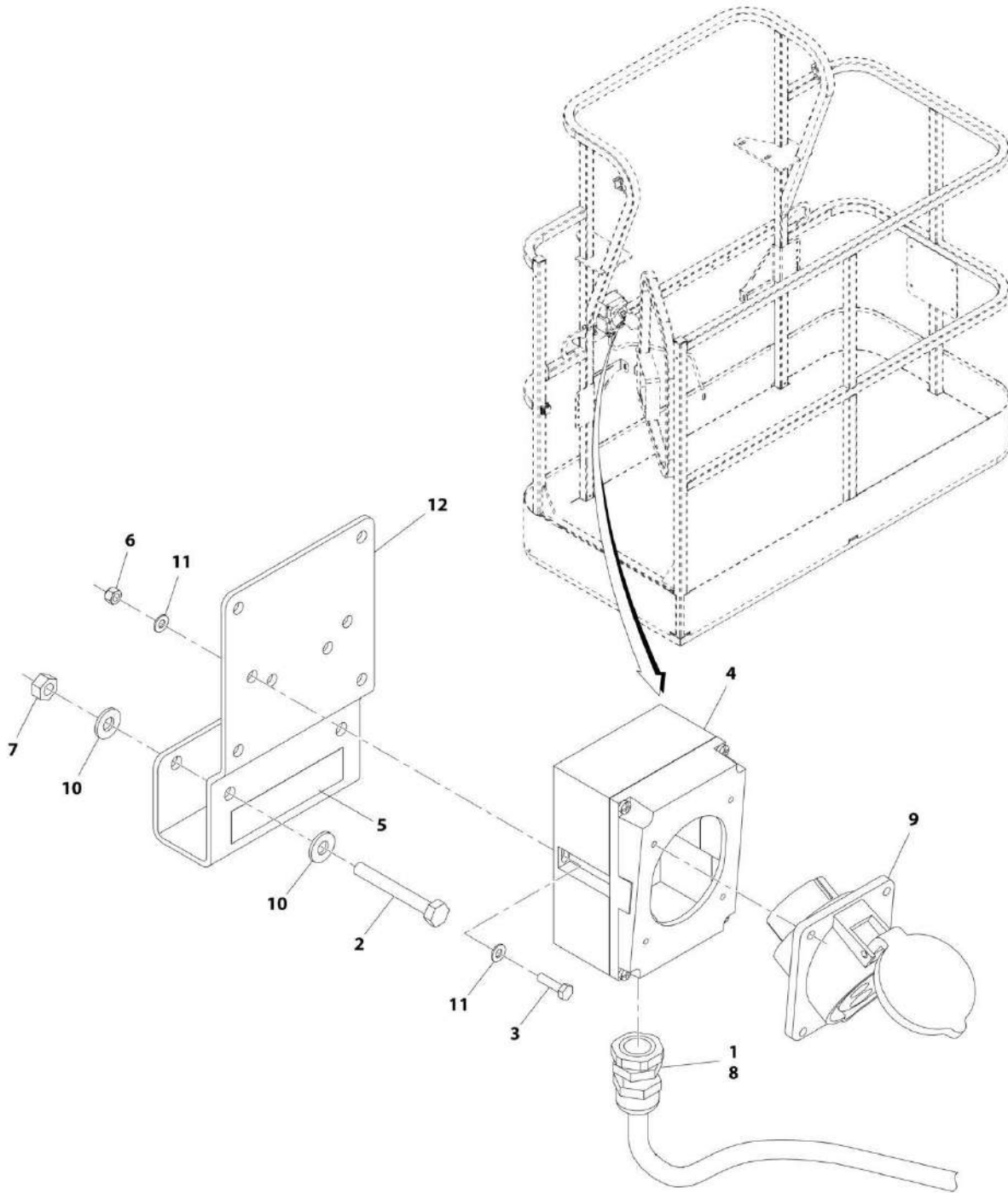
SECTION 8 - ELECTRICAL

FIGURE 8-6. AC BOX AT PLATFORM INSTALLATION - 110V IEC 60309 YELLOW WITHOUT 2500W GENERATOR (CE SPECS)

ITEM	PART NUMBER	QTY	DESCRIPTION	REV
	1001091969	Ref	AC BOX AT PLATFORM INSTALLATION - 110V IEC 60309 YELLOW WITHOUT 2500W GENERATOR (CE SPECS)	C
1	0100020	AR	Sealant, Pipe	
2	0275216	1	Receptacle Box Kit (See RECEPTACLE BOX KIT - 110V IEC YELLOW WITHOUT 2500W GENERATOR (CE SPECS) for Breakdown)	
3	0700408	2	Bolt M4 x 16	
4	3290405	2	Nut M4	
5	1001101196	1	Adapter	
6	4811400	4	Washer M4	
7	1001101191	1	Connector, Strain Relief	
8	0641416	2	Bolt 1/4 x 2	
9	1705325	1	Decal - 110V	
10	3311405	2	Nut 1/4	
11	4711400	4	Washer 1/4	
12	1001193018	1	Bracket	

SECTION 8 - ELECTRICAL

FIGURE 8-7. AC BOX AT PLATFORM INSTALLATION - 110V IEC 60309 YELLOW WITH 4000W GENERATOR (CE SPECS) (SN 0300209000 through 0300214023)



ART_1001194203

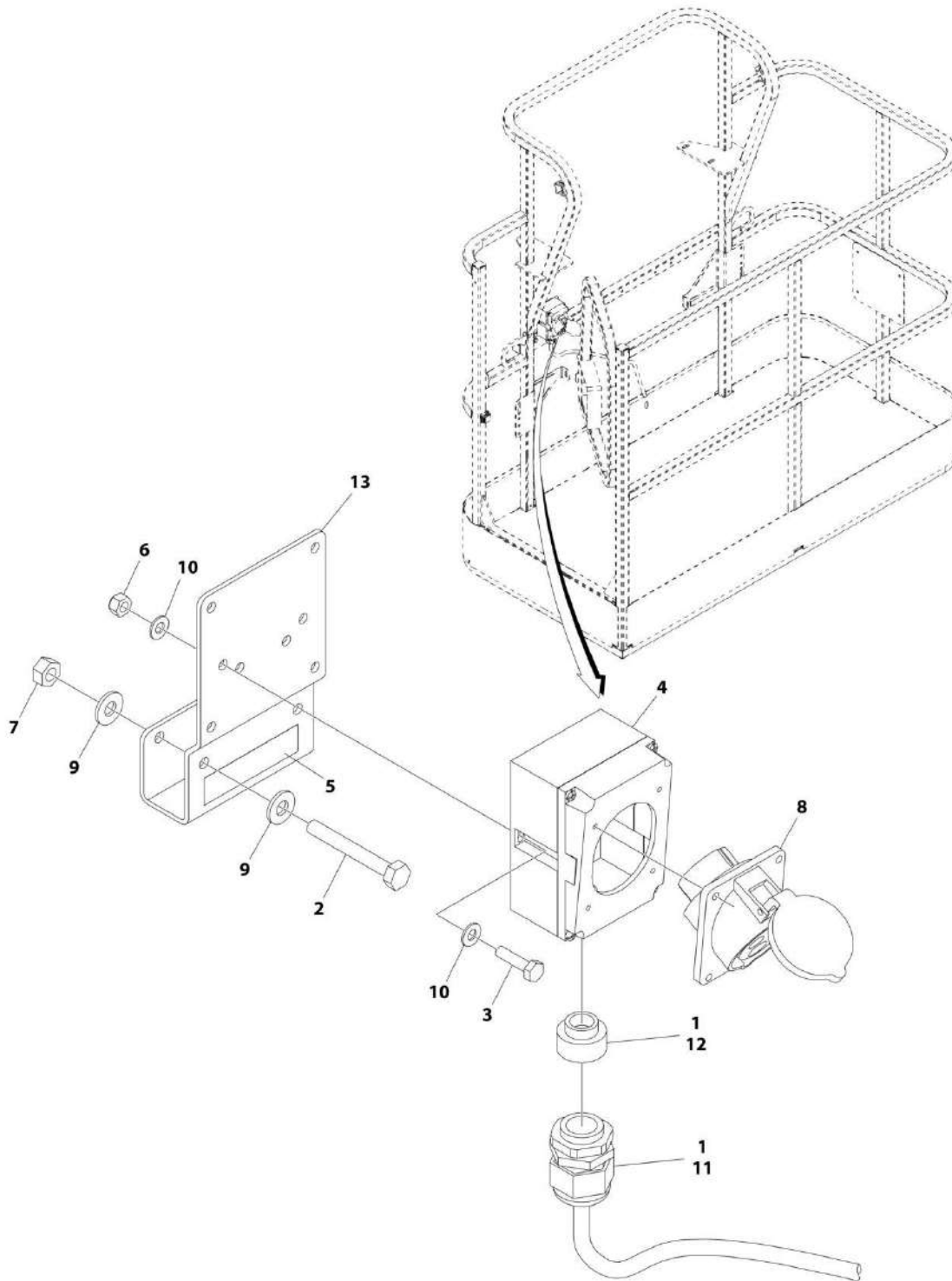
SECTION 8 - ELECTRICAL

FIGURE 8-7. AC BOX AT PLATFORM INSTALLATION - 110V IEC 60309 YELLOW WITH 4000W GENERATOR (CE SPECS) (SN 0300209000 through 0300214023)

ITEM	PART NUMBER	QTY	DESCRIPTION	REV
	1001194203	Ref	AC BOX AT PLATFORM INSTALLATION - 110V IEC 60309 YELLOW WITH 4000W GENERATOR (CE SPECS) (SN 0300209000 through 0300214023)	B
1	0100020	AR	Sealant, Pipe	
2	0641416	2	Bolt 1/4 x 2	
3	0700408	2	Bolt M4 x 16	
4	0861781	1	Box, Switch	
5	1705325	1	Decal - 110V	
6	3290405	2	Nut M4	
7	3311405	2	Nut 1/4	
8	4460968	1	Connector, Strain Relief	
9	4461198	1	Receptacle	
10	4711400	4	Washer 1/4	
11	4811400	4	Washer M4	
12	1001193018	1	Bracket, AC Receptacle	

SECTION 8 - ELECTRICAL

FIGURE 8-8. AC BOX AT PLATFORM INSTALLATION - 110V IEC 60309 YELLOW WITH 4000W GENERATOR (CE SPECS) (SN 0300214024 to Present)



ART_1001206253

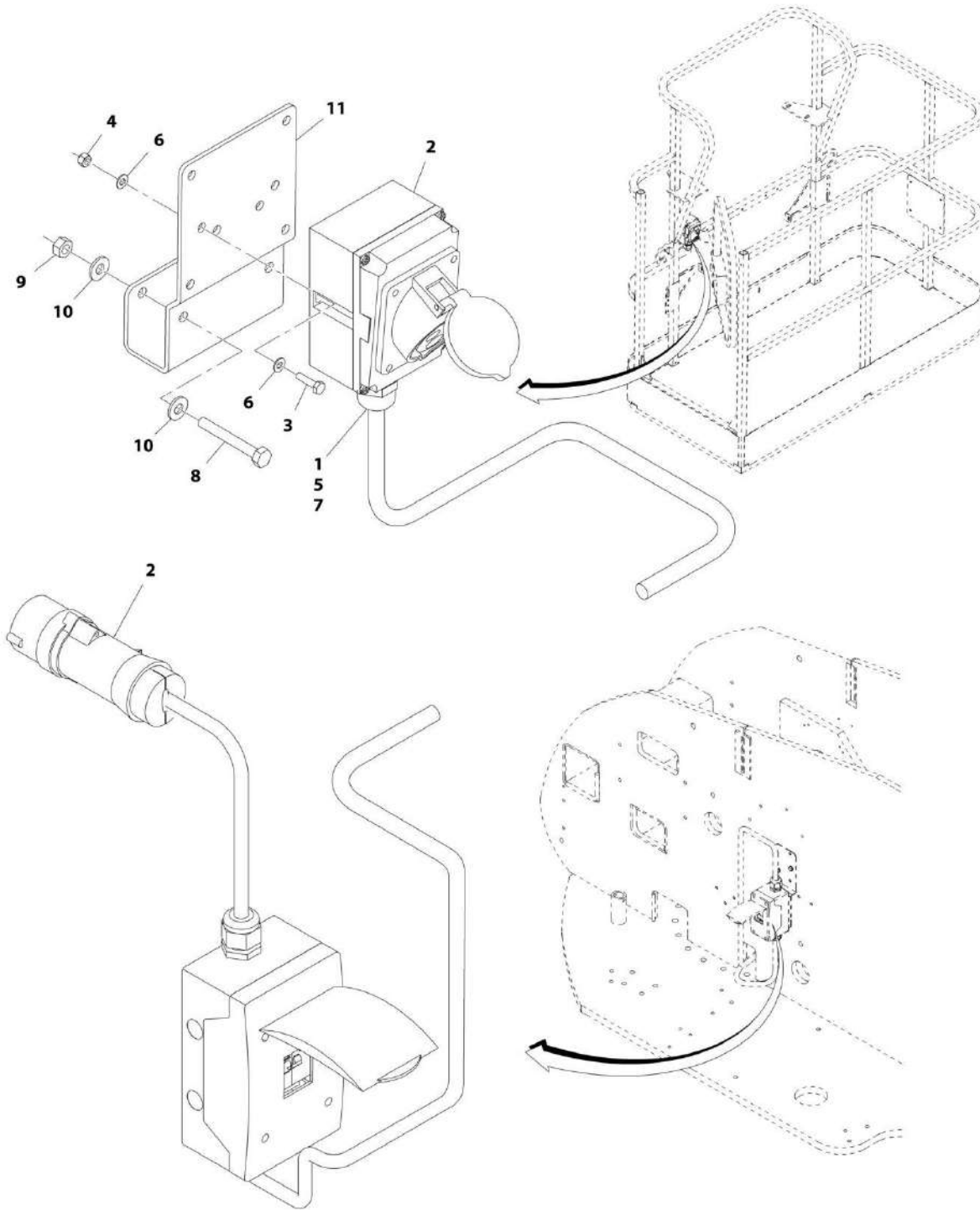
SECTION 8 - ELECTRICAL

FIGURE 8-8. AC BOX AT PLATFORM INSTALLATION - 110V IEC 60309 YELLOW WITH 4000W GENERATOR (CE SPECS) (SN 0300214024 to Present)

ITEM	PART NUMBER	QTY	DESCRIPTION	REV
	1001206253	Ref	AC BOX AT PLATFORM INSTALLATION - 110V IEC 60309 YELLOW WITH 4000W GENERATOR (CE SPECS) (SN 0300214024 to Present)	A
1	0100020	AR	Sealant, Pipe	
2	0641416	2	Bolt 1/4 x 2	
3	0700408	2	Bolt M4 x 16	
4	0861781	1	Box, Switch	
5	1705325	1	Decal - 110V	
6	3290405	2	Nut M4	
7	3311405	2	Nut 1/4	
8	4461198	1	Receptacle	
9	4711400	4	Washer 1/4	
10	4811400	4	Washer M4	
11	1001101191	1	Connector, Strain Relief	
12	1001101196	1	Connector, Adapter	
13	1001193018	1	Bracket, AC Receptacle	

SECTION 8 - ELECTRICAL

FIGURE 8-9. AC BOX AT PLATFORM INSTALLATION - 220V IEC 60309 BLUE WITHOUT 2500W GENERATOR (CE SPECS)



ART_1001091970

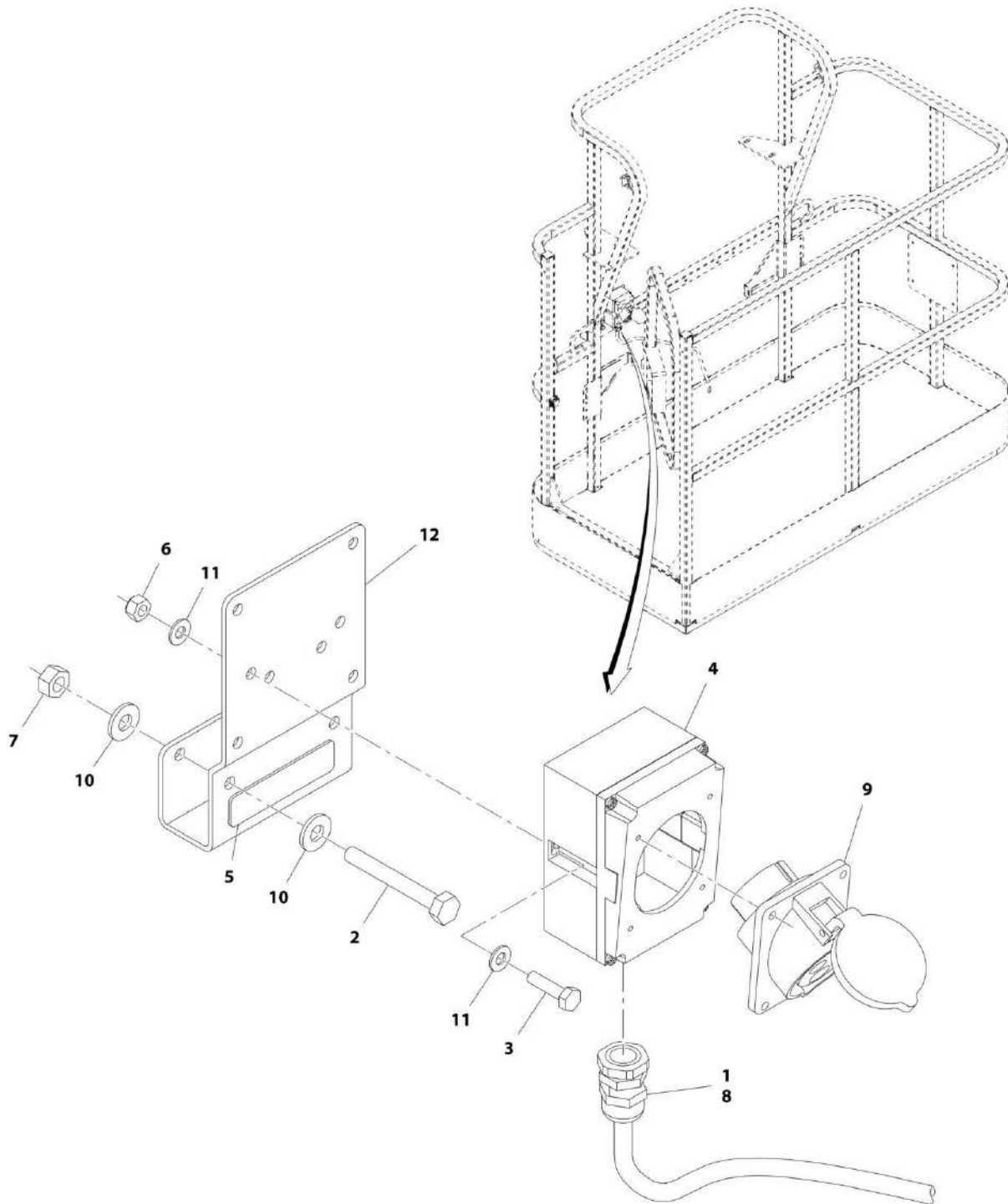
SECTION 8 - ELECTRICAL

FIGURE 8-9. AC BOX AT PLATFORM INSTALLATION - 220V IEC 60309 BLUE WITHOUT 2500W GENERATOR (CE SPECS)

ITEM	PART NUMBER	QTY	DESCRIPTION	REV
	1001091970	Ref	AC BOX AT PLATFORM INSTALLATION - 220V IEC 60309 BLUE WITHOUT 2500W GENERATOR (CE SPECS)	C
1	0100020	AR	Sealant, Pipe	
2	0275217	1	Receptacle Box Kit (See RECEPTACLE BOX KIT - 220V IEC BLUE WITHOUT 2500W GENERATOR (CE SPECS) for Breakdown)	
3	0700408	2	Bolt M4 x 16	
4	3290405	2	Nut M4	
5	1001101196	1	Adapter	
6	4811400	4	Washer M4	
7	1001101191	1	Connector, Strain Relief	
8	0641416	2	Bolt 1/4 x 2	
9	3311405	2	Nut 1/4	
10	4711400	4	Washer 1/4	
11	1001193018	1	Bracket	

SECTION 8 - ELECTRICAL

FIGURE 8-10. AC BOX AT PLATFORM INSTALLATION - 220V IEC 60309 BLUE WITH 4000W GENERATOR (CE SPECS) (SN 0300209000 through 0300214023)



ART_1001194204

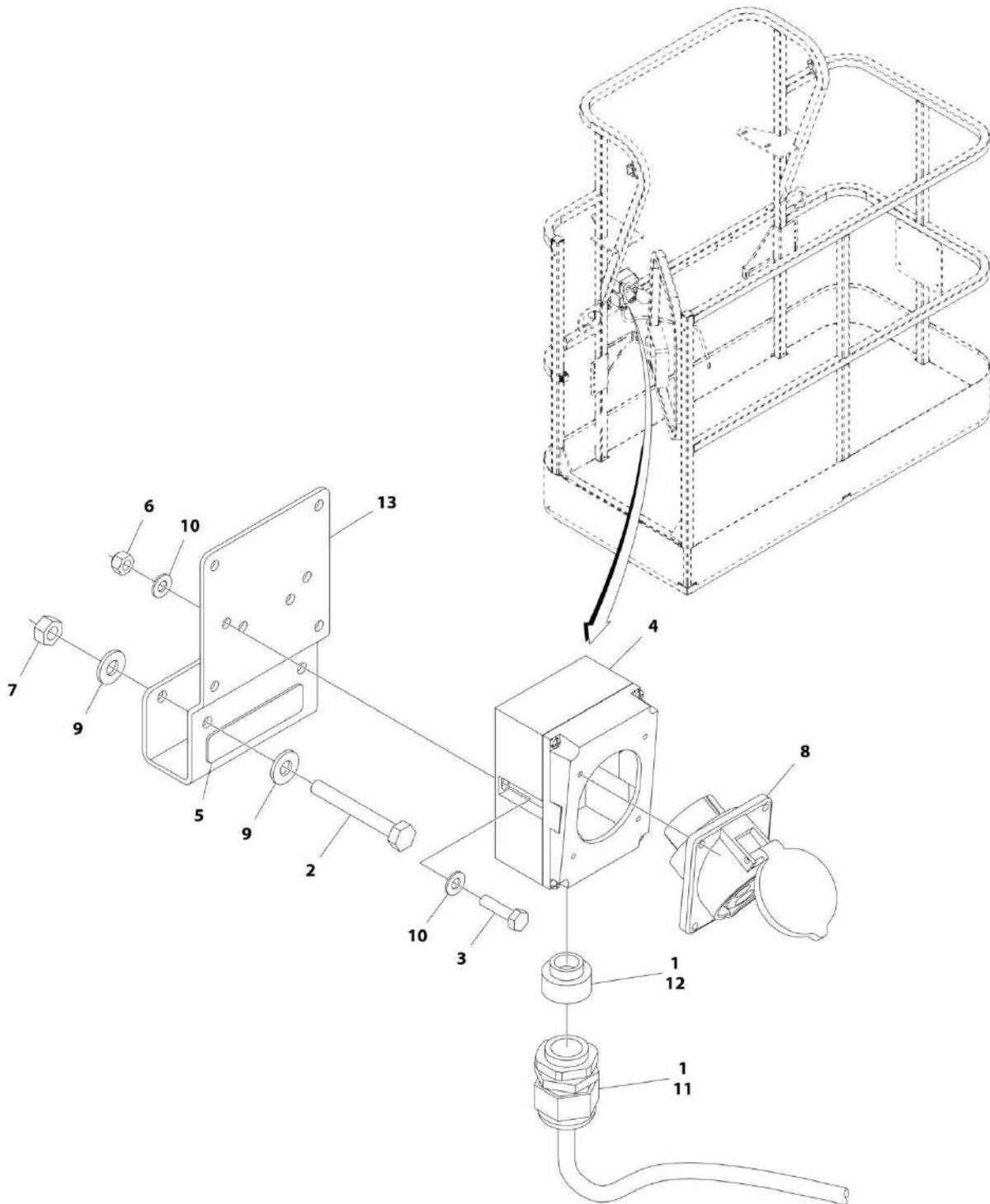
SECTION 8 - ELECTRICAL

FIGURE 8-10. AC BOX AT PLATFORM INSTALLATION - 220V IEC 60309 BLUE WITH 4000W GENERATOR (CE SPECS) (SN 0300209000 through 0300214023)

ITEM	PART NUMBER	QTY	DESCRIPTION	REV
	1001194204	Ref	AC BOX AT PLATFORM INSTALLATION - 220V IEC 60309 BLUE WITH 4000W GENERATOR (CE SPECS) (SN 0300209000 through 0300214023)	B
1	0100020	AR	Sealant, Pipe	
2	0641416	2	Bolt 1/4 x 2	
3	0700408	2	Bolt M4 x 16	
4	0861781	1	Box, Switch	
5	3251242	1	Decal - 240V-50Hz	
6	3290405	2	Nut M4	
7	3311405	2	Nut 1/4	
8	4460968	1	Connector, Strain Relief	
9	4461201	1	Receptacle	
10	4711400	4	Washer 1/4	
11	4811400	4	Washer M4	
12	1001193018	1	Bracket, AC Receptacle	

SECTION 8 - ELECTRICAL

FIGURE 8-11. AC BOX AT PLATFORM INSTALLATION - 220V IEC 60309 BLUE WITH 4000W GENERATOR (CE SPECS) (SN 0300214024 to Present)



ART_1001206254

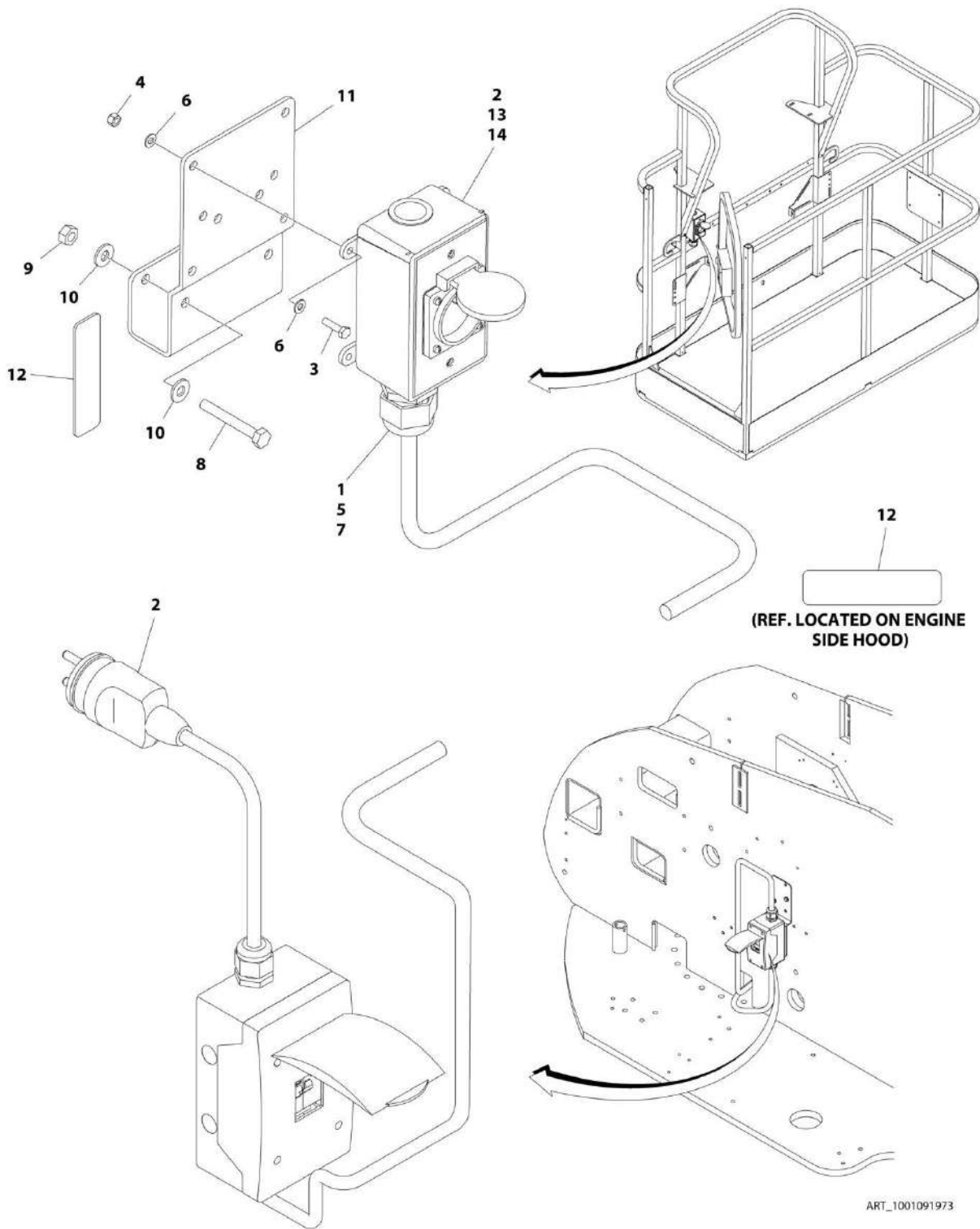
SECTION 8 - ELECTRICAL

FIGURE 8-11. AC BOX AT PLATFORM INSTALLATION - 220V IEC 60309 BLUE WITH 4000W GENERATOR (CE SPECS) (SN 0300214024 to Present)

ITEM	PART NUMBER	QTY	DESCRIPTION	REV
	1001206254	Ref	AC BOX AT PLATFORM INSTALLATION - 220V IEC 60309 BLUE WITH 4000W GENERATOR (CE SPECS) (SN 0300214024 to Present)	A
1	0100020	AR	Sealant, Pipe	
2	0641416	2	Bolt 1/4 x 2	
3	0700408	2	Bolt M4 x 16	
4	0861781	1	Box, Switch	
5	3251242	1	Decal - 240V-50Hz	
6	3290405	2	Nut M4	
7	3311405	2	Nut 1/4	
8	4461201	1	Receptacle	
9	4711400	4	Washer 1/4	
10	4811400	4	Washer M4	
11	1001101191	1	Connector, Strain Relief	
12	1001101196	1	Connector, Adapter	
13	1001193018	1	Bracket, AC Receptacle	

SECTION 8 - ELECTRICAL

FIGURE 8-12. AC BOX AT PLATFORM INSTALLATION - 220V CEE7 POST GROUND (2X4 BOX) WITHOUT 2500W GENERATOR (CE SPECS)



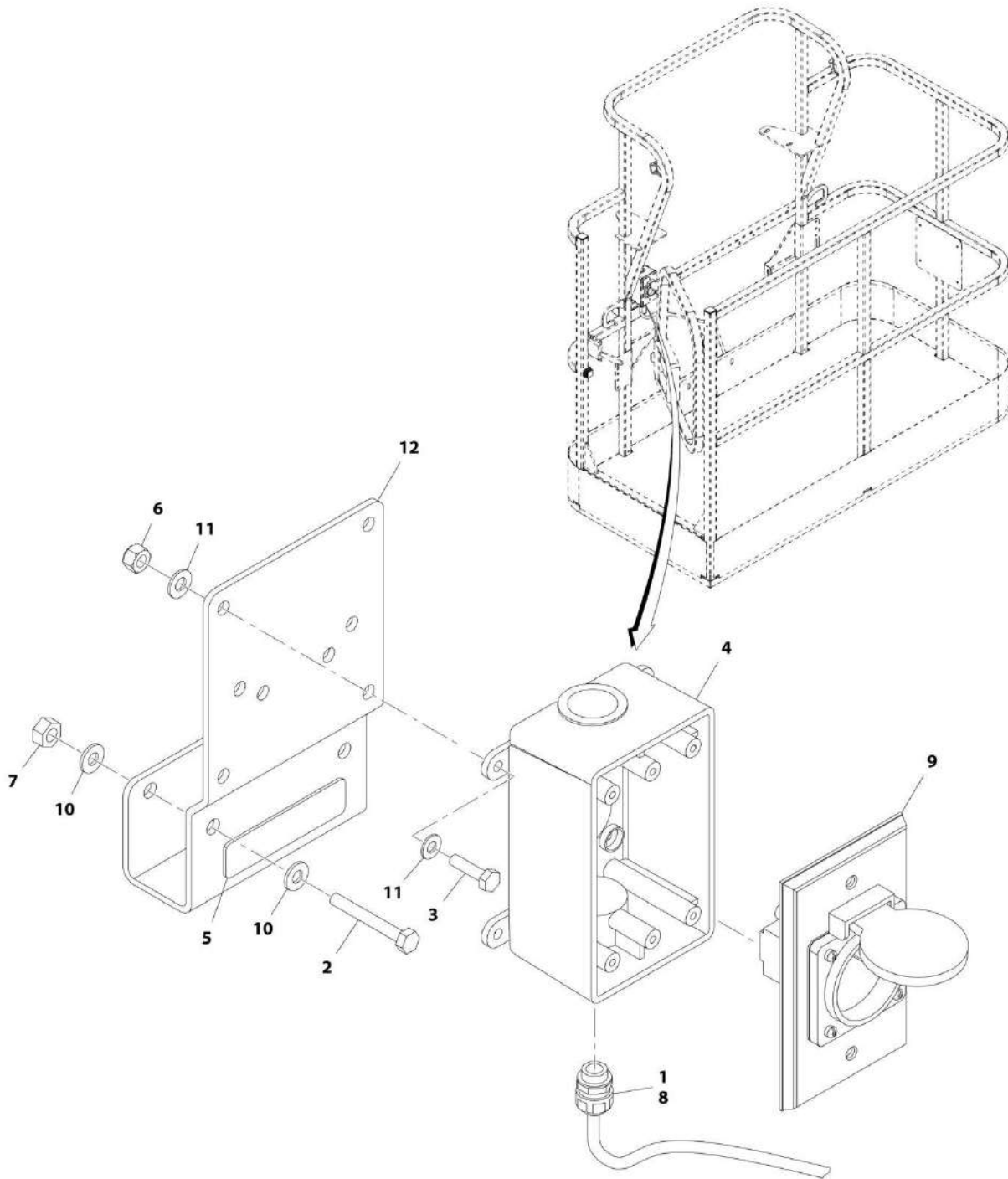
SECTION 8 - ELECTRICAL

**FIGURE 8-12. AC BOX AT PLATFORM INSTALLATION - 220V CEE7 POST GROUND (2X4 BOX)
WITHOUT 2500W GENERATOR (CE SPECS)**

ITEM	PART NUMBER	QTY	DESCRIPTION	REV
	1001091973	Ref	AC BOX AT PLATFORM INSTALLATION - 220V CEE7 POST GROUND (2X4 BOX) WITHOUT 2500W GENERATOR (CE SPECS)	F
1	0100020	AR	Sealant, Pipe	
2	0275452	1	Receptacle Box Kit (See RECEPTACLE BOX KIT - 220V CEE7 POST GROUND WITHOUT 2500W GENERATOR (2X4 BOX) (CE SPECS) for Breakdown)	
3	0700408	4	Bolt M4 x 16	
4	3290405	4	Nut M4	
5	1001101197	1	Adapter	
6	4811400	8	Washer M4	
7	1001101191	1	Connector, Strain Relief	
8	0641416	2	Bolt 1/4 x 2	
9	3311405	2	Nut 1/4	
10	4711400	4	Washer 1/4	
11	1001193018	1	Bracket	
12	3251242	2	Decal - 240V-50Hz (SN 0300240303 to Present)	
13	4460806	2	Terminal, Fork	
14	1001205958	1	Terminal	

SECTION 8 - ELECTRICAL

FIGURE 8-13. AC BOX AT PLATFORM INSTALLATION - 220V CEE7 POST GROUND (2X4 BOX) WITH 4000W GENERATOR (CE SPECS) (SN 0300209000 through 0300214023)



ART_1001194197

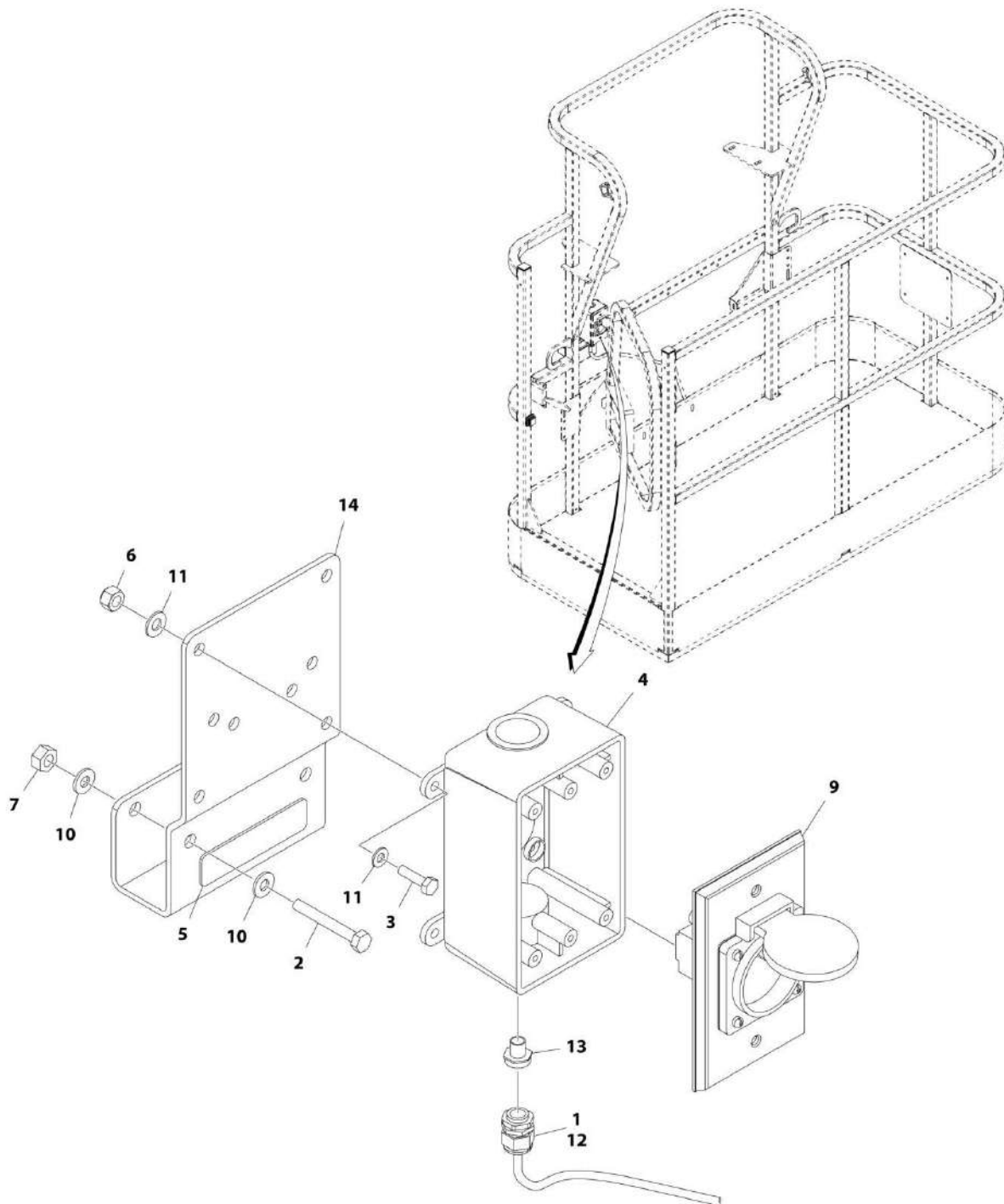
SECTION 8 - ELECTRICAL

FIGURE 8-13. AC BOX AT PLATFORM INSTALLATION - 220V CEE7 POST GROUND (2X4 BOX) WITH 4000W GENERATOR (CE SPECS) (SN 0300209000 through 0300214023)

ITEM	PART NUMBER	QTY	DESCRIPTION	REV
	1001194197	Ref	AC BOX AT PLATFORM INSTALLATION - 220V CEE7 POST GROUND (2X4 BOX) WITH 4000W GENERATOR (CE SPECS) (SN 0300209000 through 0300214023)	B
1	0100020	AR	Sealant, Pipe	
2	0641416	2	Bolt 1/4 x 2	
3	0700408	4	Bolt M4 x 16	
4	0861731	1	Box, Switch	
5	3251242	1	Decal - 240V-50Hz	
6	3290405	4	Nut M4	
7	3311405	2	Nut 1/4	
8	4460662	1	Connector, Strain Relief	
9	4461244	1	Receptacle	
10	4711400	4	Washer 1/4	
11	4811400	8	Washer M4	
12	1001193018	1	Bracket, AC Receptacle	
13	4460806	2	Terminal, Fork (Not Shown)	
14	1001205958	1	Terminal (Not Shown)	

SECTION 8 - ELECTRICAL

FIGURE 8-14. AC BOX AT PLATFORM INSTALLATION - 220V CEE7 POST GROUND (2X4 BOX) WITH 4000W GENERATOR (CE SPECS) (SN 0300214024 to Present)



ART_1001206250

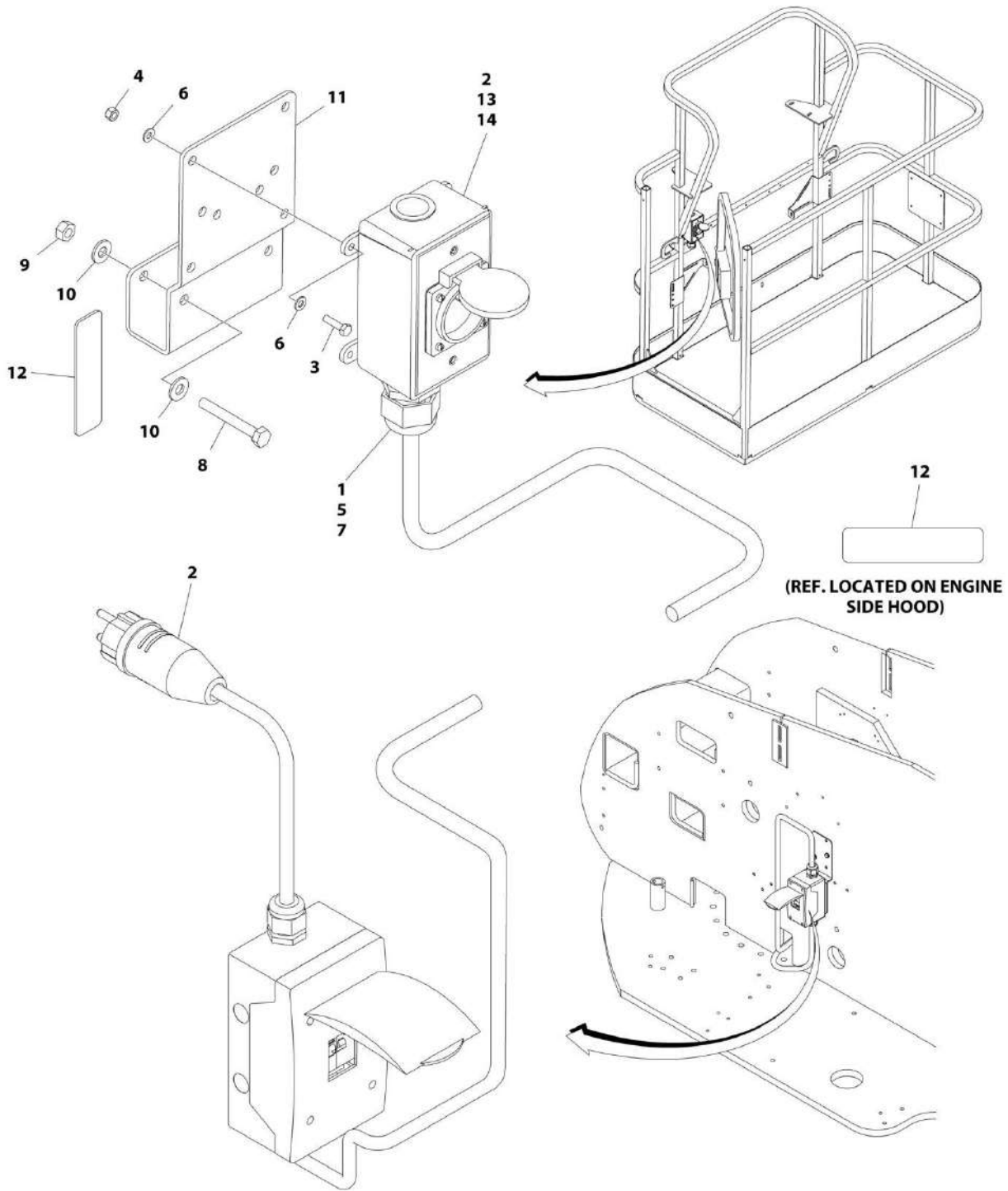
SECTION 8 - ELECTRICAL

FIGURE 8-14. AC BOX AT PLATFORM INSTALLATION - 220V CEE7 POST GROUND (2X4 BOX) WITH 4000W GENERATOR (CE SPECS) (SN 0300214024 to Present)

ITEM	PART NUMBER	QTY	DESCRIPTION	REV
	1001206250	Ref	AC BOX AT PLATFORM INSTALLATION - 220V CEE7 POST GROUND (2X4 BOX) WITH 4000W GENERATOR (CE SPECS) (SN 0300214024 to Present)	A
1	0100020	AR	Sealant, Pipe	
2	0641416	2	Bolt 1/4 x 2	
3	0700408	4	Bolt M4 x 16	
4	0861731	1	Box, Switch	
5	3251242	1	Decal - 240V-50Hz	
6	3290405	4	Nut M4	
7	3311405	2	Nut 1/4	
8	4460806	2	Terminal, Fork (Not Shown)	
9	4461244	1	Receptacle	
10	4711400	4	Washer 1/4	
11	4811400	8	Washer M4	
12	1001101191	1	Connector, Strain Relief	
13	1001101197	1	Connector, Adapter	
14	1001193018	1	Bracket, AC Receptacle	
15	1001205958	1	Terminal (Not Shown)	

SECTION 8 - ELECTRICAL

FIGURE 8-15. AC BOX AT PLATFORM INSTALLATION - 220V CEE7 SIDE GROUND (2X4 BOX) WITHOUT 2500W GENERATOR (CE SPECS)



ART_1001091974

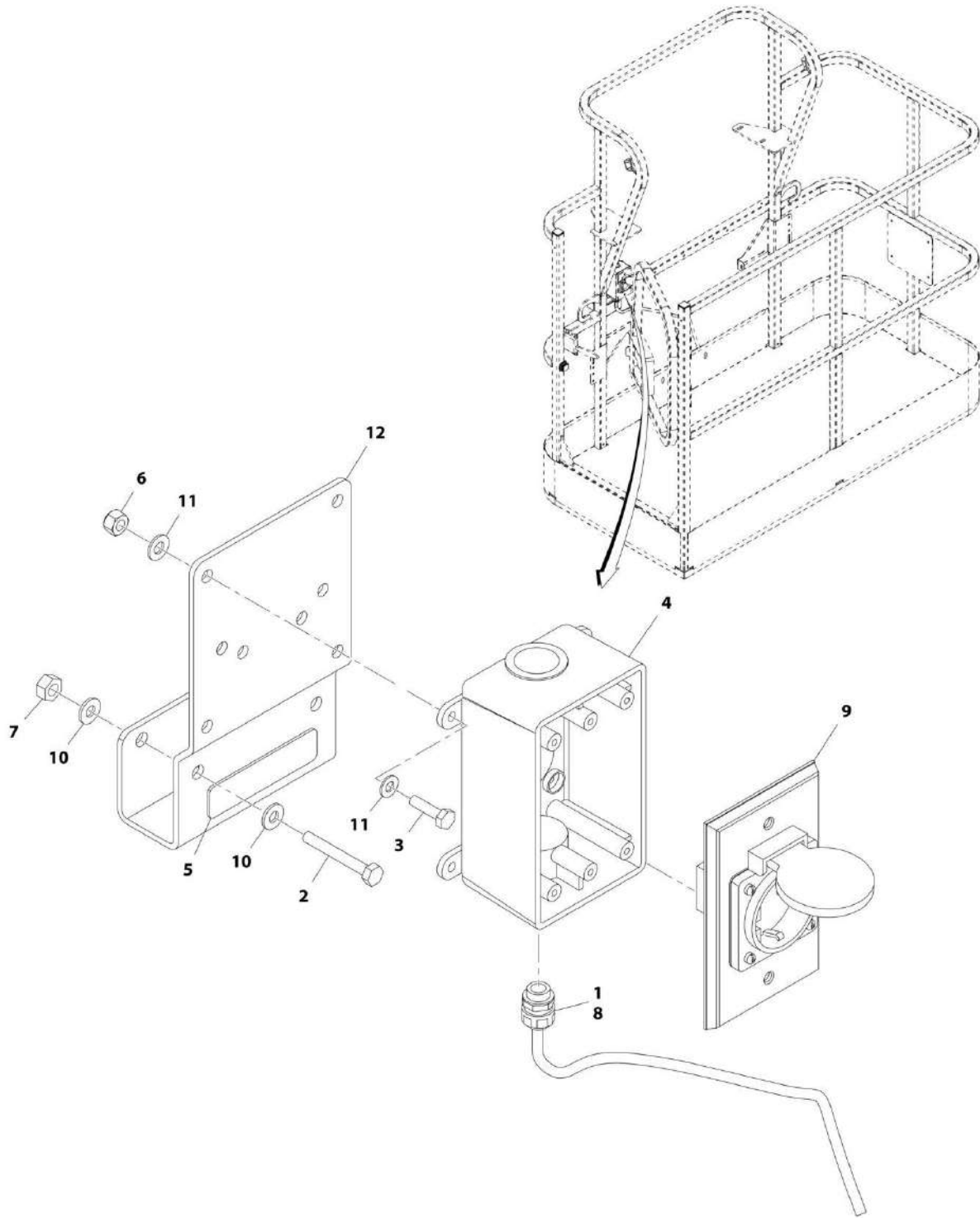
SECTION 8 - ELECTRICAL

**FIGURE 8-15. AC BOX AT PLATFORM INSTALLATION - 220V CEE7 SIDE GROUND (2X4 BOX)
WITHOUT 2500W GENERATOR (CE SPECS)**

ITEM	PART NUMBER	QTY	DESCRIPTION	REV
	1001091974	Ref	AC BOX AT PLATFORM INSTALLATION - 220V CEE7 SIDE GROUND (2X4 BOX) WITHOUT 2500W GENERATOR (CE SPECS)	F
1	0100020	AR	Sealant, Pipe	
2	0275453	1	Receptacle Box Kit (See RECEPTACLE BOX KIT - 220V CEE7 SIDE GROUND WITHOUT 2500W GENERATOR (2X4 BOX) (CE SPECS) for Breakdown)	
3	0700408	4	Bolt M4 x 16	
4	3290405	4	Nut M4	
5	1001101197	1	Adapter	
6	4811400	8	Washer M4	
7	1001101191	1	Connector, Strain Relief	
8	0641416	2	Bolt 1/4 x 2	
9	3311405	2	Nut 1/4	
10	4711400	4	Washer 1/4	
11	1001193018	1	Bracket	
12	3251242	2	Decal - 240V-50Hz (SN 0300240303 to Present)	
13	4460806	2	Terminal, Fork	
14	1001205958	1	Terminal	

SECTION 8 - ELECTRICAL

FIGURE 8-16. AC BOX AT PLATFORM INSTALLATION - 220V CEE7 SIDE GROUND (2X4 BOX) WITH 4000W GENERATOR (CE SPECS) (SN 0300209000 through 0300214023)



ART_1001194198

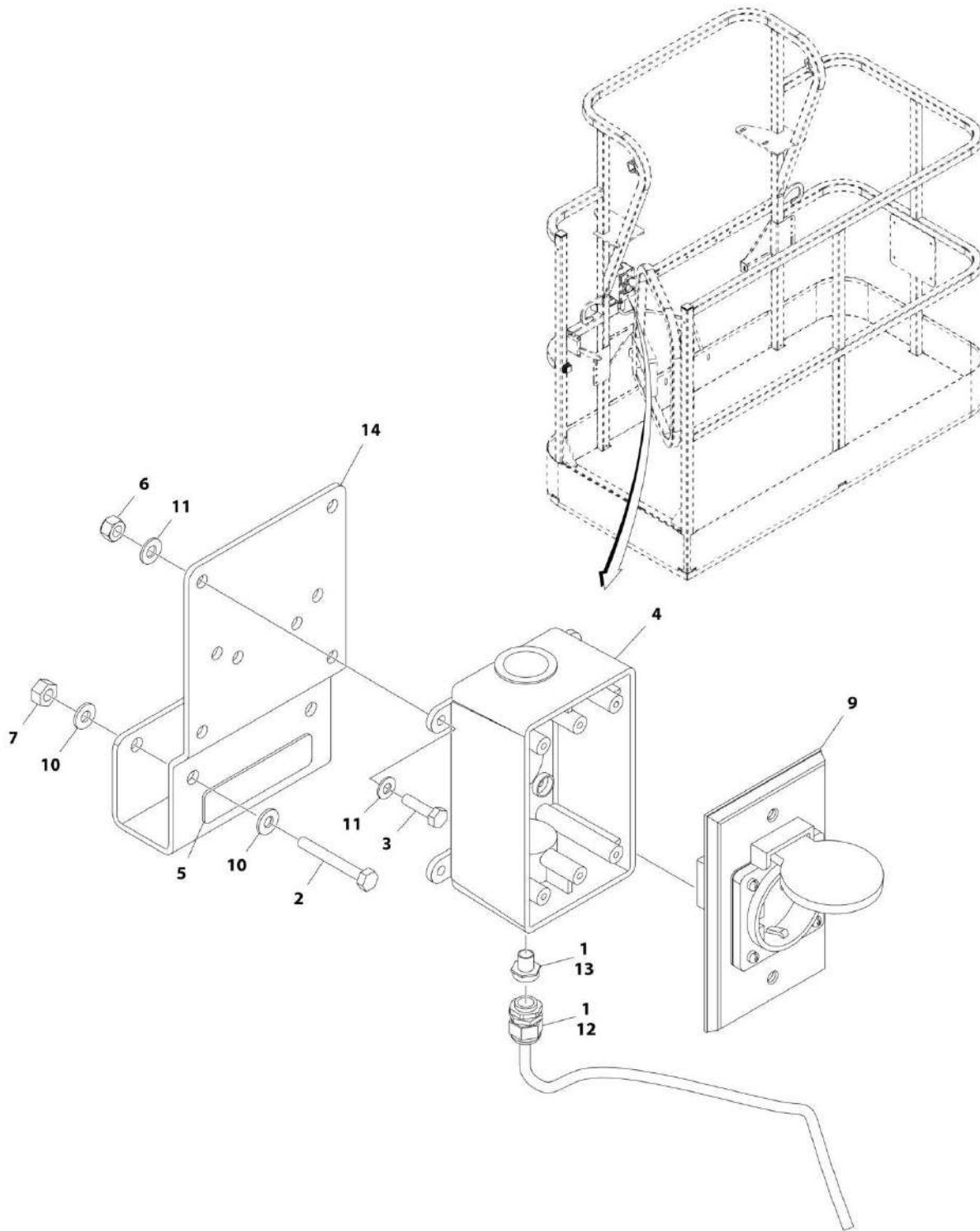
SECTION 8 - ELECTRICAL

FIGURE 8-16. AC BOX AT PLATFORM INSTALLATION - 220V CEE7 SIDE GROUND (2X4 BOX) WITH 4000W GENERATOR (CE SPECS) (SN 0300209000 through 0300214023)

ITEM	PART NUMBER	QTY	DESCRIPTION	REV
	1001194198	Ref	AC BOX AT PLATFORM INSTALLATION - 220V CEE7 SIDE GROUND (2X4 BOX) WITH 4000W GENERATOR (CE SPECS) (SN 0300209000 through 0300214023)	B
1	0100020	AR	Sealant, Pipe	
2	0641416	2	Bolt 1/4 x 2	
3	0700408	4	Bolt M4 x 16	
4	0861731	1	Box, Switch	
5	3251242	1	Decal - 240V-50Hz	
6	3290405	4	Nut M4	
7	3311405	2	Nut 1/4	
8	4460662	1	Connector, Strain Relief	
9	4461245	1	Receptacle	
10	4711400	4	Washer 1/4	
11	4811400	8	Washer M4	
12	1001193018	1	Bracket, AC Receptacle	
13	4460806	2	Terminal, Fork (Not Shown)	
14	1001205958	1	Terminal (Not Shown)	

SECTION 8 - ELECTRICAL

FIGURE 8-17. AC BOX AT PLATFORM INSTALLATION - 220V CEE7 SIDE GROUND (2X4 BOX) WITH 4000W GENERATOR (CE SPECS) (SN 0300214024 to Present)



ART_1001206251

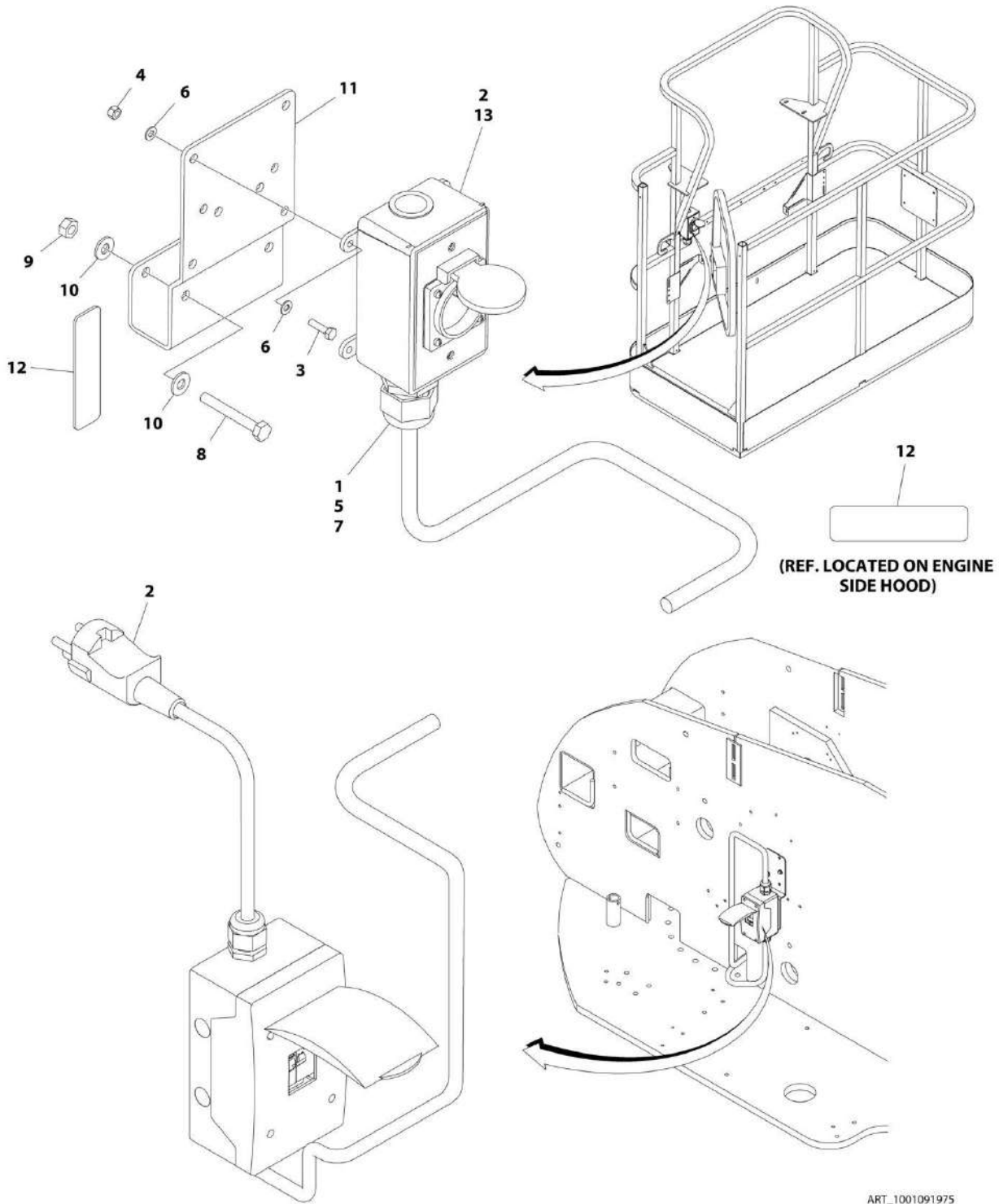
SECTION 8 - ELECTRICAL

FIGURE 8-17. AC BOX AT PLATFORM INSTALLATION - 220V CEE7 SIDE GROUND (2X4 BOX) WITH 4000W GENERATOR (CE SPECS) (SN 0300214024 to Present)

ITEM	PART NUMBER	QTY	DESCRIPTION	REV
	1001206251	Ref	AC BOX AT PLATFORM INSTALLATION - 220V CEE7 SIDE GROUND (2X4 BOX) WITH 4000W GENERATOR (CE SPECS) (SN 0300214024 to Present)	A
1	0100020	AR	Sealant, Pipe	
2	0641416	2	Bolt 1/4 x 2	
3	0700408	4	Bolt M4 x 16	
4	0861731	1	Box, Switch	
5	3251242	1	Decal - 240V-50Hz	
6	3290405	4	Nut M4	
7	3311405	2	Nut 1/4	
8	4460806	2	Terminal, Fork (Not Shown)	
9	4461245	1	Receptacle	
10	4711400	4	Washer 1/4	
11	4811400	8	Washer M4	
12	1001101191	1	Connector, Strain Relief	
13	1001101197	1	Connector, Adapter	
14	1001193018	1	Bracket, AC Receptacle	
15	1001205958	1	Terminal (Not Shown)	

SECTION 8 - ELECTRICAL

FIGURE 8-18. AC BOX AT PLATFORM INSTALLATION - 220V AFSINT 107 KEYED GROUND (2X4 BOX) WITHOUT 2500W GENERATOR (CE SPECS)



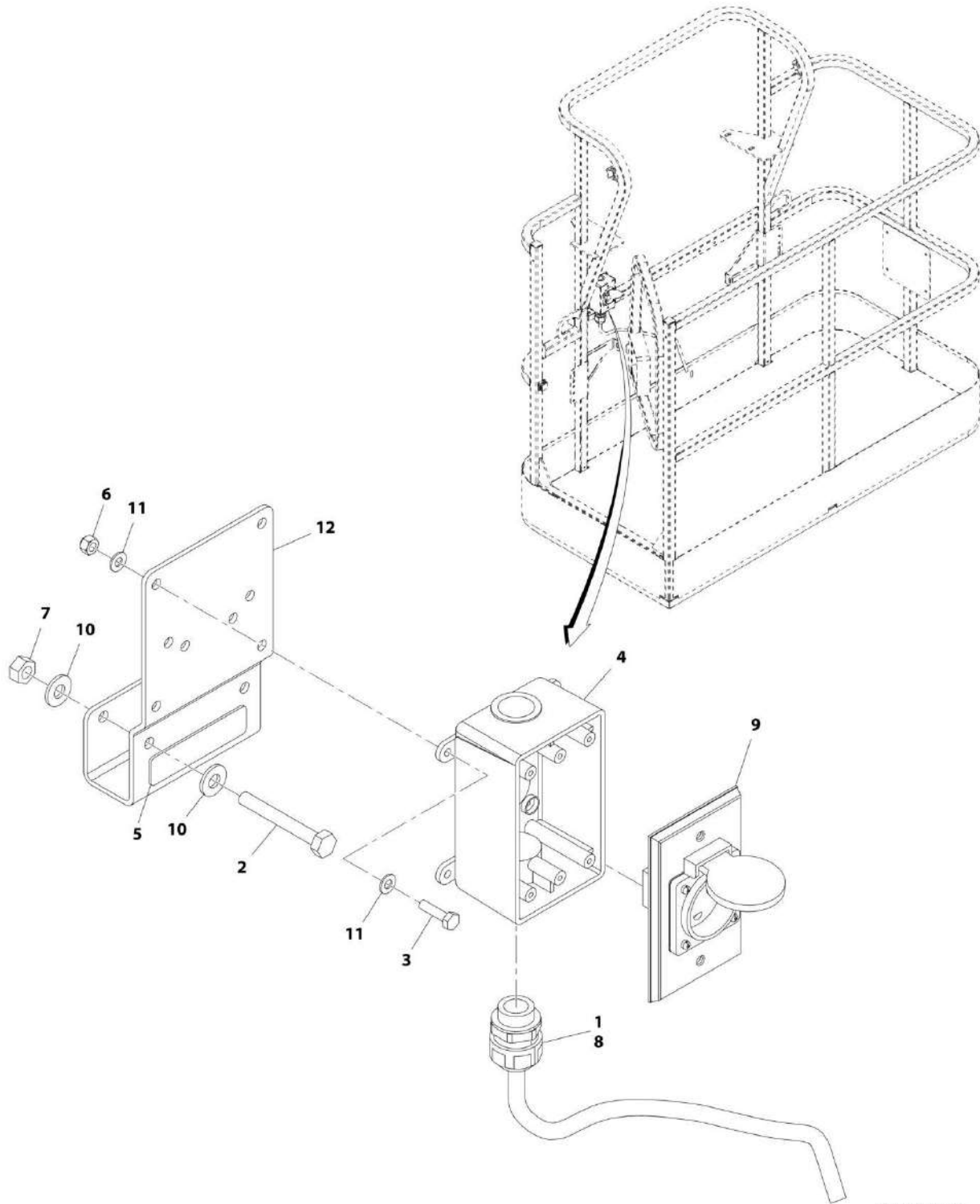
SECTION 8 - ELECTRICAL

FIGURE 8-18. AC BOX AT PLATFORM INSTALLATION - 220V AFSINT 107 KEYED GROUND (2X4 BOX) WITHOUT 2500W GENERATOR (CE SPECS)

ITEM	PART NUMBER	QTY	DESCRIPTION	REV
	1001091975	Ref	AC BOX AT PLATFORM INSTALLATION - 220V AFSINT 107 KEYED GROUND (2X4 BOX) WITHOUT 2500W GENERATOR (CE SPECS)	F
1	0100020	AR	Sealant, Pipe	
2	0275454	1	Receptacle Box Kit (See RECEPTACLE BOX KIT - 220V AFSINT 107 KEYED GROUND WITHOUT 2500W GENERATOR (2X4 BOX) (CE SPECS) for Breakdown)	
3	0700408	4	Bolt M4 x 16	
4	3290405	4	Nut M4	
5	1001101197	1	Adapter	
6	4811400	8	Washer M4	
7	1001101191	1	Connector, Strain Relief	
8	0641416	2	Bolt 1/4 x 2	
9	3311405	2	Nut 1/4	
10	4711400	4	Washer 1/4	
11	1001193018	1	Bracket	
12	3251242	2	Decal - 240V-50Hz (SN 0300240303 to Present)	
13	1001205958	3	Terminal	

SECTION 8 - ELECTRICAL

FIGURE 8-19. AC BOX AT PLATFORM INSTALLATION - 220V AFSINT 107 KEYED GROUND (2X4 BOX) WITH 4000W GENERATOR (CE SPECS) (SN 0300209000 through 0300214023)



ART_1001194200

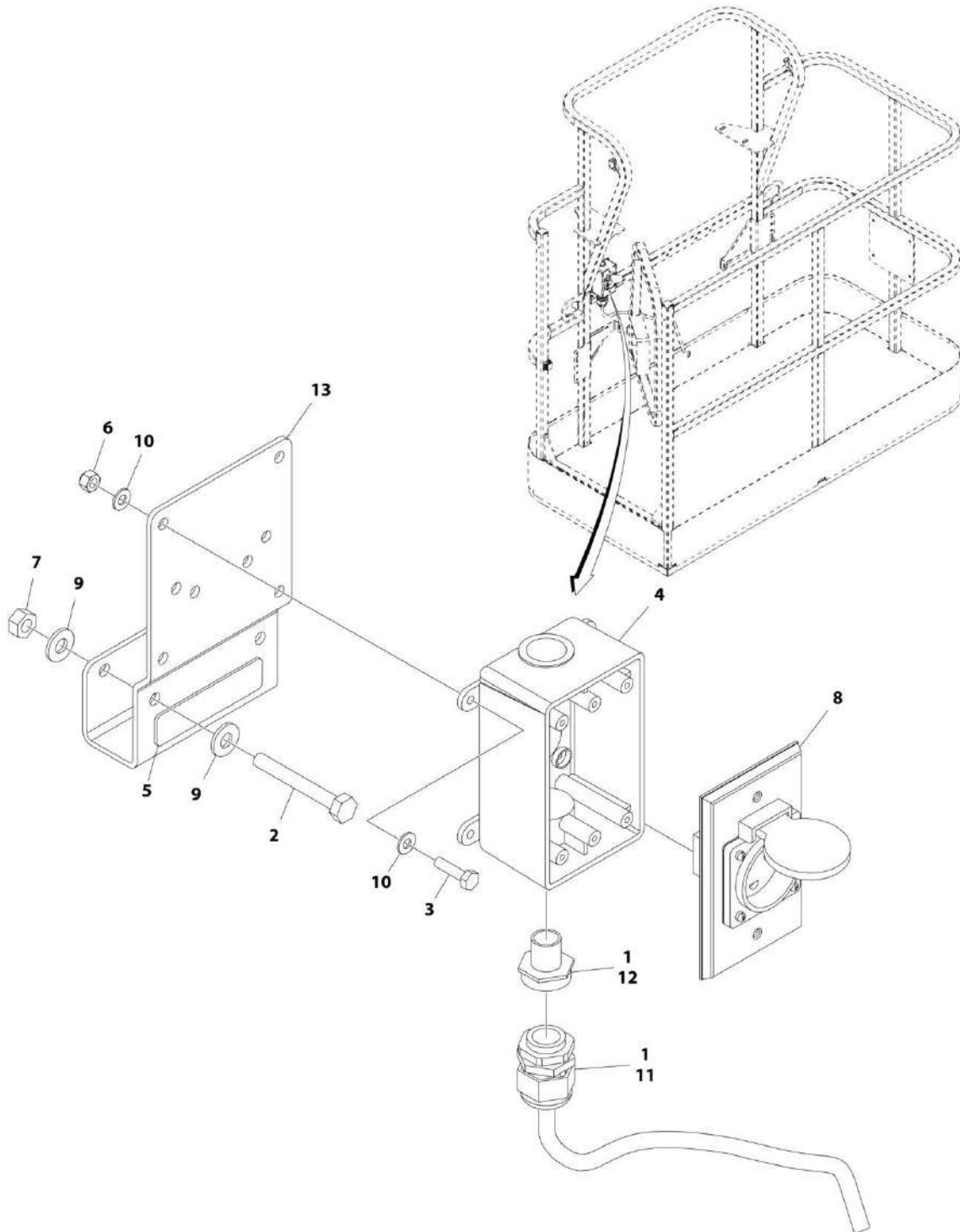
SECTION 8 - ELECTRICAL

FIGURE 8-19. AC BOX AT PLATFORM INSTALLATION - 220V AFSINT 107 KEYED GROUND (2X4 BOX) WITH 4000W GENERATOR (CE SPECS) (SN 0300209000 through 0300214023)

ITEM	PART NUMBER	QTY	DESCRIPTION	REV
	1001194200	Ref	AC BOX AT PLATFORM INSTALLATION - 220V AFSINT 107 KEYED GROUND (2X4 BOX) WITH 4000W GENERATOR (CE SPECS) (SN 0300209000 through 0300214023)	B
1	0100020	AR	Sealant, Pipe	
2	0641416	2	Bolt 1/4 x 2	
3	0700408	4	Bolt M4 x 16	
4	0861731	1	Box, Switch	
5	3251242	1	Decal - 240V-50Hz	
6	3290405	4	Nut M4	
7	3311405	2	Nut 1/4	
8	4460662	1	Connector, Strain Relief	
9	4461246	1	Receptacle	
10	4711400	4	Washer 1/4	
11	4811400	8	Washer M4	
12	1001193018	1	Bracket, AC Receptacle	
13	1001205958	3	Terminal (Not Shown)	

SECTION 8 - ELECTRICAL

FIGURE 8-20. AC BOX AT PLATFORM INSTALLATION - 220V AFSINT 107 KEYED GROUND (2X4 BOX) WITH 4000W GENERATOR (CE SPECS) (SN 0300214024 to Present)



ART_1001206252

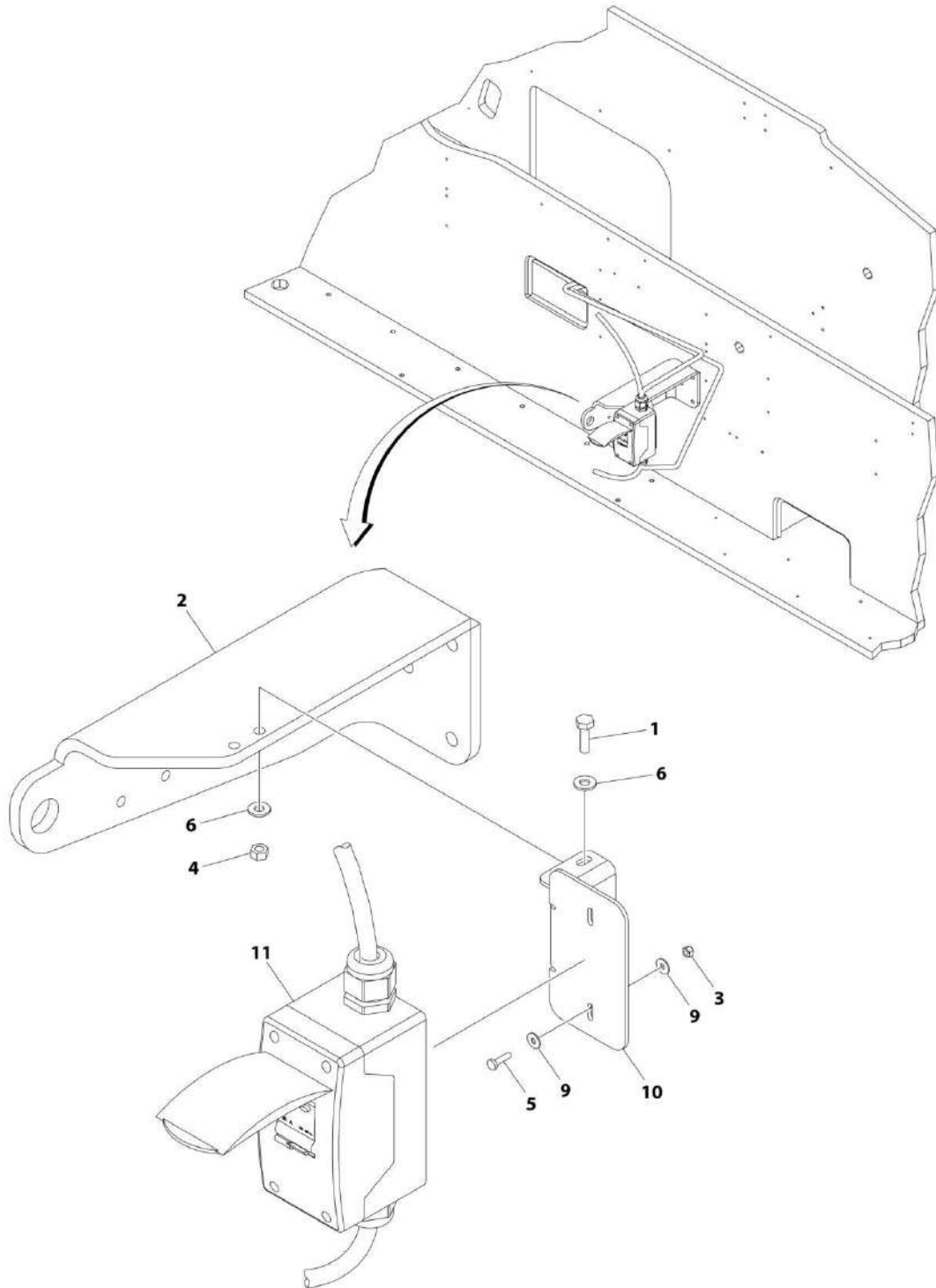
SECTION 8 - ELECTRICAL

FIGURE 8-20. AC BOX AT PLATFORM INSTALLATION - 220V AFSINT 107 KEYED GROUND (2X4 BOX) WITH 4000W GENERATOR (CE SPECS) (SN 0300214024 to Present)

ITEM	PART NUMBER	QTY	DESCRIPTION	REV
	1001206252	Ref	AC BOX AT PLATFORM INSTALLATION - 220V AFSINT 107 KEYED GROUND (2X4 BOX) WITH 4000W GENERATOR (CE SPECS) (SN 0300214024 to Present)	A
1	0100020	AR	Sealant, Pipe	
2	0641416	2	Bolt 1/4 x 2	
3	0700408	4	Bolt M4 x 16	
4	0861731	1	Box, Switch	
5	3251242	1	Decal - 240V-50Hz	
6	3290405	4	Nut M4	
7	3311405	2	Nut 1/4	
8	4461246	1	Receptacle	
9	4711400	4	Washer 1/4	
10	4811400	8	Washer M4	
11	1001101191	1	Connector, Strain Relief	
12	1001101197	1	Connector, Adapter	
13	1001193018	1	Bracket, AC Receptacle	
14	1001205958	3	Terminal (Not Shown)	

SECTION 8 - ELECTRICAL

FIGURE 8-21. AC 16 AMP/30MA BREAKER BOX INSTALLATION



ART_1001188367

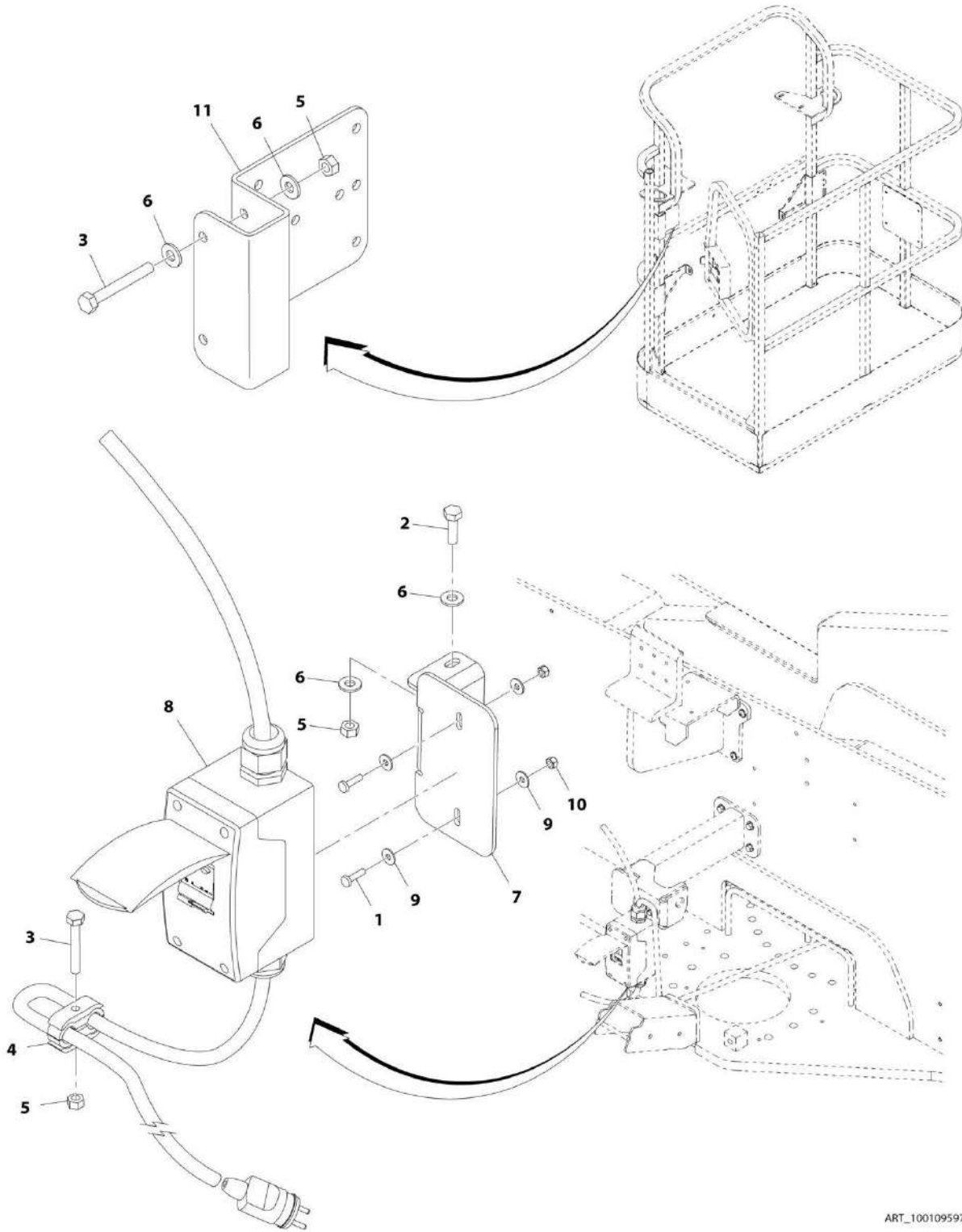
SECTION 8 - ELECTRICAL

FIGURE 8-21. AC 16 AMP/30MA BREAKER BOX INSTALLATION

ITEM	PART NUMBER	QTY	DESCRIPTION	REV
	1001188367	Ref	AC 16 AMP/30mA BREAKER BOX INSTALLATION	A
1	0641407	2	Bolt 1/4 x 7/8	
2	0903149	1	Bracket	
3	3290405	4	Nut M4	
4	3311405	2	Nut 1/4	
5	4010408	2	Screw M4 x 16	
6	4711400	4	Washer 1/4	
7	4922610	1	Harness, Upper (Not Shown)	
7	4460709	1	Plug, Male	
8	4922612	1	Harness, Lower (Not Shown)	
8	4460710	1	Receptacle, Female	
9	1001091102	4	Washer M4	
10	1001094915	1	Bracket	
11	1001096070	1	Breaker Box Kit - 16 Amp/30mA (See BREAKER BOX KIT - 16AMP/30mA for Breakdown)	

SECTION 8 - ELECTRICAL

FIGURE 8-22. AC 16 AMP BREAKER BOX INSTALLATION (CE SPECS)



ART_1001095976

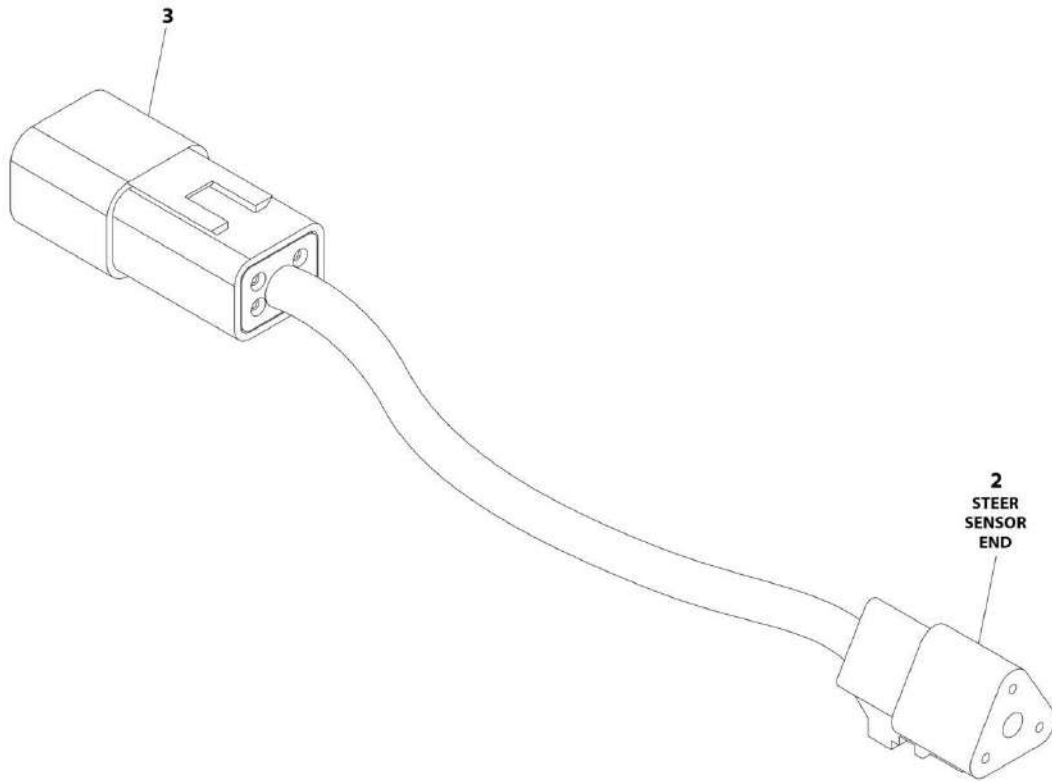
SECTION 8 - ELECTRICAL

FIGURE 8-22. AC 16 AMP BREAKER BOX INSTALLATION (CE SPECS)

ITEM	PART NUMBER	QTY	DESCRIPTION	REV
	1001095976	Ref	AC 16 AMP BREAKER BOX INSTALLATION (CE SPECS)	D
1	4010408	2	Screw M4 x 16	
2	0641407	2	Bolt 1/4 x 7/8	
3	0641416	AR	Bolt 1/4 x 2	
4	1320146	1	Clamp	
5	3311405	AR	Nut 1/4	
6	4711400	AR	Washer 1/4	
7	1001094915	1	Bracket	
8	1001109654	1	Breaker Box Kit - 16 Amp (See BREAKER BOX KIT - 16 AMP for Breakdown)	
9	1001091102	4	Washer M4	
10	3290405	2	Nut M4	
11	0903484	1	Bracket (SN 0300209000 through 0300237553)	

SECTION 8 - ELECTRICAL

FIGURE 8-23. AXLE POWER TRACK HARNESS ASSEMBLY



ART_4922718

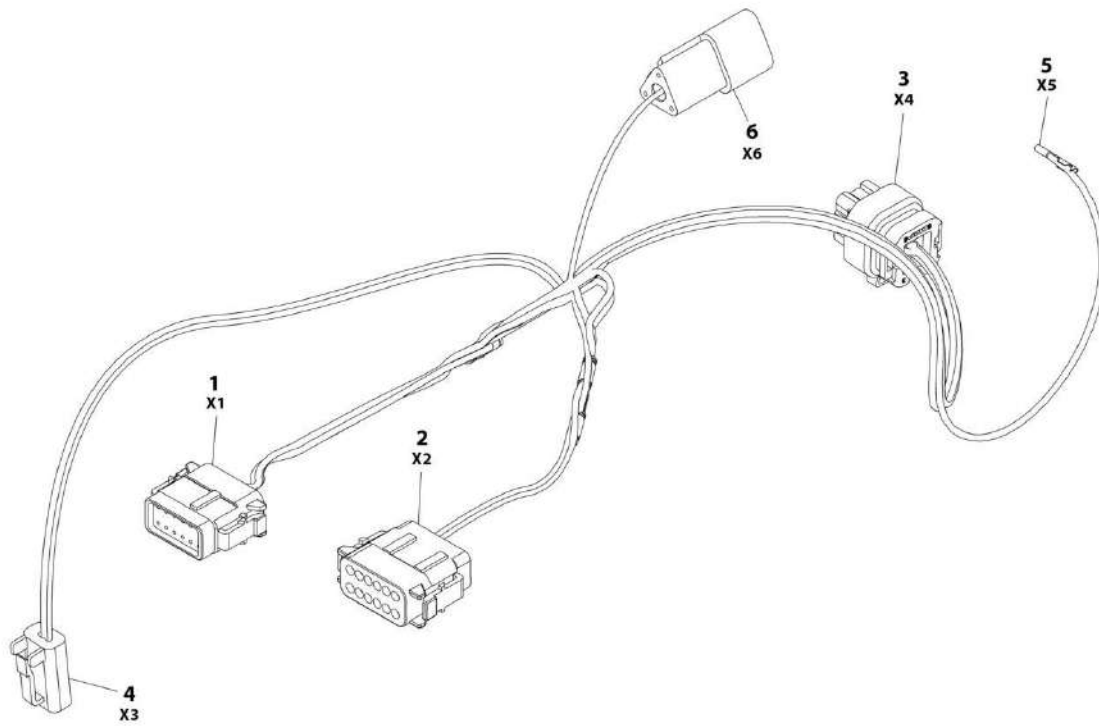
SECTION 8 - ELECTRICAL

FIGURE 8-23. AXLE POWER TRACK HARNESS ASSEMBLY

ITEM	PART NUMBER	QTY	DESCRIPTION	REV
	4922718	Ref	AXLE POWER TRACK HARNESS ASSEMBLY	D
2	4460539	1	Connector - 3 Position	
2	4460944	3	Socket, Female	
3	4460932	1	Connector - 4 Position	
3	4460943	4	Pin, Male	

SECTION 8 - ELECTRICAL

FIGURE 8-24. BEACON CONTROL HARNESS (BLUE BEACON LIGHT ONLY)



ART_1001150944

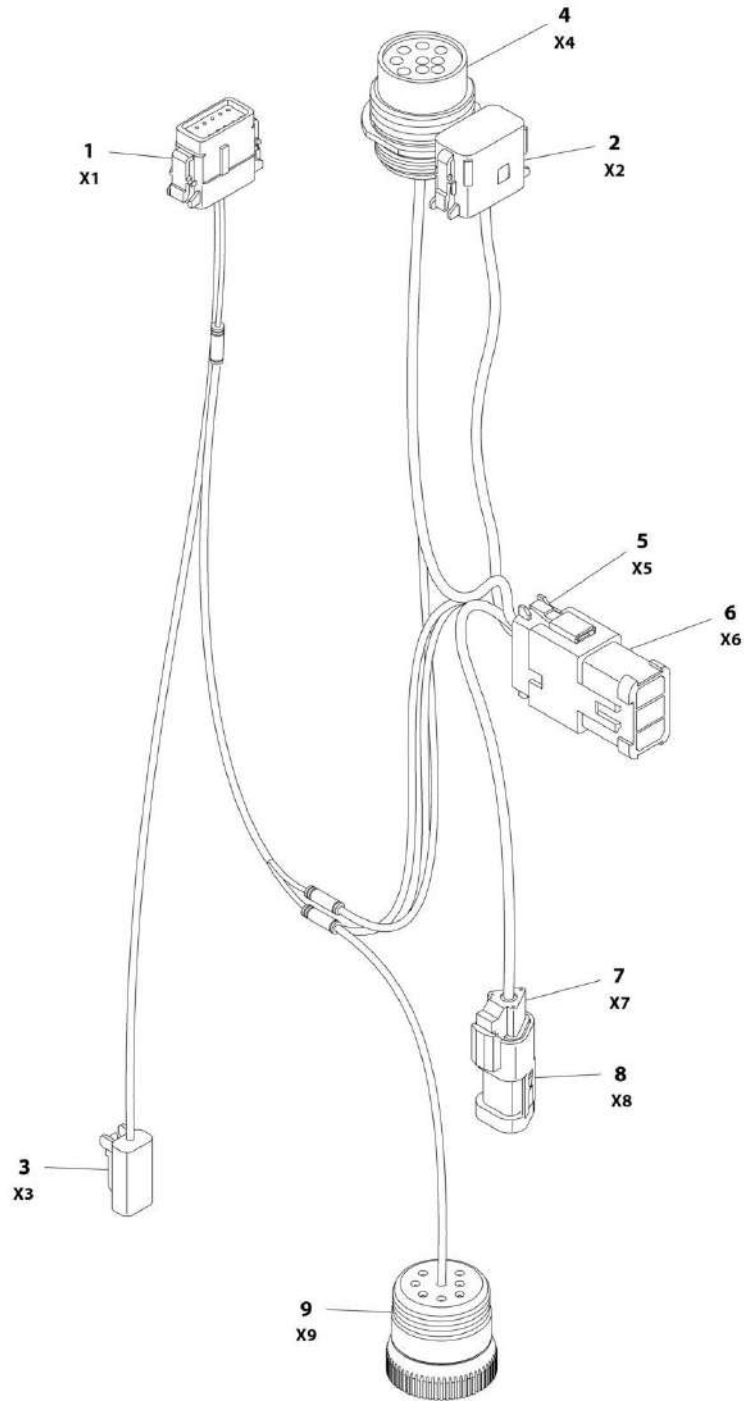
SECTION 8 - ELECTRICAL

FIGURE 8-24. BEACON CONTROL HARNESS (BLUE BEACON LIGHT ONLY)

ITEM	PART NUMBER	QTY	DESCRIPTION	REV
	1001150944	Ref	BEACON CONTROL HARNESS (BLUE BEACON LIGHT ONLY)	C
1	1001116808	1	Connector - 12 Position	
1	1001126008	3	Pin, Male	
1	4460518	9	Plug, Sealing	
2	1001116774	1	Connector - 12 Position	
2	1001116008	2	Pin, Male	
2	4460518	10	Plug, Sealing	
3	1001113961	1	Connector - 8 Position	
3	4460871	5	Socket, Female	
3	4460905	3	Plug, Sealing	
4	4460891	1	Connector - 2 Position	
4	4460465	2	Socket, Female	
5	4460871	1	Socket, Female	
6	1001144147	1	Connector - 3 Position	
6	4460464	2	Pin, Male	
6	4460466	1	Plug, Terminal	
6	1001116815	1	Connector - 3 Position	

SECTION 8 - ELECTRICAL

FIGURE 8-25. BEACON LIGHT HARNESS (BLUE BEACON LIGHT ONLY)



ART_1001142735

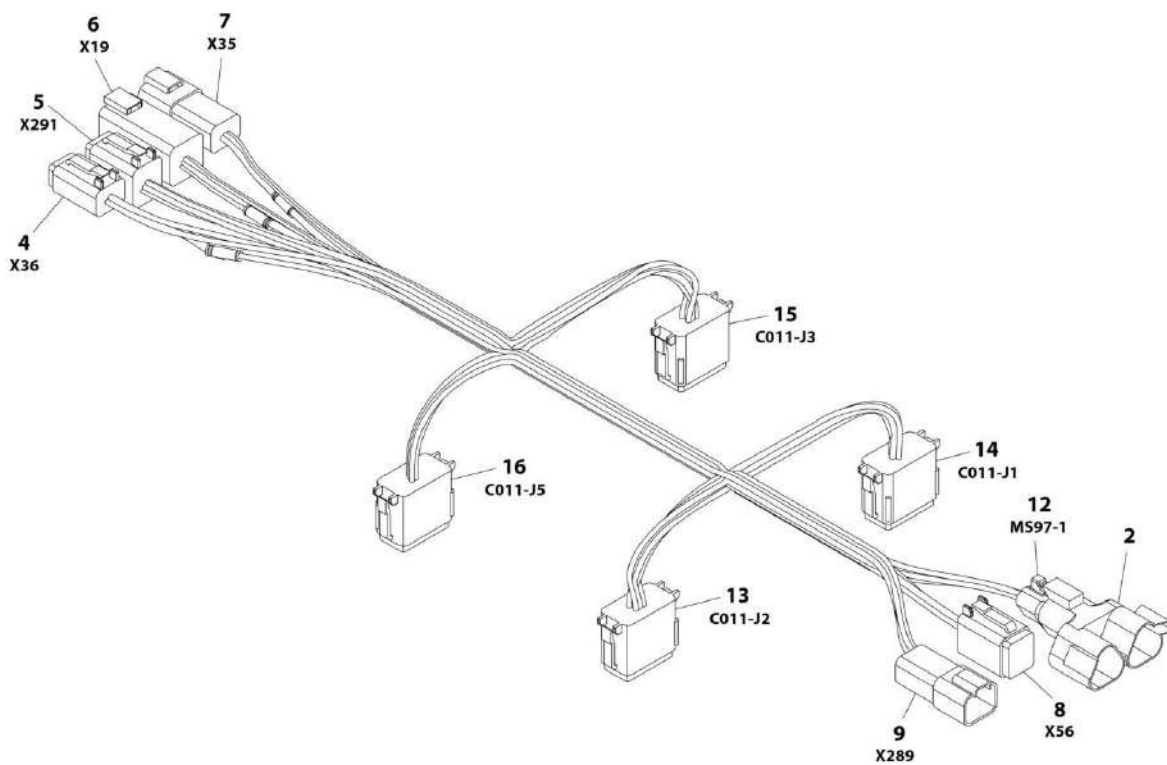
SECTION 8 - ELECTRICAL

FIGURE 8-25. BEACON LIGHT HARNESS (BLUE BEACON LIGHT ONLY)

ITEM	PART NUMBER	QTY	DESCRIPTION	REV
	1001142736	Ref	BEACON LIGHT HARNESS (BLUE BEACON LIGHT ONLY)	F
1	1001116808	1	Plug, Male - 12 Position	
1	4460928	3	Socket, Female	
1	4460518	9	Plug, Terminal	
2	1001116774	1	Plug, Male - 12 Position	
2	4460928	3	Socket, Female	
2	4460518	9	Plug, Terminal	
3	4460891	1	Plug, Male - 2 Position	
3	4460465	2	Socket, Female	
4	1001112612	1	Connector - 9 Position	
4	4460464	6	Pin, Male	
4	4460466	3	Plug, Terminal	
5	4460933	1	Plug, Male - 12 Position	
5	4460465	12	Socket, Female	
6	1001119020	1	Bussbar - 12 Position	
7	4461095	1	Plug, Male - 3 Position	
7	4460465	3	Socket, Female	
8	4461070	1	Bussbar - 3 Position	
9	1001112796	1	Connector - 9 Position	
9	4460465	6	Socket, Female	
9	4460466	3	Plug, Terminal	

SECTION 8 - ELECTRICAL

FIGURE 8-26. B.L.A.M. HARNESS



ART_1001119394

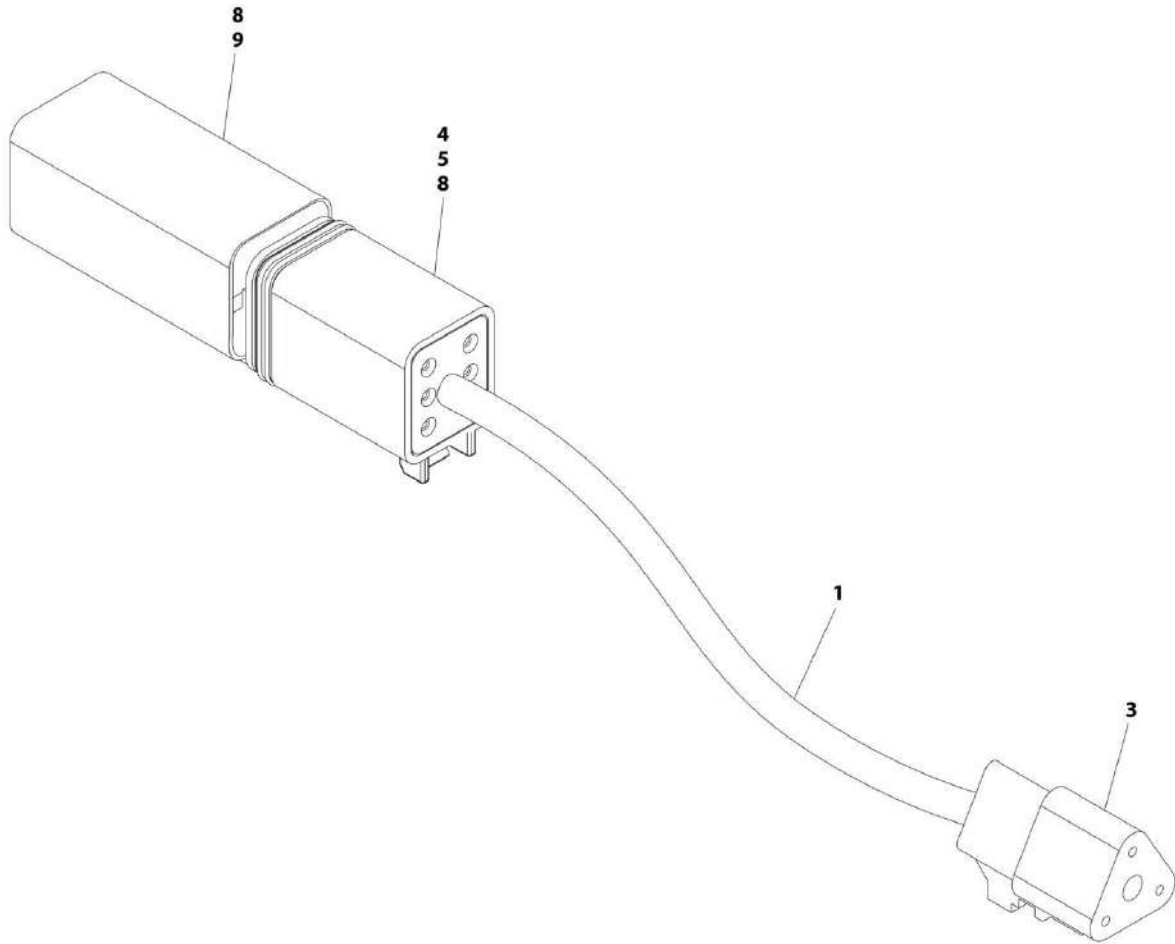
SECTION 8 - ELECTRICAL

FIGURE 8-26. B.L.A.M. HARNESS

ITEM	PART NUMBER	QTY	DESCRIPTION	REV
	1001119394	Ref	B.L.A.M. HARNESS	B
2	4460945	1	Connector, Female - 3 Way	
4	4460884	1	Connector, Gray - 4 Position	
4	4460944	4	Socket, Female (Gold)	
5	4460894	1	Plug, Male - 6 Position	
5	4460944	6	Socket, Female (Gold)	
6	4460899	1	Connector, Female - 6 Position	
6	4460943	4	Pin, Male 16 Ga	
7	4460932	1	Connector, Female - 4 Position	
7	4460943	4	Pin, Male 16 Ga	
8	4460894	1	Plug, Male - 6 Position	
8	4460465	5	Socket, Female 18 Gauge	
9	4460932	1	Connector, Female - 4 Position	
9	4460941	2	Pin, Male	
9	4460464	1	Pin, Male	
12	4460965	1	Connector, Female - 3 Position	
12	4460944	3	Socket, Female (Gold)	
13	4460836	1	Plug, Male - 12 Position	
13	4460944	5	Socket, Female (Gold)	
13	4460465	2	Socket, Female 18 Gauge	
14	4460933	1	Connector, Male - 12 Position (Gray)	
14	4460944	3	Socket, Female (Gold)	
14	4460465	4	Socket, Female 18 Gauge	
14	4460942	2	Socket, Female	
15	4460934	1	Plug, Male - 12 Position (Green)	
15	4460944	11	Socket, Female (Gold)	
16	4460935	1	Plug, Male - 12 Position (Brown)	
16	4460465	5	Socket, Female 18 Gauge	

SECTION 8 - ELECTRICAL

FIGURE 8-27. B.L.A.M. TO BOOM LENGTH SENSOR HARNESS



ART_4922716

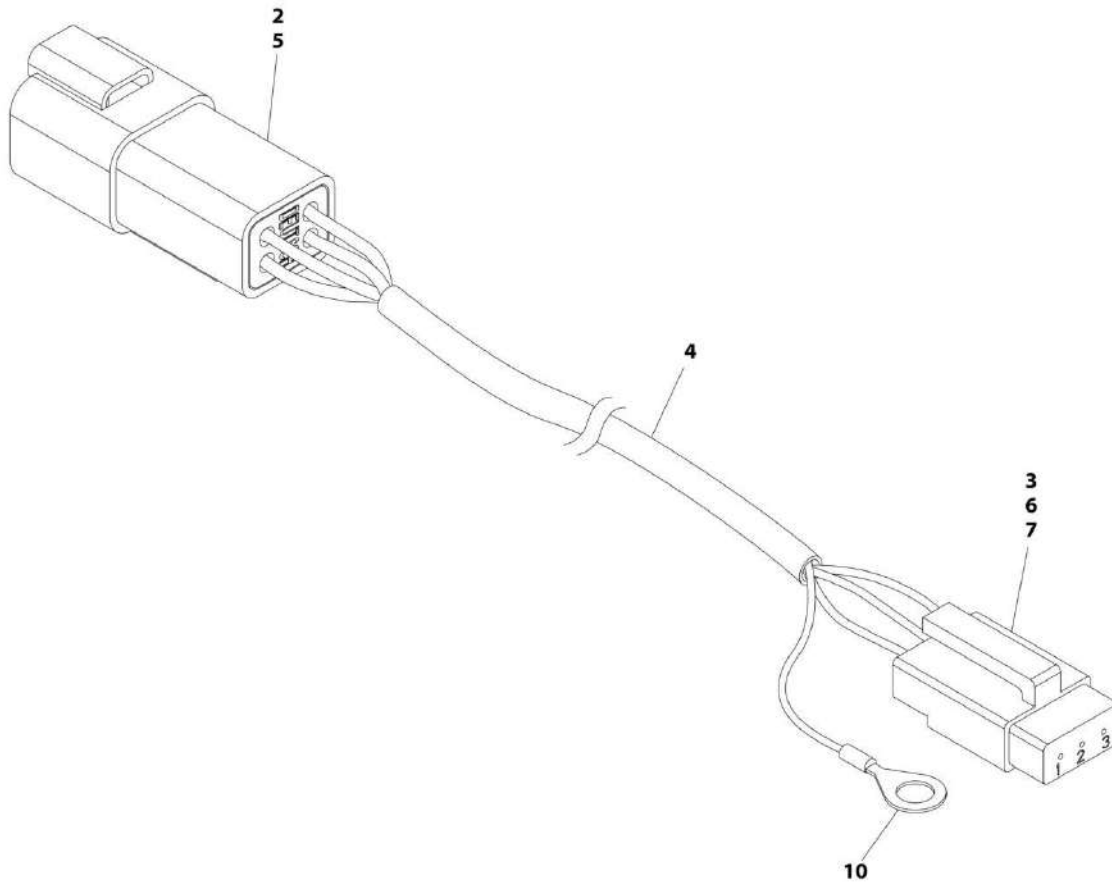
SECTION 8 - ELECTRICAL

FIGURE 8-27. B.L.A.M. TO BOOM LENGTH SENSOR HARNESS

ITEM	PART NUMBER	QTY	DESCRIPTION	REV
	4922716	Ref	B.L.A.M. TO BOOM LENGTH SENSOR HARNESS	G
1	1060981	12 ft/ 3.66m	Cable, Electrical 18/3	
3	4460539	1	Connector - 3 Position	
4	4460944	7	Socket, Female (Gold)	
5	4460894	1	Plug, Male - 6 Position	
8	4460466	AR	Plug, Terminal	
9	4460899	1	Connector, Female - 6 Position (SN 0300237553 to Present)	

SECTION 8 - ELECTRICAL

FIGURE 8-28. B.L.A.M. TO BOOM ANGLE SENSOR HARNESS (LEFT SIDE)



ART_4922781

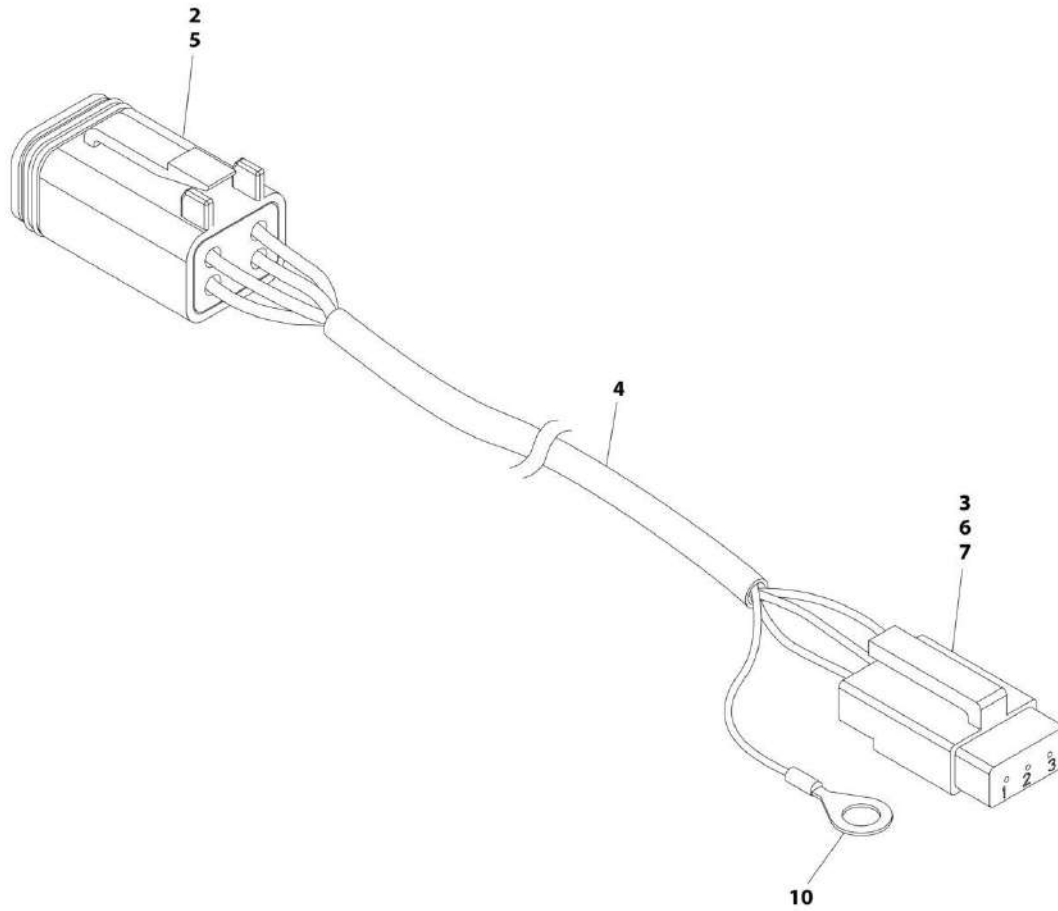
SECTION 8 - ELECTRICAL

FIGURE 8-28. B.L.A.M. TO BOOM ANGLE SENSOR HARNESS (LEFT SIDE)

ITEM	PART NUMBER	QTY	DESCRIPTION	REV
	4922781	Ref	B.L.A.M. TO BOOM ANGLE SENSOR HARNESS (LEFT SIDE)	F
2	4460932	1	Connector, Female - 4 Position	
3	4460912	1	Lock, Wedge - Position	
4	1060982	16.2 ft/ 4.94m	Cable, Electrical 18/3	
5	4460943	4	Pin, Male 16 Ga	
6	4460911	1	Plug, Male - 3 Position	
7	4460918	3	Socket, Female (Gold)	
10	4460722	1	Terminal, Ring	

SECTION 8 - ELECTRICAL

FIGURE 8-29. B.L.A.M. TO BOOM ANGLE SENSOR HARNESS (RIGHT SIDE)



ART_4922780

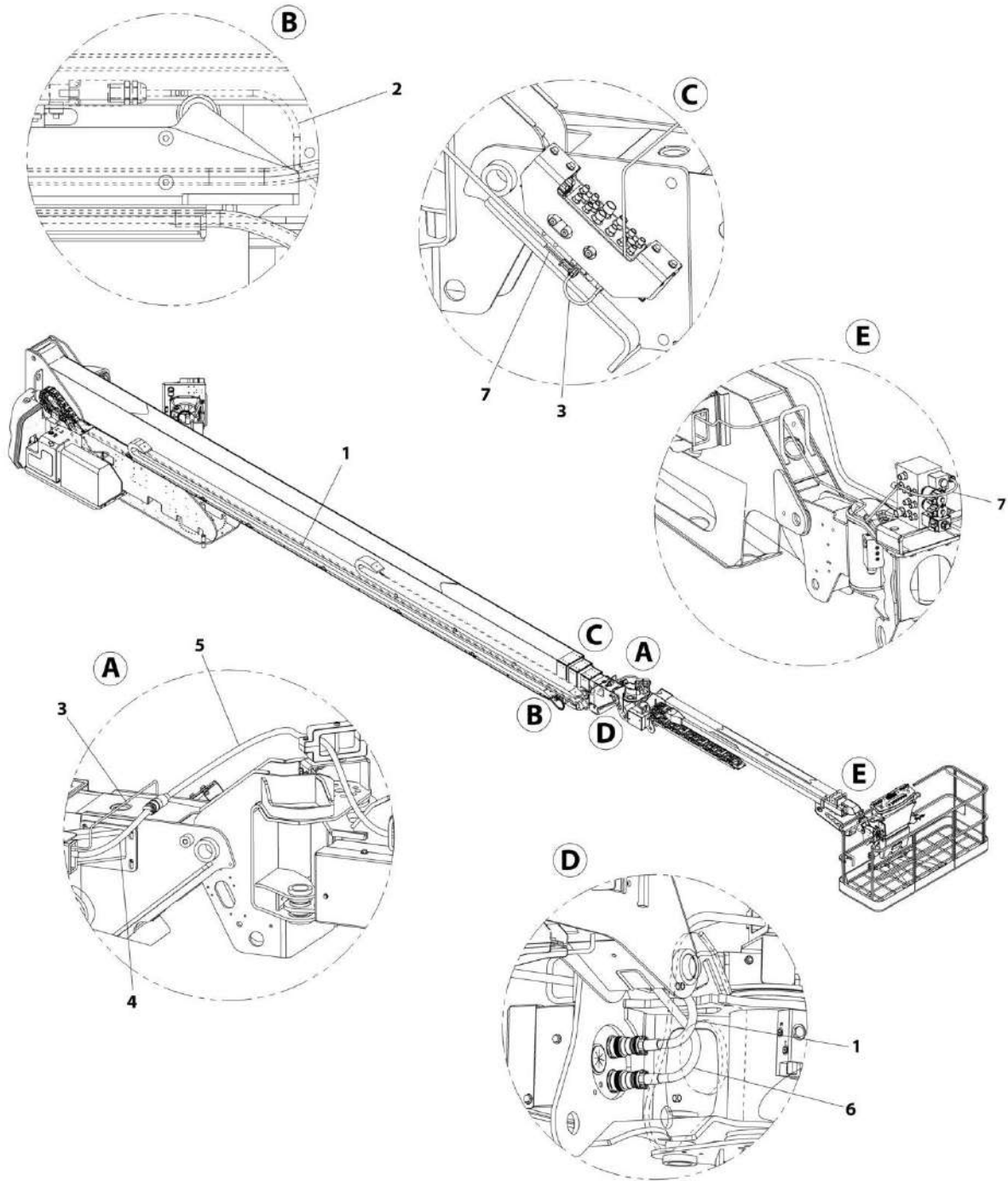
SECTION 8 - ELECTRICAL

FIGURE 8-29. B.L.A.M. TO BOOM ANGLE SENSOR HARNESS (RIGHT SIDE)

ITEM	PART NUMBER	QTY	DESCRIPTION	REV
	4922780	Ref	B.L.A.M. TO BOOM ANGLE SENSOR HARNESS (RIGHT SIDE)	E
2	4460884	1	Connector, Gray - 4 Position	
3	4460912	1	Lock, Wedge - Position	
4	1060981	16.2 ft/ 4.94m	Cable, Electrical 18/3	
5	4460944	4	Socket, Female (Gold)	
6	4460911	1	Plug, Male - 3 Position	
7	4460918	3	Socket, Female (Gold)	
10	4460722	1	Terminal, Ring	

SECTION 8 - ELECTRICAL

FIGURE 8-30. BOOM CABLES INSTALLATION (ANSI, CSA AND JAPANESE SPECS)



ART_1001120137

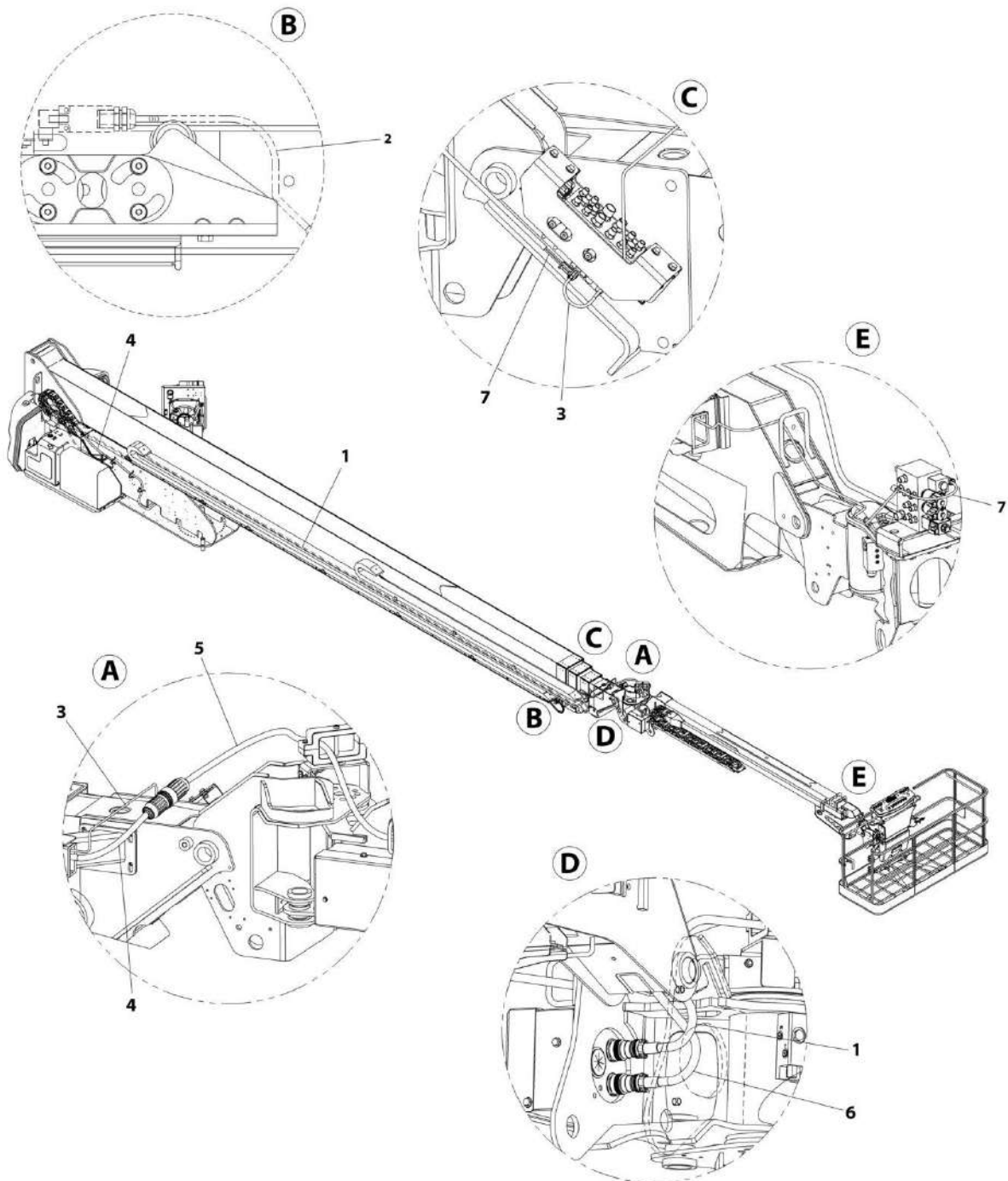
SECTION 8 - ELECTRICAL

FIGURE 8-30. BOOM CABLES INSTALLATION (ANSI, CSA AND JAPANESE SPECS)

ITEM	PART NUMBER	QTY	DESCRIPTION	REV
	1001120137	Ref	BOOM CABLES INSTALLATION (ANSI, CSA AND JAPANESE SPECS)	D
1	1001122396	1	Harness, Main Boom Control (See MAIN BOOM CONTROL HARNESS for Breakdown)	
2	1001179216	1	Transport Switch Cable	
3	1001119393	1	Harness, Jib Enable (See JIB ENABLE HARNESS for Breakdown)	
4	1001120099	1	Harness, Main Boom AC/Generator Power	
4	4460134	1	Receptacle, Female	
5	1001120107	1	Harness, Jib Boom AC/Generator Power	
5	4460205	1	Plug, Male	
6	1001120098	1	Harness, Jib Control (See JIB BOOM CONTROL HARNESS for Breakdown)	
7	1001125666	1	Harness, Platform Dump	
7	4460891	2	Plug, Male - 2 Position	
7	4460942	4	Socket, Female	

SECTION 8 - ELECTRICAL

FIGURE 8-31. BOOM CABLES INSTALLATION - WITH 4000W 60HZ GENERATOR (ANSI AND ANSI EXPORT SPECS)



ART_1001161052

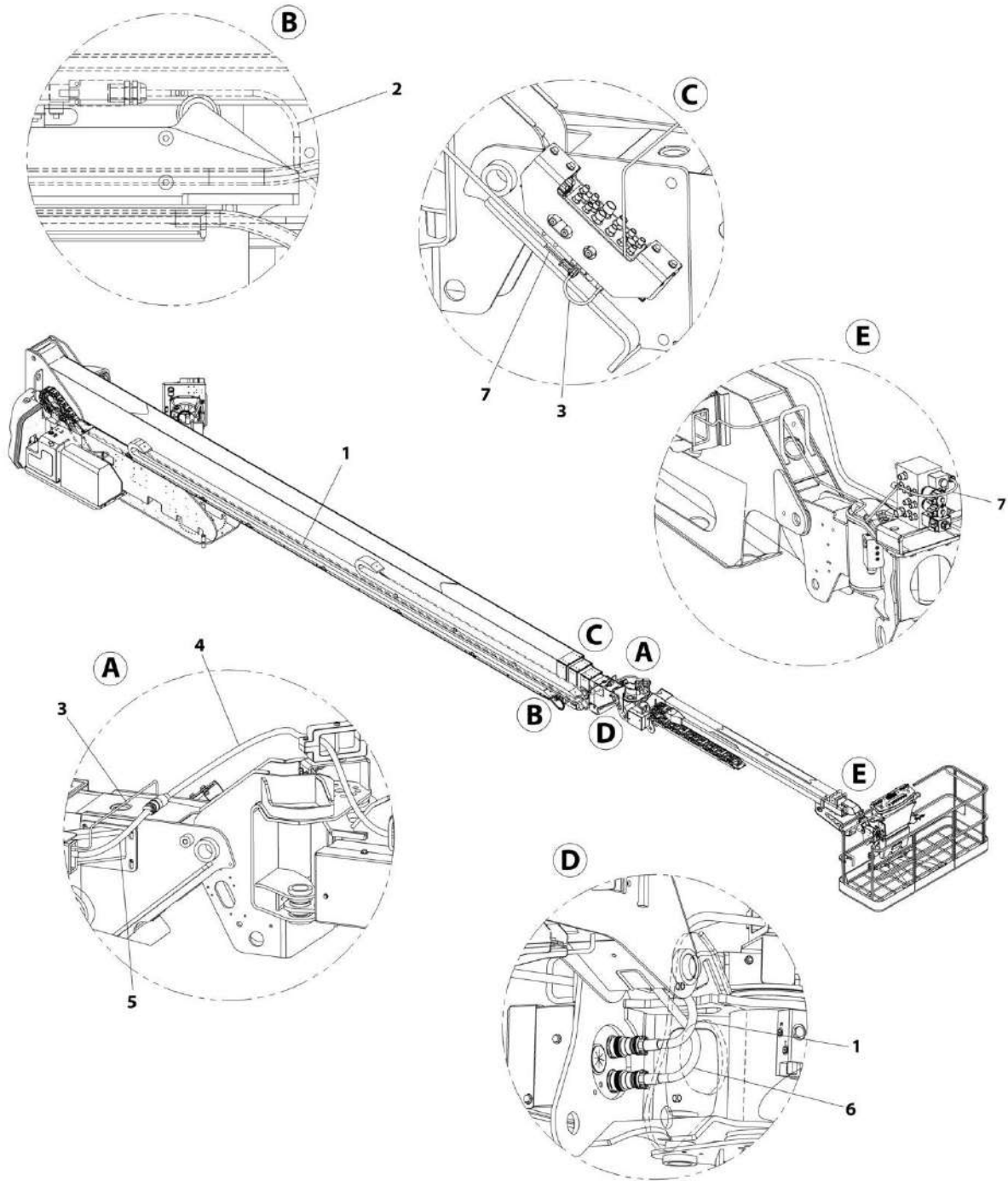
SECTION 8 - ELECTRICAL

FIGURE 8-31. BOOM CABLES INSTALLATION - WITH 4000W 60HZ GENERATOR (ANSI AND ANSI EXPORT SPECS)

ITEM	PART NUMBER	QTY	DESCRIPTION	REV
	1001161052	Ref	BOOM CABLES INSTALLATION - WITH 4000W 60HZ GENERATOR (ANSI AND ANSI EXPORT SPECS)	B
1	1001122396	1	Harness, Main Boom Control (See MAIN BOOM CONTROL HARNESS for Breakdown)	
2	1001179216	1	Transport Switch Cable	
3	1001119393	1	Harness, Jib Enable (See JIB ENABLE HARNESS for Breakdown)	
4	1001161046	1	Harness, Main Boom AC/Generator Power	
4	1671092	1	Cover	
4	4460963	1	Connector, Female	
5	1001161047	1	Harness, Jib Boom AC/Generator Power	
5	1671093	1	Cover	
5	4460962	1	Plug, Male	
6	1001120098	1	Harness, Jib Control (See JIB BOOM CONTROL HARNESS for Breakdown)	
7	1001125666	1	Harness, Platform Dump	
7	4460891	2	Plug, Male - 2 Position	
7	4460942	4	Socket, Female	

SECTION 8 - ELECTRICAL

FIGURE 8-32. BOOM CABLES INSTALLATION - WITH 4000W 50HZ GENERATOR (CE SPECS)



ART_1001120138

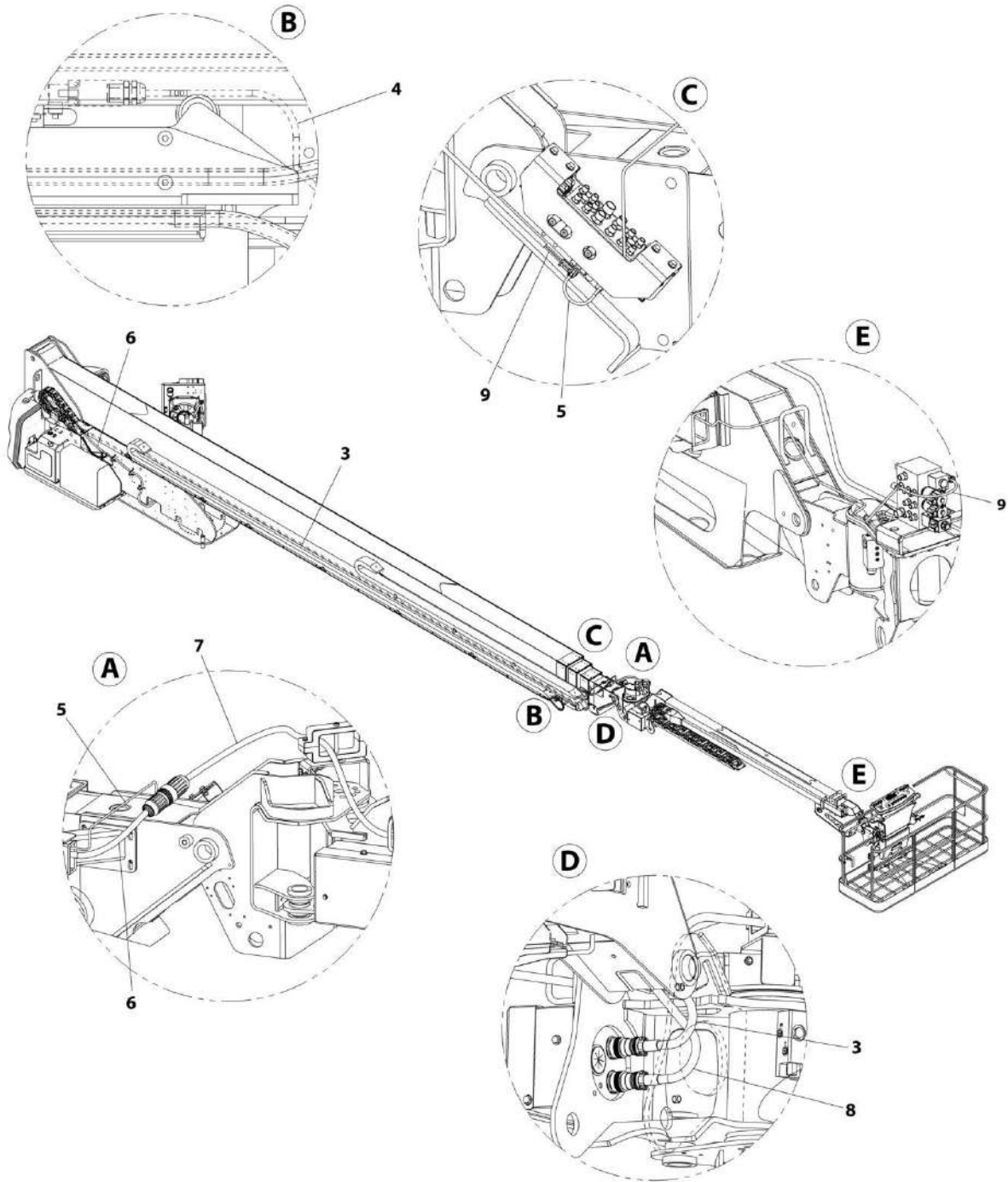
SECTION 8 - ELECTRICAL

FIGURE 8-32. BOOM CABLES INSTALLATION - WITH 4000W 50HZ GENERATOR (CE SPECS)

ITEM	PART NUMBER	QTY	DESCRIPTION	REV
	1001120138	Ref	BOOM CABLES INSTALLATION - WITH 4000W 50HZ GENERATOR (CE SPECS)	E
1	1001122396	1	Harness, Main Boom Control (See MAIN BOOM CONTROL HARNESS for Breakdown)	
2	1001179216	1	Transport Switch Cable	
3	1001119393	1	Harness, Jib Enable (See JIB ENABLE HARNESS for Breakdown)	
4	1001120108	1	Harness, Jib Boom AC/Generator Power	
4	4460709	1	Plug, Male	
5	1001120111	1	Harness, Main Boom AC/Generator Power	
5	4460710	1	Receptacle, Female	
6	1001120098	1	Harness, Jib Control (See JIB BOOM CONTROL HARNESS for Breakdown)	
7	1001125666	1	Harness, Platform Dump	
7	4460891	2	Plug, Male - 2 Position	
7	4460942	4	Socket, Female	

SECTION 8 - ELECTRICAL

FIGURE 8-33. BOOM CABLES INSTALLATION - WITH 7500W GENERATOR



ART_1001120139

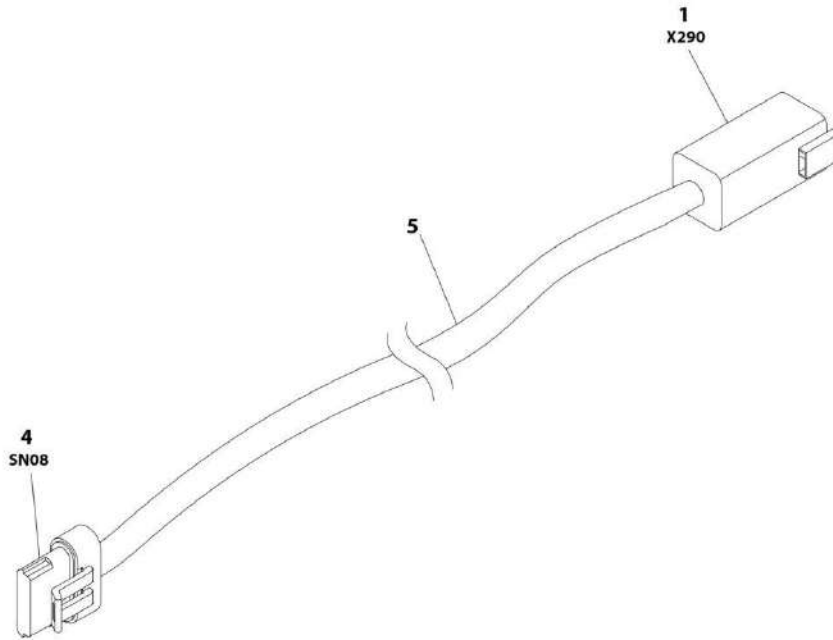
SECTION 8 - ELECTRICAL

FIGURE 8-33. BOOM CABLES INSTALLATION - WITH 7500W GENERATOR

ITEM	PART NUMBER	QTY	DESCRIPTION	REV
	1001120139	Ref	BOOM CABLES INSTALLATION - WITH 7500W GENERATOR	F
3	1001122396	1	Harness, Main Boom Control (See MAIN BOOM CONTROL HARNESS for Breakdown)	
4	1001179216	1	Transport Switch Cable	
5	1001119393	1	Harness, Jib Enable (See JIB ENABLE HARNESS for Breakdown)	
6	1001120100	1	Harness, Main Boom AC/Generator Power (SN 0300209000 through 0300228821)	
6	1671092	1	Cover	
6	4460960	1	Connector, Female	
6	1001226289	1	Harness, Main Boom AC/Generator Power (SN 0300228822 to Present)	
6	1001218623	1	Connector, Female	
7	1001120101	1	Harness, Jib Boom AC/Generator Power (SN 0300209000 through 0300228821)	
7	1671093	1	Cover	
7	4460959	1	Plug, Male	
7	1001226290	1	Harness, Jib Boom AC/Generator Power (SN 0300228822 to Present)	
7	1001218622	1	Plug, Male	
8	1001120098	1	Harness, Jib Control (See JIB BOOM CONTROL HARNESS for Breakdown)	
9	1001125666	1	Harness, Platform Dump	
9	4460891	2	Plug, Male - 2 Position	
9	4460942	4	Socket, Female	

SECTION 8 - ELECTRICAL

FIGURE 8-34. BOOM CYLINDER ANGLE HARNESS



ART_1001120278

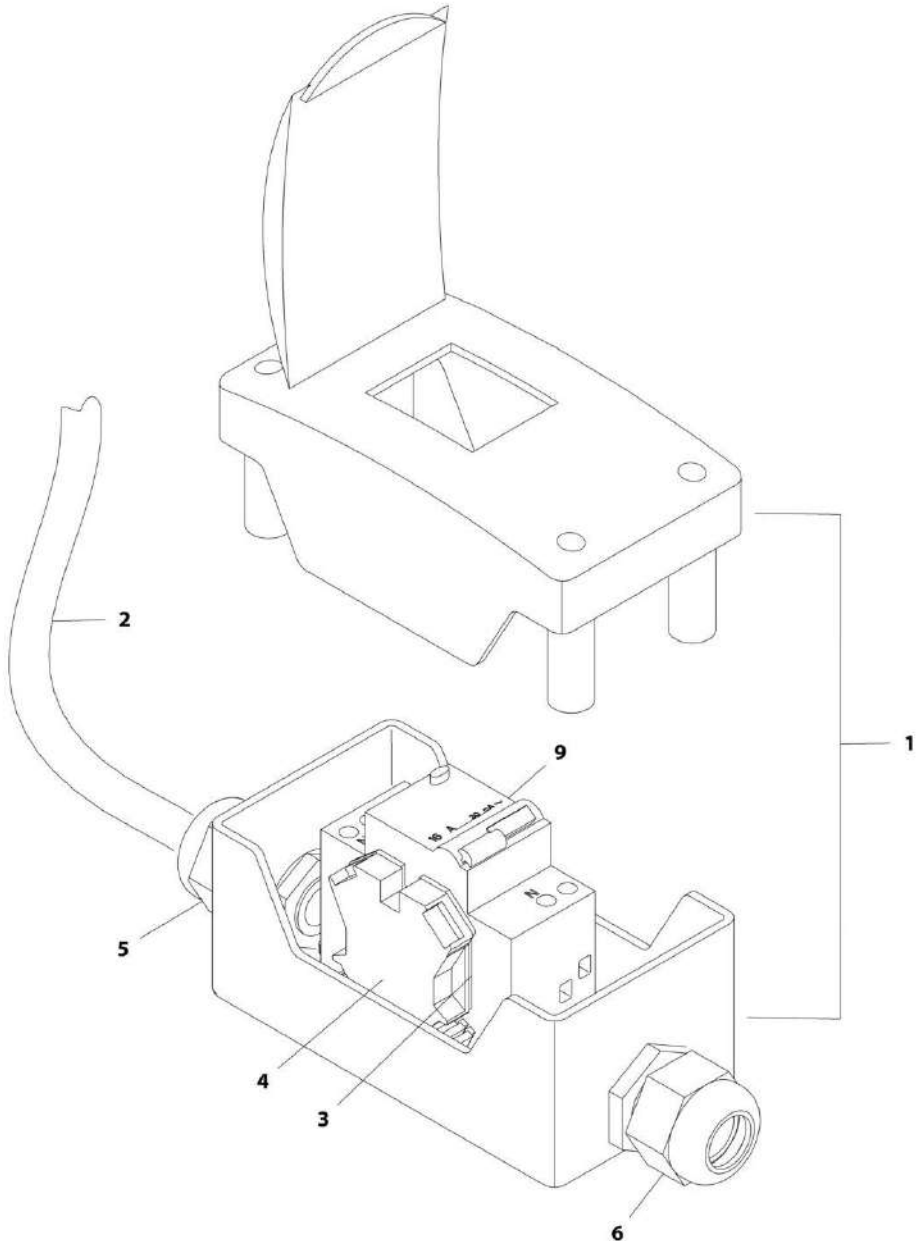
SECTION 8 - ELECTRICAL

FIGURE 8-34. BOOM CYLINDER ANGLE HARNESS

ITEM	PART NUMBER	QTY	DESCRIPTION	REV
	1001120278	Ref	BOOM CYLINDER ANGLE HARNESS	D
1	4460899	1	Connector, Female - 6 Position	
1	4460943	6	Pin, Male 16 Ga	
4	1001117064	NLA	Plug, Male - 6 Position (Use p/n 1001230931) (SN 0300209000 through 0300237757)	
4	91554014	NLA	Socket, Female (Use p/n 1001116748) (SN 0300209000 through 0300237757)	
4	1001230931	1	Plug, Male - 6 Position (SN 0300237758 to Present)	
4	1001116748	6	Socket, Female (SN 0300237758 to Present)	
5	1060979	10.5 ft/ 4.4m	Cable, Electrical 18/6	

SECTION 8 - ELECTRICAL

FIGURE 8-35. BREAKER BOX KIT - 16 AMP



ART_1001109654

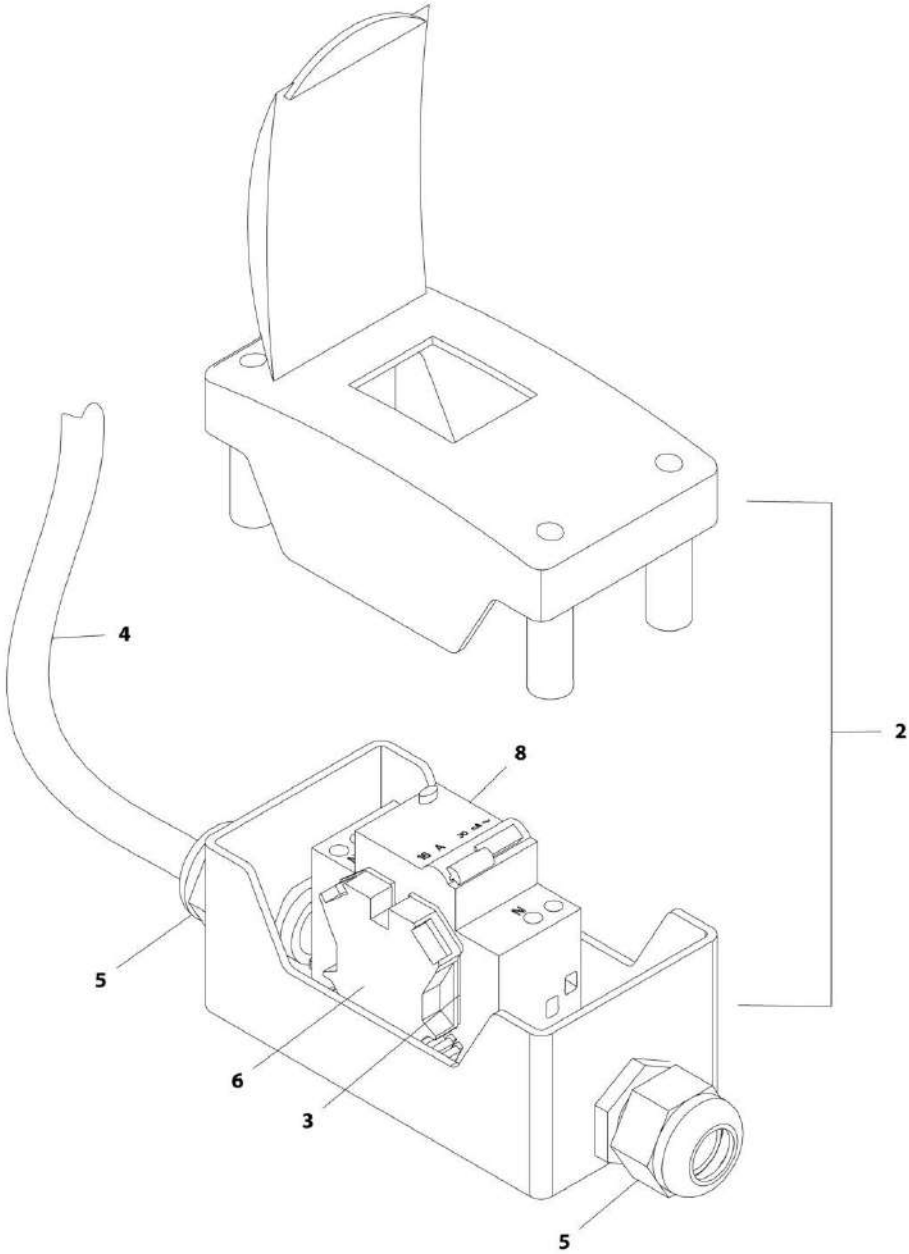
SECTION 8 - ELECTRICAL

FIGURE 8-35. BREAKER BOX KIT - 16 AMP

ITEM	PART NUMBER	QTY	DESCRIPTION	REV
	1001109654	Ref	BREAKER BOX KIT - 16 AMP	B
1	0861880	1	Box, Breaker	
2	1060908	12 ft /3.6m	Cable, Electrical 12/3	
3	4460956	1	Barrier, Terminal Block End	
4	4460957	1	Block, Terminal	
5	1001097150	1	Connector, Strain Relief	
6	1001101191	1	Connector, Strain Relief	
9	1001181045	1	Breaker, Double 30mA/16Amp	

SECTION 8 - ELECTRICAL

FIGURE 8-36. BREAKER BOX KIT - 16 AMP (4000W GENERATOR)



ART_1001165368

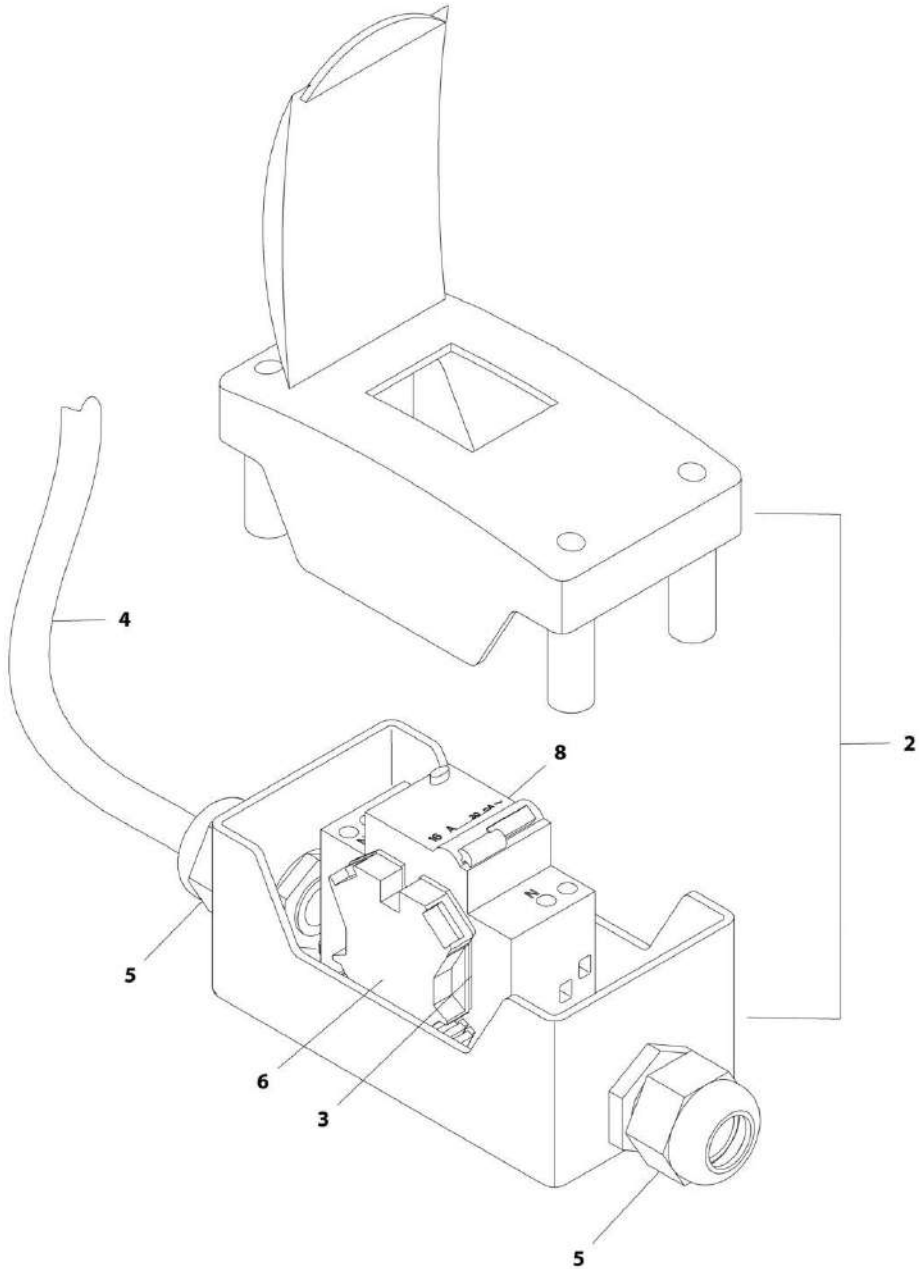
SECTION 8 - ELECTRICAL

FIGURE 8-36. BREAKER BOX KIT - 16 AMP (4000W GENERATOR)

ITEM	PART NUMBER	QTY	DESCRIPTION	REV
	1001165368	Ref	BREAKER BOX KIT - 16 AMP (4000W GENERATOR)	B
2	0861880	1	Box, Circuit Breaker	
3	4460956	1	Barrier, Terminal Block End	
4	1060545	12 ft /3.6m	Cable, Electrical 10/3	
5	1001101191	2	Connector, Strain Relief	
6	4460957	1	Block, Terminal	
8	1001181045	1	Breaker, Double 30mA/16Amp	

SECTION 8 - ELECTRICAL

FIGURE 8-37. BREAKER BOX KIT - 16 AMP/30MA



ART_1001096070

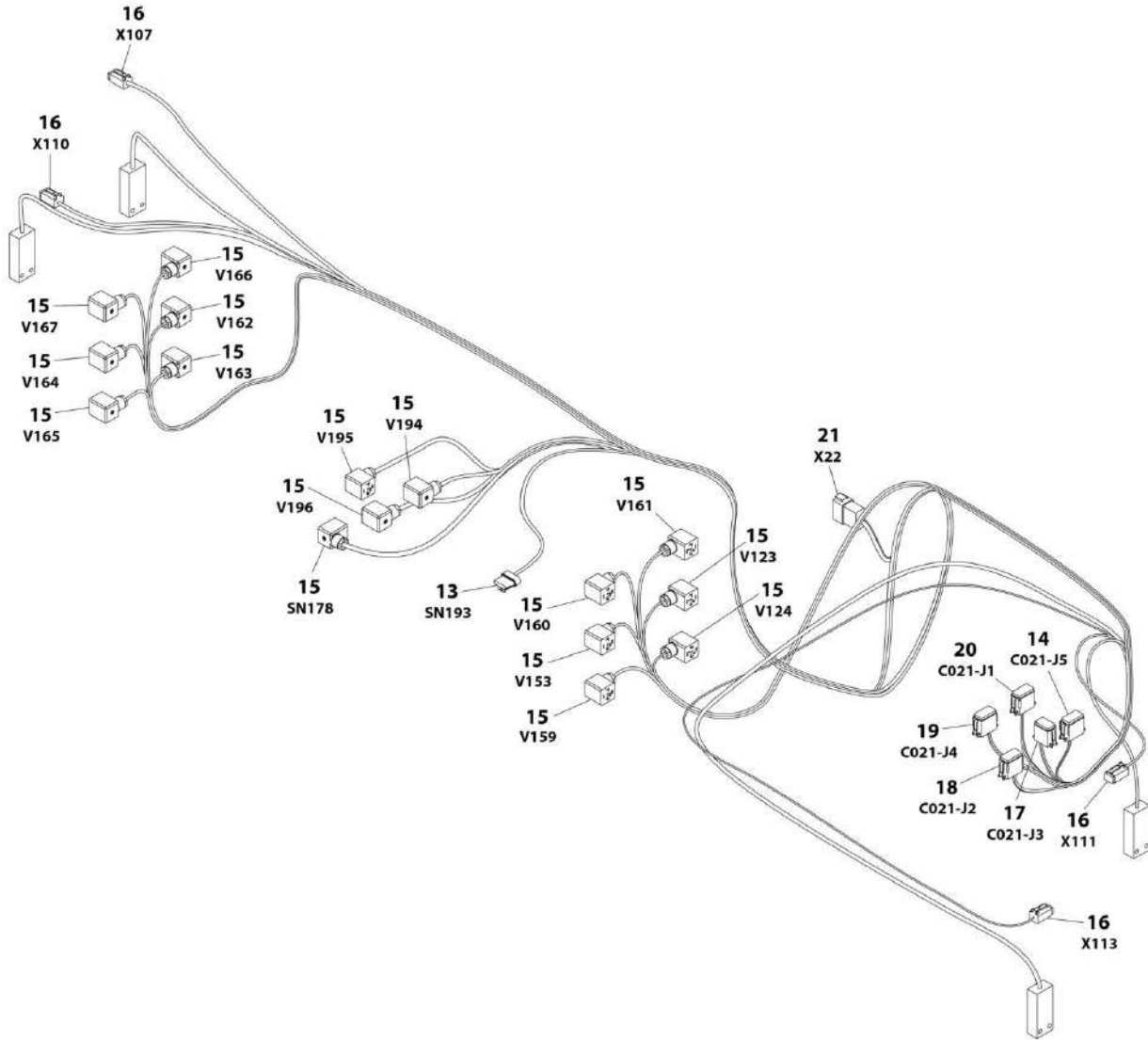
SECTION 8 - ELECTRICAL

FIGURE 8-37. BREAKER BOX KIT - 16 AMP/30MA

ITEM	PART NUMBER	QTY	DESCRIPTION	REV
	1001096070	Ref	BREAKER BOX KIT - 16 AMP/30mA	E
2	0861880	1	Box, Breaker	
3	4460956	1	Barrier, Terminal Block End	
4	1060908	12 ft/3.6m	Cable, Electrical 12/3	
5	1001097150	2	Connector, Strain Relief	
6	4460957	1	Block, Terminal	
8	1001181045	1	Breaker, Double 16Amp/30mA	

SECTION 8 - ELECTRICAL

FIGURE 8-38. CHASSIS HARNESS ASSEMBLY



ART_1001119395

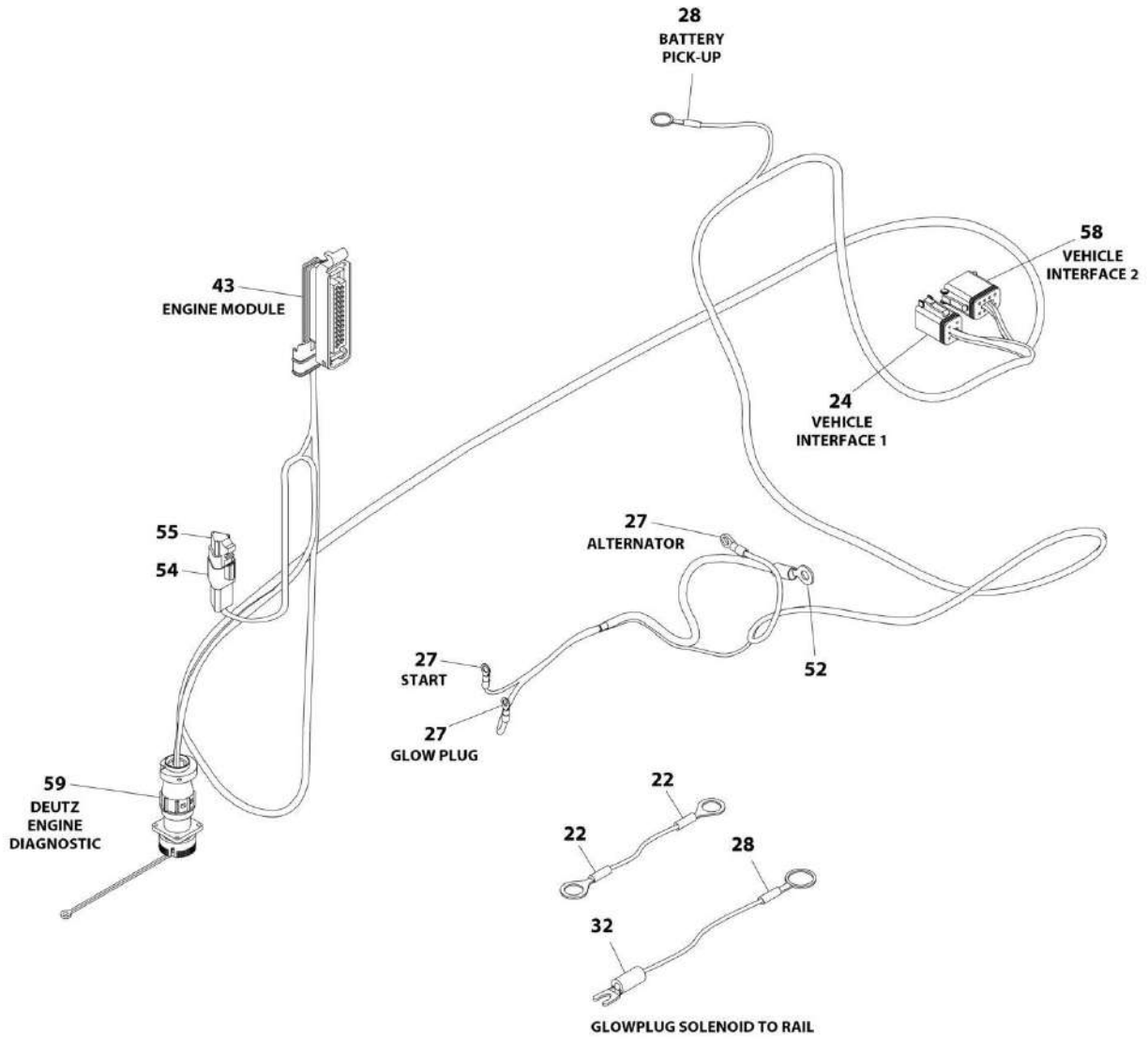
SECTION 8 - ELECTRICAL

FIGURE 8-38. CHASSIS HARNESS ASSEMBLY

ITEM	PART NUMBER	QTY	DESCRIPTION	REV
	1001119395	Ref	CHASSIS HARNESS ASSEMBLY	C
13	1001117064	NLA	Plug, Male - 6 Position (Use p/n 1001230931) (SN 0300209000 through 0300237552)	
13	1001230931	1	Plug, Male - 6 Position (SN 0300237553 to Present)	
13	1001116748	6	Socket, Female	
14	4460836	1	Plug, Male - 12 Position	
14	4460465	9	Socket, Female 18 Gauge	
15	4460880	16	DIN Connector	
16	4460884	4	Connector, Gray - 4 Position	
16	4460944	16	Socket, Female (Gold)	
17	4460930	1	Connector, Gray - 8 Position	
17	4460465	4	Socket, Female	
18	4460933	1	Connector, Male - 12 Position (Gray)	
18	4460465	4	Socket, Female	
18	4460944	3	Socket, Female (Gold)	
18	4460942	2	Socket, Female	
19	4460934	1	Plug, Male - 12 Position (Green)	
19	4460944	12	Socket, Female (Gold)	
20	4460935	1	Plug, Male - 12 Position (Brown)	
20	4460465	10	Socket, Female 18 Gauge	
21	4460950	1	Connector, Female - 12 Position	
21	4460464	4	Pin, Male	
21	4460943	3	Pin, Male 16 Ga	
21	4460941	2	Pin, Male	

SECTION 8 - ELECTRICAL

FIGURE 8-39. ENGINE HARNESS - DEUTZ TD2011 ENGINES



ART_1001119470

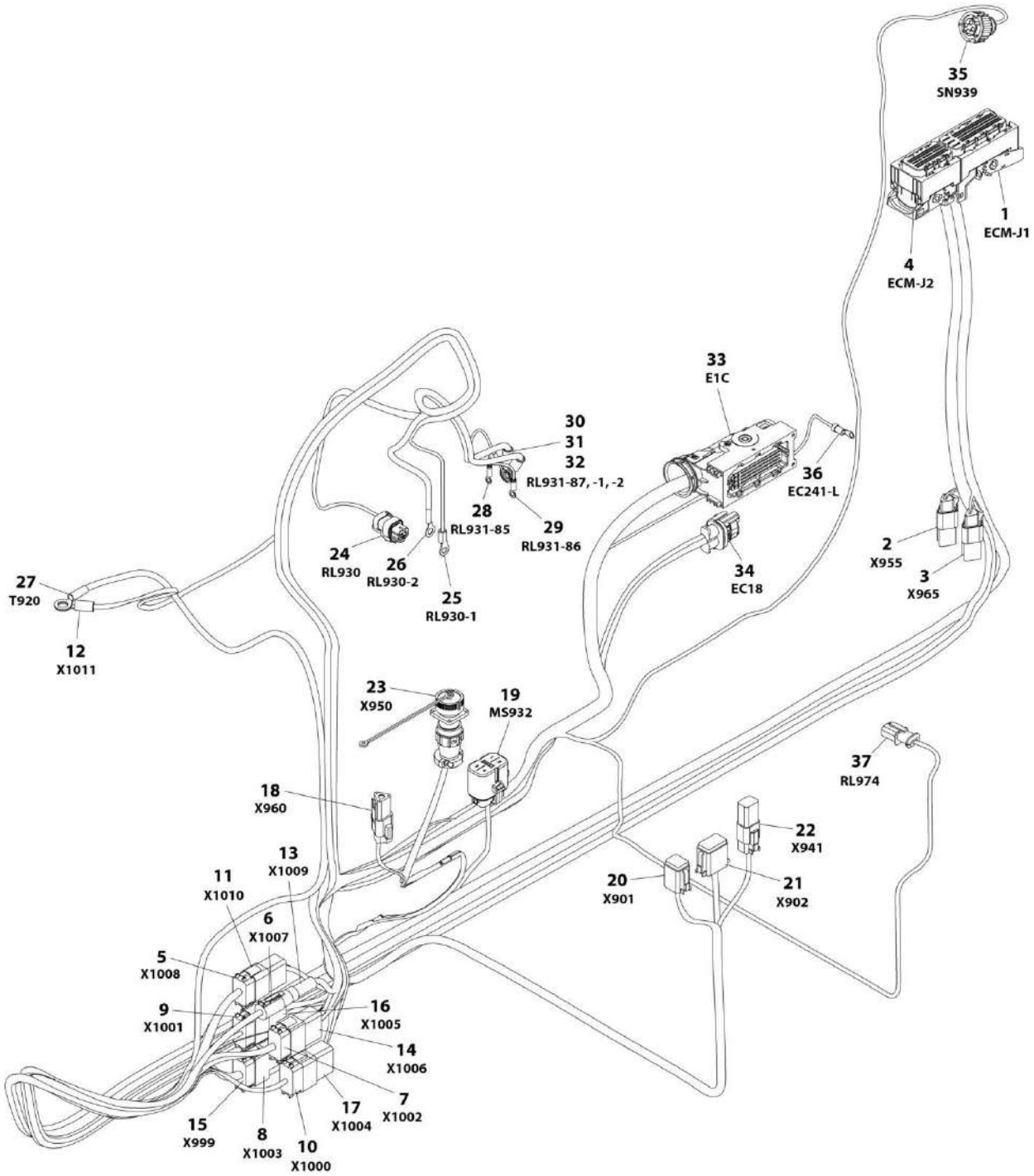
SECTION 8 - ELECTRICAL

FIGURE 8-39. ENGINE HARNESS - DEUTZ TD2011 ENGINES

ITEM	PART NUMBER	QTY	DESCRIPTION	REV
	1001119470	Ref	ENGINE HARNESS - DEUTZ TD2011 ENGINES	B
22	4460702	2	Terminal, Ring	
24	4460894	1	Connector - 6 Position	
24	4460465	2	Socket, Female	
24	4460466	1	Plug, Terminal	
24	4460944	3	Socket, Female	
27	4460313	3	Terminal, Ring	
28	4460019	2	Terminal, Ring	
32	4460315	1	Terminal, Fork	
43	4461052	1	Connector - 25 Position	
43	4461005	5	Terminal	
43	4461006	5	Seal	
43	4461060	2	Terminal (Tin)	
43	4461054	2	Seal, Terminal	
43	4461008	18	Plug, Hole	
43	4461053	1	Cover, Plug	
50	4240032	AR	Tie-Strap (Not Shown)	
51	4240033	AR	Tie-Strap (Not Shown)	
52	4461097	1	Terminal, Ring	
54	4461095	1	Connector - 3 Position	
54	4460944	3	Socket, Female	
55	4461070	1	Connector with Resistor (3 Position)	
58	4460930	1	Connector - 8 Position	
58	4460465	2	Socket, Female	
58	4460466	6	Seal, Plug	
59	2902443	1	Kit, Receptacle	
59	4461071	8	Terminal, Female (Gold)	
59	4461072	1	Connector, Flange Mount	
59	4461073	1	Connector, Dust Cap	
59	4461074	1	Connector, Shell	

SECTION 8 - ELECTRICAL

FIGURE 8-40. ENGINE HARNESS - DEUTZ TCD2.9L4 ENGINES



ART_1001138346

SECTION 8 - ELECTRICAL

FIGURE 8-40. ENGINE HARNESS - DEUTZ TCD2.9L4 ENGINES

ITEM	PART NUMBER	QTY	DESCRIPTION	REV
	1001138346	Ref	ENGINE HARNESS - DEUTZ TCD2.9L4 ENGINES	G
1	1001133956	1	Connector (Includes Cover, Locks and Retention Plate)	
1	1001126352	6	Terminal	
1	1001126384	19	Terminal	
1	1001126351	1	Terminal	
1	1001126357	3	Plug, Seal	
1	1001126356	65	Plug, Seal	
2	4461070	1	Connector with Resistor (3 Position)	
2	4461095	1	Connector - 3 Position	
2	4460944	2	Socket, Female	
2	4460466	1	Seal, Plug	
3	4461070	1	Connector with Resistor (3 Position)	
3	4461095	1	Connector - 3 Position	
3	4460944	2	Socket, Female	
3	4460466	1	Seal, Plug	
4	1001133957	1	Connector (Includes Cover, Locks and Retention Plate)	
4	1001126351	13	Terminal	
4	1001126384	17	Terminal	
4	1001126356	19	Plug, Seal	
4	1001126357	11	Plug, Seal	
5	4460930	1	Connector - 8 Position	
5	4460944	5	Socket, Female (Gold)	
5	4460465	2	Socket, Female	
5	4460466	1	Seal, Plug	
6	1001116707	1	Connector - 1 Position	
6	91143340	1	Terminal	
7	4460935	1	Plug, Brown - 12 Position	
7	4460465	12	Socket, Female	
8	4460970	1	Connector - 12 Position	
8	4460941	12	Pin, Male	
9	4460934	1	Connector, Green - 12 Position	
9	4460465	10	Socket, Female	
9	4460466	2	Seal, Plug	
10	4460836	1	Connector, Black - 12 Position	
10	4460465	8	Socket, Female	
10	4460466	4	Seal, Plug	
11	4460931	1	Connector - 8 Position (Gray)	
11	4460943	5	Pin, Male (Gold)	
11	4460466	3	Plug, Socket	
12	8220164	1	Terminal, Ring	
13	1001116967	1	Connector - 1 Position	
13	91143339	1	Terminal	
14	4460982	1	Connector - 12 Position	
14	4460464	12	Pin, Male	
15	4460933	1	Connector, Gray - 12 Position	
15	4460942	12	Socket, Female	
16	1001152742	1	Connector - 12 Position	
16	4460464	10	Pin, Male	
16	4460466	2	Seal, Plug	
17	4460950	1	Connector - 12 Position	

SECTION 8 - ELECTRICAL

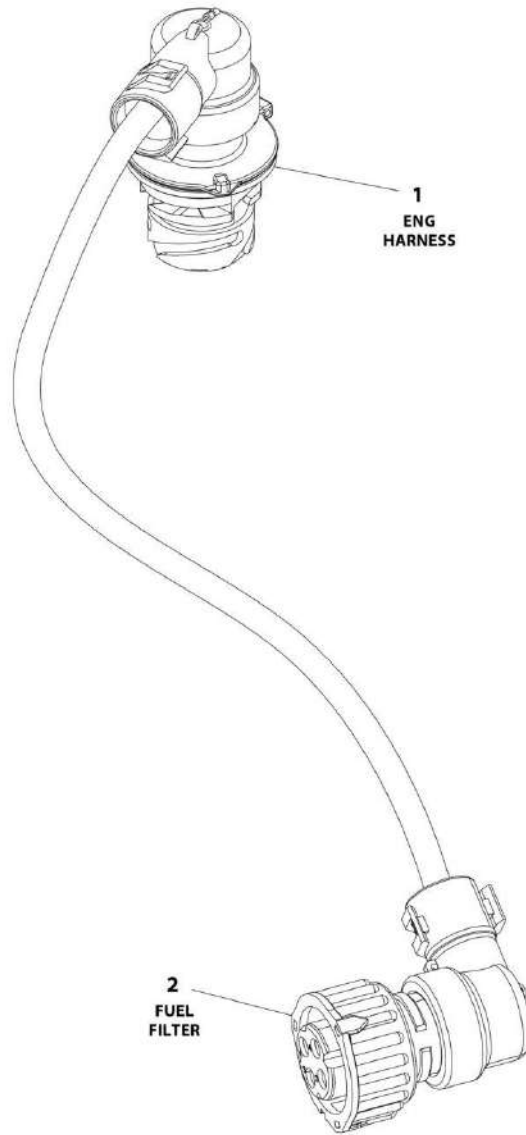
ITEM	PART NUMBER	QTY	DESCRIPTION	REV
17	4460464	8	Pin, Male	
17	4460466	4	Plug, Seal	
18	4461070	1	Connector with Resistor (3 Position)	
18	4461095	1	Connector - 3 Position	
18	4460944	2	Socket, Female	
18	4460466	1	Seal, Plug	
19	80484084	1	Connector - 8 Position	
19	8229242	1	Fuse - 5A	
19	80983191	1	Fuse - 10A	
19	1001147264	1	Cap	
19	1001116728	4	Plug	
19	4460458	4	Seal	
20	4460894	1	Connector - 6 Position	
20	4460465	3	Socket, Female	
20	4460944	2	Socket, Female	
20	4460466	1	Seal, Plug	
21	4460930	1	Connector - 8 Position	
21	4460465	1	Socket, Female	
21	4460466	7	Plug, Seal	
22	4460884	1	Connector - 4 Position (SN 0300209000 through 0300224866)	
22	1001220379	1	Connector - 4 Position (SN 0300224867 to Present)	
22	4460465	2	Socket, Female	
22	4460942	2	Socket, Female	
22	4460932	1	Connector - 4 Position	
22	4460466	4	Seal, Plug	
23	2902443	1	Kit, Receptacle	
23	4461071	8	Terminal, Female (Gold)	
23	4461072	1	Connector, Flange Mount	
23	4461073	1	Connector, Dust Cap	
23	4461074	1	Connector, Shell	
24	1001116952	1	Connector - 2 Position	
24	4460465	2	Socket, Female	
25	4460043	1	Terminal, Ring	
26	1001117106	1	Terminal, Ring	
27	4460019	1	Terminal, Ring	
28	4460247	1	Terminal, Ring	
29	4460247	1	Terminal, Ring	
30	1001117107	1	Terminal, Ring	
31	1001117107	1	Terminal, Ring	
32	4460703	1	Terminal, Ring	
33	1001126362	1	Connector - 62 Position	
33	1001126363	33	Terminal	
33	1001126364	33	Seal	
33	1001126391	23	Plug	
33	4461008	4	Plug, Cavity	
33	1001126365	2	Terminal	
33	4461054	2	Seal	
34	1001142938	1	Connector - 2 Position	
34	1001142940	2	Terminal, Female	
34	1001142941	2	Seal	
35	1001133714	1	Connector - 4 Position	

SECTION 8 - ELECTRICAL

ITEM	PART NUMBER	QTY	DESCRIPTION	REV
35	1001133715	3	Terminal, Female	
35	1001135650	1	Seal	
35	1001135651	1	Plug, Cavity	
36	4460042	1	Terminal, Ring	
37	1001138110	1	Connector - 2 Position	
37	1001138111	2	Socket, Female	
37	1001138113	2	Seal	

SECTION 8 - ELECTRICAL

FIGURE 8-41. FUEL FILTER HARNESS - DEUTZ TCD2.9L4 ENGINES



ART_1001148843

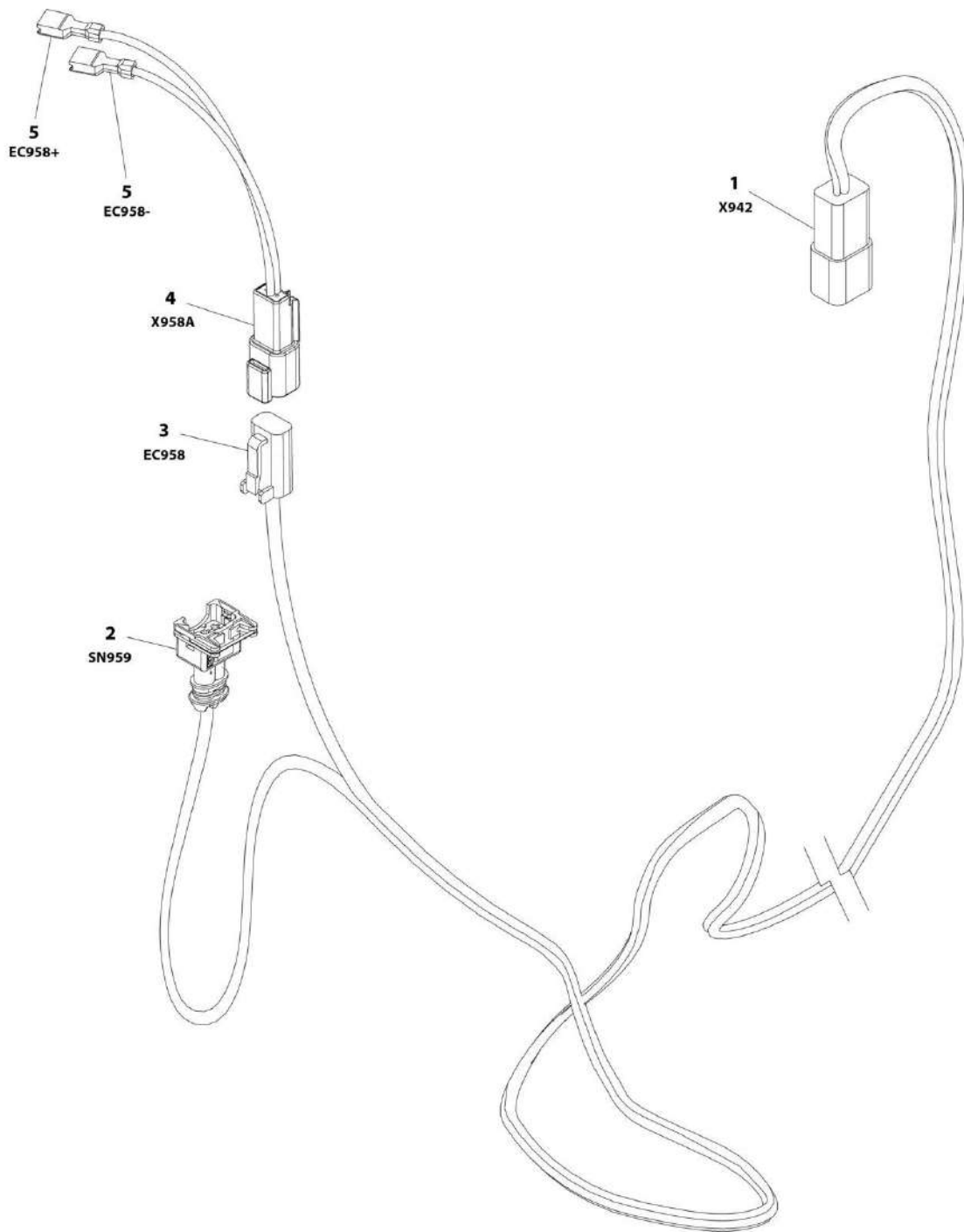
SECTION 8 - ELECTRICAL

FIGURE 8-41. FUEL FILTER HARNESS - DEUTZ TCD2.9L4 ENGINES

ITEM	PART NUMBER	QTY	DESCRIPTION	REV
	1001148843	Ref	FUEL FILTER HARNESS - DEUTZ TCD2.9L4 ENGINES	A
1	1001148842	1	Connector - 4 Position	
1	1001148841	4	Pin, Male	
1	1001135650	4	Seal	
2	1001133714	1	Plug, Male - 4 Position	
2	1001133715	4	Socket, Female	
2	1001135650	4	Seal	

SECTION 8 - ELECTRICAL

FIGURE 8-42. FUEL HARNESS - DEUTZ TCD2.9L4 ENGINES



ART_1001138491

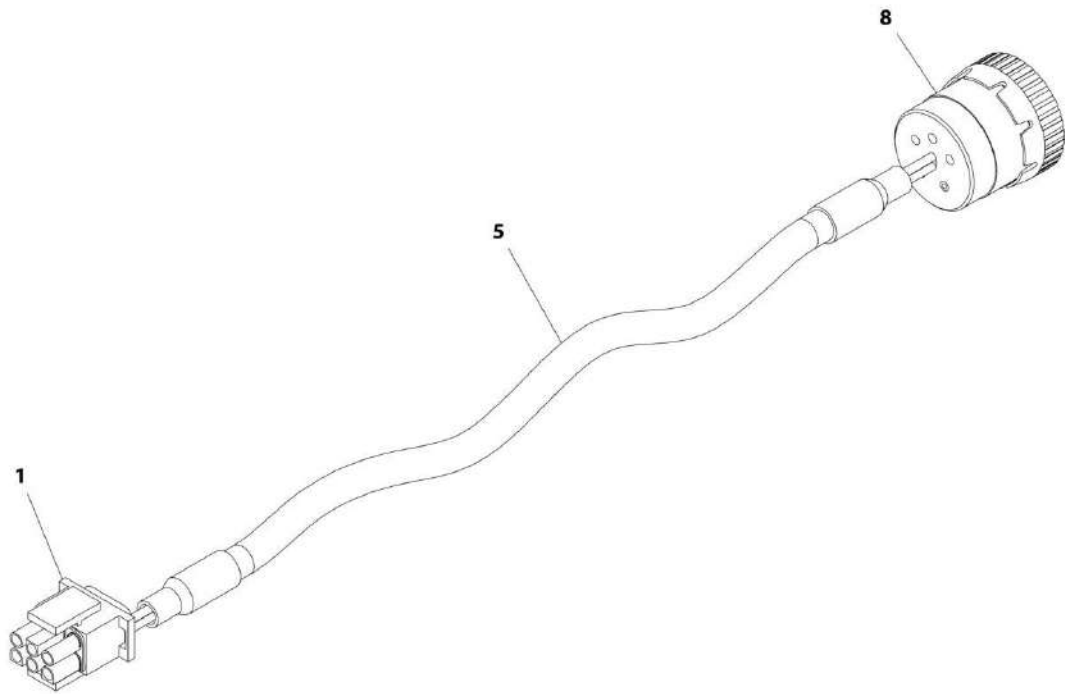
SECTION 8 - ELECTRICAL

FIGURE 8-42. FUEL HARNESS - DEUTZ TCD2.9L4 ENGINES

ITEM	PART NUMBER	QTY	DESCRIPTION	REV
	1001138491	Ref	FUEL HARNESS - DEUTZ TCD2.9L4 ENGINES	D
1	4460932	1	Connector - 4 Position	
1	4460464	2	Pin, Male	
1	4460941	2	Pin, Male	
2	1001116983	1	Connector - 2 Position	
2	1001116710	2	Socket, Female	
2	4461054	2	Seal	
3	4460891	1	Connector - 2 Position	
3	4460942	2	Socket, Female	
4	4460897	1	Connector - 2 Position	
4	4460941	2	Pin, Male	
5	4460042	2	Terminal, Ring (SN 0300209000 through 0300234714)	
5	8220051	2	Coupler, Female (SN 0300234715 to Present)	

SECTION 8 - ELECTRICAL

FIGURE 8-43. GENERATOR HARNESS - 4000W GENERATOR



ART_1001152533

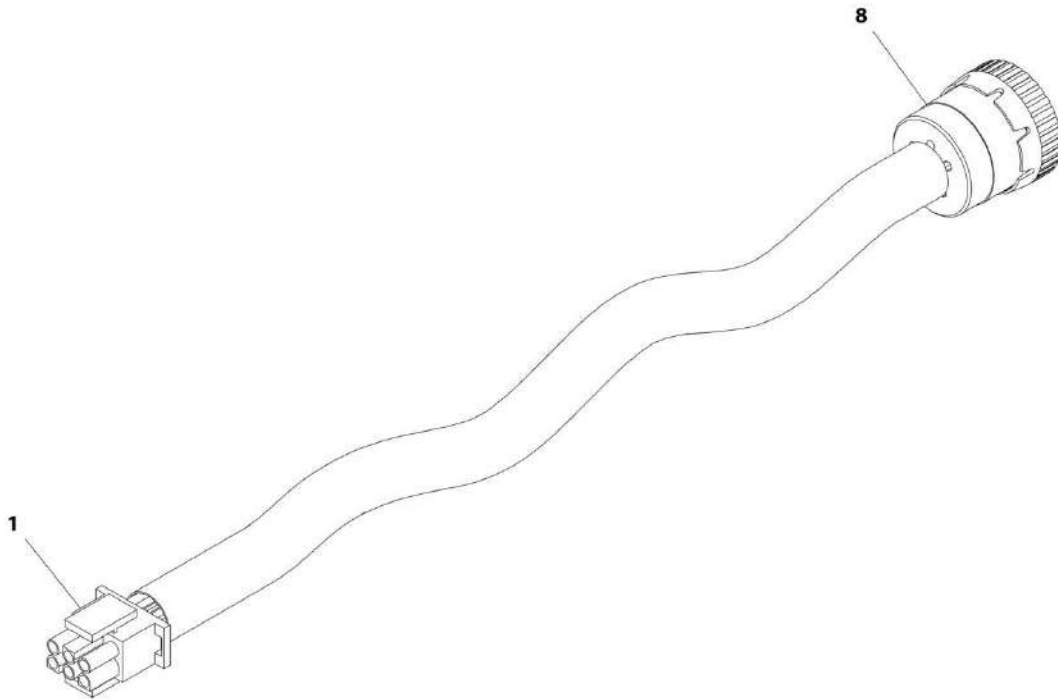
SECTION 8 - ELECTRICAL

FIGURE 8-43. GENERATOR HARNESS - 4000W GENERATOR

ITEM	PART NUMBER	QTY	DESCRIPTION	REV
	1001152533	Ref	GENERATOR HARNESS - 4000W GENERATOR	A
1	4460225	1	Connector - 6 Position	
1	4460268	2	Socket, Female	
1	4460807	1	Seal, Plug	
1	4460808	1	Seal, Plug	
5	1060341	8 ft /2.4m	Cable, 16/2	
8	77363233	1	Connector - 6 Position	
8	4460465	2	Socket, Female	

SECTION 8 - ELECTRICAL

FIGURE 8-44. GENERATOR HARNESS - 7500W GENERATOR



ART_4922972

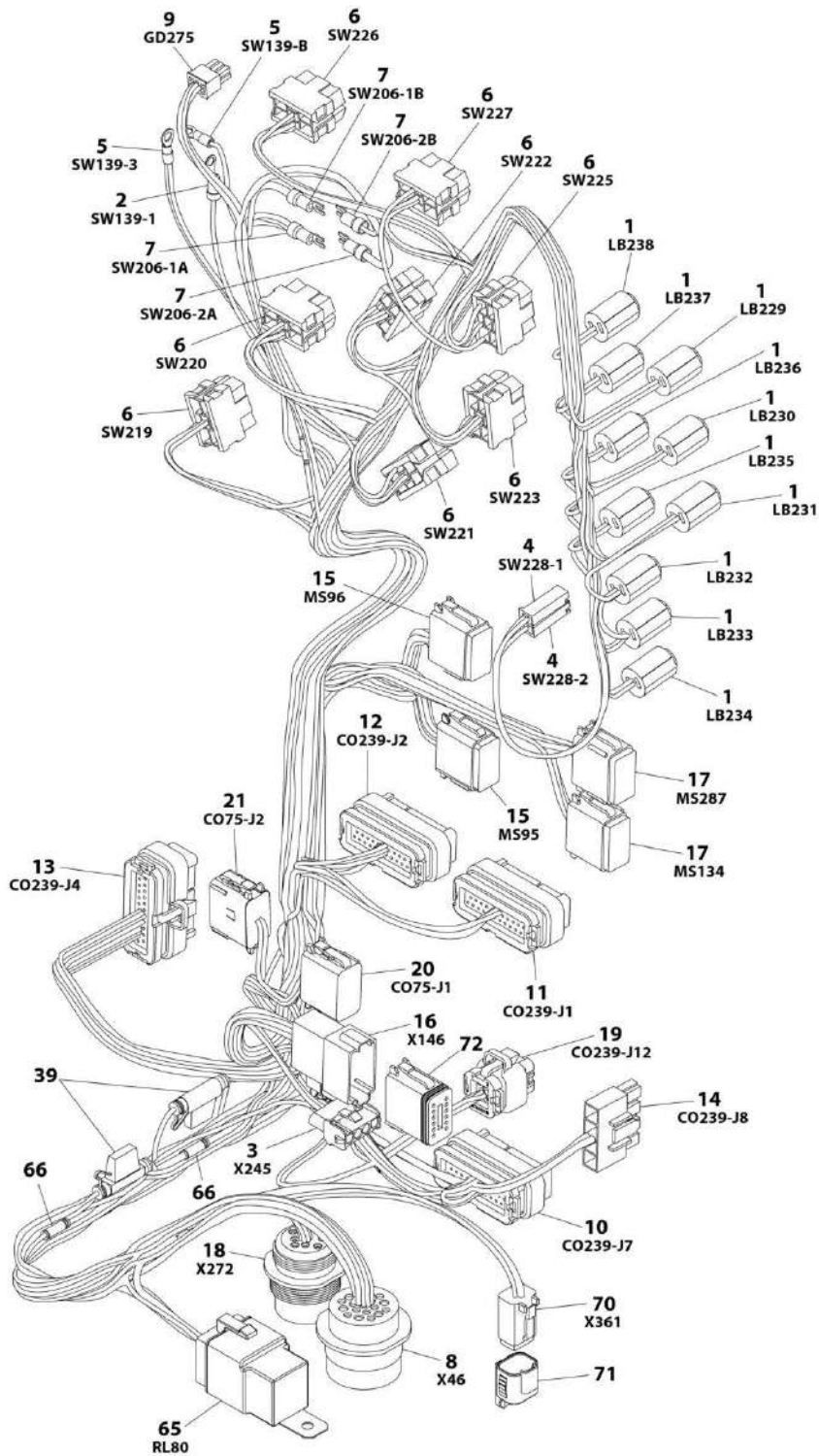
SECTION 8 - ELECTRICAL

FIGURE 8-44. GENERATOR HARNESS - 7500W GENERATOR

ITEM	PART NUMBER	QTY	DESCRIPTION	REV
	4922972	Ref	GENERATOR HARNESS - 7500W GENERATOR	C
1	4460225	1	Connector - 6 Position	
1	4460268	6	Socket, Female	
1	4460807	1	Seal, Plug	
1	4460808	1	Seal, Plug	
8	77363233	1	Connector - 6 Position	
8	4460465	2	Socket, Female	

SECTION 8 - ELECTRICAL

FIGURE 8-45. GROUND CONTROL BOX HARNESS ASSEMBLY (ALL SPECS EXCEPT CE SPECS)



ART_1001119652

SECTION 8 - ELECTRICAL

FIGURE 8-45. GROUND CONTROL BOX HARNESS ASSEMBLY (ALL SPECS EXCEPT CE SPECS)

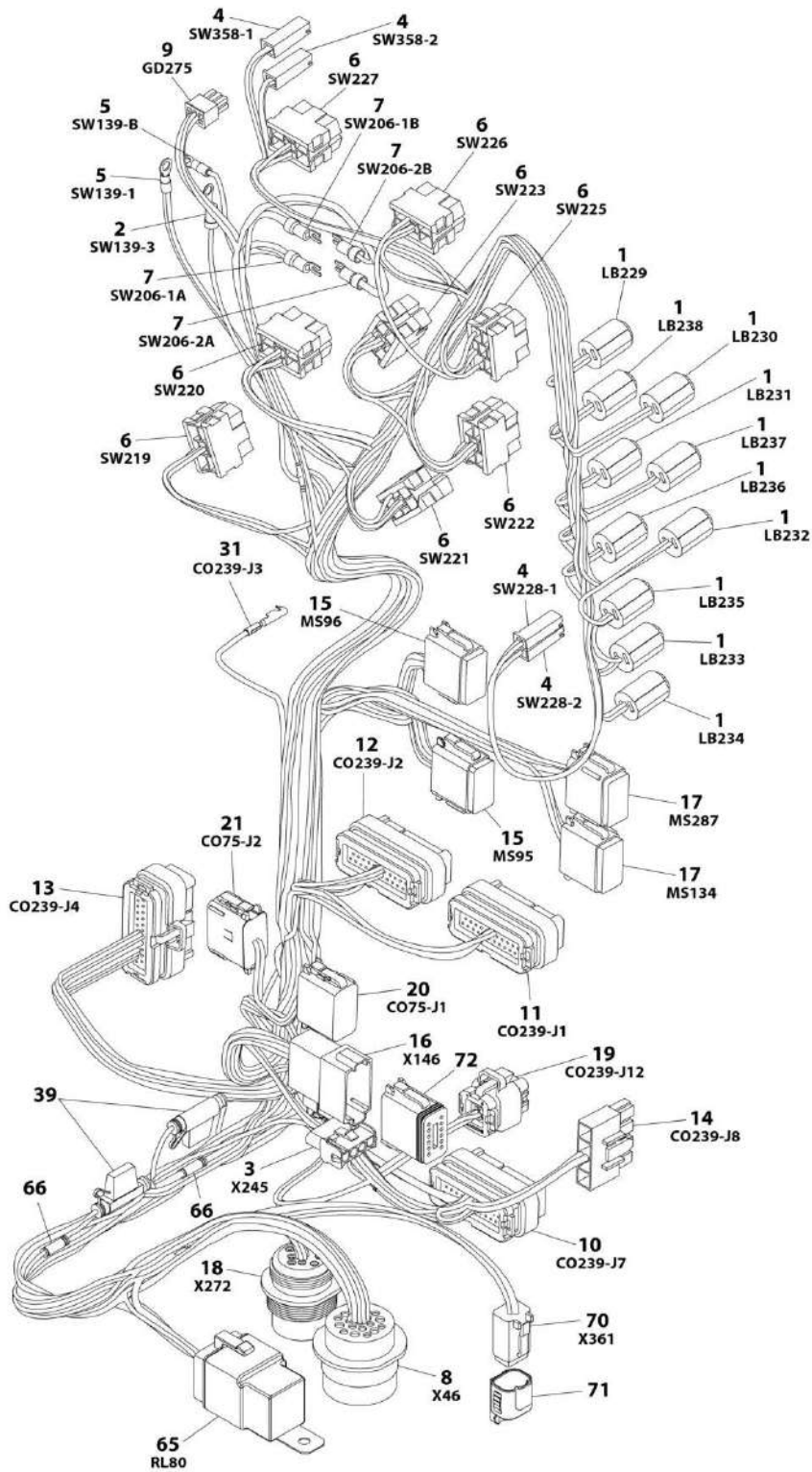
ITEM	PART NUMBER	QTY	DESCRIPTION	REV
	1001119652	Ref	GROUND CONTROL BOX HARNESS ASSEMBLY (ALL SPECS EXCEPT CE SPECS)	J
1	4120035	10	Base, Light	
1	4460634	10	Terminal (16 Gauge)	
1	4460635	20	Terminal (12 Gauge)	
2	4460042	1	Terminal, Ring	
3	4460761	1	Connector - 4 Position	
3	4460227	4	Pin, Male	
4	4460260	2	Terminal, Housing	
4	4460259	2	Terminal	
5	4460313	2	Terminal, Ring	
6	4460418	8	Connector - 6 Position	
6	4460419	24	Socket, Female	
7	4460806	4	Terminal, Fork	
8	4460866	1	Connector - 19 Position	
8	4460464	11	Pin, Male	
8	4460508	4	Pin, Male Deutsch 12 Ga	
9	4460868	1	Connector - 6 Pin	
9	4460877	4	Socket, Female	
10	4460873	1	Connector - 35 Position (Black)	
10	4460871	20	Socket, Female	
11	4460874	1	Connector - 35 Position (Natural)	
11	4460871	5	Socket, Female	
12	4460875	1	Connector, Gray - 35 Position	
12	4460871	7	Socket, Female	
13	4460876	1	Connector - 35 Position (Blue)	
13	4460871	29	Socket, Female	
14	4460878	1	Connector - 4 Position	
14	4460877	2	Socket, Female	
15	4460836	2	Connector - 12 Position	
15	4460465	12	Socket, Female	
16	4460970	1	Connector - 12 Position	
16	4460464	10	Pin, Male	
17	4460933	2	Connector, Male - 12 Position (Gray)	
17	4460871	13	Socket, Female	
18	1001112612	1	Connector, Diagnostic	
18	4460464	6	Pin, Male	
19	1001113961	1	Connector - 8 Position	
19	4460871	5	Socket, Female	
20	1001116774	1	Connector - 12 Position	
20	4460928	4	Socket, Female	
21	4460908	1	Connector - 12 Position (SN 0300209000 through 0300232593)	
21	4460918	3	Socket, Female (Gold)	
21	1001116808	1	Connector - 12 Position (SN 0300232594 to Present)	
21	4460918	3	Socket, Female (Gold)	
34	4460905	71	Seal, Plug (Not Shown)	
39	2400060	2	Fuseholder	
39	2400064	2	Fuse - 5Amp	
65	1001117025	1	Relay with Connector	
65	3740080	1	Relay, Sealed	

SECTION 8 - ELECTRICAL

ITEM	PART NUMBER	QTY	DESCRIPTION	REV
65	4460374	1	Plug, Sealed	
65	4460375	4	Terminal, Female	
66	3990001	2	Diode - 3Amp	
70	4460884	1	Connector, Gray - 4 Position	
70	4460465	4	Socket, Female	
71	1001192401	1	Connector, Dust Cap	
72	4460933	1	Connector, Male - 12 Position (Gray)	
72	4460465	6	Socket, Female	
72	4460942	4	Socket, Female	

SECTION 8 - ELECTRICAL

FIGURE 8-46. GROUND CONTROL BOX HARNESS ASSEMBLY (CE SPECS)



ART_1001186903

SECTION 8 - ELECTRICAL

FIGURE 8-46. GROUND CONTROL BOX HARNESS ASSEMBLY (CE SPECS)

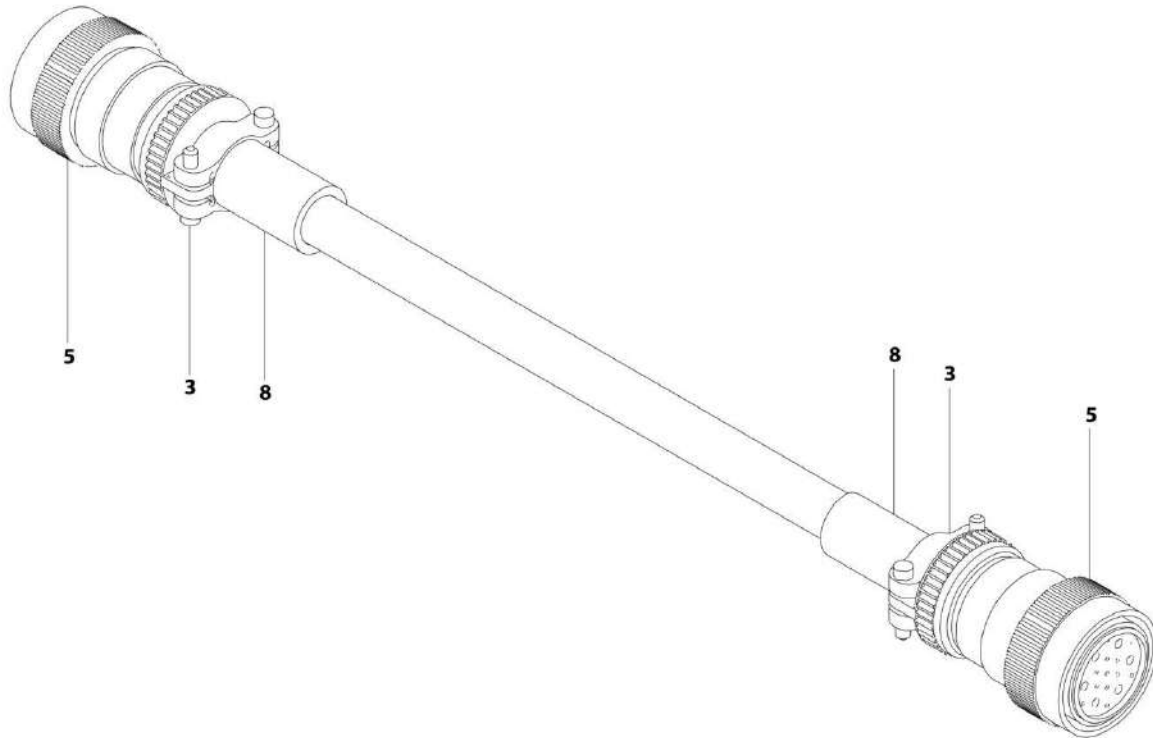
ITEM	PART NUMBER	QTY	DESCRIPTION	REV
	1001186903	Ref	GROUND CONTROL BOX HARNESS ASSEMBLY (CE SPECS)	C
1	4120035	10	Base, Light	
1	4460634	10	Terminal (16 Gauge)	
1	4460635	20	Terminal (12 Gauge)	
2	4460042	1	Terminal, Ring	
3	4460761	1	Connector - 4 Position	
3	4460227	4	Pin, Male	
4	4460260	4	Terminal, Housing	
4	4460259	4	Terminal	
5	4460313	2	Terminal, Ring	
6	4460418	8	Connector - 6 Position	
6	4460419	32	Socket, Female	
7	4460806	4	Terminal, Fork	
8	4460866	1	Connector - 19 Position	
8	4460464	11	Pin, Male	
8	4460508	4	Pin, Male Deutsch 12 Ga	
9	4460868	1	Connector - 6 Pin	
9	4460877	4	Socket, Female	
10	4460873	1	Connector - 35 Position (Black)	
10	4460871	20	Socket, Female	
11	4460874	1	Connector - 35 Position (Natural)	
11	4460871	5	Socket, Female	
11	4460905	1	Seal, Plug	
12	4460875	1	Connector, Gray - 35 Position	
12	4460871	7	Socket, Female	
13	4460876	1	Connector - 35 Position (Blue)	
13	4460871	29	Socket, Female	
14	4460878	1	Connector - 4 Position	
14	4460877	2	Socket, Female	
15	4460836	2	Connector - 12 Position	
15	4460465	12	Socket, Female	
16	4460970	1	Connector - 12 Position	
16	4460464	10	Pin, Male	
17	4460933	2	Connector, Male - 12 Position (Gray)	
17	4460871	13	Socket, Female	
18	1001112612	1	Connector, Diagnostic	
18	4460464	6	Pin, Male	
19	1001113961	1	Connector - 8 Position	
19	4460871	5	Socket, Female	
19	4460905	1	Seal, Plug	
20	1001116774	1	Connector - 12 Position	
20	4460928	2	Socket, Female	
20	4460918	2	Socket, Female (Gold)	
21	4460908	1	Connector - 12 Position (SN 0300209000 through 0300249765)	
21	1001116808	1	Connector - 12 Position (SN 0300249766 to Present)	
21	4460918	3	Socket, Female (Gold)	
31	4460871	5	Socket, Female	
34	4460905	71	Seal, Plug (Not Shown)	
39	2400060	2	Fuseholder	
39	2400064	2	Fuse - 5Amp	

SECTION 8 - ELECTRICAL

ITEM	PART NUMBER	QTY	DESCRIPTION	REV
65	100117025	1	Relay with Connector	
65	3740080	1	Relay, Sealed	
65	4460374	1	Plug, Sealed	
65	4460375	4	Terminal, Female	
66	3990001	2	Diode - 3Amp	
70	4460884	1	Connector, Gray - 4 Position	
70	4460465	4	Socket, Female	
71	1001192401	1	Connector, Dust Cap	
72	4460933	1	Connector, Male - 12 Position (Gray)	
72	4460465	6	Socket, Female	
72	4460942	4	Socket, Female	

SECTION 8 - ELECTRICAL

FIGURE 8-47. JIB BOOM CONTROL HARNESS



ART_1001120098

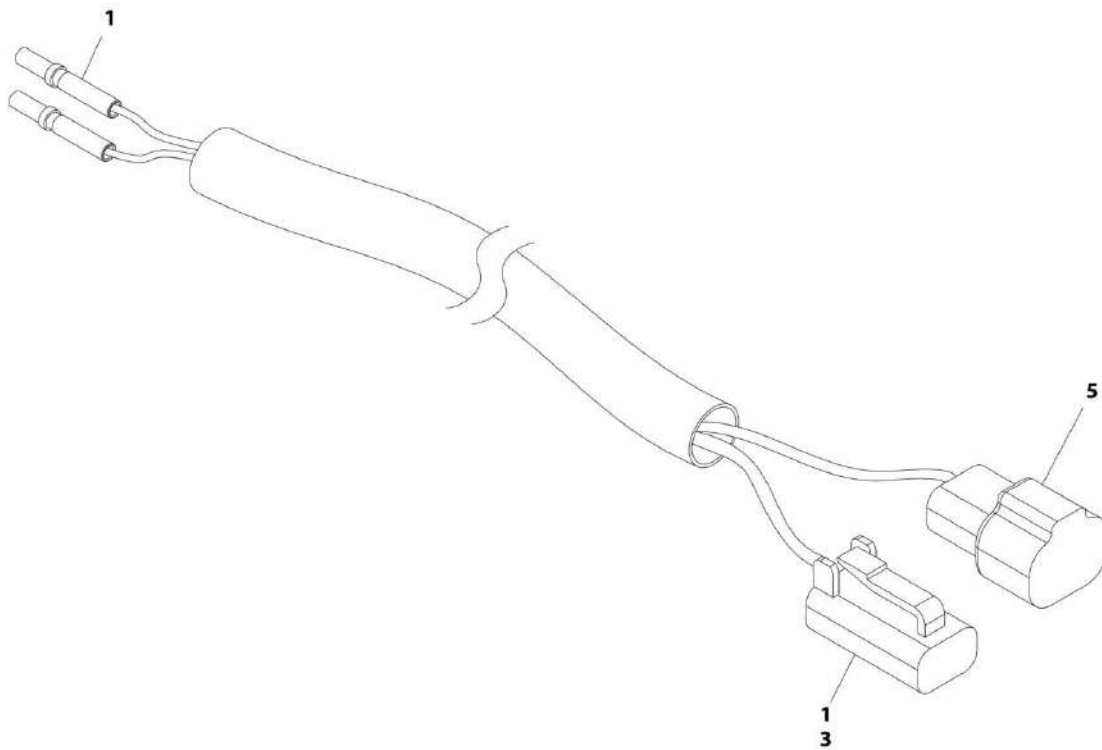
SECTION 8 - ELECTRICAL

FIGURE 8-47. JIB BOOM CONTROL HARNESS

ITEM	PART NUMBER	QTY	DESCRIPTION	REV
	1001120098	Ref	JIB BOOM CONTROL HARNESS	D
3	4460473	2	Clamp	
5	4460865	2	Connector - 19 Position	
5	4460509	8	Socket, Female	
5	4460465	22	Socket, Female	
5	4460466	8	Plug, Socket	
8	1001226400	2	Heat Shrink	

SECTION 8 - ELECTRICAL

FIGURE 8-48. JIB ENABLE HARNESS



ART_1001119393

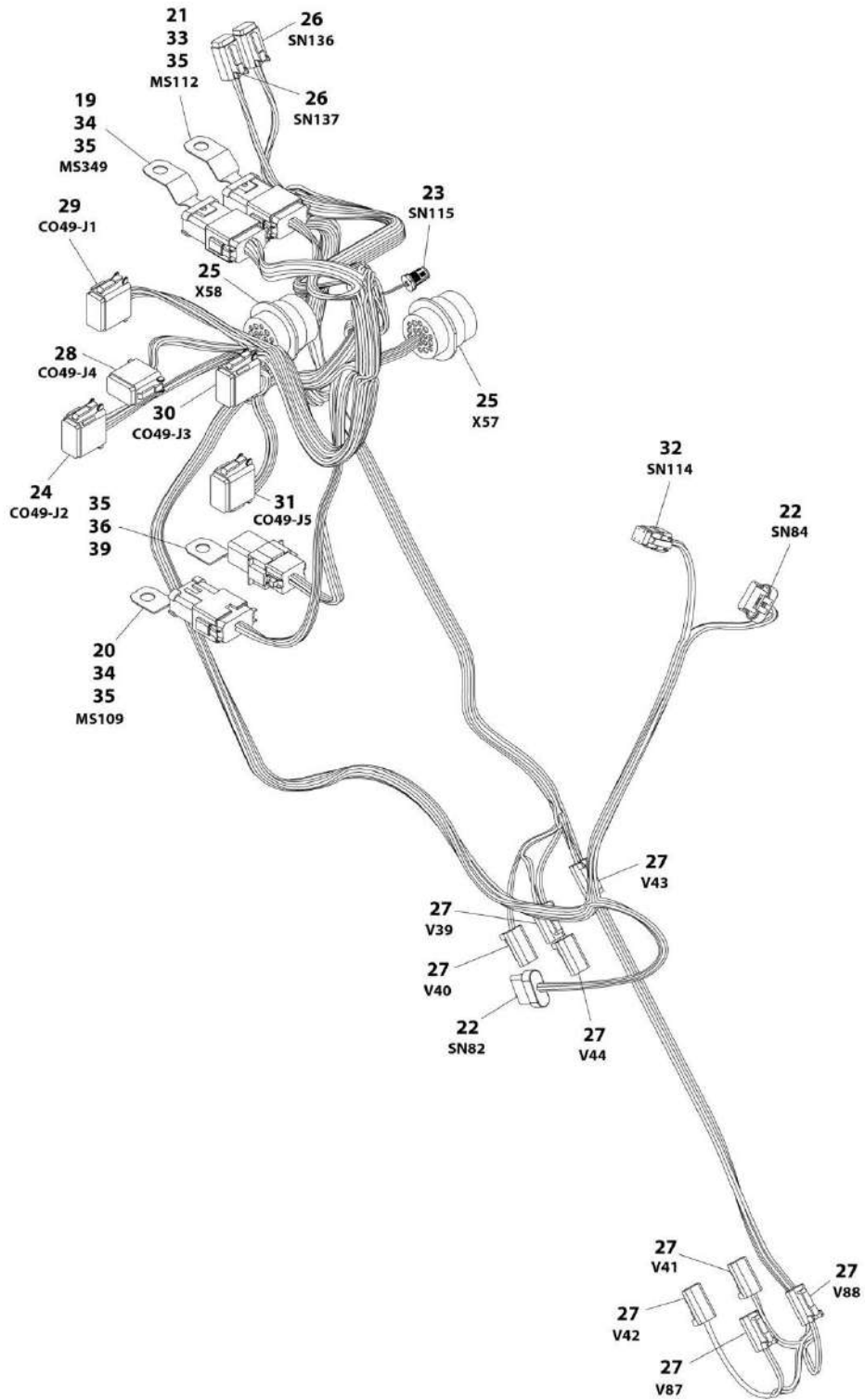
SECTION 8 - ELECTRICAL

FIGURE 8-48. JIB ENABLE HARNESS

ITEM	PART NUMBER	QTY	DESCRIPTION	REV
	1001119393	Ref	JIB ENABLE HARNESS	D
1	4460942	4	Socket, Female	
3	4460891	1	Plug, Male - 2 Position	
3	4460942	2	Socket, Female	
5	4460897	1	Plug, Male - 2 Position (Includes Wedge Lock and Seal)	
5	4460941	2	Pin, Male	

SECTION 8 - ELECTRICAL

FIGURE 8-49. JIB VALVE HARNESS



ART_1001119392

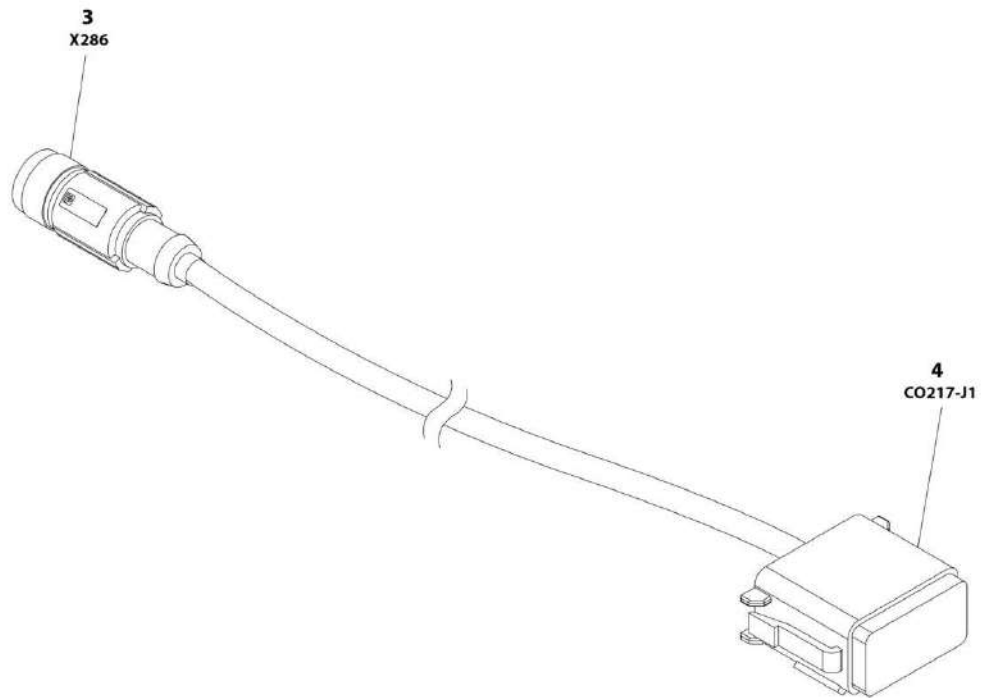
SECTION 8 - ELECTRICAL

FIGURE 8-49. JIB VALVE HARNESS

ITEM	PART NUMBER	QTY	DESCRIPTION	REV
	1001119392	Ref	JIB VALVE HARNESS	J
19	4460933	1	Connector, Male - 12 Position (Gray)	
19	4460465	9	Socket, Female	
20	4460933	1	Connector, Male - 12 Position (Gray)	
20	4460944	8	Socket, Female (Gold)	
21	4460933	1	Connector, Male - 12 Position (Gray)	
21	4460465	2	Socket, Female	
21	4460942	2	Socket, Female	
21	1001157890	8	Socket, Female	
22	1001117064	NLA	Plug, Male - 6 Position (Use p/n 1001230931) (SN 0300209000 through 0300237757)	
22	91554014	NLA	Socket, Female (Use p/n 1001116748) (SN 0300209000 through 0300237757)	
22	1001230931	2	Plug, Male - 6 Position (SN 0300237758 to Present)	
22	1001116748	12	Socket, Female (SN 0300237758 to Present)	
23	1001120055	1	Connector - 5 Position with Leads	
24	4460836	1	Connector - 12 Position	
24	4460465	9	Socket, Female	
25	4460866	2	Connector - 19 Position	
25	4460464	20	Pin, Male	
25	4460508	8	Pin, Male Deutsch 12 Ga	
26	4460884	2	Connector, Gray - 4 Position	
26	4460465	8	Socket, Female	
27	4460891	8	Plug, Male - 2 Position	
27	4460465	16	Socket, Female	
28	4460930	1	Connector - 8 Position (Gray)	
28	4460465	6	Socket, Female	
29	4460933	1	Connector, Male - 12 Position (Gray)	
29	4460465	7	Socket, Female	
29	4460942	2	Socket, Female	
30	4460934	1	Plug, Male - 12 Position (Green)	
30	4460465	12	Socket, Female	
31	4460935	1	Plug, Male - 12 Position (Brown)	
31	4460465	7	Socket, Female 18 Gauge	
32	4461077	1	Plug, Male - 4 Position	
32	1001126008	4	Socket, Female	
33	1001125677	1	Connector - 12 Position Buss Bar	
34	1001119020	2	Connector - 12 Position Buss Bar	
35	1001120328	4	Mount, Deutsch	
36	4460852	1	Connector - 8 Position Buss Bar	
39	4460851	1	Plug, Male - 8 Position	
39	4460465	7	Socket, Female 18 Gauge	

SECTION 8 - ELECTRICAL

FIGURE 8-50. LCD DISPLAY HARNESS (SN 0300209000 through 0300248232)



ART_1001125293

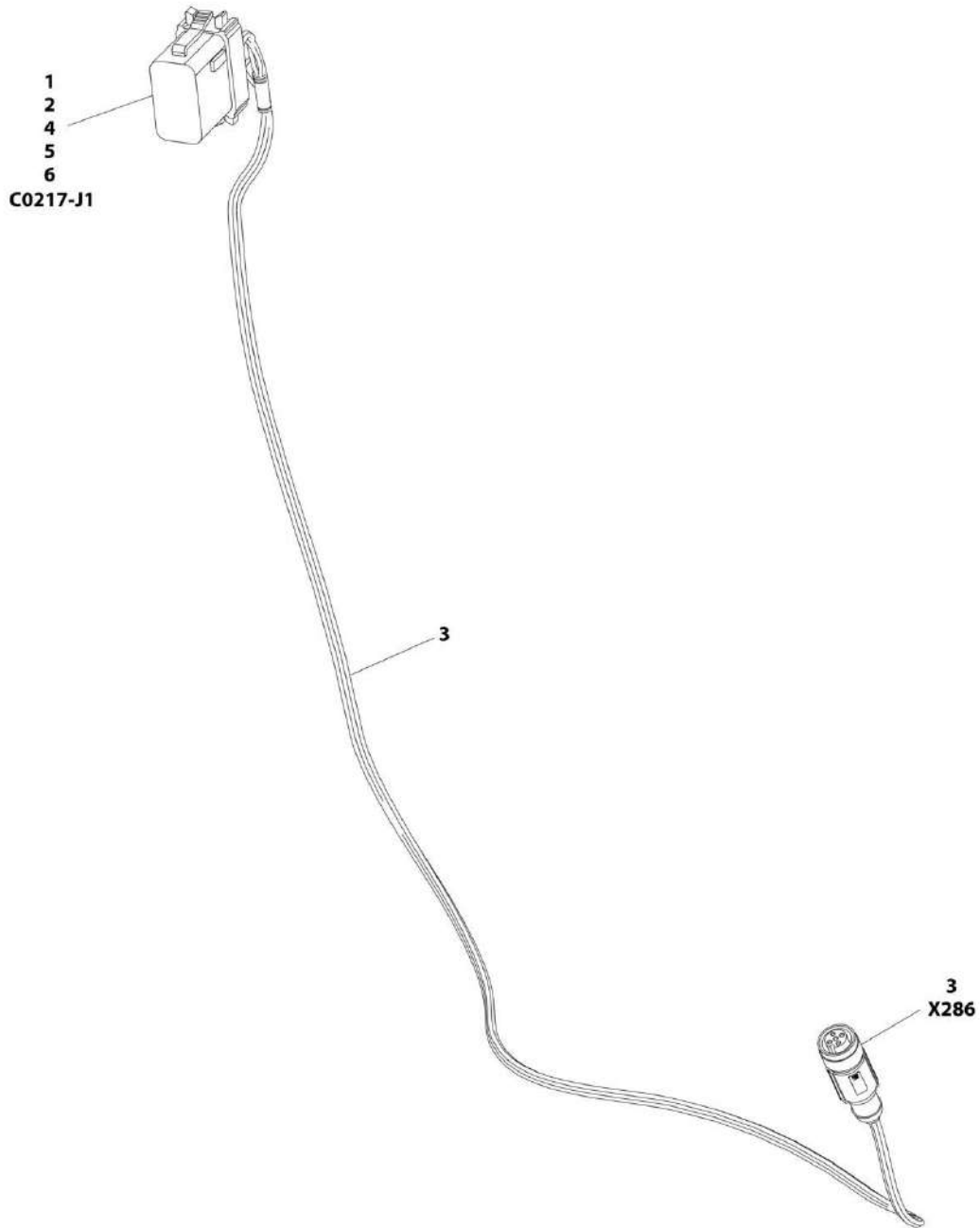
SECTION 8 - ELECTRICAL

FIGURE 8-50. LCD DISPLAY HARNESS (SN 0300209000 through 0300248232)

ITEM	PART NUMBER	QTY	DESCRIPTION	REV
	1001125293	Ref	LCD DISPLAY HARNESS	C
3	1001125295	1	Connector - 5 Position with Leads	
4	4460933	1	Connector, Male - 12 Position (Gray)	
4	4460465	3	Socket, Female	
4	4460944	2	Socket, Female (Gold)	

SECTION 8 - ELECTRICAL

FIGURE 8-51. LCD DISPLAY HARNESS (SN 0300248233 to Present)



ART_1001220482

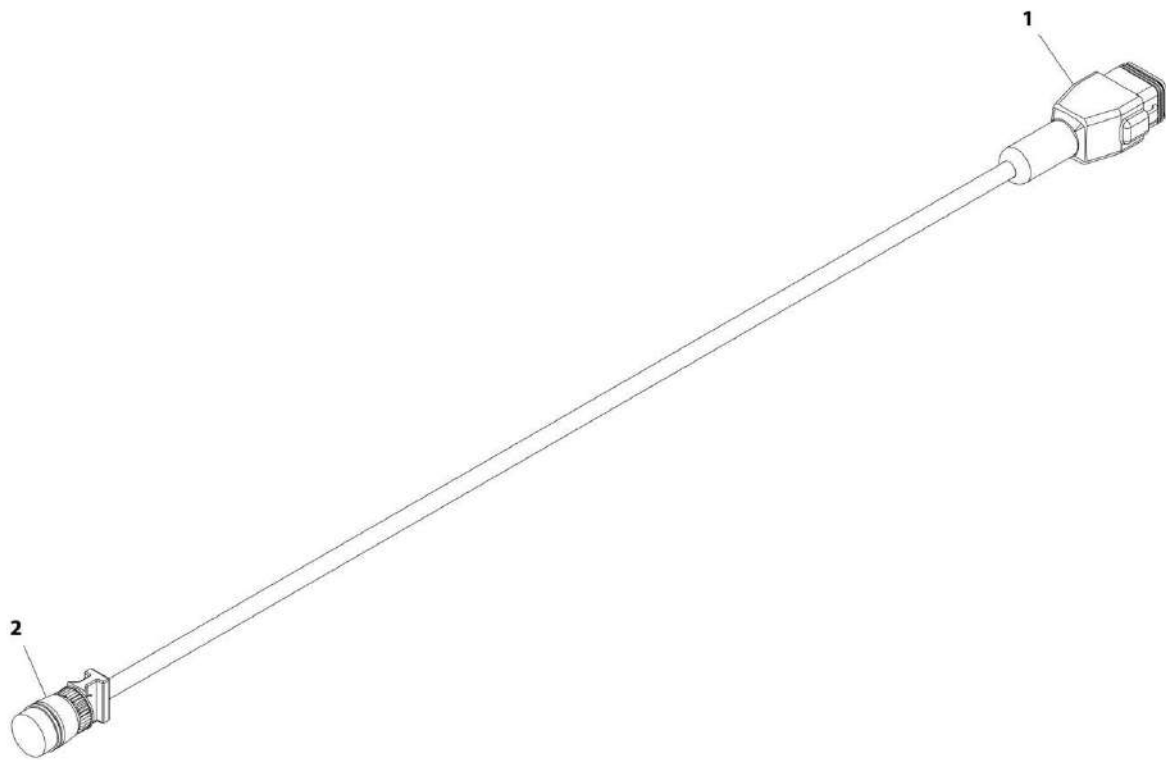
SECTION 8 - ELECTRICAL

FIGURE 8-51. LCD DISPLAY HARNESS (SN 0300248233 to Present)

ITEM	PART NUMBER	QTY	DESCRIPTION	REV
	1001220482	Ref	LCD DISPLAY HARNESS	A
1	4460465	3	Socket, Female	
2	4460944	2	Socket, Female (Gold)	
3	1001125295	1	Connector with Cable	
4	1001176333	1	Connector - 12 Position	
5	4460466	13	Plug, Seal	
6	2820171	3	Tube, Heat Shrink	

SECTION 8 - ELECTRICAL

FIGURE 8-52. LOAD SENSING PIN HARNESS



ART_4923256

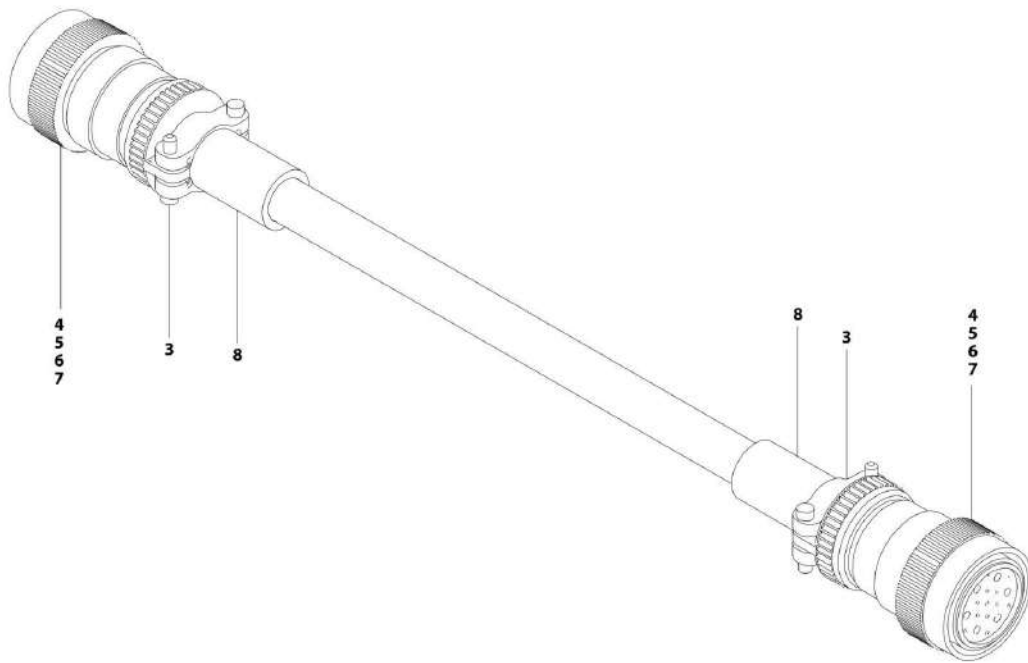
SECTION 8 - ELECTRICAL

FIGURE 8-52. LOAD SENSING PIN HARNESS

ITEM	PART NUMBER	QTY	DESCRIPTION	REV
	4923256	Ref	LOAD SENSING PIN HARNESS	B
1	4460930	1	Connector - 8 Position (Gray)	
1	4460465	4	Socket, Female	
1	4460466	3	Plug, Sealing	
2	See Note	NSS	Connector - 4 Position (Note: Not Available for Purchase)	
2	See Note	NSS	Terminal (Note: Not Available for Purchase)	

SECTION 8 - ELECTRICAL

FIGURE 8-53. MAIN BOOM CONTROL HARNESS



ART_1001122396

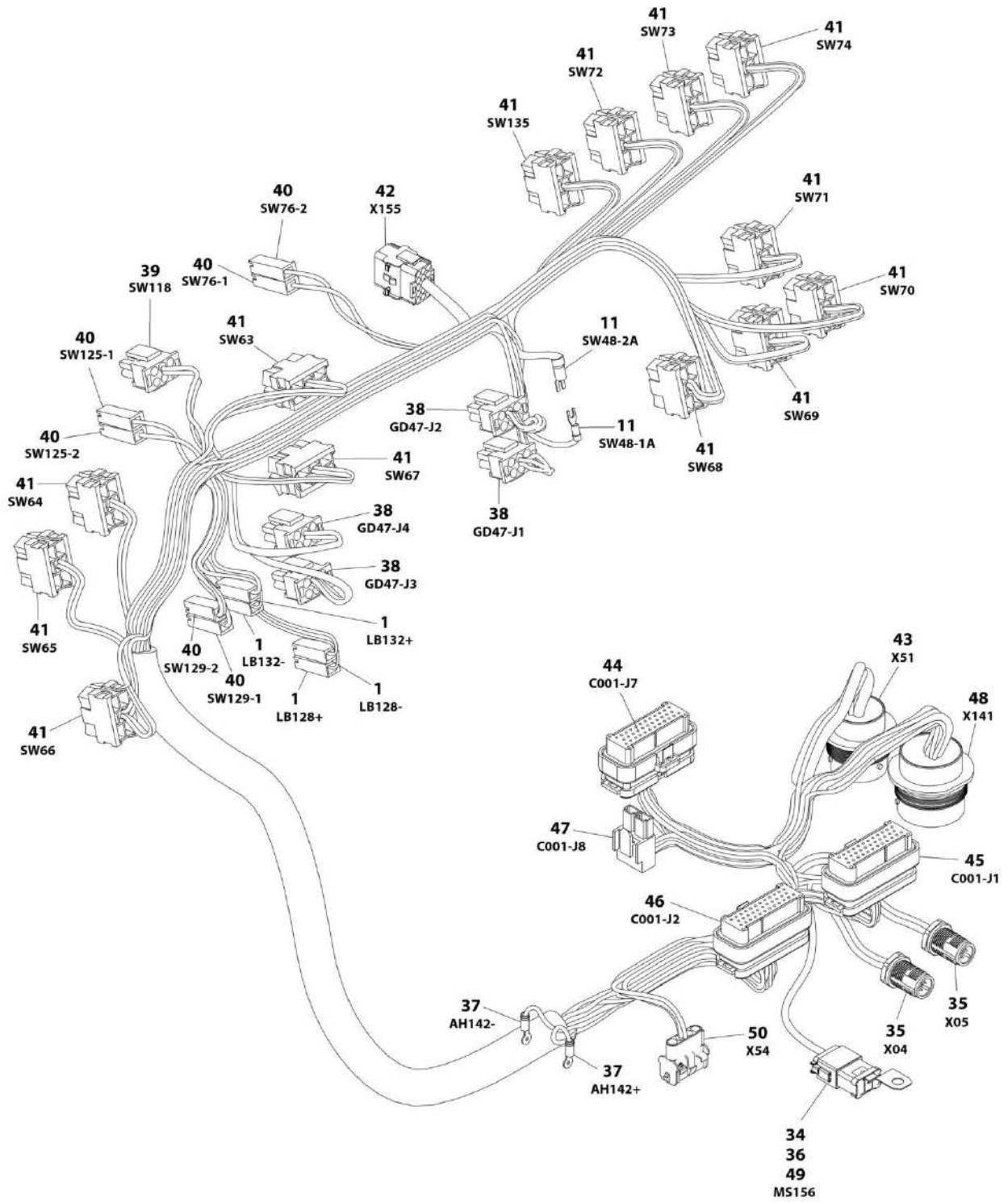
SECTION 8 - ELECTRICAL

FIGURE 8-53. MAIN BOOM CONTROL HARNESS

ITEM	PART NUMBER	QTY	DESCRIPTION	REV
	1001122396	Ref	MAIN BOOM CONTROL HARNESS	D
3	4460473	2	Clamp	
4	4460509	8	Socket, Female	
5	4460865	2	Connector - 19 Position	
6	4460465	22	Socket, Female	
7	4460466	8	Plug, Socket	
8	1001226400	2	Heat Shrink	

SECTION 8 - ELECTRICAL

FIGURE 8-54. PLATFORM CONSOLE BOX HARNESS ASSEMBLY - WITHOUT SKYGUARD



ART_1001119389

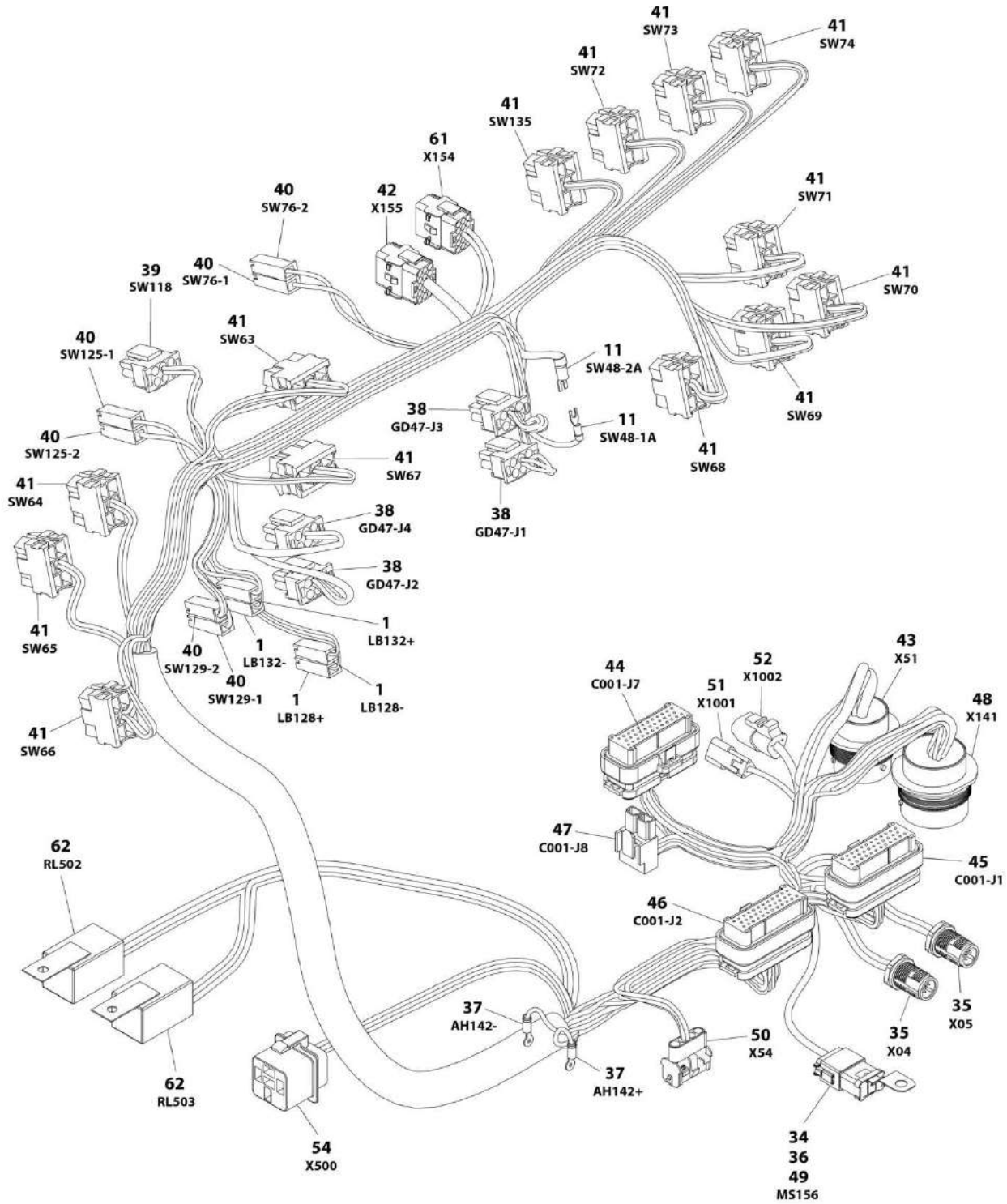
SECTION 8 - ELECTRICAL

FIGURE 8-54. PLATFORM CONSOLE BOX HARNESS ASSEMBLY - WITHOUT SKYGUARD

ITEM	PART NUMBER	QTY	DESCRIPTION	REV
	1001119389	Ref	PLATFORM CONSOLE BOX HARNESS ASSEMBLY - WITHOUT SKYGUARD	F
1	4460016	4	Terminal	
11	4460888	2	Terminal, Fork	
34	1001119020	1	Connector - 12 Position Buss Bar	
35	1001120055	2	Connector - 5 Position with Leads	
36	1001120328	1	Mount, Deutsch	
37	4460213	2	Terminal, Ring	
38	4460225	4	Connector - 6 Position	
38	4460226	20	Socket, Female	
39	4460225	1	Connector - 6 Position	
39	4460227	6	Pin, Male	
40	4460260	6	Terminal, Housing	
40	4460259	6	Terminal	
41	4460418	13	Connector, Female - 6 Position	
41	4460419	AR	Socket, Female	
42	4460434	1	Plug, Male - 15 Position	
42	4460227	9	Pin, Male	
42	4460708	1	Connector - 15 Position	
43	4460866	1	Connector - 19 Position	
43	4460464	7	Pin, Male	
43	4460508	4	Pin, Male Deutsch 12 Ga	
43	4460943	3	Pin, Male 16 Ga	
44	4460873	1	Connector - 35 Position (Black)	
44	4460871	24	Socket, Female	
44	4460905	11	Seal, Plug	
45	4460874	1	Connector - 35 Position (Natural)	
45	4460871	32	Socket, Female	
45	4460905	3	Seal, Plug	
46	4460876	1	Connector - 35 Position (Blue)	
46	4460871	33	Socket, Female	
46	4460905	2	Seal, Plug	
47	4460879	1	Connector, Male - 2 Position	
47	4460887	2	Terminal (12 Gauge)	
48	4460925	1	Connector - 21 Position	
48	4460929	13	Pin, Male Deutsch 16 Ga	
49	4460933	1	Connector, Male - 12 Position (Gray)	
49	4460944	12	Socket, Female (Gold)	
50	4460761	1	Connector, Female - 4 Position	
50	4460227	4	Pin, Male	

SECTION 8 - ELECTRICAL

FIGURE 8-55. PLATFORM CONSOLE BOX HARNESS ASSEMBLY - WITH SKYGUARD (WITH 4 CELL LSS) (SN 0300220152 through 0300234293)



ART_1001186905

SECTION 8 - ELECTRICAL

FIGURE 8-55. PLATFORM CONSOLE BOX HARNESS ASSEMBLY - WITH SKYGUARD (WITH 4 CELL LSS) (SN 0300220152 through 0300234293)

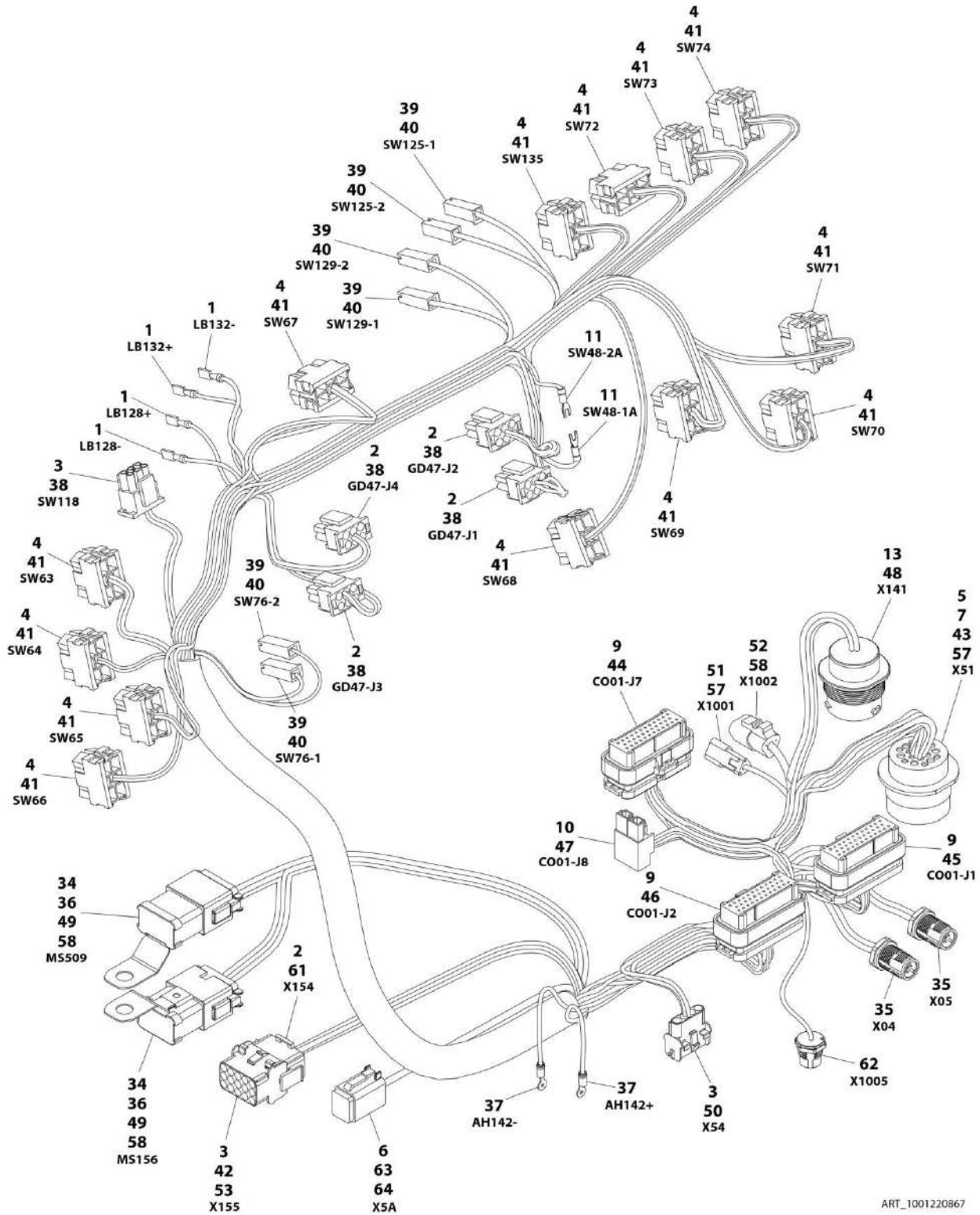
ITEM	PART NUMBER	QTY	DESCRIPTION	REV
	1001186905	Ref	PLATFORM CONSOLE BOX HARNESS ASSEMBLY - WITH SKYGUARD (WITH 4 CELL LSS) (SN 0300220152 through 0300234293)	C
1	4460016	4	Terminal	
11	4460888	2	Terminal, Fork	
34	1001119020	1	Connector - 12 Position Buss Bar	
35	1001120055	2	Connector - 5 Position with Leads	
36	1001120328	1	Mount, Deutsch	
37	4460213	2	Terminal, Ring	
38	4460225	5	Connector - 6 Position	
38	4460226	20	Socket, Female	
39	4460225	1	Connector - 6 Position	
39	4460227	6	Pin, Male	
40	4460260	6	Terminal, Housing	
40	4460259	6	Terminal	
41	4460418	13	Connector, Female - 6 Position	
41	4460419	AR	Socket, Female	
42	4460434	1	Plug, Male - 15 Position	
42	4460227	9	Pin, Male	
43	4460866	1	Connector - 19 Position	
43	4460464	7	Pin, Male	
43	4460508	4	Pin, Male Deutsch 12 Ga	
43	4460943	3	Pin, Male 16 Ga	
44	4460873	1	Connector - 35 Position (Black)	
44	4460871	24	Socket, Female	
44	4460905	11	Seal, Plug	
45	4460874	1	Connector - 35 Position (Natural)	
45	4460871	32	Socket, Female	
45	4460905	3	Seal, Plug	
46	4460876	1	Connector - 35 Position (Blue)	
46	4460871	33	Socket, Female	
46	4460905	2	Seal, Plug	
47	4460879	1	Connector, Male - 2 Position	
47	4460887	2	Terminal (12 Gauge)	
48	4460925	1	Connector - 21 Position	
48	4460929	13	Pin, Male Deutsch 16 Ga	
49	4460933	1	Connector, Male - 12 Position (Gray)	
49	4460944	12	Socket, Female (Gold)	
50	4460761	1	Connector, Female - 4 Position	
50	4460227	4	Pin, Male	
51	4460536	1	Plug, Male - 3 Position	
51	4460943	3	Pin, Male	
52	4460539	1	Plug, Male - 3 Position (Includes Wedge Lock and Seal)	
52	4460944	3	Socket, Female	
54	4460884	1	Connector, Gray - 4 Position	
54	4460465	4	Socket, Female	
54	4460932	1	Connector, Female - 4 Position	
61	4460708	1	Connector - 15 Position	
61	4460226	3	Socket, Female	

SECTION 8 - ELECTRICAL

ITEM	PART NUMBER	QTY	DESCRIPTION	REV
62	70004016	2	Relay	

SECTION 8 - ELECTRICAL

FIGURE 8-56. PLATFORM CONSOLE BOX HARNESS ASSEMBLY - WITH SKYGUARD (WITH 1 CELL LSS) (SN 0300234294 to Present)



ART_1001220867

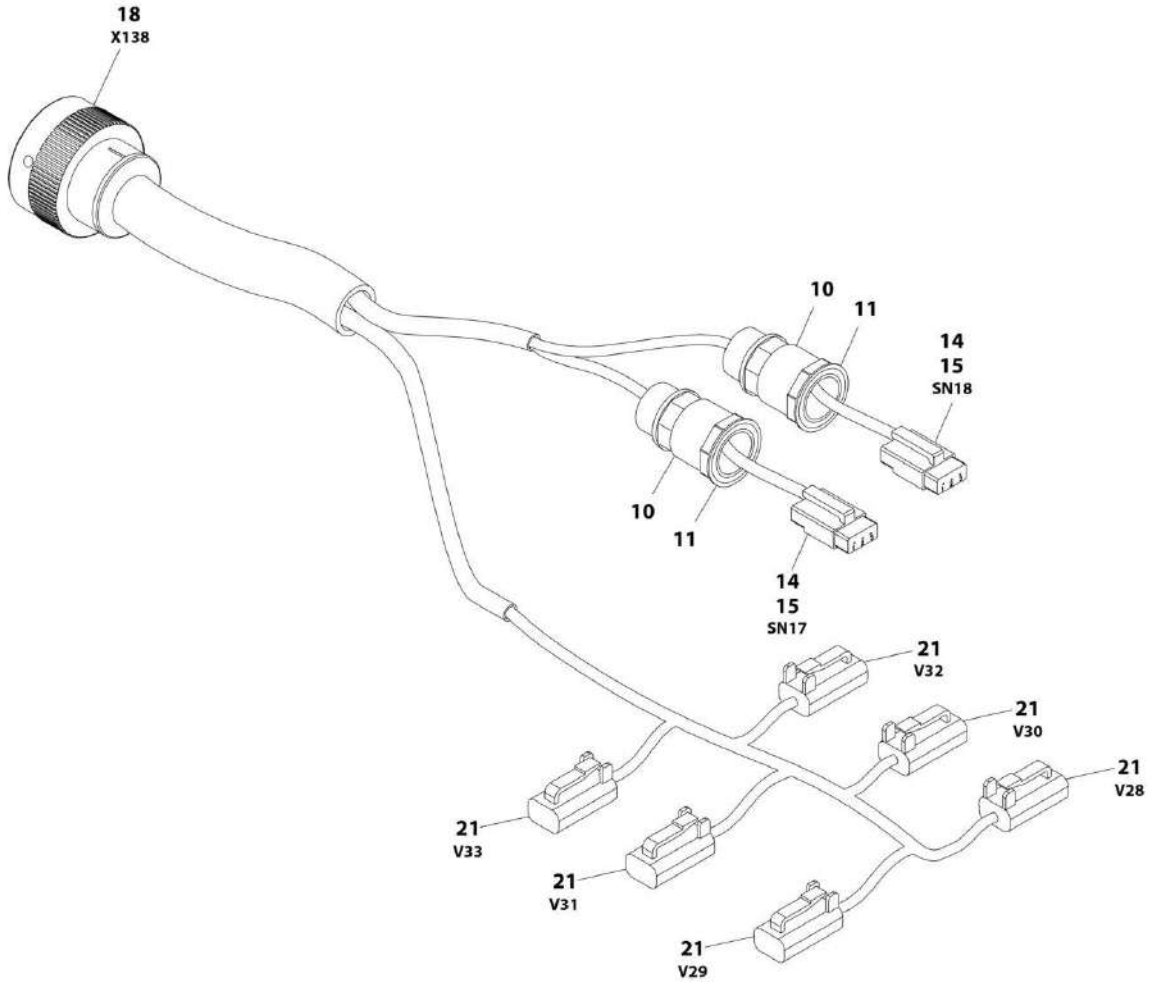
SECTION 8 - ELECTRICAL

FIGURE 8-56. PLATFORM CONSOLE BOX HARNESS ASSEMBLY - WITH SKYGUARD (WITH 1 CELL LSS) (SN 0300234294 to Present)

ITEM	PART NUMBER	QTY	DESCRIPTION	REV
	1001220867	Ref	PLATFORM CONSOLE BOX HARNESS ASSEMBLY - WITH SKYGUARD (WITH 1 CELL LSS) (SN 0300234294 to Present)	D
1	4460016	5	Terminal	
2	4460226	21	Socket, Female	
3	4460227	19	Pin, Male	
4	4460419	36	Socket, Female	
5	4460464	7	Pin, Male	
6	4460466	12	Plug, Terminal	
7	4460508	4	Pin, Male Deutsch 12 Ga	
9	4460871	89	Socket, Female	
10	4460887	2	Terminal (12 Gauge)	
11	4460888	2	Terminal, Fork	
13	4460929	12	Pin, Male Deutsch 16 Ga	
34	1001119020	2	Connector - 12 Position Buss Bar	
35	1001120055	2	Connector - 5 Position with Leads	
36	1001120328	2	Mount, Deutsch	
37	4460213	2	Terminal, Ring	
38	4460225	5	Connector - 6 Position	
39	4460259	6	Terminal	
40	4460260	6	Terminal, Housing	
41	4460418	13	Connector, Female - 6 Position	
42	4460434	1	Plug, Male - 15 Position	
43	4460866	1	Connector - 19 Position	
44	4460873	1	Connector - 35 Position (Black)	
45	4460874	1	Connector - 35 Position (Natural)	
46	4460876	1	Connector - 35 Position (Blue)	
47	4460879	1	Connector, Male - 2 Position	
48	4460925	1	Connector - 21 Position	
49	4460933	2	Connector, Male - 12 Position (Gray)	
50	4460761	1	Connector, Female - 4 Position	
51	4460536	1	Plug, Male - 3 Position	
52	4460539	1	Plug, Male - 3 Position (Includes Wedge Lock and Seal)	
53	4460267	2	Pin, Male	
57	4460943	6	Pin, Male	
58	4460944	23	Socket, Female	
61	4460708	1	Connector - 15 Position	
62	1001213447	1	Connector - 5 Position	
63	4460894	1	Plug, Male - 6 Position	
64	4460465	5	Socket, Female 18 Gauge	

SECTION 8 - ELECTRICAL

FIGURE 8-57. PLATFORM VALVE HARNESS



ART_1001119390

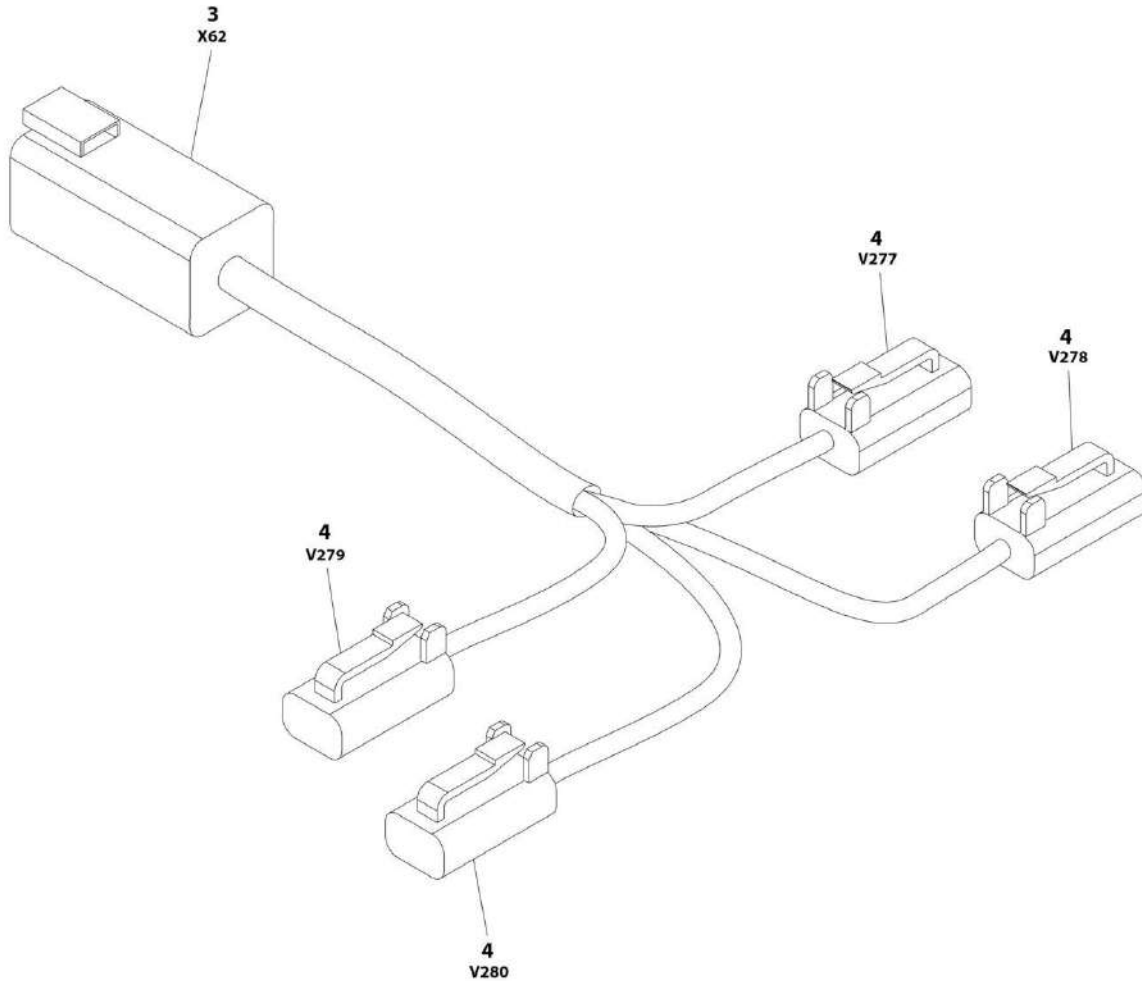
SECTION 8 - ELECTRICAL

FIGURE 8-57. PLATFORM VALVE HARNESS

ITEM	PART NUMBER	QTY	DESCRIPTION	REV
	1001119390	Ref	PLATFORM VALVE HARNESS	D
10	1560011	2	Connector, Conduit	
11	1560012	2	Nut, Conduit Connector	
14	4460911	2	Plug, Male - 3 Position	
14	4460918	6	Socket, Female (Gold)	
15	4460912	2	Lock, Wedge - Position	
18	4460926	1	Connector - 21 Position	
18	4460918	6	Socket, Female (Gold)	
18	4460928	8	Socket, Female	
21	4460891	6	Plug, Male - 2 Position	
21	4460465	12	Socket, Female	

SECTION 8 - ELECTRICAL

FIGURE 8-58. PUMP HARNESS



ART_1001120276

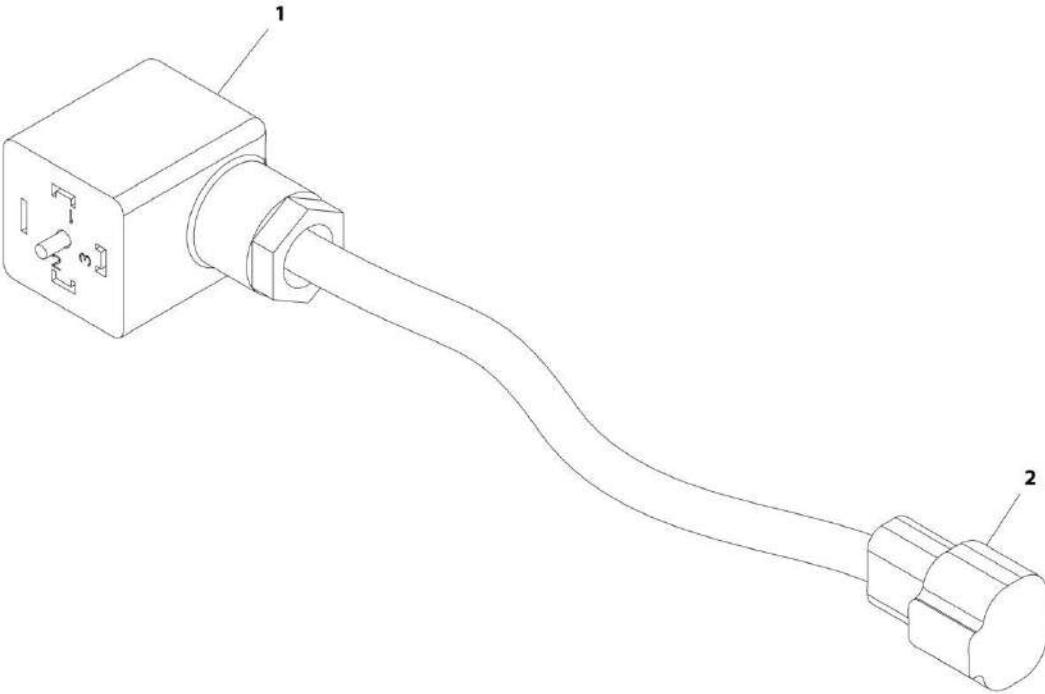
SECTION 8 - ELECTRICAL

FIGURE 8-58. PUMP HARNESS

ITEM	PART NUMBER	QTY	DESCRIPTION	REV
	1001120276	Ref	PUMP HARNESS	A
3	4460899	1	Connector, Female - 6 Position	
3	4460464	5	Pin, Male	
4	4460891	4	Plug, Male - 2 Position	
4	4460465	8	Socket, Female	

SECTION 8 - ELECTRICAL

FIGURE 8-59. PUMP ADAPTER HARNESS - SAUER PUMP TO REXROTH PUMP



ART_1001119456

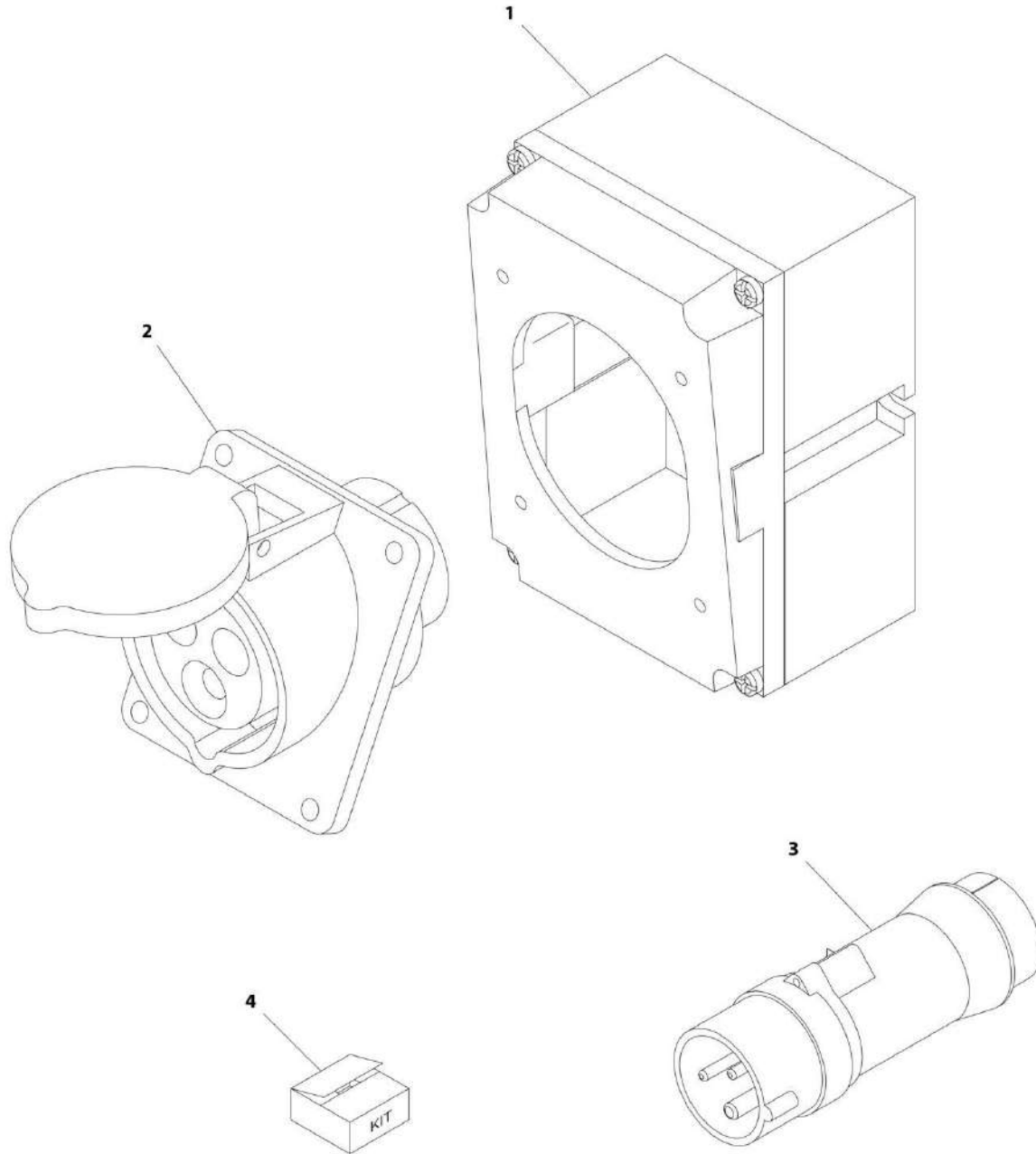
SECTION 8 - ELECTRICAL

FIGURE 8-59. PUMP ADAPTER HARNESS - SAUER PUMP TO REXROTH PUMP

ITEM	PART NUMBER	QTY	DESCRIPTION	REV
	1001119456	Ref	PUMP ADAPTER HARNESS - SAUER PUMP TO REXROTH PUMP	C
1	4460880	2	DIN Connector	
2	4460897	2	Connector - 2 Position	
2	4460464	4	Pin, Male	

SECTION 8 - ELECTRICAL

FIGURE 8-60. RECEPTACLE BOX KIT - 110V IEC YELLOW WITHOUT 2500W GENERATOR (CE SPECS)



ART_0275216

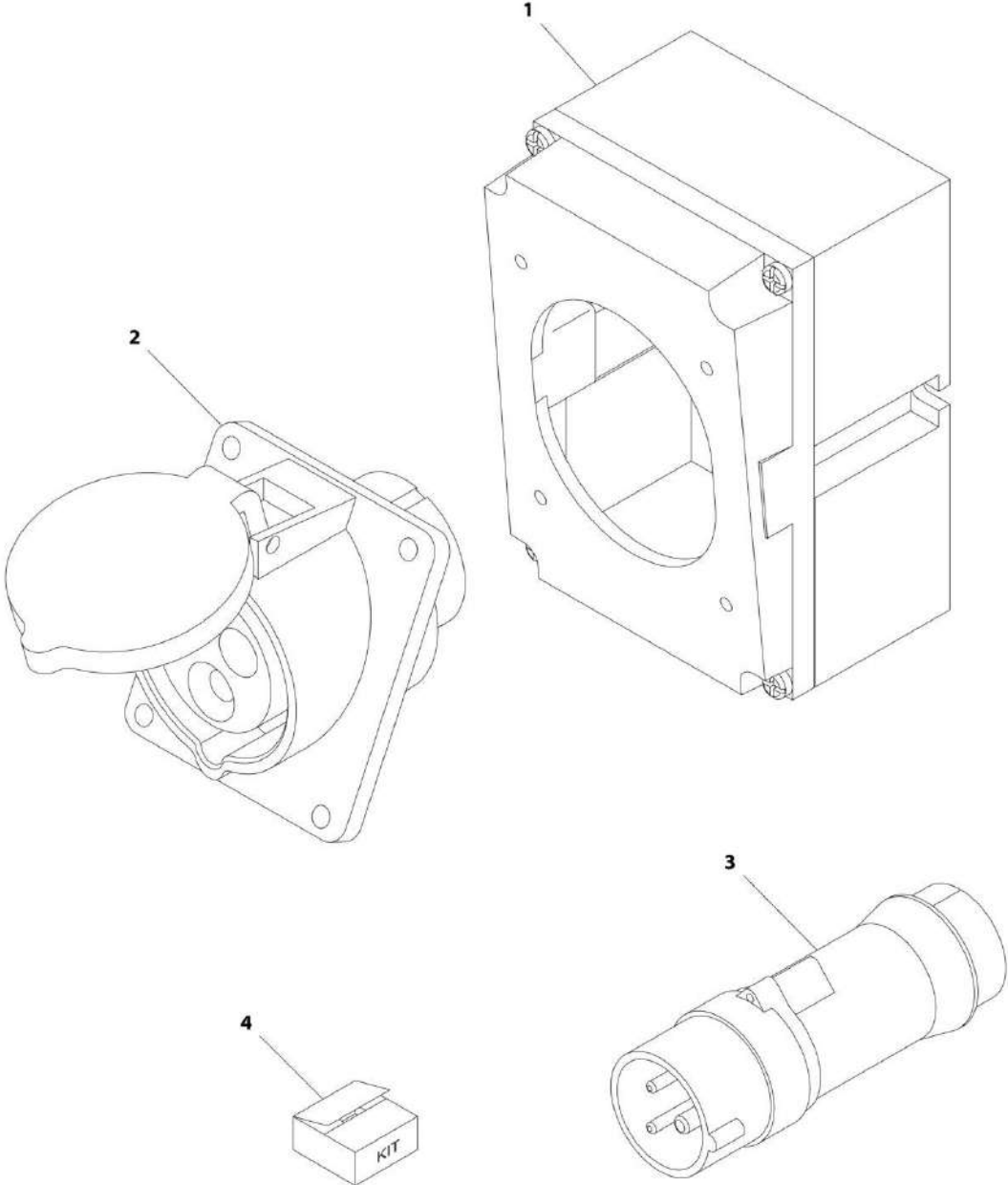
SECTION 8 - ELECTRICAL

FIGURE 8-60. RECEPTACLE BOX KIT - 110V IEC YELLOW WITHOUT 2500W GENERATOR (CE SPECS)

ITEM	PART NUMBER	QTY	DESCRIPTION	REV
	0275216	Ref	RECEPTACLE BOX KIT - 110V IEC YELLOW WITHOUT 2500W GENERATOR (CE SPECS)	1
1	0861781	1	Box, Switch	
2	4461198	1	Receptacle	
3	4461196	1	Plug, Male	
4	1001100341	1	Plug and Socket Kit (Includes Items 1-3 and Female Plug p/n 4461197)	

SECTION 8 - ELECTRICAL

FIGURE 8-61. RECEPTACLE BOX KIT - 220V IEC BLUE WITHOUT 2500W GENERATOR (CE SPECS)



ART_0275217

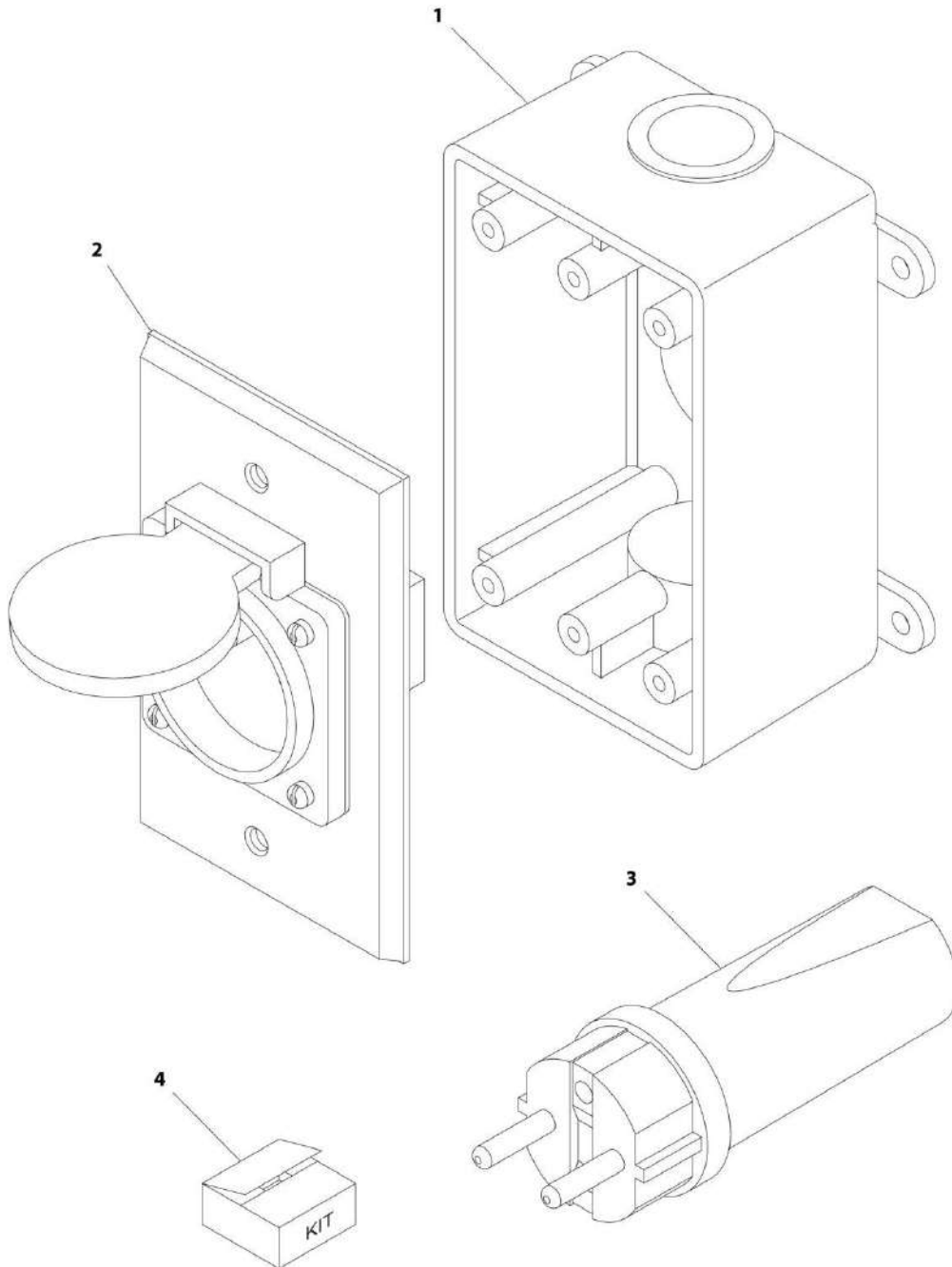
SECTION 8 - ELECTRICAL

FIGURE 8-61. RECEPTACLE BOX KIT - 220V IEC BLUE WITHOUT 2500W GENERATOR (CE SPECS)

ITEM	PART NUMBER	QTY	DESCRIPTION	REV
	0275217	Ref	RECEPTACLE BOX KIT - 220V IEC BLUE WITHOUT 2500W GENERATOR (CE SPECS)	1
1	0861781	1	Box, Switch	
2	4461201	1	Receptacle	
3	4461199	1	Plug, Male	
4	1001100342	1	Plug and Socket Kit (Includes Items 1-3 and Female Plug p/n 4461200)	

SECTION 8 - ELECTRICAL

FIGURE 8-62. RECEPTACLE BOX KIT - 220V CEE7 POST GROUND WITHOUT 2500W GENERATOR
(2X4 BOX) (CE SPECS)



ART_0275452

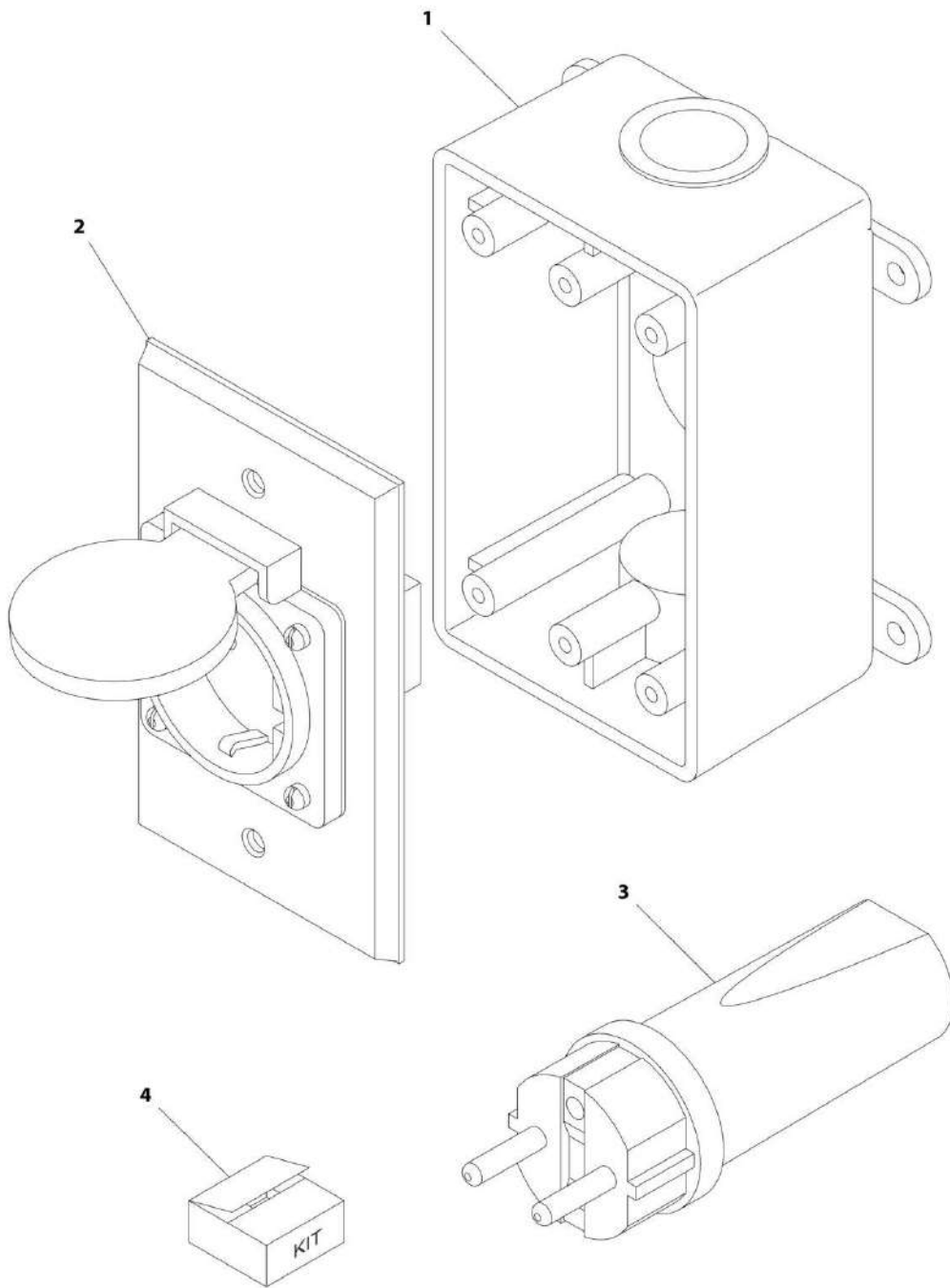
SECTION 8 - ELECTRICAL

**FIGURE 8-62. RECEPTACLE BOX KIT - 220V CEE7 POST GROUND WITHOUT 2500W GENERATOR
(2X4 BOX) (CE SPECS)**

ITEM	PART NUMBER	QTY	DESCRIPTION	REV
	0275452	Ref	RECEPTACLE BOX KIT - 220V CEE7 POST GROUND WITHOUT 2500W GENERATOR (2X4 BOX) (CE SPECS)	C
1	0861731	1	Box, Switch	
2	4461244	1	Receptacle	
3	4461202	1	Plug, Male (SN 0300209000 through 0300218315)	
3	4461205	1	Plug, Male (SN 0300218316 to Present)	
4	1001100345	1	Plug and Socket Kit (Includes Items 1-3 and Female Plug p/n 4461206)	

SECTION 8 - ELECTRICAL

FIGURE 8-63. RECEPTACLE BOX KIT - 220V CEE7 SIDE GROUND WITHOUT 2500W GENERATOR
(2X4 BOX) (CE SPECS)



ART_0275453

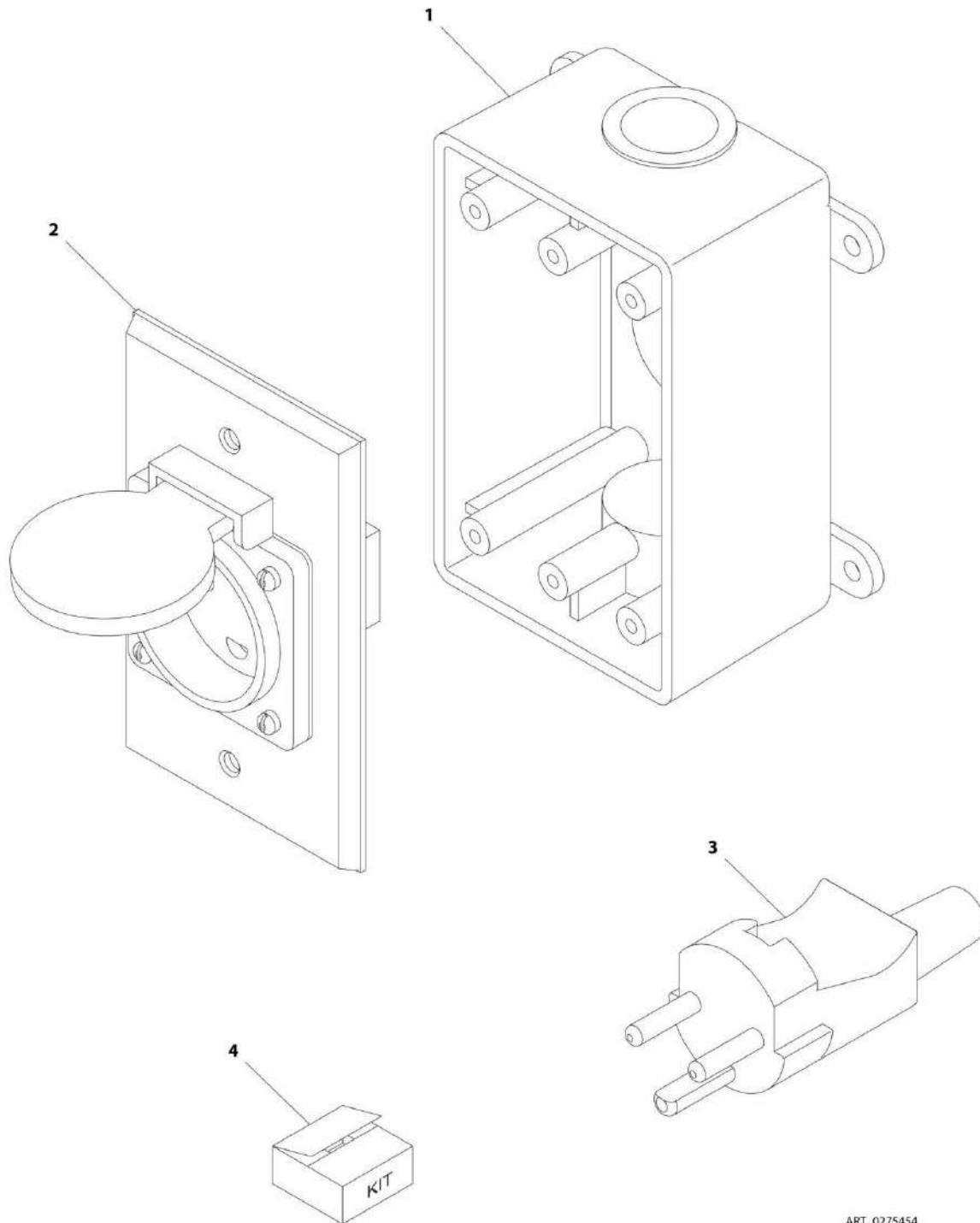
SECTION 8 - ELECTRICAL

FIGURE 8-63. RECEPTACLE BOX KIT - 220V CEE7 SIDE GROUND WITHOUT 2500W GENERATOR (2X4 BOX) (CE SPECS)

ITEM	PART NUMBER	QTY	DESCRIPTION	REV
	0275453	Ref	RECEPTACLE BOX KIT - 220V CEE7 SIDE GROUND WITHOUT 2500W GENERATOR (2X4 BOX) (CE SPECS)	1
1	0861731	1	Box, Switch	
2	4461245	1	Receptacle	
3	4461205	1	Plug, Male	
4	1001100347	1	Plug and Socket Kit (Includes Items 1-3 and Female Plug p/n 4461206)	

SECTION 8 - ELECTRICAL

FIGURE 8-64. RECEPTACLE BOX KIT - 220V AFSINT 107 KEYED GROUND WITHOUT 2500W GENERATOR (2X4 BOX) (CE SPECS)



ART_0275454

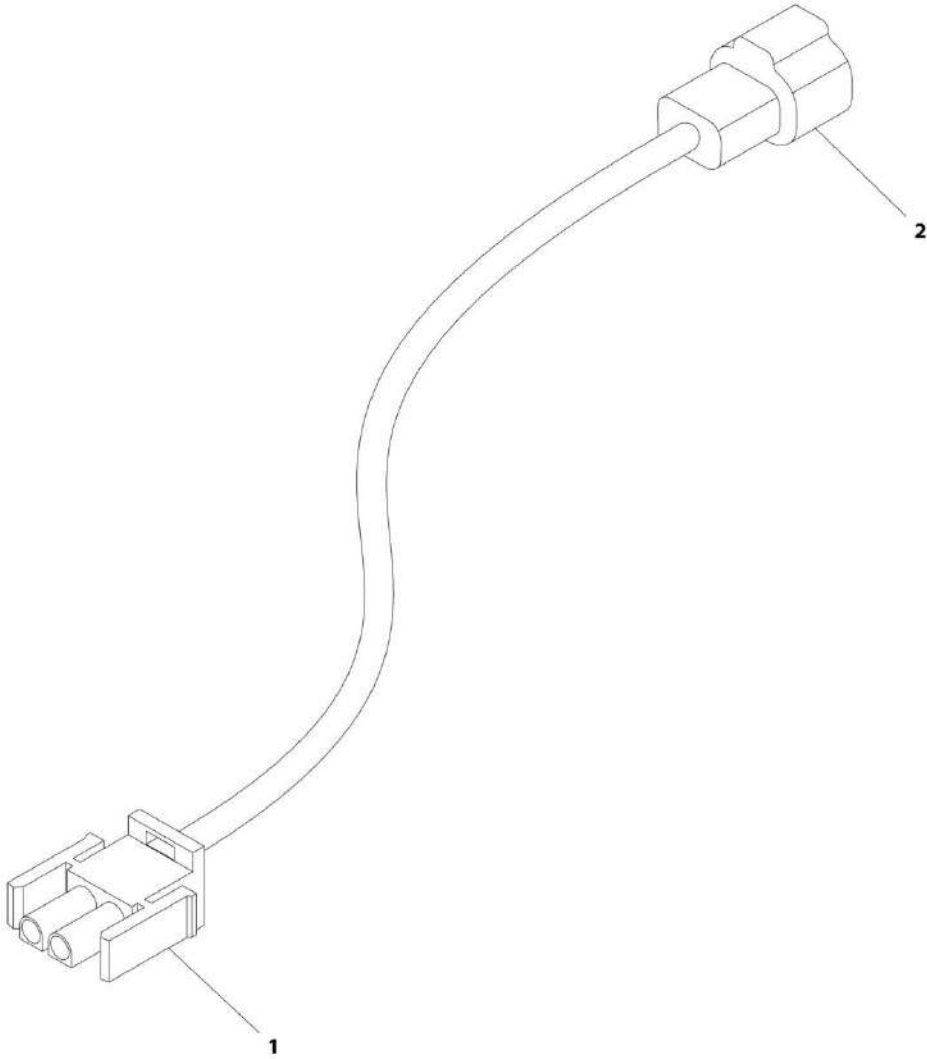
SECTION 8 - ELECTRICAL

FIGURE 8-64. RECEPTACLE BOX KIT - 220V AFSINT 107 KEYED GROUND WITHOUT 2500W GENERATOR (2X4 BOX) (CE SPECS)

ITEM	PART NUMBER	QTY	DESCRIPTION	REV
	0275454	Ref	RECEPTACLE BOX KIT - 220V AFSINT 107 KEYED GROUND WITHOUT 2500W GENERATOR (2X4 BOX) (CE SPECS)	1
1	0861731	1	Box, Switch	
2	4461246	1	Receptacle	
3	4461249	1	Plug, Male	
4	1001100346	1	Plug and Socket Kit (Includes Items 1-3 and Female Plug p/n 4461250)	

SECTION 8 - ELECTRICAL

FIGURE 8-65. STROBE LIGHT HARNESS (AMBER)



ART_1001149818

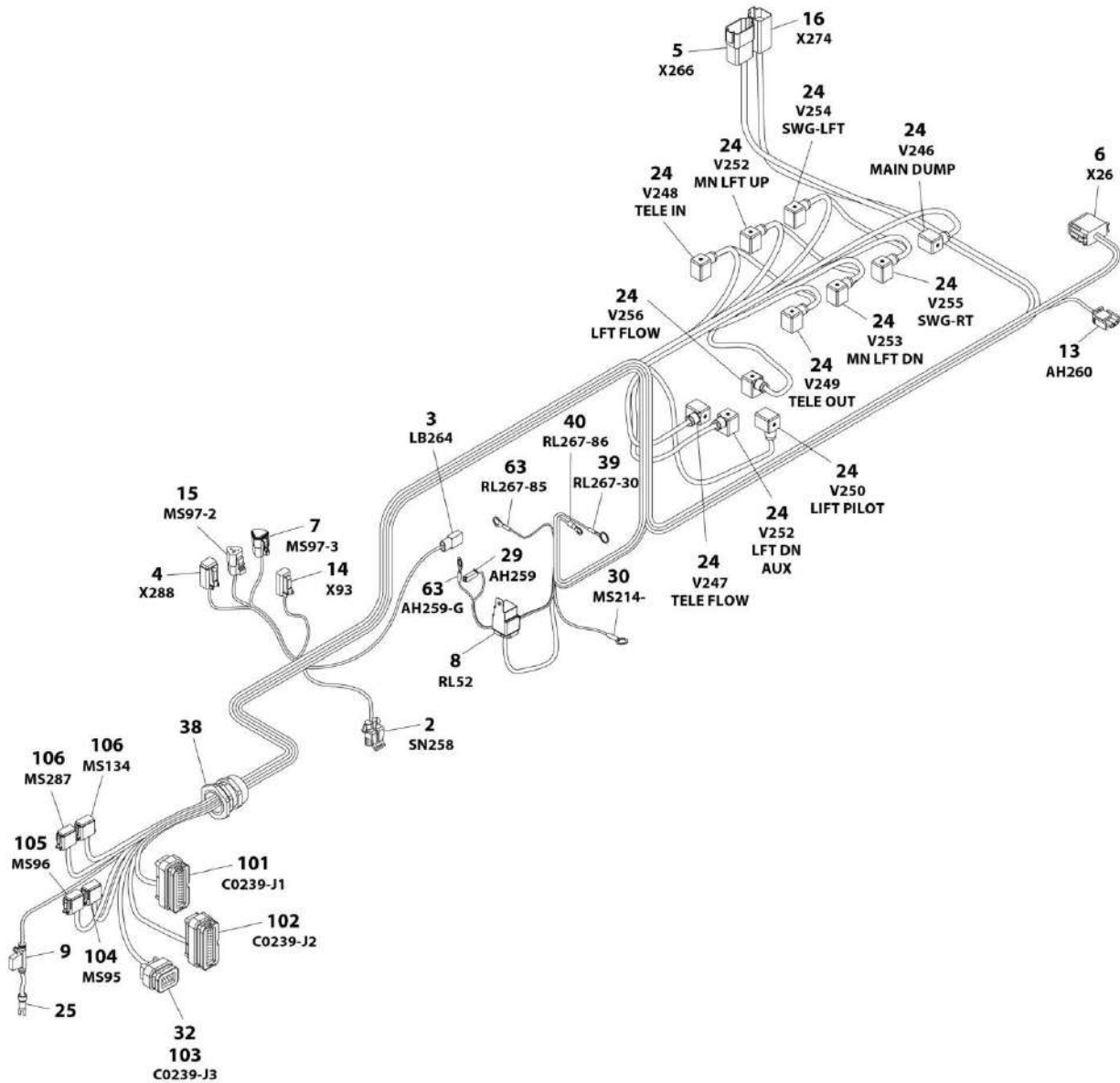
SECTION 8 - ELECTRICAL

FIGURE 8-65. STROBE LIGHT HARNESS (AMBER)

ITEM	PART NUMBER	QTY	DESCRIPTION	REV
	1001149818	Ref	STROBE LIGHT HARNESS (AMBER)	D
1	4460320	1	Plug, Male - 2 Position	
1	4460267	2	Pin, Male	
2	4460897	1	Connector - 2 Position	
2	4460464	2	Pin, Male	

SECTION 8 - ELECTRICAL

FIGURE 8-66. TURNTABLE HARNESS ASSEMBLY



ART_1001119653

SECTION 8 - ELECTRICAL

FIGURE 8-66. TURNTABLE HARNESS ASSEMBLY

ITEM	PART NUMBER	QTY	DESCRIPTION	REV
	1001119653	Ref	TURNTABLE HARNESS ASSEMBLY	H
2	4460843	1	Plug, Male - 2 Position	
2	4460842	2	Socket, Female	
3	4460424	1	Connector, Female - 2 Position	
3	4460268	2	Socket, Female	
4	4460884	1	Connector, Gray - 4 Position	
4	4460465	3	Socket, Female	
5	4460931	1	Connector, Female - 8 Position	
5	4460464	8	Pin, Male	
6	4460836	1	Connector - 12 Position	
6	4460465	3	Socket, Female	
6	4460944	2	Socket, Female (Gold)	
6	4460942	2	Socket, Female	
7	1001116812	1	Plug, Male - 3 Position (Includes Wedge Lock and Seal)	
7	4460944	2	Socket, Female (Gold)	
8	1001117025	1	Relay with Connector	
8	3740080	1	Relay, Sealed	
8	4460374	1	Plug, Sealed	
8	4460375	4	Terminal, Female	
9	2400066	1	Fuseholder	
9	2400065	1	Fuse - 30Amp	
13	4460320	1	Plug, Male - 2 Position	
13	4460267	2	Pin, Male	
14	4460891	1	Plug, Male - 2 Position	
14	4460465	2	Socket, Female	
15	4460539	1	Connector - 3 Position	
15	4460944	3	Socket, Female (Gold)	
16	4460899	1	Connector, Female - 6 Position	
16	4460464	3	Pin, Male	
16	4460943	2	Pin, Male 16 Ga	
16	4460465	1	Socket, Female	
24	4460880	11	DIN Connector	
25	4460806	1	Terminal, Fork	
29	4460260	1	Terminal, Housing	
29	4460259	1	Terminal	
30	4460256	1	Terminal, Ring	
32	4460872	1	Plug, Male - 14 Position	
32	4460871	1	Socket, Female	
38	4460526	1	Connector, Strain Relief	
39	4460019	1	Terminal, Ring	
40	4460313	1	Terminal, Ring	
63	4460702	2	Terminal, Ring	
		Ref	ADDITIONAL COMPONENTS	
101	4460874	1	Connector - 35 Position (Natural)	
101	4460871	10	Socket, Female	
102	4460875	1	Connector, Gray - 35 Position	
102	4460871	19	Socket, Female	
103	4460872	1	Plug, Male - 14 Position	
103	4460871	1	Socket, Female	
104	4460836	1	Plug, Male - 12 Position	

SECTION 8 - ELECTRICAL

ITEM	PART NUMBER	QTY	DESCRIPTION	REV
104	4460465	4	Socket, Female	
105	4460836	1	Plug, Male - 12 Position	
105	4460465	5	Socket, Female	
106	4460933	2	Connector, Male - 12 Position (Gray)	
106	4460944	6	Socket, Female (Gold)	

SECTION 8 - ELECTRICAL

FIGURE 8-67. ELECTRICAL DIAGRAM LIST

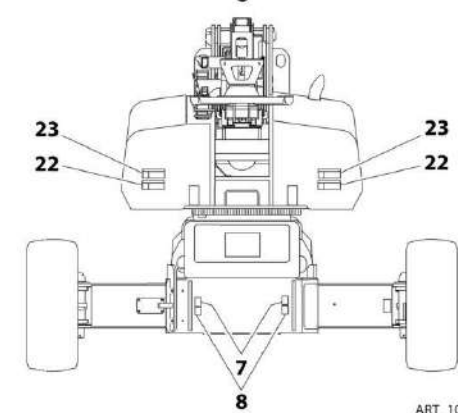
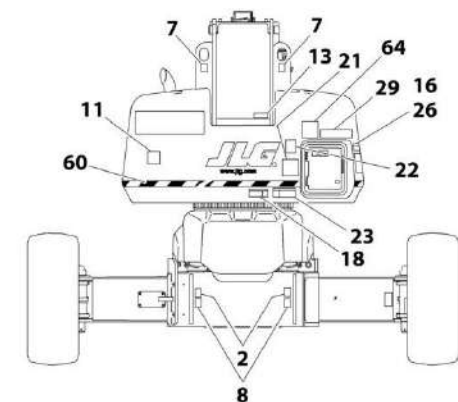
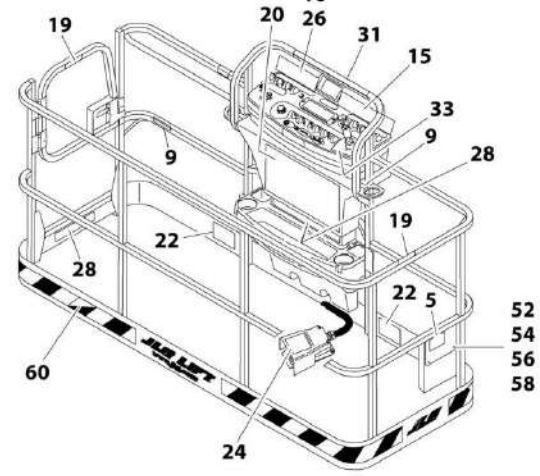
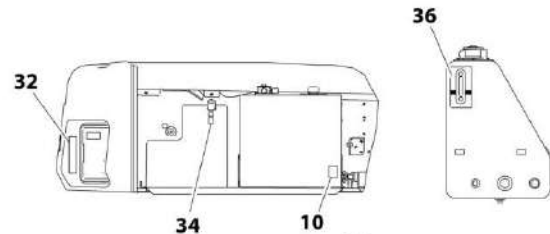
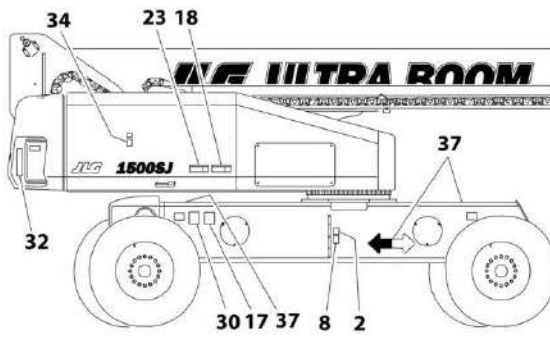
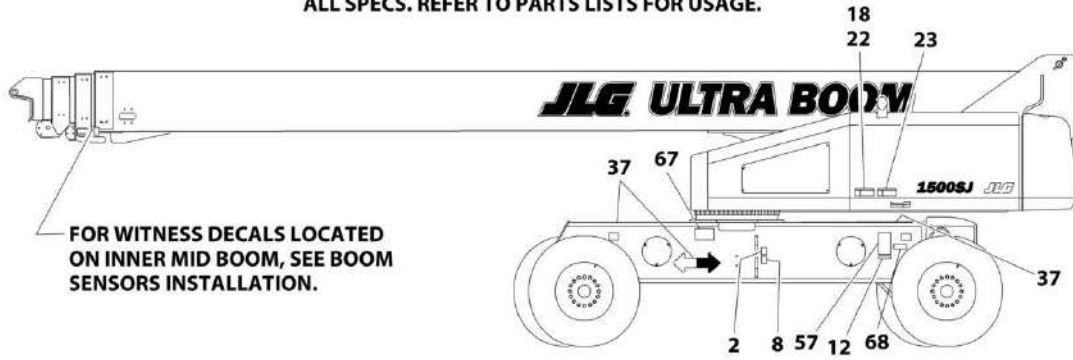
ITEM	PART NUMBER	QTY	DESCRIPTION	REV
		Ref	Note: Diagrams not shown are available from the JLG Service Department. Schematics shown in the Service and Maintenance Manual.	
		Ref	ELECTRICAL DIAGRAM LIST	
	1001119266	Ref	Electrical Schematic	
	1001120332	Ref	Wiring Diagram - Ground Control Box	
	1001162899	Ref	Wiring Diagram - 4000W Generator 50Hz (Australian Specs)	
	1001162901	Ref	Wiring Diagram - 4000W Generator 50Hz (CE Specs)	
	1001162900	Ref	Wiring Diagram - 4000W Generator 50Hz (UK Specs)	
	1001195793	Ref	Wiring Diagram - 4000W Generator 50Hz (ANSI Export Specs)	
	1001119395	Ref	Wiring Harness Installation	

SECTION 9 - DECALS

SECTION 9 - DECALS

FIGURE 9-1. DECAL INSTALLATION - ANSI SPEC

NOTE: ITEMS SHOWN MAY NOT BE REQUIRED FOR ALL SPECS. REFER TO PARTS LISTS FOR USAGE.



ART_1001125140

SECTION 9 - DECALS

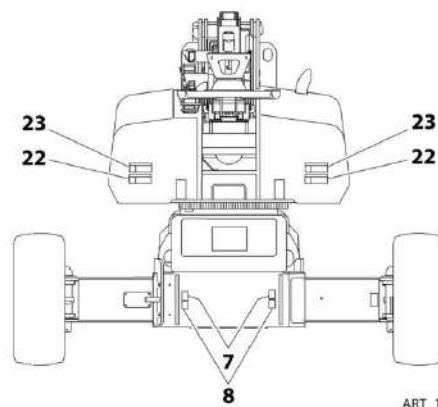
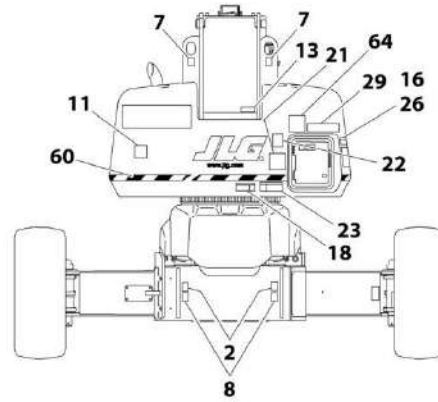
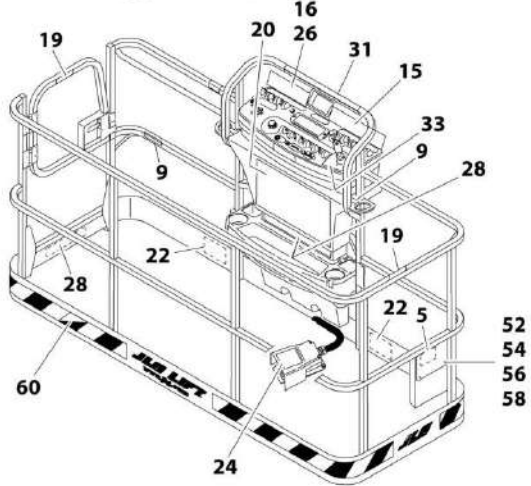
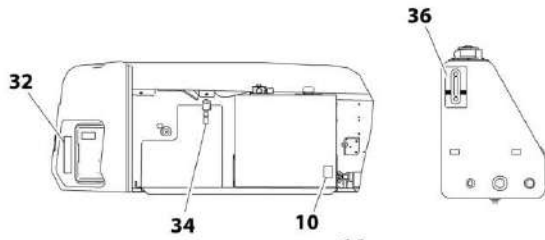
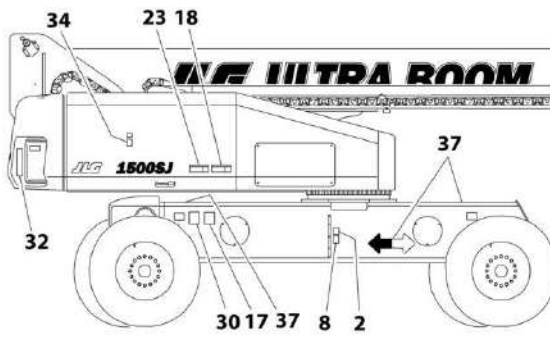
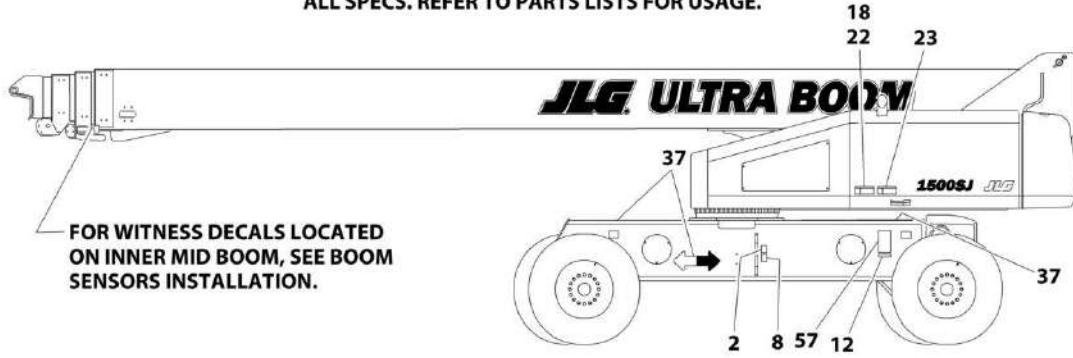
FIGURE 9-1. DECAL INSTALLATION - ANSI SPEC

ITEM	PART NUMBER	QTY	DESCRIPTION	REV
	1001123066	Ref	DECAL INSTALLATION - REFERENCE CHART	I
	1001125140	Ref	DECAL INSTALLATION - ANSI SPEC	F
2	1701499	4	Decal - No Lift	
5	1701509	1	Decal - Manual	
7	1703811	4	Decal - Tie Down/Lift	
8	1703814	6	Decal - Tie Down	
9	1704277	3	Decal - Attach Lanyard Here	
10	1704412	1	Decal - Hydraulic Oil Chart	
12	1705514	1	Decal - CSA (SN 0300222923 to Present)	
13	3251243	1	Nameplate - 120V-60Hz	
15	1705337	1	Decal - Tip Over (SN 0300209000 through 0300241955)	
18	1703953	3	Decal - Warning/Crushing	
19	1702868	2	Decal - No Hands	
20	1703797	1	Decal - Danger/Warning (Platform) (SN 0300209000 through 0300241955)	
20	1001231315	1	Decal - Danger/Warning (Platform) (SN 0300241956 to Present)	
21	1705336	1	Decal - Danger/Warning (Ground Control)	
22	1703804	4	Decal - Warning Crushing	
23	1703805	5	Decal - Danger/Electrocution	
24	3252347	1	Decal - Footswitch	
26	1705492	AR	Decal - Tip Over Hazard	
28	1001125175	2	Decal - Capacity (Platform)	
29	1001125176	1	Decal - Capacity (Ground Control)	
30	1001130584	1	Decal - Patent	
31	1001130584	1	Decal - Legend (Platform)	
32	1705868	1	Decal - Legend (Ground Control)	
33	1705351	1	Decal - Drive/Steer Instructions	
34	1701505	2	Decal - Fuel	
35	1704972	1	Decal - Warning Explosion/Fire (Not Shown - Located on Air Intake Box in Engine Compartment)	
36	1705511	1	Decal - Oil Level	
37	1701501	4	Decal - Arrow	
52	0641406	4	Bolt 1/4 x 3/4	
54	91403230	1	Box, Manual Storage	
56	3311405	4	Nut 1/4	
57	3820001	2	Rivet	
58	4751400	4	Washer 1/4	
67	1001223055	1	Decal - Yearly Inspection (SN 0300237553 to Present)	
68	1001223453	1	Decal - ICES (SN 0300241956 to Present)	

SECTION 9 - DECALS

FIGURE 9-2. DECAL INSTALLATION - AUSTRALIAN SPEC

NOTE: ITEMS SHOWN MAY NOT BE REQUIRED FOR ALL SPECS. REFER TO PARTS LISTS FOR USAGE.



ART_1001125141

SECTION 9 - DECALS

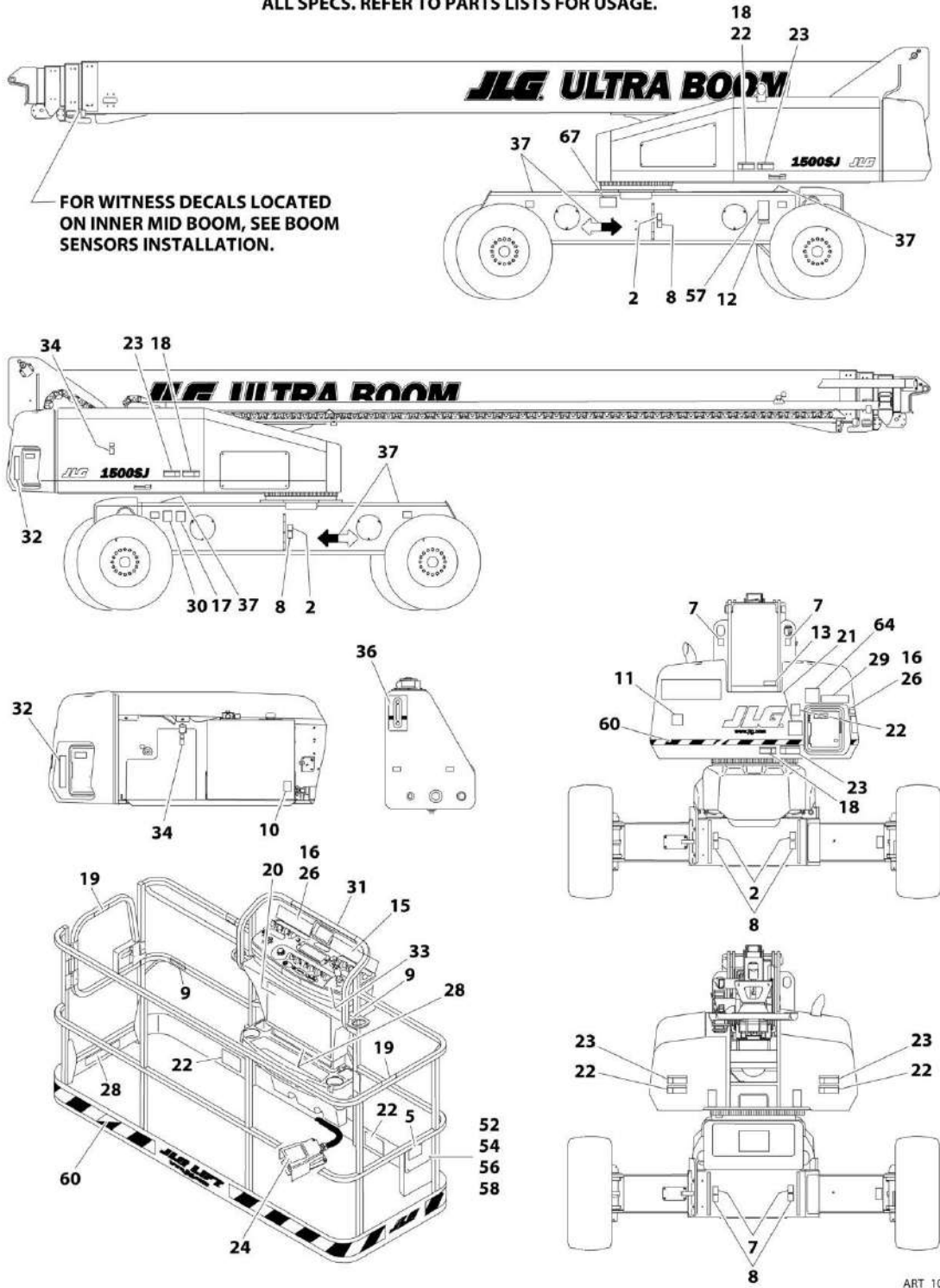
FIGURE 9-2. DECAL INSTALLATION - AUSTRALIAN SPEC

ITEM	PART NUMBER	QTY	DESCRIPTION	REV
	1001123066	Ref	DECAL INSTALLATION - REFERENCE CHART	I
	1001125141	Ref	DECAL INSTALLATION - AUSTRALIAN SPEC	E
2	1701499	4	Decal - No Lift	
5	1701509	1	Decal - Manual	
7	1703811	4	Decal - Tie Down/Lift	
8	1703814	6	Decal - Tie Down	
9	1704277	3	Decal - Attach Lanyard Here	
10	1704412	1	Decal - Hydraulic Oil Chart	
11	1705980	1	Decal - Sound Power Level	
20	1705921	1	Decal - Tipping/Electrical (Platform)	
21	1705822	1	Decal - Electrical/Safety (Ground Control)	
22	1701518	7	Decal - Warning Crushing	
23	1705961	5	Decal - Danger Electrocutation	
24	1705828	1	Decal - Footswitch	
28	1001125177	1	Decal - Capacity (Platform)	
29	1001125178	1	Decal - Capacity (Ground Control)	
34	1701505	2	Decal - Fuel	
35	1706098	1	Decal - Warning Explosion/Fire (Not Shown - Located on Air Intake Box in Engine Compartment)	
36	1705511	1	Decal - Oil Level	
37	1701501	4	Decal - Arrow	
52	0641406	4	Bolt 1/4 x 3/4	
54	91403230	1	Box, Manual Storage	
56	3311405	AR	Nut 1/4	
57	3820001	6	Rivet	
58	4751400	AR	Washer 1/4	
64	1001112551	1	Decal - Emergency Controls	

SECTION 9 - DECALS

FIGURE 9-3. DECAL INSTALLATION - BRAZIL SPEC (PORTUGUESE/ENGLISH)

NOTE: ITEMS SHOWN MAY NOT BE REQUIRED FOR ALL SPECS. REFER TO PARTS LISTS FOR USAGE.



ART_1001125150

SECTION 9 - DECALS

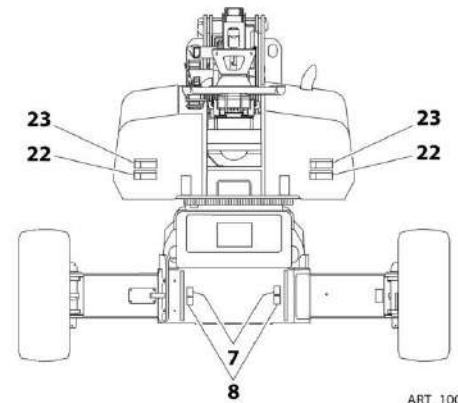
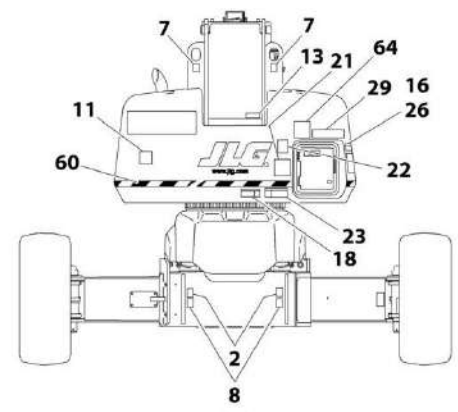
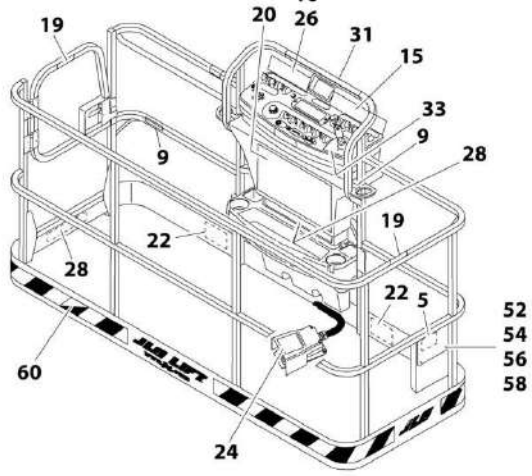
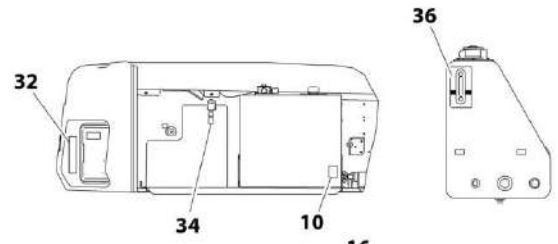
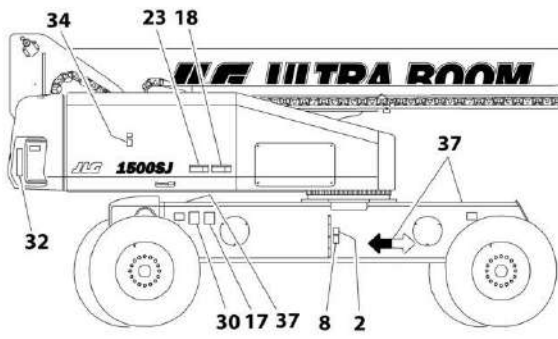
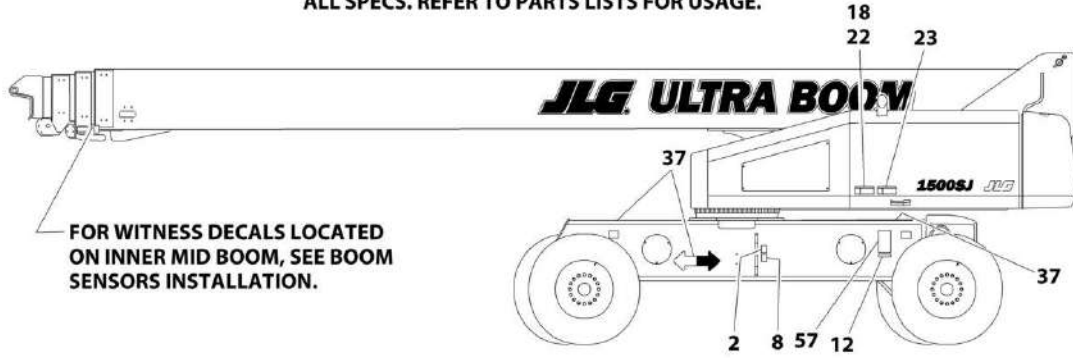
FIGURE 9-3. DECAL INSTALLATION - BRAZIL SPEC (PORTUGUESE/ENGLISH)

ITEM	PART NUMBER	QTY	DESCRIPTION	REV
	1001123066	Ref	DECAL INSTALLATION - REFERENCE CHART	I
	1001125150	Ref	DECAL INSTALLATION - BRAZIL SPEC (PORTUGUESE/ENGLISH)	E
2	1701499	4	Decal - No Lift	
5	1701509	1	Decal - Manual	
7	1703811	4	Decal - Tie Down/Lift	
8	1703814	6	Decal - Tie Down	
9	1704277	3	Decal - Attach Lanyard Here	
10	1704412	1	Decal - Hydraulic Oil Chart	
15	1705904	1	Decal - Tip Over (SN 0300209000 through 0300241955)	
16	1705906	AR	Decal - Tip Over Hazard	
17	1705901	1	Decal - Inspection	
18	1705903	3	Decal - Warning/Crushing	
19	1705967	2	Decal - No Hands	
20	1705895	1	Decal - Danger/Warning (Platform) (SN 0300209000 through 0300241955)	
20	1001231319	1	Decal - Danger/Warning (Platform) (SN 0300241956 to Present)	
21	1705896	1	Decal - Danger/Warning (Ground Control)	
22	1705898	4	Decal - Warning Crushing	
23	1705897	5	Decal - Danger/Electrocution	
24	1705902	1	Decal - Footswitch	
28	1001125187	2	Decal - Capacity (Platform)	
29	1001125188	1	Decal - Capacity (Ground Control)	
31	1001130584	1	Decal - Legend (Platform)	
32	1705868	1	Decal - Legend (Ground Controls)	
33	1705905	1	Decal - Drive/Steer Instructions	
34	1701505	2	Decal - Fuel	
35	1706059	1	Decal - Warning Explosion/Fire (Not Shown - Located on Air Intake Box in Engine Compartment)	
36	1705511	1	Decal - Oil Level	
37	1701501	4	Decal - Arrow	
52	0641406	4	Bolt 1/4 x 3/4	
54	91403230	1	Box, Manual Storage	
56	3311405	4	Nut 1/4	
57	3820001	2	Rivet	
58	4751400	4	Washer 1/4	
67	1001224052	1	Decal - Yearly Inspection (SN 0300237553 to Present)	

SECTION 9 - DECALS

FIGURE 9-4. DECAL INSTALLATION - CE SPEC

NOTE: ITEMS SHOWN MAY NOT BE REQUIRED FOR ALL SPECS. REFER TO PARTS LISTS FOR USAGE.



ART_1001125143

SECTION 9 - DECALS

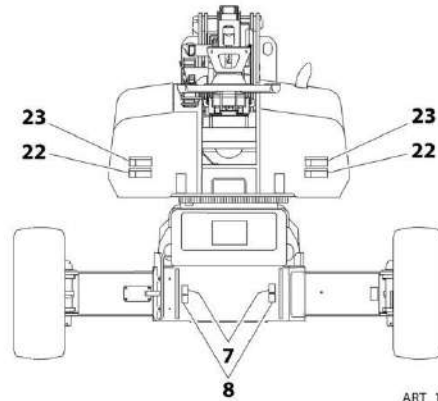
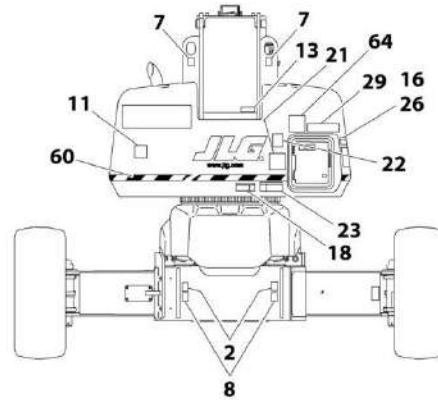
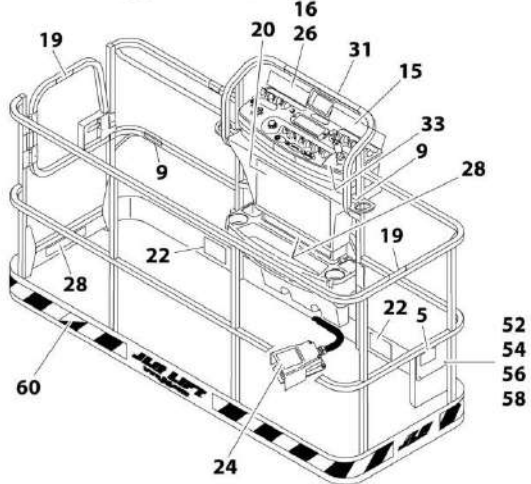
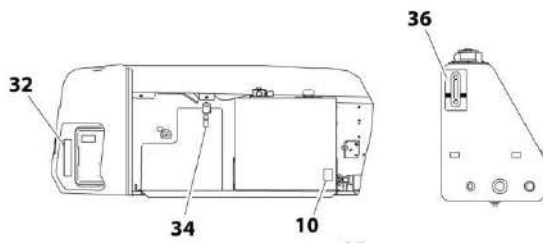
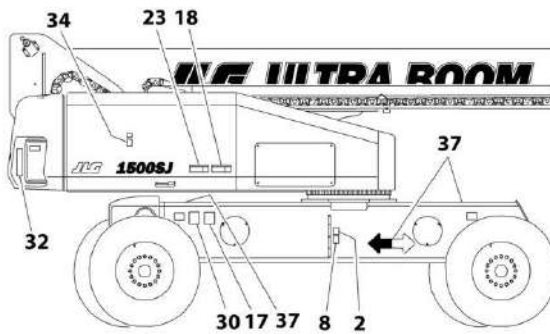
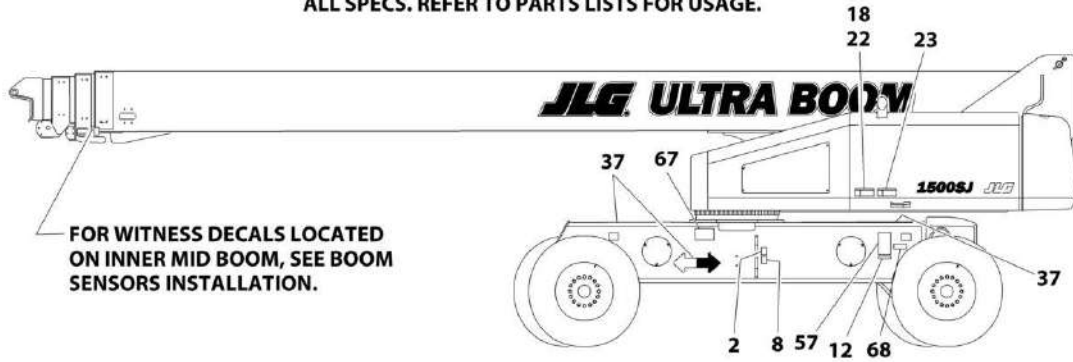
FIGURE 9-4. DECAL INSTALLATION - CE SPEC

ITEM	PART NUMBER	QTY	DESCRIPTION	REV
	1001123066	Ref	DECAL INSTALLATION - REFERENCE CHART (SN 0300209000 through 0300221604)	G
	1001218384	Ref	DECAL INSTALLATION - REFERENCE CHART (SN 0300221605 to Present)	A
	1001125143	Ref	DECAL INSTALLATION - CE SPEC	C
2	1701499	4	Decal - No Lift	
5	1701509	1	Decal - Manual	
7	1703811	4	Decal - Tie Down/Lift	
8	1703814	6	Decal - Tie Down	
9	1704277	3	Decal - Attach Lanyard Here	
10	1704412	1	Decal - Hydraulic Oil Chart	
20	1705921	1	Decal - Tipping/Electrical (Platform)	
21	1705822	1	Decal - Electrical/Safety (Ground Control)	
22	1701518	7	Decal - Warning Crushing	
23	1705961	5	Decal - Danger Electrocution	
24	1705828	1	Decal - Footswitch	
28	1001125177	1	Decal - Capacity (Platform)	
29	1001125178	1	Decal - Capacity (Ground Control)	
34	1701505	2	Decal - Fuel	
35	1706098	1	Decal - Warning Explosion/Fire (Not Shown - Located on Air Intake Box in Engine Compartment)	
36	1705511	1	Decal - Oil Level	
37	1701501	4	Decal - Arrow	
52	0641406	4	Bolt 1/4 x 3/4	
54	91403230	1	Box, Manual Storage	
56	3311405	4	Nut 1/4	
57	3820001	6	Rivet	
58	4751400	AR	Washer 1/4	
60	4420051	29 ft/8.8m	Decal - Warning Stripes	

SECTION 9 - DECALS

FIGURE 9-5. DECAL INSTALLATION - CSA SPEC (FRENCH/ENGLISH)

NOTE: ITEMS SHOWN MAY NOT BE REQUIRED FOR ALL SPECS. REFER TO PARTS LISTS FOR USAGE.



ART_1001125146

SECTION 9 - DECALS

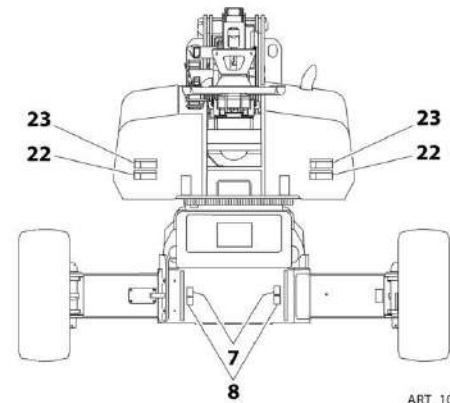
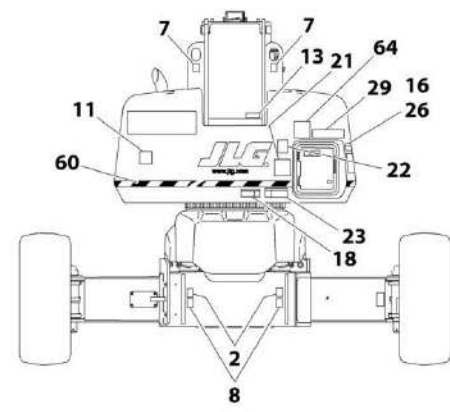
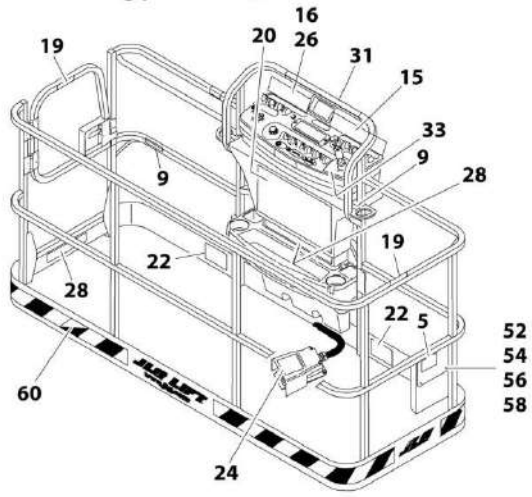
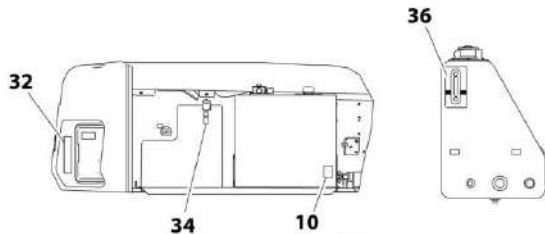
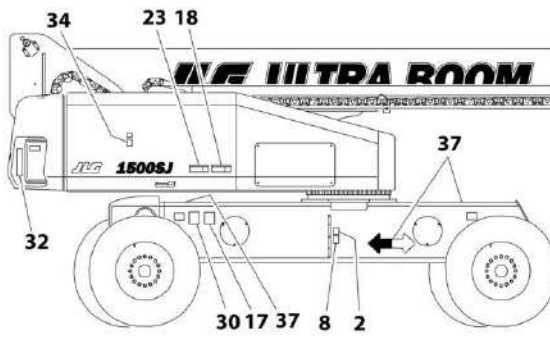
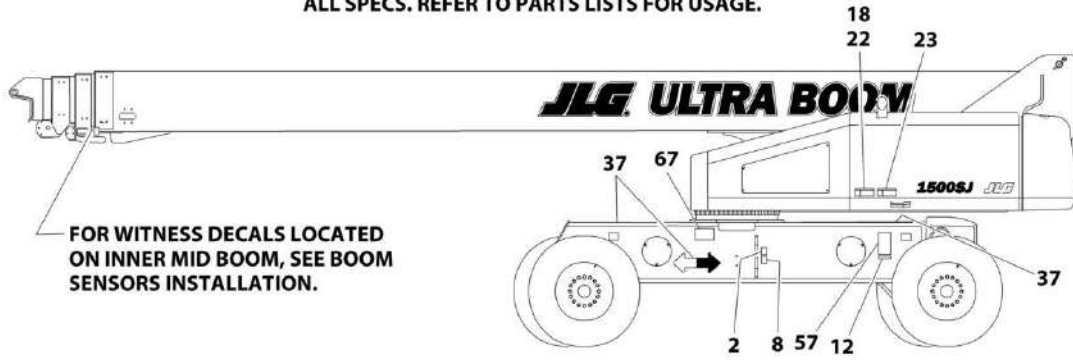
FIGURE 9-5. DECAL INSTALLATION - CSA SPEC (FRENCH/ENGLISH)

ITEM	PART NUMBER	QTY	DESCRIPTION	REV
	1001123066	Ref	DECAL INSTALLATION - REFERENCE CHART	I
	1001125146	Ref	DECAL INSTALLATION - CSA SPEC (FRENCH/ENGLISH)	F
2	1701499	4	Decal - No Lift	
5	1701509	1	Decal - Manual	
7	1703811	4	Decal - Tie Down/Lift	
8	1703814	6	Decal - Tie Down	
9	1704277	3	Decal - Attach Lanyard Here	
10	1704412	1	Decal - Hydraulic Oil Chart	
12	1705514	1	Decal - CSA	
13	3251243	1	Nameplate - 120V-60Hz	
15	1705341	1	Decal - Tip Over (SN 0300209000 through 0300241955)	
16	1705505	AR	Decal - Tip Over Hazard	
17	1704006	1	Decal - Inspection	
18	1703942	3	Decal - Warning/Crushing	
19	1704000	2	Decal - No Hands	
20	1703924	1	Decal - Danger/Warning (Platform) (SN 0300209000 through 0300241955)	
20	1001231316	1	Decal - Danger/Warning (Platform) (SN 0300241956 to Present)	
21	1705347	1	Decal - Danger/Warning (Ground Control)	
22	1703948	4	Decal - Warning Crushing	
23	1703936	5	Decal - Danger/Electrocution	
24	1703984	1	Decal - Footswitch	
28	1001125181	2	Decal - Capacity (Platform)	
29	1001125182	1	Decal - Capacity (Ground Control)	
30	1001131269	1	Decal - Patent	
31	1001130584	1	Decal - Legend (Platform)	
32	1705868	1	Decal - Legend (Ground Controls)	
33	1705429	1	Decal - Drive/Steer Instructions	
34	1701505	2	Decal - Fuel	
35	1706064	1	Decal - Warning Explosion/Fire (Not Shown - Located on Air Intake Box in Engine Compartment)	
36	1705511	1	Decal - Oil Level	
37	1701501	4	Decal - Arrow	
52	0641406	4	Bolt 1/4 x 3/4	
54	91403230	1	Box, Manual Storage	
56	3311405	4	Nut 1/4	
57	3820001	2	Rivet	
58	4751400	4	Washer 1/4	
67	1001223971	1	Decal - Yearly Inspection (SN 0300237553 to Present)	
68	1001223453	1	Decal - ICES (SN 0300241956 to Present)	

SECTION 9 - DECALS

FIGURE 9-6. DECAL INSTALLATION - CHINESE SPEC (ENGLISH)

NOTE: ITEMS SHOWN MAY NOT BE REQUIRED FOR ALL SPECS. REFER TO PARTS LISTS FOR USAGE.



ART_1001125144

SECTION 9 - DECALS

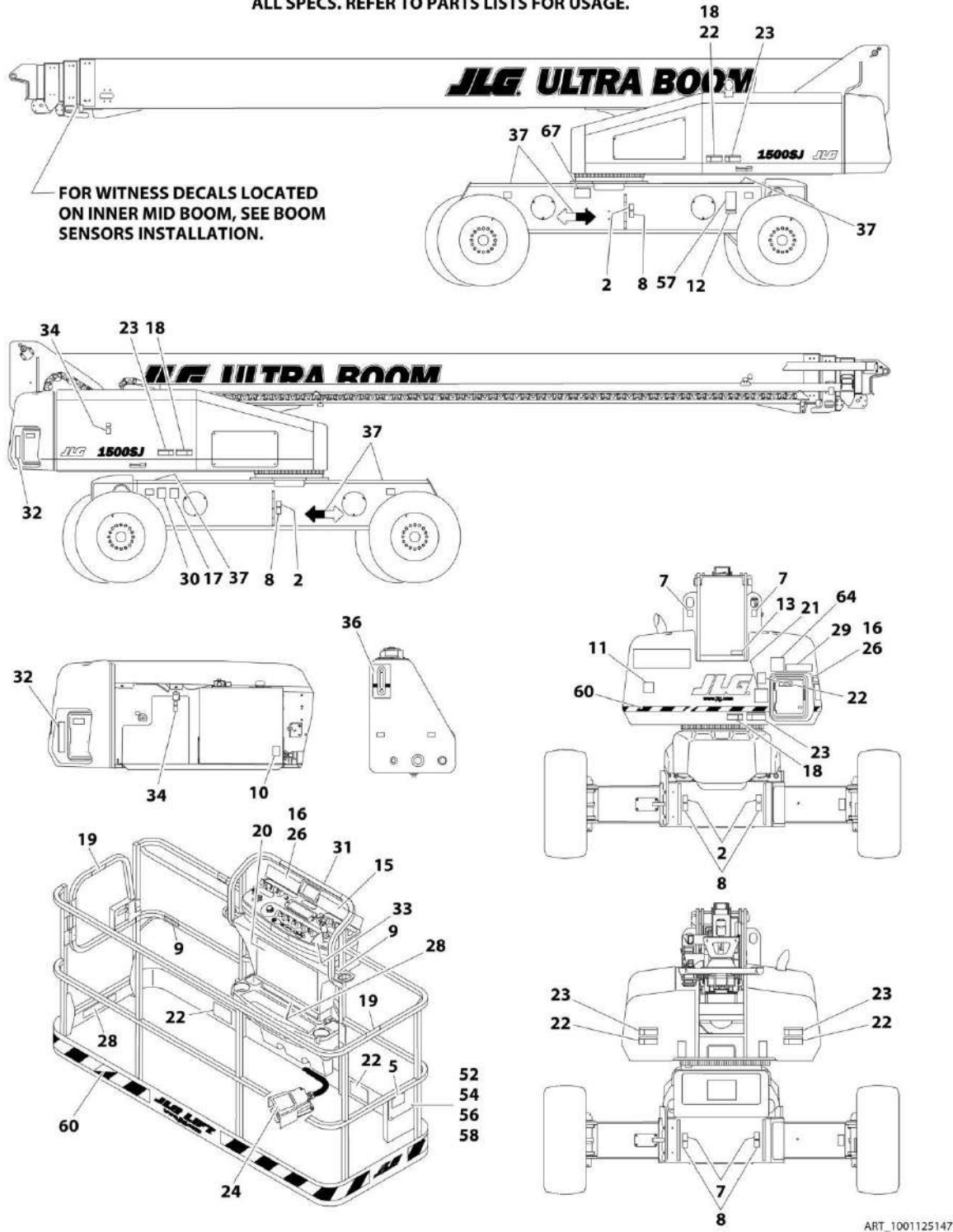
FIGURE 9-6. DECAL INSTALLATION - CHINESE SPEC (ENGLISH)

ITEM	PART NUMBER	QTY	DESCRIPTION	REV
	1001123066	Ref	DECAL INSTALLATION - REFERENCE CHART	I
	1001125144	Ref	DECAL INSTALLATION - CHINESE SPEC (ENGLISH)	E
2	1701499	4	Decal - No Lift	
5	1701509	1	Decal - Manual	
7	1703811	4	Decal - Tie Down/Lift	
8	1703814	6	Decal - Tie Down	
9	1704277	3	Decal - Attach Lanyard Here	
10	1704412	1	Decal - Hydraulic Oil Chart	
15	1705342	1	Decal - Tip Over (SN 0300209000 through 0300241955)	
16	1705507	AR	Decal - Tip Over Hazard	
18	1703943	3	Decal - Warning/Crushing	
19	1705968	2	Decal - No Hands	
20	1703925	1	Decal - Danger/Warning (Platform) (SN 0300209000 through 0300241955)	
20	1001231321	1	Decal - Danger/Warning (Platform) (SN 0300241956 to Present)	
21	1705348	1	Decal - Danger/Warning (Ground Control)	
22	1703949	4	Decal - Warning Crushing	
23	1703937	5	Decal - Danger/Electrocution	
24	1703982	1	Decal - Footswitch	
28	1001125179	2	Decal - Capacity (Platform)	
29	1001125180	1	Decal - Capacity (Ground Control)	
31	1001130584	1	Decal - Legend (Platform)	
32	1705868	1	Decal - Legend (Ground Controls)	
33	1705430	1	Decal - Drive/Steer Instructions	
34	1701505	2	Decal - Fuel	
35	1706060	1	Decal - Warning Explosion/Fire (Not Shown - Located on Air Intake Box in Engine Compartment)	
36	1705511	1	Decal - Oil Level	
37	1701501	4	Decal - Arrow	
52	0641406	4	Bolt 1/4 x 3/4	
54	91403230	1	Box, Manual Storage	
56	3311405	4	Nut 1/4	
57	3820001	2	Rivet	
58	4751400	4	Washer 1/4	
67	1001224050	1	Decal - Yearly Inspection (SN 0300237553 to Present)	

SECTION 9 - DECALS

FIGURE 9-7. DECAL INSTALLATION - JAPANESE SPEC (JAPANESE/ENGLISH)

NOTE: ITEMS SHOWN MAY NOT BE REQUIRED FOR ALL SPECS. REFER TO PARTS LISTS FOR USAGE.



ART_1001125147

SECTION 9 - DECALS

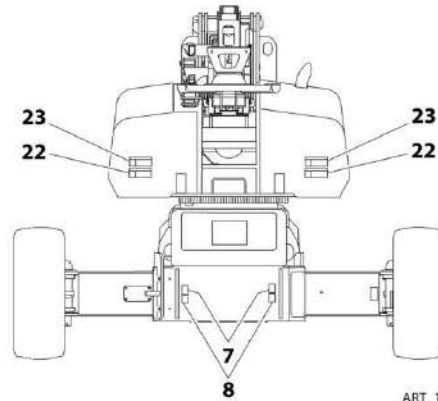
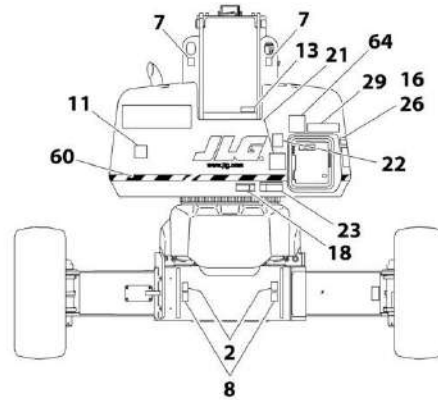
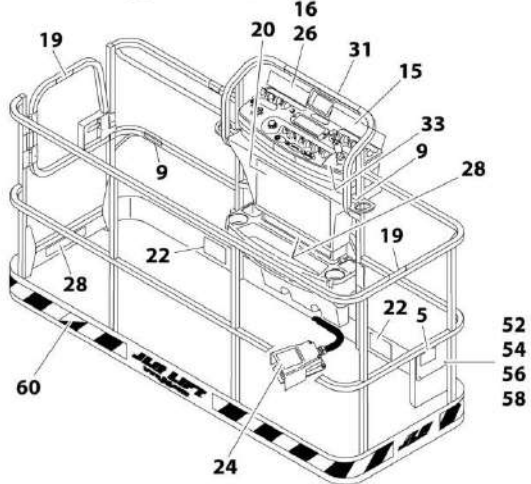
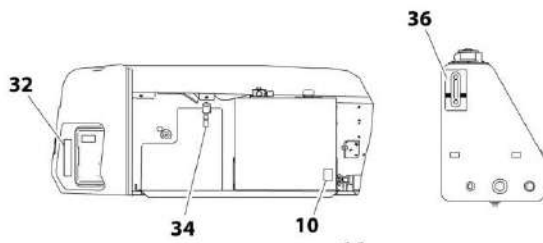
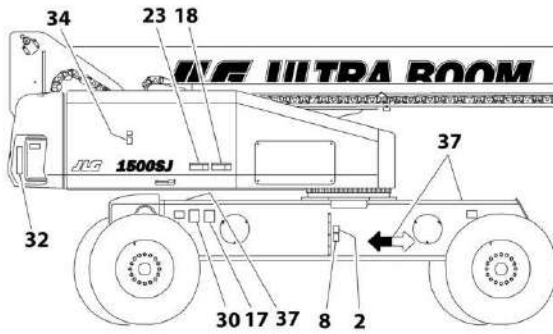
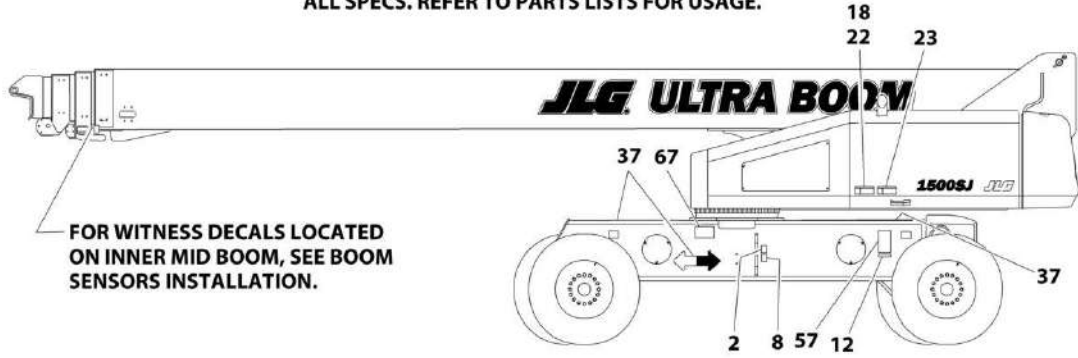
FIGURE 9-7. DECAL INSTALLATION - JAPANESE SPEC (JAPANESE/ENGLISH)

ITEM	PART NUMBER	QTY	DESCRIPTION	REV
	1001123066	Ref	DECAL INSTALLATION - REFERENCE CHART	I
	1001125147	Ref	DECAL INSTALLATION - JAPANESE SPEC (JAPANESE/ENGLISH)	E
2	1701499	4	Decal - No Lift	
5	1701509	1	Decal - Manual	
7	1703811	4	Decal - Tie Down/Lift	
8	1703814	6	Decal - Tie Down	
9	1704277	3	Decal - Attach Lanyard Here	
10	1704412	1	Decal - Hydraulic Oil Chart	
15	1705338	1	Decal - Tip Over (SN 0300209000 through 0300241955)	
16	1705493	AR	Decal - Tip Over Hazard	
18	1703944	3	Decal - Warning/Crushing	
20	1703926	1	Decal - Danger/Warning (Platform) (SN 0300209000 through 0300241955)	
20	1001231320	1	Decal - Danger/Warning (Platform) (SN 0300241956 to Present)	
21	1705344	1	Decal - Danger/Warning (Ground Control)	
22	1703950	4	Decal - Warning Crushing	
23	1703938	5	Decal - Danger/Electrocution	
24	1703980	1	Decal - Footswitch	
28	1001125183	2	Decal - Capacity (Platform)	
29	1001125184	1	Decal - Capacity (Ground Control)	
31	1001130584	1	Decal - Legend (Platform)	
32	1705868	1	Decal - Legend (Ground Controls)	
33	1705426	1	Decal - Drive/Steer Instructions	
34	1701505	2	Decal - Fuel	
35	1704972	1	Decal - Warning Explosion/Fire (Not Shown - Located on Air Intake Box in Engine Compartment) (SN 0300209000 through 0300237552)	
35	1706062	1	Decal - Warning Explosion/Fire (Not Shown - Located on Air Intake Box in Engine Compartment) (SN 0300237553 to Present)	
36	1705511	1	Decal - Oil Level	
37	1701501	4	Decal - Arrow	
52	0641406	4	Bolt 1/4 x 3/4	
54	91403230	1	Box, Manual Storage	
56	3311405	4	Nut 1/4	
57	3820001	2	Rivet	
58	4751400	4	Washer 1/4	
67	1001224053	1	Decal - Yearly Inspection (SN 0300237553 to Present)	

SECTION 9 - DECALS

FIGURE 9-8. DECAL INSTALLATION - KOREAN SPEC (KOREAN/ENGLISH)

NOTE: ITEMS SHOWN MAY NOT BE REQUIRED FOR ALL SPECS. REFER TO PARTS LISTS FOR USAGE.



ART_1001125148

SECTION 9 - DECALS

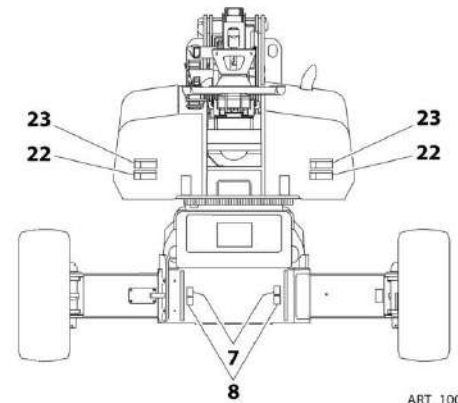
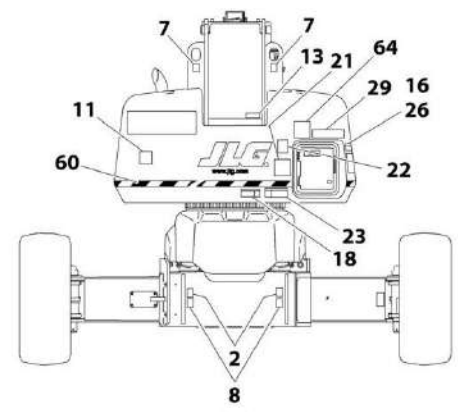
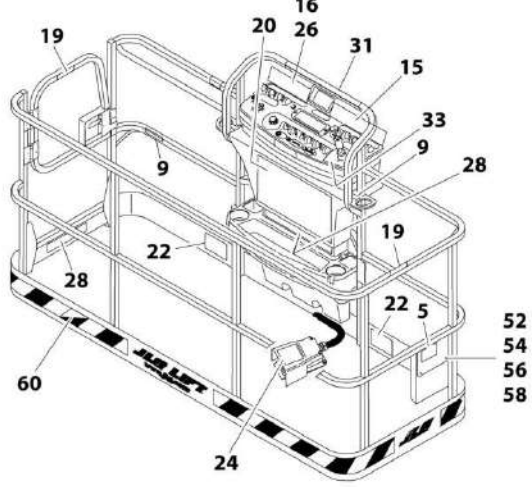
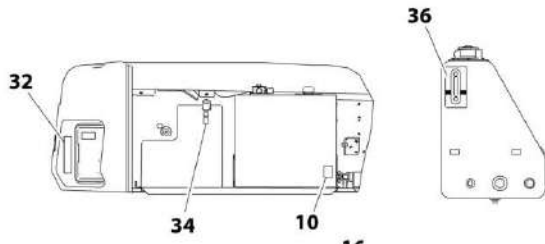
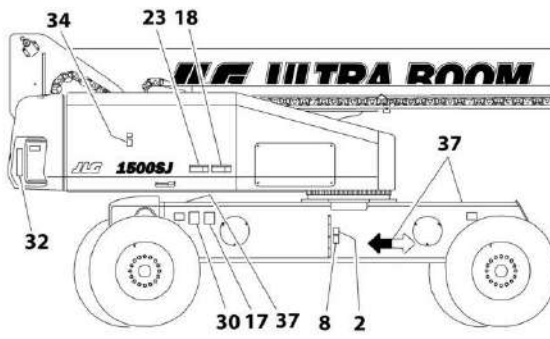
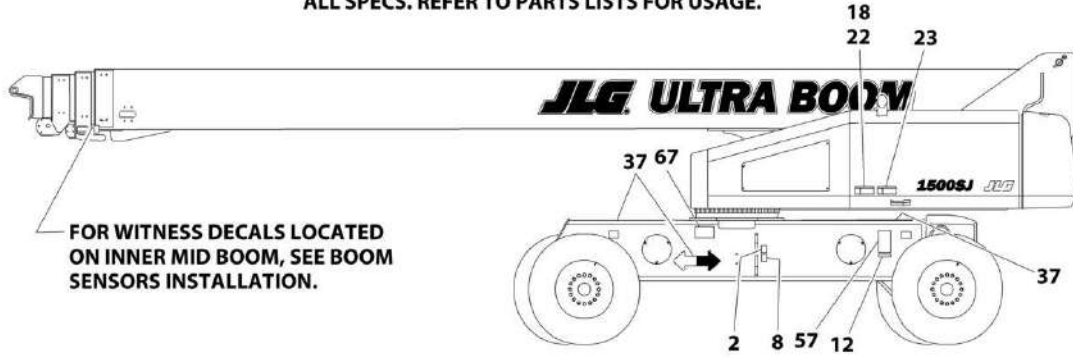
FIGURE 9-8. DECAL INSTALLATION - KOREAN SPEC (KOREAN/ENGLISH)

ITEM	PART NUMBER	QTY	DESCRIPTION	REV
	1001123066	Ref	DECAL INSTALLATION - REFERENCE CHART	I
	1001125148	Ref	DECAL INSTALLATION - KOREAN SPEC (KOREAN/ENGLISH)	E
2	1701499	4	Decal - No Lift	
5	1701509	1	Decal - Manual	
7	1703811	4	Decal - Tie Down/Lift	
8	1703814	6	Decal - Tie Down	
9	1704277	3	Decal - Attach Lanyard Here	
10	1704412	1	Decal - Hydraulic Oil Chart	
15	1705339	1	Decal - Tip Over (SN 0300209000 through 0300241955)	
16	1705503	AR	Decal - Tip Over Hazard	
18	1703945	3	Decal - Warning/Crushing	
19	1705969	2	Decal - No Hands	
20	1703927	1	Decal - Danger/Warning (Platform) (SN 0300209000 through 0300241955)	
20	1001231317	1	Decal - Danger/Warning (Platform) (SN 0300241956 to Present)	
21	1705345	1	Decal - Danger/Warning (Ground Control)	
22	1703951	4	Decal - Warning Crushing	
23	1703939	5	Decal - Danger/Electrocution	
24	1703981	1	Decal - Footswitch	
28	1001125185	2	Decal - Capacity (Platform)	
29	1001125186	1	Decal - Capacity (Ground Control)	
31	1001130584	1	Decal - Legend (Platform)	
32	1705868	1	Decal - Legend (Ground Controls)	
33	1705427	1	Decal - Drive/Steer Instructions	
34	1701505	2	Decal - Fuel	
35	1706061	1	Decal - Warning Explosion/Fire (Not Shown - Located on Air Intake Box in Engine Compartment)	
36	1705511	1	Decal - Oil Level	
37	1701501	4	Decal - Arrow	
52	0641406	4	Bolt 1/4 x 3/4	
54	91403230	1	Box, Manual Storage	
56	3311405	4	Nut 1/4	
57	3820001	2	Rivet	
58	4751400	4	Washer 1/4	
67	1001224048	1	Decal - Yearly Inspection (SN 0300237553 to Present)	

SECTION 9 - DECALS

FIGURE 9-9. DECAL INSTALLATION - LATIN AMERICAN SPEC (SPANISH/ENGLISH)

NOTE: ITEMS SHOWN MAY NOT BE REQUIRED FOR ALL SPECS. REFER TO PARTS LISTS FOR USAGE.



ART_1001125151

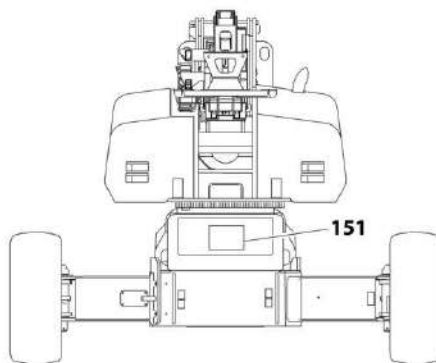
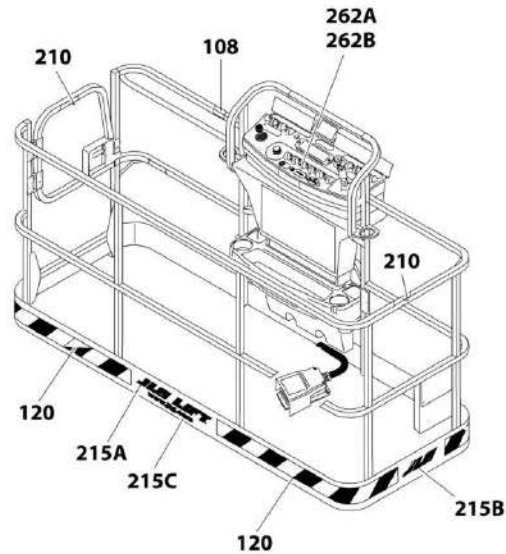
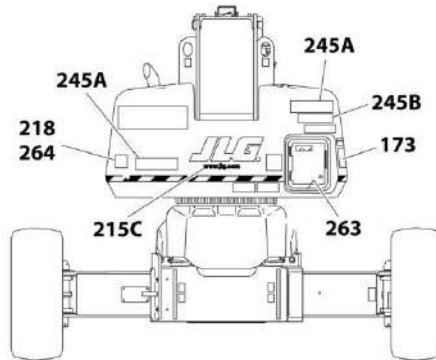
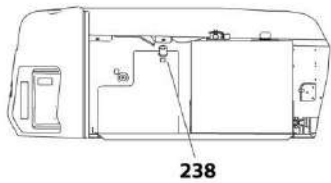
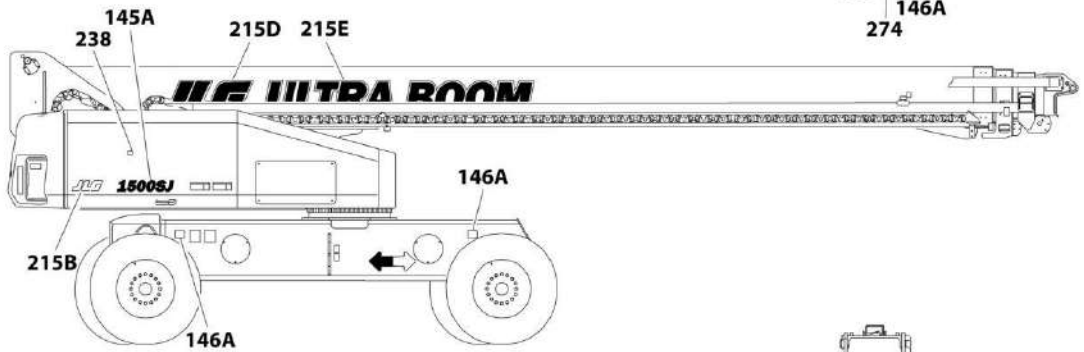
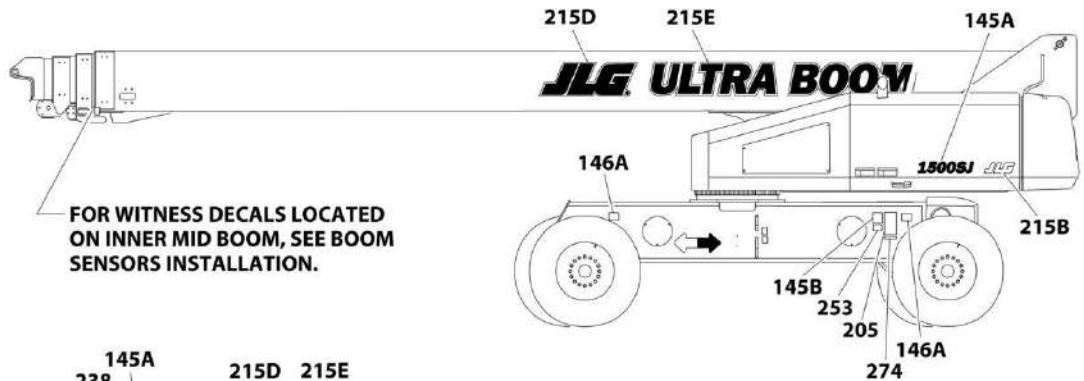
SECTION 9 - DECALS

FIGURE 9-9. DECAL INSTALLATION - LATIN AMERICAN SPEC (SPANISH/ENGLISH)

ITEM	PART NUMBER	QTY	DESCRIPTION	REV
	1001123066	Ref	DECAL INSTALLATION - REFERENCE CHART	I
	1001125151	Ref	DECAL INSTALLATION - LATIN AMERICAN SPEC (SPANISH/ENGLISH)	E
2	1701499	4	Decal - No Lift	
5	1701509	1	Decal - Manual	
7	1703811	4	Decal - Tie Down/Lift	
8	1703814	6	Decal - Tie Down	
9	1704277	3	Decal - Attach Lanyard Here	
10	1704412	1	Decal - Hydraulic Oil Chart	
15	1705909	1	Decal - Tip Over (SN 0300209000 through 0300241955)	
16	1705915	AR	Decal - Tip Over Hazard	
17	1704007	1	Decal - Inspection	
18	1703941	3	Decal - Warning/Crushing	
19	1704001	2	Decal - No Hands	
20	1703923	1	Decal - Danger/Warning (Platform) (SN 0300209000 through 0300241955)	
20	1001231318	1	Decal - Danger/Warning (Platform) (SN 0300241956 to Present)	
21	1705917	1	Decal - Danger/Warning (Ground Control)	
22	1703947	4	Decal - Warning Crushing	
23	1703935	5	Decal - Danger/Electrocution	
24	1703983	1	Decal - Footswitch	
28	1001125189	2	Decal - Capacity (Platform)	
29	1001125190	1	Decal - Capacity (Ground Control)	
31	1001130584	1	Decal - Legend (Platform)	
32	1705868	1	Decal - Legend (Ground Controls)	
33	1705910	1	Decal - Drive/Steer Instructions	
34	1701505	2	Decal - Fuel	
35	1706063	1	Decal - Warning Explosion/Fire (Not Shown - Located on Air Intake Box in Engine Compartment)	
36	1705511	1	Decal - Oil Level	
37	1701501	4	Decal - Arrow	
52	0641406	4	Bolt 1/4 x 3/4	
54	91403230	1	Box, Manual Storage	
56	3311405	4	Nut 1/4	
57	3820001	2	Rivet	
58	4751400	4	Washer 1/4	
67	1001224049	1	Decal - Yearly Inspection (SN 0300237553 to Present)	

SECTION 9 - DECALS

FIGURE 9-10. DECAL INSTALLATION - OPTIONS



ART_DECAL OPTIONS

SECTION 9 - DECALS

FIGURE 9-10. DECAL INSTALLATION - OPTIONS

ITEM	PART NUMBER	QTY	DESCRIPTION	REV
	1001123066	Ref	DECAL INSTALLATION - REFERENCE CHART	I
	1001160120	Ref	DECAL INSTALLATION - OPTIONS	AU
108	1702962	1	Decal - Warning (Proposition 65) (ANSI Spec Only) (SN 0300209000 through 0300247535)	
108	1001231801	1	Decal - Warning (Proposition 65) (ANSI Spec Only) (SN 0300247536 to Present)	
120	4420051	29 ft/8.8m	Decal - Warning Stripes	
145	1001125152	1	Decal - Model Designation Installation	C
145A	1001125191	2	Decal - 1500SJ	
145B	See Note	1	Decal - Bar Code (Note: Not Available for Purchase)	
146	1001125153	1	Decal - Max Tire Load Kit	1
146A	1001125192	4	Decal - Max Tire Load	
151	1001125274	1	Decal - Lift Diagram	
173	1001125196	1	Decal - Daily Check List - ANSI Spec	
173	1001125196	1	Decal - Daily Check List - Australian Spec	
173	1001125200	1	Decal - Daily Check List - Brazil Spec (Spanish/Portuguese)	
173	1001125198	1	Decal - Daily Check List - Chinese Spec (Chinese/English)	
173	1001125201	1	Decal - Daily Check List - CSA Spec (English/French)	
173	1001125209	1	Decal - Daily Check List - Danish Spec	
173	1001125203	1	Decal - Daily Check List - Dutch Spec	
173	1001172840	1	Decal - Daily Check List - Estonian Spec	
173	1001125207	1	Decal - Daily Check List - Finnish Spec	
173	1001125204	1	Decal - Daily Check List - French Spec	
173	1001125211	1	Decal - Daily Check List - German Spec	
173	1001125205	1	Decal - Daily Check List - Italian Spec	
173	1001125202	1	Decal - Daily Check List - Japanese Spec (Japanese/English)	
173	1001125197	1	Decal - Daily Check List - Korean Spec (Korean/English)	
173	1001125199	1	Decal - Daily Check List - Latin American Spec (Spanish/English)	
173	1001125210	1	Decal - Daily Check List - Norwegian Spec	
173	1001125212	1	Decal - Daily Check List - Polish Spec	
173	1001125200	1	Decal - Daily Check List - Portuguese Spec	
173	1001125206	1	Decal - Daily Check List - Spanish Spec	
173	1001125208	1	Decal - Daily Check List - Swedish Spec	
173	1001125196	1	Decal - Daily Check List - UK English Spec	
205	See Note	1	Decal - Nameplate (Note: Not Available for Purchase)	
210	1702868	2	Decal - No Hands - ANSI Spec	
210	1704000	2	Decal - No Hands - CSA Spec (French/English)	
210	1705969	2	Decal - No Hands - Korean Spec (Korean/English)	
215	1001116025	1	Decal - JLG Decal Installation	D
215A	1702774	1	Decal - JLG Lift	
215B	1702773	3	Decal - JLG	
215C	1704885	1	Decal - Website	
215D	1705864	2	Decal - JLG	
215E	1705865	2	Decal - Ultra Boom	
218	3251813	1	Decal - USA (ANSI, ANSI Export and CSA Specs)	
238	1001125387	1	Decal - Ultra Low Sulfur Fuel (Deutz TCD2.9L4 Engines) (ANSI and CSA Specs)	
238	1001139654	1	Decal - Ultra Low Sulfur Fuel (Deutz TCD2.9L4 Engines) (ANSI Export (HRC), CE and Japanese Specs)	
245	1001120994	1	Decal - ClearSky Telematics Decal Installation	A

SECTION 9 - DECALS

ITEM	PART NUMBER	QTY	DESCRIPTION	REV
245A	1001116208	2	Decal - ClearSky	
245B	1001120989	1	Decal - Radio Frequency Device	
253	1001143852	1	Decal - EPA (ANSI Export (LRC), CE (LRC) and Australian Specs)	
262A	1001141300	1	Decal - SkyGuard Override	
262B	1001141302	1	Decal - SkyGuard/Soft Touch Override	
263	1001197408	1	Decal - MSSO (CE Specs Only)	
264	1705980	1	Decal - Sound Power (Deutz TD2011 Engines)	
264	1001191525	1	Decal - Sound Power (Deutz TCD2.9L4 Engines)	
274	1001214029	1	Decal - EAC Installation (CIS and Russia Specs)	
274A	1001173703	1	Decal - EAC	

SECTION 10 - RECOMMENDED SERVICE PARTS STOCK

SECTION 10 - RECOMMENDED SERVICE PARTS STOCK

SECTION 10 - RECOMMENDED SERVICE PARTS STOCK

FIGURE 10-1. RECOMMENDED SERVICE PARTS STOCK

ITEM	PART NUMBER	QTY	DESCRIPTION	REV
		Ref	Note: The following list will service one machine (built to current production per date on the front cover) with emergency repair parts which can be installed in the field. Parts from the list should be replaced when inventory is depleted to keep service parts stock supplied. For further information, contact your JLG dealer or the JLG Industries Parts Department.	
		Ref	STANDARD PARTS	
	4360505	1	Switch	
	7018991	1	Coil	
	7012944	1	Coil	
	3740067	1	Relay	
	7011354	1	Coil	
	7017451	1	Coil	
	7024571	1	Coil	
	70002231	12	Element, Pressure Filter	
	3740080	1	Relay	
	7024444	12	Breather, Hydraulic Oil Tank	
	7024375	12	Element, Hydraulic Oil Filter	
	4360274	1	Switch, Push Button	
	4360328	1	Switch, Toggle	
	4360475	1	Switch, Mushroom	
	4360476	1	Contact, Switch Block	
	2860030	1	Key, Replacement	
	70003923	1	Jib Power Track Repair Kit	
	70003917	1	Boom Power Track Repair Section	
	70003913	1	Boom Power Track Repair Section	
	70003026	1	Coil	
	7024885	1	Coil	
	70022147	1	Coil	
	7024883	1	Coil	
	2940074	1	Latch, Platform	
	1001129555	1	Controller, Lift and Swing	
	1001212415	1	Controller, Drive and Steer	
	1001159256	1	Switch, Toggle	
	1001161709	1	Switch, Toggle	
	4360387	1	Switch, Push Button	
	1001161710	1	Switch, Toggle	
	1001155045	1	Switch, Toggle	
	4360407	1	Controller, Speed	
	3990001	2	Diode - 3Amp	
	2400064	2	Fuse	
	2400065	2	Fuse	
		Ref	VARIABLE PARTS	
	4360578	1	Switch, Limit	
	1001112758	1	Module (Chassis)	
	1001227960	1	Module, B.L.A.M.	
	7027795	1	Module, Deutz Engine	
	7016331	12	Element, Deutz TD2011 Engine Oil Filter	
	7016328	12	Element, Deutz TD2011 Engine Fuel	

SECTION 10 - RECOMMENDED SERVICE PARTS STOCK

ITEM	PART NUMBER	QTY	DESCRIPTION	REV
	7003655	12	Element, Deutz TD2011 Engine Air Filter	
	70024190	12	Element, Deutz TCD2.9L4 Air Filter	
	7026031	1	Sensor, Proximity	
	1001119509	1	Module, Ground Control	
	1001119512	1	Module, Repeater	
	4360469	1	Switch, Key (All Specs except CE Spec)	
	4360336	1	Switch, Toggle (Generator Options)	
	4360070	1	Circuit Breaker 15Amp (Machines with Generator)	
	4000008	1	Switch, Jib Lock Proximity	
	4360527	1	Switch, Cable Break	
	4360543	1	Sensor, Boom Length	
	1001147479	1	Sensor, Angle Indicator	
	1001118971	1	Switch, Angle Indicator (Main Boom Protractor) Proximity	
	1001135479	1	Switch, Angle Indicator (Jib Rotate) Proximity	
	1001120104	1	Switch, Jib Telescope Proximity	
	1001119262	1	Module, Jib Control	
	1001117174	1	Footswitch Kit	
	1600387	1	Module, LSS System	
	1600343	1	Module, Platform Control	
	1001181045	1	Circuit Breaker 30mAmp/16Amp (CE Spec Machines)	

SECTION 11 - SPECIAL OPTIONS

SECTION 11 - SPECIAL OPTIONS

FIGURE 11-1. SPECIAL OPTIONS

ITEM	PART NUMBER	QTY	DESCRIPTION	REV
		Ref	Note: This list is to accommodate machines ordered with special equipment. Options may not be applicable to all models. For more specific parts information contact JLG Parts Department.	
		Ref	MISCELLANEOUS SPECIAL OPTIONS	
	0272078	Ref	Accessory Counterweight (Required with SkyWelder and/or Fall Arrest Platform Options)	
	1340067	Ref	Air Cleaner Pre-Cleaner	
	1001120325	Ref	Airline Installation, 1/2	
	1001202697	Ref	Air Intake Shut-off Valve (Deutz TCD2.9L4 Engines) (ANSI and CSA Specs)	
	0271803	Ref	Bellows, Cylinder (Fixed Axle)	
	0271804	Ref	Bellows, Cylinder (Oscillating Axle)	
	1001122591	Ref	Bellows, Cylinder (Boom)	
	0271875	Ref	Boom Wipers Installation (Boom)	
	1001134627	Ref	Boom Wipers Installation (Jib)	
		Ref	ClearSky (Telematics) Installations (Dealer Installed)	
	1001234099	Ref	ClearSky Telematics Kit (Dealer Installed) (CE Specs)	
	1001112988	Ref	ClearSky Telematics (ANSI Spec) (SN 0300209000 through 0300234714)	
	1001132730	Ref	ClearSky Telematics (Australian Spec) (SN 0300209000 through 0300234714)	
	1001127092	Ref	ClearSky Telematics (Brazil and New Zealand Specs) (SN 0300209000 through 0300234714)	
	1001112973	Ref	ClearSky Telematics (CSA Spec) (SN 0300209000 through 0300234714)	
		Ref	ClearSky (Telematics) Installations (Factory Installed)	
	1001227451	Ref	ClearSky Telematics Installation - Canbus Connection (ANSI & CSA Specs) (SN 0300234715 to Present)	
	1001228953	Ref	ClearSky Telematics Installation - Canbus Connection (ANSI Export and CE Specs) (SN 0300240302 to Present)	
	1001229107	Ref	ClearSky Telematics Installation - 3 Wire Connection (ANSI & CSA Specs) (SN 0300234715 to Present)	
	1001233237	Ref	ClearSky Telematics Installation - 3 Wire Connection (ANSI Export and CE Specs) (SN 0300240302 to Present)	
	0273862	Ref	Cold Weather Package (Deutz TD2011 Engines)	
	1001235617	Ref	Cold Weather Package (Deutz TCD2.9L4 Engines)	
	1001205036	Ref	Cold Weather Plus Package Kit (Deutz TCD2.9L4 Engines)	
	1001233047	Ref	Crankcase Breather Heater Kit (Deutz TCD2.9L4 Engines)	
	1001216363	Ref	Cribbing Enable Installation	
		Ref	Decals Installations	
	1702788	Ref	Decal - Biodegradable Hydraulic Fluid (English)	
	1703479	Ref	Decal - Biodegradable Hydraulic Fluid (German)	
	1001196714	Ref	Decal - Blueline Rentals	
	1001108923	Ref	Decal - EPA/Carb Fuel Spec	
	1001225307	Ref	Decal - Herc Rentals	
	1001128996	Ref	Decal - Hertz	
	1001225308	Ref	Decal - Hertz (Canada)	
	1001143080	Ref	Decal - Hewitt (English)	
	1001143515	Ref	Decal - Hewitt (French)	
	1001140648	Ref	Decal - Leavitt	
	1001103344	Ref	Decal - NES	

SECTION 11 - SPECIAL OPTIONS

ITEM	PART NUMBER	QTY	DESCRIPTION	REV
	1001218715	Ref	Decal - Riwal	
	1001236989	Ref	Decals - Synergy Equipment Installation	
	1001235114	Ref	Decal - Thompson Cat Rental	
	1001200067	Ref	Decal - Quick Start Guide (CE Spec) (Danish Decal) (For LOXAM Rentals Only)	
	1001200065	Ref	Decal - Quick Start Guide (CE Spec) (Dutch Decal) (For LOXAM Rentals Only)	
	1001177562	Ref	Decal - Quick Start Guide (CE Spec) (English Decal) (For LOXAM Rentals Only)	
	1001200064	Ref	Decal - Quick Start Guide (CE Spec) (French Decal) (For LOXAM Rentals Only)	
	1001200066	Ref	Decal - Quick Start Guide (CE Spec) (German Decal) (For LOXAM Rentals Only)	
	1001200071	Ref	Decal - Quick Start Guide (CE Spec) (Norwegian Decal) (For LOXAM Rentals Only)	
	1001200070	Ref	Decal - Quick Start Guide (CE Spec) (Spanish Decal) (For LOXAM Rentals Only)	
	1001200069	Ref	Decal - Quick Start Guide (CE Spec) (Swedish Decal) (For LOXAM Rentals Only)	
	0272599	Ref	Decal - SkyCutter (ANSI and ANSI Export Specs)	
	0272607	Ref	Decal - SkyCutter (Japan Spec)	
	0272418	Ref	Decal - SkyGlazier	
	0272435	Ref	Decal - SkyPower (60Hz) (ANSI and ANSI Export Specs)	
	0272589	Ref	Decal - SkyPower (50Hz) (Australian and CE Specs)	
	0272448	Ref	Decal - SkyWelder (ANSI and ANSI Export Specs)	
	0272588	Ref	Decal - SkyWelder (Australian and CE Specs)	
	1001197860	Ref	Decal - Sunbelt Rentals	
	1705307	1	Decal - Tool Location	
	1001120728	Ref	Decal - United Rentals	
	4420051	Ref	Decal - Warning Stripe	
		Ref	Decal Kits	
	2902307	Ref	Decal Kit - Country Spec (ANSI Spec) (SN 0300209000 through 0300241955)	
	1001232172	Ref	Decal Kit - Country Spec (ANSI Spec) (SN 0300241956 to Present)	
	2902329	Ref	Decal Kit - Country Spec (Australian and CE Specs)	
	2902312	Ref	Decal Kit - Country Spec (Brazilian Spec) (SN 0300209000 through 0300241955)	
	1001232176	Ref	Decal Kit - Country Spec (Brazilian Spec) (SN 0300241956 to Present)	
	2902309	Ref	Decal Kit - Country Spec (Chinese Spec) (SN 0300209000 through 0300241955)	
	1001232178	Ref	Decal Kit - Country Spec (Chinese Spec) (SN 0300241956 to Present)	
	2902322	Ref	Decal Kit - Country Spec (CSA Spec) (SN 0300209000 through 0300241955)	
	1001232173	Ref	Decal Kit - Country Spec (CSA Spec) (SN 0300241956 to Present)	
	2902308	Ref	Decal Kit - Country Spec (Japanese Spec) (SN 0300209000 through 0300241955)	
	1001232177	Ref	Decal Kit - Country Spec (Japanese Spec) (SN 0300241956 to Present)	
	2902310	Ref	Decal Kit - Country Spec (Korean Spec) (SN 0300209000 through 0300241955)	
	1001232174	Ref	Decal Kit - Country Spec (Korean Spec) (SN 0300241956 to Present)	

SECTION 11 - SPECIAL OPTIONS

ITEM	PART NUMBER	QTY	DESCRIPTION	REV
	2902311	Ref	Decal Kit - Country Spec (Latin American Spec) (SN 0300209000 through 0300241955)	
	1001232175	Ref	Decal Kit - Country Spec (Latin American Spec) (SN 0300241956 to Present)	
	1001193646	Ref	Decal Kit - Machine	
	2902303	Ref	Decal Kit - Master (All Specs except Australian and CE Specs)	
	1001104651	Ref	Decal Kit - Master (Australian and CE Specs)	
	1001143931	Ref	Decal Kit - Platform (ANSI Spec)	
	1001143930	Ref	Decal Kit - Platform Console Box	
		Ref	Electrical Connector Kits	
	1001148902	Ref	Amp/Tyco Electrical Connector Kit	
	1001148903	Ref	Deutsch DT Electrical Connector Kit	
	1001148904	Ref	Deutsch HD Electrical Connector Kit	
	1001148905	Ref	Packard Electrical Connector Kit	
	1001148906	Ref	Various Electrical Connectors Kit	
	1001237883	Ref	Fall Arrest (Bolt-on) Add-on Kit (6ft/1.82m Platform) (ANSI, ANSI Export, China, CSA & Japanese Specs Only) (Fits Platform p/ns 1001186384)	
	1001237882	Ref	Fall Arrest (Bolt-on) Add-on Kit (8ft/2.4m Platform) (ANSI, ANSI Export, China, CSA & Japanese Specs Only) (Fits Platform p/ns 1001186383)	
	1001182600	NLA	Fan and Belt Shield Kit (Deutz TD2011 Engines Only) (Use p/n 1001202221)	
	1001202221	Ref	Fan and Belt Shield Kit (Deutz TD2011 Engines Only)	
	1001185079	NLA	Fan and Belt Shield Add-on Kit (Deutz TD2011 Engines Only) (Use p/n 1001206794)	
	1001206794	Ref	Fan and Belt Shield Add-on Kit (Deutz TD2011 Engines Only)	
	1001145708	Ref	Fan Guard Installation (Deutz TCD2.9L4 Engines Only)	
	1001203564	Ref	Fan and Belt Guard Installation (Deutz TCD2.9L4 Engines Only)	
	1001206797	Ref	Fan and Belt Guard Add-on Kit (Deutz TCD2.9L4 Engines Only)	
		Ref	Filter Kits:	
	1001133071	1	Combined Filter Kit (Hydraulic/Air and Fuel/Engine Oil) (Deutz TD2011 Engines)	
	1001181151	1	Combined Filter Kit (Hydraulic/Air and Fuel/Engine Oil) (Deutz TCD2.9L4 Engines)	
	1001133068	1	Hydraulic/Air Filter (Deutz TD2011 Engines)	
	1001182241	1	Hydraulic/Air Filter (Deutz TCD2.9L4 Engines)	
	1001110133	1	Engine - Fuel/Engine Oil Filter (Deutz TD2011 Engines)	
	1001182242	1	Engine - Fuel/Engine Oil Filter (Deutz TCD2.9L4 Engines)	
	1001139099	Ref	Fire Extinguisher Installation	
		Ref	Fluids	
	3020008	Ref	Drive Hub Lubricant	
		Ref	Hydraulic Fluid	
	2300014	Ref	Mobil 424	
	2300029	Ref	Mobil EAL ISO 46 Bio	
	2300016	Ref	Mobil DTE 10 EXCEL 32	
	2300021	Ref	Union Carbide Ucon HP5046 Fire Resistant	
	2300039	Ref	Exxon Univis (Arctic Package)	
	1001117294	Ref	Foot Switch Shield	
	1001191395	Ref	Fuel Cap Cover (Lockable) (Green)	
	1001202749	Ref	Fuel Cap Cover (Lockable) (Black)	
	1001222665	Ref	Fuel Pump Harness Kit (Deutz TCD2.9L4 Engines)	
	1001176291	Ref	Generator Kit - 4000W 50Hz (Deutz TD2011 Engines)	
	1001213601	Ref	Generator Kit - 4000W 60Hz (Deutz TD2011 Engines)	

SECTION 11 - SPECIAL OPTIONS

ITEM	PART NUMBER	QTY	DESCRIPTION	REV
	1001211801	Ref	Generator Kit - 4000W 50Hz (Deutz TCD2.9L4 Engines)	
	1001213600	Ref	Generator Kit - 4000W 60Hz (Deutz TCD2.9L4 Engines)	
	1001220149	Ref	Generator Cable Kit - 4000W 60Hz	
	1001103286	Ref	Generator Hourmeter Installation	
	0271769	Ref	Headlight and Taillights Installation	
	1001228431	Ref	Hose/Cable Protection Installation (Boom)	
	1001187456	Ref	Hose/Cable Protection Installation - Without LSS (Platform)	
	1001233494	Ref	Hose/Cable Protection Installation - With LSS (Platform)	
	1001239634	Ref	Hose Kit - Jib Valve	
	1001204900	Ref	Platform Valve Hose Kit	
	1001187787	Ref	Hose Kit - Upper Power Track	
	1001241420	Ref	Hostile Environment Kit	
	0271808	Ref	Illumination Lights Installation	
	1001120362	Ref	Intercom System (David Clark)	
	1001148971	Ref	Lanyard (Bolt-on) Installation Kit	
	1001230625	Ref	LCD Display Kit (Low Rail)	
	1001230626	Ref	LCD Display Kit (High Rail)	
	1001183407	Ref	Low Temperature Cutout Installation (Russian Specs) (SN 0300240302 through 0300245803)	
	1001236951	Ref	Low Temperature Cutout Installation (Russian Specs) (SN 0300245804 to Present)	
		Ref	Platform Cable Carrier Installation Options:	
	1001116419	NLA	30in Platform (Use 1001172045) (SN 0300209000 through 0300224753)	
	1001116420	NLA	36in Platform (Use 1001172045) (SN 0300209000 through 0300224753)	
	1001172045	Ref	Platform Cable Carrier Installation (SN 0300224754 to Present)	
	1001197436	Ref	Platform Console Cover Installation	
	1580013	Ref	Platform Corner Storage Tray	
		Ref	Platform Entry Kits	
	1001142504	Ref	Drop Bar (Replacing Swing Gate with Drop Bar)	
	1001142505	Ref	Swing Gate (Replacing Drop Bar with Swing Gate)	
	1001120467	Ref	Platform Floodlights Installation	
		Ref	Platform Mesh to Top Rail Installations	
	0273145	Ref	36in x 8ft (91.5cm x 2.44m) (ANSI Spec)	
	0273149	Ref	36in x 6ft (91.5cm x 1.83m) (ANSI and ANSI Export Specs)	
		Ref	Platform Mesh to Top Rail Kits	
	1001214562	Ref	36in x 8ft (91.5cm x 2.44m) (ANSI Specs)	
	1001214561	Ref	36in x 6ft (91.5cm x 1.83m) (ANSI Specs)	
	1001214552	Ref	30in x 4ft (76.2cm x 1.22m) (ANSI Specs)	
		Ref	Platform Mesh to Mid Rail Installations	
	1001138773	Ref	36in x 8ft (91.5cm x 2.44m) (ANSI, ANSI Export and Australian Specs)	
	1001138772	Ref	36in x 6ft (91.5cm x 1.83m) (ANSI, ANSI Export and Australian Specs)	
	1001140318	Ref	30in x 4ft (76.2cm x 1.22m) (ANSI, ANSI Export and Australian Specs)	
		Ref	Platform Mesh to Mid Rail Kits	
	1001214548	Ref	36in x 8ft (91.5cm x 2.44m) (ANSI Specs)	
	1001214540	Ref	36in x 6ft (91.5cm x 1.83m) (ANSI Specs)	
	1001214478	Ref	30in x 4ft (76.2cm x 1.22m) (ANSI Specs)	
	1001149730	Ref	Platform Mid Rail Repair Kit	

SECTION 11 - SPECIAL OPTIONS

ITEM	PART NUMBER	QTY	DESCRIPTION	REV
		Ref	Platform Rail Extensions	
	0272733	Ref	6ft Platform	
	0272725	Ref	8ft Platform	
	1001120466	Ref	Platform Worklights Installation	
	1001209059	Ref	Platform Work Surface Installation	
	1001171131	Ref	Receptacle (240V GFCI) Installation (4000W Generator)	
	1001159121	Ref	Receptacle (240V GFCI) Installation (7500W Generator)	
	1001197016	Ref	SkyGuard Installation Kit	
	1001208923	Ref	SkyGuard Complete Add-on Kit (Blue Beacon) (Use p/n 1001209481)	
	1001210043	Ref	SkyGuard Complete Add-on Kit (Red Beacon)	
	1001137672	Ref	SkyGuard Platform Sensor Kit	
	1001206544	Ref	SkyGuard Strobe Light Kit (Blue Beacon)	
	1001210028	Ref	SkyGuard Strobe Light Kit (Red Beacon)	
	1001231235	Ref	SkyWelder Locking Bracket	
	0273824	Ref	Soft Touch System Installation - 6ft/1.8m Platforms	
	0272427	Ref	Soft Touch System Installation - 8ft/2.4m Platforms	
	0273706	Ref	Soft Touch System Installation - 6ft/1.8m Platforms (With Fall Arrest)	
	1001200263	Ref	Telematics Installation - Customer Supplied	
	1001210089	Ref	Telematics Harness - Cat	
	1001228363	Ref	Telematics Harness - Herc	
	1001209282	Ref	Telematics Harness - Loxam	
	1001210090	Ref	Telematics Harness - Riwal	
	1001228585	Ref	Telematics Installation (Canbus) - Customer Supplied (SN 0300234715 to Present)	
	1001195610	Ref	Telematics M6 - United Rentals Installation	
	1001214463	Ref	Telematics M8 - United Rentals Installation	
	1001228964	Ref	Telematics Retrofit Harness Kit (Machines with UGM)	
		Ref	Tools For Service:	
	2901443	1	Analyzer Kit	
	0272048	Ref	Boom Cable Tools Installation	
	4120040	1	Socket 3/4	
	4120043	1	Socket 2	
	1705307	1	Decal - Tool Location	
	7002821	Ref	Crimper, Wire	
	7002823	Ref	Pin Extractor - Universal (For Electrical Connectors with Pins and Sockets)	
	4460467	1	Extractor - 16-18 Gauge (For Removal of Pin/Sockets from Deutsch Connectors)	
	4460510	1	Extractor - 12-14 Gauge (For Removal of Pin/Sockets from Deutsch Connectors)	
	7016654	Ref	Screwdriver, Magnetic	
	7002822	Ref	Screwdriver, Potentiometer	
	7004275	Ref	Seal Tool 1 (For Cylinders)	
	7004276	Ref	Seal Tool 1 1/2 (For Cylinders)	
	7002828	Ref	Stripper, Wire	
	4921850	1	Throttle Service Harness	
	70004185	1	Torque Multiplier	
	7016655	1	Wire Rope Sheave Gauge	
	1001137005	1	Software Cable Kit	
	70004646	1	Puller (Hub Assembly)	
	70004647	1	Seal Tool (Hub Assembly)	

SECTION 11 - SPECIAL OPTIONS

ITEM	PART NUMBER	QTY	DESCRIPTION	REV
	70004648 1001143927	1 Ref	Puller (Hub Assembly) Wire Rope Kit	

PART NUMBER INDEX

PART NUMBER INDEX

0080237.....161, 185	0140011 ... 449, 453, 457, 461, 465	0480100 509, 511	0641424.....43, 45
0080244....169, 177, 193, 201	0140032 129	0480128 329, 343	0641503....248, 252, 260, 286
0080277.....23	0200833 23	0480129 347	0641504..... 43, 45, 395
0100009....449, 453, 457, 461, 465	0236768 61	0561431 366, 372	0641505.....23
0100011 15, 19, 23, 30, 34, 43, 45, 51, 53, 57, 59, 61, 85, 87, 89, 103, 105, 107, 109, 111, 113, 141, 148, 149, 152, 153, 157, 161, 165, 169, 173, 177, 181, 185, 189, 193, 197, 201, 209, 213, 215, 219, 221, 225, 227, 231, 233, 237, 239, 243, 248, 252, 258, 271, 275, 279, 281, 286, 319, 321, 329, 333, 335, 339, 343, 347, 351, 355, 361, 363, 366, 372, 379, 383, 390, 394, 397, 399, 409, 411, 413, 417, 423, 427, 429, 431, 433, 435, 437, 487, 496, 499, 501, 503, 521, 523, 525, 527, 529, 531, 535, 537, 539, 543, 545, 549, 553, 557, 561	0257728 509	0561437 366, 372	0641506..57, 59, 85, 129, 148, 152, 157, 161, 165, 169, 173, 177, 181, 185, 189, 193, 197, 201
0100019.... 15, 19, 23, 25, 27, 69, 71, 73, 335, 339, 343, 347, 351, 355, 361, 363, 366, 372, 379, 390, 553	0257887 129	0561439 366, 372	0641507.... 161, 169, 177, 185, 193, 201, 399
0100020....248, 252, 258, 286, 329, 335, 344, 351, 483, 496, 507, 595, 597, 599, 601, 603, 605, 607, 609, 611, 613, 615, 617, 619, 621, 623, 625, 627	0259666 123	0561444 366, 372	0641508.....97, 101, 246, 258, 284, 394, 397, 399, 557
0100035.....23, 131, 255, 394, 465, 551	0271512 73	0561457 366, 372	064150943, 45, 145, 157, 165, 173, 181, 189, 197
0100038....521, 523, 525, 527, 537, 539, 545, 549, 553, 561	0271520 23	0561458 366, 372	0641510.....555
0100048.....85, 115, 119, 335, 339, 344, 348, 351, 355, 411, 449, 453, 457, 461, 465	0271596 69	0561471 366, 372	0641511.....23, 157, 165, 173, 181, 189, 197, 209, 215, 221, 227, 233, 239, 271, 275
0100062....248, 252, 260, 286	0271769 761	0561482 366, 372	0641514.....509, 511
0100063.....379, 521	0271803 758	0561500 366, 372	0641516....329, 335, 343, 347, 351, 355
0100071.....489	0271804 758	0630357 394	0641520.....91, 93, 95, 99
0100079.... 157, 165, 173, 181, 189, 197, 209, 215, 221, 227, 233, 239, 271, 275, 317	0271806 129	0630448 473	0641524.....75, 97, 101
0100081.... 115, 119, 390, 394, 449, 453, 457, 461, 491, 493	0271808 761	0630464 23, 116, 119, 394	0641538.....397, 399
0140001.....61	0271852 39	0630467 390, 397	0641605.... 157, 161, 165, 169, 173, 177, 181, 185, 189, 193, 197, 201, 209, 215, 221, 227, 233, 239, 271, 275
	0271874 141	0630518 ... 115, 119, 496, 499, 501, 503, 507	064160615, 19, 148, 152, 158, 166, 174, 182, 190, 198, 209, 215, 221, 227, 233, 239, 246, 252, 258, 271, 275, 284, 379, 496, 499, 501, 503
	0271875 758	0630534 557	0641607.....61, 394
	0271953 591	0630535 ... 521, 523, 525, 527, 529, 531, 535, 537, 543, 545, 561	0641608.... 15, 19, 43, 45, 57, 59, 87, 89, 91, 93, 141, 143, 145, 148, 152, 161, 169, 177, 185, 193, 201, 209, 215, 221, 227, 231, 233, 237, 239, 243, 246, 252, 258, 271, 275, 279, 284, 323, 361, 363, 390, 397, 399, 407, 561
	0271954 593	0630537 539	0641609..15, 19, 97, 101, 161, 169, 177, 185, 193, 201
	0271955 589	0630548 115, 119	0641610.... 148, 152, 157, 161, 165, 169, 173, 177, 181, 185, 189, 193, 197, 201, 209, 215, 221, 227, 233, 239, 246, 252, 258, 271, 275, 284, 317, 321, 443, 445, 447
	0272048 377, 762	0630568 ... 450, 454, 458, 462, 466	0641611..... 15, 19, 319
	0272055 39	0641404 ... 329, 333, 335, 339, 343, 347, 351, 355, 449, 453, 457, 461, 465	
	0272056 39	0641405 394, 411	
	0272060 ... 162, 169, 177, 186, 193, 201	0641406 .53, 57, 59, 115, 119, 152, 161, 169, 177, 185, 193, 201, 219, 237, 246, 252, 258, 284, 395, 407, 443, 445, 447, 473, 485, 733, 735, 737, 739, 741, 743, 745, 747, 749	
	0272064 143	0641406001 475	
	0272070 409	0641407 ... 219, 237, 333, 339, 411, 629, 631	
	0272078 758	0641408 61, 133, 135, 137, 139, 149, 153, 209, 219, 221, 227, 237, 239, 271, 275, 394, 443, 445, 447	
	0272080 91, 584	0641410 ... 115, 119, 157, 165, 173, 181, 189, 197, 209, 215, 221, 227, 233, 239, 271, 275	
	0272254 501	0641412 .. 51, 53, 61, 395	
	0272418 ... 491, 493, 759	0641414 53, 449, 453, 457, 461, 465, 487, 489	
	0272427 762	0641416 ... 411, 589, 591, 593, 595, 597, 599, 601, 603, 605, 607, 609, 611, 613, 615, 617, 619, 621, 623, 625, 627, 631	
	0272435 344, 353, 759	0641418 ... 394, 417, 423, 427, 429, 431, 433, 435, 437	
	0272448 496, 501, 759		
	0272521 499		
	0272588 499, 759		
	0272589 348, 356, 759		
	0272599 496, 507, 759		
	0272607 507, 759		
	0272725 762		
	0272733 762		
	0273145 761		
	0273149 761		
	0273353 496		
	0273706 762		
	0273824 762		
	0273862 758		
	0274661 511		
	0275216 599, 715		
	0275217 605, 717		
	0275452 611, 719		
	0275453 617, 721		
	0275454 623, 723		
	0275685 25		
	0340003 ... 161, 169, 177, 185, 193, 201		
	0340051 ... 161, 169, 177, 185, 193, 201		
	0363037 15, 19		
	0363062 61		
	0363066 366, 372		
	0363076 16		
	0400020 61		
	0440251 73		

PART NUMBER INDEX

0641612 ... 209, 215, 221, 227, 233, 239, 271, 275, 317, 361, 363	0681822 439, 441	0791607 51, 390	0962404 367, 373
0641613 15, 19	0681836 383	0791608 394	0962406 367, 373
0641614 87, 89	0682022 379	0791609 390	0962409 366, 372
0641615 366, 372	0682026 73	0791612 366, 372	0962410 366, 372
0641616 329, 333	0682028 ... 246, 252, 258, 284	0791618 366, 372	0962411 367, 373
0641618 ... 335, 339, 344, 348, 351, 355, 366, 372	0682040 73	0791620 366, 372, 390	0962423 23
0641630 148, 152	0682418 69	0791622 390	0962447 366, 372
0641634 23	0682422 71	0791624 366, 372, 390	0962450 411
0641636 383	0682424 ... 513, 515, 517	0791808 390	0962520 ... 329, 333, 335, 339, 343, 347, 351, 355
0641640 366, 372	0683020 379	0811606 366, 372	1001091102 333, 339, 629, 631
0641644 366, 372	0700408 ... 595, 597, 599, 601, 603, 605, 607, 609, 611, 613, 615, 617, 619, 621, 623, 625, 627	0811607 366, 372, 383	1001091460 78
0641646 366, 372		0811608 366, 372, 379, 383	1001091461 78
0641652 366, 372	0700615 ... 133, 135, 137, 139	0811610 366, 372	1001091969 599
0641676 377	0700616 149, 153	0811614 366, 372	1001091970 605
0641706 ... 246, 252, 258, 284	0700815 ... 246, 252, 258, 284	0811616 366, 372	1001091973 611
0641708 ... 210, 215, 222, 228, 233, 240, 246, 252, 258, 272, 276, 284	0701024 252	0860038 329, 335, 343, 351, 591, 593	1001091974 617
0641808 ... 15, 19, 43, 45, 157, 161, 165, 169, 173, 177, 181, 185, 189, 193, 197, 201, 209, 215, 221, 227, 233, 239, 271, 275, 366, 372, 379	0701617 25, 27	0861538 343, 351	1001091975 623
0641810 ... 329, 333, 335, 339, 343, 347, 351, 355, 390	0701619 39, 41	0861572 347, 355	1001092856 162, 170, 178, 186, 194, 202
0641812 85, 161, 169, 177, 213, 219, 225, 231, 237, 243, 279, 281, 409, 413	0711214 ... 161, 169, 177, 185, 193, 201	0861731 ... 595, 597, 613, 615, 619, 621, 625, 627, 719, 721, 723	1001093242 29
0641813 148, 152	0711417 ... 169, 177, 193, 201	0861781 ... 601, 603, 607, 609, 715, 717	1001093243 25, 29
0641814 16, 185, 193, 201	0721006 319, 321	0861880 657, 659, 661	1001094915 333, 339, 629, 631
0641816 145	0731007 87, 89	0902743 561	1001095976 631
0641818 ... 143, 161, 169, 177, 185, 193, 201	0741404 394	0902755 57, 59	1001096070 629, 661
0641820 85	0741606 23, 366, 372	0902790 85	1001097150 657, 661
0641822 411	0741607 ... 329, 333, 335, 339, 351, 355	0902800 57, 59	1001098012 496, 507
0641826 ... 161, 169, 177, 185, 193, 201	0741806 366, 372	0902888 329, 335, 343, 347, 351, 355	1001098122 483
0642010 ... 157, 165, 173, 181, 189, 197, 209, 215, 221, 227, 233, 239, 271, 275, 379	0760810 ... 248, 252, 260, 286	0902915 85	1001098149 507
0642012 ... 361, 363, 491	0760814 253	0902919 411	1001098513 158, 161
0642014 ... 366, 372, 379	0760814001 253	0902920 411	1001098530 166, 169
0642016 23	0761014 413	0903149 629	1001098531 174, 177
0642020 19	0761016 252	0903484 631	1001098601 161, 170, 178, 185, 194, 202, 205
0642022 366, 372	0761210 ... 209, 215, 221, 227, 233, 239, 255, 271, 275	0903530 57, 59	1001098828 413
0642024 411	0761212 ... 246, 252, 258, 284	0940070 ... 161, 169, 177, 185, 193, 201, 246, 252, 258, 284	1001099366 491, 493
0642026 493	0771414 ... 161, 169, 177, 185, 193, 201, 246, 252, 258, 284	0940102 491, 493	1001099367 491, 493
0642212 491, 493	0791003 543	0961845 ... 417, 423, 427, 429, 431, 433, 435, 437	1001099632 23
0642214 15, 19, 361, 363	0791406 394	0961896 521, 525, 527	1001100341 715
0642612 133, 137	0791410 51, 53	0961897 ... 529, 531, 543, 545	1001100342 717
0642684 ... 409, 411, 413	0791504 390	0961901 539	1001100345 719
0681608 ... 409, 411, 413	0791505 394	0961902 535, 537	1001100346 723
0681620 ... 513, 515, 517	0791506 394	0961903 561	1001100347 721
0681813 15, 19	0791516 390	0961949 551, 553	1001100434 115, 119
0681814 15, 19, 439, 441	0791520 390	0961950 ... 379, 383, 525, 527, 529, 531, 533, 543, 545, 551, 553	1001101191 597, 599, 603, 605, 609, 611, 615, 617, 621, 623, 627, 657, 659
0681815 15, 19	0791604 51, 53, 148, 152, 366, 372, 394	0961986 ... 161, 169, 177, 185, 193, 201, 246, 252, 258, 284	1001101196 599, 603, 605, 609
0681816 15, 19	0791605 ... 366, 372, 394	0961987 ... 161, 169, 177, 185, 193, 201, 246, 252, 258, 284	1001101197 597, 611, 615, 617, 621, 623, 627
	0791606 394	0961988 ... 161, 169, 177, 185, 193, 201, 246, 252, 258, 284	1001101421 491, 493
		0962006 535, 537	1001101422 491
		0962033 15, 19	1001101550 33
		0962051 143, 145	1001102647 493
		0962181 379	1001103286 761
		0962185 557	1001103344 758
		0962270 439, 441	1001104315 27
		0962297 ... 366, 372, 539, 541	1001104324 27
		0962402 367, 373	1001104325 27, 33
		0962403 367, 373	1001104651 760
			1001104922 561
			1001106736 116, 119
			1001107971 182, 185

PART NUMBER INDEX

1001107973.....190, 193	1001113961 635, 679, 683	1001118142 368, 529	1001119470..... 103, 105, 107, 109, 665
1001107975.....198, 201	1001114495 246, 259, 285	1001118143 529, 531	1001119497.....368, 374, 561
1001108122.....411	1001115961 41	1001118145 529, 531	1001119498.....561
1001108579.....89	1001116008 635	1001118148 529, 531	1001119500.....561
1001108616.....186, 195, 203, 231, 237, 243, 279, 306	1001116015 173	1001118149 529, 531	1001119509..... 115, 119, 755
1001108617157, 165, 173, 181, 189, 197, 209, 215, 221, 227, 233, 239, 271, 275	1001116025 751	1001118177 529, 531	1001119512..... 115, 119, 755
1001108923.....758	1001116208 752	1001118286 397, 399, 403	1001119521.....391
1001109048.....89	1001116290 149, 153	1001118369 379	1001119522.....391
1001109468.....583	1001116419 761	1001118373 395	1001119546.....568
1001109503..... 115, 119	1001116420 761	1001118430 368, 374	1001119571.....368, 374
1001109654.....631, 657	1001116707 667	1001118431 368, 374	1001119647.....529
1001109677...93, 99, 101	1001116710 673	1001118442 361, 363, 539	1001119651..... 103, 107, 111, 115
1001109759..... 148, 152	1001116728 668	1001118443 539	1001119652..... 115, 679
1001110027148	1001116748 655, 663, 691	1001118564 379	1001119653..... 115, 119, 727
1001110059.....89	1001116774 635, 637, 679, 683	1001118663 383, 555	1001119654.....383
1001110108.....53	1001116792 209, 215, 221, 227, 233, 239, 271, 275	1001118930 395	1001119668.....383
1001110109.....53	1001116808 635, 637, 679, 683	1001118931 395	1001119702.....397, 399, 401
1001110110.....53	1001116812 727	1001118932 568, 583	1001119703.....397, 399
1001110111.....53	1001116815 635	1001118933 583	1001119704.....397, 399
1001110112.....53	1001116852 668	1001118934 583	1001119706.....397
1001110113.....53	1001116952 668	1001118935 583	1001119710.....383
1001110133.....760	1001116967 667	1001118957 93, 585	1001119714.....383
1001110186.....75	1001116983 673	1001118971 395, 755	1001119717...43, 57, 397
1001110194..... 148, 152	1001117025 679, 684, 727	1001119020 115, 119, 637, 691, 701, 703, 707	1001119727.....253
1001110425209, 215, 221, 227, 233, 239, 271, 275	1001117064 655, 663, 691	1001119033 395	1001119729.....395
1001110433..... 148, 152	1001117078 345, 348, 353, 356	1001119040 85	1001119817.....583
1001110486..... 148, 152	1001117106 668	1001119042 379	1001119899.....361, 363
1001110513.....53	1001117107 668	1001119052 181	1001119944.....390
1001110604.....583	1001117172 483	1001119053 189	1001119952.....61
1001110873.....329, 335, 344, 352, 591	1001117174 449, 453, 457, 461, 465, 483, 755	1001119054 197	1001119968.....344, 348, 353, 356
1001110877.....53	1001117294 760	1001119105 535, 537, 543, 545	1001119970.....361
1001111132.....158, 166, 174, 182, 190, 198	1001117308 247, 253, 259, 285	1001119111 379, 383	1001119985.....379
1001112551.....735	1001117359 87	1001119137 395	1001119990.....379
1001112612.....637, 679, 683	1001117370 157	1001119138 583	1001119991.....379
1001112669.....41	1001117371 165	1001119141 395	1001119998.....379
1001112691..... 148, 152	1001117455 361, 366	1001119211 407	1001119999.....361, 363
1001112716.....41	1001117456 368, 374	1001119212 397, 399, 407	1001120000.....379
100111275757, 59	1001117457 368, 374	1001119214 407	1001120001.....379
1001112758...43, 45, 754	1001117458 368, 374	1001119215 407	1001120014.....379
1001112766.....161, 169, 177, 185, 193, 201	1001117459 368, 374	1001119225 394	1001120015.....379
1001112796.....637	1001117479 368, 374	1001119262 407, 755	1001120028.....395
1001112878.....157, 165, 173, 181, 189, 197	1001117480 368, 374	1001119266 730	1001120037.....380
1001112879.....157, 165, 173, 181, 189, 197	1001117481 368, 374	1001119273 85	1001120038.....380
1001112880.....157, 165, 173, 181, 189, 197	1001117969 535, 537	1001119313 379, 547	1001120039.....380
1001112927187, 194, 203, 231, 237, 243, 279, 313	1001117984 535	1001119314 547	1001120048.....395
1001112973.....758	1001117990 535, 537	1001119318 547	1001120055.....691, 701, 703, 707
1001112988.....758	1001117991 543, 545	1001119389 449, 453, 701	1001120076.....395
1001113047..... 148, 152	1001117994 535, 537, 543, 545	1001119392 407, 691	1001120084.....395
1001113103.....89	1001118066 535, 537, 543, 545	1001119393 647, 649, 651, 653, 689	1001120098.....647, 649, 651, 653, 687
1001113483.....411	1001118069 535, 537, 543, 545	1001119394 639	1001120099.....647
	1001118070 535, 543	1001119395 663, 730	1001120100.....653
	1001118084 543	1001119413 383	1001120101.....653
	1001118086 543	1001119414 383	1001120104.....395, 755
		1001119452 547, 549	1001120107.....647
		1001119455 . 57, 59, 579, 581	1001120108.....651
		1001119456 103, 105, 713	1001120111.....651
			1001120137.....647
			1001120138.....651

PART NUMBER INDEX

1001120139..... 653	1001122528..... 344, 348, 353, 356	1001125677..... 691	1001135124 ... 95, 97, 99, 101
1001120168 568, 572, 575, 577, 579, 584	1001122591..... 758	1001126008..... 635, 691	1001135138 247, 253, 259, 285
1001120169 568, 572, 575, 577, 583, 584	1001122611..... 469	1001126300..... 473	1001135479 395, 755
1001120170 579, 584	1001123066..... 733, 735, 737, 739, 741, 743, 745, 747, 749, 751	1001126351..... 667	1001135483 395
1001120171 583, 584		1001126352..... 667	1001135484 395
1001120172 572, 584	1001125137..... 535	1001126356..... 667	1001135560 247, 253, 259, 285
1001120173 577, 584	1001125140..... 733	1001126362..... 668	1001135562 247, 253, 259, 285
1001120174 575, 584	1001125141..... 735	1001126363..... 668	
1001120175 568, 584	1001125143..... 739	1001126364..... 668	
1001120209 391	1001125144..... 743	1001126365..... 668	1001135650 669, 671
1001120257 391	1001125146..... 741	1001126384 667	1001135651 669
1001120276 711	1001125147..... 745	1001126391 668	1001135663 145
1001120278 655	1001125148..... 747	1001127092 758	1001135679 247, 253, 259, 285
1001120300 449, 450	1001125149..... 737	1001128527 503	1001135680 247, 259, 285
1001120309 115	1001125150..... 737	1001128556 503	
1001120311 115	1001125151..... 749	1001128947 247, 259, 263	
1001120323 115	1001125152..... 751	1001128996 758	1001135779 248, 254, 260, 286
1001120325 758	1001125153..... 751	1001129555 754	1001135901 247, 259, 285
1001120328 487, 691, 701, 703, 707	1001125175..... 733	1001129858 329, 330	1001135903 247, 253, 259, 285
1001120332 115, 119, 730	1001125176..... 733	1001129920 535	1001135913 247, 259, 284
1001120338 449, 453, 457, 461, 465	1001125177..... 735, 739	1001129921 535	1001135914 247, 259, 284
1001120348 568	1001125178..... 735, 739	1001129961 383	
1001120349 568	1001125179..... 743	1001130025 107	1001135924 247, 259, 285
1001120350 568	1001125180..... 743	1001130584 733, 737, 741, 743, 745, 747, 749	1001135926 247, 259, 285
1001120351 568	1001125181..... 741	1001131269 741	1001135943 247, 259, 285
1001120352 568	1001125182..... 741	1001131292 367, 373	1001135946 247, 253, 259, 285
1001120354 568	1001125183..... 745	1001131293 368, 374	1001136079 248, 253, 286
1001120355 568	1001125184..... 745	1001131296 368, 374	
1001120356 568	1001125185..... 747	1001131330 367, 373	
1001120357 568	1001125186..... 747	1001131462 148, 152	
1001120358 568	1001125187..... 737	1001131482 145	
1001120361 103	1001125188..... 737	1001131542 161, 169, 177, 185, 193, 201, 210, 215, 222, 228, 233, 240, 272, 276	
1001120362 761	1001125189..... 749	1001131620 390	1001136172 253, 258
1001120466 762	1001125190..... 749	1001131728 390	1001136292 247, 259, 285
1001120467 761	1001125191..... 751	1001131733 390	
1001120564 91, 93	1001125192..... 751	1001132194 57, 59, 63	1001136356 333
1001120607 411	1001125194 450, 454, 457, 461, 465	1001132730 758	1001136357 339, 356
1001120608 411	1001125195 450, 454, 458, 461, 466	1001133068 760	1001136626 247, 259, 285
1001120628 585	1001125196 751	1001133071 760	1001136665 247, 253, 259, 285
1001120631 411	1001125197 751	1001133633 247, 254, 260, 285	1001136834 247, 253, 259, 285
1001120728 759	1001125198 751	1001133634 247, 253, 259, 285	
1001120944 557	1001125199 751	1001133714 668, 671	1001136988 351, 355
1001120950 557	1001125200 751	1001133715 669, 671	1001137005 762
1001120952 557	1001125201 751	1001133759 85	1001137262 391
1001120954 557	1001125202 751	1001133956 667	1001137263 391
1001120960 557	1001125203 751	1001133957 667	1001137276 247, 253, 259, 285
1001120961 557	1001125204 751	1001134098 69, 78	
1001120989 752	1001125205 751	1001134180 383	1001137336 252
1001120994 751	1001125206 751	1001134389 227	1001137354 64
1001121121 383, 557	1001125207 751	1001134390 227, 231	1001137364 450, 454, 458, 462, 466
1001121155 557, 559	1001125208 751	1001134392 213, 231, 246	1001137590 351
1001121157 557	1001125209 751	1001134485 247, 259	1001137591 355
1001121826 125, 469	1001125210 751	1001134488 246, 253, 260, 284	1001137672 762
1001121827 127, 471	1001125211 751	1001134627 758	1001137673 487
1001121837 473	1001125212 751	1001134728 568	1001138011 335, 339, 352, 356
1001121943 473	1001125214 751	1001135090 247, 259, 285	1001138110 669
1001122235 473	1001125274 751		1001138111 669
1001122242 473	1001125279 539, 541		
1001122383 125	1001125293 473, 693		
1001122384 469	1001125295 693, 695		
1001122396 647, 649, 651, 653, 699	1001125387 751		
	1001125427 343		
	1001125428 347		
	1001125666 647, 649, 651, 653		

PART NUMBER INDEX

1001138113.....669	1001140648.....758	1001144629.....419, 421, 423, 425, 427	1001154157.....327
1001138228.....247, 253, 259, 285	1001141225.....209, 215, 221, 227, 233, 239, 271, 275	1001145089.....209, 221, 227, 239, 271, 275	1001154214.....95
1001138248.....247, 254, 260, 285	1001141300.....752	1001145154.....248, 254, 260, 286	1001154260.....367, 373
1001138253.....247, 253, 259, 285	1001141302.....752	1001145162.....152	1001154294.....367, 373
1001138346.....247, 253, 259, 285, 667	1001141304.....248, 254, 259, 286	1001145382.....162, 170, 178, 186, 194, 202	1001154304.....367, 373
1001138491.....209, 215, 221, 227, 233, 239, 271, 275, 673	1001141717.....248, 254, 259, 286	1001145405.....496, 507	1001154306.....367, 373
1001138494.....423, 427, 429, 431, 433, 435, 437	1001141718.....319, 321	1001145708.....760	1001154405.....209, 215, 221, 227, 233, 239, 248, 254, 260, 271, 275, 286, 319, 321, 323
1001138514.....429, 431, 433, 435, 437	1001141719.....246, 254, 259, 284	1001145842.....210, 222, 228, 240, 272, 276	1001155044.....450, 454, 458, 462, 466
1001138524.....247, 254, 259, 285	1001141744.....239	1001146042.....443	1001155045.....450, 454, 458, 462, 466, 754
1001138559.....247, 255, 259, 285	1001141745.....240, 243	1001146132.....153	1001155575.....247, 254, 259, 285
1001138565.....333	1001141746.....225, 243, 258	1001146178.....152	1001155823.....248, 254, 260, 286
1001138566.....329, 333, 335, 339	1001141811.....209	1001146219.....246, 254, 258, 284	1001157520.....344, 348, 352, 356
1001138717.....248, 260, 286	1001141812.....210, 213	1001146244.....152	1001157521.....344, 348, 352, 356
1001138772.....761	1001141813.....222, 225	1001147264.....668	1001157525.....347, 348, 355, 356
1001138773.....761	1001141815.....221	1001147479.....394, 755	1001157528.....344, 348, 352, 356
1001138827.....247, 253, 259, 285	1001142398.....247, 254, 259, 285	1001148841.....671	1001157592.....343, 344, 351, 352
1001139099.....760	1001142501.....248, 254, 260, 286	1001148843.....248, 254, 260, 286, 671	1001157890.....691
1001139240.....247, 253, 259, 285	1001142504.....761	1001148902.....760	1001158007.....344, 348, 353, 356
1001139357.....329, 333	1001142505.....761	1001148903.....760	1001158008.....330, 336, 344, 348, 353, 356
1001139492.....99, 585	1001142637.....248, 260, 286	1001148904.....760	1001158363.....330, 336
1001139494.....95, 584	1001142645.....335, 352	1001148905.....760	1001159121.....762
1001139654.....751	1001142683.....133, 135, 137, 139	1001148906.....760	1001159256.....450, 454, 458, 462, 466, 754
1001139665.....95, 99	1001142685.....248, 254, 260, 286	1001148971.....761	1001160120.....751
1001139666.....95, 99	1001142694.....133, 137	1001149639.....162, 170, 178, 186, 194, 202	1001160567.....87
1001139778.....152	1001142719.....133, 135, 137, 139	1001149730.....761	1001161046.....649
1001139930.....327	1001142736.....133, 135, 137, 139, 637	1001149740.....162, 170, 178, 186, 194, 202	1001161047.....649
1001139958.....329	1001142938.....668	1001149818.....131, 725	1001161052.....649
1001139959.....333	1001142940.....668	1001149955.....131	1001161401.....15, 20
1001139972.....367, 373	1001142941.....668	1001149994.....131, 135, 139	1001161402.....15, 20
1001139994.....531	1001143080.....758	1001150406.....131	1001161403.....15, 20
1001139995.....535, 537	1001143087...95, 97, 99, 101	1001150944.....133, 635	1001161709.....450, 454, 458, 462, 466, 754
1001139996.....543, 545	1001143123.....95, 99	1001151284.....162, 170, 178, 186, 194, 202	1001161710.....450, 454, 458, 462, 466, 754
1001139998.....374, 531	1001143294.....145	10011515393.....123	1001162899.....730
1001139999.....379, 535	1001143298.....145	1001152456.....330, 336	1001162900.....730
1001140104.....379, 543	1001143390.....248, 254, 260, 286	1001152457.....329, 335, 336	1001162901.....730
1001140105.....363	1001143431.....133	1001152525.....330, 336, 344, 348, 352, 356	1001163131.....491, 493
1001140107.....363, 372	1001143515.....758	1001152530.....330, 336	1001165035.....209, 216, 221, 227, 234, 239, 248, 255, 260, 286
1001140108.....361, 363, 379	1001143852.....752	1001152533.....329, 333, 335, 339, 675	1001165101.....210, 216, 222, 228, 234, 240, 272, 276, 319
1001140222.....319	1001143927.....368, 374, 763	1001152742.....667	1001165368.....333, 339, 659
1001140312.....260	1001143928.....383	1001152963.....213, 219, 225, 281, 300	1001165820.....248, 260, 286
1001140318.....761	1001143929.....368, 374	1001152966.....581	1001166393.....247, 253, 259, 285
1001140346.....335, 336	1001143930.....760	1001152969.....581, 584	1001166538.....450, 454, 458, 462, 466, 481
1001140347.....339	1001143931.....760	1001152972.....568, 572, 575, 577, 581, 584	
1001140429.....417, 423, 427, 429, 431, 433, 435, 437	1001144089.....248, 254, 260, 286	1001153024.....247, 259, 285	
1001140485.....152	1001144147.....635	1001153257.....329, 335	
1001140535.....253	1001144346.....111	1001153260.....330, 336	
1001140564.....246, 254, 259, 284	1001144398.....561, 563	1001153387.....248, 254, 260, 286	
1001140604.....209, 221, 227, 239, 271, 275	1001144433.....458, 462, 466		

PART NUMBER INDEX

1001166539 450, 454, 458, 462, 466, 477	1001177562..... 759	1001189002..... 413	1001205036 758
1001166664 443, 449	1001177635..... 475	1001189176..... 133	1001205401 135
1001167164 219, 237	1001177945..... 219, 237	1001190097..... 445, 457	1001205958 611, 613, 615, 617, 619, 621, 623, 625, 627
1001167565 413	1001177946..... 219, 237	1001190105..... 458	1001206250 615
1001167567 413	1001177957..... 219, 237	1001190110..... 445	1001206251 621
1001167596 413	1001177958..... 219, 237	1001190586..... 473	1001206252 627
1001168166 254	1001177959..... 219, 237	1001190587..... 473	1001206253 603
1001168402 413	1001178236..... 254	1001190985..... 413	1001206254 609
1001169054 254	1001178249..... 379, 385	1001191272..... 247, 259, 285	1001206255 597
1001169138 254	1001178250..... 379, 387	1001191395..... 760	1001206544 762
1001170035 254	1001178797..... 323	1001191525..... 752	1001206794 760
1001170982 255	1001178894..... 254	1001191541 16, 20	1001206797 760
1001171095 186, 195, 203, 231, 237, 243, 279, 309	1001179154..... 329, 336, 344, 352	1001191708..... 489	1001207004 139
1001171130 335	1001179216..... 647, 649, 651, 653	1001192401..... 680, 684	1001207309 137
1001171131 762	1001179510..... 395	1001193018..... 595, 597, 599, 601, 603, 605, 607, 609, 611, 613, 615, 617, 619, 621, 623, 625, 627	1001207969 399
1001171273 339	1001179830..... 120	1001193646..... 760	1001208923 762
1001172045 761	1001180051..... 148, 153	1001193674..... 16, 20	1001208994 399
1001172663 413	1001180491..... 475	1001193684..... 105	1001209059 762
1001172760 450, 454, 458, 462, 466	1001180620..... 254	1001193685..... 109	1001209282 762
1001172840 751	1001181045..... 657, 659, 661, 755	1001194197..... 613	1001209664 487
1001173163 149, 153	1001181129..... 97, 101	1001194198..... 619	1001209873 139
1001173164 149, 153	1001181151..... 760	1001194200..... 625	1001210028 762
1001173166 148, 152	1001181895..... 260	1001194203..... 601	1001210043 762
1001173170 148, 152	1001182138..... 489	1001194204..... 607	1001210089 762
1001173171 87, 89	1001182241..... 760	1001194365..... 595	1001210090 762
1001173183 149, 153	1001182242..... 760	1001195610..... 762	1001211801 761
1001173184 153	1001182600..... 760	1001195793..... 730	1001212223 351, 355
1001173185 148, 152	1001182997..... 255	1001196634..... 325	1001212415 754
1001173186 148, 153	1001183407..... 761	1001196714..... 758	1001212790 391
1001173187 148, 153	1001184785..... 120	1001197016..... 762	1001213385 568, 579, 583
1001173188 148, 153	1001184786..... 120	1001197067..... 137	1001213447 707
1001173202 152	1001184787..... 105, 109, 113, 119	1001197408..... 752	1001213600 761
1001173609 475	1001184788..... 113	1001197436..... 761	1001213601 760
1001173647 148, 153	1001185079..... 760	1001197860..... 759	1001213705 361, 363
1001173651 148, 153	1001185281..... 458, 462, 466	1001198751..... 317	1001214029 752
1001173703 752	1001186334..... 439	1001200064..... 759	1001214463 762
1001173912 148	1001186375..... 429	1001200065..... 759	1001214478 761
1001173913 19	1001186379..... 431	1001200066..... 759	1001214540 761
1001173914 15	1001186382..... 435	1001200067..... 759	1001214548 761
1001173915 87	1001186383..... 425	1001200069..... 759	1001214552 761
1001173918 89	1001186384..... 421	1001200070..... 759	1001214561 761
1001174325 539	1001186387..... 419	1001200071..... 759	1001215375 475
1001174331 149	1001186389..... 441	1001200263..... 762	1001215379 475
1001175237 153	1001186431..... 466	1001200266..... 413	1001215380 475
1001175250 149	1001186432..... 466	1001200491..... 413	1001216363 758
1001175859 148, 153	1001186517..... 487	1001200494..... 413	1001216630 409, 411, 413
1001175879 148, 153	1001186903..... 119, 683	1001200575..... 450, 458	1001217005 135
1001175880 148, 153	1001186905..... 458, 462, 703	1001200910..... 135	1001218384 739
1001176291 760	1001187011..... 254	1001201351..... 413	1001218622 653
1001176329 254	1001187456..... 761	1001201888..... 454, 462	1001218623 653
1001176330 254	1001187508..... 487	1001201889..... 466	1001218715 759
1001176333 695	1001187787..... 761	1001202221..... 760	1001219642 254, 267
1001176346 51	1001188367..... 629	1001202280..... 317	1001219991 447, 465
1001176347 53	1001188376..... 97, 101	1001202281..... 317	1001219992 .. 45, 59, 399
1001176415 254	1001188382..... 97, 101	1001202559..... 445, 461	1001220149 761
1001176416 254	1001188622..... 413	1001202561..... 443, 453	1001220379 668
1001176469 119	1001188844..... 413	1001202697..... 758	1001220482 475, 695
1001176582 475	1001188884..... 317	1001202749..... 760	1001220560 97, 101
1001176636 475	1001188887..... 317	1001203564..... 760	1001220735 219, 237, 252
1001176778 473	1001188889..... 487	1001203656..... 439, 441	1001220770 254
1001176783 473	1001189001..... 413	1001203866..... 317	1001220867 466, 707
1001176940 254		1001204725..... 413	
1001177094 254		1001204900..... 761	

PART NUMBER INDEX

1001220929.....466	1001228617..... 71	1001239634..... 761	1340065.... 161, 169, 177, 185, 193, 201
1001220955.....475	1001228953..... 758	1001241420..... 761	1340067.....758
1001221203.....254	1001228964..... 762	1001241835..... 272, 276	1380147..... 143, 145
1001221205.....254	1001228976..... 475	1001243895..... 325	1380169..... 148, 152
1001221207.....254	1001228988..... 496, 497, 499, 501, 503, 507	1060341..... 675	1560011.....709
1001221212.....254	1001229058..... 71	1060343..... 344, 352	1560012.....709
1001221213.....254	1001229107..... 758	1060379..... 509, 511	1580012.....485
1001221217.....254	1001229485..... 475	1060545..... 659	1580013.....761
1001221219.....254	1001229599..... 254	1060904..... 177, 201	1600343.... 449, 453, 457, 461, 465, 755
1001221259.....215	1001229600..... 254	1060908..... 657, 661	1600387.....411, 755
1001221261.....233	1001229922..... 475	1060918..... 483	1670603.....595, 597
1001221263.....216, 219	1001230625..... 761	1060979..... 655	1670829..... 115, 119
1001221265.....234, 237	1001230626..... 761	1060981..... 641, 645	1670964.....390, 397
1001221427.....255	1001230931..... 655, 663, 691	1060982..... 643	1670996.....51
1001221666..... 101, 585	1001231235..... 762	10702077 . 344, 348, 352, 356	1671023.... 161, 169, 177, 185, 193, 201
1001221707.....447	1001231315..... 733	10702082 . 344, 348, 352, 356	1671031.....394
1001221802.....97, 584	1001231316..... 741	10837580 .. 555, 557, 559	1671032.....366, 372
1001222665.....760	1001231317..... 747	1120094..... 551	1671033.....366, 372
1001222773.....321	1001231318..... 749	1120549..... 23	1671038..... 148, 152
1001222817.....323	1001231319..... 737	1120550..... 23	1671040.....23
1001223055.....733	1001231320..... 745	1120555..... 491, 493	1671044.....394
1001223068.....323	1001231321..... 743	1180362..... 390	1671045.....51, 53
1001223453.....733, 741	1001231801..... 751	1180363..... 390	1671046.....51, 53
1001223971.....741	1001231949..... 517	1260017..... 75	1671047.....51, 53
1001224048.....747	1001231950..... 513, 515	1271538..... 411	1671048.....51, 53
1001224049.....749	1001232010..... 513, 515, 517	1320022 ... 157, 161, 165, 169, 173, 177, 181, 185, 189, 193, 197, 201, 210, 215, 222, 228, 233, 240, 248, 255, 260, 271, 275, 285, 317	1671049.....51, 53
1001224050.....743	1001232011..... 513, 515, 517	1320058 ... 161, 162, 169, 170, 177, 178, 185, 186, 193, 194, 201, 202	1671092.... 344, 352, 649, 653
1001224052.....737	1001232172..... 759	1320060 ... 161, 169, 177, 185, 193, 201	1671093.... 496, 501, 649, 653
1001224053.....745	1001232173..... 759	1320061..... 395	1671121.... 157, 165, 173, 181, 189, 197, 209, 215, 221, 227, 233, 239, 271, 275
1001224066.....61	1001232174..... 759	1320095..... 115, 119	1671176.... 449, 453, 457, 461, 465
1001225118.....162, 170, 178, 186, 194, 202	1001232175..... 760	1320130..... 255, 394	1683051.....557
1001225266.....380	1001232176..... 759	1320136 ... 394, 411, 543, 545	1683056.....521
1001225307.....758	1001232177..... 759	1320146 ... 589, 591, 593, 631	1683062.....525
1001225308.....758	1001232178..... 759	1320162 91, 93, 95, 99	1683063.....543
1001225580.....466	1001232179..... 759	1320177 496, 507	1683072.....539
1001226289.....653	1001232842..... 325	1320187 ... 157, 165, 173, 181, 189, 197, 209, 215, 221, 227, 233, 239, 271, 275	1684081..... 19, 525
1001226290.....653	1001233047..... 758	1320190 ... 157, 165, 173, 181, 189, 197, 209, 215, 221, 227, 233, 239, 271, 275	1684082.....525
1001226400.....687, 699	1001233237..... 758	1320223 ... 161, 169, 177, 185, 193, 201	1684083.....525
1001226872.....417	1001233494..... 761	1320224 411	1684102..... 15, 19, 521
1001226923.....323	1001233763..... 325	1320263..... 15, 19	1684103.....521
1001227451.....758	1001234099..... 758	1320294..... 390	1684105.....521
1001227606.....216, 234, 321	1001235114..... 759	1320295..... 390	1684141.....561
1001227960...57, 59, 754	1001235459..... 285, 289	1320298..... 391	1684159.....539
1001228019.....19, 527	1001235476..... 271, 279	1320301..... 394	1684275.....551
1001228020...15, 19, 523	1001235477..... 279, 281, 284	1320302 ... 496, 499, 501, 503	1684275.....551
1001228031.....23, 553	1001235479..... 275, 281	1321293..... 395	1684314.....23, 551
1001228043.....368, 374, 533	1001235481..... 271		1684315.....551
1001228045.....361, 363, 541	1001235482..... 275		1684317.....551
1001228046.....379, 549	1001235617..... 758		1701499.... 733, 735, 737, 739, 741, 743, 745, 747, 749
1001228047.....368, 374, 563	1001236746..... 517		1701501.... 733, 735, 737, 739, 741, 743, 745, 747, 749
1001228048.....383, 559	1001236747..... 513		1701505.... 733, 735, 737, 739, 741, 743, 745, 747, 749
1001228057.....379, 537	1001236891..... 513, 515, 517		
1001228058.....379, 545	1001236895..... 513, 515, 517		
1001228215.....417	1001236951..... 761		
1001228243.....427	1001236989..... 759		
1001228363.....762	1001237755..... 361, 363		
1001228375.....437	1001237882..... 760		
1001228376.....423	1001237883..... 760		
1001228377.....433	1001238263..... 513, 515, 517		
1001228431.....761	1001238463..... 515		
1001228488.....71, 81			
1001228585.....762			

PART NUMBER INDEX

1701509 ... 491, 493, 733, 735, 737, 739, 741, 743, 745, 747, 749	1704885 751	1705909 749	2130812 .30, 34, 568, 583
1701518 735, 739	1704972 733, 745	1705910 749	2131010 568
1702565 ... 449, 453, 457, 461, 465	1705014 439	1705915 749	2131012 64
1702566 ... 449, 453, 457, 461, 465	1705174 127	1705917 749	2131212 ... 91, 93, 95, 97, 99, 101, 579, 581
1702773 439, 441, 751	1705305 ... 496, 499, 501, 503, 507	1705921 735, 739	2131612 583
1702774 751	1705307 377, 759, 762	1705961 735, 739	2150404 568
1702788 758	1705325 599, 601, 603	1705967 737	2150406 568
1702868 ... 496, 501, 503, 507, 733, 751	1705336 733	1705969 747, 751	2151012 49
1702942 174, 198	1705337 733	1705973 471	2170316 64
1702962 751	1705338 745	1705974 471	2170504 572, 575
1703162 ... 161, 169, 177, 185, 193, 201, 248, 252, 260, 286	1705339 747	1705980 735, 752	2170506 575
1703479 758	1705341 741	1706059 737	2170512 97, 101
1703683 509	1705342 743	1706060 743	2170704 572
1703797 733	1705344 745	1706061 747	2170710 568
1703804 733	1705345 747	1706062 745	2170712 91, 93, 95, 99
1703805 733	1705347 741	1706063 749	2170804 572
1703811 ... 733, 735, 737, 739, 741, 743, 745, 747, 749	1705348 743	1706064 741	2170908 579, 581, 583
1703814 ... 733, 735, 737, 739, 741, 743, 745, 747, 749	1705351 733	1706098 735, 739	2171112 ... 95, 97, 99, 101
1703923 749	1705355 ... 496, 499, 501	1706385 439	2171208 568
1703924 741	1705358 491, 493	1706493 441	2171210 568
1703925 743	1705366 394	1706501 441	2172112 97, 101
1703926 745	1705367 394	1706510 511	2180002 73
1703927 747	1705374 ... 329, 335, 344	1706741 ... 449, 453, 457, 461, 465	2180344 73
1703935 749	1705375 ... 344, 353, 496, 501, 503	2030010 ... 496, 499, 501, 503, 507	2180348 ... 157, 165, 173, 181, 189, 197, 317
1703936 741	1705387 ... 329, 335, 344, 353	2060025 ... 161, 169, 177, 185, 193, 201	2180467 89
1703937 743	1705426 745	2080040 ... 419, 421, 423, 425, 427	2180832 ... 209, 215, 221, 227, 233, 239, 271, 275, 496, 507
1703938 745	1705427 747	2110404 29, 34, 401, 403, 568, 579, 581, 583	2200222 ... 157, 165, 173, 181, 189, 197, 209, 215, 221, 227, 233, 239
1703939 747	1705429 741	2110406 49, 64, 401, 404, 568, 575	2220063 73
1703941 749	1705430 743	2110408 64	2220235 16, 572
1703942 741	1705460 ... 344, 348, 353, 356	2110604 403, 575	2220238 572
1703943 743	1705461 348, 356	2110606 47, 64, 401, 403, 575	2220273 252
1703944 745	1705466 ... 496, 499, 501, 503, 507	2110608 64, 579, 581, 583	2220313 ... 157, 165, 173, 181, 189, 197, 209, 215, 221, 227, 233, 239, 271, 275
1703945 747	1705489 ... 333, 339, 348, 356	2110610 579, 581, 583	2220451 ... 161, 169, 177, 185, 193, 201
1703947 749	1705490 497, 507	2110808 ... 29, 34, 64, 401, 403, 572	2220478 579, 581, 583
1703948 741	1705492 733	2110810 49, 64, 579, 581, 583	2220498 ... 161, 169, 177, 185, 193, 201
1703949 743	1705493 745	2110812 30, 34, 568, 579, 581, 583	2220737 579, 581
1703950 745	1705503 747	2111010 64, 403, 568, 579, 581, 583	2220816 317, 323
1703951 747	1705505 741	2111012 49, 579, 581, 583	2220883 49, 521, 523, 533, 535, 537, 541, 543, 545, 555, 557, 559
1703953 733	1705507 743	2111016 583	2220885 ... 525, 527, 529, 531, 533, 541, 543, 545, 553, 555, 557, 559, 561, 563
1703980 745	1705511 ... 733, 735, 737, 739, 741, 743, 745, 747, 749	2111212 579, 581, 583	2220886 ... 529, 531, 543, 545, 563
1703981 747	1705514 733, 741	2111216 63	2220887 541
1703982 743	1705744 ... 449, 453, 457, 461, 465	2111616 579, 581, 583	2220888 539
1703983 749	1705822 735, 739	2112016 583	2220890 64
1703984 741	1705828 735, 739	2112020 579, 581, 583	2221084 579, 581, 583
1704000 741, 751	1705864 751	2112021 57, 59	2221086 . 47, 49, 64, 401, 403
1704001 749	1705865 751	2130404 568, 583	2221117 579, 581
1704006 741	1705868 ... 733, 737, 741, 743, 745, 747, 749	2130406 30, 34, 568	2221176 ... 157, 165, 173, 181, 189, 197
1704007 749	1705895 737	2130606 63, 577, 579, 581, 583	2300004 248, 252, 286
1704260 ... 449, 453, 457, 461, 465	1705896 737	2130808 568, 579, 581, 583	
1704277 ... 733, 735, 737, 739, 741, 743, 745, 747, 749	1705897 737	2130810 47, 583	
1704412 ... 733, 735, 737, 739, 741, 743, 745, 747, 749	1705898 737		
	1705901 737		
	1705902 737		
	1705903 737		
	1705904 737		
	1705905 737		
	1705906 737		

PART NUMBER INDEX

2300014.....760	2753736 577	2902212 491, 493	3290601.....149, 153
2300016.....760	2753737 577	2902217 496, 499, 501	3290605.....496, 507
2300021.....760	2753738 577	2902257 551, 553	3290605001.....475
2300029.....760	2753739 577	2902303 760	3290606.... 429, 431, 433, 435, 437
2300039.....760	2753741 579, 581	2902307 759	3290607.... 133, 135, 137, 139
2300041.....258	2753742 577	2902308 759	3290801.... 246, 252, 258, 284
2400060.... 325, 679, 683	2753743 568, 577	2902309 759	3290805.....255
2400064.... 679, 683, 754	2753744 579, 581, 583	2902310 759	3290807.....255
2400065.....727, 754	2753746 579, 581, 583	2902311 760	3291001.....252, 413
2400066.....727	2753747 572	2902312 759	3291005.....413
2410014.....439, 441	2753748 572	2902322 759	3291007.....252
2420191.....87	2753749 572	2902329 759	3291201.....413
2420202.....411	2753750 572	2902443 665, 668	3291205.....409, 413
2460048.....343, 347	2753752 572	2915072 73	3300151.... 417, 423, 427, 429, 431, 433, 435, 437, 496, 499, 501, 503
2540038.....252, 411	2753753 577	2920028 457, 461, 465	3300220.... 209, 215, 221, 227, 233, 239, 271, 275
2540045.....407	2753754 577	2920029 457, 461, 465	3300239.....366, 372
2560136.... 449, 453, 457, 461, 465	2753755 568	2920154 ... 449, 453, 457, 461, 465	3300243.....409, 413
2560187 149, 153	2753756 572	2920161 131	3300353.... 449, 453, 457, 461, 465
2570008.....547	2753757 572	2940074 ... 419, 421, 423, 425, 427, 754	3300396.... 330, 336, 344, 348, 352, 356
2580062.....177, 201	2753759 572	2940139 115, 120	3300408.... 115, 119, 449, 453, 457, 461, 465
2600279.....115, 120	2753760 572	2940173 149, 153	3300430.....487, 489
2600281.... 419, 421, 423, 425, 427	2753761 572	3020008 30, 34, 760	3300449.....473
2717235.....568	2753762 572	3020016 ... 161, 169, 185, 193	3300454.. 53, 57, 59, 133, 135, 137, 139, 162, 170, 178, 186, 194, 202
2720015.... 247, 255, 260, 285	2753763 568	3020021 315	3300458.....366, 372
2720058.... 161, 169, 177, 185, 193, 201, 317	2753764 572	3020037 ... 213, 219, 225, 231, 237, 243, 279, 281	3300460.....366, 372
2720160.....496, 507	2753765 579, 581, 583	3020039 ... 366, 372, 535, 543	3300461.....366, 372
2720500.... 161, 169, 177, 185, 193, 201	2753766 579, 581, 583	3020042 366, 372	3300464.....23
2720501.... 161, 169, 177, 185, 193, 201	2753767 568	3020043 547	3300465.....551, 553
2750528.....73	2753768 572	3020044 177, 201	3300492.....390
2750532.... 157, 161, 165, 169, 173, 177, 181, 185, 189, 195, 197, 201, 209, 216, 221, 227, 234, 239, 271, 275	2753769 579, 581	3160339 25, 27, 37	3310401.... 247, 252, 258, 285
2753541 572	2753770 579, 581	3200362 ... 161, 169, 177, 185, 193, 201	3310601.....143, 145
2753545 568, 572	2753771 579, 581, 583	3200401 ... 161, 169, 177, 185, 193, 201	3310805.....15, 19
2753552 572	2753772 579, 581, 583	3220126 ... 161, 169, 178, 185, 193, 202	3311001.... 116, 119, 319, 321, 330, 336, 344, 348, 352, 356
2753582 572	2753773 579, 581	3220130 ... 161, 169, 178, 185, 193, 202	3311005.... 133, 137, 329, 335, 344, 348, 352, 356, 496, 499, 501, 503, 507
2753622.....579, 581	2753774 579, 581, 583	3220130 ... 161, 169, 178, 185, 193, 202	3311401.....115, 119
2753675.....568	2753775 579	3251102 ... 329, 333, 335, 339, 343, 347, 351, 355	3311402.....115, 119
2753677.....572	2753776 579, 581	3251242 ... 595, 597, 607, 609, 611, 613, 615, 617, 619, 621, 623, 625, 627	3311405.... 43, 45, 53, 61, 115, 119, 152, 162, 170, 178, 186, 194, 202, 209, 219, 221, 227, 237, 239, 246, 252, 258, 271, 275, 284, 333, 339, 394, 407, 411, 443, 445, 447, 589, 591, 593, 595, 597, 599, 601, 603, 605, 607, 609, 611, 613, 615, 617, 619, 621, 623, 625, 627, 629, 631, 733, 735,
2753685.....572	2753777 91, 93	3251243 ... 329, 336, 344, 353, 733, 741	
2753703.....572	2753778 568	3251813 751	
2753708.... 579, 581, 583	2753843 91	3252347 733	
2753713.....572	2753999 93	3271601 317, 390	
2753714.....572	2754470 568	3271605 513, 515, 517	
2753715.....572	2760105 115, 119	3271805 439, 441	
2753716.....572	2780286 25	3272001 ... 246, 252, 258, 284, 513, 515, 517	
2753718.... 579, 581, 583	2820031 ... 329, 333, 335, 339, 343, 347, 351, 355	3272005 379	
2753719.....575	2820035 129, 325	3272605 411	
2753726.....575	2820170 ... 157, 165, 173, 181, 189, 197	3281601 394	
2753727.....575	2820171 695	3290405 ... 333, 339, 595, 597, 599, 601, 603, 605, 607, 609, 611, 613, 615, 617, 619, 621, 623, 625, 627, 629, 631	
2753728.....577	2840016 143, 145		
2753729.....575	2860030 123, 754		
2753730.... 579, 581, 583	2900770 63, 525, 527, 535, 537, 539, 541, 555, 557, 559		
2753731.... 579, 581, 583	2900789 561, 563		
2753732.....577	2900792 ... 521, 523, 529, 531, 533, 543, 545		
2753733.....577	2901443 762		
2753734.... 577, 579, 581, 583	2901773 521, 523		
2753735.....577	2902065 ... 161, 169, 177, 185, 193, 201, 247, 252, 258, 285, 315		
	2902081 561		
	2902087 525, 527		
	2902099 ... 157, 165, 173, 181, 189, 197		

PART NUMBER INDEX

737, 739, 741, 743, 745, 747, 749	3421453 496, 507	3573142.... 162, 170, 178, 186, 194, 202	3760383 23
3311501 555	3421563 75	3573144..... 115, 120	3790012 ... 449, 453, 457, 461, 465
3311505 ... 23, 43, 45, 75, 91, 93, 95, 97, 99, 101, 129, 145, 148, 149, 152, 153, 157, 162, 165, 170, 173, 178, 181, 186, 189, 194, 197, 202, 395, 397, 399, 509, 511, 557	3422446 ... 157, 165, 173, 181, 189, 197, 209, 215, 221, 227, 233, 239, 271, 275	3573179..... 390	3790015 ... 449, 453, 457, 461, 465
3311508 ... 329, 335, 343, 347, 351, 355, 390	3422532 ... 162, 170, 178, 186, 194, 202	3573181..... 390	3790152 ... 187, 195, 203, 231, 237, 243, 279
3311601 . 61, 87, 89, 450, 454, 458, 462, 466	3422661 509, 511	3573194..... 391	3790155 ... 187, 195, 203, 231, 237, 243, 279
3311605 ... 43, 45, 61, 91, 93, 97, 101, 143, 145, 148, 152, 162, 170, 178, 186, 194, 202, 209, 215, 221, 227, 233, 239, 246, 252, 258, 271, 275, 284, 319, 321, 323, 367, 372, 377, 394, 407, 439, 441, 443, 445, 447, 496, 499, 501, 503	3422833 19	3573210..... 391	3790158 34
3311608 ... 367, 373, 383, 390	3422915 19	3573294..... 15, 19	3820001 ... 733, 735, 737, 739, 741, 743, 745, 747, 749
3311705 ... 210, 215, 222, 228, 233, 240, 246, 252, 258, 272, 276, 284	3422917 23	3573301..... 394	3820020 ... 419, 421, 423, 425, 427
3311801 ... 335, 339, 351, 355, 367, 373	3422918 15, 19	3573335..... 15, 19	3820034 473
3311805 85, 143, 145, 148, 152, 162, 170, 178, 186, 194, 202, 409, 411, 413	3422926 367, 373	3573355..... 141	3841143 ... 157, 165, 173, 181, 189, 197, 209, 215, 221, 227, 233, 239, 271, 275, 379, 413
3312002 69, 71, 513, 515, 517	3422940 23	3573400.... 496, 499, 501, 503	3841203 367, 373, 379
3312005 19, 361, 363, 379, 411, 491, 493	3422941 23	3573411.... 162, 170, 178, 186, 194, 202	3841258 19, 23, 361, 363, 379
3312205 491, 493	3422955 361, 363	3573412.... 162, 170, 178, 186, 194, 202	3841287 .15, 19, 361, 363
3312602 131, 135, 139	3422959 367, 373	3573437..... 367, 373	3841340 43, 45, 87, 89
3322201 85	3422960 15, 19	3573444..... 367, 373	3841581 361, 363
3340871 367, 373	3422988 361, 363	3573454..... 143	3890040 439, 441
3340881 15, 19, 367, 373, 383	3423161 383	3573529.... 162, 170, 178, 186, 194, 202	3900054 439, 441
3340910 367, 373	3423208 361, 363	3573642.... 496, 499, 501, 503	3900085 131, 135, 139
3340912 367, 373	3423256 23	3573669.... 157, 165, 173, 181, 189, 197	3900174 148, 152, 473
3340916 367, 373	3430616 454, 462, 466	3574431 394	3900183 ... 449, 453, 457, 461, 465
3340917 367, 373	3430816 143, 145	3574461..... 394	3900210 ... 148, 149, 152, 153, 397, 399
3340918 367, 373	3450404 143, 145	3575889..... 383	3900223 69
3340921 367, 373	3451214 23	3576799..... 496, 507	3900232 148, 152, 391
3340922 367, 373	3460334 491, 493	3577121.... 496, 499, 501, 503	3900267 330, 336
3340925 390	3470003 ... 450, 454, 458, 462, 466	3580158..... 162, 186	3900270 15, 19
3340926 367, 373	3480233 535	3580300..... 367, 373	3900272 ... 157, 165, 173, 181, 189, 197
3340927 361, 363	3480268 561	3580302..... 367, 373	3900283 ... 51, 57, 59, 87, 89, 383, 391, 397, 411
3340939 391	3480269 525	3580306..... 367, 373	3900300 330, 336
3340940 390	3480270 539	3580317 ... 329, 333, 335, 339, 344, 347, 351, 355	3900316 391
3340941 394	3480272 521	3580318.... 329, 335, 344, 351	3900349 ... 449, 453, 457, 461, 465
3340942 390	3480278 551	3580319.... 333, 339, 348, 355	3900363 149, 153
3340955 367, 373	3480282 543	3580320.... 170, 178, 194, 202, 246, 252, 258, 284	3910408 ... 247, 252, 258, 285
3340956 491, 493	3520026 ... 449, 453, 457, 461, 465	3580341 367, 373	3910606 ... 329, 335, 344, 351, 591, 593
3340963 561	3520027 449, 453	3580342..... 367, 373	3910608 143, 145
3380434 443, 445, 447	3520030 465	3600339.... 162, 170, 178, 294	3910804 123
3380473 ... 157, 165, 173, 181, 189, 197	3520034 148, 152	3600465..... 61, 67	3911012 133, 137
	3520035 453	3620034..... 91, 93	3930606 394
	3520054 19, 162, 170, 178, 186, 194, 202, 210, 215, 222, 228, 233, 240, 272, 276	3740067..... 61, 162, 170, 178, 186, 194, 202, 754	3930816 394
	3520071 491, 493	3740080.... 162, 170, 178, 186, 194, 202, 679, 684, 727, 754	3930820 15, 19, 394
	3520072 ... 417, 419, 421, 423, 425, 427, 429, 431, 433, 435, 437, 439, 441	3760170..... 75	3930824 394
	3520182 489	3760217 367, 373	3931008 85
	3520189 348, 356	3760217 367, 373	3931016 ... 329, 335, 343, 347, 351, 355
	3520192 348, 356	3760308.... 149, 153, 473	3931020 23
	3520198 ... 417, 419, 421, 423, 425, 427, 429, 431, 433, 435, 437	3760351..... 383	3931412 23
	3537416 ... 162, 170, 178, 186, 194, 202	3760369..... 521	3931414 394
	3537445 143	3760371..... 525, 543, 545	3931420 ... 535, 537, 543, 545
	3539971 ... 162, 170, 178, 186, 194, 202	3760375..... 539	3931424 487
	3572950 367, 373		
	3573016 390		

PART NUMBER INDEX

3931432....247, 252, 258, 285	4070895 367, 373	4360336 ... 329, 333, 335, 339, 344, 348, 351, 355, 755	4460419....679, 683, 701, 703, 707
3931456.....561	4070897 367, 373, 383	4360387 ... 119, 449, 453, 457, 461, 465, 754	4460424.....129, 727
3931508....248, 252, 260, 286, 394	4071012 367, 373	4360407 ... 449, 453, 457, 461, 465, 754	4460425....330, 336, 344, 348, 352, 356
3931512.....85, 246, 252, 258, 284	4071013 373	4360469 123, 755	4460426....115, 119, 330, 336, 344, 348, 352, 356
3931516.....555, 557	4071015 367, 373	4360475 ... 115, 119, 449, 453, 457, 461, 465, 754	4460428....449, 453, 457, 461, 465
3931608.....561	4071016 367, 373	4360476 115, 119, 754	4460434.....701, 703, 707
3931616....103, 105, 107, 109, 111, 113	4071017 367, 373	4360505 23, 754	4460458.....668
3931620.....521, 523	4071018 367, 373	4360527 394, 755	4460464.....23, 483, 635, 637, 639, 663, 667, 668, 673, 679, 683, 691, 701, 703, 707, 711, 713, 725, 727
3931628....246, 252, 258, 284	4071019 367, 373	4360543 394, 755	4460465....131, 345, 348, 353, 356, 411, 635, 637, 639, 663, 665, 667, 668, 675, 677, 679, 680, 683, 684, 687, 691, 693, 695, 697, 699, 703, 707, 709, 711, 727, 728
3931824....525, 527, 543, 545	4071021 391	4400457 87, 89	4460466....411, 635, 637, 641, 665, 667, 668, 687, 695, 697, 699, 707
3931840.....561	4071022 391	4420014 491, 493	4460467.....762
3932016.....379	4071023 391	4420037 61, 496, 499, 501, 503	4460470....115, 119, 407, 449, 453, 457, 461, 465
3932024.....23	4071024 367, 373	4420038 87, 89	4460471....115, 119, 449, 453, 457, 461, 465
3932032.....529, 531	4071025 367, 373	4420051 739, 751, 759	4460473.....687, 699
3932224.....379	4071026 368, 374	4420062 509, 511	4460483.....330, 336
3932244.....539	4071027 368, 374	4420066 491, 493	4460488....135, 139, 466
3951003.....535, 543	4071028 368, 374	4460016 ... 701, 703, 707	4460496....115, 119, 449, 453, 457, 461, 465
3951522.....390	4071029 368, 374	4460019 ... 665, 668, 727	4460497....116, 119, 449, 453, 457, 461, 465
3952020.....69, 71	4071031 368, 374	4460042 ... 669, 673, 679, 683	4460508....679, 683, 691, 701, 703, 707
3960418.....115, 120	4071035 15, 19	4460043 325, 668	4460509.....687, 699
3960422....329, 335, 344, 351, 591, 593	4071036 15, 19	4460051 591, 593	4460510.....762
3960447 149, 153	4071039 15, 19, 383	4460068 330, 336	4460518.....635, 637
3960525.....87	4071040 15, 19, 383	4460071 ... 329, 335, 344, 351, 483	4460526....115, 119, 727
3960543....162, 170, 178, 186, 194, 202, 246, 252, 258, 284	4071041 69, 71	4460125 593	4460536.....23, 703, 707
3960544....162, 170, 178, 186, 194, 202, 246, 252, 258, 284	4071042 15, 19	4460134 647	4460539....633, 641, 703, 707, 727
3960551.....23	4071046 368, 374	4460205 591, 647	4460634.....679, 683
3960552.....23	4071049 16	4460213 701, 703, 707	4460635.....679, 683
3980006.....61	4071050 16	4460224 340	4460662....595, 613, 619, 625
3990001....680, 684, 754	4071054 15, 19	4460225 ... 675, 677, 701, 703, 707	4460702.....665, 727
4000008.....394, 755	4071055 15, 19	4460226 ... 478, 481, 483, 701, 703, 707	4460703.....668
4010408....333, 339, 473, 629, 631	4071074 ... 449, 453, 457, 461, 465	4460227 ... 679, 683, 701, 703, 707	4460708....701, 703, 707
4010608.....496, 507	4100099 543	4460234 ... 178, 202, 260, 449, 453, 457, 461, 465	4460709....593, 629, 651
4010618....429, 431, 433, 435, 437	4120035 679, 683	4460247 668	4460710.....629, 651
4031708001.....475	4120040 377, 762	4460256 727	4460722....325, 643, 645
4031907.....252	4120043 377, 762	4460259 ... 679, 683, 701, 703, 707, 727	4460761....679, 683, 701, 703, 707
4031914....246, 252, 258, 284	4160194 148, 152	4460260 ... 679, 683, 701, 703, 707, 727	4460806....611, 613, 615, 617, 619, 621, 679, 683, 727
4032014....246, 252, 258, 284	4160197 368, 374	4460265 477, 481	4460807....340, 675, 677
4032022....162, 170, 178, 186, 194, 202	4240018 ... 157, 165, 173, 181, 189, 197, 209, 215, 221, 227, 233, 239, 271, 275, 329, 333, 335, 339, 344, 348, 351, 355, 391	4460267 707, 725, 727	4460808....340, 675, 677
4060092.....593	4240032 ... 135, 139, 466, 665	4460268 ... 129, 675, 677, 727	
4060802....329, 333, 335, 339, 344, 348, 351, 355	4240033 411, 487, 665	4460294 340	
4060804....162, 170, 178, 186, 194, 202, 391	4240099 ... 157, 162, 165, 170, 173, 178, 181, 186, 189, 194, 197, 202, 248, 253, 260, 286, 325, 496, 499, 501	4460313 ... 665, 679, 683, 727	
4060805....162, 170, 178, 186, 194, 202	4240139 87	4460315 591, 593, 665	
4060808.....43, 45	4240149 491, 493	4460320 725, 727	
4060906....115, 119, 449, 453, 457, 461, 465	4240153 391	4460346 ... 329, 335, 344, 351, 591	
4061054.....411	4240155 15, 20, 391	4460374 680, 684, 727	
4070863.....367, 373	4300157 ... 335, 339, 351, 355	4460375 680, 684, 727	
4070864.....367, 373	4340999 148, 152	4460384 595, 597	
	4341158 394	4460418 ... 679, 683, 701, 703, 707	
	4360070 ... 330, 336, 344, 348, 352, 356, 755		
	4360274 115, 119, 754		
	4360328 115, 119, 754		

PART NUMBER INDEX

4460836 ... 411, 639, 663, 667, 679, 683, 691, 727, 728	4460935 ... 639, 663, 667, 691	4568293.... 162, 170, 178, 186, 194, 202	317, 319, 321, 323, 329, 333, 335, 339, 344, 348, 351, 355, 368, 374, 377, 395, 397, 399, 407, 411, 454, 462, 466, 513, 515, 517, 561
4460837 115, 119	4460941 ... 639, 663, 667, 673, 689	4568319.....539	4711700 ... 210, 215, 222, 228, 233, 240, 246, 253, 258, 272, 276, 284, 317
4460842 727	4460942 ... 639, 647, 649, 651, 653, 663, 667, 668, 673, 680, 684, 689, 691, 727	4568423.....368, 374	4711800 ... 15, 20, 23, 43, 45, 143, 145, 162, 170, 178, 186, 194, 202, 391, 439, 441
4460843 727	4460943 ... 133, 135, 137, 139, 633, 639, 643, 655, 663, 667, 701, 703, 707, 727	4568426.....91, 93	4712000 20, 491, 513, 515, 517
4460851 691	4460944 ... 411, 633, 639, 641, 645, 663, 665, 667, 668, 691, 693, 695, 701, 703, 707, 727, 728	4568427.....91, 93	4712200 491, 493
4460852 691	4460954 639	4640438.....539, 541	4712600 133, 137
4460865 687, 699	4460955 663, 667	4640489.....535, 537	4740171 225
4460866 ... 679, 683, 691, 701, 703, 707	4460956 657, 659, 661	4640509.....521, 523	4740181 23
4460868 679, 683	4460957 657, 659, 661	4640751.... 162, 170, 178, 186, 194, 202, 248, 255, 260, 286	4740229 23
4460871 ... 635, 679, 683, 701, 703, 707, 727	4460959 653	4640771.....555, 557, 559	4740274 ... 162, 170, 178, 186, 194, 202
4460872 727	4460960 653	4640858.....525, 527	4740362 443, 445, 447
4460873 ... 679, 683, 701, 703, 707	4460962 ... 496, 501, 649	4640999....529, 531, 533, 543, 545	4740397 ... 449, 453, 457, 461, 465
4460874 ... 679, 683, 701, 703, 707, 727	4460963 344, 352, 649	4641155.....43, 45	4740400 391
4460875 679, 683, 727	4460965 639	4641210.....539, 541	4740430.51, 53, 219, 237
4460876 ... 679, 683, 701, 703, 707	4460967 ... 344, 348, 353, 356	4641247.....91, 95, 97	4740444 115, 119
4460877 679, 683	4460968 15, 19, 395, 601, 607	4641248....529, 531, 533, 543, 545	4740461 15, 20
4460878 679, 683	4460970 667, 679, 683	4641260.....535, 537	4740505 23
4460879 701, 703, 707	4460971 ... 407, 496, 507	4641268.....525, 527	4740509 368, 374
4460880 663, 713, 727	4460982 667	4641276.....561, 563	4740518 ... 162, 170, 178, 186, 194, 202
4460884 ... 466, 639, 645, 663, 668, 680, 684, 691, 703, 727	4461005 665	4641289.....43, 45, 49	4750600 143, 145
4460887 701, 703, 707	4461006 665	4700039.....368, 374	4750800 ... 15, 20, 23, 395
4460888 701, 703, 707	4461008 665, 668	4710400....247, 253, 258, 285	475100087, 89, 116, 119, 131, 135, 139, 329, 335, 344, 348, 352, 356, 496, 499, 501, 503, 507
4460891 ... 131, 635, 637, 647, 649, 651, 653, 673, 689, 691, 709, 711, 727	4461052 665	4711000.... 133, 137, 319, 321, 330, 336, 344, 348, 352, 356	4751400 ... 115, 119, 133, 135, 137, 139, 149, 153, 162, 170, 178, 186, 194, 202, 246, 253, 258, 284, 411, 443, 445, 447, 449, 453, 457, 461, 465, 473, 485, 489, 496, 499, 501, 503, 733, 735, 737, 739, 741, 743, 745, 747, 749
4460894 ... 639, 641, 665, 668, 707	4461053 665	4711400.... 43, 45, 53, 57, 59, 61, 149, 152, 153, 157, 165, 173, 181, 189, 197, 209, 215, 219, 221, 227, 233, 237, 239, 247, 253, 258, 271, 275, 285, 329, 333, 335, 339, 344, 348, 351, 355, 395, 407, 411, 417, 423, 427, 429, 431, 433, 435, 437, 473, 487, 489, 595, 597, 599, 601, 603, 605, 607, 609, 611, 613, 615, 617, 619, 621, 623, 625, 627, 629, 631	4751400001 475
4460897 ... 673, 689, 713, 725	4461054 665, 668, 673	4711500.... 23, 43, 45, 57, 59, 91, 93, 95, 97, 99, 101, 145, 148, 149, 152, 153, 157, 162, 165, 170, 173, 178, 181, 186, 189, 194, 197, 202, 246, 253, 258, 284, 391, 395, 397, 399	4751500 ... 129, 148, 152, 329, 335, 344, 348, 351, 355, 391, 397, 399, 509, 511, 557
4460899 ... 466, 639, 641, 655, 711, 727	4461060 665	4711600.... 15, 20, 43, 45, 57, 59, 61, 97, 101, 143, 145, 148, 152, 157, 162, 165, 170, 173, 178, 181, 186, 189, 194, 197, 202, 209, 215, 221, 227, 233, 239, 246, 253, 258, 271, 275, 284,	4751600 ... 23, 51, 87, 89, 91, 93, 103, 105, 107, 109, 111, 113, 141, 148, 152, 361, 363, 383, 443, 445, 447, 496, 499, 501, 503
4460905 ... 115, 119, 449, 453, 457, 461, 465, 635, 679, 683, 701, 703	4461070 ... 637, 665, 667, 668	4711700.... 162, 170, 178, 186, 194, 202, 248, 255, 260, 286	4751700 ... 246, 253, 258, 284
4460908 679, 683	4461071 665, 668	4641277.....525, 527	
4460911 643, 645, 709	4461072 665, 668	4641288.....561, 563	
4460912 643, 645, 709	4461073 665, 668	4641454.....43, 45, 49	
4460914 23, 116, 119, 395	4461074 665, 668	4700039.....368, 374	
4460918 ... 643, 645, 679, 683, 709	4461077 691	4710400....247, 253, 258, 285	
4460925 701, 703, 707	4461095 ... 637, 665, 667, 668	4711000.... 133, 137, 319, 321, 330, 336, 344, 348, 352, 356	
4460926 709	4461097 665	4711400.... 43, 45, 53, 57, 59, 61, 149, 152, 153, 157, 165, 173, 181, 189, 197, 209, 215, 219, 221, 227, 233, 237, 239, 247, 253, 258, 271, 275, 285, 329, 333, 335, 339, 344, 348, 351, 355, 395, 407, 411, 417, 423, 427, 429, 431, 433, 435, 437, 473, 487, 489, 595, 597, 599, 601, 603, 605, 607, 609, 611, 613, 615, 617, 619, 621, 623, 625, 627, 629, 631	
4460928 ... 637, 679, 683, 709	4461196 715	4711500.... 23, 43, 45, 57, 59, 91, 93, 95, 97, 99, 101, 145, 148, 149, 152, 153, 157, 162, 165, 170, 173, 178, 181, 186, 189, 194, 197, 202, 246, 253, 258, 284, 391, 395, 397, 399	
4460929 701, 703, 707	4461198 601, 603, 715	4711600.... 15, 20, 43, 45, 57, 59, 61, 97, 101, 143, 145, 148, 152, 157, 162, 165, 170, 173, 178, 181, 186, 189, 194, 197, 202, 209, 215, 221, 227, 233, 239, 246, 253, 258, 271, 275, 284,	
4460930 ... 663, 665, 667, 668, 691, 697	4461199 717	4711700.... 162, 170, 178, 186, 194, 202, 248, 255, 260, 286	
4460931 667, 727	4461201 ... 607, 609, 717	4641260.....535, 537	
4460932 ... 633, 639, 643, 668, 673, 703	4461202 719	4641268.....525, 527	
4460933 ... 411, 637, 639, 663, 667, 679, 680, 683, 684, 691, 693, 701, 703, 707, 728	4461205 719, 721	4641276.....561, 563	
4460934 ... 639, 663, 667, 691	4461244 613, 615, 719	4641289.....43, 45, 49	
	4461245 619, 621, 721	4700039.....368, 374	
	4461246 625, 627, 723	4710400....247, 253, 258, 285	
	4461249 723	4711000.... 133, 137, 319, 321, 330, 336, 344, 348, 352, 356	
	4520261 39	4711400.... 43, 45, 53, 57, 59, 61, 149, 152, 153, 157, 165, 173, 181, 189, 197, 209, 215, 219, 221, 227, 233, 237, 239, 247, 253, 258, 271, 275, 285, 329, 333, 335, 339, 344, 348, 351, 355, 395, 407, 411, 417, 423, 427, 429, 431, 433, 435, 437, 473, 487, 489, 595, 597, 599, 601, 603, 605, 607, 609, 611, 613, 615, 617, 619, 621, 623, 625, 627, 629, 631	
	4530028 ... 496, 499, 501, 505	4711500.... 23, 43, 45, 57, 59, 91, 93, 95, 97, 99, 101, 145, 148, 149, 152, 153, 157, 162, 165, 170, 173, 178, 181, 186, 189, 194, 197, 202, 246, 253, 258, 284, 391, 395, 397, 399	
	4562516 391	4711600.... 15, 20, 43, 45, 57, 59, 61, 97, 101, 143, 145, 148, 152, 157, 162, 165, 170, 173, 178, 181, 186, 189, 194, 197, 202, 209, 215, 221, 227, 233, 239, 246, 253, 258, 271, 275, 284,	
	4566667 529, 531	4711700.... 162, 170, 178, 186, 194, 202, 248, 255, 260, 286	
	4567434 535	4640489.....535, 537	

PART NUMBER INDEX

4751800.....85, 148, 152, 439, 441	4891600... 186, 194, 203, 231, 237, 243, 279, 377, 391, 409, 411, 413	700083529	70001953.....343, 347
4752000.... 158, 166, 174, 182, 190, 198, 209, 215, 221, 227, 233, 239, 271, 275	4891800... 143, 145, 162, 170, 178, 186, 194, 202, 213, 219, 231, 237, 243, 279, 281, 329, 333, 335, 339, 344, 348, 351, 355, 383, 391, 409, 411, 413, 561	700083629	70001955.....309
4755000.....23	4892000... 25, 27, 39, 41, 73, 246, 253, 259, 284, 368, 374, 379, 411	700083829	70001956.....309
4760600.....591, 593	4892400 69, 71	700083929	70001958.....307
4761400..... 115, 119, 485	4892600.... 409, 411, 413	700084029	70001966.. 330, 333, 336, 339, 343, 347, 352, 356
4761500.....555	4920385255	700084129	70001968.....295
4770600..... 143, 145	4921850762	700084229	70001973.. 343, 347, 352, 356
4791400.....61, 162, 170, 178, 186, 194, 202, 246, 258, 284, 329, 333, 335, 339, 344, 348, 351, 355	4922610629	700084329	70001974.. 343, 347, 352, 356
4811400....595, 597, 599, 601, 603, 605, 607, 609, 611, 613, 615, 617, 619, 621, 623, 625, 627	4922612629	700084429	70001976.....47, 63
4811600.....23	4922641 ... 345, 348, 353, 357	700084529	70002015.....33
4811700.... 133, 135, 137, 139, 429, 431, 433, 435, 437, 496, 507	4922716641	700084629	70002016.....33
4811700001475	4922718633	700084729	70002020.....33
4811702001475	4922780645	700084829	70002026.....33
4811900....246, 253, 254, 258, 284	4922781643	700084929	70002027.....33
4811900001254	4922972 ... 344, 348, 351, 355, 677	700085237	70002029.....33
4811902....246, 253, 258, 284	4923256697	700085337	70002030.....33
4812000....246, 253, 255, 258, 284, 413	4923468 ... 162, 170, 178, 186, 194, 202	700085437	70002031.....33
4812002.....255	4923592 ... 162, 170, 186, 194	700085537	70002032.....33, 81
4812100....209, 215, 221, 227, 233, 239, 246, 253, 258, 271, 275, 284, 413	5241200 .30, 34, 409, 413	700085637	70002033.....33
4812200....246, 253, 259, 284	5250808255	700085737	70002034.....33
4831400.....473	5251008413	700085837	70002035.....33
4831900....246, 253, 259, 284	5251016413	700085937	70002036.....33
4845582.....509, 511	70000044205	700086037	70002037.....33
4846383.....15, 20	70000068205, 206	700086137	70002039.....33
4846423.....391	70000342385	700086237	70002040.....33
4846429.....391	70000345 . 206, 263, 267, 289	7000863 . 343, 347, 352, 355	70002041.....33
4846431.....391	70000619 . 343, 347, 351, 355	7000916205	70002044.....33
4846453.....368, 374	70000793315	7000917205	70002045.....33
4846484.....395	7000080149	7000919205	70002046.....33
4846485.....391	7000080249	700099867	70002047.....33
4846552.... 162, 170, 178, 186, 194, 202	7000080349	700099967	70002048.....33
4846573.....409, 411	7000080449	700100067	70002049.....33
4846627496, 499, 501, 503	7000080549	700100167	70002050.....33
484663715, 20	7000080649	7001017 . 162, 170, 178, 186, 194, 202	70002052.....33
4846753.....391	7000081029	7001100 . 343, 347, 351, 355	70002057.....81
4846945.... 170, 178, 194, 202	7000081129	700110185	70002088.....343, 347
4846946.... 162, 170, 178, 186, 194, 202	7000081229	700110285	70002097.....57, 59
4860236.....39	7000081329	7001124206	7000213.....78
4891400.....395	7000081629	7001125206	70002132.....306
	7000081729	7001126206	70002133.....306, 309
	7000081829	7001128205	70002134.....306
	7000081930	7001129205	70002135.....306
	7000082029	7001130205	70002136.....306
	7000082129	7001131205	70002137.....306
	7000082229	7001135205	70002138.....306
	7000082329	7001384 . 343, 347, 351, 355	70002139.....306
	7000082429	7001435205	70002140.....306
	7000082529	7001498205	70002141.....306
	7000082629	7001696 . 343, 347, 352, 356	70002142.....306
	7000083429	7001697385, 387	70002143.....306
		7001847206	70002145.....306
		7001850205	70002148.....306
		7001857205	70002150.....306
		7001866205	70002151.....306
		7001867205	70002152.....306
		7001868205	70002153.....306
		7001869206	70002154.....306
		7001870 . 205, 263, 267, 289	70002155.....306
		7001871206	70002156.....306
		700193063	70002157.....306
		7001952294	70002158.....306
			70002159.....306
			70002160.....306
			70002161.....306

PART NUMBER INDEX

70002162 306	70002620 306	70003708.. 330, 333, 336, 339, 343, 347, 352, 356	70004512 267
70002163 306	70002621 307	70003709.. 330, 333, 336, 339, 343, 347, 352, 356	70004646 762
70002164 306	70002622 307	70003784.. 449, 453, 457, 461, 465	70004647 762
70002165 306	70002623 307	70003913..... 390, 754	70004648 763
70002168 307	70002674 33	70003914..... 390	70004676.. 330, 333, 336, 339
70002174 307	70002675 205	70003915..... 390	70004677 333
70002175 307	70002676 205	70003917..... 390, 754	70004678.. 330, 333, 336, 339
70002177 307	70002677 205	70003918..... 390	70004679..... 330, 340
70002178 307	70002718 . 206, 263, 267, 289	70003923..... 383, 754	70004680.. 330, 333, 336, 340
70002179 307	70002758 64	70003924..... 383	70004681 333, 340
70002231 . 157, 165, 173, 181, 189, 197, 209, 215, 221, 227, 233, 239, 271, 275, 754	70002759 64, 404	70004016..... 704	70004682.. 330, 333, 336, 340
7000224 78	70002760 64	70004029..... 561, 563	70004683 333, 340
70002247 34	7000281 78	70004030..... 561, 563	70004684 330
70002248 34	70002853 387	70004050..... 401	70004685 330, 336
70002249 34	70002854 387	70004051..... 401, 403	70004686 339
70002255 343, 347	70002855 387	70004052..... 401, 403	70004687 336
70002291 352, 356	70002857 387	70004053..... 401	70004738 481
70002297 . 343, 347, 352, 355	70002858 387	70004054..... 401	70004739 481
7000236 78	70002859 385, 387	70004055..... 403	70004740 481
70002373 559	7000287 78	70004092.. 330, 333, 336, 339, 352, 356	70004741 481
7000239 78	7000288 78	70004093..... 352, 355	70004742 481
70002393 29	70002902 483	70004094..... 352, 356	70004743 481
70002394 29	70002903 483	70004095..... 352, 356	70004744 481
70002395 29	70002904 483	70004096..... 352, 356	70004745 481
70002396 29	70002905 483	70004097..... 352, 356	70004746 481
70002397 29	70003017 403	70004098.. 330, 336, 352, 356	70004747 481
70002398 29	70003018 63	70004099.. 336, 339, 352, 355	70004748 481
70002399 29	70003019 401, 403	70004169..... 343, 347	70004749 481
7000240 78	70003020 403	70004171.. 330, 333, 343, 347	70004750 481
70002415 206	70003021 ... 63, 401, 403	70004185..... 762	70004751 481
70002416 206	70003022 403	70004268..... 206	70004752 477
70002417 206	70003023 401, 403	70004269..... 206	70004753 477
70002460 . 343, 347, 352, 356	70003024 403	70004275..... 263, 289	70004754 477
700025082 205	70003025 401	70004276..... 268	70004755 477
70002569 296	70003026 401, 754	70004277... 264, 269, 290	70004756 477
70002576 313	70003027 401	70004279..... 264, 290	70004757 477
70002578 309	70003029 561, 563	70004280... 263, 267, 289	70004758 477
70002580 309	70003030 561, 563	70004282... 264, 268, 290	70004759 477
70002582 309	70003031 561, 563	70004284..... 264, 290	70004760 477
70002583 309	70003045 555	70004328..... 57, 59	70004761 477
70002585 309	70003046 555	70004413..... 89	70004762 477
70002586 309	70003047 555	70004414..... 87	70004763 477
70002588 309	70003048 555	70004416..... 309	70004764 477
70002589 309	70003049 555	70004417..... 309	70004765 477
70002590 309	70003050 555	70004420..... 309	70004766 477
70002592 310	70003051 555	70004421..... 309	70004767 477
70002593 310	70003052 555	70004422..... 310	70004768 477
70002599 310	70003053 555	70004423..... 309	70004769 477
70002600 306	70003472 205	70004426..... 309	70004770 477
70002601 306	70003473 205	70004467..... 81	70004771 477
70002602 306	70003475 205	70004469..... 81	70004772 477
70002604 307	70003484 85	70004474 81	70004773 477
70002605 307	70003485 85	70004477 81	70004774 477
70002606 307	70003523 78	70004480..... 81	70004775 477
70002607 307	70003524 78, 79	70004481..... 81	70005170 387
70002609 307	70003533 473	70004494..... 82	70005171 267
70002610 307	70003534 473	70004501... 264, 268, 290	70005172 267
70002612 307	70003535 473	70004502..... 264, 290	70005173 267
70002616 307	70003536 473	70004503..... 264, 290	70005174 267
70002617 307	70003628 37	70004511 267	70005177 268
70002618 306	70003629 78		70005181 268
70002619 306	70003630 63		70005184 268
	70003631 . 343, 347, 352, 355		70005188 268

PART NUMBER INDEX

70005189.....268	70006519..... 537	7001902 78	70025112... 264, 268, 290
70005191.....269	70006520..... 527	7001904 78	70025115..... 268
70005230.....481	70006552. 329, 333, 335, 339	7001906 78	70025120... 264, 269, 290
70005317..... 81	70006553. 329, 333, 335, 339	7001917 78	70025133..... 268
70005318..... 81	70006554 541	7001918 78	70025135... 263, 267, 289
70005418..... 310	70006555 541	7001920 78	70025136..... 263, 289
70005433..... 563	70006556 541	7001921 78	70025137... 263, 267, 289
70005445..... 264, 290	70006557 541	7001922 78	70025140... 263, 267, 289
70005480..... 300	70006558 541	7001923 78	70025142... 264, 268, 290
70005481..... 300	70006559 541	7001924 78	70025143..... 264, 290
70005594..... 559	70006560 541	7001926 78	70025144... 264, 267, 290
70005647..... 269	70006566 533	7001927 78	70025145... 263, 267, 289
70005648..... 269	70006635 533	7001929 78	70025146... 263, 267, 289
70005667..... 395	70006636 533	70020438 541	70025149... 264, 269, 290
70005879..... 559	70006637 533	70021867 294, 300	70025151... 264, 268, 290
70005882..... 563	70006646 533	70021895 268	70025152... 263, 267, 289
70005883..... 563	70006647 533	70022147 403, 754	70025153... 263, 267, 289
70005885..... 559, 563	70006799 563	70022286 309	70025154... 263, 267, 289
70005920..... 267	70006824 563	70022564 533	70025155... 264, 268, 290
70005921..... 267	70006825 563	70023592 . 247, 253, 259, 285	70025156..... 264, 290
70005923..... 268	70006826 563	70023593 . 247, 253, 259, 285	70025158..... 268
70005924..... 268	70006827 563	70024190 . 247, 254, 260, 285, 755	70025160..... 264, 290
70005925..... 268	70006828 563	70024473 264, 290	70025161..... 264, 290
70005926..... 268	70006829 563	70024484 .. 264, 269, 290	70025162... 263, 267, 289
70005927..... 268	70006830 563	70024486 263, 289	70025163..... 263, 289
70005928..... 268	70006831 563	70024488 .. 263, 267, 289	70025164... 264, 268, 290
70005929..... 268	70006845 559	70024494 267	70025171... 263, 267, 289
70005941..... 267	70006846 559	70024502 268	70025176... 263, 267, 289
70005942..... 267	70006847 559	70024503 264	70025177..... 264, 290
70006093..... 352, 355	70006848 559	70024504 . 264, 268, 269, 290	70025178... 264, 268, 290
70006094..... 352	70006849 559	70024507 .. 264, 269, 290	70025179... 264, 268, 290
70006095..... 352, 356	70006850 559	70024509 268	70025180... 264, 268, 290
70006096..... 352, 356	70006851 559	70024513 .. 263, 267, 289	70025181... 263, 267, 289
70006097..... 352, 356	70006852 559	70024517 .. 263, 267, 289	70025182... 264, 268, 290
70006127..... 267	70006986 81	70024904 263, 289	70025183... 264, 268, 290
70006344..... 563	70006987 81	70024905 .. 263, 267, 289	70025184... 264, 268, 290
70006359..... 523	70006988 81	70024906 .. 263, 267, 289	70025185..... 268
70006360..... 523	70006989 81	70024907 263, 289	70025190..... 263, 289
70006361..... 523	70006990 81	70024910 .. 264, 268, 290	70025200... 264, 268, 290
70006362..... 523	70006991 81	70024912 .. 264, 268, 290	70025202..... 263, 289
70006363..... 523	70006992 81	70024915 .. 264, 269, 290	70025203... 264, 268, 290
70006403..... 323	70006993 81	70024917 264, 290	70025204..... 263, 289
70006404..... 323	70006994 81	70024918 .. 264, 269, 290	70025205... 263, 267, 289
70006405..... 323	70006995 81	70024919 264, 290	70025206..... 263, 289
70006406..... 323	70006996 81	70024920 . 264, 268, 269, 290	70025207..... 263, 289
70006407..... 323	70006997 81	70024922 269	70025208..... 263, 289
70006408..... 323	70006998 81	70024924 .. 263, 267, 289	70025210... 264, 268, 290
70006409..... 323	70006999 81	70024925 .. 263, 267, 289	70025212..... 263, 289
70006410..... 323	70007000 81	70024961 .. 263, 267, 289	70025210... 264, 268, 290
70006448..... 549	70007001 81	70025076 .. 263, 267, 289	70025231... 263, 267, 289
70006449..... 549	70007002 81	70025077 269	70025235... 264, 268, 290
70006462..... 545	70007003 81	70025080 .. 263, 267, 289	70025239... 263, 267, 289
70006463..... 537, 545	70007004 82	70025082 .. 263, 267, 289	70025240..... 268
70006464..... 537, 545	70007005 82	70025084 .. 264, 268, 290	70025477... 264, 268, 290
70006465..... 545	70007006 82	70025088 263, 289	70025533... 264, 269, 290
70006466..... 545	70007007 82	70025091 .. 263, 267, 289	70025660..... 264, 269
70006467..... 545	70007008 82	70025101 268	70025768..... 268
70006468..... 545	70007009 81	70025103 264, 290	70025931..... 268
70006473..... 527	70007010 82	70025107 268	70026210..... 269, 290
70006474..... 527	70007011 81	70025109 268	70026283..... 563
70006490..... 553	70007012 82	70025111 263, 267	70026995..... 268
70006491..... 553	70007013 82		7002821..... 762
70006492..... 553	7000731 78, 79		7002822..... 762
70006493..... 553	70007439 307		7002823..... 762
70006516..... 537	7001900 78		7002828..... 762
70006517..... 537			70035212..... 269
70006518..... 537			7003655... 161, 169, 177, 185, 193, 201, 755

PART NUMBER INDEX

7004043	79	7017402	401, 403	7024087	296	7024582 ...	157, 165, 173,
7004044	79	7017405	49	7024088	296	181, 189, 197	
7004275	762	7017451	63, 754	7024089	296	7024583 ...	157, 165, 173,
7004276	762	7017495	63	7024097	295	181, 189, 197	
7004453	79	7018936	296	7024135	78	7024584 ...	157, 165, 173,
70050795	533	7018942	63	7024183	78	181, 189, 197	
7007207	306, 309	7018968	63	7024184	78	7024598	143, 145
7007415	307, 309, 310	7018986	63	7024185	78	7024763	78
7007418	306	7018991	47, 63, 754	7024186	78	7024800	307
7007419	306	7020043	87	7024188	78, 79	7024865	37
7007420	37	7020175 ...	115, 119, 449,	7024189	79	7024867	37
7007437	37	453, 457, 461, 465		7024190	79	7024868	37
7007438	37	7020176 ...	115, 119, 449,	7024191	79	7024883	403, 754
7007439	37	453, 457, 461, 465		7024192	79	7024885	401, 403, 754
7007446	37, 306, 309	7020404	263, 289	7024193	79	7024899	401, 403
7007489	313	7020414	205	7024194	79	7024906	295
7007645	78	7020465 ...	205, 263, 267,	7024196	79	7024908	295
7007646	78	289		7024197	79	7024911	295
7007648	78	7020468	205	7024374	87, 89	7024913	294, 300
7010467	78	7020471	205	7024375	87, 89, 754	7024914	294, 300
7010543	49, 555, 557,	7020479	205	7024379	79	7024915	294, 300
559		7020486	205	7024380	79	7024916	294, 300
7010545	539, 541	7020492 ...	264, 268, 290	7024381	79	7024917	294, 300
7010639	67	7021249	37	7024389	79	7024918	294, 300
7010640	67	7021256	307	7024390	79	7024919	294, 300
7010795	79	7021265	307	7024391	79	7024920	294, 300
7010924	67	7021275	37, 306, 309	7024392	79	7024921	294, 300
7011043	67	7021293	307	7024393	79	7024922	294, 300
7011044	67	7021375	63	7024394	79	7024924	63
7011048	67	7021636	63	7024395	79	7024925	63
7011311	63, 561, 563	7022300	307	7024439	87, 89	7024927	47
7011346	47, 63	7022301	306	7024440	87, 89	7026000	63
7011351	561, 563	7022311	37	7024441	87, 89	7026001	63
7011354	63, 754	7022314	37	7024442	87, 89	7026002	63
7011368	561, 563	7022321	37	7024443	87, 89	7026003	63
7011371	561, 563	7022340	309	7024444	87, 89, 754	7026004	63
7012706	294, 300	7022368	37	7024445	87, 89	7026005	63
7012709	294, 300	7022371	37	7024446	87, 89	7026006	63
7012715	294, 300	7022390	401, 403	7024453	79	7026007	63
7012773	47, 63	7022608	307	7024462	505	7026008	63
7012903	403	7023306	87, 89	7024463	505	7026016	63
7012941	49	7023347	87, 89	7024467	505	7026028	47
7012942	49	7023881	295	7024469	505	7026030	85
7012944	49, 754	7023922	403	7024470	505	7026031	85, 755
7012955	49	7023962	309	7024471	505	7026032	85
7012967	49	7023964	309, 310	7024472	505	7026188	343, 347
7012998	49	7024005	295	7024473	505	7026571	87, 89
7016314	89	7024038	294, 300	7024474	505	7026597 ...	343, 347, 352,
7016322	143, 145	7024042	294	7024475	505	356	
7016328	205, 754	7024043	294	7024478	505	7026608	205
7016331 ...	205, 263, 267,	7024044	294, 300	7024485	343, 347, 352,	7026626 ...	343, 347, 352,
289, 754		7024064	294	356		356	
7016374	143, 145	7024065	295	7024488	343, 347, 351,	7027042 ...	209, 215, 221,
7016654	762	7024068	295	355		227, 233, 239, 271, 275	
7016655	762	7024069	296	7024489	343, 347, 351,	7027043 ...	209, 215, 221,
7017072	78	7024070	295	355		227, 233, 239, 271, 275	
7017082	78	7024071	295	7024565	205	7027044 ...	209, 215, 221,
7017085	78	7024072	295	7024570	63	228, 233, 239, 271, 275	
7017094	78	7024073	295	7024571	63, 754	7027045 ...	209, 215, 221,
7017142	385	7024075	295	7024573	63	228, 233, 239, 271, 275	
7017159	385	7024076	295	7024574	63	7027235	205
7017162	385	7024077	295	7024579	205, 263, 267,	7027236	205
7017163	385	7024080	295	289		7027239	205
7017164	385	7024081	295	7024580	157, 165, 173,	7027240	205
7017183	385	7024083	295	181, 189, 197		7027276	205
7017193	385	7024084	295	7024581	157, 165, 173,	7027740	37
7017195	385	7024085	295	181, 189, 197		7027773	505

PART NUMBER INDEX

7027774.....	505	80484084	668	8405201 ...	246, 253, 259, 284	8750024.....	97, 101
7027775.....	505	80983191	668	8405204 ...	246, 253, 259, 284	88261024.....	399
7027776.....	505	8220051	673	8406102 ...	248, 253, 260, 286	88521214...513, 515, 517	
7027777.....	505	8220164	667	8406105	397, 399	88662523..	149, 153, 383, 397, 399
7027778.....	505	8229242	668	8406109	253	88662530.....	395
7027779.....	505	8310070	395	8406110	253	91143339.....	667
7027780.....	505	8310129	491	8406112 ...	248, 253, 260, 286	91143340.....	667
7027790.....	205	8310230	493	8406302 ...	246, 253, 258, 284	91203039.....	413
7027791.....	205	8310235	391	8410011	253	91403230..	733, 735, 737, 739, 741, 743, 745, 747, 749
7027792.....	205	8310658	152	8410013 ...	162, 170, 179, 186, 194, 202, 246, 255, 259, 285	91554014.....	655, 691
7027795.....	205, 754	8405006 ...	209, 215, 221, 227, 233, 239, 248, 253, 260, 271, 275, 286, 319, 321, 323	8580420	51, 53	91563070...246, 259, 285	
7027796.....	205	8405007 ...	247, 253, 260, 285				
7027799....	343, 347, 352, 356	8405009	89				
7028909....	133, 135, 137, 139						
77363233.....	675, 677						
80334251.....	85						



3121733



An Oshkosh Corporation Company

Corporate Office
JLG Industries, Inc.
1 JLG Drive
McConnellsburg, PA 17233-9533 USA
☎ **(717) 485-5161 (Corporate)**
☎ **(877) 554-5438 (Customer Support)**
☎ **(717) 485-6417**

Visit our website for JLG Worldwide Locations
www.jlg.com