



Illustrated Parts Manual

Model
1500AJP

P/N
3121736

October 12, 2018 - Rev K

ANSI

CE



AS/NZS



An Oshkosh Corporation Company

REVISION LOG

May 1, 2016 - A - Original Issue Of Manual (Edited to B/M 1001194422 Revision H) (Revision 1)
August 22, 2016 - B - Revised Manual (Edited to B/M 1001194422 Revision M) (Revision 1)
October 31, 2016 - C - Revised Manual (Edited to B/M 1001194422 Revision N) (Revision 1)
January 16, 2017 - D - Revised Manual (Edited to B/M 1001194422 Revision R)
April 21, 2017 - E - Revised Manual (Edited to B/M 1001194422 Revision R)
July 31, 2017 - F - Revised Manual (Edited to B/M 1001194422 Revision R)
October 27, 2017 - G - Revised Manual (Edited to B/M 1001194422 Revision R)
January 12, 2018 - H - Revised Manual (Edited to B/M 1001194422 Revision T)
April 16, 2018 - I - Revised Manual (Edited to B/M 1001194422 Revision T)
July 20, 2018 - J - Revised Manual (Edited to B/M 1001194422 Revision AE) (Revision 1)
October 12, 2018 - K - Revised Manual (Edited to B/M 1001194422 Revision AE)

GENERAL INFORMATION

SECTION 6 CYLINDER

FIGURE 6-3. LIFT CYLINDER ASSEMBLY

PG# Model Designation Manual #

SECTION 6 CYLINDER

FIGURE 6-3. LIFT CYLINDER ASSEMBLY

ITEM #	PART NUMBER	QTY	DESCRIPTION	REV.
	1001140104		LIFT CYLINDER ASSEMBLY	B
1	0100011	AR	Compound Locking	
2	0430535	3	Cap screw 1/4-20 x 1-1/8	
3	0701005	1	Screw #10-24 x 3/8	
4	0901897	1	Bushing, Tapped	
5	1300136	1	Camp, Cable	
6	1653063	1	Head	
7	2200893	1	Plug, O-Ring	
8	2200888	2	Plug, O-Ring	
9	2200896	1	Plug, O-Ring	
10	3000039	AR	Lubricant	
11	3490292	1	Platen	
12	3700371	1	Ring, Washer	
13	3931420	8	Cap screw 1/4-20 x 1-1/4	
14	3931824	8	Cap screw 1/2-13 x 1-1/2	
15	3951903	1	Screw #10-24 x 3/8	
16	4100099	1	Spacer	
17	4640996	1	Cartridge, Holding Valve (Non Vented)	
17	2300732		Kit, Seal - 4640999 Cartridge Valve	
18	4641248	1	Cartridge, Counterbalance Valve (Non Vented)	
18	4641248		Kit, Seal - 4641248 Cartridge Valve	
19	70004180		Sensor, Cylinder Length	
19	100117991	1	Cap, Retainer	
20	100118070	1	Barrel	
21	100118054	1	Bushing	
21A	0901950	2	Flod	
22	100118096	1	Bushing	
22A	0901950	2	Kit, Seal (includes items 101-109)	
100	1001139996	1	Ring, Wear (Note: Use pin 1001139996)	
101	See Note	2	Ring, Back-Up (Note: Use pin 1001139996)	
102	See Note	1	Ring, Lock (Note: Use pin 1001139996)	
103	See Note	2	Ring, Back-Up (Note: Use pin 1001139996)	
104	See Note	2	O-Ring (Note: Use pin 1001139996)	
105	See Note	2	O-Ring (Note: Use pin 1001139996)	
106	See Note	1	Seal (Note: Use pin 1001139996)	
107	See Note	1	Wiper, Rod (Note: Use pin 1001139996)	
108	See Note	1	Seal (Note: Use pin 1001139996)	
109	See Note	2	Kit, Sensor Magnet (includes items 201-203)	
200	100118108	1	Sleeve, Spacer (Note: Use pin 100118108)	
201	See Note	NSS	Magnet, Sensor	
202	100118096	1	Ring, Internal Retaining	
203	100118096	1		

Manual # Model Designation PG#

1) MACHINE IDENTIFICATION

Machines are identified by model and in some cases a combination of models, serial number (SN) or regional standard (i.e. ANSI, CE, CSA). Components may also be identified by SN or manufacturer. common components that may be identified by these characteristics are engines and hydraulic components.

2) PARTS MANUAL ORGANIZATION

Product information in this manual is organized under section titles. Frame, Cylinder, Hydraulic and Electrical are a few examples. Each section is organized by figure and page number. The information within the Figure is then organized by item number, part number, description and corresponding illustration (s).

3) TABLE OF CONTENTS

A table of contents is found toward the beginning of the manual. Figure number, description and page number are provided for quick reference to the page containing the related information.

4) RECOMMENDED SPARE PARTS

The Recommended Spare Parts, located near the end of the manual, reference most frequently used maintenance parts.

5) PART NUMBER INDEX

A numerical index listing all part numbers and the corresponding page number(s) appears at the back of the manual.

GENERAL INFORMATION

6) NON-SERVICED PARTS

In some instances, it is necessary to display non-serviced parts, assemblies or installations. In the case of assemblies and installations there will be a Ref in the Qty column. In case of parts that are not available for service within assemblies or components, there will be a NSS (Not Sold Separately) or NLA (No Longer Available) listed in the Qty. column of the manual.

7) PARTS LIST ITEM NUMBERS

Numbers shown in the item# column correspond to numbers used in the associated illustration (s). Item numbers which are missing from the sequence in the parts list are not used on that page

8) INDENTED PARTS DESCRIPTION

An indented part description is included in the item under which it is indented.

9) ABB REVIATION AND SYMBOLS

AC.....	..Alternating Current	LCD.....	..Liquid Crystal Display
ADE.....	..Advanced Design Electronics	LED.....	..Light Emitting Diodes
ANSI.....	..American National Standards Institute	LH.....	..Left Hand
AR.....	..As Required	LSS.....	..Load Sensing System
ASSY.....	..Assembly	M(m).....	..Metric/Meter
AUX.....	..Auxiliary	MM (mm).....	..Milimeter
AWG.....	..American WireGauge	mA.....	..Miliamps
B/M.....	..Bill of Material	NLA.....	..No Longer Available
CE.....	..European Conformity	NPT.....	..National Pipe Threads
CCW.....	..Counter Clockwise	NSS.....	..Not So Id Separately
cm.....	..Centimeter	OD.....	..Outside Diameter
CW.....	..Clockwise	ORB.....	..O-Ring Boss
CSA.....	..Canadian Standards Association	ORFS.....	..O-Ring Face Seal
CYL.....	..Cylinder	OZ (oz).....	..Ounces
DIA.....	..Diameter	PG.....	..Page
DC.....	..Direct Current	P/N.....	..Part Number
EMS.....	..Emergency Stop	qt.....	..Quarts
ENG.....	..Engine	QTY.....	..Quantity
FT(ft).....	..Feet	REF.....	..Reference
GA(Ga).....	..Gauge	REV.....	..Revision Level
HYD.....	..Hydraulic	RH.....	..Right Hand
Hz.....	..Hertz	SAE.....	..Society of A utomotive Engineers
ID.....	..Inside Diameter	SN.....	..Serial Number
in.....	..inches	SPEC(S).....	..Specifications
ISO.....	..International Organization for Standards	T/T.....	..Turntable
JIC.....	..Joint Industry Council	UGM.....	..Universal Ground Module
KG.....	..Kilogram	V.....	..Volts
L.....	..Liter	W.....	..Watts
LB.....	..Pounds	#.....	..Number

10) ILLUSTRATION REFERENCE LETTERS

When necessary, illustrations may contain reference letters that are intended to track information (i. e. hoses, harnesses) from one point to another or to track visual enlargement of components to show details that may be located in another area on the illustration.

Note: Due to continuous product improvements, JLG Industries, Inc. reserves the right to make specification changes without prior notification. Contact JLG Industries, Inc. for updated information.

TABLE OF CONTENTS

SECTION 1 - FRAME.....	13
FIGURE 1-1. AXLE INSTALLATION	14
FIGURE 1-2. STEER INSTALLATION.....	16
FIGURE 1-3. WHEEL DRIVE INSTALLATION.....	18
FIGURE 1-4. DRIVE MOTOR ASSEMBLY	20
FIGURE 1-5. DRIVE HUB ASSEMBLY	22
FIGURE 1-6. TIRE/WHEEL INSTALLATION.....	26
FIGURE 1-7. VALVES INSTALLATION - FRAME (Prior to SN 0300223782)	28
FIGURE 1-8. VALVES INSTALLATION - FRAME (SN 0300223782 to Present)	30
FIGURE 1-9. TRACTION VALVE ASSEMBLY (Prior to SN 0300224829)	32
FIGURE 1-10. TRACTION VALVE ASSEMBLY (SN 0300224829 to Present)	34
FIGURE 1-11. STEER/AXLE EXTEND VALVE ASSEMBLY.....	36
FIGURE 1-12. ELECTRICAL COMPONENTS INSTALLATION - FRAME (HRC) (ANSI, ANSI EXPORT, CSA AND JAPANESE SPECS) (Prior to SN 0300223782).....	38
FIGURE 1-13. ELECTRICAL COMPONENTS INSTALLATION - FRAME (HRC) (ANSI, ANSI EXPORT, CSA AND JAPANESE SPECS) (SN 0300223782 to Present).....	40
FIGURE 1-14. ELECTRICAL COMPONENTS INSTALLATION - FRAME (HRC) (CE SPECS) (Prior to SN 0300223782).....	42
FIGURE 1-15. ELECTRICAL COMPONENTS INSTALLATION - FRAME (HRC) (CE SPECS) (SN 0300223782 to Present)	44
FIGURE 1-16. ELECTRICAL COMPONENTS INSTALLATION - FRAME (LRC) (ANSI EXPORT, AUSTRALIAN, CE AND CHINA SPECS) (Prior to SN 0300223782).....	46
FIGURE 1-17. ELECTRICAL COMPONENTS INSTALLATION - FRAME (LRC) (ANSI EXPORT, AUSTRALIAN, CE AND CHINA SPECS) (SN 0300223782 to Present).....	48
FIGURE 1-18. ELECTRICAL COMPONENTS INSTALLATION - FRAME (LRC) (CE SPECS) (SN 0300224829 to Present)	50
FIGURE 1-19. COVERS INSTALLATION - FRAME.....	52
SECTION 2 - TURNTABLE	55
FIGURE 2-1. VALVES AND FILTERS INSTALLATION - TURNTABLE (Prior to SN 0300223782)	56
FIGURE 2-2. VALVES AND FILTERS INSTALLATION - TURNTABLE (SN 0300223782 to Present).....	58
FIGURE 2-3. MAIN VALVE ASSEMBLY (Prior to SN 0300223782).....	60
FIGURE 2-4. MAIN VALVE ASSEMBLY (SN 0300223782 through 0300235444)	64
FIGURE 2-5. MAIN VALVE ASSEMBLY (SN 0300235445 through 0300239973)	68
FIGURE 2-6. MAIN VALVE ASSEMBLY (SN 0300239974 to Present).....	72
FIGURE 2-7. JUNCTION VALVE ASSEMBLY	76
FIGURE 2-8. TURNTABLE BEARING INSTALLATION	78
FIGURE 2-9. TURNTABLE LOCK INSTALLATION.....	80
FIGURE 2-10. SWING DRIVE INSTALLATION	82
FIGURE 2-11. SWING HUB/BRAKE/MOTOR ASSEMBLY.....	84
FIGURE 2-12. COUPLING/COLLECTOR RING INSTALLATION	88
FIGURE 2-13. TANKS INSTALLATION (WITHOUT DIESEL EXHAUST FLUID TANK)	90
FIGURE 2-14. TANKS INSTALLATION (WITH DIESEL EXHAUST FLUID TANK).....	92
FIGURE 2-15. HYDRAULIC TANK ASSEMBLY.....	94
FIGURE 2-16. AUXILIARY POWER AND BATTERIES INSTALLATIONS.....	96
FIGURE 2-17. AUXILIARY PUMP/MOTOR ASSEMBLY	98
FIGURE 2-18. ELECTRICAL COMPONENTS INSTALLATION - TURNTABLE (HRC) (ANSI, ANSI EXPORT, CSA AND JAPANESE SPECS) (Prior to SN 0300223782).....	100
FIGURE 2-19. ELECTRICAL COMPONENTS INSTALLATION - TURNTABLE (HRC) (ANSI, ANSI EXPORT, CSA AND JAPANESE SPECS) (SN 0300223782 to Present)	104
FIGURE 2-20. ELECTRICAL COMPONENTS INSTALLATION - TURNTABLE (HRC) (CE SPECS) (Prior to SN 0300223782)	108
FIGURE 2-21. ELECTRICAL COMPONENTS INSTALLATION - TURNTABLE (HRC) (CE SPECS) (SN 0300223782 to Present)	112
FIGURE 2-22. ELECTRICAL COMPONENTS INSTALLATION - TURNTABLE (LRC) (ANSI EXPORT, AUSTRALIAN, CE AND CHINESE SPECS) (Prior to SN 0300223782).....	116
FIGURE 2-23. ELECTRICAL COMPONENTS INSTALLATION - TURNTABLE (LRC) (ANSI EXPORT, AUSTRALIAN, CE AND CHINESE SPECS) (SN 0300223782 to Present)	120
FIGURE 2-24. ELECTRICAL COMPONENTS INSTALLATION - TURNTABLE (LRC) (CE SPECS) (SN 0300224829 to Present)	124
FIGURE 2-25. GROUND CONTROL CONSOLE ASSEMBLY (HRC) (ANSI, ANSI EXPORT, CSA AND JAPANESE SPECS) ..	128
FIGURE 2-26. GROUND CONTROL CONSOLE ASSEMBLY (HRC) (CE SPECS)	130
FIGURE 2-27. GROUND CONTROL CONSOLE ASSEMBLY (LRC) (ANSI EXPORT, AUSTRALIAN, CE AND CHINA SPECS)	132
FIGURE 2-28. GROUND CONTROL CONSOLE ASSEMBLY (LRC) (CE SPECS) (SN 0300224829 to Present)	134
FIGURE 2-29. LIGHT PANEL INSTALLATION (ALL SPECS EXCEPT AUSTRALIAN AND CE SPECS)	136
FIGURE 2-30. LIGHT PANEL INSTALLATION (AUSTRALIAN AND CE SPECS).....	138
FIGURE 2-31. ALARM INSTALLATION	140

TABLE OF CONTENTS

FIGURE 2-32. STROBE LIGHT INSTALLATION - AMBER	142
FIGURE 2-33. STROBE LIGHT INSTALLATION - BLUE	144
FIGURE 2-34. HOOD INSTALLATION	146
FIGURE 2-35. VENTURI INSTALLATION (HRC)	152
FIGURE 2-36. VENTURI INSTALLATION (LRC)	154
SECTION 3 - ENGINE	157
FIGURE 3-1. ENGINE INSTALLATION (HRC) (WITHOUT COLD WEATHER PACKAGE)	158
FIGURE 3-2. ENGINE ASSEMBLY WITH PUMPS (HRC) (WITHOUT COLD WEATHER PACKAGE)	164
FIGURE 3-3. ENGINE ASSEMBLY (HRC) (WITHOUT COLD WEATHER PACKAGE)	166
FIGURE 3-4. ENGINE INSTALLATION (HRC) (WITH COLD WEATHER PACKAGE)	172
FIGURE 3-5. ENGINE ASSEMBLY WITH PUMPS (HRC) (WITH COLD WEATHER PACKAGE)	178
FIGURE 3-6. ENGINE ASSEMBLY (HRC) (WITH COLD WEATHER PACKAGE)	180
FIGURE 3-7. ENGINE COMPONENTS (HRC)	186
FIGURE 3-8. ENGINE INSTALLATION (LRC) (WITHOUT COLD WEATHER PACKAGE)	192
FIGURE 3-9. ENGINE ASSEMBLY WITH PUMPS (LRC) (WITHOUT COLD WEATHER PACKAGE)	196
FIGURE 3-10. ENGINE ASSEMBLY (LRC) (WITHOUT COLD WEATHER PACKAGE)	200
FIGURE 3-11. ENGINE INSTALLATION (LRC) (WITH COLD WEATHER PACKAGE)	206
FIGURE 3-12. ENGINE ASSEMBLY WITH PUMPS (LRC) (WITH COLD WEATHER PACKAGE)	210
FIGURE 3-13. ENGINE ASSEMBLY (LRC) (WITH COLD WEATHER PACKAGE)	214
FIGURE 3-14. ENGINE COMPONENTS (LRC)	220
FIGURE 3-15. PUMP COUPLING KIT	224
FIGURE 3-16. TANDEM PUMP ASSEMBLY	226
FIGURE 3-17. PISTON PUMP ASSEMBLY	230
FIGURE 3-18. GEAR PUMP ASSEMBLY	234
FIGURE 3-19. FUEL FILTER/WATER SEPARATOR INSTALLATION (LRC) (CHINA SPECS ONLY)	236
FIGURE 3-20. SPARK ARRESTOR INSTALLATION (HRC) (OPTIONAL)	238
FIGURE 3-21. SPARK ARRESTOR INSTALLATION (LRC) (OPTIONAL)	240
FIGURE 3-22. 4000W GENERATOR INSTALLATION - 50HZ	242
FIGURE 3-23. 4000W GENERATOR INSTALLATION - 60HZ	246
FIGURE 3-24. 7500W SKYPOWER GENERATOR INSTALLATION - 50HZ	250
FIGURE 3-25. 7500W SKYPOWER GENERATOR INSTALLATION - 60HZ	254
FIGURE 3-26. BREATHER HEATER INSTALLATION - MACHINES WITH COLD WEATHER PACKAGE	258
SECTION 4 - BOOM	261
FIGURE 4-1. BOOM AND CYLINDERS INSTALLATION	262
FIGURE 4-2. TOWER BOOM ASSEMBLY	266
FIGURE 4-3. MAIN BOOM AND JIB ASSEMBLY	270
FIGURE 4-4. PLATFORM ROTATOR ASSEMBLY	276
FIGURE 4-5. JIB ROTATOR ASSEMBLY	278
FIGURE 4-6. POWER TRACK INSTALLATION - TOWER BOOM	280
FIGURE 4-7. POWER TRACK INSTALLATION - MAIN BOOM	282
FIGURE 4-8. VALVES AND FILTERS INSTALLATION - BOOM (Prior to SN 0300223782)	284
FIGURE 4-9. VALVES AND FILTERS INSTALLATION - BOOM (SN 0300223782 to Present)	286
FIGURE 4-10. BOOM VALVE ASSEMBLY	288
FIGURE 4-11. PLATFORM VALVE ASSEMBLY	290
FIGURE 4-12. BOOM SENSORS AND COVERS INSTALLATION	292
FIGURE 4-13. PLATFORM SUPPORT INSTALLATION - WITHOUT LSS	298
FIGURE 4-14. PLATFORM SUPPORT INSTALLATION - WITH LSS	300
SECTION 5 - PLATFORM	303
FIGURE 5-1. PLATFORM ASSEMBLY - 30IN X 3FT (76CM X .91M) - DROP BAR ENTRY	304
FIGURE 5-2. PLATFORM ASSEMBLY - 30IN X 4FT (76.2CM X 1.22M) WITH SWING GATE	306
FIGURE 5-3. PLATFORM ASSEMBLY - 30IN X 4FT (76.2CM X 1.22M) WITH DROP BAR	308
FIGURE 5-4. PLATFORM ASSEMBLY - 36IN X 6FT (91.5CM X 1.83M) WITH SWING GATE	310
FIGURE 5-5. PLATFORM ASSEMBLY - 36IN X 6FT (91.5CM X 1.83M) TRI-ENTRY WITH SWING GATE	312
FIGURE 5-6. PLATFORM ASSEMBLY - 36IN X 6FT (91.5CM X 1.83M) WITH DROP BAR	314
FIGURE 5-7. PLATFORM ASSEMBLY - 36IN X 6FT (91.5CM X 1.83M) TRI-ENTRY WITH DROPBAR	316
FIGURE 5-8. PLATFORM ASSEMBLY - 36IN X 6FT (91.5CM X 1.83M) WITH FALL ARREST (ANSI, ANSI EXPORT AND CSA SPECS)	318
FIGURE 5-9. PLATFORM ASSEMBLY - 36IN X 8FT (91.5CM X 2.44M) WITH SWING GATE	320
FIGURE 5-10. PLATFORM ASSEMBLY - 36IN X 8FT (91.5CM X 2.44M) WITH DROP BAR	322
FIGURE 5-11. PLATFORM ASSEMBLY - 36IN X 8FT (91.5CM X 2.44M) WITH FALL ARREST (ANSI, ANSI EXPORT AND CSA SPECS)	324

TABLE OF CONTENTS

FIGURE 5-12. PLATFORM ASSEMBLY - 36IN X 8FT (91.5CM X 2.44M) WITH FALL ARREST (ALL SPECS EXCEPT CSA SPECS)	326
FIGURE 5-13. TRAY ASSEMBLY	328
FIGURE 5-14. LCD DISPLAY INSTALLATION (Prior to SN 0300248935).....	330
FIGURE 5-15. LCD DISPLAY INSTALLATION (SN 0300248935 to Present).....	332
FIGURE 5-16. CONSOLE BOX AND FOOTSWITCH INSTALLATION - WITHOUT SKYGUARD (Prior to SN 0300223782)	334
FIGURE 5-17. CONSOLE BOX AND FOOTSWITCH INSTALLATION - WITH SKYGUARD.....	336
FIGURE 5-18. PLATFORM CONSOLE ASSEMBLY - WITHOUT SKYGUARD (Prior to SN 0300226999)	338
FIGURE 5-19. PLATFORM CONSOLE ASSEMBLY - WITH SKYGUARD	342
FIGURE 5-20. DECAL AND LIGHT PANEL INSTALLATION (ALL SPECS EXCEPT AUSTRALIAN AND CE SPECS).....	346
FIGURE 5-21. DECAL AND LIGHT PANEL INSTALLATION (AUSTRALIAN AND CE SPECS)	348
FIGURE 5-22. CONTROLLER ASSEMBLY (LIFT AND SWING).....	350
FIGURE 5-23. CONTROLLER ASSEMBLY (DRIVE AND STEER).....	354
FIGURE 5-24. FOOTSWITCH ASSEMBLY.....	356
FIGURE 5-25. SKYGUARD SYSTEM INSTALLATION.....	358
FIGURE 5-26. CROSS RAIL INSTALLATION.....	360
FIGURE 5-27. SOFT TOUCH INSTALLATION - 8FT (2.4M) PLATFORM (OPTIONAL).....	362
FIGURE 5-28. SOFT TOUCH INSTALLATION - 8FT (2.4M) FALL ARREST PLATFORM (OPTIONAL).....	364
FIGURE 5-29. SKYGLAZIER INSTALLATION (ANSI, ANSI EXPORT, AUSTRALIAN, CE AND CSA SPECS)	366
FIGURE 5-30. SKYWELDER/SKYCUTTER COMBO INSTALLATION (60HZ).....	368
FIGURE 5-31. SKYWELDER INSTALLATION (50HZ)	372
FIGURE 5-32. SKYWELDER INSTALLATION (60HZ).....	374
FIGURE 5-33. SKYWELDER PREP PACKAGE (60HZ)	376
FIGURE 5-34. WELDER ASSEMBLY	378
FIGURE 5-35. SKYCUTTER INSTALLATION.....	380
FIGURE 5-36. PLASMA CUTTER ASSEMBLY.....	382
FIGURE 5-37. PIPE RACK INSTALLATION (ANSI AND AUSTRALIAN SPECS).....	384
FIGURE 5-38. FALL ARREST INSTALLATION (BOLT-ON EXTERNAL) (6FT/1.82M PLATFORM)	386
FIGURE 5-39. FALL ARREST INSTALLATION (BOLT-ON EXTERNAL) (6FT/1.82M TRI-ENTRY PLATFORM)	388
FIGURE 5-40. FALL ARREST INSTALLATION (BOLT-ON EXTERNAL) (8FT/2.4M PLATFORM)	390
SECTION 6 - CYLINDER.....	393
FIGURE 6-1. AXLE EXTEND CYLINDER ASSEMBLY (Prior to SN 0300239663)	394
FIGURE 6-2. AXLE EXTEND CYLINDER ASSEMBLY (SN 0300239663 to Present).....	396
FIGURE 6-3. LEVEL CYLINDER ASSEMBLY - PLATFORM SLAVE (Prior to SN 0300237743).....	398
FIGURE 6-4. LEVEL CYLINDER ASSEMBLY - PLATFORM SLAVE (SN 0300237743 to Present).....	400
FIGURE 6-5. LIFT CYLINDER ASSEMBLY - JIB (Prior to SN 0300238854)	402
FIGURE 6-6. LIFT CYLINDER ASSEMBLY - JIB (SN 0300238854 to Present)	404
FIGURE 6-7. LIFT CYLINDER ASSEMBLY - MAIN BOOM (Prior to SN 0300239463).....	406
FIGURE 6-8. LIFT CYLINDER ASSEMBLY - MAIN BOOM (SN 0300239463 to Present).....	408
FIGURE 6-9. LIFT CYLINDER ASSEMBLY - TOWER BOOM (Prior to SN 0300239155)	410
FIGURE 6-10. LIFT CYLINDER ASSEMBLY - TOWER BOOM (SN 0300239155 to Present)	412
FIGURE 6-11. STEER CYLINDER ASSEMBLY (Prior to SN 0300239663)	414
FIGURE 6-12. STEER CYLINDER ASSEMBLY (SN 0300239663 to Present)	416
FIGURE 6-13. TELESCOPE CYLINDER ASSEMBLY - MAIN BOOM (Prior to SN 0300244380).....	418
FIGURE 6-14. TELESCOPE CYLINDER ASSEMBLY - MAIN BOOM (SN 0300244380 to Present).....	420
FIGURE 6-15. TELESCOPE CYLINDER ASSEMBLY - TOWER BOOM (Prior to SN 0300244380)	422
FIGURE 6-16. TELESCOPE CYLINDER ASSEMBLY - TOWER BOOM (SN 0300244380 to Present)	426
SECTION 7 - HYDRAULIC	429
FIGURE 7-1. BOOM AND JIB HYDRAULIC DIAGRAM.....	430
FIGURE 7-2. CHASSIS HYDRAULIC DIAGRAM.....	432
FIGURE 7-3. TURNTABLE HYDRAULIC DIAGRAM (Prior to SN 0300223782).....	436
FIGURE 7-4. TURNTABLE HYDRAULIC DIAGRAM (SN 0300223782 to Present)	444
FIGURE 7-5. HYDRAULIC DIAGRAM LIST	452
SECTION 8 - ELECTRICAL	453
FIGURE 8-1. ELECTRICAL DIAGRAM LIST.....	454
FIGURE 8-2. AC BOX AT PLATFORM INSTALLATION - 110V GFI (ANSI, CHINA, CSA AND JAPANESE SPECS)	456
FIGURE 8-3. AC BOX AT PLATFORM INSTALLATION - 110V IEC YELLOW WITHOUT GENERATOR (CE SPECS)	458
FIGURE 8-4. AC BOX AT PLATFORM INSTALLATION - 110V IEC YELLOW WITH 4000W GENERATOR (CE SPECS)	460
FIGURE 8-5. AC BOX AT PLATFORM INSTALLATION - 220V IEC BLUE WITHOUT GENERATOR (CE SPECS)	462
FIGURE 8-6. AC BOX AT PLATFORM INSTALLATION - 220V IEC BLUE WITH 4000W GENERATOR (CE SPECS).....	464

TABLE OF CONTENTS

FIGURE 8-7. AC BOX AT PLATFORM INSTALLATION - 220V CEE7 POST GROUND WITHOUT GENERATOR (CE SPECS)	466
FIGURE 8-8. AC BOX AT PLATFORM INSTALLATION - 220V CEE7 POST GROUND WITH 4000W GENERATOR (CE SPECS)	468
FIGURE 8-9. AC BOX AT PLATFORM INSTALLATION - 220V CEE7 SIDE GROUND WITHOUT GENERATOR (CE SPECS)	470
FIGURE 8-10. AC BOX AT PLATFORM INSTALLATION - 220V CEE7 SIDE GROUND WITH 4000W GENERATOR (CE SPECS)	472
FIGURE 8-11. AC BOX AT PLATFORM INSTALLATION - 220V AFSINT 107 KEYED GROUND WITHOUT GENERATOR (CE SPECS)	474
FIGURE 8-12. AC BOX AT PLATFORM INSTALLATION - 220V AFSINT 107 KEYED GROUND WITH 4000W GENERATOR (CE SPECS)	476
FIGURE 8-13. AC BOX AT PLATFORM INSTALLATION - BOX WITH COVER WITH 4000W GENERATOR (ANSI EXPORT, AUSTRALIAN, CE, CHINA AND JAPANESE SPECS)	478
FIGURE 8-14. AC LEAD INSTALLATION (ANSI EXPORT, AUSTRALIAN, CE AND CHINA SPECS)	480
FIGURE 8-15. BLAM HARNESS	482
FIGURE 8-16. BOOM CABLES INSTALLATION - WITHOUT GENERATOR (ALL SPEC EXCEPT AUSTRALIAN AND CE SPECS)	484
FIGURE 8-17. BOOM CABLES INSTALLATION - WITHOUT GENERATOR (AUSTRALIAN, CE AND CHINA SPECS)	486
FIGURE 8-18. BOOM CABLES INSTALLATION - WITH 4000W GENERATOR (ALL SPECS)	488
FIGURE 8-19. BOOM CABLES INSTALLATION - WITH SKYPOWER 7500W GENERATOR (ALL SPECS)	490
FIGURE 8-20. BOOM CABLE (MAIN BOOM)	494
FIGURE 8-21. BOOM CABLE (TOWER BOOM)	496
FIGURE 8-22. BOOM CONTROL BOX ASSEMBLY	498
FIGURE 8-23. BREAKER BOX INSTALLATION - WITH 2 BREAKERS (CE SPECS)	500
FIGURE 8-24. BREAKER BOX INSTALLATION - WITH 3 BREAKERS (CE SPECS)	502
FIGURE 8-25. BREAKER BOX KIT - WITH 2 BREAKERS (CE SPECS) (Prior to SN 0300214286)	504
FIGURE 8-26. BREAKER BOX KIT - WITH 2 BREAKERS (CE SPECS) (SN 0300214286 to Present)	506
FIGURE 8-27. BREAKER BOX KIT - WITH 3 BREAKERS (CE SPECS)	508
FIGURE 8-28. CHASSIS HARNESS	510
FIGURE 8-29. COUPLING/COLLECTOR RING ASSEMBLY	514
FIGURE 8-30. DIESEL EXHAUST FLUID TANK HARNESS	516
FIGURE 8-31. DRIVE PUMP HARNESS	518
FIGURE 8-32. ENGINE HARNESS (HRC)	520
FIGURE 8-33. ENGINE HARNESS (LRC)	524
FIGURE 8-34. ENGINE CAN HARNESS	528
FIGURE 8-35. FUEL PUMP AND WIF HARNESS	530
FIGURE 8-36. PLATFORM OUTLET HARNESS	532
FIGURE 8-37. STROBE LIGHT (AMBER) HARNESS	534
FIGURE 8-38. GENERATOR TO CONTROL BOX HARNESS (4000W GENERATOR)	536
FIGURE 8-39. GENERATOR TO CONTROL BOX HARNESS (7500W GENERATOR)	538
FIGURE 8-40. GENERATOR TO PLATFORM HARNESS (4000W-60HZ GENERATOR)	540
FIGURE 8-41. GENERATOR TO PLATFORM HARNESS (4000W-50HZ & 7500W GENERATOR)	542
FIGURE 8-42. GROUND CONTROL HARNESS	544
FIGURE 8-43. LCD DISPLAY HARNESS (Prior to SN 0300248935)	546
FIGURE 8-44. LCD DISPLAY HARNESS (SN 0300248935 to Present)	548
FIGURE 8-45. MAIN BOOM CONTROL BOX HARNESS	550
FIGURE 8-46. PLATFORM CONSOLE HARNESS - WITHOUT SKYGUARD (Prior to SN 0300223782)	554
FIGURE 8-47. PLATFORM CONSOLE HARNESS - WITH SKYGUARD	558
FIGURE 8-48. RECEPTACLE BOX KIT - 110V IEC YELLOW (CE SPEC)	562
FIGURE 8-49. RECEPTACLE BOX KIT - 220V IEC BLUE (CE SPEC)	564
FIGURE 8-50. RECEPTACLE BOX KIT - 220V CEE7 POST GROUND (CE SPEC)	566
FIGURE 8-51. RECEPTACLE BOX KIT - 220V CEE7 SIDE GROUND (CE SPEC)	568
FIGURE 8-52. RECEPTACLE BOX KIT - 220V AFSINT 107 (CE SPEC)	570
FIGURE 8-53. SECONDARY CONTROL HARNESS	572
FIGURE 8-54. SENSOR HARNESS - AXLE	574
FIGURE 8-55. SENSOR HARNESS - BOOM	576
FIGURE 8-56. SENSOR HARNESS - PLATFORM LEVEL	578
FIGURE 8-57. STEER HARNESS	580
FIGURE 8-58. STROBE LIGHT (BLUE) HARNESS	582
FIGURE 8-59. TURNTABLE HARNESS	584
FIGURE 8-60. VALVE HARNESS - BOOM	588
FIGURE 8-61. VALVE HARNESS - PLATFORM	590
FIGURE 8-62. VALVE HARNESS - TURNTABLE (Prior to SN 0300223782)	592
FIGURE 8-63. VALVE HARNESS - TURNTABLE (SN 0300223782 to Present)	594
SECTION 9 - DECALS	597

TABLE OF CONTENTS

FIGURE 9-1. DECAL INSTALLATION - ANSI SPEC	598
FIGURE 9-2. DECAL INSTALLATION - AUSTRALIAN SPEC	602
FIGURE 9-3. DECAL INSTALLATION - BRAZIL SPEC (ENGLISH/PORTUGUESE)	606
FIGURE 9-4. DECAL INSTALLATION - CE SPEC.....	610
FIGURE 9-5. DECAL INSTALLATION - CHINA SPEC (ENGLISH/CHINESE).....	614
FIGURE 9-6. DECAL INSTALLATION - CSA SPEC (ENGLISH/FRENCH)	618
FIGURE 9-7. DECAL INSTALLATION - JAPAN SPEC (ENGLISH/JAPANESE)	622
FIGURE 9-8. DECAL INSTALLATION - KOREA SPEC (ENGLISH/KOREAN).....	626
FIGURE 9-9. DECAL INSTALLATION - LATIN AMERICA SPEC (ENGLISH/SPANISH).....	630
FIGURE 9-10. DECAL INSTALLATION - OPTIONS	634
SECTION 10 - RECOMMENDED SERVICE PARTS STOCK	637
FIGURE 10-1. RECOMMENDED SERVICE PARTS STOCK	638
SECTION 11 - SPECIAL OPTIONS.....	641
FIGURE 11-1. SPECIAL OPTIONS.....	642
PART NUMBER INDEX	647

SECTION 1 - FRAME

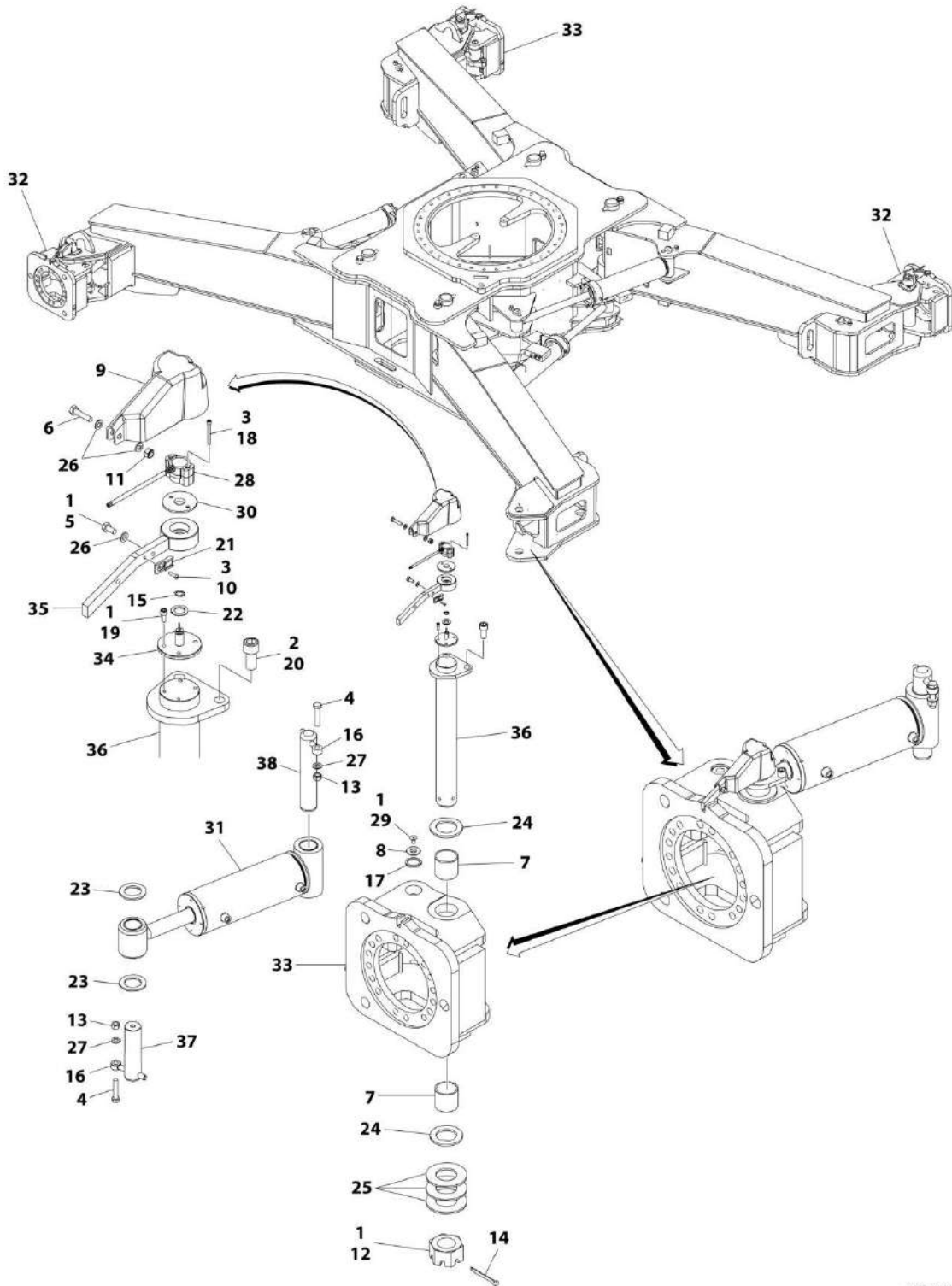
SECTION 1 - FRAME

FIGURE 1-1. AXLE INSTALLATION

ITEM	PART NUMBER	QTY	DESCRIPTION	REV
	1001190949	Ref	AXLE INSTALLATION	F
1	0100011	AR	Compound, Locking	
2	0100071	AR	Compound, Locking	
3	3020039	AR	Lubricant	
4	1001190950	1	Axle - Rear LH	
5	1001190951	1	Axle - Rear RH	
6	1001190952	1	Axle - Front RH	
7	1001190953	1	Axle - Front LH	
8	1001155363	4	Pin	
9	0440273	8	Bushing	
10	1001155133	4	Washer, Thrust	
11	3841356	4	Keeper, Pin	
12	0762418001	4	Bolt M24 x 50	
13	1001156648	NLA	Axle Extend Cylinder Assembly (Use p/n 1001228066) (See CYLINDER SECTION for Breakdown) (Prior to SN 0300239663)	
13	1001228066	4	Axle Extend Cylinder Assembly (See CYLINDER SECTION for Breakdown) (SN 0300239663 to Present)	
14	3422912	4	Pin	
15	1001120000	4	Pin	
16	4740229	8	Washer, Thrust	
17	3841258	8	Keeper, Pin	
18	0701420001	8	Bolt M14 x 60	
19	4812200001	8	Washer M14	
20	3291407001	8	Nut M14	
21	1001158017	AR	Shim	
22	0761015001	8	Bolt M10 x 35	
23	1001172358	8	Washer M10	
24	1001157084	4	Axle Sensor and Harness Assembly	
24	4460910	1	Receptacle, Female - 3 Position	
24	4460917	6	Pin, Male	
25	1001157007	8	Sleeve	
26	0761016001	8	Bolt M10 x 40	

SECTION 1 - FRAME

FIGURE 1-2. STEER INSTALLATION



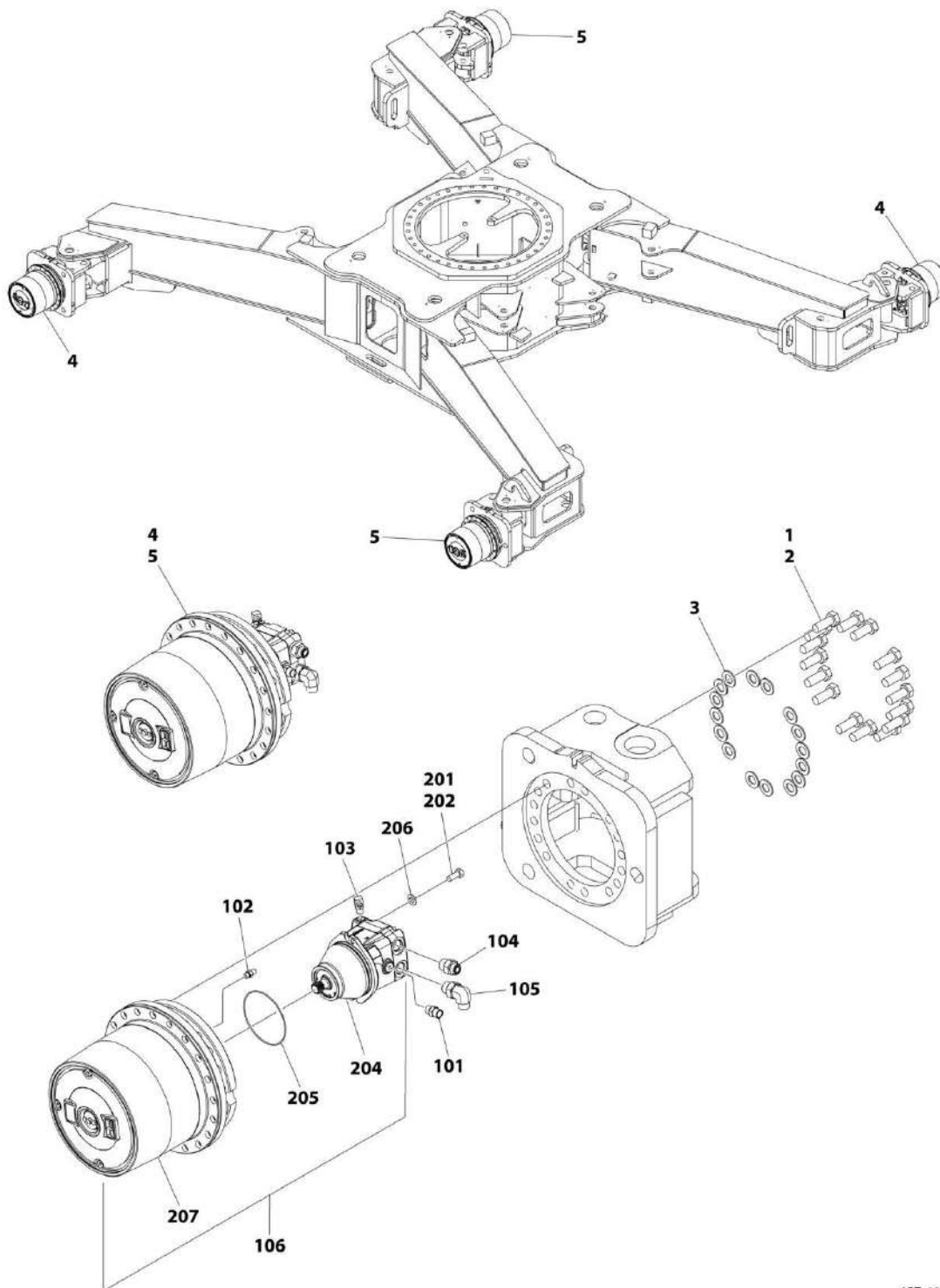
ART_1001156606

FIGURE 1-2. STEER INSTALLATION

ITEM	PART NUMBER	QTY	DESCRIPTION	REV
	1001156606	Ref	STEER INSTALLATION	F
1	0100011	AR	Compound, Locking	
2	0100019	AR	Compound, Locking	
3	0100035	AR	Compound, Locking	
4	0701422001	8	Bolt M14 x 70	
5	0760808001	4	Bolt M8 x 16	
6	0760815001	4	Bolt M8 x 35	
7	0962423	8	Bushing	
8	1120549	4	Cap	
9	1671040	4	Cover	
10	2080091	4	Screw M4 x 16	
11	3290805001	4	Nut M8	
12	3300464001	4	Nut	
13	3291407001	8	Nut M14	
14	3451214	4	Pin, Cotter	
15	3760383	4	Ring	
16	3841258	8	Keeper, Pin	
17	3960551	4	Seal	
18	4031512	8	Capscrew M4 x 40	
19	4031707	16	Capscrew M6 x 16	
20	4032311001	8	Capscrew M16 x 35	
21	4460914	4	Base, Terminal	
22	4711800	4	Washer 1/2	
23	4740229	8	Washer, Thrust	
24	4740505	8	Washer, Thrust	
25	4755000001	18	Washer 2-1/2	
26	4811900001	12	Washer M8	
27	4812200001	8	Washer M14	
28	1001146963	4	Sensor Assembly	
28	4460899	1	Connector - 6 Position	
28	4460464	6	Socket, Female	
29	1001174345	4	Screw M20 x 20	
30	1001155836	4	Adapter	
31	1001155986	NLA	Steer Cylinder Assembly (Use p/n 1001228065) (See CYLINDER SECTION for Breakdown) (Prior to SN 0300239663)	
31	1001228065	4	Steer Cylinder Assembly (See CYLINDER SECTION for Breakdown) (SN 0300239663 to Present)	
32	1001156678	2	Spindle - Front LH and Rear RH	
33	1001156679	2	Spindle - Front RH and Rear LH	
34	1001156778	4	Pin	
35	1001156785	4	Link	
36	1001156815	4	Kingpin	
37	1001156991	4	Pin	
38	1001156996	4	Pin	
39	1001155817	4	Steer Harness (Not Shown - See ELECTRICAL SECTION for Breakdown)	

SECTION 1 - FRAME

FIGURE 1-3. WHEEL DRIVE INSTALLATION



ART_1001157850

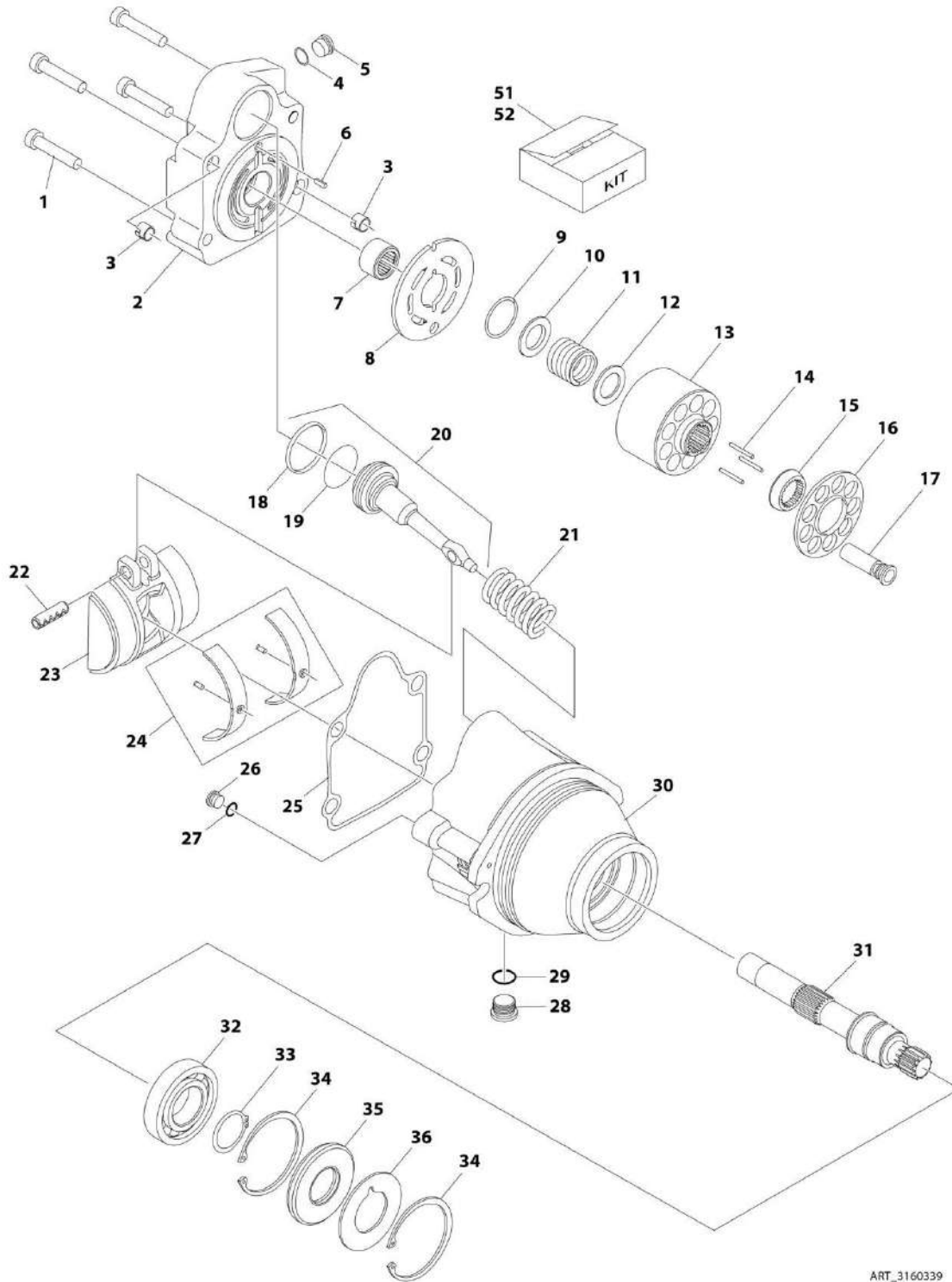
SECTION 1 - FRAME

FIGURE 1-3. WHEEL DRIVE INSTALLATION

ITEM	PART NUMBER	QTY	DESCRIPTION	REV
	1001157850	Ref	WHEEL DRIVE INSTALLATION	F
1	0100019	AR	Compound, Locking	
2	0762018001	64	Bolt M20 x 50	
3	5242000001	64	Washer M20	
4	1001154759	2	Drive Hub/Motor with Fittings - Front LH and Rear RH (See Items 101-106 for Breakdown)	
5	1001157849	2	Drive Hub/Motor with Fittings - Front RH and Rear LH (See Items 101-106 for Breakdown)	
	1001154759	Ref	HUB/MOTOR ASSEMBLY WITH FITTINGS - FRONT LH AND REAR RH	E
	1001157849	Ref	HUB/MOTOR ASSEMBLY WITH FITTINGS - FRONT RH AND REAR LH	E
101	2110808	1	Fitting, Straight ORFS/ORB	
102	2220415	1	Fitting, Straight JIC/ORB	
103	2220472	1	Fitting, 90 JIC/ORB	
104	2111012	1	Fitting, Straight ORFS/ORB	
105	2131012	1	Fitting, 90 ORFS/ORB	
106	1001154772	1	Drive Hub/Motor (See Items 201-207 for Breakdown)	
	1001154772	Ref	DRIVE HUB/MOTOR ASSEMBLY	C
201	0100011	AR	Compound, Locking	
202	0761214	2	Bolt M12 x 30	
203	3020008	AR	Lube, Gear (Not Shown)	
204	3160339	1	Drive Motor Assembly (See DRIVE MOTOR ASSEMBLY for Breakdown)	
205	3790158	1	O-Ring	
206	5241200	2	Washer M12	
207	1001149921	1	Drive Hub Assembly (See DRIVE HUB ASSEMBLY for Breakdown)	

SECTION 1 - FRAME

FIGURE 1-4. DRIVE MOTOR ASSEMBLY



ART_3160339

SECTION 1 - FRAME

FIGURE 1-4. DRIVE MOTOR ASSEMBLY

ITEM	PART NUMBER	QTY	DESCRIPTION	REV
	3160339	Ref	DRIVE MOTOR ASSEMBLY	D
1	7022368	4	Bolt	
2	70000859	1	End Cap, Motor	
3	70003628	2	Locating Pin	
4	See Note	NSS	O-Ring (Note: Use Item 51)	
5	7007420	1	Plug (Includes Item 4)	
6	7007446	1	Pin, Dowel	
7	7021249	1	Bearing, Needle	
8	70000854	1	Plate, Valve	
9	7022311	1	Snap Ring	
10	7022314	1	Retainer, Spring	
11	7024867	1	Spring	
12	7024868	1	Washer	
13	70000855	1	Block, Cylinder	
14	7021275	3	Pin, Slipper	
15	70000856	1	Guide	
16	70000857	1	Retainer, Slipper	
17	7024865	9	Piston, Cylinder	
18	See Note	NSS	Ring, Piston (Note: Use Item 51)	
19	See Note	NSS	O-Ring (Note: Use Item 51)	
20	70000860	1	Piston, Servo (Includes Items 18 & 19)	
21	70000861	1	Spring	
22	See Note	NSS	Pin (Note: Not Available for Purchase)	
23	70000853	1	Swashplate	
24	70000852	1	Kit, Bearing	
25	See Note	NSS	Gasket (Note: Use Item 51)	
26	See Note	NSS	Plug (Note: Not Available for Purchase)	
27	See Note	NSS	O-Ring (Note: Use Item 51)	
28	7022321	1	Plug (Includes Item 29)	
29	See Note	NSS	O-Ring (Note: Use Item 51)	
30	See Note	NSS	Housing (Note: Not Available - Purchase Complete Motor)	
31	70000858	1	Shaft	
32	7007437	1	Bearing	
33	7007439	1	Snap Ring	
34	7007438	2	Snap Ring	
35	See Note	NSS	Seal (Note: Use Item 51)	
36	7022371	1	Washer, Seal Support	
51	70000862	1	Seal Kit - Motor (Includes Items 4, 18, 19, 25, 27, 29 & 35)	
52	7027740	1	Cylinder Block Kit (Includes Items 9-17)	

SECTION 1 - FRAME

FIGURE 1-5. DRIVE HUB ASSEMBLY

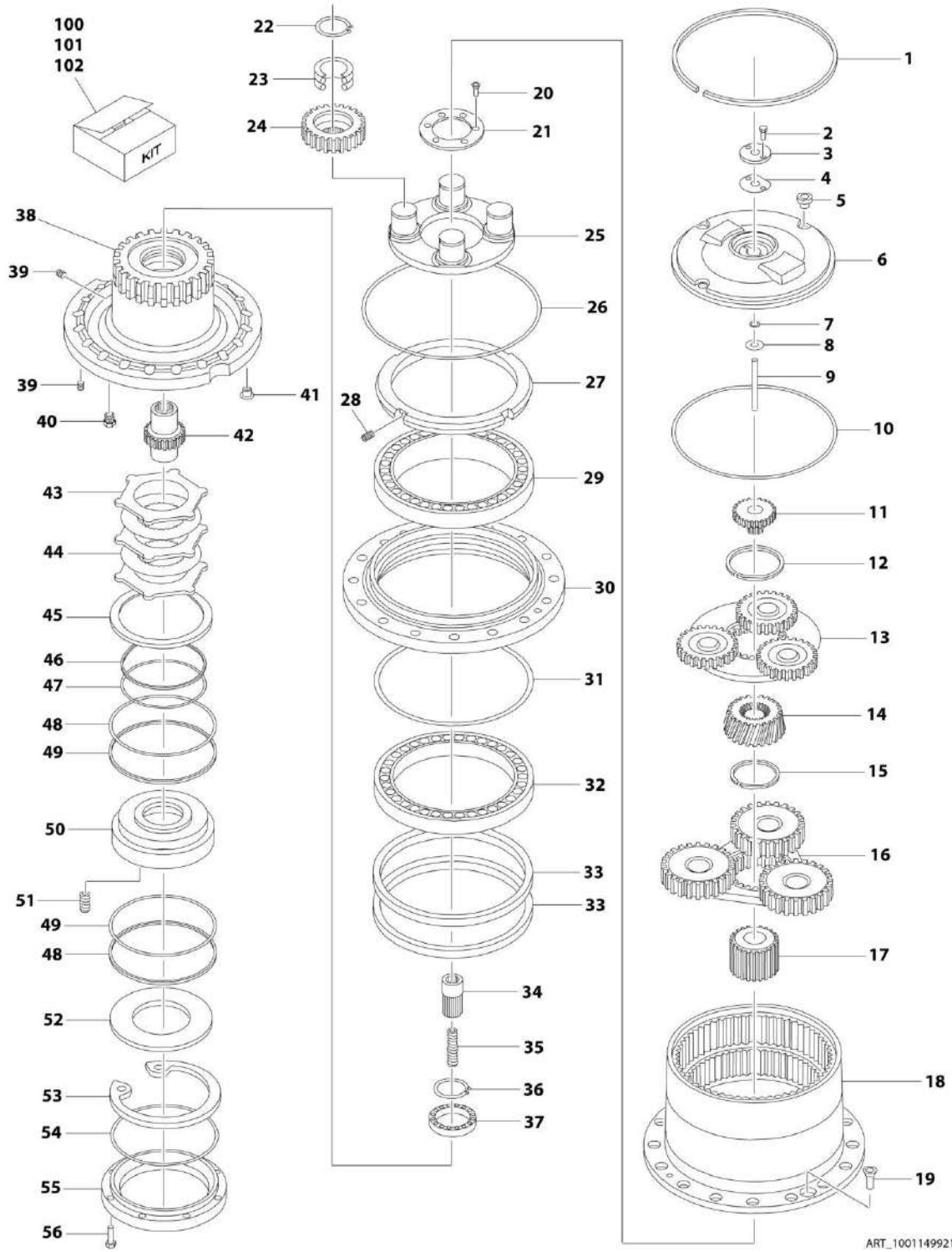


FIGURE 1-5. DRIVE HUB ASSEMBLY

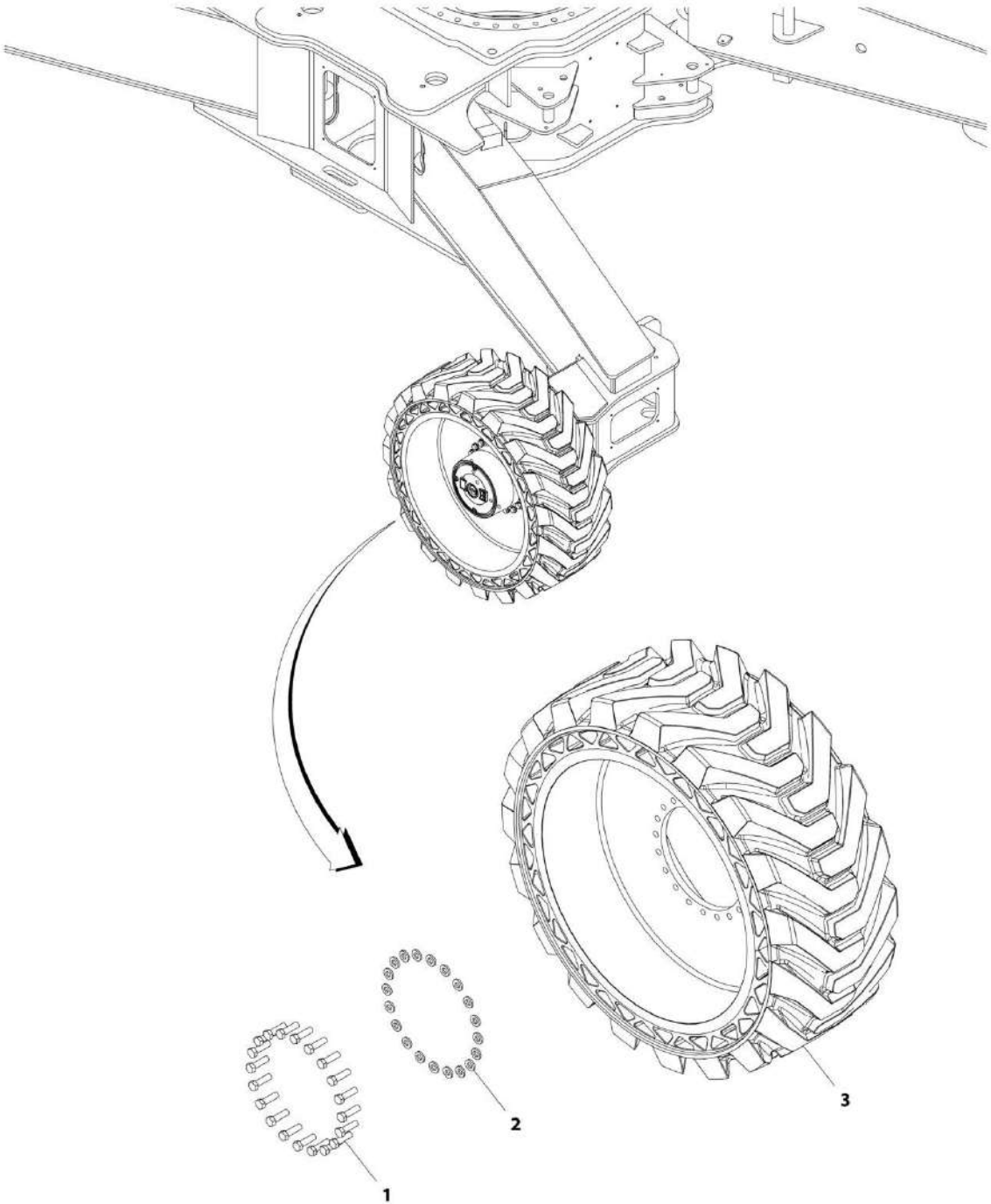
ITEM	PART NUMBER	QTY	DESCRIPTION	REV
	1001149921	Ref	DRIVE HUB ASSEMBLY	G
1	70004429	1	Ring	
2	See Note	NSS	Screw M6 x 20 (Note: Use Item 101)	
3	See Note	NSS	Cover (Note: Use Item 101)	
4	70004429	1	Gasket	
5	70002057	3	Plug	
6	See Note	NSS	Cover (Note: Use Item 101)	
7	See Note	NSS	O-Ring (Note: Use Item 100 or 101)	
8	See Note	NSS	Shim (Note: Use Item 101)	
9	See Note	NSS	Pin (Note: Use Item 101)	
10	See Note	NSS	O-Ring (Note: Use Item 100 or 101)	
11	70004430	1	Pinion	
12	70004431	1	Ring, Retaining	
13	70004432	1	Assembly, Gear Reduction	
14	70004433	1	Pinion	
15	70004434	1	Ring	
16	70004435	1	Assembly, Gear Reduction	
17	70004436	1	Pinion	
18	See Note	NSS	Housing, Hub (Note: Use p/n 1001149921)	
19	70002052	2	Screw M10 x 25	
20	70004437	6	Screw M6 x 14	
21	70004438	1	Plug	
22	70002032	4	Ring, Retaining	
23	70002031	4	Bearing	
24	70004439	4	Wheel, Planet	
25	70004440	1	Flange	
26	See Note	NSS	O-Ring (Note: Use Item 100)	
27	70004441	1	Nut	
28	70004363	2	Screw M6 x 10	
29	70004442	1	Bearing	
30	See Note	NSS	Support, Hub (Note: Use p/n 1001149921)	
31	See Note	NSS	O-Ring (Note: Use Item 100)	
32	70004443	1	Bearing	
33	See Note	1	Seal (Note: Use Item 100)	
34	70004444	1	Coupling	
35	70002036	1	Spring	
36	70004445	1	Ring, Retaining	
37	70004446	1	Bearing	
38	See Note	NSS	Axle (Note: Use p/n 1001149921)	
39	70004447	3	Plug	
40	70002057	3	Plug (Includes O-Ring)	
41	70002028	1	Plug, Plastic	
42	70004448	1	Shaft, Input	
43	See Note	NSS	Disc, Iron (Note: Use Item 102)	
44	See Note	NSS	Disc, Brake (Note: Use Item 102)	
45	See Note	NSS	Spacer (Note: Use Item 102)	
46	See Note	NSS	Seal (Note: Use Item 100 or 102)	
47	See Note	NSS	O-Ring (Note: Use Item 100 or 102)	
48	See Note	NSS	Seal (Note: Use Item 100 or 102)	
49	See Note	NSS	O-Ring (Note: Use Item 100 or 102)	

SECTION 1 - FRAME

ITEM	PART NUMBER	QTY	DESCRIPTION	REV
50	See Note	NSS	Piston, Brake (Note: Use Item 102)	
51	See Note	NSS	Spring, Brake (Note: Use Item 102)	
52	See Note	NSS	Spacer (Note: Use Item 102)	
53	See Note	NSS	Ring, Retaining (Note: Use Item 102)	
54	See Note	NSS	O-Ring (Note: Use Item 100)	
55	70004449	1	Support, Motor	
56	70004450	6	Screw M8 x 25	
100	70004451	1	Kit, Seal (Includes Items 4, 7, 10, 26, 31, 33, 46-49 & 54)	
101	70004452	1	Kit, Cover (Includes Items 2-10)	
102	70004453	1	Kit, Brake (Includes Items 43-53)	

SECTION 1 - FRAME

FIGURE 1-6. TIRE/WHEEL INSTALLATION



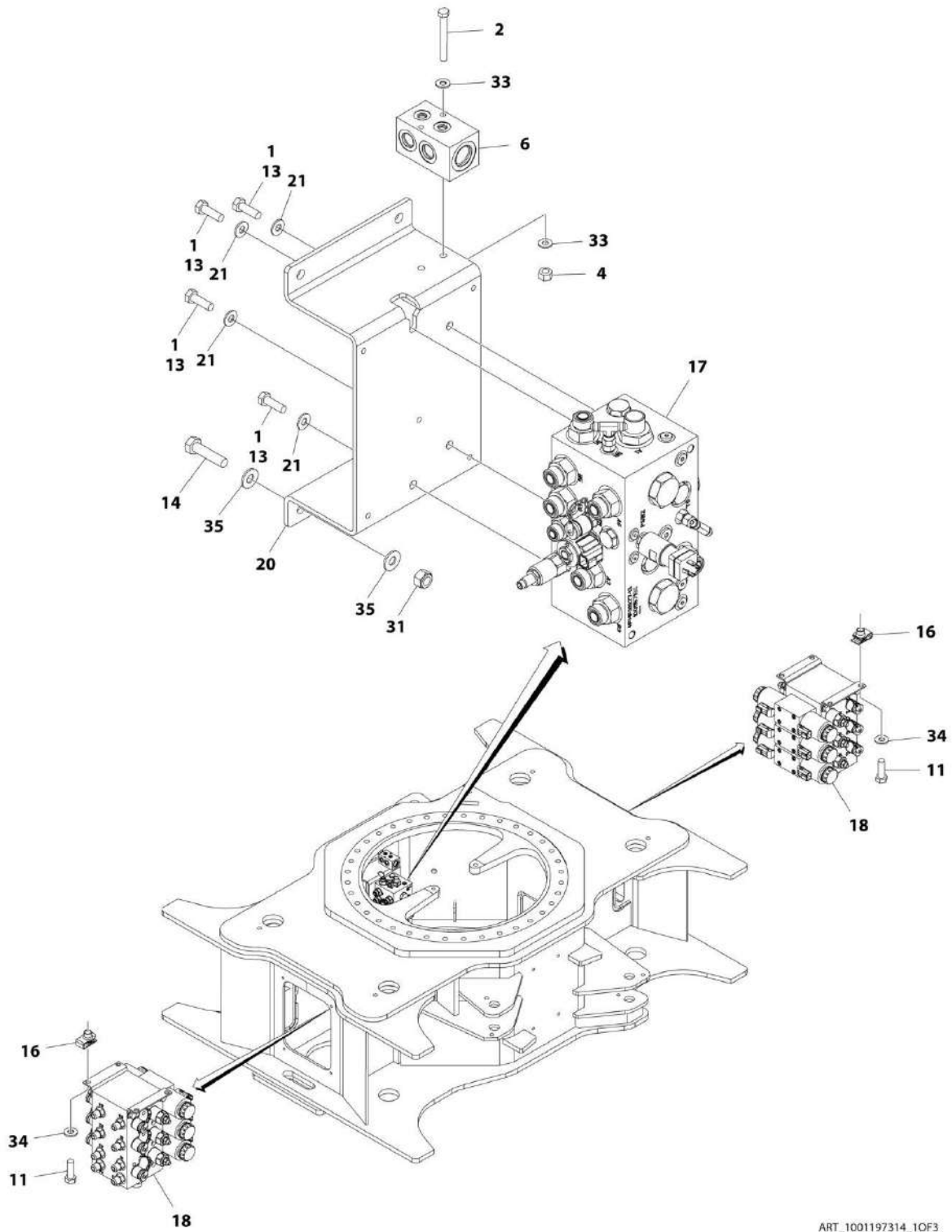
ART_1001157216

FIGURE 1-6. TIRE/WHEEL INSTALLATION

ITEM	PART NUMBER	QTY	DESCRIPTION	REV
	1001157216	Ref	TIRE/WHEEL INSTALLATION	F
1	0701619001	80	Bolt M16 x 55 (20 Per Wheel)	
2	1001172356	80	Washer 5/8 (20 Per Wheel)	
3	1001147616	2	Tire/Wheel (RH Side)	
3	1001149711	2	Tire/Wheel (LH Side)	

SECTION 1 - FRAME

FIGURE 1-7. VALVES INSTALLATION - FRAME (Prior to SN 0300223782)



ART_1001197314_10F3

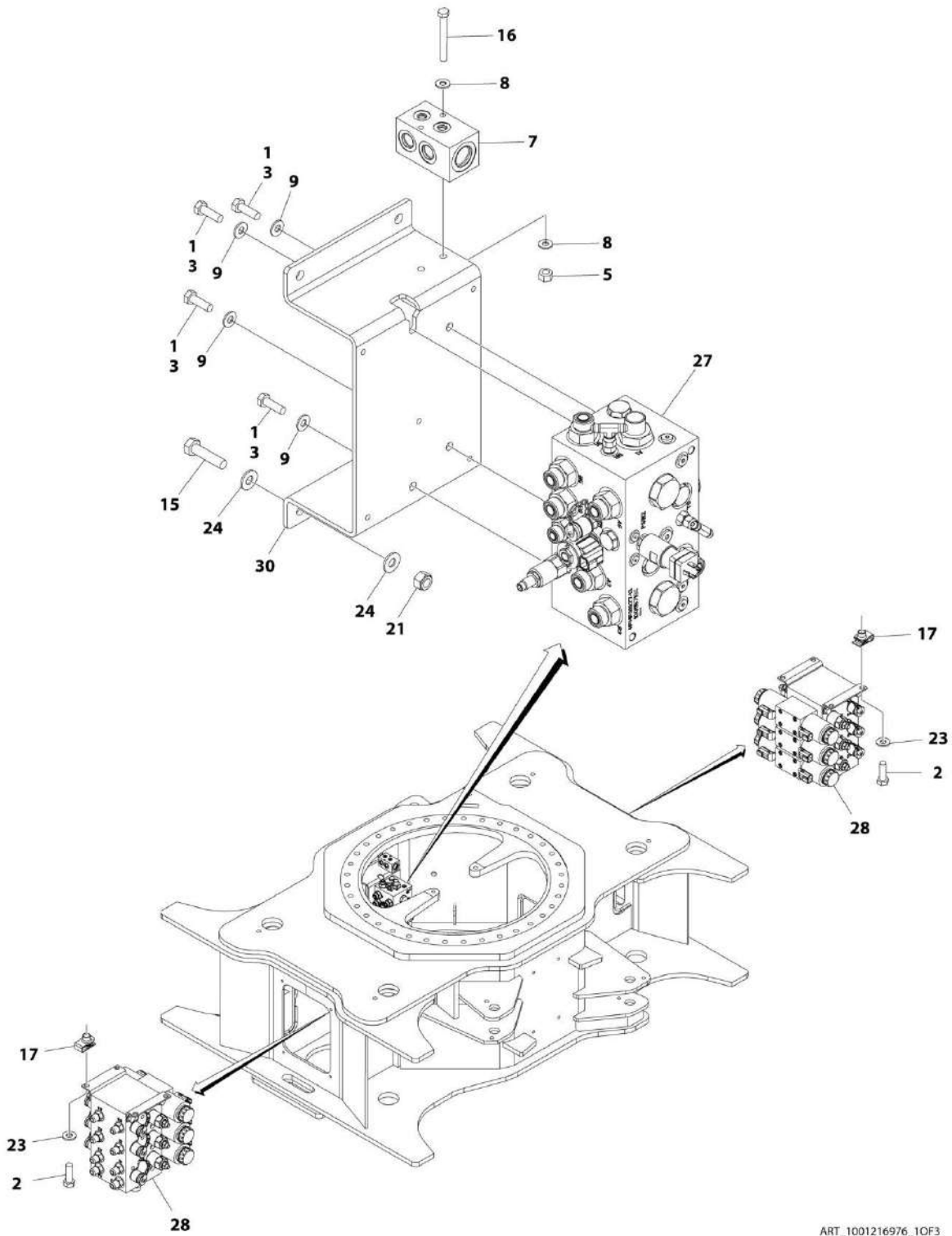
SECTION 1 - FRAME

FIGURE 1-7. VALVES INSTALLATION - FRAME (Prior to SN 0300223782)

ITEM	PART NUMBER	QTY	DESCRIPTION	REV
	1001197314	Ref	VALVES INSTALLATION - FRAME (Prior to SN 0300223782)	E
1	0100011	AR	Compound, Locking	
2	0641422	2	Bolt 1/4 x 2-3/4	
2	1001096653	2	Bolt M6 x 70	
4	3311405	2	Nut 1/4	
4	3290607	2	Nut M6	
6	4641155	1	Manifold, Junction	
11	0760812	8	Bolt M8 x 25	
13	0761012	4	Bolt M10 x 25	
14	0761218001	4	Bolt M12 x 50	
16	1001118274	8	Nut M8	
17	1001157198	NLA	Traction Valve Assembly (Use p/n 1001219110) (See TRACTION VALVE ASSEMBLY for Breakdown)	
18	1001157207	2	Steer/Axle Extend Valve Assembly (See STEER/AXLE EXTEND VALVE ASSEMBLY for Breakdown)	
20	1001164354	1	Bracket	
21	4812000	4	Washer M10	
31	3291205001	4	Nut M12	
33	4811700	4	Washer M6	
34	4811900001	8	Washer M8	
35	4812100001	8	Washer M12	

SECTION 1 - FRAME

FIGURE 1-8. VALVES INSTALLATION - FRAME (SN 0300223782 to Present)



ART_1001216976_10F3

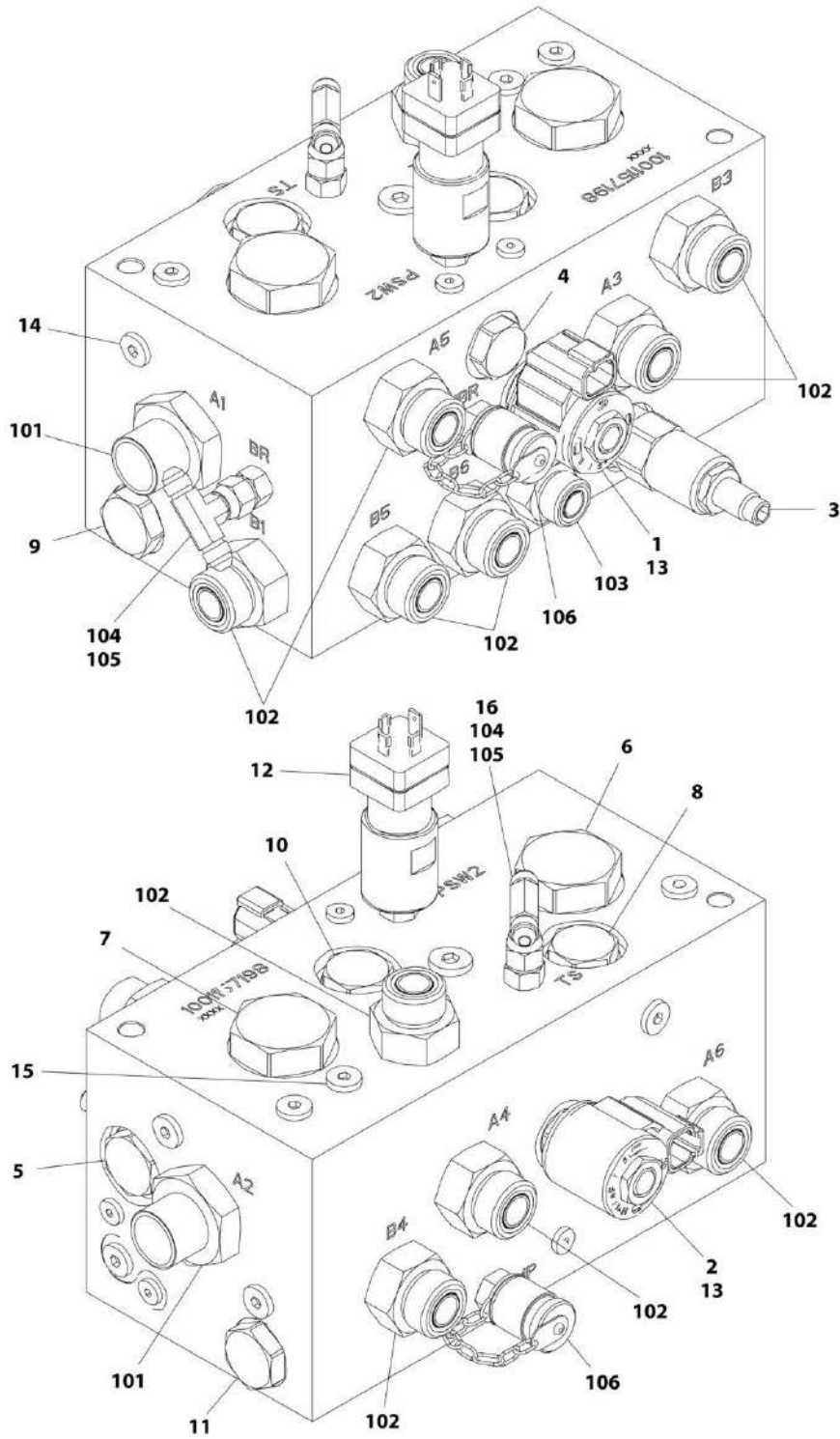
SECTION 1 - FRAME

FIGURE 1-8. VALVES INSTALLATION - FRAME (SN 0300223782 to Present)

ITEM	PART NUMBER	QTY	DESCRIPTION	REV
	1001216976	Ref	VALVES INSTALLATION - FRAME (SN 0300223782 to Present)	E
1	0100011	AR	Compound, Locking	
2	0760812	8	Bolt M8 x 25	
3	0761012	4	Bolt M10 x 25	
5	3290607	2	Nut M6	
7	4641155	1	Manifold, Junction	
8	4811700	4	Washer M6	
9	4812000	4	Washer M10	
15	0761218001	4	Bolt M12 x 50	
16	1001096653	2	Bolt M6 x 70	
17	1001118274	8	Nut M8	
21	3291205001	4	Nut M12	
23	4811900001	8	Washer M8	
24	4812100001	8	Washer M12	
27	1001157198	NLA	Traction Valve Assembly (Use p/n 1001219110) (See TRACTION VALVE ASSEMBLY for Breakdown) (Prior to SN 03020224829)	
27	1001219110	1	Traction Valve Assembly (See TRACTION VALVE ASSEMBLY for Breakdown) (SN 03020224829 to Present)	
28	1001157207	2	Steer/Axle Extend Valve Assembly (See STEER/AXLE EXTEND VALVE ASSEMBLY for Breakdown)	
30	1001164354	1	Bracket	

SECTION 1 - FRAME

FIGURE 1-9. TRACTION VALVE ASSEMBLY (Prior to SN 0300224829)



ART_1001157198

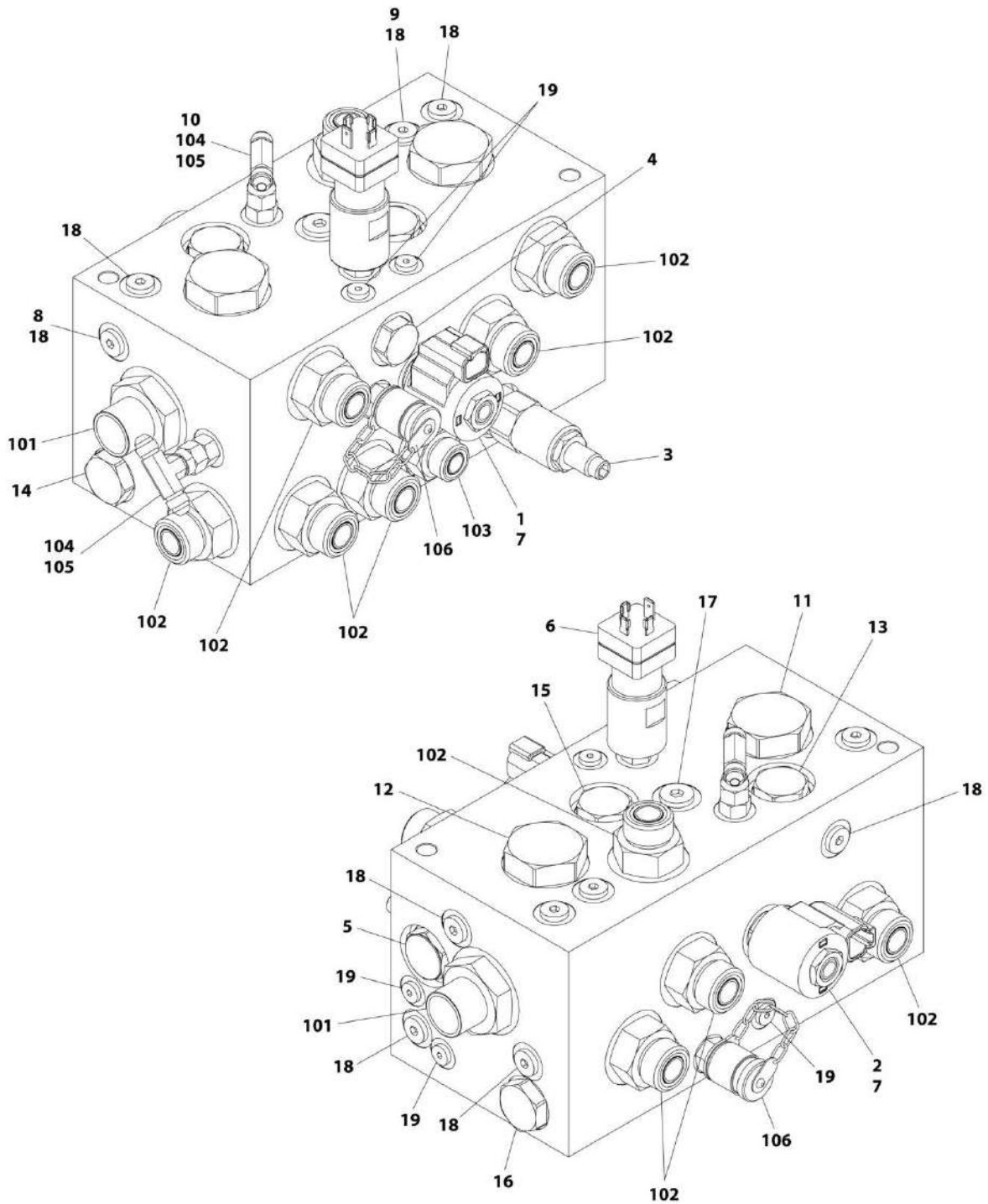
SECTION 1 - FRAME

FIGURE 1-9. TRACTION VALVE ASSEMBLY (Prior to SN 0300224829)

ITEM	PART NUMBER	QTY	DESCRIPTION	REV
	1001157198	Ref	TRACTION VALVE ASSEMBLY (Prior to SN 0300224829)	H
1	7012941	1	Cartridge, Solenoid Less Coil	
1	7010543	1	Kit, Seal	
2	7012941	1	Cartridge, Solenoid Less Coil	
2	7010543	1	Kit, Seal	
3	70004383	1	Cartridge, Relief	
3	7012998	1	Kit, Seal	
4	70004384	1	Cartridge, Load Shuttle	
4	7012973	1	Kit, Seal	
5	70004385	1	Cartridge	
5	70002978	1	Kit, Seal	
6	70004017	1	Cartridge, Flow Divider	
6	7021625	1	Kit, Seal	
7	70004017	1	Cartridge, Flow Divider	
7	7021625	1	Kit, Seal	
8	70003408	1	Cartridge, Check	
8	7022399	1	Kit, Seal	
9	70003408	1	Cartridge, Check	
9	7022399	1	Kit, Seal	
10	70003408	1	Cartridge, Check	
10	7022399	1	Kit, Seal	
11	70003408	1	Cartridge, Check	
11	7022399	1	Kit, Seal	
12	70000803	1	Cartridge, Pressure Switch	
13	70002386	2	Coil	
14	7017493	1	Orifice	
15	7017493	1	Orifice	
16	70004386	1	Orifice	
101	2111016	2	Fitting, Straight ORB/ORFS	
102	2111012	10	Fitting, Straight ORB/ORFS	
103	2110810	1	Fitting, Straight ORB/ORFS	
104	2220415	2	Fitting, Straight JIC/ORB	
105	2220861	2	Fitting, Tee JIC/ORB	
106	2221086	2	Fitting, Test	

SECTION 1 - FRAME

FIGURE 1-10. TRACTION VALVE ASSEMBLY (SN 0300224829 to Present)



ART_1001219110

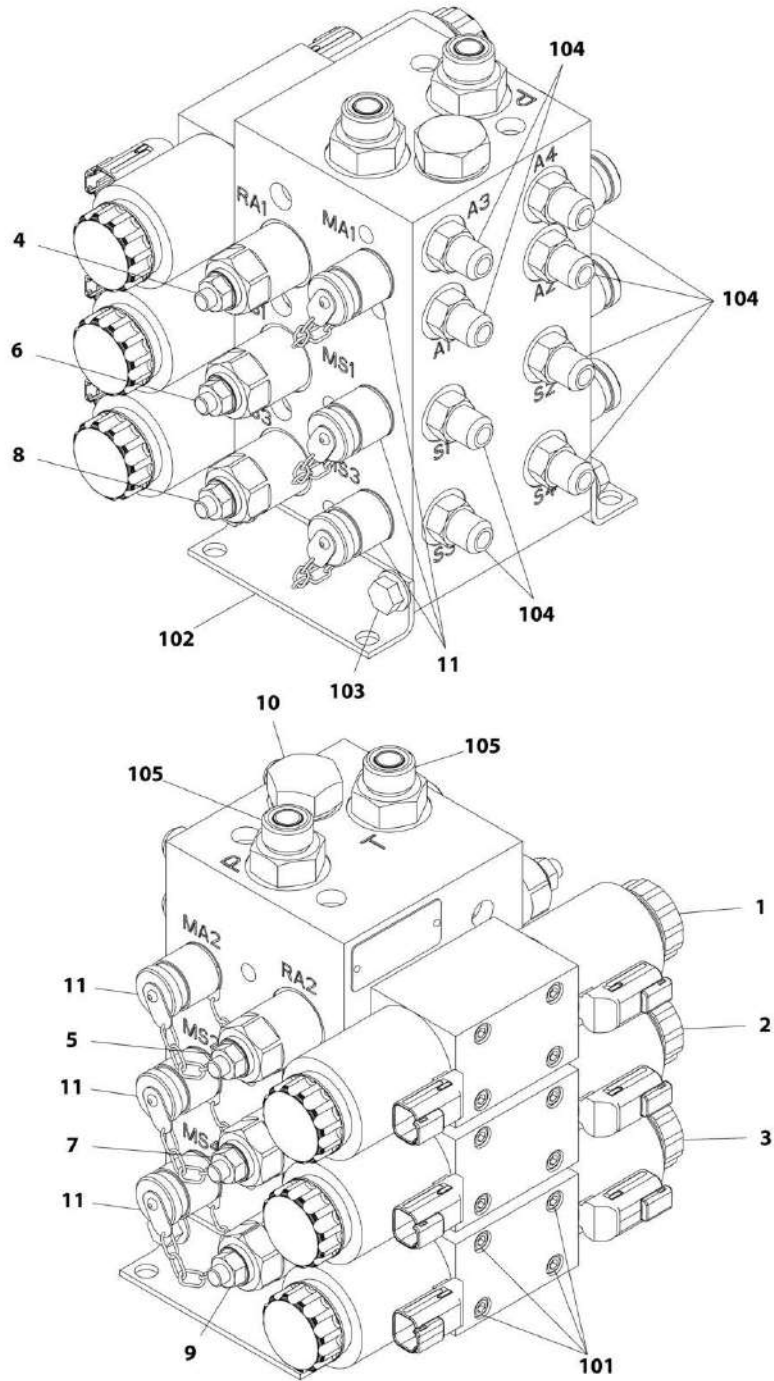
SECTION 1 - FRAME

FIGURE 1-10. TRACTION VALVE ASSEMBLY (SN 0300224829 to Present)

ITEM	PART NUMBER	QTY	DESCRIPTION	REV
	1001219110	Ref	TRACTION VALVE ASSEMBLY (SN 0300224829 to Present)	B
1	7012941	1	Cartridge, Solenoid Less Coil	
1	7010543	1	Kit, Seal	
2	7012941	1	Cartridge, Solenoid Less Coil	
2	7010543	1	Kit, Seal	
3	70004383	1	Cartridge, Relief	
3	7012998	1	Kit, Seal	
4	70004384	1	Cartridge, Load Shuttle	
4	7012973	1	Kit, Seal	
5	70000804	1	Cartridge	
5	70000805	1	Kit, Seal	
6	70000803	1	Cartridge, Pressure Switch	
7	70002386	2	Coil	
8	7017493	1	Orifice	
9	7017493	1	Orifice	
10	70004386	1	Orifice	
11	70004017	1	Cartridge, Flow Divider	
11	7021625	1	Kit, Seal	
12	70004017	1	Cartridge, Flow Divider	
12	7021625	1	Kit, Seal	
13	70003408	1	Cartridge, Check	
13	7022399	1	Kit, Seal	
14	70003408	1	Cartridge, Check	
14	7022399	1	Kit, Seal	
15	70003408	1	Cartridge, Check	
15	7022399	1	Kit, Seal	
16	70003408	1	Cartridge, Check	
16	7022399	1	Kit, Seal	
17	2220885	1	Plug	
18	2220883	9	Plug	
19	2220881	8	Plug	
101	2111016	2	Fitting, Straight ORB/ORFS	
102	2111012	10	Fitting, Straight ORB/ORFS	
103	2110810	1	Fitting, Straight ORB/ORFS	
104	2220415	2	Fitting, Straight JIC/ORB	
105	2220861	2	Fitting, Tee JIC/ORB	
106	2221086	2	Fitting, Test	

SECTION 1 - FRAME

FIGURE 1-11. STEER/AXLE EXTEND VALVE ASSEMBLY



ART_1001157207

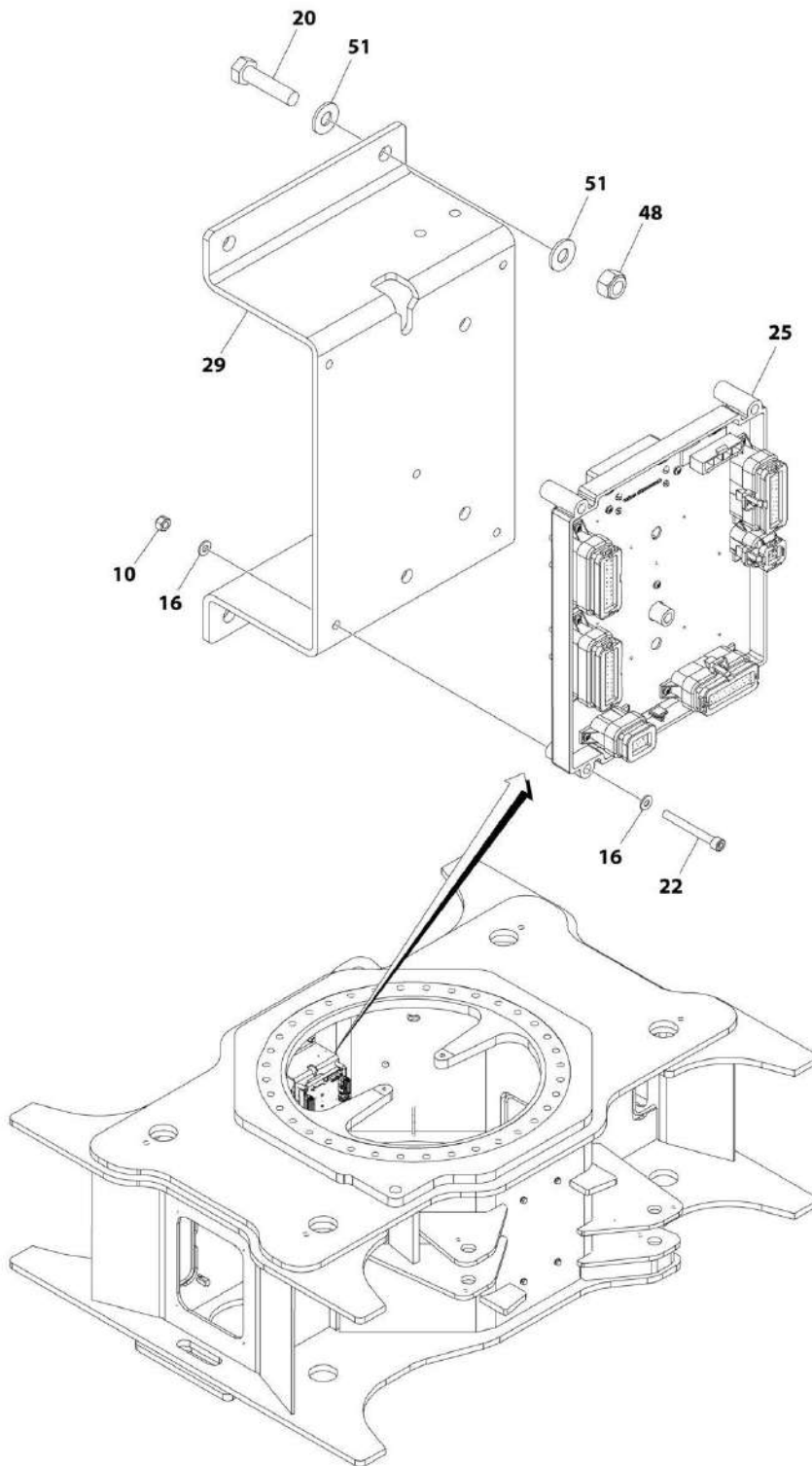
SECTION 1 - FRAME

FIGURE 1-11. STEER/AXLE EXTEND VALVE ASSEMBLY

ITEM	PART NUMBER	QTY	DESCRIPTION	REV
	1001157207	Ref	STEER/AXLE EXTEND VALVE ASSEMBLY	E
1	70004459	1	Valve, Direction Control	
1	7012773	1	Kit, Seal	
1	70004460	2	Coil	
1	7021375	2	Nut, Coil	
1	70004461	2	O-Ring, Solenoid Pole	
2	70004462	1	Valve, Direction Control	
2	7012773	1	Kit, Seal	
2	70004463	2	Coil	
2	7021375	2	Nut, Coil	
2	70004461	2	O-Ring, Solenoid Pole	
3	70004462	1	Valve, Direction Control	
3	7012773	1	Kit, Seal	
3	70004463	2	Coil	
3	7021375	2	Nut, Coil	
3	70004461	2	O-Ring, Solenoid Pole	
4	70004464	1	Cartridge, Relief	
4	70004055	1	Kit, Seal	
5	70004464	1	Cartridge, Relief	
5	70004055	1	Kit, Seal	
6	70004464	1	Cartridge, Relief	
6	70004055	1	Kit, Seal	
7	70004464	1	Cartridge, Relief	
7	70004055	1	Kit, Seal	
8	70004464	1	Cartridge, Relief	
8	70004055	1	Kit, Seal	
9	70004464	1	Cartridge, Relief	
9	70004055	1	Kit, Seal	
10	70004465	1	Cartridge, Flow Divider	
10	70004164	1	Kit, Seal	
11	2221086	6	Fitting, Test	
101	See Note	NSS	Capscrew #10 x 2 (Note: Purchase Locally)	
102	See Note	NSS	Bracket (Note: Not Available for Purchase)	
103	0641504	4	Bolt 5/16 x 1/2	
104	2220371	8	Fitting, Straight JIC/ORB	
105	2110810	2	Fitting, Straight ORB/ORFS	

SECTION 1 - FRAME

FIGURE 1-12. ELECTRICAL COMPONENTS INSTALLATION - FRAME (HRC) (ANSI, ANSI EXPORT, CSA AND JAPANESE SPECS) (Prior to SN 0300223782)



ART_1001197310_10F2

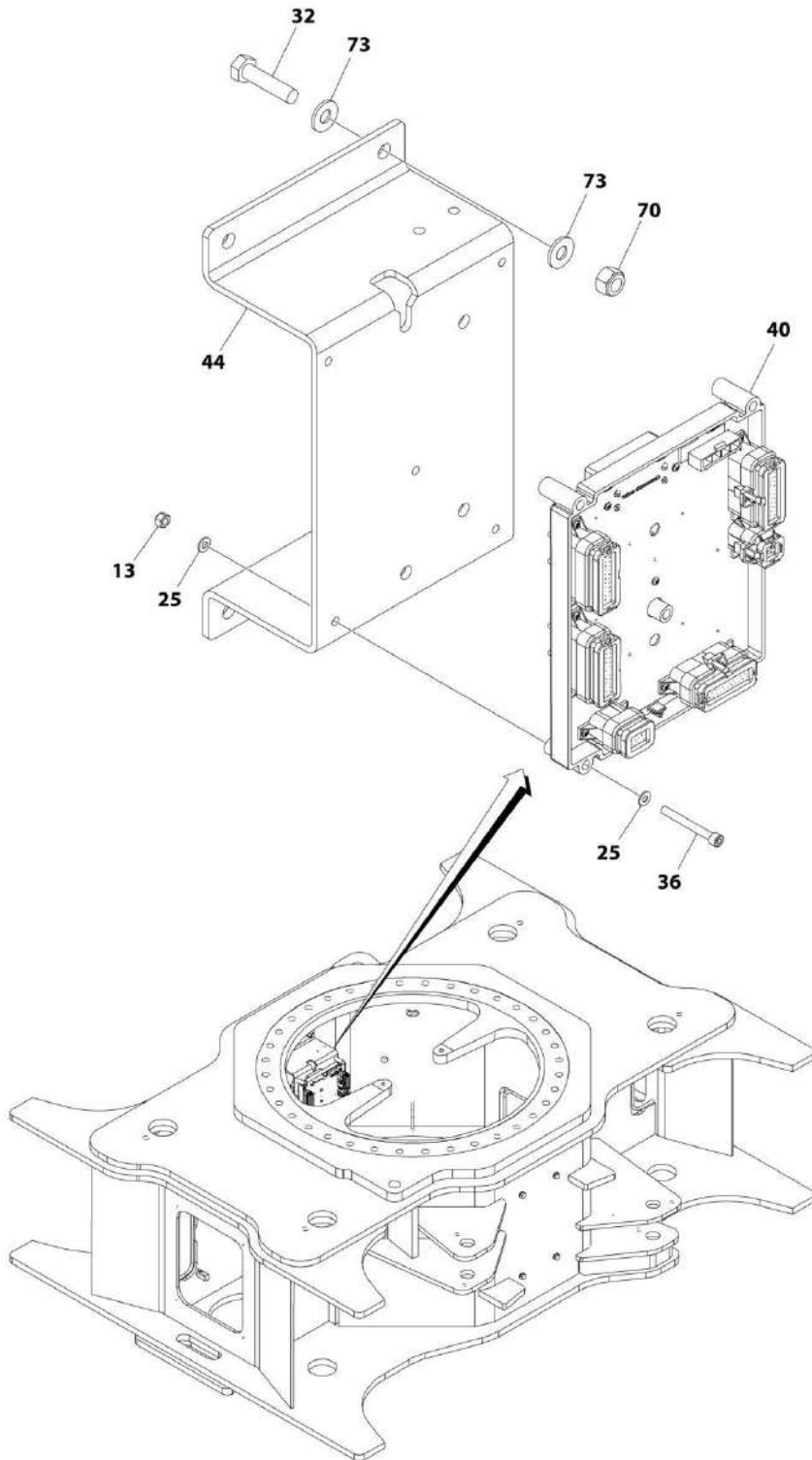
SECTION 1 - FRAME

FIGURE 1-12. ELECTRICAL COMPONENTS INSTALLATION - FRAME (HRC) (ANSI, ANSI EXPORT, CSA AND JAPANESE SPECS) (Prior to SN 0300223782)

ITEM	PART NUMBER	QTY	DESCRIPTION	REV
	1001197310	Ref	ELECTRICAL COMPONENTS INSTALLATION - FRAME (HRC) (ANSI, ANSI EXPORT, CSA AND JAPANESE SPECS) (Prior to SN 0300223782)	G
10	3290605	5	Nut M6	
16	4811700	10	Washer M6	
20	0761218001	4	Bolt M12 x 50	
22	1001118878	5	Capscrew M6 x 55	
24	1001149975	1	Chassis Harness (Not Shown - See ELECTRICAL SECTION for Breakdown)	
25	1001150162	1	Module, Control (Note: Re-calibration Required when Replaced)	
28	1001163631	4	Axle Sensor Harness (Not Shown - See ELECTRICAL SECTION for Breakdown)	
29	1001164354	1	Bracket	
48	3291205001	4	Nut M12	
51	4812100001	8	Washer M12	

SECTION 1 - FRAME

FIGURE 1-13. ELECTRICAL COMPONENTS INSTALLATION - FRAME (HRC) (ANSI, ANSI EXPORT, CSA AND JAPANESE SPECS) (SN 0300223782 to Present)



ART_1001218762_10F2

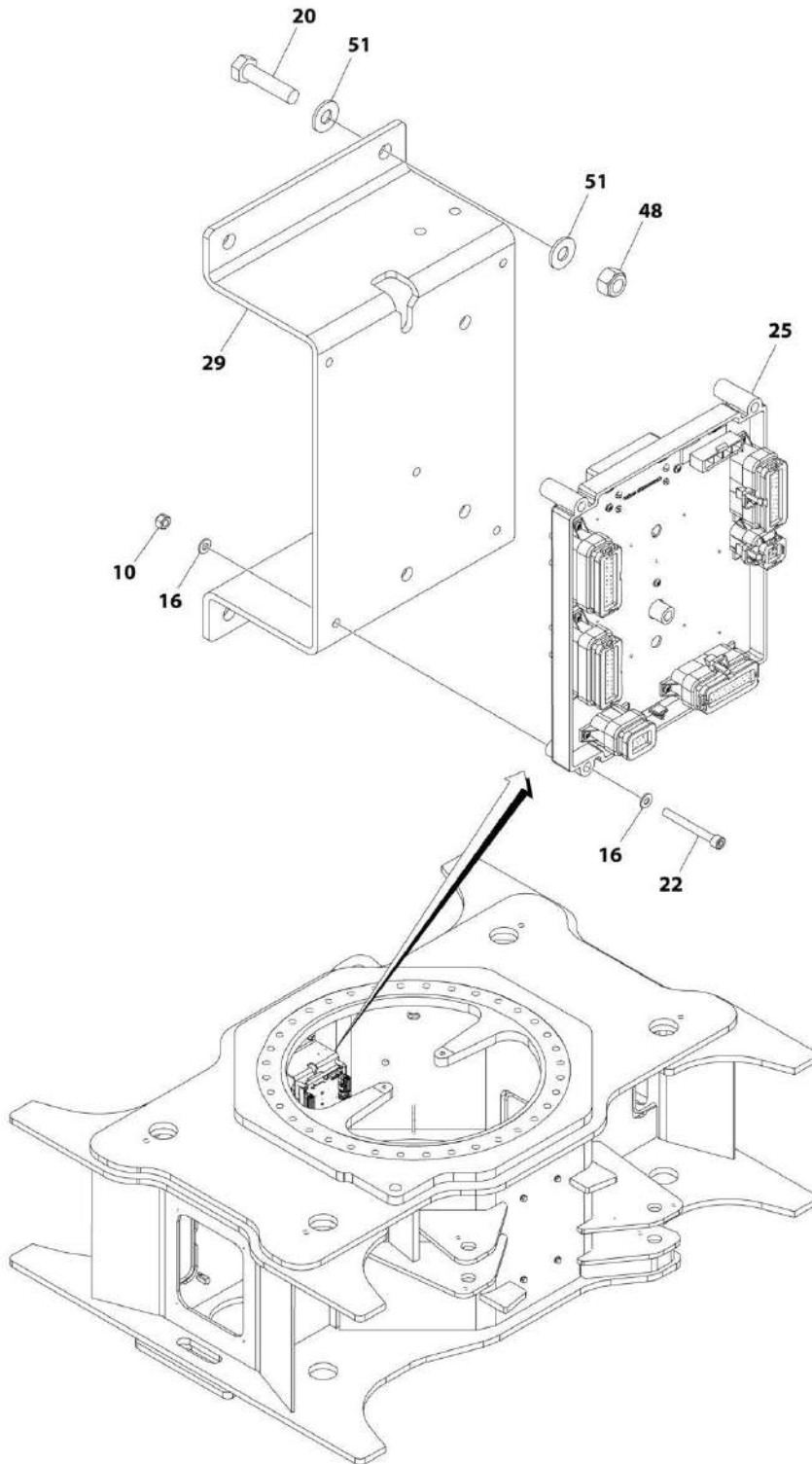
SECTION 1 - FRAME

FIGURE 1-13. ELECTRICAL COMPONENTS INSTALLATION - FRAME (HRC) (ANSI, ANSI EXPORT, CSA AND JAPANESE SPECS) (SN 0300223782 to Present)

ITEM	PART NUMBER	QTY	DESCRIPTION	REV
	1001218762	Ref	ELECTRICAL COMPONENTS INSTALLATION - FRAME (HRC) (ANSI, ANSI EXPORT, CSA AND JAPANESE SPECS) (SN 0300223782 to Present)	G
13	3290605	5	Nut M6	
25	4811700	10	Washer M6	
32	0761218001	4	Bolt M12 x 50	
36	1001118878	5	Capscrew M6 x 55	
39	1001149975	1	Chassis Harness (Not Shown - See ELECTRICAL SECTION for Breakdown)	
40	1001150162	1	Module, Control (Note: Re-calibration Required when Replaced)	
43	1001163631	4	Axle Sensor Harness (Not Shown - See ELECTRICAL SECTION for Breakdown)	
44	1001164354	1	Bracket	
70	3291205001	4	Nut M12	
73	4812100001	8	Washer M12	

SECTION 1 - FRAME

FIGURE 1-14. ELECTRICAL COMPONENTS INSTALLATION - FRAME (HRC) (CE SPECS) (Prior to SN 0300223782)



ART_1001200995_10F2

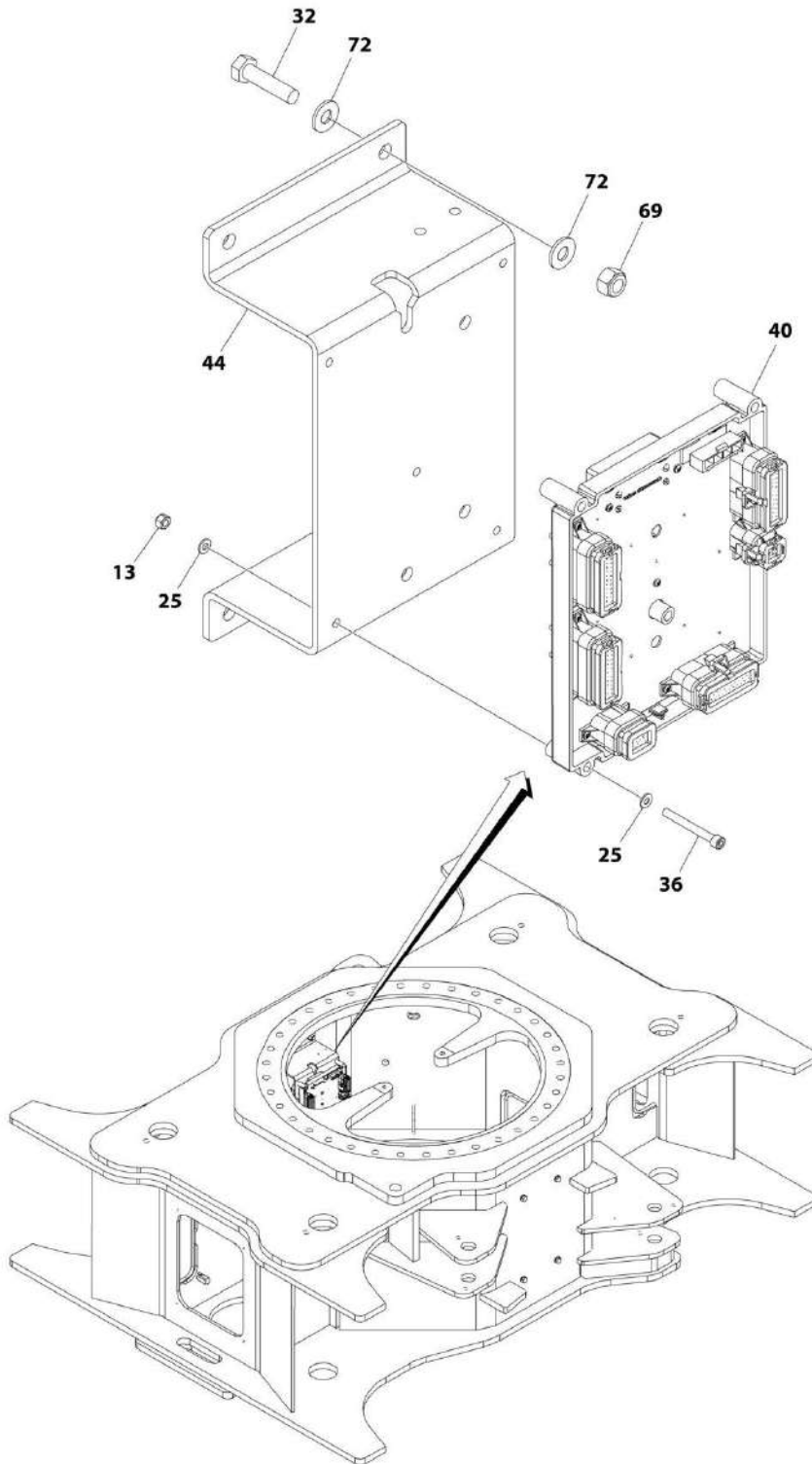
SECTION 1 - FRAME

FIGURE 1-14. ELECTRICAL COMPONENTS INSTALLATION - FRAME (HRC) (CE SPECS) (Prior to SN 0300223782)

ITEM	PART NUMBER	QTY	DESCRIPTION	REV
	1001200995	Ref	ELECTRICAL COMPONENTS INSTALLATION - FRAME (HRC) (CE SPECS) (Prior to SN 0300223782)	G
10	3290605	5	Nut M6	
16	4811700	10	Washer M6	
20	0761218001	4	Bolt M12 x 50	
22	1001118878	5	Capscrew M6 x 55	
24	1001149975	1	Chassis Harness (Not Shown - See ELECTRICAL SECTION for Breakdown)	
25	1001150162	1	Module, Control (Note: Re-calibration Required when Replaced)	
28	1001163631	4	Axle Sensor Harness (Not Shown - See ELECTRICAL SECTION for Breakdown)	
29	1001164354	1	Bracket	
48	3291205001	4	Nut M12	
51	4812100001	8	Washer M12	

SECTION 1 - FRAME

FIGURE 1-15. ELECTRICAL COMPONENTS INSTALLATION - FRAME (HRC) (CE SPECS) (SN 0300223782 to Present)



ART_1001218763_10F2

SECTION 1 - FRAME

FIGURE 1-15. ELECTRICAL COMPONENTS INSTALLATION - FRAME (HRC) (CE SPECS) (SN 0300223782 to Present)

ITEM	PART NUMBER	QTY	DESCRIPTION	REV
	1001218763	Ref	ELECTRICAL COMPONENTS INSTALLATION - FRAME (HRC) (CE SPECS) (SN 0300223782 to Present)	G
13	3290605	5	Nut M6	
25	4811700	6	Washer M6	
32	0761218001	4	Bolt M12 x 50	
36	1001118878	5	Capscrew M6 x 55	
39	1001149975	1	Chassis Harness (Not Shown - See ELECTRICAL SECTION for Breakdown)	
40	1001150162	1	Module, Control (Note: Re-calibration Required when Replaced)	
43	1001163631	4	Axle Sensor Harness (Not Shown - See ELECTRICAL SECTION for Breakdown)	
44	1001164354	1	Bracket	
69	3291205001	4	Nut M12	
72	4812100001	8	Washer M12	

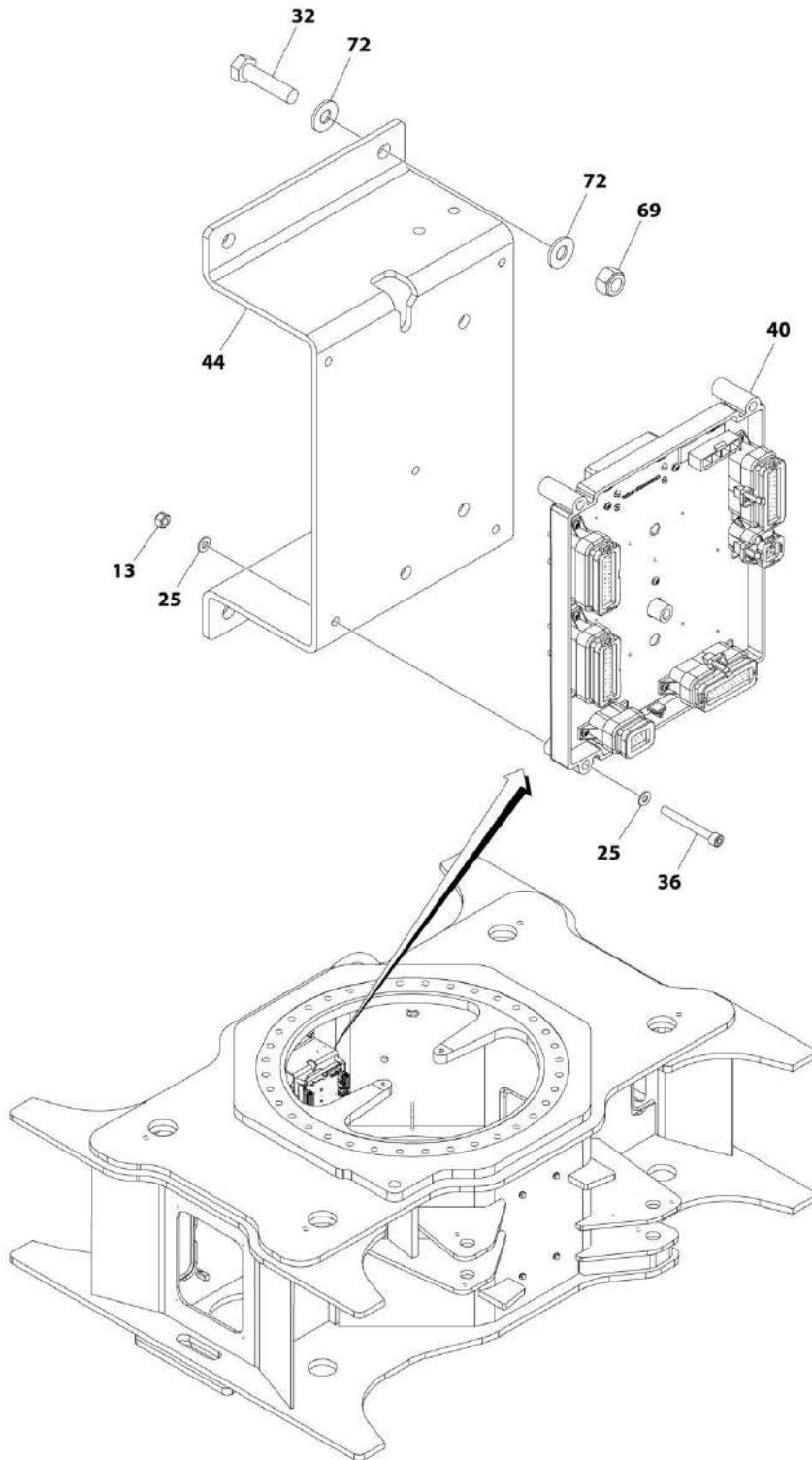
SECTION 1 - FRAME

FIGURE 1-16. ELECTRICAL COMPONENTS INSTALLATION - FRAME (LRC) (ANSI EXPORT, AUSTRALIAN, CE AND CHINA SPECS) (Prior to SN 0300223782)

ITEM	PART NUMBER	QTY	DESCRIPTION	REV
	1001200996	Ref	ELECTRICAL COMPONENTS INSTALLATION - FRAME (LRC) (ANSI EXPORT, AUSTRALIAN, CE AND CHINA SPECS) (Prior to SN 0300223782)	G
10	3290605	5	Nut M6	
16	4811700	10	Washer M6	
20	0761218001	4	Bolt M12 x 50	
22	1001118878	5	Capscrew M6 x 55	
24	1001149975	1	Chassis Harness (Not Shown - See ELECTRICAL SECTION for Breakdown)	
25	1001150162	1	Module, Control (Note: Re-calibration Required when Replaced)	
28	1001163631	4	Axle Sensor Harness (Not Shown - See ELECTRICAL SECTION for Breakdown)	
29	1001164354	1	Bracket	
48	3291205001	4	Nut M12	
51	4812100001	8	Washer M12	

SECTION 1 - FRAME

FIGURE 1-17. ELECTRICAL COMPONENTS INSTALLATION - FRAME (LRC) (ANSI EXPORT, AUSTRALIAN, CE AND CHINA SPECS) (SN 0300223782 to Present)



ART_1001218764_10F2

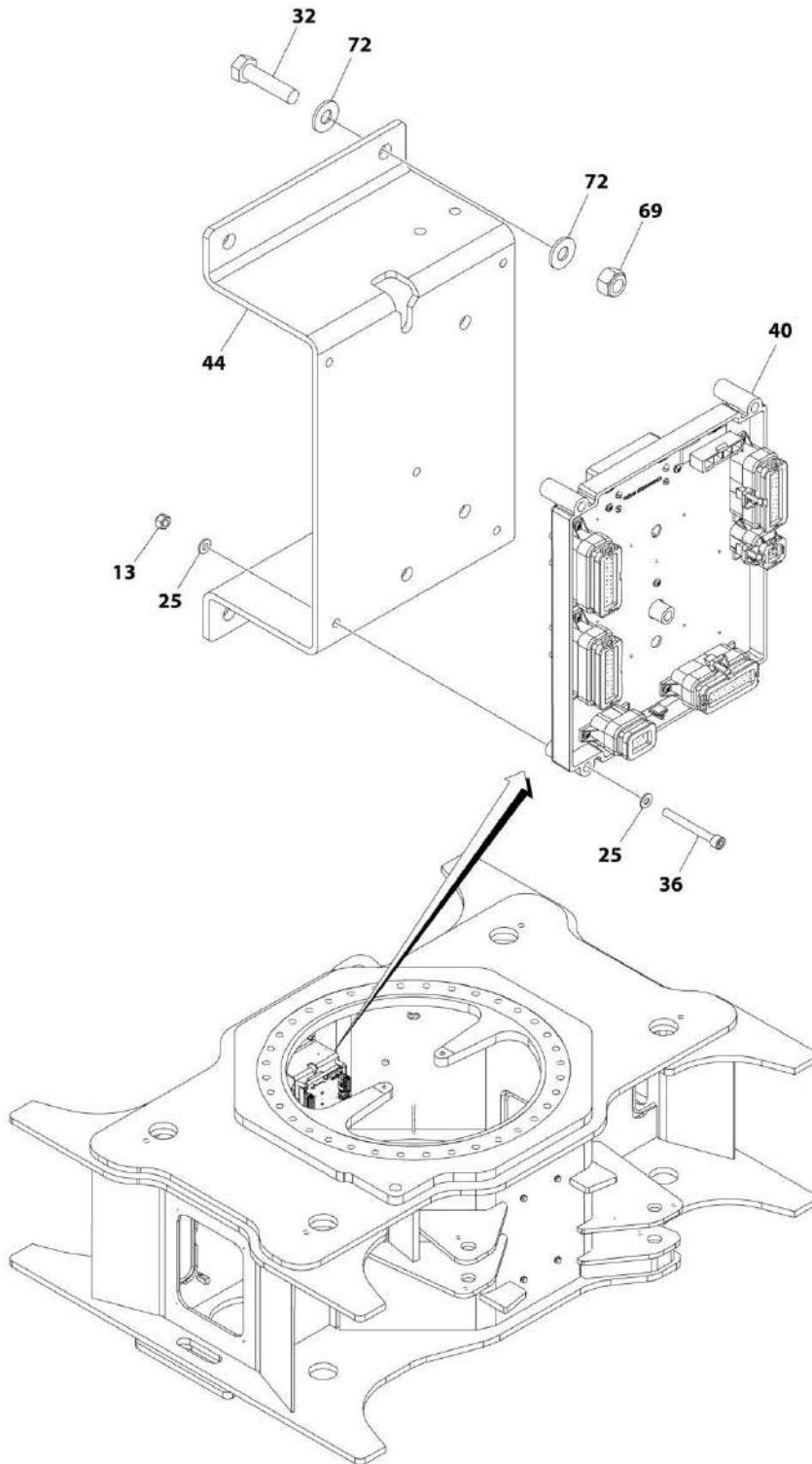
SECTION 1 - FRAME

FIGURE 1-17. ELECTRICAL COMPONENTS INSTALLATION - FRAME (LRC) (ANSI EXPORT, AUSTRALIAN, CE AND CHINA SPECS) (SN 0300223782 to Present)

ITEM	PART NUMBER	QTY	DESCRIPTION	REV
	1001218764	Ref	ELECTRICAL COMPONENTS INSTALLATION - FRAME (LRC) (ANSI EXPORT, AUSTRALIAN AND CHINA SPECS) (SN 0300223782 to Present)	G
	1001218764	Ref	ELECTRICAL COMPONENTS INSTALLATION - FRAME (LRC) (CE SPECS) (Prior to SN 0300224829)	E
13	3290605	5	Nut M6	
25	4811700	6	Washer M6	
32	0761218001	4	Bolt M12 x 50	
36	1001118878	5	Capscrew M6 x 55	
39	1001149975	1	Chassis Harness (Not Shown - See ELECTRICAL SECTION for Breakdown)	
40	1001150162	1	Module, Control (Note: Re-calibration Required when Replaced)	
43	1001163631	4	Axle Sensor Harness (Not Shown - See ELECTRICAL SECTION for Breakdown)	
44	1001164354	1	Bracket	
69	3291205001	4	Nut M12	
72	4812100001	8	Washer M12	

SECTION 1 - FRAME

FIGURE 1-18. ELECTRICAL COMPONENTS INSTALLATION - FRAME (LRC) (CE SPECS) (SN 0300224829 to Present)



ART_100123242_10F2

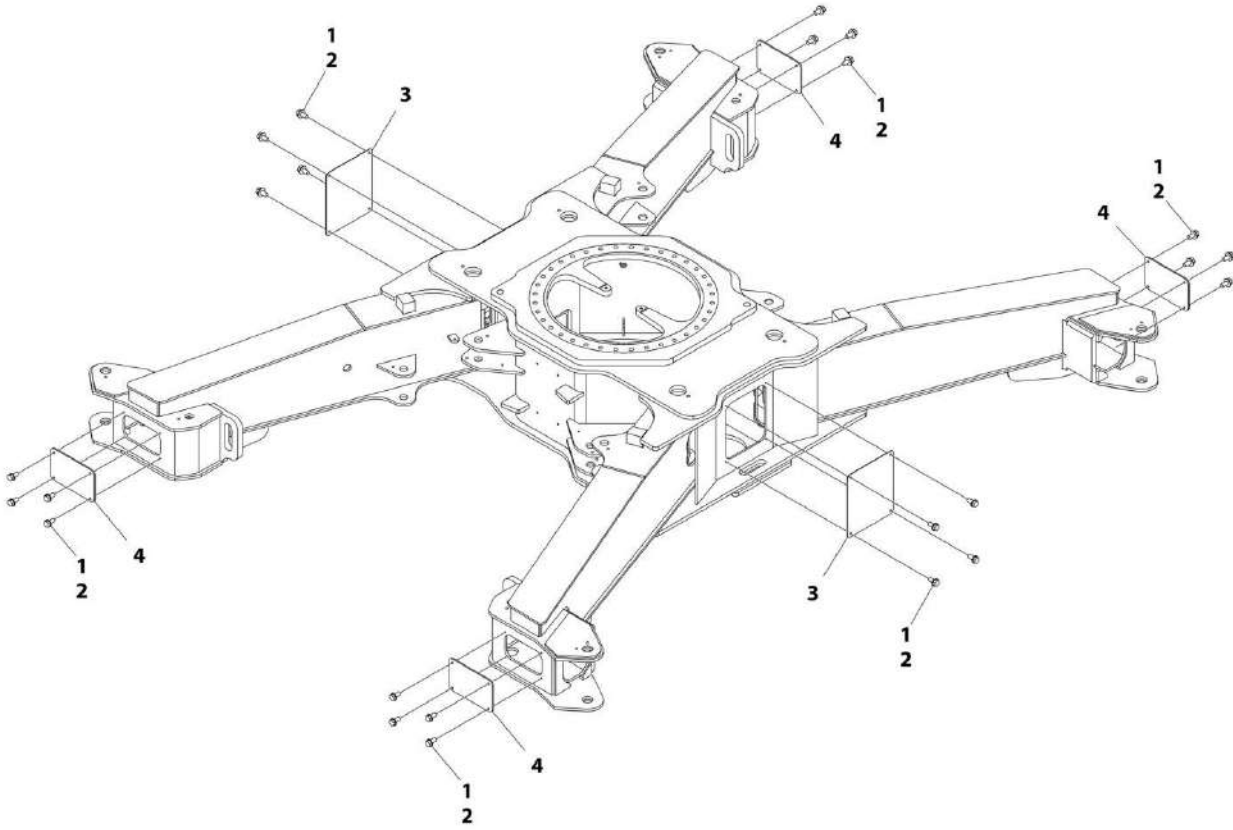
SECTION 1 - FRAME

FIGURE 1-18. ELECTRICAL COMPONENTS INSTALLATION - FRAME (LRC) (CE SPECS) (SN 0300224829 to Present)

ITEM	PART NUMBER	QTY	DESCRIPTION	REV
	1001223242	Ref	ELECTRICAL COMPONENTS INSTALLATION - FRAME (LRC) (CE SPECS) (SN 0300224829 to Present)	E
13	3290605	5	Nut M6	
25	4811700	6	Washer M6	
32	0761218001	4	Bolt M12 x 50	
36	1001118878	5	Capscrew M6 x 55	
39	1001149975	1	Chassis Harness (Not Shown - See ELECTRICAL SECTION for Breakdown)	
40	1001150162	1	Module, Control (Note: Re-calibration Required when Replaced)	
43	1001163631	4	Axle Sensor Harness (Not Shown - See ELECTRICAL SECTION for Breakdown)	
44	1001164354	1	Bracket	
69	3291205001	4	Nut M12	
72	4812100001	8	Washer M12	

SECTION 1 - FRAME

FIGURE 1-19. COVERS INSTALLATION - FRAME



ART_1001157670

SECTION 1 - FRAME

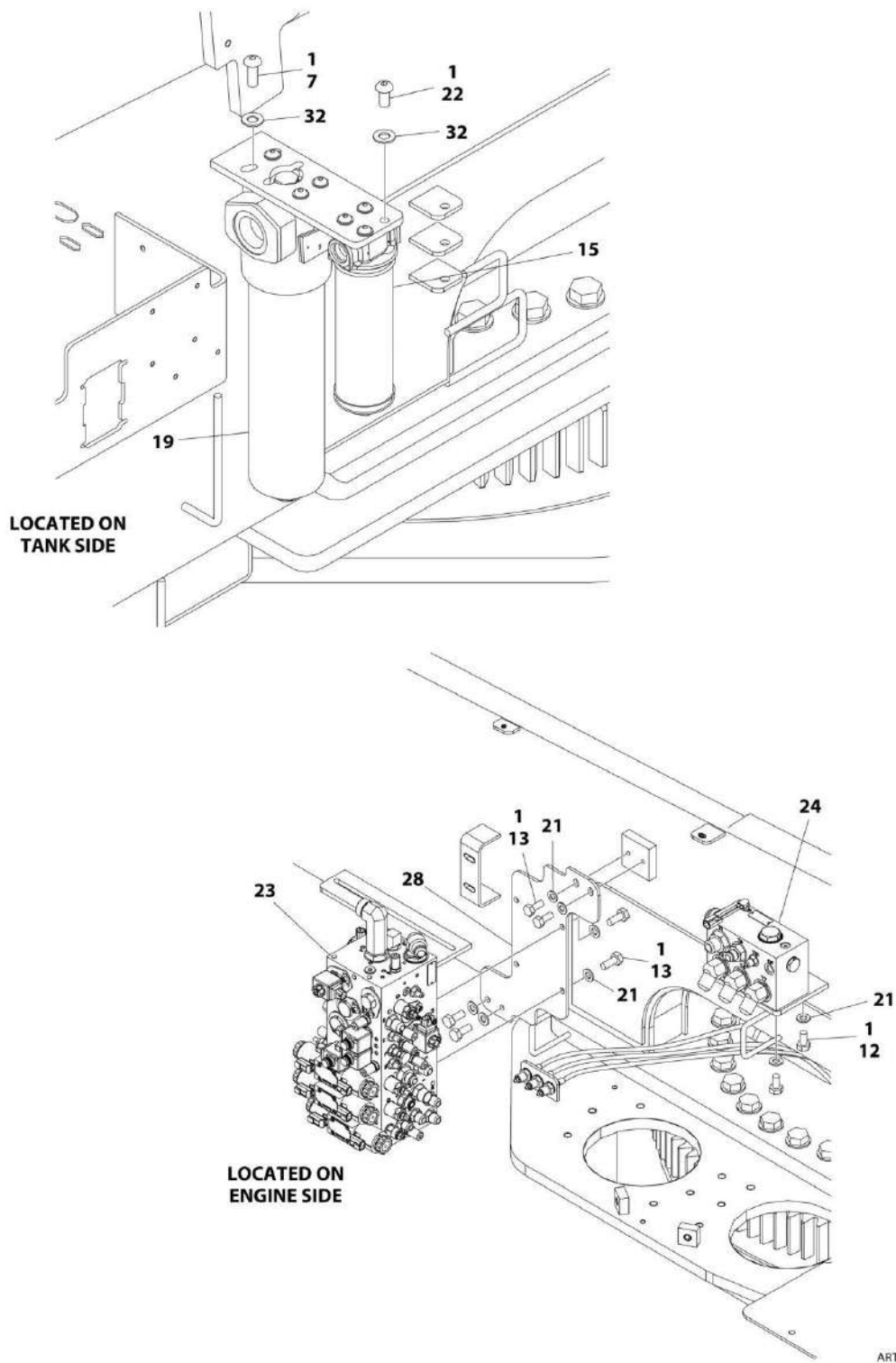
FIGURE 1-19. COVERS INSTALLATION - FRAME

ITEM	PART NUMBER	QTY	DESCRIPTION	REV
	1001157670	Ref	COVERS INSTALLATION - FRAME	B
1	0100011	AR	Compound, Locking	
2	5251210001	24	Bolt M12 x 20	
3	1001155561	2	Cover	
4	1001156867	4	Cover	

SECTION 2 - TURNTABLE

SECTION 2 - TURNTABLE

FIGURE 2-1. VALVES AND FILTERS INSTALLATION - TURNTABLE (Prior to SN 0300223782)



ART_1001197314_2OF3

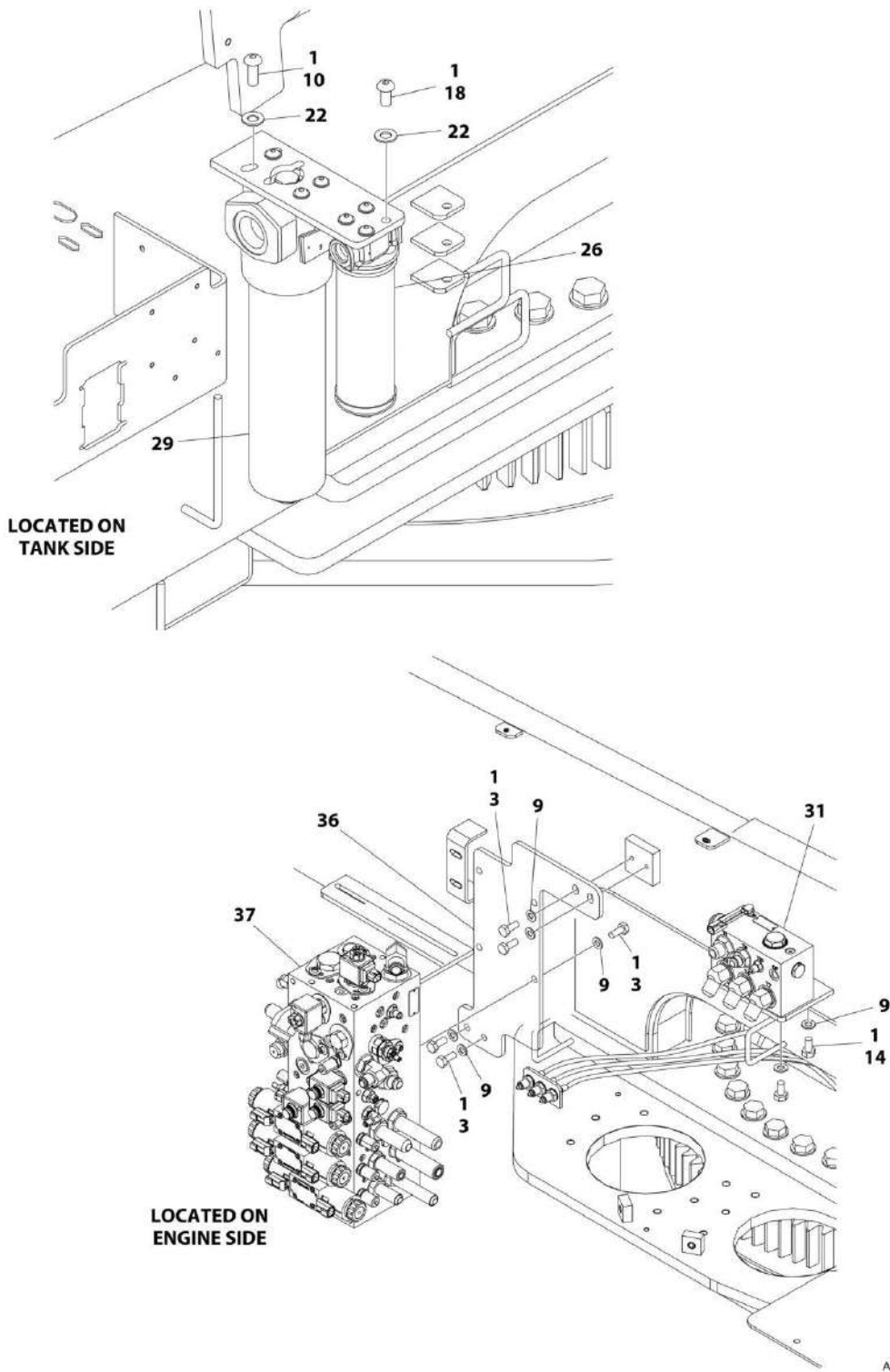
SECTION 2 - TURNTABLE

FIGURE 2-1. VALVES AND FILTERS INSTALLATION - TURNTABLE (Prior to SN 0300223782)

ITEM	PART NUMBER	QTY	DESCRIPTION	REV
	1001197314	Ref	VALVES AND FILTERS INSTALLATION - TURNTABLE (Prior to SN 0300223782)	E
1	0100011	AR	Compound, Locking	
7	88261128	4	Screw 3/8 x 1	
12	0761010001	8	Bolt M10 x 20	
13	0761012001	14	Bolt M10 x 25	
15	1001108617	1	Filter	
15	70002231	1	Element	
19	1001158412	1	Filter	
19	1001161232	1	Element	
21	4812000	26	Washer M10	
22	1001173846	4	Screw 3/8 x 3/4	
23	1001200987	1	Main Valve Assembly (See MAIN VALVE ASSEMBLY for Breakdown)	
24	1001200988	1	Return Valve Assembly (See RETURN VALVE ASSEMBLY for Breakdown)	
28	1001202770	1	Bracket	
32	4711600001	12	Washer 3/8	

SECTION 2 - TURNTABLE

FIGURE 2-2. VALVES AND FILTERS INSTALLATION - TURNTABLE (SN 0300223782 to Present)



ART_1001216976_2OF3

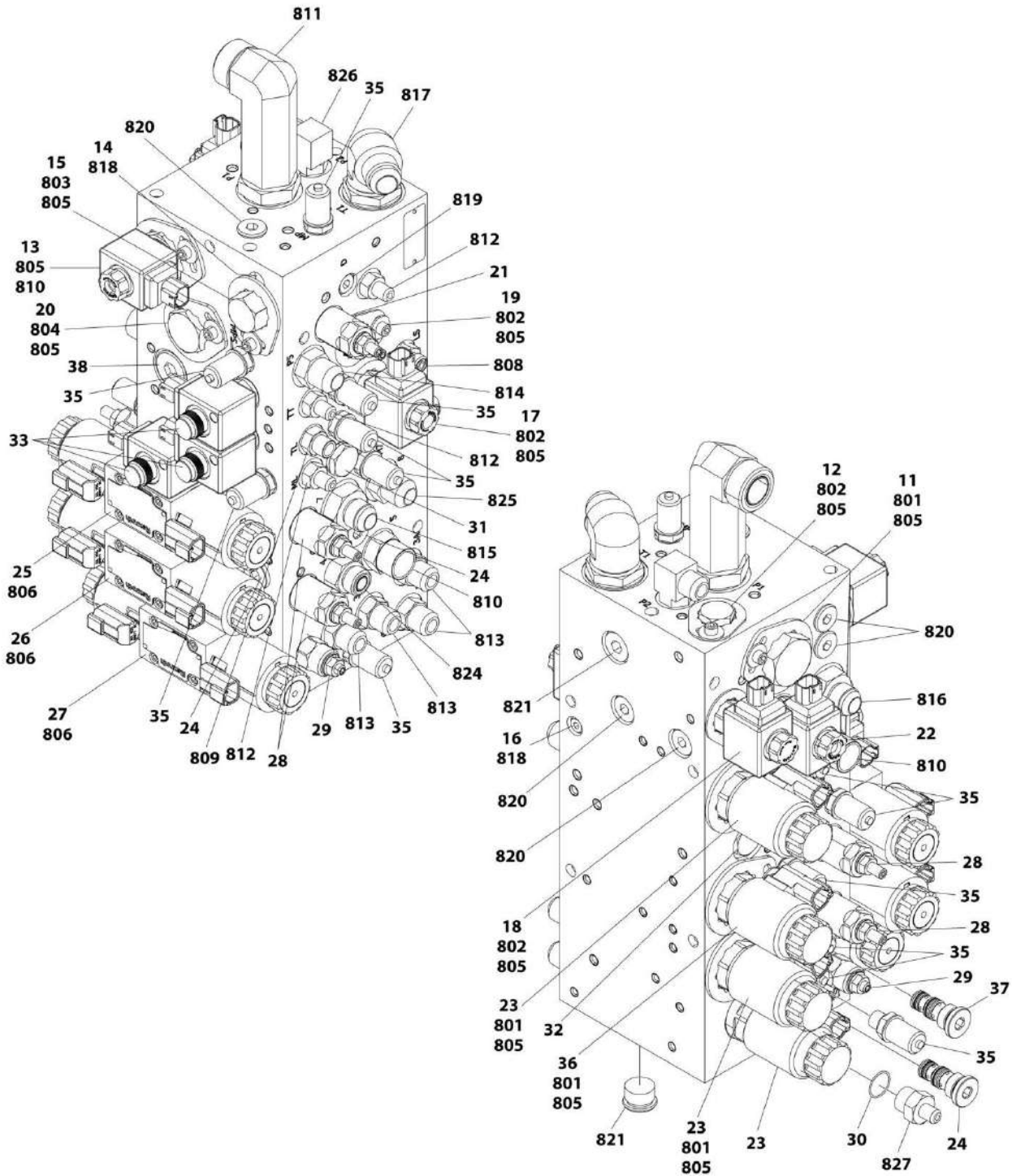
SECTION 2 - TURNTABLE

FIGURE 2-2. VALVES AND FILTERS INSTALLATION - TURNTABLE (SN 0300223782 to Present)

ITEM	PART NUMBER	QTY	DESCRIPTION	REV
	1001216976	Ref	VALVES AND FILTERS INSTALLATION - TURNTABLE (SN 0300223782 to Present)	E
1	0100011	AR	Compound, Locking	
3	0761012	8	Bolt M10 x 25	
9	4812000	12	Washer M10	
10	88261128	4	Screw 3/8 x 1	
14	0761010001	4	Bolt M10 x 20	
18	1001173846	4	Screw 3/8 x 3/4	
18	1001238236	4	Screw 3/8 x 7/8	
22	4711600001	8	Washer 3/8	
26	1001108617	1	Filter	
26	70002231	1	Element	
29	1001158412	1	Filter	
29	1001161232	1	Element	
31	1001200988	1	Return Valve Assembly (See RETURN VALVE ASSEMBLY for Breakdown)	
36	1001213392	1	Bracket	
37	1001214275	NLA	Main Valve Assembly (Use p/n 1001236268) (See MAIN VALVE ASSEMBLY for Breakdown) (SN 0300223782 through 0300235444)	
37	1001231072	NLA	Main Valve Assembly (Use p/n 1001234247) (See MAIN VALVE ASSEMBLY for Breakdown) (SN 0300235445 through 0300239973)	
37	1001234247	1	Main Valve Assembly (See MAIN VALVE ASSEMBLY for Breakdown) (SN 0300239974 to Present)	

SECTION 2 - TURNTABLE

FIGURE 2-3. MAIN VALVE ASSEMBLY (Prior to SN 0300223782)



ART_1001200987

SECTION 2 - TURNTABLE

FIGURE 2-3. MAIN VALVE ASSEMBLY (Prior to SN 0300223782)

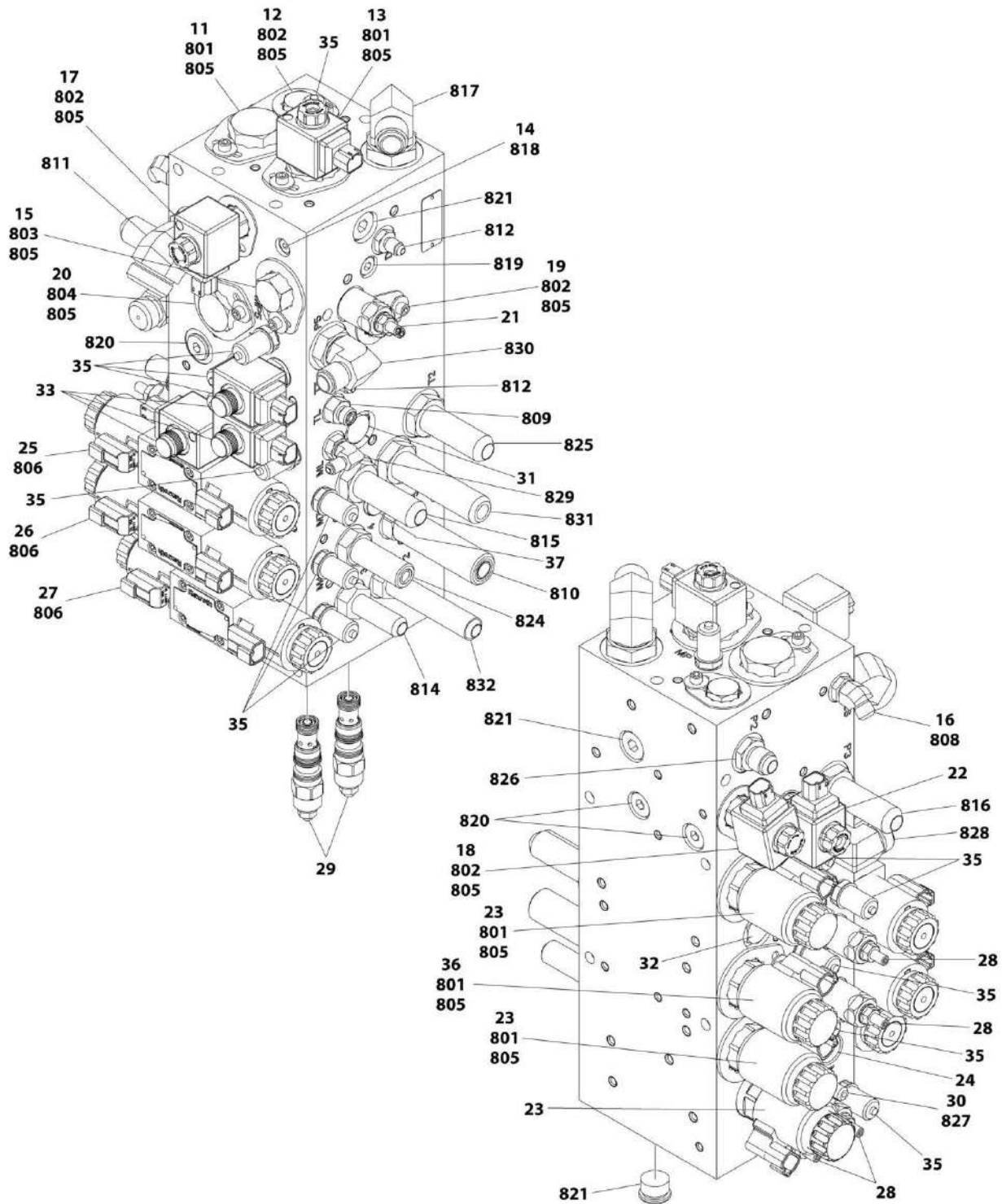
ITEM	PART NUMBER	QTY	DESCRIPTION	REV
	1001200987	Ref	MAIN VALVE ASSEMBLY (Prior to SN 0300223782)	I
11	70005943	1	Valve, Cartridge (Check)	
11	70005944	1	Seal Kit - 70005943 Valve	
12	70004585	1	Valve, Cartridge (Check)	
12	70004052	1	Seal Kit - 70004585 Valve	
13	70005945	1	Valve, Solenoid Less Coil (Directional Control)	
13	70005946	1	Seal Kit - 70005945 Valve	
13	70004588	1	Coil	
13	70005947	1	Coil Nut and Pole Tube O-Ring Kit	
14	70004589	1	Orifice 2.2mm	
15	70004590	1	Valve, Solenoid Less Coil (Directional Control)	
15	70023862	1	Seal Kit - 70004590 Valve	
16	7023821	1	Orifice .8mm	
17	70005948	1	Valve, Solenoid Less Coil (Directional Control)	
17	70004055	1	Seal Kit - 70005948 Valve	
17	70004588	1	Coil	
17	70005947	1	Coil Nut and Pole Tube O-Ring Kit	
18	70023992	1	Valve, Solenoid Less Coil (Directional Control)	
18	70004055	1	Seal Kit - 70023992 Valve	
18	70004588	1	Coil	
18	70005947	1	Coil Nut and Pole Tube O-Ring Kit	
19	70004591	1	Valve, Cartridge (Pressure Reducing)	
19	70004592	1	Seal Kit - 70004591 Valve	
20	70004583	1	Valve, Cartridge (Check)	
20	70004584	1	Seal Kit - 70004583 Valve	
21	70004607	1	Valve, Cartridge (Relief)	
21	70004602	1	Seal Kit - 70004607 Valve	
22	70004586	1	Valve, Solenoid Less Coil (Directional Control)	
22	70004587	1	Seal Kit - 70004586 Valve	
22	70004588	1	Coil	
22	70005947	1	Coil Nut and Pole Tube O-Ring Kit	
23	70004593	3	Valve, Solenoid Less Coil (Flow Control)	
23	70004594	3	Seal Kit - 70004593 Valve	
23	70004595	3	Coil	
23	70004597	3	Nut, Coil	
23	70004596	3	O-Ring, Pole Tube	
24	70023859	3	Valve, Cartridge (Shuttle)	
24	70023860	3	Seal Kit - 70023859 Valve	
25	70004459	1	Valve, Solenoid Less Coil (Tele)	
25	7012773	1	Seal Kit - 70004459 Valve	
25	70004460	1	Coil	
25	7021375	1	Nut, Coil	
26	70004600	1	Valve, Solenoid Less Coil (Lift)	
26	7012773	1	Seal Kit - 70004600 Valve	
26	70004460	1	Coil	
26	7021375	1	Nut, Coil	
27	70004609	1	Valve, Solenoid Less Coil (Lift)	
27	7012773	1	Seal Kit - 70004609 Valve	
27	70004460	1	Coil	
27	7021375	1	Nut, Coil	

SECTION 2 - TURNTABLE

ITEM	PART NUMBER	QTY	DESCRIPTION	REV
28	70004601	4	Valve, Cartridge (Relief)	
28	70004602	4	Seal Kit - 70004601 Valve	
29	70004610	1	Valve, Cartridge (Counterbalance)	
30	70005950	1	Orifice	
31	70005951	1	Valve, Cartridge (Check)	
31	70004052	1	Seal Kit - 70005951 Valve	
32	70005952	1	Valve, Cartridge (Check)	
32	70004052	1	Seal Kit - 70005952 Valve	
33	70004457	3	Valve, Solenoid Less Coil (Directional Control)	
33	70004050	3	Seal Kit - 70004457 Valve	
33	70004588	3	Coil	
33	70005947	3	Coil Nut and Pole Tube O-Ring Kit	
35	2221086	13	Fitting, Test	
36	70005953	1	Valve, Solenoid Less Coil (Flow Control)	
36	70004594	1	Seal Kit - 70005953 Valve	
36	70004595	1	Coil	
36	70004597	1	Nut, Coil	
36	70004596	1	O-Ring, Pole Tube	
37	70004613	1	Valve, Cartridge (Check)	
37	70023860	1	Seal Kit - 70004613 Valve	
38	70002760	1	Plug	
801	70005954	5	Plate, Locking	
802	70005955	4	Plate, Locking	
803	70005956	1	Plate, Locking	
804	70005957	1	Plate, Locking	
805	70005958	11	Capscrew	
806	7018942	12	Capscrew	
808	2110406	1	Fitting, Straight JIC/ORB	
809	2110406	1	Fitting, Straight JIC/ORB	
810	2111010	2	Fitting, Straight ORFS/ORB	
810	2220947	1	Fitting, Straight JIC/ORB	
811	2170216	1	Fitting, 90 JIC/ORB	
812	2220582	3	Fitting, Straight JIC/ORB	
813	2220373	4	Fitting, Straight JIC/ORB	
814	2220947	1	Fitting, Straight JIC/ORB	
815	2220865	1	Fitting, Straight JIC/ORB	
816	2220865	1	Fitting, Straight JIC/ORB	
817	2220465	1	Fitting, 90 JIC/ORB	
818	70002758	2	Plug	
819	70004617	1	Plug	
820	70002759	5	Plug	
821	70004603	2	Plug	
824	2110810	1	Fitting, Straight ORFS/ORB	
825	2220947	1	Fitting, Straight JIC/ORB	
826	2220596	1	Fitting, 90 JIC/ORB	
827	2220468	1	Fitting, Straight JIC/ORB	

SECTION 2 - TURNTABLE

FIGURE 2-4. MAIN VALVE ASSEMBLY (SN 0300223782 through 0300235444)



ART_1001214275

SECTION 2 - TURNTABLE

FIGURE 2-4. MAIN VALVE ASSEMBLY (SN 0300223782 through 0300235444)

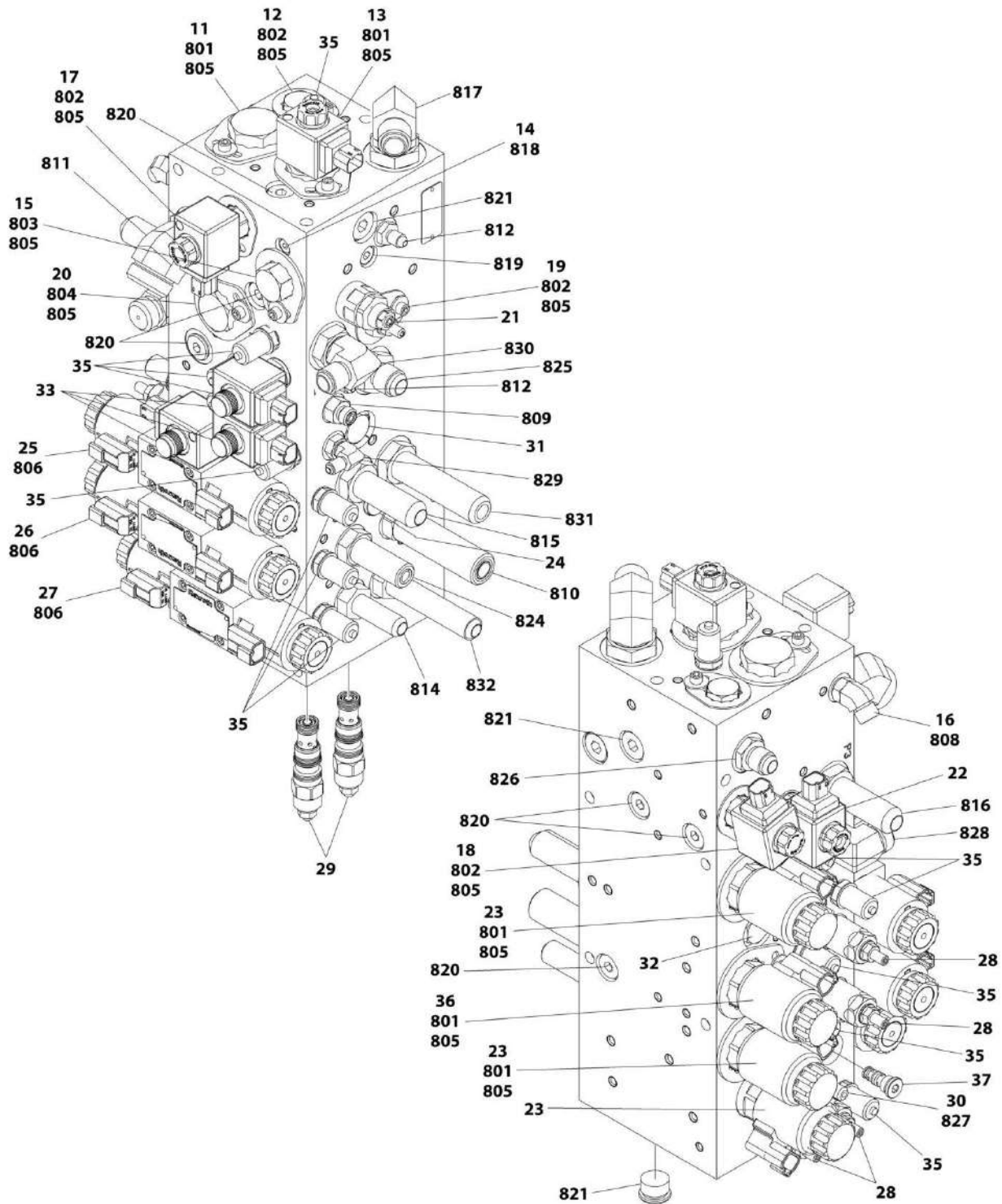
ITEM	PART NUMBER	QTY	DESCRIPTION	REV
	1001214275	Ref	MAIN VALVE ASSEMBLY (SN 0300223782 through 0300235444)	H
11	70005943	1	Valve, Cartridge (Check)	
11	70005944	1	Seal Kit - 70005943 Valve	
12	70004585	1	Valve, Cartridge (Check)	
12	70004052	1	Seal Kit - 70004585 Valve	
13	70005945	1	Valve, Solenoid Less Coil (Directional Control)	
13	70005946	1	Seal Kit - 70005945 Valve	
13	70004588	1	Coil	
13	70005947	1	Coil Nut and Pole Tube O-Ring Kit	
14	70004589	1	Orifice 2.2mm	
15	70004590	1	Valve, Solenoid Less Coil (Directional Control)	
15	70023862	1	Seal Kit - 70004590 Valve	
16	7023821	1	Orifice .8mm	
17	70005948	1	Valve, Solenoid Less Coil (Directional Control)	
17	70004055	1	Seal Kit - 70005948 Valve	
17	70004588	1	Coil	
17	70005947	1	Coil Nut and Pole Tube O-Ring Kit	
18	70005948	1	Valve, Solenoid Less Coil (Directional Control)	
18	70004055	1	Seal Kit - 70005948 Valve	
18	70004588	1	Coil	
18	70005947	1	Coil Nut and Pole Tube O-Ring Kit	
19	70004591	1	Valve, Cartridge (Pressure Reducing)	
19	70004592	1	Seal Kit - 70004591 Valve	
20	70004583	1	Valve, Cartridge (Check)	
20	70004584	1	Seal Kit - 70004583 Valve	
21	70004607	1	Valve, Cartridge (Relief)	
21	70004602	1	Seal Kit - 70004607 Valve	
22	70004586	1	Valve, Solenoid Less Coil (Directional Control)	
22	70004587	1	Seal Kit - 70004586 Valve	
22	70004588	1	Coil	
22	70005947	1	Coil Nut and Pole Tube O-Ring Kit	
23	70004593	3	Valve, Solenoid Less Coil (Flow Control)	
23	70004594	3	Seal Kit - 70004593 Valve	
23	70004595	3	Coil	
23	70004597	3	Nut, Coil	
23	70004596	3	O-Ring, Pole Tube	
24	70023859	1	Valve, Cartridge (Shuttle)	
24	70023860	1	Seal Kit - 70023859 Valve	
25	70004459	1	Valve, Solenoid Less Coil (Tele)	
25	7012773	1	Seal Kit - 70004459 Valve	
25	70004460	1	Coil	
25	7021375	1	Nut, Coil	
26	70004600	1	Valve, Solenoid Less Coil (Lift)	
26	7012773	1	Seal Kit - 70004600 Valve	
26	70004460	1	Coil	
26	7021375	1	Nut, Coil	
27	70004609	1	Valve, Solenoid Less Coil (Lift)	
27	7012773	1	Seal Kit - 70004609 Valve	
27	70004460	1	Coil	
27	7021375	1	Nut, Coil	

SECTION 2 - TURNTABLE

ITEM	PART NUMBER	QTY	DESCRIPTION	REV
28	70004601	4	Valve, Cartridge (Relief)	
28	70004602	4	Seal Kit - 70004601 Valve	
29	70004610	2	Valve, Cartridge (Counterbalance)	
30	70005950	1	Orifice	
31	70005951	1	Valve, Cartridge (Check)	
31	70004052	1	Seal Kit - 70005951 Valve	
32	70005952	1	Valve, Cartridge (Check)	
32	70004052	1	Seal Kit - 70005952 Valve	
33	70004457	3	Valve, Solenoid Less Coil (Directional Control)	
33	70004050	3	Seal Kit - 70004457 Valve	
33	70004588	3	Coil	
33	70005947	3	Coil Nut and Pole Tube O-Ring Kit	
35	2221086	13	Fitting, Test	
36	70005953	1	Valve, Solenoid Less Coil (Flow Control)	
36	70004594	1	Seal Kit - 70005953 Valve	
36	70004595	1	Coil	
36	70004597	1	Nut, Coil	
36	70004596	1	O-Ring, Pole Tube	
37	70004613	3	Valve, Cartridge (Check)	
37	70023860	3	Seal Kit - 70004613 Valve	
801	70000781	5	Plate, Locking	
802	70004619	4	Plate, Locking	
803	70004618	1	Plate, Locking	
804	70002962	1	Plate, Locking	
805	70005958	11	Capscrew	
806	7018942	12	Capscrew	
808	2150406	1	Fitting, 45 ORFS/ORB	
809	2110406	1	Fitting, Straight ORFS/ORB	
810	1001213297	1	Fitting, Straight ORFS/ORB	
811	2151616	1	Fitting, 45 JIC/ORB	
812	2220582	2	Fitting, Straight JIC/ORB	
814	1001213292	1	Fitting, Straight JIC/ORB	
815	1001213294	1	Fitting, Straight JIC/ORB	
816	1001213294	1	Fitting, Straight JIC/ORB	
817	2220465	1	Fitting, 90 JIC/ORB	
818	70002758	1	Plug	
819	70004617	1	Plug	
820	70002759	3	Plug	
821	70004603	3	Plug	
824	1001213296	1	Fitting, Straight ORFS/ORB	
825	1001213294	1	Fitting, Straight JIC/ORB	
826	2220374	1	Fitting, Straight JIC/ORB	
827	1001213295	1	Fitting, Straight JIC/ORB	
828	2131010	1	Fitting, 90 ORFS/ORB	
829	2220472	1	Fitting, 90 JIC/ORB	
830	2220906	1	Fitting, 90 JIC/ORB	
831	1001213298	1	Fitting, Straight JIC/ORB	
832	1001213293	1	Fitting, Straight JIC/ORB	

SECTION 2 - TURNTABLE

FIGURE 2-5. MAIN VALVE ASSEMBLY (SN 0300235445 through 0300239973)



ART_1001231072

SECTION 2 - TURNTABLE

FIGURE 2-5. MAIN VALVE ASSEMBLY (SN 0300235445 through 0300239973)

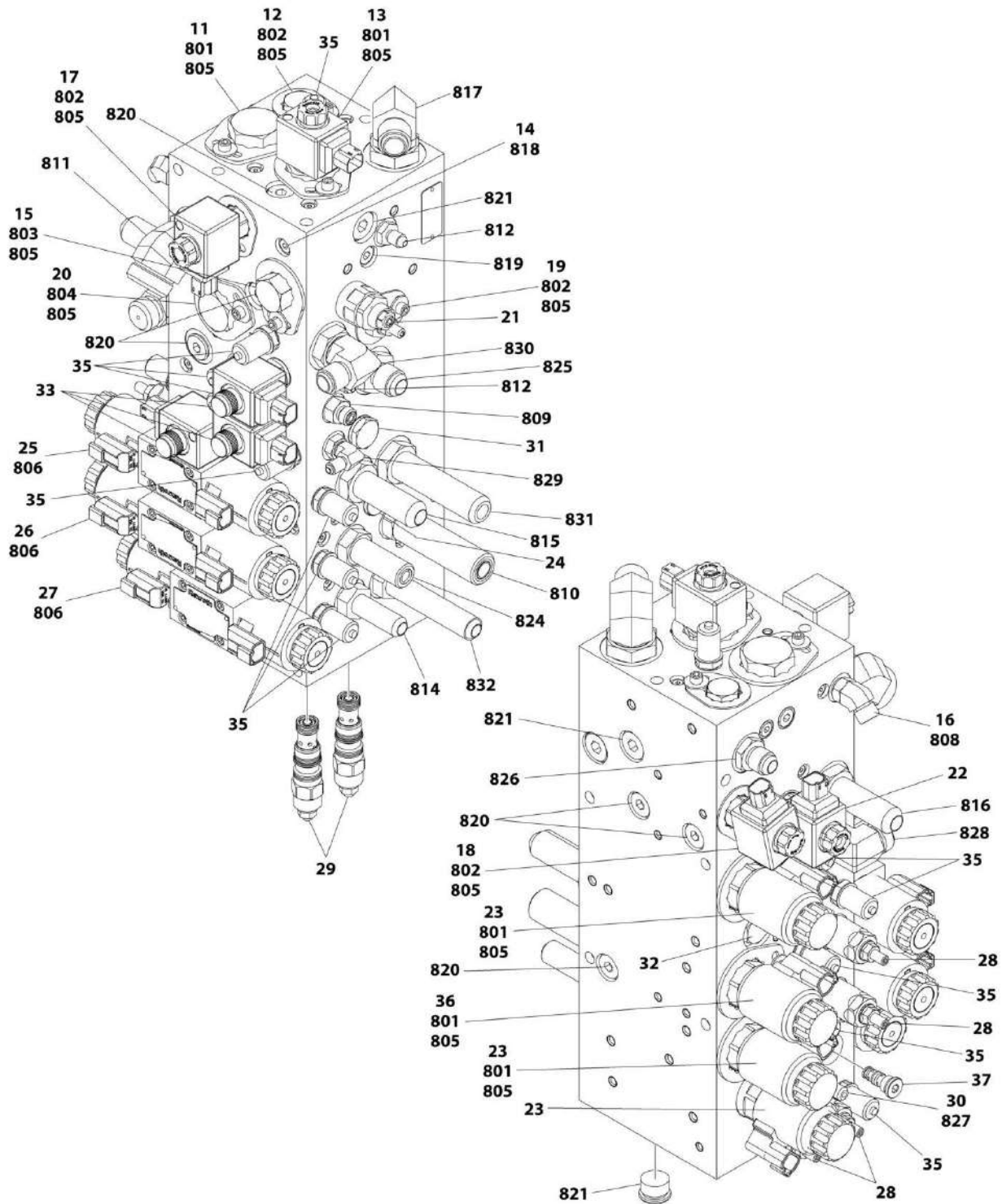
ITEM	PART NUMBER	QTY	DESCRIPTION	REV
	1001231072	Ref	MAIN VALVE ASSEMBLY	B
11	70005943	1	Valve, Cartridge (Check)	
11	70005944	1	Seal Kit - 70005943 Valve	
12	70004585	1	Valve, Cartridge (Check)	
12	70004052	1	Seal Kit - 70004585 Valve	
13	70005945	1	Valve, Solenoid Less Coil (Directional Control)	
13	70005946	1	Seal Kit - 70005945 Valve	
13	70004588	1	Coil	
13	70005947	1	Coil Nut and Pole Tube O-Ring Kit	
14	70004589	1	Orifice 2.2mm	
15	70004590	1	Valve, Solenoid Less Coil (Directional Control)	
15	70023862	1	Seal Kit - 70004590 Valve	
16	70006707	1	Orifice .7mm	
17	70005948	1	Valve, Solenoid Less Coil (Directional Control)	
17	70004055	1	Seal Kit - 70005948 Valve	
17	70004588	1	Coil	
17	70005947	1	Coil Nut and Pole Tube O-Ring Kit	
18	70005948	1	Valve, Solenoid Less Coil (Directional Control)	
18	See Note	NSS	Seal Kit - 70004598 Valve (Note: Not Available)	
18	70004588	1	Coil	
18	70005947	1	Coil Nut and Pole Tube O-Ring Kit	
19	70004591	1	Valve, Cartridge (Pressure Reducing)	
19	70004592	1	Seal Kit - 70004591 Valve	
20	70004583	1	Valve, Cartridge (Check)	
20	70004584	1	Seal Kit - 70004583 Valve	
21	70006708	1	Valve, Cartridge (Relief)	
21	See Note	NSS	Seal Kit - 70006708 Valve (Note: Not Available)	
22	70004586	1	Valve, Solenoid Less Coil (Directional Control)	
22	70004587	1	Seal Kit - 70004586 Valve	
22	70004588	1	Coil	
22	70005947	1	Coil Nut and Pole Tube O-Ring Kit	
23	70004593	3	Valve, Solenoid Less Coil (Flow Control)	
23	70004594	3	Seal Kit - 70004593 Valve	
23	70004595	3	Coil	
23	70004597	3	Nut, Coil	
23	70004596	3	O-Ring, Pole Tube	
24	70023859	3	Valve, Cartridge (Shuttle)	
24	70023860	3	Seal Kit - 70023859 Valve	
25	70004459	1	Valve, Solenoid Less Coil (Tele)	
25	7012773	1	Seal Kit - 70004459 Valve	
25	70004460	1	Coil	
25	7021375	1	Nut, Coil	
26	70004600	1	Valve, Solenoid Less Coil (Lift)	
26	7012773	1	Seal Kit - 70004600 Valve	
26	70004460	1	Coil	
26	7021375	1	Nut, Coil	
27	70004609	1	Valve, Solenoid Less Coil (Lift)	
27	7012773	1	Seal Kit - 70004609 Valve	
27	70004460	1	Coil	
27	7021375	1	Nut, Coil	

SECTION 2 - TURNTABLE

ITEM	PART NUMBER	QTY	DESCRIPTION	REV
28	70004601	4	Valve, Cartridge (Relief)	
28	70004602	4	Seal Kit - 70004601 Valve	
29	70004610	2	Valve, Cartridge (Counterbalance)	
30	70005950	1	Orifice	
31	70005951	1	Valve, Cartridge (Check)	
31	70004052	1	Seal Kit - 70005951 Valve	
32	70005952	1	Valve, Cartridge (Check)	
32	70004052	1	Seal Kit - 70005952 Valve	
33	70004457	3	Valve, Solenoid Less Coil (Directional Control)	
33	70004050	3	Seal Kit - 70004457 Valve	
33	70004588	3	Coil	
33	70005947	3	Coil Nut and Pole Tube O-Ring Kit	
35	2221086	13	Fitting, Test	
36	70005953	1	Valve, Solenoid Less Coil (Flow Control)	
36	70004594	1	Seal Kit - 70005953 Valve	
36	70004595	1	Coil	
36	70004597	1	Nut, Coil	
36	70004596	1	O-Ring, Pole Tube	
37	70004613	1	Valve, Cartridge (Check)	
37	70023860	1	Seal Kit - 70004613 Valve	
801	70000781	5	Plate, Locking	
802	70004619	4	Plate, Locking	
803	70004618	1	Plate, Locking	
804	70002962	1	Plate, Locking	
805	70005958	11	Capscrew	
806	7018942	12	Capscrew	
808	2150606	1	Fitting, 45 ORFS/ORB	
809	2110406	1	Fitting, Straight ORFS/ORB	
810	1001213297	1	Fitting, Straight ORFS/ORB	
811	2151616	1	Fitting, 45 JIC/ORB	
812	2220582	2	Fitting, Straight JIC/ORB	
814	1001213292	1	Fitting, Straight JIC/ORB	
815	1001213294	1	Fitting, Straight JIC/ORB	
816	1001213294	1	Fitting, Straight JIC/ORB	
817	2220465	1	Fitting, 90 JIC/ORB	
818	70002758	1	Plug	
819	70004617	1	Plug	
820	70002759	6	Plug	
821	70004603	4	Plug	
824	1001213296	1	Fitting, Straight ORFS/ORB	
825	1001213294	1	Fitting, Straight JIC/ORB	
826	2220374	1	Fitting, Straight JIC/ORB	
827	1001213295	1	Fitting, Straight JIC/ORB	
828	2131010	1	Fitting, 90 ORFS/ORB	
829	2220472	1	Fitting, 90 JIC/ORB	
830	2220906	1	Fitting, 90 JIC/ORB	
831	1001213298	1	Fitting, Straight JIC/ORB	
832	1001213293	1	Fitting, Straight JIC/ORB	

SECTION 2 - TURNTABLE

FIGURE 2-6. MAIN VALVE ASSEMBLY (SN 0300239974 to Present)



ART_1001234247

SECTION 2 - TURNTABLE

FIGURE 2-6. MAIN VALVE ASSEMBLY (SN 0300239974 to Present)

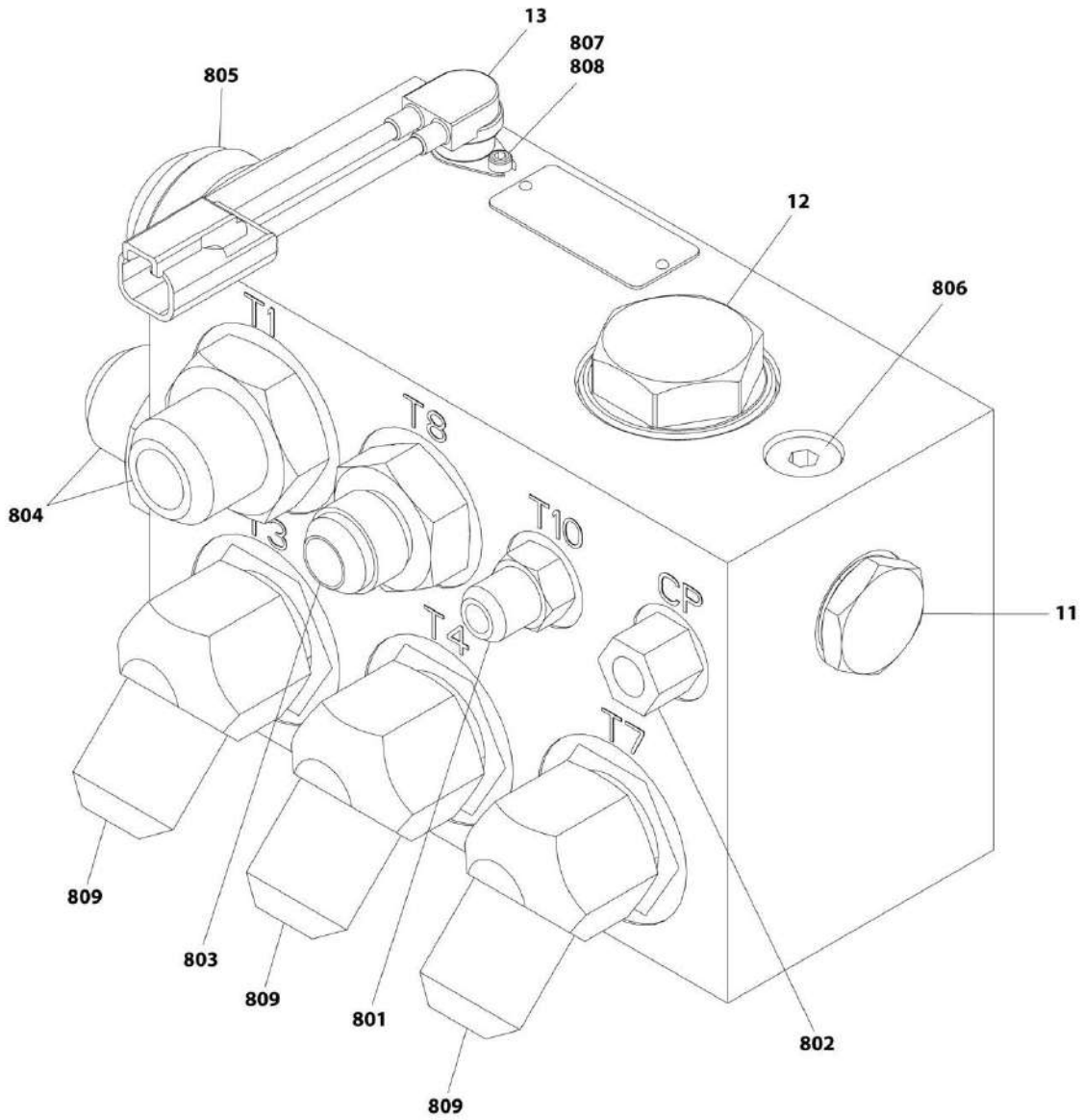
ITEM	PART NUMBER	QTY	DESCRIPTION	REV
	1001234247	Ref	MAIN VALVE ASSEMBLY	B
11	70005943	1	Valve, Cartridge (Check)	
11	70005944	1	Seal Kit - 70005943 Valve	
12	70004585	1	Valve, Cartridge (Check)	
12	70004052	1	Seal Kit - 70004585 Valve	
13	70005945	1	Valve, Solenoid Less Coil (Directional Control)	
13	70005946	1	Seal Kit - 70005945 Valve	
13	70004588	1	Coil	
13	70005947	1	Coil Nut and Pole Tube O-Ring Kit	
14	70004589	1	Orifice 2.2mm	
15	70004590	1	Valve, Solenoid Less Coil (Directional Control)	
15	70023862	1	Seal Kit - 70004590 Valve	
16	70006707	1	Orifice .7mm	
17	70005948	1	Valve, Solenoid Less Coil (Directional Control)	
17	70004055	1	Seal Kit - 70005948 Valve	
17	70004588	1	Coil	
17	70005947	1	Coil Nut and Pole Tube O-Ring Kit	
18	70005948	1	Valve, Solenoid Less Coil (Directional Control)	
18	See Note	NSS	Seal Kit - 70004598 Valve (Note: Not Available)	
18	70004588	1	Coil	
18	70005947	1	Coil Nut and Pole Tube O-Ring Kit	
19	70004591	1	Valve, Cartridge (Pressure Reducing)	
19	70004592	1	Seal Kit - 70004591 Valve	
20	70004583	1	Valve, Cartridge (Check)	
20	70004584	1	Seal Kit - 70004583 Valve	
21	70006708	1	Valve, Cartridge (Relief)	
21	See Note	NSS	Seal Kit - 70006708 Valve (Note: Not Available)	
22	70004586	1	Valve, Solenoid Less Coil (Directional Control)	
22	70004587	1	Seal Kit - 70004586 Valve	
22	70004588	1	Coil	
22	70005947	1	Coil Nut and Pole Tube O-Ring Kit	
23	70004593	3	Valve, Solenoid Less Coil (Flow Control)	
23	70004594	3	Seal Kit - 70004593 Valve	
23	70004595	3	Coil	
23	70004597	3	Nut, Coil	
23	70004596	3	O-Ring, Pole Tube	
24	70023859	3	Valve, Cartridge (Shuttle)	
24	70023860	3	Seal Kit - 70023859 Valve	
25	70004459	1	Valve, Solenoid Less Coil (Tele)	
25	7012773	1	Seal Kit - 70004459 Valve	
25	70004460	1	Coil	
25	7021375	1	Nut, Coil	
26	70004600	1	Valve, Solenoid Less Coil (Lift)	
26	7012773	1	Seal Kit - 70004600 Valve	
26	70004460	1	Coil	
26	7021375	1	Nut, Coil	
27	70004609	1	Valve, Solenoid Less Coil (Lift)	
27	7012773	1	Seal Kit - 70004609 Valve	
27	70004460	1	Coil	
27	7021375	1	Nut, Coil	

SECTION 2 - TURNTABLE

ITEM	PART NUMBER	QTY	DESCRIPTION	REV
28	70004601	4	Valve, Cartridge (Relief)	
28	70004602	4	Seal Kit - 70004601 Valve	
29	70004610	2	Valve, Cartridge (Counterbalance)	
30	70005950	1	Orifice	
31	70005951	1	Valve, Cartridge (Check)	
31	70004052	1	Seal Kit - 70005951 Valve	
32	70005952	1	Valve, Cartridge (Check)	
32	70004052	1	Seal Kit - 70005952 Valve	
33	70004457	3	Valve, Solenoid Less Coil (Directional Control)	
33	70004050	3	Seal Kit - 70004457 Valve	
33	70004588	3	Coil	
33	70005947	3	Coil Nut and Pole Tube O-Ring Kit	
35	2221086	13	Fitting, Test	
36	70005953	1	Valve, Solenoid Less Coil (Flow Control)	
36	70004594	1	Seal Kit - 70005953 Valve	
36	70004595	1	Coil	
36	70004597	1	Nut, Coil	
36	70004596	1	O-Ring, Pole Tube	
37	70004613	1	Valve, Cartridge (Check)	
37	70023860	1	Seal Kit - 70004613 Valve	
801	70000781	5	Plate, Locking	
802	70004619	4	Plate, Locking	
803	70004618	1	Plate, Locking	
804	70002962	1	Plate, Locking	
805	70005958	11	Capscrew	
806	7018942	12	Capscrew	
808	2150606	1	Fitting, 45 ORFS/ORB	
809	2110406	1	Fitting, Straight ORFS/ORB	
810	1001213297	1	Fitting, Straight ORFS/ORB	
811	2151616	1	Fitting, 45 JIC/ORB	
812	2220582	2	Fitting, Straight JIC/ORB	
814	1001213292	1	Fitting, Straight JIC/ORB	
815	1001213294	1	Fitting, Straight JIC/ORB	
816	1001213294	1	Fitting, Straight JIC/ORB	
817	2220465	1	Fitting, 90 JIC/ORB	
818	70002758	1	Plug	
819	70004617	1	Plug	
820	70002759	6	Plug	
821	70004603	4	Plug	
824	1001213296	1	Fitting, Straight ORFS/ORB	
825	2220865	1	Fitting, Straight JIC/ORB	
826	2220374	1	Fitting, Straight JIC/ORB	
827	1001213295	1	Fitting, Straight JIC/ORB	
828	2131010	1	Fitting, 90 ORFS/ORB	
829	2220472	1	Fitting, 90 JIC/ORB	
830	2220906	1	Fitting, 90 JIC/ORB	
831	1001213298	1	Fitting, Straight JIC/ORB	
832	1001213293	1	Fitting, Straight JIC/ORB	

SECTION 2 - TURNTABLE

FIGURE 2-7. JUNCTION VALVE ASSEMBLY



ART_1001200988

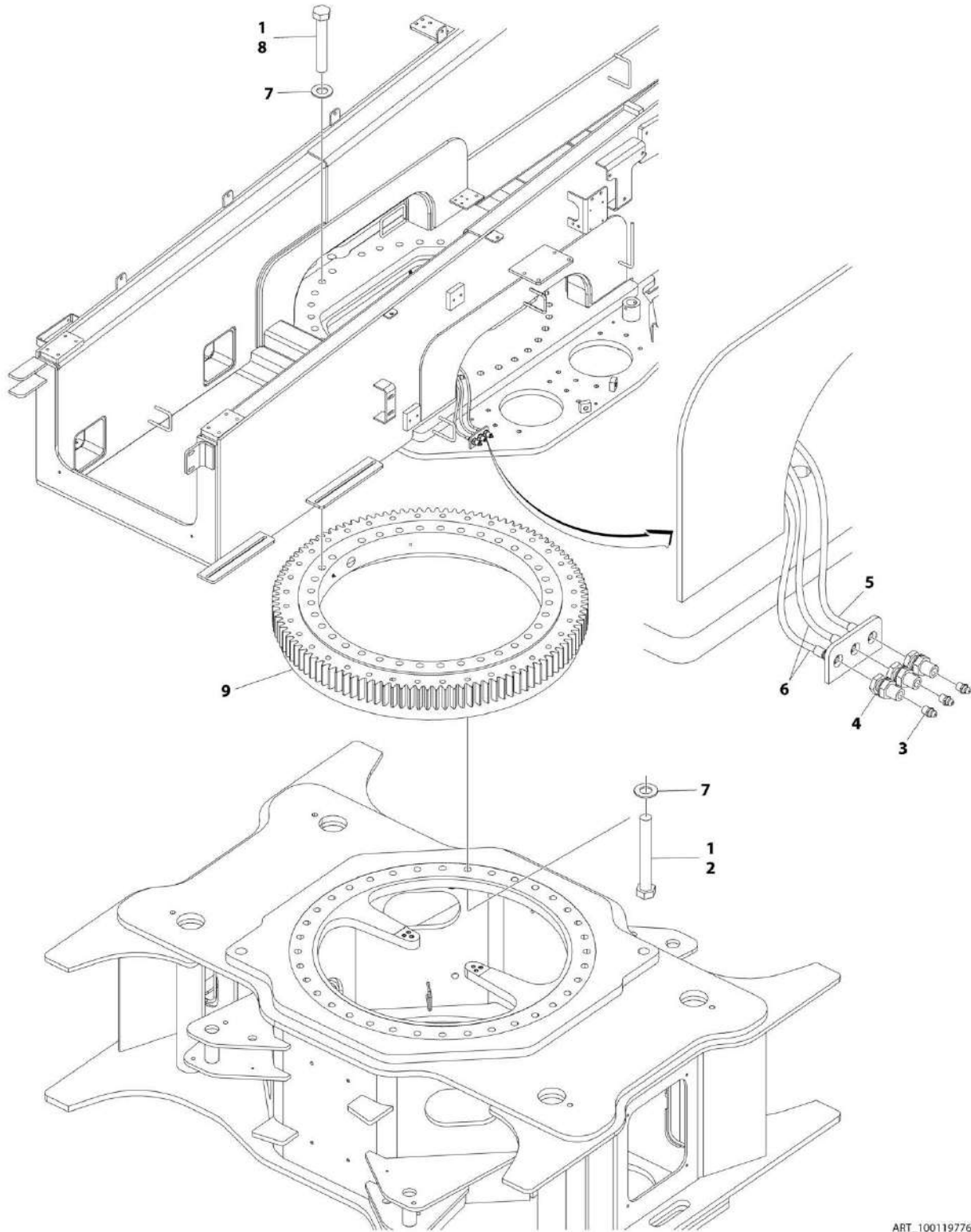
SECTION 2 - TURNTABLE

FIGURE 2-7. JUNCTION VALVE ASSEMBLY

ITEM	PART NUMBER	QTY	DESCRIPTION	REV
	1001200988	Ref	JUNCTION VALVE ASSEMBLY	L
11	70023866	1	Valve, Cartridge (Check)	
11	70023867	1	Seal Kit - 70023866 Valve	
12	70005959	1	Valve, Cartridge (Check)	
12	70004614	1	Seal Kit - 70005959 Valve	
13	70004614	1	Switch, Temperature	
801	2220371	1	Fitting, Straight ORFS/ORB	
802	2221155	1	Fitting, Straight FORB/MORB	
803	2220865	1	Fitting, Straight JIC/ORB	
804	2220435	2	Fitting, Straight JIC/ORB	
805	2220380	1	Fitting, Straight JIC/ORB	
806	70005199	1	Plug	
807	70004615	2	Capscrew	
808	70005961	2	Insert, Threaded	
809	70005958	3	Fitting, 45 JIC/ORB	

SECTION 2 - TURNTABLE

FIGURE 2-8. TURNTABLE BEARING INSTALLATION



ART_1001197761

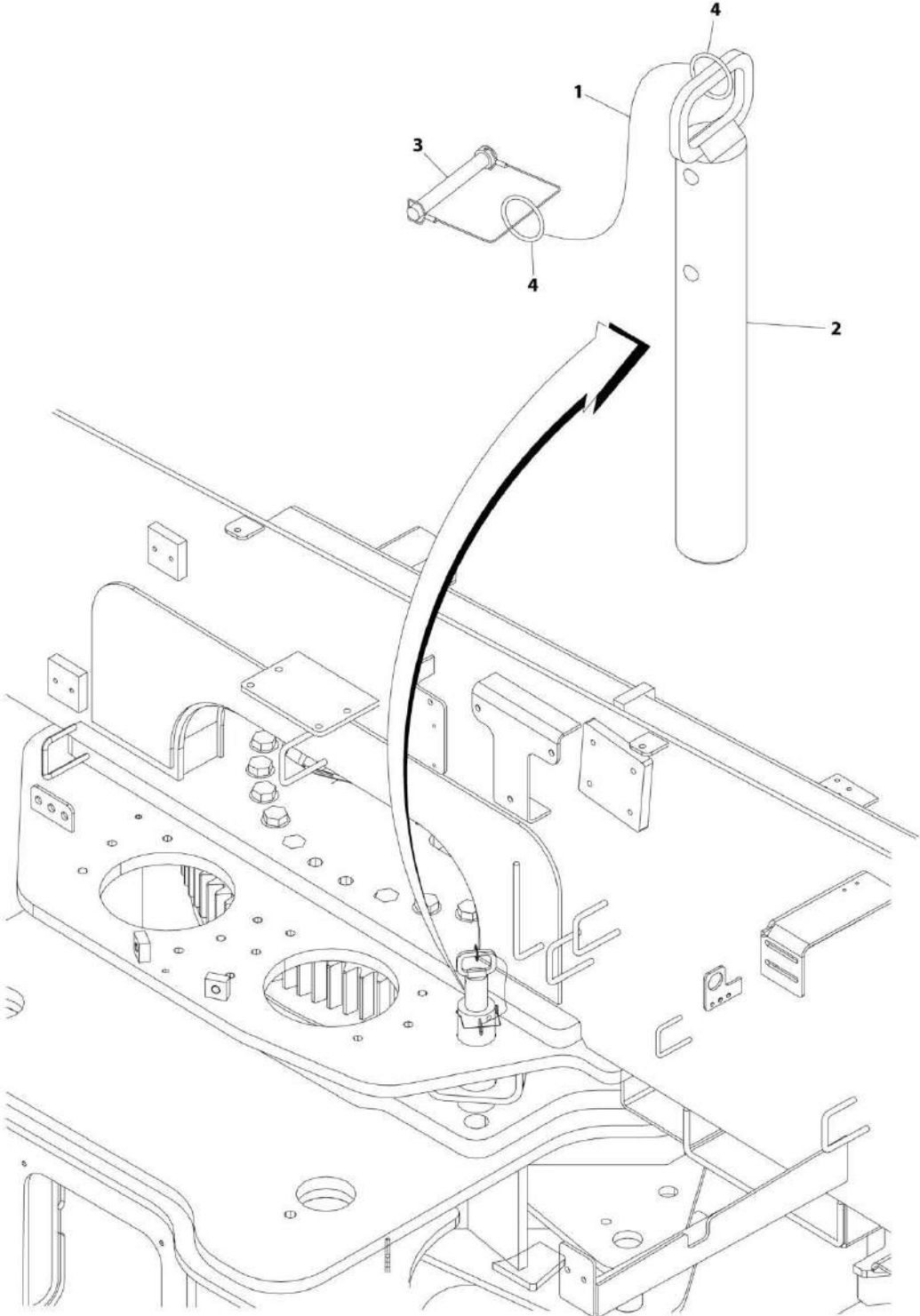
SECTION 2 - TURNTABLE

FIGURE 2-8. TURNTABLE BEARING INSTALLATION

ITEM	PART NUMBER	QTY	DESCRIPTION	REV
	1001197761	Ref	TURNTABLE BEARING INSTALLATION	A
1	0100019	AR	Compound, Locking	
2	0712435	36	Bolt M24 x 180 Grade 10.9	
3	2160002	3	Fitting, Grease	
4	2180344	3	Fitting, Bulkhead NPT	
5	2750528	1	Hose	
6	2751032	2	Hose	
7	5242400	69	Washer M24	
8	1001097587	33	Bolt M24 x 150 Grade 10.9	
9	1001149823	1	Bearing, Swing	
10	1001193630	1	Bearing Kit (Not Shown - Includes Items 2, 7, 8 & 9)	

SECTION 2 - TURNTABLE

FIGURE 2-9. TURNTABLE LOCK INSTALLATION



ART_1001197142

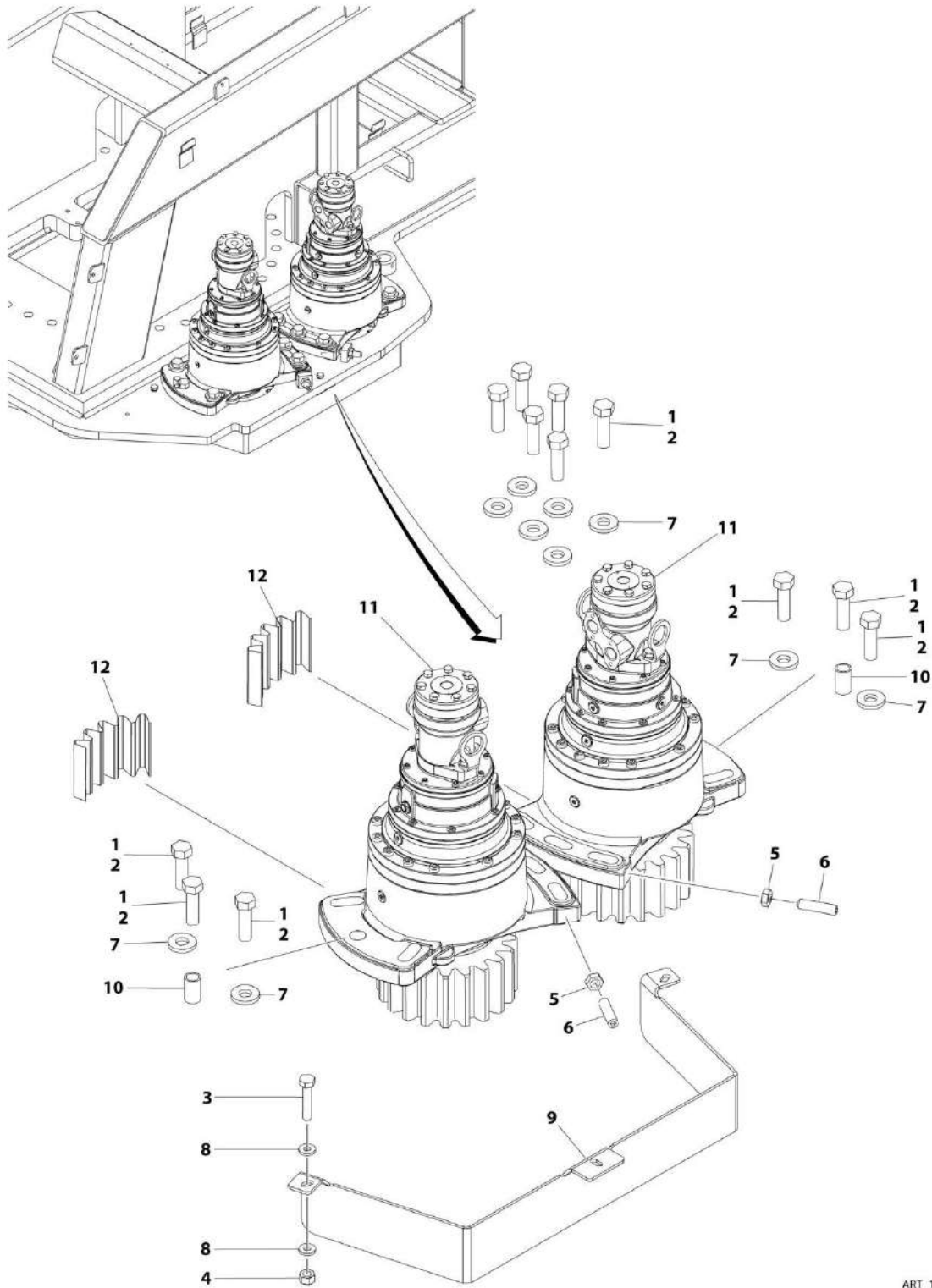
SECTION 2 - TURNTABLE

FIGURE 2-9. TURNTABLE LOCK INSTALLATION

ITEM	PART NUMBER	QTY	DESCRIPTION	REV
	1001197142	Ref	TURNTABLE LOCK INSTALLATION	A
1	1260017	8 in /20cm	Chain	
2	3421563	1	Pin	
3	3421565	1	Pin	
4	3760170	2	Ring	

SECTION 2 - TURNTABLE

FIGURE 2-10. SWING DRIVE INSTALLATION



ART_1001153981

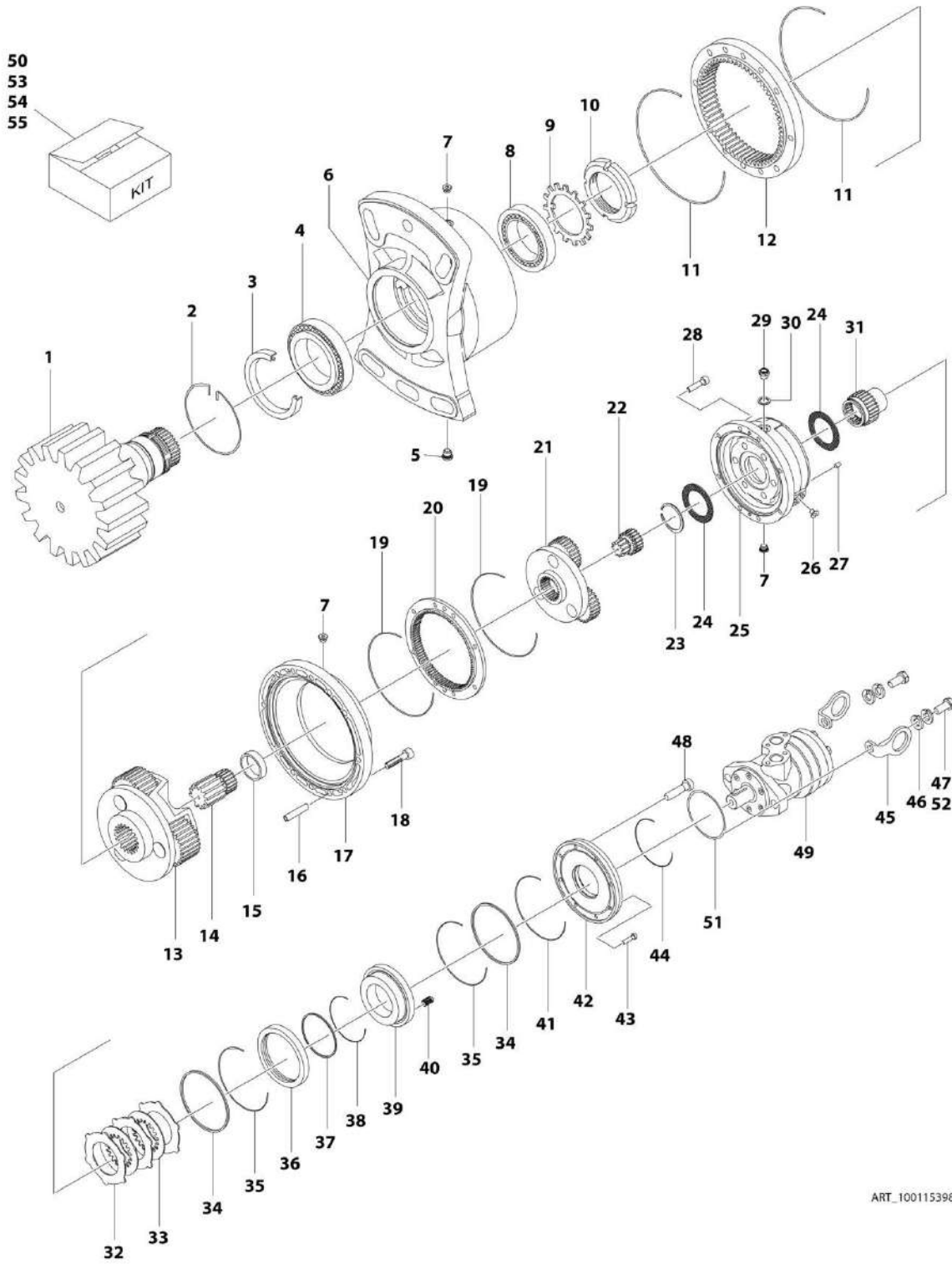
SECTION 2 - TURNTABLE

FIGURE 2-10. SWING DRIVE INSTALLATION

ITEM	PART NUMBER	QTY	DESCRIPTION	REV
	1001153981	Ref	SWING DRIVE INSTALLATION	C
1	0100019	AR	Compound, Locking	
2	0682220	12	Bolt 3/4 x 2-1/2 Grade 8	
3	0701018	3	Bolt M10 x 50	
4	3291005	3	Nut M10	
5	3312002	2	Nut 5/8	
6	3952020	2	Setscrew 5/8 x 2-1/2	
7	4740057	10	Washer	
8	4812000	6	Washer M10	
9	1001150725	1	Shield	
10	1001153983	2	Bar	
11	1001153984	2	Swing Hub/Brake/Motor Assembly (See SWING HUB/BRAKE/MOTOR ASSEMBLY for Breakdown)	
12	1001154377	2	Shim	

SECTION 2 - TURNTABLE

FIGURE 2-11. SWING HUB/BRAKE/MOTOR ASSEMBLY



ART_1001153984

SECTION 2 - TURNTABLE

FIGURE 2-11. SWING HUB/BRAKE/MOTOR ASSEMBLY

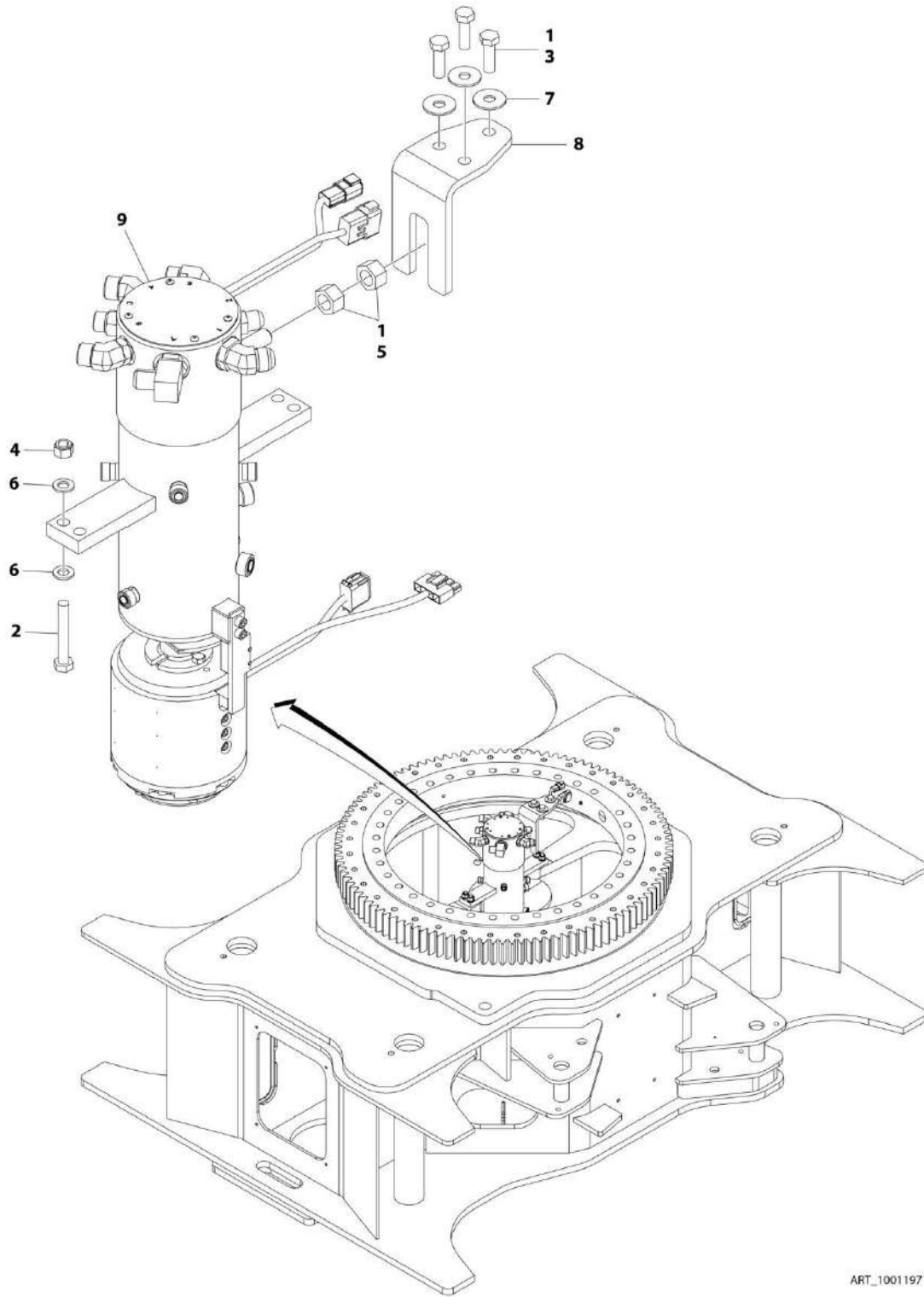
ITEM	PART NUMBER	QTY	DESCRIPTION	REV
	1001153984	Ref	SWING HUB/BRAKE/MOTOR ASSEMBLY	E
1	70004466	1	Shaft	
2	70004467	1	Ring	
3	See Note	NSS	Seal, Oil (Note: Use Item 54)	
4	70004468	1	Bearing	
5	70004469	1	Plug with O-Ring	
6	70004470	1	Support, Output	
7	70002057	5	Plug with O-Ring	
8	70004471	1	Bearing	
9	70004472	1	Washer	
10	70004473	1	Nut, Ring	
11	See Note	NSS	O-Ring (Note: Use Item 54)	
12	70004474	1	Ring, Planetary	
13	70004475	1	Reduction, Gear - Complete	
14	70004476	1	Pinion	
15	70004477	1	Spacer	
16	70004478	4	Pin, Spring	
17	70004479	1	Spacer	
18	70004480	8	Capscrew M10 x 55	
19	See Note	NSS	O-Ring (Note: Use Item 54)	
20	70004481	1	Ring, Planetary	
21	70004482	1	Reduction, Gear - Complete	
22	70004483	1	Pinion	
23	See Note	NSS	Ring (Note: Use Item 53)	
24	See Note	NSS	Washer (Note: Use Item 53)	
25	See Note	NSS	Housing, Brake (Note: Use Item 53)	
26	See Note	NSS	Plug (Note: Use Item 53)	
27	See Note	NSS	Plug (Note: Use Item 53)	
28	See Note	NSS	Capscrew M8 x 35 (Note: Use Item 53)	
29	See Note	NSS	Plug (Note: Use Item 53)	
30	See Note	NSS	Washer (Note: Use Item 53)	
31	See Note	NSS	Shaft, Input (Note: Use Item 53)	
32	See Note	NSS	Disc, Steel (Note: Use Item 53)	
33	See Note	NSS	Disc (Note: Use Item 53)	
34	See Note	NSS	Seal (Note: Use Item 53 or 55)	
35	See Note	NSS	O-Ring (Note: Use Item 53 or 55)	
36	See Note	NSS	Spacer (Note: Use Item 53)	
37	See Note	NSS	Seal (Note: Use Item 53 or 55)	
38	See Note	NSS	O-Ring (Note: Use Item 53 or 55)	
39	See Note	NSS	Piston, Brake (Note: Use Item 53)	
40	See Note	NSS	Spring, Brake (Note: Use Item 53)	
41	See Note	NSS	O-Ring (Note: Use Item 53 or 55)	
42	See Note	NSS	Cover (Note: Use Item 53 or 55)	
43	See Note	NSS	Screw M6 x 25 (Note: Use Item 53)	
44	See Note	NSS	O-Ring (Note: Use Item 53 or 55)	
45	70004484	2	Lug, Lifting	
46	70004485	4	Washer	
47	70004486	2	Capscrew M12 x 25	
48	70004487	2	Capscrew M12 x 35	
49	70004491	1	Motor	

SECTION 2 - TURNTABLE

ITEM	PART NUMBER	QTY	DESCRIPTION	REV
		Ref	Note: Seal Kit is the on replacement component available. Otherwise, replacement complete motor.	
50	70004492	1	Kit, Seal - Motor	
51	70004493	1	O-Ring	
52	70004494	2	Bolt	
53	70004488	1	Brake Kit (Includes Items 23-44)	
54	70004489	1	Seal Kit- Gearbox (Includes Items 3, 11 & 19)	
55	70004490	1	Brake Seal Kit (Includes Items 34, 35, 37, 38, 41, 42 & 44)	

SECTION 2 - TURNTABLE

FIGURE 2-12. COUPLING/COLLECTOR RING INSTALLATION



ART_1001197118

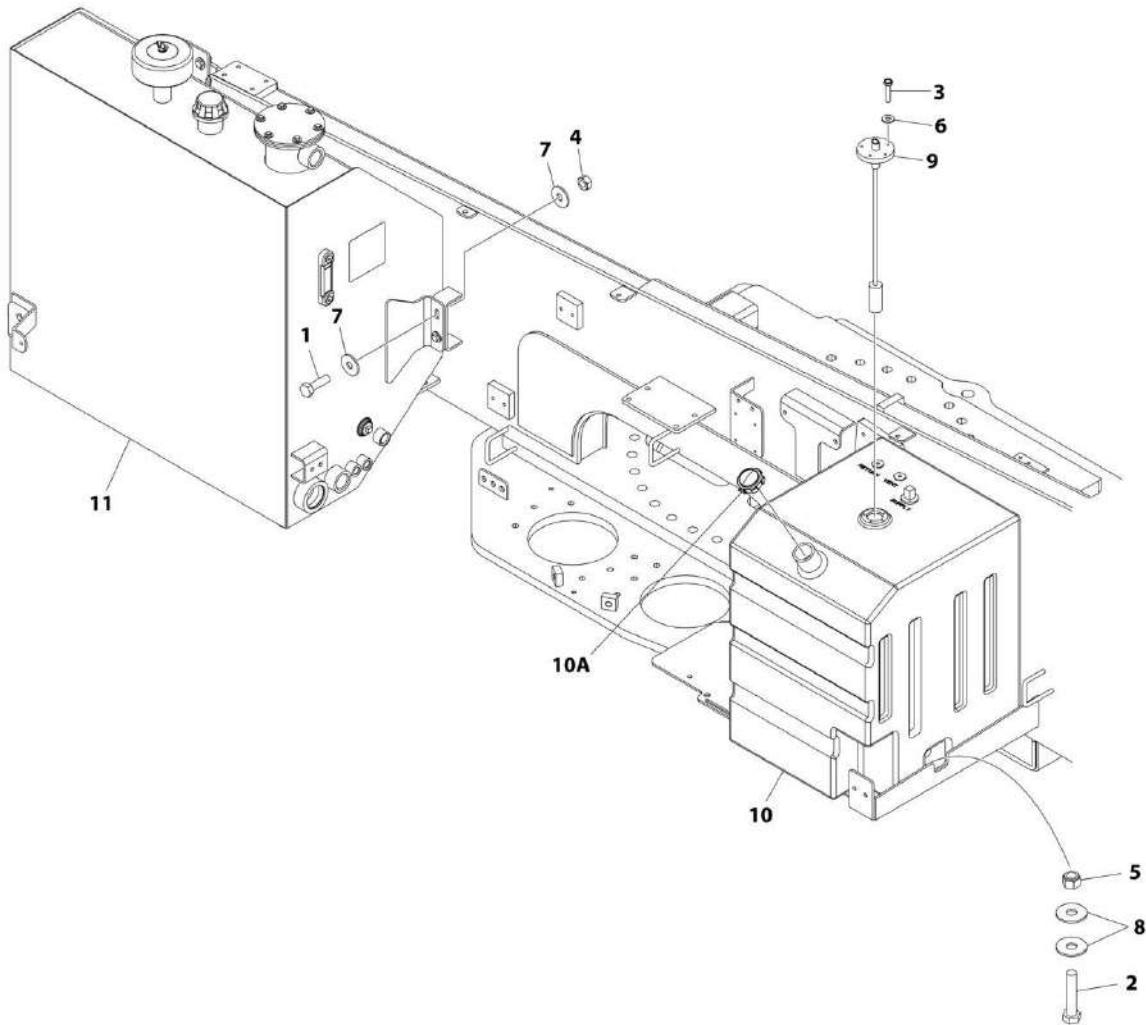
SECTION 2 - TURNTABLE

FIGURE 2-12. COUPLING/COLLECTOR RING INSTALLATION

ITEM	PART NUMBER	QTY	DESCRIPTION	REV
	1001197118	Ref	COUPLING/COLLECTOR RING INSTALLATION	C
1	0100011	AR	Compound, Locking	
2	0701224	4	Bolt M12 x 80	
3	0761216	3	Bolt M12 x 40	
4	3291205	4	Nut M12	
5	3322201	2	Nut 3/4	
6	4812100	8	Washer M12	
7	4812102	3	Washer M12	
8	1001154196	1	Bracket	
9	1001195588	1	Coupling/Collector Ring Assembly (See ELECTRICAL SECTION for Breakdown)	

SECTION 2 - TURNTABLE

FIGURE 2-13. TANKS INSTALLATION (WITHOUT DIESEL EXHAUST FLUID TANK)



ART_1001197627

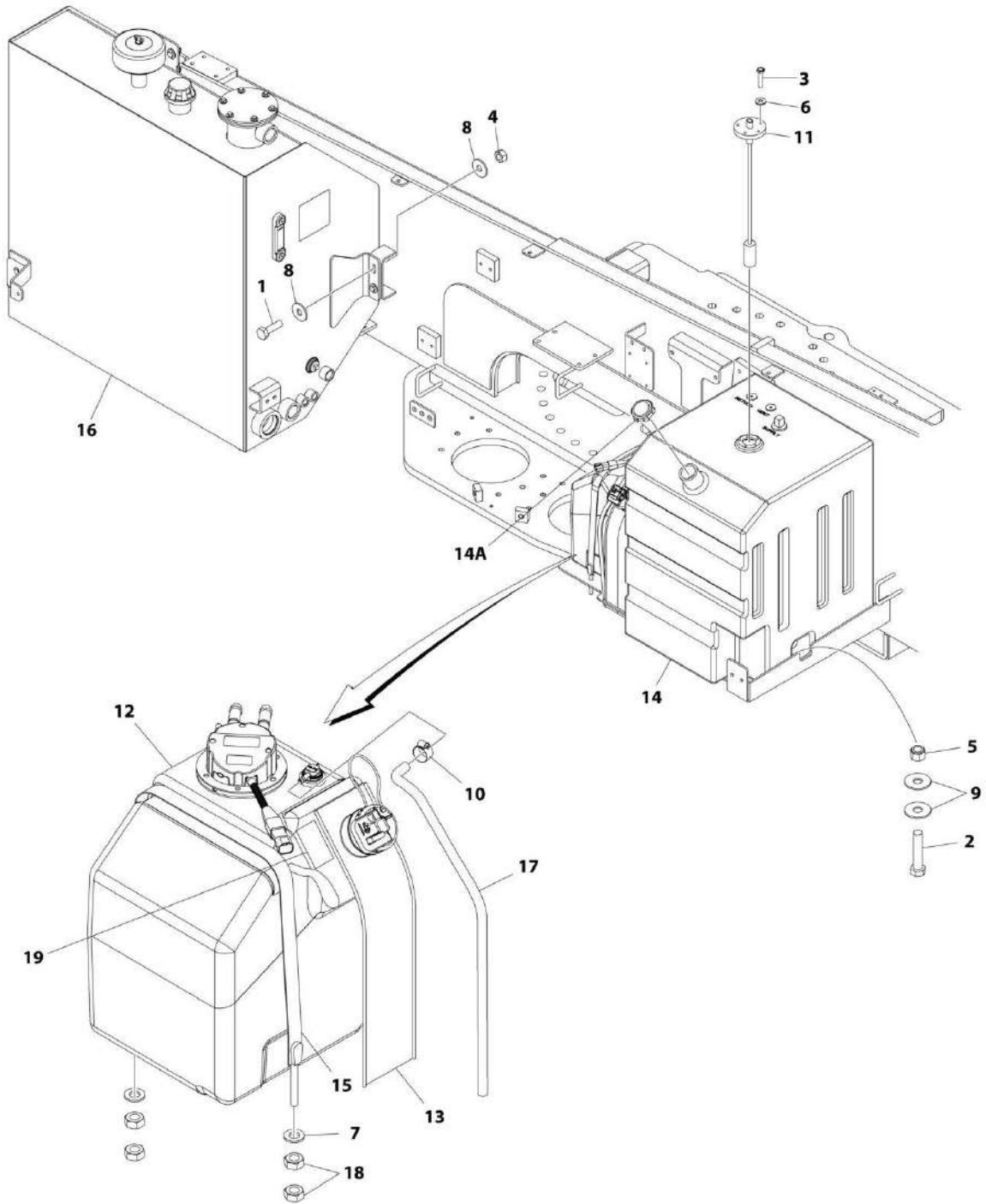
SECTION 2 - TURNTABLE

FIGURE 2-13. TANKS INSTALLATION (WITHOUT DIESEL EXHAUST FLUID TANK)

ITEM	PART NUMBER	QTY	DESCRIPTION	REV
	1001197627	Ref	TANKS INSTALLATION (WITHOUT DIESEL EXHAUST FLUID TANK)	B
1	0701015	4	Bolt M10 x 35	
2	0701220	2	Bolt M12 x 60	
3	0731007	5	Screw #10 x 7/8	
4	3291007	4	Nut M10	
5	3291205	2	Nut M12	
6	4751000	5	Washer #10	
7	4812002	8	Washer M10	
8	4812102	4	Washer M12	
9	1001109048	1	Gauge, Fuel	
9	3960525	1	Gasket (Gauge to Tank)	
10	1001188491	1	Tank, Fuel	
10A	70005565	1	Cap, Fuel	
11	1001197292	1	Hydraulic Tank Assembly (See HYDRAULIC TANK ASSEMBLY for Breakdown)	

SECTION 2 - TURNTABLE

FIGURE 2-14. TANKS INSTALLATION (WITH DIESEL EXHAUST FLUID TANK)



ART_1001197291

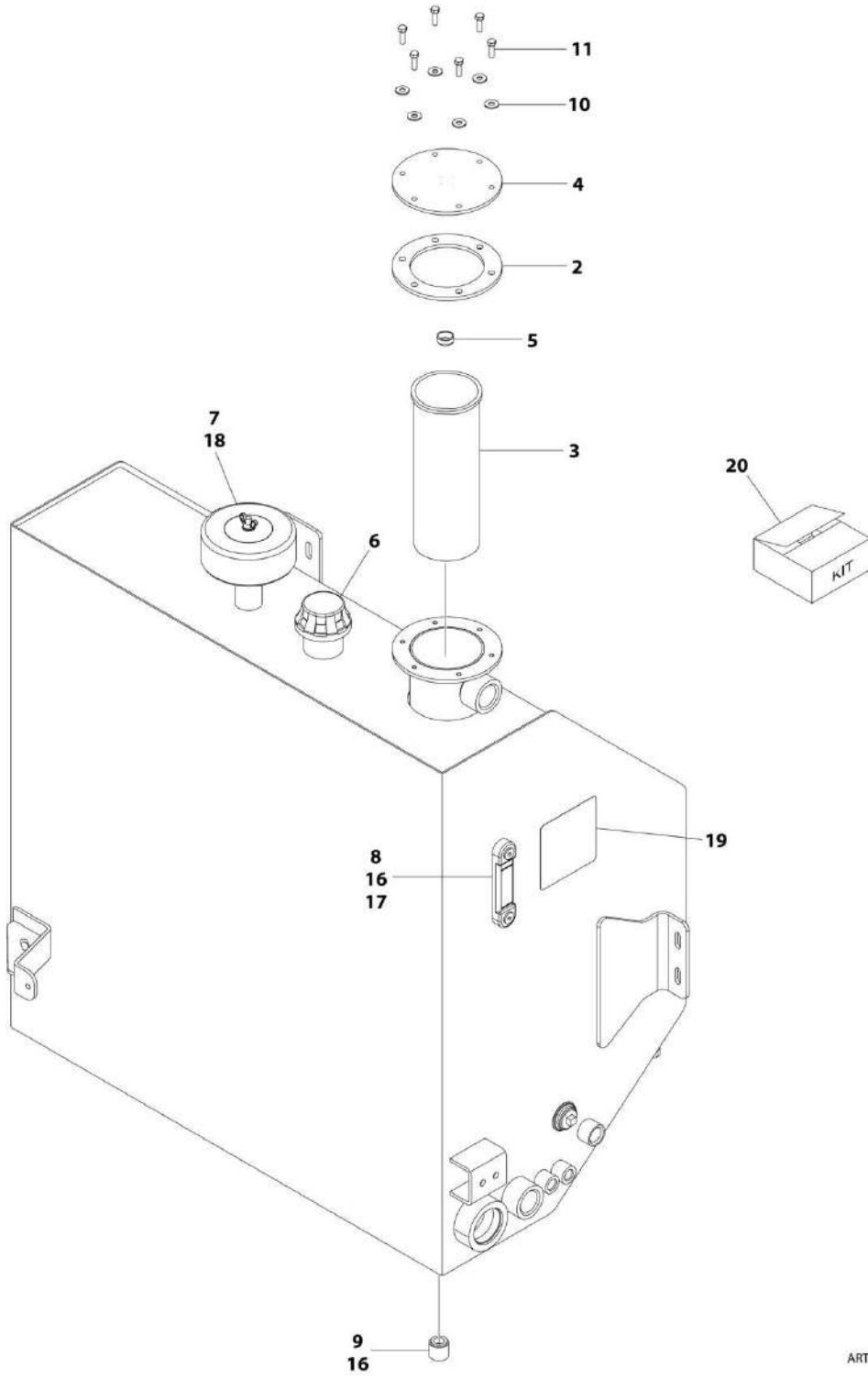
SECTION 2 - TURNTABLE

FIGURE 2-14. TANKS INSTALLATION (WITH DIESEL EXHAUST FLUID TANK)

ITEM	PART NUMBER	QTY	DESCRIPTION	REV
	1001197291	Ref	TANKS INSTALLATION (WITH DIESEL EXHAUST FLUID TANK)	H
1	0701015	4	Bolt M10 x 35	
2	0701220	2	Bolt M12 x 60	
3	0731007	5	Screw #10 x 7/8	
4	3291007	4	Nut M10	
5	3291205	2	Nut M12	
6	4751000	5	Washer #10	
7	4812000	2	Washer M10	
8	4812002	8	Washer M10	
9	4812102	4	Washer M12	
10	8405009	1	Clamp (Prior to SN 0300226660)	
10	1320022	1	Clamp (SN 0300226660 to Present)	
11	1001109048	1	Gauge, Fuel	
11	3960525	1	Gasket (Gauge to Tank)	
12	1001164968	NLA	Tank - Diesel Exhaust Fluid (Use p/n 1001225676) (Prior to SN 0300226660)	
12	1001174795	1	Cap	
12	1001164965	NLA	Electrical Assembly (Use p/n 1001225677)	
12	1001225676	1	Tank - Diesel Exhaust Fluid (SN 0300226660 to Present)	
12	1001174795	1	Cap	
12	1001225677	1	Electrical Assembly	
13	1001168272	1	Sleeve, Spill Guard	
14	1001188491	1	Tank, Fuel	
14A	70005565	1	Cap, Fuel	
15	1001189159	1	Strap	
16	1001197292	1	Hydraulic Tank Assembly (See HYDRAULIC TANK ASSEMBLY for Breakdown)	
17	1001175201	28 in/ 0.7m	Hose	
18	3291001	4	Nut M10	
19	1001196806	1	Decal - Diesel Exhaust Fluid	

SECTION 2 - TURNTABLE

FIGURE 2-15. HYDRAULIC TANK ASSEMBLY



ART_1001197292

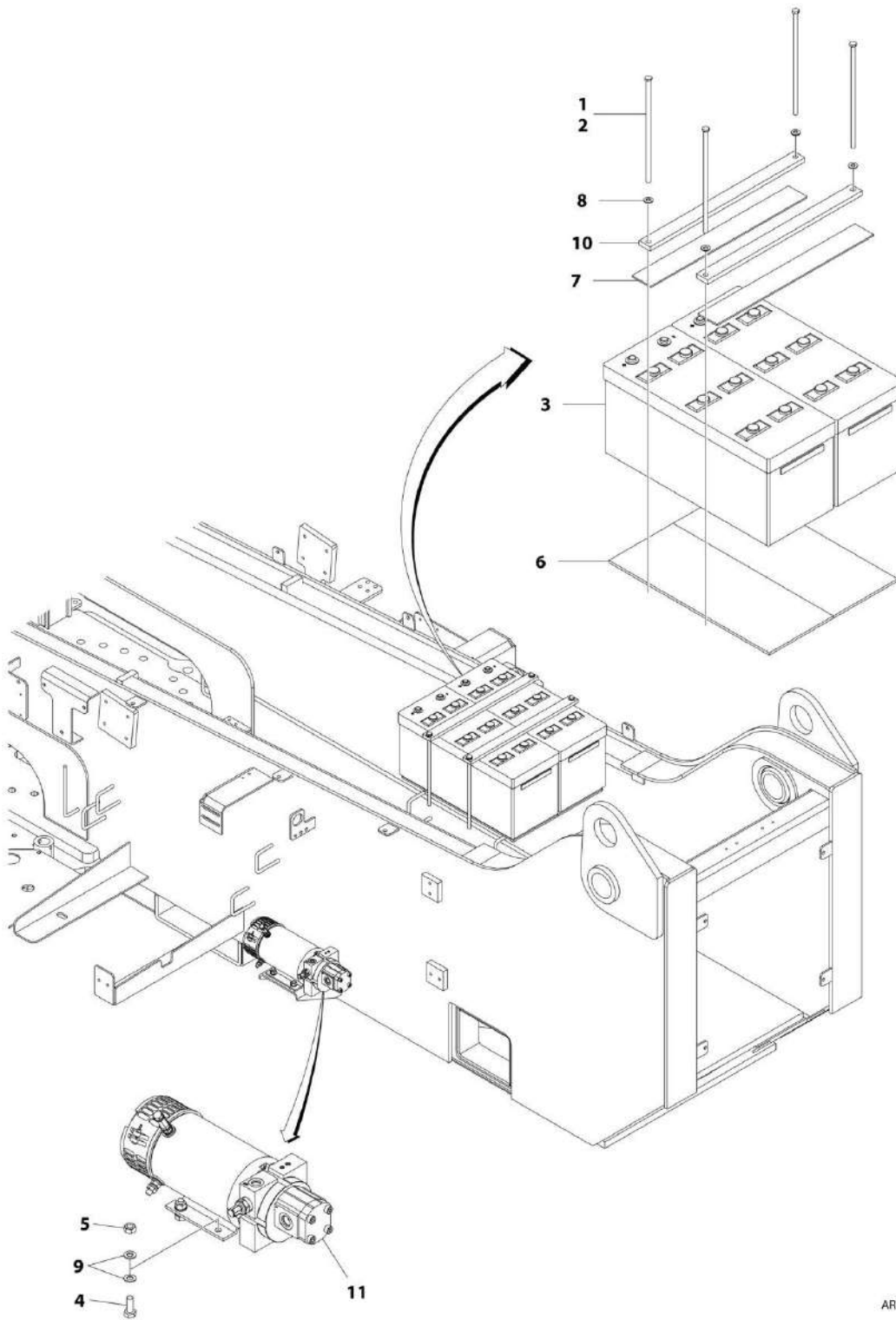
SECTION 2 - TURNTABLE

FIGURE 2-15. HYDRAULIC TANK ASSEMBLY

ITEM	PART NUMBER	QTY	DESCRIPTION	REV
	1001197292	Ref	HYDRAULIC TANK ASSEMBLY	D
2	See Note	NSS	Gasket (Note: Use Item 20)	
3	See Note	NSS	Element, Filter (Note: Use Item 20)	
4	See Note	NSS	Cover (Note: Not Available for Purchase)	
5	70004412	1	Spring	
6	70002838	1	Cap, Fill	
7	See Note	NSS	Breather (Note: Use Item 20)	
8	7024441	1	Gauge	
9	See Note	NSS	Plug (Note: Purchase Locally)	
10	See Note	NSS	Washer 5/16 Stainless Steel (Note: Purchase Locally)	
11	See Note	NSS	Bolt 5/16 x 1 Stainless Steel (Note: Purchase Locally)	
16	See Note	AR	Loctite #243 (Note: Purchase Locally)	
17	See Note	AR	Lubricant (Note: Purchase Locally)	
18	See Note	AR	Loctite #565 (Note: Purchase Locally)	
19	70004411	1	Decal - Service	
20	70004150	1	Tank Filter/ Breather Kit (Includes Item 2, 3 & 7)	

SECTION 2 - TURNTABLE

FIGURE 2-16. AUXILIARY POWER AND BATTERIES INSTALLATIONS



ART_1001197345

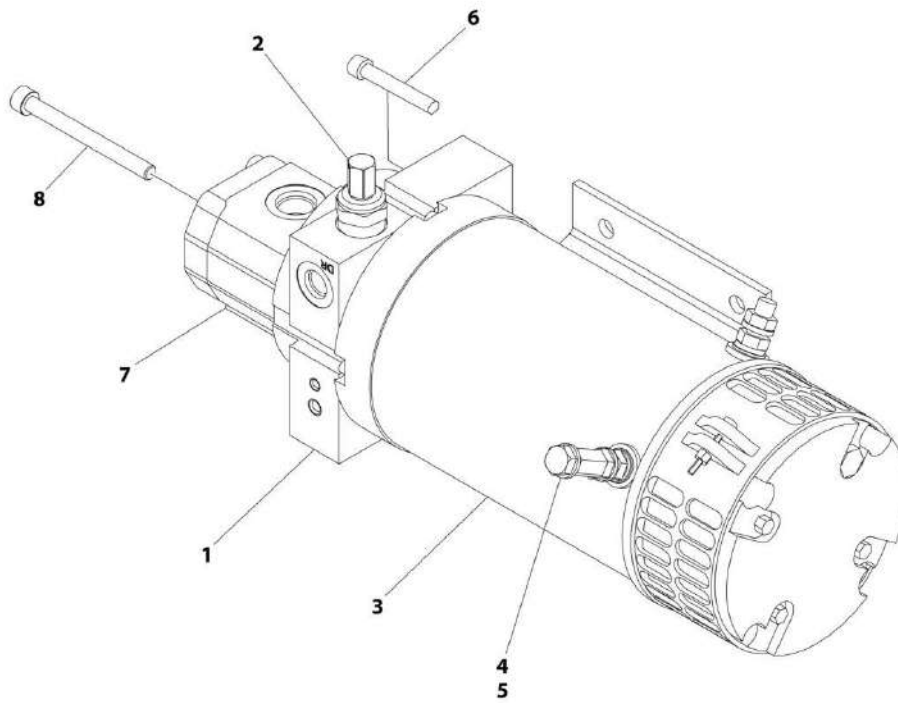
SECTION 2 - TURNTABLE

FIGURE 2-16. AUXILIARY POWER AND BATTERIES INSTALLATIONS

ITEM	PART NUMBER	QTY	DESCRIPTION	REV
	1001197345	Ref	AUXILIARY POWER AND BATTERIES INSTALLATIONS	A
1	0100011	AR	Compound, Locking	
2	0236768	4	Bolt, Tie-Down	
3	0400020	2	Battery	
4	0701013	4	Bolt M10 x 28	
5	3291007	4	Nut M10	
6	3980006	2	Seat, Battery	
7	4420038	34 in /85cm	Tape	
8	4711600	4	Washer 3/8	
9	4812000	8	Washer M10	
10	1001154035	2	Plate	
11	1001162880	1	Auxiliary Pump/Motor Assembly (See AUXILIARY PUMP/MOTOR ASSEMBLY for Breakdown)	

SECTION 2 - TURNTABLE

FIGURE 2-17. AUXILIARY PUMP/MOTOR ASSEMBLY



ART_1001162880

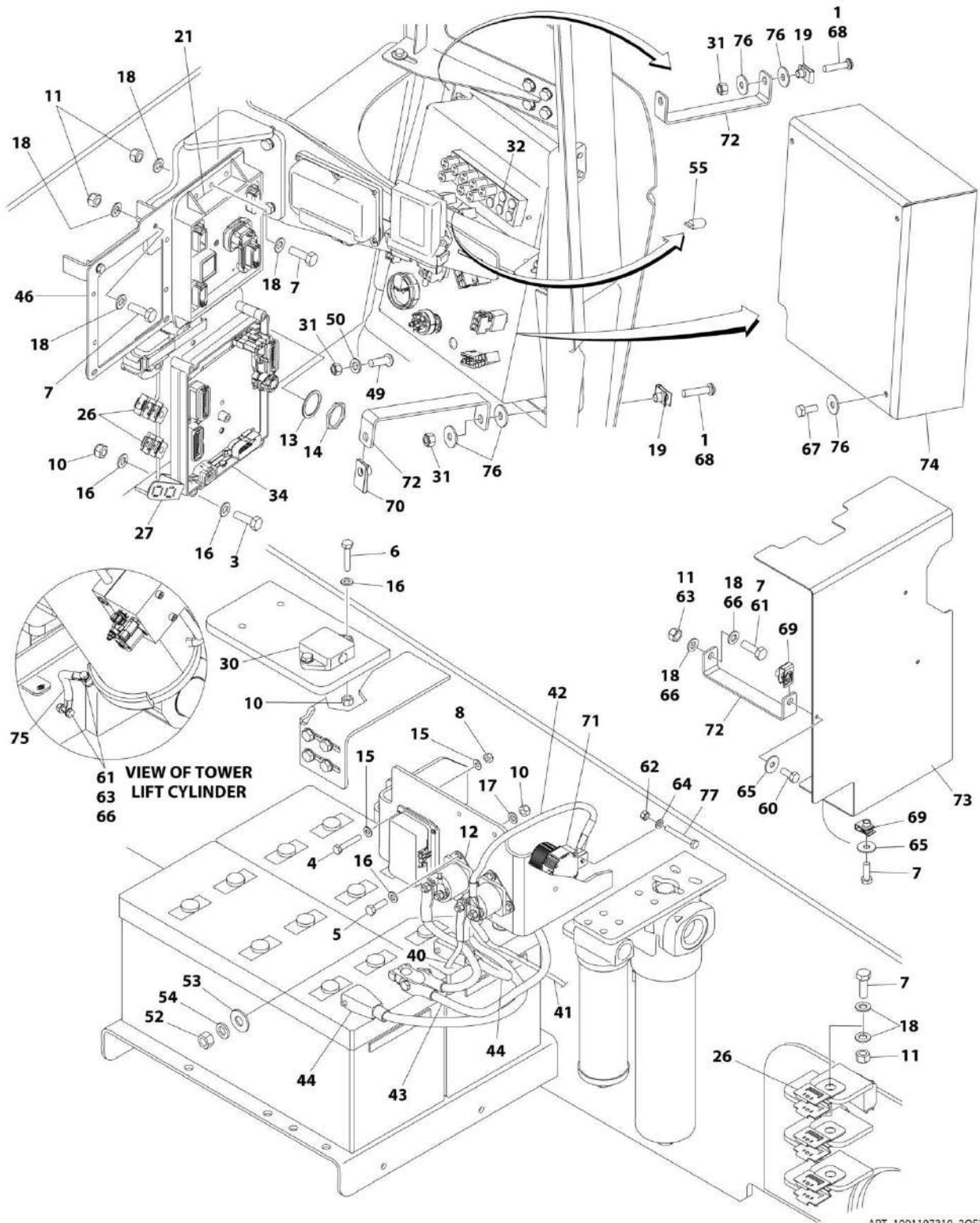
SECTION 2 - TURNTABLE

FIGURE 2-17. AUXILIARY PUMP/MOTOR ASSEMBLY

ITEM	PART NUMBER	QTY	DESCRIPTION	REV
	1001162880	Ref	AUXILIARY PUMP/MOTOR ASSEMBLY	A
1	1001164700	1	Base Assembly	
1	70005618	1	Plug	
1	70005617	1	Spring	
1	70005616	1	Poppet, Check	
2	1001164700	1	Valve, Relief	
3	See Note	1	Motor (Note: Not Available for Purchase)	
4	70007006	1	Nut 3/8	
5	70007007	1	Screw 3/8 x 3/4	
6	70007005	4	Screw 1/4 x 3	
6	See Note	1	Sleeve (Note: Not Available for Purchase)	
7	See Note	1	Pump Assembly (Note: Not Available for Purchase)	
7	70005615	1	Seal, Shaft	
7	70005619	1	Bearing	
8	See Note	4	Screw M8 x 85 (Note: Not Available for Purchase)	

SECTION 2 - TURNTABLE

FIGURE 2-18. ELECTRICAL COMPONENTS INSTALLATION - TURNTABLE (HRC) (ANSI, ANSI EXPORT, CSA AND JAPANESE SPECS) (Prior to SN 0300223782)



ART_1001197310_20F2

SECTION 2 - TURNTABLE

FIGURE 2-18. ELECTRICAL COMPONENTS INSTALLATION - TURNTABLE (HRC) (ANSI, ANSI EXPORT, CSA AND JAPANESE SPECS) (Prior to SN 0300223782)

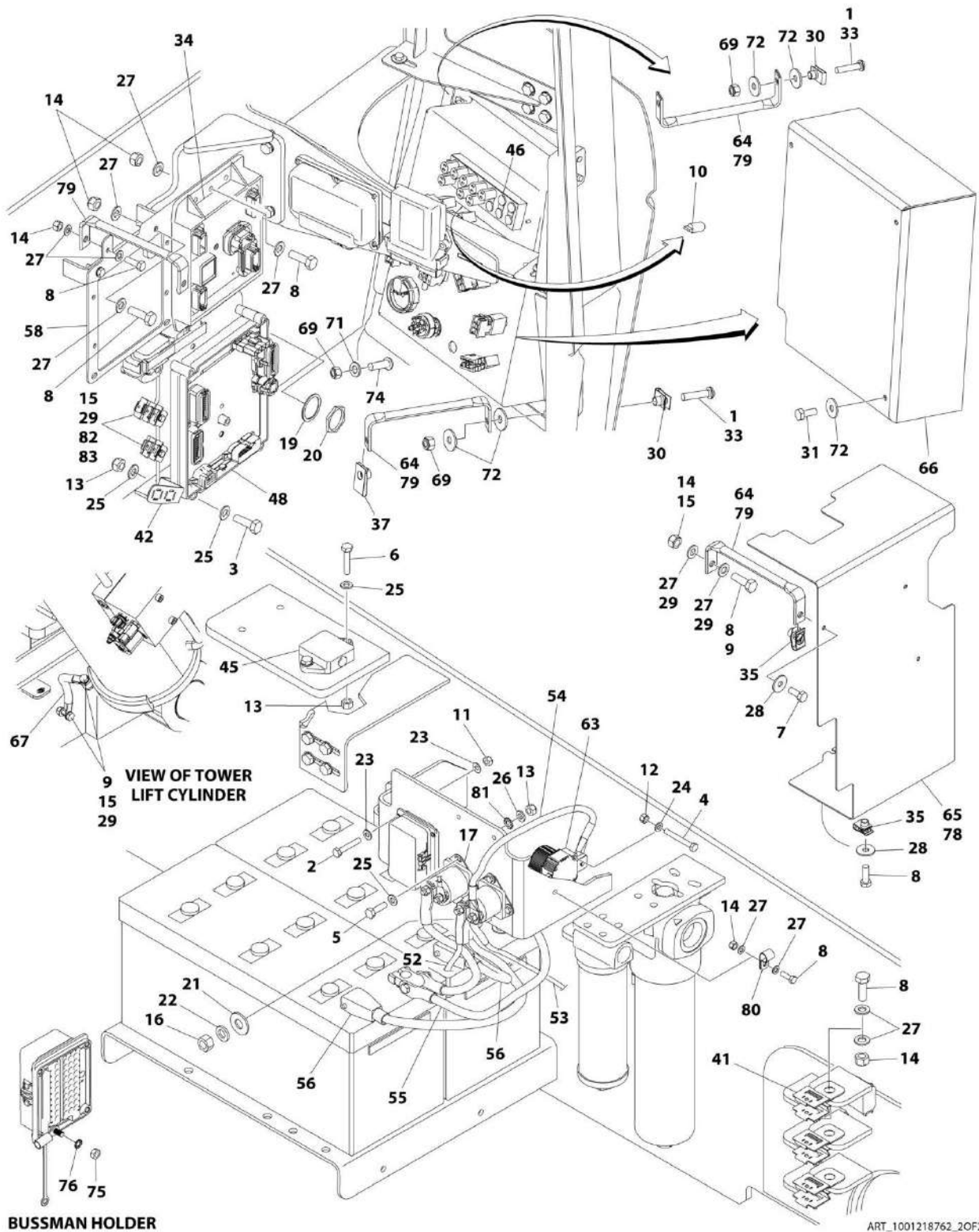
ITEM	PART NUMBER	QTY	DESCRIPTION	REV
	1001197310	Ref	ELECTRICAL COMPONENTS INSTALLATION - TURNTABLE (HRC) (ANSI, ANSI EXPORT, CSA AND JAPANESE SPECS) (Prior to SN 0300223782)	G
1	0100011	AR	Compound, Locking	
3	0700620	4	Bolt M6 x 60	
4	0700412	4	Bolt M4 x 25	
5	0760610	4	Bolt M6 x 20	
6	0760613	2	Bolt M6 x 28	
7	0760812	12	Bolt M8 x 25	
8	3290405	4	Nut M4	
10	3290605	15	Nut M6	
11	3290805	10	Nut M8	
12	3740067	2	Relay	
13	4460496	1	Washer, Terminal	
14	4460497	1	Nut, Terminal	
15	4811400	8	Washer M4	
16	4811700	26	Washer M6	
17	4811702	4	Washer M6	
18	4811900	20	Washer M8	
19	8310686	3	Nut, Retainer M8	
21	1001112757	NLA	Module, Control (Use p/n 1001227960) (Note: Re-calibration Required when Replaced)	
23	1001149970	1	Drive Pump Harness (Not Shown - See ELECTRICAL SECTION for Breakdown)	
26	1001155967	10	Holder	
27	1001159162	1	Bracket	
30	1001181325	NLA	Sensor, Dual Axis (Use p/n 1001219601)	
31	3290805001	4	Nut M8	
32	1001184083	6	Plug	
33	1001187744	AR	Sealant (Not Shown)	
34	1001187805	1	Module, Control (Note: Re-calibration Required when Replaced)	
35	1001196686	1	Turntable Harness (Not Shown - See ELECTRICAL SECTION for Breakdown)	
36	1001196688	1	BLAM Harness (Not Shown - See ELECTRICAL SECTION for Breakdown)	
37	1001196689	1	Ground Control Harness (Not Shown - See ELECTRICAL SECTION for Breakdown)	
38	1001196690	1	Valve Harness (Not Shown - See ELECTRICAL SECTION for Breakdown)	
40	1001200604	1	Cable, Auxiliary Pump (+)	
41	1001200605	1	Cable, Auxiliary Pump (-)	
42	1001200606	1	Cable, Battery to Auxiliary Relay	
43	1001200726	1	Cable Kit, Battery Positive (Note: Includes Battery Terminal and Qty 4 Cables)	
44	1001200727	1	Cable Kit, Battery Negative (Note: Includes Qty 2 Cables)	
45	1001200853	1	Ground Control Box Assembly (Not Shown - See GROUND CONTROL BOX ASSEMBLY for Breakdown)	
46	1001201103	1	Plate	
47	1001206817	1	Diesel Exhaust Fluid Tank Harness (Not Shown - See ELECTRICAL SECTION for Breakdown)	
49	8310643001	1	Screw M8 x 25	

SECTION 2 - TURNTABLE

ITEM	PART NUMBER	QTY	DESCRIPTION	REV
50	4811900001	1	Washer M8	
52	3311601	2	Nut 3/8	
53	4751600	4	Washer 3/8	
54	4761600	2	Washer 3/8	
55	2920129	8	Bulb, Light	
56	1001213622	1	Connector, Resistor - 20K Ohm (Not Shown - Located Near Item 12)	
57	4240099	1	Tie-Strap (Not Shown)	
58	1001211885	1	Fuel Pump and WIF Harness (Not Shown - See ELECTRICAL SECTION for Breakdown)	
59	1001215021	1	Magnet, Suppression (Not Shown - Located Near Item 30)	
60	0760810	3	Bolt M8 x 20	
61	0761015	3	Bolt M10 x 35	
62	3290507	2	Nut M5	
63	3291007	3	Nut M10	
64	4811600	2	Washer M5	
65	4811902	5	Washer M8	
66	4812000	6	Washer M10	
67	0760810001	3	Bolt M8 x 20	
68	1001047062	3	Screw	
69	1001118274	5	Nut, Tinnerman M8	
70	1001149160	3	Nut, Tinnerman M8	
71	1001216021	1	Relay	
72	1001216193	6	Bracket	
73	1001216194	1	Cover	
74	1001216238	1	Cover	
75	1001217007	1	Cable, Ground	
76	4811902001	9	Washer M8	
77	0760516	2	Bolt M5 x 40	

SECTION 2 - TURNTABLE

FIGURE 2-19. ELECTRICAL COMPONENTS INSTALLATION - TURNTABLE (HRC) (ANSI, ANSI EXPORT, CSA AND JAPANESE SPECS) (SN 0300223782 to Present)



SECTION 2 - TURNTABLE

FIGURE 2-19. ELECTRICAL COMPONENTS INSTALLATION - TURNTABLE (HRC) (ANSI, ANSI EXPORT, CSA AND JAPANESE SPECS) (SN 0300223782 to Present)

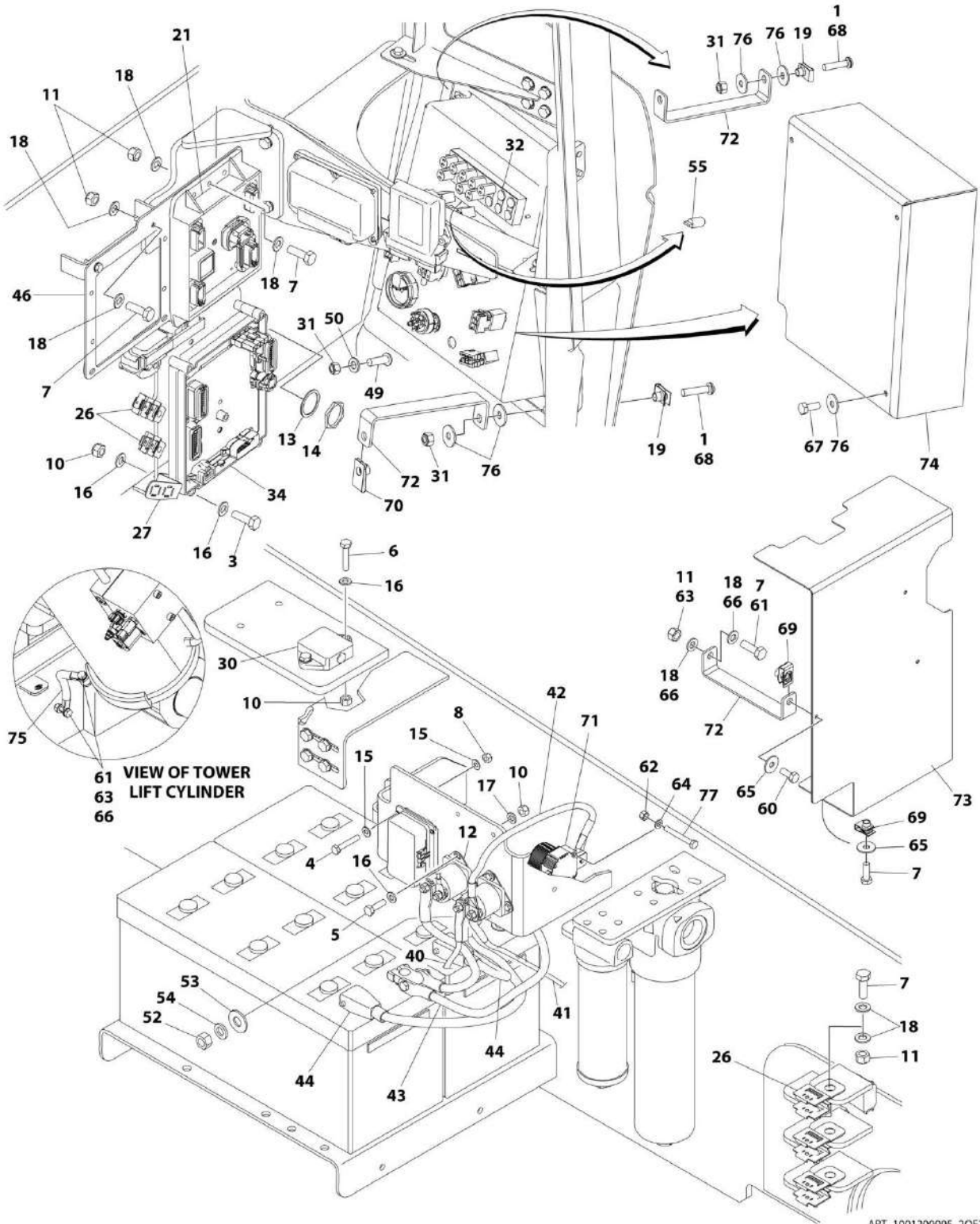
ITEM	PART NUMBER	QTY	DESCRIPTION	REV
	1001218762	Ref	ELECTRICAL COMPONENTS INSTALLATION - TURNTABLE (HRC) (ANSI, ANSI EXPORT, CSA AND JAPANESE SPECS) (SN 0300223782 to Present)	G
1	0100011	AR	Compound, Locking	
2	0700412	4	Bolt M4 x 25	
3	0700620	4	Bolt M6 x 60	
4	0760516	2	Bolt M5 x 40	
5	0760610	4	Bolt M6 x 20	
6	0760613	2	Bolt M6 x 28	
7	0760810	3	Bolt M8 x 20	
8	0760812	AR	Bolt M8 x 25	
9	0761015	3	Bolt M10 x 35	
10	2920129	8	Bulb, Light	
11	3290405	4	Nut M4	
12	3290507	2	Nut M5	
13	3290605	10	Nut M6	
14	3290805	AR	Nut M8	
15	3291007	AR	Nut M10	
16	3311601	2	Nut 3/8	
17	3740067	2	Relay	
18	4240099	1	Tie-Strap (Not Shown)	
19	4460496	1	Washer, Terminal (SN 0300223782 through 0300224829)	
20	4460497	1	Nut, Terminal (SN 0300223782 through 0300224829)	
21	4751600	4	Washer 3/8	
22	4761600	2	Washer 3/8	
23	4811400	8	Washer M4	
24	4811600	2	Washer M5	
25	4811700	26	Washer M6	
26	4811702	4	Washer M6	
27	4811900	AR	Washer M8	
28	4811902	5	Washer M8	
29	4812000	AR	Washer M10	
30	8310686	3	Nut, Retainer M8	
31	0760810001	3	Bolt M8 x 20	
33	1001047062	3	Screw	
33	1001221585	3	Screw M8 x 35	
34	1001112757	NLA	Module, Control (Use p/n 1001227960) (Note: Re-calibration Required when Replaced) (Prior to SN 0300228461)	
34	1001227960	1	Module, Control (Note: Re-calibration Required when Replaced) (SN 0300228461 to Present)	
35	1001118274	5	Nut, Tinnerman M8	
37	1001149160	3	Nut, Tinnerman M8	
38	1001149970	1	Drive Pump Harness (Not Shown - See ELECTRICAL SECTION for Breakdown)	
41	1001155967	AR	Holder	
42	1001159162	1	Bracket (Prior to SN 0300228461)	
45	1001219601	1	Sensor, Dual Axis	
46	1001184083	6	Plug	
47	1001187744	AR	Sealant (Not Shown)	
48	1001187805	1	Module, Control (Note: Re-calibration Required when Replaced)	

SECTION 2 - TURNTABLE

ITEM	PART NUMBER	QTY	DESCRIPTION	REV
49	1001196686	1	Turntable Harness (Not Shown - See ELECTRICAL SECTION for Breakdown)	
50	1001196688	1	BLAM Harness (Not Shown - See ELECTRICAL SECTION for Breakdown)	
51	1001196689	1	Ground Control Harness (Not Shown - See ELECTRICAL SECTION for Breakdown)	
52	1001200604	1	Cable, Auxiliary Pump (+)	
53	1001200605	1	Cable, Auxiliary Pump (-)	
54	1001200606	1	Cable, Battery to Auxiliary Relay	
55	1001200726	1	Cable Kit, Battery Positive (Note: Includes Battery Terminal and Qty 4 Cables)	
56	1001200727	1	Cable Kit, Battery Negative (Note: Includes Qty 2 Cables)	
57	1001200853	1	Ground Control Box Assembly (Not Shown - See GROUND CONTROL BOX ASSEMBLY for Breakdown)	
58	1001201103	1	Plate	
59	1001206817	1	Diesel Exhaust Fluid Tank Harness (Not Shown - See ELECTRICAL SECTION for Breakdown)	
60	1001211885	1	Fuel Pump and WIF Harness (Not Shown - See ELECTRICAL SECTION for Breakdown)	
61	1001213622	1	Connector, Resistor - 20K Ohm (Not Shown - Located Near Item 12) (Prior to SN 0300227413)	
61	1001226102	1	Connector, Resistor - 20K Ohm (Not Shown - Located Near Item 12) (SN 0300227413 to Present)	
62	1001215021	1	Magnet, Suppression (Not Shown - Located Near Item 30)	
63	1001216021	1	Relay	
64	1001216193	6	Bracket (Prior to SN 0300227413)	
65	1001216194	1	Cover (Prior to SN 0300227413)	
66	1001216238	1	Cover	
67	1001217007	1	Cable, Ground	
68	1001218806	1	Valve Harness (Not Shown - See ELECTRICAL SECTION for Breakdown)	
69	3290805001	4	Nut M8	
71	4811900001	1	Washer M8	
72	4811902001	9	Washer M8	
74	8310643001	1	Screw M8 x 25	
75	3290601	1	Nut M6	
76	4871700	1	Washer M6	
78	1001225167	1	Cover (SN 0300227413 to Present)	
79	1001225279	6	Bracket (SN 0300227413 to Present)	
80	8406101	1	Clip (SN 0300227413 to Present)	
81	4791400	4	Washer 1/4 (Prior to SN 0300228461)	
82	1001155967	2	Holder (Prior to SN 0300228461)	
82	1001156107	2	Holder (SN 0300228461 to Present)	
83	0761013001	2	Bolt M10 x 28 (SN 0300228461 to Present)	
84	1001228364	1	Wire, Relay Grounding (Not Shown) (SN 0300228461 to Present)	

SECTION 2 - TURNTABLE

FIGURE 2-20. ELECTRICAL COMPONENTS INSTALLATION - TURNTABLE (HRC) (CE SPECS) (Prior to SN 0300223782)



SECTION 2 - TURNTABLE

FIGURE 2-20. ELECTRICAL COMPONENTS INSTALLATION - TURNTABLE (HRC) (CE SPECS) (Prior to SN 0300223782)

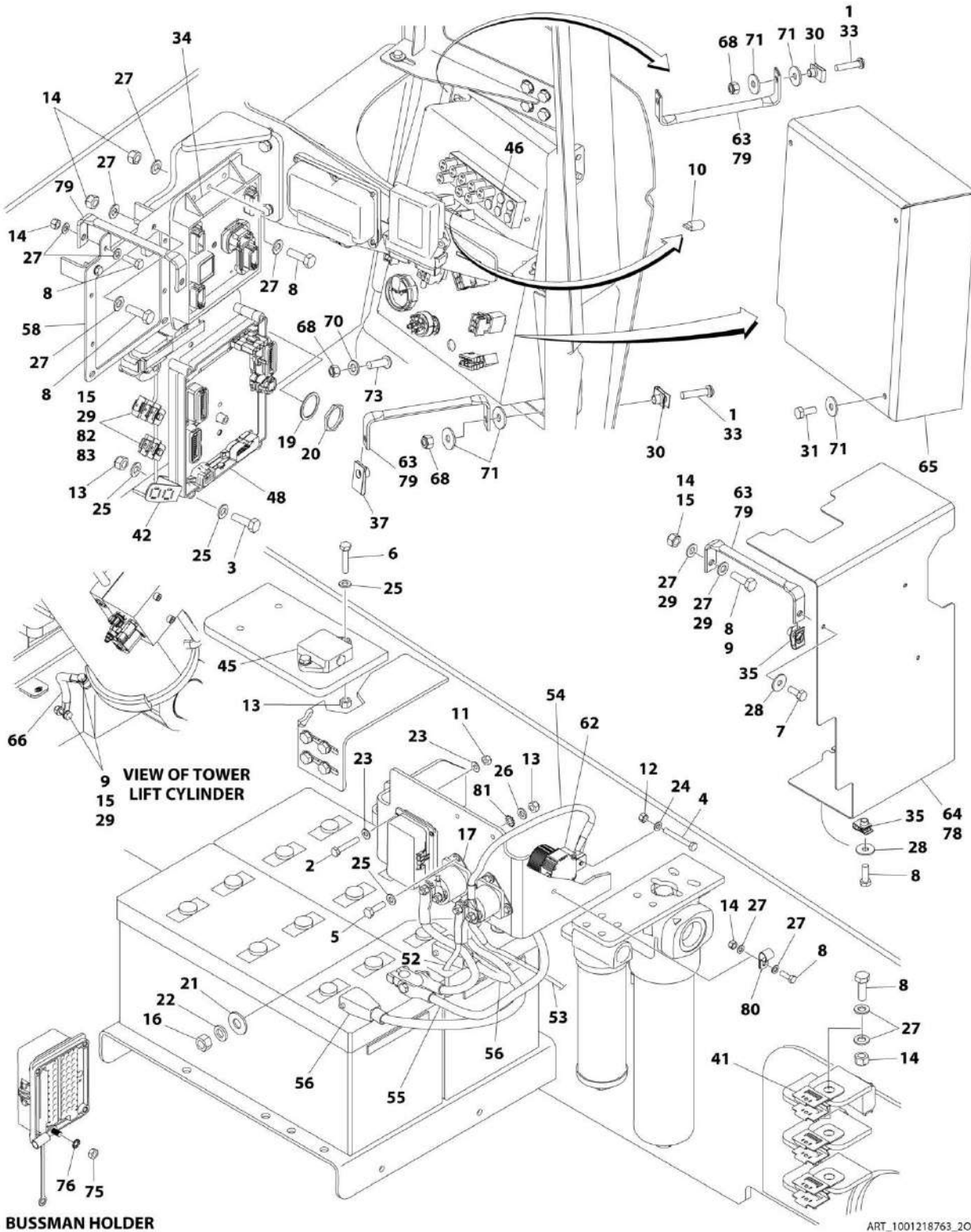
ITEM	PART NUMBER	QTY	DESCRIPTION	REV
	1001200995	Ref	ELECTRICAL COMPONENTS INSTALLATION - TURNTABLE (HRC) (CE SPECS) (Prior to SN 0300223782)	G
1	0100011	AR	Compound, Locking	
3	0700620	4	Bolt M6 x 60	
4	0700412	4	Bolt M4 x 25	
5	0760610	4	Bolt M6 x 20	
6	0760613	2	Bolt M6 x 28	
7	0760812	12	Bolt M8 x 25	
8	3290405	4	Nut M4	
10	3290605	15	Nut M6	
11	3290805	10	Nut M8	
12	3740067	2	Relay	
13	4460496	1	Washer, Terminal	
14	4460497	1	Nut, Terminal	
15	4811400	8	Washer M4	
16	4811700	26	Washer M6	
17	4811702	4	Washer M6	
18	4811900	20	Washer M8	
19	8310686	3	Nut, Retainer M8	
21	1001112757	NLA	Module, Control (Use p/n 1001227960) (Note: Re-calibration Required when Replaced)	
23	1001149970	1	Drive Pump Harness (Not Shown - See ELECTRICAL SECTION for Breakdown)	
26	1001155967	10	Holder	
27	1001159162	1	Bracket	
30	1001181325	NLA	Sensor, Dual Axis (Use p/n 1001219601)	
31	3290805001	4	Nut M8	
32	1001184083	6	Plug	
33	1001187744	AR	Sealant (Not Shown)	
34	1001187805	1	Module, Control (Note: Re-calibration Required when Replaced)	
35	1001196686	1	Turntable Harness (Not Shown - See ELECTRICAL SECTION for Breakdown)	
36	1001196688	1	BLAM Harness (Not Shown - See ELECTRICAL SECTION for Breakdown)	
37	1001196689	1	Ground Control Harness (Not Shown - See ELECTRICAL SECTION for Breakdown)	
38	1001196690	1	Valve Harness (Not Shown - See ELECTRICAL SECTION for Breakdown)	
40	1001200604	1	Cable, Auxiliary Pump (+)	
41	1001200605	1	Cable, Auxiliary Pump (-)	
42	1001200606	1	Cable, Battery to Auxiliary Relay	
43	1001200726	1	Cable Kit, Battery Positive (Note: Includes Battery Terminal and Qty 4 Cables)	
44	1001200727	1	Cable Kit, Battery Negative (Note: Includes Qty 2 Cables)	
45	1001200855	1	Ground Control Box Assembly (Not Shown - See GROUND CONTROL BOX ASSEMBLY for Breakdown)	
46	1001201103	1	Plate	
47	1001206817	1	Diesel Exhaust Fluid Tank Harness (Not Shown - See ELECTRICAL SECTION for Breakdown)	
49	8310643001	1	Screw M8 x 25	
50	4811900001	1	Washer M8	

SECTION 2 - TURNTABLE

ITEM	PART NUMBER	QTY	DESCRIPTION	REV
52	3311601	2	Nut 3/8	
53	4751600	4	Washer 3/8	
54	4761600	2	Washer 3/8	
55	2920129	8	Bulb, Light	
56	1001213622	1	Connector, Resistor - 20K Ohm (Not Shown - Located Near Item 12)	
57	4240099	1	Tie-Strap (Not Shown)	
58	1001211885	1	Fuel Pump and WIF Harness (Not Shown - See ELECTRICAL SECTION for Breakdown)	
59	1001215021	1	Magnet, Suppression (Not Shown - Located Near Item 30)	
60	0760810	3	Bolt M8 x 20	
61	0761015	3	Bolt M10 x 35	
62	3290507	2	Nut M5	
63	3291007	3	Nut M10	
64	4811600	2	Washer M5	
65	4811902	5	Washer M8	
66	4812000	6	Washer M10	
67	0760810001	3	Bolt M8 x 20	
68	1001047062	3	Screw	
69	1001118274	5	Nut, Tinnerman M8	
70	1001149160	3	Nut, Tinnerman M8	
71	1001216021	1	Relay	
72	1001216193	6	Bracket	
73	1001216194	1	Cover	
74	1001216238	1	Cover	
75	1001217007	1	Cable, Ground	
76	4811902001	9	Washer M8	
77	0760516	2	Bolt M5 x 40	

SECTION 2 - TURNTABLE

FIGURE 2-21. ELECTRICAL COMPONENTS INSTALLATION - TURNTABLE (HRC) (CE SPECS) (SN 0300223782 to Present)



SECTION 2 - TURNTABLE

FIGURE 2-21. ELECTRICAL COMPONENTS INSTALLATION - TURNTABLE (HRC) (CE SPECS) (SN 0300223782 to Present)

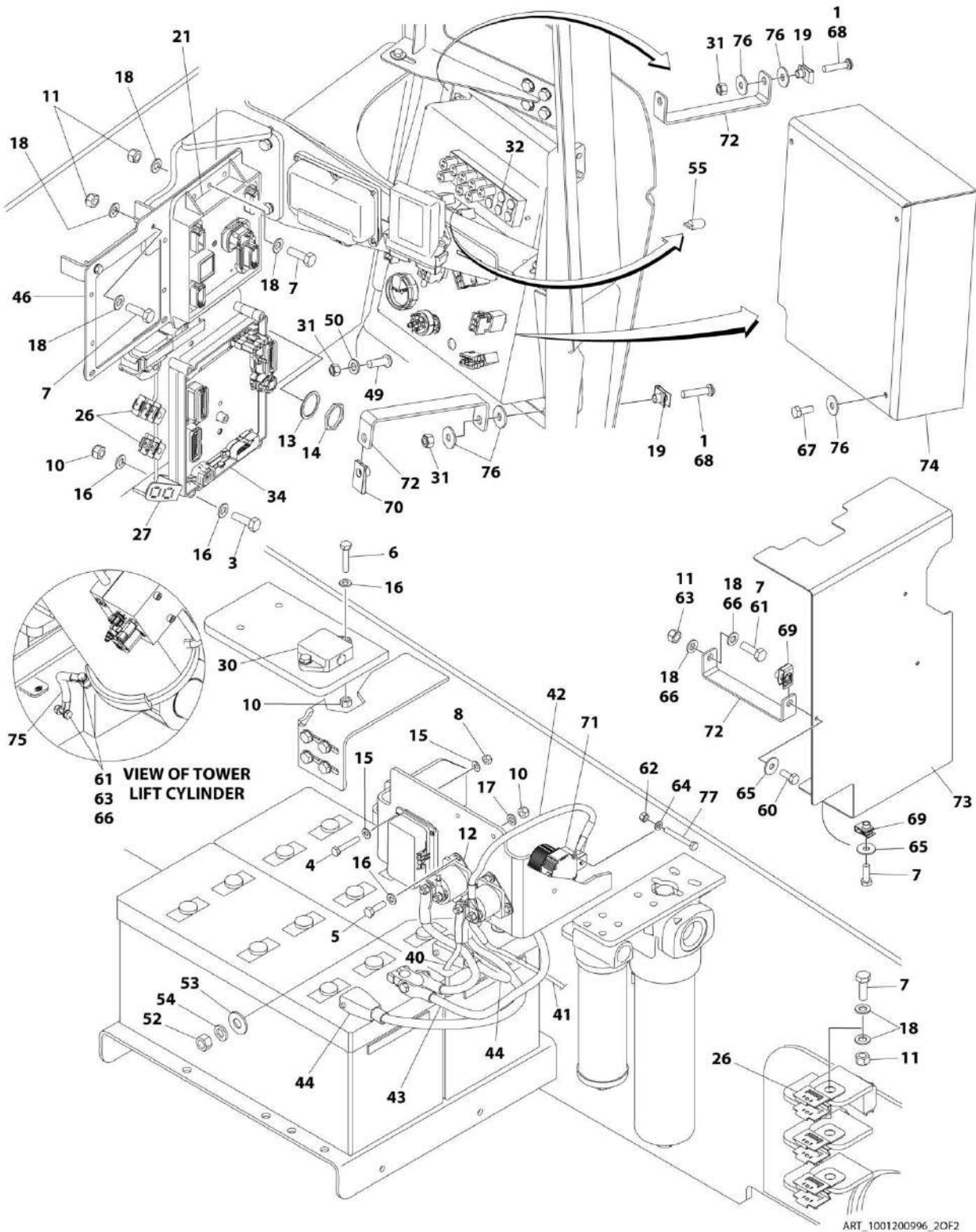
ITEM	PART NUMBER	QTY	DESCRIPTION	REV
	1001218763	Ref	ELECTRICAL COMPONENTS INSTALLATION - TURNTABLE (HRC) (CE SPECS) (SN 0300223782 to Present)	G
1	0100011	AR	Compound, Locking	
2	0700412	4	Bolt M4 x 25	
3	0700620	4	Bolt M6 x 60	
4	0760516	2	Bolt M5 x 40	
5	0760610	4	Bolt M6 x 20	
6	0760613	2	Bolt M6 x 28	
7	0760810	3	Bolt M8 x 20	
8	0760812	AR	Bolt M8 x 25	
9	0761015	3	Bolt M10 x 35	
10	2920129	8	Bulb, Light	
11	3290405	4	Nut M4	
12	3290507	2	Nut M5	
13	3290605	10	Nut M6	
14	3290805	AR	Nut M8	
15	3291007	AR	Nut M10	
16	3311601	2	Nut 3/8	
17	3740067	2	Relay	
18	4240099	1	Tie-Strap (Not Shown)	
19	4460496	1	Washer, Terminal (SN 0300223782 through 0300224829)	
20	4460497	1	Nut, Terminal (SN 0300223782 through 0300224829)	
21	4751600	4	Washer 3/8	
22	4761600	2	Washer 3/8	
23	4811400	8	Washer M4	
24	4811600	2	Washer M5	
25	4811700	26	Washer M6	
26	4811702	4	Washer M6	
27	4811900	AR	Washer M8	
28	4811902	5	Washer M8	
29	4812000	AR	Washer M10	
30	8310686	3	Nut, Retainer M8	
31	0760810001	3	Bolt M8 x 20	
33	1001047062	3	Screw	
33	1001221585	3	Screw M8 x 35	
34	1001112757	NLA	Module, Control (Use p/n 1001227960) (Note: Re-calibration Required when Replaced) (Prior to SN 0300228461)	
34	1001227960	1	Module, Control (Note: Re-calibration Required when Replaced) (SN 0300228461 to Present)	
35	1001118274	5	Nut, Tinnerman M8	
37	1001149160	3	Nut, Tinnerman M8	
38	1001149970	1	Drive Pump Harness (Not Shown - See ELECTRICAL SECTION for Breakdown)	
41	1001155967	AR	Holder	
42	1001159162	1	Bracket	
45	1001219601	1	Sensor, Dual Axis	
46	1001184083	6	Plug	
47	1001187744	AR	Sealant (Not Shown)	
48	1001187805	1	Module, Control (Note: Re-calibration Required when Replaced)	
49	1001196686	1	Turntable Harness (Not Shown - See ELECTRICAL SECTION for	

SECTION 2 - TURNTABLE

ITEM	PART NUMBER	QTY	DESCRIPTION	REV
50	1001196688	1	Breakdown) BLAM Harness (Not Shown - See ELECTRICAL SECTION for Breakdown)	
51	1001196689	1	Ground Control Harness (Not Shown - See ELECTRICAL SECTION for Breakdown)	
52	1001200604	1	Cable, Auxiliary Pump (+)	
53	1001200605	1	Cable, Auxiliary Pump (-)	
54	1001200606	1	Cable, Battery to Auxiliary Relay	
55	1001200726	1	Cable Kit, Battery Positive (Note: Includes Battery Terminal and Qty 4 Cables)	
56	1001200727	1	Cable Kit, Battery Negative (Note: Includes Qty 2 Cables)	
57	1001200855	1	Ground Control Box Assembly (Not Shown - See GROUND CONTROL BOX ASSEMBLY for Breakdown)	
58	1001201103	1	Plate	
59	1001206817	1	Diesel Exhaust Fluid Tank Harness (Not Shown - See ELECTRICAL SECTION for Breakdown)	
60	1001211885	1	Fuel Pump and WIF Harness (Not Shown - See ELECTRICAL SECTION for Breakdown)	
61	1001215021	1	Magnet, Suppression (Not Shown - Located Near Item 30) (Prior to SN 0300227413)	
62	1001216021	1	Relay	
63	1001216193	6	Bracket (Prior to SN 0300227413)	
64	1001216194	1	Cover (Prior to SN 0300227413)	
65	1001216238	1	Cover	
66	1001217007	1	Cable, Ground	
67	1001218806	1	Valve Harness (Not Shown - See ELECTRICAL SECTION for Breakdown)	
68	3290805001	4	Nut M8	
70	4811900001	1	Washer M8	
71	4811902001	9	Washer M8	
73	8310643001	1	Screw M8 x 25	
75	3290601	1	Nut M6	
76	4871700	1	Washer M6	
77	1001213622	1	Resistor Assembly 20k Ohm (Not Shown) (Prior to SN 0300227413)	
77	1001226102	1	Resistor Assembly 20k Ohm (Not Shown) (SN 0300227413 to Present)	
78	1001225167	1	Cover (SN 0300227413 to Present)	
79	1001225279	6	Bracket (SN 0300227413 to Present)	
80	8406101	1	Clip (SN 0300227413 to Present)	
81	4791400	4	Washer 1/4 (Prior to SN 0300228461)	
82	1001155967	2	Holder (Prior to SN 0300228461)	
82	1001156107	2	Holder (SN 0300228461 to Present)	
83	0761013001	2	Bolt M10 x 28 (SN 0300228461 to Present)	
84	1001228364	1	Wire, Relay Grounding (Not Shown) (SN 0300228461 to Present)	

SECTION 2 - TURNTABLE

FIGURE 2-22. ELECTRICAL COMPONENTS INSTALLATION - TURNTABLE (LRC) (ANSI EXPORT, AUSTRALIAN, CE AND CHINESE SPECS) (Prior to SN 0300223782)



SECTION 2 - TURNTABLE

FIGURE 2-22. ELECTRICAL COMPONENTS INSTALLATION - TURNTABLE (LRC) (ANSI EXPORT, AUSTRALIAN, CE AND CHINESE SPECS) (Prior to SN 0300223782)

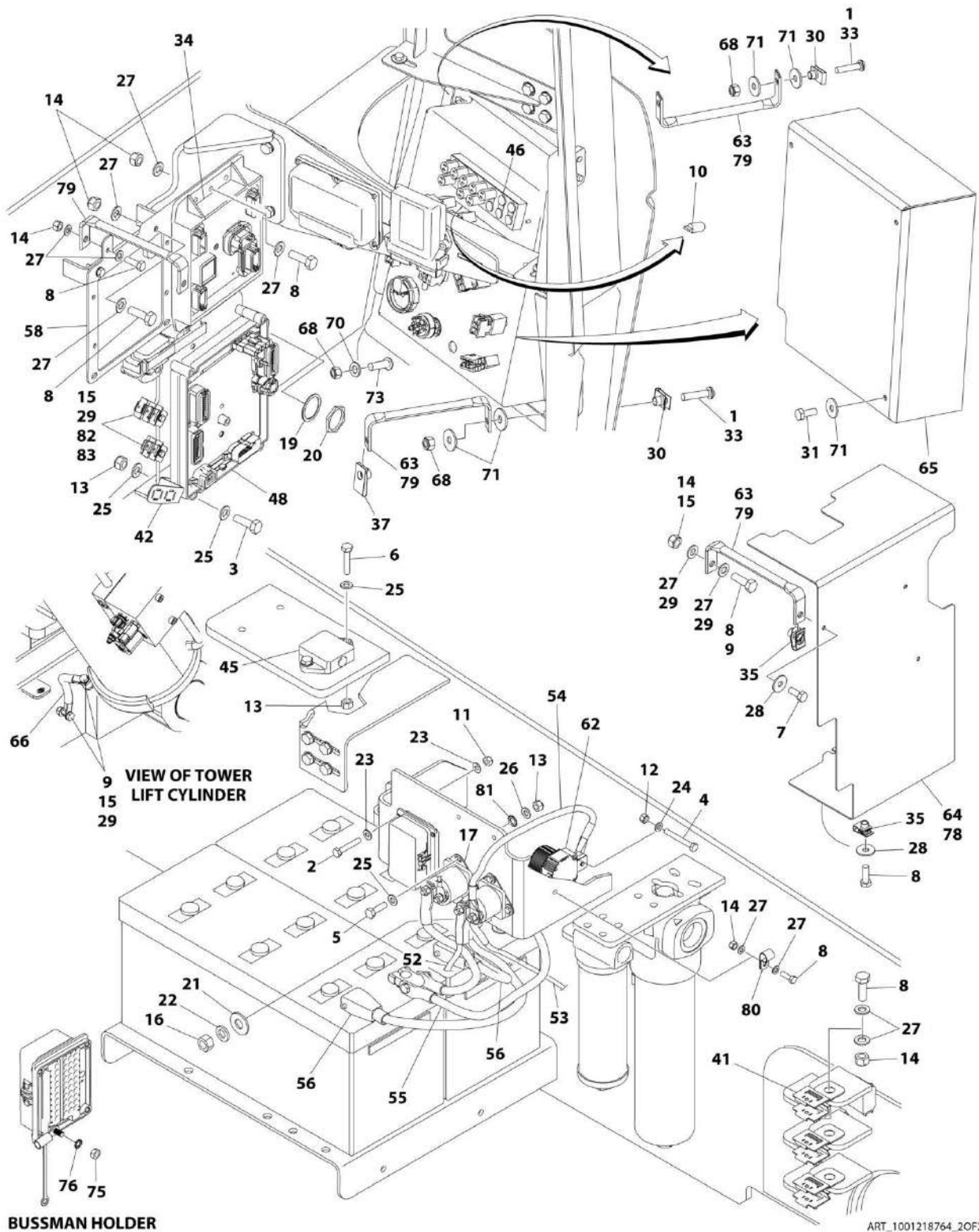
ITEM	PART NUMBER	QTY	DESCRIPTION	REV
	1001200996	Ref	ELECTRICAL COMPONENTS INSTALLATION - TURNTABLE (LRC) (ANSI EXPORT, AUSTRALIAN, CE AND CHINESE SPECS) (Prior to SN 0300223782)	G
1	0100011	AR	Compound, Locking	
3	0700620	4	Bolt M6 x 60	
4	0700412	4	Bolt M4 x 25	
5	0760610	4	Bolt M6 x 20	
6	0760613	2	Bolt M6 x 28	
7	0760812	12	Bolt M8 x 25	
8	3290405	4	Nut M4	
10	3290605	15	Nut M6	
11	3290805	10	Nut M8	
12	3740067	2	Relay	
13	4460496	1	Washer, Terminal	
14	4460497	1	Nut, Terminal	
15	4811400	8	Washer M4	
16	4811700	26	Washer M6	
17	4811702	4	Washer M6	
18	4811900	20	Washer M8	
19	8310686	3	Nut, Retainer M8	
21	1001112757	NLA	Module, Control (Use p/n 1001227960) (Note: Re-calibration Required when Replaced)	
23	1001149970	1	Drive Pump Harness (Not Shown - See ELECTRICAL SECTION for Breakdown)	
26	1001155967	10	Holder	
27	1001159162	1	Bracket	
30	1001181325	NLA	Sensor, Dual Axis (Use p/n 1001219601)	
31	3290805001	4	Nut M8	
32	1001184083	6	Plug	
33	1001187744	AR	Sealant (Not Shown)	
34	1001187805	1	Module, Control (Note: Re-calibration Required when Replaced)	
35	1001196686	1	Turntable Harness (Not Shown - See ELECTRICAL SECTION for Breakdown)	
36	1001196688	1	BLAM Harness (Not Shown - See ELECTRICAL SECTION for Breakdown)	
37	1001196689	1	Ground Control Harness (Not Shown - See ELECTRICAL SECTION for Breakdown)	
38	1001196690	1	Valve Harness (Not Shown - See ELECTRICAL SECTION for Breakdown)	
40	1001200604	1	Cable, Auxiliary Pump (+)	
41	1001200605	1	Cable, Auxiliary Pump (-)	
42	1001200606	1	Cable, Battery to Auxiliary Relay	
43	1001200726	1	Cable Kit, Battery Positive (Note: Includes Battery Terminal and Qty 4 Cables)	
44	1001200727	1	Cable Kit, Battery Negative (Note: Includes Qty 2 Cables)	
45	1001200856	1	Ground Control Box Assembly (Not Shown - See GROUND CONTROL BOX ASSEMBLY for Breakdown)	
46	1001201103	1	Plate	
47	1001206817	1	Diesel Exhaust Fluid Tank Harness (Not Shown - See ELECTRICAL SECTION for Breakdown)	
49	8310643001	1	Screw M8 x 25	

SECTION 2 - TURNTABLE

ITEM	PART NUMBER	QTY	DESCRIPTION	REV
50	4811900001	1	Washer M8	
52	3311601	2	Nut 3/8	
53	4751600	4	Washer 3/8	
54	4761600	2	Washer 3/8	
55	2920129	8	Bulb, Light	
56	1001213622	2	Connector, Resistor - 20K Ohm (Not Shown - Located Near Item 12)	
57	1001215021	1	Magnet, Suppression (Not Shown - Located Near Item 30)	
58	1001211885	1	Fuel Pump and WIF Harness (Not Shown - See ELECTRICAL SECTION for Breakdown)	
59	4240099	1	Tie-Strap (Not Shown)	
60	0760810	3	Bolt M8 x 20	
61	0761015	3	Bolt M10 x 35	
62	3290507	2	Nut M5	
63	3291007	3	Nut M10	
64	4811600	2	Washer M5	
65	4811902	5	Washer M8	
66	4812000	6	Washer M10	
67	0760810001	3	Bolt M8 x 20	
68	1001047062	3	Screw	
69	1001118274	5	Nut, Tinnerman M8	
70	1001149160	3	Nut, Tinnerman M8	
71	1001216021	1	Relay	
72	1001216193	6	Bracket	
73	1001216194	1	Cover	
74	1001216238	1	Cover	
75	1001217007	1	Cable, Ground	
76	4811902001	9	Washer M8	
77	0760516	2	Bolt M5 x 40	

SECTION 2 - TURNTABLE

FIGURE 2-23. ELECTRICAL COMPONENTS INSTALLATION - TURNTABLE (LRC) (ANSI EXPORT, AUSTRALIAN, CE AND CHINESE SPECS) (SN 0300223782 to Present)



SECTION 2 - TURNTABLE

FIGURE 2-23. ELECTRICAL COMPONENTS INSTALLATION - TURNTABLE (LRC) (ANSI EXPORT, AUSTRALIAN, CE AND CHINESE SPECS) (SN 0300223782 to Present)

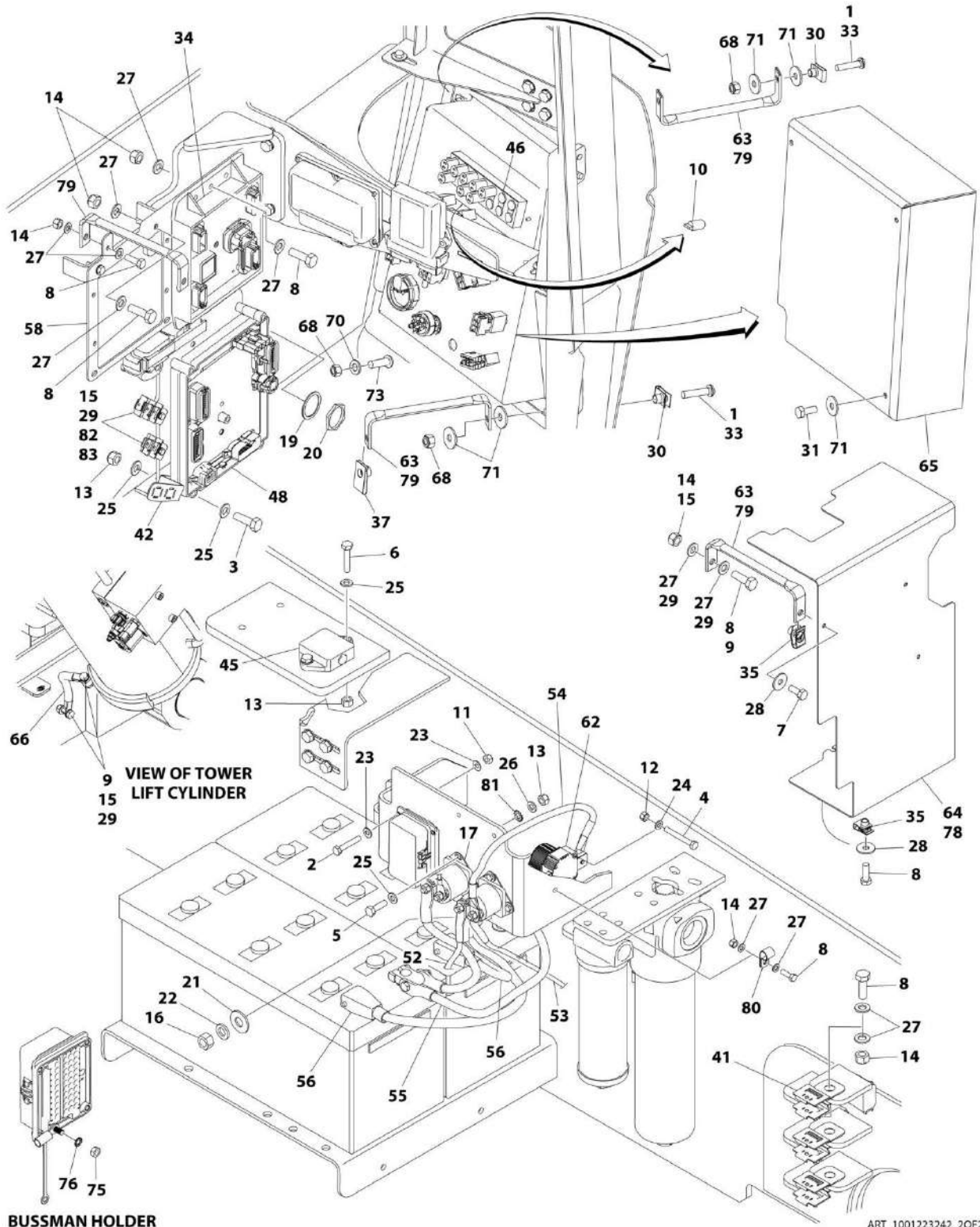
ITEM	PART NUMBER	QTY	DESCRIPTION	REV
	1001218764	Ref	ELECTRICAL COMPONENTS INSTALLATION - TURNTABLE (LRC) (ANSI EXPORT, AUSTRALIAN AND CHINESE SPECS) (SN 0300223782 to Present)	G
	1001218764	Ref	ELECTRICAL COMPONENTS INSTALLATION - TURNTABLE (LRC) (CE SPECS) (SN 0300223782 through 0300224828)	E
1	0100011	AR	Compound, Locking	
2	0700412	4	Bolt M4 x 25	
3	0700620	4	Bolt M6 x 60	
4	0760516	2	Bolt M5 x 40	
5	0760610	4	Bolt M6 x 20	
6	0760613	2	Bolt M6 x 28	
7	0760810	3	Bolt M8 x 20	
8	0760812	AR	Bolt M8 x 25	
9	0761015	3	Bolt M10 x 35	
10	2920129	8	Bulb, Light	
11	3290405	4	Nut M4	
12	3290507	2	Nut M5	
13	3290605	15	Nut M6	
14	3290805	AR	Nut M8	
15	3291007	AR	Nut M10	
16	3311601	2	Nut 3/8	
17	3740067	2	Relay	
18	4240099	1	Tie-Strap (Not Shown)	
19	4460496	1	Washer, Terminal (SN 0300223782 through 0300224829)	
20	4460497	1	Nut, Terminal (SN 0300223782 through 0300224829)	
21	4751600	4	Washer 3/8	
22	4761600	2	Washer 3/8	
23	4811400	8	Washer M4	
24	4811600	2	Washer M5	
25	4811700	26	Washer M6	
26	4811702	4	Washer M6	
27	4811900	AR	Washer M8	
28	4811902	5	Washer M8	
29	4812000	AR	Washer M10	
30	8310686	3	Nut, Retainer M8	
31	0760810001	3	Bolt M8 x 20	
33	1001047062	3	Screw	
33	1001221585	3	Screw M8 x 35	
34	1001112757	NLA	Module, Control (Use p/n 1001227960) (Note: Re-calibration Required when Replaced) (Prior to SN 0300228461)	
34	1001227960	1	Module, Control (Note: Re-calibration Required when Replaced) (SN 0300228461 to Present)	
35	1001118274	5	Nut, Tinnerman M8	
37	1001149160	3	Nut, Tinnerman M8	
38	1001149970	1	Drive Pump Harness (Not Shown - See ELECTRICAL SECTION for Breakdown)	
41	1001155967	AR	Holder	
42	1001159162	1	Bracket	
45	1001219601	1	Sensor, Dual Axis	
46	1001184083	6	Plug	

SECTION 2 - TURNTABLE

ITEM	PART NUMBER	QTY	DESCRIPTION	REV
47	1001187744	AR	Sealant (Not Shown)	
48	1001187805	1	Module, Control (Note: Re-calibration Required when Replaced)	
49	1001196686	1	Turntable Harness (Not Shown - See ELECTRICAL SECTION for Breakdown)	
50	1001196688	1	BLAM Harness (Not Shown - See ELECTRICAL SECTION for Breakdown)	
51	1001196689	1	Ground Control Harness (Not Shown - See ELECTRICAL SECTION for Breakdown)	
52	1001200604	1	Cable, Auxiliary Pump (+)	
53	1001200605	1	Cable, Auxiliary Pump (-)	
54	1001200606	1	Cable, Battery to Auxiliary Relay	
55	1001200726	1	Cable Kit, Battery Positive (Note: Includes Battery Terminal and Qty 4 Cables)	
56	1001200727	1	Cable Kit, Battery Negative (Note: Includes Qty 2 Cables)	
57	1001200856	1	Ground Control Box Assembly (Not Shown - See GROUND CONTROL BOX ASSEMBLY for Breakdown)	
58	1001201103	1	Plate	
59	1001206817	1	Diesel Exhaust Fluid Tank Harness (Not Shown - See ELECTRICAL SECTION for Breakdown) (SN 0300223782 through 0300224829)	
60	1001211885	1	Fuel Pump and WIF Harness (Not Shown - See ELECTRICAL SECTION for Breakdown)	
61	1001215021	1	Magnet, Suppression (Not Shown - Located Near Item 30)	
62	1001216021	1	Relay	
63	1001216193	6	Bracket (Prior to SN 0300227413)	
64	1001216194	1	Cover (Prior to SN 0300227413)	
65	1001216238	1	Cover	
66	1001217007	1	Cable, Ground	
67	1001218806	1	Valve Harness (Not Shown - See ELECTRICAL SECTION for Breakdown)	
68	3290805001	4	Nut M8	
70	4811900001	1	Washer M8	
71	4811902001	9	Washer M8	
73	8310643001	1	Screw M8 x 25	
75	3290601	1	Nut M6	
76	4871700	1	Washer M6	
77	1001213622	1	Resistor Assembly 20k Ohm (Not Shown) (Prior to SN 0300227413)	
77	1001226102	1	Resistor Assembly 20k Ohm (Not Shown) (SN 0300227413 to Present)	
78	1001225167	1	Cover (SN 0300227413 to Present)	
79	1001225279	6	Bracket (SN 0300227413 to Present)	
80	8406101	1	Clip (SN 0300227413 to Present)	
81	4791400	4	Washer 1/4 (Prior to SN 0300228461)	
82	1001155967	2	Holder (Prior to SN 0300228461)	
82	1001156107	2	Holder (SN 0300228461 to Present)	
83	0761013001	2	Bolt M10 x 28 (SN 0300228461 to Present)	
84	1001228364	1	Wire, Relay Grounding (Not Shown) (SN 0300228461 to Present)	

SECTION 2 - TURNTABLE

FIGURE 2-24. ELECTRICAL COMPONENTS INSTALLATION - TURNTABLE (LRC) (CE SPECS) (SN 0300224829 to Present)



ART_1001223242_20F2

SECTION 2 - TURNTABLE

FIGURE 2-24. ELECTRICAL COMPONENTS INSTALLATION - TURNTABLE (LRC) (CE SPECS) (SN 0300224829 to Present)

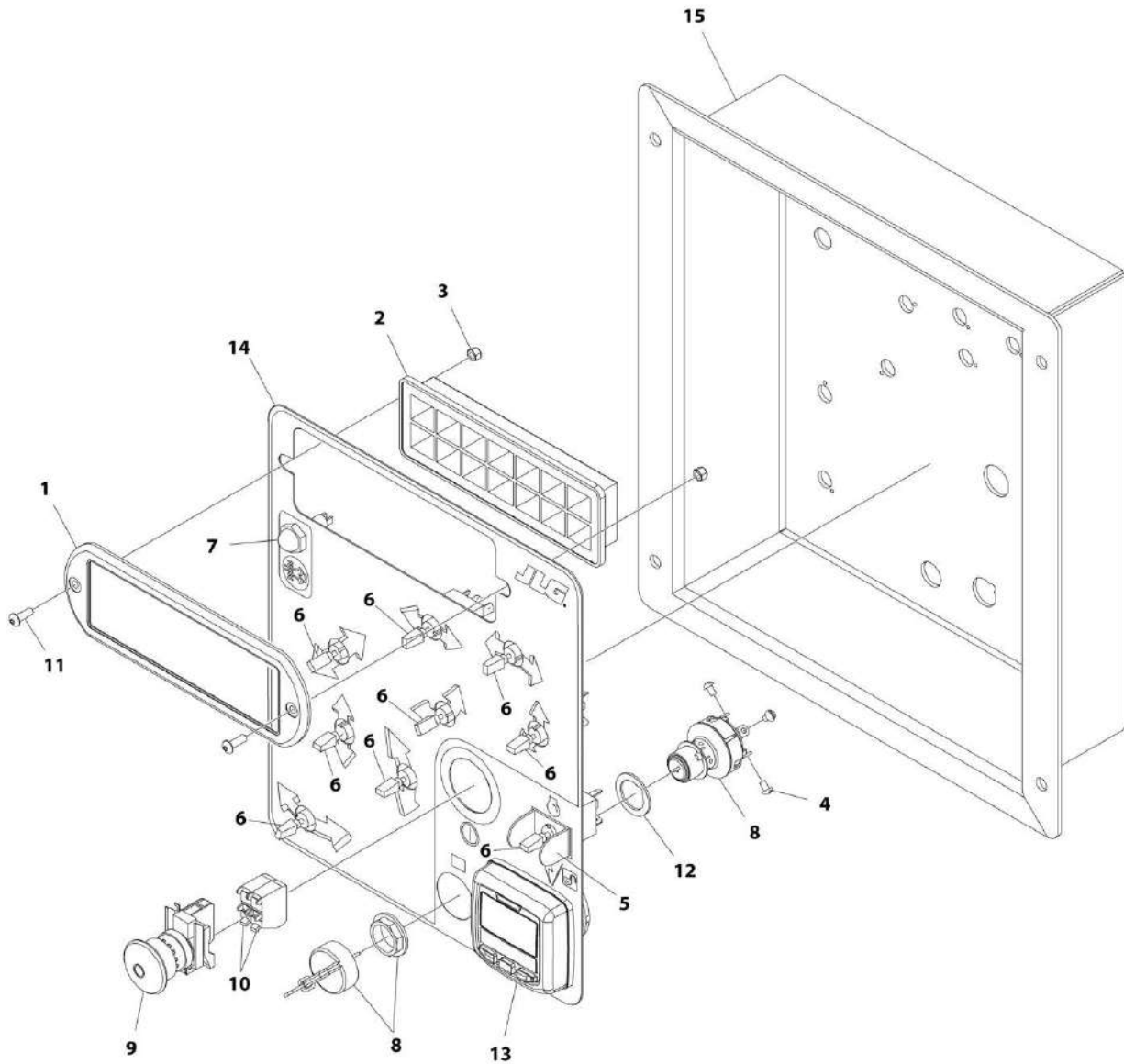
ITEM	PART NUMBER	QTY	DESCRIPTION	REV
	1001223242	Ref	ELECTRICAL COMPONENTS INSTALLATION - TURNTABLE (LRC) (CE SPECS) (SN 0300224829 to Present)	E
1	0100011	AR	Compound, Locking	
2	0700412	4	Bolt M4 x 25	
3	0700620	4	Bolt M6 x 60	
4	0760516	2	Bolt M5 x 40	
5	0760610	4	Bolt M6 x 20	
6	0760613	2	Bolt M6 x 28	
7	0760810	3	Bolt M8 x 20	
8	0760812	AR	Bolt M8 x 25	
9	0761015	3	Bolt M10 x 35	
10	2920129	8	Bulb, Light	
11	3290405	4	Nut M4	
12	3290507	2	Nut M5	
13	3290605	10	Nut M6	
14	3290805	AR	Nut M8	
15	3291007	AR	Nut M10	
16	3311601	2	Nut 3/8	
17	3740067	2	Relay	
18	4240099	1	Tie-Strap (Not Shown)	
21	4751600	4	Washer 3/8	
22	4761600	2	Washer 3/8	
23	4811400	8	Washer M4	
24	4811600	2	Washer M5	
25	4811700	20	Washer M6	
26	4811702	4	Washer M6	
27	4811900	AR	Washer M8	
28	4811902	5	Washer M8	
29	4812000	AR	Washer M10	
30	8310686	3	Nut, Retainer M8	
31	0760810001	3	Bolt M8 x 20	
33	1001221585	3	Screw	
34	1001112757	NLA	Module, Control (Use p/n 1001227960) (Note: Re-calibration Required when Replaced) (Prior to SN 0300228461)	
34	1001227960	1	Module, Control (Note: Re-calibration Required when Replaced) (SN 0300228461 to Present)	
35	1001118274	5	Nut, Tinnerman M8	
37	1001149160	3	Nut, Tinnerman M8	
38	1001149970	1	Drive Pump Harness (Not Shown - See ELECTRICAL SECTION for Breakdown)	
41	1001155967	AR	Holder	
42	1001159162	1	Bracket	
45	1001219601	1	Sensor, Dual Axis	
46	1001184083	6	Plug	
47	1001187744	AR	Sealant (Not Shown)	
48	1001187805	1	Module, Control (Note: Re-calibration Required when Replaced)	
49	1001196686	1	Turntable Harness (Not Shown - See ELECTRICAL SECTION for Breakdown)	
50	1001196688	1	BLAM Harness (Not Shown - See ELECTRICAL SECTION for Breakdown)	

SECTION 2 - TURNTABLE

ITEM	PART NUMBER	QTY	DESCRIPTION	REV
51	1001196689	1	Ground Control Harness (Not Shown - See ELECTRICAL SECTION for Breakdown)	
52	1001200604	1	Cable, Auxiliary Pump (+)	
53	1001200605	1	Cable, Auxiliary Pump (-)	
54	1001200606	1	Cable, Battery to Auxiliary Relay	
55	1001200726	1	Cable Kit, Battery Positive (Note: Includes Battery Terminal and Qty 4 Cables)	
56	1001200727	1	Cable Kit, Battery Negative (Note: Includes Qty 2 Cables)	
57	1001223241	1	Ground Control Box Assembly (Not Shown - See GROUND CONTROL BOX ASSEMBLY for Breakdown)	
58	1001201103	1	Plate	
60	1001211885	1	Fuel Pump and WIF Harness (Not Shown - See ELECTRICAL SECTION for Breakdown)	
62	1001216021	1	Relay	
63	1001216193	6	Bracket (Prior to SN 0300227413)	
64	1001216194	1	Cover (Prior to SN 0300227413)	
65	1001216238	1	Cover	
66	1001217007	1	Cable, Ground	
67	1001218806	1	Valve Harness (Not Shown - See ELECTRICAL SECTION for Breakdown)	
68	3290805001	4	Nut M8	
70	4811900001	1	Washer M8	
71	4811902001	9	Washer M8	
73	8310643001	1	Screw M8 x 25	
75	3290601	1	Nut M6	
76	4871700	1	Washer M6	
77	1001213622	1	Resistor Assembly 20k Ohm (Not Shown) (Prior to SN 0300227413)	
77	1001226102	1	Resistor Assembly 20k Ohm (Not Shown) (Including 0300227413)	
78	1001225167	1	Cover (SN 0300227413 to Present)	
79	1001225279	6	Bracket (SN 0300227413 to Present)	
80	8406101	1	Clip (SN 0300227413 to Present)	
81	4791400	4	Washer 1/4 (Prior to SN 0300228461)	
82	1001155967	2	Holder (Prior to SN 0300228461)	
82	1001156107	2	Holder (SN 0300228461 to Present)	
83	0761013001	2	Bolt M10 x 28 (SN 0300228461 to Present)	
84	1001228364	1	Wire, Relay Grounding (Not Shown) (SN 0300228461 to Present)	

SECTION 2 - TURNTABLE

FIGURE 2-25. GROUND CONTROL CONSOLE ASSEMBLY (HRC) (ANSI, ANSI EXPORT, CSA AND JAPANESE SPECS)



ART_1001200853

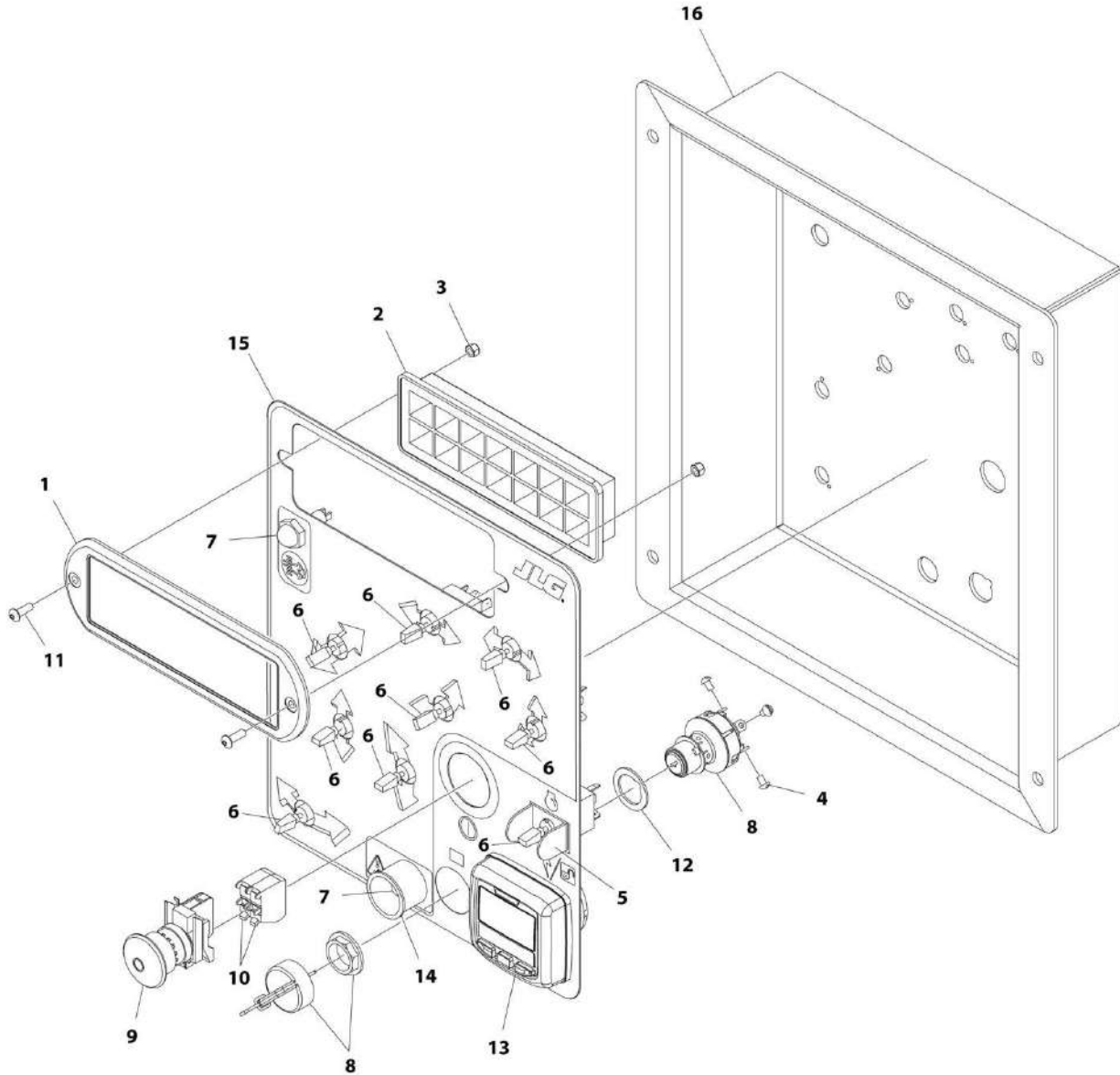
SECTION 2 - TURNTABLE

FIGURE 2-25. GROUND CONTROL CONSOLE ASSEMBLY (HRC) (ANSI, ANSI EXPORT, CSA AND JAPANESE SPECS)

ITEM	PART NUMBER	QTY	DESCRIPTION	REV
	1001200853	Ref	GROUND CONTROL CONSOLE ASSEMBLY (HRC) (ANSI, ANSI EXPORT, CSA AND JAPANESE SPECS)	C
1	1670829	1	Bezel	
2	2760105	1	Housing, Light	
3	3290505	2	Nut M5	
4	3910804	6	Screw #8 x 1/4	
5	4060906	1	Guard, Switch	
6	4360328	9	Switch, Toggle	
7	4360387	1	Switch, Push Button	
8	4360469	1	Switch, Key	
8	2360030	1 Set	Key, Replacement	
9	4360475	1	Switch, Push-Pull Emergency	
9	7020175	1	Cap	
9	7020176	1	Block, Contact	
10	4360476	2	Block, Contact	
11	1001099125	2	Screw M5 x 16 Grade 10.9	
12	1001151393	1	Shim	
13	1001171482	1	Gauge	
14	1001200692	1	Decal - Ground Control	
15	1001200854	1	Panel	

SECTION 2 - TURNTABLE

FIGURE 2-26. GROUND CONTROL CONSOLE ASSEMBLY (HRC) (CE SPECS)



ART_1001200855

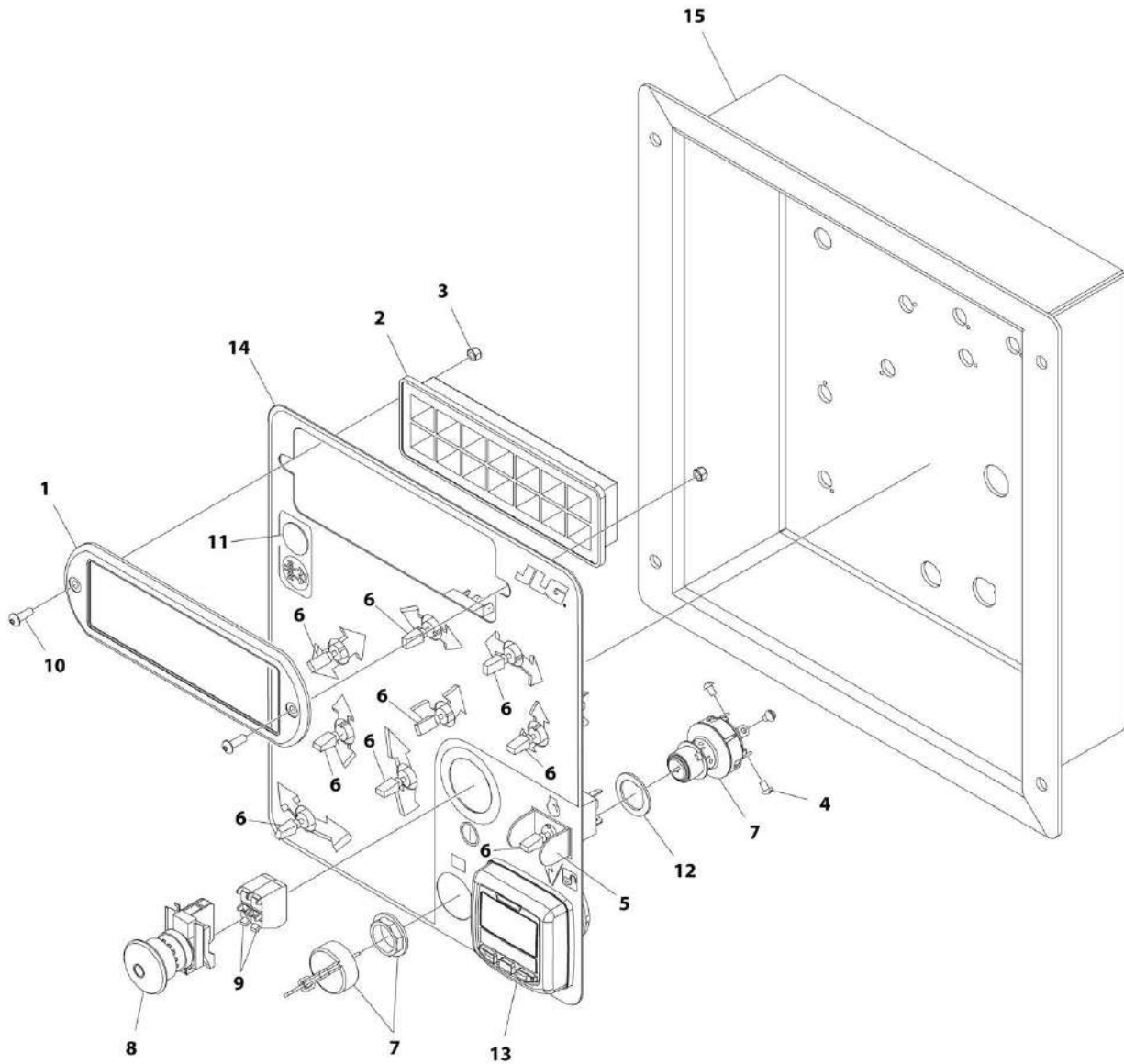
SECTION 2 - TURNTABLE

FIGURE 2-26. GROUND CONTROL CONSOLE ASSEMBLY (HRC) (CE SPECS)

ITEM	PART NUMBER	QTY	DESCRIPTION	REV
	1001200855	Ref	GROUND CONTROL CONSOLE ASSEMBLY (HRC) (CE SPECS)	B
1	1670829	1	Bezel	
2	2760105	1	Housing, Light	
3	3290505	2	Nut M5	
4	3910804	6	Screw #8 x 1/4	
5	4060906	1	Guard, Switch	
6	4360328	9	Switch, Toggle	
7	4360387	2	Switch, Push Button	
8	4360469	1	Switch, Key	
8	2360030	1 Set	Key, Replacement	
9	4360475	1	Switch, Push-Pull Emergency	
9	7020175	1	Cap	
9	7020176	1	Block, Contact	
10	4360476	2	Block, Contact	
11	1001099125	2	Screw M5 x 16 Grade 10.9	
12	1001151393	1	Shim	
13	1001171482	1	Gauge	
14	1001176469	1	Shroud	
15	1001200693	1	Decal - Ground Control	
16	1001200854	1	Panel	

SECTION 2 - TURNTABLE

FIGURE 2-27. GROUND CONTROL CONSOLE ASSEMBLY (LRC) (ANSI EXPORT, AUSTRALIAN, CE AND CHINA SPECS)



ART_1001200856

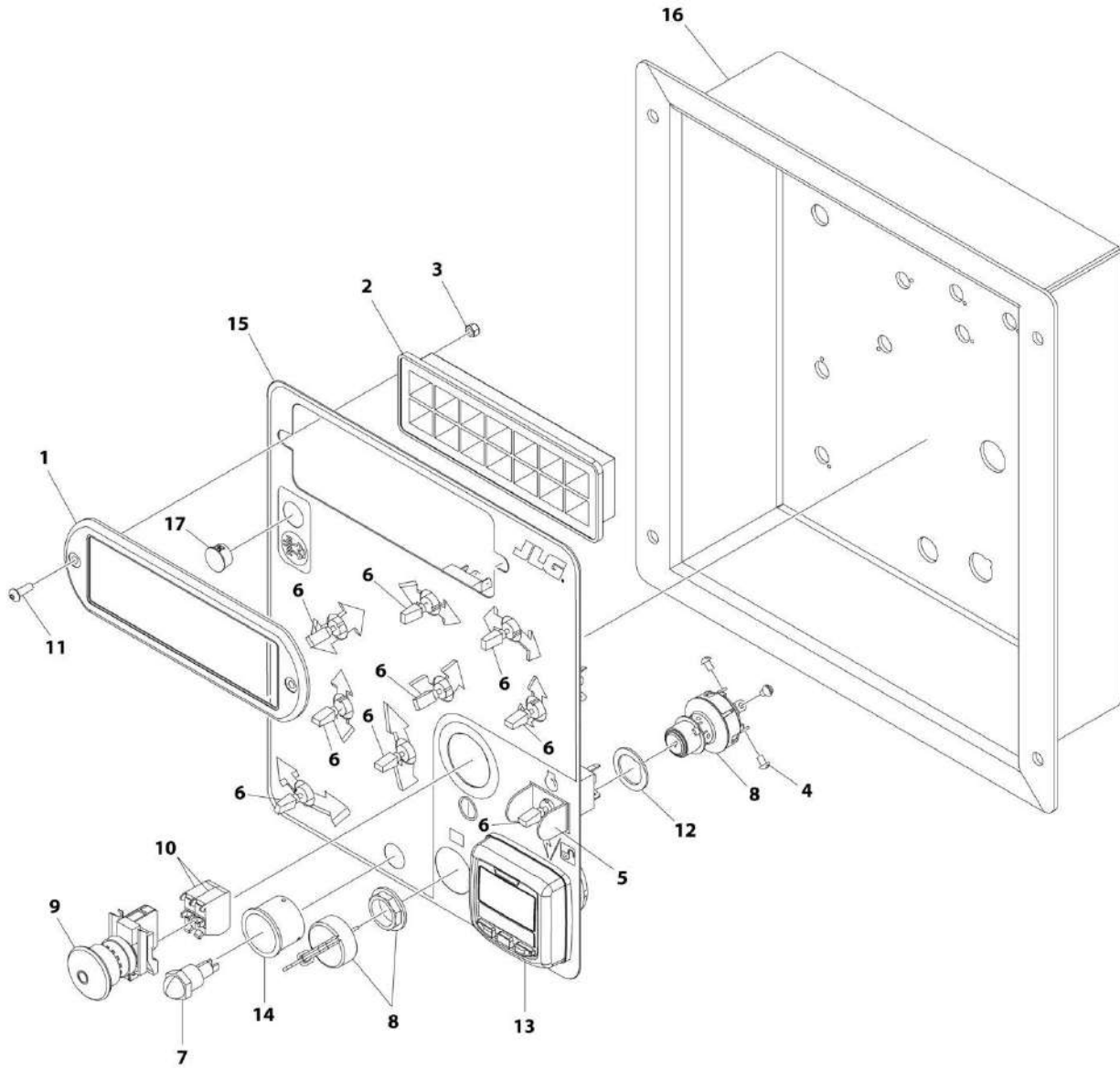
SECTION 2 - TURNTABLE

FIGURE 2-27. GROUND CONTROL CONSOLE ASSEMBLY (LRC) (ANSI EXPORT, AUSTRALIAN, CE AND CHINA SPECS)

ITEM	PART NUMBER	QTY	DESCRIPTION	REV
	1001200856	Ref	GROUND CONTROL CONSOLE ASSEMBLY (LRC) (ANSI EXPORT, AUSTRALIAN AND CHINA SPECS)	C
	1001200856	Ref	GROUND CONTROL CONSOLE ASSEMBLY (LRC) (CE SPECS) (Prior to SN 0300224828)	C
1	1670829	1	Bezel	
2	2760105	1	Housing, Light	
3	3290505	2	Nut M5	
4	3910804	6	Screw #8 x 1/4	
5	4060906	1	Guard, Switch	
6	4360328	9	Switch, Toggle	
7	4360469	1	Switch, Key	
7	2360030	1 Set	Key, Replacement	
8	4360475	1	Switch, Push-Pull Emergency	
8	7020175	1	Cap	
8	7020176	1	Block, Contact	
9	4360476	2	Block, Contact	
10	1001099125	2	Screw M5 x 16 Grade 10.9	
11	1001207963	1	Plug	
12	1001151393	1	Shim	
13	1001171482	1	Gauge	
14	1001200692	1	Decal - Ground Control	
15	1001200854	1	Panel	

SECTION 2 - TURNTABLE

FIGURE 2-28. GROUND CONTROL CONSOLE ASSEMBLY (LRC) (CE SPECS) (SN 0300224829 to Present)



ART_1001223241

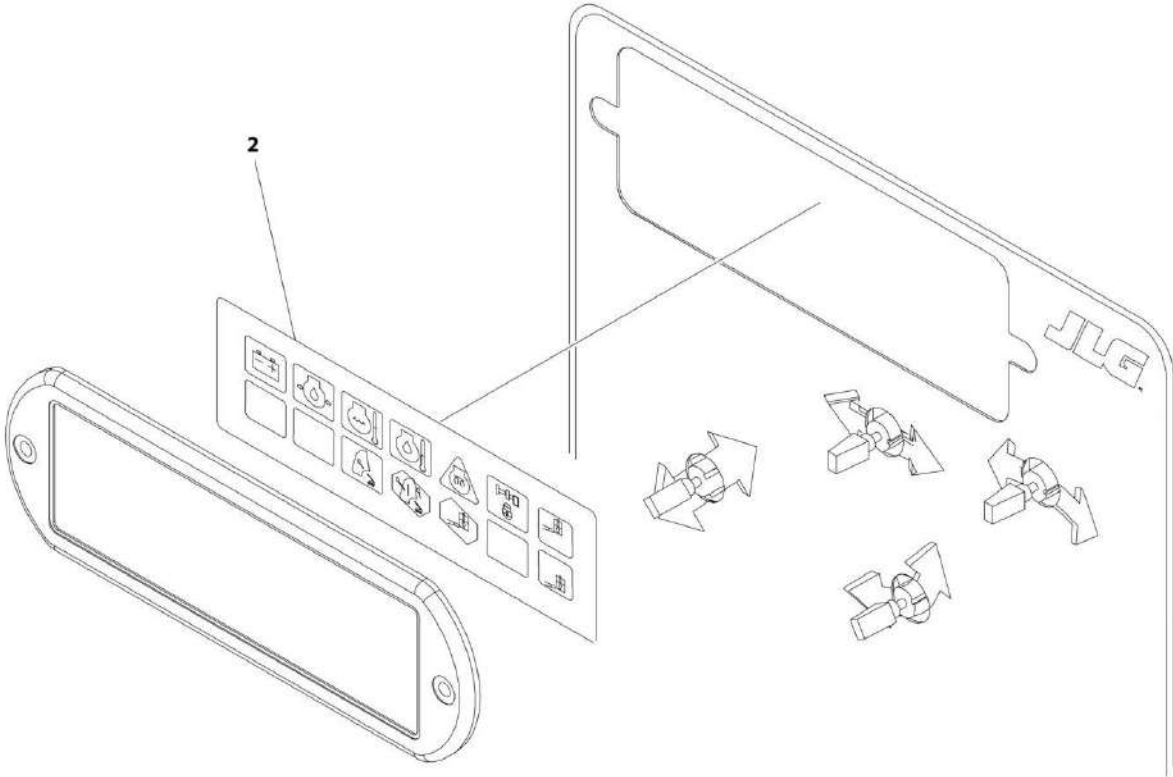
SECTION 2 - TURNTABLE

FIGURE 2-28. GROUND CONTROL CONSOLE ASSEMBLY (LRC) (CE SPECS) (SN 0300224829 to Present)

ITEM	PART NUMBER	QTY	DESCRIPTION	REV
	1001223241	Ref	GROUND CONTROL CONSOLE ASSEMBLY (LRC) (CE SPECS) (SN 0300224829 to Present)	A
1	1670829	1	Bezel	
2	2760105	1	Housing, Light	
3	3290505	2	Nut M5	
4	3910804	6	Screw #8 x 1/4	
5	4060906	1	Guard, Switch	
6	4360328	9	Switch, Toggle	
7	4360387	1	Switch, Push Button	
8	4360469	1	Switch, Key	
8	2360030	1 Set	Key, Replacement	
9	4360475	1	Switch, Push-Pull Emergency	
9	7020175	1	Cap	
9	7020176	1	Block, Contact	
10	4360476	2	Block, Contact	
11	1001099125	2	Screw M5 x 16 Grade 10.9	
12	1001151393	1	Shim	
13	1001171482	1	Gauge	
14	1001176469	1	Shroud	
15	1001200693	1	Decal - Ground Control	
16	1001200854	1	Panel	
17	1001207963	1	Plug	

SECTION 2 - TURNTABLE

FIGURE 2-29. LIGHT PANEL INSTALLATION (ALL SPECS EXCEPT AUSTRALIAN AND CE SPECS)



ART_1001197464_10F2

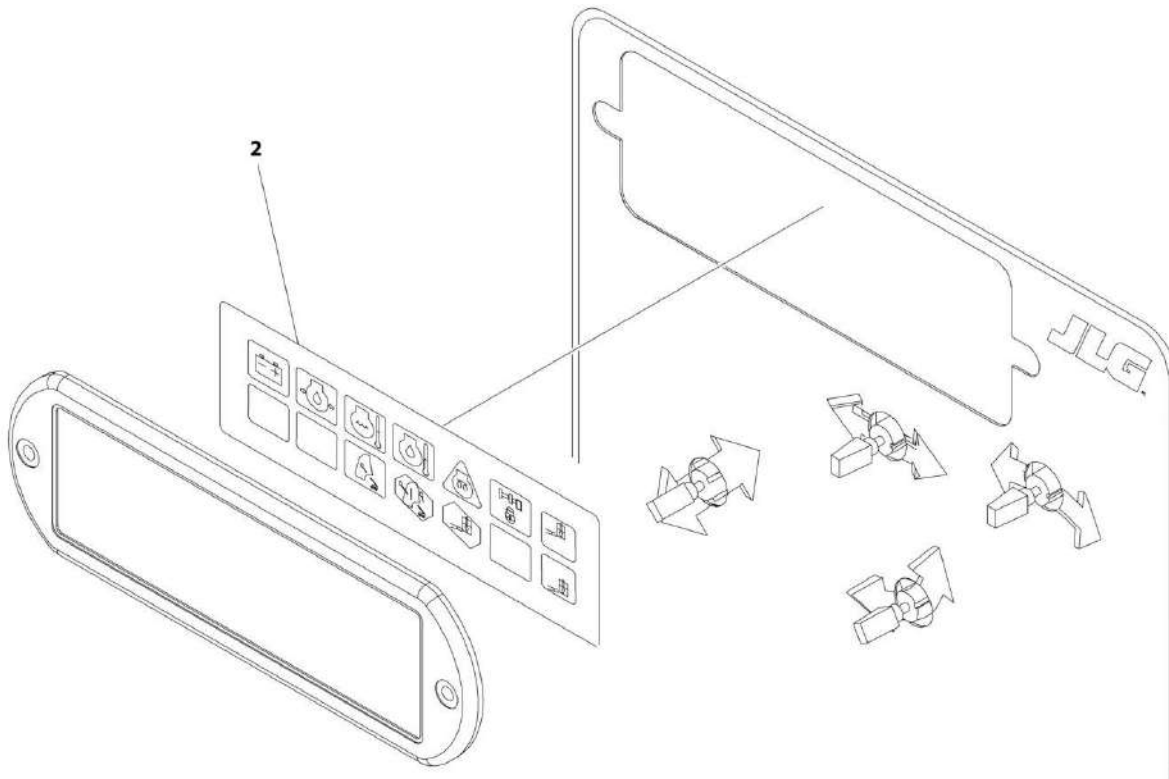
SECTION 2 - TURNTABLE

FIGURE 2-29. LIGHT PANEL INSTALLATION (ALL SPECS EXCEPT AUSTRALIAN AND CE SPECS)

ITEM	PART NUMBER	QTY	DESCRIPTION	REV
	1001197464	Ref	LIGHT PANEL INSTALLATION (ALL SPECS EXCEPT AUSTRALIAN AND CE SPECS)	A
2	1001199920	1	Decal - Display	

SECTION 2 - TURNTABLE

FIGURE 2-30. LIGHT PANEL INSTALLATION (AUSTRALIAN AND CE SPECS)



ART_1001197465_10F2

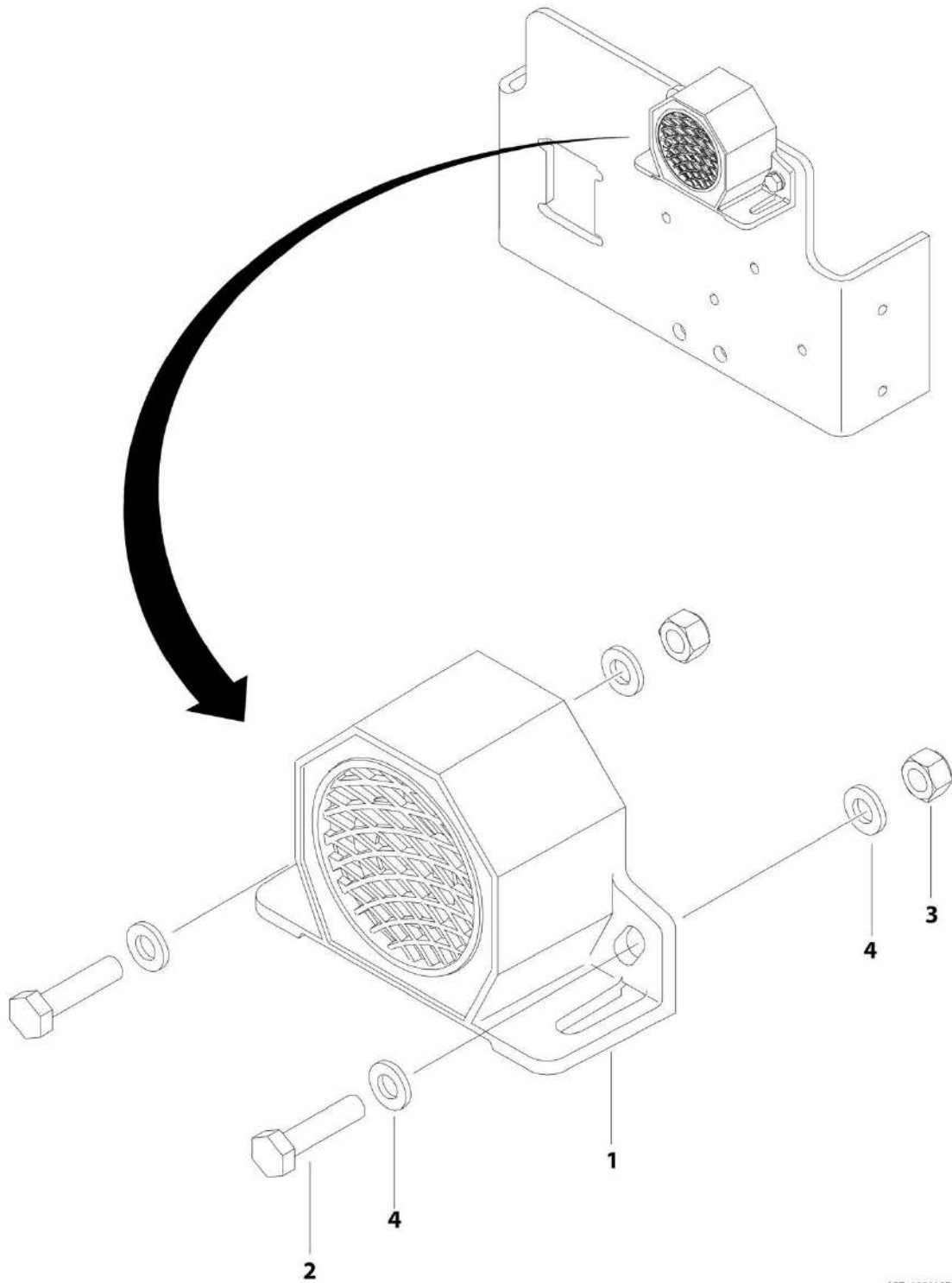
SECTION 2 - TURNTABLE

FIGURE 2-30. LIGHT PANEL INSTALLATION (AUSTRALIAN AND CE SPECS)

ITEM	PART NUMBER	QTY	DESCRIPTION	REV
2	1001197465 1001199918	Ref 1	LIGHT PANEL INSTALLATION (AUSTRALIAN AND CE SPECS) Decal - Display	A

SECTION 2 - TURNTABLE

FIGURE 2-31. ALARM INSTALLATION



ART_1001197331

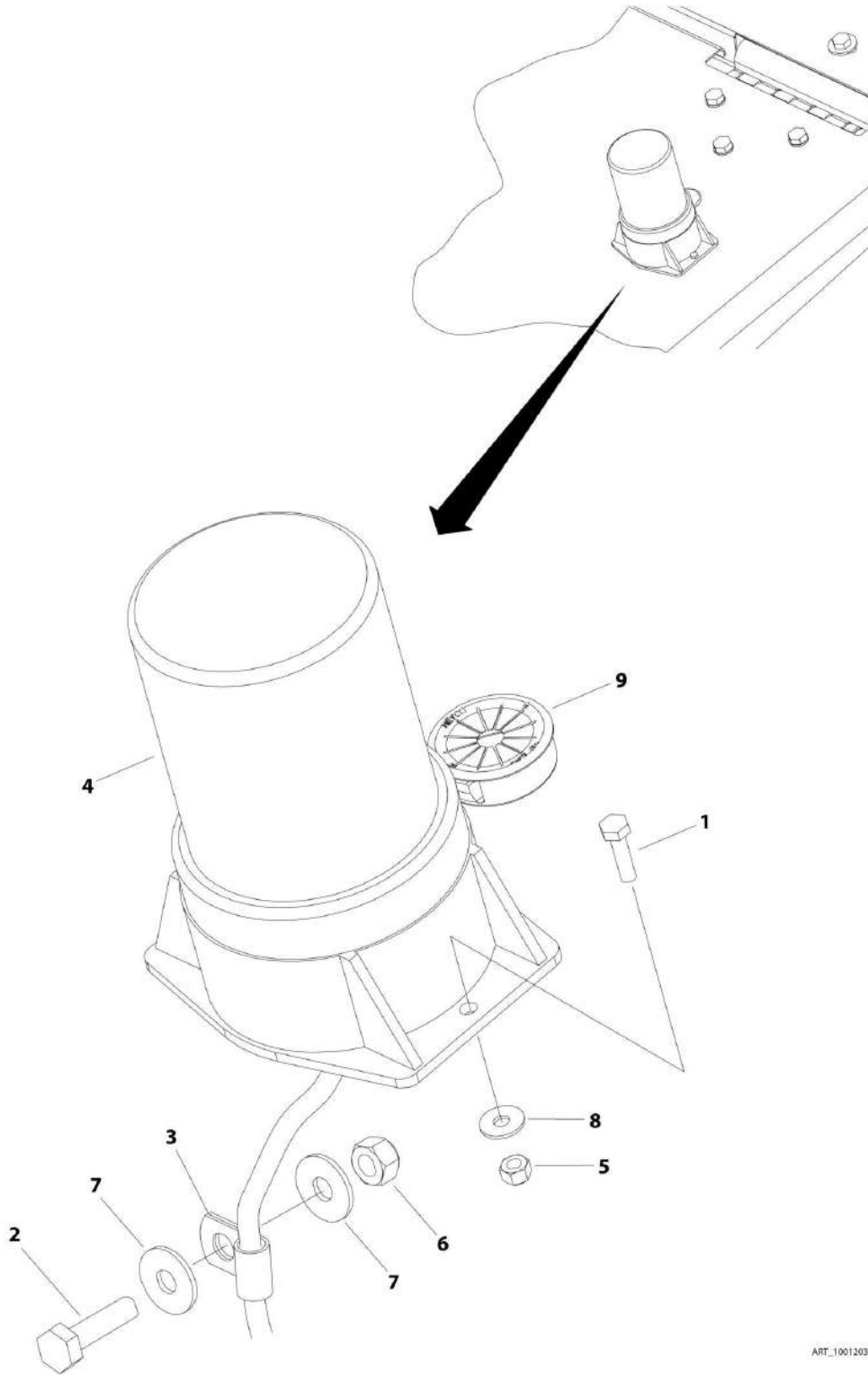
SECTION 2 - TURNTABLE

FIGURE 2-31. ALARM INSTALLATION

ITEM	PART NUMBER	QTY	DESCRIPTION	REV
	1001197331	Ref	ALARM INSTALLATION	A
1	0140043	1	Alarm	
1	4460536	1	Receptacle, Female - 3 Position	
1	4460943	3	Pin, Male	
2	0700612	2	Bolt M6 x 25	
3	3290605	2	Nut M6	
4	4811700	4	Washer M6	

SECTION 2 - TURNTABLE

FIGURE 2-32. STROBE LIGHT INSTALLATION - AMBER



ART_1001203413

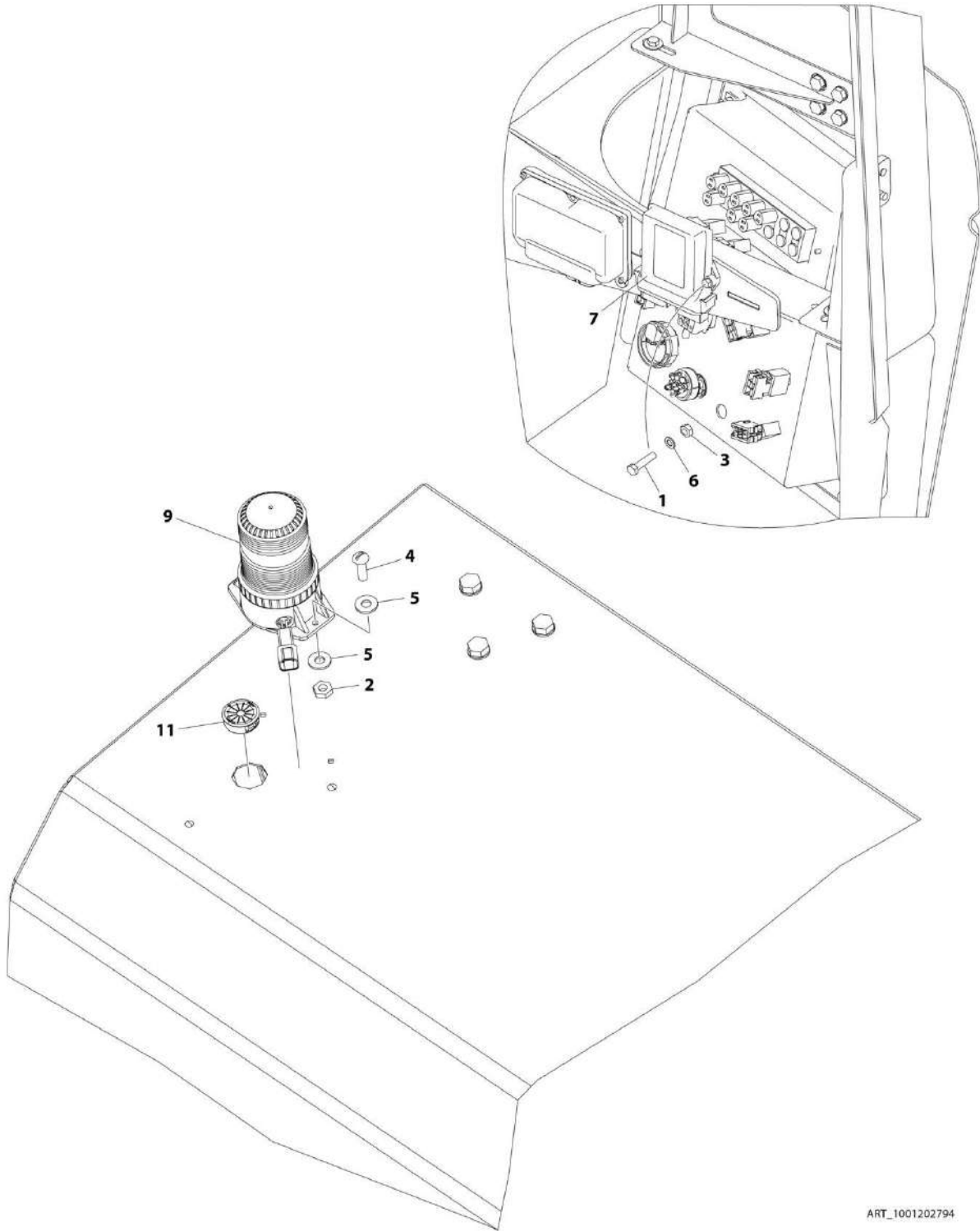
SECTION 2 - TURNTABLE

FIGURE 2-32. STROBE LIGHT INSTALLATION - AMBER

ITEM	PART NUMBER	QTY	DESCRIPTION	REV
	1001203413	Ref	STROBE LIGHT INSTALLATION - AMBER	A
1	0760408	2	Bolt M4 x 16	
2	0760610	1	Bolt M6 x 20	
3	1320263	2	Clamp	
4	2920161	1	Strobe Light/Guard/Harness Assembly (Amber) (See ELECTRICAL SECTION for Breakdown)	B
4	7016319	1	Bulb, Replacement	
4	7016272	1	Lens, Replacement	
4	4460891	1	Plug, Male - 2 Position	
4	4460465	1	Socket, Female	
5	3290405	2	Nut M4	
6	3290607	1	Nut M6	
7	4811702	2	Washer M6	
8	1001091102	2	Washer M4	
9	1001169085	1	Grommet	
10	1001202787	1	Strobe Light (Amber) Harness (Not Shown - See ELECTRICAL SECTION for Breakdown)	
100	4060865	1	Guard (Not Shown - Must be Purchased Separately)	

SECTION 2 - TURNTABLE

FIGURE 2-33. STROBE LIGHT INSTALLATION - BLUE



ART_1001202794

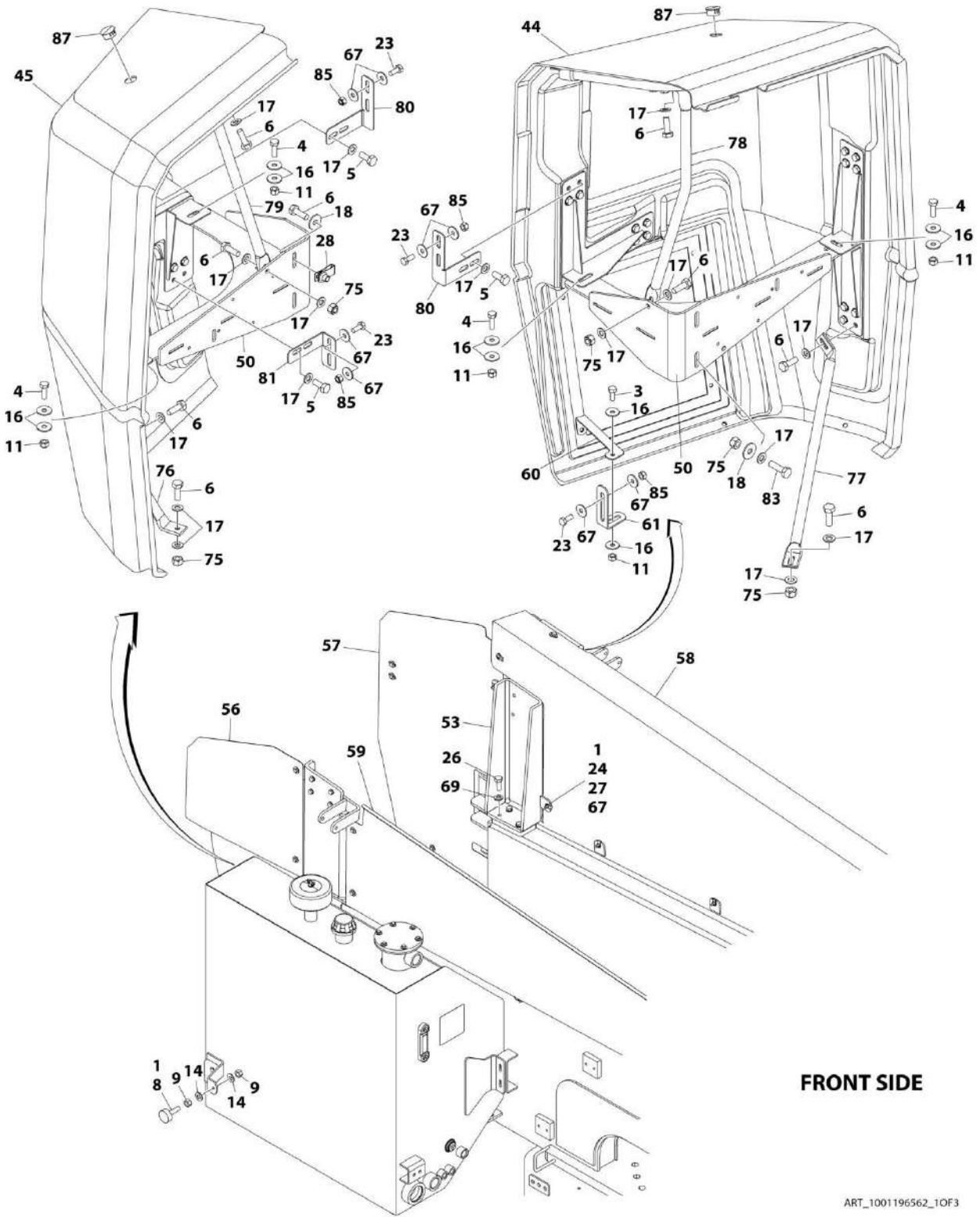
SECTION 2 - TURNTABLE

FIGURE 2-33. STROBE LIGHT INSTALLATION - BLUE

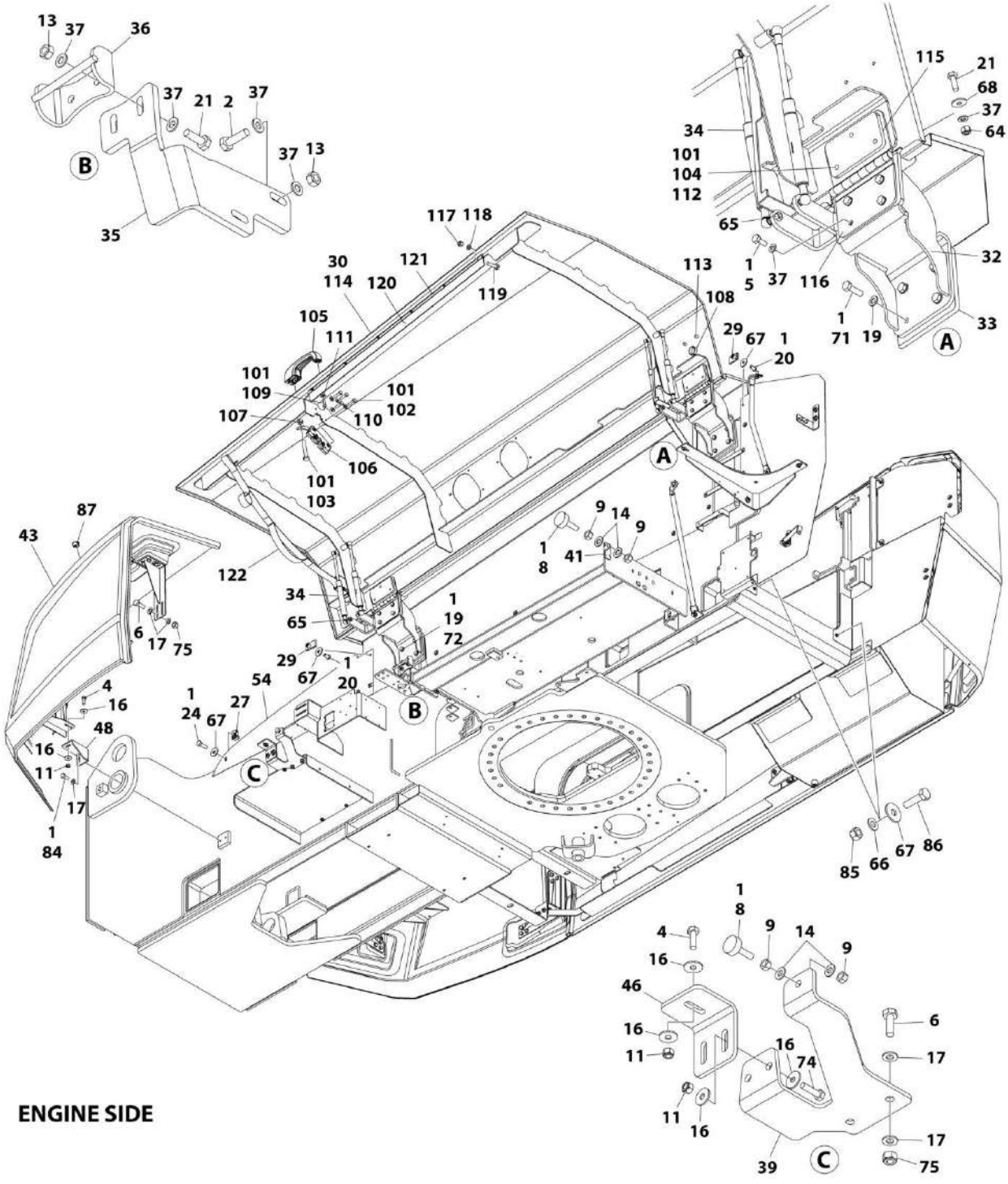
ITEM	PART NUMBER	QTY	DESCRIPTION	REV
	1001202794	Ref	STROBE LIGHT INSTALLATION - BLUE	C
1	0700615	2	Bolt M6 x 35	
2	3311005	2	Nut #10	
3	3290605	2	Nut M6	
4	3911010	2	Screw #10 x 5/8	
5	4711000	2	Washer #10	
6	4811700	4	Washer M6	
7	1001142683	1	Decal - Control	
8	1001210781	1	Strobe Light (Blue) Harness (Not Shown - See ELECTRICAL SECTION for Breakdown)	
9	1001200910	1	Strobe Light/Harness Assembly	
9	4460897	1	Connector - 2 Position	
9	4460464	2	Pin, Male	
11	1001169085	1	Grommet	

SECTION 2 - TURNTABLE

FIGURE 2-34. HOOD INSTALLATION



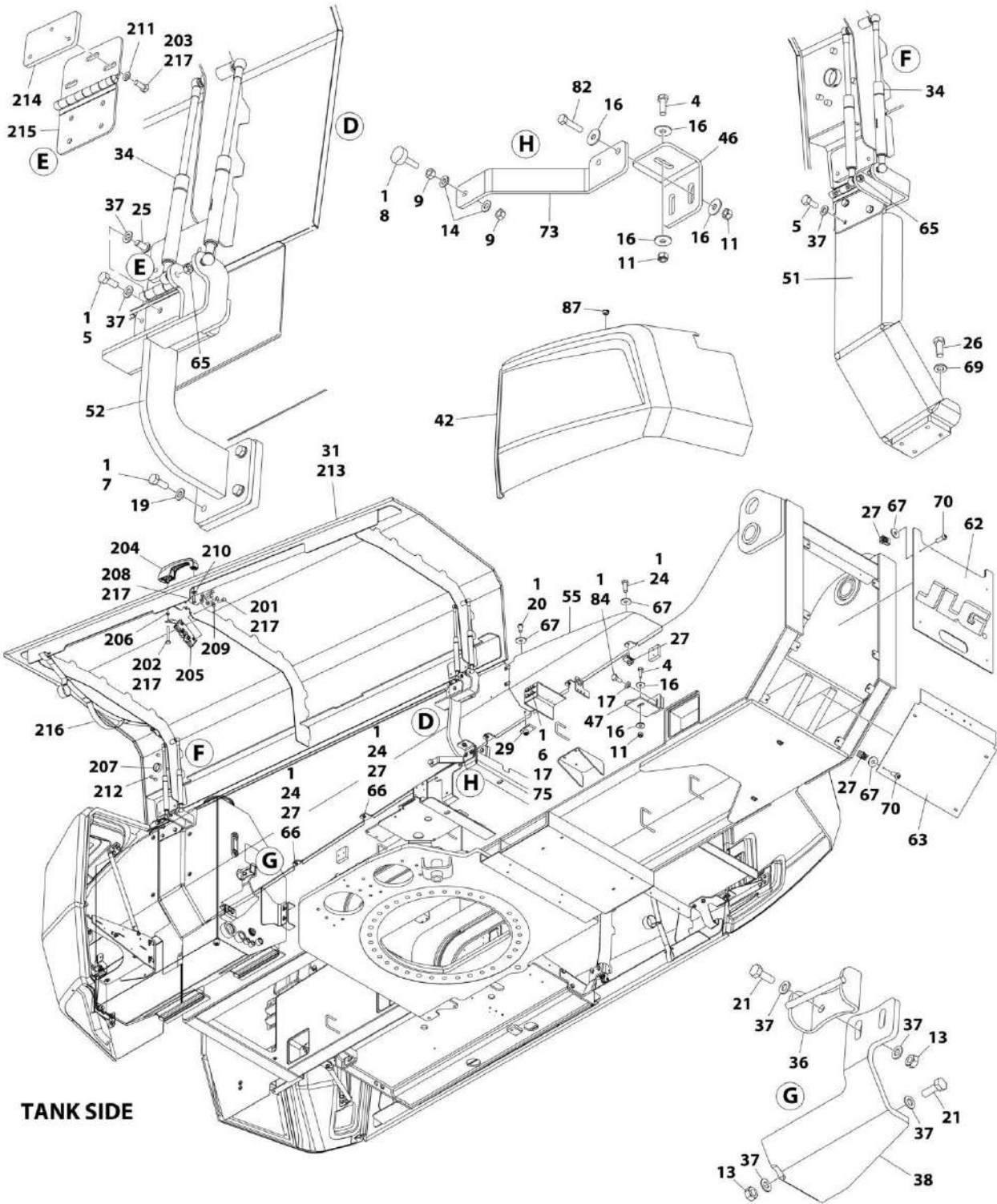
SECTION 2 - TURNTABLE



ENGINE SIDE

ART_1001196562_2OF3

SECTION 2 - TURNTABLE



TANK SIDE

ART_1001196562_30F3

SECTION 2 - TURNTABLE

FIGURE 2-34. HOOD INSTALLATION

ITEM	PART NUMBER	QTY	DESCRIPTION	REV
	1001196562	Ref	HOOD INSTALLATION	K
1	0100011	AR	Compound, Locking	
2	0701015	2	Bolt M10 x 35	
3	0760810	1	Bolt M8 x 20	
4	0760812	8	Bolt M8 x 25	
5	0761012	22	Bolt M10 x 25	
6	0761014	21	Bolt M10 x 35	
7	0761214	4	Bolt M12 x 30	
8	0940049	4	Bumper	
9	3271501	8	Nut 5/16	
11	3290805	AR	Nut M8	
13	3291007	AR	Nut M10	
14	4711500	8	Washer 5/16	
16	4811902	26	Washer M8	
17	4812000	44	Washer M10	
18	4812002	5	Washer M10	
19	4812100	12	Washer M12	
20	0630615001	6	Screw M8 x 16	
21	0701014001	8	Bolt M10 x 30	
23	0760810001	8	Bolt M8 x 20	
24	0760812001	19	Bolt M8 x 25	
25	0761007001	2	Bolt M10 x 14	
26	0761214001	8	Bolt M12 x 30	
27	1001118274	27	Nut M8	
28	1001118972	3	Nut M10	
29	1001149160	6	Nut M8	
30	1001155438	1	Hood - Engine Side (See Items 101-122 for Breakdown)	
31	1001155456	1	Hood - Tank Side (See Items 201-217 for Breakdown)	
32	1001155591	2	Bracket	
33	1001155832	2	Plate, Spacer	
34	1001156242	8	Spring, Gas (Prior to SN 0300239463)	
34	1001227710	8	Spring, Gas (SN 0300239463 to Present)	
35	1001157730	1	Bracket, Striker	
36	1001157731	2	Bracket, Striker	
37	1001172358	AR	Washer M10	
38	1001197936	1	Bracket, Striker	
39	1001197937	1	Mount, Cover	
41	1001198685	1	Brace	
42	1001199310	1	Cover, Rear Left	
43	1001199319	1	Cover, Rear Right	
44	1001199465	1	Cover, Front Right	
45	1001199468	1	Cover, Front Left	
46	1001199753	2	Support	
47	1001199754	1	Bracket	
48	1001199755	1	Bracket	
50	1001199764	2	Bracket	
51	1001199778	1	Bracket	
52	1001199780	1	Support	
53	1001199782	1	Mount	
54	1001200501	1	Plate	

SECTION 2 - TURNTABLE

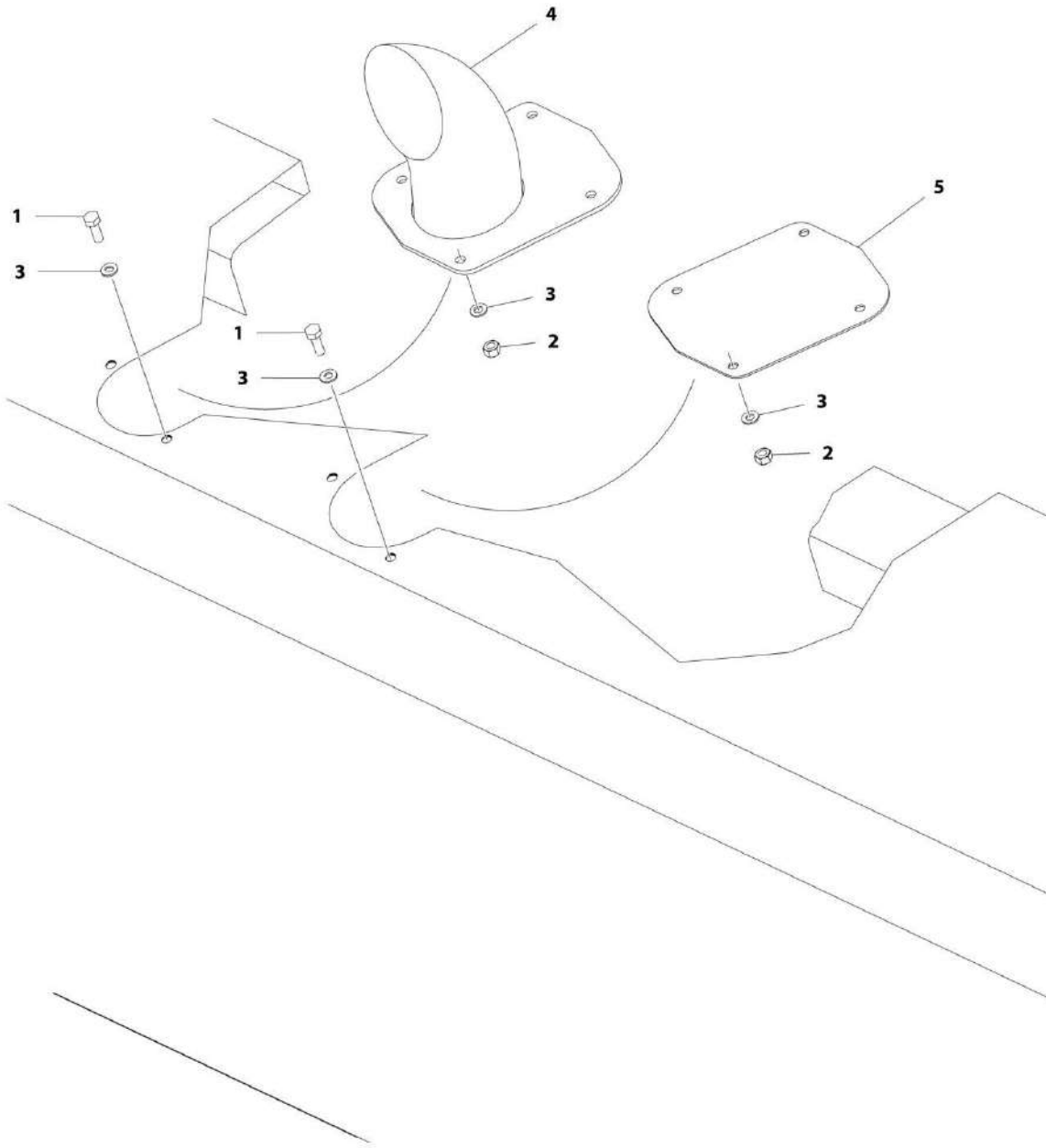
ITEM	PART NUMBER	QTY	DESCRIPTION	REV
55	1001200502	1	Plate	
56	1001200519	1	Panel, Turntable Side	
57	1001200522	1	Cover	
58	1001200532	1	Panel, Filter	
59	1001202169	1	Panel, Hood	
60	1001202181	1	Strut	
61	1001202225	1	Bracket	
62	1001202733	1	Cover, Turntable	
63	1001202734	1	Cover, Turntable	
64	3291005001	2	Nut M10	
65	3291007001	8	Nut M10	
66	4811900001	4	Washer M8	
67	4811902001	49	Washer M8	
68	4812002001	2	Washer M10	
69	4812100001	8	Washer M12	
70	8310643001	8	Screw M8 x 25	
71	0761216	4	Bolt M12 x 40	
72	0761217	4	Bolt M12 x 45	
73	1001209961	1	Bracket, Bumper	
74	0760814	2	Bolt M8 x 30	
75	3291005	16	Nut M10	
76	1001209626	1	Brace	
77	1001209935	1	Brace	
78	1001210116	1	Brace	
79	1001210259	1	Brace	
80	1001210283	2	Bracket	
81	1001210294	1	Bracket	
82	0760815	2	Bolt M8 x 35	
83	0761015	2	Bolt M10 x 35	
84	0761011	4	Bolt M10 x 22	
85	3290805001	AR	Nut M8	
86	0760814001	2	Bolt M8 x 30	
87	1001131130	4	Plug	
	1001155438	Ref	HOOD ASSEMBLY - ENGINE SIDE	E
88	1001180620	AR	Compound, Locking	
		Ref	Note: Replacement Decals Must be Ordered Separately - See DECAL SECTION.	
101	0100011	AR	Compound, Locking	
102	0641408	4	Bolt 1/4 x 1	
103	0700616	1	Bolt 5/16 x 3/4	
104	0761012001	1	Bolt M10 x 25	
105	2560187	1	Handle, Push Button	
106	2940173	1	Latch	
107	3290601	1	Nut M6	
108	3520032	1	Plug	
109	3900363	2	Screw M6 x 25	
110	4711400	AR	Washer 1/4	
111	4811900	AR	Washer M8	
112	1001172358	AR	Washer M10	
113	3520173	2	Plug	
114	1001155437	1	Hood	
115	1001155584	2	Plate	

SECTION 2 - TURNTABLE

ITEM	PART NUMBER	QTY	DESCRIPTION	REV
116	1001156347	2	Hinge	
117	3290605	6	Nut M6	
118	4811700	AR	Washer M6	
119	0760612	6	Bolt M6 x 25	
120	1001157906	1	Seal	
121	1001157907	1	Plate	
122	1001160505	1	Strap	
	1001155456	Ref	HOOD ASSEMBLY - TANK SIDE	D
		Ref	Note: Replacement Decals Must be Ordered Separately - See DECAL SECTION.	
201	0641408	4	Bolt 1/4 x 1	
202	0700616	1	Bolt 5/16 x 3/4	
203	0761012001	6	Bolt M10 x 25	
204	2560187	1	Handle, Push Button	
205	2940173	1	Latch	
206	3290601	1	Nut M6	
207	3520032	1	Plug	
208	3900363	2	Screw M6 x 25	
209	4711400	AR	Washer 1/4	
210	4811900	AR	Washer M8	
211	1001172358	AR	Washer M10	
212	3520173	2	Plug	
213	1001155454	1	Hood	
214	1001155584	2	Plate	
215	1001156347	2	Hinge	
216	1001160505	1	Strap	
217	0100011	AR	Compound, Locking	

SECTION 2 - TURNTABLE

FIGURE 2-35. VENTURI INSTALLATION (HRC)



ART_1001161488

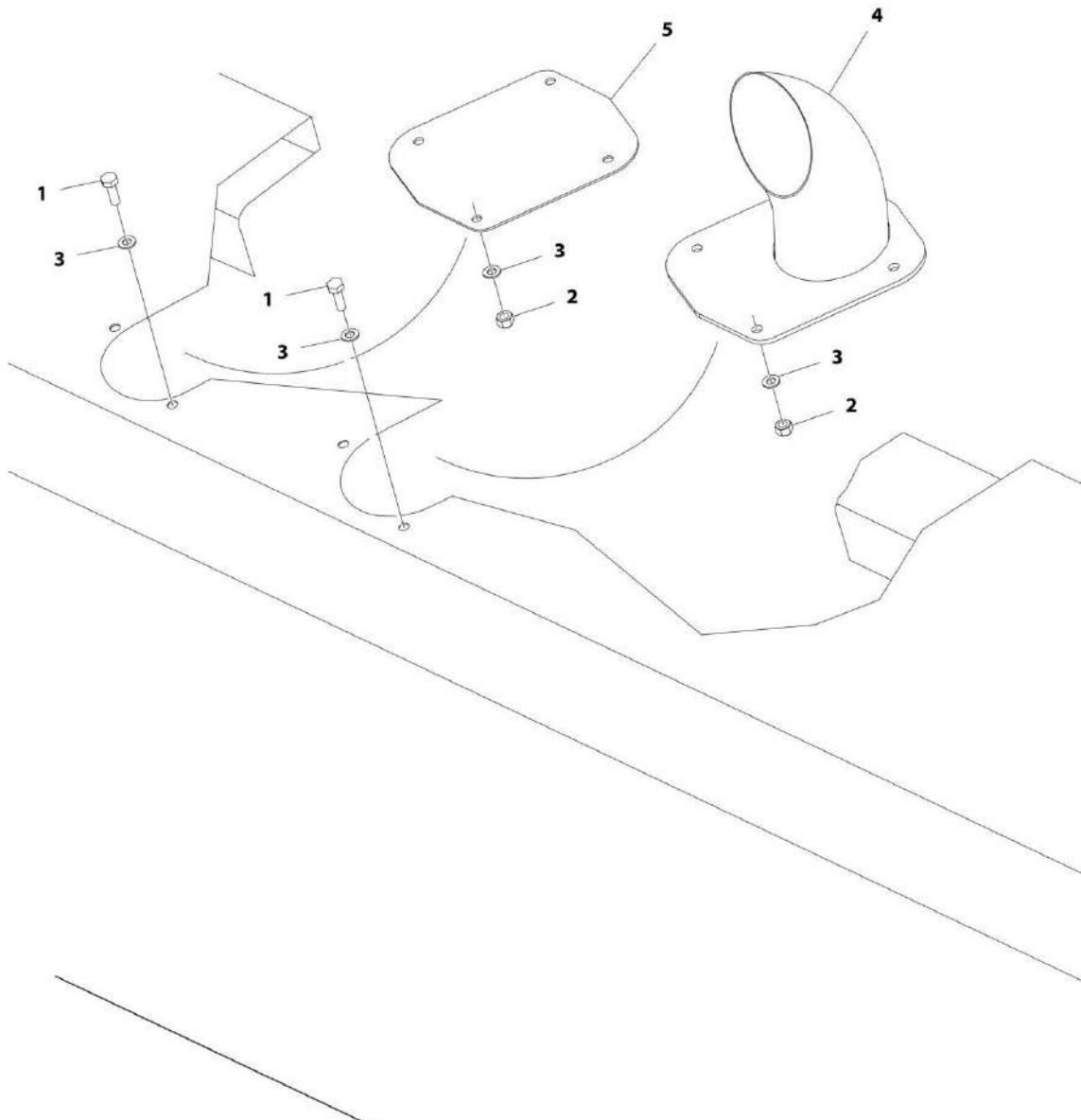
SECTION 2 - TURNTABLE

FIGURE 2-35. VENTURI INSTALLATION (HRC)

ITEM	PART NUMBER	QTY	DESCRIPTION	REV
	1001161488	Ref	VENTURI INSTALLATION (HRC)	E
		Ref	Note: ANSI, ANSI Export, CSA, CE and Japanese Specs.	
1	0701014001	AR	Bolt M10 x 30	
2	3291005001	AR	Nut M10	
3	1001172358	AR	Washer M10	
4	1001155527	1	Venturi, Exhaust	
5	1001190927	1	Panel	

SECTION 2 - TURNTABLE

FIGURE 2-36. VENTURI INSTALLATION (LRC)



ART_1001190032

SECTION 2 - TURNTABLE

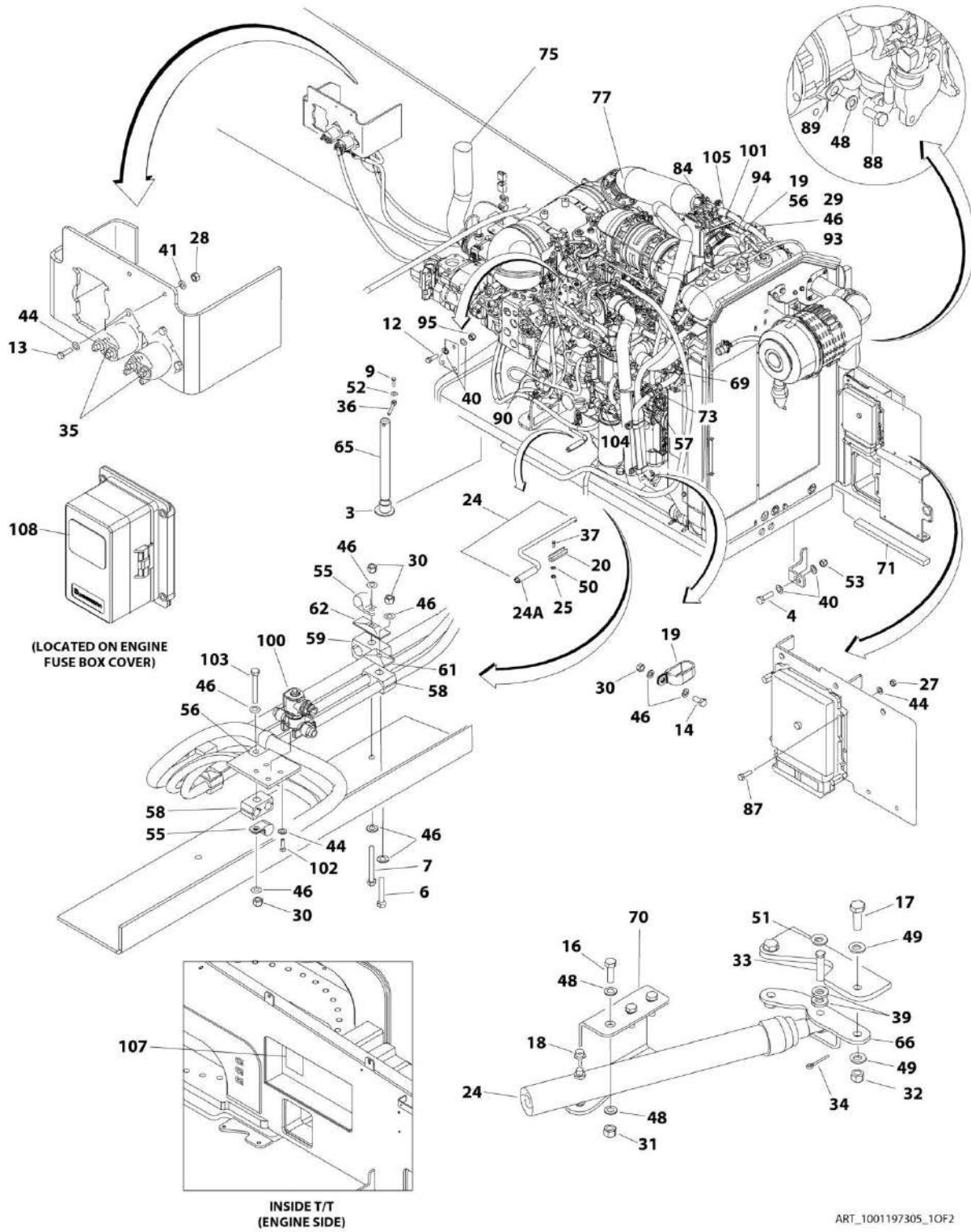
FIGURE 2-36. VENTURI INSTALLATION (LRC)

ITEM	PART NUMBER	QTY	DESCRIPTION	REV
	1001190032	Ref	VENTURI INSTALLATION (LRC)	B
		Ref	Note: ANSI Export, AUSTRALIAN, CE and Chinese Specs.	
1	0701014001	AR	Bolt M10 x 30	
2	3291005001	AR	Nut M10	
3	1001172358	AR	Washer M10	
4	1001161470	1	Venturi, Exhaust	
5	1001190927	1	Panel	

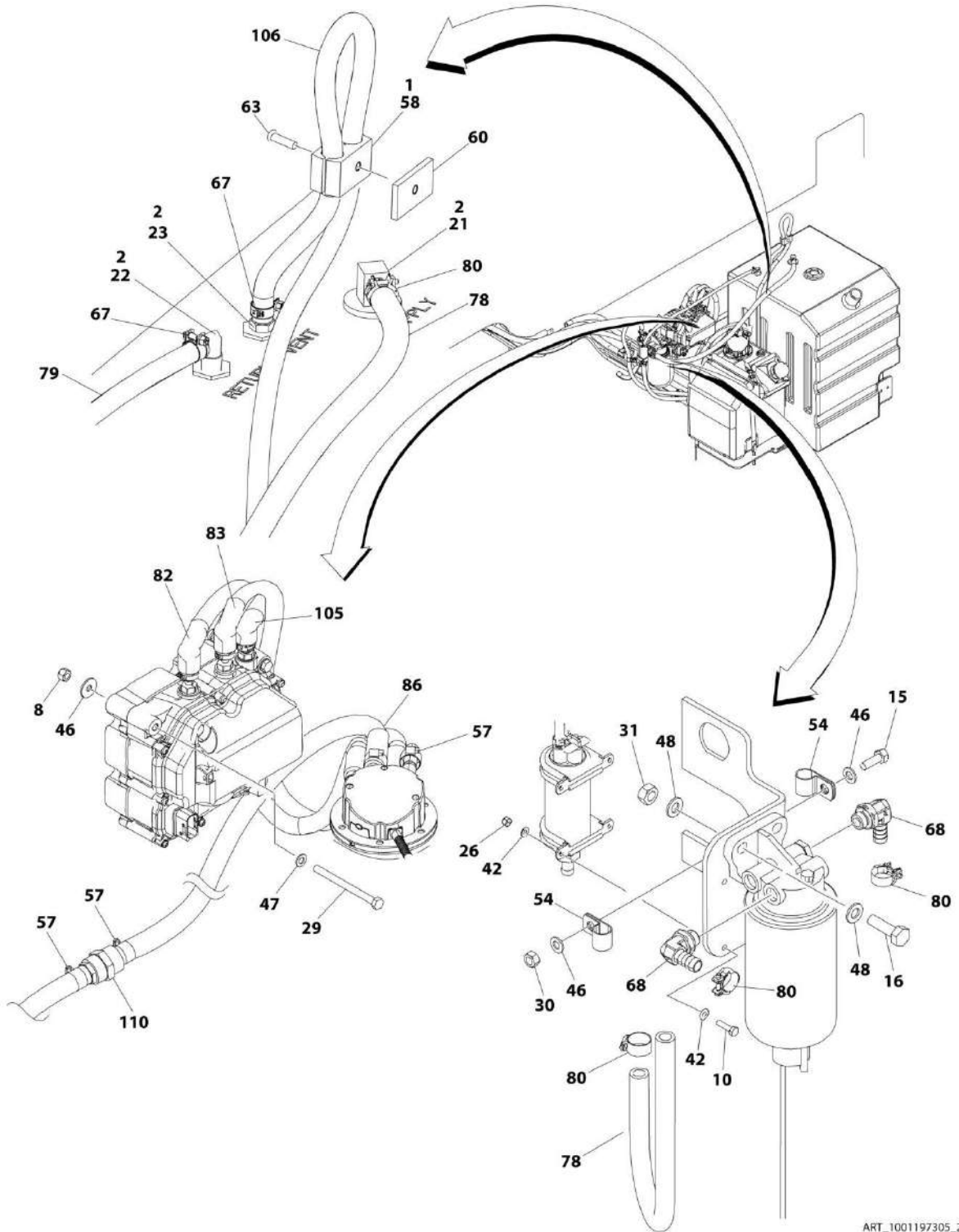
SECTION 3 - ENGINE

SECTION 3 - ENGINE

FIGURE 3-1. ENGINE INSTALLATION (HRC) (WITHOUT COLD WEATHER PACKAGE)



SECTION 3 - ENGINE



ART_1001197305_20F2

SECTION 3 - ENGINE

FIGURE 3-1. ENGINE INSTALLATION (HRC) (WITHOUT COLD WEATHER PACKAGE)

ITEM	PART NUMBER	QTY	DESCRIPTION	REV
	1001197305	Ref	ENGINE INSTALLATION (HRC) (WITHOUT COLD WEATHER PACKAGE)	J
1	0100011	AR	Compound, Locking	
2	0100020	AR	Sealant	
3	0440162	1	Bearing	
4	0642220	1	Bolt 3/4 x 2-1/2	
6	0700818	2	Bolt M8 x 50	
7	0700822	2	Bolt M8 x 70	
8	0700827	3	Bolt M8 x 100	
9	0711015	1	Bolt M10 x 35	
10	0760408	4	Bolt M4 x 16	
12	0760608	AR	Bolt M6 x 16	
13	0760610	4	Bolt M6 x 20 (Prior to SN 0300226018)	
14	0760810	AR	Bolt M8 x 20	
15	0760812	2	Bolt M8 x 25	
16	0761015	5	Bolt M10 x 35	
17	0771416	2	Bolt M14 x 40	
18	0962051	2	Bearing	
19	1321716	AR	Clamp	
20	1380147	1	Clip	
21	2180832	1	Fitting, Straight Barbed/NPTF	
22	2220313	1	Fitting, 90 Barbed/NPTF	
23	2221114	1	Fitting, Straight Barbed/NPT	
24	2840016	1	Tray Jack Assembly	
24	7016322	1	Wiper (Burr Brand)	
24A	7016374	1	Handle (Burr Brand)	
24A	7024598	1	Handle (Hammerblow Brand)	
25	3290301	2	Nut M3	
26	3290405	4	Nut M4	
27	3290605	5	Nut M6	
28	3290607	4	Nut M6 (Prior to SN 0300226018)	
29	3290805	5	Nut M8	
30	3290807	AR	Nut M8	
31	3291007	5	Nut M10	
32	3331411	2	Nut M14	
33	3430816	1	Pin	
34	3450404	1	Pin, Cotter 1/8 x 1	
35	3740067	2	Relay (Prior to SN 0300226018)	
36	3841143	1	Keeper, Pin	
37	4010308	2	Screw M3 x 16	
38	4240099	AR	Tie-Strap (Not Shown)	
39	4711800	2	Washer 1/2	
40	4712200	2	Washer 3/4	
41	4791400	4	Washer 1/4 (Prior to SN 0300226018)	
42	4811400	8	Washer M4	
44	4811700	14	Washer M6	
46	4811900	25	Washer M8	
47	4811902	3	Washer M8	
48	4812000	11	Washer M10	
49	4812200	4	Washer M14	

SECTION 3 - ENGINE

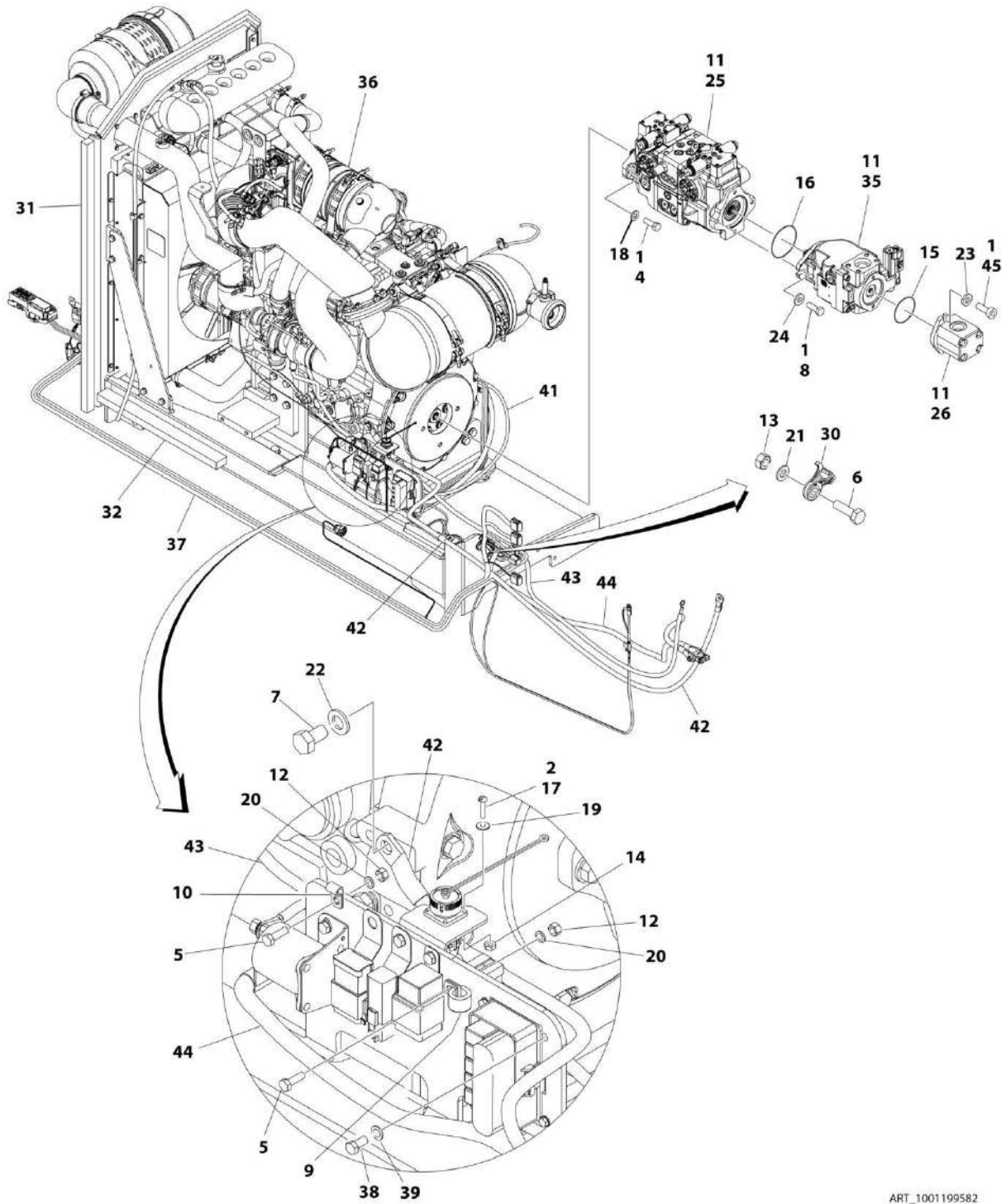
ITEM	PART NUMBER	QTY	DESCRIPTION	REV
50	4871200	2	Washer M3	
51	4891800	1	Washer 1/2	
52	5241000	1	Washer M10	
53	8310067	1	Nut 3/4	
54	8406101	2	Clip	
55	8406102	3	Clip	
56	8406201	4	Clip	
57	8410009	AR	Clamp	
58	8750014	4	Clamp	
59	8750027	2	Clamp Set	
60	8750031	1	Plate, Clamp	
61	8769123	2	Cover, Clamp	
62	77133137	2	Cover, Clamp	
63	1001101580	1	Screw M8 x 30	
64	1001103452	AR	Coolant (Not Shown)	
65	1001135196	1	Pin	
66	1001135497	1	Support	
67	1001136975	5	Clamp	
68	1001142501	2	Fitting, 90 Barbed	
69	1001154262	2	Fitting, Straight Barbed	
70	1001155939	1	Mount	
71	1001206747	1	Seal	
73	1001162212	2	Fitting, Tee Barbed	
74	1001162986	AR	Fluid, Diesel Exhaust (Not Shown)	
75	1001190475	1	Pipe, Exhaust	
77	1001199582	1	Engine Assembly with Pumps (HRC) (Without Cold Weather Package) (See ENGINE ASSEMBLY WITH PUMPS (HRC) (WITHOUT COLD WEATHER PACKAGE) for Breakdown)	
78	1001154405	53 in/ 1.4m	Hose	
79	1001165035	31 ft/ 9.4m	Hose	
80	1001175568	4	Clip	
82	1001187516	1	Hose, Suction	
83	1001187517	1	Hose, Backflow	
84	1001193980	1	Hose, Return	
86	82033995	374 in/ 9.5m	Hose	
87	0700614	4	Bolt M6 x 30	
88	0761009	1	Bolt M10 x 18	
89	8406105	1	Clip	
90	1001155823	1	Fitting, 90 Barbed	
93	0760814	1	Bolt M8 x 30	
94	1321716	1	Clamp (Prior to SN 0300226018)	
95	3290605	1	Nut M6 (Prior to SN 0300226018)	
100	1001199670	1	Valve, Flow	
101	1001212825	1	Hose	
102	0760606	4	Bolt M6 x 12	
103	0700820	1	Bolt M8 x 60	
104	0760807	1	Bolt M8 x 14 (Prior to SN 0300226018)	
105	1001213643	1	Hose (Prior to SN 0300226018)	
105	1001187518	1	Hose (SN 0300226018 to Present)	

SECTION 3 - ENGINE

ITEM	PART NUMBER	QTY	DESCRIPTION	REV
106	2750532	4 ft/ 1.2m	Hose	
107	1001212056	1	Decal - Engine Fuse Box (SN 0300226018 to Present)	
108	1001224046	1	Decal - Engine Fuse Box Cover (SN 0300226018 to Present)	
110	1001228872	1	Filter, Coolant Screen (SN 0300244681 to Present)	

SECTION 3 - ENGINE

FIGURE 3-2. ENGINE ASSEMBLY WITH PUMPS (HRC) (WITHOUT COLD WEATHER PACKAGE)



ART_1001199582

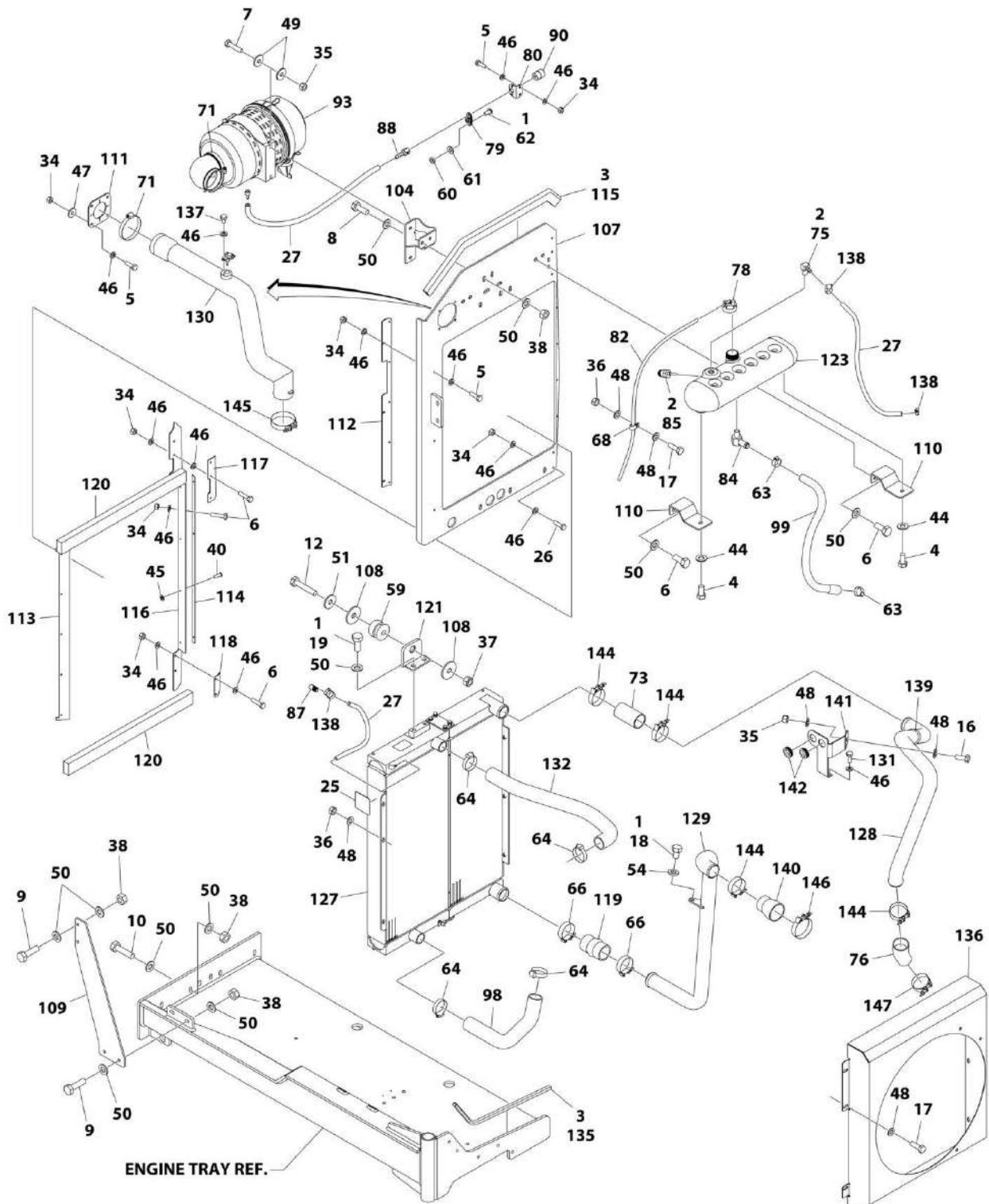
SECTION 3 - ENGINE

FIGURE 3-2. ENGINE ASSEMBLY WITH PUMPS (HRC) (WITHOUT COLD WEATHER PACKAGE)

ITEM	PART NUMBER	QTY	DESCRIPTION	REV
	1001199582	Ref	ENGINE ASSEMBLY WITH PUMPS (HRC) (WITHOUT COLD WEATHER PACKAGE)	H
1	0100011	AR	Compound, Locking	
2	0100035	AR	Compound, Locking	
4	0641812	2	Bolt 1/2 x 1-1/2	
5	0760610	2	Bolt M6 x 20	
6	0761015	2	Bolt M10 x 35	
7	0761210	1	Bolt M12 x 20	
8	0761216	2	Bolt M12 x 40	
9	1320041	1	Clamp	
10	1320136	1	Clamp	
11	3020037	AR	Grease, Coupling	
12	3290607	2	Nut M6	
13	3291007	2	Nut M10	
14	3310401	3	Nut #4	
15	3790152	1	O-Ring	
16	3790155	1	O-Ring	
17	3910408	3	Screw #4 x 1/2	
18	4740171	2	Washer	
19	4750400	3	Washer #4	
20	4811700	2	Washer M6	
21	4812000	2	Washer M10	
22	4812100	1	Washer M12	
23	4891600	2	Washer 3/8	
24	4891800	2	Washer 1/2	
25	1001108616	1	Tandem Pump Assembly (See TANDEM PUMP ASSEMBLY for Breakdown)	
26	1001112927	1	Gear Pump Assembly (See GEAR PUMP ASSEMBLY for Breakdown)	
30	1001156107	2	Holder, Cable	
31	1001156718	1	Seal	
32	1001206747	1	Seal	
35	1001199470	1	Piston Pump Assembly (See PISTON PUMP ASSEMBLY for Breakdown)	
36	1001186579	1	Engine Assembly (HRC) (Without Cold Weather Package) (See ENGINE ASSEMBLY (HRC) (WITHOUT COLD WEATHER PACKAGE) for Breakdown)	
37	1001188922	1	Engine Harness (See ELECTRICAL SECTION for Breakdown)	
38	0760508	4	Bolt M5 x 16	
39	4811600	4	Washer M5	
41	1001197445	1	Cable, Glow Plug	
42	1001202355	1	Cable, Battery Negative	
43	1001157073	1	Cable, Alternator	
44	1001202356	NLA	Cable, Battery Positive (Use p/n 1001234791) (Prior to SN 0300243485)	
44	1001234791	1	Cable, Battery Positive (SN 0300243485 to Present)	
45	3931620	2	Capscrew 3/8 x 1-1/4	

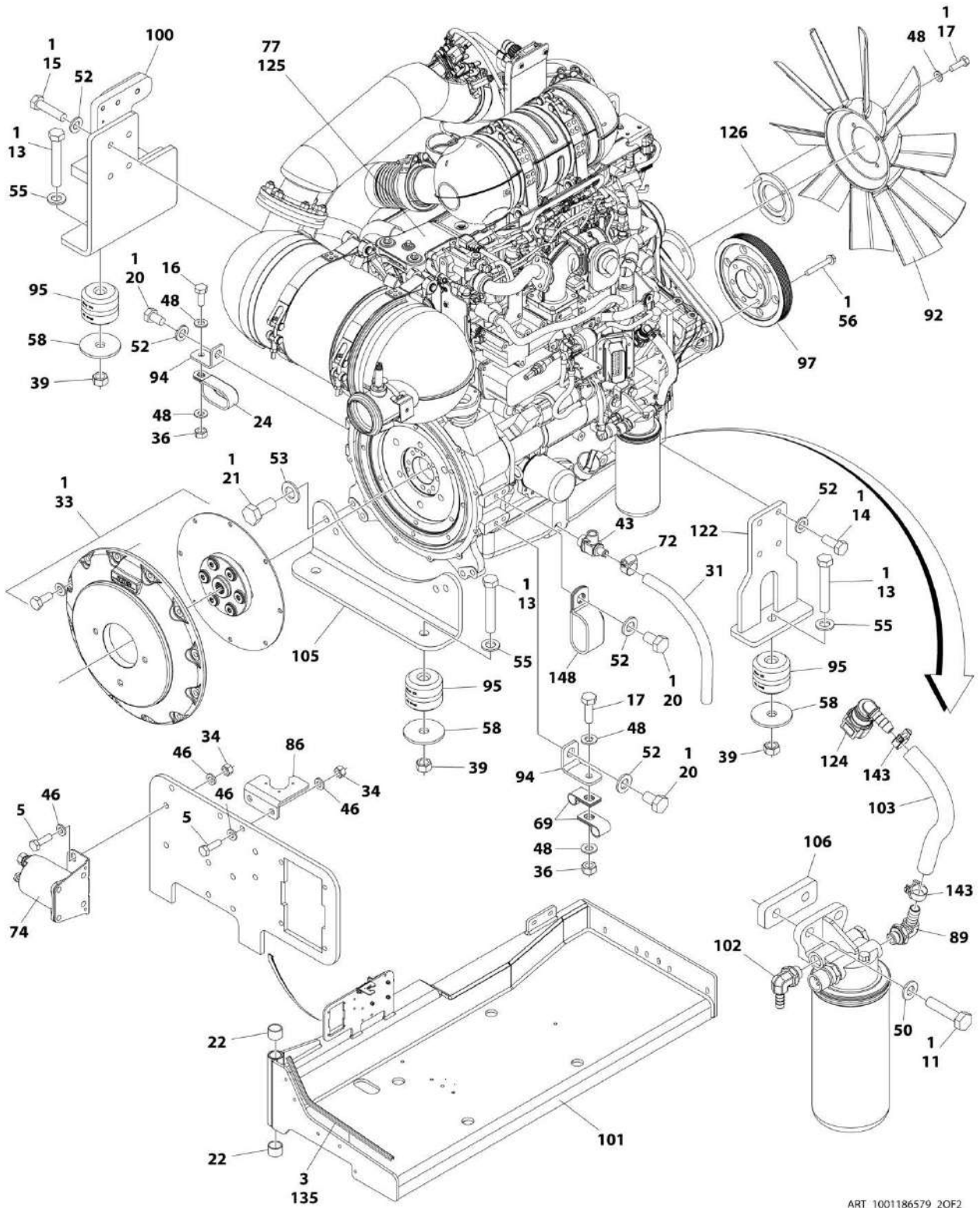
SECTION 3 - ENGINE

FIGURE 3-3. ENGINE ASSEMBLY (HRC) (WITHOUT COLD WEATHER PACKAGE)



ART_1001186579_10F2

SECTION 3 - ENGINE



ART_1001186579_20F2

SECTION 3 - ENGINE

FIGURE 3-3. ENGINE ASSEMBLY (HRC) (WITHOUT COLD WEATHER PACKAGE)

ITEM	PART NUMBER	QTY	DESCRIPTION	REV
	1001186579	Ref	ENGINE ASSEMBLY (HRC) (WITHOUT COLD WEATHER PACKAGE)	J
1	0100011	AR	Compound, Locking	
2	0100020	AR	Sealant	
3	0100081	AR	Adhesive	
4	0641606	2	Bolt 3/8 x 3/4	
5	0700610	13	Bolt M6 x 20	
6	0700612	7	Bolt M6 x 25	
7	0700815	2	Bolt M8 x 35	
8	0701013	2	Bolt M10 x 28	
9	0701015	6	Bolt M10 x 35	
10	0701016	2	Bolt M10 x 40	
11	0701017	2	Bolt M10 x 45	
12	0701019	1	Bolt M10 x 55	
13	0701627	4	Bolt M16 x 100	
14	0711214	4	Bolt M12 x 30 Grade 10.9	
15	0711218	4	Bolt M12 x 50 Grade 10.9	
16	0760810	6	Bolt M8 x 20	
17	0760812	7	Bolt M8 x 25	
18	0761008	1	Bolt M10 x 16	
19	0761012	6	Bolt M10 x 25	
20	0761210	3	Bolt M12 x 20	
21	0771414	4	Bolt M14 x 30 Grade 10.9	
21	0771415	4	Bolt M14 x 35 Grade 10.9	
22	0961951	2	Bushing	
24	1321716	1	Clamp	
25	1703162	2	Decal - Fan Blade	
26	0760614	2	Bolt M6 x 30	
27	2720015	5 ft/ 1.5m	Hose	
31	2720340	1 ft/ .3m	Hose (Prior to SN 0300239975)	
31	1001165035	1 ft/ 0.3m	Hose (SN 0300239975 to Present)	
33	2902065	1	Pump Coupling Kit (See PUMP COUPLING KIT for Breakdown)	
34	3290607	22	Nut M6	
35	3290805	3	Nut M8	
36	3290807	5	Nut M8	
37	3291005	1	Nut M10	
38	3291007	10	Nut M10	
39	3291601	4	Nut M16	
40	3820032	9	Rivet	
42	4240099	AR	Tie-Strap (Not Shown)	
43	4640751	1	Valve, Oil Drain	
44	4711600	2	Washer 3/8	
45	4811600	4	Washer M5	
46	4811700	43	Washer M6	
47	4811702	4	Washer M6	
48	4811900	19	Washer M8	
49	4811902	4	Washer M8	
50	4812000	30	Washer M10	
51	4812002	1	Washer M10	
52	4812100	11	Washer M12	

SECTION 3 - ENGINE

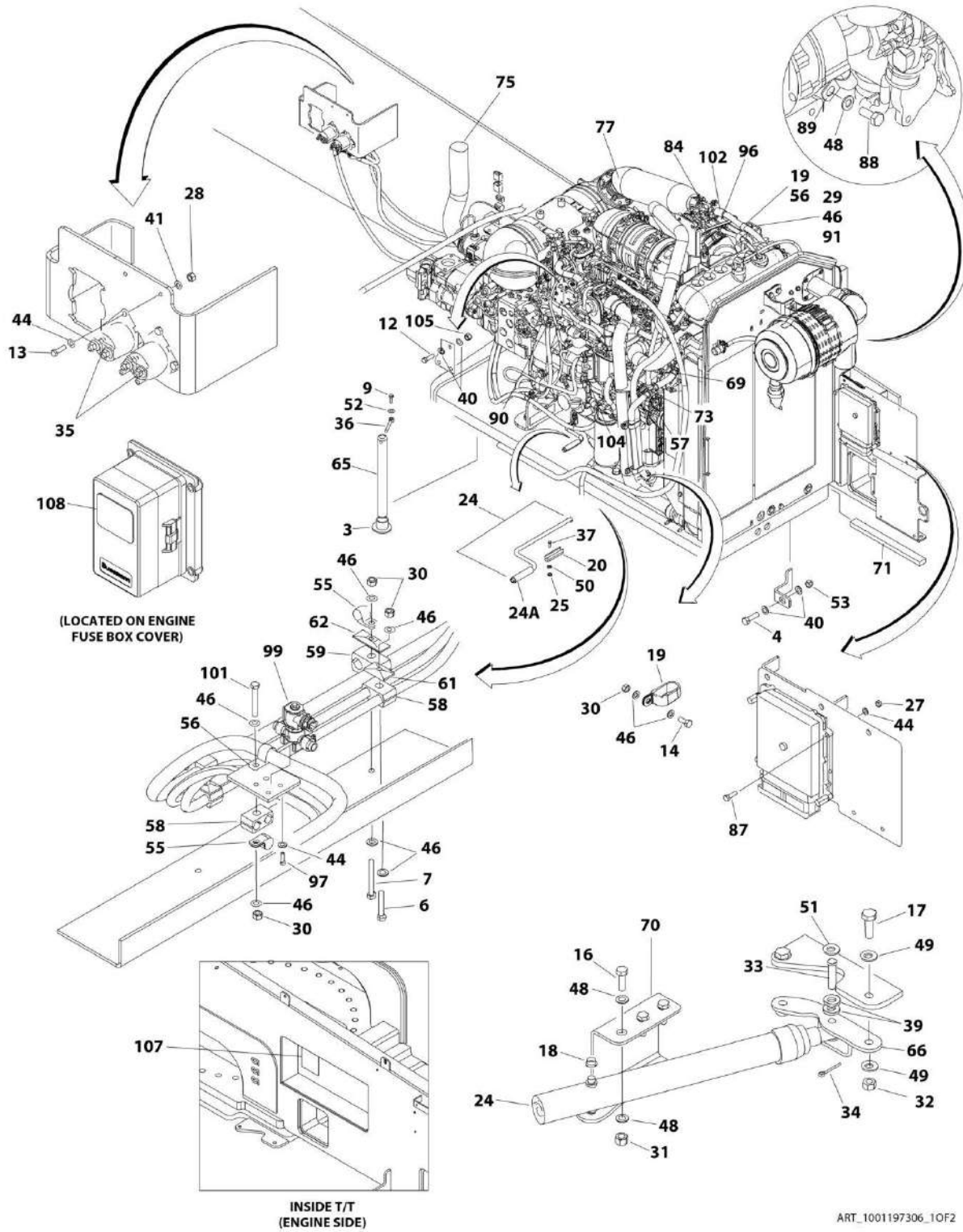
ITEM	PART NUMBER	QTY	DESCRIPTION	REV
53	4812200	4	Washer M14	
54	5241000	1	Washer M10	
55	5241600	4	Washer M16	
56	5251022	6	Bolt M10 x 70	
58	7300435	4	Washer	
59	8278020	1	Mount	
60	8305401	2	Nut 1/4	
61	8307109	2	Washer 1/4	
62	8310548	2	Screw 1/4 x 1/2	
63	8405007	2	Clamp	
64	8405104	4	Clamp	
66	8410012	2	Clamp	
68	8406109	2	Clip	
69	8406110	2	Clip	
71	8410011	2	Clamp	
72	8410013	1	Clamp	
73	91563070	1	Coupling, Rubber	
74	1001117308	1	Relay, 200Amp	
75	1001134488	1	Fitting, 90 NPT/Barbed	
76	1001135943	1	Coupling	
77	1001136079	AR	Oil, Motor	
78	1001136834	1	Cap	
79	1001138173	1	Support	
80	1001138175	1	Bracket	
82	1001138248	5 ft/ 1.5m	Tubing	
84	1001138559	1	Fitting, 90 NPT	
85	1001138827	1	Sensor	
86	1001139240	1	Bracket	
87	1001140564	1	Fitting, 90 NPT/Barbed	
88	1001141995	1	Fitting, Straight NPT/Barbed	
89	1001142501	1	Fitting, 90 NPT/Barbed	
90	1001143390	1	Indicator, Air Restriction	
92	1001147567	1	Fan	
93	1001147847	1	Filter, Air	
93	70023809	1	Element, Primary	
93	70023872	1	Element, Secondary	
93	70024328	1	Elbow, Rubber	
93	70024329	1	Clamp, Mounting	
94	1001148641	2	Bracket	
95	1001149517	4	Mount, Motor	
97	1001149746	1	Pulley	
98	1001150504	1	Hose	
99	1001150553	1	Hose	
100	1001151491	1	Support	
101	1001151749	1	Tray	
102	1001152489	1	Fitting, 90 Barbed	
103	1001154405	8.5 in/ 21cm	Hose	
104	1001155023	1	Plate	
105	1001155496	1	Support	
106	1001155498	1	Plate	
107	1001155525	1	Support	

SECTION 3 - ENGINE

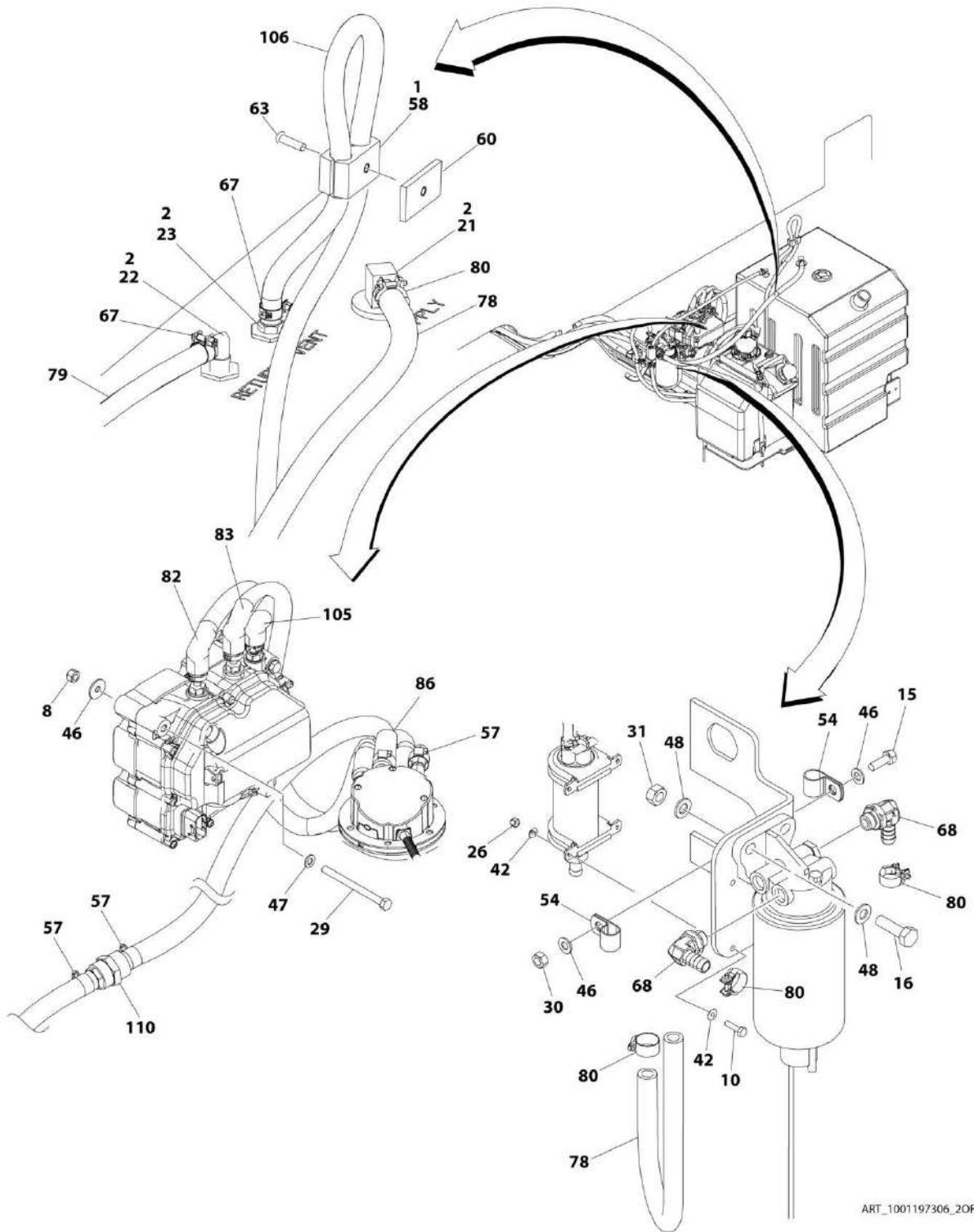
ITEM	PART NUMBER	QTY	DESCRIPTION	REV
108	1001155540	2	Washer	
109	1001212817	1	Plate	
110	1001155557	2	Plate	
111	1001155563	1	Seal	
112	1001155564	1	Bracket	
113	1001155565	1	Seal	
114	1001155566	1	Bracket	
115	1001155728	1	Seal	
116	1001156034	1	Seal	
117	1001156035	1	Bracket	
118	1001156062	1	Bracket	
119	1001156091	1	Hose	
120	1001156644	2	Seal	
121	1001157862	1	Bracket	
122	1001160518	1	Support	
123	1001166393	1	Tank	
124	1001170982	1	Fitting, 90 SAE/Barbed	
125	1001176371	1	Engine Components (HRC) (See ENGINE COMPONENTS (HRC) for Breakdown)	
126	1001197317	1	Spacer	
127	1001188162	1	Radiator	
128	1001189291	1	Pipe, Exhaust	
129	1001190418	1	Tube	
130	1001212826	1	Tube, Intake	
131	0760608	2	Bolt M6 x 16	
132	1001191122	1	Hose, Upper	
135	4060807	22 in/ 55cm	Flex-Trim	
136	1001192138	1	Shroud	
137	0760604	1	Bolt M6 x 8	
138	8405009	4	Clamp	
139	1001097588	1	Clip	
140	1001117244	1	Reducer	
141	1001212810	1	Support	
142	1001193599	2	Grommet	
143	1001175568	2	Clip	
144	1001208299	4	Clamp	
145	1001208297	1	Clamp	
146	8405211	1	Clamp	
147	1001208298	1	Clamp	
148	1001181899	1	Clamp	

SECTION 3 - ENGINE

FIGURE 3-4. ENGINE INSTALLATION (HRC) (WITH COLD WEATHER PACKAGE)



SECTION 3 - ENGINE



ART_1001197306_20F2

SECTION 3 - ENGINE

FIGURE 3-4. ENGINE INSTALLATION (HRC) (WITH COLD WEATHER PACKAGE)

ITEM	PART NUMBER	QTY	DESCRIPTION	REV
	1001197306	Ref	ENGINE INSTALLATION (HRC) (WITH COLD WEATHER PACKAGE)	J
1	0100011	AR	Compound, Locking	
2	0100020	AR	Sealant	
3	0440162	1	Bearing	
4	0642220	1	Bolt 3/4 x 2-1/2	
6	0700818	2	Bolt M8 x 50	
7	0700822	2	Bolt M8 x 70	
8	0700827	3	Bolt M8 x 100	
9	0711015	1	Bolt M10 x 35	
10	0760408	4	Bolt M4 x 16	
12	0760608	AR	Bolt M6 x 16	
13	0760610	4	Bolt M6 x 20 (Prior to SN 0300226018)	
14	0760810	AR	Bolt M8 x 20	
15	0760812	2	Bolt M8 x 25	
16	0761015	5	Bolt M10 x 35	
17	0771416	2	Bolt M14 x 40	
18	0962051	2	Bearing	
19	1321716	3	Clamp	
20	1380147	1	Clip	
21	2180832	1	Fitting, Straight Barbed/NPTF	
22	2220313	1	Fitting, 90 Barbed/NPTF	
23	2221114	1	Fitting, Straight Barbed/NPT	
24	2840016	1	Tray Jack Assembly	
24	7016322	1	Wiper (Burr Brand)	
24A	7016374	1	Handle (Burr Brand)	
24A	7024598	1	Handle (Hammerblow Brand)	
25	3290301	2	Nut M3	
26	3290405	4	Nut M4	
27	3290605	5	Nut M6	
28	3290607	4	Nut M6 (Prior to SN 0300226018)	
29	3290805	5	Nut M8	
30	3290807	AR	Nut M8	
31	3291007	5	Nut M10	
32	3331411	2	Nut M14	
33	3430816	1	Pin	
34	3450404	1	Pin, Cotter 1/8 x 1	
35	3740067	2	Relay (Prior to SN 0300226018)	
36	3841143	1	Keeper, Pin	
37	4010308	2	Screw M3 x 16	
38	4240099	AR	Tie-Strap (Not Shown)	
39	4711800	2	Washer 1/2	
40	4712200	2	Washer 3/4	
41	4791400	4	Washer 1/4 (Prior to SN 0300226018)	
42	4811400	8	Washer M4	
44	4811700	14	Washer M6	
46	4811900	25	Washer M8	
47	4811902	3	Washer M8	
48	4812000	11	Washer M10	
49	4812200	4	Washer M14	

SECTION 3 - ENGINE

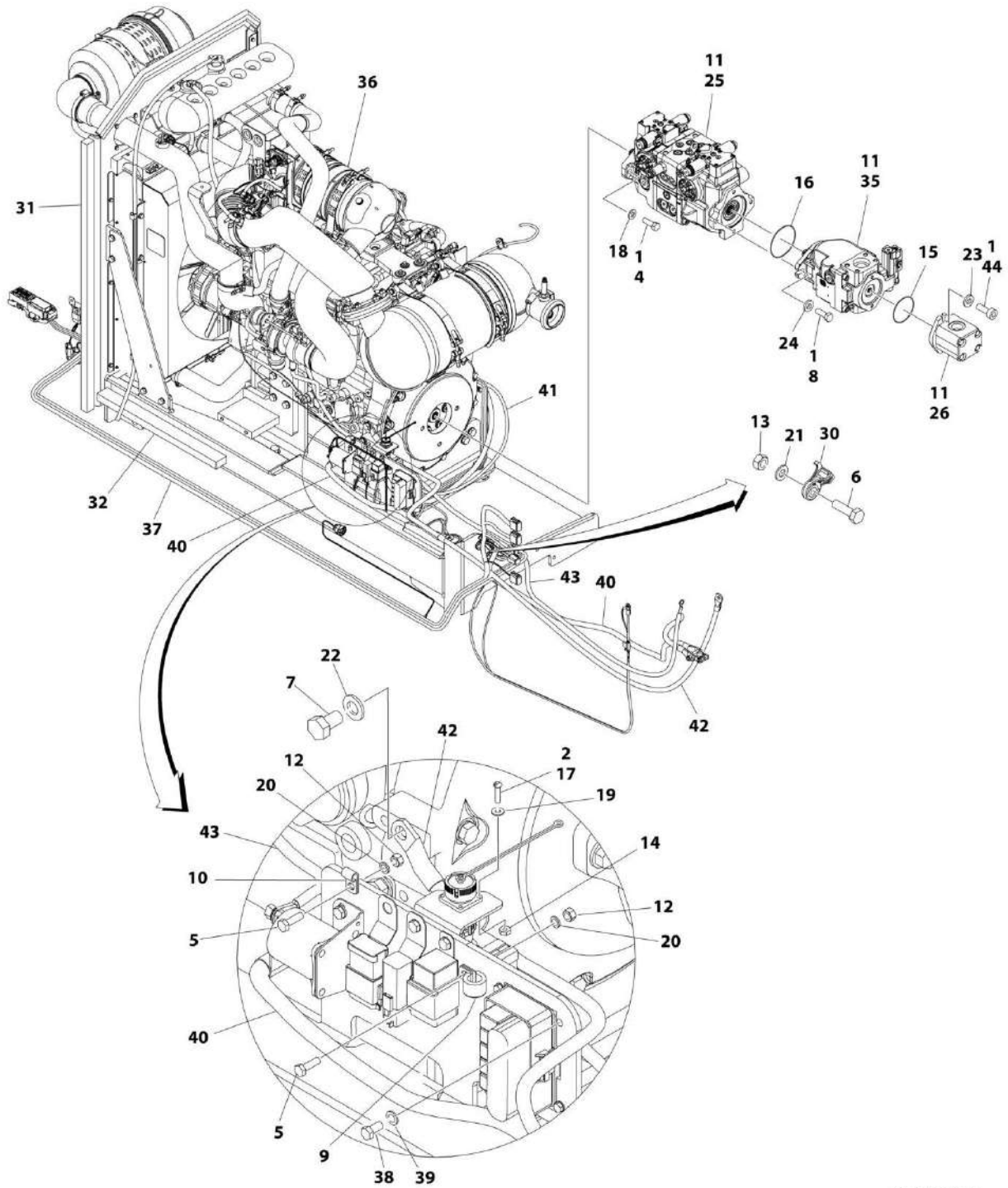
ITEM	PART NUMBER	QTY	DESCRIPTION	REV
50	4871200	2	Washer M3	
51	4891800	1	Washer 1/2	
52	5241000	1	Washer M10	
53	8310067	1	Nut 3/4	
54	8406101	2	Clip	
55	8406102	3	Clip	
56	8406201	4	Clip	
57	8410009	AR	Clamp	
58	8750014	4	Clamp	
59	8750027	2	Clamp Set	
60	8750031	1	Plate, Clamp	
61	8769123	2	Cover, Clamp	
62	77133137	2	Cover, Clamp	
63	1001101580	1	Screw M8 x 30	
64	1001103452	AR	Coolant (Not Shown)	
65	1001135196	1	Pin	
66	1001135497	1	Support	
67	1001136975	5	Clamp	
68	1001142501	2	Fitting, 90 Barbed	
69	1001154262	2	Fitting, Straight Barbed	
70	1001155939	1	Mount	
71	1001206747	1	Seal	
73	1001162212	2	Fitting, Tee Barbed	
74	1001162986	AR	Fluid, Diesel Exhaust (Not Shown)	
75	1001190475	1	Pipe, Exhaust	
77	1001199584	1	Engine Assembly with Pumps (HRC) (With Cold Weather Package) (See ENGINE ASSEMBLY WITH PUMPS (HRC) (WITH COLD WEATHER PACKAGE) for Breakdown)	
78	1001154405	53 in/ 1.4m	Hose	
79	1001165035	31 ft/ 9.4m	Hose	
80	1001175568	4	Clip	
82	1001187516	1	Hose, Suction	
83	1001187517	1	Hose, Backflow	
84	1001193980	1	Hose, Return	
86	82033995	374 in/ 9.5m	Hose	
87	0700614	4	Bolt M6 x 30	
88	0761009	1	Bolt M10 x 18	
89	8406105	1	Clip	
90	1001155823	1	Fitting, 90 Barbed	
91	0760814	1	Bolt M8 x 30	
96	1001212825	1	Hose	
97	0760606	4	Bolt M6 x 12	
99	1001199670	1	Valve, Flow	
101	0700820	1	Bolt M8 x 60	
102	1001213643	1	Hose (Prior to SN 0300226018)	
102	1001187518	1	Hose (SN 0300226018 to Present)	
104	0760807	1	Bolt M8 x 14 (Prior to SN 0300226018)	
105	3290605	1	Nut M6 (Prior to SN 0300226018)	
106	2750532	4 ft/ 1.2m	Hose	

SECTION 3 - ENGINE

ITEM	PART NUMBER	QTY	DESCRIPTION	REV
107	1001212056	1	Decal - Engine Fuse Box (SN 0300226018 to Present)	
108	1001224046	1	Decal - Engine Fuse Box Cover (SN 0300226018 to Present)	
110	1001228872	1	Filter, Coolant Screen (SN 0300244681 to Present)	

SECTION 3 - ENGINE

FIGURE 3-5. ENGINE ASSEMBLY WITH PUMPS (HRC) (WITH COLD WEATHER PACKAGE)



ART_1001199584

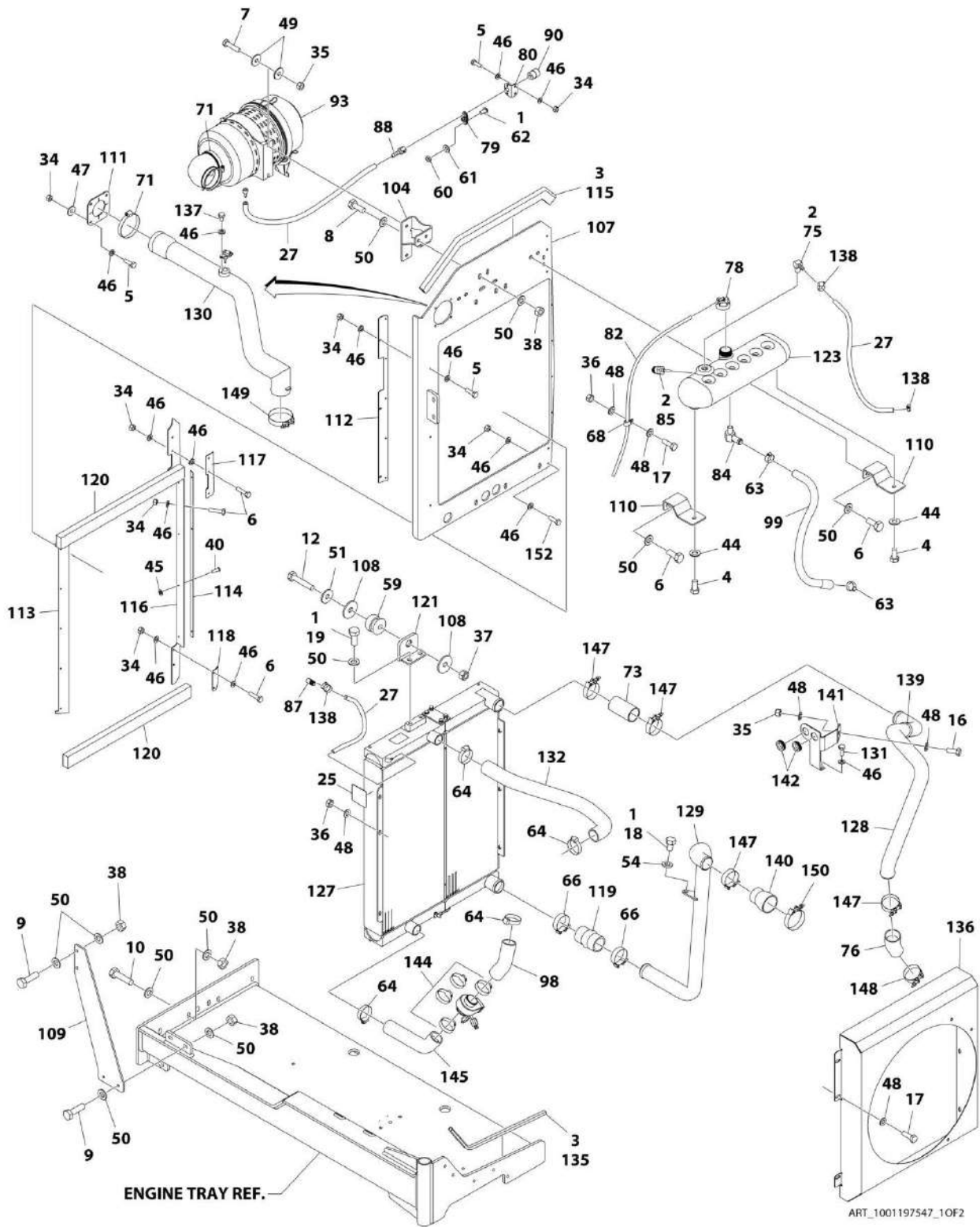
SECTION 3 - ENGINE

FIGURE 3-5. ENGINE ASSEMBLY WITH PUMPS (HRC) (WITH COLD WEATHER PACKAGE)

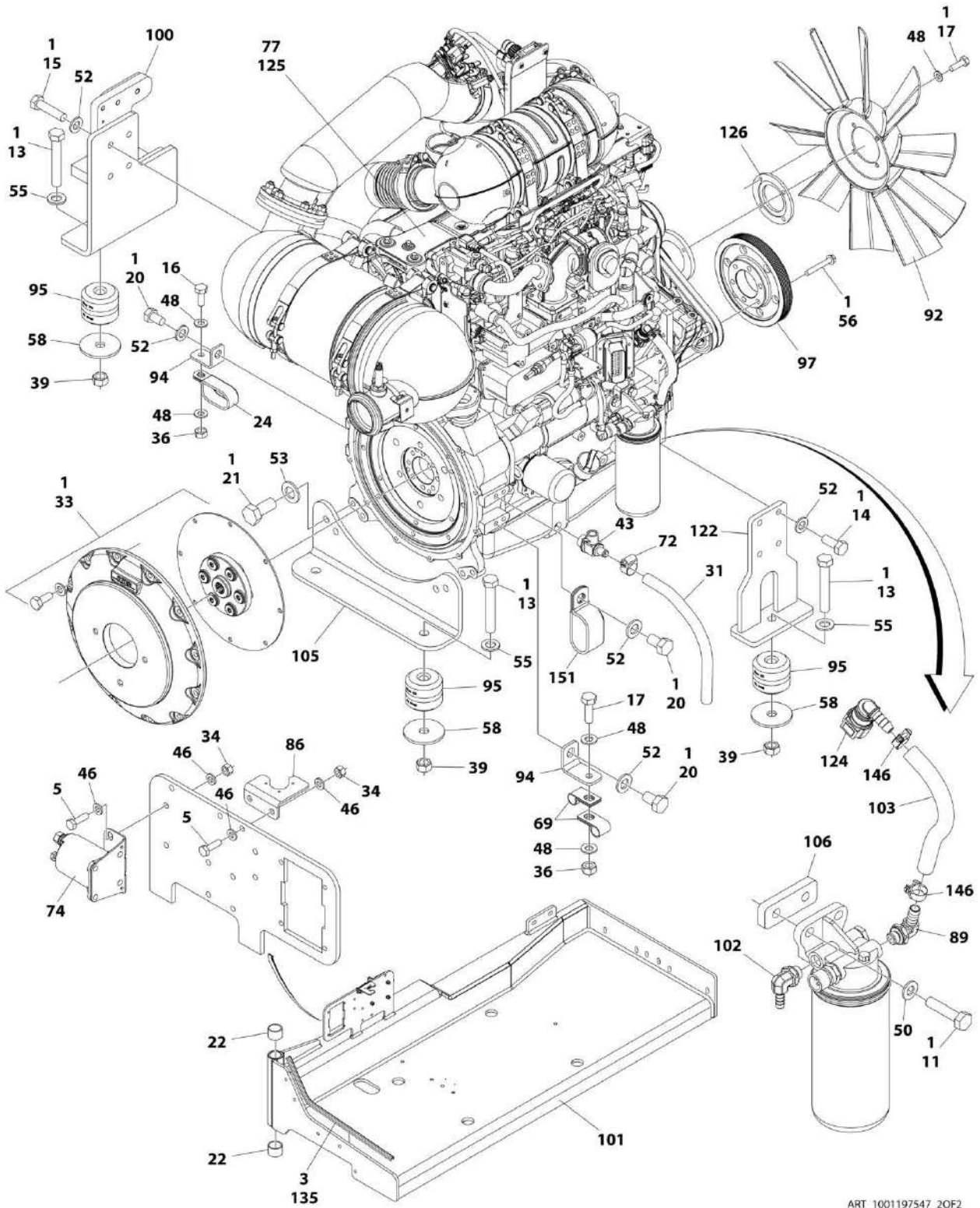
ITEM	PART NUMBER	QTY	DESCRIPTION	REV
	1001199584	Ref	ENGINE ASSEMBLY WITH PUMPS (HRC) (WITH COLD WEATHER PACKAGE)	H
1	0100011	AR	Compound, Locking	
2	0100035	AR	Compound, Locking	
4	0641812	2	Bolt 1/2 x 1-1/2	
5	0760610	2	Bolt M6 x 20	
6	0761015	2	Bolt M10 x 35	
7	0761210	1	Bolt M12 x 20	
8	0761216	2	Bolt M12 x 40	
9	1320041	1	Clamp	
10	1320136	1	Clamp	
11	3020037	AR	Grease, Coupling	
12	3290607	2	Nut M6	
13	3291007	2	Nut M10	
14	3310401	3	Nut #4	
15	3790152	1	O-Ring	
16	3790155	1	O-Ring	
17	3910408	3	Screw #4 x 1/2	
18	4740171	2	Washer	
19	4750400	3	Washer #4	
20	4811700	2	Washer M6	
21	4812000	2	Washer M10	
22	4812100	1	Washer M12	
23	4891600	2	Washer 3/8	
24	4891800	2	Washer 1/2	
25	1001108616	1	Tandem Pump Assembly (See TANDEM PUMP ASSEMBLY for Breakdown)	
26	1001112927	1	Gear Pump Assembly (See GEAR PUMP ASSEMBLY for Breakdown)	
30	1001156107	2	Holder, Cable	
31	1001156718	1	Seal	
32	1001206747	1	Seal	
35	1001199470	1	Piston Pump Assembly (See PISTON PUMP ASSEMBLY for Breakdown)	
36	1001197547	1	Engine Assembly (HRC) (With Cold Weather Package) (See ENGINE ASSEMBLY (HRC) (WITH COLD WEATHER PACKAGE) for Breakdown)	
37	1001188922	1	Engine Harness (See ELECTRICAL SECTION for Breakdown)	
38	0760508	4	Bolt M5 x 16	
39	4811600	4	Washer M5	
40	1001202356	NLA	Cable, Battery Positive (Use p/n 1001234791) (Prior to SN 0300243485)	
40	1001234791	1	Cable, Battery Positive (SN 0300243485 to Present)	
41	1001197445	1	Cable, Glow Plug	
42	1001202355	1	Cable, Battery Negative	
43	1001157073	1	Cable, Alternator	
44	3931620	2	Capscrew 3/8 x 1-1/4	

SECTION 3 - ENGINE

FIGURE 3-6. ENGINE ASSEMBLY (HRC) (WITH COLD WEATHER PACKAGE)



SECTION 3 - ENGINE



ART_1001197547_20F2

SECTION 3 - ENGINE

FIGURE 3-6. ENGINE ASSEMBLY (HRC) (WITH COLD WEATHER PACKAGE)

ITEM	PART NUMBER	QTY	DESCRIPTION	REV
	1001197547	Ref	ENGINE ASSEMBLY (HRC) (WITH COLD WEATHER PACKAGE)	I
1	0100011	AR	Compound, Locking	
2	0100020	AR	Sealant	
3	0100081	AR	Adhesive	
4	0641606	2	Bolt 3/8 x 3/4	
5	0700610	13	Bolt M6 x 20	
6	0700612	7	Bolt M6 x 25	
7	0700815	2	Bolt M8 x 35	
8	0701013	2	Bolt M10 x 28	
9	0701015	6	Bolt M10 x 35	
10	0701016	2	Bolt M10 x 40	
11	0701017	2	Bolt M10 x 45	
12	0701019	1	Bolt M10 x 55	
13	0701627	4	Bolt M16 x 100	
14	0711214	4	Bolt M12 x 30 Grade 10.9	
15	0711218	4	Bolt M12 x 50 Grade 10.9	
16	0760810	6	Bolt M8 x 20	
17	0760812	7	Bolt M8 x 25	
18	0761008	1	Bolt M10 x 16	
19	0761012	6	Bolt M10 x 25	
20	0761210	3	Bolt M12 x 20	
21	0771414	4	Bolt M14 x 30 Grade 10.9	
21	0771415	4	Bolt M14 x 35 Grade 10.9	
22	0961951	2	Bushing	
24	1321716	1	Clamp	
25	1703162	2	Decal - Fan Blade	
27	2720015	5 ft/ 1.5m	Hose	
31	2720340	1 ft/ .3m	Hose (Prior to SN 0300239975)	
31	1001165035	1 ft/ 0.3m	Hose (SN 0300239975 to Present)	
33	2902065	1	Pump Coupling Kit (See PUMP COUPLING KIT for Breakdown)	
34	3290607	22	Nut M6	
35	3290805	3	Nut M8	
36	3290807	5	Nut M8	
37	3291005	1	Nut M10	
38	3291007	10	Nut M10	
39	3291601	4	Nut M16	
40	3820032	9	Rivet	
42	4240099	AR	Tie-Strap (Not Shown)	
43	4640751	1	Valve, Oil Drain	
44	4711600	2	Washer 3/8	
45	4811600	4	Washer M5	
46	4811700	43	Washer M6	
47	4811702	4	Washer M6	
48	4811900	19	Washer M8	
49	4811902	4	Washer M8	
50	4812000	30	Washer M10	
51	4812002	1	Washer M10	
52	4812100	11	Washer M12	
53	4812200	4	Washer M14	
54	5241000	1	Washer M10	

SECTION 3 - ENGINE

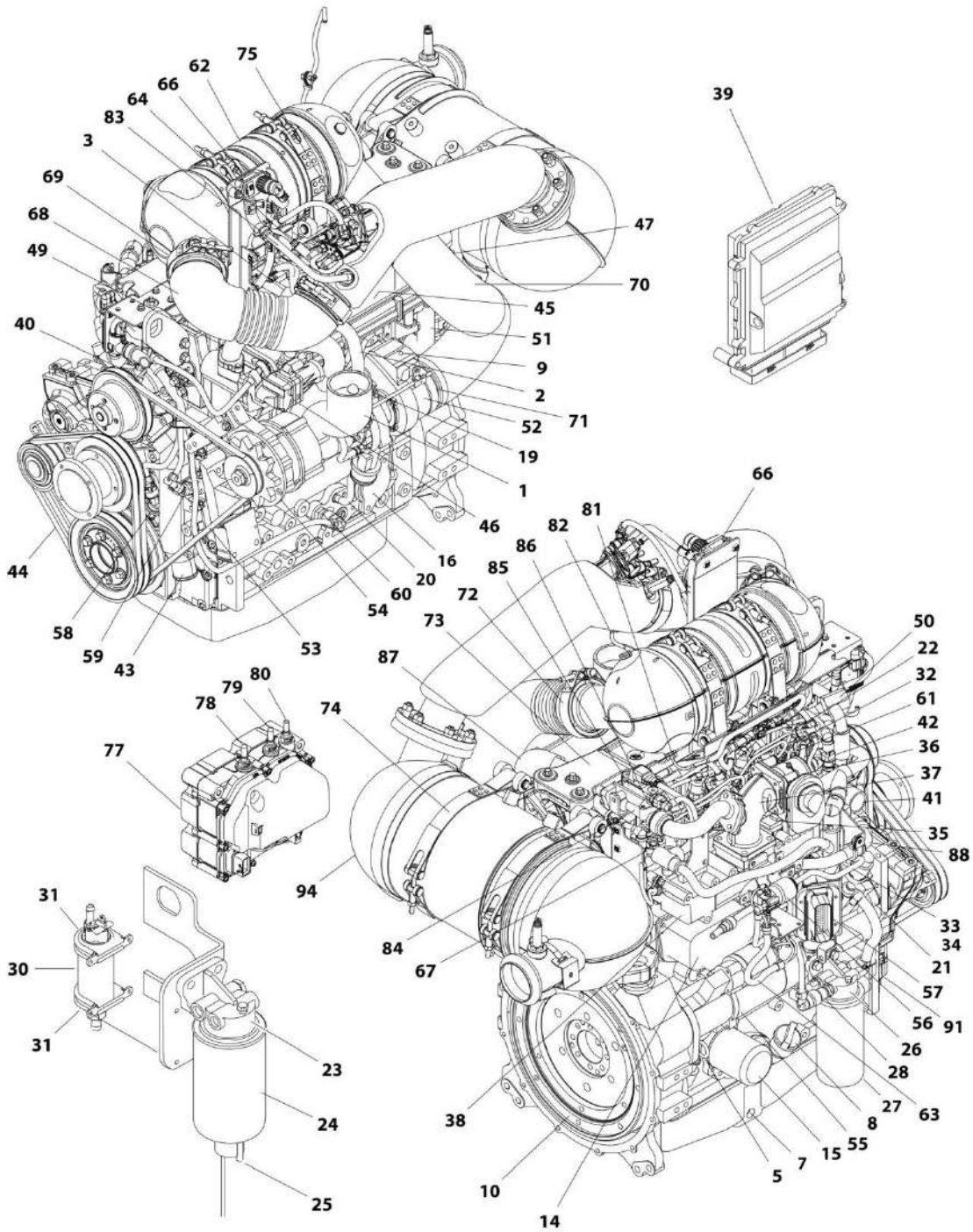
ITEM	PART NUMBER	QTY	DESCRIPTION	REV
55	5241600	4	Washer M16	
56	5251022	6	Bolt M10 x 70	
58	7300435	4	Washer	
59	8278020	1	Mount	
60	8305401	2	Nut 1/4	
61	8307109	2	Washer 1/4	
62	8310548	2	Screw 1/4 x 1/2	
63	8405007	2	Clamp	
64	8405104	4	Clamp	
66	8410012	2	Clamp	
68	8406109	2	Clip	
69	8406110	2	Clip	
71	8410011	2	Clamp	
72	8410013	1	Clamp	
73	91563070	1	Coupling, Rubber	
74	1001117308	1	Relay, 200Amp	
75	1001134488	1	Fitting, 90 NPT/Barbed	
76	1001135943	1	Coupling	
77	1001136172	AR	Oil, Motor	
78	1001136834	1	Cap	
79	1001138173	1	Support	
80	1001138175	1	Bracket	
82	1001138248	5 ft/ 1.5m	Tubing	
84	1001138559	1	Fitting, 90 NPT	
85	1001138827	1	Sensor	
86	1001139240	1	Bracket	
87	1001140564	1	Fitting, 90 NPT/Barbed	
88	1001141995	1	Fitting, Straight NPT/Barbed	
89	1001142501	1	Fitting, 90 NPT/Barbed	
90	1001143390	1	Indicator, Air Restriction	
92	1001147567	1	Fan	
93	1001147847	1	Filter, Air	
93	70023809	1	Element, Primary	
93	70023872	1	Element, Secondary	
93	70024328	1	Elbow, Rubber	
93	70024329	1	Clamp, Mounting	
94	1001148641	2	Bracket	
95	1001149517	4	Mount, Motor	
97	1001149746	1	Pulley	
98	1001157300	1	Hose	
99	1001150553	1	Hose	
100	1001151491	1	Support	
101	1001151749	1	Tray	
102	1001152489	1	Fitting, 90 Barbed	
103	1001154405	8.5 in/ 21cm	Hose	
104	1001155023	1	Plate	
105	1001155496	1	Support	
106	1001155498	1	Plate	
107	1001155525	1	Support	
108	1001155540	2	Washer	
109	1001212817	1	Plate	

SECTION 3 - ENGINE

ITEM	PART NUMBER	QTY	DESCRIPTION	REV
110	1001155557	2	Plate	
111	1001155563	1	Seal	
112	1001155564	1	Bracket	
113	1001155565	1	Seal	
114	1001155566	1	Bracket	
115	1001155728	1	Seal	
116	1001156034	1	Seal	
117	1001156035	1	Bracket	
118	1001156062	1	Bracket	
119	1001156091	1	Hose	
120	1001156644	2	Seal	
121	1001157862	1	Bracket	
122	1001160518	1	Support	
123	1001166393	1	Tank	
124	1001170982	1	Fitting, 90 SAE/Barbed	
125	1001176371	1	Engine Components (HRC) (See ENGINE COMPONENTS (HRC) for Breakdown)	
126	1001197317	1	Spacer	
127	1001188162	1	Radiator	
128	1001189291	1	Pipe, Exhaust	
129	1001190418	1	Tube	
130	1001212826	1	Tube, Intake	
131	0760608	2	Bolt M6 x 16	
132	1001191122	1	Hose, Upper	
135	4060807	22 in/ 55cm	Flex-Trim	
136	1001192138	1	Shroud	
137	0760604	1	Bolt M6 x 8	
138	8405009	4	Clamp	
139	1001097588	1	Clip	
140	1001117244	1	Reducer	
141	1001212810	1	Support	
142	1001193599	2	Grommet	
144	1001152112	1	Heater	
145	1001157301	1	Hose	
146	1001175568	2	Clip	
147	1001208299	4	Clamp	
148	1001208298	1	Clamp	
149	1001208297	1	Clamp	
150	8405211	1	Clamp	
151	1001181899	1	Clamp	
152	0760614	2	Bolt M6 x 30	

SECTION 3 - ENGINE

FIGURE 3-7. ENGINE COMPONENTS (HRC)



ART_1001176371

SECTION 3 - ENGINE

FIGURE 3-7. ENGINE COMPONENTS (HRC)

ITEM	PART NUMBER	QTY	DESCRIPTION	REV
	1001176371	Ref	ENGINE COMPONENTS (HRC)	G
1	70024497	1	Pipe, Intake	
1	70025680	1	Clamp	
2	70025111	1	Clamp	
2	70025128	1	Bolt	
2	70025116	1	Clamp	
2	See Note	NSS	Line, Breather (Includes Item 3) (Note: Not Available for Purchase)	
3	70025119	1	Sleeve, Rubber	
3	7002511	1	Clamp	
4	70002718	1	Seal, Rear Main (Not Shown)	
5	70025745	1	Dipstick	
5	7020442	1	O-Seal	
5	70025755	1	Tube, Dipstick	
6	70025123	24	Screw, Oil Pan (Not Shown)	
7	70025088	1	Plug	
8	7020465	1	Cap	
8	70005487	1	Tube, Fill	
8	70024471	1	Gasket (Tube to Engine Block)	
9	70025786	1	Plug	
10	70001870	1	Flywheel	
10	7024579	1	Gear, Rim	
11	70024483	1	Gasket, Head (Not Shown)	
11	70024481	1	Gasket, Valve Cover (Not Shown)	
12	7020465	1	Cap, Fill (Not Shown - Located on top of Valve Cover)	
13	70025763	1	Pump, Oil (Not Shown)	
13	70025718	4	O-Ring (Not Shown)	
14	70024494	1	Cooler, Oil	
14	70024495	1	Gasket	
15	7016331	1	Filter, Oil	
15	70025137	1	Bushing, Screw	
16	70025731	1	Cover	
16	70002813	1	Seal	
17	70025730	1	Pipe, Transfer (Not Shown - Located in Oil Pan)	
18	70025722	1	Line, Oil Suction (Not Shown - Located in Oil Pan)	
19	70024489	1	Line, Lube	
19	70025085	2	Screw	
19	70025105	4	Ring, Sealing	
20	See Note	NSS	Line, Lube Return (Note: Not Available for Purchase)	
20	70025132	1	O-Seal	
20	70005489	1	Flange, Upper	
20	70024509	1	Gasket, Upper Flange	
21	70024487	1	Pump, High Pressure	
21	70025152	1	O-Ring	
21	70004505	1	Valve, Overflow	
21	70004506	1	O-Ring	
21	70004507	1	O-Ring	
21	70004508	1	Valve, Volume Control	
21	70004509	1	O-Ring	
21	70004510	1	Gasket	
21	See Note	NSS	O-Seal (Between Pump and Block) (Note: Not Available for	

SECTION 3 - ENGINE

ITEM	PART NUMBER	QTY	DESCRIPTION	REV
			Purchase)	
22	70024485	4	Injector, Fuel	
22	70025140	4	Washer, Sealing	
22	70025146	4	Clamp	
22	70025145	4	O-Seal	
22	70025154	4	Shoe, Clamping	
23	70024961	1	Head and Filter Assembly (Includes Item 24 & 25)	
24	70025153	1	Filter	
25	70024513	1	Sensor with Cable	
25	70025239	1	Ring, Sealing	
26	70004511	1	Head and Filter Assembly	
27	70004512	1	Filter	
28	70024504	1	Sensor, Pressure	
28	70024920	1	O-Seal	
29	See Note	NSS	Connector (Note: Not Available for Purchase) (Not Shown)	
29	70004513	1	Ring, Sealing (Not Shown)	
30	1001226098	1	Fuel Supply Pump Kit	
31	70025144	2	Clamp	
32	70025151	1	Rail, Fuel	
32	70025235	1	Kit, Repair - Fuel Rail	
32	70025240	1	O-Ring	
32	70025534	1	Pipe, Pressure Pump to Fuel Rail	
32	70024498	1	Pipe, Fuel Rail to Cylinders 1 & 2	
32	70024499	1	Pipe, Fuel Rail to Cylinders 3 & 4	
33	70024501	1	Line, Fuel	
33	70025109	3	Clamp, Band	
33	70025686	3	Clamp, Pipe	
34	See Note	NSS	Pipe, Fuel Leakage (Note: Not Available for Purchase)	
34	70025756	2	Retainer for Fuel Leakage Pipe	
35	70024507	1	Sensor, Pressure	
35	70025120	1	O-Seal	
36	70005492	1	Valve, Throttle	
36	70005493	1	Gasket	
37	70005491	1	Pipe, Air Charge	
37	70025726	1	Gasket	
38	70025772	1	Manifold, Air Charge	
38	70024475	1	Gasket (Manifold to Head)	
39	70005495	1	Module, Engine Control	
40	70005496	1	Pump, Water	
40	70005497	1	Seal (RH Side Pump to Item 43)	
40	70004516	2	Ring, Sealing (For Smaller Plug)	
41	70025741	1	Housing, Thermostat	
41	7016309	1	Ring, Sealing (For Bottom Plug)	
41	70024493	1	Gasket (Housing to Head)	
42	70024918	1	Sender, Temperature	
43	70025762	1	Manifold, Coolant	
44	70005498	1	V-Belt	
44	See Note	NSS	Tensioner, Pulley (Note: Not Available for Purchase)	
45	70005512	1	EGR Manifold Assembly	
46	70005513	1	Valve, Control	
46	70005514	1	O-Seal	

SECTION 3 - ENGINE

ITEM	PART NUMBER	QTY	DESCRIPTION	REV
46	70005189	1	Seal	
47	70025768	1	Valve, Shuttle	
48	70005511	1	Gasket, Exhaust Manifold to Head (Not Shown)	
49	See Note	NSS	Tube, Compensator (Note: Not Available for Purchase)	
49	70024500	2	Gasket	
50	See Note	1	Line, Water (Note: Not Available for Purchase)	
50	7020492	1	Ring, Sealing (For Plug in Line)	
50	70024478	1	Gasket (Water Line to EGR Valve)	
50	70025701	1	Sleeve, Rubber	
50	70025687	2	Clamp (For Sleeve)	
50	70025699	1	Clamp, Insulated	
51	70024479	1	Hose	
51	70025687	1	Clamp (Lower)	
51	70025773	1	Clamp (Upper)	
51	70005499	1	Fitting (At Lower End of Hose)	
51	70024469	1	O-Seal (For Fitting)	
52	70005515	1	Turbocharger	
52	70024480	1	Gasket	
53	70005516	1	V-Belt	
54	70025533	1	Generator	
54	70025149	1	Controller	
54	70025131	1	Fan	
54	70025141	1	Nut, Pulley	
55	70004520	1	Starter	
56	70025780	1	Relay	
57	70005518	1	Engine Harness	
58	70026210	1	Tacho-Generator	
58	70005191	1	O-Ring	
59	70026210	1	Tacho-Generator	
59	70005191	1	O-Ring	
60	70024504	1	Switch, Pressure	
60	70024920	1	O-Seal	
61	70024474	4	Plug, Glow	
62	70005519	1	Catalyst (DOC)	
63	70005517	1	Electrical Line, Relay	
64	70005522	1	Sensor	
65	70005521	1	Interconnect Cable (Not Shown)	
66	70005523	1	Sensor, Pressure	
67	70005524	1	Sensor	
68	70005525	1	Pipe, Connecting	
68	70025242	1	Gasket	
69	70025877	2	Clamp	
70	70005526	1	Pipe, Connecting	
70	70025242	1	Gasket	
71	70005527	1	Clamp	
72	70025877	1	Clamp	
73	70005528	1	Bracket	
73	70005529	2	Strap	
73	70005530	4	Pin, Clevis	
73	70005531	8	Clip	
73	70005532	2	Pin	

SECTION 3 - ENGINE

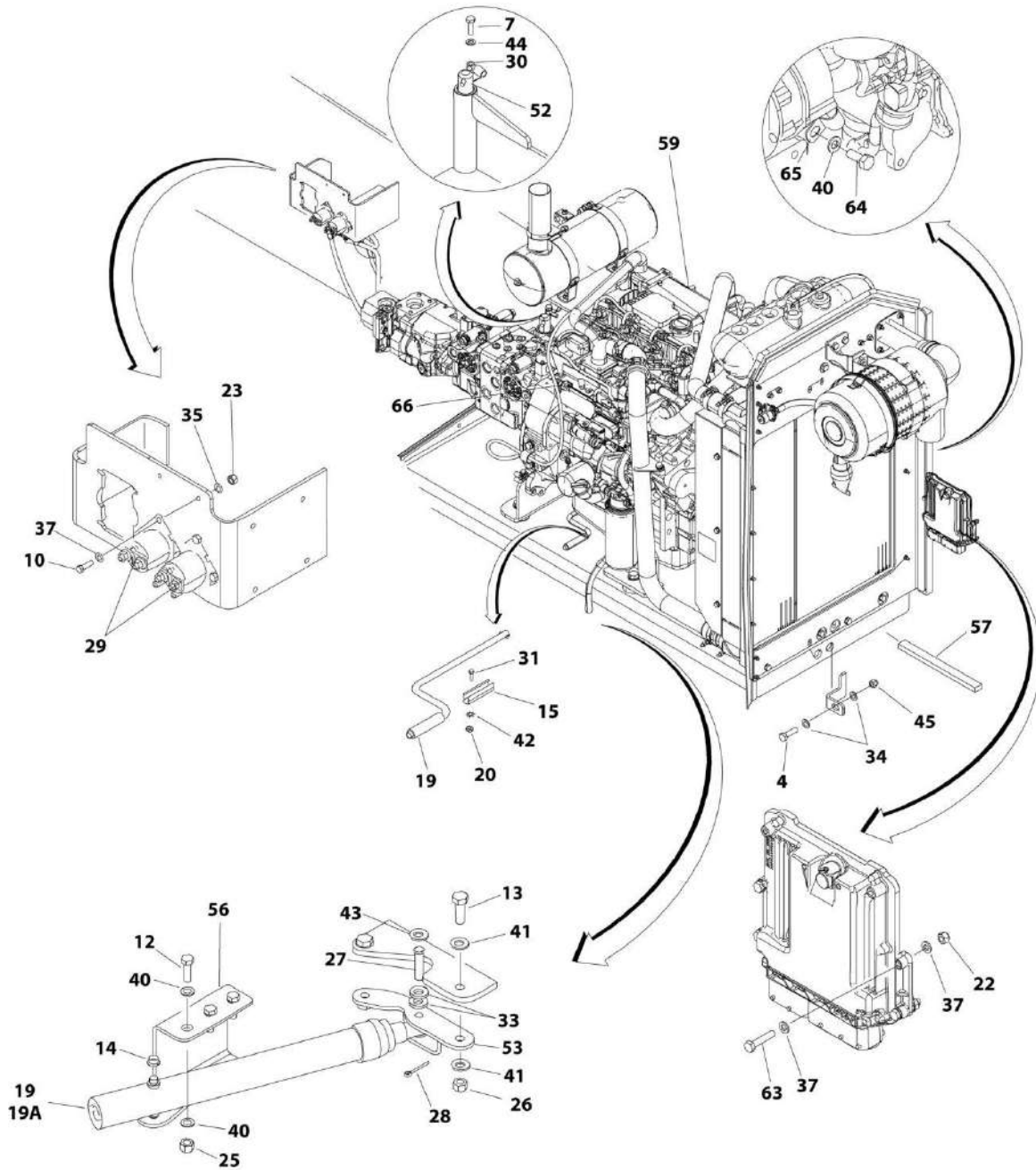
ITEM	PART NUMBER	QTY	DESCRIPTION	REV
73	70005535	1	Rubber, Mounting	
73	70005536	2	Washer	
74	70005537	1	Bracket	
74	70005538	2	Strap	
74	70005530	4	Pin, Clevis	
74	70005531	8	Clip	
74	70005535	2	Rubber, Mounting	
74	70005541	2	Stud	
74	70005542	2	Bracket	
74	70005536	4	Washer	
75	70005544	1	Unit, Metering	
75	70005545	1	Gasket	
76	70005546	1	Tube, Mixing (Not Shown)	
76	70005547	1	Pipe, Union (Not Shown)	
77	70005548	1	Pump, DEF Supply (Includes Items 78-80)	
77	70005549	1	Filter, DEF Supply Pump	
77	70005550	1	Cover, DEF Supply Pump Filter	
78	70005551	1	Socket/Adapter (DEF Supply Pump)	
78	70005552	1	O-Seal	
79	70005553	1	Socket/Adapter (DEF Supply Pump)	
79	70005552	1	O-Seal	
80	70005554	1	Socket/Adapter (DEF Supply Pump)	
80	70005552	1	O-Seal	
81	70005555	1	Transmitter, Temperature	
82	70005556	1	Transmitter, Temperature	
83	70005557	1	Pipe	
83	70005558	1	Clip	
84	70005501	1	Tube, Venturi	
84	70024500	1	Gasket	
85	70005504	1	Sensor, Pressure	
85	70005505	2	Ring, Sealing	
85	70005502	1	Plate, Isolation	
85	70005503	1	Adapter	
86	70005506	1	Temperature, Transmitter	
86	70005507	1	O-Seal	
87	70005508	1	Elbow, Hose	
87	70005509	1	Clamp	
87	70025681	1	Clamp (Pipe Side)	
88	70025747	1	Manifold	
88	70025687	4	Clamp	
88	70025750	1	Line, Water	
88	70025699	1	Clamp	
88	70025749	1	Hose	
88	70025764	1	Plate, Support	
89	70025737	1	Wheel, Sensor (Not Shown - Located Under front Engine Cover)	
90	70025739	1	Gear, Idler (Not Shown - Located Under front Engine Cover)	
90	70025740	1	Shaft (Not Shown - Located Under front Engine Cover)	
91	70025752	1	Valve, Pressure Relief	
91	70025753	1	Spring	
91	70005916	1	Seal, Ring	
91	70005917	1	Screw	

SECTION 3 - ENGINE

ITEM	PART NUMBER	QTY	DESCRIPTION	REV
92	70025758	1	Connector (Not Shown - Located Under Front Engine Cover)	
92	70025704	1	Ring, Half-Moon	
93	70004280	1	Seal, Crankshaft (Not Shown - Located Under Front Engine Cover)	
94	70005721	1	Catalyst (SCR)	
95	70001181	1	Valve, Pressure Control (Not Shown - Located Under Oil Filter)	
95	70124410	1	Spring	
95	70025082	1	Seal, Ring	
95	70124440	1	Screw	

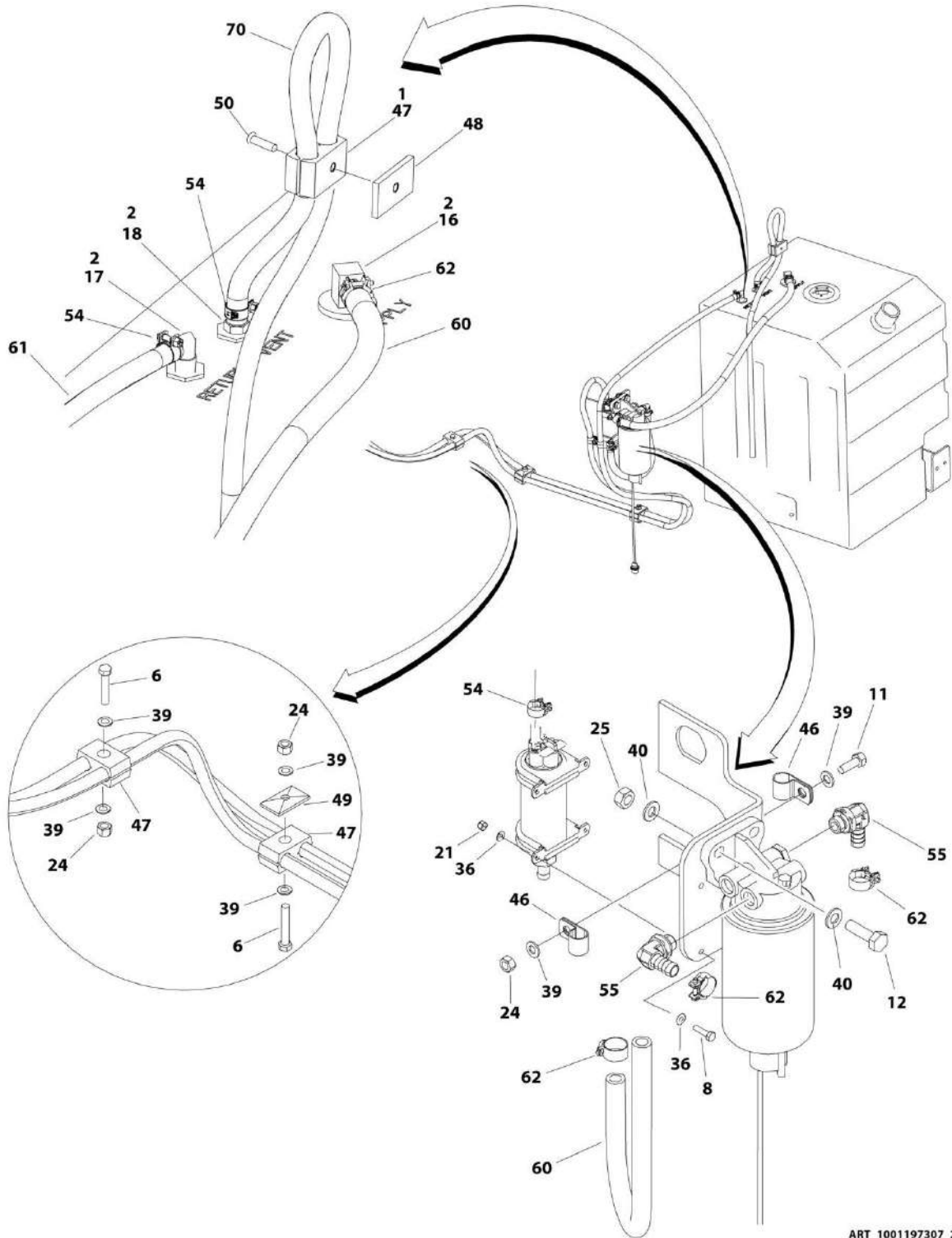
SECTION 3 - ENGINE

FIGURE 3-8. ENGINE INSTALLATION (LRC) (WITHOUT COLD WEATHER PACKAGE)



ART_1001197307_1OF2

SECTION 3 - ENGINE



ART_1001197307_20F2

SECTION 3 - ENGINE

FIGURE 3-8. ENGINE INSTALLATION (LRC) (WITHOUT COLD WEATHER PACKAGE)

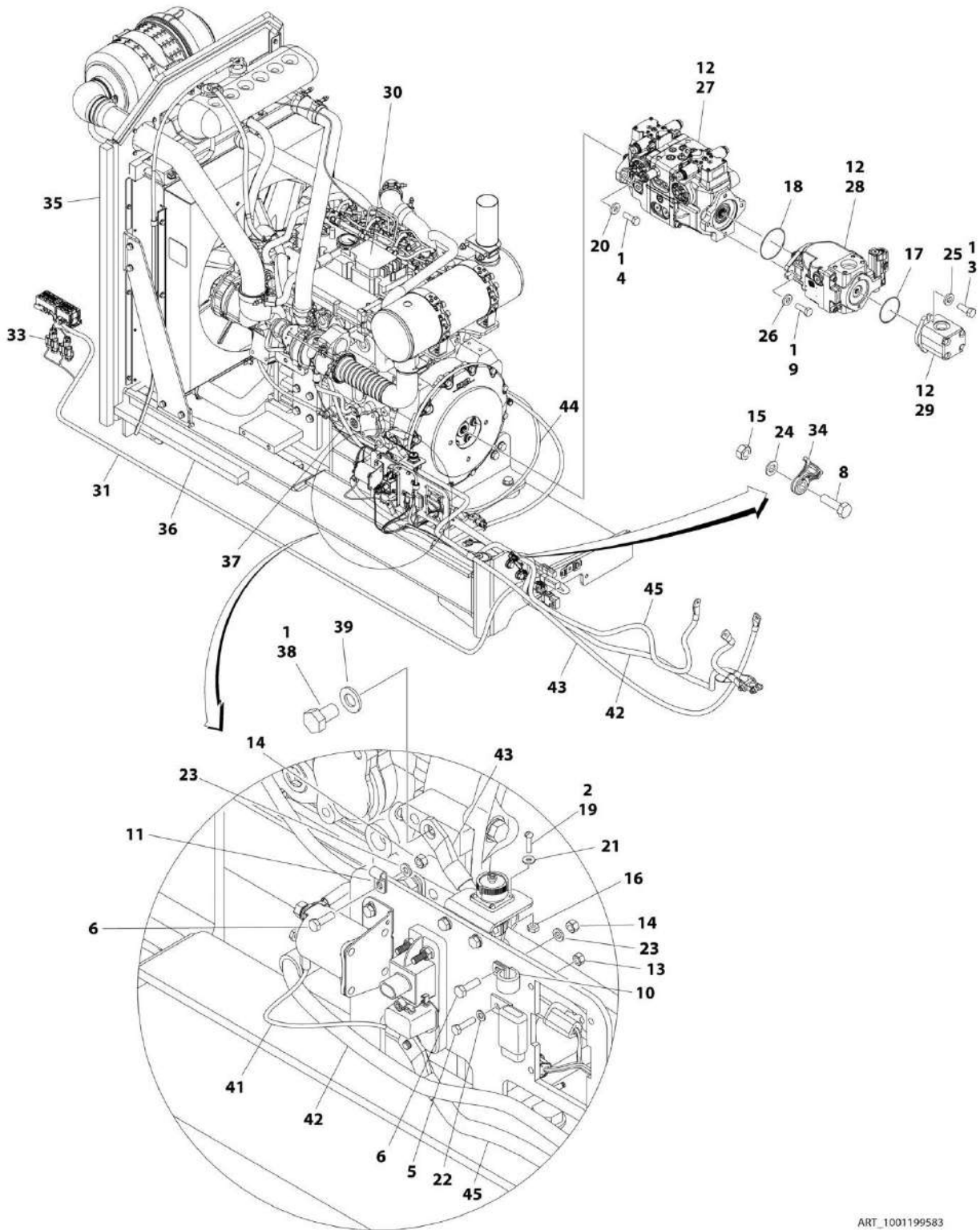
ITEM	PART NUMBER	QTY	DESCRIPTION	REV
	1001197307	Ref	ENGINE INSTALLATION (LRC) (WITHOUT COLD WEATHER PACKAGE)	I
1	0100011	AR	Compound, Locking	
2	0100020	AR	Sealant	
3	0440162	1	Bearing (Not Shown)	
4	0642220	1	Bolt 3/4 x 2-1/2	
6	0700818	3	Bolt M8 x 50	
7	0711015	1	Bolt M10 x 35	
8	0760408	4	Bolt M4 x 16	
10	0760610	4	Bolt M6 x 20 (Prior to SN 0300226018)	
11	0760812	1	Bolt M8 x 25	
12	0761015	5	Bolt M10 x 35	
13	0771416	2	Bolt M14 x 40	
14	0962051	2	Bearing	
15	1380147	1	Clip	
16	2180832	1	Fitting, Straight Barbed/NPTF	
17	2220313	1	Fitting, 90 Barbed/NPTF	
18	2221114	1	Fitting, Straight Barbed/NPT	
19	2840016	1	Tray Jack Assembly	
19	7016322	1	Wiper (Burr Brand)	
19A	7016374	1	Handle (Burr Brand)	
19A	7024598	1	Handle (Hammerblow Brand)	
20	3290301	2	Nut M3	
21	3290405	4	Nut M4	
22	3290605	5	Nut M6	
23	3290607	4	Nut M6 (Prior to SN 0300226018)	
24	3290807	4	Nut M8	
25	3291007	5	Nut M10	
26	3331411	2	Nut M14	
27	3430816	1	Pin	
28	3450404	1	Pin, Cotter 1/8 x 1	
29	3740067	2	Relay (Prior to SN 0300226018)	
30	3841143	1	Keeper, Pin	
31	4010308	2	Screw M3 x 16	
32	4240099	AR	Tie-Strap (Not Shown)	
33	4711800	2	Washer 1/2	
34	4712200	2	Washer 3/4	
35	4791400	4	Washer 1/4 (Prior to SN 0300226018)	
36	4811400	8	Washer M4	
37	4811700	10	Washer M6	
39	4811900	8	Washer M8	
40	4812000	11	Washer M10	
41	4812200	4	Washer M14	
42	4871200	2	Washer M3	
43	4891800	1	Washer 1/2	
44	5241000	1	Washer M10	
45	8310067	1	Nut 3/4	
46	8406101	2	Clip	
47	8750014	4	Clamp	
48	8750031	1	Plate, Clamp	

SECTION 3 - ENGINE

ITEM	PART NUMBER	QTY	DESCRIPTION	REV
49	8769123	2	Cover, Clamp	
50	1001101580	1	Screw M8 x 30	
52	1001135196	1	Pin	
53	1001135497	1	Support	
54	1001136975	5	Clamp	
55	1001142501	2	Fitting, 90 Barbed	
56	1001155939	1	Mount	
57	1001206747	1	Seal	
59	1001199583	1	Engine Assembly with Pumps (LRC) (Without Cold Weather Package) (See ENGINE ASSEMBLY WITH PUMPS (LRC) (WITHOUT COLD WEATHER PACKAGE) for Breakdown)	
60	1001154405	53 in /1.4m	Hose	
61	1001165035	31 ft /9.4m	Hose	
62	1001175568	4	Clip (Prior to SN 0300250324)	
62	1001186342	4	Clip (SN 0300250324 to Present)	
63	0700614	4	Bolt M6 x 30	
64	0761009	1	Bolt M10 x 18	
65	8406105	1	Clip	
66	1001155823	1	Fitting, 90 Barbed	
67	0760608	1	Bolt M6 x 16 (Not Shown)	
70	2750532	4 ft /1.2m	Hose	

SECTION 3 - ENGINE

FIGURE 3-9. ENGINE ASSEMBLY WITH PUMPS (LRC) (WITHOUT COLD WEATHER PACKAGE)



ART_1001199583

SECTION 3 - ENGINE

FIGURE 3-9. ENGINE ASSEMBLY WITH PUMPS (LRC) (WITHOUT COLD WEATHER PACKAGE)

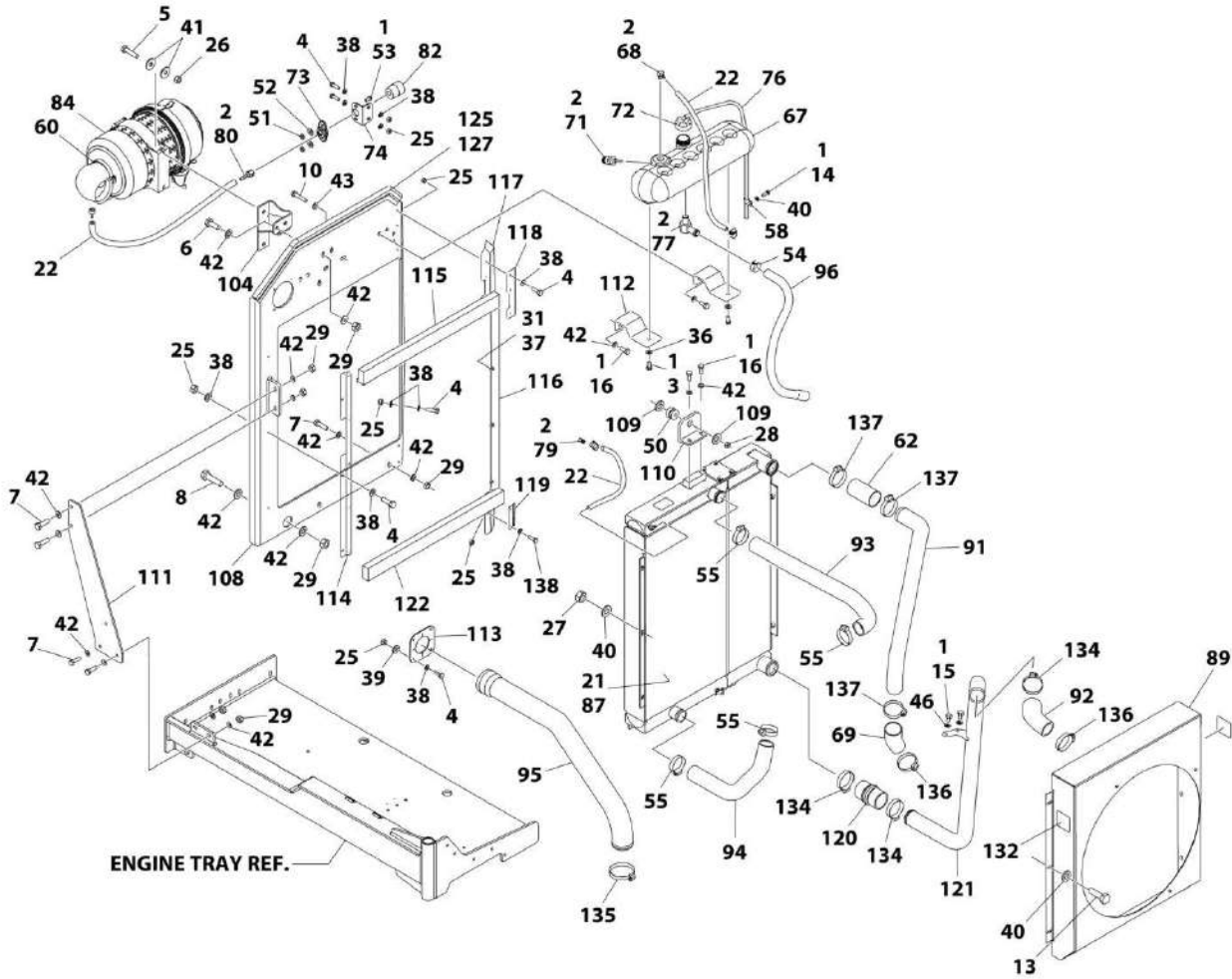
ITEM	PART NUMBER	QTY	DESCRIPTION	REV
	1001199583	Ref	ENGINE ASSEMBLY WITH PUMPS (LRC) (WITHOUT COLD WEATHER PACKAGE)	H
1	0100011	AR	Compound, Locking	
2	0100035	AR	Compound, Locking	
3	0641608	2	Bolt 3/8 x 1	
4	0641812	2	Bolt 1/2 x 1-1/2	
5	0700510	1	Bolt M5 x 20	
6	0760610	2	Bolt M6 x 20	
8	0761015	2	Bolt M10 x 35	
9	0761216	2	Bolt M12 x 40	
10	1320041	1	Clamp	
11	1320136	1	Clamp	
12	3020037	AR	Grease, Coupling	
13	3290507	1	Nut M5	
14	3290607	2	Nut M6	
15	3291007	2	Nut M10	
16	3310401	3	Nut #4	
17	3790152	1	O-Ring	
18	3790155	1	O-Ring	
19	3910408	3	Screw #4 x 1/2	
20	4740171	2	Washer	
21	4750400	3	Washer #4	
22	4811600	2	Washer M5	
23	4811700	2	Washer M6	
24	4812000	2	Washer M10	
25	4891600	2	Washer 3/8	
26	4891800	2	Washer 1/2	
27	1001108616	1	Tandem Pump Assembly (See TANDEM PUMP ASSEMBLY for Breakdown)	
28	1001199470	1	Piston Pump Assembly (See PISTON PUMP ASSEMBLY for Breakdown)	
29	1001112927	1	Gear Pump Assembly (See GEAR PUMP ASSEMBLY for Breakdown)	
30	1001149867	1	Engine Assembly (LRC) (Without Cold Weather Package) (See ENGINE ASSEMBLY (LRC) (WITHOUT COLD WEATHER PACKAGE) for Breakdown)	
31	1001149971	1	Engine Harness (See ELECTRICAL SECTION for Breakdown)	
33	1001156001	1	Engine Harness Can (See ELECTRICAL SECTION for Breakdown)	
34	1001156107	2	Holder, Cable	
35	1001156718	1	Seal	
36	1001206747	1	Seal	
37	1001157073	1	Cable, Alternator	
38	0761210	1	Bolt M12 x 20	
39	4812100	1	Washer M12	
41	1001141304	1	Link, Glow Plug Fusible (Prior to SN 0300226018)	
42	1001154142	1	Cable, Battery Positive (Prior to SN 0300226018)	
42	1001202356	NLA	Cable, Battery Positive (Use p/n 1001234791) (SN 0300226018 through 0300243457)	
42	1001234791	1	Cable, Battery Positive (SN 0300243458 to Present)	
43	1001154143	1	Cable, Battery Negative (Prior to SN 0300226018)	

SECTION 3 - ENGINE

ITEM	PART NUMBER	QTY	DESCRIPTION	REV
43	1001202355	1	Cable, Battery Negative (SN 0300226018 to Present)	
44	1001168734	1	Cable, Glow Plug	
45	1001222918	1	Cable, System B+ (SN 0300226018 to Present)	

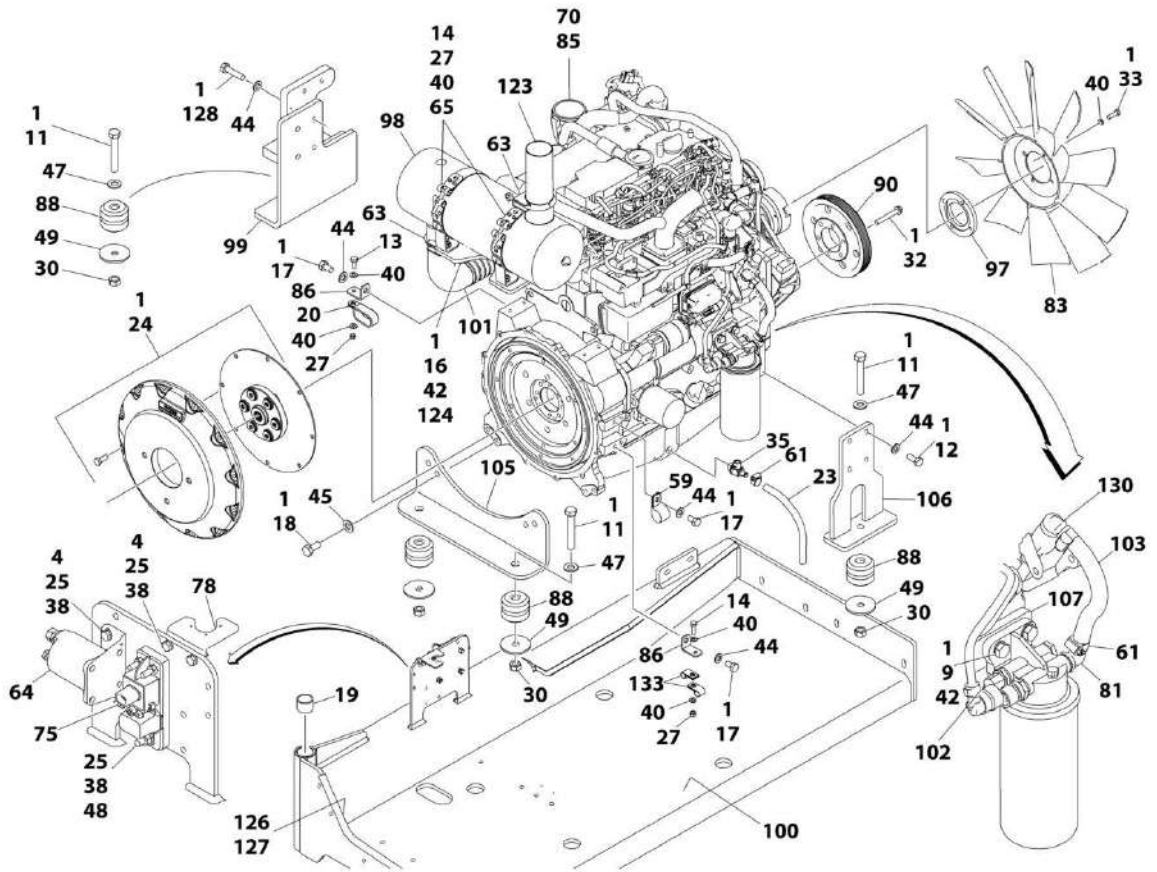
SECTION 3 - ENGINE

FIGURE 3-10. ENGINE ASSEMBLY (LRC) (WITHOUT COLD WEATHER PACKAGE)



ART_1001149867_1OF2

SECTION 3 - ENGINE



ART_1001149867_2OF2

SECTION 3 - ENGINE

FIGURE 3-10. ENGINE ASSEMBLY (LRC) (WITHOUT COLD WEATHER PACKAGE)

ITEM	PART NUMBER	QTY	DESCRIPTION	REV
	1001149867	Ref	ENGINE ASSEMBLY (LRC) (WITHOUT COLD WEATHER PACKAGE)	O
1	0100011	AR	Compound, Locking	
2	0100020	AR	Sealant	
3	0641606	2	Bolt 3/8 x 3/4	
4	0700612	20	Bolt M6 x 25	
5	0700815	2	Bolt M8 x 35	
6	0701013	2	Bolt M10 x 28	
7	0701015	6	Bolt M10 x 35	
8	0701016	2	Bolt M10 x 40	
9	0701017	2	Bolt M10 x 45	
10	0701019	1	Bolt M10 x 55	
11	0701627	4	Bolt M16 x 100	
12	0711214	4	Bolt M12 x 30 Grade 10.9	
13	0760810	5	Bolt M8 x 20	
14	0760812	7	Bolt M8 x 25	
15	0761008	2	Bolt M10 x 16	
16	0761012	10	Bolt M10 x 25	
17	0761210	3	Bolt M12 x 20	
18	0771414	4	Bolt M14 x 30 Grade 10.9	
18	0771415	4	Bolt M14 x 35 Grade 10.9	
19	0961951	2	Bushing	
20	1321716	1	Clamp	
21	1001103452	AR	Coolant	
22	2720015	5 ft/ 1.5m	Hose	
23	2720340	1 ft/ .3m	Hose (Prior to SN 0300239975)	
23	1001165035	1 ft/ 0.3m	Hose (SN 0300239975 to Present)	
24	2902065	1	Pump Coupling Kit (See PUMP COUPLING KIT for Breakdown)	
25	3290607	23	Nut M6	
26	3290805	2	Nut M8	
27	3290807	9	Nut M8	
28	3291005	1	Nut M10	
29	3291007	10	Nut M10	
30	3291601	4	Nut M16	
31	3820032	9	Rivet	
32	5251022	6	Bolt M10 x 70	
33	4031912	4	Capscrew M8 x 40	
34	4240099	AR	Tie-Strap (Not Shown)	
35	4640751	1	Valve, Oil Drain	
36	4711600	2	Washer 3/8	
37	4811600	4	Washer M5	
38	4811700	41	Washer M6	
39	4811702	4	Washer M6	
40	4811900	25	Washer M8	
41	4811902	4	Washer M8	
42	4812000	34	Washer M10	
43	4812002	1	Washer M10	
44	4812100	11	Washer M12	
45	4812200	4	Washer M14	
46	5241000	2	Washer M10	

SECTION 3 - ENGINE

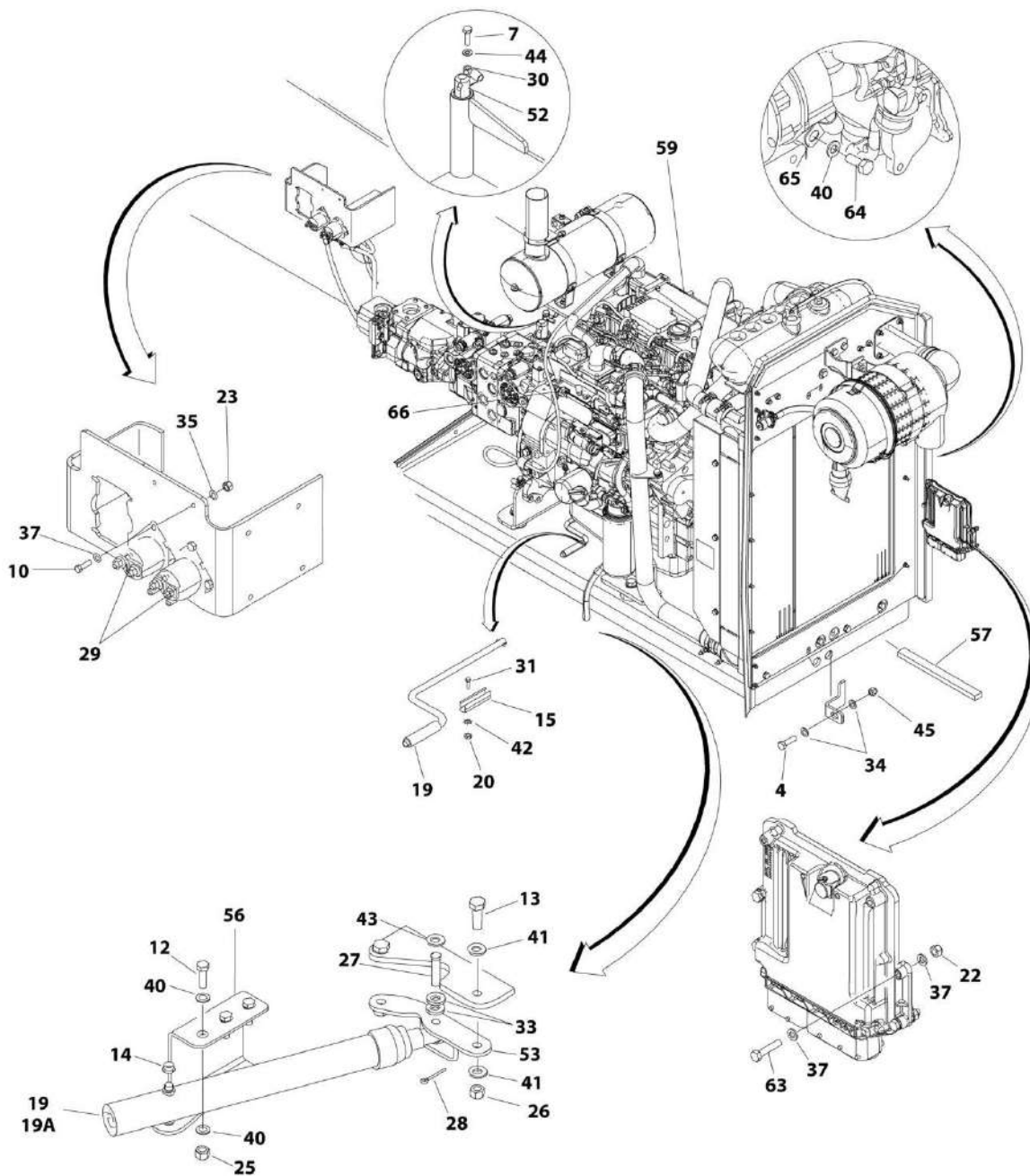
ITEM	PART NUMBER	QTY	DESCRIPTION	REV
47	5241600	4	Washer M16	
48	5271614	1	Capscrew M16 x 50	
49	7300435	4	Washer	
50	8278020	1	Mount	
51	8305401	2	Nut 1/4	
52	8307109	2	Washer 1/4	
53	8310548	2	Screw 1/4 x 1/2	
54	8405007	2	Clamp	
55	8405104	4	Clamp	
58	8406109	2	Clamp	
59	8406303	1	Clip	
60	8410011	1	Clamp	
61	8410013	3	Clamp	
62	91563070	1	Coupling, Rubber	
63	1001111116	2	Clamp	
64	1001117308	1	Relay	
65	1001119727	2	Clamp	
67	1001166393	1	Tank	
68	1001134488	1	Fitting, 90 NPT/Barbed	
69	1001135943	1	Coupling	
70	1001136079	AR	Oil, Motor	
71	1001138827	1	Sensor	
72	1001136834	1	Cap	
73	1001138173	1	Support	
74	1001138175	1	Bracket	
75	1001138228	1	Module, Relay	
75	70023592	1	Fuse 20Amp	
75	70023593	1	Fuse 30Amp	
76	1001138248	5 ft/ 1.5m	Tubing	
77	1001138559	1	Fitting, 90 NPT	
78	1001139240	1	Bracket	
79	1001140564	1	Fitting, 90 NPT/Barbed	
80	1001141995	1	Fitting, Straight NPT/Barbed	
81	1001142501	1	Fitting, 90 NPT/Barbed	
82	1001143390	1	Indicator, Air Restriction	
83	1001177137	1	Fan	
84	1001147847	1	Filter, Air	
84	70023809	1	Element, Primary	
84	70023872	1	Element, Secondary	
84	70024328	1	Elbow, Rubber	
84	70024329	1	Clamp, Mounting	
85	1001148076	1	Engine Components (LRC) (See ENGINE COMPONENTS (LRC) for Breakdown)	
86	1001148641	2	Bracket	
87	1001149407	1	Radiator	
88	1001149517	4	Mount, Motor	
89	1001149736	1	Shroud	
90	1001149746	1	Pulley	
91	1001150498	1	Tube	
92	1001150499	1	Hose	
93	1001150500	1	Hose	
94	1001150504	1	Hose	

SECTION 3 - ENGINE

ITEM	PART NUMBER	QTY	DESCRIPTION	REV
95	1001150505	1	Pipe	
96	1001150553	1	Hose	
97	1001177134	1	Adapter	
98	1001151432	1	Muffler	
99	1001151491	1	Support	
100	1001151749	1	Tray	
101	1001151761	1	Pipe, Exhaust	
102	1001152489	1	Fitting, 90 Barbed	
103	1001154405	8.5 in/ 21cm	Hose	
104	1001155023	1	Plate	
105	1001155496	1	Support	
106	1001160518	1	Support	
107	1001155498	1	Plate	
108	1001155525	1	Support	
109	1001155540	2	Washer	
110	1001157862	1	Bracket	
111	1001155550	NLA	Plate (Use p/n 1001212817)	
111	1001212817	1	Plate	
112	1001155557	2	Plate	
113	1001155563	1	Seal	
114	1001155564	1	Bracket	
115	1001155565	1	Seal	
116	1001155566	1	Bracket	
117	1001156034	1	Seal	
118	1001156035	1	Bracket	
119	1001156062	1	Bracket	
120	1001156091	1	Hose	
121	1001156112	1	Tube	
122	1001156644	2	Seal	
123	1001158262	1	Pipe, Exhaust	
124	1001158289	1	Bracket	
125	1001155728	1	Seal	
126	4060807	22 in/ 55cm	Flex-Trim	
127	0100081	AR	Adhesive	
128	0711218	4	Bolt M12 x 50 Grade 10.9	
130	1001170982	1	Fitting, 90 SAE/Barbed	
132	1703162	2	Decal - Fan Blade	
133	8406110	2	Clip	
134	8410012	3	Clamp	
135	1001208297	1	Clamp	
136	1001208298	2	Clamp	
137	1001208299	3	Clamp	
138	0760614	1	Bolt M6 x 30	

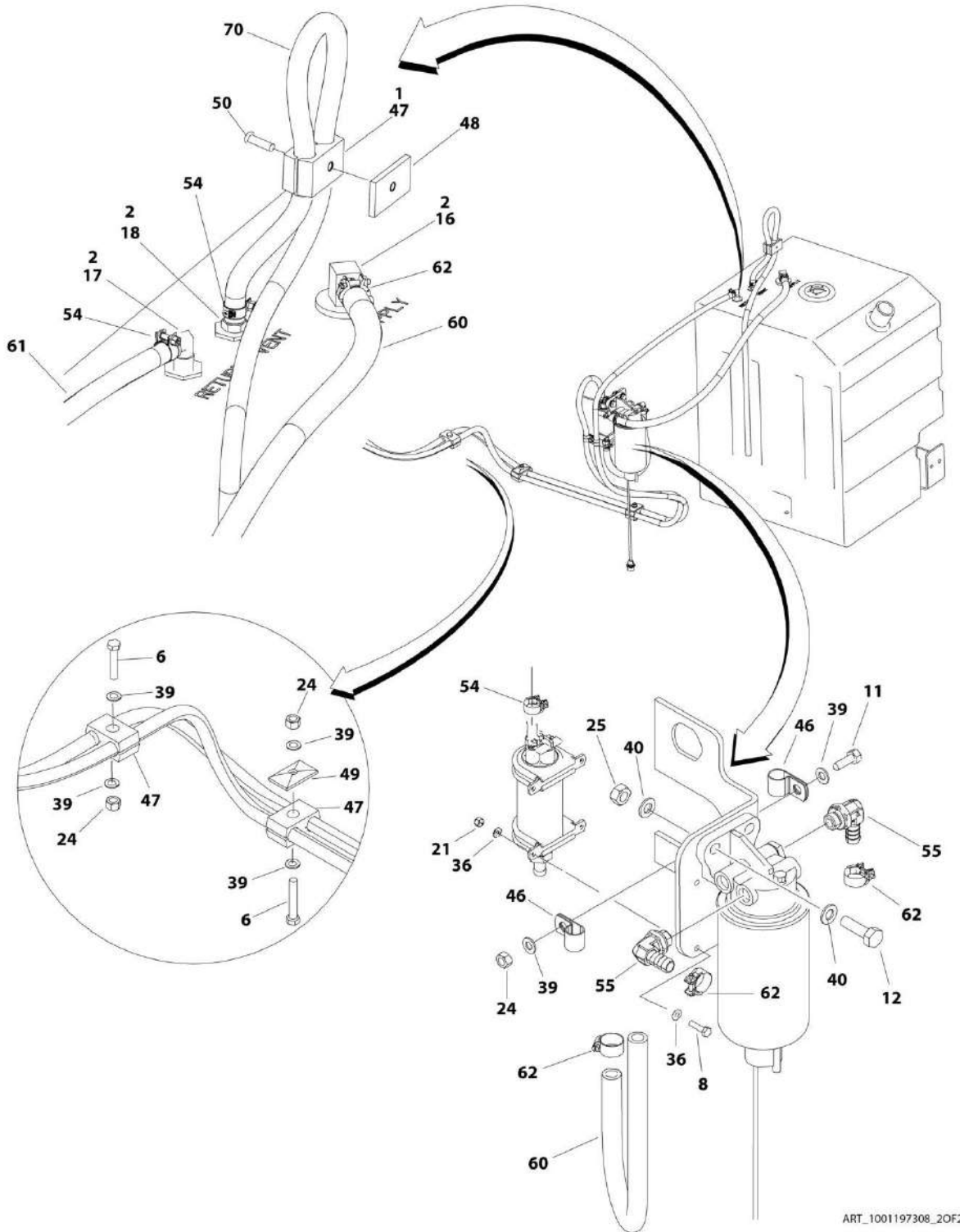
SECTION 3 - ENGINE

FIGURE 3-11. ENGINE INSTALLATION (LRC) (WITH COLD WEATHER PACKAGE)



ART_1001197308_1OF2

SECTION 3 - ENGINE



ART_1001197308_20F2

SECTION 3 - ENGINE

FIGURE 3-11. ENGINE INSTALLATION (LRC) (WITH COLD WEATHER PACKAGE)

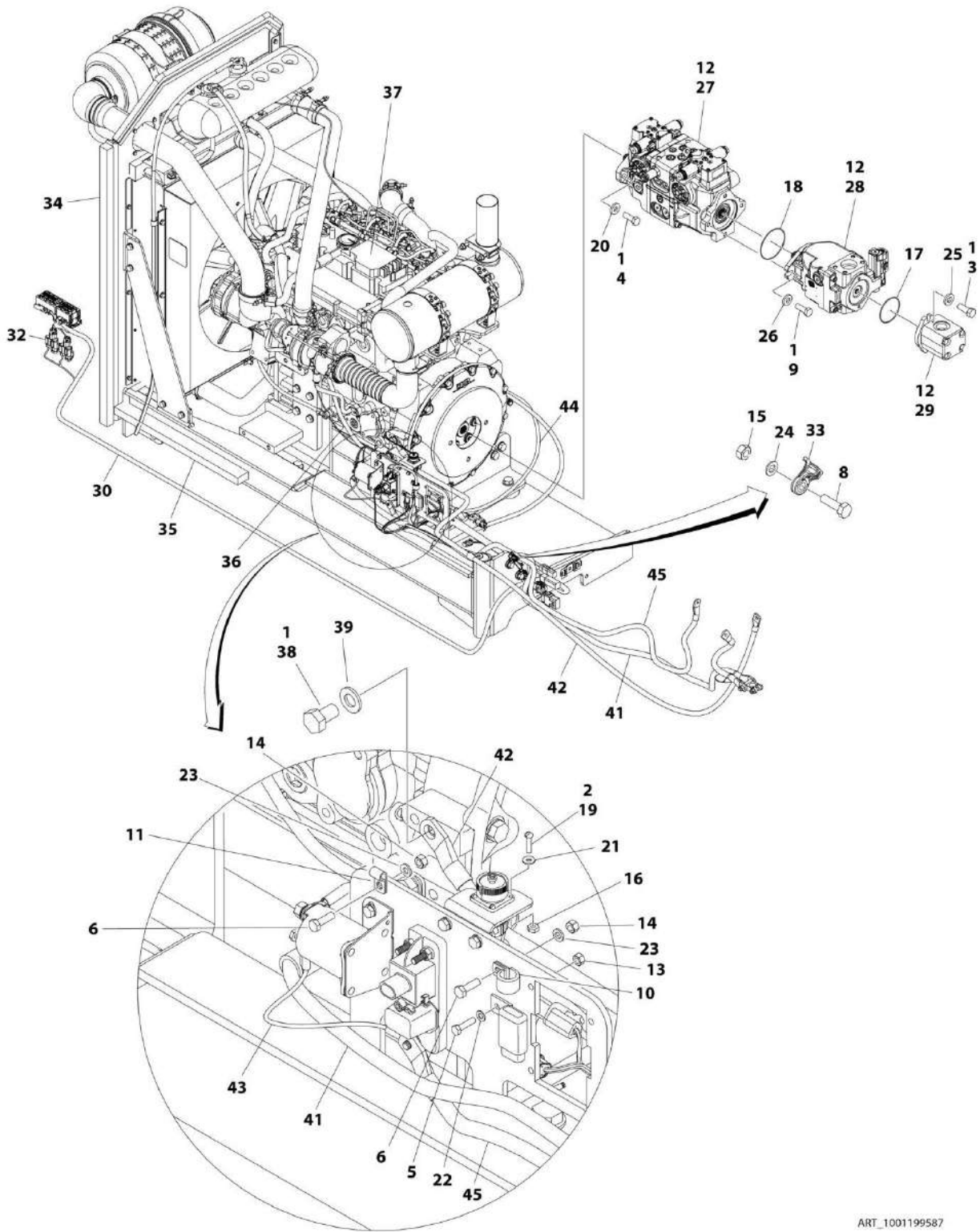
ITEM	PART NUMBER	QTY	DESCRIPTION	REV
	1001197308	Ref	ENGINE INSTALLATION (LRC) (WITH COLD WEATHER PACKAGE)	I
1	0100011	AR	Compound, Locking	
2	0100020	AR	Sealant	
3	0440162	1	Bearing (Not Shown)	
4	0642220	1	Bolt 3/4 x 2-1/2	
6	0700818	3	Bolt M8 x 50	
7	0711015	1	Bolt M10 x 35	
8	0760408	4	Bolt M4 x 16	
10	0760610	4	Bolt M6 x 20 (Prior to SN 0300226018)	
11	0760812	1	Bolt M8 x 25	
12	0761015	5	Bolt M10 x 35	
13	0771416	2	Bolt M14 x 40	
14	0962051	2	Bearing	
15	1380147	1	Clip	
16	2180832	1	Fitting, Straight Barbed/NPTF	
17	2220313	1	Fitting, 90 Barbed/NPTF	
18	2221114	1	Fitting, Straight Barbed/NPT	
19	2840016	1	Tray Jack Assembly	
19	7016322	1	Wiper (Burr Brand)	
19A	7016374	1	Handle (Burr Brand)	
19A	7024598	1	Handle (Hammerblow Brand)	
20	3290301	2	Nut M3	
21	3290405	4	Nut M4	
22	3290605	5	Nut M6	
23	3290607	4	Nut M6 (Prior to SN 0300226018)	
24	3290807	4	Nut M8	
25	3291007	5	Nut M10	
26	3331411	2	Nut M14	
27	3430816	1	Pin	
28	3450404	1	Pin, Cotter 1/8 x 1	
29	3740067	2	Relay (Prior to SN 0300226018)	
30	3841143	1	Keeper, Pin	
31	4010308	2	Screw M3 x 16	
32	4240099	AR	Tie-Strap (Not Shown)	
33	4711800	2	Washer 1/2	
34	4712200	2	Washer 3/4	
35	4791400	4	Washer 1/4 (Prior to SN 0300226018)	
36	4811400	8	Washer M4	
37	4811700	10	Washer M6	
39	4811900	8	Washer M8	
40	4812000	11	Washer M10	
41	4812200	4	Washer M14	
42	4871200	2	Washer M3	
43	4891800	1	Washer 1/2	
44	5241000	1	Washer M10	
45	8310067	1	Nut 3/4	
46	8406101	2	Clip	
47	8750014	4	Clamp	
48	8750031	1	Plate, Clamp	

SECTION 3 - ENGINE

ITEM	PART NUMBER	QTY	DESCRIPTION	REV
49	8769123	2	Cover, Clamp	
50	1001101580	1	Screw M8 x 30	
52	1001135196	1	Pin	
53	1001135497	1	Support	
54	1001136975	5	Clamp	
55	1001142501	2	Fitting, 90 Barbed	
56	1001155939	1	Mount	
57	1001206747	1	Seal	
59	1001199587	1	Engine Assembly with Pumps (LRC) (With Cold Weather Package) (See ENGINE ASSEMBLY WITH PUMPS (LRC) (WITH COLD WEATHER PACKAGE) for Breakdown)	
60	1001154405	53 in /1.4m	Hose	
61	1001165035	31 ft /9.4m	Hose	
62	1001175568	4	Clip (Prior to SN 0300250324)	
62	1001186342	4	Clip (SN 0300250324 to Present)	
63	0700614	4	Bolt M6 x 30	
64	0761009	1	Bolt M10 x 18	
65	8406105	1	Clip	
66	1001155823	1	Fitting, 90 Barbed	
67	0760608	1	Bolt M6 x 16 (Not Shown)	
70	2750532	4 ft /1.2m	Hose	

SECTION 3 - ENGINE

FIGURE 3-12. ENGINE ASSEMBLY WITH PUMPS (LRC) (WITH COLD WEATHER PACKAGE)



ART_1001199587

SECTION 3 - ENGINE

FIGURE 3-12. ENGINE ASSEMBLY WITH PUMPS (LRC) (WITH COLD WEATHER PACKAGE)

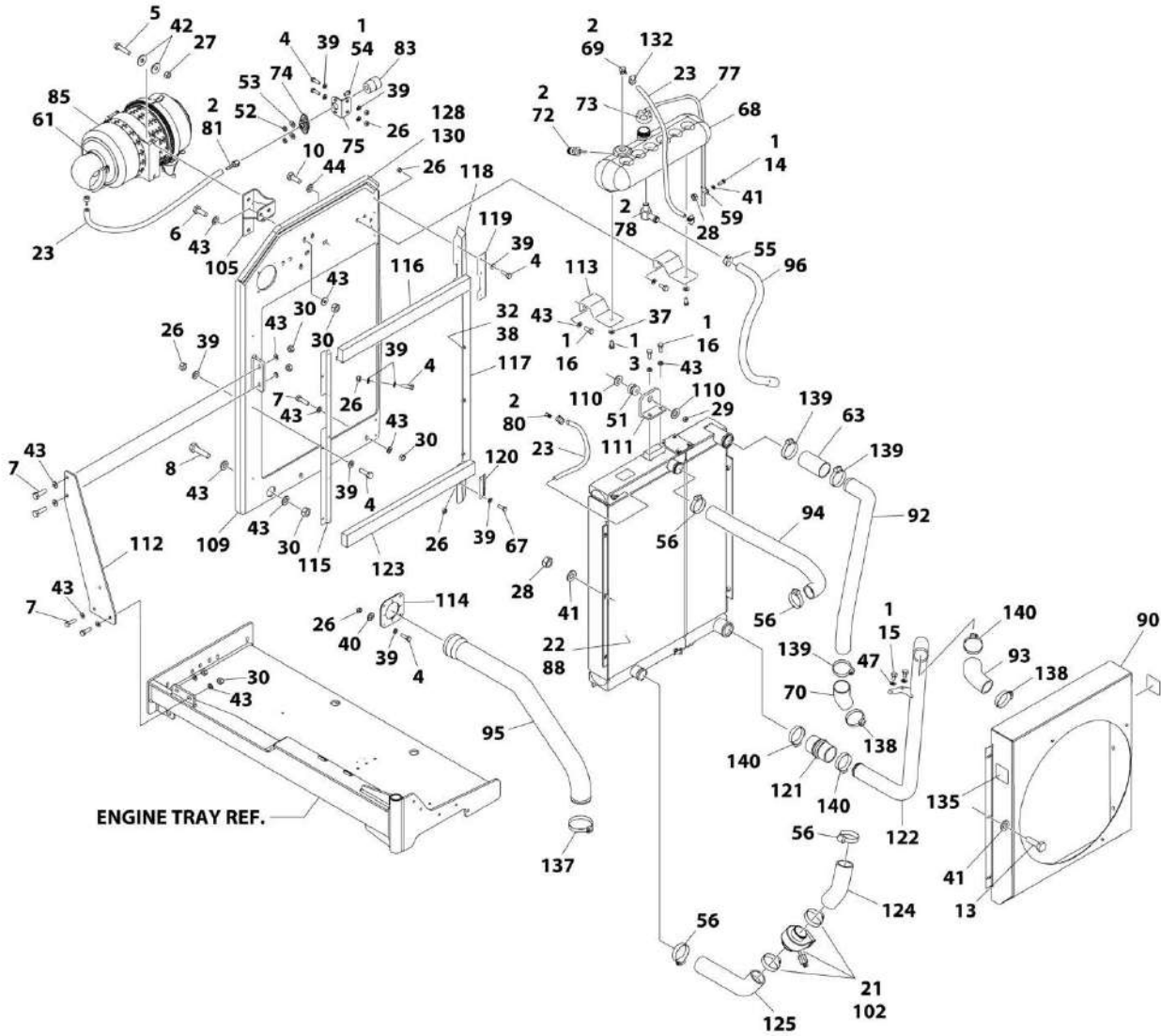
ITEM	PART NUMBER	QTY	DESCRIPTION	REV
	1001199587	Ref	ENGINE ASSEMBLY WITH PUMPS (LRC) (WITH COLD WEATHER PACKAGE)	H
1	0100011	AR	Compound, Locking	
2	0100035	AR	Compound, Locking	
3	0641608	2	Bolt 3/8 x 1	
4	0641812	2	Bolt 1/2 x 1-1/2	
5	0700510	1	Bolt M5 x 20	
6	0760610	2	Bolt M6 x 20	
8	0761015	2	Bolt M10 x 35	
9	0761216	2	Bolt 12 x 40	
10	1320041	1	Clamp	
11	1320136	1	Clamp	
12	3020037	AR	Grease, Coupling	
13	3290507	1	Nut M5	
14	3290607	2	Nut M6	
15	3291007	2	Nut M10	
16	3310401	3	Nut #4	
17	3790152	1	O-Ring	
18	3790155	1	O-Ring	
19	3910408	3	Screw #4 x 1/2	
20	4740171	2	Washer	
21	4750400	3	Washer #4	
22	4811600	2	Washer M5	
23	4811700	2	Washer M6	
24	4812000	2	Washer M10	
25	4891600	2	Washer 3/8	
26	4891800	2	Washer 1/2	
27	1001108616	1	Tandem Pump Assembly (See TANDEM PUMP ASSEMBLY for Breakdown)	
28	1001199470	1	Piston Pump Assembly (See PISTON PUMP ASSEMBLY for Breakdown)	
29	1001112927	1	Gear Pump Assembly (See GEAR PUMP ASSEMBLY for Breakdown)	
30	1001149971	1	Engine Harness (See ELECTRICAL SECTION for Breakdown)	
32	1001156001	1	Engine Harness Can (See ELECTRICAL SECTION for Breakdown)	
33	1001156107	2	Holder, Cable	
34	1001156718	1	Seal	
35	1001206747	1	Seal	
36	1001157073	1	Cable, Alternator	
37	1001158529	1	Engine Assembly (LRC) (With Cold Weather Package) (See ENGINE ASSEMBLY (LRC) (WITH COLD WEATHER PACKAGE) for Breakdown)	
38	0761210	1	Bolt M12 x 20	
39	4812100	1	Washer M12	
41	1001154142	1	Cable, Battery Positive (Prior to SN 0300226018)	
41	1001202356	NLA	Cable, Battery Positive (Use p/n 1001234791) (SN 0300226018 through 0300243457)	
41	1001234791	1	Cable, Battery Positive (SN 0300243458 to Present)	
42	1001154143	1	Cable, Battery Negative (Prior to SN 0300226018)	
42	1001202355	1	Cable, Battery Negative (SN 0300226018 to Present)	

SECTION 3 - ENGINE

ITEM	PART NUMBER	QTY	DESCRIPTION	REV
43	1001141304	1	Link, Glow Plug Fusible (Prior to SN 0300226018)	
44	1001168734	1	Cable, Glow Plug	
45	1001222918	1	Cable, System B+ (SN 0300226018 to Present)	

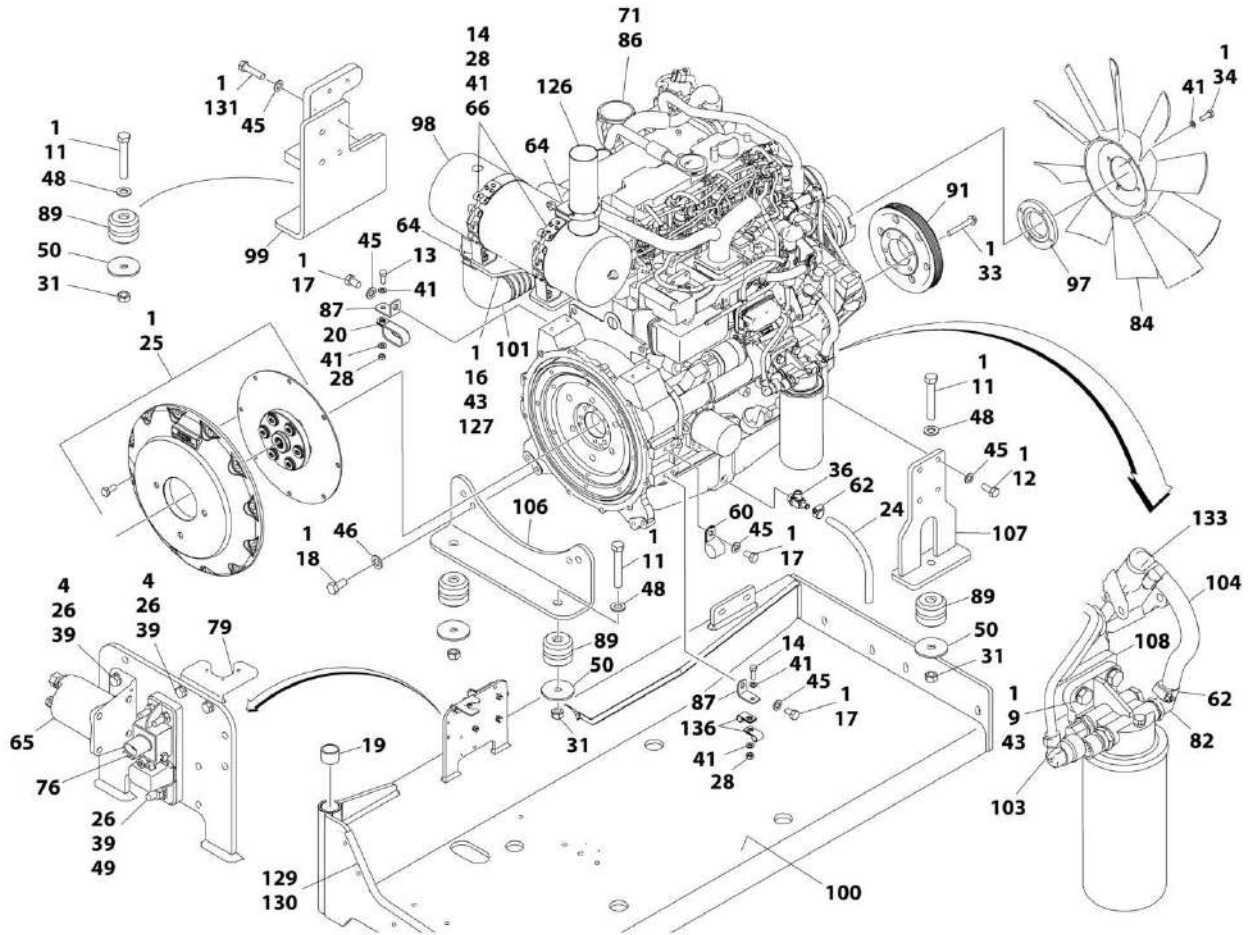
SECTION 3 - ENGINE

FIGURE 3-13. ENGINE ASSEMBLY (LRC) (WITH COLD WEATHER PACKAGE)



ART_1001158529_10F2

SECTION 3 - ENGINE



ART_1001158529_20F2

SECTION 3 - ENGINE

FIGURE 3-13. ENGINE ASSEMBLY (LRC) (WITH COLD WEATHER PACKAGE)

ITEM	PART NUMBER	QTY	DESCRIPTION	REV
	1001158529	Ref	ENGINE ASSEMBLY (LRC) (WITH COLD WEATHER PACKAGE)	O
1	0100011	AR	Compound, Locking	
2	0100020	AR	Sealant	
3	0641606	2	Bolt 3/8 x 3/4	
4	0700612	20	Bolt M6 x 25	
5	0700815	2	Bolt M8 x 35	
6	0701013	2	Bolt M10 x 28	
7	0701015	6	Bolt M10 x 35	
8	0701016	2	Bolt M10 x 40	
9	0701017	2	Bolt M10 x 45	
10	0701019	1	Bolt M10 x 55	
11	0701627	4	Bolt M16 x 100	
12	0711214	4	Bolt M12 x 30 Grade 10.9	
13	0760810	5	Bolt M8 x 20	
14	0760812	7	Bolt M8 x 25	
15	0761008	2	Bolt M10 x 16	
16	0761012	10	Bolt M10 x 25	
17	0761210	3	Bolt M12 x 20	
18	0771414	4	Bolt M14 x 30 Grade 10.9	
18	0771415	4	Bolt M14 x 35 Grade 10.9	
19	0961951	2	Bushing	
20	1321716	1	Clamp	
21	1702942	1	Decal - Engine Block Heater	
22	1001103452	AR	Coolant	
23	2720015	5 ft/ 1.5m	Hose	
24	2720340	1 ft/ .3m	Hose (Prior to SN 0300239975)	
24	1001165035	1 ft/ 0.3m	Hose (SN 0300239975 to Present)	
25	2902065	1	Pump Coupling Kit (See PUMP COUPLING KIT for Breakdown)	
26	3290607	23	Nut M6	
27	3290805	2	Nut M8	
28	3290807	9	Nut M8	
29	3291005	1	Nut M10	
30	3291007	10	Nut M10	
31	3291601	4	Nut M16	
32	3820032	9	Rivet	
33	5251022	6	Bolt M10 x 70	
34	4031912	4	Capscrew M8 x 40	
35	4240099	AR	Tie-Strap (Not Shown)	
36	4640751	1	Valve, Oil Drain	
37	4711600	2	Washer 3/8	
38	4811600	4	Washer M5	
39	4811700	41	Washer M6	
40	4811702	4	Washer M6	
41	4811900	25	Washer M8	
42	4811902	4	Washer M8	
43	4812000	34	Washer M10	
44	4812002	1	Washer M10	
45	4812100	11	Washer M12	
46	4812200	4	Washer M14	
47	5241000	2	Washer M10	

SECTION 3 - ENGINE

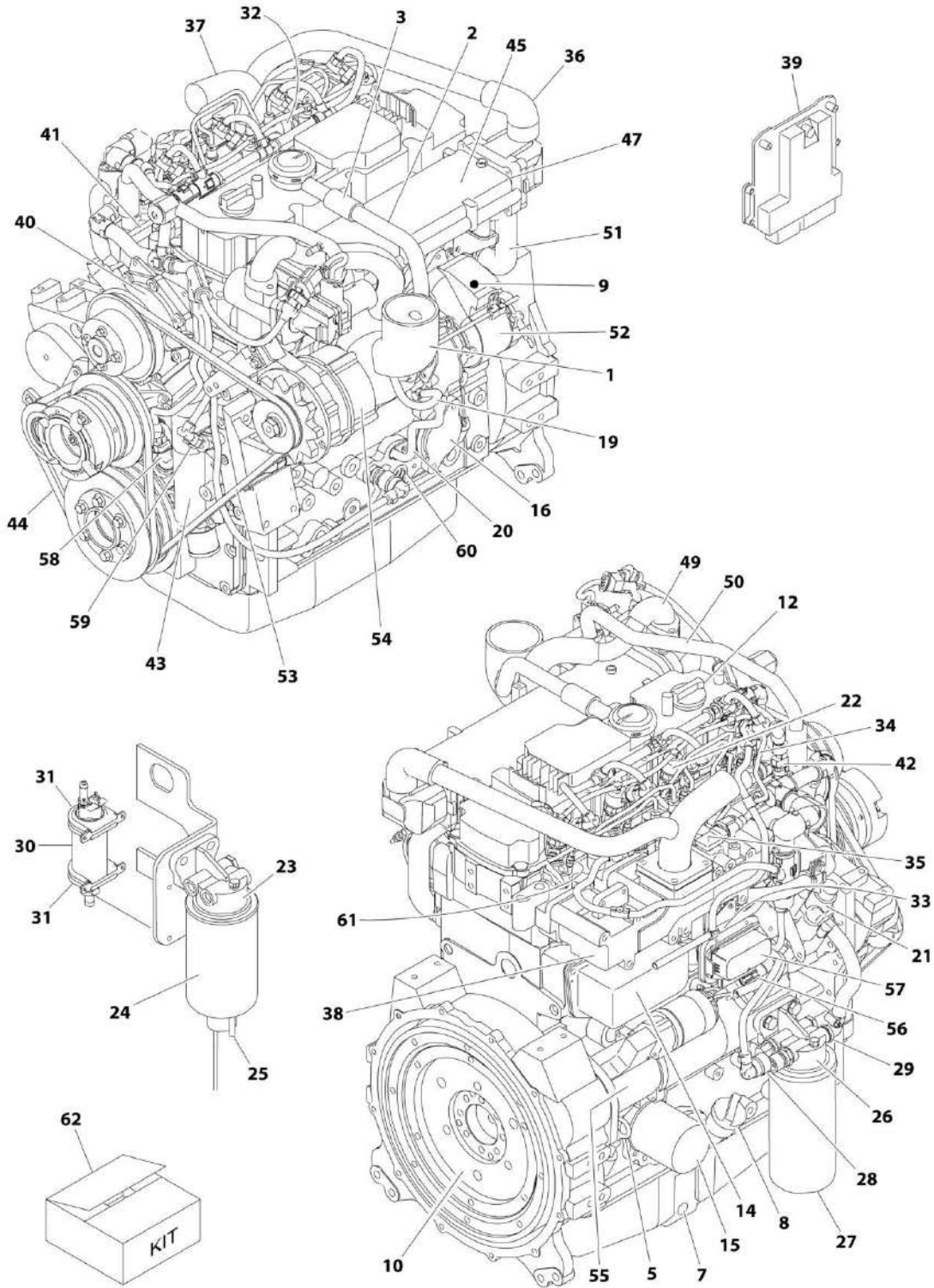
ITEM	PART NUMBER	QTY	DESCRIPTION	REV
48	5241600	4	Washer M16	
49	5271614	1	Capscrew M16 x 50	
50	7300435	4	Washer	
51	8278020	1	Mount	
52	8305401	2	Nut 1/4	
53	8307109	2	Washer 1/4	
54	8310548	2	Screw 1/4 x 1/2	
55	8405007	2	Clamp	
56	8405104	4	Clamp	
59	8406109	2	Clamp	
60	8406303	1	Clip	
61	8410011	1	Clamp	
62	8410013	3	Clamp	
63	91563070	1	Coupling, Rubber	
64	1001111116	2	Clamp	
65	1001117308	1	Relay	
66	1001119727	2	Clamp	
67	0760614	2	Bolt M6 x 30	
68	1001166393	1	Tank	
69	1001134488	1	Fitting, 90 NPT/Barbed	
70	1001135943	1	Coupling	
71	1001136172	AR	Oil, Motor	
72	1001138827	1	Sensor	
73	1001136834	1	Cap	
74	1001138173	1	Support	
75	1001138175	1	Bracket	
76	1001138228	1	Module, Relay	
77	1001138248	5 ft/ 1.5m	Tubing	
78	1001138559	1	Fitting, 90 NPT	
79	1001139240	1	Bracket	
80	1001140564	1	Fitting, 90 NPT/Barbed	
81	1001141995	1	Fitting, Straight NPT/Barbed	
82	1001142501	1	Fitting, 90 NPT/Barbed	
83	1001143390	1	Indicator, Air Restriction	
84	1001177137	1	Fan	
85	1001147847	1	Filter, Air	
85	70023809	1	Element, Primary	
85	70023872	1	Element, Secondary	
85	70024328	1	Elbow, Rubber	
85	70024329	1	Clamp, Mounting	
86	1001148076	1	Engine Components (LRC) (See ENGINE COMPONENTS (LRC) for Breakdown)	
87	1001148641	2	Bracket	
88	1001149407	1	Radiator	
89	1001149517	4	Mount, Motor	
90	1001149736	1	Shroud	
91	1001149746	1	Pulley	
92	1001150498	1	Tube	
93	1001150499	1	Hose	
94	1001150500	1	Hose	
95	1001150505	1	Pipe	
96	1001150553	1	Hose	

SECTION 3 - ENGINE

ITEM	PART NUMBER	QTY	DESCRIPTION	REV
97	1001177134	1	Adapter	
98	1001151432	1	Muffler	
99	1001151491	1	Support	
100	1001151749	1	Tray	
101	1001151761	1	Pipe, Exhaust	
102	1001152112	1	Heater, Engine Block	
103	1001152489	1	Fitting, 90 Barbed	
104	1001154405	8.5 in/ 21cm	Hose	
105	1001155023	1	Plate	
106	1001155496	1	Support	
107	1001160518	1	Support	
108	1001155498	1	Plate	
109	1001155525	1	Support	
110	1001155540	2	Washer	
111	1001157862	1	Bracket	
112	1001155550	NLA	Plate (Use p/n 1001212817)	
112	1001212817	1	Plate	
113	1001155557	2	Plate	
114	1001155563	1	Seal	
115	1001155564	1	Bracket	
116	1001155565	1	Seal	
117	1001155566	1	Bracket	
118	1001156034	1	Seal	
119	1001156035	1	Bracket	
120	1001156062	1	Bracket	
121	1001156091	1	Hose	
122	1001156112	1	Tube	
123	1001156644	2	Seal	
124	1001157300	1	Hose, Lower Radiator (Top Section)	
125	1001157301	1	Hose, Lower Radiator (Bottom Section)	
126	1001158262	1	Pipe, Exhaust	
127	1001158289	1	Bracket	
128	1001155728	1	Seal	
129	4060807	22 in/ 55cm	Flex-Trim	
130	0100081	AR	Adhesive	
131	0711218	4	Bolt M12 x 50 Grade 10.9	
132	1320022	4	Clamp	
133	1001170982	1	Fitting, 90 SAE/Barbed	
135	1703162	2	Decal - Fan Blade	
136	8406110	2	Clip	
137	1001208297	1	Clamp	
138	1001208298	2	Clamp	
139	1001208299	3	Clamp	
140	8410012	3	Clamp	

SECTION 3 - ENGINE

FIGURE 3-14. ENGINE COMPONENTS (LRC)



ART_1001148076

SECTION 3 - ENGINE

FIGURE 3-14. ENGINE COMPONENTS (LRC)

ITEM	PART NUMBER	QTY	DESCRIPTION	REV
	1001148076	Ref	ENGINE COMPONENTS (LRC)	G
1	70024497	1	Pipe, Intake	
1	70025680	1	Clamp	
2	70025111	1	Clamp	
2	70025128	1	Bolt	
2	70025116	1	Clamp	
2	See Note	NSS	Line, Breather (Includes Item 3) (Note: Not Available for Purchase)	
3	70025119	1	Sleeve, Rubber	
3	7002511	1	Clamp	
4	70002718	1	Seal, Rear Main (Not Shown)	
5	70025745	1	Dipstick	
5	70025755	1	Tube, Dipstick	
5	7020442	1	O-Seal	
6	70025123	24	Screw, Oil Pan (Not Shown)	
7	70025088	1	Plug	
8	7020465	1	Cap	
8	See Note	NSS	Tube, Fill (Note: Not Available for Purchase)	
8	70024471	1	Gasket (Tube to Engine Block)	
9	70025786	1	Plug	
10	70001870	1	Flywheel	
10	7024579	1	Gear, Rim	
11	70025789	1	Gasket, Head (Not Shown)	
11	70024481	1	Gasket, Valve Cover (Not Shown)	
12	7020465	1	Cap, Fill	
13	70025763	1	Pump, Oil (Not Shown)	
13	70025717	2	Tube, Adapter (Not Shown)	
13	70025718	4	O-Ring (Not Shown)	
13	70025714	2	Bushing, Dowel (Not Shown)	
14	70004275	1	Cooler, Oil	
14	70024495	1	Gasket	
15	7016331	1	Filter, Oil	
15	70025137	1	Bushing, Screw	
16	70025731	1	Cover	
16	70002813	1	Seal	
17	70025730	1	Pipe, Transfer (Not Shown - Located in Oil Pan)	
18	70025722	1	Line, Oil Suction (Not Shown - Located in Oil Pan)	
19	70024489	1	Line, Lube	
19	70025087	2	Screw	
19	70025105	4	Ring, Sealing	
20	See Note	NSS	Line, Lube Return (Note: Not Available for Purchase)	
20	70025132	1	O-Seal	
20	70025234	1	Flange, Upper	
20	70024509	1	Gasket, Upper Flange	
21	70024487	1	Pump, High Pressure	
21	70025152	1	O-Ring	
21	70004505	1	Valve, Overflow	
21	70004506	1	O-Ring	
21	70004507	1	O-Ring	
21	70004508	1	Valve, Volume Control	
21	70004509	1	O-Ring	

SECTION 3 - ENGINE

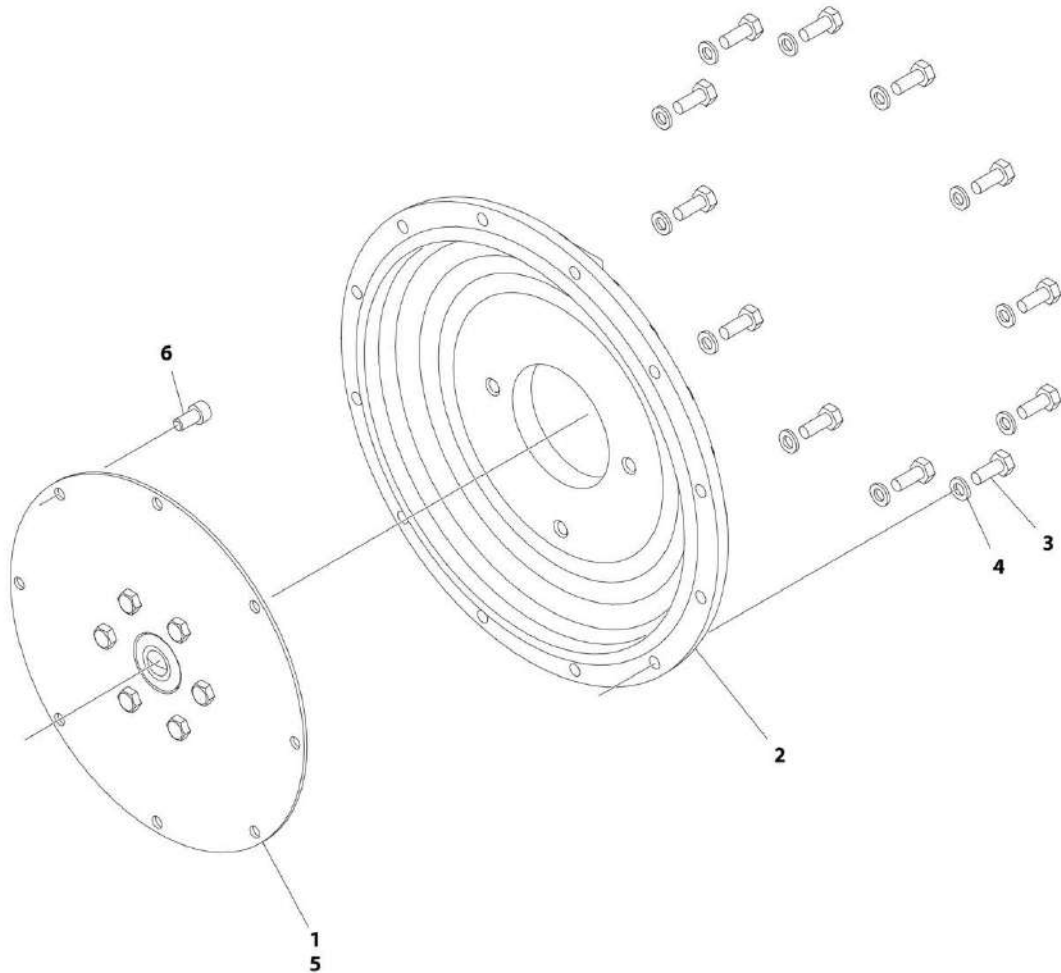
ITEM	PART NUMBER	QTY	DESCRIPTION	REV
21	70004510	1	Gasket	
21	See Note	NSS	O-Seal (Between Pump and Block) (Note: Not Available for Purchase)	
21	70025729	1	Gear	
22	70024485	4	Injector, Fuel	
22	70025140	4	Washer, Sealing	
22	70025146	4	Clamp	
22	70025145	4	O-Seal	
22	70025154	4	Shoe, Clamping	
23	70024961	1	Head and Filter Assembly	
24	70025153	1	Filter	
25	70024513	1	Sensor with Cable	
25	70025239	1	Ring, Sealing	
26	70004511	1	Head and Filter Assembly	
27	70004512	1	Filter	
28	70024504	1	Sensor, Pressure	
28	70024920	1	O-Seal	
29	70004514	1	Fitting	
29	70004513	1	Ring, Sealing	
30	70024486	1	Pump, Fuel Supply	
31	70025144	2	Clamp	
32	70025151	1	Rail, Fuel	
32	70025235	1	Kit, Repair - Fuel Rail	
32	70025240	1	O-Ring	
32	70025534	1	Pipe, Pressure Pump to Fuel Rail	
32	70024498	1	Pipe, Fuel Rail to Cylinders 1 & 2	
32	70024499	1	Pipe, Fuel Rail to Cylinders 3 & 4	
33	70024501	1	Line, Fuel	
33	70025109	3	Clamp, Band	
33	70025686	3	Clamp, Pipe	
34	70025766	1	Pipe, Fuel Leakage	
34	70025756	2	Retainer for Fuel Leakage Pipe	
35	70024921	1	Sensor, Pressure	
35	70025120	1	O-Seal	
36	70025721	1	Hose, Elbow	
36	70025675	1	Clamp (Manifold Side)	
36	70025681	1	Clamp (Pipe Side)	
37	70025748	1	Pipe, Air Charge	
37	70025726	1	Gasket	
38	70025772	1	Manifold, Air Charge	
38	70024475	1	Gasket (Manifold to Head)	
39	70025210	1	Module, Engine Control	
40	70004515	1	Pump, Water	
40	70025713	1	Seal (RH Side Pump to Item 43)	
40	70004516	2	Ring, Sealing (For Smaller Plug)	
40	7016309	1	Ring, Sealing (For Larger Plug)	
41	70025741	1	Housing, Thermostat	
41	70024473	1	Thermostat	
41	7016309	1	Ring, Sealing (For Bottom Plug)	
41	70024493	1	Gasket (Housing to Head)	
42	70024918	1	Sender, Temperature	
43	70025762	1	Manifold, Coolant	

SECTION 3 - ENGINE

ITEM	PART NUMBER	QTY	DESCRIPTION	REV
44	70004517	1	V-Belt	
44	See Note	NSS	Tensioner, Pulley (Note: Not Available for Purchase)	
45	70025723	1	EGR Manifold Assembly	
45	70025708	1	Module, EGR	
45	70025710	1	O-Seal	
45	70025709	1	O-Seal	
47	70025768	1	Valve, Shuttle	
48	70024482	1	Gasket, Exhaust Manifold to Head (Not Shown)	
49	See Note	NSS	Tube, Compensator (Note: Not Available for Purchase)	
49	70024500	2	Gasket	
50	70024496	1	Line, Water	
50	7020492	1	Ring, Sealing (For Plug in Line)	
50	70024478	1	Gasket (Water Line to EGR Valve)	
50	70025701	1	Sleeve, Rubber	
50	70025687	2	Clamp (For Sleeve)	
50	70025699	1	Clamp, Insulated	
51	70024479	1	Hose	
51	70025687	1	Clamp (Lower)	
51	70025773	1	Clamp (Upper)	
51	70025744	1	Fitting (At Lower End of Hose)	
51	70024469	1	O-Seal (For Fitting)	
52	70004518	1	Turbocharger	
52	70024480	1	Gasket	
53	70004519	1	V-Belt	
54	70025533	1	Generator	
54	70025149	1	Controller	
54	70025131	1	Fan	
54	70025150	1	Pulley	
54	70025141	1	Nut, Pulley	
55	70004520	1	Starter	
56	70025780	1	Relay	
57	70025783	1	Engine Harness	
58	70024916	1	Tacho-Generator	
58	70024917	1	O-Seal	
59	70024503	1	Tacho-Generator	
59	70024917	1	O-Seal	
60	70024504	1	Switch, Pressure	
60	70024920	1	O-Seal	
61	70024474	4	Plug, Glow	
62	70025707	1	Gasket Kit	

SECTION 3 - ENGINE

FIGURE 3-15. PUMP COUPLING KIT



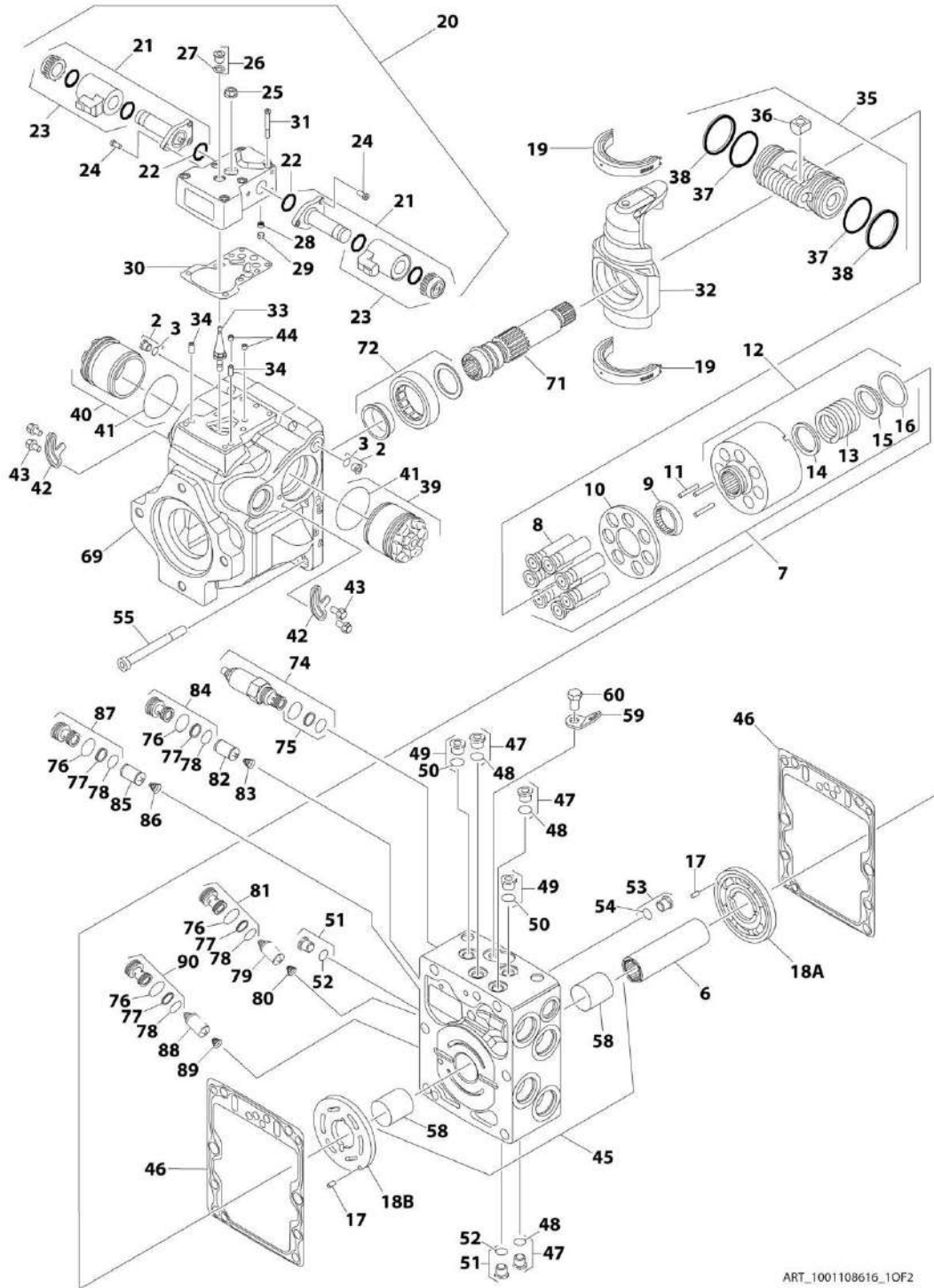
ART_2902065

FIGURE 3-15. PUMP COUPLING KIT

ITEM	PART NUMBER	QTY	DESCRIPTION	REV
	2902065	Ref	PUMP COUPLING KIT	K
1	70000793	1	Coupling, Pump	
2	See Note	NSS	Plate, Pump Adapter (Note: Use p/n 2902065)	
3	See Note	NSS	Bolt M10 x 30 Grade 10.9 (Note: Use p/n 2902065)	
4	See Note	NSS	Washer M10 (Note: Use p/n 2902065)	
5	3020021	AR	Grease, Coupling	
6	See Note	NSS	Capscrew M10 x 20 Grade 10.9 (Note: Use p/n 2902065)	

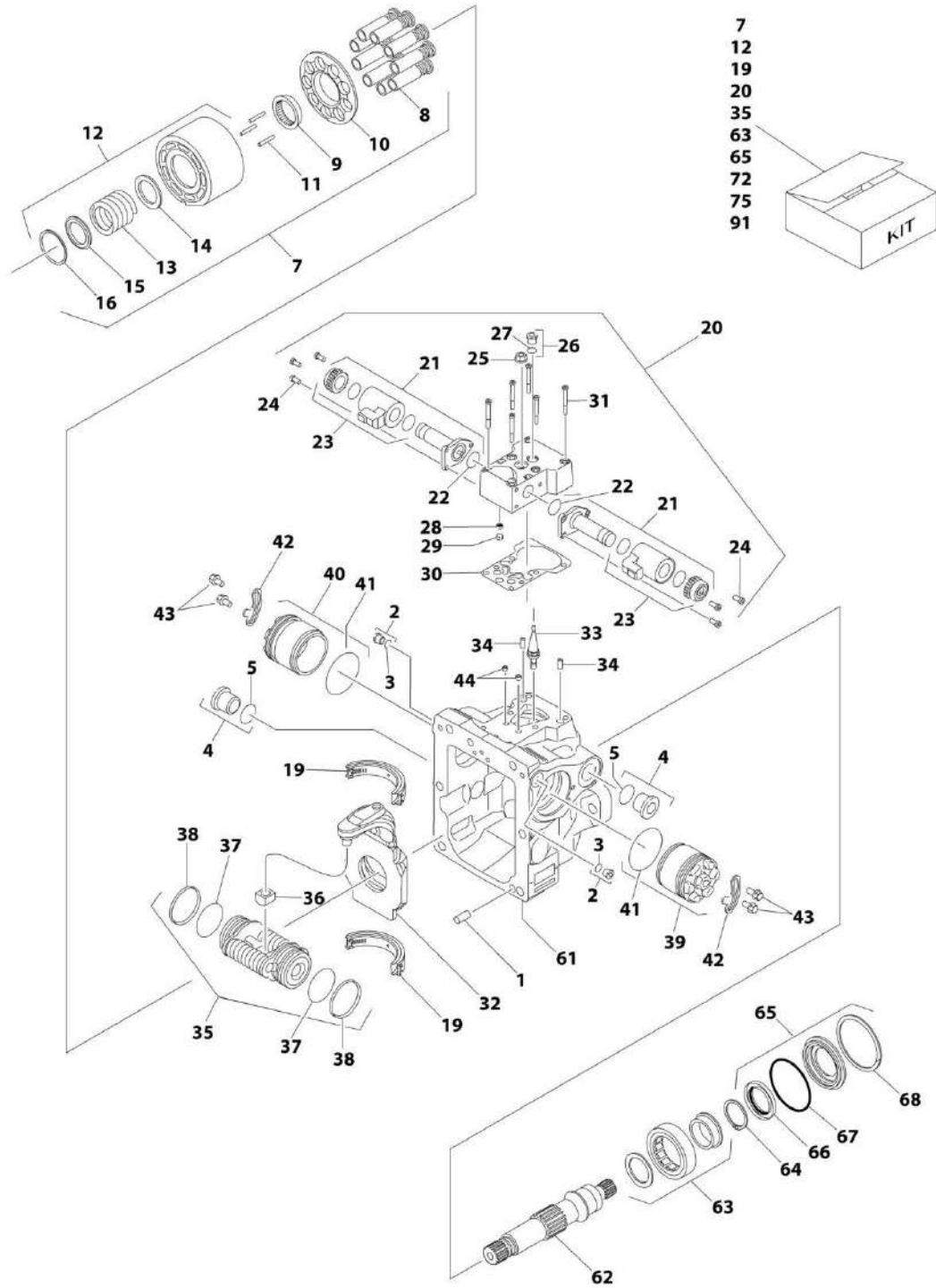
SECTION 3 - ENGINE

FIGURE 3-16. TANDEM PUMP ASSEMBLY



ART_1001108616_10F2

SECTION 3 - ENGINE



ART_1001108616_20F2

SECTION 3 - ENGINE

FIGURE 3-16. TANDEM PUMP ASSEMBLY

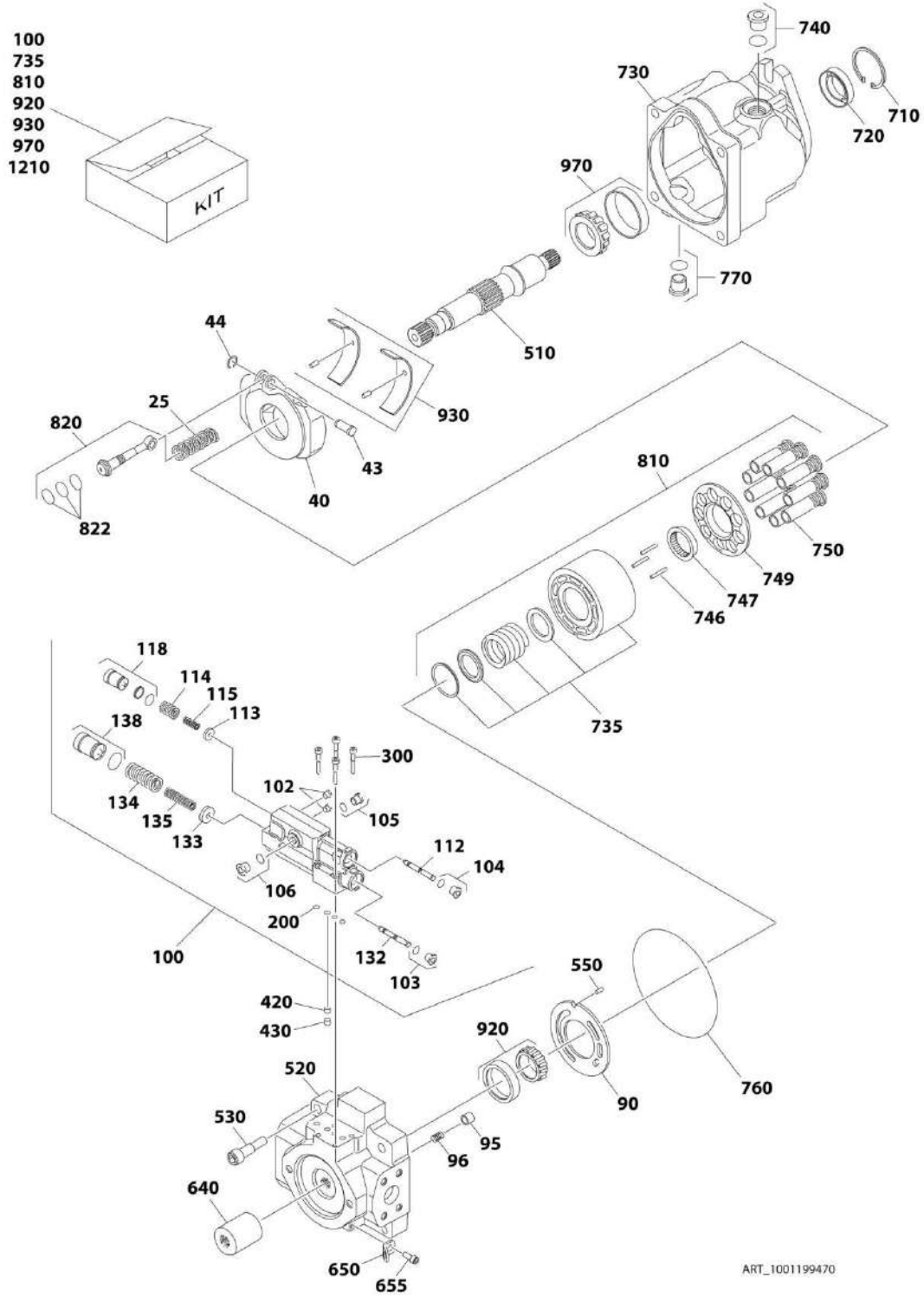
ITEM	PART NUMBER	QTY	DESCRIPTION	REV
	1001108616	Ref	TANDEM PUMP ASSEMBLY	D
1	70002132	4	Pin	
2	70002133	4	Plug Assembly (Includes Item 3)	
3	7007207	4	O-Ring (Part of Item 2)	
4	7007419	2	Plug Assembly (Includes Item 5)	
5	7007418	2	O-Ring (Part of Item 4)	
6	70002600	1	Coupling	
7	70002135	2	Kit, Cylinder Block (Each Kit Includes Qty 1 of Items 8-10 & 12-16 & Qty 3 of Item 11)	
8	70002136	2	Kit, Piston Assembly (Includes Qty 9 Piston Assemblies) (Part of Item 7)	
9	70002137	2	Guide, Slipper Retainer (Part of Item 7)	
10	70002138	2	Retainer, Slipper (Part of Item 7)	
11	7021275	6	Pin, Slipper Retainer Holddown (Part of Item 7)	
12	70002143	2	Cylinder Block Assembly (Includes Qty 1 of Items 13-16) (Part of Item 7)	
13	70002139	2	Spring (Part of Item 12)	
14	70002140	2	Washer (Part of Item 12)	
15	70002141	2	Washer (Part of Item 12)	
16	70002142	2	Ring, Retaining (Part of Item 12)	
17	7007446	2	Pin	
18A	70002601	1	Plate, CW Valve	
18B	70002602	1	Plate, CCW Valve	
19	70002145	2	Kit, Swashplate Bearing (Includes Qty 2 Bearings)	
20	70002618	2	Kit, EDC (Includes Items 21-31)	
21	70002619	4	Solenoid Valve Assembly (Includes Item 22 & 23) (Part of Item 20)	
22	70002148	4	O-Ring (2 Per EDC Assembly) (Part of Item 21)	
23	70002620	4	Kit, Coil Nut and Seals (2 Per EDC Assembly) (Part of Item 21)	
24	70002150	12	Screw (Part of Item 20)	
25	7022301	2	Nut, Seal (Part of Item 20)	
26	70002151	2	Plug Assembly (Part of Item 20) (Includes Item 27)	
27	7007207	2	O-Ring (Part of Item 26)	
28	70002134	2	Screen (Part of Item 20)	
29	70002153	2	Ring, Locking (Part of Item 20)	
30	70002154	2	Gasket, Control (Part of Item 20)	
31	70002156	12	Capscrew (Part of Item 20)	
32	70002152	2	Swashplate	
33	70002155	2	Link, Swashplate	
34	70002157	4	Pin, Dowel	
35	70002158	2	Servo Piston Assembly (Includes Items 36-38)	
36	70002159	2	Block, Slider (Part of Item 35)	
37	70002160	2	O-Ring (Part of Item 35)	
38	70002161	2	Ring, Piston (Part of Item 35)	
39	70002162	2	Cylinder, Servo	
40	70002162	2	Cylinder, Servo	
41	70002163	4	O-Ring	
42	70002164	4	Plate, Locking	
43	70002165	8	Screw	
44	70002604	4	Orifice	

SECTION 3 - ENGINE

ITEM	PART NUMBER	QTY	DESCRIPTION	REV
45	70002605	1	Center Section Assembly (Includes Item 58)	
46	70002168	2	Gasket, End Cap	
47	70001958	2	Plug Assembly (Includes Item 48)	
48	7021256	2	O-Ring (Part of Item 47)	
49	70001958	2	Plug Assembly (Includes Item 50)	
50	7021256	2	O-Ring (Part of Item 49)	
51	70001958	2	Plug Assembly (Includes Item 52)	
52	7021256	2	O-Ring (Part of Item 51)	
53	70001958	2	Plug Assembly (Includes Item 54)	
54	7021256	2	O-Ring (Part of Item 53)	
55	70002606	4	Capscrew	
58	70002607	2	Bearing, Journal (Part of Item 45)	
59	7022608	1	Bracket, Lifting	
60	70002609	1	Screw	
61	See Note	NSS	Housing (Note: Not Available for Purchase)	
62	70002175	1	Shaft	
63	70002610	1	Kit, Ball Bearing	
64	70007439	1	Ring, Retaining	
65	70002174	1	Kit, Shaft Seal (Includes Items 66-68) (Note: This is a universal kit and will contain extra pieces that are not used on this pump assembly)	
66	70002177	1	Seal, Lip	
67	70002178	1	O-Ring	
68	70002179	1	Ring, Retaining	
69	See Note	1	Housing (Note: Not Available for Purchase)	
71	70002612	1	Shaft	
72	70002610	1	Kit, Ball Bearing	
74	70002621	1	High Pressure Relief Valve Cartridge Assembly (Includes Item 75)	
75	70002622	1	Seal Kit - 70002621 Valve (Part of Item 74)	
76	7007415	1	O-Ring	
77	7021293	1	Ring, Back-up	
78	7022300	1	O-Ring	
79	70002616	1	SCR Valve Assembly	
80	7024800	1	Spring	
81	7021265	1	Plug Assembly (Includes Qty 1 of Items 76-78)	
82	70002616	1	SCR Valve Assembly	
83	7024800	1	Spring	
84	7021265	1	Plug Assembly (Includes Qty 1 of Items 76-78)	
85	70002616	1	SCR Valve Assembly	
86	7024800	1	Spring	
87	70002617	1	Plug Assembly (Includes Qty 1 of Items 76-78)	
88	70002616	1	SCR Valve Assembly	
89	7024800	1	Spring	
90	7021265	1	Plug Assembly (Includes Qty 1 of Items 76-78)	
91	70002623	1	Kit, Overhaul Seal (Includes Items 3, 5, 22, 27, 30, 37, 38, 41, 46, 48, 50, 52, 54, 66, 67, 75, 76, 77 & 78)	

SECTION 3 - ENGINE

FIGURE 3-17. PISTON PUMP ASSEMBLY



ART_1001199470

SECTION 3 - ENGINE

FIGURE 3-17. PISTON PUMP ASSEMBLY

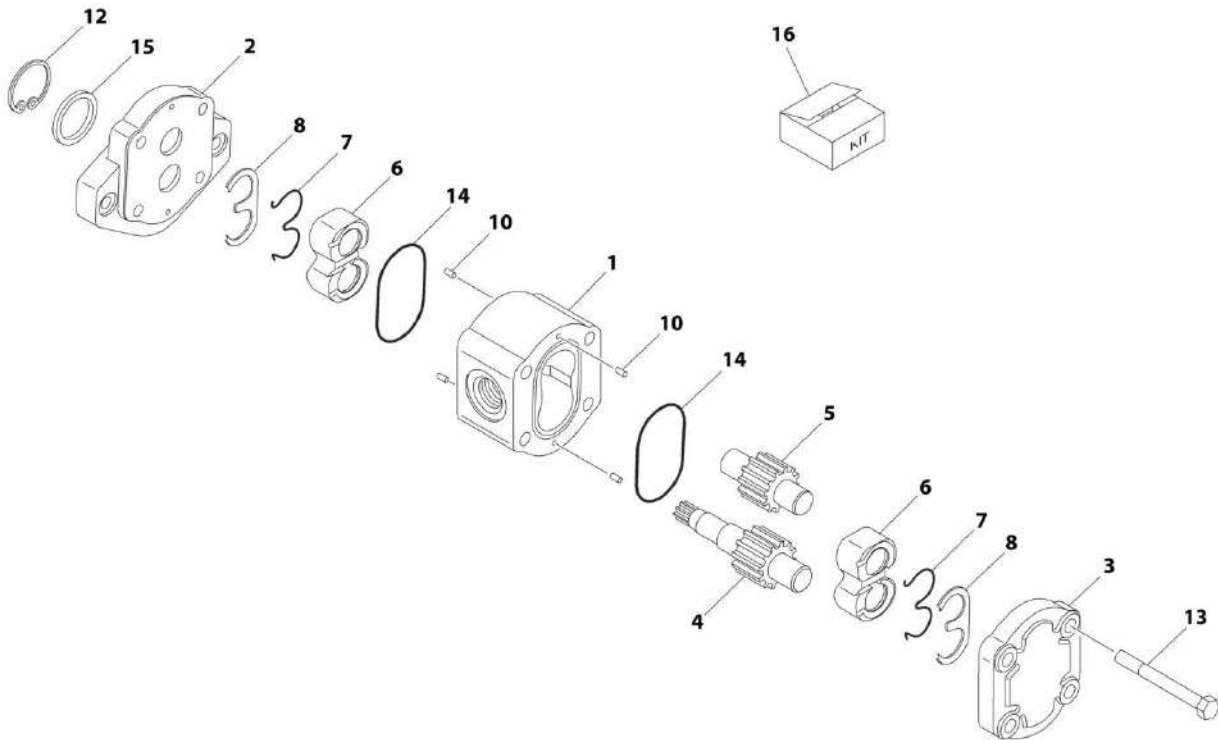
ITEM	PART NUMBER	QTY	DESCRIPTION	REV
	1001199470	Ref	PISTON PUMP ASSEMBLY	E
25	70002580	1	Spring, Bias	
40	70004416	1	Swashplate Assembly	
43	70002582	1	Shaft	
44	70002583	1	Ring, Retaining	
90	70004417	1	Plate, Valve	
95	70001956	1	Poppet, Check Valve	
96	70001955	1	Spring	
100	70022286	1	Kit, Control (Includes Items 102-300)	
102	70023351	1	Setscrew	
103	70002133	1	Plug Assembly (Includes O-Ring)	
103	7007207	1	O-Ring	
104	70002133	1	Plug Assembly (Includes O-Ring)	
104	7007207	1	O-Ring	
105	70002133	1	Plug Assembly (Includes O-Ring)	
105	7007207	1	O-Ring	
106	70002133	1	Plug Assembly (Includes O-Ring)	
106	7007207	1	O-Ring	
112	70004418	1	Spool	
113	70023353	1	Guide, Spring LS	
114	70023354	1	Spring, Outer LS	
115	70023355	1	Spring, Inner LS	
118	70024039	1	Plug, Adjusting LS	
132	70023352	1	Spool, Control	
133	70023357	1	Guide, Spring PC	
134	70023358	1	Spring, Outer PC	
135	70023359	1	Spring, Inner PC	
138	70024040	1	Plug, Adjusting PC (Includes O-Ring)	
138	70023361	1	O-Ring	
200	70023362	4	Ring, Seal	
300	70023363	4	Capscrew	
420	7023377	1	Plug, Orifice	
430	70004419	1	Plug, Orifice	
510	70002586	1	Shaft	
520	70004420	1	Cap, End	
530	70002588	4	Capscrew	
550	7007446	1	Pin, Slotted	
640	70002589	1	Coupling	
650	7022340	1	Bracket, Lifting	
655	70002590	1	Capscrew	
710	7023962	1	Ring, Retaining	
720	70022287	1	Seal, Lip	
730	See Note	NSS	Housing (Note: Not Available for Purchase)	
735	70004421	1	Block, Cylinder	
740	7023964	1	Plug Assembly (Includes O-Ring)	
740	7007415	1	O-Ring	
746	7021275	3	Pin, Hold-down	
747	70002592	1	Guide, Slipper Retainer	
749	70002593	1	Retainer, Slipper	
750	70004422	9	Piston Assembly	

SECTION 3 - ENGINE

ITEM	PART NUMBER	QTY	DESCRIPTION	REV
760	70002595	1	Seal, End Cap	
770	7023964	1	Plug, O-Ring (Includes O-Ring)	
770	7007415	1	O-Ring	
810	70004423	1	Kit, Cylinder Block (Includes Items 735, 746, 747, 749 & 750)	
820	70025979	1	Piston, Servo (Includes Item 822)	
822	70004425	3	Ring, Piston (Part of Item 820)	
920	70002585	1	Kit, Bearing - Rear (Includes Cup and Cone)	
930	70004426	1	Kit, Swashplate Bearing (Includes Qty 2 Bearings and Retainer Pins)	
970	70002578	1	Bearing Kit - Front (Includes Cup and Cone)	
1210	70002599	1	Kit, Complete Seal (Includes Items 200, 720, 760, 822 and Plug O-Rings)	

SECTION 3 - ENGINE

FIGURE 3-18. GEAR PUMP ASSEMBLY



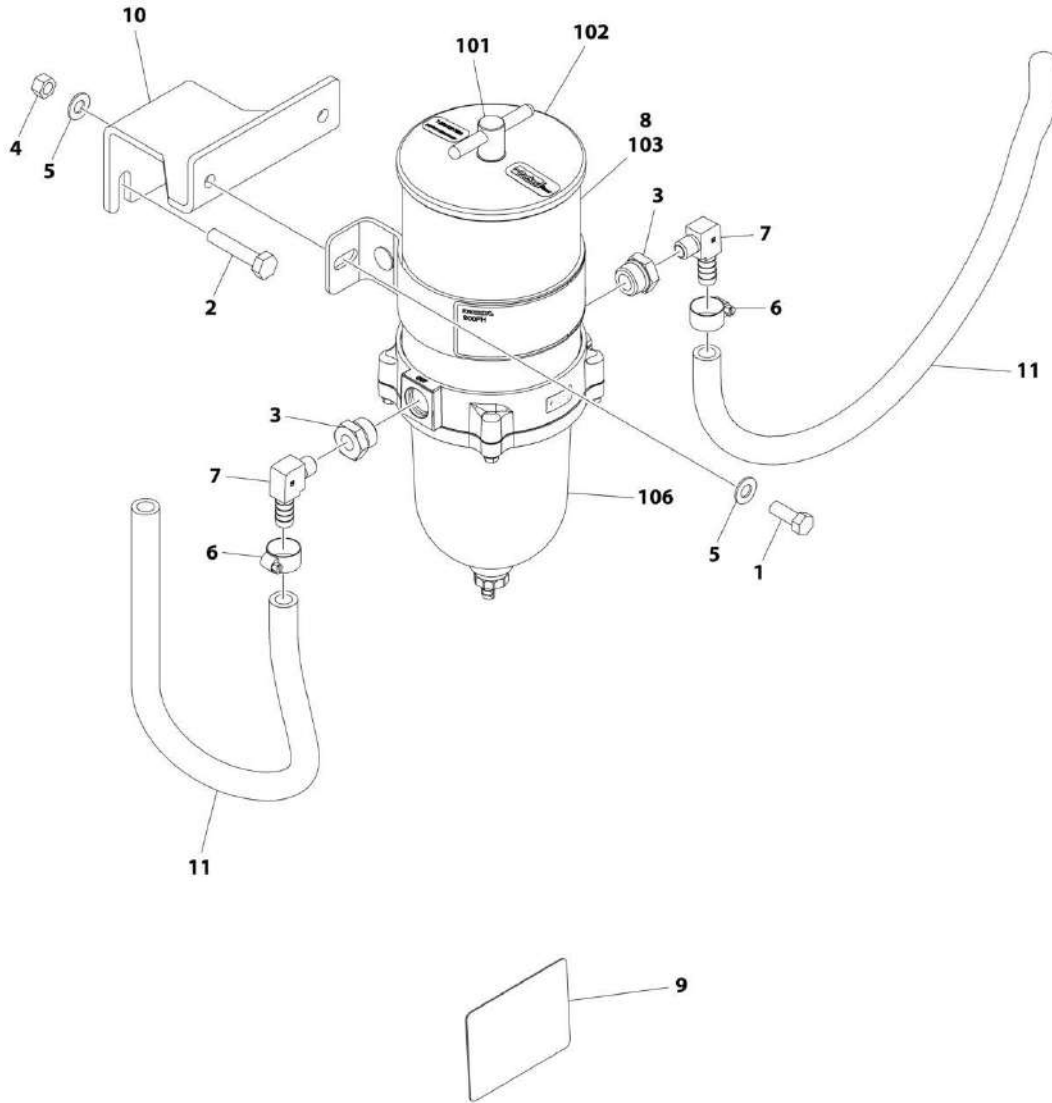
ART_1001112927

FIGURE 3-18. GEAR PUMP ASSEMBLY

ITEM	PART NUMBER	QTY	DESCRIPTION	REV
	1001112927	Ref	GEAR PUMP ASSEMBLY	A
1	See Note	NSS	Body (Note: Use p/n 1001112927)	
2	See Note	NSS	Cover, Front (Note: Use p/n 1001112927)	
3	See Note	NSS	Cover, Rear (Note: Use p/n 1001112927)	
4	See Note	NSS	Shaft, Gear (Note: Use p/n 1001112927)	
5	See Note	NSS	Gear, Idler (Note: Use p/n 1001112927)	
6	See Note	NSS	Block, Bearing (Note: Use p/n 1001112927)	
7	See Note	NSS	Ring, Anti-Extrusion (Note: Use Item 16)	
8	See Note	NSS	Ring, Seal (Note: Use Item 16)	
10	See Note	NSS	Pin, Dowel (Note: Purchase Locally)	
12	70002576	1	Ring, Retaining	
13	See Note	NSS	Capscrew (Note: Purchase Locally)	
14	See Note	NSS	O-Ring (Note: Use Item 16)	
15	70002577	NLA	Seal, Lip (Note: Use Item 16)	
16	7007489	1	Kit, Seal - 1001112927 Pump (Includes Items 7, 8, 14 & 15)	

SECTION 3 - ENGINE

FIGURE 3-19. FUEL FILTER/WATER SEPARATOR INSTALLATION (LRC) (CHINA SPECS ONLY)



LOCATED ON TANK SIDE HOOD

ART_1001227912

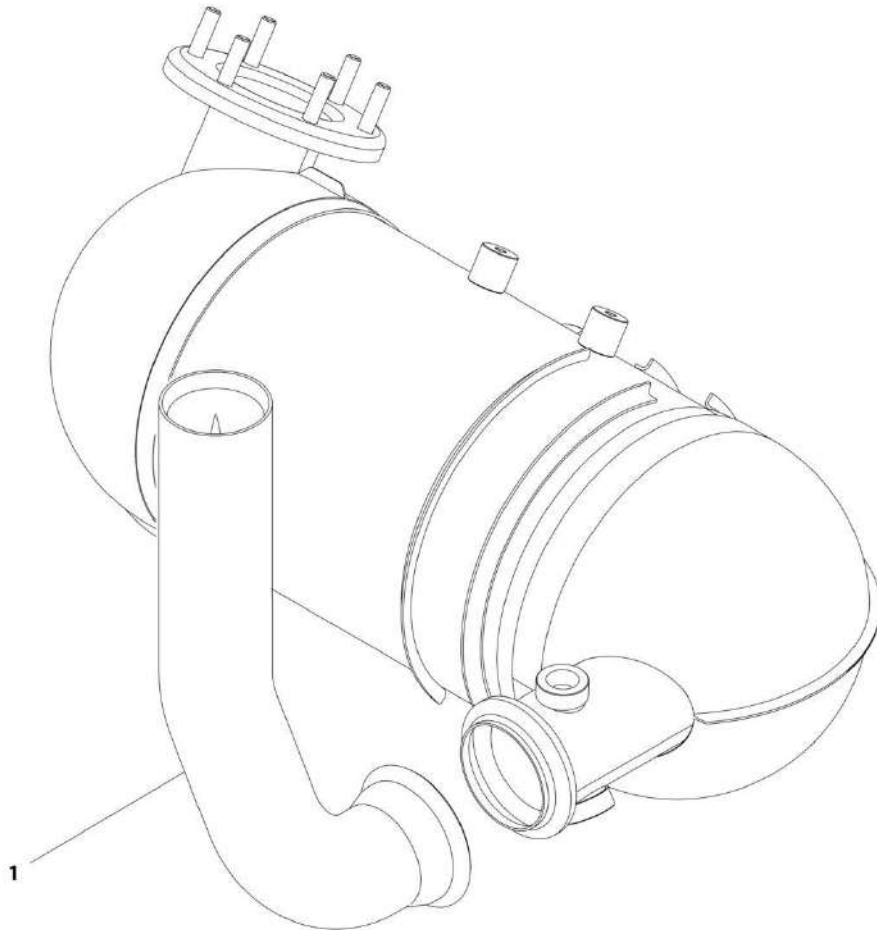
SECTION 3 - ENGINE

FIGURE 3-19. FUEL FILTER/WATER SEPARATOR INSTALLATION (LRC) (CHINA SPECS ONLY)

ITEM	PART NUMBER	QTY	DESCRIPTION	REV
	1001227912	Ref	FUEL FILTER/WATER SEPARATOR INSTALLATION (LRC) (CHINA SPECS ONLY)	A
1	0641608	2	Bolt 3/8 x 1	
2	0761018	2	Bolt M10 x 50	
3	2220816	2	Fitting, Adapter FNPTF/ORB	
4	3311605	2	Nut 3/8	
5	4711600	4	Washer 3/8	
6	8405006	2	Clamp	
7	1001178797	2	Fitting, 90 Elbow	
8	1001222817	1	Fuel Filter Assembly (See Items 101-107 for Breakdown)	
9	1001226923	1	Decal - Fuel Water Separator	
10	1001227948	1	Mount, Fuel Filter	
11	1001154405	4 ft/ 1.22m	Hose	
	1001222817	Ref	FUEL FILTER ASSEMBLY	
101	70006403	1	T-Handle Kit (Includes O-Ring)	
102	70006404	1	Lid Kit (Includes Gasket)	
103	70006405	1	Element	
104	70006406	1	Checkball & Gasket Kit (Not Shown)	
105	70006407	1	Centrifuge and Baffle Kit (Not Shown)	
106	70006409	1	Bowl Kit (Includes Gasket, O-Ring and Drain)	
106	70006408	1	Gasket, Bowl	
107	70006410	1	Bowl Ring Kit (Includes Gasket & Hardware) (Not Shown)	

SECTION 3 - ENGINE

FIGURE 3-20. SPARK ARRESTOR INSTALLATION (HRC) (OPTIONAL)



ART_1001191390

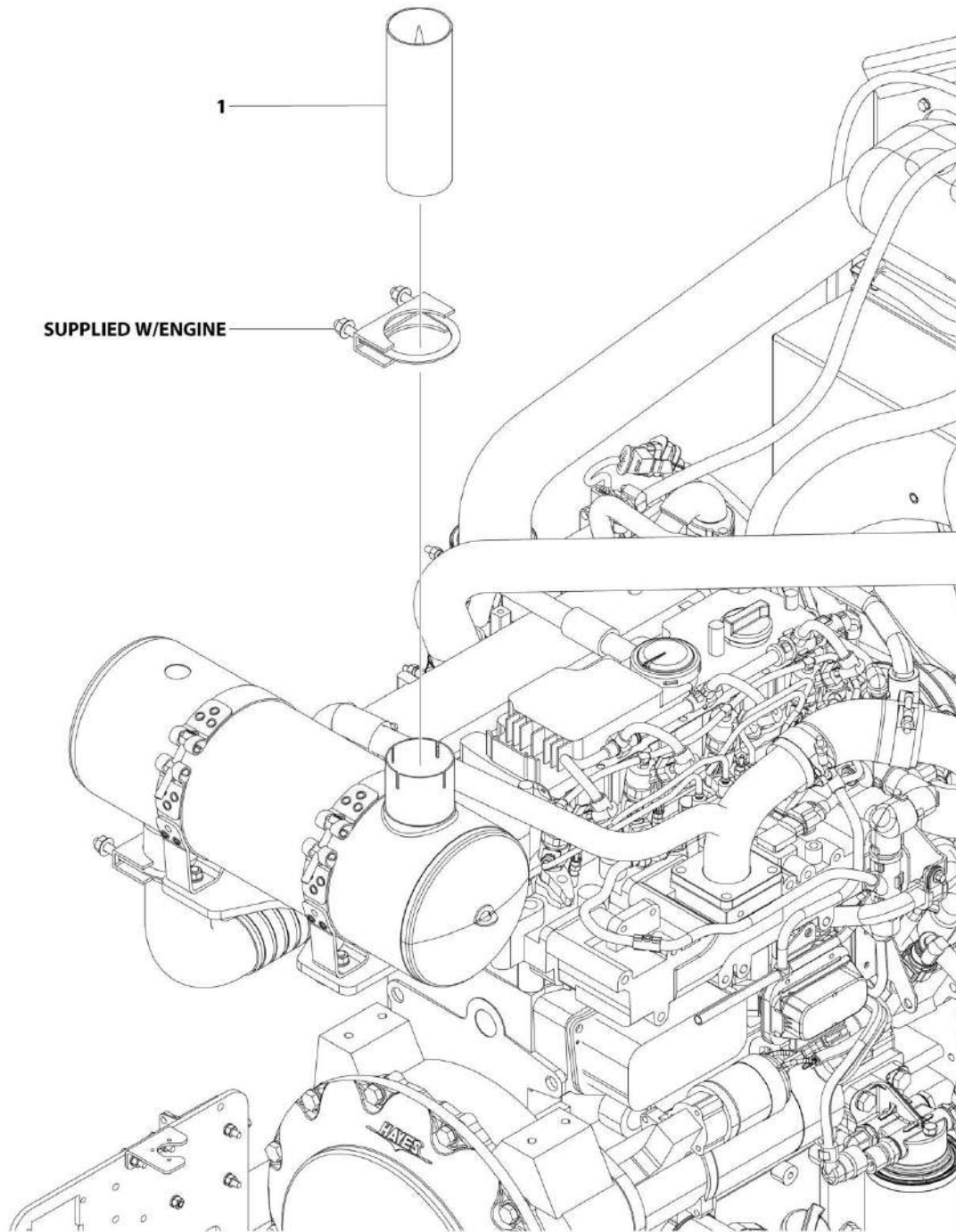
SECTION 3 - ENGINE

FIGURE 3-20. SPARK ARRESTOR INSTALLATION (HRC) (OPTIONAL)

ITEM	PART NUMBER	QTY	DESCRIPTION	REV
1	1001191390 1001191368	Ref 1	SPARK ARRESTOR INSTALLATION (HRC) (OPTIONAL) Arrestor, Spark	A

SECTION 3 - ENGINE

FIGURE 3-21. SPARK ARRESTOR INSTALLATION (LRC) (OPTIONAL)



ART_1001158607

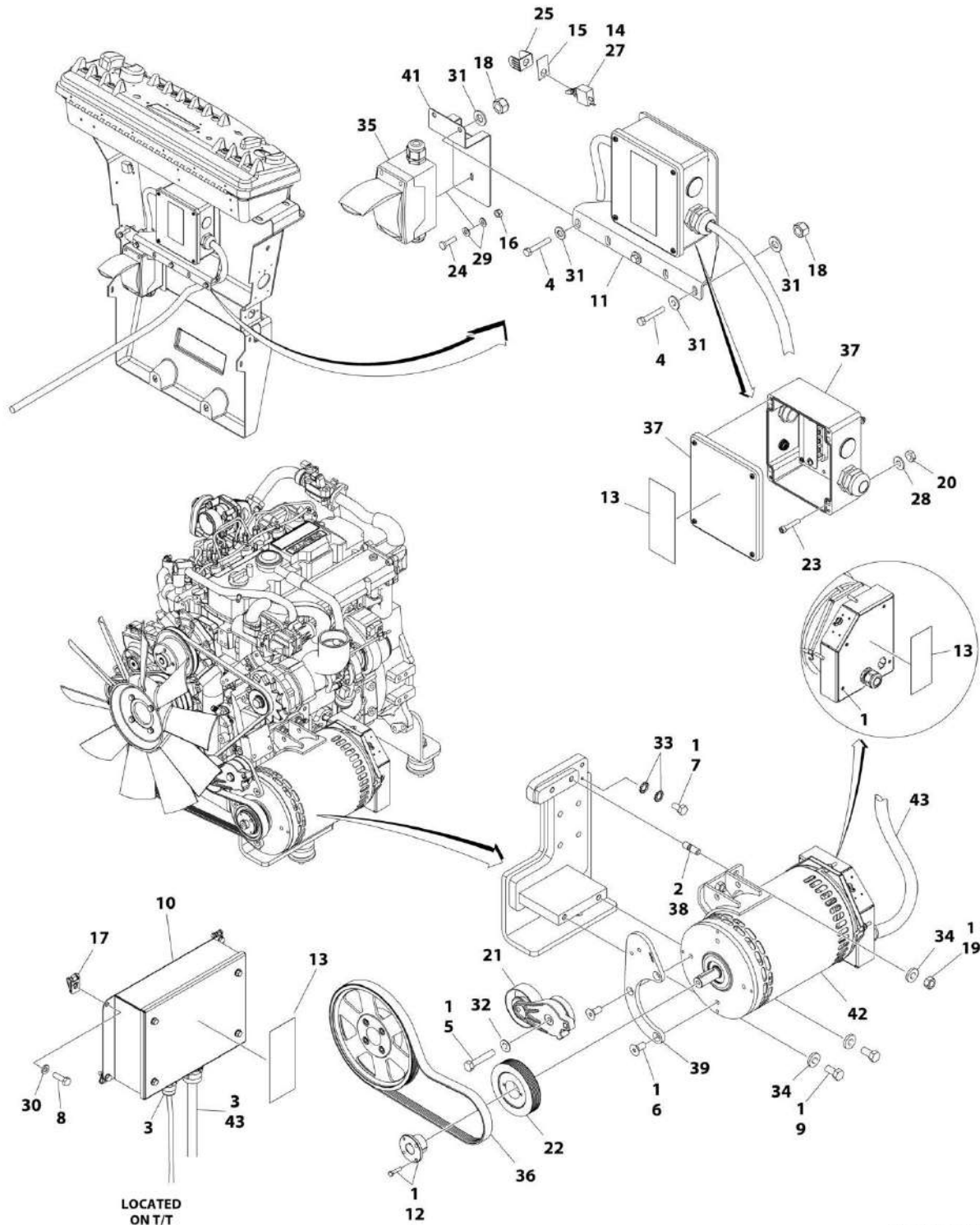
SECTION 3 - ENGINE

FIGURE 3-21. SPARK ARRESTOR INSTALLATION (LRC) (OPTIONAL)

ITEM	PART NUMBER	QTY	DESCRIPTION	REV
1	1001158607 1001158263	Ref 1	SPARK ARRESTOR INSTALLATION (LRC) (OPTIONAL) Arrestor, Spark	B

SECTION 3 - ENGINE

FIGURE 3-22. 4000W GENERATOR INSTALLATION - 50HZ



ART_1001200698

SECTION 3 - ENGINE

FIGURE 3-22. 4000W GENERATOR INSTALLATION - 50HZ

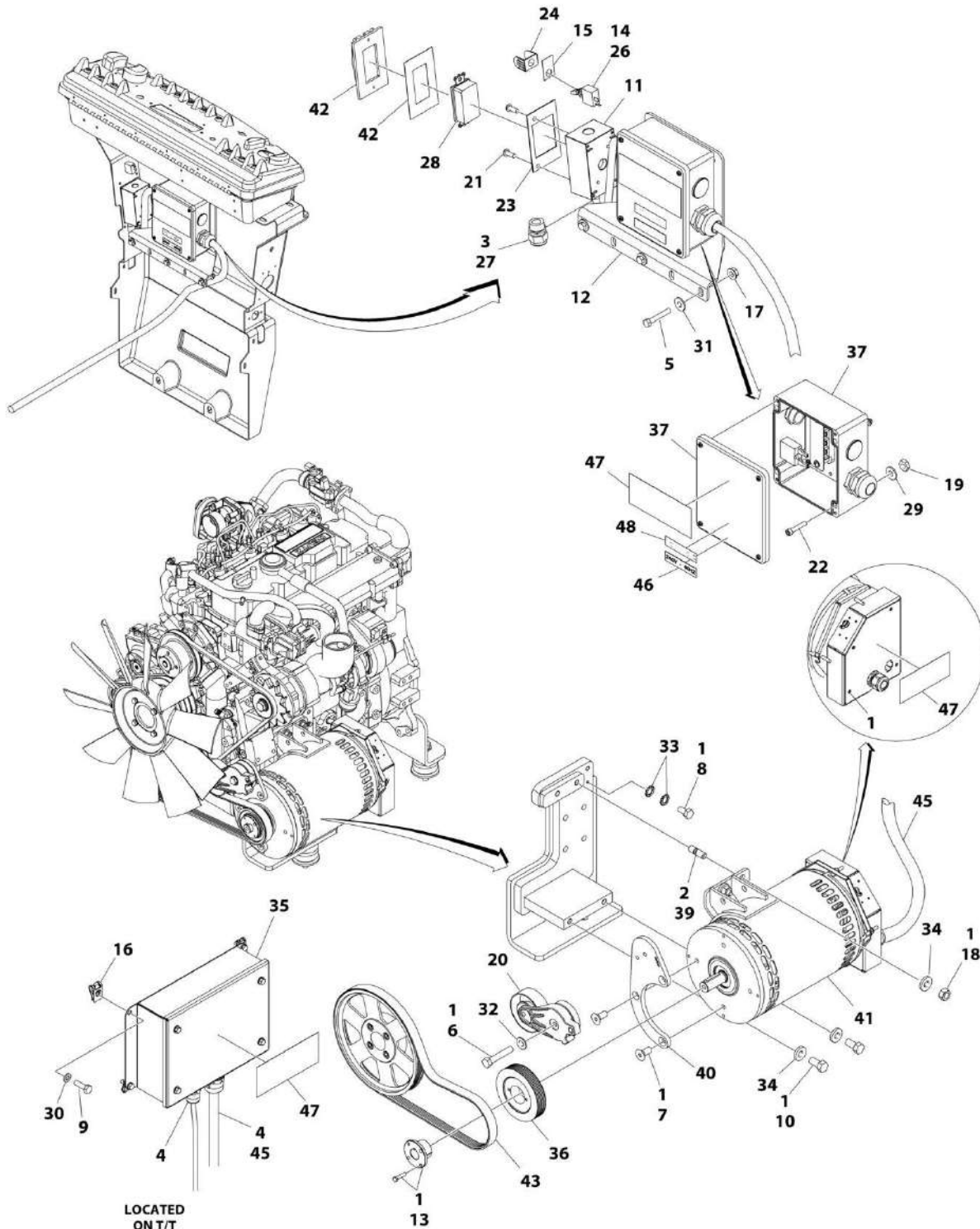
ITEM	PART NUMBER	QTY	DESCRIPTION	REV
	1001200698	Ref	4000W GENERATOR INSTALLATION - 50HZ	D
1	0100011	AR	Compound, Locking	
2	0100019	AR	Compound, Locking	
3	0100048	AR	Grease, Dielectric	
4	0700819001	4	Bolt M8 x 55	
5	0701018	1	Bolt M10 x 50	
6	0741607	3	Screw 3/8 x 7/8	
7	0760606	1	Bolt M6 x 12	
8	0760610	4	Bolt M6 x 20	
9	0761212	2	Bolt M12 x 25	
10	1001138566	1	Control Box Assembly	
10	77363232	1	Connector - 6 Position	
10	See Note	NSS	Connector - 3 Position (Note: Not Available for Purchase)	
10	70006552	1	Capacitor	
10	70006553	1	Relay	
11	0902888	1	Bracket, Junction Box	
12	0962520	1	Bushing, Split	
13	1705489	3	Decal - Hazardous Voltage	
14	2820031	0.3 ft /0.1m	Heat Shrink	
15	3251102	1	Nameplate, Generator	
16	3290405001	2	Nut M4	
17	8305919	4	Nut, Retainer	
18	3290805001	4	Nut M8	
19	3291201	2	Nut M12	
20	3311005001	4	Nut #10	
21	3580317	1	Tensioner, Belt with Pulley	
22	3580318	1	Pulley, Generator	
23	3931016	4	Capscrew #10 x 1	
24	4010408	2	Screw M4 x 16	
25	4060802	1	Guard, Switch	
26	4240018	AR	Tie-Strap (Not Shown)	
27	4360336	1	Switch, Toggle	
28	4751000001	4	Washer #10	
29	4811400001	4	Washer M4	
30	4811700	4	Washer M6	
31	4811900001	8	Washer M8	
32	4812000	1	Washer M10	
33	4871700	2	Washer M6	
34	5241200	4	Washer M12	
35	1001096612	1	Breaker Box Kit (See ELECTRICAL SECTION for Breakdown)	
36	1001148059	1	Belt, Generator	
37	1001152458	1	Junction Box Assembly	
37	4460425	1	Connector, Strain Relief (LH Side)	
37	4460426	1	Connector, Strain Relief (RH Side)	
37	1001152530	1	Block, Terminal	
37	1001158363	1	Cover, Terminal Block	
38	1001155041	2	Stud	
39	1001155338	1	Support, Tensioner	
41	1001204650	1	Bracket	

SECTION 3 - ENGINE

ITEM	PART NUMBER	QTY	DESCRIPTION	REV
42	1001206119	1	Generator Assembly	
42	70003709	1	Ring, Retaining (External)	
42	70003708	1	Ring, Retaining (Internal)	
42	70001966	1	Bearing	
42	70004092	1	Endbell (Shaft End)	
42	70004171	1	Key	
42	70004676	1	Rotor	
42	70005624	1	Stator	
42	70004678	1	Endbell (Rear)	
42	70004679	1	Cover, Endbell (Rear)	
42	70004680	1	Enclosure, Wiring	
42	70004681	1	Cover, Enclosure	
42	70005624	1	Switch, Reset (Located on Enclosure Cover)	
42	70004098	1	Connector, Strain Relief (Located on Enclosure Cover)	
42	70004683	1	Bushing, Connector (Use p/n 70004098)	
42	70001973	1	Decal - Warning Pinch Point	
43	1001152532	1	Generator Harness (See ELECTRICAL SECTION for Breakdown)	
		Ref	ELECTRICAL DIAGRAM COMPONENTS	
101	1001153259	1	Generator to Platform Harness (Not Shown) (See ELECTRICAL SECTION for Breakdown)	
103	4922641	1	Generator Switch Harness (Not Shown)	

SECTION 3 - ENGINE

FIGURE 3-23. 4000W GENERATOR INSTALLATION - 60HZ



ART_1001200699

SECTION 3 - ENGINE

FIGURE 3-23. 4000W GENERATOR INSTALLATION - 60HZ

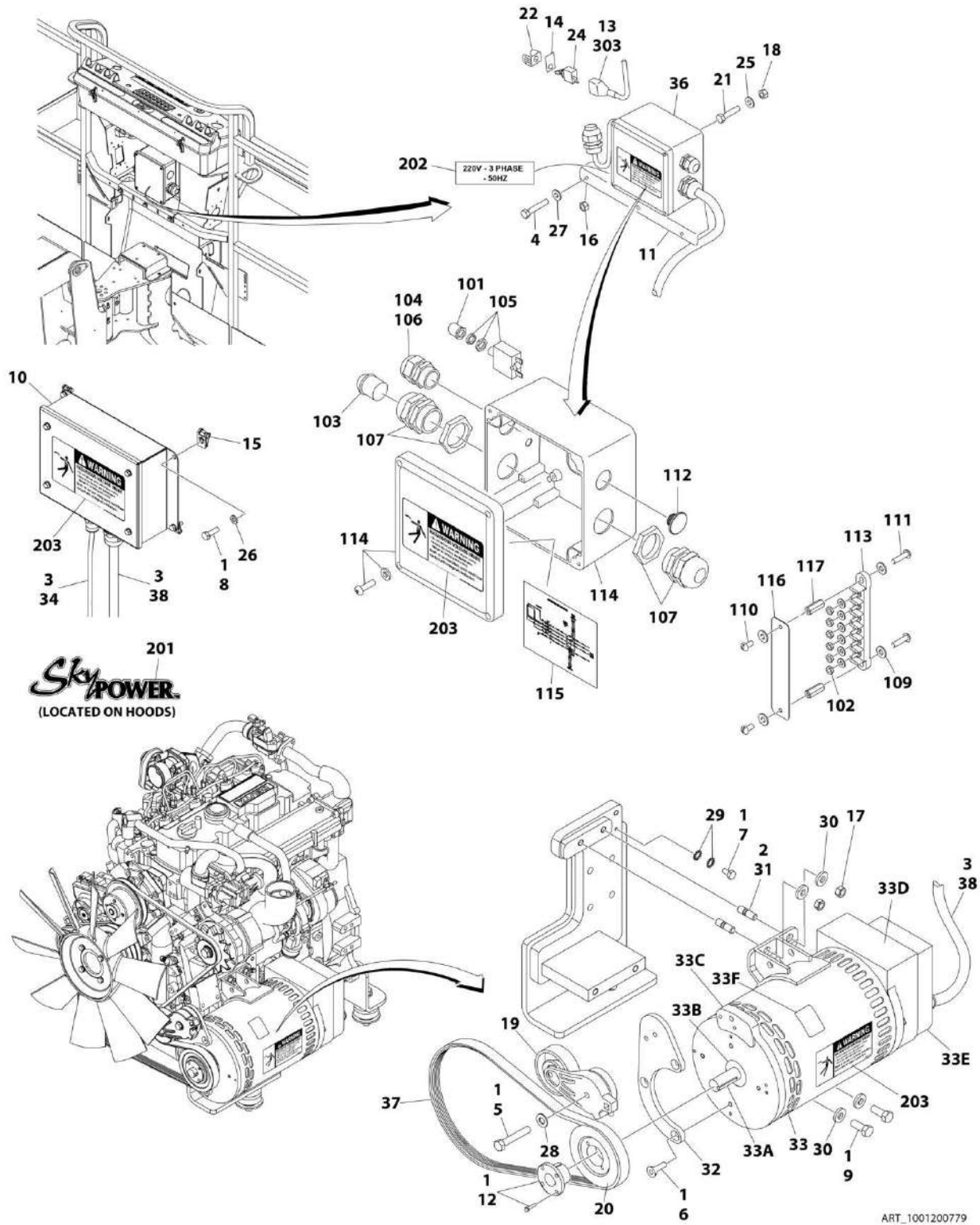
ITEM	PART NUMBER	QTY	DESCRIPTION	REV
	1001200699	Ref	4000W GENERATOR INSTALLATION - 60HZ	B
1	0100011	AR	Compound, Locking	
2	0100019	AR	Compound, Locking	
3	0100020	AR	Sealant	
4	0100048	AR	Grease, Dielectric	
5	0700818001	3	Bolt M8 x 50	
6	0701018	1	Bolt M10 x 50	
7	0741607	3	Screw 3/8 x 7/8	
8	0760606	1	Bolt M6 x 12	
9	0760610	4	Bolt M6 x 20	
10	0761212	2	Bolt M12 x 25	
11	0860038	1	Box, Switch	
12	0902888	1	Bracket, Junction Box	
13	0962520	1	Bushing, Split	
14	2820031	0.3 ft /0.1m	Heat Shrink	
15	3251102	1	Nameplate, Generator	
16	8305919	4	Nut, Retainer	
17	3290805001	3	Nut M8	
18	3291201	2	Nut M12	
19	3311005	4	Nut #10	
20	3580317	1	Tensioner, Belt with Pulley	
21	3910606	4	Screw M6 x 3/8	
22	3931016	4	Capscrew #10 x 1	
23	3960422	1	Gasket, AC Receptacle	
24	4060802	1	Guard, Switch	
25	4240018	AR	Tie-Strap (Not Shown)	
26	4360336	1	Switch, Toggle	
27	4460071	1	Connector, Strain Relief	
28	4460346	1	Receptacle	
29	4751000	4	Washer #10	
30	4811700	4	Washer M6	
31	4811900001	6	Washer M8	
32	4812000	1	Washer M10	
33	4871700	2	Washer M6	
34	5241200	4	Washer M12	
35	1001138566	1	Control Box Assembly	
35	77363232	1	Connector - 6 Position	
35	See Note	NSS	Connector - 3 Position (Note: Not Available for Purchase)	
35	70006552	1	Capacitor	
35	70006553	1	Relay	
36	1001150174	1	Pulley, Generator	
37	1001152457	1	Junction Box Assembly	
37	3300396	1	Cover, Breaker	
37	4360070	1	Breaker, Circuit - 15Amp	
37	1001152530	1	Block, Terminal	
37	1001158363	1	Cover, Terminal Block	
37	4460425	1	Connector, Strain Relief (LH Side)	
37	4460426	1	Connector, Strain Relief (RH Side)	
39	1001155041	2	Stud	

SECTION 3 - ENGINE

ITEM	PART NUMBER	QTY	DESCRIPTION	REV
40	1001155338	1	Support, Tensioner	
41	1001200565	1	Generator Assembly	
41	70003709	1	Ring, Retaining (External)	
41	70003708	1	Ring, Retaining (Internal)	
41	70001966	1	Bearing	
41	70004092	1	Endbell (Shaft End)	
41	70004171	1	Key	
41	70004676	1	Rotor	
41	70005625	1	Stator	
41	70004678	1	Endbell (Rear)	
41	70004679	1	Cover, Endbell (Rear)	
41	70004680	1	Enclosure, Wiring	
41	70004685	1	Cover, Enclosure	
41	70005624	1	Switch, Reset (Located on Enclosure Cover)	
41	70004098	1	Connector, Strain Relief (Located on Enclosure Cover)	
41	70004683	1	Bushing, Connector (Use with p/n 70004098)	
41	70001973	1	Decal - Warning Pinch Point	
42	1001110873	1	Cover, Receptacle (60Hz)	
43	1001155303	1	Belt, Generator	
45	1001152532	1	Generator Harness (See ELECTRICAL SECTION for Breakdown)	
46	1705374	1	Decal - 240V	
47	1705387	3	Decal - Hazardous Voltage	
48	3251243	1	Decal - 120V	
		Ref	ELECTRICAL DIAGRAM COMPONENTS	
101	1001153259	1	Generator to Platform Harness (Not Shown) (See ELECTRICAL SECTION for Breakdown)	
103	4922641	1	Generator Switch Harness (Not Shown)	

SECTION 3 - ENGINE

FIGURE 3-24. 7500W SKYPOWER GENERATOR INSTALLATION - 50HZ



ART_1001200779

SECTION 3 - ENGINE

FIGURE 3-24. 7500W SKYPOWER GENERATOR INSTALLATION - 50HZ

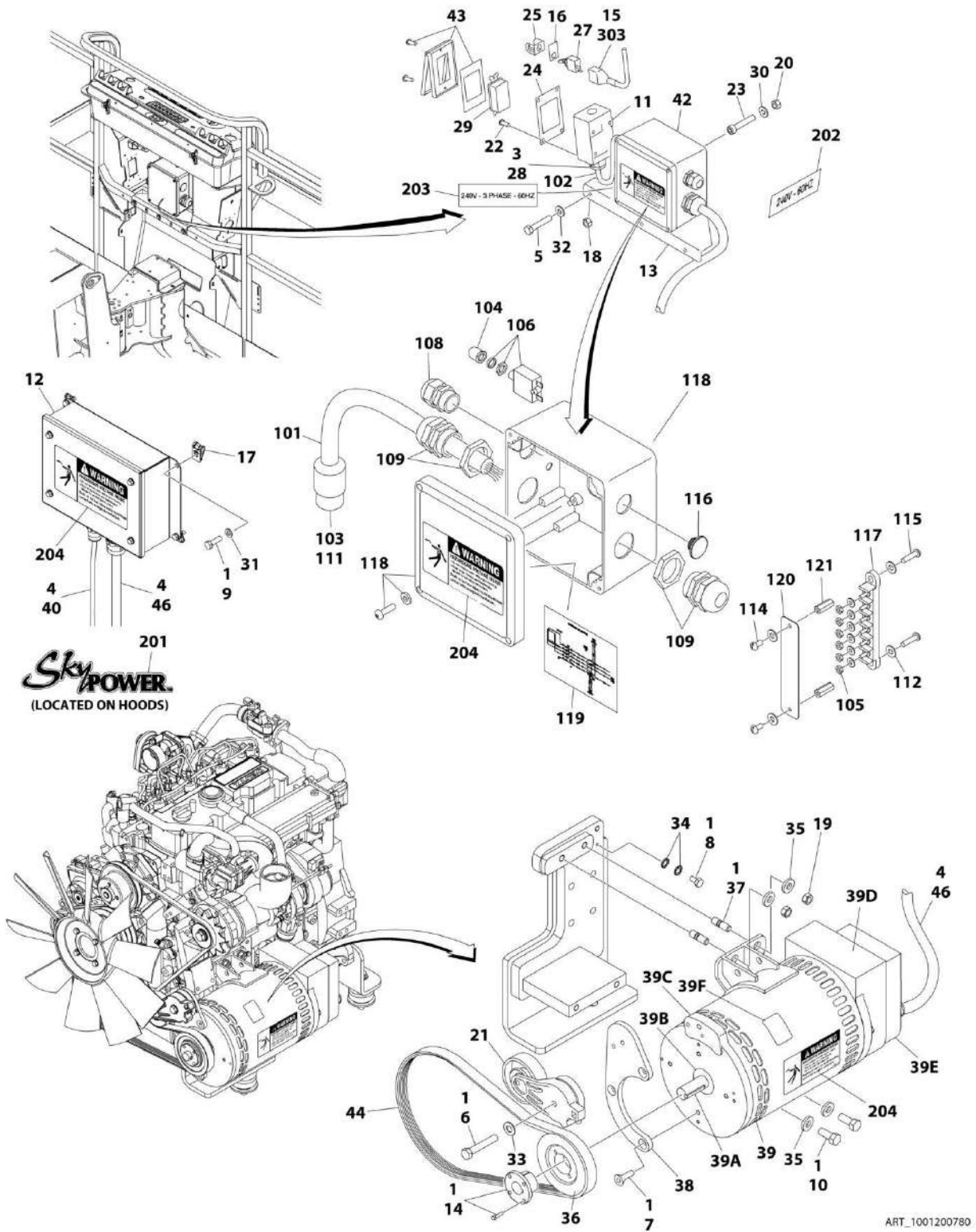
ITEM	PART NUMBER	QTY	DESCRIPTION	REV
	1001200779	Ref	7500W SKYPOWER GENERATOR INSTALLATION - 50HZ	C
		Ref	Note: See ELECTRICAL SECTION for Boom Cable Installation.	
1	0100011	AR	Compound, Locking	
2	0100019	AR	Compound, Locking	
3	0100048	AR	Grease, Dielectric	
4	0700818001	3	Bolt M8 x 50	
5	0701018	1	Bolt M10 x 50	
6	0741607	3	Screw 3/8 x 7/8	
7	0760606	1	Bolt M6 x 12	
8	0760610	4	Bolt M6 x 20	
9	0761212	2	Bolt M12 x 25	
10	0861572	1	Box, Generator Control	
10	7024488	1	Card, Circuit - Generator Power (Not Shown)	
10	See Note	1	Fuse (Note: Not Available Purchase Locally)	
10	7024489	1	Card, Circuit - Control (Not Shown)	
		Ref	Note: When replacing card, rocker switch on card must be set for required application.	
10	70000619	1	Circuit Card Harness	
10	77363232	1	Connector - 6 Position	
10	See Note	NSS	Connector - 3 Position (Note: Not Available for Purchase)	
11	0902888	1	Bracket	
12	0962520	1	Bushing	
13	2820031	AR	Heat Shrink	
14	3251102	1	Nameplate, Generator	
15	8305919	4	Nut, Retainer M6	
16	3290805001	3	Nut M8	
17	3291201	2	Nut M12	
18	3311005	4	Nut #10	
19	3580317	1	Tensioner, Belt with Pulley	
20	3580318	1	Pulley, Generator	
21	3931016	4	Capscrew #10 x 1	
22	4060802	1	Guard, Switch	
23	4240018	AR	Tie-Strap (Not Shown)	
24	4360336	1	Switch, Toggle	
25	4751000	4	Washer #10	
26	4711700	4	Washer M6	
27	4811900001	6	Washer M8	
28	4812000	1	Washer M10	
29	4871700	2	Washer M6	
30	5241200	4	Washer M12	
31	1001155041	2	Stud	
32	1001155338	1	Bracket	
33	1001155348	1	Generator, 7500W	
33	70001100	1	Rotor (Includes p/n 70001384 & 70000863) (Not Shown)	
33	70001384	1	Bearing, Shaft (Rear) (Not Shown)	
33	70000863	1	Fan, Generator (Not Shown)	
33	70005651	1	Stator (Not Shown)	
33	70002297	2	Stud 1/4 x 12-7/8 (Not Shown)	
33	70003631	1	Brushholder Assembly (Not Shown)	
33A	70004171	1	Key	

SECTION 3 - ENGINE

ITEM	PART NUMBER	QTY	DESCRIPTION	REV
33B	70001966	1	Bearing, Ball Radial (Located in Belt Tensioner Endbell)	
33B	70003709	1	Ring, Retaining (Small)	
33B	70003708	1	Ring, Retaining (Large)	
33C	70004092	1	Endbell, Belt Tensioner	
33D	70004094	1	Endbell, Brush Block	
33E	70004096	1	Shroud Assembly	
33E	7027799	1	Block, Connector - 6 Position (Not Shown)	
33E	70002460	6	Nut, Brass (Attaches p/n 7027799 to Cover) (Not Shown)	
33E	7024485	1	Breaker, Circuit 30Amp (Not Shown)	
33E	70001696	1	Boot, Breaker (Not Shown)	
33E	7026597	1	Connector with Leads (Not Shown)	
33E	7026626	1	Connector with Pins (Not Shown)	
33E	70004098	1	Clamp, Cable (Not Shown)	
33E	70005652	1	Plate, End Panel (Not Shown)	
33E	70004097	1	Insulator, End Panel (Not Shown)	
33E	70001974	1	Decal - Terminal Connections (Not Shown)	
33F	70001973	1	Decal - Warning Moving Parts	
34	1001156030	1	Generator Harness (See ELECTRICAL SECTION for Breakdown)	
36	1001157525	1	Junction Box Assembly (See Items 101-117 for Breakdown)	
37	1001148059	1	Belt, Generator	
38	4922925	1	Generator Harness (See ELECTRICAL SECTION for Breakdown)	
	1001157525	Ref	JUNCTION BOX ASSEMBLY	B
101	3300396	1	Cover, Fuse	
102	3311001	6	Nut #10	
103	3520189	1	Plug (50Hz Spec Only)	
104	3520192	1	Plug	
105	4360070	1	Circuit Breaker - 15Amp	
106	4460425	1	Strain Relief, Terminal	
107	4460426	2	Connector, Strain Relief	
109	4711000	10	Washer #10	
110	10702077	2	Screw #10 x 3/8	
111	10702082	2	Screw #10 x 3/4	
112	1001152525	1	Plug	
113	1001157520	1	Block, Terminal	
114	1001157521	1	Box, Junction	
115	1001157528	1	Decal - Wiring Schematic	
116	1001158007	1	Cover, PVC	
117	1001158008	2	Stand-off	
	0272589	Ref	DECAL INSTALLATION	A
201	1705460	2	Decal - SkyPower	
202	1705461	1	Decal - 240V - 3 Phase	
203	1705489	3	Decal - Hazardous Voltage	
		Ref	ELECTRICAL DIAGRAM COMPONENTS	
303	4922641	1	Generator Switch Harness	

SECTION 3 - ENGINE

FIGURE 3-25. 7500W SKYPOWER GENERATOR INSTALLATION - 60HZ



ART_1001200780

SECTION 3 - ENGINE

FIGURE 3-25. 7500W SKYPOWER GENERATOR INSTALLATION - 60HZ

ITEM	PART NUMBER	QTY	DESCRIPTION	REV
	1001200780	Ref	7500W SKYPOWER GENERATOR INSTALLATION - 60HZ	B
1	0100011	AR	Compound, Locking	
2	0100019	AR	Compound, Locking (Not Shown)	
3	0100020	AR	Sealant, Pipe	
4	0100048	AR	Grease, Dielectric	
5	0700818001	3	Bolt M8 x 50	
6	0701018	1	Bolt M10 x 50	
7	0741607	3	Screw 3/8 x 7/8	
8	0760606	1	Bolt M6 x 12	
9	0760610	4	Bolt M6 x 20	
10	0761212	2	Bolt M12 x 25	
11	0860038	1	Box, Switch	
12	0861538	1	Box, Generator Control	
12	7024488	1	Card, Circuit - Generator Power (Not Shown)	
12	See Note	1	Fuse (Note: Not Available Purchase Locally)	
12	7024489	1	Card, Circuit - Control (Not Shown)	
		Ref	Note: When replacing card, rocker switch on card must be set for required application.	
12	70000619	1	Circuit Card Harness	
12	77363232	1	Connector - 6 Position	
12	See Note	1	Connector - 3 Position (Note: Not Available for Purchase)	
13	0902888	1	Bracket, Generator Junction Box	
14	0962520	1	Bushing, Taper	
15	2820031	AR	Insulator, Heat Shrink	
16	3251102	1	Nameplate, Generator	
17	8305919	4	Nut, Retainer M6	
18	3290805001	3	Nut M8	
19	3291201	2	Nut M12	
20	3311005	4	Nut #10	
21	3580317	1	Pulley, Belt Tensioner	
22	3910606	4	Screw #6 x 3/8	
23	3931016	4	Capscrew #10 x 1	
24	3960422	1	Gasket, AC Receptacle	
25	4060802	1	Guard, Switch	
26	4240018	AR	Tie-Strap (Not Shown)	
27	4360336	1	Switch, Toggle	
28	4460071	1	Connector, Strain Relief	
29	4460346	1	Terminal, Receptacle	
30	4751000	4	Washer #10	
31	4711700	4	Washer M6	
32	4811900001	6	Washer M8	
33	4812000	1	Washer M10	
34	4871700	2	Washer M6	
35	5241200	4	Washer M12	
36	1001150174	1	Pulley, Generator	
37	1001155041	2	Stud	
38	1001155338	1	Bracket	
39	1001155348	1	Generator, 7500W	
39	70001100	1	Rotor (Includes p/n 70001384 & 70000863) (Not Shown)	
39	70001384	1	Bearing, Shaft (Rear) (Not Shown)	

SECTION 3 - ENGINE

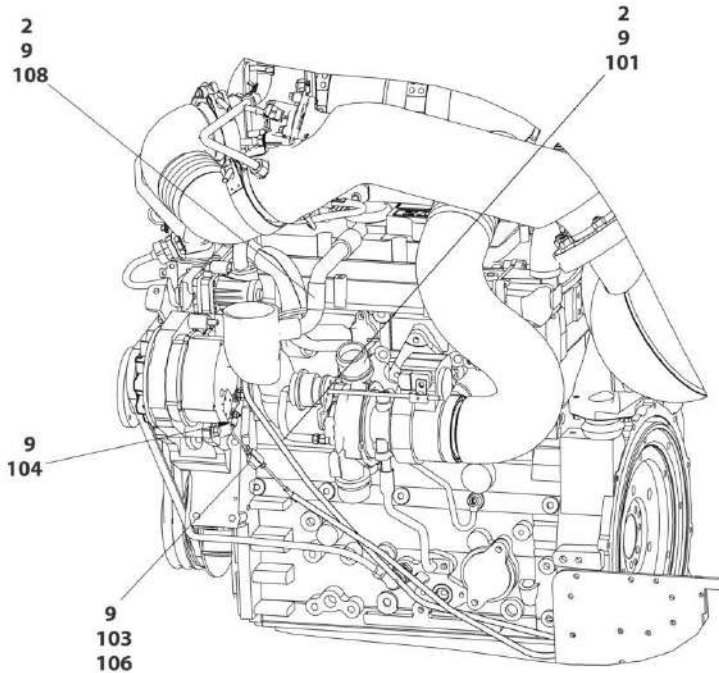
ITEM	PART NUMBER	QTY	DESCRIPTION	REV
39	7000863	1	Fan, Generator (Not Shown)	
39	70004093	1	Stator (Not Shown)	
39	70002297	2	Stud 1/4-20 x 12-7/8 (Not Shown)	
39	70003631	1	Brushholder Assembly (Not Shown)	
39A	70004099	1	Key	
39B	70001966	1	Bearing, Ball Radial (Located in Belt Tensioner Endbell)	
39B	70003709	1	Ring, Retaining (Small)	
39B	70003708	1	Ring, Retaining (Large)	
39C	70004092	1	Endbell, Belt Tensioner	
39D	70004094	1	Endbell, Brush Block	
39E	70004096	1	Shroud Assembly	
39E	7027799	1	Block, Connector - 6 Position (Not Shown)	
39E	70002460	6	Nut, Brass (Attaches p/n 7027799 to Cover) (Not Shown)	
39E	7024485	1	Breaker, Circuit 30Amp (Not Shown)	
39E	70001696	1	Boot, Breaker (Not Shown)	
39E	7026597	1	Connector with Leads (Not Shown)	
39E	7026626	1	Connector with Pins (Not Shown)	
39E	70004098	1	Clamp, Cable (Not Shown)	
39E	70004095	1	Plate, End Panel (Not Shown)	
39E	70004097	1	Insulator, End Panel (Not Shown)	
39E	70001974	1	Decal - Terminal Connections (Not Shown)	
39F	70001973	1	Decal - Warning Moving Parts	
40	1001156030	1	Generator Harness (See ELECTRICAL SECTION for Breakdown)	
42	1001157592	1	Junction Box Assembly (See Items 101-121 for Breakdown)	
43	1001110873	1	Shield, Receptacle Cover	
44	1001155303	1	Belt, Generator	
46	4922925	1	Generator Harness (See ELECTRICAL SECTION for Breakdown)	
	1001157592	Ref	JUNCTION BOX ASSEMBLY	C
101	1060343	1.5 ft /0.5m	Cable, Electrical 10/4	
102	1001179154	2.5 ft /0.8m	Cable, Electrical 12/3	
103	1671092	1	Cover	
104	3300396	1	Cover, Fuse	
105	3311001	6	Nut #10	
106	4360070	1	Circuit Breaker - 15Amp	
108	4460425	1	Strain Relief, Terminal	
109	4460426	2	Connector, Strain Relief	
111	4460963	1	Connector	
112	4711000	10	Washer #10	
114	10702077	2	Screw #10 x 3/8	
115	10702082	2	Screw #10 x 3/4	
116	1001152525	1	Plug	
117	1001157520	1	Block, Terminal	
118	1001157521	1	Box, Junction	
119	1001157528	1	Decal - Wiring Schematic	
120	1001158007	1	Cover, PVC	
121	1001158008	2	Stand-Off	
	0272435	Ref	DECAL INSTALLATION	D
201	1705460	2	Decal - SkyPower	
202	3251243	1	Decal - 120V - 60Hz	
203	1705375	1	Decal - 240V - 3 Phase	

SECTION 3 - ENGINE

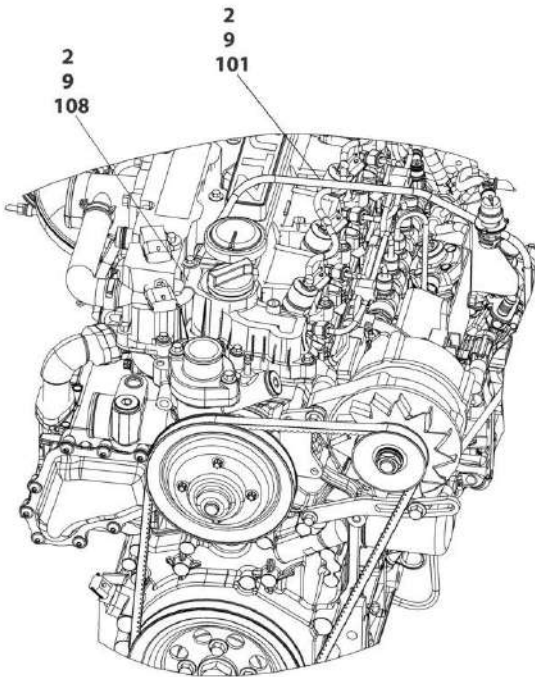
ITEM	PART NUMBER	QTY	DESCRIPTION	REV
204	1705387	3	Decal - Hazardous Voltage	
		Ref	ELECTRICAL DIAGRAM COMPONENTS	
303	4922641	1	Generator Switch Harness	

SECTION 3 - ENGINE

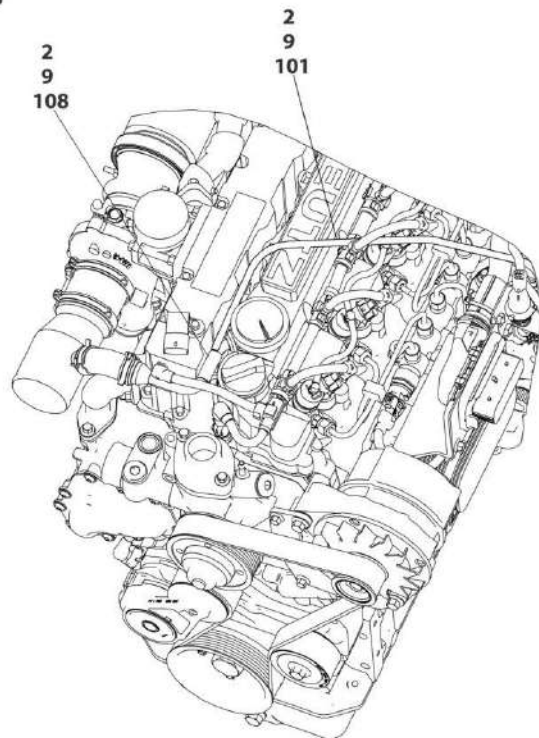
FIGURE 3-26. BREATHER HEATER INSTALLATION - MACHINES WITH COLD WEATHER PACKAGE



TDC3.6 ENGINES



D2.9L4 ENGINES



TCD2.9L4 AND TD2.9L4 ENGINES

ART_1001233763

SECTION 3 - ENGINE

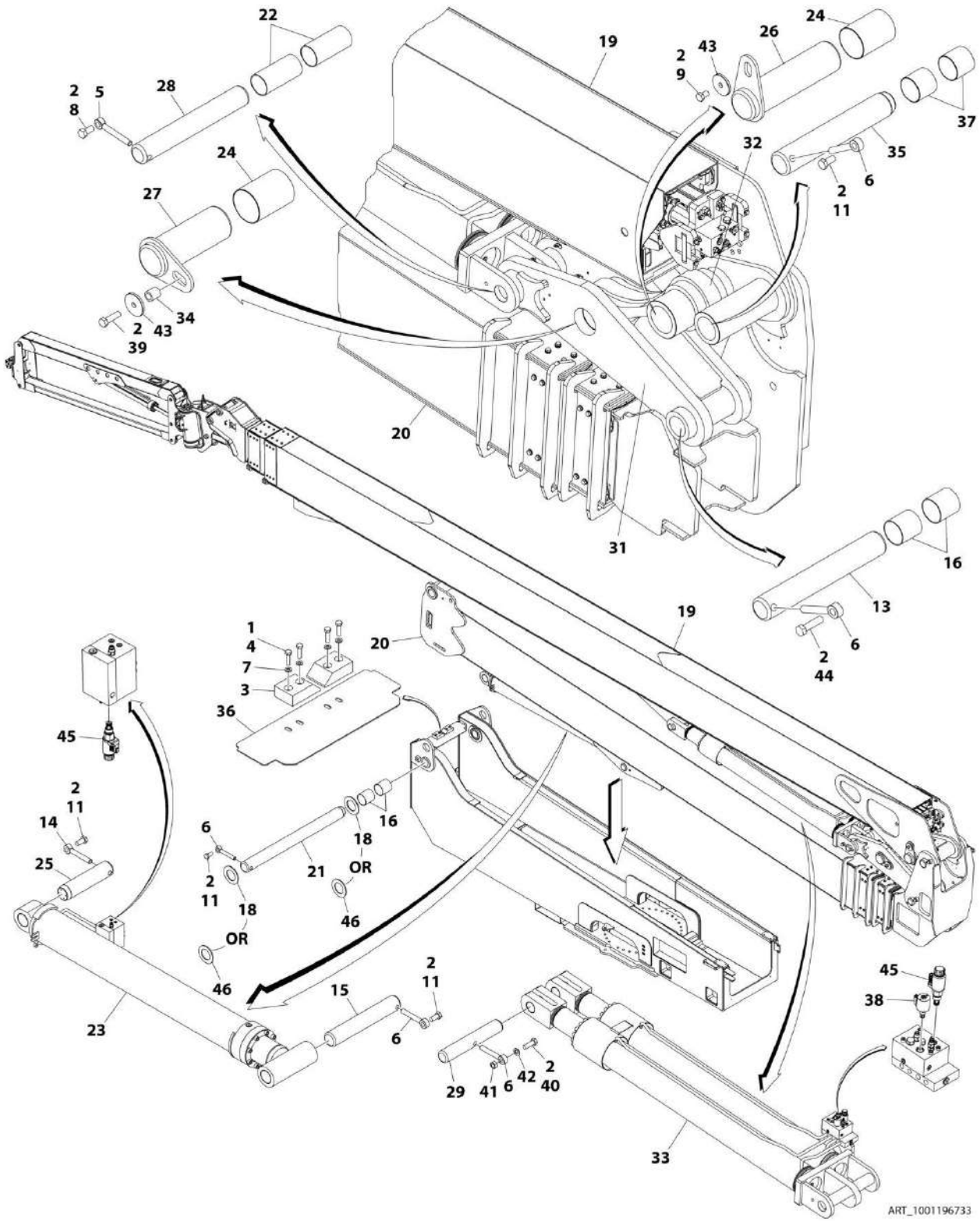
FIGURE 3-26. BREATHER HEATER INSTALLATION - MACHINES WITH COLD WEATHER PACKAGE

ITEM	PART NUMBER	QTY	DESCRIPTION	REV
	1001233763	Ref	BREATHER HEATER INSTALLATION - DEUTZ ENGINES	C
2	4240099	AR	Tie-Strap	
9	1001243895	1	Breather Heater Harness	
101	2820035	10 ft/ 3m	Insulation	
103	2400060	1	Fuseholder with Cover	
104	4460043	1	Terminal, Ring	
105	4460722	1	Terminal, Ring (Not Shown)	
106	1001196634	1	Fuse - 2 Amp	
108	1001232842	1	Breather Heater Kit	

SECTION 4 - BOOM

SECTION 4 - BOOM

FIGURE 4-1. BOOM AND CYLINDERS INSTALLATION



SECTION 4 - BOOM

FIGURE 4-1. BOOM AND CYLINDERS INSTALLATION

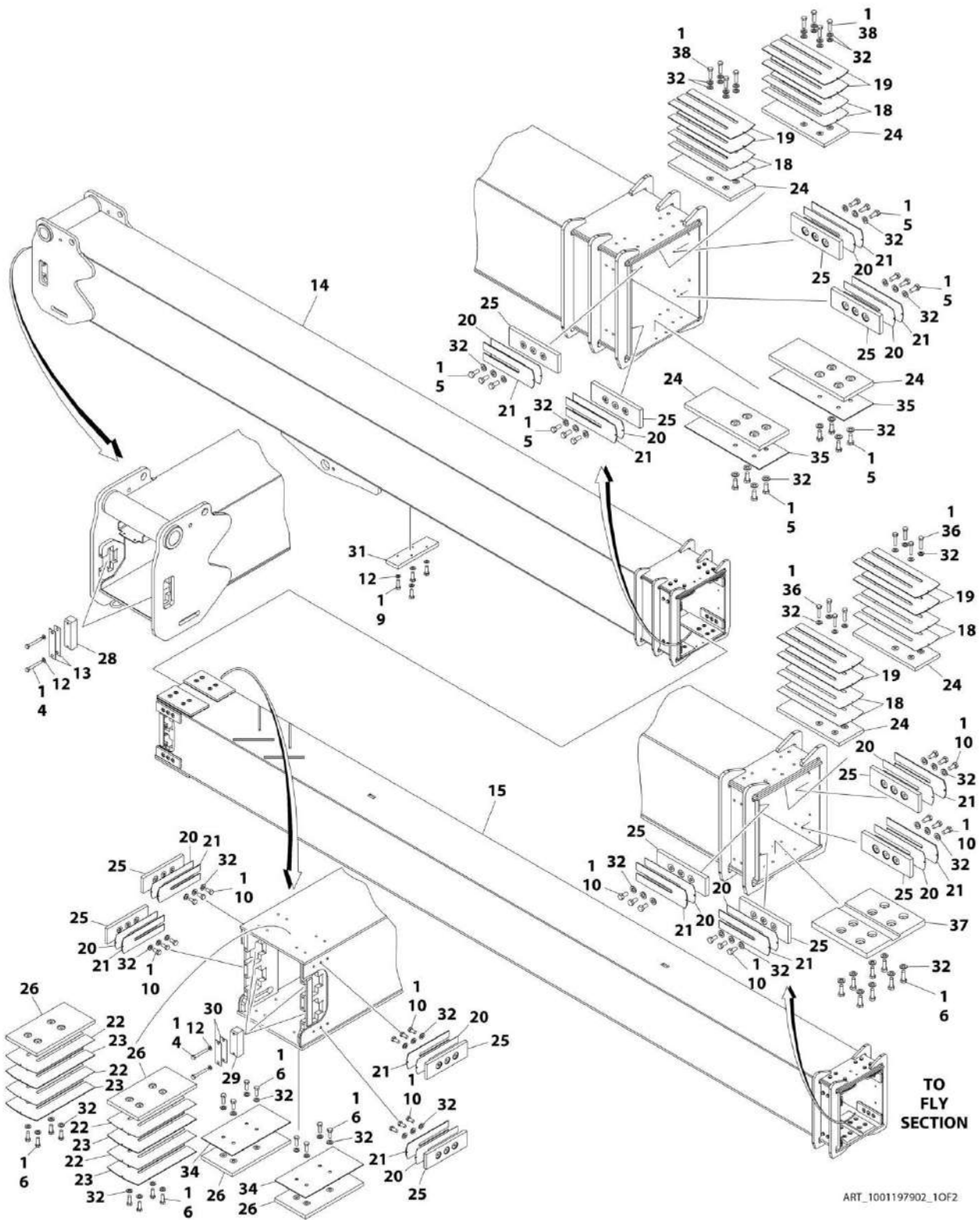
ITEM	PART NUMBER	QTY	DESCRIPTION	REV
	1001196733	Ref	BOOM AND CYLINDERS INSTALLATION	I
1	0100011	AR	Compound, Locking	
2	0100019	AR	Compound, Locking	
3	0561380	2	Block, Boom Rest	
4	0761016001	4	Bolt M10 x 40	
5	3841287	1	Keeper, Pin	
6	3841356	5	Keeper, Pin	
7	1001172358	4	Washer M10	
8	0762016001	1	Bolt M20 x 40	
9	0762014001	1	Bolt M20 x 30	
11	0762418001	4	Bolt M24 x 50	
13	1001134314	1	Pin	
14	1001146940	1	Keeper, Pin	
15	1001156650	1	Pin	
16	1001157887	4	Bearing	
18	1001180153	AR	Washer	
19	1001196917	1	Main Boom and Jib Assembly (See MAIN BOOM AND JIB ASSEMBLY for Breakdown)	
20	1001197902	1	Tower Boom Assembly (See TOWER BOOM ASSEMBLY for Breakdown)	
21	1001197969	1	Pivot	
22	1001197973	2	Bearing	
23	1001198131	NLA	Lift Cylinder Assembly - Tower Boom (Use p/n 1001228090) (See CYLINDER SECTION for Breakdown) (Prior to SN 0300239155)	
23	1001228090	1	Lift Cylinder Assembly - Tower Boom (See CYLINDER SECTION for Breakdown) (SN 0300239155 to Present)	
24	1001198749	2	Bearing	
25	1001198757	1	Pin	
26	1001198758	1	Pin	
27	1001198759	1	Pin	
28	1001198760	1	Pin	
29	1001198761	1	Pin	
31	1001199804	1	Link	
32	1001199812	1	Link	
33	1001200063	NLA	Lift Cylinder Assembly - Main Boom (Use p/n 1001228094) (See CYLINDER SECTION for Breakdown) (Prior to SN 0300239463)	
33	1001228094	1	Lift Cylinder Assembly - Main Boom (See CYLINDER SECTION for Breakdown) (SN 0300239463 to Present)	
34	1001200154	1	Spacer	
35	1001200574	1	Pin	
36	1001200576	1	Deflector	
37	0440273	2	Bearing	
38	1001201938	1	Cartridge Valve Assembly	
38	70005657	1	Cartridge, Solenoid Valve Less Coil	
38	70026446	1	Seal Kit - 70005657 Valve	
38	70003788	1	Coil	
39	0702022001	1	Bolt M20 x 70	
40	0762422001	1	Bolt M24 x 70	
41	3292401001	1	Nut M24	
42	4812700001	1	Washer M24	
43	1001207937	2	Washer	

SECTION 4 - BOOM

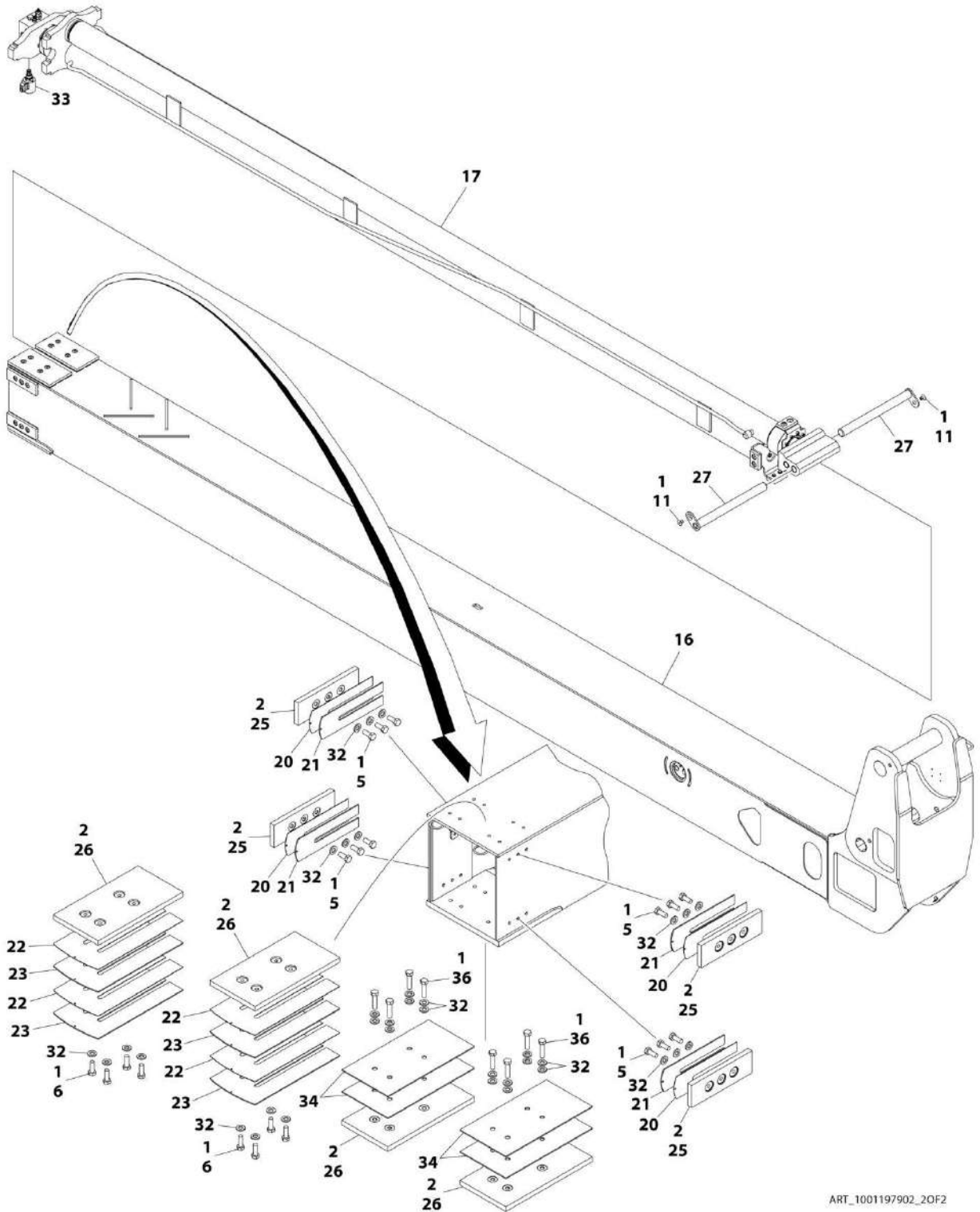
ITEM	PART NUMBER	QTY	DESCRIPTION	REV
44	0702426001	1	Bolt M24 x 90	
45	1001218037	2	Cartridge, Valve Assembly	
45	70006003	2	Cartridge, Solenoid Valve Less Coil	
45	70006005	2	Seal Kit - 70006003 Valve	
45	70006004	2	Coil	
45	70006006	2	Nut, Coil	
46	1001221425	AR	Washer (SN 0300223782 to Present)	

SECTION 4 - BOOM

FIGURE 4-2. TOWER BOOM ASSEMBLY



SECTION 4 - BOOM



ART_1001197902_20F2

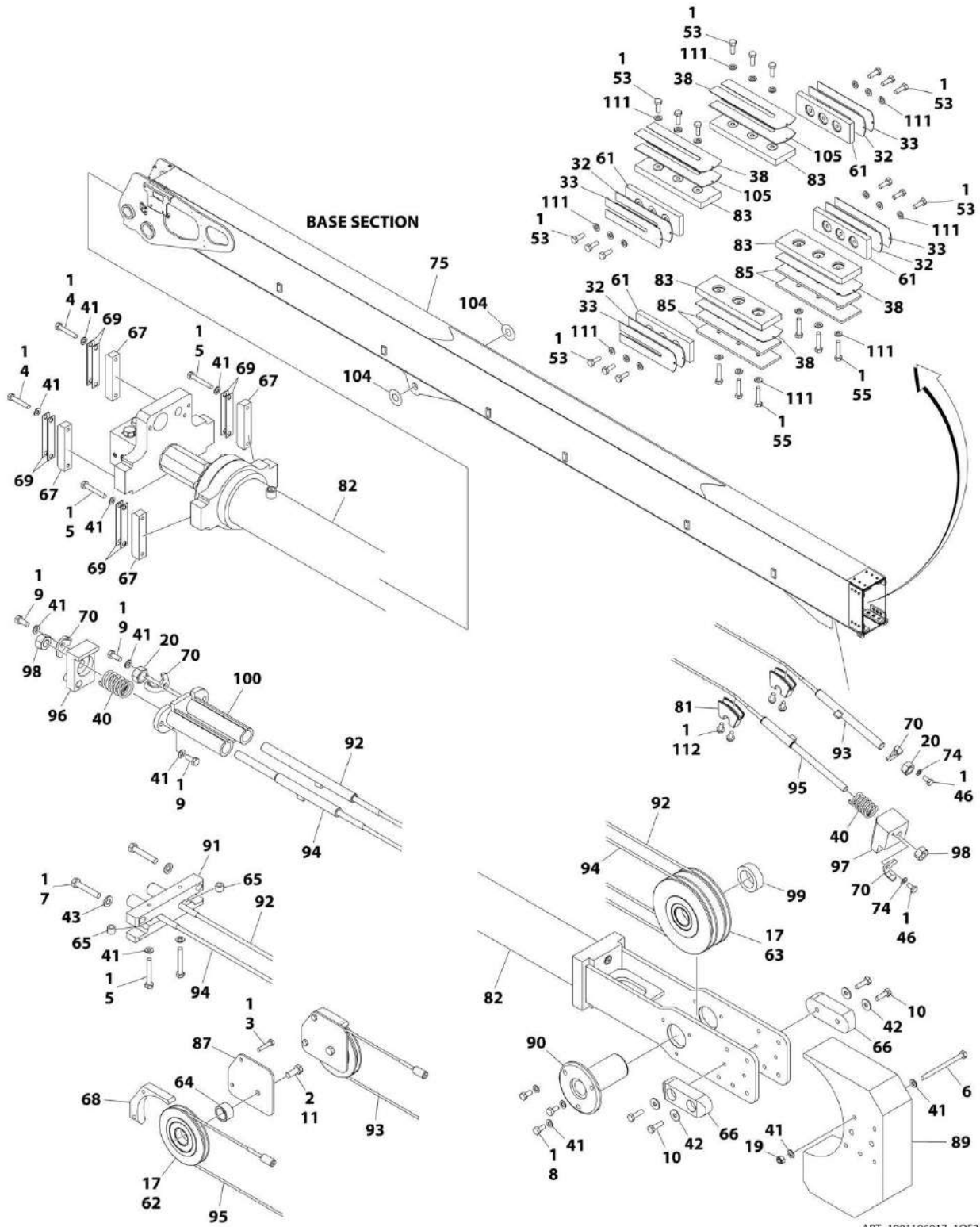
SECTION 4 - BOOM

FIGURE 4-2. TOWER BOOM ASSEMBLY

ITEM	PART NUMBER	QTY	DESCRIPTION	REV
	1001197902	Ref	TOWER BOOM ASSEMBLY	H
1	0100011	AR	Compound, Locking	
2	3020042	AR	Lubricant	
4	0701024001	12	Bolt M10 x 80	
5	0711214001	32	Bolt M12 x 30	
6	0711215001	32	Bolt M12 x 35	
9	0761014001	4	Bolt M10 x 30	
10	0771212001	24	Bolt M12 x 25	
11	1001137032	2	Screw M10 x 16	
12	1001172358	16	Washer M10	
13	1001173662	4	Shim 16 Gauge	
14	1001197899	1	Base, Boom (Section 1)	
15	1001209368	1	Mid, Boom (Section 2)	
16	1001197901	1	Fly, Boom (Section 3)	
17	1001198546	NLA	Telescope Cylinder Assembly - Tower (Use p/n 10101228091) (See CYLINDER SECTION for Breakdown) (Prior to SN 0300244380)	
17	1001228091	1	Telescope Cylinder Assembly - Tower (See CYLINDER SECTION for Breakdown) (SN 0300244380 to Present)	
18	1001198640	8	Shim 18 Gauge	
19	1001198641	8	Shim 11 Gauge	
20	1001198642	16	Shim 18 Gauge	
21	1001198643	16	Shim 11 Gauge	
22	1001198644	8	Shim 18 Gauge	
23	1001198645	8	Shim 11 Gauge	
24	1001209375	6	Pad, Wear	
25	1001198732	16	Pad, Wear	
26	1001209374	8	Pad, Wear	
27	1001201007	2	Pin	
28	1001201333	2	Block, Trunnion	
29	1001201334	4	Block, Trunnion	
30	1001201335	8	Shim 16 Gauge	
31	1001204914	1	Pad	
32	5241200001	128	Washer M12	
33	1001201938	1	Cartridge Valve Assembly	
34	1001209372	6	Plate, Spacer	
35	1001209373	2	Plate, Spacer	
36	0771218001	16	Bolt M12 x 50	
37	1001212669	1	Pad, Wear	
38	0711217001	8	Bolt M12 x 45	

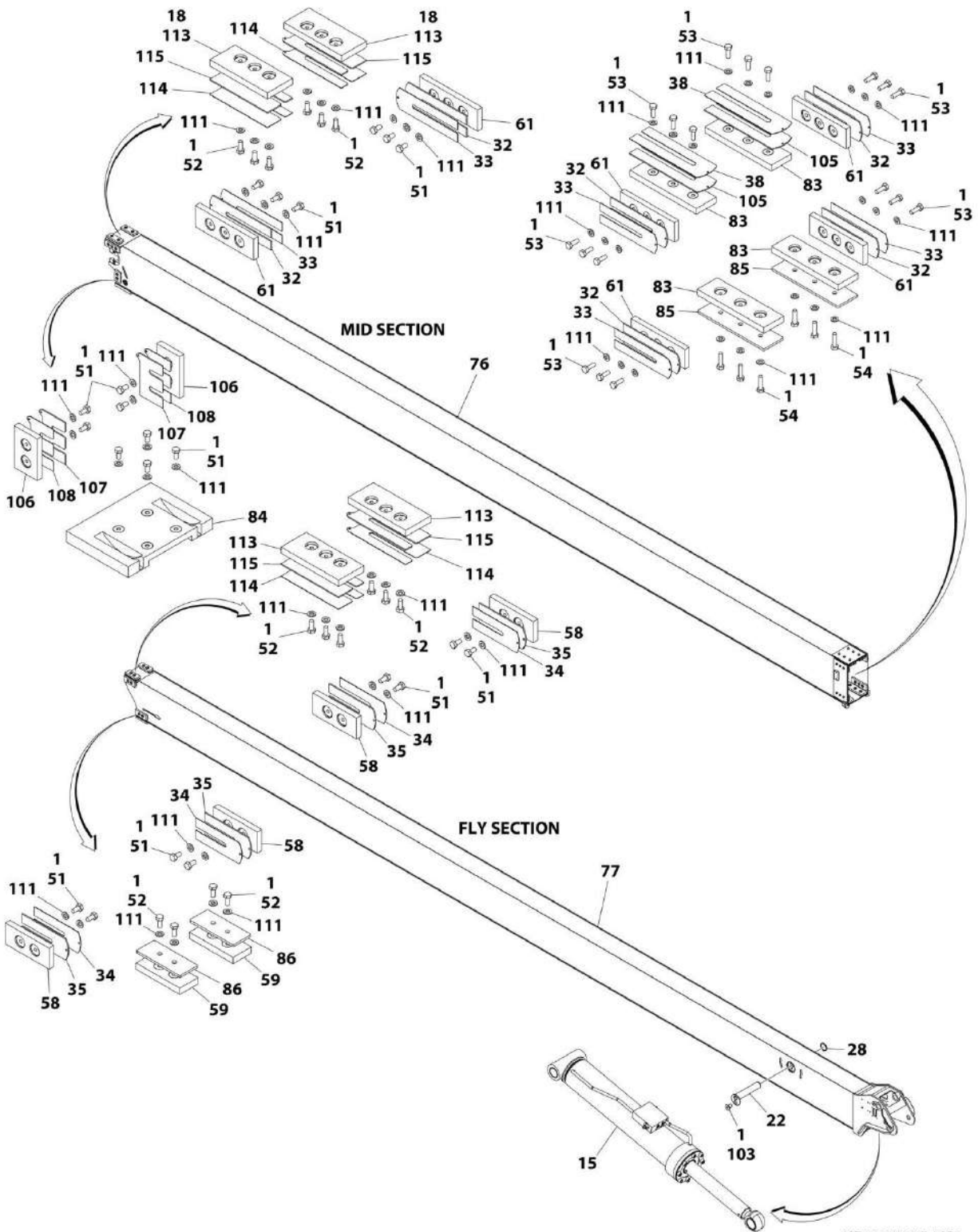
SECTION 4 - BOOM

FIGURE 4-3. MAIN BOOM AND JIB ASSEMBLY



ART_1001196917_10F3

SECTION 4 - BOOM



ART_1001196917_20F3

SECTION 4 - BOOM

FIGURE 4-3. MAIN BOOM AND JIB ASSEMBLY

ITEM	PART NUMBER	QTY	DESCRIPTION	REV
	1001196917	Ref	MAIN BOOM AND JIB ASSEMBLY	J
1	0100011	AR	Compound, Locking	
2	0100019	AR	Compound, Locking	
3	0701018	4	Bolt M10 x 50	
4	0701020	4	Bolt M10 x 60	
5	0701022	6	Bolt M10 x 70	
6	0701031	5	Bolt M10 x 140	
7	0701222	2	Bolt M12 x 70	
8	0761011	3	Bolt M10 x 22	
9	0761012	4	Bolt M10 x 25	
10	0761015	4	Bolt M10 x 35	
11	0761616	2	Bolt M16 x 40	
12	0801550	1	Link, Jib (Lower)	
13	0961951	8	Bushing	
14	1684173	NLA	Lift Cylinder Assembly - Jib (Use p/n 1001228025) (See CYLINDER SECTION for Breakdown) (Prior to SN 0300238854)	
14	1001228025	1	Lift Cylinder Assembly - Jib (See CYLINDER SECTION for Breakdown) (SN 0300238854 to Present)	
15	1684430	NLA	Level Cylinder Assembly (Use p/n 1001228034) (See CYLINDER SECTION for Breakdown) (Prior to SN 0300237743)	
15	1001228034	1	Level Cylinder Assembly (See CYLINDER SECTION for Breakdown) (SN 0300237743 to Present)	
16	3010136	1	Link, Level (Outer)	
16A	0962224	2	Bushing	
16B	0962556	2	Bushing	
17	3020039	AR	Lubricant	
18	3020042	AR	Lubricant	
19	3291005	5	Nut M10	
20	3292201	2	Nut M22	
21	3422178	1	Pin	
22	3422937	1	Pin	
23	3422957	5	Pin	
24	3422958	1	Pin	
25	3423190	1	Pin	
26	3760133	5	Ring, Retaining	
27	3760217	1	Ring, Retaining	
28	3760233	1	Ring, Retaining	
29	3841143	6	Keeper, Pin	
30	3841203	1	Keeper, Pin	
31	3841258	2	Keeper, Pin	
32	4070863	10	Shim 11 Gauge	
33	4070864	10	Shim 18 Gauge	
34	4070897	4	Shim 18 Gauge	
35	4070898	4	Shim 11 Gauge	
36	4071044	1	Shim 18 Gauge	
37	4071045	1	Shim 11 Gauge	
38	4071073	4	Shim 18 Gauge	
39	4100101	1	Spacer	
40	4160197	2	Spring	
41	4812000	27	Washer M10	

SECTION 4 - BOOM

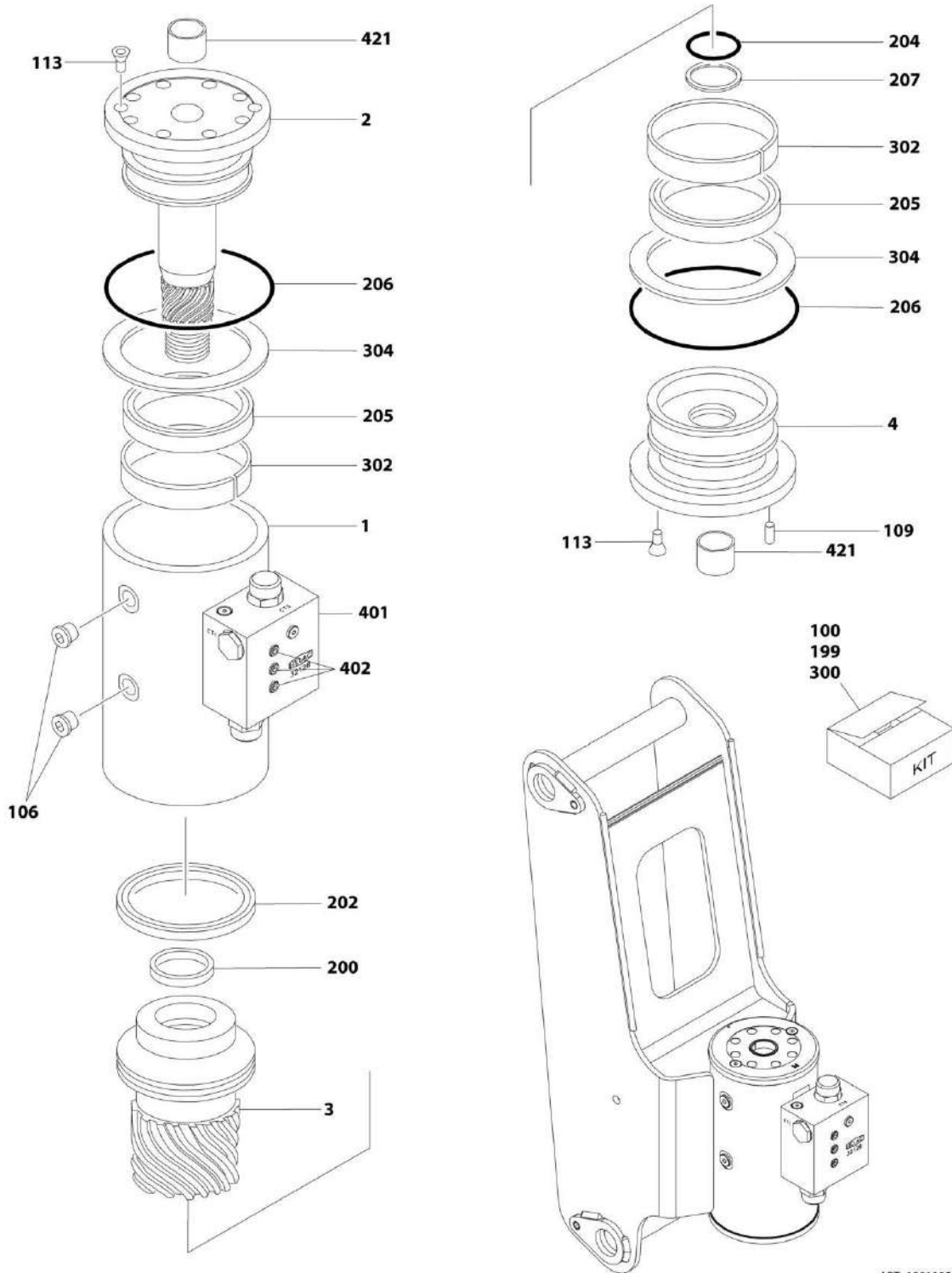
ITEM	PART NUMBER	QTY	DESCRIPTION	REV
42	4812002	4	Washer M10	
43	5241200	2	Washer M12	
44	4846482	1	Link, Jib (Upper)	
45	0711626001	8	Bolt M16 x 90 Grade 10.9	
46	0761010001	2	Bolt M10 x 20	
47	0761011001	7	Bolt M10 x 22	
48	0761014001	1	Bolt M10 x 30	
49	0761214001	1	Bolt M12 x 30	
50	0761614001	2	Bolt M16 x 30	
51	0771010001	22	Bolt M10 x 20 Grade 10.9	
52	0771012001	16	Bolt M10 x 25 Grade 10.9	
53	0771014001	36	Bolt M10 x 30 Grade 10.9	
54	0771016001	6	Bolt M10 x 40 Grade 10.9	
55	0771018001	6	Bolt M10 x 50 Grade 10.9	
56	0771617001	1	Bolt M16 x 45 Grade 10.9	
57	0772016001	8	Bolt M20 x 40 Grade 10.9	
58	1001118287	4	Pad, Wear	
59	1001118288	4	Pad, Wear	
60	1001119899	2	Pin	
61	1001136583	10	Pad, Wear	
62	1001153797	2	Sheave (Prior to SN 0300225574)	
62	1001153785	1	Bushing (Prior to SN 0300225574)	
62	1001153786	1	Bushing (Prior to SN 0300225574)	
62	1001222385	2	Sheave (SN 0300225574 to Present)	
62	1001153785	1	Bushing (SN 0300225574 to Present)	
62	1001154247	1	Ring, Snap (SN 0300225574 to Present)	
62	1001222387	1	Bushing (SN 0300225574 to Present)	
63	1001153846	2	Sheave (Prior to SN 0300225574)	
63	1001153827	1	Bushing (Prior to SN 0300225574)	
63	1001153828	1	Bushing (Prior to SN 0300225574)	
63	1001222402	2	Sheave (SN 0300225574 to Present)	
63	1001153827	1	Bushing (SN 0300225574 to Present)	
63	1001154247	1	Ring, Snap (SN 0300225574 to Present)	
63	1001222404	1	Bushing (SN 0300225574 to Present)	
64	1001156613	2	Bushing	
65	1001157007	2	Sleeve, Spacer, Sensor	
66	1001157454	2	Pad, Wear	
67	1001157872	4	Block, Trunnion	
68	1001157878	2	Retainer, Rope	
69	1001157885	8	Shim 16 Gauge	
70	1001167497	4	Plate, Keeper	
74	1001172358	2	Washer M10	
75	1001195924	1	Boom, Base	
76	1001219583	1	Boom, Mid	
77	1001219590	1	Boom, Fly	
78	1001195939	1	Platform Rotator Assembly (See PLATFORM ROTATOR ASSEMBLY for Breakdown)	
79	1001195940	1	Jib Rotator Assembly (See JIB ROTATOR ASSEMBLY for Breakdown)	
80	1001195941	1	Pivot, Jib	
81	1001198864	2	Sheave, Deflector	
82	1001198938	NLA	Telescope Cylinder Assembly - Main Boom (Use p/n 1001228093)	

SECTION 4 - BOOM

ITEM	PART NUMBER	QTY	DESCRIPTION	REV
			(See CYLINDER SECTION for Breakdown) (Prior to SN 0300244380)	
82	1001228093	1	Telescope Cylinder Assembly - Main Boom (See CYLINDER SECTION for Breakdown) (SN 0300244380 to Present)	
83	1001199083	8	Pad	
84	1001199084	1	Pad	
85	1001199085	6	Shim 6mm	
86	1001199086	2	Shim 6mm	
87	1001199117	2	Plate, Sheave	
88	1001199320	1	Cam	
89	1001199610	1	Retainer, Rope	
90	1001199641	1	Pin	
91	1001199990	1	Block, Cable Mount	
92	1001200091	1	Rope, Extend	
93	1001200092	1	Rope, Retract	
94	1001200093	1	Rope, Extend	
95	1001200094	1	Rope, Retract	
96	1001200732	1	Block, Mounting	
97	1001200733	1	Block, Mounting	
98	1001200736	2	Nut M18	
99	1001200739	1	Spacer	
100	1001200741	1	Retainer, Rope	
101	1001200839	1	Link, Level (Inner)	
101A	0962224	2	Bushing	
102	1001201485	1	Bolt M30 x 50	
103	1001201846	1	Screw M12 x 20 Grade 10.9	
104	1001202455	2	Tape (Prior to SN 0300218237)	
105	1001202793	4	Shim 11 Gauge	
106	1001203753	2	Pad, Wear	
107	1001203754	2	Shim 11 Gauge	
108	1001203755	2	Shim 18 Gauge	
109	3291005001	1	Nut M10	
110	3331611001	1	Nut M16	
111	5241000001	86	Washer M10	
112	5251010001	4	Bolt M10 x 20	
113	1001148012	4	Pad, Wear	
114	1001219599	8	Shim 18 Gauge	
115	1001219600	4	Shim 11 Gauge	

SECTION 4 - BOOM

FIGURE 4-4. PLATFORM ROTATOR ASSEMBLY



ART_1001195939

FIGURE 4-4. PLATFORM ROTATOR ASSEMBLY

ITEM	PART NUMBER	QTY	DESCRIPTION	REV
	1001195939	Ref	PLATFORM ROTATOR ASSEMBLY	C
1	See Note	NSS	Housing/Ring Gear (Note: Purchase Complete Assembly)	
2	70003948	1	Shaft	
3	7017163	1	Piston	
4	7017164	1	Cap	
100	7017142	1	Hardware Kit (Includes Items 106-109)	
106	See Note	NSS	Plug (Note: Use Item 100)	
109	See Note	NSS	Pin, Dowel (Note: Use Item 100)	
113	70001697	6	Screw 1/4 x 3/8	
199	70000342	1	Seal Kit - Low Temperature (Includes Items 200-207)	
200	See Note	NSS	T-Seal (Note: Use Item 199)	
202	See Note	NSS	T-Seal (Note: Use Item 199)	
204	See Note	NSS	O-Ring (Note: Use Item 199)	
205	See Note	NSS	Seal (Note: Use Item 199)	
206	See Note	NSS	O-Ring (Note: Use Item 199)	
207	See Note	1	Ring, Back-up (Note: Use Item 199)	
300	7017159	1	Bearing Kit (Includes Items 302-304)	
302	See Note	NSS	Bearing (Note: Use Item 300)	
304	See Note	NSS	Washer, Thrust (Note: Use Item 300)	
401	70001639	1	Valve, Control (Note: Sold as Assembly Only)	
402	See Note	NSS	Bolt 1/4 x 1-1/2 Grade 8 (Note: Purchase Locally)	
421	7017195	2	Bushing	

SECTION 4 - BOOM

FIGURE 4-5. JIB ROTATOR ASSEMBLY

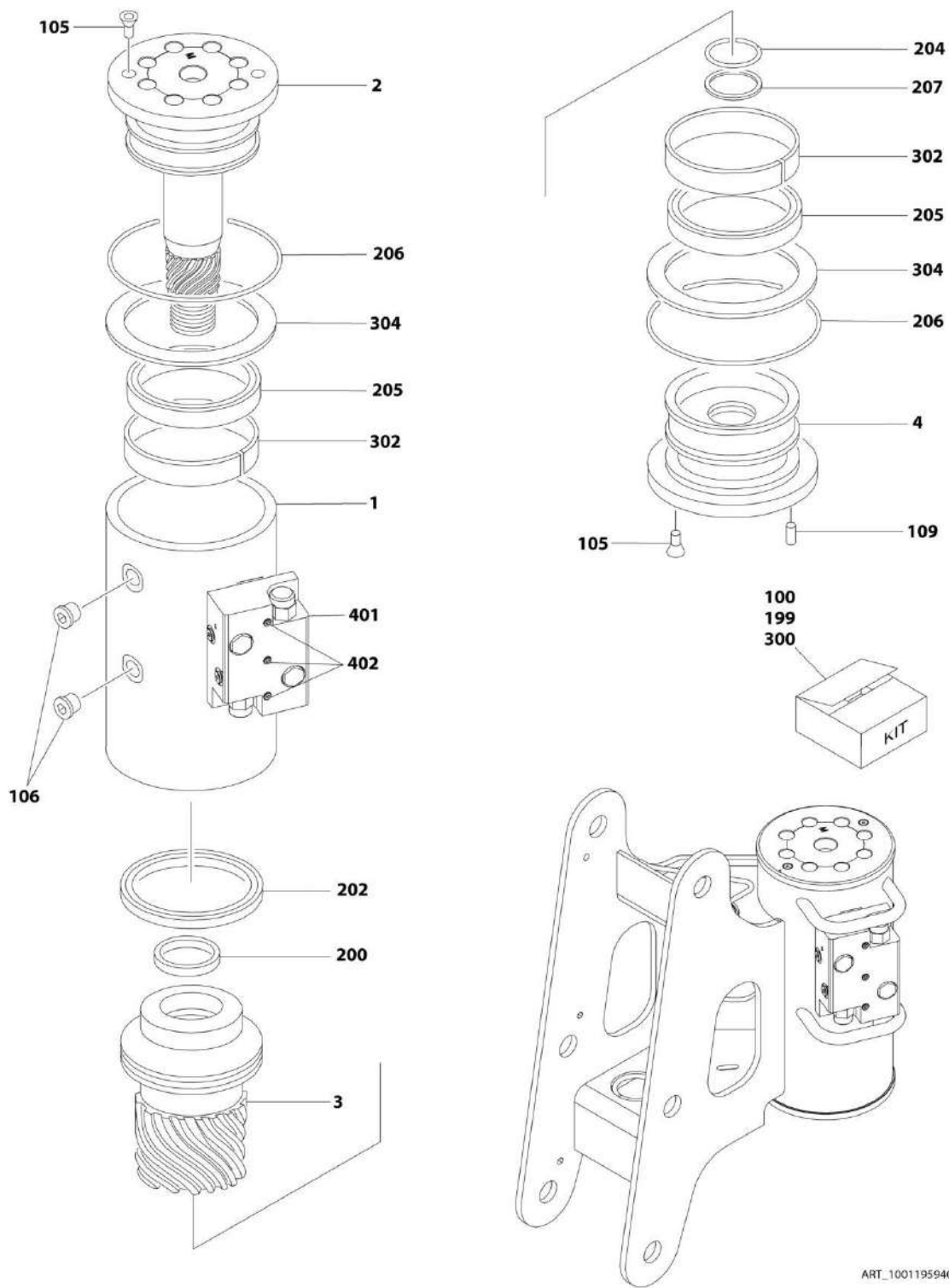
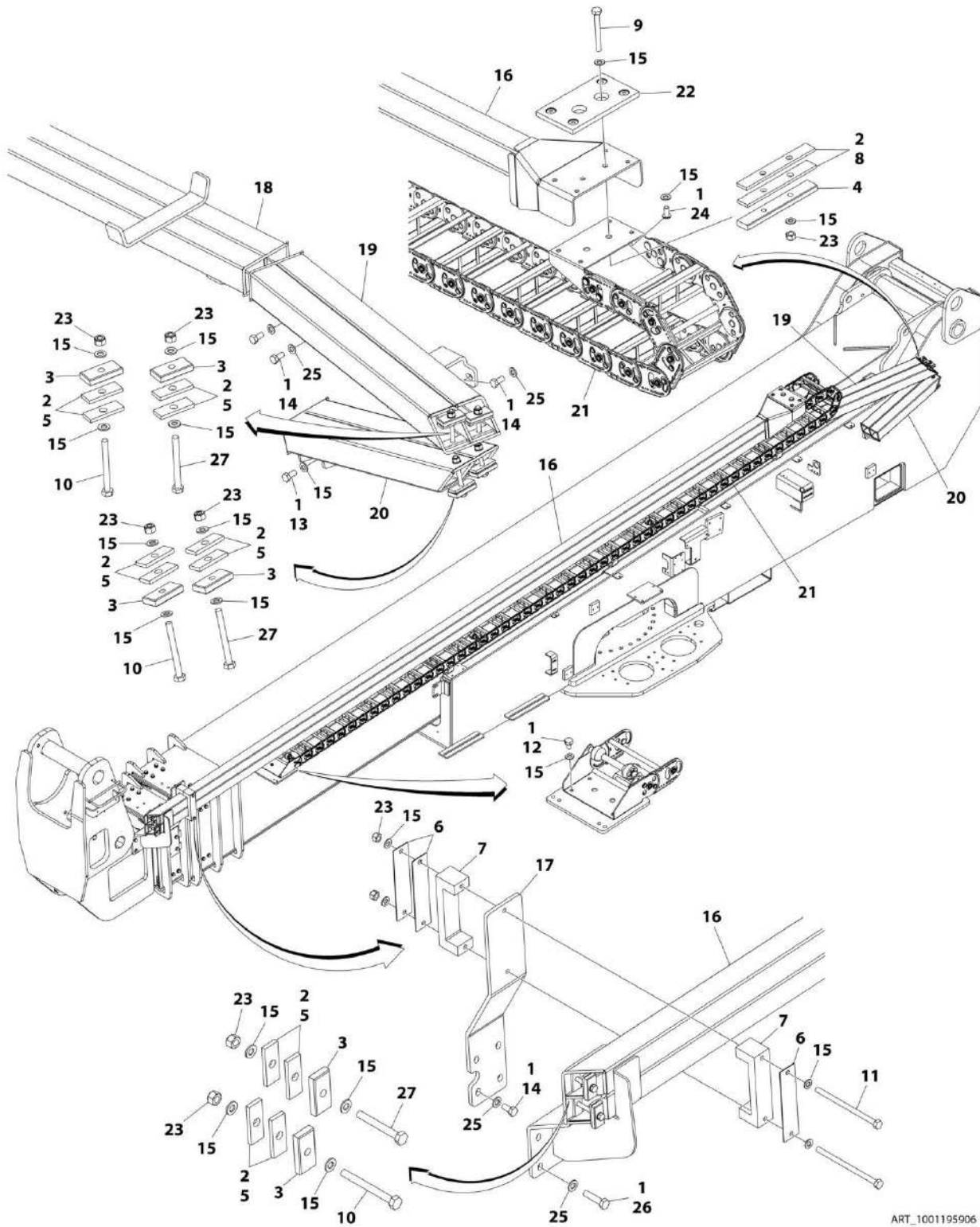


FIGURE 4-5. JIB ROTATOR ASSEMBLY

ITEM	PART NUMBER	QTY	DESCRIPTION	REV
	1001195940	Ref	JIB ROTATOR ASSEMBLY	D
1	See Note	NSS	Housing/Ring Gear (Note: Purchase Complete Assembly)	
2	70005620	1	Shaft	
3	7017187	1	Piston	
4	70005621	1	Cap	
5	7017189	1	Ring, Lock (Not Shown)	
100	70001640	1	Hardware Kit (Includes Items 105-109)	
105	See Note	NSS	Screw (Note: Use Item 100)	
106	See Note	NSS	Plug (Note: Use Item 100)	
109	See Note	NSS	Setscrew (Note: Use Item 100)	
199	70000796	1	Seal Kit (Includes Items 200-207)	
200	See Note	NSS	T-Seal (Note: Use Item 199)	
202	See Note	NSS	T-Seal (Note: Use Item 199)	
204	See Note	NSS	O-Ring (Note: Use Item 199)	
205	See Note	NSS	Seal (Note: Use Item 199)	
206	See Note	NSS	O-Ring (Note: Use Item 199)	
207	See Note	NSS	Ring, Back-up (Note: Use Item 199)	
300	70005622	1	Bearing Kit (Includes Items 302-304)	
302	See Note	NSS	Bearing (Note: Use Item 300)	
304	See Note	2	Washer, Thrust (Note: Use Item 300)	
401	70002859	1	Valve, Control (Note: Sold as Assembly Only)	
402	See Note	NSS	Bolt 1/4 x 1-1/2 Grade 8 (Note: Purchase Locally)	

SECTION 4 - BOOM

FIGURE 4-6. POWER TRACK INSTALLATION - TOWER BOOM



ART_1001195906

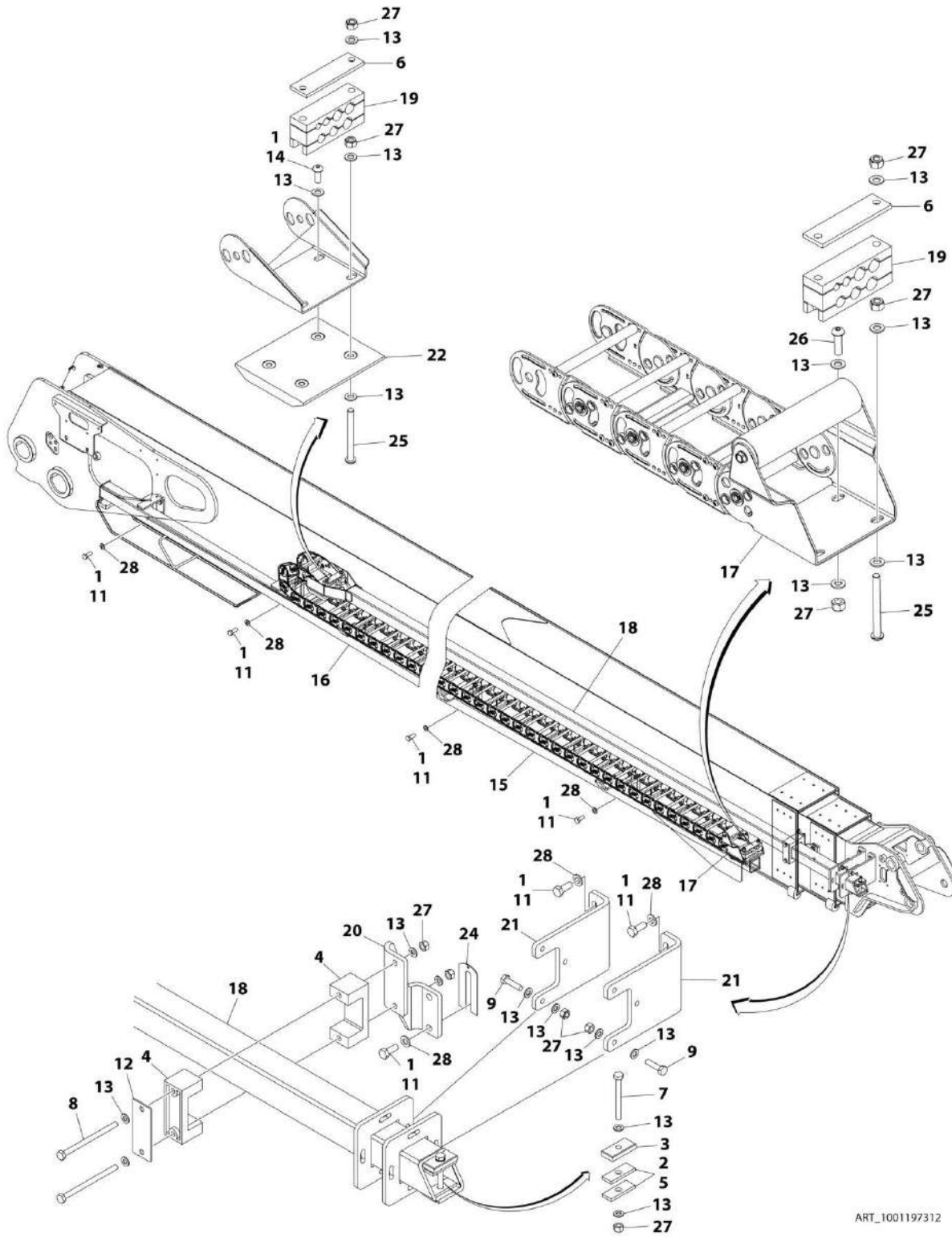
SECTION 4 - BOOM

FIGURE 4-6. POWER TRACK INSTALLATION - TOWER BOOM

ITEM	PART NUMBER	QTY	DESCRIPTION	REV
	1001195906	Ref	POWER TRACK INSTALLATION - TOWER BOOM	D
1	0100011	AR	Compound, Locking	
2	0100081	AR	Adhesive	
3	1320288	6	Clamp	
4	1320328	1	Clamp	
5	3340941	12	Pad	
6	4071076	AR	Shim	
7	4220189	2	Block	
8	4220190	2	Pad	
9	0701026001	2	Bolt M10 x 90	
10	0701027001	3	Bolt M10 x 100	
11	0701034001	2	Bolt M10 x 170	
12	0761007001	4	Bolt M10 x 14	
13	0761012001	2	Bolt M10 x 25	
14	0761212001	16	Bolt M12 x 25	
15	1001172358	30	Washer M10	
16	1001197760	1	Tube, Push	
17	1001197766	1	Plate, Support	
18	1001201997	1	Tube	
19	1001202000	1	Tube	
20	1001202002	1	Tube	
21	1001202005	1	Power Track Assembly	
21	70003919	AR	Repair Kit	
21	70003920	2	Mounting Feet & Roller Kit	
22	1001202245	1	Pad	
23	3291005001	10	Nut M10	
24	3900393001	4	Screw M10 x 20	
25	4812100001	19	Washer M12	
26	0761218001	3	Bolt M12 x 50	
27	0701024001	3	Bolt M10 x 80	

SECTION 4 - BOOM

FIGURE 4-7. POWER TRACK INSTALLATION - MAIN BOOM



ART_1001197312

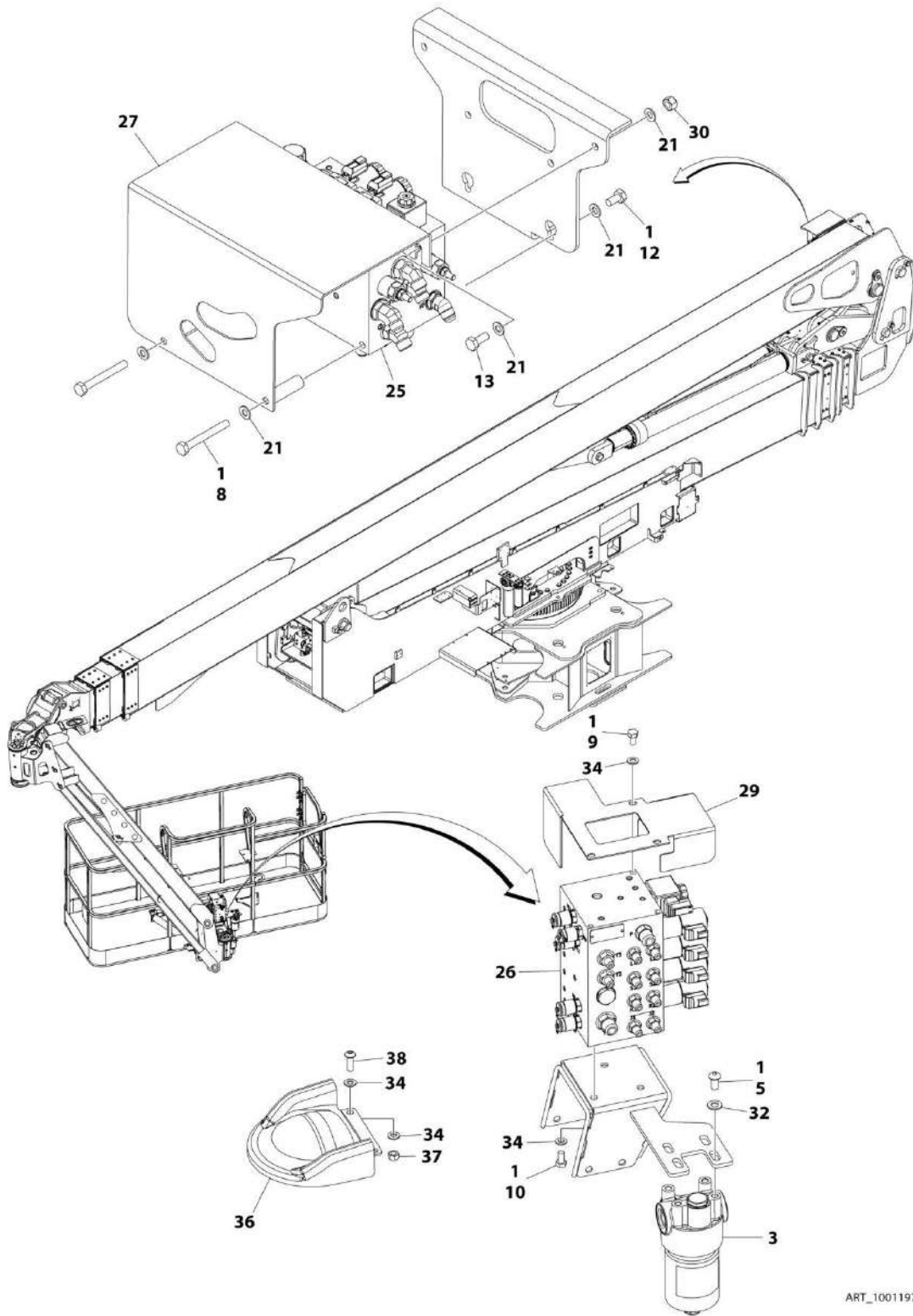
SECTION 4 - BOOM

FIGURE 4-7. POWER TRACK INSTALLATION - MAIN BOOM

ITEM	PART NUMBER	QTY	DESCRIPTION	REV
	1001197312	Ref	POWER TRACK INSTALLATION - MAIN BOOM	G
1	0100011	AR	Compound, Locking	
2	0100081	AR	Adhesive	
3	1320288	1	Clamp	
4	3340764	2	Pad	
5	3340941	2	Pad	
6	1001208596	2	Plate, Clamp	
7	0701027001	1	Bolt M10 x 100	
8	0701032001	2	Bolt M10 x 150	
9	0761016001	6	Bolt M10 x 40	
11	0761214001	20	Bolt M12 x 30	
12	1001136400	1	Plate, Mounting	
13	1001172358	34	Washer M10	
14	1001173763	2	Screw M10 x 25	
15	1001198376	1	Tube	
16	1001198377	1	Tube	
17	1001198382	1	Power Track Assembly	
17	70004071	AR	Repair Kit	
17	70005666	2	Mounting Feet Kit	
18	1001198383	1	Tube, Push	
19	1001198386	2	Clamp	
20	1001198388	1	Bracket	
21	1001198389	2	Bracket	
22	1001209633	1	Pad	
24	1001199315	AR	Shim	
25	1001199671	4	Screw M10 x 100	
26	1001200686	2	Screw M10 x 35	
27	3291005001	19	Nut M10	
28	4812100001	20	Washer M12	

SECTION 4 - BOOM

FIGURE 4-8. VALVES AND FILTERS INSTALLATION - BOOM (Prior to SN 0300223782)



ART_1001197314_30F3

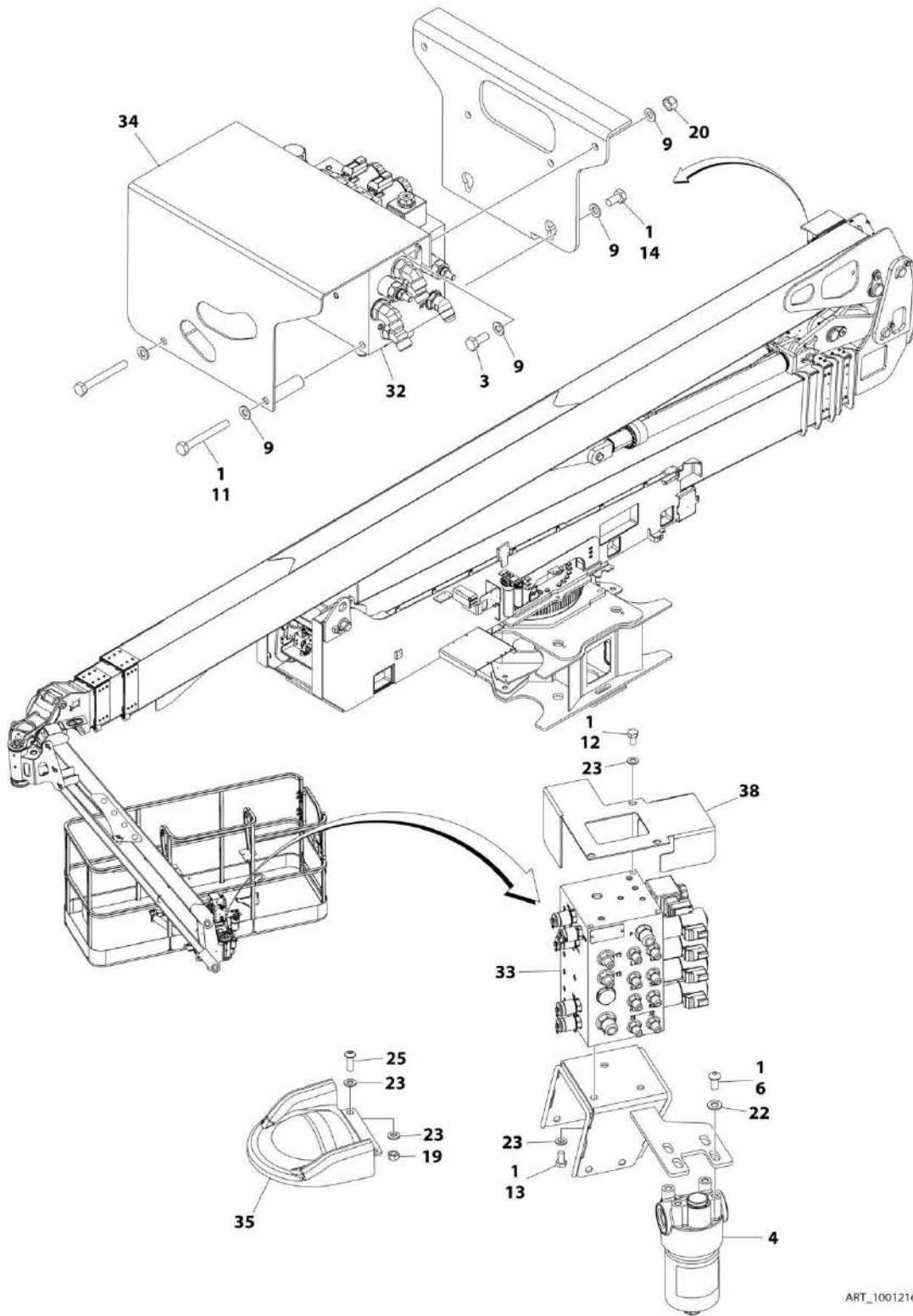
SECTION 4 - BOOM

FIGURE 4-8. VALVES AND FILTERS INSTALLATION - BOOM (Prior to SN 0300223782)

ITEM	PART NUMBER	QTY	DESCRIPTION	REV
	1001197314	Ref	VALVES AND FILTERS INSTALLATION - BOOM (Prior to SN 0300223782)	E
1	0100011	AR	Compound, Locking	
3	2120217	1	Filter	
3	70002097	1	Element	
5	3900283	4	Screw 3/8 x 3/4	
8	0701025001	2	Bolt M10 x 85	
9	0760807001	3	Bolt M8 x 14	
10	0760808001	3	Bolt M8 x 16	
12	0761010001	AR	Bolt M10 x 20	
13	0761012001	AR	Bolt M10 x 25	
21	1001172358	AR	Washer M10	
25	1001201503	1	Boom Valve Assembly (See BOOM VALVE ASSEMBLY for Breakdown)	
26	1001201986	1	Platform Valve Assembly (See PLATFORM VALVE ASSEMBLY for Breakdown)	
27	1001202692	1	Cover	
29	1001204402	1	Cover (Prior to SN 0300218236)	
29	1001214756	1	Cover (SN 0300218237 to Present)	
30	3291005001	2	Nut M10	
32	4711600001	AR	Washer 3/8	
34	4811900001	AR	Washer M8	
36	1001207969	1	Cover	
37	3290807001	2	Nut M8	
38	8310643001	2	Bolt M8 x 25	

SECTION 4 - BOOM

FIGURE 4-9. VALVES AND FILTERS INSTALLATION - BOOM (SN 0300223782 to Present)



ART_1001216976_30F3

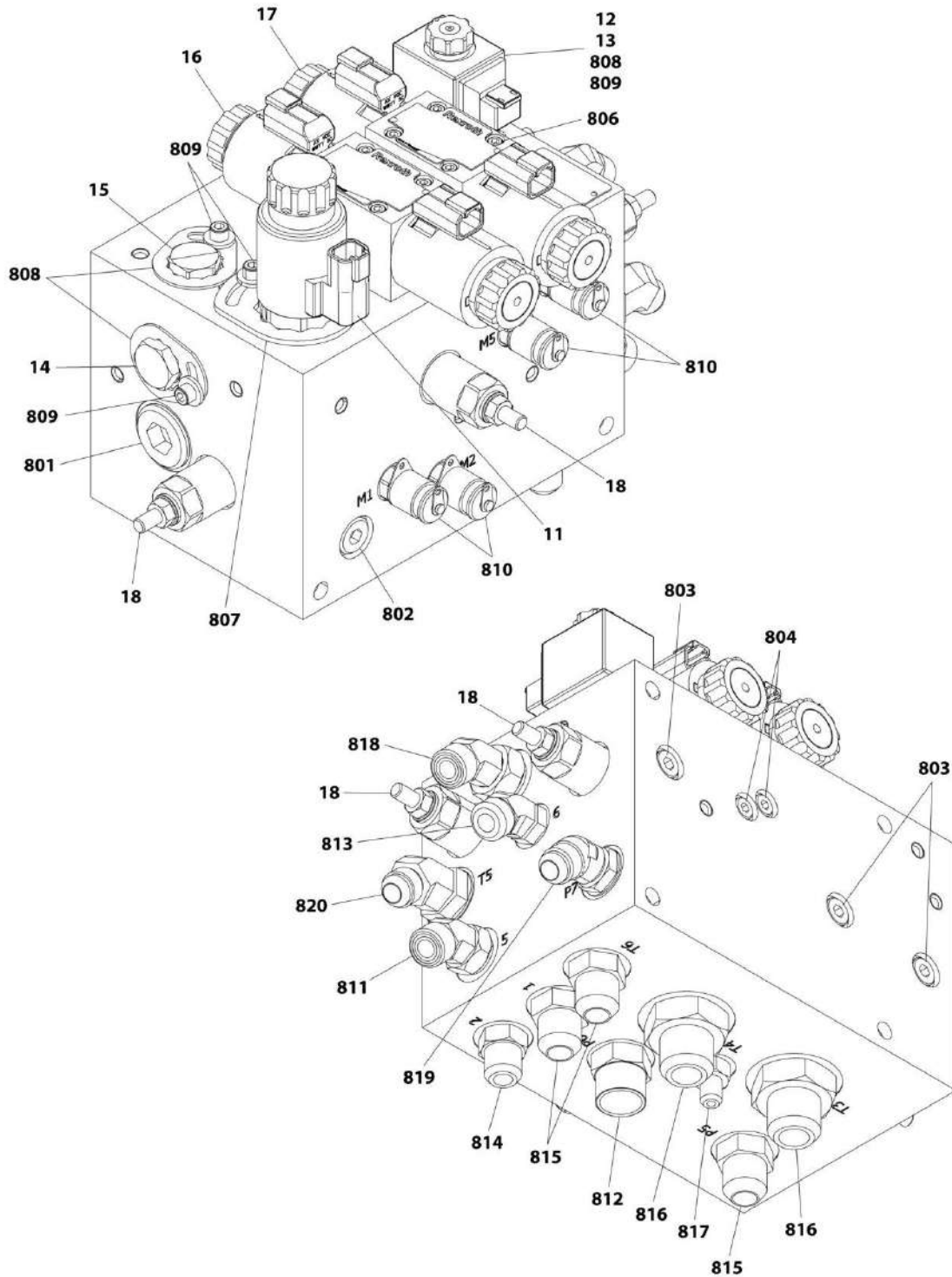
SECTION 4 - BOOM

FIGURE 4-9. VALVES AND FILTERS INSTALLATION - BOOM (SN 0300223782 to Present)

ITEM	PART NUMBER	QTY	DESCRIPTION	REV
	1001216976	Ref	VALVES AND FILTERS INSTALLATION - BOOM (SN 0300223782 to Present)	E
1	0100011	AR	Compound, Locking	
3	0761012	2	Bolt M10 x 25	
4	2120217	1	Filter	
4	70002097	1	Element	
6	3900283	4	Screw 3/8 x 3/4	
9	4812000	10	Washer M10	
11	0701025001	2	Bolt M10 x 85	
12	0760807001	3	Bolt M8 x 14	
13	0760808001	3	Bolt M8 x 16	
14	0761010001	4	Bolt M10 x 20	
19	3290807001	2	Nut M8	
20	3291005001	2	Nut M10	
22	4711600001	4	Washer 3/8	
23	4811900001	10	Washer M8	
25	8310643001	2	Bolt M8 x 25	
32	1001201503	1	Boom Valve Assembly (See BOOM VALVE ASSEMBLY for Breakdown)	
33	1001201986	1	Platform Valve Assembly (See PLATFORM VALVE ASSEMBLY for Breakdown)	
34	1001202692	1	Cover	
35	1001207969	1	Cover	
38	1001214756	1	Cover	

SECTION 4 - BOOM

FIGURE 4-10. BOOM VALVE ASSEMBLY



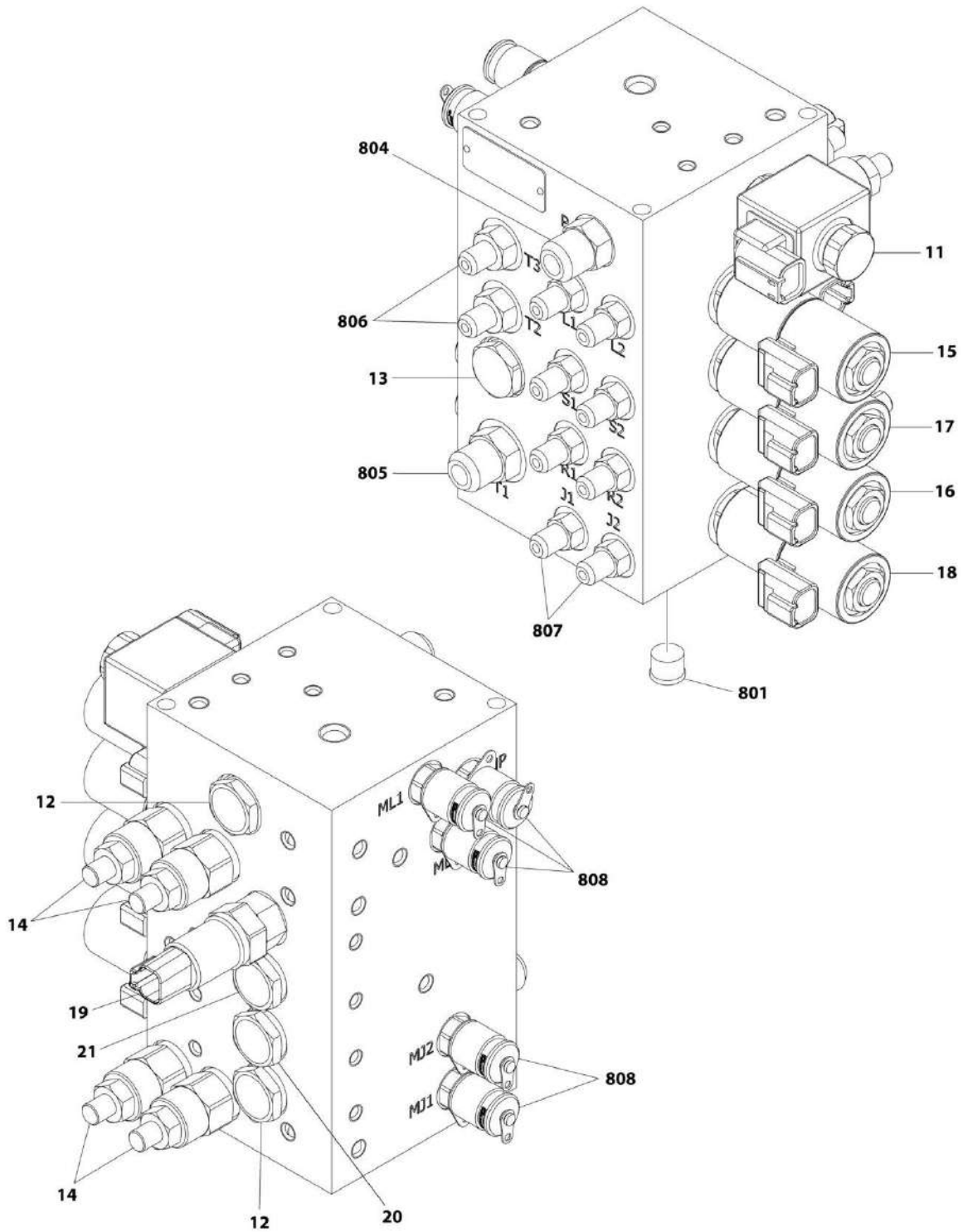
ART_1001201503

FIGURE 4-10. BOOM VALVE ASSEMBLY

ITEM	PART NUMBER	QTY	DESCRIPTION	REV
	1001201503	Ref	BOOM VALVE ASSEMBLY	J
11	70004593	1	Valve, Solenoid Less Coil (Flow Control)	
11	70004594	1	Seal Kit - 70004593 Valve	
11	70004595	1	Coil	
11	70004597	1	Nut, Coil	
11	70004596	1	O-Ring, Pole Tube	
12	7022523	1	Orifice 1mm	
13	70005962	1	Valve, Solenoid Less Coil (Directional Control)	
13	70004052	1	Seal Kit - 70005962 Valve	
13	70004588	1	Coil	
13	70004456	1	Nut Coil	
13	70004051	1	O-Ring, Pole Tube	
14	70005963	1	Valve, Cartridge (Check)	
14	70005964	1	Seal Kit - 70005963 Valve	
15	70004585	1	Valve, Cartridge (Check)	
15	70004052	1	Seal Kit - 70004585 Valve	
16	70004459	1	Valve, Solenoid Less Coil (Main Tele)	
16	7012773	1	Seal Kit - 70004459 Valve	
16	70004460	1	Coil	
16	7021375	1	Nut, Coil	
16	70004596	1	O-Ring, Pole Tube	
17	70004459	1	Valve, Solenoid Less Coil (Main Lift)	
17	7012773	1	Seal Kit - 70004459 Valve	
17	70004460	1	Coil	
17	7021375	1	Nut, Coil	
17	70004596	1	O-Ring, Pole Tube	
18	70004601	4	Valve, Cartridge (Relief)	
18	70004602	4	Seal Kit - 70004602 Valve	
801	70005965	1	Plug	
802	70002759	1	Plug	
803	70004617	5	Plug	
804	70002758	2	Plug	
806	7018942	8	Capscrew #10 x 2	
807	70005954	1	Plate, Locking	
808	70005955	1	Plate, Locking	
809	70005958	4	Capscrew	
810	2221086	4	Fitting, Test	
811	2150808	1	Fitting, 45 ORFS/ORB	
812	2111010	1	Fitting, Straight ORFS/ORB	
813	2150806	1	Fitting, 45 ORFS/ORB	
814	2220373	1	Fitting, Straight JIC/ORB	
815	2220947	3	Fitting, Straight JIC/ORB	
816	2220435	2	Fitting, Straight JIC/ORB	
817	2220582	1	Fitting, Straight JIC/ORB	
818	2150810	1	Fitting, 45 JIC/ORB	
819	2220500	1	Fitting, 45 JIC/ORB	
820	2220499	1	Fitting, 45 JIC/ORB	

SECTION 4 - BOOM

FIGURE 4-11. PLATFORM VALVE ASSEMBLY



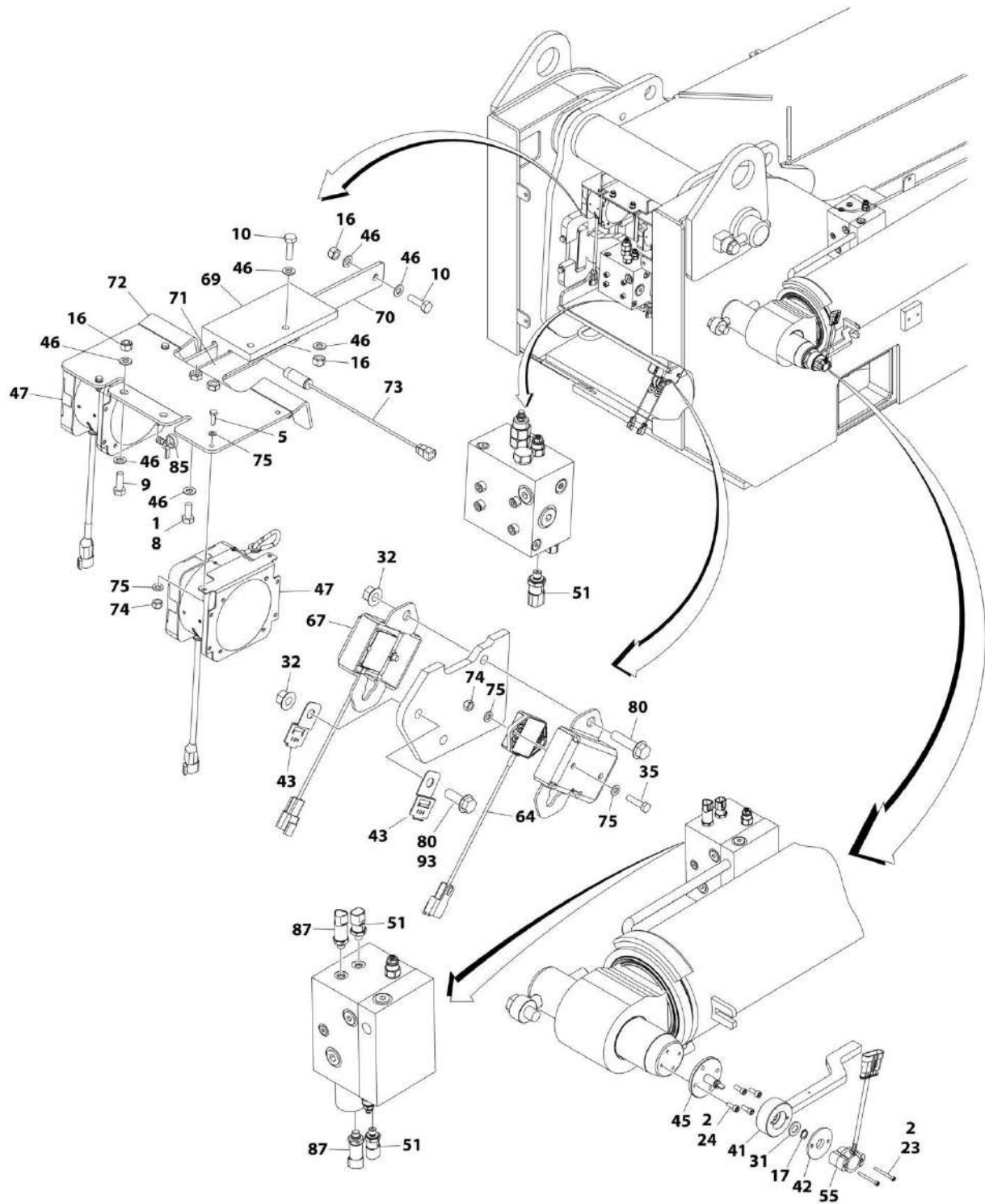
ART_1001201986

FIGURE 4-11. PLATFORM VALVE ASSEMBLY

ITEM	PART NUMBER	QTY	DESCRIPTION	REV
	1001201986	Ref	PLATFORM VALVE ASSEMBLY	J
11	70004457	1	Valve, Solenoid Less Coil (Dump)	
11	70004050	1	Seal Kit - 70004457 Valve	
11	70004653	1	Coil	
11	70004051	1	Seal Kit - 70004653 Coil	
12	70003021	2	Valve, Cartridge (Flow Control)	
12	70004052	2	Seal Kit - 70003021 Valve	
13	70004585	1	Valve, Cartridge (Check)	
13	70004052	1	Seal Kit - 70004585 Valve	
14	70003019	4	Valve, Cartridge (Pressure Relief)	
14	70004052	4	Seal Kit - 70003019 Valve	
15	7023922	1	Valve, Solenoid Less Coil (Platform Level)	
15	7017402	1	Seal Kit - 7023922 Valve	
15	7024885	2	Coil	
15	7022390	1	Nut, Coil	
15	70003023	1	Spacer, Coil	
16	7024899	1	Valve, Solenoid Less Coil (Platform Rotate)	
16	7017402	1	Seal Kit - 7024899 Valve	
16	7024885	2	Coil	
16	7022390	1	Nut, Coil	
16	70003023	1	Spacer, Coil	
17	7024899	1	Valve, Solenoid Less Coil (Platform Sideswing Rotate)	
17	7017402	1	Seal Kit - 7024899 Valve	
17	7024885	2	Coil	
17	7022390	1	Nut, Coil	
17	70003023	1	Spacer, Coil	
18	7023922	1	Valve, Solenoid Less Coil (Jib)	
18	7017402	1	Seal Kit - 7023922 Valve	
18	7024885	2	Coil	
18	7022390	1	Nut, Coil	
18	70003023	1	Spacer, Coil	
19	70005966	1	Switch, Pressure	
19	70005967	1	Connector	
20	70003027	2	Valve, Cartridge (Flow Control)	
20	70004052	2	Seal Kit - 70003027 Valve	
21	70003020	2	Valve, Cartridge (Flow Control)	
21	70004052	2	Seal Kit - 70003020 Valve	
801	70004617	1	Plug	
804	2220600	1	Fitting, Straight JIC/ORB	
805	2220373	1	Fitting, Straight JIC/ORB	
806	2220582	2	Fitting, Straight JIC/ORB	
807	2220415	8	Fitting, Straight JIC/ORB	
808	2221086	5	Fitting, Test	

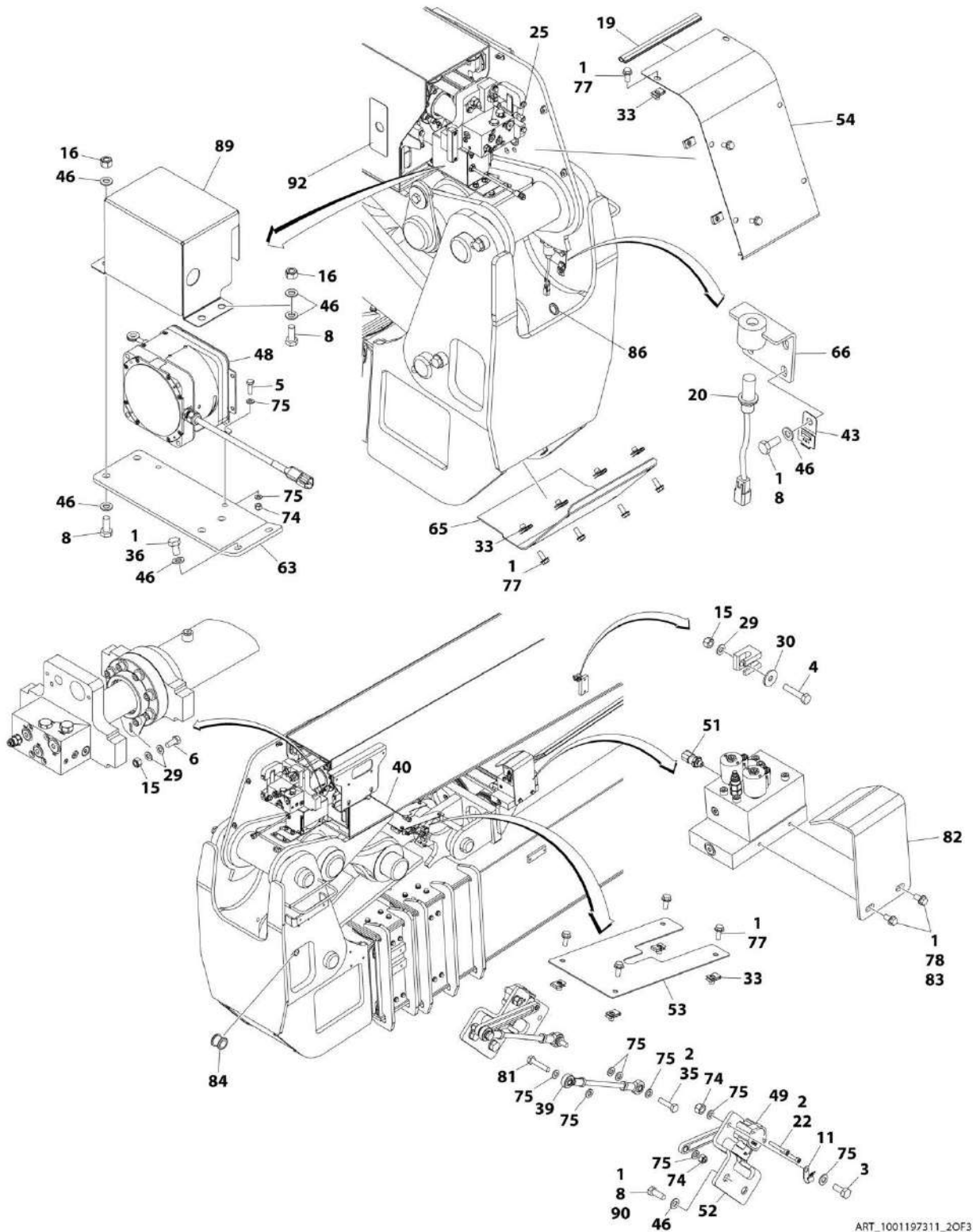
SECTION 4 - BOOM

FIGURE 4-12. BOOM SENSORS AND COVERS INSTALLATION



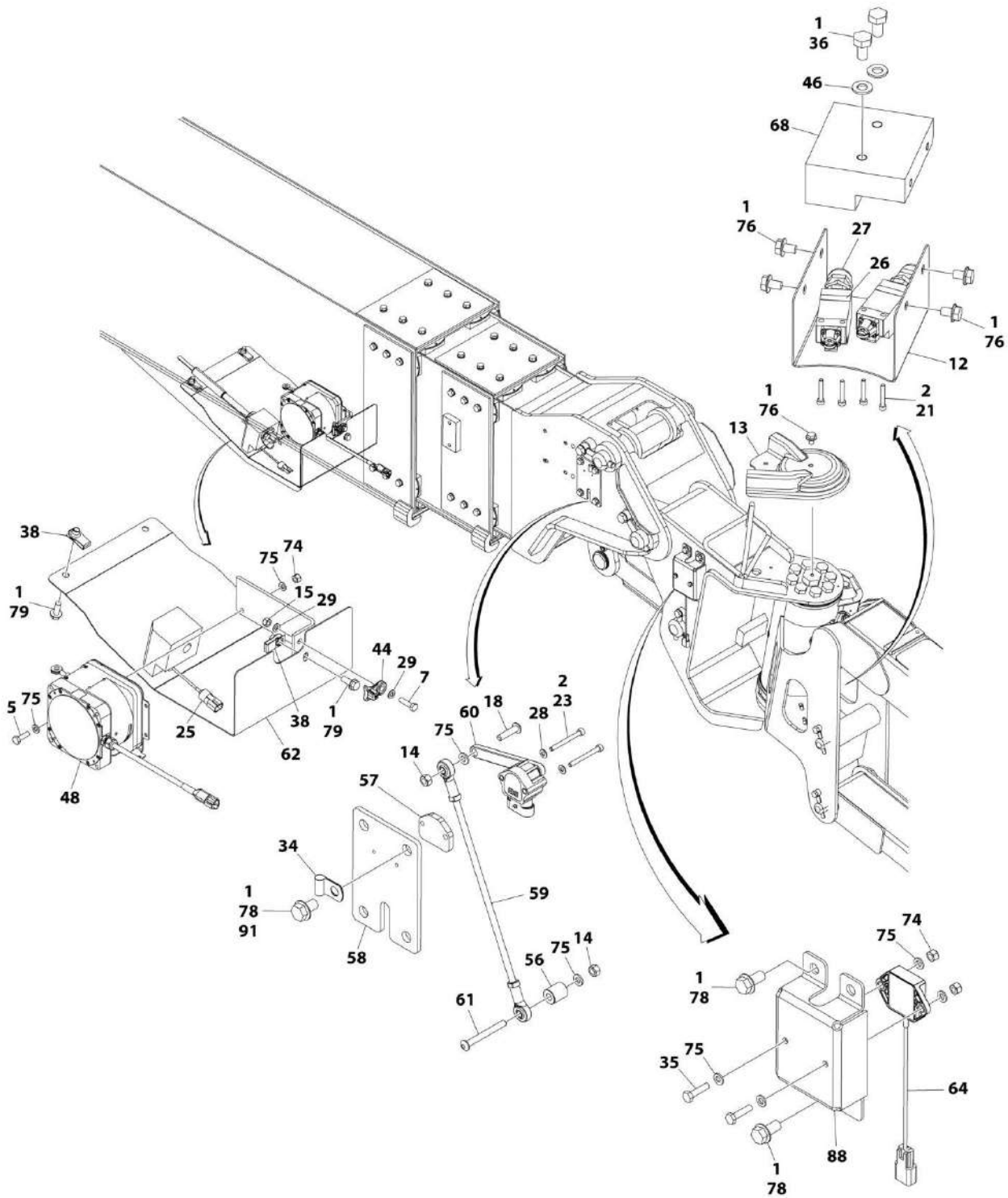
ART_1001197311_10F3

SECTION 4 - BOOM



ART_1001197311_20F3

SECTION 4 - BOOM



ART_1001197311_3OF3

SECTION 4 - BOOM

FIGURE 4-12. BOOM SENSORS AND COVERS INSTALLATION

ITEM	PART NUMBER	QTY	DESCRIPTION	REV
	1001197311	Ref	BOOM SENSORS AND COVERS INSTALLATION	O
1	0100011	AR	Compound, Locking	
2	0100035	AR	Compound, Locking	
3	0700608	2	Bolt M6 x 16 (Prior to SN 0300218237)	
4	0700816	1	Bolt M8 x 40	
5	0760610	8	Bolt M6 x 20	
6	0760810	1	Bolt M8 x 20	
7	0760814	1	Bolt M8 x 30	
8	0761012001	AR	Bolt M10 x 25	
9	0761014	2	Bolt M10 x 30	
10	0761015	4	Bolt M10 x 35	
11	1321293	2	Clamp (Prior to SN 0300218237)	
12	1671039	1	Cover	
13	1671122	1	Cover	
14	3290607	2	Nut M6	
15	3290805	3	Nut M8	
16	3291005	AR	Nut M10	
17	3760383	1	Ring	
18	3900363	1	Screw M6 x 25	
19	3960389	1.1 ft/ 0.3m	Seal	
20	4000008	1	Proximity Sensor Assembly (Note: Re-calibration Required when Replaced)	
20	4461076	1	Receptacle, Female - 4 Position	
20	4460917	4	Pin, Male	
21	4031509	4	Capscrew M4 x 25	
22	4031510	4	Capscrew M4 x 30	
23	4031512	4	Capscrew M4 x 40	
24	4031707	4	Capscrew M6 x 16	
25	1001196517	2	Switch, Proximity (Note: Re-calibration Required when Replaced)	
26	4360548	2	Switch, Limit	
27	4460968	2	Connector, Strain Relief	
28	4811400	2	Washer M4	
29	4811900	5	Washer M8	
30	4811902	1	Washer M8	
31	4812100	1	Washer M12	
32	5261018	AR	Nut M10 Grade 10.9	
33	8310686	14	Nut, Retainer M8	
34	8406003	1	Clip	
35	0760612001	8	Bolt M6 x 25	
36	0761009001	4	Bolt M10 x 18	
38	1001118972	3	Nut M10	
39	1001119033	2	Link, Sensor (Prior to SN 0300223782)	
39	1001216579	2	Link, Sensor (SN 0300223782 to Present)	
40	1001120104	1	Proximity Sensor Assembly (Note: Re-calibration Required when Replaced)	
40	4460932	1	Receptacle, Female - 2 Position	
40	4460464	2	Pin, Male	
41	1001155262	1	Link, Sensor	
42	1001155836	1	Adapter	

SECTION 4 - BOOM

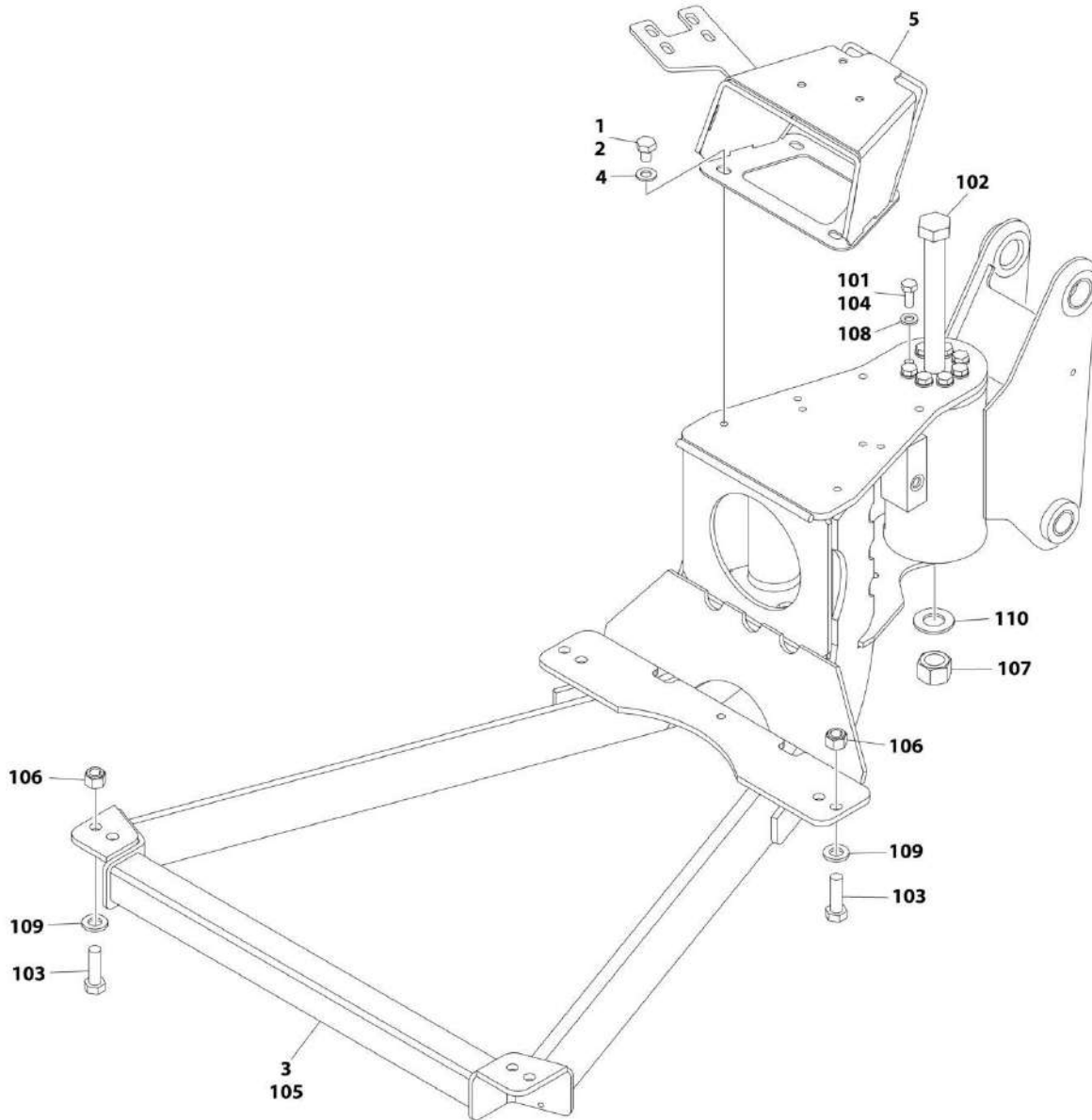
ITEM	PART NUMBER	QTY	DESCRIPTION	REV
43	1001155967	3	Holder	
44	1001156107	1	Holder	
45	1001156778	1	Pin	
46	1001172358	AR	Washer M10	
47	1001197960	2	Sensor, Boom Length	
47	4460954	1	Receptacle, Female - 3 Position	
47	4460464	3	Pin, Male	
48	1001197961	2	Sensor, Boom Length	
48	4460954	1	Receptacle, Female - 3 Position	
48	4460464	3	Pin, Male	
49	1001200345	2	Sensor, Angle	
51	1001200550	4	Transducer, Pressure	
52	1001200560	2	Bracket (Prior to SN 0300218237)	
52	1001216258	2	Bracket (SN 0300218237 to Present)	
53	1001200587	1	Cover	
54	1001200734	1	Panel, Boom Base	
55	1001200764	1	Sensor, BEI Angle	
55	4461228	1	Plug, Male - 6 Position	
55	1001104497	6	Socket, Female	
56	1001200834	1	Spacer	
57	1001200836	1	Plate	
58	1001200837	1	Plate, Mounting	
59	1001200838	1	Link, Sensor	
60	1001200848	1	Sensor, Angle	
61	1001200849	1	Screw M6 x 55	
62	1001201068	1	Cover	
63	1001201069	1	Bracket	
64	1001201095	3	Sensor, Angle Gravity	
64	4460910	1	Receptacle, Female - 3 Position	
64	4460917	3	Pin, Male	
64	4460913	AR	Lock, Wedge	
65	1001202055	1	Cover, Boom Fly	
66	1001202179	1	Bracket	
67	1001202182	2	Shield	
68	1001202950	1	Mount, Switch	
69	1001203898	1	Stop	
70	1001203899	1	Bar	
71	1001203900	1	Plate	
72	1001203904	1	Bracket	
73	1001204043	1	Sensor, Proximity	
73	4461077	1	Plug, Male - 4 Position	
73	4460918	4	Socket, Female	
74	3290605001	16	Nut M6	
75	4811700001	42	Washer M6	
76	5250806001	7	Bolt M8 x 12	
77	5250810001	14	Bolt M8 x 20	
78	5251010001	AR	Bolt M10 x 20	
79	5251012001	3	Bolt M10 x 25	
80	5251016001	AR	Bolt M10 x 40	
81	0760614001	2	Bolt M6 x 30	
82	1001220470	1	Plate	

SECTION 4 - BOOM

ITEM	PART NUMBER	QTY	DESCRIPTION	REV
83	0100038	AR	Primer, Locking	
84	1001212663	1	Grommet	
85	7894000042	1	Tie-Strap	
86	1001213053	1	Grommet	
87	1001199043	2	Transducer, Pressure	
88	1001213836	1	Cover	
89	1001214098	1	Cover	
90	8310614	4	Screw M10 x 30	
91	5251008001	4	Bolt M10 x 16	
92	1001171324	1	Cover (SN 0300223782 to Present)	
93	5251013	AR	Bolt M10 x 28	

SECTION 4 - BOOM

FIGURE 4-13. PLATFORM SUPPORT INSTALLATION - WITHOUT LSS



ART_1001204912

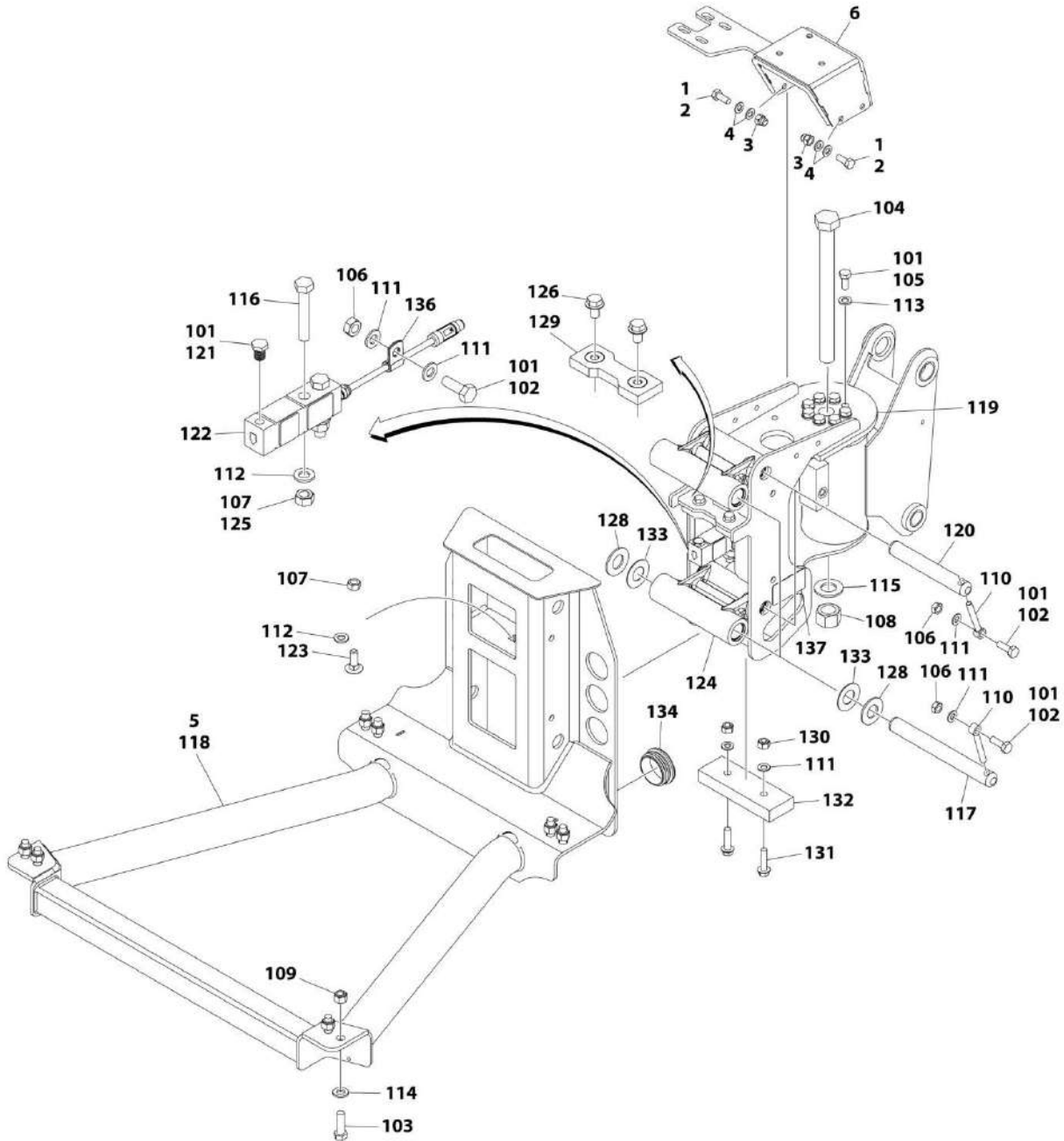
SECTION 4 - BOOM

FIGURE 4-13. PLATFORM SUPPORT INSTALLATION - WITHOUT LSS

ITEM	PART NUMBER	QTY	DESCRIPTION	REV
	1001204912	Ref	PLATFORM SUPPORT INSTALLATION - WITHOUT LSS	F
1	0100011	AR	Compound, Locking	
2	0761007001	4	Bolt M10 x 14	
3	1001211337	1	Platform Support Assembly (See Items 101-110 for Breakdown)	
4	1001172358	4	Washer M10	
5	1001209313	1	Bracket, Mounting	
	1001211337	Ref	PLATFORM SUPPORT ASSEMBLY - WITHOUT LSS	B
101	0100011	AR	Compound, Locking	
102	0712444001	1	Bolt M24 x 270	
103	0761216001	8	Bolt M12 x 40	
104	0771012001	8	Bolt M10 x 25	
105	1001149734	1	Support	
106	3291205001	8	Nut M12	
107	3332415001	1	Nut M24	
108	5241000001	8	Washer M10	
109	5241200001	8	Washer M12	
110	5242400001	1	Washer M24	

SECTION 4 - BOOM

FIGURE 4-14. PLATFORM SUPPORT INSTALLATION - WITH LSS



ART_1001204911

SECTION 4 - BOOM

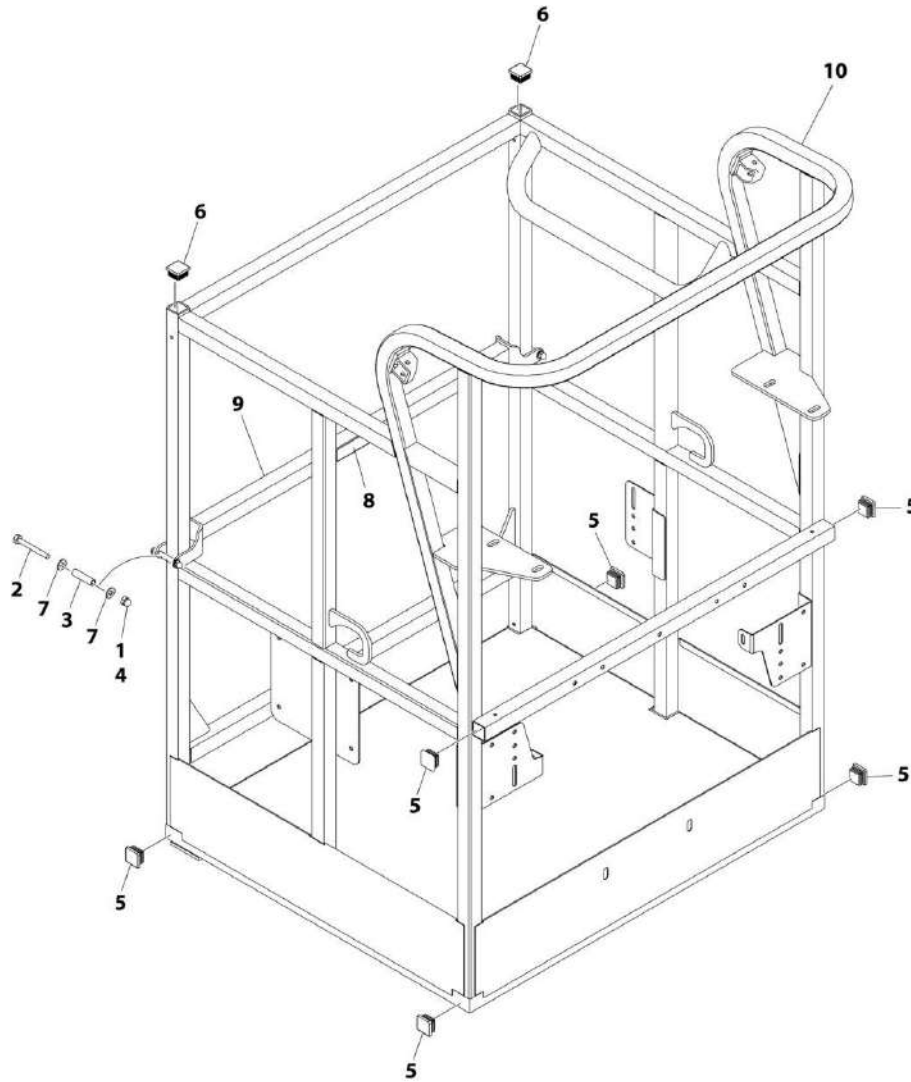
FIGURE 4-14. PLATFORM SUPPORT INSTALLATION - WITH LSS

ITEM	PART NUMBER	QTY	DESCRIPTION	REV
	1001204911	Ref	PLATFORM SUPPORT INSTALLATION - WITH LSS	F
1	0100011	AR	Compound, Locking	
2	0760812001	4	Bolt M8 x 25	
3	3290805001	4	Nut M8	
4	4811900001	8	Washer M8	
5	1001207388	1	Platform Support Assembly - With LSS	
6	1001204073	1	Bracket, Mounting	
	1001207388	Ref	PLATFORM SUPPORT ASSEMBLY - WITH LSS	F
101	0100011	AR	Compound, Locking	
102	0761014001	5	Bolt M10 x 30	
103	0761216001	8	Bolt M12 x 40	
104	0712444001	1	Bolt M24 x 270	
105	0771012001	8	Bolt M10 x 25 Grade 10.9	
106	3291001001	5	Nut M10	
107	3291201001	3	Nut M12	
108	3332415001	1	Nut M24 Grade 10.9	
109	3291205001	8	Nut M12	
110	3841143	4	Keeper, Pin	
111	1001172358	8	Washer M10	
112	4812100001	3	Washer M12	
113	5241000001	8	Washer M10	
114	5241200001	8	Washer M12	
115	5242400001	1	Washer M24	
116	0711222001	2	Screw M12 x 70 Grade 10.9	
117	1001167565	2	Pin	
118	1001200494	1	Support, Platform	
119	1001167567	1	Bracket, Actuator	
120	1001168402	2	Pin	
121	1001188622	1	Screw	
122	1001172663	1	Gauge, Load Sensing	
123	1001188844	1	Bolt M12 x 35	
124	1001201351	2	Link	
125	3291207001	2	Nut M12 (Prior to SN 0300218237)	
126	5251008001	2	Bolt M10 x 16	
127	1001175244	1	LSS Harness (Not Shown - Located on Platform Console) (Prior to SN 0300218237)	
128	1001189002	8	Bearing	
129	1001190985	1	Pad, Wear	
130	3291005001	2	Nut M10	
131	5251016001	2	Bolt M10 x 40	
132	1001200491	1	Plate, Wear	
133	1001189001	4	Bearing	
134	1001204725	2	Plug	
135	4460428	1	Connector, Strain Relief (Not Shown - Located on Platform Console) (Prior to SN 0300218237)	
136	91203039	1	Clamp	
137	1001216630	2	Decal - Tie Down/No Lift	

SECTION 5 - PLATFORM

SECTION 5 - PLATFORM

FIGURE 5-1. PLATFORM ASSEMBLY - 30IN X 3FT (76CM X .91M) - DROP BAR ENTRY



ART_1001228215

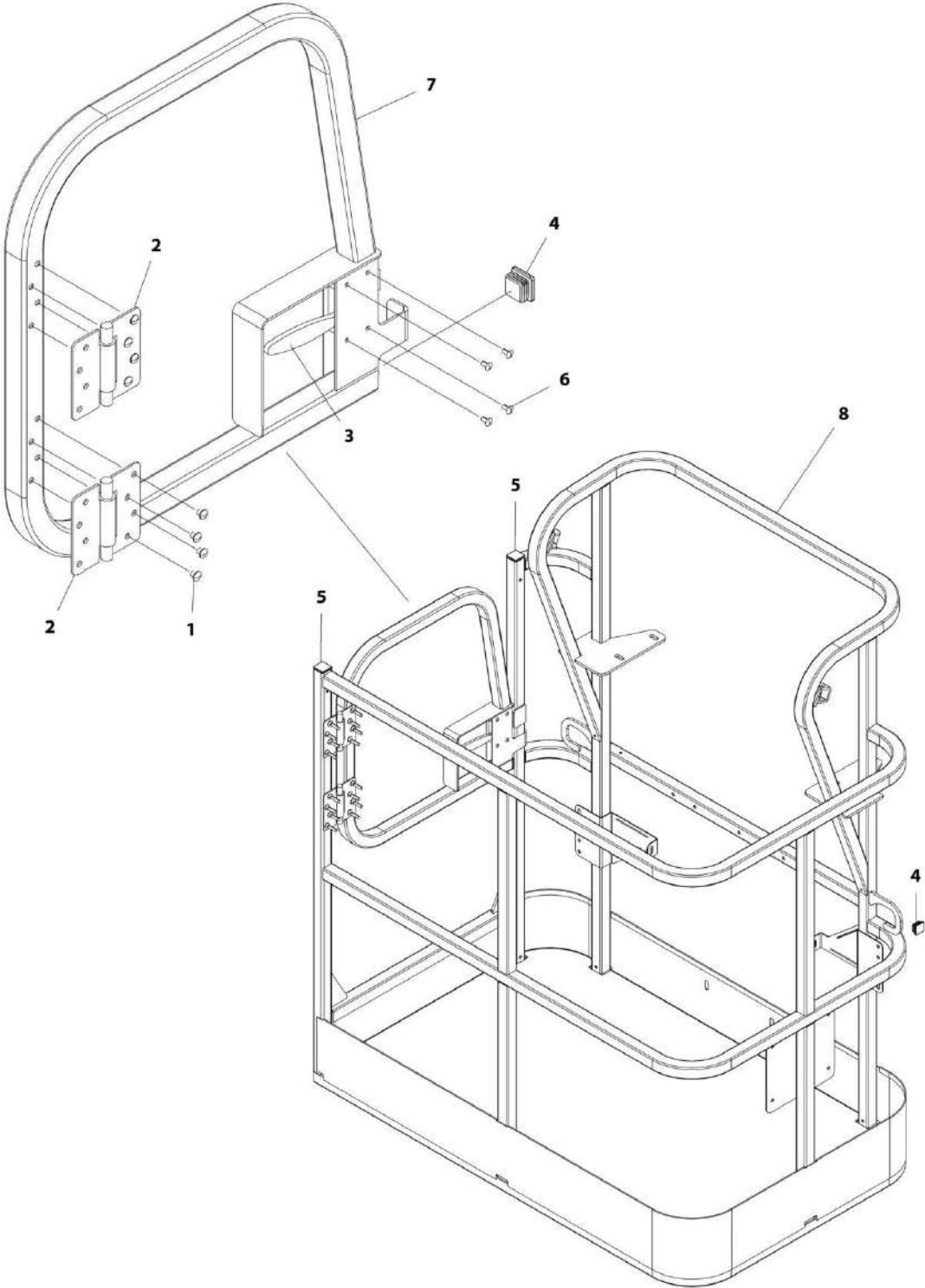
SECTION 5 - PLATFORM

FIGURE 5-1. PLATFORM ASSEMBLY - 30IN X 3FT (76CM X .91M) - DROP BAR ENTRY

ITEM	PART NUMBER	QTY	DESCRIPTION	REV
	1001228215	Ref	PLATFORM ASSEMBLY - 30IN X 3FT (76CM X .91M) - DROP BAR ENTRY	A
	See Note	Ref	Note: Platform and Mesh must be ordered separately for Platforms with Mesh. See SPECIAL OPTIONS SECTION for Mesh Installations.	
	See Note	Ref	Note: Replacement Decals Must be Ordered Separately - See DECAL SECTION.	
1	0100011	AR	Compound, Locking	
2	0641418	2	Bolt 1/4 x 2-1/4	
3	0961845	2	Bushing	
4	3300151	2	Nut 1/4	
5	3520072	6	Cap, Plug	
6	3520198	2	Cap, Plug	
7	4711400	4	Washer 1/4	
8	1001140429	1	Decal - Drop Bar	
9	1001226872	1	Bar, Drop	
10	See Note	NSS	Platform, Weldment (Note: Not Available - Purchase Platform Assembly)	

SECTION 5 - PLATFORM

FIGURE 5-2. PLATFORM ASSEMBLY - 30IN X 4FT (76.2CM X 1.22M) WITH SWING GATE



ART_1001186387

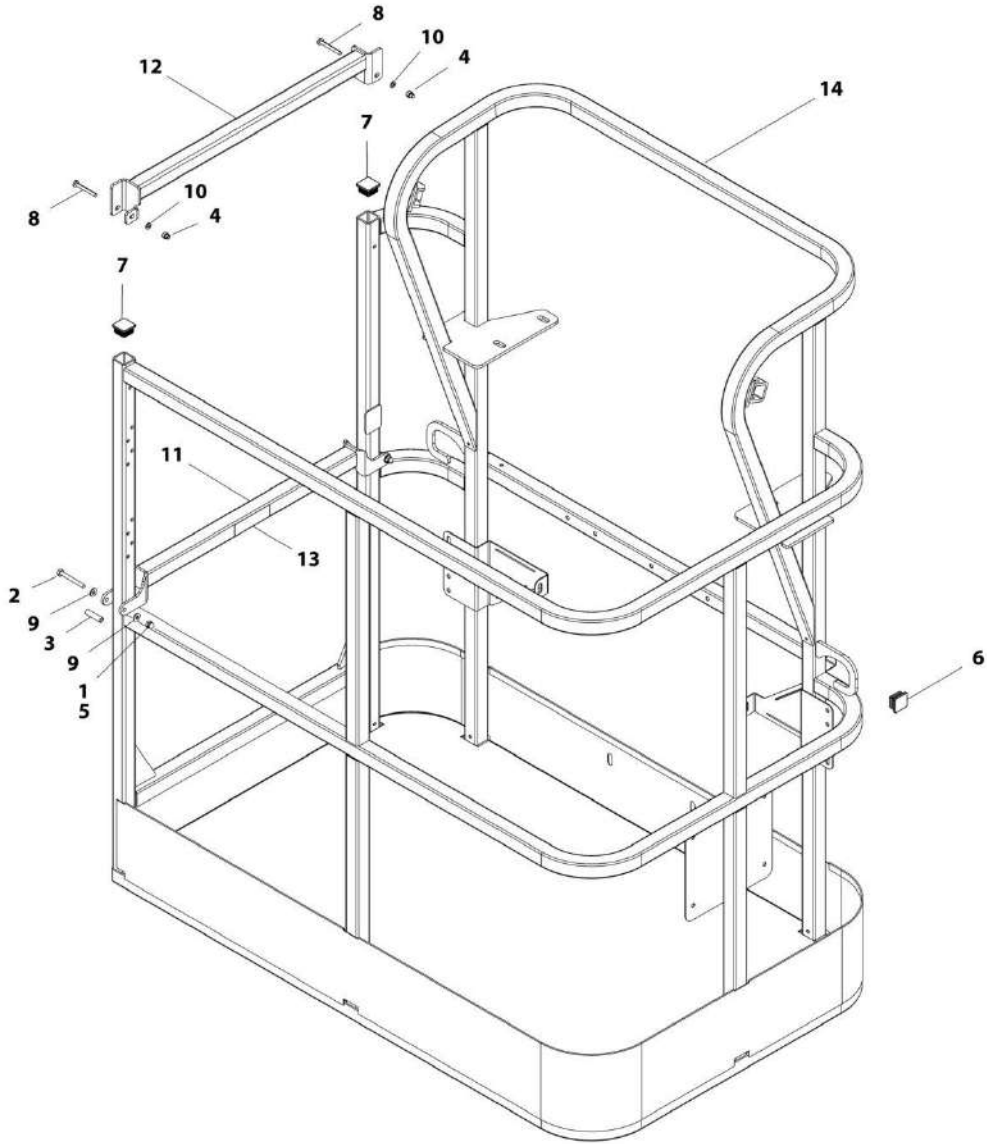
SECTION 5 - PLATFORM

FIGURE 5-2. PLATFORM ASSEMBLY - 30IN X 4FT (76.2CM X 1.22M) WITH SWING GATE

ITEM	PART NUMBER	QTY	DESCRIPTION	REV
	1001186387	Ref	PLATFORM ASSEMBLY - 30IN X 4FT (76.2CM X 1.22M) WITH SWING GATE	B
		Ref	Note: Platform and Mesh must be ordered separately for Platforms with Mesh. See SPECIAL OPTIONS SECTION for Mesh Installations.	
		Ref	Note: Replacement Decals Must be Ordered Separately - See DECALS SECTION.	
1	2080040	16	Fastener, Huck	
2	2600281	2	Hinge	
3	2940074	1	Latch	
4	3520072	3	Plug	
5	3520198	2	Plug	
6	3820020	4	Rivet	
7	1001144629	1	Gate	
8	See Note	1	Platform (Note: Not Available - Purchase Platform Assembly)	

SECTION 5 - PLATFORM

FIGURE 5-3. PLATFORM ASSEMBLY - 30IN X 4FT (76.2CM X 1.22M) WITH DROP BAR



ART_1001186375

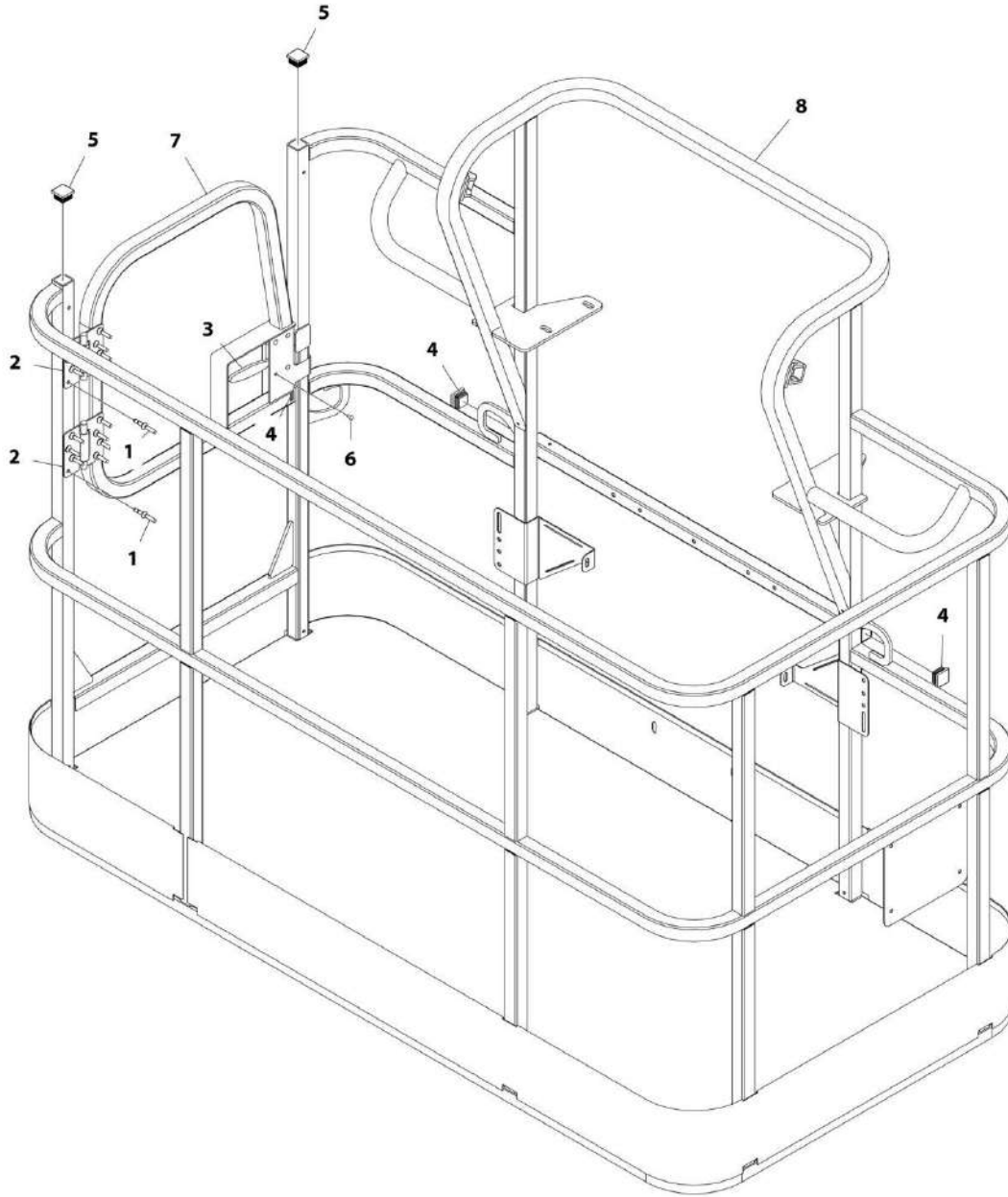
SECTION 5 - PLATFORM

FIGURE 5-3. PLATFORM ASSEMBLY - 30IN X 4FT (76.2CM X 1.22M) WITH DROP BAR

ITEM	PART NUMBER	QTY	DESCRIPTION	REV
	1001186375	Ref	PLATFORM ASSEMBLY - 30IN X 4FT (76.2CM x 1.22M) WITH DROP BAR	B
		Ref	Note: Replacement Decals Must be Ordered Separately - See DECALS SECTION.	
1	0100011	AR	Compound, Locking	
2	0641418	2	Bolt 1/4 x 2-1/4	
3	0961845	2	Bushing	
4	3290606	2	Nut M6	
5	3300151	2	Nut 1/4	
6	3520072	2	Cap	
7	3520198	2	Cap	
8	4010618	2	Screw M6 x 50	
9	4711400	4	Washer 1/4	
10	4811700	2	Washer M6	
11	1001138494	1	Bar, Drop	
12	1001138514	1	Rail - Top	
13	1001140429	1	Decal - Drop Bar	
14	See Note	1	Platform (Note: Not Available - Purchase Platform Assembly)	

SECTION 5 - PLATFORM

FIGURE 5-4. PLATFORM ASSEMBLY - 36IN X 6FT (91.5CM X 1.83M) WITH SWING GATE



ART_1001186384

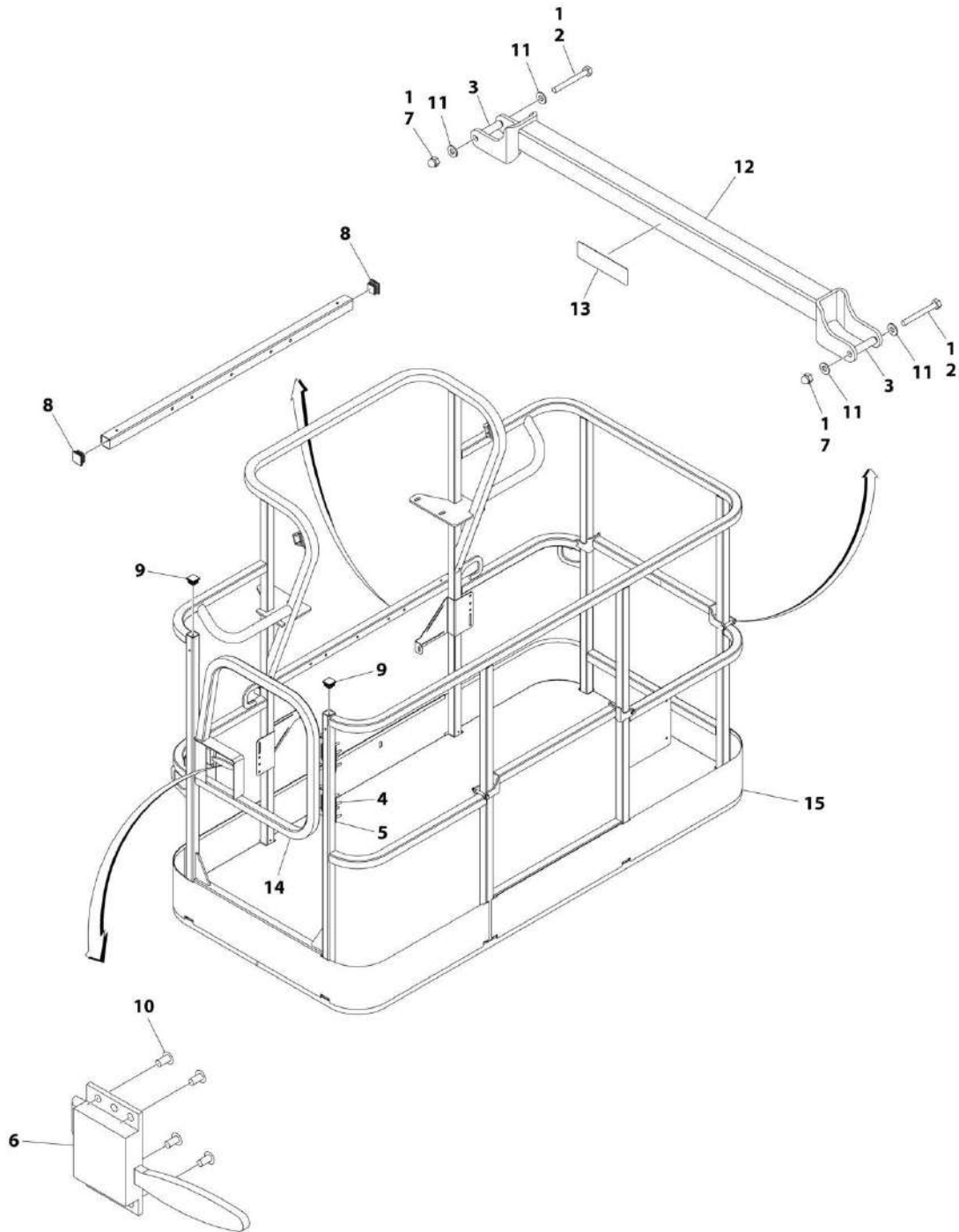
SECTION 5 - PLATFORM

FIGURE 5-4. PLATFORM ASSEMBLY - 36IN X 6FT (91.5CM X 1.83M) WITH SWING GATE

ITEM	PART NUMBER	QTY	DESCRIPTION	REV
	1001186384	Ref	PLATFORM ASSEMBLY - 36IN X 6FT (91.5CM X 1.83M) WITH SWING GATE	B
	See Note	Ref	Note: Platform and Mesh must be ordered separately for Platforms with Mesh. See SPECIAL OPTIONS SECTION for Mesh Installations.	
	See Note	Ref	Note: Replacement Decals Must be Ordered Separately - See DECALS SECTION.	
1	2080040	16	Fastener, Huck	
2	2600281	2	Hinge	
3	2940074	1	Latch	
4	3520072	3	Plug	
5	3520198	2	Plug	
6	3820020	4	Rivet	
7	1001144629	1	Gate	
8	See Note	1	Platform (Note: Not Available - Purchase Platform Assembly)	

SECTION 5 - PLATFORM

FIGURE 5-5. PLATFORM ASSEMBLY - 36IN X 6FT (91.5CM X 1.83M) TRI-ENTRY WITH SWING GATE



ART_1001228376

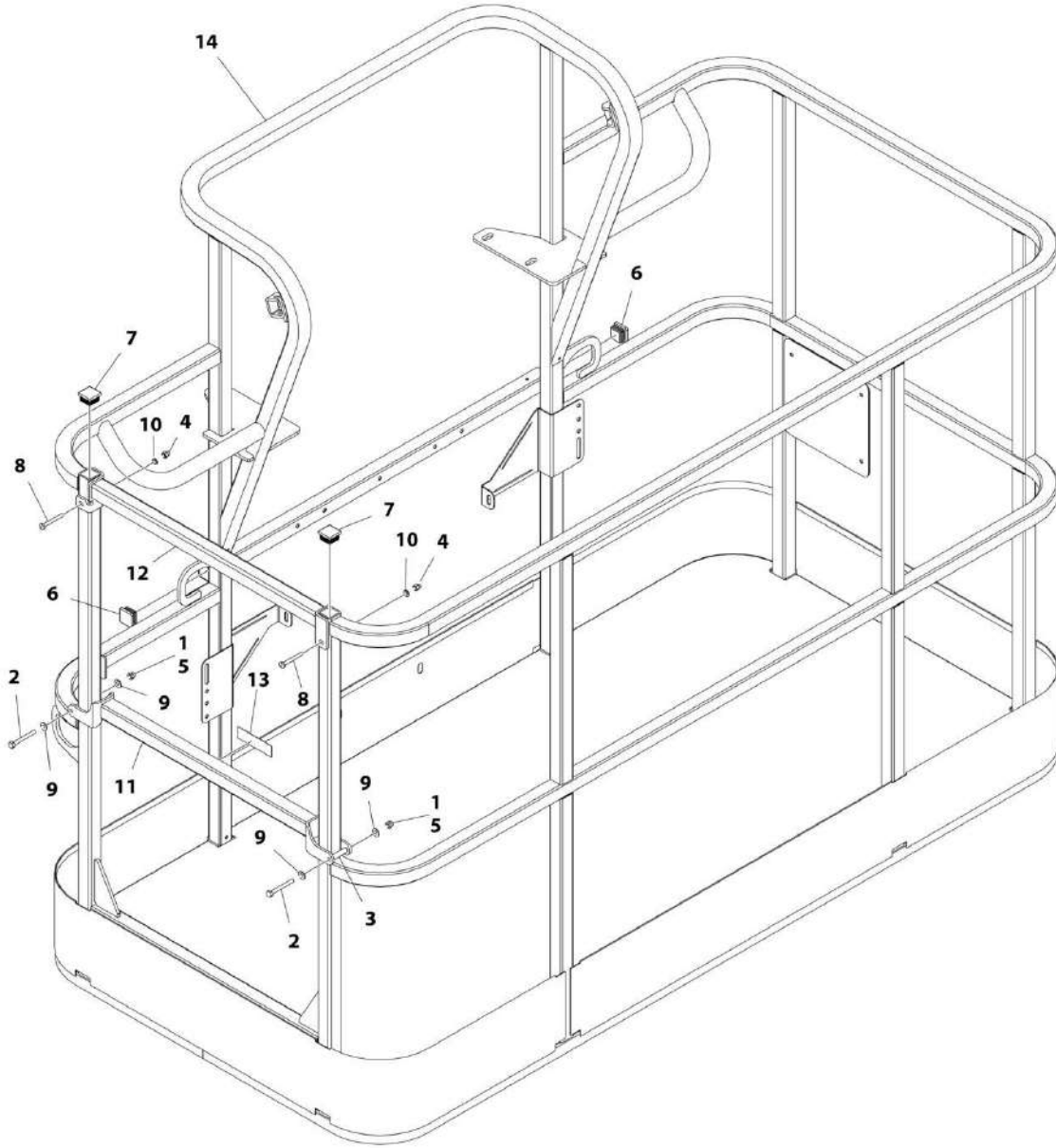
SECTION 5 - PLATFORM

FIGURE 5-5. PLATFORM ASSEMBLY - 36IN X 6FT (91.5CM X 1.83M) TRI-ENTRY WITH SWING GATE

ITEM	PART NUMBER	QTY	DESCRIPTION	REV
	1001228376	Ref	PLATFORM ASSEMBLY - 36IN x 6FT (91.5CM x 1.83M)	A
		Ref	Note: Platform and Mesh must be ordered separately for Platforms with Mesh. See SPECIAL OPTIONS SECTION for Mesh Installations.	
		Ref	Note: Replacement Decals Must be Ordered Separately - See DECAL SECTION.	
1	0100011	AR	Compound, Locking	
2	0641418	4	Bolt 1/4 x 2-1/4	
3	0961845	4	Bushing	
4	2080040	16	Fastener	
5	2600281	2	Hinge	
6	2940074	1	Latch	
7	3300151	4	Nut 1/4	
8	3520072	3	Plug	
9	3520198	2	Plug	
10	3820020	4	Rivet	
11	4711400	8	Washer 1/4	
12	1001138494	2	Bar, Drop	
13	1001140429	2	Decal - Drop Bar	
14	1001144629	1	Gate	
15	See Note	NSS	Platform (Note: Not Available - Purchase Platform Assembly)	

SECTION 5 - PLATFORM

FIGURE 5-6. PLATFORM ASSEMBLY - 36IN X 6FT (91.5CM X 1.83M) WITH DROP BAR



ART_1001186379

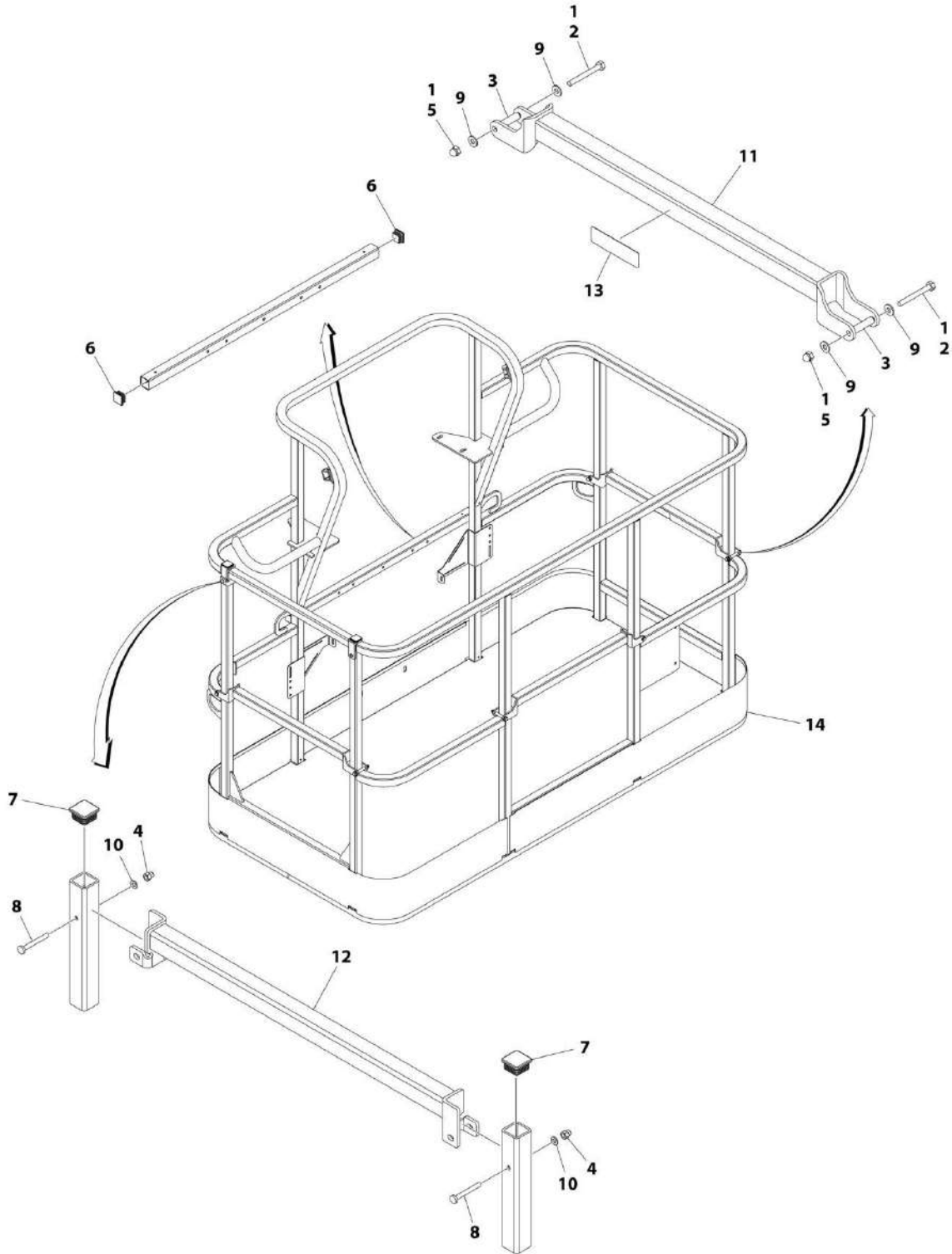
SECTION 5 - PLATFORM

FIGURE 5-6. PLATFORM ASSEMBLY - 36IN X 6FT (91.5CM X 1.83M) WITH DROP BAR

ITEM	PART NUMBER	QTY	DESCRIPTION	REV
	1001186379	Ref	PLATFORM ASSEMBLY - 36IN X 6FT (91.5CM X 1.83M) WITH DROP BAR	B
	See Note	Ref	Note: Platform and Mesh must be ordered separately for Platforms with Mesh. See SPECIAL OPTIONS SECTION for Mesh Installations.	
	See Note	Ref	Note: Replacement Decals Must be Ordered Separately - See DECALS SECTION.	
1	0100011	AR	Compound, Locking	
2	0641418	2	Bolt 1/4 x 2-1/4	
3	0961845	2	Bushing	
4	3290606	2	Nut M6 x 1	
5	3300151	2	Nut 1/4	
6	3520072	2	Plug	
7	3520198	2	Plug	
8	4010618	2	Screw M6 x 50	
9	4711400	4	Washer 1/4	
10	4811700	2	Washer M6	
11	1001138494	1	Bar, Drop	
12	1001138514	1	Rail (Top)	
13	1001140429	1	Decal - Drop Bar	
14	See Note	1	Platform (Note: Not Available - Purchase Platform Assembly)	

SECTION 5 - PLATFORM

FIGURE 5-7. PLATFORM ASSEMBLY - 36IN X 6FT (91.5CM X 1.83M) TRI-ENTRY WITH DROPBAR



ART_1001228377

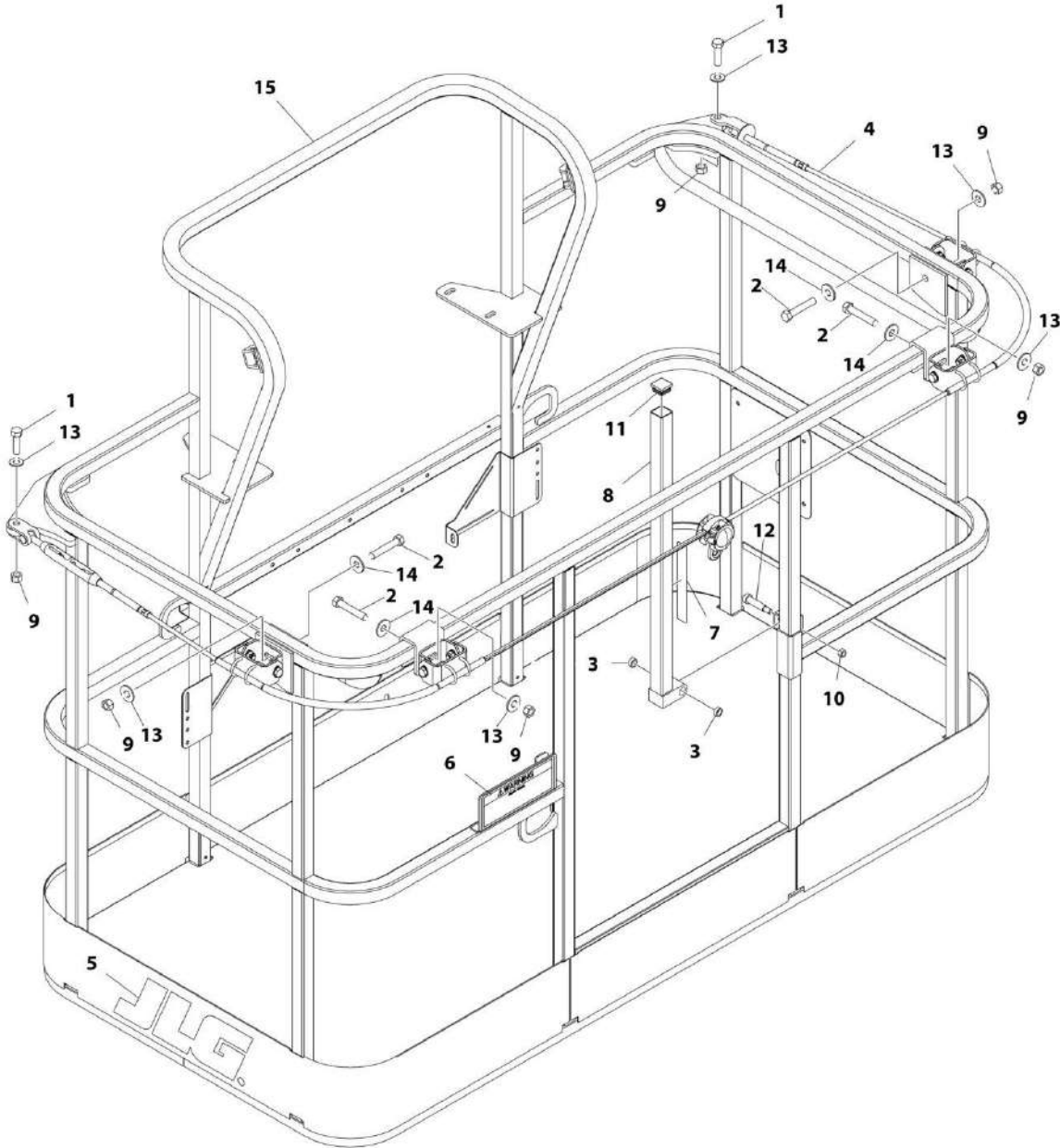
SECTION 5 - PLATFORM

FIGURE 5-7. PLATFORM ASSEMBLY - 36IN X 6FT (91.5CM X 1.83M) TRI-ENTRY WITH DROPBAR

ITEM	PART NUMBER	QTY	DESCRIPTION	REV
	1001228377	Ref	PLATFORM ASSEMBLY - 36IN x 6FT (91.5CM x 1.83M)	A
		Ref	Note: Platform and Mesh must be ordered separately for Platforms with Mesh. See SPECIAL OPTIONS SECTION for Mesh Installations.	
		Ref	Note: Replacement Decals Must be Ordered Separately - See DECAL SECTION.	
1	0100011	1	Compound, Locking	
2	0641418	6	Bolt 1/4 x 2-1/4	
3	0961845	6	Bushing	
4	3290606	2	Nut M6	
5	3300151	6	Nut 1/4	
6	3520072	2	Plug	
7	3520198	2	Plug	
8	4010618	2	Screw M6 x 50	
9	4711400	12	Washer 1/4	
10	4811700	2	Washer M6	
11	1001138494	3	Bar, Drop	
12	1001138514	1	Rail (Top)	
13	1001140429	3	Decal - Drop Bar	
14	See Note	NSS	Platform, Weldment (Note: Not Available - Purchase Platform Assembly)	

SECTION 5 - PLATFORM

FIGURE 5-8. PLATFORM ASSEMBLY - 36IN X 6FT (91.5CM X 1.83M) WITH FALL ARREST (ANSI, ANSI EXPORT AND CSA SPECS)



ART_1001186333

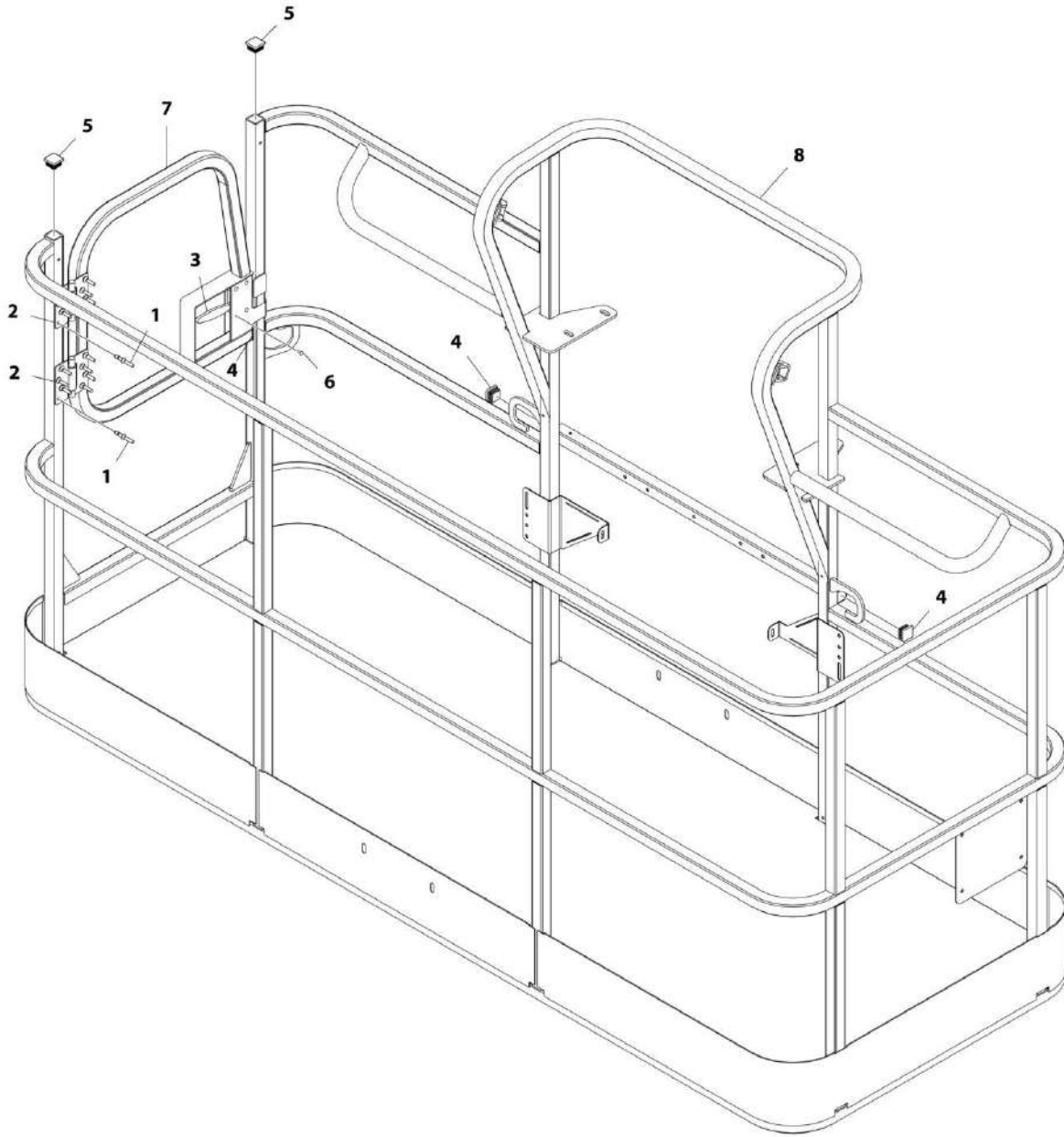
SECTION 5 - PLATFORM

FIGURE 5-8. PLATFORM ASSEMBLY - 36IN X 6FT (91.5CM X 1.83M) WITH FALL ARREST (ANSI, ANSI EXPORT AND CSA SPECS)

ITEM	PART NUMBER	QTY	DESCRIPTION	REV
	1001186333	Ref	PLATFORM ASSEMBLY - 36IN X 6FT (91.5CM X 1.83M) WITH FALL ARREST (ANSI, ANSI EXPORT AND CSA SPECS)	C
	See Note	Ref	Note: Fall Arrest Not Available on Australian & CE Specs	
	See Note	Ref	Note: Replacement Decals Must be Ordered Separately - See DECALS SECTION.	
1	0681814	2	Bolt 1/2 x 1-3/4 Grade 8	
2	0681822	4	Bolt 1/2 x 2-3/4 Grade 8	
3	0962270	2	Bearing	
4	1001203655	1	Cable	
5	1702773	1	Decal - JLG	
6	1705014	1	Decal - Safety	
7	1706385	1	Decal - Drop Bar	
8	2410014	1	Bar, Drop	
9	3271805	6	Nut 1/2 Grade 8	
10	3311605	1	Nut 3/8	
11	3520072	1	Plug	
12	3900054	1	Bolt 1/2 x 1-3/4	
13	4711800	8	Washer 1/2	
14	4751800	4	Washer 1/2	
15	See Note	1	Platform (Note: Not Available - Purchase Platform Assembly)	

SECTION 5 - PLATFORM

FIGURE 5-9. PLATFORM ASSEMBLY - 36IN X 8FT (91.5CM X 2.44M) WITH SWING GATE



ART_1001186383

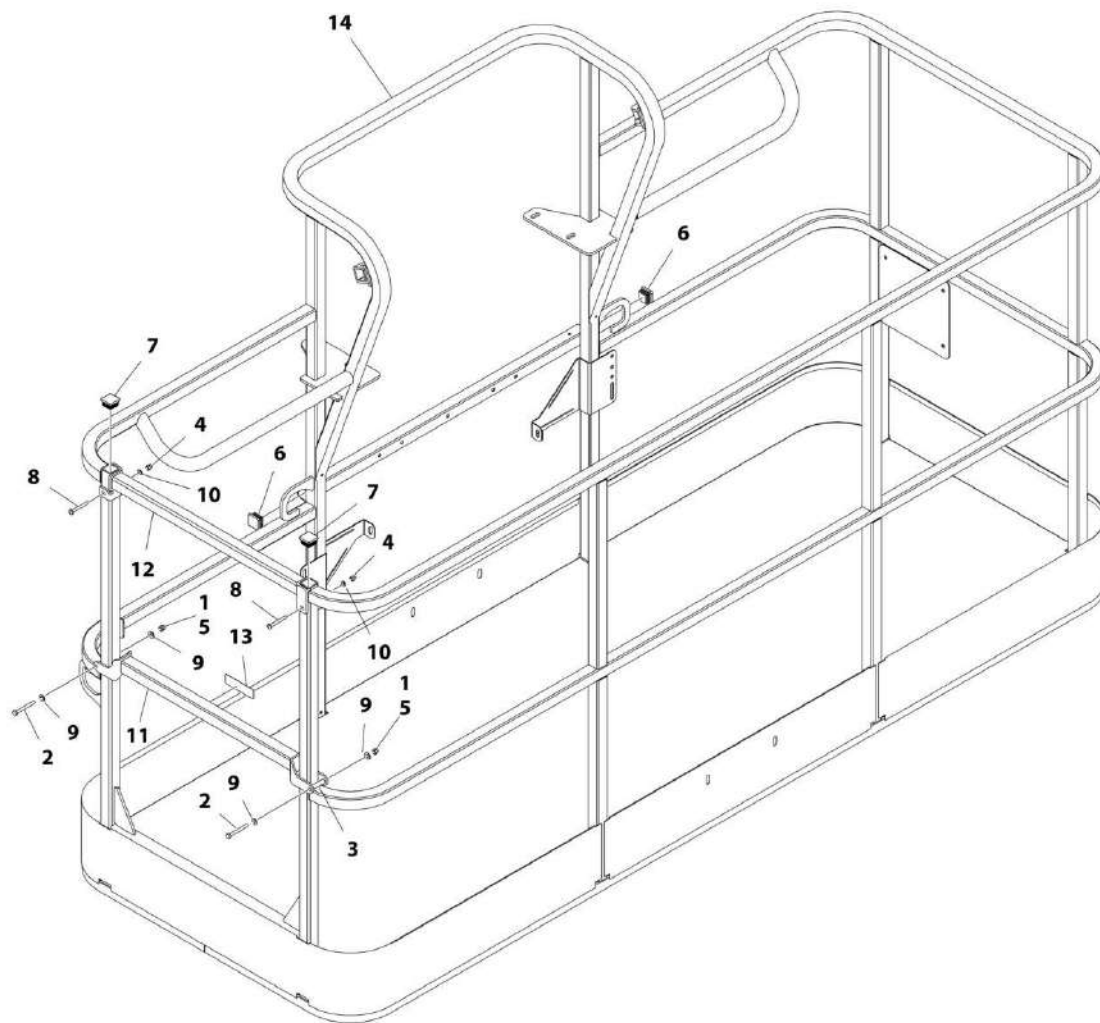
SECTION 5 - PLATFORM

FIGURE 5-9. PLATFORM ASSEMBLY - 36IN X 8FT (91.5CM X 2.44M) WITH SWING GATE

ITEM	PART NUMBER	QTY	DESCRIPTION	REV
	1001186383	Ref	PLATFORM ASSEMBLY - 36IN X 8FT (91.5CM X 2.44M) WITH SWING GATE	C
	See Note	Ref	Note: Platform and Mesh must be ordered separately for Platforms with Mesh. See SPECIAL OPTIONS SECTION for Mesh Installations.	
	See Note	Ref	Note: Replacement Decals Must be Ordered Separately - See DECALS SECTION.	
1	2080040	16	Fastener, Huck	
2	2600281	2	Hinge	
3	2940074	1	Latch	
4	3520072	3	Plug	
5	3520198	2	Plug	
6	3820020	4	Rivet	
7	1001144629	1	Gate	
8	See Note	1	Platform (Note: Not Available - Purchase Platform Assembly)	

SECTION 5 - PLATFORM

FIGURE 5-10. PLATFORM ASSEMBLY - 36IN X 8FT (91.5CM X 2.44M) WITH DROP BAR



ART_1001186382

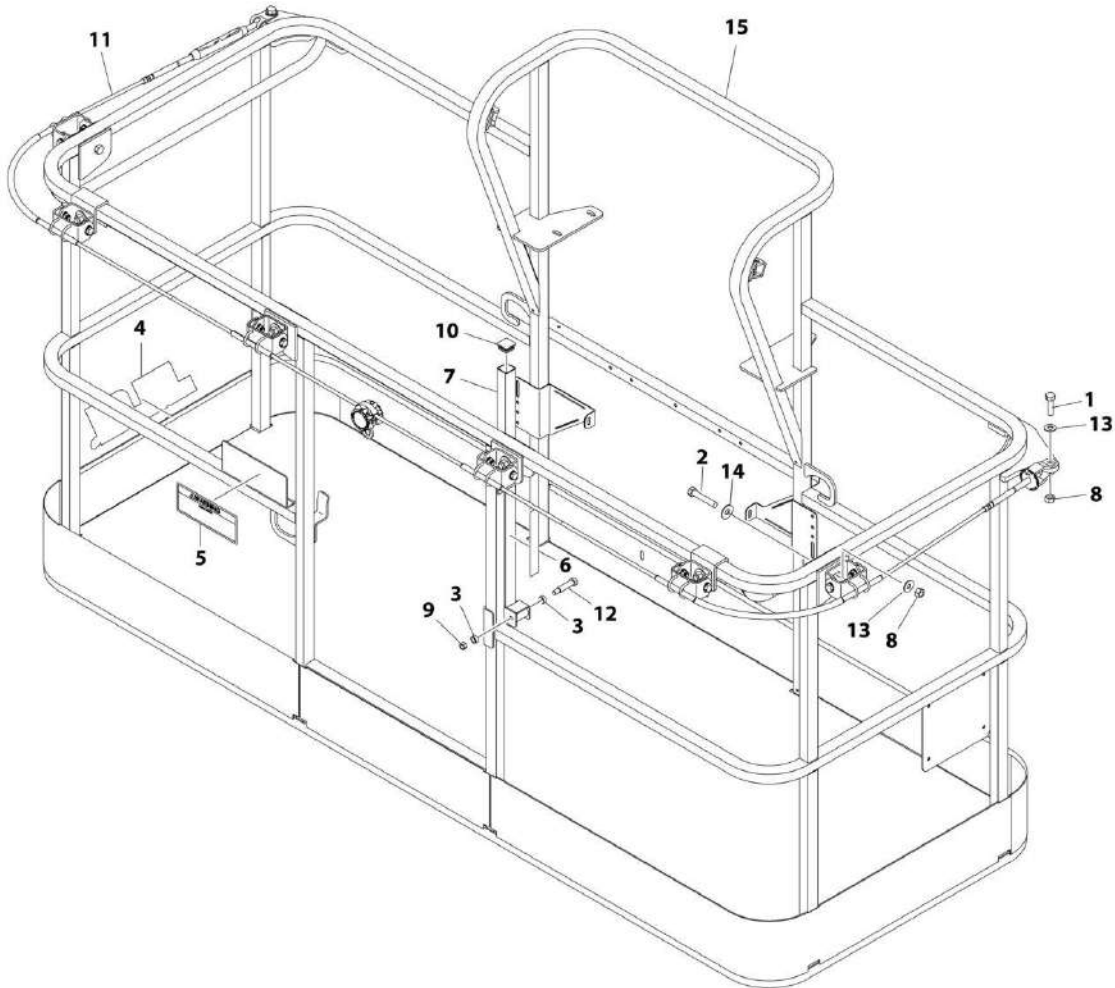
SECTION 5 - PLATFORM

FIGURE 5-10. PLATFORM ASSEMBLY - 36IN X 8FT (91.5CM X 2.44M) WITH DROP BAR

ITEM	PART NUMBER	QTY	DESCRIPTION	REV
	1001186382	Ref	PLATFORM ASSEMBLY - 36IN X 8FT (91.5CM X 2.44M) WITH DROP BAR	C
	See Note	Ref	Note: Platform and Mesh must be ordered separately for Platforms with Mesh. See SPECIAL OPTIONS SECTION for Mesh Installations.	
	See Note	Ref	Note: Replacement Decals Must be Ordered Separately - See DECALS SECTION.	
1	0100011	AR	Compound, Locking	
2	0641418	2	Bolt 1/4 x 2-1/4	
3	0961845	2	Bushing	
4	3290606	2	Nut M6 x 1	
5	3300151	2	Nut 1/4	
6	3520072	2	Plug	
7	3520198	2	Plug	
8	4010618	2	Screw M6 x 50	
9	4711400	4	Washer 1/4	
10	4811700	2	Washer M6	
11	1001138494	1	Bar, Drop	
12	1001138514	1	Rail (Top)	
13	1001140429	1	Decal - Drop Bar	
14	See Note	NSS	Platform (Note: Not Available - Purchase Platform Assembly)	

SECTION 5 - PLATFORM

FIGURE 5-11. PLATFORM ASSEMBLY - 36IN X 8FT (91.5CM X 2.44M) WITH FALL ARREST (ANSI, ANSI EXPORT AND CSA SPECS)



ART_1001186334

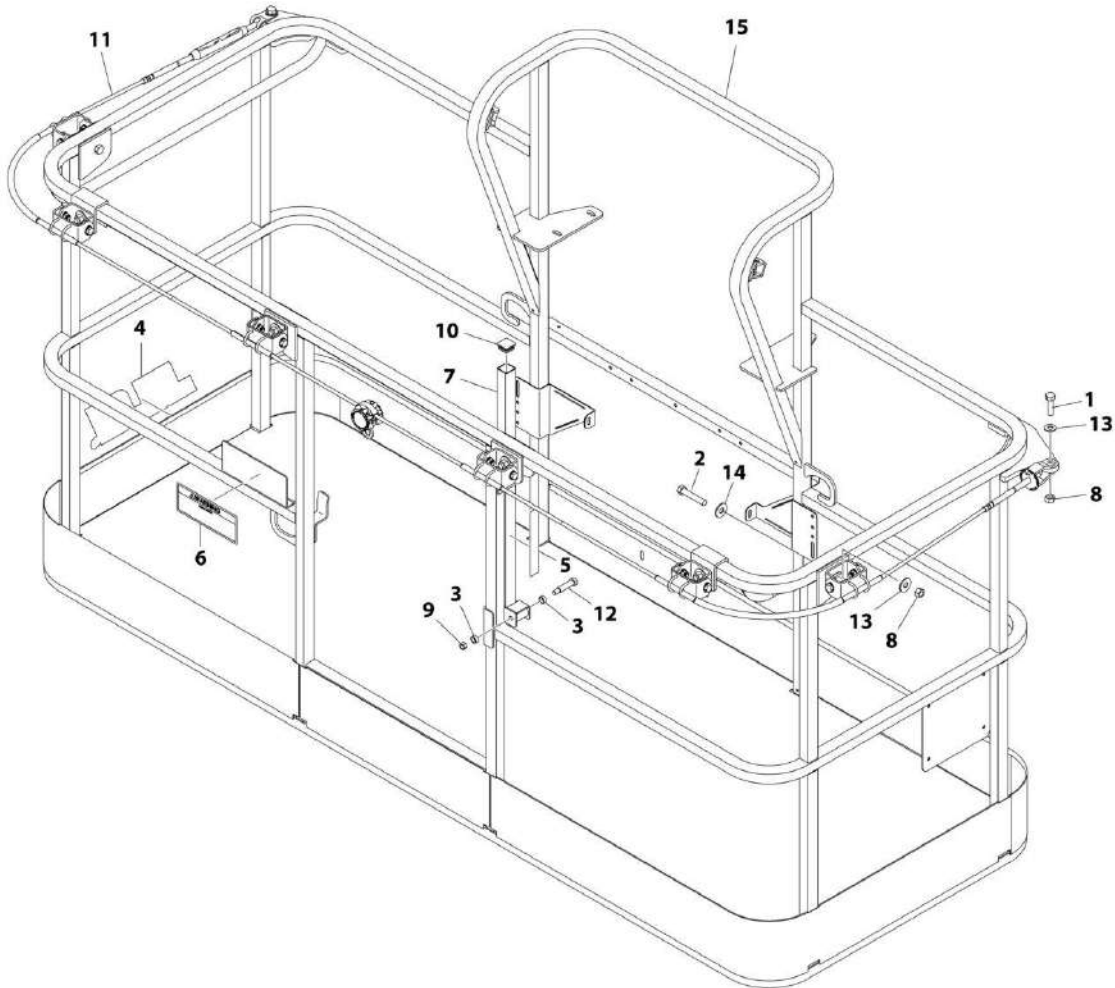
SECTION 5 - PLATFORM

FIGURE 5-11. PLATFORM ASSEMBLY - 36IN X 8FT (91.5CM X 2.44M) WITH FALL ARREST (ANSI, ANSI EXPORT AND CSA SPECS)

ITEM	PART NUMBER	QTY	DESCRIPTION	REV
		Ref	Note: Replacement Decals Must be Ordered Separately - See DECALS SECTION.	
	1001186334	Ref	PLATFORM ASSEMBLY - 36IN X 8FT (91.5CM X 2.44M) WITH FALL ARREST (ANSI, ANSI EXPORT AND CSA SPECS)	D
1	0681814	2	Bolt 1/2 x 1-3/4 Grade 8	
2	0681822	6	Bolt 1/2 x 2-3/4 Grade 8	
3	0962270	2	Bearing	
4	1702773	1	Decal - JLG	
5	1705014	1	Decal - Safety	
6	1706385	1	Decal - Drop Bar	
7	2410014	1	Bar, Drop	
8	3271805	8	Nut 1/2 Grade 8	
9	3311605	1	Nut 3/8	
10	3520072	1	Plug	
11	1001203656	1	Cable	
12	3900054	1	Bolt 1/2 x 1-3/4	
13	4711800	2	Washer 1/2	
14	4751800	6	Washer 1/2	
15	See Note	NSS	Platform (Note: Purchase Platform Assembly)	

SECTION 5 - PLATFORM

FIGURE 5-12. PLATFORM ASSEMBLY - 36IN X 8FT (91.5CM X 2.44M) WITH FALL ARREST (ALL SPECS EXCEPT CSA SPECS)



ART_1001186389

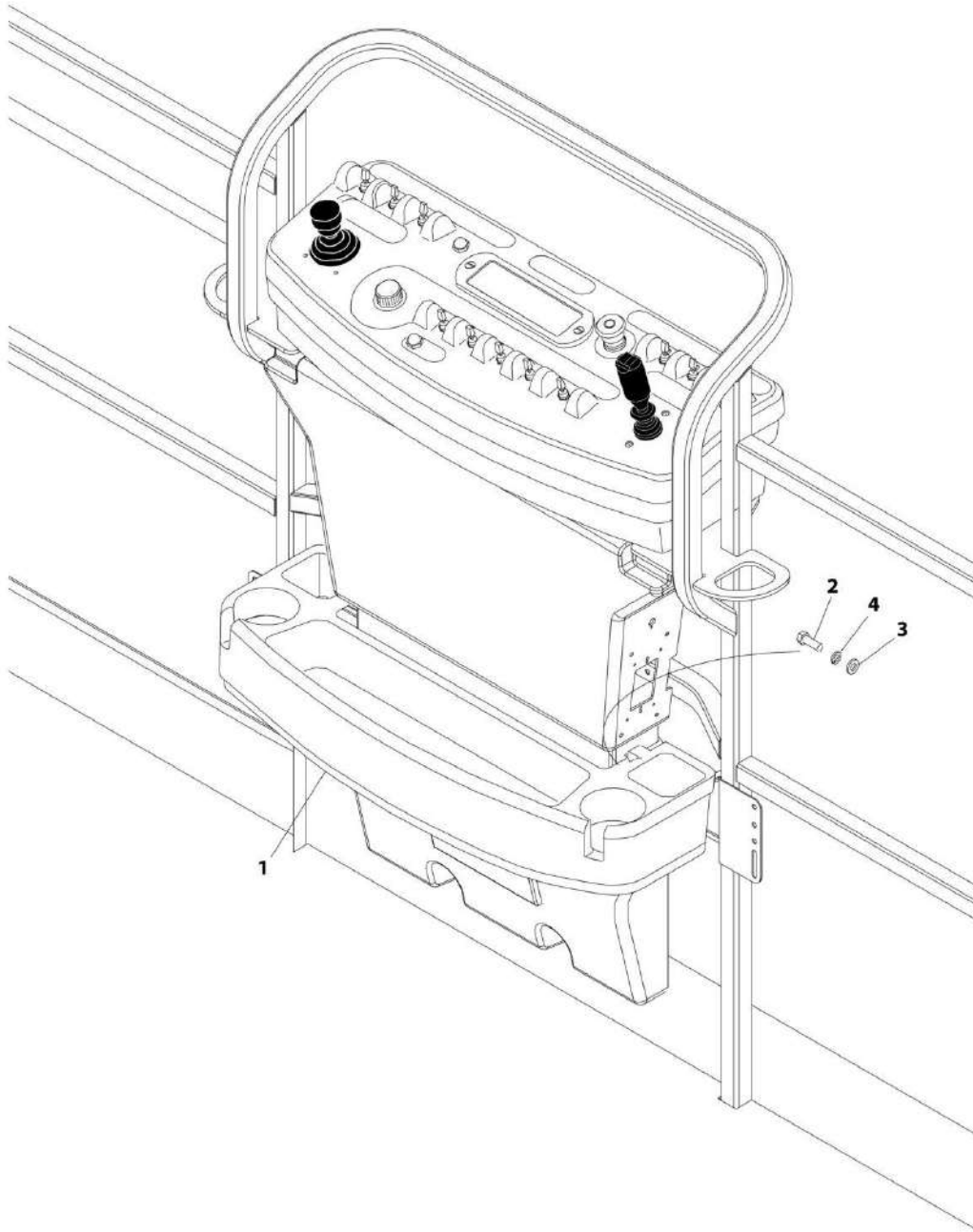
SECTION 5 - PLATFORM

FIGURE 5-12. PLATFORM ASSEMBLY - 36IN X 8FT (91.5CM X 2.44M) WITH FALL ARREST (ALL SPECS EXCEPT CSA SPECS)

ITEM	PART NUMBER	QTY	DESCRIPTION	REV
		Ref	Note: Standard decals must be ordered separately - See DECAL SECTION.	
	1001186389	Ref	PLATFORM ASSEMBLY - 36IN X 8FT (91.5CM X 2.44M) WITH FALL ARREST (ALL SPECS EXCEPT CSA SPECS)	D
1	0681814	2	Bolt 1/2 x 1-3/4 Grade 8	
2	0681822	6	Bolt 1/2 x 2-3/4 Grade 8	
3	0962270	2	Bearing	
4	1702773	1	Decal - JLG	
5	1706493	1	Decal - Drop Bar	
6	1706501	1	Decal - Safety	
7	2410014	1	Gate	
8	3271805	8	Nut 1/2 Grade 8	
9	3311605	1	Nut 3/8	
10	3520072	1	Plug	
11	1001203656	1	Cable	
12	3900054	1	Bolt 1/2 x 1-3/4	
13	4711800	8	Washer 1/2	
14	4751800	6	Washer 1/2	
15	1001186318	NSS	Platform (Note: Not Available - Purchase Platform Assembly)	

SECTION 5 - PLATFORM

FIGURE 5-13. TRAY ASSEMBLY



ART_1580012

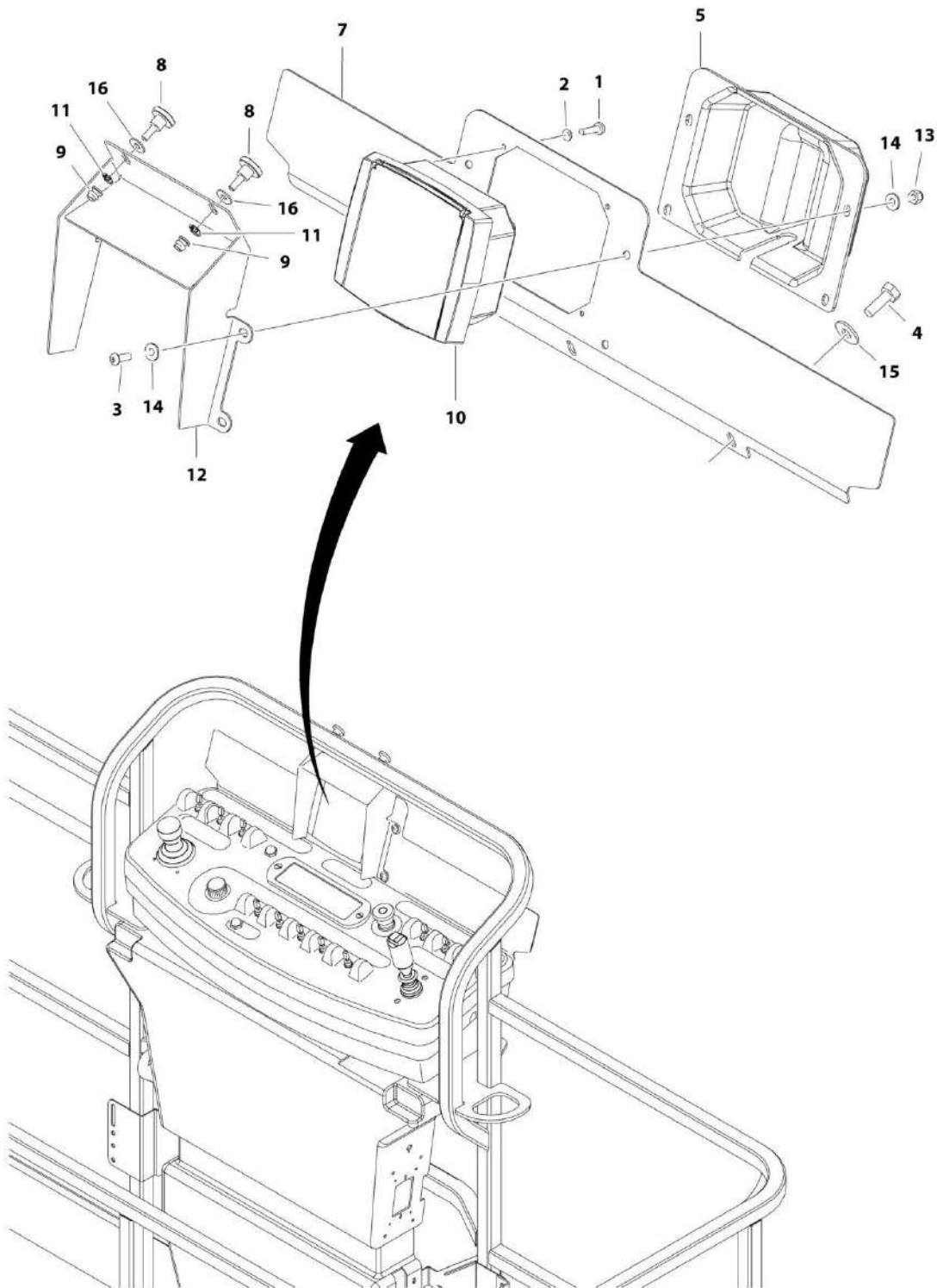
SECTION 5 - PLATFORM

FIGURE 5-13. TRAY ASSEMBLY

ITEM	PART NUMBER	QTY	DESCRIPTION	REV
	1580012	Ref	TRAY ASSEMBLY	C
1	See Note	1	Tray, Storage (Center) (Note: Purchase p/n 1580012)	
2	0641406	2	Bolt 1/4 x 3/4	
3	4751400	2	Washer 1/4	
4	4761400	2	Washer 1/4	

SECTION 5 - PLATFORM

FIGURE 5-14. LCD DISPLAY INSTALLATION (Prior to SN 0300248935)



ART_1001190656

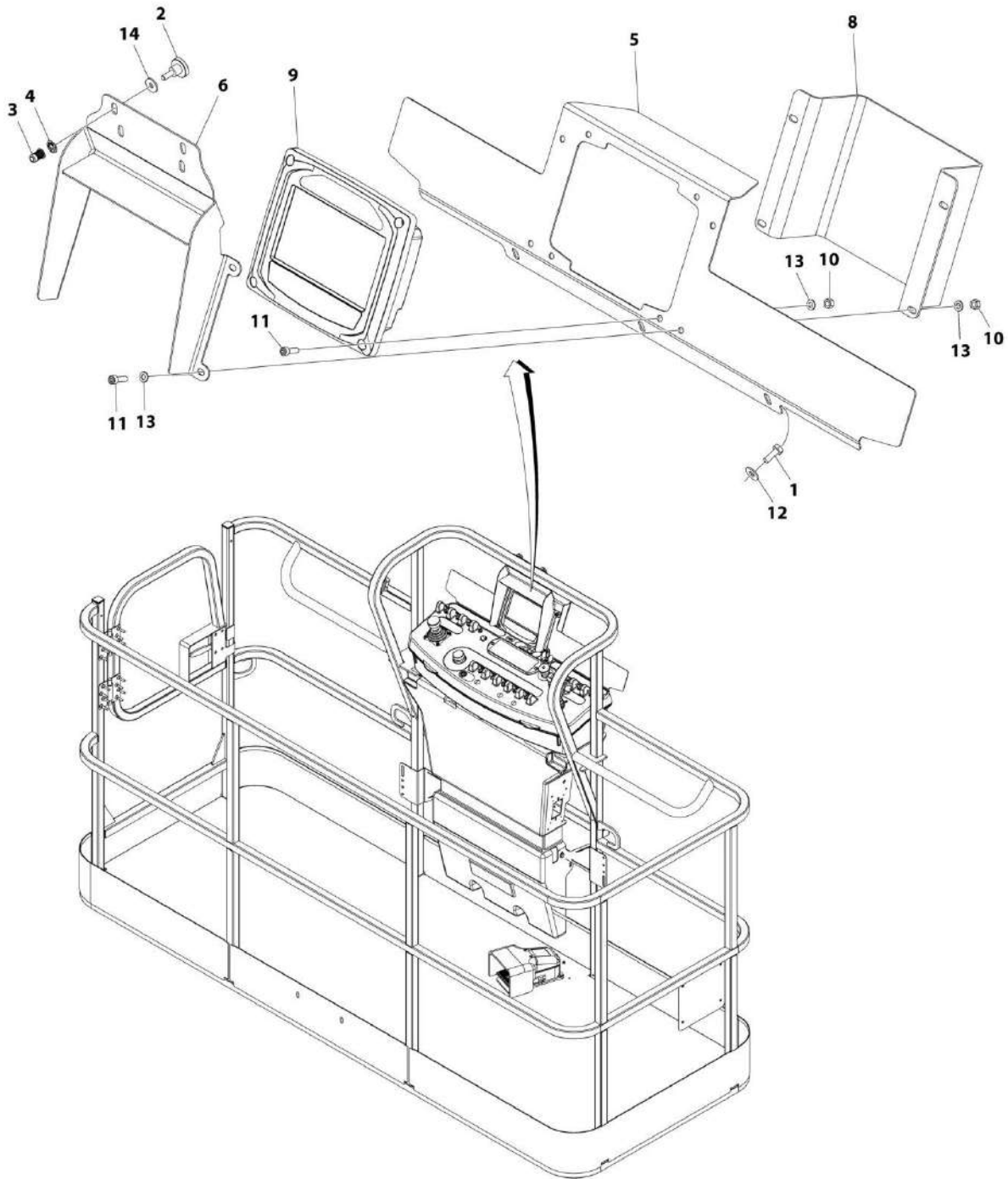
SECTION 5 - PLATFORM

FIGURE 5-14. LCD DISPLAY INSTALLATION (Prior to SN 0300248935)

ITEM	PART NUMBER	QTY	DESCRIPTION	REV
	1001190656	Ref	LCD DISPLAY INSTALLATION	B
1	4010408	4	Screw M4 x 16	
2	4831400	4	Washer M4	
3	0630448001	4	Screw 1/4 x 3/4	
4	0641406001	3	Bolt 1/4 x 3/4	
5	1001122242	1	Cover (Rear)	
6	1001125293	1	LCD Display Harness (Not Shown - See ELECTRICAL SECTION for Breakdown)	
7	1001159001	1	Bracket, Mounting	
8	1001173609	2	Screw M6 x 16	
9	1001176636	2	Rivnut M6	
10	1001176778	1	LCD Display Assembly	
10	1001176783	1	Decal - Platform Display	
10	70003533	1	Film, Protective	
10	70003534	1	Cover	
10	70003535	1	Hinge	
10	70003536	AR	Screw, Hinge	
11	1001177635	2	Nut M6	
12	1001190658	1	Visor	
13	3300449001	4	Nut 1/4 Grade 8	
14	4711400001	8	Washer 1/4	
15	4751400001	3	Washer 1/4	
16	4811702001	2	Washer M6	

SECTION 5 - PLATFORM

FIGURE 5-15. LCD DISPLAY INSTALLATION (SN 0300248935 to Present)



ART_1001215375

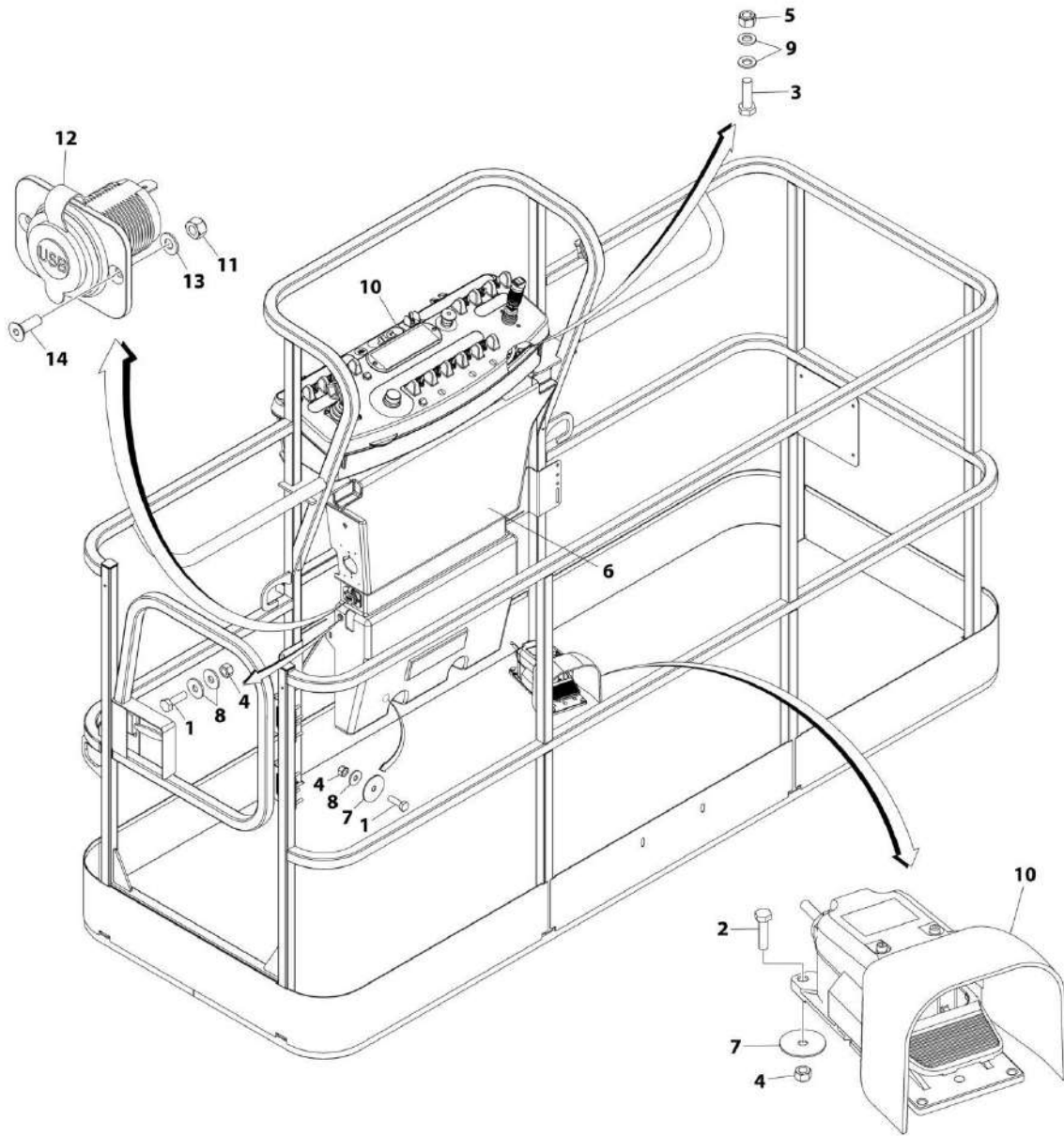
SECTION 5 - PLATFORM

FIGURE 5-15. LCD DISPLAY INSTALLATION (SN 0300248935 to Present)

ITEM	PART NUMBER	QTY	DESCRIPTION	REV
	1001215375	Ref	LCD DISPLAY INSTALLATION	A
1	0641406001	3	Bolt 1/4 x 3/4	
2	1001173609	2	Screw, Thumb M6 x 16	
3	1001176636	2	Rivet, Nut M6	
4	1001177635	2	Nut M6	
5	1001215379	1	Bracket, Mounting	
6	1001215380	1	Bracket, Visor	
7	1001220482	1	Harness, LCD Display (Not Shown - See ELECTRICAL SECTION for Breakdown)	
8	1001228976	1	Cover	
9	1001229485	1	Electrical Assembly	
9	1001220955	1	Gauge, LCD Display	
9	1001176582	1	Decal - Platform Display	
9	1001180491	4	Screw #10	
9	1001229922	1	Screen Protector, LCD Display	
10	3290605001	8	Nut M6	
11	4031708001	8	Bolt M6 x 20	
12	4751400001	3	Washer 1/4	
13	4811700001	12	Washer M6	
14	4811702001	2	Washer M6	

SECTION 5 - PLATFORM

FIGURE 5-16. CONSOLE BOX AND FOOTSWITCH INSTALLATION - WITHOUT SKYGUARD (Prior to SN 0300223782)



ART_1001199994

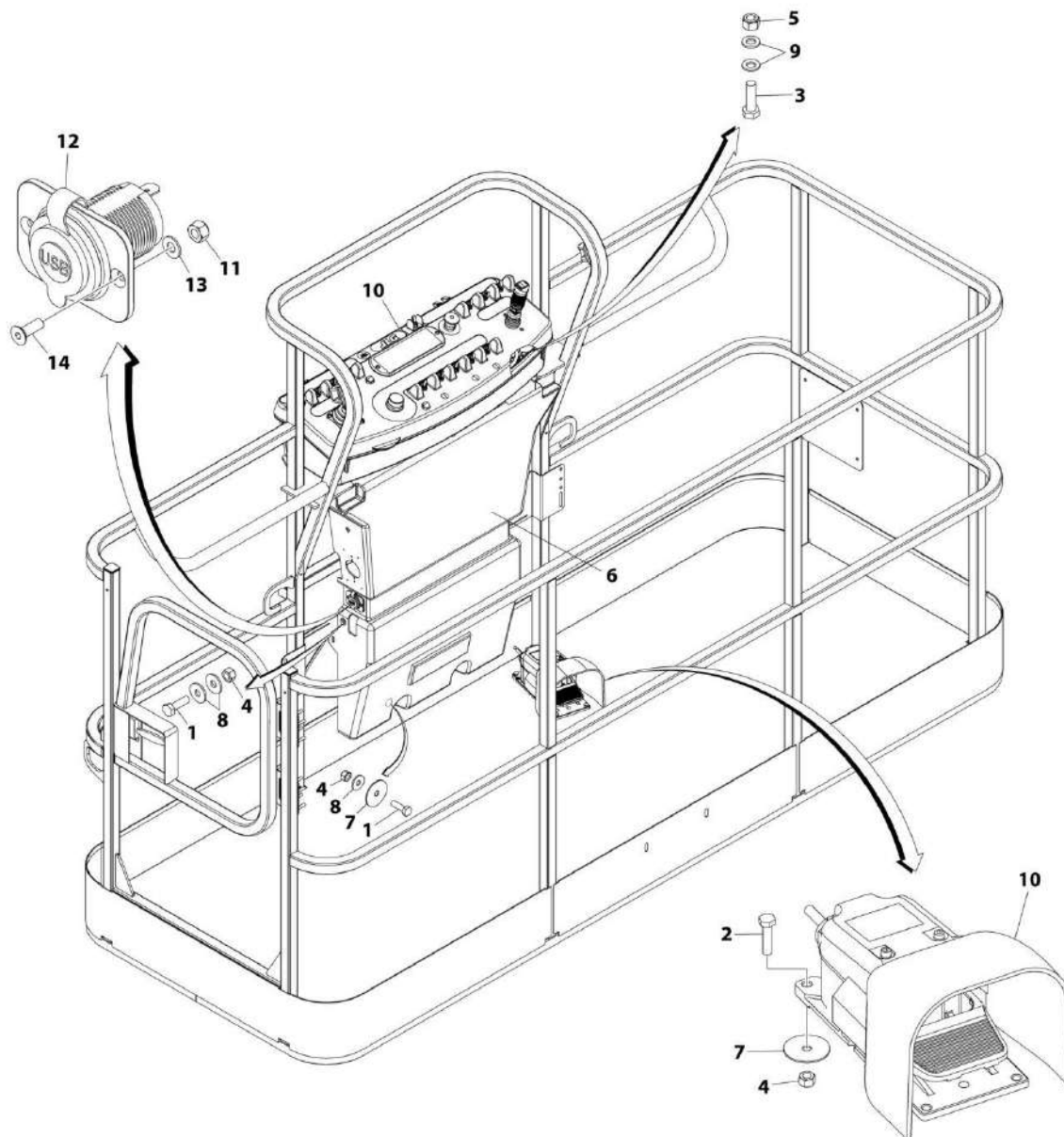
SECTION 5 - PLATFORM

FIGURE 5-16. CONSOLE BOX AND FOOTSWITCH INSTALLATION - WITHOUT SKYGUARD (Prior to SN 0300223782)

ITEM	PART NUMBER	QTY	DESCRIPTION	REV
	1001199994	Ref	CONSOLE BOX AND FOOTSWITCH INSTALLATION - WITHOUT SKYGUARD (Prior to SN 0300223782)	C
1	0760610	4	Bolt M6 x 20	
2	0760612	4	Bolt M6 x 25	
3	0761015	4	Bolt M10 x 35	
4	3290605	8	Nut M6	
5	3291005	4	Nut M10	
6	3380434	1	Panel	
7	4740362	6	Washer	
8	4811702	6	Washer M6	
9	4812000	8	Washer M10	
10	1001199638	1	Platform Console Assembly - Without SkyGuard (See PLATFORM CONSOLE ASSEMBLY - WITHOUT SKYGUARD for Breakdown)	
11	3290405	2	Nut M4	
12	1001210636	1	Receptacle	
13	4811400	2	Washer M4	
14	1001097244	2	Screw M4 x 12	

SECTION 5 - PLATFORM

FIGURE 5-17. CONSOLE BOX AND FOOTSWITCH INSTALLATION - WITH SKYGUARD



ART_1001197309

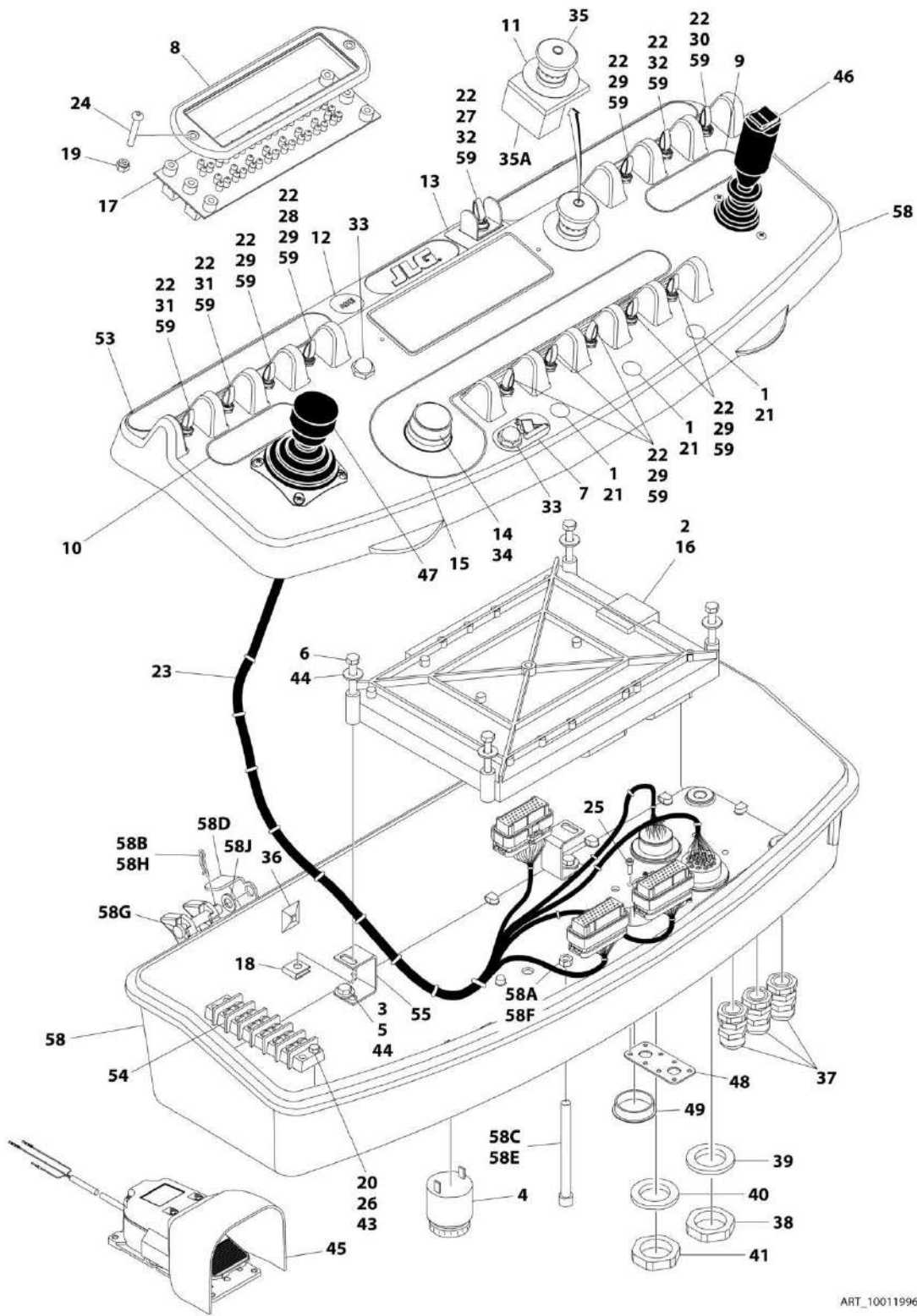
SECTION 5 - PLATFORM

FIGURE 5-17. CONSOLE BOX AND FOOTSWITCH INSTALLATION - WITH SKYGUARD

ITEM	PART NUMBER	QTY	DESCRIPTION	REV
	1001197309	Ref	CONSOLE BOX AND FOOTSWITCH INSTALLATION - WITH SKYGUARD	E
1	0760610	4	Bolt M6 x 20	
2	0760612	4	Bolt M6 x 25	
3	0761015	4	Bolt M10 x 35	
4	3290605	8	Nut M6	
5	3291005	4	Nut M10	
6	3380434	1	Panel	
7	4740362	6	Washer	
8	4811702	6	Washer M6	
9	4812000	8	Washer M10	
9	4812002	8	Washer M10	
10	1001199480	1	Platform Console Assembly - With SkyGuard (See PLATFORM CONSOLE ASSEMBLY - WITH SKYGUARD for Breakdown)	
11	3290405	2	Nut M4	
12	1001210636	1	Receptacle	
13	4811400	2	Washer M4	
14	1001097244	2	Screw M4 x 12	

SECTION 5 - PLATFORM

FIGURE 5-18. PLATFORM CONSOLE ASSEMBLY - WITHOUT SKYGUARD (Prior to SN 0300226999)



ART_1001199638

SECTION 5 - PLATFORM

FIGURE 5-18. PLATFORM CONSOLE ASSEMBLY - WITHOUT SKYGUARD (Prior to SN 0300226999)

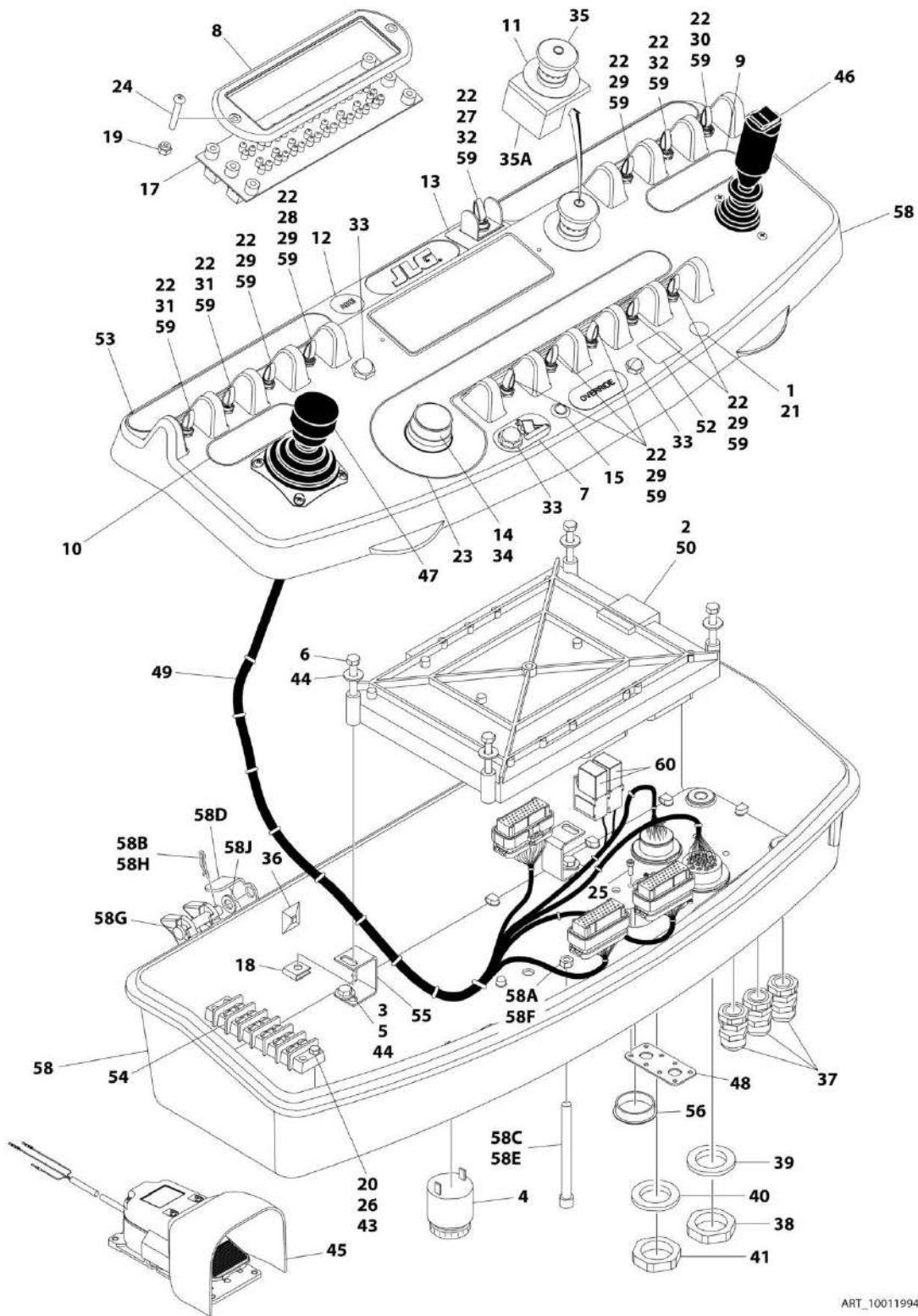
ITEM	PART NUMBER	QTY	DESCRIPTION	REV
	1001199638	Ref	PLATFORM CONSOLE ASSEMBLY - WITHOUT SKYGUARD	J
1	0100009	AR	Sealant	
2	0100048	AR	Grease, Dielectric	
3	0100081	AR	Adhesive	
4	0140011	1	Alarm	
5	0641404	4	Bolt 1/4 x 1/2	
6	0641414	4	Bolt 1/4 x 1-3/4	
7	1705171	1	Decal - Jib Stow	
8	1671176	1	Bezel	
9	1702565	1	Decal - Drive and Steer	
10	1702566	1	Decal - Lift and Swing	
11	1704260	1	Decal - EMS	
12	1705132	1	Decal - Control ADE	
13	1706741	1	Decal - Boom Control Select	
14	2560136	1	Handle, Knob	
15	1705745	1	Decal - Function Speed	
16	1001199483	1	Module, Platform (Note: Re-calibration Required when Replaced)	
17	2920154	1	Gauge, LED	
18	3300353	4	Nut, Tinnerman	
19	3300408	2	Nut	
20	3311005	2	Nut #10	
21	3520026	3	Plug, Hole	
22	3790012	13	O-Ring	
23	1001199637	NLA	Platform Console Harness (See ELECTRICAL SECTION for Breakdown) (Note: Use p/n 1001196681) (Prior to SN 0300223782)	
23	1001196681	1	Platform Console Harness (See ELECTRICAL SECTION for Breakdown) (SN 0300223782 to Present)	
24	3900183	2	Screw #10 x 1-1/4	
25	3900349	8	Capscrew M2.5	
26	3931012	2	Capscrew #10 x 3/4	
27	4060906	1	Guard, Switch	
28	4071074	1	Shim	
29	1001155045	8	Switch, Toggle	
30	1001159256	1	Switch, Toggle	
31	1001161709	2	Switch, Toggle	
32	1001161710	2	Switch, Toggle	
33	4360387	2	Switch, Push Button	
34	4360407	1	Controller, Speed	
34	4460224	1	Receptacle, Female - 6 Position	
34	4460226	1	Socket, Female	
34	See Note	1	Gasket "Top Hat" (Included with Switch) (Note: Not Available - Purchase Complete Controller)	
34	70003784	1	Seal	
35	4360475	1	Switch, Emergency Stop	
35	7020175	1	Cap, Red	
35A	7020176	1	Contact Block	
36	4460234	3	Base, Mounting	
37	4460428	3	Connector, Strain Relief	
38	4460470	1	Nut, Terminal	

SECTION 5 - PLATFORM

ITEM	PART NUMBER	QTY	DESCRIPTION	REV
39	4460471	1	Washer, Terminal	
40	4460496	1	Washer, Terminal	
41	4460497	1	Nut, Terminal	
42	4460905	5	Plug, Terminal (Not Shown)	
43	4751000	2	Washer #10	
44	4751400	8	Washer 1/4	
45	1001117174	1	Footswitch Assembly (See FOOTSWITCH ASSEMBLY for Breakdown)	
46	1001166538	NLA	Controller Assembly (Drive and Steer) (Use p/n 1001212415) (See CONTROLLER ASSEMBLY (DRIVE AND STEER) for Breakdown)	
47	1001166539	NLA	Controller Assembly (Lift and Swing) (Use p/n 1001129555) (See CONTROLLER ASSEMBLY (LIFT AND SWING) for Breakdown)	
48	1001120338	1	Mount, Connector (Prior to SN 0300218237)	
48	1001213882	1	Mount, Connector (SN 0300218237 to Present)	
49	3520035	1	Plug	
53	1001156926	1	Decal - Horn	
54	1001157292	1	Bar, Buss	
55	1001172760	4	Bracket	
58	1001190104	1	Box, Console (Prior to SN 0300223782)	
58A	3311601	1	Nut 3/8	
58B	3470003	2	Pin	
58C	0630568	1	Screw 3/8 x 4-1/2	
58D	1001200575	2	Bracket, Stop	
58	1001201889	1	Box, Console (SN 0300223782 to Present)	
58E	0630568	1	Screw 3/8 x 4-1/2	
58F	3311601	1	Nut 3/8	
58G	3430616	2	Pin	
58H	3470003	2	Pin	
58J	4711600	2	Washer 3/8	
59	1001155044	13	Nut 15/32	

SECTION 5 - PLATFORM

FIGURE 5-19. PLATFORM CONSOLE ASSEMBLY - WITH SKYGUARD



ART_1001199480

SECTION 5 - PLATFORM

FIGURE 5-19. PLATFORM CONSOLE ASSEMBLY - WITH SKYGUARD

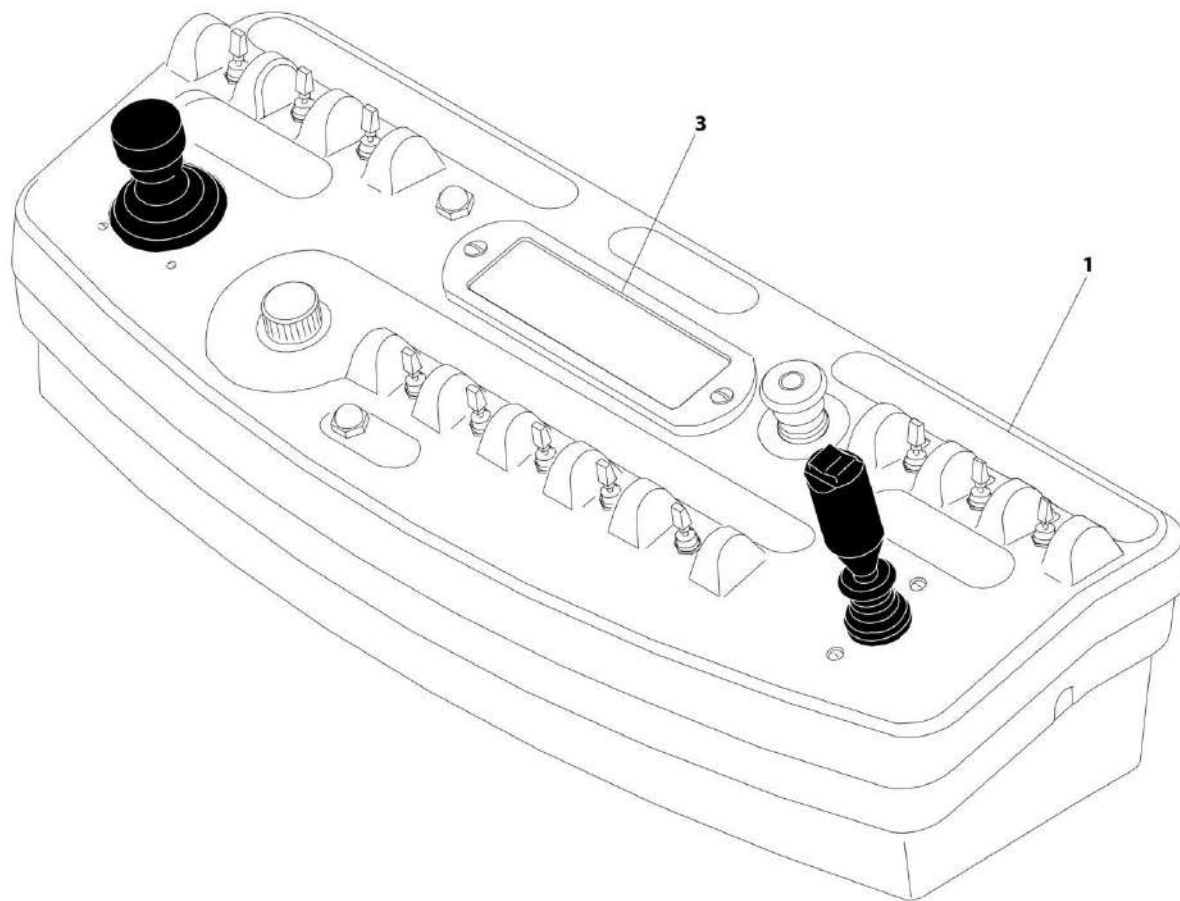
ITEM	PART NUMBER	QTY	DESCRIPTION	REV
	1001199480	Ref	PLATFORM CONSOLE ASSEMBLY - WITH SKYGUARD	K
1	0100009	AR	Sealant	
2	0100048	AR	Grease, Dielectric	
3	0100081	AR	Adhesive	
4	0140011	1	Alarm	
5	0641404	4	Bolt 1/4 x 1/2	
6	0641414	4	Bolt 1/4 x 1-3/4	
7	1705171	1	Decal - Jib Stow	
8	1671176	1	Bezel	
9	1702565	1	Decal - Drive and Steer	
10	1702566	1	Decal - Lift and Swing	
11	1704260	1	Decal - EMS	
12	1705132	1	Decal - Control ADE	
13	1706741	1	Decal - Boom Control Select	
14	2560136	1	Handle, Knob	
15	1001206532	1	Lamp, Indicator	
17	2920154	1	Gauge, LED	
18	3300353	4	Nut, Tinnerman	
19	3300408	2	Nut	
20	3311005	2	Nut #10	
21	3520026	1	Plug	
22	3790012	13	O-Ring	
23	1705745	1	Decal - Function Speed	
24	3900183	2	Screw #10 x 1-1/4	
25	3900349	8	Capscrew M2.5	
26	3931012	2	Capscrew #10 x 3/4	
27	4060906	1	Guard, Switch	
28	4071074	1	Shim	
29	1001155045	8	Switch, Toggle	
30	1001159256	1	Switch, Toggle	
31	1001161709	2	Switch, Toggle	
32	1001161710	2	Switch, Toggle	
33	4360387	3	Switch, Push Button	
34	4360407	1	Controller, Speed	
34	4460224	1	Receptacle, Female - 6 Position	
34	4460226	1	Socket, Female	
34	See Note	1	Gasket "Top Hat" (Included with Switch) (Note: Not Available - Purchase Complete Controller.)	
34	70003784	1	Seal	
35	4360475	1	Switch, Emergency Stop	
35	7020175	1	Cap, Red	
35A	7020176	1	Contact Block	
36	4460234	3	Base, Mounting	
37	4460428	3	Connector, Strain Relief	
38	4460470	1	Nut, Terminal	
39	4460471	1	Washer, Terminal	
40	4460496	1	Washer, Terminal	
41	4460497	1	Nut, Terminal	
42	4460905	5	Plug, Terminal (Not Shown)	
43	4751000	2	Washer #10	

SECTION 5 - PLATFORM

ITEM	PART NUMBER	QTY	DESCRIPTION	REV
44	4751400	8	Washer 1/4	
45	1001117174	1	Footswitch Assembly (See FOOTSWITCH ASSEMBLY for Breakdown)	
46	1001166538	NLA	Controller Assembly (Drive and Steer) (Use p/n 1001212415) (See CONTROLLER ASSEMBLY (DRIVE AND STEER) for Breakdown)	
47	1001166539	NLA	Controller Assembly (Lift and Swing) (Use p/n 1001129555) (See CONTROLLER ASSEMBLY (LIFT AND SWING) for Breakdown)	
48	1001120338	1	Mount, Connector (Prior to SN 0300218237)	
48	1001213882	1	Mount, Connector (SN 0300218237 to Present)	
49	1001196681	1	Platform Console Harness (See ELECTRICAL SECTION for Breakdown)	
50	1001199483	1	Module, Platform (Note: Re-calibration Required when Replaced)	
52	1001144433	1	Decal - No Weight SkyGuard	
53	1001156926	1	Decal - Horn	
54	1001157292	1	Bar, Buss	
55	1001172760	4	Bracket	
56	1001185281	1	Plug	
58	1001190104	1	Box, Console (Prior to SN 0300223782)	
58A	3311601	1	Nut 3/8	
58B	3470003	2	Pin	
58C	0630568	1	Screw 3/8 x 4-1/2	
58D	1001200575	2	Bracket, Stop	
58	1001201889	1	Box, Console (SN 0300223782 to Present)	
58E	0630568	1	Screw 3/8 x 4-1/2	
58F	3311601	1	Nut 3/8	
58G	3430616	2	Pin	
58H	3470003	2	Pin	
58J	4711600	2	Washer 3/8	
59	1001155044	13	Nut 15/32	
60	1001186431	2	Relay, 35 Amp (SN 0300223782 to Present)	

SECTION 5 - PLATFORM

FIGURE 5-20. DECAL AND LIGHT PANEL INSTALLATION (ALL SPECS EXCEPT AUSTRALIAN AND CE SPECS)



ART_1001197464_20F2

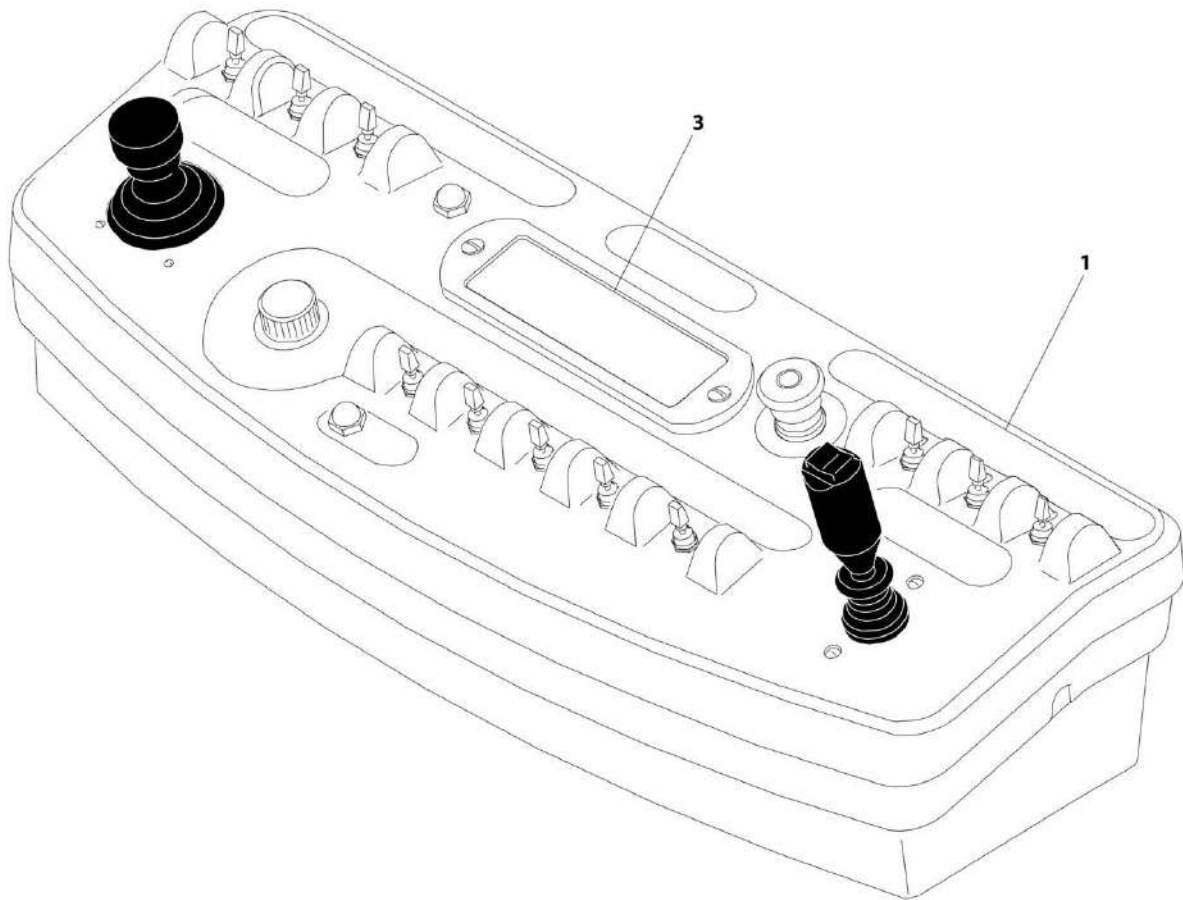
SECTION 5 - PLATFORM

FIGURE 5-20. DECAL AND LIGHT PANEL INSTALLATION (ALL SPECS EXCEPT AUSTRALIAN AND CE SPECS)

ITEM	PART NUMBER	QTY	DESCRIPTION	REV
	1001197464	Ref	DECAL AND LIGHT PANEL INSTALLATION (ALL SPECS EXCEPT AUSTRALIAN AND CE SPECS)	A
1	1001195947	1	Decal - Stop	
3	1001199922	1	Decal - Display	

SECTION 5 - PLATFORM

FIGURE 5-21. DECAL AND LIGHT PANEL INSTALLATION (AUSTRALIAN AND CE SPECS)



ART_1001197465_2OF2

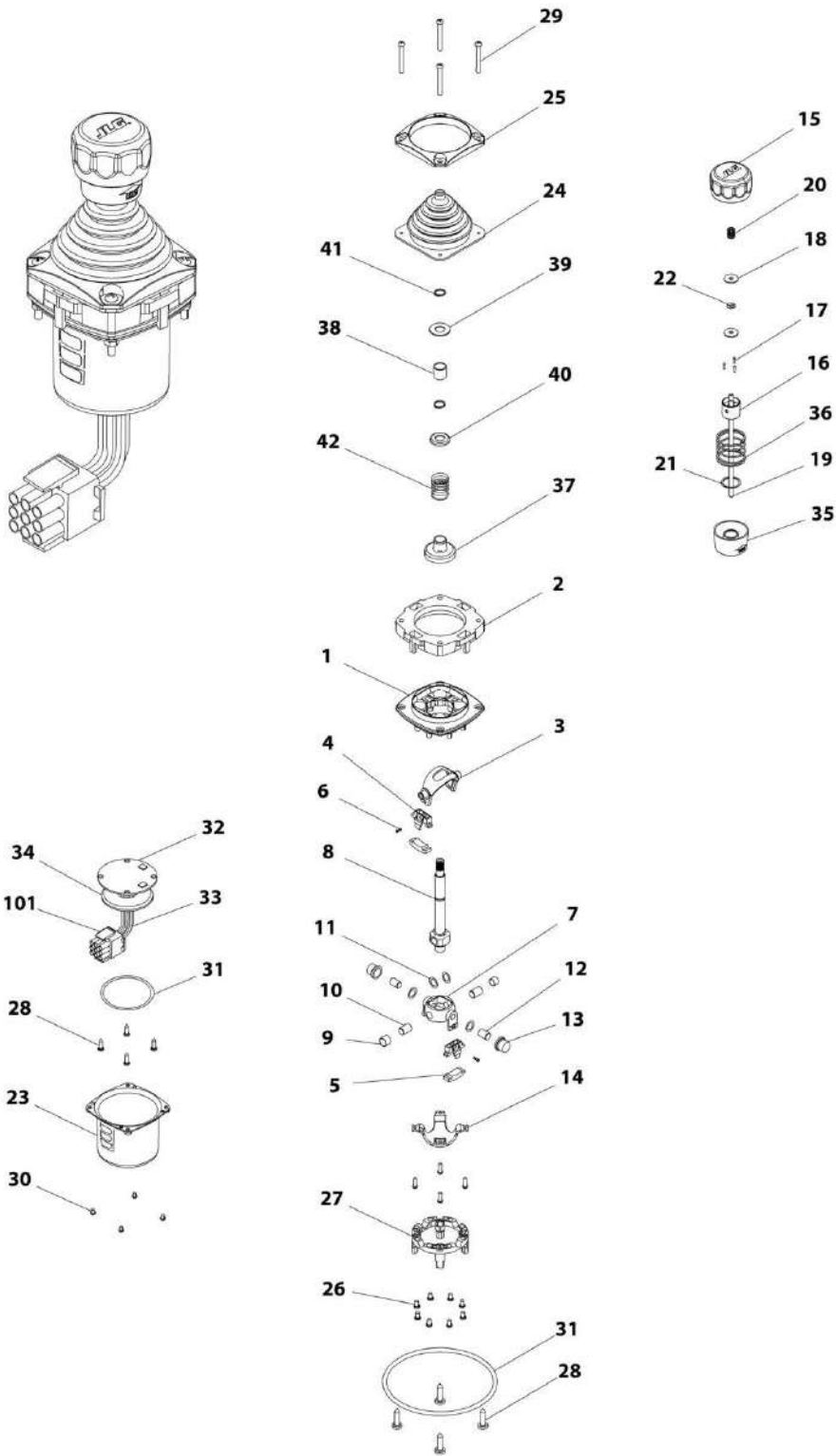
SECTION 5 - PLATFORM

FIGURE 5-21. DECAL AND LIGHT PANEL INSTALLATION (AUSTRALIAN AND CE SPECS)

ITEM	PART NUMBER	QTY	DESCRIPTION	REV
	1001197465	Ref	DECAL AND LIGHT PANEL INSTALLATION (AUSTRALIAN AND CE SPECS)	A
1	1001184619	1	Decal - Stop	
3	1001199919	1	Decal - Display	

SECTION 5 - PLATFORM

FIGURE 5-22. CONTROLLER ASSEMBLY (LIFT AND SWING)



ART_1001166539

SECTION 5 - PLATFORM

FIGURE 5-22. CONTROLLER ASSEMBLY (LIFT AND SWING)

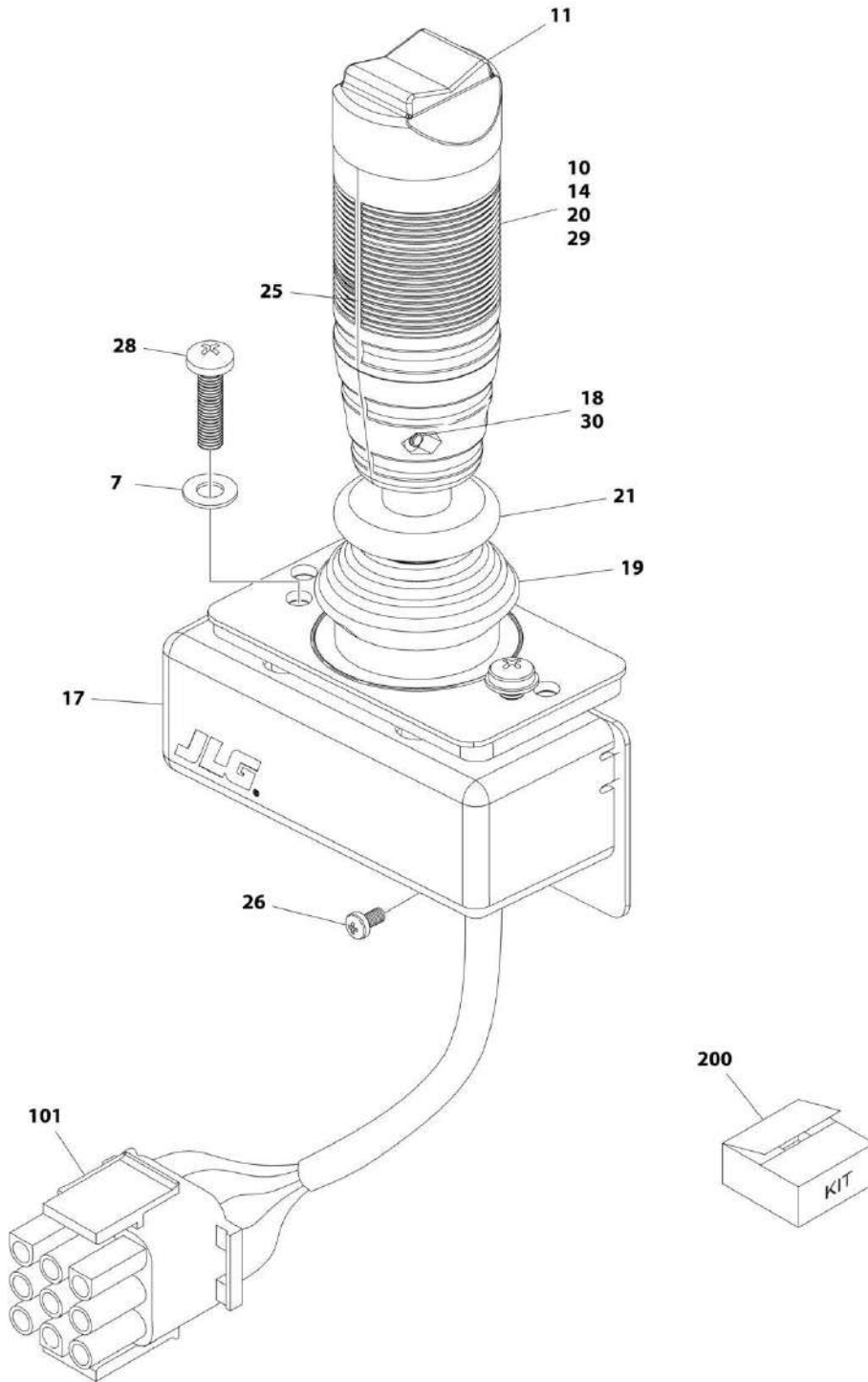
ITEM	PART NUMBER	QTY	DESCRIPTION	REV
	1001166539	Ref	CONTROLLER ASSEMBLY (LIFT AND SWING)	D
		Ref	Note: Use p/n 1001129555 as Replacement.	
1	See Note	NSS	Main Cast Body (Note: Not Available - Purchase Complete Assembly)	
2	70004752	1	Adapter	
3	See Note	NSS	Pivot Arm, Plastic (Note: Not Available - Purchase Complete Assembly)	
4	See Note	NSS	Holder, Magnet (Note: Not Available - Purchase Complete Assembly)	
5	See Note	NSS	Arc, Magnet (Note: Not Available - Purchase Complete Assembly)	
6	See Note	NSS	Screw (Note: Not Available for Purchase)	
7	See Note	NSS	Pivot Arm, Cast (Note: Not Available - Purchase Complete Assembly)	
8	See Note	NSS	Shaft, Main (Note: Not Available - Purchase Complete Assembly)	
9	See Note	NSS	Bearing (Note: Not Available - Purchase Complete Assembly)	
10	See Note	NSS	Pin (Note: Not Available - Purchase Complete Assembly)	
11	See Note	NSS	Shim (Note: Not Available - Purchase Complete Assembly)	
12	See Note	NSS	Pin (Note: Not Available - Purchase Complete Assembly)	
13	See Note	NSS	Bearing (Note: Not Available - Purchase Complete Assembly)	
14	See Note	NSS	Dome, Centering (Note: Not Available - Purchase Complete Assembly)	
15	70004753	1	Cap	
16	70004754	1	Insert, Cap	
17	70004755	3	Pin	
18	70004756	2	Washer	
19	70004757	1	Pin, Centering	
20	70004758	1	Spring	
21	70004759	1	Ring, Retaining	
22	70004760	1	E-Ring	
23	70004761	1	Can, Enclosure	
24	70004762	1	Boot	
25	70004763	1	Bezel	
26	See Note	NSS	Screw (Note: Not Available for Purchase)	
27	See Note	NSS	Base Mounting (Note: Not Available - Purchase Complete Assembly)	
28	See Note	NSS	Screw (Note: Not Available for Purchase)	
29	70004764	4	Screw	
30	70004765	4	Screw	
31	70004766	1	O-Ring	
32	See Note	NSS	Plate (Note: Not Available - Purchase Complete Assembly)	
33	See Note	NSS	Harness (Note: Not Available - Purchase Complete Assembly)	
34	70004767	1	Grommet, Rubber	
35	70004768	1	Housing	
36	70004769	1	Spring	
37	70004770	1	Stopper	
38	70004771	1	Spacer	
39	70004772	1	Washer	
40	70004773	1	Disc	
41	70004774	2	Ring, Retaining	
42	70004775	1	Spring	

SECTION 5 - PLATFORM

ITEM	PART NUMBER	QTY	DESCRIPTION	REV
101	4460265	1	Connector - 9 Position	
101	4460226	6	Socket, Female	

SECTION 5 - PLATFORM

FIGURE 5-23. CONTROLLER ASSEMBLY (DRIVE AND STEER)



ART_1001166538

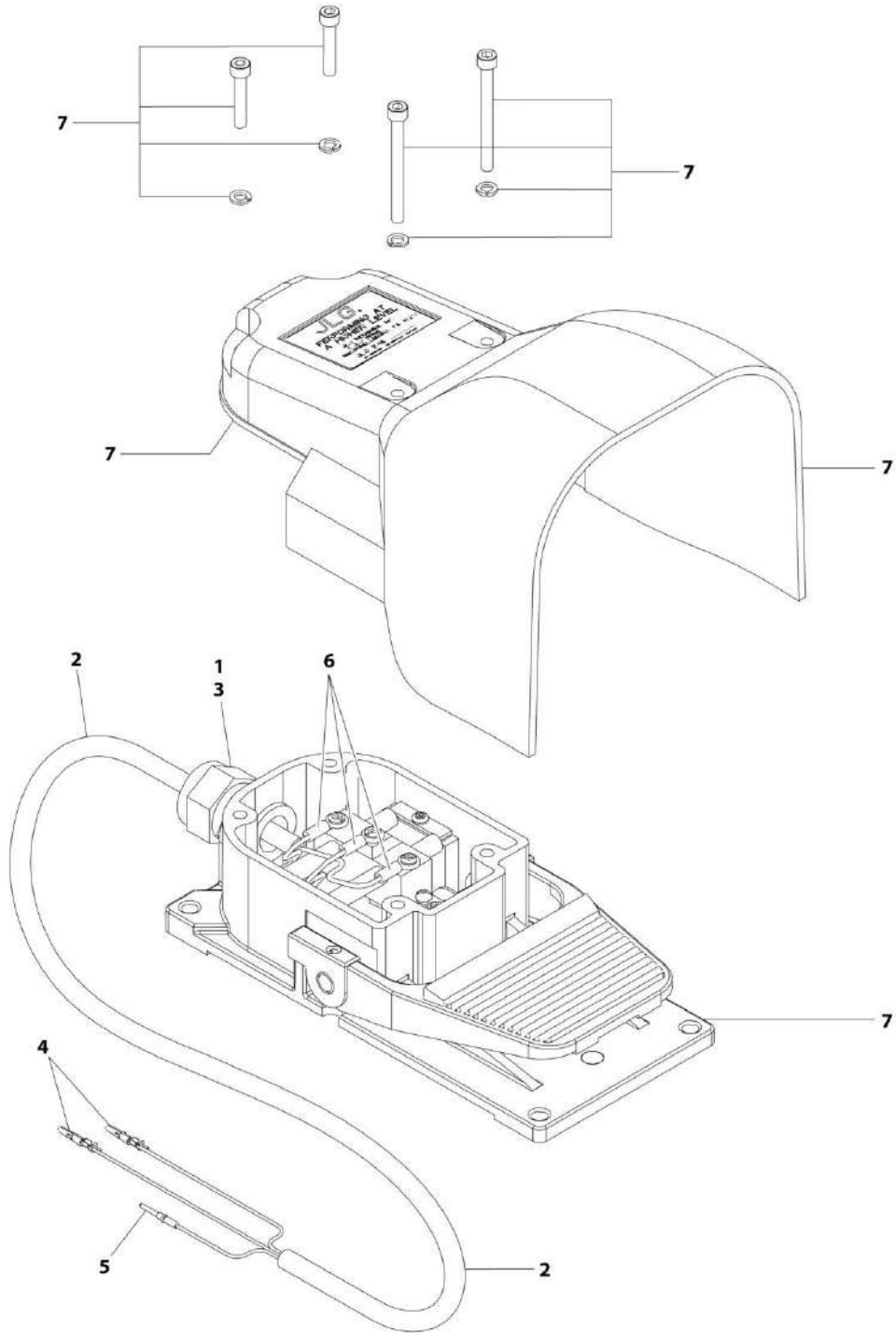
SECTION 5 - PLATFORM

FIGURE 5-23. CONTROLLER ASSEMBLY (DRIVE AND STEER)

ITEM	PART NUMBER	QTY	DESCRIPTION	REV
	1001166538	Ref	CONTROLLER ASSEMBLY (DRIVE AND STEER)	G
		Ref	Note : Use p/n 1001212415 Kit as Replacement.	
7	70004738	2	Washer	
10	70004739	1	Roller	
11	70004740	1	Boot, Switch	
14	70004741	2	Half, Handle	
17	70004742	1	Enclosure	
18	70004743	4	Nut	
19	70004744	NLA	Boot, Controller (Note: Use Item 200)	
20	70004745	NLA	Tube, Locking (Note: Use Item 200)	
21	70004746	NLA	Disc, Locking (Note: Use Item 200)	
25	70004747	2	Seal, Rope	
26	70004748	1	Screw M3 x 6	
28	70004749	2	Screw M5 x 20	
29	70004750	1	Pin, Dowel	
30	70004751	4	Screw M3 x 16	
101	4460265	1	Connector - 9 Position	
101	4460226	7	Socket, Female	
200	70005230	1	Boot Kit (Includes Items 19-21)	

SECTION 5 - PLATFORM

FIGURE 5-24. FOOTSWITCH ASSEMBLY



ART_1001117174

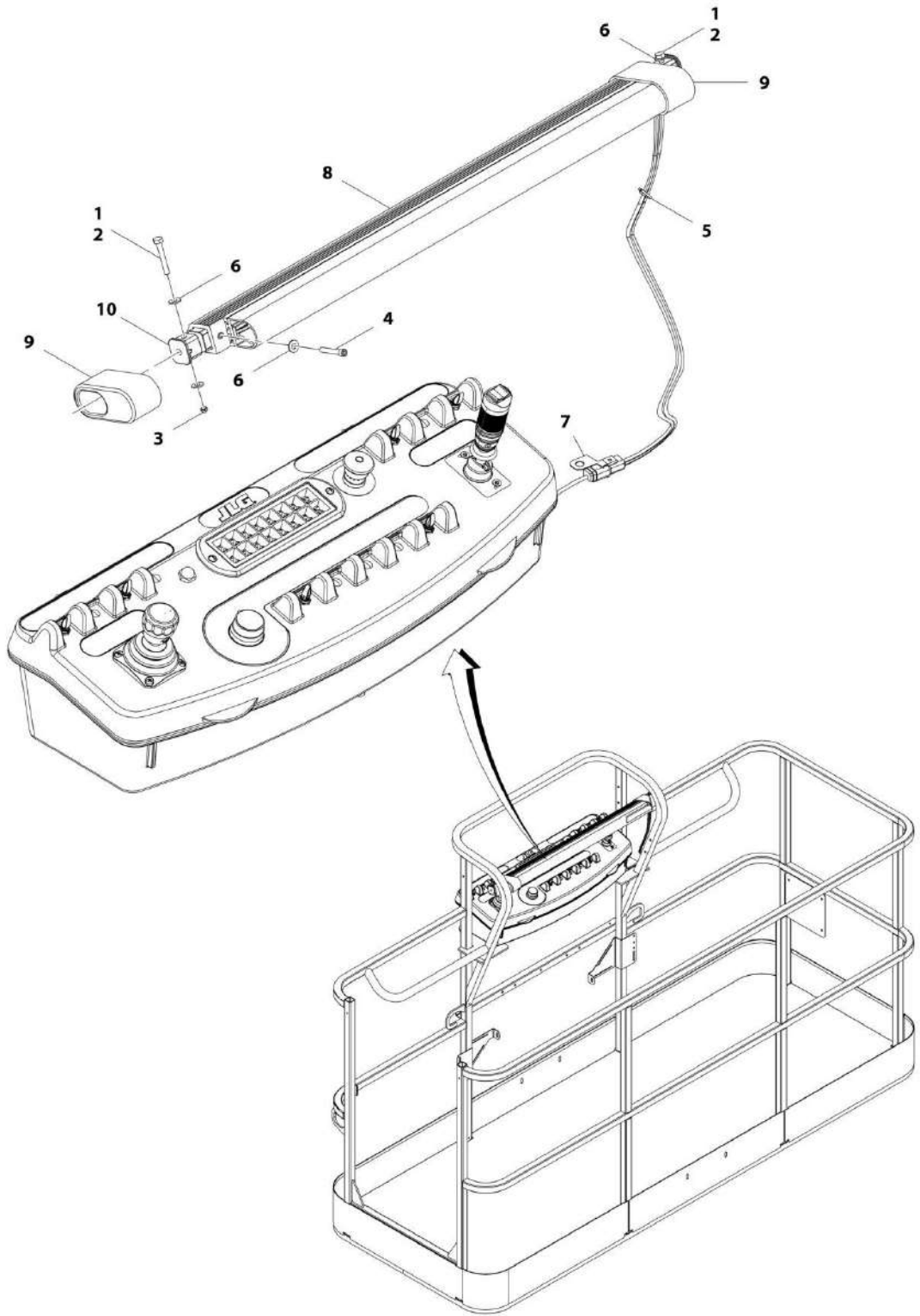
SECTION 5 - PLATFORM

FIGURE 5-24. FOOTSWITCH ASSEMBLY

ITEM	PART NUMBER	QTY	DESCRIPTION	REV
	1001117174	Ref	FOOTSWITCH ASSEMBLY	B
1	0100020	AR	Sealant	
2	1060918	7.5 ft /2.3m	Cable, Electrical - 18/3	
3	4460071	1	Connector, Strain Relief	
4	4460226	2	Socket, Female	
5	4460464	1	Pin, Male	
6	1001098122	3	Terminal	
7	1001117172	1	Footswitch	
7	70002902	1	Switch, 20A	
7	70002903	1	Gasket	
7	70002904	1	Replacement Bolt Kit	
7	70002905	1	Cover	

SECTION 5 - PLATFORM

FIGURE 5-25. SKYGUARD SYSTEM INSTALLATION



ART_1001187508

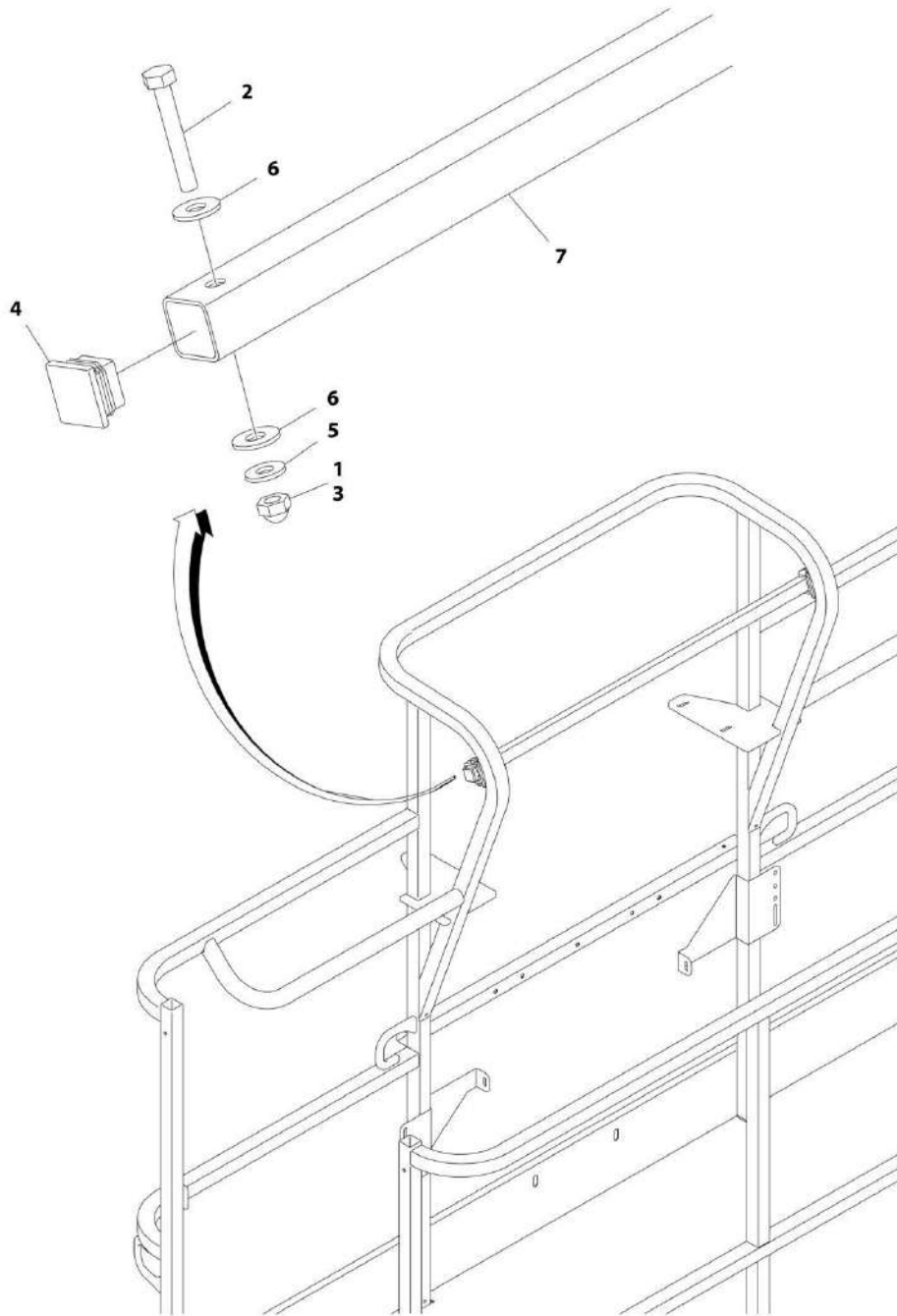
SECTION 5 - PLATFORM

FIGURE 5-25. SKYGUARD SYSTEM INSTALLATION

ITEM	PART NUMBER	QTY	DESCRIPTION	REV
	1001187508	Ref	SKYGUARD SYSTEM INSTALLATION	C
1	0100011	AR	Compound, Locking	
2	0641414	2	Bolt 1/4 x 1-3/4	
3	3300430	2	Nut 1/4	
4	3931424	2	Capscrew 1/4 x 1-1/2	
4	3931408	1	Capscrew 1/4 x 1/2	
5	4240033	AR	Tie-Strap	
6	4711400	AR	Washer 1/4	
7	1001120328	1	Mount	
8	1001137673	1	SkyGuard Switch Assembly	
9	1001186517	2	Cover, Platform Sensor	
10	1001188889	2	Support, Block (Prior to SN 0300244380)	
10	1001209664	2	Support, Block (SN 0300244380 to Present)	

SECTION 5 - PLATFORM

FIGURE 5-26. CROSS RAIL INSTALLATION



ART_1001182138

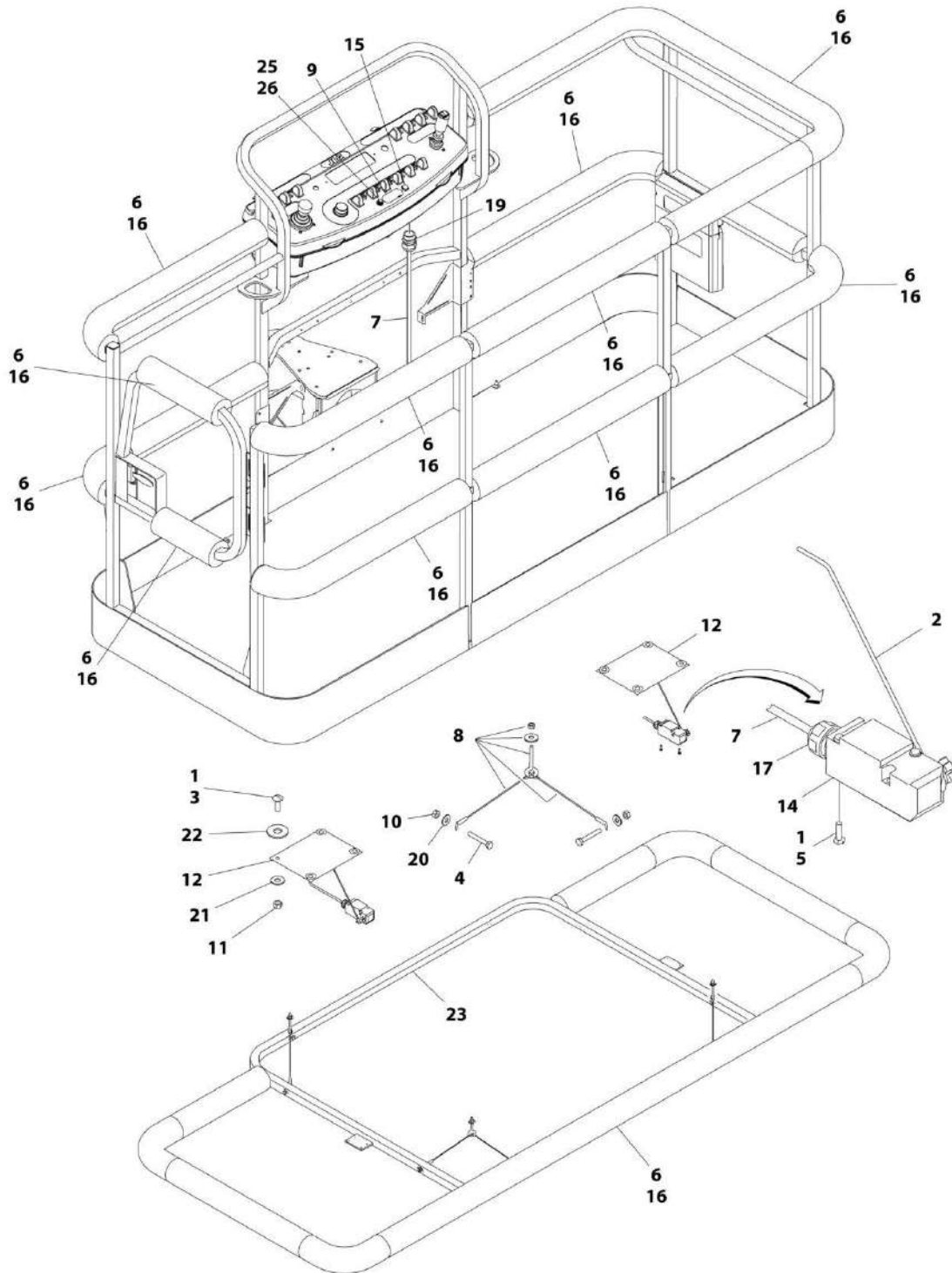
SECTION 5 - PLATFORM

FIGURE 5-26. CROSS RAIL INSTALLATION

ITEM	PART NUMBER	QTY	DESCRIPTION	REV
	1001182138	Ref	CROSS RAIL INSTALLATION	A
1	0100071	AR	Compound, Locking	
2	0641414	2	Bolt 1/4 x 1-3/4	
3	3300430	2	Nut 1/4	
4	3520182	2	Plug	
5	4711400	2	Washer 1/4	
6	4751400	4	Washer 1/4	
7	1001191708	1	Bar	

SECTION 5 - PLATFORM

FIGURE 5-27. SOFT TOUCH INSTALLATION - 8FT (2.4M) PLATFORM (OPTIONAL)



ART_0272427

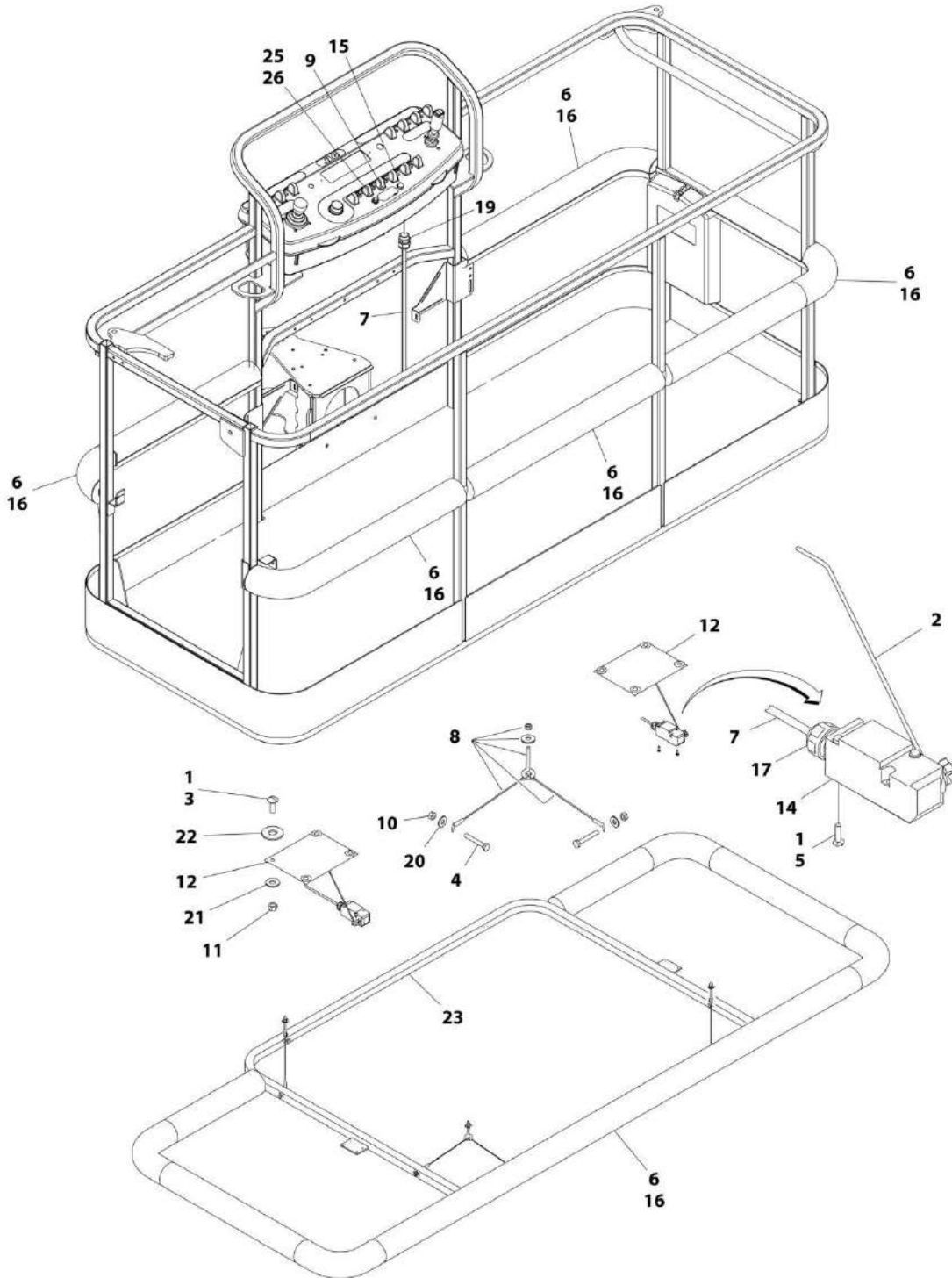
SECTION 5 - PLATFORM

FIGURE 5-27. SOFT TOUCH INSTALLATION - 8FT (2.4M) PLATFORM (OPTIONAL)

ITEM	PART NUMBER	QTY	DESCRIPTION	REV
	0272427	Ref	SOFT TOUCH INSTALLATION - 8FT (2.4M) PLATFORM (OPTIONAL)	G
1	0100011	AR	Compound, Locking	
2	0200048	2	Arm, Switch	
3	0630462	8	Bolt	
4	0641414	8	Bolt 1/4 x 1-3/4	
5	0721005	4	Bolt #10 x 5/8	
6	0940103	1	Bumper Kit (Includes Corners and Enough Straight Material for One Platform)	
6	0940092	12	Bumper (Corner)	
6	0940094	AR	Bumper (12ft Length)	
7	1060341	23 ft/7m	Cable, Electrical - 16/2	
8	1060903	4	Wire Rope and Eyebolt Assembly	
9	1702938	1	Decal - Soft Touch Override	
10	3311401	8	Nut 1/4	
11	3311501	8	Nut 5/16	
12	3574091	2	Plate, Switch Strike	
13	4240099	7	Tie-Strap (Not Shown)	
14	4360057	2	Switch, Limit	
15	4360387	1	Switch, Push Button	
16	4420068	AR	Tape, Adhesive	
16	1001197017	AR	Tie-Strap	
17	4460049	2	Connector, Strain Relief	
18	4460234	7	Tie-Strap (Not Shown)	
19	4460425	1	Connector, Strain Relief	
20	4751400	8	Washer 1/4	
21	4751500	12	Washer 5/16	
22	4751800	8	Washer 1/2	
23	4846673	1	Rail, Soft Touch	
25	2920028	1	Light, Indicator	
26	2920029	1	Bulb, Light	

SECTION 5 - PLATFORM

FIGURE 5-28. SOFT TOUCH INSTALLATION - 8FT (2.4M) FALL ARREST PLATFORM (OPTIONAL)



ART_0273706

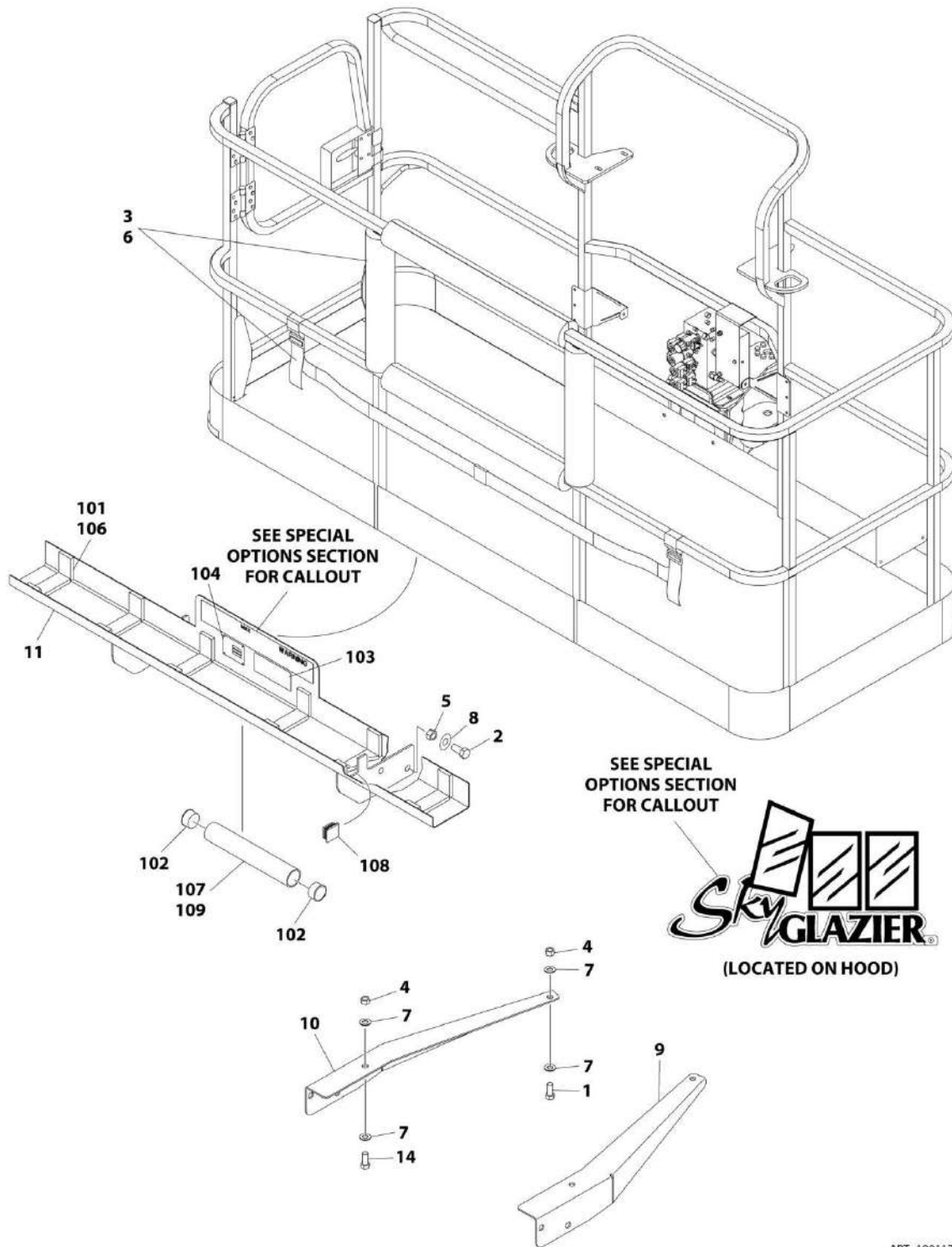
SECTION 5 - PLATFORM

FIGURE 5-28. SOFT TOUCH INSTALLATION - 8FT (2.4M) FALL ARREST PLATFORM (OPTIONAL)

ITEM	PART NUMBER	QTY	DESCRIPTION	REV
	0273706	Ref	SOFT TOUCH INSTALLATION - 8FT (2.4M) FALL ARREST PLATFORM (OPTIONAL)	D
1	0100011	AR	Compound, Locking	
2	0200048	2	Arm, Switch	
3	0630462	8	Bolt	
4	0641414	8	Bolt 1/4 x 1-3/4	
5	0721005	4	Bolt #10 x 5/8	
6	0940133	1	Bumper Kit (Includes Corners and Enough Straight Material for One Platform)	
6	0940092	8	Bumper (Corner)	
6	0940094	AR	Bumper (12ft Length)	
7	1060341	23 ft/7m	Cable, Electrical - 16/2	
8	1060903	4	Wire Rope and Eyebolt Assembly	
9	1702938	1	Decal - Soft Touch Override	
10	3311401	8	Nut 1/4	
11	3311501	8	Nut 5/16	
12	3574091	2	Plate, Switch Strike	
13	4240099	7	Tie-Strap (Not Shown)	
14	4360057	2	Switch, Limit	
15	4360387	1	Switch, Push Button	
16	4420068	AR	Tape, Adhesive	
16	1001197017	AR	Tie-Strap	
17	4460049	2	Connector, Strain Relief	
18	4460234	7	Tie-Strap (Not Shown)	
19	4460425	1	Connector, Strain Relief	
20	4751400	8	Washer 1/4	
21	4751500	12	Washer 5/16	
22	4751800	8	Washer 1/2	
23	4846673	1	Rail, Soft Touch	
25	2920028	1	Light, Indicator	
26	2920029	1	Bulb, Light	

SECTION 5 - PLATFORM

FIGURE 5-29. SKYGLAZIER INSTALLATION (ANSI, ANSI EXPORT, AUSTRALIAN, CE AND CSA SPECS)



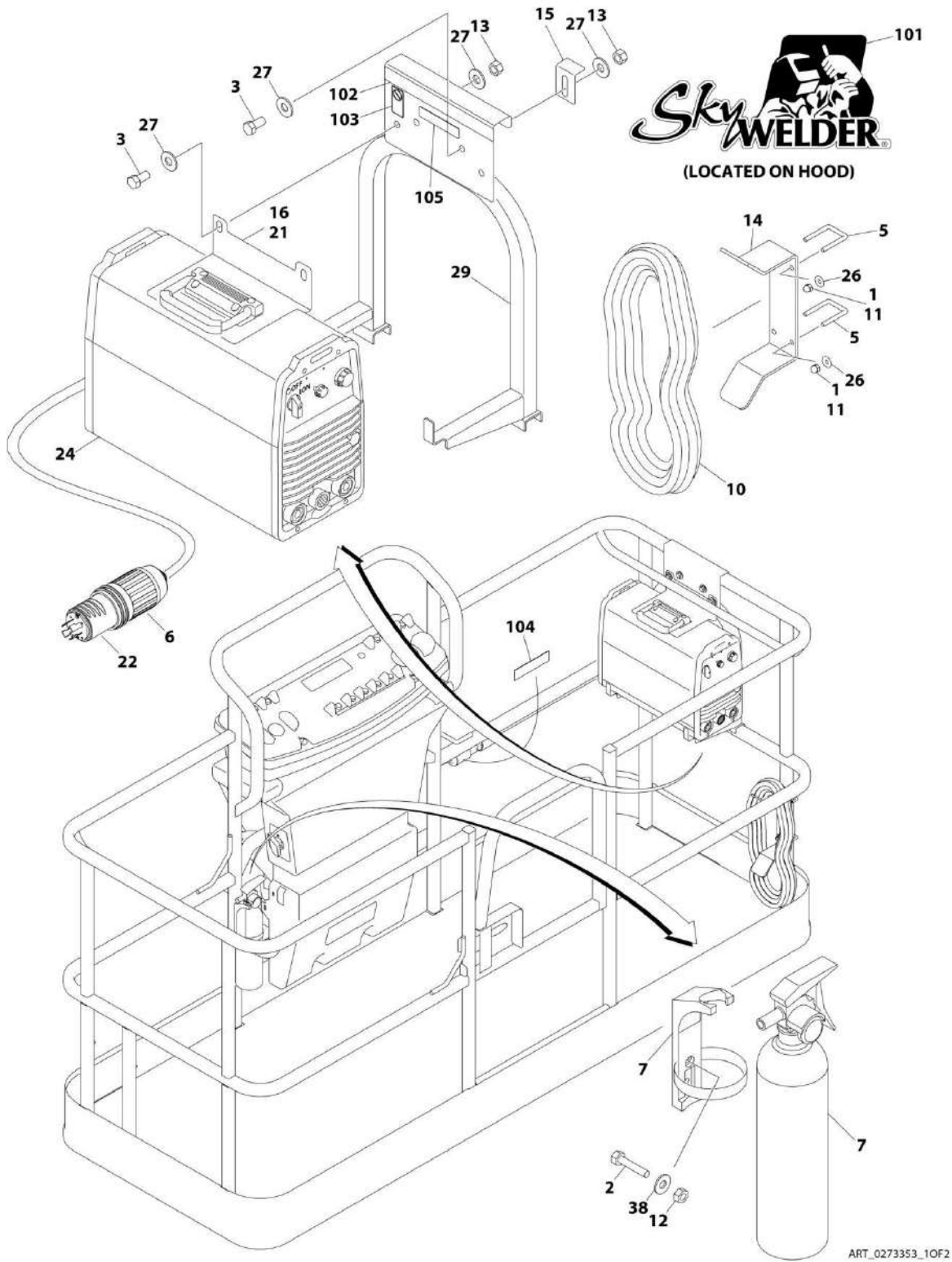
SECTION 5 - PLATFORM

FIGURE 5-29. SKYGLAZIER INSTALLATION (ANSI, ANSI EXPORT, AUSTRALIAN, CE AND CSA SPECS)

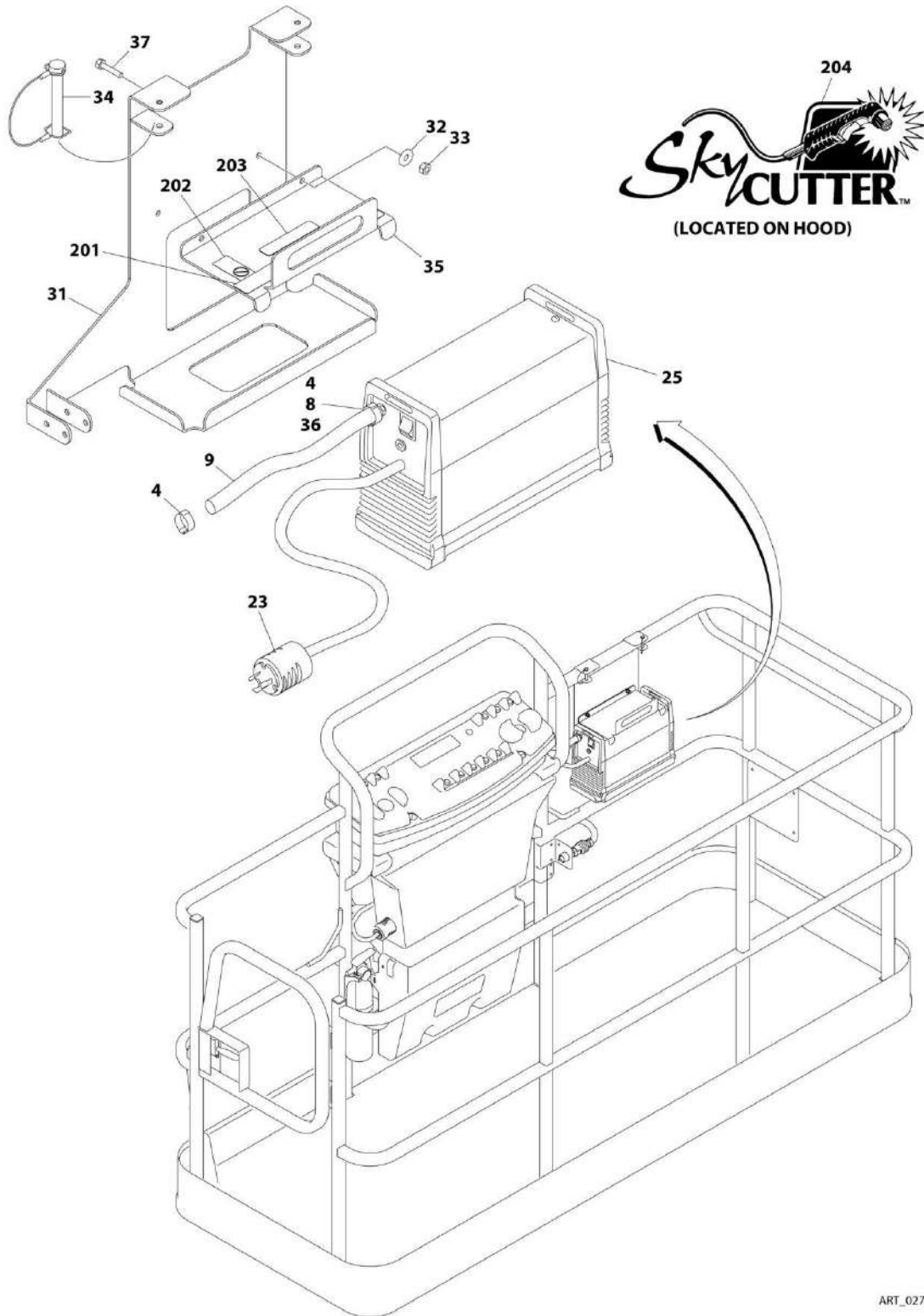
ITEM	PART NUMBER	QTY	DESCRIPTION	REV
	1001172578	Ref	SKYGLAZIER INSTALLATION (ANSI, ANSI EXPORT, AUSTRALIAN, CE AND CSA SPECS)	C
1	0642012	2	Bolt 5/8 x 1-1/2	
2	0642212	4	Bolt 3/4 x 1-1/2	
3	2902212	1	Bumpers and Strap Kit	
3	0940102	1	Bumper Only	
3	4240149	1	Strap Only	
4	3312005	4	Nut 5/8	
5	3312205	4	Nut 3/4	
6	4420014	AR	Tape	
7	4712000	6	Washer 5/8	
8	4712200	8	Washer 3/4	
9	1001099366	1	Support	
10	1001099367	1	Support	
11	1001101421	1	Tray Assembly (See Items 101-111 for Breakdown)	
14	8310129	2	Bolt 3/4 x 2-1/2	
	1001172577	Ref	TRAY ASSEMBLY	B
101	0100081	AR	Adhesive	
102	1120555	2	Cap, Tube	
103	1701509	1	Decal - Manual	
104	See Note	NSS	Nameplate - Serial Number (Note: Not Available for Purchase)	
106	3340956	1	Pad Kit	
107	3460334	1	Tube	
108	3520071	2	Plug	
109	4420066	AR	Tape, Double Sided	

SECTION 5 - PLATFORM

FIGURE 5-30. SKYWELDER/SKYCUTTER COMBO INSTALLATION (60HZ)



SECTION 5 - PLATFORM



ART_0273353_20F2

SECTION 5 - PLATFORM

FIGURE 5-30. SKYWELDER/SKYCUTTER COMBO INSTALLATION (60HZ)

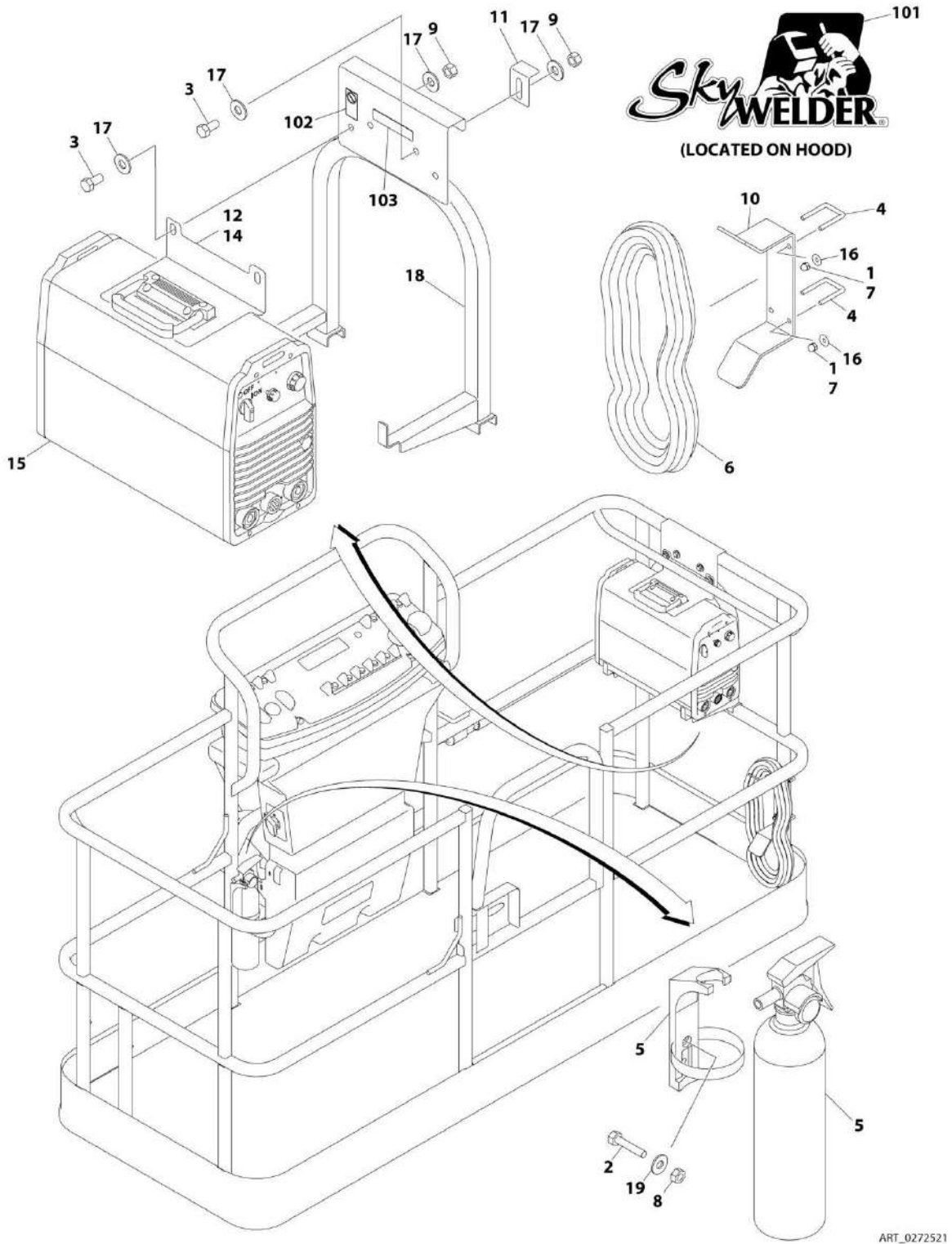
ITEM	PART NUMBER	QTY	DESCRIPTION	REV
	0273353	Ref	SKYWELDER/SKYCUTTER COMBO INSTALLATION (60HZ)	G
		Ref	Note: ANSI, ANSI Export, CSA and Japanese Spec Only.	
1	0100011	AR	Compound, Locking	
2	0630518	2	Screw #10 x 3/4	
3	0641606	4	Bolt 3/8 x 3/4	
4	1320177	2	Clamp	
5	1320302	2	Clamp	
6	1671093	1	Cover, Plug	
7	2030010	1	Extinguisher, Fire	
8	2180832	1	Fitting, Barbed/NPT	
9	2720160	4.5 ft /1.4m	Hose	
10	2902217	1	Weld Leads Kit	
11	3300151	4	Nut 1/4	
12	3311005	2	Nut #10	
13	3311605	4	Nut 3/8	
14	3573400	1	Bracket	
15	3577121	2	Angle	
16	3573642	1	Plate	
20	4240099	AR	Tie-Strap (Not Shown)	
21	4420037	2.4 ft /.71m	Tape	
22	4460962	1	Plug, Twist Lock	
23	4460971	1	Plug, Twist Lock	
24	4530028	1	Welder Assembly (See WELDER ASSEMBLY for Breakdown)	
25	1001098012	1	Plasma Cutter Assembly (See PLASMA CUTTER ASSEMBLY for Breakdown)	
26	4751400	4	Washer 1/4	
27	4751600	8	Washer 3/8	
29	4846627	1	Support	
31	1001145405	1	Bracket	
32	4811700	2	Washer M6	
33	3290605	2	Nut M6	
34	3421453	3	Pin	
35	3576799	1	Plate, Hold-Down	
36	0100020	1	Sealant	
37	4010608	2	Screw M6 x 16	
38	4751000	2	Washer #10	
	0272448	Ref	SKYWELDER DECAL INSTALLATION	B
101	1705355	2	Decal - SkyWelder	
102	1702868	1	Decal - No Hands	
103	1705305	1	Decal - Weld Leads	
104	1705375	1	Decal - 240V - 3 Phase - 60Hz	
105	1705466	NLA	Decal - Weight (Use p/n 1001228988)	
105	1001228988	1	Decal - Weight	
	0272599	Ref	SKYCUTTER DECAL INSTALLATION	B
201	1702868	1	Decal - No Hands	
202	1705305	1	Decal - Weld Leads	
203	1705466	NLA	Decal - Weight (Use p/n 1001228988)	
203	1001228988	1	Decal - Weight	

SECTION 5 - PLATFORM

ITEM	PART NUMBER	QTY	DESCRIPTION	REV
204	1705490	2	Decal - SkyCutter	

SECTION 5 - PLATFORM

FIGURE 5-31. SKYWELDER INSTALLATION (50HZ)



ART_0272521

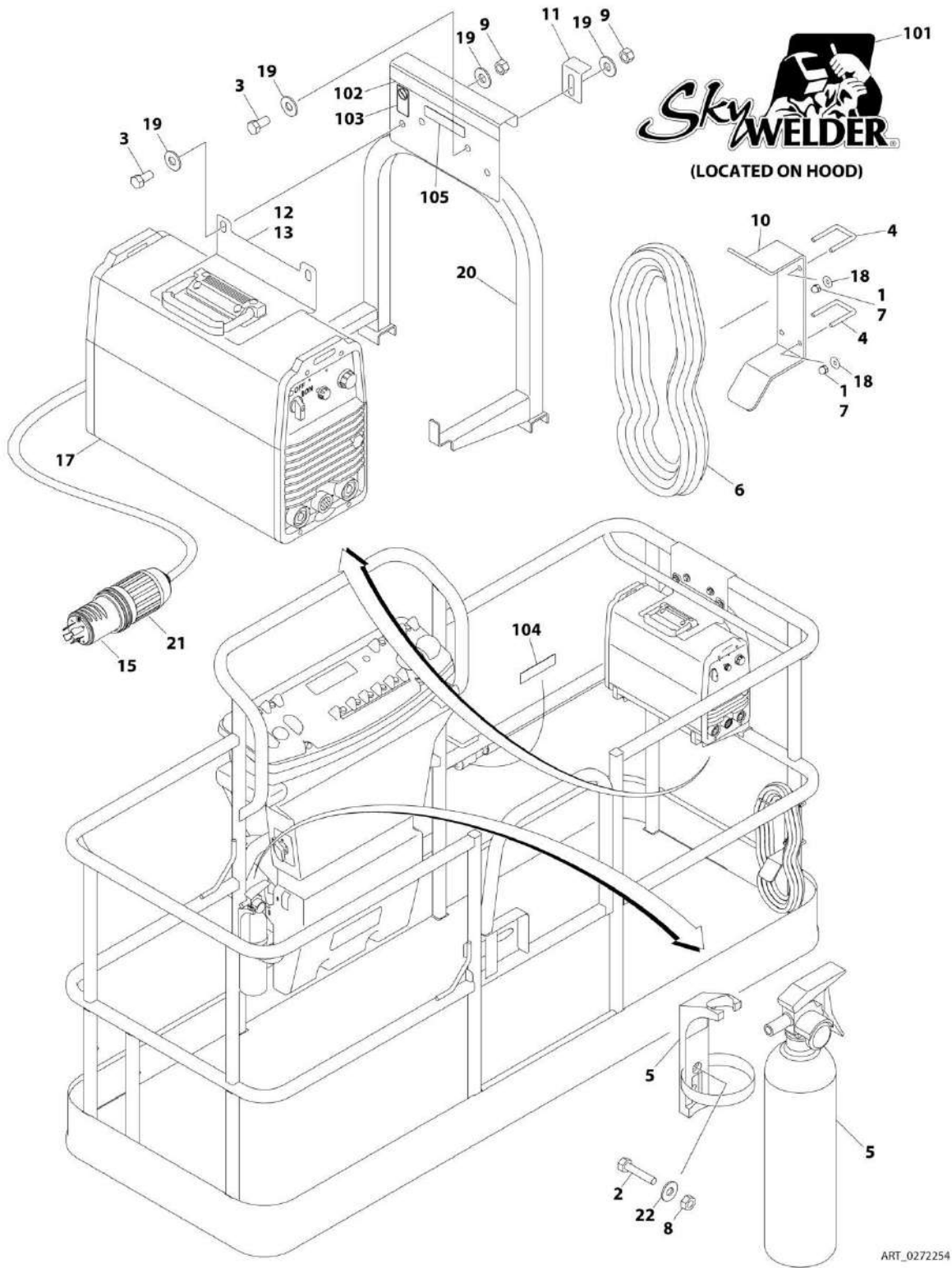
SECTION 5 - PLATFORM

FIGURE 5-31. SKYWELDER INSTALLATION (50HZ)

ITEM	PART NUMBER	QTY	DESCRIPTION	REV
	0272521	Ref	SKYWELDER INSTALLATION (50HZ)	F
		Ref	Note: Australian, CE, Chinese and Japanese Specs Only.	
1	0100011	AR	Compound, Locking	
2	0630518	2	Screw #10 x 3/4	
3	0641606	4	Bolt 3/8 x 3/4	
4	1320302	2	U-Clamp	
5	2030010	1	Extinguisher, Fire	
6	2902217	1	Weld Leads Kit	
7	3300151	4	Nut 1/4	
8	3311005	2	Nut #10	
9	3311605	4	Nut 3/8	
10	3573400	1	Bracket	
11	3577121	2	Angle	
12	3573642	1	Plate	
13	4240099	AR	Tie-Strap (Not Shown)	
14	4420037	AR	Tape	
15	4530028	1	Welder Assembly (See WELDER ASSEMBLY for Breakdown)	
16	4751400	4	Washer 1/4	
17	4751600	8	Washer 3/8	
18	4846627	1	Support	
19	4751000	2	Washer #10	
	0272588	Ref	SKYWELDER DECAL INSTALLATION	B
101	1705355	2	Decal - SkyWelder	
102	1705305	1	Decal - Weld Lead	
103	1705466	NLA	Decal - Weight (Use p/n 1001228988)	
103	1001228988	1	Decal - Weight	

SECTION 5 - PLATFORM

FIGURE 5-32. SKYWELDER INSTALLATION (60HZ)



ART_0272254

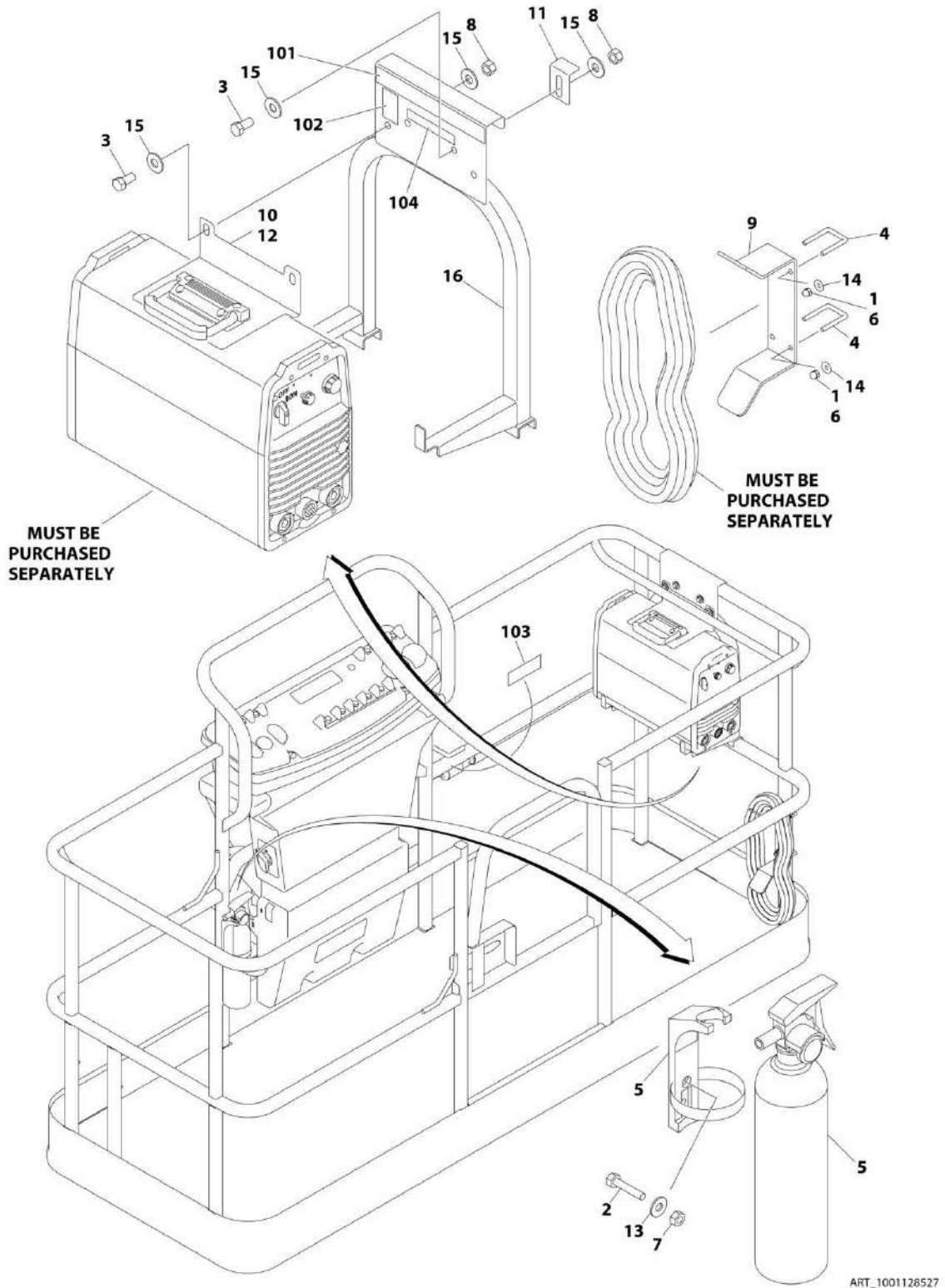
SECTION 5 - PLATFORM

FIGURE 5-32. SKYWELDER INSTALLATION (60HZ)

ITEM	PART NUMBER	QTY	DESCRIPTION	REV
	0272254	Ref	SKYWELDER INSTALLATION (60HZ)	I
		Ref	Note: ANSI, ANSI Export and CSA Specs Only.	
1	0100011	AR	Compound, Locking	
2	0630518	2	Screw #10 x 3/4	
3	0641606	4	Bolt 3/8 x 3/4	
4	1320302	2	U-Clamp	
5	2030010	1	Extinguisher, Fire	
6	2902217	1	Weld Leads Kit	
7	3300151	4	Nut 1/4	
8	3311005	2	Nut #10	
9	3311605	4	Nut 3/8	
10	3573400	1	Bracket	
11	3577121	2	Angle	
12	3573642	1	Plate	
13	4420037	AR	Tape	
14	4240099	AR	Tie-Strap (Not Shown)	
15	4460962	1	Plug, Male Twistlock	
17	4530028	1	Welder Assembly (See WELDER ASSEMBLY for Breakdown)	
18	4751400	4	Washer 1/4	
19	4751600	8	Washer 3/8	
20	4846627	1	Support	
21	1671093	1	Cover, Plug	
22	4751000	2	Washer #10	
	0272448	Ref	SKYWELDER DECAL INSTALLATION	B
101	1705355	2	Decal - SkyWelder	
102	1702868	1	Decal - No Hands	
103	1705305	1	Decal - Weld Lead	
104	1705375	1	Decal - 240V - 3 Phase - 60Hz	
105	1705466	NLA	Decal - Weight (Use p/n 1001228988)	
105	1001228988	1	Decal - Weight	

SECTION 5 - PLATFORM

FIGURE 5-33. SKYWELDER PREP PACKAGE (60HZ)



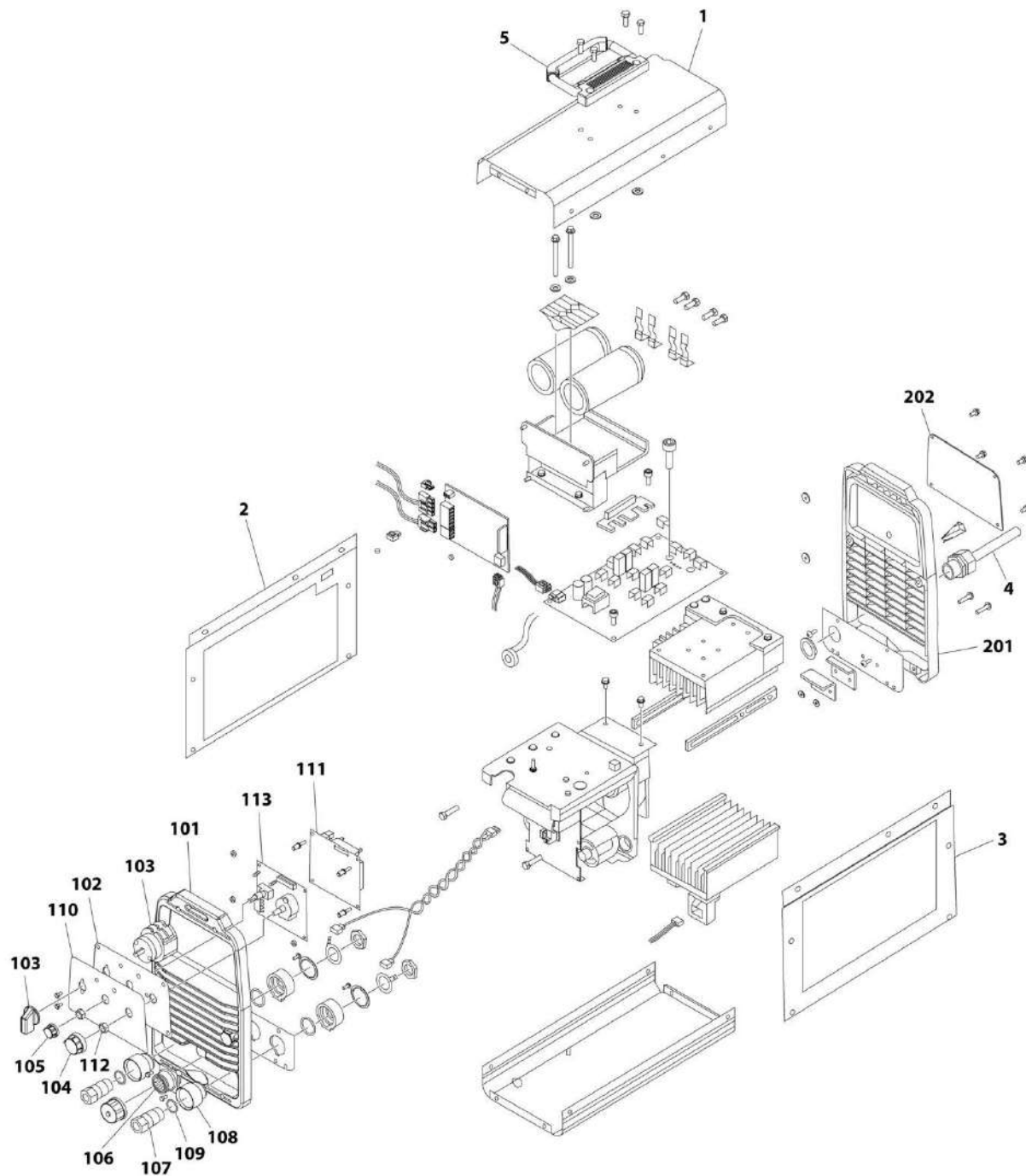
SECTION 5 - PLATFORM

FIGURE 5-33. SKYWELDER PREP PACKAGE (60HZ)

ITEM	PART NUMBER	QTY	DESCRIPTION	REV
	1001128527	Ref	SKYWELDER PREP PACKAGE (60HZ)	B
		Ref	Note: ANSI, ANSI Export and CSA Specs Only.	
1	0100011	AR	Compound, Locking	
2	0630518	2	Screw #10 x 3/4	
3	0641606	4	Bolt 3/8 x 3/4	
4	1320302	2	U-Clamp	
5	2030010	1	Extinguisher, Fire	
6	3300151	4	Nut 1/4	
7	3311005	2	Nut #10	
8	3311605	4	Nut 3/8	
9	3573400	1	Bracket	
10	3573642	1	Plate	
11	3577121	2	Angle	
12	4420037	AR	Tape	
13	4751000	2	Washer #10	
14	4751400	4	Washer 1/4	
15	4751600	8	Washer 3/8	
16	4846627	1	Support	
	1001128556	Ref	SKYWELDER DECAL INSTALLATION	B
101	1702868	1	Decal - No Hands	
102	1705305	1	Decal - Weld Lead	
103	1705375	1	Decal - 240V - 3 Phase - 60Hz	
104	1705466	NLA	Decal - Weight (Use p/n 1001228988)	
104	1001228988	1	Decal - Weight	

SECTION 5 - PLATFORM

FIGURE 5-34. WELDER ASSEMBLY



ART_4530028

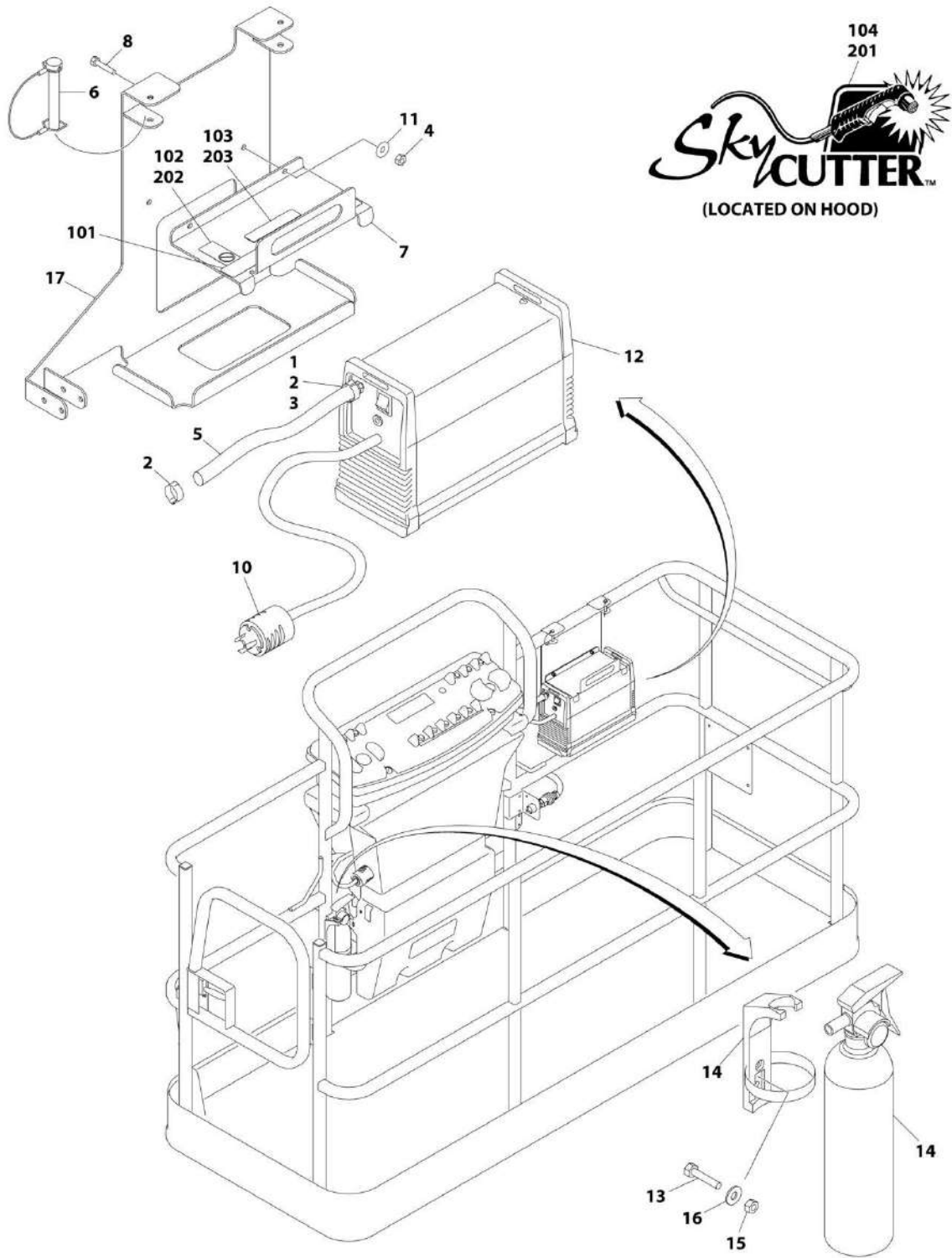
SECTION 5 - PLATFORM

FIGURE 5-34. WELDER ASSEMBLY

ITEM	PART NUMBER	QTY	DESCRIPTION	REV
	4530028	Ref	WELDER ASSEMBLY	B
		Ref	Note: For Other Components, contact your Miller Welder Dealer.	
1	7027773	1	Cover, Top	
1	7027774	1	Decal - Static Precautionary Warning	
2	See Note	NSS	Panel, LH Side (Note: Part of Item 1. Purchase Item 1)	
3	See Note	NSS	Panel, RH Side (Note: Part of Item 1. Purchase Item 1)	
4	7024467	1	Cable, Power	
4	7027775	1	Decal - Electrical Shock Warning (Not Shown)	
5	7027776	1	Handle, Carrying	
101	7024462	1	Panel, Front	
102	7024463	1	Panel, Console	
103	7024469	1	Switch with Lead	
104	7024470	1	Knob	
105	7024471	1	Knob	
106	7024472	1	Receptacle with Leads and Plugs	
107	7024473	2	Receptacle, Twistlock Female	
108	7024474	2	Insulator	
109	7024475	2	O-Ring	
110	7027777	1	Nameplate	
111	7027779	1	Circuit Card Assembly (Process Control)	
112	7024478	2	Nut	
113	7027778	1	Circuit Card Assembly (Operator Interface)	
201	7024462	1	Panel, Rear	
202	7027780	1	Panel, Cover	

SECTION 5 - PLATFORM

FIGURE 5-35. SKYCUTTER INSTALLATION



ART_1001098149

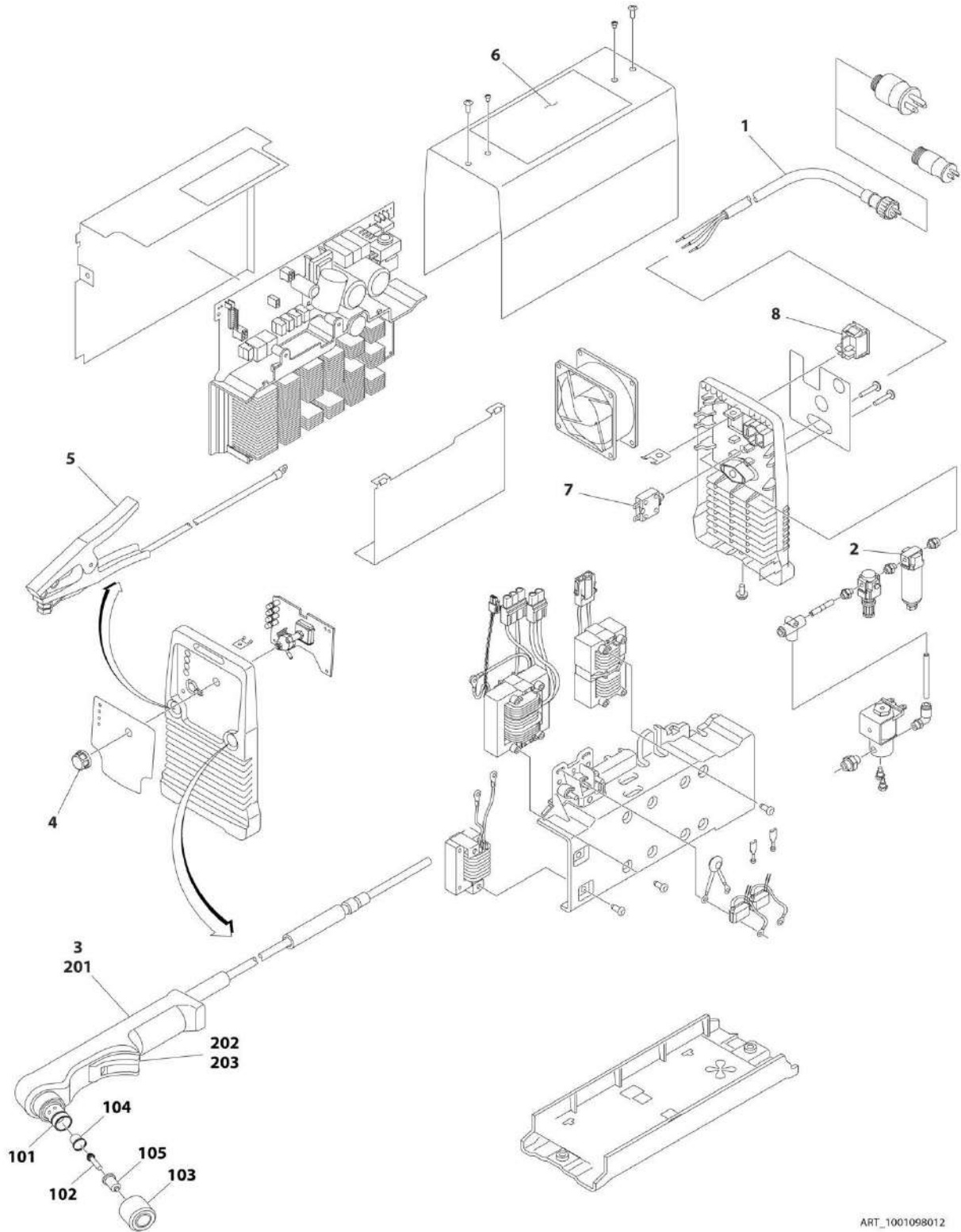
SECTION 5 - PLATFORM

FIGURE 5-35. SKYCUTTER INSTALLATION

ITEM	PART NUMBER	QTY	DESCRIPTION	REV
	1001098149	Ref	SKYCUTTER INSTALLATION	D
		Ref	Note: ANSI, ANSI Export, CSA and Japanese Specs Only.	
		Ref	Note: When replacing platform on machines with SkyCutter option, new bracket p/n 1001145405 must be purchased to accommodate SkyCutter components.	
1	0100020	AR	Sealant	
2	1320177	2	Clamp, Hose	
3	2180832	1	Fitting, NPT/Barbed	
4	3290605	2	Nut M6	
5	2720160	3 ft/.9m	Hose	
6	3421453	3	Pin	
7	3576799	1	Plate, Hold-Down	
8	4010608	2	Screw M6 x 16	
10	4460971	1	Plug, Twistlock	
11	4811700	2	Washer M6	
12	1001098012	1	Plasma Cutter Assembly (See PLASMA CUTTER ASSEMBLY for Breakdown)	
13	0630518	2	Screw #10 x 3/4	
14	2030010	1	Extinguisher, Fire	
15	3311005	2	Nut #10	
16	4751000	2	Washer #10	
17	1001145405	1	Support	
	0272599	Ref	SKYCUTTER DECAL INSTALLATION (ANSI, ANSI EXPORT AND CSA SPECS)	B
101	1702868	1	Decal - No Hands	
102	1705305	1	Decal - Weld Lead	
103	1705466	NLA	Decal - Weight (Use p/n 1001228988)	
103	1001228988	1	Decal - Weight	
104	1705490	2	Decal - SkyCutter	
	0272607	Ref	SKYCUTTER DECAL INSTALLATION (JAPANESE SPECS)	B
201	1705490	2	Decal - SkyCutter	
202	1705305	1	Decal - Weld Lead	
203	1705466	NLA	Decal - Weight (Use p/n 1001228988)	
203	1001228988	1	Decal - Weight	

SECTION 5 - PLATFORM

FIGURE 5-36. PLASMA CUTTER ASSEMBLY



ART_1001098012

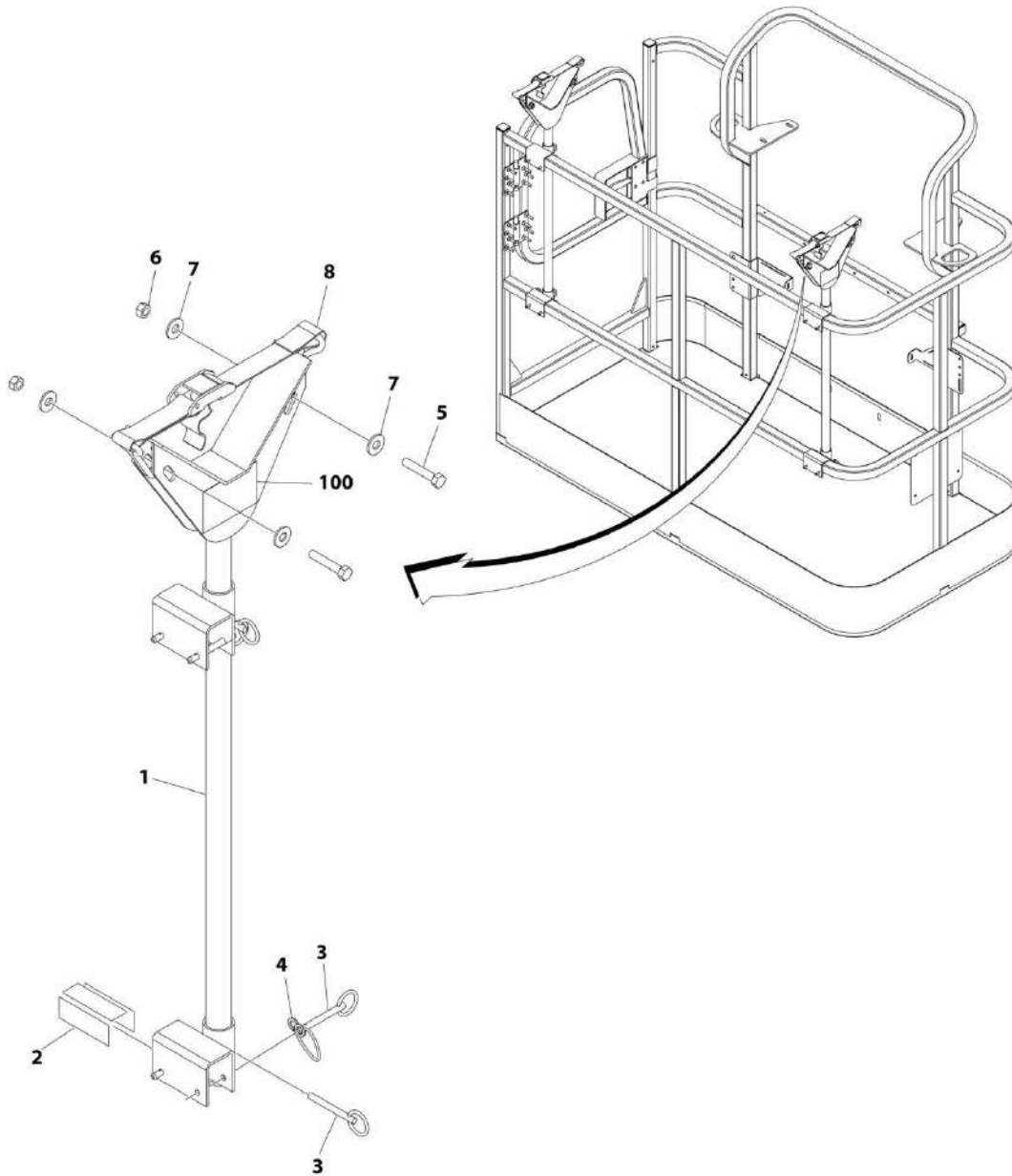
SECTION 5 - PLATFORM

FIGURE 5-36. PLASMA CUTTER ASSEMBLY

ITEM	PART NUMBER	QTY	DESCRIPTION	REV
	1001098012	Ref	PLASMA CUTTER ASSEMBLY	A
		Ref	Note: For Other Components, contact your Miller Welder Dealer.	
1	70001424	1	Cable, Power	
1	70001425	1	Decal - Voltage Warning	
2	70001427	1	Filter, Regulator	
3	70001428	1	Torch Assembly (See Items 101-203 for Breakdown)	
4	7024471	1	Knob	
5	70001429	1	Clamp with Cable	
6	70001430	1	Decal - Caution	
7	70001431	1	Breaker, Circuit	
8	70001432	1	Switch, Rocker	
	70001428	Ref	TORCH ASSEMBLY	
101	7024530	1	O-Ring	
102	7024531	1	Electrode	
103	7024532	1	Cup, Retaining	
104	7024533	1	Swirl Ring	
105	7024534	1	Tip	
201	7024535	1	Handle, Torch	
202	7024536	1	Switch	
203	7024537	1	Trigger	

SECTION 5 - PLATFORM

FIGURE 5-37. PIPE RACK INSTALLATION (ANSI AND AUSTRALIAN SPECS)



ART_1001213852

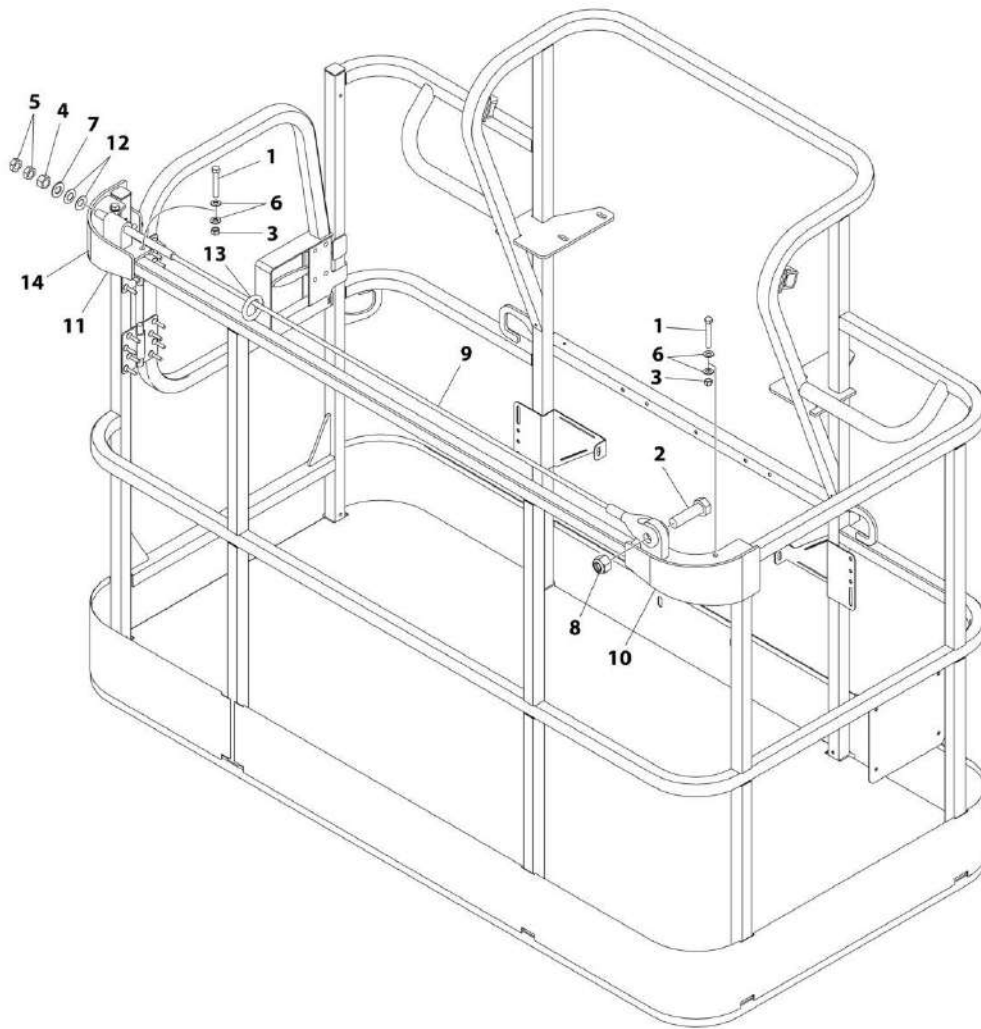
SECTION 5 - PLATFORM

FIGURE 5-37. PIPE RACK INSTALLATION (ANSI AND AUSTRALIAN SPECS)

ITEM	PART NUMBER	QTY	DESCRIPTION	REV
	1001213852	Ref	PIPE RACK INSTALLATION (ANSI AND AUSTRALIAN SPECS)	A
1	4845582	2	Rack, Pipe	
2	4420062	AR	Tape	
3	3422661	10	Pin	
4	1060379	4	Lanyard	
5	0641514	4	Bolt 5/16 x 1-3/4	
6	3311505	4	Nut 5/16	
7	4751500	8	Washer 5/16	
8	0480100	2	Tie-Down	
		Ref	PIPE RACK DECAL INSTALLATIONS	
100	1703683	2	Decal - Capacity (ANSI Specs)	
100	1001219415	2	Decal - Capacity (Australian Specs)	

SECTION 5 - PLATFORM

FIGURE 5-38. FALL ARREST INSTALLATION (BOLT-ON EXTERNAL) (6FT/1.82M PLATFORM)



ART_1001236747

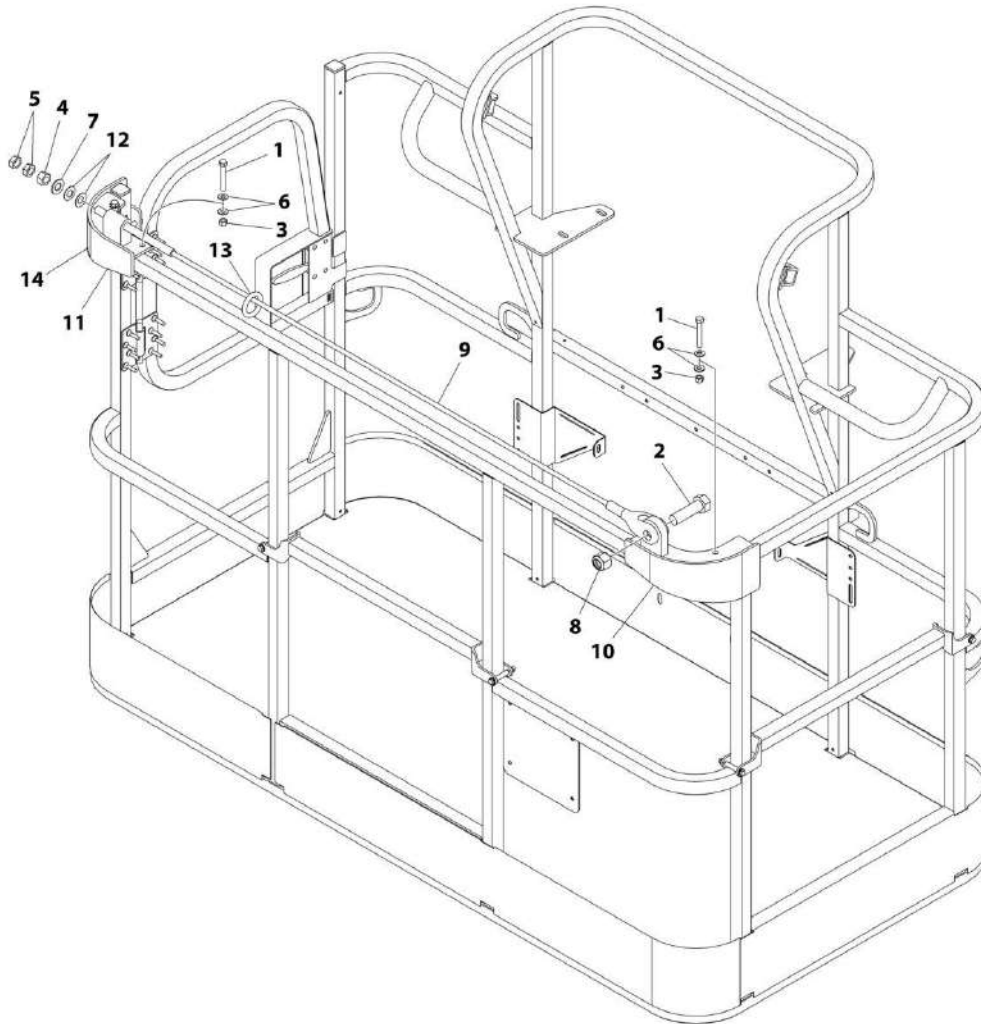
SECTION 5 - PLATFORM

FIGURE 5-38. FALL ARREST INSTALLATION (BOLT-ON EXTERNAL) (6FT/1.82M PLATFORM)

ITEM	PART NUMBER	QTY	DESCRIPTION	REV
	1001236747	Ref	FALL ARREST INSTALLATION (BOLT - ON EXTERNAL) 6FT/1.82M PLATFORM	A
1	0681620	6	Bolt 3/8 x 2-1/2	
2	0682424	1	Bolt 7/8 x 3	
3	3271605	6	Nut 3/8	
4	3272001	1	Nut 5/8	
5	3312002	2	Nut 5/8	
6	4711600	12	Washer 3/8	
7	4712000	1	Washer 5/8	
8	88521214	1	Nut 7/8	
9	1001231950	1	Rope	
10	1001232010	1	Bracket (RH)	
11	1001232011	1	Bracket (LH)	
12	1001236891	2	Washer	
13	1001236895	1	Ring	
14	1001238263	1	Decal - Warning Falling Hazard	

SECTION 5 - PLATFORM

FIGURE 5-39. FALL ARREST INSTALLATION (BOLT-ON EXTERNAL) (6FT/1.82M TRI-ENTRY PLATFORM)



ART_1001238463

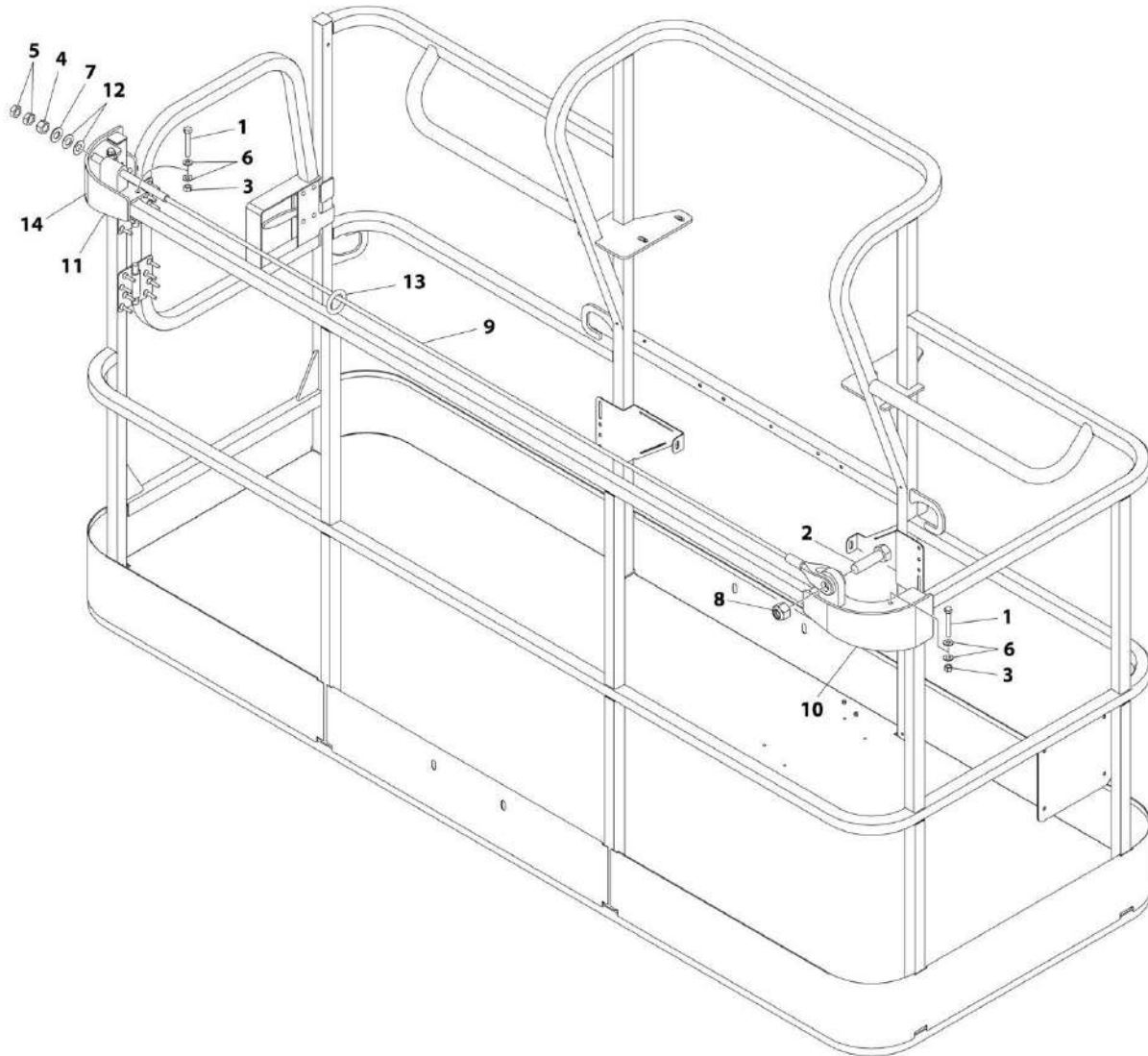
SECTION 5 - PLATFORM

FIGURE 5-39. FALL ARREST INSTALLATION (BOLT-ON EXTERNAL) (6FT/1.82M TRI-ENTRY PLATFORM)

ITEM	PART NUMBER	QTY	DESCRIPTION	REV
	1001238463	Ref	FALL ARREST INSTALLATION (BOLT - ON EXTERNAL) 6FT/1.82M PLATFORM	B
1	0681620	6	Bolt 3/8 x 2-1/2	
2	0682424	1	Bolt 7/8 x 3	
3	3271605	6	Nut 3/8	
4	3272001	1	Nut 5/8	
5	3312002	2	Nut 5/8	
6	4711600	12	Washer 3/8	
7	4712000	1	Washer 5/8	
8	88521214	1	Nut 7/8	
9	1001231950	1	Rope	
10	1001232010	1	Bracket (RH)	
11	1001232011	1	Bracket (LH)	
12	1001236891	2	Washer	
13	1001236895	1	Ring	
14	1001238263	1	Decal - Warning Falling Hazard	

SECTION 5 - PLATFORM

FIGURE 5-40. FALL ARREST INSTALLATION (BOLT-ON EXTERNAL) (8FT/2.4M PLATFORM)



ART_1001236746

SECTION 5 - PLATFORM

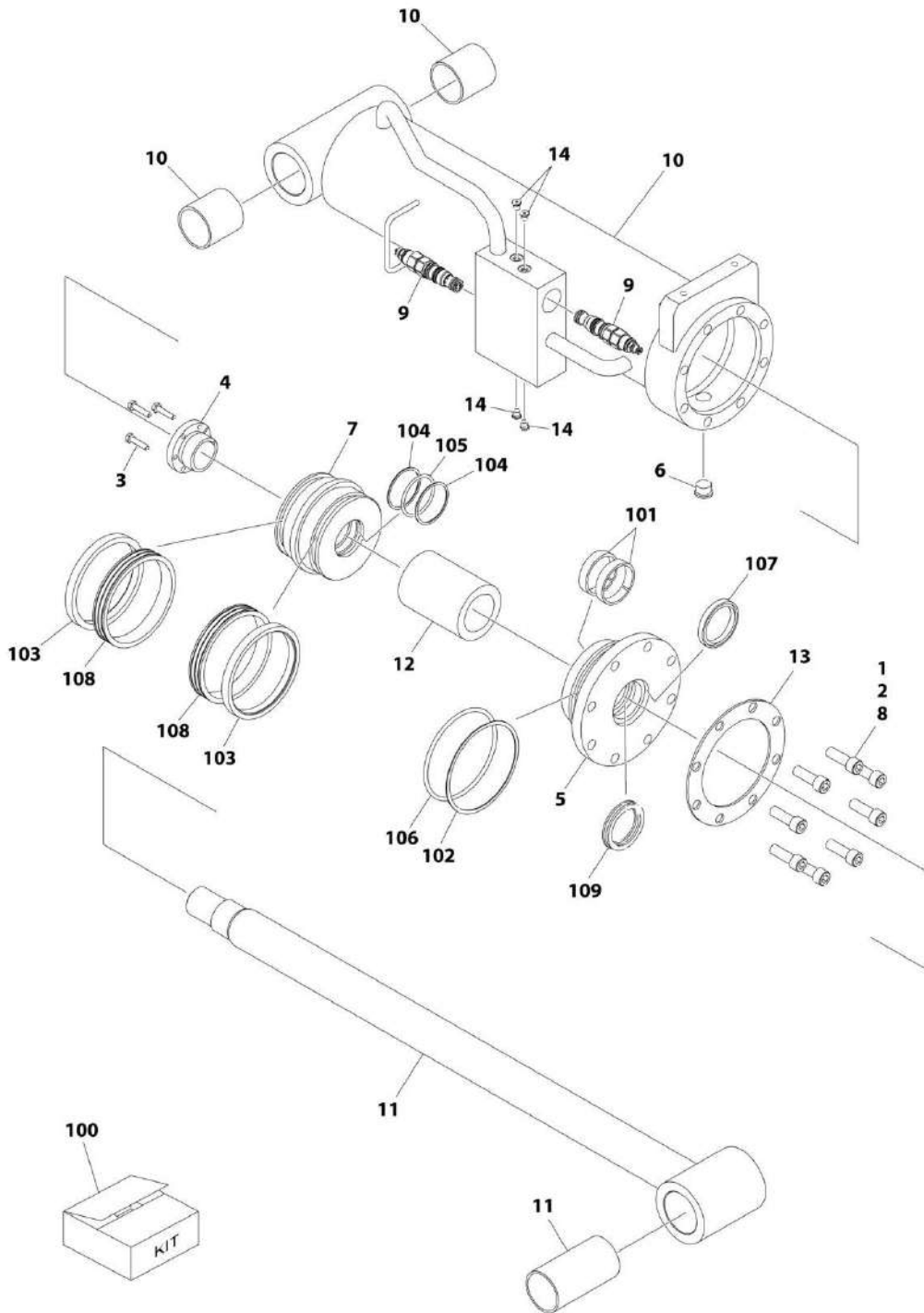
FIGURE 5-40. FALL ARREST INSTALLATION (BOLT-ON EXTERNAL) (8FT/2.4M PLATFORM)

ITEM	PART NUMBER	QTY	DESCRIPTION	REV
	1001236746	Ref	FALL ARREST INSTALLATION (BOLT - ON EXTERNAL) 8FT/2.4M PLATFORM	A
1	0681620	6	Bolt 3/8 x 2-1/2	
2	0682424	1	Bolt 7/8 x 3	
3	3271605	6	Nut 3/8	
4	3272001	1	Nut 5/8	
5	3312002	2	Nut 5/8	
6	4711600	12	Washer 3/8	
7	4712000	1	Washer 5/8	
8	88521214	1	Nut 7/8	
9	1001231949	1	Rope	
10	1001232010	1	Bracket (RH)	
11	1001232011	1	Bracket (LH)	
12	1001236891	2	Washer	
13	1001236895	1	Ring	
14	1001238263	1	Decal - Warning Falling Hazard	

SECTION 6 - CYLINDER

SECTION 6 - CYLINDER

FIGURE 6-1. AXLE EXTEND CYLINDER ASSEMBLY (Prior to SN 0300239663)



ART_1001156648

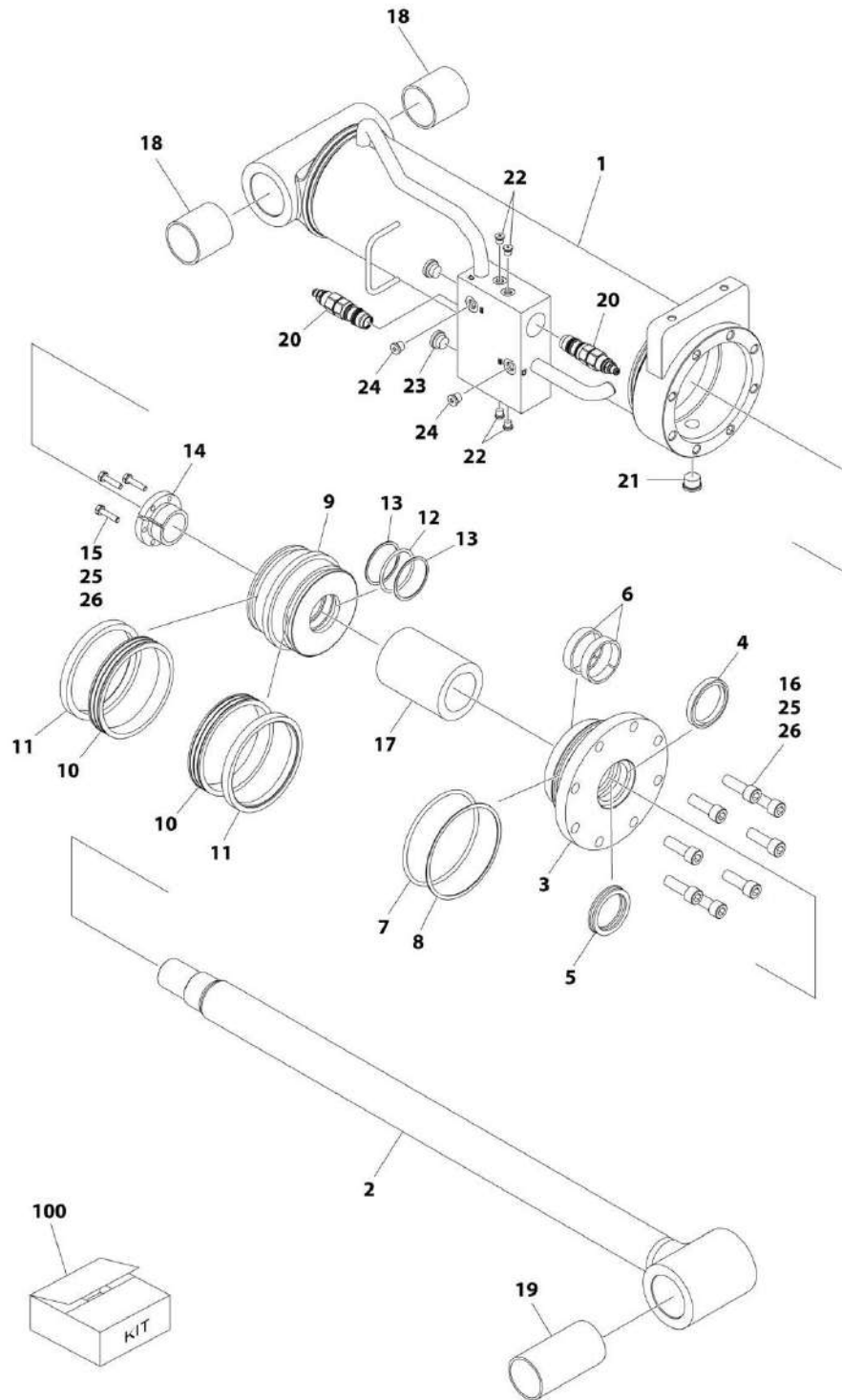
SECTION 6 - CYLINDER

FIGURE 6-1. AXLE EXTEND CYLINDER ASSEMBLY (Prior to SN 0300239663)

ITEM	PART NUMBER	QTY	DESCRIPTION	REV
	1001156648	Ref	AXLE EXTEND CYLINDER ASSEMBLY (Prior to SN 0300239663) Note: Original Cylinder May Have Been Replaced with Service Replacement. Identify PN Stamped on Cylinder Before Ordering Parts.	E
		Ref		
1	0100011	AR	Compound, Locking	
2	0100038	AR	Primer, Locking	
3	0630535	3	Bolt 1/4 x 1-1/8	
4	0961896	1	Bushing, Tapered	
5	1683062	1	Head	
6	2220886	3	Plug	
7	3480269	1	Piston	
8	3931824	8	Capscrew 1/2 x 1-1/2	
9	1001156016	2	Valve (Counterbalance)	
9	7011376	2	Kit, Seal - 1001156016 Valve	
10	1001156923	1	Barrel	
10	0962561	2	Bushing	
11	1001157037	1	Rod	
11	1001157080	2	Bushing	
12	1001157041	1	Tube, Spacer	
13	3760371	1	Ring, Washer	
14	2220881	4	Plug	
100	2902087	1	Kit, Seal (Includes Items 101-109)	
101	See Note	NSS	Ring, Wear (Note: Use Item 100)	
102	See Note	NSS	Ring, Back-up (Note: Use Item 100)	
103	See Note	NSS	Ring, Lock (Note: Use Item 100)	
104	See Note	NSS	Ring, Back-up (Note: Use Item 100)	
105	See Note	NSS	O-Ring (Note: Use Item 100)	
106	See Note	NSS	O-Ring (Note: Use Item 100)	
107	See Note	NSS	Seal, Wiper (Note: Use Item 100)	
108	See Note	NSS	Seal (Note: Use Item 100)	
109	See Note	NSS	Seal (Note: Use Item 100)	

SECTION 6 - CYLINDER

FIGURE 6-2. AXLE EXTEND CYLINDER ASSEMBLY (SN 0300239663 to Present)



ART_1001228066

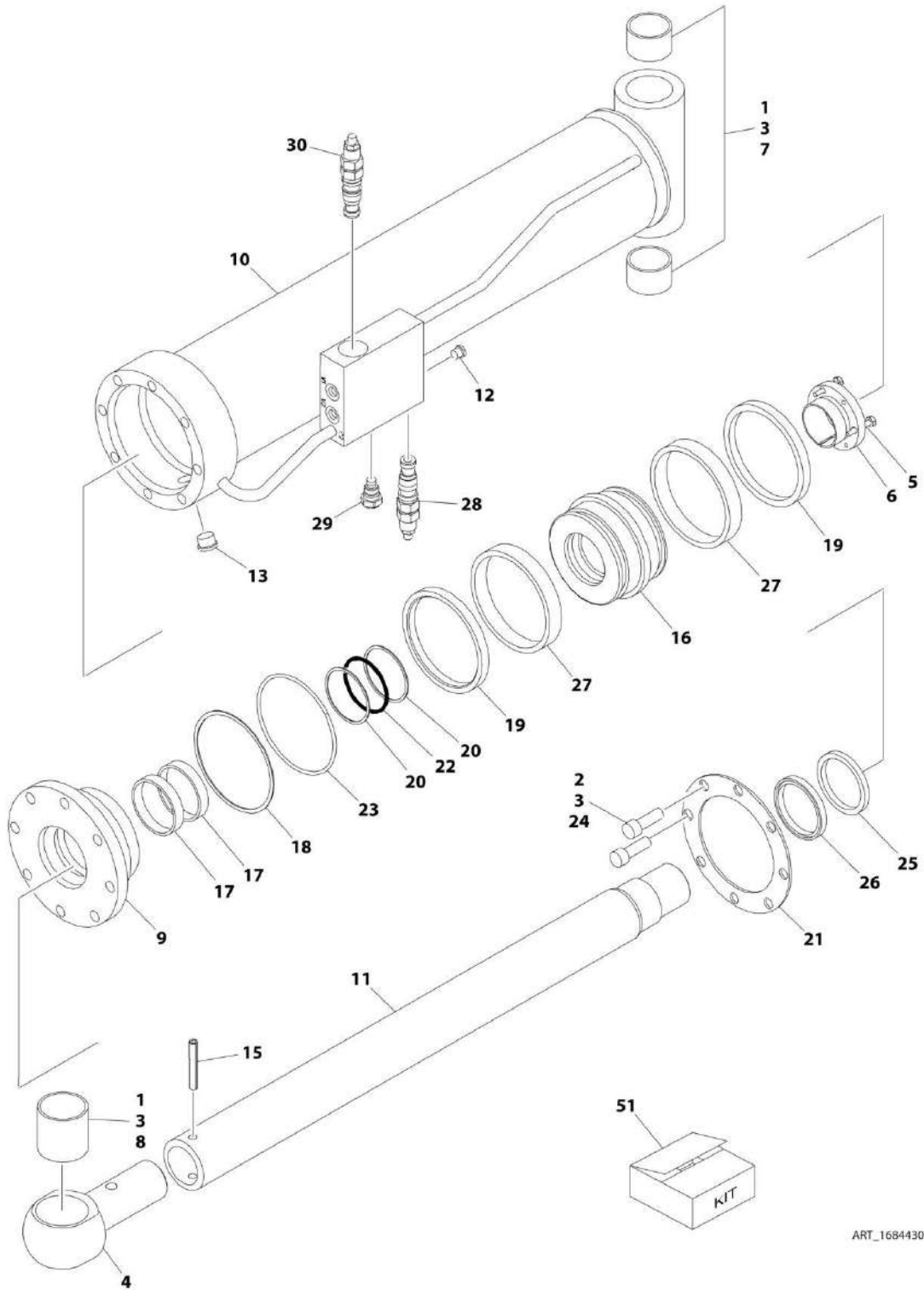
SECTION 6 - CYLINDER

FIGURE 6-2. AXLE EXTEND CYLINDER ASSEMBLY (SN 0300239663 to Present)

ITEM	PART NUMBER	QTY	DESCRIPTION	REV
	1001228066	Ref	AXLE EXTEND CYLINDER ASSEMBLY (SN 0300239663 to Present)	C
1	See Note	NSS	Barrel Weldment (Note: Not Available for Purchase)	
2	70006475	1	Rod Weldment	
3	70006474	1	Head	
4	See Note	NSS	Wiper, Rod (Note: Use Item 100)	
5	See Note	NSS	Seal (Note: Use Item 100)	
6	See Note	NSS	Ring, Wear (Note: Use Item 100)	
7	See Note	NSS	O-Ring (Note: Use Item 100)	
8	See Note	NSS	Ring, Back-up (Note: Use Item 100)	
9	70006473	1	Piston	
10	See Note	NSS	Seal (Note: Use Item 100)	
11	See Note	NSS	Ring, Lock (Note: Use Item 100)	
12	See Note	NSS	O-Ring (Note: Use Item 100)	
13	See Note	NSS	Ring, Back-up (Note: Use Item 100)	
14	0961896	1	Bushing, Tapered	
15	0630535	3	Bolt 1/4 x 1-1/8	
16	3931824	8	Capscrew 1/2 x 1-1/2	
17	70006472	1	Tube, Spacer	
18	0962561	2	Bushing	
19	1001157080	1	Bushing	
20	1001156016	2	Valve (Counterbalance)	
20	7011376	2	Kit, Seal - 1001156016 Valve	
21	2220886	AR	Plug	
22	2220881	4	Plug	
23	2220886	2	Plug	
24	2220883	2	Plug, O-Ring	
25	0100011	AR	Compound, Locking	
26	0100038	AR	Primer, Locking	
100	2902087	1	Kit, Seal (Includes Items 4-8 & 10-13)	

SECTION 6 - CYLINDER

FIGURE 6-3. LEVEL CYLINDER ASSEMBLY - PLATFORM SLAVE (Prior to SN 0300237743)



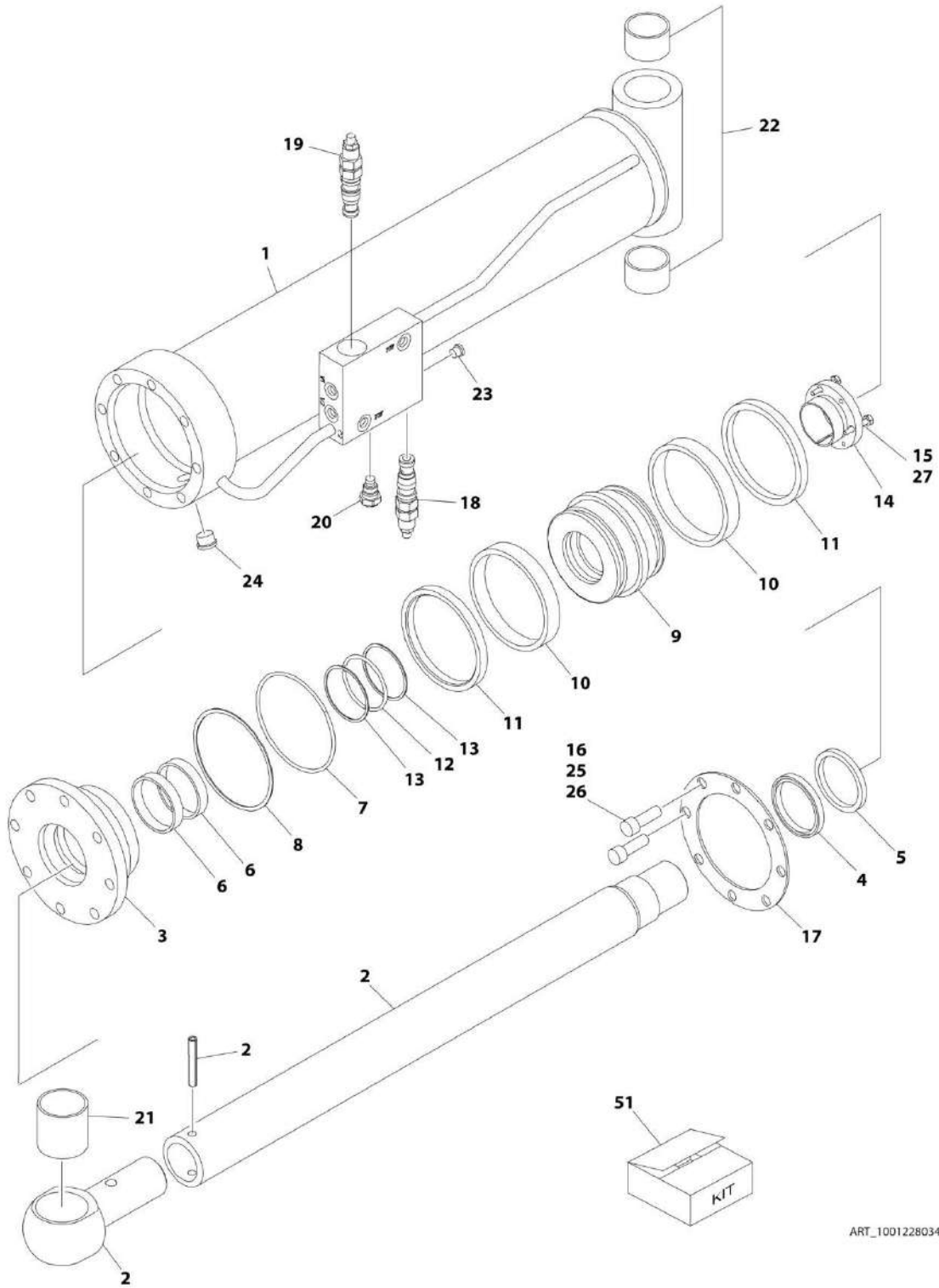
SECTION 6 - CYLINDER

FIGURE 6-3. LEVEL CYLINDER ASSEMBLY - PLATFORM SLAVE (Prior to SN 0300237743)

ITEM	PART NUMBER	QTY	DESCRIPTION	REV
	1684430	Ref	LEVEL CYLINDER ASSEMBLY - PLATFORM SLAVE (Prior to SN 0300237743) Note: Original Cylinder May Have Been Replaced with Service Replacement. Identify PN Stamped on Cylinder Before Ordering Parts.	E
		Ref		
1	0100011	AR	Compound, Locking	
2	0100019	AR	Compound, Locking	
3	0100038	AR	Primer, Locking	
4	0561546	1	Link, Rod	
5	0630535	3	Capscrew 1/4 x 1-1/8	
6	0961897	1	Bushing, Tapered	
7	0961949	2	Bushing	
8	0962561	1	Bushing	
9	1683063	1	Head	
10	0370025	1	Barrel Weldment	
11	1684346	1	Rod Weldment	
12	2220883	1	Plug, O-Ring	
13	2220886	1	Plug, O-Ring	
15	3441240	1	Rollpin	
16	3480282	1	Piston	
17	See Note	NSS	Ring, Wear (Note: Use Item 51)	
18	See Note	NSS	Ring, Back-up (Note: Use Item 51)	
19	See Note	NSS	Ring, Lock (Note: Use Item 51)	
20	See Note	NSS	Ring, Back-up (Note: Use Item 51)	
21	3760371	1	Ring, Washer	
22	See Note	NSS	O-Ring (Note: Use Item 51)	
23	See Note	NSS	O-Ring (Note: Use Item 51)	
24	3931824	8	Capscrew 1/2 x 1-1/2	
25	See Note	NSS	Seal, Rod (Note: Use Item 51)	
26	See Note	NSS	Wiper, Rod (Note: Use Item 51)	
27	See Note	NSS	Ring, Guide (Note: Use Item 51)	
28	4641386	1	Cartridge, Holding Valve (Vented)	
28	7011376	1	Seal Kit - 4641386 Cartridge (1 Per Cartridge)	
29	4641388	1	Cartridge, Holding Valve	
29	7011353	1	Seal Kit - 4641388 Cartridge (1 Per Cartridge)	
30	4641393	1	Cartridge, Holding Valve (Vented)	
30	7011376	1	Seal Kit - 4641393 Cartridge (1 Per Cartridge)	
51	2902285	1	Seal Kit (Includes Items 17-20, 22, 23 & 25-27)	

SECTION 6 - CYLINDER

FIGURE 6-4. LEVEL CYLINDER ASSEMBLY - PLATFORM SLAVE (SN 0300237743 to Present)



ART_1001228034

SECTION 6 - CYLINDER

FIGURE 6-4. LEVEL CYLINDER ASSEMBLY - PLATFORM SLAVE (SN 0300237743 to Present)

ITEM	PART NUMBER	QTY	DESCRIPTION	REV
	1001228034	Ref	LEVEL CYLINDER ASSEMBLY - PLATFORM SLAVE (SN 0300237743 to Present)	B
1	See Note	NSS	Barrel Weldment (Note: Not Available for Purchase)	
2	70006496	1	Rod Weldment	
3	70006495	1	Head	
4	See Note	NSS	Wiper, Rod (Note: Use Item 51)	
5	See Note	NSS	Seal, Rod (Note: Use Item 51)	
6	See Note	NSS	Ring, Wear (Note: Use Item 51)	
7	See Note	NSS	O-Ring (Note: Use Item 51)	
8	See Note	NSS	Ring, Back-up (Note: Use Item 51)	
9	70006494	1	Piston	
10	See Note	NSS	Ring, Guide (Note: Use Item 51)	
11	See Note	NSS	Ring, Lock (Note: Use Item 51)	
12	See Note	NSS	O-Ring (Note: Use Item 51)	
13	See Note	NSS	Ring, Back-up (Note: Use Item 51)	
14	0961897	1	Bushing, Tapered	
15	0630535	3	Capscrew 1/4 x 1-1/8	
16	3931824	8	Capscrew 1/2 x 1-1/2	
17	3760371	1	Ring, Washer	
18	4641386	1	Cartridge, Holding Valve (Vented)	
18	7011376	1	Seal Kit - 4641386 Cartridge (1 Per Cartridge)	
19	4641393	1	Cartridge, Holding Valve (Vented)	
19	7011376	1	Seal Kit - 4641393 Cartridge (1 Per Cartridge)	
20	4641388	1	Cartridge, Holding Valve	
20	7011353	1	Seal Kit - 4641388 Cartridge (1 Per Cartridge)	
21	0962561	1	Bushing	
22	0961949	2	Bushing	
23	2220883	5	Plug, O-Ring	
24	2220886	1	Plug, O-Ring	
25	0100011	AR	Compound, Locking	
26	0100038	AR	Primer, Locking	
27	0100019	AR	Compound, Locking	
51	2902285	1	Seal Kit (Includes Items 4-8 & 10-13)	

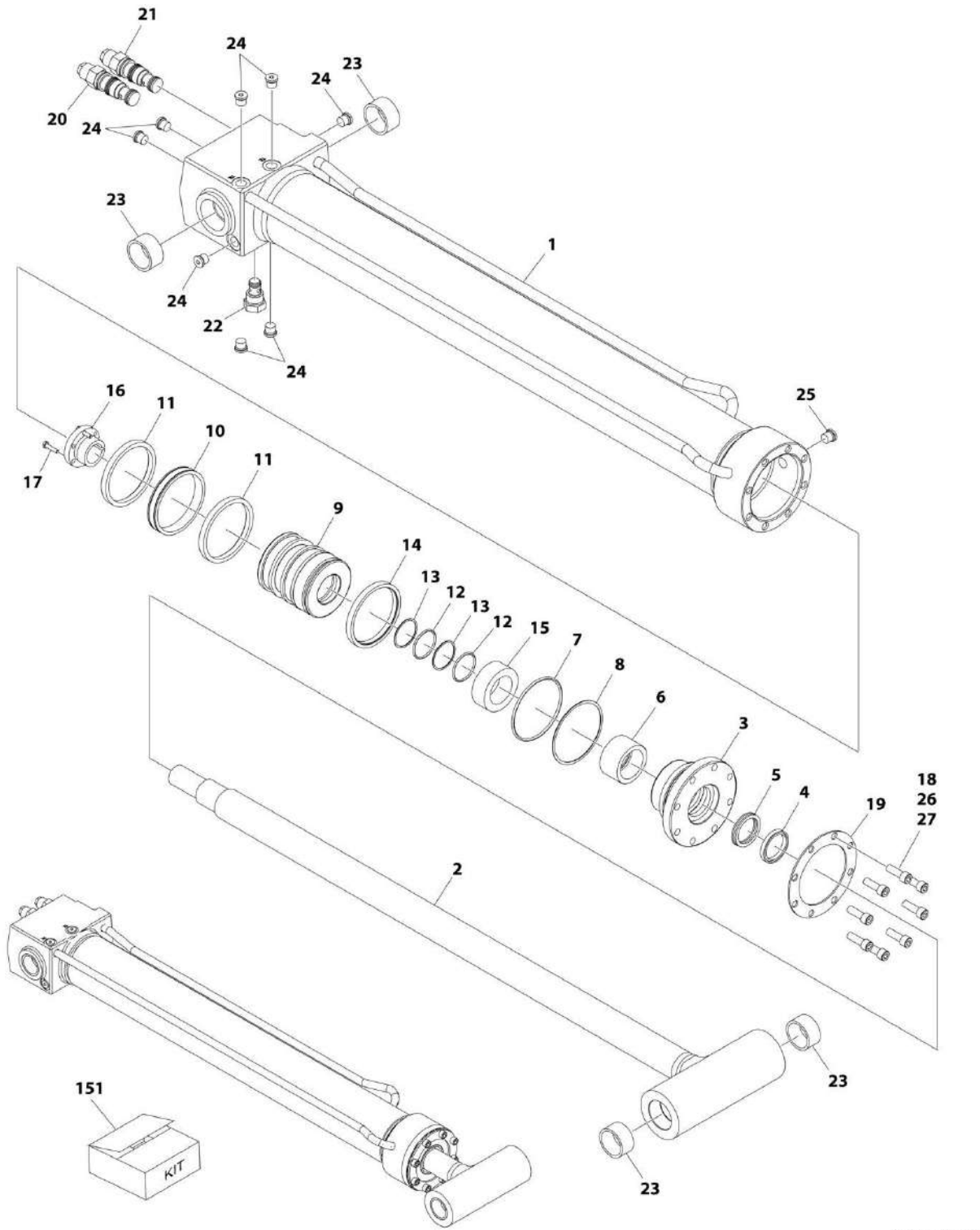
SECTION 6 - CYLINDER

FIGURE 6-5. LIFT CYLINDER ASSEMBLY - JIB (Prior to SN 0300238854)

ITEM	PART NUMBER	QTY	DESCRIPTION	REV
	1684173	Ref	LIFT CYLINDER ASSEMBLY - JIB (Prior to SN 0300238854) Note: Original Cylinder May Have Been Replaced with Service Replacement. Identify PN Stamped on Cylinder Before Ordering Parts.	H
		Ref		
1	1684174	1	Barrel Weldment	
1A	0962257	2	Bushing	
2	1684176	1	Rod Weldment	
2A	0962257	2	Bushing	
3	3480271	1	Piston	
4	1683053	1	Head	
5	4100100	1	Spacer	
6	0961893	1	Bushing, Tapered	
7	4640452	1	Cartridge, Counterbalance (Port above V2)	
7	2900770	1	Seal Kit - 4640452 Cartridge Valve (1 Per Valve)	
8	4641114	1	Cartridge, Restricted/Check	
8	7012967	1	Seal Kit - 4641114 Cartridge Valve (1 Per Valve)	
9	3760368	1	Ring, Washer	
10	3931516	8	Capscrew 5/16 x 1	
11	0630534	3	Capscrew #10 x 1	
13	2220883	5	Plug, O-Ring	
14	2220885	1	Plug, O-Ring	
15	0100011	AR	Compound, Locking	
17	4641260	1	Cartridge, Counterbalance (Port above V1)	
17	2900770	1	Seal Kit - 4641260 Cartridge Valve (1 Per Valve)	
18	0100038	AR	Primer, Locking	
100	2902092	1	Seal Kit (Includes Items 101-110)	
101	See Note	NSS	Ring, Wear (Note: Use Item 100)	
102	See Note	NSS	Ring, Wear (Note: Use Item 100)	
103	See Note	NSS	Ring, Back-up (Note: Use Item 100)	
104	See Note	NSS	Seal (Note: Use Item 100)	
105	See Note	NSS	O-Ring (Note: Use Item 100)	
106	See Note	NSS	O-Ring (Note: Use Item 100)	
107	See Note	NSS	Seal (Note: Use Item 100)	
108	See Note	NSS	Wiper, Rod (Note: Use Item 100)	
109	See Note	NSS	Ring, Back-up (Note: Use Item 100)	
110	See Note	NSS	Seal (Note: Use Item 100)	

SECTION 6 - CYLINDER

FIGURE 6-6. LIFT CYLINDER ASSEMBLY - JIB (SN 0300238854 to Present)



ART_1001228025

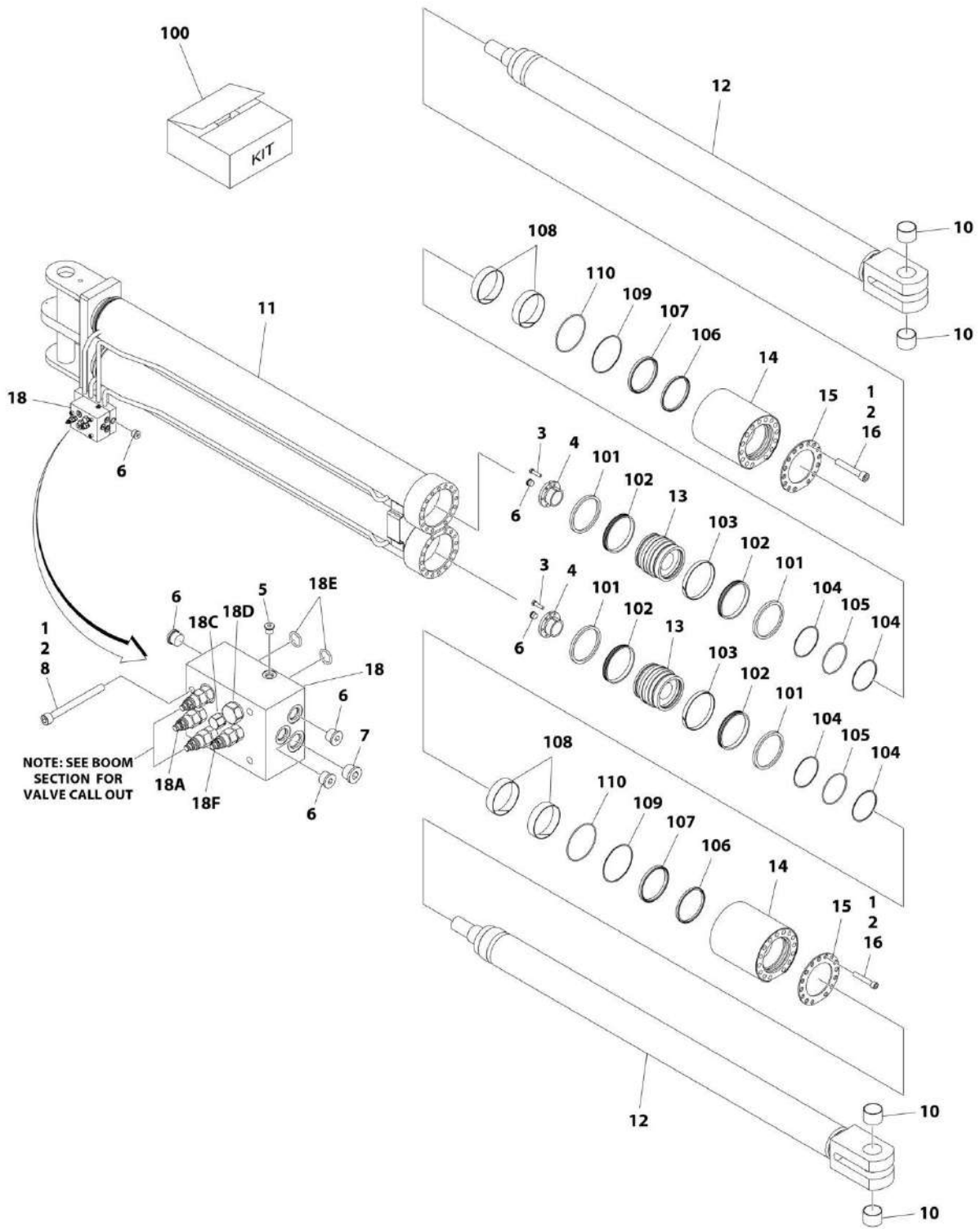
SECTION 6 - CYLINDER

FIGURE 6-6. LIFT CYLINDER ASSEMBLY - JIB (SN 0300238854 to Present)

ITEM	PART NUMBER	QTY	DESCRIPTION	REV
	1001228025	Ref	LIFT CYLINDER ASSEMBLY - JIB (SN 0300238854 to Present)	E
1	See Note	NSS	Barrel Weldment (Note: Not Available for Purchase)	
2	70006526	1	Rod Weldment	
3	70006525	1	Head	
4	See Note	NSS	Wiper, Rod (Note: Use Item 151)	
5	See Note	NSS	Seal (Note: Use Item 151)	
6	See Note	NSS	Ring, Wear (Note: Use Item 151)	
7	See Note	NSS	O-Ring (Note: Use Item 151)	
8	See Note	NSS	Ring, Back-up (Note: Use Item 151)	
9	70006524	1	Piston	
10	See Note	NSS	Seal (Note: Use Item 151)	
11	See Note	NSS	Ring, Wear (Note: Use Item 151)	
12	See Note	NSS	O-Ring (Note: Use Item 151)	
13	See Note	NSS	Ring, Back-up (Note: Use Item 151)	
14	See Note	NSS	Seal (Note: Use Item 151)	
15	70006523	1	Spacer	
16	0961893	1	Bushing, Tapered	
17	0630534	3	Capscrew #10 x 1	
18	3931516	8	Capscrew 5/16 x 1	
19	3760368	1	Ring, Washer	
20	4641260	1	Cartridge, Counterbalance (Port above V1)	
20	2900770	1	Seal Kit - 4641260 Cartridge Valve (1 Per Valve)	
21	4640452	1	Cartridge, Counterbalance (Port above V2)	
21	2900770	1	Seal Kit - 4640452 Cartridge Valve (1 Per Valve)	
22	4641114	1	Cartridge, Restricted/Check	
22	7012967	1	Seal Kit - 4641114 Cartridge Valve (1 Per Valve)	
23	0962257	4	Bushing	
24	2220883	8	Plug, O-Ring	
25	2220885	AR	Plug, O-Ring	
26	0100011	AR	Compound, Locking	
27	0100038	AR	Primer, Locking	
151	1001138805	1	Seal Kit Options (Includes Items 4-8 & 10-14)	

SECTION 6 - CYLINDER

FIGURE 6-7. LIFT CYLINDER ASSEMBLY - MAIN BOOM (Prior to SN 0300239463)



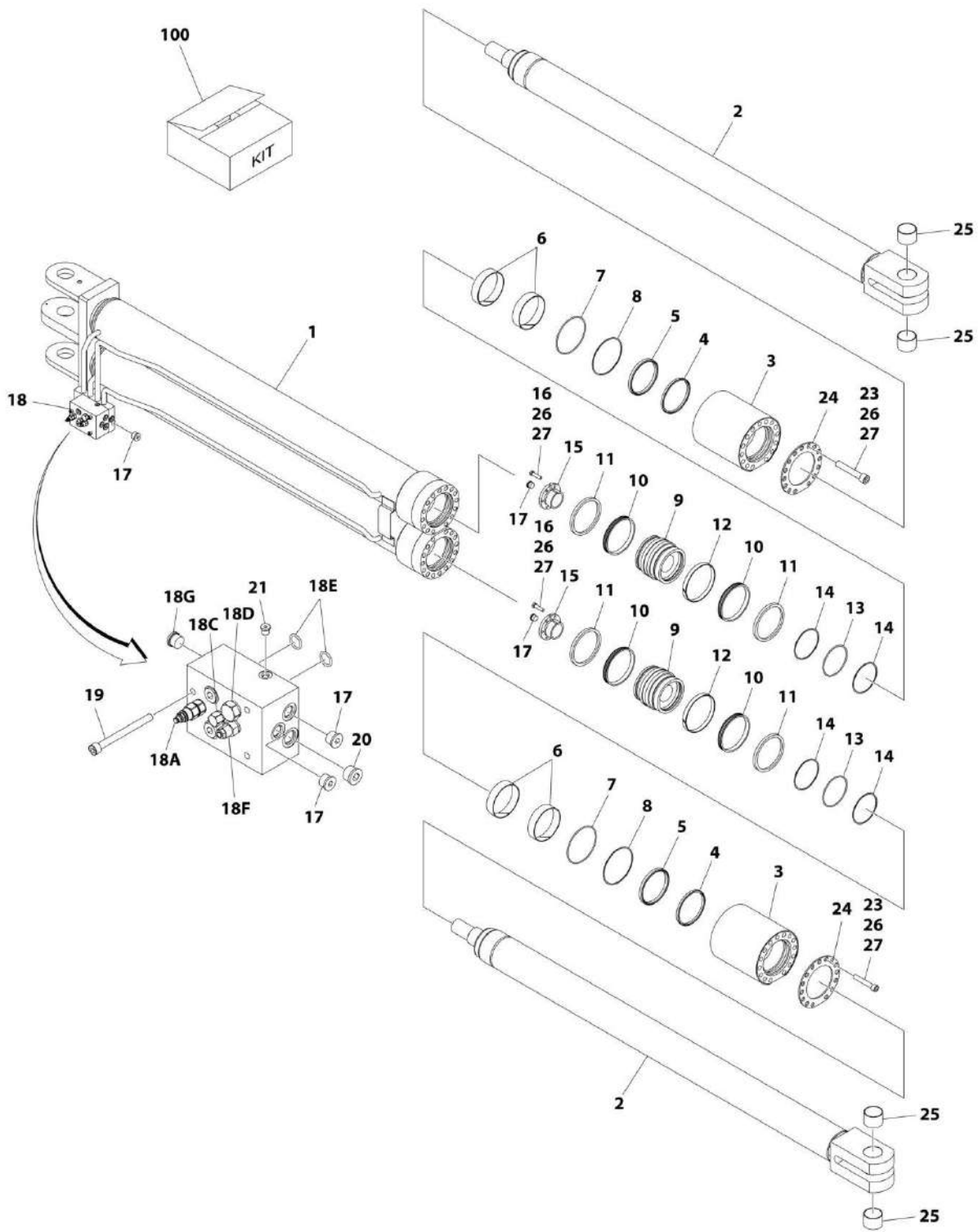
SECTION 6 - CYLINDER

FIGURE 6-7. LIFT CYLINDER ASSEMBLY - MAIN BOOM (Prior to SN 0300239463)

ITEM	PART NUMBER	QTY	DESCRIPTION	REV
	1001200063	Ref	LIFT CYLINDER ASSEMBLY - MAIN BOOM (Prior to SN 0300239463)	G
		Ref	Note: Original Cylinder May Have Been Replaced with Service Replacement. Identify PN Stamped on Cylinder Before Ordering Parts.	
1	0100011	AR	Compound, Locking	
2	0100038	AR	Primer, Locking	
3	0630536	6	Capscrew 3/8 x 1-1/2	
4	0961898	2	Bushing	
5	2220883	1	Plug #4	
6	2220886	6	Plug #8	
7	2220887	3	Plug #10	
8	5272024	4	Capscrew M10 x 110	
10	1001198762	4	Bearing	
11	1001202142	1	Barrel	
12	1001202194	2	Rod	
13	1001202201	2	Piston	
14	1001202234	2	Head	
15	1001202236	2	Ring, Washer	
16	3932272	30	Capscrew 3/4 x 4-1/2	
18	1001204041	1	Valve Assembly	C
18A	70005659	1	Cartridge, Valve (Counterbalance)	
18A	7011376	1	Seal Kit - 70005659 Valve	
18C	70005658	1	Cartridge, Valve (Shuttle)	
18C	7026004	1	Seal Kit - 70005658 Valve	
18D	70004406	1	Cartridge, Valve (Check)	
18D	7011351	1	Seal Kit - 70004406 Valve	
18E	70000778	2	O-Ring	
18F	1001156033	1	Cartridge, Valve (Counterbalance)	
18F	7024574	1	Seal Kit - 1001156033 Valve	
100	1001202539	2	Kit Seal - Cylinder (Includes Items 101-110)	
101	See Note	NSS	Ring, Lock (Note: Use Item 100)	
102	See Note	NSS	Seal (Note: Use Item 100)	
103	See Note	NSS	Ring, Wear (Note: Use Item 100)	
104	See Note	NSS	Ring, Back-up (Note: Use Item 100)	
105	See Note	NSS	O-Ring (Note: Use Item 100)	
106	See Note	NSS	Wiper (Note: Use Item 100)	
107	See Note	NSS	Seal (Note: Use Item 100)	
108	See Note	NSS	Ring, Wear (Note: Use Item 100)	
109	See Note	NSS	Ring, Back-up (Note: Use Item 100)	
110	See Note	NSS	O-Ring (Note: Use Item 100)	

SECTION 6 - CYLINDER

FIGURE 6-8. LIFT CYLINDER ASSEMBLY - MAIN BOOM (SN 0300239463 to Present)



ART_1001228094

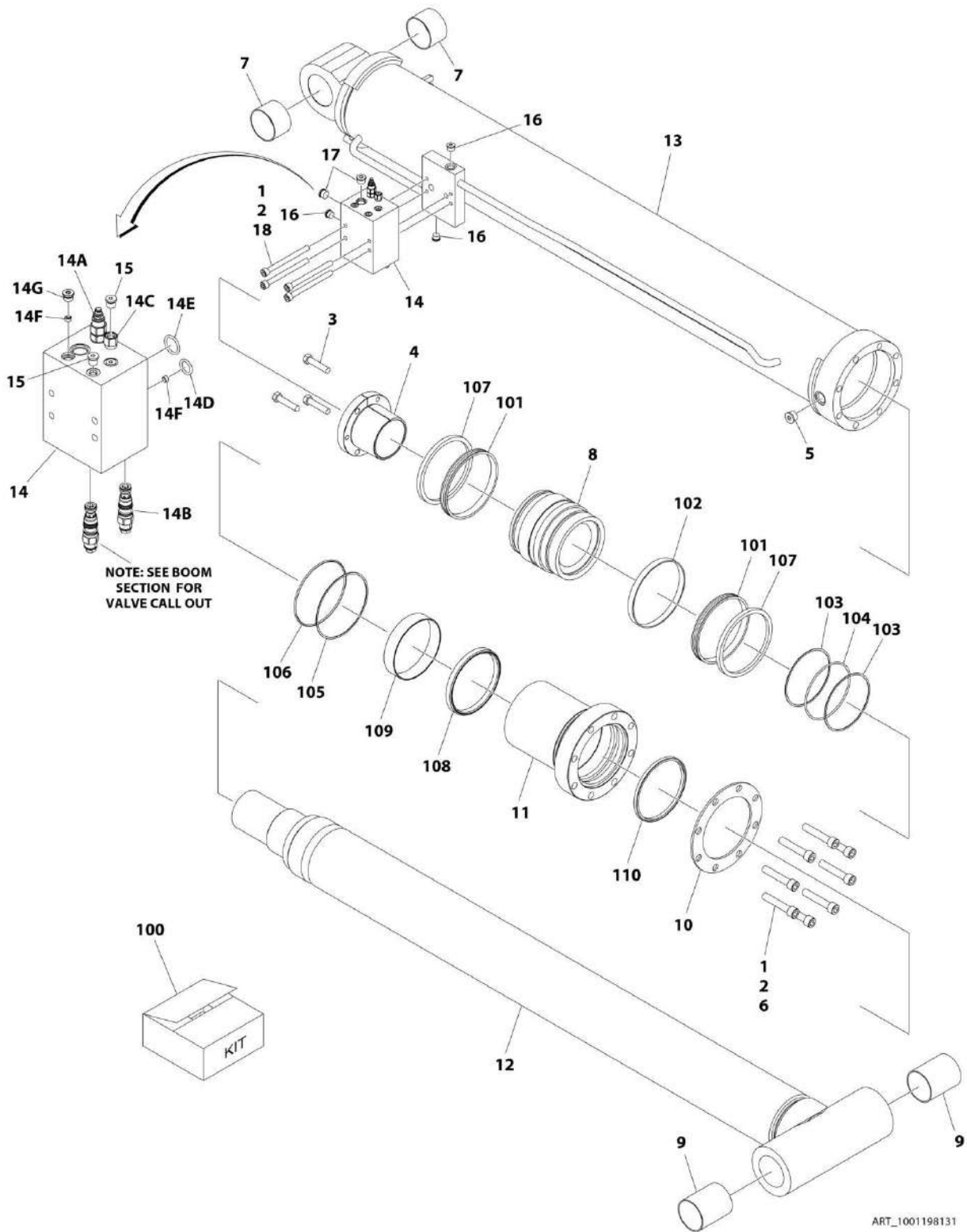
SECTION 6 - CYLINDER

FIGURE 6-8. LIFT CYLINDER ASSEMBLY - MAIN BOOM (SN 0300239463 to Present)

ITEM	PART NUMBER	QTY	DESCRIPTION	REV
	1001228094	Ref	LIFT CYLINDER ASSEMBLY - MAIN BOOM (SN 0300239463 to Present)	B
1	See Note	NSS	Barrel Weldment (Note: Not Available for Purchase)	
2	70006546	2	Rod	
3	70006545	2	Head	
4	See Note	NSS	Wiper (Note: Use Item 100)	
5	See Note	NSS	Seal (Note: Use Item 100)	
6	See Note	NSS	Ring, Wear (Note: Use Item 100)	
7	See Note	NSS	O-Ring (Note: Use Item 100)	
8	See Note	NSS	Ring, Back-up (Note: Use Item 100)	
9	1001202201	2	Piston	
10	See Note	NSS	Seal (Note: Use Item 100)	
11	See Note	NSS	Ring, Lock (Note: Use Item 100)	
12	See Note	NSS	Ring, Wear (Note: Use Item 100)	
13	See Note	NSS	O-Ring (Note: Use Item 100)	
14	See Note	NSS	Ring, Back-up (Note: Use Item 100)	
15	0961898	2	Bushing	
16	0630536	6	Capscrew 3/8 x 1-1/2	
17	2220886	6	Plug #8	
18	1001204041	1	Valve Assembly	C
18A	70005659	1	Cartridge, Valve (Counterbalance)	
18A	7011376	1	Seal Kit - 70005659 Valve	
18C	70005658	1	Cartridge, Valve (Shuttle)	
18C	7026004	1	Seal Kit - 70005658 Valve	
18D	70004406	1	Cartridge, Valve (Check)	
18D	7011351	1	Seal Kit - 70004406 Valve	
18E	70000778	2	O-Ring	
18F	1001156033	1	Cartridge, Valve (Counterbalance)	
18F	7024574	1	Seal Kit - 1001156033 Valve	
18G	70005598	1	Plug #6	
19	5272024	4	Capscrew M10 x 110	
20	2220887	3	Plug #10	
21	2220883	1	Plug #4	
23	3932272	30	Capscrew 3/4 x 4-1/2	
24	1001202236	2	Ring, Washer	
25	1001198762	4	Bearing	
26	0100011	AR	Compound, Locking	
27	0100038	AR	Primer, Locking	
100	1001202539	2	Kit Seal - Cylinder (Includes Items 4-8 & 10-14)	

SECTION 6 - CYLINDER

FIGURE 6-9. LIFT CYLINDER ASSEMBLY - TOWER BOOM (Prior to SN 0300239155)



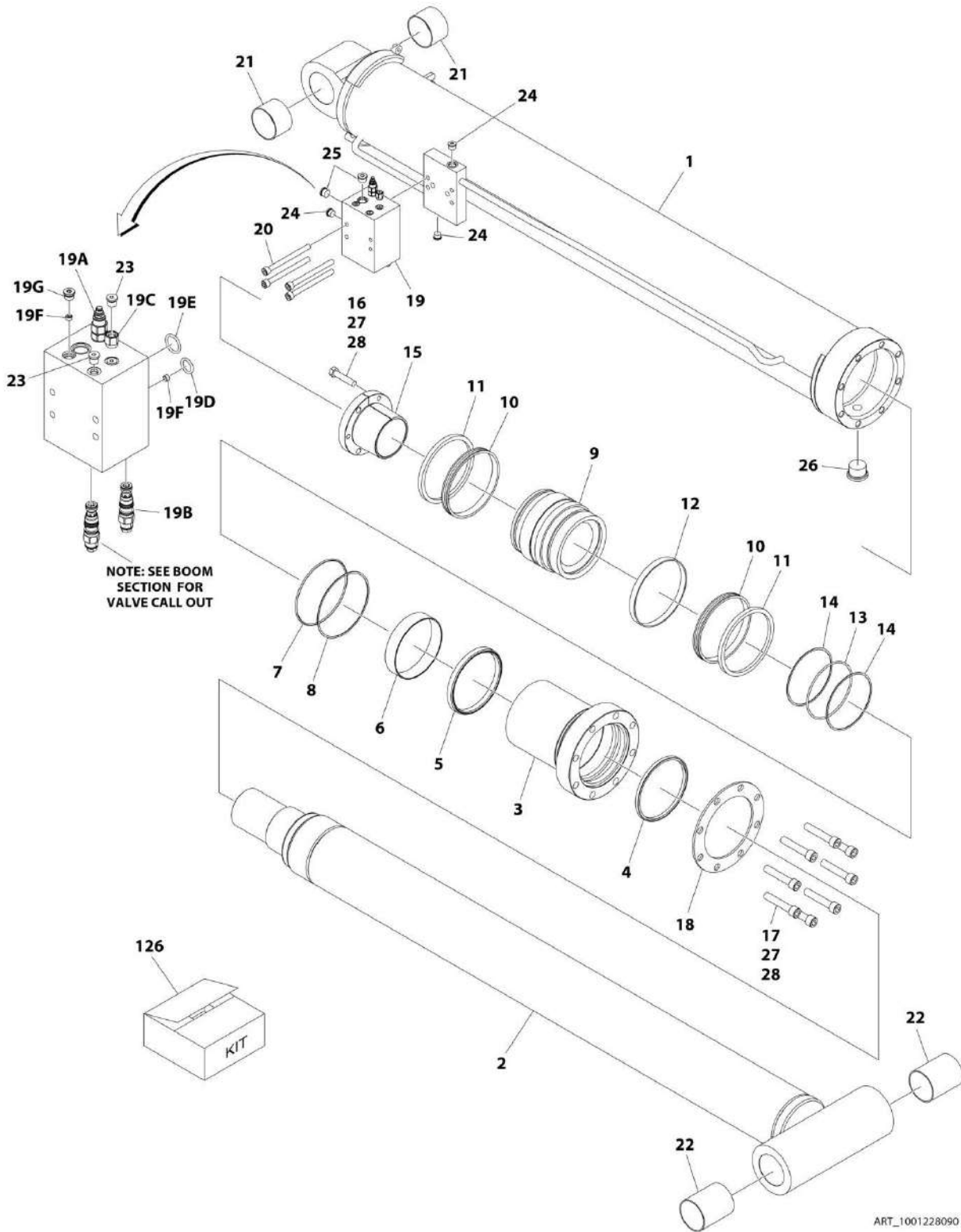
SECTION 6 - CYLINDER

FIGURE 6-9. LIFT CYLINDER ASSEMBLY - TOWER BOOM (Prior to SN 0300239155)

ITEM	PART NUMBER	QTY	DESCRIPTION	REV
	1001198131	Ref	LIFT CYLINDER ASSEMBLY - TOWER BOOM (Prior to SN 0300239155)	F
		Ref	Note: Original Cylinder May Have Been Replaced with Service Replacement. Identify PN Stamped on Cylinder Before Ordering Parts.	
1	0100011	AR	Compound, Locking	
2	0100038	AR	Primer, Locking	
3	1001206184	3	Capscrew 5/8 x 2-7/8	
4	0962562	1	Bushing	
5	2220888	1	Plug #12	
6	3932264	8	Capscrew 3/4 x 4	
7	1001133927	2	Bearing	
8	1001150917	1	Piston	
9	1001150942	2	Bushing	
10	1001151503	1	Ring, Washer	
11	1001198132	1	Head	
12	1001198157	1	Rod	
13	1001198193	1	Barrel	
14	1001212199	1	Valve Assembly	
14A	70005656	1	Cartridge, Valve (Counterbalance)	
14A	7011376	1	Seal Kit - 70005656 Valve	
14B	70005655	1	Cartridge, Valve (Counterbalance)	
14B	2900770	1	Seal Kit - 70005655 Valve	
14C	7011361	1	Cartridge, Valve (Shuttle)	
14C	7011346	1	Seal Kit - 7011361 Valve	
14D	70005654	1	O-Ring	
14E	70024072	1	O-Ring	
14F	70005633	2	Orifice .031	
14G	70005598	1	Plug #6	
15	2220883	6	Plug #4	
16	2220886	3	Plug #8	
17	2220887	2	Plug #10	
18	5272025	4	Capscrew M10 x 120	
100	1001160169	1	Seal Kit - Cylinder (Includes Items 101-110)	
101	See Note	NSS	Seal (Note: Use Item 100)	
102	See Note	NSS	Ring, Wear (Note: Use Item 100)	
103	See Note	NSS	Ring, Back-up (Note: Use Item 100)	
104	See Note	NSS	O-Ring (Note: Use Item 100)	
105	See Note	NSS	Ring, Back-up (Note: Use Item 100)	
106	See Note	NSS	O-Ring (Note: Use Item 100)	
107	See Note	NSS	Seal, Lock (Note: Use Item 100)	
108	See Note	NSS	Seal (Note: Use Item 100)	
109	See Note	NSS	Ring, Wear (Note: Use Item 100)	
110	See Note	NSS	Wiper (Note: Use Item 100)	

SECTION 6 - CYLINDER

FIGURE 6-10. LIFT CYLINDER ASSEMBLY - TOWER BOOM (SN 0300239155 to Present)



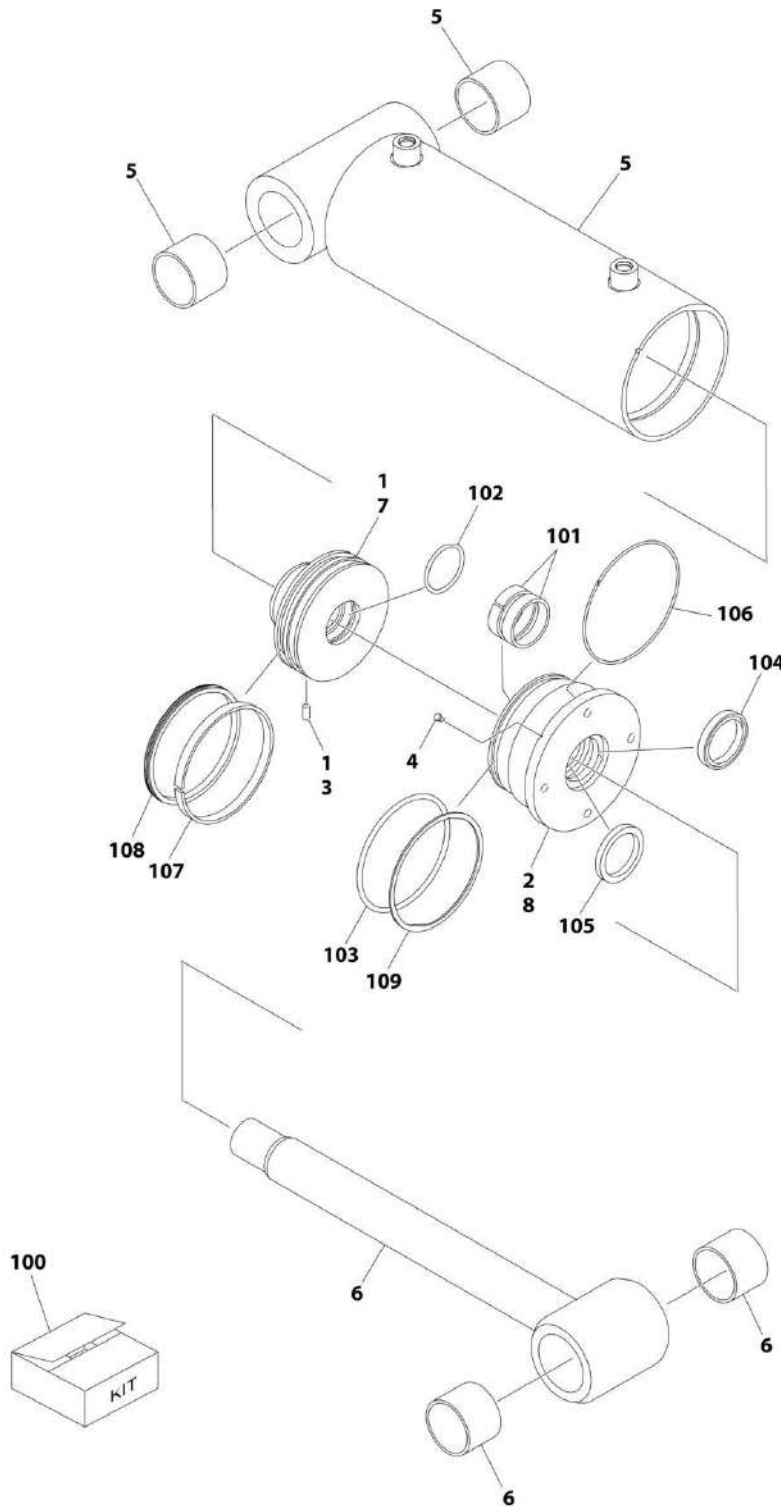
SECTION 6 - CYLINDER

FIGURE 6-10. LIFT CYLINDER ASSEMBLY - TOWER BOOM (SN 0300239155 to Present)

ITEM	PART NUMBER	QTY	DESCRIPTION	REV
	1001228090	Ref	LIFT CYLINDER ASSEMBLY - TOWER BOOM (SN 0300239155 to Present)	C
1	See Note	NSS	Barrel Weldment (Note: Not Available for Purchase)	
2	70006512	1	Rod	
3	70006511	1	Head	
4	See Note	NSS	Ring, Wiper (Note: Use Item 126)	
5	See Note	NSS	Seal, Rod (Note: Use Item 126)	
6	See Note	NSS	Ring, Wear (Note: Use Item 126)	
7	See Note	NSS	O-Ring (Note: Use Item 126)	
8	See Note	NSS	Ring, Back-up (Note: Use Item 126)	
9	70006510	1	Piston	
10	See Note	NSS	Ring, Hydrolock (Note: Use Item 126)	
11	See Note	NSS	Ring, Lock (Note: Use Item 126)	
12	See Note	NSS	Ring, Wear (Note: Use Item 126)	
13	See Note	NSS	O-Ring (Note: Use Item 126)	
14	See Note	NSS	Ring, Back-up (Note: Use Item 126)	
15	0962562	1	Bushing, Tapered	
16	1001206184	3	Bolt 5/8 x 2-7/8 Grade 8	
17	3932264	8	Capscrew 3/4 x 4	
18	1001151503	1	Ring, Washer	
19	1001212199	1	Valve Assembly	
19A	70005656	1	Cartridge, Valve (Counterbalance)	
19A	7011376	1	Seal Kit - 70005656 Valve	
19B	70005655	1	Cartridge, Valve (Counterbalance)	
19B	2900770	1	Seal Kit - 70005655 Valve	
19C	7011361	1	Cartridge, Valve (Shuttle)	
19C	7011346	1	Seal Kit - 7011361 Valve	
19D	70005654	1	O-Ring	
19E	70024072	1	O-Ring	
19F	70005633	2	Orifice .031	
19G	70005598	1	Plug #6	
20	5272025	4	Capscrew M10 x 120	
21	1001133927	2	Bearing	
22	1001150942	2	Bushing	
23	2220883	5	Plug #4	
24	2220886	3	Plug #8	
25	2220887	2	Plug #10	
26	2220888	1	Plug #12	
27	0100011	AR	Compound, Locking	
28	0100038	AR	Primer, Locking	
126	1001160169	1	Seal Kit (Includes Items 4-8 & 10-14)	

SECTION 6 - CYLINDER

FIGURE 6-11. STEER CYLINDER ASSEMBLY (Prior to SN 0300239663)



ART_1001155986

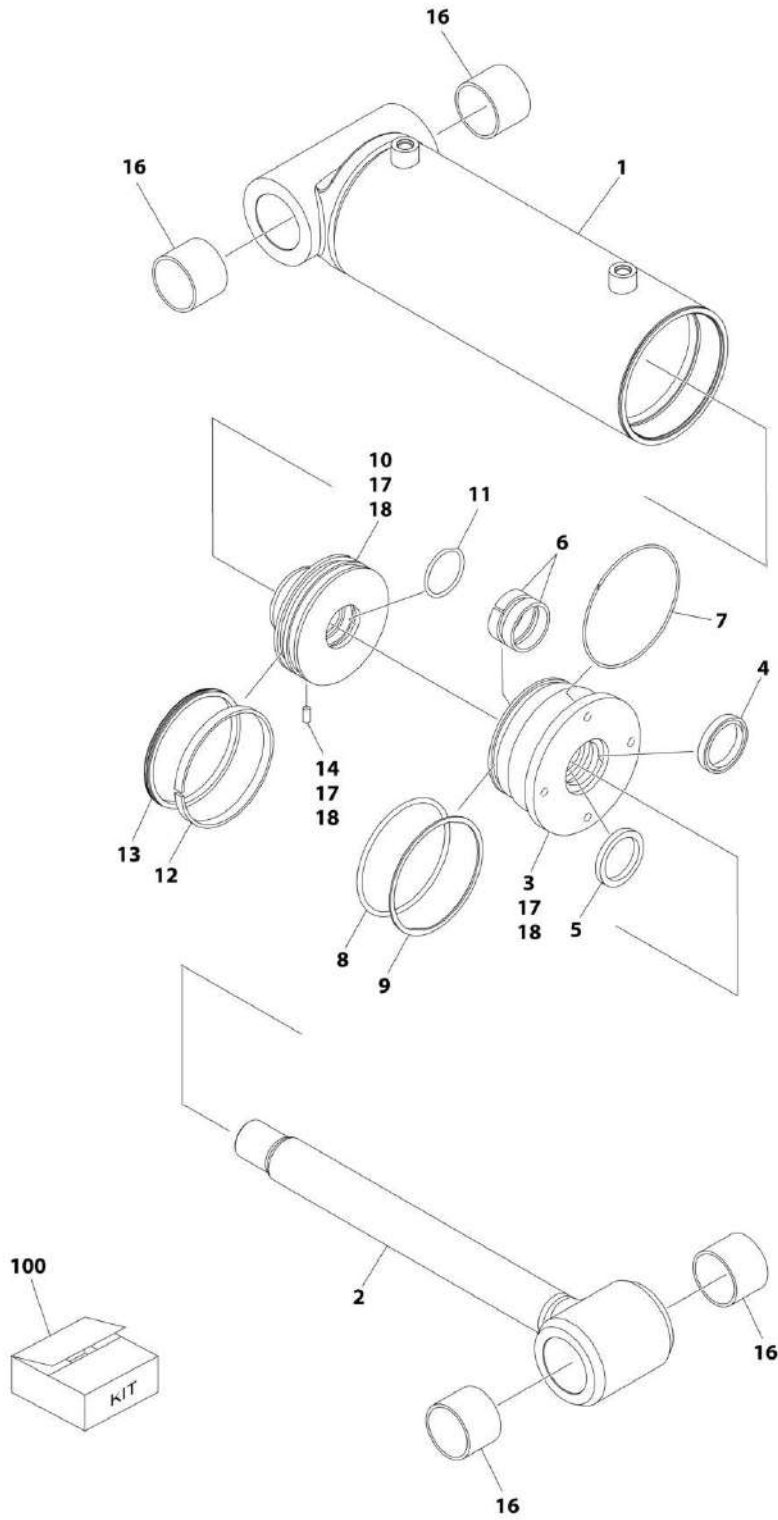
SECTION 6 - CYLINDER

FIGURE 6-11. STEER CYLINDER ASSEMBLY (Prior to SN 0300239663)

ITEM	PART NUMBER	QTY	DESCRIPTION	REV
	1001155986	Ref	STEER CYLINDER ASSEMBLY (Prior to SN 0300239663) Note: Original Cylinder May Have Been Replaced with Service Replacement. Identify PN Stamped on Cylinder Before Ordering Parts.	E
		Ref		
1	0100071	AR	Compound, Locking	
2	3020043	AR	Lubricant	
3	3951405	1	Setscrew 1/4 x 5/8	
4	1001125137	1	Screw #8	
5	1001155987	1	Barrel	
5	0961950	2	Bushing	
6	1001155992	1	Rod	
6	0961950	2	Bushing	
7	1001155998	1	Piston	
8	1001155999	1	Head	
100	1001157958	1	Kit, Seal (Includes Items 101-109)	
101	See Note	NSS	Ring, Wear (Note: Use Item 100)	
102	See Note	NSS	O-Ring (Note: Use Item 100)	
103	See Note	NSS	O-Ring (Note: Use Item 100)	
104	See Note	NSS	Seal, Wiper (Note: Use Item 100)	
105	See Note	NSS	Seal (Note: Use Item 100)	
106	See Note	NSS	O-Ring (Note: Use Item 100)	
107	See Note	NSS	Ring, Wear (Note: Use Item 100)	
108	See Note	NSS	Seal (Note: Use Item 100)	
109	See Note	NSS	Ring, Back-up (Note: Use Item 100)	

SECTION 6 - CYLINDER

FIGURE 6-12. STEER CYLINDER ASSEMBLY (SN 0300239663 to Present)



ART_1001228065

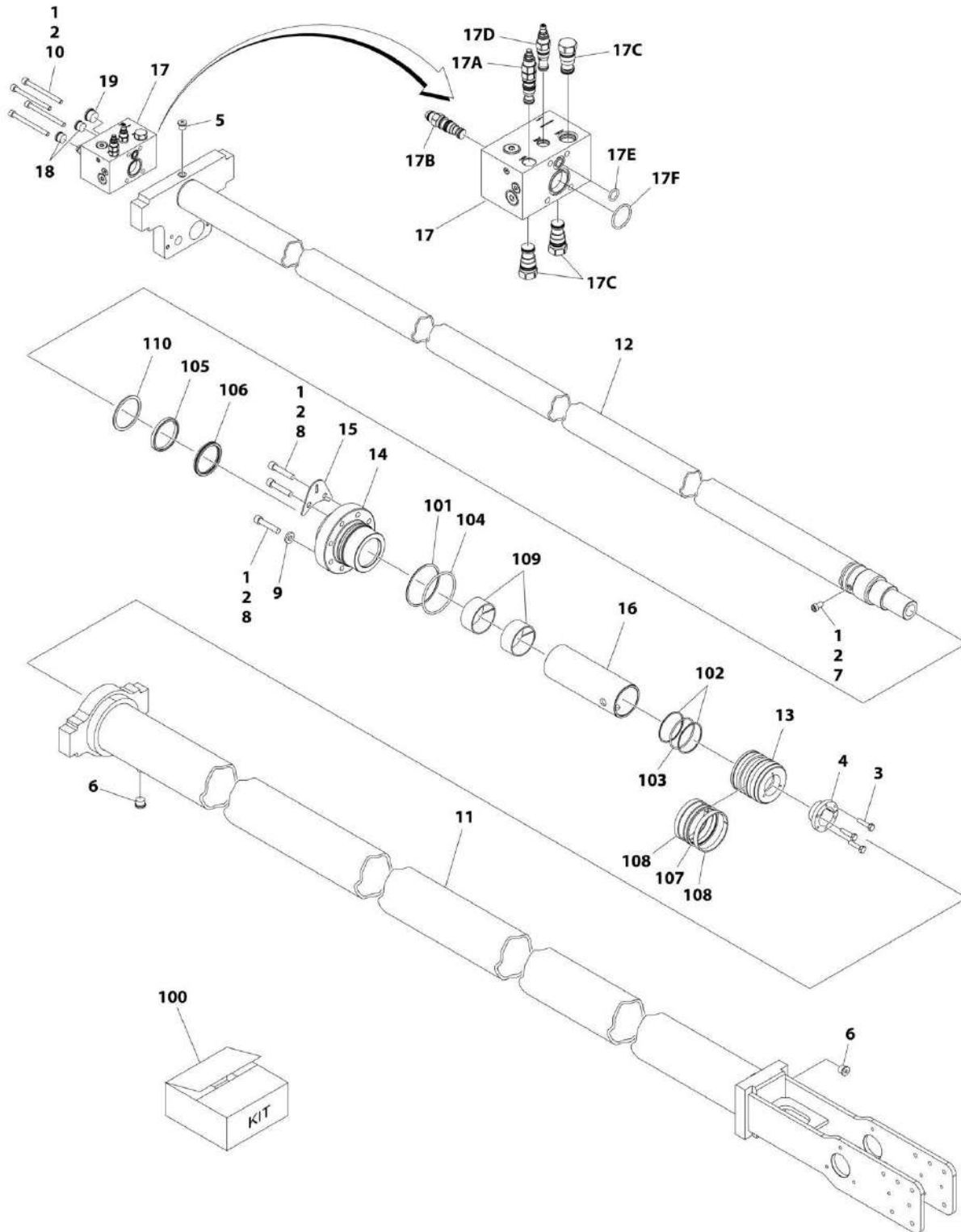
SECTION 6 - CYLINDER

FIGURE 6-12. STEER CYLINDER ASSEMBLY (SN 0300239663 to Present)

ITEM	PART NUMBER	QTY	DESCRIPTION	REV
	1001228065	Ref	STEER CYLINDER ASSEMBLY (SN 0300239663 to Present)	B
1	See Note	NSS	Barrel Weldment (Note: Not Available for Purchase)	
2	70006471	1	Rod	
3	70006470	1	Head	
4	See Note	NSS	Seal, Wiper (Note: Use Item 100)	
5	See Note	NSS	Seal (Note: Use Item 100)	
6	See Note	NSS	Ring, Wear (Note: Use Item 100)	
7	See Note	NSS	O-Ring (Note: Use Item 100)	
8	See Note	NSS	O-Ring (Note: Use Item 100)	
9	See Note	NSS	Ring, Back-up (Note: Use Item 100)	
10	70006469	1	Piston	
11	See Note	NSS	O-Ring (Note: Use Item 100)	
12	See Note	NSS	Ring, Wear (Note: Use Item 100)	
13	See Note	NSS	Seal (Note: Use Item 100)	
14	3951405	1	Setscrew 1/4 x 5/8	
16	0961950	4	Bushing	
17	0100071	AR	Compound, Locking	
18	3020043	AR	Lubricant	
100	1001157958	1	Kit, Seal (Includes Items 4-9 & 11-13)	

SECTION 6 - CYLINDER

FIGURE 6-13. TELESCOPE CYLINDER ASSEMBLY - MAIN BOOM (Prior to SN 0300244380)



ART_1001198938

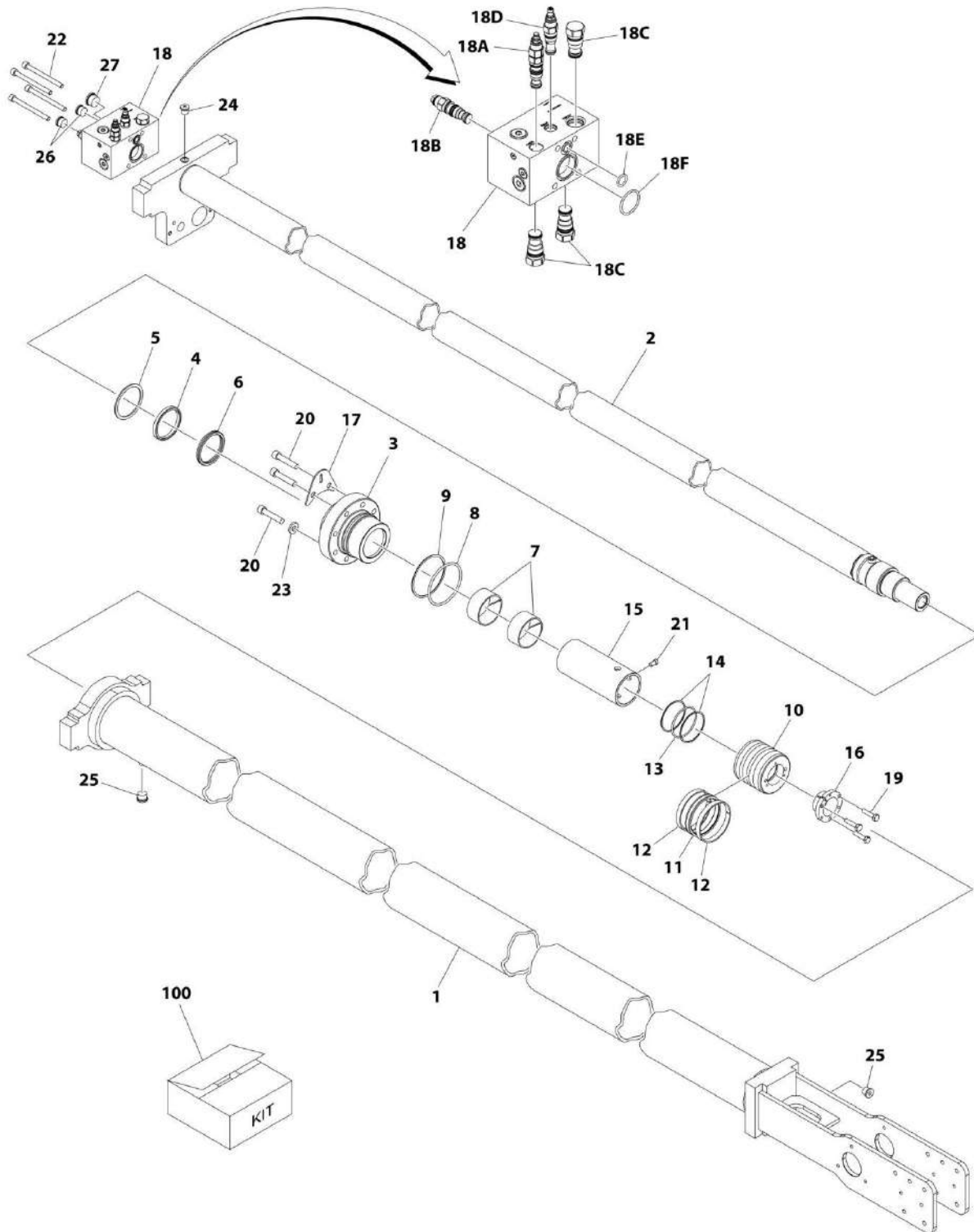
SECTION 6 - CYLINDER

FIGURE 6-13. TELESCOPE CYLINDER ASSEMBLY - MAIN BOOM (Prior to SN 0300244380)

ITEM	PART NUMBER	QTY	DESCRIPTION	REV
	1001198938	Ref	TELESCOPE CYLINDER ASSEMBLY - MAIN BOOM (Prior to SN 0300244380) Note: Original Cylinder May Have Been Replaced with Service Replacement. Identify PN Stamped on Cylinder Before Ordering Parts.	G
		Ref		
1	0100011	AR	Compound, Locking	D
2	0100038	AR	Primer, Locking	
3	0630535	3	Capscrew 1/4 x 1-1/8	
4	0961897	1	Bushing	
5	2220883	1	Plug #4	
6	2220885	2	Plug #6	
7	3931508	1	Capscrew 5/16 x 1/2	
8	3931840	8	Capscrew 1/2 x 2-1/2	
9	4891800	6	Washer 1/2	
10	5272023	4	Capscrew M10 x 100	
11	1001198939	1	Barrel	
12	1001198946	1	Rod	
13	1001198951	1	Piston	
14	1001198952	1	Head	
15	1001200150	1	Bracket	
16	1001200397	1	Tube, Spacer	
17	1001201772	1	Valve Assembly	
17A	7011381	1	Cartridge, Valve (Counterbalance)	
17A	2900770	1	Seal Kit - 7011381 Valve	
17B	4640746	1	Cartridge, Valve (Counterbalance)	
17B	2900770	1	Seal Kit - 4640746 Valve	
17C	70004406	3	Cartridge, Valve (Check)	
17C	7011351	3	Seal Kit - 70004406 Valve	
17D	70005999	1	Cartridge, Valve (Relief)	
17D	See Note	NSS	Seal Kit - 70005999 Valve (Note: Not Available for Purchase)	
17E	70005654	1	O-Ring	
17F	70004407	1	O-Ring	
18	2220887	2	Plug #10	
19	2220888	1	Plug #12	
100	1001199297	1	Seal, Kit - Cylinder (Includes Items 101-110)	
101	See Note	NSS	Ring, Back-up (Note: Use Item 100)	
102	See Note	NSS	Ring, Back-up (Note: Use Item 100)	
103	See Note	NSS	O-Ring (Note: Use Item 100)	
104	See Note	NSS	O-Ring (Note: Use Item 100)	
105	See Note	NSS	Wiper (Note: Use Item 100)	
106	See Note	NSS	Seal, Rod (Note: Use Item 100)	
107	See Note	NSS	Seal, Piston (Note: Use Item 100)	
108	See Note	NSS	Ring, Wear (Note: Use Item 100)	
109	See Note	NSS	Ring, Wear (Note: Use Item 100)	
110	See Note	NSS	Ring, Retaining (Note: Use Item 100)	

SECTION 6 - CYLINDER

FIGURE 6-14. TELESCOPE CYLINDER ASSEMBLY - MAIN BOOM (SN 0300244380 to Present)



ART_1001228093

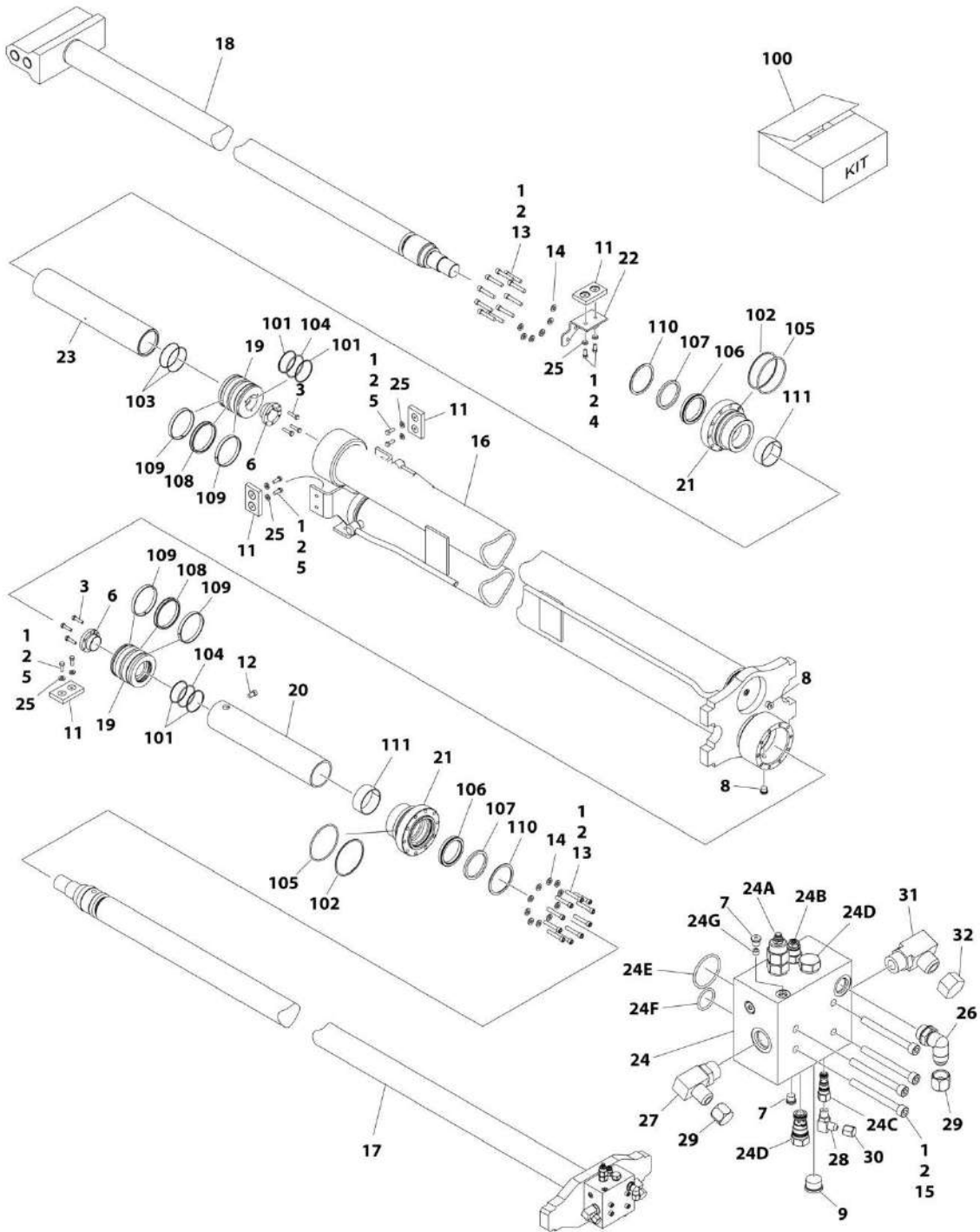
SECTION 6 - CYLINDER

FIGURE 6-14. TELESCOPE CYLINDER ASSEMBLY - MAIN BOOM (SN 0300244380 to Present)

ITEM	PART NUMBER	QTY	DESCRIPTION	REV
	1001228093	Ref	TELESCOPE CYLINDER ASSEMBLY - MAIN BOOM (SN 0300244380 to Present)	A
		Ref	Note: Original Cylinder May Have Been Replaced with Service Replacement. Identify PN Stamped on Cylinder Before Ordering Parts.	
1	See Note	NSS	Barrel Weldment (Note: Not Available for Purchase)	
2	70006866	1	Rod	
3	70006867	1	Head	
4	See Note	NSS	Seal, Wiper (Note: Use Item 100)	
5	See Note	NSS	Ring, Retaining (Note: Use Item 100)	
6	See Note	NSS	Seal, Rod (Note: Use Item 100)	
7	See Note	NSS	Ring, Wear (Note: Use Item 100)	
8	See Note	NSS	O-Ring (Note: Use Item 100)	
9	See Note	NSS	Ring, Back-up (Note: Use Item 100)	
10	70006868	1	Piston	
11	See Note	NSS	Seal (Note: Use Item 100)	
12	See Note	NSS	Ring, Wear (Note: Use Item 100)	
13	See Note	NSS	O-Ring (Note: Use Item 100)	
14	See Note	NSS	Ring, Back-up (Note: Use Item 100)	
15	70006869	1	Spacer	
16	0961903	1	Bushing, Tapered	
17	70006870	1	Bracket	
18	1001201772	1	Valve Assembly	D
18A	7011381	1	Cartridge, Valve (Counterbalance)	
18A	2900770	1	Seal Kit - 7011381 Valve	
18B	4640746	1	Cartridge, Valve (Counterbalance)	
18B	2900770	1	Seal Kit - 4640746 Valve	
18C	70004406	3	Cartridge, Valve (Check)	
18C	7011351	3	Seal Kit - 70004406 Valve	
18D	70005999	1	Cartridge, Valve (Relief)	
18D	See Note	NSS	Seal Kit - 70005999 Valve (Note: Not Available for Purchase)	
18E	70005654	1	O-Ring	
18F	70004407	1	O-Ring	
19	0630535	3	Capscrew 1/4 x 1-1/8	
20	70006871	8	Bolt	
21	70006731	1	Bolt	
22	70023368	4	Bolt	
23	70006872	6	Washer	
24	2220883	1	Plug #4	
25	2220885	2	Plug #6	
26	70005433	2	Plug	
27	70027702	1	Plug	
100	1001199297	1	Seal, Kit - Cylinder (Includes Items 101-110)	

SECTION 6 - CYLINDER

FIGURE 6-15. TELESCOPE CYLINDER ASSEMBLY - TOWER BOOM (Prior to SN 0300244380)



ART_1001198546

SECTION 6 - CYLINDER

FIGURE 6-15. TELESCOPE CYLINDER ASSEMBLY - TOWER BOOM (Prior to SN 0300244380)

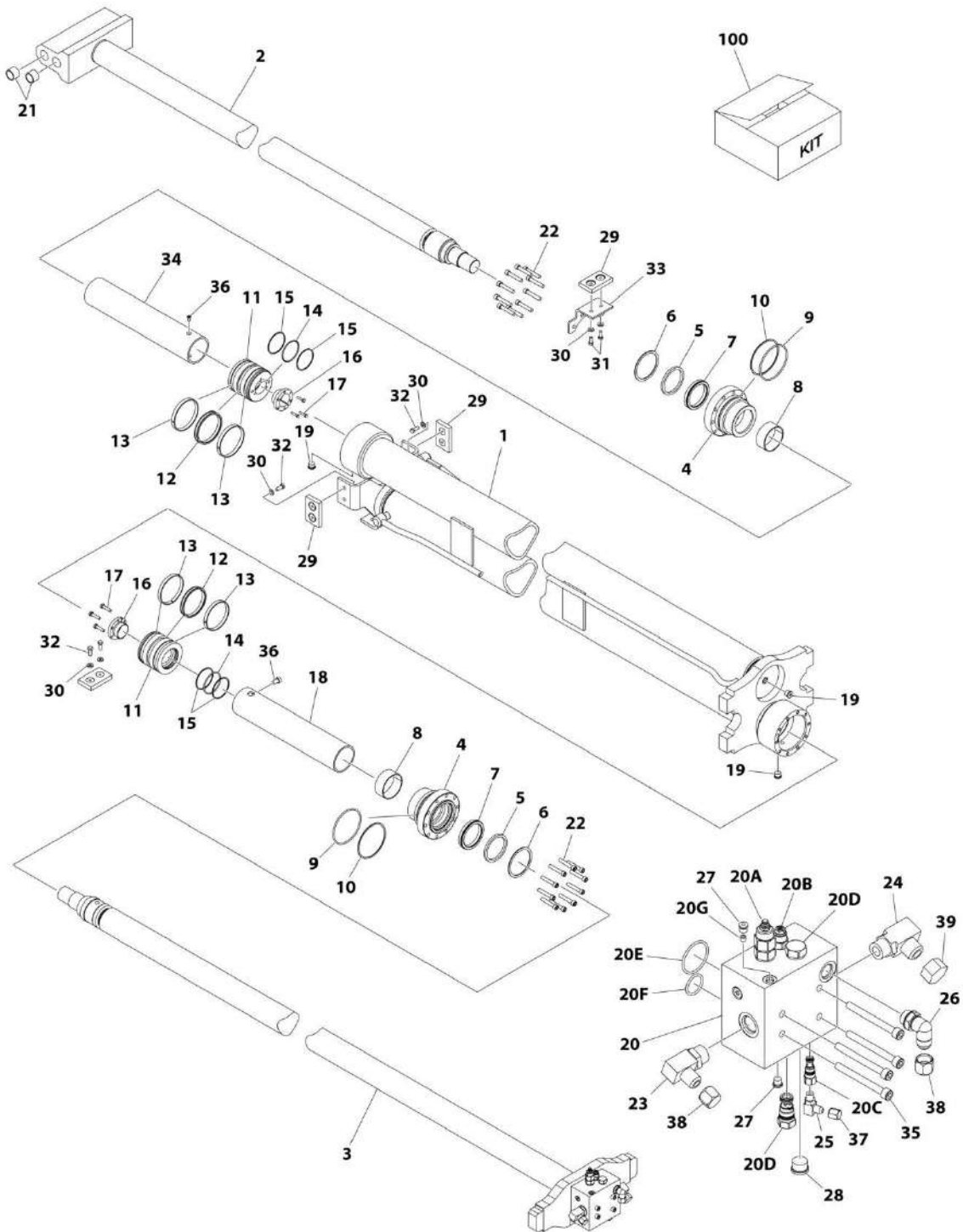
ITEM	PART NUMBER	QTY	DESCRIPTION	REV
	1001198546	Ref	TELESCOPE CYLINDER ASSEMBLY - TOWER BOOM (Prior to SN 0300244380)	G
		Ref	Note: Original Cylinder May Have Been Replaced with Service Replacement. Identify PN Stamped on Cylinder Before Ordering Parts.	
1	0100011	AR	Compound, Locking	
2	0100038	AR	Primer, Locking	
3	0630535	6	Bolt 1/4 x 1-1/8	
4	0681607	2	Bolt 3/8 x 7/8 Grade 8	
5	0681608	6	Bolt 3/8 x 1 Grade 8	
6	0961897	2	Bushing	
7	2220883	2	Plug #4	
8	2220885	4	Plug #6	
9	2220887	1	Plug #10	
11	3340763	4	Pad, Wear	
12	3931508	1	Capscrew 5/16 x 1/2	
13	3931740	20	Capscrew 7/16 x 2-1/2	
14	4891700	16	Washer 7/16	
15	5272023	4	Bolt M10 x 100	
16	1001198547	1	Barrel	
17	1001198561	1	Rod	
18	1001198562	1	Rod	
19	1001198579	2	Piston	
20	1001198581	1	Spacer	
21	1001198583	2	Head	
22	1001198587	1	Plate, Mounting	
23	1001198590	1	Spacer	
24	1001205683	1	Valve Assembly	
24A	70005603	1	Cartridge, Valve (Counterbalance)	
24A	7011371	1	Seal Kit - 70005603 Valve	
24B	70005602	1	Cartridge, Valve (Counterbalance)	
24B	2900770	1	Seal Kit - 70005602 Valve	
24C	7011361	1	Cartridge, Valve (Shuttle)	
24C	7011346	1	Seal Kit - 7011361 Valve	
24D	7011368	2	Cartridge, Valve (Check)	
24D	7011351	2	Seal Kit - 7011368 Valve	
24E	70005601	1	O-Ring	
24F	70005600	1	O-Ring	
24G	70005599	2	Orifice .031	
25	4891600	8	Washer 3/8	
26	2221036	1	Fitting, 90 JIC/ORB	
27	2220906	1	Fitting, 90 JIC/ORB	
28	2220466	1	Fitting, 90 JIC/ORB	
29	2221012	2	Fitting, Cap FJIC	
30	2220515	1	Fitting, Cap FJIC	
31	2220578	1	Fitting, 90 JIC/ORB	
32	2220518	1	Fitting, Cap FJIC	
100	1001198594	1	Seal kit (Includes Items 101-111)	
101	See Note	NSS	Ring, Back-up (Note: Use Item 100)	
102	See Note	NSS	Ring, Back-up (Note: Use Item 100)	

SECTION 6 - CYLINDER

ITEM	PART NUMBER	QTY	DESCRIPTION	REV
103	See Note	NSS	O-Ring (Note: Use Item 100)	
104	See Note	NSS	O-Ring (Note: Use Item 100)	
105	See Note	NSS	O-Ring (Note: Use Item 100)	
106	See Note	NSS	Seal, Rod (Note: Use Item 100)	
107	See Note	NSS	Wiper (Note: Use Item 100)	
108	See Note	NSS	Seal, Piston (Note: Use Item 100)	
109	See Note	NSS	Ring, Wear (Note: Use Item 100)	
110	See Note	NSS	Ring, Retaining (Note: Use Item 100)	
111	See Note	NSS	Ring, Wear (Note: Use Item 100)	

SECTION 6 - CYLINDER

FIGURE 6-16. TELESCOPE CYLINDER ASSEMBLY - TOWER BOOM (SN 0300244380 to Present)



ART_1001228091

SECTION 6 - CYLINDER

FIGURE 6-16. TELESCOPE CYLINDER ASSEMBLY - TOWER BOOM (SN 0300244380 to Present)

ITEM	PART NUMBER	QTY	DESCRIPTION	REV
	1001228091	Ref	TELESCOPE CYLINDER ASSEMBLY - TOWER BOOM (SN 0300244380 to Present)	A
		Ref	Note: Original Cylinder May Have Been Replaced with Service Replacement. Identify PN Stamped on Cylinder Before Ordering Parts.	
1	See Note	NSS	Barrel Weldment (Note: Not Available for Purchase)	
2	70006853	1	Rod	
3	70006854	1	Rod	
4	70006867	1	Head	
5	See Note	NSS	Seal, Wiper (Note: Use Item 100)	
6	See Note	NSS	Ring, Retaining (Note: Use Item 100)	
7	See Note	NSS	Seal, Rod (Note: Use Item 100)	
8	See Note	NSS	Ring, Wear (Note: Use Item 100)	
9	See Note	NSS	O-Ring (Note: Use Item 100)	
10	See Note	NSS	Ring, Back-up (Note: Use Item 100)	
11	70006856	1	Piston	
12	See Note	NSS	Seal (Note: Use Item 100)	
13	See Note	NSS	Ring, Wear (Note: Use Item 100)	
14	See Note	NSS	O-Ring (Note: Use Item 100)	
15	See Note	NSS	Ring, Back-up (Note: Use Item 100)	
16	0961897	1	Bushing, Tapered	
17	0630535	3	Capscrew 1/4 x 1-1/8	
18	70006857	1	Spacer	
19	2220885	4	Plug #6	
20	1001205683	1	Valve Assembly	
20A	70005603	1	Cartridge, Valve (Counterbalance)	
20A	7011371	1	Seal Kit - 70005603 Valve	
20B	70005602	1	Cartridge, Valve (Counterbalance)	
20B	2900770	1	Seal Kit - 70005602 Valve	
20C	7011361	1	Cartridge, Valve (Shuttle)	
20C	7011346	1	Seal Kit - 7011361 Valve	
20D	7011368	2	Cartridge, Valve (Check)	
20D	7011351	2	Seal Kit - 7011368 Valve	
20E	70005601	1	O-Ring	
20F	70005600	1	O-Ring	
20G	70005599	2	Orifice .031	
21	0961951	4	Bushing	
22	70006732	20	Bolt	
23	70006858	1	Connector	
24	70006859	1	Connector	
25	70005804	1	Connector	
26	70006860	1	Connector	
27	2220883	2	Plug #4	
28	70005433	1	Plug	
29	3340763	4	Pad, Wear	
30	70006344	8	Washer	
31	0681607	2	Bolt 3/8 x 7/8 Grade 8	
32	0681608	6	Bolt 3/8 x 1 Grade 8	
33	1001198587	1	Plate, Mounting	
34	70006861	1	Spacer	

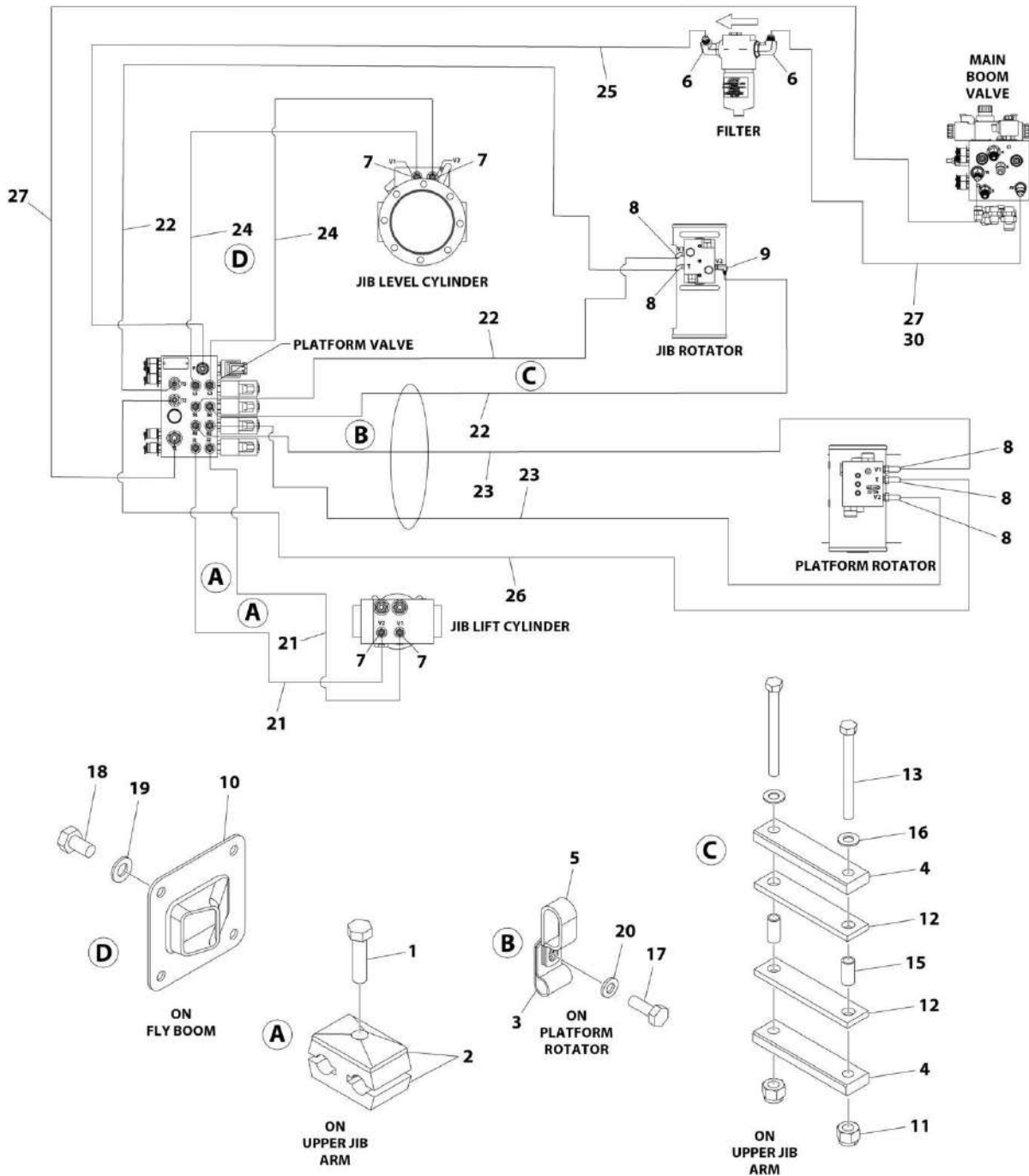
SECTION 6 - CYLINDER

ITEM	PART NUMBER	QTY	DESCRIPTION	REV
35	70006862	4	Bolt	
36	70006731	2	Bolt	
37	70006863	1	Cap, Dust	
38	70006864	2	Cap, Dust	
39	70006865	1	Cap, Dust	
100	1001198594	1	Seal kit (Includes Items 5-10 & 12-15)	

SECTION 7 - HYDRAULIC

SECTION 7 - HYDRAULIC

FIGURE 7-1. BOOM AND JIB HYDRAULIC DIAGRAM



ART_1001197361

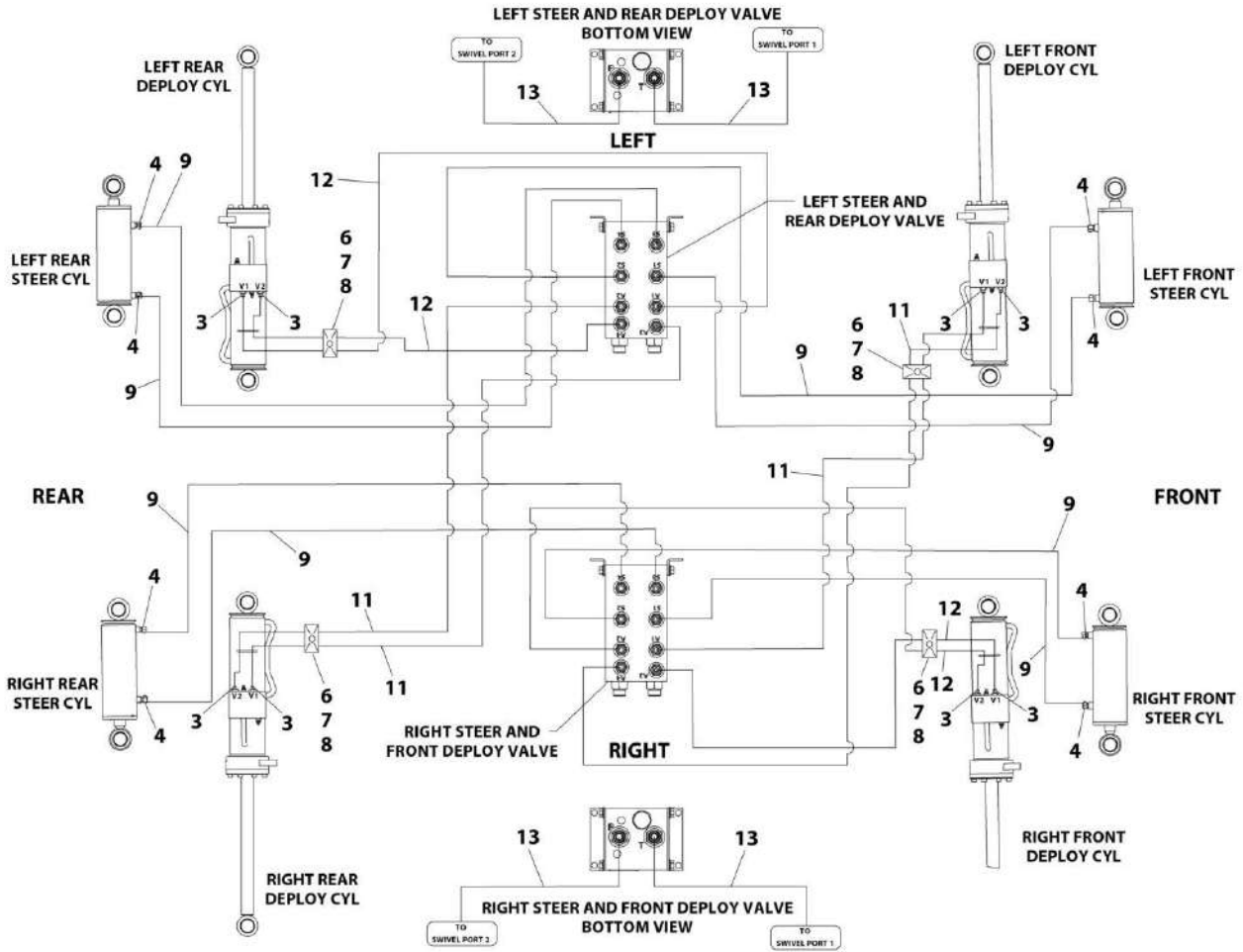
SECTION 7 - HYDRAULIC

FIGURE 7-1. BOOM AND JIB HYDRAULIC DIAGRAM

ITEM	PART NUMBER	QTY	DESCRIPTION	REV
	1001197361	Ref	BOOM AND JIB HYDRAULIC DIAGRAM	D
1	0641510	2	Bolt 5/16 x 1-1/4	
2	1320159	2	Clamp	
3	1320263	1	Clamp	
4	1320296	3	Clamp	
5	1321385	1	Clamp	
6	2220366	2	Fitting, 90 JIC/ORB	
7	2220415	4	Fitting, Straight JIC/ORB	
8	2220502	5	Fitting, 45 JIC/ORB	
9	2220940	1	Fitting, 90 JIC/ORB	
10	2540044	1	Guide, Hose	
11	3300492	2	Nut 3/8	
12	3340934	4	Pad, Rubber	
13	3900260	4	Bolt 3/8 x 4	
14	4240018	11	Tie-Strap (Not Shown)	
15	4562516	4 in/0.1m	Tubing	
16	4711600	4	Washer 3/8	
17	0760610001	1	Bolt M6 x 20	
18	0761009001	4	Bolt M10 x 18	
19	1001172358	4	Washer M10	
20	4811700001	1	Washer M6	
21	1001201130	2	Hose	
22	1001201131	3	Hose	
23	1001201132	2	Hose	
24	1001201133	2	Hose	
25	1001201134	1	Hose	
26	1001201135	1	Hose	
27	1001201136	2	Hose (Prior to SN 0300228751)	
27	1001201136	1	Hose (SN 0300228751 to Present)	
28	4100063	1	Protector, Hose Wrap (Not Shown)	
29	4240033	4	Tie-Strap (Not Shown)	
30	1001226902	1	Hose (SN 0300228751 to Present)	

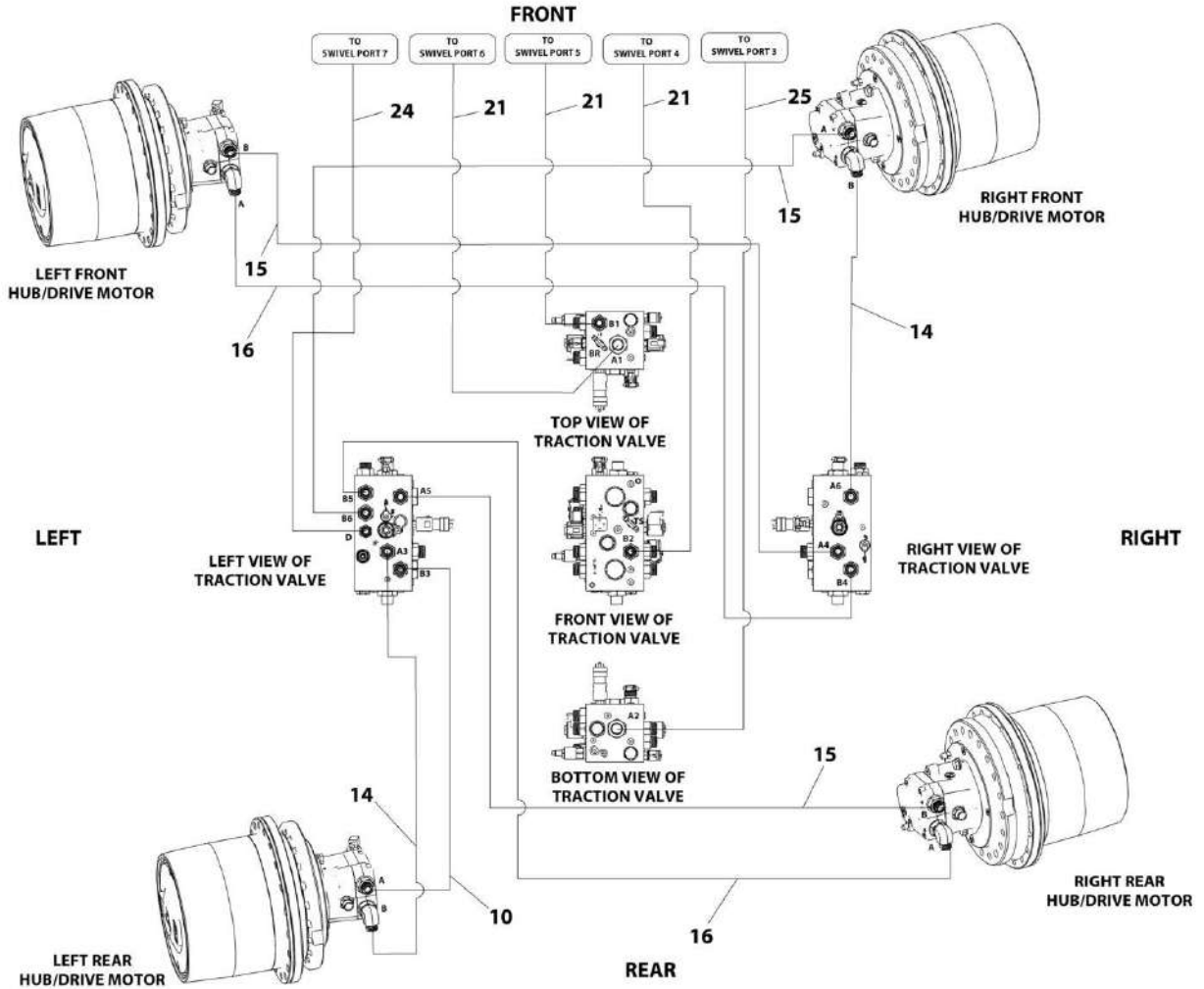
SECTION 7 - HYDRAULIC

FIGURE 7-2. CHASSIS HYDRAULIC DIAGRAM



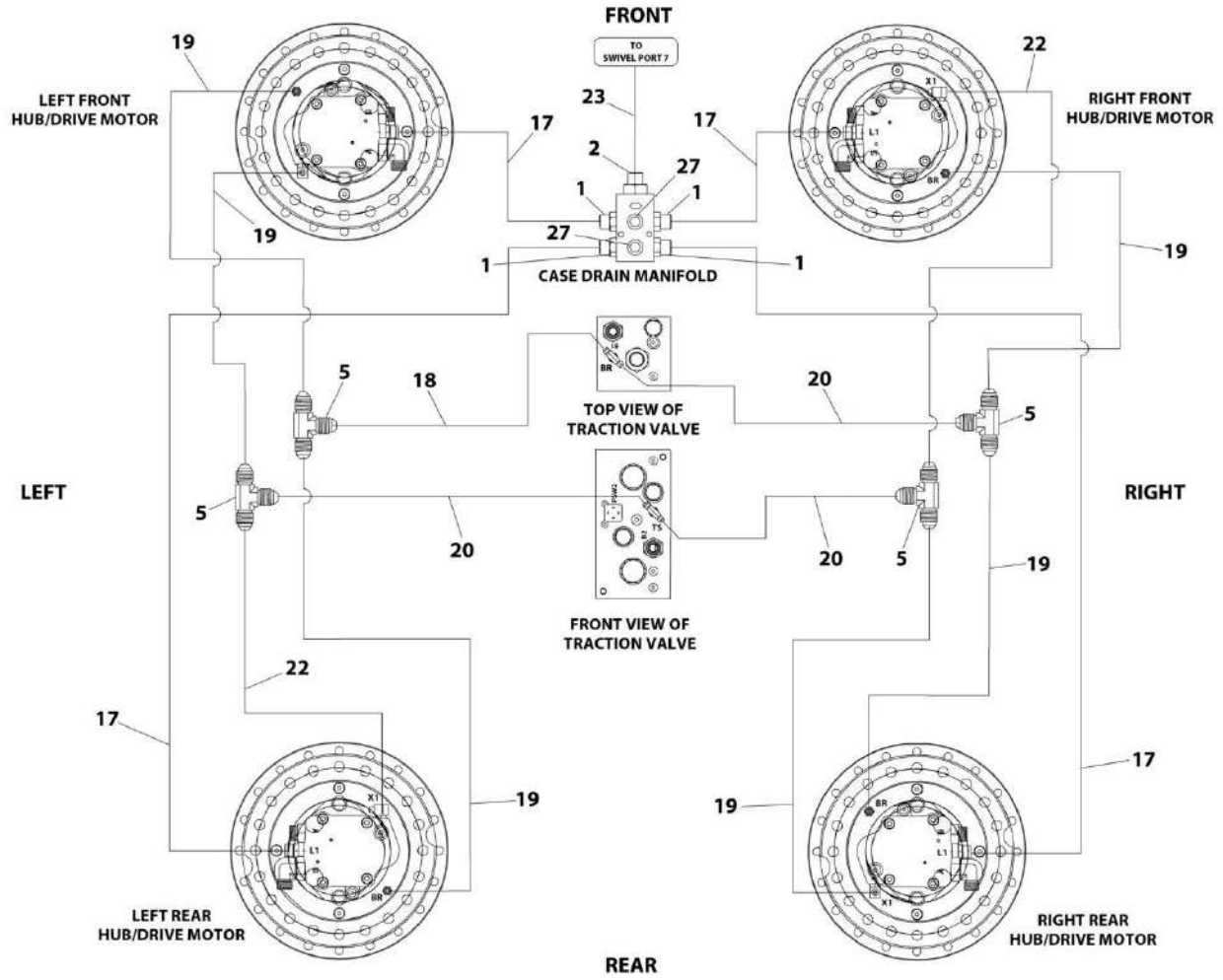
ART_1001157241_10F3

SECTION 7 - HYDRAULIC



ART_1001157241_20F3

SECTION 7 - HYDRAULIC



ART_1001157241_30F3

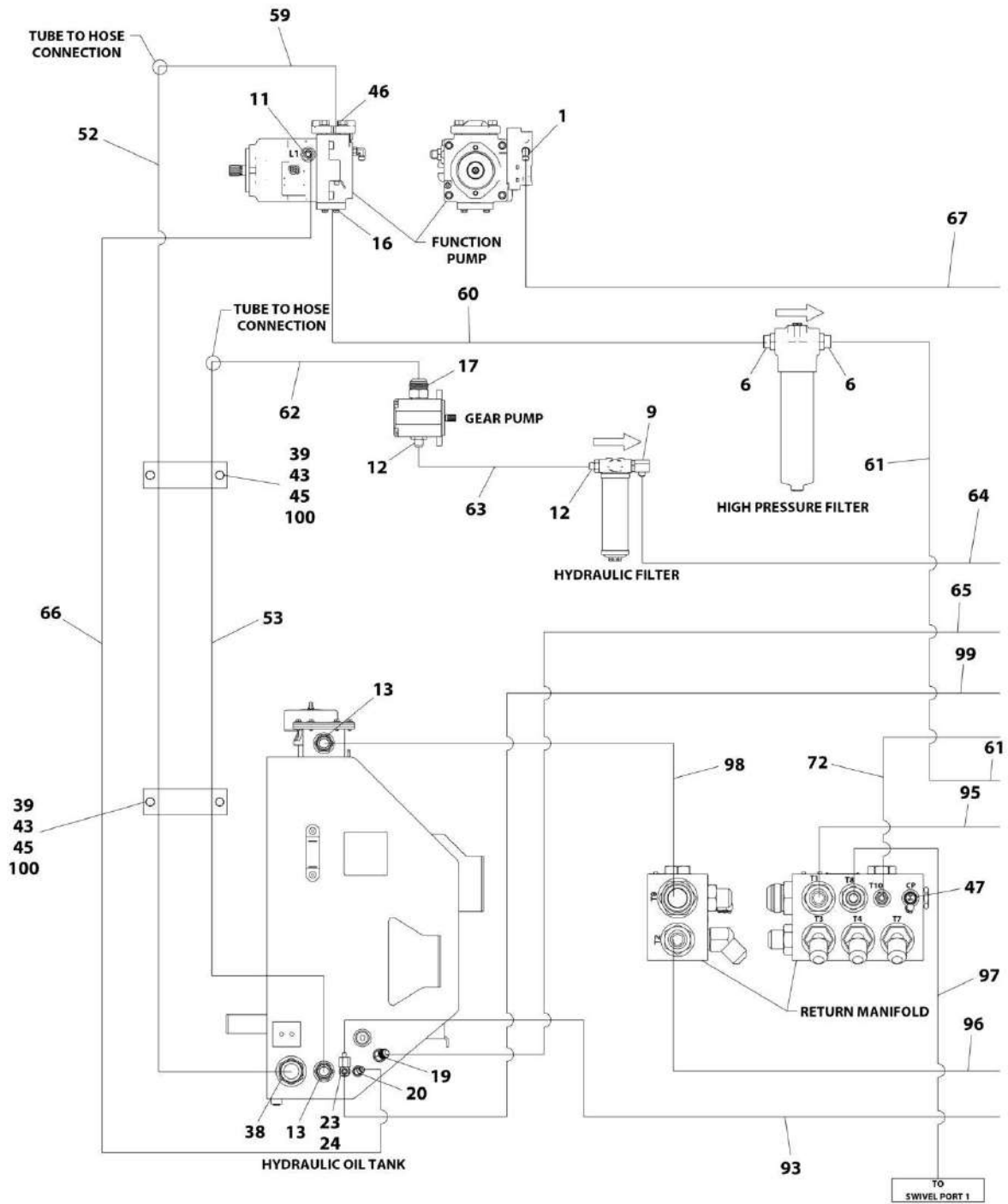
SECTION 7 - HYDRAULIC

FIGURE 7-2. CHASSIS HYDRAULIC DIAGRAM

ITEM	PART NUMBER	QTY	DESCRIPTION	REV
	1001157241	Ref	CHASSIS HYDRAULIC DIAGRAM	D
1	2110808	4	Fitting, Straight ORFS/ORB	
2	2110812	1	Fitting, Straight ORFS/ORB	
3	2220372	8	Fitting, Straight JIC/ORB	
4	2220473	8	Fitting, 90 JIC/ORB	
5	2220504	4	Fitting, Tee JIC/JIC/JIC	
6	8769122	4	Clamp Set	
7	8769128	4	Cover	
8	0641511001	4	Bolt 5/16 x 1-3/8	
9	1001161269	8	Hose	
10	1001161270	1	Hose	
11	1001161271	4	Hose	
12	1001161272	4	Hose	
13	1001161273	4	Hose	
14	1001161274	2	Hose	
15	1001161275	3	Hose	
16	1001161276	2	Hose	
17	1001161277	4	Hose	
18	1001161278	1	Hose	
19	1001161279	6	Hose	
20	1001161280	3	Hose	
21	1001161281	3	Hose	
22	1001161282	2	Hose	
23	1001161283	1	Hose	
24	1001161289	1	Hose	
25	1001161290	1	Hose	
26	4240018	18	Tie-Strap (Not Shown)	
27	2220235	2	Plug	

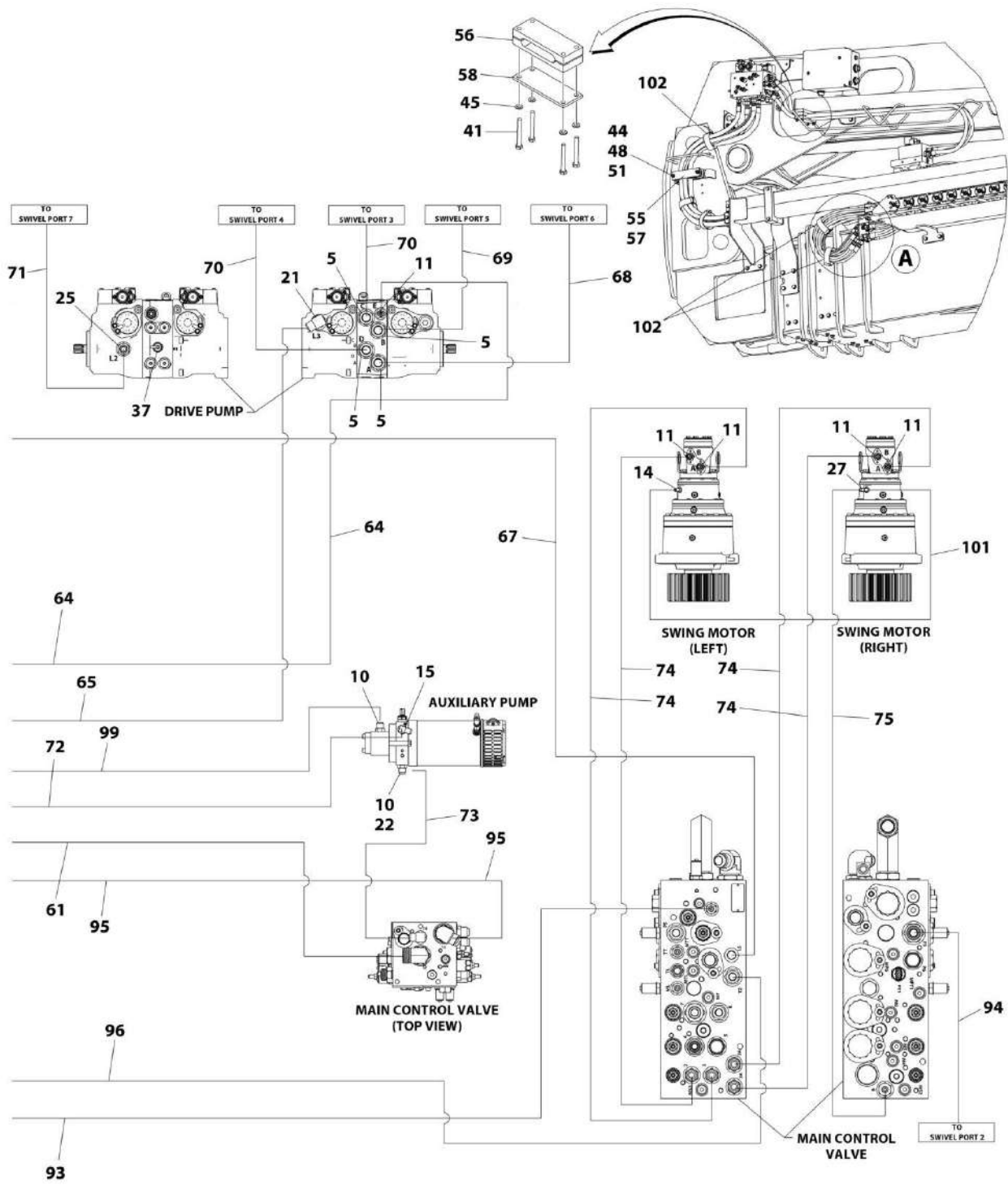
SECTION 7 - HYDRAULIC

FIGURE 7-3. TURNTABLE HYDRAULIC DIAGRAM (Prior to SN 0300223782)



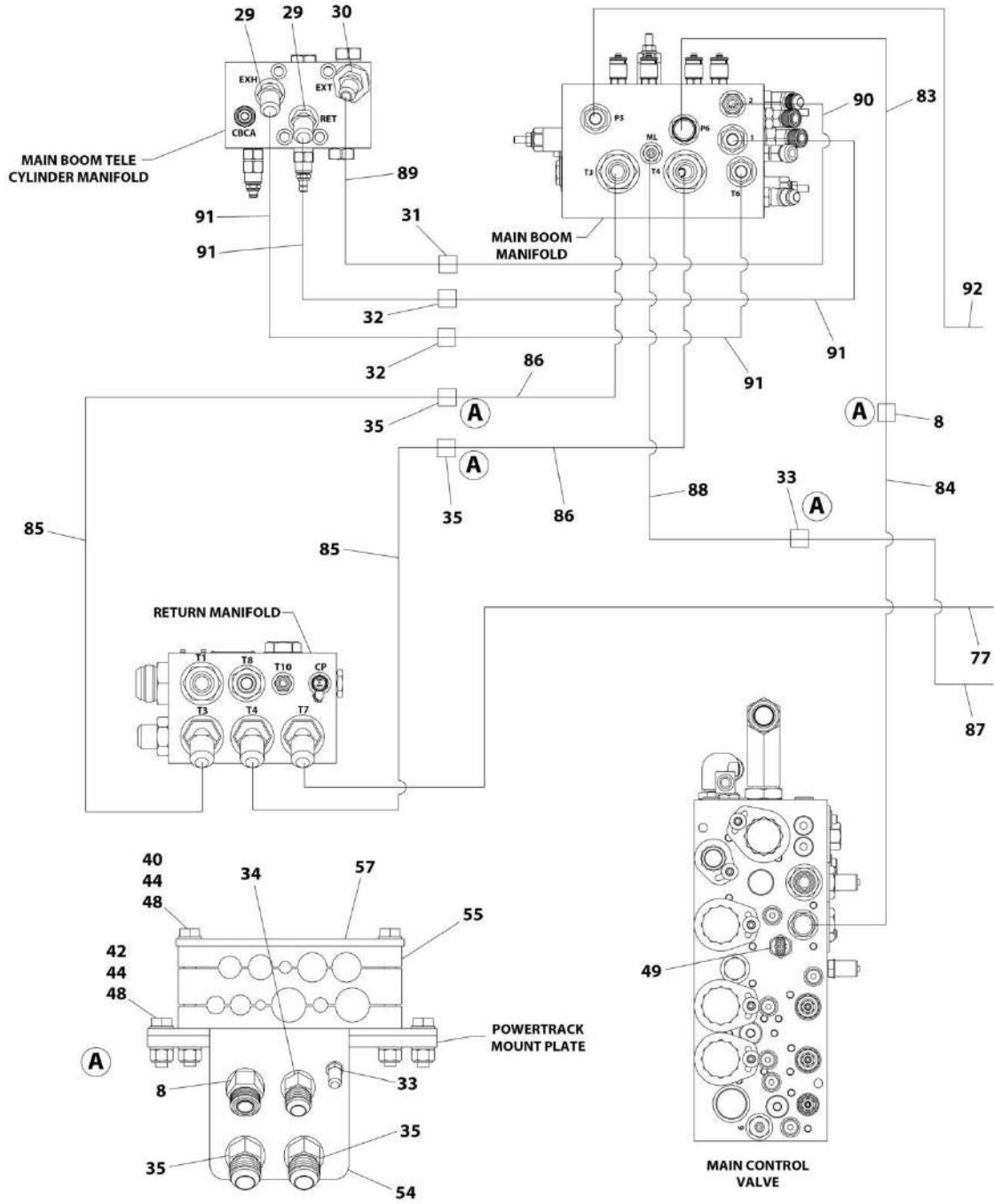
ART_1001197362_1OF4

SECTION 7 - HYDRAULIC

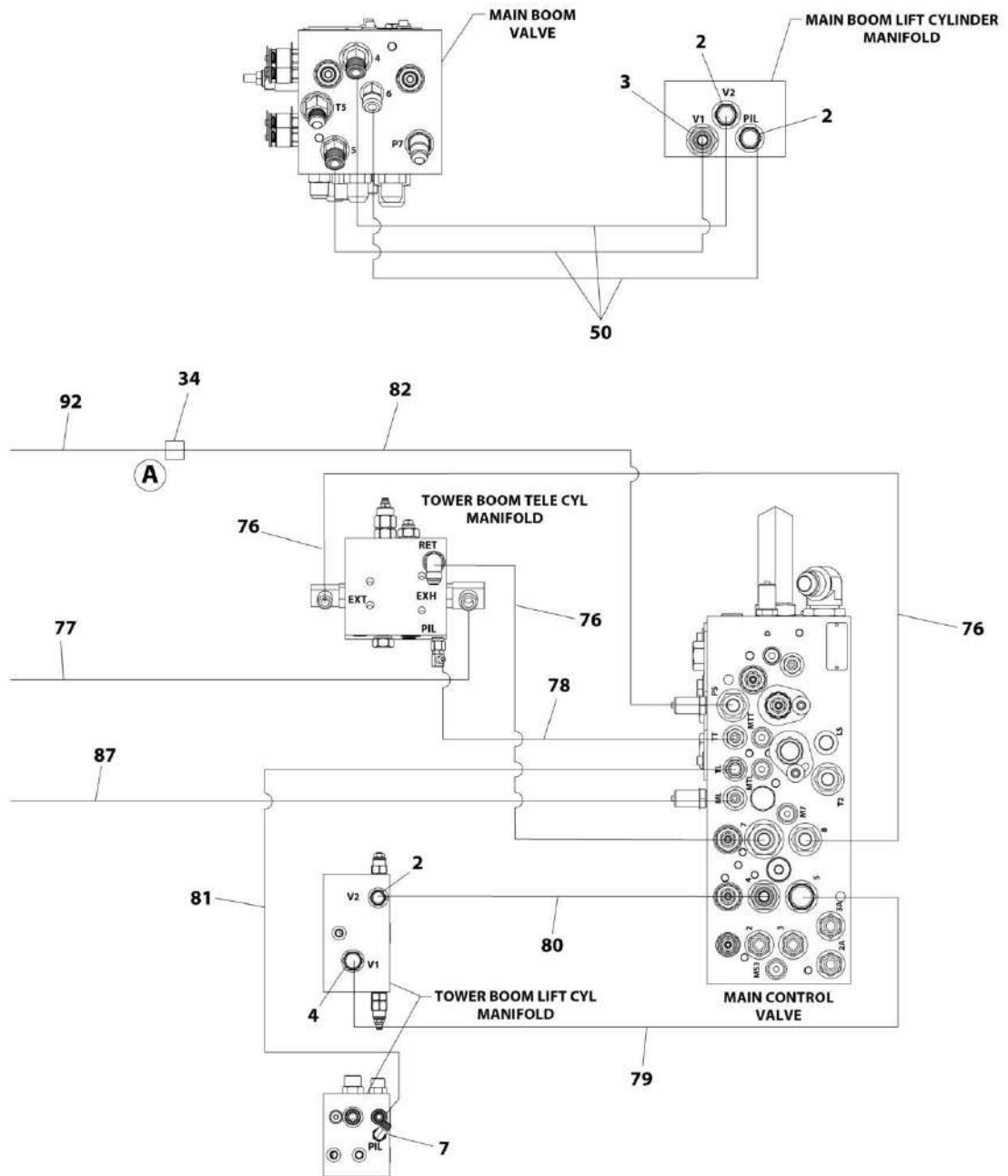


ART_1001197362_20F4

SECTION 7 - HYDRAULIC



SECTION 7 - HYDRAULIC



ART_1001197362_40F4

SECTION 7 - HYDRAULIC

FIGURE 7-3. TURNTABLE HYDRAULIC DIAGRAM (Prior to SN 0300223782)

ITEM	PART NUMBER	QTY	DESCRIPTION	REV
	1001197362	Ref	TURNTABLE HYDRAULIC DIAGRAM (Prior to SN 0300223782)	F
1	2130404	1	Fitting, 90 ORFS/ORB	
2	2110808	3	Fitting, Straight ORFS/ORB	
3	2110810	1	Fitting, Straight ORFS/ORB	
4	2111010	1	Fitting, Straight ORFS/ORB	
5	2111016	4	Fitting, Straight ORFS/ORB	
6	2111620	2	Fitting, Straight ORFS/ORB	
7	2170204	1	Fitting, 90 ORFS/ORB	
8	2171310	1	Fitting, 45 ORFS	
9	2220366	1	Fitting, 90 JIC/ORB	
10	2220373	2	Fitting, Straight JIC/ORB	
11	2220374	6	Fitting, Straight JIC/ORB	
12	2220375	2	Fitting, Straight JIC/ORB	
13	2220380	2	Fitting, Straight JIC/ORB	
14	2220415	1	Fitting, Straight JIC/ORB	
15	2220473	1	Fitting, 90 JIC/ORB	
16	2220478	1	Fitting Kit - Split Flange	
17	2220479	1	Fitting, Straight JIC/ORB	
19	2220498	1	Fitting, 45 JIC/ORB	
20	2220500	1	Fitting, 45 JIC/ORB	
21	2220578	1	Fitting, 90 JIC/ORB	
22	2220596	1	Fitting, 90 JIC/ORB (Prior to SN 0300218237)	
23	2220602	1	Fitting, Tee JIC/ORB/JIC	
24	2220618	1	Fitting, Straight JIC/FSJIC	
25	2220865	1	Fitting, Straight JIC/ORB	
27	2221034	1	Fitting, Tee	
29	2221050	2	Fitting, 45 JIC/ORB	
30	2221077	1	Fitting, 45	
31	2230025	1	Fitting, Straight JIC/JIC	
32	2230026	2	Fitting, Straight JIC/JIC	
33	2230031	1	Fitting, 45 JIC/JIC	
34	2230035	1	Fitting, 45 JIC/JIC	
35	2230036	2	Fitting, 45 JIC/JIC	
36	4240018	4	Tie-Strap (Not Shown)	
37	77133089	1	Valve, Check	
38	88662013	1	Fitting, Straight JIC/ORB	
39	0700823001	4	Bolt M8 x 75	
40	0701028001	2	Bolt M10 x 110	
41	0760822001	4	Bolt M8 x 70	
42	0761015001	2	Bolt M10 x 35	
43	3290801001	4	Nut M8	
44	3291005001	6	Nut M10	
45	4811900001	12	Washer M8	
46	1001110604	1	Fitting Kit - Split Flange	
47	1001119455	1	Fitting, Test	
48	1001172358	10	Washer M10	
49	1001200550	1	Sensor, Pressure Transducer	
50	1001200977	1	Hose	
51	1001202136	2	Stud M10 x 115	
52	1001212328	1	Tube	

SECTION 7 - HYDRAULIC

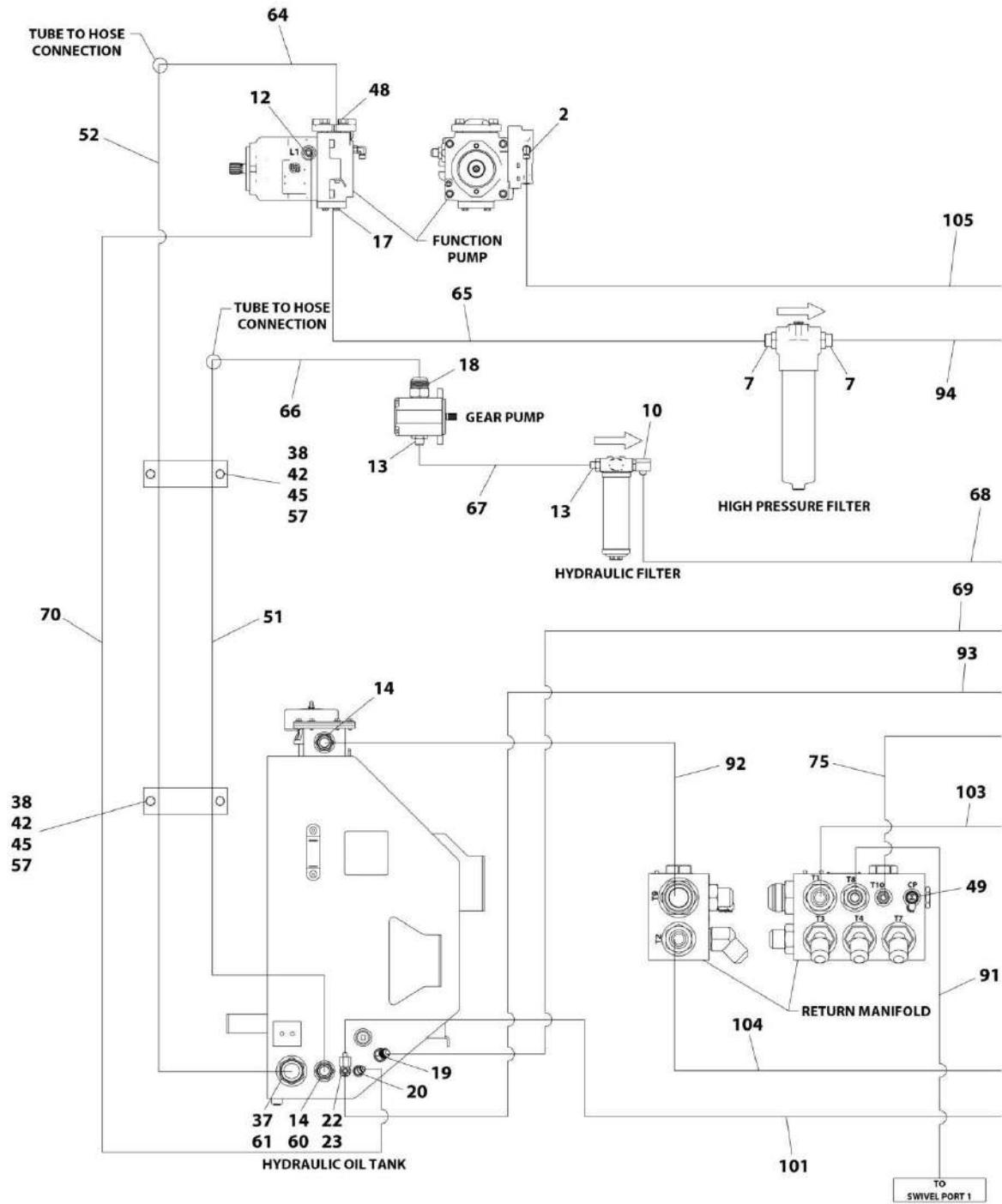
ITEM	PART NUMBER	QTY	DESCRIPTION	REV
53	1001202320	1	Tube	
54	1001202705	1	Bracket	
55	1001202706	2	Clamp	
56	1001202707	1	Clamp	
57	1001202708	2	Cover, Clamp	
58	1001202709	1	Cover, Clamp	
59	1001205083	1	Hose	
60	1001205084	1	Hose	
61	1001205085	1	Hose	
62	1001205086	1	Hose	
63	1001205087	1	Hose	
64	1001205088	1	Hose	
65	1001205089	1	Hose	
66	1001205090	1	Hose	
67	1001205091	1	Hose	
68	1001205092	1	Hose	
69	1001205093	1	Hose	
70	1001205094	2	Hose	
71	1001205095	1	Hose	
72	1001205096	1	Hose	
73	1001205097	1	Hose	
74	1001205098	4	Hose	
75	1001205099	1	Hose	
76	1001205100	2	Hose	
77	1001205102	1	Hose	
78	1001205103	1	Hose	
79	1001205104	1	Hose	
80	1001205105	1	Hose	
81	1001205106	1	Hose	
82	1001205107	1	Hose	
83	1001205108	1	Hose	
84	1001205109	1	Hose	
85	1001205110	2	Hose	
86	1001205111	2	Hose	
87	1001205112	1	Hose	
88	1001205113	1	Hose	
89	1001205114	1	Hose	
90	1001205115	1	Hose	
91	1001205116	4	Hose	
92	1001205117	1	Hose	
93	1001205120	1	Hose	
94	1001205121	1	Hose	
95	1001205122	1	Hose	
96	1001205123	1	Hose	
97	1001205124	1	Hose	
98	1001205125	1	Hose	
99	1001205949	1	Hose	
100	1001207102	2	Clamp	
101	1001161647	1	Hose	
102	4240156	14	Strap, Cinch (Prior to SN 0300218237)	
102	1001137263	16	Strap, Cinch (SN 0300218237 to Present)	

SECTION 7 - HYDRAULIC

ITEM	PART NUMBER	QTY	DESCRIPTION	REV
103	1001207279	1	Shield (Not Shown)	
104	3291001001	1	Nut M10 (Not Shown)	
105	0100019	1	Compound, Locking (Not Shown)	

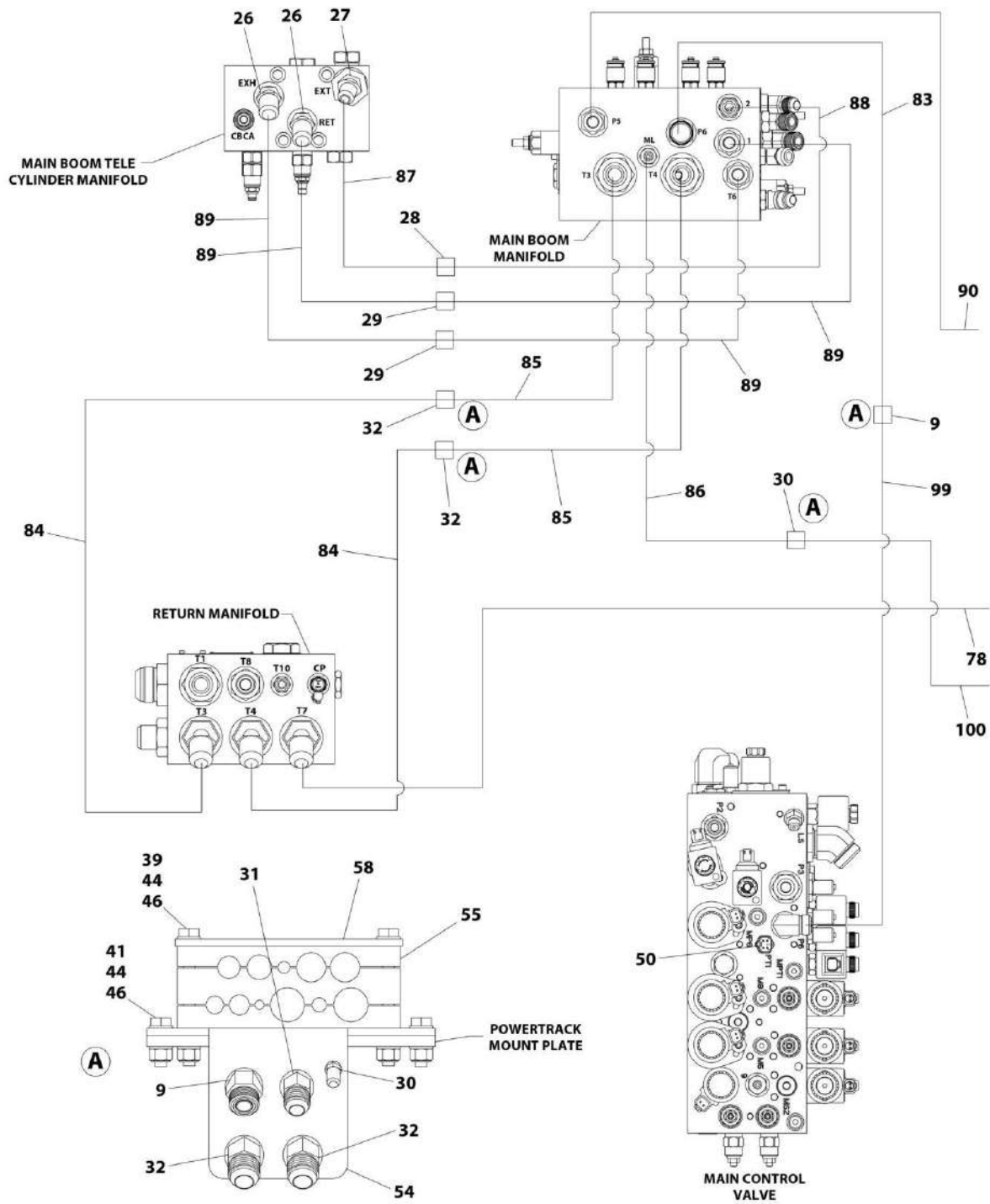
SECTION 7 - HYDRAULIC

FIGURE 7-4. TURNTABLE HYDRAULIC DIAGRAM (SN 0300223782 to Present)



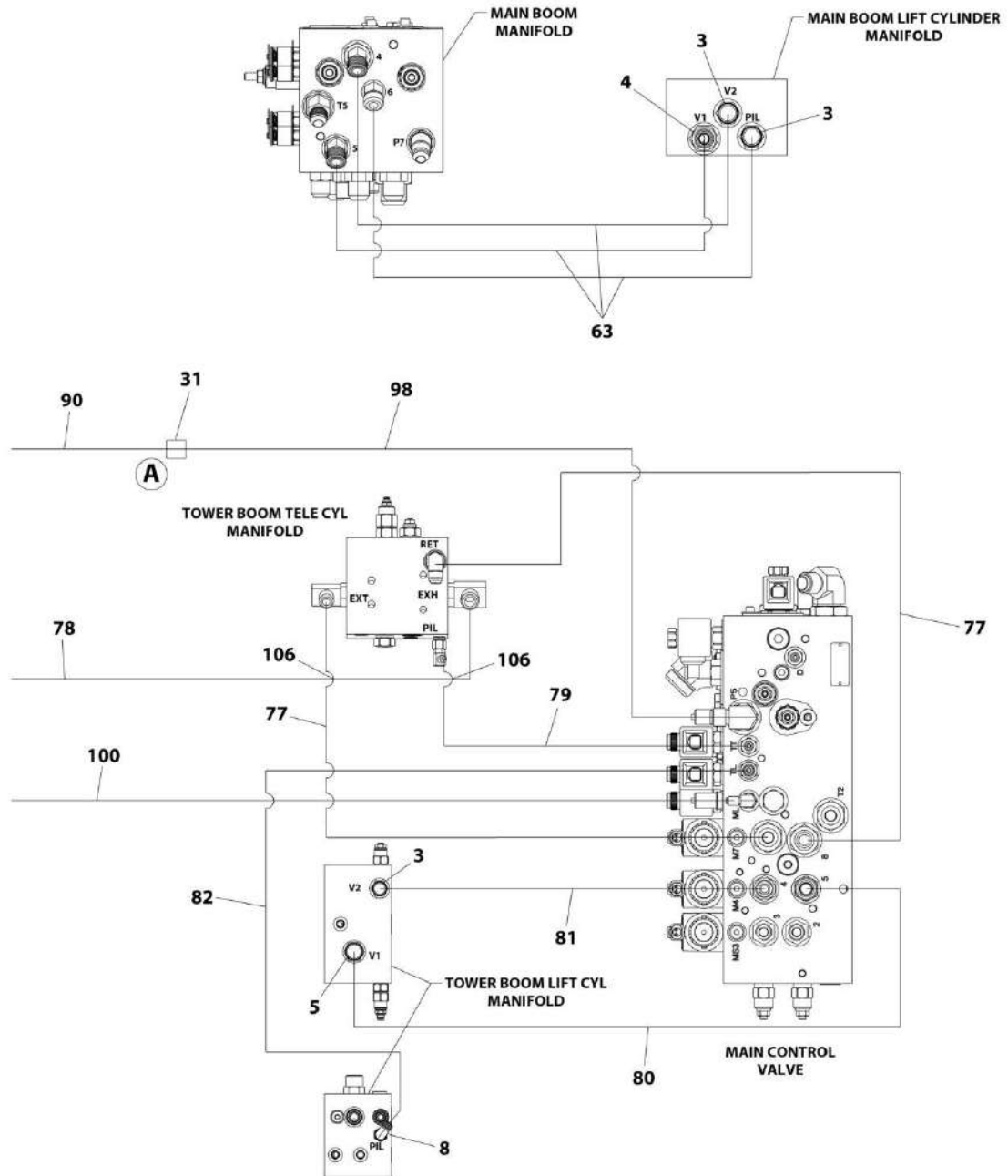
ART_1001212512_10F4

SECTION 7 - HYDRAULIC



ART_1001212512_30F4

SECTION 7 - HYDRAULIC



ART_1001212512_40F4

SECTION 7 - HYDRAULIC

FIGURE 7-4. TURNTABLE HYDRAULIC DIAGRAM (SN 0300223782 to Present)

ITEM	PART NUMBER	QTY	DESCRIPTION	REV
	1001212512	Ref	TURNTABLE HYDRAULIC DIAGRAM (SN 0300223782 to Present)	G
1	0100019	AR	Compound, Locking	
2	2110404	1	Fitting, 90 ORFS/ORB (Prior to SN 0300235445)	
2	2110604	1	Fitting, 90 ORFS/ORB (SN 0300235445 to Present)	
3	2110808	3	Fitting, Straight ORFS/ORB	
4	2110810	1	Fitting, Straight ORFS/ORB	
5	2111010	1	Fitting, Straight ORFS/ORB	
6	2111016	4	Fitting, Straight ORFS/ORB	
7	2111620	2	Fitting, Straight ORFS/ORB	
8	2170204	1	Fitting, 90 ORFS/ORB	
9	2171310	1	Fitting, 45 ORFS	
10	2220366	1	Fitting, 90 JIC/ORB	
11	2220373	2	Fitting, Straight JIC/ORB	
12	2220374	4	Fitting, Straight JIC/ORB	
13	2220375	2	Fitting, Straight JIC/ORB	
14	2220380	2	Fitting, Straight JIC/ORB	
15	2220415	1	Fitting, Straight JIC/ORB	
16	2220473	1	Fitting, 90 JIC/ORB	
17	2220478	1	Fitting Kit - Split Flange	
18	2220479	1	Fitting, Straight JIC/ORB	
19	2220498	1	Fitting, 45 JIC/ORB	
20	2220500	1	Fitting, 45 JIC/ORB	
21	2220578	1	Fitting, 90 JIC/ORB	
22	2220602	1	Fitting, Tee JIC/ORB/JIC	
23	2220618	1	Fitting, Straight JIC/FSJIC	
24	2220865	1	Fitting, Straight JIC/ORB	
25	2221034	1	Fitting, Tee	
26	2221050	2	Fitting, 45 JIC/ORB	
27	2221077	1	Fitting, 45	
28	2230025	1	Fitting, Straight JIC/JIC	
29	2230026	2	Fitting, Straight JIC/JIC	
30	2230031	1	Fitting, 45 JIC/JIC	
31	2230035	1	Fitting, 45 JIC/JIC	
32	2230036	2	Fitting, 45 JIC/JIC	
33	4240018	4	Tie-Strap (Not Shown)	
34	1001137263	AR	Strap, Cinch	
35	8760554	2	Fitting, Tee JIC/ORB/JIC	
36	77133089	1	Valve, Check	
37	88662013	1	Fitting, Straight JIC/ORB	
38	0700823001	4	Bolt M8 x 75	
39	0701028001	2	Bolt M10 x 110	
40	0760822001	4	Bolt M8 x 70	
41	0761015001	2	Bolt M10 x 35	
42	3290801001	4	Nut M8	
43	3291001001	2	Nut M10	
44	3291005001	6	Nut M10	
45	4811900001	12	Washer M8	
46	1001172358	10	Washer M10	
47	1001202136	2	Stud M10 x 115	
48	1001110604	1	Fitting Kit - Split Flange	

SECTION 7 - HYDRAULIC

ITEM	PART NUMBER	QTY	DESCRIPTION	REV
49	1001119455	1	Fitting, Test	
50	1001200550	1	Sensor, Pressure Transducer	
51	1001202320	1	Tube	
52	1001212328	1	Tube	
53	1001207279	1	Shield (Not Shown)	
54	1001202705	1	Bracket	
55	1001202706	2	Clamp	
56	1001202707	1	Clamp	
57	1001207102	2	Clamp	
58	1001202708	2	Cover, Clamp	
59	1001202709	1	Cover, Clamp	
60	1001217086	1	Seal, Conical	
61	1001217087	1	Seal, Conical	
62	1001161647	1	Hose	
63	1001200977	1	Hose	
64	1001205083	1	Hose	
65	1001205084	1	Hose	
66	1001205086	1	Hose	
67	1001205087	1	Hose	
68	1001205088	1	Hose	
69	1001205089	1	Hose	
70	1001205090	1	Hose	
71	1001205092	1	Hose	
72	1001205093	1	Hose	
73	1001205094	2	Hose	
74	1001205095	1	Hose	
75	1001205096	1	Hose	
76	1001205098	2	Hose	
77	1001205100	2	Hose	
78	1001205102	1	Hose	
79	1001205103	1	Hose	
80	1001205104	1	Hose	
81	1001205105	1	Hose	
82	1001205106	1	Hose	
83	1001205108	1	Hose	
84	1001205110	2	Hose	
85	1001205111	2	Hose	
86	1001205113	1	Hose	
87	1001205114	1	Hose	
88	1001205115	1	Hose	
89	1001205116	4	Hose	
90	1001205117	1	Hose	
91	1001205124	1	Hose	
92	1001205125	1	Hose	
93	1001205949	1	Hose	
94	1001212491	1	Hose	
95	1001212492	1	Hose	
96	1001212494	2	Hose	
97	1001212495	1	Hose	
98	1001212502	1	Hose	
99	1001212503	1	Hose	

SECTION 7 - HYDRAULIC

ITEM	PART NUMBER	QTY	DESCRIPTION	REV
100	1001212504	1	Hose	
101	1001212505	1	Hose	
102	1001212507	1	Hose	
103	1001212509	1	Hose	
104	1001212510	1	Hose (Prior to SN 0300235445)	
104	1001231291	1	Hose (SN 0300235445 to Present)	
105	1001212514	1	Hose (Prior to SN 0300235445)	
105	1001232201	1	Hose (SN 0300235445 to Present)	
106	1001137263	AR	Strap, Cinch (Prior to SN 0300224829)	
106	1001137262	2	Strap, Cinch (SN 0300224829 through 0300235444)	
106	4240155	6	Strap, Cinch (SN 0300235445 to Present)	

SECTION 7 - HYDRAULIC

FIGURE 7-5. HYDRAULIC DIAGRAM LIST

ITEM	PART NUMBER	QTY	DESCRIPTION	REV
		Ref	Note: Information on diagrams not shown are available from JLG Customer Service Department. See Service and Maintenance Manual for Schematics.	
		Ref	HYDRAULIC DIAGRAM LIST	
	1001197361	Ref	Boom and Jib Hydraulic Diagram	
	1001157241	Ref	Chassis Hydraulic Diagram	
	1001197362	Ref	Turntable Hydraulic Diagram (Prior to SN 0300223782)	
	1001212512	Ref	Turntable Hydraulic Diagram (SN 0300223782 to Present)	
	1001202817	Ref	Hydraulic Schematic	

SECTION 8 - ELECTRICAL

SECTION 8 - ELECTRICAL

FIGURE 8-1. ELECTRICAL DIAGRAM LIST

ITEM	PART NUMBER	QTY	DESCRIPTION	REV
		Ref	Note: Information on diagrams not shown are available from JLG Customer Service Department. See Service and Maintenance Manual for Schematics.	
		Ref	ELECTRICAL DIAGRAM LIST	
	1001205405	Ref	Generator Electrical Diagram - 4000W/50Hz (ANSI Export, CE, China and Japanese Specs)	
	1001205406	Ref	Generator Electrical Diagram - 4000W/50Hz (Australian Specs)	
	1001205407	Ref	Generator Electrical Diagram - 4000W/50Hz (UK Specs)	
	1001153257	Ref	Generator Electrical Diagram - 4000W/60Hz	
	1001156083	Ref	Generator Electrical Diagram - 7500W SkyPower	
	4933218	Ref	Soft-Touch Electrical Diagram	
	1001119861	Ref	Electrical Schematic	
	1001194252	Ref	Electrical Schematic - Harness List	

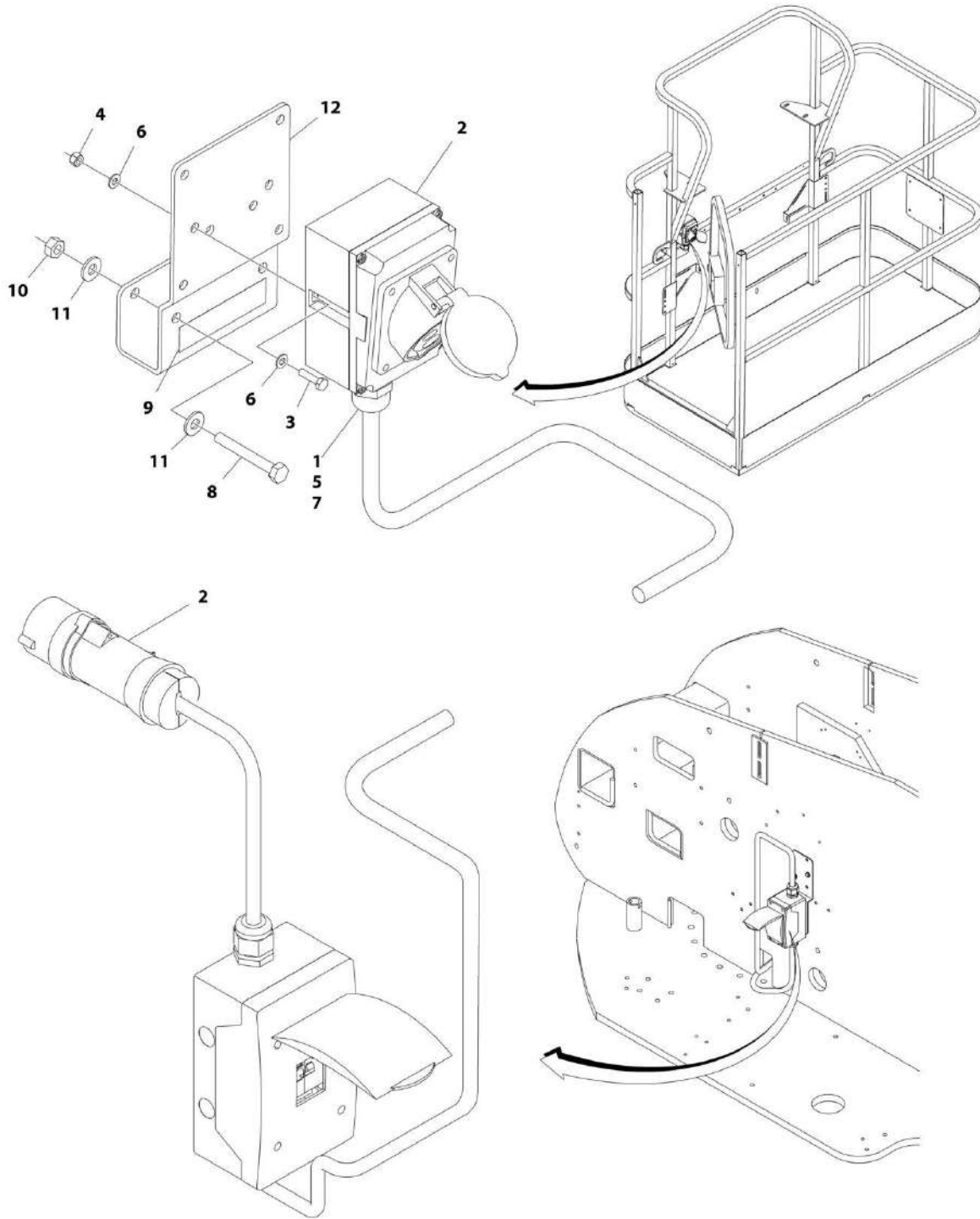
SECTION 8 - ELECTRICAL

FIGURE 8-2. AC BOX AT PLATFORM INSTALLATION - 110V GFI (ANSI, CHINA, CSA AND JAPANESE SPECS)

ITEM	PART NUMBER	QTY	DESCRIPTION	REV
	1001197333	Ref	AC BOX AT PLATFORM INSTALLATION - 110V GFI (ANSI, CHINA, CSA AND JAPANESE SPECS)	B
1	0860038	1	Box, Switch	
2	3251243	2	Decal - 120V/60Hz	
3	3910606	4	Screw #6 x 3/8	
4	3960422	1	Gasket, AC Receptacle	
5	4460051	1	Connector, Strain Relief	
6	4460205	1	Plug, Male	
7	4460315	3	Terminal, Spade	
8	4460346	1	Terminal, Receptacle	
9	4760600	4	Washer #6	
10	8406109	1	Clamp	
11	0760812001	1	Bolt M8 x 25	
12	1001110873	1	Shield, Receptacle Cover	
13	3290805001	1	Nut M8	
14	4811900001	2	Washer M8	
20	3910612	2	Screw #6 x 3/4	

SECTION 8 - ELECTRICAL

FIGURE 8-3. AC BOX AT PLATFORM INSTALLATION - 110V IEC YELLOW WITHOUT GENERATOR (CE SPECS)



ART_1001091969

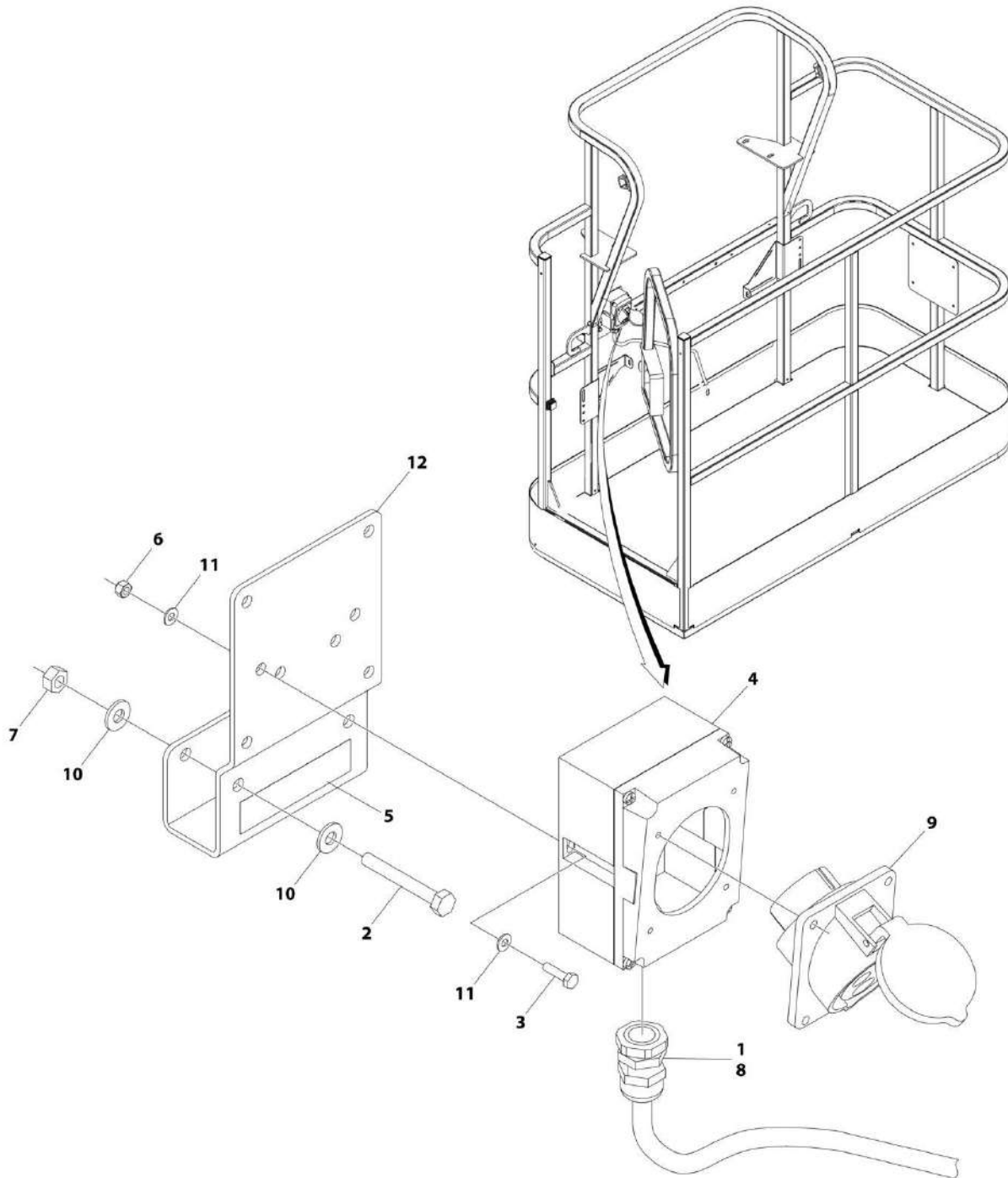
SECTION 8 - ELECTRICAL

**FIGURE 8-3. AC BOX AT PLATFORM INSTALLATION - 110V IEC YELLOW WITHOUT GENERATOR
(CE SPECS)**

ITEM	PART NUMBER	QTY	DESCRIPTION	REV
	1001091969	Ref	AC BOX AT PLATFORM INSTALLATION - 110V IEC YELLOW WITHOUT GENERATOR (CE SPECS)	C
1	0100020	AR	Sealant, Pipe	
2	0275216	1	Receptacle Box Kit (See RECEPTACLE BOX KIT - 110V IEC YELLOW (CE SPEC) for Breakdown)	
3	0700408	2	Bolt M4 x 16	
4	3290405	2	Nut M4	
5	1001101196	1	Adapter	
6	4811400	4	Washer M4	
7	1001101191	1	Connector, Strain Relief	
8	0641416	2	Bolt 1/4 x 2	
9	1705325	1	Decal - 110V	
10	3311405	2	Nut 1/4	
11	4711400	4	Washer 1/4	
12	1001193018	1	Bracket	

SECTION 8 - ELECTRICAL

FIGURE 8-4. AC BOX AT PLATFORM INSTALLATION - 110V IEC YELLOW WITH 4000W GENERATOR (CE SPECS)



ART_1001194203

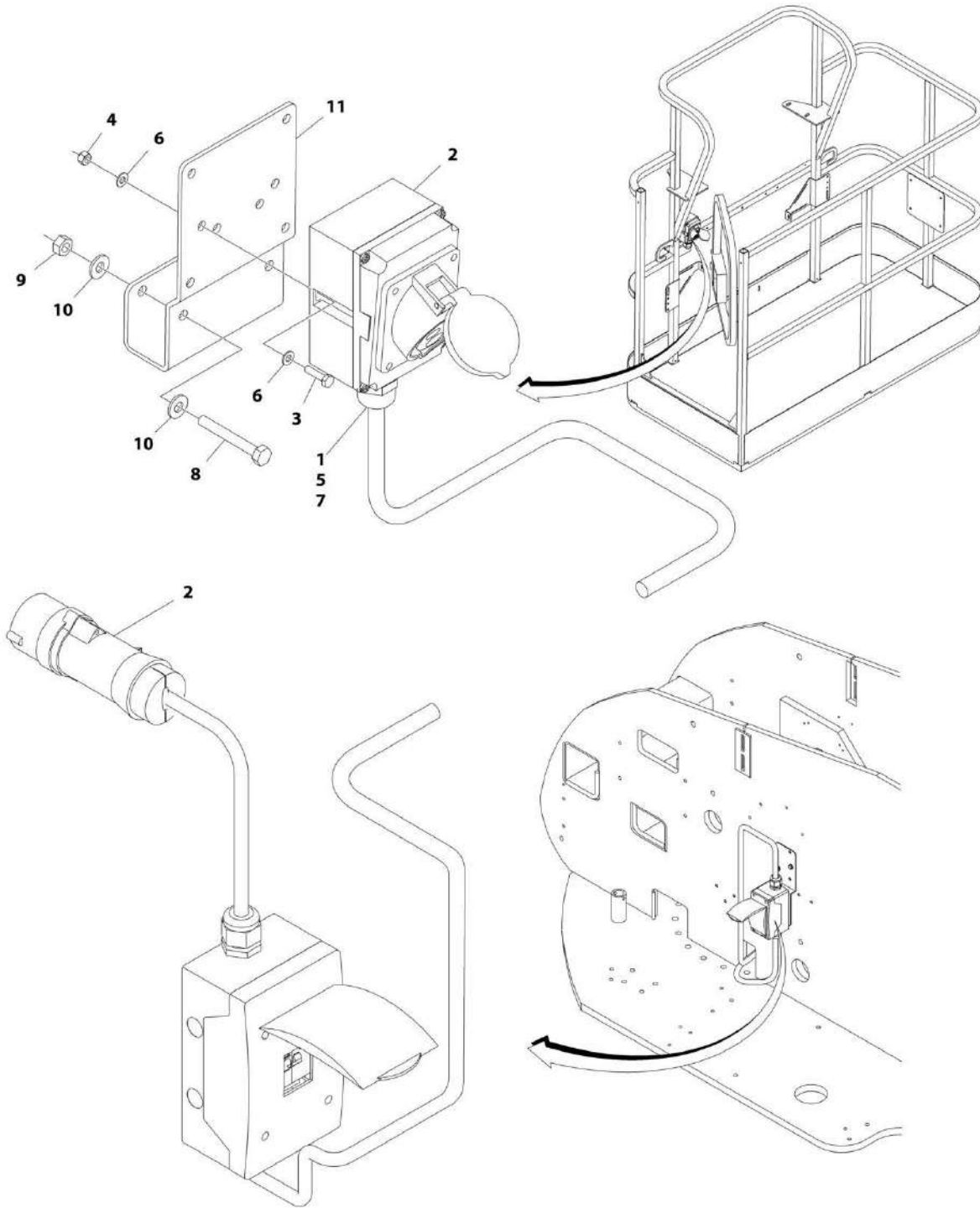
SECTION 8 - ELECTRICAL

**FIGURE 8-4. AC BOX AT PLATFORM INSTALLATION - 110V IEC YELLOW WITH 4000W GENERATOR
(CE SPECS)**

ITEM	PART NUMBER	QTY	DESCRIPTION	REV
	1001194203	Ref	AC BOX AT PLATFORM INSTALLATION - 110V IEC YELLOW WITH 4000W GENERATOR (CE SPECS)	B
1	0100020	AR	Sealant, Pipe	
2	0641416	2	Bolt 1/4 x 2	
3	0700408	2	Bolt M4 x 16	
4	0861781	1	Box, Switch	
5	1705325	1	Decal - 110V	
6	3290405	2	Nut M4	
7	3311405	2	Nut 1/4	
8	4460968	1	Connector, Strain Relief	
9	4461198	1	Receptacle	
10	4711400	4	Washer 1/4	
11	4811400	4	Washer M4	
12	1001193018	1	Bracket, AC Receptacle	

SECTION 8 - ELECTRICAL

FIGURE 8-5. AC BOX AT PLATFORM INSTALLATION - 220V IEC BLUE WITHOUT GENERATOR (CE SPECS)



ART_1001091970

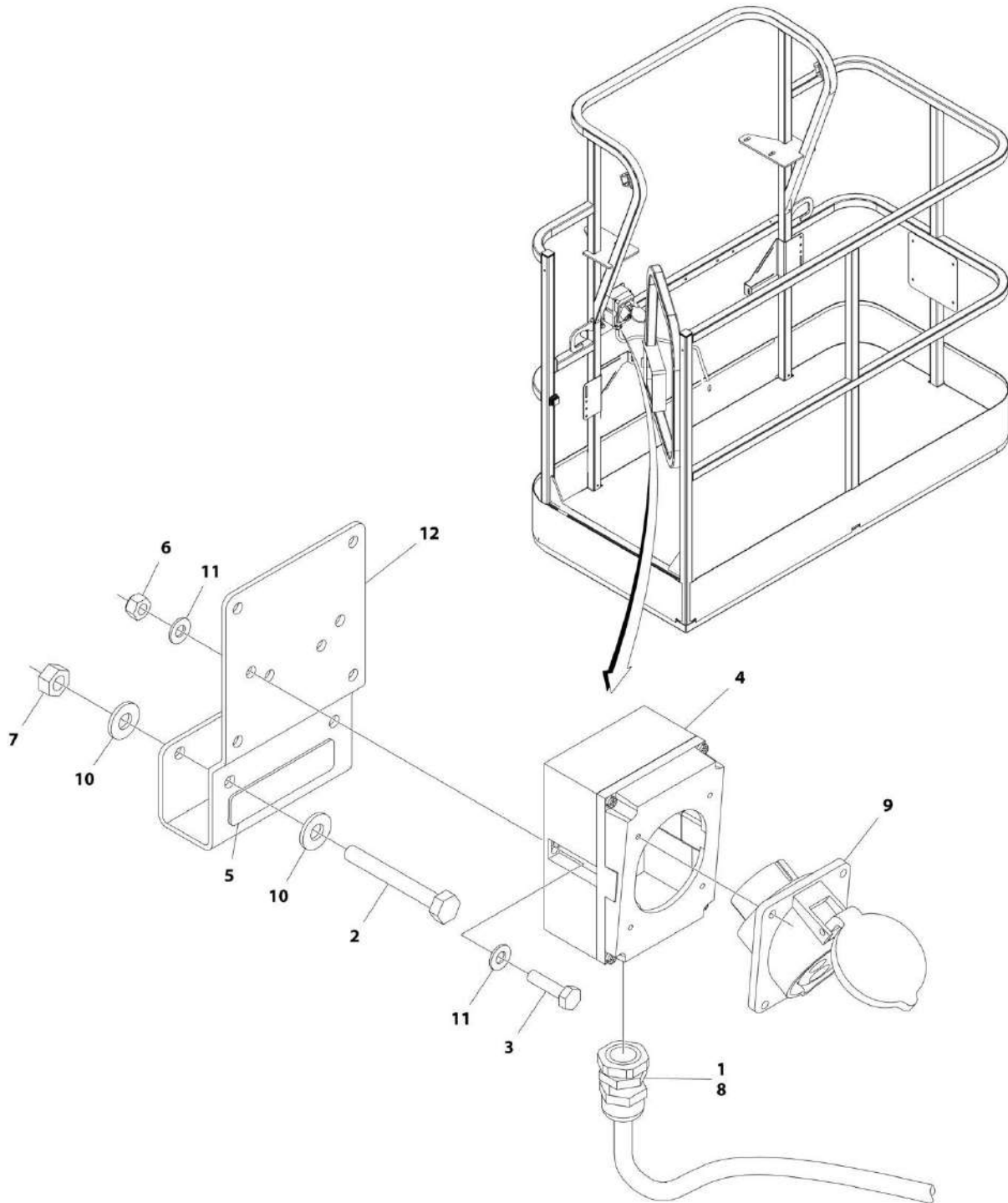
SECTION 8 - ELECTRICAL

FIGURE 8-5. AC BOX AT PLATFORM INSTALLATION - 220V IEC BLUE WITHOUT GENERATOR (CE SPECS)

ITEM	PART NUMBER	QTY	DESCRIPTION	REV
	1001091970	Ref	AC BOX AT PLATFORM INSTALLATION - 220V IEC BLUE WITHOUT GENERATOR (CE SPECS)	C
1	0100020	AR	Sealant, Pipe	
2	0275217	1	Receptacle Box Kit (See RECEPTACLE BOX KIT - 220V IEC BLUE (CE SPEC) for Breakdown)	
3	0700408	2	Bolt M4 x 16	
4	3290405	2	Nut M4	
5	1001101196	1	Adapter	
6	4811400	4	Washer M4	
7	1001101191	1	Connector, Strain Relief	
8	0641416	2	Bolt 1/4 x 2	
9	3311405	2	Nut 1/4	
10	4711400	4	Washer 1/4	
11	1001193018	1	Bracket	

SECTION 8 - ELECTRICAL

FIGURE 8-6. AC BOX AT PLATFORM INSTALLATION - 220V IEC BLUE WITH 4000W GENERATOR (CE SPECS)



ART_1001194204

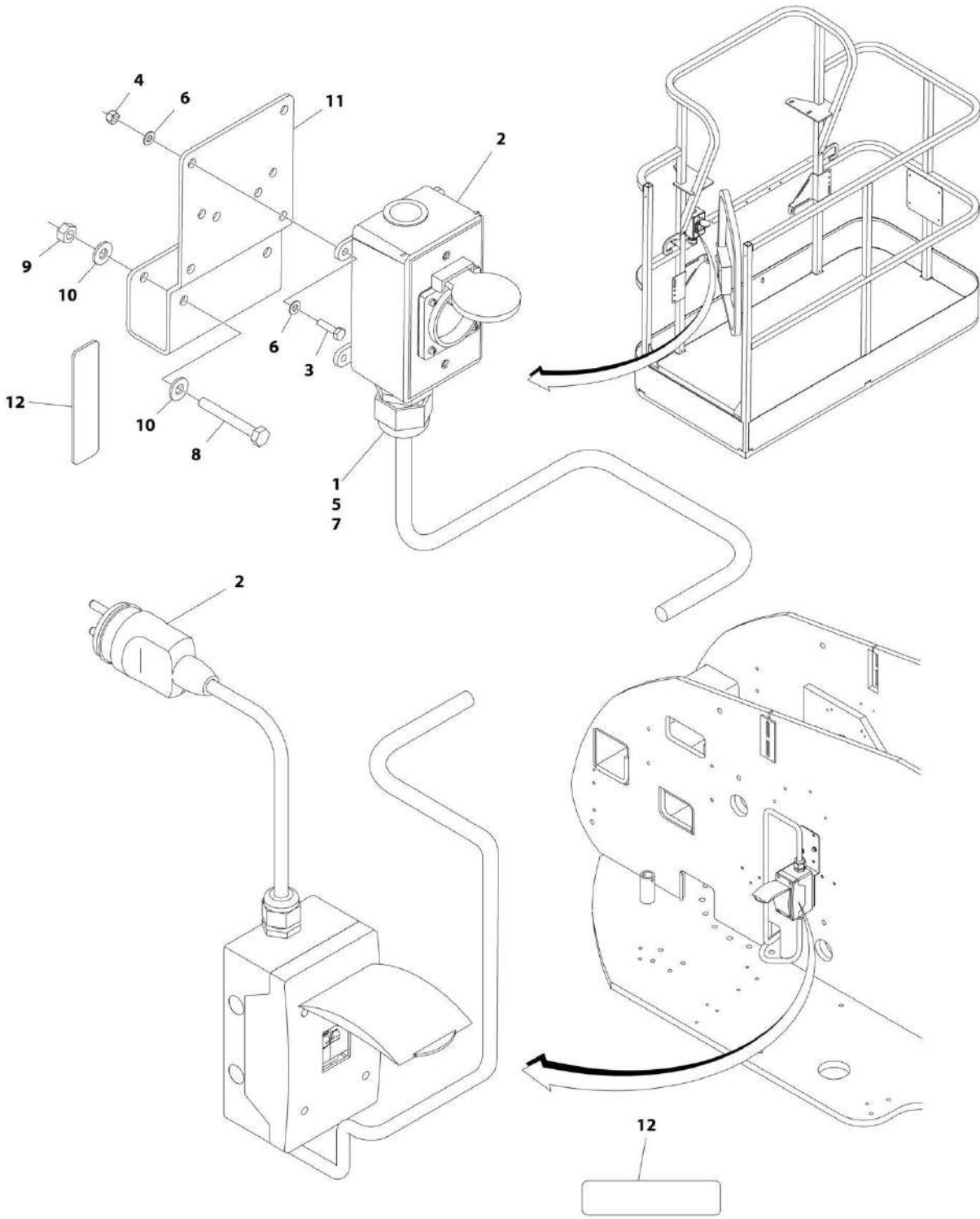
SECTION 8 - ELECTRICAL

**FIGURE 8-6. AC BOX AT PLATFORM INSTALLATION - 220V IEC BLUE WITH 4000W GENERATOR
(CE SPECS)**

ITEM	PART NUMBER	QTY	DESCRIPTION	REV
	1001194204	Ref	AC BOX AT PLATFORM INSTALLATION - 220V IEC BLUE WITH 4000W GENERATOR (CE SPECS)	B
1	0100020	AR	Sealant, Pipe	
2	0641416	2	Bolt 1/4 x 2	
3	0700408	2	Bolt M4 x 16	
4	0861781	1	Box, Switch	
5	3251242	1	Decal - 240V-50Hz	
6	3290405	2	Nut M4	
7	3311405	2	Nut 1/4	
8	4460968	1	Connector, Strain Relief	
9	4461201	1	Receptacle	
10	4711400	4	Washer 1/4	
11	4811400	4	Washer M4	
12	1001193018	1	Bracket, AC Receptacle	

SECTION 8 - ELECTRICAL

FIGURE 8-7. AC BOX AT PLATFORM INSTALLATION - 220V CEE7 POST GROUND WITHOUT GENERATOR (CE SPECS)



(REF. LOCATED ON ENGINE SIDE HOOD)

ART_1001091973

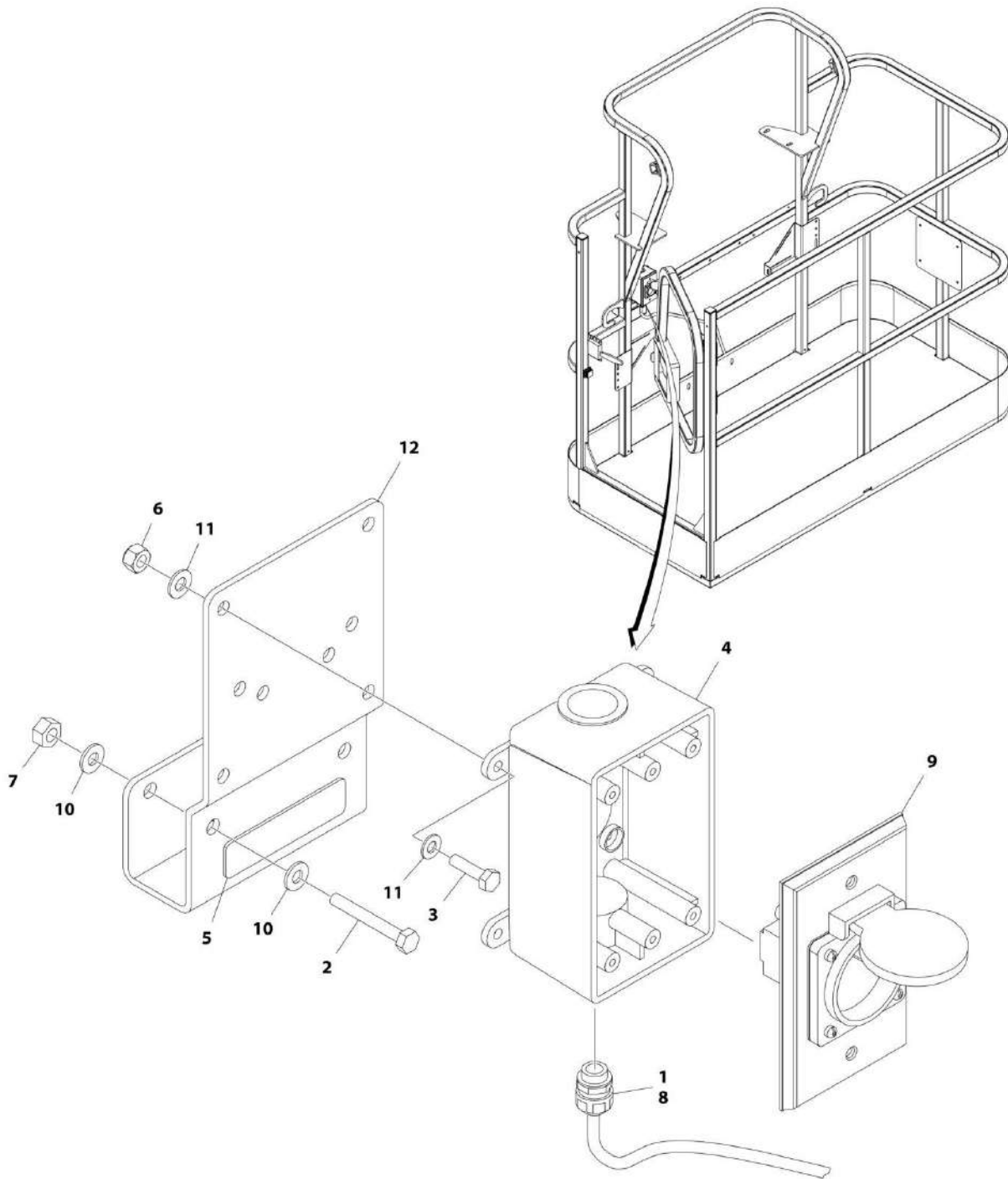
SECTION 8 - ELECTRICAL

FIGURE 8-7. AC BOX AT PLATFORM INSTALLATION - 220V CEE7 POST GROUND WITHOUT GENERATOR (CE SPECS)

ITEM	PART NUMBER	QTY	DESCRIPTION	REV
	1001091973	Ref	AC BOX AT PLATFORM INSTALLATION - 220V CEE7 POST GROUND WITHOUT GENERATOR (CE SPECS)	E
1	0100020	AR	Sealant, Pipe	
2	0275452	1	Receptacle Box Kit (See RECEPTACLE BOX KIT - 220V CEE7 POST GROUND (CE SPEC) for Breakdown)	
3	0700408	4	Bolt M4 x 16	
4	3290405	4	Nut M4	
5	1001101197	1	Adapter	
6	4811400	8	Washer M4	
7	1001101191	1	Connector, Strain Relief	
8	0641416	2	Bolt 1/4 x 2	
9	3311405	2	Nut 1/4	
10	4711400	4	Washer 1/4	
11	1001193018	1	Bracket	
12	3251242	2	Decal - 240V-50Hz (SN 0300234719 to Present)	
13	4460806	2	Terminal, Fork (Not Shown)	
14	1001205958	1	Terminal (Not Shown)	

SECTION 8 - ELECTRICAL

FIGURE 8-8. AC BOX AT PLATFORM INSTALLATION - 220V CEE7 POST GROUND WITH 4000W GENERATOR (CE SPECS)



ART_1001194197

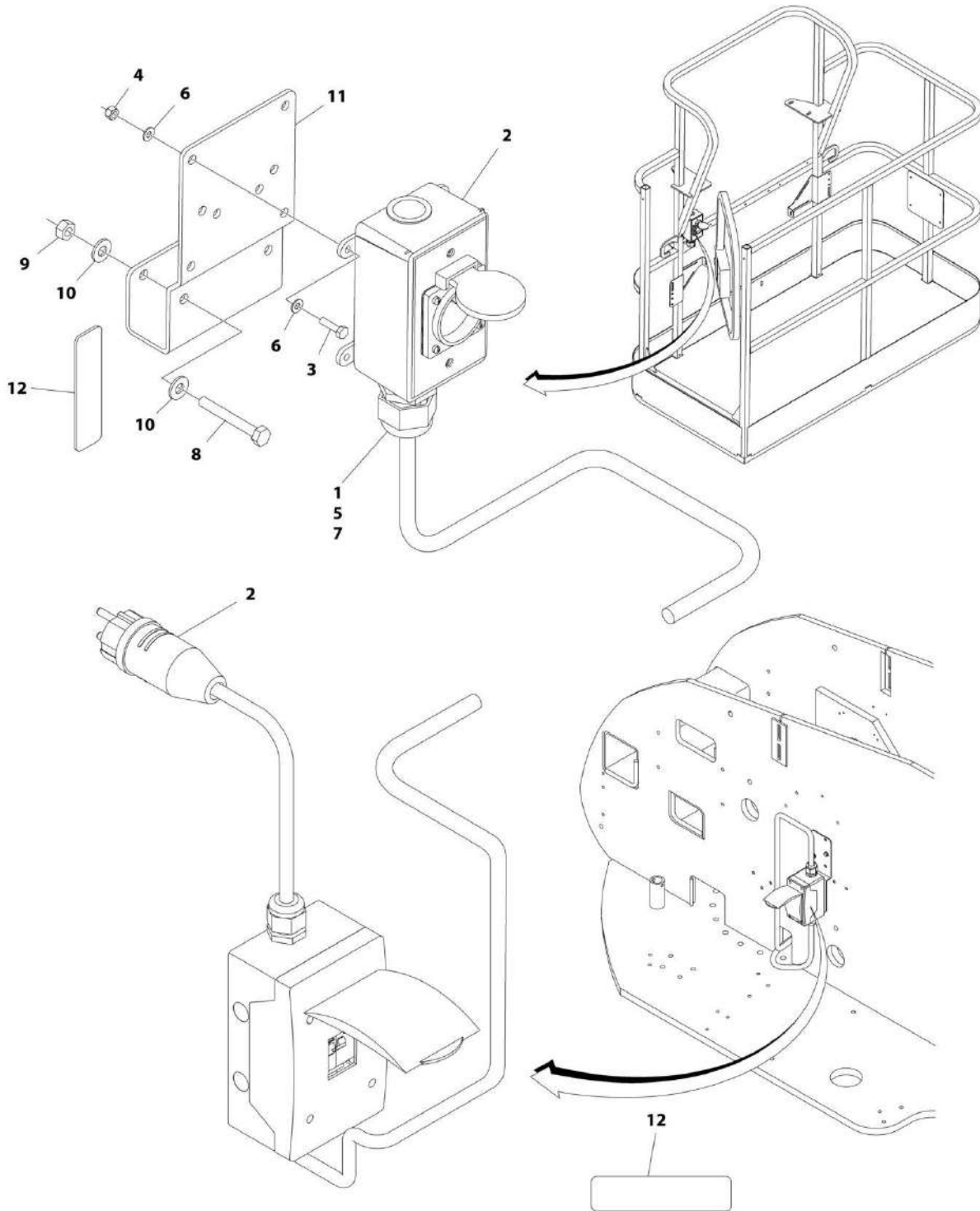
SECTION 8 - ELECTRICAL

FIGURE 8-8. AC BOX AT PLATFORM INSTALLATION - 220V CEE7 POST GROUND WITH 4000W GENERATOR (CE SPECS)

ITEM	PART NUMBER	QTY	DESCRIPTION	REV
	1001194197	Ref	AC BOX AT PLATFORM INSTALLATION - 220V CEE7 POST GROUND WITH 4000W GENERATOR (CE SPECS)	B
1	0100020	AR	Sealant, Pipe	
2	0641416	2	Bolt 1/4 x 2	
3	0700408	4	Bolt M4 x 16	
4	0861731	1	Box, Switch	
5	3251242	1	Decal - 240V-50Hz	
6	3290405	4	Nut M4	
7	3311405	2	Nut 1/4	
8	4460662	1	Connector, Strain Relief	
9	4461244	1	Receptacle	
10	4711400	4	Washer 1/4	
11	4811400	8	Washer M4	
12	1001193018	1	Bracket, AC Receptacle	
13	4460806	2	Terminal, Fork (Not Shown)	
14	1001205958	1	Terminal (Not Shown)	

SECTION 8 - ELECTRICAL

FIGURE 8-9. AC BOX AT PLATFORM INSTALLATION - 220V CEE7 SIDE GROUND WITHOUT GENERATOR (CE SPECS)



(REF. LOCATED ON ENGINE SIDE HOOD)

ART_1001091974

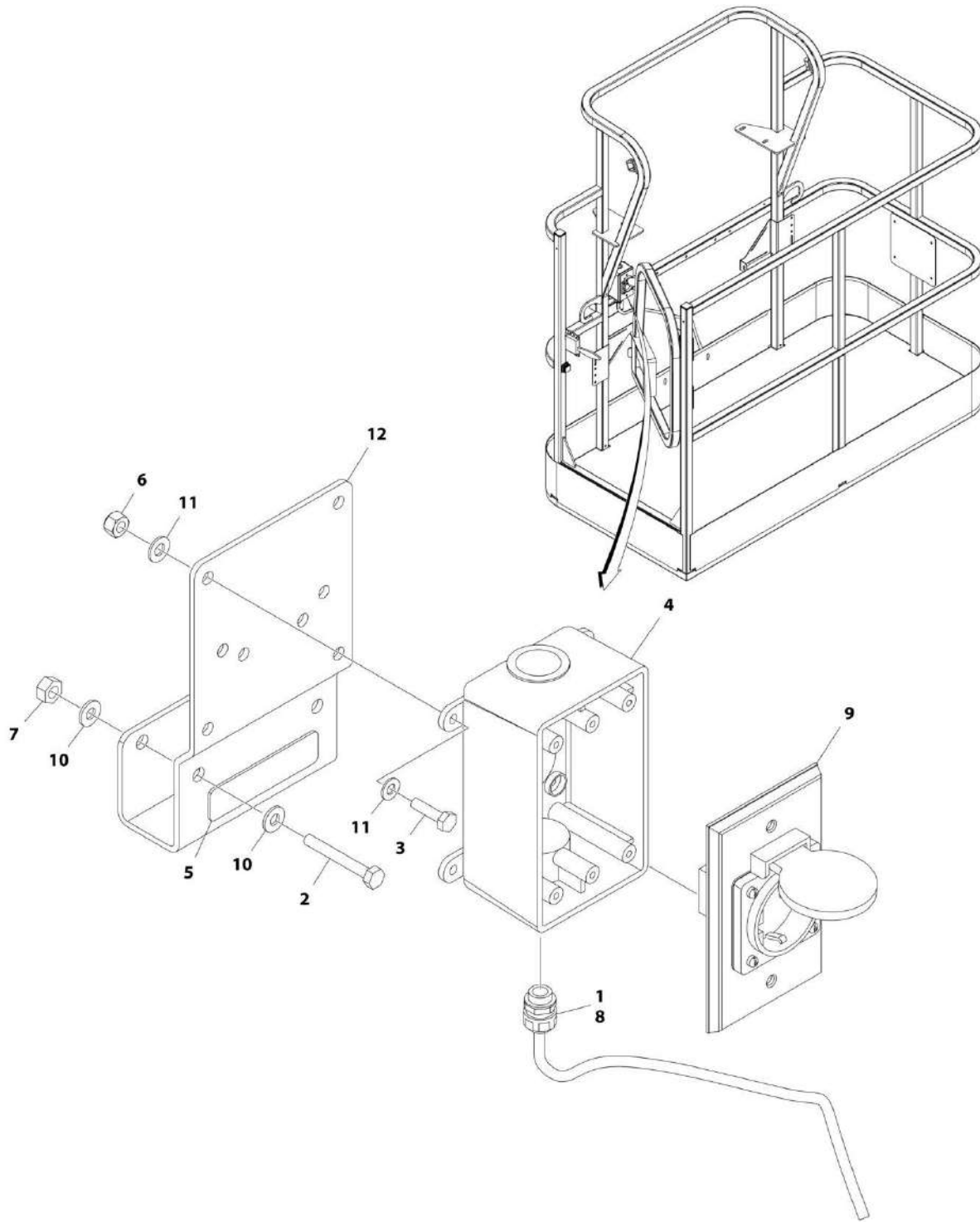
SECTION 8 - ELECTRICAL

FIGURE 8-9. AC BOX AT PLATFORM INSTALLATION - 220V CEE7 SIDE GROUND WITHOUT GENERATOR (CE SPECS)

ITEM	PART NUMBER	QTY	DESCRIPTION	REV
	1001091974	Ref	AC BOX AT PLATFORM INSTALLATION - 220V CEE7 SIDE GROUND WITHOUT GENERATOR (CE SPECS)	F
1	0100020	AR	Sealant, Pipe	
2	0275453	1	Receptacle Box Kit (See RECEPTACLE BOX KIT - 220V CEE7 SIDE GROUND (CE SPEC) for Breakdown)	
3	0700408	4	Bolt M4 x 16	
4	3290405	4	Nut M4	
5	1001101197	1	Adapter	
6	4811400	8	Washer M4	
7	1001101191	1	Connector, Strain Relief	
8	0641416	2	Bolt 1/4 x 2	
9	3311405	2	Nut 1/4	
10	4711400	4	Washer 1/4	
11	1001193018	1	Bracket	
12	3251242	2	Decal - 240V-50Hz (SN 0300234719 to Present)	
13	4460806	2	Terminal, Fork (Not Shown)	
14	1001205958	1	Terminal (Not Shown)	

SECTION 8 - ELECTRICAL

FIGURE 8-10. AC BOX AT PLATFORM INSTALLATION - 220V CEE7 SIDE GROUND WITH 4000W GENERATOR (CE SPECS)



ART_1001194198

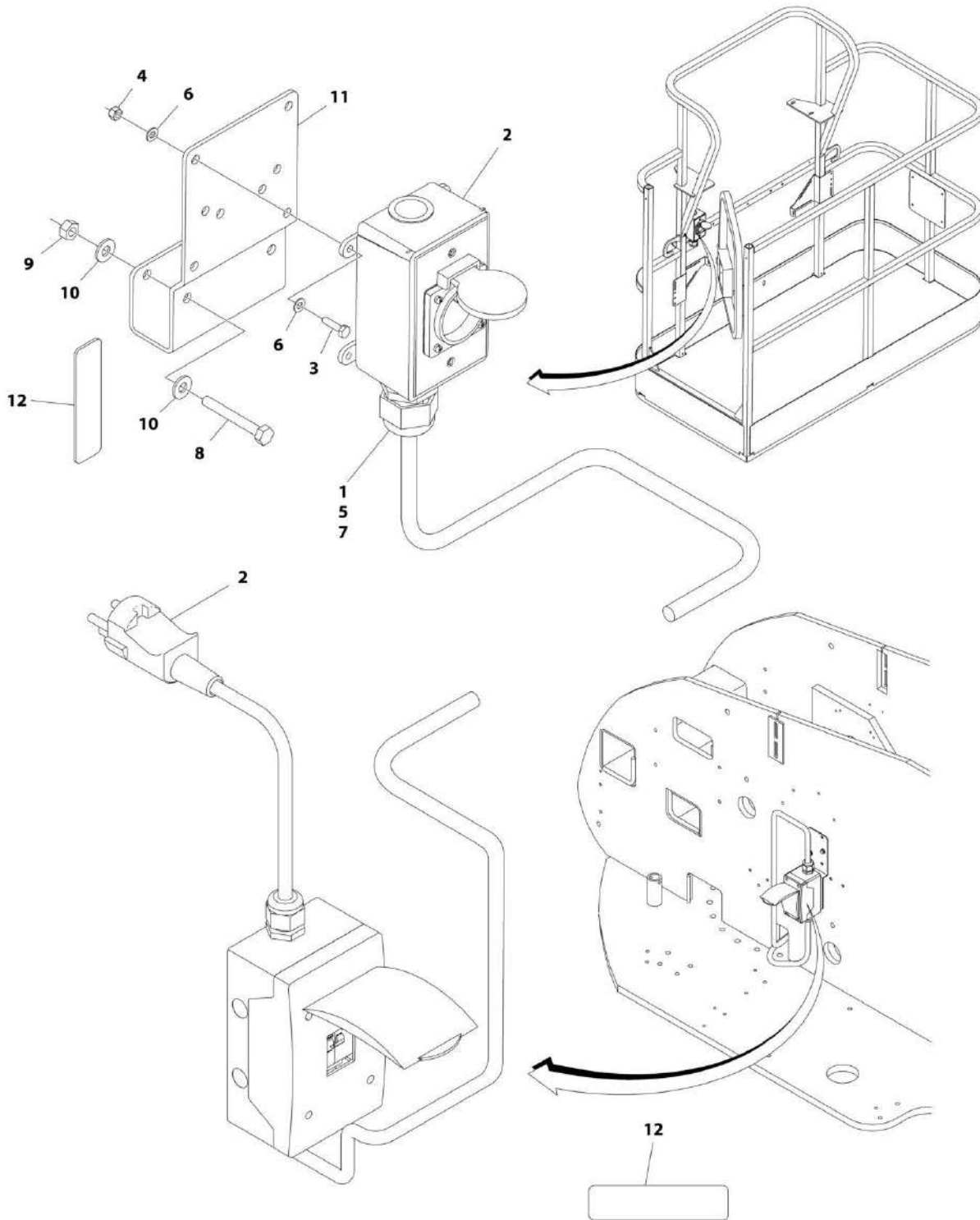
SECTION 8 - ELECTRICAL

FIGURE 8-10. AC BOX AT PLATFORM INSTALLATION - 220V CEE7 SIDE GROUND WITH 4000W GENERATOR (CE SPECS)

ITEM	PART NUMBER	QTY	DESCRIPTION	REV
	1001194198	Ref	AC BOX AT PLATFORM INSTALLATION - 220V CEE7 SIDE GROUND WITH 4000W GENERATOR (CE SPECS)	B
1	0100020	AR	Sealant, Pipe	
2	0641416	2	Bolt 1/4 x 2	
3	0700408	4	Bolt M4 x 16	
4	0861731	1	Box, Switch	
5	3251242	1	Decal - 240V-50Hz	
6	3290405	4	Nut M4	
7	3311405	2	Nut 1/4	
8	4460662	1	Connector, Strain Relief	
9	4461245	1	Receptacle	
10	4711400	4	Washer 1/4	
11	4811400	8	Washer M4	
12	1001193018	1	Bracket, AC Receptacle	
13	4460806	2	Terminal, Fork (Not Shown)	
14	1001205958	1	Terminal (Not Shown)	

SECTION 8 - ELECTRICAL

FIGURE 8-11. AC BOX AT PLATFORM INSTALLATION - 220V AFSINT 107 KEYED GROUND WITHOUT GENERATOR (CE SPECS)



(REF. LOCATED ON ENGINE SIDE HOOD)

ART_1001091975

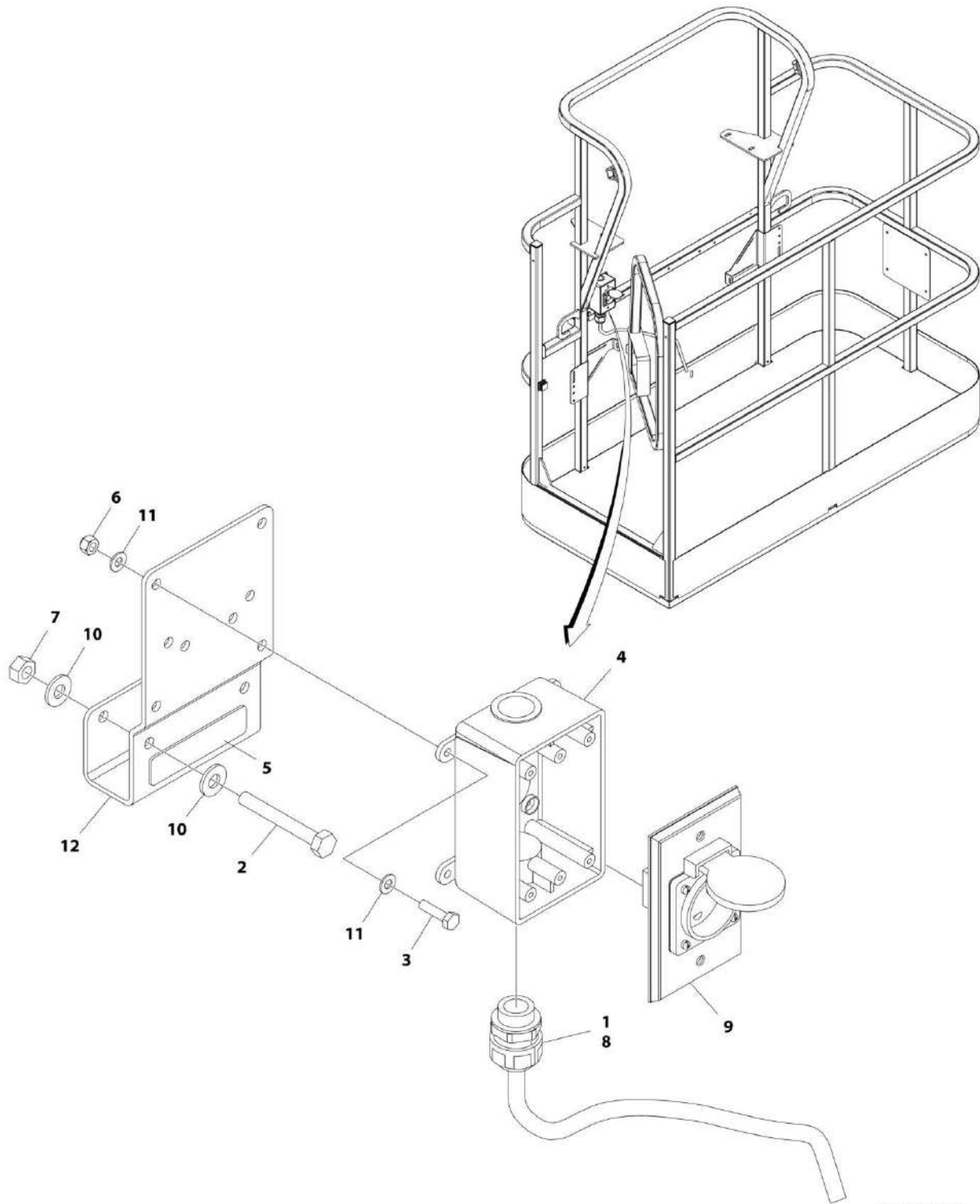
SECTION 8 - ELECTRICAL

FIGURE 8-11. AC BOX AT PLATFORM INSTALLATION - 220V AFSINT 107 KEYED GROUND WITHOUT GENERATOR (CE SPECS)

ITEM	PART NUMBER	QTY	DESCRIPTION	REV
	1001091975	Ref	AC BOX AT PLATFORM INSTALLATION - 220V AFSINT 107 KEYED GROUND WITHOUT GENERATOR (CE SPECS)	F
1	0100020	AR	Sealant, Pipe	
2	0275454	1	Receptacle Box Kit (See RECEPTACLE BOX KIT - 220V AFSINT 107 (CE SPEC) for Breakdown)	
3	0700408	4	Bolt M4 x 16	
4	3290405	4	Nut M4	
5	1001101197	1	Adapter	
6	4811400	8	Washer M4	
7	1001101191	1	Connector, Strain Relief	
8	0641416	2	Bolt 1/4 x 2	
9	3311405	2	Nut 1/4	
10	4711400	4	Washer 1/4	
11	1001193018	1	Bracket	
12	3251242	2	Decal - 240V-50Hz (SN 0300234719 to Present)	
13	1001205958	1	Terminal (Not Shown)	

SECTION 8 - ELECTRICAL

FIGURE 8-12. AC BOX AT PLATFORM INSTALLATION - 220V AFSINT 107 KEYED GROUND WITH 4000W GENERATOR (CE SPECS)



ART_1001194200

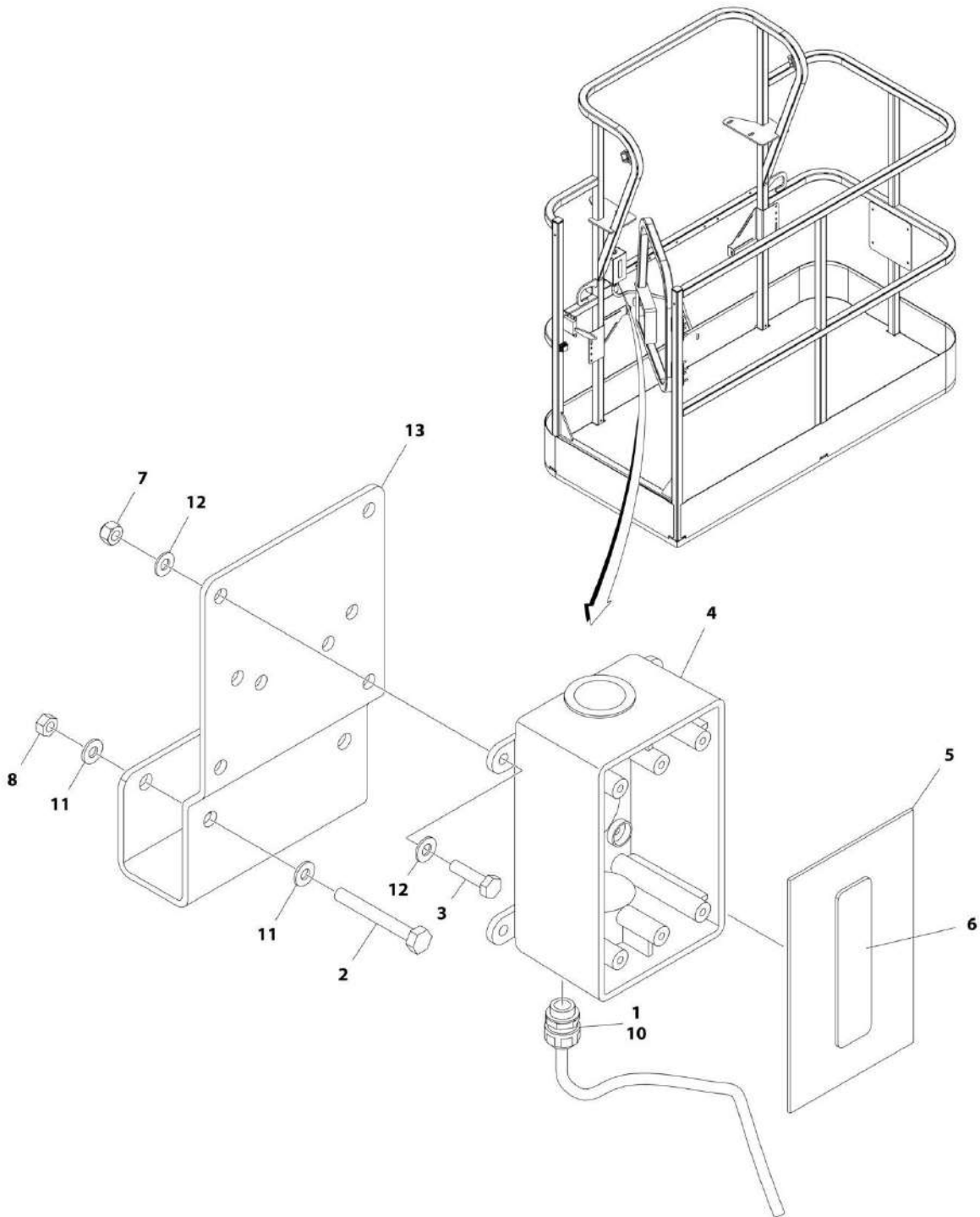
SECTION 8 - ELECTRICAL

FIGURE 8-12. AC BOX AT PLATFORM INSTALLATION - 220V AFSINT 107 KEYED GROUND WITH 4000W GENERATOR (CE SPECS)

ITEM	PART NUMBER	QTY	DESCRIPTION	REV
	1001194200	Ref	AC BOX AT PLATFORM INSTALLATION - 220V AFSINT 107 KEYED GROUND WITH 4000W GENERATOR (CE SPECS)	B
1	0100020	AR	Sealant, Pipe	
2	0641416	2	Bolt 1/4 x 2	
3	0700408	4	Bolt M4 x 16	
4	0861731	1	Box, Switch	
5	3251242	1	Decal - 240V-50Hz	
6	3290405	4	Nut M4	
7	3311405	2	Nut 1/4	
8	4460662	1	Connector, Strain Relief	
9	4461246	1	Receptacle	
10	4711400	4	Washer 1/4	
11	4811400	8	Washer M4	
12	1001193018	1	Bracket, AC Receptacle	
13	1001205958	3	Terminal (Not Shown)	

SECTION 8 - ELECTRICAL

FIGURE 8-13. AC BOX AT PLATFORM INSTALLATION - BOX WITH COVER WITH 4000W GENERATOR (ANSI EXPORT, AUSTRALIAN, CE, CHINA AND JAPANESE SPECS)



ART_1001194365

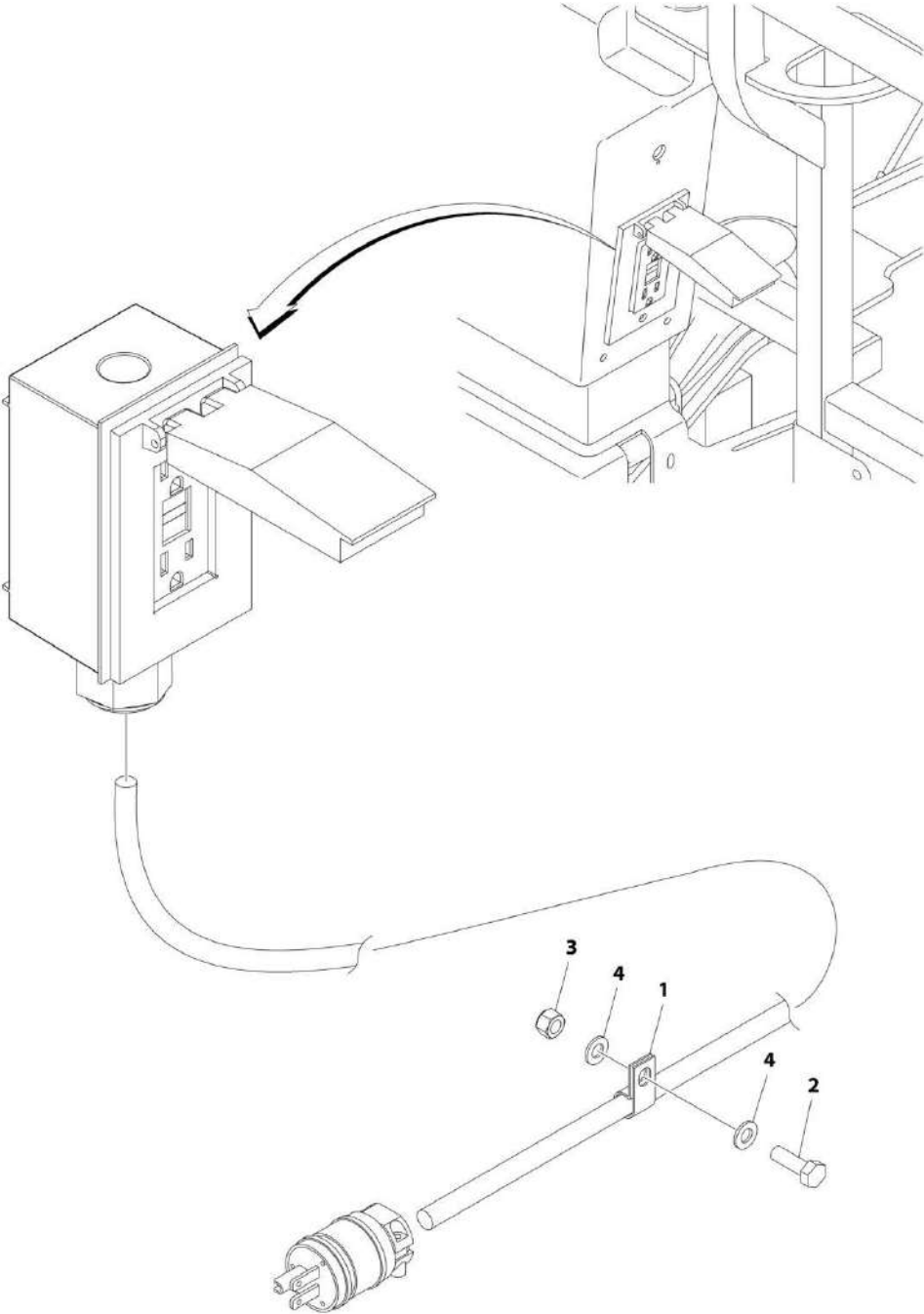
SECTION 8 - ELECTRICAL

FIGURE 8-13. AC BOX AT PLATFORM INSTALLATION - BOX WITH COVER WITH 4000W GENERATOR (ANSI EXPORT, AUSTRALIAN, CE, CHINA AND JAPANESE SPECS)

ITEM	PART NUMBER	QTY	DESCRIPTION	REV
	1001194365	Ref	AC BOX AT PLATFORM INSTALLATION - BOX WITH COVER WITH 4000W GENERATOR (ANSI EXPORT, AUSTRALIAN, CE, CHINA AND JAPANESE SPECS)	A
1	0100020	AR	Sealant, Pipe	
2	0641416	2	Bolt 1/4 x 2	
3	0700408	4	Bolt M4 x 16	
4	0861731	1	Box, Switch	
5	1670603	1	Cover	
6	3251242	1	Decal - 240V-50Hz	
7	3290405	4	Nut M4	
8	3311405	2	Nut 1/4	
9	4460384	3	Terminal (Not Shown)	
10	4460662	1	Connector, Strain Relief	
11	4711400	4	Washer 1/4	
12	4811400	8	Washer M4	
13	1001193018	1	Bracket, AC Receptacle	

SECTION 8 - ELECTRICAL

FIGURE 8-14. AC LEAD INSTALLATION (ANSI EXPORT, AUSTRALIAN, CE AND CHINA SPECS)



ART_1001197332

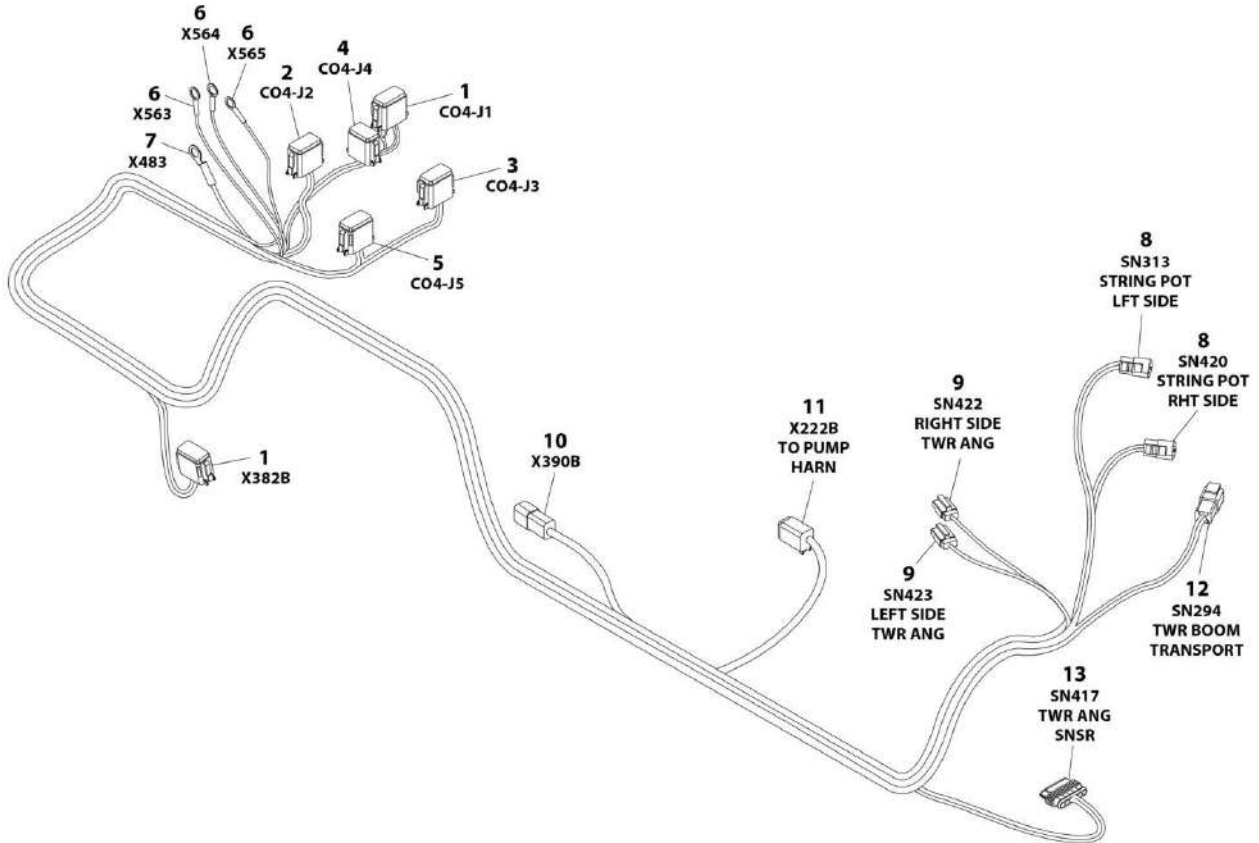
SECTION 8 - ELECTRICAL

FIGURE 8-14. AC LEAD INSTALLATION (ANSI EXPORT, AUSTRALIAN, CE AND CHINA SPECS)

ITEM	PART NUMBER	QTY	DESCRIPTION	REV
	1001197332	Ref	AC LEAD INSTALLATION (ANSI EXPORT, AUSTRALIAN, CE AND CHINA SPECS)	A
1	8406109	1	Clamp	
2	0760812001	1	Bolt M8 x 25	
3	3290805001	1	Nut M8	
4	4811900001	2	Washer M8	

SECTION 8 - ELECTRICAL

FIGURE 8-15. BLAM HARNESS



ART_1001196688

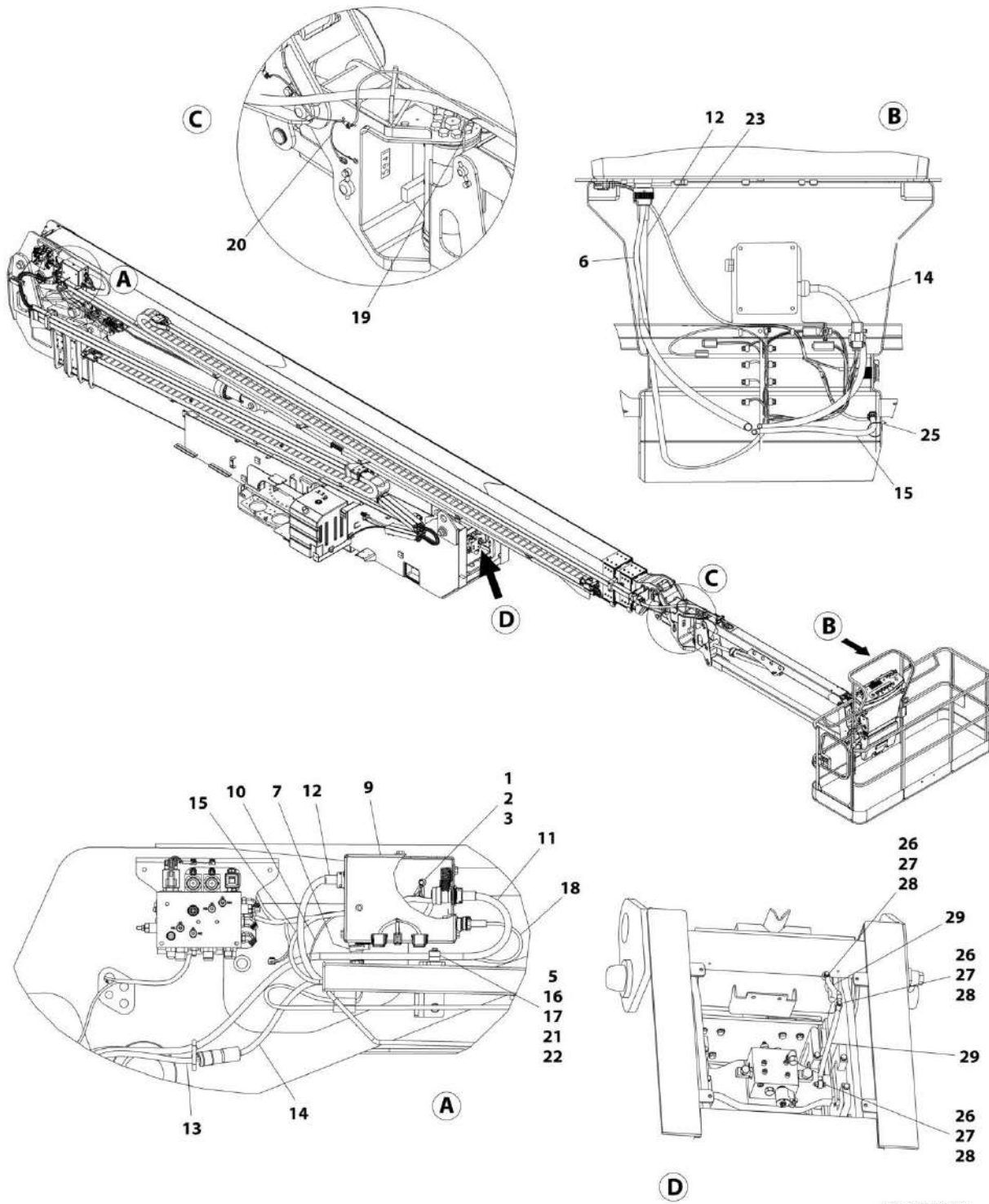
SECTION 8 - ELECTRICAL

FIGURE 8-15. BLAM HARNESS

ITEM	PART NUMBER	QTY	DESCRIPTION	REV
	1001196688	Ref	BLAM HARNESS	G
1	4460933	2	Plug, Male - 12 Position	
1	1001116692	16	Socket, Female	
1	4460944	4	Socket, Female	
1	4460466	4	Plug, Terminal	
2	4460836	1	Plug, Male - 12 Position	
2	1001116692	9	Socket, Female	
2	4460466	3	Plug, Terminal	
3	4460934	1	Plug, Male - 12 Position	
3	1001116692	8	Socket, Female	
3	4460466	4	Plug, Terminal	
4	4460930	1	Plug, Male - 8 Position	
4	1001116692	2	Socket, Female	
4	4460466	6	Plug, Terminal	
5	4460935	1	Plug, Male - 12 Position	
5	1001116692	4	Socket, Female	
5	4460466	8	Plug, Terminal	
6	4460256	3	Terminal, Ring	
7	1001117110	1	Terminal, Ring	
8	4460539	2	Plug, Male - 3 Position	
8	4460465	6	Socket, Female	
9	4460911	2	Plug, Male - 3 Position	
9	4460912	2	Wedge Lock	
9	1001116694	6	Socket, Female	
10	4460932	1	Receptacle, Female - 4 Position	
10	4460464	4	Pin, Male	
11	4460894	1	Plug, Male - 6 Position	
11	1001116692	5	Socket, Female	
11	4460466	1	Plug, Terminal	
12	1001097051	1	Receptacle, Female - 4 Position	
12	1001116695	4	Terminal	
13	4461117	1	Plug, Male - 6 Position	
13	1001107854	6	Terminal	
13	1001104498	6	Seal	

SECTION 8 - ELECTRICAL

FIGURE 8-16. BOOM CABLES INSTALLATION - WITHOUT GENERATOR (ALL SPEC EXCEPT AUSTRALIAN AND CE SPECS)



ART_1001197326

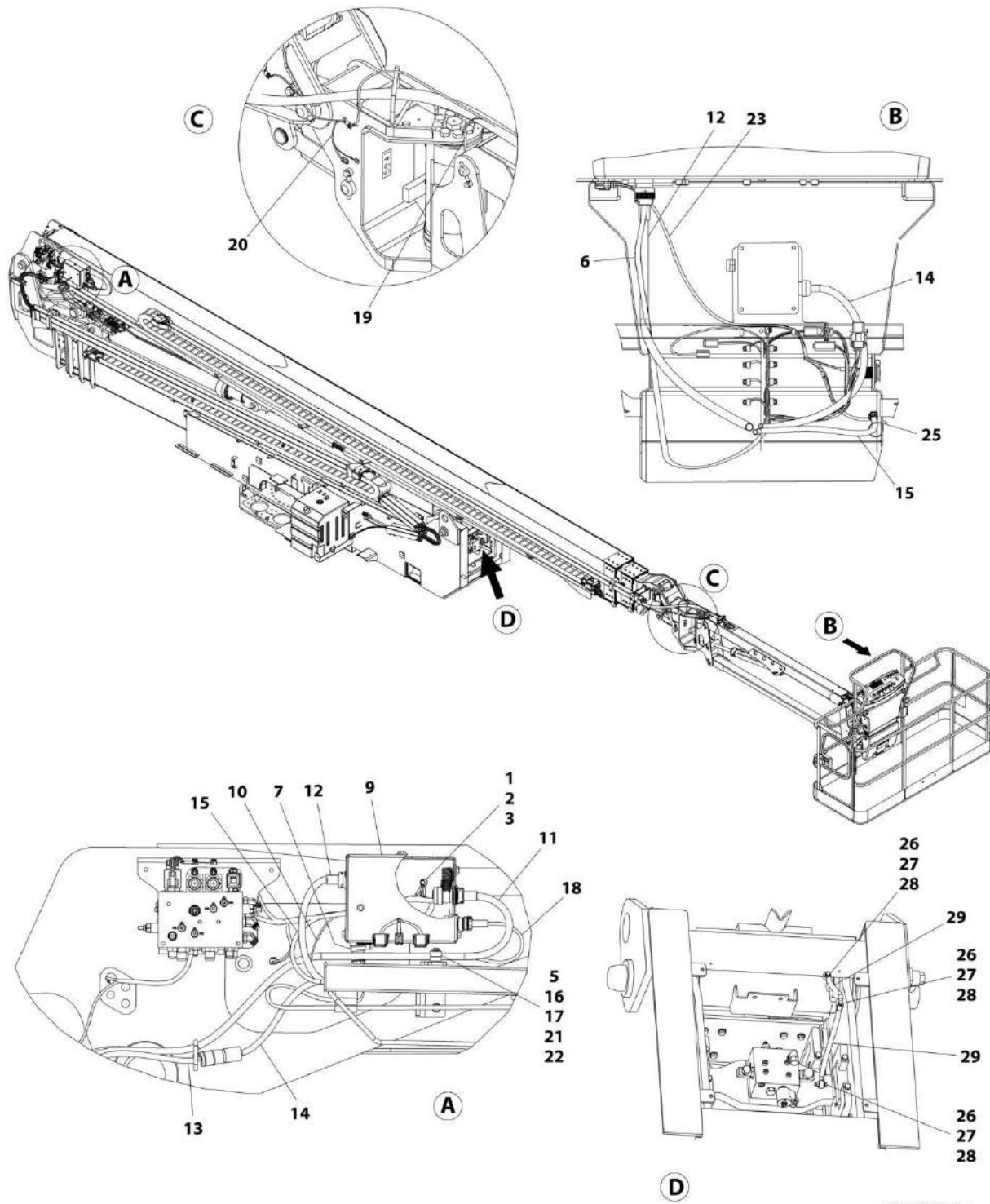
SECTION 8 - ELECTRICAL

FIGURE 8-16. BOOM CABLES INSTALLATION - WITHOUT GENERATOR (ALL SPEC EXCEPT AUSTRALIAN AND CE SPECS)

ITEM	PART NUMBER	QTY	DESCRIPTION	REV
	1001197326	Ref	BOOM CABLES INSTALLATION - WITHOUT GENERATOR (ALL SPEC EXCEPT AUSTRALIAN AND CE SPECS)	E
1	0100011	AR	Compound, Locking	
2	0761010	3	Bolt M10 x 20	
3	4812000	3	Washer M10	
5	0760818001	2	Bolt M8 x 50	
6	1001196682	1	Valve Harness - Platform (See VALVE HARNESS - PLATFORM for Breakdown)	
7	1001216806	1	Valve Harness - Boom (See VALVE HARNESS - BOOM for Breakdown)	
9	1001200199	1	Boom Control Box Assembly (See BOOM CONTROL BOX ASSEMBLY for Breakdown)	
10	1001201062	1	Sensor Harness - Boom (See SENSOR HARNESS - BOOM for Breakdown)	
11	1001202259	1	Boom Cable (Tower Boom) (See BOOM CABLE (TOWER BOOM) for Breakdown)	
12	1001202260	1	Boom Cable (Main Boom) (See BOOM CABLE (MAIN BOOM) for Breakdown)	
13	1001202261	1	AC Power to Platform Cable (Tower Boom)	
13	4460134	1	Receptacle, Female	
14	1001202262	1	AC Power to Platform Cable (Main Boom)	
14	4460205	1	Plug, Male	
15	1001202269	1	Main Boom 12/4 Harness	
15	4460932	1	Receptacle, Female - 4 Position	
15	1001157891	7	Pin, Male	
16	1001202742	1	Clamp	
17	1001202743	1	Cover, Clamp	
18	1001202785	1	Secondary Control Harness (See SECONDARY CONTROL HARNESS for Breakdown)	
19	1001204027	1	Jib Limit Switch Harness	
19	4460894	1	Plug, Male - 6 Position	
19	4460465	5	Socket, Female	
19	4460466	1	Plug, Terminal	
20	1001204028	1	Sensor Harness - Platform Level (See SENSOR HARNESS - PLATFORM LEVEL for Breakdown)	
21	3290805001	2	Nut M8	
22	4811900001	2	Washer M8	
23	1001206506	1	Platform Outlet Harness (See PLATFORM OUTLET HARNESS for Breakdown)	
24	1001146588	2	Tie-Strap (Not Shown)	
25	1001008559	3	Tie-Strap	
26	0700815	3	Bolt M8 x 35	
27	3290805	3	Nut M8	
28	4811900	6	Washer M8	
29	1001217007	2	Cable, Stainless Braided Ground	

SECTION 8 - ELECTRICAL

FIGURE 8-17. BOOM CABLES INSTALLATION - WITHOUT GENERATOR (AUSTRALIAN, CE AND CHINA SPECS)



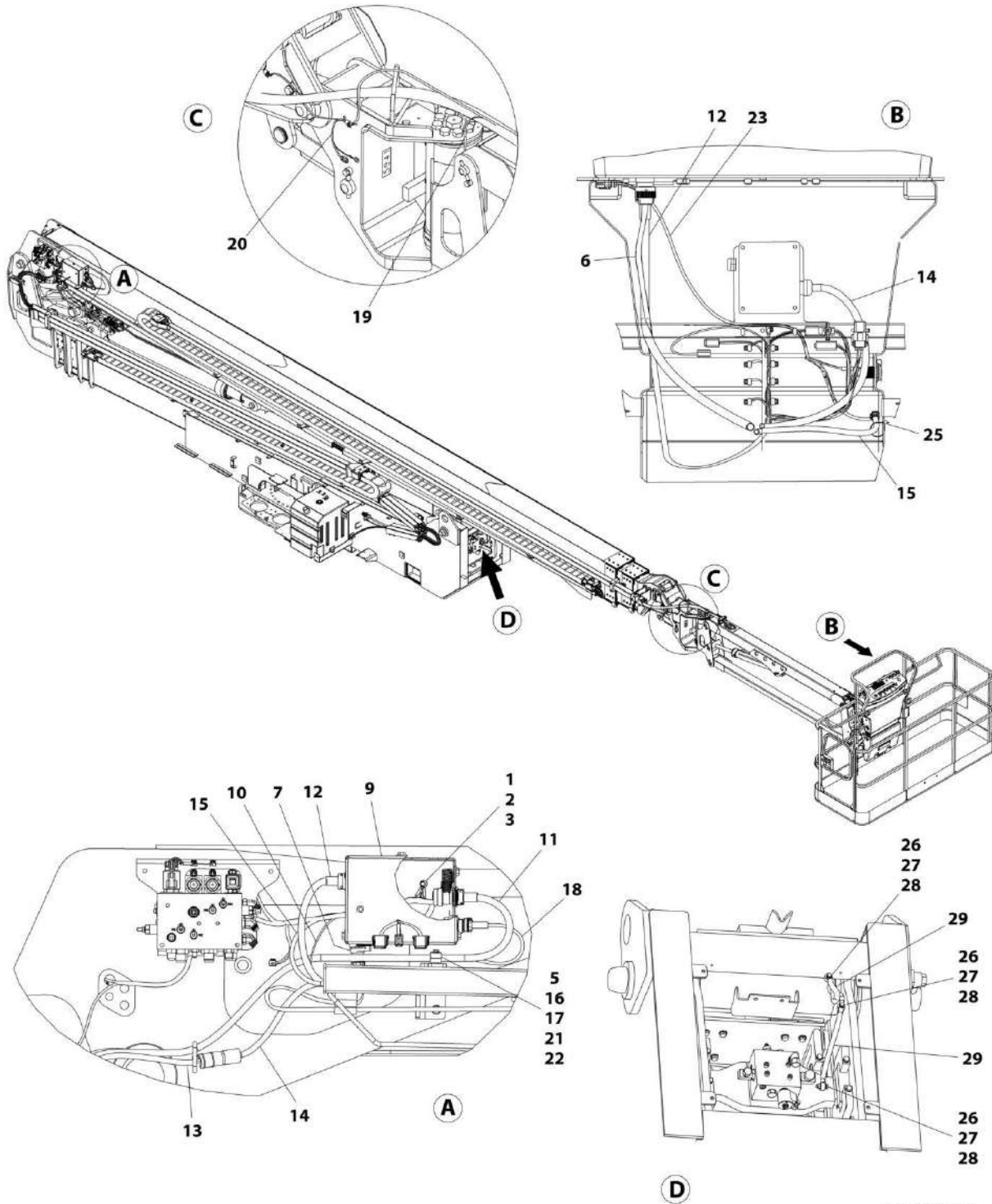
SECTION 8 - ELECTRICAL

FIGURE 8-17. BOOM CABLES INSTALLATION - WITHOUT GENERATOR (AUSTRALIAN, CE AND CHINA SPECS)

ITEM	PART NUMBER	QTY	DESCRIPTION	REV
	1001197327	Ref	BOOM CABLES INSTALLATION - WITHOUT GENERATOR (AUSTRALIAN, CE AND CHINA SPECS)	E
1	0100011	AR	Compound, Locking	
2	0761010	3	Bolt M10 x 20	
3	4812000	3	Washer M10	
5	0760818001	2	Bolt M8 x 50	
6	1001196682	1	Valve Harness - Platform (See VALVE HARNESS - PLATFORM for Breakdown)	
7	1001216806	1	Valve Harness - Boom (See VALVE HARNESS - BOOM for Breakdown)	
9	1001200199	1	Boom Control Box Assembly (See BOOM CONTROL BOX ASSEMBLY for Breakdown)	
10	1001201062	1	Sensor Harness - Boom (See SENSOR HARNESS - BOOM for Breakdown)	
11	1001202259	1	Boom Cable (Tower Boom) (See BOOM CABLE (TOWER BOOM) for Breakdown)	
12	1001202260	1	Boom Cable (Main Boom) (See BOOM CABLE (MAIN BOOM) for Breakdown)	
13	1001202263	1	AC Power to Platform Cable (Tower Boom)	
13	4460134	1	Receptacle, Female	
14	1001202264	1	AC Power to Platform Cable (Main Boom)	
14	4460205	1	Plug, Male	
15	1001202269	1	Main Boom 12/4 Harness	
15	4460932	1	Receptacle, Female - 4 Position	
15	1001157891	7	Pin, Male	
16	1001202742	1	Clamp	
17	1001202743	1	Cover, Clamp	
18	1001202785	1	Secondary Control Harness (See SECONDARY CONTROL HARNESS for Breakdown)	
19	1001204027	1	Jib Limit Switch Harness	
19	4460894	1	Plug, Male - 6 Position	
19	4460465	5	Socket, Female	
19	4460466	1	Plug, Terminal	
20	1001204028	1	Sensor Harness - Platform Level (See SENSOR HARNESS - PLATFORM LEVEL for Breakdown)	
21	3290805001	2	Nut M8	
22	4811900001	2	Washer M8	
23	1001206506	1	Platform - Outlet Harness (See PLATFORM OUTLET HARNESS for Breakdown)	
24	1001146588	2	Tie-Strap (Not Shown)	
25	1001008559	3	Tie-Strap	
26	0700815	3	Bolt M8 x 35	
27	3290805	3	Nut M8	
28	4811900	6	Washer M8	
29	1001217007	2	Cable, Stainless Braided Ground	

SECTION 8 - ELECTRICAL

FIGURE 8-18. BOOM CABLES INSTALLATION - WITH 4000W GENERATOR (ALL SPECS)



ART_1001201710

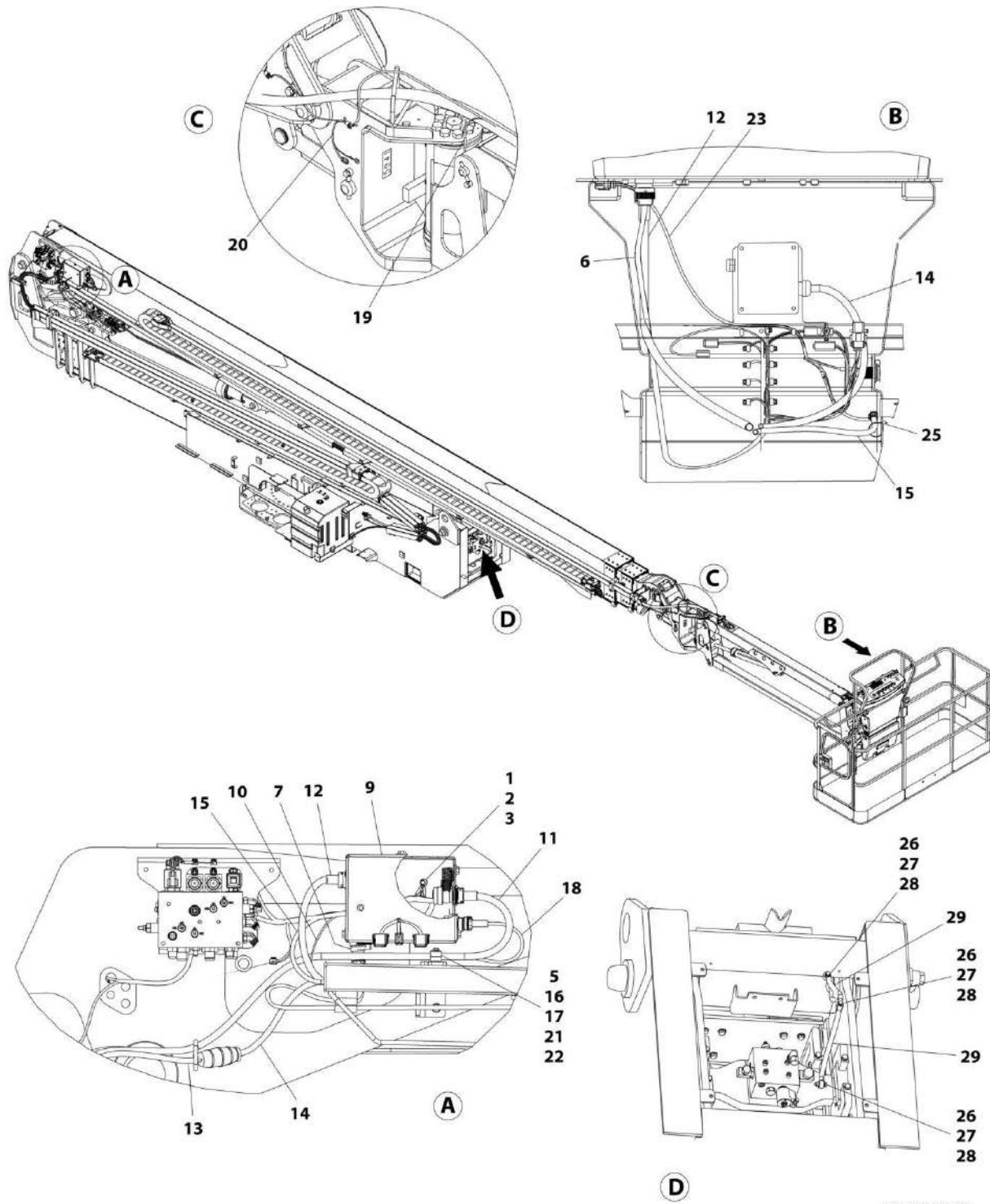
SECTION 8 - ELECTRICAL

FIGURE 8-18. BOOM CABLES INSTALLATION - WITH 4000W GENERATOR (ALL SPECS)

ITEM	PART NUMBER	QTY	DESCRIPTION	REV
	1001201710	Ref	BOOM CABLES INSTALLATION - WITH 4000W GENERATOR (ALL SPECS)	E
1	0100011	AR	Compound, Locking	
2	0761010	3	Bolt M10 x 20	
3	4812000	3	Washer M10	
5	0760818001	2	Bolt M8 x 50	
6	1001196682	1	Valve Harness - Platform (See VALVE HARNESS - PLATFORM for Breakdown)	
7	1001216806	1	Valve Harness - Boom (See VALVE HARNESS - BOOM for Breakdown)	
9	1001200199	1	Boom Control Box Assembly (See BOOM CONTROL BOX ASSEMBLY for Breakdown)	
10	1001201062	1	Sensor Harness - Boom (See SENSOR HARNESS - BOOM for Breakdown)	
11	1001202259	1	Boom Cable (Tower Boom) (See BOOM CABLE (TOWER BOOM) for Breakdown)	
12	1001202260	1	Boom Cable (Main Boom) (See BOOM CABLE (MAIN BOOM) for Breakdown)	
13	1001202267	1	AC Power to Platform Cable (Tower Boom)	
13	4460963	1	Receptacle, Female	
13	1671092	1	Cover (Prior to SN 0300218237)	
13	1671093	1	Cover (SN 0300218237 to Present)	
14	1001202268	1	AC Power to Platform Cable (Main Boom)	
14	4460962	1	Plug, Male	
14	1671093	1	Cover (Prior to SN 0300218237)	
14	1671092	1	Cover (SN 0300218237 to Present)	
15	1001202269	1	Main Boom 12/4 Harness	
15	4460932	1	Receptacle, Female - 4 Position	
15	1001157891	7	Pin, Male	
16	1001202742	1	Clamp	
17	1001202743	1	Cover, Clamp	
18	1001202785	1	Secondary Control Harness (See SECONDARY CONTROL HARNESS for Breakdown)	
19	1001204027	1	Jib Limit Switch Harness	
19	4460894	1	Plug, Male - 6 Position	
19	4460465	5	Socket, Female	
19	4460466	1	Plug, Terminal	
20	1001204028	1	Sensor Harness - Platform Level (See SENSOR HARNESS - PLATFORM LEVEL for Breakdown)	
21	3290805001	2	Nut M8	
22	4811900001	2	Washer M8	
23	1001206506	1	Platform Outlet Harness (See PLATFORM OUTLET HARNESS for Breakdown)	
24	1001146588	2	Tie-Strap (Not Shown)	
25	1001008559	3	Tie-Strap	
26	0700815	3	Bolt M8 x 35	
27	3290805	3	Nut M8	
28	4811900	6	Washer M8	
29	1001217007	2	Cable, Stainless Braided Ground	

SECTION 8 - ELECTRICAL

FIGURE 8-19. BOOM CABLES INSTALLATION - WITH SKYPOWER 7500W GENERATOR (ALL SPECS)



SECTION 8 - ELECTRICAL

FIGURE 8-19. BOOM CABLES INSTALLATION - WITH SKYPOWER 7500W GENERATOR (ALL SPECS)

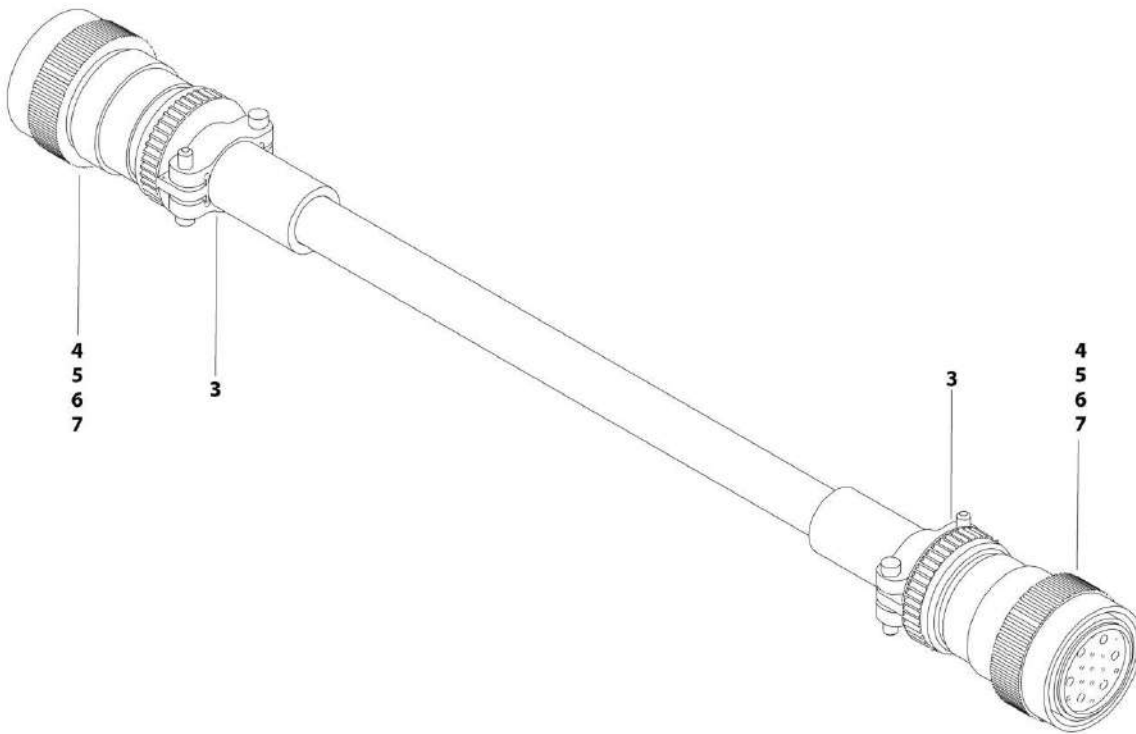
ITEM	PART NUMBER	QTY	DESCRIPTION	REV
	1001197328	Ref	BOOM CABLES INSTALLATION - WITH SKYPOWER 7500W GENERATOR (ALL SPECS)	F
1	0100011	AR	Compound, Locking	
2	0761010	3	Bolt M10 x 20	
3	4812000	3	Washer M10	
5	0760818001	2	Bolt M8 x 50	
6	1001196682	1	Valve Harness - Platform (See VALVE HARNESS - PLATFORM for Breakdown)	
7	1001216806	1	Valve Harness - Boom (See VALVE HARNESS - BOOM for Breakdown)	
9	1001200199	1	Boom Control Box Assembly (See BOOM CONTROL BOX ASSEMBLY for Breakdown)	
10	1001201062	1	Sensor Harness - Boom (See SENSOR HARNESS - BOOM for Breakdown)	
11	1001202259	1	Boom Cable (Tower Boom) (See BOOM CABLE (TOWER BOOM) for Breakdown)	
12	1001202260	1	Boom Cable (Main Boom) (See BOOM CABLE (MAIN BOOM) for Breakdown)	
13	1001202265	1	AC Power to Platform Cable (Tower Boom) (Prior to SN 0300228162)	
13	4460960	1	Receptacle, Female	
13	1671092	1	Cover (Prior to SN 0300218237)	
13	1671093	1	Cover (SN 0300218237 through 0300236823)	
13	1001226291	1	AC Power to Platform Cable (Tower Boom) (SN 0300236824 to Present)	
13	1060945	1	Cable	
13	1001218623	1	Socket, 30Amp	
14	1001202266	1	AC Power to Platform Cable (Main Boom) (Prior to SN 0300228162)	
14	4460959	1	Plug, Male	
14	1671093	1	Cover (Prior to SN 0300218237)	
14	1671092	1	Cover (SN 0300218237 through 0300236823)	
14	1001226292	1	AC Power to Platform Cable (Main Boom) (SN 0300236824 to Present)	
14	1060945	1	Cable	
14	1001218622	1	Plug, 30Amp	
15	1001202269	1	Main Boom 12/4 Harness	
15	4460932	1	Receptacle, Female - 4 Position	
15	1001157891	7	Pin, Male	
16	1001202742	1	Clamp	
17	1001202743	1	Cover, Clamp	
18	1001202785	1	Secondary Control Harness (See SECONDARY CONTROL HARNESS for Breakdown)	
19	1001204027	1	Jib Limit Switch Harness	
19	4460894	1	Plug, Male - 6 Position	
19	4460465	5	Socket, Female	
19	4460466	1	Plug, Terminal	
20	1001204028	1	Sensor Harness - Platform Level (See SENSOR HARNESS - PLATFORM LEVEL for Breakdown)	
21	3290805001	2	Nut M8	
22	4811900001	2	Washer M8	

SECTION 8 - ELECTRICAL

ITEM	PART NUMBER	QTY	DESCRIPTION	REV
23	1001206506	1	Platform Outlet Harness (See PLATFORM OUTLET HARNESS for Breakdown)	
24	1001146588	2	Tie-Strap (Not Shown)	
25	1001008559	3	Tie-Strap	
26	0700815	3	Bolt M8 x 35	
27	3290805	3	Nut M8	
28	4811900	6	Washer M8	
29	1001217007	2	Cable, Stainless Braided Ground	

SECTION 8 - ELECTRICAL

FIGURE 8-20. BOOM CABLE (MAIN BOOM)



ART_1001202260

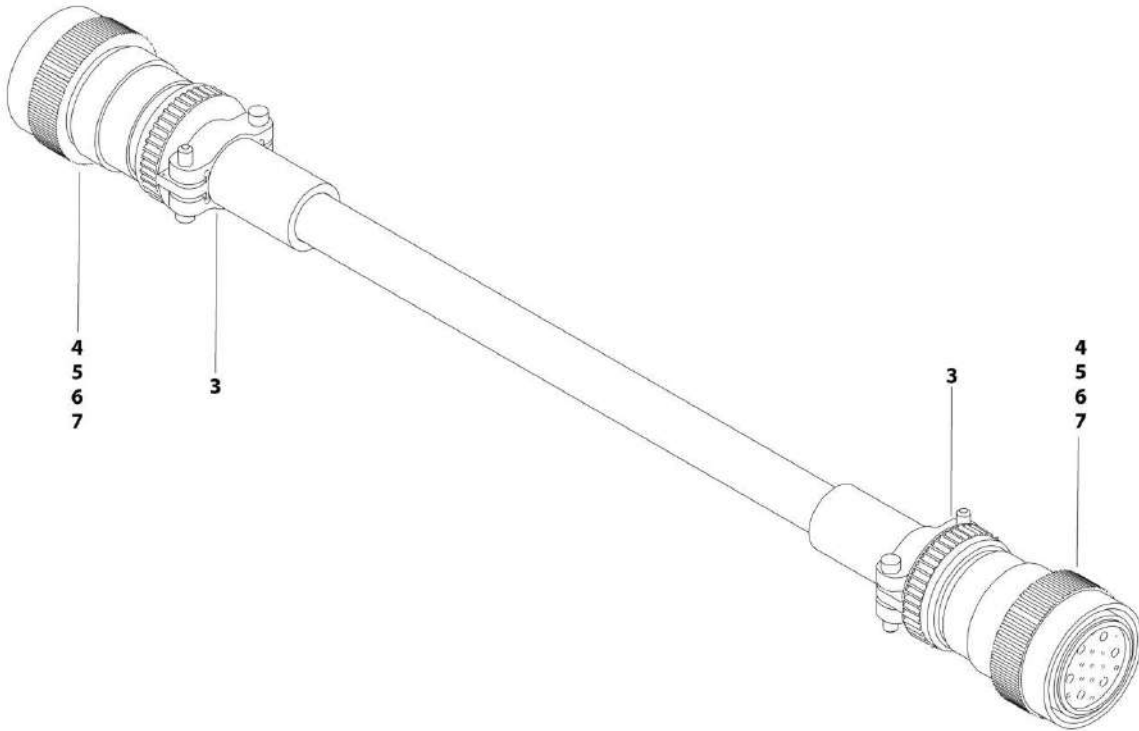
SECTION 8 - ELECTRICAL

FIGURE 8-20. BOOM CABLE (MAIN BOOM)

ITEM	PART NUMBER	QTY	DESCRIPTION	REV
	1001202260	Ref	BOOM CABLE (MAIN BOOM)	A
3	4460473	2	Clamp	
4	4460509	8	Socket, Female	
5	4460865	2	Connector - 19 Position	
6	4460465	20	Socket, Female	
7	4460466	10	Plug, Socket	

SECTION 8 - ELECTRICAL

FIGURE 8-21. BOOM CABLE (TOWER BOOM)



ART_1001202259

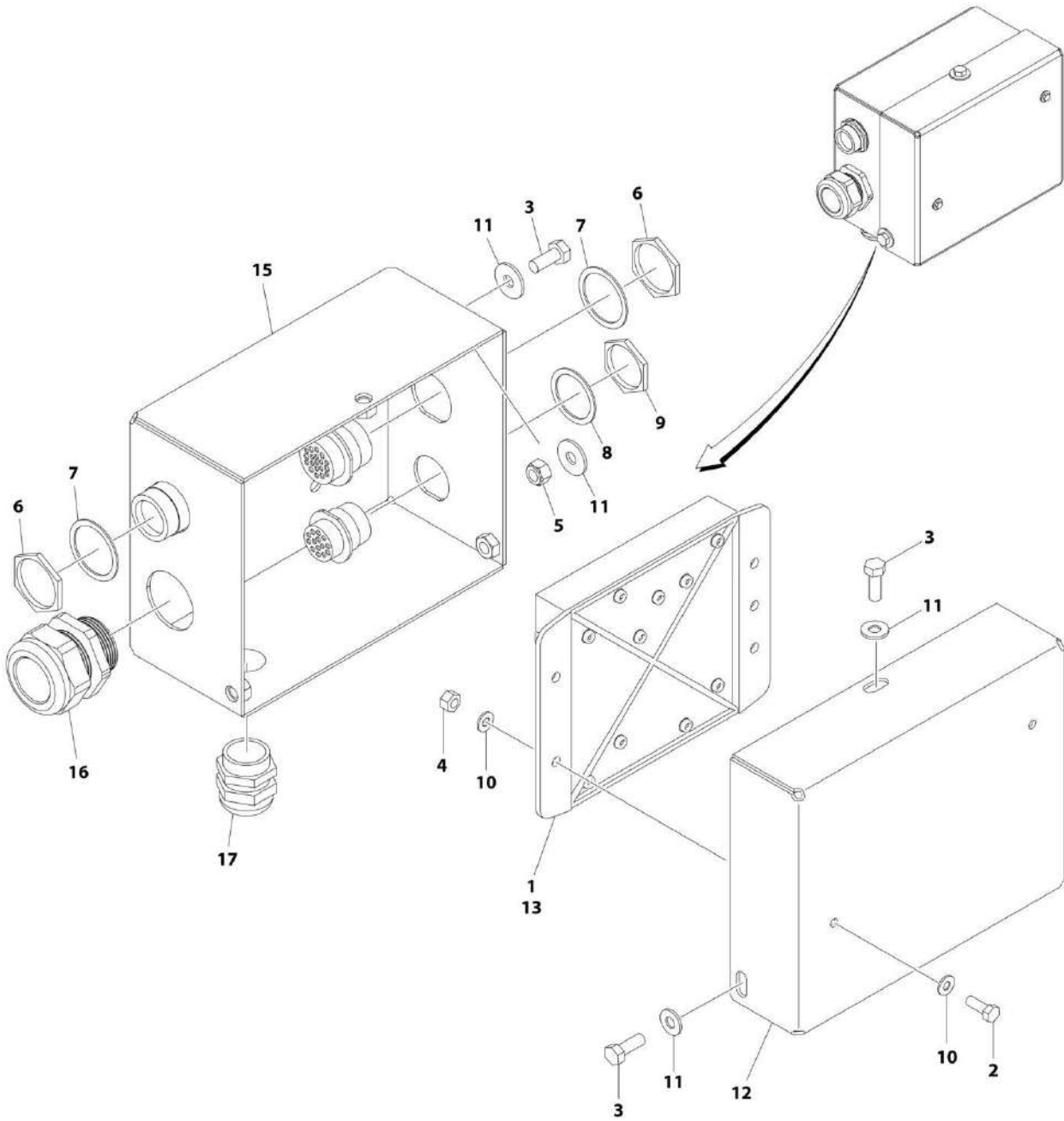
SECTION 8 - ELECTRICAL

FIGURE 8-21. BOOM CABLE (TOWER BOOM)

ITEM	PART NUMBER	QTY	DESCRIPTION	REV
	1001202259	Ref	BOOM CABLE (TOWER BOOM)	A
3	4460473	2	Clamp	
4	4460509	8	Socket, Female	
5	4460865	2	Connector - 19 Position	
6	4460465	20	Socket, Female	
7	4460466	10	Plug, Socket	

SECTION 8 - ELECTRICAL

FIGURE 8-22. BOOM CONTROL BOX ASSEMBLY



ART_1001200199

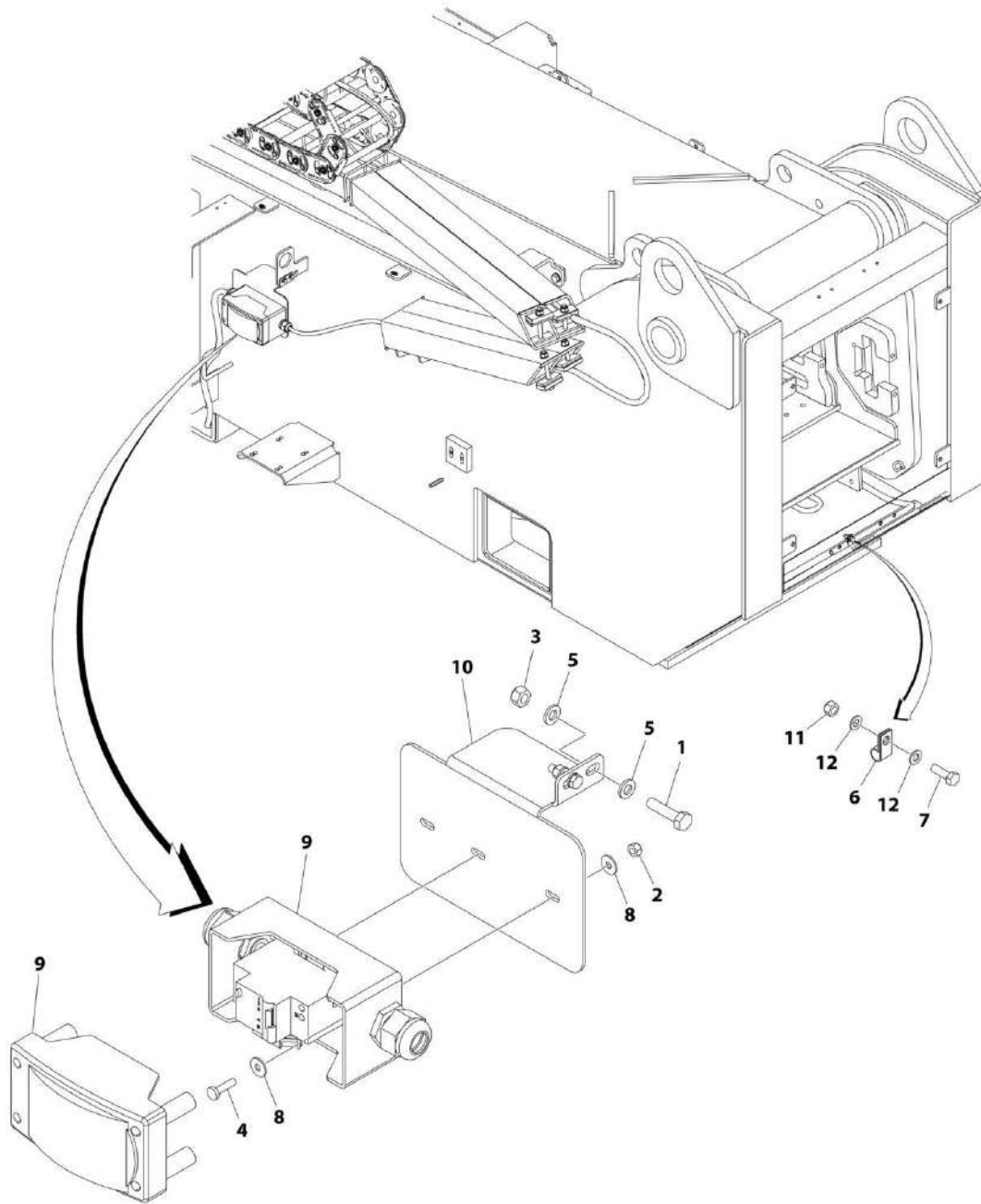
SECTION 8 - ELECTRICAL

FIGURE 8-22. BOOM CONTROL BOX ASSEMBLY

ITEM	PART NUMBER	QTY	DESCRIPTION	REV
	1001200199	Ref	BOOM CONTROL BOX ASSEMBLY	E
1	0100048	AR	Grease, Dielectric	
2	0760610	2	Bolt M6 x 20	
3	0761012	4	Bolt M10 x 25	
4	3290605	2	Nut M6	
5	3291005	1	Nut M10	
6	4460470	2	Nut, Terminal	
7	4460471	2	Washer, Terminal	
8	4460496	2	Washer, Terminal	
9	4460497	2	Nut, Terminal	
10	4811702	4	Washer M6	
11	4812002	5	Washer M10	
12	1001119215	1	Cover	
13	1001200183	1	Module, Control - Boom (Note: Re-calibration Required when Replaced)	
14	1001216638	1	Main Boom Control Box Harness (Not Shown - See MAIN BOOM CONTROL BOX HARNESS for Breakdown)	
15	1001200203	1	Box	
16	1001215836	1	Connector, Strain Relief	
17	4460426	1	Connector, Strain Relief	

SECTION 8 - ELECTRICAL

FIGURE 8-23. BREAKER BOX INSTALLATION - WITH 2 BREAKERS (CE SPECS)



ART_1001197335

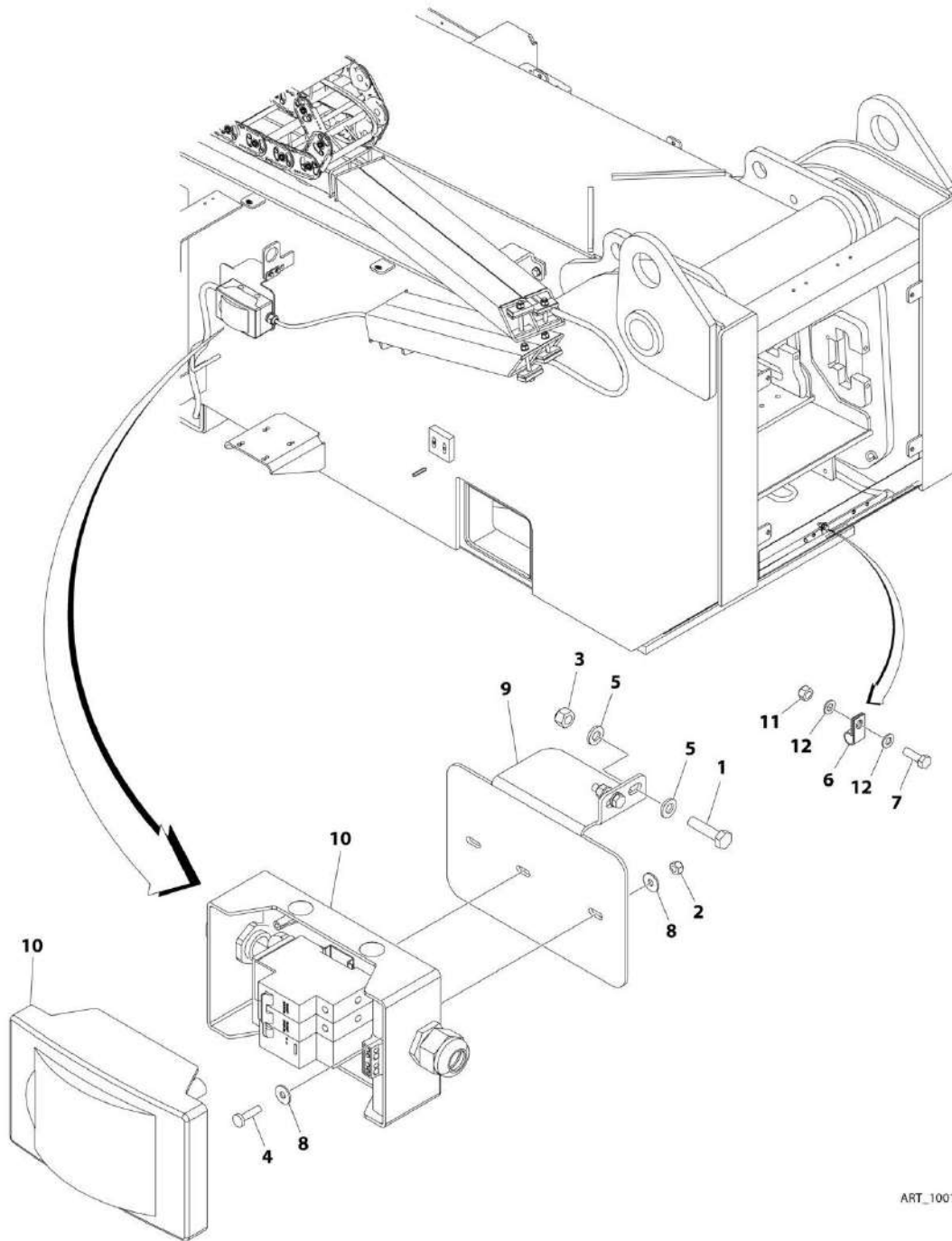
SECTION 8 - ELECTRICAL

FIGURE 8-23. BREAKER BOX INSTALLATION - WITH 2 BREAKERS (CE SPECS)

ITEM	PART NUMBER	QTY	DESCRIPTION	REV
	1001197335	Ref	BREAKER BOX INSTALLATION - WITH 2 BREAKERS (CE SPECS)	C
1	0700612	2	Bolt M6 x 25	
2	3290405	2	Nut M4	
3	3290605	2	Nut M6	
4	4010408	2	Screw M4 x 16	
5	4811700	4	Washer M6	
6	8406109	1	Clamp	
7	0760812001	1	Bolt M8 x 25	
8	1001091102	4	Washer M4	
9	1001158080	1	Breaker Box Kit - With 2 Breakers (See BREAKER BOX KIT - WITH 2 BREAKERS (CE SPECS) for Breakdown) (Prior to SN 0300214286)	
9	1001109654	1	Breaker Box Kit - With 2 Breakers (See BREAKER BOX KIT - WITH 2 BREAKERS (CE SPECS) for Breakdown) (SN 0300214286 to Present)	
10	1001205660	1	Bracket	
11	3290805001	1	Nut M8	
12	4811900001	2	Washer M8	

SECTION 8 - ELECTRICAL

FIGURE 8-24. BREAKER BOX INSTALLATION - WITH 3 BREAKERS (CE SPECS)



ART_1001205682

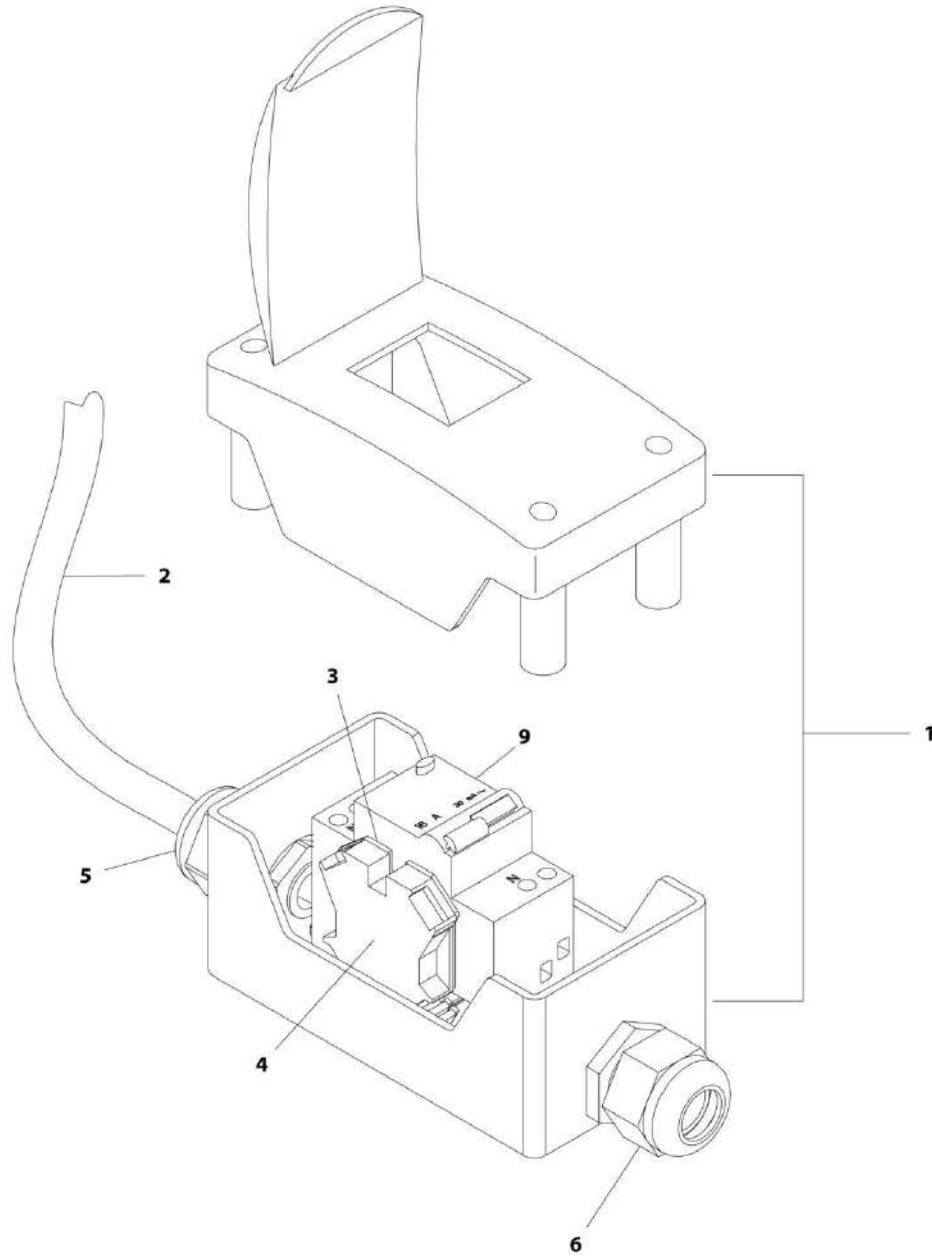
SECTION 8 - ELECTRICAL

FIGURE 8-24. BREAKER BOX INSTALLATION - WITH 3 BREAKERS (CE SPECS)

ITEM	PART NUMBER	QTY	DESCRIPTION	REV
	1001205682	Ref	BREAKER BOX INSTALLATION - WITH 3 BREAKERS (CE SPECS)	B
1	0700612	2	Bolt M6 x 25	
2	3290405	2	Nut M4	
3	3290605	2	Nut M6	
4	4010408	2	Screw M4 x 16	
5	4811700	4	Washer M6	
6	8406109	1	Clamp	
7	0760812001	1	Bolt M8 x 25	
8	1001091102	4	Washer M4	
9	1001205660	1	Bracket	
10	1001205690	1	Breaker Box Kit - With 3 Breakers (See BREAKER BOX KIT - WITH 3 BREAKERS (CE SPECS) for Breakdown)	
11	3290805001	1	Nut M8	
12	4811900001	2	Washer M8	

SECTION 8 - ELECTRICAL

FIGURE 8-25. BREAKER BOX KIT - WITH 2 BREAKERS (CE SPECS) (Prior to SN 0300214286)



ART_1001158080

SECTION 8 - ELECTRICAL

FIGURE 8-25. BREAKER BOX KIT - WITH 2 BREAKERS (CE SPECS) (Prior to SN 0300214286)

ITEM	PART NUMBER	QTY	DESCRIPTION	REV
	1001158080	Ref	BREAKER BOX KIT - WITH 2 BREAKERS (CE SPECS) (Prior to SN 0300214286)	B
1	0861880	1	Box, Breaker	
2	1060908	40 in/1m	Cable, Electrical 12/3	
3	4460956	1	Barrier, Terminal Block End	
4	4460957	1	Block, Terminal	
5	1001097150	1	Connector, Strain Relief	
6	1001101191	1	Connector, Strain Relief	
9	1001181045	1	Breaker 30mA/16Amp Combo	

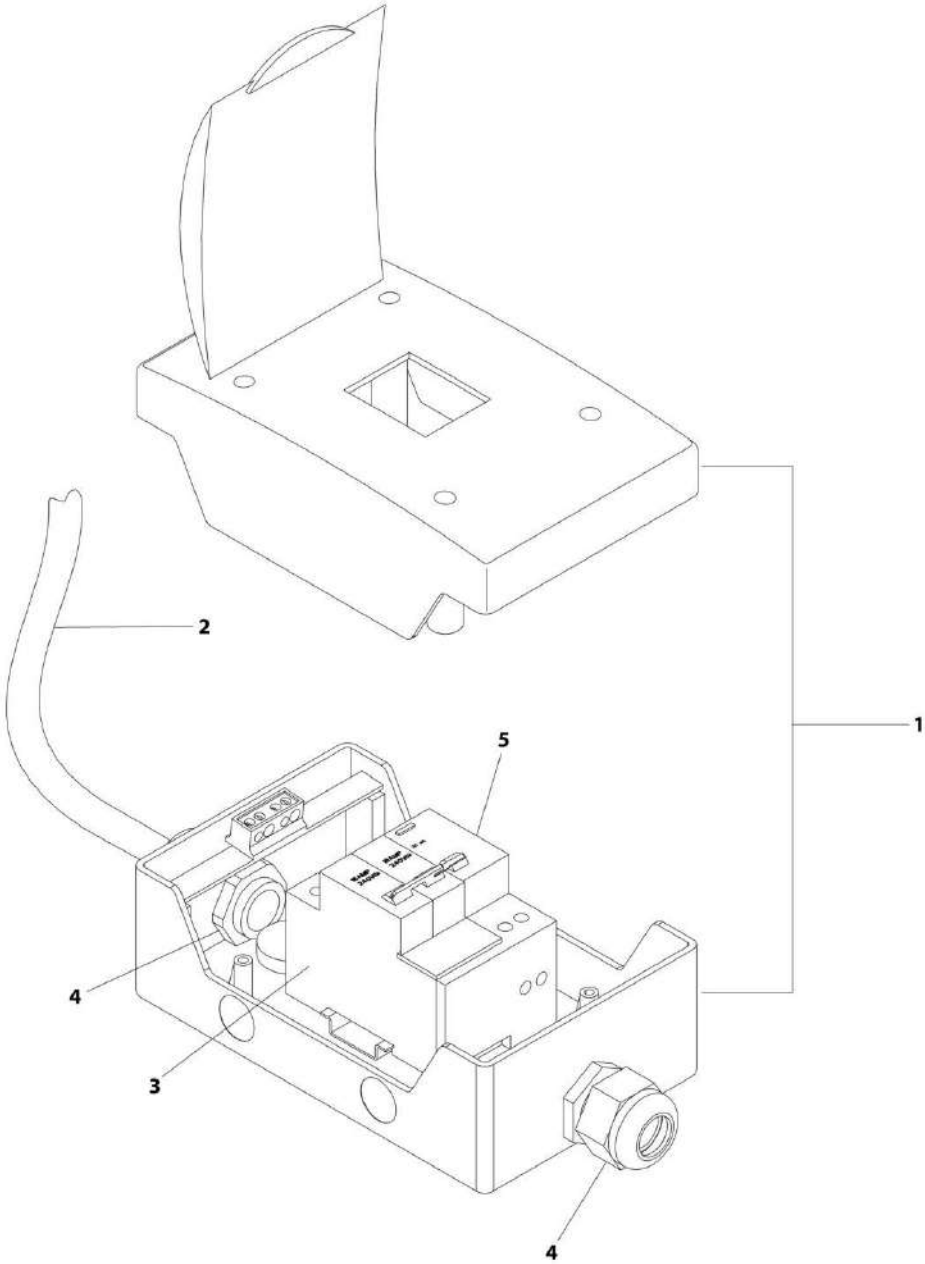
SECTION 8 - ELECTRICAL

FIGURE 8-26. BREAKER BOX KIT - WITH 2 BREAKERS (CE SPECS) (SN 0300214286 to Present)

ITEM	PART NUMBER	QTY	DESCRIPTION	REV
	1001109654	Ref	BREAKER BOX KIT - WITH 2 BREAKERS (CE SPECS) (SN 0300214286 to Present)	B
1	0861880	1	Box, Breaker	
2	1060908	12 ft/ 3.6m	Cable, Electrical 12/3	
3	4460956	1	Barrier, Terminal Block End	
4	4460957	1	Block, Terminal	
5	1001097150	1	Connector, Strain Relief	
6	1001101191	1	Connector, Strain Relief	
9	1001181045	1	Breaker, Double 30mAmp/16Amp	

SECTION 8 - ELECTRICAL

FIGURE 8-27. BREAKER BOX KIT - WITH 3 BREAKERS (CE SPECS)



ART_1001205690

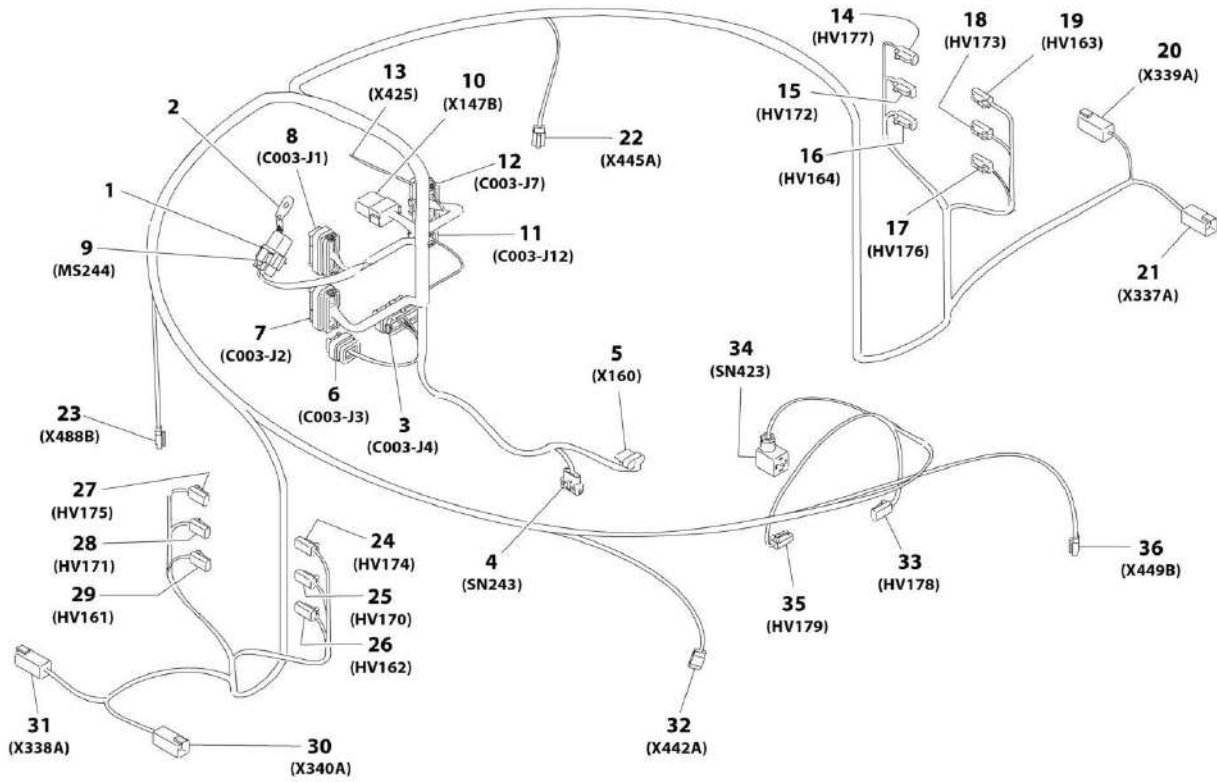
SECTION 8 - ELECTRICAL

FIGURE 8-27. BREAKER BOX KIT - WITH 3 BREAKERS (CE SPECS)

ITEM	PART NUMBER	QTY	DESCRIPTION	REV
	1001205690	Ref	BREAKER BOX KIT - WITH 3 BREAKERS (CE SPECS)	A
1	1001152483	1	Box, Breaker	
2	1060545	11.5 ft /3.5m	Cable, Electrical 10/3	
3	1001189172	1	Breaker 16Amp Double	
4	1001101191	2	Connector, Strain Relief	
5	1001189171	1	Breaker 30mA	

SECTION 8 - ELECTRICAL

FIGURE 8-28. CHASSIS HARNESS



ART_1001149975

SECTION 8 - ELECTRICAL

FIGURE 8-28. CHASSIS HARNESS

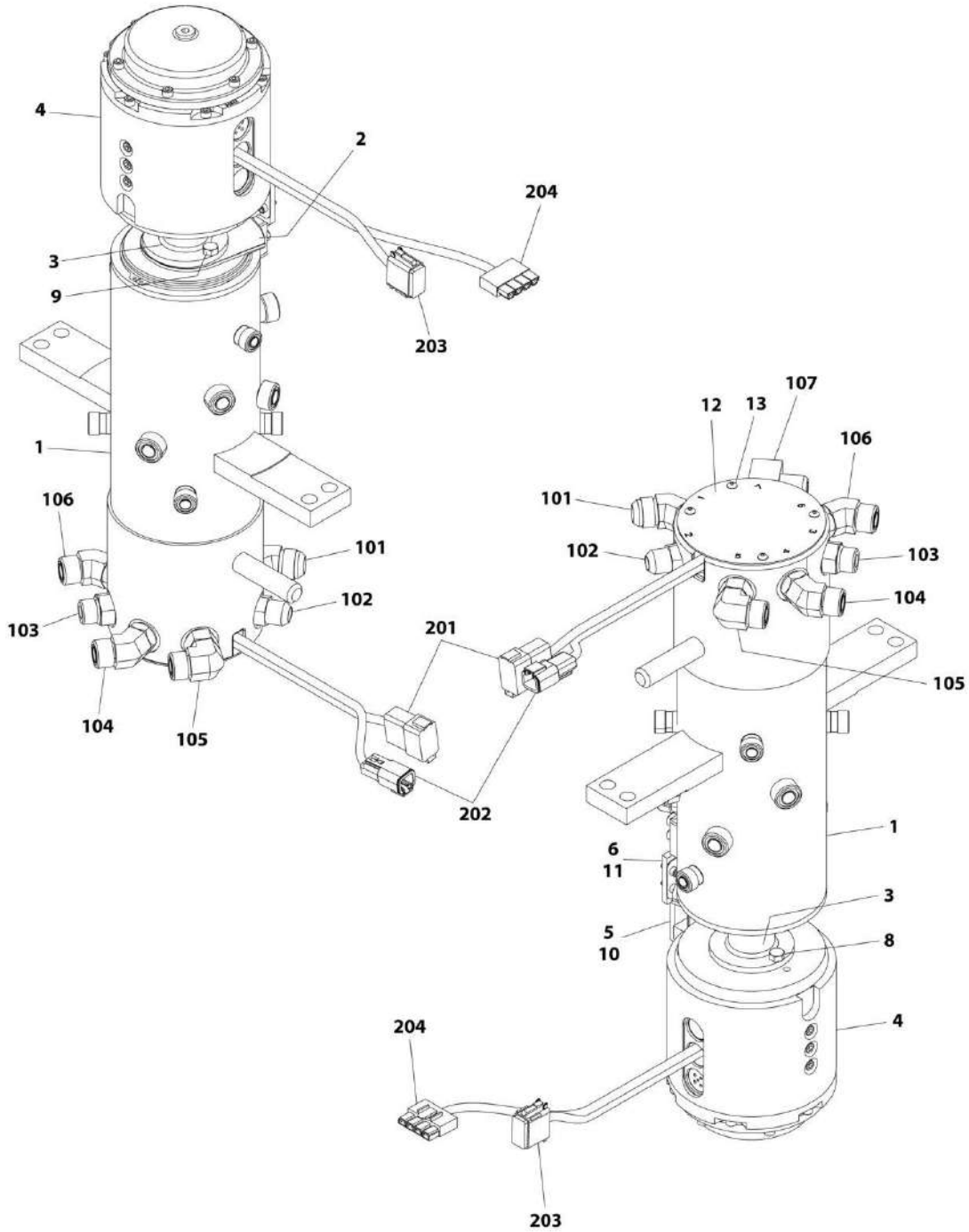
ITEM	PART NUMBER	QTY	DESCRIPTION	REV
	1001149975	Ref	CHASSIS HARNESS	H
1	4460852	1	Connector - 8 Position	
2	1001155743	1	Holder	
3	4460876	1	Connector - 35 Position	
3	4460871	4	Socket, Female	
3	4460905	31	Seal, Plug	
4	1001117064	NLA	Connector - 6 Position (Use p/n 1001230931) (Prior to SN 0300237540)	
4	91554014	NLA	Terminal (Use p/n 1001116748) (Prior to SN 0300237540)	
4	1001230931	1	Connector - 6 Position (SN 0300237540 to Present)	
4	1001116748	6	Terminal (SN 0300237540 to Present)	
5	4460761	1	Connector - 4 Position	
5	4460227	4	Pin, Male	
6	4460872	1	Connector - 14 Position	
6	4460871	5	Socket, Female	
6	4460905	9	Seal, Plug	
7	4460875	1	Connector - 35 Position	
7	4460871	21	Socket, Female	
7	4460905	14	Seal, Plug	
8	4460874	1	Connector - 35 Position	
8	4460871	10	Socket, Female	
8	4460905	25	Seal, Plug	
9	4460851	1	Connector - 8 Position	
9	4460465	7	Socket, Female	
9	4460466	1	Seal, Plug	
10	4460950	1	Connector - 12 Position	
10	4460943	3	Pin, Male (Gold)	
10	4460464	3	Pin, Male	
10	4460466	6	Seal, Plug	
11	1001113961	1	Connector - 8 Position	
11	4460871	1	Socket, Female	
11	4460905	7	Seal, Plug	
12	4460873	1	Connector - 35 Position	
12	4460871	22	Socket, Female	
12	4460905	13	Seal, Plug	
13	4461271	1	Connector - 1 Position	
14	4460891	1	Connector - 2 Position	
14	4460465	2	Socket, Female	
15	4460891	1	Connector - 2 Position	
15	4460465	2	Socket, Female	
16	4460891	1	Connector - 2 Position	
16	4460465	2	Socket, Female	
17	4460891	1	Connector - 2 Position	
17	4460465	2	Socket, Female	
18	4460891	1	Connector - 2 Position	
18	4460465	2	Socket, Female	
19	4460891	1	Connector - 2 Position	
19	4460465	2	Socket, Female	
20	4460899	1	Connector - 6 Position	
20	4460464	4	Pin, Male	

SECTION 8 - ELECTRICAL

ITEM	PART NUMBER	QTY	DESCRIPTION	REV
20	4460466	2	Plug, Seal	
21	4460899	1	Connector - 6 Position	
21	4460464	4	Pin, Male	
21	4460466	2	Plug, Seal	
22	4460911	1	Connector - 3 Position	
22	1001126009	3	Terminal	
23	4460911	1	Connector - 3 Position	
23	1001126009	3	Terminal	
24	4460891	1	Connector - 2 Position	
24	4460465	2	Socket, Female	
25	4460891	1	Connector - 2 Position	
25	4460465	2	Socket, Female	
26	4460891	1	Connector - 2 Position	
26	4460465	2	Socket, Female	
27	4460891	1	Connector - 2 Position	
27	4460465	2	Socket, Female	
28	4460891	1	Connector - 2 Position	
28	4460465	2	Socket, Female	
29	4460891	1	Connector - 2 Position	
29	4460465	2	Socket, Female	
30	4460899	1	Connector - 6 Position	
30	4460464	4	Pin, Male	
30	4460466	2	Plug, Seal	
31	4460899	1	Connector - 6 Position	
31	4460464	4	Pin, Male	
31	4460466	2	Plug, Seal	
32	4460911	1	Connector - 3 Position	
32	1001126009	3	Terminal	
33	4460891	1	Connector - 2 Position	
33	4460465	2	Socket, Female	
34	4460880	1	Connector - 3 Position	
35	4460891	1	Connector - 2 Position	
35	4460465	2	Socket, Female	
36	4460911	1	Connector - 3 Position	

SECTION 8 - ELECTRICAL

FIGURE 8-29. COUPLING/COLLECTOR RING ASSEMBLY



ART_1001195588

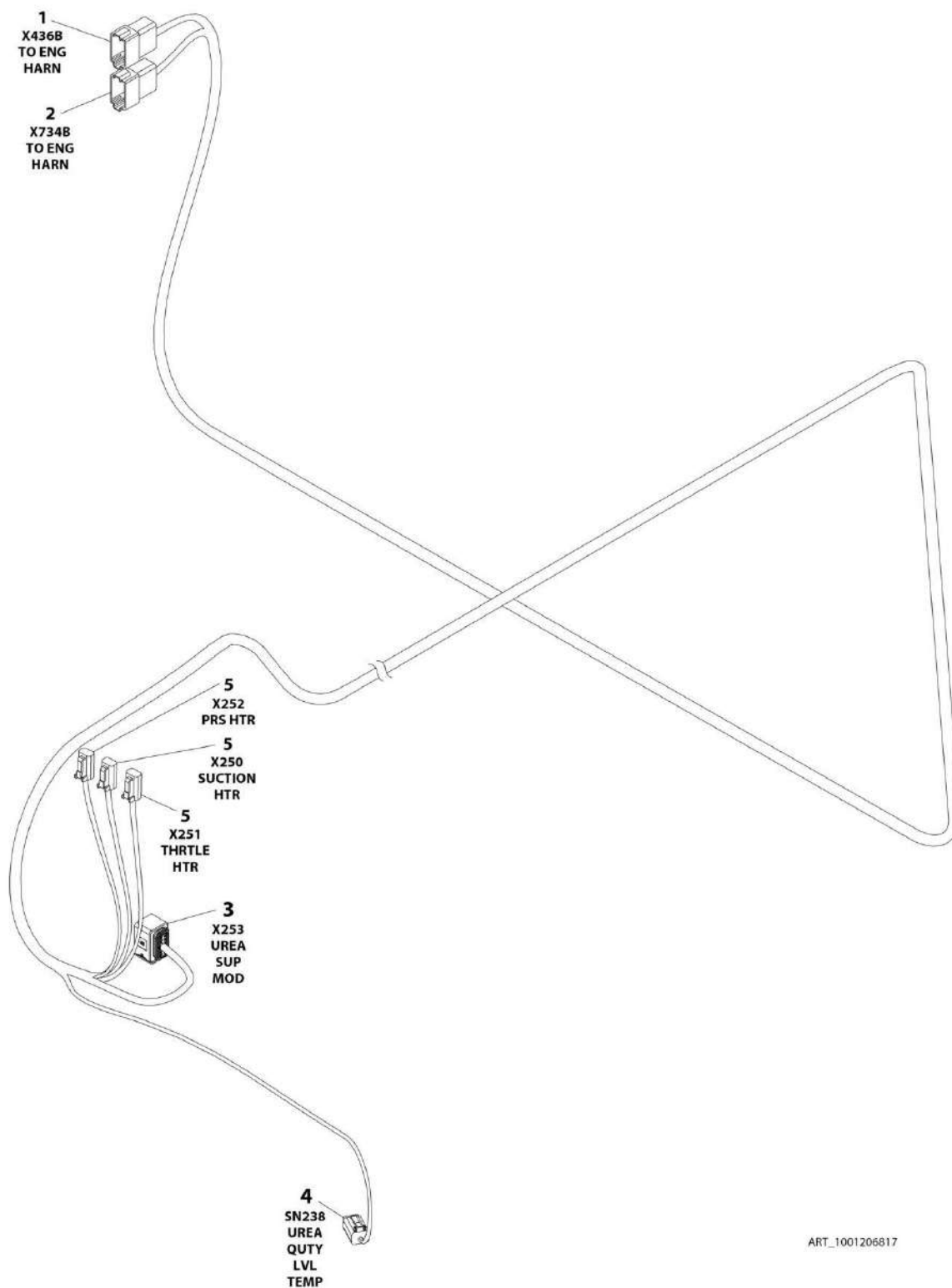
SECTION 8 - ELECTRICAL

FIGURE 8-29. COUPLING/COLLECTOR RING ASSEMBLY

ITEM	PART NUMBER	QTY	DESCRIPTION	REV
	1001195588	Ref	COUPLING/COLLECTOR RING ASSEMBLY	E
1	70005679	1	Coupling, Rotary	
2	7026030	1	Cam	
3	See Note	1	Adapter	
4	70005678	1	Ring, Collector	
5	70003484	1	Arm	
6	7026031	1	Sensor, Proximity	
7	7026032	1	Pin, Dowel (Not Shown)	
8	0641506	2	Bolt 5/16 x 3/4	
9	0641508	2	Bolt 5/16 x 1	
10	3931512	2	Capscrew 5/16 x 3/4	
11	See Note	NSS	Capscrew #10 x 1/2 (Note: Purchase Locally)	
12	See Note	NSS	Cover (Note: Purchase Complete Assembly)	
13	See Note	NSS	Screw #10 x 3/8 (Note: Purchase Locally)	
101	2220498	1	Fitting, 45 JIC/ORB	
102	2220947	1	Fitting, Straight JIC/ORB	
103	2111010	1	Fitting, Straight ORBS/ORB	
104	2151010	1	Fitting, 45 ORBS/ORB	
105	2131010	1	Fitting, 90 ORBS/ORB	
106	2151010	1	Fitting, 45 ORBS/ORB	
107	2220906	1	Fitting, 90 JIC/ORB	
201	4460837	1	Receptacle, Female - 12 Position	
201	4460943	3	Pin, Male	
201	4460516	3	Pin, Male	
201	4460466	6	Plug, Terminal	
202	4461017	1	Receptacle, Female - 2 Position	
202	4460464	2	Pin, Male	
203	4460836	1	Plug, Male - 12 Position	
203	4460944	3	Socket, Female	
203	4460465	5	Socket, Female	
203	4460466	4	Plug, Terminal	
204	4460878	1	Plug, Male - 4 Position	
204	4460887	2	Terminal	

SECTION 8 - ELECTRICAL

FIGURE 8-30. DIESEL EXHAUST FLUID TANK HARNESS



ART_1001206817

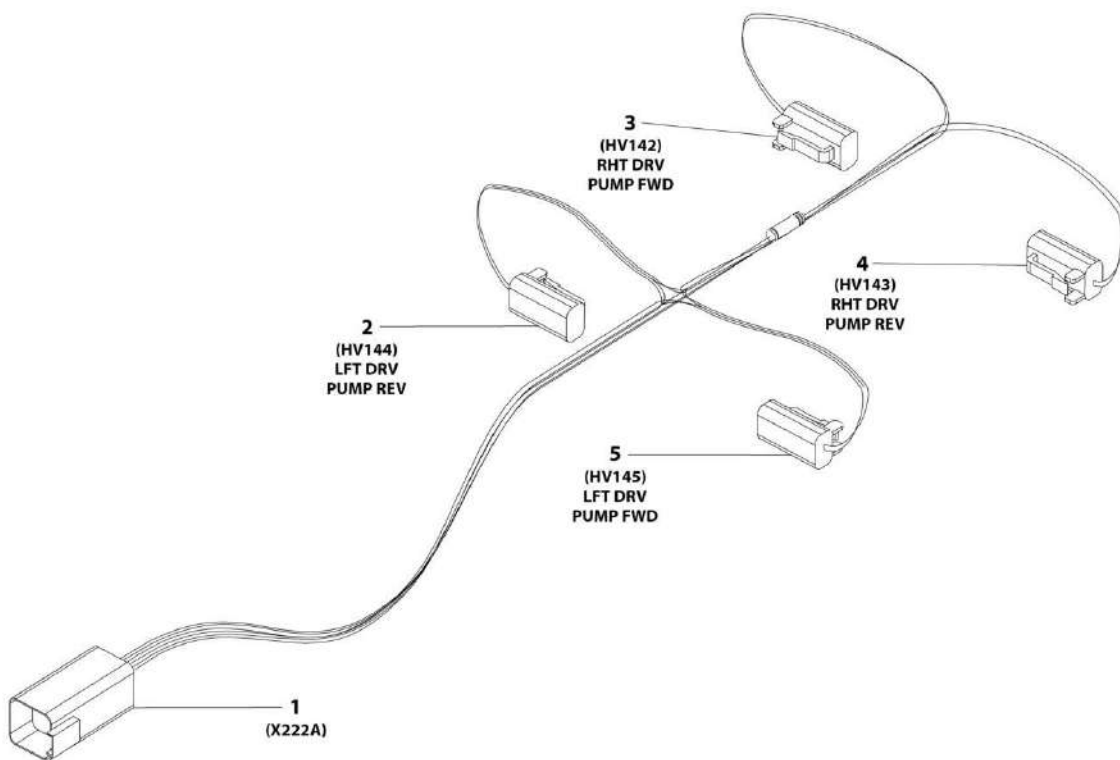
SECTION 8 - ELECTRICAL

FIGURE 8-30. DIESEL EXHAUST FLUID TANK HARNESS

ITEM	PART NUMBER	QTY	DESCRIPTION	REV
	1001206817	Ref	DIESEL EXHAUST FLUID TANK HARNESS	A
1	4460982	1	Receptacle, Female - 12 Position	
1	1001157891	6	Pin, Male	
1	4460464	2	Pin, Male	
1	4460943	2	Pin, Male	
1	4460466	2	Plug, Terminal	
2	1001152742	1	Receptacle, Female - 12 Position	
2	4460941	2	Pin, Male	
2	4460464	8	Pin, Male	
2	4460466	2	Plug, Terminal	
3	1001165194	1	Plug, Male - 12 Position	
3	1001166556	8	Socket, Female	
3	1001166774	2	Socket, Female	
3	1001126391	2	Plug, Terminal	
4	4460884	1	Plug, Male - 4 Position	
4	4460944	2	Socket, Female	
4	4460465	2	Socket, Female	
5	4460891	3	Plug, Male - 2 Position	
5	4460942	6	Socket, Female	

SECTION 8 - ELECTRICAL

FIGURE 8-31. DRIVE PUMP HARNESS



ART_1001149970

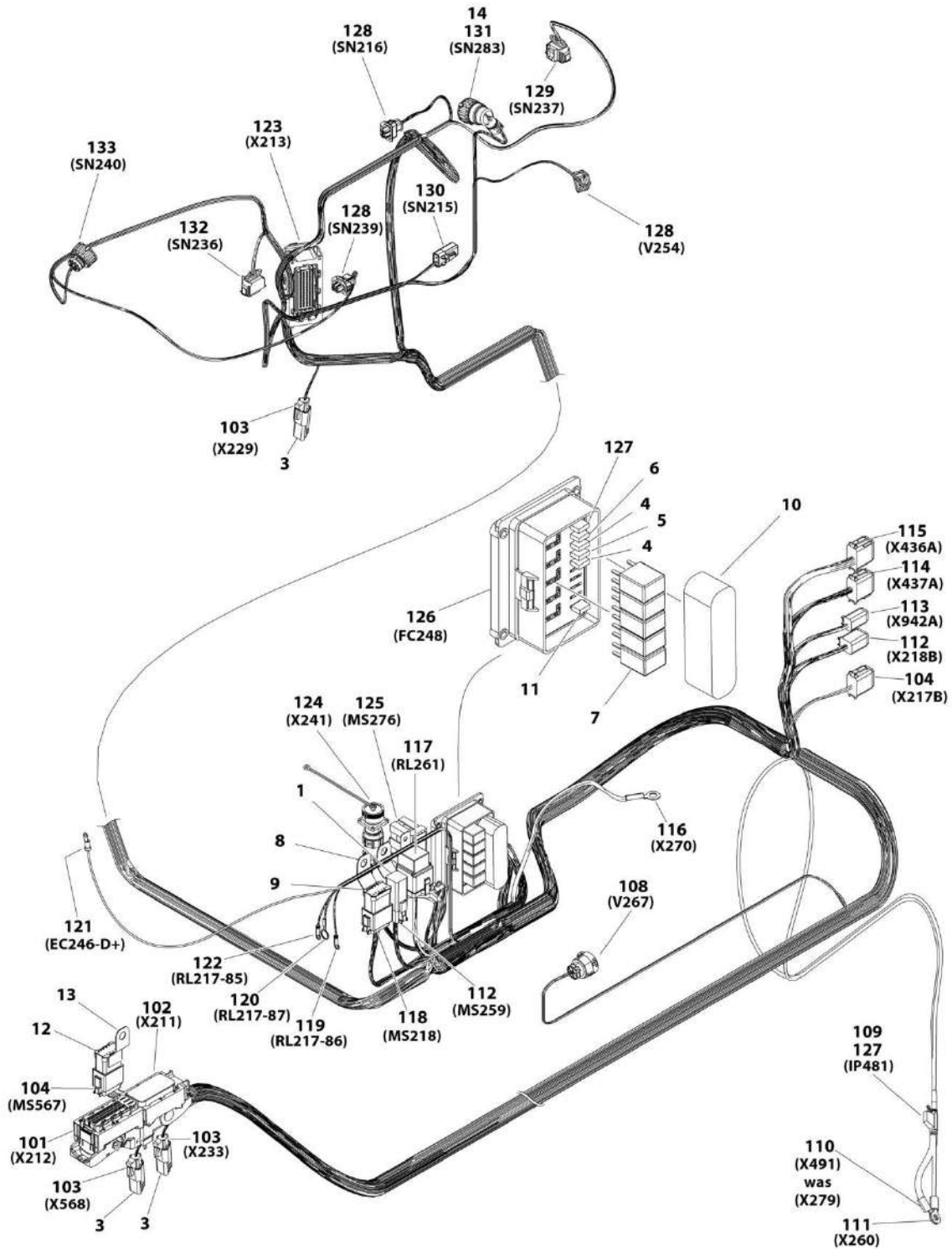
SECTION 8 - ELECTRICAL

FIGURE 8-31. DRIVE PUMP HARNESS

ITEM	PART NUMBER	QTY	DESCRIPTION	REV
	1001149970	Ref	DRIVE PUMP HARNESS	B
1	4460899	1	Connector - 6 Position	
1	4460464	5	Pin, Male	
1	4460466	1	Plug, Seal	
2	4460891	1	Connector - 2 Position	
2	4460465	2	Socket, Female	
3	4460891	1	Connector - 2 Position	
3	4460465	2	Socket, Female	
4	4460891	1	Connector - 2 Position	
4	4460465	2	Socket, Female	
5	4460891	1	Connector - 2 Position	
5	4460465	2	Socket, Female	

SECTION 8 - ELECTRICAL

FIGURE 8-32. ENGINE HARNESS (HRC)



ART_1001188922

SECTION 8 - ELECTRICAL

FIGURE 8-32. ENGINE HARNESS (HRC)

ITEM	PART NUMBER	QTY	DESCRIPTION	REV
	1001188922	Ref	ENGINE HARNESS (HRC)	I
1	4460892	1	Buss Bar - 6 Position	
3	4461070	3	Connector - 3 Position (With Terminating Resistor)	
4	8229242	2	Fuse, 5Amp	
5	8229244	1	Fuse, 15Amp	
6	8229247	1	Fuse, 25Amp	
7	1001095704	5	Relay	
8	1001120328	2	Mount	
9	1001125677	1	Connector, Bussbar	
10	1001190921	1	Seal	
11	1001197719	1	Resistor 620ohm	
12	4460984	1	Receptacle, Female - 8 Position	
13	1001155743	1	Mount	
14	1001187882	1	Cover, Connector (Prior to SN 0300218784)	
14	1001216318	1	Cover, Connector (SN 0300218784 to Present)	
101	1001167615	1	Connector - 91 Position	
101	1001166551	6	Terminal	
101	1001167621	20	Terminal	
101	1001167622	65	Plug, Terminal	
101	1001126353	6	Seal	
102	1001167625	1	Connector - 105 Position	
102	1001166555	13	Terminal	
102	1001167621	50	Terminal	
102	1001167622	36	Plug, Terminal	
102	1001167623	6	Seal	
103	4461095	3	Connector - 3 Position	
103	4460944	4	Socket, Female	
103	4460465	2	Socket, Female	
103	4460466	3	Plug, Terminal	
104	4460930	2	Connector - 8 Position	
104	4460465	2	Socket, Female	
104	4460466	6	Plug, Terminal	
108	1001167620	1	Connector - 4 Position	
108	1001176004	2	Socket, Female	
108	1001167624	2	Plug, Terminal	
108	1001176002	2	Seal	
109	2400066	1	Fuseholder with Leads	
110	1001117107	1	Terminal, Ring	
111	8220045	1	Terminal, Ring	
112	4460894	2	Plug, Male - 6 Position	
112	4460465	7	Socket, Female	
112	4460944	2	Socket, Female	
112	4460942	1	Socket, Female	
112	4460466	2	Plug, Socket	
113	4460884	1	Plug, Male - 4 Position	
113	4460465	2	Socket, Female	
113	4460942	2	Socket, Female	
114	4460934	1	Plug, Male - 12 Position	
114	4460942	2	Socket, Female	
114	4460465	8	Socket, Female	

SECTION 8 - ELECTRICAL

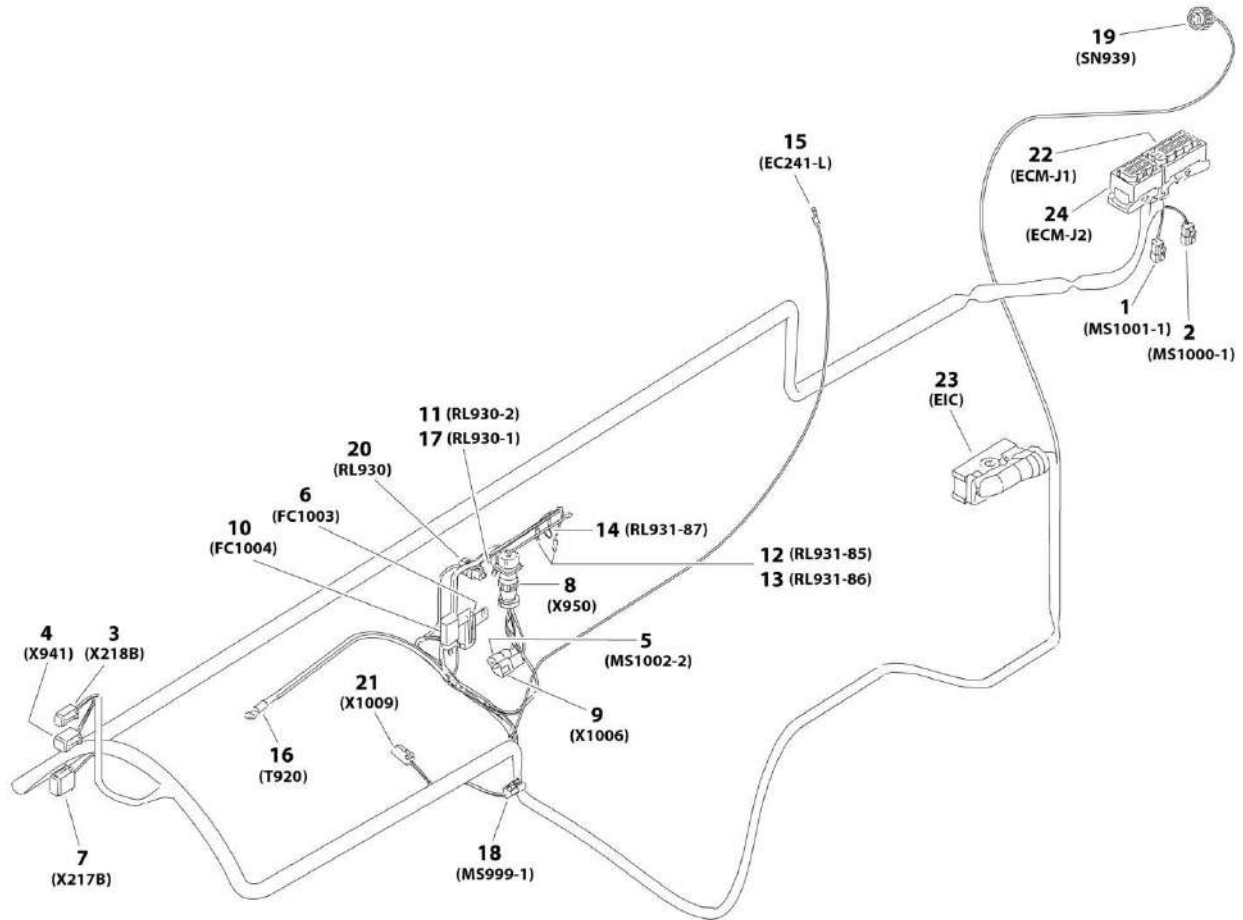
ITEM	PART NUMBER	QTY	DESCRIPTION	REV
114	4460466	2	Plug, Socket	
115	4460935	1	Plug, Male - 12 Position	
115	1001157890	6	Socket, Female	
115	4460465	2	Socket, Female	
115	4460944	2	Socket, Female	
115	4460466	2	Plug, Socket	
116	1001117108	1	Ring, Terminal	
117	1001118282	1	Connector - 5 Position	
117	1001116734	2	Terminal	
117	1001116733	2	Terminal	
117	1001128128	1	Plug, Socket	
118	4460933	1	Plug, Male - 12 Position	
118	4460944	12	Socket, Female	
119	4460247	1	Terminal, Ring	
120	4460703	1	Terminal, Ring	
121	4460042	1	Terminal, Ring	
122	4460247	1	Terminal, Ring	
123	1001126362	1	Connector - 62 Position	
123	1001166556	30	Socket, Female (Prior to SN 0300229725)	
123	1001166556	26	Socket, Female (SN 0300229725 to Present)	
123	1001166774	10	Socket, Female	
123	1001166541	2	Socket, Female	
123	1001166543	2	Socket, Female	
123	1001126391	16	Plug, Terminal (Prior to SN 0300229725)	
123	1001126391	20	Plug, Terminal (SN 0300229725 to Present)	
123	4461008	2	Plug, Terminal	
123	1001166701	30	Seal, Terminal (Prior to SN 0300229725)	
123	1001166701	26	Seal, Terminal (SN 0300229725 to Present)	
123	1001126393	10	Seal, Terminal	
123	4461006	2	Seal, Terminal (Blue)	
123	4461054	2	Seal, Terminal (White)	
124	2902443	1	Kit, Receptacle	
124	4461071	8	Socket, Female	
124	4461072	1	Connector	
124	4461043	1	Cap, Dust	
124	4461074	1	Shell, Back	
125	1001184846	1	Plug, Male - 10 Position	
125	4460509	10	Socket, Female	
126	1001167616	1	Main Fuse Box Assembly	
126	1001116725	6	Socket, Female	
126	8220097	19	Terminal	
126	8220098	7	Terminal	
126	4460748	13	Plug, Terminal	
126	80963067	6	Seal (Blue)	
126	1001175265	12	Seal, Terminal	
126	4460458	14	Seal, Terminal	
127	8229245	2	Fuse, 30Amp	
128	1001126487	3	Connector - 2 Position	
128	1001167634	4	Socket, Female	
128	1001167635	2	Socket, Female	
128	1001126485	6	Seal, Terminal	

SECTION 8 - ELECTRICAL

ITEM	PART NUMBER	QTY	DESCRIPTION	REV
129	1001167629	1	Connector - 4 Position	
129	1001167630	4	Socket, Female	
129	1001126485	4	Seal, Terminal	
130	1001126245	1	Plug, Male - 2 Position	
130	1001126008	2	Socket, Female	
131	1001138116	1	Connector - 3 Position	
131	1001133715	3	Socket, Female	
131	1001135650	4	Seal, Terminal	
132	1001167631	1	Connector - 4 Position	
132	1001167630	4	Socket, Female	
132	1001126485	4	Seal, Terminal	
133	1001133714	1	Connector - 4 Position	
133	1001133715	3	Socket, Female	
133	1001135650	3	Seal, Terminal	

SECTION 8 - ELECTRICAL

FIGURE 8-33. ENGINE HARNESS (LRC)



ART_1001149971

SECTION 8 - ELECTRICAL

FIGURE 8-33. ENGINE HARNESS (LRC)

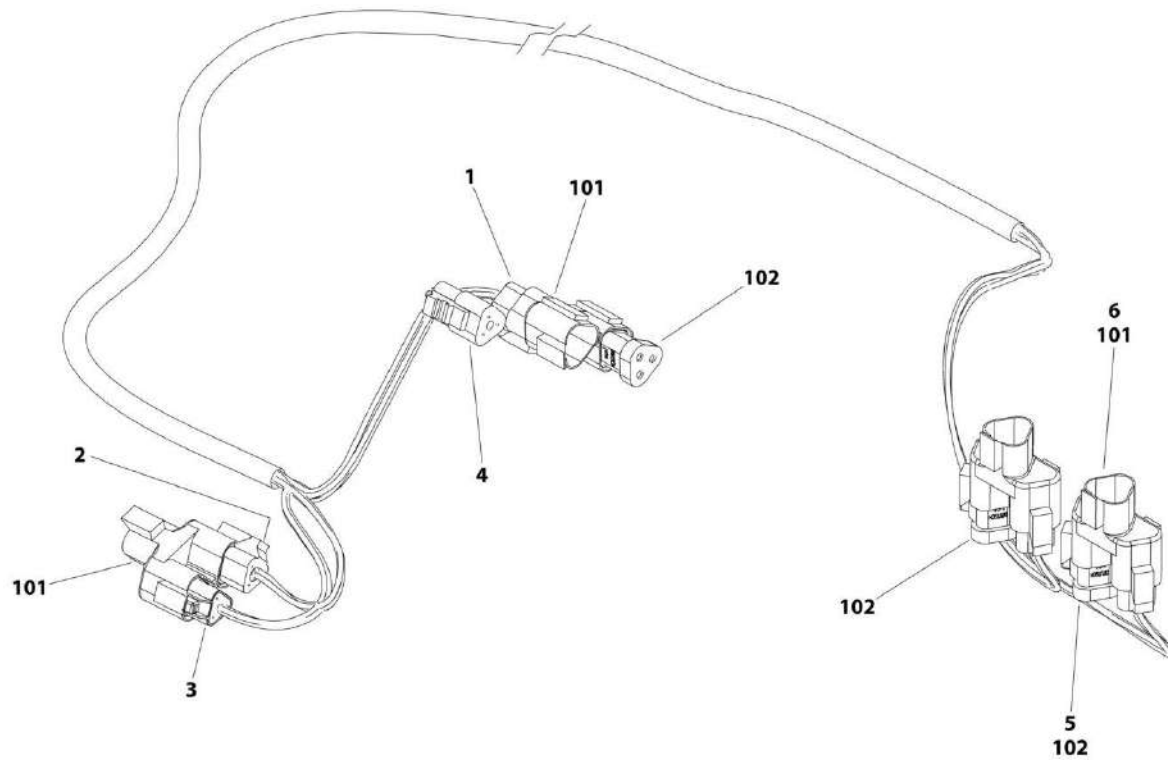
ITEM	PART NUMBER	QTY	DESCRIPTION	REV
	1001149971	Ref	ENGINE HARNESS (LRC)	F
1	1001116812	1	Connector - 3 Position	
1	4460944	2	Socket, Female	
1	4460466	1	Plug, Socket	
2	1001116812	1	Connector - 3 Position	
2	4460944	2	Socket, Female	
2	4460466	1	Plug, Socket	
3	4460894	1	Connector - 6 Position	
3	4460944	3	Socket, Female	
3	4460466	3	Plug, Socket	
4	4460884	1	Connector - 4 Position (Prior to SN 0300224696)	
4	1001220379	1	Connector - 4 Position (SN 0300224696 to Present)	
4	4460942	2	Socket, Female	
4	4460465	2	Socket, Female	
4	4460466	4	Plug, Socket	
5	4460539	1	Connector - 3 Position	
5	4460944	2	Socket, Female	
5	4460466	1	Plug, Socket	
6	1001119412	1	Fuseholder	
6	See Note	NSS	Fuse 5A (Note: Purchase Locally)	
6	1001116732	1	Terminal	
6	1001128128	1	Plug, Socket	
7	4460930	1	Connector, Female - 8 Position	
7	4460944	1	Socket, Female	
7	4460466	7	Plug, Seal	
8	2902443	1	Kit, Receptacle	
8	4461071	8	Socket, Female	
8	4461072	1	Connector	
8	4461043	1	Cap, Dust	
8	4461074	1	Shell, Back	
9	4460536	1	Connector - 3 Position	
9	4460943	2	Pin, Male	
9	4460466	1	Plug, Socket	
10	1001117023	1	Fuseholder	
10	See Note	NSS	Fuse 10A (Note: Purchase Locally)	
10	1001116732	1	Terminal	
10	1001128128	2	Plug, Socket	
11	1001117106	1	Ring, Terminal	
12	4460247	1	Ring, Terminal	
13	4460247	1	Ring, Terminal	
14	4460703	1	Ring, Terminal	
15	4460042	1	Ring, Terminal	
16	8220115	1	Ring, Terminal	
17	4460043	1	Ring, Terminal	
18	1001116812	1	Connector - 3 Position	
18	4460944	3	Socket, Female	
19	1001133714	1	Connector - 4 Position	
19	1001133715	3	Socket, Female	
20	1001116952	1	Connector - 2 Position	
20	4460465	1	Socket, Female	

SECTION 8 - ELECTRICAL

ITEM	PART NUMBER	QTY	DESCRIPTION	REV
20	4460466	1	Seal, Plug	
21	4460891	1	Connector, Male - 2 Position	
21	4460465	2	Socket, Female	
21	4460897	1	Connector, Female - 2 Position	
21	4460464	2	Pin, Male	
21	See Note	NSS	Resistor 1.5ohm (Note: Not Available for Purchase)	
21	1001156692	AR	Heat Shrink	
22	1001133956	1	Connector - 94 Position	
22	1001126352	6	Terminal 13-17Ga	
22	1001126384	21	Terminal 18-20Ga	
22	1001126351	2	Terminal 15-18Ga	
22	1001126357	2	Plug, Socket	
22	1001126356	63	Plug, Socket	
23	1001126362	1	Connector - 62 Position	
23	1001126365	2	Terminal 17-20Ga	
23	1001126363	35	Terminal 17-20Ga (Gold)	
23	1001126391	21	Plug, Socket	
23	4461008	4	Plug, Socket	
24	1001133957	1	Connector - 60 Position	
24	1001126351	13	Terminal 15-18Ga	
24	1001126384	17	Terminal 18-20Ga	
24	1001126357	11	Plug, Socket	
24	1001126356	19	Plug, Socket	

SECTION 8 - ELECTRICAL

FIGURE 8-34. ENGINE CAN HARNESS



ART_1001156001

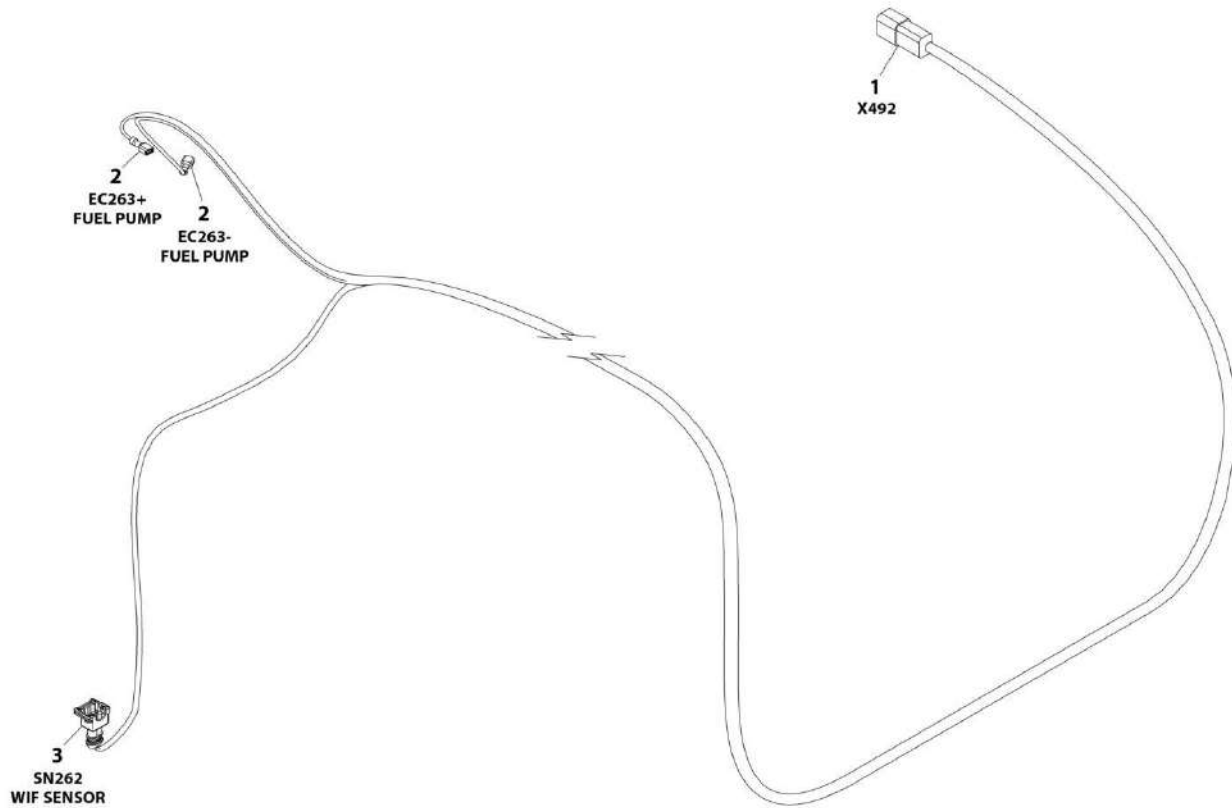
SECTION 8 - ELECTRICAL

FIGURE 8-34. ENGINE CAN HARNESS

ITEM	PART NUMBER	QTY	DESCRIPTION	REV
	1001156001	Ref	ENGINE CAN HARNESS	B
1	1001116812	1	Connector - 3 Position	
1	4460944	3	Socket, Female	
2	4460539	1	Connector - 3 Position	
2	4460944	3	Socket, Female	
3	1001116812	1	Connector - 3 Position	
3	4460944	3	Socket, Female	
4	4460539	1	Connector - 3 Position	
4	4460944	3	Socket, Female	
5	4460539	1	Connector - 3 Position	
5	4460944	3	Socket, Female	
6	4460539	1	Connector - 3 Position	
6	4460944	3	Socket, Female	
101	4460945	4	Connector, Tee	
102	1001116815	3	Connector - 3 Position	

SECTION 8 - ELECTRICAL

FIGURE 8-35. FUEL PUMP AND WIF HARNESS



ART_1001211885

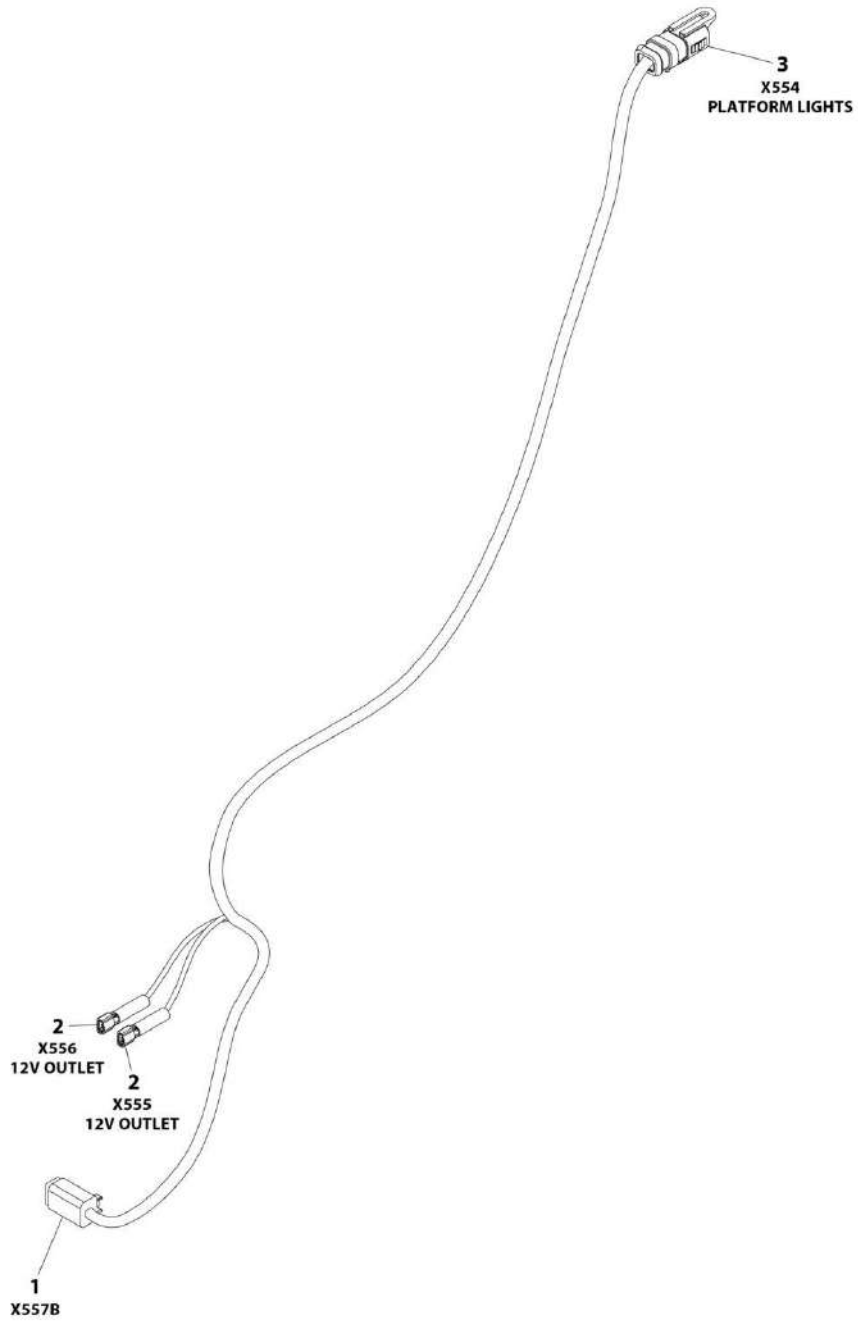
SECTION 8 - ELECTRICAL

FIGURE 8-35. FUEL PUMP AND WIF HARNESS

ITEM	PART NUMBER	QTY	DESCRIPTION	REV
	1001211885	Ref	FUEL PUMP AND WIF HARNESS	A
1	4460932	1	Receptacle, Female - 4 Position	
1	4460464	4	Pin, Male	
2	8220051	2	Terminal	
3	1001116983	1	Connector - 2 Position	
3	4461060	2	Terminal	

SECTION 8 - ELECTRICAL

FIGURE 8-36. PLATFORM OUTLET HARNESS



ART_1001206506

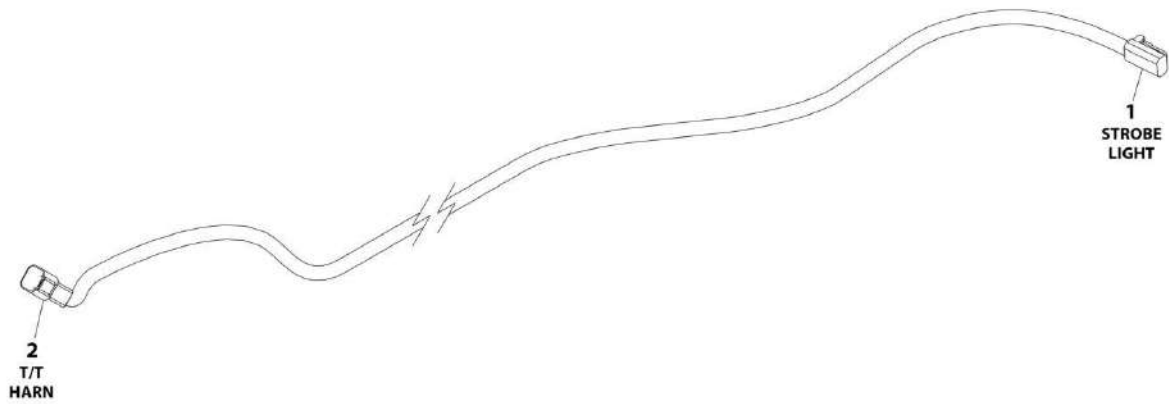
SECTION 8 - ELECTRICAL

FIGURE 8-36. PLATFORM OUTLET HARNESS

ITEM	PART NUMBER	QTY	DESCRIPTION	REV
	1001206506	Ref	PLATFORM OUTLET HARNESS	C
1	4460884	1	Plug, Male - 4 Position	
1	4460465	4	Socket, Female	
2	1001206509	2	Terminal	
3	1001210079	1	Plug, Male - 4 Position	
3	4460465	4	Socket, Female	
3	1001192401	1	Cap, Dust	

SECTION 8 - ELECTRICAL

FIGURE 8-37. STROBE LIGHT (AMBER) HARNESS



ART_1001202787

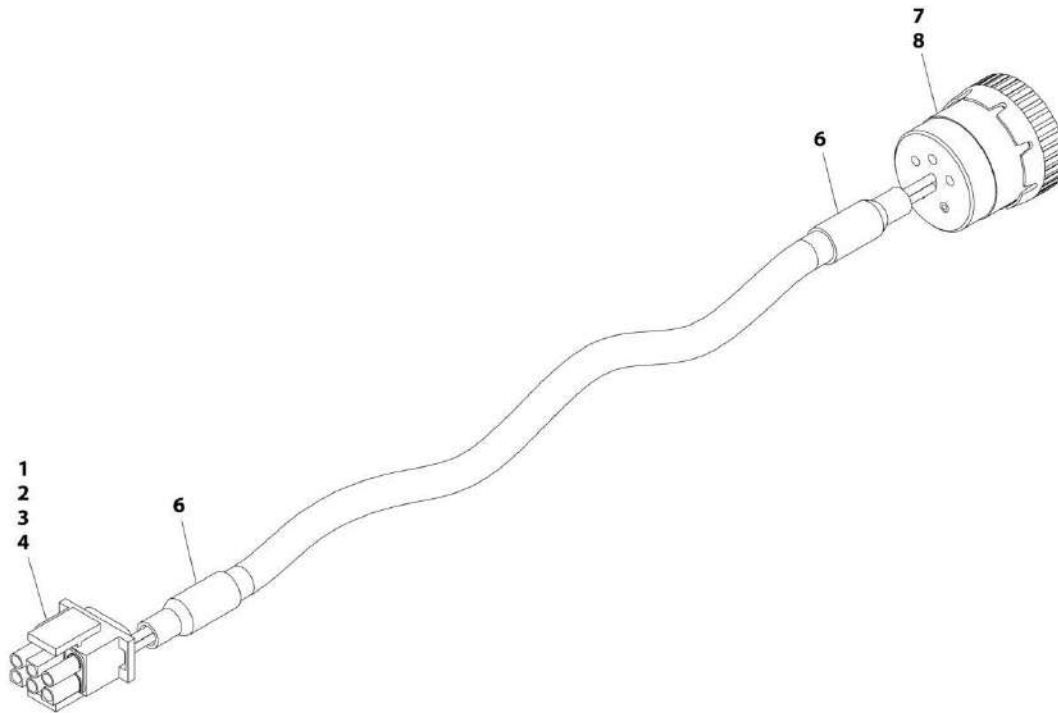
SECTION 8 - ELECTRICAL

FIGURE 8-37. STROBE LIGHT (AMBER) HARNESS

ITEM	PART NUMBER	QTY	DESCRIPTION	REV
	1001202787	Ref	STROBE LIGHT (AMBER) HARNESS	A
1	4460891	1	Plug, Male - 2 Position	
1	4460465	2	Socket, Female	
2	4460897	1	Receptacle, Female - 2 Position	
2	4460464	2	Pin, Male	

SECTION 8 - ELECTRICAL

FIGURE 8-38. GENERATOR TO CONTROL BOX HARNESS (4000W GENERATOR)



ART_1001152532

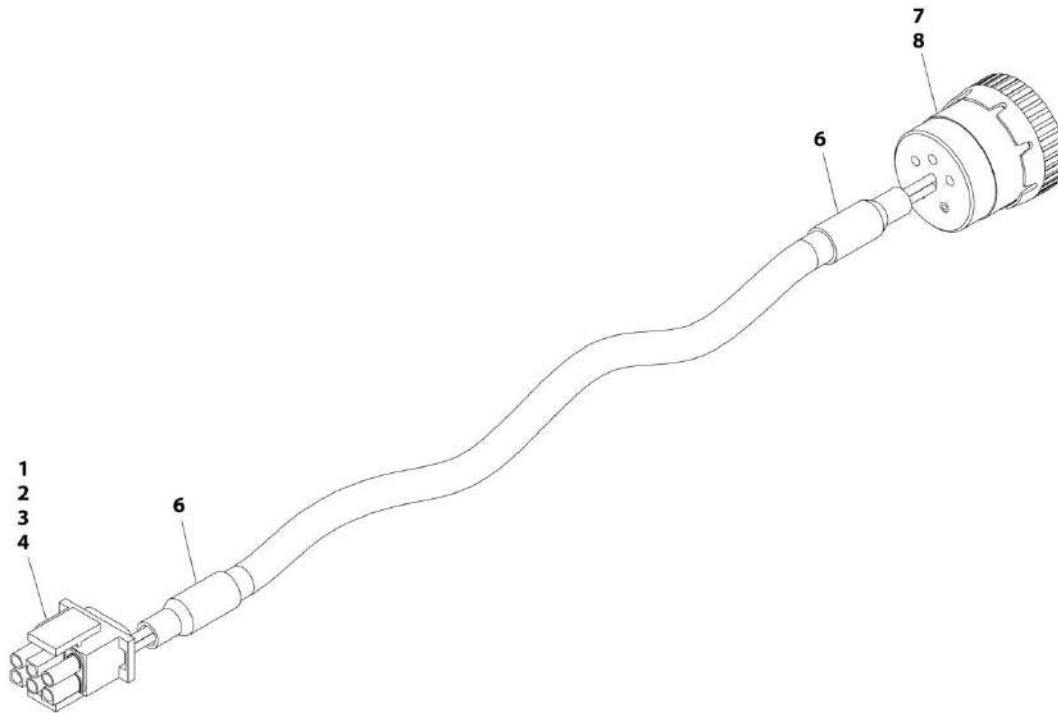
SECTION 8 - ELECTRICAL

FIGURE 8-38. GENERATOR TO CONTROL BOX HARNESS (4000W GENERATOR)

ITEM	PART NUMBER	QTY	DESCRIPTION	REV
	1001152532	Ref	GENERATOR TO CONTROL BOX HARNESS (4000W GENERATOR)	A
1	4460225	1	Plug, Male - 6 Position	
2	4460268	2	Socket, Female	
3	4460807	1	Seal	
4	4460808	1	Seal	
6	2820019	AR	Heat Shrink	
7	4460465	2	Socket, Female	
8	77363233	1	Connector - 6 Position	

SECTION 8 - ELECTRICAL

FIGURE 8-39. GENERATOR TO CONTROL BOX HARNESS (7500W GENERATOR)



ART_4922925

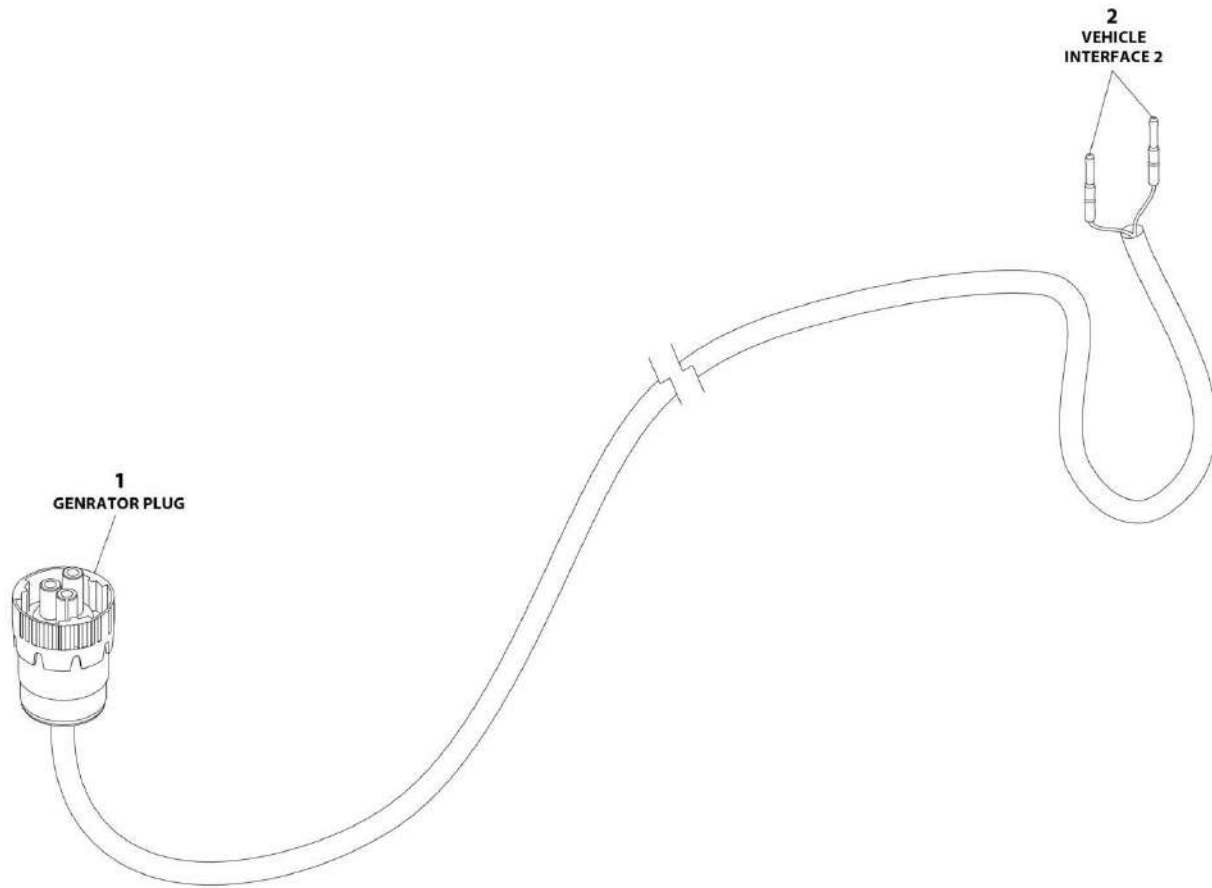
SECTION 8 - ELECTRICAL

FIGURE 8-39. GENERATOR TO CONTROL BOX HARNESS (7500W GENERATOR)

ITEM	PART NUMBER	QTY	DESCRIPTION	REV
	4922925	Ref	GENERATOR TO CONTROL BOX HARNESS (7500W GENERATOR)	C
1	4460225	1	Plug, Male - 6 Position	
2	4460268	6	Socket, Female	
3	4460807	1	Seal	
4	4460808	1	Seal	
6	2820019	AR	Heat Shrink	
7	4460465	6	Socket, Female	
8	77363233	1	Connector - 6 Position	

SECTION 8 - ELECTRICAL

FIGURE 8-40. GENERATOR TO PLATFORM HARNESS (4000W-60HZ GENERATOR)



ART_1001153259

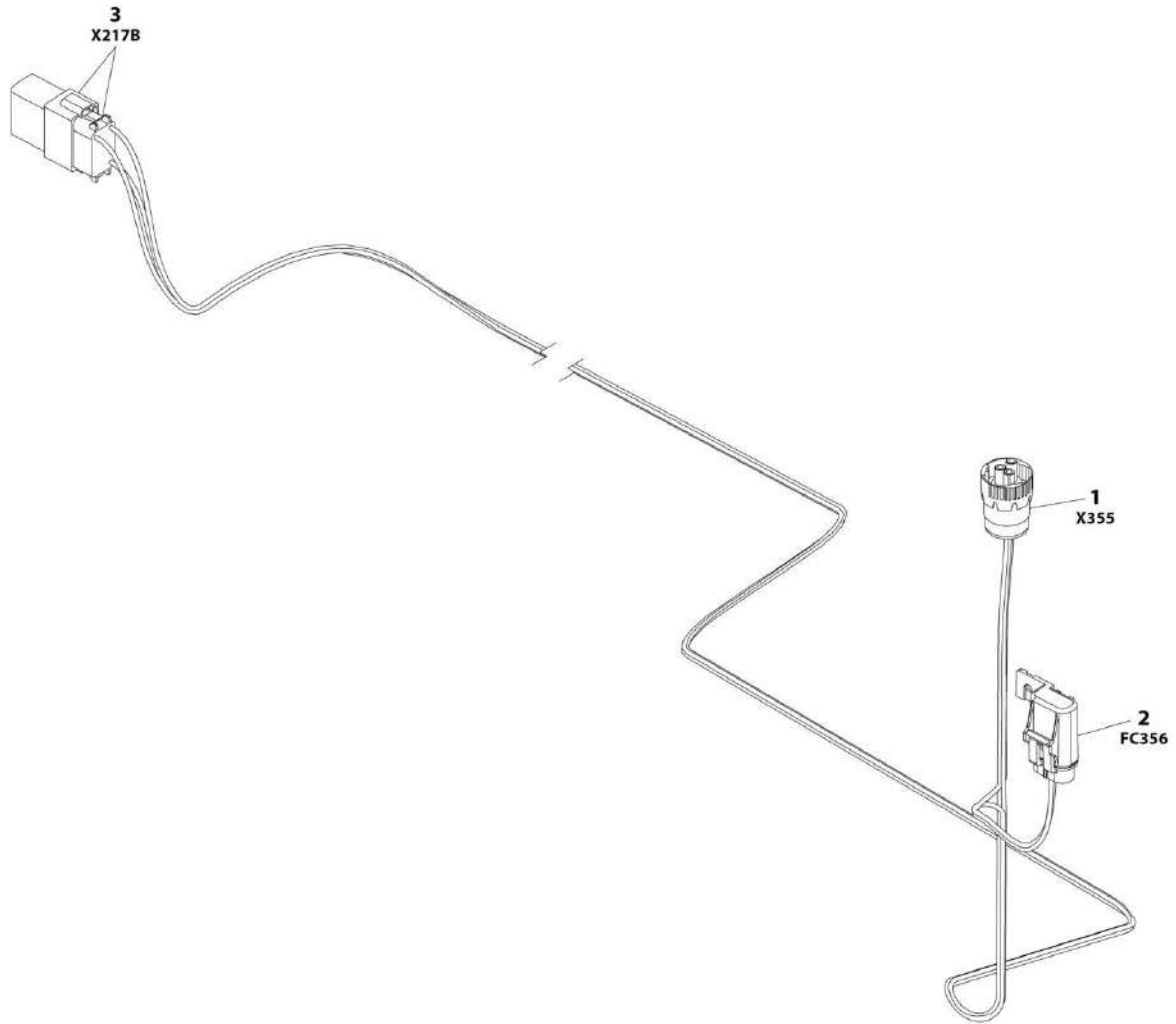
SECTION 8 - ELECTRICAL

FIGURE 8-40. GENERATOR TO PLATFORM HARNESS (4000W-60HZ GENERATOR)

ITEM	PART NUMBER	QTY	DESCRIPTION	REV
	1001153259	Ref	GENERATOR TO PLATFORM HARNESS (4000W-60HZ GENERATOR)	B
1	4460967	1	Connector - 3 Position	
1	4460465	2	Socket, Female	
2	4460465	2	Socket, Female	

SECTION 8 - ELECTRICAL

FIGURE 8-41. GENERATOR TO PLATFORM HARNESS (4000W-50HZ & 7500W GENERATOR)



ART_1001156030

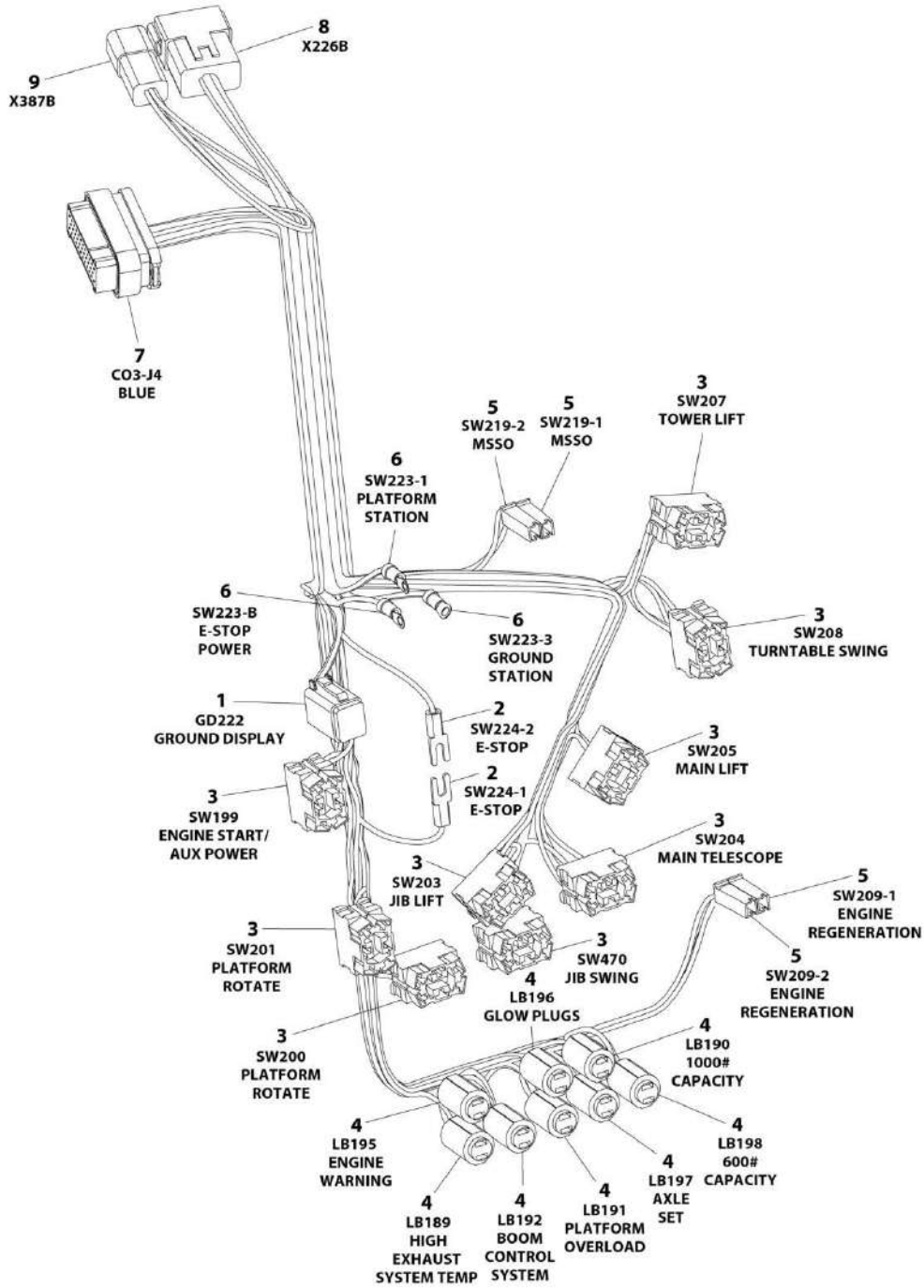
SECTION 8 - ELECTRICAL

FIGURE 8-41. GENERATOR TO PLATFORM HARNESS (4000W-50HZ & 7500W GENERATOR)

ITEM	PART NUMBER	QTY	DESCRIPTION	REV
	1001156030	Ref	GENERATOR TO PLATFORM HARNESS (4000W-50HZ & 7500W GENERATOR)	B
1	4460967	1	Connector - 3 Position	
1	4460465	3	Socket, Female	
2	1001119412	1	Fuse Assembly	
2	See Note	NSS	Fuse - 5Amp ATO (Note: Purchase Locally)	
2	1001116733	2	Terminal	
3	4460930	Ref	Receptacle, Female - 8 Position (Shown for Termination Reference Only - Part of Harness p/n 1001149971)	
3	4460465	3	Socket, Female	

SECTION 8 - ELECTRICAL

FIGURE 8-42. GROUND CONTROL HARNESS



ART_1001196689

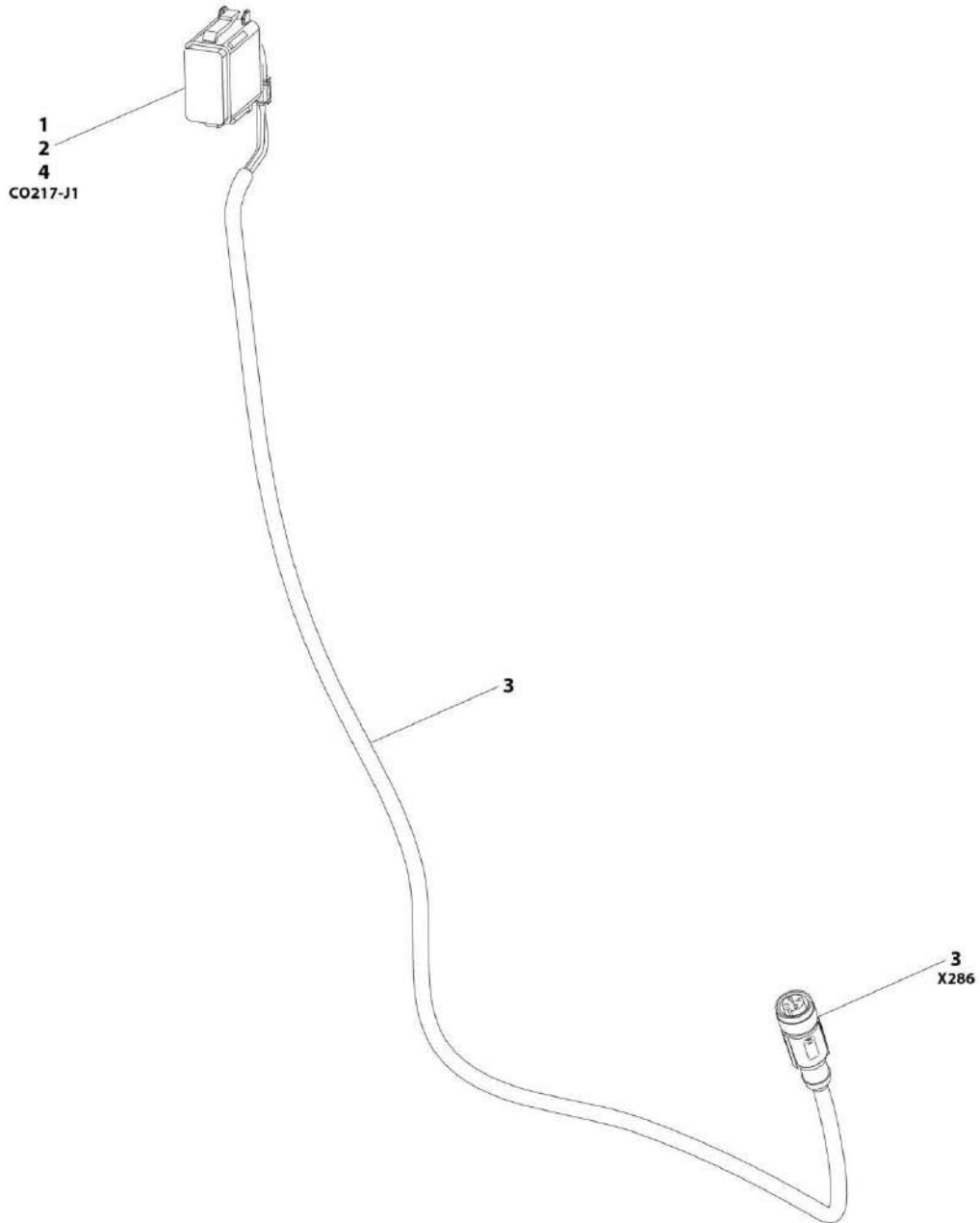
SECTION 8 - ELECTRICAL

FIGURE 8-42. GROUND CONTROL HARNESS

ITEM	PART NUMBER	QTY	DESCRIPTION	REV
	1001196689	Ref	GROUND CONTROL HARNESS	B
1	4460894	1	Plug, Male - 6 Position	
1	4460465	2	Socket, Female	
1	4460944	2	Socket, Female	
1	4460466	2	Plug, Terminal	
2	4460144	2	Terminal, Fork	
3	4460418	9	Connector - 6 Position	
3	4460419	16	Terminal	
3	1001159186	19	Terminal	
4	4120035	8	Socket, Light	
5	4460260	4	Cover, Terminal	
5	4460259	4	Terminal	
6	4460042	3	Terminal, Ring	
7	4460876	1	Connector - 35 Position	
7	4460871	29	Socket, Female	
7	4460905	6	Plug, Terminal	
8	4460970	1	Receptacle, Female - 12 Position	
8	4460464	9	Pin, Male	
8	4460943	2	Pin, Male	
8	4460466	1	Plug, Terminal	
9	4460932	1	Receptacle, Female - 4 Position	
9	4460464	4	Pin, Male	

SECTION 8 - ELECTRICAL

FIGURE 8-43. LCD DISPLAY HARNESS (Prior to SN 0300248935)



ART_1001125293

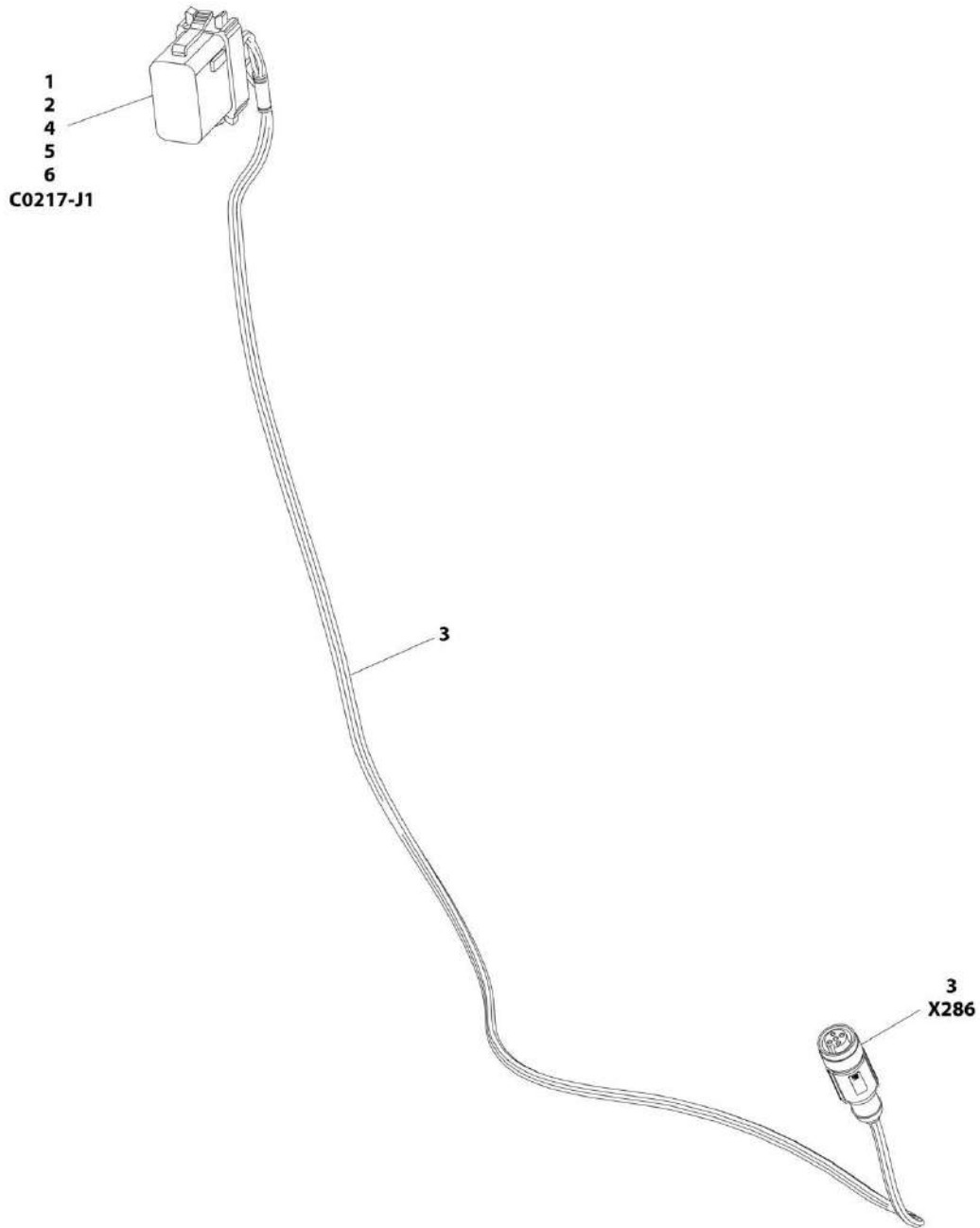
SECTION 8 - ELECTRICAL

FIGURE 8-43. LCD DISPLAY HARNESS (Prior to SN 0300248935)

ITEM	PART NUMBER	QTY	DESCRIPTION	REV
	1001125293	Ref	LCD DISPLAY HARNESS	C
1	4460465	3	Socket, Female	
2	4460944	2	Socket, Female (Gold)	
3	1001125295	1	Connector with Cable	
4	4460933	1	Connector - 12 Position	

SECTION 8 - ELECTRICAL

FIGURE 8-44. LCD DISPLAY HARNESS (SN 0300248935 to Present)



ART_1001220482

SECTION 8 - ELECTRICAL

FIGURE 8-44. LCD DISPLAY HARNESS (SN 0300248935 to Present)

ITEM	PART NUMBER	QTY	DESCRIPTION	REV
	1001220482	Ref	LCD DISPLAY HARNESS	A
1	4460465	3	Socket, Female	
2	4460944	2	Socket, Female (Gold)	
3	1001125295	1	Connector with Cable	
4	1001176333	1	Connector - 12 Position	
5	4460466	13	Plug, Seal	
6	2820171	3	Tube, Heat Shrink	

SECTION 8 - ELECTRICAL

FIGURE 8-45. MAIN BOOM CONTROL BOX HARNESS

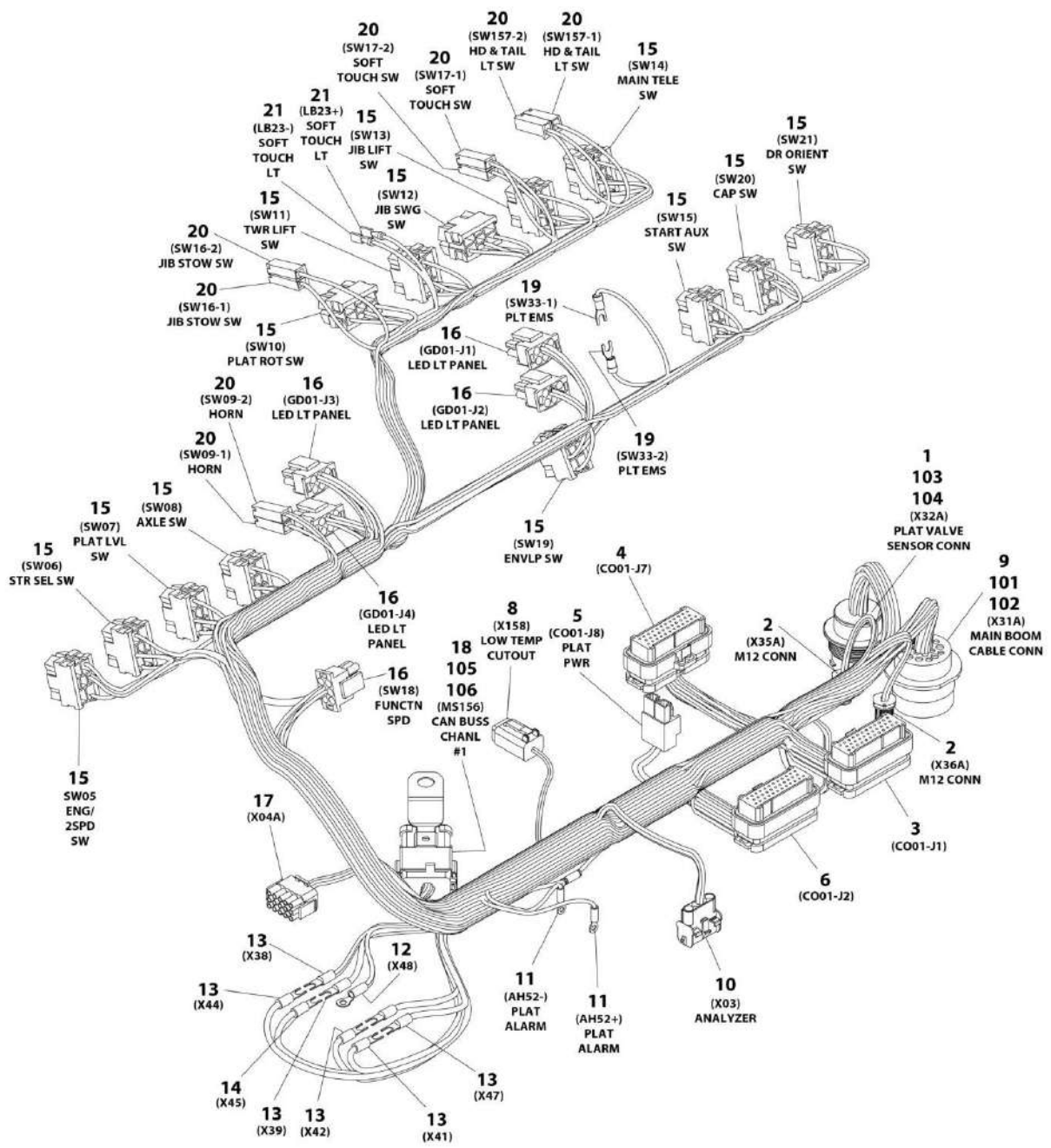
ITEM	PART NUMBER	QTY	DESCRIPTION	REV
	1001216638	Ref	MAIN BOOM CONTROL BOX HARNESS	B
1	4460837	1	Receptacle, Female Termination - 12 Position	
2	4460892	1	Receptacle, Female Buss Bar - 6 Position	
3	4460893	1	Receptacle, Female Buss Bar - 4 Position	
4	1001155967	2	Mount	
5	1001216625	1	Seal	
6	1001216626	1	Seal	
101	4460866	2	Connector - 19 Position	
101	4460943	4	Pin, Male	
101	4460464	16	Pin, Male	
101	4460508	8	Pin, Male	
101	4460466	10	Plug, Terminal	
102	4461016	1	Connector - 12 Position	
102	4460464	9	Pin, Male	
102	4460466	5	Plug, Terminal	
103	4460836	2	Plug, Male - 12 Position	
103	1001157890	4	Socket, Female	
103	4460465	12	Socket, Female	
103	4460466	8	Plug, Terminal	
104	4460894	1	Plug, Male - 6 Position	
104	1001157890	4	Socket, Female	
104	4460465	2	Socket, Female	
105	1001117110	2	Terminal, Ring	
106	4460935	1	Plug, Male - 12 Position	
106	4460465	8	Socket, Female	
106	4460466	4	Plug, Terminal	
107	4460933	1	Plug, Male - 12 Position	
107	4460465	3	Socket, Female	
107	4460944	2	Socket, Female	
107	4460466	7	Plug, Terminal	
108	4460934	1	Plug, Male - 12 Position	
108	4460465	11	Socket, Female	
108	4460466	1	Plug, Terminal	
109	4460434	1	Plug, Male - 15 Position	
109	4460268	13	Socket, Female	
109	4460906	2	Socket, Female	
110	4460930	1	Plug, Male - 8 Position	
110	4460465	2	Socket, Female	
110	4460944	2	Socket, Female	
110	4460466	4	Plug, Terminal	
111	4460536	1	Receptacle, Female - 3 Position	
111	4460464	3	Pin, Male	
112	4460884	2	Plug, Male - 4 Position	
112	4460465	8	Socket, Female	
113	1001116812	1	Plug, Male - 3 Position	
113	4460465	3	Socket, Female	
114	4460722	1	Terminal, Ring	
115	4460891	6	Plug, Male - 2 Position	
115	4460465	12	Socket, Female	
116	4460539	1	Plug, Male - 3 Position	

SECTION 8 - ELECTRICAL

ITEM	PART NUMBER	QTY	DESCRIPTION	REV
116	4460465	2	Socket, Female	
117	4461077	1	Plug, Male - 4 Position	
117	4460928	3	Socket, Female	
117	4460518	1	Plug, Terminal	
118	4461077	1	Plug, Male - 4 Position	
118	1001126008	4	Socket, Female	

SECTION 8 - ELECTRICAL

FIGURE 8-46. PLATFORM CONSOLE HARNESS - WITHOUT SKYGUARD (Prior to SN 0300223782)



ART_1001199637

SECTION 8 - ELECTRICAL

FIGURE 8-46. PLATFORM CONSOLE HARNESS - WITHOUT SKYGUARD (Prior to SN 0300223782)

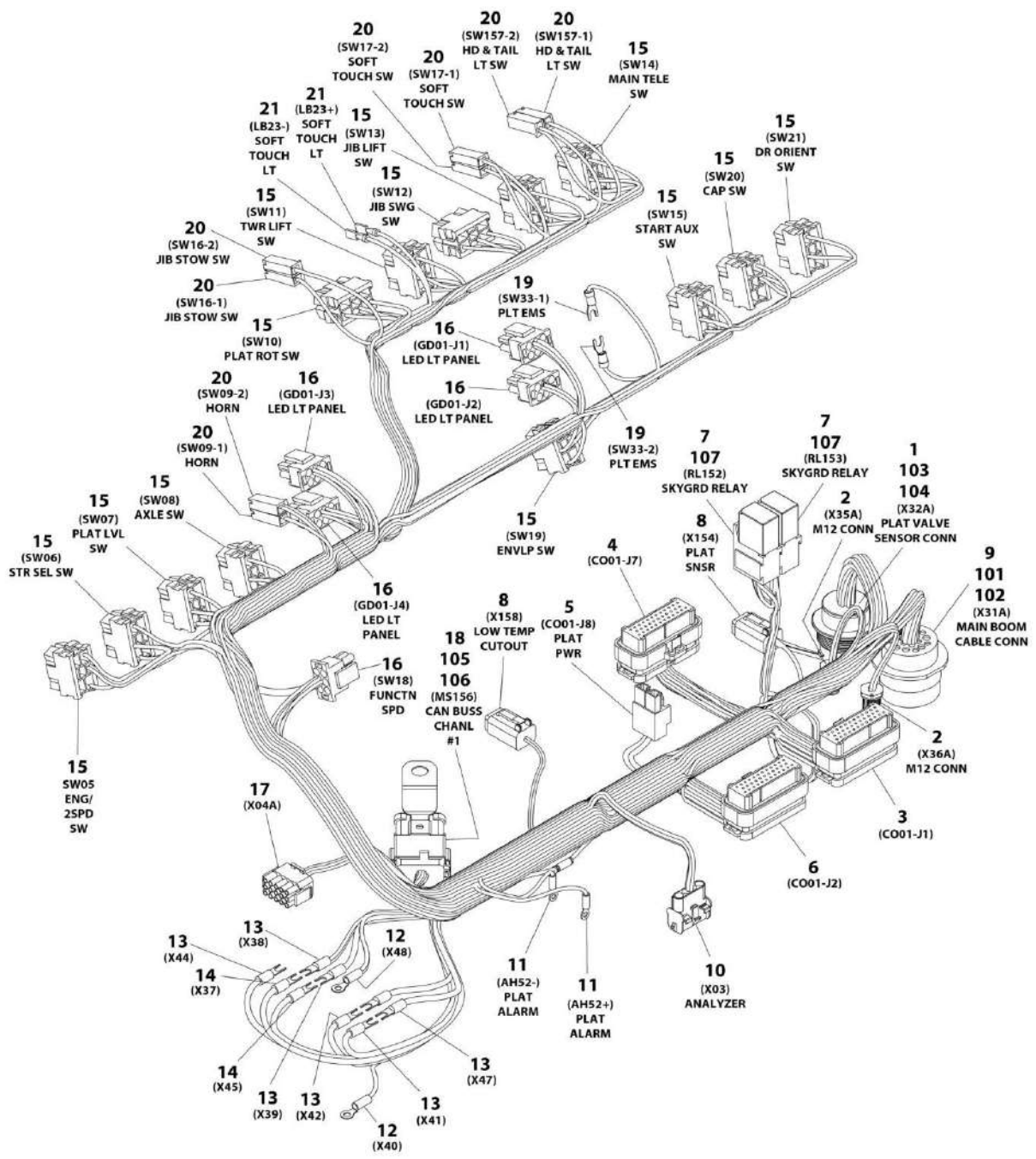
ITEM	PART NUMBER	QTY	DESCRIPTION	REV
	1001199637	Ref	PLATFORM CONSOLE HARNESS - WITHOUT SKYGUARD (Prior to SN 0300223782)	C
1	4460925	1	Connector - 21 Position	
1	1001126011	20	Pin, Male	
1	4460518	1	Plug, Socket	
2	1001120055	2	Connector - 5 Position with Cable (Prior to SN 0300218537)	
2	1001120055	1	Connector - 5 Position with Cable (X35A) (SN 0300218537 to Present)	
2	1001213447	1	Connector - 5 Position with Cable (X36A) (SN 0300218537 to Present)	
3	4460874	1	Connector - 35 Position	
3	4460871	35	Socket, Female	
4	4460873	1	Connector - 35 Position	
4	4460871	28	Socket, Female	
4	4460905	7	Plug, Terminal	
5	4460879	1	Connector - 2 Position	
5	4460887	2	Terminal	
6	4460876	1	Connector - 35 Position	
6	4460871	33	Socket, Female	
6	4460905	2	Plug, Terminal	
8	4460884	1	Plug, Male - 4 Position	
8	4460465	2	Socket, Female	
8	4460944	2	Socket, Female	
9	4460866	1	Connector - 19 Position	
9	4460943	2	Pin, Male	
9	4460508	4	Pin, Male	
9	4460464	7	Pin, Male	
9	4460466	6	Plug, Terminal	
10	4460761	1	Receptacle, Female - 4 Position	
10	4460227	4	Pin, Male	
11	1001098122	2	Terminal, Ring	
12	8220007	1	Terminal, Ring	
13	4460315	6	Terminal, Fork	
14	4460314	1	Terminal, Fork	
15	4460418	13	Connector - 6 Position	
15	1001159186	25	Terminal	
15	4460419	24	Terminal	
16	4460225	5	Plug, Male - 6 Position	
16	4460227	4	Pin, Male	
16	4460267	2	Pin, Male	
16	4460226	19	Socket, Female	
16	4460268	2	Socket, Female	
17	4460434	1	Plug, Male - 15 Position	
17	4460227	11	Pin, Male	
17	4460267	2	Pin, Male	
18	4460933	1	Connector - 12 Position	
18	4460944	12	Socket, Female	
19	4460183	2	Terminal, Fork	
20	4460260	8	Cover, Connector - 1 Position	
20	4460259	8	Terminal	

SECTION 8 - ELECTRICAL

ITEM	PART NUMBER	QTY	DESCRIPTION	REV
21	4460016	2	Terminal	
101	4460470	1	Nut, Terminal	
102	4460471	1	Washer, Terminal	
103	4460496	1	Washer, Terminal	
104	4460497	1	Nut, Terminal	
105	1001120328	1	Mount	
106	1001125677	1	Bussbar, Female - 12 Position	

SECTION 8 - ELECTRICAL

FIGURE 8-47. PLATFORM CONSOLE HARNESS - WITH SKYGUARD



ART_1001196681

SECTION 8 - ELECTRICAL

FIGURE 8-47. PLATFORM CONSOLE HARNESS - WITH SKYGUARD

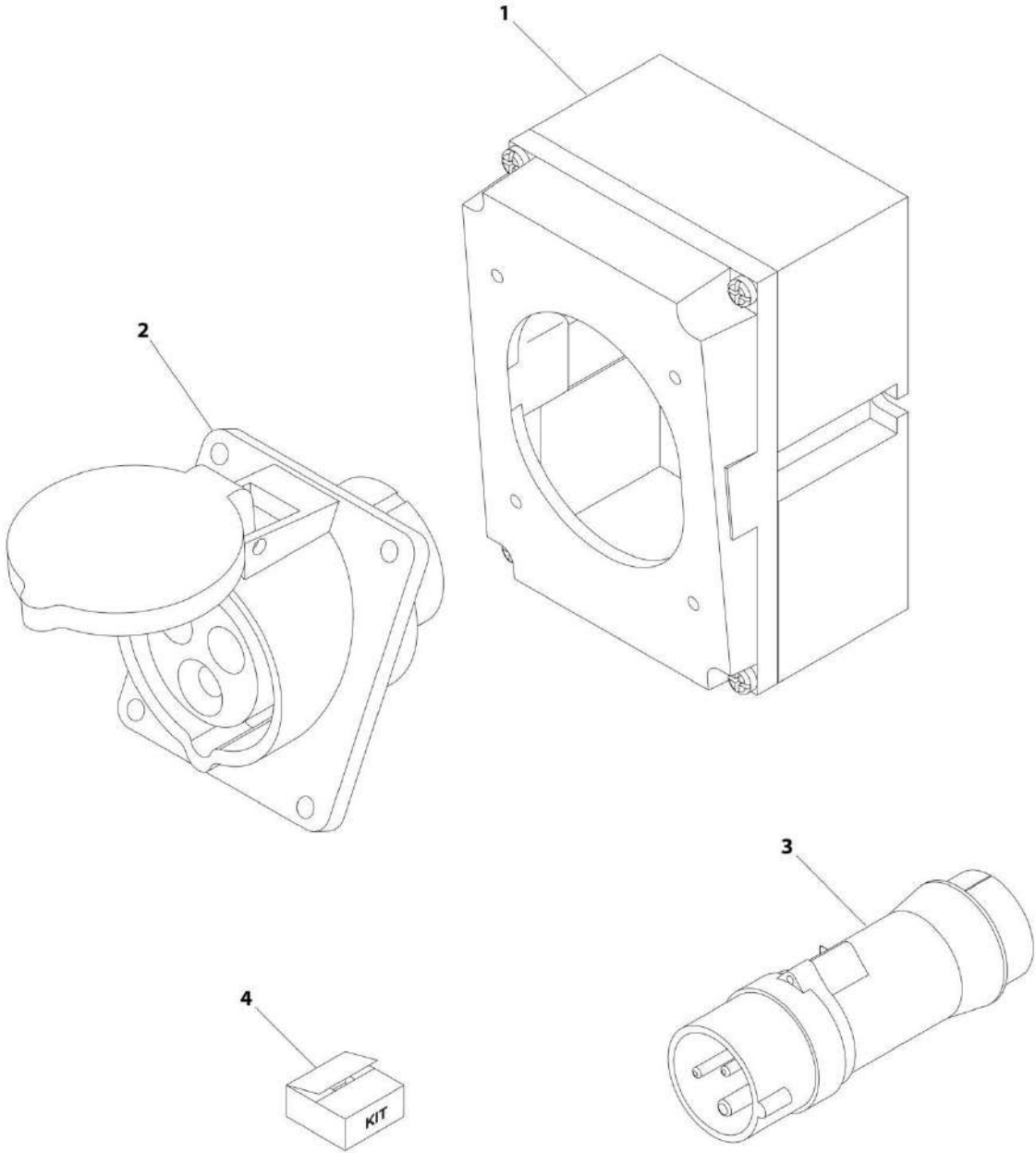
ITEM	PART NUMBER	QTY	DESCRIPTION	REV
	1001196681	Ref	PLATFORM CONSOLE HARNESS - WITH SKYGUARD	E
1	4460925	1	Connector - 21 Position	
1	1001126011	20	Pin, Male	
1	4460518	1	Plug, Socket	
2	1001120055	2	Connector - 5 Position with Cable (Prior to SN 0300218537)	
2	1001120055	1	Connector - 5 Position with Cable (X35A) (SN 0300218537 to Present)	
2	1001213447	1	Connector - 5 Position with Cable (X36A) (SN 0300218537 to Present)	
3	4460874	1	Connector - 35 Position	
3	4460871	35	Socket, Female	
4	4460873	1	Connector - 35 Position	
4	4460871	28	Socket, Female	
4	4460905	7	Plug, Terminal	
5	4460879	1	Connector - 2 Position	
5	4460887	2	Terminal	
6	4460876	1	Connector - 35 Position	
6	4460871	33	Socket, Female	
6	4460905	2	Plug, Terminal	
7	1001186432	2	Plug, Relay	
7	1001116720	4	Terminal	
7	1001118388	8	Terminal	
8	4460884	2	Plug, Male - 4 Position	
8	4460465	8	Socket, Female	
9	4460866	1	Connector - 19 Position	
9	4460943	2	Pin, Male	
9	4460508	4	Pin, Male	
9	4460464	7	Pin, Male	
9	4460466	6	Plug, Terminal	
10	4460761	1	Receptacle, Female - 4 Position	
10	4460227	4	Pin, Male	
11	1001098122	2	Terminal, Ring	
12	8220007	2	Terminal, Ring	
13	4460315	6	Terminal, Fork	
14	4460314	2	Terminal, Fork	
15	4460418	13	Connector - 6 Position	
15	1001159186	25	Terminal	
15	4460419	24	Terminal	
16	4460225	5	Plug, Male - 6 Position	
16	4460227	4	Pin, Male	
16	4460267	2	Pin, Male	
16	4460226	19	Socket, Female	
16	4460268	2	Socket, Female	
17	4460434	1	Plug, Male - 15 Position	
17	4460227	11	Pin, Male	
17	4460267	2	Pin, Male	
18	4460933	1	Connector - 12 Position	
18	4460944	12	Socket, Female	
19	4460183	2	Terminal, Fork	
20	4460260	8	Cover, Connector - 1 Position	

SECTION 8 - ELECTRICAL

ITEM	PART NUMBER	QTY	DESCRIPTION	REV
20	4460259	8	Terminal	
21	4460016	2	Terminal	
101	4460470	1	Nut, Terminal	
102	4460471	1	Washer, Terminal	
103	4460496	1	Washer, Terminal	
104	4460497	1	Nut, Terminal	
105	1001120328	1	Mount	
106	1001125677	1	Bussbar, Female - 12 Position	
107	1001186431	2	Relay (Prior to SN 0300223782)	

SECTION 8 - ELECTRICAL

FIGURE 8-48. RECEPTACLE BOX KIT - 110V IEC YELLOW (CE SPEC)



ART_0275216

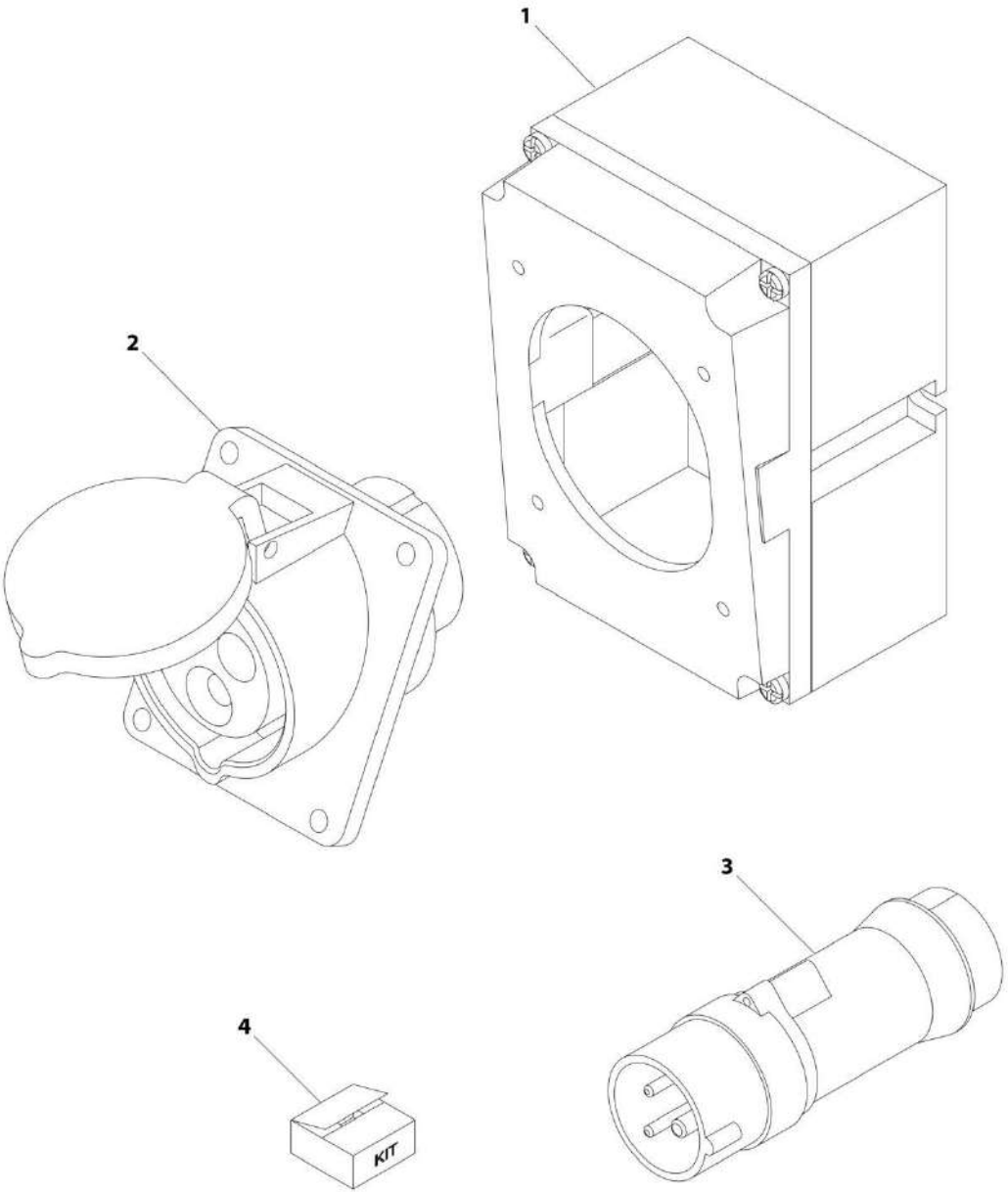
SECTION 8 - ELECTRICAL

FIGURE 8-48. RECEPTACLE BOX KIT - 110V IEC YELLOW (CE SPEC)

ITEM	PART NUMBER	QTY	DESCRIPTION	REV
	0275216	Ref	RECEPTACLE BOX KIT - 110V IEC YELLOW (CE SPEC)	1
1	0861781	1	Box, Switch	
2	4461198	1	Receptacle	
3	4461196	1	Plug, Male	
4	1001100341	1	Plug and Socket Kit (Includes Items 1-3 and Female Plug p/n 4461197)	

SECTION 8 - ELECTRICAL

FIGURE 8-49. RECEPTACLE BOX KIT - 220V IEC BLUE (CE SPEC)



ART_0275217

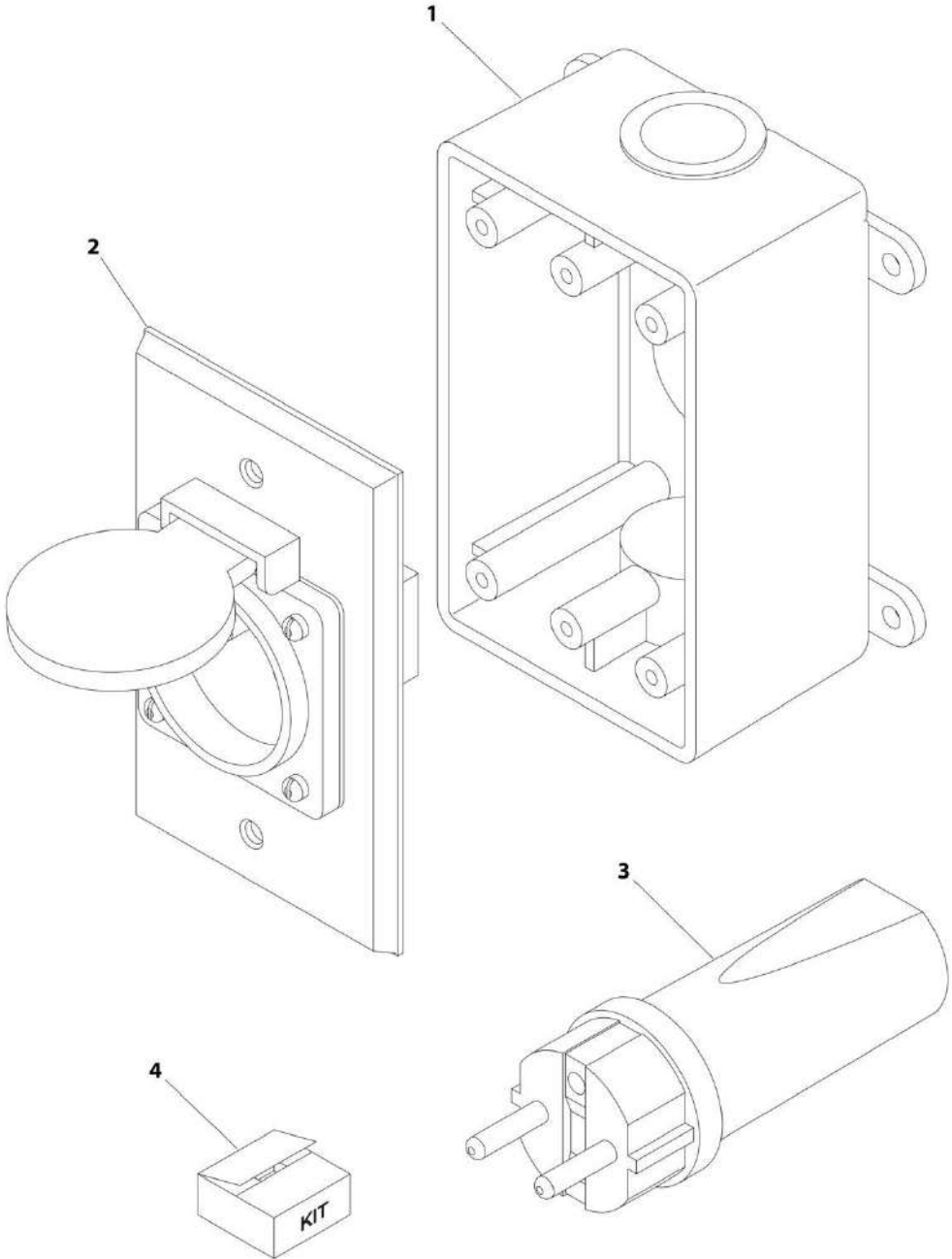
SECTION 8 - ELECTRICAL

FIGURE 8-49. RECEPTACLE BOX KIT - 220V IEC BLUE (CE SPEC)

ITEM	PART NUMBER	QTY	DESCRIPTION	REV
	0275217	Ref	RECEPTACLE BOX KIT - 220V IEC BLUE (CE SPEC)	1
1	0861781	1	Box, Switch	
2	4461201	1	Receptacle	
3	4461199	1	Plug, Male	
4	1001100342	1	Plug and Socket Kit (Includes Items 1-3 and Female Plug p/n 4461200)	

SECTION 8 - ELECTRICAL

FIGURE 8-50. RECEPTACLE BOX KIT - 220V CEE7 POST GROUND (CE SPEC)



ART_0275452

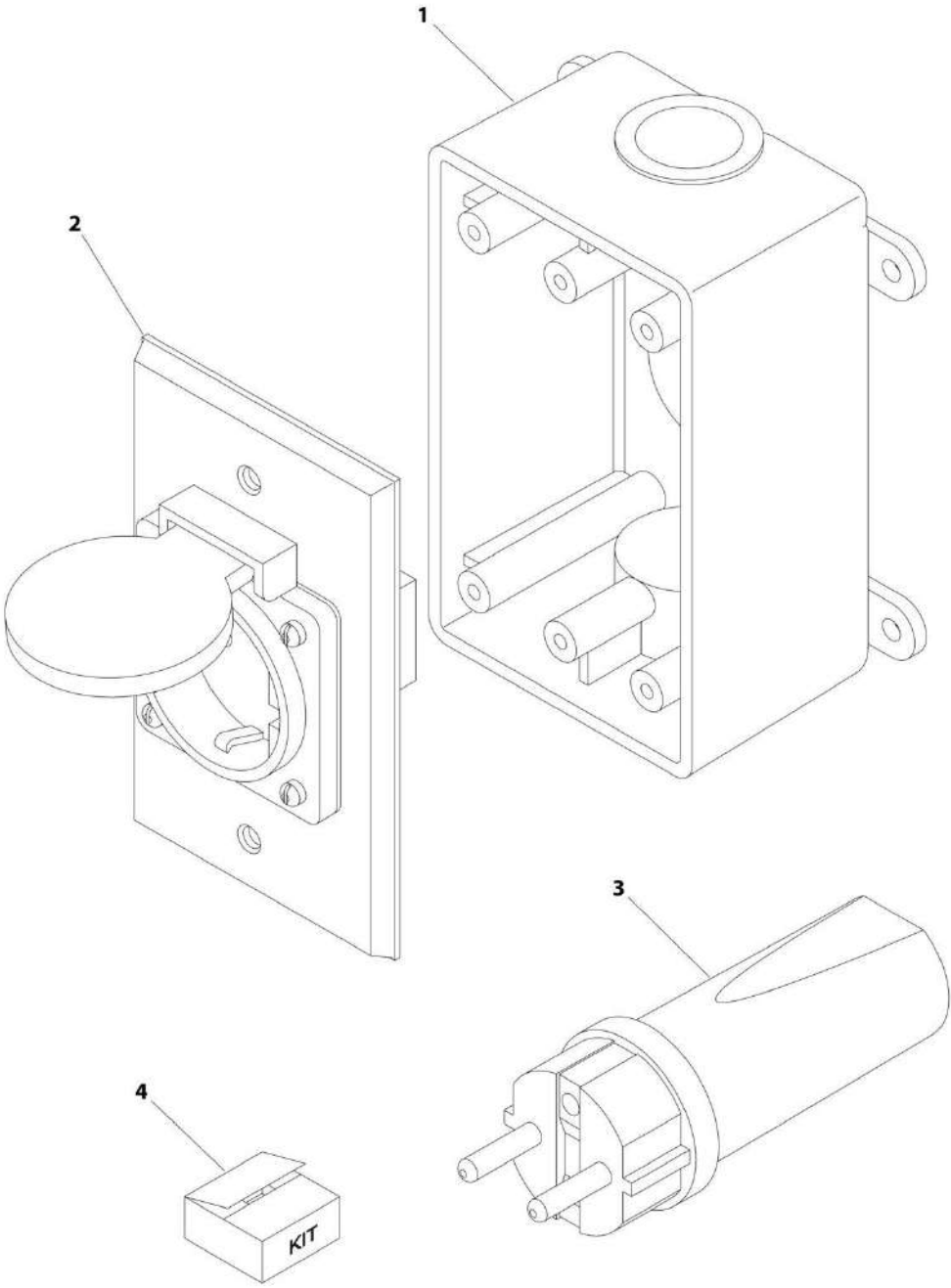
SECTION 8 - ELECTRICAL

FIGURE 8-50. RECEPTACLE BOX KIT - 220V CEE7 POST GROUND (CE SPEC)

ITEM	PART NUMBER	QTY	DESCRIPTION	REV
	0275452	Ref	RECEPTACLE BOX KIT - 220V CEE7 POST GROUND (CE SPEC)	1
1	0861731	1	Box, Switch	
2	4461244	1	Receptacle	
3	4461202	1	Plug, Male	
4	1001100345	1	Plug and Socket Kit (Includes Items 1-3 and Female Plug p/n 4461206)	

SECTION 8 - ELECTRICAL

FIGURE 8-51. RECEPTACLE BOX KIT - 220V CEE7 SIDE GROUND (CE SPEC)



ART_0275453

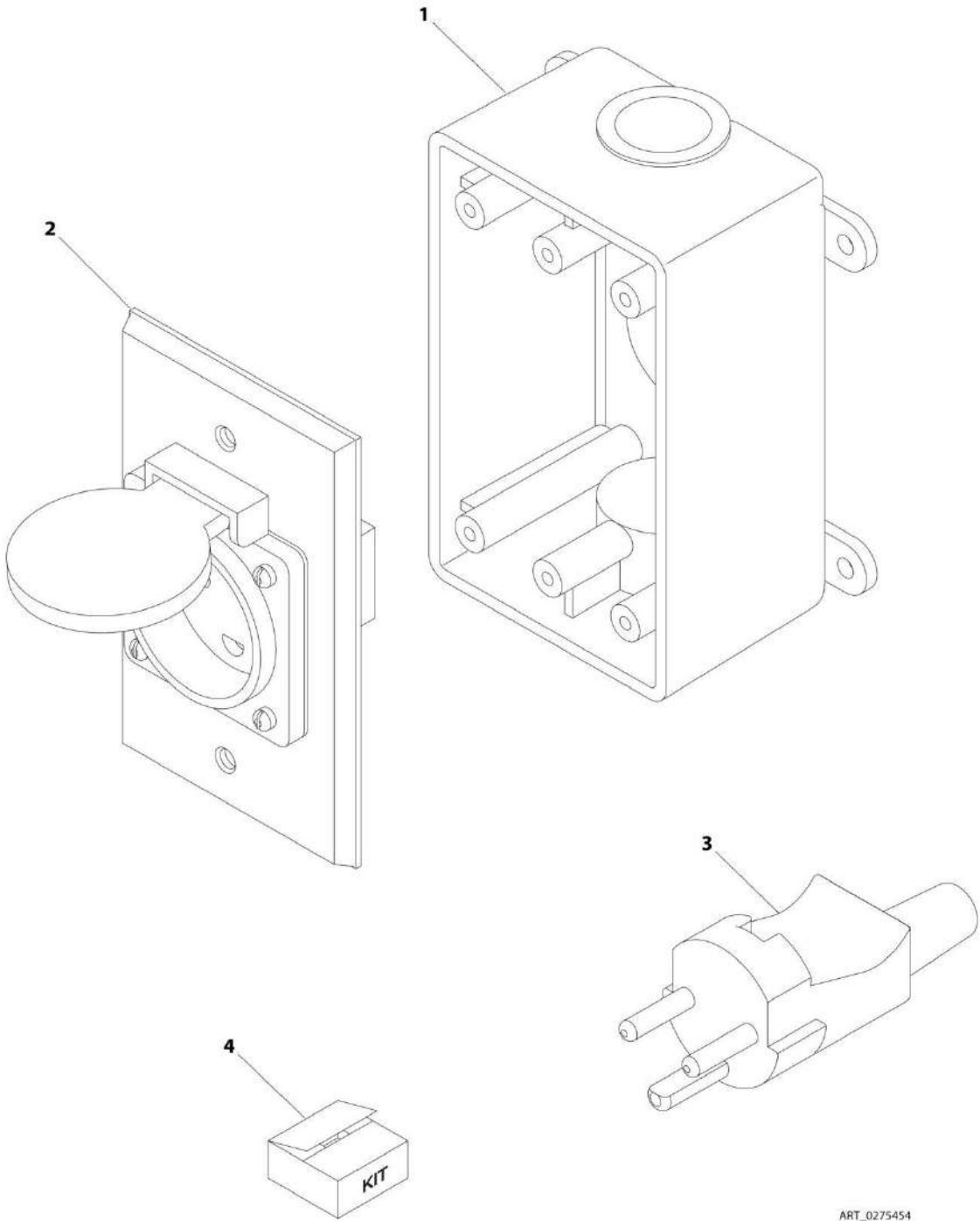
SECTION 8 - ELECTRICAL

FIGURE 8-51. RECEPTACLE BOX KIT - 220V CEE7 SIDE GROUND (CE SPEC)

ITEM	PART NUMBER	QTY	DESCRIPTION	REV
	0275453	Ref	RECEPTACLE BOX KIT - 220V CEE7 SIDE GROUND (CE SPEC)	1
1	0861731	1	Box, Switch	
2	4461245	1	Receptacle	
3	4461205	1	Plug, Male	
4	1001100347	1	Plug and Socket Kit (Includes Items 1-3 and Female Plug p/n 4461206)	

SECTION 8 - ELECTRICAL

FIGURE 8-52. RECEPTACLE BOX KIT - 220V AFSINT 107 (CE SPEC)



ART_0275454

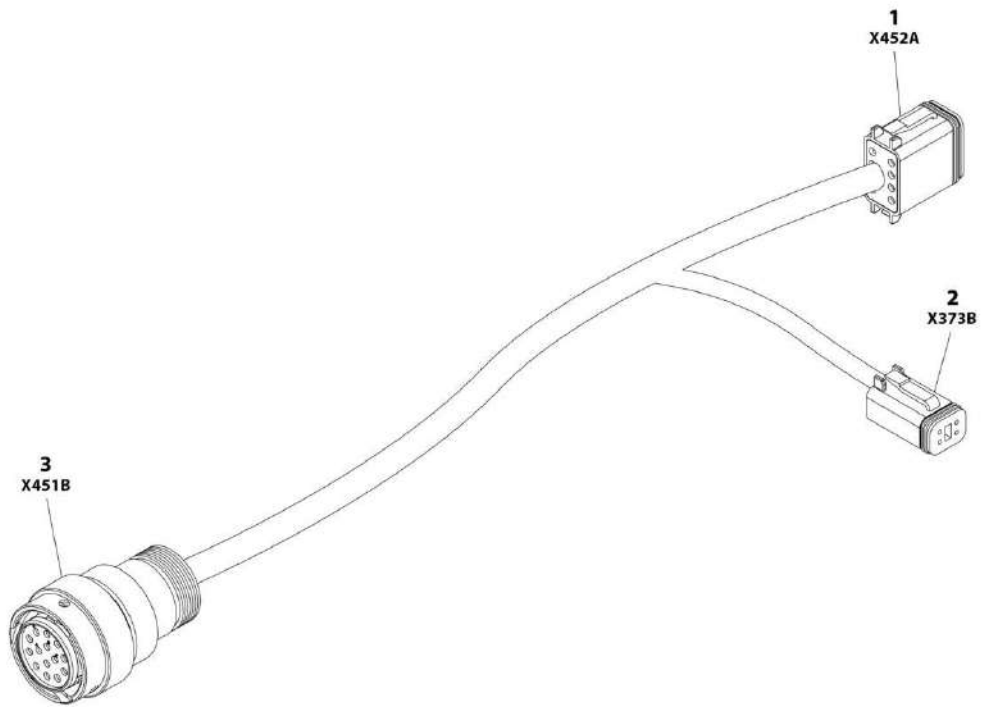
SECTION 8 - ELECTRICAL

FIGURE 8-52. RECEPTACLE BOX KIT - 220V AFSINT 107 (CE SPEC)

ITEM	PART NUMBER	QTY	DESCRIPTION	REV
	0275454	Ref	RECEPTACLE BOX KIT - 220V AFSINT 107 (CE SPEC)	1
1	0861731	1	Box, Switch	
2	4461246	1	Receptacle	
3	4461249	1	Plug, Male	
4	1001100346	1	Plug and Socket Kit (Includes Items 1-3 and Female Plug p/n 4461250)	

SECTION 8 - ELECTRICAL

FIGURE 8-53. SECONDARY CONTROL HARNESS



ART_1001202785

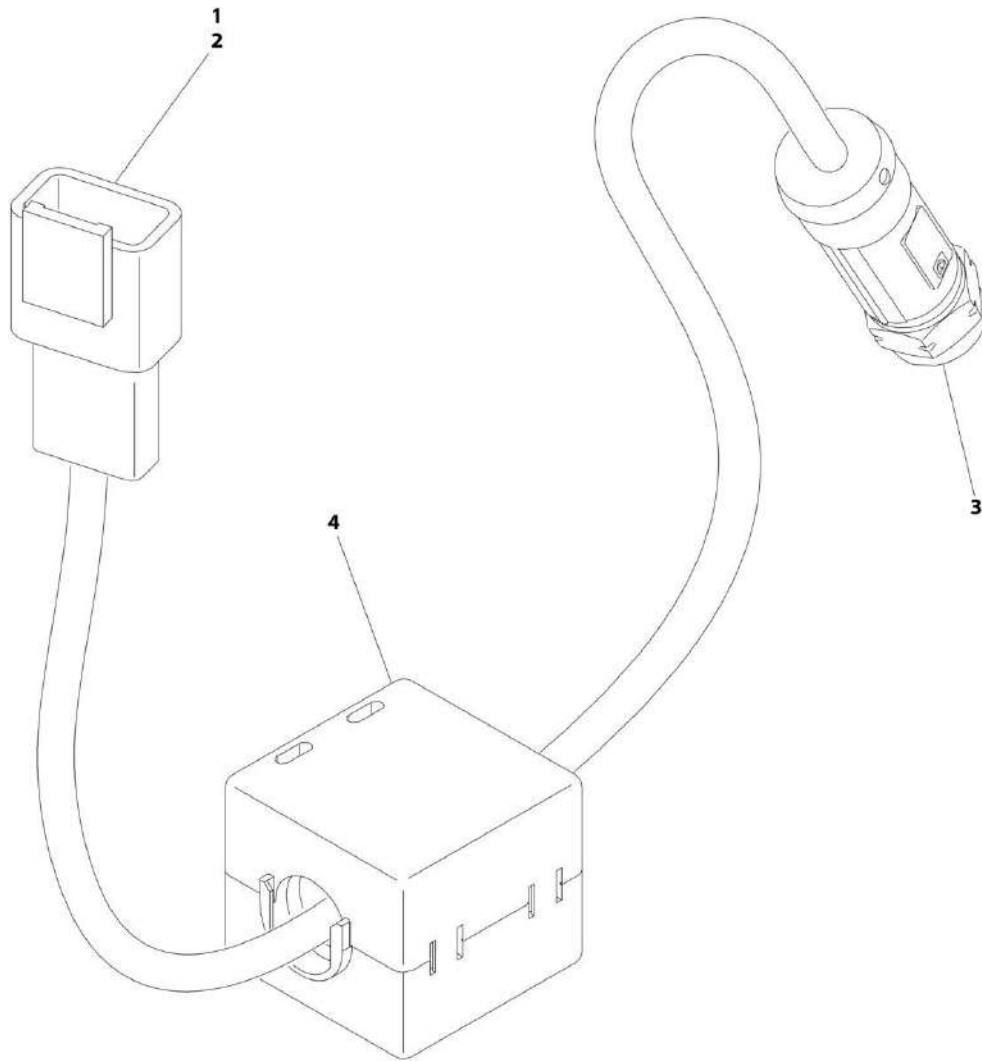
SECTION 8 - ELECTRICAL

FIGURE 8-53. SECONDARY CONTROL HARNESS

ITEM	PART NUMBER	QTY	DESCRIPTION	REV
	1001202785	Ref	SECONDARY CONTROL HARNESS	C
1	4460930	1	Plug, Male - 8 Position	
1	4460465	8	Socket, Female	
2	4460884	1	Plug, Male - 4 Position	
2	1001157890	4	Socket, Female	
3	1001212188	1	Connector - 14 Position	
3	4460465	8	Socket, Female	
3	1001157890	4	Socket, Female	
3	4460466	2	Plug, Terminal	

SECTION 8 - ELECTRICAL

FIGURE 8-54. SENSOR HARNESS - AXLE



ART_1001163631

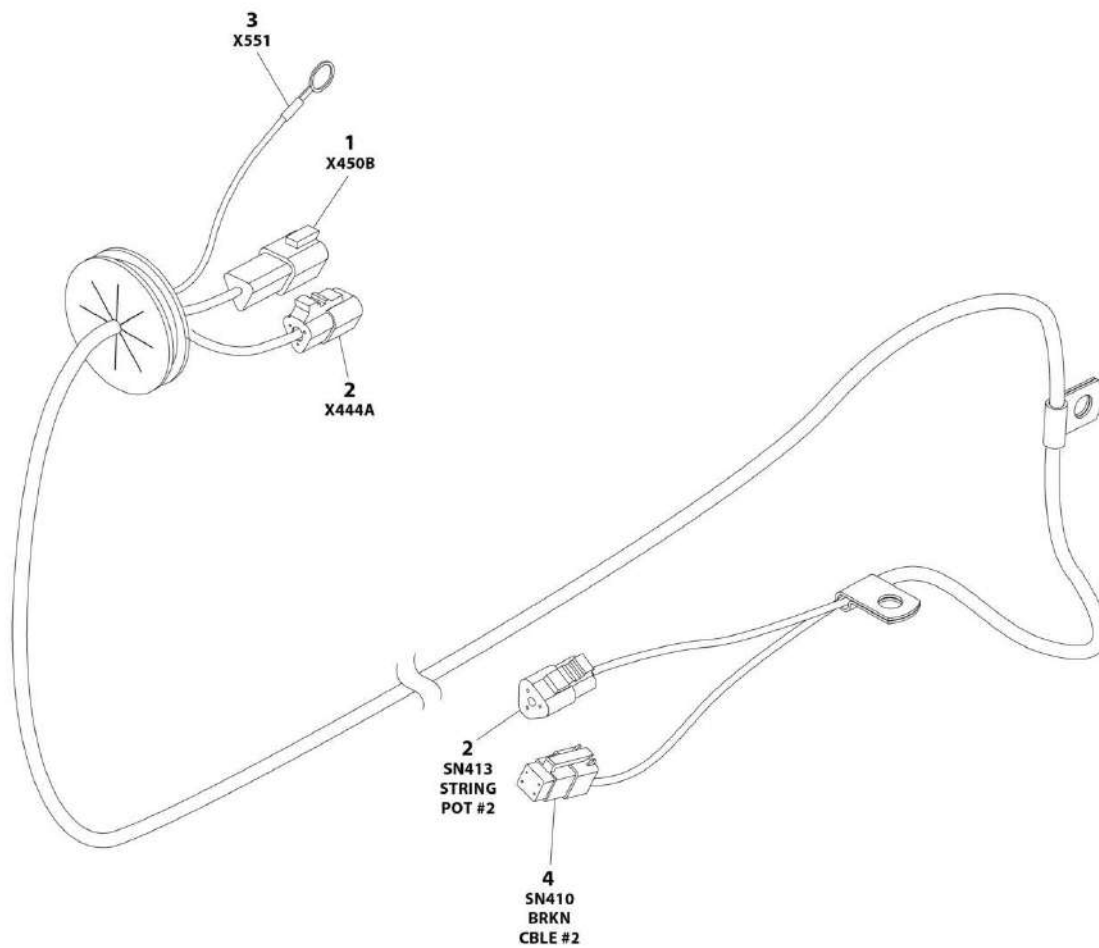
SECTION 8 - ELECTRICAL

FIGURE 8-54. SENSOR HARNESS - AXLE

ITEM	PART NUMBER	QTY	DESCRIPTION	REV
	1001163631	Ref	SENSOR HARNESS - AXLE	B
1	4460910	1	Connector - 3 Position	
2	4460929	3	Pin, Male	
3	See Note	NSS	Sensor with Cable (Note: Use p/n 1001163631)	
4	1001102594	1	Ferrite, LMI	

SECTION 8 - ELECTRICAL

FIGURE 8-55. SENSOR HARNESS - BOOM



ART_1001201062

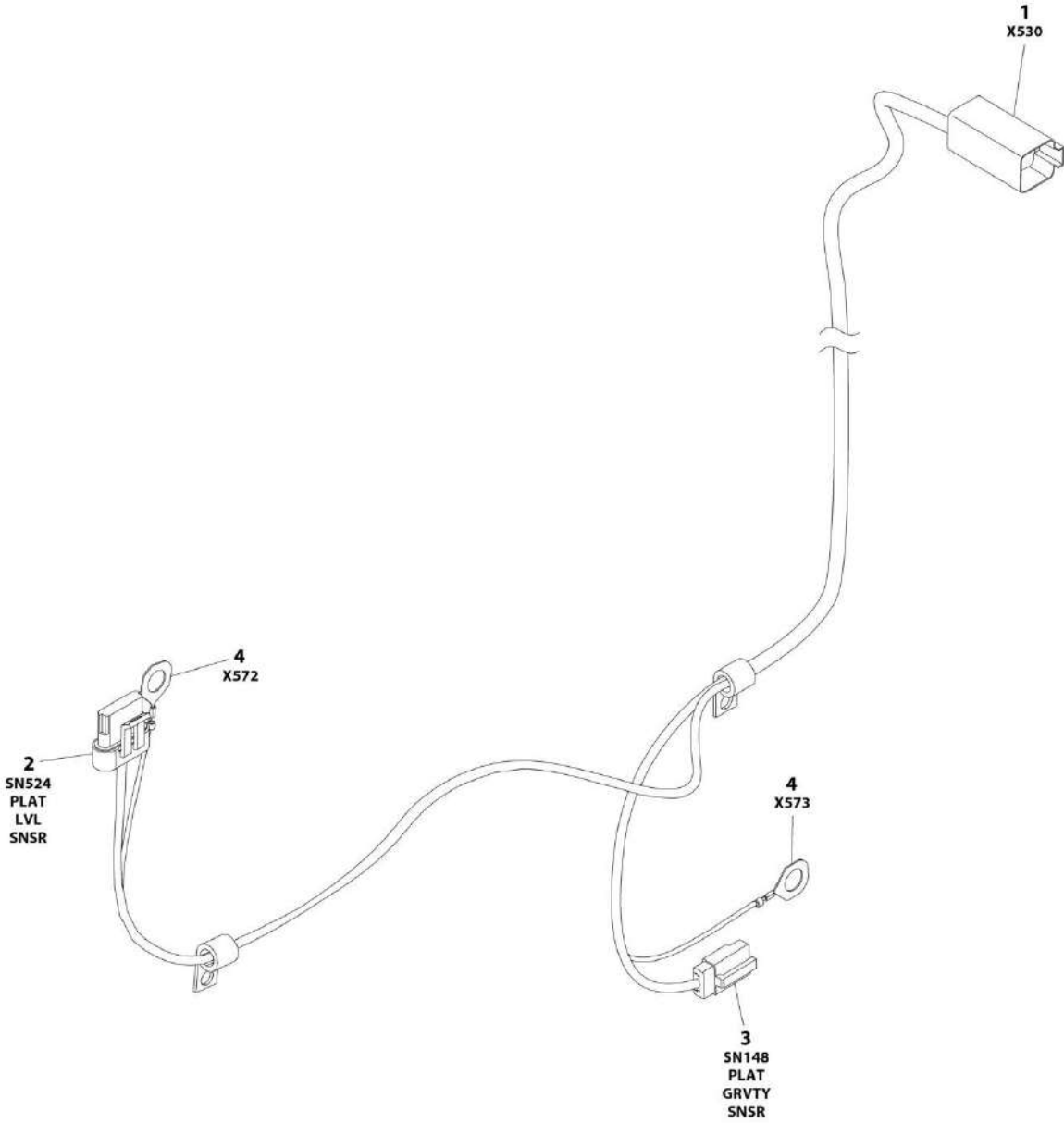
SECTION 8 - ELECTRICAL

FIGURE 8-55. SENSOR HARNESS - BOOM

ITEM	PART NUMBER	QTY	DESCRIPTION	REV
	1001201062	Ref	SENSOR HARNESS - BOOM	C
1	1001144147	1	Receptacle, Female - 3 Position	
1	4460464	3	Pin, Male	
2	4460539	2	Plug, Male - 3 Position	
2	4460465	6	Socket, Female	
3	4460722	1	Terminal, Ring	
4	4461077	1	Plug, Male - 4 Position	
4	4460928	3	Socket, Female	
4	4460518	1	Plug, Terminal	

SECTION 8 - ELECTRICAL

FIGURE 8-56. SENSOR HARNESS - PLATFORM LEVEL



ART_1001204028

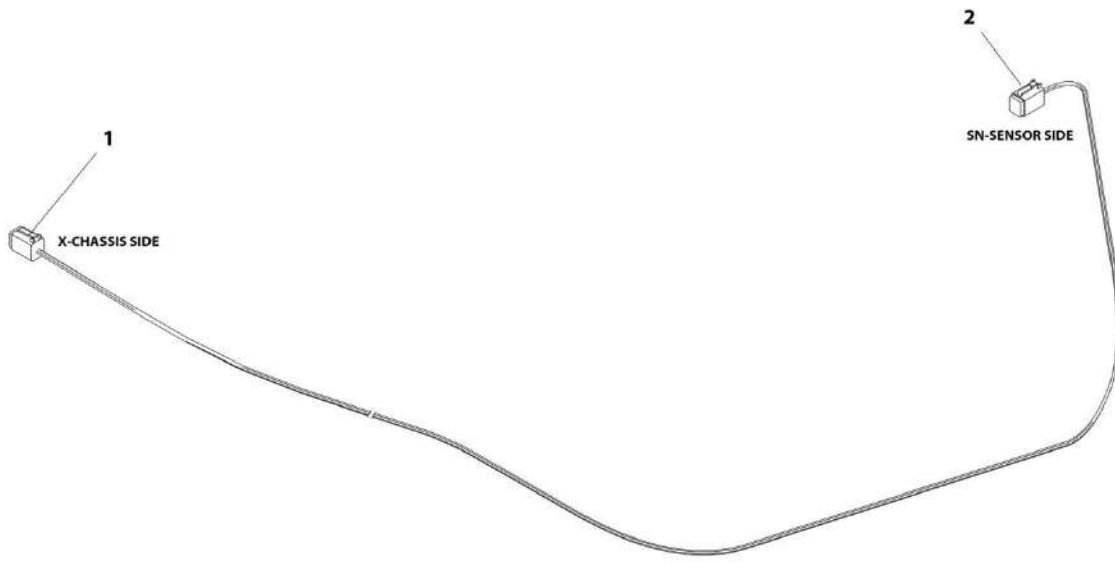
SECTION 8 - ELECTRICAL

FIGURE 8-56. SENSOR HARNESS - PLATFORM LEVEL

ITEM	PART NUMBER	QTY	DESCRIPTION	REV
	1001204028	Ref	SENSOR HARNESS - PLATFORM LEVEL	C
1	4460899	1	Receptacle, Female - 6 Position	
1	4460464	6	Pin, Male	
2	1001117064	NLA	Plug, Male - 6 Position (Use p/n 1001230931) (Prior to SN 0300237540)	
2	91554014	NLA	Terminal (Use p/n 1001116748) (Prior to SN 0300237540)	
2	1001230931	1	Plug, Male - 6 Position (SN 0300237540 to Present)	
2	1001116748	3	Terminal (SN 0300237540 to Present)	
2	1001116751	3	Plug, Terminal	
3	4460911	1	Plug, Male - 3 Position	
3	4460918	3	Socket, Female	
4	1001187077	2	Terminal, Ring	

SECTION 8 - ELECTRICAL

FIGURE 8-57. STEER HARNESS



ART_1001155817

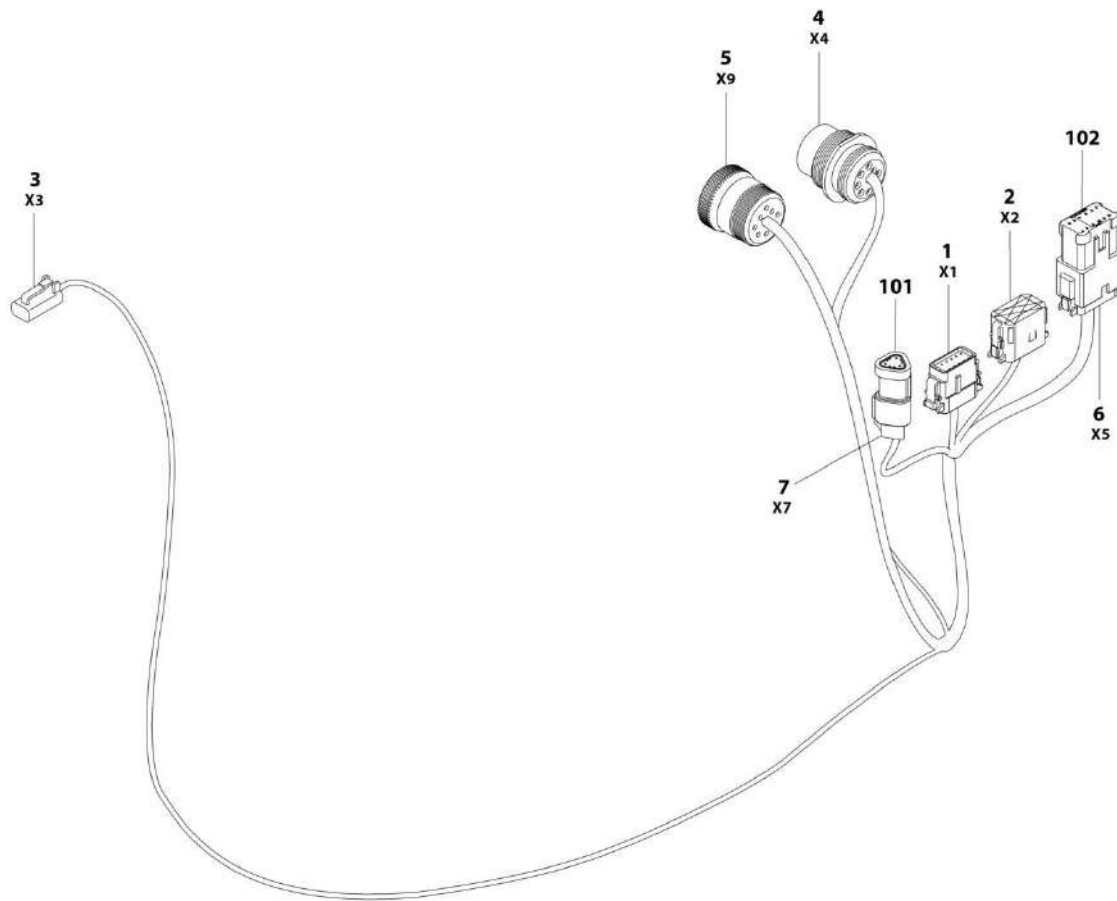
SECTION 8 - ELECTRICAL

FIGURE 8-57. STEER HARNESS

ITEM	PART NUMBER	QTY	DESCRIPTION	REV
	1001155817	Ref	STEER HARNESS	B
1	4460894	1	Connector - 6 Position	
1	4460465	4	Socket, Female	
1	4460466	2	Seal, Plug	
2	4460894	1	Connector - 6 Position	
2	4460465	3	Socket, Female	
2	4460466	3	Seal, Plug	

SECTION 8 - ELECTRICAL

FIGURE 8-58. STROBE LIGHT (BLUE) HARNESS



ART_1001210781

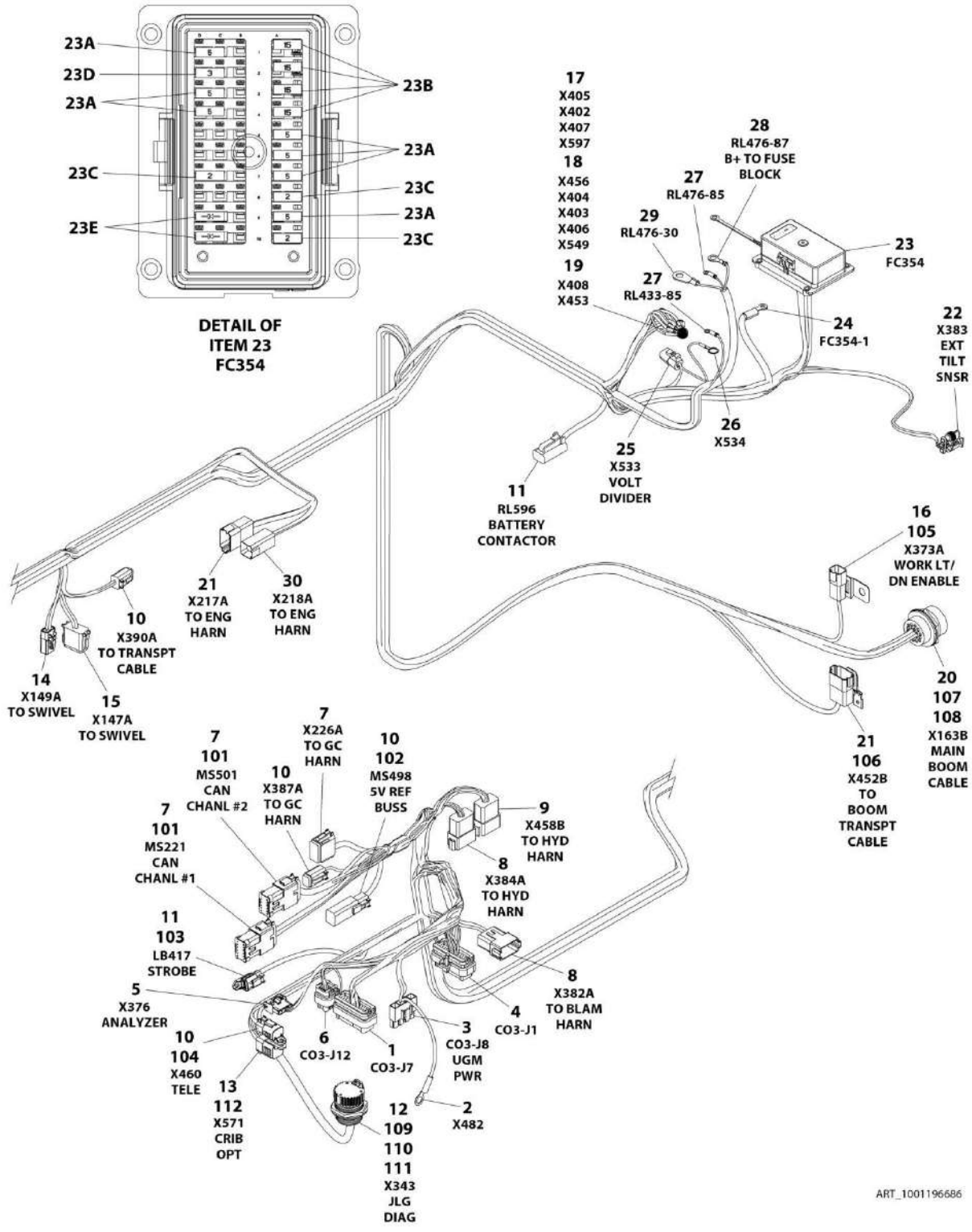
SECTION 8 - ELECTRICAL

FIGURE 8-58. STROBE LIGHT (BLUE) HARNESS

ITEM	PART NUMBER	QTY	DESCRIPTION	REV
	1001210781	Ref	STROBE LIGHT (BLUE) HARNESS	A
1	1001116808	1	Connector - 12 Position	
1	4460928	3	Socket, Female	
1	4460518	9	Plug, Socket	
2	1001116774	1	Connector - 12 Position	
2	4460928	3	Socket, Female	
2	4460518	9	Plug, Socket	
3	4460891	1	Connector - 2 Position	
3	4460465	2	Socket, Female	
4	1001112612	1	Connector - 9 Position	
4	4460464	6	Pin, Male	
4	4460466	3	Plug, Socket	
5	1001112796	1	Connector - 9 Position	
5	4460465	6	Socket, Female	
5	4460466	3	Plug, Socket	
6	4460933	1	Connector - 12 Position	
6	4460465	12	Socket, Female	
7	4461095	1	Connector - 3 Position	
7	4460465	3	Socket, Female	
101	4461070	1	Connector - 3 Position	
102	1001119020	1	Connector, Female Bussbar - 12 Position	

SECTION 8 - ELECTRICAL

FIGURE 8-59. TURNTABLE HARNESS



ART_1001196586

SECTION 8 - ELECTRICAL

FIGURE 8-59. TURNTABLE HARNESS

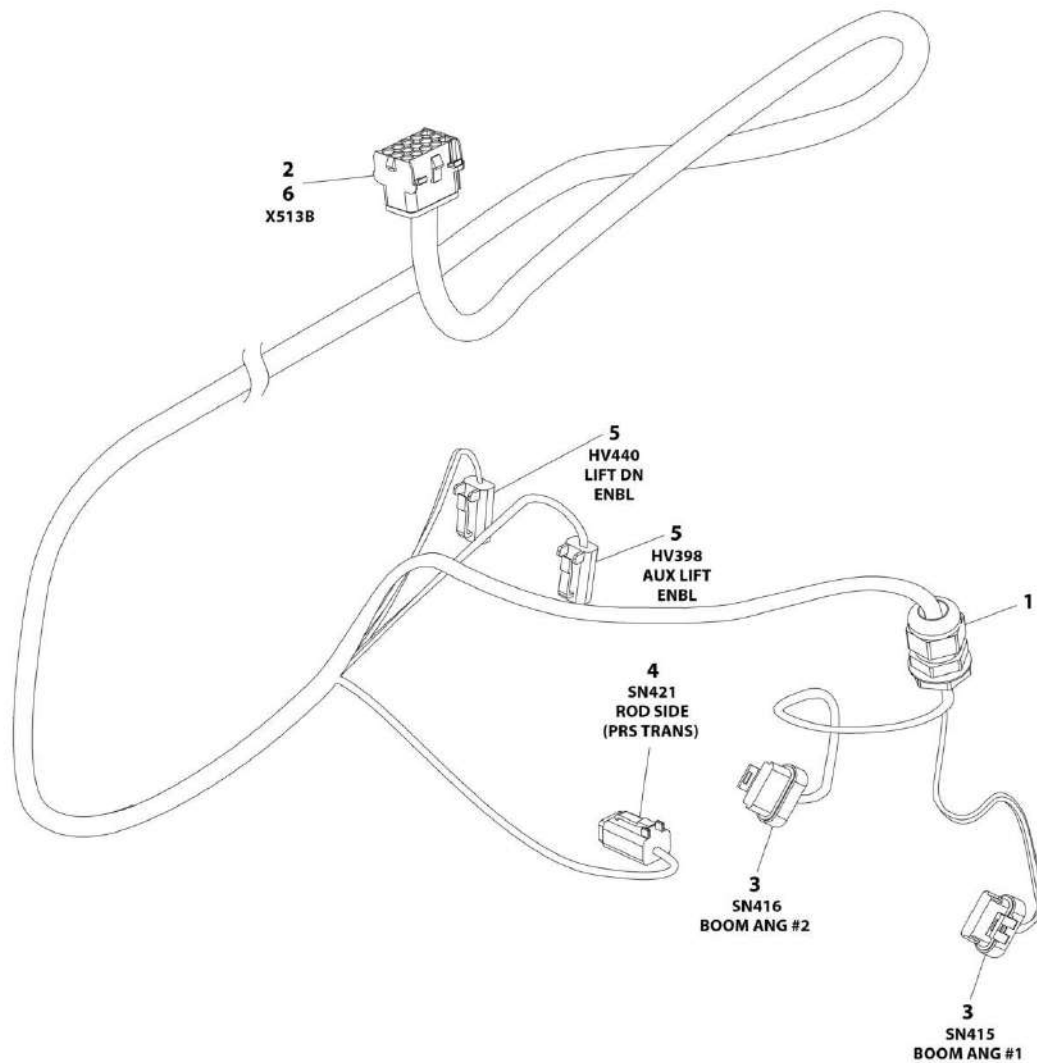
ITEM	PART NUMBER	QTY	DESCRIPTION	REV
	1001196686	Ref	TURNTABLE HARNESS	F
1	4460873	1	Connector - 35 Position	
1	4460871	30	Socket, Female	
1	4460466	5	Plug, Terminal	
2	1001117110	1	Terminal, Ring	
3	4460878	1	Connector - 4 Position	
3	4460887	3	Terminal	
4	4460874	1	Connector - 35 Position	
4	4460871	26	Socket, Female	
4	4460905	9	Plug, Terminal	
5	4460761	1	Connector - 4 Position	
5	4460267	4	Pin, Male	
6	1001113961	1	Connector - 8 Position	
6	4460871	7	Socket, Female	
6	4460905	1	Plug, Terminal	
7	4460933	3	Plug, Male - 12 Position	
7	4460944	22	Socket, Female	
7	4460465	9	Socket, Female	
7	4460466	5	Plug, Terminal	
8	4460970	2	Receptacle, Female - 12 Position	
8	4460464	12	Pin, Male	
8	4460943	2	Pin, Male	
8	1001116693	10	Pin, Male	
9	4460950	1	Receptacle, Female - 12 Position	
9	4460464	12	Pin, Male	
10	4460884	4	Plug, Male - 4 Position	
10	4460465	16	Socket, Female	
11	4460891	2	Plug, Male - 2 Position	
11	4460465	4	Socket, Female	
12	1001112612	1	Connector - 9 Position	
12	4460464	12	Pin, Male	
12	4460943	2	Pin, Male	
12	4460466	4	Plug, Terminal	
13	4460894	1	Plug, Male - 6 Position	
13	4460465	4	Socket, Female	
13	4460944	2	Socket, Female	
14	4461018	1	Plug, Male - 2 Position	
14	1001150611	2	Socket, Female	
15	4460836	1	Plug, Male - 12 Position	
15	4460944	2	Socket, Female	
15	4460465	1	Socket, Female	
15	4460466	9	Plug, Terminal	
16	4460932	1	Receptacle, Female - 4 Position	
16	1001157891	2	Pin, Male	
16	1001116693	2	Pin, Male	
17	4460722	4	Terminal, Ring	
18	4460019	5	Terminal, Ring	
19	4460256	2	Terminal, Ring	
20	4460866	1	Connector - 19 Position	
20	4460464	8	Pin, Male	

SECTION 8 - ELECTRICAL

ITEM	PART NUMBER	QTY	DESCRIPTION	REV
20	4460508	4	Pin, Male	
20	4460943	2	Pin, Male	
20	4460466	5	Plug, Terminal	
21	4460931	2	Receptacle, Female - 8 Position	
21	4460464	8	Pin, Male	
21	1001116693	6	Pin, Male	
21	4460466	2	Plug, Terminal	
22	1001103012	1	Plug, Male - 4 Position	
22	1001107854	4	Socket, Female	
22	1001104498	4	Seal, Terminal	
23	1001196605	1	Fuse Box Assembly	
23A	8229242	7	Fuse 5Amp	
23B	8229244	4	Fuse 15Amp	
23C	1001196634	3	Fuse 2Amp	
23D	1001196635	1	Fuse 3Amp	
23E	1001196636	2	Diode 1Amp	
23F	1001196603	1	Cover (Not Shown)	
24	8220116	1	Terminal, Ring	
25	4460539	1	Plug, Male - 3 Position	
25	4460465	3	Socket, Female	
26	4460703	1	Terminal, Ring	
27	4460247	2	Terminal, Ring	
28	4460670	1	Terminal, Ring	
29	4460443	1	Terminal, Ring	
30	4460899	1	Receptacle, Female - 6 Position	
30	4460943	2	Pin, Male	
30	1001116693	3	Pin, Male	
30	4460466	1	Plug, Terminal	
101	1001125677	2	Receptacle, Female Termination - 12 Position	
102	4460893	1	Receptacle, Female Bussbar - 4 Position	
103	1001144295	1	Cap	
104	1001192401	1	Cap, Dust	
105	1001155967	1	Mount	
106	1001202914	1	Mount	
107	4460470	1	Nut, Terminal	
108	4460471	1	Washer, Terminal	
109	4460496	1	Washer, Terminal	
110	4460497	1	Nut, Terminal	
111	1001106736	1	Cap, Dust	
112	1001213448	1	Cap, Dust	

SECTION 8 - ELECTRICAL

FIGURE 8-60. VALVE HARNESS - BOOM



ART_1001216806

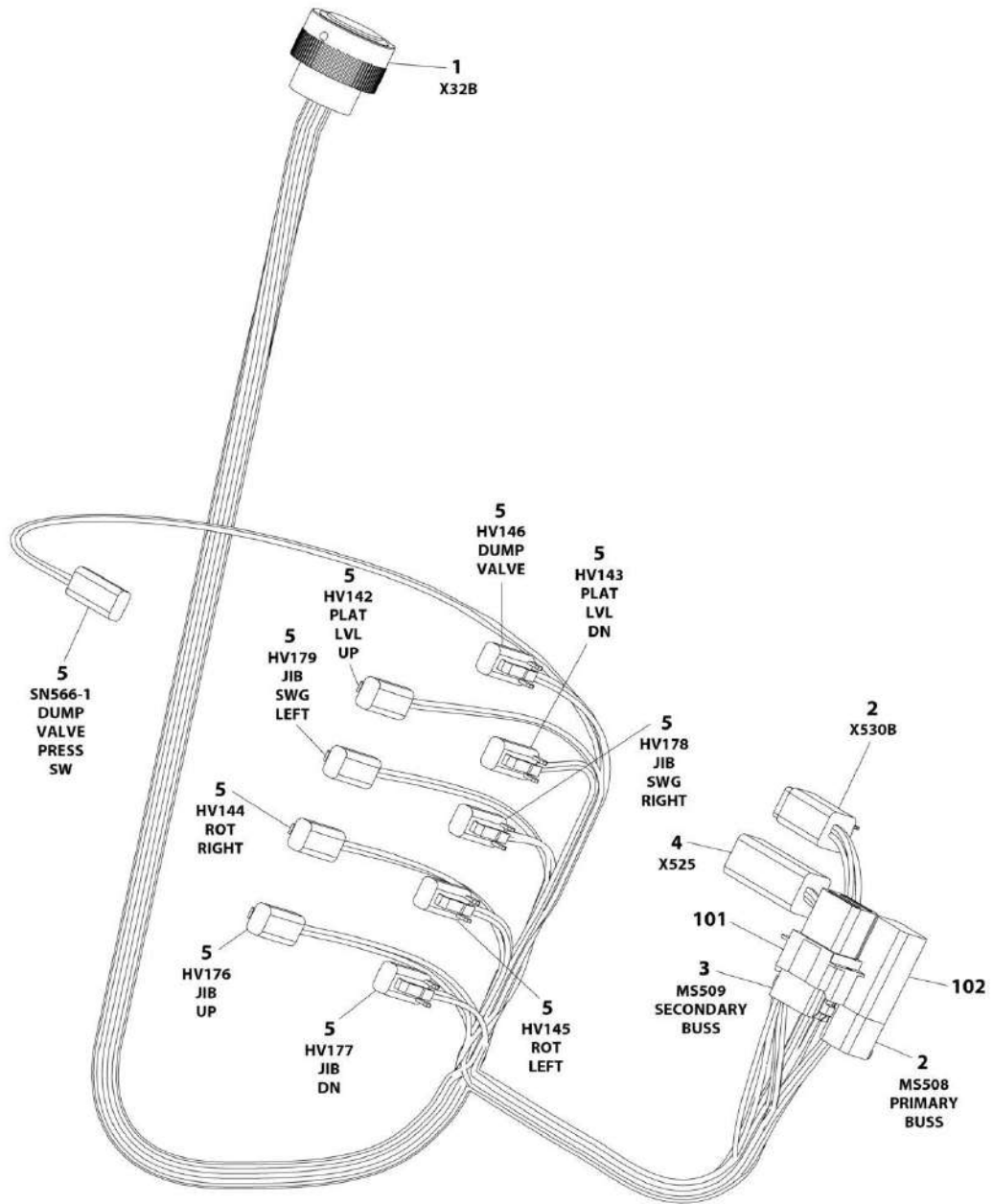
SECTION 8 - ELECTRICAL

FIGURE 8-60. VALVE HARNESS - BOOM

ITEM	PART NUMBER	QTY	DESCRIPTION	REV
	1001216806	Ref	VALVE HARNESS - BOOM	C
1	4460633	1	Connector, Strain Relief	
2	1001216626	1	Seal	
3	1001117064	NLA	Plug, Male - 6 Position (Use p/n 1001230931) (Prior to SN 0300237540)	
3	91554014	NLA	Socket, Female (Use p/n 1001116748) (Prior to SN 0300237540)	
3	1001230931	3	Plug, Male - 6 Position (SN 0300237540 to Present)	
3	1001116748	3	Terminal (SN 0300237540 to Present)	
3	1001116751	3	Plug, Terminal	
4	4460884	1	Plug, Male - 4 Position	
4	4460465	4	Socket, Female	
5	4460891	2	Plug, Male - 2 Position	
5	4460465	4	Socket, Female	
6	4460708	1	Receptacle, Female - 15 Position	
6	4460267	15	Pin, Male	

SECTION 8 - ELECTRICAL

FIGURE 8-61. VALVE HARNESS - PLATFORM



ART_1001196682

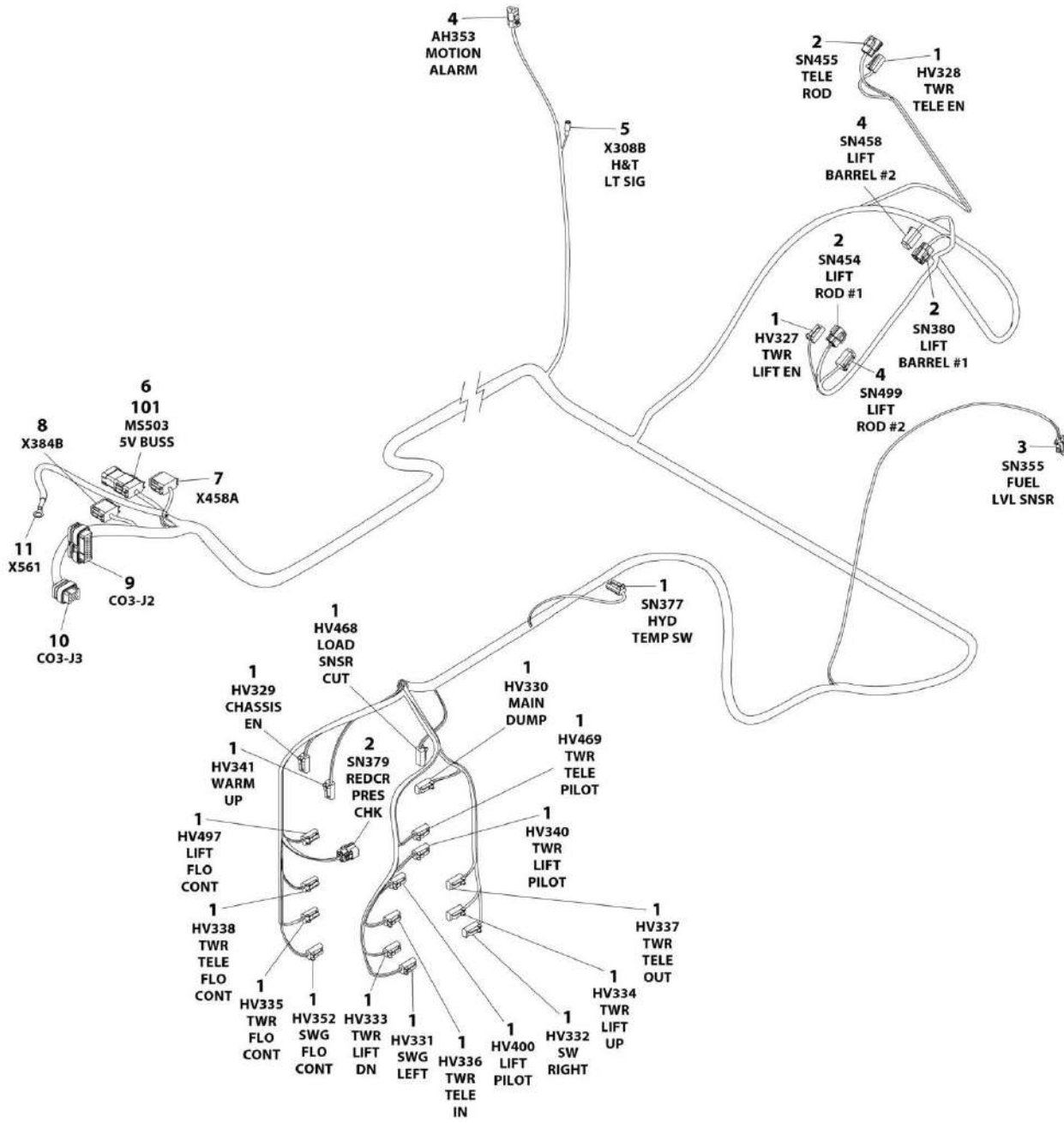
SECTION 8 - ELECTRICAL

FIGURE 8-61. VALVE HARNESS - PLATFORM

ITEM	PART NUMBER	QTY	DESCRIPTION	REV
	1001196682	Ref	VALVE HARNESS - PLATFORM	D
1	4460926	1	Connector - 21 Position	
1	1001126008	20	Socket, Female	
1	4460518	1	Plug, Terminal	
2	4460894	2	Plug, Male - 6 Position	
2	4460465	11	Socket, Female	
2	4460466	1	Plug, Terminal	
3	4460851	1	Plug, Male - 8 Position	
3	4460465	7	Socket, Female	
3	4460466	1	Plug, Terminal	
4	4460899	1	Receptacle, Female - 6 Position	
4	4460464	5	Pin, Male	
4	4460466	1	Plug, Terminal	
5	4460891	10	Plug, Male - 2 Position	
5	4460465	20	Socket, Female	
101	4460852	1	Receptacle, Female Termination - 8 Position	
102	4460892	1	Receptacle, Female Bussbar - 6 Position	

SECTION 8 - ELECTRICAL

FIGURE 8-62. VALVE HARNESS - TURNTABLE (Prior to SN 0300223782)



ART_1001196690

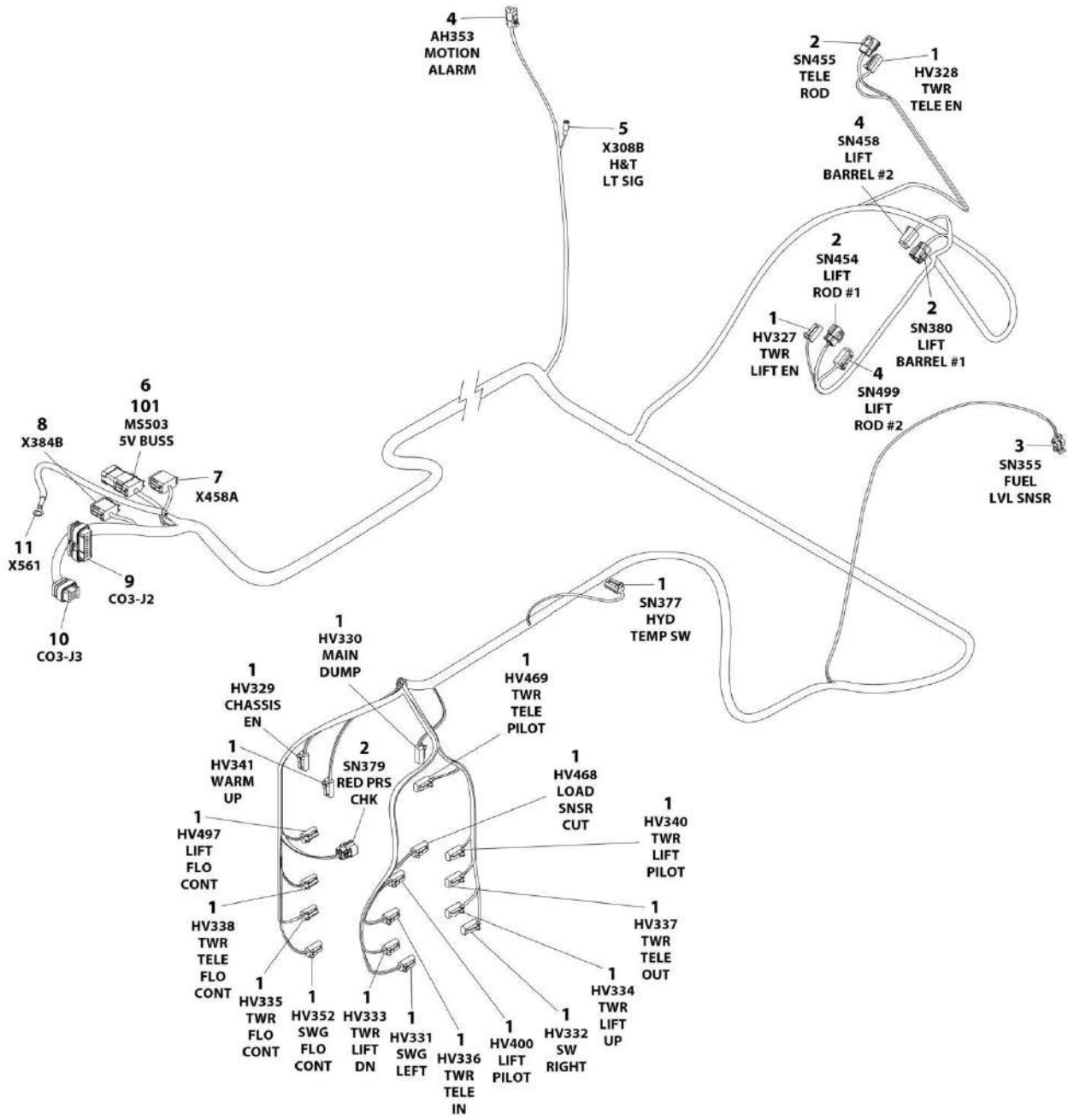
SECTION 8 - ELECTRICAL

FIGURE 8-62. VALVE HARNESS - TURNTABLE (Prior to SN 0300223782)

ITEM	PART NUMBER	QTY	DESCRIPTION	REV
	1001196690	Ref	VALVE HARNESS - TURNTABLE (Prior to SN 0300223782)	D
1	4460891	20	Plug, Male - 2 Position	
1	4460465	40	Socket, Female	
2	4460884	4	Plug, Male - 4 Position	
2	4460465	16	Socket, Female	
3	4460843	1	Plug, Male - 2 Position	
3	91554014	NLA	Socket, Female (Use p/n 1001116748)	
4	4460539	3	Plug, Male - 3 Position	
4	4460465	9	Socket, Female	
5	8220068	1	Terminal, Ring	
6	4460930	1	Plug, Male - 8 Position	
6	4460465	5	Socket, Female	
6	4460466	3	Plug, Terminal	
7	4460836	1	Plug, Male - 12 Position	
7	4460465	12	Socket, Female	
8	4460933	1	Plug, Male - 12 Position	
8	4460465	12	Socket, Female	
9	4460875	1	Connector - 35 Position	
9	4460871	32	Socket, Female	
9	4460905	3	Plug, Terminal	
10	4460872	1	Connector - 14 Position	
10	4460871	11	Socket, Female	
10	4460905	3	Plug, Terminal	
11	1001128127	1	Terminal, Ring	
101	4460984	1	Receptacle, Female Bussbar - 8 Position	

SECTION 8 - ELECTRICAL

FIGURE 8-63. VALVE HARNESS - TURNTABLE (SN 0300223782 to Present)



ART_1001218806

SECTION 8 - ELECTRICAL

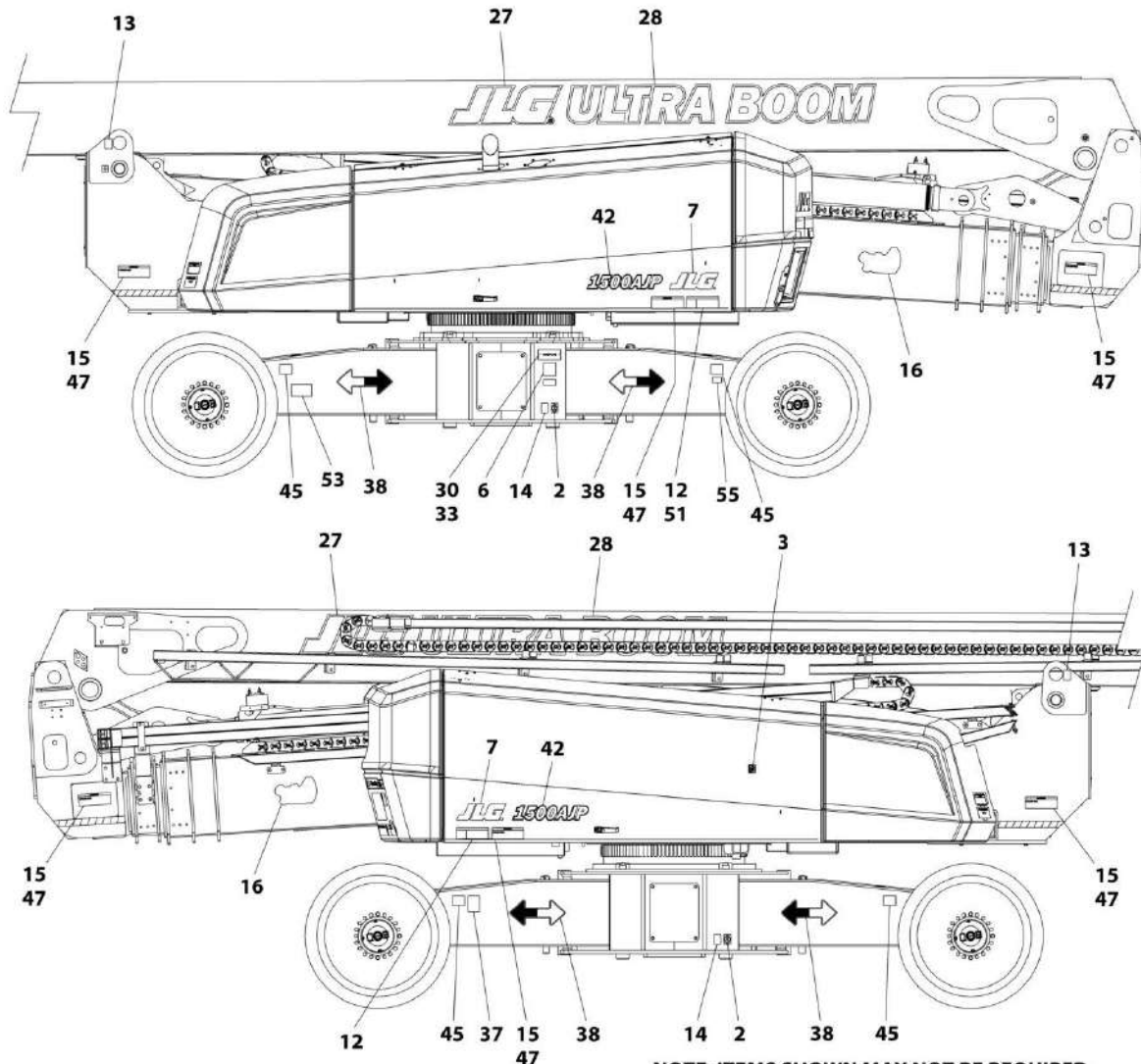
FIGURE 8-63. VALVE HARNESS - TURNTABLE (SN 0300223782 to Present)

ITEM	PART NUMBER	QTY	DESCRIPTION	REV
	1001218806	Ref	VALVE HARNESS - TURNTABLE (SN 0300223782 to Present)	A
1	4460891	20	Plug, Male - 2 Position	
1	4460465	40	Socket, Female	
2	4460884	4	Plug, Male - 4 Position	
2	4460465	12	Socket, Female	
2	4460466	4	Plug, Terminal	
3	4460843	1	Plug, Male - 2 Position	
3	91554014	NLA	Socket, Female (Use p/n 1001116748)	
4	4460539	3	Plug, Male - 3 Position	
4	4460465	9	Socket, Female	
5	8220068	1	Terminal, Ring	
6	4460930	1	Plug, Male - 8 Position	
6	4460465	6	Socket, Female	
6	4460466	2	Plug, Terminal	
7	4460836	1	Plug, Male - 12 Position	
7	4460465	12	Socket, Female	
8	4460933	1	Plug, Male - 12 Position	
8	4460465	12	Socket, Female	
9	4460875	1	Connector - 35 Position	
9	4460871	32	Socket, Female	
9	4460905	3	Plug, Terminal	
10	4460872	1	Connector - 14 Position	
10	4460871	11	Socket, Female	
10	4460905	3	Plug, Terminal	
11	1001128127	1	Terminal, Ring	
101	4460984	1	Receptacle, Female Bussbar - 8 Position	

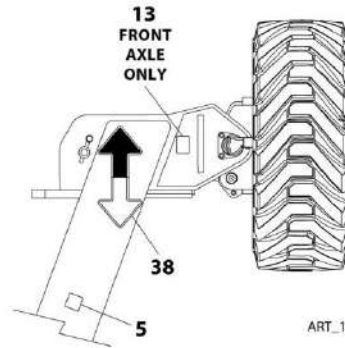
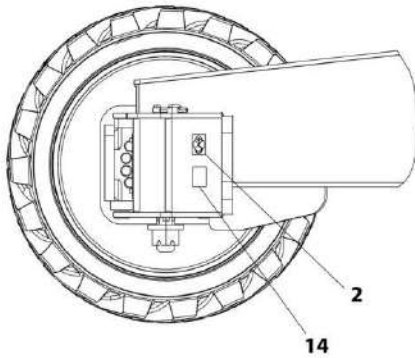
SECTION 9 - DECALS

SECTION 9 - DECALS

FIGURE 9-1. DECAL INSTALLATION - ANSI SPEC

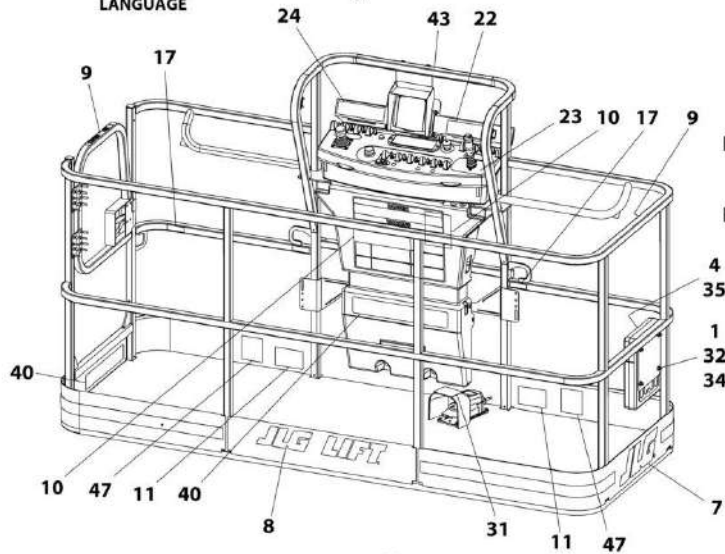
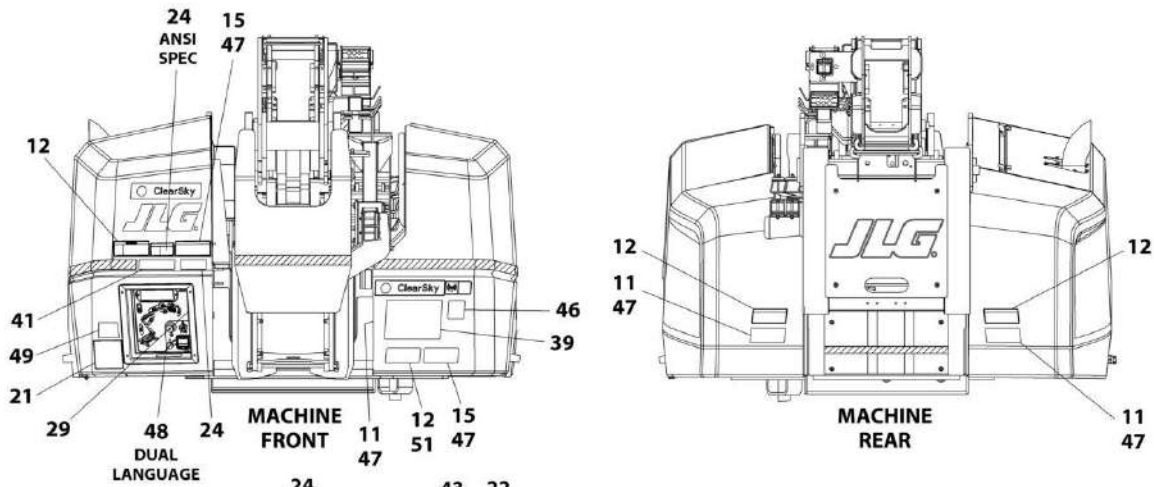


NOTE: ITEMS SHOWN MAY NOT BE REQUIRED FOR ALL SPECS. REFER TO PARTS LISTS FOR USAGE.
 NOTE: ADDITIONAL DECALS CALLED OUT ON DECAL INSTALLATION - OPTIONS.

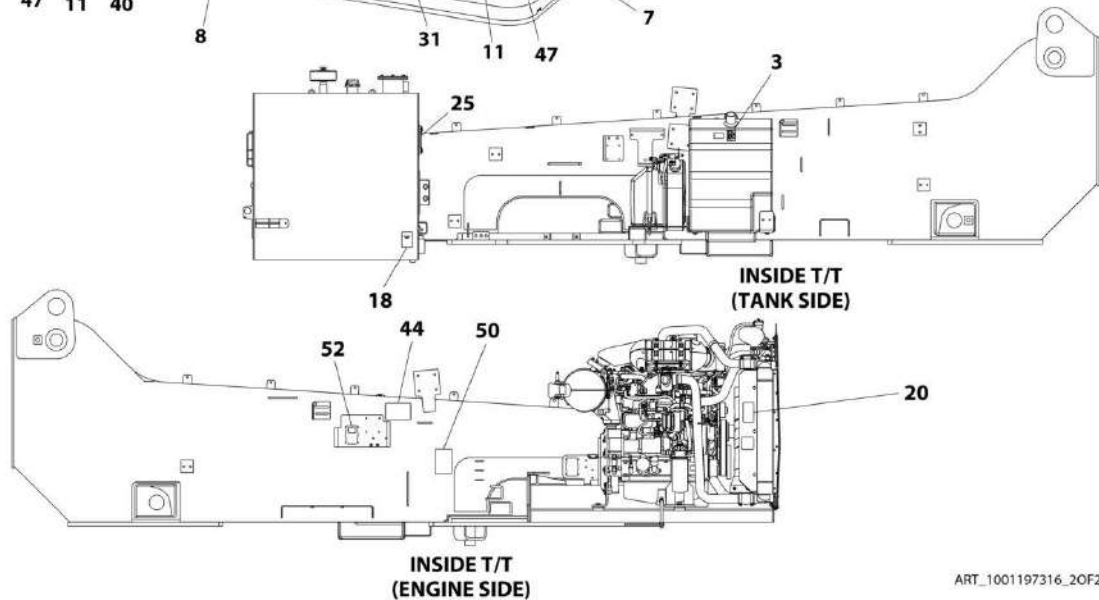


ART_1001197316_10F2

SECTION 9 - DECALS



NOTE: ITEMS SHOWN MAY NOT BE REQUIRED FOR ALL SPECS. REFER TO PARTS LISTS FOR USAGE.
NOTE: ADDITIONAL DECALS CALLED OUT ON DECAL INSTALLATION - OPTIONS.



ART_1001197316_20F2

SECTION 9 - DECALS

FIGURE 9-1. DECAL INSTALLATION - ANSI SPEC

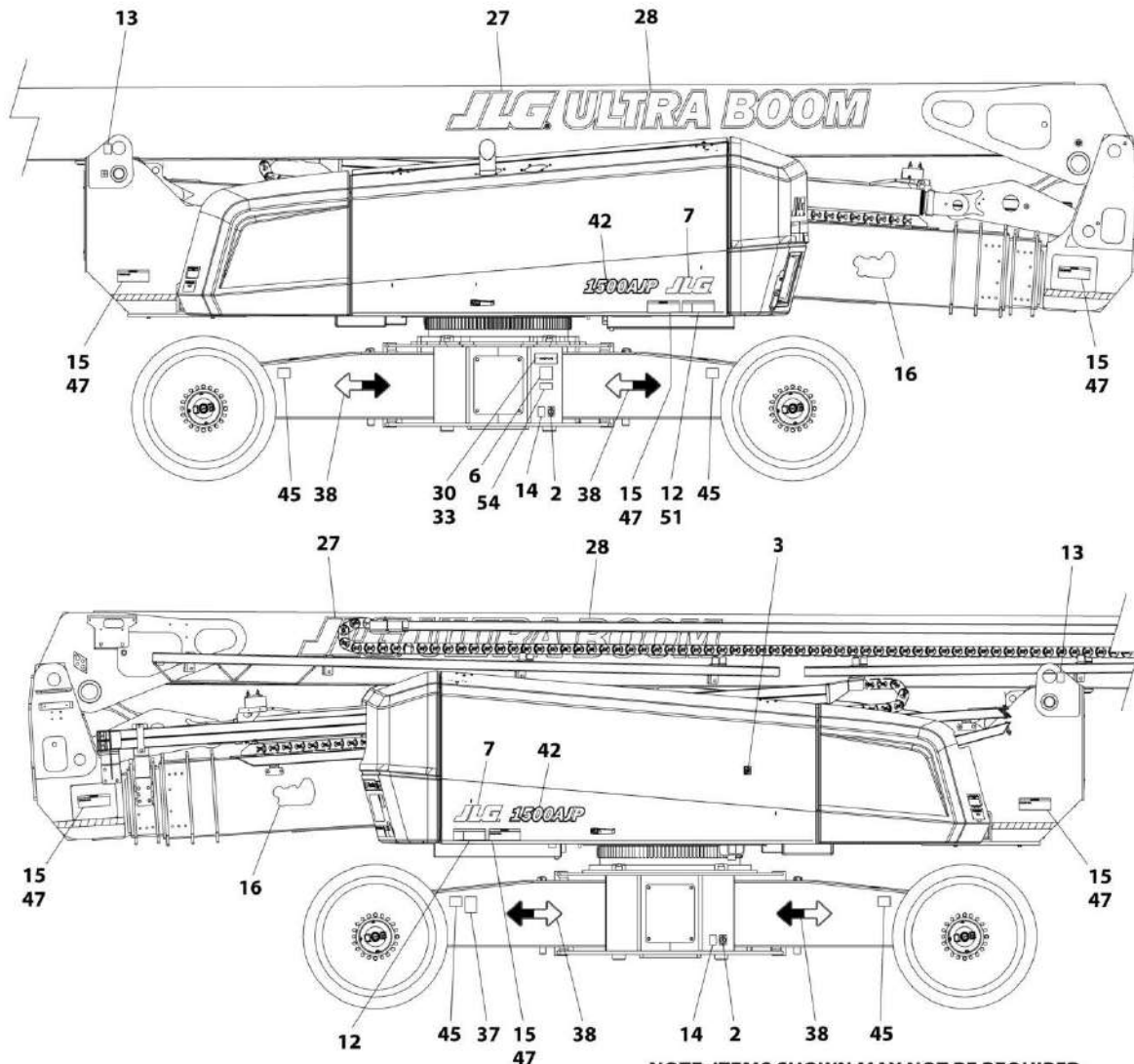
ITEM	PART NUMBER	QTY	DESCRIPTION	REV
	1001197316	Ref	DECAL INSTALLATION - ANSI SPEC	J
	1001197315	Ref	DECAL INSTALLATION - REFERENCE	L
1	0641406	4	Bolt 1/4 x 3/4	
2	1701499	6	Decal - No Tie Down/Lift	
3	1701505	2	Decal - Diesel Fuel	
4	1701509	1	Decal - Manual	
5	1701691	4	Decal - No Step	
6	See Note	NSS	Decal - Bar Code (Note: Not Available for Purchase)	
7	1702773	3	Decal - JLG	
8	1702774	1	Decal - JLG Lift	
9	1702868	2	Decal - No Hands	
10	1703797	1	Decal - Danger/Warning (Prior to SN 0300240678)	
10	1001231315	1	Decal - Danger/Warning (SN 0300240678 to Present)	
11	1703804	6	Decal - Warning Crushing	
12	1703805	6	Decal - Electrocution	
13	1703811	4	Decal - Lifting Lug	
14	1703814	6	Decal - Tie Down	
15	1703953	8	Decal - Warning Crushing	
16	1703959	2	Decal - Quik Stik	
17	1704277	3	Decal - Lanyard Attach	
18	1704412	1	Decal - Hydraulic Oil	
20	1704972	1	Decal - Glow Plugs Warning	
21	1705336	1	Decal - Danger/Warning	
22	1705337	1	Decal - Tip-Over (Prior to SN 0300240678)	
23	1705351	1	Decal - Drive/Steer Instructions	
24	1705492	AR	Decal - Tip-Over	
25	1705511	1	Decal - Oil Level	
27	1705864	2	Decal - JLG	
28	1705865	2	Decal - Ultraboom	
29	1705868	1	Decal - Legend (Prior to SN 0300226018)	
29	1001225220	1	Decal - Legend (SN 0300226018 to Present)	
30	See Note	NSS	Nameplate - Serial Number (Note: Not Available for Purchase)	
31	3252347	1	Nameplate - Footswitch	
32	3311405	4	Nut 1/4	
33	3820001	2	Rivet	
34	4751400	8	Washer 1/4	
35	91403230	1	Box, Manual Storage	
37	1001131269	1	Decal - Patent	
38	1001160445	8	Decal - Arrow	
39	1001197350	1	Decal - Lift Diagram	
40	1001200113	2	Decal - Warning Dual Capacity	
41	1001200114	1	Decal - Warning Dual Capacity	
42	1001200707	2	Decal - 1500AJP	
43	1001204096	1	Decal - Legend	
44	1001209561	1	Decal - Jump Start Dual Battery (Prior to SN 0300243458)	
44	1001234789	1	Decal - Jump Start/Dual Battery (SN 0300243458 to Present)	
45	1001209896	4	Decal - Maximum Tire Load	
50	1001211904	1	Decal - Fuse Box	
52	1001224045	1	Decal - Fuse Box Cover (SN 0300226018 to Present)	
53	1001223055	1	Decal - Decal Yearly Inspection (SN 0300235176 to Present)	

SECTION 9 - DECALS

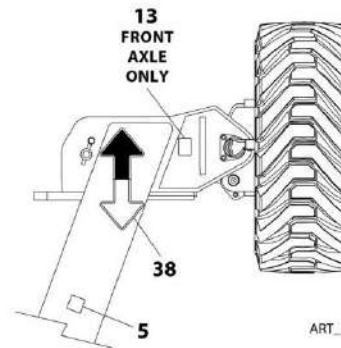
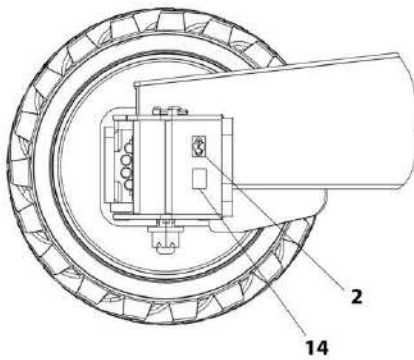
ITEM	PART NUMBER	QTY	DESCRIPTION	REV
55	1001223453	1	Decal - ICES (SN 0300243458 to Present)	

SECTION 9 - DECALS

FIGURE 9-2. DECAL INSTALLATION - AUSTRALIAN SPEC

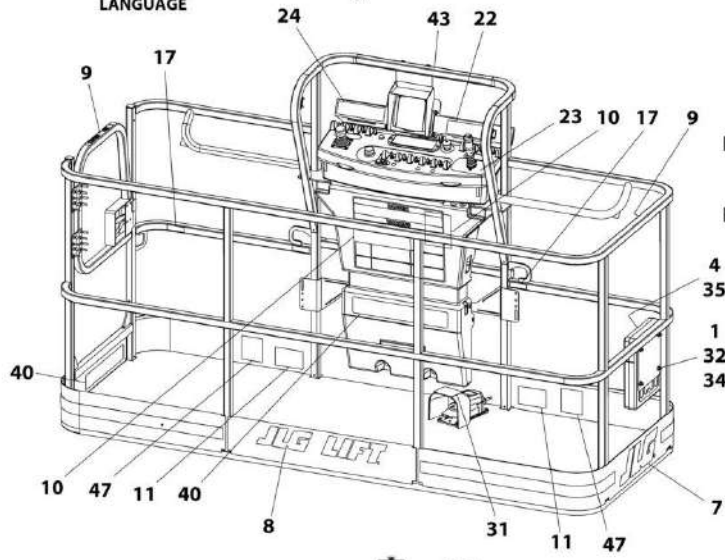
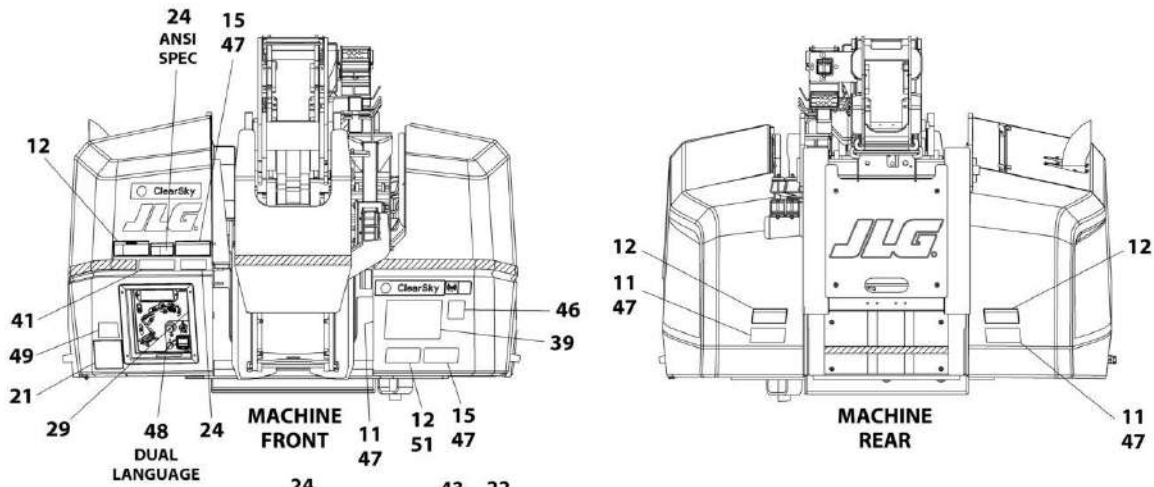


NOTE: ITEMS SHOWN MAY NOT BE REQUIRED FOR ALL SPECS. REFER TO PARTS LISTS FOR USAGE.
 NOTE: ADDITIONAL DECALS CALLED OUT ON DECAL INSTALLATION - OPTIONS.

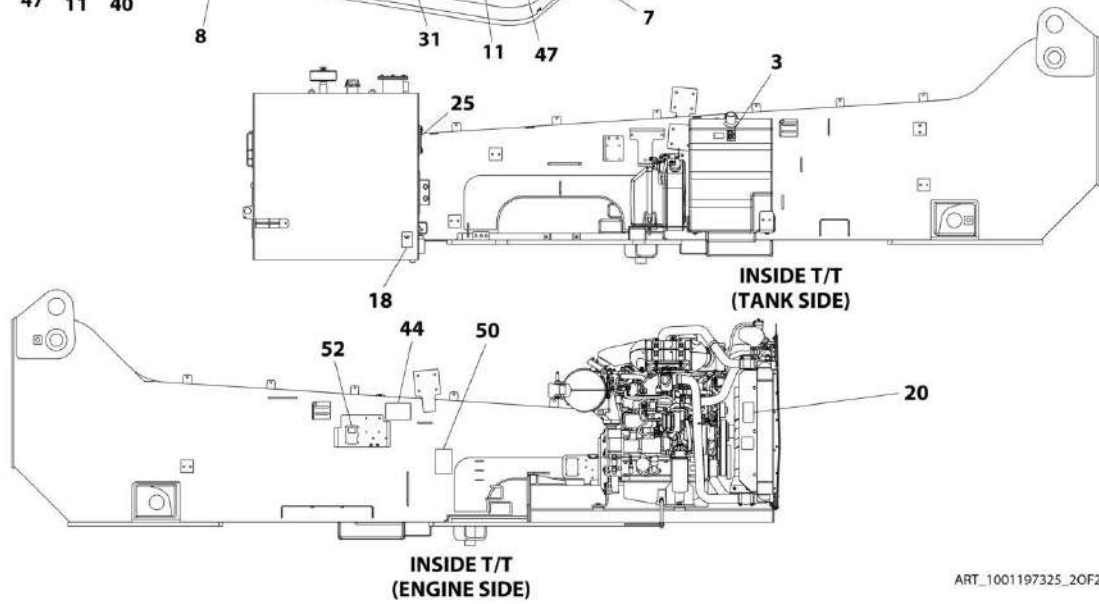


ART_1001197325_10F2

SECTION 9 - DECALS



NOTE: ITEMS SHOWN MAY NOT BE REQUIRED FOR ALL SPECS. REFER TO PARTS LISTS FOR USAGE.
NOTE: ADDITIONAL DECALS CALLED OUT ON DECAL INSTALLATION - OPTIONS.



ART_1001197325_20F2

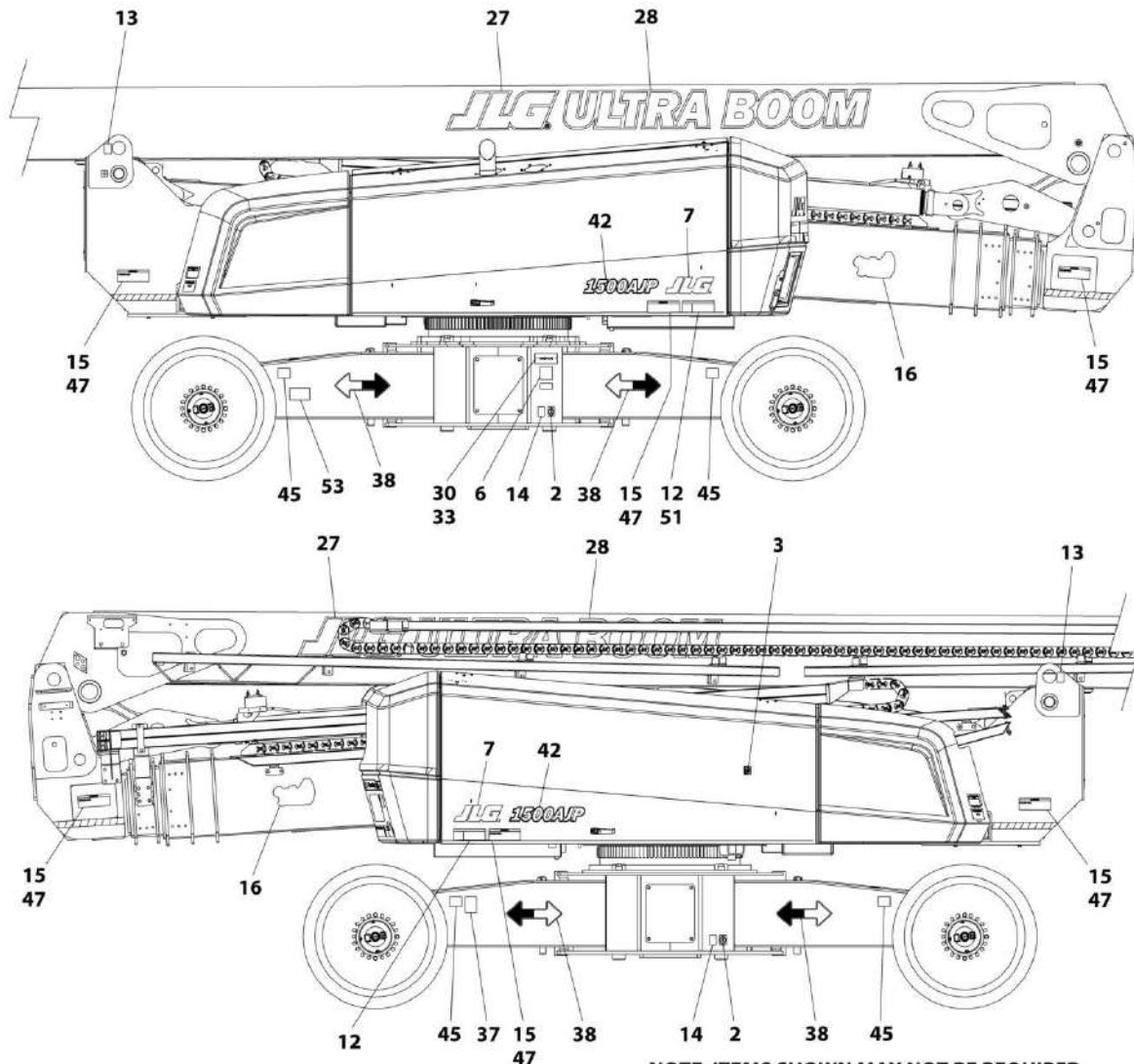
SECTION 9 - DECALS

FIGURE 9-2. DECAL INSTALLATION - AUSTRALIAN SPEC

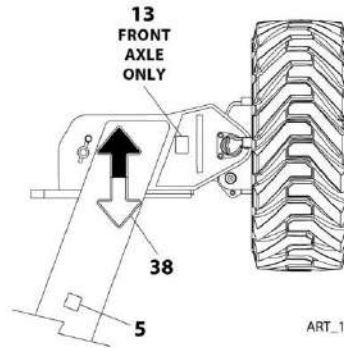
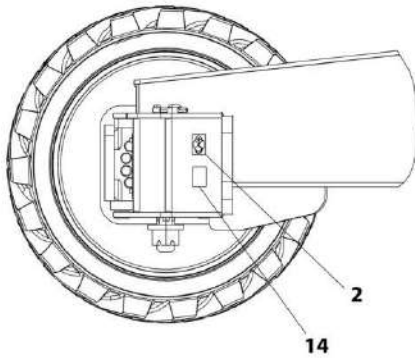
ITEM	PART NUMBER	QTY	DESCRIPTION	REV
	1001197325	Ref	DECAL INSTALLATION - AUSTRALIAN SPEC	I
	1001197315	Ref	DECAL INSTALLATION - REFERENCE	L
1	0641406	4	Bolt 1/4 x 3/4	
2	1701499	6	Decal - No Tie Down/Lift	
3	1701505	2	Decal - Diesel Fuel	
4	1701509	1	Decal - Manual	
5	1701691	4	Decal - No Step	
6	See Note	NSS	Decal - Bar Code (Note: Not Available for Purchase)	
7	1702773	3	Decal - JLG	
8	1702774	1	Decal - JLG Lift	
10	1705921	1	Decal - Tipping/Electrocution	
13	1703811	4	Decal - Lifting Lug	
14	1703814	6	Decal - Tie Down	
16	1703959	2	Decal - Quik Stik	
17	1704277	3	Decal - Lanyard Attach	
18	1704412	1	Decal - Hydraulic Oil	
20	1706098	1	Decal - Warning Ether Start	
21	1705822	1	Decal - Electrical/Safety Manual	
25	1705511	1	Decal - Oil Level	
27	1705864	2	Decal - JLG	
28	1705865	2	Decal - Ultraboom	
30	See Note	NSS	Nameplate - Serial Number (Note: Not Available for Purchase)	
31	1705828	1	Nameplate - Footswitch	
32	3311405	4	Nut 1/4	
33	3820001	2	Rivet	
34	4751400	8	Washer 1/4	
35	91403230	1	Box, Manual Storage	
38	1001160445	8	Decal - Arrow	
39	1001197350	1	Decal - Lift Diagram	
40	1001200118	2	Decal - Warning Dual Capacity	
41	1001200117	1	Decal - Warning Dual Capacity	
42	1001200707	2	Decal - 1500AJP	
44	1001209561	1	Decal - Jump Start/Dual Battery (Prior to SN 0300243458)	
44	1001234789	1	Decal - Jump Start/Dual Battery (SN 0300243458 to Present)	
45	1001209896	4	Decal - Maximum Tire Load	
46	1001187411	1	Decal - Sound Level (Prior to SN 0300228751)	
46	1705515	1	Decal - Sound Level (SN 0300228751 to Present)	
47	1701518	14	Decal - Crushing	
48	1001189882	1	Decal - MSSO Operation (Prior to SN 0300243458)	
49	1001112551	1	Decal - Emergency Controls	
50	1001211904	1	Decal - Fuse Box	
51	1705961	5	Decal - Electrocution	
52	1001224045	1	Decal - Fuse Box Cover (SN 0300226018 to Present)	
54	1001229782	1	Decal - Wheel Assembly Mass	

SECTION 9 - DECALS

FIGURE 9-3. DECAL INSTALLATION - BRAZIL SPEC (ENGLISH/PORTUGUESE)

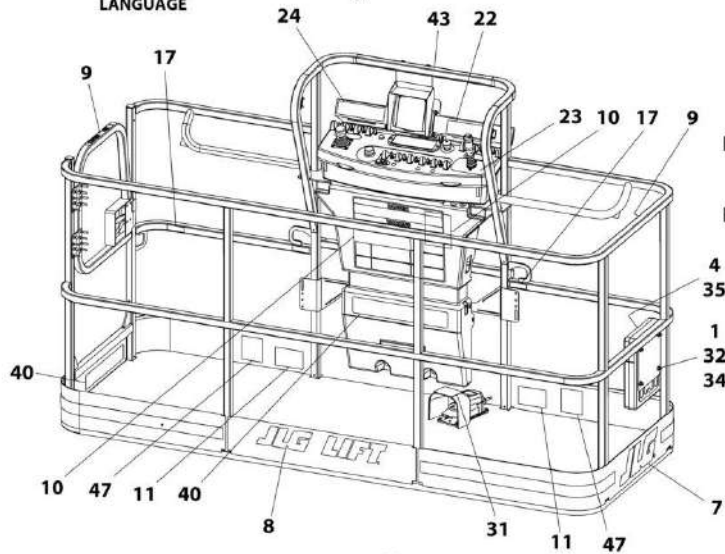
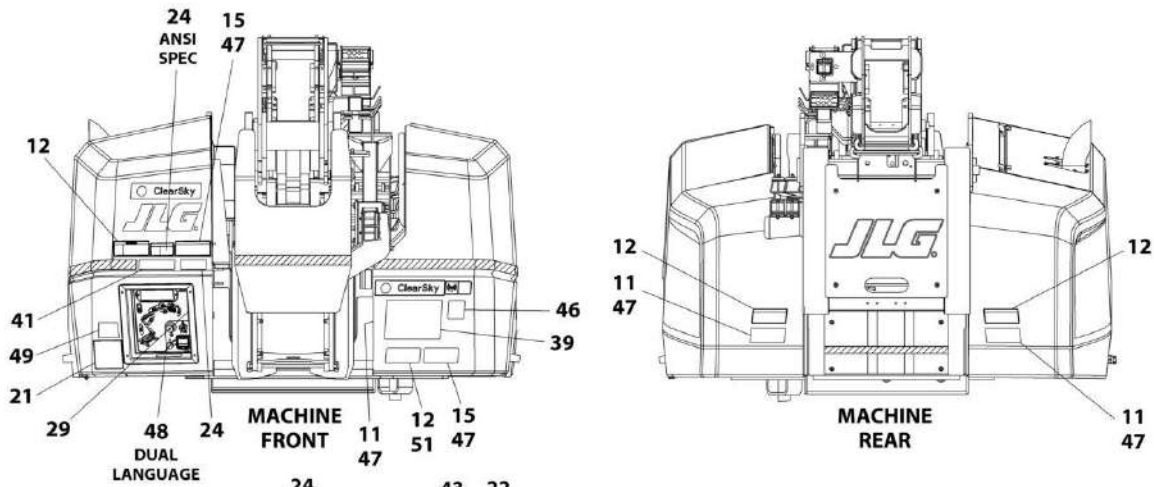


NOTE: ITEMS SHOWN MAY NOT BE REQUIRED FOR ALL SPECS. REFER TO PARTS LISTS FOR USAGE.
 NOTE: ADDITIONAL DECALS CALLED OUT ON DECAL INSTALLATION - OPTIONS.

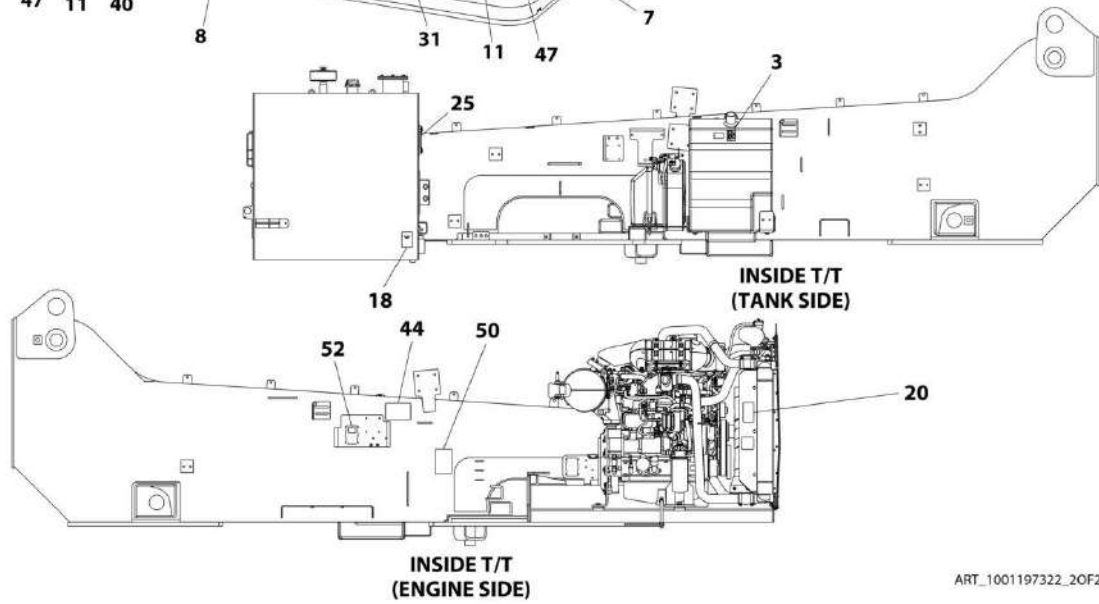


ART_1001197322_10F2

SECTION 9 - DECALS



NOTE: ITEMS SHOWN MAY NOT BE REQUIRED FOR ALL SPECS. REFER TO PARTS LISTS FOR USAGE.
NOTE: ADDITIONAL DECALS CALLED OUT ON DECAL INSTALLATION - OPTIONS.



ART_1001197322_20F2

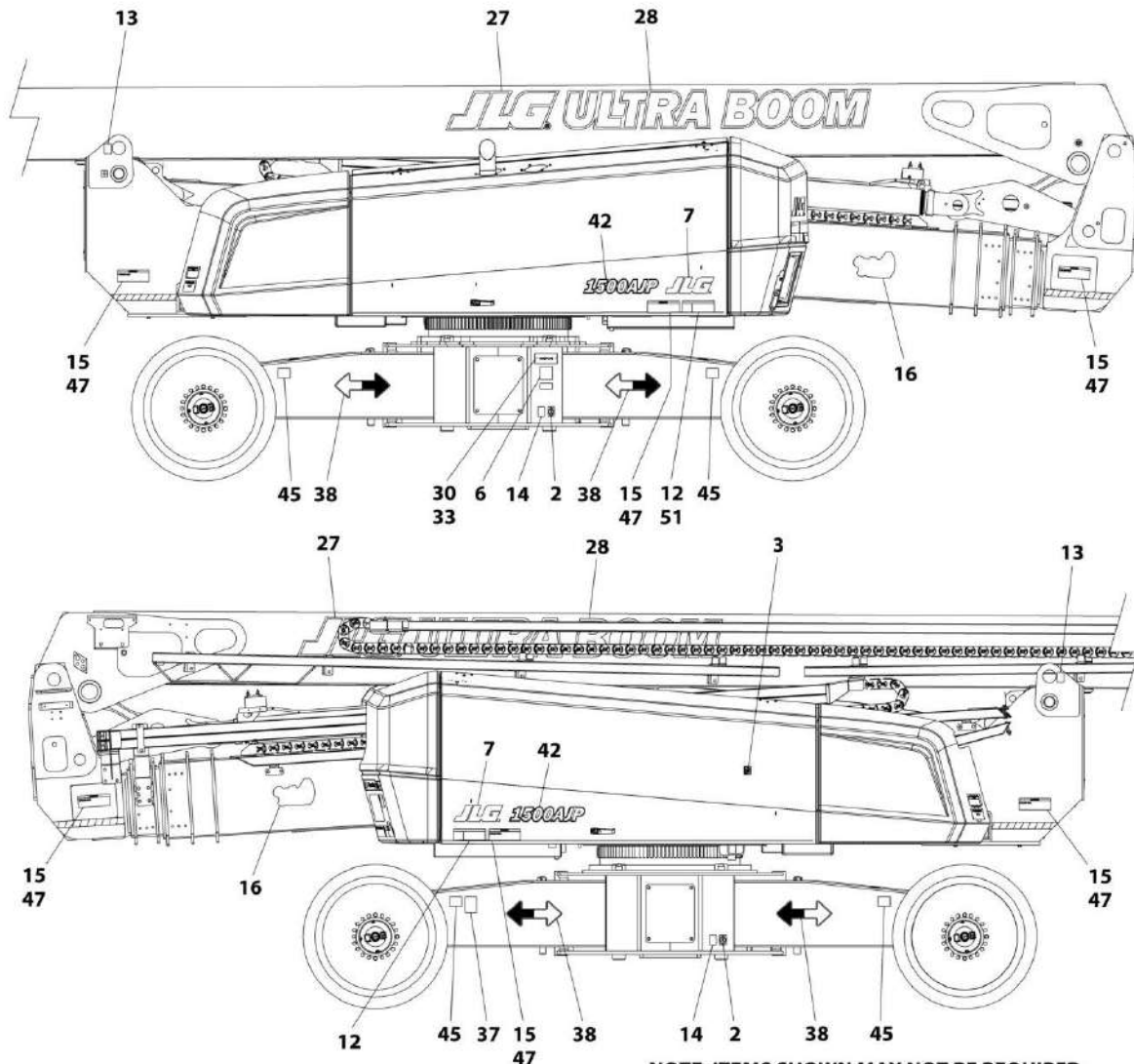
SECTION 9 - DECALS

FIGURE 9-3. DECAL INSTALLATION - BRAZIL SPEC (ENGLISH/PORTUGUESE)

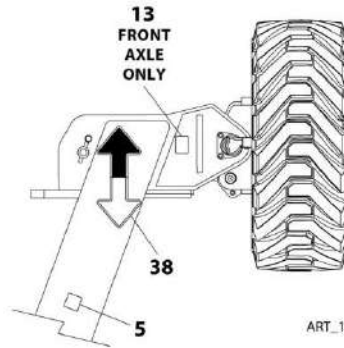
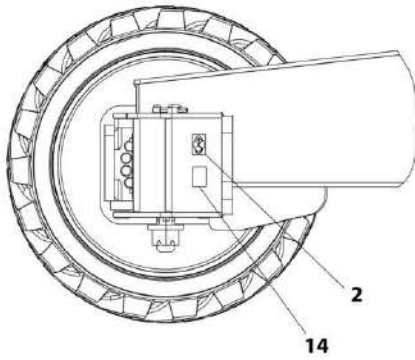
ITEM	PART NUMBER	QTY	DESCRIPTION	REV
	1001197322	Ref	DECAL INSTALLATION - BRAZIL SPEC (ENGLISH/PORTUGUESE)	I
	1001197315	Ref	DECAL INSTALLATION - REFERENCE	L
1	0641406	4	Bolt 1/4 x 3/4	
2	1701499	6	Decal - No Tie Down/Lift	
3	1701505	2	Decal - Diesel Fuel	
4	1701509	1	Decal - Manual	
5	1701691	4	Decal - No Step	
6	See Note	NSS	Decal - Bar Code (Note: Not Available for Purchase)	
7	1702773	3	Decal - JLG	
8	1702774	1	Decal - JLG Lift	
9	1705967	2	Decal - No Hands	
10	1705895	1	Decal - Danger/Warning (Prior to SN 0300240678)	
10	1001231319	1	Decal - Danger/Warning (SN 0300240678 to Present)	
11	1705898	6	Decal - Crushing	
12	1705897	6	Decal - Danger Electrocution	
13	1703811	4	Decal - Lifting Lug	
14	1703814	6	Decal - Tie Down	
15	1705903	8	Decal - Warning Crushing	
16	1703959	2	Decal - Quik Stik	
17	1704277	3	Decal - Lanyard Attach	
18	1704412	1	Decal - Hydraulic Oil	
20	1706059	1	Decal - Warning Explosion	
21	1705896	1	Decal - Warning Inspection	
22	1705904	1	Decal - Tip-Over (Prior to SN 0300240678)	
23	1705905	1	Decal - Drive/Steer Instruction	
24	1705906	AR	Decal - Tip-Over Hazard	
25	1705511	1	Decal - Oil Level	
27	1705864	2	Decal - JLG	
28	1705865	2	Decal - Ultraboom	
29	1705868	1	Decal - Legend (Prior to SN 0300226018)	
29	1001225220	1	Decal - Legend (SN 0300226018 to Present)	
30	See Note	NSS	Nameplate - Serial Number (Note: Not Available for Purchase)	
31	1705902	1	Decal - Footswitch	
32	3311405	4	Nut 1/4	
33	3820001	2	Rivet	
34	4751400	8	Washer 1/4	
35	91403230	1	Box, Manual Storage	
38	1001160445	8	Decal - Arrow	
39	1001197350	1	Decal - Lift Diagram	
40	1001199566	2	Decal - Warning Dual Capacity	
41	1001199571	1	Decal - Warning Dual Capacity	
42	1001200707	2	Decal - 1500AJP	
43	1001204096	1	Decal - Legend	
44	1001209561	1	Decal - Jump Start/Dual Battery (Prior to SN 0300243458)	
44	1001234789	1	Decal - Jump Start/Dual Battery (SN 0300243458 to Present)	
45	1001209896	4	Decal - Maximum Tire Load	
50	1001211904	1	Decal - Fuse Box	
52	1001224045	1	Decal - Fuse Box Cover (SN 0300226018 to Present)	
53	1001224052	1	Decal - Yearly Inspection (SN 0300235176 to Present)	

SECTION 9 - DECALS

FIGURE 9-4. DECAL INSTALLATION - CE SPEC

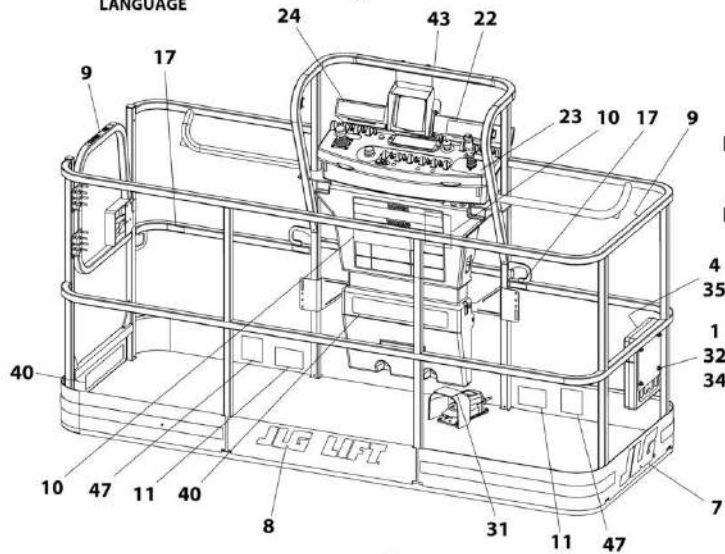
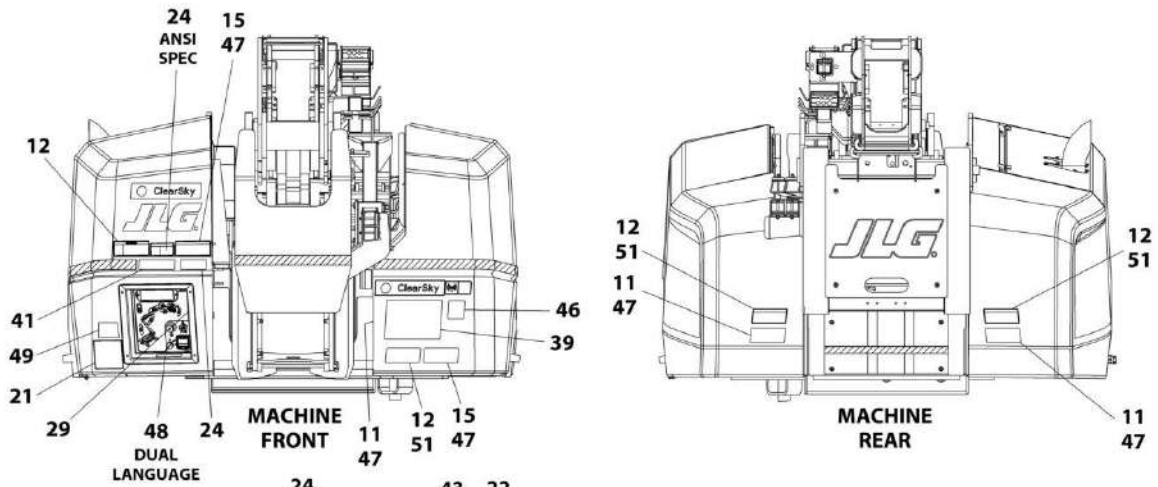


NOTE: ITEMS SHOWN MAY NOT BE REQUIRED FOR ALL SPECS. REFER TO PARTS LISTS FOR USAGE.
 NOTE: ADDITIONAL DECALS CALLED OUT ON DECAL INSTALLATION - OPTIONS.

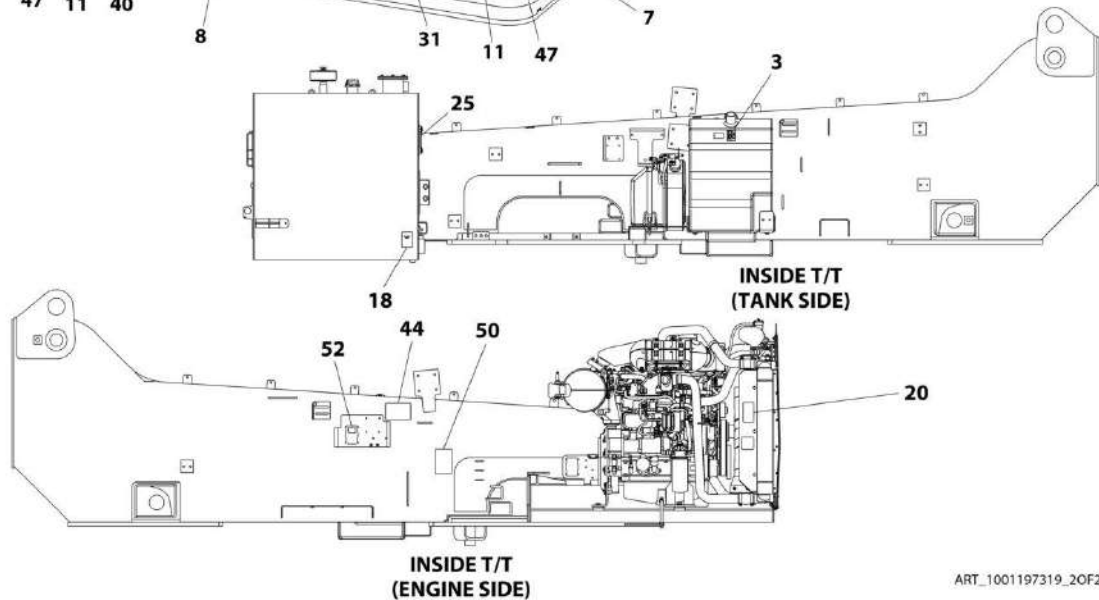


ART_1001197319_10F2

SECTION 9 - DECALS



NOTE: ITEMS SHOWN MAY NOT BE REQUIRED FOR ALL SPECS. REFER TO PARTS LISTS FOR USAGE.
NOTE: ADDITIONAL DECALS CALLED OUT ON DECAL INSTALLATION - OPTIONS.



ART_1001197319_20F2

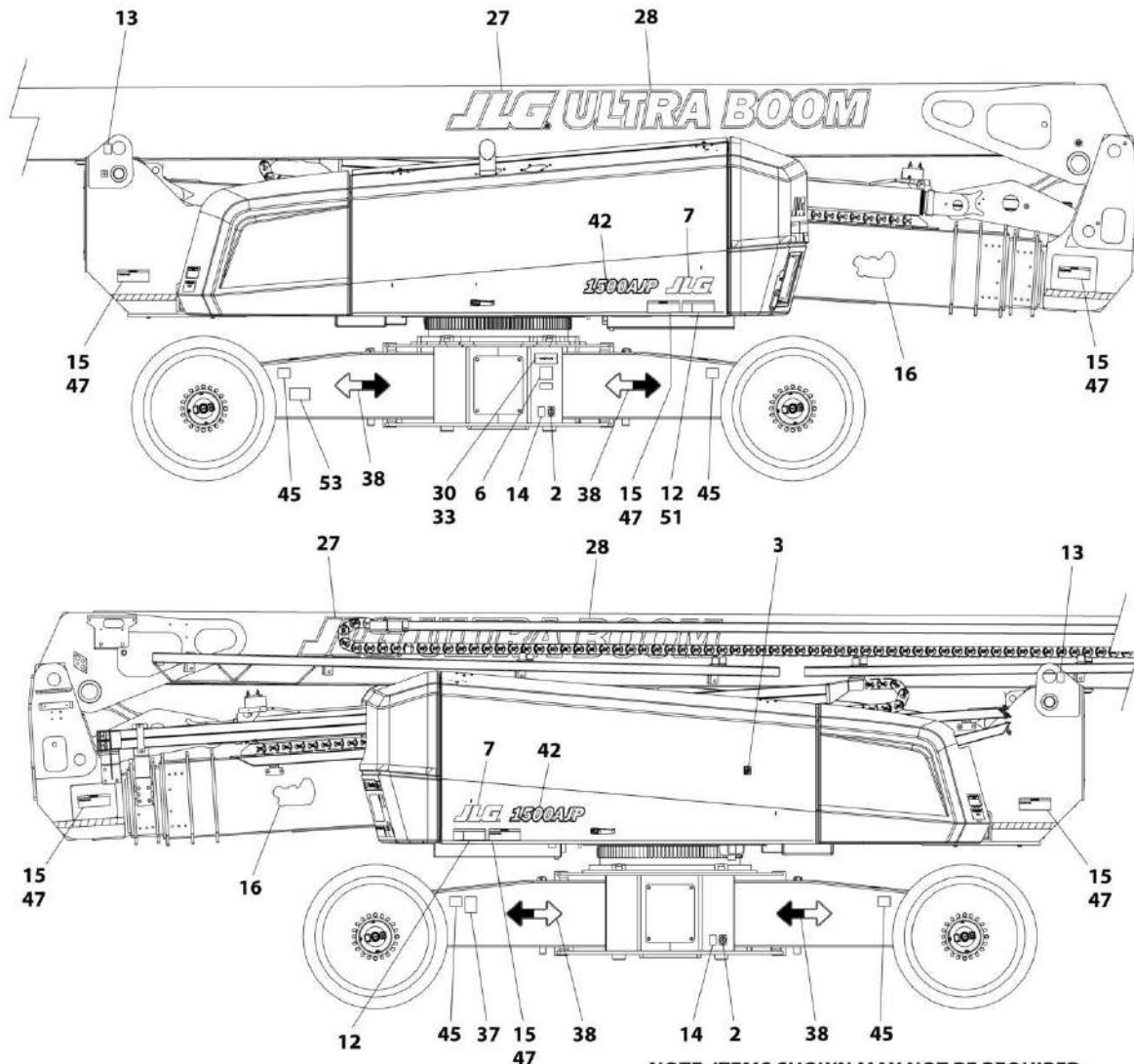
SECTION 9 - DECALS

FIGURE 9-4. DECAL INSTALLATION - CE SPEC

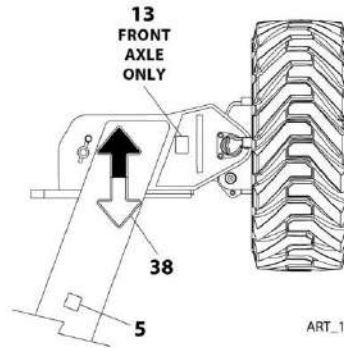
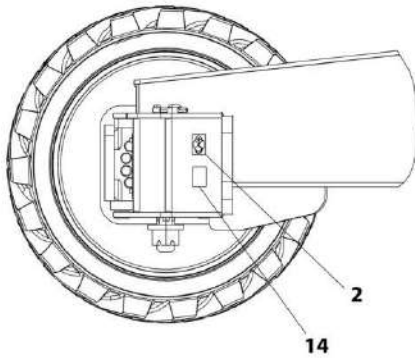
ITEM	PART NUMBER	QTY	DESCRIPTION	REV
	1001197319	Ref	DECAL INSTALLATION - CE SPEC	I
	1001197315	Ref	DECAL INSTALLATION - REFERENCE (Prior to SN 0300240678)	J
	1001234408	Ref	DECAL INSTALLATION - REFERENCE (SN 0300240678 to Present)	A
1	0641406	4	Bolt 1/4 x 3/4	
2	1701499	6	Decal - No Tie Down/Lift	
3	1701505	2	Decal - Diesel Fuel	
4	1701509	1	Decal - Manual	
5	1701691	4	Decal - No Step	
6	See Note	NSS	Decal - Bar Code (Note: Not Available for Purchase)	
7	1702773	3	Decal - JLG	
8	1702774	1	Decal - JLG Lift (Prior to SN 0300240678)	
10	1705921	1	Decal - Tipping/Electrocution	
13	1703811	4	Decal - Lifting Lug	
14	1703814	6	Decal - Tie Down	
16	1703959	2	Decal - Quik Stik	
17	1704277	3	Decal - Lanyard Attach	
18	1704412	1	Decal - Hydraulic Oil	
20	1706098	1	Decal - Warning Ether Start	
21	1705822	1	Decal - Electrical/Safety Manual	
25	1705511	1	Decal - Oil Level	
27	1705864	2	Decal - JLG	
28	1705865	2	Decal - Ultraboom (Prior to SN 0300240678)	
30	See Note	NSS	Decal - Serial Number (Note: Not Available for Purchase)	
31	1705828	1	Nameplate - Footswitch	
32	3311405	4	Nut 1/4	
33	3820001	2	Rivet	
34	4751400	8	Washer 1/4	
35	91403230	1	Box, Manual Storage	
38	1001160445	8	Decal - Arrow	
39	1001197350	1	Decal - Lift Diagram	
40	1001200118	AR	Decal - Warning Dual Capacity	
41	1001200117	1	Decal - Warning Dual Capacity	
42	1001200707	2	Decal - 1500AJP	
44	1001209561	1	Decal - Jump Start/Dual Battery (Prior to SN 0300243458)	
44	1001234789	1	Decal - Jump Start/Dual Battery (SN 0300243458 to Present)	
45	1001209896	4	Decal - Maximum Tire Load	
46	1001187411	1	Decal - Sound Level (Prior to SN 0300228751)	
46	1705515	1	Decal - Sound Level (SN 0300228751 to Present)	
47	1701518	14	Decal - Crushing	
48	1001189882	1	Decal - MSSO Operation	
50	1001211904	1	Decal - Fuse Box	
51	1705961	5	Decal - Electrocution	
52	1001224045	1	Decal - Fuse Box Cover (SN 0300226018 to Present)	

SECTION 9 - DECALS

FIGURE 9-5. DECAL INSTALLATION - CHINA SPEC (ENGLISH/CHINESE)

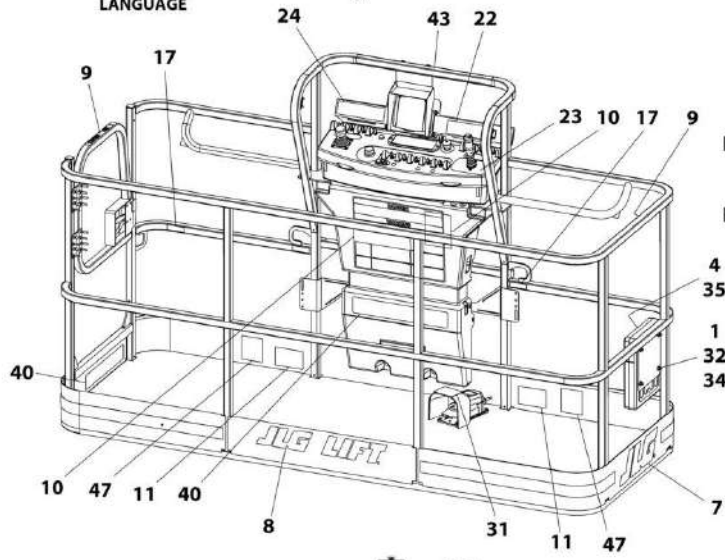
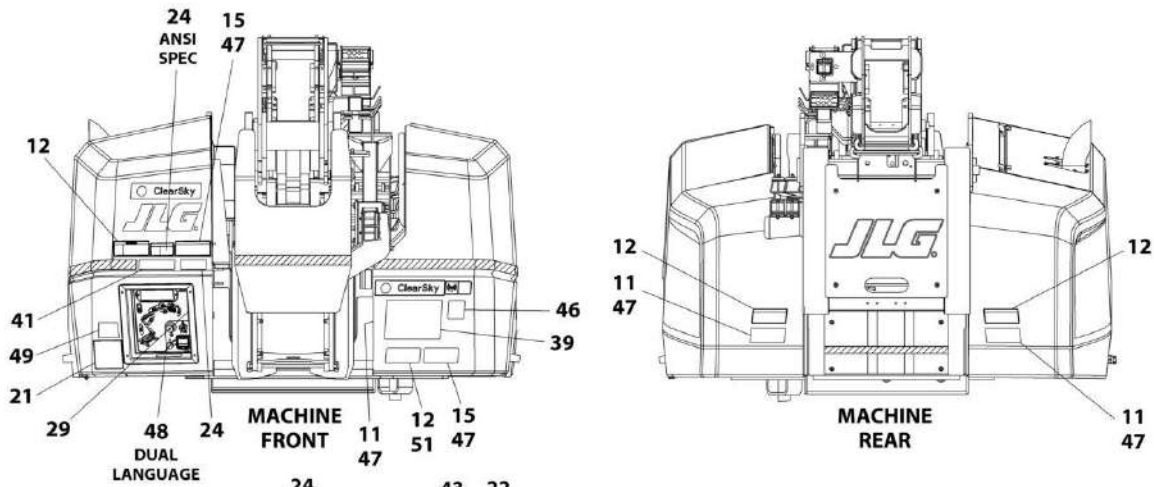


NOTE: ITEMS SHOWN MAY NOT BE REQUIRED FOR ALL SPECS. REFER TO PARTS LISTS FOR USAGE.
 NOTE: ADDITIONAL DECALS CALLED OUT ON DECAL INSTALLATION - OPTIONS.

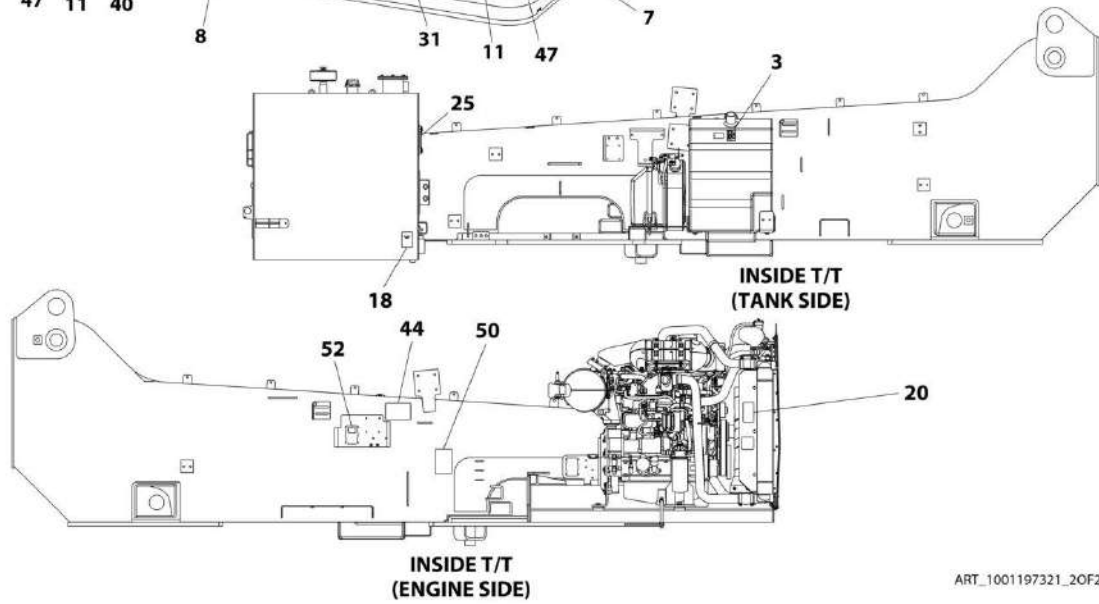


ART_1001197321_10F2

SECTION 9 - DECALS



NOTE: ITEMS SHOWN MAY NOT BE REQUIRED FOR ALL SPECS. REFER TO PARTS LISTS FOR USAGE.
 NOTE: ADDITIONAL DECALS CALLED OUT ON DECAL INSTALLATION - OPTIONS.



ART_1001197321_20F2

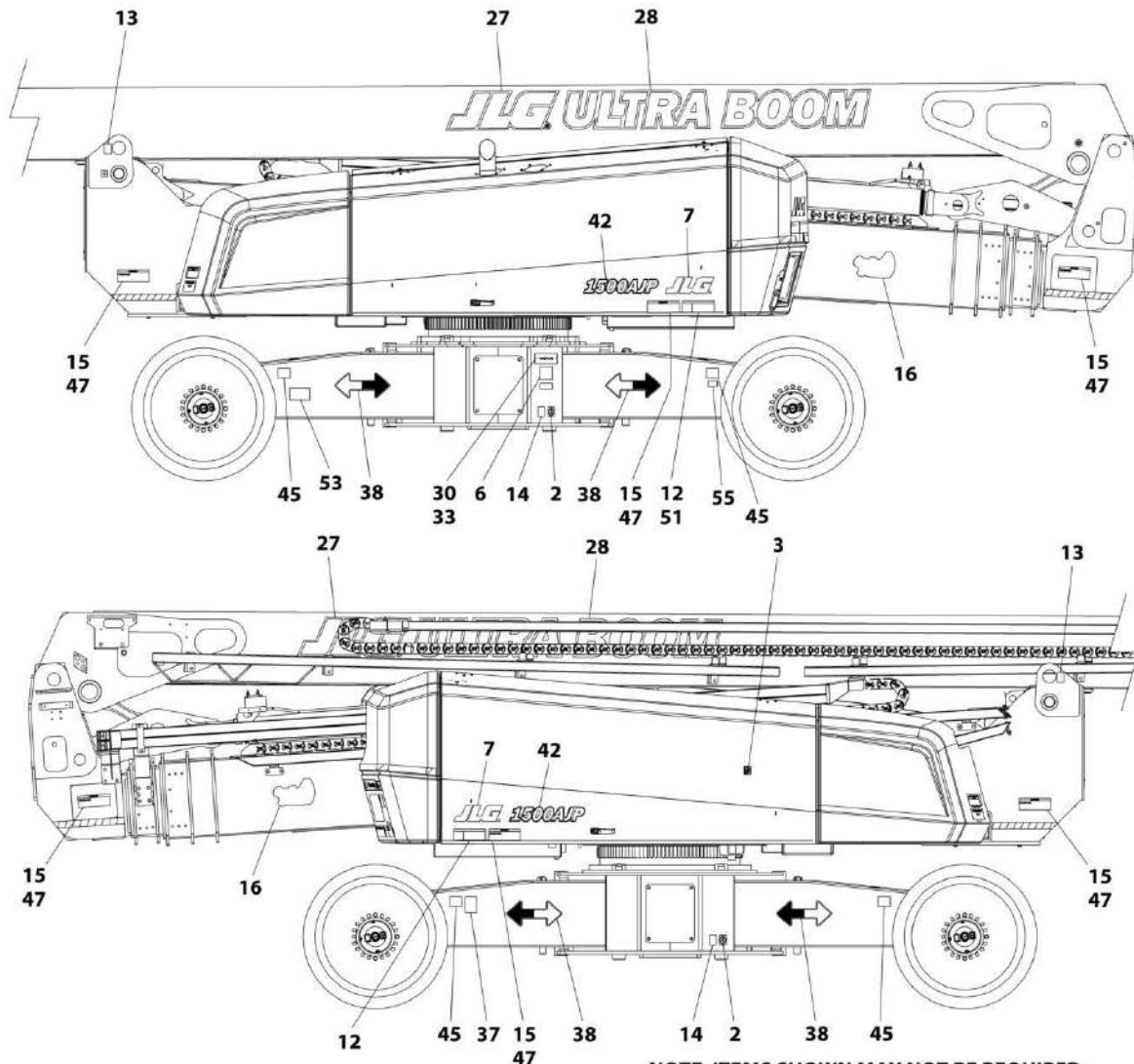
SECTION 9 - DECALS

FIGURE 9-5. DECAL INSTALLATION - CHINA SPEC (ENGLISH/CHINESE)

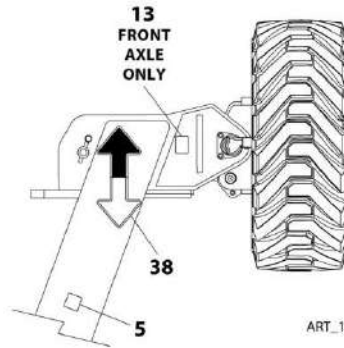
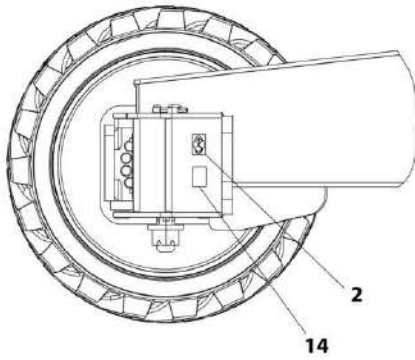
ITEM	PART NUMBER	QTY	DESCRIPTION	REV
	1001197321	Ref	DECAL INSTALLATION - CHINA SPEC (ENGLISH/CHINESE)	I
	1001197315	Ref	DECAL INSTALLATION - REFERENCE	L
1	0641406	4	Bolt 1/4 x 3/4	
2	1701499	6	Decal - No Tie Down/Lift	
3	1701505	2	Decal - Diesel Fuel	
4	1701509	1	Decal - Manual	
5	1701691	4	Decal - No Step	
6	See Note	NSS	Decal - Bar Code (Note: Not Available for Purchase)	
7	1702773	3	Decal - JLG	
8	1702774	1	Decal - JLG Lift	
9	1001116846	2	Decal - Caution No Hands	
10	1703925	1	Decal - Warning/Danger (Prior to SN 0300239974)	
10	1001231321	1	Decal - Warning/Danger (SN 0300239974 to Present)	
11	1703949	6	Decal - Crushing	
12	1001116851	6	Decal - Electrocution	
13	1703811	4	Decal - Lifting Lug	
14	1703814	6	Decal - Tie Down	
15	1703943	8	Decal - Warning Crushing	
16	1703959	2	Decal - Quik Stik	
17	1704277	3	Decal - Lanyard Attach	
18	1704412	1	Decal - Hydraulic Oil	
20	1706060	1	Decal - Warning Fire Hazard	
21	1001116849	1	Decal - Warning Inspection	
22	1001117034	1	Decal - Tip-Over (Prior to SN 0300239974)	
23	1705430	1	Decal - Drive Steer	
24	1001117035	AR	Decal - Tip-Over	
25	1705511	1	Decal - Oil Level	
27	1705864	2	Decal - JLG	
28	1705865	2	Decal - Ultraboom	
29	1705868	1	Decal - Legend (Prior to SN 0300226018)	
29	1001225220	1	Decal - Legend (SN 0300226018 to Present)	
30	See Note	NSS	Nameplate - Serial Number (Note: Not Available for Purchase)	
31	1703982	1	Decal - Footswitch	
32	3311405	4	Nut 1/4	
33	3820001	2	Rivet	
34	4751400	8	Washer 1/4	
35	91403230	1	Box, Manual Storage	
38	1001160445	8	Decal - Arrow	
39	1001197350	1	Decal - Lift Diagram	
40	1001199565	2	Decal - Warning Dual Capacity	
41	1001199570	1	Decal - Warning Dual Capacity	
42	1001200707	2	Decal - 1500AJP	
43	1001204096	1	Decal - Legend	
44	1001209561	1	Decal - Jump Start/Dual Battery (Prior to SN 0300243458)	
44	1001234789	1	Decal - Jump Start/Dual Battery (SN 0300243458 to Present)	
45	1001209896	4	Decal - Maximum Tire Load	
50	1001211904	1	Decal - Fuse Box	
52	1001224045	1	Decal - Fuse Box Cover (SN 0300226018 to Present)	
53	1001224050	1	Decal - Decal Yearly Inspection (SN 0300235176 to Present)	

SECTION 9 - DECALS

FIGURE 9-6. DECAL INSTALLATION - CSA SPEC (ENGLISH/FRENCH)

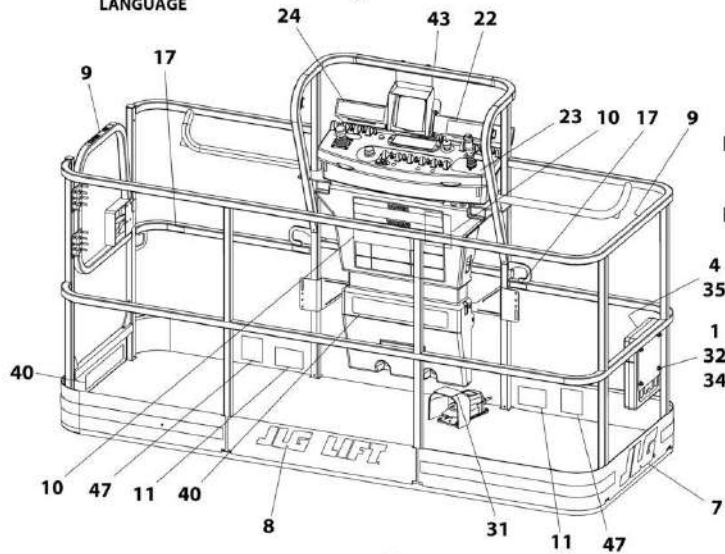
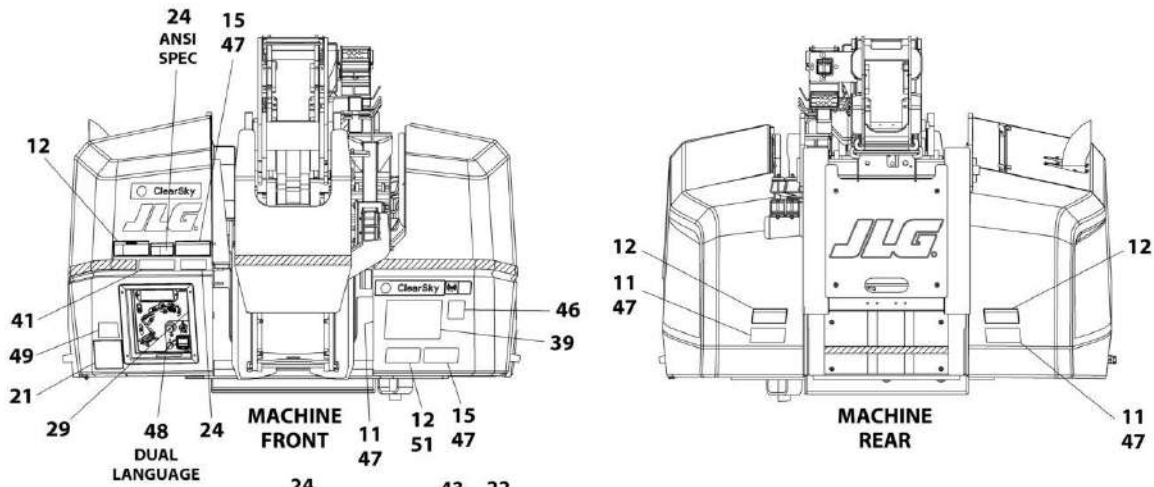


NOTE: ITEMS SHOWN MAY NOT BE REQUIRED FOR ALL SPECS. REFER TO PARTS LISTS FOR USAGE.
 NOTE: ADDITIONAL DECALS CALLED OUT ON DECAL INSTALLATION - OPTIONS.

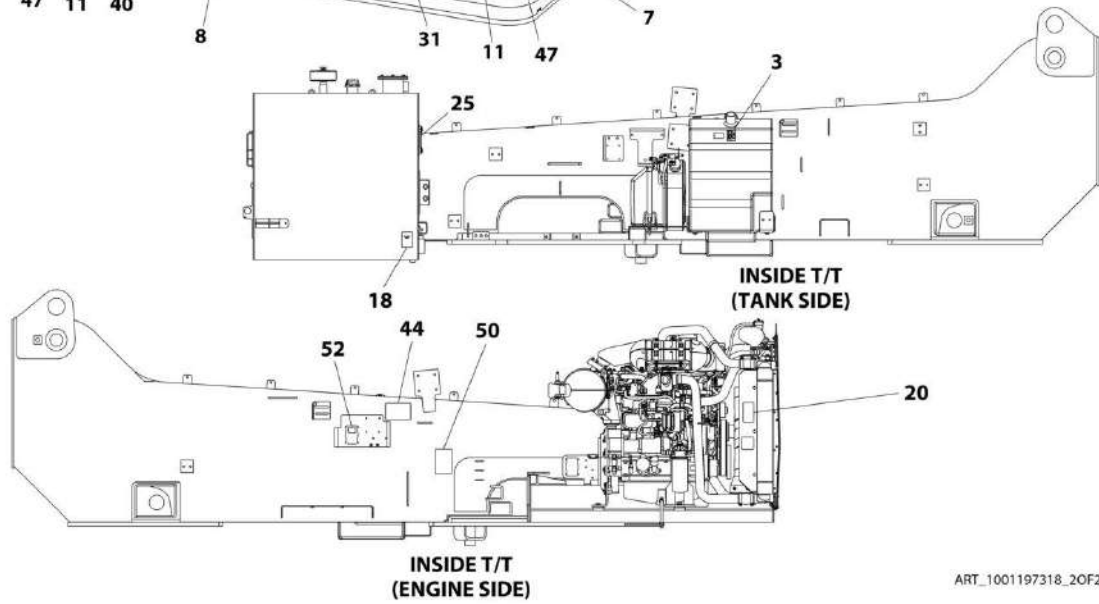


ART_1001197318_10F2

SECTION 9 - DECALS



NOTE: ITEMS SHOWN MAY NOT BE REQUIRED FOR ALL SPECS. REFER TO PARTS LISTS FOR USAGE.
 NOTE: ADDITIONAL DECALS CALLED OUT ON DECAL INSTALLATION - OPTIONS.



ART_1001197318_20F2

SECTION 9 - DECALS

FIGURE 9-6. DECAL INSTALLATION - CSA SPEC (ENGLISH/FRENCH)

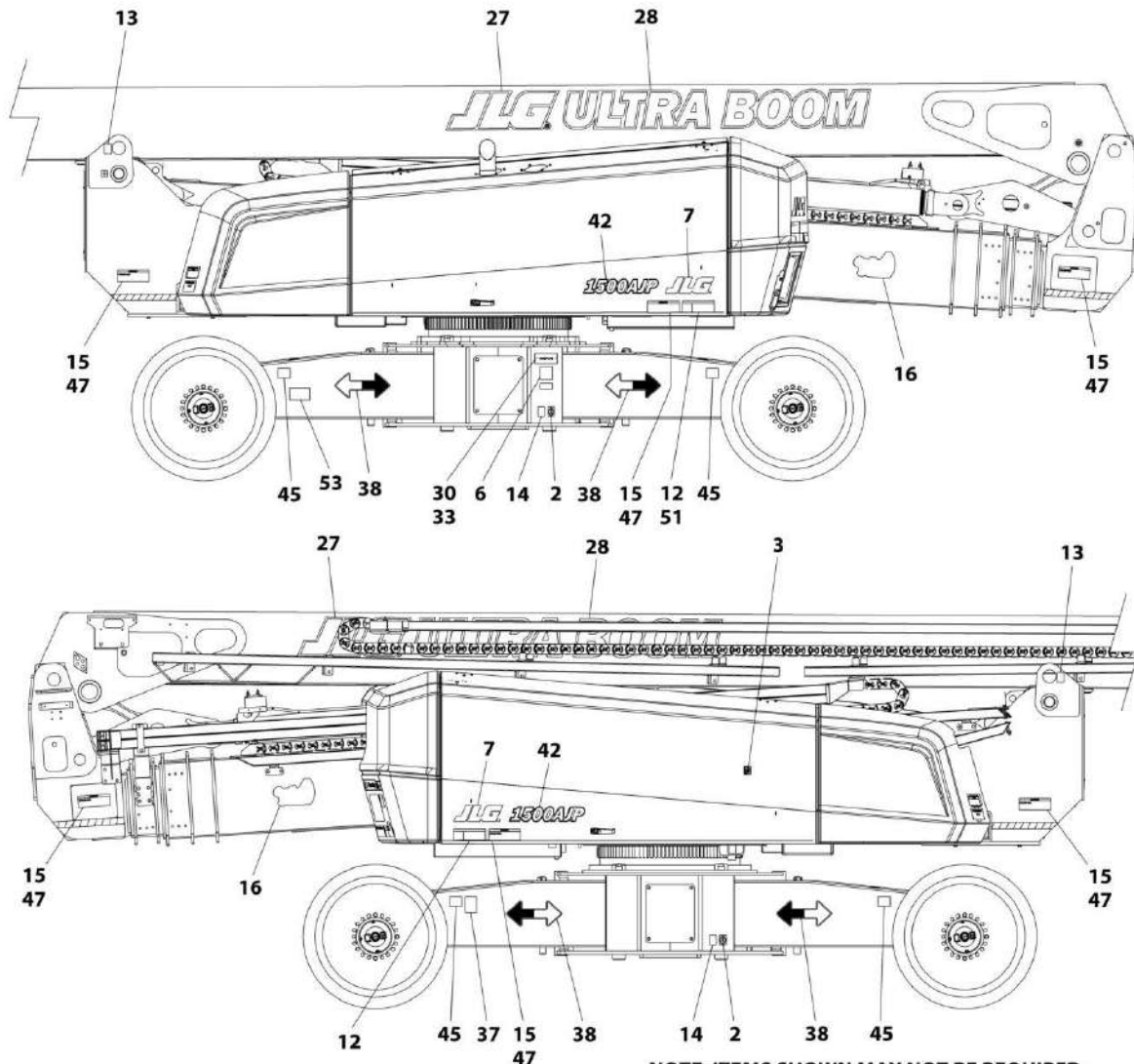
ITEM	PART NUMBER	QTY	DESCRIPTION	REV
	1001197318	Ref	DECAL INSTALLATION - CSA SPEC (ENGLISH/FRENCH)	J
	1001197315	Ref	DECAL INSTALLATION - REFERENCE	L
1	0641406	4	Bolt 1/4 x 3/4	
2	1701499	6	Decal - No Tie Down/Lift	
3	1701505	2	Decal - Diesel Fuel	
4	1701509	1	Decal - Manual	
5	1701691	4	Decal - No Step	
6	See Note	NSS	Decal - Bar Code (Note: Not Available for Purchase)	
7	1702773	3	Decal - JLG	
8	1702774	1	Decal - JLG Lift	
9	1704000	2	Decal - No Hands	
10	1703924	1	Decal - Danger/Warning (Prior to SN 0300240678)	
10	1001231316	1	Decal - Danger/Warning (SN 0300240678 to Present)	
11	1703948	6	Decal - Warning Crushing	
12	1703936	6	Decal - Electrocution	
13	1703811	4	Decal - Lifting Lug	
14	1703814	6	Decal - Tie Down	
15	1703942	8	Decal - Crushing	
16	1703959	2	Decal - Quik Stik	
17	1704277	3	Decal - Lanyard Attach	
18	1704412	1	Decal - Hydraulic Oil	
20	1706064	1	Decal - Warning Fire Hazard	
21	1705347	1	Decal - Warning Inspection	
22	1705341	1	Decal - Tip-Over (Prior to SN 0300240678)	
23	1705429	1	Decal - Drive/Steer Instructions	
24	1705505	AR	Decal - Tip-Over	
25	1705511	1	Decal - Oil Level	
27	1705864	2	Decal - JLG	
28	1705865	2	Decal - Ultraboom	
29	1705868	1	Decal - Legend (Prior to SN 0300226018)	
29	1001225220	1	Decal - Legend (SN 0300226018 to Present)	
30	See Note	NSS	Nameplate - Serial Number (Note: Not Available for Purchase)	
31	1703984	1	Decal - Footswitch	
32	3311405	4	Nut 1/4	
33	3820001	2	Rivet	
34	4751400	8	Washer 1/4	
35	91403230	1	Box, Manual Storage	
37	1001131269	1	Decal - Patent	
38	1001160445	8	Decal - Arrow	
39	1001197350	1	Decal - Lift Diagram	
40	1001199567	2	Decal - Warning Dual Capacity	
41	1001199572	1	Decal - Warning Dual Capacity	
42	1001200707	2	Decal - 1500AJP	
43	1001204096	1	Decal - Legend	
44	1001209561	1	Decal - Jump Start/Dual Battery (Prior to SN 0300243458)	
44	1001234789	1	Decal - Jump Start/Dual Battery (SN 0300243458 to Present)	
45	1001209896	4	Decal - Maximum Tire Load	
50	1001211904	1	Decal - Fuse Box	
52	1001224045	1	Decal - Fuse Box Cover (SN 0300226018 to Present)	
53	1001223971	1	Decal - Decal Yearly Inspection (SN 0300235176 to Present)	

SECTION 9 - DECALS

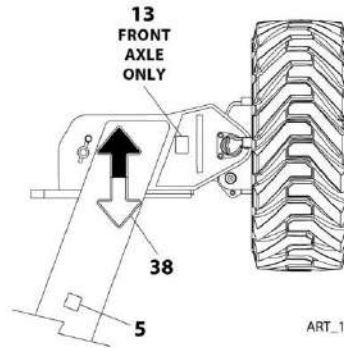
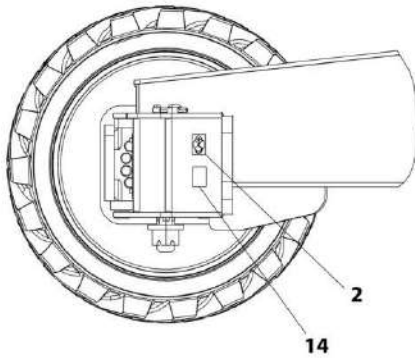
ITEM	PART NUMBER	QTY	DESCRIPTION	REV
55	1001223453	1	Decal - ICES (SN 0300243458 to Present)	

SECTION 9 - DECALS

FIGURE 9-7. DECAL INSTALLATION - JAPAN SPEC (ENGLISH/JAPANESE)

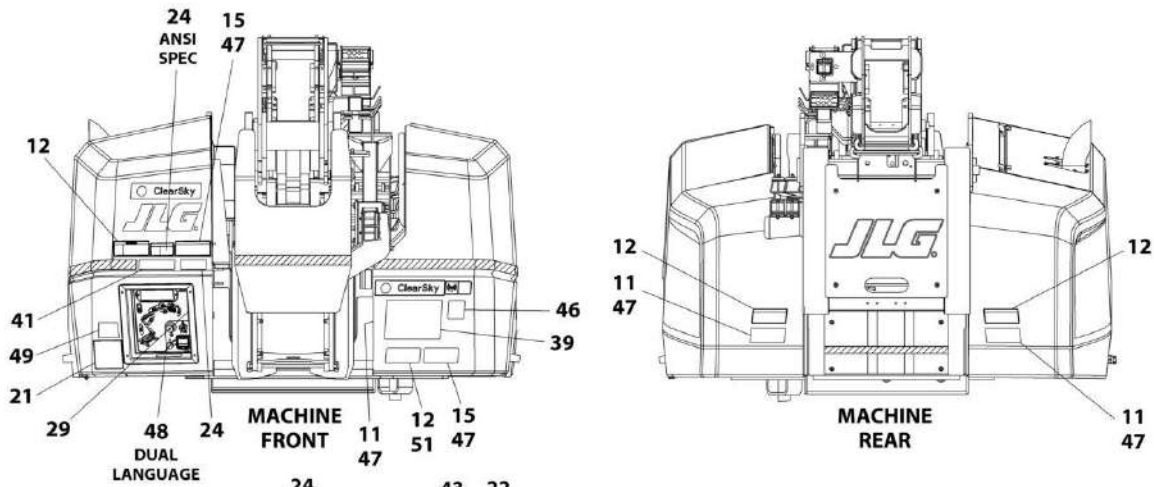


NOTE: ITEMS SHOWN MAY NOT BE REQUIRED FOR ALL SPECS. REFER TO PARTS LISTS FOR USAGE.
 NOTE: ADDITIONAL DECALS CALLED OUT ON DECAL INSTALLATION - OPTIONS.

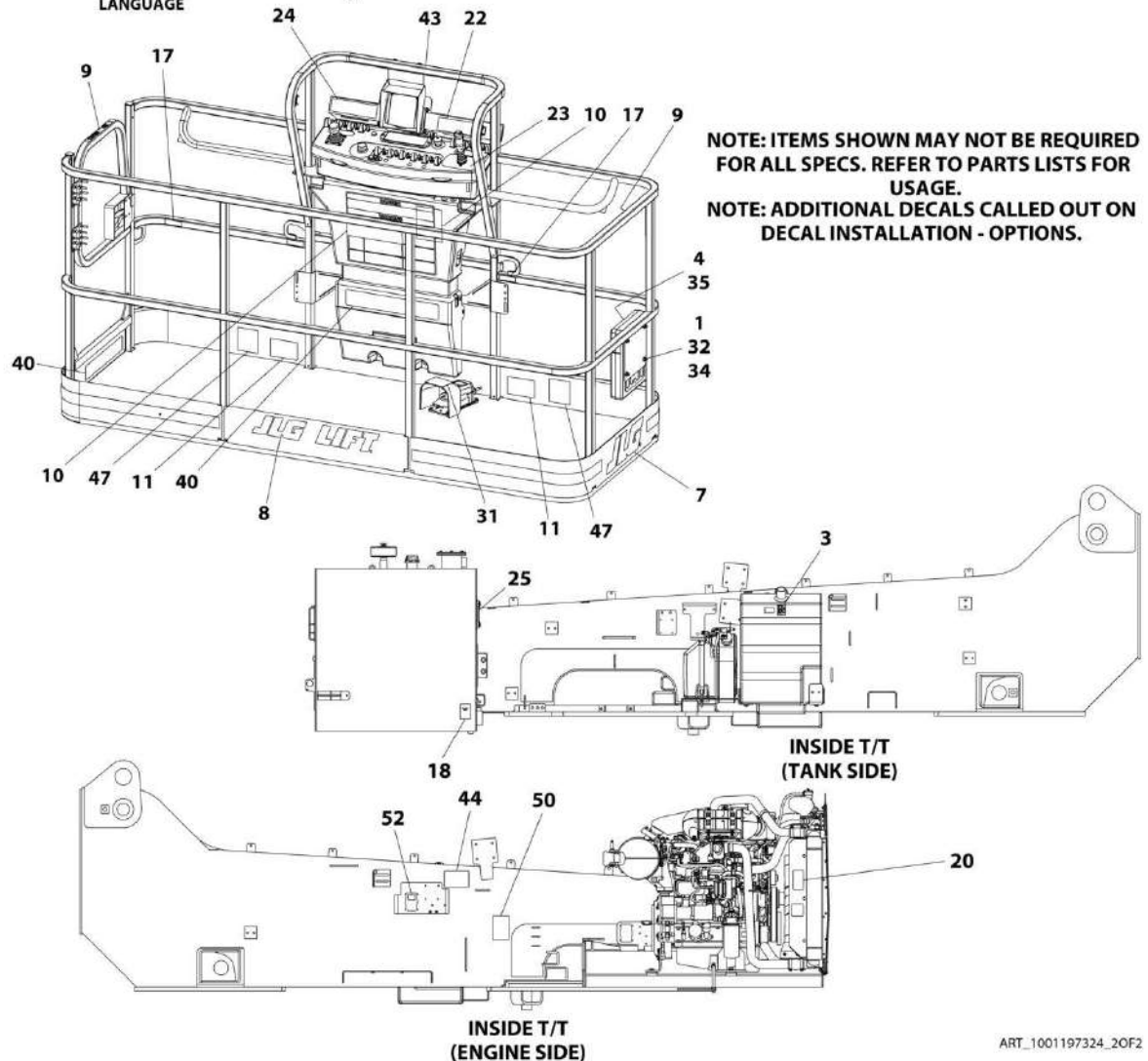


ART_1001197324_10F2

SECTION 9 - DECALS



NOTE: ITEMS SHOWN MAY NOT BE REQUIRED FOR ALL SPECS. REFER TO PARTS LISTS FOR USAGE.
 NOTE: ADDITIONAL DECALS CALLED OUT ON DECAL INSTALLATION - OPTIONS.



ART_1001197324_20F2

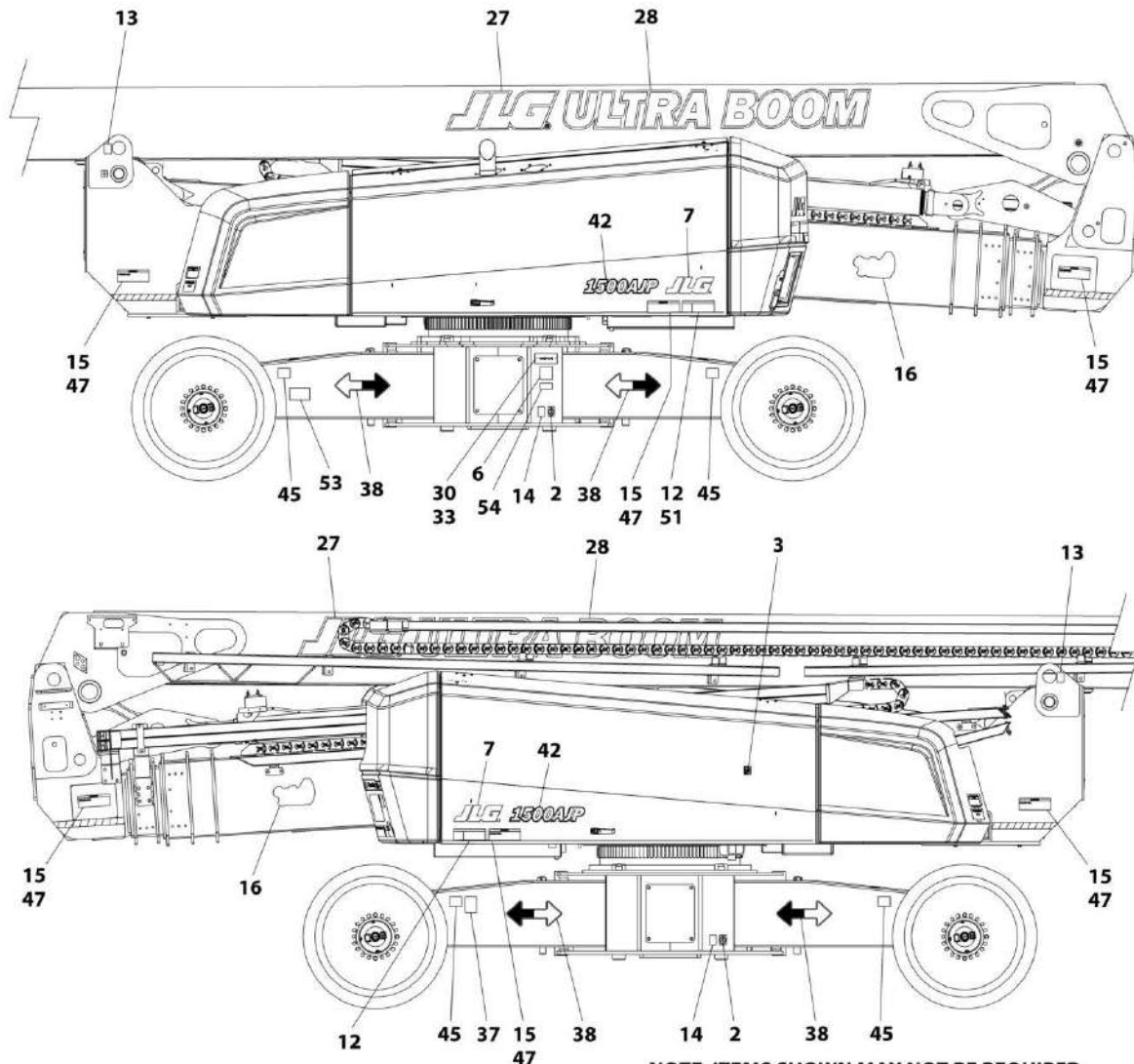
SECTION 9 - DECALS

FIGURE 9-7. DECAL INSTALLATION - JAPAN SPEC (ENGLISH/JAPANESE)

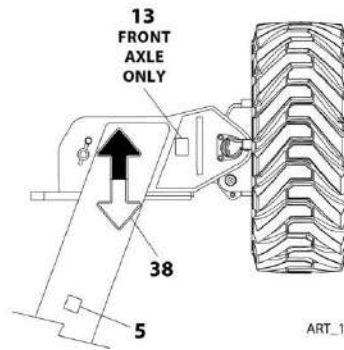
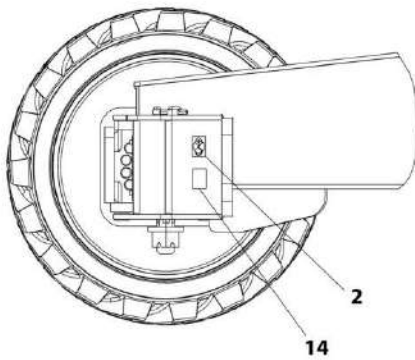
ITEM	PART NUMBER	QTY	DESCRIPTION	REV
	1001197324	Ref	DECAL INSTALLATION - JAPAN SPEC (ENGLISH/JAPANESE)	I
	1001197315	Ref	DECAL INSTALLATION - REFERENCE	L
1	0641406	4	Bolt 1/4 x 3/4	
2	1701499	6	Decal - No Tie Down/Lift	
3	1701505	2	Decal - Diesel Fuel	
4	1701509	1	Decal - Manual	
5	1701691	4	Decal - No Step	
6	See Note	NSS	Decal - Bar Code (Note: Not Available for Purchase)	
7	1702773	3	Decal - JLG	
8	1702774	1	Decal - JLG Lift	
10	1703926	1	Decal - Danger/Warning (Prior to SN 0300240678)	
10	1001231320	1	Decal - Danger/Warning (SN 0300240678 to Present)	
11	1703950	6	Decal - Crushing	
12	1703938	6	Decal - Electrocution	
13	1703811	4	Decal - Lifting Lug	
14	1703814	6	Decal - Tie Down	
15	1703944	8	Decal - Warning Crushing	
16	1703959	2	Decal - Quik Stik	
17	1704277	3	Decal - Lanyard Attach	
18	1704412	1	Decal - Hydraulic Oil	
20	1704972	1	Decal - Glow Plugs Warning	
21	1705344	1	Decal - Warning Inspection	
22	1705338	1	Decal - Tip-Over (Prior to SN 0300240678)	
23	1705426	1	Decal - Drive/Steer Instruction	
24	1705493	AR	Decal - Warning Tip-Over	
25	1705511	1	Decal - Oil Level	
27	1705864	2	Decal - JLG	
28	1705865	2	Decal - Ultraboom	
29	1705868	1	Decal - Legend (Prior to SN 0300226018)	
29	1001225220	1	Decal - Legend (SN 0300226018 to Present)	
30	See Note	NSS	Nameplate - Serial Number (Note: Not Available for Purchase)	
31	1703980	1	Decal - Footswitch	
32	3311405	4	Nut 1/4	
33	3820001	2	Rivet	
34	4751400	8	Washer 1/4	
35	91403230	1	Box, Manual Storage	
38	1001160445	8	Decal - Arrow	
39	1001197350	1	Decal - Lift Diagram	
40	1001199568	2	Decal - Warning Dual Capacity	
41	1001199573	1	Decal - Warning Dual Capacity	
42	1001200707	2	Decal - 1500AJP	
43	1001204096	1	Decal - Legend	
44	1001209561	1	Decal - Jump Start/Dual Battery (Prior to SN 0300243458)	
44	1001234789	1	Decal - Jump Start/Dual Battery (SN 0300243458 to Present)	
45	1001209896	4	Decal - Maximum Tire Load	
50	1001211904	1	Decal - Fuse Box	
52	1001224045	1	Decal - Fuse Box Cover (SN 0300226018 to Present)	
53	1001224053	1	Decal - Decal Yearly Inspection (SN 0300235176 to Present)	

SECTION 9 - DECALS

FIGURE 9-8. DECAL INSTALLATION - KOREA SPEC (ENGLISH/KOREAN)

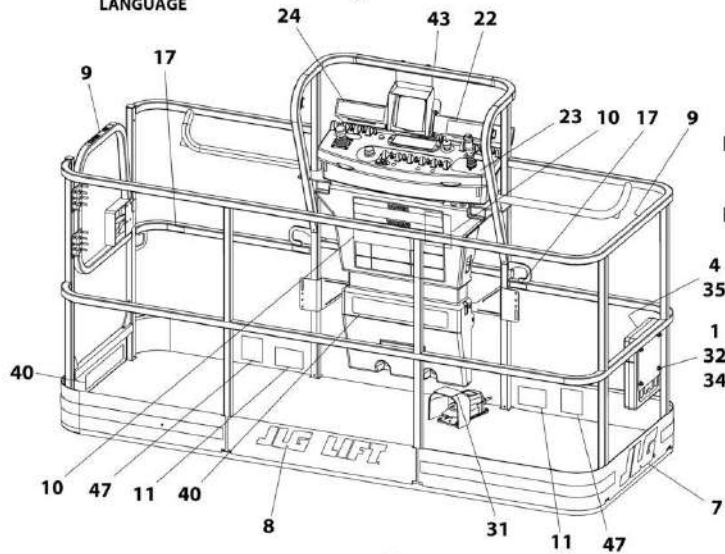
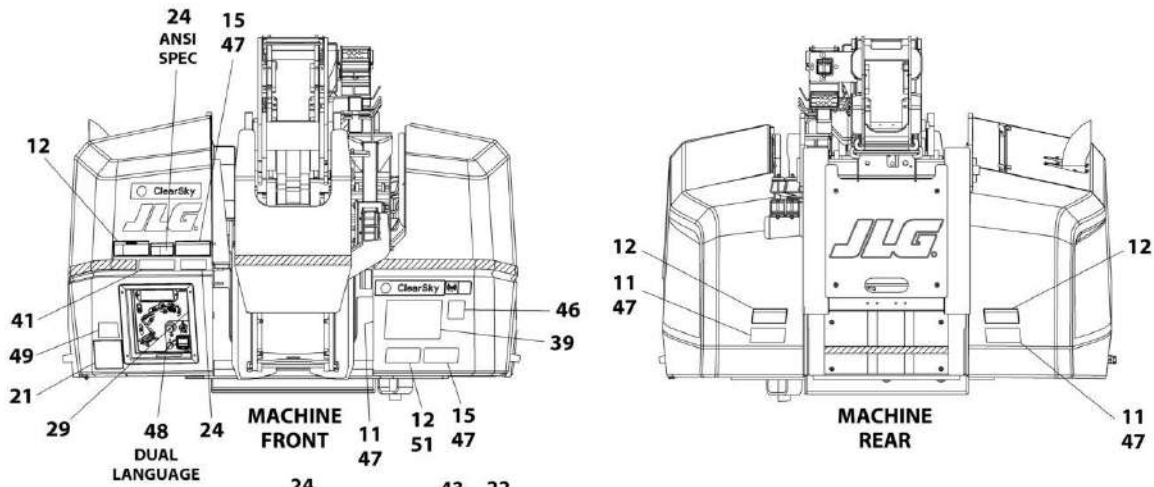


NOTE: ITEMS SHOWN MAY NOT BE REQUIRED FOR ALL SPECS. REFER TO PARTS LISTS FOR USAGE.
 NOTE: ADDITIONAL DECALS CALLED OUT ON DECAL INSTALLATION - OPTIONS.

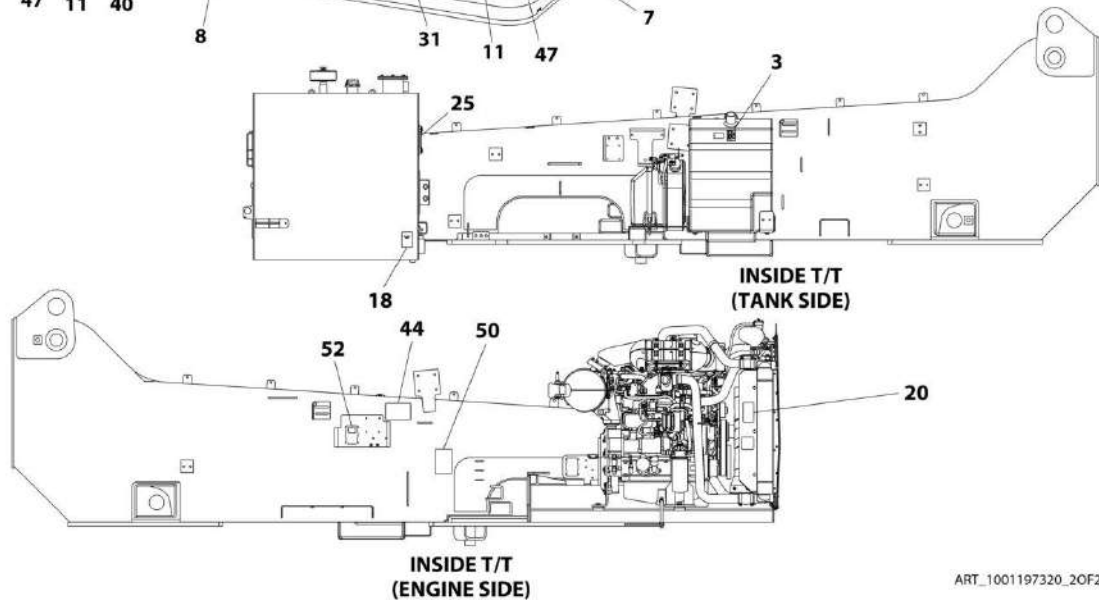


ART_1001197320_10F2

SECTION 9 - DECALS



NOTE: ITEMS SHOWN MAY NOT BE REQUIRED FOR ALL SPECS. REFER TO PARTS LISTS FOR USAGE.
NOTE: ADDITIONAL DECALS CALLED OUT ON DECAL INSTALLATION - OPTIONS.



ART_1001197320_20F2

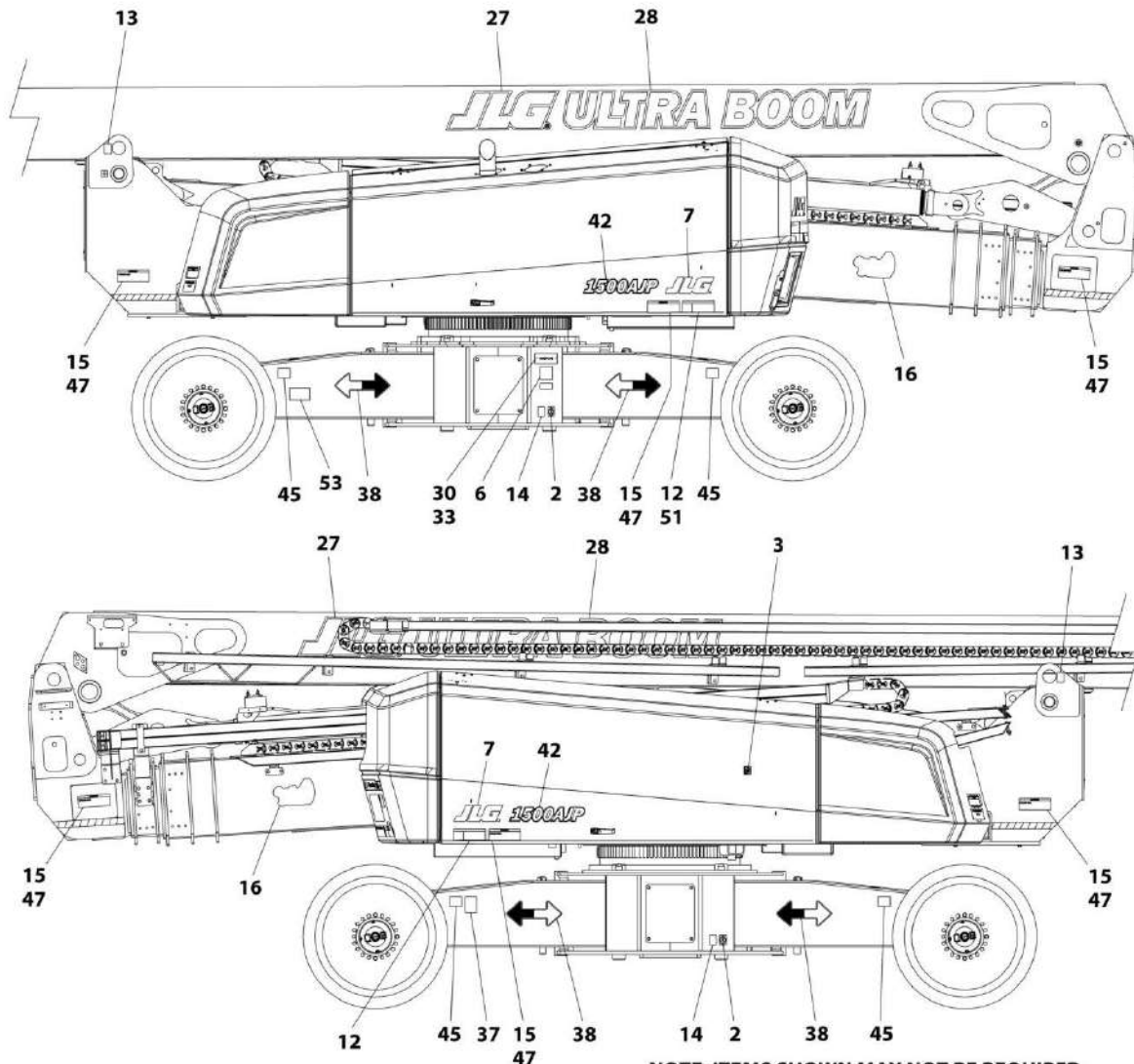
SECTION 9 - DECALS

FIGURE 9-8. DECAL INSTALLATION - KOREA SPEC (ENGLISH/KOREAN)

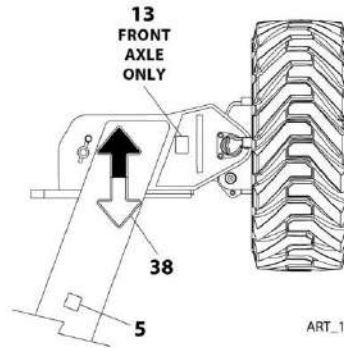
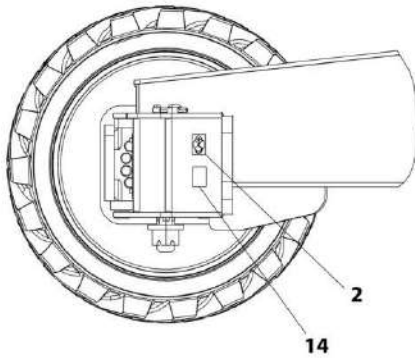
ITEM	PART NUMBER	QTY	DESCRIPTION	REV
	1001197320	Ref	DECAL INSTALLATION - KOREA SPEC (ENGLISH/KOREAN)	I
	1001197315	Ref	DECAL INSTALLATION - REFERENCE	L
1	0641406	4	Bolt 1/4 x 3/4	
2	1701499	6	Decal - No Tie Down/Lift	
3	1701505	2	Decal - Diesel Fuel	
4	1701509	1	Decal - Manual	
5	1701691	4	Decal - No Step	
6	See Note	NSS	Decal - Bar Code (Note: Not Available for Purchase)	
7	1702773	3	Decal - JLG	
8	1702774	1	Decal - JLG Lift	
9	1705969	2	Decal - No Hands	
10	1703927	1	Decal - Warning/Danger (Prior to SN 0300240678)	
10	1001231317	1	Decal - Danger/Warning (SN 0300240678 to Present)	
11	1703951	6	Decal - Warning Crushing	
12	1703939	6	Decal - Danger Electrocution	
13	1703811	4	Decal - Lifting Lug	
14	1703814	6	Decal - Tie Down	
15	1703945	8	Decal - Warning Crushing	
16	1703959	2	Decal - Quik Stik	
17	1704277	3	Decal - Lanyard Attach	
18	1704412	1	Decal - Hydraulic Oil	
20	1706061	1	Decal - Warning Fire Hazard	
21	1705345	1	Decal - Warning Inspection	
22	1705339	1	Decal - Tip-Over (Prior to SN 0300240678)	
23	1705427	1	Decal - Drive/Steer Instruction	
24	1705503	AR	Decal - Warning Tip-Over	
25	1705511	1	Decal - Oil Level	
27	1705864	2	Decal - JLG	
28	1705865	2	Decal - Ultraboom	
29	1705868	1	Decal - Legend (Prior to SN 0300226018)	
29	1001225220	1	Decal - Legend (SN 0300226018 to Present)	
30	See Note	NSS	Nameplate - Serial Number (Note: Not Available for Purchase)	
31	1703981	1	Decal - Footswitch	
32	3311405	4	Nut 1/4	
33	3820001	2	Rivet	
34	4751400	8	Washer 1/4	
35	91403230	1	Box, Manual Storage	
38	1001160445	8	Decal - Arrow	
39	1001197350	1	Decal - Lift Diagram	
40	1001199564	2	Decal - Warning Dual Capacity	
41	1001199569	1	Decal - Warning Dual Capacity	
42	1001200707	2	Decal - 1500AJP	
43	1001204096	1	Decal - Legend	
44	1001209561	1	Decal - Jump Start/Dual Battery (Prior to SN 0300243458)	
44	1001234789	1	Decal - Jump Start/Dual Battery (SN 0300243458 to Present)	
45	1001209896	4	Decal - Maximum Tire Load	
50	1001211904	1	Decal - Fuse Box	
52	1001224045	1	Decal - Fuse Box Cover (SN 0300226018 to Present)	
53	1001224048	1	Decal - Decal Yearly Inspection (SN 0300235176 to Present)	

SECTION 9 - DECALS

FIGURE 9-9. DECAL INSTALLATION - LATIN AMERICA SPEC (ENGLISH/SPANISH)

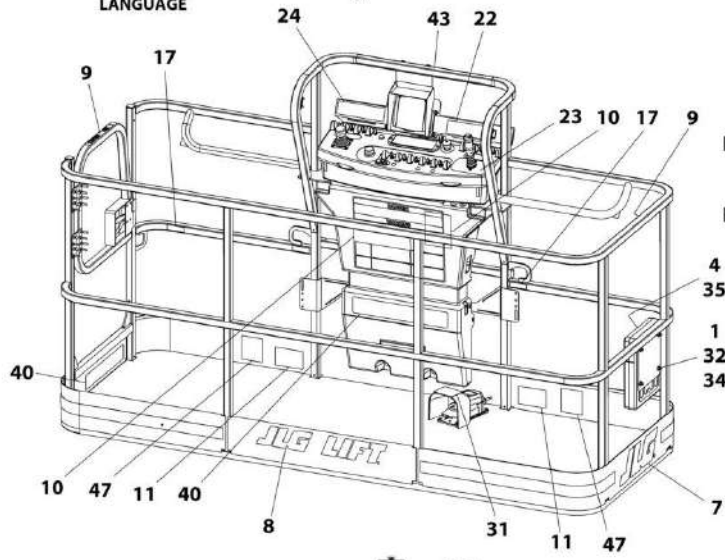
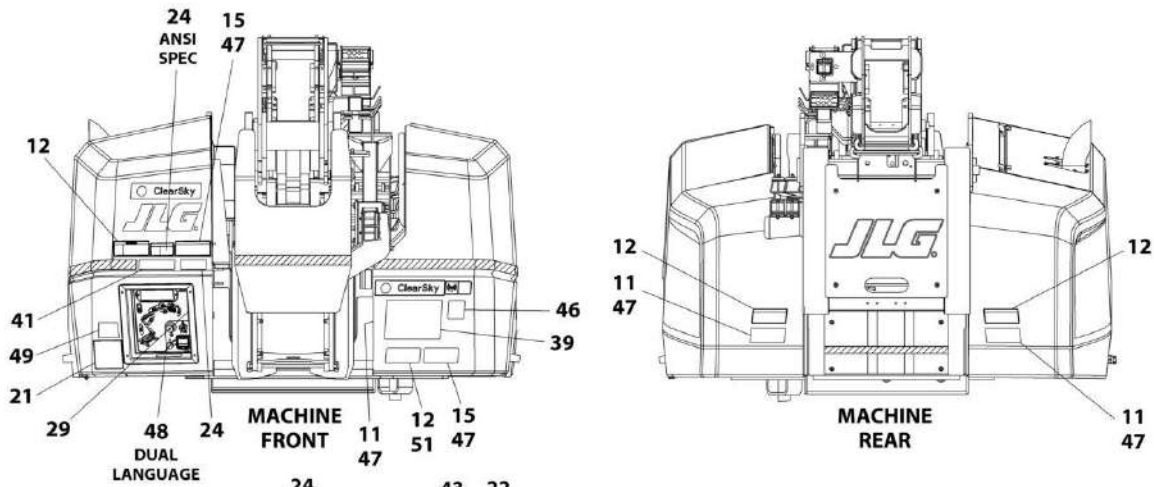


NOTE: ITEMS SHOWN MAY NOT BE REQUIRED FOR ALL SPECS. REFER TO PARTS LISTS FOR USAGE.
 NOTE: ADDITIONAL DECALS CALLED OUT ON DECAL INSTALLATION - OPTIONS.

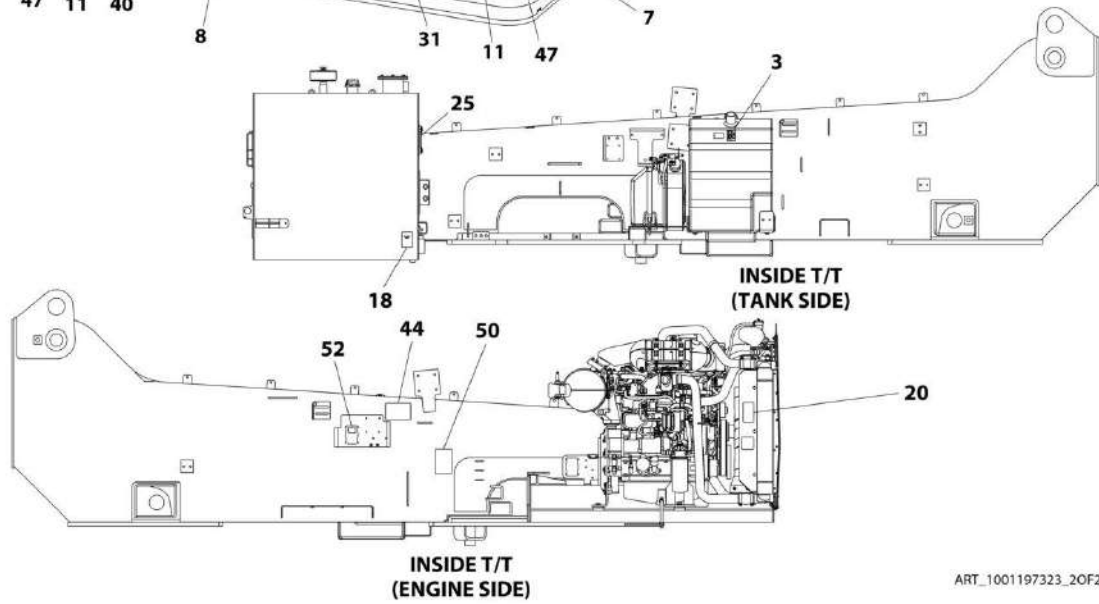


ART_1001197323_10F2

SECTION 9 - DECALS



NOTE: ITEMS SHOWN MAY NOT BE REQUIRED FOR ALL SPECS. REFER TO PARTS LISTS FOR USAGE.
NOTE: ADDITIONAL DECALS CALLED OUT ON DECAL INSTALLATION - OPTIONS.



ART_1001197323_20F2

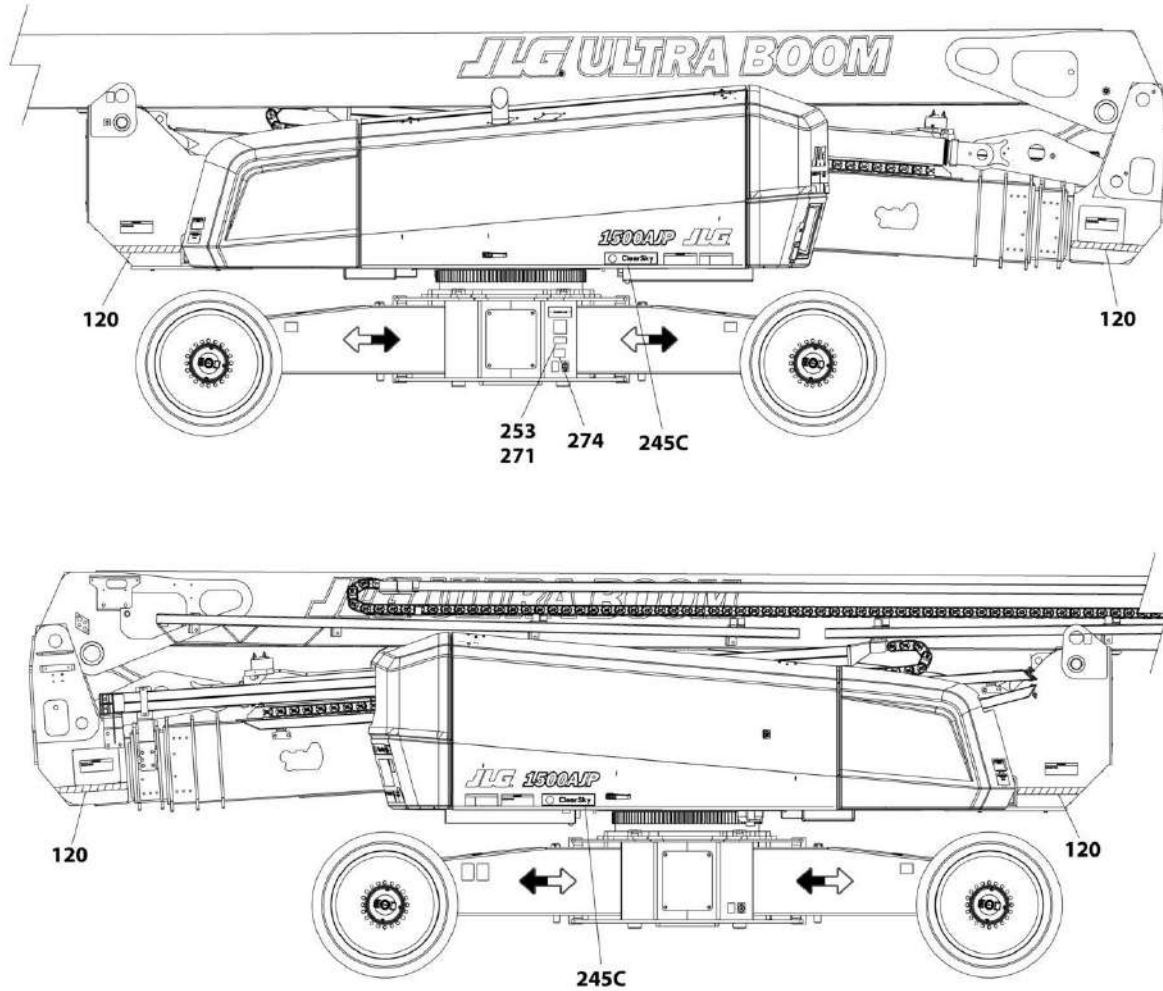
SECTION 9 - DECALS

FIGURE 9-9. DECAL INSTALLATION - LATIN AMERICA SPEC (ENGLISH/SPANISH)

ITEM	PART NUMBER	QTY	DESCRIPTION	REV
	1001197323	Ref	DECAL INSTALLATION - LATIN AMERICA SPEC (ENGLISH/SPANISH)	I
	1001197315	Ref	DECAL INSTALLATION - REFERENCE	L
1	0641406	4	Bolt 1/4 x 3/4	
2	1701499	6	Decal - No Tie Down/Lift	
3	1701505	2	Decal - Diesel Fuel	
4	1701509	1	Decal - Manual	
5	1701691	4	Decal - No Step	
6	See Note	NSS	Decal - Bar Code (Note: Not Available for Purchase)	
7	1702773	3	Decal - JLG	
8	1702774	1	Decal - JLG Lift	
9	1704001	2	Decal - No Hands	
10	1703923	1	Decal - Warning/Danger (Prior to SN 0300240678)	
10	1001231318	1	Decal - Danger/Warning (SN 0300240678 to Present)	
11	1703947	6	Decal - Warning Crushing	
12	1703935	6	Decal - Electrocution	
13	1703811	4	Decal - Lifting Lug	
14	1703814	6	Decal - Tie Down	
15	1703941	8	Decal - Warning Crushing	
16	1703959	2	Decal - Quik Stik	
17	1704277	3	Decal - Lanyard Attach	
18	1704412	1	Decal - Hydraulic Oil	
20	1706063	1	Decal - Warning Fire Hazard	
21	1705917	1	Decal - Warning Inspection	
22	1705909	1	Decal - Tip-Over (Prior to SN 0300240678)	
23	1705910	1	Decal - Drive/Steer Instruction	
24	1705915	AR	Decal - Tip-Over Hazard	
25	1705511	1	Decal - Oil Level	
27	1705864	2	Decal - JLG	
28	1705865	2	Decal - Ultraboom	
29	1705868	1	Decal - Legend (Prior to SN 0300226018)	
29	1001225220	1	Decal - Legend (SN 0300226018 to Present)	
30	See Note	NSS	Nameplate - Serial Number (Note: Not Available for Purchase)	
31	1703983	1	Decal - Footswitch	
32	3311405	4	Nut 1/4	
33	3820001	2	Rivet	
34	4751400	8	Washer 1/4	
35	91403230	1	Box Manual Storage	
38	1001160445	8	Decal - Arrow	
39	1001197350	1	Decal - Lift Diagram	
40	1001200115	2	Decal - Warning Dual Capacity	
41	1001200116	1	Decal - Warning Dual Capacity	
42	1001200707	2	Decal - 1500AJP	
43	1001204096	1	Decal - Legend	
44	1001209561	1	Decal - Jump Start/Dual Battery (Prior to SN 0300243458)	
44	1001234789	1	Decal - Jump Start/Dual Battery (SN 0300243458 to Present)	
45	1001209896	4	Decal - Max Tire Load	
50	1001211904	1	Decal - Fuse Box	
52	1001224045	1	Decal - Fuse Box Cover (SN 0300226018 to Present)	
53	1001224049	1	Decal - Decal Yearly Inspection (SN 0300235176 to Present)	

SECTION 9 - DECALS

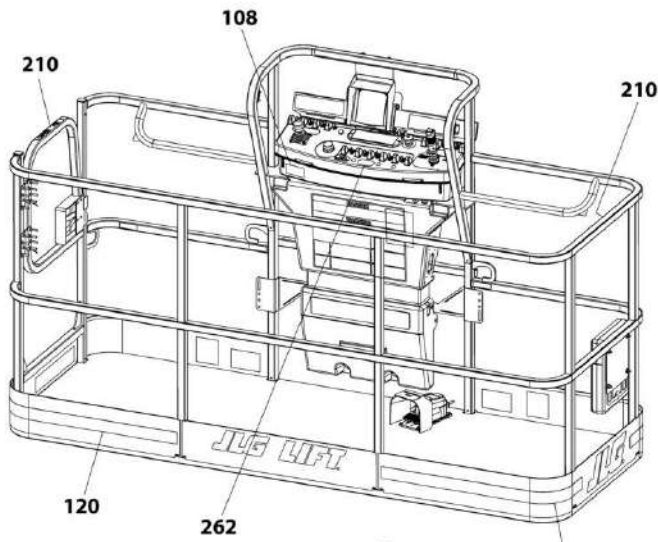
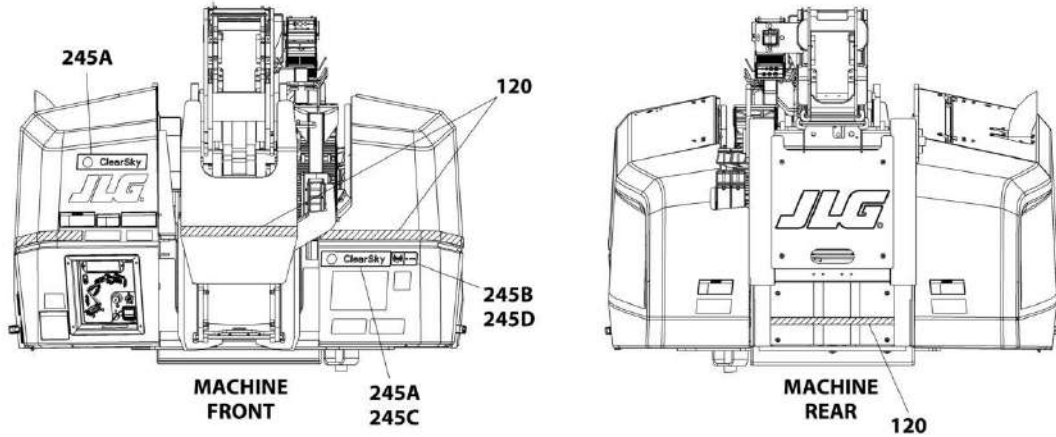
FIGURE 9-10. DECAL INSTALLATION - OPTIONS



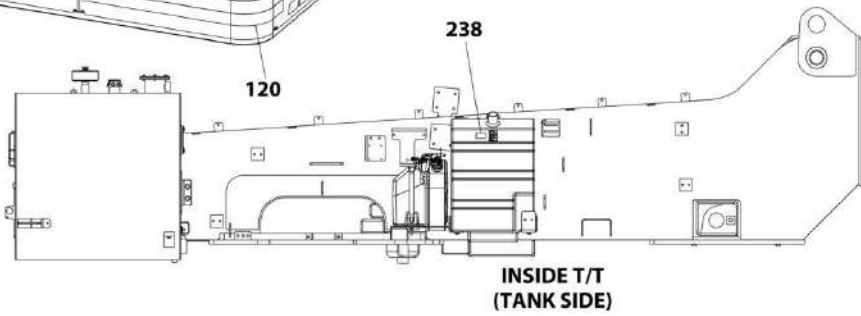
NOTE: ITEMS SHOWN MAY NOT BE REQUIRED FOR ALL SPECS. REFER TO PARTS LISTS FOR USAGE.

ART_DECAL OPTIONS_10F2

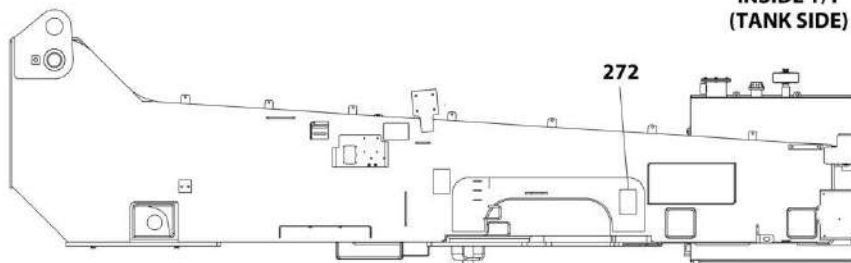
SECTION 9 - DECALS



NOTE: ITEMS SHOWN MAY NOT BE REQUIRED FOR ALL SPECS. REFER TO PARTS LISTS FOR USAGE.



INSIDE T/T
(TANK SIDE)



INSIDE T/T
(ENGINE SIDE)

ART_DECAL OPTIONS_20F2

SECTION 9 - DECALS

FIGURE 9-10. DECAL INSTALLATION - OPTIONS

ITEM	PART NUMBER	QTY	DESCRIPTION	REV
		Ref	DECAL INSTALLATION - OPTIONS	
108	1001231801	1	Decal - Warning Prop 65 Diesel (ANSI Specs) (SN 0300243458 to Present)	
120	4420051	29 ft /8.8m	Decal - Warning Stripes	
210		Ref	Decal - No Hands (Required with Soft Touch Platform or Mesh to Top Rail Options Only)	
210	1702868	2	Decal - No Hands (ANSI and Australian Spec) (English)	
210	1705967	2	Decal - No Hands (Brazil Spec) (English/Portuguese)	
210	1001116846	2	Decal - No Hands (China Spec) (English/Chinese)	
210	1704000	2	Decal - No Hands (CSA Spec) (English/French)	
210	1705969	2	Decal - No Hands (Korean Spec) (English/Korean)	
210	1704001	2	Decal - No Hands (Latin American Spec) (English/Spanish)	
238	1001125387	1	Decal - Ultra Low Sulfur Fuel (ANSI, ANSI Export (HRC) and CSA Specs Only)	
238	1001139654	1	Decal - Ultra Low Sulfur Fuel (ANSI Export (LRC), Australian, CE, China and Japanese Specs Only)	
245	1001160444	Ref	Decal - ClearSky Telematics (Prior to SN 0300223782)	C
245A	1001116208	2	Decal - ClearSky	
245B	1001120989	1	Decal - Radio Frequency	
245	1001216618	Ref	Decal - ClearSky Telematics (SN 0300223782 to Present)	A
245C	1001116208	3	Decal - ClearSky	
245D	1001120989	1	Decal - Radio Frequency	
253	1001143852	1	Decal - Emissions Compliance (ANSI Export (LRC), Australian, CE (LRC) and China Specs Only)	
262	1001141300	1	Decal - SkyGuard Override	
262	1001141302	1	Decal - SkyGuard Override/Soft Touch Override	
271	1705514	1	Decal - CSA (CSA Specs Only)	
272	1001212056	1	Decal - Engine Fuse Box (HRC Only) (Prior to SN 0300226018)	
274	1001214029	1	Decal - EAC (CE Russian Spec)	

SECTION 10 - RECOMMENDED SERVICE PARTS STOCK

SECTION 10 - RECOMMENDED SERVICE PARTS STOCK

SECTION 10 - RECOMMENDED SERVICE PARTS STOCK

FIGURE 10-1. RECOMMENDED SERVICE PARTS STOCK

ITEM	PART NUMBER	QTY	DESCRIPTION	REV
		Ref	Note: The following list will service one machine (built to current production per date on the front cover) with emergency repair parts which can be installed in the field. Parts from the list should be replaced when inventory is depleted to keep service parts stock supplied. For further information, contact your JLG dealer or the JLG Industries Parts Department.	
		Ref	STANDARD PARTS	
	70002386	1	Coil	
	70004460	1	Coil	
	70004463	1	Coil	
	70002231	12	Element, Pressure Filter	
	1001161232	12	Element, Filter	
	1001216021	1	Relay	
	70004150	12	Tank Filter/Breather Kit	
	4360328	1	Switch, Toggle	
	4360387	1	Switch, Push Button	
	4360469	1	Switch, Key (All Specs except CE Spec)	
	2860030	1	Key, Replacement	
	4360475	1	Switch, Mushroom	
	4360476	1	Contact, Switch Block	
	3740067	1	Relay	
	70023809	12	Air Cleaner Element, Primary	
	70023872	12	Air Cleaner Element - Secondary	
	1001117308	1	Relay	
	7016331	12	Engine Oil Filter	
	70025153	12	Fuel Filter	
	70004512	1	Fuel Filter	
	70003788	1	Coil	
	70003919	1	Power Track Repair Section - Tower Boom	
	70004071	1	Power Track Repair Section - Main Boom	
	70002097	12	Element, Filter	
	1001155045	1	Switch, Toggle	
	1001159256	1	Switch, Toggle	
	1001161709	1	Switch, Toggle	
	1001161710	1	Switch, Toggle	
	4360407	1	Controller, Speed	
	1001212415	1	Controller Kit (Drive/Steer)	
	1001129555	1	Controller Kit (Lift/Swing)	
	8229242	2	Fuse 5Amp	
	8229244	2	Fuse 15Amp	
	8229247	2	Fuse 25Amp	
	1001095704	1	Relay	
	8229245	2	Fuse 30Amp	
	1001196634	2	Fuse 2Amp	
	1001196635	2	Fuse 3Amp	
	1001196636	2	Diode 1Amp	
		Ref	VARIABLE PARTS	
	1001157084	1	Axle Sensor	
	1001146963	1	Steer Sensor	

SECTION 10 - RECOMMENDED SERVICE PARTS STOCK

ITEM	PART NUMBER	QTY	DESCRIPTION	REV
	1001150162	1	Module, Control - Chassis	
	1001227960	1	Module, Control - B.L.A.M.	
	1001181325	1	Sensor, Dual Axis	
	1001187805	1	Module, Control	
	1001138228	1	Module, Relay (LRC Engines)	
	70023592	2	Fuse 20Amp (LRC Engines)	
	70023593	2	Fuse 30Amp (LRC Engines)	
	70005495	1	Module, Control - Engine (HRC Engines)	
	70025210	1	Module, Control - Engine (LRC Engines)	
	4360336	1	Switch, Toggle (Generator Options)	
	4000008	1	Switch, Jib Lock Proximity	
	4360527	1	Switch, Cable Break	
	4360548	1	Switch, Limit	
	1001120104	1	Switch, Jib Telescope Proximity	
	1001197960	1	Sensor, Boom Length	
	1001197961	1	Sensor, Boom Length	
	1001200764	1	Sensor, Angle	
	1001201095	1	Sensor, Angle	
	1001204043	1	Sensor, Proximity	
	1001199483	1	Module, Control - Platform	
	1001137673	1	Switch, SkyGuard (Machines with SkyGuard)	
	1001200183	1	Module, Control - Boom	
	1001181045	1	Circuit Breaker 30mAmp/16Amp (CE Spec Machines)	
	1001189172	1	Circuit Breaker 16Amp Double (CE Spec Machines)	
	1001189171	1	Circuit Breaker 30mAmp (CE Spec Machines)	
	1001186431	1	Relay (Machines with SkyGuard)	

SECTION 11 - SPECIAL OPTIONS

SECTION 11 - SPECIAL OPTIONS

FIGURE 11-1. SPECIAL OPTIONS

ITEM	PART NUMBER	QTY	DESCRIPTION	REV
		Ref	Note: This list is to accommodate machines ordered with special equipment. Options may not be applicable to all models. For more specific parts information contact JLG Parts Department.	
		Ref	MISCELLANEOUS SPECIAL OPTIONS	
	1001197342	Ref	Airline Installation - 1/2	
	1001202401	Ref	Air Intake Shut-off Valve (Deutz Engines - HRC) (ANSI and CSA Specs)	
	1001197329	Ref	Bellows Installation - Boom	
	1001158014	Ref	Bellows Installation - Chassis	
	1001221279	Ref	Boom Transport Decal Installation	
	1001197330	Ref	Boom Wipers Installation	
		Ref	ClearSky (Telematics) Installations (Dealer Installed)	
	1001234099	Ref	ClearSky Telematics Kit (Dealer Installed) (CE Specs)	
		Ref	ClearSky Telematics Installation (Factory Installed) (Prior to SN 0300234255)	
	1001197377	Ref	ClearSky Telematics Installation (ANSI & CSA Specs) (Factory Installed) (Prior to SN 0300234255)	
	1001197380	Ref	ClearSky Telematics Installation (Australian Specs) (Factory Installed) (Prior to SN 0300234255)	
	1001197379	Ref	ClearSky Telematics Installation (Brazil & New Zealand Specs) (Factory Installed) (Prior to SN 0300234255)	
		Ref	ClearSky Telematics Installation (Factory Installed) (SN 0300234255 to Present)	
	1001227457	Ref	ClearSky Telematics Installation - Canbus Connection (Factory Installed) (ANSI & CSA Specs) (SN 0300234255 to Present)	
	1001228959	Ref	ClearSky Telematics Installation - Canbus Connection (Factory Installed) (ANSI Export & CE Specs) (SN 0300239974 to Present)	
	1001229107	Ref	ClearSky Telematics Installation - 3 Wire Connection (Factory Installed) (ANSI & CSA Specs) (SN 0300234255 to Present)	
	1001233237	Ref	ClearSky Telematics Installation - 3 Wire Connection (Factory Installed) (ANSI Export & CE Specs) (SN 0300239974 to Present)	
	1001197336	Ref	Cold Weather Package (Machines without Arctic Package)	
	1001197337	Ref	Cold Weather Package (Machines with Arctic Package) (Prior to SN 0300244380)	
	1001197336	Ref	Cold Weather Package (Machines with Arctic Package) (SN 0300244380 to Present)	
	1001233047	Ref	Crankcase Breather Heater Kit	
	1001200137	Ref	Cribbing Switch Installation (ANSI Spec Only)	
	1001220864	Ref	Decal - Boom Transport Decals Kit	
	1001241344	Ref	Decal - Platform Console Box Decal Kit	
	1001241335	Ref	Decal - Platform Decal Kit	
	1001213276	Ref	Decal Installation Options:	
	1001225367	Ref	Decal - Herc Rentals	
	1001197358	Ref	Decal - Hewitt (English)	
	1001197357	Ref	Decal - Hewitt (French)	
	1001197355	Ref	Decal - Leavitt	
	1001197352	Ref	Decal - NES	
	1001236073	Ref	Decal - Riwal	
	1001172570	Ref	Decal - SkyGlazier (English Language) (ANSI)	
	1001172620	Ref	Decal - SkyGlazier (English Language) (Australian)	

SECTION 11 - SPECIAL OPTIONS

ITEM	PART NUMBER	QTY	DESCRIPTION	REV
	1001172576	Ref	Decal - SkyGlazier (English Language) (UK)	
	1001172573	Ref	Decal - SkyGlazier (French Language)	
	1001172574	Ref	Decal - SkyGlazier (German Language)	
	1001172575	Ref	Decal - SkyGlazier (Italian Language)	
	1001172572	Ref	Decal - SkyGlazier (Portuguese Language) (Brazil)	
	1001193136	Ref	Decal - SkyGlazier (Portuguese Language) (Europe)	
	1001193135	Ref	Decal - SkyGlazier (Spanish Language) (Europe)	
	1001172571	Ref	Decal - SkyGlazier (Spanish Language) (Latin American)	
	1001197353	Ref	Decal - Sunbelt	
	1001236990	Ref	Decal - Synergy Equipment	
	1001197356	Ref	Decal - Titan	
	1001197354	Ref	Decal - United Rentals	
	1001233763	Ref	Deutz Breather Heater Installation (ANSI, ANSI Export (HRC), CE, CSA and Japanese Specs)	
		Ref	Electrical Connector Kits	
	1001148902	Ref	Amp/Tyco Electrical Connector Kit	
	1001148903	Ref	Deutsch DT Electrical Connector Kit	
	1001148904	Ref	Deutsch HD Electrical Connector Kit	
	1001148905	Ref	Packard Electrical Connector Kit	
	1001148906	Ref	Various Electrical Connectors Kit	
	1001235962	Ref	Engine Coolant Strainer Kit	
	1001237883	Ref	Fall Arrest Bolt On Kit (6FT x 1.83M) (ANSI, ANSI Export, China, CSA, and Japanese Specs) (Fits Platform p/ns 1001186384 & 1001228376)	
	1001237882	Ref	Fall Arrest Bolt On Kit (8FT x 2.44M) (ANSI, ANSI Export, China, CSA, and Japanese Specs) (Fits Platform p/ns 1001186383)	
	1001197775	Ref	Fan Guard Installation (HRC)	
	1001155069	Ref	Fan Guard Installation (LRC)	
		Ref	Filter Kit Options:	
		Ref	Combined Filter Kit Options (Hydraulic/Air & Fuel/Engine Oil):	
	1001225639	Ref	Combined Filter Kit (Deutz HRC & LRC Engines)	
	1001139099	Ref	Fire Extinguisher Installation	
		Ref	Fluids	
	3020039	Ref	Axle Lubricant	
	3020008	Ref	Drive Hub Lubricant	
		Ref	Hydraulic Fluid	
	2300014	Ref	Mobil 424	
	2300029	Ref	Mobil EAL ISO 46 Bio	
	2300016	Ref	Mobil DTE 10 EXCEL 32	
	2300039	Ref	Exxon Univis (Arctic Package)	
	2300019	Ref	Quintolubric 822-220 (Fire Resistant)	
	3020037	Ref	Pump Coupling Grease	
	3020021	Ref	Pump Coupling Grease	
	1001117294	Ref	Foot Switch Shield	
	1001205812	Ref	Fuel Cap Installation - Lockable	
	1001197340	Ref	Headlight and Taillights Installation	
	1001239627	1	Hose Kit - Platform Valve	
	1001239625	Ref	Hose Kit - Upper Powertrack	
	1001241419	Ref	Hostile Environment Kit	
	1001197341	Ref	Illumination Lights Installation	
	1001148971	Ref	Lanyard (Bolt-on) Installation Kit	
	1001230625	Ref	LCD Display Kit (Low Rail)	

SECTION 11 - SPECIAL OPTIONS

ITEM	PART NUMBER	QTY	DESCRIPTION	REV
	1001230626	Ref	LCD Display Kit (High Rail)	
	1001183407	Ref	Low Temperature Cut Out Installation (Prior to SN 0300244681)	
	1001236952	Ref	Low Temperature Cut Out Installation (SN 0300244681 to Present)	
	1001236268	Ref	Main Control Valve Kit	
	1001194835	Ref	Oil Cooler Installation (HRC)	
	1001155064	Ref	Oil Cooler Installation (LRC)	
	1001197436	Ref	Platform Console Cover Installation	
	1580013	Ref	Platform Corner Storage Tray	
		Ref	Platform Entry Kits	
	1001142504	Ref	Drop Bar (Replacing Swing Gate with Drop Bar)	
	1001142505	Ref	Swing Gate (Replacing Drop Bar with Swing Gate)	
	1001202917	Ref	Platform Floodlights Installation	
		Ref	Platform Mesh to Top Rail Add-On Kits: (ANSI, ANSI Export, Australian and CSA Specs)	
	1001214552	Ref	30in x 4ft (76cm x 1.22m) with Gate	
	1001214561	Ref	36in x 6ft (91.5cm x 1.83m) with Gate	
	1001214562	Ref	36in x 8ft (91.5cm x 2.44m) with Gate	
		Ref	Platform Mesh to Top Rail Installations (ANSI, ANSI Export, Australian and CSA Specs)	
	0273147	Ref	30in x 4ft (76cm x 1.22m)	
	0273149	Ref	36in x 6ft (91.5cm x 1.83m)	
	0273145	Ref	36in x 8ft (91.5cm x 2.44m)	
		Ref	Platform Mesh to Mid Rail Add-On Kits: (ANSI, ANSI Export, Australian and CSA Specs)	
	1001214478	Ref	30in x 4ft (76cm x 1.22m) with Gate	
	1001214540	Ref	36in x 6ft (91.5cm x 1.83m) with Gate	
	1001214548	Ref	36in x 8ft (91.5cm x 2.44m) with Gate	
		Ref	Platform Mesh to Mid Rail Installation (ANSI, ANSI Export, Australian and CSA Specs)	
	1001140318	Ref	30in x 4ft (76cm x 1.22m)	
	1001138772	Ref	36in x 6ft (91.5cm x 1.83m)	
	1001138773	Ref	36in x 8ft (91.5cm x 2.44m)	
	1001149730	Ref	Platform Mid Rail Repair Kit	
	0272725	Ref	Platform Rail Extension - 8ft Platform	
	1001202916	Ref	Platform Worklights Installation	
	1001159121	Ref	Receptacle (240V GFCI) Installation (7500W Generator)	
	1001231235	Ref	SkyWelder Locking Bracket Installation	
	1001200265	Ref	Telematics Installations (Customer Supplied)	
	1001210089	Ref	Telematics - Cat	
	1001228363	Ref	Telematics - Herc	
	1001209282	Ref	Telematics - Loxam	
	1001210090	Ref	Telematics - Riwal	
	1001195610	Ref	Telematics - United Rental (M6)	
	1001214463	Ref	Telematics - United Rentals (M8)	
	1001228591	Ref	Telematics Canbus Installation (Customer Supplied)	
		Ref	Tools For Service:	
	2901443	1	Analyzer Kit	
	7002821	1	Crimper, Wire	
	7002823	1	Pin Extractor - Universal (For Electrical Connectors with Pins and Sockets)	
	4460467	1	Extractor - 16-18 Gauge (For Removal of Pin/Sockets from Deutsch Connectors)	

SECTION 11 - SPECIAL OPTIONS

ITEM	PART NUMBER	QTY	DESCRIPTION	REV
	4460510	1	Extractor - 12-14 Gauge (For Removal of Pin/Sockets from Deutsch Connectors)	
	7016654	1	Screwdriver, Magnetic	
	7002822	1	Screwdriver, Potentiometer	
	7004275	1	Seal Tool 1 (For Cylinders)	
	7004276	1	Seal Tool 1 1/2 (For Cylinders)	
	7002828	1	Stripper, Wire	
	4921850	1	Throttle Service Harness	
	70004185	1	Torque Multiplier	
	7016655	1	Wire Rope Sheave Gauge	
	1001137005	1	Software Cable Kit	
	70004646	1	Puller (Hub Assembly)	
	70004647	1	Seal Tool (Hub Assembly)	
	70004648	1	Puller (Hub Assembly)	
	1001197359	1	Boom Cable Adjustment Socket Installation	
	1001203463	1	Socket M34	
	1001241273	Ref	Tower Boom Wear Pad Kit	
	1001232034	Ref	White Noise Alarm	
	1001232035	Ref	White Noise Ambient Alarm	
	1001241672	Ref	Wire Rope Kit (Prior to SN 0300225574)	
	1001241673	Ref	Wire Rope Kit (SN 0300225574 to Present)	

PART NUMBER INDEX

PART NUMBER INDEX

0100009.....339, 343	0370025 399	0700615 145	0741607....243, 247, 251, 255
0100011....15, 17, 19, 29, 31, 53, 57, 59, 89, 97, 101, 105, 109, 113, 117, 121, 125, 149, 150, 151, 160, 165, 168, 174, 179, 182, 194, 197, 202, 208, 211, 216, 243, 247, 251, 255, 263, 268, 273, 281, 283, 285, 287, 295, 299, 301, 305, 309, 313, 315, 317, 323, 359, 363, 365, 370, 373, 375, 377, 395, 397, 399, 401, 403, 405, 407, 409, 411, 413, 419, 423, 485, 487, 489, 491	0400020 97	0700616 150, 151	0760408....143, 160, 174, 194, 208
0100019....17, 19, 79, 83, 243, 247, 251, 255, 263, 273, 399, 401, 442, 448	0440162 ... 160, 174, 194, 208	0700620 ... 101, 105, 109, 113, 117, 121, 125	0760508.....165, 179
0100020....160, 168, 174, 182, 194, 202, 208, 216, 247, 255, 357, 370, 381, 459, 461, 463, 465, 467, 469, 471, 473, 475, 477, 479	0440273 15, 263	0700815 ... 168, 182, 202, 216, 485, 487, 489, 492	0760516....102, 105, 110, 113, 118, 121, 125
0100035.....17, 165, 179, 197, 211, 295	0480100 385	0700816 295	0760604.....170, 184
0100038....297, 395, 397, 399, 401, 403, 405, 407, 409, 411, 413, 419, 423	0561380 263	0700818 ... 160, 174, 194, 208	0760606....161, 175, 243, 247, 251, 255
0100048....243, 247, 251, 255, 339, 343, 499	0561546 399	0700818001 247, 251, 255	0760608....160, 170, 174, 184, 195, 209
0100071.....15, 361, 415, 417	0630448001 331	0700819001 243	0760610....101, 105, 109, 113, 117, 121, 125, 143, 160, 165, 174, 179, 194, 197, 208, 211, 243, 247, 251, 255, 295, 335, 337, 499
0100081....168, 182, 204, 218, 281, 283, 339, 343, 367	0630462 363, 365	0700820 161, 175	0760610001.....431
0140011339, 343	0630518 ... 370, 373, 375, 377, 381	0700822 160, 174	0760612....151, 335, 337
0140043.....141	0630534 403, 405	0700823001 440, 448	0760612001.....295
0200048.....363, 365	0630535 ... 395, 397, 399, 401, 419, 421, 423, 427	0700827 160, 174	0760613....101, 105, 109, 113, 117, 121, 125
0236768.....97	0630536 407, 409	070101013 97, 168, 182, 202, 216	0760614....168, 184, 204, 217
0272254.....375	0630568 340, 344	070101014001 149, 153, 155	0760614001.....296
0272427363	0630615001 149	070101591, 93, 149, 168, 182, 202, 216	0760807.....161, 175
0272435256	0641404 339, 343	0701016 ... 168, 182, 202, 216	0760807001.....285, 287
0272448370, 375	0641406 ... 329, 600, 604, 608, 612, 616, 620, 624, 628, 632	0701017 ... 168, 182, 202, 216	0760808001.17, 285, 287
0272521373	0641406001 331, 333	0701018 83, 243, 247, 251, 255, 273	0760810....102, 105, 110, 113, 118, 121, 125, 149, 160, 168, 174, 182, 202, 216, 295
0272588373	0641408 150, 151	0701019 ... 168, 182, 202, 216	0760810001.....102, 105, 110, 113, 118, 121, 125, 149
0272589252	0641414 ... 339, 343, 359, 361, 363, 365	0701020 273	076081229, 31, 101, 105, 109, 113, 117, 121, 125, 149, 160, 168, 174, 182, 194, 202, 208, 216
0272599370, 381	0641416... 459, 461, 463, 465, 467, 469, 471, 473, 475, 477, 479	0701022 273	0760814001.....150
0272607381	0641418 ... 305, 309, 313, 315, 317, 323	0701024001 268, 281	0760815.....150
0272725644	0641422 29	0701025001 285, 287	0760815001.....17
0273145644	0641504 37	0701026001 281	0760818001.....485, 487, 489, 491
0273147644	0641506 515	0701027001 281, 283	0760822001.....440, 448
0273149644	0641508 515	0701028001 440, 448	0761007001.....149, 281, 299
0273353370	0641514 385	0701032001 283	0761008....168, 182, 202, 216
0273706365	0641606 ... 168, 182, 202, 216, 370, 373, 375, 377	0701034001 281	0761009....161, 175, 195, 209
0275216459, 563	0641608 197, 211, 237	0701220 91, 93	0761009001.....295, 431
0275217463, 565	0641812 ... 165, 179, 197, 211	0701222 273	0761010....485, 487, 489, 491
0275452467, 567	0642012 367	0701224 89	0761010001..57, 59, 274, 285, 287
0275453471, 569	0642212 367	0701420001 15	0761011.....150, 273
0275454475, 571	0642220 ... 160, 174, 194, 208	0701422001 17	0761011001.....274
	0681607 423, 427	0701619001 27	
	0681608 423, 427	0701627 ... 168, 182, 202, 216	
	0681620 ... 387, 389, 391	0702022001 263	
	0681814 ... 319, 325, 327	0702426001 264	
	0681822 ... 319, 325, 327	0711015 ... 160, 174, 194, 208	
	0682220 83	0711214 ... 168, 182, 202, 216	
	0682424 ... 387, 389, 391	0711214001 268	
	0700408 ... 459, 461, 463, 465, 467, 469, 471, 473, 475, 477, 479	0711215001 268	
	0700412 ... 101, 105, 109, 113, 117, 121, 125	0711217001 268	
	0700510 197, 211	0711218 ... 168, 182, 204, 218	
	0700608 295	0711222001 301	
	0700610 168, 182	0711626001 274	
	0700612 ... 141, 168, 182, 202, 216, 501, 503	0712435 79	
	0700614 ... 161, 175, 195, 209	0712444001 299, 301	
		0721005 363, 365	
		0731007 91, 93	

PART NUMBER INDEX

0761012 ... 29, 31, 59, 149, 168, 182, 202, 216, 273, 287, 499	0940049 149	1001101197 467, 471, 475	1001117294 643
0761012001 57, 150, 151, 281, 285, 295	0940092 363, 365	1001101421 367	1001117308 169, 183, 203, 217, 638
0761013001 106, 114, 122, 126	0940094 363, 365	1001101580 161, 175, 195, 209	1001118274 ... 29, 31, 102, 105, 110, 113, 118, 121, 125, 149
0761014 149, 295	0940102 367	1001102594 575	1001118282 522
0761014001 268, 274, 301	0940103 363	1001103012 586	1001118287 274
0761015 ... 102, 105, 110, 113, 118, 121, 125, 150, 160, 165, 174, 179, 194, 197, 208, 211, 273, 295, 335, 337	0940133 365	1001103452 161, 175, 202, 216	1001118288 274
0761015001 15, 440, 448	0961845 ... 305, 309, 313, 315, 317, 323	1001104497 296	1001118388 559
0761016001 15, 263, 283	0961893 403, 405	1001104498 483, 586	1001118878 ... 39, 41, 43, 45, 47, 49, 51
0761018 237	0961896 395, 397	1001106736 586	1001118972 149, 295
0761210 ... 165, 168, 179, 182, 197, 202, 211, 216	0961897 ... 399, 401, 419, 423, 427	1001107854 483, 586	1001119020 583
0761212 ... 243, 247, 251, 255	0961903 421	1001108616 165, 179, 197, 211, 228	1001119033 295
0761212001 281	0961949 399, 401	1001108617 57, 59	1001119215 499
0761214 19, 149	0961950 415, 417	1001109048 91, 93	1001119412 525, 543
0761214001 149, 274, 283	0961951 ... 168, 182, 202, 216, 273, 427	1001109654 501, 507	1001119455 440, 449
0761216 89, 150, 165, 179, 197, 211	0962051 ... 160, 174, 194, 208	1001110604 440, 448	1001119727 203, 217
0761216001 299, 301	0962224 273, 275	1001110873 248, 256, 457	1001119861 454
0761217 150	0962257 403, 405	1001111116 203, 217	1001119899 274
0761218001 ... 29, 31, 39, 41, 43, 45, 47, 49, 51, 281	0962270 ... 319, 325, 327	1001112551 604	1001120000 15
0761614001 274	0962423 17	1001112612 583, 585	1001120055 555, 559
0761616 273	0962520 ... 243, 247, 251, 255	1001112757 101, 105, 109, 113, 117, 121, 125	1001120104 295, 639
0762014001 263	0962556 273	1001112796 583	1001120328 359, 521, 556, 560
0762016001 263	0962561 ... 395, 397, 399, 401	1001112927 165, 179, 197, 211, 235	1001120338 340, 344
0762018001 19	0962562 411, 413	1001113961 511, 585	1001120989 636
0762418001 15, 263	1001008559 485, 487, 489, 492	1001116208 636	1001122242 331
0762422001 263	1001047062 102, 105, 110, 113, 118, 121	1001116692 483	1001125137 415
0771010001 274	1001091102 143, 501, 503	1001116693 585, 586	1001125293 331, 547
0771012001 274, 299, 301	1001091969 459	1001116694 483	1001125295 547, 549
0771014001 274	1001091970 463	1001116695 483	1001125387 636
0771016001 274	1001091973 467	1001116720 559	1001125677 521, 556, 560, 586
0771018001 274	1001091974 471	1001116725 522	1001126008 523, 552, 591
0771212001 268	1001091975 475	1001116732 525	1001126009 512
0771218001 268	1001095704 521, 638	1001116733 522, 543	1001126011 555, 559
0771414 ... 168, 182, 202, 216	1001096612 243	1001116734 522	1001126245 523
0771415 ... 168, 182, 202, 216	1001096653 29, 31	1001116748 511, 579, 589	1001126351 526
0771416 ... 160, 174, 194, 208	1001096653 29, 31	1001116751 579, 589	1001126352 526
0771617001 274	1001097051 483	1001116774 583	1001126353 521
0772016001 274	1001097150 505, 507	1001116808 583	1001126356 526
0801550 273	1001097244 335, 337	1001116812 525, 529, 551	1001126357 526
0860038 ... 247, 255, 457	1001097587 79	1001116815 529	1001126362 522, 526
0861538 255	1001097588 170, 184	1001116846 616, 636	1001126363 526
0861572 251	1001098012 370, 381, 383	1001116849 616	1001126365 526
0861731 ... 469, 473, 477, 479, 567, 569, 571	1001098122 357, 555, 559	1001116851 616	1001126384 526
0861781 ... 461, 465, 563, 565	1001098149 381	1001116952 525	1001126391 517, 522, 526
0861880 505, 507	1001099125 129, 131, 133, 135	1001116983 531	1001126393 522
0902888 ... 243, 247, 251, 255	1001099366 367	1001117023 525	1001126485 522, 523
	1001099367 367	1001117034 616	1001126487 522
	1001100341 563	1001117035 616	1001128127 593, 595
	1001100342 565	1001117064 511, 579, 589	1001128128 522, 525
	1001100345 567	1001117106 525	1001128527 377
	1001100346 571	1001117107 521	1001128556 377
	1001100347 569	1001117108 522	1001129555 638
	1001101191 459, 463, 467, 471, 475, 505, 507, 509	1001117110 483, 551, 585	1001131130 150
	1001101196 459, 463	1001117172 357	1001131269 600, 620
		1001117174 340, 344, 357	1001133714 523, 525
		1001117244 170, 184	1001133715 523, 525
			1001133927 411, 413
			1001133956 526
			1001133957 526
			1001134314 263

PART NUMBER INDEX

1001134488.....169, 183, 203, 217	1001144147 577	1001151503 411, 413	1001155540.....170, 183, 204, 218
1001135196.....161, 175, 195, 209	1001144295 586	1001151749 169, 183, 204, 218	1001155550.....204, 218
1001135497.....161, 175, 195, 209	1001144433 344	1001151761 204, 218	1001155557.....170, 184, 204, 218
1001135650.....523	1001144629 307, 311, 313, 321	1001152112 184, 218	1001155561.....53
1001135943.....169, 183, 203, 217	1001145405 370, 381	1001152457 247	1001155563.....170, 184, 204, 218
1001136079.....169, 203	1001146588 485, 487, 489, 492	1001152458 243	1001155564.....170, 184, 204, 218
1001136172.....183, 217	1001146940 263	1001152483 509	1001155565.....170, 184, 204, 218
1001136400.....283	1001146963 17, 638	1001152489 169, 183, 204, 218	1001155566.....170, 184, 204, 218
1001136583.....274	1001147567 169, 183	1001152525 252, 256	1001155584.....150, 151
1001136834.....169, 183, 203, 217	1001147616 27	1001152530 243, 247	1001155591.....149
1001136975.....161, 175, 195, 209	1001147847 169, 183, 203, 217	1001152532 244, 248, 537	1001155728.....170, 184, 204, 218
1001137005.....645	1001148012 275	1001152742 517	1001155743.....511, 521
1001137032.....268	1001148059 243, 252	1001153257 454	1001155817.....17, 581
1001137262.....450	1001148076 203, 217, 221	1001153259 244, 248, 541	1001155823.....161, 175, 195, 209
1001137263.....441, 448, 450	1001148641 169, 183, 203, 217	1001153785 274	1001155832.....149
1001137673.....359, 639	1001148902 643	1001153786 274	1001155836.....17, 295
1001138116.....523	1001148903 643	1001153797 274	1001155939.....161, 175, 195, 209
1001138173.....169, 183, 203, 217	1001148903 643	1001153827 274	1001155967.....101, 105, 106, 109, 113, 114, 117, 121, 122, 125, 126, 296, 551, 586
1001138175.....169, 183, 203, 217	1001148904 643	1001153828 274	1001155986.....17, 415
1001138228.....203, 217, 639	1001148905 643	1001153846 274	1001155987.....415
1001138248.....169, 183, 203, 217	1001148906 643	1001153981 83	1001155992.....415
1001138494.....309, 313, 315, 317, 323	1001148971 643	1001153983 83	1001155998.....415
1001138514.....309, 315, 317, 323	1001149160 102, 105, 110, 113, 118, 121, 125, 149	1001153984 83, 85	1001155999.....415
1001138559.....169, 183, 203, 217	1001149160 102, 105, 110, 113, 118, 121, 125, 149	1001154035 97	1001156001.....197, 211, 529
1001138566.....243, 247	1001149407 203, 217	1001154142 197, 211	1001156016.....395, 397
1001138772.....644	1001149517 169, 183, 203, 217	1001154143 197, 211	1001156030.....252, 256, 543
1001138773.....644	1001149711 27	1001154196 89	1001156033.....407, 409
1001138805.....405	1001149730 644	1001154247 274	1001156034.....170, 184, 204, 218
1001138827.....169, 183, 203, 217	1001149734 299	1001154262 161, 175	1001156035.....170, 184, 204, 218
1001139099.....643	1001149736 203, 217	1001154377 83	1001156062.....170, 184, 204, 218
1001139240.....169, 183, 203, 217	1001149746 169, 183, 203, 217	1001154405 161, 169, 175, 183, 195, 204, 209, 218, 237	1001156083.....454
1001139654.....636	1001149823 79	1001154759 19	1001156091.....170, 184, 204, 218
1001140318.....644	1001149867 197, 202	1001154772 19	1001156107.....106, 114, 122, 126, 165, 179, 197, 211, 296
1001140429.....305, 309, 313, 315, 317, 323	1001149921 19, 23	1001155023 169, 183, 204, 218	1001156112.....204, 218
1001140564.....169, 183, 203, 217	1001149970 101, 105, 109, 113, 117, 121, 125, 519	1001155041 243, 247, 251, 255	1001156242.....149
1001141300.....636	1001149971 197, 211, 525	1001155044 340, 344	1001156347.....151
1001141302.....636	1001149975 ... 39, 41, 43, 45, 47, 49, 51, 511	1001155045 339, 343, 638	1001156606.....17
1001141304.....197, 212	1001150162 ... 39, 41, 43, 45, 47, 49, 51, 639	1001155064 644	1001156613.....274
1001141995.....169, 183, 203, 217	1001150174 247, 255	1001155069 643	1001156644.....170, 184, 204, 218
1001142501.....161, 169, 175, 183, 195, 203, 209, 217	1001150498 203, 217	1001155133 15	1001156648.....15, 395
1001142504.....644	1001150499 203, 217	1001155262 295	1001156650.....263
1001142505.....644	1001150500 203, 217	1001155303 248, 256	1001156678.....17
1001142683.....145	1001150504 169, 203	1001155338 243, 248, 251, 255	1001156679.....17
1001143390.....169, 183, 203, 217	1001150505 204, 217	1001155348 251, 255	1001156692.....526
1001143852.....636	1001150553 169, 183, 204, 217	1001155348 251, 255	1001156718.....165, 179, 197, 211
	1001150611 585	1001155363 15	
	1001150725 83	1001155437 150	
	1001150917 411	1001155438 149, 150	
	1001150942 411, 413	1001155454 151	
	1001151393 129, 131, 133, 135	1001155456 149, 151	
	1001151432 204, 218	1001155496 169, 183, 204, 218	
	1001151491 169, 183, 204, 218	1001155498 169, 183, 204, 218	
		1001155525 169, 183, 204, 218	
		1001155527 153	

PART NUMBER INDEX

1001156778 17, 296	1001160444..... 636	1001167623..... 521	1001181325 101, 109, 117, 639
1001156785 17	1001160445..... 600, 604, 608, 612, 616, 620, 624, 628, 632	1001167624..... 521	1001181899 170, 184
1001156815 17		1001167625..... 521	1001182138 361
1001156867 53		1001167629..... 523	1001183407 644
1001156923 395	1001160505..... 151	1001167630..... 523	1001184083 101, 105, 109, 113, 117, 121, 125
1001156926 340, 344	1001160518..... 170, 184, 204, 218	1001167631..... 523	1001184619 349
1001156991 17		1001167634..... 522	1001184846 522
1001156996 17	1001161232... 57, 59, 638	1001167635..... 522	1001185281 344
1001157007 15, 274	1001161269..... 435	1001168272..... 93	1001186318 327
1001157037 395	1001161270..... 435	1001168402..... 301	1001186333 319
1001157041 395	1001161271..... 435	1001168734..... 198, 212	1001186334 325
1001157073 165, 179, 197, 211	1001161272..... 435	1001169085..... 143, 145	1001186342 195, 209
1001157080 395, 397	1001161273..... 435	1001170982..... 170, 184, 204, 218	1001186375 309
1001157084 15, 638	1001161274..... 435	1001171324..... 297	1001186379 315
1001157198 29, 31, 33	1001161275..... 435	1001171482..... 129, 131, 133, 135	1001186382 323
1001157207 29, 31, 37	1001161277..... 435	1001172356..... 27	1001186383 321
1001157216 27	1001161278..... 435	1001172358 15, 149, 150, 151, 153, 155, 263, 268, 274, 281, 283, 285, 296, 299, 301, 431, 440, 448	1001186384 311
1001157241 435, 452	1001161279..... 435	1001172570 642	1001186387 307
1001157292 340, 344	1001161280..... 435	1001172571 643	1001186389 327
1001157300 183, 218	1001161281..... 435	1001172572 643	1001186431 344, 560, 639
1001157301 184, 218	1001161282..... 435	1001172573 643	1001186432 559
1001157454 274	1001161283..... 435	1001172574 643	1001186517 359
1001157520 252, 256	1001161289..... 435	1001172575 643	1001186579 165, 168
1001157521 252, 256	1001161290..... 435	1001172577 367	1001187077 579
1001157525 252	1001161470..... 155	1001172578 367	1001187411 604, 612
1001157528 252, 256	1001161488..... 153	1001172620 642	1001187508 359
1001157592 256	1001161647..... 441, 449	1001172663 301	1001187516 161, 175
1001157670 53	1001161709..... 339, 343, 638	1001172760 340, 344	1001187517 161, 175
1001157730 149	1001161710..... 339, 343, 638	1001173609 331, 333	1001187518 161, 175
1001157731 149		1001173662 268	1001187744 101, 105, 109, 113, 117, 122, 125
1001157849 19	1001162212..... 161, 175	1001173763 283	1001187805 101, 105, 109, 113, 117, 122,
1001157850 19	1001162880..... 97, 99	1001173846 57, 59	125, 639
1001157862 170, 184, 204, 218	1001162986..... 161, 175	1001174345 17	100118882 521
1001157872 274	1001163631.... 39, 41, 43, 45, 47, 49, 51, 575	1001174795 93	1001188162 170, 184
1001157878 274	1001164354.... 29, 31, 39, 41, 43, 45, 47, 49, 51	1001175201 93	1001188491 91, 93
1001157885 274	1001164700..... 99	1001175244 301	1001188622 301
1001157887 263	1001164965..... 93	1001175265 522	1001188844 301
1001157890 522, 551, 573	1001164968..... 93	1001175568 161, 170, 175, 184, 195, 209	1001188889 359
1001157891 485, 487, 489, 491, 517, 585	1001165035..... 161, 168, 175, 182, 195, 202, 209, 216	1001176002 521	1001188922 165, 179, 521
1001157906 151	1001165194..... 517	1001176004 521	1001189001 301
1001157958 415, 417	1001166393..... 170, 184, 203, 217	1001176333 549	1001189002 301
1001158007 252, 256	1001166538..... 340, 344, 355	1001176371 170, 184, 187	1001189159 93
1001158008 252, 256	1001166539..... 340, 344, 351	1001176469 131, 135	1001189171 509, 639
1001158014 642	1001166541..... 522	1001176582 333	1001189172 509, 639
1001158017 15	1001166543..... 522	1001176636 331, 333	1001189291 170, 184
1001158080 501, 505	1001166551..... 521	1001176678 331	1001189882 604, 612
1001158262 204, 218	1001166555..... 521	1001176783 331	1001190032 155
1001158263 241	1001166556..... 517, 522	1001177134 204, 218	1001190104 340, 344
1001158289 204, 218	1001166701..... 522	1001177137 203, 217	1001190418 170, 184
1001158363 243, 247	1001166774..... 517, 522	1001177635 331, 333	1001190475 161, 175
1001158412 57, 59	1001167497..... 274	1001178797 237	1001190656 331
1001158529 211, 216	1001167565..... 301	1001179154 256	1001190658 331
1001158607 241	1001167567..... 301	1001180153 263	1001190921 521
1001159001 331	1001167615..... 521	1001180491 333	1001190927 153, 155
1001159121 644	1001167616..... 522	1001180620 150	1001190949 15
1001159162 101, 105, 109, 113, 117, 121, 125	1001167620..... 521	1001181045 505, 507, 639	1001190950 15
1001159186 545, 555, 559	1001167621..... 521		1001190951 15
1001159256 339, 343, 638	1001167622..... 521		1001190952 15
1001160169 411, 413			1001190953 15
			1001190985 301
			1001191122 170, 184

PART NUMBER INDEX

1001191368.....239	1001197312.....283	1001198132.....411	1001199572.....620
1001191390.....239	1001197314.. 29, 57, 285	1001198157.....411	1001199573.....624
1001191708.....361	1001197315.... 600, 604,	1001198193.....411	1001199582..... 161, 165
1001192138..... 170, 184	608, 612, 616, 620,	1001198376.....283	1001199583..... 195, 197
1001192401.....533, 586	624, 628, 632	1001198377.....283	1001199584..... 175, 179
1001193018.....459, 461,	1001197316.....600	1001198382.....283	1001199587.....209, 211
463, 465, 467, 469,	1001197317..... 170, 184	1001198383.....283	1001199610.....275
471, 473, 475, 477, 479	1001197318.....620	1001198386.....283	1001199637.....339, 555
1001193135.....643	1001197319.....612	1001198388.....283	1001199638.....335, 339
1001193136.....643	1001197320.....628	1001198389.....283	1001199641.....275
1001193599..... 170, 184	1001197321.....616	1001198546..... 268, 423	1001199670..... 161, 175
1001193630.....79	1001197322.....608	1001198547.....423	1001199671.....283
1001193980..... 161, 175	1001197323.....632	1001198561.....423	1001199753.....149
1001194197.....469	1001197324.....624	1001198562.....423	1001199754.....149
1001194198.....473	1001197325.....604	1001198579.....423	1001199755.....149
1001194200.....477	1001197326.....485	1001198581.....423	1001199764.....149
1001194203.....461	1001197327.....487	1001198583.....423	1001199778.....149
1001194204.....465	1001197328.....491	1001198587..... 423, 427	1001199780.....149
1001194252.....454	1001197329.....642	1001198590.....423	1001199782.....149
1001194365.....479	1001197330.....642	1001198594..... 423, 428	1001199804.....263
1001194835.....644	1001197331.....141	1001198640.....268	1001199812.....263
1001195588.....89, 515	1001197332.....481	1001198641.....268	1001199918.....139
1001195610.....644	1001197333.....457	1001198642.....268	1001199919.....349
1001195906.....281	1001197335.....501	1001198643.....268	1001199920.....137
1001195924.....274	1001197336.....642	1001198644.....268	1001199922.....347
1001195939.....274, 277	1001197337.....642	1001198645.....268	1001199990.....275
1001195940.....274, 279	1001197340.....643	1001198685.....149	1001199994.....335
1001195941.....274	1001197341.....643	1001198732.....268	1001200063.....263, 407
1001195947.....347	1001197342.....642	1001198749.....263	1001200091.....275
1001196517.....295	1001197345.....97	1001198757.....263	1001200092.....275
1001196562.....149	1001197350.... 600, 604,	1001198758.....263	1001200093.....275
1001196603.....586	608, 612, 616, 620,	1001198759.....263	1001200094.....275
1001196605.....586	624, 628, 632	1001198760.....263	1001200113.....600
1001196634.....259, 586,	1001197352.....642	1001198761.....263	1001200114.....600
638	1001197353.....643	1001198762..... 407, 409	1001200115.....632
1001196635.....586, 638	1001197354.....643	1001198864.....274	1001200116.....632
1001196636.....586, 638	1001197355.....642	1001198938..... 274, 419	1001200117.....604, 612
1001196681.....339, 344,	1001197356.....643	1001198939.....419	1001200118.....604, 612
559	1001197357.....642	1001198946.....419	1001200137.....642
1001196682.....485, 487,	1001197358.....642	1001198951.....419	1001200150.....419
489, 491, 591	1001197359.....645	1001198952.....419	1001200154.....263
1001196686.....101, 106,	1001197361..... 431, 452	1001199043.....297	1001200183.....499, 639
109, 113, 117, 122,	1001197362..... 440, 452	1001199083.....275	1001200199.....485, 487,
125, 585	1001197377.....642	1001199084.....275	489, 491, 499
1001196688.....101, 106,	1001197379.....642	1001199085.....275	1001200203.....499
109, 114, 117, 122,	1001197380.....642	1001199086.....275	1001200265.....644
125, 483	1001197436.....644	1001199117.....275	1001200345.....296
1001196689.....101, 106,	1001197445..... 165, 179	1001199297..... 419, 421	1001200397.....419
109, 114, 117, 122,	1001197464..... 137, 347	1001199310.....149	1001200491.....301
126, 545	1001197465..... 139, 349	1001199315.....283	1001200494.....301
1001196690.....101, 109,	1001197547..... 179, 182	1001199319.....149	1001200501.....149
117, 593	1001197627.....91	1001199320.....275	1001200502.....150
1001196733.....263	1001197719.....521	1001199465.....149	1001200519.....150
1001196806.....93	1001197760.....281	1001199468.....149	1001200522.....150
1001196917.....263, 273	1001197761.....79	1001199470.... 165, 179,	1001200532.....150
1001197017.....363, 365	1001197766.....281	197, 211, 231	1001200550.....296, 440,
1001197118.....89	1001197775.....643	1001199480..... 337, 343	449
1001197142.....81	1001197899.....268	1001199483.... 339, 344,	1001200560.....296
1001197291.....93	1001197901.....268	639	1001200565.....248
1001197292.....91, 93, 95	1001197902.... 263, 268	1001199564.....628	1001200574.....263
1001197305.....160	1001197936.....149	1001199565.....616	1001200575.....340, 344
1001197306.....174	1001197937.....149	1001199566.....608	1001200576.....263
1001197307.....194	1001197960..... 296, 639	1001199567.....620	1001200587.....296
1001197308.....208	1001197961..... 296, 639	1001199568.....624	1001200604.....101, 106,
1001197309.....337	1001197969.....263	1001199569.....628	109, 114, 117, 122, 126
1001197310.....39, 101	1001197973.....263	1001199570.....616	1001200605.....101, 106,
1001197311.....295	1001198131.... 263, 411	1001199571.....608	109, 114, 117, 122, 126

PART NUMBER INDEX

1001200606 101, 106, 109, 114, 117, 122, 126	1001201772..... 419, 421	1001202950.....296	1001205405 454
1001200686 283	1001201846.....275	1001203413.....143	1001205406 454
1001200692 129, 133	1001201889..... 340, 344	1001203463.....645	1001205407 454
1001200693 131, 135	1001201938..... 263, 268	1001203655.....319	1001205660 501, 503
1001200698 243	1001201986.....285, 287, 291	1001203656.....325, 327	1001205682 503
1001200699 247	1001201997.....281	1001203753.....275	1001205683 423, 427
1001200707 600, 604, 608, 612, 616, 620, 624, 628, 632	1001202000.....281	1001203754.....275	1001205690 503, 509
1001200726 101, 106, 109, 114, 117, 122, 126	1001202002.....281	1001203755.....275	1001205812 643
1001200727 101, 106, 109, 114, 117, 122, 126	1001202005.....281	1001203898.....296	1001205949 441, 449
1001200732 275	1001202055.....296	1001203899.....296	1001205958 467, 469, 471, 473, 475, 477
1001200733 275	1001202136..... 440, 448	1001203900.....296	1001206119 244
1001200734 296	1001202142.....407	1001203904.....296	1001206184 411, 413
1001200736 275	1001202169..... 150	1001204027 485, 487, 489, 491	1001206506 485, 487, 489, 492, 533
1001200739 275	1001202179.....296	1001204028.....485, 487, 489, 491, 579	1001206509 533
1001200741 275	1001202181..... 150	1001204041 407, 409	1001206532 343
1001200764 296, 639	1001202182.....296	1001204043.....296, 639	1001206747 161, 165, 175, 179, 195, 197, 209, 211
1001200779 251	1001202194.....407	1001204073.....301	1001206817 101, 106, 109, 114, 117, 122, 517
1001200780 255	1001202201..... 407, 409	1001204096.....600, 608, 616, 620, 624, 628, 632	1001207102 441, 449
1001200784 296	1001202225..... 150	1001204402.....285	1001207279 442, 449
1001200834 296	1001202234.....407	1001204650 243	1001207388 301
1001200836 296	1001202236..... 407, 409	1001204725 301	1001207937 263
1001200837 296	1001202245 281	1001204911 301	1001207963 133, 135
1001200838 296	1001202259.....485, 487, 489, 491, 497	1001204912 299	1001207969 285, 287
1001200839 275	1001202260.....485, 487, 489, 491, 495	1001204914 268	1001208297 170, 184, 204, 218
1001200848 296	1001202261.....485	1001205083.....441, 449	1001208298 170, 184, 204, 218
1001200849 296	1001202262.....485	1001205084.....441, 449	1001208299 170, 184, 204, 218
1001200853 101, 106, 129	1001202263.....487	1001205085 441	1001208596 283
1001200854 129, 131, 133, 135	1001202264.....487	1001205086.....441, 449	1001209282 644
1001200855 109, 114, 131	1001202265.....491	1001205087.....441, 449	1001209313 299
1001200856 117, 122, 133	1001202266.....491	1001205088.....441, 449	1001209368 268
1001200910 145	1001202267.....489	1001205089.....441, 449	1001209372 268
1001200977 440, 449	1001202268.....489	1001205090.....441, 449	1001209373 268
1001200987 57, 61	1001202269.....485, 487, 489, 491	1001205091 441	1001209374 268
1001200988 57, 59, 77	1001202320..... 441, 449	1001205092.....441, 449	1001209375 268
1001200995 43, 109	1001202355..... 165, 179, 198, 211	1001205093.....441, 449	1001209561 600, 604, 608, 612, 616, 620, 624, 628, 632
1001200996 47, 117	1001202356..... 165, 179, 197, 211	1001205094.....441, 449	1001209626 150
1001201007 268	1001202401.....642	1001205095.....441, 449	1001209633 283
1001201062 485, 487, 489, 491, 577	1001202455.....275	1001205096.....441, 449	1001209664 359
1001201068 296	1001202539..... 407, 409	1001205097 441	1001209896 600, 604, 608, 612, 616, 620, 624, 628, 632
1001201069 296	1001202692..... 285, 287	1001205098.....441, 449	1001209935 150
1001201095 296, 639	1001202705..... 441, 449	1001205099.....441	1001209961 150
1001201103 101, 106, 109, 114, 117, 122, 126	1001202706..... 441, 449	1001205100.....441, 449	1001210079 533
1001201130 431	1001202707..... 441, 449	1001205102.....441, 449	1001210089 644
1001201131 431	1001202708..... 441, 449	1001205103.....441, 449	1001210090 644
1001201132 431	1001202709..... 441, 449	1001205104.....441, 449	1001210116 150
1001201133 431	1001202733..... 150	1001205105.....441, 449	1001210259 150
1001201134 431	1001202734..... 150	1001205106.....441, 449	1001210283 150
1001201135 431	1001202742.....485, 487, 489, 491	1001205107 441	1001210294 150
1001201136 431	1001202743.....485, 487, 489, 491	1001205108.....441, 449	1001210636 335, 337
1001201333 268	1001202770..... 57	1001205110.....441, 449	1001210781 145, 583
1001201334 268	1001202785.....485, 487, 489, 491, 573	1001205111 441, 449	1001211337 299
1001201335 268	1001202787..... 143, 535	1001205112 441	1001211885 102, 106, 110, 114, 118, 122, 126, 531
1001201351 301	1001202793.....275	1001205113.....441, 449	
1001201485 275	1001202794..... 145	1001205114.....441, 449	
1001201503 285, 287, 289	1001202799..... 452	1001205115.....441, 449	
1001201710 489	1001202817.....452	1001205116.....441, 449	
	1001202914.....586	1001205117.....441, 449	
	1001202916.....644	1001205120.....441	
	1001202917.....644	1001205121.....441	
		1001205122.....441	
		1001205123.....441	
		1001205124.....441, 449	
		1001205125.....441, 449	

PART NUMBER INDEX

1001211904.....600, 604, 608, 612, 616, 620, 624, 628, 632	1001216193..... 102, 106, 110, 114, 118, 122, 126	1001225167 106, 114, 122, 126	1001232011.....387, 389, 391
1001212056.....162, 176, 636	1001216194..... 102, 106, 110, 114, 118, 122, 126	1001225220 600, 608, 616, 620, 624, 628, 632	1001232034.....645
1001212188.....573	1001216238..... 102, 106, 110, 114, 118, 122, 126	1001225279 106, 114, 122, 126	1001232035.....645
1001212199.....411, 413	1001216258 296	1001225367 642	1001232201.....450
1001212328.....440, 449	1001216318 521	1001225639 643	1001232842.....259
1001212415.....638	1001216579 295	1001225676 93	1001233047.....642
1001212491.....449	1001216618 636	1001225677 93	1001233237.....642
1001212492.....449	1001216625 551	1001226098 188	1001233763.....259, 643
1001212494.....449	1001216626 551, 589	1001226102 106, 114, 122, 126	1001234099.....642
1001212495.....449	1001216630 301	1001226291 491	1001234247.....59, 73
1001212502.....449	1001216638 499, 551	1001226292 491	1001234408.....612
1001212503.....449	1001216806 485, 487, 489, 491, 589	1001226872 305	1001234789.....600, 604, 608, 612, 616, 620, 624, 628, 632
1001212504.....450	1001216976 .. 31, 59, 287	1001226902 431	1001234791.....165, 179, 197, 211
1001212505.....450	1001217007 102, 106, 110, 114, 118, 122, 126, 485, 487, 489, 492	1001226923 237	1001235962.....643
1001212507.....450	1001217086 449	1001227457 642	1001236073.....642
1001212509.....450	1001217087 449	1001227710 149	1001236268.....644
1001212510.....450	1001217088 449	1001227912 237	1001236746.....391
1001212512.....448, 452	1001218037 264	1001227948 237	1001236747.....387
1001212514.....450	1001218037 264	1001227960 105, 113, 121, 125, 639	1001236891.....387, 389, 391
1001212663.....297	1001218622 491	1001228025 273, 405	1001236895.....387, 389, 391
1001212669.....268	1001218623 491	1001228034 273, 401	1001236952.....644
1001212810.....170, 184	1001218762 41, 105	1001228065 17, 417	1001236990.....643
1001212817.....170, 183, 204, 218	1001218763 45, 113	1001228066 15, 397	1001237882.....643
1001212825.....161, 175	1001218764 49, 121	1001228090 263, 413	1001237883.....643
1001212826.....170, 184	1001218806 106, 114, 122, 126, 595	1001228091 268, 427	1001238236.....59
1001213053.....297	1001219110 31, 35	1001228093 275, 421	1001238263.....387, 389, 391
1001213276.....642	1001219415 385	1001228094 263, 409	1001238463.....389
1001213292.....66, 70, 74	1001219583 274	1001228215 305	1001239625.....643
1001213293.....66, 70, 74	1001219590 274	1001228363 644	1001239627.....643
1001213294.....66, 70, 74	1001219599 275	1001228364 106, 114, 122, 126	1001241273.....645
1001213295.....66, 70, 74	1001219600 275	1001228376 313	1001241335.....642
1001213296.....66, 70, 74	1001219601 105, 113, 121, 125	1001228377 317	1001241344.....642
1001213297.....66, 70, 74	1001220379 525	1001228591 644	1001241419.....643
1001213298.....66, 70, 74	1001220470 296	1001228872 162, 176	1001241672.....645
1001213392.....59	1001220482 333, 549	1001228959 642	1001241673.....645
1001213447.....555, 559	1001220864 642	1001228976 333	1001243895.....259
1001213448.....586	1001220955 333	1001228988 370, 373, 375, 377, 381	1060341.....363, 365
1001213622.....102, 106, 110, 114, 118, 122, 126	1001221279 642	1001229107 642	1060343.....256
1001213643.....161, 175	1001221425 264	1001229485 333	1060379.....385
1001213836.....297	1001221585 105, 113, 121, 125	1001229782 604	1060545.....509
1001213852.....385	1001222385 274	1001229922 333	1060903.....363, 365
1001213882.....340, 344	1001222387 274	1001230625 643	1060908.....505, 507
1001214029.....636	1001222402 274	1001230626 644	1060918.....357
1001214098.....297	1001222404 274	1001230931 511, 579, 589	1060945.....491
1001214275.....59, 65	1001222817 237	1001231072 59, 69	10702077.....252, 256
1001214463.....644	1001222918 198, 212	1001231235 644	10702082.....252, 256
1001214478.....644	1001223055 600	1001231291 450	1120549.....17
1001214540.....644	1001223241 126, 135	1001231315 600	1120555.....367
1001214548.....644	1001223242 51, 125	1001231316 620	1260017.....81
1001214552.....644	1001223453 601, 621	1001231317 628	1320022.....93, 218
1001214561.....644	1001223971 620	1001231318 632	1320041.....165, 179, 197, 211
1001214562.....644	1001224045 600, 604, 608, 612, 616, 620, 624, 628, 632	1001231319 608	1320136.....165, 179, 197, 211
1001214756.....285, 287	1001224046 162, 176	1001231320 624	1320159.....431
1001215021.....102, 106, 110, 114, 118, 122	1001224048 628	1001231321 616	1320177.....370, 381
1001215375.....333	1001224049 632	1001231801 636	1320263.....143, 431
1001215379.....333	1001224050 616	1001231949 391	1320288.....281, 283
1001215380.....333	1001224052 608	1001231950 387, 389	1320296.....431
1001215836.....499	1001224053 624	1001232010 387, 389, 391	
1001216021.....102, 106, 110, 114, 118, 122, 126, 638			

PART NUMBER INDEX

1320302 ... 370, 373, 375, 377	1703924 620	1705492..... 600	2131010 ...66, 70, 74, 515
1320328 281	1703925 616	1705493..... 624	2131012 19
1321293 295	1703926 624	1705503..... 628	2150406 66
1321385 431	1703927 628	1705505..... 620	2150606 70, 74
1321716 ... 160, 161, 168, 174, 182, 202, 216	1703935 632	1705511.... 600, 604, 608, 612, 616, 620, 624, 628, 632	2150806 289
1380147 ... 160, 174, 194, 208	1703936 620	1705514..... 636	2150808 289
1580012 329	1703938 624	1705515..... 604, 612	2150810 289
1580013 644	1703939 628	1705745..... 339, 343	2151010 515
1670603 479	1703941 632	1705822..... 604, 612	2151616 66, 70, 74
1670829 ... 129, 131, 133, 135	1703942 620	1705828..... 604, 612	2160002 79
1671039 295	1703943 616	1705864... 600, 604, 608, 612, 616, 620, 624, 628, 632	2170204 440, 448
1671040 17	1703944 624	1705865.... 600, 604, 608, 612, 616, 620, 624, 628, 632	2170216 62
1671092 256, 489, 491	1703945 628	1705868.... 600, 608, 616, 620, 624, 628, 632	2171310 440, 448
1671093 ... 370, 375, 489, 491	1703947 632	1705895..... 608	2180344 79
1671122 295	1703948 620	1705896..... 608	2180832... 160, 174, 194, 208, 370, 381
1671176 339, 343	1703949 616	1705897..... 608	2220235 435
1683053 403	1703950 624	1705898..... 608	2220313... 160, 174, 194, 208
1683062 395	1703951 628	1705902..... 608	2220366 431, 440, 448
1683063 399	1703953 600	1705903..... 608	2220371 37, 77
1684173 273, 403	1703959 ... 600, 604, 608, 612, 616, 620, 624, 628, 632	1705904..... 608	2220372 435
1684174 403	1703980 624	1705905..... 608	2220373 62, 289, 291, 440, 448
1684176 403	1703981 628	1705906..... 608	2220374 . 66, 70, 74, 440, 448
1684346 399	1703982 616	1705909..... 632	2220375 440, 448
1684430 273, 399	1703983 632	1705910..... 632	2220380 77, 440, 448
1701499 ... 600, 604, 608, 612, 616, 620, 624, 628, 632	1703984 620	1705915..... 632	2220415 . 19, 33, 35, 291, 431, 440, 448
1701505 ... 600, 604, 608, 612, 616, 620, 624, 628, 632	1704000 620, 636	1705917 632	2220435 77, 289
1701509 ... 367, 600, 604, 608, 612, 616, 620, 624, 628, 632	1704001 632, 636	1705921..... 604, 612	2220465 62, 66, 70, 74
1701518 604, 612	1704260 339, 343	1705961..... 604, 612	2220466 423
1701691 ... 600, 604, 608, 612, 616, 620, 624, 628, 632	1704277 ... 600, 604, 608, 612, 616, 620, 624, 628, 632	1705967..... 608, 636	2220468 62
1702565 339, 343	1704412 ... 600, 604, 608, 612, 616, 620, 624, 628, 632	1705969..... 628, 636	2220472 19, 66, 70, 74
1702566 339, 343	1704972 600, 624	1705969..... 628, 636	2220473 435, 440, 448
1702773 ... 319, 325, 327, 600, 604, 608, 612, 616, 620, 624, 628, 632	1705014 319, 325	1706059..... 608	2220478 440, 448
1702774 ... 600, 604, 608, 612, 616, 620, 624, 628, 632	1705132 339, 343	1706060..... 616	2220479 440, 448
1702868 ... 370, 375, 377, 381, 600, 636	1705171 339, 343	1706061..... 628	2220498 440, 448, 515
1702938 363, 365	1705305 ... 370, 373, 375, 377, 381	1706063..... 632	2220499 289
1702942 216	1705325 459, 461	1706064..... 620	2220500 289, 440, 448
1703162 ... 168, 182, 204, 218	1705336 600	1706098..... 604, 612	2220502 431
1703683 385	1705337 600	1706385..... 319, 325	2220504 435
1703797 600	1705338 624	1706493..... 327	2220515 423
1703804 600	1705339 628	1706501..... 327	2220518 423
1703805 600	1705341 620	1706741 339, 343	2220578 423, 440, 448
1703811 ... 600, 604, 608, 612, 616, 620, 624, 628, 632	1705344 624	2030010.... 370, 373, 375, 377, 381	2220582 ... 62, 66, 70, 74, 289, 291
1703814 ... 600, 604, 608, 612, 616, 620, 624, 628, 632	1705345 628	2080040.... 307, 311, 313, 321	2220596 62, 440
1703923 632	1705347 620	2080091..... 17	2220600 291
	1705351 600	2110404..... 448	2220602 440, 448
	1705355 ... 370, 373, 375	2110406.... 62, 66, 70, 74	2220618 440, 448
	1705374 248	2110604..... 448	2220816 237
	1705375 ... 256, 370, 375, 377	2110808..... 19, 435, 440, 448	2220861 33, 35
	1705387 248, 257	2110810.... 33, 35, 37, 62, 440, 448	2220865 . 62, 74, 77, 440, 448
	1705426 624	2110812..... 435	2220881 35, 395, 397
	1705427 628	2111010..... 62, 289, 440, 448, 515	2220883 35, 397, 399, 401, 403, 405, 407, 409, 411, 413, 419, 421, 423, 427
	1705429 620	2111012..... 19, 33, 35	2220885 35, 403, 405, 419, 421, 423, 427
	1705430 616	2111016. 33, 35, 440, 448	2220886 ... 395, 397, 399, 401, 407, 409, 411, 413
	1705460 252, 256	2111620..... 440, 448	2220887 ... 407, 409, 411, 413, 419, 423
	1705461 252	2120217 285, 287	
	1705466 ... 370, 373, 375, 377, 381	2130404..... 440	
	1705489 243, 252		
	1705490 371, 381		

PART NUMBER INDEX

2220888.....411, 413, 419	2920129 ... 102, 105, 110, 113, 118, 121, 125	481, 485, 487, 489, 491, 501, 503	3312005.....367
2220906..66, 70, 74, 423, 515	2920154 339, 343	3290807 ... 160, 168, 174, 182, 194, 202, 208, 216	3312205.....367
2220940.....431	2920161 143	3290807001 285, 287	3322201..... 89
2220947 62, 289, 515	2940074 ... 307, 311, 313, 321	3291001 93	3331411.... 160, 174, 194, 208
2221012.....423	2940173 150, 151	3291001001 301, 442, 448	3331611001.....275
2221034.....440, 448	3010136 273	3291005 83, 150, 168, 182, 202, 216, 273, 295, 335, 337, 499	3332415001.....299, 301
2221036.....423	3020008 19, 643	3291005001 150, 153, 155, 275, 281, 283, 285, 287, 301, 440, 448	3340763.....423, 427
2221050.....440, 448	3020021 225, 643	3291007 . 91, 93, 97, 102, 105, 110, 113, 118, 121, 125, 149, 160, 165, 168, 174, 179, 182, 194, 197, 202, 208, 211, 216	3340764.....283
2221077 440, 448	3020037 ... 165, 179, 197, 211, 643	3291201 ... 243, 247, 251, 255	3340934.....431
2221086....33, 35, 37, 62, 66, 70, 74, 289, 291	3020039 15, 273, 643	3291201001 150	3340941..... 281, 283
2221114.... 160, 174, 194, 208	3020042 268, 273	3291201001 150	3340956.....367
2221155.....77	3020043 415, 417	3291201 ... 243, 247, 251, 255	3380434.....335, 337
2230025.....440, 448	3160339 19, 21	3291201001 301	3421453.....370, 381
2230026.....440, 448	3251102 ... 243, 247, 251, 255	3291205 89, 91, 93	3421563..... 81
2230031.....440, 448	3251242 ... 465, 467, 469, 471, 473, 475, 477, 479	3291205001 ... 29, 31, 39, 41, 43, 45, 47, 49, 51, 299, 301	3421565..... 81
2230035.....440, 448	3251243 ... 248, 256, 457	3291207001 301	3422178.....273
2230036.....440, 448	3252347 600	3291407001 15, 17	3422661.....385
2300014.....643	3271501 149	3291601 ... 168, 182, 202, 216	3422912..... 15
2300016.....643	3271605 ... 387, 389, 391	3292201 273	3422937.....273
2300019.....643	3271805 ... 319, 325, 327	3292401001 263	3422957.....273
2300029.....643	3272001 ... 387, 389, 391	3300151 ... 305, 309, 313, 315, 317, 323, 370, 373, 375, 377	3422958.....273
2300039.....643	3290301 ... 160, 174, 194, 208	3300353 339, 343	3423190.....273
2360030.... 129, 131, 133, 135	3290405 ... 101, 105, 109, 113, 117, 121, 125, 143, 160, 174, 194, 208, 335, 337, 459, 461, 463, 465, 467, 469, 471, 473, 475, 477, 479, 501, 503	3300396 247, 252, 256	3430616.....340, 344
2400060.....259	3290405001 243	3300408 339, 343	3430816.... 160, 174, 194, 208
2400066.....521	3290505 ... 129, 131, 133, 135	3300430 359, 361	3441240..... 399
2410014.... 319, 325, 327	3290507 ... 102, 105, 110, 113, 118, 121, 125, 197, 211	3300449001 331	3450404.... 160, 174, 194, 208
2540044.....431	3290601 ... 106, 114, 122, 126, 150, 151	3300464001 17	3451214..... 17
2560136.....339, 343	3290605 ... 39, 41, 43, 45, 47, 49, 51, 101, 105, 109, 113, 117, 121, 125, 141, 145, 151, 160, 161, 174, 175, 194, 208, 335, 337, 370, 381, 499, 501, 503	3300492 431	3460334..... 367
2560187 150, 151	3290606 ... 309, 315, 317, 323	3310401 ... 165, 179, 197, 211	3470003..... 340, 344
2600281.... 307, 311, 313, 321	329060729, 31, 143, 160, 165, 168, 174, 179, 182, 194, 197, 202, 208, 211, 216, 295	3311001 252, 256	3480269.....395
2720015.... 168, 182, 202, 216	3290801001 440, 448	3311005 ... 145, 247, 251, 255, 339, 343, 370, 373, 375, 377, 381	3480271.....403
2720160.....370, 381	3290805 ... 101, 105, 109, 113, 117, 121, 125, 149, 160, 168, 174, 182, 202, 216, 295, 485, 487, 489, 492	3311005001 243	3480282..... 399
2720340.... 168, 182, 202, 216	3290805001 296, 333	3311401 363, 365	3520026..... 339, 343
2750528.....79	3290805001 17, 101, 106, 109, 114, 117, 122, 126, 150, 243, 247, 251, 255, 301, 457,	3311405 29, 459, 461, 463, 465, 467, 469, 471, 473, 475, 477, 479, 600, 604, 608, 612, 616, 620, 624, 628, 632	3520032..... 150, 151
2750532.... 162, 175, 195, 209	2902087 395, 397	3311501 363, 365	3520035..... 340
2751032.....79	2902092 403	3311505 385	3520071..... 367
2760105.... 129, 131, 133, 135	2902212.....367	3311601 ... 102, 105, 110, 113, 118, 121, 125, 340, 344	3520072.... 305, 307, 309, 311, 313, 315, 317, 319, 321, 323, 325, 327
2820019.....537, 539	2902217 370, 373, 375	3311605 ... 237, 319, 325, 327, 370, 373, 375, 377	3520173..... 150, 151
2820031.... 243, 247, 251, 255	2902285 399, 401	3312002 83, 387, 389, 391	3520182.....361
2820035.....259	2902443.....522, 525		3520189.....252
2820171 549	2920028.....363, 365		3520192.....252
2840016.... 160, 174, 194, 208	2920029.....363, 365		3520198.... 305, 307, 309, 311, 313, 315, 317, 321, 323
2860030.....638			3573400.... 370, 373, 375, 377
2900770.... 403, 405, 411, 413, 419, 421, 423, 427			3573642.... 370, 373, 375, 377
2901443.....644			3574091..... 363, 365
2902065.... 168, 182, 202, 216, 225			3576799..... 370, 381
2902087 395, 397			3577121.... 370, 373, 375, 377
2902092 403			3580317.... 243, 247, 251, 255
2902212.....367			3580318.....243, 251
2902217 370, 373, 375			3740067.... 101, 105, 109, 113, 117, 121, 125, 160, 174, 194, 208, 638
2902285 399, 401			3760133.....273
2902443.....522, 525			3760170..... 81
2920028.....363, 365			3760217.....273
2920029.....363, 365			3760233.....273

PART NUMBER INDEX

3760368	403, 405	4031510	295	4460019	585	4460470 ...	339, 343, 499, 556, 560, 586
3760371	395, 399, 401	4031512	17, 295	4460042	522, 525, 545	4460471 ...	340, 343, 499, 556, 560, 586
3760383	17, 295	4031707	17, 295	4460043	259, 525	4460473	495, 497
3790012	339, 343	4031708001	333	4460049	363, 365	4460496 ...	101, 105, 109, 113, 117, 121, 340, 343, 499, 556, 560, 586
3790152 ...	165, 179, 197, 211	4031912	202, 216	4460051	457	4460497 ...	101, 105, 109, 113, 117, 121, 340, 343, 499, 556, 560, 586
3790155 ...	165, 179, 197, 211	4032311001	17	4460071	247, 255, 357	4460508 ...	551, 555, 559, 586
3790158	19	4060802 ...	243, 247, 251, 255	4460134	485, 487	4460509	495, 497, 522
3820001 ...	600, 604, 608, 612, 616, 620, 624, 628, 632	4060807 ...	170, 184, 204, 218	4460144	545	4460510	645
3820020 ...	307, 311, 313, 321	4060865	143	4460183	555, 559	4460516	515
3820032 ...	168, 182, 202, 216	4060906 ...	129, 131, 133, 135, 339, 343	4460205	457, 485, 487	4460518 ...	552, 555, 559, 577, 583, 591
3841143 ...	160, 174, 194, 208, 273, 301	4070863	273	4460224	339, 343	4460536	141, 525, 551
3841203	273	4070864	273	4460225	537, 539, 555, 559	4460539 ...	483, 525, 529, 551, 577, 586, 593, 595
3841258	15, 17, 273	4070897	273	4460226	339, 343, 352, 355, 357, 555, 559	4460633	589
3841287	263	4070898	273	4460227	511, 555, 559	4460662 ...	469, 473, 477, 479
3841356	15, 263	4071044	273	4460234	339, 343, 363, 365	4460670	586
3900054	319, 325, 327	4071045	273	4460247	522, 525, 586	4460703	522, 525, 586
3900183	339, 343	4071073	273	4460256	483, 585	4460708	589
3900260	431	4071074	339, 343	4460259	545, 555, 560	4460722 ...	259, 551, 577, 585
3900283	285, 287	4071076	281	4460260	545, 555, 559	4460748	522
3900349	339, 343	4100063	431	4460265	352, 355	4460761 ...	511, 555, 559, 585
3900363	150, 151, 295	4100100	403	4460267	555, 559, 585, 589	4460806 ...	467, 469, 471, 473
3900393001	281	4100101	273	4460268	537, 539, 551, 555, 559	4460807	537, 539
3910408 ...	165, 179, 197, 211	4120035	545	4460314	555, 559	4460808	537, 539
3910606	247, 255, 457	4160197	273	4460315	457, 555, 559	4460836 ...	483, 515, 551, 585, 593, 595
3910612	457	4220189	281	4460346	247, 255, 457	4460871 ...	511, 545, 555, 559, 585, 593, 595
3910804 ...	129, 131, 133, 135	4220190	281	4460384	479	4460872	511, 593, 595
3911010	145	4240018 ...	243, 247, 251, 255, 431, 435, 440, 448	4460418	545, 555, 559	4460873 ...	511, 555, 559, 585
3931012	339, 343	4240033	359, 431	4460419	545, 555, 559	4460874 ...	511, 555, 559, 585
3931016 ...	243, 247, 251, 255	4240099 ...	102, 105, 110, 113, 118, 121, 125, 160, 168, 174, 182, 194, 202, 208, 216, 259, 363, 365, 370, 373, 375	4460425	243, 247, 252, 256, 363, 365	4460875	511, 593, 595
3931408	359	4240149	367	4460426	243, 247, 252, 256, 499	4460876 ...	511, 545, 555, 559
3931424	359	4240155	450	4460428	301, 339, 343	4460878	515, 585
3931508	419, 423	4240156	441	4460434	551, 555, 559	4460879	555, 559
3931512	515	4360057	363, 365	4460443	586	4460880	512
3931516	403, 405	4360070 ...	247, 252, 256	4460458	522	4460884 ...	517, 521, 525, 533, 551, 555, 559, 573, 585, 589, 593, 595
3931620	165, 179	4360328 ...	129, 131, 133, 135, 638	4460464	17, 145, 295, 296, 357, 483, 511, 512, 515, 517, 519, 526, 531, 535, 545, 551, 555, 559, 577, 579, 583, 585, 586, 591	4460887 ...	515, 555, 559, 585
3931740	423	4360336 ...	243, 247, 251, 255, 639	4460465	143, 483, 485, 487, 489, 491, 495, 497, 511, 512, 515, 517, 519, 521, 522, 525, 526, 533, 535, 537, 539, 541, 543, 545, 547, 549, 551, 552, 555, 559, 573, 577, 581, 583, 585, 586, 589, 591, 593, 595	4460891 ...	143, 511, 512, 517, 519, 526, 535, 551, 583, 585, 589, 591, 593, 595
3931824 ...	395, 397, 399, 401	4360387 ...	129, 131, 135, 339, 343, 363, 365, 638	4460466	483, 485, 487, 489, 491, 495, 497, 511, 512, 515, 517, 519, 521, 522, 525, 526, 545, 549, 551, 555, 559, 573, 581, 583, 585, 586, 591, 593, 595	4460467	644
3931840	419	4360407 ...	339, 343, 638	4460467	644		
3932264	411, 413	4360469 ...	129, 131, 133, 135, 638				
3932272	407, 409	4360475 ...	129, 131, 133, 135, 339, 343, 638				
3951405	415, 417	4360476 ...	129, 131, 133, 135, 638				
3952020	83	4360527	639				
3960389	295	4360548	295, 639				
3960422	247, 255, 457	4420014	367				
3960525	91, 93	4420037 ...	370, 373, 375, 377				
3960551	17	4420038	97				
3980006	97	4420051	636				
4000008	295, 639	4420062	385				
4010308 ...	160, 174, 194, 208	4420066	367				
4010408 ...	243, 331, 501, 503	4420068	363, 365				
4010608	370, 381	4460016	556, 560				
4010618 ...	309, 315, 317, 323						
4031509	295						

PART NUMBER INDEX

4460892.....521, 551, 591	4461071 522, 525	373, 375, 377, 600,	4812000.....29, 31, 57, 59,
4460893.....551, 586	4461072 522, 525	604, 608, 612, 616,	83, 93, 97, 102, 105,
4460894.....483, 485, 487,	4461074 522, 525	620, 624, 628, 632	110, 113, 118, 121,
489, 491, 521, 525,	4461076 295	4751400001 331, 333	125, 149, 160, 165,
545, 551, 581, 585, 591	4461077 ... 296, 552, 577	4751500 363, 365, 385	168, 174, 179, 182,
4460897.....145, 526, 535	4461095 521, 583	4751600 ... 102, 105, 110,	194, 197, 202, 208,
4460899.....17, 511, 512,	4461117 483	113, 118, 121, 125,	211, 216, 243, 247,
519, 579, 586, 591	4461196 563	370, 373, 375, 377	251, 255, 273, 287,
4460905....340, 343, 511,	4461198 461, 563	4751800 ... 319, 325, 327,	335, 337, 485, 487,
545, 555, 559, 585,	4461199 565	363, 365	489, 491
593, 595	4461201 465, 565	4755000001 17	481200291, 93, 149, 168,
4460906.....551	4461202 567	4760600 457	182, 202, 216, 274,
4460910.....15, 296, 575	4461205 569	4761400 329	337, 499
4460911.....483, 512, 579	4461228 296	4761600 ... 102, 105, 110,	4812002001.....150
4460912.....483	4461244 469, 567	113, 118, 121, 125	4812100.....89, 149, 165,
4460913.....296	4461245 473, 569	4791400 ... 106, 114, 122,	168, 179, 182, 197,
4460914.....17	4461246 477, 571	126, 160, 174, 194, 208	202, 211, 216, 295
4460917.....15, 295, 296	4461249 571	4811400 ... 101, 105, 109,	4812100001....29, 31, 39,
4460918.....296, 579	4461271 511	113, 117, 121, 125,	41, 43, 45, 47, 49, 51,
4460925.....555, 559	4530028 ... 370, 373, 375,	160, 174, 194, 208,	150, 281, 283, 301
4460926.....591	379	295, 335, 337, 459,	4812102.....89, 91, 93
4460928.....552, 577, 583	4562516 431	461, 463, 465, 467,	4812200....160, 169, 174,
4460929.....575	4640452 403, 405	469, 471, 473, 475,	182, 194, 202, 208, 216
4460930....483, 521, 525,	4640746 419, 421	477, 479	4812200001.....15, 17
543, 551, 573, 593, 595	4640751 ... 168, 182, 202,	4811400001 243	4812700001.....263
4460931.....586	216	4811600 ... 102, 105, 110,	4831400.....331
4460932....295, 483, 485,	4641114 403, 405	113, 118, 121, 125,	4845582.....385
487, 489, 491, 531,	4641155 29, 31	165, 168, 179, 182,	4846482.....274
545, 585	4641260 403, 405	197, 202, 211, 216	4846627....370, 373, 375,
4460933....483, 522, 547,	4641386 399, 401	4811700 ... 29, 31, 39, 41,	377
551, 555, 559, 583,	4641388 399, 401	43, 45, 47, 49, 51, 101,	4846673.....363, 365
585, 593, 595	4641393 399, 401	105, 109, 113, 117,	4871200....161, 175, 194,
4460934.....483, 521, 551	4711000 ... 145, 252, 256	121, 125, 141, 145,	208
4460935.....483, 522, 551	4711400 ... 150, 151, 305,	151, 160, 165, 168,	4871700....106, 114, 122,
4460941.....517	309, 313, 315, 317,	174, 179, 182, 194,	126, 243, 247, 251, 255
4460942.....517, 521, 525	323, 359, 361, 459,	197, 202, 208, 211,	4891600....165, 179, 197,
4460943....141, 511, 515,	461, 463, 465, 467,	216, 243, 247, 309,	211, 423
517, 525, 545, 551,	469, 471, 473, 475,	315, 317, 323, 370,	4891700.....423
555, 559, 585, 586	477, 479	381, 501, 503	4891800....161, 165, 175,
4460944....483, 515, 517,	4711400001 331	4811700001 296, 333,	179, 194, 197, 208,
521, 522, 525, 529,	4711500 149	431	211, 419
545, 547, 549, 551,	4711600 97, 168, 182,	4811702 ... 101, 105, 109,	4921850.....645
555, 559, 585	202, 216, 237, 340,	113, 117, 121, 125,	4922641....244, 248, 252,
4460945.....529	344, 387, 389, 391, 431	143, 168, 182, 202,	257
4460950.....511, 585	4711600001 . 57, 59, 285,	216, 335, 337, 499	4922925....252, 256, 539
4460954.....296	287	4811702001 331, 333	4933218.....454
4460956.....505, 507	4711700 251, 255	4811900 ... 101, 105, 109,	5241000....161, 169, 175,
4460957.....505, 507	4711800 17, 160, 174,	113, 117, 121, 125,	182, 194, 202, 208, 216
4460959.....491	194, 208, 319, 325, 327	150, 151, 160, 168,	5241000001.....275, 299,
4460960.....491	4712000 ... 367, 387, 389,	174, 182, 194, 202,	301
4460962....370, 375, 489	391	208, 216, 295, 485,	5241200.....19, 243, 247,
4460963.....256, 489	4712200 ... 160, 174, 194,	487, 489, 492	251, 255, 274
4460967.....541, 543	208, 367	4811900001 ... 17, 29, 31,	5241200001.....268, 299,
4460968....295, 461, 465	4740057 83	102, 106, 109, 114,	301
4460970.....545, 585	4740171 ... 165, 179, 197,	118, 122, 126, 150,	5241600....169, 183, 203,
4460971.....370, 381	211	243, 247, 251, 255,	217
4460982.....517	4740229 15, 17	285, 287, 301, 440,	5242000001.....19
4460984....521, 593, 595	4740362 335, 337	448, 457, 481, 485,	5242400.....79
4461006.....522	4740505 17	487, 489, 491, 501, 503	5242400001.....299, 301
4461008.....522, 526	4750400 ... 165, 179, 197,	4811902 ... 102, 105, 110,	5250806001.....296
4461016.....551	211	113, 118, 121, 125,	5250810001.....296
4461017.....515	475100091, 93, 247, 251,	149, 160, 168, 174,	5251008001.....297, 301
4461018.....585	255, 340, 343, 370,	182, 202, 216, 295	5251010001.....275, 296
4461043.....522, 525	373, 375, 377, 381	4811902001 102, 106,	5251012001.....296
4461054.....522	4751000001 243	110, 114, 118, 122,	5251013.....297
4461060.....531	4751400 ... 329, 340, 344,	126, 150	5251016001.....296, 301
4461070.....521, 583	361, 363, 365, 370,		

PART NUMBER INDEX

5251022 ... 169, 183, 202, 216	70002139 228	70002758..62, 66, 70, 74, 289	70004406 . 407, 409, 419, 421
5251210001 53	70002140 228	70002759..62, 66, 70, 74, 289	70004407 419, 421
5261018 295	70002141 228		70004411 95
5271614 203, 217	70002142 228	70002760.....62	70004412 95
5272023 419, 423	70002143 228	70002813.....187, 221	70004416 231
5272024 407, 409	70002144 228	70002838.....95	70004417 231
5272025 411, 413	70002145 228	70002859.....279	70004418 231
70000342 277	70002148 228	70002902.....357	70004419 231
70000619 251, 255	70002150 228	70002903.....357	70004420 231
70000778 407, 409	70002151 228	70002904.....357	70004421 231
70000781 66, 70, 74	70002152 228	70002905.....357	70004422 231
70000793 225	70002153 228	70002962.....66, 70, 74	70004423 232
70000796 279	70002154 228	70002978.....33	70004425 232
70000803 33, 35	70002155 228	70003019.....291	70004426 232
70000804 35	70002156 228	70003020.....291	70004429 23
70000805 35	70002157 228	70003021.....291	70004430 23
70000852 21	70002158 228	70003023.....291	70004431 23
70000853 21	70002159 228	70003027.....291	70004432 23
70000854 21	70002160 228	70003408.....33, 35	70004433 23
70000855 21	70002161 228	70003484.....515	70004434 23
70000856 21	70002162 228	70003533.....331	70004435 23
70000857 21	70002163 228	70003534.....331	70004436 23
70000858 21	70002164 228	70003535.....331	70004437 23
70000859 21	70002165 228	70003536.....331	70004438 23
70000860 21	70002166 229	70003628.....21	70004439 23
70000861 21	70002168 229	70003631.....251, 256	70004440 23
70000862 21	70002174 229	70003708..244, 248, 252, 256	70004441 23
70000863 251, 256	70002175 229	70003709..244, 248, 252, 256	70004442 23
70001100 251, 255	70002177 229		70004443 23
70001181 191	70002178 229	70003784.....339, 343	70004444 23
70001384 251, 255	70002179 229	70003788.....263, 638	70004445 23
70001424 383	70002231 57, 59, 638	70003919.....281, 638	70004446 23
70001425 383	70002297 251, 256	70003920.....281	70004447 23
70001427 383	70002386 33, 35, 638	70003948.....277	70004448 23
70001428 383	70002460 252, 256	70004017.....33, 35	70004449 24
70001429 383	70002576 235	70004050..62, 66, 70, 74, 291	70004450 24
70001430 383	70002577 235	70004051.....289, 291	70004451 24
70001431 383	70002578 232	70004052..61, 62, 65, 66, 69, 70, 73, 74, 289, 291	70004452 24
70001432 383	70002580 231	70004055..37, 61, 65, 69, 73	70004453 24
70001639 277	70002582 231	70004071.....283, 638	70004456 289
70001640 279	70002583 231	70004092..244, 248, 252, 256	70004457 . 62, 66, 70, 74, 291
70001696 252, 256	70002585 232	70004093.....256	70004459 . 37, 61, 65, 69, 73, 289
70001697 277	70002586 231	70004094.....252, 256	70004460 . 37, 61, 65, 69, 73, 289, 638
70001870 187, 221	70002588 231	70004095.....256	70004461 37
70001955 231	70002589 231	70004096.....252, 256	70004462 37
70001956 231	70002590 231	70004097.....252, 256	70004463 37, 638
70001958 229	70002592 231	70004098..244, 248, 252, 256	70004464 37
70001966 . 244, 248, 252, 256	70002593 231	70004099.....256	70004465 37
70001973 . 244, 248, 252, 256	70002595 232	70004150.....95, 638	70004466 85
70001974 252, 256	70002599 232	70004164.....37	70004467 85
70002028 23	70002600 228	70004171...244, 248, 251	70004468 85
70002031 23	70002601 228	70004185.....645	70004469 85
70002032 23	70002602 228	70004275.....221	70004470 85
70002036 23	70002604 228	70004280.....191	70004471 85
70002052 23	70002605 229	70004363.....23	70004472 85
70002057 23, 85	70002606 229	70004383.....33, 35	70004473 85
70002097 .. 285, 287, 638	70002607 229	70004384.....33, 35	70004474 85
70002132 228	70002609 229	70004385.....33	70004475 85
70002133 228, 231	70002610 229	70004386.....33, 35	70004476 85
70002134 228	70002612 229		70004477 85
70002135 228	70002616 229		70004478 85
70002136 228	70002617 229		70004479 85
70002137 228	70002618 228		70004480 85
70002138 228	70002619 228		
	70002620 228		
	70002621 229		
	70002622 229		
	70002623 229		
	70002629 229		
	70002718 187, 221		

PART NUMBER INDEX

70004481.....85	70004619..... 66, 70, 74	70005503 190	70005651.....251
70004482.....85	70004646 645	70005504 190	70005652.....252
70004483.....85	70004647 645	70005505 190	70005654..411, 413, 419,
70004484.....85	70004648 645	70005506 190	421
70004485.....85	70004653 291	70005507 190	70005655.....411, 413
70004486.....85	70004676 244, 248	70005508 190	70005656.....411, 413
70004487.....85	70004678 244, 248	70005509 190	70005657.....263
70004488.....86	70004679 244, 248	70005511 189	70005658.....407, 409
70004489.....86	70004680 244, 248	70005512 188	70005659.....407, 409
70004490.....86	70004681 244	70005513 188	70005666.....283
70004491.....85	70004683 244, 248	70005514 188	70005678.....515
70004492.....86	70004685 248	70005515 189	70005679.....515
70004493.....86	70004738 355	70005516 189	70005721 191
70004494.....86	70004739 355	70005517 189	70005804.....427
70004505..... 187, 221	70004740 355	70005518 189	70005916.....190
70004506..... 187, 221	70004741 355	70005519 189	70005917.....190
70004507..... 187, 221	70004742 355	70005521 189	70005943...61, 65, 69, 73
70004508..... 187, 221	70004743 355	70005522 189	70005944...61, 65, 69, 73
70004509..... 187, 221	70004744 355	70005523 189	70005945...61, 65, 69, 73
70004510..... 187, 222	70004745 355	70005524 189	70005946...61, 65, 69, 73
70004511..... 188, 222	70004746 355	70005525 189	70005947..61, 62, 65, 66,
70004512...188, 222, 638	70004747 355	70005526 189	69, 70, 73, 74
70004513..... 188, 222	70004748 355	70005527 189	70005948...61, 65, 69, 73
70004514.....222	70004749 355	70005528 189	70005950...62, 66, 70, 74
70004515.....222	70004750 355	70005529 189	70005951...62, 66, 70, 74
70004516..... 188, 222	70004751 355	70005530 189, 190	70005952...62, 66, 70, 74
70004517.....223	70004752 351	70005531 189, 190	70005953...62, 66, 70, 74
70004518.....223	70004753 351	70005532 189	70005954.....62, 289
70004519.....223	70004754 351	70005535 190	70005955.....62, 289
70004520..... 189, 223	70004755 351	70005536 190	70005956.....62
70004583...61, 65, 69, 73	70004756 351	70005537 190	70005957.....62
70004584...61, 65, 69, 73	70004757 351	70005538 190	70005958..62, 66, 70, 74,
70004585..61, 65, 69, 73,	70004758 351	70005541 190	77, 289
289, 291	70004759 351	70005542 190	70005959.....77
70004586...61, 65, 69, 73	70004760 351	70005544 190	70005961.....77
70004587...61, 65, 69, 73	70004761 351	70005545 190	70005962.....289
70004588..61, 62, 65, 66,	70004762 351	70005546 190	70005963.....289
69, 70, 73, 74, 289	70004763 351	70005547 190	70005964.....289
70004589...61, 65, 69, 73	70004764 351	70005548 190	70005965.....289
70004590...61, 65, 69, 73	70004765 351	70005549 190	70005966.....291
70004591...61, 65, 69, 73	70004766 351	70005550 190	70005967.....291
70004592...61, 65, 69, 73	70004767 351	70005551 190	70005999.....419, 421
70004593..61, 65, 69, 73,	70004768 351	70005552 190	70006003.....264
289	70004769 351	70005553 190	70006004.....264
70004594..61, 62, 65, 66,	70004770 351	70005554 190	70006005.....264
69, 70, 73, 74, 289	70004771 351	70005555 190	70006006.....264
70004595..61, 62, 65, 66,	70004772 351	70005556 190	70006344.....427
69, 70, 73, 74, 289	70004773 351	70005557 190	70006403.....237
70004596..61, 62, 65, 66,	70004774 351	70005558 190	70006404.....237
69, 70, 73, 74, 289	70004775 351	70005565 91, 93	70006405.....237
70004597..61, 62, 65, 66,	70005189 189	70005598 ..409, 411, 413	70006406.....237
69, 70, 73, 74, 289	70005191 189	70005599 423, 427	70006407.....237
70004600...61, 65, 69, 73	70005199 77	70005600 423, 427	70006408.....237
70004601..62, 66, 70, 74,	70005230 355	70005601 423, 427	70006409.....237
289	70005433 421, 427	70005602 423, 427	70006410.....237
70004602..61, 62, 65, 66,	70005487 187	70005603 423, 427	70006469.....417
70, 74, 289	70005489 187	70005615 99	70006470.....417
70004603...62, 66, 70, 74	70005491 188	70005616 99	70006471.....417
70004607.....61, 65	70005492 188	70005617 99	70006472.....397
70004609...61, 65, 69, 73	70005493 188	70005618 99	70006473.....397
70004610...62, 66, 70, 74	70005495 188, 639	70005619 99	70006474.....397
70004613...62, 66, 70, 74	70005496 188	70005620 279	70006475.....397
70004614.....77	70005497 188	70005621 279	70006494.....401
70004615.....77	70005498 188	70005622 279	70006495.....401
70004617..62, 66, 70, 74,	70005499 189	70005624 244, 248	70006496.....401
289, 291	70005501 190	70005625 248	70006510.....413
70004618.....66, 70, 74	70005502 190	70005633 411, 413	70006511.....413

PART NUMBER INDEX

70006512	413	70024328 .	169, 183, 203, 217	70025154.....	188, 222	7004275	645
70006523	405	70024329 .	169, 183, 203, 217	70025210.....	222, 639	7004276	645
70006524	405	70024469	189, 223	70025234.....	221	7007207	228, 231
70006525	405	70024471	187, 221	70025235.....	188, 222	7007415	229, 231, 232
70006526	405	70024473	222	70025239.....	188, 222	7007418	228
70006545	409	70024474	189, 223	70025240.....	188, 222	7007419	228
70006546	409	70024475	188, 222	70025242.....	189	7007420	21
70006552	243, 247	70024478	189, 223	70025533.....	189, 223	7007437	21
70006553	243, 247	70024479	189, 223	70025534.....	188, 222	7007438	21
70006707	69, 73	70024480	189, 223	70025675.....	222	7007439	21
70006708	69, 73	70024481	187, 221	70025680.....	187, 221	7007446	21, 228, 231
70006731	421, 428	70024482	223	70025681.....	190, 222	7007489	235
70006732	427	70024483	187	70025686.....	188, 222	7010543	33, 35
70006853	427	70024484	188, 222	70025687...	189, 190, 223	7011346...	411, 413, 423, 427
70006854	427	70024485	188, 222	70025699...	189, 190, 223	7011351...	407, 409, 419, 421, 423, 427
70006856	427	70024486	222	70025701.....	189, 223	7011353	399, 401
70006857	427	70024487	187, 221	70025704.....	191	7011361...	411, 413, 423, 427
70006858	427	70024488	187, 221	70025707.....	223	7011368	423, 427
70006859	427	70024489	187, 221	70025708.....	223	7011371	423, 427
70006860	427	70024490	188, 222	70025709.....	223	7011376...	395, 397, 399, 401, 407, 409, 411, 413
70006861	427	70024494	187	70025710.....	223	7011381	419, 421
70006862	428	70024495	187, 221	70025713.....	222	70124410	191
70006863	428	70024496	223	70025714.....	221	70124440	191
70006864	428	70024497	187, 221	70025717.....	221	7012773...	37, 61, 65, 69, 73, 289
70006865	428	70024498	188, 222	70025718.....	187, 221	7012941	33, 35
70006866	421	70024499	188, 222	70025721.....	222	7012967	403, 405
70006867	421, 427	70024500 ..	189, 190, 223	70025722.....	187, 221	7012973	33, 35
70006868	421	70024501	188, 222	70025723.....	223	7012998	33, 35
70006869	421	70024503	223	70025726.....	188, 222	7016272	143
70006870	421	70024504 .	188, 189, 222, 223	70025729.....	222	7016309	188, 222
70006871	421	70024507	188	70025730.....	187, 221	7016319	143
70006872	421	70024509	187, 221	70025731.....	187, 221	7016322...	160, 174, 194, 208
70007005	99	70024513	188, 222	70025737.....	190	7016331	187, 221, 638
70007006	99	70024916	223	70025739.....	190	7016374...	160, 174, 194, 208
70007007	99	70024917	223	70025740.....	190	7016654	645
70007439	229	70024918	188, 222	70025741.....	188, 222	7016655	645
70022286	231	70024919	188, 222	70025744.....	223	7017142	277
70022287	231	70024920 .	188, 189, 222, 223	70025745.....	187, 221	7017159	277
70023351	231	70024921	222	70025747.....	190	7017163	277
70023352	231	70024961	188, 222	70025748.....	222	7017164	277
70023353	231	70025082	191	70025749.....	190	7017187	279
70023354	231	70025085	187	70025750.....	190	7017189	279
70023355	231	70025087	221	70025752.....	190	7017195	277
70023357	231	70025088	187, 221	70025753.....	190	7017402	291
70023358	231	70025089	187, 221	70025755.....	187, 221	7017493	33, 35
70023359	231	70025105	187, 221	70025756.....	188, 222	7018942...	62, 66, 70, 74, 289
70023361	231	70025109	188, 222	70025758.....	191	7020175...	129, 131, 133, 135, 339, 343
70023362	231	7002511	187, 221	70025759.....	191	7020176...	129, 131, 133, 135, 339, 343
70023363	231	70025111	187, 221	70025762.....	188, 222	7020442	187, 221
70023368	421	70025111	187, 221	70025763.....	187, 221	7020465	187, 221
70023592	203, 639	70025116	187, 221	70025764.....	190	7020492	189, 223
70023593	203, 639	70025119	187, 221	70025766.....	222	7021249	21
70023809 .	169, 183, 203, 217, 638	70025120	188, 222	70025768.....	189, 223	7021256	229
70023859 ..	61, 65, 69, 73	70025123	187, 221	70025772.....	188, 222	7021265	229
70023860 .	61, 62, 65, 66, 69, 70, 73, 74	70025128	187, 221	70025773.....	189, 223	7021275	21, 228, 231
70023862 ..	61, 65, 69, 73	70025131	189, 223	70025780.....	189, 223	7021293	229
70023866	77	70025132	187, 221	70025783.....	223		
70023867	77	70025137	187, 221	70025786.....	187, 221		
70023872 .	169, 183, 203, 217, 638	70025140	188, 222	70025789.....	221		
70023992	61	70025141	189, 223	70025877	189		
70024039	231	70025144	188, 222	70025979	232		
70024040	231	70025145	188, 222	70026210	189		
70024072	411, 413	70025146	188, 222	70026446	263		
		70025149	189, 223	70027702	421		
		70025150	223	7002821	644		
		70025151	188, 222	7002822	645		
		70025152	187, 221	7002823	644		
		70025153 ..	188, 222, 638	7002828	645		

PART NUMBER INDEX

7021375.....37, 61, 65, 69, 73, 289	7024535 383	8220045 521	8406102..... 161, 175
7021625.....33, 35	7024536 383	8220051 531	8406105.... 161, 175, 195, 209
7022300.....229	7024537 383	8220068 593, 595	8406109.... 169, 183, 203, 217, 457, 481, 501, 503
7022301.....228	7024574 407, 409	8220097 522	8406110.... 169, 183, 204, 218
7022311.....21	7024579 187, 221	8220098 522	8406201..... 161, 175
7022314.....21	7024598 ... 160, 174, 194, 208	8220115 525	8406303..... 203, 217
7022321.....21	7024800 229	8220116 586	8410009..... 161, 175
7022340.....231	7024865 21	8229242 ... 521, 586, 638	8410011.... 169, 183, 203, 217
7022368.....21	7024867 21	8229244 ... 521, 586, 638	8410012.... 169, 183, 204, 218
7022371.....21	7024868 21	8229245 522, 638	8410013.... 169, 183, 203, 217
7022390.....291	7024868 21	8229247 521, 638	8750014.... 161, 175, 194, 208
7022399.....33, 35	7024885 291	8278020 ... 169, 183, 203, 217	8750027..... 161, 175
7022523.....289	7024899 291	8305401 ... 169, 183, 203, 217	8750031.... 161, 175, 194, 208
7022608.....229	7026004 407, 409	8305919 ... 243, 247, 251, 255	8760554..... 448
7023377.....231	7026030 515	8307109 ... 169, 183, 203, 217	8769122..... 435
7023821.....61, 65	7026031 515	8310067 ... 161, 175, 194, 208	8769123.... 161, 175, 195, 209
7023922.....291	7026032 515	8310129 367	8769128..... 435
7023962.....231	7026597 252, 256	8310548 ... 169, 183, 203, 217	88261128..... 57, 59
7023964.....231, 232	7026626 252, 256	8310614 297	88521214... 387, 389, 391
7024441.....95	7027740 21	8310643001 101, 106, 109, 114, 117, 122, 126, 150, 285, 287	88662013..... 440, 448
7024462.....379	7027773 379	8310686 ... 101, 105, 109, 113, 117, 121, 125, 295	91203039..... 301
7024463.....379	7027774 379	8405006 237	91403230.. 600, 604, 608, 612, 616, 620, 624, 628, 632
7024467.....379	7027775 379	8405007 ... 169, 183, 203, 217	91554014.. 511, 579, 589, 593, 595
7024469.....379	7027776 379	8405009 93, 170, 184	91563070.. 169, 183, 203, 217
7024470.....379	7027777 379	8405104 ... 169, 183, 203, 217	
7024471.....379, 383	7027778 379	8405211 170, 184	
7024472.....379	7027779 379	8406003 295	
7024473.....379	7027780 379	8406101 ... 106, 114, 122, 126, 161, 175, 194, 208	
7024474.....379	7027799 252, 256		
7024475.....379	7300435 ... 169, 183, 203, 217		
7024478.....379	77133089 440, 448		
7024485.....252, 256	77133137 161, 175		
7024488.....251, 255	77363232 . 243, 247, 251, 255		
7024489.....251, 255	77363233 537, 539		
7024530.....383	7894000042 297		
7024531.....383	80963067 522		
7024532.....383	82033995 161, 175		
7024533.....383	8220007 555, 559		
7024534.....383			



3121736



An Oshkosh Corporation Company

Corporate Office
JLG Industries, Inc.
1 JLG Drive
McConnellsburg, PA 17233-9533 USA
☎ (717) 485-5161 (Corporate)
☎ (877) 554-5438 (Customer Support)
☎ (717) 485-6417

Visit our website for JLG Worldwide Locations.
www.jlg.com