



# Illustrated Parts Manual

***Model  
1250AJP***

**SN 0300201017 to Present**

**P/N  
3121737**

**September 14, 2018 - Rev K**

***ANSI***

**CE**



***AS/NZS***



**An Oshkosh Corporation Company**



## **REVISION LOG**

January 29, 2016 - A - Original Issue Of Manual (Edited to B/M 1001160110 Revision Y)

May 27, 2016 - B - Revised Manual (Edited to B/M 1001160110 Revision AD)

August 15, 2016 - C - Revised Manual (Edited to B/M 1001160110 Revision AD)

December 09, 2016 - D - Revised Manual (Edited to B/M 1001160110 Revision AI)

March 15, 2017 - E - Revised Manual (Edited to B/M 1001160110 Revision AN)

June 28, 2017 - F - Revised Manual (Edited to B/M 1001160110 Revision AN)

September 29, 2017 - G - Revised Manual (Edited to B/M 1001160110 Revision AP)

December 22, 2017 - H - Revised Manual (Edited to B/M 1001160110 Revision AQ)

March 9, 2018 - I - Revised Manual (Edited to B/M 1001160110 Revision AQ)

June 22, 2018 - J - Revised Manual (Edited to B/M 1001160110 Revision AU)

September 14, 2018 - K - Revised Manual (Edited to B/M 1001160110 Revision AZ) (Revision 1)

# GENERAL INFORMATION

ITEM #	PART NUMBER	QTY	DESCRIPTION	REV.
	1001140104		LIFT CYLINDER ASSEMBLY	B
1	0100011	AR	Compound Locking	
2	0430535	3	Cap screw 1/4-20 x 1-1/8	
3	0701005	1	Screw #10-24 x 3/8	
4	0901897	1	Bushing, Tapped	
5	1301136	1	Clamp, Cable	
6	1653063	1	Head	
7	2200893	1	Plug, O-Ring	
8	2200888	2	Plug, O-Ring	
9	2200896	1	Plug, O-Ring	
10	3000039	AR	Lubricant	
11	3490292	1	Platen	
12	3700371	1	Ring, Washer	
13	3931420	8	Cap screw 1/4-20 x 1-1/4	
14	3931824	8	Cap screw 1/2-13 x 1-1/2	
15	3951903	1	Subscrew #10-24 x 3/8	
16	4100099	1	Spacer	
17	4640996	1	Cartridge, Holding Valve (Non Vented)	
17	2300732		Kit, Seal - 4640999 Cartridge Valve	
18	4641248	1	Cartridge, Counterbalance Valve (Non Vented)	
18	4641248		Kit, Seal - 4641249 Cartridge Valve	
19	70004180		Sensor, Cylinder Length	
19	100117991	1	Cap, Retainer	
20	100118070	1	Barrel	
21	100118054	1	Bushing	
21A	0901950	2	Flod	
22	100118096	1	Bushing	
22A	0901950	2	Kit, Seal (includes items 101-109)	
100	1001139996	1	Ring, Wear (Note: Use pin 1001139996)	
101	See Note	2	Ring, Back-Up (Note: Use pin 1001139996)	
102	See Note	1	Ring, Lock (Note: Use pin 1001139996)	
103	See Note	2	Ring, Back-Up (Note: Use pin 1001139996)	
104	See Note	2	O-Ring (Note: Use pin 1001139996)	
105	See Note	2	O-Ring (Note: Use pin 1001139996)	
106	See Note	1	Seal (Note: Use pin 1001139996)	
107	See Note	1	Wiper, Rod (Note: Use pin 1001139996)	
108	See Note	1	Seal (Note: Use pin 1001139996)	
109	See Note	2	Kit, Sensor Magnet (includes items 201-203)	
200	100118108	1	Sleeve, Spacer (Note: Use pin 100118108)	
201	See Note	NSS	Magnet, Sensor	
202	100118096	1	Ring, Internal Retaining	
203	100118096	1		

## 1) MACHINE IDENTIFICATION

Machines are identified by model and in some cases a combination of models, serial number (SN) or regional standard (i.e. ANSI, CE, CSA). Components may also be identified by SN or manufacturer. Common components that may be identified by these characteristics are engines and hydraulic components.

## 2) PARTS MANUAL ORGANIZATION

Product information in this manual is organized under section titles. Frame, Cylinder, Hydraulic and Electrical are a few examples. Each section is organized by figure and page number. The information within the Figure is then organized by item number, part number, description and corresponding illustration (s).

## 3) TABLE OF CONTENTS

A table of contents is found toward the beginning of the manual. Figure number, description and page number are provided for quick reference to the page containing the related information.

## 4) RECOMMENDED SPARE PARTS

The Recommended Spare Parts, located near the end of the manual, reference most frequently used maintenance parts.

## 5) PART NUMBER INDEX

A numerical index listing all part numbers and the corresponding page number(s) appears at the back of the manual.

## GENERAL INFORMATION

### 6) NON-SERVICED PARTS

In some instances, it is necessary to display non-serviced parts, assemblies or installations. In the case of assemblies and installations there will be a Ref in the Qty column. In case of parts that are not available for service within assemblies or components, there will be a NSS (Not Sold Separately) or NLA (No Longer Available) listed in the Qty. column of the manual.

### 7) PARTS LIST ITEM NUMBERS

Numbers shown in the item# column correspond to numbers used in the associated illustration (s). Item numbers which are missing from the sequence in the parts list are not used on that page

### 8) INDENTED PARTS DESCRIPTION

An indented part description is included in the item under which it is indented.

### 9) ABB REVIATION AND SYMBOLS

AC.....	..Alternating Current	LCD.....	..Liquid Crystal Display
ADE.....	..Advanced Design Electronics	LED.....	..Light Emitting Diodes
ANSI.....	..American National Standards Institute	LH.....	..Left Hand
AR.....	..As Required	LSS.....	..Load Sensing System
ASSY.....	..Assembly	M(m).....	..Metric/Meter
AUX.....	..Auxiliary	MM (mm).....	..Milimeter
AWG.....	..American WireGauge	mA.....	..Miliamps
B/M.....	..Bill of Material	NLA.....	..No Longer Available
CE.....	..European Conformity	NPT.....	..National Pipe Threads
CCW.....	..Counter Clockwise	NSS.....	..Not So Id Separately
cm.....	..Centimeter	OD.....	..Outside Diameter
CW.....	..Clockwise	ORB.....	..O-Ring Boss
CSA.....	..Canadian Standards Association	ORFS.....	..O-Ring Face Seal
CYL.....	..Cylinder	OZ (oz).....	..Ounces
DIA.....	..Diameter	PG.....	..Page
DC.....	..Direct Current	P/N.....	..Part Number
EMS.....	..Emergency Stop	qt.....	..Quarts
ENG.....	..Engine	QTY.....	..Quantity
FT(ft).....	..Feet	REF.....	..Reference
GA(Ga).....	..Gauge	REV.....	..Revision Level
HYD.....	..Hydraulic	RH.....	..Right Hand
Hz.....	..Hertz	SAE.....	..Society of A utomotive Engineers
ID.....	..Inside Diameter	SN.....	..Serial Number
in.....	..inches	SPEC(S).....	..Specifications
ISO.....	..International Organization for Standards	T/T.....	..Turntable
JIC.....	..Joint Industry Council	UGM.....	..Universal Ground Module
KG.....	..Kilogram	V.....	..Volts
L.....	..Liter	W.....	..Watts
LB.....	..Pounds	#.....	..Number

### 10) ILLUSTRATION REFERENCE LETTERS

When necessary, illustrations may contain reference letters that are intended to track information (i. e. hoses, harnesses) from one point to another or to track visual enlargement of components to show details that may be located in another area on the illustration.

*Note: Due to continuous product improvements, JLG Industries, Inc. reserves the right to make specification changes without prior notification. Contact JLG Industries, Inc. for updated information.*



# TABLE OF CONTENTS

SECTION 1 - FRAME.....	15
FIGURE 1-1. AXLE INSTALLATION - FIXED (SN 0300201017 through 0300207703).....	16
FIGURE 1-2. AXLE INSTALLATION - FIXED (SN 0300207704 to Present) .....	20
FIGURE 1-3. AXLE INSTALLATION - OSCILLATING (SN 0300201017 through 0300207703) .....	24
FIGURE 1-4. AXLE INSTALLATION - OSCILLATING (SN 0300207704 to Present) .....	28
FIGURE 1-5. AXLE STOP BLOCKS INSTALLATION .....	32
FIGURE 1-6. STEER INSTALLATION.....	34
FIGURE 1-7. WHEEL DRIVE INSTALLATION - BONFIGLIOLI .....	36
FIGURE 1-8. WHEEL DRIVE INSTALLATION - REGGIANA RIDUTTORI .....	38
FIGURE 1-9. DRIVE HUB AND MOTOR ASSEMBLY - BONFIGLIOLI.....	40
FIGURE 1-10. DRIVE HUB AND MOTOR ASSEMBLY - REGGIANA RIDUTTORI .....	42
FIGURE 1-11. DRIVE HUB ASSEMBLY - BONFIGLIOLI.....	44
FIGURE 1-12. DRIVE HUB ASSEMBLY - REGGIANA RIDUTTORI.....	48
FIGURE 1-13. DRIVE MOTOR ASSEMBLY .....	52
FIGURE 1-14. TIRE AND WHEEL INSTALLATION - FOAM - FILLED .....	54
FIGURE 1-15. TIRE AND WHEEL INSTALLATION - SOLID .....	56
FIGURE 1-16. FRAME VALVES INSTALLATION - WITHOUT LSS AND WITH 4 CELL LSS .....	58
FIGURE 1-17. FRAME VALVES INSTALLATION - WITH 1 CELL LSS .....	60
FIGURE 1-18. STEER VALVE ASSEMBLY .....	62
FIGURE 1-19. TRACTION VALVE ASSEMBLY.....	64
FIGURE 1-20. FRAME COVERS INSTALLATION.....	66
SECTION 2 - TURNTABLE.....	69
FIGURE 2-1. TURNTABLE VALVES INSTALLATION - WITHOUT LSS AND WITH 4 CELL LSS.....	70
FIGURE 2-2. TURNTABLE VALVES INSTALLATION - WITH 1 CELL LSS .....	72
FIGURE 2-3. BATTERY AND AUXILIARY PUMP INSTALLATION - WITHOUT COLD WEATHER PLUS PACKAGE .....	74
FIGURE 2-4. BATTERY AND AUXILIARY PUMP INSTALLATION - WITH COLD WEATHER PLUS PACKAGE .....	76
FIGURE 2-5. AUXILIARY PUMP ASSEMBLY (WITHOUT COLD WEATHER PLUS PACKAGE) .....	78
FIGURE 2-6. AUXILIARY PUMP ASSEMBLY (WITH COLD WEATHER PLUS PACKAGE).....	80
FIGURE 2-7. MAIN VALVE ASSEMBLY .....	82
FIGURE 2-8. SWING DRIVE INSTALLATION (SN 0300201017 through 0300254456) .....	86
FIGURE 2-9. SWING DRIVE INSTALLATION (SN 0300254457 to Present) .....	88
FIGURE 2-10. TURNTABLE BEARING AND LUBE INSTALLATION .....	90
FIGURE 2-11. TURNTABLE LOCK INSTALLATION.....	92
FIGURE 2-12. PINION SHIELD INSTALLATION .....	94
FIGURE 2-13. SWING MOTOR/HUB ASSEMBLY (SN 0300201017 through 0300254456).....	96
FIGURE 2-14. SWING MOTOR/HUB ASSEMBLY (SN 0300254457 to Present) .....	100
FIGURE 2-15. ROTARY COUPLING AND COLLECTOR RING INSTALLATION.....	104
FIGURE 2-16. TANK INSTALLATION.....	106
FIGURE 2-17. HYDRAULIC OIL COOLER INSTALLATION - DEUTZ TD2011 ENGINES WITH REXROTH PUMP (OPTIONAL) .....	108
FIGURE 2-18. HYDRAULIC OIL COOLER INSTALLATION - DEUTZ TD2011 ENGINES WITH SAUER PUMP (OPTIONAL) ..	110
FIGURE 2-19. HYDRAULIC OIL COOLER INSTALLATION - DEUTZ TCD2.9L4 ENGINES WITH REXROTH PUMP (OPTIONAL) .....	112
FIGURE 2-20. HYDRAULIC OIL COOLER INSTALLATION - DEUTZ TCD2.9L4 ENGINES WITH SAUER PUMP (OPTIONAL) .....	114
FIGURE 2-21. GROUND CONTROL BOX INSTALLATION WITH REXROTH PUMPS - DEUTZ TD2011 ENGINES WITH REXROTH PUMP.....	116
FIGURE 2-22. GROUND CONTROL BOX INSTALLATION WITH SAUER PUMPS - DEUTZ TD2011 ENGINES WITH SAUER PUMP .....	118
FIGURE 2-23. GROUND CONTROL BOX INSTALLATION - DEUTZ TCD2.9L4 ENGINES .....	120
FIGURE 2-24. GROUND CONTROL BOX INSTALLATION - DEUTZ TCD2.9L4 ENGINES (CE SPECS).....	122
FIGURE 2-25. GROUND CONTROL BOX INSTALLATION WITH REXROTH PUMPS - DEUTZ TD2011 ENGINES (CE SPECS) (LRC).....	124
FIGURE 2-26. GROUND CONTROL BOX INSTALLATION WITH SAUER PUMPS - DEUTZ TD2011 ENGINES (CE SPECS) (LRC).....	126
FIGURE 2-27. GROUND CONTROL ASSEMBLY .....	128
FIGURE 2-28. GROUND CONTROL ASSEMBLY - DEUTZ 2.9L4 ENGINES (CE SPECS).....	132
FIGURE 2-29. KEYSWITCH INSTALLATION .....	136
FIGURE 2-30. KEYSWITCH INSTALLATION .....	138
FIGURE 2-31. LIGHT PANEL INSTALLATION - ANSI AND ANSI EXPORT SPECS .....	140
FIGURE 2-32. LIGHT PANEL INSTALLATION - AUSTRALIAN AND CE SPECS .....	142
FIGURE 2-33. ALARMS INSTALLATION.....	144
FIGURE 2-34. STROBE LIGHT INSTALLATION (AMBER) .....	146

# TABLE OF CONTENTS

FIGURE 2-35. STROBE LIGHT INSTALLATION (BLUE) (SN 0300201017 through 0300217072)	148
FIGURE 2-36. STROBE LIGHT INSTALLATION (BLUE) (SN 0300217073 to Present)	150
FIGURE 2-37. STROBE LIGHT INSTALLATION (RED) (SN 0300201017 through 0300217072)	152
FIGURE 2-38. STROBE LIGHT INSTALLATION (RED) (SN 0300217073 to Present)	154
FIGURE 2-39. ENGINE TRAY JACK INSTALLATION - DEUTZ TD2011 ENGINES	156
FIGURE 2-40. ENGINE TRAY JACK INSTALLATION - DEUTZ TCD2.9L4 ENGINES	158
FIGURE 2-41. HOODS INSTALLATION - DEUTZ TD2011 ENGINES	160
FIGURE 2-42. HOODS INSTALLATION - DEUTZ TCD2.9L4 ENGINES	164
SECTION 3 - ENGINE	169
FIGURE 3-1. DEUTZ TD2011 ENGINE INSTALLATION - WITH REXROTH PUMP (WITHOUT GENERATOR AND WITHOUT COLD WEATHER PLUS PACKAGE)	170
FIGURE 3-2. DEUTZ TD2011 ENGINE ASSEMBLY - WITH REXROTH PUMP (WITHOUT GENERATOR AND WITHOUT COLD WEATHER PLUS PACKAGE)	174
FIGURE 3-3. DEUTZ TD2011 ENGINE INSTALLATION - WITH REXROTH PUMP (WITH GENERATOR AND WITHOUT COLD WEATHER PLUS PACKAGE)	178
FIGURE 3-4. DEUTZ TD2011 ENGINE ASSEMBLY - WITH REXROTH PUMP (WITH GENERATOR AND WITHOUT COLD WEATHER PLUS PACKAGE)	182
FIGURE 3-5. DEUTZ TD2011 ENGINE INSTALLATION - WITH REXROTH PUMP (WITH GENERATOR AND WITH COLD WEATHER PLUS PACKAGE)	186
FIGURE 3-6. DEUTZ TD2011 ENGINE ASSEMBLY - WITH REXROTH PUMP (WITH GENERATOR AND WITH COLD WEATHER PLUS PACKAGE)	190
FIGURE 3-7. DEUTZ TD2011 ENGINE INSTALLATION - WITH SAUER PUMP (WITHOUT GENERATOR AND WITHOUT COLD WEATHER PLUS PACKAGE)	194
FIGURE 3-8. DEUTZ TD2011 ENGINE ASSEMBLY - WITH SAUER PUMP (WITHOUT GENERATOR AND WITHOUT COLD WEATHER PLUS PACKAGE)	198
FIGURE 3-9. DEUTZ TD2011 ENGINE INSTALLATION - WITH SAUER PUMP (WITH GENERATOR AND WITHOUT COLD WEATHER PLUS PACKAGE)	202
FIGURE 3-10. DEUTZ TD2011 ENGINE ASSEMBLY - WITH SAUER PUMP (WITH GENERATOR AND WITHOUT COLD WEATHER PLUS PACKAGE)	206
FIGURE 3-11. DEUTZ TD2011 ENGINE INSTALLATION - WITH SAUER PUMP (WITH GENERATOR AND WITH COLD WEATHER PLUS PACKAGE)	210
FIGURE 3-12. DEUTZ TD2011 ENGINE ASSEMBLY - WITH SAUER PUMP (WITH GENERATOR AND WITH COLD WEATHER PLUS PACKAGE)	214
FIGURE 3-13. DEUTZ TD2011 ENGINE COMPONENTS	218
FIGURE 3-14. DEUTZ TCD2.9L4 ENGINE INSTALLATION - WITH REXROTH PUMP (WITHOUT COLD WEATHER PLUS PACKAGE)	220
FIGURE 3-15. DEUTZ TCD2.9L4 ENGINE SUB-ASSEMBLY - WITH REXROTH PUMP (WITHOUT COLD WEATHER PLUS PACKAGE)	224
FIGURE 3-16. DEUTZ TCD2.9L4 ENGINE ASSEMBLY - WITH REXROTH PUMP (WITHOUT COLD WEATHER PLUS PACKAGE)	226
FIGURE 3-17. DEUTZ TCD2.9L4 ENGINE INSTALLATION - WITH REXROTH PUMP (WITH COLD WEATHER PLUS PACKAGE)	232
FIGURE 3-18. DEUTZ TCD2.9L4 ENGINE SUB-ASSEMBLY - WITH REXROTH PUMP (WITH COLD WEATHER PLUS PACKAGE)	236
FIGURE 3-19. DEUTZ TCD2.9L4 ENGINE ASSEMBLY - WITH REXROTH PUMP (WITH COLD WEATHER PLUS PACKAGE)	238
FIGURE 3-20. DEUTZ TCD2.9L4 ENGINE INSTALLATION - WITH SAUER PUMPS (WITHOUT COLD WEATHER PLUS PACKAGE)	244
FIGURE 3-21. DEUTZ TCD2.9L4 ENGINE SUB-ASSEMBLY - WITH SAUER PUMP (WITHOUT COLD WEATHER PLUS PACKAGE)	248
FIGURE 3-22. DEUTZ TCD2.9L4 ENGINE ASSEMBLY - WITH SAUER PUMP (WITHOUT COLD WEATHER PLUS PACKAGE)	250
FIGURE 3-23. DEUTZ TCD2.9L4 ENGINE INSTALLATION - WITH SAUER PUMPS (WITH COLD WEATHER PLUS PACKAGE)	256
FIGURE 3-24. DEUTZ TCD2.9L4 ENGINE SUB-ASSEMBLY - WITH SAUER PUMPS (WITH COLD WEATHER PLUS PACKAGE)	260
FIGURE 3-25. DEUTZ TCD2.9L4 ENGINE ASSEMBLY - WITH SAUER PUMPS (WITH COLD WEATHER PLUS PACKAGE)	262
FIGURE 3-26. DEUTZ TCD2.9L4 ENGINE COMPONENTS	268
FIGURE 3-27. DEUTZ TCD2.9L4 ENGINE (STAGE V) INSTALLATION - WITH REXROTH PUMP (WITHOUT COLD WEATHER PLUS PACKAGE)	272
FIGURE 3-28. DEUTZ TCD2.9L4 ENGINE (STAGE V) SUB-ASSEMBLY - WITH REXROTH PUMP AND ABS HOODS (WITHOUT COLD WEATHER PLUS PACKAGE)	276
FIGURE 3-29. DEUTZ TCD2.9L4 ENGINE (STAGE V) INSTALLATION - WITH SAUER PUMP (WITHOUT COLD WEATHER PLUS PACKAGE)	278



# TABLE OF CONTENTS

FIGURE 3-30. DEUTZ TCD2.9L4 ENGINE (STAGE V) SUB-ASSEMBLY - WITH SAUER PUMP AND ABS HOODS (WITHOUT COLD WEATHER PLUS PACKAGE) .....	282
FIGURE 3-31. DEUTZ TCD2.9L4 ENGINE (STAGE V) ASSEMBLY (WITHOUT COLD WEATHER PLUS PACKAGE).....	284
FIGURE 3-32. DEUTZ TCD2.9L4 ENGINE COMPONENTS (STAGE V).....	290
FIGURE 3-33. PUMP ASSEMBLY (REXROTH) (DEUTZ TD2011 ENGINES) .....	294
FIGURE 3-34. PUMP ASSEMBLY (REXROTH) (DEUTZ TCD2.9L4 ENGINES).....	300
FIGURE 3-35. PUMP ASSEMBLY (SAUER TANDEM).....	306
FIGURE 3-36. PUMP ASSEMBLY (SAUER PISTON) .....	310
FIGURE 3-37. PUMP ASSEMBLY (SAUER GEAR).....	314
FIGURE 3-38. PUMP COUPLING KIT .....	316
FIGURE 3-39. FUEL PUMP/FILTER BRACKET ASSEMBLY - DEUTZ TCD2.9L4 ENGINE .....	318
FIGURE 3-40. WATER/FUEL SEPARATOR INSTALLATION - DEUTZ TCD2.9L4 ENGINE .....	320
FIGURE 3-41. SPARK ARRESTING CATALYTIC MUFFLER - DEUTZ TD2011 ENGINES (OPTIONAL) .....	322
FIGURE 3-42. SPARK ARRESTOR INSTALLATION - DEUTZ TCD2.9L4 ENGINES (OPTIONAL).....	324
FIGURE 3-43. 2500W GENERATOR INSTALLATION - DEUTZ TD2011 ENGINES (OPTIONAL) .....	326
FIGURE 3-44. 4000W GENERATOR INSTALLATION - 60HZ SPEC (DEUTZ TD2011 ENGINES).....	330
FIGURE 3-45. 4000W GENERATOR INSTALLATION - 50HZ SPEC (DEUTZ TD2011 ENGINES).....	334
FIGURE 3-46. 4000W GENERATOR INSTALLATION - 60HZ SPEC (DEUTZ TCD2.9L4 ENGINES) .....	338
FIGURE 3-47. 4000W GENERATOR INSTALLATION - 50HZ SPEC (DEUTZ TCD2.9L4 ENGINES) .....	342
FIGURE 3-48. 7500W SKYPOWER GENERATOR INSTALLATION - 60HZ SPEC (DEUTZ TD2011 ENGINES) (OPTIONAL) .	346
FIGURE 3-49. 7500W SKYPOWER GENERATOR INSTALLATION - 50HZ SPEC (DEUTZ TD2011 ENGINES) (OPTIONAL) .	350
FIGURE 3-50. 7500W SKYPOWER GENERATOR INSTALLATION - 60HZ SPEC (DEUTZ TCD2.9L4 ENGINES) (OPTIONAL) .....	354
.....	354
FIGURE 3-51. 7500W SKYPOWER GENERATOR INSTALLATION - 50HZ SPEC (DEUTZ TCD2.9L4 ENGINES) (OPTIONAL) .....	358
.....	358
<b>SECTION 4 - BOOM</b> .....	<b>363</b>
FIGURE 4-1. BOOM AND CYLINDER INSTALLATION - WITHOUT COLD WEATHER PLUS PACKAGE .....	364
FIGURE 4-2. BOOM AND CYLINDER INSTALLATION - WITH COLD WEATHER PLUS PACKAGE .....	368
FIGURE 4-3. TOWER BOOM ASSEMBLY .....	372
FIGURE 4-4. MAIN BOOM ASSEMBLY - WITHOUT COLD WEATHER PLUS PACKAGE.....	376
FIGURE 4-5. MAIN BOOM ASSEMBLY - WITH COLD WEATHER PLUS PACKAGE .....	380
FIGURE 4-6. PLATFORM ROTATE ASSEMBLY (SN 0300201017 through 0300201349).....	384
FIGURE 4-7. PLATFORM ROTATE ASSEMBLY (SN 0300201350 to Present) .....	386
FIGURE 4-8. JIB ROTATE ASSEMBLY (SN 0300201017 through 0300201349).....	388
FIGURE 4-9. JIB ROTATE ASSEMBLY (SN 0300201350 to Present).....	390
FIGURE 4-10. POWER TRACK AND BOOM CLAMPS INSTALLATION (TOWER BOOM) .....	392
FIGURE 4-11. POWER TRACK AND BOOM CLAMPS INSTALLATION (MAIN BOOM AND JIB) .....	394
FIGURE 4-12. BOOM SENSORS AND SWITCHES INSTALLATION.....	398
FIGURE 4-13. PLATFORM SUPPORT INSTALLATION - WITHOUT LSS .....	402
FIGURE 4-14. PLATFORM SUPPORT INSTALLATION - WITH 4 CELL LSS .....	404
FIGURE 4-15. PLATFORM SUPPORT INSTALLATION - WITH 1 CELL LSS.....	406
FIGURE 4-16. CONTROL VALVE INSTALLATION - WITHOUT LSS AND WITH 4 CELL LSS.....	408
FIGURE 4-17. CONTROL VALVE INSTALLATION - WITH 1 CELL LSS.....	410
FIGURE 4-18. PLATFORM VALVE ASSEMBLY.....	412
<b>SECTION 5 - PLATFORM</b> .....	<b>415</b>
FIGURE 5-1. PLATFORM ASSEMBLY - 36IN X 6FT (91.5CM X 1.83M) WITH SWING GATE.....	416
FIGURE 5-2. PLATFORM ASSEMBLY - 36IN X 8FT (91.5CM X 2.44M) WITH SWING GATE.....	418
FIGURE 5-3. PLATFORM ASSEMBLY - 30IN X 3FT (76CM X .91M) - WITH DROP BAR.....	420
FIGURE 5-4. PLATFORM ASSEMBLY - 36IN X 6FT (91.5CM X 1.83M) WITH DROP BAR.....	422
FIGURE 5-5. PLATFORM ASSEMBLY - 36IN X 8FT (91.5CM X 2.44M) WITH DROP BAR.....	424
FIGURE 5-6. PLATFORM ASSEMBLY - 36IN X 6FT (91.5CM X 1.83M) WITH FALL ARREST (ANSI, ANSI EXPORT AND CHINA SPECS) .....	426
FIGURE 5-7. PLATFORM ASSEMBLY - 36IN X 8FT (91.5CM X 2.44M) WITH FALL ARREST (ANSI SPECS).....	428
FIGURE 5-8. PLATFORM ASSEMBLY - 36IN X 6FT (91.5CM X 1.83M) TRI-ENTRY WITH SWING GATE.....	430
FIGURE 5-9. PLATFORM ASSEMBLY - 36IN X 6FT (91.5CM X 1.83M) TRI-ENTRY WITH DROP BAR .....	432
FIGURE 5-10. TRAY INSTALLATION.....	434
FIGURE 5-11. PLATFORM CONTROLS INSTALLATION - WITHOUT SKYGUARD .....	436
FIGURE 5-12. PLATFORM CONTROLS INSTALLATION - WITH SKYGUARD (SN 0300201017 through 0300234289).....	438
FIGURE 5-13. PLATFORM CONTROLS INSTALLATION - WITH SKYGUARD (SN 0300234290 to Present) .....	440
FIGURE 5-14. PLATFORM CONSOLE ASSEMBLY - WITHOUT SKYGUARD (SN 0300201017 through 0300220134).....	442
FIGURE 5-15. PLATFORM CONSOLE ASSEMBLY - WITHOUT SKYGUARD (SN 0300220135 to Present) .....	446
FIGURE 5-16. PLATFORM CONSOLE ASSEMBLY - WITH SKYGUARD (SN 0300201017 through 0300220134) .....	450
FIGURE 5-17. PLATFORM CONSOLE ASSEMBLY - WITH SKYGUARD (SN 0300220135 through 0300234289) .....	454

# TABLE OF CONTENTS

FIGURE 5-18. PLATFORM CONSOLE ASSEMBLY - WITH SKYGUARD (SN 0300234290 to Present).....	458
FIGURE 5-19. DECAL AND LIGHT PANEL (ANSI SPECS) .....	462
FIGURE 5-20. DECAL AND LIGHT PANEL (CE SPECS) .....	464
FIGURE 5-21. CONTROLLER ASSEMBLY (LIFT AND SWING) .....	466
FIGURE 5-22. CONTROLLER ASSEMBLY (DRIVE AND STEER) .....	470
FIGURE 5-23. TOWER LIFT SWITCH INSTALLATION .....	472
FIGURE 5-24. FOOTSWITCH ASSEMBLY .....	474
FIGURE 5-25. SOFT TOUCH SYSTEM INSTALLATION - 6FT/1.8M PLATFORMS (OPTIONAL) .....	476
FIGURE 5-26. SOFT TOUCH SYSTEM INSTALLATION - 8FT/2.4M PLATFORMS (OPTIONAL) .....	478
FIGURE 5-27. SOFT TOUCH SYSTEM INSTALLATION - 6FT/1.8M PLATFORMS (WITH FALL ARREST) (OPTIONAL) .....	480
FIGURE 5-28. SKYGUARD SYSTEM INSTALLATION .....	482
FIGURE 5-29. CROSS RAIL INSTALLATION .....	484
FIGURE 5-30. SKYGLAZIER INSTALLATION (ANSI AND CSA SPECS).....	486
FIGURE 5-31. SKYGLAZIER INSTALLATION (AUSTRALIAN SPECS) (SN 0300201017 through 0300234289).....	488
FIGURE 5-32. SKYGLAZIER INSTALLATION (AUSTRALIAN SPECS) (SN 0300234290 to Present) .....	490
FIGURE 5-33. SKYGLAZIER INSTALLATION (BRAZIL SPECS).....	492
FIGURE 5-34. SKYGLAZIER INSTALLATION (DANISH SPECS).....	494
FIGURE 5-35. SKYGLAZIER INSTALLATION (FRENCH SPECS) (SN 0300201017 through 0300234289) .....	496
FIGURE 5-36. SKYGLAZIER INSTALLATION (FRENCH SPECS) (SN 0300234290 to Present).....	498
FIGURE 5-37. SKYGLAZIER INSTALLATION (GERMAN SPECS) (SN 0300201017 through 0300234289) .....	500
FIGURE 5-38. SKYGLAZIER INSTALLATION (GERMAN SPECS) (SN 0300234290 to Present) .....	502
FIGURE 5-39. SKYGLAZIER INSTALLATION (ITALIAN SPECS) (SN 0300201017 through 0300234289).....	504
FIGURE 5-40. SKYGLAZIER INSTALLATION (ITALIAN SPECS) (SN 0300234290 to Present) .....	506
FIGURE 5-41. SKYGLAZIER INSTALLATION (LATIN AMERICAN SPECS) .....	508
FIGURE 5-42. SKYGLAZIER INSTALLATION (PORTUGUESE SPECS) (SN 0300201017 through 0300234289) .....	510
FIGURE 5-43. SKYGLAZIER INSTALLATION (PORTUGUESE SPECS) (SN 0300234290 to Present).....	512
FIGURE 5-44. SKYGLAZIER INSTALLATION (SPANISH SPECS) (SN 0300201017 through 0300234289) .....	514
FIGURE 5-45. SKYGLAZIER INSTALLATION (SPANISH SPECS) (SN 0300234290 to Present) .....	516
FIGURE 5-46. SKYGLAZIER INSTALLATION (SWEDISH SPECS) (SN 0300201017 through 0300234289) .....	518
FIGURE 5-47. SKYGLAZIER INSTALLATION (SWEDISH SPECS) (SN 0300234290 to Present) .....	520
FIGURE 5-48. SKYGLAZIER INSTALLATION (UK SPECS) (SN 0300201017 through 0300234289) .....	522
FIGURE 5-49. SKYGLAZIER INSTALLATION (UK SPECS) (SN 0300234290 to Present).....	524
FIGURE 5-50. SKYWELDER/SKYCUTTER COMBO INSTALLATION (60HZ) .....	526
FIGURE 5-51. SKYWELDER INSTALLATION (50HZ).....	530
FIGURE 5-52. SKYWELDER INSTALLATION (60HZ).....	532
FIGURE 5-53. SKYWELDER PREP PACKAGE (60HZ) .....	534
FIGURE 5-54. WELDER ASSEMBLY .....	536
FIGURE 5-55. SKYCUTTER INSTALLATION .....	538
FIGURE 5-56. PLASMA CUTTER ASSEMBLY .....	540
FIGURE 5-57. PIPE RACK INSTALLATION (ANSI SPEC).....	542
FIGURE 5-58. PIPE RACK INSTALLATION (AUSTRALIAN AND CE SPEC) .....	544
FIGURE 5-59. FALL ARREST INSTALLATION (BOLT-ON EXTERNAL) (6FT/1.82M PLATFORM).....	546
FIGURE 5-60. FALL ARREST INSTALLATION (BOLT-ON EXTERNAL) (6FT/1.82M TRI-ENTRY PLATFORM).....	548
FIGURE 5-61. FALL ARREST INSTALLATION (BOLT-ON EXTERNAL) (8FT/2.4M PLATFORM).....	550
 SECTION 6 - CYLINDER.....	 553
FIGURE 6-1. AXLE EXTENSION CYLINDER ASSEMBLY (SN 0300201017 through 0300238558) .....	554
FIGURE 6-2. AXLE EXTENSION CYLINDER ASSEMBLY (SN 0300238559 to Present) .....	556
FIGURE 6-3. AXLE LOCKOUT CYLINDER ASSEMBLY (SN 0300201017 through 0300239155).....	558
FIGURE 6-4. AXLE LOCKOUT CYLINDER ASSEMBLY (SN 0300239156 to Present) .....	560
FIGURE 6-5. PLATFORM LEVEL CYLINDER ASSEMBLY - WITHOUT COLD WEATHER PLUS PACKAGE (SN 0300201017 through 0300238006).....	562
FIGURE 6-6. PLATFORM LEVEL CYLINDER ASSEMBLY - WITHOUT COLD WEATHER PLUS PACKAGE (SN 0300238007 to Present).....	564
FIGURE 6-7. PLATFORM LEVEL CYLINDER ASSEMBLY (SN 0300201017 through 0300239155) .....	566
FIGURE 6-8. LIFT CYLINDER ASSEMBLY - MAIN BOOM (SN 0300201017 through 0300211613).....	568
FIGURE 6-9. LIFT CYLINDER ASSEMBLY - MAIN BOOM (SN 0300211614 through 0300239976).....	570
FIGURE 6-10. LIFT CYLINDER ASSEMBLY - MAIN BOOM (SN 0300239977 to Present) .....	572
FIGURE 6-11. LIFT CYLINDER ASSEMBLY - TOWER BOOM (SN 0300201017 through 0300211613) .....	574
FIGURE 6-12. LIFT CYLINDER ASSEMBLY - TOWER BOOM (SN 0300211614 through 0300238464) .....	576
FIGURE 6-13. LIFT CYLINDER ASSEMBLY - TOWER BOOM (SN 0300239465 to Present) .....	578
FIGURE 6-14. JIB CYLINDER ASSEMBLY (SN 0300201017 through 0300239155).....	580
FIGURE 6-15. JIB CYLINDER ASSEMBLY (SN 0300239156 to Present).....	582
FIGURE 6-16. JIB CYLINDER ASSEMBLY (SN 0300201017 through 0300239155) .....	584
FIGURE 6-17. STEER CYLINDER ASSEMBLY (SN 0300201017 through 0300238558) .....	586
FIGURE 6-18. STEER CYLINDER ASSEMBLY (SN 0300238559 to Present).....	588

# TABLE OF CONTENTS

FIGURE 6-19. TELESCOPE CYLINDER ASSEMBLY - MAIN BOOM (SN 0300201017 through 0300243463) .....	590
FIGURE 6-20. TELESCOPE CYLINDER ASSEMBLY - MAIN BOOM (SN 0300243464 to Present).....	592
FIGURE 6-21. TELESCOPE CYLINDER ASSEMBLY - TOWER BOOM (SN 0300201017 through 0300243458).....	594
FIGURE 6-22. TELESCOPE CYLINDER ASSEMBLY - TOWER BOOM (SN 0300243459 to Present) .....	598
<b>SECTION 7 - HYDRAULIC .....</b>	<b>601</b>
FIGURE 7-1. HYDRAULIC DIAGRAM - BOOM (WITH REXROTH PUMPS).....	602
FIGURE 7-2. HYDRAULIC DIAGRAM - BOOM (WITH SAUER PUMPS).....	606
FIGURE 7-3. HYDRAULIC DIAGRAM - DRIVE (WITH REXROTH PUMPS).....	610
FIGURE 7-4. HYDRAULIC DIAGRAM - DRIVE (WITH SAUER PUMPS).....	614
FIGURE 7-5. HYDRAULIC DIAGRAM - OSCILLATING AXLE (WITH REXROTH PUMPS).....	618
FIGURE 7-6. HYDRAULIC DIAGRAM - OSCILLATING AXLE (WITH SAUER PUMPS) .....	620
FIGURE 7-7. HYDRAULIC DIAGRAM - STEER (WITH REXROTH PUMPS).....	622
FIGURE 7-8. HYDRAULIC DIAGRAM - STEER (WITH SAUER PUMPS).....	624
FIGURE 7-9. HYDRAULIC DIAGRAM - TURNTABLE (DEUTZ TD2011 ENGINES WITH REXROTH PUMPS).....	626
FIGURE 7-10. HYDRAULIC DIAGRAM - TURNTABLE (DEUTZ TCD2.9L4 ENGINES WITH REXROTH PUMPS) .....	630
FIGURE 7-11. HYDRAULIC DIAGRAM - TURNTABLE (WITH SAUER PUMPS).....	634
FIGURE 7-12. HYDRAULIC DIAGRAM - AUXILIARY POWER MOTOR .....	638
FIGURE 7-13. HYDRAULIC DIAGRAM LIST .....	640
<b>SECTION 8 - ELECTRICAL .....</b>	<b>643</b>
FIGURE 8-1. AC BOX AT PLATFORM - 110V GFI RECEPTACLE (ANSI SPECS) .....	644
FIGURE 8-2. AC BOX AT PLATFORM - 220V GFI RECEPTACLE (ANSI SPECS) .....	646
FIGURE 8-3. AC BOX AT PLATFORM INSTALLATION - BOX WITH COVER (2X4 BOX) WITH 4000W GENERATOR (ANSI EXPORT SPECS) (SN 0300201017 through 0300214026) .....	648
FIGURE 8-4. AC BOX AT PLATFORM INSTALLATION - BOX WITH COVER (2X4 BOX) WITH 4000W GENERATOR (ANSI EXPORT, AUSTRALIAN, CE AND JAPANESE SPECS) (SN 0300214027 to Present).....	650
FIGURE 8-5. AC BOX AT PLATFORM INSTALLATION - 110V IEC 60309 YELLOW WITHOUT 2500W GENERATOR (CE SPECS) .....	652
FIGURE 8-6. AC BOX AT PLATFORM INSTALLATION - 110V IEC 60309 YELLOW WITH 2500W GENERATOR (CE SPECS) .....	654
FIGURE 8-7. AC BOX AT PLATFORM INSTALLATION - 110V IEC 60309 YELLOW WITH 4000W GENERATOR (CE SPECS) (SN 0300201017 through 0300214026) .....	656
FIGURE 8-8. AC BOX AT PLATFORM INSTALLATION - 110V IEC 60309 YELLOW WITH 4000W GENERATOR (CE SPECS) (SN 0300214027 to Present) .....	658
FIGURE 8-9. AC BOX AT PLATFORM INSTALLATION - 220V IEC 60309 BLUE WITHOUT 2500W GENERATOR (CE SPECS) .....	660
FIGURE 8-10. AC BOX AT PLATFORM INSTALLATION - 220V IEC 60309 BLUE WITH 2500W GENERATOR (CE SPECS) .....	662
FIGURE 8-11. AC BOX AT PLATFORM INSTALLATION - 220V IEC 60309 BLUE WITH 4000W GENERATOR (CE SPECS) (SN 0300201017 through 0300214026).....	664
FIGURE 8-12. AC BOX AT PLATFORM INSTALLATION - 220V IEC 60309 BLUE WITH 4000W GENERATOR (CE SPECS) (SN 0300214027 to Present) .....	666
FIGURE 8-13. AC BOX AT PLATFORM INSTALLATION - 220V CEE7 POST GROUND (70MM X 70MM BOX) WITHOUT 2500W GENERATOR (CE SPECS) (SN 0300201017 through 0300205138) .....	668
FIGURE 8-14. AC BOX AT PLATFORM INSTALLATION - 220V CEE7 POST GROUND (70MM X 70MM BOX) WITH 2500W GENERATOR (CE SPECS) (SN 0300201017 through 0300205138) .....	670
FIGURE 8-15. AC BOX AT PLATFORM INSTALLATION - 220V CEE7 SIDE GROUND (70MM X 70MM BOX) WITHOUT 2500W GENERATOR (CE SPECS) (SN 0300201017 through 0300205138) .....	672
FIGURE 8-16. AC BOX AT PLATFORM INSTALLATION - 220V CEE7 SIDE GROUND (70MM X 70MM BOX) WITH 2500W GENERATOR (CE SPECS) (SN 0300201017 through 0300205138) .....	674
FIGURE 8-17. AC BOX AT PLATFORM INSTALLATION - 220V CEE7 POST GROUND (2X4 BOX) WITHOUT 2500W GENERATOR (CE SPECS) .....	676
FIGURE 8-18. AC BOX AT PLATFORM INSTALLATION - 220V CEE7 POST GROUND (2X4 BOX) WITH 2500W GENERATOR (CE SPECS) .....	678
FIGURE 8-19. AC BOX AT PLATFORM INSTALLATION - 220V CEE7 POST GROUND (2X4 BOX) WITH 4000W GENERATOR (CE SPECS) (SN 0300201017 through 0300214026).....	680
FIGURE 8-20. AC BOX AT PLATFORM INSTALLATION - 220V CEE7 POST GROUND (2X4 BOX) WITH 4000W GENERATOR (CE SPECS) (SN 0300214027 to Present).....	682
FIGURE 8-21. AC BOX AT PLATFORM INSTALLATION - 220V CEE7 SIDE GROUND (2X4 BOX) WITHOUT 2500W GENERATOR (CE SPECS) .....	684
FIGURE 8-22. AC BOX AT PLATFORM INSTALLATION - 220V CEE7 SIDE GROUND (2X4 BOX) WITH 2500W GENERATOR (CE SPECS) .....	686
FIGURE 8-23. AC BOX AT PLATFORM INSTALLATION - 220V CEE7 SIDE GROUND (2X4 BOX) WITH 4000W GENERATOR (CE SPECS) (SN 0300201017 through 0300214026).....	688

# TABLE OF CONTENTS

FIGURE 8-24. AC BOX AT PLATFORM INSTALLATION - 220V CEE7 SIDE GROUND (2X4 BOX) WITH 4000W GENERATOR (CE SPECS) (SN 0300214027 to Present) .....	690
FIGURE 8-25. AC BOX AT PLATFORM INSTALLATION - 220V AFSINT 107 KEYED GROUND (2X4 BOX) WITHOUT 2500W GENERATOR (CE SPECS) .....	692
FIGURE 8-26. AC BOX AT PLATFORM INSTALLATION - 220V AFSINT 107 KEYED GROUND (2X4 BOX) WITH 2500W GENERATOR (CE SPECS) .....	694
FIGURE 8-27. AC BOX AT PLATFORM INSTALLATION - 220V AFSINT 107 KEYED GROUND (2X4 BOX) WITH 4000W GENERATOR (CE SPECS) (SN 0300201017 through 0300214026) .....	696
FIGURE 8-28. AC BOX AT PLATFORM INSTALLATION - 220V AFSINT 107 KEYED GROUND (2X4 BOX) WITH 4000W GENERATOR (CE SPECS) (SN 0300214027 to Present) .....	698
FIGURE 8-29. AC CIRCUIT BREAKER INSTALLATION .....	700
FIGURE 8-30. AC LEAD INSTALLATION (CE SPECS) .....	702
FIGURE 8-31. AC 10 AMP BREAKER BOX INSTALLATION (CE SPECS) .....	704
FIGURE 8-32. AC 16 AMP BREAKER BOX INSTALLATION (CE SPECS) .....	706
FIGURE 8-33. ANALYZER CALBE HARNESS .....	708
FIGURE 8-34. AXLE POWER TRACK HARNESS ASSEMBLY .....	710
FIGURE 8-35. BEACON CONTROL HARNESS (BLUE BEACON LIGHT ONLY) .....	712
FIGURE 8-36. BEACON LIGHT HARNESS (BLUE BEACON LIGHT ONLY) .....	714
FIGURE 8-37. B.L.A.M. BOARD ANALYZER HARNESS .....	716
FIGURE 8-38. B.L.A.M. HARNESS .....	718
FIGURE 8-39. BOOM CABLE INSTALLATION (ANSI SPECS) .....	720
FIGURE 8-40. BOOM CABLE INSTALLATION (CE SPECS) .....	722
FIGURE 8-41. BOOM CABLE INSTALLATION - 4000W 60HZ GENERATOR .....	724
FIGURE 8-42. BOOM CABLE INSTALLATION - 4000W 50HZ GENERATOR .....	726
FIGURE 8-43. BOOM CABLE INSTALLATION - 7500W GENERATOR .....	728
FIGURE 8-44. BREAKER BOX KIT - 10 AMP (2500W GENERATOR) .....	730
FIGURE 8-45. BREAKER BOX KIT - 16 AMP (4000W GENERATOR) .....	732
FIGURE 8-46. BREAKER BOX KIT - 16 AMP (2500W GENERATOR) .....	734
FIGURE 8-47. BREAKER BOX KIT - 30MA/16 AMP (WITHOUT GENERATOR) .....	736
FIGURE 8-48. CHASSIS POWER DISTRIBUTION HARNESS .....	738
FIGURE 8-49. CHASSIS HARNESS ASSEMBLY .....	740
FIGURE 8-50. CLEARSKY READY HARNESS .....	742
FIGURE 8-51. DUAL CAPACITY JIB POSITION SWITCH HARNESS .....	744
FIGURE 8-52. EIM LOAD CELL HARNESS .....	746
FIGURE 8-53. ENGINE HARNESS - DEUTZ TD2011 ENGINES .....	748
FIGURE 8-54. ENGINE HARNESS - DEUTZ TCD2.9L4 ENGINES .....	750
FIGURE 8-55. FUEL FILTER HARNESS - DEUTZ TCD2.9L4 ENGINES .....	754
FIGURE 8-56. FUEL HARNESS - DEUTZ TCD2.9L4 ENGINES .....	756
FIGURE 8-57. GENERATOR HARNESS - 4000W GENERATOR .....	758
FIGURE 8-58. GENERATOR HARNESS - 7500W GENERATOR .....	760
FIGURE 8-59. GENERATOR CABLE HARNESS - 7500W GENERATOR .....	762
FIGURE 8-60. GROUND CONTROL BOX HARNESS .....	764
FIGURE 8-61. GROUND CONTROL BOX HARNESS - DEUTZ TCD2.9L4 ENGINES (CE SPECS) .....	768
FIGURE 8-62. GROUND CONTROLS TO ENGINE HARNESS .....	772
FIGURE 8-63. JIB STOW SWITCH HARNESS .....	774
FIGURE 8-64. LOAD SENSING PIN HARNESS .....	776
FIGURE 8-65. LOCKOUT VALVE HARNESS .....	778
FIGURE 8-66. MAIN BOOM CONTROL CABLE HARNESS .....	780
FIGURE 8-67. MAIN BOOM DUAL CAPACITY SWITCH HARNESS .....	782
FIGURE 8-68. MAIN BOOM TRANSPORT SWITCH HARNESS .....	784
FIGURE 8-69. MAIN VALVE HARNESS .....	786
FIGURE 8-70. PLATFORM CONSOLE BOX HARNESS - WITHOUT SKYGUARD .....	788
FIGURE 8-71. PLATRORM CONSOLE BOX HARNESS - WITH SKYGUARD (SN 0300201017 through 0300234289) .....	790
FIGURE 8-72. PLATFORM CONSOLE BOX HARNESS - WITH SKYGUARD (SN 0300234290 to Present) .....	794
FIGURE 8-73. PLATFORM INTERFACE HARNESS .....	798
FIGURE 8-74. PLATFORM VALVE HARNESS .....	800
FIGURE 8-75. PRESSURE TRANSDUCER HARNESS (SN 0300201017 through 0300226468) .....	802
FIGURE 8-76. PRESSURE TRANSDUCER HARNESS (SN 0300226469 through 0300234068) .....	804
FIGURE 8-77. PRESSURE TRANSDUCER HARNESS (SN 0300234069 to Present) .....	806
FIGURE 8-78. PRESSURE TRANSDUCER HARNESS (SN 0300226469 through 0300234068) .....	808
FIGURE 8-79. PRESSURE TRANSDUCER HARNESS (SN 0300234069 to Present) .....	810
FIGURE 8-80. PUMP ADAPTER HARNESS - SAUER PUMPS .....	812
FIGURE 8-81. RECEPTACLE BOX KIT - 110V IEC YELLOW WITHOUT 2500W GENERATOR (CE SPECS) .....	814
FIGURE 8-82. RECEPTACLE BOX KIT - 110V IEC YELLOW WITH 2500W GENERATOR (CE SPECS) .....	816
FIGURE 8-83. RECEPTACLE BOX KIT - 220V IEC BLUE WITHOUT 2500W GENERATOR (CE SPECS) .....	818
FIGURE 8-84. RECEPTACLE BOX KIT - 220V IEC BLUE WITH 2500W GENERATOR (CE SPECS) .....	820

# TABLE OF CONTENTS

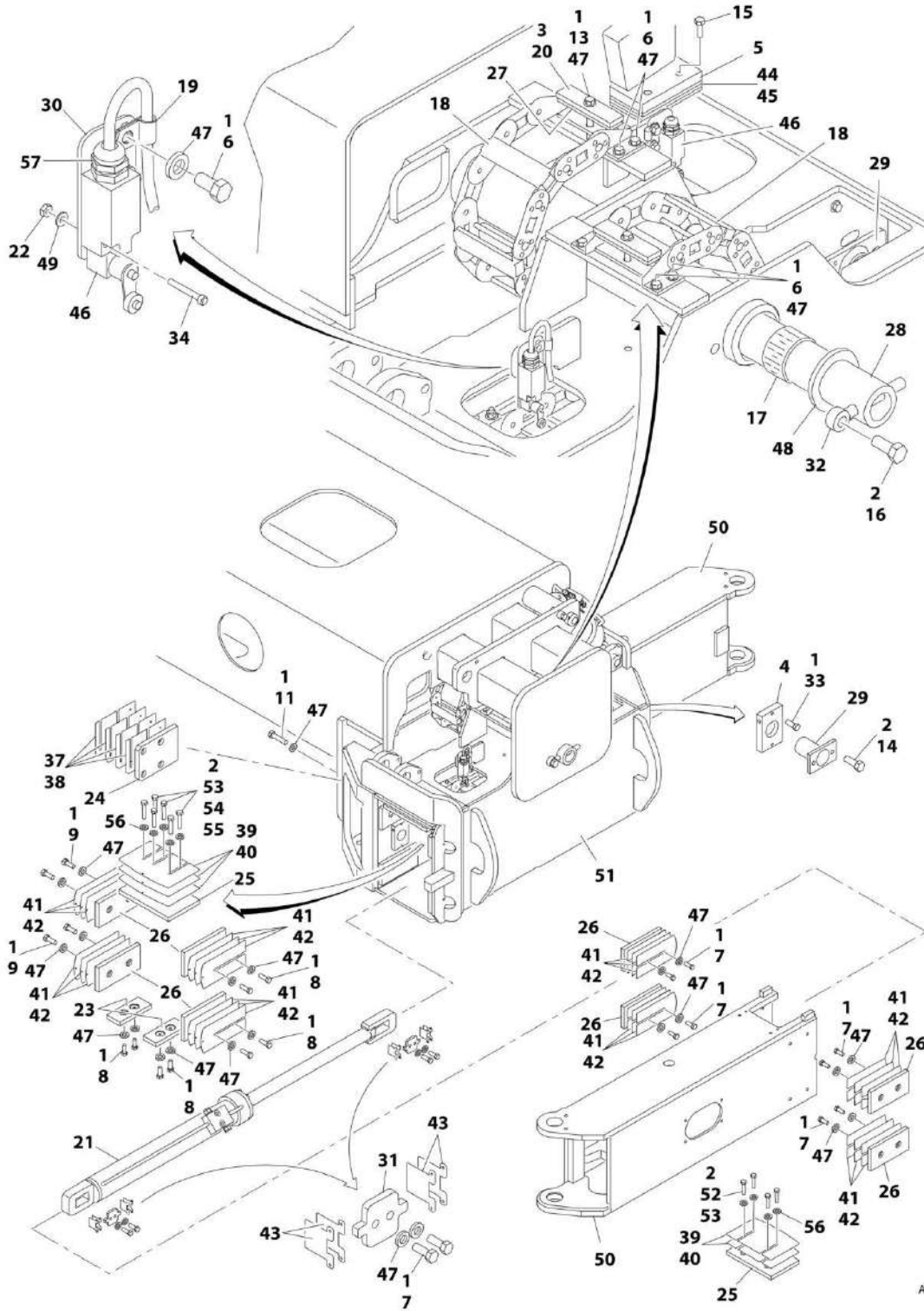
FIGURE 8-85. RECEPTACLE BOX KIT - 220V CEE7 POST GROUND WITHOUT 2500W GENERATOR (70MM X 70MM BOX) (CE SPECS) .....	822
FIGURE 8-86. RECEPTACLE BOX KIT - 220V CEE7 POST GROUND WITH 2500W GENERATOR (70MM X 70MM BOX) (CE SPECS) .....	824
FIGURE 8-87. RECEPTACLE BOX KIT - 220V CEE7 SIDE GROUND WITHOUT 2500W GENERATOR (70MM X 70MM BOX) (CE SPECS) .....	826
FIGURE 8-88. RECEPTACLE BOX KIT - 220V CEE7 SIDE GROUND WITH 2500W GENERATOR (70MM X 70MM BOX) (CE SPECS) .....	828
FIGURE 8-89. RECEPTACLE BOX KIT - 220V CEE7 POST GROUND WITHOUT 2500W GENERATOR (2X4 BOX) (CE SPECS) .....	830
FIGURE 8-90. RECEPTACLE BOX KIT - 220V CEE7 POST GROUND WITH 2500W GENERATOR (2X4 BOX) (CE SPECS) .....	832
FIGURE 8-91. RECEPTACLE BOX KIT - 220V CEE7 SIDE GROUND WITHOUT 2500W GENERATOR (2X4 BOX) (CE SPECS) .....	834
FIGURE 8-92. RECEPTACLE BOX KIT - 220V CEE7 SIDE GROUND WITH 2500W GENERATOR (2X4 BOX) (CE SPECS) .....	836
FIGURE 8-93. RECEPTACLE BOX KIT - 220V AFSINT 107 KEYED GROUND WITHOUT 2500W GENERATOR (2X4 BOX) (CE SPECS) .....	838
FIGURE 8-94. RECEPTACLE BOX KIT - 220V AFSINT 107 KEYED GROUND WITH 2500W GENERATOR (2X4 BOX) (CE SPECS) .....	840
FIGURE 8-95. RELAY HARNESS .....	842
FIGURE 8-96. STROBE LIGHT HARNESS (AMBER) .....	844
FIGURE 8-97. TILT SENSOR HARNESS (LEFT) .....	846
FIGURE 8-98. TILT SENSOR HARNESS (RIGHT) .....	848
FIGURE 8-99. TOWER BOOM ANGLE SENSOR HARNESS (LEFT) .....	850
FIGURE 8-100. TOWER BOOM ANGLE SENSOR HARNESS (RIGHT) .....	852
FIGURE 8-101. TOWER BOOM CONTROL CABLE HARNESS .....	854
FIGURE 8-102. TOWER BOOM FLY TO GROUND CONTROL BOX HARNESS .....	856
FIGURE 8-103. TOWER BOOM FLY TO MAIN BOOM BASE HARNESS .....	858
FIGURE 8-104. TOWER BOOM LENGTH SENSORS HARNESS .....	860
FIGURE 8-105. TOWER BOOM TRANSPORT LENGTH SWITCH HARNESS .....	862
FIGURE 8-106. ELECTRICAL DIAGRAM LIST .....	864
SECTION 9 - DECALS .....	865
FIGURE 9-1. DECAL INSTALLATION - ANSI SPEC .....	866
FIGURE 9-2. DECAL INSTALLATION - AUSTRALIAN SPEC .....	870
FIGURE 9-3. DECAL INSTALLATION - BRAZIL SPEC (PORTUGUESE/ENGLISH) .....	872
FIGURE 9-4. DECAL INSTALLATION - CE SPEC .....	876
FIGURE 9-5. DECAL INSTALLATION - CHINESE SPEC (CHINESE/ENGLISH) .....	880
FIGURE 9-6. DECAL INSTALLATION - CSA SPEC (ENGLISH/FRENCH) .....	884
FIGURE 9-7. DECAL INSTALLATION - JAPANESE SPEC (JAPANESE/ENGLISH) .....	888
FIGURE 9-8. DECAL INSTALLATION - KOREAN SPEC (KOREAN/ENGLISH) .....	892
FIGURE 9-9. DECAL INSTALLATION - LATIN AMERICAN SPEC (SPANISH/ENGLISH) .....	896
FIGURE 9-10. DECAL INSTALLATION - OPTIONS .....	900
SECTION 10 - RECOMMENDED SERVICE PARTS STOCK .....	903
FIGURE 10-1. RECOMMENDED SERVICE PARTS .....	904
SECTION 11 - SPECIAL OPTIONS .....	907
FIGURE 11-1. SPECIAL OPTIONS .....	908
PART NUMBER INDEX .....	915



**SECTION 1 - FRAME**

# SECTION 1 - FRAME

FIGURE 1-1. AXLE INSTALLATION - FIXED (SN 0300201017 through 0300207703)



ART\_0271934



## SECTION 1 - FRAME

**FIGURE 1-1. AXLE INSTALLATION - FIXED (SN 0300201017 through 0300207703)**

ITEM	PART NUMBER	QTY	DESCRIPTION	REV
	0271934	Ref	AXLE INSTALLATION - FIXED (SN 0300201017 through 0300207703)	M
1	0100011	AR	Compound, Locking	
2	0100019	AR	Compound, Locking	
3	0100081	AR	Adhesive #454	
4	0363037	4	Bar, Stop	
5	0363076	2	Bar, Stop	
6	0641606	40	Bolt 3/8 x 3/4	
7	0641608	48	Bolt 3/8 x 1	
8	0641609	32	Bolt 3/8 x 1-1/8	
9	0641611	16	Bolt 3/8 x 1-3/8	
11	0641613	8	Bolt 3/8 x 1-5/8	
13	0641620	4	Bolt 3/8 x 2-1/2	
14	0641808	8	Bolt 1/2 x 1	
15	0641814	4	Bolt 1/2 x 1-3/4	
16	0642214	1	Bolt 3/4 x 1-3/4	
17	0962033	2	Bushing	
18	1180358	4	Carrier	
18	7024365	AR	Section Repair Kit (Includes Inner and Outer Links, Joining Bars and Rollers and Assembling Hardware)	
18	7024366	1	Mounting Bracket Kit (Includes Mounting Brackets for Both Ends, 1 Roller Assembly and Assembling Hardware)	
19	1320263	4	Clamp, Cable	
20	1320298	4	Clamp, Hose	
21	1684102	4	Axle Extension Cylinder Assembly (See CYLINDER SECTION for Breakdown)	
22	3310805	8	Nut #8	
23	3340881	8	Pad, Wear	
24	1001161401	2	Pad, Axle	
25	1001161402	8	Pad, Wear	
26	1001161403	32	Pad, Wear	
27	3340939	8	Pad, Rubber	
28	3422918	1	Pin	
29	3422960	4	Pin	
30	3573294	4	Plate	
31	3573335	8	Plate	
32	3841287	1	Keeper, Pin	
33	3900270	4	Bolt 1/2 x 1-1/2	
34	3930820	8	Capscrew #8 x 1-1/4	
37	4071035	2	Shim #18 Gauge	
38	4071036	4	Shim #11 Gauge	
39	4071054	8	Shim #18 Gauge	
40	4071055	12	Shim #11 Gauge	
41	4071039	10	Shim #18 Gauge	
42	4071040	36	Shim #11 Gauge	
43	4071042	24	Shim #16 Gauge	
44	4071049	6	Shim #11 Gauge	
45	4071050	4	Shim #16 Gauge	
46	4360578	4	Switch, Limit	
47	4711600	140	Washer 3/8	

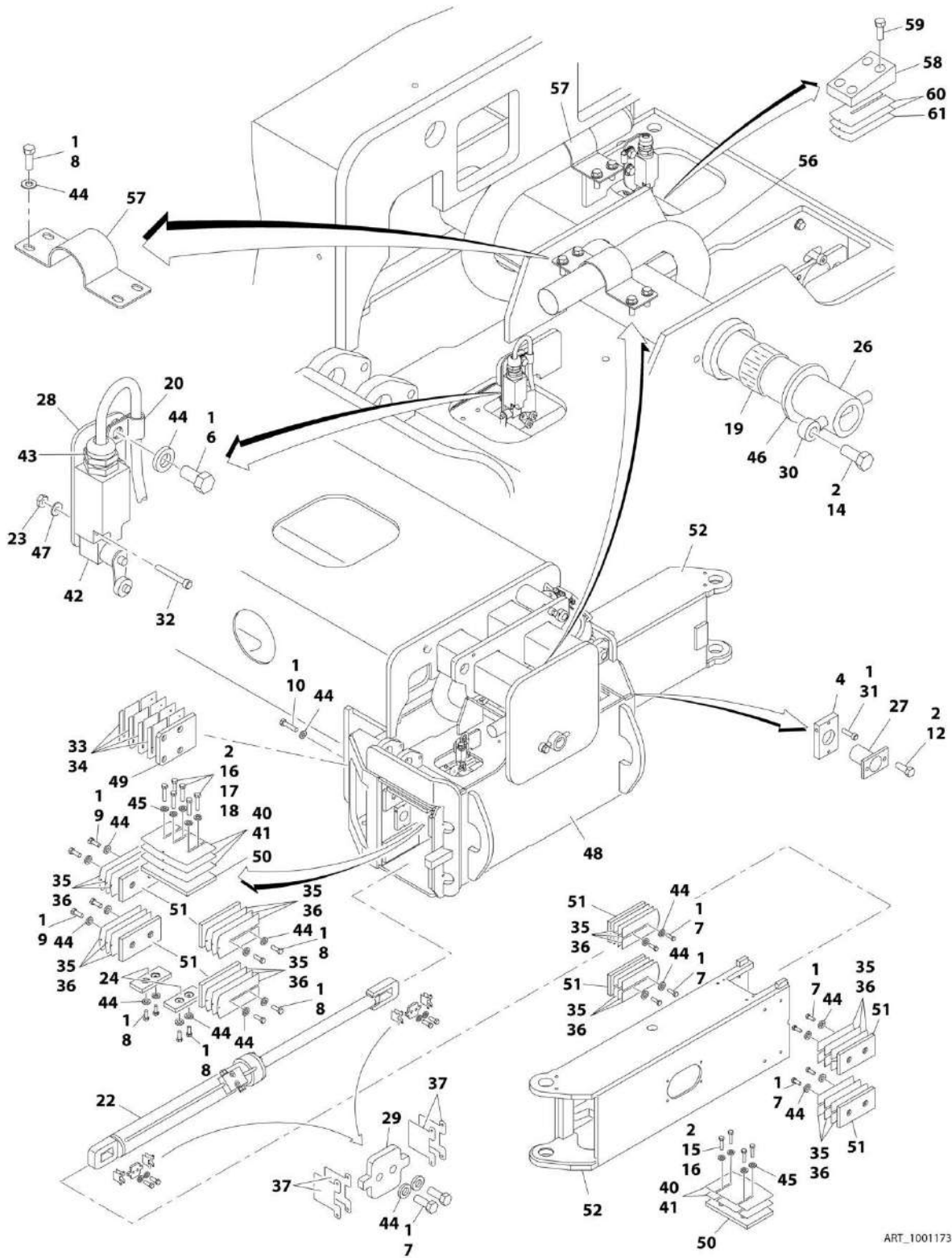
## SECTION 1 - FRAME

ITEM	PART NUMBER	QTY	DESCRIPTION	REV
48	4740461	1	Thrustwasher	
49	4750800	8	Washer #8	
50	4846637	4	Extension, Axle	
51	4846383	1	Box, Axle Pivot	
52	0681813	12	Bolt 1/2 x 1-5/8 Grade 8	
53	0681814	18	Bolt 1/2 x 1-3/4 Grade 8	
54	0681815	12	Bolt 1/2 x 1-7/8 Grade 8	
55	0681816	6	Bolt 1/2 x 2 Grade 8	
56	4711800	48	Washer 1/2	
57	4460968	4	Connector, Strain Relief	



# SECTION 1 - FRAME

## FIGURE 1-2. AXLE INSTALLATION - FIXED (SN 0300207704 to Present)



ART\_1001173914

## SECTION 1 - FRAME

**FIGURE 1-2. AXLE INSTALLATION - FIXED (SN 0300207704 to Present)**

ITEM	PART NUMBER	QTY	DESCRIPTION	REV
	1001173914	Ref	<b>AXLE INSTALLATION - FIXED (SN 0300207704 to Present)</b>	I
1	0100011	AR	Compound, Locking	
2	0100019	AR	Compound, Locking	
4	0363037	4	Bar, Stop	
6	0641606	8	Bolt 3/8 x 3/4	
7	0641608	48	Bolt 3/8 x 1	
8	0641609	64	Bolt 3/8 x 1-1/8	
9	0641611	16	Bolt 3/8 x 1-3/8	
10	0641613	8	Bolt 3/8 x 1-5/8	
12	0641808	8	Bolt 1/2 x 1	
14	0642214	1	Bolt 3/4 x 1-3/4	
15	0681813	12	Bolt 1/2 x 1-5/8 Grade 8	
16	0681814	18	Bolt 1/2 x 1-3/4 Grade 8	
17	0681815	12	Bolt 1/2 x 1-7/8 Grade 8	
18	0681816	6	Bolt 1/2 x 2 Grade 8	
19	0962033	2	Bushing	
20	1320263	4	Clamp, Cable	
22	1684102	NLA	Axle Extension Cylinder Assembly (Use p/n 1001228020) (See CYLINDER SECTION for Breakdown) <b>(SN 0300207704 through 0300238558)</b>	
22	1001228020	4	Axle Extension Cylinder Assembly (See CYLINDER SECTION for Breakdown) <b>(SN 0300238559 to Present)</b>	
23	3310805	8	Nut #8	
24	3340881	8	Pad, Wear	
26	3422918	1	Pin	
27	3422960	4	Pin	
28	3573294	4	Plate	
29	3573335	8	Plate	
30	3841287	1	Keeper, Pin	
31	3900270	4	Bolt 1/2 x 1-1/2	
32	3930820	8	Capscrew #8 x 1-1/4	
33	4071035	2	Shim #18 Gauge	
34	4071036	4	Shim #11 Gauge	
35	4071039	10	Shim #18 Gauge	
36	4071040	36	Shim #11 Gauge	
37	4071042	24	Shim #16 Gauge	
40	4071054	8	Shim #18 Gauge	
41	4071055	12	Shim #11 Gauge	
42	4360578	4	Switch, Limit	
43	4460968	4	Connector, Strain Relief	
44	4711600	144	Washer 3/8	
45	4711800	48	Washer 1/2	
46	4740461	1	Thrustwasher	
47	4750800	8	Washer #8	
48	4846383	1	Box, Axle Pivot	
49	1001161401	2	Pad, Axle	
50	1001161402	8	Pad, Wear	
51	1001161403	32	Pad, Wear	
52	4846637	4	Extension, Axle	
55	4240155	6	Strap (Not Shown)	

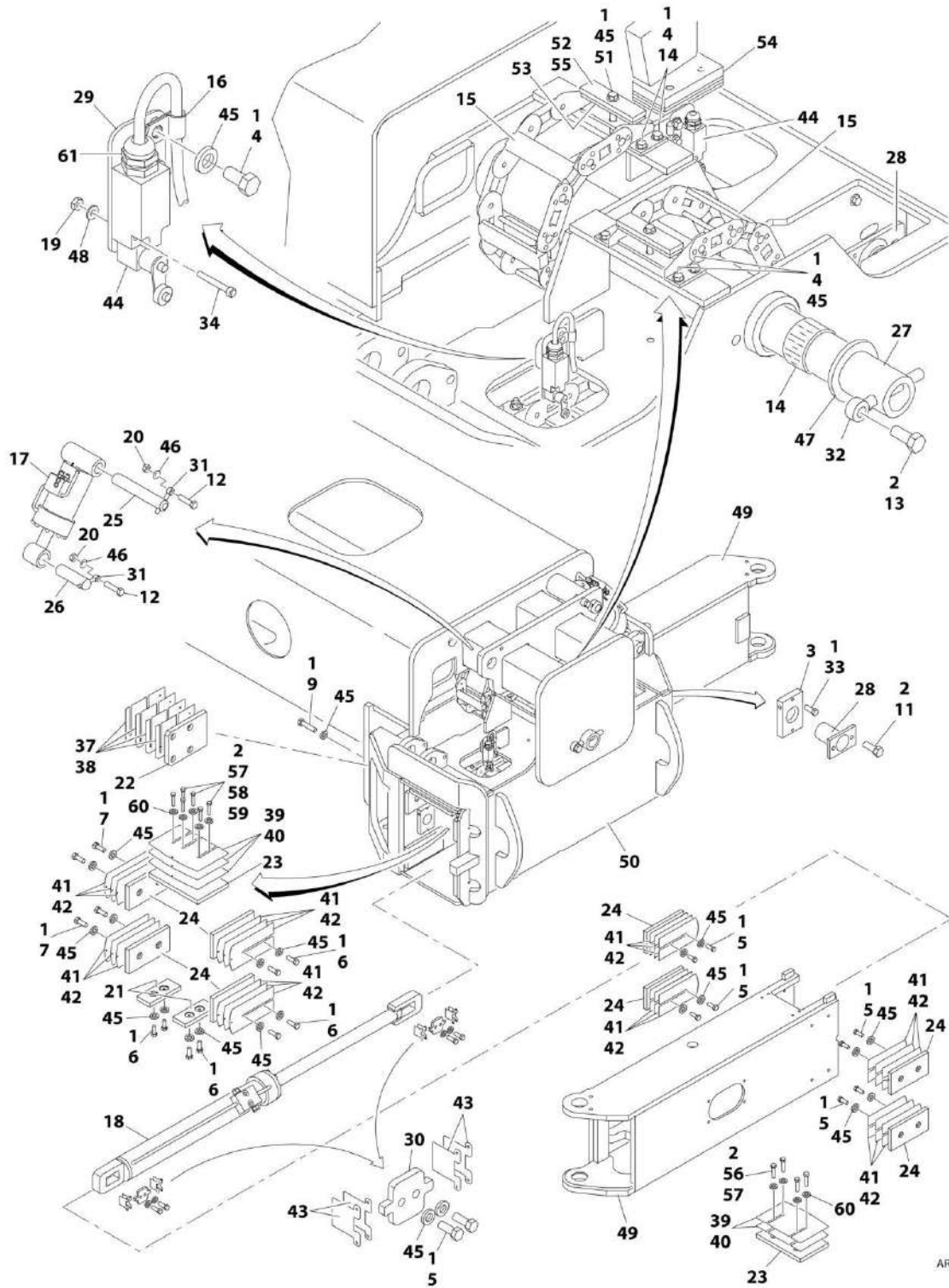
## SECTION 1 - FRAME

ITEM	PART NUMBER	QTY	DESCRIPTION	REV
56	1001193674	4	Sleeve, Nylon	
57	1001191541	8	Bracket, Hose Mount	
58	0363076	2	Bar	
59	0641814	4	Bolt 1/2 x 1-3/4	
60	4071049	4	Shim #11 Gauge	
61	4071050	2	Shim #16 Gauge	
62	2220235	1	Plug (Not Shown - Located on Junction Manifold)	



# SECTION 1 - FRAME

FIGURE 1-3. AXLE INSTALLATION - OSCILLATING (SN 0300201017 through 0300207703)



ART\_0271521



## SECTION 1 - FRAME

**FIGURE 1-3. AXLE INSTALLATION - OSCILLATING (SN 0300201017 through 0300207703)**

ITEM	PART NUMBER	QTY	DESCRIPTION	REV
	0271521	Ref	AXLE INSTALLATION - OSCILLATING (SN 0300201017 through 0300207703)	M
1	0100011	AR	Compound, Locking	
2	0100019	AR	Compound, Locking	
3	0363037	4	Bar, Stop	
4	0641606	40	Bolt 3/8 x 3/4	
5	0641608	48	Bolt 3/8 x 1	
6	0641609	32	Bolt 3/8 x 1-1/8	
7	0641611	16	Bolt 3/8 x 1-3/8	
9	0641613	8	Bolt 3/8 x 1-5/8	
11	0641808	8	Bolt 1/2 x 1	
12	0642020	4	Bolt 5/8 x 2-1/2	
13	0642214	1	Bolt 3/4 x 1-3/4	
14	0962033	2	Bushing	
15	1180358	4	Carrier	
15	7024365	AR	Section Repair Kit (Includes Inner and Outer Links, Joining Bars and Rollers and Assembling Hardware)	
15	7024366	1	Mounting Bracket Kit (Includes Mounting Brackets for Both Ends, 1 Roller Assembly and Assembling Hardware)	
16	1320263	4	Clamp, Cable	
17	1684081	2	Oscillating Axle Cylinder Assembly (See CYLINDER SECTION for Breakdown)	
18	1684102	4	Axle Extension Cylinder Assembly (See CYLINDER SECTION for Breakdown)	
19	3310805	8	Nut #8	
20	3312005	4	Nut 5/8	
21	3340881	8	Pad, Wear	
22	1001161401	2	Pad, Axle	
23	1001161402	8	Pad, Wear	
24	1001161403	32	Pad, Wear	
25	3422833	2	Pin	
26	3422915	2	Pin	
27	3422918	1	Pin	
28	3422960	4	Pin	
29	3573294	4	Plate	
30	3573335	8	Plate	
31	3841258	4	Keeper, Pin	
32	3841287	1	Keeper, Pin	
33	3900270	4	Bolt 1/2 x 1-1/2	
34	3930820	8	Capscrew #8 x 1-1/4	
37	4071035	2	Shim #18 Gauge	
38	4071036	4	Shim #11 Gauge	
39	4071054	8	Shim #18 Gauge	
40	4071055	12	Shim #11 Gauge	
41	4071039	10	Shim #18 Gauge	
42	4071040	36	Shim #11 Gauge	
43	4071042	24	Shim #16 Gauge	
44	4360578	4	Switch, Limit	
45	4711600	140	Washer 3/8	
46	4712000	4	Washer 5/8	
47	4740461	1	Thrustwasher	

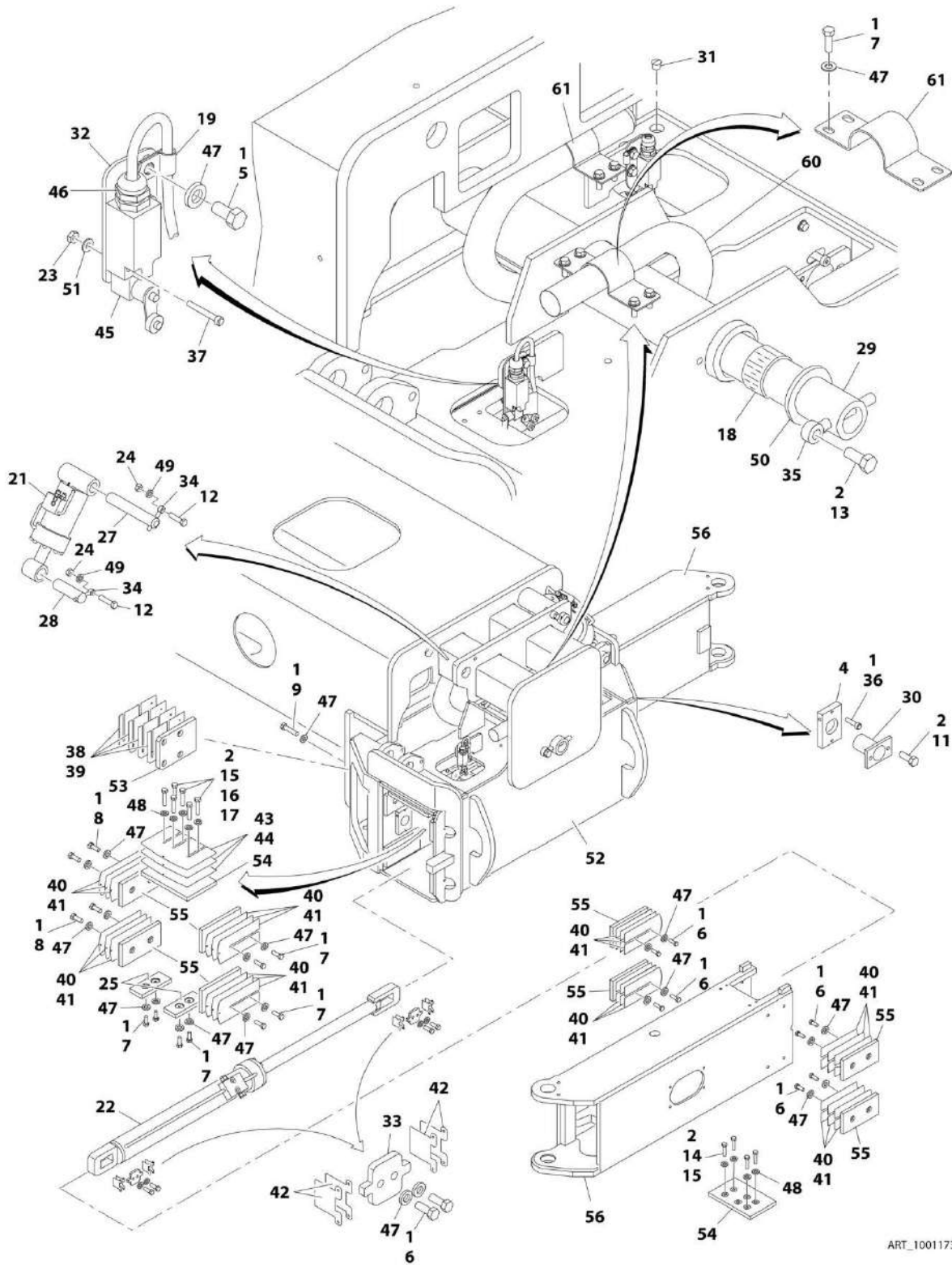
## SECTION 1 - FRAME

ITEM	PART NUMBER	QTY	DESCRIPTION	REV
48	4750800	8	Washer #8	
49	4846637	4	Extension, Axle	
50	4846383	1	Box, Axle Pivot	
51	0641624	4	Bolt 3/8 x 3	
52	1320298	4	Clamp, Hose	
53	3340939	8	Pad, Rubber	
54	3520054	4	Plug	
55	0100081	AR	Adhesive #454	
56	0681813	12	Bolt 1/2 x 1-5/8 Grade 8	
57	0681814	18	Bolt 1/2 x 1-3/4 Grade 8	
58	0681815	12	Bolt 1/2 x 1-7/8 Grade 8	
59	0681816	6	Bolt 1/2 x 2 Grade 8	
60	4711800	48	Washer 1/2	
61	4460968	4	Connector, Strain Relief	



# SECTION 1 - FRAME

## FIGURE 1-4. AXLE INSTALLATION - OSCILLATING (SN 0300207704 to Present)



ART\_1001173913

## SECTION 1 - FRAME

**FIGURE 1-4. AXLE INSTALLATION - OSCILLATING (SN 0300207704 to Present)**

ITEM	PART NUMBER	QTY	DESCRIPTION	REV
	1001173913	Ref	AXLE INSTALLATION - OSCILLATING (SN 0300207704 to Present)	H
1	0100011	AR	Compound, Locking	
2	0100019	AR	Compound, Locking	
4	0363037	4	Bar, Stop	
5	0641606	8	Bolt 3/8 x 3/4	
6	0641608	48	Bolt 3/8 x 1	
7	0641609	64	Bolt 3/6 x 1-1/8	
8	0641611	16	Bolt 3/8 x 1-3/8	
9	0641613	8	Bolt 3/8 x 1-5/8	
11	0641808	8	Bolt 1/2 x 1	
12	0642020	4	Bolt 5/8 x 2-1/2	
13	0642214	1	Bolt 3/4 x 1-3/4	
14	0681813	12	Bolt 1/2 x 1-5/8 Grade 8	
15	0681814	18	Bolt 1/2 x 1-3/4 Grade 8	
16	0681815	12	Bolt 1/2 x 1-7/8 Grade 8	
17	0681816	6	Bolt 1/2 x 2 Grade 8	
18	0962033	2	Bushing	
19	1320263	4	Clamp, Cable	
21	1684081	NLA	Oscillating Axle Cylinder Assembly (Use p/n 1001228019) (See CYLINDER SECTION for Breakdown) (SN 0300207704 through 0300239155)	
21	1001228019	2	Oscillating Axle Cylinder Assembly (See CYLINDER SECTION for Breakdown) (SN 0300239156 to Present)	
22	1684102	NLA	Axle Extension Cylinder Assembly (Use p/n 1001228020) (See CYLINDER SECTION for Breakdown) (SN 0300207704 through 0300238558)	
22	1001228020	4	Axle Extension Cylinder Assembly (See CYLINDER SECTION for Breakdown) (SN 0300238559 to Present)	
23	3310805	8	Nut #8	
24	3312005	4	Nut 5/8	
25	3340881	8	Pad, Wear	
27	3422833	2	Pin	
28	3422915	2	Pin	
29	3422918	1	Pin	
30	3422960	4	Pin	
31	3520054	4	Plug	
32	3573294	4	Plate	
33	3573335	8	Plate	
34	3841258	4	Keeper, Pin	
35	3841287	1	Keeper, Pin	
36	3900270	4	Bolt 1/2 x 1-1/2	
37	3930820	8	Capscrew #8 x 1-1/4	
38	4071035	2	Shim #18 Gauge	
39	4071036	4	Shim #11 Gauge	
40	4071039	10	Shim #18 Gauge	
41	4071040	36	Shim #11 Gauge	
42	4071042	24	Shim #16 Gauge	
43	4071054	8	Shim #18 Gauge	
44	4071055	12	Shim #11 Gauge	
45	4360578	4	Switch, Limit	

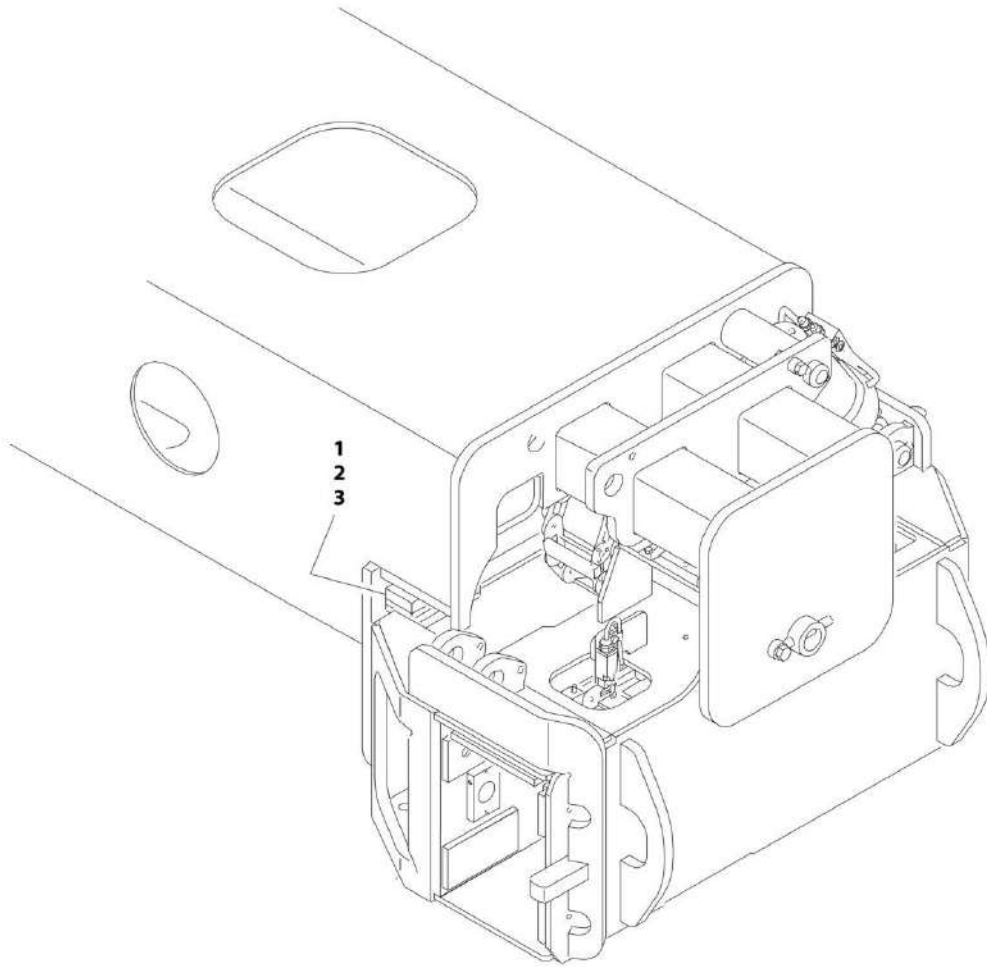
## SECTION 1 - FRAME

ITEM	PART NUMBER	QTY	DESCRIPTION	REV
46	4460968	4	Connector, Strain Relief	
47	4711600	144	Washer 3/8	
48	4711800	48	Washer 1/2	
49	4712000	4	Washer 5/8	
50	4740461	1	Thrustwasher	
51	4750800	8	Washer #8	
52	4846383	1	Box, Axle Pivot	
53	1001161401	2	Pad, Axle	
54	1001161402	8	Pad, Wear	
55	1001161403	32	Pad, Wear	
56	4846637	4	Extension, Axle	
59	4240155	6	Strap (Not Shown)	
60	1001193674	4	Sleeve, Nylon	
61	1001191541	8	Bracket, Hose Mount	



# SECTION 1 - FRAME

## FIGURE 1-5. AXLE STOP BLOCKS INSTALLATION



ART\_0274106

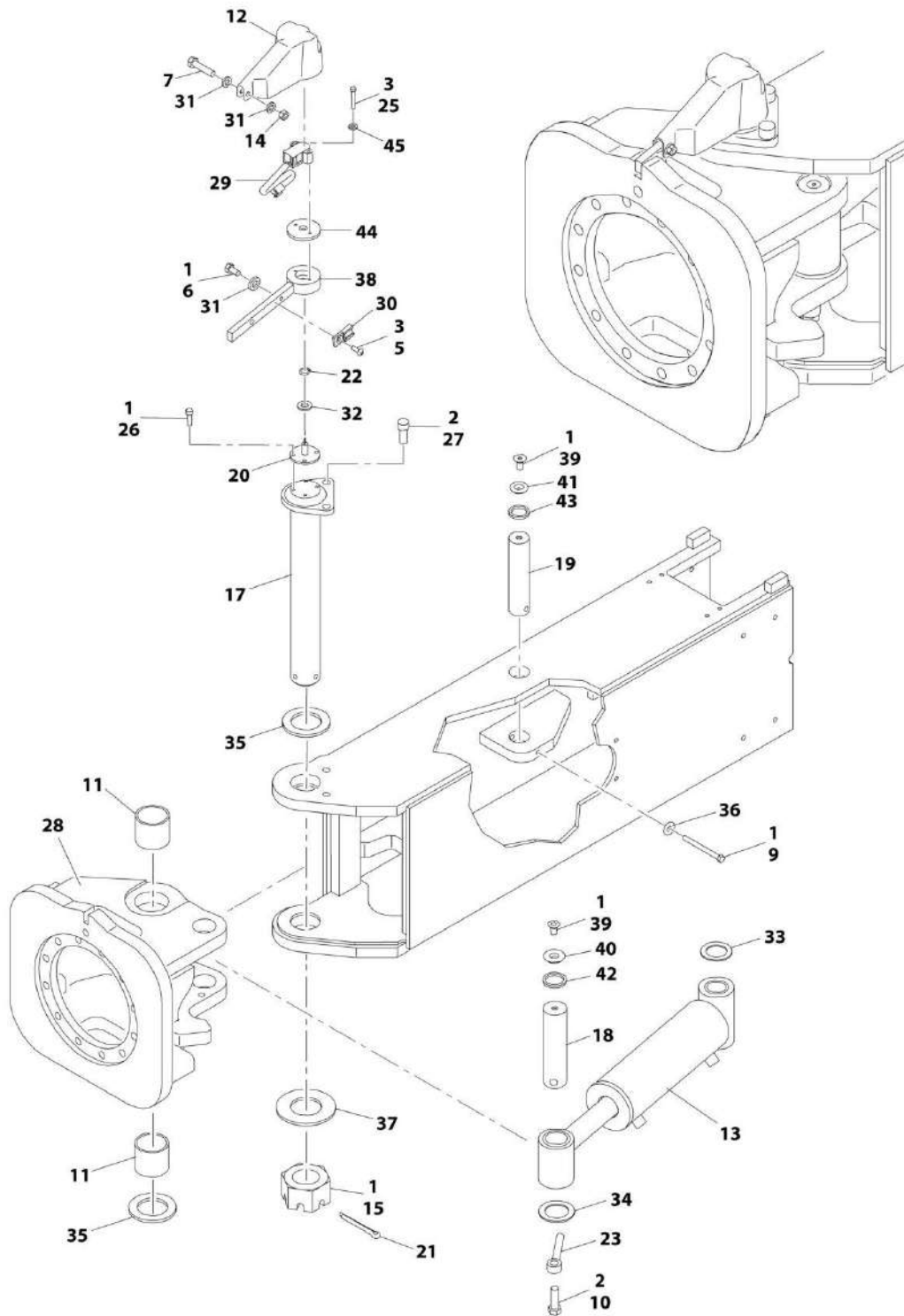


**FIGURE 1-5. AXLE STOP BLOCKS INSTALLATION**

<b>ITEM</b>	<b>PART NUMBER</b>	<b>QTY</b>	<b>DESCRIPTION</b>	<b>REV</b>
	0274106	Ref	AXLE STOP BLOCKS INSTALLATION	A
1	0100019	AR	Compound, Locking	
2	3931816	4	Capscrew 1/2 x 1	
3	4220235	2	Block, Stop	

# SECTION 1 - FRAME

## FIGURE 1-6. STEER INSTALLATION



ART\_0271520

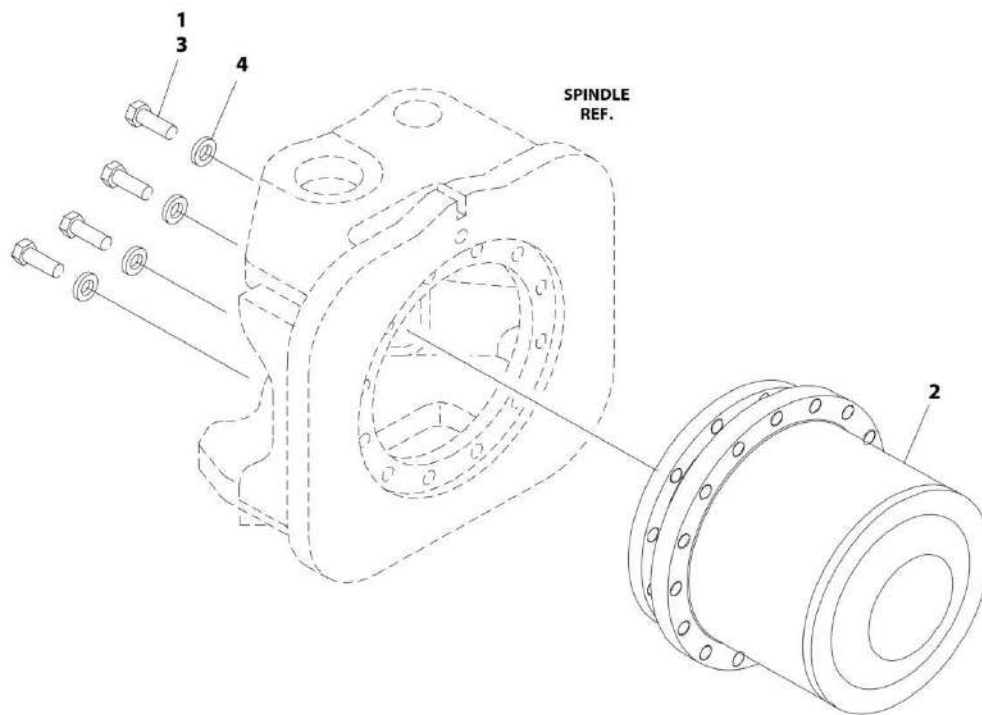
# SECTION 1 - FRAME

## FIGURE 1-6. STEER INSTALLATION

ITEM	PART NUMBER	QTY	DESCRIPTION	REV
	0271520	Ref	STEER INSTALLATION	L
1	0100011	AR	Compound, Locking	
2	0100019	AR	Compound, Locking	
3	0100035	AR	Compound, Locking	
5	0630464	4	Screw #10 x 1/2	
6	0641505	4	Bolt 5/16 x 5/8	
7	0641511	4	Bolt 5/16 x 1-3/8	
9	0641634	4	Bolt 3/8 x 4-1/4	
10	0642016	4	Bolt 5/8 x 2	
11	0962423	8	Bushing	
12	1671040	4	Cover, Sensor	
13	1684314	NLA	Steer Cylinder Assembly (Use p/n 1001228031) <b>(SN 0300201017 through 0300238558)</b>	
13	1001228031	4	Steer Cylinder Assembly <b>(SN 0300238559 to Present)</b>	
14	3311505	4	Nut 5/16	
15	3300464	4	Nut, Slotted	
17	3422917	4	Kingpin	
18	3422940	4	Pin, Steer Cylinder (Outer)	
19	3422941	4	Pin, Steer Cylinder (Inner)	
20	3423256	4	Pin, Sensor	
21	3451214	4	Pin, Cotter 3/8 x 3-1/2	
22	3760383	4	Ring, Retaining	
23	3841258	4	Keeper, Pin	
25	3931020	8	Capscrew #10 x 1-1/4	
26	3931412	16	Capscrew 1/4 x 3/4	
27	3932024	8	Capscrew 5/8 x 1-1/2	
28	1001099632	4	Spindle	
29	4360505	4	Switch, Rotary Angle Sensor (Steer)	
30	4460914	4	Terminal	
31	4711500	12	Washer 5/16	
32	4711800	4	Washer 1/2	
33	4740181	4	Thrustwasher	
34	4740229	4	Thrustwasher	
35	4740505	8	Thrustwasher	
36	4751600	4	Washer 3/8	
37	4755000	4	Washer 2-1/2	
38	0200833	4	Arm, Steer	
39	0741606	8	Screw 3/8 x 3/4	
40	1120549	4	Cap, Seal (Outer)	
41	1120550	4	Cap, Seal (Inner)	
42	3960551	4	Seal (Outer)	
43	3960552	4	Seal (Inner)	
44	0080277	4	Adapter, Angle Sensor Pilot	
45	4750800	8	Washer M8 <b>(SN 0300201017 through 0300235777)</b>	
45	4811600	8	Washer M5 <b>(SN 0300235778 to Present)</b>	

# SECTION 1 - FRAME

## FIGURE 1-7. WHEEL DRIVE INSTALLATION - BONFIGLIOLI



ART\_0275685

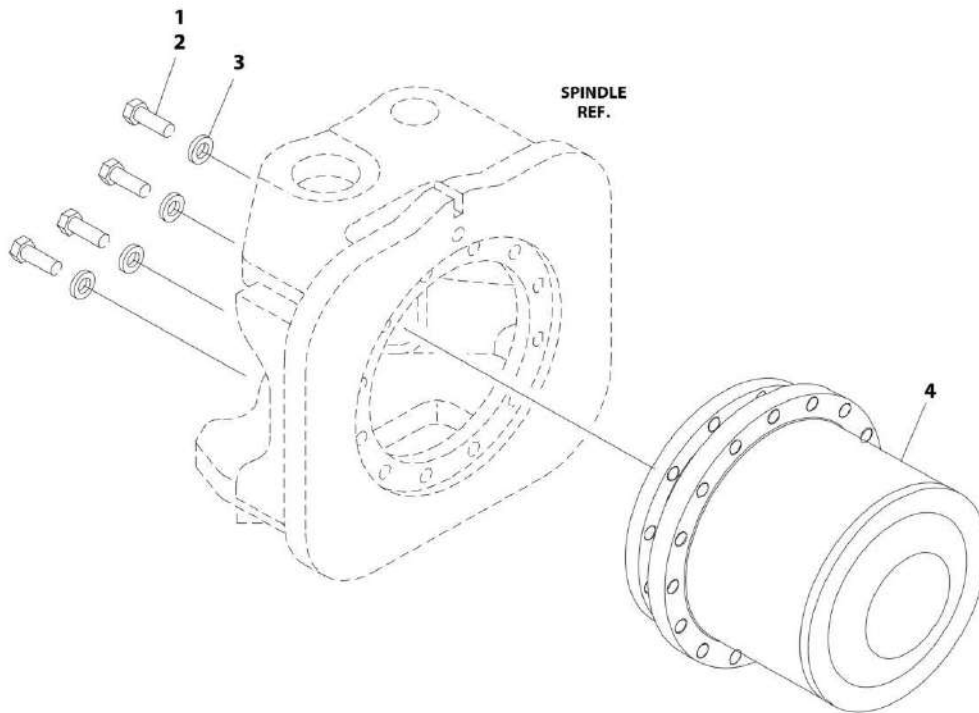
## SECTION 1 - FRAME

### FIGURE 1-7. WHEEL DRIVE INSTALLATION - BONFIGLIOLI

ITEM	PART NUMBER	QTY	DESCRIPTION	REV
	0275685	Ref	WHEEL DRIVE INSTALLATION - BONFIGLIOLI	C
1	0100019	AR	Compound, Locking	
2	2780286	4	Drive Hub and Motor Assembly - Bonfiglioli (See DRIVE HUB AND MOTOR ASSEMBLY - BONFIGLIOLI for Breakdown)	
3	0701617	48	Bolt M16 x 45 (12 Per Wheel)	
4	4892000	48	Washer 5/8 (12 Per Wheel)	

# SECTION 1 - FRAME

FIGURE 1-8. WHEEL DRIVE INSTALLATION - REGGIANA RIDUTTORI



ART\_1001104324

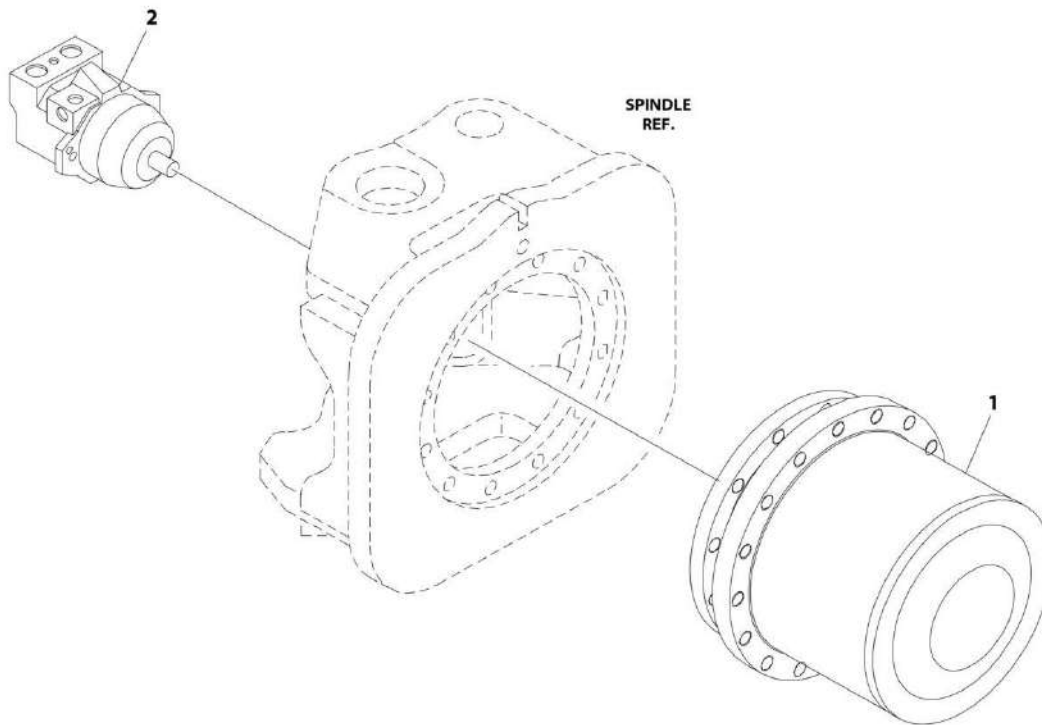
## SECTION 1 - FRAME

**FIGURE 1-8. WHEEL DRIVE INSTALLATION - REGGIANA RIDUTTORI**

ITEM	PART NUMBER	QTY	DESCRIPTION	REV
	1001104324	Ref	WHEEL DRIVE INSTALLATION - REGGIANA RIDUTTORI	B
1	0100019	AR	Compound, Locking	
2	0701617	48	Bolt M16 x 45 (12 Per Wheel)	
3	4892000	48	Washer 5/8 (12 Per Wheel)	
4	1001104315	4	Drive Hub and Motor Assembly - Reggiana Riduttori (See DRIVE HUB AND MOTOR ASSEMBLY - REGGIANA RIDUTTORI for Breakdown)	

# SECTION 1 - FRAME

FIGURE 1-9. DRIVE HUB AND MOTOR ASSEMBLY - BONFIGLIOLI



ART\_2780286



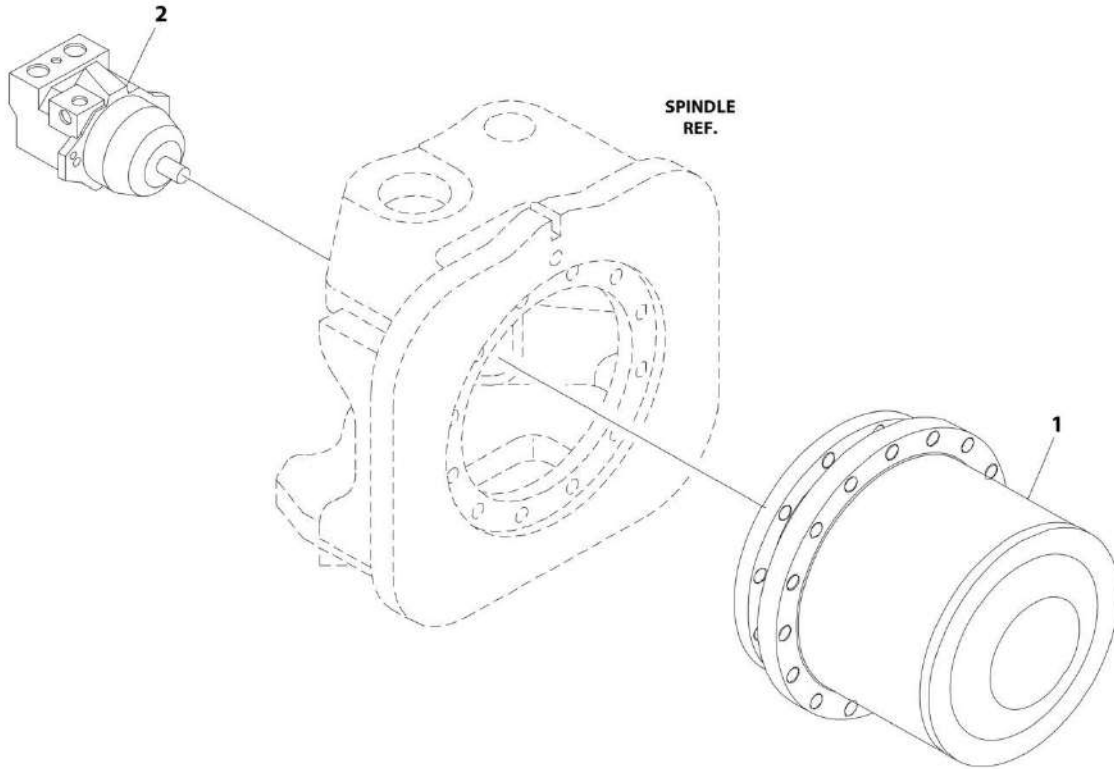
**SECTION 1 - FRAME**

**FIGURE 1-9. DRIVE HUB AND MOTOR ASSEMBLY - BONFIGLIOLI**

ITEM	PART NUMBER	QTY	DESCRIPTION	REV
	2780286	Ref	DRIVE HUB AND MOTOR ASSEMBLY - BONFIGLIOLI	D
		Ref	Note: Various brands used on Machines. When replacing complete hub, note that all 4 hubs must be the same brand.	
		Ref	Note: Various brands used on Machines. Identify brand before ordering replacement parts.	
1	1001093243	4	Drive Hub Assembly - Bonfiglioli (See DRIVE HUB ASSEMBLY - BONFIGLIOLI for Breakdown)	
2	3160339	4	Drive Motor Assembly (See DRIVE MOTOR ASSEMBLY for Breakdown)	

## SECTION 1 - FRAME

FIGURE 1-10. DRIVE HUB AND MOTOR ASSEMBLY - REGGIANA RIDUTTORI



ART\_1001104315

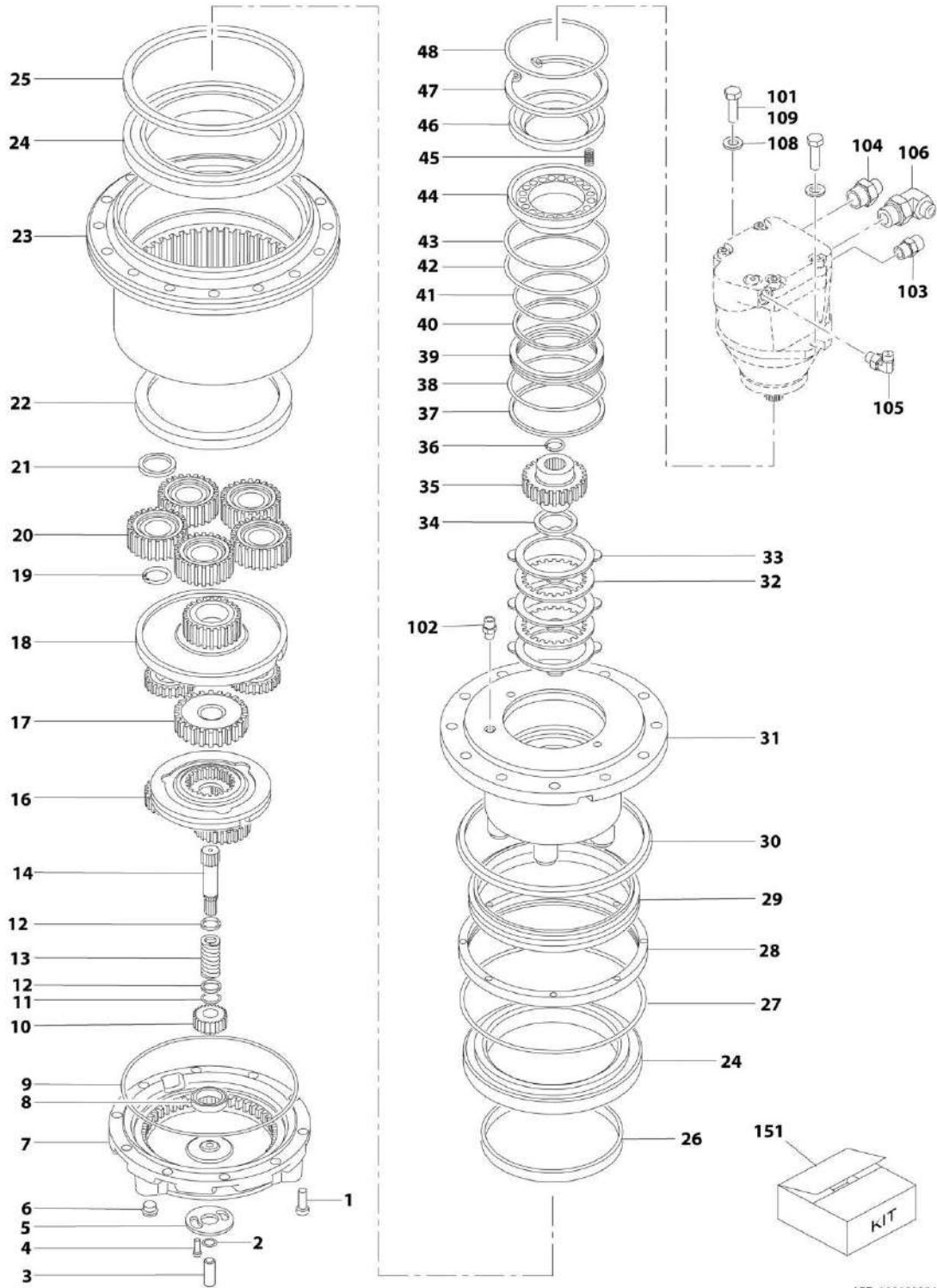
## SECTION 1 - FRAME

### FIGURE 1-10. DRIVE HUB AND MOTOR ASSEMBLY - REGGIANA RIDUTTORI

ITEM	PART NUMBER	QTY	DESCRIPTION	REV
	1001104315	Ref	DRIVE HUB AND MOTOR ASSEMBLY - REGGIANA RIDUTTORI	B
		Ref	Note: Various brands used on Machines. When replacing complete hub, note that all 4 hubs must be the same brand.	
		Ref	Note: Various brands used on Machines. Identify brand before ordering replacement parts.	
1	1001104325	4	Drive Hub Assembly - Reggiana Riduttori (See DRIVE HUB ASSEMBLY - REGGIANA RIDUTTORI for Breakdown)	
2	3160339	4	Drive Motor Assembly (See DRIVE MOTOR ASSEMBLY for Breakdown)	

# SECTION 1 - FRAME

FIGURE 1-11. DRIVE HUB ASSEMBLY - BONFIGLIOLI



ART\_1001093243

# SECTION 1 - FRAME

## FIGURE 1-11. DRIVE HUB ASSEMBLY - BONFIGLIOLI

ITEM	PART NUMBER	QTY	DESCRIPTION	REV
	1001093243	Ref	DRIVE HUB ASSEMBLY - BONFIGLIOLI	D
		Ref	Note: Various brands used on Machines. Identify brand before ordering replacement parts.	
	1001093242	1	Hub, Torque - Bonfiglioli	
1	70000810	10	Bolt M10 x 25	
2	70000811	1	O-Ring	
3	70000812	1	Pin	
4	70000813	2	Bolt M8 x 16	
5	70002393	1	Cap, Disconnect	
6	See Note	2	Plug (Note: Not Available for Purchase)	
7	70000815	1	Cover Assembly (Includes Items 2-6 & 8)	
8	70000816	1	Pad	
9	70000817	1	O-Ring	
10	70000818	1	Gear, Primary Sun	
11	See Note	NSS	Ring, Neoprene (Note: Use Item 151)	
12	See Note	NSS	Washer (Note: Use Item 151)	
13	See Note	NSS	Spring (Note: Use Item 151)	
14	See Note	NSS	Shaft (Note: Use Item 151)	
16	70000820	1	Reduction Assembly, Primary	
17	70000821	1	Gear, Secondary Sun	
18	70000822	1	Reduction Assembly, Secondary	
19	70000823	5	Snap Ring	
20	70000824	5	Gear Assembly, Planetary	
21	70000825	5	Spacer	
22	70000826	1	Nut	
23	70002395	1	Housing, Hub (Includes Item 24)	
24	70002396	2	Ball Bearing	
25	70000828	1	Spacer	
26	70000829	1	Spacer	
27	70000830	1	O-Ring	
28	70000831	1	Spacer	
29	70000832	1	Seal	
30	70000833	1	Ring, Sealing	
31	See Note	NSS	Spindle (Note: Not Available - Purchase Complete Assembly)	
32	70000834	4	Disc, Steel	
33	70000835	5	Disc, Lined	
34	70000836	1	Spacer	
35	70000837	1	Shaft, Brake	
36	70000838	1	Snap Ring	
37	70000839	1	Ring, Back-up	
38	70000840	1	O-Ring	
39	70000841	1	Spacer	
40	70000842	1	Ring, Back-up	
41	70000843	1	O-Ring	
42	70000844	1	O-Ring	
43	70000845	1	Ring, Back-up	
44	70000846	1	Piston, Brake	
45	70000847	15	Spring	
46	70000848	1	Plate, Spring Retainer	
47	70000849	1	Snap Ring	

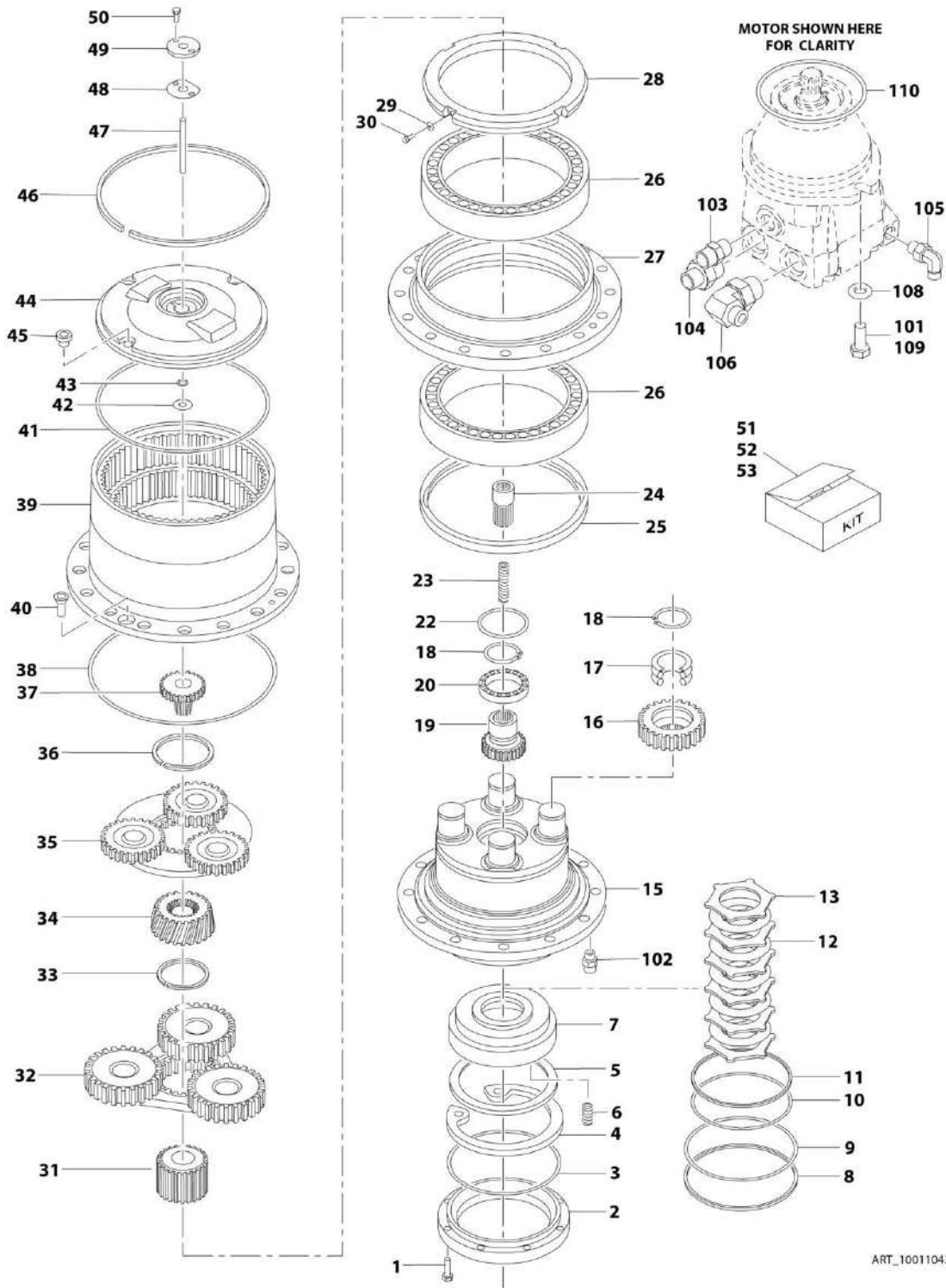
## SECTION 1 - FRAME

ITEM	PART NUMBER	QTY	DESCRIPTION	REV
48	3790158	1	O-Ring	
101	0761215	2	Bolt M12 x 35	
102	2110404	1	Fitting, Adapter	
103	2110808	1	Fitting, Adapter	
104	2110812	1	Fitting, Adapter	
105	2130406	1	Fitting, 90 Adapter	
106	2130812	1	Fitting, 90 Adapter	
108	5241200	2	Washer M12	
109	0100011	AR	Compound, Locking	
110	3020008	17 oz /0.5L	Lubricant HD 80W-90 (Not Shown)	
151	70000819	1	Brake Shaft Kit (Includes Items 11-14)	



# SECTION 1 - FRAME

## FIGURE 1-12. DRIVE HUB ASSEMBLY - REGGIANA RIDUTTORI



ART\_1001104325



# SECTION 1 - FRAME

## FIGURE 1-12. DRIVE HUB ASSEMBLY - REGGIANA RIDUTTORI

ITEM	PART NUMBER	QTY	DESCRIPTION	REV
	1001104325	Ref	DRIVE HUB ASSEMBLY - REGGIANA RIDUTTORI	E
		Ref	Note: Various brands used on Machines. Identify brand before ordering replacement parts.	
	1001101550	1	Hub, Torque	E
1	70002015	8	Bolt M8 x 25	
2	70002016	1	Ring, Motor Support	
3	See Note	NSS	O-Ring (Note: Use Item 51)	
4	70002018	1	Snap Ring	
5	70002019	1	Retainer, Spring	
6	70002020	9	Spring	
7	70002021	1	Piston	
8	See Note	NSS	Ring, Back-up (Note: Use Item 51 or 53)	
9	See Note	NSS	O-Ring (Note: Use Item 51 or 53)	
10	See Note	NSS	O-Ring (Note: Use Item 51 or 53)	
11	See Note	NSS	Ring, Back-up (Note: Use Item 51 or 53)	
12	70002026	5	Disc, Friction	
13	70002027	6	Disc, Steel	
15	70002029	1	Spindle	
16	70002030	4	Gear, Planetary	
17	70002031	4	Bearing	
18	70002032	5	Snap Ring	
19	70002033	1	Gear, Brake/Input	
20	70002034	1	Bearing	
22	70002035	1	Ring, Wear	
23	70002036	1	Spring	
24	70002037	1	Shaft, Engagement	
25	See Note	NSS	Seal (Note: Use Item 51)	
26	70002039	2	Bearing Assembly	
27	70002040	1	Support, Hub	
28	70002041	1	Nut, Retaining	
29	70002674	4	Washer	
30	70002674	4	Screw	
31	70002044	1	Gear, Planetary Sun	
32	70002045	1	Reduction Assembly, Secondary	
33	70002046	1	Snap Ring	
34	70002047	1	Gear, Secondary Input Sun	
35	70002048	1	Reduction Assembly, Primary	
36	70002049	1	Snap Ring	
37	70002050	1	Gear, Primary Input Sun	
38	See Note	NSS	O-Ring (Note: Use Item 51)	
39	See Note	NSS	Housing, Hub (Note: Not Available - Purchase Complete Assembly)	
40	70002052	2	Screw, Countersunk	
41	See Note	NSS	O-Ring (Note: Use Item 51 or 52)	
42	See Note	NSS	Thrustwasher (Note: Use Item 52)	
43	See Note	NSS	O-Ring (Note: Use Item 51 or 52)	
44	See Note	NSS	Cover, Hub (Note: Use Item 52)	
45	70002057	3	Plug	
46	See Note	NSS	Snap Ring (Note: Use Item 52)	
47	See Note	NSS	Pin, Engagement (Note: Use Item 52)	

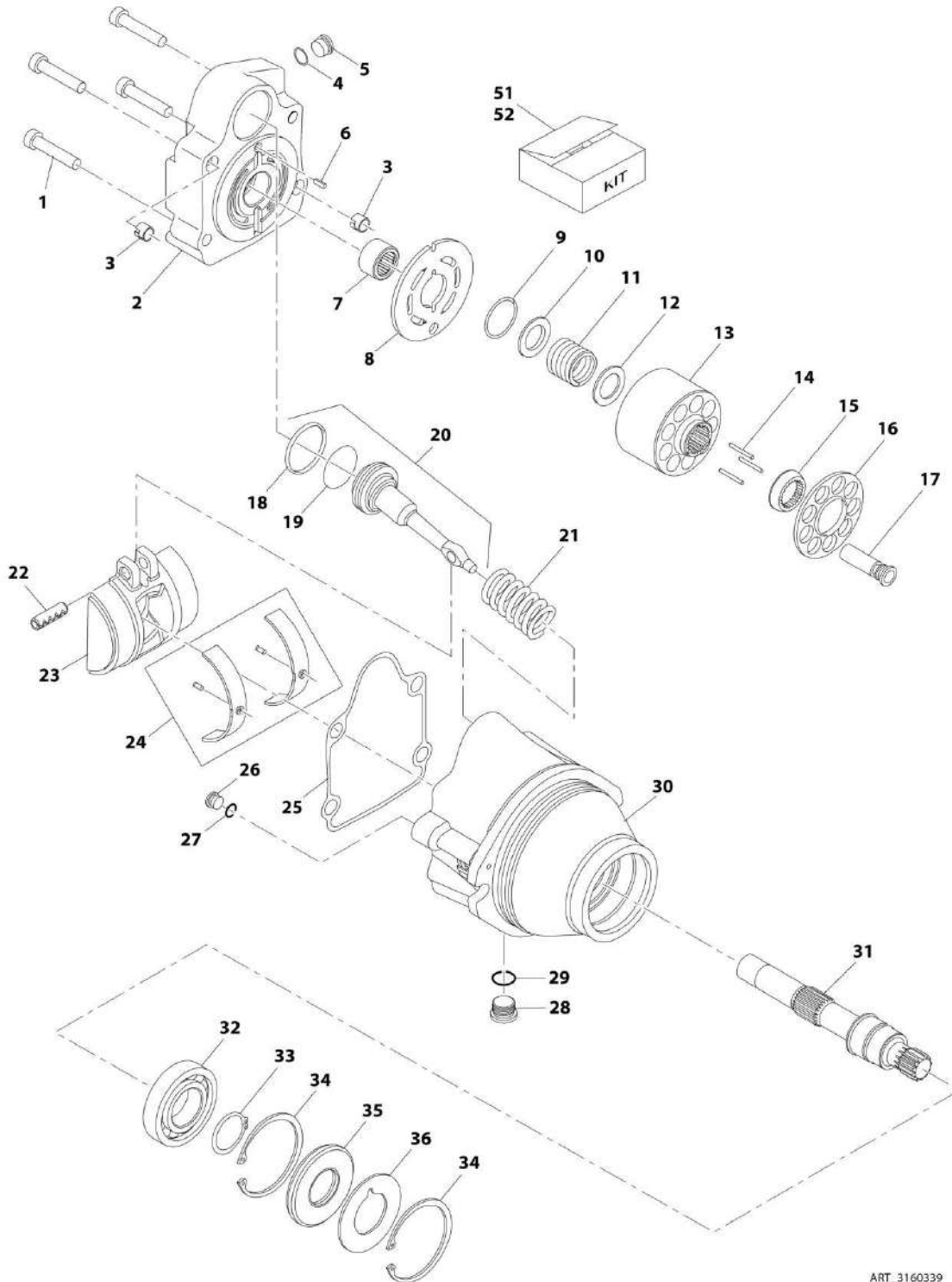
## SECTION 1 - FRAME

ITEM	PART NUMBER	QTY	DESCRIPTION	REV
48	See Note	NSS	Gasket (Note: Use Item 51 or 52)	
49	See Note	NSS	Cover, Engagement (Note: Use Item 52)	
50	See Note	NSS	Screw (Note: Use Item 52)	
51	70002248	1	Seal Kit (Includes Items 3, 8-11, 25, 38, 41, 43 & 48)	
52	70002247	1	Cover Kit (Includes Items 41-50)	
53	70002249	1	Brake Kit (Includes Items 4-13)	
101	0761214	2	Bolt M12 x 30	
102	2110404	1	Fitting, Adapter	
103	2110808	1	Fitting, Adapter	
104	2110812	1	Fitting, Adapter	
105	2130406	1	Fitting, 90 Adapter	
106	2130812	1	Fitting, 90 Adapter	
108	5241200	2	Washer M12	
109	0100011	AR	Compound, Locking	
110	3790158	1	O-Ring	
111	3020008	51 oz/ 1.5L	Lubricant HD 80W-90 (Not Shown)	



# SECTION 1 - FRAME

## FIGURE 1-13. DRIVE MOTOR ASSEMBLY



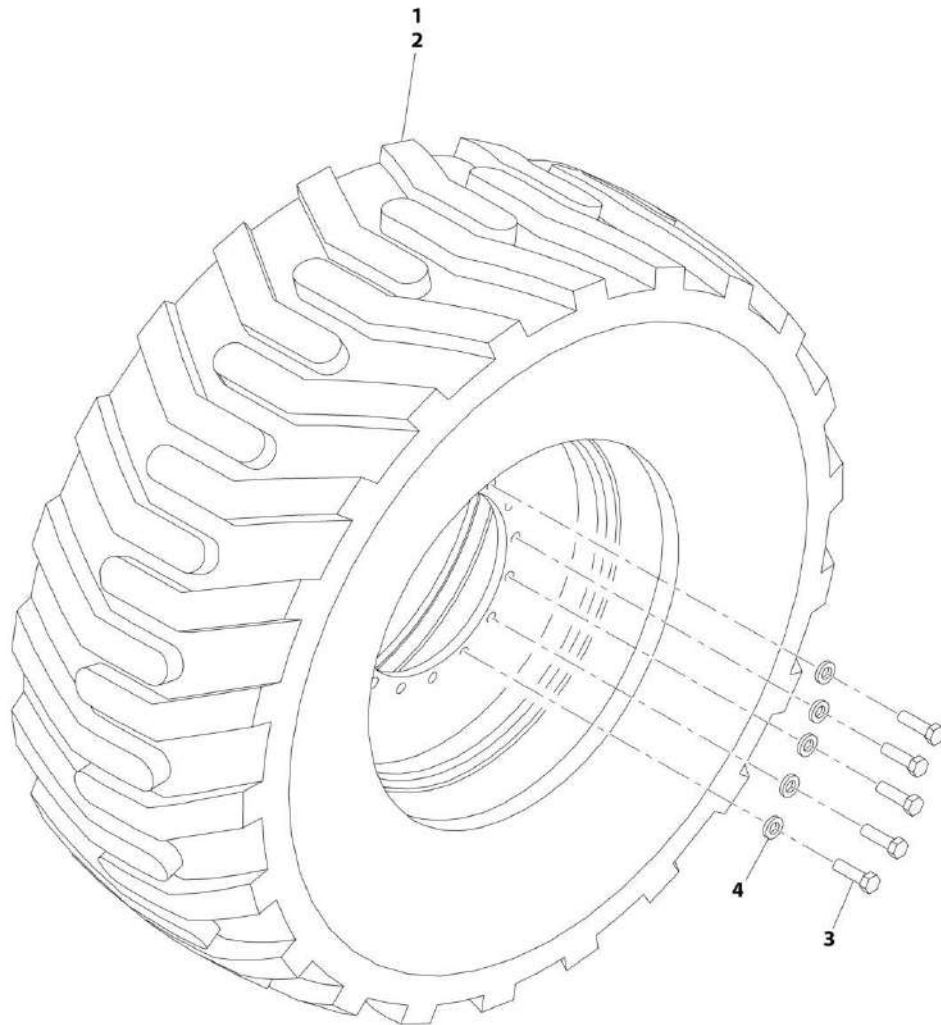
ART\_3160339

FIGURE 1-13. DRIVE MOTOR ASSEMBLY

ITEM	PART NUMBER	QTY	DESCRIPTION	REV
	3160339	Ref	DRIVE MOTOR ASSEMBLY	D
1	7022368	4	Bolt	
2	70000859	1	End Cap, Motor	
3	70003628	2	Locating Pin	
4	See Note	NSS	O-Ring (Note: Use Item 51)	
5	7007420	1	Plug (Includes Item 4)	
6	7007446	1	Pin, Dowel	
7	7021249	1	Bearing, Needle	
8	70000854	1	Plate, Valve	
9	7022311	1	Snap Ring	
10	7022314	1	Retainer, Spring	
11	7024867	1	Spring	
12	7024868	1	Washer	
13	70000855	1	Block, Cylinder	
14	7021275	3	Pin, Slipper	
15	70000856	1	Guide	
16	70000857	1	Retainer, Slipper	
17	7024865	9	Piston, Cylinder	
18	See Note	NSS	Ring, Piston (Note: Use Item 51)	
19	See Note	NSS	O-Ring (Note: Use Item 51)	
20	70000860	1	Piston, Servo (Includes Items 18 & 19)	
21	70000861	1	Spring	
22	See Note	1	Pin (Note: Not Available for Purchase)	
23	70000853	1	Swash Plate	
24	70000852	1	Bearing Kit	
25	See Note	NSS	Gasket (Note: Use Item 51)	
26	See Note	1	Plug (Note: Not Available for Purchase)	
27	See Note	NSS	O-Ring (Note: Use Item 51)	
28	7022321	1	Plug (Includes Item 29)	
29	See Note	NSS	O-Ring (Note: Use Item 51)	
30	See Note	1	Housing (Note: Not Available - Purchase Complete Motor)	
31	70000858	1	Shaft	
32	7007437	1	Bearing	
33	7007439	1	Snap Ring	
34	7007438	2	Snap Ring	
35	See Note	NSS	Seal (Note: Use Item 51)	
36	7022371	1	Washer, Seal Support	
51	70000862	1	Kit 1 - Motor Seal Kit (Includes Items 4, 18, 19, 25, 27, 29 & 35)	
52	7027740	1	Kit 2 - Cylinder Block Kit (Includes Items 9-17)	

# SECTION 1 - FRAME

FIGURE 1-14. TIRE AND WHEEL INSTALLATION - FOAM - FILLED



ART\_0271852

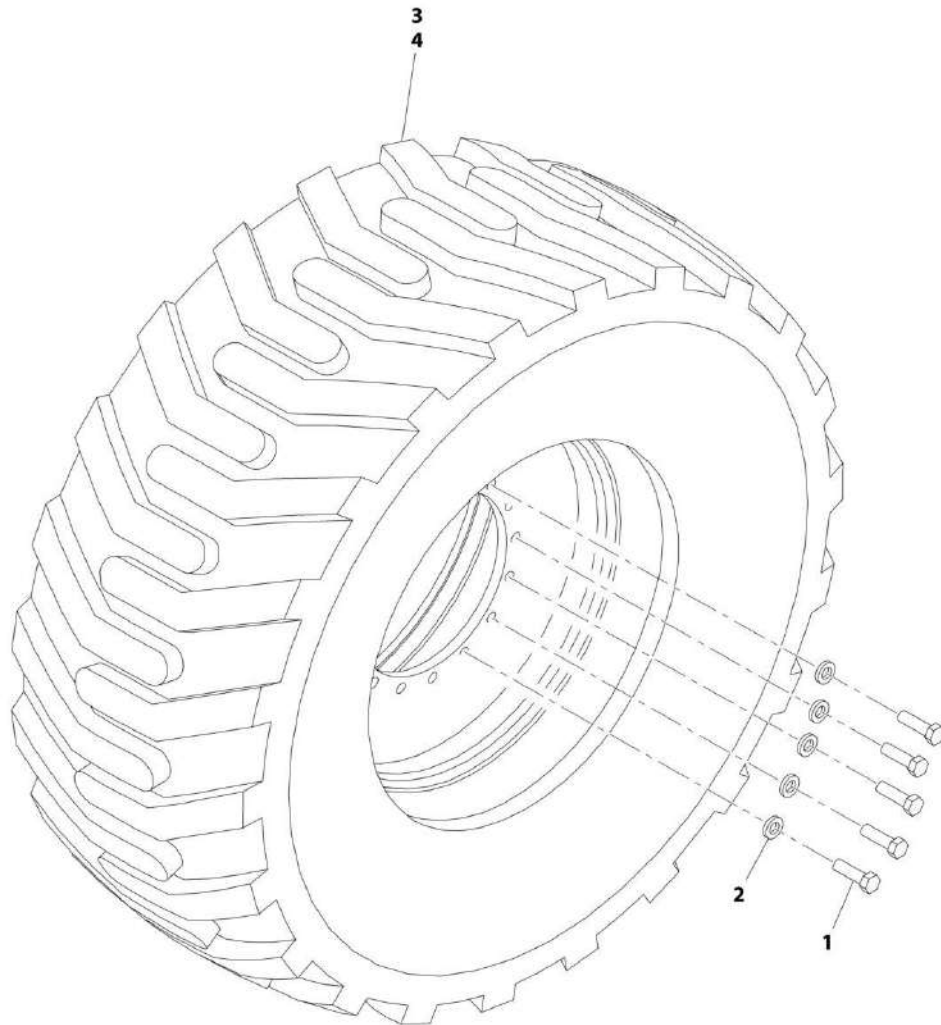
## SECTION 1 - FRAME

**FIGURE 1-14. TIRE AND WHEEL INSTALLATION - FOAM - FILLED**

ITEM	PART NUMBER	QTY	DESCRIPTION	REV
	0271852	Ref	TIRE AND WHEEL INSTALLATION - FOAM - FILLED	B
		Ref	Note: Assemblies may require ballast/foam filling to manufacturer's specifications prior to installing on a machine. Refer to Operation and Safety or Service and Maintenance Manuals. Purchase individual tire and/or rim only if able to foam fill tire and wheel assembly, otherwise, purchase complete assembly.	
1	0272055	2	Right Side Tire and Wheel Assembly - Foam - Filled	
2	0272056	2	Left Side Tire and Wheel Assembly - Foam - Filled	
3	0701619	64	Bolt M16 x 55 (16 Per Wheel)	
4	4892000	64	Washer 5/8 (16 Per Wheel)	

# SECTION 1 - FRAME

FIGURE 1-15. TIRE AND WHEEL INSTALLATION - SOLID



ART\_100115961



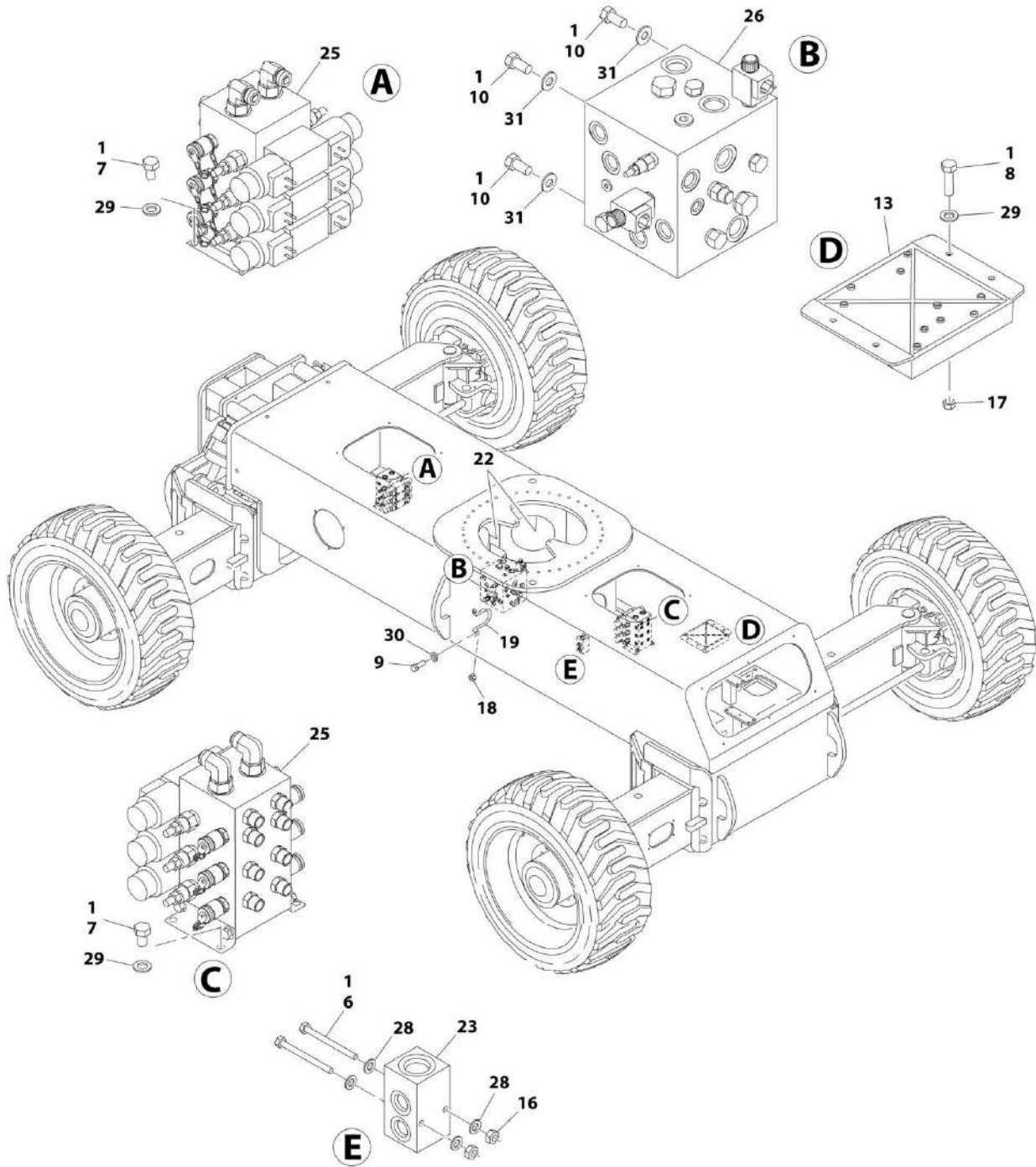
## SECTION 1 - FRAME

### FIGURE 1-15. TIRE AND WHEEL INSTALLATION - SOLID

ITEM	PART NUMBER	QTY	DESCRIPTION	REV
	1001115961	Ref	TIRE AND WHEEL INSTALLATION - SOLID	A
1	0701619	64	Bolt M16 x 55 (16 Per Wheel)	
2	4892000	64	Washer 5/8 (16 Per Wheel)	
3	1001112716	2	Right Side Tire and Wheel Assembly - Solid	
4	1001112669	2	Left Side Tire and Wheel Assembly - Solid	

# SECTION 1 - FRAME

FIGURE 1-16. FRAME VALVES INSTALLATION - WITHOUT LSS AND WITH 4 CELL LSS



ART\_0273377\_10F3

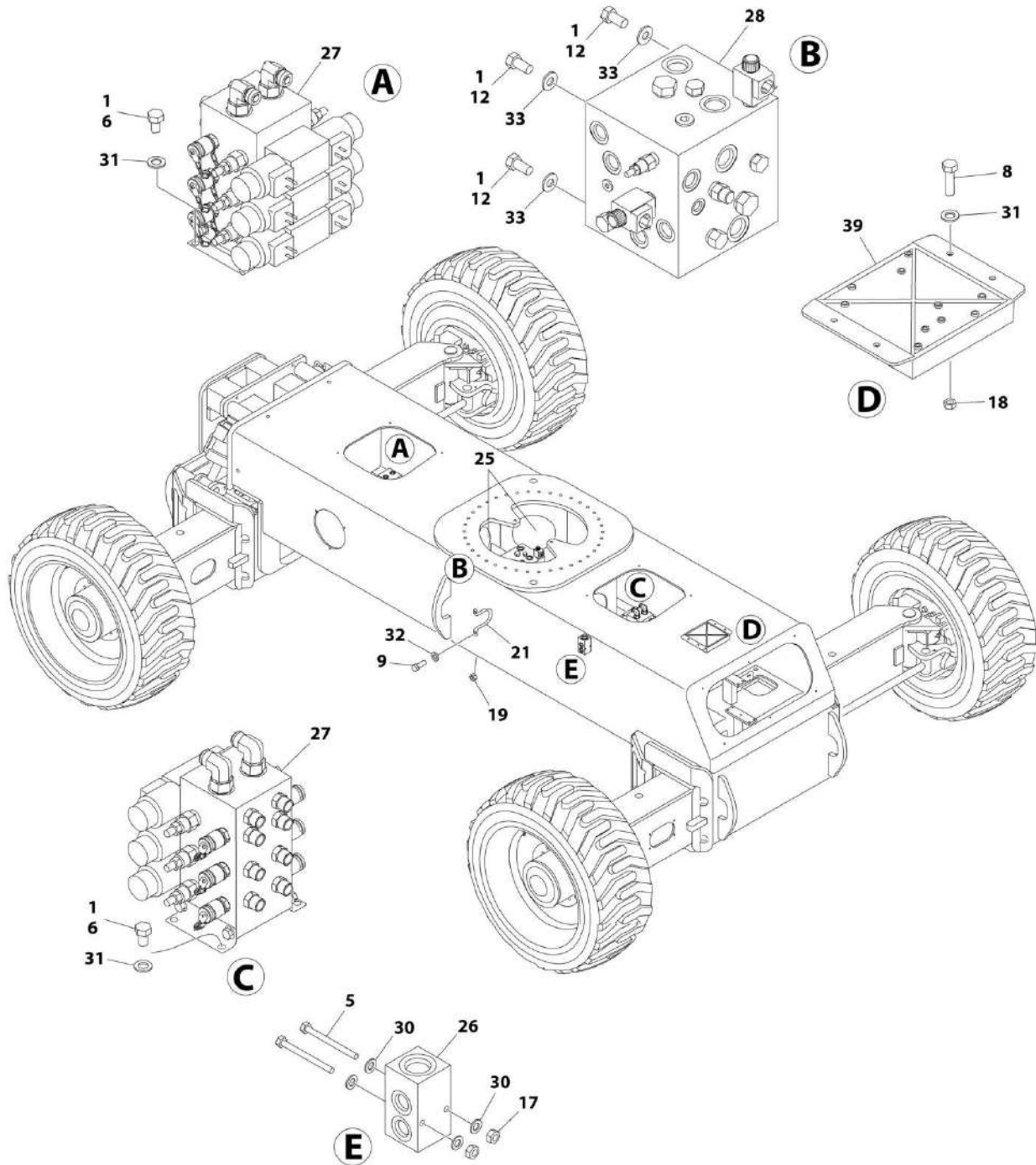
## SECTION 1 - FRAME

**FIGURE 1-16. FRAME VALVES INSTALLATION - WITHOUT LSS AND WITH 4 CELL LSS**

ITEM	PART NUMBER	QTY	DESCRIPTION	REV
	0273377	Ref	FRAME VALVES INSTALLATION - WITHOUT LSS AND WITH 4 CELL LSS	O
1	0100011	AR	Compound, Locking	
6	0641424	2	Bolt 1/4 x 3	
7	0641504	8	Bolt 5/16 x 1/2	
8	0641509	4	Bolt 5/16 x 1-1/8	
9	0641608	12	Bolt 3/8 x 1	
10	0641808	4	Bolt 1/2 x 1	
13	1001112758	1	Module (Chassis) (Note: Re-calibration required when replaced)	
13	2915024	1	Update Kit (Includes Cables, Programming Instructions and CD Software)	
16	3311405	2	Nut 1/4	
17	3311505	4	Nut 5/16	
18	3311605	4	Nut 3/8	
19	3841340	2	Loop, Hose	
22	4060808	124 in/ 3.2m	Flex-Trim	
23	4641155	1	Manifold, Junction	
25	4641268	2	Valve Assembly - Steer (See STEER VALVE ASSEMBLY for Breakdown)	
26	4641454	1	Traction Valve Assembly (See TRACTION VALVE ASSEMBLY for Breakdown)	
28	4711400	8	Washer 1/4	
29	4711500	16	Washer 5/16	
30	4711600	8	Washer 3/8	
31	4711800	4	Washer 1/2	

# SECTION 1 - FRAME

## FIGURE 1-17. FRAME VALVES INSTALLATION - WITH 1 CELL LSS



ART\_1001219989\_1OF3

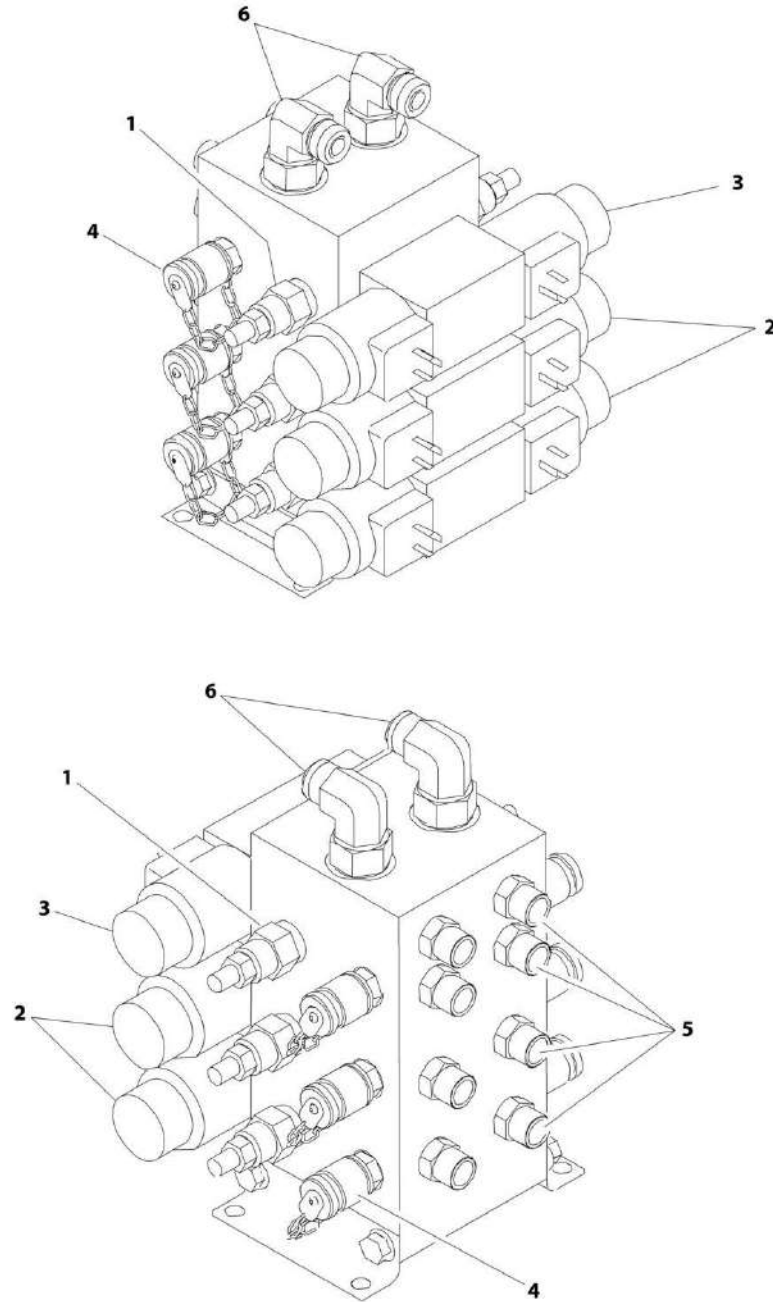
## SECTION 1 - FRAME

**FIGURE 1-17. FRAME VALVES INSTALLATION - WITH 1 CELL LSS**

ITEM	PART NUMBER	QTY	DESCRIPTION	REV
	1001219989	Ref	FRAME VALVES INSTALLATION - WITH 1 CELL LSS	B
1	0100011	AR	Compound, Locking	
5	0641424	2	Bolt 1/4 x 3	
6	0641504	8	Bolt 5/16 x 1/2	
8	0641509	4	Bolt 5/16 x 1-1/8	
9	0641608	4	Bolt 3/8 x 1	
12	0641808	4	Bolt 1/2 x 1	
17	3311405	2	Nut 1/4	
18	3311505	4	Nut 5/16	
19	3311605	4	Nut 3/8	
21	3841340	2	Loop, Hose	
25	4060808	124 in/ 3.2m	Flex-Trim	
26	4641155	1	Manifold, Junction	
27	4641268	2	Valve Assembly - Steer (See STEER VALVE ASSEMBLY for Breakdown)	
28	4641454	1	Traction Valve Assembly (See TRACTION VALVE ASSEMBLY for Breakdown)	
30	4711400	4	Washer 1/4	
31	4711500	12	Washer 5/16	
32	4711600	4	Washer 3/8	
33	4711800	4	Washer 1/2	
39	1001112758	1	Module (Chassis) (Note: Re-calibration required when Replaced)	
39	2915024	1	Update Kit (Includes Cables, Programming Instructions and CD Software)	

# SECTION 1 - FRAME

## FIGURE 1-18. STEER VALVE ASSEMBLY



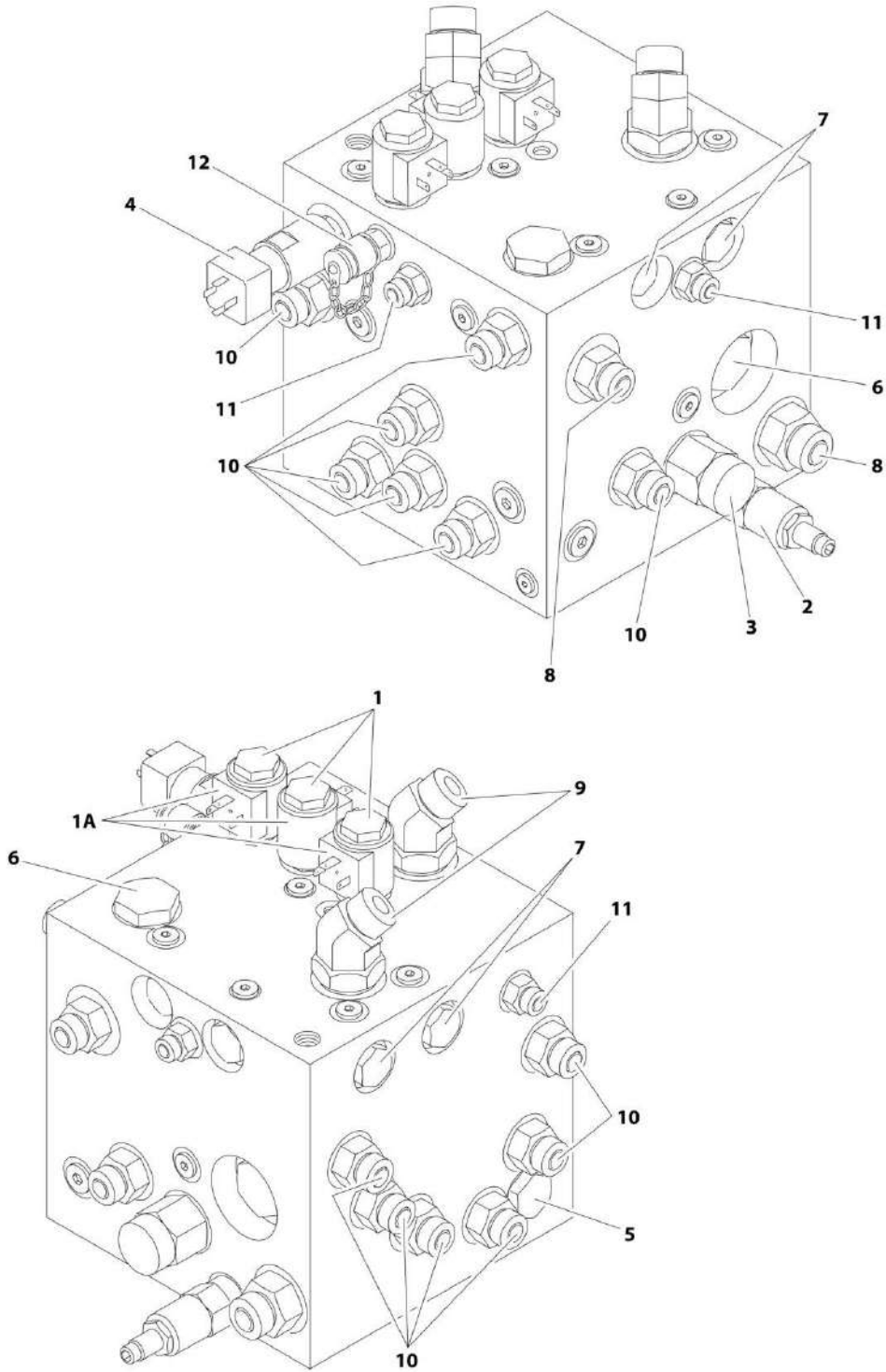
ART\_4641268

**FIGURE 1-18. STEER VALVE ASSEMBLY**

ITEM	PART NUMBER	QTY	DESCRIPTION	REV
	4641268	Ref	STEER VALVE ASSEMBLY	B
1	7026028	12	Cartridge (6 Per Valve)	
1	7011346	12	Seal Kit - Cartridge (1 Per Cartridge)	
2	7024927	4	Valve (2 Per Valve)	
2	7012773	4	Seal Kit - Cartridge (1 Per Cartridge)	
2	7018991	8	Coil (2 Per Valve)	
3	70001976	2	Valve (1 Per Valve)	
3	7012773	2	Seal Kit - Cartridge (1 Per Cartridge)	
3	7018991	4	Coil (2 Per Valve)	
3	70001939	2	Orifice	
4	2221086	6	Check, Pressure	
5	2110606	8	Fitting, Straight	
6	2130810	2	Fitting, 90	

# SECTION 1 - FRAME

## FIGURE 1-19. TRACTION VALVE ASSEMBLY



ART\_4641454



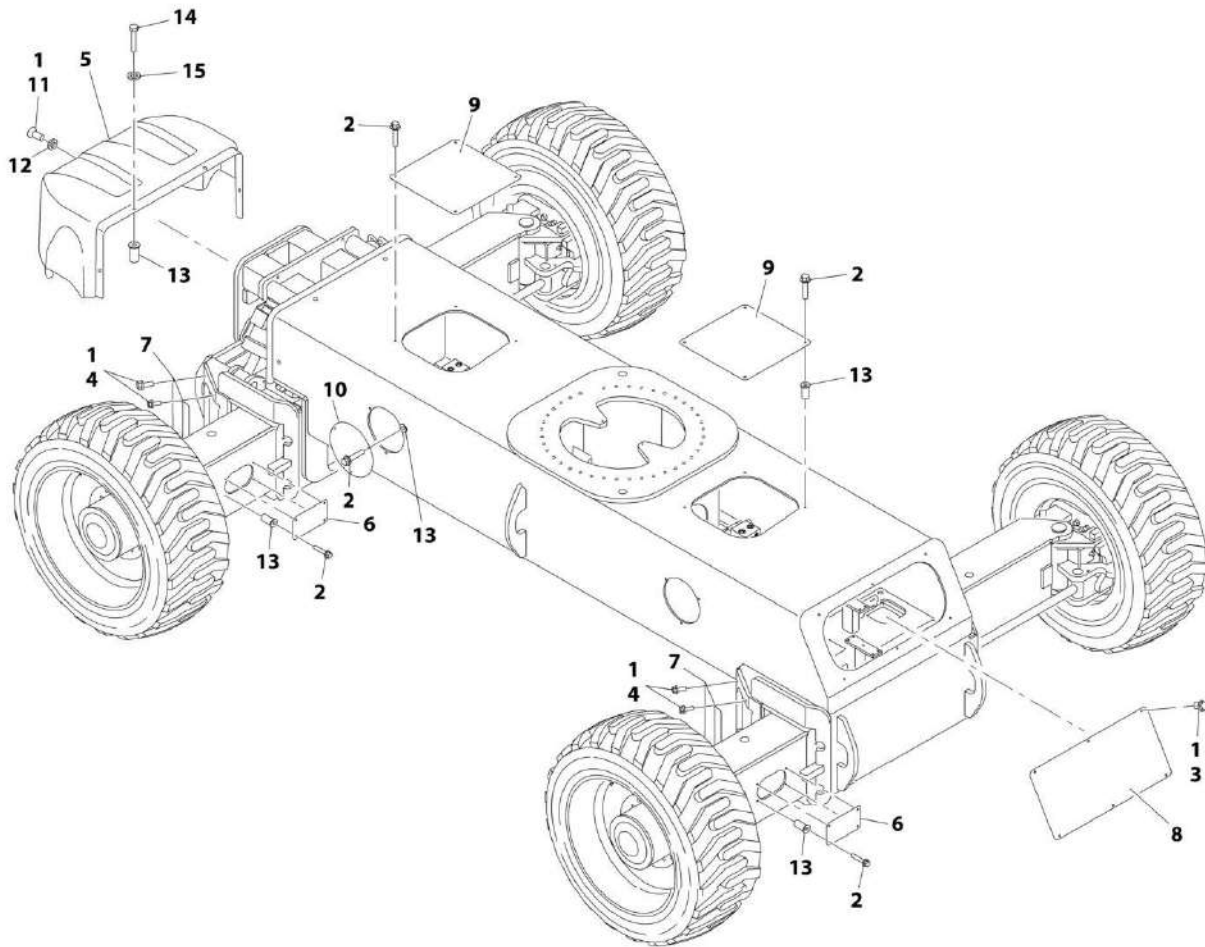
## SECTION 1 - FRAME

**FIGURE 1-19. TRACTION VALVE ASSEMBLY**

ITEM	PART NUMBER	QTY	DESCRIPTION	REV
	4641454	Ref	TRACTION VALVE ASSEMBLY	E
1	7012941	3	Cartridge, Valve (Steer, Brake and Axle Lockout)	
1	7010543	3	Seal Kit - 7012941 Cartridge	
1A	7012944	2	Coil	
2	70000801	1	Cartridge, Valve (Relief)	
2	7012998	1	Seal Kit - 70000801 Cartridge	
3	70000802	1	Cartridge, Valve (Pilot)	
3	7012942	1	Seal Kit - 70000802 Cartridge	
4	70000803	1	Pressure Switch	
5	70000804	1	Cartridge, Valve (Shuttle)	
5	70000805	1	Seal Kit - 70000804 Cartridge	
6	70000806	2	Cartridge, Valve (Flow Divider)	
6	7017405	2	Seal Kit - 70000806 Cartridge	
7	7012955	4	Cartridge, Valve (Check)	
7	7012967	4	Seal Kit - 7012955 Cartridge	
8	2111012	2	Fitting, Straight	
9	2151012	2	Fitting, 45	
10	2110810	13	Fitting, Straight	
11	2110406	3	Fitting, Straight	
12	2221086	1	Check, Pressure	
13	2220883	1	Plug, #4 (Not Shown)	

# SECTION 1 - FRAME

## FIGURE 1-20. FRAME COVERS INSTALLATION



ART\_1001176346

## SECTION 1 - FRAME

**FIGURE 1-20. FRAME COVERS INSTALLATION**

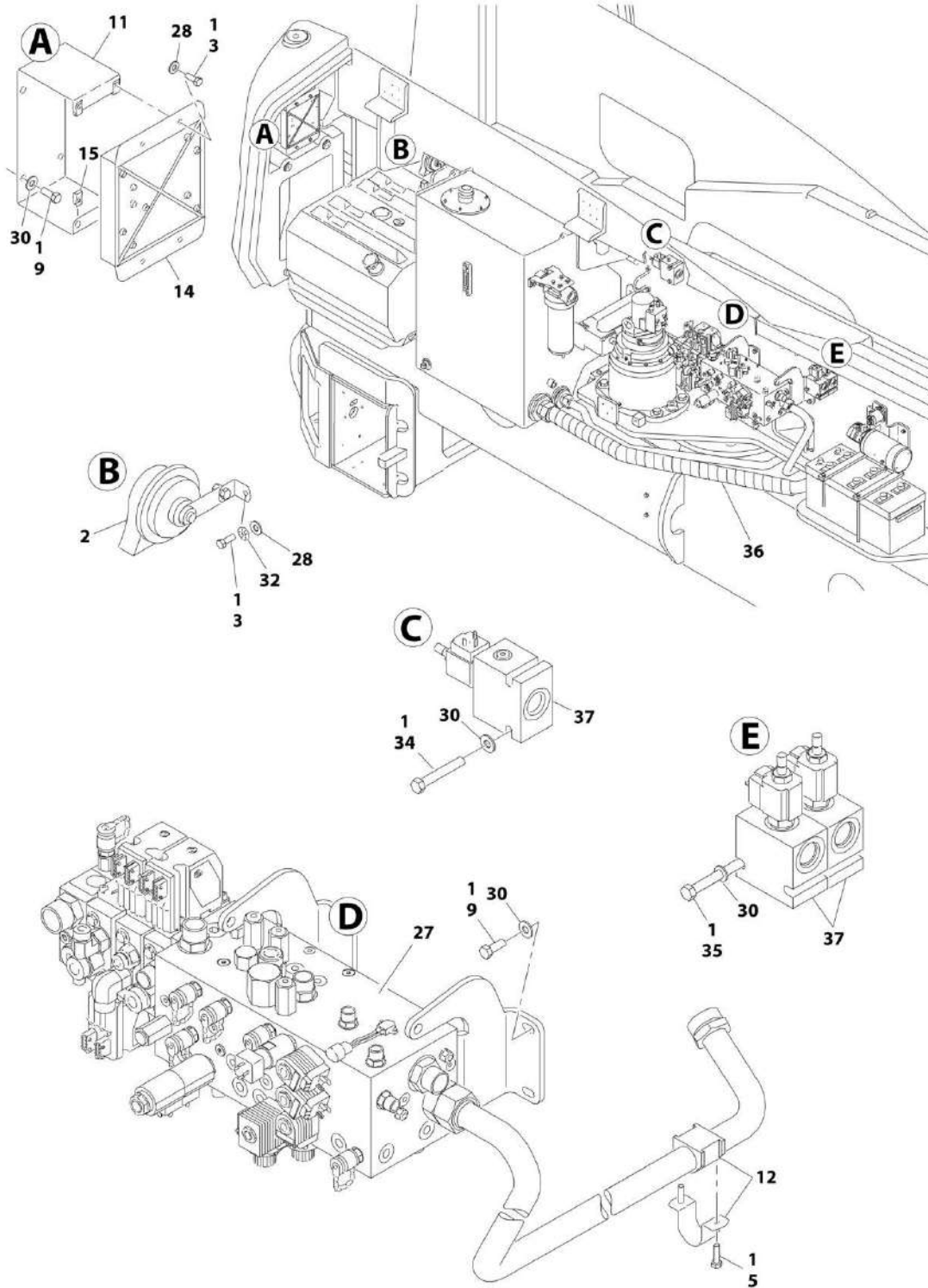
ITEM	PART NUMBER	QTY	DESCRIPTION	REV
	1001176346	Ref	FRAME COVERS INSTALLATION	C
1	0100011	AR	Compound, Locking	
2	0791410	36	Screw 1/4 x 1-1/4	
3	0791604	6	Screw 3/8 x 1/2	
4	0791607	16	Screw 3/8 x 7/8	
5	1670996	1	Cover, Front	
6	1671045	4	Plate, Cover (Axle Side)	
7	1671046	4	Plate, Cover (Axle Corner)	
8	1671047	1	Plate, Cover (Rear)	
9	1671048	2	Plate, Cover (Frame Top)	
10	1671049	4	Plate, Cover (Frame Side)	
11	3900283	3	Screw 3/8 x 3/4	
12	4751600	3	Washer 3/8	
13	8580420	40	Nut, Well	
14	0641412	4	Bolt 1/4 x 1-1/2	
15	4740430	4	Washer, Fender	



**SECTION 2 - TURNTABLE**

# SECTION 2 - TURNTABLE

FIGURE 2-1. TURNTABLE VALVES INSTALLATION - WITHOUT LSS AND WITH 4 CELL LSS



ART\_0273377\_20F3

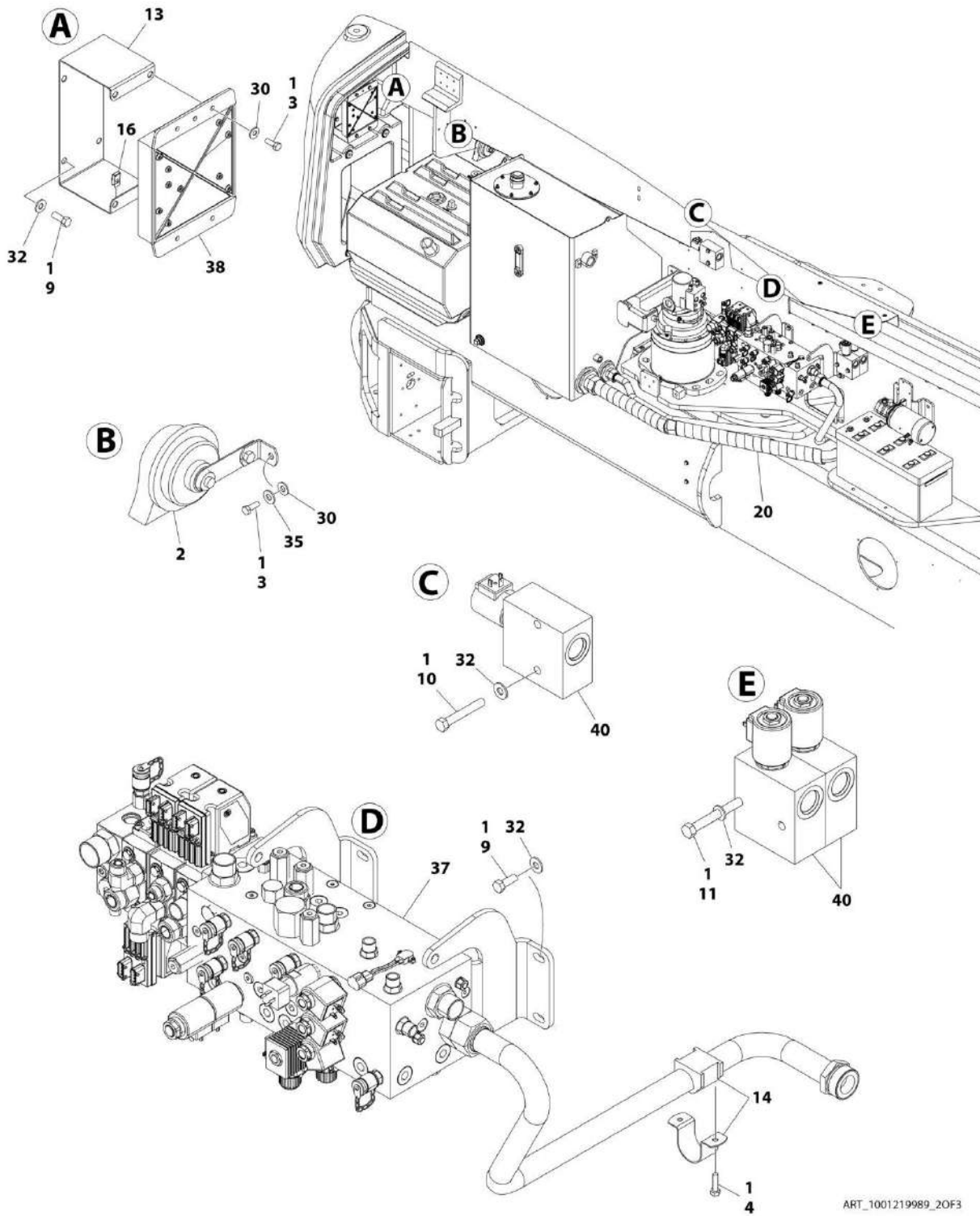
## SECTION 2 - TURNTABLE

**FIGURE 2-1. TURNTABLE VALVES INSTALLATION - WITHOUT LSS AND WITH 4 CELL LSS**

ITEM	PART NUMBER	QTY	DESCRIPTION	REV
	0273377	Ref	TURNTABLE VALVES INSTALLATION - WITHOUT LSS AND WITH 4 CELL LSS	O
1	0100011	AR	Compound, Locking	
2	0140001	1	Horn	
3	0641406	5	Bolt 1/4 x 3/4	
5	0641408	2	Bolt 1/4 x 1	
9	0641608	8	Bolt 3/8 x 1	
11	0902800	1	Bracket, Module Mounting	
12	1320322	1	Clamp	
14	1001112757	NLA	Module, B.L.A.M (Use p/n 1001227960) (Note: Control System must be re-calibrated when Module is replaced) <b>(SN 0300201017 through 0300248593)</b>	
14	1001227960	1	Module, B.L.A.M (Note: Control System must be re-calibrated when Module is replaced) <b>(SN 0300248594 to Present)</b>	
14	2915024	1	Update Kit (Includes Cables, Programming Instructions and CD Software)	
15	3300454	4	Nut, Special	
27	1001103793	1	Main Valve Assembly (See MAIN VALVE ASSEMBLY for Breakdown)	
28	4711400	5	Washer 1/4	
30	4711600	12	Washer 3/8	
32	4791400	1	Starwasher 1/4	
34	0641620	2	Bolt 3/8 x 2-1/2	
35	0641636	2	Bolt 3/8 x 4-1/2	
36	3380523	1	Shield, Tube	
37	1001112850	3	Enable Valve Assembly	
37	7024890	1	Coil	

# SECTION 2 - TURNTABLE

## FIGURE 2-2. TURNTABLE VALVES INSTALLATION - WITH 1 CELL LSS



ART\_1001219989\_2OF3



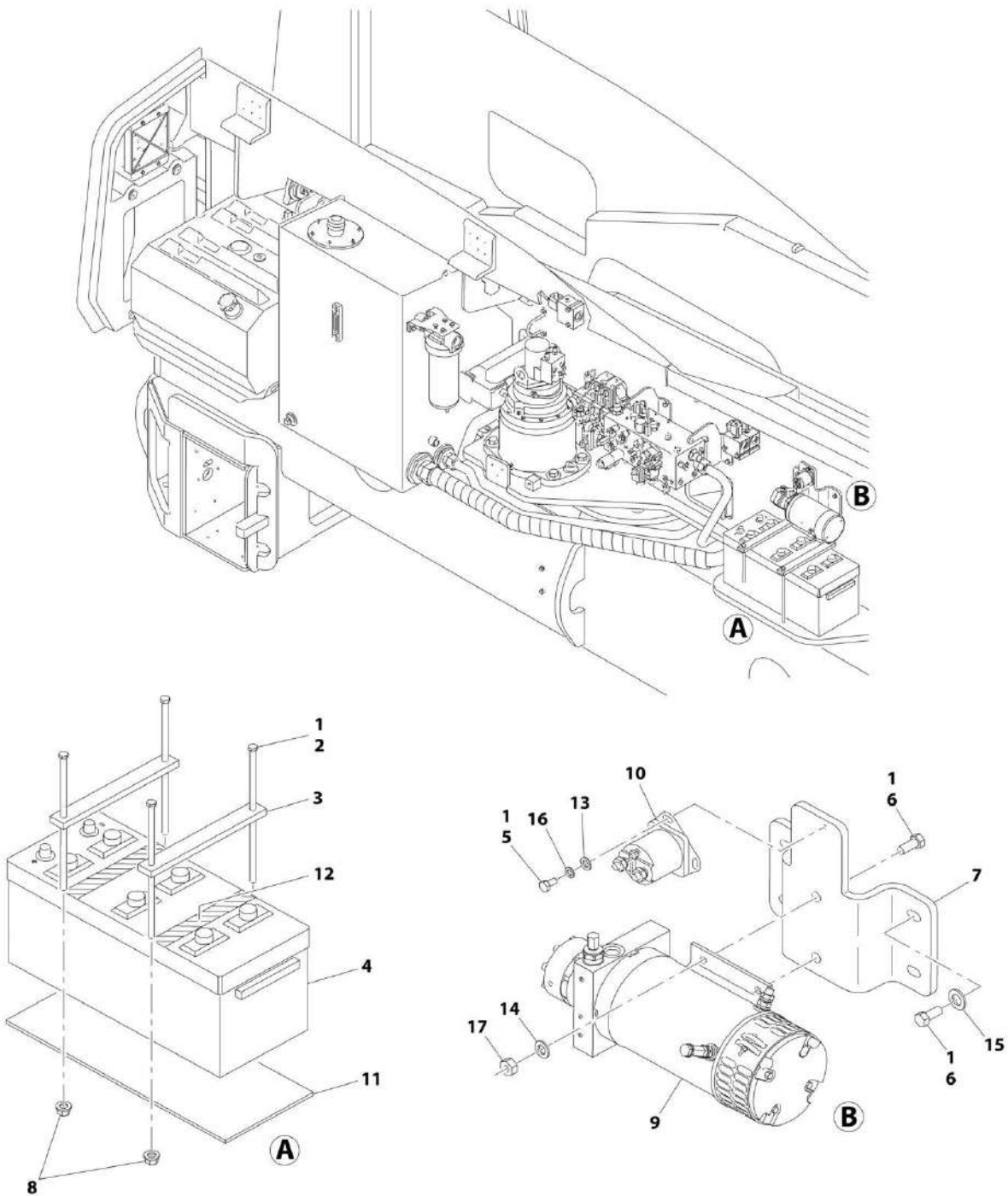
## SECTION 2 - TURNTABLE

**FIGURE 2-2. TURNTABLE VALVES INSTALLATION - WITH 1 CELL LSS**

ITEM	PART NUMBER	QTY	DESCRIPTION	REV
	1001219989	Ref	TURNTABLE VALVES INSTALLATION - WITH 1 CELL LSS	B
1	0100011	AR	Compound, Locking	
2	0140001	1	Horn	
3	0641406	5	Bolt 1/4 x 3/4	
4	0641408	2	Bolt 1/4 x 1	
9	0641608	8	Bolt 3/8 x 1	
10	0641620	2	Bolt 3/8 x 2-1/2	
11	0641636	2	Bolt 3/8 x 4-1/2	
13	0902800	1	Bracket, Module Mounting	
14	1320322	1	Clamp	
16	3300454	4	Nut, Special	
20	3380523	1	Shield, Tube	
30	4711400	5	Washer 1/4	
32	4711600	12	Washer 3/8	
35	4791400	1	Starwasher 1/4	
37	1001103793	1	Main Valve Assembly (See MAIN VALVE ASSEMBLY for Breakdown)	
38	1001112757	NLA	Module, B.L.A.M (Use p/n 1001227960) (Note: Control System must be Re-calibrated when Module is Replaced) <b>(SN 0300201017 through 0300248593)</b>	
38	1001227960	1	Module, B.L.A.M (Note: Control System must be Re-calibrated when Module is Replaced) <b>(SN 0300248594 to Present)</b>	
40	1001112850	3	Enable Valve Assembly	
40	7024890	3	Coil	

## SECTION 2 - TURNTABLE

FIGURE 2-3. BATTERY AND AUXILIARY PUMP INSTALLATION - WITHOUT COLD WEATHER PLUS PACKAGE



ART\_1001145323

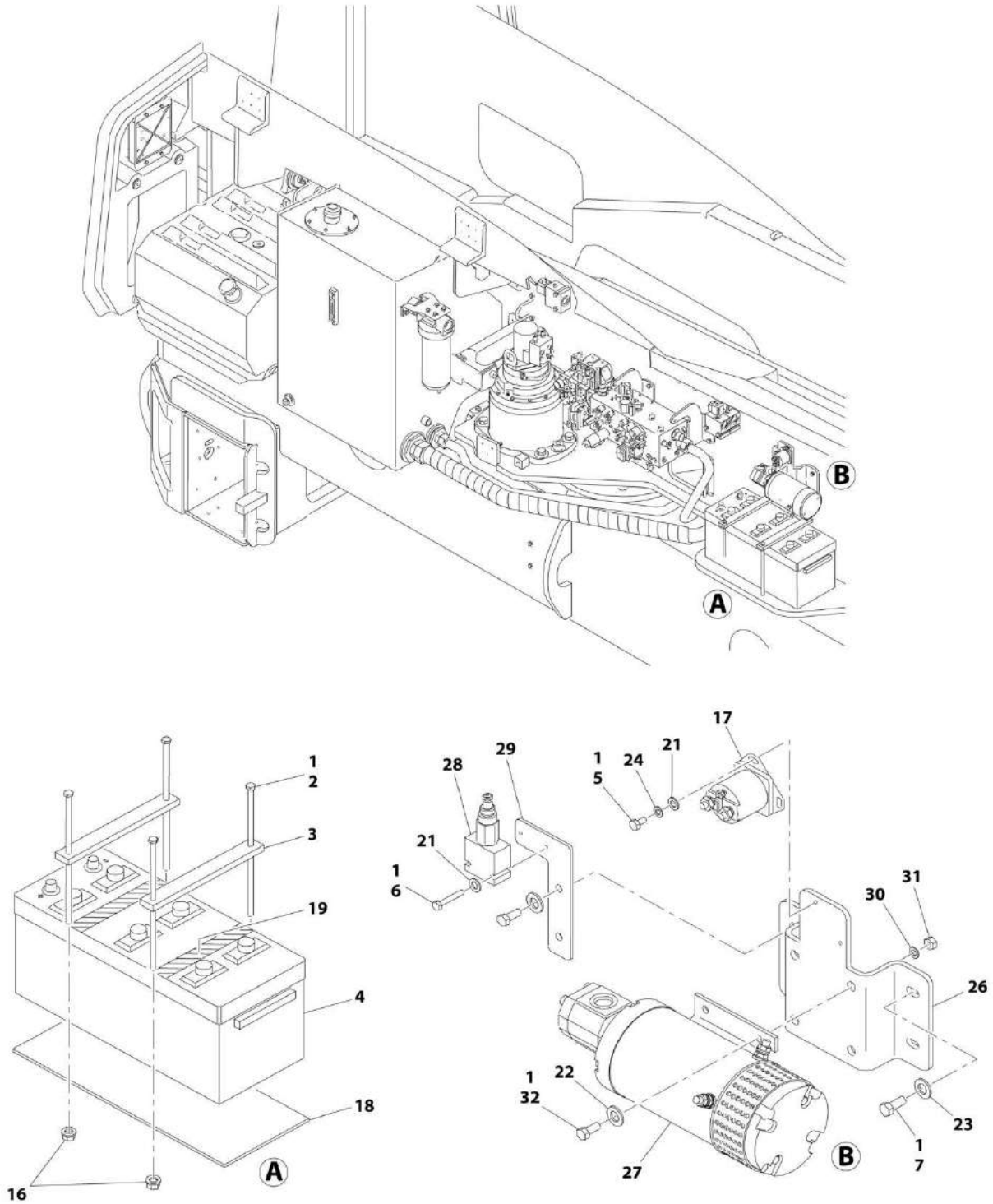
**SECTION 2 - TURNTABLE**

**FIGURE 2-3. BATTERY AND AUXILIARY PUMP INSTALLATION - WITHOUT COLD WEATHER PLUS PACKAGE**

ITEM	PART NUMBER	QTY	DESCRIPTION	REV
	1001145323	Ref	BATTERY AND AUXILIARY PUMP INSTALLATION - WITHOUT COLD WEATHER PLUS PACKAGE	B
1	0100011	AR	Compound, Locking	
2	0236768	4	Rod, Hold-down	
3	0363062	2	Bar, Battery	
4	0400020	1	Battery	
5	0641408	2	Bolt 1/4 x 1	
6	0641607	8	Bolt 3/8 x 7/8	
7	0903696	1	Bracket	
8	3311608	4	Nut 3/8	
9	1001162880	1	Auxiliary Pump Assembly (See AUXILIARY PUMP ASSEMBLY for Breakdown)	
10	3740067	1	Relay	
11	3980006	1	Seat, Battery	
12	4420037	17 in /43cm	Tape, Insulation	
13	4711400	2	Washer 1/4	
14	4711600	4	Washer 3/8	
15	4751600	4	Washer 3/8	
16	4791400	2	Starwasher 1/4	
17	3311605	4	Nut 3/8	

# SECTION 2 - TURNTABLE

## FIGURE 2-4. BATTERY AND AUXILIARY PUMP INSTALLATION - WITH COLD WEATHER PLUS PACKAGE



ART\_100113952\_10F2

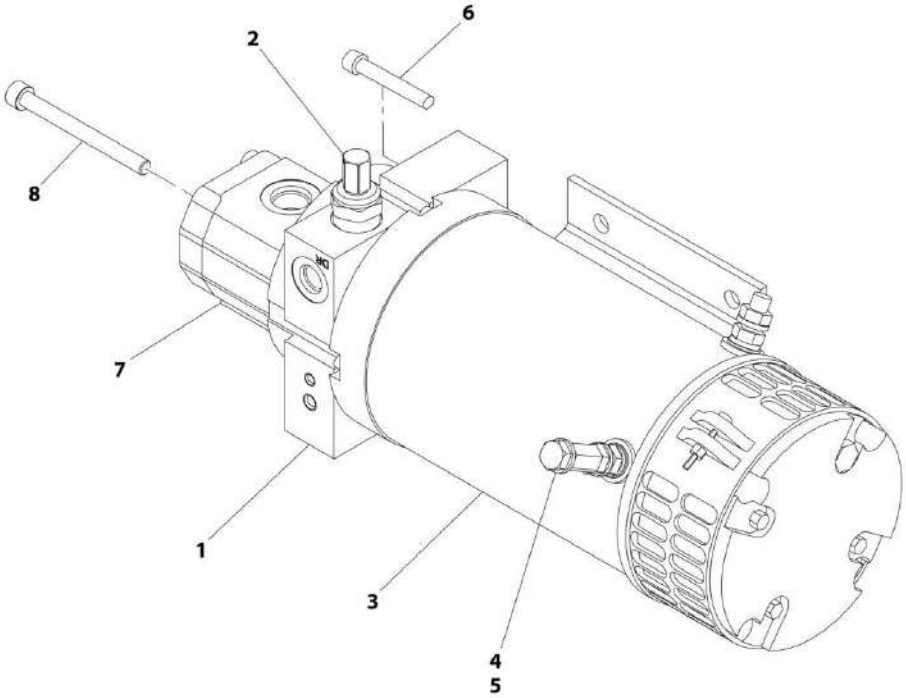
## SECTION 2 - TURNTABLE

**FIGURE 2-4. BATTERY AND AUXILIARY PUMP INSTALLATION - WITH COLD WEATHER PLUS PACKAGE**

ITEM	PART NUMBER	QTY	DESCRIPTION	REV
	1001139520	Ref	BATTERY AND AUXILIARY PUMP INSTALLATION - WITH COLD WEATHER PLUS PACKAGE	A
1	0100011	AR	Compound, Locking	
2	0236768	4	Rod, Hold-down	
3	0363062	2	Bar, Battery	
4	0400020	1	Battery	
5	0641404	2	Bolt 1/4 x 1/2	
6	0641413	2	Bolt 1/4 x 1-5/8	
7	0641607	4	Bolt 3/8 x 7/8	
16	3311608	4	Nut 3/8	
17	3740067	1	Relay	
18	3980006	1	Seat, Battery	
19	4420037	17 in /43cm	Tape, Insulation	
21	4711400	4	Washer 1/4	
22	4711600	4	Washer 3/8	
23	4751600	4	Washer 3/8	
24	4791400	2	Starwasher 1/4	
26	0903696	1	Bracket	
27	1001138838	1	Auxiliary Pump Assembly (See AUXILIARY PUMP ASSEMBLY (WITH COLD WEATHER PLUS PACKAGE) for Breakdown)	
28	1001133163	1	Valve, Relief	
28	7023936	1	Seal Kit	
29	1001133593	1	Bracket	
30	4761600	4	Washer 3/8	
31	3311601	4	Nut 3/8	
32	0641608	4	Bolt 3/8 x 1	

# SECTION 2 - TURNTABLE

FIGURE 2-5. AUXILIARY PUMP ASSEMBLY (WITHOUT COLD WEATHER PLUS PACKAGE)



ART\_1001162880

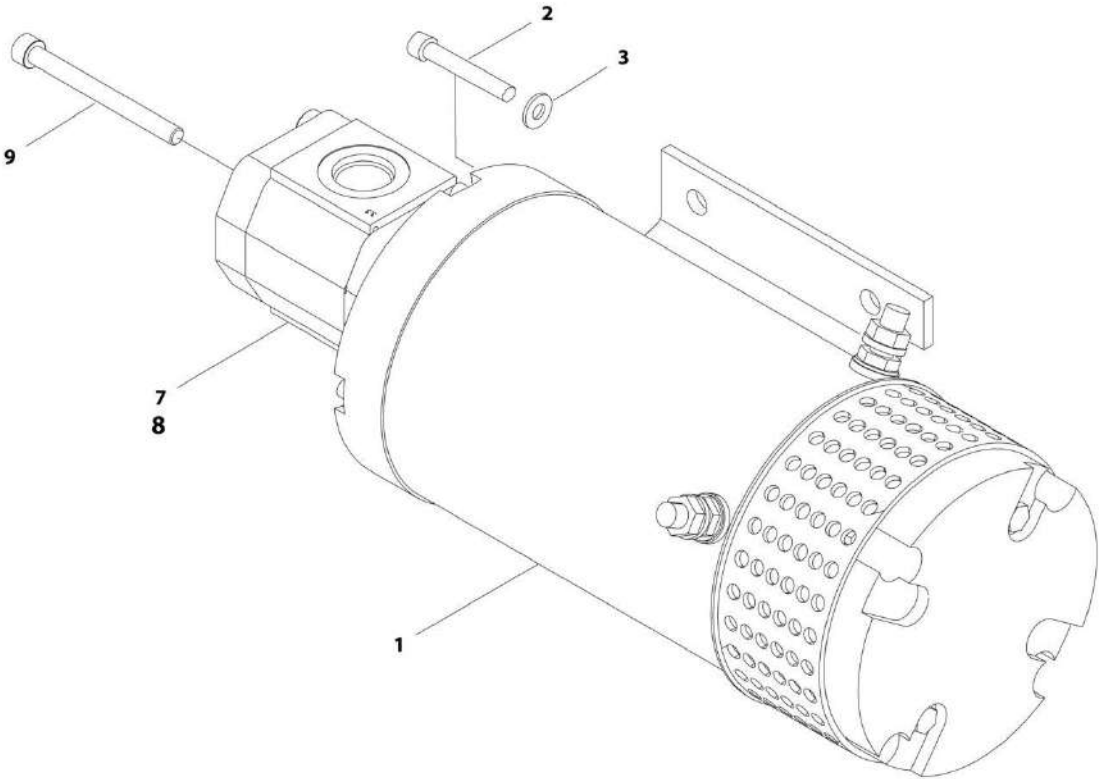
**SECTION 2 - TURNTABLE**

**FIGURE 2-5. AUXILIARY PUMP ASSEMBLY (WITHOUT COLD WEATHER PLUS PACKAGE)**

ITEM	PART NUMBER	QTY	DESCRIPTION	REV
	1001162880	Ref	AUXILIARY PUMP ASSEMBLY (WITHOUT COLD WEATHER PLUS PACKAGE)	A
1	1001164700	1	Base Assembly	
1	70005618	1	Plug	
1	70005617	1	Spring	
1	70005616	1	Poppet, Check	
2	1001164700	1	Valve, Relief	
3	See Note	1	Motor (Note: Not Available for Purchase)	
4	70007006	1	Nut 3/8	
5	70007007	1	Screw 3/8 x 3/4	
6	70007005	4	Screw 1/4 x 3	
6	See Note	1	Sleeve (Note: Not Available for Purchase)	
7	See Note	1	Pump Assembly (Note: Not Available for Purchase)	
7	70005615	1	Seal, Shaft	
7	70005619	1	Bearing	
8	See Note	4	Screw M8 x 85 (Note: Not Available for Purchase)	

**SECTION 2 - TURNTABLE**

**FIGURE 2-6. AUXILIARY PUMP ASSEMBLY (WITH COLD WEATHER PLUS PACKAGE)**



ART\_1001138838



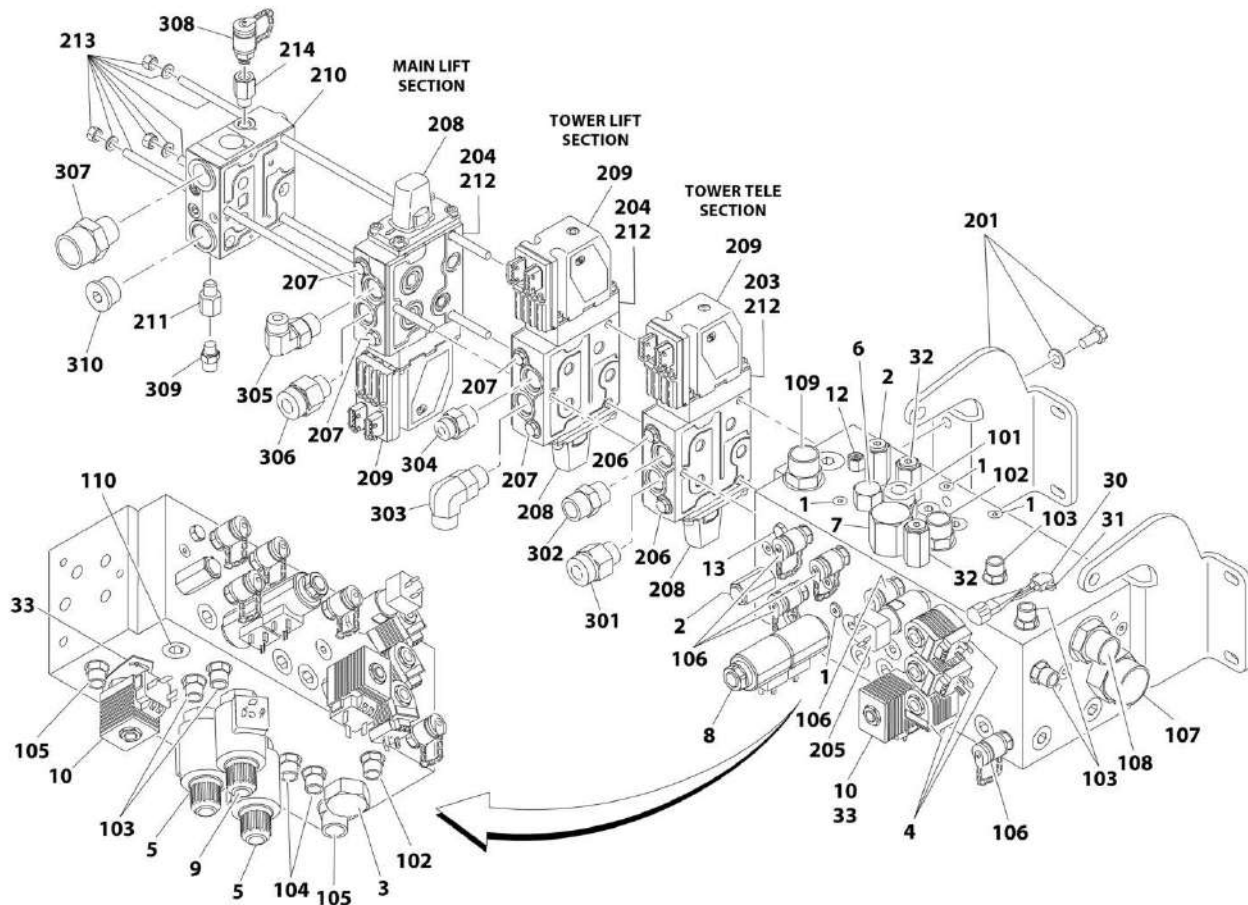
## SECTION 2 - TURNTABLE

**FIGURE 2-6. AUXILIARY PUMP ASSEMBLY (WITH COLD WEATHER PLUS PACKAGE)**

ITEM	PART NUMBER	QTY	DESCRIPTION	REV
	1001138838	Ref	AUXILIARY PUMP ASSEMBLY (WITH COLD WEATHER PLUS PACKAGE)	A
1	70003800	1	Motor	
1	See Note	NSS	Shaft (Note: Not Available for Purchase)	
2	70003801	4	Capscrew 5/16 x 3/4 (Pump Mounting)	
3	70003802	4	Washer 5/16	
4	See Note	NSS	Adapter (Not Shown) (Note: Not Available for Purchase)	
5	See Note	NSS	Pin, Dowel (Not Shown) (Note: Not Available for Purchase)	
6	See Note	NSS	O-Ring (Not Shown) (Note: Not Available for Purchase)	
7	70003803	1	Pump Assembly	
7	See Note	NSS	Seal, Shaft (Note: Not Available for Purchase)	
8	See Note	NSS	Cover, Rear (Note: Not Available for Purchase)	
9	See Note	NSS	Screw M8 x 80 (Note: Not Available for Purchase)	

# SECTION 2 - TURNTABLE

## FIGURE 2-7. MAIN VALVE ASSEMBLY



ART\_1001103793

**SECTION 2 - TURNTABLE**

**FIGURE 2-7. MAIN VALVE ASSEMBLY**

ITEM	PART NUMBER	QTY	DESCRIPTION	REV
	1001103793	Ref	MAIN VALVE ASSEMBLY	C
		Ref	MAIN VALVE BODY COMPONENTS	
1	7026684	4	Cartridge, Check Valve	
1	7026685	4	Seal Kit - Valve	
2	7026686	2	Cartridge, Relief Valve	
2	7026687	2	Seal Kit - Valve	
3	7026688	1	Cartridge, Check Valve	
3	7026689	1	Seal Kit - Valve	
4	7026690	3	Cartridge, Solenoid Valve Less Coil	
4	7026691	3	Seal Kit - Valve	
4	7027206	3	Coil	
5	7026692	2	Cartridge, Solenoid Valve Less Coil	
5	7026693	2	Seal Kit - Valve	
5	7027207	2	Coil	
6	7026694	1	Cartridge, Differential Sensing Valve	
6	7026695	1	Seal Kit - Valve	
7	7026696	1	Cartridge, Differential Sensing Valve	
7	7026697	1	Seal Kit - Valve	
8	7026698	1	Cartridge, Solenoid Valve Less Coil	
8	See Note	1	Seal Kit - Valve (Note: Not Available for Purchase)	
8	7027209	2	Coil	
9	7027882	1	Valve Assembly, Solenoid	
9	7026693	1	Seal Kit - Valve	
9	7027208	1	Coil	
10	7027200	2	Cartridge, Solenoid Valve	
10	7010697	2	Seal Kit - Valve	
10	7012943	2	Coil	
12	7027201	1	Cartridge, Check Valve	
12	7027202	1	Seal Kit - Valve	
13	7027203	1	Cartridge, Check Valve	
13	7026687	1	Seal Kit - Valve	
30	7027738	1	Switch, Thermostatic	
31	70006315	2	Screw #6 x 1/2	
32	7027204	2	Cartridge, Relief Valve	
32	7026687	2	Seal Kit - Valve	
33	1001104841	2	Lock Plate, Cartridge	
33	3941404	2	Screw, Self-Tapping	
		Ref	MAIN VALVE BODY FITTINGS	
101	2111210	1	Fitting, Straight	
102	2111010	2	Fitting, Straight	
103	2110606	5	Fitting, Straight	
104	2110406	2	Fitting, Straight	
105	2110404	2	Fitting, Straight	
106	2221086	5	Check, Pressure	
107	2112016	1	Fitting, Straight	
108	2111216	1	Fitting, Straight	
109	2111212	1	Fitting, Straight	
110	2220887	1	Plug	
		Ref	PROPORTIONAL VALVE SECTION AND ADDITIONAL COMPONENTS	

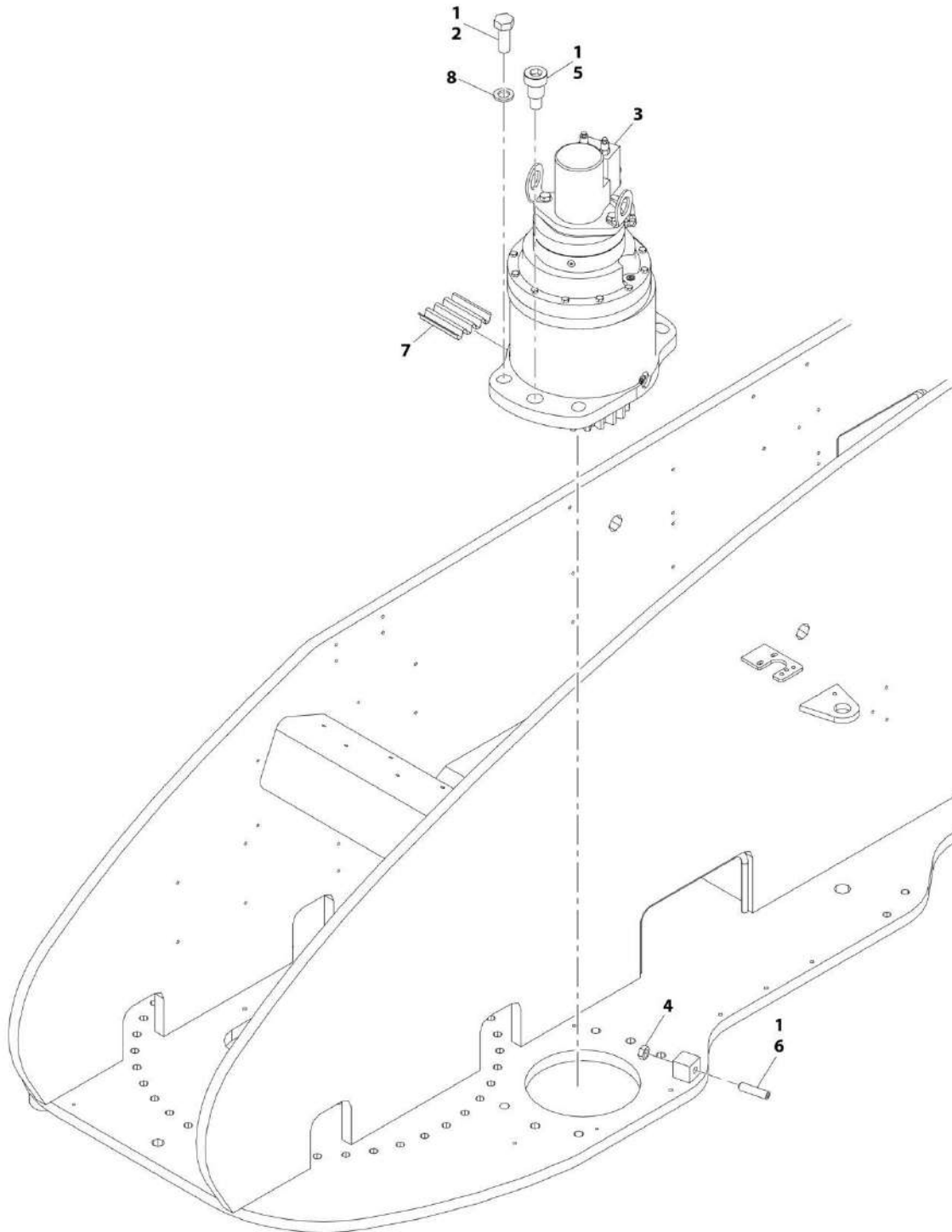
## SECTION 2 - TURNTABLE

ITEM	PART NUMBER	QTY	DESCRIPTION	REV
201	7026671	2	Bracket	
203	See Note	NSS	Spool Assembly (Tower Telescope) (Note: Use Item 212)	
204	See Note	NSS	Spool Assembly (Tower/Main Lift) (Note: Use Item 212)	
205	7026672	1	Switch, Pressure	
206	See Note	NSS	Valve, Shock	
207	See Note	NSS	Valve, Shock	
208	See Note	NSS	Cover	
208	8007894	AR	Seal Kit, Cover Mounting (1 per cover)	
209	70001873	3	Actuator, Electrical	
209	8007954	AR	Seal Kit, Actuator Mounting (1 per actuator)	
210	70001421	1	Module, Pump Side	
210	8007939	1	Seal Kit, Pump Side Module (Internal Seals for Pump Side Module)	
211	7026678	1	Plug with Check Valve	
212	70002742	1	Module, Tower Lift (Includes Items 204, 207, 208, 210 Seal Kit and p/n 8007935 Seal Kit)	
212	70002743	1	Module, Tower Telescope (Includes Items 203, 206, 208, 210 Seal Kit and p/n 8007935 Seal Kit)	
212	70003043	1	Module, Main Lift (Includes Items 204, 207, 208, 210 Seal Kit and p/n 8007935 Seal Kit)	
212	8007935	AR	Seal Kit, Module Mounting (Includes seals for one side of Module - requires four for complete valve)	
213	7026680	1	Tie-Rod Kit (Includes Hardware and Seals)	
214	See Note	1	Fitting, Adapter (Note: Not Available for Purchase)	
		Ref	PROPORTIONAL VALVE SECTION FITTINGS	
301	2111210	1	Fitting, Straight	
302	2111010	1	Fitting, Straight	
303	2131010	1	Fitting, 90	
304	2110810	1	Fitting, Straight	
305	2130810	1	Fitting, 90	
306	2111210	1	Fitting, Straight	
307	7026683	2	Fitting, Straight	
308	2221086	1	Check, Pressure	
309	2110404	1	Fitting, Straight	
310	2220888	1	Plug	



## SECTION 2 - TURNTABLE

FIGURE 2-8. SWING DRIVE INSTALLATION (SN 0300201017 through 0300254456)



ART\_0271596

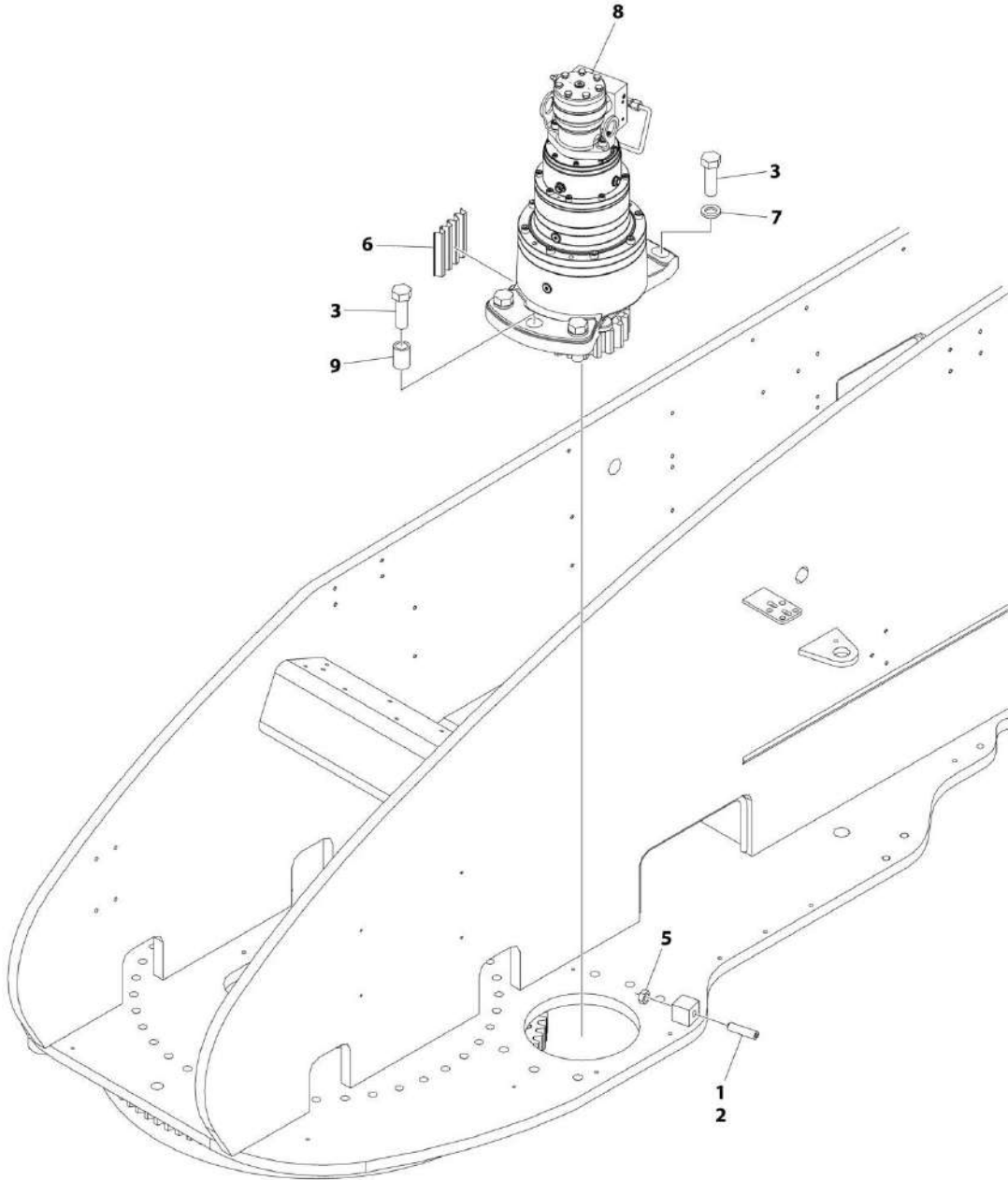
**SECTION 2 - TURNTABLE**

**FIGURE 2-8. SWING DRIVE INSTALLATION (SN 0300201017 through 0300254456)**

ITEM	PART NUMBER	QTY	DESCRIPTION	REV
	0271596	Ref	SWING DRIVE INSTALLATION	E
1	0100019	AR	Compound, Locking	
2	0682418	5	Bolt 7/8 x 2-1/4 Grade 8	
3	1001134098	1	Swing Motor/Hub Assembly (See SWING MOTOR/HUB ASSEMBLY for Breakdown)	
4	3312002	1	Nut 5/8	
5	3900223	1	Screw, Shoulder	
6	3952020	1	Setscrew 5/8 x 2-1/2	
7	4071041	1	Shim	
8	4892400	5	Washer 7/8	

# SECTION 2 - TURNTABLE

FIGURE 2-9. SWING DRIVE INSTALLATION (SN 0300254457 to Present)



ART\_1001228617



**SECTION 2 - TURNTABLE**

**FIGURE 2-9. SWING DRIVE INSTALLATION (SN 0300254457 to Present)**

<b>ITEM</b>	<b>PART NUMBER</b>	<b>QTY</b>	<b>DESCRIPTION</b>	<b>REV</b>
	1001228617	Ref	SWING DRIVE INSTALLATION	D
1	0100019	AR	Compound, Locking	
2	3952020	1	Setscrew 5/8 x 2-1/2	
3	0682422	6	Bolt 7/8 x 2-3/4 Grade 8	
5	3312002	1	Nut 5/8	
6	4071041	1	Shim	
7	4892400	5	Washer 7/8	
8	1001228488	1	Swing Motor/Hub Assembly (See Separate Breakdown in this Section)	
9	1001229058	1	Sleeve	



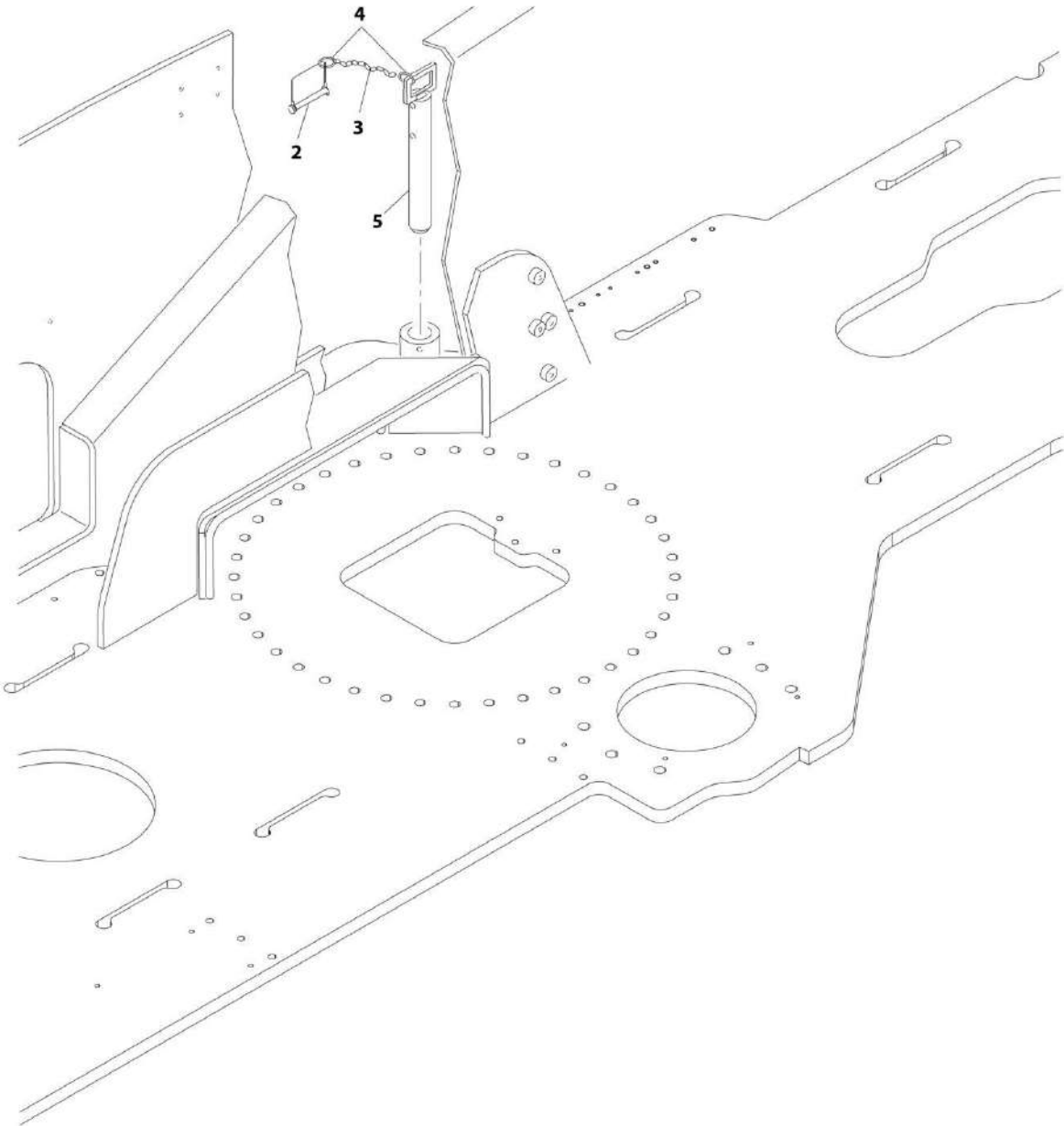
**SECTION 2 - TURNTABLE**

**FIGURE 2-10. TURNTABLE BEARING AND LUBE INSTALLATION**

<b>ITEM</b>	<b>PART NUMBER</b>	<b>QTY</b>	<b>DESCRIPTION</b>	<b>REV</b>
	0273451	Ref	TURNTABLE BEARING AND LUBE INSTALLATION	B
1	0100019	AR	Compound, Locking	
2	0440251	1	Bearing, Turntable	
3	0682026	40	Bolt 5/8 x 3-1/4 Grade 8	
4	0682040	40	Bolt 5/8 x 5 Grade 8	
5	2160002	2	Fitting, Grease	
6	2180344	2	Fitting, Bulkhead	
7	2220001	2	Fitting, Straight Swivel	
9	2750528	2	Hose	
10	4892000	80	Washer 5/8	
100	2915072	1	TURNTABLE BEARING KIT	

**SECTION 2 - TURNTABLE**

**FIGURE 2-11. TURNTABLE LOCK INSTALLATION**



ART\_0239842

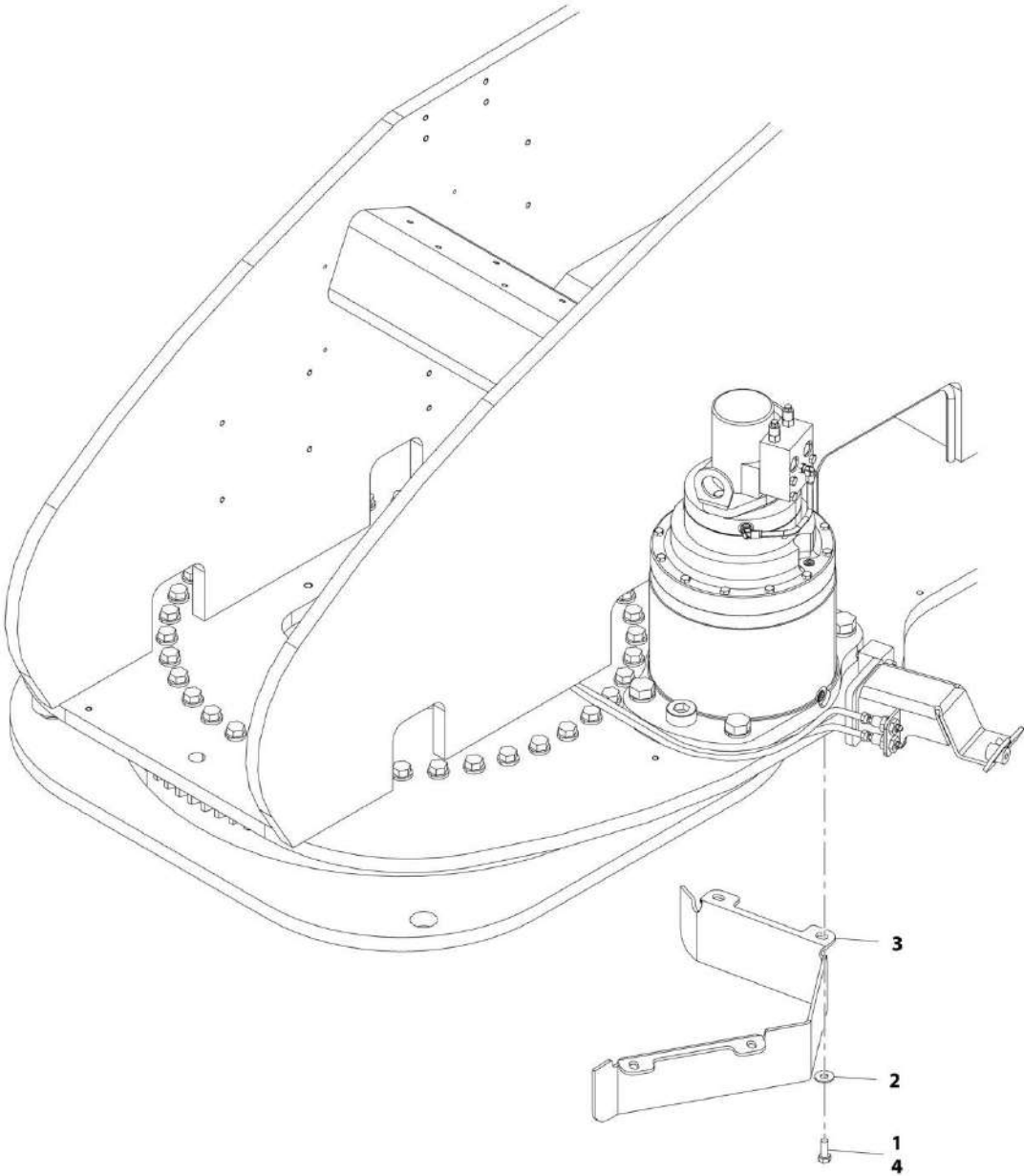
**SECTION 2 - TURNTABLE**

**FIGURE 2-11. TURNTABLE LOCK INSTALLATION**

<b>ITEM</b>	<b>PART NUMBER</b>	<b>QTY</b>	<b>DESCRIPTION</b>	<b>REV</b>
	0239842	Ref	TURNTABLE LOCK INSTALLATION	B
2	3421565	1	Pin, Snap	
3	1260017	9 in/23cm	Chain - #3	
4	3760170	2	Ring, Quick Release	
5	3421563	1	Pin, Turntable Lock	

**SECTION 2 - TURNTABLE**

**FIGURE 2-12. PINION SHIELD INSTALLATION**



ART\_0271874

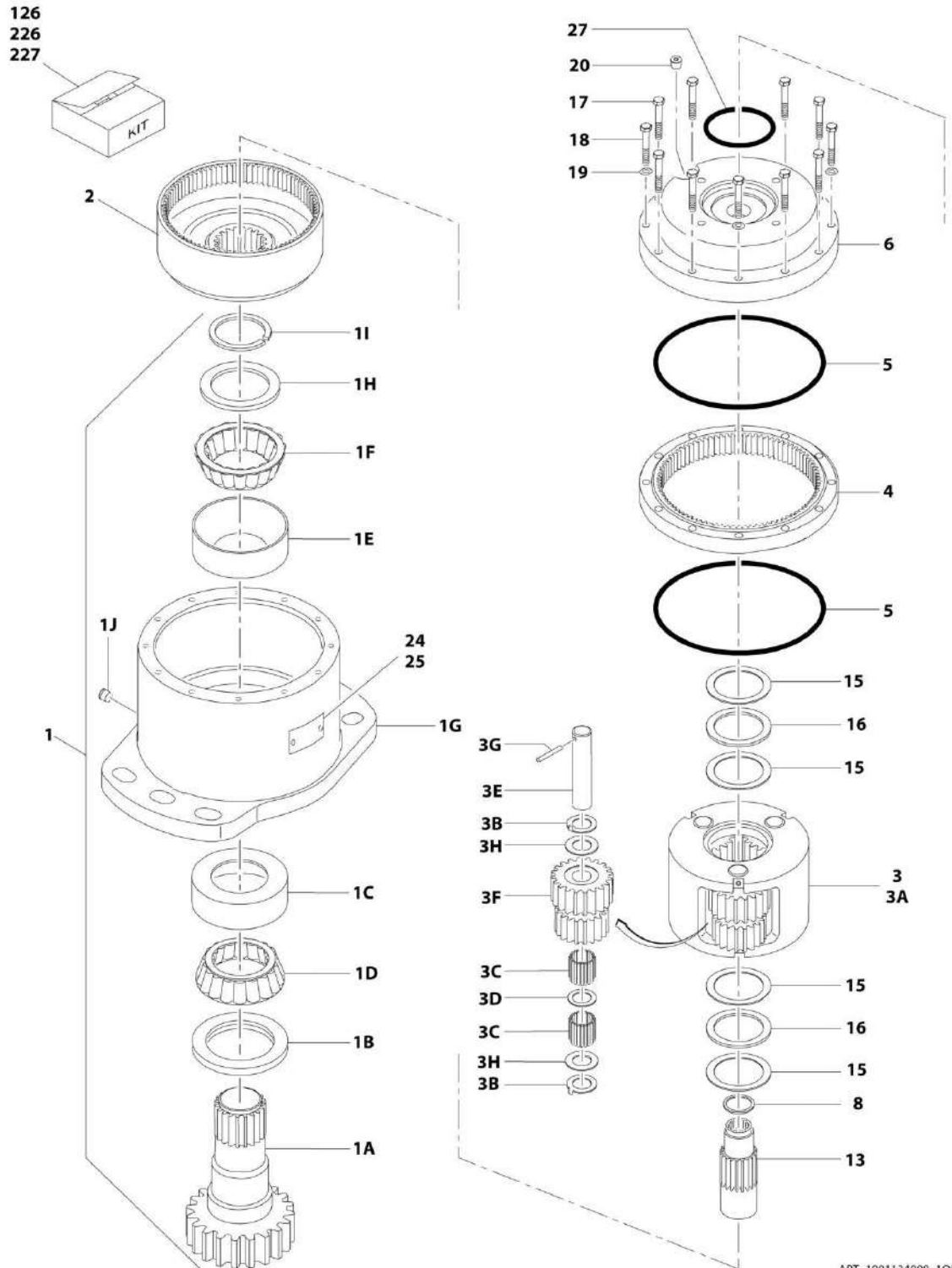
**SECTION 2 - TURNTABLE**

**FIGURE 2-12. PINION SHIELD INSTALLATION**

<b>ITEM</b>	<b>PART NUMBER</b>	<b>QTY</b>	<b>DESCRIPTION</b>	<b>REV</b>
	0271874	Ref	PINION SHIELD INSTALLATION	A
1	0100011	AR	Compound, Locking	
2	0641608	4	Bolt 3/8 x 1	
3	3573355	1	Shield	
4	4751600	4	Washer 3/8	

# SECTION 2 - TURNTABLE

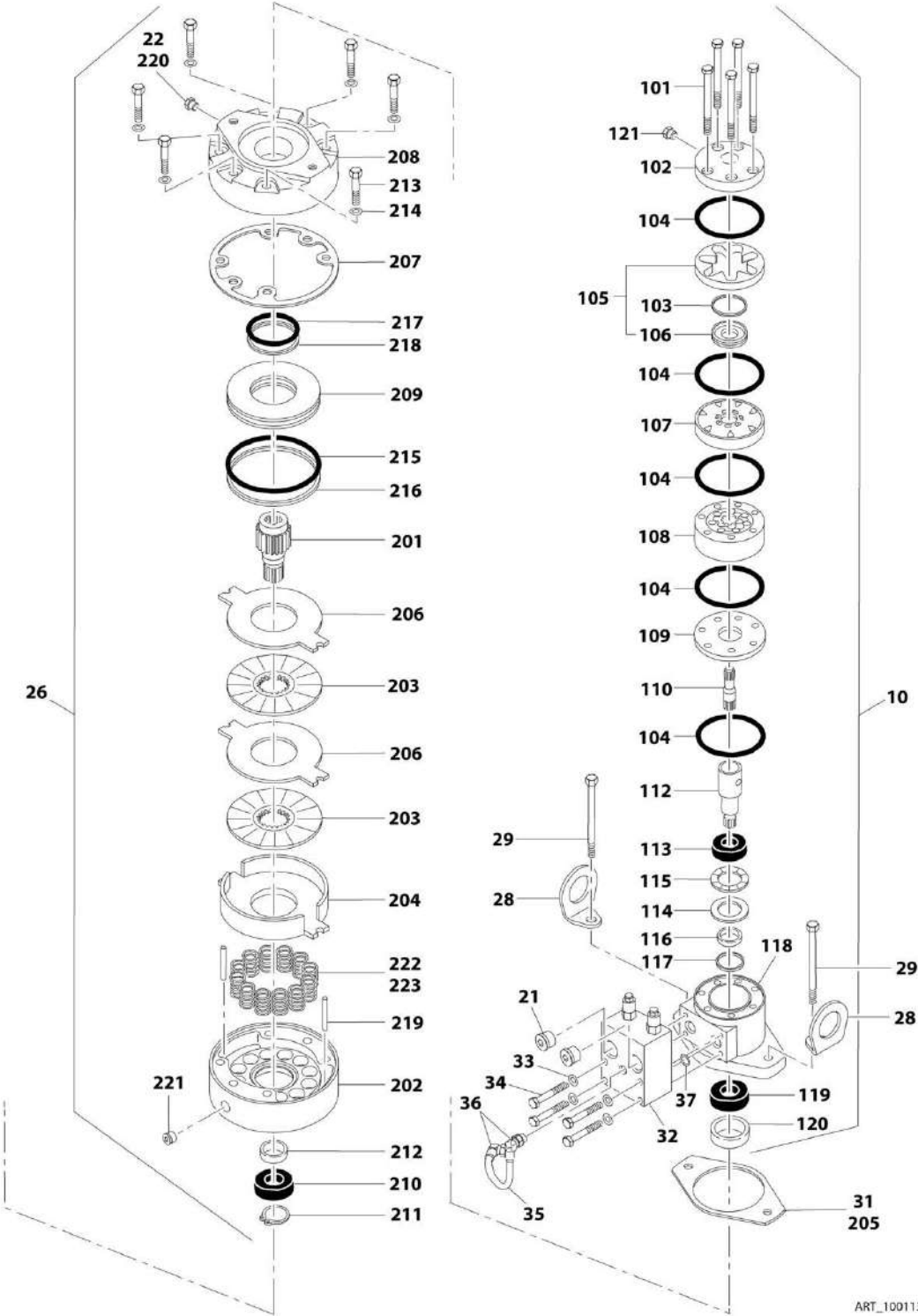
FIGURE 2-13. SWING MOTOR/HUB ASSEMBLY (SN 0300201017 through 0300254456)



ART\_1001134098\_10F2



# SECTION 2 - TURNTABLE



ART\_1D01134098\_2OF2

## SECTION 2 - TURNTABLE

FIGURE 2-13. SWING MOTOR/HUB ASSEMBLY (SN 0300201017 through 0300254456)

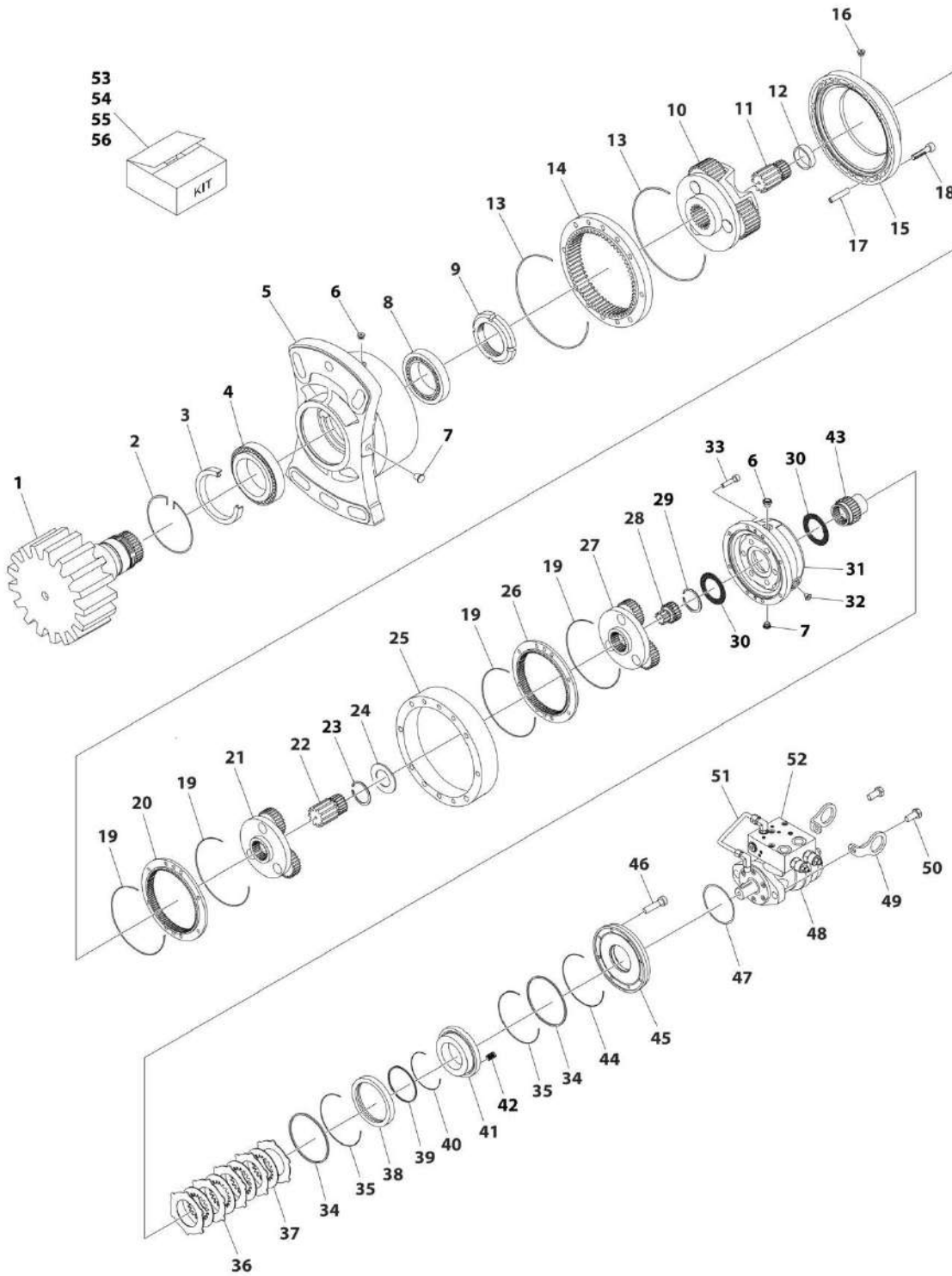
ITEM	PART NUMBER	QTY	DESCRIPTION	REV
	1001134098	Ref	SWING MOTOR/HUB ASSEMBLY	D
1	See Note	1	Housing/Shaft Assembly (Note: Not Available for Purchase)	
1A	7024183	1	Shaft, Output	
1B	7000236	1	Seal, Lip	
1C	1001091460	1	Cup, Bearing	
1D	1001091460	1	Cone, Bearing	
1E	1001091461	1	Cup, Bearing	
1F	1001091461	1	Cone, Bearing	
1G	7024184	1	Housing	
1H	7000239	1	Thrustwasher	
1I	7000240	1	Ring, Retaining	
1J	7017072	1	Plug, Pipe	
2	7001917	1	Gear, Internal	
3	7001918	1	Carrier Assembly	
3A	7001900	1	Carrier	
3B	7007645	6	Washer, Tanged	
3C	7001902	84	Bearing, Needle	
3D	7007646	3	Thrustwasher	
3E	7001904	3	Shaft, Planet	
3F	7001927	3	Gear, Cluster	
3G	7001906	3	Rollpin	
3H	7007648	6	Washer	
4	7010467	1	Gear, Ring	
5	7000224	2	O-Ring	
6	7001920	1	Cover, Input	
8	7001922	1	Thrustwasher	
10	7024188	1	Motor Assembly (See Items 101-121 for Breakdown)	
13	7001921	1	Gear, Sun	
15	7000287	4	Thrustwasher	
16	7000288	2	Bearing, Thrust	
17	7001923	8	Bolt 3/8 x 3 Grade 8	
18	7001924	4	Bolt 3/8 x 2-3/4 Grade 8	
19	7001929	4	Washer (Used with Item 18 Only)	
20	7017094	1	Plug, Pipe	
21	7001926	2	Plug, Pipe	
22	7017082	1	Plug, Pipe	
24	See Note	1	Plate, ID (Note: Not Available for Purchase)	
25	7000281	2	Screw, Drive	
26	70003524	1	Brake Assembly (See Items 201-223 for Breakdown)	
27	7024763	1	O-Ring	
28	See Note	NSS	Lug, Lifting (Note: Not Available for Purchase)	
29	7024185	2	Bolt 1/2 x 5 Grade 8	
31	7000731	1	Gasket	
32	70003523	1	Valve	
32	70003629	2	Cartridge	
33	See Note	4	Washer (Note: Not Available - Purchase Locally)	
34	7024135	4	Bolt 5/16 x 2-1/2 Grade 8	
35	7024186	1	Tube	
36	7017085	2	Elbow	
37	7000213	2	O-Ring	

## SECTION 2 - TURNTABLE

ITEM	PART NUMBER	QTY	DESCRIPTION	REV
	7024188	Ref	MOTOR ASSEMBLY	
101	7024391	5	Bolt	
102	7004035	1	Cover, End	
103	See Note	NSS	Seal, Commutator (Note: Use Item 126)	
104	See Note	NSS	Seal, Ring (Note: Use Item 126)	
105	7024453	1	Commutator and Ring Assembly	
106	7004453	1	Ring	
107	7024379	1	Manifold	
108	7024392	1	Rotor Set	
109	7024380	1	Plate, Wear	
110	7024393	1	Link, Drive	
112	7024395	1	Shaft, Coupling	
113	7024381	1	Bushing, Bronze	
114	7004043	1	Thrustwasher	
115	7004044	1	Bearing, Thrust	
116	See Note	NSS	Seal, Inner (Note: Use Item 126)	
117	See Note	NSS	Washer, Back-up (Note: Use Item 126)	
118	7024394	1	Housing	
119	7024390	1	Bearing	
120	See Note	NSS	Seal (Note: Use Item 126)	
121	7010795	1	Plug, O-Ring	
126	7024389	1	Seal Kit - 7024188 Motor (Includes Items 103, 104, 116, 117 & 120)	
	70003524	Ref	BRAKE ASSEMBLY	
201	7024189	1	Shaft	
202	See Note	1	Housing (Note: Not Available - Purchase Complete Assembly)	
203	See Note	NSS	Plate, Friction (Note: Use Item 227)	
204	See Note	NSS	Plate, Pressure (Note: Use Item 227)	
205	7000731	1	Gasket	
206	See Note	NSS	Plate, Outer (Note: Use Item 227)	
207	See Note	NSS	Gasket (Note: Use Item 226 or 227)	
208	7024191	1	Cylinder	
209	7024192	1	Piston	
210	See Note	NSS	Bearing, Ball (Note: Use Item 227)	
211	See Note	NSS	Ring, Retaining (Note: Use Item 227)	
212	See Note	NSS	Seal, Shaft (Note: Use Item 227)	
213	See Note	6	Capscrew (Note: Not Available - Purchase Locally)	
214	See Note	6	Washer (Note: Not Available - Purchase Locally)	
215	See Note	NSS	O-Ring (Note: Use Item 226)	
216	See Note	NSS	Ring, Back-up (Note: Use Item 226)	
217	See Note	NSS	O-Ring (Note: Use Item 226)	
218	See Note	NSS	Ring, Back-up (Note: Use Item 226)	
219	7024190	2	Pin, Dowel	
220	See Note	1	Plug (Note: Not Available - Purchase Locally)	
221	See Note	1	Plug (Note: Not Available - Purchase Locally)	
222	See Note	NSS	Spring (Natural) (Note: Use Item 227)	
223	See Note	NSS	Spring (Blue) (Note: Use Item 227)	
226	7024194	1	Seal Kit - Brake (Includes Items 205, 207 & 215-218)	
227	7024196	1	Spring Kit - Brake (Includes 12 Natural and 2 Blue Colored Springs)	
227	7024193	1	Friction Disc Kit - Brake (Includes Items 203, 204, 206 & 207)	
227	7024197	1	Bearing Kit - Brake (Includes Items 207 & 210-212)	

# SECTION 2 - TURNTABLE

FIGURE 2-14. SWING MOTOR/HUB ASSEMBLY (SN 0300254457 to Present)



ART\_1001228488

## SECTION 2 - TURNTABLE

**FIGURE 2-14. SWING MOTOR/HUB ASSEMBLY (SN 0300254457 to Present)**

ITEM	PART NUMBER	QTY	DESCRIPTION	REV
	1001228488	Ref	SWING MOTOR/HUB ASSEMBLY	B
1	See Note	NSS	Shaft (Note: Use Item 56)	
2	70004467	1	Ring	
3	See Note	NSS	Seal, Oil (Note: Use Item 53)	
4	See Note	NSS	Bearing (Note: Use Item 55)	
5	See Note	NSS	Support, Output (Note: Not Available for Purchase)	
6	70002057	5	Plug with O-Ring	
7	70004469	2	Plug with O-Ring	
8	See Note	NSS	Bearing (Note: Use Item 55)	
9	See Note	NSS	Nut, Ring (Note: Use Item 56)	
10	70006986	1	Reduction, Gear - Complete	
11	70006987	1	Pinion	
12	70004477	1	Spacer	
13	See Note	NSS	O-Ring (Note: Use Item 53)	
14	70004474	1	Ring, Planetary	
15	70006988	1	Spacer	
16	70002057	2	Plug with O-Ring	
17	70006989	4	Pin, Spring	
18	70004480	8	Capscrew M10 x 55	
19	See Note	NSS	O-Ring (Note: Use Item 53)	
20	70006990	1	Ring, Planetary	
21	70006991	1	Reduction, Gear - Complete	
22	70006992	1	Pinion	
23	70002032	1	Ring	
24	70006993	1	Spacer	
25	70006994	1	Spacer	
26	70004481	1	Ring, Planetary	
27	70006995	1	Reduction, Gear - Complete	
28	70006996	1	Pinion	
29	70006997	1	Ring	
30	70006998	1	Washer	
31	See Note	NSS	Housing, Brake (Note: Not Available for Purchase)	
32	70006999	1	Plug	
33	70007000	8	Capscrew M8 x 90	
34	See Note	NSS	Seal (Note: Use Item 53 or 54)	
35	See Note	NSS	O-Ring (Note: Use Item 53 or 54)	
36	See Note	NSS	Disc, Steel (Note: Use Item 54)	
37	See Note	NSS	Disc (Note: Use Item 54)	
38	70005317	1	Spacer	
39	See Note	NSS	Seal (Note: Use Item 53 or 54)	
40	See Note	NSS	O-Ring (Note: Use Item 53 or 54)	
41	70005318	1	Piston, Brake	
42	See Note	NSS	Spring, Brake (Note: Use Item 54)	
43	70007001	1	Shaft, Input	
44	See Note	NSS	O-Ring (Note: Use Item 53 or 54)	
45	70007002	1	Cover	
46	70007003	8	Screw M6 x 25	
47	See Note	NSS	O-Ring (Note: Use Item 53)	
48	70007009	1	Motor	
48	70007011	1	Seal Kit	

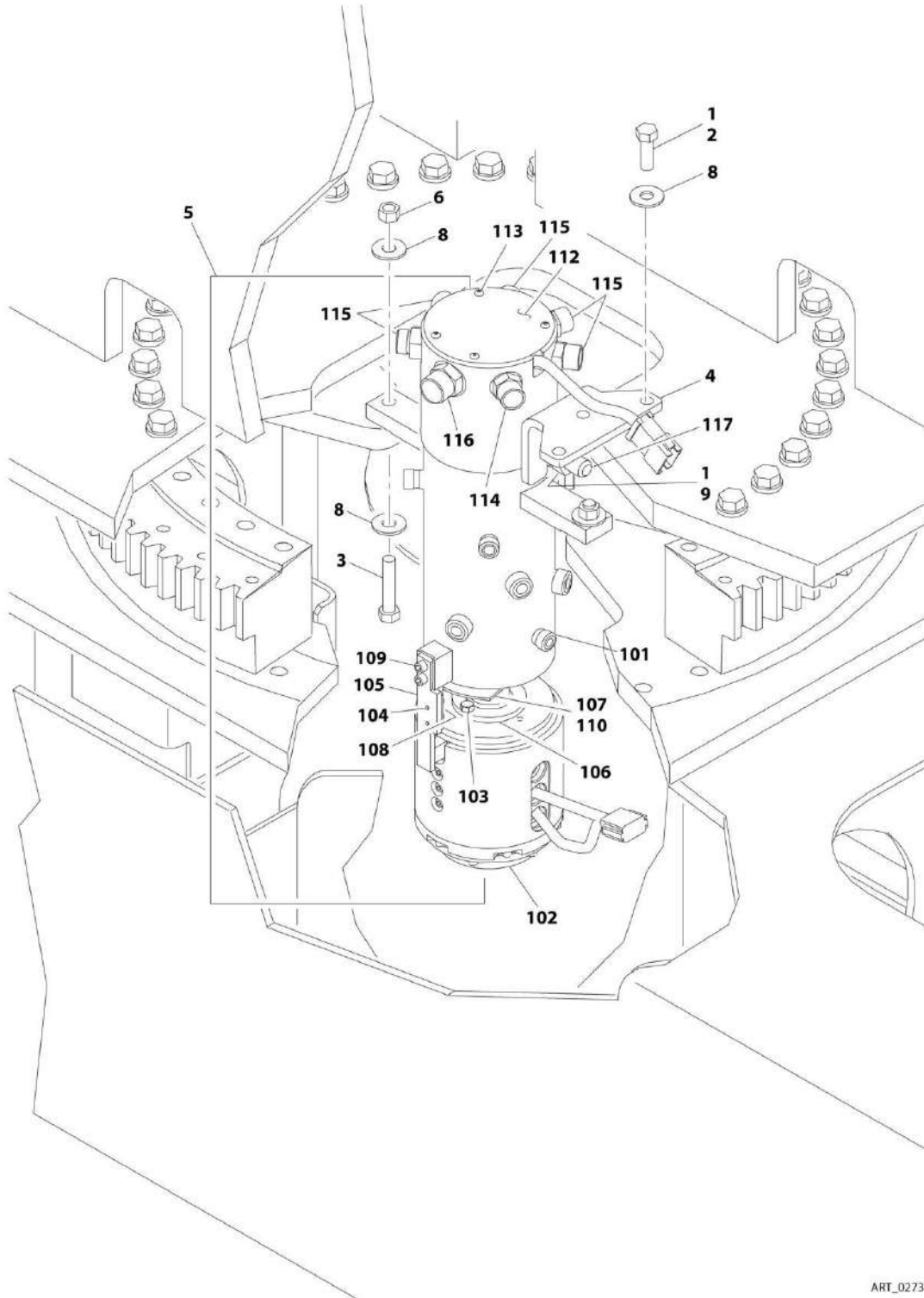
## SECTION 2 - TURNTABLE

ITEM	PART NUMBER	QTY	DESCRIPTION	REV
49	See Note	NSS	Lug, Lifting (Note: Not Available for Purchase)	
50	70004494	2	Capscrew M12 x 35	
51	70007004	1	Brake, Valve Adapter	
52	70007010	1	Valve	
52	70007012	1	Seal Kit	
52	70007013	1	Hardware Kit	
53	70007005	1	Seal Kit – Brake and Hub (Includes Items 3, 13, 19, 34, 35, 39, 40, 44 & 47)	
54	70007006	1	Seal Kit – Brake (Includes Items 34-37, 39, 40, 42 & 44)	
55	70007007	1	Bearing Kit (Includes Items 4 & 8)	
56	70007008	1	Output Shaft Kit (Includes Items 1 & 9)	



# SECTION 2 - TURNTABLE

## FIGURE 2-15. ROTARY COUPLING AND COLLECTOR RING INSTALLATION



ART\_0273349



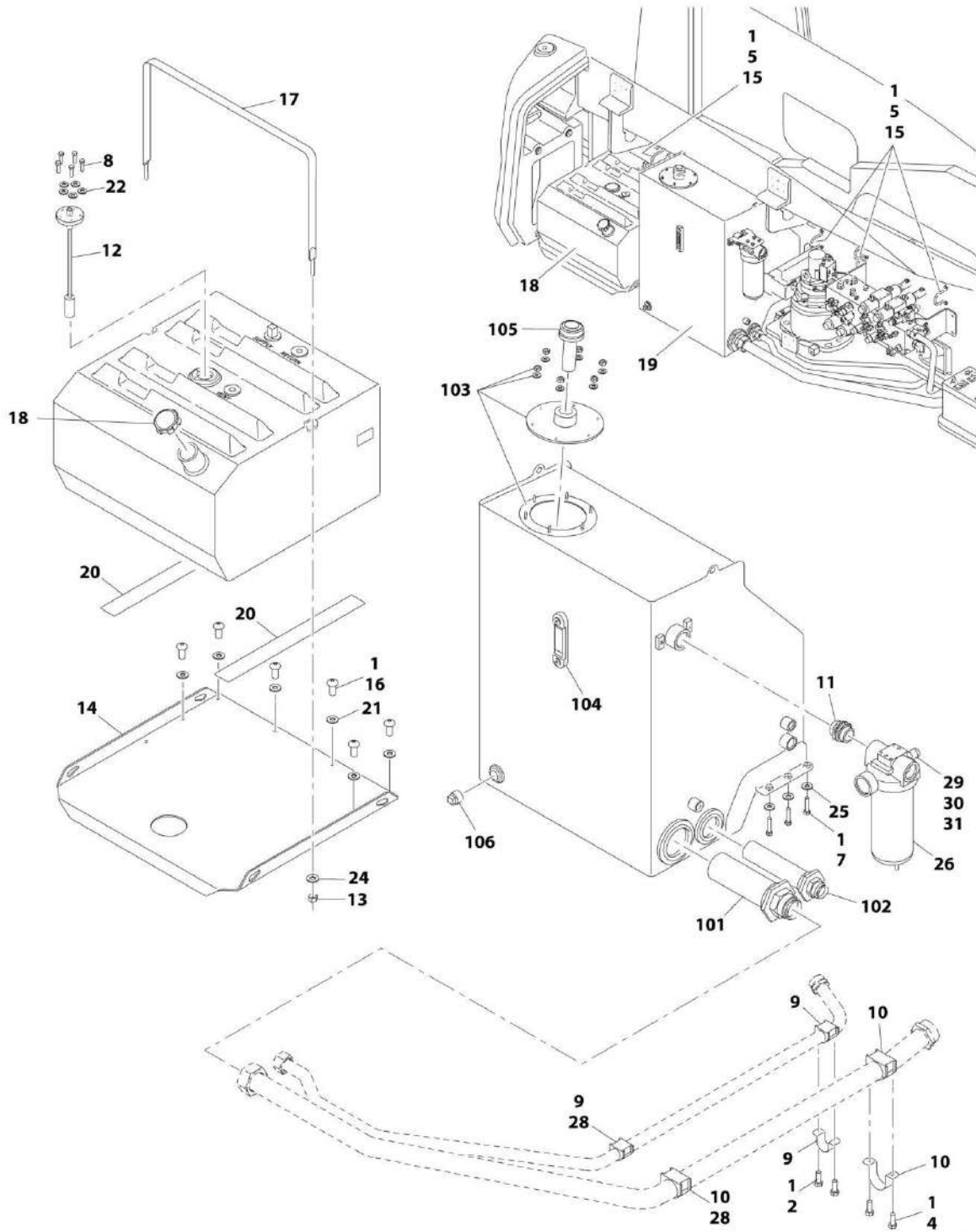
# SECTION 2 - TURNTABLE

**FIGURE 2-15. ROTARY COUPLING AND COLLECTOR RING INSTALLATION**

ITEM	PART NUMBER	QTY	DESCRIPTION	REV
	0273349	Ref	ROTARY COUPLING AND COLLECTOR RING INSTALLATION	A
1	0100011	AR	Compound, Locking	
2	0641812	3	Bolt 1/2 x 1-1/2	
3	0641820	2	Bolt 1/2 x 2-1/2	
4	0902915	1	Bracket, Swivel	
5	1660256	1	Rotary Coupling and Collector Ring Assembly (See Items 101-117 for Breakdown)	
6	3311805	2	Nut 1/2	
8	4751800	7	Washer 1/2	
9	3322201	2	Nut 3/4	
	1660256	Ref	ROTARY COUPLING AND COLLECTOR RING ASSEMBLY	D
101	7026665	1	Coupling, Rotary	
101	70001123	1	Seal Kit - Coupling	
102	7026029	1	Contactoer with Harness, Rotary Circuit (Purchase Pins and Connector Separately)	
103	0641506	4	Bolt 5/16 x 3/4	
104	3931512	2	Capscrew 5/16 x 3/4	
105	70000780	1	Arm, Torque	
106	80334251	1	Adapter	
107	7026030	1	Plate, Cam	
108	7026031	1	Sensor, Proximity	
109	3931008	2	Capscrew #10 x 1/2	
110	7026032	1	Pin, Dowel	
112	1660256	1	Cover	
113	See Note	4	Screw #10 x 3/8 (Note: Not Available - Purchase Locally)	
114	2111212	1	Fitting, Straight	
115	2111010	5	Fitting, Straight	
116	2111012	1	Fitting, Straight	
117	70005456	1	Torque Arm	

# SECTION 2 - TURNTABLE

## FIGURE 2-16. TANK INSTALLATION



ART\_0273401

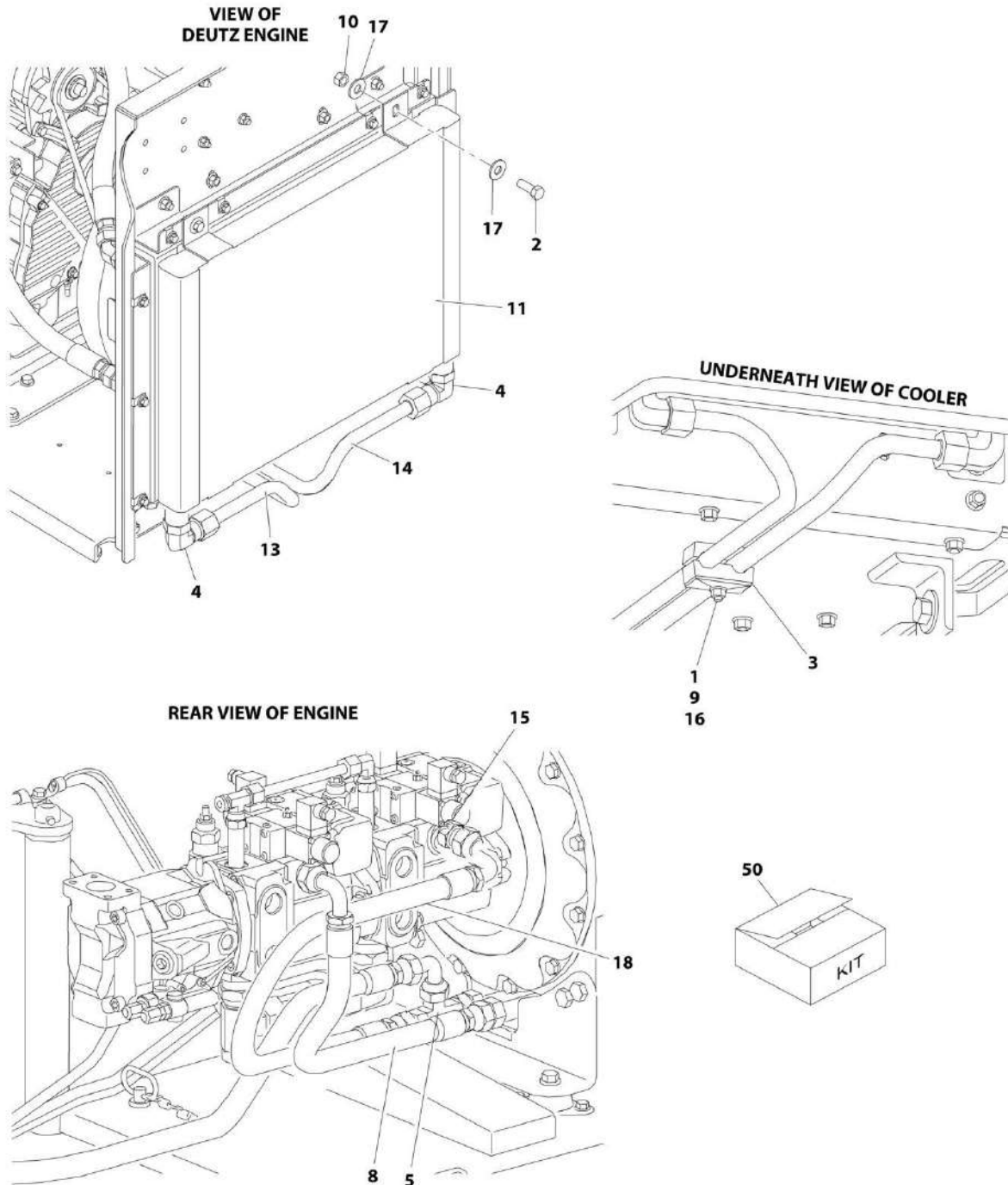
## SECTION 2 - TURNTABLE

### FIGURE 2-16. TANK INSTALLATION

ITEM	PART NUMBER	QTY	DESCRIPTION	REV
	0273401	Ref	TANK INSTALLATION	G
1	0100011	AR	Compound, Locking	
2	0641408	2	Bolt 1/4 x 1	
4	0641508	2	Bolt 5/16 x 1	
5	0641604	12	Bolt 3/8 x 1/2	
7	0641615	6	Bolt 3/8 x 1-7/8	
8	0731007	5	Screw, Machine #10 x 7/8	
9	1320322	2	Clamp	
10	1320323	2	Clamp	
11	2220893	1	Fitting, Adapter	
12	2420191	1	Gauge, Fuel	
12	3960525	1	Gasket	
13	3311601	2	Nut 3/8	
14	3574494	1	Tray	
15	3841340	8	Loop, Hose	
16	3900232	6	Screw 3/8 x 1-1/4	
17	4240139	1	Strap, Tank	
18	1001160567	1	Tank, Fuel	
18	70004414	1	Cap	
18	7020043	1	Tube, Pick up	
19	4400462	1	Tank, Hydraulic Oil (See Items 101-106 for Breakdown)	
20	4420038	40 in/1m	Tape	
21	4711600	6	Washer 3/8	
22	4751000	5	Washer #10	
24	4751600	2	Washer 3/8	
25	4891600	6	Washer 3/8	
26	2120167	1	Filter, Return	
26	2120168	1	Element, Filter	
26	7020021	1	Gauge, Pressure	
28	0100081	AR	Loctite #454	
29	0100079	AR	Sealant, Thread	
30	1001119455	1	Fitting, Diagnostic	
31	1001119119	1	Fitting, Adapter	
	4400462	Ref	HYDRAULIC OIL TANK ASSEMBLY	E
101	7026599	1	Strainer, Suction	
102	7026600	1	Strainer, Suction	
103	7024439	1	Cover	
103	7024440	1	Gasket, Cover	
104	7024441	1	Gauge, Sight	
105	7024444	1	Cap, Breather	
105	7024443	1	Neck Assembly	
105	7024445	1	Strainer	
106	7024446	2	Plug, Magnetic	

## SECTION 2 - TURNTABLE

FIGURE 2-17. HYDRAULIC OIL COOLER INSTALLATION - DEUTZ TD2011 ENGINES WITH REXROTH PUMP (OPTIONAL)



ART\_0272080

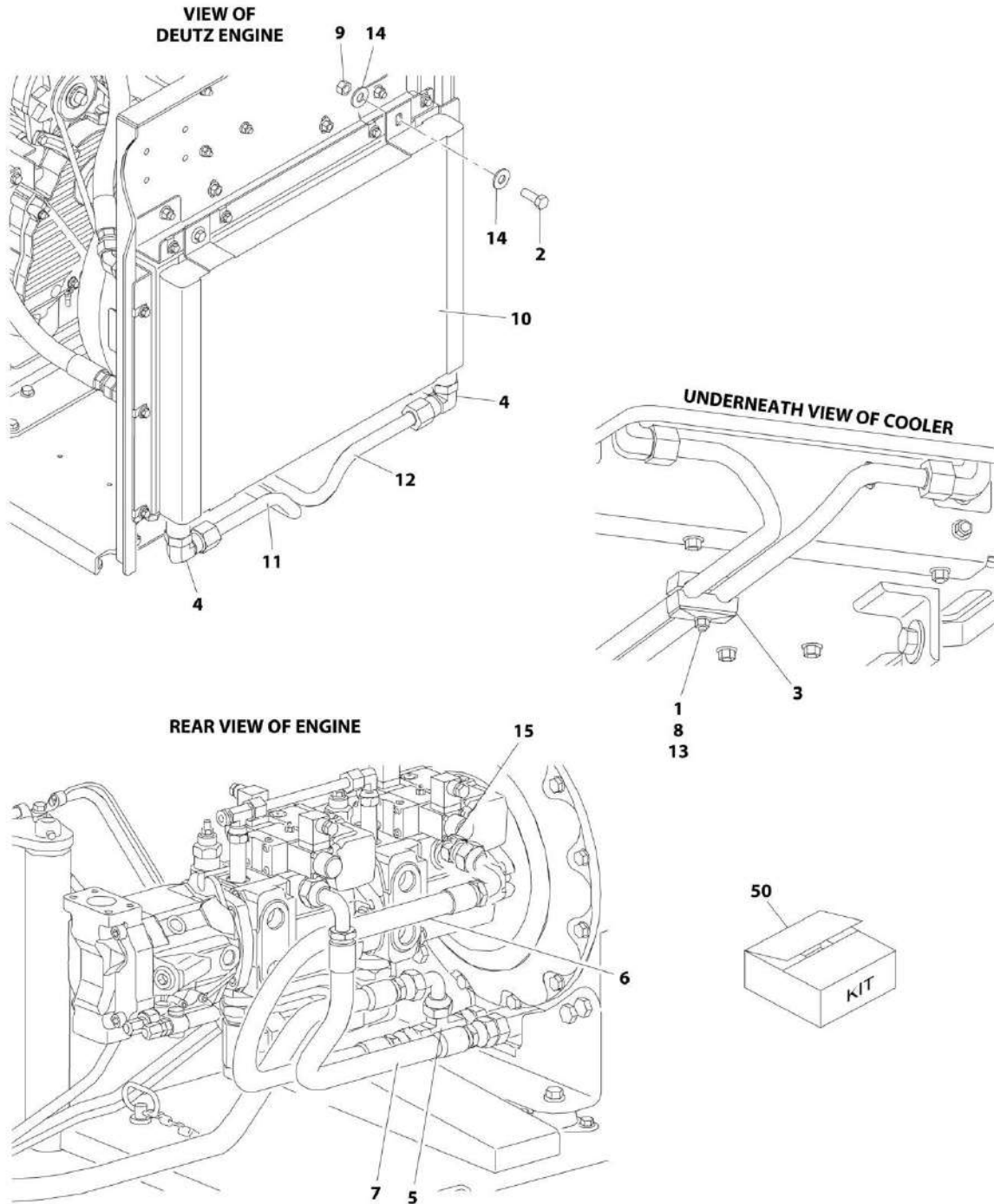
## SECTION 2 - TURNTABLE

**FIGURE 2-17. HYDRAULIC OIL COOLER INSTALLATION - DEUTZ TD2011 ENGINES WITH REXROTH PUMP (OPTIONAL)**

ITEM	PART NUMBER	QTY	DESCRIPTION	REV
	0272080	Ref	HYDRAULIC OIL COOLER INSTALLATION - DEUTZ TD2011 ENGINES WITH REXROTH PUMP (OPTIONAL)	B
		Ref	Note: See Engine Installation for Engine Oil Cooler.	
1	0641520	2	Bolt 5/16 x 2-1/2	
2	0641608	4	Bolt 3/8 x 1	
3	1320162	2	Clamp, Hose	
4	2131212	2	Fitting, 90	
5	2170712	1	Fitting, Tee	
8	2753778	1	Hose	
9	3311505	2	Nut 5/16	
10	3311605	4	Nut 3/8	
11	3620034	1	Cooler, Hydraulic Oil	
13	4568426	1	Tube	
14	4568427	1	Tube	
15	4641247	1	Valve, Check	
16	4711500	4	Washer 5/16	
17	4751600	8	Washer 3/8	
18	2753843	1	Hose	
50	1001120564	1	Oil Cooler Add-On Kit (Includes Items 1-18)	

## SECTION 2 - TURNTABLE

FIGURE 2-18. HYDRAULIC OIL COOLER INSTALLATION - DEUTZ TD2011 ENGINES WITH SAUER PUMP (OPTIONAL)



ART\_1001118957

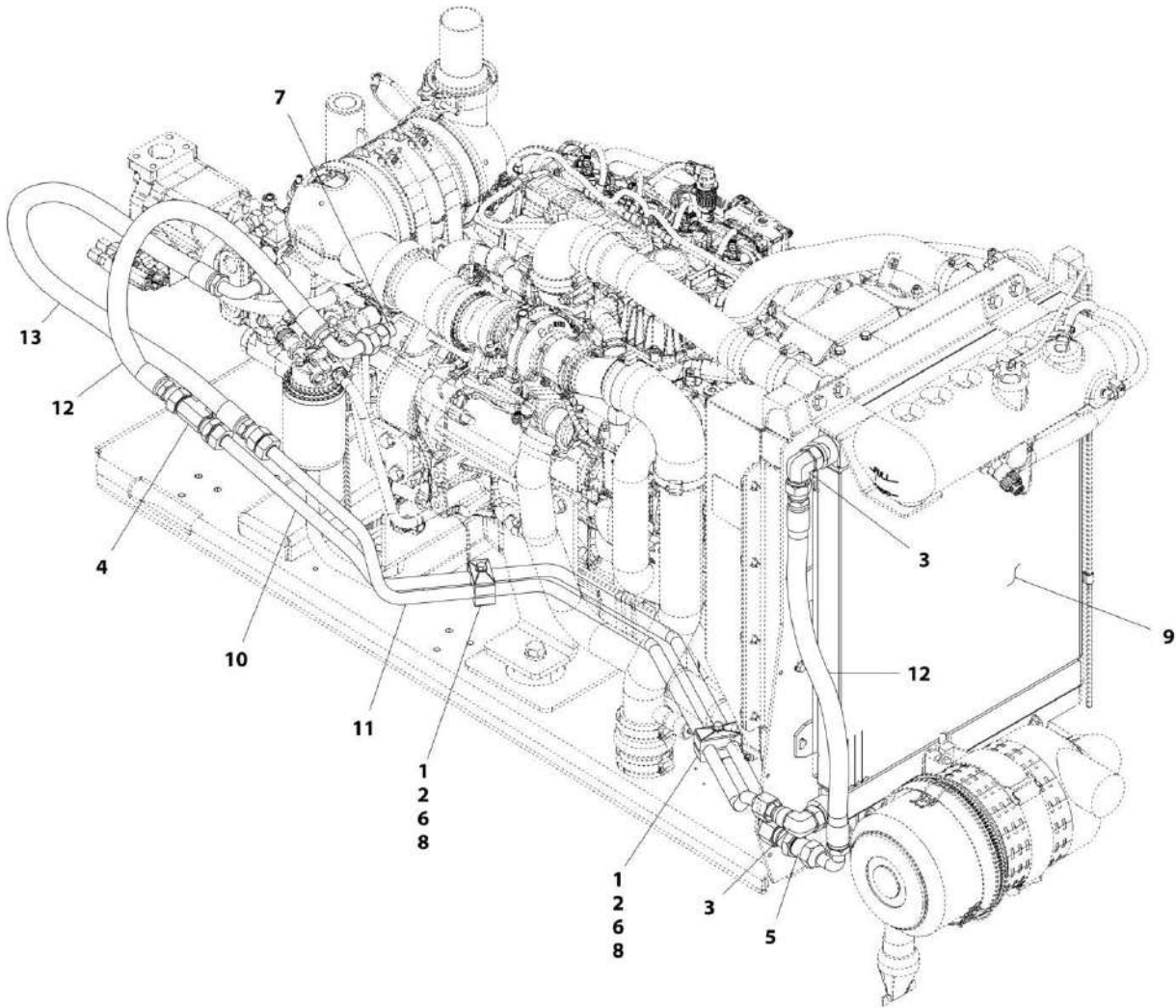
**SECTION 2 - TURNTABLE**

**FIGURE 2-18. HYDRAULIC OIL COOLER INSTALLATION - DEUTZ TD2011 ENGINES WITH SAUER PUMP (OPTIONAL)**

ITEM	PART NUMBER	QTY	DESCRIPTION	REV
	1001118957	Ref	HYDRAULIC OIL COOLER INSTALLATION - DEUTZ TD2011 ENGINES WITH SAUER PUMP (OPTIONAL)	B
		Ref	Note: See Engine Installation for Engine Oil Cooler.	
1	0641520	2	Bolt 5/16 x 2-1/2	
2	0641608	4	Bolt 3/8 x 1	
3	1320162	2	Clamp, Hose	
4	2131212	2	Fitting, 90	
5	2170712	1	Fitting, Tee	
6	2753778	1	Hose	
7	2753999	1	Hose	
8	3311505	2	Nut 5/16	
9	3311605	4	Nut 3/8	
10	3620034	1	Cooler, Hydraulic Oil	
11	4568426	1	Tube	
12	4568427	1	Tube	
13	4711500	4	Washer 5/16	
14	4751600	8	Washer 3/8	
15	1001109677	1	Valve, Check	
50	1001120564	1	Oil Cooler Add-On Kit (Includes Items 1-15)	

## SECTION 2 - TURNTABLE

FIGURE 2-19. HYDRAULIC OIL COOLER INSTALLATION - DEUTZ TCD2.9L4 ENGINES WITH REXROTH PUMP (OPTIONAL)



ART\_1001139494



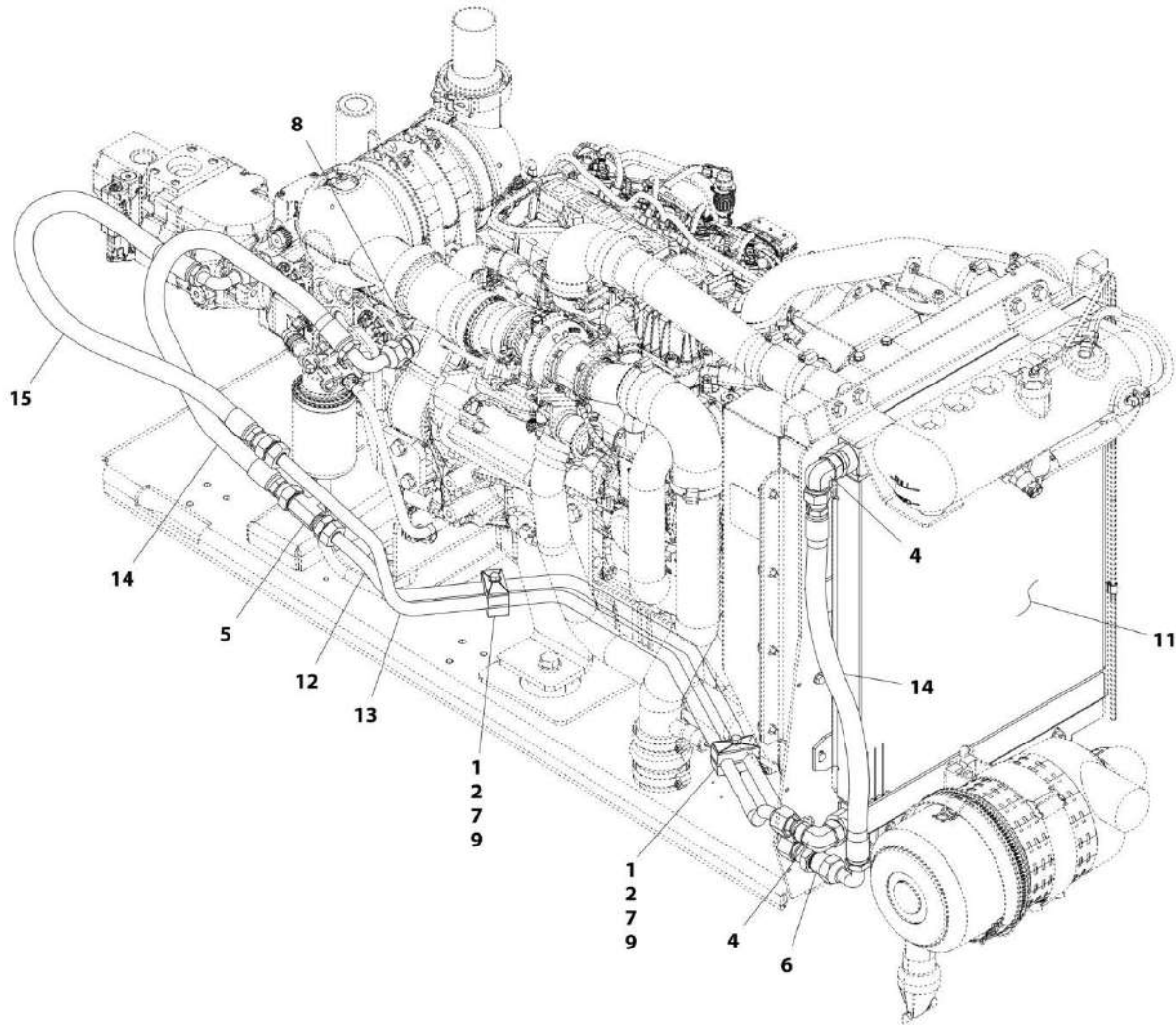
## SECTION 2 - TURNTABLE

**FIGURE 2-19. HYDRAULIC OIL COOLER INSTALLATION - DEUTZ TCD2.9L4 ENGINES WITH REXROTH PUMP (OPTIONAL)**

ITEM	PART NUMBER	QTY	DESCRIPTION	REV
	1001139494	Ref	HYDRAULIC OIL COOLER INSTALLATION - DEUTZ TCD2.9L4 ENGINES WITH REXROTH PUMP (OPTIONAL)	E
		Ref	Note: See Engine Installation for Engine Oil Cooler.	
1	0641520	2	Bolt 5/16 x 2-1/2	
2	1320162	2	Clamp, Hose	
3	2131212	2	Fitting, 90	
4	2170712	1	Fitting, Tee	
5	2171112	1	Fitting, Straight	
6	3311505	2	Nut 5/16	
7	4641247	1	Valve	
8	4711500	4	Washer 5/16	
9	1001135124	1	Cooler, Hydraulic Oil	
10	1001154214	1	Tube (SN 0300201017 through 0300237152)	
10	1001139665	1	Tube (SN 0300237153 to Present)	
11	1001139666	1	Tube	
12	1001143087	2	Hose	
13	1001143123	1	Hose	

## SECTION 2 - TURNTABLE

FIGURE 2-20. HYDRAULIC OIL COOLER INSTALLATION - DEUTZ TCD2.9L4 ENGINES WITH SAUER PUMP (OPTIONAL)



ART\_1001139492

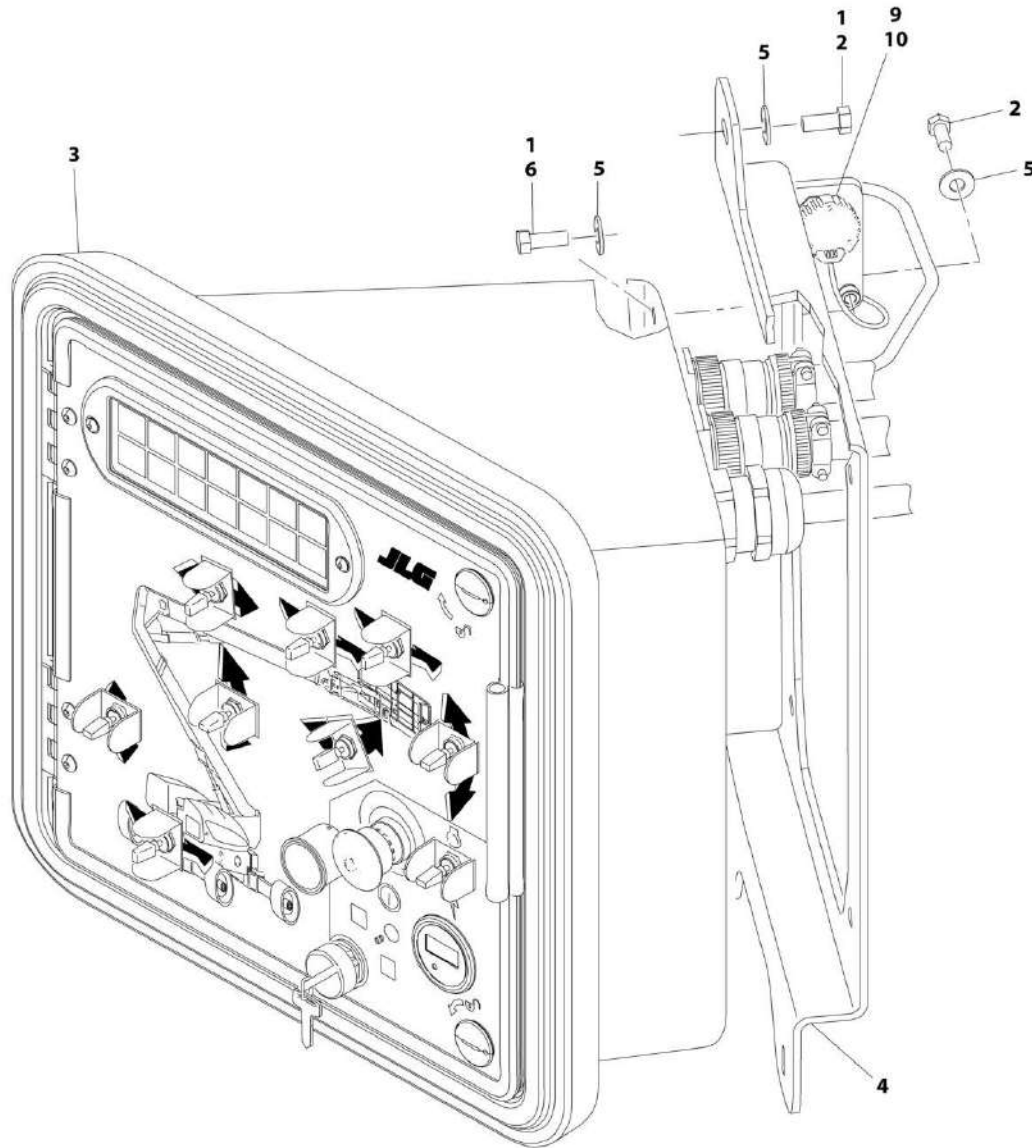
**SECTION 2 - TURNTABLE**

**FIGURE 2-20. HYDRAULIC OIL COOLER INSTALLATION - DEUTZ TCD2.9L4 ENGINES WITH SAUER PUMP (OPTIONAL)**

ITEM	PART NUMBER	QTY	DESCRIPTION	REV
	1001139492	Ref	HYDRAULIC OIL COOLER INSTALLATION - DEUTZ TCD2.9L4 ENGINES WITH SAUER PUMP (OPTIONAL)	E
		Ref	Note: See Engine Installation for Engine Oil Cooler.	
1	0641520	2	Bolt 5/16 x 2-1/2	
2	1320162	2	Clamp, Hose	
4	2131212	2	Fitting, 90	
5	2170712	1	Fitting, Tee	
6	2171112	1	Fitting, Straight	
7	3311505	2	Nut 5/16	
8	1001109677	1	Valve	
9	4711500	4	Washer 5/16	
11	1001135124	1	Cooler, Hydraulic Oil	
12	1001139665	1	Tube	
13	1001139666	1	Tube	
14	1001143087	2	Hose	
15	1001143123	1	Hose	

## SECTION 2 - TURNTABLE

FIGURE 2-21. GROUND CONTROL BOX INSTALLATION WITH REXROTH PUMPS - DEUTZ TD2011 ENGINES WITH REXROTH PUMP



ART\_1001119354

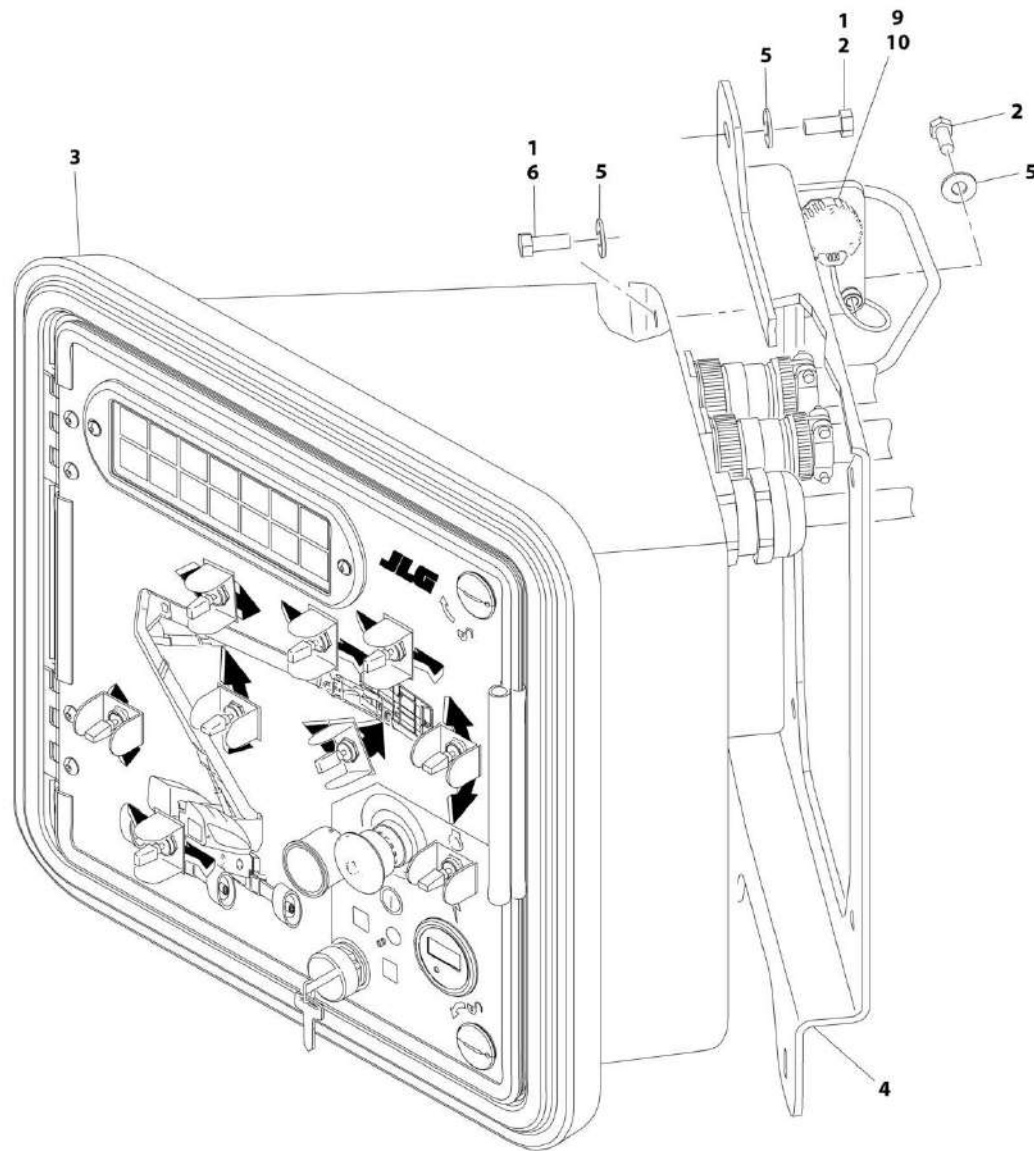
## SECTION 2 - TURNTABLE

**FIGURE 2-21. GROUND CONTROL BOX INSTALLATION WITH REXROTH PUMPS - DEUTZ TD2011 ENGINES WITH REXROTH PUMP**

ITEM	PART NUMBER	QTY	DESCRIPTION	REV
	1001119354	Ref	GROUND CONTROL BOX INSTALLATION WITH REXROTH PUMPS - DEUTZ TD2011 ENGINES WITH REXROTH PUMP	B
1	0100011	AR	Compound, Locking	
2	0641607	5	Bolt 3/8 x 7/8	
3	1001119376	1	Ground Controls Assembly (See GROUND CONTROL ASSEMBLY for Breakdown)	
4	1001114487	1	Bracket, Mounting	
5	4751600	9	Washer 3/8	
6	3931616	4	Capscrew 3/8 x 1	
7	1001119456	1	Harness, Pump Adapter (Not Shown) (See ELECTRICAL SECTION for Breakdown)	
8	1001119470	1	Harness, Engine (Not Shown) (See ELECTRICAL SECTION for Breakdown)	
9	4460496	1	Terminal, Washer	
10	4460497	1	Terminal, Nut	

## SECTION 2 - TURNTABLE

FIGURE 2-22. GROUND CONTROL BOX INSTALLATION WITH SAUER PUMPS - DEUTZ TD2011 ENGINES WITH SAUER PUMP



ART\_1001119353

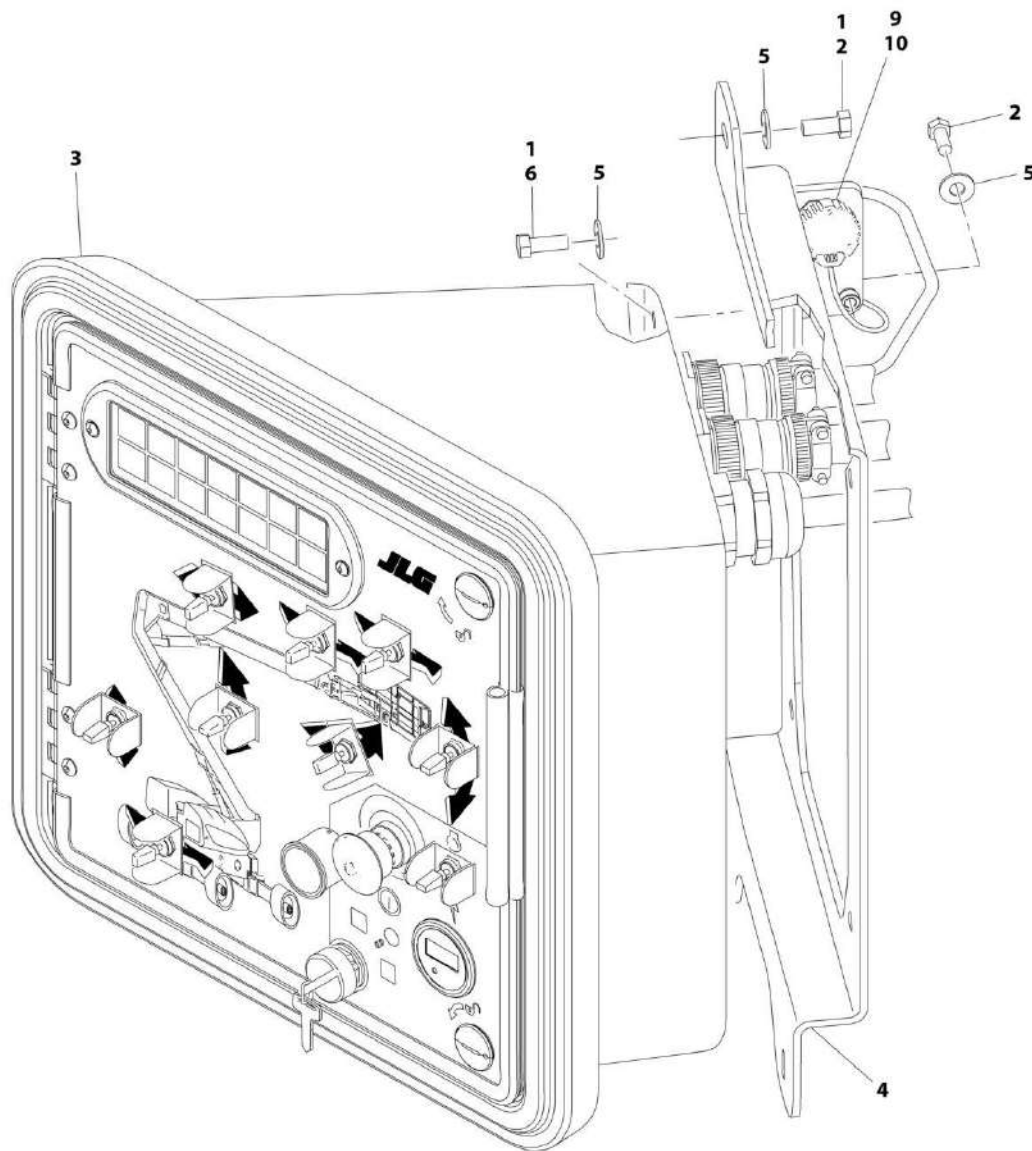
**SECTION 2 - TURNTABLE**

**FIGURE 2-22. GROUND CONTROL BOX INSTALLATION WITH SAUER PUMPS - DEUTZ TD2011 ENGINES WITH SAUER PUMP**

ITEM	PART NUMBER	QTY	DESCRIPTION	REV
	1001119353	Ref	GROUND CONTROL BOX INSTALLATION WITH SAUER PUMPS - DEUTZ TD2011 ENGINES WITH SAUER PUMP	B
1	0100011	AR	Compound, Locking	
2	0641607	5	Bolt 3/8 x 7/8	
3	1001119376	1	Ground Controls Assembly (See GROUND CONTROL ASSEMBLY for Breakdown)	
4	1001114487	1	Bracket, Mounting	
5	4751600	9	Washer 3/8	
6	3931616	4	Capscrew 3/8 x 1	
8	1001119470	1	Harness, Engine (Not Shown) (See ELECTRICAL SECTION for Breakdown)	
9	4460496	1	Terminal, Washer	
10	4460497	1	Terminal, Nut	

## SECTION 2 - TURNTABLE

FIGURE 2-23. GROUND CONTROL BOX INSTALLATION - DEUTZ TCD2.9L4 ENGINES



ART\_1001138016



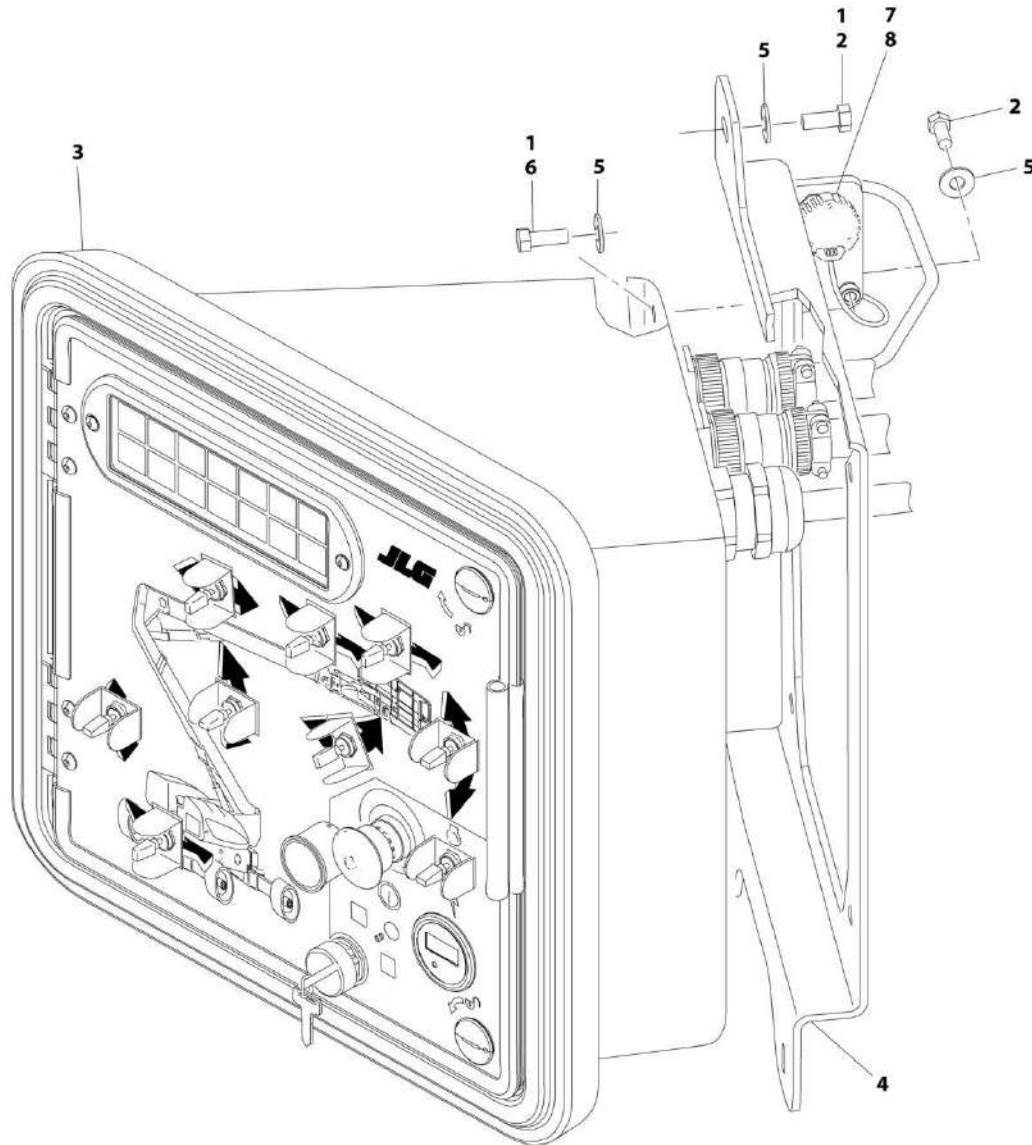
**SECTION 2 - TURNTABLE**

**FIGURE 2-23. GROUND CONTROL BOX INSTALLATION - DEUTZ TCD2.9L4 ENGINES**

ITEM	PART NUMBER	QTY	DESCRIPTION	REV
	1001138016	Ref	GROUND CONTROL BOX INSTALLATION - DEUTZ TCD2.9L4 ENGINES	B
1	0100011	AR	Compound, Locking	
2	0641607	5	Bolt 3/8 x 7/8	
3	1001119376	1	Ground Controls Assembly (See GROUND CONTROL ASSEMBLY for Breakdown)	
4	1001114487	1	Bracket, Mounting	
5	4751600	9	Washer 3/8	
6	3931616	4	Capscrew 3/8 x 1	
9	4460496	1	Terminal, Washer	
10	4460497	1	Terminal, Nut	

## SECTION 2 - TURNTABLE

FIGURE 2-24. GROUND CONTROL BOX INSTALLATION - DEUTZ TCD2.9L4 ENGINES (CE SPECS)



ART\_1001185588

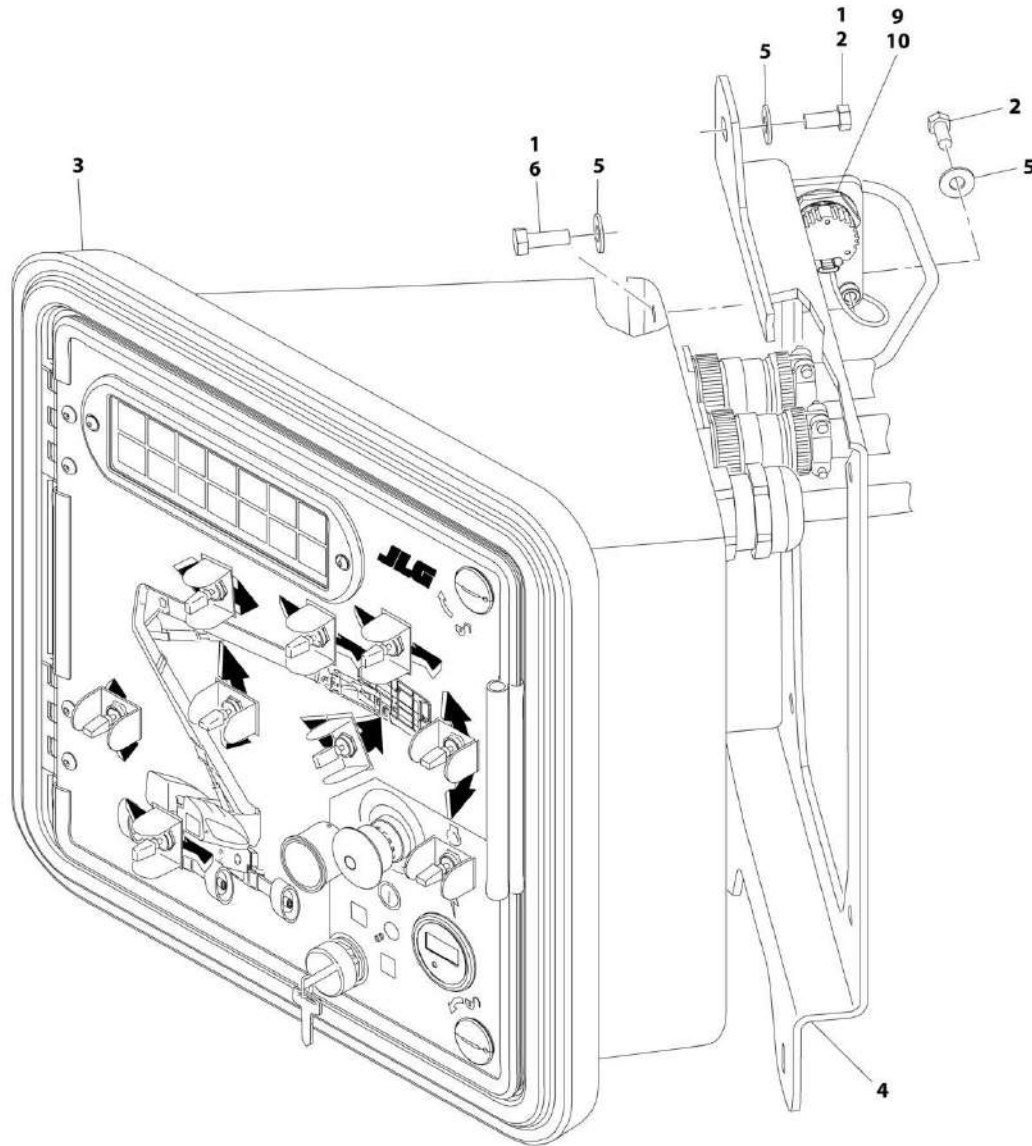
**SECTION 2 - TURNTABLE**

**FIGURE 2-24. GROUND CONTROL BOX INSTALLATION - DEUTZ TCD2.9L4 ENGINES (CE SPECS)**

ITEM	PART NUMBER	QTY	DESCRIPTION	REV
	1001185588	Ref	GROUND CONTROL BOX INSTALLATION - DEUTZ TCD2.9L4 ENGINES (CE SPECS)	A
1	0100011	AR	Compound, Locking	
2	0641607	5	Bolt 3/8 x 7/8	
3	1001185301	1	Ground Controls Assembly (See GROUND CONTROL ASSEMBLY - DEUTZ 2.9L4 ENGINES (CE SPECS) for Breakdown)	
4	1001114487	1	Bracket, Mounting	
5	4751600	9	Washer 3/8	
6	3931616	4	Capscrew 3/8 x 1	
7	4460496	1	Terminal, Washer	
8	4460497	1	Terminal, Nut	

## SECTION 2 - TURNTABLE

FIGURE 2-25. GROUND CONTROL BOX INSTALLATION WITH REXROTH PUMPS - DEUTZ TD2011 ENGINES (CE SPECS) (LRC)



ART\_1001194124

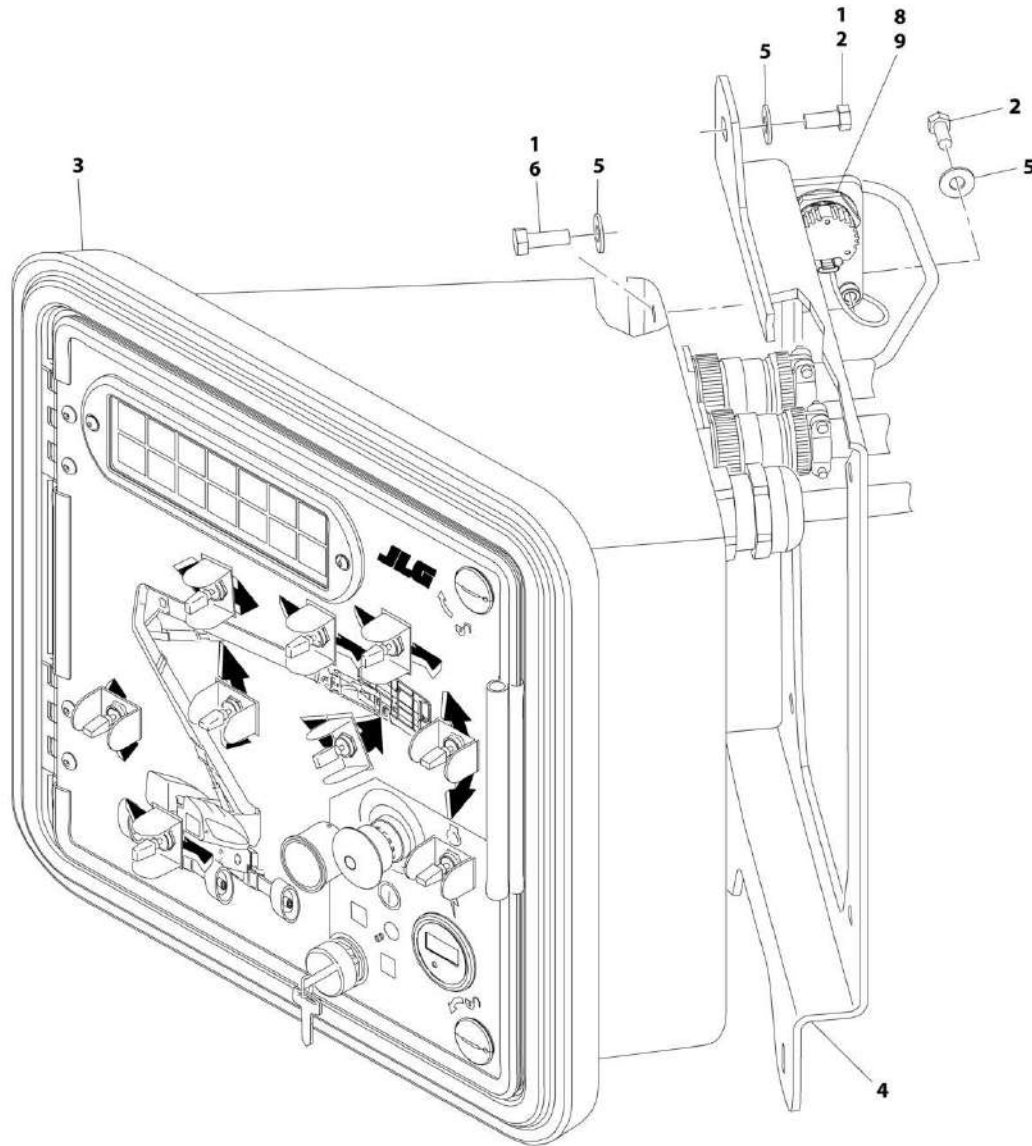
**SECTION 2 - TURNTABLE**

**FIGURE 2-25. GROUND CONTROL BOX INSTALLATION WITH REXROTH PUMPS - DEUTZ TD2011 ENGINES (CE SPECS) (LRC)**

ITEM	PART NUMBER	QTY	DESCRIPTION	REV
	1001194124	Ref	GROUND CONTROL BOX INSTALLATION WITH REXROTH PUMPS - DEUTZ TD2011 ENGINES (CE SPECS) (LRC)	A
1	0100011	AR	Compound, Locking	
2	0641607	5	Bolt 3/8 x 7/8	
3	1001185301	1	Ground Controls Assembly (See GROUND CONTROL ASSEMBLY - DEUTZ 2.9L4 ENGINES (CE SPECS) for Breakdown)	
4	1001114487	1	Bracket, Mounting	
5	4751600	9	Washer 3/8	
6	3931616	4	Capscrew 3/8 x 1	
7	1001119456	2	Harness, Pump Adapter (Not Shown) (See ELECTRICAL SECTION for Breakdown)	
8	1001119470	1	Harness, Engine (Not Shown) (See ELECTRICAL SECTION for Breakdown)	
9	4460496	1	Terminal, Washer	
10	4460497	1	Terminal, Nut	

## SECTION 2 - TURNTABLE

FIGURE 2-26. GROUND CONTROL BOX INSTALLATION WITH SAUER PUMPS - DEUTZ TD2011 ENGINES (CE SPECS) (LRC)



ART\_1001194125

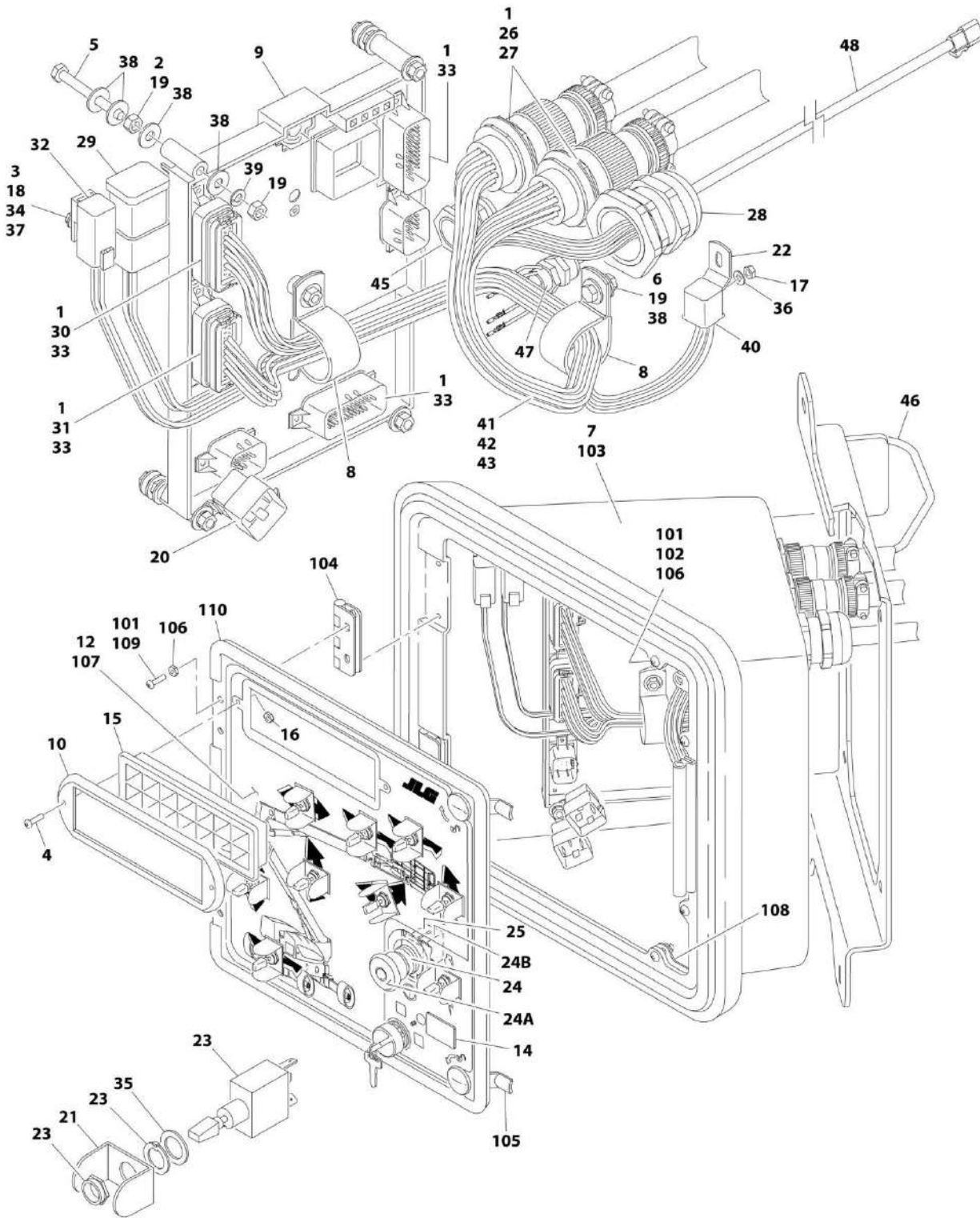
**SECTION 2 - TURNTABLE**

**FIGURE 2-26. GROUND CONTROL BOX INSTALLATION WITH SAUER PUMPS - DEUTZ TD2011 ENGINES (CE SPECS) (LRC)**

ITEM	PART NUMBER	QTY	DESCRIPTION	REV
	1001194125	Ref	GROUND CONTROL BOX INSTALLATION WITH SAUER PUMPS - DEUTZ TD2011 ENGINES (CE SPECS) (LRC)	A
1	0100011	AR	Compound, Locking	
2	0641607	5	Bolt 3/8 x 7/8	
3	1001185301	1	Ground Controls Assembly (See GROUND CONTROL ASSEMBLY - DEUTZ 2.9L4 ENGINES (CE SPECS) for Breakdown)	
4	1001114487	1	Bracket, Mounting	
5	4751600	9	Washer 3/8	
6	3931616	4	Capscrew 3/8 x 1	
7	1001119470	1	Harness, Engine (Not Shown) (See ELECTRICAL SECTION for Breakdown)	
8	4460496	1	Terminal, Washer	
9	4460497	1	Terminal, Nut	

# SECTION 2 - TURNTABLE

## FIGURE 2-27. GROUND CONTROL ASSEMBLY



ART\_1001119376



## SECTION 2 - TURNTABLE

**FIGURE 2-27. GROUND CONTROL ASSEMBLY**

ITEM	PART NUMBER	QTY	DESCRIPTION	REV
	1001119376	Ref	GROUND CONTROL ASSEMBLY	O
1	0100048	AR	Grease, Dielectric	
2	0100081	AR	Loctite #454	
3	0630464	2	Screw #10 x 1/2	
4	0630518	2	Screw #10 x 3/4	
5	0630548	5	Screw, Self Tapping	
6	0641406	1	Bolt 1/4 x 3/4	
7	0861628	1	Box Assembly (See Items 101-110 for Breakdown)	
8	1320095	2	Clamp	
9	1001119508	1	Module, Ground Control (Note: Re-calibration Required when Replaced)	
10	1670829	1	Bezel	
12	1705799	1	Decal - Lid	
14	2420172	1	Hourmeter	
15	2760105	1	Housing, Light	
16	3300408	2	Nut, Nylon	
17	3310601	1	Nut #6	
18	3311001	2	Nut #10	
19	3311401	11	Nut 1/4	
20	3740049	1	Relay	
21	4060906	9	Guard, Switch	
22	4340832	1	Mount, Relay	
23	4360328	9	Switch, Toggle	
24	4360475	1	Switch, Push-Pull Emergency	
24A	7020175	1	Cap	
24B	7020176	1	Block, Contact	
25	4360476	1	Block, Contact	
26	4460470	2	Nut, Terminal	
27	4460471	2	Washer, Terminal	
28	4460526	1	Connector, Strain Relief	
29	4460837	1	Connector - 12 Pin	
30	4460874	1	Connector, White	
31	4460875	1	Connector, Gray	
32	4460892	1	Connector, Buss Bar - 6 Position	
33	4460905	4	Connector, Plug	
34	4460914	2	Base, Terminal	
35	4740444	9	Washer	
36	4750600	1	Washer #6	
37	4751000	2	Washer #10	
38	4751400	22	Washer 1/4	
39	4761400	5	Washer 1/4	
40	4923036	1	Harness, Relay (See ELECTRICAL SECTION for Breakdown)	
41	4923397	1	Harness, Valve (See ELECTRICAL SECTION for Breakdown)	
42	1001119529	1	Harness, Engine (See ELECTRICAL SECTION for Breakdown)	
43	1001120181	1	Harness, Ground Control Box (See ELECTRICAL SECTION for Breakdown)	
45	4460425	1	Connector, Strain Relief	
46	1001114438	1	Harness, ClearSky Ready (See ELECTRICAL SECTION for Breakdown)	
47	4460428	1	Connector, Strain Relief	

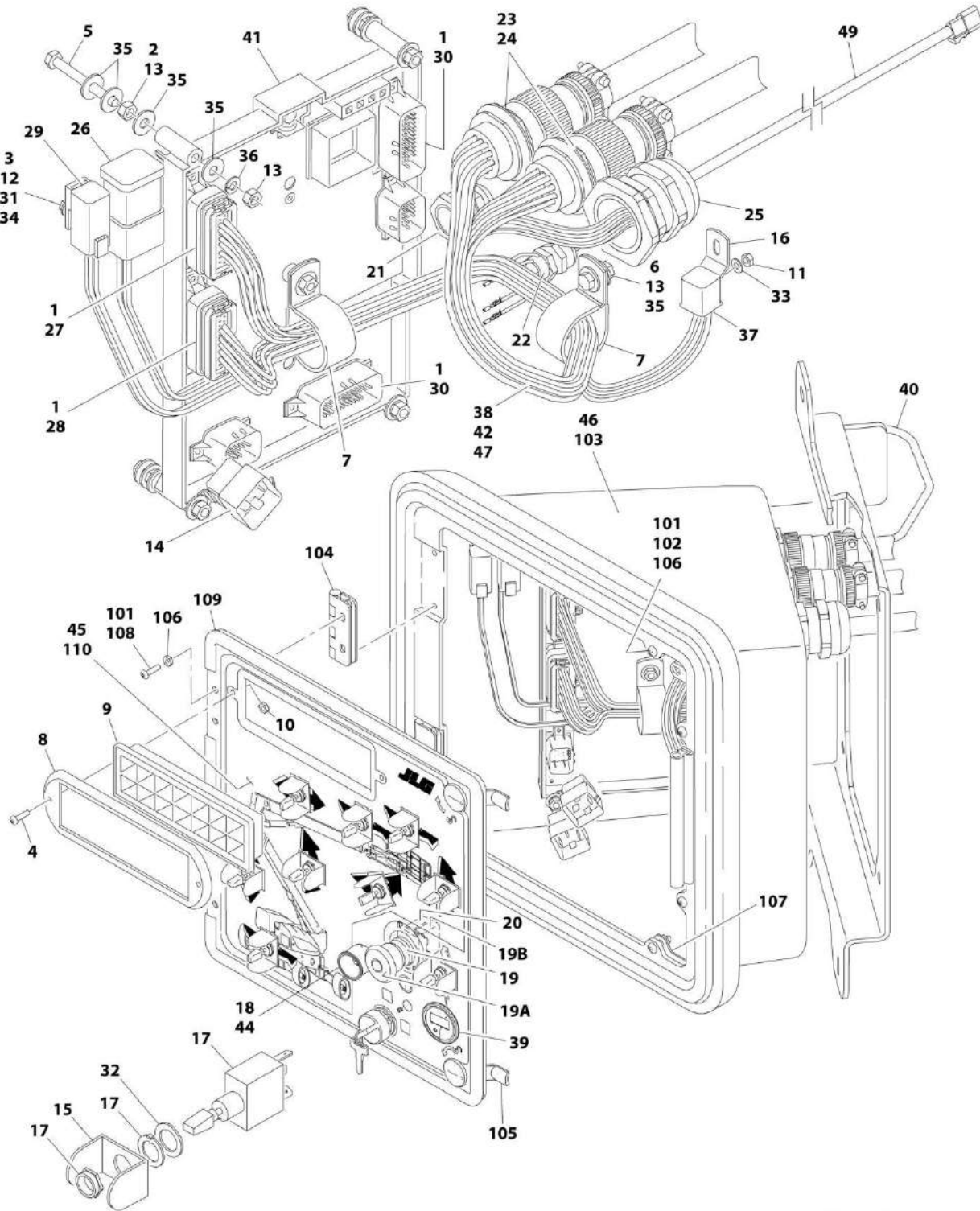
## SECTION 2 - TURNTABLE

ITEM	PART NUMBER	QTY	DESCRIPTION	REV
48	1001120681	1	Harness, Pressure Transducer (See ELECTRICAL SECTION for Breakdown) <b>(SN 0300226469 through 0300234068)</b>	G
48	1001228497	1	Harness, Pressure Transducer (See ELECTRICAL SECTION for Breakdown) <b>(SN 0300234069 to Present)</b>	
	0861628	Ref	BOX ASSEMBLY	
101	0100011	AR	Compound, Locking	
102	0630407	4	Screw 1/4 x 5/8	
103	0861627	1	Box	
104	2600279	2	Hinge	
105	2940139	2	Latch	
106	3311402	8	Nut 1/4	
107	3380494	1	Lid	
108	3573144	2	Plate, Latch	
109	3900251	8	Screw 1/4 x 3/8	
110	3960418	53 in/1.4m	Seal	



# SECTION 2 - TURNTABLE

## FIGURE 2-28. GROUND CONTROL ASSEMBLY - DEUTZ 2.9L4 ENGINES (CE SPECS)



ART\_1001185301

## SECTION 2 - TURNTABLE

**FIGURE 2-28. GROUND CONTROL ASSEMBLY - DEUTZ 2.9L4 ENGINES (CE SPECS)**

ITEM	PART NUMBER	QTY	DESCRIPTION	REV
	1001185301	Ref	GROUND CONTROL ASSEMBLY - DEUTZ 2.9L4 ENGINES (CE SPECS)	D
1	0100048	AR	Grease, Dielectric	
2	0100081	AR	Loctite #454	
3	0630464	2	Screw #10 x 1/2	
4	0630518	2	Screw #10 x 3/4	
5	0630548	5	Screw, Self Tapping	
6	0641406	1	Bolt 1/4 x 3/4	
7	1320095	2	Clamp	
8	1670829	1	Bezel	
9	2760105	1	Housing, Light	
10	3300408	2	Nut, Nylon	
11	3310601	1	Nut #6	
12	3311001	2	Nut #10	
13	3311401	11	Nut 1/4	
14	3740049	1	Relay	
15	4060906	9	Guard, Switch	
16	4340832	1	Mount, Relay	
17	4360328	9	Switch, Toggle	
18	4360387	1	Switch, Push Button	
19	4360475	1	Switch, Push-Pull Emergency	
19A	7020175	1	Cap	
19B	7020176	1	Block, Contact	
20	4360476	1	Block, Contact	
21	4460425	1	Connector, Strain Relief	
22	4460428	1	Connector, Strain Relief	
23	4460470	2	Nut, Terminal	
24	4460471	2	Washer, Terminal	
25	4460526	1	Connector, Strain Relief	
26	4460837	1	Connector - 12 Pin	
27	4460874	1	Connector, White	
28	4460875	1	Connector, Gray	
29	4460892	1	Connector, Buss Bar - 6 Position	
30	4460905	4	Connector, Plug	
31	4460914	2	Base, Terminal	
32	4740444	9	Washer	
33	4750600	1	Washer #6	
34	4751000	2	Washer #10	
35	4751400	22	Washer 1/4	
36	4761400	5	Washer 1/4	
37	4923036	1	Harness, Relay (See ELECTRICAL SECTION for Breakdown)	
38	4923397	1	Harness, Valve (See ELECTRICAL SECTION for Breakdown)	
39	1001109503	1	Gauge, Indicator	
40	1001114438	1	Harness, ClearSky Ready (See ELECTRICAL SECTION for Breakdown)	
41	1001119508	1	Module, Ground Control (Note: Re-calibration Required when Replaced)	
42	1001119529	1	Harness, Engine (See ELECTRICAL SECTION for Breakdown)	
44	1001176469	1	Shroud	
45	1001180007	1	Decal - Lid	

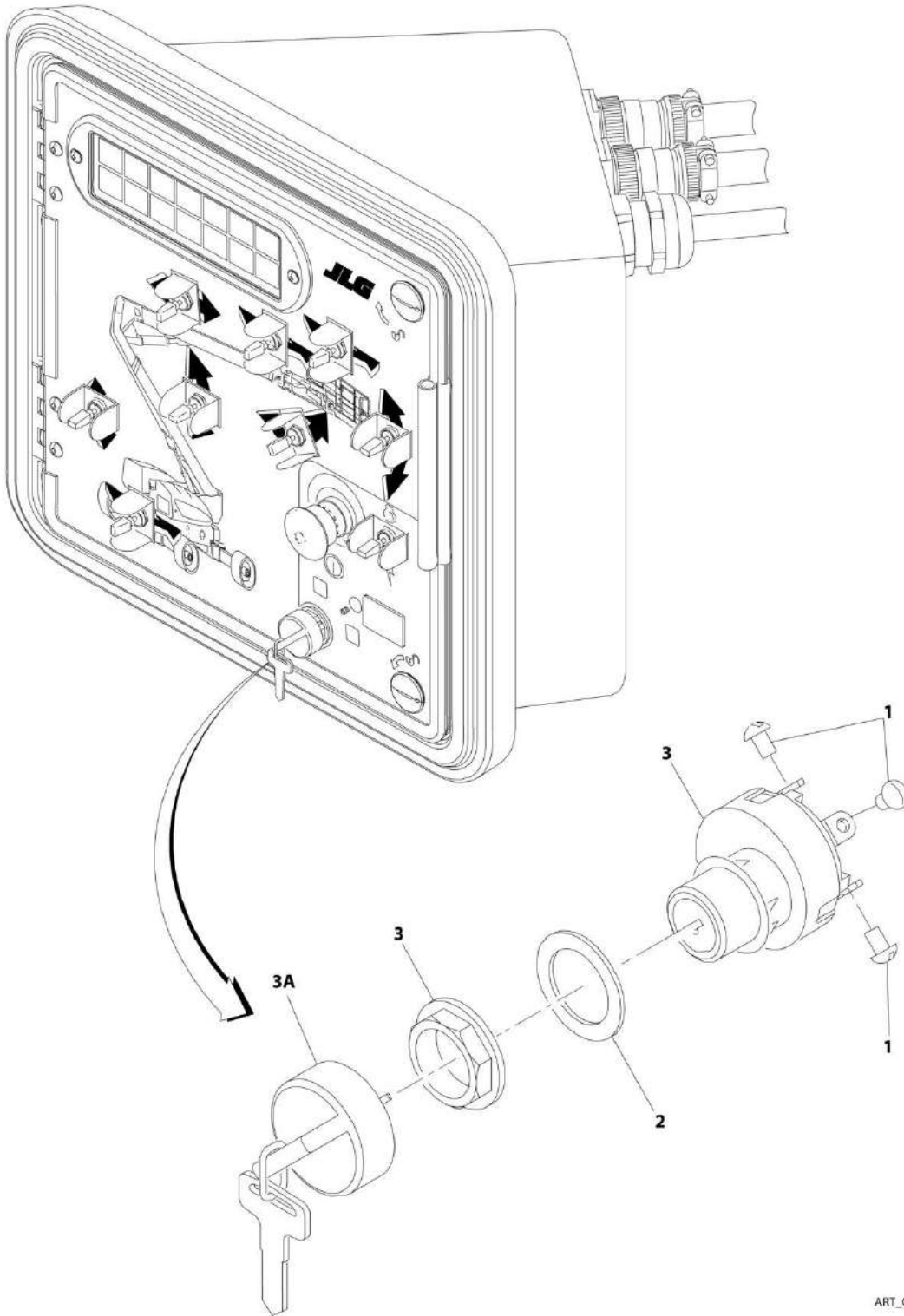
## SECTION 2 - TURNTABLE

ITEM	PART NUMBER	QTY	DESCRIPTION	REV
46	1001185297	1	Box Assembly (See Items 101-110 for Breakdown)	A
47	1001186468	1	Harness, Ground Control Box (See ELECTRICAL SECTION for Breakdown)	
49	1001120681	1	Harness, Pressure Transducer (See ELECTRICAL SECTION for Breakdown) <b>(SN 0300226469 through 0300234068)</b>	
49	1001228497	1	Harness, Pressure Transducer (See ELECTRICAL SECTION for Breakdown) <b>(SN 0300234069 to Present)</b>	
	1001185297	Ref	BOX ASSEMBLY	
101	0100011	AR	Compound, Locking	
102	0630407	4	Screw 1/4 x 5/8	
103	0861627	1	Box	
104	2600279	2	Hinge	
105	2940139	2	Latch	
106	3311402	8	Nut 1/4	
107	3573144	2	Plate, Latch	
108	3900251	8	Screw 1/4 x 3/8	
109	3960418	53 in/1.4m	Seal	
110	1001185296	1	Lid	



# SECTION 2 - TURNTABLE

## FIGURE 2-29. KEYSWITCH INSTALLATION



ART\_0259666



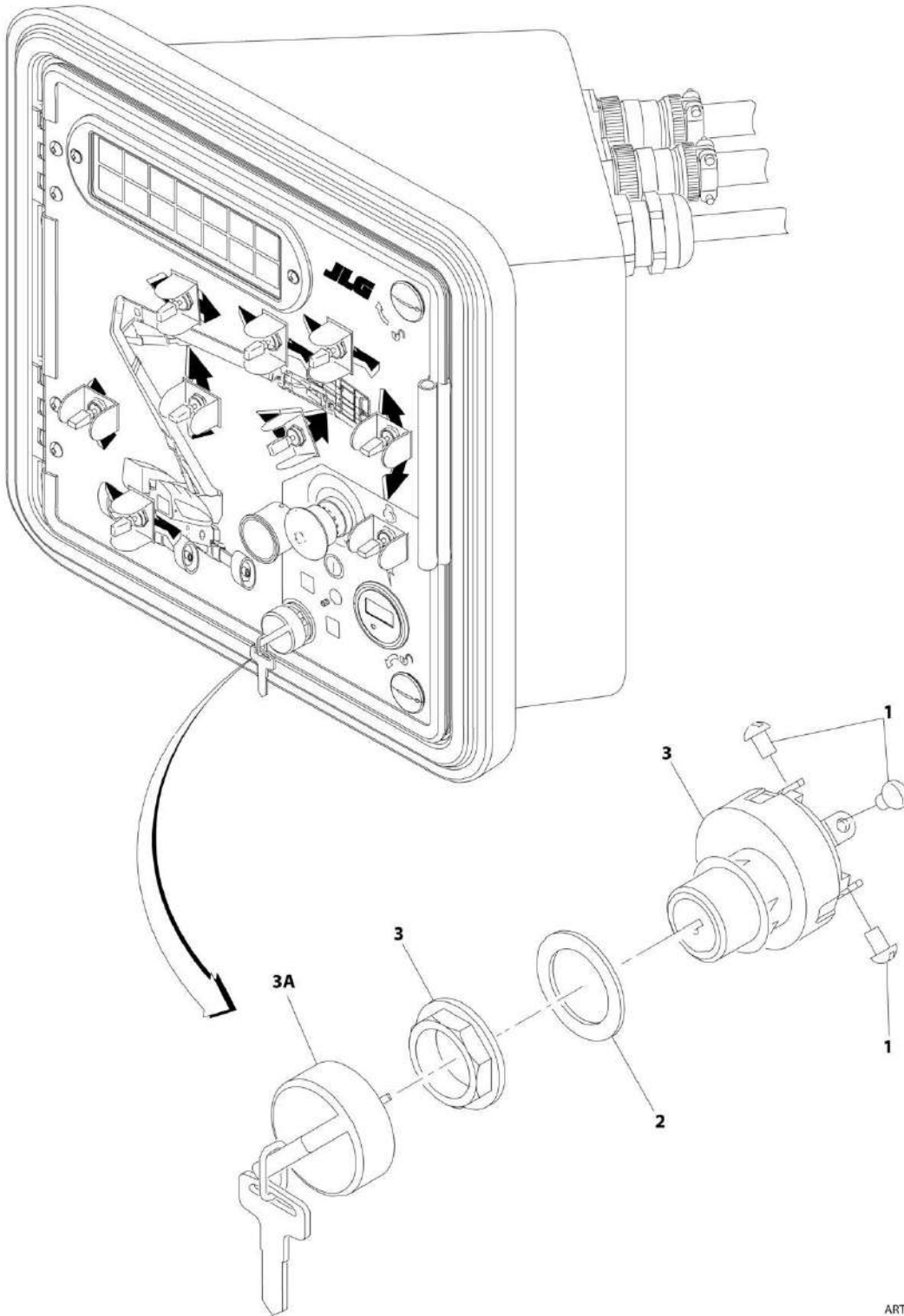
**SECTION 2 - TURNTABLE**

**FIGURE 2-29. KEYSWITCH INSTALLATION**

ITEM	PART NUMBER	QTY	DESCRIPTION	REV
		Ref	USAGE CHART:	
		Ref	- All Specs Except CE (LRC) Specs	
		Ref	- CE (LRC) Specs <b>(SN 0300205139 to Present)</b>	
	0259666	Ref	KEYSWITCH INSTALLATION	B
1	3910804	6	Screw #8 x 1/8	
2	1001151393	1	Shim .063	
3	4360469	1	Keyswitch	
3A	2860030	1	Key, Replacement	

# SECTION 2 - TURNTABLE

## FIGURE 2-30. KEYSWITCH INSTALLATION



ART\_0259667

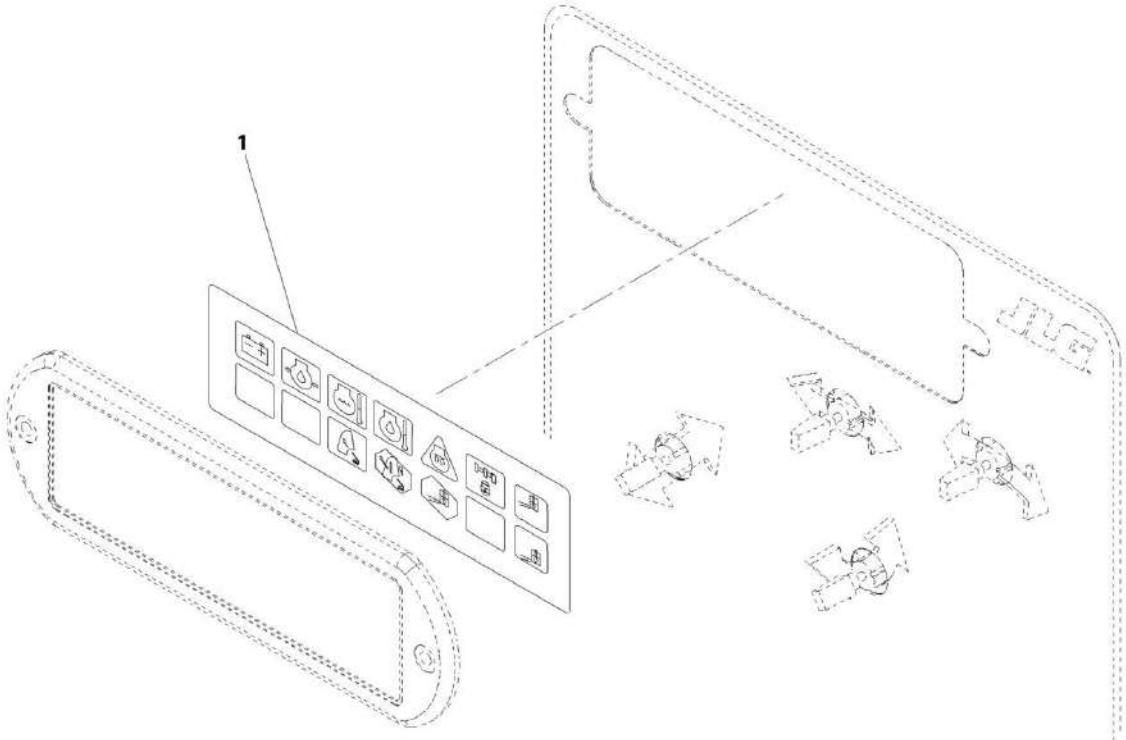
**SECTION 2 - TURNTABLE**

**FIGURE 2-30. KEYSWITCH INSTALLATION**

ITEM	PART NUMBER	QTY	DESCRIPTION	REV
		Ref	USAGE CHART:	
		Ref	- CE (LRC) Specs (SN 0300201017 through 0300205138)	
	0259667	Ref	KEYSWITCH INSTALLATION	B
1	3910804	6	Screw #8 x 1/8	
2	1001151393	1	Shim .063	
3	4360470	1	Keyswitch	
3A	2860030	1	Key, Replacement	

**SECTION 2 - TURNTABLE**

**FIGURE 2-31. LIGHT PANEL INSTALLATION - ANSI AND ANSI EXPORT SPECS**



ART\_1001121826\_10F2

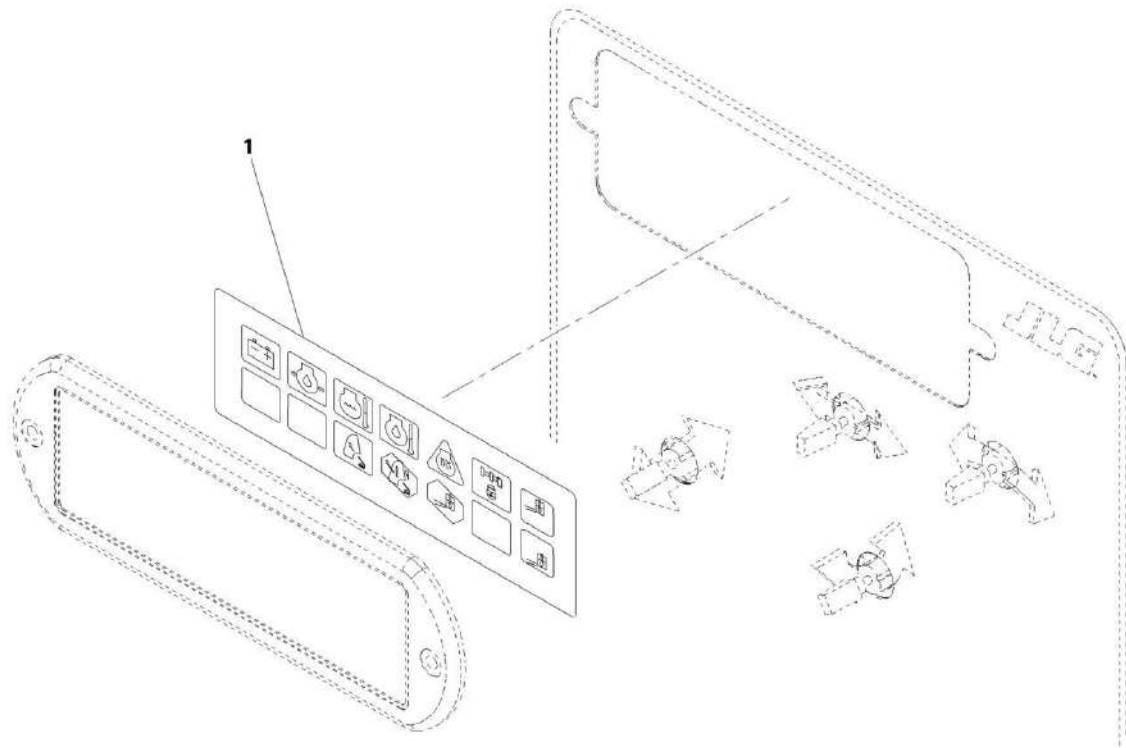
**SECTION 2 - TURNTABLE**

**FIGURE 2-31. LIGHT PANEL INSTALLATION - ANSI AND ANSI EXPORT SPECS**

ITEM	PART NUMBER	QTY	DESCRIPTION	REV
1	1001121826 1001122383	Ref 1	LIGHT PANEL INSTALLATION - ANSI AND ANSI EXPORT SPECS Decal - Light Panel	A

## SECTION 2 - TURNTABLE

FIGURE 2-32. LIGHT PANEL INSTALLATION - AUSTRALIAN AND CE SPECS



ART\_1001121827\_10F2

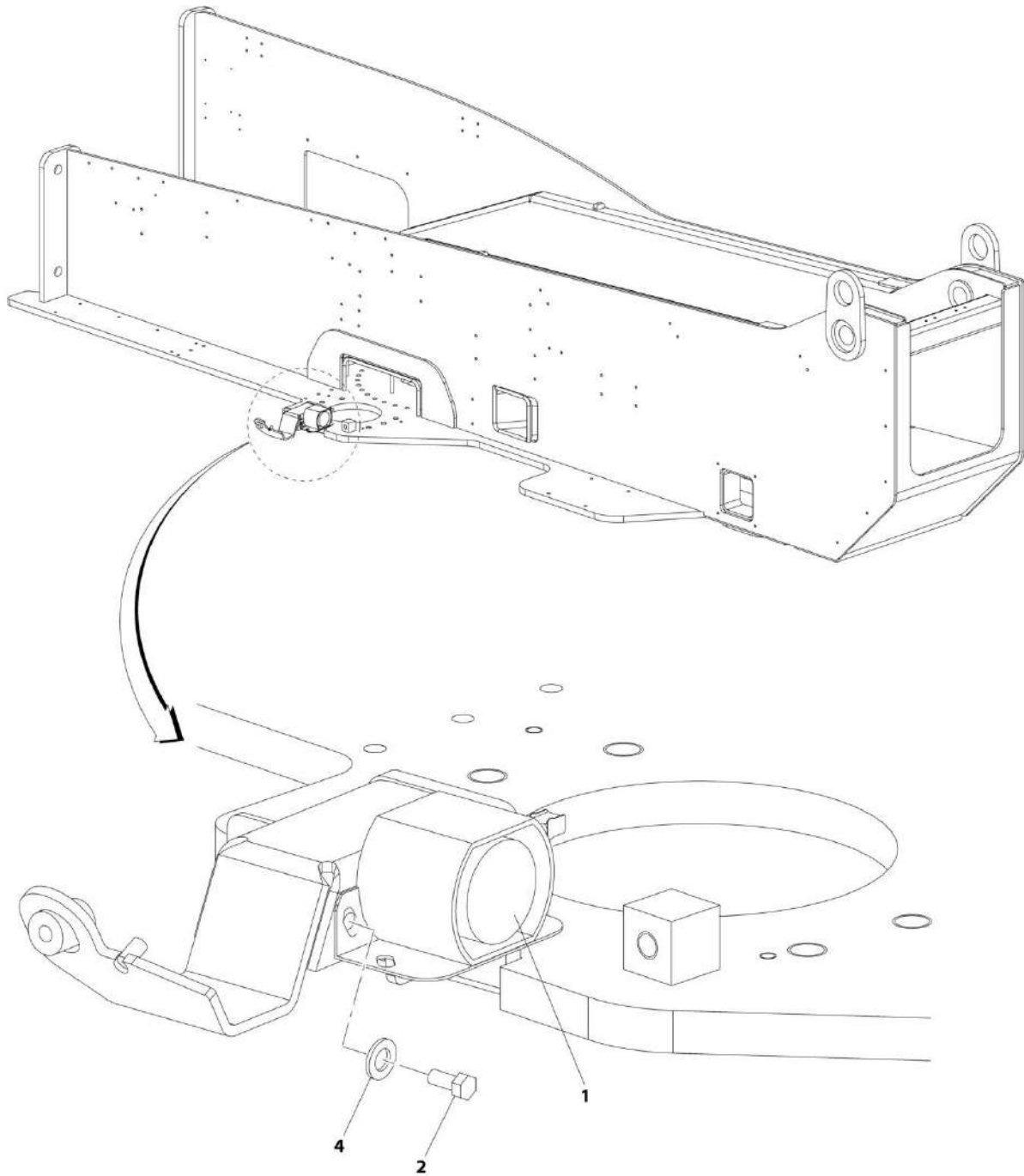
**SECTION 2 - TURNTABLE**

**FIGURE 2-32. LIGHT PANEL INSTALLATION - AUSTRALIAN AND CE SPECS**

ITEM	PART NUMBER	QTY	DESCRIPTION	REV
1	1001121827 1705174	Ref 1	LIGHT PANEL INSTALLATION - AUSTRALIAN AND CE SPECS Decal - Light Panel	A

## SECTION 2 - TURNTABLE

FIGURE 2-33. ALARMS INSTALLATION



ART\_0273447



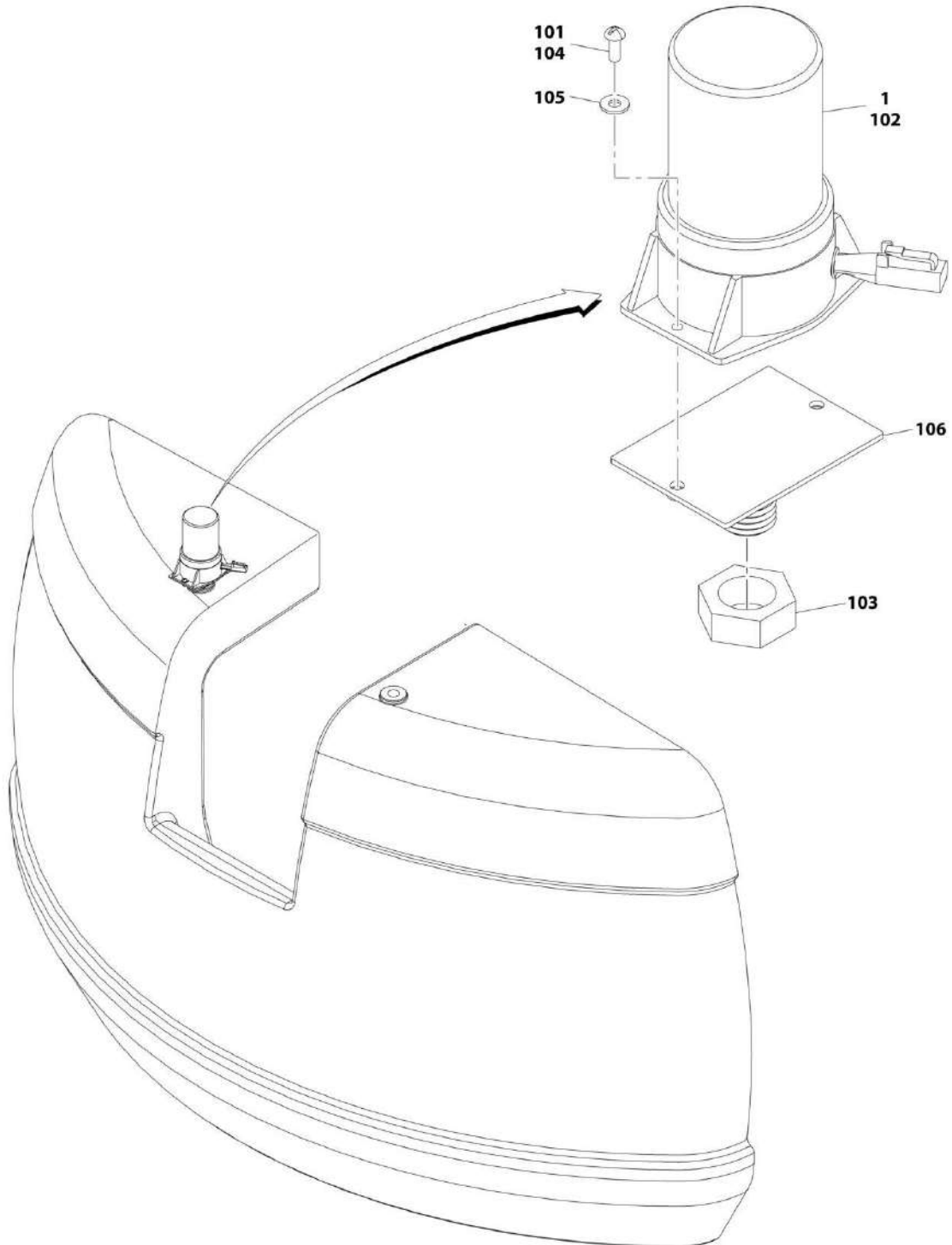
**SECTION 2 - TURNTABLE**

**FIGURE 2-33. ALARMS INSTALLATION**

<b>ITEM</b>	<b>PART NUMBER</b>	<b>QTY</b>	<b>DESCRIPTION</b>	<b>REV</b>
	0273447	Ref	ALARMS INSTALLATION	B
1	0257887	1	Alarm	
1	0140032	1	Alarm	
1	2820035	6 in/15cm	Loom	
1	4460424	1	Plug	
1	4460268	2	Socket, Female	
2	0641506	2	Bolt 6/16 x 3/4	
4	4751500	AR	Washer 5/16	

## SECTION 2 - TURNTABLE

FIGURE 2-34. STROBE LIGHT INSTALLATION (AMBER)



ART\_1001149955

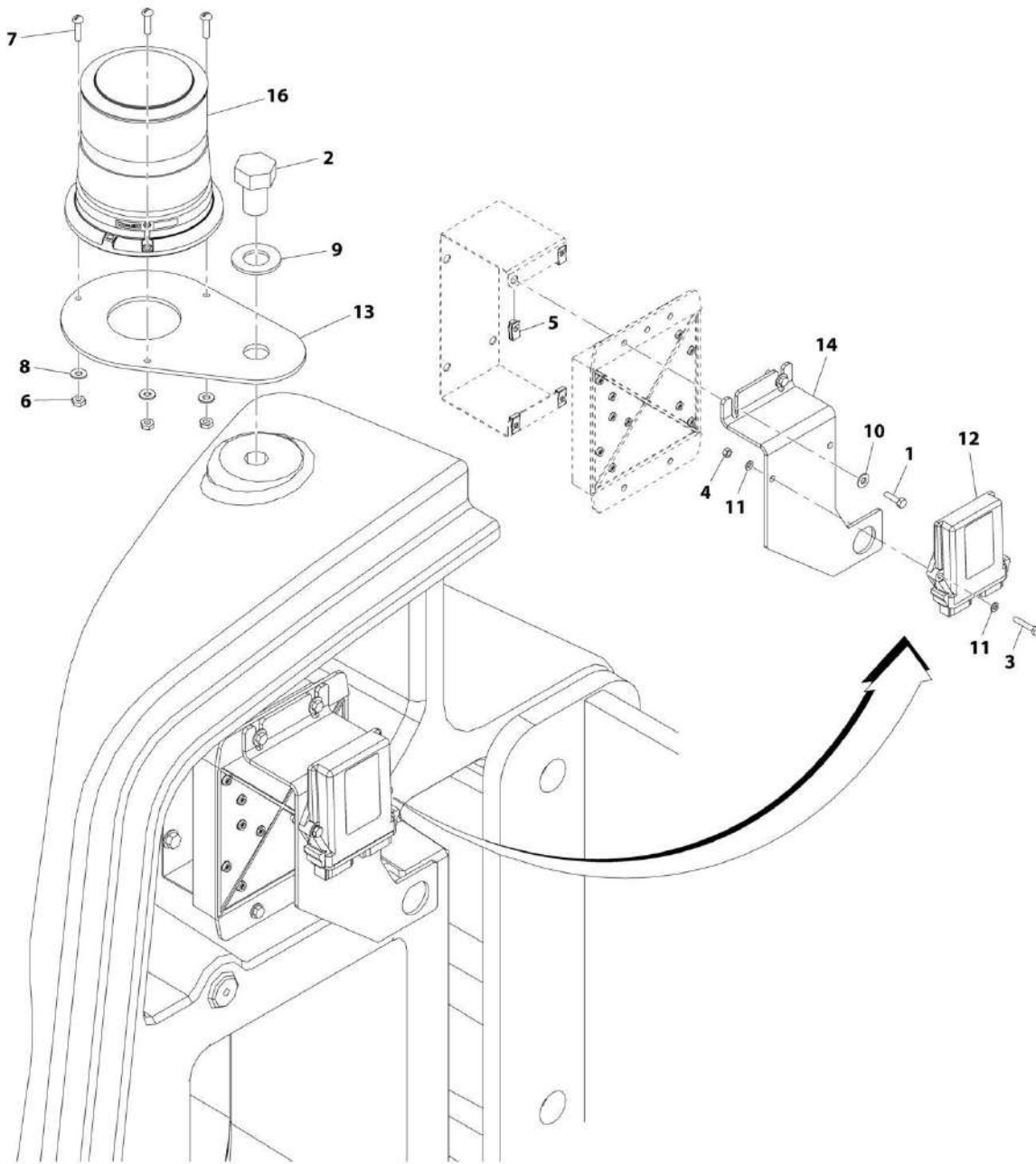
## SECTION 2 - TURNTABLE

**FIGURE 2-34. STROBE LIGHT INSTALLATION (AMBER)**

ITEM	PART NUMBER	QTY	DESCRIPTION	REV
	1001149955	Ref	STROBE LIGHT INSTALLATION (AMBER)	B
1	1001150406	1	Strobe Light Assembly (See Items 101-106 for Breakdown)	
2	1001149818	1	Harness, Strobe Light (Not Shown) (See ELECTRICAL SECTION for Breakdown)	
	1001150406	Ref	STROBE LIGHT ASSEMBLY (AMBER)	B
101	0100035	AR	Compound, Locking	
102	2920161	1	Strobe Light/Harness Assembly	
102	7016319	1	Bulb	
102	7016372	1	Lens	
103	3312602	1	Nut 1	
104	3900085	2	Screw #10 x 1/2	
105	4751000	2	Washer 1/4	
106	1001149994	1	Mount Strobe	

## SECTION 2 - TURNTABLE

FIGURE 2-35. STROBE LIGHT INSTALLATION (BLUE) (SN 0300201017 through 0300217072)



ART\_1001189176

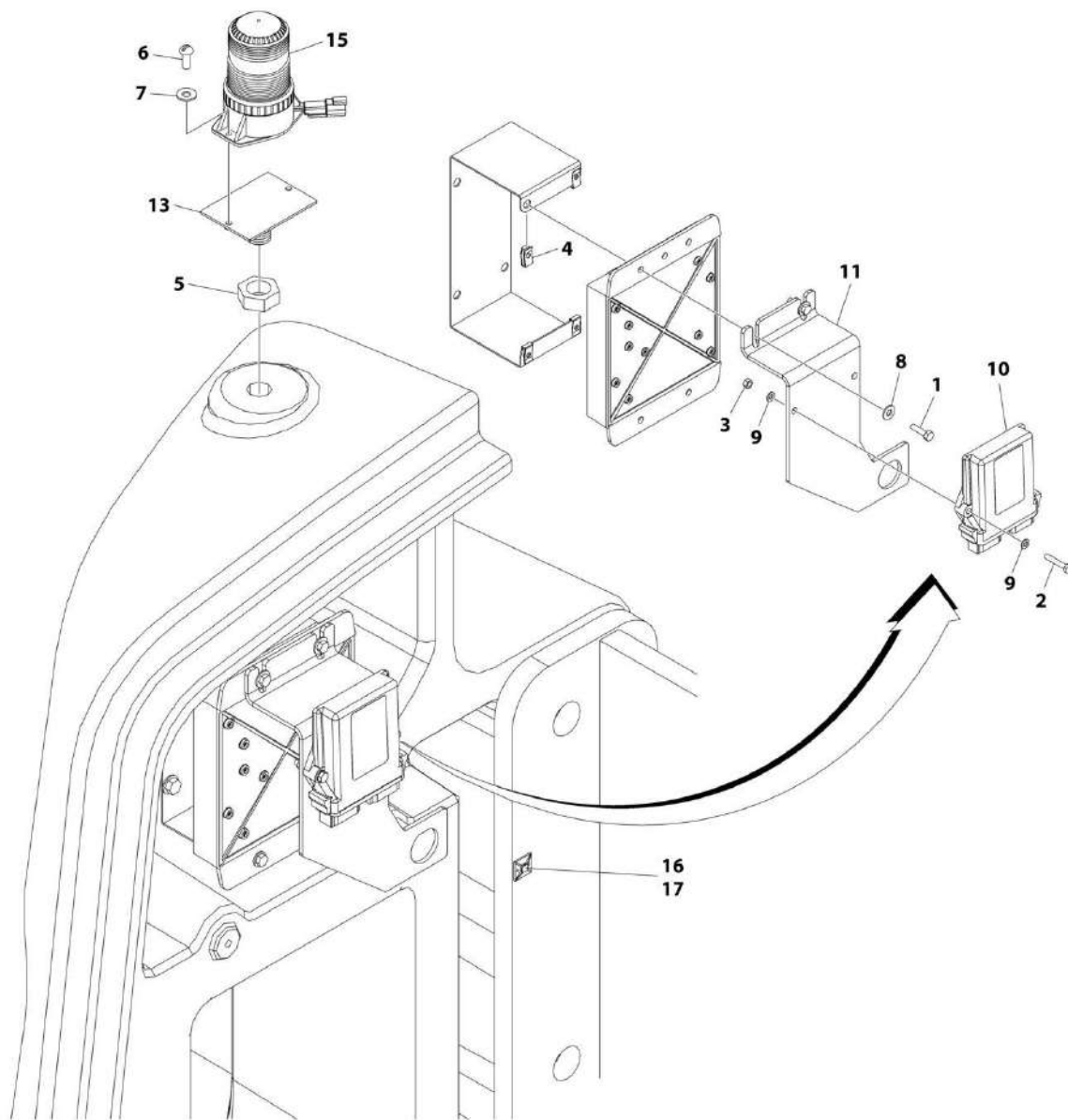
## SECTION 2 - TURNTABLE

**FIGURE 2-35. STROBE LIGHT INSTALLATION (BLUE) (SN 0300201017 through 0300217072)**

ITEM	PART NUMBER	QTY	DESCRIPTION	REV
	1001189176	Ref	STROBE LIGHT INSTALLATION (BLUE) (SN 0300201017 through 0300217072)	B
1	0641408	2	Bolt 1/4 x 1	
2	0642612	1	Bolt 1 x 1-1/2	
3	0700615	2	Bolt M6 x 35	
4	3290607	2	Nut M6 x 1	
5	3300454	2	Nut	
6	3311005	3	Nut #10	
7	3911012	3	Screw 10 x 3/4	
8	4711000	3	Washer #10	
9	4712600	1	Washer 1	
10	4751400	2	Washer 1/4	
11	4811700	4	Washer M6	
12	1001142683	1	Module, Control Beacon	
13	1001142694	1	Bracket	
14	1001142719	1	Bracket	
15	1001142736	1	Harness, Beacon Control (Not Shown) (See ELECTRICAL SECTION for Breakdown)	
16	1001143431	NLA	Light, Strobe (Use p/n 1001210693 and 1001200910)	
16	7028909	1	Connector - 2 Position	
16	4460943	2	Pin, Male	
17	1001150944	1	Harness, Beacon Control (Not Shown) (See ELECTRICAL SECTION for Breakdown)	

## SECTION 2 - TURNTABLE

FIGURE 2-36. STROBE LIGHT INSTALLATION (BLUE) (SN 0300217073 to Present)



ART\_1001205401

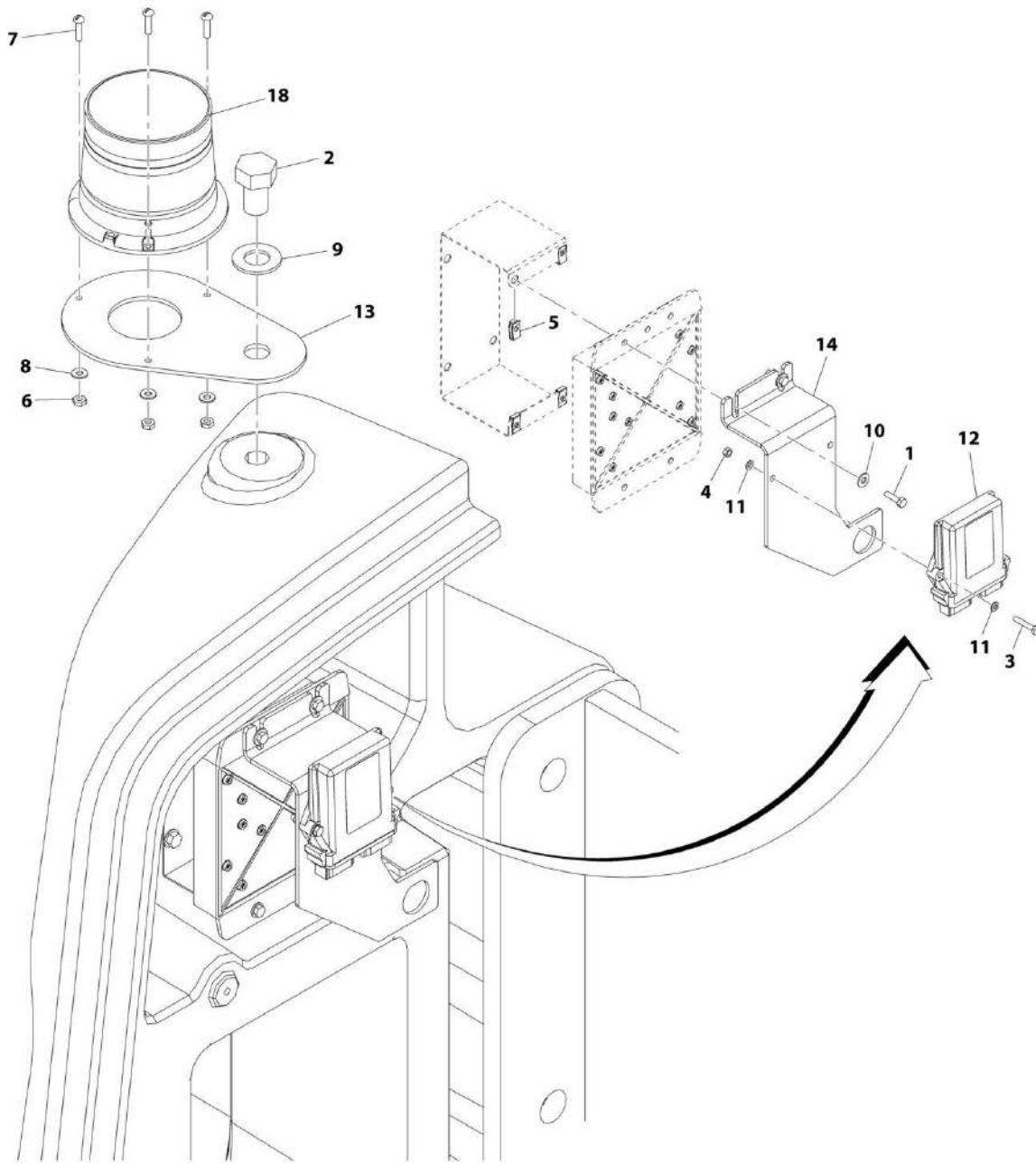
**SECTION 2 - TURNTABLE**

**FIGURE 2-36. STROBE LIGHT INSTALLATION (BLUE) (SN 0300217073 to Present)**

ITEM	PART NUMBER	QTY	DESCRIPTION	REV
	1001205401	Ref	<b>STROBE LIGHT INSTALLATION (BLUE) (SN 0300217073 to Present)</b>	E
1	0641408	2	Bolt 1/4 x 1	
2	0700615	2	Bolt M6 x 35	
3	3290607	2	Nut M6 x 1	
4	3300454	2	Nut	
5	3312602	1	Nut 1	
6	3900085	2	Screw 10 x 1/2	
7	4751000	2	Washer #10	
8	4751400	2	Washer 1/4	
9	4811700	4	Washer M6	
10	1001142683	1	Module, Control Beacon	
11	1001142719	1	Bracket	
12	1001142736	1	Harness, Beacon Control (Not Shown) (See ELECTRICAL SECTION for Breakdown)	
13	1001149994	1	Mount, Beacon	
15	1001200910	1	Light, Strobe	
15	7028909	1	Connector - 2 Position	
15	4460943	2	Pin, Male	
16	4240032	AR	Tie-Strap <b>(SN 0300237541 to Present)</b>	
17	4460488	AR	Mount, Tie-Strap <b>(SN 0300237541 to Present)</b>	
18	1001217005	1	Strobe Light Kit - Blue (Includes Items 5, 6, 7, 13 & 15) (Not Shown) <b>(SN 0300237541 to Present)</b>	

## SECTION 2 - TURNTABLE

FIGURE 2-37. STROBE LIGHT INSTALLATION (RED) (SN 0300201017 through 0300217072)



ART\_1001207309



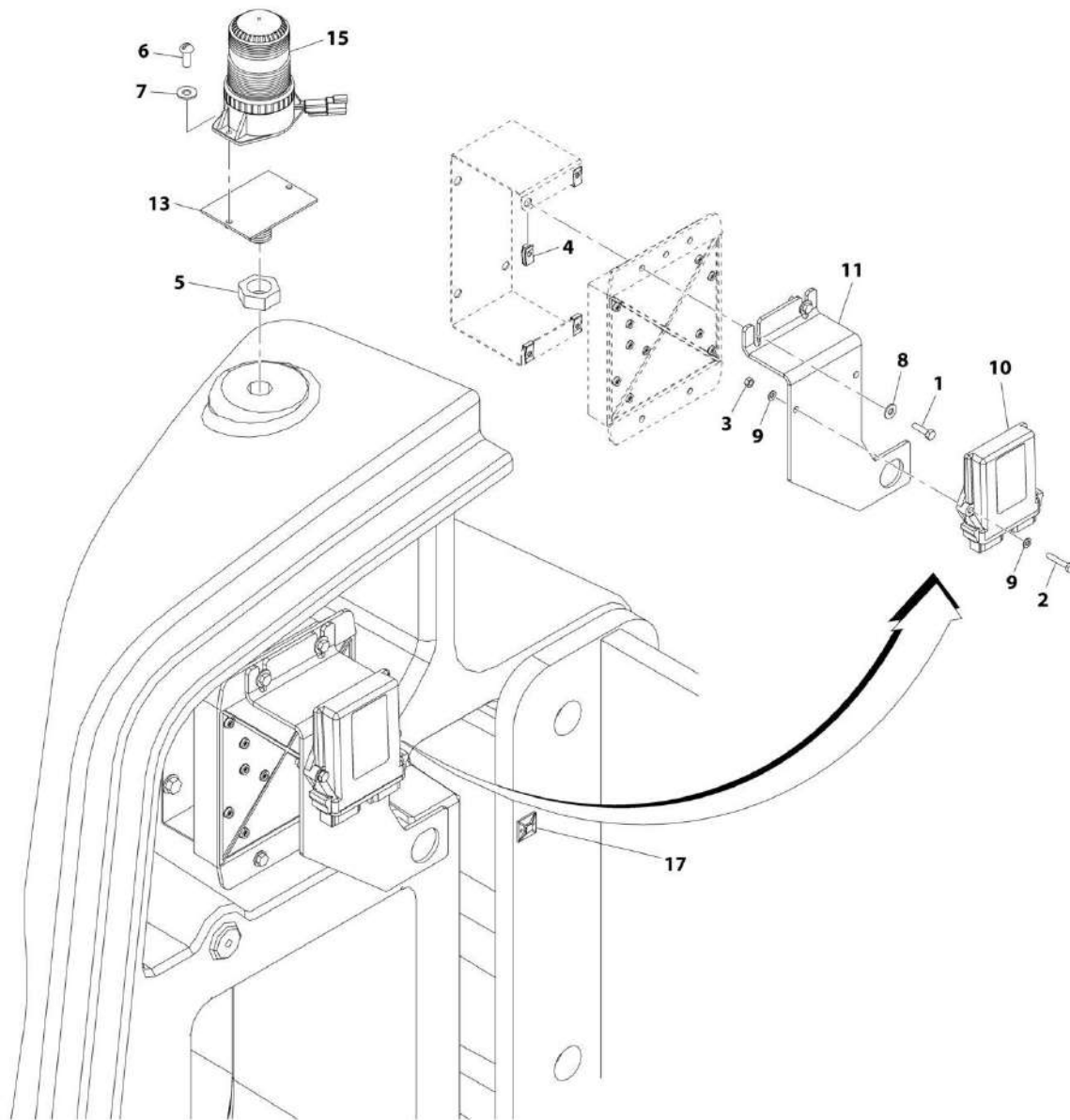
## SECTION 2 - TURNTABLE

**FIGURE 2-37. STROBE LIGHT INSTALLATION (RED) (SN 0300201017 through 0300217072)**

ITEM	PART NUMBER	QTY	DESCRIPTION	REV
	1001207309	Ref	STROBE LIGHT INSTALLATION (RED) (SN 0300201017 through 0300217072)	B
1	0641408	2	Bolt 1/4 x 1	
2	0642612	1	Bolt 1 x 1-1/2	
3	0700615	2	Bolt M6 x 35	
4	3290607	2	Nut M6 x 1	
5	3300454	2	Nut	
6	3311005	3	Nut #10	
7	3911012	3	Screw 10 x 3/4	
8	4711000	3	Washer #10	
9	4712600	1	Washer 1	
10	4751400	2	Washer 1/4	
11	4811700	4	Washer M6	
12	1001142683	1	Module, Control Beacon	
13	1001142694	1	Bracket	
14	1001142719	1	Bracket	
15	1001142736	1	Harness, Beacon Control (Not Shown) (See ELECTRICAL SECTION for Breakdown)	
18	1001197067	NLA	Light, Strobe (Use p/n 1001210693 & 1001207004)	
18	7028909	1	Connector - 2 Position	
18	4460943	2	Pin, Male	

## SECTION 2 - TURNTABLE

FIGURE 2-38. STROBE LIGHT INSTALLATION (RED) (SN 0300217073 to Present)



ART\_1001209873

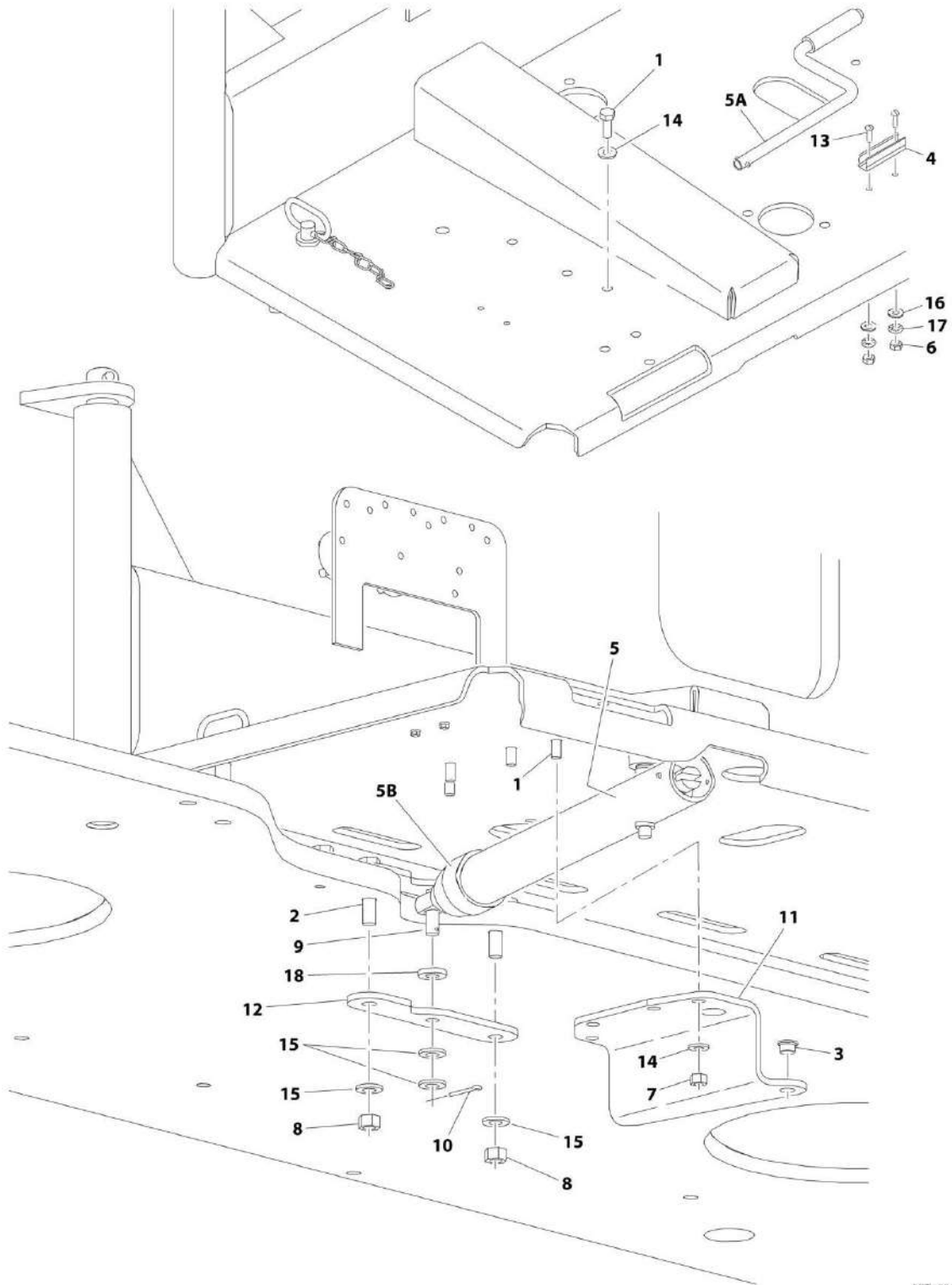
**SECTION 2 - TURNTABLE**

**FIGURE 2-38. STROBE LIGHT INSTALLATION (RED) (SN 0300217073 to Present)**

ITEM	PART NUMBER	QTY	DESCRIPTION	REV
	1001209873	Ref	STROBE LIGHT INSTALLATION (RED) (SN 0300217073 to Present)	D
1	0641408	2	Bolt 1/4 x 1	
2	0700615	2	Bolt M6 x 35	
3	3290607	2	Nut M6 x 1	
4	3300454	2	Nut	
5	3312602	1	Nut 1	
6	3900085	2	Screw 10 x 1/2	
7	4751000	2	Washer #10	
8	4751400	2	Washer 1/4	
9	4811700	4	Washer M6	
10	1001142683	1	Module, Control Beacon	
11	1001142719	1	Bracket	
12	1001142736	1	Harness, Beacon Control (Not Shown) (See ELECTRICAL SECTION for Breakdown)	
13	1001149994	1	Mount, Beacon	
15	1001207004	1	Light, Strobe	
15	7028909	1	Connector - 2 Position	
15	4460943	2	Pin, Male	
16	4240032	AR	Tie-Strap (Not Shown) (SN 0300223739 to Present)	
17	4460488	AR	Terminal, Mounting Base (SN 0300223739 to Present)	

## SECTION 2 - TURNTABLE

FIGURE 2-39. ENGINE TRAY JACK INSTALLATION - DEUTZ TD2011 ENGINES



ART\_0273395

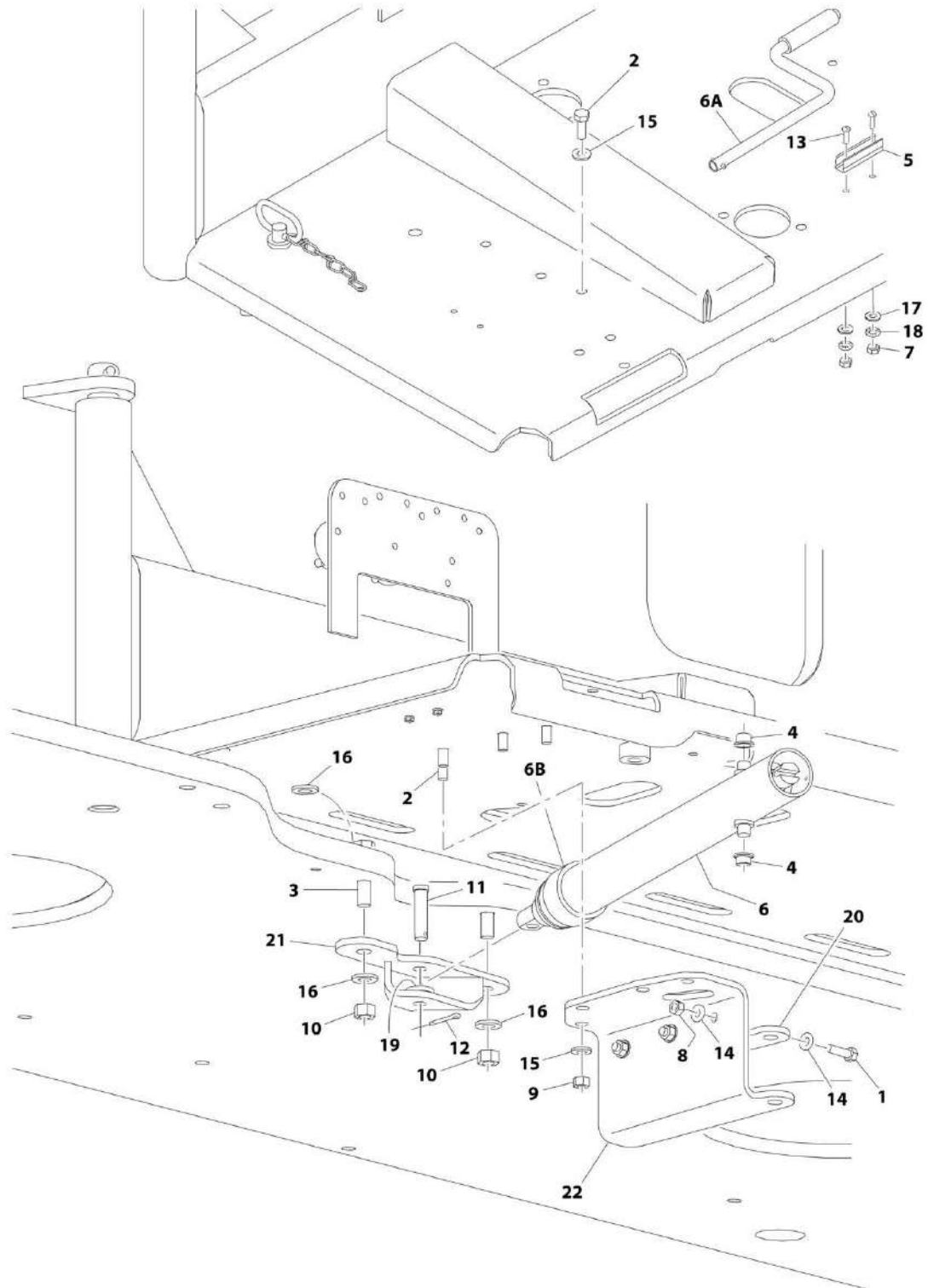
**SECTION 2 - TURNTABLE**

**FIGURE 2-39. ENGINE TRAY JACK INSTALLATION - DEUTZ TD2011 ENGINES**

ITEM	PART NUMBER	QTY	DESCRIPTION	REV
	0273395	Ref	ENGINE TRAY JACK INSTALLATION - DEUTZ TD2011 ENGINES	B
1	0641608	4	Bolt 3/8 x 1	
2	0641818	2	Bolt 1/2 x 2-1/4	
3	0962051	2	Bearing, Flanged	
4	1380147	1	Clip, Spring	
5	2840016	1	Jack and Handle Assembly	
5A		Ref	Handle Options:	
5A	7016374	1	Burr Manufacturing Brand	
5A	7024598	1	Hammerblow Corp Brand	
5B	7016322	1	Wiper (Burr Manufacturing Brand Only)	
6	3310601	2	Nut #6	
7	3311605	4	Nut 3/8	
8	3311805	2	Nut 1/2	
9	3430816	1	Pin, Clevis	
10	3450404	1	Pin, Cotter 1/8 x 1	
11	3537445	1	Bracket	
12	3574492	2	Plate	
13	3910608	2	Screw #6 x 1/2	
14	4711600	8	Washer 3/8	
15	4711800	4	Washer 1/2	
16	4750600	2	Washer #6	
17	4770600	2	Starwasher #6	
18	4891800	1	Washer 1/2	

# SECTION 2 - TURNTABLE

## FIGURE 2-40. ENGINE TRAY JACK INSTALLATION - DEUTZ TCD2.9L4 ENGINES



ART\_1001146050

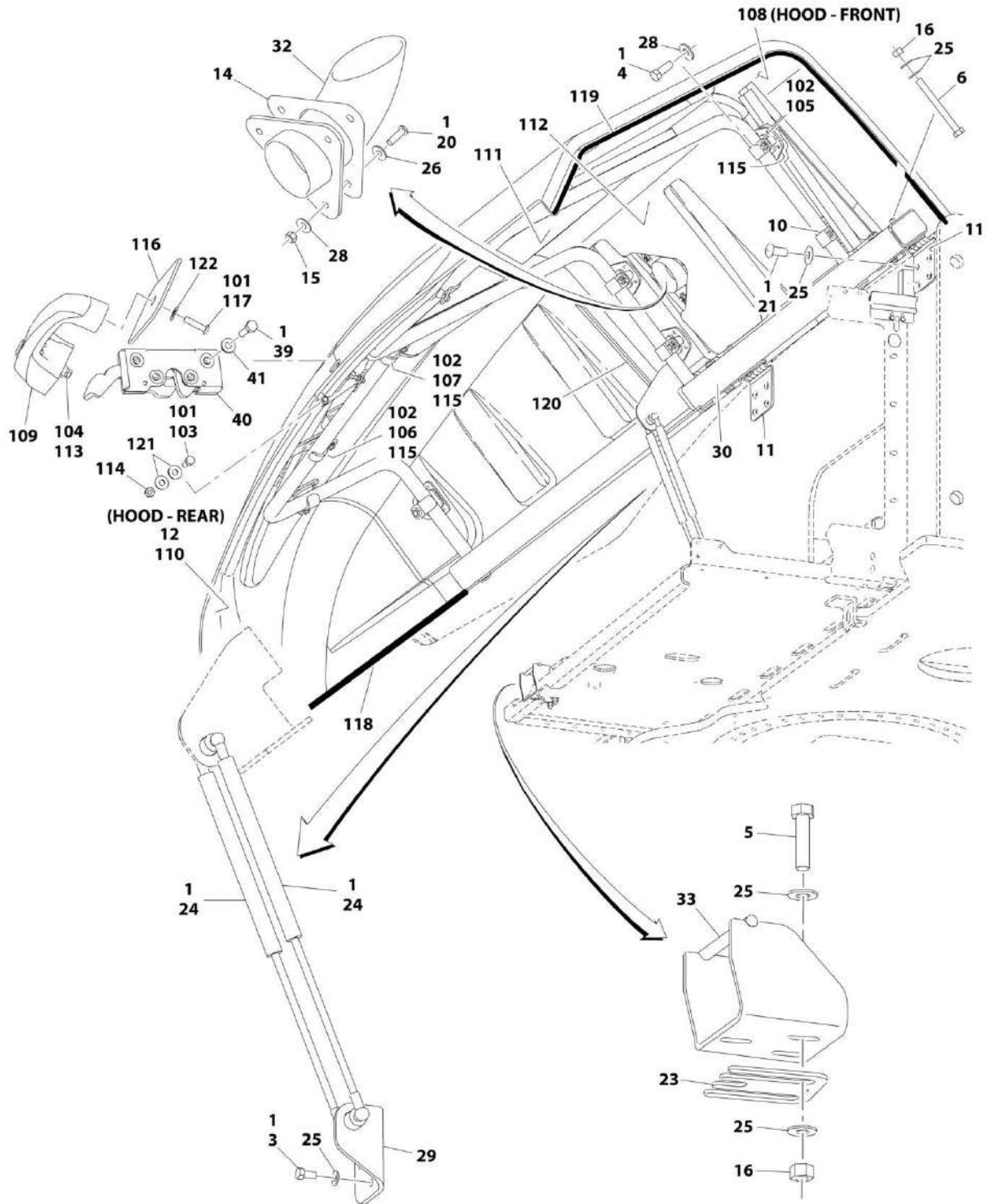
# SECTION 2 - TURNTABLE

**FIGURE 2-40. ENGINE TRAY JACK INSTALLATION - DEUTZ TCD2.9L4 ENGINES**

ITEM	PART NUMBER	QTY	DESCRIPTION	REV
	1001146050	Ref	ENGINE TRAY JACK INSTALLATION - DEUTZ TCD2.9L4 ENGINES	B
1	0641509	3	Bolt 5/16 x 1-1/8	
2	0641608	4	Bolt 3/8 x 1	
3	0641816	2	Bolt 1/2 x 2	
4	0962051	2	Bearing, Flanged	
5	1380147	1	Clip, Spring	
6	2840016	1	Jack and Handle Assembly	
6A		Ref	Handle Options:	
6A	7016374	1	Burr Manufacturing Brand (Identified by 4in handle offset)	
6A	7024598	1	Hammerblow Corp Brand (Identified by 4-1/2in handle offset)	
6B	7016322	1	Wiper (Burr Manufacturing Brand Only)	
7	3310601	2	Nut #6	
8	3311505	3	Nut 5/16	
9	3311605	4	Nut 3/8	
10	3311805	2	Nut 1/2	
11	3430816	1	Pin, Clevis	
12	3450404	1	Pin, Cotter 1/8 x 1	
13	3910608	2	Screw #6 x 1/2	
14	4711500	6	Washer 5/16	
15	4711600	8	Washer 3/8	
16	4711800	4	Washer 1/2	
17	4750600	2	Washer #6	
18	4770600	2	Starwasher #6	
19	4891800	1	Washer 1/2	
20	1001131482	1	Plate, Jack Bracket	
21	1001135497	1	Support, Engine Tray Jack	
22	1001143298	1	Plate, Jack Bracket	

# SECTION 2 - TURNTABLE

## FIGURE 2-41. HOODS INSTALLATION - DEUTZ TD2011 ENGINES



ART\_0273350\_10F2





## SECTION 2 - TURNTABLE

FIGURE 2-41. HOODS INSTALLATION - DEUTZ TD2011 ENGINES

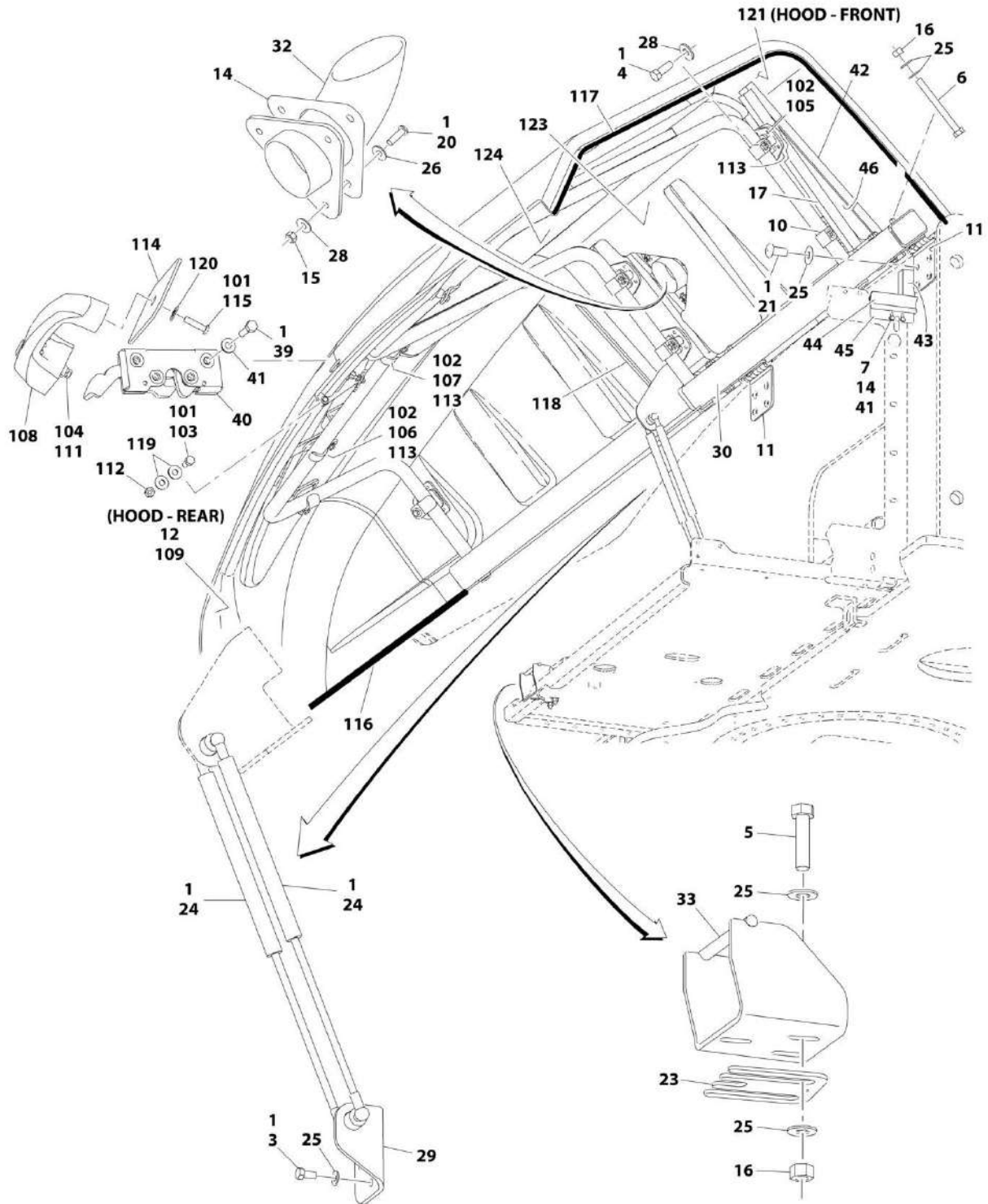
ITEM	PART NUMBER	QTY	DESCRIPTION	REV
	0273350	Ref	HOODS INSTALLATION - DEUTZ TD2011 ENGINES	E
1	0100011	AR	Compound, Locking	
2	0791605	8	Screw 3/8 x 3/4	
3	0641606	17	Bolt 3/8 x 3/4	
4	0641608	19	Bolt 3/8 x 1	
5	0641610	3	Bolt 3/8 x 1-1/4	
6	0641630	12	Bolt 3/8 x 3-3/4	
8	1671109	1	Cover, Turntable	
9	1671118	2	Cover, Pin Access	
10	2080051	16	Clamp	
11	2600280	4	Hinge	
12	1671192	1	Hood, Engine Side (See Items 101-122 for Breakdown)	
		Ref	Note: Replacement Decals Must Be Ordered Separately - See DECAL SECTION.	
13	1671194	1	Hood, Tank Side (See Items 201-221 for Breakdown)	
		Ref	Note: Replacement Decals Must Be Ordered Separately - See DECAL SECTION.	
14	2820141	1	Shield, Heat	
15	3311601	3	Nut 3/8	
16	3311605	15	Nut 3/8	
18	3520186	6	Plug	
19	3574533	1	Trough, Powertrack	
20	3900232	3	Screw 3/8 x 1-1/4	
21	3900283	29	Screw 3/8 x 3/4	
22	3900316	10	Screw 3/8 x 1	
23	4071048	3	Shim	
24	4160194	4	Spring, Gas	
25	4711600	64	Washer 1/4	
26	4740500	3	Washer, Nylon	
28	4751600	47	Washer 3/8	
29	4341001	1	Mount, Gas Spring	
30	4340996	1	Support, Engine Side Hood	
31	4340995	1	Support, Tank Side Hood	
32	4846503	1	Stack, Exhaust	
33	0903154	1	Bracket, Latch	
34	4846871	1	Support, Front Hood	
35	4846872	1	Support, Rear Hood	
36	4341000	1	Mount, Gas Spring	
37	0903157	1	Bracket, Tank Side Striker	
38	88662523	2	Nut, Tinnerman Only	
39	0641408	8	Bolt 1/4 x 1	
40	2940173	2	Latch, Rotary	
41	4711400	AR	Washer 1/4	
	1671192	Ref	ENGINE SIDE HOOD ASSEMBLY	B
101	0100011	AR	Compound, Locking	
102	0100081	AR	Adhesive	
103	0641506	10	Bolt 5/16 x 3/4	
104	0760608	1	Bolt M6 x 16	
105	0902746	7	Bracket	
106	0902761	1	Bracket	

## SECTION 2 - TURNTABLE

ITEM	PART NUMBER	QTY	DESCRIPTION	REV
107	0903161	1	Bracket	
108	1671191	1	Hood, Engine Side Front	
109	2560187	1	Handle	
110	2680496	1	Hood, Engine Side Rear	
111	2820145	1	Insulation, Sound Absorbing	
112	2820146	1	Insulation, Noise Absorbing	
113	3290601	1	Nut M6 x 1	
114	3311501	10	Nut 5/16	
115	3340877	9	Pad	
116	3575782	1	Plate	
117	3900363	2	Screw M6 x 25	
118	3960464	12.1 ft /3.7m	Seal	
119	4060804	5.1 ft /1.6m	Shield, Flex Trim	
120	4060806	4.1 ft /1.2m	Shield, Flex Trim	
121	4751500	20	Washer 5/16	
122	4811900	2	Washer M8	
	1671194	Ref	TANK SIDE HOOD ASSEMBLY	A
201	0100011	AR	Compound, Locking	
202	0100081	AR	Adhesive	
203	0641506	9	Bolt 5/16 x 3/4	
204	0760608	1	Bolt M6 x 16	
205	0902746	4	Bracket	
206	0902762	1	Bracket	
207	0902763	1	Bracket	
208	0903162	1	Bracket	
209	1671193	1	Hood, Tank Side Front	
210	2560187	1	Handle	
211	2680498	1	Hood, Tank Side Rear	
212	3290601	1	Nut M6 x 1	
213	3311501	9	Nut 5/16	
214	3340877	7	Pad	
215	3900363	2	Screw M6 x 25	
216	3960464	12.4 ft /3.8m	Seal	
217	4060804	4.4 ft /1.3m	Shield, Flex Trim	
218	4060806	3.3 ft/1m	Shield, Flex Trim	
219	4240150	1	Strap	
220	4751500	18	Washer 5/16	
221	4811900	2	Washer M8	

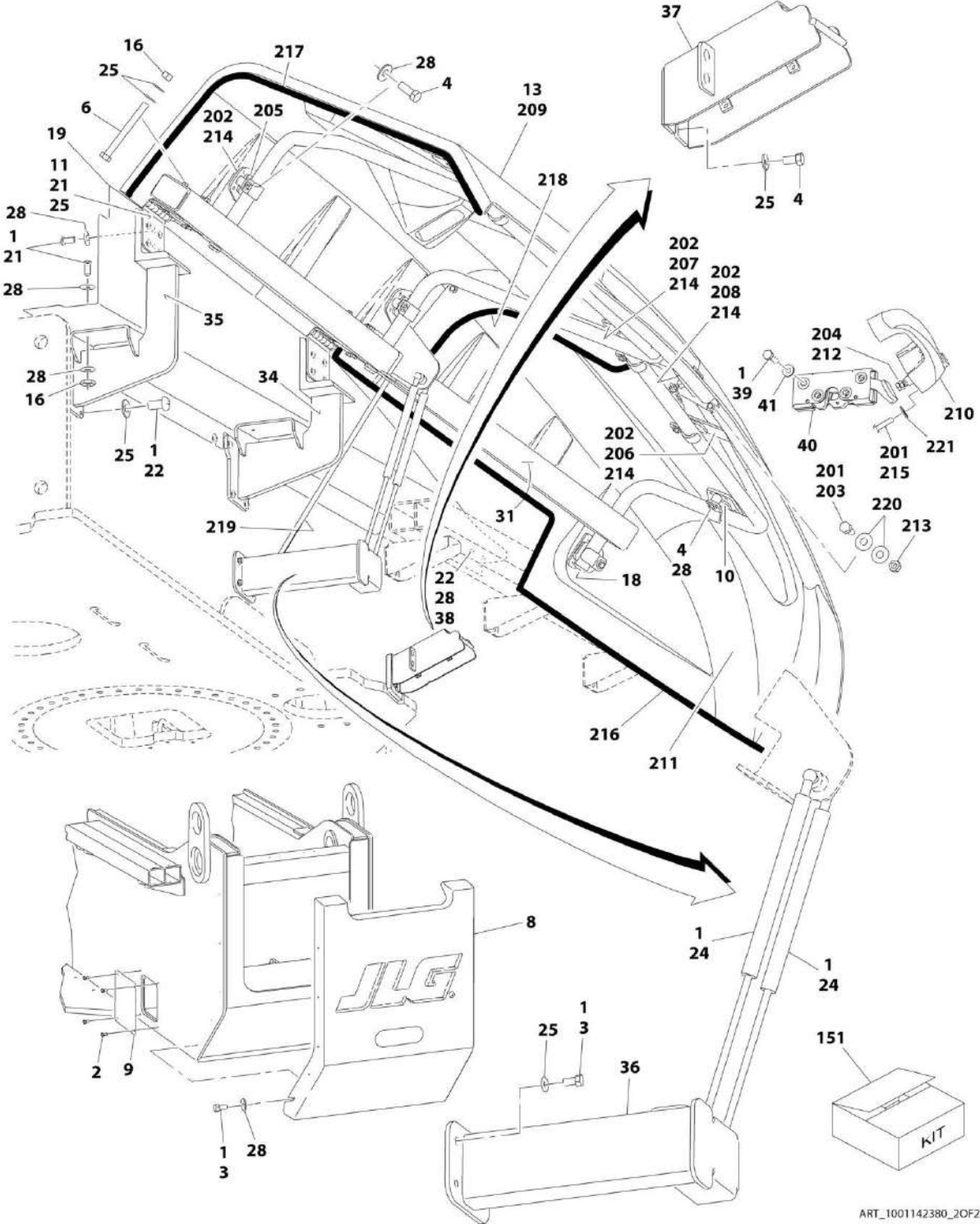
# SECTION 2 - TURNTABLE

## FIGURE 2-42. HOODS INSTALLATION - DEUTZ TCD2.9L4 ENGINES



ART\_1001142380\_10F2

# SECTION 2 - TURNTABLE



ART\_1001142380\_2OF2

## SECTION 2 - TURNTABLE

FIGURE 2-42. HOODS INSTALLATION - DEUTZ TCD2.9L4 ENGINES

ITEM	PART NUMBER	QTY	DESCRIPTION	REV
	1001142380	Ref	HOODS INSTALLATION - DEUTZ TCD2.9L4 ENGINES	C
1	0100011	AR	Compound, Locking	
2	0791605	8	Screw 3/8 x 5/8	
3	0641606	17	Bolt 3/8 x 3/4	
4	0641608	19	Bolt 3/8 x 1	
5	0641610	3	Bolt 3/8 x 1-1/4	
6	0641630	12	Bolt 3/8 x 3-3/4	
7	0641406	2	Bolt 1/4 x 3/4	
8	1671109	1	Cover, Turntable	
9	1671118	2	Cover, Pin Access	
10	2080051	16	Clamp	
11	2600280	4	Hinge	
12	1001142023	1	Hood, Engine Side	
13	1671194	1	Hood, Tank Side	
14	3311405	2	Nut 1/4	
15	3311601	5	Nut 3/8	
16	3311605	15	Nut 3/8	
17	1001140485	1	Seal, Foam Gasket	
18	3520186	6	Plug	
19	3574533	1	Trough, Powertrack	
20	3900232	5	Screw 3/8 x 1-1/4	
21	3900283	29	Screw 3/8 x 3/4	
22	3900316	10	Screw 3/8 x 1	
23	4071048	3	Shim	
24	4160194	4	Spring, Gas	
25	4711600	64	Washer 1/4	
26	4740500	5	Washer, Nylon	
28	4751600	51	Washer 3/8	
29	4341001	1	Weldment, Gas Spring Mount	
30	4340996	1	Support, Engine Side Hood	
31	4340995	1	Support, Tank Side Hood	
32	1001142181	1	Weldment, Exhaust Stack	
33	0903154	1	Bracket, Engine Side Striker	
34	4846871	1	Weldment, Rear Hood Support	
35	4846872	1	Weldment, Front Hood Support	
36	4341000	1	Mount, Tank Side Gas Spring	
37	0903157	1	Bracket, Tank Side Striker	
38	88662523	2	Nut, Tinnerman	
39	0641408	8	Bolt 1/4 x 1	
40	2940173	2	Latch, Rotary	
41	4711400	12	Washer 1/4	
42	1001142144	1	Bracket, Hood Baffle	
43	1001146132	1	Seal, Foam Gasket	
44	1001146178	1	Seal, Hood Frame	
45	1001146183	1	Plate, Hood Frame Baffle	
46	1001146142	1	Seal, Foam Gasket	
	1001142023	Ref	ENGINE SIDE HOOD ASSEMBLY	D
101	0100011	AR	Compound, Locking	
102	0100081	AR	Adhesive	
103	0641510	10	Bolt 5/16 x 1-1/4	

## SECTION 2 - TURNTABLE

ITEM	PART NUMBER	QTY	DESCRIPTION	REV
104	0760608	1	Bolt M6 x 16	
105	0902746	7	Bracket	
106	0902761	1	Bracket	
107	0903161	1	Bracket	
108	2560187	1	Handle	
109	2680496	1	Hood, Engine Side Rear	
111	3290601	1	Nut M6 x 1	
112	3311501	10	Nut 5/16	
113	3340877	9	Pad	
114	3575782	1	Plate	
115	3900363	2	Screw M6 x 25	
116	3960464	12.1 ft /3.7m	Seal	
117	4060804	5.1 ft /1.6m	Shield, Flex Trim	
118	4060806	4.1 ft /1.2m	Shield, Flex Trim	
119	4751500	20	Washer 5/16	
120	4811900	2	Washer M8	
121	1001142021	1	Hood, Engine Side Front	
123	1001152566	AR	Insulate	
124	1001117140	AR	Tape, Aluminized Polyester	
151	1001184934	1	Kit, Engine Side Hood (Includes Items 101, 102, 104-108, 111, 113-118 & 120-124) <b>(SN 0300213773 to Present)</b>	
	1671194	Ref	TANK SIDE HOOD ASSEMBLY	A
201	0100011	AR	Compound, Locking	
202	0100081	AR	Adhesive	
203	0641506	9	Bolt 5/16 x 3/4	
204	0760608	1	Bolt M6 x 16	
205	0902746	4	Bracket	
206	0902762	1	Bracket	
207	0902763	1	Bracket	
208	0903162	1	Bracket	
209	1671193	1	Hood, Tank Side Front	
210	2560187	1	Handle	
211	2680498	1	Hood, Tank Side Rear	
212	3290601	1	Nut M6 x 1	
213	3311501	9	Nut 5/16	
214	3340877	7	Pad	
215	3900363	2	Screw M6 x 25	
216	3960464	12.4 ft /3.8m	Seal	
217	4060804	4.4 ft /1.3m	Shield, Flex Trim	
218	4060806	3.3 ft/1m	Shield, Flex Trim	
219	4240150	1	Strap	
220	4751500	18	Washer 5/16	
221	4811900	2	Washer M8	

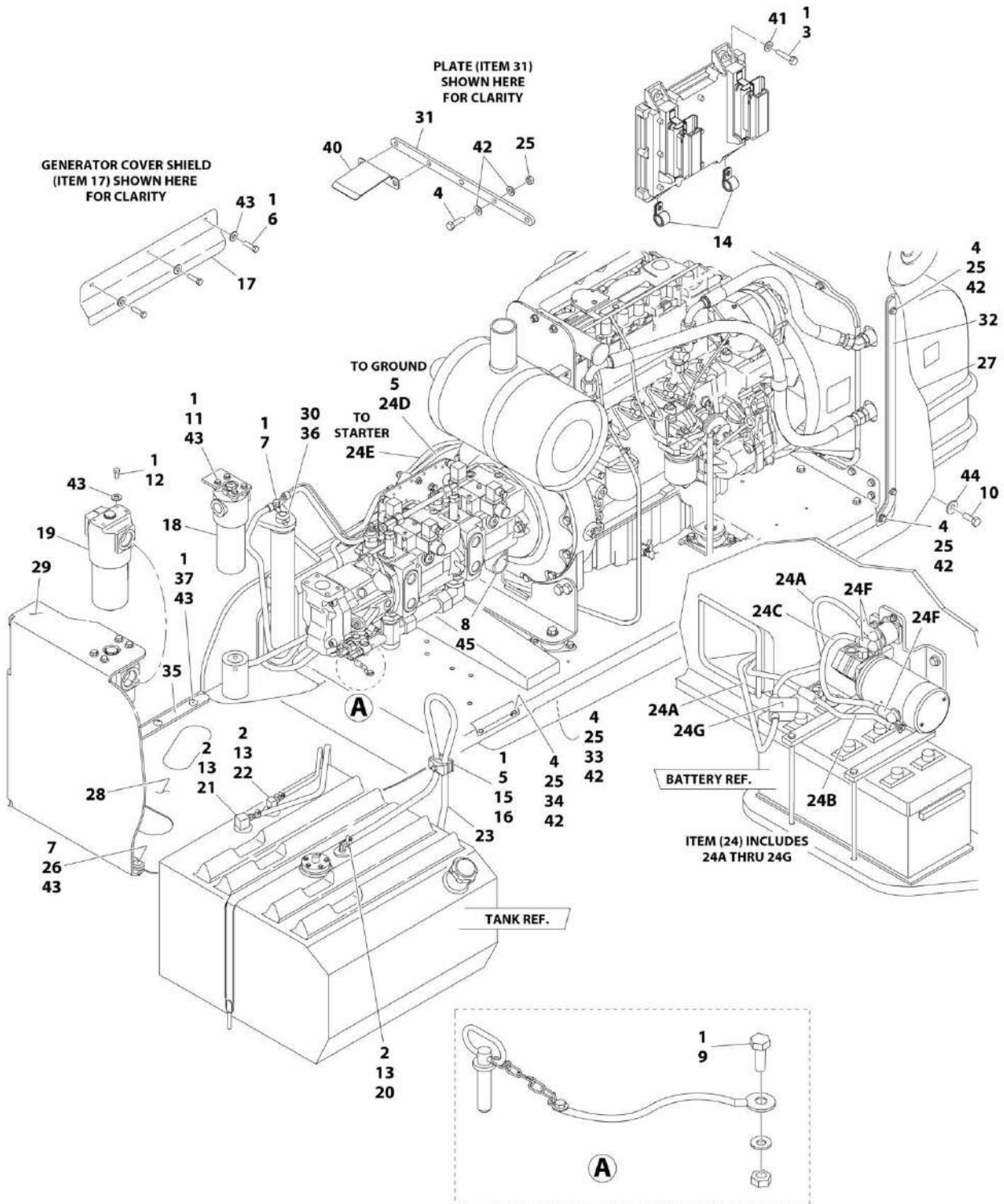




**SECTION 3 - ENGINE**

# SECTION 3 - ENGINE

**FIGURE 3-1. DEUTZ TD2011 ENGINE INSTALLATION - WITH REXROTH PUMP (WITHOUT GENERATOR AND WITHOUT COLD WEATHER PLUS PACKAGE)**



ART\_1001098519

## SECTION 3 - ENGINE

**FIGURE 3-1. DEUTZ TD2011 ENGINE INSTALLATION - WITH REXROTH PUMP (WITHOUT GENERATOR AND WITHOUT COLD WEATHER PLUS PACKAGE)**

ITEM	PART NUMBER	QTY	DESCRIPTION	REV
	1001098519	Ref	DEUTZ TD2011 ENGINE INSTALLATION - WITH REXROTH PUMP (WITHOUT GENERATOR AND WITHOUT COLD WEATHER PLUS PACKAGE)	G
1	0100011	AR	Compound, Locking	
2	0100079	AR	Sealant, Pipe	
3	0641410	4	Bolt 1/4 x 1-1/4	
4	0641509	15	Bolt 5/16 x 1-1/8	
5	0641511	1	Bolt 5/16 x 1-3/8	
6	0641605	3	Bolt 3/8 x 5/8	
7	0641610	5	Bolt 3/8 x 1-1/4	
8	0641806	1	Bolt 1/2 x 3/4	
9	0641808	1	Bolt 1/2 x 1	
10	0642010	1	Bolt 5/8 x 1-1/4	
11	0641606	4	Bolt 3/8 x 3/4	
12	0651606	4	Bolt 3/8 x 3/4	
13	1320022	3	Clamp	
14	1320041	2	Clamp	
15	1320187	1	Clamp	
16	1320190	1	Clamp	
17	1671121	1	Cover, Generator	
18	1001108617	1	Filter, Pressure	
18	70002231	1	Element, Filter	
19	2120218	1	Filter, High Pressure	
19	2120219	1	Element	
19	70001344	1	O-Ring, Bowl	
19	70006137	1	Seal Kit - Includes O-Ring (Element), O-Ring (Bowl), Back-up Ring (Bowl), Seal Ring (Indicator) and O-Ring (Indicator)	
20	2180348	1	Fitting, Barbed	
21	2220313	1	Fitting, 90 Barbed	
22	2221176	1	Fitting, 90 Elbow	
23	2750532	5 ft/ 1.5m	Hose	
24	2902292	1	Battery Cable Kit	
24A	7027008	1	Cable, Red (To Aux Pump Relay, Battery Positive Terminal and Start Relay)	
24B	7027009	1	Cable, Black (To Aux Pump, Battery Negative Terminal and Ground at Tray Pivot)	
24C	7027010	1	Cable, Red (Aux Pump Relay to Aux Pump)	
24D	7027011	1	Cable, Black (Tray Pivot to Engine Mount)	
24E	7024584	1	Cable, Red (Start Relay to Starter)	
24F	See Note	NSS	Boot, Terminal (Red) (Note: Not Available for Purchase)	
24G	See Note	NSS	Boot, Square Terminal (Red) (Note: Not Available for Purchase)	
25	3311505	15	Nut 5/16	
26	3311605	4	Nut 3/8	
27	3380473	1	Panel, Rubber	
28	3380498	1	Panel	
29	3380723	1	Panel	
30	3422446	1	Pin	
31	3573644	1	Plate, Tray Clamp	
32	3573669	1	Plate, Clamp	
33	3573727	1	Plate, Tray Clamp	

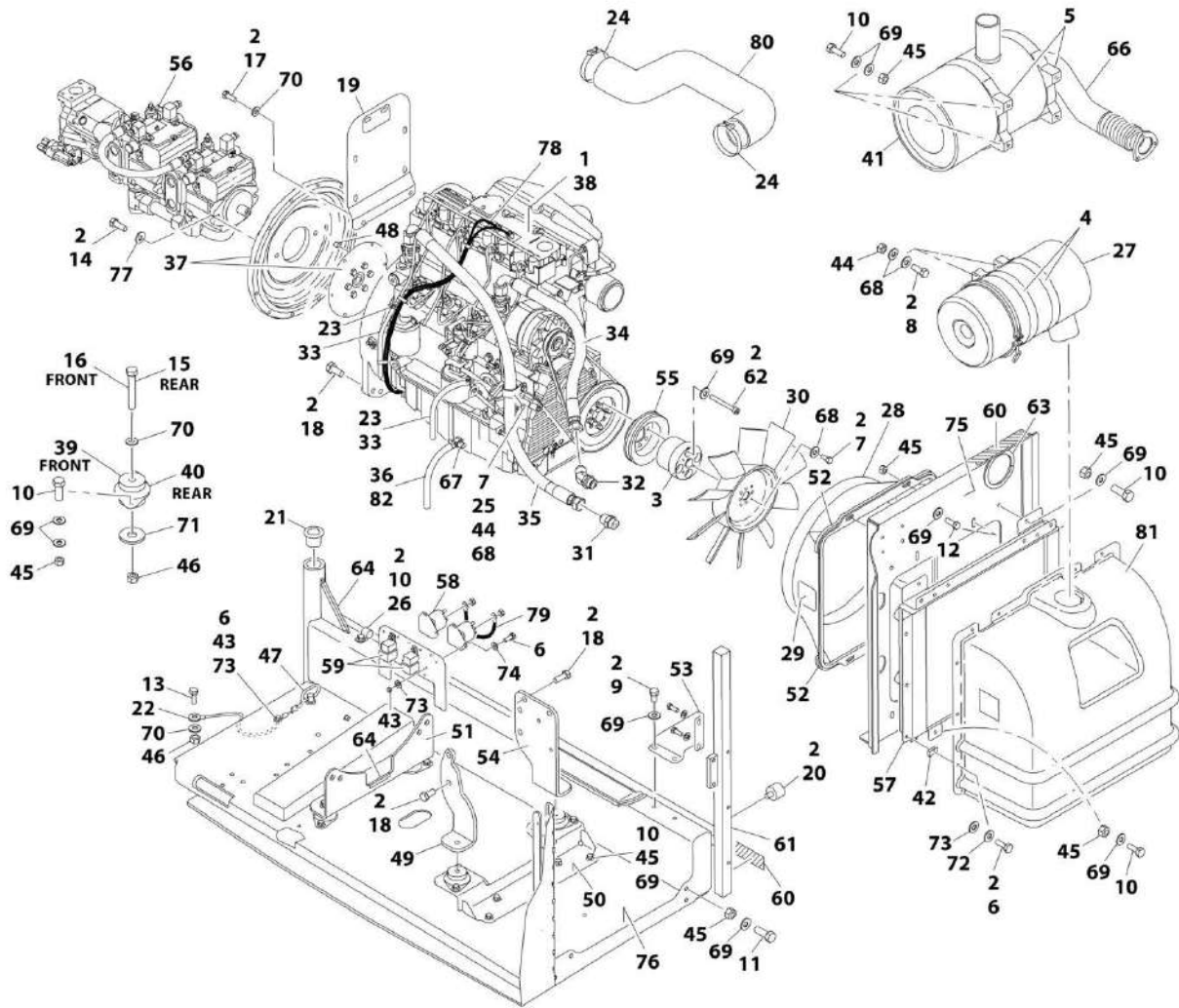
## SECTION 3 - ENGINE

ITEM	PART NUMBER	QTY	DESCRIPTION	REV
34	3573728	1	Plate, Tray Clamp	
35	3574633	1	Plate	
36	3841143	1	Keeper	
37	3900316	10	Screw 3/8 x 1	
38	4240018	2	Strap, Cable Tie (Not Shown)	
39	4240033	AR	Tie, Wire (Not Shown)	
40	4341110	1	Support	
41	4711400	4	Washer 1/4	
42	4711500	30	Washer 5/16	
43	4711600	29	Washer 3/8	
44	4752000	1	Washer 5/8	
45	90028660	1	Clamp	
47	2200222	1	Plug, Fuel Tank (Not Shown) <b>(SN 0300201017 through 0300237152)</b>	



# SECTION 3 - ENGINE

FIGURE 3-2. DEUTZ TD2011 ENGINE ASSEMBLY - WITH REXROTH PUMP (WITHOUT GENERATOR AND WITHOUT COLD WEATHER PLUS PACKAGE)



ART\_1001098513

## SECTION 3 - ENGINE

**FIGURE 3-2. DEUTZ TD2011 ENGINE ASSEMBLY - WITH REXROTH PUMP (WITHOUT GENERATOR AND WITHOUT COLD WEATHER PLUS PACKAGE)**

ITEM	PART NUMBER	QTY	DESCRIPTION	REV
	1001098513	Ref	DEUTZ TD2011 ENGINE ASSEMBLY - WITH REXROTH PUMP (WITHOUT GENERATOR AND WITHOUT COLD WEATHER PLUS PACKAGE)	1
1	1001098601	1	Deutz TD2011 Engine (See DEUTZ TD2011 ENGINE COMPONENTS for Breakdown)	
2	0100011	AR	Compound, Locking	
3	0080237	1	Spacer, Fan	
4	0340003	2	Band, Air Cleaner	
5	0340051	2	Band, Muffler	
6	0641406	15	Bolt 1/4 x 3/4	
7	0641506	5	Bolt 5/16 x 3/4	
8	0641507	4	Bolt 5/16 x 7/8	
9	0641605	4	Bolt 3/8 x 5/8	
10	0641608	25	Bolt 3/8 x 1	
11	0641609	2	Bolt 3/8 x 1-1/8	
12	0641610	4	Bolt 3/8 x 1-1/4	
13	0641808	1	Bolt 1/2 x 1	
14	0641812	2	Bolt 1/2 x 1-1/2	
15	0641818	2	Bolt 1/2 x 2-1/4	
16	0641826	2	Bolt 1/2 x 3-1/4	
17	0711214	2	Bolt M12 x 30	
18	0771414	10	Bolt M14 x 30	
19	1001112766	1	Bracket, Muffler	
20	0940070	1	Bumper	
21	0961986	2	Bearing, Flange	
22	1001131542	1	Cable, Lanyard	
23	1320022	3	Clamp	
24	1320058	2	Clamp	
25	1320060	1	Clamp	
26	1320223	1	Clamp	
27	1340065	1	Air Cleaner Assembly	
27	7003655	1	Element, Air Cleaner	
27	7015013	1	Baffle, Rubber	
27	7015014	1	Clamp, Cap	
27	7015015	1	Cup	
27	7015003	1	Wingnut	
28	1671023	1	Shroud, Fan	
29	1703162	2	Decal - Fan Blade	
30	2060025	1	Fan	
31	2220451	1	Fitting, Straight JIC/ORB	
32	2220498	1	Fitting, 45 JIC/ORB	
33	2720058	34 ft/ 10.4m	Hose	
34	2720500	1	Hose	
35	2720501	1	Hose	
36	2750532	0.75 ft/ 0.2m	Hose	
37	2902065	1	Pump Coupling Kit (See PUMP COUPLING KIT for Breakdown)	
38	3020016	3.25 gal/ 12.3L	Motor Oil, 15W-40	

## SECTION 3 - ENGINE

ITEM	PART NUMBER	QTY	DESCRIPTION	REV
39	3200362	2	Mount, Motor (Front)	
40	3200401	2	Mount, Motor (Rear)	
41	3220126	1	Muffler, Spark Arresting	
42	3300454	10	Nut 1/4	
43	3311405	5	Nut 1/4	
44	3311505	5	Nut 5/16	
45	3311605	30	Nut 3/8	
46	3311805	5	Nut 1/2	
47	3422532	1	Pin, Hitch	
48	3520054	2	Plug	
49	3537416	1	Plate, Mounting (Front Right)	
50	3539971	1	Bracket, Engine Mounting (Front)	
51	3573142	1	Bracket, Engine Mounting (Rear)	
52	3573411	2	Plate, Clamp	
53	3573412	1	Plate, Gusset	
54	3573529	1	Plate, Engine Mounting (Front Left)	
55	3580158	1	Pulley	
56	3600339	1	Pump Assembly - Rexroth (See PUMP ASSEMBLY (REXROTH) (DEUTZ TD2011 ENGINES) for Breakdown)	
57	1001145382	1	Radiator Oil Cooler	
58	3740067	2	Relay	
59	3740080	2	Relay	
60	3960543	1	Seal	
61	3960544	1	Seal	
62	4032022	4	Bolt M10 x 90	
63	4060804	0.98 ft/ 0.3m	Flex-Trim	
64	4060805	0.67 ft/ 0.2m	Flex-Trim	
65	4240099	AR	Tie, Wire (Not Shown)	
66	4568293	1	Tube, Exhaust	
67	4640751	1	Valve, Oil Drain	
68	4711500	13	Washer 5/16	
69	4711600	68	Washer 3/8	
70	4711800	7	Washer 1/2	
71	4740274	4	Washer, Special (Snubbing)	
72	4740518	10	Washer, Nylon	
73	4751400	20	Washer 1/4	
74	4791400	4	Starwasher 1/4	
75	4846552	1	Plate, Oil Cooler Mounting	
76	4846946	1	Tray	
77	4891800	2	Washer 1/2	
78	4923468	1	Harness, Glow Plug	
79	4923592	1	Cable, Jumper	
80	1001092856	1	Hose (SN 0300201017 through 0300234289)	
80	1001225118	1	Hose (SN 0300234290 to Present)	
81	0272060	1	Box, Air Intake	
82	8410013	1	Clamp	







## SECTION 3 - ENGINE

**FIGURE 3-3. DEUTZ TD2011 ENGINE INSTALLATION - WITH REXROTH PUMP (WITH GENERATOR AND WITHOUT COLD WEATHER PLUS PACKAGE)**

ITEM	PART NUMBER	QTY	DESCRIPTION	REV
	1001098518	Ref	DEUTZ TD2011 ENGINE INSTALLATION - WITH REXROTH PUMP (WITH GENERATOR AND WITHOUT COLD WEATHER PLUS PACKAGE)	G
1	0100011	AR	Compound, Locking	
2	0100079	AR	Sealant, Pipe	
3	0641410	4	Bolt 1/4 x 1-1/4	
4	0641509	15	Bolt 5/16 x 1-1/8	
5	0641511	1	Bolt 5/16 x 1-3/8	
6	0641605	3	Bolt 3/8 x 5/8	
7	0641610	5	Bolt 3/8 x 1-1/4	
8	0641806	1	Bolt 1/2 x 3/4	
9	0641808	1	Bolt 1/2 x 1	
10	0642010	1	Bolt 5/8 x 1-1/4	
11	0641606	4	Bolt 3/8 x 3/4	
12	0651606	4	Bolt 3/8 x 3/4	
13	1320022	3	Clamp	
14	1320041	2	Clamp	
15	1320187	1	Clamp, Twin	
16	1320190	1	Cover, Clamp	
17	1671121	1	Cover, Generator	
18	1001108617	1	Filter, Pressure	
18	70002231	1	Element, Filter	
19	2120218	1	Filter, High Pressure	
19	2120219	1	Element	
19	70001344	1	O-Ring, Bowl	
19	70006137	1	Seal Kit - Includes O-Ring (Element), O-Ring (Bowl), Back-up Ring (Bowl), Seal Ring (Indicator) and O-Ring (Indicator)	
20	2180348	1	Fitting, Barbed	
21	2220313	1	Fitting, 90 Barbed	
22	2221176	1	Fitting, 90 Elbow	
23	2750532	5 ft/ 1.5m	Hose	
24	2902292	1	Battery Cable Kit	
24A	7027008	1	Cable, Red (To Aux Pump Relay, Battery Positive Terminal and Start Relay)	
24B	7027009	1	Cable, Black (To Aux Pump, Battery Negative Terminal and Ground at Tray Pivot)	
24C	7027010	1	Cable, Red (Aux Pump Relay to Aux Pump)	
24D	7027011	1	Cable, Black (Tray Pivot to Engine Mount)	
24E	7024584	1	Cable, Red (Start Relay to Starter)	
24F	See Note	NSS	Boot, Terminal (Red) (Note: Not Available for Purchase)	
24G	See Note	NSS	Boot, Square Terminal (Red) (Note: Not Available for Purchase)	
25	3311505	15	Nut 5/16	
26	3311605	4	Nut 3/8	
27	3380473	1	Panel, Rubber	
28	3380498	1	Panel	
29	3380723	1	Panel	
30	3422446	1	Pin	
31	3573644	1	Plate, Tray Clamp	
32	3573669	1	Plate, Clamp	
33	3573727	1	Plate, Tray Clamp	

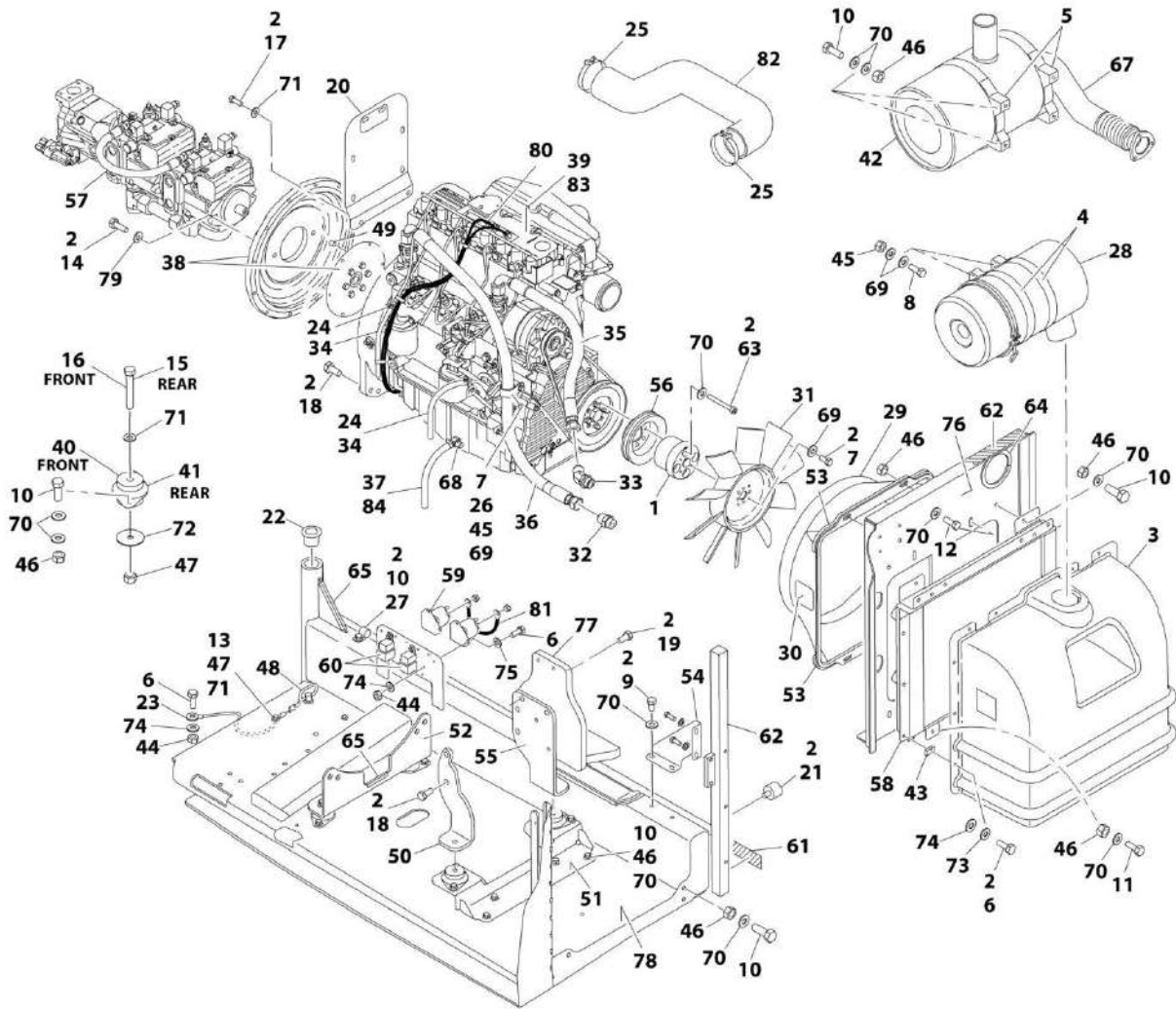
## SECTION 3 - ENGINE

ITEM	PART NUMBER	QTY	DESCRIPTION	REV
34	3573728	1	Plate, Tray Clamp	
35	3574633	1	Plate	
36	3841143	1	Keeper	
37	3900316	10	Screw 3/8 x 1	
38	4240018	2	Strap, Cable Tie (Not Shown)	
39	4240033	AR	Tie, Wire (Not Shown)	
40	4341110	1	Support	
41	4711400	4	Washer 1/4	
42	4711500	30	Washer 5/16	
43	4711600	29	Washer 3/8	
44	4752000	1	Washer 5/8	
45	90028660	1	Clamp	
47	2200222	1	Plug, Fuel Tank (Not Shown) <b>(SN 0300201017 through 0300237152)</b>	



# SECTION 3 - ENGINE

FIGURE 3-4. DEUTZ TD2011 ENGINE ASSEMBLY - WITH REXROTH PUMP (WITH GENERATOR AND WITHOUT COLD WEATHER PLUS PACKAGE)



ART\_1001098530

## SECTION 3 - ENGINE

**FIGURE 3-4. DEUTZ TD2011 ENGINE ASSEMBLY - WITH REXROTH PUMP (WITH GENERATOR AND WITHOUT COLD WEATHER PLUS PACKAGE)**

ITEM	PART NUMBER	QTY	DESCRIPTION	REV
	1001098530	Ref	DEUTZ TD2011 ENGINE ASSEMBLY - WITH REXROTH PUMP (WITH GENERATOR AND WITHOUT COLD WEATHER PLUS PACKAGE)	J
1	0080244	1	Spacer, Fan	
2	0100011	AR	Compound, Locking	
3	0272060	1	Box, Air Intake	
4	0340003	2	Band, Air Cleaner	
5	0340051	2	Band, Muffler	
6	0641406	15	Bolt 1/4 x 3/4	
7	0641506	5	Bolt 5/16 x 3/4	
8	0641507	4	Bolt 5/16 x 7/8	
9	0641605	4	Bolt 3/8 x 5/8	
10	0641608	25	Bolt 3/8 x 1	
11	0641609	2	Bolt 3/8 x 1-1/8	
12	0641610	4	Bolt 3/8 x 1-1/4	
13	0641808	1	Bolt 1/2 x 1	
14	0641812	2	Bolt 1/2 x 1-1/2	
15	0641818	2	Bolt 1/2 x 2-1/4	
16	0641826	2	Bolt 1/2 x 3-1/4	
17	0711214	2	Bolt M12 x 30	
18	0771414	6	Bolt M14 x 30	
19	0711417	4	Bolt M14 x 45	
20	1001112766	1	Bracket, Muffler	
21	0940070	1	Bumper	
22	0961986	2	Bearing, Flange	
23	1001131542	1	Cable, Lanyard	
24	1320022	2	Clamp	
25	1320058	2	Clamp	
26	1320060	1	Clamp	
27	1320223	1	Clamp	
28	1340065	1	Air Cleaner Assembly	
28	7003655	1	Element, Air Cleaner	
28	7015013	1	Baffle, Rubber	
28	7015014	1	Clamp, Cap	
28	7015015	1	Cup	
28	7015003	1	Wingnut	
29	1671023	1	Shroud, Fan	
30	1703162	2	Decal - Fan Blade	
31	2060025	1	Fan	
32	2220451	1	Fitting, Straight JIC/ORB	
33	2220498	1	Fitting, 45 JIC/ORB	
34	2720058	34 ft/ 10.4m	Hose	
35	2720500	1	Hose	
36	2720501	1	Hose	
37	2750532	0.75 ft/ 0.2m	Hose	
38	2902065	1	Pump Coupling Kit (See PUMP COUPLING KIT for Breakdown)	
39	3020016	3.25 gal/ 12.3L	Motor Oil, 15W-40	

## SECTION 3 - ENGINE

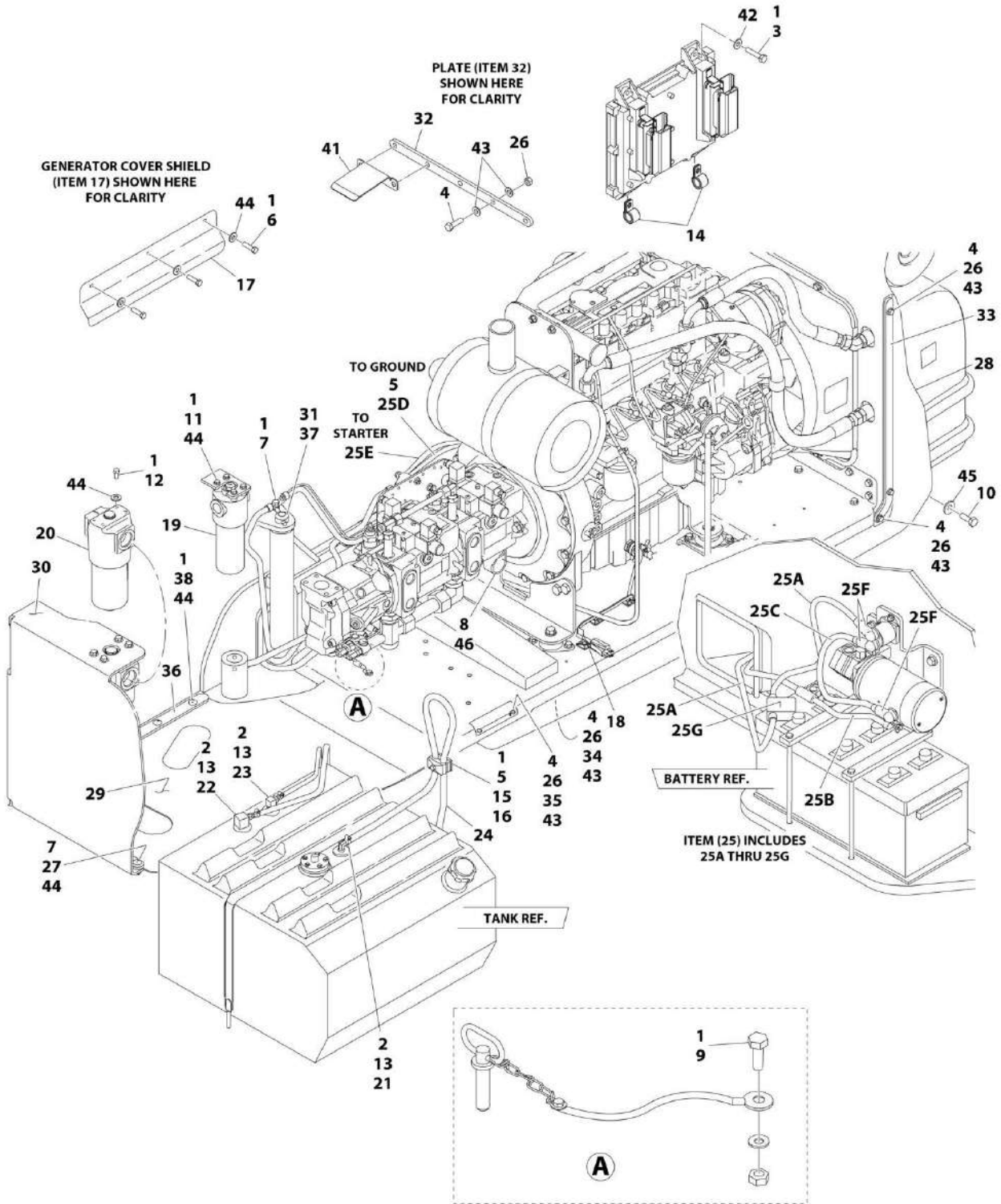
ITEM	PART NUMBER	QTY	DESCRIPTION	REV
40	3200362	2	Mount, Motor (Front)	
41	3200401	2	Mount, Motor (Rear)	
42	3220126	1	Muffler, Spark Arresting	
43	3300454	10	Nut 1/4	
44	3311405	5	Nut 1/4	
45	3311505	5	Nut 5/16	
46	3311605	30	Nut 3/8	
47	3311805	5	Nut 1/2	
48	3422532	1	Pin, Hitch	
49	3520054	2	Plug	
50	3537416	1	Plate, Mounting (Front Right)	
51	3539971	1	Bracket, Engine Mounting (Front)	
52	3573142	1	Bracket, Engine Mounting (Rear)	
53	3573411	2	Plate, Clamp	
54	3573412	1	Plate, Gusset	
55	3573529	1	Plate, Engine Mounting (Front Left)	
56	3580320	1	Pulley	
57	3600339	1	Pump Assembly - Rexroth (See PUMP ASSEMBLY (REXROTH) (DEUTZ TD2011 ENGINES) for Breakdown)	
58	1001145382	1	Radiator Oil Cooler	
59	3740067	2	Relay	
60	3740080	2	Relay	
61	3960543	1	Seal	
62	3960544	1	Seal	
63	4032022	4	Bolt M10 x 90	
64	4060804	0.98 ft/ 0.3m	Flex-Trim	
65	4060805	0.67 ft/ 0.2m	Flex-Trim	
66	4240099	AR	Tie, Wire (Not Shown)	
67	4568293	1	Tube, Exhaust	
68	4640751	1	Valve, Oil Drain	
69	4711500	13	Washer 5/16	
70	4711600	68	Washer 3/8	
71	4711800	7	Washer 1/2	
72	4740274	4	Washer, Special (Snubbing)	
73	4740518	10	Washer, Nylon	
74	4751400	20	Washer 1/4	
75	4791400	4	Starwasher 1/4	
76	4846552	1	Plate, Oil Cooler Mounting	
77	4846945	1	Mount, Generator	
78	4846946	1	Tray	
79	4891800	2	Washer 1/2	
80	4923468	1	Harness, Glow Plug	
81	4923592	1	Cable, Jumper	
82	1001092856	1	Hose (SN 0300201017 through 0300234289)	
82	1001225118	1	Hose (SN 0300234290 to Present)	
83	1001098601	1	Deutz TD2011 Engine (See DEUTZ TD2011 ENGINE COMPONENTS for Breakdown)	
84	8410013	1	Clamp	





# SECTION 3 - ENGINE

FIGURE 3-5. DEUTZ TD2011 ENGINE INSTALLATION - WITH REXROTH PUMP (WITH GENERATOR AND WITH COLD WEATHER PLUS PACKAGE)



ART\_1001098520

## SECTION 3 - ENGINE

**FIGURE 3-5. DEUTZ TD2011 ENGINE INSTALLATION - WITH REXROTH PUMP (WITH GENERATOR AND WITH COLD WEATHER PLUS PACKAGE)**

ITEM	PART NUMBER	QTY	DESCRIPTION	REV
	1001098520	Ref	DEUTZ TD2011 ENGINE INSTALLATION - WITH REXROTH PUMP (WITH GENERATOR AND WITH COLD WEATHER PLUS PACKAGE)	G
1	0100011	AR	Compound, Locking	
2	0100079	AR	Sealant, Pipe	
3	0641410	4	Bolt 1/4 x 1-1/4	
4	0641509	15	Bolt 5/16 x 1-1/8	
5	0641511	1	Bolt 5/16 x 1-3/8	
6	0641605	3	Bolt 3/8 x 5/8	
7	0641610	5	Bolt 3/8 x 1-1/4	
8	0641806	1	Bolt 1/2 x 3/4	
9	0641808	1	Bolt 1/2 x 1	
10	0642010	1	Bolt 5/8 x 1-1/4	
11	0641606	4	Bolt 3/8 x 3/4	
12	0651606	4	Bolt 3/8 x 3/4	
13	1320022	3	Clamp	
14	1320041	2	Clamp	
15	1320187	1	Clamp, Twin	
16	1320190	1	Cover, Clamp	
17	1671121	1	Cover, Generator	
18	1702942	1	Decal - Engine Block Heater	
19	1001108617	1	Filter, Pressure	
19	70002231	1	Element, Filter	
20	2120218	1	Filter, High Pressure	
20	2120219	1	Element	
20	70001344	1	O-Ring, Bowl	
20	70006137	1	Seal Kit - Includes O-Ring (Element), O-Ring (Bowl), Back-up Ring (Bowl), Seal Ring (Indicator) and O-Ring (Indicator)	
21	2180348	1	Fitting, Barbed	
22	2220313	1	Fitting, 90 Barbed	
23	2221176	1	Fitting, 90 Elbow	
24	2750532	5 ft/ 1.5m	Hose	
25	2902292	1	Battery Cable Kit	
25A	7027008	1	Cable, Red (To Aux Pump Relay, Battery Positive Terminal and Start Relay)	
25B	7027009	1	Cable, Black (To Aux Pump, Battery Negative Terminal and Ground at Tray Pivot)	
25C	7027010	1	Cable, Red (Aux Pump Relay to Aux Pump)	
25D	7027011	1	Cable, Black (Tray Pivot to Engine Mount)	
25E	7024584	1	Cable, Red (Start Relay to Starter)	
25F	See Note	NSS	Boot, Terminal (Red) (Note: Not Available for Purchase)	
25G	See Note	NSS	Boot, Square Terminal (Red) (Note: Not Available for Purchase)	
26	3311505	15	Nut 5/16	
27	3311605	4	Nut 3/8	
28	3380473	1	Panel, Rubber	
29	3380498	1	Panel	
30	3380723	1	Panel	
31	3422446	1	Pin	
32	3573644	1	Plate, Tray Clamp	
33	3573669	1	Plate, Clamp	

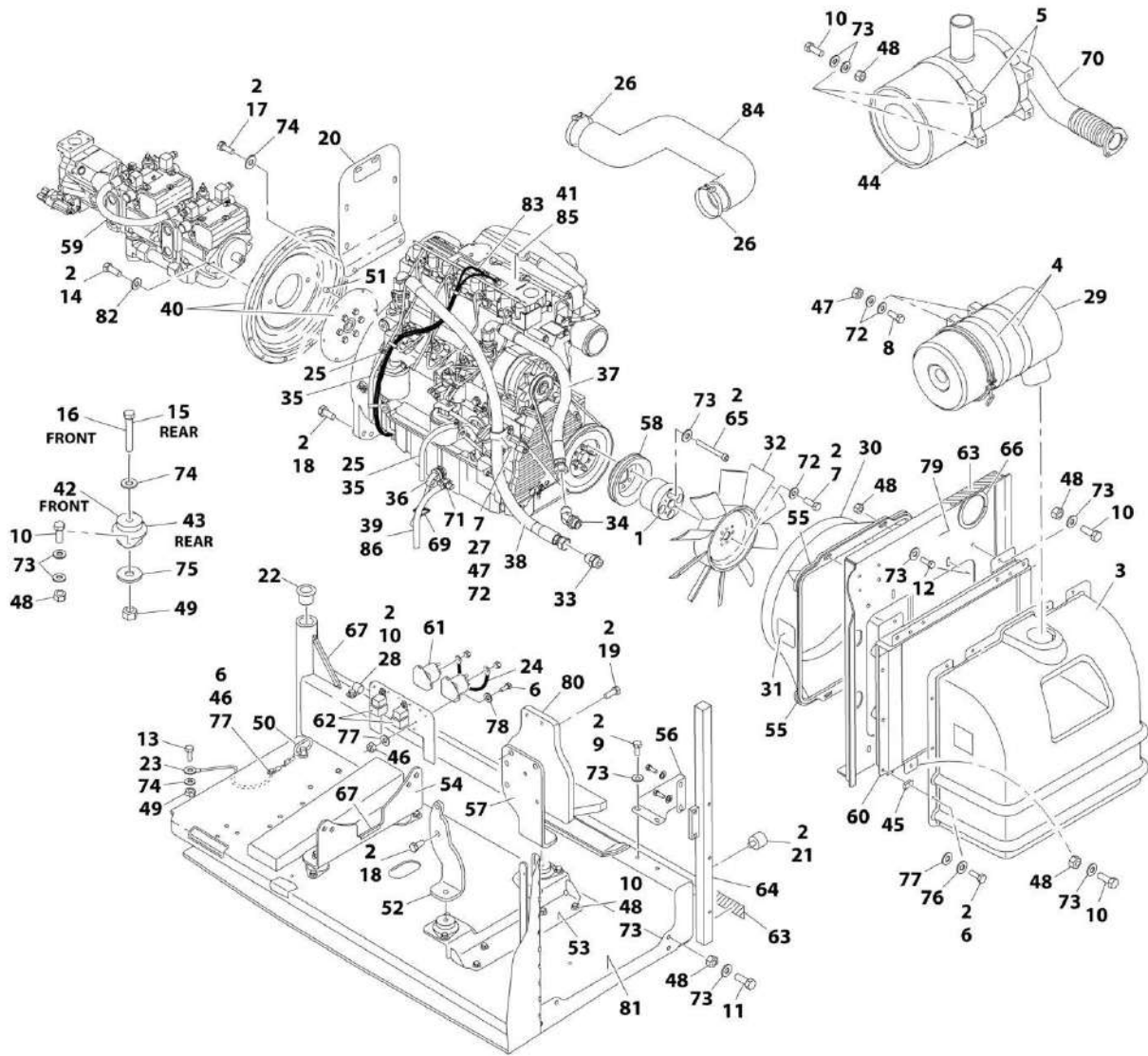
## SECTION 3 - ENGINE

ITEM	PART NUMBER	QTY	DESCRIPTION	REV
34	3573727	1	Plate, Tray Clamp	
35	3573728	1	Plate, Tray Clamp	
36	3574633	1	Plate	
37	3841143	1	Keeper	
38	3900316	10	Screw 3/8 x 1	
39	4240018	2	Strap, Cable Tie (Not Shown)	
40	4240033	AR	Tie, Wire (Not Shown)	
41	4341110	1	Support	
42	4711400	4	Washer 1/4	
43	4711500	30	Washer 5/16	
44	4711600	29	Washer 3/8	
45	4752000	1	Washer 5/8	
46	90028660	1	Clamp	
48	2200222	1	Plug, Fuel Tank (Not Shown) (SN 0300201017 through 0300237152)	



# SECTION 3 - ENGINE

FIGURE 3-6. DEUTZ TD2011 ENGINE ASSEMBLY - WITH REXROTH PUMP (WITH GENERATOR AND WITH COLD WEATHER PLUS PACKAGE)



ART\_1001098531

## SECTION 3 - ENGINE

**FIGURE 3-6. DEUTZ TD2011 ENGINE ASSEMBLY - WITH REXROTH PUMP (WITH GENERATOR AND WITH COLD WEATHER PLUS PACKAGE)**

ITEM	PART NUMBER	QTY	DESCRIPTION	REV
	1001098531	Ref	DEUTZ TD2011 ENGINE ASSEMBLY - WITH REXROTH PUMP (WITH GENERATOR AND WITH COLD WEATHER PLUS PACKAGE)	I
1	0080244	1	Spacer, Fan	
2	0100011	AR	Compound, Locking	
3	0272060	1	Box, Air Intake	
4	0340003	2	Band, Air Cleaner	
5	0340051	2	Band, Muffler	
6	0641406	15	Bolt 1/4 x 3/4	
7	0641506	5	Bolt 5/16 x 3/4	
8	0641507	4	Bolt 5/16 x 7/8	
9	0641605	4	Bolt 3/8 x 5/8	
10	0641608	25	Bolt 3/8 x 1	
11	0641609	2	Bolt 3/8 x 1-1/8	
12	0641610	4	Bolt 3/8 x 1-1/4	
13	0641808	1	Bolt 1/2 x 1	
14	0641812	2	Bolt 1/2 x 1-1/2	
15	0641818	2	Bolt 1/2 x 2-1/4	
16	0641826	2	Bolt 1/2 x 3-1/4	
17	0711214	2	Bolt M12 x 30	
18	0771414	6	Bolt M14 x 30	
19	0711417	4	Bolt M14 x 45	
20	1001112766	1	Bracket, Muffler	
21	0940070	1	Bumper	
22	0961986	2	Bearing, Flange	
23	1001131542	1	Cable, Lanyard	
24	1060904	1	Cable, Jumper	
25	1320022	2	Clamp	
26	1320058	2	Clamp	
27	1320060	1	Clamp	
28	1320223	1	Clamp	
29	1340065	1	Air Cleaner Assembly	
29	7003655	1	Element, Air Cleaner	
29	7015013	1	Baffle, Rubber	
29	7015014	1	Clamp, Cap	
29	7015015	1	Cup	
29	7015003	1	Wingnut	
30	1671023	1	Shroud, Fan	
31	1703162	2	Decal - Fan Blade	
32	2060025	1	Fan	
33	2220451	1	Fitting, Straight JIC/ORB	
34	2220498	1	Fitting, 45 JIC/ORB	
35	2720058	34 ft/ 10.4m	Hose	
36	2580062	1	Heater, Engine Block	
37	2720500	1	Hose	
38	2720501	1	Hose	
39	2750532	0.75 ft/ 0.2m	Hose	
40	2902065	1	Pump Coupling Kit (See PUMP COUPLING KIT for Breakdown)	

## SECTION 3 - ENGINE

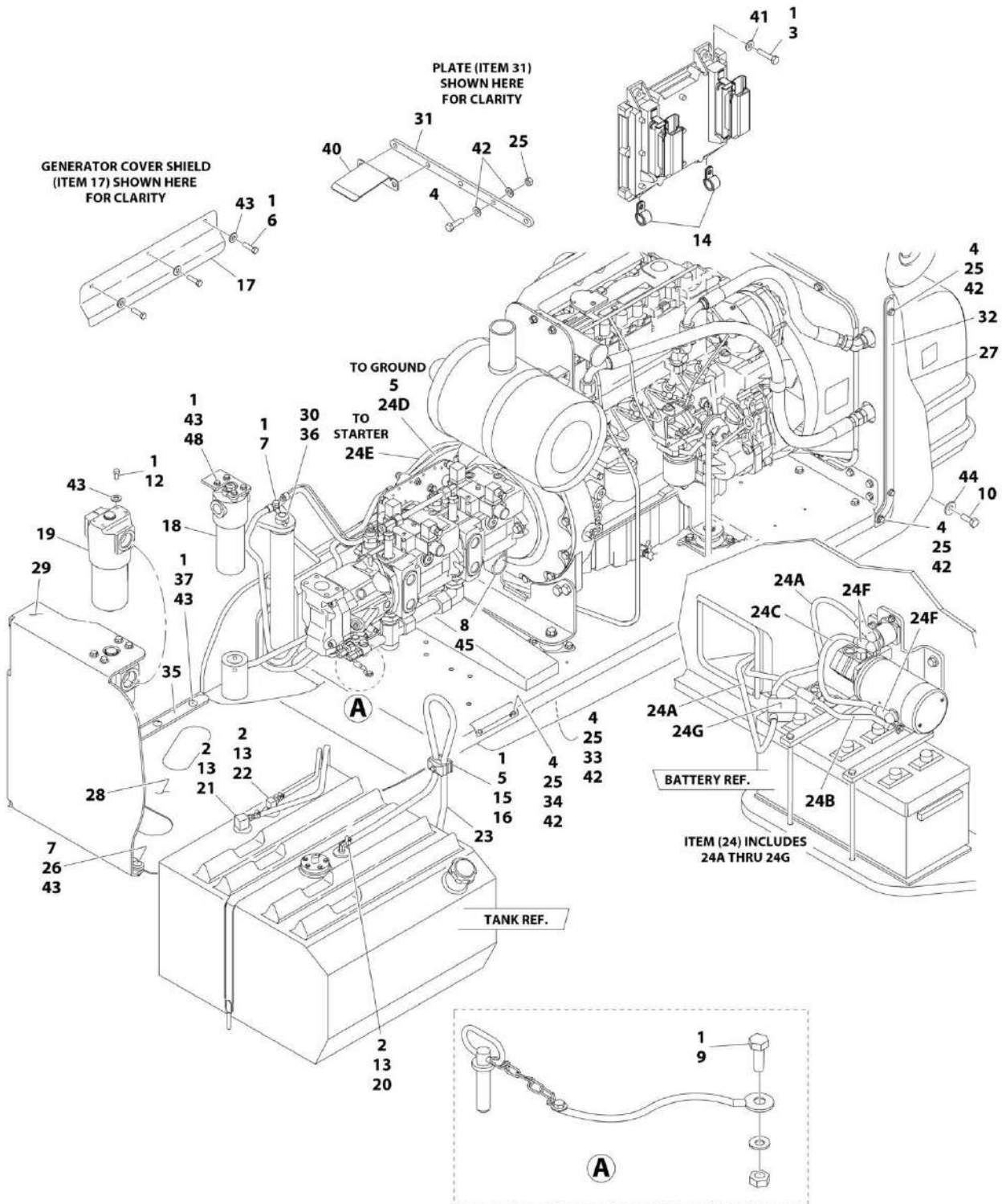
ITEM	PART NUMBER	QTY	DESCRIPTION	REV
41	3020044	3.25 gal/ 12.3L	Oil, Engine	
42	3200362	2	Mount, Motor (Front)	
43	3200401	2	Mount, Motor (Rear)	
44	3220126	1	Muffler, Spark Arresting	
45	3300454	10	Nut 1/4	
46	3311405	5	Nut 1/4	
47	3311505	5	Nut 5/16	
48	3311605	30	Nut 3/8	
49	3311805	5	Nut 1/2	
50	3422532	1	Pin, Hitch	
51	3520054	2	Plug	
52	3537416	1	Plate, Mounting (Front Right)	
53	3539971	1	Bracket, Engine Mounting (Front)	
54	3573142	1	Bracket, Engine Mounting (Rear)	
55	3573411	2	Plate, Clamp	
56	3573412	1	Plate, Gusset	
57	3573529	1	Plate, Engine Mounting (Front Left)	
58	3580320	1	Pulley	
59	3600339	1	Pump Assembly - Rexroth (See PUMP ASSEMBLY (REXROTH) (DEUTZ TD2011 ENGINES) for Breakdown)	
60	1001145382	1	Radiator Oil Cooler	
61	3740067	2	Relay	
62	3740080	2	Relay	
63	3960543	1	Seal	
64	3960544	1	Seal	
65	4032022	4	Bolt M10 x 90	
66	4060804	0.98 ft/ 0.3m	Flex-Trim	
67	4060805	0.67 ft/ 0.2m	Flex-Trim	
68	4240099	AR	Tie, Wire (Not Shown)	
69	4460234	3	Terminal, Mount Cable Tie	
70	4568293	1	Tube, Exhaust	
71	4640751	1	Valve, Oil Drain	
72	4711500	13	Washer 5/16	
73	4711600	68	Washer 3/8	
74	4711800	7	Washer 1/2	
75	4740274	4	Washer, Special (Snubbing)	
76	4740518	10	Washer, Nylon	
77	4751400	20	Washer 1/4	
78	4791400	4	Starwasher 1/4	
79	4846552	1	Plate, Oil Cooler Mounting	
80	4846945	1	Mount, Generator	
81	4846946	1	Tray	
82	4891800	2	Washer 1/2	
83	4923468	1	Harness, Glow Plug	
84	1001092856	1	Hose (SN 0300201017 through 0300234289)	
84	1001225118	1	Hose (SN 0300234290 to Present)	
85	1001098601	1	Deutz TD2011 Engine (See DEUTZ TD2011 ENGINE COMPONENTS for Breakdown)	
86	8410013	1	Clamp	





# SECTION 3 - ENGINE

FIGURE 3-7. DEUTZ TD2011 ENGINE INSTALLATION - WITH SAUER PUMP (WITHOUT GENERATOR AND WITHOUT COLD WEATHER PLUS PACKAGE)



ART\_1001107972

## SECTION 3 - ENGINE

**FIGURE 3-7. DEUTZ TD2011 ENGINE INSTALLATION - WITH SAUER PUMP (WITHOUT GENERATOR AND WITHOUT COLD WEATHER PLUS PACKAGE)**

ITEM	PART NUMBER	QTY	DESCRIPTION	REV
	1001107972	Ref	DEUTZ TD2011 ENGINE INSTALLATION - WITH SAUER PUMP (WITHOUT GENERATOR AND WITHOUT COLD WEATHER PLUS PACKAGE)	E
1	0100011	AR	Compound, Locking	
2	0100079	AR	Sealant, Pipe	
3	0641410	4	Bolt 1/4 x 1-1/4	
4	0641509	15	Bolt 5/16 x 1-1/8	
5	0641511	1	Bolt 5/16 x 1-3/8	
6	0641605	3	Bolt 3/8 x 5/8	
7	0641610	5	Bolt 3/8 x 1-1/4	
8	0641806	1	Bolt 1/2 x 3/4	
9	0641808	1	Bolt 1/2 x 1	
10	0642010	1	Bolt 5/8 x 1-1/4	
12	0651606	4	Bolt 3/8 x 3/4	
13	1320022	3	Clamp	
14	1320041	2	Clamp	
15	1320187	1	Clamp, Twin	
16	1320190	1	Cover, Clamp	
17	1671121	1	Cover, Generator	
18	1001108617	1	Filter, Pressure	
18	70002231	1	Element, Filter	
19	2120218	1	Filter, High Pressure	
19	2120219	1	Element	
19	70001344	1	O-Ring, Bowl	
19	70006137	1	Seal Kit - Includes O-Ring (Element), O-Ring (Bowl), Back-up Ring (Bowl), Seal Ring (Indicator) and O-Ring (Indicator)	
20	2180348	1	Fitting, Barbed	
21	2220313	1	Fitting, 90 Barbed	
22	2221176	1	Fitting, 90 Elbow	
23	2750532	5 ft/ 1.5m	Hose	
24	2902292	1	Battery Cable Kit	
24A	7027008	1	Cable, Red (To Aux Pump Relay, Battery Positive Terminal and Start Relay)	
24B	7027009	1	Cable, Black (To Aux Pump, Battery Negative Terminal and Ground at Tray Pivot)	
24C	7027010	1	Cable, Red (Aux Pump Relay to Aux Pump)	
24D	7027011	1	Cable, Black (Tray Pivot to Engine Mount)	
24E	7024584	1	Cable, Red (Start Relay to Starter)	
24F	See Note	NSS	Boot, Terminal (Red) (Note: Not Available for Purchase)	
24G	See Note	NSS	Boot, Square Terminal (Red) (Note: Not Available for Purchase)	
25	3311505	15	Nut 5/16	
26	3311605	4	Nut 3/8	
27	3380473	1	Panel, Rubber	
28	3380498	1	Panel	
29	3380723	1	Panel	
30	3422446	1	Pin	
31	3573644	1	Plate, Tray Clamp	
32	3573669	1	Plate, Clamp	
33	3573727	1	Plate, Tray Clamp	
34	3573728	1	Plate, Tray Clamp	

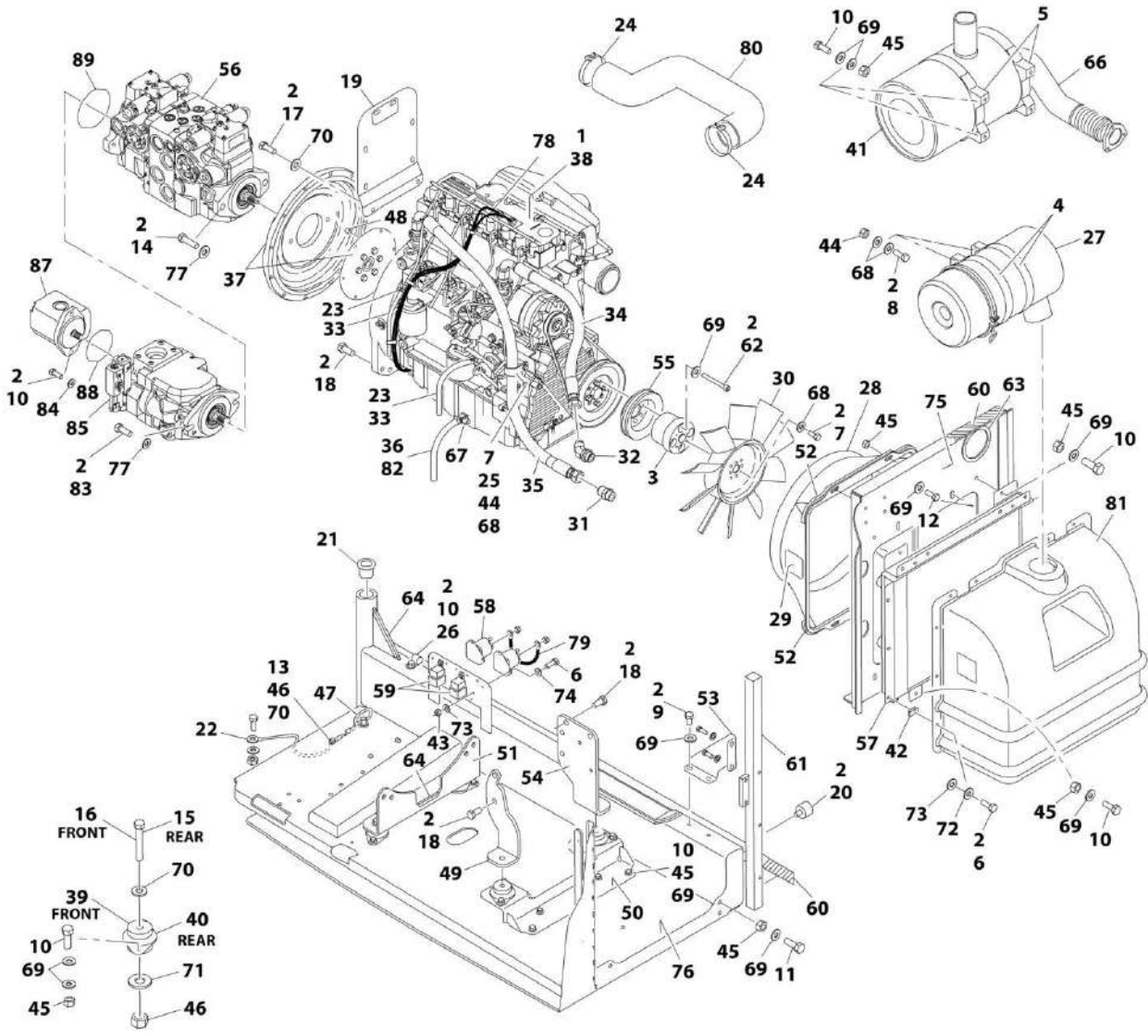
## SECTION 3 - ENGINE

ITEM	PART NUMBER	QTY	DESCRIPTION	REV
35	3574633	1	Plate	
36	3841143	1	Keeper	
37	3900316	10	Screw 3/8 x 1	
38	4240018	2	Strap, Cable Tie (Not Shown)	
39	4240033	AR	Tie, Wire (Not Shown)	
40	4341110	1	Support	
41	4711400	4	Washer 1/4	
42	4711500	30	Washer 5/16	
43	4711600	29	Washer 3/8	
44	4752000	1	Washer 5/8	
45	90028660	1	Clamp	
47	2200222	1	Plug, Fuel Tank (Not Shown) <b>(SN 0300201017 through 0300237152)</b>	
48	0641606	4	Bolt 3/8 x 3/4	



# SECTION 3 - ENGINE

FIGURE 3-8. DEUTZ TD2011 ENGINE ASSEMBLY - WITH SAUER PUMP (WITHOUT GENERATOR AND WITHOUT COLD WEATHER PLUS PACKAGE)



ART\_1001107971

## SECTION 3 - ENGINE

**FIGURE 3-8. DEUTZ TD2011 ENGINE ASSEMBLY - WITH SAUER PUMP (WITHOUT GENERATOR AND WITHOUT COLD WEATHER PLUS PACKAGE)**

ITEM	PART NUMBER	QTY	DESCRIPTION	REV
	1001107971	Ref	DEUTZ TD2011 ENGINE ASSEMBLY - WITH SAUER PUMP (WITHOUT GENERATOR AND WITHOUT COLD WEATHER PLUS PACKAGE)	1
1	1001098601	1	Deutz TD2011 Engine (See DEUTZ TD2011 ENGINE COMPONENTS for Breakdown)	
2	0100011	AR	Compound, Locking	
3	0080237	1	Spacer, Fan	
4	0340003	2	Band, Air Cleaner	
5	0340051	2	Band, Muffler	
6	0641406	15	Bolt 1/4 x 3/4	
7	0641506	5	Bolt 5/16 x 3/4	
8	0641507	4	Bolt 5/16 x 7/8	
9	0641605	4	Bolt 3/8 x 5/8	
10	0641608	27	Bolt 3/8 x 1	
11	0641609	2	Bolt 3/8 x 1-1/8	
12	0641610	4	Bolt 3/8 x 1-1/4	
13	0641808	1	Bolt 1/2 x 1	
14	0641814	2	Bolt 1/2 x 1-3/4	
15	0641818	2	Bolt 1/2 x 2-1/4	
16	0641826	2	Bolt 1/2 x 3-1/4	
17	0711214	2	Bolt M12 x 30	
18	0771414	10	Bolt M14 x 30	
19	1001112766	1	Bracket, Muffler	
20	0940070	1	Bumper	
21	0961986	2	Bearing, Flange	
22	1001131542	1	Cable, Lanyard	
23	1320022	3	Clamp	
24	1320058	2	Clamp	
25	1320060	1	Clamp	
26	1320223	1	Clamp	
27	1340065	1	Air Cleaner Assembly	
27	7003655	1	Element, Air Cleaner	
27	7015013	1	Baffle, Rubber	
27	7015014	1	Clamp, Cap	
27	7015015	1	Cup	
27	7015003	1	Wingnut	
28	1671023	1	Shroud, Fan	
29	1703162	2	Decal - Fan Blade	
30	2060025	1	Fan	
31	2220451	1	Fitting, Straight JIC/ORB	
32	2220498	1	Fitting, 45 JIC/ORB	
33	2720058	34 ft/ 10.4m	Hose	
34	2720500	1	Hose	
35	2720501	1	Hose	
36	2750532	0.75 ft/ 0.2m	Hose	
37	2902065	1	Pump Coupling Kit (See PUMP COUPLING KIT for Breakdown)	
38	3020016	3.25 gal/ 12.3L	Motor Oil, 15W-40	

## SECTION 3 - ENGINE

ITEM	PART NUMBER	QTY	DESCRIPTION	REV
39	3200362	2	Mount, Motor (Front)	
40	3200401	2	Mount, Motor (Rear)	
41	3220126	1	Muffler, Spark Arresting	
42	3300454	10	Nut 1/4	
43	3311405	5	Nut 1/4	
44	3311505	5	Nut 5/16	
45	3311605	30	Nut 3/8	
46	3311805	5	Nut 1/2	
47	3422532	1	Pin, Hitch	
48	3520054	2	Plug	
49	3537416	1	Plate, Mounting (Front Right)	
50	3539971	1	Bracket, Engine Mounting (Front)	
51	3573142	1	Bracket, Engine Mounting (Rear)	
52	3573411	2	Plate, Clamp	
53	3573412	1	Plate, Gusset	
54	3573529	1	Plate, Engine Mounting (Front Left)	
55	3580158	1	Pulley	
56	1001108616	1	Pump Assembly - Sauer Tandem (See PUMP ASSEMBLY (SAUER TANDEM) for Breakdown)	
57	1001145382	1	Radiator Oil Cooler	
58	3740067	2	Relay	
59	3740080	2	Relay	
60	3960543	1	Seal	
61	3960544	1	Seal	
62	4032022	4	Bolt M10 x 90	
63	4060804	0.98 ft/ 0.3m	Flex-Trim	
64	4060805	0.67 ft/ 0.2m	Flex-Trim	
65	4240099	AR	Tie, Wire (Not Shown)	
66	4568293	1	Tube, Exhaust	
67	4640751	1	Valve, Oil Drain	
68	4711500	13	Washer 5/16	
69	4711600	68	Washer 3/8	
70	4711800	7	Washer 1/2	
71	4740274	4	Washer, Special (Snubbing)	
72	4740518	10	Washer, Nylon	
73	4751400	20	Washer 1/4	
74	4791400	4	Starwasher 1/4	
75	4846552	1	Plate, Oil Cooler Mounting	
76	4846946	1	Tray	
77	4891800	4	Washer 1/2	
78	4923468	1	Harness, Glow Plug	
79	4923592	1	Cable, Jumper	
80	1001092856	1	Hose (SN 0300201017 through 0300234289)	
80	1001225118	1	Hose (SN 0300234290 to Present)	
81	0272060	1	Box, Air Intake	
82	8410013	1	Clamp	
83	0761215	2	Bolt M12 x 35	
84	4891600	2	Washer 3/8	
85	1001171095	1	Pump Assembly - Sauer Piston (See PUMP ASSEMBLY (SAUER PISTON) for Breakdown)	

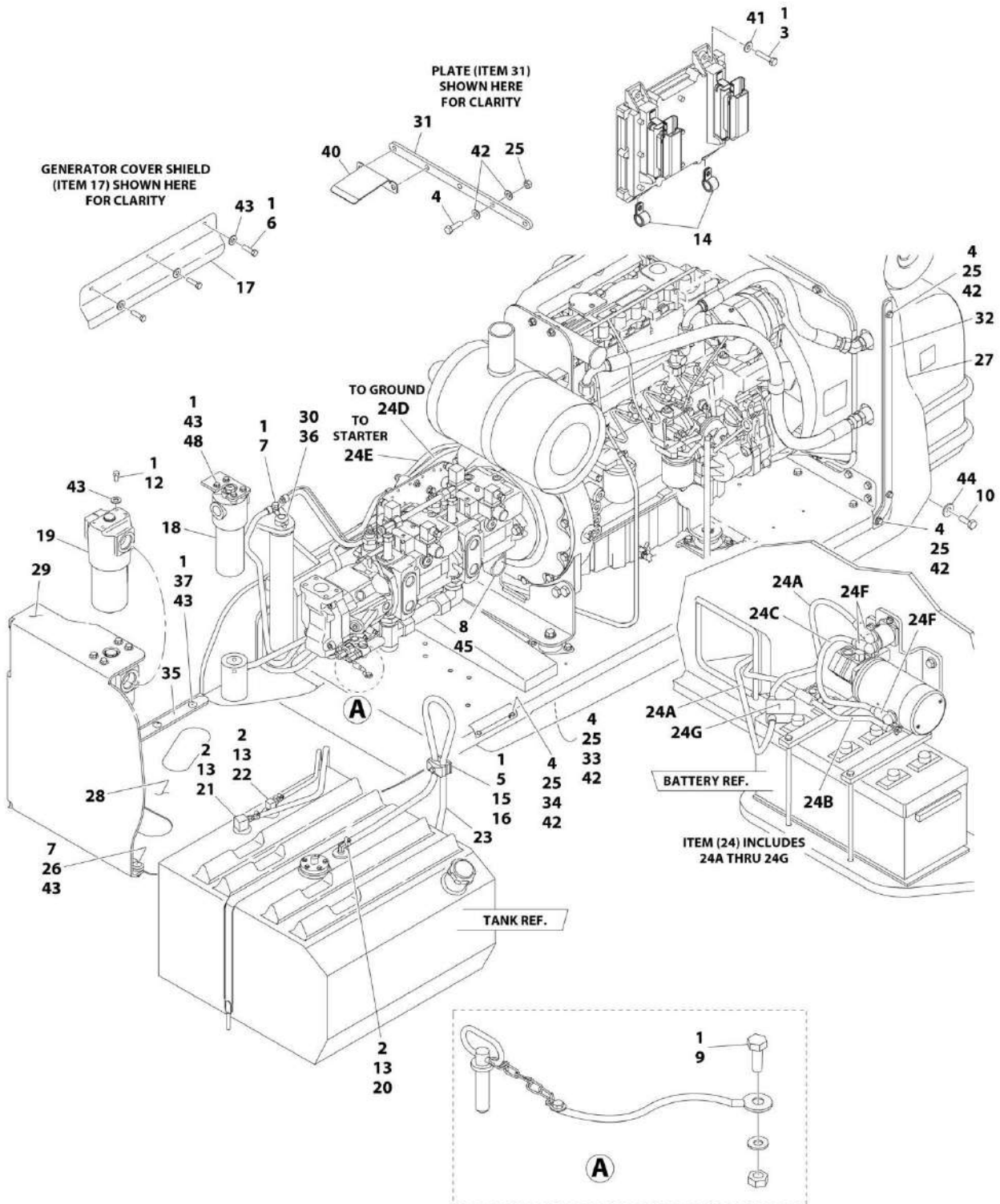


## SECTION 3 - ENGINE

ITEM	PART NUMBER	QTY	DESCRIPTION	REV
87	1001112927	1	Pump Assembly - Sauer Gear (See PUMP ASSEMBLY (SAUER GEAR) for Breakdown)	
88	3790152	1	O-Ring	
89	3790155	1	O-Ring	

# SECTION 3 - ENGINE

## FIGURE 3-9. DEUTZ TD2011 ENGINE INSTALLATION - WITH SAUER PUMP (WITH GENERATOR AND WITHOUT COLD WEATHER PLUS PACKAGE)



ART\_1001107974

## SECTION 3 - ENGINE

**FIGURE 3-9. DEUTZ TD2011 ENGINE INSTALLATION - WITH SAUER PUMP (WITH GENERATOR AND WITHOUT COLD WEATHER PLUS PACKAGE)**

ITEM	PART NUMBER	QTY	DESCRIPTION	REV
	1001107974	Ref	DEUTZ TD2011 ENGINE INSTALLATION - WITH SAUER PUMP (WITH GENERATOR AND WITHOUT COLD WEATHER PLUS PACKAGE)	E
1	0100011	AR	Compound, Locking	
2	0100079	AR	Sealant, Pipe	
3	0641410	4	Bolt 1/4 x 1-1/4	
4	0641509	15	Bolt 5/16 x 1-1/8	
5	0641511	1	Bolt 5/16 x 1-3/8	
6	0641605	3	Bolt 3/8 x 5/8	
7	0641610	5	Bolt 3/8 x 1-1/4	
8	0641806	1	Bolt 1/2 x 3/4	
9	0641808	1	Bolt 1/2 x 1	
10	0642010	1	Bolt 5/8 x 1-1/4	
12	0651606	4	Bolt 3/8 x 3/4	
13	1320022	3	Clamp	
14	1320041	2	Clamp	
15	1320187	1	Clamp, Twin	
16	1320190	1	Cover, Clamp	
17	1671121	1	Cover, Generator	
18	1001108617	1	Filter, Pressure	
18	70002231	1	Element, Filter	
19	2120218	1	Filter, High Pressure	
19	2120219	1	Element	
19	70001344	1	O-Ring, Bowl	
19	70006137	1	Seal Kit - Includes O-Ring (Element), O-Ring (Bowl), Back-up Ring (Bowl), Seal Ring (Indicator) and O-Ring (Indicator)	
20	2180348	1	Fitting, Barbed	
21	2220313	1	Fitting, 90 Barbed	
22	2221176	1	Fitting, 90 Elbow	
23	2750532	5 ft/ 1.5m	Hose	
24	2902292	1	Battery Cable Kit	
24A	7027008	1	Cable, Red (To Aux Pump Relay, Battery Positive Terminal and Start Relay)	
24B	7027009	1	Cable, Black (To Aux Pump, Battery Negative Terminal and Ground at Tray Pivot)	
24C	7027010	1	Cable, Red (Aux Pump Relay to Aux Pump)	
24D	7027011	1	Cable, Black (Tray Pivot to Engine Mount)	
24E	7024584	1	Cable, Red (Start Relay to Starter)	
24F	See Note	NSS	Boot, Terminal (Red) (Note: Not Available for Purchase)	
24G	See Note	NSS	Boot, Square Terminal (Red) (Note: Not Available for Purchase)	
25	3311505	15	Nut 5/16	
26	3311605	4	Nut 3/8	
27	3380473	1	Panel, Rubber	
28	3380498	1	Panel	
29	3380723	1	Panel	
30	3422446	1	Pin	
31	3573644	1	Plate, Tray Clamp	
32	3573669	1	Plate, Clamp	
33	3573727	1	Plate, Tray Clamp	
34	3573728	1	Plate, Tray Clamp	

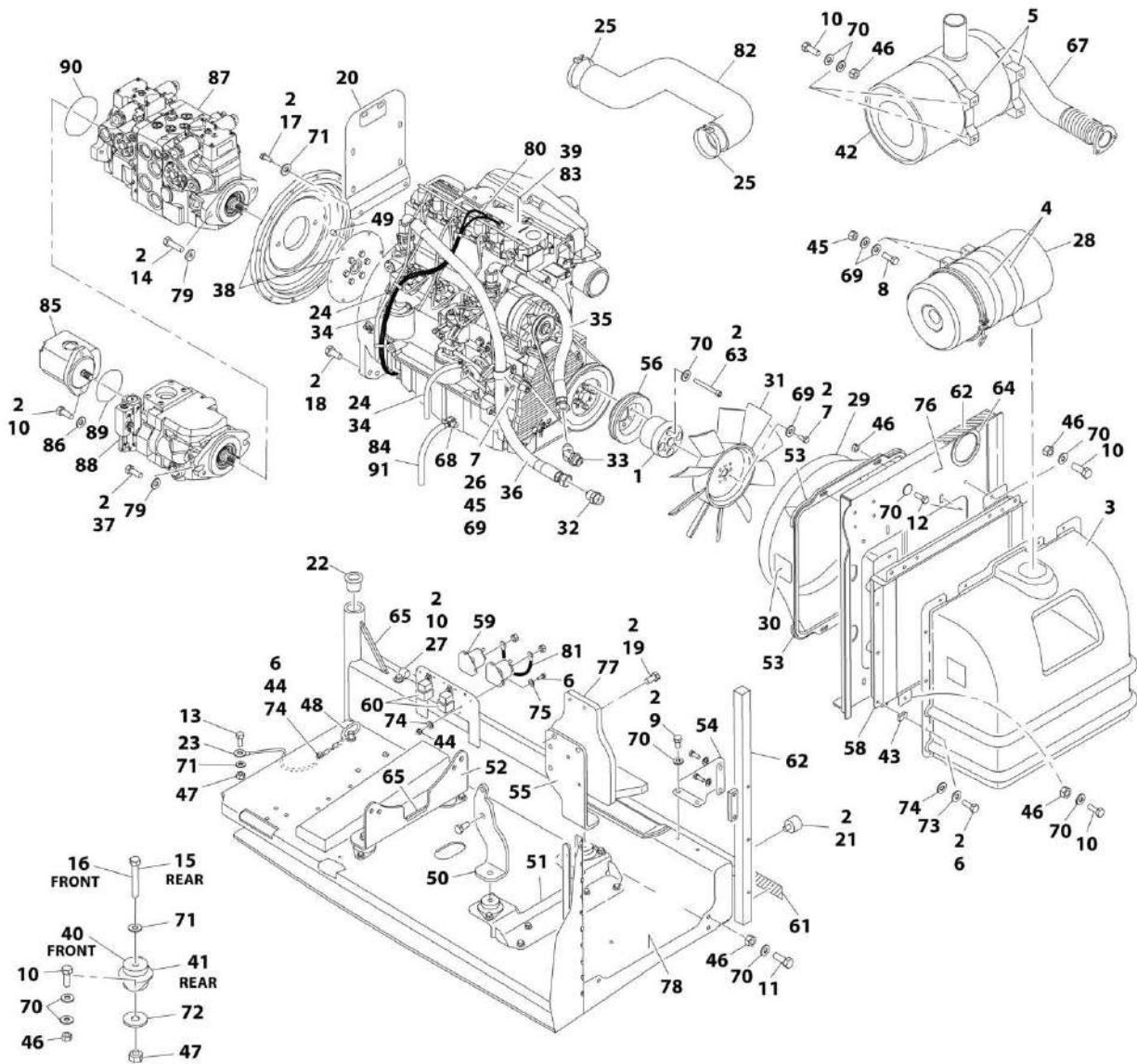
## SECTION 3 - ENGINE

ITEM	PART NUMBER	QTY	DESCRIPTION	REV
35	3574633	1	Plate	
36	3841143	1	Keeper	
37	3900316	10	Screw 3/8 x 1	
38	4240018	2	Strap, Cable Tie (Not Shown)	
39	4240033	AR	Tie, Wire (Not Shown)	
40	4341110	1	Support	
41	4711400	4	Washer 1/4	
42	4711500	30	Washer 5/16	
43	4711600	29	Washer 3/8	
44	4752000	1	Washer 5/8	
45	90028660	1	Clamp	
47	2200222	1	Plug, Fuel Tank (Not Shown) <b>(SN 0300201017 through 0300237152)</b>	
48	0641606	4	Bolt 3/8 x 3/4	



# SECTION 3 - ENGINE

## FIGURE 3-10. DEUTZ TD2011 ENGINE ASSEMBLY - WITH SAUER PUMP (WITH GENERATOR AND WITHOUT COLD WEATHER PLUS PACKAGE)



ART\_1001107973

## SECTION 3 - ENGINE

**FIGURE 3-10. DEUTZ TD2011 ENGINE ASSEMBLY - WITH SAUER PUMP (WITH GENERATOR AND WITHOUT COLD WEATHER PLUS PACKAGE)**

ITEM	PART NUMBER	QTY	DESCRIPTION	REV
	1001107973	Ref	DEUTZ TD2011 ENGINE ASSEMBLY - WITH SAUER PUMP (WITH GENERATOR AND WITHOUT COLD WEATHER PLUS PACKAGE)	I
1	0080244	1	Spacer, Fan	
2	0100011	AR	Compound, Locking	
3	0272060	1	Box, Air Intake	
4	0340003	2	Band, Air Cleaner	
5	0340051	2	Band, Muffler	
6	0641406	15	Bolt 1/4 x 3/4	
7	0641506	5	Bolt 5/16 x 3/4	
8	0641507	4	Bolt 5/16 x 7/8	
9	0641605	4	Bolt 3/8 x 5/8	
10	0641608	27	Bolt 3/8 x 1	
11	0641609	2	Bolt 3/8 x 1-1/8	
12	0641610	4	Bolt 3/8 x 1-1/4	
13	0641808	1	Bolt 1/2 x 1	
14	0641814	2	Bolt 1/2 x 1-3/4	
15	0641818	2	Bolt 1/2 x 2-1/4	
16	0641826	2	Bolt 1/2 x 3-1/4	
17	0711214	2	Bolt M12 x 30	
18	0771414	6	Bolt M14 x 30	
19	0711417	4	Bolt M14 x 45	
20	1001112766	1	Bracket, Muffler	
21	0940070	1	Bumper	
22	0961986	2	Bearing, Flange	
23	1001131542	1	Cable, Lanyard	
24	1320022	2	Clamp	
25	1320058	2	Clamp	
26	1320060	1	Clamp	
27	1320223	1	Clamp	
28	1340065	1	Air Cleaner Assembly	
28	7003655	1	Element, Air Cleaner	
28	7015013	1	Baffle, Rubber	
28	7015014	1	Clamp, Cap	
28	7015015	1	Cup	
28	7015003	1	Wingnut	
29	1671023	1	Shroud, Fan	
30	1703162	2	Decal - Fan Blade	
31	2060025	1	Fan	
32	2220451	1	Fitting, Straight JIC/ORB	
33	2220498	1	Fitting, 45 JIC/ORB	
34	2720058	34 ft/ 10.4m	Hose	
35	2720500	1	Hose	
36	2720501	1	Hose	
37	0761215	2	Bolt M12 x 35	
38	2902065	1	Pump Coupling Kit (See PUMP COUPLING KIT for Breakdown)	
39	3020016	3.25 gal/ 12.3L	Motor Oil, 15W-40	
40	3200362	2	Mount, Motor (Front)	

## SECTION 3 - ENGINE

ITEM	PART NUMBER	QTY	DESCRIPTION	REV
41	3200401	2	Mount, Motor (Rear)	
42	3220126	1	Muffler, Spark Arresting	
43	3300454	10	Nut 1/4	
44	3311405	5	Nut 1/4	
45	3311505	5	Nut 5/16	
46	3311605	30	Nut 3/8	
47	3311805	5	Nut 1/2	
48	3422532	1	Pin, Hitch	
49	3520054	2	Plug	
50	3537416	1	Plate, Mounting (Front Right)	
51	3539971	1	Bracket, Engine Mounting (Front)	
52	3573142	1	Bracket, Engine Mounting (Rear)	
53	3573411	2	Plate, Clamp	
54	3573412	1	Plate, Gusset	
55	3573529	1	Plate, Mounting (Front Left)	
56	3580320	1	Pulley	
58	1001145382	1	Radiator Oil Cooler	
59	3740067	2	Relay	
60	3740080	2	Relay	
61	3960543	1	Seal	
62	3960544	1	Seal	
63	4032022	4	Bolt M10 x 90	
64	4060804	0.98 ft/ 0.3m	Flex-Trim	
65	4060805	0.67 ft/ 0.2m	Flex-Trim	
66	4240099	AR	Tie, Wire (Not Shown)	
67	4568293	1	Tube, Exhaust	
68	4640751	1	Valve, Oil Drain	
69	4711500	13	Washer 5/16	
70	4711600	68	Washer 3/8	
71	4711800	7	Washer 1/2	
72	4740274	4	Washer, Special (Snubbing)	
73	4740518	10	Washer, Nylon	
74	4751400	20	Washer 1/4	
75	4791400	4	Starwasher 1/4	
76	4846552	1	Plate, Oil Cooler Mounting	
77	4846945	1	Mount, Generator	
78	4846946	1	Tray	
79	4891800	4	Washer 1/2	
80	4923468	1	Harness, Glow Plug	
81	4923592	1	Cable, Jumper	
82	1001092856	1	Hose (SN 0300201017 through 0300234289)	
82	1001225118	1	Hose (SN 0300234290 to Present)	
83	1001098601	1	Deutz TD2011 Engine (See DEUTZ TD2011 ENGINE COMPONENTS for Breakdown)	
84	8410013	1	Clamp	
85	1001112927	1	Pump Assembly - Sauer Gear (See PUMP ASSEMBLY (SAUER GEAR) for Breakdown)	
86	4891600	2	Washer 3/8	
87	1001108616	1	Pump Assembly - Sauer Tandem (See PUMP ASSEMBLY (SAUER TANDEM) for Breakdown)	

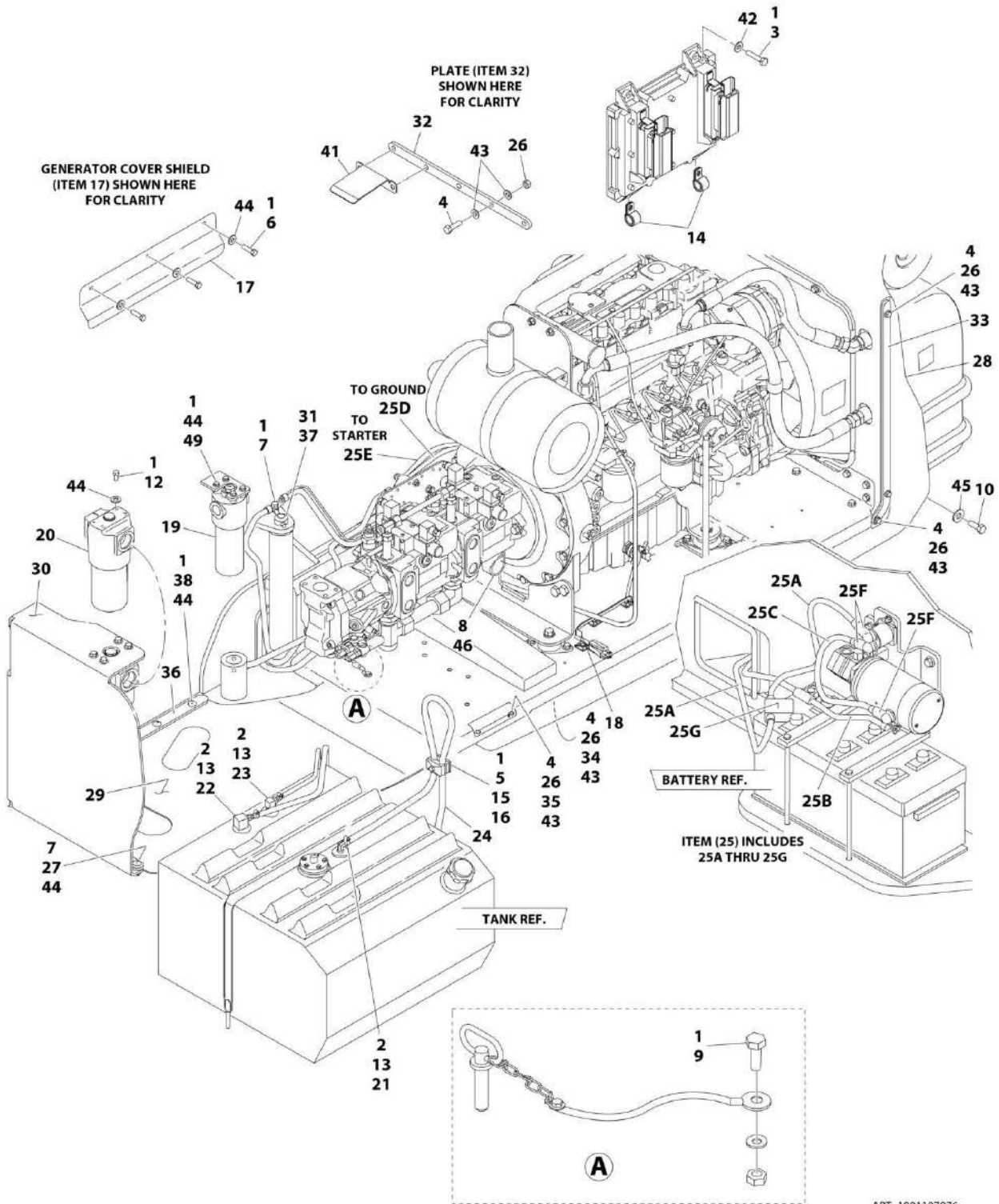


## SECTION 3 - ENGINE

ITEM	PART NUMBER	QTY	DESCRIPTION	REV
88	1001171095	1	Pump Assembly - Sauer Piston (See PUMP ASSEMBLY (SAUER PISTON) for Breakdown)	
89	3790152	1	O-Ring	
90	3790155	1	O-Ring	
91	2750532	0.75 ft/ 0.2m	Hose	

# SECTION 3 - ENGINE

FIGURE 3-11. DEUTZ TD2011 ENGINE INSTALLATION - WITH SAUER PUMP (WITH GENERATOR AND WITH COLD WEATHER PLUS PACKAGE)



ART\_1001107976

## SECTION 3 - ENGINE

**FIGURE 3-11. DEUTZ TD2011 ENGINE INSTALLATION - WITH SAUER PUMP (WITH GENERATOR AND WITH COLD WEATHER PLUS PACKAGE)**

ITEM	PART NUMBER	QTY	DESCRIPTION	REV
	1001107976	Ref	DEUTZ TD2011 ENGINE INSTALLATION - WITH SAUER PUMP (WITH GENERATOR AND WITH COLD WEATHER PLUS PACKAGE)	E
1	0100011	AR	Compound, Locking	
2	0100079	AR	Sealant, Pipe	
3	0641410	4	Bolt 1/4 x 1-1/4	
4	0641509	15	Bolt 5/16 x 1-1/8	
5	0641511	1	Bolt 5/16 x 1-3/8	
6	0641605	3	Bolt 3/8 x 5/8	
7	0641610	5	Bolt 3/8 X 1-1/4	
8	0641806	1	Bolt 1/2 x 3/4	
9	0641808	1	Bolt 1/2 x 1	
10	0642010	1	Bolt 5/8 x 1-1/4	
12	0651606	4	Bolt 3/8 x 3/4	
13	1320022	3	Clamp	
14	1320041	2	Clamp	
15	1320187	1	Clamp, Twin	
16	1320190	1	Cover, Clamp	
17	1671121	1	Cover, Generator	
18	1702942	1	Decal - Engine Block Heater	
19	1001108617	1	Filter, Pressure	
19	70002231	1	Element, Filter	
20	2120218	1	Filter, High Pressure	
20	2120219	1	Element	
20	70001344	1	O-Ring, Bowl	
20	70006137	1	Seal Kit - Includes O-Ring (Element), O-Ring (Bowl), Back-up Ring (Bowl), Seal Ring (Indicator) and O-Ring (Indicator)	
21	2180348	1	Fitting, Barbed	
22	2220313	1	Fitting, 90 Barbed	
23	2221176	1	Fitting, 90	
24	2750532	5 ft/ 1.5m	Hose	
25	2902292	1	Battery Cable Kit	
25A	7027008	1	Cable, Red (To Aux Pump Relay, Battery Positive Terminal and Start Relay)	
25B	7027009	1	Cable, Black (To Aux Pump, Battery Negative Terminal and Ground at Tray Pivot)	
25C	7027010	1	Cable, Red (Aux Pump Relay to Aux Pump)	
25D	7027011	1	Cable, Black (Tray Pivot to Engine Mount)	
25E	7024584	1	Cable, Red (Start Relay to Starter)	
25F	See Note	NSS	Boot, Terminal (Red) (Note: Not Available for Purchase)	
25G	See Note	NSS	Boot, Square Terminal (Red) (Note: Not Available for Purchase)	
26	3311505	15	Nut 5/16	
27	3311605	4	Nut 3/8	
28	3380473	1	Panel, Rubber	
29	3380498	1	Panel	
30	3380723	1	Panel	
31	3422446	1	Pin	
32	3573644	1	Plate, Tray Clamp	
33	3573669	1	Plate, Clamp	
34	3573727	1	Plate, Tray Clamp	

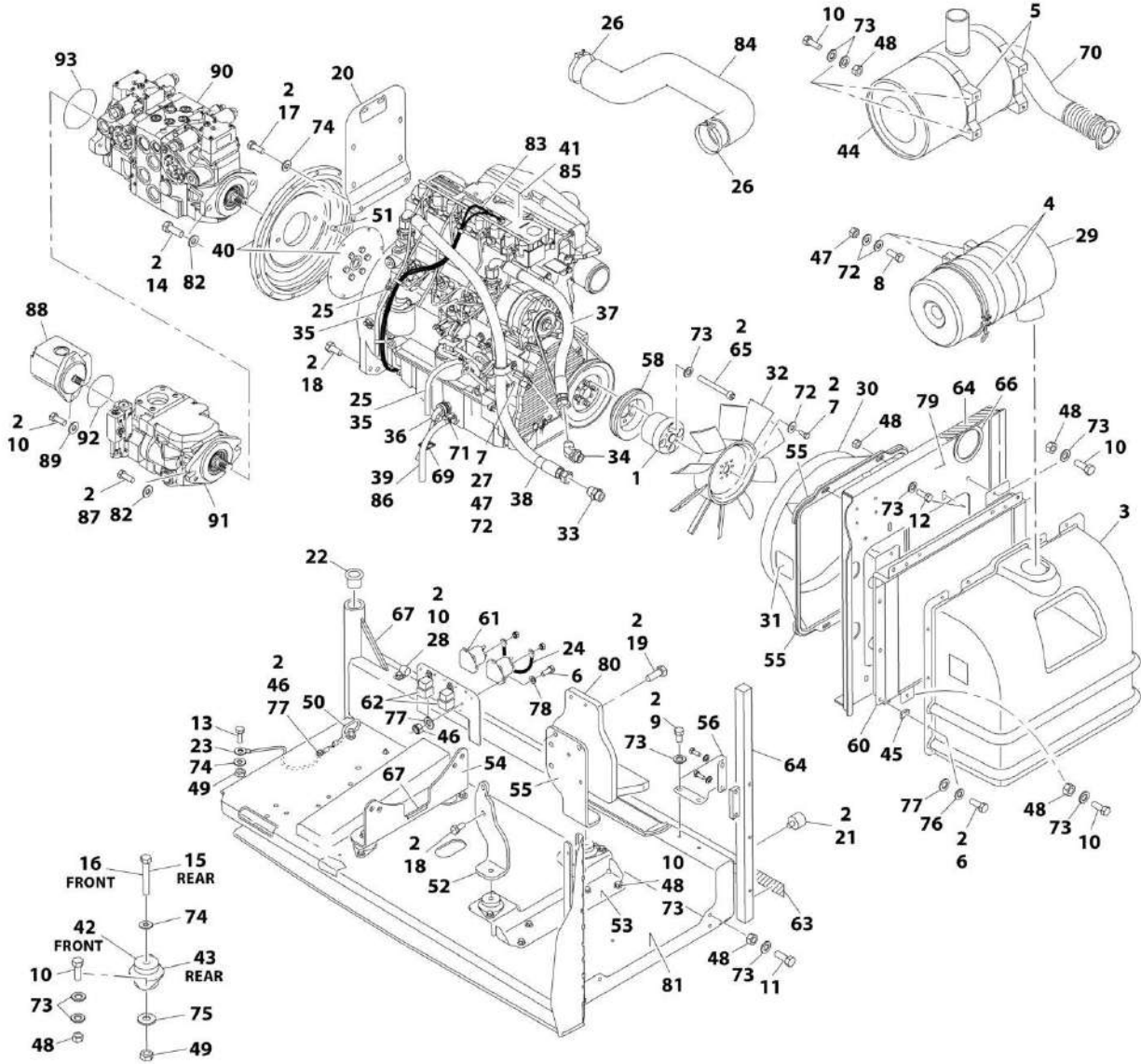
## SECTION 3 - ENGINE

ITEM	PART NUMBER	QTY	DESCRIPTION	REV
35	3573728	1	Plate, Tray Clamp	
36	3574633	1	Plate	
37	3841143	1	Keeper, Pin	
38	3900316	10	Screw 3/8 x 1	
39	4240018	2	Strap, Cable Tie (Not Shown)	
40	4240033	AR	Tie, Wire (Not Shown)	
41	4341110	1	Support	
42	4711400	4	Washer 1/4	
43	4711500	30	Washer 5/16	
44	4711600	29	Washer 3/8	
45	4752000	1	Washer 5/8	
46	90028660	1	Clamp	
48	2200222	1	Plug, Fuel Tank (Not Shown) <b>(SN 0300201017 through 0300237152)</b>	
49	0641606	4	Bolt 3/8 x 3/4	



# SECTION 3 - ENGINE

## FIGURE 3-12. DEUTZ TD2011 ENGINE ASSEMBLY - WITH SAUER PUMP (WITH GENERATOR AND WITH COLD WEATHER PLUS PACKAGE)



ART\_1001107975

## SECTION 3 - ENGINE

**FIGURE 3-12. DEUTZ TD2011 ENGINE ASSEMBLY - WITH SAUER PUMP (WITH GENERATOR AND WITH COLD WEATHER PLUS PACKAGE)**

ITEM	PART NUMBER	QTY	DESCRIPTION	REV
	1001107975	Ref	DEUTZ TD2011 ENGINE ASSEMBLY - WITH SAUER PUMP (WITH GENERATOR AND WITH COLD WEATHER PLUS PACKAGE)	I
1	0080244	1	Spacer, Fan	
2	0100011	AR	Compound, Locking	
3	0272060	1	Box, Air Intake	
4	0340003	2	Band, Air Cleaner	
5	0340051	2	Band, Muffler	
6	0641406	15	Bolt 1/4 x 3/4	
7	0641506	5	Bolt 5/16 x 3/4	
8	0641507	4	Bolt 5/16 x 7/8	
9	0641605	4	Bolt 3/8 x 5/8	
10	0641608	27	Bolt 3/8 x 1	
11	0641609	2	Bolt 3/8 x 1-1/8	
12	0641610	4	Bolt 3/8 x 1-1/4	
13	0641808	1	Bolt 1/2 x 1	
14	0641814	2	Bolt 1/2 x 1-3/4	
15	0641818	2	Bolt 1/2 x 2-1/4	
16	0641826	2	Bolt 1/2 x 3-1/4	
17	0711214	2	Bolt M12 x 30	
18	0771414	6	Bolt M14 x 30	
19	0711417	4	Bolt M14 x 45	
20	1001112766	1	Bracket, Muffler	
21	0940070	1	Bumper	
22	0961986	2	Bearing, Flange	
23	1001131542	1	Cable, Lanyard	
24	1060904	1	Cable, Jumper	
25	1320022	2	Clamp	
26	1320058	2	Clamp	
27	1320060	1	Clamp	
28	1320223	1	Clamp	
29	1340065	1	Air Cleaner Assembly	
29	7003655	1	Element, Air Cleaner	
29	7015013	1	Baffle, Rubber	
29	7015014	1	Clamp, Cap	
29	7015015	1	Cup	
29	7015003	1	Wingnut	
30	1671023	1	Shroud, Fan	
31	1703162	2	Decal - Fan Blade	
32	2060025	1	Fan	
33	2220451	1	Fitting, Straight JIC/ORB	
34	2220498	1	Fitting, 45 JIC/ORB	
35	2720058	34 ft/ 10.4m	Hose	
36	2580062	1	Heater, Engine Block	
37	2720500	1	Hose	
38	2720501	1	Hose	
39	2750532	0.75 ft/ 0.2m	Hose	
40	2902065	1	Pump Coupling Kit (See PUMP COUPLING KIT for Breakdown)	

## SECTION 3 - ENGINE

ITEM	PART NUMBER	QTY	DESCRIPTION	REV
41	3020044	3.25 gal/ 12.3L	Oil, Engine	
42	3200362	2	Mount, Motor (Front)	
43	3200401	2	Mount, Motor (Rear)	
44	3220126	1	Muffler, Spark Arresting	
45	3300454	10	Nut 1/4	
46	3311405	5	Nut 1/4	
47	3311505	5	Nut 5/16	
48	3311605	30	Nut 3/8	
49	3311805	5	Nut 1/2	
50	3422532	1	Pin, Hitch	
51	3520054	2	Plug	
52	3537416	1	Plate, Mounting (Front Right)	
53	3539971	1	Bracket, Engine Mounting (Front)	
54	3573142	1	Bracket, Engine Mounting (Rear)	
55	3573411	2	Plate, Clamp	
56	3573412	1	Plate, Gusset	
57	3573529	1	Plate, Engine Mounting (Front Left)	
58	3580320	1	Pulley	
60	1001145382	1	Radiator Oil Cooler	
61	3740067	2	Relay	
62	3740080	2	Relay	
63	3960543	1	Seal	
64	3960544	1	Seal	
65	4032022	4	Bolt M10 x 90	
66	4060804	0.98 ft/ 0.3m	Flex-Trim	
67	4060805	0.67 ft/ 0.2m	Flex-Trim	
68	4240099	AR	Tie, Wire (Not Shown)	
69	4460234	3	Terminal, Mount Cable Tie	
70	4568293	1	Tube, Exhaust	
71	4640751	1	Valve, Oil Drain	
72	4711500	13	Washer 5/16	
73	4711600	68	Washer 3/8	
74	4711800	7	Washer 1/2	
75	4740274	4	Washer, Special (Snubbing)	
76	4740518	10	Washer, Nylon	
77	4751400	20	Washer 1/4	
78	4791400	4	Starwasher 1/4	
79	4846552	1	Plate, Oil Cooler Mounting	
80	4846945	1	Mount, Generator	
81	4846946	1	Tray	
82	4891800	4	Washer 1/2	
83	4923468	1	Harness, Glow Plug	
84	1001092856	1	Hose (SN 0300201017 through 0300234289)	
84	1001225118	1	Hose (SN 0300234290 to Present)	
85	1001098601	1	Deutz TD2011 Engine (See DEUTZ TD2011 ENGINE COMPONENTS for Breakdown)	
86	8410013	1	Clamp	
87	0761215	2	Bolt M12 x 35	
88	1001112927	1	Pump Assembly - Sauer Gear (See PUMP ASSEMBLY (SAUER	



## SECTION 3 - ENGINE

ITEM	PART NUMBER	QTY	DESCRIPTION	REV
89	4891600	2	GEAR) for Breakdown) Washer 3/8	
90	1001108616	1	Pump Assembly - Sauer Tandem (See PUMP ASSEMBLY (SAUER TANDEM) for Breakdown)	
91	1001171095	1	Pump Assembly - Sauer Piston (See PUMP ASSEMBLY (SAUER PISTON) for Breakdown)	
92	3790152	1	O-Ring	
93	3790155	1	O-Ring	



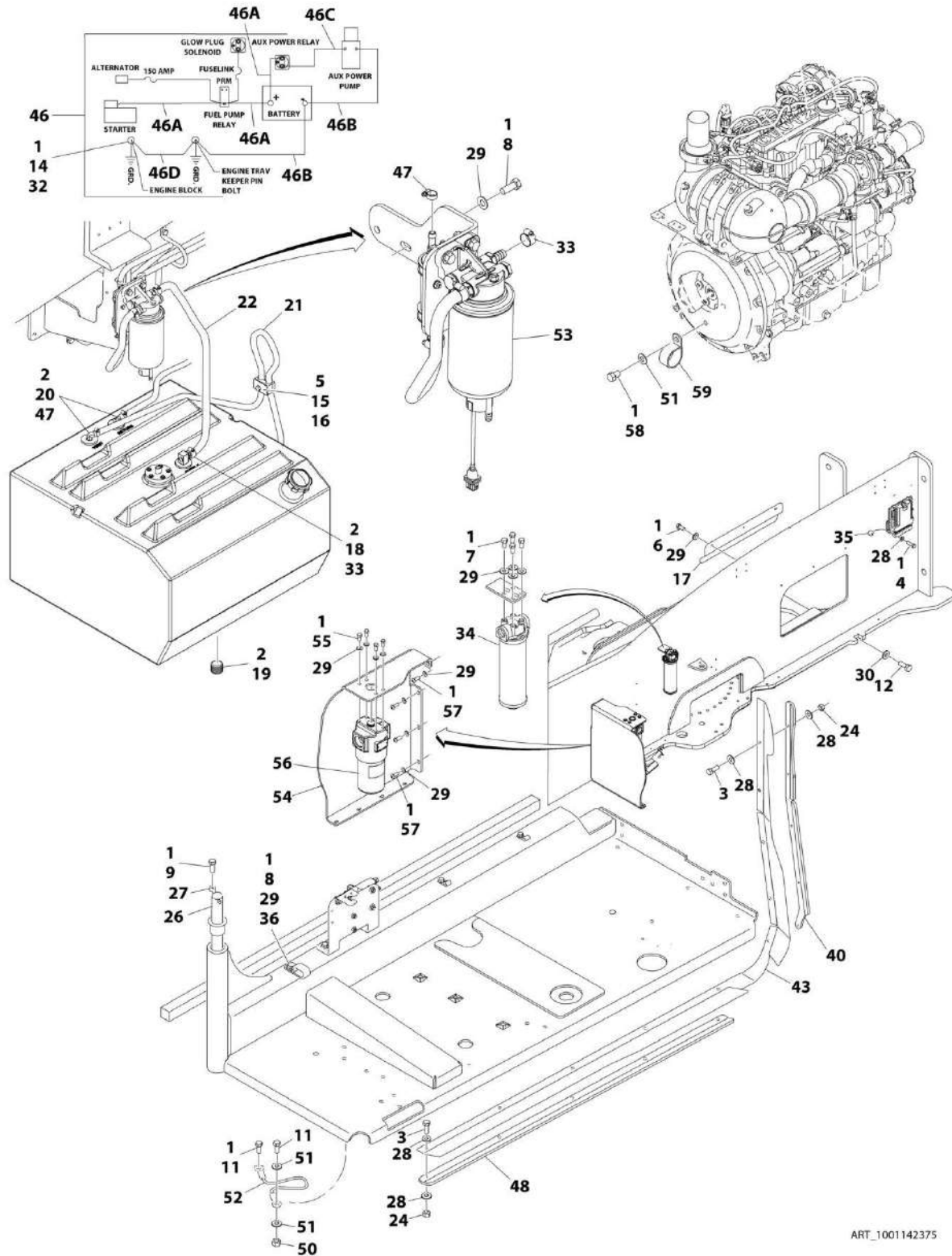
## SECTION 3 - ENGINE

### FIGURE 3-13. DEUTZ TD2011 ENGINE COMPONENTS

ITEM	PART NUMBER	QTY	DESCRIPTION	REV
	1001098601	Ref	DEUTZ TD2011 ENGINE COMPONENTS	C
1	7027235	1	Dipstick	
1	70000044	1	O-Ring	
2	70003475	1	Thermostat	
2	7020460	1	Compression Spring	
3	70001870	1	Flywheel (Not Shown)	
3	7024579	1	Gear, Ring (Not Shown)	
4	7020465	1	Cap, Filler	
5	70001850	1	Pump, Oil	
5	7020468	1	Seal Between Oil Pump and Engine Block (Not Shown)	
6	7016331	1	Filter, Oil	
6	7027236	1	Sender, Temperature (Located near Oil Filter)	
8		Ref	Injector Pump	
8	70001128	AR	"A" Series	
8	70001129	AR	"B" Series	
8	70001130	AR	"C" Series	
8	70001131	AR	"D" Series	
8	7020447	AR	Gasket (1 per Injector)	
9	8320270	1	Filter, Fuel	
10	70000916	1	Pump Fuel Supply	
10	70001435	1	Repair Kit	
10	70000917	1	O-Seal Between Fuel Pump and Engine Block (Not Shown)	
10	70000918	1	Sealing Ring (Not Shown)	
10	70000919	1	Pump, Hand (Not Shown)	
11	7027239	1	Solenoid, Start (Not Shown - Located near Throttle)	
12	7020414	1	V-Belt	
13	7020471	4	Gasket, Exhaust Manifold to Engine Block (Not Shown)	
13	7020486	1	Gasket, Exhaust Manifold to Exhaust Pipe (Not Shown)	
14	7027240	1	Turbocharger (Not Shown)	
14	70001857	1	Flange, Turbocharger (Not Shown)	
14	70001135	1	Gasket (Not Shown)	
15	70001867	1	Alternator	
15	70001868	1	Regulator, Voltage (Not Shown)	
16	7020479	1	Starter (Not Shown - Located on Right Side of Engine)	
16	7026608	1	Relay, Start (Not Shown)	
17	7027790	1	Sensor, Oil Pressure	
18	7027791	1	Sensor, Temperature (Not Shown)	
19	7024565	1	Sensor, Speed	
20	7027792	1	Actuator Throttle	
20	7027276	2	Spring	
21	1600443	1	Module, EMR2 Controller	
22	70002718	1	Seal, Rear Main (Not Shown)	
23	70003135	4	Injector, Fuel	
23	70003136	1	Ring, Sealing	
24	70001847	1	Valve, Breather (Located - Front Cover) (Not Shown)	
24	70001126	1	O-Ring (Not Shown)	
25	70001125	1	Cap, Breather (Located In Cylinder Head Cover) (Not Shown)	
25	70001126	1	O-Ring (Not Shown)	
26	70001871	4	Gasket, Air Intake Manifold (Not Shown)	
27	70000345	4	Plug, Glow (Not Shown)	

# SECTION 3 - ENGINE

FIGURE 3-14. DEUTZ TCD2.9L4 ENGINE INSTALLATION - WITH REXROTH PUMP (WITHOUT COLD WEATHER PLUS PACKAGE)



ART\_1001142375

## SECTION 3 - ENGINE

**FIGURE 3-14. DEUTZ TCD2.9L4 ENGINE INSTALLATION - WITH REXROTH PUMP (WITHOUT COLD WEATHER PLUS PACKAGE)**

ITEM	PART NUMBER	QTY	DESCRIPTION	REV
	1001142375	Ref	DEUTZ TCD2.9L4 ENGINE INSTALLATION - WITH REXROTH PUMP (WITHOUT COLD WEATHER PLUS PACKAGE)	J
1	0100011	AR	Compound, Locking	
2	0100079	AR	Sealant, Pipe	
3	0641408	10	Bolt 1/4 x 1	
4	0641410	4	Bolt 1/4 x 1-1/4	
5	0641511	1	Bolt 5/16 x 1-3/8	
6	0641605	3	Bolt 3/8 x 5/8	
7	0641606	4	Bolt 3/8 x 3/4	
8	0641608	3	Bolt 3/8 x 1	
9	0641610	1	Bolt 3/8 x 1-1/4	
11	0641808	2	Bolt 1/2 x 1	
12	0642010	1	Bolt 5/8 x 1-1/4	
14	0761210	1	Bolt M12 x 20	
15	1320187	1	Clamp	
16	1320190	1	Cover, Clamp	
17	1671121	1	Cover	
18	2180832	1	Fitting, Barbed	
19	2200222	1	Plug, Pipe (SN 0300201017 through 0300227047)	
20	2220313	2	Fitting, 90 Barbed	
21	1001165035	4.5 ft/ 1.4m	Hose (SN 0300201017 through 0300227047)	
21	2750532	5 ft/ 1.5m	Hose (SN 0300227048 to Present)	
22	1001154405	1.9 ft/ 0.6m	Hose	
24	3311405	10	Nut 1/4	
26	3422446	1	Pin, Pivot	
27	3841143	1	Pin, Keeper	
28	4711400	24	Washer 1/4	
29	4711600	19	Washer 3/8	
30	4752000	1	Washer 5/8	
32	4812100	1	Washer M12	
33	8405006	2	Clamp	
34	1001108617	1	Hydraulic Pressure Filter Assembly	
34	70002231	1	Element, Filter	
35	1001110425	4	Spacer	
36	1001116792	1	Clamp	
38	1001138491	NLA	Harness, Fuel (Use p/n 1001222665) (Not Shown - See ELECTRICAL SECTION for Breakdown)	
40	1001145089	1	Clamp	
43	1001145560	1	Panel, Rubber	
46	1001142610	1	Battery Cable Kit	
46A	7027046	1	Cable, Battery (Red) (Battery + to Relays and Starter)	
46A	See Note	NSS	Boot, Ring Terminal (Red) (Note: Not Available - Purchase Locally)	
46B	7027047	1	Cable, Battery (Black) (Battery - to Tray Pivot Grd) and Aux Pump	
46B	See Note	NSS	Boot, Ring Terminal (Black) (Note: Not Available - Purchase Locally)	
46C	7027048	1	Cable (Red) (Aux Relay to Aux Pump)	

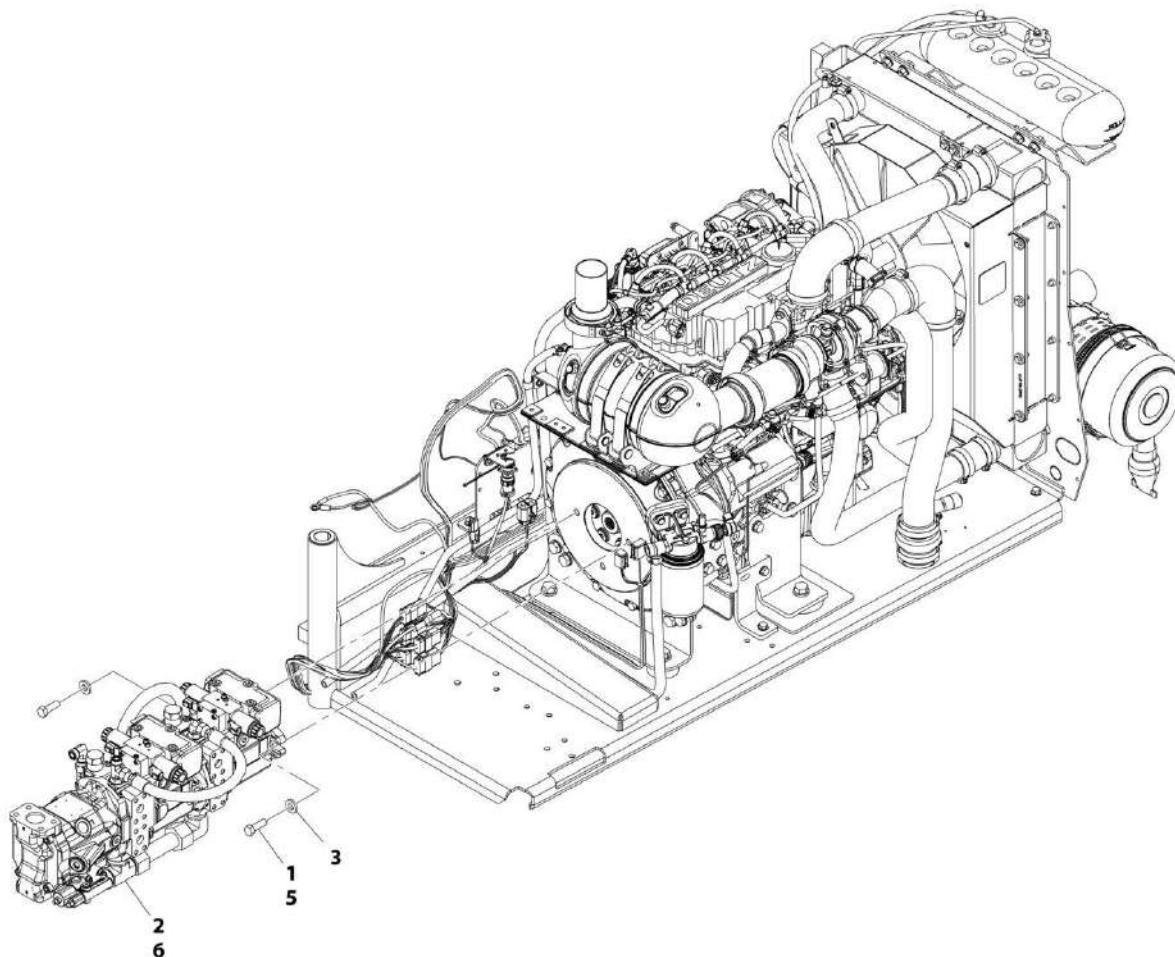
## SECTION 3 - ENGINE

ITEM	PART NUMBER	QTY	DESCRIPTION	REV
46C	See Note	NSS	Boot, Ring Terminal (Red) (Note: Not Available - Purchase Locally)	
46D	7027049	1	Cable, Battery (Black) (Engine to Tray Pivot Grd)	
47	1320022	3	Clamp	
48	1001145842	1	Plate, Clamping	
50	3311805	1	Nut 1/2	
51	4711800	3	Washer 1/2	
52	1001131542	1	Lanyard	
53	1001165101	1	Bracket, Fuel Pump Filter Assembly (See FUEL PUMP/FILTER BRACKET ASSEMBLY - DEUTZ TCD2.9L4 ENGINES for Breakdown)	
54	3380723	1	Panel, Noise Reduction	
55	0651606	4	Bolt 3/8 x 3/4	
56	2120218	1	Filter, High Pressure	
56	2120219	1	Element, Filter	
56	70001344	1	O-Ring, Bowl	
56	70006137	1	Seal Kit - Includes O-Ring (Element), O-Ring (Bowl), Back-up Ring (Bowl), Seal Ring (Indicator) and O-Ring (Indicator)	
57	3900316	5	Screw 3/8 x 1	
58	0641806	1	Bolt 1/2 x 3/4	
59	90028660	1	Clamp	



## SECTION 3 - ENGINE

FIGURE 3-15. DEUTZ TCD2.9L4 ENGINE SUB-ASSEMBLY - WITH REXROTH PUMP (WITHOUT COLD WEATHER PLUS PACKAGE)



ART\_1001141812



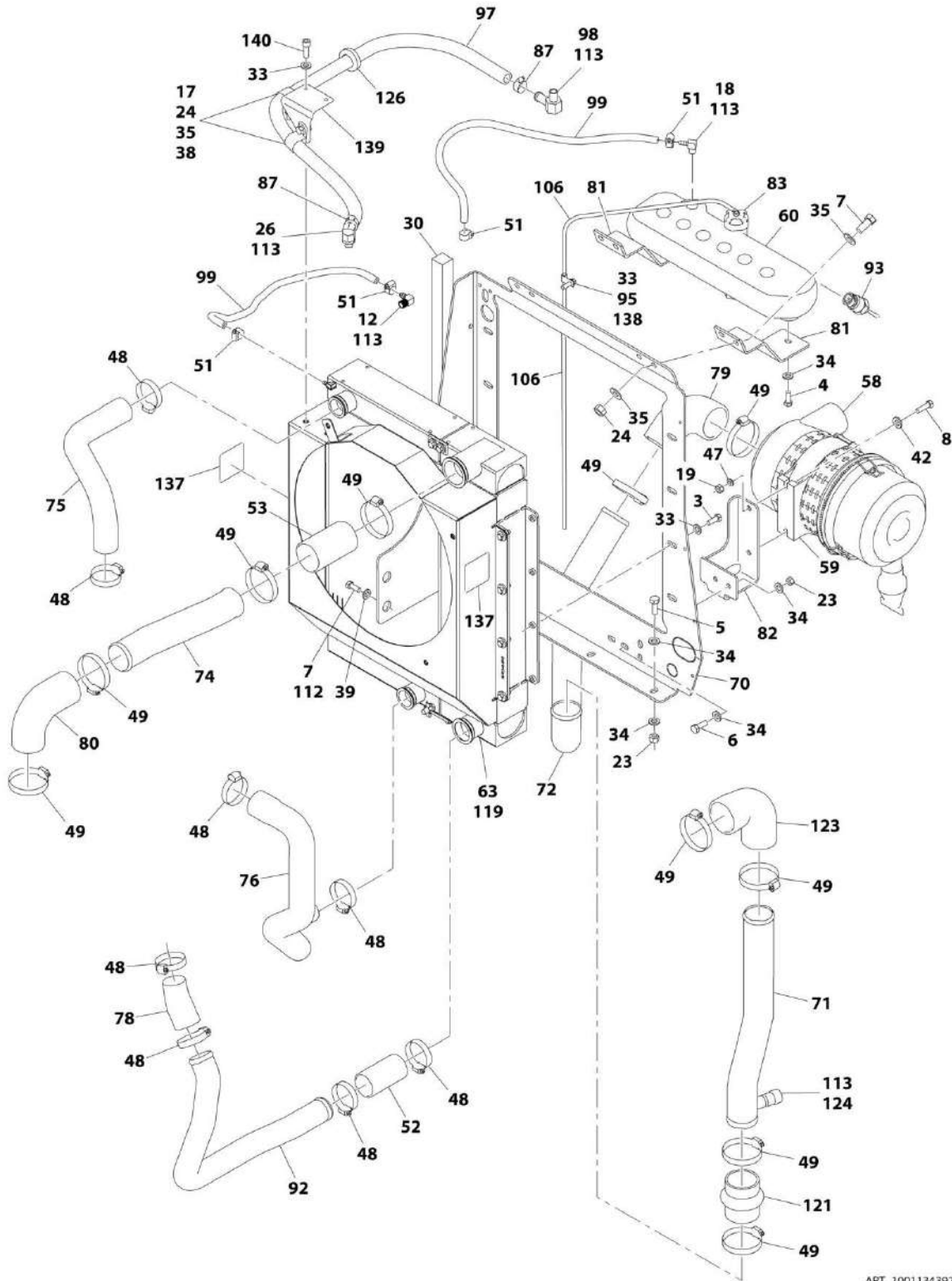
## SECTION 3 - ENGINE

**FIGURE 3-15. DEUTZ TCD2.9L4 ENGINE SUB-ASSEMBLY - WITH REXROTH PUMP (WITHOUT COLD WEATHER PLUS PACKAGE)**

ITEM	PART NUMBER	QTY	DESCRIPTION	REV
	1001141812	Ref	DEUTZ TCD2.9L4 ENGINE SUB-ASSEMBLY - WITH REXROTH PUMP (WITHOUT COLD WEATHER PLUS PACKAGE)	Z
1	0641812	2	Bolt 1/2 x 1-1/2	
2	3020037	AR	Grease, Pump Coupling	
3	4891800	2	Washer 1/2	
5	0100011	AR	Compound, Locking	
6	1001152963	1	Pump Assembly - Rexroth (See PUMP ASSEMBLY (REXROTH) DEUTZ TCD2.9L4 ENGINES for Breakdown)	

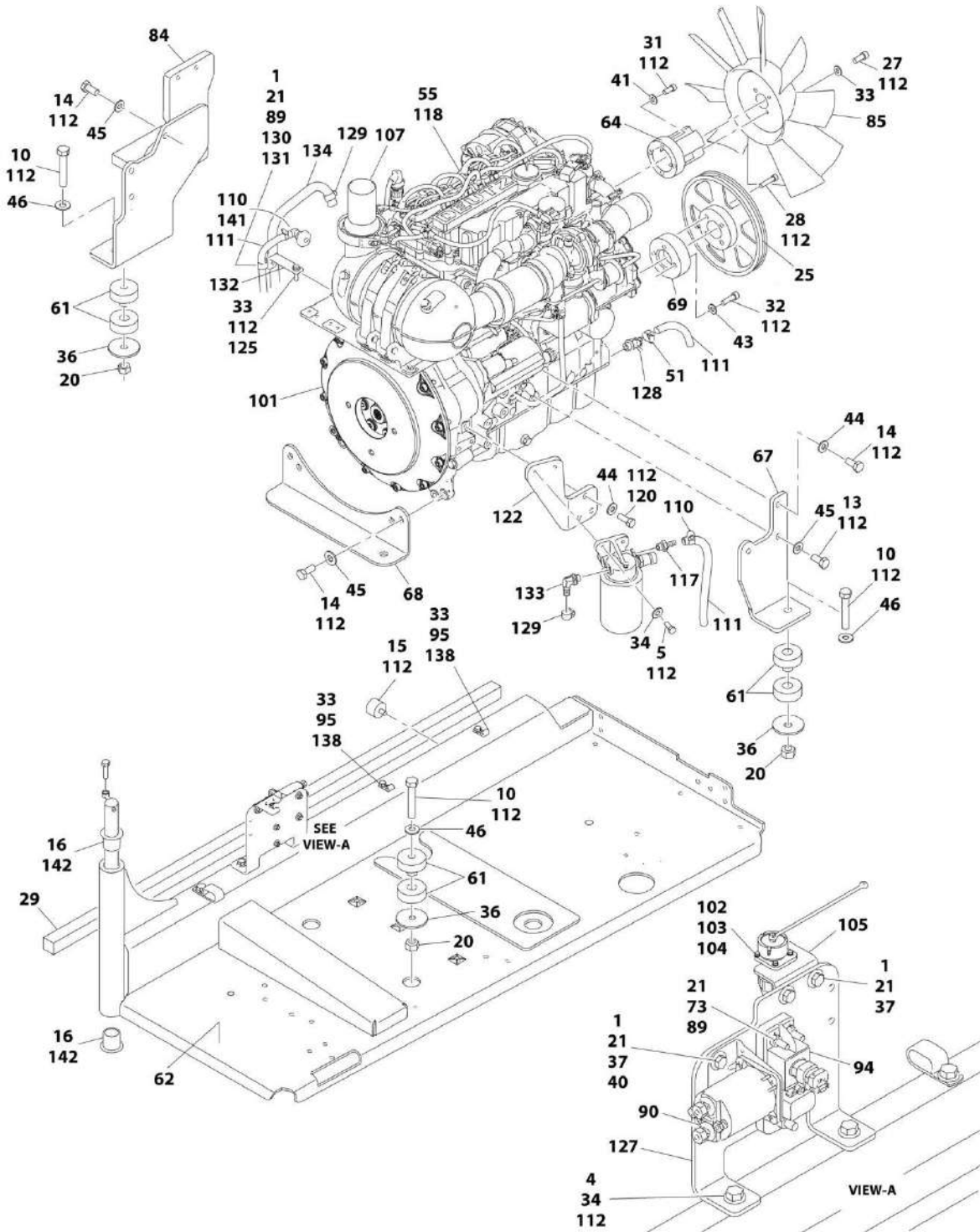
# SECTION 3 - ENGINE

## FIGURE 3-16. DEUTZ TCD2.9L4 ENGINE ASSEMBLY - WITH REXROTH PUMP (WITHOUT COLD WEATHER PLUS PACKAGE)



ART\_1001134392\_10F2

# SECTION 3 - ENGINE



ART\_1001134392\_20F2

## SECTION 3 - ENGINE

**FIGURE 3-16. DEUTZ TCD2.9L4 ENGINE ASSEMBLY - WITH REXROTH PUMP (WITHOUT COLD WEATHER PLUS PACKAGE)**

ITEM	PART NUMBER	QTY	DESCRIPTION	REV
	1001134392	Ref	DEUTZ TCD2.9L4 ENGINE ASSEMBLY - WITH REXROTH PUMP (WITHOUT COLD WEATHER PLUS PACKAGE)	AH
1	0641406	5	Bolt 1/4 x 3/4	
3	0641508	8	Bolt 5/16 x 1	
4	0641606	5	Bolt 3/8 x 3/4	
5	0641608	9	Bolt 3/8 x 1	
6	0641610	2	Bolt 3/8 x 1-1/4	
7	0641708	6	Bolt 7/16 x 1	
8	0700815	2	Bolt M8 x 35	
10	0682028	4	Bolt 5/8 x 3-1/2 Grade 8	
12	1001140564	1	Fitting, 90 Barbed	
13	0771212	1	Bolt M12 x 25 Grade 10.9	
14	0771414	9	Bolt M14 x 30 Grade 10.9	
15	0940070	1	Bumper	
16	0961986	2	Bushing, Flanged	
17	0641706	2	Bolt 7/16 x 3/4	
18	1001134488	1	Fitting, 90 Barbed	
19	3290801	2	Nut M8	
20	3272001	4	Nut 5/8 Grade 8	
21	3311405	6	Nut 1/4	
23	3311605	9	Nut 3/8	
24	3311705	5	Nut 7/16	
25	3580320	1	Pulley	
26	1001141719	1	Fitting, 90 Barbed	
27	3931512	4	Capscrew 5/16 x 3/4	
28	3931628	4	Capscrew 3/8 x 1-3/4	
29	3960543	1	Seal	
30	3960544	1	Seal	
31	4031914	4	Bolt M8 x 50	
32	4032014	4	Bolt M10 x 50	
33	4711500	19	Washer 5/16	
34	4711600	25	Washer 3/8	
35	4711700	10	Washer 7/16	
36	1001146219	4	Washer Special	
37	4751400	8	Washer 1/4	
38	8406302	2	Clamp	
39	4751700	2	Washer 7/16	
40	4791400	2	Starwasher 1/4	
41	4811900	4	Washer M8	
42	4811902	2	Washer M8	
43	4812000	4	Washer M10	
44	4812100	4	Washer M12	
45	4812200	9	Washer M14	
46	4892000	4	Washer 5/8	
47	4831900	2	Washer M8	
48	8405201	8	Clamp	
49	8405204	10	Clamp	
51	8410013	5	Clamp	
52	91563070	1	Coupling, Rubber	

## SECTION 3 - ENGINE

ITEM	PART NUMBER	QTY	DESCRIPTION	REV
53	1001114495	1	Hose	
55	1001128947	1	Engine, Deutz TCD2.9L4 (See DEUTZ TCD2.9L4 ENGINE COMPONENTS for Breakdown)	
58	1001133633	1	Air Cleaner Assembly	
58	70024190	1	Element, Air Filter	
59	1001133634	1	Clamp	
60	1001166393	1	Tank, Surge	
61	1001155575	4	Mount, Motor	
62	1001134485	NLA	Tray (Use p/n 1001191272) <b>(SN 0300201017 through 0300230054)</b>	
62	1001191272	1	Tray <b>(SN 0300230055 to Present)</b>	
63	1001135090	1	Radiator	
64	1001135138	1	Spacer, Fan	
67	1001135560	1	Support, Engine	
68	1001135562	1	Support, Engine - Rear	
69	1001135679	1	Spacer, Pulley	
70	1001135680	1	Support, Radiator	
71	1001135901	1	Pipe, Air Intake	
72	1001135903	1	Pipe, Air Intake	
73	3931432	1	Capscrew 1/4 x 2	
74	1001135914	1	Pipe, Air Cleaner to Intake	
75	1001135924	1	Hose, Radiator (Upper)	
76	1001135926	1	Hose, Radiator (Lower)	
78	1001135943	1	Coupling, Rubber	
79	1001135946	1	Elbow, Rubber	
80	1001136292	1	Pipe, 90	
81	1001136626	2	Bracket	
82	1001136665	1	Bracket	
83	1001136834	1	Cap, Tank	
84	1001142398	1	Support, Engine	
85	1001137276	1	Fan	
87	8405007	2	Clamp	
89	4711400	3	Washer 1/4	
90	1001117308	1	Relay	
92	1001135913	1	Pipe, Turbo to Air Cleaner	
93	1001138827	1	Sensor, Coolant Level	
94	1001138228	1	Module, Power	
94	70023592	1	Fuse 20Amp (Switched Output)	
94	70023593	1	Fuse 30Amp (Battery Output)	
95	1001138253	5	Clamp	
96	1001138346	1	Harness, Engine (Not Shown - See ELECTRICAL SECTION for Breakdown)	
97	1001138524	1	Hose	
98	1001138559	1	Fitting, 90	
99	2720015	4.5 ft/ 1.4m	Hose	
101	2902065	1	Pump Coupling Kit (See PUMP COUPLING KIT for Breakdown)	
102	3310401	3	Nut #4	
103	3910408	3	Screw #4 x 1/2	
104	4710400	3	Washer #4	
105	1001139240	1	Bracket	
106	1001138248	4 ft /1.2m	Tubing	

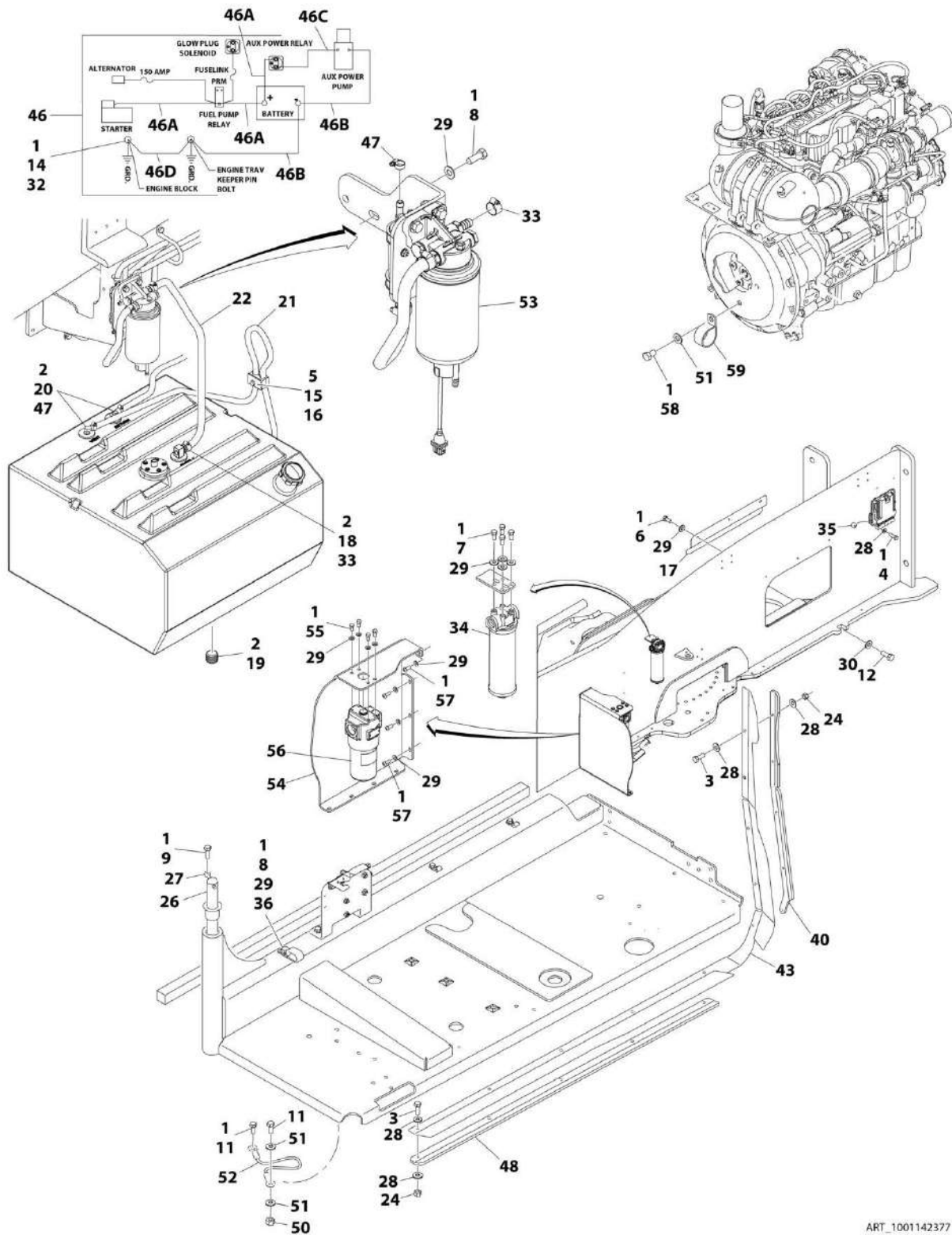
## SECTION 3 - ENGINE

ITEM	PART NUMBER	QTY	DESCRIPTION	REV
107	1001153024	1	Pipe, Exhaust	
110	1320022	2	Clamp	
111	1001165035	30.5 ft/ 9.3m	Hose	
112	0100011	AR	Compound, Locking	
113	0100020	AR	Sealant	
114	1001141304	1	Wire, Glow Plug (Not Shown)	
115	1001135779	1	Cable, Alternator Positive (Not Shown)	
117	1001141717	1	Fitting, Straight	
118	1001136079	2.4 gal /9L	Oil, Motor	
119	2300004	3.2 gal/ 12.1L	Anti-freeze	
120	0761214	3	Bolt M12 x 30	
121	1001142637	1	Hose, Hump	
122	1001142685	1	Bracket	
123	1001165820	1	Pipe, Elbow	
124	1001143390	1	Indicator, Air Filter Service	
125	0760810	2	Bolt M8 x 20	
126	1001144089	1	Grommet	
127	1001145154	1	Plate, Mounting	
128	4640751	1	Valve, Oil Drain	
129	8405006	2	Clamp	
130	8406102	AR	Clip	
131	8406112	1	Clip	
132	1001138717	1	Bracket	
133	1001142501	1	Fitting, 90 Barbed	
134	1001154405	5 ft/1.5m	Hose	
135	1001148843	1	Harness, Fuel Filter (Not Shown - See ELECTRICAL SECTION for Breakdown)	
137	1703162	2	Decal - Fan	
138	0641503	3	Bolt 5/16 x 3/8	
139	1001153387	1	Plate	
140	3931508	2	Capscrew 5/16 x 1/2	
141	1001155823	1	Coupling	
142	0100062	AR	Adhesive, Loctite #680	
143	4240099	AR	Tie-Strap (Not Shown)	



# SECTION 3 - ENGINE

FIGURE 3-17. DEUTZ TCD2.9L4 ENGINE INSTALLATION - WITH REXROTH PUMP (WITH COLD WEATHER PLUS PACKAGE)



ART\_1001142377



## SECTION 3 - ENGINE

**FIGURE 3-17. DEUTZ TCD2.9L4 ENGINE INSTALLATION - WITH REXROTH PUMP (WITH COLD WEATHER PLUS PACKAGE)**

ITEM	PART NUMBER	QTY	DESCRIPTION	REV
	1001142377	Ref	DEUTZ TCD2.9L4 ENGINE INSTALLATION - WITH REXROTH PUMP (WITH COLD WEATHER PLUS PACKAGE)	L
1	0100011	AR	Compound, Locking	
2	0100079	AR	Sealant, Pipe	
3	0641408	10	Bolt 1/4 x 1	
4	0641410	4	Bolt 1/4 x 1-1/4	
5	0641511	1	Bolt 5/16 x 1-3/8	
6	0641605	3	Bolt 3/8 x 5/8	
7	0641606	4	Bolt 3/8 x 3/4	
8	0641608	3	Bolt 3/8 x 1	
9	0641610	1	Bolt 3/8 x 1-1/4	
11	0641808	AR	Bolt 1/2 x 1	
12	0642010	1	Bolt 5/8 x 1-1/4	
14	0761210	1	Bolt M12 x 20	
15	1320187	1	Clamp	
16	1320190	1	Cover, Clamp	
17	1671121	1	Cover	
18	2180832	1	Fitting, Barbed	
19	2200222	1	Plug, Pipe (SN 0300201017 through 0300227047)	
20	2220313	2	Fitting, 90 Barbed	
21	1001165035	4.5 ft/ 1.4m	Hose (SN 0300201017 through 0300227047)	
21	2750532	5 ft/ 1.5m	Hose (SN 0300227048 to Present)	
22	1001154405	1.9 ft /0.6m	Hose	
24	3311405	10	Nut 1/4	
26	3422446	1	Pin, Pivot	
27	3841143	1	Pin, Keeper	
28	4711400	24	Washer 1/4	
29	4711600	AR	Washer 3/8	
30	4752000	1	Washer 5/8	
32	4812100	1	Washer M12	
33	8405006	2	Clamp	
34	1001108617	1	Hydraulic Pressure Filter Assembly	
34	70002231	1	Element, Filter	
35	1001110425	4	Spacer	
36	1001116792	1	Clamp	
38	1001138491	NLA	Harness, Fuel (Use p/n 1001222665) (Not Shown - See ELECTRICAL SECTION for Breakdown)	
40	1001145089	1	Clamp	
43	1001145560	1	Panel, Rubber	
46	1001142610	1	Battery Cable Kit	C
46A	7027046	1	Cable, Battery (Red) (Battery + to Relays and Starter)	
46A	See Note	NSS	Boot, Ring Terminal (Red) (Note: Not Available - Purchase Locally)	
46B	7027047	1	Cable, Battery (Black) (Battery - to Tray Pivot Grd) and Aux Pump	
46B	See Note	NSS	Boot, Ring Terminal (Black) (Note: Not Available - Purchase Locally)	
46C	7027048	1	Cable (Red) (Aux Relay to Aux Pump)	

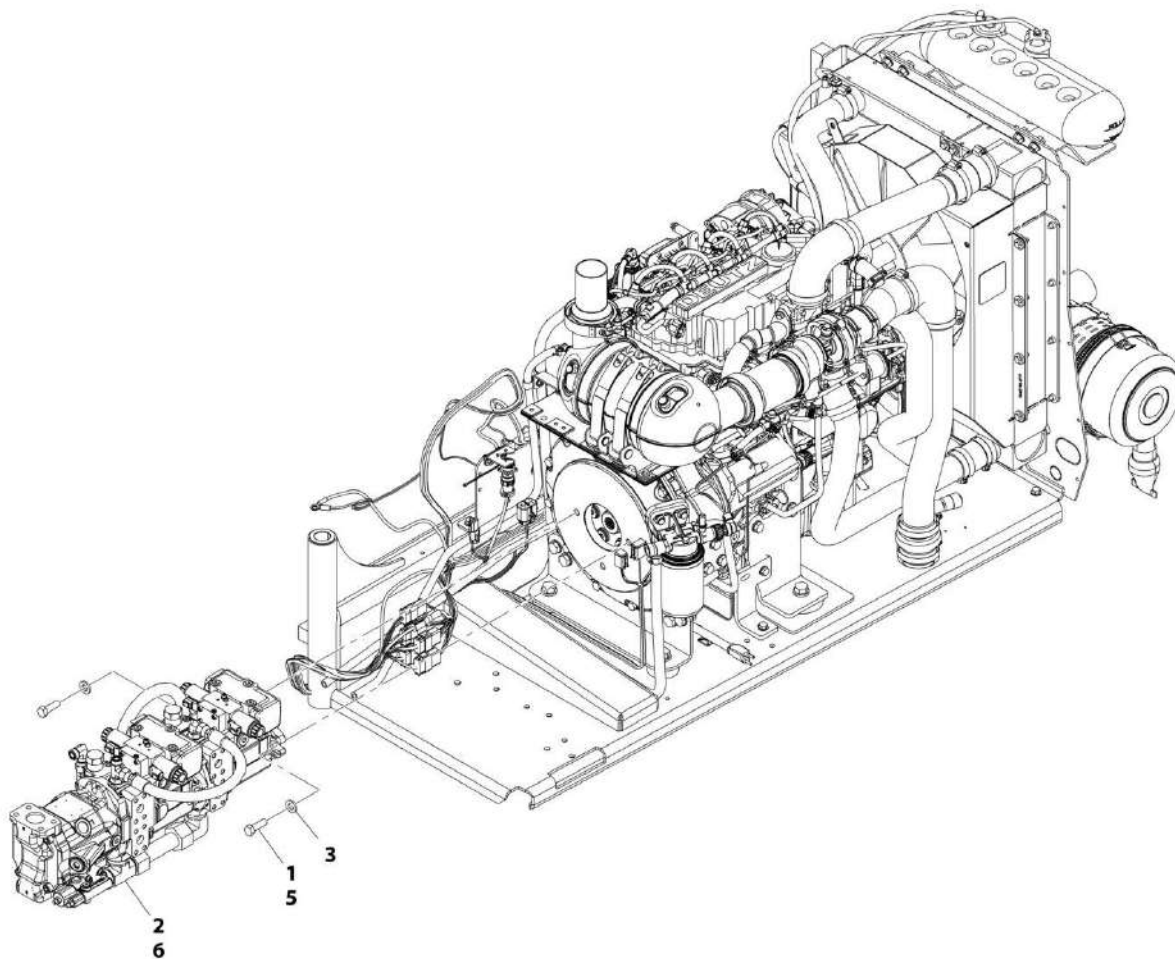
## SECTION 3 - ENGINE

ITEM	PART NUMBER	QTY	DESCRIPTION	REV
46C	See Note	NSS	Boot, Ring Terminal (Red) (Note: Not Available - Purchase Locally)	
46D	7027049	1	Cable, Battery (Black) (Engine to Tray Pivot Grd)	
47	1320022	3	Clamp	
48	1001145842	1	Plate, Clamping	
50	3311805	1	Nut 1/2	
51	4711800	3	Washer 1/2	
52	1001131542	1	Lanyard	
53	1001165101	1	Fuel Pump Filter Assembly (See FUEL PUMP/FILTER BRACKET ASSEMBLY - DEUTZ TCD2.9L4 ENGINES for Breakdown)	
54	3380723	1	Panel, Noise Reduction	
55	0651606	4	Bolt 3/8 x 3/4	
56	2120218	1	Filter, High Pressure	
56	2120219	1	Element, Filter	
56	70001344	1	O-Ring, Bowl	
56	70006137	1	Seal Kit - Includes O-Ring (Element), O-Ring (Bowl), Back-up Ring (Bowl), Seal Ring (Indicator) and O-Ring (Indicator)	
57	3900316	5	Screw 3/8 x 1	
58	0641806	1	Bolt 1/2 x 3/4	
59	90028660	1	Clamp	



## SECTION 3 - ENGINE

FIGURE 3-18. DEUTZ TCD2.9L4 ENGINE SUB-ASSEMBLY - WITH REXROTH PUMP (WITH COLD WEATHER PLUS PACKAGE)



ART\_1001141813

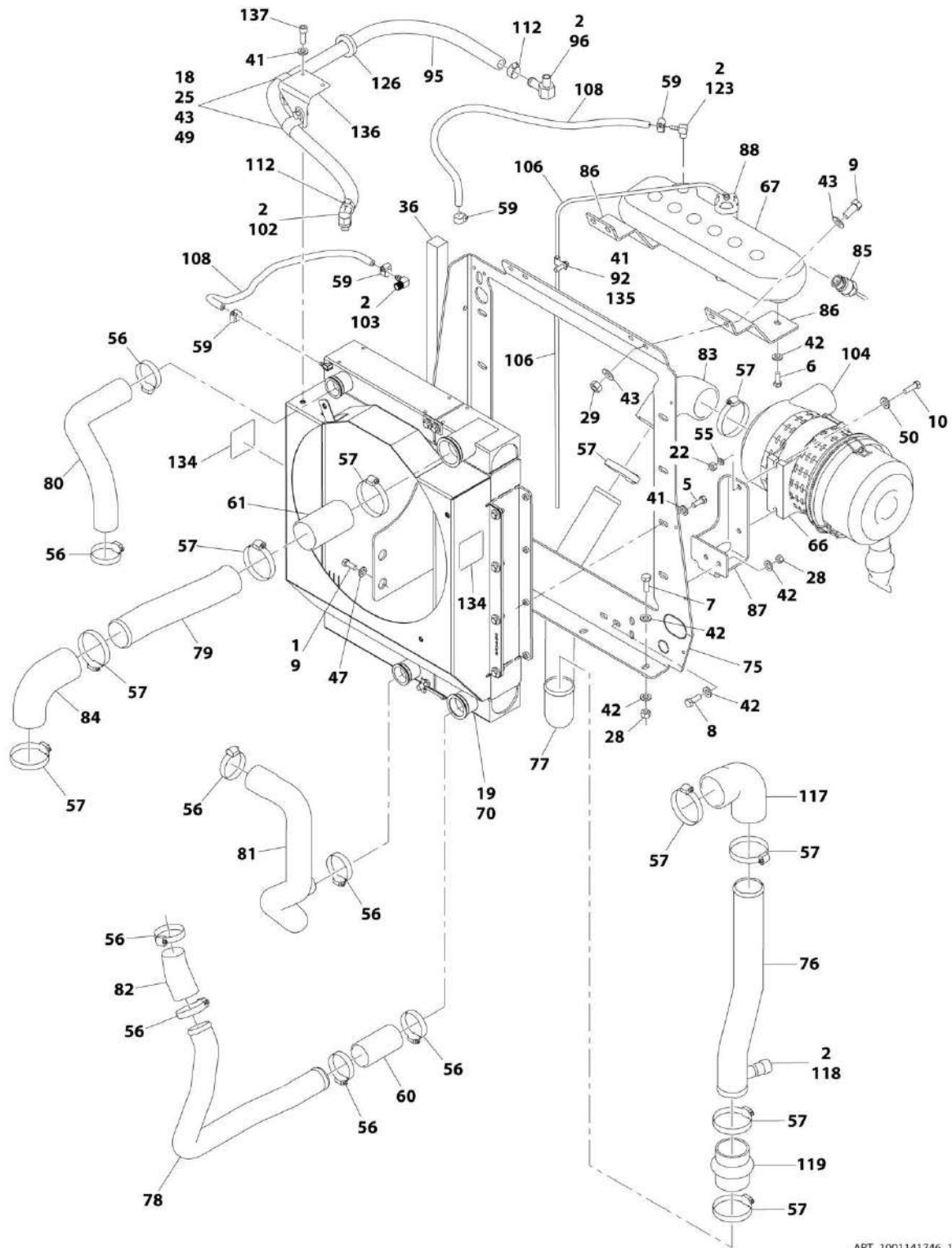
## SECTION 3 - ENGINE

**FIGURE 3-18. DEUTZ TCD2.9L4 ENGINE SUB-ASSEMBLY - WITH REXROTH PUMP (WITH COLD WEATHER PLUS PACKAGE)**

ITEM	PART NUMBER	QTY	DESCRIPTION	REV
	1001141813	Ref	DEUTZ TCD2.9L4 ENGINE SUB-ASSEMBLY - WITH REXROTH PUMP (WITH COLD WEATHER PLUS PACKAGE)	AB
1	0641812	2	Bolt 1/2 x 1-1/2	
2	3020037	AR	Grease, Pump Coupling	
3	4740171	2	Washer 1/2	
5	0100011	AR	Compound, Locking	
6	1001152963	1	Pump Assembly - Rexroth (See PUMP ASSEMBLY (REXROTH) DEUTZ TCD2.9L4 ENGINES for Breakdown)	

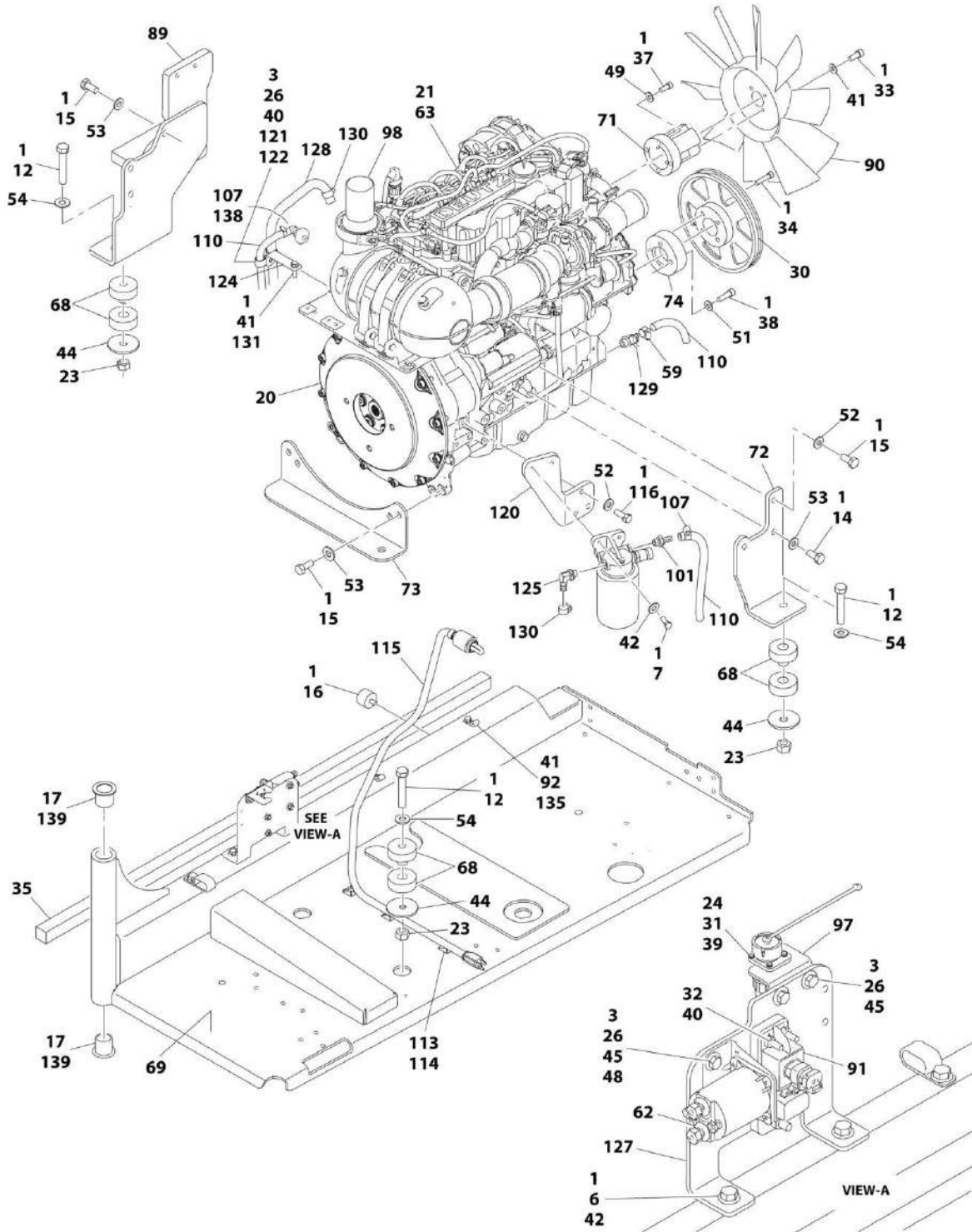
# SECTION 3 - ENGINE

## FIGURE 3-19. DEUTZ TCD2.9L4 ENGINE ASSEMBLY - WITH REXROTH PUMP (WITH COLD WEATHER PLUS PACKAGE)



ART\_1001141746\_10F2

# SECTION 3 - ENGINE



ART\_1001141746\_2OF2

## SECTION 3 - ENGINE

**FIGURE 3-19. DEUTZ TCD2.9L4 ENGINE ASSEMBLY - WITH REXROTH PUMP (WITH COLD WEATHER PLUS PACKAGE)**

ITEM	PART NUMBER	QTY	DESCRIPTION	REV
	1001141746	Ref	DEUTZ TCD2.9L4 ENGINE ASSEMBLY - WITH REXROTH PUMP (WITH COLD WEATHER PLUS PACKAGE)	AG
1	0100011	AR	Compound, Locking	
2	0100020	AR	Sealant	
3	0641406	5	Bolt 1/4 x 3/4	
5	0641508	8	Bolt 5/16 x 1	
6	0641606	5	Bolt 3/8 x 3/4	
7	0641608	9	Bolt 3/8 x 1	
8	0641610	2	Bolt 3/8 x 1-1/4	
9	0641708	6	Bolt 7/16 x 1	
10	0700815	2	Bolt M8 x 35	
12	0682028	4	Bolt 5/8 x 3-1/2 Grade 8	
14	0771212	1	Bolt M12 x 25 Grade 10.9	
15	0771414	9	Bolt M14 x 30 Grade 10.9	
16	0940070	1	Bumper	
17	0961986	2	Bushing, Flanged	
18	0641706	2	Bolt 7/16 x 3/4	
19	2300041	3.2 gal/ 12.1L	Anti-freeze	
20	2902065	1	Pump Coupling Kit (See PUMP COUPLING KIT for Breakdown)	
21	1001136172	2.4 gal /9L	Oil, Motor	
22	3290801	2	Nut M8	
23	3272001	4	Nut 5/8 Grade 8	
24	3310401	3	Nut #4	
25	8406302	2	Clamp	
26	3311405	6	Nut 1/4	
28	3311605	9	Nut 3/8	
29	3311705	5	Nut 7/16	
30	3580320	1	Pulley	
31	3910408	3	Screw #4 x 1/2	
32	3931432	1	Capscrew 1/4 x 2	
33	3931512	4	Capscrew 5/16 x 3/4	
34	3931628	4	Capscrew 3/8 x 1-3/4	
35	3960543	1	Seal	
36	3960544	1	Seal	
37	4031914	4	Bolt M8 x 50	
38	4032014	4	Bolt M10 x 50	
39	4710400	3	Washer #4	
40	4711400	3	Washer 1/4	
41	4711500	19	Washer 5/16	
42	4711600	25	Washer 3/8	
43	4711700	10	Washer 7/16	
44	1001146219	4	Washer Special	
45	4751400	8	Washer 1/4	
47	4751700	2	Washer 7/16	
48	4791400	2	Starwasher 1/4	
49	4811900	4	Washer M8	
50	4811902	2	Washer M8	
51	4812000	4	Washer M10	



## SECTION 3 - ENGINE

ITEM	PART NUMBER	QTY	DESCRIPTION	REV
52	4812100	4	Washer M12	
53	4812200	9	Washer M14	
54	4892000	4	Washer 5/8	
55	4831900	2	Washer M8	
56	8405201	8	Clamp	
57	8405204	10	Clamp	
59	8410013	5	Clamp	
60	91563070	1	Coupling, Rubber	
61	1001114495	1	Hose	
62	1001117308	1	Relay	
63	1001128947	1	Engine, Deutz TD2.9L4 (See DEUTZ TCD2.9L4 ENGINE COMPONENTS for Breakdown)	
66	1001133634	1	Clamp	
67	1001166393	1	Tank, Surge	
68	1001155575	4	Mount, Motor	
69	1001134485	NLA	Tray (Use p/n 1001191272) <b>(SN 0300201017 through 0300230054)</b>	
69	1001191272	1	Tray <b>(SN 0300230055 to Present)</b>	
70	1001135090	1	Radiator	
71	1001135138	1	Spacer, Fan	
72	1001135560	1	Support, Engine	
73	1001135562	1	Support, Engine - Rear	
74	1001135679	1	Spacer, Pulley	
75	1001135680	1	Support, Radiator	
76	1001135901	1	Pipe, Air Intake	
77	1001135903	1	Pipe, Air Intake	
78	1001135913	1	Pipe, Turbo to Air Cleaner	
79	1001135914	1	Pipe, Air Cleaner to Intake	
80	1001135924	1	Hose, Radiator (Upper)	
81	1001135926	1	Hose, Radiator (Lower)	
82	1001135943	1	Coupling, Rubber	
83	1001135946	1	Elbow, Rubber	
84	1001136292	1	Pipe, 90	
85	1001138827	1	Sensor, Coolant Level	
86	1001136626	2	Bracket	
87	1001136665	1	Bracket	
88	1001136834	1	Cap, Tank	
89	1001142398	1	Support, Engine	
90	1001137276	1	Fan	
91	1001138228	1	Module, Power	
91	70023592	1	Fuse 20Amp (Switched Output)	
91	70023593	1	Fuse 30Amp (Battery Output)	
92	1001138253	5	Clamp	
94	1001138346	1	Harness, Engine (Not Shown - See ELECTRICAL SECTION for Breakdown)	
95	1001138524	1	Hose	
96	1001138559	1	Fitting, 90	
97	1001139240	1	Bracket	
98	1001153024	1	Pipe, Exhaust	
100	1001141304	1	Wire, Glow Plug (Not Shown)	
101	1001141717	1	Fitting, Straight	
102	1001141719	1	Fitting, 90 Barbed	

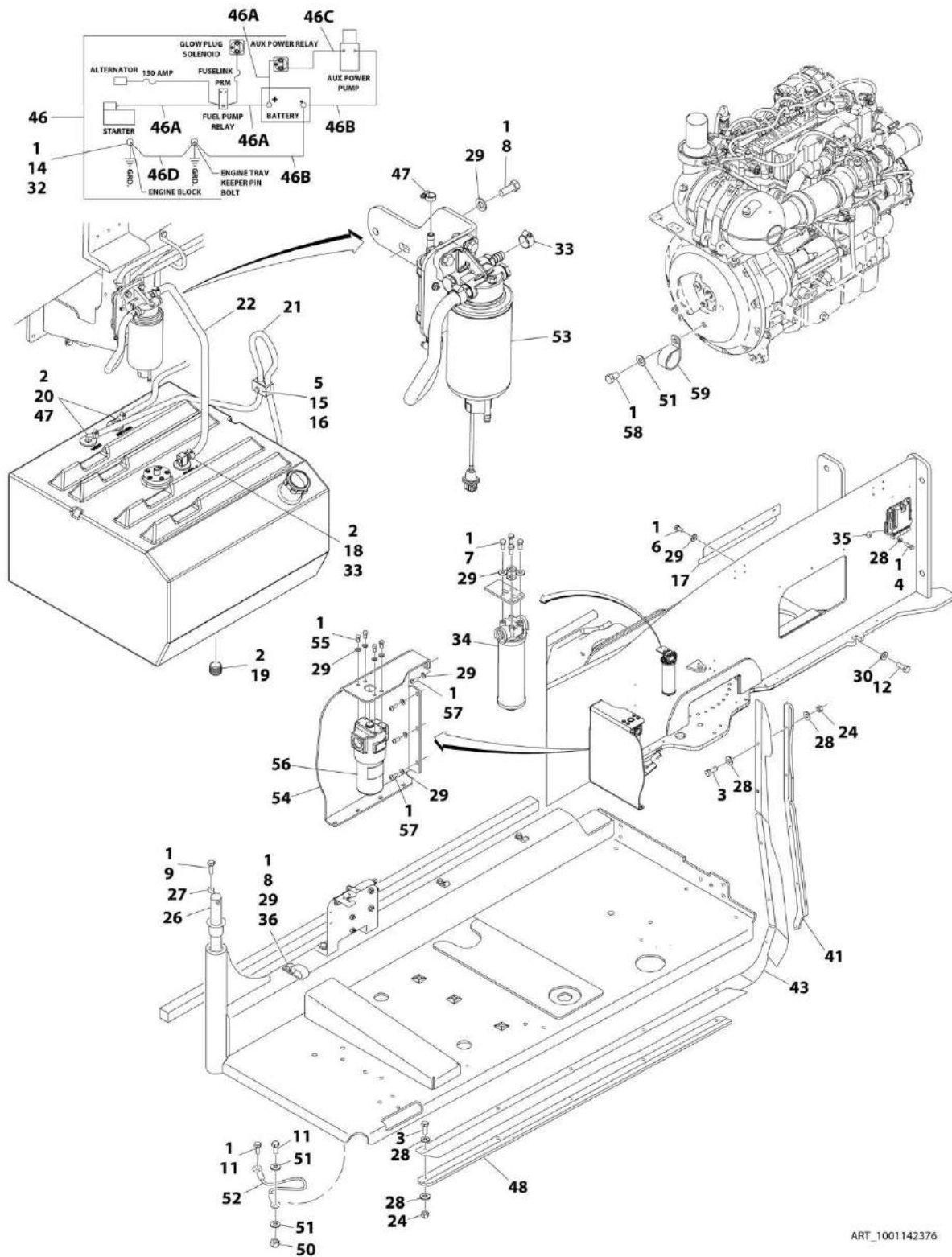
## SECTION 3 - ENGINE

ITEM	PART NUMBER	QTY	DESCRIPTION	REV
103	1001140564	1	Fitting, 90 Barbed	
104	1001133633	1	Air Cleaner Assembly	
104	70024190	1	Element, Air Filter	
105	1001135779	1	Cable, Alternator Positive (Not Shown)	
106	1001138248	4 ft/1.2m	Tubing	
107	1320022	2	Clamp	
108	2720015	4.5 ft/ 1.4m	Hose	
110	1001165035	30.5 ft/ 9.3m	Hose	
112	8405007	2	Clamp	
113	4240099	AR	Tie-Strap (Used to Secure Block Heater Cord)	
114	4460234	3	Mount, Wire Tie (Used to Secure Block Heater Cord)	
115	1001140312	1	Heater, Block	
116	0761214	3	Bolt M12 x 30	
117	1001165820	1	Pipe, Elbow	
118	1001143390	1	Indicator, Air Filter Service	
119	1001142637	1	Hose, Hump	
120	1001142685	1	Bracket	
121	8406102	AR	Clip	
122	8406112	1	Clip	
123	1001134488	1	Fitting, 90 Barbed	
124	1001138717	1	Bracket	
125	1001142501	1	Fitting, 90 Barbed	
126	1001144089	1	Grommet	
127	1001145154	1	Plate, Mounting	
128	1001154405	5 ft/1.5m	Hose	
129	4640751	1	Valve, Oil Drain	
130	8405006	2	Clamp	
131	0760810	AR	Bolt M8 x 20	
132	1001148843	1	Harness, Fuel Filter (Not Shown - See ELECTRICAL SECTION for Breakdown)	
134	1703162	2	Decal - Fan	
135	0641503	3	Bolt 5/16 x 3/8	
136	1001153387	1	Plate	
137	3931508	2	Capscrew 5/16 x 1/2	
138	1001155823	1	Coupling	
139	0100062	AR	Adhesive, Loctite #680	
140	1001181895	AR	Adhesive, Loctite #640 (Not Shown - Apply to Block Heater)	



# SECTION 3 - ENGINE

FIGURE 3-20. DEUTZ TCD2.9L4 ENGINE INSTALLATION - WITH SAUER PUMPS (WITHOUT COLD WEATHER PLUS PACKAGE)



ART\_1001142376

## SECTION 3 - ENGINE

**FIGURE 3-20. DEUTZ TCD2.9L4 ENGINE INSTALLATION - WITH SAUER PUMPS (WITHOUT COLD WEATHER PLUS PACKAGE)**

ITEM	PART NUMBER	QTY	DESCRIPTION	REV
	1001142376	Ref	DEUTZ TCD2.9L4 ENGINE INSTALLATION - WITH SAUER PUMPS (WITHOUT COLD WEATHER PLUS PACKAGE)	J
1	0100011	AR	Compound, Locking	
2	0100079	AR	Sealant, Pipe	
3	0641408	10	Bolt 1/4 x 1	
4	0641410	4	Bolt 1/4 x 1-1/4	
5	0641511	1	Bolt 5/16 x 1-3/8	
6	0641605	3	Bolt 3/8 x 5/8	
7	0641606	4	Bolt 3/8 x 3/4	
8	0641608	3	Bolt 3/8 x 1	
9	0641610	1	Bolt 3/8 x 1-1/4	
10	0641611	2	Bolt 3/8 x 1-1/4	
11	0641808	AR	Bolt 1/2 x 1	
12	0642010	1	Bolt 5/8 x 1-1/4	
14	0761210	1	Bolt M12 x 20	
15	1320187	1	Clamp	
16	1320190	1	Cover, Clamp	
17	1671121	1	Cover	
18	2180832	1	Fitting, Barbed	
19	2200222	1	Plug, Pipe (SN 0300201017 through 0300227047)	
20	2220313	2	Fitting, 90 Barbed	
21	1001165035	4.5 ft/ 1.4m	Hose (SN 0300201017 through 0300227047)	
21	2750532	5 ft/ 1.5m	Hose (SN 0300227048 to Present)	
22	1001154405	1.9 ft/ 0.6m	Hose	
24	3311405	10	Nut 1/4	
26	3422446	1	Pin, Pivot	
27	3841143	1	Pin, Keeper	
28	4711400	24	Washer 1/4	
29	4711600	19	Washer 3/8	
30	4752000	1	Washer 5/8	
32	4812100	1	Washer M12	
33	8405006	2	Clamp	
34	1001108617	1	Hydraulic Pressure Filter Assembly	
34	70002231	1	Element, Filter	
35	1001110425	4	Spacer	
36	1001116792	1	Clamp	
39	1001138491	NLA	Harness, Fuel (Use p/n 1001222665) (Not Shown - See ELECTRICAL SECTION for Breakdown)	
41	1001145089	1	Clamp	
43	1001145560	1	Panel, Rubber	
46	1001142610	1	Battery Cable Kit	C
46A	7027046	1	Cable, Battery (Red) (Battery + to Relays and Starter)	
46A	See Note	NSS	Boot, Ring Terminal (Red) (Note: Not Available - Purchase Locally)	
46B	7027047	1	Cable, Battery (Black) (Battery - to Tray Pivot Grd) and Aux Pump	
46B	See Note	NSS	Boot, Ring Terminal (Black) (Note: Not Available - Purchase Locally)	

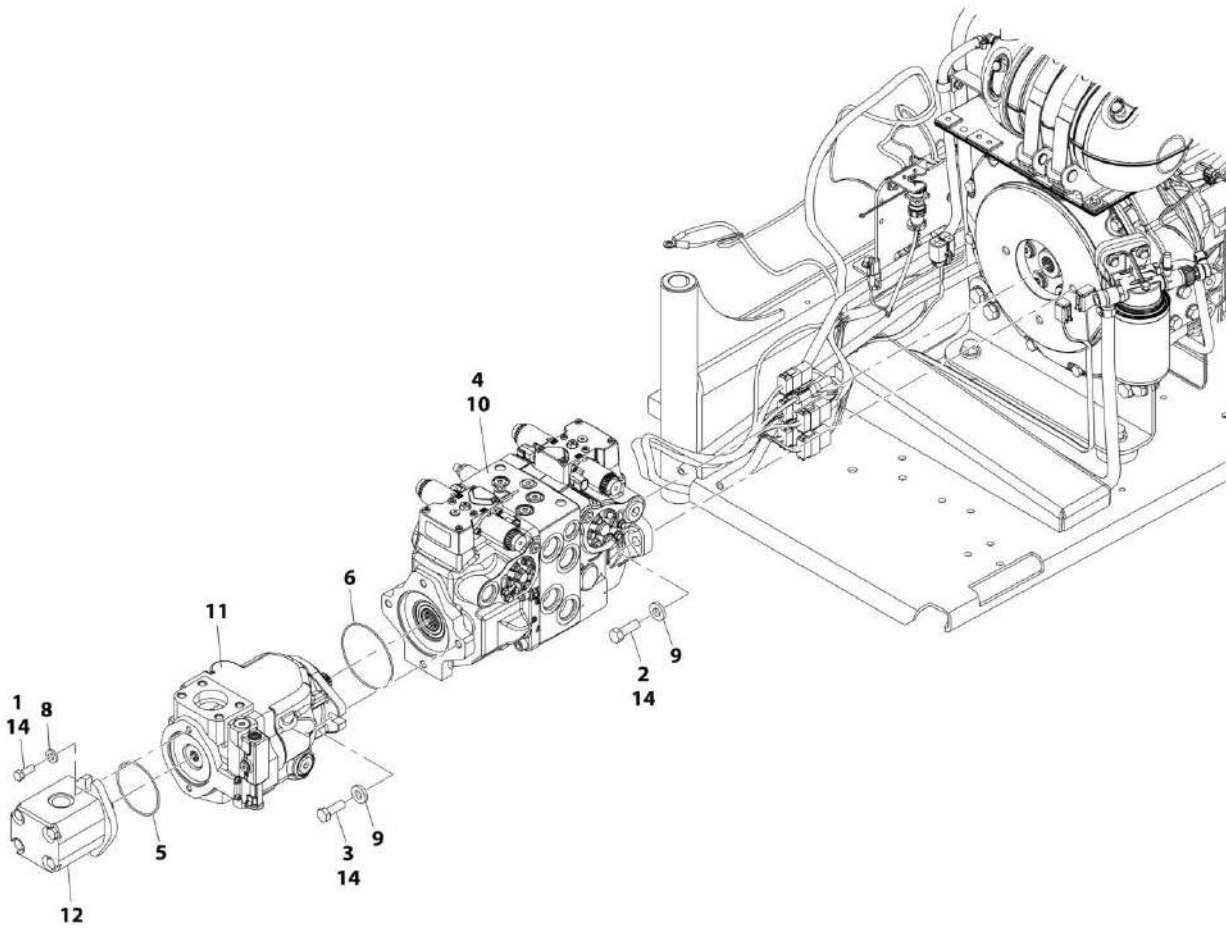
## SECTION 3 - ENGINE

ITEM	PART NUMBER	QTY	DESCRIPTION	REV
46C	7027048	1	Cable (Red) (Aux Relay to Aux Pump)	
46C	See Note	NSS	Boot, Ring Terminal (Red) (Note: Not Available - Purchase Locally)	
46D	7027049	1	Cable, Battery (Black) (Engine to Tray Pivot Grd)	
47	1320022	3	Clamp	
48	1001145842	1	Plate, Clamping	
50	3311805	1	Nut 1/2	
51	4711800	3	Washer 1/2	
52	1001131542	1	Lanyard	
53	1001165101	1	Fuel Pump Filter Assembly (See FUEL PUMP/FILTER BRACKET ASSEMBLY - DEUTZ TCD2.9L4 ENGINES for Breakdown)	
54	3380723	1	Panel, Noise Reduction	
55	0651606	4	Bolt 3/8 x 3/4	
56	2120218	1	Filter, High Pressure	
56	2120219	1	Element, Filter	
56	70001344	1	O-Ring, Bowl	
56	70006137	1	Seal Kit - Includes O-Ring (Element), O-Ring (Bowl), Back-up Ring (Bowl), Seal Ring (Indicator) and O-Ring (Indicator)	
57	3900316	5	Screw 3/8 x 1	
58	0641806	1	Bolt 1/2 x 3/4	
59	90028660	1	Clamp	



# SECTION 3 - ENGINE

FIGURE 3-21. DEUTZ TCD2.9L4 ENGINE SUB-ASSEMBLY - WITH SAUER PUMP (WITHOUT COLD WEATHER PLUS PACKAGE)



ART\_1001134390



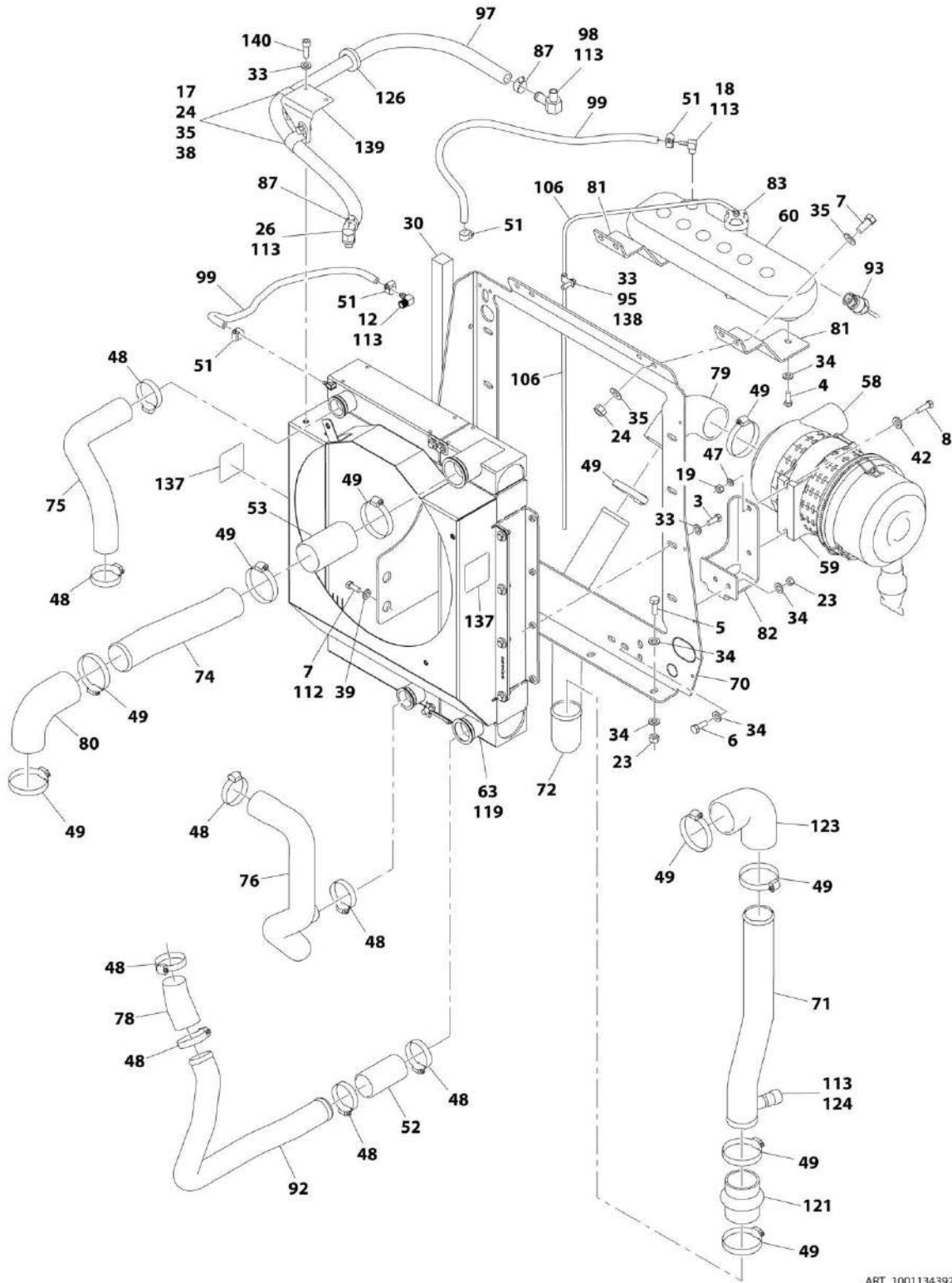
## SECTION 3 - ENGINE

**FIGURE 3-21. DEUTZ TCD2.9L4 ENGINE SUB-ASSEMBLY - WITH SAUER PUMP (WITHOUT COLD WEATHER PLUS PACKAGE)**

ITEM	PART NUMBER	QTY	DESCRIPTION	REV
	1001134390	Ref	DEUTZ TCD2.9L4 ENGINE SUB-ASSEMBLY - WITH SAUER PUMP (WITHOUT COLD WEATHER PLUS PACKAGE)	Y
1	0641608	2	Bolt 3/8 x 1	
2	0641812	2	Bolt 1/2 x 1-1/2	
3	0761215	2	Bolt M12 x 35	
4	3020037	AR	Grease, Pump Coupling	
5	3790152	1	O-Ring	
6	3790155	1	O-Ring	
8	4891600	2	Washer 3/8	
9	4891800	4	Washer 1/2	
10	1001108616	1	Pump Assembly - Sauer Tandem (See PUMP ASSEMBLY (SAUER TANDEM) for Breakdown)	
11	1001171095	1	Pump Assembly - Sauer Piston (See PUMP ASSEMBLY (SAUER PISTON) for Breakdown)	
12	1001112927	1	Pump Assembly - Sauer Gear (See PUMP ASSEMBLY (SAUER GEAR) for Breakdown)	
14	0100011	AR	Compound, Locking	

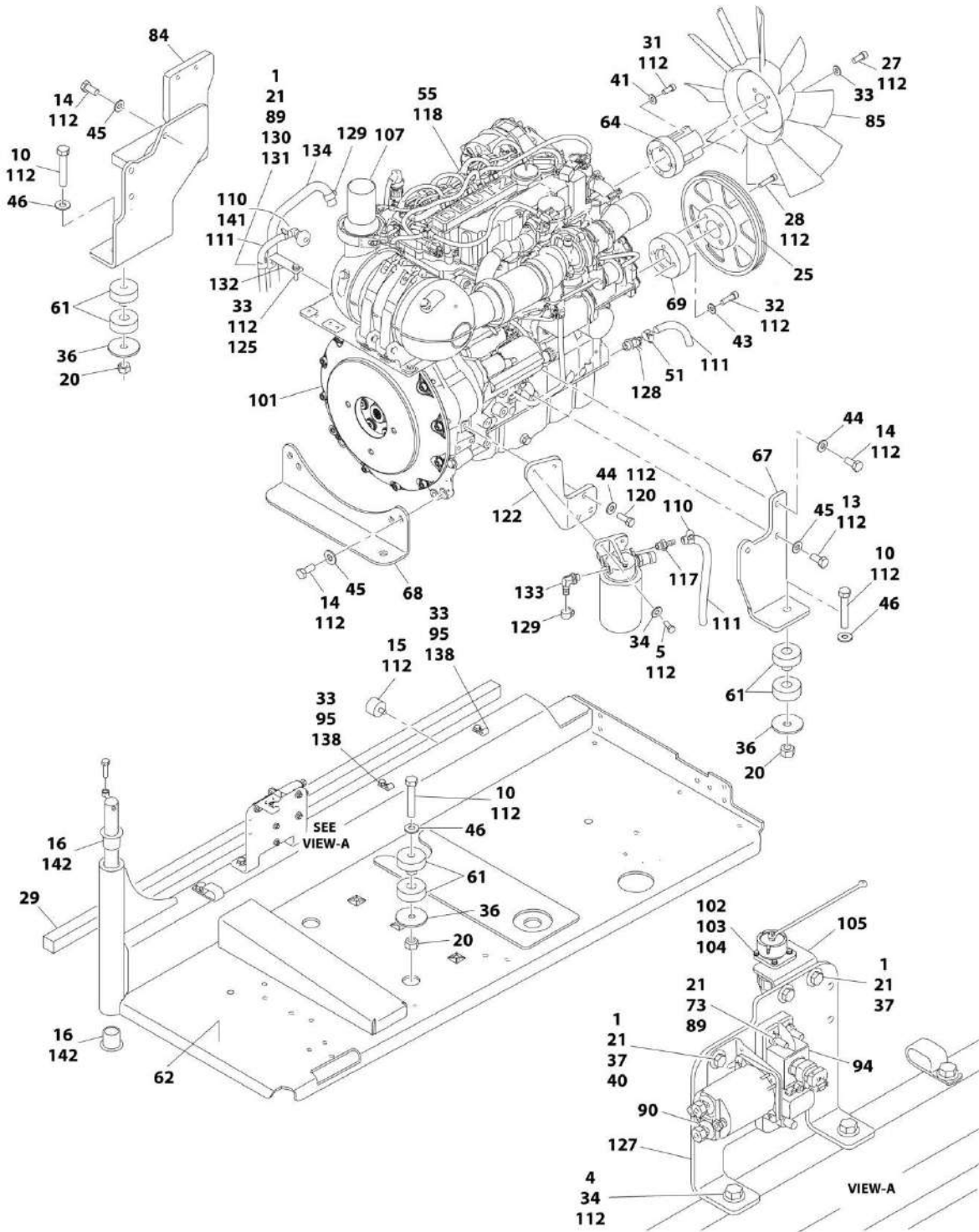
# SECTION 3 - ENGINE

## FIGURE 3-22. DEUTZ TCD2.9L4 ENGINE ASSEMBLY - WITH SAUER PUMP (WITHOUT COLD WEATHER PLUS PACKAGE)



ART\_1001134392\_10F2

# SECTION 3 - ENGINE



ART\_1001134392\_20F2

## SECTION 3 - ENGINE

**FIGURE 3-22. DEUTZ TCD2.9L4 ENGINE ASSEMBLY - WITH SAUER PUMP (WITHOUT COLD WEATHER PLUS PACKAGE)**

ITEM	PART NUMBER	QTY	DESCRIPTION	REV
	1001134392	Ref	DEUTZ TCD2.9L4 ENGINE ASSEMBLY - WITH SAUER PUMP (WITHOUT COLD WEATHER PLUS PACKAGE)	AI
1	0641406	5	Bolt 1/4 x 3/4	
3	0641508	8	Bolt 5/16 x 1	
4	0641606	5	Bolt 3/8 x 3/4	
5	0641608	9	Bolt 3/8 x 1	
6	0641610	2	Bolt 3/8 x 1-1/4	
7	0641708	6	Bolt 7/16 x 1	
8	0700815	2	Bolt M8 x 35	
10	0682028	4	Bolt 5/8 x 3-1/2 Grade 8	
12	1001140564	1	Fitting, 90 Barbed	
13	0771212	1	Bolt M12 x 25 Grade 10.9	
14	0771414	9	Bolt M14 x 30 Grade 10.9	
15	0940070	1	Bumper	
16	0961986	2	Bushing, Flanged	
17	0641706	2	Bolt 7/16 x 3/4	
18	1001134488	1	Fitting, 90 Barbed	
19	3290801	2	Nut M8	
20	3272001	4	Nut 5/8 Grade 8	
21	3311405	6	Nut 1/4	
23	3311605	9	Nut 3/8	
24	3311705	5	Nut 7/16	
25	3580320	1	Pulley	
26	1001141719	1	Fitting, 90 Barbed	
27	3931512	4	Capscrew 5/16 x 3/4	
28	3931628	4	Capscrew 3/8 x 1-3/4	
29	3960543	1	Seal	
30	3960544	1	Seal	
31	4031914	4	Bolt M8 x 50	
32	4032014	4	Bolt M10 x 50	
33	4711500	19	Washer 5/16	
34	4711600	25	Washer 3/8	
35	4711700	10	Washer 7/16	
36	1001146219	4	Washer Special	
37	4751400	8	Washer 1/4	
38	8406302	2	Clamp	
39	4751700	2	Washer 7/16	
40	4791400	2	Starwasher 1/4	
41	4811900	4	Washer M8	
42	4811902	2	Washer M8	
43	4812000	4	Washer M10	
44	4812100	4	Washer M12	
45	4812200	9	Washer M14	
46	4892000	4	Washer 5/8	
47	4831900	2	Washer M8	
48	8405201	8	Clamp	
49	8405204	10	Clamp	
51	8410013	5	Clamp	
52	91563070	1	Coupling, Rubber	

## SECTION 3 - ENGINE

ITEM	PART NUMBER	QTY	DESCRIPTION	REV
53	1001114495	1	Hose	
55	1001128947	1	Engine, Deutz TCD2.9L4 (See DEUTZ TCD2.9L4 ENGINE COMPONENTS for Breakdown)	
58	1001133633	1	Air Cleaner Assembly	
58	70024190	1	Element, Air Filter	
59	1001133634	1	Clamp	
60	1001166393	1	Tank, Surge	
61	1001155575	4	Mount, Motor	
62	1001134485	NLA	Tray (Use p/n 1001191272) <b>(SN 0300201017 through 0300230054)</b>	
62	1001191272	1	Tray <b>(SN 0300230055 to Present)</b>	
63	1001135090	1	Radiator	
64	1001135138	1	Spacer, Fan	
67	1001135560	1	Support, Engine	
68	1001135562	1	Support, Engine - Rear	
69	1001135679	1	Spacer, Pulley	
70	1001135680	1	Support, Radiator	
71	1001135901	1	Pipe, Air Intake	
72	1001135903	1	Pipe, Air Intake	
73	3931432	1	Capscrew 1/4 x 2	
74	1001135914	1	Pipe, Air Cleaner to Intake	
75	1001135924	1	Hose, Radiator (Upper)	
76	1001135926	1	Hose, Radiator (Lower)	
78	1001135943	1	Coupling, Rubber	
79	1001135946	1	Elbow, Rubber	
80	1001136292	1	Pipe, 90	
81	1001136626	2	Bracket	
82	1001136665	1	Bracket	
83	1001136834	1	Cap, Tank	
84	1001142398	1	Support, Engine	
85	1001137276	1	Fan	
87	8405007	2	Clamp	
89	4711400	3	Washer 1/4	
90	1001117308	1	Relay	
92	1001135913	1	Pipe, Turbo to Air Cleaner	
93	1001138827	1	Sensor, Coolant Level	
94	1001138228	1	Module, Power	
94	70023592	1	Fuse 20Amp (Switched Output)	
94	70023593	1	Fuse 30Amp (Battery Output)	
95	1001138253	5	Clamp	
96	1001138346	1	Harness, Engine (Not Shown - See ELECTRICAL SECTION for Breakdown)	
97	1001138524	1	Hose	
98	1001138559	1	Fitting, 90	
99	2720015	4.5 ft/ 1.4m	Hose	
101	2902065	1	Pump Coupling Kit (See PUMP COUPLING KIT for Breakdown)	
102	3310401	3	Nut #4	
103	3910408	3	Screw #4 x 1/2	
104	4710400	3	Washer #4	
105	1001139240	1	Bracket	
106	1001138248	4 ft/1.2m	Tubing	

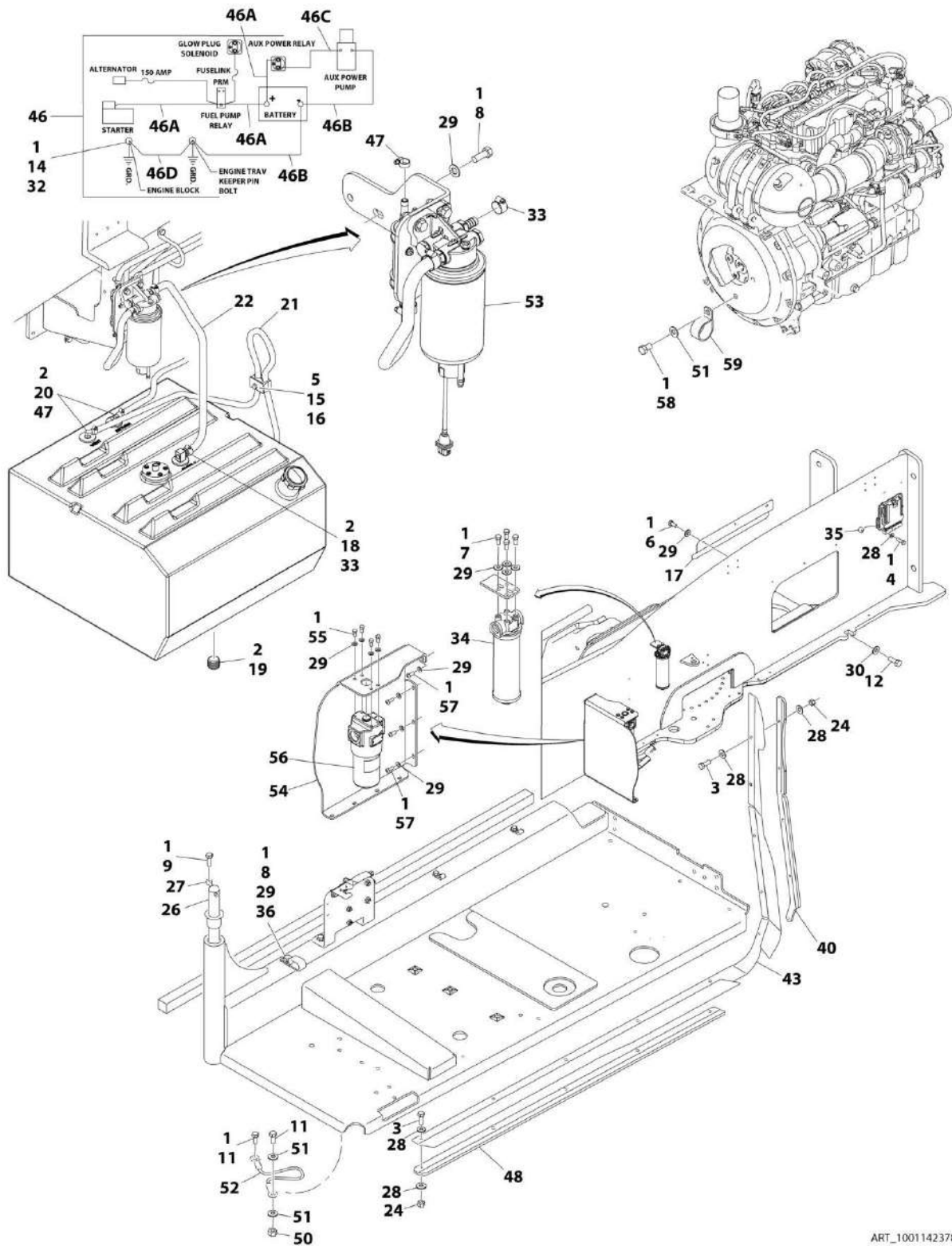
## SECTION 3 - ENGINE

ITEM	PART NUMBER	QTY	DESCRIPTION	REV
107	1001153024	1	Pipe, Exhaust	
110	1320022	2	Clamp	
111	1001165035	30.5 ft/ 9.3m	Hose	
112	0100011	AR	Compound, Locking	
113	0100020	AR	Sealant	
114	1001141304	1	Wire, Glow Plug (Not Shown)	
115	1001135779	1	Cable, Alternator Positive (Not Shown)	
117	1001141717	1	Fitting, Straight	
118	1001136079	2.4 gal/9L	Oil, Motor	
119	2300004	3.2 gal/ 12.1L	Anti-freeze	
120	0761214	3	Bolt M12 x 30	
121	1001142637	1	Hose, Hump	
122	1001142685	1	Bracket	
123	1001165820	1	Pipe, Elbow	
124	1001143390	1	Indicator, Air Filter Service	
125	0760810	2	Bolt M8 x 20	
126	1001144089	1	Grommet	
127	1001145154	1	Plate, Mounting	
128	4640751	1	Valve, Oil Drain	
129	8405006	2	Clamp	
130	8406102	AR	Clip	
131	8406112	1	Clip	
132	1001138717	1	Bracket	
133	1001142501	1	Fitting, 90 Barbed	
134	1001154405	5 ft/1.5m	Hose	
135	1001148843	1	Harness, Fuel Filter (Not Shown - See ELECTRICAL SECTION for Breakdown)	
137	1703162	2	Decal - Fan	
138	0641503	3	Bolt 5/16 x 3/8	
139	1001153387	1	Plate	
140	3931508	2	Capscrew 5/16 x 1/2	
141	1001155823	1	Coupling	
142	0100062	AR	Adhesive, Loctite #680	
143	4240099	AR	Tie-Strap (Not Shown)	



# SECTION 3 - ENGINE

FIGURE 3-23. DEUTZ TCD2.9L4 ENGINE INSTALLATION - WITH SAUER PUMPS (WITH COLD WEATHER PLUS PACKAGE)



ART\_1001142378



## SECTION 3 - ENGINE

**FIGURE 3-23. DEUTZ TCD2.9L4 ENGINE INSTALLATION - WITH SAUER PUMPS (WITH COLD WEATHER PLUS PACKAGE)**

ITEM	PART NUMBER	QTY	DESCRIPTION	REV
	1001142378	Ref	DEUTZ TCD2.9L4 ENGINE INSTALLATION - WITH SAUER PUMPS (WITH COLD WEATHER PLUS PACKAGE)	L
1	0100011	AR	Compound, Locking	
2	0100079	AR	Sealant, Pipe	
3	0641408	10	Bolt 1/4 x 1	
4	0641410	4	Bolt 1/4 x 1-1/4	
5	0641511	1	Bolt 5/16 x 1-3/8	
6	0641605	3	Bolt 3/8 x 5/8	
7	0641606	4	Bolt 3/8 x 3/4	
8	0641608	3	Bolt 3/8 x 1	
9	0641610	1	Bolt 3/8 x 1-1/4	
11	0641808	AR	Bolt 1/2 x 1	
12	0642010	1	Bolt 5/8 x 1-1/4	
14	0761210	1	Bolt M12 x 20	
15	1320187	1	Clamp	
16	1320190	1	Cover, Clamp	
17	1671121	1	Cover	
18	2180832	1	Fitting, Barbed	
19	2200222	1	Plug, Pipe (SN 0300201017 through 0300227047)	
20	2220313	2	Fitting, 90 Barbed	
21	1001165035	4.5 ft/ 1.4m	Hose (SN 0300201017 through 0300227047)	
21	2750532	5 ft/ 1.5m	Hose (SN 0300227048 to Present)	
22	1001154405	1.9 ft/ 0.6m	Hose	
24	3311405	10	Nut 1/4	
26	3422446	1	Pin, Pivot	
27	3841143	1	Pin, Keeper	
28	4711400	24	Washer 1/4	
29	4711600	19	Washer 3/8	
30	4752000	1	Washer 5/8	
32	4812100	1	Washer M12	
33	8405006	2	Clamp	
34	1001108617	1	Hydraulic Pressure Filter Assembly	
34	70002231	1	Element, Filter	
35	1001110425	4	Spacer	
36	1001116792	1	Clamp	
38	1001138491	NLA	Harness, Fuel (Use p/n 1001222665) (Not Shown - See ELECTRICAL SECTION for Breakdown)	
40	1001145089	1	Clamp	
43	1001145560	1	Panel, Rubber	
46	1001142610	1	Battery Cable Kit	C
46A	7027046	1	Cable, Battery (Red) (Battery + to Relays and Starter)	
46A	See Note	NSS	Boot, Ring Terminal (Red) (Note: Not Available - Purchase Locally)	
46B	7027047	1	Cable, Battery (Black) (Battery - to Tray Pivot Grd) and Aux Pump	
46B	See Note	NSS	Boot, Ring Terminal (Black) (Note: Not Available - Purchase Locally)	
46C	7027048	1	Cable (Red) (Aux Relay to Aux Pump)	

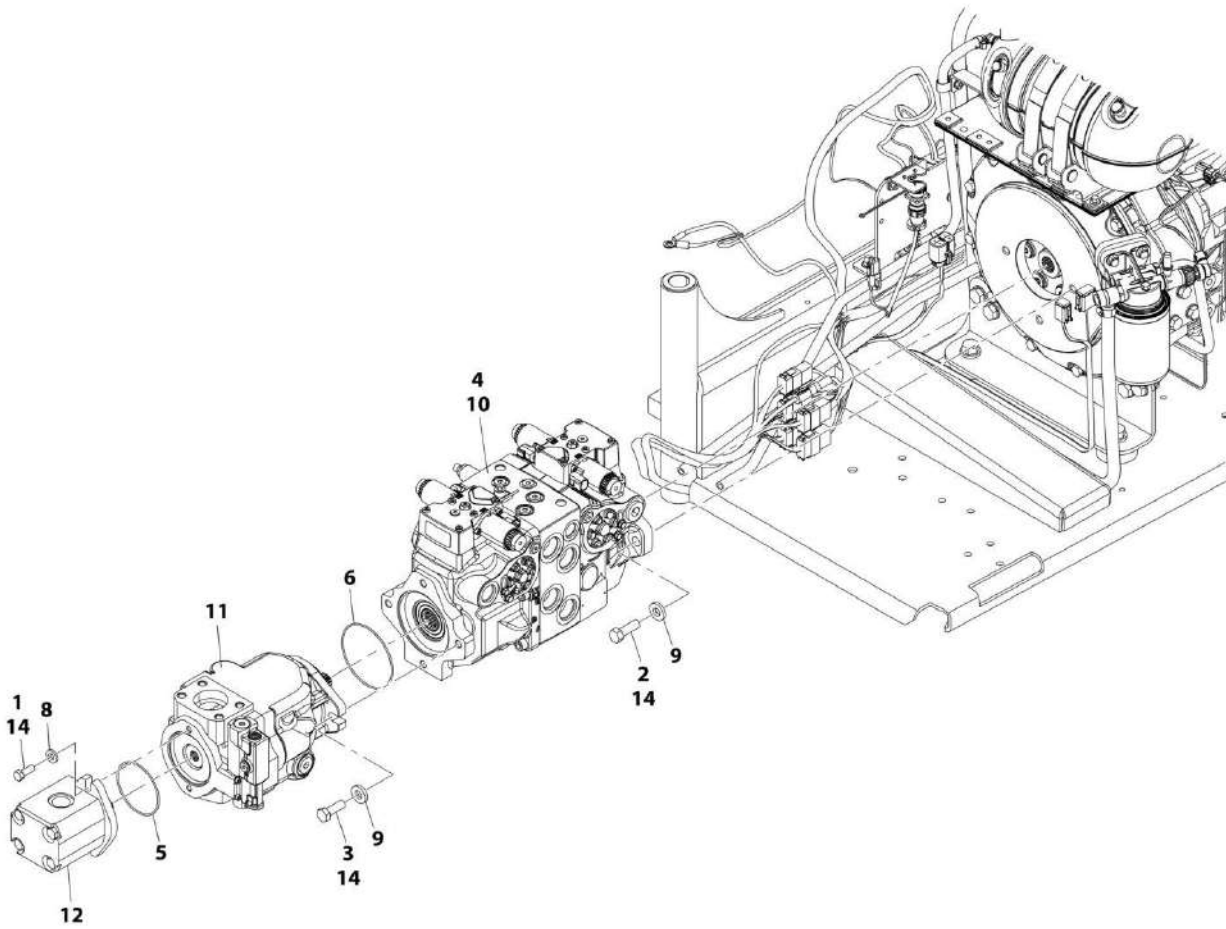
## SECTION 3 - ENGINE

ITEM	PART NUMBER	QTY	DESCRIPTION	REV
46C	See Note	NSS	Boot, Ring Terminal (Red) (Note: Not Available - Purchase Locally)	
46D	7027049	1	Cable, Battery (Black) (Engine to Tray Pivot Grd)	
47	1320022	3	Clamp	
48	1001145842	1	Plate, Clamping	
50	3311805	1	Nut 1/2	
51	4711800	3	Washer 1/2	
52	1001131542	1	Lanyard	
53	1001165101	1	Fuel Pump Filter Assembly (See FUEL PUMP/FILTER BRACKET ASSEMBLY - DEUTZ TCD2.9L4 ENGINES for Breakdown)	
54	3380723	1	Panel, Noise Reduction	
55	3900316	5	Screw 3/8 x 1	
56	2120218	1	Filter, High Pressure	
56	2120219	1	Element, Filter	
56	70001344	1	O-Ring, Bowl	
56	70006137	1	Seal Kit - Includes O-Ring (Element), O-Ring (Bowl), Back-up Ring (Bowl), Seal Ring (Indicator) and O-Ring (Indicator)	
57	0651606	4	Bolt 3/8 x 3/4	
58	0641806	1	Bolt 1/2 x 3/4	
59	90028660	1	Clamp	



# SECTION 3 - ENGINE

FIGURE 3-24. DEUTZ TCD2.9L4 ENGINE SUB-ASSEMBLY - WITH SAUER PUMPS (WITH COLD WEATHER PLUS PACKAGE)



ART\_1001141745

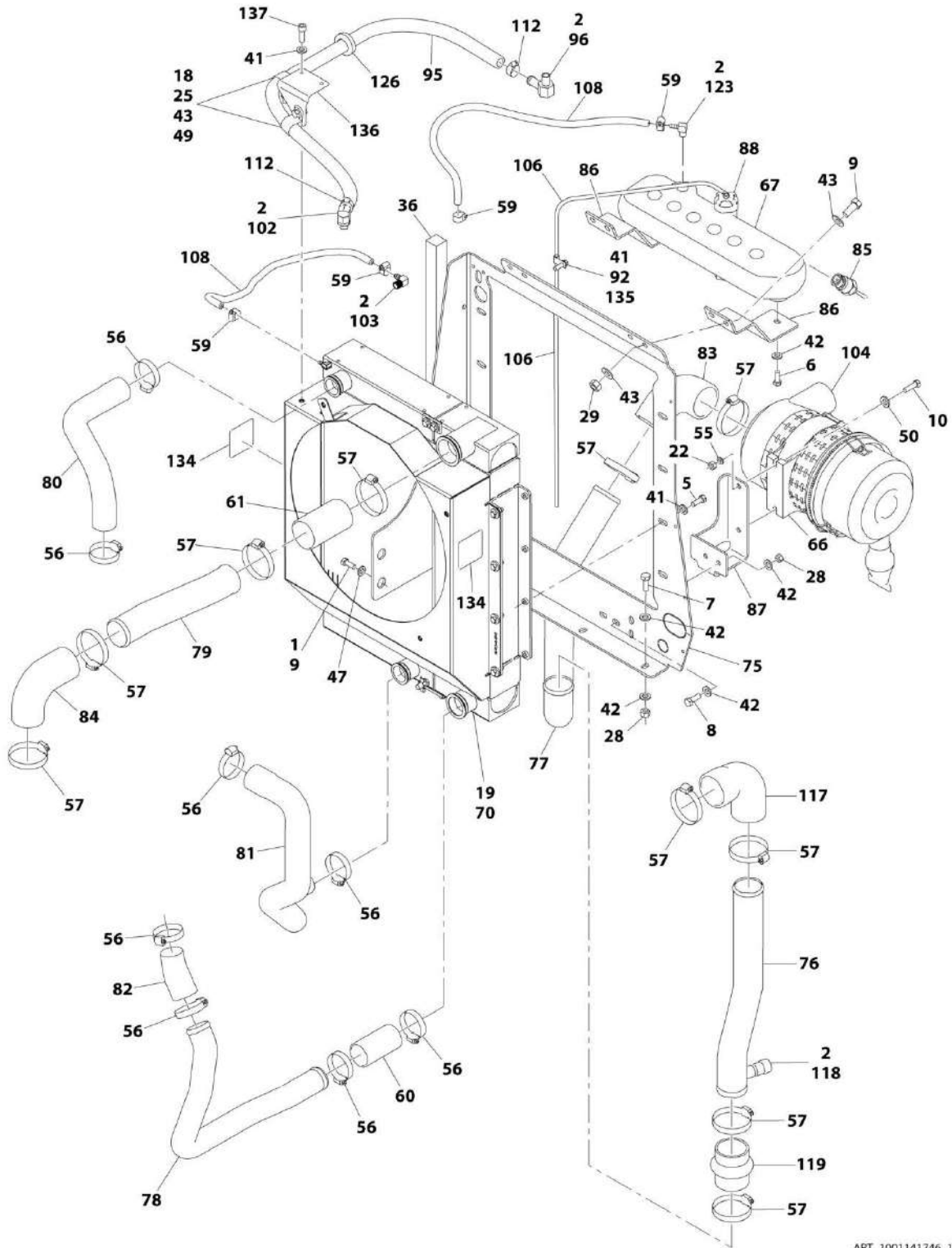
## SECTION 3 - ENGINE

**FIGURE 3-24. DEUTZ TCD2.9L4 ENGINE SUB-ASSEMBLY - WITH SAUER PUMPS (WITH COLD WEATHER PLUS PACKAGE)**

ITEM	PART NUMBER	QTY	DESCRIPTION	REV
	1001141745	Ref	DEUTZ TCD2.9L4 ENGINE SUB-ASSEMBLY - WITH SAUER PUMPS (WITH COLD WEATHER PLUS PACKAGE)	Y
1	0641608	2	Bolt 3/8 x 1	
2	0641812	2	Bolt 1/2 x 1-1/2	
3	0761215	2	Bolt M12 x 35	
4	3020037	AR	Grease, Pump Coupling	
5	3790152	1	O-Ring	
6	3790155	1	O-Ring	
8	4891600	2	Washer 3/8	
9	4891800	4	Washer 1/2	
10	1001108616	1	Pump Assembly - Sauer Tandem (See PUMP ASSEMBLY (SAUER TANDEM) for Breakdown)	
11	1001171095	1	Pump Assembly - Sauer Piston (See PUMP ASSEMBLY (SAUER PISTON) for Breakdown)	
12	1001112927	1	Pump Assembly - Sauer Gear (See PUMP ASSEMBLY (SAUER GEAR) for Breakdown)	
14	0100011	AR	Compound, Locking	

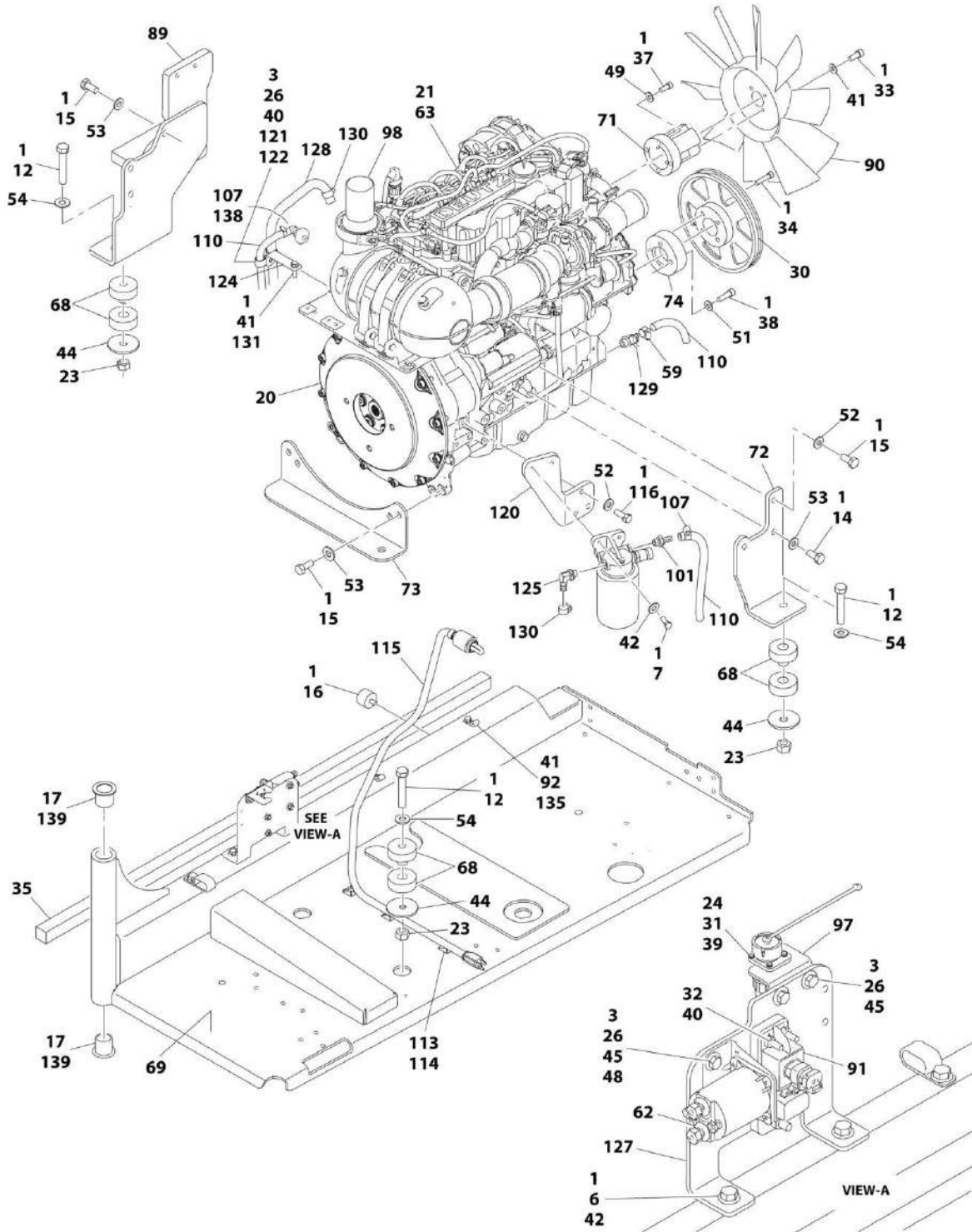
# SECTION 3 - ENGINE

## FIGURE 3-25. DEUTZ TCD2.9L4 ENGINE ASSEMBLY - WITH SAUER PUMPS (WITH COLD WEATHER PLUS PACKAGE)



ART\_1001141746\_10F2

# SECTION 3 - ENGINE



ART\_1001141746\_2OF2

## SECTION 3 - ENGINE

**FIGURE 3-25. DEUTZ TCD2.9L4 ENGINE ASSEMBLY - WITH SAUER PUMPS (WITH COLD WEATHER PLUS PACKAGE)**

ITEM	PART NUMBER	QTY	DESCRIPTION	REV
	1001141746	Ref	DEUTZ TCD2.9L4 ENGINE ASSEMBLY - WITH SAUER PUMPS (WITH COLD WEATHER PLUS PACKAGE)	AG
1	0100011	AR	Compound, Locking	
2	0100020	AR	Sealant	
3	0641406	5	Bolt 1/4 x 3/4	
5	0641508	8	Bolt 5/16 x 1	
6	0641606	5	Bolt 3/8 x 3/4	
7	0641608	9	Bolt 3/8 x 1	
8	0641610	2	Bolt 3/8 x 1-1/4	
9	0641708	6	Bolt 7/16 x 1	
10	0700815	2	Bolt M8 x 35	
12	0682028	4	Bolt 5/8 x 3-1/2 Grade 8	
14	0771212	1	Bolt M12 x 25 Grade 10.9	
15	0771414	9	Bolt M14 x 30 Grade 10.9	
16	0940070	1	Bumper	
17	0961986	2	Bushing, Flanged	
18	0641706	2	Bolt 7/16 x 3/4	
19	2300041	3.2 gal/ 12.1L	Anti-freeze	
20	2902065	1	Pump Coupling Kit (See PUMP COUPLING KIT for Breakdown)	
21	1001136172	2.4 gal/9L	Oil, Motor	
22	3290801	2	Nut M8	
23	3272001	4	Nut 5/8 Grade 8	
24	3310401	3	Nut #4	
25	8406302	2	Clamp	
26	3311405	6	Nut 1/4	
28	3311605	9	Nut 3/8	
29	3311705	5	Nut 7/16	
30	3580320	1	Pulley	
31	3910408	3	Screw #4 x 1/2	
32	3931432	1	Capscrew 1/4 x 2	
33	3931512	4	Capscrew 5/16 x 3/4	
34	3931628	4	Capscrew 3/8 x 1-3/4	
35	3960543	1	Seal	
36	3960544	1	Seal	
37	4031914	4	Bolt M8 x 50	
38	4032014	4	Bolt M10 x 50	
39	4710400	3	Washer #4	
40	4711400	3	Washer 1/4	
41	4711500	19	Washer 5/16	
42	4711600	25	Washer 3/8	
43	4711700	10	Washer 7/16	
44	1001146219	4	Washer Special	
45	4751400	8	Washer 1/4	
47	4751700	2	Washer 7/16	
48	4791400	2	Starwasher 1/4	
49	4811900	4	Washer M8	
50	4811902	2	Washer M8	
51	4812000	4	Washer M10	



## SECTION 3 - ENGINE

ITEM	PART NUMBER	QTY	DESCRIPTION	REV
52	4812100	4	Washer M12	
53	4812200	9	Washer M14	
54	4892000	4	Washer 5/8	
55	4831900	2	Washer M8	
56	8405201	8	Clamp	
57	8405204	10	Clamp	
59	8410013	5	Clamp	
60	91563070	1	Coupling, Rubber	
61	1001114495	1	Hose	
62	1001117308	1	Relay	
63	1001128947	1	Engine, Deutz TD2.9L4 (See DEUTZ TCD2.9L4 ENGINE COMPONENTS for Breakdown)	
66	1001133634	1	Clamp	
67	1001166393	1	Tank, Surge	
68	1001155575	4	Mount, Motor	
69	1001134485	NLA	Tray (Use p/n 1001191272) <b>(SN 0300201017 through 0300230054)</b>	
69	1001191272	1	Tray <b>(SN 0300230055 to Present)</b>	
70	1001135090	1	Radiator	
71	1001135138	1	Spacer, Fan	
72	1001135560	1	Support, Engine	
73	1001135562	1	Support, Engine - Rear	
74	1001135679	1	Spacer, Pulley	
75	1001135680	1	Support, Radiator	
76	1001135901	1	Pipe, Air Intake	
77	1001135903	1	Pipe, Air Intake	
78	1001135913	1	Pipe, Turbo to Air Cleaner	
79	1001135914	1	Pipe, Air Cleaner to Intake	
80	1001135924	1	Hose, Radiator (Upper)	
81	1001135926	1	Hose, Radiator (Lower)	
82	1001135943	1	Coupling, Rubber	
83	1001135946	1	Elbow, Rubber	
84	1001136292	1	Pipe, 90	
85	1001138827	1	Sensor, Coolant Level	
86	1001136626	2	Bracket	
87	1001136665	1	Bracket	
88	1001136834	1	Cap, Tank	
89	1001142398	1	Support, Engine	
90	1001137276	1	Fan	
91	1001138228	1	Module, Power	
91	70023592	1	Fuse 20Amp (Switched Output)	
91	70023593	1	Fuse 30Amp (Battery Output)	
92	1001138253	5	Clamp	
94	1001138346	1	Harness, Engine (Not Shown - See ELECTRICAL SECTION for Breakdown)	
95	1001138524	1	Hose	
96	1001138559	1	Fitting, 90	
97	1001139240	1	Bracket	
98	1001153024	1	Pipe, Exhaust	
100	1001141304	1	Wire, Glow Plug (Not Shown)	
101	1001141717	1	Fitting, Straight	
102	1001141719	1	Fitting, 90 Barbed	

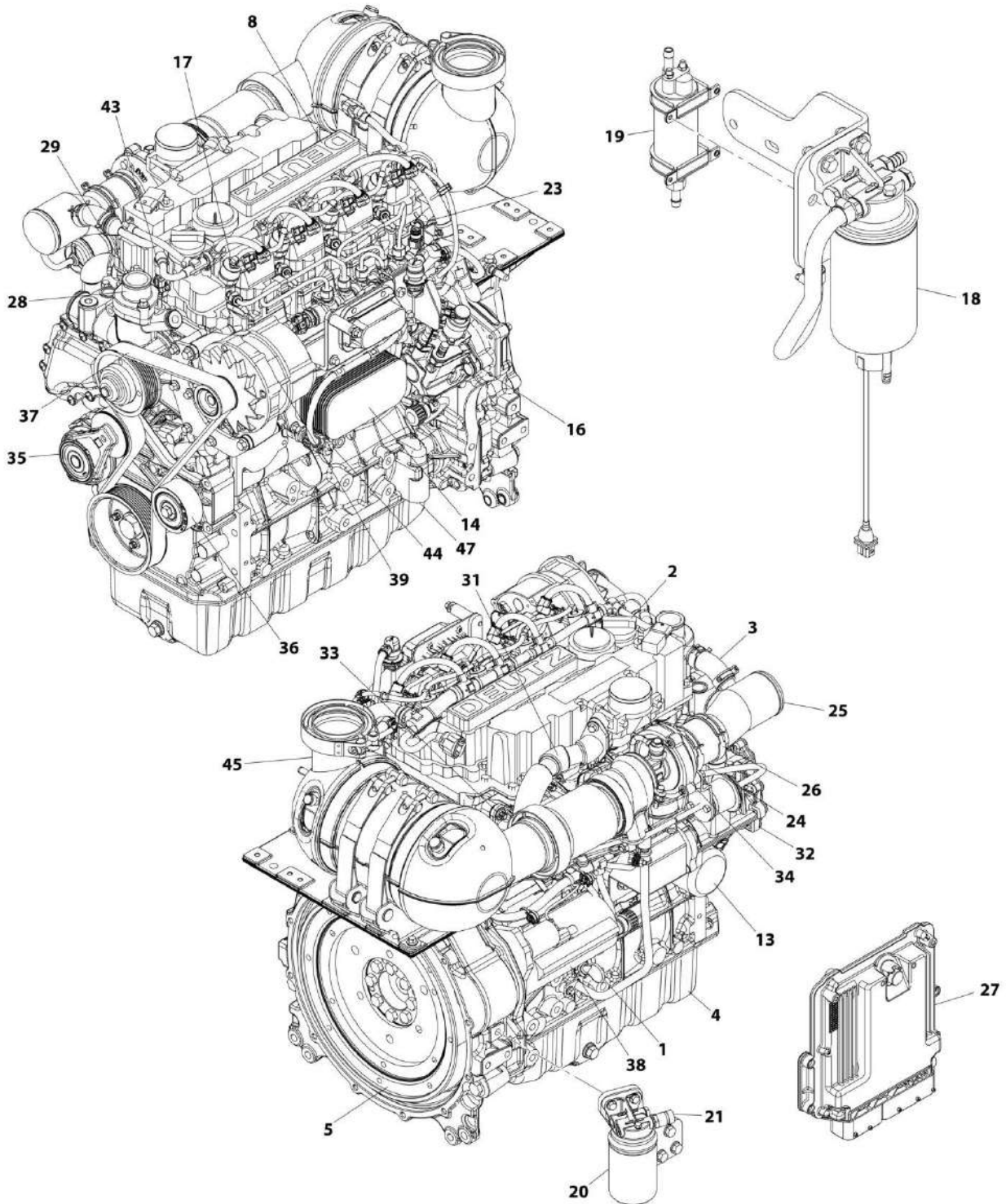
## SECTION 3 - ENGINE

ITEM	PART NUMBER	QTY	DESCRIPTION	REV
103	1001140564	1	Fitting, 90 Barbed	
104	1001133633	1	Air Cleaner Assembly	
104	70024190	1	Element, Air Filter	
105	1001135779	1	Cable, Alternator Positive (Not Shown)	
106	1001138248	4 ft/1.2m	Tubing	
107	1320022	2	Clamp	
108	2720015	4.5 ft/ 1.4m	Hose	
110	1001165035	30.5 ft/ 9.3m	Hose	
112	8405007	2	Clamp	
113	4240099	AR	Tie-Strap (Used to Secure Block Heater Cord)	
114	4460234	3	Mount, Wire Tie (Used to Secure Block Heater Cord)	
115	1001140312	1	Heater, Block	
116	0761214	3	Bolt M12 x 30	
117	1001165820	1	Pipe, Elbow	
118	1001143390	1	Indicator, Air Filter Service	
119	1001142637	1	Hose, Hump	
120	1001142685	1	Bracket	
121	8406102	AR	Clip	
122	8406112	1	Clip	
123	1001134488	1	Fitting, 90 Barbed	
124	1001138717	1	Bracket	
125	1001142501	1	Fitting, 90 Barbed	
126	1001144089	1	Grommet	
127	1001145154	1	Plate, Mounting	
128	1001154405	5 ft/1.5m	Hose	
129	4640751	1	Valve, Oil Drain	
130	8405006	2	Clamp	
131	0760810	AR	Bolt M8 x 20	
132	1001148843	1	Harness, Fuel Filter (Not Shown - See ELECTRICAL SECTION for Breakdown)	
134	1703162	2	Decal - Fan	
135	0641503	3	Bolt 5/16 x 3/8	
136	1001153387	1	Plate	
137	3931508	2	Capscrew 5/16 x 1/2	
138	1001155823	1	Coupling	
139	0100062	AR	Adhesive, Loctite #680	
140	1001181895	AR	Adhesive, Loctite #640 (Not Shown - Apply to Block Heater)	



# SECTION 3 - ENGINE

## FIGURE 3-26. DEUTZ TCD2.9L4 ENGINE COMPONENTS



ART\_1001128947

## SECTION 3 - ENGINE

**FIGURE 3-26. DEUTZ TCD2.9L4 ENGINE COMPONENTS**

ITEM	PART NUMBER	QTY	DESCRIPTION	REV
	1001128947	Ref	DEUTZ TCD2.9L4 ENGINE COMPONENTS	K
1	70024904	1	Dipstick	
1	70024905	1	O-Ring	
2	7020465	2	Cap, Filler	
3	7002511	2	Clamp	
4	70025162	1	Pan, Oil	
4	70025088	2	Plug	
4	7020404	2	Washer, Sealing	
5	70001870	1	Flywheel	
5	7024579	1	Gear, Ring	
6	70024906	1	Gasket, Head (Not Shown)	
7	70025204	1	Shield, Heat (Not Shown)	
8	70025163	1	Cover, Valve	
8	70025205	1	Gasket	
8	70025206	1	Gasket, Small Valve Cover	
8	70025207	1	Gasket, Large Valve Cover	
8	70025208	1	Gasket	
9	70025076	1	Valve (Not Shown - Located on Right Side of Front Engine Cover)	
9	70025176	1	Spring	
9	70025082	1	Ring, Sealing	
9	70025091	1	Plug	
10	70025190	1	Cover, Front (Not Shown - Located on Front of Engine)	
10	70024907	1	Gasket, Front Cover	
10	70004280	1	Seal, Shaft - Front	
11	70002718	1	Seal, Shaft - Rear (Not Shown)	
12	70025202	1	Pump, Oil Lube (Not Shown)	
12	70025135	1	O-Ring	
12	70025136	1	Gasket	
13	7016331	1	Filter, Oil	
13	70025137	1	Bushing	
14	70004275	1	Cooler, Engine Oil	
14	70024925	1	Gasket	
15	70025171	1	Oil Suction Pump (Not Shown - Located Inside of Engine Oil Pan)	
16	70024924	1	Pump, Fuel	
16	70025152	1	O-Ring	
16	70025080	1	Washer	
16	70024488	1	Spacer	
16	70024517	1	O-Ring	
17	70025181	4	Injector, Fuel	
17	70025140	4	Washer, Sealing	
17	70025146	4	Clamp (Top of Injector)	
17	70025145	4	O-Ring	
17	70025154	4	Shoe, Clamping	
17	70000345	1	Plug, Glow (Not Shown)	
17	70025231	1	Harness, Glow Plug (Not Shown)	
18	70024961	1	Fuel Filter Assembly	
18	70025153	NLA	Filter, Fuel (Use p/n 1001225430)	
18	70024513	1	Cable, Sensor	
18	70025239	1	Ring, Sealing	
19	70024486	1	Pump, Fuel	

## SECTION 3 - ENGINE

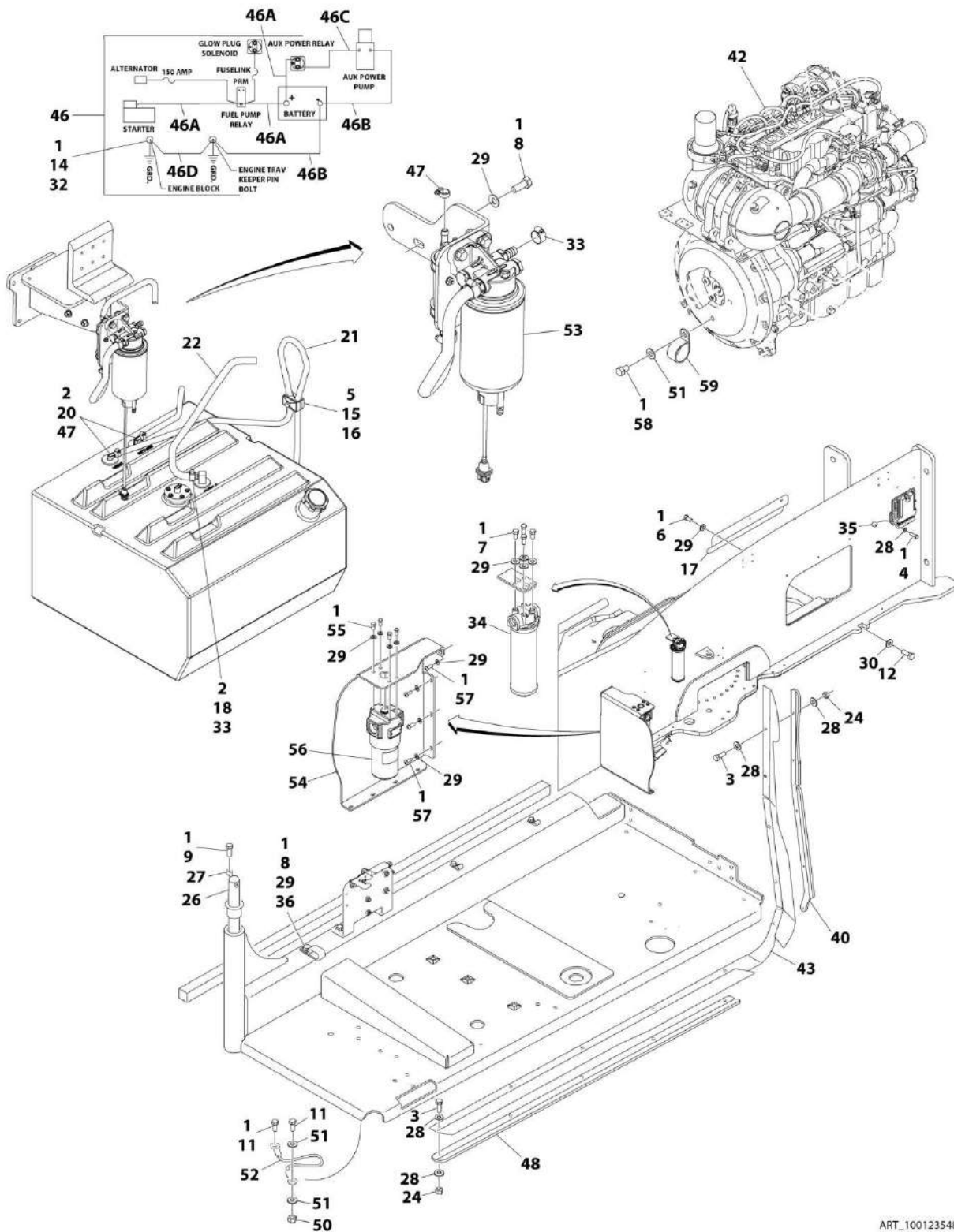
ITEM	PART NUMBER	QTY	DESCRIPTION	REV
19	70025144	2	Clamp	
20	70025160	1	Filter with Head	
20	70025161	NLA	Filter, Fuel (Use p/n 1001225431)	
21	70024504	1	Sensor, Pressure	
21	70024920	1	O-Ring	
21	70025103	1	Retainer	
22	70025151	1	Rail, Fuel (Not Shown)	
22	70025235	1	Repair Kit (Not Shown)	
23	70025182	1	Fuel Line - High Pressure (Cylinder 1 & 2)	
23	70025183	1	Fuel Line - High Pressure (Cylinder 3 & 4)	
23	70025184	1	Fuel Line - High Pressure (Supply)	
24	70004501	1	Sleeve, Rubber	
25	70004502	1	Pipe, Intake	
26	70025112	2	Clamp	
27	70025210	1	ECU (Engine Control Unit)	
28	70024910	1	Pump, Water	
28	70025200	1	Ring, Sealing	
28	70025084	2	Plug	
28	7020492	2	Ring, Sealing	
29	70024473	1	Thermostat	
29	70025143	1	O-Ring	
29	70025142	1	Cover, Thermostat	
30	70025177	1	Pipe (Not Shown - Located on Left Side)	
30	70025179	2	Gasket (Not Shown)	
31	70025178	1	Pipe	
31	70025156	1	Valve, Shuttle	
31	70025179	2	Gasket	
31	70025180	1	Gasket	
32	70025203	1	Module, EGR	
32	70025155	1	Plug	
33	70004282	1	Manifold, Exhaust	
33	70025164	1	Gasket, Exhaust Manifold to Head	
34	70004503	1	Turbocharger	
34	70024912	1	Gasket, Exhaust Manifold	
35	70025477	1	Tensioner, Belt	
36	70024484	1	Idler Roller	
37	70004277	1	Belt, Drive	
38	70024915	1	Starter	
39	70025533	1	Generator	
39	70025149	1	Regulator, Voltage	
40	70004284	1	Harness, Engine (Not Shown)	
41	70024507	1	Sensor, Pressure (Not Shown - Located Top Rear)	
41	70025120	1	O-Ring	
42	70026210	1	Sensor (Not Shown - Located Left Side Front and Flywheel Housing)	
42	70024917	1	O-Ring	
43	70024918	1	Sender, Temperature	
44	70024919	1	Sensor, Pressure	
44	70024920	1	O-Ring	
45	70005445	1	Outlet, Muffler	
46	70004279	1	Gasket Kit (Not Shown)	
47	70124530	1	Valve, Pressure Relief	

## SECTION 3 - ENGINE

ITEM	PART NUMBER	QTY	DESCRIPTION	REV
47	70124538	1	Spring, Compression	
47	70104570	1	Ring, Sealing	
47	70025660	1	Screw	

# SECTION 3 - ENGINE

FIGURE 3-27. DEUTZ TCD2.9L4 ENGINE (STAGE V) INSTALLATION - WITH REXROTH PUMP (WITHOUT COLD WEATHER PLUS PACKAGE)



ART\_1001235480



## SECTION 3 - ENGINE

**FIGURE 3-27. DEUTZ TCD2.9L4 ENGINE (STAGE V) INSTALLATION - WITH REXROTH PUMP  
(WITHOUT COLD WEATHER PLUS PACKAGE)**

ITEM	PART NUMBER	QTY	DESCRIPTION	REV
	1001235480	Ref	DEUTZ TCD2.9L4 ENGINE (STAGE V) INSTALLATION - WITH REXROTH PUMP (WITHOUT COLD WEATHER PLUS PACKAGE)	B
1	0100011	AR	Compound, Locking	
2	0100079	AR	Sealant, Pipe	
3	0641408	10	Bolt 1/4 x 1	
4	0641410	4	Bolt 1/4 x 1-1/4	
5	0641511	1	Bolt 5/16 x 1-3/8	
6	0641605	3	Bolt 3/8 x 5/8	
7	0641606	4	Bolt 3/8 x 3/4	
8	0641608	3	Bolt 3/8 x 1	
9	0641610	1	Bolt 3/8 x 1-1/4	
11	0641808	2	Bolt 1/2 x 1	
12	0642010	1	Bolt 5/8 x 1-1/4	
14	0761210	1	Bolt M12 x 20	
15	1320187	1	Clamp	
16	1320190	1	Cover, Clamp	
17	1671121	1	Cover	
18	2180832	1	Fitting, Barbed	
20	2220313	2	Fitting, 90 Barbed	
21	2750532	5 ft/ 1.5m	Hose	
22	1001154405	1.9 ft/ 0.6m	Hose	
24	3311405	10	Nut 1/4	
26	3422446	1	Pin, Pivot	
27	3841143	1	Pin, Keeper	
28	4711400	24	Washer 1/4	
29	4711600	19	Washer 3/8	
30	4752000	1	Washer 5/8	
32	4812100	1	Washer M12	
33	8405006	2	Clamp	
34	1001108617	1	Hydraulic Pressure Filter Assembly	
34	70002231	1	Element, Filter	
35	1001110425	4	Spacer	
36	1001116792	1	Clamp	
39	1001138491	NLA	Harness, Fuel (Use p/n 1001222665) (Not Shown - See ELECTRICAL SECTION for Breakdown)	
40	1001145089	1	Clamp	
42	1001235479	1	Engine Sub-Assembly (See Separate Breakdown in this Section)	
43	1001145560	1	Panel, Rubber	
46	1001142610	1	Battery Cable Kit	
46A	7027046	1	Cable, Battery (Red) (Battery + to Relays and Starter)	
46A	See Note	NSS	Boot, Ring Terminal (Red) (Note: Not Available - Purchase Locally)	
46B	7027047	1	Cable, Battery (Black) (Battery - to Tray Pivot Grd) and Aux Pump	
46B	See Note	NSS	Boot, Ring Terminal (Black) (Note: Not Available - Purchase Locally)	
46C	7027048	1	Cable (Red) (Aux Relay to Aux Pump)	
46C	See Note	NSS	Boot, Ring Terminal (Red) (Note: Not Available - Purchase Locally)	

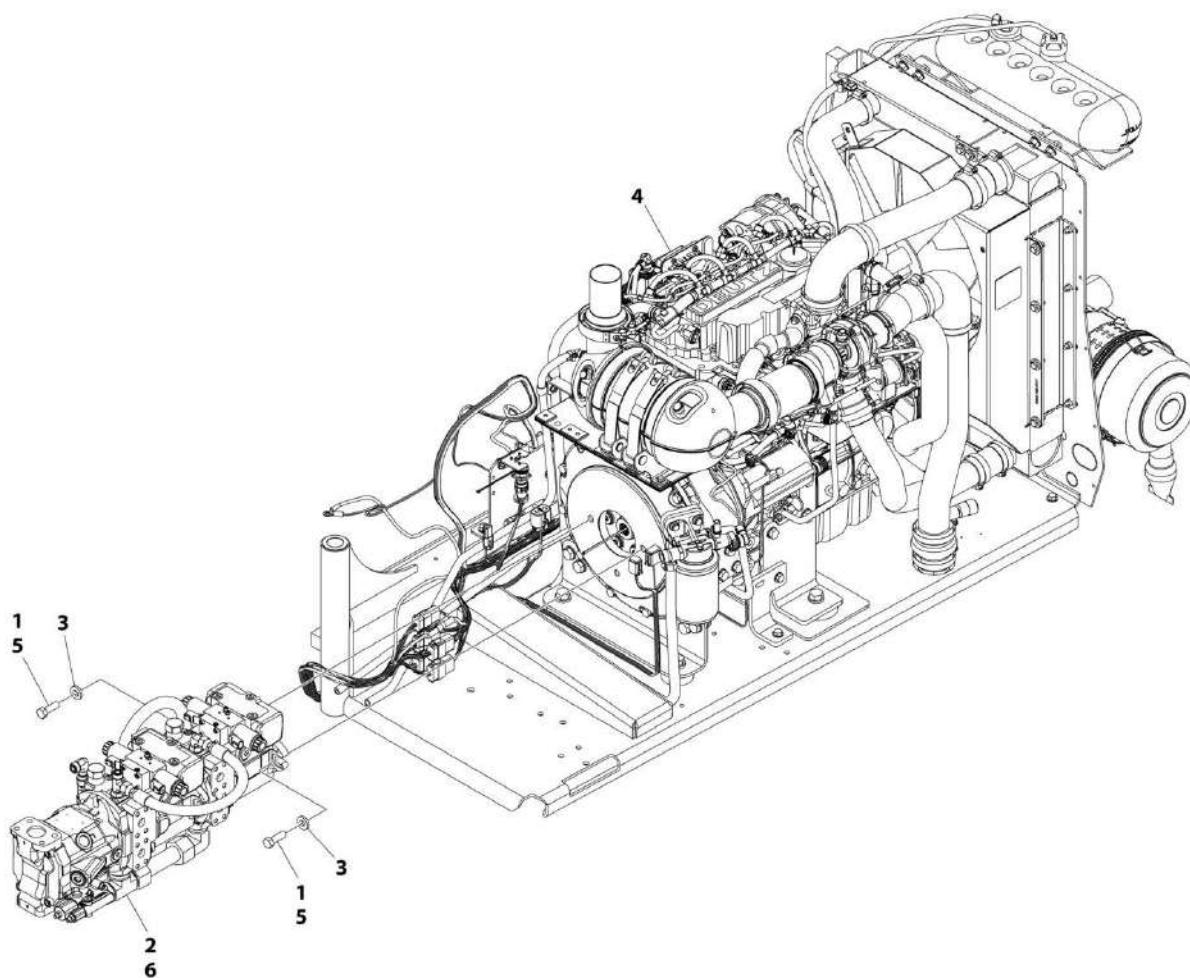
## SECTION 3 - ENGINE

ITEM	PART NUMBER	QTY	DESCRIPTION	REV
46D	7027049	1	Cable, Battery (Black) (Engine to Tray Pivot Grd)	
47	1320022	3	Clamp	
48	1001145842	1	Plate, Clamping	
50	3311805	1	Nut 1/2	
51	4711800	3	Washer 1/2	
52	1001131542	1	Lanyard	
53	1001165101	1	Bracket, Fuel Pump Filter Assembly (See FUEL PUMP/FILTER BRACKET ASSEMBLY - DEUTZ TCD2.9L4 ENGINES for Breakdown)	
54	3380723	1	Panel, Noise Reduction	
55	0651606	4	Bolt 3/8 x 3/4	
56	2120218	1	Filter, High Pressure	
56	2120219	1	Element, Filter	
56	70001344	1	O-Ring, Bowl	
56	70006137	1	Seal Kit - Includes O-Ring (Element), O-Ring (Bowl), Back-up Ring (Bowl), Seal Ring (Indicator) and O-Ring (Indicator)	
57	3900316	5	Screw 3/8 x 1	
58	0641806	1	Bolt 1/2 x 3/4	
59	90028660	1	Clamp	
60	1001241835	1 l	Fluid, Diesel Fuel Additive (Not Shown)	



## SECTION 3 - ENGINE

FIGURE 3-28. DEUTZ TCD2.9L4 ENGINE (STAGE V) SUB-ASSEMBLY - WITH REXROTH PUMP AND ABS HOODS (WITHOUT COLD WEATHER PLUS PACKAGE)



ART\_1001235479

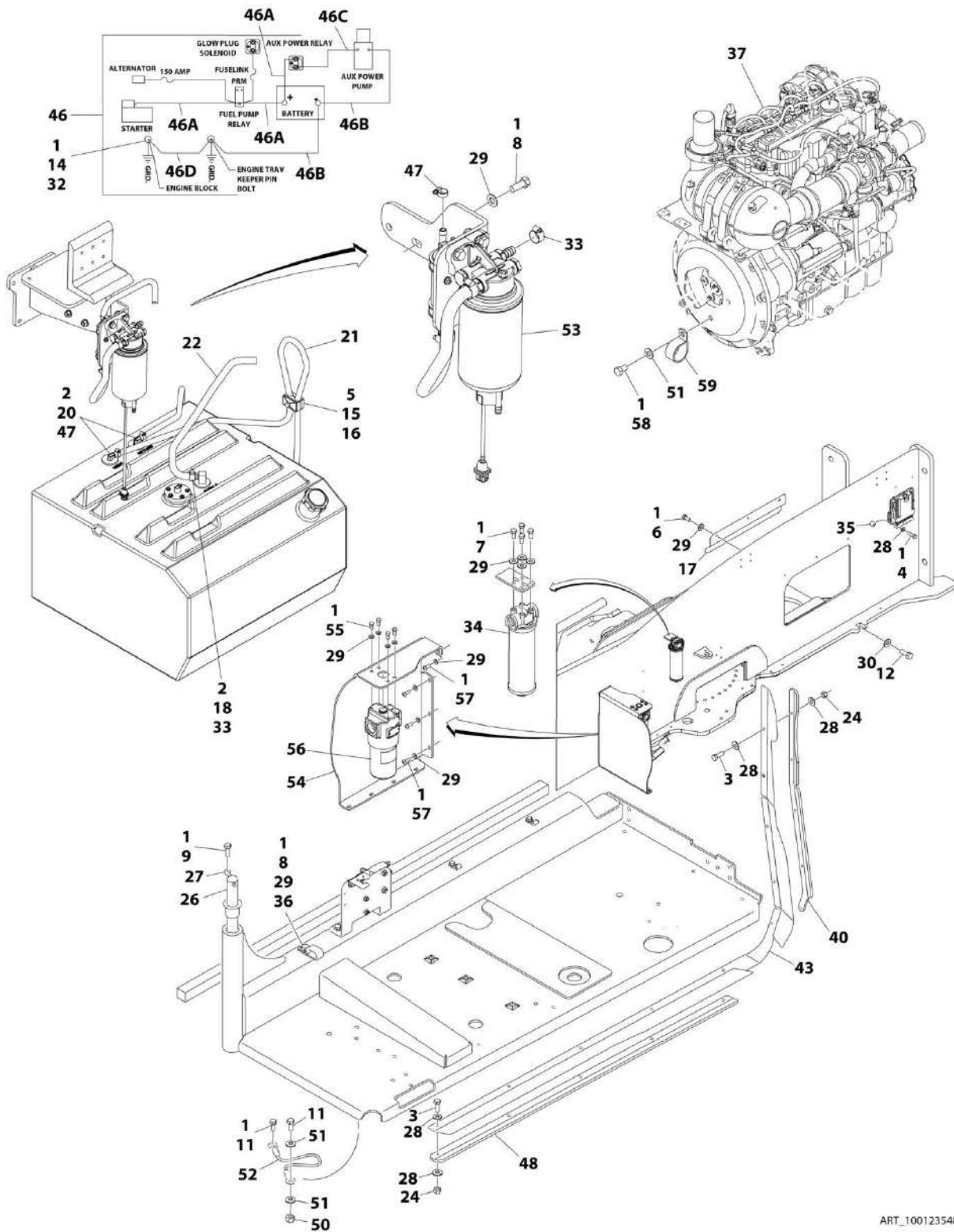
## SECTION 3 - ENGINE

**FIGURE 3-28. DEUTZ TCD2.9L4 ENGINE (STAGE V) SUB-ASSEMBLY - WITH REXROTH PUMP AND ABS HOODS (WITHOUT COLD WEATHER PLUS PACKAGE)**

ITEM	PART NUMBER	QTY	DESCRIPTION	REV
	1001235479	Ref	DEUTZ TCD2.9L4 ENGINE (STAGE V) SUB-ASSEMBLY - WITH REXROTH PUMP (WITHOUT COLD WEATHER PLUS PACKAGE)	C
1	0641812	2	Bolt 1/2 x 1-1/2	
2	3020037	AR	Grease, Pump Coupling	
3	4891800	2	Washer 1/2	
4	1001235477	1	Engine Assembly (See Separate Breakdown in this Section)	
5	0100011	AR	Compound, Locking	
6	1001152963	1	Pump Assembly - Rexroth (See Separate Breakdown in this Section)	

# SECTION 3 - ENGINE

FIGURE 3-29. DEUTZ TCD2.9L4 ENGINE (STAGE V) INSTALLATION - WITH SAUER PUMP (WITHOUT COLD WEATHER PLUS PACKAGE)



ART\_1001235483

## SECTION 3 - ENGINE

**FIGURE 3-29. DEUTZ TCD2.9L4 ENGINE (STAGE V) INSTALLATION - WITH SAUER PUMP (WITHOUT COLD WEATHER PLUS PACKAGE)**

ITEM	PART NUMBER	QTY	DESCRIPTION	REV
	1001235483	Ref	DEUTZ TCD2.9L4 ENGINE (STAGE V) INSTALLATION - WITH SAUER PUMP (WITHOUT COLD WEATHER PLUS PACKAGE)	B
1	0100011	AR	Compound, Locking	
2	0100079	AR	Sealant, Pipe	
3	0641408	10	Bolt 1/4 x 1	
4	0641410	4	Bolt 1/4 x 1-1/4	
5	0641511	1	Bolt 5/16 x 1-3/8	
6	0641605	3	Bolt 3/8 x 5/8	
7	0641606	4	Bolt 3/8 x 3/4	
8	0641608	3	Bolt 3/8 x 1	
9	0641610	1	Bolt 3/8 x 1-1/4	
11	0641808	2	Bolt 1/2 x 1	
12	0642010	1	Bolt 5/8 x 1-1/4	
14	0761210	1	Bolt M12 x 20	
15	1320187	1	Clamp	
16	1320190	1	Cover, Clamp	
17	1671121	1	Cover	
18	2180832	1	Fitting, Barbed	
20	2220313	2	Fitting, 90 Barbed	
21	2750532	5 ft/ 1.5m	Hose	
22	1001154405	1.9 ft/ 0.6m	Hose	
24	3311405	10	Nut 1/4	
26	3422446	1	Pin, Pivot	
27	3841143	1	Pin, Keeper	
28	4711400	24	Washer 1/4	
29	4711600	19	Washer 3/8	
30	4752000	1	Washer 5/8	
32	4812100	1	Washer M12	
33	8405006	2	Clamp	
34	1001108617	1	Hydraulic Pressure Filter Assembly	
34	70002231	1	Element, Filter	
35	1001110425	4	Spacer	
36	1001116792	1	Clamp	
37	1001235476	1	Engine Sub-Assembly (See Separate Breakdown in this Section)	
39	1001138491	NLA	Harness, Fuel (Use p/n 1001222665) (Not Shown - See ELECTRICAL SECTION for Breakdown)	
40	1001145089	1	Clamp	
43	1001145560	1	Panel, Rubber	
46	1001142610	1	Battery Cable Kit	C
46A	7027046	1	Cable, Battery (Red) (Battery + to Relays and Starter)	
46A	See Note	NSS	Boot, Ring Terminal (Red) (Note: Not Available - Purchase Locally)	
46B	7027047	1	Cable, Battery (Black) (Battery - to Tray Pivot Grd) and Aux Pump	
46B	See Note	NSS	Boot, Ring Terminal (Black) (Note: Not Available - Purchase Locally)	
46C	7027048	1	Cable (Red) (Aux Relay to Aux Pump)	
46C	See Note	NSS	Boot, Ring Terminal (Red) (Note: Not Available - Purchase Locally)	

## SECTION 3 - ENGINE

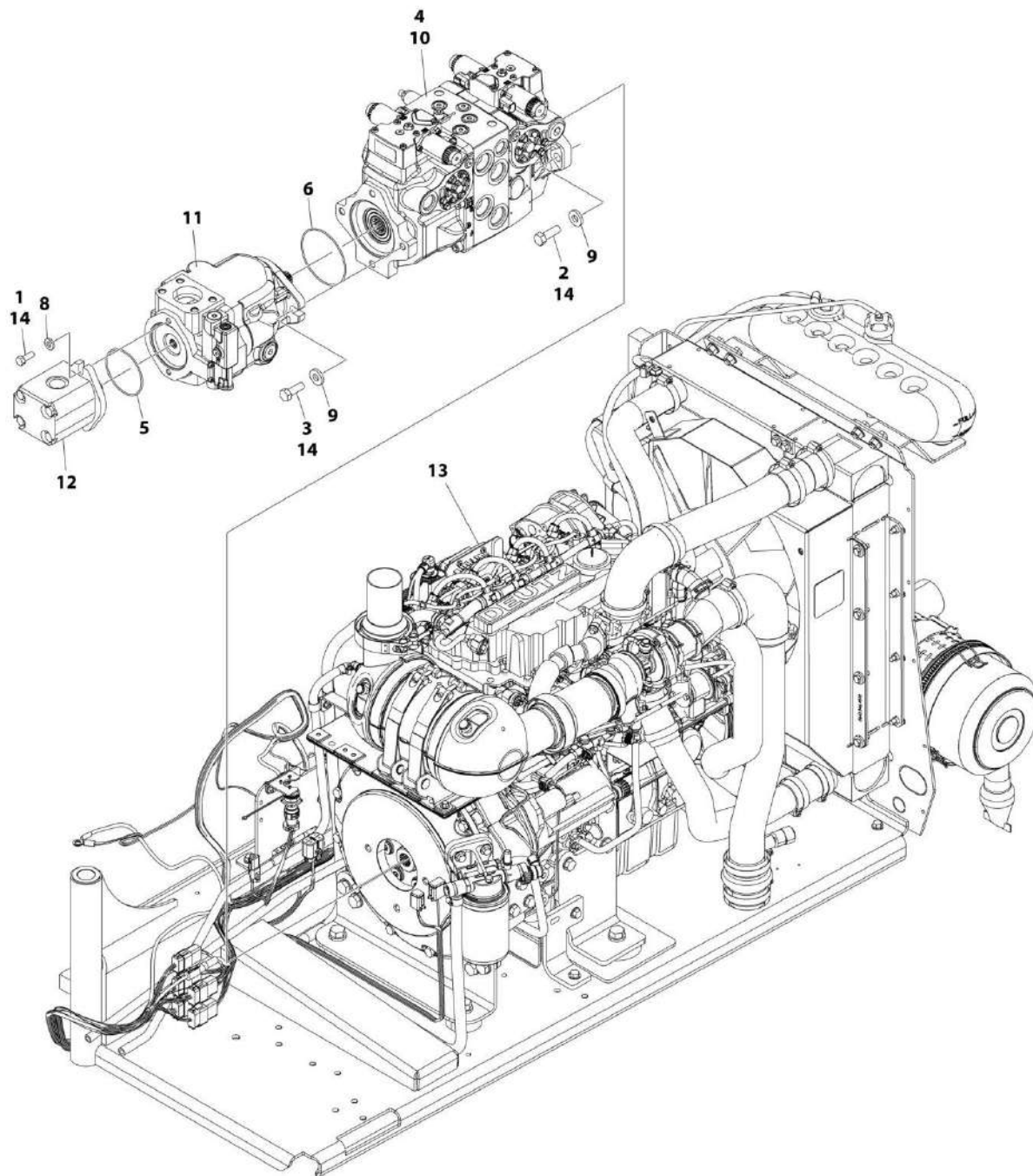
ITEM	PART NUMBER	QTY	DESCRIPTION	REV
46D	7027049	1	Cable, Battery (Black) (Engine to Tray Pivot Grd)	
47	1320022	3	Clamp	
48	1001145842	1	Plate, Clamping	
50	3311805	1	Nut 1/2	
51	4711800	3	Washer 1/2	
52	1001131542	1	Lanyard	
53	1001165101	1	Fuel Pump Filter Assembly (See FUEL PUMP/FILTER BRACKET ASSEMBLY - DEUTZ TCD2.9L4 ENGINES for Breakdown)	
54	3380723	1	Panel, Noise Reduction	
55	0651606	4	Bolt 3/8 x 3/4	
56	2120218	1	Filter, High Pressure	
56	2120219	1	Element, Filter	
56	70001344	1	O-Ring, Bowl	
56	70006137	1	Seal Kit - Includes O-Ring (Element), O-Ring (Bowl), Back-up Ring (Bowl), Seal Ring (Indicator) and O-Ring (Indicator)	
57	3900316	5	Screw 3/8 x 1	
58	0641806	1	Bolt 1/2 x 3/4	
59	90028660	1	Clamp	
60	1001241835	1	Fluid, Diesel Fuel Additive (Not Shown)	





## SECTION 3 - ENGINE

FIGURE 3-30. DEUTZ TCD2.9L4 ENGINE (STAGE V) SUB-ASSEMBLY - WITH SAUER PUMP AND ABS HOODS (WITHOUT COLD WEATHER PLUS PACKAGE)



ART\_1001235476

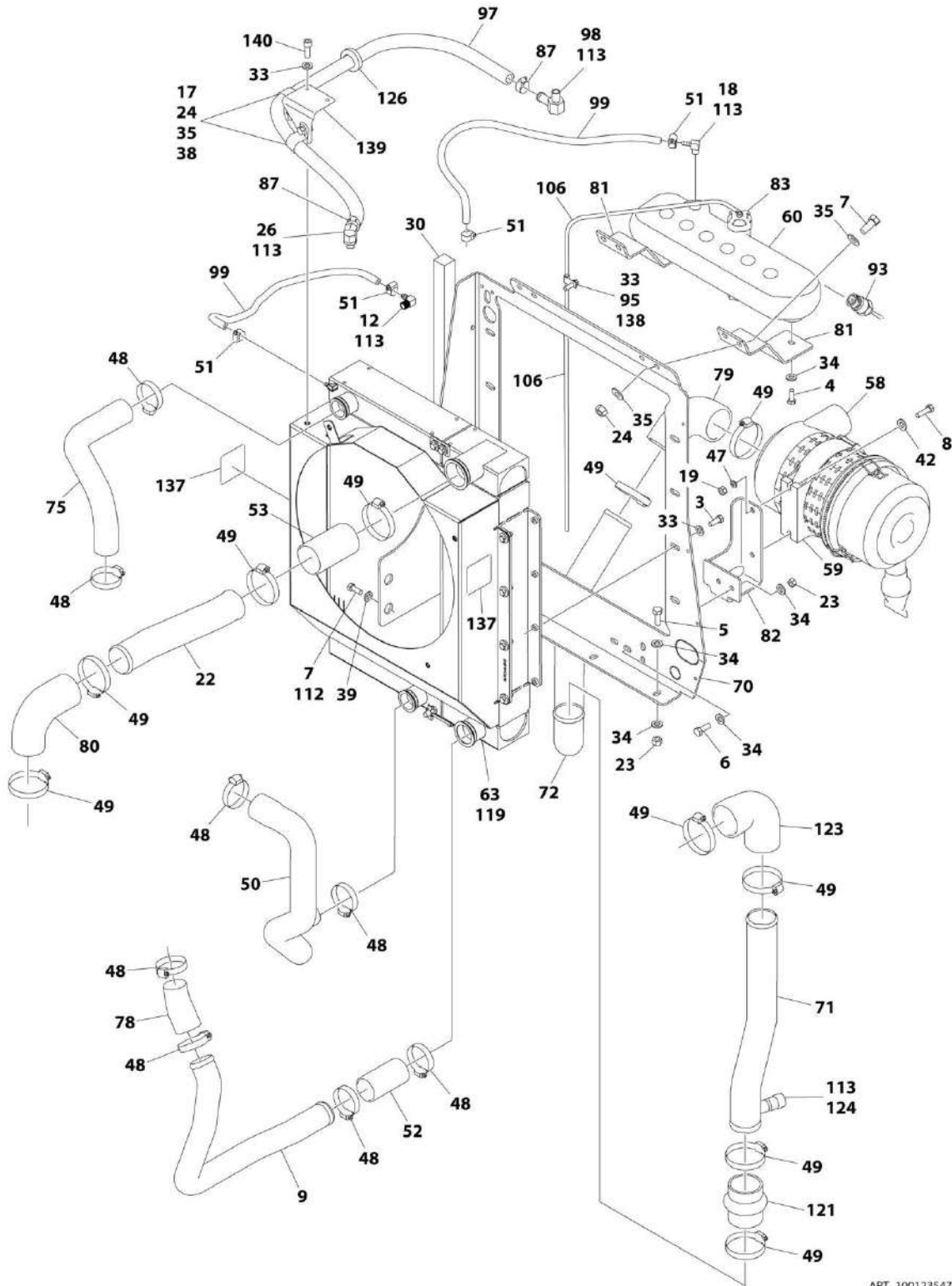
## SECTION 3 - ENGINE

**FIGURE 3-30. DEUTZ TCD2.9L4 ENGINE (STAGE V) SUB-ASSEMBLY - WITH SAUER PUMP AND ABS HOODS (WITHOUT COLD WEATHER PLUS PACKAGE)**

ITEM	PART NUMBER	QTY	DESCRIPTION	REV
	1001235476	Ref	DEUTZ TCD2.9L4 ENGINE (STAGE V) SUB-ASSEMBLY - WITH SAUER PUMP (WITHOUT COLD WEATHER PLUS PACKAGE)	C
1	0641608	2	Bolt 3/8 x 1	
2	0641812	2	Bolt 1/2 x 1-1/2	
3	0761215	2	Bolt M12 x 35	
4	3020037	AR	Grease, Pump Coupling	
5	3790152	1	O-Ring	
6	3790155	1	O-Ring	
8	4891600	2	Washer 3/8	
9	4891800	4	Washer 1/2	
10	1001108616	1	Pump Assembly - Sauer Tandem (See Separate Breakdown in this Section)	
11	1001171095	1	Pump Assembly - Sauer Piston (See Separate Breakdown in this Section)	
12	1001112927	1	Pump Assembly - Sauer Gear (See Separate Breakdown in this Section)	
13	1001235477	1	Engine Assembly (See Separate Breakdown in this Section)	
14	0100011	AR	Compound, Locking	

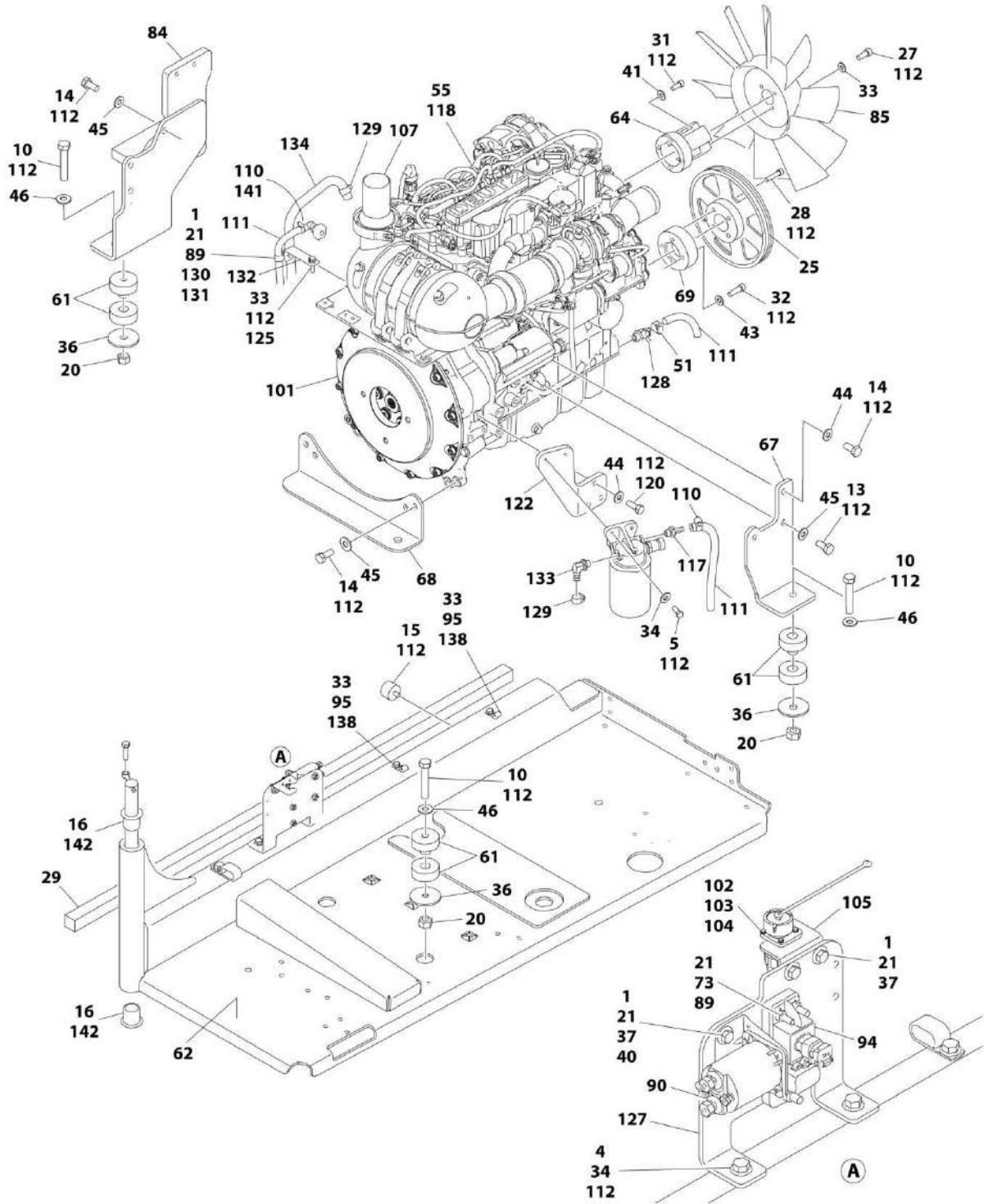
# SECTION 3 - ENGINE

## FIGURE 3-31. DEUTZ TCD2.9L4 ENGINE (STAGE V) ASSEMBLY (WITHOUT COLD WEATHER PLUS PACKAGE)



ART\_1001235477\_10F2

# SECTION 3 - ENGINE



ART\_1001235477\_20F2

## SECTION 3 - ENGINE

**FIGURE 3-31. DEUTZ TCD2.9L4 ENGINE (STAGE V) ASSEMBLY (WITHOUT COLD WEATHER PLUS PACKAGE)**

ITEM	PART NUMBER	QTY	DESCRIPTION	REV
	1001235477	Ref	DEUTZ TCD2.9L4 ENGINE (STAGE V) ASSEMBLY (WITHOUT COLD WEATHER PLUS PACKAGE)	C
1	0641406	5	Bolt 1/4 x 3/4	
3	0641508	8	Bolt 5/16 x 1	
4	0641606	5	Bolt 3/8 x 3/4	
5	0641608	9	Bolt 3/8 x 1	
6	0641610	2	Bolt 3/8 x 1-1/4	
7	0641708	6	Bolt 7/16 x 1	
8	0700815	2	Bolt M8 x 35	
9	1001135913	1	Pipe, Turbo to Air Cleaner	
10	0682028	4	Bolt 5/8 x 3-1/2 Grade 8	
12	1001140564	1	Fitting, 90 Barbed	
13	0771212	1	Bolt M12 x 25 Grade 10.9	
14	0771414	9	Bolt M14 x 30 Grade 10.9	
15	0940070	1	Bumper	
16	0961986	2	Bushing, Flanged	
17	0641706	2	Bolt 7/16 x 3/4	
18	1001134488	1	Fitting, 90 Barbed	
19	3290801	2	Nut M8	
20	3272001	4	Nut 5/8 Grade 8	
21	3311405	6	Nut 1/4	
22	1001135914	1	Pipe, Air Cleaner to Intake	
23	3311605	9	Nut 3/8	
24	3311705	5	Nut 7/16	
25	3580320	1	Pulley	
26	1001141719	1	Fitting, 90 Barbed	
27	3931512	4	Capscrew 5/16 x 3/4	
28	3931628	4	Capscrew 3/8 x 1-3/4	
29	3960543	1	Seal	
30	3960544	1	Seal	
31	4031914	4	Bolt M8 x 50	
32	4032014	4	Bolt M10 x 50	
33	4711500	19	Washer 5/16	
34	4711600	25	Washer 3/8	
35	4711700	10	Washer 7/16	
36	1001146219	4	Washer Special	
37	4751400	8	Washer 1/4	
38	8406302	2	Clamp	
39	4751700	2	Washer 7/16	
40	4791400	2	Starwasher 1/4	
41	4811900	4	Washer M8	
42	4811902	2	Washer M8	
43	4812000	4	Washer M10	
44	4812100	4	Washer M12	
45	4812200	9	Washer M14	
46	4892000	4	Washer 5/8	
47	4831900	2	Washer M8	
48	8405201	8	Clamp	
49	8405204	10	Clamp	

## SECTION 3 - ENGINE

ITEM	PART NUMBER	QTY	DESCRIPTION	REV
50	1001135926	1	Pipe, Radiator (Lower)	
51	8410013	5	Clamp	
52	91563070	1	Coupling, Rubber	
53	1001114495	1	Hose	
55	1001235459	1	Engine, Deutz TCD2.9L4 (See Separate Breakdown in this Section)	
58	1001133633	1	Air Cleaner Assembly	
58	70024190	1	Element, Air Filter	
59	1001133634	1	Clamp	
60	1001166393	1	Tank, Surge	
61	1001155575	4	Mount, Motor	
62	1001191272	1	Tray	
63	1001135090	1	Radiator	
64	1001135138	1	Spacer, Fan	
67	1001135560	1	Support, Engine	
68	1001135562	1	Support, Engine - Rear	
69	1001135679	1	Spacer, Pulley	
70	1001135680	1	Support, Radiator	
71	1001135901	1	Pipe, Air Intake	
72	1001135903	1	Pipe, Air Intake	
73	3931432	1	Capscrew 1/4 x 2	
75	1001135924	1	Hose, Radiator (Upper)	
78	1001135943	1	Coupling, Rubber	
79	1001135946	1	Elbow, Rubber	
80	1001136292	1	Pipe, 90	
81	1001136626	2	Bracket	
82	1001136665	1	Bracket	
83	1001136834	1	Cap, Tank	
84	1001142398	1	Support, Engine	
85	1001137276	1	Fan	
87	8405007	2	Clamp	
89	4711400	3	Washer 1/4	
90	1001117308	1	Relay	
93	1001138827	1	Sensor, Coolant Level	
94	1001138228	1	Module, Power	
94	70023592	1	Fuse 20Amp (Switched Output)	
94	70023593	1	Fuse 30Amp (Battery Output)	
95	1001138253	5	Clamp	
96	1001138346	1	Harness, Engine (Not Shown - See Separate Breakdown in ELECTRICAL SECTION)	
97	1001138524	1	Hose	
98	1001138559	1	Fitting, 90	
99	2720015	4.5 ft/ 1.4m	Hose	
101	2902065	1	Pump Coupling Kit (See Separate Breakdown in this Section)	
102	3310401	3	Nut #4	
103	3910408	3	Screw #4 x 1/2	
104	4710400	3	Washer #4	
105	1001139240	1	Bracket	
106	1001138248	4 ft/ 1.2m	Tubing	
107	1001153024	1	Pipe, Exhaust	
110	1320022	2	Clamp	

## SECTION 3 - ENGINE

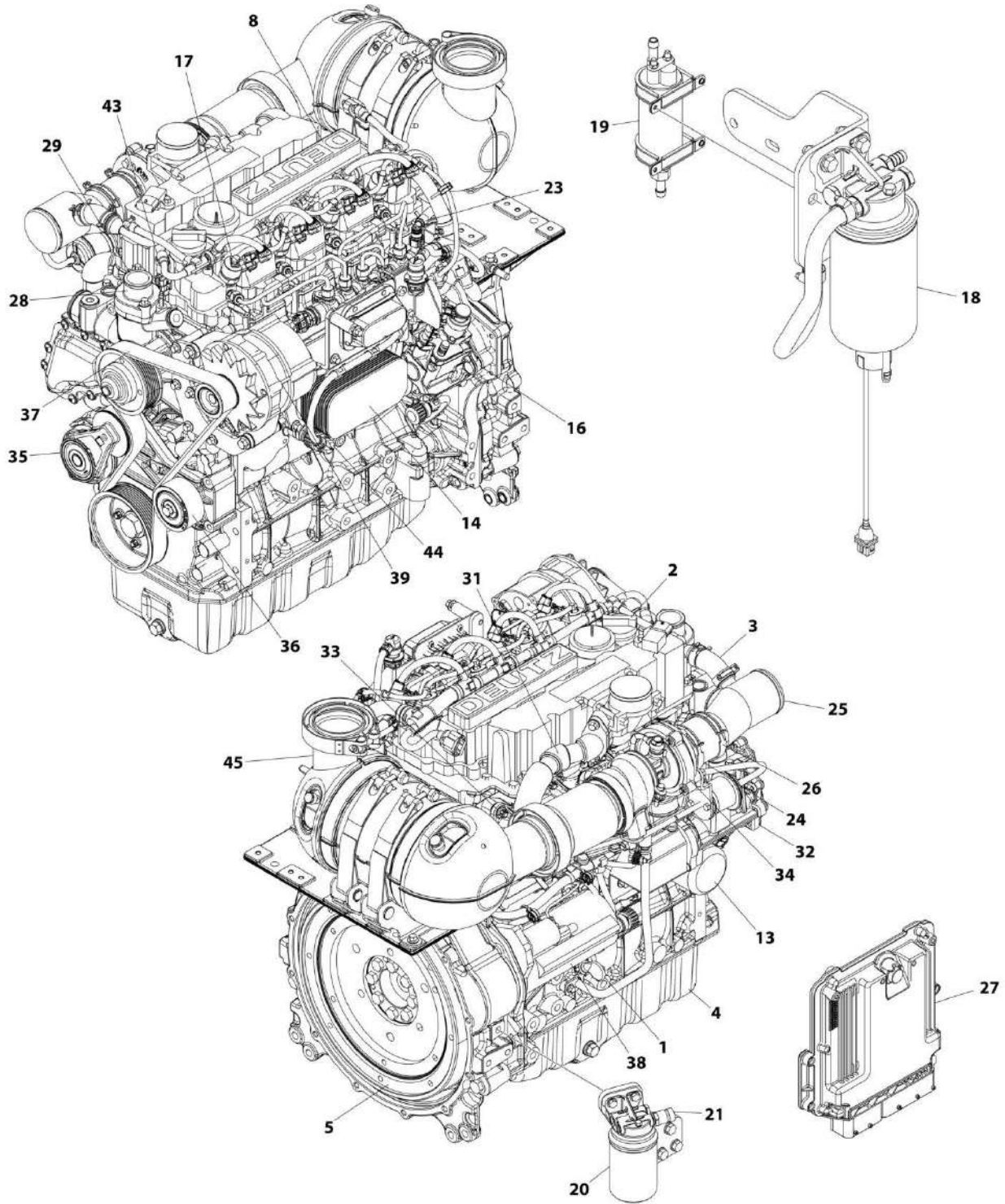
ITEM	PART NUMBER	QTY	DESCRIPTION	REV
111	1001165035	30.5 ft/ 9.3m	Hose	
112	0100011	AR	Compound, Locking	
113	0100020	AR	Sealant	
114	1001141304	1	Wire, Glow Plug (Not Shown)	
115	1001135779	1	Cable, Alternator Positive (Not Shown)	
117	1001141717	1	Fitting, Straight	
118	1001136079	2.4 gal/ 9L	Oil, Motor	
119	2300004	3.2 gal/ 12.1L	Anti-freeze	
120	0761214	3	Bolt M12 x 30	
121	1001142637	1	Hose, Hump	
122	1001142685	1	Bracket	
123	1001165820	1	Pipe, Elbow	
124	1001143390	1	Indicator, Air Filter Service	
125	0760810	2	Bolt M8 x 20	
126	1001144089	1	Grommet	
127	1001145154	1	Plate, Mounting	
128	4640751	1	Valve, Oil Drain	
129	8405006	2	Clamp	
130	8406102	AR	Clip	
131	8406112	1	Clip	
132	1001138717	1	Bracket	
133	1001142501	1	Fitting, 90 Barbed	
134	1001154405	5 ft/ 1.5m	Hose	
135	1001148843	1	Harness, Fuel Filter (Not Shown - See Separate Breakdown in ELECTRICAL SECTION)	
137	1703162	2	Decal - Fan	
138	0641503	3	Bolt 5/16 x 3/8	
139	1001153387	1	Plate	
140	3931508	2	Capscrew 5/16 x 1/2	
141	1001155823	1	Coupling	
142	0100062	AR	Adhesive, Loctite #680	
143	4240099	AR	Tie-Strap (Not Shown)	





# SECTION 3 - ENGINE

## FIGURE 3-32. DEUTZ TCD2.9L4 ENGINE COMPONENTS (STAGE V)



ART\_1001235459

## SECTION 3 - ENGINE

**FIGURE 3-32. DEUTZ TCD2.9L4 ENGINE COMPONENTS (STAGE V)**

ITEM	PART NUMBER	QTY	DESCRIPTION	REV
	1001235459	Ref	DEUTZ TCD2.9L4 ENGINE COMPONENTS (STAGE V)	B
1	70024904	1	Dipstick	
1	70024905	1	O-Ring	
2	7020465	2	Cap, Filler	
3	7002511	2	Clamp	
4	70025162	1	Pan, Oil	
4	70025088	2	Plug	
4	7020404	2	Washer, Sealing	
5	70001870	1	Flywheel	
5	7024579	1	Gear, Ring	
6	70024906	1	Gasket, Head (Not Shown)	
7	70025204	1	Shield, Heat (Not Shown)	
8	70025163	1	Cover, Valve	
8	70025205	1	Gasket	
8	70025206	1	Gasket, Small Valve Cover	
8	70025207	1	Gasket, Large Valve Cover	
8	70025208	1	Gasket	
9	70025076	1	Valve (Not Shown - Located on Right Side of Front Engine Cover)	
9	70025176	1	Spring	
9	70025082	1	Ring, Sealing	
9	70025091	1	Plug	
10	70025190	1	Cover, Front (Not Shown - Located on Front of Engine)	
10	70024907	1	Gasket, Front Cover	
10	70004280	1	Seal, Shaft - Front	
11	70002718	1	Seal, Shaft - Rear (Not Shown)	
12	70025202	1	Pump, Oil Lube (Not Shown)	
12	70025135	1	O-Ring	
12	70025136	1	Gasket	
13	7016331	1	Filter, Oil	
13	70025137	1	Bushing	
14	70004275	1	Cooler, Engine Oil	
14	70024925	1	Gasket	
15	70025171	1	Oil Suction Pump (Not Shown - Located Inside of Engine Oil Pan)	
16	70024924	1	Pump, Fuel	
16	70025152	1	O-Ring	
16	70025080	1	Washer	
16	70024488	1	Spacer	
16	70024517	1	O-Ring	
17	70025181	4	Injector, Fuel	
17	70025140	4	Washer, Sealing	
17	70025146	4	Clamp (Top of Injector)	
17	70025145	4	O-Ring	
17	70025154	4	Shoe, Clamping	
17	70000345	1	Plug, Glow (Not Shown)	
17	70025231	1	Harness, Glow Plug (Not Shown)	
18	70024961	1	Fuel Filter Assembly	
18	70025153	NLA	Filter, Fuel (Use p/n 1001225430)	
18	70024513	1	Cable, Sensor	
18	70025239	1	Ring, Sealing	
19	70024486	2	Pump, Fuel	

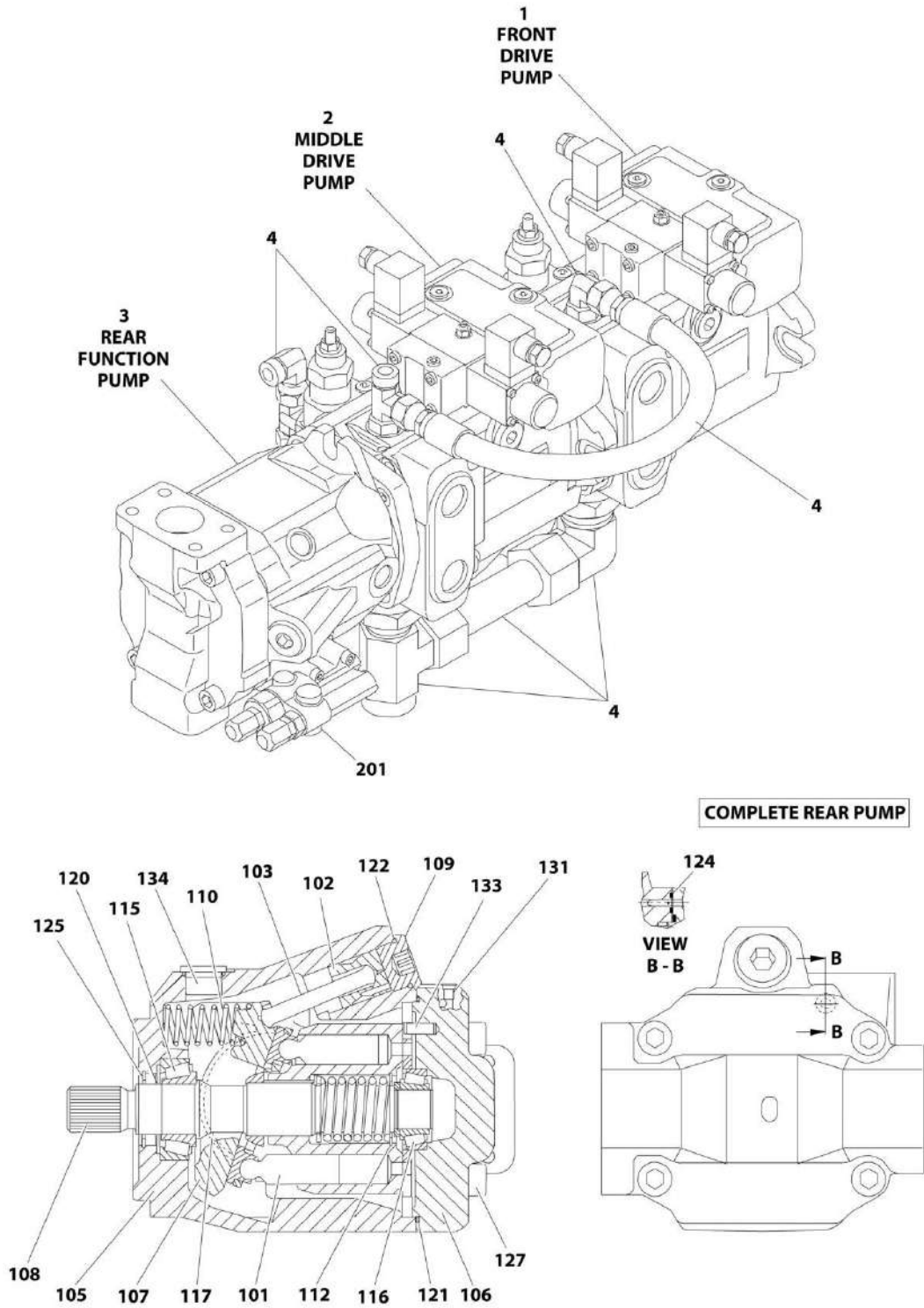
## SECTION 3 - ENGINE

ITEM	PART NUMBER	QTY	DESCRIPTION	REV
19	70025144	1	Clamp	
20	70025160	1	Filter with Head	
20	70025161	NLA	Filter, Fuel (Use p/n 1001225431)	
21	70024504	1	Sensor, Pressure	
21	70024920	1	O-Ring	
21	70025103	1	Retainer	
22	70025151	1	Rail, Fuel (Not Shown)	
22	70025235	1	Repair Kit (Not Shown)	
23	70025182	1	Fuel Line - High Pressure (Cylinder 1 & 2)	
23	70025183	1	Fuel Line - High Pressure (Cylinder 3 & 4)	
23	70025184	1	Fuel Line - High Pressure (Supply)	
24	70004501	1	Sleeve, Rubber	
25	70004502	1	Pipe, Intake	
26	70025112	2	Clamp	
27	70025210	1	ECU (Engine Control Unit)	
28	70024910	1	Pump, Water	
28	70025200	1	Ring, Sealing	
28	70025084	2	Plug	
28	7020492	2	Ring, Sealing	
29	70024473	1	Thermostat	
29	70025143	1	O-Ring	
29	70025142	1	Cover, Thermostat	
30	70025177	1	Pipe (Not Shown - Located on Left Side)	
30	70025179	2	Gasket (Not Shown)	
31	70025178	1	Pipe	
31	70025156	1	Valve, Shuttle	
31	70025179	2	Gasket	
31	70025180	1	Gasket	
32	70025203	1	Module, EGR	
32	70025155	1	Plug	
33	70004282	1	Manifold, Exhaust	
33	70025164	1	Gasket, Exhaust Manifold to Head	
34	70004503	1	Turbocharger	
34	70024912	1	Gasket, Exhaust Manifold	
35	70025477	1	Tensioner, Belt	
36	70024484	1	Idler Roller	
37	70004277	1	Belt, Drive	
38	70024915	1	Starter	
39	70025533	1	Generator	
39	70025149	1	Regulator, Voltage	
40	70004284	1	Harness, Engine (Not Shown)	
41	70024507	1	Sensor, Pressure (Not Shown - Located Top Rear)	
41	70025120	1	O-Ring	
42	70026210	1	Sensor (Not Shown - Located Left Side Front and Flywheel Housing)	
42	70024917	1	O-Ring	
43	70024918	1	Sender, Temperature	
44	70024919	1	Sensor, Pressure	
44	70024920	1	O-Ring	
45	70005445	1	Outlet, Muffler	
46	70004279	1	Gasket Kit (Not Shown)	



# SECTION 3 - ENGINE

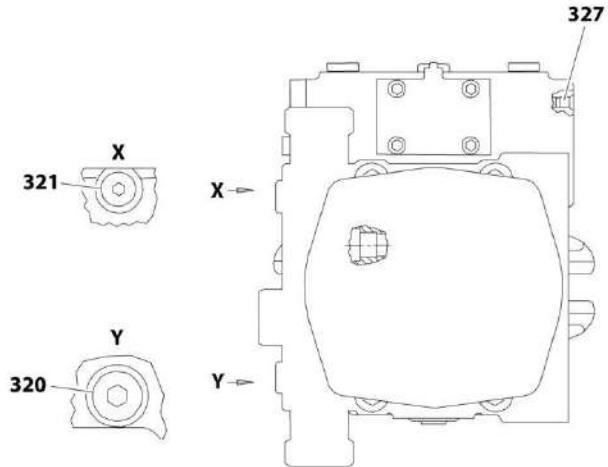
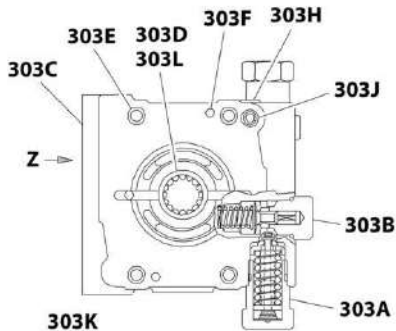
FIGURE 3-33. PUMP ASSEMBLY (REXROTH) (DEUTZ TD2011 ENGINES)



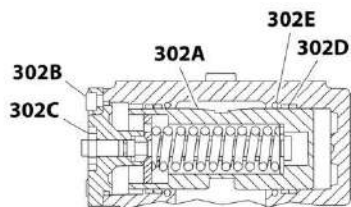
ART\_3600339\_10F2

# SECTION 3 - ENGINE

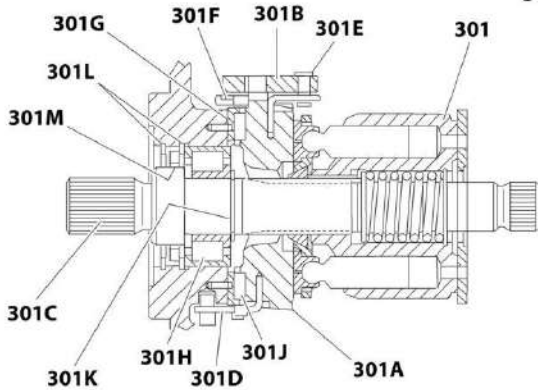
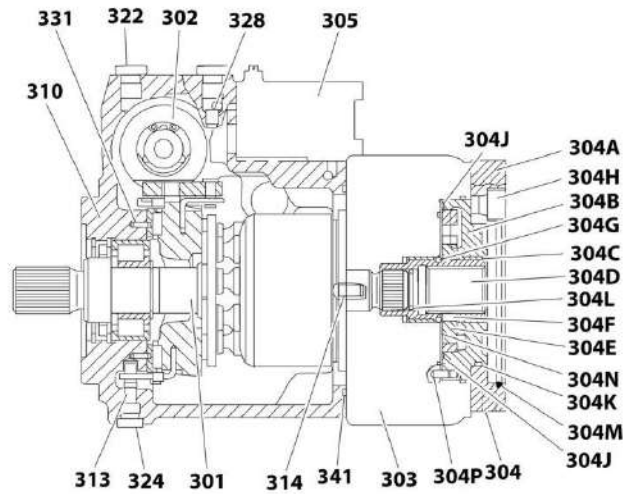
**COMPLETE FRONT AND PUMPS**



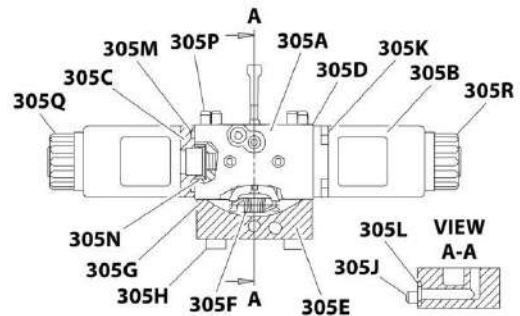
**PORT PLATE SECTION FRONT AND MID PUMPS (DETAIL OF ITEM 303)**



**HYD. CONTROL FRONT AND MID PUMPS (DETAIL OF ITEM 302)**



**ROTARY GROUP FRONT AND MID PUMPS (DETAIL OF ITEM 301)**



**CONTROL MODULE FRONT AND MID PUMPS (DETAIL OF ITEM 305)**

ART\_3600339\_20F2

## SECTION 3 - ENGINE

**FIGURE 3-33. PUMP ASSEMBLY (REXROTH) (DEUTZ TD2011 ENGINES)**

ITEM	PART NUMBER	QTY	DESCRIPTION	REV
	3600339	Ref	PUMP ASSEMBLY (REXROTH) (DEUTZ TD2011 ENGINES)	D
1	7024042	1	Front Drive Pump Assembly (Includes Items 301-341)	
2	7024043	1	Middle Drive Pump Assembly (Includes Items 301-341)	
3	7024044	1	Rear Function Pump Assembly (Includes Items 101-201)	
4	70001952	1	Hydraulic Kit (Includes all Rexroth Supplied Hydraulic Fittings, Hoses and Tubes)	
	7024044	Ref	REAR FUNCTION PUMP ASSEMBLY	
101	7024914	1	Rotary Section	
102	See Note	1	Piston, Control (Note: Not Available - Purchase Complete Assembly)	
103	See Note	1	Rod, Piston (Note: Not Available - Purchase Complete Assembly)	
105	See Note	1	Housing, Pump (Note: Not Available - Purchase Complete Assembly)	
106	See Note	1	Plate, Port (Note: Not Available - Purchase Complete Assembly)	
107	7024915	1	Plate, Swash	
108	7024916	1	Driveshaft	
109	See Note	1	Plug (Note: Not Available for Purchase)	
110	See Note	1	Spring (Note: Not Available for Purchase)	
112	7012709	1	Shim	
115	7024038	1	Bearing, Roller	
116	7012706	1	Bearing, Roller	
117	7024917	2	Shell, Cradle	
120	7024918	1	Seal, Shaft	
121	7024919	1	O-Ring	
122	7024920	1	O-Ring	
124	7024921	1	Seal	
125	7012715	1	V-Ring	
127	See Note	4	Capscrew M12 x 45 Grade 10.9 (Note: Not Available for Purchase)	
131	See Note	1	Plug (Note: Not Available for Purchase)	
133	See Note	1	Pin, Dowel (Note: Not Available for Purchase)	
134	See Note	1	Plug (Note: Not Available for Purchase)	
201	7024913	Ref	Pilot Valve Assembly	
		Ref	Note: Two mounting designs of p/n 7024913 pilot valve exist. Early design uses qty. 3 o-rings. Late design uses qty 1 sealing plate. Seal designs cannot be interchanged. Verify seal design before ordering.	
201	7024922	3	O-Ring (Seals between Pilot Valve and Rear Pump)	
201	70021867	1	Plate, Sealing (Seals between Pilot Valve and Rear Pump)	
		Ref	FRONT DRIVE PUMP ASSEMBLIES	
	7024042	Ref	Front Drive Pump Assembly	
	7024043	Ref	Middle Drive Pump Assembly	
301	7024064	1	Rotary Group	
301A	See Note	NSS	Cradle (Note: Use Item 301)	
301B	See Note	NSS	Ring, Slide (Note: Use Item 301)	
301C	See Note	NSS	Driveshaft (Note: Use Item 301)	
301D	See Note	NSS	Wire (Note: Use Item 301)	
301E	See Note	NSS	Pin, Joint (Note: Use Item 301)	
301F	See Note	NSS	Wire (Note: Use Item 301)	
301G	See Note	NSS	Liner, Bearing (Note: Use Item 301)	
301H	See Note	NSS	Bearing, Roller (Note: Use Item 301)	
301J	See Note	NSS	Cradle Bearing Assembly (Note: Use Item 301)	



## SECTION 3 - ENGINE

ITEM	PART NUMBER	QTY	DESCRIPTION	REV
301K	See Note	NSS	Ring, Retaining (Note: Use Item 301)	
301L	70001968	2	Ring, Retaining	
301M	7024070	1	Seal, Shaft Ring	
302	7024065	1	Control Group - Hydraulic	
302A	See Note	NSS	Piston, Positioning - Complete (Note: Use Item 302)	
302A	7024071	1	O-Ring, Outer Seal	
302A	7024072	1	O-Ring, Stem	
302B	See Note	4	Capscrew M6 x 12 (Note: Not Available - Purchase Locally)	
302C	See Note	NSS	Nut (Note: Use Item 302)	
302D	See Note	NSS	Ring, Guide (Note: Use Item 302)	
302E	See Note	NSS	Seal, O-Ring (Note: Use Item 302)	
303	7024911	1	Port Plate Group	
303A	7024073	2	Cartridge, Relief Valve (High Pressure)	
303A	7024075	1	O-Ring	
303A	7024076	1	Ring, Back-up	
303B		Ref	Cartridge Options:	
303B	7024097	1	Front Pump Cartridge (Lock Valve with Orifice) Note: Sold as an Assembly except Outer Seal.	
303B	7024075	1	O-Ring	
303B	7023881	1	Middle Pump Cartridge (Pressure Relief Valve) Note: Sold as an Assembly except Outer Seal.	
303B	7024077	1	O-Ring	
303C	See Note	NSS	Plate, Port (Note: Use Item 303)	
303D	See Note	NSS	Bushing, Bearing (Note: Use Item 303)	
303E	See Note	4	Capscrew M12 x 70 Grade10.9 (Note: Not Available - Purchase Locally)	
303F	See Note	NSS	Pin, Dowel (Note: Use Item 303)	
303G	See Note	NSS	Pin, Break-Off (Note: Use Item 303)	
303H	See Note	1	Screw, Locking M10 x 1 (Note: Not Available - Purchase Locally)	
303J	7024908	2	O-Ring	
303K	See Note	2	Screw, Locking 7/16 (Note: Not Available - Purchase Locally)	
303L	See Note	NSS	Bearing, Roller (Note: Use Item 303)	
304	7024906	1	Internal Gear Pump	
304A	See Note	NSS	Flange, Intermediate (Note: Use Item 304)	
304B	See Note	NSS	IZP-Housing (Note: Use Item 304)	
304C	See Note	NSS	Bushing, Bearing (Note: Use Item 304)	
304D	See Note	NSS	Coupling, Driveshaft Through (Note: Use Item 304)	
304E	See Note	NSS	Gear Set (Note: Use Item 304)	
304F	See Note	NSS	Key, Driveshaft (Note: Use Item 304)	
304G	See Note	NSS	Ring, Retaining (Note: Use Item 304)	
304H	See Note	4	Capscrew M10 x 20 (Note: Not Available - Purchase Locally)	
304J	7024080	2	Seal	
304K	7024081	1	O-Ring	
304L	See Note	NSS	Ring, Retaining (Note: Use Item 304)	
304M	See Note	NSS	O-Ring (Note: Use Item 304)	
304N	7024005	1	Plate, Wear	
304P	See Note	NSS	Pin, Cylinder (Note: Use Item 304)	
305	7024068	1	Control Module	
305A	7024084	1	Valve Body, Lever and Internal Components	
305B	7024083	2	Coil, Solenoid	
305C	See Note	NSS	Spacer, Coil (Note: Use Item 305)	

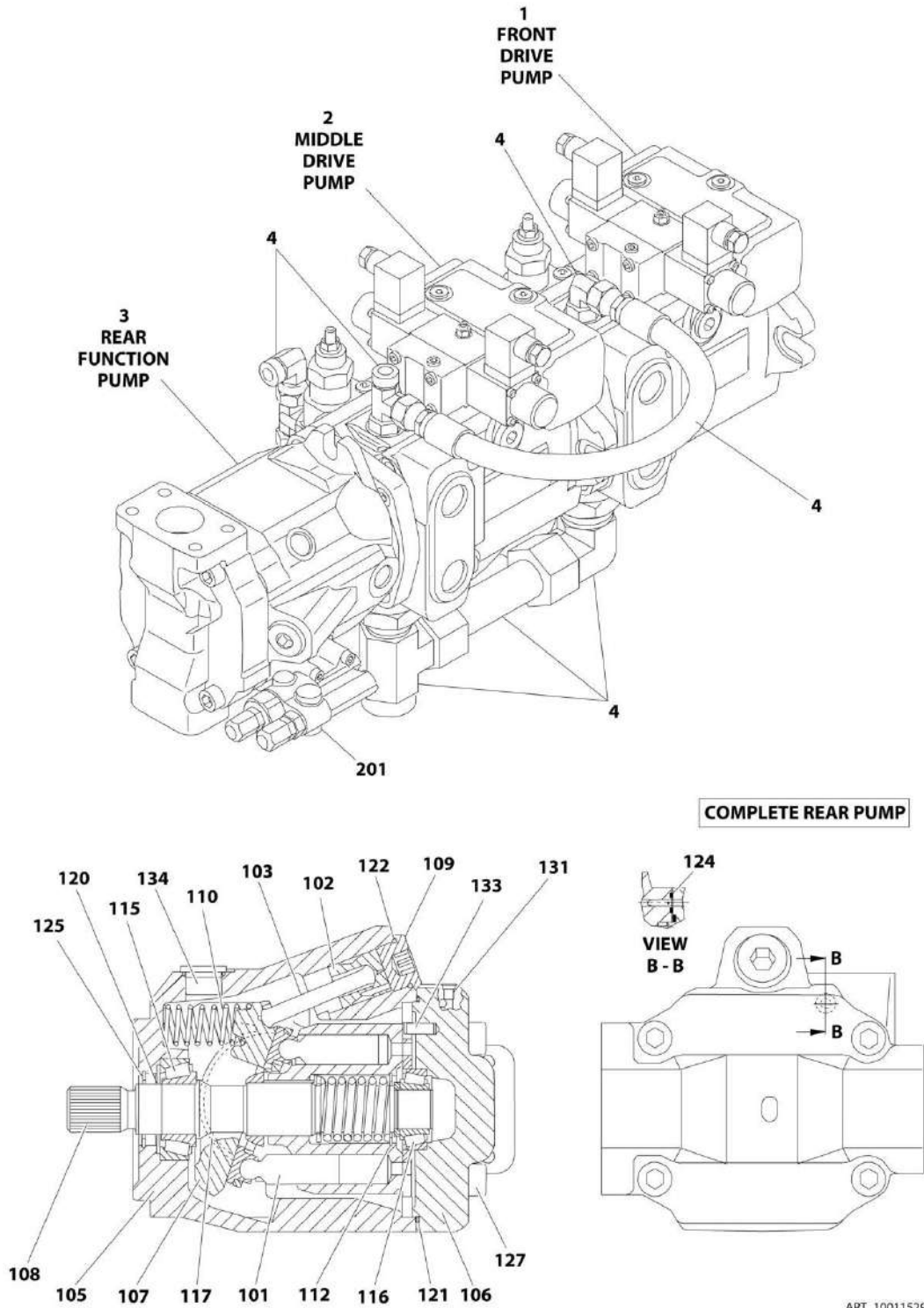
## SECTION 3 - ENGINE

ITEM	PART NUMBER	QTY	DESCRIPTION	REV
305D	7024085	1	Gasket	
305E	See Note	NSS	Cover (Note: Use Item 305)	
305F	See Note	NSS	Spring, Draw (Note: Use Item 305)	
305G	See Note	NSS	Gasket (Note: Use Item 305)	
305H	See Note	4	Capscrew M6 x 65 (Note: Not Available - Purchase Locally)	
305J	See Note	1	Capscrew M6 x 45 (Note: Not Available - Purchase Locally)	
305K	See Note	8	Capscrew M5 x 10 (Note: Not Available - Purchase Locally)	
305L	7024087	1	O-Ring	
305M	7024088	2	O-Ring	
305N	7024089	2	Cup, Spring	
305P	See Note	NSS	Pin, Cylinder (Note: Use Item 305)	
305Q	70002569	2	Nut, Coil	
310	See Note	1	Housing (Note: Not Available for Purchase)	
313	See Note	2	Pin, Dowel (Note: Not Available for Purchase)	
314	See Note	1	Pin, Cylinder (Note: Not Available for Purchase)	
320	See Note	1	Screw 7/8 (Front Drive Pump Only) (Note: Not Available - Purchase Locally)	
321	See Note	1	Screw 9/16 (Note: Not Available - Purchase Locally)	
322	See Note	1	Screw 7/16 (Note: Not Available - Purchase Locally)	
324	See Note	1	Screw M10 x 1 (Note: Not Available - Purchase Locally)	
327	See Note	1	Pin, Double Break-Off (Note: Not Available for Purchase)	
328	7018936	2	Orifice	
331	See Note	2	Pin, Clamping (Note: Not Available for Purchase)	
341	7024069	1	O-Ring	



# SECTION 3 - ENGINE

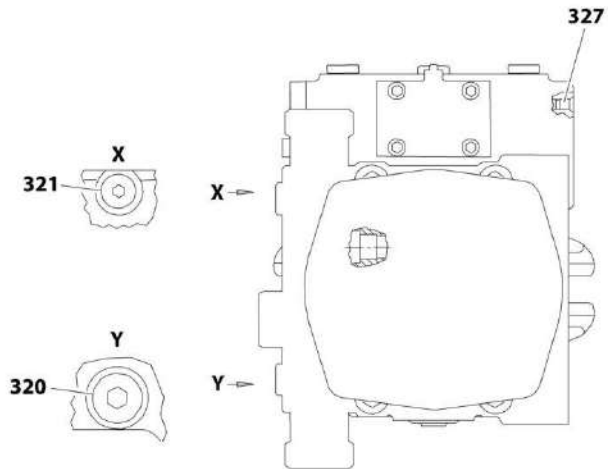
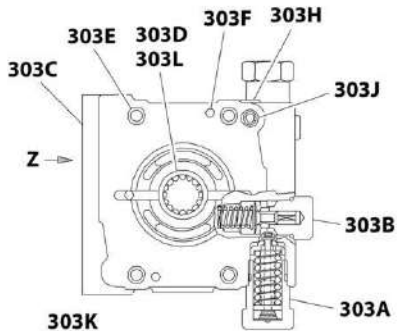
## FIGURE 3-34. PUMP ASSEMBLY (REXROTH) (DEUTZ TCD2.9L4 ENGINES)



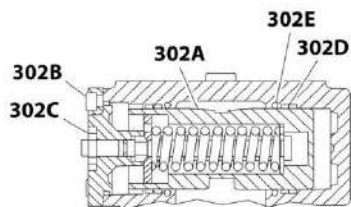
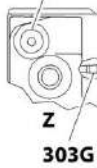
ART\_1001152963\_10F2

# SECTION 3 - ENGINE

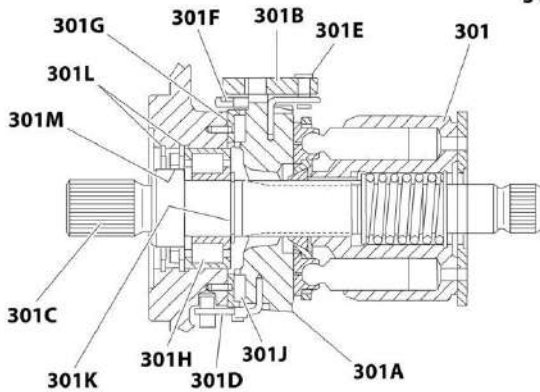
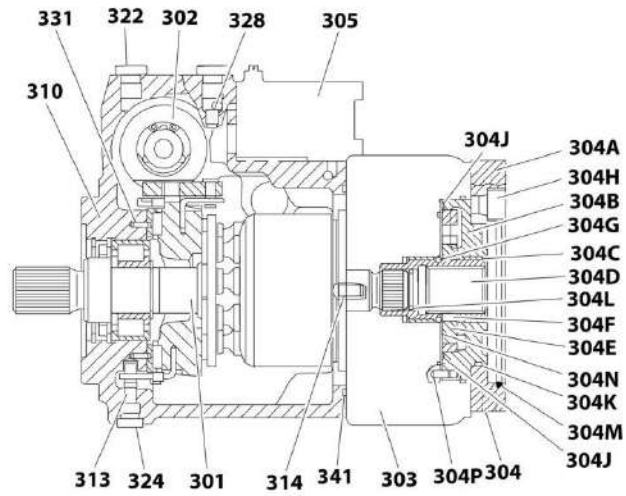
**COMPLETE FRONT AND PUMPS**



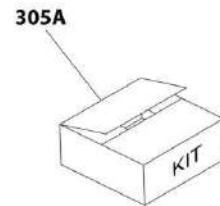
**PORT PLATE SECTION FRONT AND MID PUMPS (DETAIL OF ITEM 303)**



**HYD. CONTROL FRONT AND MID PUMPS (DETAIL OF ITEM 302)**



**ROTARY GROUP FRONT AND MID PUMPS (DETAIL OF ITEM 301)**



ART\_1001152963\_20F2

## SECTION 3 - ENGINE

**FIGURE 3-34. PUMP ASSEMBLY (REXROTH) (DEUTZ TCD2.9L4 ENGINES)**

ITEM	PART NUMBER	QTY	DESCRIPTION	REV
	1001152963	Ref	PUMP ASSEMBLY (REXROTH) (DEUTZ TCD2.9L4 ENGINES)	C
1	70005480	1	Front Drive Pump Assembly Options (Includes Items 301-341)	
2	70005481	1	Middle Drive Pump Assembly (Includes Items 301-341)	
3	7024044	1	Rear Function Pump Assembly (Includes Items 101-201)	
4	See Note	NSS	Hydraulic Kit (Includes all Rexroth Supplied Hydraulic Fittings, Hoses and Tubes) (Note: Not Available for Purchase)	
	7024044	Ref	REAR FUNCTION PUMP ASSEMBLY	
101	7024914	1	Rotary Section	
102	See Note	1	Piston Control (Note: Not Available - Purchase Complete Assembly)	
103	See Note	1	Rod, Piston (Note: Not Available - Purchase Complete Assembly)	
105	See Note	1	Housing, Pump (Note: Not Available - Purchase Complete Assembly)	
106	See Note	1	Plate, Port (Note: Not Available - Purchase Complete Assembly)	
107	7024915	1	Plate, Swash	
108	7024916	1	Driveshaft	
109	See Note	1	Plug (Note: Not Available for Purchase)	
110	See Note	1	Spring (Note: Not Available for Purchase)	
112	7012709	1	Shim	
115	7024038	1	Bearing, Roller	
116	7012706	1	Bearing, Roller	
117	7024917	2	Shell, Cradle	
120	7024918	1	Seal, Shaft	
121	7024919	1	O-Ring	
122	7024920	1	O-Ring	
124	7024921	1	Seal	
125	7012715	1	V-Ring	
127	See Note	4	Capscrew M12 x 45 Grade 10.9 (Note: Not Available for Purchase)	
131	See Note	1	Plug (Note: Not Available for Purchase)	
133	See Note	1	Pin, Dowel (Note: Not Available for Purchase)	
134	See Note	1	Plug (Note: Not Available for Purchase)	
201	7024913	Ref	Pilot Valve Assembly	
		Ref	Note: Two mounting designs of p/n 7024913 pilot valve exist. Early design uses qty. 3 o-rings. Late design uses qty. 1 sealing plate. Seal designs cannot be interchanged. Verify seal design before ordering.	
201	7024922	3	O-Ring (Seals between Pilot Valve and Rear Pump)	
201	70021867	1	Plate, Sealing (Seals between Pilot Valve and Rear Pump)	
		Ref	FRONT DRIVE PUMP ASSEMBLIES	
	70005480	Ref	Front Drive Pump Assembly	
	70005481	Ref	Middle Drive Pump Assembly	
		Ref	Note: Service Parts not available at time of printing, call-out number on illustration for ref only.	
301	See Note	NSS	Rotary Group (Use p/n 70005480 or 70005481)	
301A	See Note	NSS	Cradle (Note: Use Item 301)	
301B	See Note	NSS	Ring, Slide (Note: Use Item 301)	
301C	See Note	NSS	Driveshaft (Note: Use Item 301)	
301D	See Note	NSS	Wire (Note: Use Item 301)	
301E	See Note	NSS	Pin, Joint (Note: Use Item 301)	
301F	See Note	NSS	Wire (Note: Use Item 301)	
301G	See Note	NSS	Liner, Bearing (Note: Use Item 301)	

## SECTION 3 - ENGINE

ITEM	PART NUMBER	QTY	DESCRIPTION	REV
301H	See Note	NSS	Bearing, Roller (Note: Use Item 301)	
301J	See Note	NSS	Cradle Bearing Assembly (Note: Use Item 301)	
301K	See Note	NSS	Ring, Retaining (Note: Use Item 301)	
301L	See Note	NSS	Ring, Retaining (Note: Not Available for Purchase)	
301M	See Note	NSS	Seal, Shaft Ring	
302	See Note	NSS	Control Group - Hydraulic (Use p/n 70005480 or 70005481)	
302A	See Note	NSS	Piston, Positioning - Complete (Note: Use Item 302)	
302A	See Note	NSS	O-Ring, Outer Seal (Note: Not Available for Purchase)	
302A	See Note	NSS	O-Ring, Stem (Note: Not Available for Purchase)	
302B	See Note	4	Capscrew M6 x 12 (Note: Not Available - Purchase Locally)	
302C	See Note	NSS	Nut (Note: Use Item 302)	
302D	See Note	NSS	Ring, Guide (Note: Use Item 302)	
302E	See Note	NSS	Seal, O-Ring (Note: Use Item 302)	
303	See Note	NSS	Port Plate Group (Use p/n 70005480 or 70005481)	
303A	See Note	NSS	Cartridge, Relief Valve (High Pressure) (Note: Not Available for Purchase)	
303A	See Note	NSS	O-Ring (Note: Not Available for Purchase)	
303A	See Note	NSS	Ring, Back-up (Note: Not Available for Purchase)	
303B		Ref	Cartridge Options:	
303B	See Note	NSS	Front Pump Cartridge (Lock Valve with Orifice) Note: Sold as an Assembly except Outer Seal. (Note: Not Available for Purchase)	
303B	See Note	NSS	O-Ring (Note: Not Available for Purchase)	
303B	See Note	NSS	Middle Pump Cartridge (Pressure Relief valve) Note: Sold as an Assembly except Outer Seal. (Note: Not Available for Purchase)	
303B	See Note	NSS	O-Ring	
303C	See Note	NSS	Plate, Port (Note: Use Item 303)	
303D	See Note	NSS	Bushing, Bearing (Note: Use Item 303)	
303E	See Note	4	Capscrew M12 x 70 Grade 10.9 (Note: Not Available - Purchase Locally)	
303F	See Note	NSS	Pin, Dowel (Note: Use Item 303)	
303G	See Note	NSS	Pin, Break-Off (Note: Use Item 303)	
303H	See Note	1	Screw, Locking M10 x 1 (Note: Not Available - Purchase Locally)	
303J	See Note	NSS	O-Ring (Note: Not Available for Purchase)	
303K	See Note	2	Screw, Locking 7/16 (Note: Not Available - Purchase Locally)	
303L	See Note	NSS	Bearing, Roller (Note: Use Item 303)	
304	See Note	NSS	Internal Gear Pump (Use p/n 70005480 or 70005481)	
304A	See Note	NSS	Flange, Intermediate (Note: Use Item 304)	
304B	See Note	NSS	IZP-Housing (Note: Use Item 304)	
304C	See Note	NSS	Bushing, Bearing (Note: Use Item 304)	
304D	See Note	NSS	Coupling, Driveshaft Through (Note: Use Item 304)	
304E	See Note	NSS	Gear Set (Note: Use Item 304)	
304F	See Note	NSS	Key, Driveshaft (Note: Use Item 304)	
304G	See Note	NSS	Ring, Retaining (Note: Use Item 304)	
304H	See Note	4	Capscrew M10 x 20 (Note: Not Available - Purchase Locally)	
304J	See Note	NSS	Seal (Note: Not Available for Purchase)	
304K	See Note	NSS	O-Ring (Note: Not Available for Purchase)	
304L	See Note	NSS	Ring, Retaining (Note: Use Item 304)	
304M	See Note	NSS	O-Ring (Note: Use Item 304)	
304N	See Note	NSS	Plate, Wear (Note: Not Available for Purchase)	
304P	See Note	NSS	Pin, Cylinder (Note: Use Item 304)	

## SECTION 3 - ENGINE

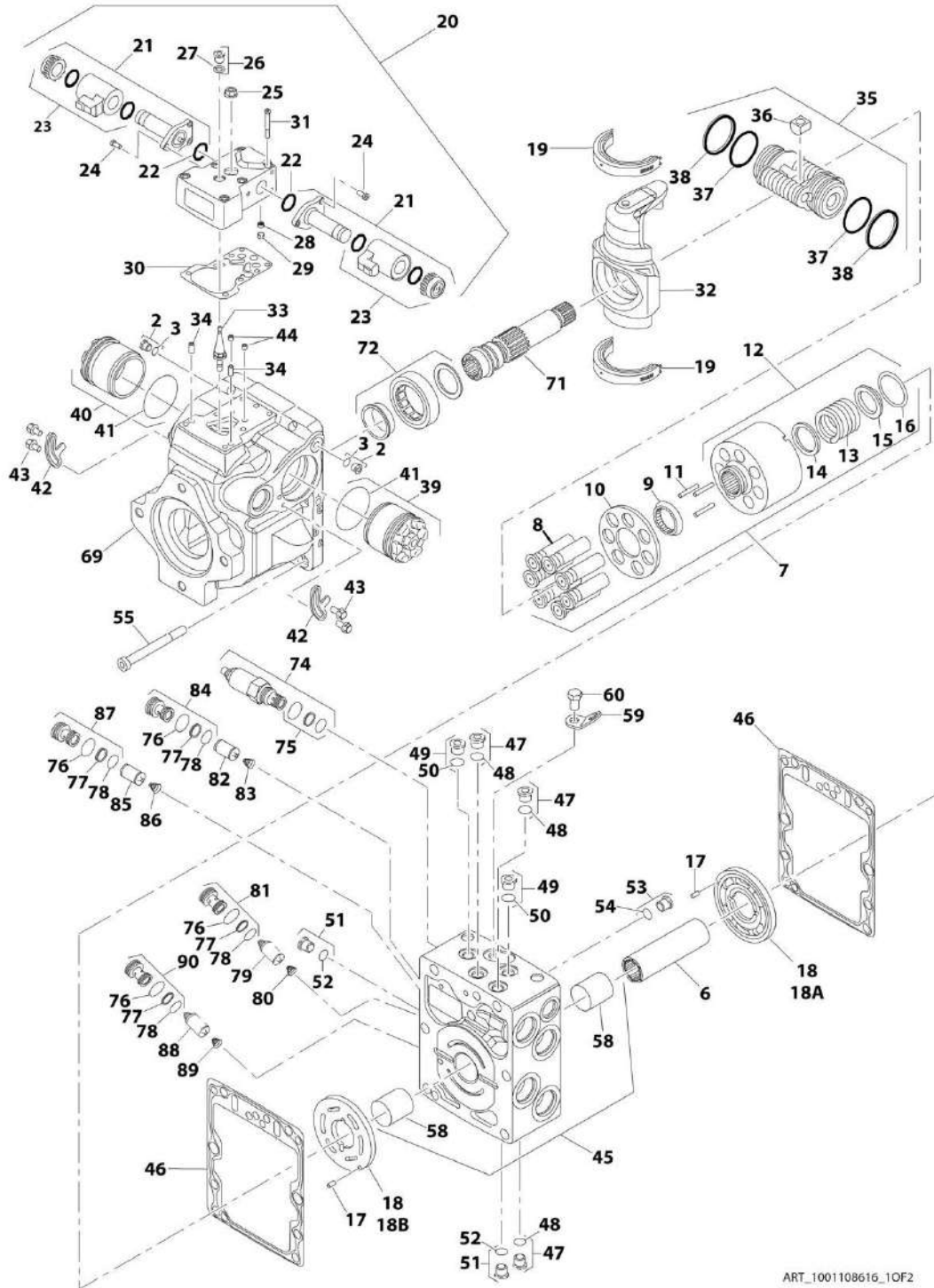
ITEM	PART NUMBER	QTY	DESCRIPTION	REV
305	See Note	NSS	Control Module (Use p/n 70005480 or 70005481)	
305	See Note	NSS	Coil, Solenoid (Note: Not Available for Purchase)	
305A	See Note	NSS	Seal Kit (Note: Not Available for Purchase)	
310	See Note	1	Housing (Note: Not Available for Purchase)	
313	See Note	2	Pin, Dowel (Note: Not Available for Purchase)	
314	See Note	1	Pin, Cylinder (Note: Not Available for Purchase)	
320	See Note	1	Screw 7/8 (Front Drive Pump Only) (Note: Not Available - Purchase Locally)	
321	See Note	1	Screw 9/16 (Note: Not Available - Purchase Locally)	
322	See Note	1	Screw 7/16 (Note: Not Available - Purchase Locally)	
324	See Note	1	Screw M10 x 1 (Note: Not Available - Purchase Locally)	
327	See Note	1	Pin, Double Break-Off (Note: Not Available - Purchase Locally)	
328	See Note	NSS	Orifice (Note: Not Available for Purchase)	
331	See Note	2	Pin, Clamping (Note: Not Available for Purchase)	
341	See Note	NSS	O-Ring (Note: Not Available for Purchase)	





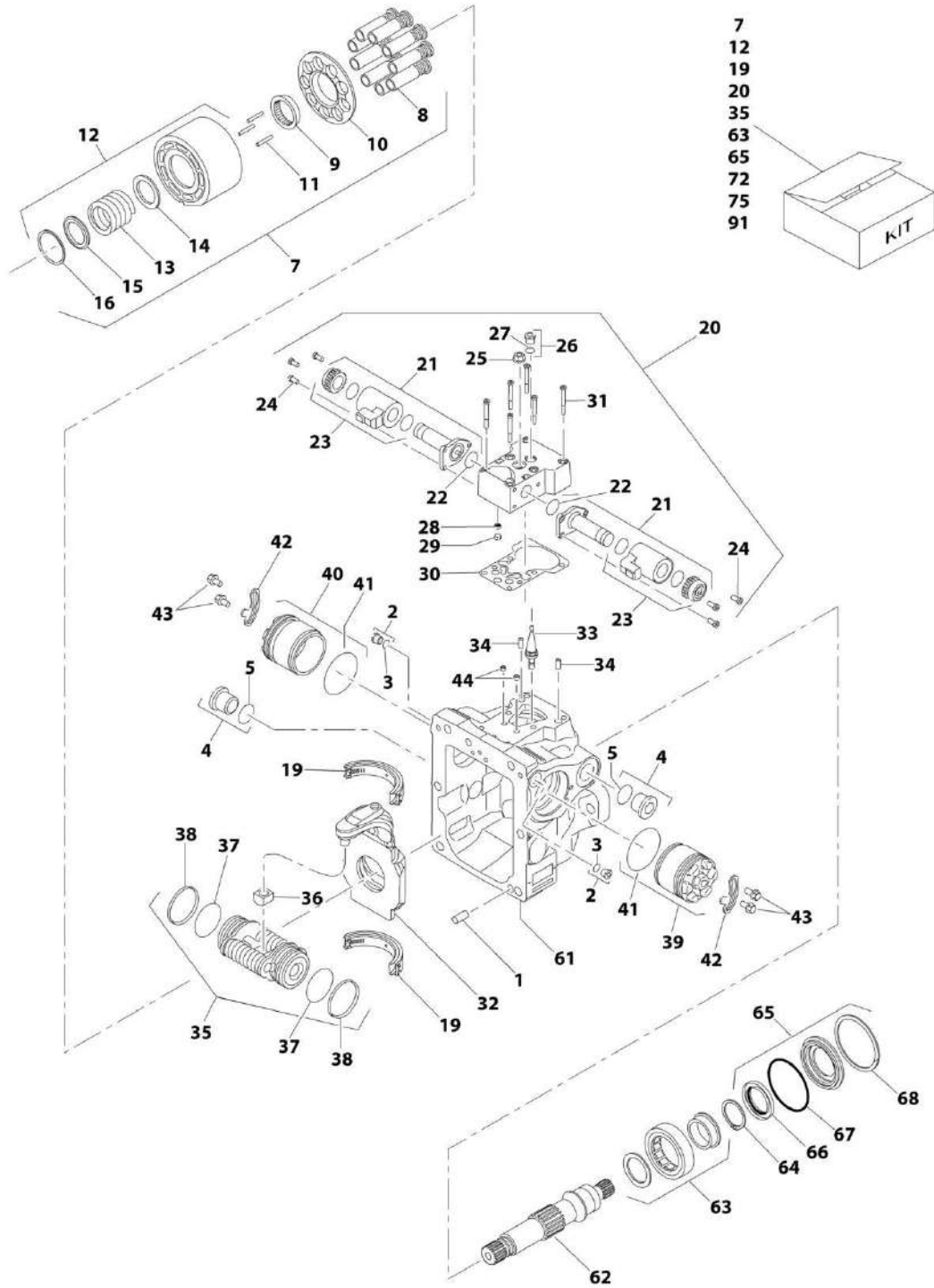
# SECTION 3 - ENGINE

## FIGURE 3-35. PUMP ASSEMBLY (SAUER TANDEM)



ART\_1001108616\_10F2

# SECTION 3 - ENGINE



ART\_1001108616\_20F2

## SECTION 3 - ENGINE

### FIGURE 3-35. PUMP ASSEMBLY (SAUER TANDEM)

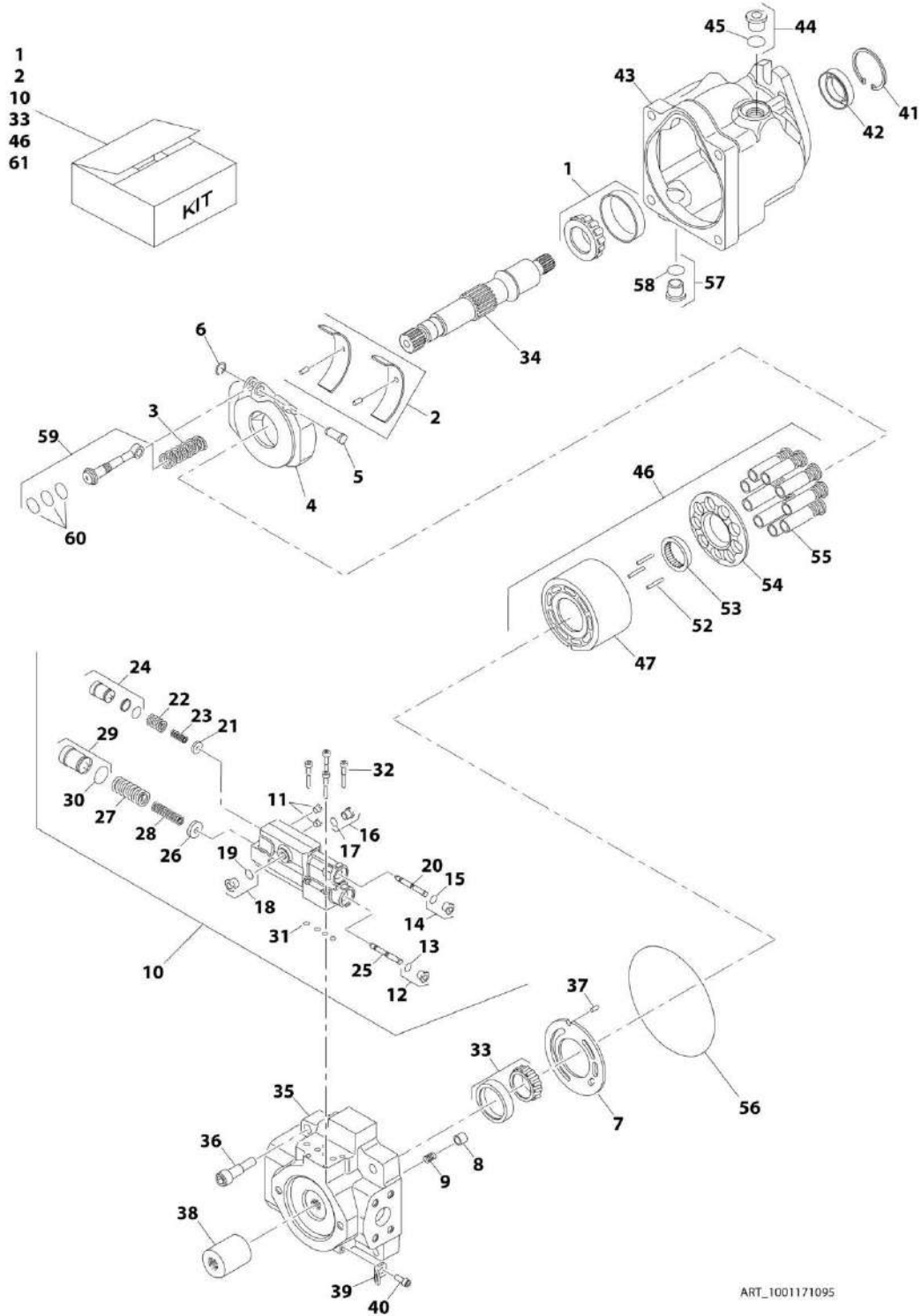
ITEM	PART NUMBER	QTY	DESCRIPTION	REV
	1001108616	Ref	PUMP ASSEMBLY (SAUER TANDEM)	D
1	70002132	4	Pin	
2	70002133	4	Plug Assembly (Includes Item 3)	
3	7007207	4	O-Ring (Part of Item 2)	
4	7007419	2	Plug Assembly (Includes Item 5)	
5	7007418	2	O-Ring (Part of Item 4)	
6	70002600	1	Coupling	
7	70002135	2	Cylinder Block Kit (Each Kit Includes Qty 1 of Items 8-10 & 12-16 & Qty 3 of Item 11)	
8	70002136	2	Piston Assembly Kit (Includes Qty 9 Piston Assemblies) (Part of Item 7)	
9	70002137	2	Guide, Slipper Retainer (Part of Item 7)	
10	70002138	2	Retainer, Slipper (Part of Item 7)	
11	7021275	6	Pin, Slipper Retainer Holddown (Part of Item 7)	
12	70002143	2	Cylinder Block Assembly (Includes Qty 1 of Item 13-16) (Part of Item 7)	
13	70002139	2	Spring (Part of Item 12)	
14	70002140	2	Washer (Part of Item 12)	
15	70002141	2	Washer (Part of Item 12)	
16	70002142	2	Ring, Retaining (Part of Item 12)	
17	7007446	2	Pin	
18		Ref	Plate, Valve Options:	
18A	70002601	1	Plate, CW Valve	
18B	70002602	1	Plate, CCW Valve	
19	70002145	2	Swash Plate Bearing Kit (Includes Qty 2 Bearings)	
20	70002618	2	EDC Kit (Includes Items 21-31)	
21	70002619	4	Solenoid Valve Assembly (Includes Items 22 & 23) (Part of Item 20)	
22	70002148	4	O-Ring (2 Per EDC Assembly) (Part of Item 21)	
23	70002620	4	Coil, Nut and Seals Kit (2 Per EDC Assembly) (Part of Item 21)	
24	70002150	12	Screw (Part of Item 20)	
25	7022301	2	Nut, Seal (Part of Item 20)	
26	70002151	2	Plug Assembly (Part of Item 20) (Includes Item 27)	
27	7007207	2	O-Ring (Part of Item 26)	
28	70002134	2	Screen (Part of Item 20)	
29	70002153	2	Ring, Locking (Part of Item 20)	
30	70002154	2	Gasket, Control (Part of Item 20)	
31	70002156	12	Capscrew (Part of Item 20)	
32	70002152	2	Swash Plate	
33	70002155	2	Link, Swash Plate	
34	70002157	4	Pin, Dowel	
35	70002158	2	Servo Piston Assembly (Includes Items 36-38)	
36	70002159	2	Block, Slider (Part of Item 35)	
37	70002160	2	O-Ring (Part of Item 35)	
38	70002161	2	Ring, Piston (Part of Item 35)	
39	70002162	2	Cylinder, Servo	
40	70002162	2	Cylinder, Servo	
41	70002163	4	O-Ring	
42	70002164	4	Plate, Locking	
43	70002165	8	Screw	

## SECTION 3 - ENGINE

ITEM	PART NUMBER	QTY	DESCRIPTION	REV
44	70002604	4	Orifice	
45	70002605	1	Center Section Assembly (Includes Item 58)	
46	70002168	2	Gasket, End Cap	
47	70001958	2	Plug Assembly (Includes Item 48)	
48	7021256	2	O-Ring (Part of Item 47)	
49	70001958	2	Plug Assembly (Includes Item 50)	
50	7021256	2	O-Ring (Part of Item 49)	
51	70001958	2	Plug Assembly (Includes Item 52)	
52	7021256	2	O-Ring (Part of Item 51)	
53	70001958	2	Plug Assembly (Includes Item 54)	
54	7021256	2	O-Ring (Part of Item 53)	
55	70002606	4	Capscrew	
58	70002607	2	Bearing, Journal (Part of Item 45)	
59	7022608	1	Bracket, Lifting	
60	70002609	1	Screw	
61	See Note	1	Housing (Note: Not Available for Purchase)	
62	70002175	1	Shaft	
63	70002610	1	Ball Bearing Kit	
64	70007439	1	Ring, Retaining	
65	70002174	1	Shaft Seal Kit (Includes Items 66-68) (Note: This is a universal kit and will contain extra pieces that are not used on this pump assembly)	
66	70002177	1	Seal, Lip	
67	70002178	1	O-Ring	
68	70002179	1	Ring, Retaining	
69	See Note	1	Housing (Note: Not Available for Purchase)	
71	70002612	1	Shaft	
72	70002610	1	Ball Bearing Kit	
74	70002621	1	High Pressure Relief Valve Cartridge Assembly (Includes Item 75)	
75	70002622	1	Seal Kit - 70002621 Valve (Part of Item 74)	
76	7007415	1	O-Ring (Part of Items 81, 84, 87 & 90)	
77	7021293	1	Ring, Back-up (Part of Items 81, 84, 87 & 90)	
78	7022300	1	O-Ring (Part of Items 81, 84, 87 & 90)	
79	70002616	1	SCR Valve Assembly	
80	7024800	1	Spring	
81	7021265	1	Plug Assembly (Includes Qty 1 of Items 76-78)	
82	70002616	1	SCR Valve Assembly	
83	7024800	1	Spring	
84	7021265	1	Plug Assembly (Includes Qty 1 of Item 76-78)	
85	70002616	1	SCR Valve Assembly	
86	7024800	1	Spring	
87	70002617	1	Plug Assembly (Includes Qty 1 of Item 76-78)	
88	70002616	1	SCR Valve Assembly	
89	7024800	1	Spring	
90	7021265	1	Plug Assembly (Includes Qty 1 of Items 76-78)	
91	70002623	1	Overhaul Seal Kit (Includes Items 3, 5, 22, 27, 30, 37, 38, 41, 46, 48, 50, 52, 54, 66, 67, 75, 76, 77 & 78)	

# SECTION 3 - ENGINE

## FIGURE 3-36. PUMP ASSEMBLY (SAUER PISTON)



ART\_1001171095

## SECTION 3 - ENGINE

**FIGURE 3-36. PUMP ASSEMBLY (SAUER PISTON)**

ITEM	PART NUMBER	QTY	DESCRIPTION	REV
	1001171095	Ref	PUMP ASSEMBLY (SAUER PISTON)	B
1	70002578	1	Bearing Kit - Front (Includes Cup and Cone)	
2	70004426	1	Swash Plate Bearing Kit (Includes Qty 2 Bearings and Retainer Pins)	
3	70002580	1	Spring, Bias	
4	70004416	1	Swash Plate Assembly	
5	70002582	1	Shaft	
6	70002583	1	Ring, Retaining	
7	70004417	1	Plate, Valve	
8	70001956	1	Poppet, Check Valve	
9	70001955	1	Spring	
10	70022286	1	Control Kit (Includes Items 11-32)	
11	See Note	NSS	Setscrew (Note: Use Item 10)	
12	70002133	1	Plug Assembly (Includes Item 13)	
13	7007207	1	O-Ring (Part of Item 12)	
14	70002133	1	Plug Assembly (Part of Item 15)	
15	7007207	1	O-Ring (Part of Item 14)	
16	70002133	1	Plug Assembly (Includes Item 17)	
17	7007207	1	O-Ring (Part of Item 16)	
18	70002133	1	Plug Assembly (Includes Item 19)	
19	7007207	1	O-Ring (Part of Item 18)	
20	See Note	NSS	Spool (Note: Use Item 10)	
21	See Note	NSS	Guide, Spring LS (Note: Use Item 10)	
22	See Note	NSS	Spring, Outer LS (Note: Use Item 10)	
23	See Note	NSS	Spring, Inner LS (Note: Use Item 10)	
24	See Note	NSS	Plug, Adjusting LS (Note: Use Item 10 or 61)	
25	See Note	NSS	Spool, Control (Note: Use Item 10)	
26	See Note	NSS	Guide, Spring PC (Note: Use Item 10)	
27	See Note	NSS	Spring, Outer PC (Note: Use Item 10)	
28	See Note	NSS	Spring, Inner PC (Note: Use Item 10)	
29	See Note	NSS	Plug, Adjusting PC (Note: Use Item 10)	
30	See Note	NSS	O-Ring (Note: Use Item 10 or 61)	
31	See Note	NSS	Ring, Seal (Note: Use Item 10 or 61)	
32	See Note	NSS	Capscrew (Note: Use Item 10)	
33	70002585	1	Bearing Kit - Rear (Includes Cup and Cone)	
34	70002586	1	Shaft	
35	70004420	1	Cap, End	
36	70002588	4	Capscrew	
37	7007446	1	Pin, Slotted	
38	70002589	1	Coupling	
39	7022340	1	Bracket, Lifting	
40	70002590	1	Capscrew	
41	7023962	1	Ring, Retaining	
42	See Note	NSS	Seal, Lip (Note: Use Item 61)	
43	See Note	NSS	Housing (Note: Not Available for Purchase)	
44	7023964	1	Plug Assembly (Includes Item 45)	
45	7007415	1	O-Ring (Part of Item 44)	
46	70004423	1	Cylinder Block Kit (Includes Items 47-55)	
47	70004421	1	Cylinder	
52	7021275	3	Pin, Hold-down	

### SECTION 3 - ENGINE

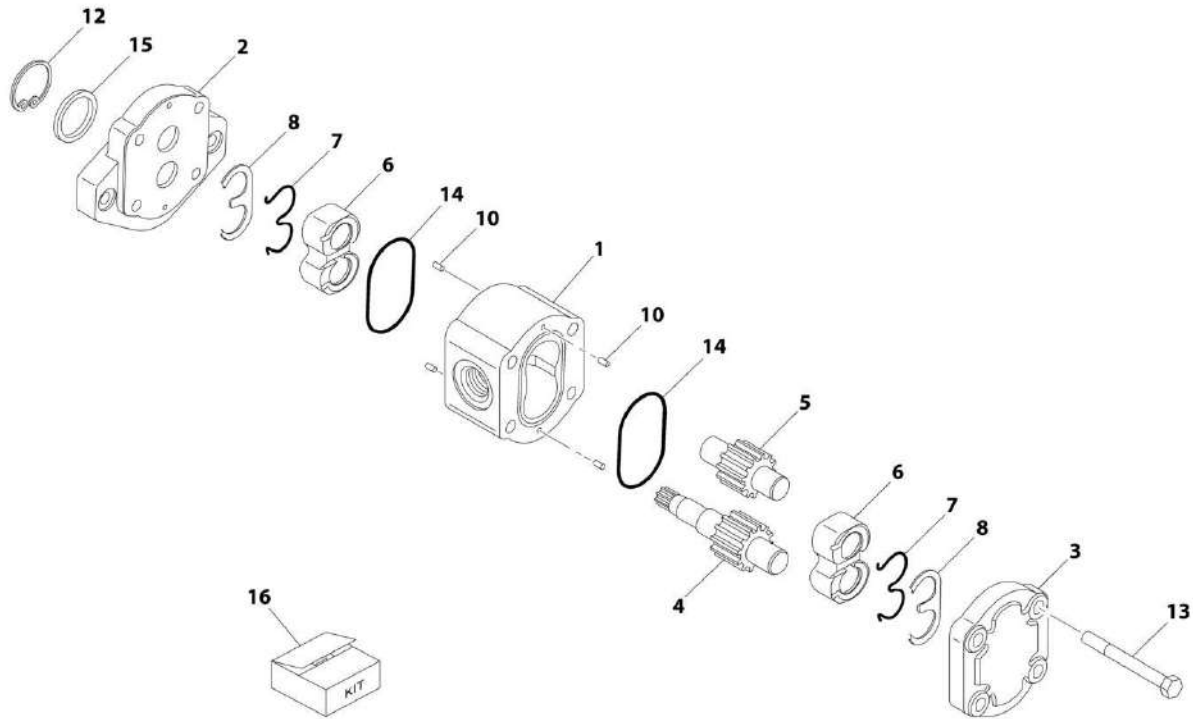
ITEM	PART NUMBER	QTY	DESCRIPTION	REV
53	70002592	1	Guide, Slipper Retainer	
54	70002593	1	Retainer, Slipper	
55	70004422	1	Piston Assembly	
56	See Note	NSS	Seal, End Cap (Note: Use Item 61)	
57	7023964	1	Plug, O-Ring (Includes Item 58)	
58	7007415	1	O-Ring (Part of Item 57)	
59	70005418	1	Servo Piston Assembly (Includes Item 60)	
60	See Note	NSS	Ring, Piston (Part of Item 59) (Note: Use Item 61)	
61	70002599	1	Complete Seal Kit (Includes Items 13, 15, 17, 19, 24, 30, 31, 42, 45, 56, 58 & 60)	





# SECTION 3 - ENGINE

## FIGURE 3-37. PUMP ASSEMBLY (SAUER GEAR)



ART\_1001112927

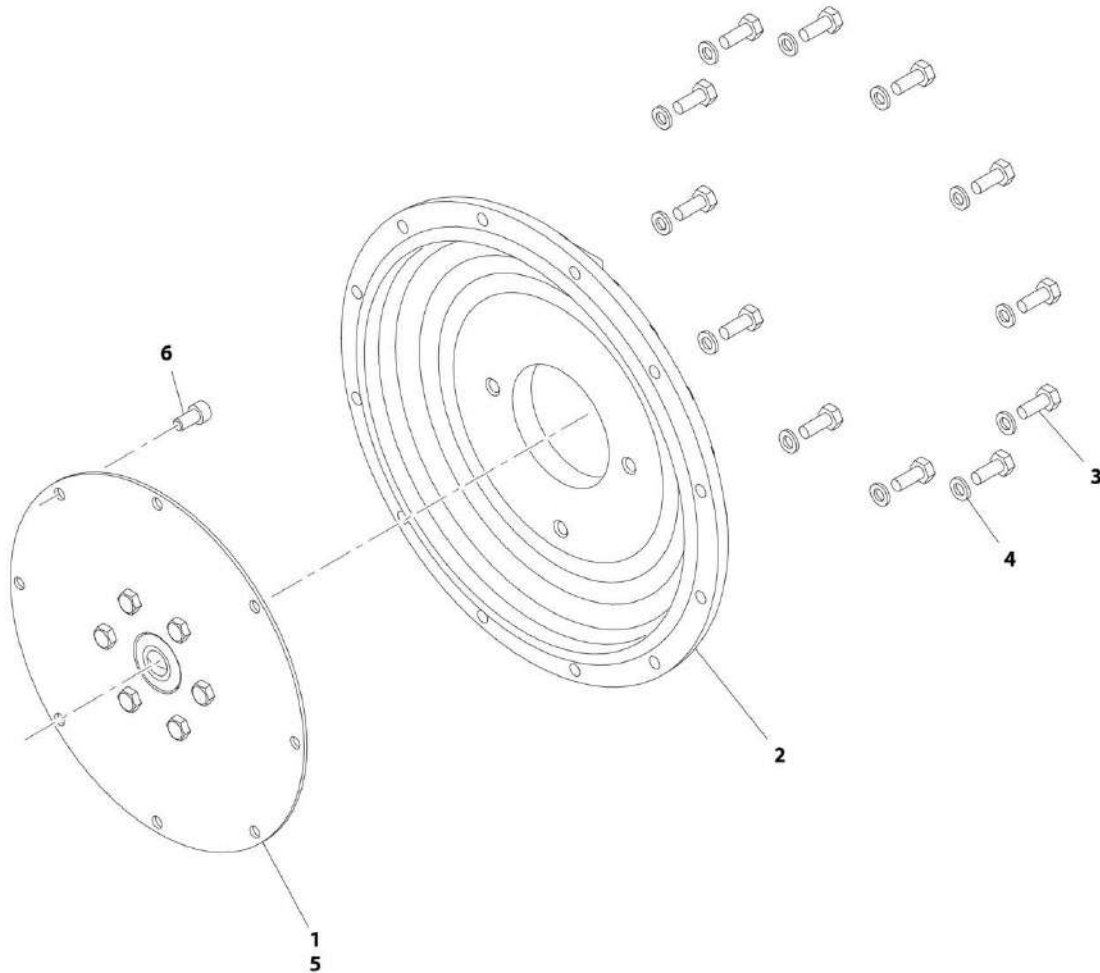
## SECTION 3 - ENGINE

**FIGURE 3-37. PUMP ASSEMBLY (SAUER GEAR)**

ITEM	PART NUMBER	QTY	DESCRIPTION	REV
	1001112927	Ref	PUMP ASSEMBLY (SAUER GEAR)	A
1	See Note	NSS	Body (Note: Use p/n 1001112927)	
2	See Note	NSS	Cover, Front (Note: Use p/n 1001112927)	
3	See Note	NSS	Cover, Rear (Note: Use p/n 1001112927)	
4	See Note	NSS	Shaft, Gear (Note: Use p/n 1001112927)	
5	See Note	NSS	Gear, Idler (Note: Use p/n 1001112927)	
6	See Note	NSS	Block, Bearing (Note: Use p/n 1001112927)	
7	7007489	2	Ring, Anti-Extrusion	
8	7007489	2	Ring, Seal	
10	See Note	NSS	Pin, Dowel (Note: Use p/n 1001112927)	
12	70002576	1	Ring, Retaining	
13	See Note	NSS	Capscrew (Note: Use p/n 1001112927)	
14	7007489	2	O-Ring	
15	7007489	1	Seal, Lip	
16	7007489	1	Seal Kit - 1001112927 Pump (Includes Items 7, 8, 14 & 15)	

# SECTION 3 - ENGINE

## FIGURE 3-38. PUMP COUPLING KIT



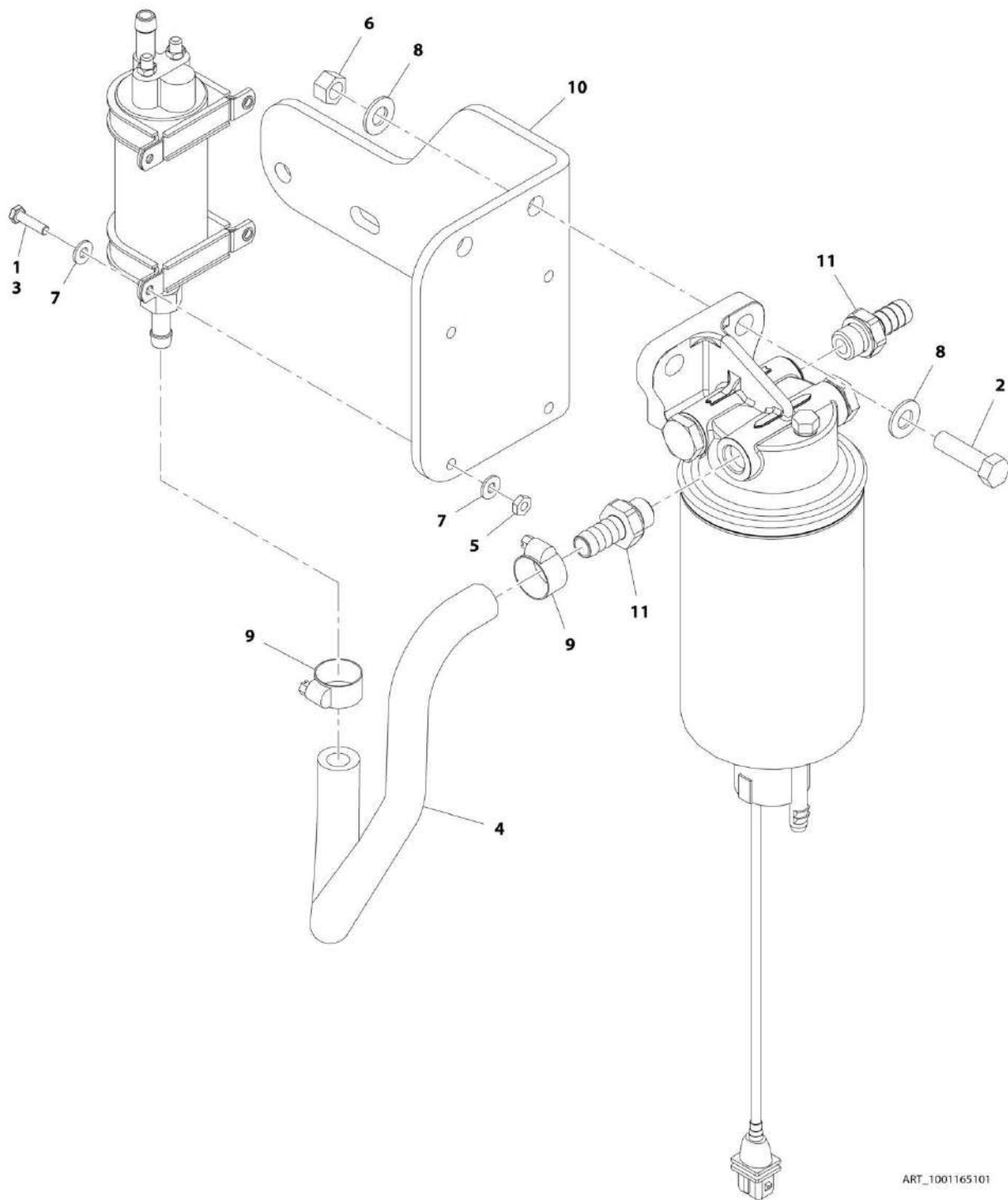
ART\_2902065

FIGURE 3-38. PUMP COUPLING KIT

ITEM	PART NUMBER	QTY	DESCRIPTION	REV
	2902065	Ref	PUMP COUPLING KIT	K
1	70000793	1	Coupling, Hayes	
2	See Note	NSS	Plate, Pump Adapter (Note: Use p/n 2902065)	
3	See Note	NSS	Bolt M10 x 30 Grade 10.9 (Note: Use p/n 2902065)	
4	See Note	NSS	Washer M10 (Note: Use p/n 2902065)	
5	3020021	AR	Grease, Coupling	
6	See Note	NSS	Bolt M10 x 20 Grade 10.9 (Note: Use p/n 2902065)	

# SECTION 3 - ENGINE

## FIGURE 3-39. FUEL PUMP/FILTER BRACKET ASSEMBLY - DEUTZ TCD2.9L4 ENGINE



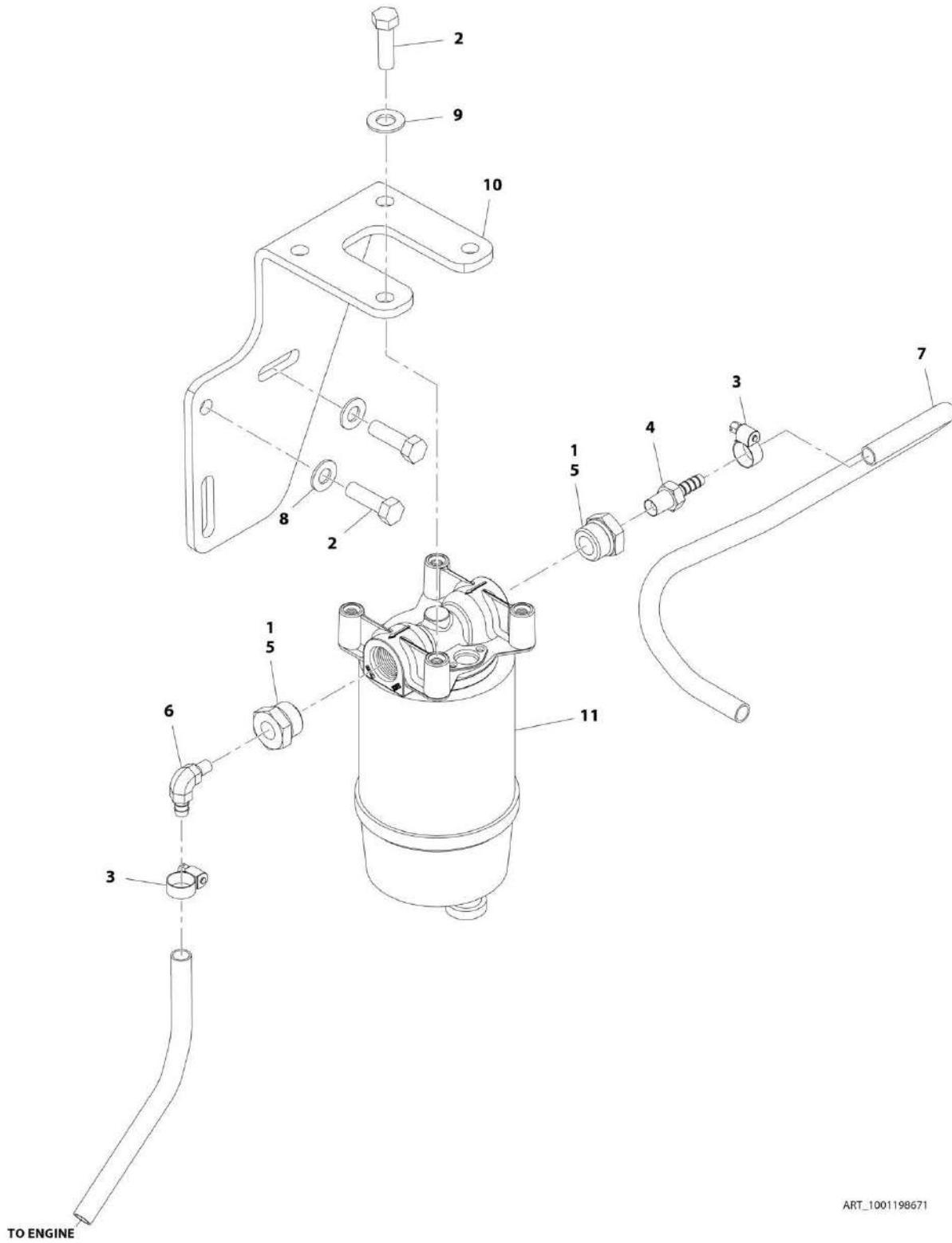
## SECTION 3 - ENGINE

**FIGURE 3-39. FUEL PUMP/FILTER BRACKET ASSEMBLY - DEUTZ TCD2.9L4 ENGINE**

ITEM	PART NUMBER	QTY	DESCRIPTION	REV
	1001165101	Ref	FUEL PUMP/FILTER BRACKET ASSEMBLY - DEUTZ TCD2.9L4 ENGINE	C
1	0100011	AR	Compound, Locking	
2	0641611	2	Bolt 3/8 x 1-3/8	
3	0721006	4	Bolt #10 x 3/4	
4	1001154405	1.5 ft /0.4m	Hose	
5	3311001	4	Nut #10	
6	3311605	2	Nut 3/8	
7	4711000	8	Washer #10	
8	4711600	4	Washer 3/8	
9	8405006	2	Clamp	
10	1001140222	1	Bracket, Fuel Pump Mounting	
11	1001141718	1	Fitting, Barbed	

# SECTION 3 - ENGINE

## FIGURE 3-40. WATER/FUEL SEPARATOR INSTALLATION - DEUTZ TCD2.9L4 ENGINE





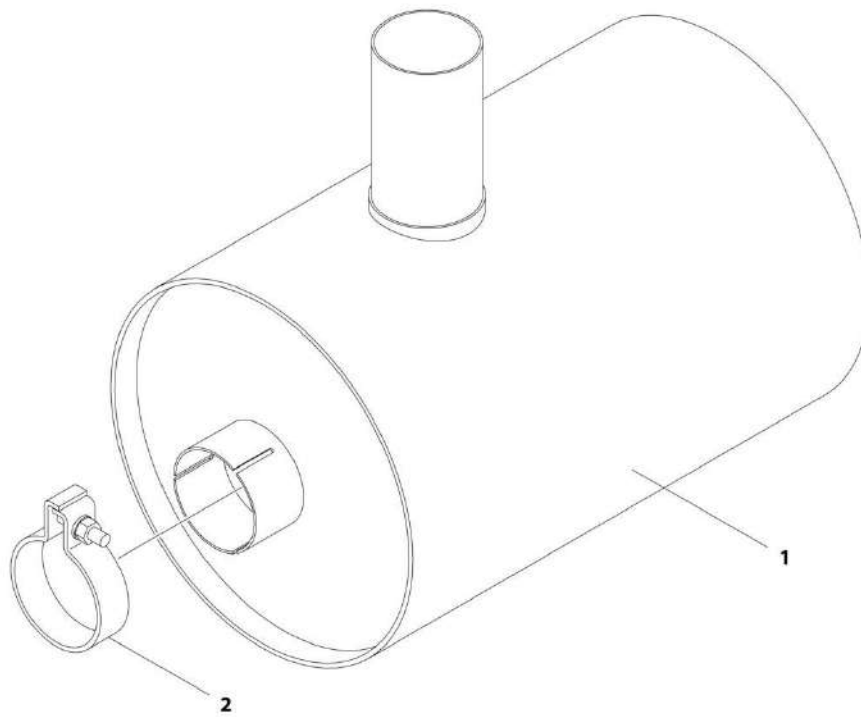
## SECTION 3 - ENGINE

**FIGURE 3-40. WATER/FUEL SEPARATOR INSTALLATION - DEUTZ TCD2.9L4 ENGINE**

ITEM	PART NUMBER	QTY	DESCRIPTION	REV
	1001198671	Ref	WATER/FUEL SEPARATOR INSTALLATION - DEUTZ TCD2.9L4 ENGINE	A
1	0100079	AR	Sealant, Pipe	
2	0641610	6	Bolt 3/8 x 1-1/4	
3	1320022	2	Clamp	
4	2180348	1	Fitting, Barbed	
5	2220816	2	Fitting, Adapter FNPTF/ORB	
6	2221046	1	Fitting, 90 Elbow	
7	2720058	4.5 ft /1.37m	Hose	
8	4711600	2	Washer 3/8	
9	4711700	4	Washer 7/16	
10	1001188885	1	Bracket, Water/Fuel	
11	1001188887	1	Filter Water/Fuel	
11	1001202280	1	Filter, Head	
11	1001202281	1	Filter, Element	

## SECTION 3 - ENGINE

FIGURE 3-41. SPARK ARRESTING CATALYTIC MUFFLER - DEUTZ TD2011 ENGINES (OPTIONAL)



ART\_3220130

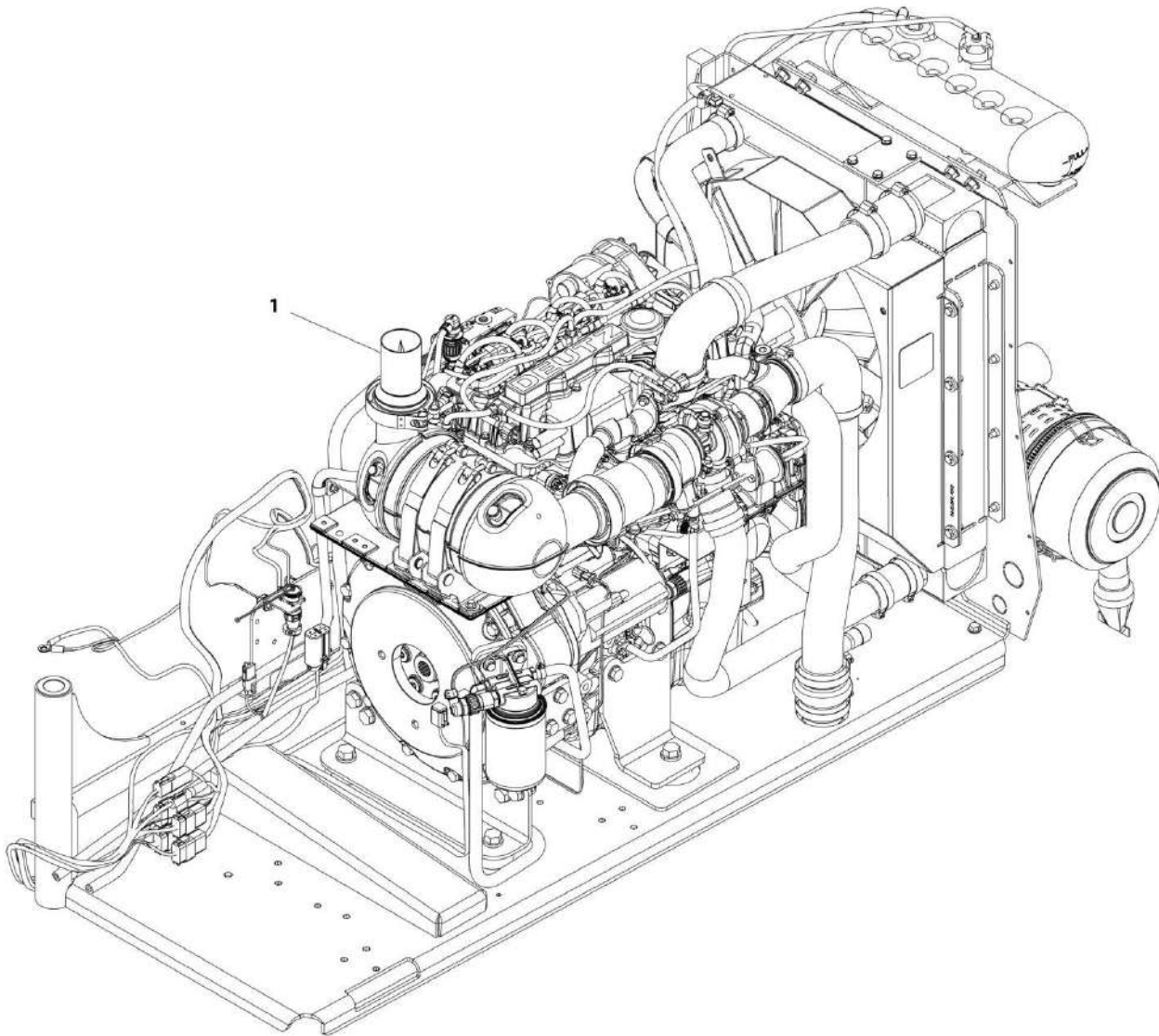
## SECTION 3 - ENGINE

**FIGURE 3-41. SPARK ARRESTING CATALYTIC MUFFLER - DEUTZ TD2011 ENGINES (OPTIONAL)**

ITEM	PART NUMBER	QTY	DESCRIPTION	REV
	3220130	Ref	SPARK ARRESTING CATALYTIC MUFFLER - DEUTZ TD2011 ENGINES (OPTIONAL)	A
1	See Note	NSS	Muffler (Note: Use p/n 3220130)	
2	70001017	1	Clamp	

## SECTION 3 - ENGINE

FIGURE 3-42. SPARK ARRESTOR INSTALLATION - DEUTZ TCD2.9L4 ENGINES (OPTIONAL)



ART\_1001139930

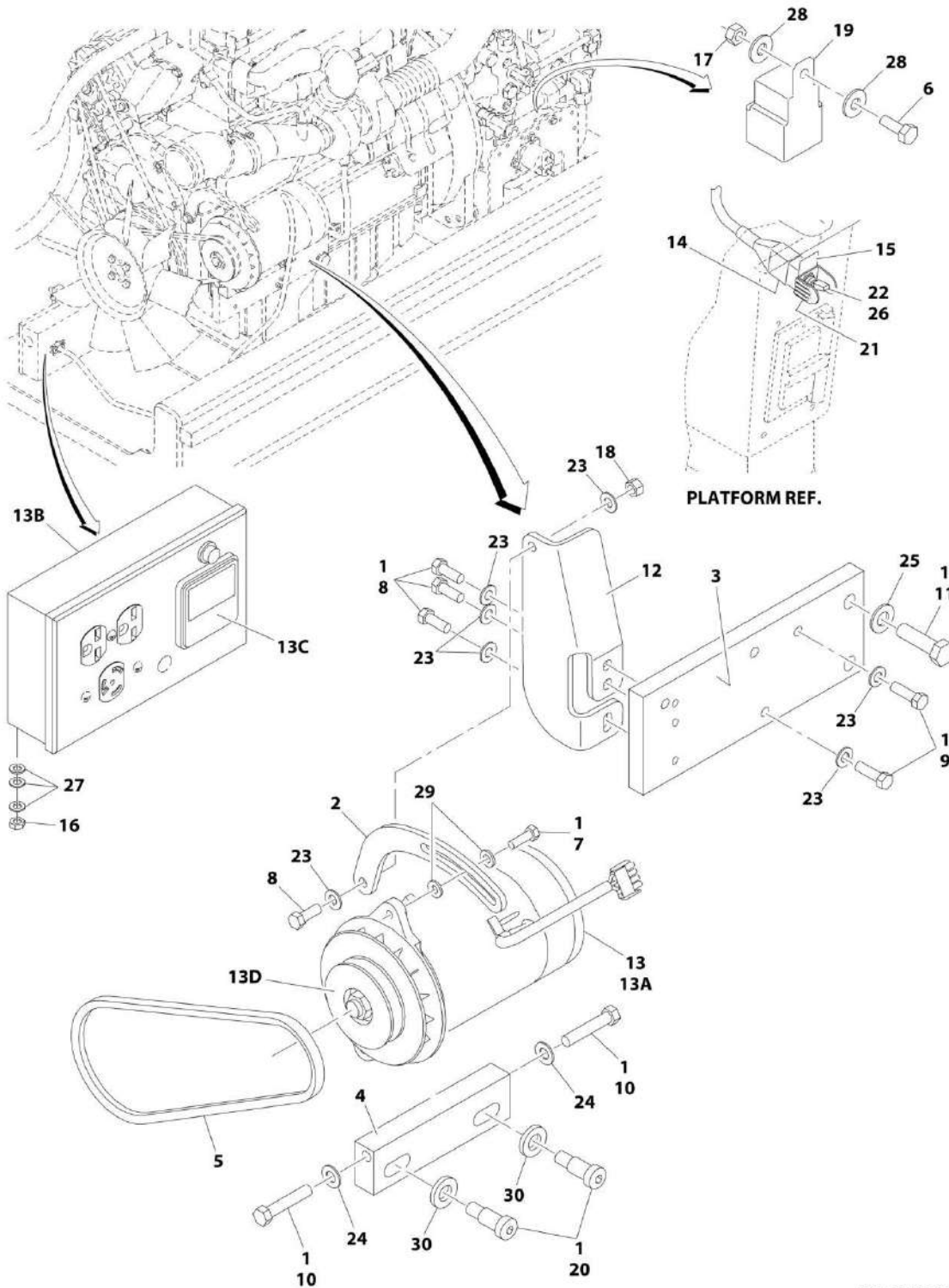
## SECTION 3 - ENGINE

**FIGURE 3-42. SPARK ARRESTOR INSTALLATION - DEUTZ TCD2.9L4 ENGINES (OPTIONAL)**

ITEM	PART NUMBER	QTY	DESCRIPTION	REV
	1001139930	Ref	SPARK ARRESTOR INSTALLATION - DEUTZ TCD2.9L4 ENGINES (OPTIONAL)	C
1	1001154157	1	Arrestor, Spark	

# SECTION 3 - ENGINE

## FIGURE 3-43. 2500W GENERATOR INSTALLATION - DEUTZ TD2011 ENGINES (OPTIONAL)



ART\_1001125425

## SECTION 3 - ENGINE

**FIGURE 3-43. 2500W GENERATOR INSTALLATION - DEUTZ TD2011 ENGINES (OPTIONAL)**

ITEM	PART NUMBER	QTY	DESCRIPTION	REV
		Ref	Note: For Module Identification, refer to Revision Log page A.	
	1001125425	Ref	2500W GENERATOR INSTALLATION - DEUTZ TD2011 ENGINES (OPTIONAL)	A
1	0100011	AR	Compound, Locking	
2	0200742	1	Arm, Adjusting	
3	0363081	1	Bar, Mounting	
4	0363082	1	Bar, Adjusting	
5	0480127	1	Belt	
6	0641406	1	Bolt 1/4 x 3/4	
7	0641508	1	Bolt 5/16 x 1	
8	0641608	4	Bolt 3/8 x 1	
9	0641610	2	Bolt 3/8 x 1-1/4	
10	0641718	2	Bolt 7/16 x 2-1/14	
11	0701418	2	Bolt M14 x 50	
12	0902813	1	Bracket, Arm Mounting	
13	2460055	1	Generator, 110V/60Hz	
13A	7012558	1	Generator 110V/60Hz	
		Ref	Note: Replacement generators come standard with p/n 3580134 pulley. This pulley may not be correct for all applications. Refer to pulley options below for correct pulley.	
13A	7012513	4	Cap, Brush Holder	
13A	7020108	4	Brush	
13A	7020109	4	Holder, Brush	
13A	7012514	1	Fan	
13A	7020190	2	Bearing	
13A	7020110	1	End Bell, Front	
13A	7020111	1	End Bell, Rear	
13B	7019680	1	Box Control	
13B	4360542	1	Breaker, Circuit	
13B	4460190	AR	Receptacle, Double (110V)	
13B	4460027	AR	Receptacle, Double Twist Lock (110V)	
13B	70000124	1	Receptacle, Double (220V)	
13B	70000125	1	Receptacle, Single Twist Lock (220V)	
13C	2420203	1	Voltmeter	
13D	3580276	1	Pulley	
13D	7027887	1	Key, Woodruff	
14	2820031	AR	Heat Shrink	
15	3251102	1	Nameplate - Generator	
16	3311005	2	Nut #10	
17	3311405	1	Nut 1/4	
18	3311605	1	Nut 3/8	
19	3740080	1	Relay	
20	3900322	2	Screw, Socket Head Shoulder	
21	4060802	1	Guard, Switch	
22	4360336	1	Switch, Toggle	
23	4711600	7	Washer 3/8	
24	4711700	2	Washer 7/16	
25	4711900	2	Washer 9/16	
26	4740397	1	Spacer	
27	4751000	6	Washer #10	

## SECTION 3 - ENGINE

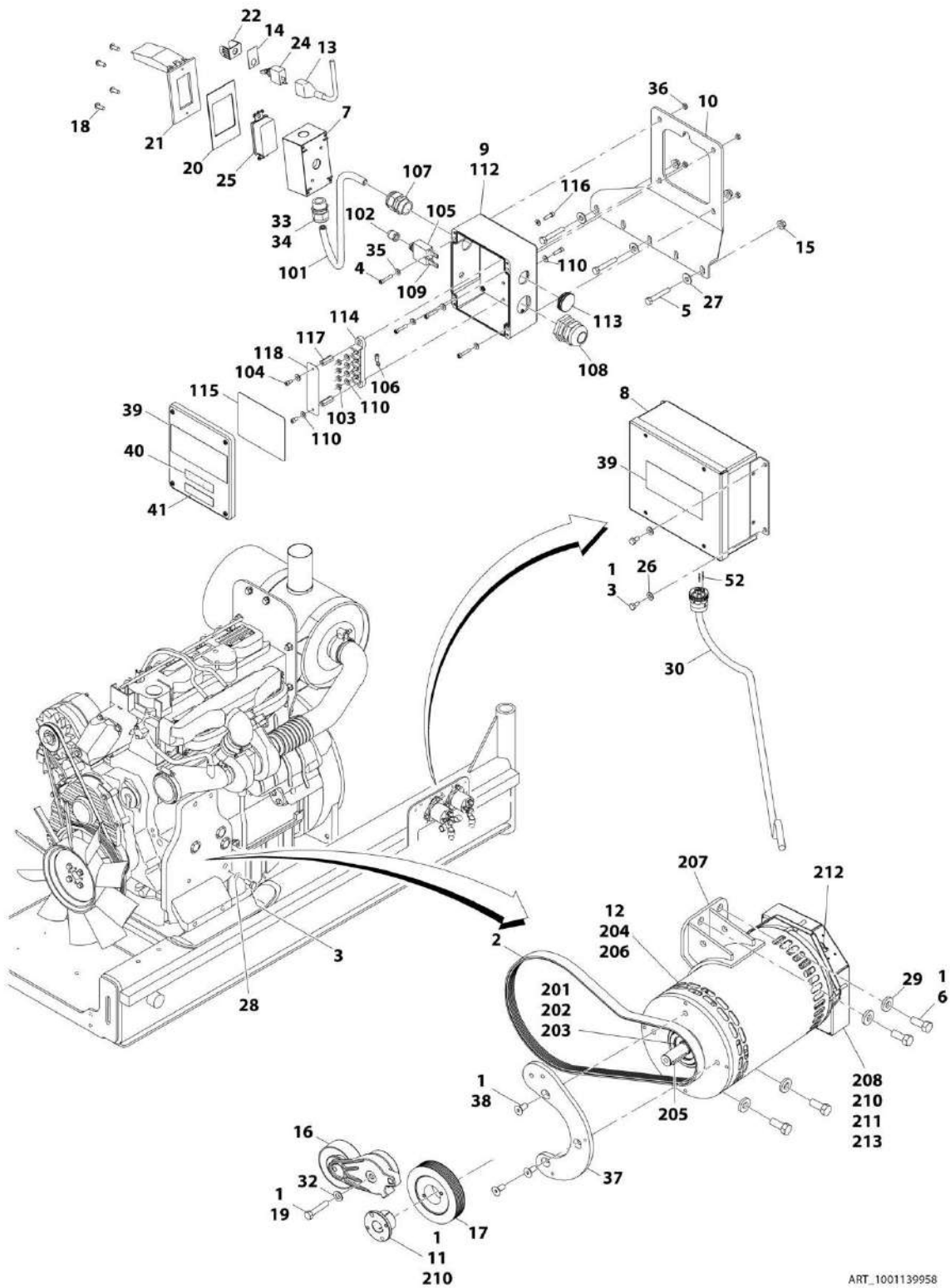
ITEM	PART NUMBER	QTY	DESCRIPTION	REV
28	4751400	2	Washer 1/4	
29	4891500	2	Washer 5/16	
30	4892000	2	Washer 5/8	





# SECTION 3 - ENGINE

## FIGURE 3-44. 4000W GENERATOR INSTALLATION - 60HZ SPEC (DEUTZ TD2011 ENGINES)



ART\_1001139958

## SECTION 3 - ENGINE

**FIGURE 3-44. 4000W GENERATOR INSTALLATION - 60HZ SPEC (DEUTZ TD2011 ENGINES)**

ITEM	PART NUMBER	QTY	DESCRIPTION	REV
	1001139958	Ref	4000W GENERATOR INSTALLATION - 60HZ SPEC (DEUTZ TD2011 ENGINES)	B
		Ref	Note: See ELECTRICAL SECTION for Boom Cable Installation.	
1	0100011	AR	Compound, Locking	
2	0480128	1	Belt, Generator	
3	0641404	5	Bolt 1/4 x 1/2	
4	3931016	4	Screw 1/4 x 1	
5	0641516	3	Bolt 5/16 x 2	
6	0641810	4	Bolt 1/2 x 1-1/4	
7	0860038	1	Box, Switch-Weatherhead	
8	1001138566	1	Box, Generator Control	
8	70006552	1	Capacitor	
8	70006553	1	Relay	
9	1001152457	1	Box, Junction Assembly (See Items 101-118 for Breakdown)	
10	0902888	1	Bracket, Generator Junction Box	
11	0962520	1	Bushing, Taper	
12	1001129858	1	Generator, 4000W Assembly (See Items 200-213 for Breakdown)	
13	2820031	AR	Insulator, Heat Shrink	
14	3251102	1	Nameplate, Generator	
15	3311508	3	Nut 5/16 Serrated Flange	
16	3580317	1	Pulley, Belt Tensioner	
17	3580318	1	Pulley, Generator	
18	3910606	4	Screw 6 x 3/8	
19	0641616	AR	Bolt 3/8 x 2	
20	3960422	1	Gasket, AC Receptacle	
21	1001110873	1	Cover, Gang Vertical Receptacle GFCI	
22	4060802	1	Guard, Switch	
23	4240018	AR	Strap, Tie (Not Shown)	
24	4360336	1	Switch, Toggle	
25	4460346	1	Terminal, Receptacle	
26	4711400	4	Washer 1/4	
27	4751500	3	Washer 5/16	
28	4791400	2	Starwasher 1/4	
29	4891800	4	Washer 1/2	
30	1001152533	1	Harness, Generator Cable (See Items 301-308 for Breakdown)	
31	1001153257	1	Diagram, Generator Wiring (Not Shown)	
32	4711600	1	Washer 3/8	
33	0100020	AR	Sealant, Pipe	
34	4460071	1	Connector, Strain Relief	
35	4751000	4	Washer #10	
36	3311005	4	Nut 10	
37	1001139357	1	Mount, Generator Tensioner	
38	0741607	3	Screw 3/8 x 0.88	
39	1705387	3	Decal - Hazardous Voltage	
40	3251243	1	Decal - 120V-60Hz	
41	1705374	1	Decal - 240V-60Hz	
52	0100048	AR	Grease, Dielectric	
	1001152457	Ref	JUNCTION BOX ASSEMBLY	B
101	1060494	2 ft /0.61m	Cable, 12/3 (SN 0300201017 through 0300205505)	

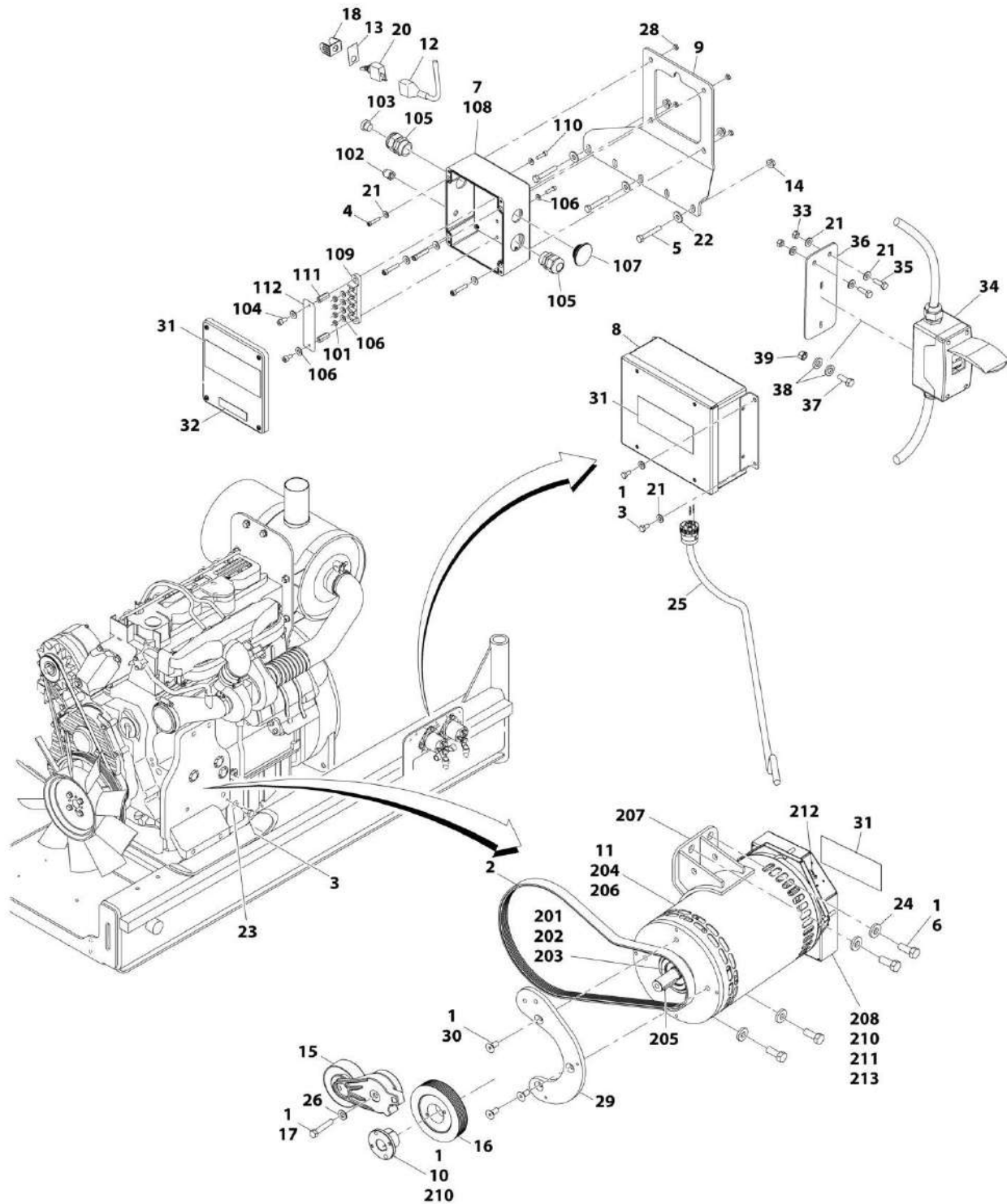
## SECTION 3 - ENGINE

ITEM	PART NUMBER	QTY	DESCRIPTION	REV
101	1001179154	2.5 ft /0.76m	Cable, 12/3 (SN 0300205506 to Present)	
102	3300396	1	Cover, Fuse	
103	3311001	4	Nut 10 Grade 2	
104	3900300	2	Screw, Spec, Cap	
105	4360070	1	Circuit Breaker, 15Amp	
106	4460068	3	Terminal, Ring	
107	4460425	1	Terminal, Strain Relief	
108	4460426	1	Connector, Strain Relief	
109	4460483	2	Terminal	
110	4711000	8	Washer #10	
112	1001152456	1	Box, Junction	
113	1001152525	1	Plug, Hole Pluggit	
114	1001152530	1	Terminal, Block, 4 Pole	
115	1001153260	1	Decal - Wiring 4000W Generator	
116	3900267	2	Screw, Spec, Cap	
117	1001158008	2	Stand-Off, Female, Threaded	
118	1001158363	1	Plate, Cover, PVC	
	1001129858	Ref	4000W GENERATOR ASSEMBLY	
201	70003709	1	Ring, Retaining	
202	70003708	1	Ring, Retaining	
203	70001966	1	Bearing, Ball	
204	70004092	1	Endbell	
205	70004171	1	Key	
206	70004676	1	Rotor Assembly	
207	70004684	1	Stator, Generator 4000W	
208	70004678	1	Endbell	
210	70004680	1	Enclosure	
211	70004685	1	Cover, Enclosure	
212	70004682	1	Protector, Supplementary, Manual Reset	
213	70004098	1	Bushing, Strain Relief	



# SECTION 3 - ENGINE

## FIGURE 3-45. 4000W GENERATOR INSTALLATION - 50HZ SPEC (DEUTZ TD2011 ENGINES)



ART\_1001180019

## SECTION 3 - ENGINE

**FIGURE 3-45. 4000W GENERATOR INSTALLATION - 50HZ SPEC (DEUTZ TD2011 ENGINES)**

ITEM	PART NUMBER	QTY	DESCRIPTION	REV
	1001180019	Ref	4000W GENERATOR INSTALLATION - 50HZ SPEC (DEUTZ TD2011 ENGINES)	C
		Ref	Note: See ELECTRICAL SECTION for Boom Cable Installation.	
1	0100011	AR	Compound, Locking	
2	1001136356	1	Belt, Generator	
3	0641404	5	Bolt 1/4 x 1/2	
4	3931016	4	Screw 1/4 x 1 (SN 0300201017 through 0300203457)	
5	0641516	3	Bolt 5/16 x 2 (SN 0300201017 through 0300203457)	
6	0641810	4	Bolt 1/2 x 1-1/4	
7	1001152458	1	Box Junction Assembly (See Items 101-113 for Breakdown) (SN 0300201017 through 0300203457)	
8	1001138566	1	Box, Generator Control	
8	70006552	1	Capacitor	
8	70006553	1	Relay	
9	0902888	1	Bracket, Generator Junction Box (SN 0300201017 through 0300203457)	
10	0962520	1	Bushing, Taper	
11	1001138565	1	Generator, 4000W Assembly (See Items 200-213 for Breakdown)	
12	2820031	AR	Insulator, Heat Shrink	
13	3251102	1	Nameplate, Generator	
14	3311508	3	Nut 5/16 Serrated Flange (SN 0300201017 through 0300203457)	
15	3580317	1	Pulley, Belt Tensioner	
16	3580319	1	Pulley, Generator	
17	0641616	AR	Bolt 3/8 x 2	
18	4060802	1	Guard, Switch	
19	4240018	AR	Strap, Tie (Not Shown)	
20	4360336	1	Switch, Toggle	
21	4711400	8	Washer 1/4	
22	4751500	3	Washer 5/16 (SN 0300201017 through 0300203457)	
23	4791400	2	Starwasher 1/4	
24	4891800	4	Washer 1/2	
25	1001152533	1	Harness, Generator Cable (See ELECTRICAL SECTION for Breakdown)	
26	4711600	1	Washer 3/8	
27	4751000	4	Washer #10 (SN 0300201017 through 0300203457)	
28	3311005	4	Nut 10 (SN 0300201017 through 0300203457)	
29	1001139357	1	Mount, Generator Tensioner	
30	0741607	3	Screw 3/8 x 0.88	
31	1705489	AR	Decal - Hazardous Voltage	
32	3251242	1	Decal - 240V-50Hz (SN 0300201017 through 0300203457)	B
33	3311405	2	Nut 1/4 Grade 2	
34	1001165368	1	Kit, Box and Breaker (See ELECTRICAL SECTION for Breakdown)	
35	0641407	2	Bolt 1/4 x 7/8	
36	1001096172	1	Bracket	
37	4010408	2	Screw M4 x 16	
38	1001091102	4	Washer M4	
39	3290405	2	Nut M4	
	1001152458	Ref	JUNCTION BOX ASSEMBLY (SN 0300201017 through 0300203457)	B

## SECTION 3 - ENGINE

ITEM	PART NUMBER	QTY	DESCRIPTION	REV
101	3311001	3	Nut 10 Grade 2	
102	1001155813	1	Plug, Hole Pluggit	
103	3520192	1	Plug	
104	3900300	2	Screw, Spec, Cap	
105	4460425	2	Terminal, Strain Relief	
106	4711000	7	Washer #10	
107	1001148648	1	Plug	
108	1001152456	1	Box, Junction	
109	1001152530	1	Terminal, Block, 4 Pole	
110	3900267	2	Screw, Spec, Cap	
111	1001158008	2	Stand-Off, Female, Threaded	
112	1001158363	1	Plate, Cover, PVC	
	1001138565	Ref	4000W GENERATOR ASSEMBLY	
201	70003709	1	Ring, Retaining	
202	70003708	1	Ring, Retaining	
203	70001966	1	Bearing, Ball	
204	70004092	1	Endbell	
205	70004171	1	Key	
206	70004676	1	Rotor Assembly	
207	70004677	1	Stator, Generator 4000W	
208	70004678	1	Endbell	
210	70004680	1	Enclosure	
211	70004681	1	Cover, Enclosure	
212	70004682	1	Protector, Supplementary, Manual Reset	
213	70004683	1	Bushing, Strain Relief	







## SECTION 3 - ENGINE

**FIGURE 3-46. 4000W GENERATOR INSTALLATION - 60HZ SPEC (DEUTZ TCD2.9L4 ENGINES)**

ITEM	PART NUMBER	QTY	DESCRIPTION	REV
	1001171130	Ref	4000W GENERATOR INSTALLATION - 60HZ SPEC (DEUTZ TCD2.9L4 ENGINES)	B
		Ref	Note: See ELECTRICAL SECTION for Boom Cable Installation.	
1	0100011	AR	Compound, Locking	
2	0100019	AR	Compound, Locking	
3	0100020	AR	Sealant, Pipe	
4	0100048	AR	Grease, Dielectric	
5	0641404	5	Bolt 1/4 x 1/2	
6	3931016	4	Screw 1/4 x 1	
7	0641516	3	Bolt 5/16 x 2	
8	0641618	1	Bolt 3/8 x 2-1/4	
9	0641810	2	Bolt 1/2 x 1-1/4	
10	0741607	3	Screw 3/8 x 0.88	
11	0860038	1	Box, Switch-Weatherhead	
12	1001138566	1	Box, Generator Control	
12	70006552	1	Capacitor	
12	70006553	1	Relay	
13	1001152457	1	Box, Junction Assembly (See Items 101-118 for Breakdown)	
14	0902888	1	Bracket, Generator Junction Box	
15	0962520	1	Bushing, Taper	
16	2820031	AR	Insulator, Heat Shrink	
17	3251102	1	Nameplate, Generator	
18	3311508	3	Nut 5/16 Serrated Flange	
19	3311801	2	Nut 1/2	
20	3580317	1	Pulley, Belt Tensioner	
21	3580318	1	Pulley, Generator	
22	3910606	4	Screw 6 x 3/8	
23	3960422	1	Gasket, AC Receptacle	
24	4060802	1	Guard, Switch	
25	4240018	AR	Strap, Tie (Not Shown)	
26	4300157	2	Stud	
27	4360336	1	Switch, Toggle	
28	4460071	1	Connector, Strain Relief	
29	4460346	1	Terminal, Receptacle	
30	4711400	4	Washer 1/4	
31	4711600	1	Washer 3/8	
32	4751500	3	Washer 5/16	
33	4791400	2	Starwasher 1/4	
34	4891800	4	Washer 1/2	
35	1001140344	1	Generator, 4000W Assembly (See Items 200-213 for Breakdown)	
36	1001132055	1	Diagram, Generator Wiring (Not Shown) <b>(SN 0300201017 through 0300213728)</b>	
36	1001153257	1	Diagram, Generator Wiring (Not Shown) <b>(SN 0300213729 to Present)</b>	
37	1001152533	1	Harness, Generator Cable (See ELECTRICAL SECTION for Breakdown)	
38	1001138011	1	Mount, Generator Tensioner	
39	1001110873	1	Cover, Gang Vertical Receptacle GFCI	
40	1001142645	1	Belt, Generator	
41	4751000	4	Washer #10	

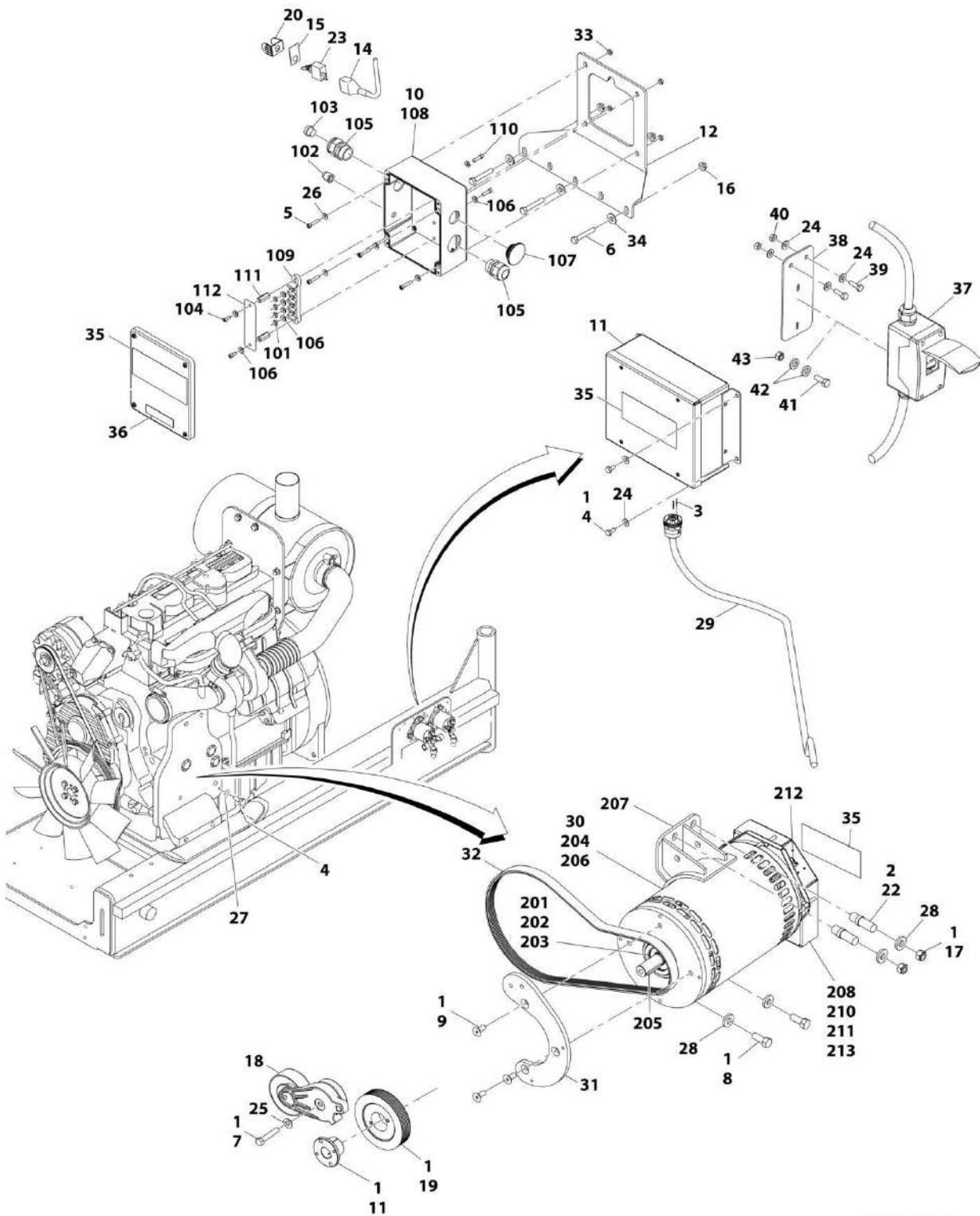
## SECTION 3 - ENGINE

ITEM	PART NUMBER	QTY	DESCRIPTION	REV
42	3311005	4	Nut 10	
43	1705387	3	Decal - Hazardous Voltage	
44	1705374	1	Decal - 240V-60Hz	
45	3251243	1	Decal - 120V-60Hz	
	1001152457	Ref	JUNCTION BOX ASSEMBLY	B
101	1060494	2 ft /0.61m	Cable, Electrical 12/3 (SN 0300201017 through 0300205505)	
101	1001179154	2.5 ft /0.76m	Cable, Electrical 12/3 (SN 0300205506 to Present)	
102	3300396	1	Cover, Fuse	
103	3311001	4	Nut 10 Grade 2	
104	3900300	2	Screw, Spec, Cap	
105	4360070	1	Circuit Breaker, 15Amp	
106	4460068	3	Terminal, Ring	
107	4460425	1	Terminal, Strain Relief	
108	4460426	1	Connector, Strain Relief	
109	4460483	2	Terminal	
110	4711000	AR	Washer #10	
112	1001152456	1	Box, Junction	
113	1001152525	1	Plug, Hole Pluggit	
114	1001152530	1	Terminal, Block, 4 Pole	
115	1001153260	1	Decal - Wiring 4000W Generator	
116	3900267	2	Screw, Spec, Cap	
117	1001158008	2	Stand-Off, Female, Threaded	
118	1001158363	1	Plate, Cover, PVC	
	1001140346	Ref	4000W GENERATOR ASSEMBLY	
201	70003709	1	Ring, Retaining	
202	70003708	1	Ring, Retaining	
203	70001966	1	Bearing, Ball	
204	70004092	1	Endbell	
205	70004099	1	Key	
206	70004676	1	Rotor Assembly	
207	70004687	1	Stator, Generator 4000W	
208	70004678	1	Endbell	
210	70004680	1	Enclosure	
211	70004685	1	Cover, Enclosure	
212	70004682	1	Protector, Supplementary, Manual Reset	
213	70004098	1	Bushing, Strain Relief	



# SECTION 3 - ENGINE

## FIGURE 3-47. 4000W GENERATOR INSTALLATION - 50HZ SPEC (DEUTZ TCD2.9L4 ENGINES)



ART\_1001180219

## SECTION 3 - ENGINE

**FIGURE 3-47. 4000W GENERATOR INSTALLATION - 50HZ SPEC (DEUTZ TCD2.9L4 ENGINES)**

ITEM	PART NUMBER	QTY	DESCRIPTION	REV
	1001180219	Ref	4000W GENERATOR INSTALLATION - 50HZ SPEC (DEUTZ TCD2.9L4 ENGINES)	C
		Ref	Note: See ELECTRICAL SECTION for Boom Cable Installation.	
1	0100011	AR	Compound, Locking	
2	0100019	AR	Compound, Locking	
3	0100048	AR	Grease, Dielectric	
4	0641404	5	Bolt 1/4 x 1/2	
5	3931016	4	Screw 1/4 x 1 ( <b>SN 0300201017 through 0300205138</b> )	
6	0641516	3	Bolt 5/16 x 2 ( <b>SN 0300201017 through 0300205138</b> )	
7	0641618	1	Bolt 3/8 x 2-1/4	
8	0641810	2	Bolt 1/2 x 1-1/4	
9	0741607	3	Screw 3/8 x 0.88	
10	1001152458	1	Box, Junction Assembly (See Items 101-113 for Breakdown) ( <b>SN 0300201017 through 0300205138</b> )	
11	1001138566	1	Box, Generator Control	
11	70006552	1	Capacitor	
11	70006553	1	Relay	
12	0902888	1	Bracket, Generator Junction Box ( <b>SN 0300201017 through 0300205138</b> )	
13	0962520	1	Bushing, Taper	
14	2820031	AR	Insulator, Heat Shrink	
15	3251102	1	Nameplate, Generator	
16	3311508	3	Nut 5/16 Serrated Flange ( <b>SN 0300201017 through 0300205138</b> )	
17	3311801	2	Nut 1/2	
18	3580317	1	Pulley, Belt Tensioner	
19	3580319	1	Pulley, Generator	
20	4060802	1	Guard, Switch	
21	4240018	AR	Strap, Tie (Not Shown)	
22	4300157	2	Stud	
23	4360336	1	Switch, Toggle	
24	4711400	8	Washer 1/4	
25	4711600	1	Washer 3/8	
26	4751000	AR	Washer #10 ( <b>SN 0300201017 through 0300205138</b> )	
27	4791400	2	Starwasher 1/4	
28	4891800	4	Washer 1/2	
29	1001152533	1	Harness, Generator Cable (See ELECTRICAL SECTION for Breakdown)	
30	1001140397	1	Generator, 4000W Assembly (See Items 200-213 for Breakdown)	
31	1001138011	1	Mount, Generator Tensioner	
32	1001136357	1	Belt, Generator	
33	3311005	4	Nut 10 ( <b>SN 0300201017 through 0300205138</b> )	
34	4751500	3	Washer 5/16 ( <b>SN 0300201017 through 0300205138</b> )	
35	1705489	AR	Decal - Hazardous Voltage	
36	3251242	1	Decal - 240V-50Hz ( <b>SN 0300201017 through 0300205138</b> )	B
37	1001165368	1	Kit, Box and Breaker (See ELECTRICAL SECTION for Breakdown)	
38	1001096172	1	Bracket	
39	0641406	2	Bolt 1/4 x 3/4	
40	3311405	2	Nut 1/4 Grade 2	
41	4010408	2	Screw M4 x 16	

## SECTION 3 - ENGINE

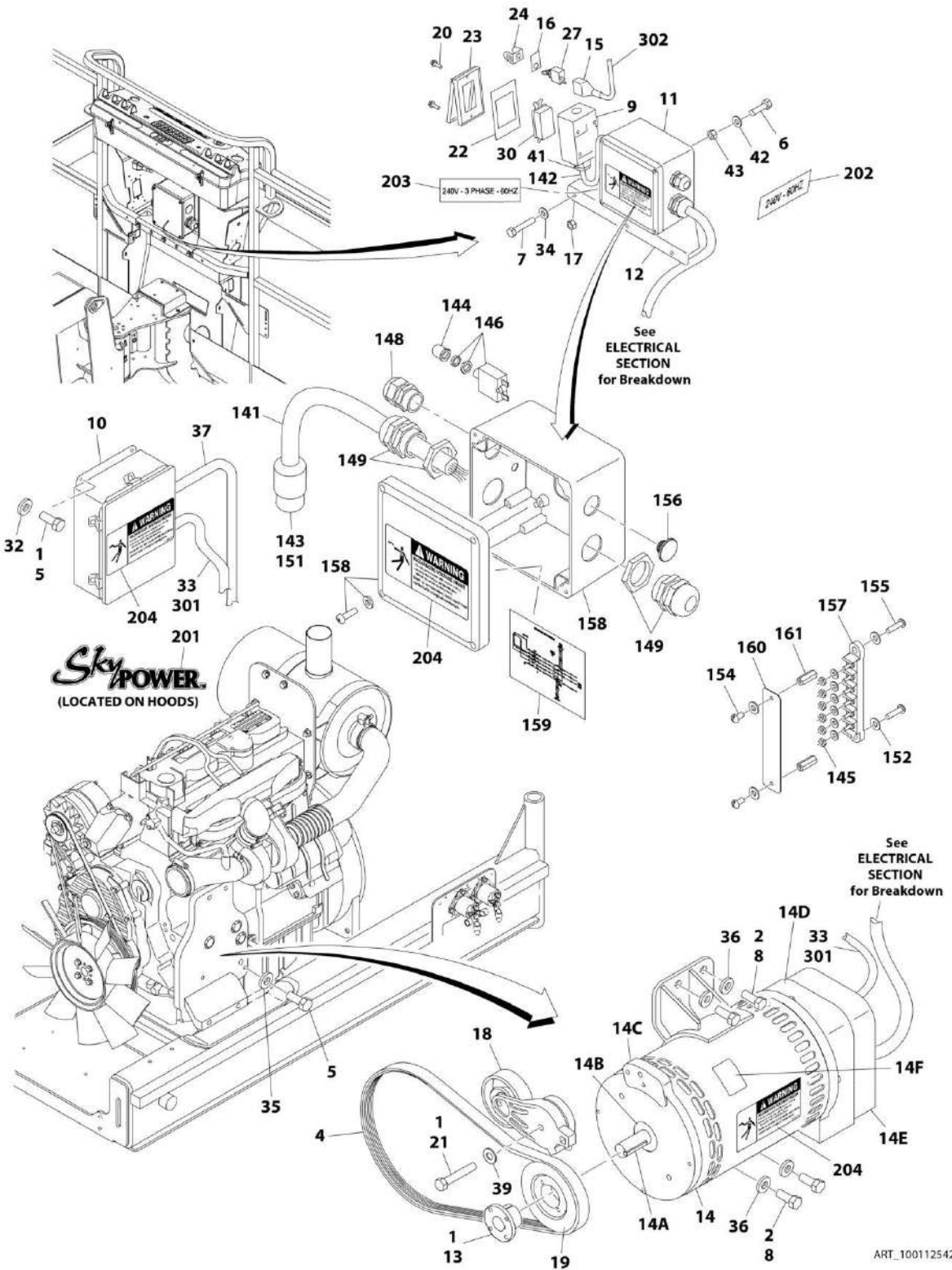
ITEM	PART NUMBER	QTY	DESCRIPTION	REV
42	1001091102	4	Washer M4	
43	3290405	2	Nut M4	
	1001152458	Ref	<b>JUNCTION BOX ASSEMBLY (SN 0300201017 through 0300205138)</b>	B
101	3311001	3	Nut 10 Grade 2	
102	1001155813	1	Plug, Hole Pluggit	
103	3520192	1	Plug	
104	3900300	2	Screw, Spec, Cap	
105	4460425	2	Terminal, Strain Relief	
106	4711000	7	Washer #10	
107	1001148648	1	Plug	
108	1001152456	1	Box, Junction	
109	1001152530	1	Terminal, Block, 4 Pole	
110	3900267	2	Screw, Spec, Cap	
111	1001158008	2	Stand-Off, Female, Threaded	
112	1001158363	1	Plate, Cover, PVC	
	1001140347	Ref	<b>4000W GENERATOR ASSEMBLY</b>	
201	70003709	1	Ring, Retaining	
202	70003708	1	Ring, Retaining	
203	70001966	1	Bearing, Ball	
204	70004092	1	Endbell	
205	70004099	1	Key	
206	70004676	1	Rotor Assembly	
207	70004686	1	Stator, Generator 4000W	
208	70004678	1	Endbell	
210	70004680	1	Enclosure	
211	70004681	1	Cover, Enclosure	
212	70004682	1	Protector, Supplementary, Manual Reset	
213	70004683	1	Bushing, Strain Relief	
214	4460224	1	Connector - 6 Position (50Hz) (Not Shown - Located on Enclosure Cover)	
214	4460294	2	Pin, Male (50Hz) (Not Shown - Located on Enclosure Cover)	





# SECTION 3 - ENGINE

**FIGURE 3-48. 7500W SKYPOWER GENERATOR INSTALLATION - 60HZ SPEC (DEUTZ TD2011 ENGINES) (OPTIONAL)**



## SECTION 3 - ENGINE

**FIGURE 3-48. 7500W SKYPOWER GENERATOR INSTALLATION - 60HZ SPEC (DEUTZ TD2011 ENGINES) (OPTIONAL)**

ITEM	PART NUMBER	QTY	DESCRIPTION	REV
	1001125427	Ref	7500W SKYPOWER GENERATOR INSTALLATION - 60HZ SPEC (DEUTZ TD2011 ENGINES) (OPTIONAL)	D
		Ref	Note: See ELECTRICAL SECTION for Boom Cable Installation.	
1	0100011	AR	Compound, Locking	
2	0100019	AR	Compound, Locking	
4	0480128	1	Belt, Generator	
5	0641404	6	Bolt 1/4 x 1/2	
6	3931016	AR	Bolt 10 x 1	
7	0641516	3	Bolt 5/16 x 2	
8	0641810	4	Bolt 1/2 x 1-1/4	
9	0860038	1	Box, Switch	
10	0861538	1	Box, Generator Control	
10	7024488	1	Card, Circuit - Generator Power (Not Shown)	
10	See Note	1	Fuse (Note: Not Available - Purchase Locally)	
10	7024489	1	Card, Circuit - Control (Not Shown)	
		Ref	Note: When replacing card, rocker switch on card must be set for required application.	
10	70000619	1	Harness, Circuit Card	
11	1001157592	1	Junction Box Assembly Options (See Items 141-161 for Breakdown)	
12	0902888	1	Bracket, Generator Junction Box	
13	0962520	1	Bushing, Taper	
14	2460048	1	Generator, 7500W	
14	70001100	1	Rotor (Includes p/n 70001384 & 70000863) (Not Shown)	
14	70001384	1	Bearing, Shaft (Rear) (Not Shown)	
14	70000863	1	Fan, Generator (Not Shown)	
14	70002088	1	Stator (Not Shown)	
14	70002297	2	Stud 1/4-20 x 12-7/8 (Not Shown)	
14	70003631	1	Brushholder Assembly (Not Shown) (was p/n 7024484)	
14A	70004171	1	Key	
14B	70001966	1	Bearing, Ball Radial (Located in Belt Tensioner Endbell)	
14B	70003709	1	Ring, Retaining (Small)	
14B	70003708	1	Ring, Retaining (Large)	
14C	70001953	1	Endbell, Belt Tensioner	
14D	70004169	1	Kit, Endbell (Includes Endbell, Brush Block and Shroud Assembly)	
14E	7027799	1	Block, Connector 6 Position (Not Shown)	
14E	70002460	6	Nut, Brass (Attaches p/n 7027799 to Cover) (Not Shown)	
14E	7024485	1	Breaker, Circuit 30Amp (Not Shown)	
14E	70001696	1	Boot, Breaker (Not Shown)	
14E	7026597	1	Connector with Leads (Not Shown)	
14E	7026626	1	Connector with Pins (Not Shown)	
14E	7026188	1	Clamp, Cable (Not Shown)	
14E	70002255	1	Plate, End Panel (Not Shown)	
14E	See Note	NSS	Insulator, End Panel (Note: Not Available for Purchase)	
14E	70001974	1	Decal - Terminal Connections (Not Shown)	
14F	70001973	1	Decal - Warning Moving Parts	
15	2820031	AR	Insulator, Heat Shrink	
16	3251102	1	Nameplate, Generator	
17	3311508	3	Nut 5/16 Serrated Flange	

## SECTION 3 - ENGINE

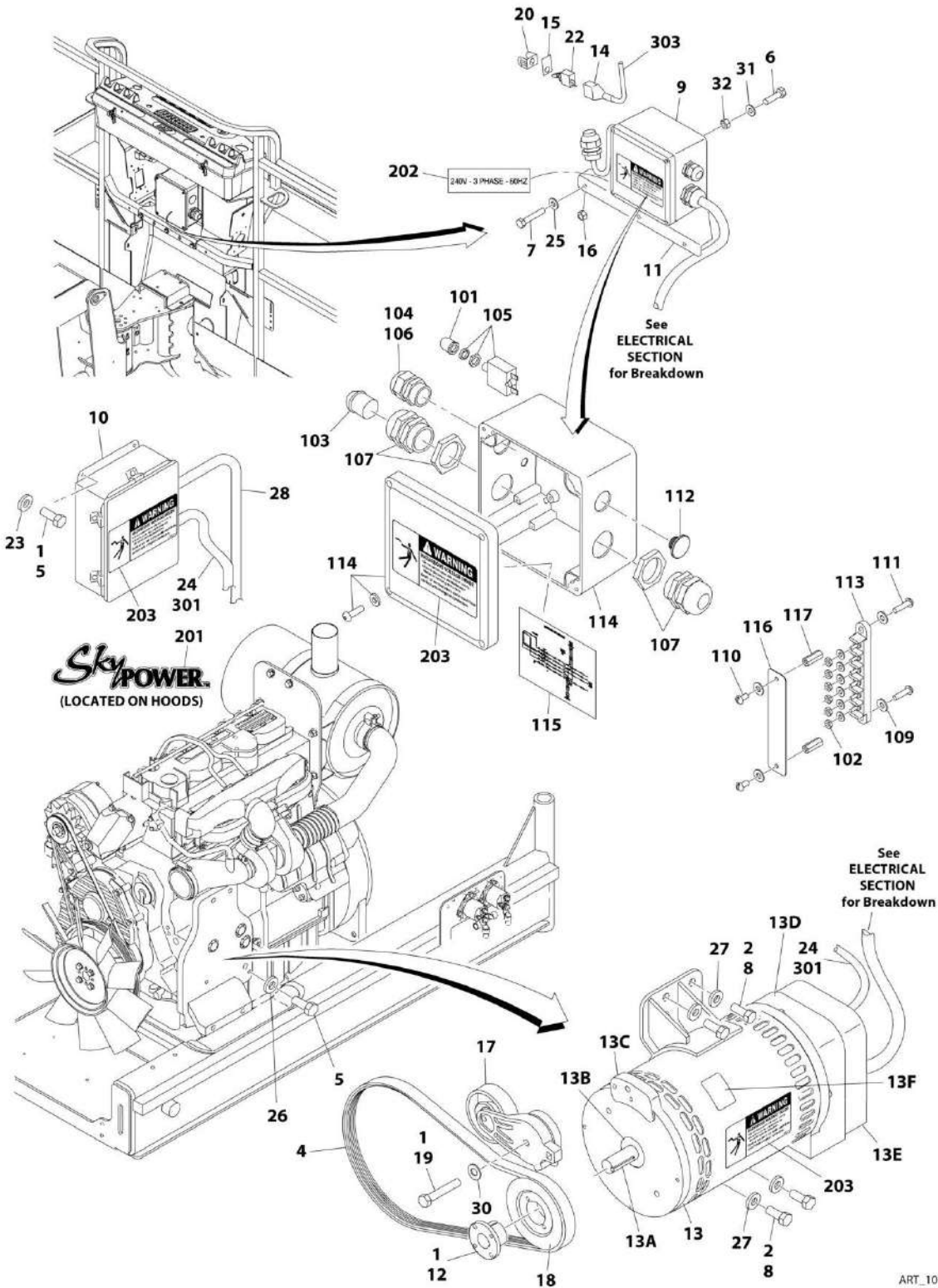
ITEM	PART NUMBER	QTY	DESCRIPTION	REV
18	3580317	1	Pulley, Belt Tensioner	
19	3580318	1	Pulley, Generator	
20	3910606	4	Screw #6 x 3/8	
21	0641618	1	Bolt 3/8 x 2	
22	3960422	1	Gasket, AC Receptacle	
23	1001110873	1	Shield, Receptacle Cover	
24	4060802	1	Guard, Switch	
26	4240018	AR	Strap, Tie (Not Shown)	
27	4360336	1	Switch, Toggle	
30	4460346	1	Terminal, Receptacle	
32	4711400	4	Washer 1/4	
33	0100048	AR	Grease, Dielectric	
34	4751500	3	Washer 5/16	
35	4791400	2	Starwasher 1/4	
36	4891800	4	Washer 1/2	
37	4922972	1	Harness, Generator Cable (See Separate Breakdown in ELECTRICAL SECTION)	
39	4711600	1	Washer 3/8	
40	0100020	AR	Sealant, Pipe (Not Shown)	
41	4460071	1	Connector, Strain Relief	
42	4751000	4	Washer #10	
43	3311005	4	Nut #10	
	1001157592	Ref	JUNCTION BOX ASSEMBLY	C
141	1060343	1.5 ft /0.46m	Cable, Electrical 10/4	
142	1060494	2 ft /0.61m	Cable, Electrical 12/3 (SN 0300201017 through 0300205505)	
142	1001179154	2.5 ft /0.76m	Cable, Electrical 12/3 (SN 0300205506 to Present)	
143	1671092	1	Cover	
144	3300396	1	Cover, Fuse	
145	3311001	6	Nut #10	
146	4360070	1	Circuit Breaker - 15Amp	
148	4460425	1	Strain Relief, Terminal	
149	4460426	2	Connector, Strain Relief	
151	4460963	1	Connector	
152	4711000	10	Washer #10	
154	10702077	2	Screw #10 x 3/8	
155	10702082	2	Screw #10 x 3/4	
156	1001152525	1	Plug	
157	1001157520	1	Block, Terminal	
158	1001157521	1	Box, Junction	
159	1001157528	1	Decal - Wiring Schematic	
160	1001158007	1	Decal - PVC	
161	1001158008	2	Stand-Off	
	0272435	Ref	DECAL INSTALLATION	D
201	1705460	2	Decal - SkyPower	
202	1705374	1	Decal - 240V-60Hz (SN 0300201017 through 0300202017)	
202	3251243	1	Decal - 120V - 60Hz (SN 0300222663 to Present)	
203	1705375	1	Decal - 240V - 3 Phase	
204	1705387	3	Decal - Hazardous Voltage	
	1001122528	Ref	ELECTRICAL DIAGRAM COMPONENTS	B

## SECTION 3 - ENGINE

ITEM	PART NUMBER	QTY	DESCRIPTION	REV
301	1001119968	1	Generator Harness (See ELECTRICAL SECTION for Breakdown)	B
301A	4460967	1	Plug, Male - 3 Position (Not Shown)	
301A	4460465	6	Socket, Female	
301B	1001117078	1	Fuseholder with Fuse (Not Shown)	
302	4922641	1	Switch, Harness	

# SECTION 3 - ENGINE

FIGURE 3-49. 7500W SKYPOWER GENERATOR INSTALLATION - 50HZ SPEC (DEUTZ TD2011 ENGINES) (OPTIONAL)



ART\_1001125428

## SECTION 3 - ENGINE

**FIGURE 3-49. 7500W SKYPOWER GENERATOR INSTALLATION - 50HZ SPEC (DEUTZ TD2011 ENGINES) (OPTIONAL)**

ITEM	PART NUMBER	QTY	DESCRIPTION	REV
	1001125428	Ref	7500W SKYPOWER GENERATOR INSTALLATION - 50HZ SPEC (DEUTZ TD2011 ENGINES) (OPTIONAL)	C
		Ref	Note: See ELECTRICAL SECTION for Boom Cable Installation.	
1	0100011	AR	Compound, Locking	
2	0100019	AR	Compound, Locking	
4	0480129	1	Belt, Generator	
5	0641404	5	Bolt 1/4 x 1/2	
6	3931016	4	Bolt 10 x 1	
7	0641516	3	Bolt 5/16 x 2	
8	0641810	4	Bolt 1/2 x 1-1/4	
9	1001157525	1	Junction Box Assembly (See Items 101-117 for Breakdown)	
10	0861572	1	Box, Generator Control	
10	7024488	1	Card, Circuit - Generator Power (Not Shown)	
10	See Note	1	Fuse (Note: Not Available - Purchase Locally)	
10	7024489	1	Card, Circuit - Control (Not Shown)	
		Ref	Note: When replacing card, rocker switch on card must be set for required application.	
10	70000619	1	Harness, Circuit Card	
11	0902888	1	Bracket, Generator Junction Box	
12	0962520	1	Bushing, Taper	
13	2460048	1	Generator, 7500W	
13	70001100	1	Rotor (Includes p/n 70001384 & 70000863) (Not Shown)	
13	70001384	1	Bearing, Shaft (Rear) (Not Shown)	
13	70000863	1	Fan, Generator (Not Shown)	
13	70002088	1	Stator (Not Shown)	
13	70002297	2	Stud 1/4-20 x 12-7/8	
13	70003631	1	Brushholder Assembly (Not Shown)	
13A	70004171	1	Key	
13B	70001966	1	Bearing, Ball Radial (Located in Belt Tensioner Endbell)	
13B	70003709	1	Ring, Retaining (Small)	
13B	70003708	1	Ring, Retaining (Large)	
13C	70001953	1	Endbell, Belt Tensioner	
13D	70004169	1	Kit, Endbell (Includes Endbell, Brush Block and Shroud Assembly)	
13E	7027799	1	Block, Connector 6 Position (Not Shown)	
13E	70002460	6	Nut, Brass (Attaches p/n 7027799 to Cover) (Not Shown)	
13E	7024485	1	Breaker, Circuit 30Amp (Not Shown)	
13E	70001696	1	Boot, Breaker (Not Shown)	
13E	7026597	1	Connector with Lead (Not Shown)	
13E	7026626	1	Connector with Pins (Not Shown)	
13E	7026188	1	Clamp, Cable (Not Shown)	
13E	70002255	1	Plate, End Panel (Not Shown)	
13E	See Note	1	Insulator, End Panel (Not Shown) (Note: Not Available for Purchase)	
13E	70001974	1	Decal - Terminal Connections (Not Shown)	
13F	70001973	1	Decal - Warning Moving Parts	
14	2820031	AR	Insulator, Heat Shrink	
15	3251102	1	Nameplate, Generator	
16	3311508	3	Nut 5/16 Serrated Flange	
17	3580317	1	Pulley, Belt Tensioner	

## SECTION 3 - ENGINE

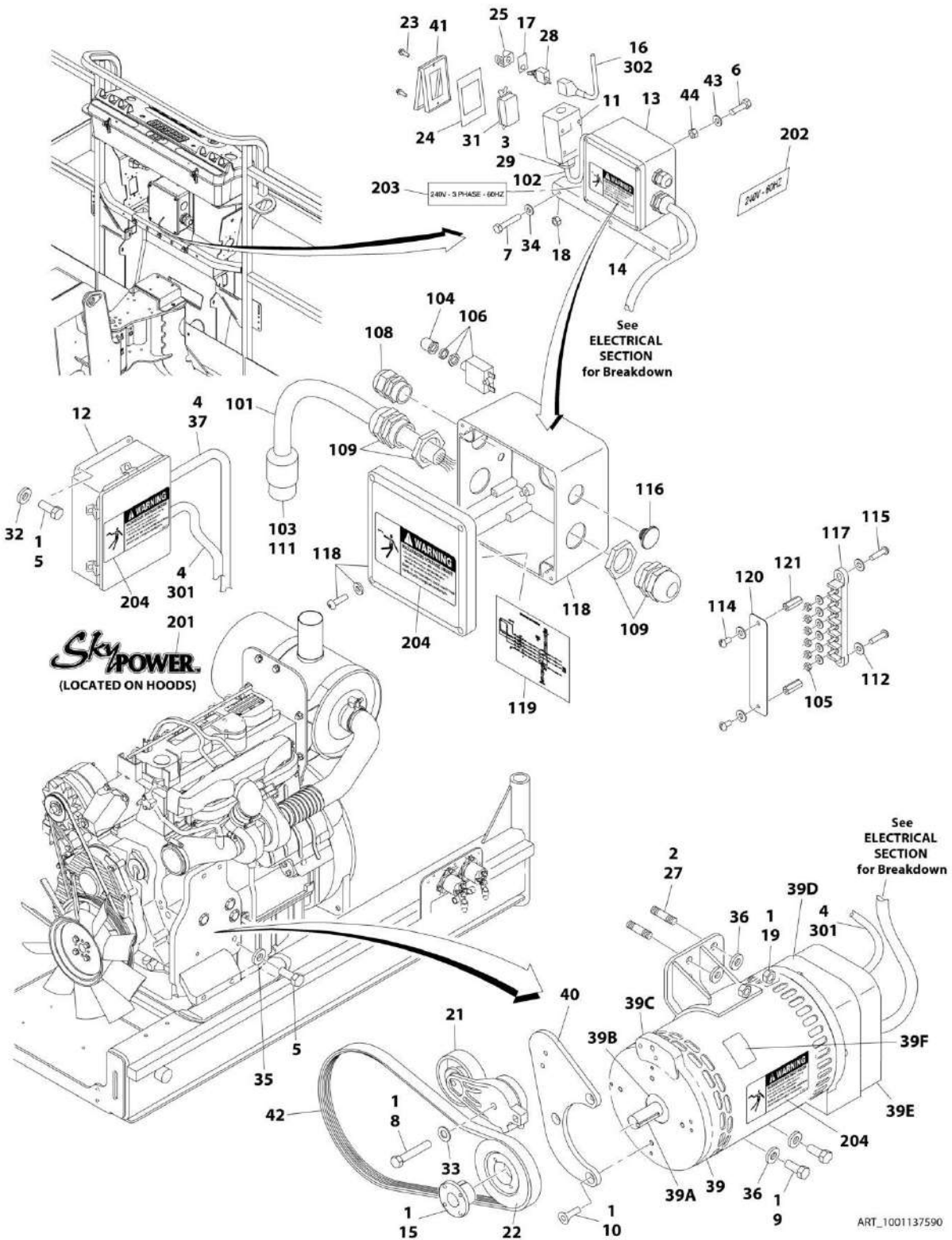
ITEM	PART NUMBER	QTY	DESCRIPTION	REV
18	3580319	1	Pulley, Generator	
19	0641618	1	Bolt 3/8 x 2	
20	4060802	1	Guard, Switch	
21	4240018	AR	Strap, Tie (Not Shown)	
22	4360336	1	Switch, Toggle	
23	4711400	4	Washer 1/4	
24	0100048	AR	Grease, Dielectric	
25	4751500	3	Washer 5/16	
26	4791400	2	Starwasher 1/4	
27	4891800	4	Washer 1/2	
28	4922972	1	Harness, Generator Cable (See Separate Breakdown in ELECTRICAL SECTION)	
30	4711600	1	Washer 3/8	
31	4751000	4	Washer #10	
32	3311005	4	Nut #10	
	1001157525	Ref	JUNCTION BOX ASSEMBLY	B
101	3300396	1	Cover, Fuse	
102	3311001	6	Nut #10	
103	3520189	1	Plug	
104	3520192	1	Plug	
105	4360070	1	Circuit Breaker - 15Amp	
106	4460425	1	Strain Relief, Terminal	
107	4460426	2	Connector, Strain Relief	
109	4711000	10	Washer #10	
110	10702077	2	Screw #10 x 3/8	
111	10702082	2	Screw #10 x 3/4	
112	1001152525	1	Plug	
113	1001157520	1	Block, Terminal	
114	1001157521	1	Box, Junction	
115	1001157528	1	Decal - Wiring Schematic	
116	1001158007	1	Cover, PVC	
117	1001158008	2	Stand-Off	
	0272589	1	DECAL INSTALLATION	A
201	1705460	2	Decal - SkyPower	
202	1705461	1	Decal - 240V - 3 Phase	
203	1705489	3	Decal - Hazardous Voltage	
	1001122528	Ref	ELECTRICAL DIAGRAM COMPONENTS	B
301	1001119968	1	Generator Harness	B
301A	4460967	1	Plug, Male - 3 Position (Not Shown)	
301A	4460465	6	Socket, Female	
301B	1001117078	1	Fuseholder with Fuse (Not Shown)	
303	4922641	1	Switch Harness	





# SECTION 3 - ENGINE

## FIGURE 3-50. 7500W SKYPOWER GENERATOR INSTALLATION - 60HZ SPEC (DEUTZ TCD2.9L4 ENGINES) (OPTIONAL)



## SECTION 3 - ENGINE

**FIGURE 3-50. 7500W SKYPOWER GENERATOR INSTALLATION - 60HZ SPEC (DEUTZ TCD2.9L4 ENGINES) (OPTIONAL)**

ITEM	PART NUMBER	QTY	DESCRIPTION	REV
	1001137590	Ref	7500W SKYPOWER GENERATOR INSTALLATION - 60HZ SPEC (DEUTZ TCD2.9L4 ENGINES) (OPTIONAL)	G
		Ref	Note: See ELECTRICAL SECTION for Boom Cable Installation.	
1	0100011	AR	Compound, Locking	
2	0100019	AR	Compound, Locking	
3	0100020	AR	Sealant, Pipe	
4	0100048	AR	Grease, Dielectric	
5	0641404	5	Bolt 1/4 x 1/2	
6	3931016	4	Bolt 10 x 1	
7	0641516	3	Bolt 5/16 x 2	
8	0641618	1	Bolt 3/8 x 2	
9	0641810	2	Bolt 1/2 x 1-1/4	
10	0741607	3	Screw 3/8 x 7/8	
11	0860038	1	Box, Switch	
12	0861538	1	Box, Generator Control	
12	7024488	1	Card, Circuit - Generator Power (Not Shown)	
12	See Note	1	Fuse (Note: Not Available Purchase Locally)	
12	7024489	1	Card, Circuit - Control (Not Shown)	
		Ref	Note: When replacing card, rocker switch on card must be set for required application.	
12	70000619	1	Harness, Circuit Card	
13	1001157592	1	Junction Box Assembly (See Items 101-121 for Breakdown)	
14	0902888	1	Bracket, Generator Junction Box	
15	0962520	1	Bushing, Taper	
16	2820031	AR	Insulator, Heat Shrink	
17	3251102	1	Nameplate, Generator	
18	3311508	3	Nut 5/16 Serrated Flange	
19	3311801	2	Nut 1/2	
21	3580317	1	Pulley, Belt Tensioner	
22	3580318	1	Pulley, Generator	
23	3910606	AR	Screw #6 x 3/8	
24	3960422	1	Gasket, AC Receptacle	
25	4060802	1	Guard, Switch	
26	4240018	AR	Strap, Tie (Not Shown)	
27	4300157	2	Stud 1/2-13	
28	4360336	1	Switch, Toggle	
29	4460071	1	Connector, Strain Relief	
30	4460315	3	Terminal, Spade (Not Shown)	
31	4460346	1	Terminal, Receptacle	
32	4711400	4	Washer 1/4	
33	4711600	1	Washer 3/8	
34	4751500	3	Washer 5/16	
35	4791400	2	Starwasher 1/4	
36	4891800	4	Washer 1/2	
37	4922972	1	Harness, Generator Cable (See Separate Breakdown in ELECTRICAL SECTION)	
39	1001136988	NLA	Generator, 7500W (Use p/n 1001212223) <b>(SN 0300201017 through 0300226067)</b>	
39	1001212223	1	Generator, 7500W <b>(SN 0300226068 to Present)</b>	
39	70001100	1	Rotor (Includes p/n 70001384 & 70000863) (Not Shown)	

## SECTION 3 - ENGINE

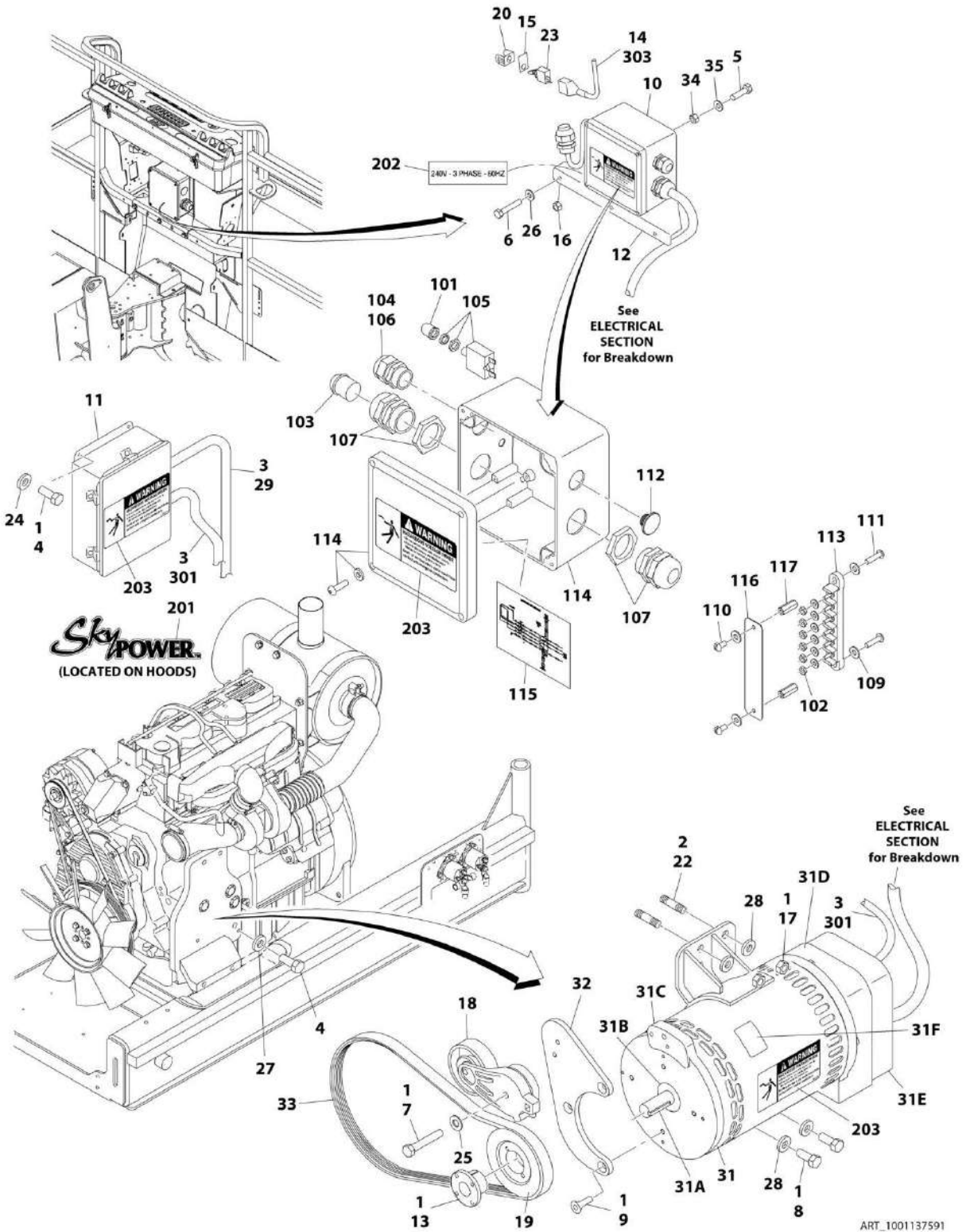
ITEM	PART NUMBER	QTY	DESCRIPTION	REV
39	70001384	1	Bearing, Shaft (Rear) (Not Shown)	
39	70000863	1	Fan, Generator (Not Shown)	
39	70004093	1	Stator - 1001136988 Generator (Not Shown)	
39	70006093	1	Stator - 1001212223 Generator (Not Shown)	
39	70002297	2	Stud 1/4-20 x 12-7/8 - 1001136988 Generator (Not Shown)	
39	70003631	1	Brushholder Assembly (Not Shown) (was p/n 7024484)	
39A	70004099	NLA	Key (Use p/n 70004171)	
39B	70001966	1	Bearing, Ball Radial (Located in Belt Tensioner Endbell)	
39B	70003709	1	Ring, Retaining (Small)	
39B	70003708	1	Ring, Retaining (Large)	
39C	70004092	1	Endbell, Belt Tensioner	
39D	70004094	1	Endbell, Brush Block	
39E	70004096	1	Shroud Assembly - 1001136988 Generator	
39E	70006094	1	Shroud Assembly - 1001212223 Generator	
39E	7027799	1	Block, Connector - 6 Position (Not Shown)	
39E	70002460	6	Nut, Brass (Attaches p/n 7027799 to Cover) (Not Shown)	
39E	7024485	1	Breaker, Circuit 30Amp - 1001136988 Generator (Not Shown)	
39E	70006095	1	Breaker, Circuit 30Amp - 1001212223 Generator (Not Shown)	
39E	70001696	1	Boot, Breaker - 1001136988 Generator (Not Shown)	
39E	70006096	1	Boot, Breaker - 1001212223 Generator (Not Shown)	
39E	7026597	1	Connector with Leads (Not Shown)	
39E	7026626	1	Connector with Pins (Not Shown)	
39E	70004098	1	Clamp, Cable (Not Shown)	
39E	70004095	1	Plate, End Panel - 1001136988 Generator (Not Shown)	
39E	70006097	1	Plate, End Panel - 1001212223 Generator (Not Shown)	
39E	70004097	1	Insulator, End Panel - 1001136988 Generator (Not Shown)	
39E	70002291	1	Insulator, End Panel - 1001212223 Generator (Not Shown)	
39E	70001974	1	Decal - Terminal Connections (Not Shown)	
39F	70001973	1	Decal - Warning Moving Parts	
40	1001138011	1	Bracket	
41	1001110873	1	Shield, Receptacle Cover	
42	1001142645	1	Belt, Generator	
43	4751000	4	Washer #10	
44	3311005	4	Nut #10	
	1001157592	Ref	JUNCTION BOX ASSEMBLY	C
101	1060343	1.5 ft /0.46m	Cable, Electrical 10/4	
102	1060494	2 ft /0.61m	Cable, Electrical 12/3 (SN 0300201017 through 0300205505)	
102	1001179154	2.5 ft /0.76m	Cable, Electrical 12/3 (SN 0300205506 to Present)	
103	1671092	1	Cover	
104	3300396	1	Cover, Fuse	
105	3311001	6	Nut #10	
106	4360070	1	Circuit Breaker - 15Amp	
108	4460425	1	Strain Relief, Terminal	
109	4460426	2	Connector, Strain Relief	
111	4460963	1	Connector	
112	4711000	10	Washer #10	
114	10702077	2	Screw #10 x 3/8	
115	10702082	2	Screw #10 x 3/4	
116	1001152525	1	Plug	

## SECTION 3 - ENGINE

ITEM	PART NUMBER	QTY	DESCRIPTION	REV
117	1001157520	1	Block, Terminal	
118	1001157521	1	Box, Junction	
119	1001157528	1	Decal - Wiring Schematic	
120	1001158007	1	Cover, PVC	
121	1001158008	2	Stand-Off	
	0272435	Ref	DECAL INSTALLATION	D
201	1705460	2	Decal - SkyPower	
202	1705374	1	Decal - 240V/60Hz <b>(SN 0300201017 through 0300202017)</b>	
202	3251243	1	Decal - 120V - 60Hz <b>(SN 0300222663 to Present)</b>	
203	1705375	1	Decal - 240V - 3 Phase	
204	1705387	3	Decal - Hazardous Voltage	
	1001122528	Ref	ELECTRICAL DIAGRAM COMPONENTS	B
301	1001119968	1	Generator Harness	B
301A	4460967	1	Plug, Male - 3 Position (Not Shown)	
301A	4460465	6	Socket, Female	
301B	1001117078	1	Fuseholder with Fuse (Not Shown)	
302	4922641	1	Switch Harness	

# SECTION 3 - ENGINE

## FIGURE 3-51. 7500W SKYPOWER GENERATOR INSTALLATION - 50HZ SPEC (DEUTZ TCD2.9L4 ENGINES) (OPTIONAL)



## SECTION 3 - ENGINE

**FIGURE 3-51. 7500W SKYPOWER GENERATOR INSTALLATION - 50HZ SPEC (DEUTZ TCD2.9L4 ENGINES) (OPTIONAL)**

ITEM	PART NUMBER	QTY	DESCRIPTION	REV
	1001137591	Ref	7500W SKYPOWER GENERATOR INSTALLATION - 50HZ SPEC (DEUTZ TCD2.9L4 ENGINES) (OPTIONAL)	D
		Ref	Note: See ELECTRICAL SECTION for Boom Cable Installation.	
1	0100011	AR	Compound, Locking	
2	0100019	AR	Compound, Locking	
3	0100048	AR	Grease, Dielectric	
4	0641404	5	Bolt 1/4 x 1/2	
5	3931016	4	Bolt 10 x 1	
6	0641516	3	Bolt 5/16 x 2	
7	0641618	1	Bolt 3/8 x 2	
8	0641810	2	Bolt 1/2 x 1-1/4	
9	0741607	3	Screw 3/8 x 7/8	
10	1001157525	1	Junction Box Assembly (See Items 101-117 for Breakdown)	
11	0861572	1	Box, Generator Control	
11	7024488	1	Card, Circuit - Generator Power (Not Shown)	
11	See Note	1	Fuse (Note: Not Available - Purchase Locally)	
11	7024489	1	Card, Circuit - Control (Not Shown)	
		Ref	Note: When replacing card, rocker switch on card must be set for required application.	
11	70000619	1	Harness, Circuit Card	
12	0902888	1	Bracket, Generator Junction Box	
13	0962520	1	Bushing, Taper	
14	2820031	AR	Insulator, Heat Shrink	
15	3251102	1	Nameplate, Generator	
16	3311508	3	Nut 5/16 Serrated Flange	
17	3311801	2	Nut 1/2	
18	3580317	1	Pulley, Belt Tensioner	
19	3580319	1	Pulley, Generator	
20	4060802	1	Guard, Switch	
21	4240018	AR	Strap, Tie (Not Shown)	
22	4300157	2	Stud 1/2-13	
23	4360336	1	Switch, Toggle	
24	4711400	4	Washer 1/4	
25	4711600	1	Washer 3/8	
26	4751500	3	Washer 5/16	
27	4791400	2	Starwasher 1/4	
28	4891800	4	Washer 1/2	
29	4922972	1	Harness, Generator Cable (See Separate Breakdown in ELECTRICAL SECTION)	
31	1001136988	NLA	Generator, 7500W (Use p/n 1001212223) <b>(SN 0300201017 through 0300226067)</b>	
31	1001212223	1	Generator, 7500W <b>(SN 0300226068 to Present)</b>	
31	70001100	1	Rotor (Includes p/n 70001384 & 70000863) (Not Shown)	
31	70001384	1	Bearing, Shaft (Rear) (Not Shown)	
31	70000863	1	Fan, Generator (Not Shown)	
31	70004093	1	Stator - 1001136988 Generator (Not Shown)	
31	70006093	1	Stator - 1001212223 Generator (Not Shown)	
31	70002297	2	Stud 1/4-20 x 12-7/8 - 1001136988 Generator (Not Shown)	
31	70003631	1	Brushholder Assembly (Not Shown)	
31A	70004099	NLA	Key (Use p/n 70004171)	

## SECTION 3 - ENGINE

ITEM	PART NUMBER	QTY	DESCRIPTION	REV
31B	70001966	1	Bearing, Ball Radial (Located in Belt Tensioner Endbell)	
31B	70003709	1	Ring, Retaining (Small)	
31B	70003708	1	Ring, Retaining (Large)	
31C	70004092	1	Endbell, Belt Tensioner	
31D	70004094	1	Endbell, Brush Block	
31E	70004096	1	Shroud Assembly - 1001136988 Generator	
31E	70006094	1	Shroud Assembly - 1001212223 Generator	
31E	7027799	1	Block, Connector - 6 Position (Not Shown)	
31E	70002460	6	Nut, Brass (Attaches p/n 7027799 to Cover) (Not Shown)	
31E	7024485	1	Breaker, Circuit 30Amp - 1001136988 Generator (Not Shown)	
31E	70006095	1	Breaker, Circuit 30Amp - 1001212223 Generator (Not Shown)	
31E	70001696	1	Boot, Breaker - 1001136988 Generator (Not Shown)	
31E	70006096	1	Boot, Breaker - 1001212223 Generator (Not Shown)	
31E	7026597	1	Connector with Leads (Not Shown)	
31E	7026626	1	Connector with Pins (Not Shown)	
31E	70004098	1	Clamp, Cable (Not Shown)	
31E	70004095	1	Plate, End Panel - 1001136988 Generator (Not Shown)	
31E	70006097	1	Plate, End Panel - 1001212223 Generator (Not Shown)	
31E	70004097	1	Insulator, End Panel - 1001136988 Generator (Not Shown)	
31E	70002291	1	Insulator, End Panel - 1001212223 Generator (Not Shown)	
31E	70001974	1	Decal - Terminal Connections (Not Shown)	
31F	70001973	1	Decal - Warning Moving Parts	
32	1001138011	1	Bracket	
33	1001136357	1	Belt, Generator	
34	3311005	4	Nut #10	
35	4751000	4	Washer #10	
	1001157525	Ref	JUNCTION BOX ASSEMBLY	B
101	3300396	1	Cover, Fuse	
102	3311001	6	Nut #10	
103	3520189	1	Plug (50Hz Spec Only)	
104	3520192	1	Plug	
105	4360070	1	Circuit Breaker - 15Amp	
106	4460425	1	Strain Relief, Terminal	
107	4460426	2	Connector, Strain Relief	
109	4711000	10	Washer #10	
110	10702077	2	Screw #10 x 3/8	
111	10702082	2	Screw #10 x 3/4	
112	1001152525	1	Plug	
113	1001157520	1	Block, Terminal	
114	1001157521	1	Box, Junction	
115	1001157528	1	Decal - Wiring Schematic	
116	1001158007	1	Cover, PVC	
117	1001158008	2	Stand-Off	
	0272589	Ref	DECAL INSTALLATION	A
201	1705460	2	Decal - SkyPower	
202	1705461	1	Decal - 240V - 3 Phase	
203	1705489	3	Decal - Hazardous Voltage	
	1001122528	Ref	ELECTRICAL DIAGRAM COMPONENTS	B
301	1001119968	1	Generator Harness (With UGM)	B
301A	4460967	1	Plug, Male - 3 Position (Not Shown)	
301A	4460465	6	Socket, Female	



## SECTION 3 - ENGINE

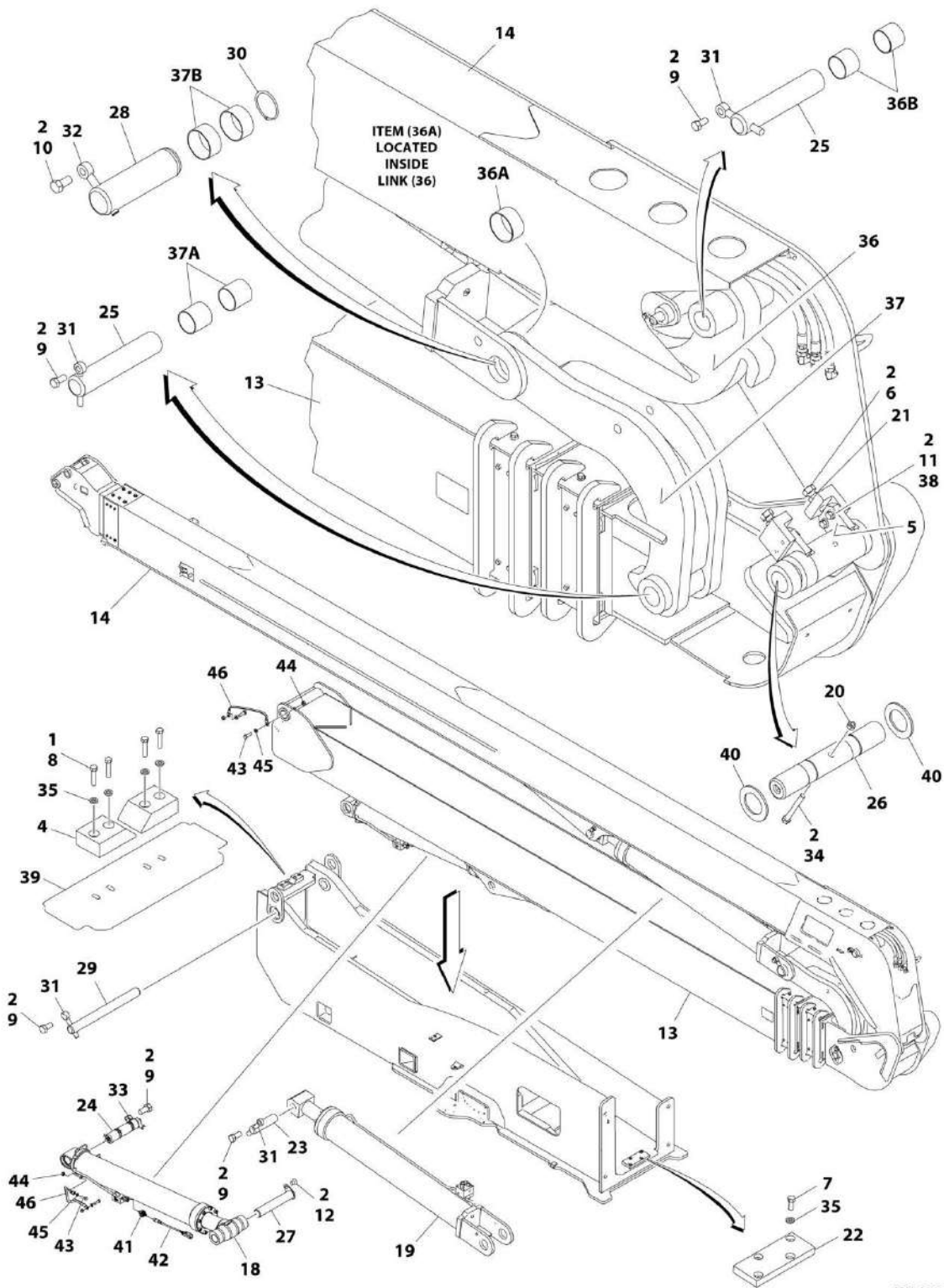
ITEM	PART NUMBER	QTY	DESCRIPTION	REV
301B	1001117078	1	Fuseholder with Fuse (Not Shown)	
303	4922641	1	Switch Harness	



**SECTION 4 - BOOM**

# SECTION 4 - BOOM

## FIGURE 4-1. BOOM AND CYLINDER INSTALLATION - WITHOUT COLD WEATHER PLUS PACKAGE



ART\_1001120653

## SECTION 4 - BOOM

**FIGURE 4-1. BOOM AND CYLINDER INSTALLATION - WITHOUT COLD WEATHER PLUS PACKAGE**

ITEM	PART NUMBER	QTY	DESCRIPTION	REV
	1001120653	Ref	BOOM AND CYLINDER INSTALLATION - WITHOUT COLD WEATHER PLUS PACKAGE	H
1	0100011	AR	Compound, Locking	
2	0100019	AR	Compound, Locking	
4	0561380	2	Rest, Boom	
5	0561547	2	Block, Clamping	
6	0642624	2	Bolt 1 x 3	
7	0641608	4	Bolt 3/8 x 1	
8	0641613	4	Bolt 3/8 x 1-5/8	
9	0642212	5	Bolt 3/4 x 1-1/2	
10	0642616	1	Bolt 1 x 2	
11	0682016	4	Bolt 5/8 x 2 Grade 8	
12	0742210	1	Screw 3/4 x 1-1/4	
13	0801370	1	Tower Boom Assembly (See TOWER BOOM ASSEMBLY for Breakdown)	
14	0801371	1	Main Boom Assembly (See MAIN BOOM ASSEMBLY - WITHOUT COLD WEATHER PLUS PACKAGE for Breakdown)	
18	1001118753	NLA	Tower Lift Cylinder Assembly (See CYLINDER SECTION for Breakdown) (Use p/n 1001228077) <b>(SN 0300201017 through 0300211613)</b>	
18	1001165507	NLA	Tower Lift Cylinder Assembly (Use p/n 1001228077) (See CYLINDER SECTION for Breakdown) <b>(SN 0300211614 through 0300239464)</b>	
18	1001228077	1	Tower Lift Cylinder Assembly (See CYLINDER SECTION for Breakdown) <b>(SN 0300239465 to Present)</b>	
19	1684318	NLA	Main Lift Cylinder Assembly (Use p/n 1001228078) (See CYLINDER SECTION for Breakdown) <b>(SN 0300201017 through 0300211613)</b>	
19	1001165510	NLA	Main Lift Cylinder Assembly (Use p/n 1001228078) (See CYLINDER SECTION for Breakdown) <b>(SN 0300211614 through 0300239976)</b>	
19	1001228078	1	Main Lift Cylinder Assembly (See CYLINDER SECTION for Breakdown) <b>(SN 0300239977 to Present)</b>	
20	3272001	1	Nut 5/8 Grade 8	
21	3312602	2	Nut 1	
22	3340927	1	Pad	
23	3422920	1	Pin	
24	3423209	1	Pin, Load Sensing	
25	3423061	2	Pin	
26	3423062	1	Pin	
27	3423063	1	Pin	
28	3423064	1	Pin	
29	3423065	1	Pin	
30	3760475	1	Ring, Retaining	
31	3841287	4	Keeper, Pin	
32	3841356	1	Keeper, Pin	
33	3841581	1	Keeper, Pin	
34	0682048	1	Bolt 5/8 x 6 Grade 8	
35	4711600	8	Washer 3/8	
36	3010133	1	Link, Upper	
36A	0440273	1	Bearing	
36B	0962297	2	Bushing	

## SECTION 4 - BOOM

ITEM	PART NUMBER	QTY	DESCRIPTION	REV
37	3010134	1	Link, Lower	
37A	0962033	2	Bushing	
37B	0962122	2	Bushing	
38	4892000	4	Washer 5/8	
39	3380547	1	Deflector	
40	4740492	2	Thrustwasher	
41	1001119614	1	Switch, Pressure Transducer	
42	1001120161	NLA	Harness, Pressure Transducer (Use p/n 1001220898) (See ELECTRICAL SECTION for Breakdown) <b>(SN 0300201017 through 0300226468)</b>	
42	1001220898	1	Harness, Pressure Transducer (See ELECTRICAL SECTION for Breakdown) <b>(SN 0300226469 through 0300234068)</b>	
42	1001228498	1	Harness, Pressure Transducer (See ELECTRICAL SECTION for Breakdown) <b>(SN 0300234069 to Present)</b>	
43	0761015	4	Bolt M10 x 35 <b>(SN 0300241341 to Present)</b>	
44	3291007	4	Nut M10 <b>(SN 0300241341 to Present)</b>	
45	4812000	4	Washer M10 <b>(SN 0300241341 to Present)</b>	
46	1001212243	2	Cable <b>(SN 0300241341 to Present)</b>	







## SECTION 4 - BOOM

**FIGURE 4-2. BOOM AND CYLINDER INSTALLATION - WITH COLD WEATHER PLUS PACKAGE**

ITEM	PART NUMBER	QTY	DESCRIPTION	REV
	1001138811	Ref	BOOM AND CYLINDER INSTALLATION - WITH COLD WEATHER PLUS PACKAGE	G
1	0100011	AR	Compound, Locking	
2	0100019	AR	Compound, Locking	
3	0561380	2	Rest, Boom	
4	0561547	2	Block, Clamping	
5	0642624	2	Bolt 1 x 3	
6	0641608	4	Bolt 3/8 x 1	
7	0641613	4	Bolt 3/8 x 1-5/8	
8	0642212	5	Bolt 3/4 x 1-1/2	
9	0642616	1	Bolt 1 x 2	
10	0682016	4	Bolt 5/8 x 2 Grade 8	
11	0742210	1	Screw 3/4 x 1-1/4	
12	0801370	1	Tower Boom Assembly (See TOWER BOOM ASSEMBLY for Breakdown)	
13	1001138812	1	Main Boom Assembly (See MAIN BOOM ASSEMBLY - WITH COLD WEATHER PLUS PACKAGE for Breakdown)	
14	1001118753	NLA	Tower Lift Cylinder Assembly (See CYLINDER SECTION for Breakdown) (Use p/n 1001228077) <b>(SN 0300201017 through 0300211613)</b>	
14	1001165507	NLA	Tower Lift Cylinder Assembly (Use p/n 1001228077) (See CYLINDER SECTION for Breakdown) <b>(SN 0300211614 through 0300239464)</b>	
14	1001228077	1	Tower Lift Cylinder Assembly (See CYLINDER SECTION for Breakdown) <b>(SN 0300239465 to Present)</b>	
15	1684318	NLA	Main Lift Cylinder Assembly (See CYLINDER SECTION for Breakdown) (Use p/n 1001228078) <b>(SN 0300201017 through 0300211613)</b>	
15	1001165510	NLA	Main Lift Cylinder Assembly (Use p/n 1001228078) (See CYLINDER SECTION for Breakdown) <b>(SN 0300211614 to Present)</b>	
15	1001228078	1	Main Lift Cylinder Assembly (See CYLINDER SECTION for Breakdown) <b>(SN 0300211614 to Present)</b>	
16	3272001	1	Nut 5/8 Grade 8	
17	3312602	2	Nut 1	
18	3340927	1	Pad	
19	3422920	1	Pin	
20	3423209	1	Pin, Load Sensing	
21	3423061	2	Pin	
22	3423062	1	Pin	
23	3423063	1	Pin	
24	3423064	1	Pin	
25	3423065	1	Pin	
26	3760475	1	Ring, Retaining	
27	3841287	4	Keeper, Pin	
28	3841356	1	Keeper, Pin	
29	3841581	1	Keeper, Pin	
30	0682048	1	Bolt 5/8 x 6 Grade 8	
31	4711600	8	Washer 3/8	
32	3010133	1	Link, Upper	
32A	0440273	1	Bearing	
32B	0962297	2	Bushing	

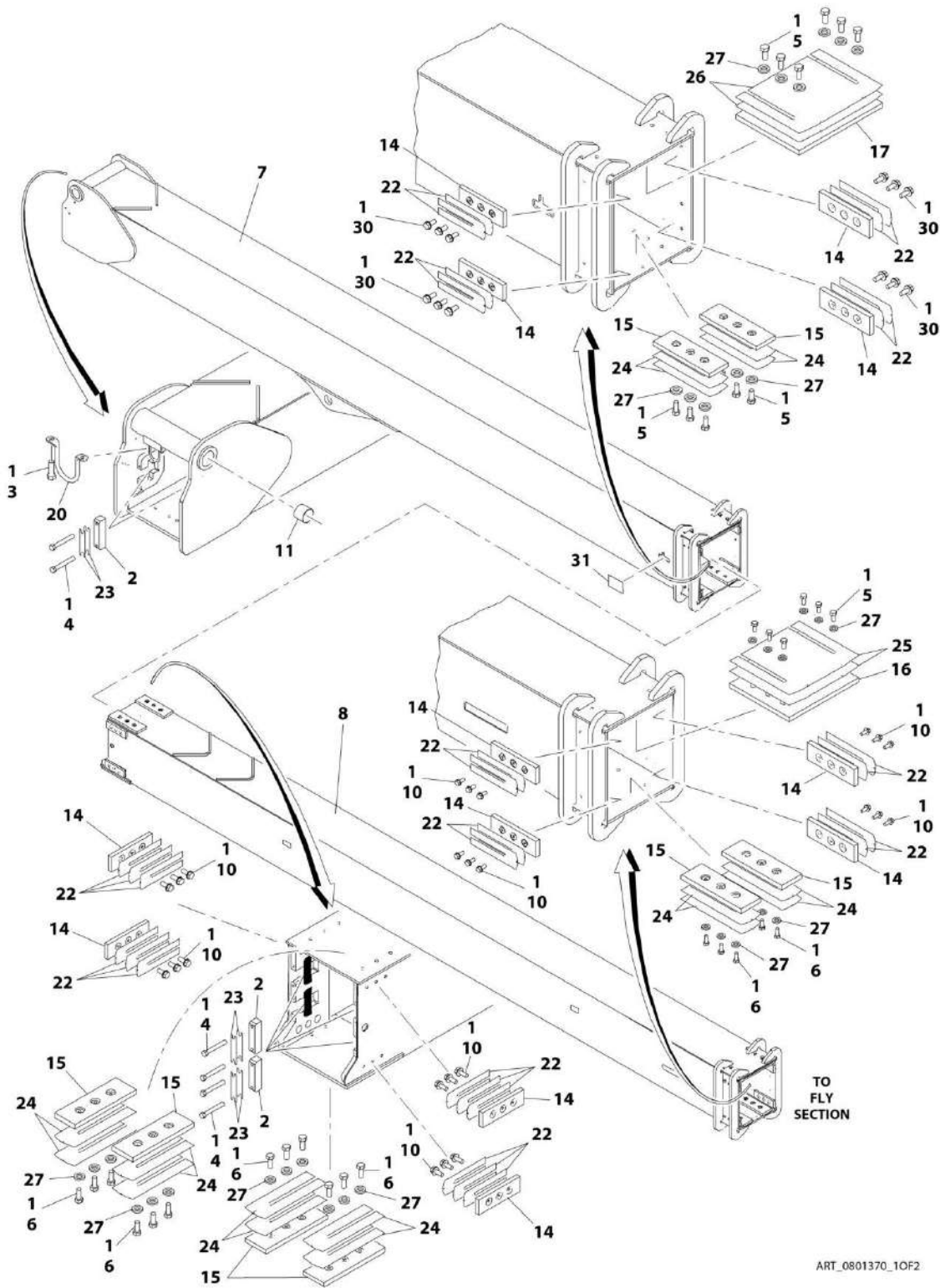
## SECTION 4 - BOOM

ITEM	PART NUMBER	QTY	DESCRIPTION	REV
33	3010134	1	Link, Lower	
33A	0962033	2	Bushing	
33B	0962122	2	Bushing	
34	4892000	4	Washer 5/8	
35	3380547	1	Deflector	
36	4740492	2	Thrustwasher	
37	1001119614	1	Switch, Pressure Transducer	
38	1001120161	NLA	Harness, Pressure Transducer (Use p/n 1001220898) (Not Shown - See ELECTRICAL SECTION for Breakdown) <b>(SN 0300201017 through 0300226468)</b>	
38	1001220898	1	Harness, Pressure Transducer (Not Shown - See ELECTRICAL SECTION for Breakdown) <b>(SN 0300226469 through 0300234068)</b>	
38	1001228498	1	Harness, Pressure Transducer (Not Shown - See ELECTRICAL SECTION for Breakdown) <b>(SN 0300234068 to Present)</b>	
39	0761015	4	Bolt M10 x 35 <b>(SN 0300241341 to Present)</b>	
40	3291007	4	Nut M10 <b>(SN 0300241341 to Present)</b>	
41	4812000	4	Washer M10 <b>(SN 0300241341 to Present)</b>	
42	1001212243	2	Cable <b>(SN 0300241341 to Present)</b>	



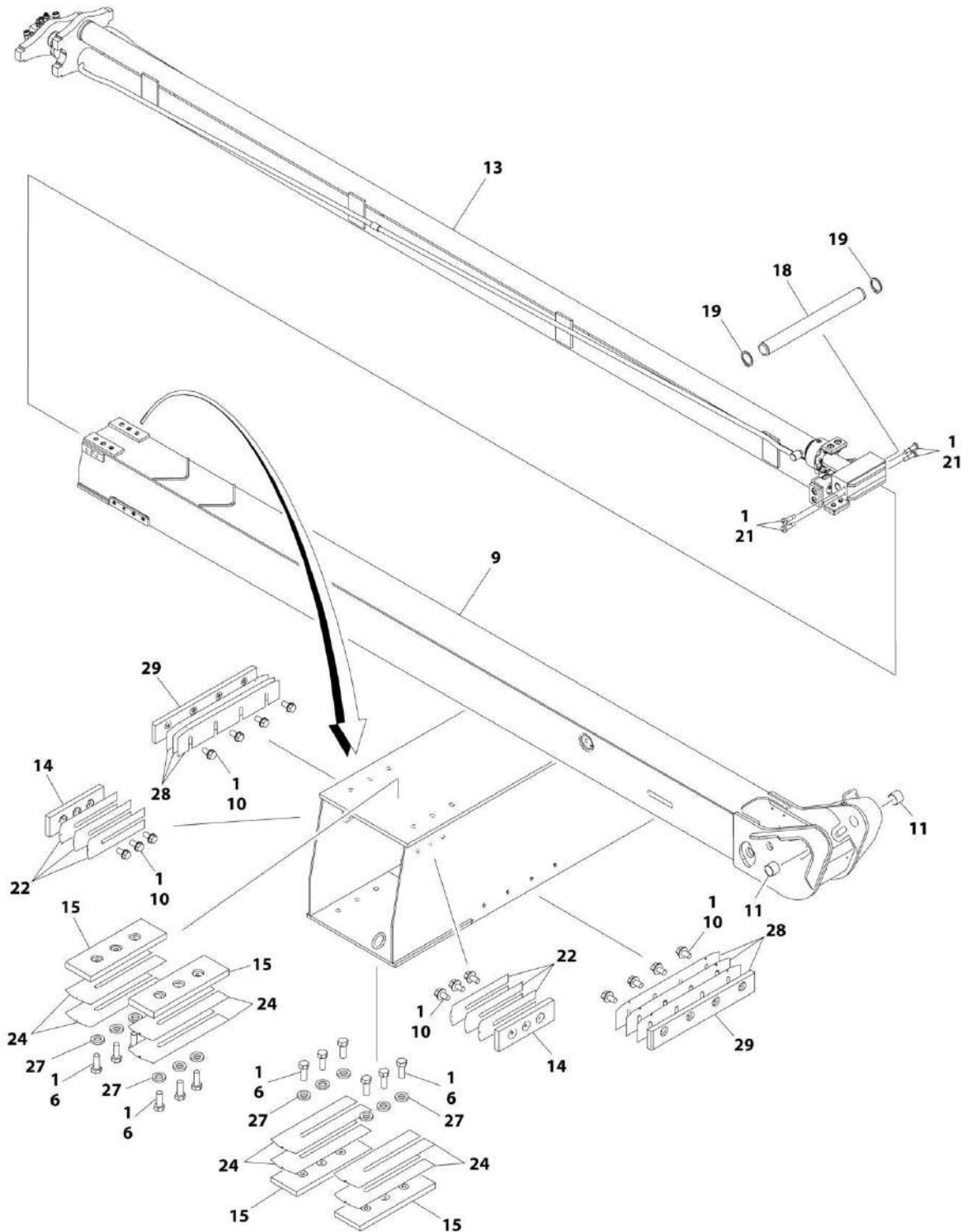
# SECTION 4 - BOOM

## FIGURE 4-3. TOWER BOOM ASSEMBLY



ART\_0801370\_10F2

# SECTION 4 - BOOM



ART\_0801370\_2OF2

## SECTION 4 - BOOM

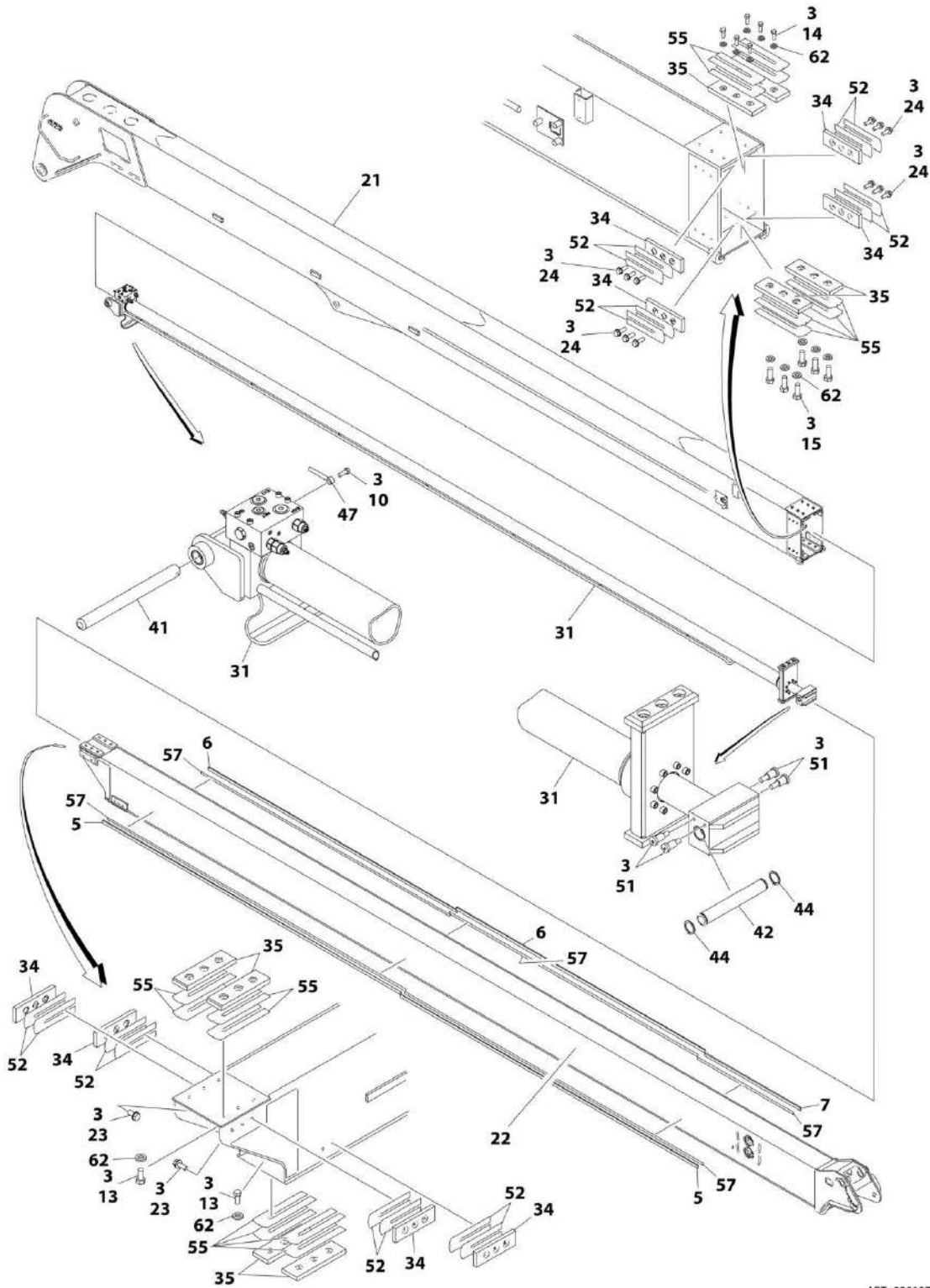
FIGURE 4-3. TOWER BOOM ASSEMBLY

ITEM	PART NUMBER	QTY	DESCRIPTION	REV
	0801370	Ref	TOWER BOOM ASSEMBLY	E
1	0100011	AR	Compound, Locking	
2	0561533	6	Block, Trunnion Keeper	
3	0641604	2	Bolt 3/8 x 1/2	
4	0641622	12	Bolt 3/8 x 2-3/4	
5	0641809	18	Bolt 1/2 x 1-1/8	
6	0641810	30	Bolt 1/2 x 1-1/4	
7	0801365	1	Base, Boom	
8	0801366	1	Mid, Boom	
9	0801367	1	Fly, Boom	
10	0811606	38	Screw 3/8 x 3/4	
11	0962297	4	Bushing	
13	1684320	NLA	Tower Telescope Cylinder Assembly (Use p/n 1001228032) (See CYLINDER SECTION for Breakdown) <b>(SN 0300201017 through 0300243458)</b>	
13	1001228032	1	Tower Telescope Cylinder Assembly (See CYLINDER SECTION for Breakdown) <b>(SN 0300243459 to Present)</b>	
14	3340878	14	Pad, Wear	
15	3340978	12	Pad, Wear	
16	3340979	1	Pad, Wear	
17	3340980	1	Pad, Wear	
18	3423066	1	Pin	
19	3760133	2	Ring, Retaining	
20	3811340	1	Loop, Hose	
21	3900269	4	Bolt 1/2 x 1	
22	4070864	34	Shim #16 Gauge	
23	4071031	12	Shim, Trunnion Keeper	
24	4071067	24	Shim #18 Gauge	
25	4071069	2	Shim #18 Gauge	
26	4071071	2	Shim #18 Gauge	
27	4891800	48	Washer 1/2	
28	4071081	6	Shim #18 Gauge	
29	4700014	2	Pad, Wear	
30	0811607	12	Screw 3/8 x 7/8	
31	1671013	1	Cover	



# SECTION 4 - BOOM

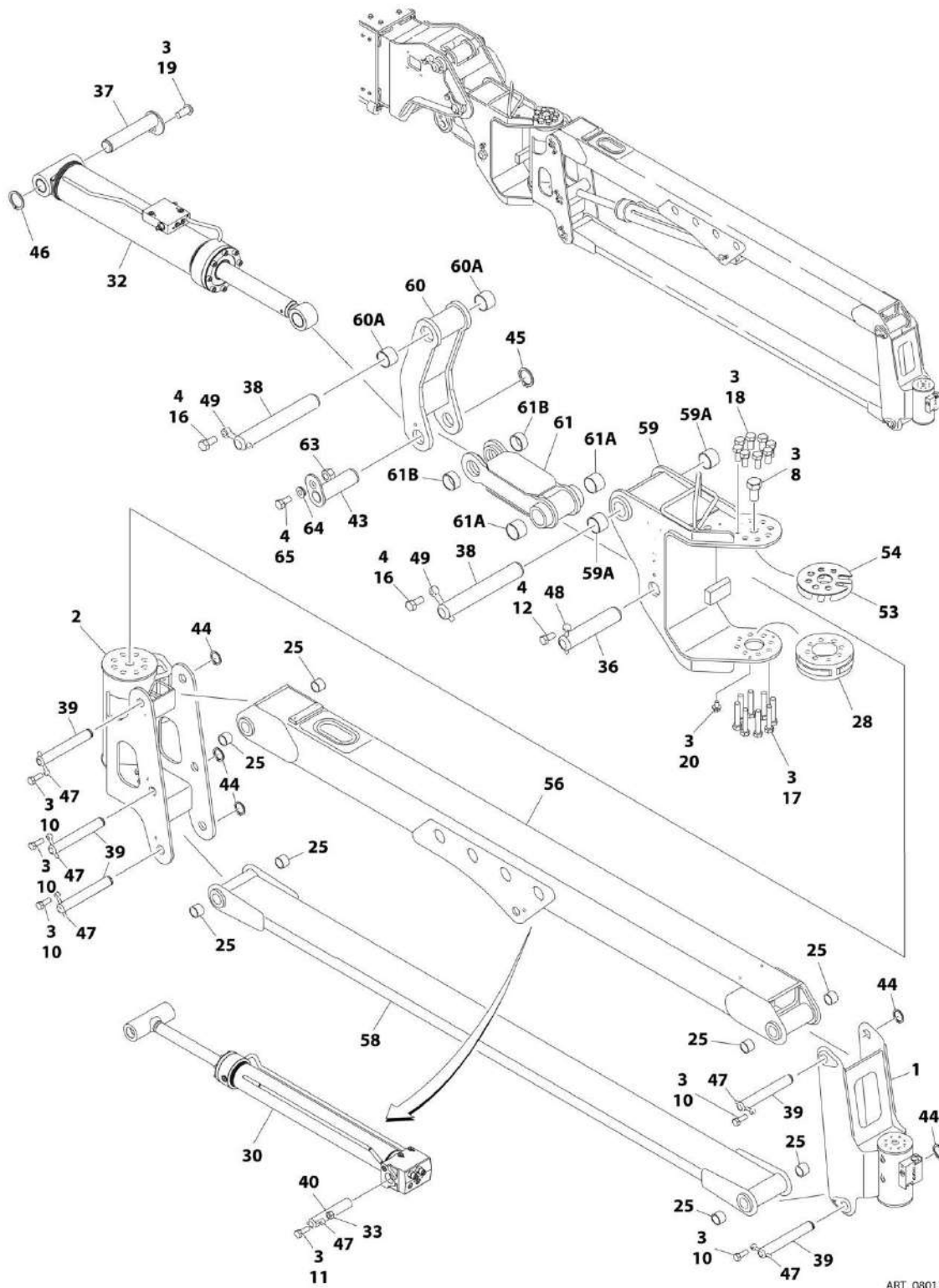
## FIGURE 4-4. MAIN BOOM ASSEMBLY - WITHOUT COLD WEATHER PLUS PACKAGE



ART\_0801371\_10F2



# SECTION 4 - BOOM



ART\_0801371\_20F2

## SECTION 4 - BOOM

FIGURE 4-4. MAIN BOOM ASSEMBLY - WITHOUT COLD WEATHER PLUS PACKAGE

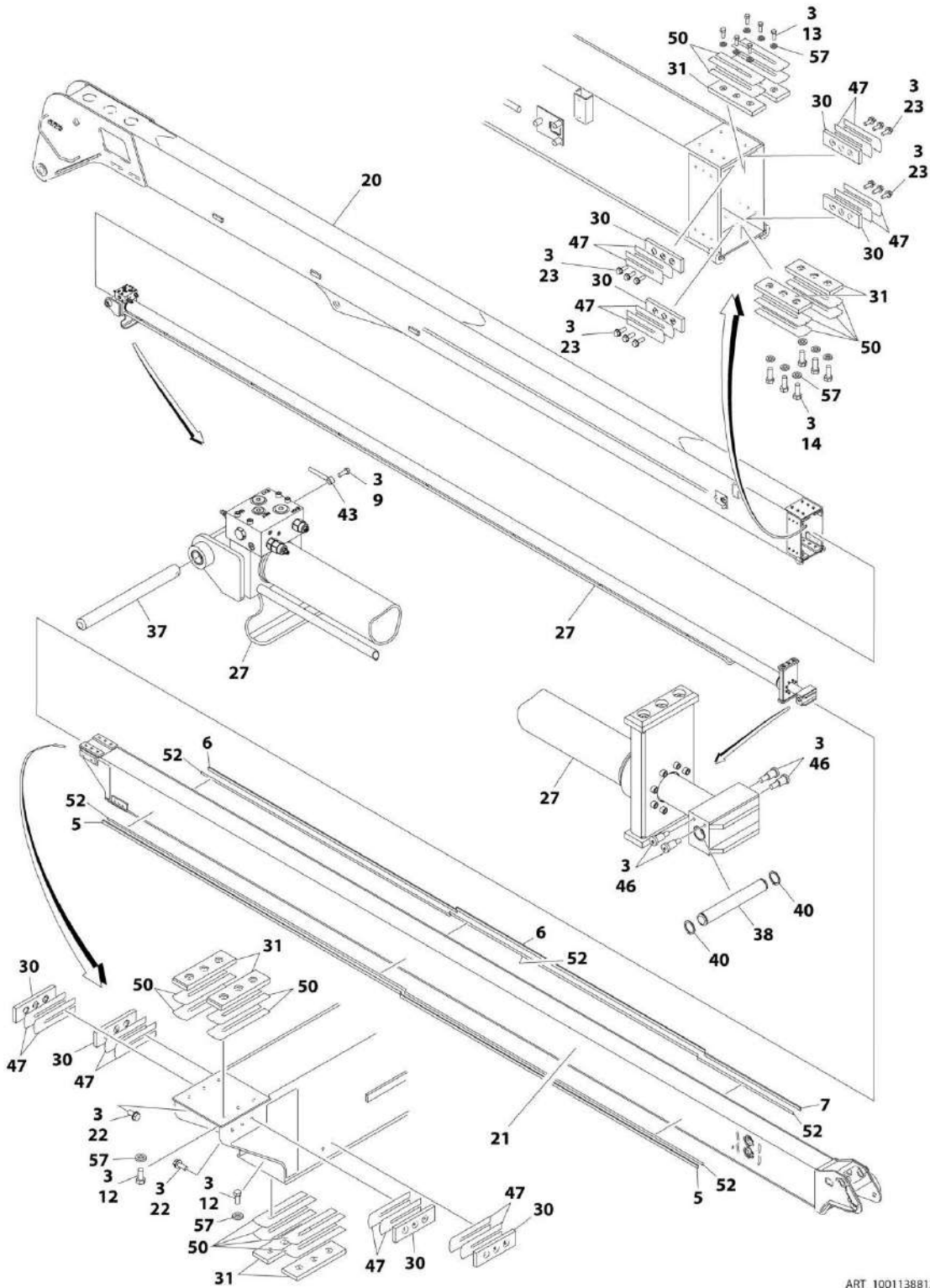
ITEM	PART NUMBER	QTY	DESCRIPTION	REV
	0801371	Ref	MAIN BOOM ASSEMBLY - WITHOUT COLD WEATHER PLUS PACKAGE	U
1	1001097643	NLA	Actuator Assembly (Platform Rotate) (See PLATFORM ROTATE ASSEMBLY for Breakdown) (Use p/n 1001178247) <b>(SN 0300201017 through 0300201349)</b>	
1	1001178247	1	Actuator Assembly (Platform Rotate) (See PLATFORM ROTATE ASSEMBLY for Breakdown) <b>(SN 0300201350 to Present)</b>	
2	1001097619	NLA	Actuator Assembly (Jib Rotate) (See JIB ROTATE ASSEMBLY for Breakdown) (Use p/n 1001178248) <b>(SN 0300201017 through 0300201349)</b>	
2	1001178248	1	Actuator Assembly (Jib Rotate) (See JIB ROTATE ASSEMBLY for Breakdown) <b>(SN 0300201350 to Present)</b>	
3	0100011	AR	Compound, Locking	
4	0100019	AR	Compound, Locking	
5	1001106483	2	Bar, Fiberglass	
6	1001106475	2	Bar, Fiberglass	
7	1001106476	1	Bar, Fiberglass	
8	0630558	1	Bolt, Special	
10	0641607	6	Bolt 3/8 x 7/8	
11	0641610	1	Bolt 3/8 x 1-1/4	
12	0641808	1	Bolt 1/2 x 1-1/8	
13	0641809	12	Bolt 1/2 x 1	
14	0641810	6	Bolt 1/2 x 1-1/4	
15	0641813	6	Bolt 1/2 x 1-5/8	
16	0642010	2	Bolt 5/8 x 1-1/4	
17	0682028	8	Bolt 5/8 x 3-1/2 Grade 8	
18	0682212	8	Bolt 3/4 x 1-1/2 Grade 8	
19	0741806	1	Screw 1/2 x 3/4	
20	0791606	2	Screw 3/8 x 3/4	
21	0801497	1	Base, Boom	
22	0801369	1	Fly, Boom	
23	0811606	12	Screw 3/8 x 3/4	
24	0811607	12	Screw 3/8 x 7/8	
25	0961951	8	Bushing	
28	1100141	1	Cam	
30	1684173	NLA	Jib Cylinder Assembly (Use p/n 1001228025) (See CYLINDER SECTION for Breakdown) <b>(SN 0300201017 through 0300239155)</b>	
30	1001228025	1	Jib Cylinder Assembly (See CYLINDER SECTION for Breakdown) <b>(SN 0300239156 to Present)</b>	
31	1001175888	NLA	Telescope Cylinder Assembly (Use p/n 1001228080) (See CYLINDER SECTION for Breakdown) <b>(SN 0300201017 through 0300243463)</b>	
31	1001228080	1	Telescope Cylinder Assembly (See CYLINDER SECTION for Breakdown) <b>(SN 0300243464 to Present)</b>	
32	1684430	NLA	Platform Level Cylinder Assembly (Use p/n 1001228034) (See CYLINDER SECTION for Breakdown) <b>(SN 0300201017 through 0300238006)</b>	
32	1001228034	1	Platform Level Cylinder Assembly (See CYLINDER SECTION for Breakdown) <b>(SN 0300238007 to Present)</b>	
33	3311605	1	Nut 3/8	
34	3340878	8	Pad, Wear	
35	3340974	8	Pad, Wear	
36	3422178	1	Pin	

## SECTION 4 - BOOM

ITEM	PART NUMBER	QTY	DESCRIPTION	REV
37	3422937	1	Pin	
38	1001119899	2	Pin	
39	3422957	5	Pin	
40	3422958	1	Pin	
41	3423058	1	Pin	
42	3423059	1	Pin	
43	3423190	1	Pin	
44	3760133	7	Ring, Retaining	
45	3760217	1	Ring, Retaining	
46	3760233	1	Ring, Retaining	
47	3841143	7	Keeper, Pin	
48	3841203	1	Keeper, Pin	
49	3841258	2	Keeper, Pin	
51	3900259	4	Bolt, Shoulder	
52	4070864	16	Shim #18 Gauge	
53	4071044	1	Shim #18 Gauge	
54	4071045	1	Shim #11 Gauge	
55	4071073	16	Shim #18 Gauge	
56	4846482	1	Link, Jib (Upper)	
57	4420060	52 ft/16m	Tape, Double-Sided	
58	0801550	1	Link, Jib (Lower)	
59	4630006	1	Pivot	
59A	0962224	2	Bearing	
60	3010142	1	Link (Upper) (SN 0300201017 through 0300218295))	
60	1001200839	1	Link (Upper) (SN 0300218296 to Present)	
60A	0962224	2	Bearing	
61	3010136	1	Link (Lower)	
61A	0962224	2	Bearing	
61B	0962556	2	Bearing	
62	4891800	24	Washer 1/2	
63	3272001	1	Nut 5/8	
64	4100101	1	Sleeve, Pin Retainer	
65	0682014	1	Bolt 5/8 x 1-3/4	
66	3020042	AR	Lube, Super (Not Shown)	

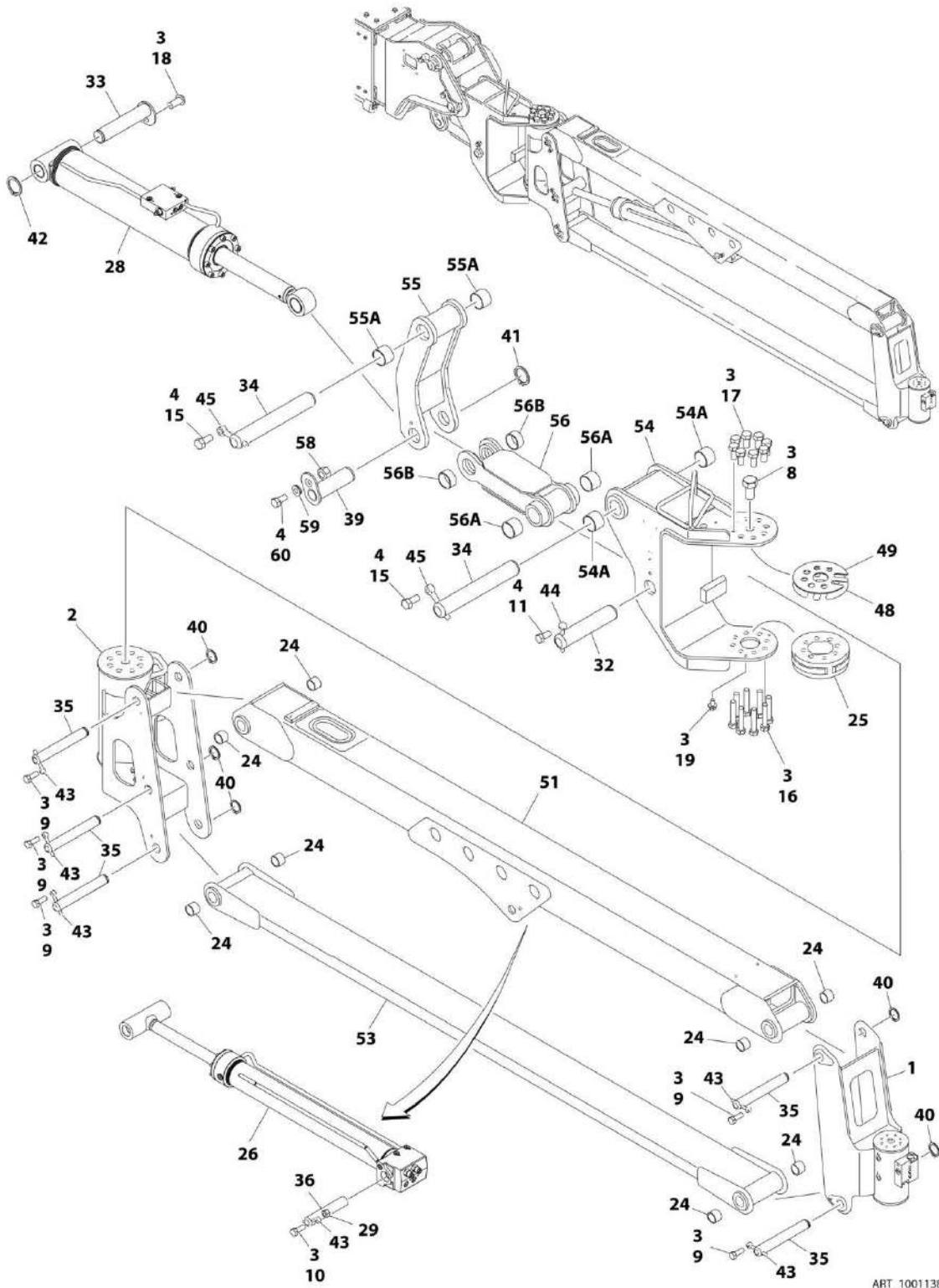
# SECTION 4 - BOOM

## FIGURE 4-5. MAIN BOOM ASSEMBLY - WITH COLD WEATHER PLUS PACKAGE



ART\_1001138812\_10F2

# SECTION 4 - BOOM



ART\_1001138812\_10F2

## SECTION 4 - BOOM

FIGURE 4-5. MAIN BOOM ASSEMBLY - WITH COLD WEATHER PLUS PACKAGE

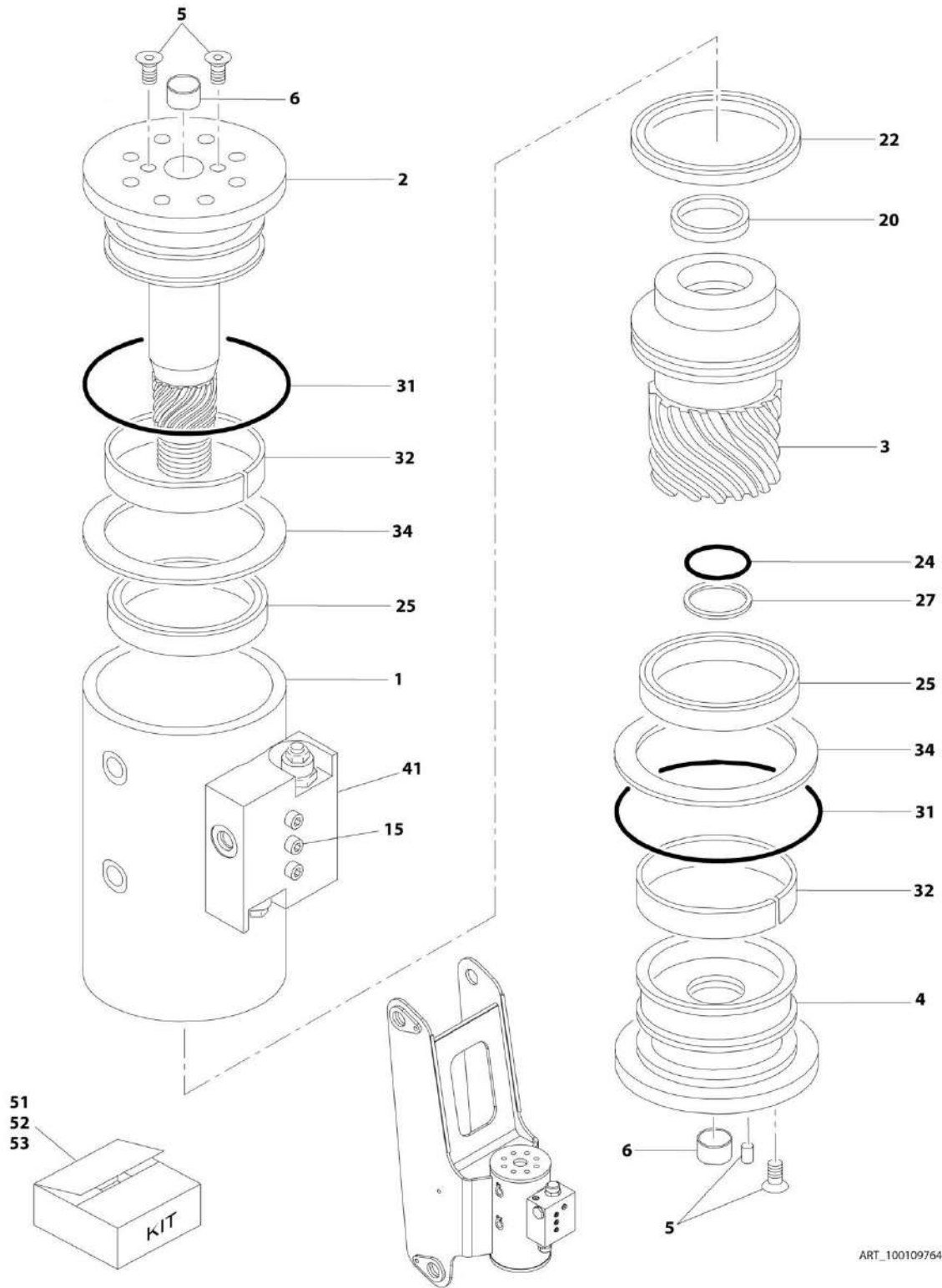
ITEM	PART NUMBER	QTY	DESCRIPTION	REV
	1001138812	Ref	MAIN BOOM ASSEMBLY - WITH COLD WEATHER PLUS PACKAGE	G
1	1001097643	NLA	Actuator Assembly (Platform Rotate) (See PLATFORM ROTATE ASSEMBLY for Breakdown) (Use p/n 1001178247) <b>(SN 0300201017 through 0300201349)</b>	
1	1001178247	1	Actuator Assembly (Platform Rotate) (See PLATFORM ROTATE ASSEMBLY for Breakdown) <b>(SN 0300201350 to Present)</b>	
2	1001097619	NLA	Actuator Assembly (Jib Rotate) (See JIB ROTATE ASSEMBLY for Breakdown) (Use p/n 1001178248) <b>(SN 0300201017 through 0300201349)</b>	
2	1001178248	1	Actuator Assembly (Jib Rotate) (See JIB ROTATE ASSEMBLY for Breakdown) <b>(SN 0300201350 to Present)</b>	
3	0100011	AR	Compound, Locking	
4	0100019	AR	Compound, Locking	
5	1001106483	2	Bar, Fiberglass	
6	1001106475	2	Bar, Fiberglass	
7	1001106476	1	Bar, Fiberglass	
8	0630558	1	Bolt, Special	
9	0641607	6	Bolt 3/8 x 7/8	
10	0641610	1	Bolt 3/8 x 1-1/4	
11	0641808	1	Bolt 1/2 x 1-1/8	
12	0641809	12	Bolt 1/2 x 1	
13	0641810	6	Bolt 1/2 x 1-1/4	
14	0641813	6	Bolt 1/2 x 1-5/8	
15	0642010	2	Bolt 5/8 x 1-1/4	
16	0682028	8	Bolt 5/8 x 3-1/2 Grade 8	
17	0682212	8	Bolt 3/4 x 1-1/2 Grade 8	
18	0741806	1	Screw 1/2 x 3/4	
19	0791606	2	Screw 3/8 x 3/4	
20	0801497	1	Base, Boom	
21	0801369	1	Fly, Boom	
22	0811606	12	Screw 3/8 x 3/4	
23	0811607	12	Screw 3/8 x 7/8	
24	0961951	8	Bushing	
25	1100141	1	Cam	
26	1001138803	NLA	Jib Cylinder Assembly (Use p/b 1001228025) (See CYLINDER SECTION for Breakdown) <b>(SN 0300201017 through 0300239155)</b>	
26	1001228025	1	Jib Cylinder Assembly (See CYLINDER SECTION for Breakdown) <b>(SN 0300239156 to Present)</b>	
27	1001175888	NLA	Telescope Cylinder Assembly (Use p/n 1001228080) (See CYLINDER SECTION for Breakdown) <b>(SN 0300201017 through 0300243463)</b>	
27	1001228080	1	Telescope Cylinder Assembly (See CYLINDER SECTION for Breakdown) <b>(SN 0300243464 to Present)</b>	
28	1001138813	NLA	Platform Level Cylinder Assembly (Use p/n 1001228034) (See CYLINDER SECTION for Breakdown) <b>(SN 0300201017 through 0300239155)</b>	
28	1001228034	1	Platform Level Cylinder Assembly (See CYLINDER SECTION for Breakdown) <b>(SN 0300239156 to Present)</b>	
29	3311605	1	Nut 3/8	
30	3340878	8	Pad, Wear	
31	3340974	8	Pad, Wear	
32	3422178	1	Pin	

## SECTION 4 - BOOM

ITEM	PART NUMBER	QTY	DESCRIPTION	REV
33	3422937	1	Pin	
34	1001119899	2	Pin	
35	3422957	5	Pin	
36	3422958	1	Pin	
37	3423058	1	Pin	
38	3423059	1	Pin	
39	3423190	1	Pin	
40	3760133	7	Ring, Retaining	
41	3760217	1	Ring, Retaining	
42	3760233	1	Ring, Retaining	
43	3841143	7	Keeper, Pin	
44	3841203	1	Keeper, Pin	
45	3841258	2	Keeper, Pin	
46	3900259	4	Bolt, Shoulder	
47	4070864	16	Shim #18 Gauge	
48	4071044	1	Shim #18 Gauge	
49	4071045	1	Shim #11 Gauge	
50	4071073	16	Shim #18 Gauge	
51	4846482	1	Link, Jib (Upper)	
52	4420060	52 ft/16m	Tape, Double-Sided	
53	0801550	1	Link, Jib (Lower)	
54	4630006	1	Pivot	
54A	0962224	2	Bearing	
55	3010142	1	Link (Upper) (SN 0300201017 through 0300218295)	
55	1001200839	1	Link (Upper) (SN 0300218296 to Present)	
55A	0962224	2	Bearing	
56	3010136	1	Link (Lower)	
56A	0962224	2	Bearing	
56B	0962556	2	Bearing	
57	4891800	24	Washer 1/2	
58	3272001	1	Nut 5/8	
59	4100101	1	Sleeve, Pin Retainer	
60	0682014	1	Bolt 5/8 x 1-3/4	
61	3020042	AR	Lube, Super (Not Shown)	

# SECTION 4 - BOOM

FIGURE 4-6. PLATFORM ROTATE ASSEMBLY (SN 0300201017 through 0300201349)



ART\_1001097643



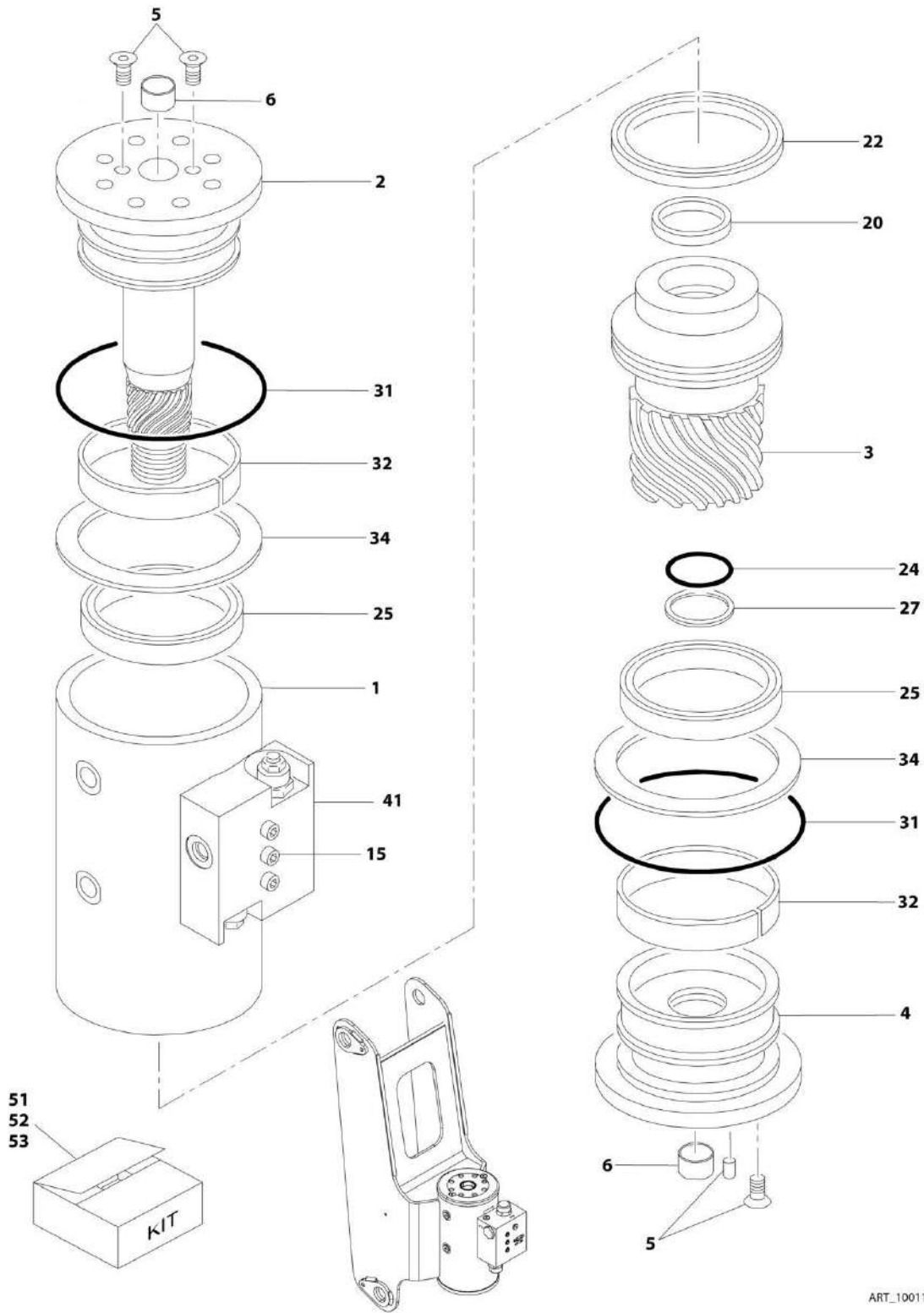
## SECTION 4 - BOOM

**FIGURE 4-6. PLATFORM ROTATE ASSEMBLY (SN 0300201017 through 0300201349)**

ITEM	PART NUMBER	QTY	DESCRIPTION	REV
	1001097643	Ref	PLATFORM ROTATE ASSEMBLY (SN 0300201017 through 0300201349)	B
1	See Note	NSS	Case/Bracket Weldment (Note: Not Available - Purchase Complete Assembly)	
2	7017162	1	Shaft	
3	7017163	1	Sleeve, Piston	
4	7017164	1	Cap, End	
5	See Note	AR	Screw (Note: See Item 53 for Replacement)	
5	See Note	AR	Dowel Pin (Note: See Item 53 for Replacement)	
6	7017195	2	Bushing	
15	See Note	NSS	Capscrew 1/4 x 1-1/2 (Grade 8) (Note: Not Available for Purchase)	
20	See Note	1	Seal, Rod (Note: See Item 51 for Replacement Options)	
22	See Note	1	Seal, Piston (Note: See Item 51 for Replacement Options)	
24	See Note	1	Seal, Cap (Note: See Item 51 for Replacement Options)	
25	See Note	2	Packing, Bearing (Note: See Item 51 for Replacement Options)	
27	See Note	1	Ring, Cap Back-up (Note: See Item 51 for Replacement Options)	
31	See Note	2	Seal (Note: See Item 51 for Replacement Options)	
32	See Note	2	Bearing, Shaft (Note: See Item 52 for Replacement)	
34	See Note	2	Thrustwasher (Note: See Item 52 for Replacement)	
41	70001639	1	Motion Control Valve Assembly (Cartridges not serviced separately)	
51		Ref	Seal Kit Options: (Includes Items 20, 22, 24, 25, 27 & 31)	
51	7017158	1	Standard	
51	70000342	1	Cold Climate	
52	7017159	1	Bearing Kit (Includes Items 32 & 34)	
53	7017142	1	Hardware Kit (Includes Item 5 and Plugs)	

# SECTION 4 - BOOM

## FIGURE 4-7. PLATFORM ROTATE ASSEMBLY (SN 0300201350 to Present)



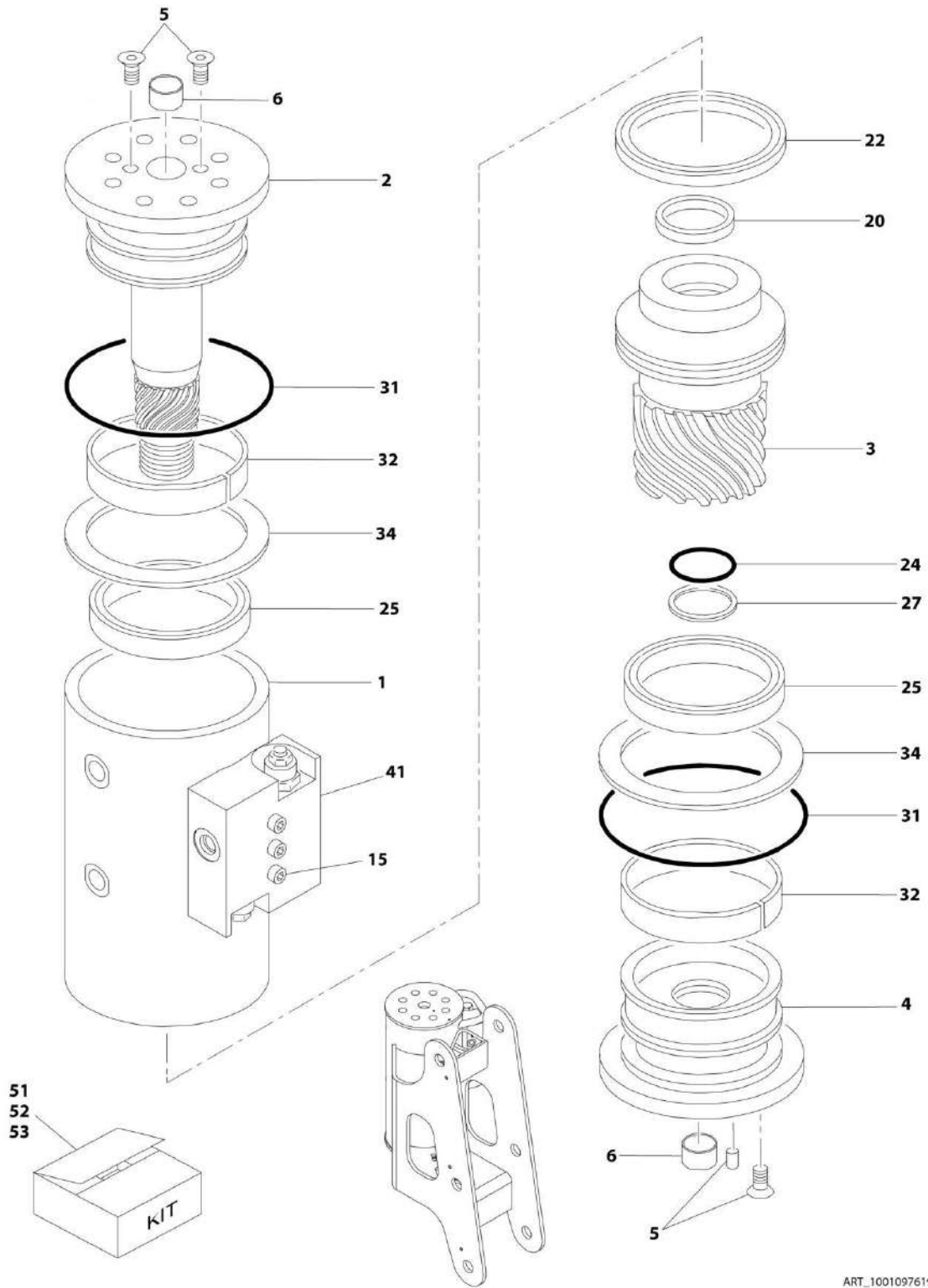
## SECTION 4 - BOOM

**FIGURE 4-7. PLATFORM ROTATE ASSEMBLY (SN 0300201350 to Present)**

ITEM	PART NUMBER	QTY	DESCRIPTION	REV
	1001178247	Ref	PLATFORM ROTATE ASSEMBLY (SN 0300201350 to Present)	A
1	See Note	NSS	Case/Bracket Weldment (Note: Not Available - Purchase Complete Assembly)	
2	7017162	1	Shaft	
3	7017163	1	Sleeve, Piston	
4	7017164	1	Cap, End	
5	See Note	AR	Screw (Note: See Item 53 for Replacement)	
5	See Note	AR	Dowel Pin (Note: See Item 53 for Replacement)	
6	7017195	2	Bushing	
15	See Note	NSS	Capscrew 1/4 x 1-1/2 (Grade 8) (Note: Not Available for Purchase)	
20	See Note	1	Seal, Rod (Note: See Item 51 for Replacement Options)	
22	See Note	1	Seal, Piston (Note: See Item 51 for Replacement Options)	
24	See Note	1	Seal, Cap (Note: See Item 51 for Replacement Options)	
25	See Note	2	Packing, Bearing (Note: See Item 51 for Replacement Options)	
27	See Note	1	Ring, Cap Back-up (Note: See Item 51 for Replacement Options)	
31	See Note	2	Seal (Note: See Item 51 for Replacement Options)	
32	See Note	2	Bearing, Shaft (Note: See Item 52 for Replacement)	
34	See Note	2	Thrustwasher (Note: See Item 52 for Replacement)	
41	70001639	1	Motion Control Valve Assembly (Cartridges not serviced separately)	
51	70000342	1	Seal Kit (Includes Items 20, 22, 24, 25, 27 & 31)	
52	7017159	1	Bearing Kit (Includes Items 32 & 34)	
53	7017142	1	Hardware Kit (Includes Item 5 and Plugs)	

# SECTION 4 - BOOM

FIGURE 4-8. JIB ROTATE ASSEMBLY (SN 0300201017 through 0300201349)



ART\_1001097619

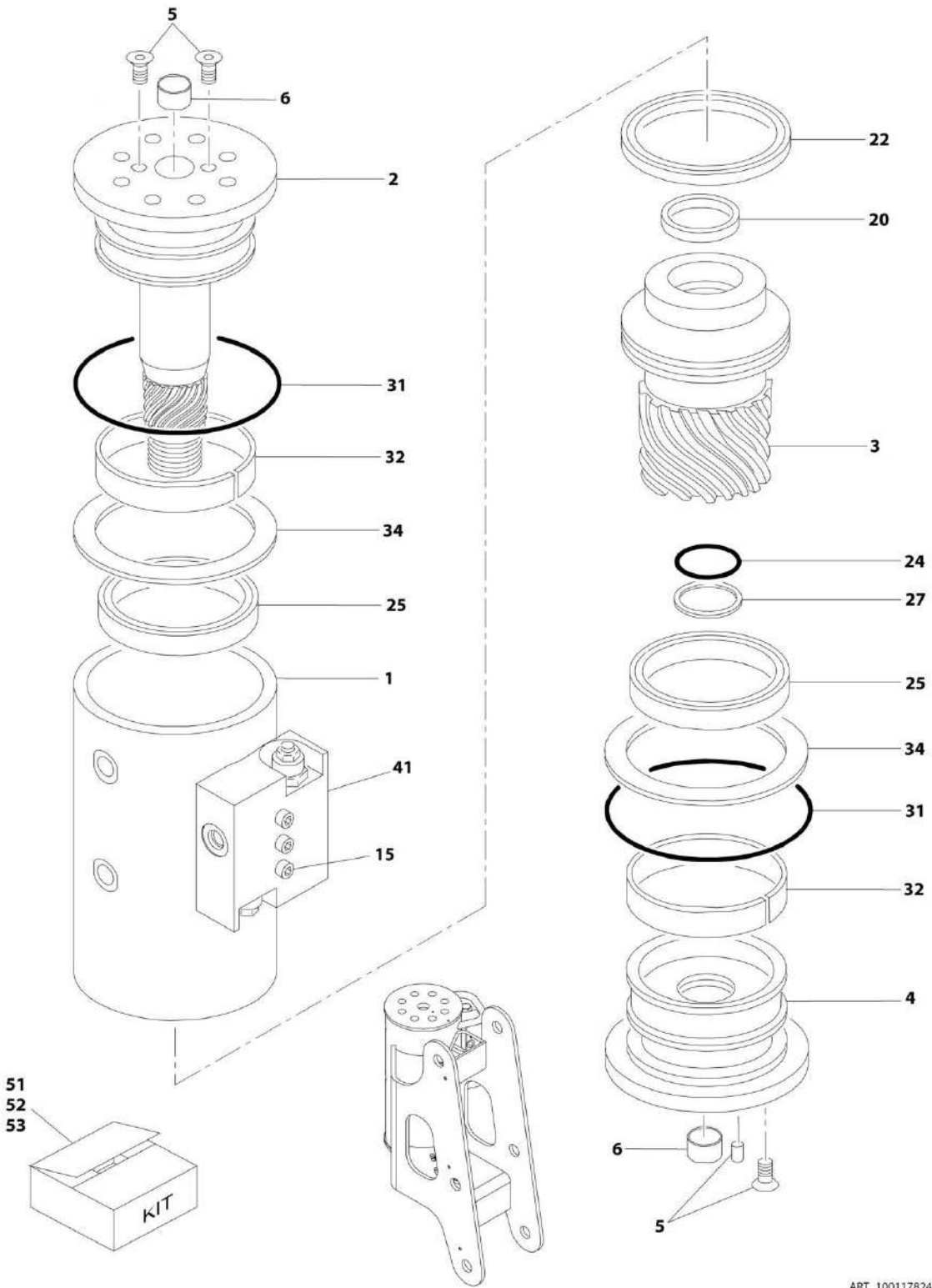
## SECTION 4 - BOOM

**FIGURE 4-8. JIB ROTATE ASSEMBLY (SN 0300201017 through 0300201349)**

ITEM	PART NUMBER	QTY	DESCRIPTION	REV
	1001097619	Ref	JIB ROTATE ASSEMBLY (SN 0300201017 through 0300201349)	B
1	See Note	NSS	Case/Bracket Weldment (Note: Not Available - Purchase Complete Assembly)	
2	7017191	1	Shaft	
3	7017187	1	Sleeve, Piston	
4	7017188	1	Cap, End	
5	See Note	AR	Screw (Note: See Item 53 for Replacement)	
5	See Note	AR	Dowel Pin (Note: See Item 53 for Replacement)	
6	7017195	2	Bushing	
15	See Note	NSS	Capscrew 1/4 x 1-1/2 (Grade 8) (Note: Not Available for Purchase)	
20	See Note	1	Seal, Rod (Note: See Item 51 for Replacement Options)	
22	See Note	1	Seal, Piston (Note: See Item 51 for Replacement Options)	
24	See Note	1	Seal, Cap (Note: See Item 51 for Replacement Options)	
25	See Note	2	Packing, Bearing (Note: See Item 51 for Replacement Options)	
27	See Note	1	Ring, Cap Back-up (Note: See Item 51 for Replacement Options)	
31	See Note	2	Seal (Note: See Item 51 for Replacement Options)	
32	See Note	2	Bearing, Shaft (Note: See Item 52 for Replacement)	
34	See Note	2	Thrustwasher (Note: See Item 52 for Replacement)	
41	70002859	1	Motion Control Valve Assembly (Cartridges not serviced separately)	
51		Ref	Seal Kit Options: (Includes Items 20, 22, 24, 25, 27 & 31)	
51	7017184	1	Standard	
51	70000796	1	Cold Climate	
52	7017185	1	Bearing Kit (Includes Items 32 & 34)	
53	70001640	1	Hardware Kit (Includes Item 5 and Plugs)	

# SECTION 4 - BOOM

## FIGURE 4-9. JIB ROTATE ASSEMBLY (SN 0300201350 to Present)



ART\_1001178248

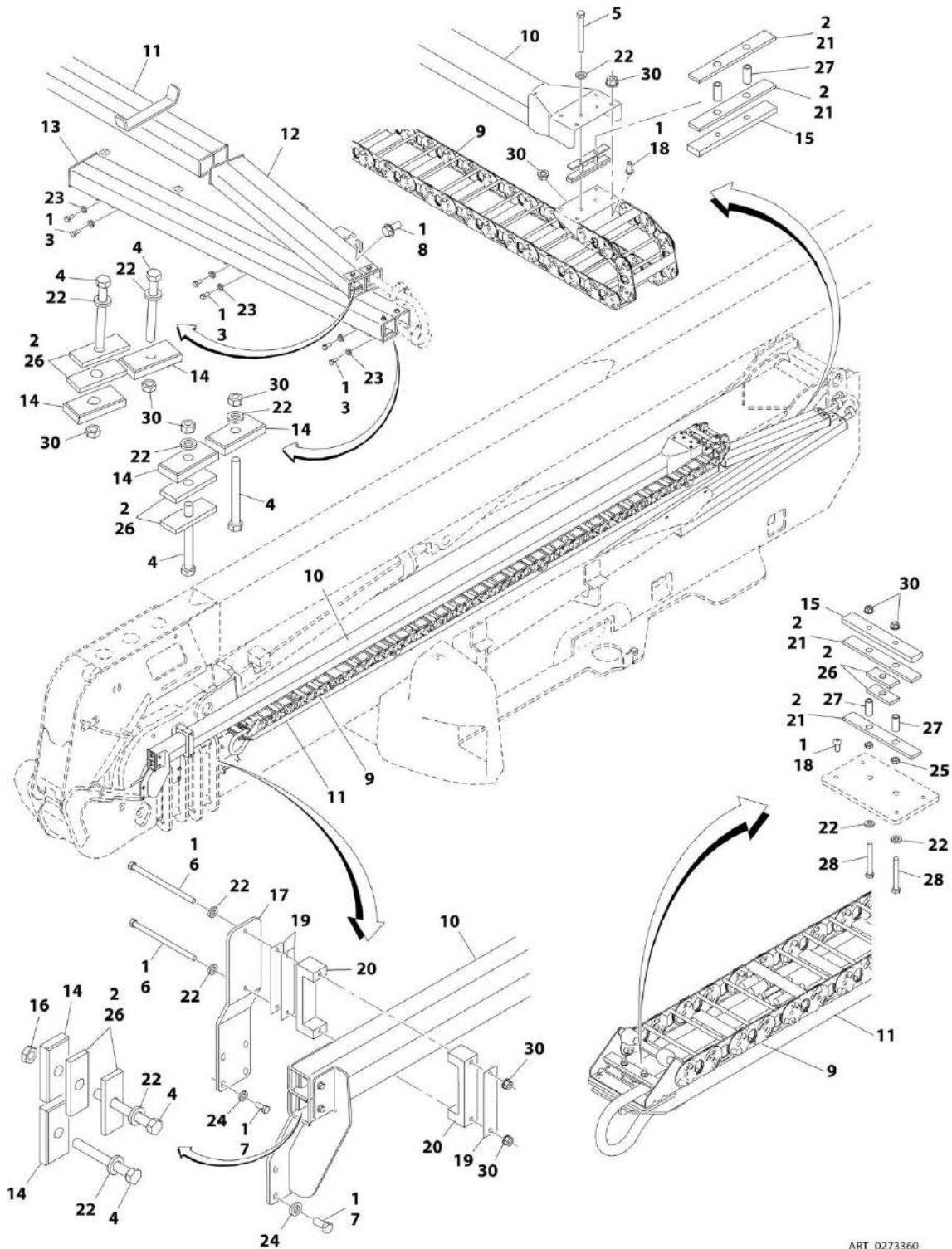
## SECTION 4 - BOOM

**FIGURE 4-9. JIB ROTATE ASSEMBLY (SN 0300201350 to Present)**

ITEM	PART NUMBER	QTY	DESCRIPTION	REV
	1001178248	Ref	JIB ROTATE ASSEMBLY (SN 0300201350 to Present)	A
1	See Note	NSS	Case/Bracket Weldment (Note: Not Available - Purchase Complete Assembly)	
2	7017162	1	Shaft	
3	7017163	1	Sleeve, Piston	
4	7017164	1	Cap, End	
5	See Note	AR	Screw (Note: See Item 53 for Replacement)	
5	See Note	AR	Dowel Pin (Note: See Item 53 for Replacement)	
6	7017195	2	Bushing	
15	See Note	NSS	Capscrew 1/4 x 1-1/2 (Grade 8) (Note: Not Available for Purchase)	
20	See Note	1	Seal, Rod (Note: See Item 51 for Replacement Options)	
22	See Note	1	Seal, Piston (Note: See Item 51 for Replacement Options)	
24	See Note	1	Seal, Cap (Note: See Item 51 for Replacement Options)	
25	See Note	2	Packing, Bearing (Note: See Item 51 for Replacement Options)	
27	See Note	1	Ring, Cap Back-up (Note: See Item 51 for Replacement Options)	
31	See Note	2	Seal (Note: See Item 51 for Replacement Options)	
32	See Note	2	Bearing, Shaft (Note: See Item 52 for Replacement)	
34	See Note	2	Thrustwasher (Note: See Item 52 for Replacement)	
41	70002859	1	Motion Control Valve Assembly (Cartridges not serviced separately)	
51	70000796	1	Seal Kit (Includes Items 20, 22, 24, 25, 27 & 31)	
52	7017185	1	Bearing Kit (Includes Items 32 & 34)	
53	70001640	1	Hardware Kit (Includes Item 5 and Plugs)	

# SECTION 4 - BOOM

## FIGURE 4-10. POWER TRACK AND BOOM CLAMPS INSTALLATION (TOWER BOOM)



ART\_0273360



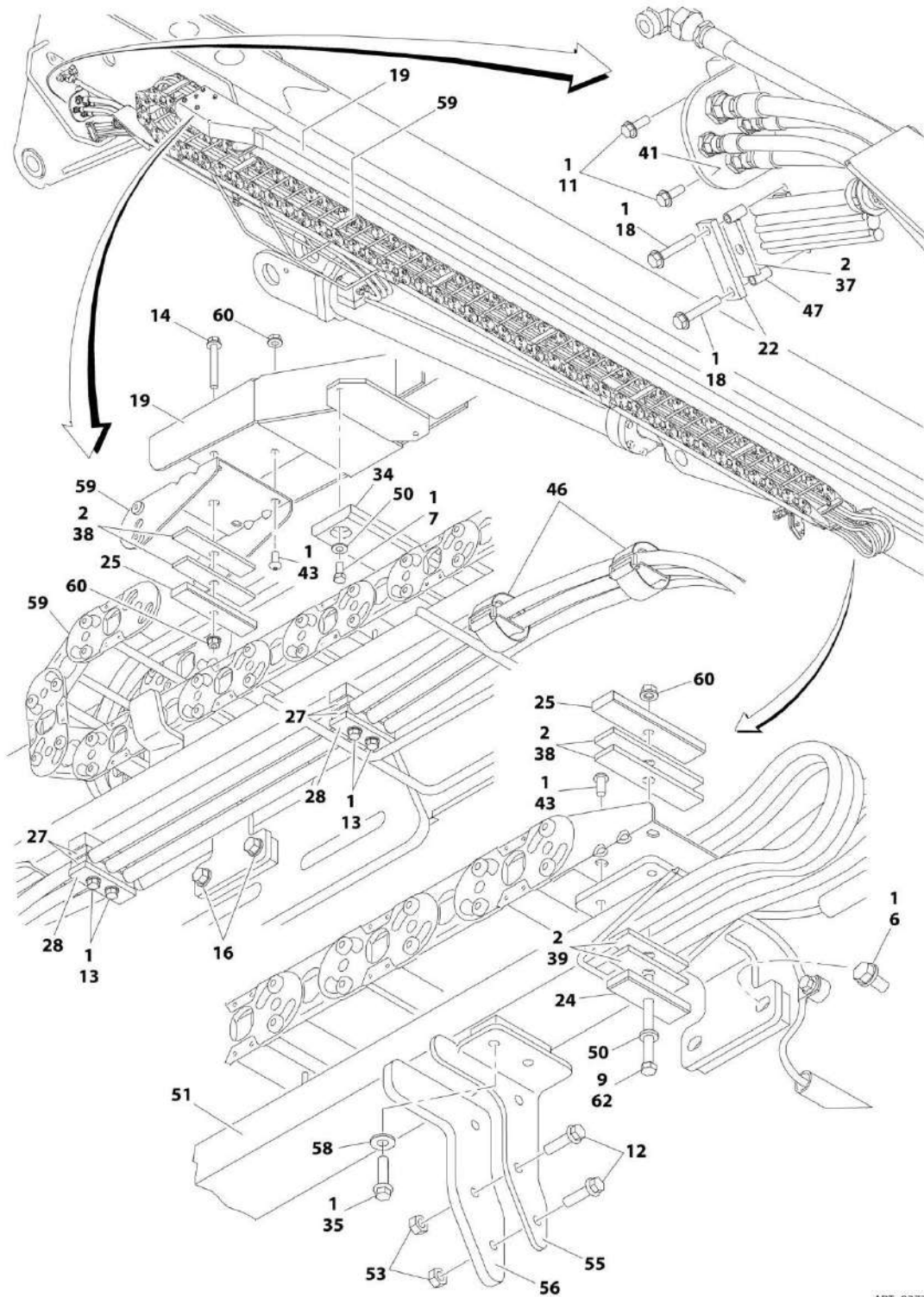
## SECTION 4 - BOOM

**FIGURE 4-10. POWER TRACK AND BOOM CLAMPS INSTALLATION (TOWER BOOM)**

ITEM	PART NUMBER	QTY	DESCRIPTION	REV
	0273360	Ref	POWER TRACK AND BOOM CLAMPS INSTALLATION (TOWER BOOM)	F
1	0100011	AR	Compound, Locking	
2	0100081	AR	Adhesive #454	
3	0641606	6	Bolt 3/8 x 3/4	
4	0641628	6	Bolt 3/8 x 3-1/2	
5	0630539	2	Bolt 3/8 x 3-1/2	
6	0641652	2	Bolt 3/8 x 6-1/2	
7	0641809	8	Bolt 1/2 x 1-1/8	
8	0791808	12	Screw 1/2 x 1	
9	1001131730	1	Power Track, Tower Hose	
9	70003919	AR	Repair Section Kit (Includes Inner and Outer Links, Joining Bars and Rollers, and Assembling Hardware)	
9	70003920	1	Mounting Bracket Kit (Includes Mounting Brackets for Both Ends, 1 Roller Assembly and Assembling Hardware)	
10	1180387	1	Tube, Push (Upper Tower Boom)	
11	1180388	1	Tube, Carrier (Lower Tower Boom)	
12	1180389	1	Tube, Carrier (T/T to Tower Boom)	
13	1180390	1	Tube, Carrier (Turntable)	
14	1320288	6	Clamp, Bar	
15	1320328	2	Clamp, Bar	
16	3311608	6	Nut 3/8	
17	3574644	1	Plate, Support	
18	3900283	8	Screw 3/8 x 3/4	
19	4071076	3	Shim	
20	4220189	2	Block, Support	
21	4220190	4	Pad, Rubber	
22	4711600	12	Washer 3/8	
23	4891600	6	Washer 3/8	
24	4891800	8	Washer 1/2	
25	3311602	2	Nut 3/8	
26	3340941	8	Pad, Rubber	
27	4562516	3 in/7.6cm	Tubing, Poly	
28	0630593	2	Bolt 3/8 x 3-1/4	
29	4240155	AR	Strap (Not Shown)	
30	3300492	10	Nut, Lock Nylon Insert	

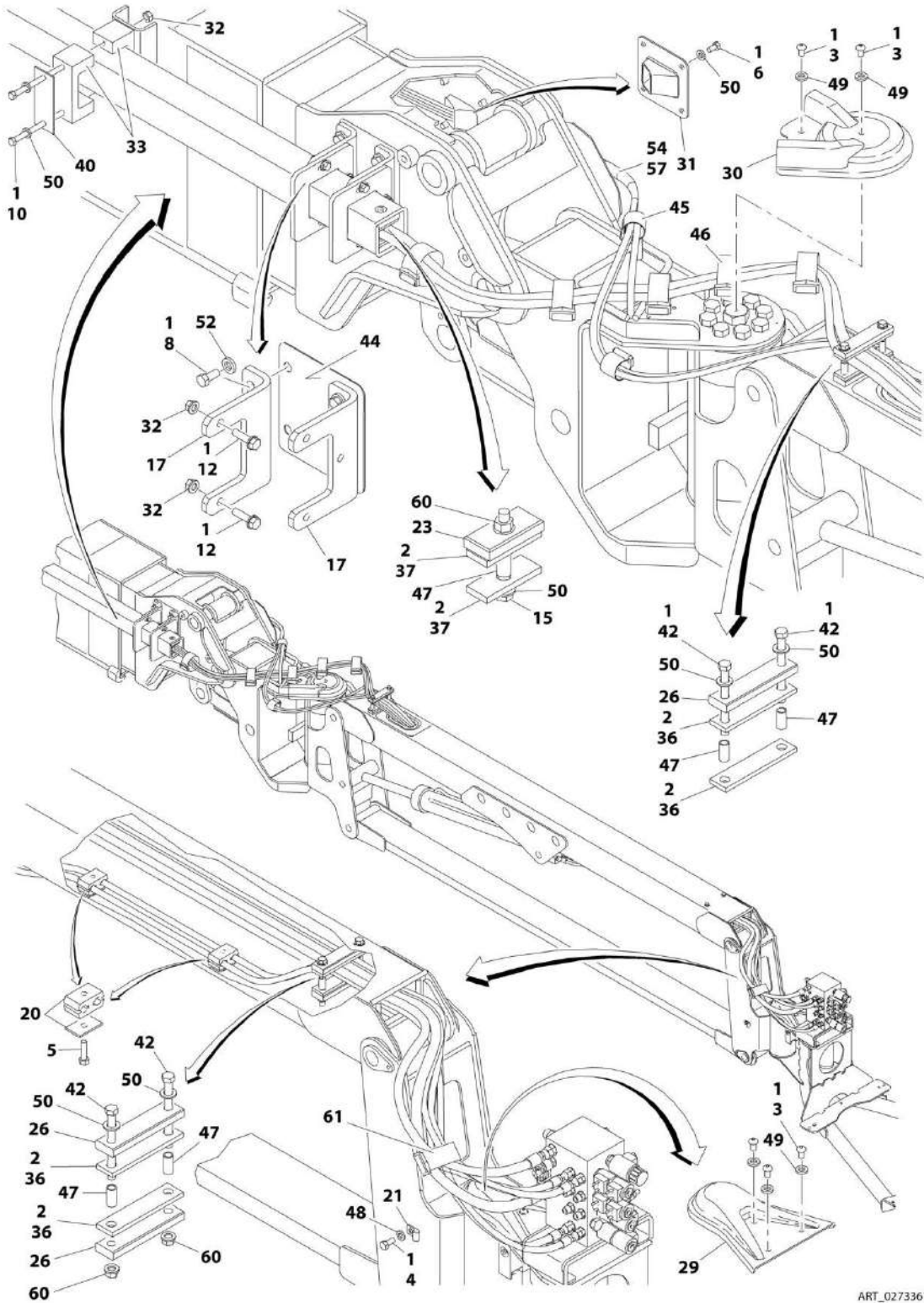
# SECTION 4 - BOOM

## FIGURE 4-11. POWER TRACK AND BOOM CLAMPS INSTALLATION (MAIN BOOM AND JIB)



ART\_0273361\_10F2

# SECTION 4 - BOOM



ART\_0273361\_20F2

## SECTION 4 - BOOM

FIGURE 4-11. POWER TRACK AND BOOM CLAMPS INSTALLATION (MAIN BOOM AND JIB)

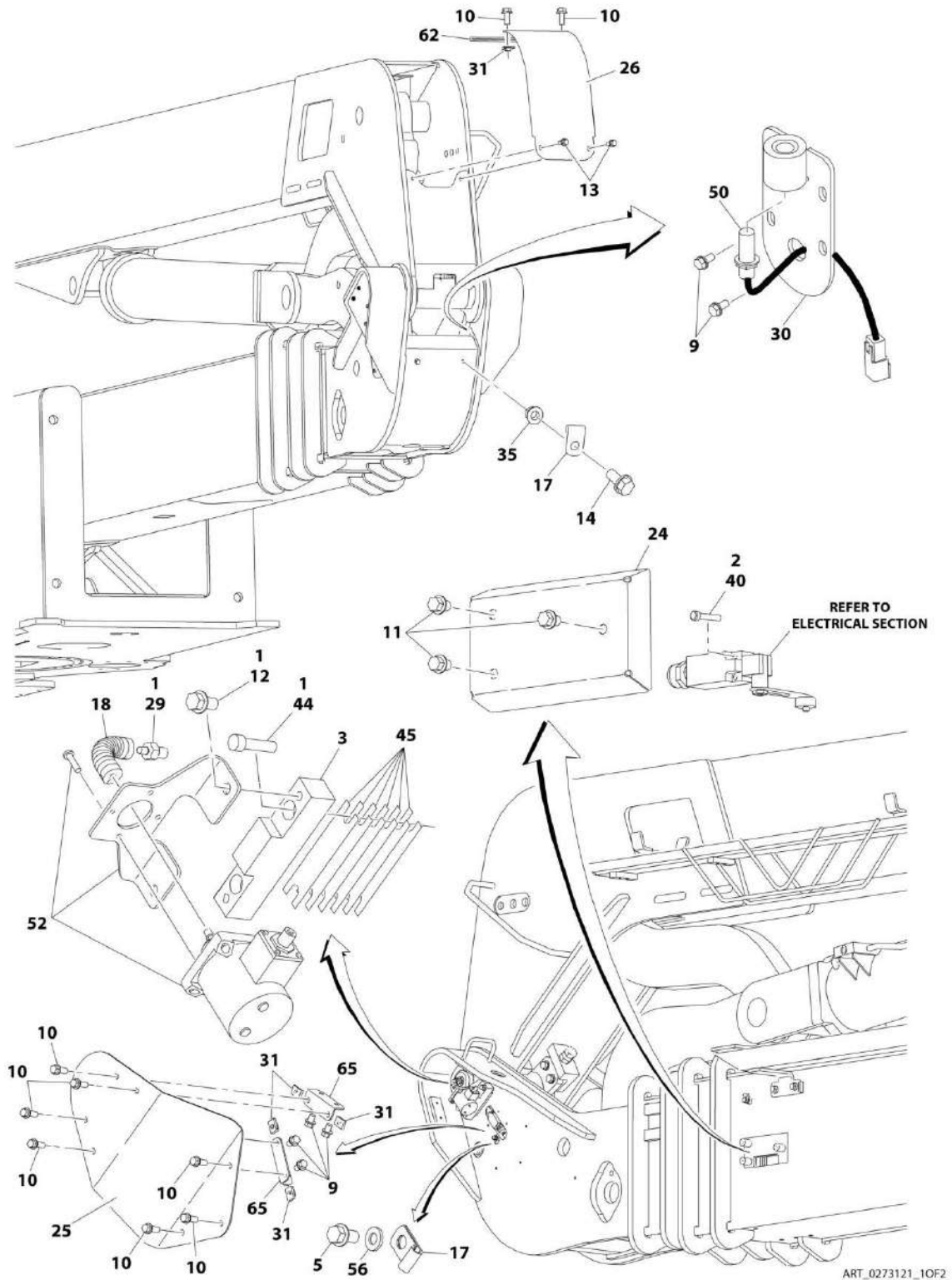
ITEM	PART NUMBER	QTY	DESCRIPTION	REV
	0273361	Ref	POWER TRACK AND BOOM CLAMPS INSTALLATION (MAIN BOOM AND JIB)	J
1	0100011	AR	Compound, Locking	
2	0100081	AR	Adhesive #454	
3	0630467	AR	Screw 5/16 x 1/2	
4	0641406	1	Bolt 1/4 x 3/4	
5	0791510	2	Screw 5/16 x 1-1/4	
6	0641605	4	Bolt 3/8 x 5/8	
7	0641606	2	Bolt 3/8 x 3/4	
8	0641809	4	Bolt 1/2 x 1-1/8	
9	0641638	1	Bolt 3/8 x 4-3/4	
10	0641644	2	Bolt 3/8 x 5-1/2	
11	0791608	2	Screw 3/8 x 1	
12	0791610	10	Screw 3/8 x 1-1/4	
13	0791616	4	Screw 3/8 x 2	
14	0791622	1	Screw 3/8 x 2-3/4	
15	0641626	1	Bolt 3/8 x 3-1/4	
16	0791808	8	Screw 1/2 x 1	
17	0902932	2	Bracket, Mounting	
18	0791618	2	Screw 3/8 x 2-1/4	
19	1180386	1	Tube, Push (Upper Main Boom)	
20	1320159	2	Clamp, Hose	
21	1320263	2	Clamp, Hose	
22	1320277	1	Clamp, Hose	
23	1320288	1	Clamp, Hose	
24	1320289	1	Clamp, Hose	
25	1320294	2	Clamp, Bar	
26	1320296	3	Clamp, Bar	
27	1320325	2	Clamp, Block	
28	1320327	2	Clamp, Cover Plate	
29	1670964	1	Cover, Support/Rotator (SN 0300201017 through 0300224857)	
30	1671122	1	Cover, Jib Pivot	
31	2540044	1	Guide, Hose	
32	3311608	12	Nut 3/8	
33	3340764	2	Pad, Push Tube	
34	3340787	NLA	Pad, Wear (Use p/n 1001136469)	
35	0811606	2	Screw 3/8 x 3/4	
36	3340934	4	Pad, Clamp	
37	3340941	4	Pad, Rubber	
38	3340942	4	Pad, Rubber	
39	3340943	2	Pad, Rubber	
40	3538758	1	Plate, Backing	
41	3574606	1	Plate, Bulkhead Mounting	
42	3900260	4	Capscrew 3/8 x 4	
43	3900283	8	Screw 3/8 x 3/4	
44	4071072	1	Shim, Adjusting 16Ga	
45	4240153	AR	Tie-Strap	
46	4240155	AR	Tie-Strap	
47	4562516	7 in/18 cm	Tubing, Poly	
48	4711400	1	Washer 1/4	

## SECTION 4 - BOOM

ITEM	PART NUMBER	QTY	DESCRIPTION	REV
49	4711500	AR	Washer 5/16	
50	4711600	18	Washer 3/8	
51	4846920	1	Tube, Carrier (Lower Main Boom)	
52	4891800	4	Washer 1/2	
53	3311605	4	Nut 3/8	
54	4240033	AR	Tie-Strap	
55	0902965	1	Bracket, Push Tube Guide	
56	4220197	1	Pad, Guide Tube	
57	4100063	1	Sleeve	
58	4891600	2	Washer 3/8	
59	1001131732	1	Power Track, Main Cable	
59	70003913	AR	Repair Section Kit (Includes Inner and Outer Links, Joining Bars and Rollers, and Assembling Hardware)	
59	70003914	1	Roller Link Section Kit (Includes 1 Roller Assembly and Assembling Hardware)	
59	70003916	1	Mounting Bracket Kit (Includes Mounting Brackets for Both Ends and Assembling Hardware)	
60	3300492	5	Nut, Lock Nylon Insert	
61	4240156	1	Tie-Strap	
62	0641636	1	Bolt 3/8 x 4-1/2	
63	1321385	1	Clamp, Hose Retaining (Located at Platform Rotator - Not Shown)	

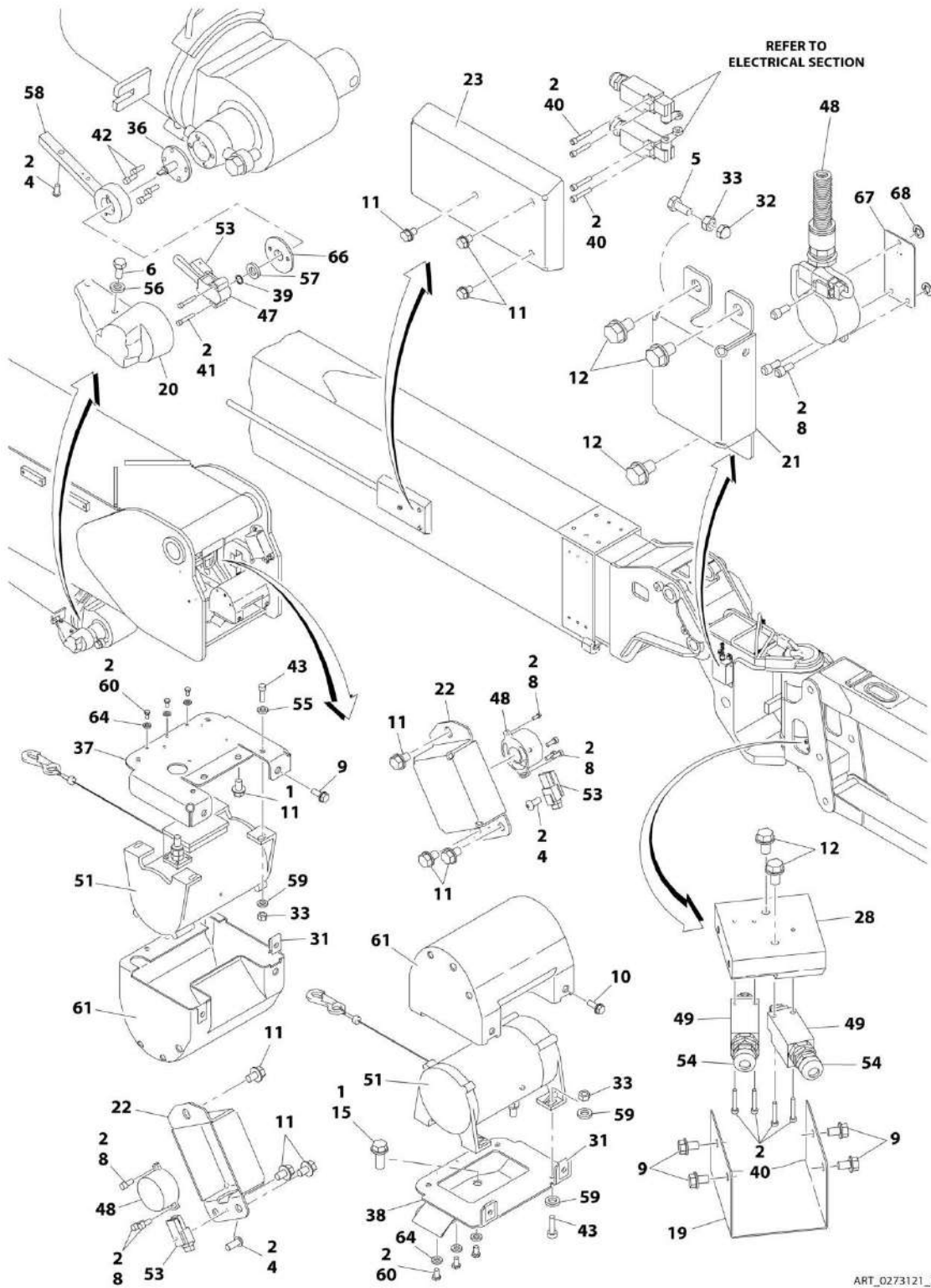
# SECTION 4 - BOOM

## FIGURE 4-12. BOOM SENSORS AND SWITCHES INSTALLATION



ART\_0273121\_10F2

# SECTION 4 - BOOM



ART\_0273121\_20F2

## SECTION 4 - BOOM

**FIGURE 4-12. BOOM SENSORS AND SWITCHES INSTALLATION**

ITEM	PART NUMBER	QTY	DESCRIPTION	REV
	0273121	Ref	BOOM SENSORS AND SWITCHES INSTALLATION	P
1	0100011	AR	Compound, Locking	
2	0100035	AR	Compound, Locking	
3	0363224	2	Bar, Sensor Mounting	
4	0630464	3	Screw #10 x 1/2	
5	0641405	2	Bolt 1/4 x 5/8	
6	0641505	1	Bolt 5/16 x 5/8	
8	3930606	12	Capscrew #6 x 3/8	
9	0791504	17	Screw 5/16 x 1/2	
10	0791506	20	Screw 5/16 x 3/4	
11	0791604	20	Screw 3/8 x 1/2	
12	0791605	12	Screw 3/8 x 5/8	
13	0791606	2	Screw 3/8 x 3/4	
14	0791608	2	Screw 3/8 x 1	
15	0791810	2	Screw 1/2 x 1-1/4	
16	4240018	AR	Tie-Strap (Not Shown)	
17	1320301	7	Clamp, Hose	
18	1660261	2	Coupling, Rotary Sensor	
19	1671039	1	Cover, Jib Switch	
20	1671040	1	Cover, Sensor	
21	1671044	2	Cover, Level Sensor	
22	1671112	2	Cover, Angle Sensor	
23	1671113	2	Cover, Limit Switch	
24	1671117	1	Cover, Limit Switch	
25	3380528	2	Cover, Rotary Sensor	
26	1671123	1	Cover, Main Base Hose	
28	3200433	1	Mount, Jib Switch	
29	3200458	2	Mount, Coupling	
30	4340959	1	Mount, Sensor	
31	3300364	14	Nut, Tinnerman 5/16	
32	3300430	2	Nut 1/4	
33	3311405	10	Nut 1/4	
35	3311608	2	Nut 3/8	
36	3423256	1	Pin, Sensor (Note: Control System must be re-calibrated when Switch is replaced)	
37	4340810	1	Mount, Sensor (Upper)	
38	4340811	1	Mount, Sensor (Lower)	
39	3780383	1	Ring	
40	3930816	14	Capscrew #8 x 1	
41	3931020	2	Capscrew #10 x 1-1/4	
42	3931412	4	Capscrew 1/4 x 3/4	
43	3931414	8	Capscrew 1/4 x 7/8	
44	3931624	4	Capscrew 3/8 x 1-1/2	
45	4071031	12	Shim, Trunnion Keeper	
46	4240033	AR	Tie-Strap (Not Shown)	
47	4360505	1	Switch, Rotary Angle Sensor (Note: Control System must be re-calibrated when Switch is replaced)	
48	1001147479	4	Switch, Digital Angle Sensor (Note: Control System must be re-calibrated when Switch is replaced)	
49	4360548	2	Switch, Plunger	

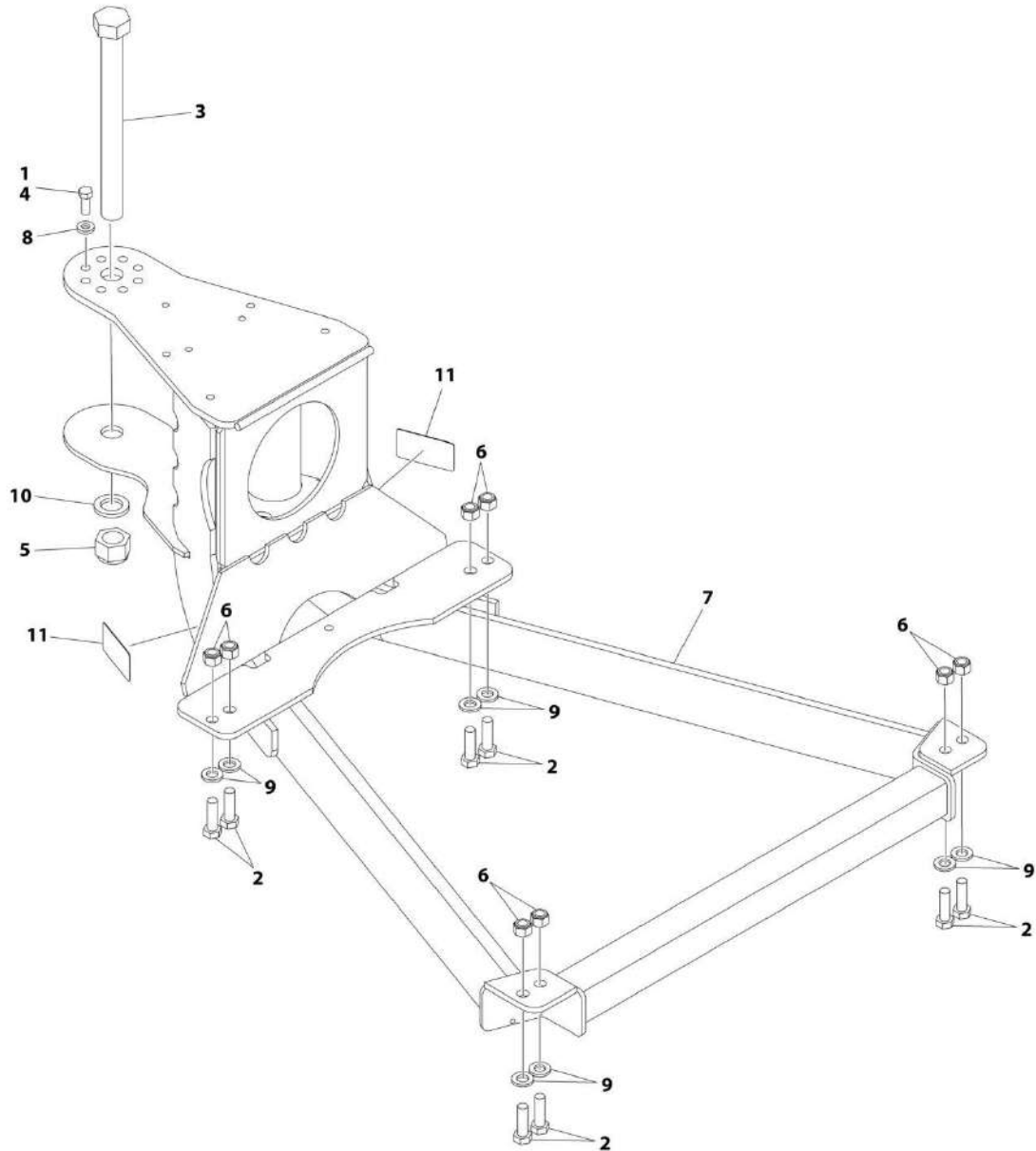


## SECTION 4 - BOOM

ITEM	PART NUMBER	QTY	DESCRIPTION	REV
50	4000008	1	Sensor, Proximity Assembly	
51	4360552	2	Switch, Boom Length (Note: Control System must be re-calibrated when Switch is replaced)	
52	4360622	2	Switch, Rotary Transducer (Note: Control System must be re-calibrated when Switch is replaced)	
53	4460914	3	Terminal, Base	
54	4460968	3	Connector, Strain Relief	
55	4711400	8	Washer 1/4	
56	4711500	2	Washer 5/16	
57	4711800	1	Washer 1/2	
58	0200833	1	Arm	
59	4891400	8	Washer 1/4	
60	0721003	6	Screw #10 x 3/8	
61	1671142	2	Cover, Length Sensor	
62	3960389	11 in /28cm	Seal	
63	3960571	1	Seal, Gasket (Not Shown)	
64	4751000	6	Washer #10	
65	4340861	4	Plate, Mounting	
66	0080277	1	Adapter, Angle Sensor Pilot	
67	4341158	2	Mount, Sensor	
68	8310070	6	Pushnut 3/8	

# SECTION 4 - BOOM

## FIGURE 4-13. PLATFORM SUPPORT INSTALLATION - WITHOUT LSS



ART\_0272070

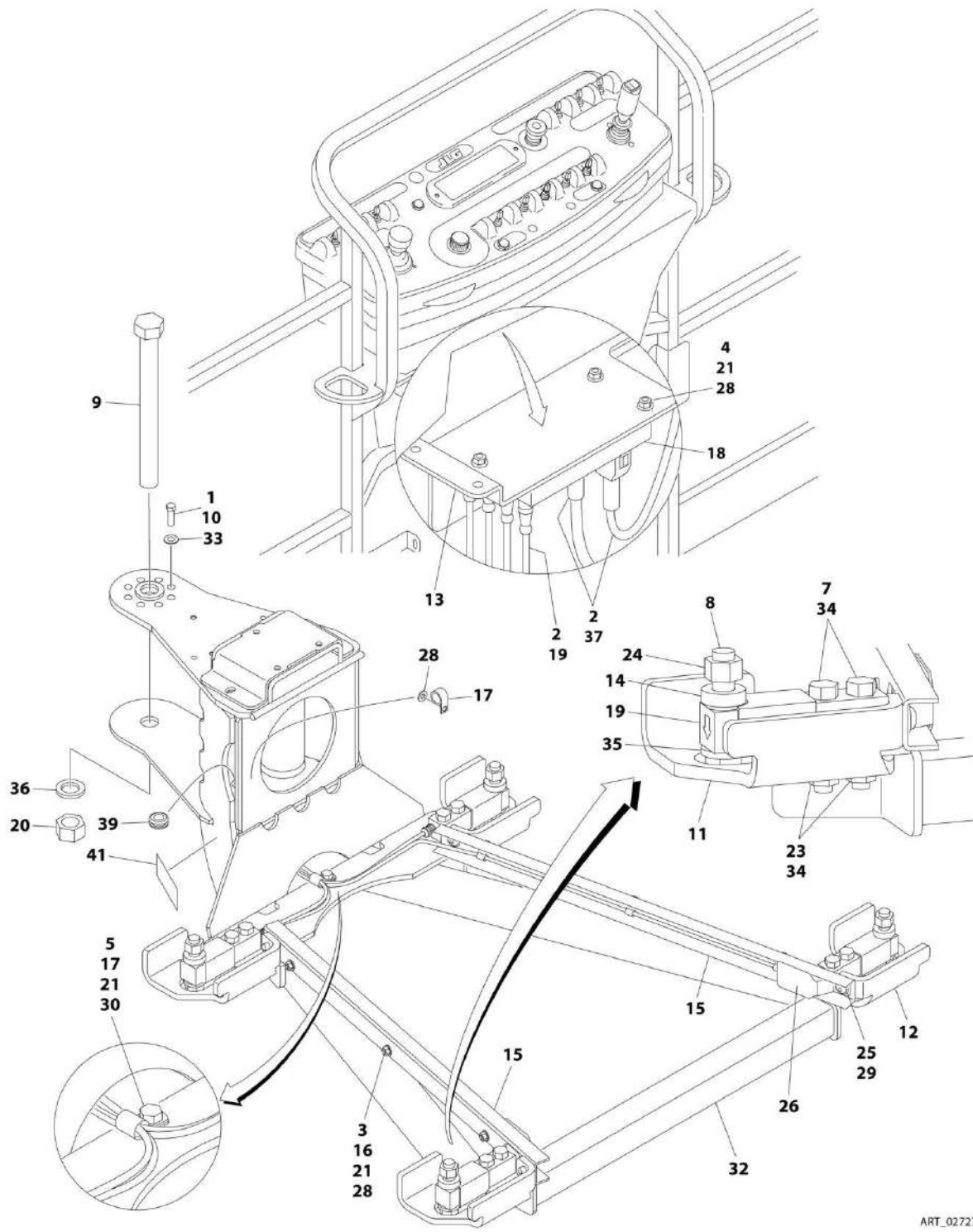
## SECTION 4 - BOOM

**FIGURE 4-13. PLATFORM SUPPORT INSTALLATION - WITHOUT LSS**

ITEM	PART NUMBER	QTY	DESCRIPTION	REV
	0272070	Ref	PLATFORM SUPPORT INSTALLATION - WITHOUT LSS	I
1	0100011	AR	Compound, Locking	
2	0641812	8	Bolt 1/2 x 1-1/2	
2	0761216	8	Bolt M12 x 40	
3	0642684	1	Bolt 1 x 10-1/4	
4	0681608	8	Bolt 3/8 x 1	
5	3300243	1	Nut 1	
6	3311805	8	Nut 1/2	
6	3291205	8	Nut M12	
7	4846573	1	Support	
8	4891600	8	Washer 3/8	
9	4891800	8	Washer 1/2	
9	5241200	8	Washer M12	
10	4892600	1	Washer 1	
11	1001216630	2	Decal - Tie Down/No Lift (SN 0300246739 to Present)	

# SECTION 4 - BOOM

## FIGURE 4-14. PLATFORM SUPPORT INSTALLATION - WITH 4 CELL LSS



ART\_0272703

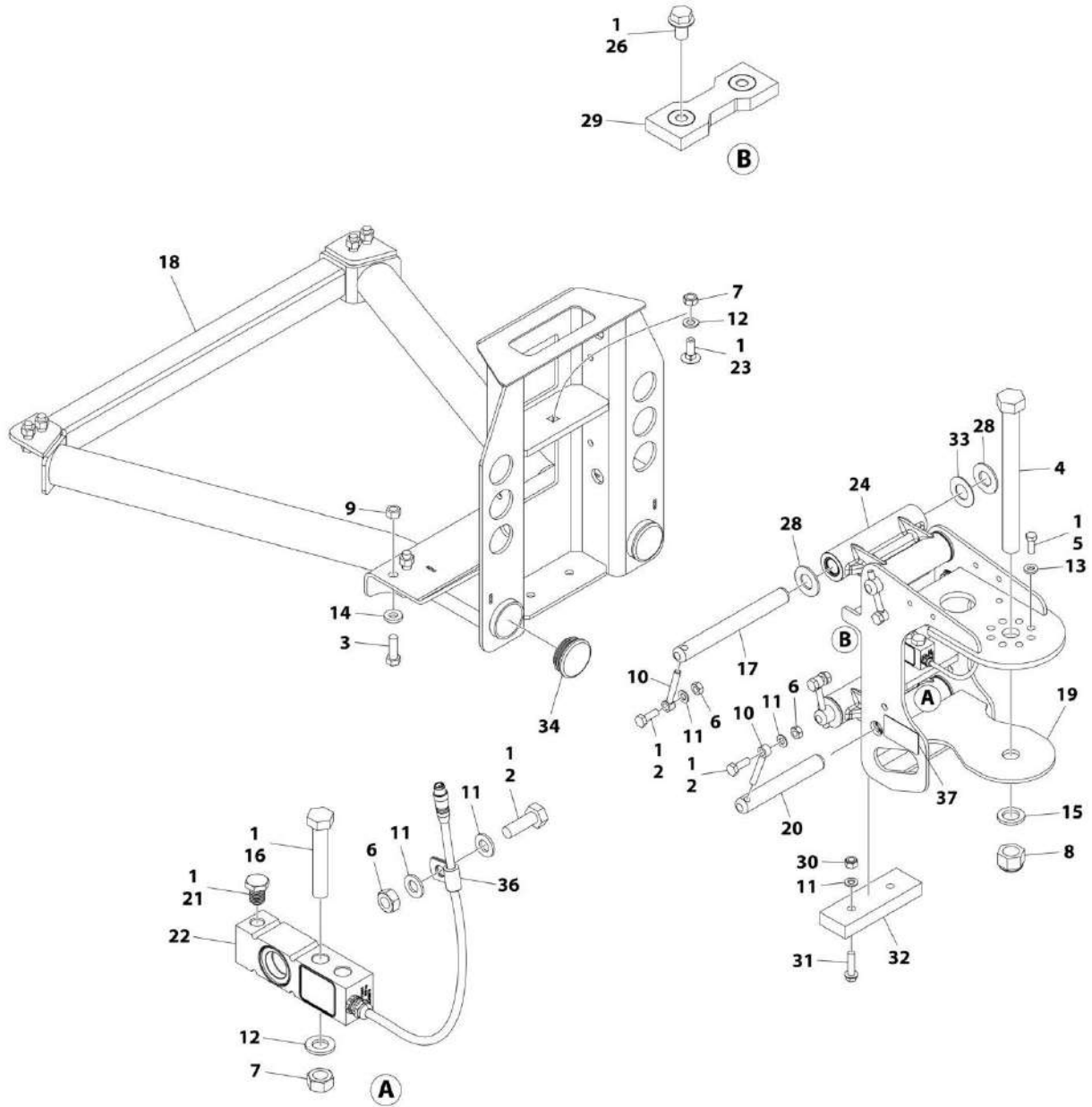
## SECTION 4 - BOOM

**FIGURE 4-14. PLATFORM SUPPORT INSTALLATION - WITH 4 CELL LSS**

ITEM	PART NUMBER	QTY	DESCRIPTION	REV
	0272703	Ref	PLATFORM SUPPORT INSTALLATION - WITH 4 CELL LSS	Q
1	0100011	AR	Compound, Locking	
2	0100048	AR	Grease, Dielectric	
3	0641405	6	Bolt 1/4 x 5/8	
4	0641416	3	Bolt 1/4 x 2	
5	0641407	1	Bolt 1/4 x 7/8	
7	0641822	8	Bolt 1/2 x 2-3/4	
8	0642024	4	Bolt 5/8 x 3	
9	0642684	1	Bolt 1 x 10-1/2	
10	0681608	8	Bolt 3/8 x 1	
11	0902919	2	Bracket, Cell Guard	
12	0902920	2	Bracket, Cell Guard	
13	1001113483	1	Bracket, Module Mount	
14	0962450	4	Bushing, Spacer	
15	1271538	2	Channel	
16	1320136	6	Clamp	
17	1320224	2	Clamp	
18	1600387	1	Electronic Interface Module	
19	2420202	4	Load Cell Assembly	
20	3272605	1	Nut 1	
21	3311405	10	Nut 1/4	
23	3311805	8	Nut 1/2	
24	3312005	4	Nut 5/8	
25	3900283	4	Screw 3/8 x 3/4	
26	4061054	2	Shield	
27	4240033	AR	Tie-Strap (Not Shown)	
28	4711400	13	Washer 1/4	
29	4711600	4	Washer 3/8	
30	4751400	1	Washer 1/4	
32	4846573	1	Platform Support	
33	4891600	8	Washer 3/8	
34	4891800	8	Washer 1/2	
35	4892000	4	Washer 5/8	
36	4892600	1	Washer 1	
37	4922869	1	EIM Load Cell Harness (See Separate Breakdown in ELECTRICAL SECTION)	
38	4933278	1	EIM Load Cell to Platform Console Box Wiring (See Separate Breakdown in ELECTRICAL SECTION)	
39	2540038	1	Grommet	
40	2920129	1	Bulb (Not Shown - Located in Ground Control Box)	
41	1001216630	2	Decal - Tie Down/No Lift	

# SECTION 4 - BOOM

## FIGURE 4-15. PLATFORM SUPPORT INSTALLATION - WITH 1 CELL LSS



ART\_1001167596

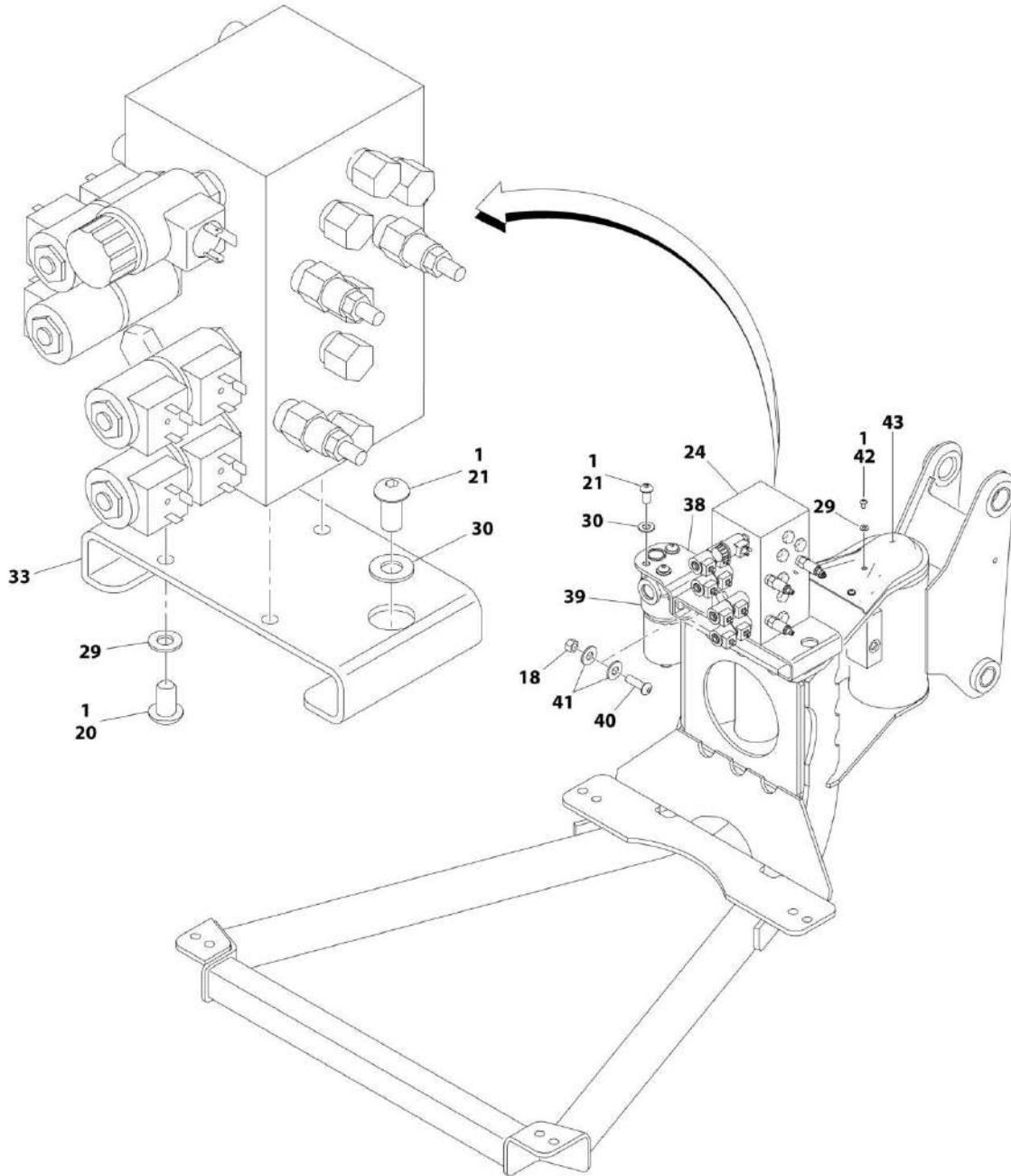
## SECTION 4 - BOOM

**FIGURE 4-15. PLATFORM SUPPORT INSTALLATION - WITH 1 CELL LSS**

ITEM	PART NUMBER	QTY	DESCRIPTION	REV
	1001167596	Ref	PLATFORM SUPPORT INSTALLATION - WITH 1 CELL LSS	J
1	0100011	AR	Compound, Locking	
2	0761014	5	Bolt M10 x 30	
3	0641812	8	Bolt 1/2 x 1-1/2	
3	0761216	8	Bolt M12 x 40	
4	0642684	1	Bolt 1 x 10-1/2	
5	0681608	8	Bolt 3/8 x 1	
6	3291001	5	Nut M10	
7	3291201	3	Nut M12	
8	3300243	1	Nut 1	
9	3311805	8	Nut 1/2	
9	3291205	8	Nut M12	
10	3841143	4	Keeper, Pin	
11	4812000	8	Washer M10	
12	4812100	3	Washer M12	
13	4891600	8	Washer 3/8	
14	4891800	8	Washer 1/2	
14	5241200	8	Washer M12	
15	4892600	1	Washer 1	
16	1001098828	2	Bolt M12 x 70 Grade 10.9	
17	1001167565	2	Pin	
18	1001200494	1	Support, Platform	
19	1001167567	1	Support, Rotator	
20	1001168402	2	Pin	
21	1001188622	1	Screw	
22	1001172663	1	Gauge, Load Sensing	
23	1001188844	1	Bolt M12 x 35	
24	1001201351	2	Link, LSS Assembly	
26	5251008	2	Bolt M10 x 16	
28	1001189002	8	Bearing	
29	1001190985	1	Pad, Wear	
30	3291005	2	Nut M10	
31	5251016	2	Bolt M10 x 40	
32	1001200491	1	Pad, Wear	
33	1001189001	4	Bearing	
34	1001204725	2	Plug	
36	91203039	1	Clamp	
37	1001216630	2	Decal - Tie Down/No Lift	

# SECTION 4 - BOOM

FIGURE 4-16. CONTROL VALVE INSTALLATION - WITHOUT LSS AND WITH 4 CELL LSS



ART\_0273377\_30F3



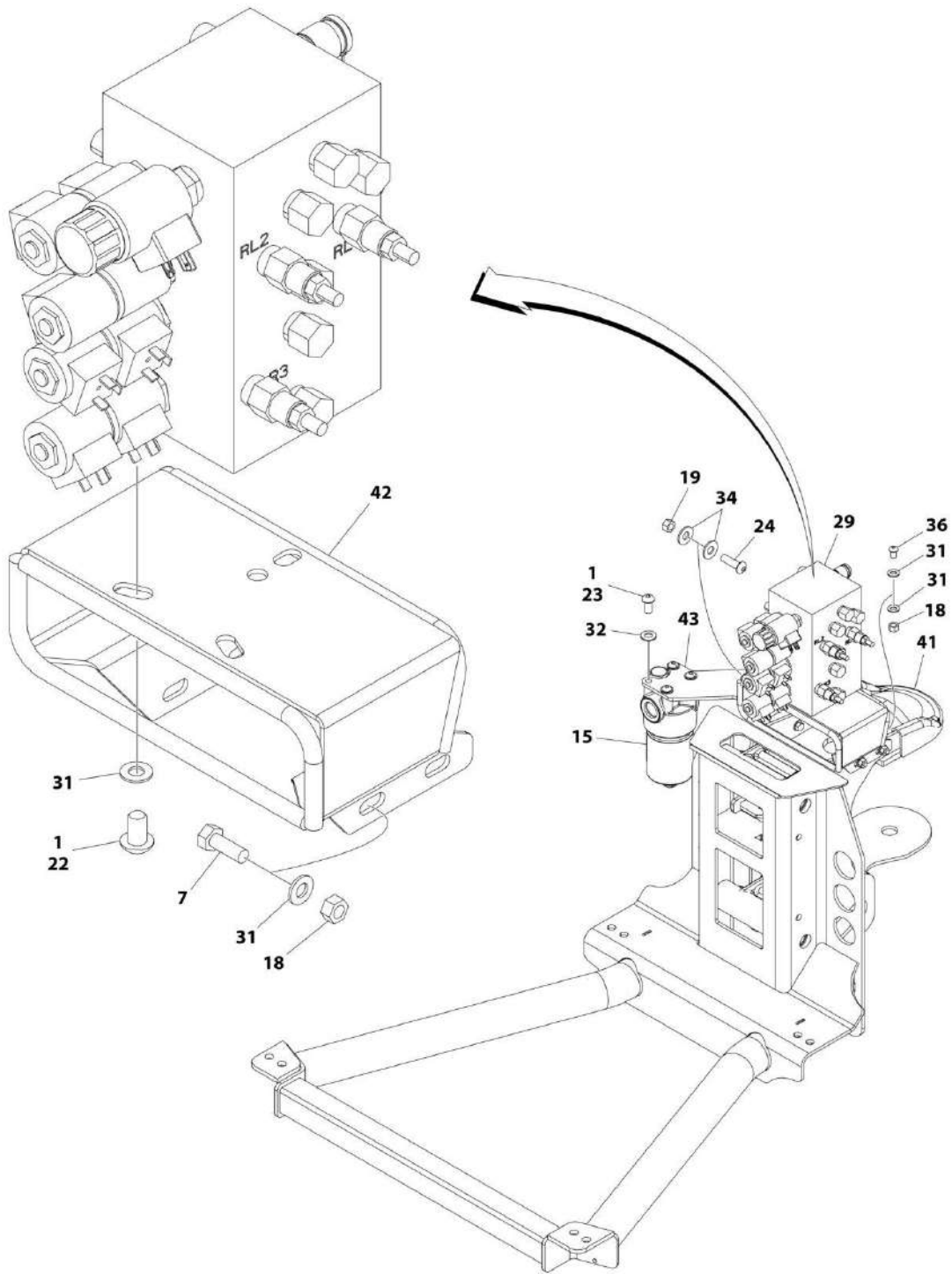
## SECTION 4 - BOOM

**FIGURE 4-16. CONTROL VALVE INSTALLATION - WITHOUT LSS AND WITH 4 CELL LSS**

ITEM	PART NUMBER	QTY	DESCRIPTION	REV
	0273377	Ref	CONTROL VALVE INSTALLATION - WITHOUT LSS AND WITH 4 CELL LSS	O
1	0100011	AR	Compound, Locking	
18	3311605	2	Nut 3/8	
20	3900210	3	Screw 5/16 x 3/4	
21	3900283	6	Screw 3/8 x 3/4	
24	4641460	1	Platform Valve (See PLATFORM VALVE ASSEMBLY for Breakdown)	
29	4711500	AR	Washer 5/16	
30	4711600	6	Washer 3/8	
33	4341264	1	Plate, Valve Mounting	
38	0903530	1	Bracket, Filter Mounting	
39	2120217	1	Filter, Pressure	
39	70002097	1	Element	
39	70004328	1	Plug, Indicator	
40	3900232	2	Screw 3/8 x 1-1/4	
41	4751600	4	Washer 3/8	
42	0630467	3	Screw 5/16 x 1/2 <b>(SN 0300224858 to Present)</b>	
43	1670964	1	Cover, Support/Rotator <b>(SN 0300224858 to Present)</b>	

# SECTION 4 - BOOM

## FIGURE 4-17. CONTROL VALVE INSTALLATION - WITH 1 CELL LSS



ART\_1001219989\_3OF3

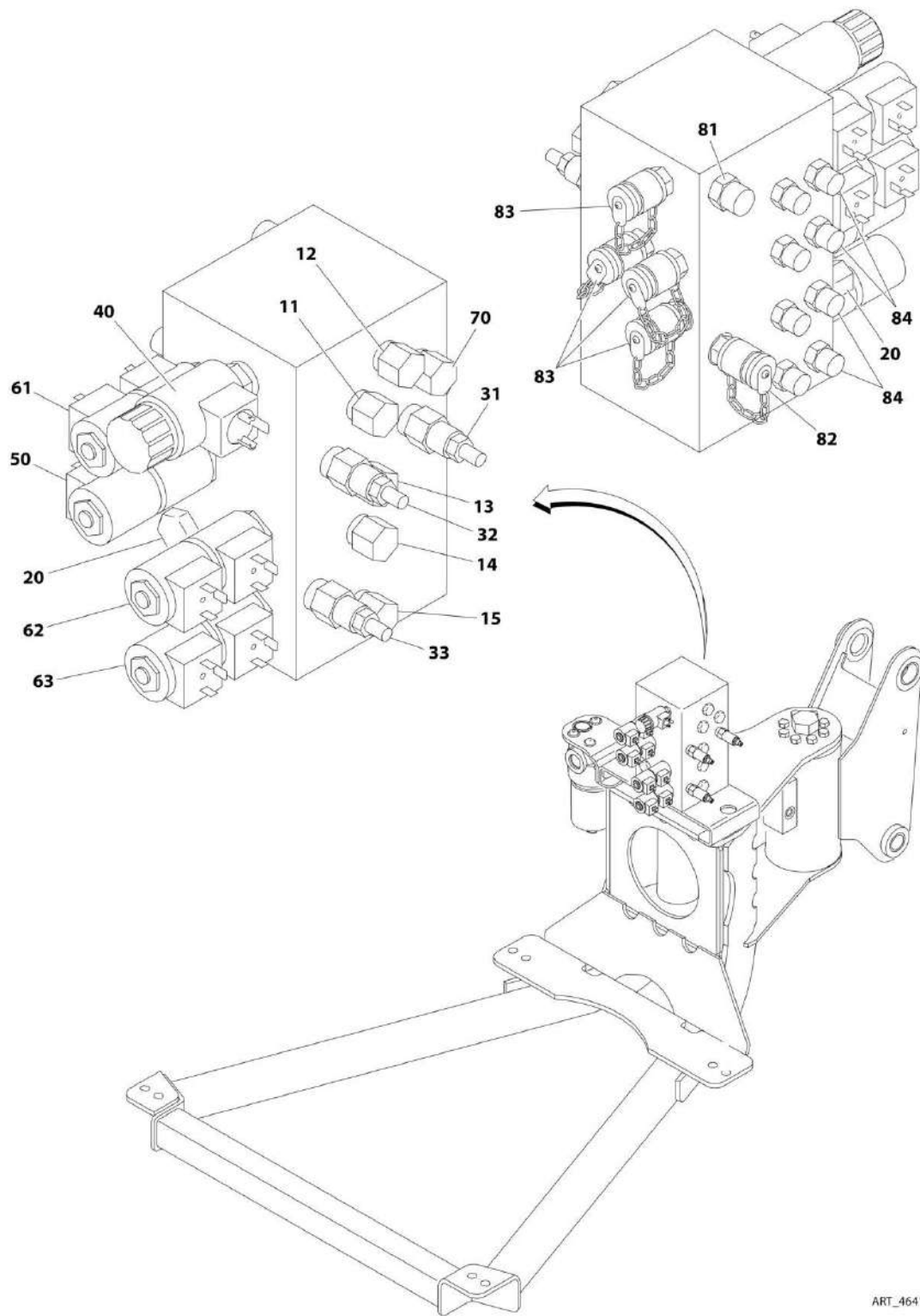
## SECTION 4 - BOOM

**FIGURE 4-17. CONTROL VALVE INSTALLATION - WITH 1 CELL LSS**

ITEM	PART NUMBER	QTY	DESCRIPTION	REV
	1001219989	Ref	CONTROL VALVE INSTALLATION - WITH 1 CELL LSS	B
1	0100011	AR	Compound, Locking	
7	0641507	4	Bolt 5/16 x 7/8	
15	2120217	1	Filter, Pressure	
15	70002097	1	Element	
15	70004328	1	Plug, Indicator	
18	3311505	6	Nut 5/16	
19	3311605	2	Nut 3/8	
22	3900210	3	Screw 5/16 x 3/4	
23	3900283	4	Screw 3/8 x 3/4	
24	3900316	2	Screw 3/8 x 1	
29	4641460	1	Platform Valve (See PLATFORM VALVE ASSEMBLY for Breakdown)	
31	4711500	12	Washer 5/16	
32	4711600	4	Washer 3/8	
34	4751600	4	Washer 3/8	
36	88261024	2	Bolt 5/16 x 1	
41	1001207969	1	Cover, Support/Rotator	
42	1001208994	1	Plate, Valve Mounting	
43	1001222314	1	Bracket, Filter Mounting	

# SECTION 4 - BOOM

## FIGURE 4-18. PLATFORM VALVE ASSEMBLY



ART\_4641460

FIGURE 4-18. PLATFORM VALVE ASSEMBLY

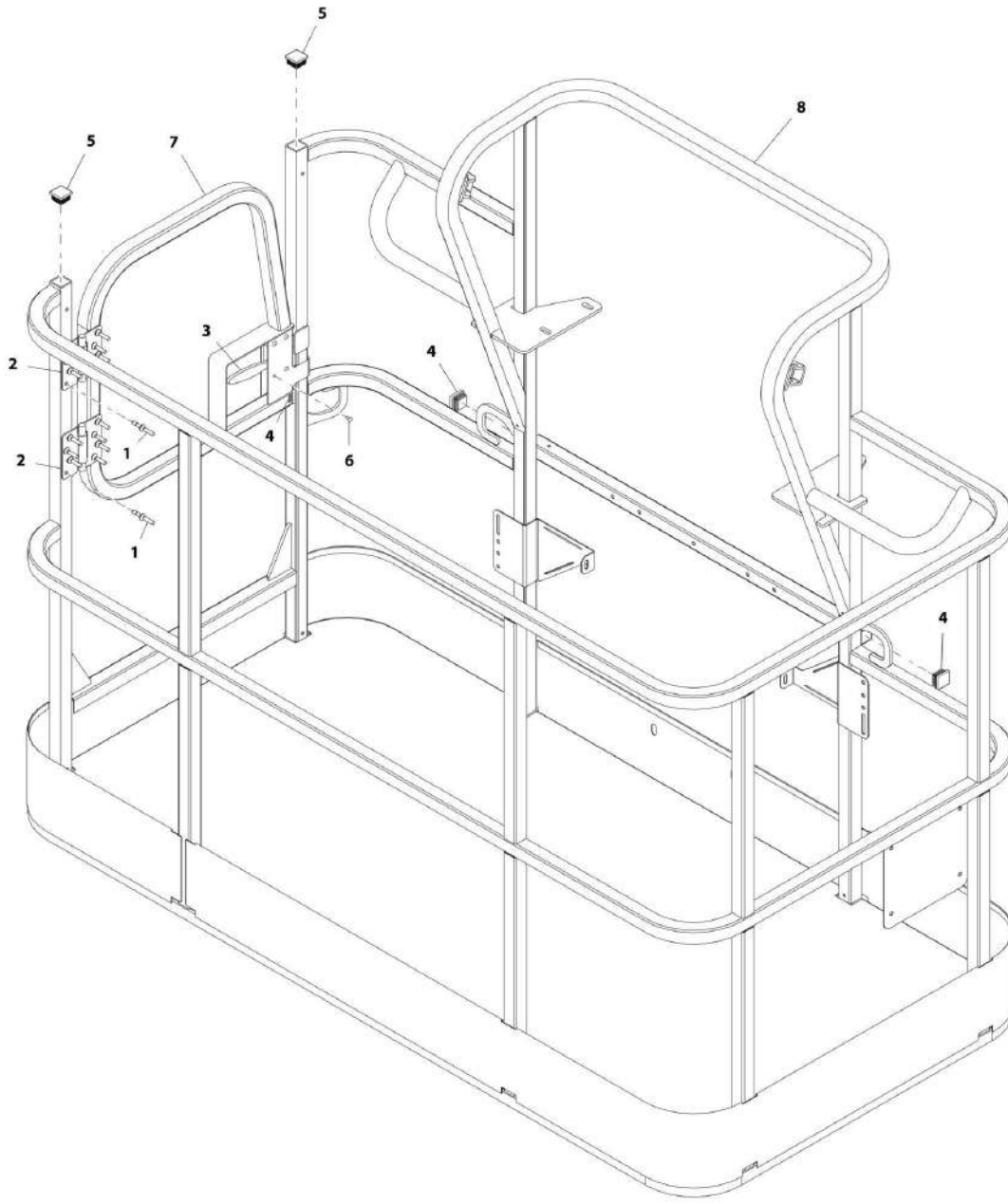
ITEM	PART NUMBER	QTY	DESCRIPTION	REV
	4641460	Ref	PLATFORM VALVE ASSEMBLY	C
11	7026018	1	Valve, Cartridge	
11	7011346	1	Seal Kit - Valve	
12	7026019	1	Valve, Cartridge (Flow Control)	
12	7011346	1	Seal Kit - Valve	
13	7026020	1	Valve, Cartridge (Rotate)	
13	7011346	1	Seal Kit - Valve	
14	7026021	1	Valve, Cartridge (Jib Swing)	
14	7011346	1	Seal Kit - Valve	
15	7026019	1	Valve, Cartridge (Jib Lift)	
15	7011346	1	Seal Kit - Valve	
20	7011355	1	Valve, Cartridge (Jib)	
20	2900770	1	Seal Kit - Valve	
31	7024572	1	Valve, Relief Cartridge (Platform Level Up)	
31	7011346	1	Seal Kit - Valve	
32	7024572	1	Valve, Relief Cartridge (Platform Level Down)	
32	7011346	1	Seal Kit - Valve	
33	7024572	1	Valve, Relief Cartridge (Jib Up/Down)	
33	7011346	1	Seal Kit - Valve	
40	7026022	1	Valve, Cartridge (Dump)	
40	2900770	1	Seal Kit - Valve	
40	7024571	1	Coil	
50	7023922	1	Valve, Cartridge (Platform Rotate)	
50	7017402	1	Seal Kit - Valve	
50	7012944	2	Coil	
61	7023922	1	Valve, Cartridge (Platform Level)	
61	7017402	1	Seal Kit - Valve	
61	7012944	2	Coil	
62	7023922	1	Valve, Cartridge (Jib Swing)	
62	7017402	1	Seal Kit - Valve	
62	7012944	2	Coil	
63	7023922	1	Valve, Cartridge (Jib Lift)	
63	7017402	1	Seal Kit - Valve	
63	7012944	2	Coil	
70	7026023	1	Valve, Cartridge (Check)	
70	7011346	1	Seal Kit - Valve	
81	2110606	1	Fitting, Straight	
82	4641255	1	Check Valve	
83	2221086	4	Check, Pressure	
84	2110404	8	Fitting, Straight	



**SECTION 5 - PLATFORM**

# SECTION 5 - PLATFORM

FIGURE 5-1. PLATFORM ASSEMBLY - 36IN X 6FT (91.5CM X 1.83M) WITH SWING GATE



ART\_1001186384



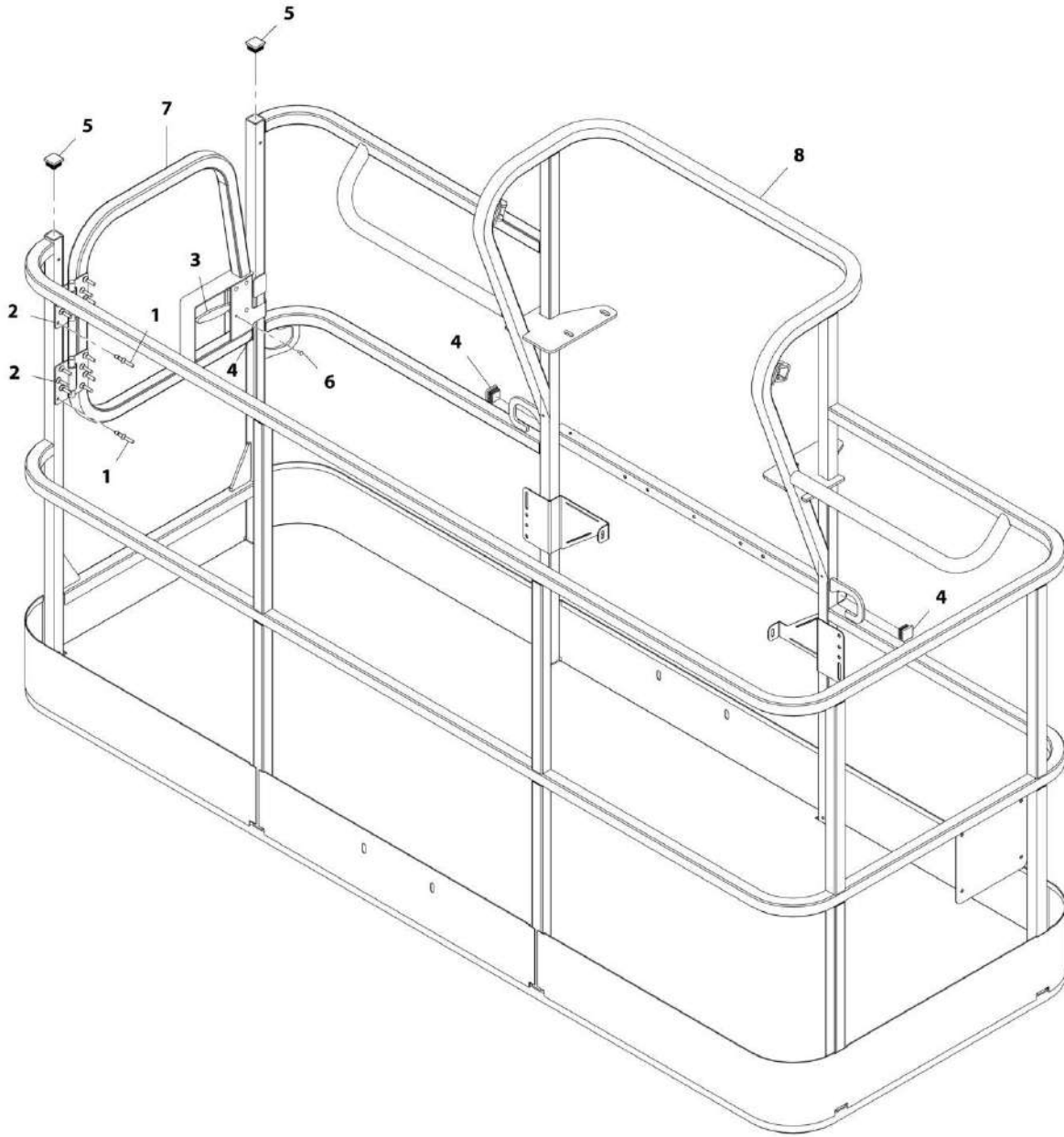
## SECTION 5 - PLATFORM

**FIGURE 5-1. PLATFORM ASSEMBLY - 36IN X 6FT (91.5CM X 1.83M) WITH SWING GATE**

ITEM	PART NUMBER	QTY	DESCRIPTION	REV
	1001186384	Ref	PLATFORM ASSEMBLY - 36IN X 6FT (91.5CM X 1.83M) WITH SWING GATE	C
	See Note	Ref	Note: Platform and Mesh must be ordered separately for Platforms with Mesh. See SPECIAL OPTIONS SECTION for Mesh Installations.	
	See Note	Ref	Note: Replacement Decals Must be Ordered Separately - See DECALS SECTION.	
1	2080040	16	Fastener, Huck	
2	2600281	2	Hinge, Self-Closing	
3	2940074	1	Latch	
4	3520072	3	Cap, Plug	
5	3520198	2	Cap, Plug	
6	3820020	4	Rivet	
7	1001144629	1	Gate, Weldment	
8	See Note	1	Platform (Note: Not Available - Purchase Platform Assembly)	

# SECTION 5 - PLATFORM

FIGURE 5-2. PLATFORM ASSEMBLY - 36IN X 8FT (91.5CM X 2.44M) WITH SWING GATE



ART\_1001186383

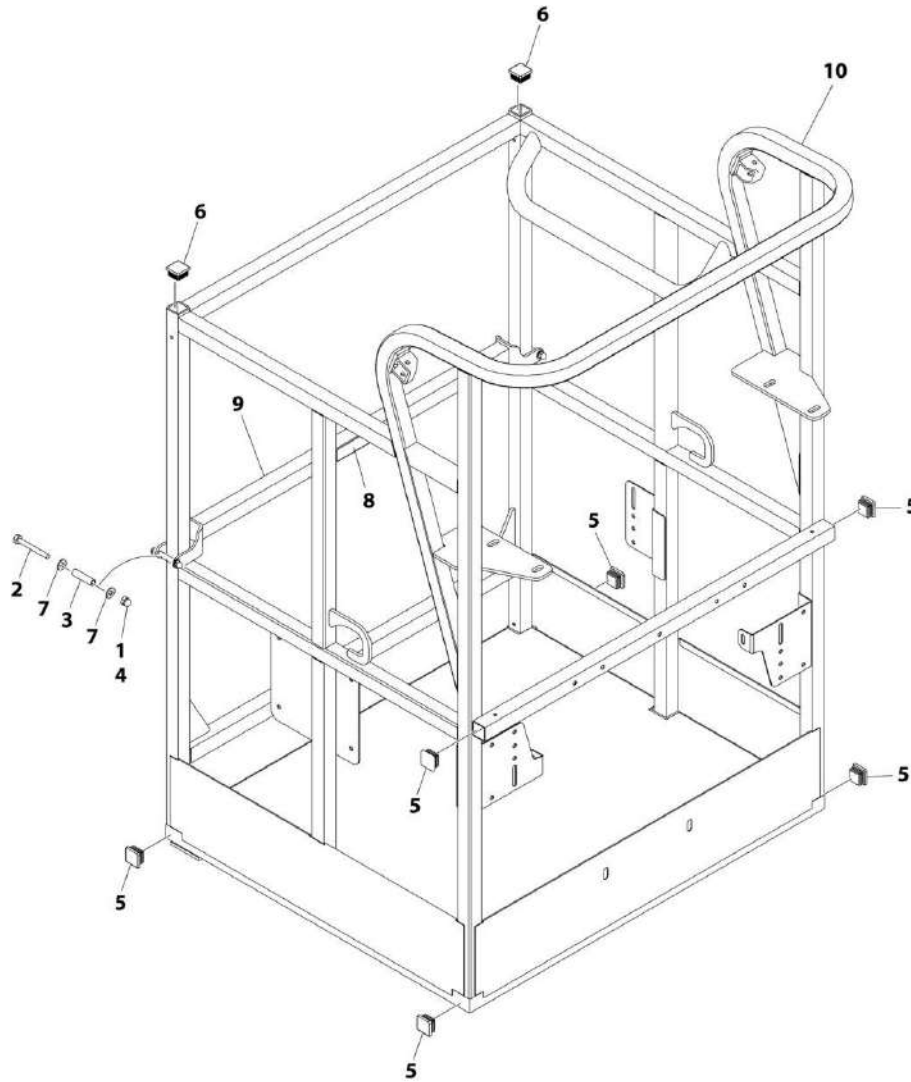
## SECTION 5 - PLATFORM

**FIGURE 5-2. PLATFORM ASSEMBLY - 36IN X 8FT (91.5CM X 2.44M) WITH SWING GATE**

ITEM	PART NUMBER	QTY	DESCRIPTION	REV
	1001186383	Ref	PLATFORM ASSEMBLY - 36IN X 8FT (91.5CM X 2.44M) WITH SWING GATE	D
	See Note	Ref	Note: Platform and Mesh must be ordered separately for Platforms with Mesh. See SPECIAL OPTIONS SECTION for Mesh Installations.	
	See Note	Ref	Note: Replacement Decals Must be Ordered Separately - See DECALS SECTION.	
1	2080040	16	Fastener, Huck	
2	2600281	2	Hinge, Self-Closing	
3	2940074	1	Latch	
4	3520072	3	Cap, Plug	
5	3520198	2	Cap, Plug	
6	3820020	4	Rivet	
7	1001144629	1	Gate, Weldment	
8	See Note	1	Platform (Note: Not Available - Purchase Platform Assembly)	

# SECTION 5 - PLATFORM

FIGURE 5-3. PLATFORM ASSEMBLY - 30IN X 3FT (76CM X .91M) - WITH DROP BAR



ART\_1001228215

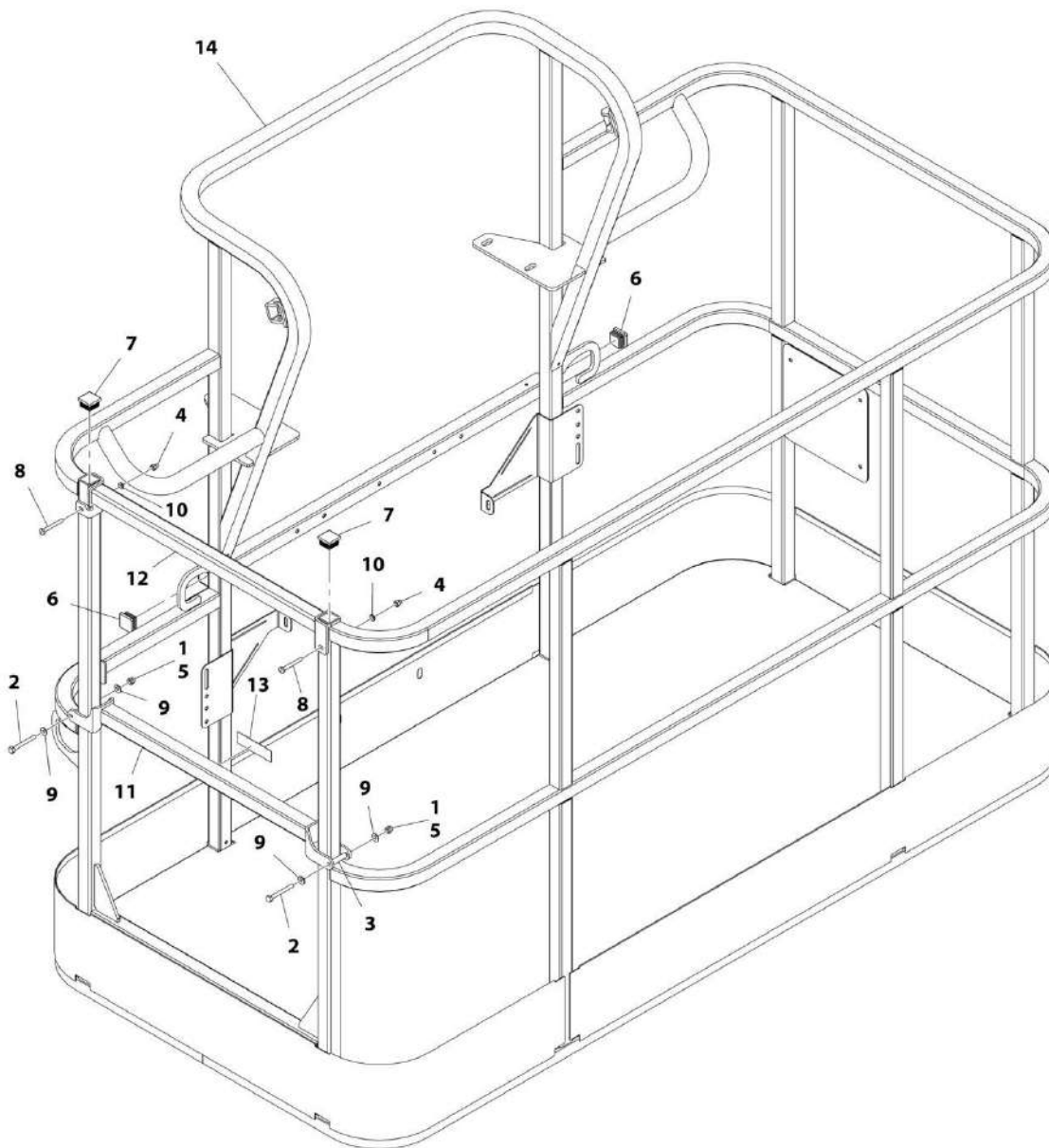
## SECTION 5 - PLATFORM

**FIGURE 5-3. PLATFORM ASSEMBLY - 30IN X 3FT (76CM X .91M) - WITH DROP BAR**

ITEM	PART NUMBER	QTY	DESCRIPTION	REV
	1001228215	Ref	PLATFORM ASSEMBLY - 30IN X 3FT (76CM X .91M) - DROP BAR ENTRY	A
	See Note	Ref	Note: Platform and Mesh must be ordered separately for Platforms with Mesh. See SPECIAL OPTIONS SECTION for Mesh Installations.	
	See Note	Ref	Note: Replacement Decals Must be Ordered Separately - See DECAL SECTION.	
1	0100011	AR	Compound, Locking	
2	0641418	2	Bolt 1/4 x 2-1/4	
3	0961845	2	Bushing	
4	3300151	2	Nut 1/4	
5	3520072	6	Cap, Plug	
6	3520198	2	Cap, Plug	
7	4711400	4	Washer 1/4	
8	1001140429	1	Decal - Drop Bar	
9	1001226872	1	Bar, Drop	
10	See Note	NSS	Platform, Weldment (Note: Not Available - Purchase Platform Assembly)	

# SECTION 5 - PLATFORM

FIGURE 5-4. PLATFORM ASSEMBLY - 36IN X 6FT (91.5CM X 1.83M) WITH DROP BAR



ART\_1001186379

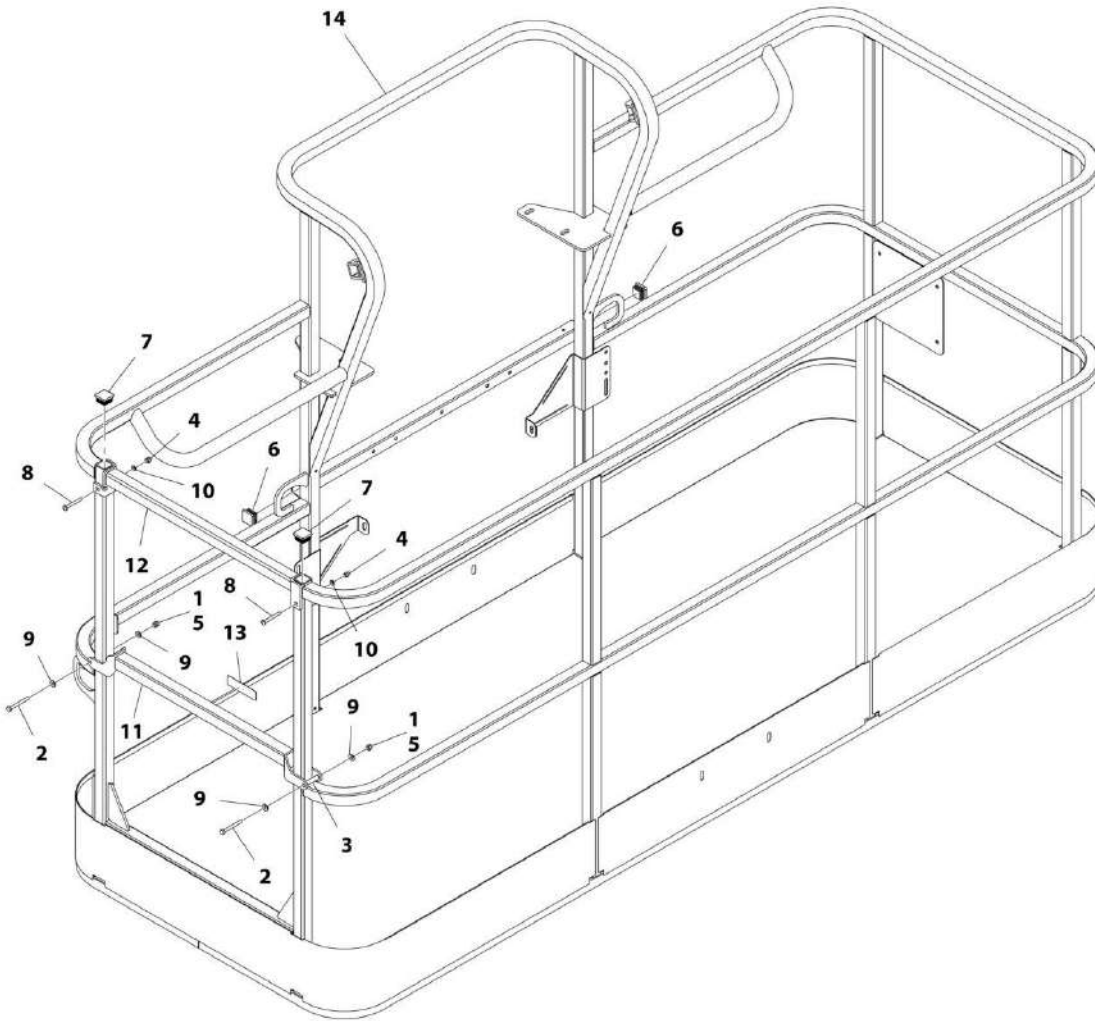
## SECTION 5 - PLATFORM

**FIGURE 5-4. PLATFORM ASSEMBLY - 36IN X 6FT (91.5CM X 1.83M) WITH DROP BAR**

ITEM	PART NUMBER	QTY	DESCRIPTION	REV
	1001186379	Ref	PLATFORM ASSEMBLY - 36IN X 6FT (91.5CM X 1.83M) WITH DROP BAR	B
	See Note	Ref	Note: Platform and Mesh must be ordered separately for Platforms with Mesh. See SPECIAL OPTIONS SECTION for Mesh Installations.	
	See Note	Ref	Note: Replacement Decals Must be Ordered Separately - See DECALS SECTION.	
1	0100011	AR	Compound, Locking	
2	0641418	2	Bolt 1/4 x 2-1/4	
3	0961845	2	Bushing	
4	3290606	2	Nut M6 x 1	
5	3300151	2	Nut 1/4	
6	3520072	2	Cap, Plug	
7	3520198	2	Cap, Plug	
8	4010618	2	Screw M6 x 50	
9	4711400	4	Washer 1/4	
10	4811700	2	Washer M6	
11	1001138494	1	Bar, Drop	
12	1001138514	1	Rail (Top)	
13	1001140429	1	Decal - Drop Bar	
14	See Note	1	Platform (Note: Not Available - Purchase Platform Assembly)	

# SECTION 5 - PLATFORM

FIGURE 5-5. PLATFORM ASSEMBLY - 36IN X 8FT (91.5CM X 2.44M) WITH DROP BAR



ART\_1001186382



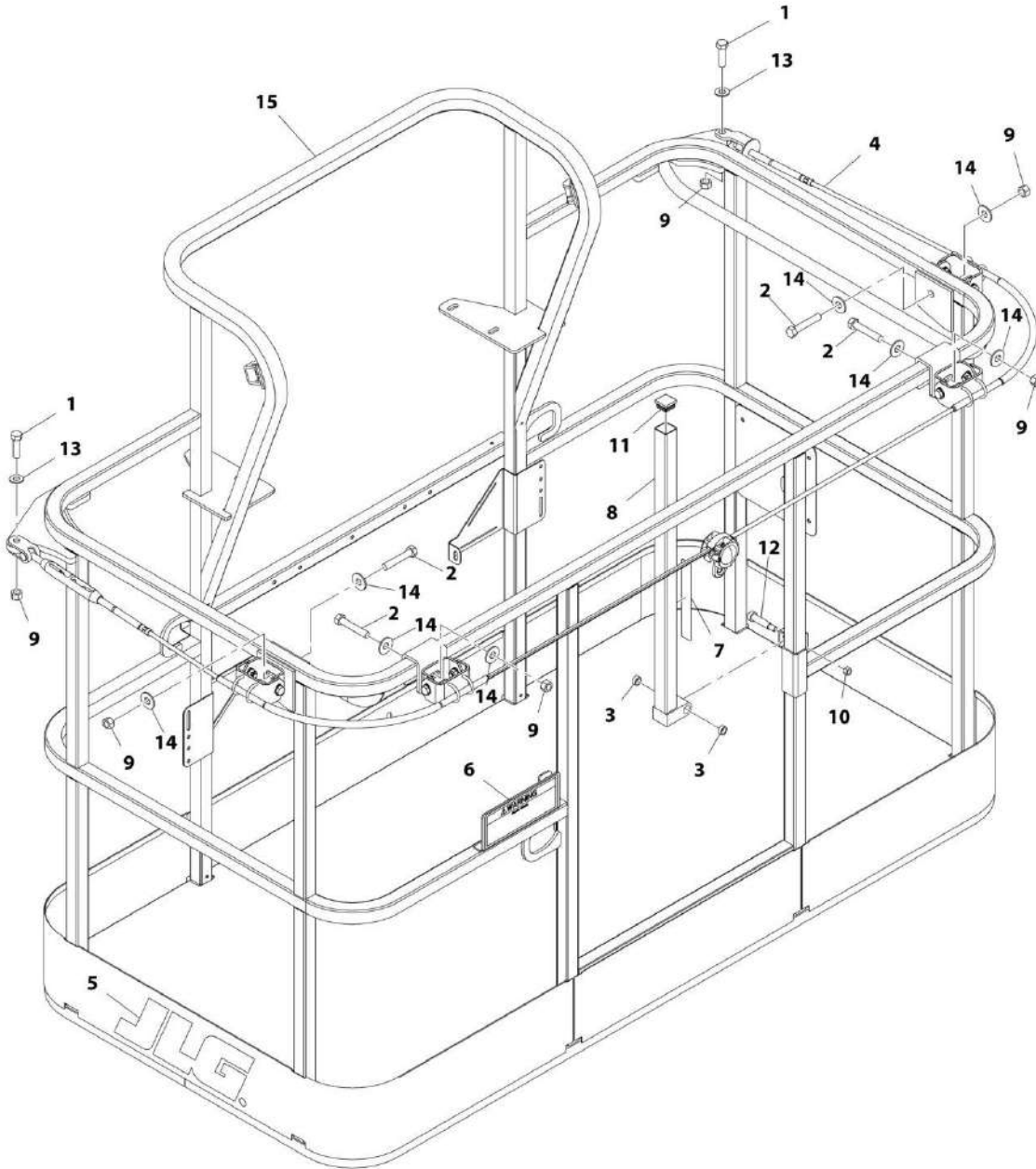
## SECTION 5 - PLATFORM

**FIGURE 5-5. PLATFORM ASSEMBLY - 36IN X 8FT (91.5CM X 2.44M) WITH DROP BAR**

ITEM	PART NUMBER	QTY	DESCRIPTION	REV
	1001186382	Ref	PLATFORM ASSEMBLY - 36IN X 8FT (91.5CM X 2.44M) WITH DROP BAR	C
	See Note	Ref	Note: Platform and Mesh must be ordered separately for Platforms with Mesh. See SPECIAL OPTIONS SECTION for Mesh Installations.	
	See Note	Ref	Note: Replacement Decals Must be Ordered Separately - See DECALS SECTION.	
1	0100011	AR	Compound, Locking	
2	0641418	2	Bolt 1/4 x 2-1/4	
3	0961845	2	Bushing	
4	3290606	2	Nut M6 x 1	
5	3300151	2	Nut 1/4	
6	3520072	2	Cap, Plug	
7	3520198	2	Cap, Plug	
8	4010618	2	Screw M6 x 50	
9	4711400	4	Washer 1/4	
10	4811700	2	Washer M6	
11	1001138494	1	Bar, Drop	
12	1001138514	1	Rail (Top)	
13	1001140429	1	Decal - Drop Bar	
14	See Note	1	Platform (Note: Not Available - Purchase Platform Assembly)	

# SECTION 5 - PLATFORM

FIGURE 5-6. PLATFORM ASSEMBLY - 36IN X 6FT (91.5CM X 1.83M) WITH FALL ARREST (ANSI, ANSI EXPORT AND CHINA SPECS)



ART\_1001186333

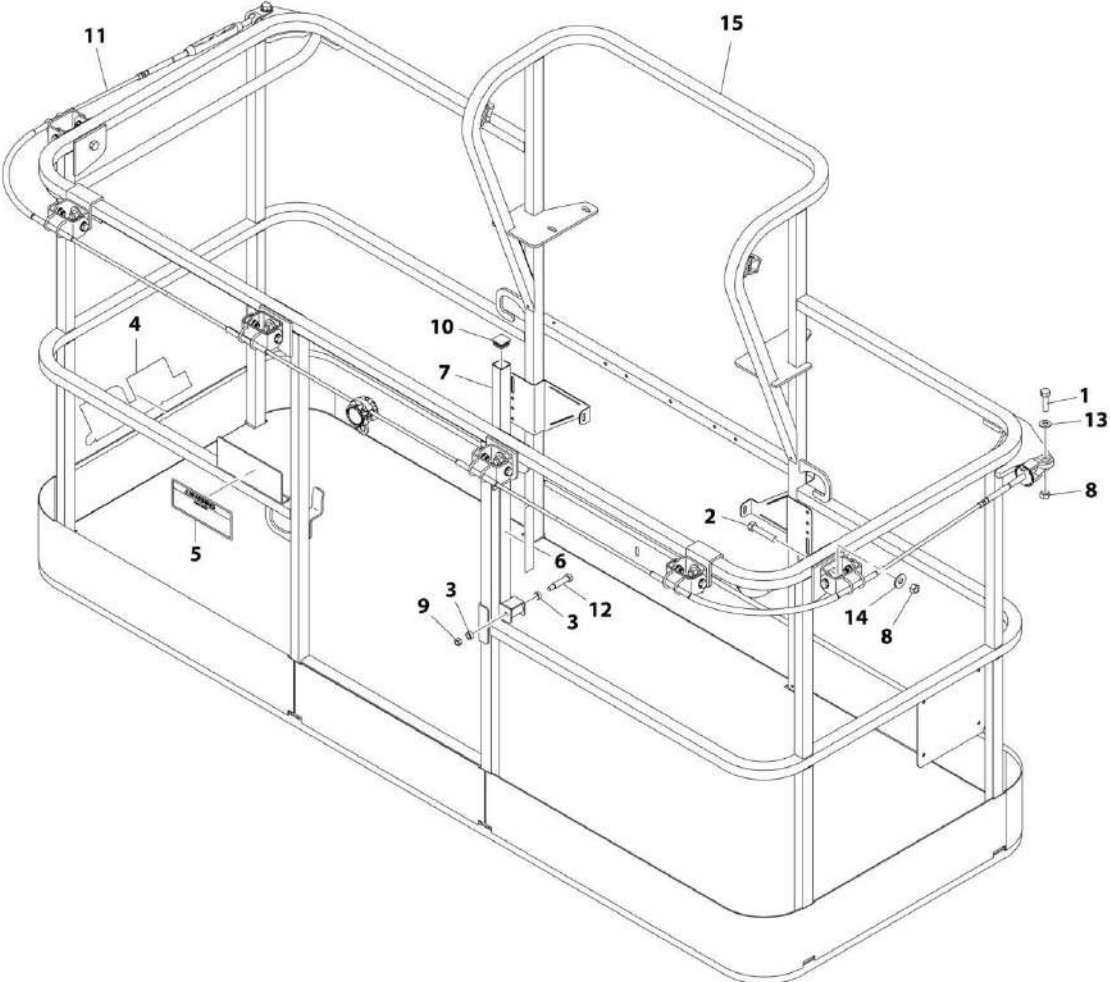
## SECTION 5 - PLATFORM

**FIGURE 5-6. PLATFORM ASSEMBLY - 36IN X 6FT (91.5CM X 1.83M) WITH FALL ARREST (ANSI, ANSI EXPORT AND CHINA SPECS)**

ITEM	PART NUMBER	QTY	DESCRIPTION	REV
	1001186333	Ref	PLATFORM ASSEMBLY - 36IN X 6FT (91.5CM X 1.83M) WITH FALL ARREST (ANSI, ANSI EXPORT AND CHINA SPECS)	C
	See Note	Ref	Note: Fall Arrest Not Available on CE Spec Platform Assembly.	
	See Note	Ref	Note: Replacement Decals Must be Ordered Separately - See DECALS SECTION.	
1	0681814	2	Bolt 1/2 x 1-3/4 Grade 8	
2	0681822	4	Bolt 1/2 x 2-3/4 Grade 8	
3	0962270	2	Bearing	
4	1060919	1	Cable, Fall Arrest ( <b>SN 0300201017 through 0300214294</b> )	
4	1001203655	1	Cable, Fall Arrest ( <b>SN 0300214295 to Present</b> )	
5	1702773	1	Decal - JLG	
6	1705014	1	Decal - Safety	
7	1706385	1	Decal - Drop Bar	
8	2410014	1	Gate	
9	3271805	6	Nut 1/2 Grade 8	
10	3311605	1	Nut 3/8	
11	3520072	1	Cap, Plug	
12	3900054	1	Bolt 1/2 x 1-3/4	
13	4711800	AR	Washer 1/2	
14	4751800	AR	Washer 1/2	
15	See Note	1	Platform (Note: Not Available - Purchase Platform Assembly)	

# SECTION 5 - PLATFORM

FIGURE 5-7. PLATFORM ASSEMBLY - 36IN X 8FT (91.5CM X 2.44M) WITH FALL ARREST (ANSI SPECS)



ART\_1001186334

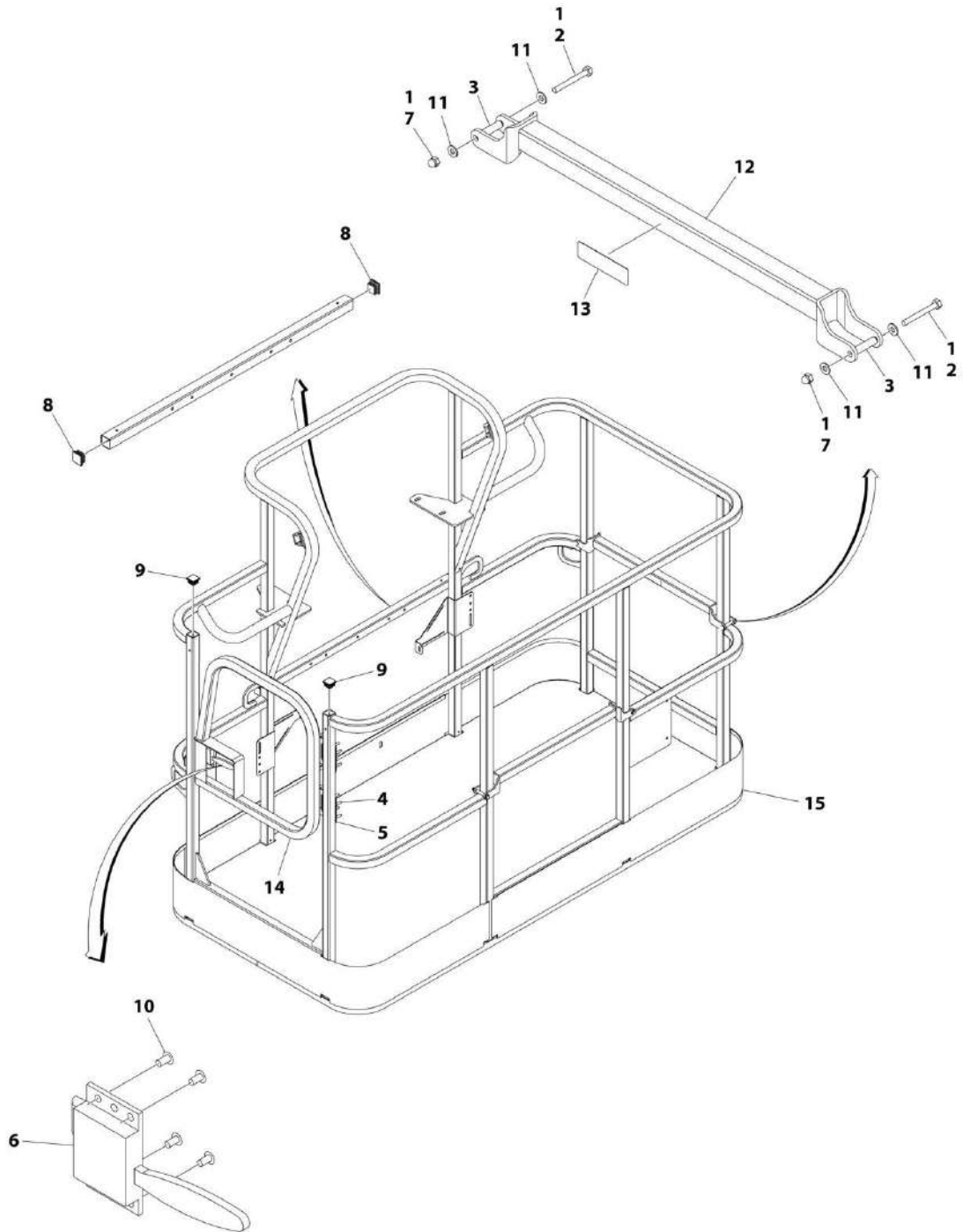
## SECTION 5 - PLATFORM

**FIGURE 5-7. PLATFORM ASSEMBLY - 36IN X 8FT (91.5CM X 2.44M) WITH FALL ARREST (ANSI SPECS)**

ITEM	PART NUMBER	QTY	DESCRIPTION	REV
		Ref	Note: Replacement Decals Must be Ordered Separately - See DECALS SECTION.	
	1001186334	Ref	PLATFORM ASSEMBLY - 36IN X 8FT (91.5CM X 2.44M) WITH FALL ARREST (ANSI SPECS)	D
1	0681814	2	Bolt 1/2 x 1-3/4 Grade 8	
2	0681822	6	Bolt 1/2 x 2-3/4 Grade 8	
3	0962270	2	Bearing	
4	1702773	1	Decal - JLG	
5	1705014	1	Decal - Safety	
6	1706385	1	Decal - Drop Bar	
7	2410014	1	Gate	
8	3271805	8	Nut 1/2 Grade 8	
9	3311605	1	Nut 3/8	
10	3520072	1	Plug	
11	3890040	1	Cable (SN 0300201017 through 0300215893)	
11	1001203656	1	Cable (SN 0300215894 to Present)	
12	3900054	1	Bolt 1/2 x 1-3/4	
13	4711800	AR	Washer 1/2	
14	4751800	6	Washer 1/2	
15	See Note	NSS	Platform (Note: Purchase Platform Assembly)	

# SECTION 5 - PLATFORM

FIGURE 5-8. PLATFORM ASSEMBLY - 36IN X 6FT (91.5CM X 1.83M) TRI-ENTRY WITH SWING GATE



ART\_1001228376

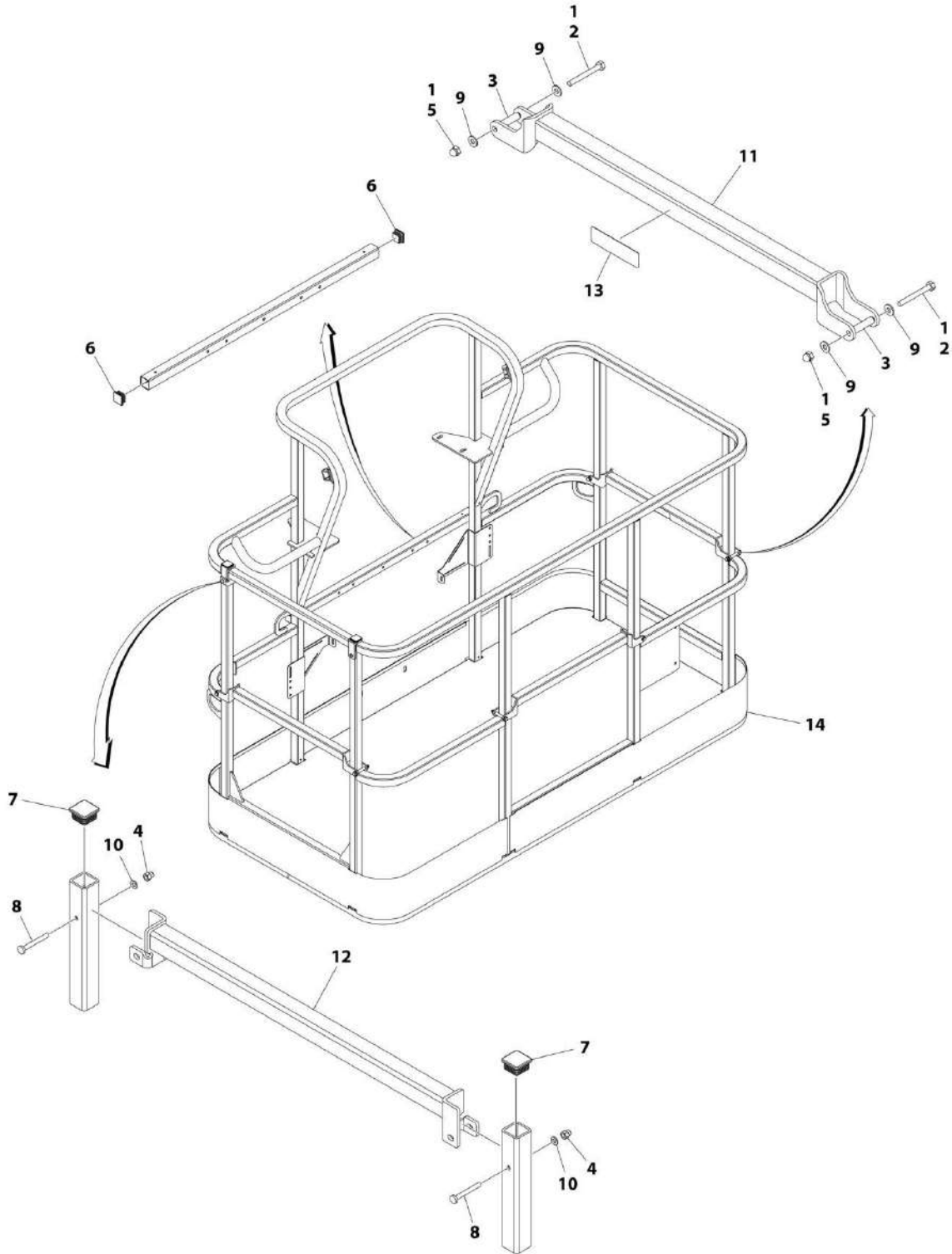
## SECTION 5 - PLATFORM

**FIGURE 5-8. PLATFORM ASSEMBLY - 36IN X 6FT (91.5CM X 1.83M) TRI-ENTRY WITH SWING GATE**

ITEM	PART NUMBER	QTY	DESCRIPTION	REV
	1001228376	Ref	PLATFORM ASSEMBLY - 36IN x 6FT (91.5CM x 1.83M)	A
		Ref	Note: Platform and Mesh must be ordered separately for Platforms with Mesh. See SPECIAL OPTIONS SECTION for Mesh Installations.	
		Ref	Note: Replacement Decals Must be Ordered Separately - See DECAL SECTION.	
1	0100011	AR	Compound, Locking	
2	0641418	4	Bolt 1/4 x 2-1/4	
3	0961845	4	Bushing	
4	2080040	16	Fastener	
5	2600281	2	Hinge	
6	2940074	1	Latch	
7	3300151	4	Nut 1/4	
8	3520072	3	Plug	
9	3520198	2	Plug	
10	3820020	4	Rivet	
11	4711400	8	Washer 1/4	
12	1001138494	2	Bar, Drop	
13	1001140429	2	Decal - Drop Bar	
14	1001144629	1	Gate	
15	See Note	NSS	Platform (Note: Not Available - Purchase Platform Assembly)	

# SECTION 5 - PLATFORM

FIGURE 5-9. PLATFORM ASSEMBLY - 36IN X 6FT (91.5CM X 1.83M) TRI-ENTRY WITH DROP BAR



ART\_1001228377



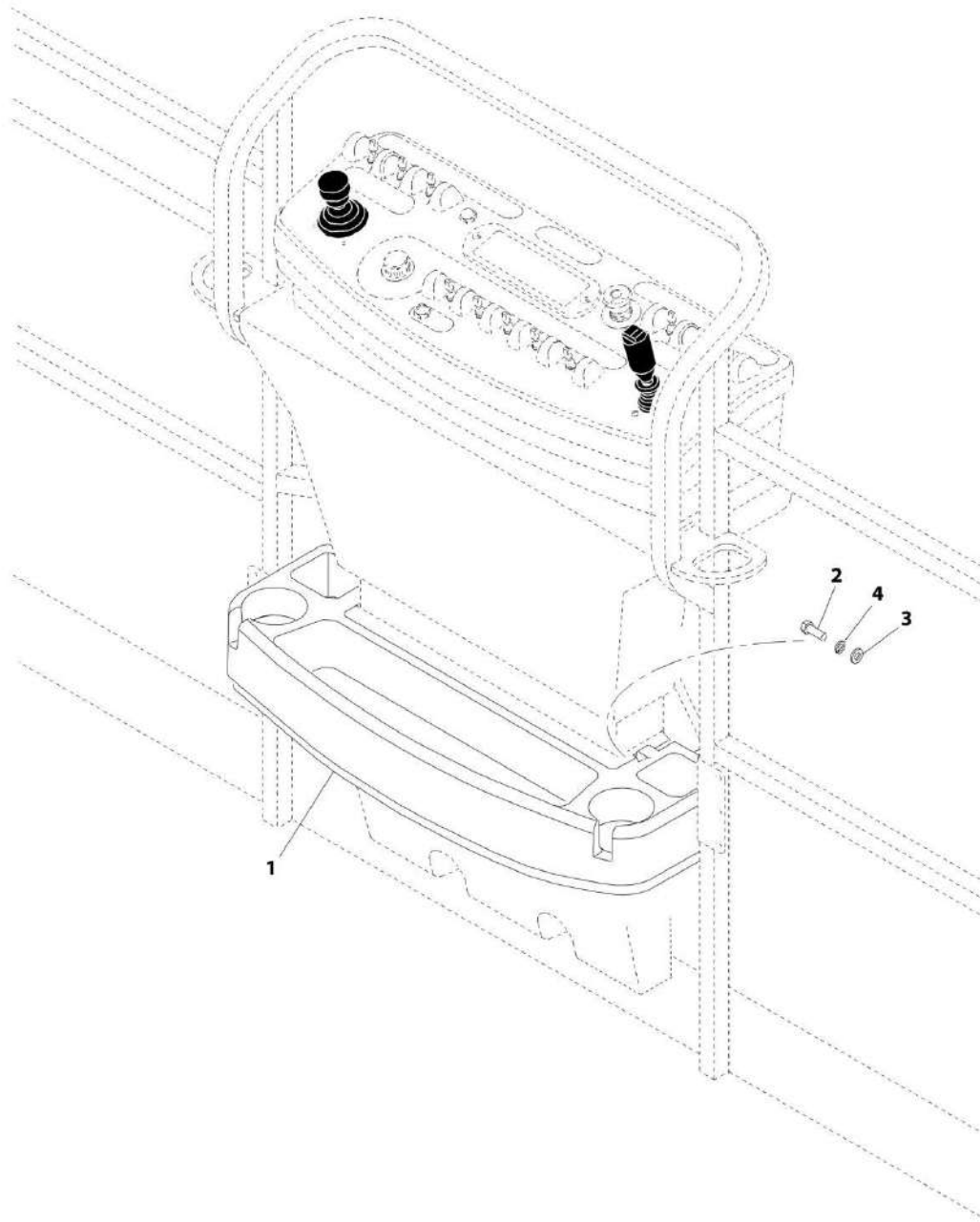
## SECTION 5 - PLATFORM

**FIGURE 5-9. PLATFORM ASSEMBLY - 36IN X 6FT (91.5CM X 1.83M) TRI-ENTRY WITH DROP BAR**

ITEM	PART NUMBER	QTY	DESCRIPTION	REV
	1001228377	Ref	PLATFORM ASSEMBLY - 36IN x 6FT (91.5CM x 1.83M)	A
		Ref	Note: Platform and Mesh must be ordered separately for Platforms with Mesh. See SPECIAL OPTIONS SECTION for Mesh Installations.	
		Ref	Note: Replacement Decals Must be Ordered Separately - See DECAL SECTION.	
1	0100011	1	Compound, Locking	
2	0641418	6	Bolt 1/4 x 2-1/4	
3	0961845	6	Bushing	
4	3290606	2	Nut M6	
5	3300151	6	Nut 1/4	
6	3520072	2	Plug	
7	3520198	2	Plug	
8	4010618	2	Screw M6 x 50	
9	4711400	12	Washer 1/4	
10	4811700	2	Washer M6	
11	1001138494	3	Bar, Drop	
12	1001138514	1	Rail (Top)	
13	1001140429	3	Decal - Drop Bar	
14	See Note	NSS	Platform, Weldment (Note: Not Available - Purchase Platform Assembly)	

# SECTION 5 - PLATFORM

## FIGURE 5-10. TRAY INSTALLATION



ART\_1580012

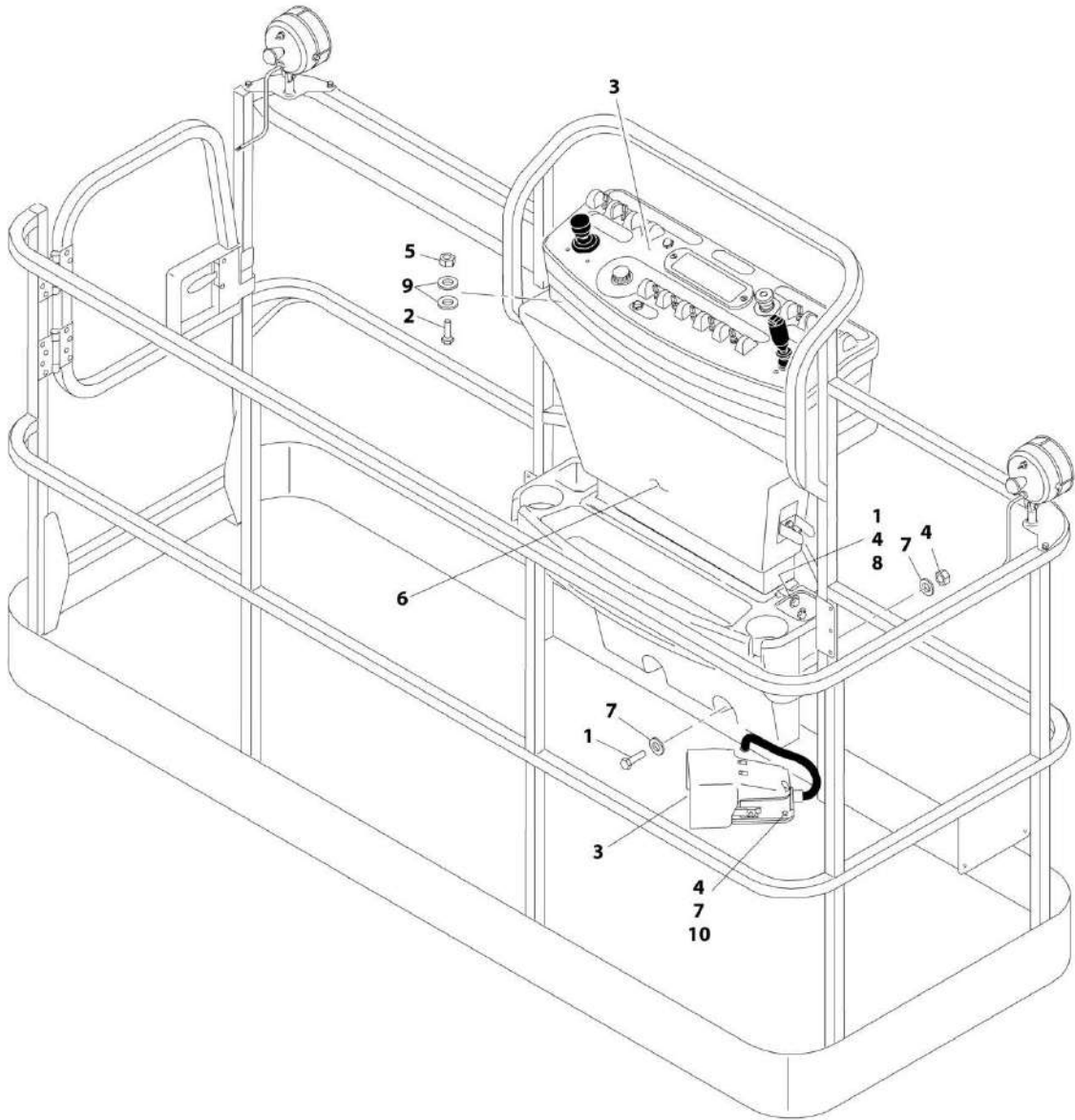
## SECTION 5 - PLATFORM

### FIGURE 5-10. TRAY INSTALLATION

ITEM	PART NUMBER	QTY	DESCRIPTION	REV
	1580012	Ref	TRAY INSTALLATION	C
1	See Note	1	Tray, Storage (Center) (Note: Purchase p/n 1580012)	
2	0641406	2	Bolt 1/4 x 3/4	
3	4751400	2	Washer 1/4	
4	4761400	2	Washer 1/4	

# SECTION 5 - PLATFORM

FIGURE 5-11. PLATFORM CONTROLS INSTALLATION - WITHOUT SKYGUARD



ART\_1001145785

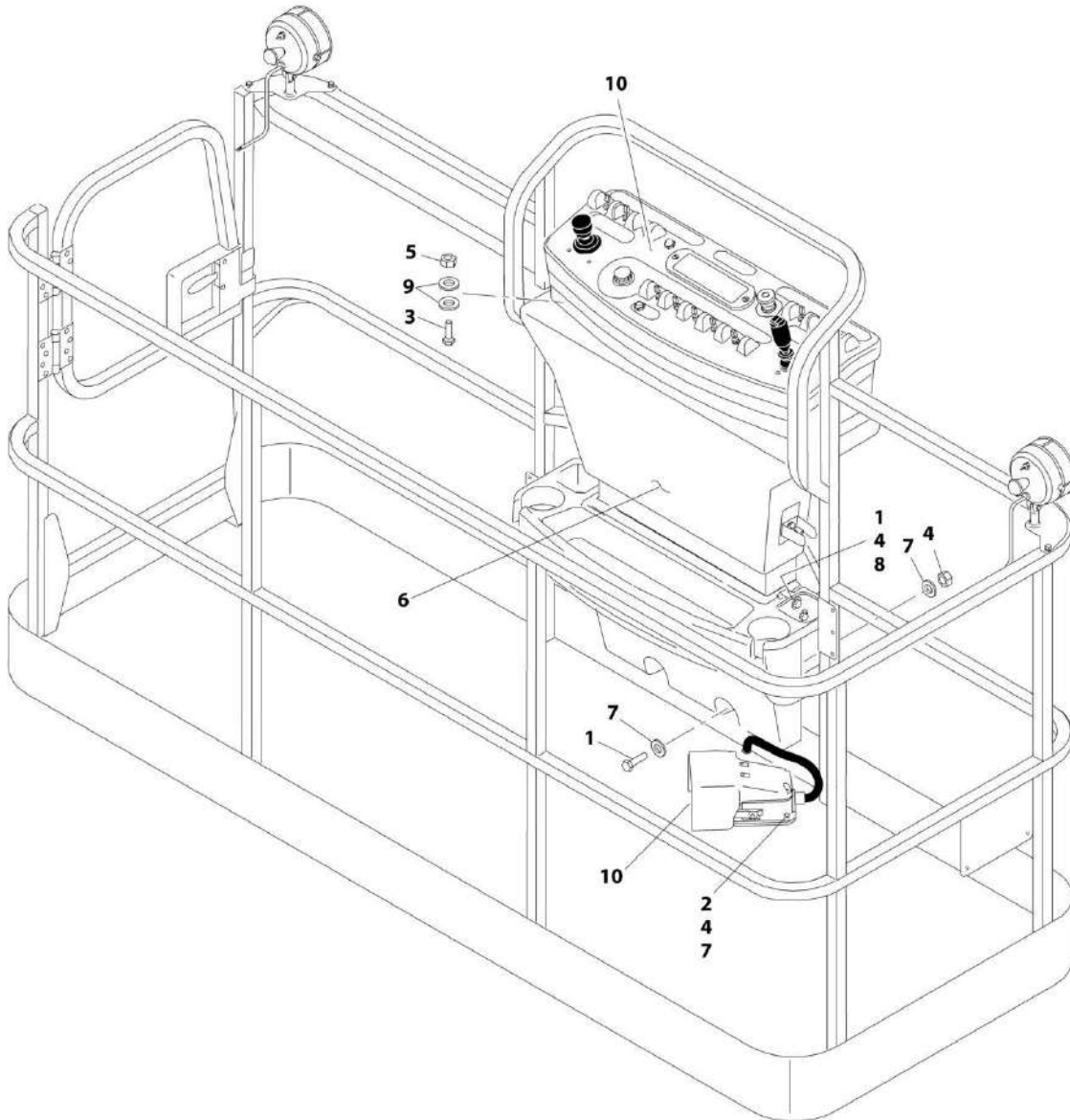
## SECTION 5 - PLATFORM

**FIGURE 5-11. PLATFORM CONTROLS INSTALLATION - WITHOUT SKYGUARD**

ITEM	PART NUMBER	QTY	DESCRIPTION	REV
	1001145785	Ref	PLATFORM CONTROLS INSTALLATION - WITHOUT SKYGUARD	C
1	0641406	4	Bolt 1/4 x 3/4	
2	0641610	4	Bolt 3/8 x 1-1/4	
3	1001166665	NLA	Platform Console Box Assembly (See PLATFORM CONSOLE ASSEMBLY for Breakdown) (Use p/n 1001202564) <b>(SN 0300201017 through 0300220134)</b>	
3	1001202564	1	Platform Console Box Assembly (See PLATFORM CONSOLE ASSEMBLY for Breakdown) <b>(SN 0300220135 to Present)</b>	
4	3311405	7	Nut 1/4	
5	3311605	4	Nut 3/8	
6	3380434	1	Panel, Molded	
7	4740362	7	Washer, Fender	
8	4751400	4	Washer 1/4	
9	4751600	8	Washer 3/8	
10	0641408	3	Bolt 1/4 x 1	

# SECTION 5 - PLATFORM

FIGURE 5-12. PLATFORM CONTROLS INSTALLATION - WITH SKYGUARD (SN 0300201017 through 0300234289)



ART\_1001190111

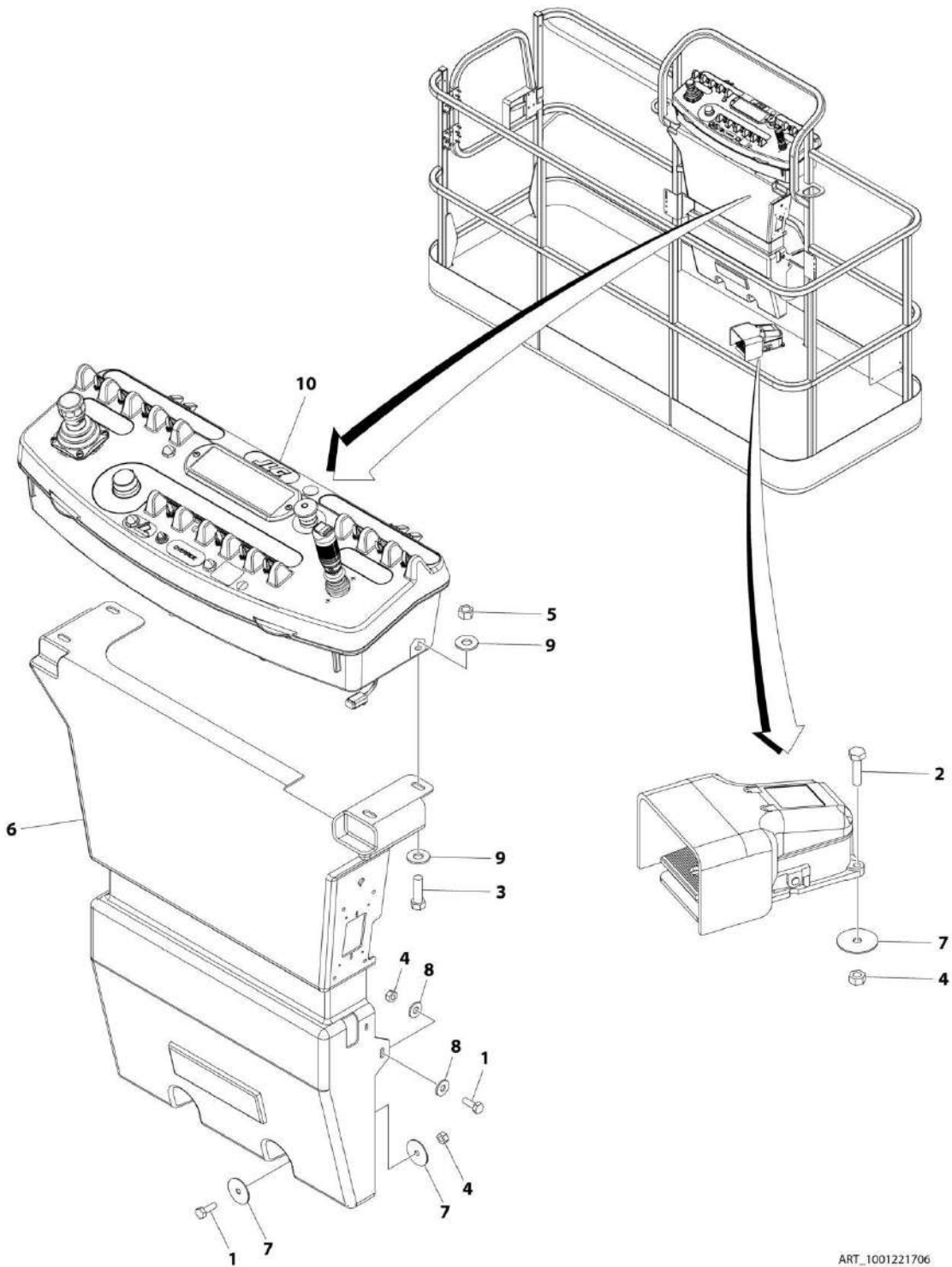
## SECTION 5 - PLATFORM

**FIGURE 5-12. PLATFORM CONTROLS INSTALLATION - WITH SKYGUARD (SN 0300201017 through 0300234289)**

ITEM	PART NUMBER	QTY	DESCRIPTION	REV
	1001190111	Ref	PLATFORM CONTROLS INSTALLATION - WITH SKYGUARD (SN <b>0300201017 through 0300234289</b> )	C
1	0641406	4	Bolt 1/4 x 3/4	
2	0641408	3	Bolt 1/4 x 1	
3	0641610	4	Bolt 3/8 x 1-1/4	
4	3311405	7	Nut 1/4	
5	3311605	4	Nut 3/8	
6	3380434	1	Panel, Molded	
7	4740362	7	Washer, Fender	
8	4751400	4	Washer 1/4	
9	4751600	8	Washer 3/8	
10	1001190098	1	Platform Console Box Assembly (See PLATFORM CONSOLE ASSEMBLY for Breakdown) (SN <b>0300201017 through 0300220134</b> )	
10	1001202562	1	Platform Console Box Assembly (See PLATFORM CONSOLE ASSEMBLY for Breakdown) (SN <b>0300220135 through 0300234289</b> )	

# SECTION 5 - PLATFORM

FIGURE 5-13. PLATFORM CONTROLS INSTALLATION - WITH SKYGUARD (SN 0300234290 to Present)





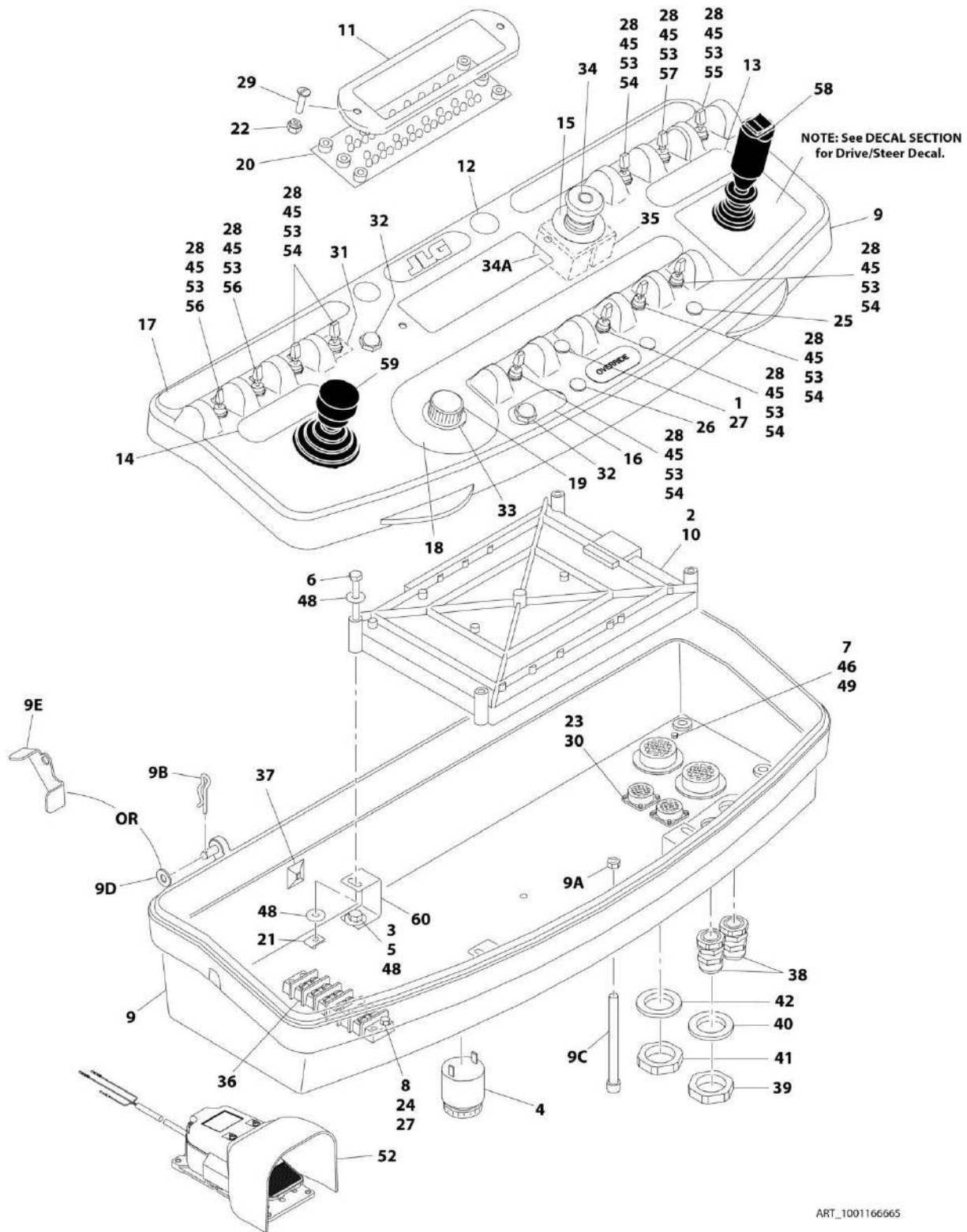
## SECTION 5 - PLATFORM

**FIGURE 5-13. PLATFORM CONTROLS INSTALLATION - WITH SKYGUARD (SN 0300234290 to Present)**

ITEM	PART NUMBER	QTY	DESCRIPTION	REV
	1001221706	Ref	PLATFORM CONTROLS INSTALLATION - WITH SKYGUARD (SN <b>0300234290 to Present</b> )	A
1	0641406	4	Bolt 1/4 x 3/4	
2	0641408	3	Bolt 1/4 x 1	
3	0641610	4	Bolt 3/8 x 1-1/4	
4	3311405	7	Nut 1/4	
5	3311605	4	Nut 3/8	
6	3380434	1	Panel, Molded	
7	4740362	7	Washer, Fender	
8	4751400	4	Washer 1/4	
9	4751600	8	Washer 3/8	
10	1001219987	1	Platform Console Box Assembly (See Separate Breakdown in this Section)	

# SECTION 5 - PLATFORM

FIGURE 5-14. PLATFORM CONSOLE ASSEMBLY - WITHOUT SKYGUARD (SN 0300201017 through 0300220134)



ART\_1001166665

## SECTION 5 - PLATFORM

**FIGURE 5-14. PLATFORM CONSOLE ASSEMBLY - WITHOUT SKYGUARD (SN 0300201017 through 0300220134)**

ITEM	PART NUMBER	QTY	DESCRIPTION	REV
	1001166665	Ref	PLATFORM CONSOLE ASSEMBLY - WITHOUT SKYGUARD (SN 0300201017 through 0300220134)	C
1	0100009	AR	Sealant	
2	0100048	AR	Grease, Dielectric	
3	0100081	AR	Loctite 454	
4	0140011	1	Alarm	
5	0641404	4	Bolt 1/4 x 1/2	
6	0641414	4	Bolt 1/4 x 1-3/4	
7	0720804	1	Screw #8 x 1/2	
8	0721006	2	Bolt #10 x 3/4	
9	0861630	NLA	Box, Console (Use p/n 1001201888)	H
9A	3311601	1	Nut 3/8	
9B	3470003	2	Pin	
9C	0630568	1	Screw 3/8 x 4-1/2	
9D	4711500	2	Washer 5/16 (SN 0300201017 through 0300210409)	
9E	1001200575	2	Bracket, Stop (SN 0300210410 through 0300220134)	
10	1600343	1	Module, Platform Control (Note: Re-calibration Required when Replaced)	
10	2915024	1	Update Kit (Includes Cables, Programming Instructions and CD Software)	
11	1671176	1	Bezel	
12	1671314	1	Cover, Hole	
13	1702565	1	Decal - Drive and Steer	
14	1702566	1	Decal - Lift and Swing	
15	1704260	1	Decal - EMS	
16	1705171	1	Decal - Jib Stow	
17	1705744	1	Decal - Horn	
18	1705745	1	Decal - Function Speed	
19	2560136	1	Handle, Knob	
20	2920154	1	Panel, LED Light	
21	3300353	4	Nut, Tinnerman	
22	3300408	2	Insert, Nylon	
23	3300482	2	Nut M2.5	
24	3311005	2	Nut #10	
25	3520026	2	Plug, Hole	
26	3520027	1	Plug, Hole	
27	3520054	1	Plug, Hole	
28	3790012	11	O-Ring	
29	3900183	2	Screw #10 x 1-1/4	
30	3900349	8	Capscrew M2.5	
31	4071074	1	Shim	
32	4360387	2	Switch, Pushbutton	
33	4360407	1	Controller, Speed	
	See Note	1	Gasket "Top Hat" (Included with Switch) (Note: Not Available - Purchase Complete Controller)	
33	70003784	1	Seal	
34	4360475	1	Switch, Emergency Stop	
34	7020175	1	Cap, Red	
34A	7020176	1	Block, Contact	
35	4360476	1	Block, Contact	

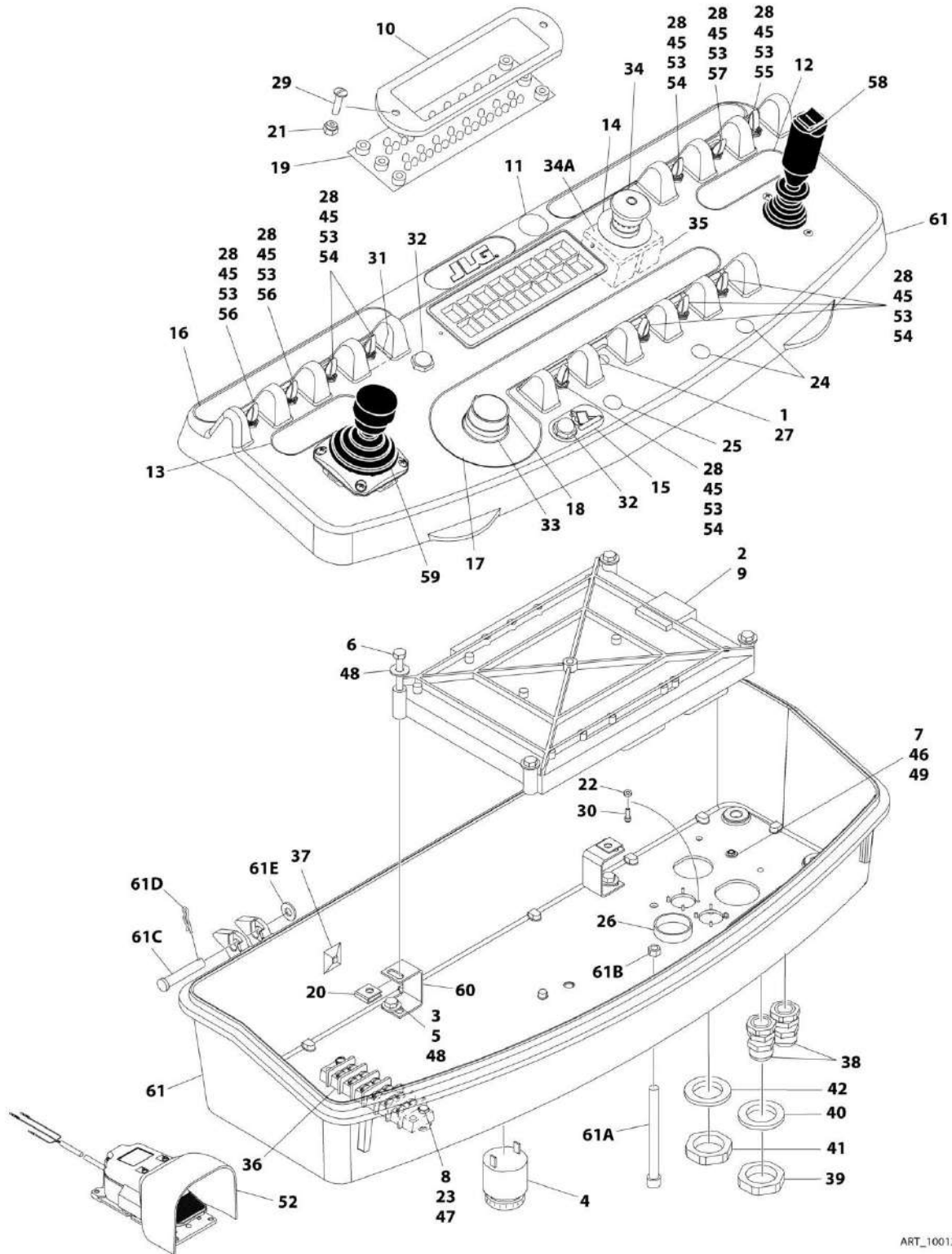
## SECTION 5 - PLATFORM

ITEM	PART NUMBER	QTY	DESCRIPTION	REV
36	4460007	1	Bar, Buss	
37	4460234	3	Tie-Strap	
38	4460428	2	Connector, Strain Relief	
39	4460470	1	Nut, Terminal	
40	4460471	1	Washer, Terminal	
41	4460496	1	Nut, Terminal	
42	4460497	1	Washer, Terminal	
43	4460708	2	Connector, Female - 15 Position (Not Shown - See ELECTRICAL SECTION for Location)	
44	4460905	AR	Plug, Seal (Not Shown - See ELECTRICAL SECTION for Location)	
45	4740397	11	Spacer	
46	4750800	1	Washer #8	
47	4751000	2	Washer #10	
48	4751400	8	Washer 1/4	
49	4760800	1	Washer #8	
50	4922666	1	Harness, Analyzer Cable (Not Shown - See ELECTRICAL SECTION for Breakdown)	
51	4923448	1	Harness, Console Box (Not Shown - See ELECTRICAL SECTION for Breakdown)	
52	1001117174	1	Footswitch Assembly (See FOOTSWITCH ASSEMBLY for Breakdown)	
53	1001155044	11	Nut	
54	1001155045	7	Switch, Toggle	
55	1001159256	1	Switch, Toggle	
56	1001161709	2	Switch, Toggle	
57	1001161710	1	Switch, Toggle	
58	1001166538	NLA	Controller Assembly (Drive and Steer) (Use p/n 1001212415) (See CONTROLLER ASSEMBLY (DRIVE AND STEER) for Breakdown)	
59	1001166539	1	Controller Assembly (Lift and Swing) (See CONTROLLER ASSEMBLY (LIFT AND SWING) for Breakdown)	
60	1001172760	4	Bracket, Support	



# SECTION 5 - PLATFORM

FIGURE 5-15. PLATFORM CONSOLE ASSEMBLY - WITHOUT SKYGUARD (SN 0300220135 to Present)



ART\_1001202564

## SECTION 5 - PLATFORM

**FIGURE 5-15. PLATFORM CONSOLE ASSEMBLY - WITHOUT SKYGUARD (SN 0300220135 to Present)**

ITEM	PART NUMBER	QTY	DESCRIPTION	REV
	1001202564	Ref	PLATFORM CONSOLE ASSEMBLY - WITHOUT SKYGUARD (SN 0300220135 to Present)	B
1	0100009	AR	Sealant	
2	0100048	AR	Grease, Dielectric	
3	0100081	AR	Loctite 454	
4	0140011	1	Alarm	
5	0641404	4	Bolt 1/4 x 1/2	
6	0641414	4	Bolt 1/4 x 1-3/4	
7	0720804	1	Screw #8 x 1/2	
8	0721006	2	Bolt #10 x 3/4	
9	1600343	1	Module, Platform Control (Note: Re-calibration Required when Replaced)	
9	2915024	1	Update Kit (Includes Cables, Programming Instructions and CD Software)	
10	1671176	1	Bezel	
11	1671314	1	Cover, Hole	
12	1702565	1	Decal - Drive and Steer	
13	1702566	1	Decal - Lift and Swing	
14	1704260	1	Decal - EMS	
15	1705171	1	Decal - Jib Stow	
16	1705744	1	Decal - Horn	
17	1705745	1	Decal - Function Speed	
18	2560136	1	Handle, Knob	
19	2920154	1	Panel, LED Light	
20	3300353	4	Nut, Tinnerman	
21	3300408	2	Insert, Nylon	
22	3300482	2	Nut M2.5	
23	3311005	2	Nut #10	
24	3520026	2	Plug, Hole	
25	3520027	1	Plug, Hole	
26	3520035	1	Plug, Cap	
27	3520054	1	Plug, Hole	
28	3790012	11	O-Ring	
29	3900183	2	Screw #10 x 1-1/4	
30	3900349	8	Capscrew M2.5	
31	4071074	1	Shim	
32	4360387	2	Switch, Pushbutton	
33	4360407	1	Controller, Speed	
	See Note	1	Gasket "Top Hat" (Included with Switch) (Note: Not Available - Purchase Complete Controller)	
33	70003784	1	Seal	
34	4360475	1	Switch, Emergency Stop	
34	7020175	1	Cap, Red	
34A	7020176	1	Block, Contact	
35	4360476	1	Block, Contact	
36	4460007	1	Bar, Buss	
37	4460234	3	Tie-Strap	
38	4460428	2	Connector, Strain Relief	
39	4460470	1	Nut, Terminal	
40	4460471	1	Washer, Terminal	

## SECTION 5 - PLATFORM

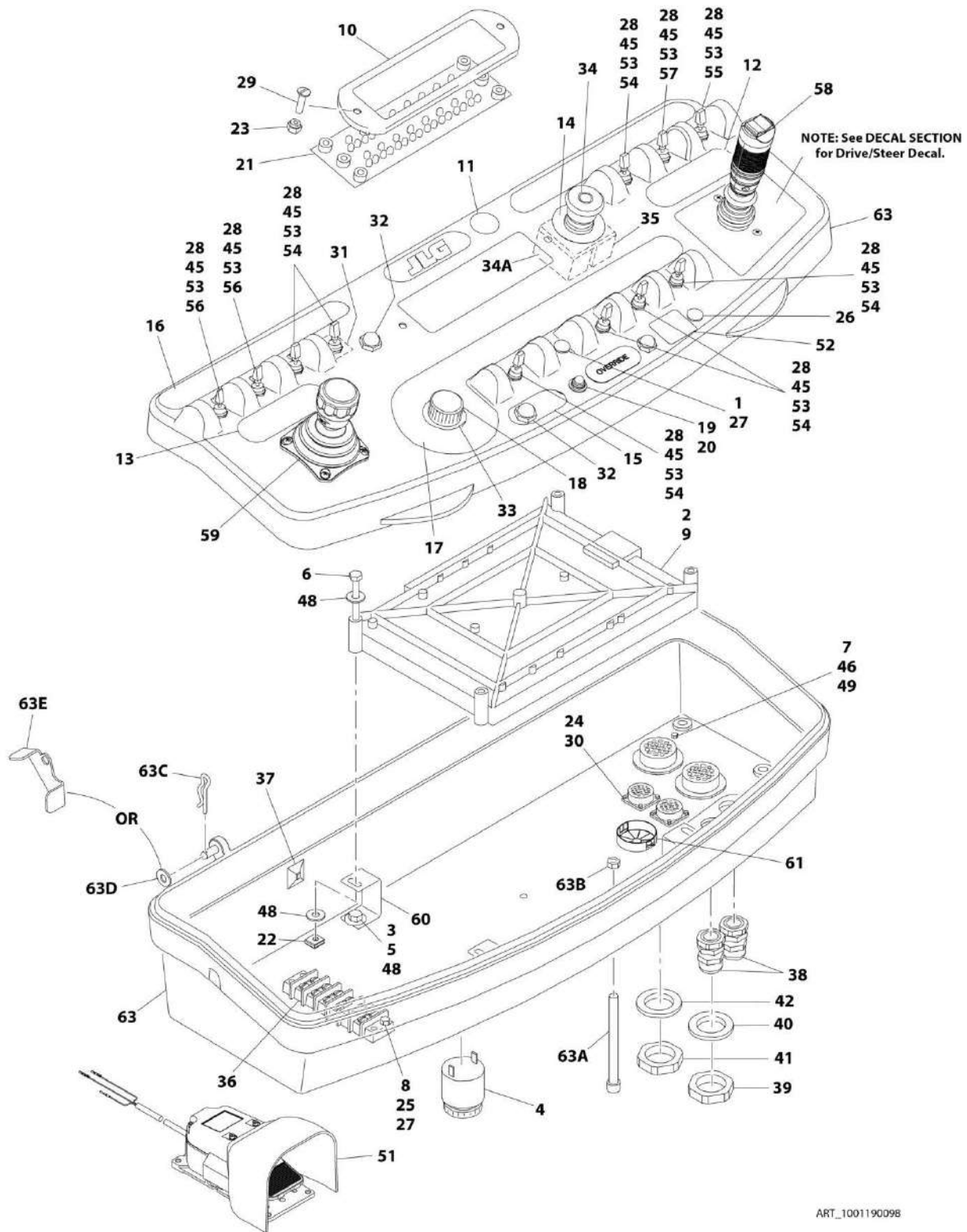
ITEM	PART NUMBER	QTY	DESCRIPTION	REV
41	4460496	1	Nut, Terminal	
42	4460497	1	Washer, Terminal	
43	4460708	2	Connector, Female - 15 Position (Not Shown - See ELECTRICAL SECTION for Location)	
44	4460905	AR	Plug, Seal (Not Shown - See ELECTRICAL SECTION for Location)	
45	4740397	11	Spacer	
46	4750800	1	Washer #8	
47	4751000	2	Washer #10	
48	4751400	8	Washer 1/4	
49	4760800	1	Washer #8	
50	4922666	1	Harness, Analyzer Cable (Not Shown - See ELECTRICAL SECTION for Breakdown)	
51	4923448	1	Harness, Console Box (Not Shown - See ELECTRICAL SECTION for Breakdown)	
52	1001117174	1	Footswitch Assembly (See FOOTSWITCH ASSEMBLY for Breakdown)	
53	1001155044	11	Nut	
54	1001155045	7	Switch, Toggle	
55	1001159256	1	Switch, Toggle	
56	1001161709	2	Switch, Toggle	
57	1001161710	1	Switch, Toggle	
58	1001166538	NLA	Controller Assembly (Drive and Steer) (Use p/n 1001212415) (See CONTROLLER ASSEMBLY (DRIVE AND STEER) for Breakdown)	
59	1001166539	1	Controller Assembly (Lift and Swing) (See CONTROLLER ASSEMBLY (LIFT AND SWING) for Breakdown)	
60	1001172760	4	Bracket, Support	
61	1001201888	1	Box, Console	B
61A	0630568	1	Screw 3/8 x 4-1/2	
61B	3311601	1	Nut 3/8	
61C	3430616	2	Pin, Clevis	
61D	3470003	2	Pin	
61E	4711600	2	Washer 3/8	





# SECTION 5 - PLATFORM

FIGURE 5-16. PLATFORM CONSOLE ASSEMBLY - WITH SKYGUARD (SN 0300201017 through 0300220134)



ART\_1001190098

## SECTION 5 - PLATFORM

**FIGURE 5-16. PLATFORM CONSOLE ASSEMBLY - WITH SKYGUARD (SN 0300201017 through 0300220134)**

ITEM	PART NUMBER	QTY	DESCRIPTION	REV
	1001190098	Ref	PLATFORM CONSOLE ASSEMBLY - WITH SKYGUARD (SN 0300201017 through 0300220134)	C
1	0100009	AR	Sealant	
2	0100048	AR	Grease, Dielectric	
3	0100081	AR	Loctite 454	
4	0140011	1	Alarm	
5	0641404	4	Bolt 1/4 x 1/2	
6	0641414	4	Bolt 1/4 x 1-3/4	
7	0720804	1	Screw #8 x 1/2	
8	0721006	2	Bolt #10 x 3/4	
9	1600343	1	Module, Platform Control (Note: Re-calibration Required when Replaced)	
9	2915024	1	Update Kit (Includes Cables, Programming Instructions and CD Software)	
10	1671176	1	Bezel	
11	1671314	1	Cover, Hole	
12	1702565	1	Decal - Drive and Steer	
13	1702566	1	Decal - Lift and Swing	
14	1704260	1	Decal - EMS	
15	1705171	1	Decal - Jib Stow	
16	1705744	1	Decal - Horn	
17	1705745	1	Decal - Function Speed	
18	2560136	1	Handle, Knob	
19	2920028	1	Light, Indicator	
20	2920029	1	Bulb	
21	2920154	1	Panel, LED Light	
22	3300353	4	Nut, Tinnerman	
23	3300408	2	Insert, Nylon	
24	3300482	2	Nut M2.5	
25	3311005	2	Nut #10	
26	3520026	2	Plug, Hole	
27	3520054	1	Plug, Hole	
28	3790012	11	O-Ring	
29	3900183	2	Screw #10 x 1-1/4	
30	3900349	8	Capscrew M2.5	
31	4071074	1	Shim	
32	4360387	2	Switch, Pushbutton	
33	4360407	1	Controller, Speed	
	See Note	1	Gasket "Top Hat" (Included with Switch) (Note: Not Available - Purchase Complete Controller)	
33	70003784	1	Seal	
34	4360475	1	Switch, Emergency Stop	
34	7020175	1	Cap, Red	
34A	7020176	1	Block, Contact	
35	4360476	1	Block, Contact	
36	4460007	1	Bar, Buss	
37	4460234	3	Tie-Strap	
38	4460428	2	Connector, Strain Relief	
39	4460470	1	Nut, Terminal	
40	4460471	1	Washer, Terminal	

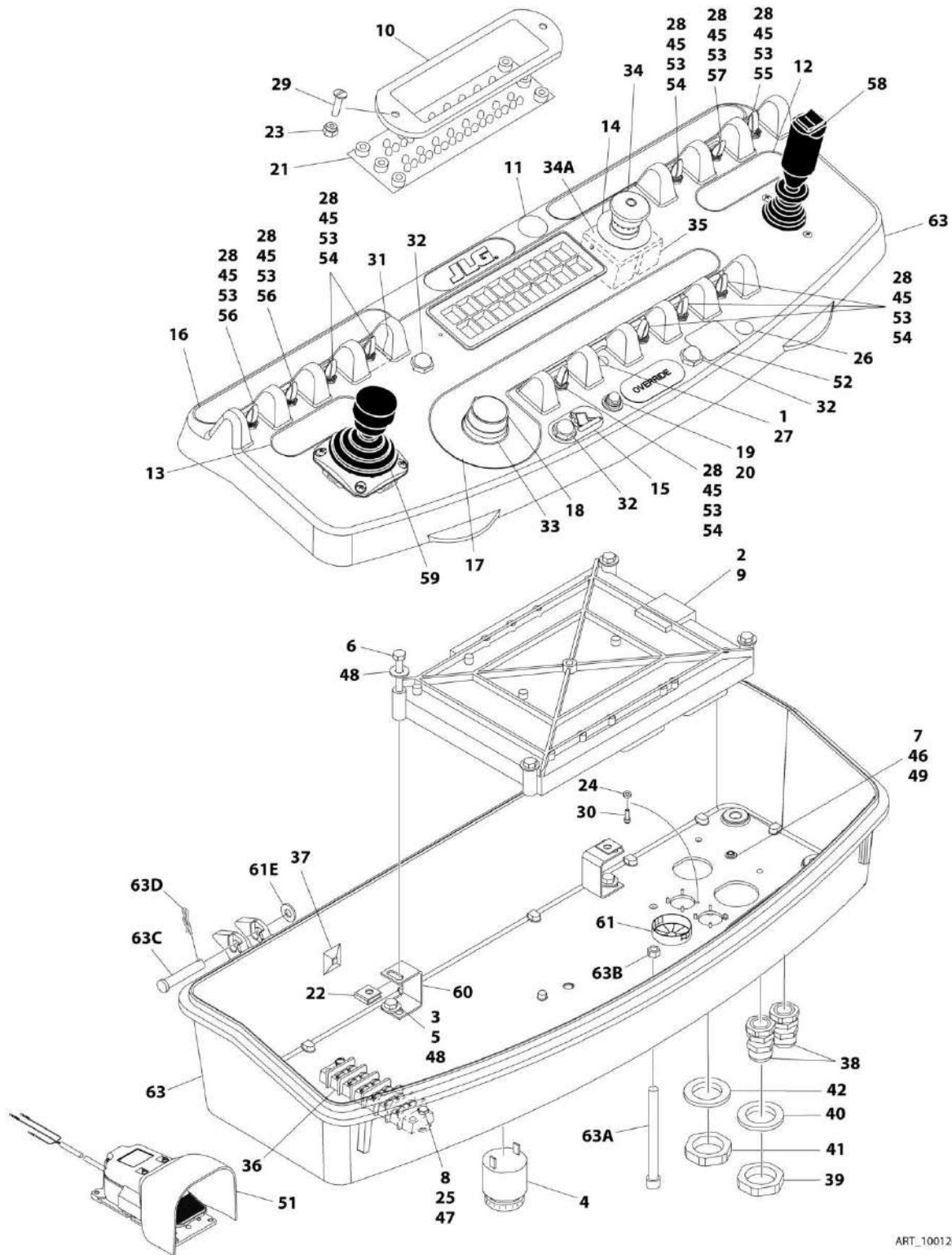
## SECTION 5 - PLATFORM

ITEM	PART NUMBER	QTY	DESCRIPTION	REV
41	4460496	1	Nut, Terminal	
42	4460497	1	Washer, Terminal	
43	4460708	2	Connector, Female - 15 Position (Not Shown - See ELECTRICAL SECTION for Location)	
44	4460905	AR	Plug, Seal (Not Shown - See ELECTRICAL SECTION for Location)	
45	4740397	11	Spacer	
46	4750800	1	Washer #8	
47	4751000	2	Washer #10	
48	4751400	8	Washer 1/4	
49	4760800	1	Washer #8	
50	4922666	1	Harness, Analyzer Cable (Not Shown - See ELECTRICAL SECTION for Breakdown)	
51	1001117174	1	Footswitch Assembly (See FOOTSWITCH ASSEMBLY for Breakdown)	
52	1001144433	1	Decal - No Weight SkyGuard	
53	1001155044	11	Nut	
54	1001155045	7	Switch, Toggle	
55	1001159256	1	Switch, Toggle	
56	1001161709	2	Switch, Toggle	
57	1001161710	1	Switch, Toggle	
58	1001166538	NLA	Controller Assembly (Drive and Steer) (Use p/n 1001212415) (See CONTROLLER ASSEMBLY (DRIVE AND STEER) for Breakdown)	
59	1001166539	1	Controller Assembly (Lift and Swing) (See CONTROLLER ASSEMBLY (LIFT AND SWING) for Breakdown)	
60	1001172760	4	Bracket, Support	
61	1001185281	1	Plug	
62	1001186477	1	Harness, Console Box (Not Shown - See ELECTRICAL SECTION for Breakdown)	
63	1001190106	NLA	Box, Console (Use p/n 1001201888)	B
63A	0630568	1	Capscrew 3/8 X 4-1/2	
63B	3311601	1	Nut 3/8	
63C	3470003	2	Pin, Hair	
63D	4711500	2	Washer 5/16 (SN 0300201017 through 0300210409)	
63E	1001200575	2	Bracket, Stop (SN 0300210410 through 0300220134)	



# SECTION 5 - PLATFORM

FIGURE 5-17. PLATFORM CONSOLE ASSEMBLY - WITH SKYGUARD (SN 0300220135 through 0300234289)



ART\_1001202562

## SECTION 5 - PLATFORM

**FIGURE 5-17. PLATFORM CONSOLE ASSEMBLY - WITH SKYGUARD (SN 0300220135 through 0300234289)**

ITEM	PART NUMBER	QTY	DESCRIPTION	REV
	1001202562	Ref	PLATFORM CONSOLE ASSEMBLY - WITH SKYGUARD (SN 0300220135 through 0300234289)	D
1	0100009	AR	Sealant	
2	0100048	AR	Grease, Dielectric	
3	0100035	AR	Compound, Locking	
4	0140011	1	Alarm	
5	0641404	4	Bolt 1/4 x 1/2	
6	0641414	4	Bolt 1/4 x 1-3/4	
7	0720804	1	Screw #8 x 1/2	
8	0721006	2	Bolt #10 x 3/4	
9	1600343	1	Module, Platform Control (Note: Re-calibration Required when Replaced)	
9	2915024	1	Update Kit (Includes Cables, Programming Instructions and CD Software)	
10	1671176	1	Bezel	
11	1671314	1	Cover, Hole	
12	1702565	1	Decal - Drive and Steer	
13	1702566	1	Decal - Lift and Swing	
14	1704260	1	Decal - EMS	
15	1705171	1	Decal - Jib Stow	
16	1705744	1	Decal - Horn	
17	1705745	1	Decal - Function Speed	
18	2560136	1	Handle, Knob	
19	2920028	1	Light, Indicator	
20	2920029	1	Bulb	
21	2920154	1	Panel, LED Light	
22	3300353	4	Nut, Tinnerman	
23	3300408	2	Insert, Nylon	
24	3300482	2	Nut M2.5	
25	3311005	2	Nut #10	
26	3520026	2	Plug, Hole	
27	3520054	2	Plug, Hole	
28	3790012	11	O-Ring	
29	3900183	2	Screw #10 x 1-1/4	
30	3900349	8	Capscrew M2.5	
31	4071074	1	Shim	
32	4360387	2	Switch, Pushbutton	
33	4360407	1	Controller, Speed	
	See Note	1	Gasket "Top Hat" (Included with Switch) (Note: Not Available - Purchase Complete Controller)	
33	70003784	1	Seal	
34	4360475	1	Switch, Emergency Stop	
34	7020175	1	Cap, Red	
34A	7020176	1	Block, Contact	
35	4360476	1	Block, Contact	
36	4460007	1	Bar, Buss	
37	4460234	3	Tie-Strap	
38	4460428	2	Connector, Strain Relief	
39	4460470	1	Nut, Terminal	
40	4460471	1	Washer, Terminal	

## SECTION 5 - PLATFORM

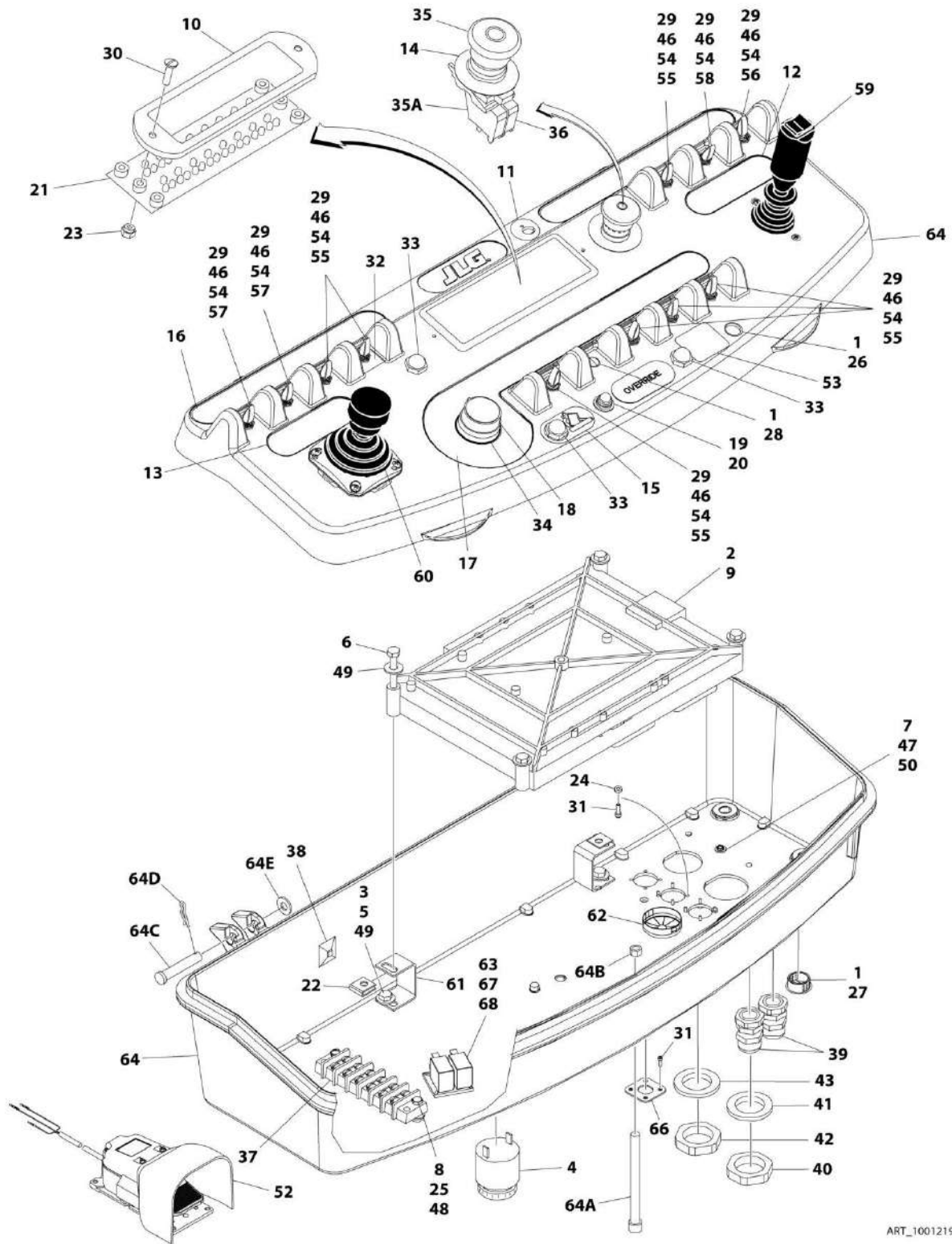
ITEM	PART NUMBER	QTY	DESCRIPTION	REV
41	4460496	1	Nut, Terminal	
42	4460497	1	Washer, Terminal	
43	4460708	2	Connector, Female - 15 Position (Not Shown)	
44	4460905	AR	Plug, Seal (Not Shown)	
45	4740397	11	Spacer	
46	4750800	1	Washer #8	
47	4751000	2	Washer #10	
48	4751400	8	Washer 1/4	
49	4760800	1	Washer #8	
50	4922666	1	Harness, Analyzer Cable (Not Shown - See Separate Breakdown in ELECTRICAL SECTION)	
51	1001117174	1	Footswitch Assembly (See Separate Breakdown in this Section)	
52	1001144433	1	Decal - No Weight SkyGuard	
53	1001155044	11	Nut	
54	1001155045	7	Switch, Toggle	
55	1001159256	1	Switch, Toggle	
56	1001161709	2	Switch, Toggle	
57	1001161710	1	Switch, Toggle	
58	1001166538	NLA	Controller Assembly (Drive and Steer) (Use p/n 1001212415) (See Separate Breakdown in this Section)	
59	1001166539	1	Controller Assembly (Lift and Swing) (See Separate Breakdown in this Section)	
60	1001172760	4	Bracket, Support	
61	1001185281	1	Plug	
62	1001186477	1	Harness, Console Box (Not Shown - See Separate Breakdown in ELECTRICAL SECTION)	
63	1001201888	1	Box, Console	B
63A	0630568	1	Screw 3/8 x 4-1/2	
63B	3311601	1	Nut 3/8	
63C	3430616	2	Clevis	
63D	3470003	2	Pin	
63E	4711600	2	Washer 3/8	





# SECTION 5 - PLATFORM

FIGURE 5-18. PLATFORM CONSOLE ASSEMBLY - WITH SKYGUARD (SN 0300234290 to Present)



ART\_1001219987

## SECTION 5 - PLATFORM

**FIGURE 5-18. PLATFORM CONSOLE ASSEMBLY - WITH SKYGUARD (SN 0300234290 to Present)**

ITEM	PART NUMBER	QTY	DESCRIPTION	REV
	1001219987	Ref	PLATFORM CONSOLE ASSEMBLY - WITH SKYGUARD (SN 0300234290 to Present)	B
1	0100009	AR	Sealant	
2	0100048	AR	Grease, Dielectric	
3	0100035	AR	Compound, Locking	
4	0140011	1	Alarm	
5	0641404	4	Bolt 1/4 x 1/2	
6	0641414	4	Bolt 1/4 x 1-3/4	
7	0720804	1	Screw #8 x 1/2	
8	0721006	2	Bolt #10 x 3/4	
9	1600343	1	Module, Platform Control (Note: Re-calibration Required when Replaced)	
9	2915024	1	Update Kit (Includes Cables, Programming Instructions and CD Software)	
10	1671176	1	Bezel	
11	1671314	1	Cover, Hole	
12	1702565	1	Decal - Drive and Steer	
13	1702566	1	Decal - Lift and Swing	
14	1704260	1	Decal - EMS	
15	1705171	1	Decal - Jib Stow	
16	1705744	1	Decal - Horn	
17	1705745	1	Decal - Function Speed	
18	2560136	1	Handle, Knob	
19	2920028	1	Light, Indicator	
20	2920029	1	Bulb	
21	2920154	1	Panel, LED Light	
22	3300353	4	Nut, Tinnerman	
23	3300408	2	Insert, Nylon	
24	3300482	2	Nut M2.5	
25	3311005	2	Nut #10	
26	3520026	2	Plug, Hole	
27	3520030	1	Plug, Hole	
28	3520054	1	Plug, Hole	
29	3790012	11	O-Ring	
30	3900183	2	Screw #10 x 1-1/4	
31	3900349	8	Capscrew M2.5	
32	4071074	1	Shim	
33	4360387	2	Switch, Pushbutton	
34	4360407	1	Controller, Speed	
	See Note	NSS	Gasket "Top Hat" (Included with Switch) (Note: Not Available - Purchase Complete Controller)	
34	70003784	1	Seal	
35	4360475	1	Switch, Emergency Stop	
35	7020175	1	Cap, Red	
35A	7020176	1	Block, Contact	
36	4360476	1	Block, Contact	
37	4460007	1	Bar, Buss	
38	4460234	3	Tie-Strap	
39	4460428	2	Connector, Strain Relief	
40	4460470	2	Nut, Terminal	

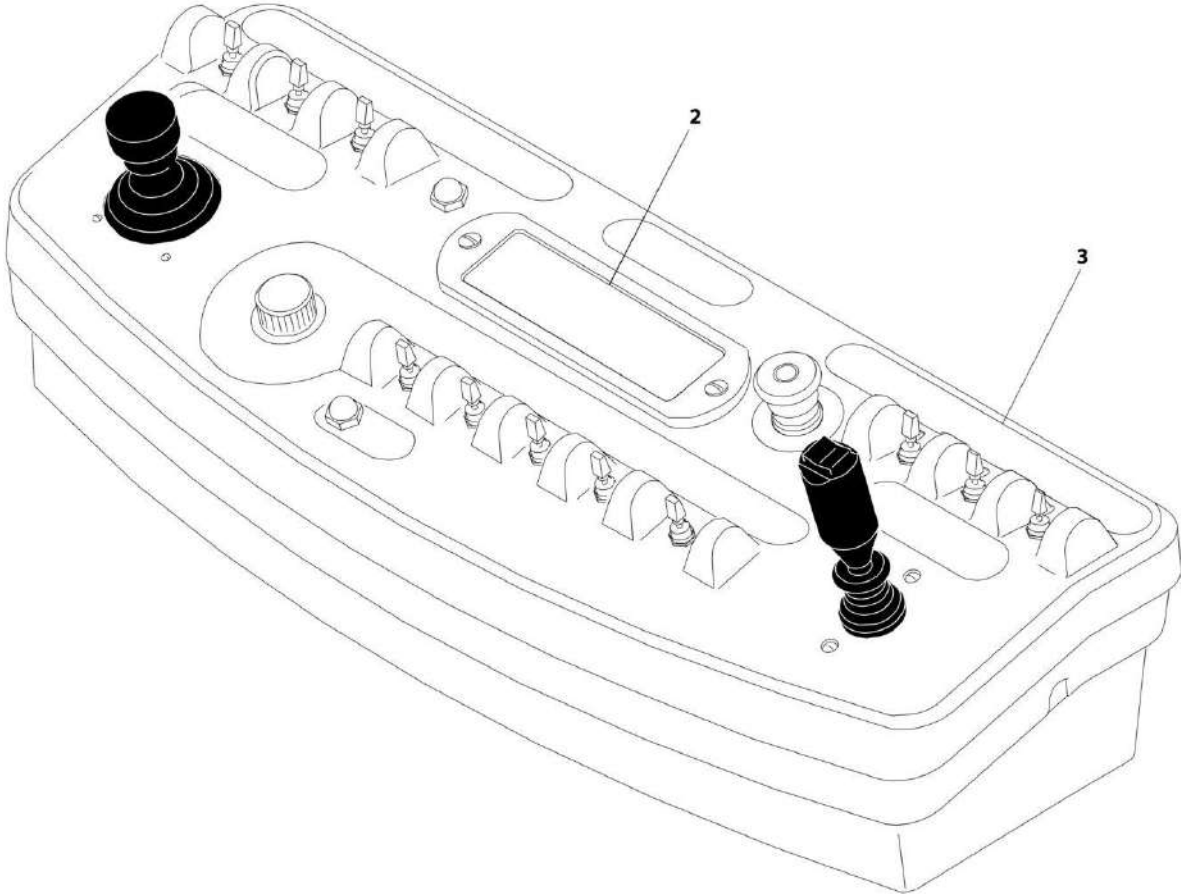
## SECTION 5 - PLATFORM

ITEM	PART NUMBER	QTY	DESCRIPTION	REV
41	4460471	1	Washer, Terminal	
42	4460496	1	Nut, Terminal	
43	4460497	1	Washer, Terminal	
44	4460708	2	Connector, Female - 15 Position (Not Shown)	
45	4460905	AR	Plug, Seal (Not Shown)	
46	4740397	11	Spacer	
47	4750800	1	Washer #8	
48	4751000	2	Washer #10	
49	4751400	8	Washer 1/4	
50	4760800	1	Washer #8	
51	4922666	1	Harness, Analyzer Cable (Not Shown - See Separate Breakdown in ELECTRICAL SECTION)	
52	1001117174	1	Footswitch Assembly (See Separate Breakdown in this Section)	
53	1001144433	1	Decal - No Weight SkyGuard	
54	1001155044	11	Nut	
55	1001155045	7	Switch, Toggle	
56	1001159256	1	Switch, Toggle	
57	1001161709	2	Switch, Toggle	
58	1001161710	1	Switch, Toggle	
59	1001166538	NLA	Controller Assembly (Drive and Steer) (Use p/n 1001212415) (See Separate Breakdown in this Section)	
60	1001166539	NLA	Controller Assembly (Lift and Swing) (Use p/n 1001129555) (See Separate Breakdown in this Section)	
61	1001172760	4	Bracket, Support	
62	1001185281	1	Plug	
63	1001186431	2	Relay	
64	1001201889	1	Box, Console	C
64A	0630568	1	Screw 3/8 x 4-1/2	
64B	3311601	1	Nut 3/8	
64C	3430616	2	Clevis	
64D	3470003	2	Pin	
64E	4711600	2	Washer 3/8	
65	1001220866	1	Harness, Console Box (Not Shown - See Separate Breakdown in ELECTRICAL SECTION)	
66	1001220929	1	Mount	
67	4240032	1	Tie-Strap	
68	4460488	1	Mount, Tie Strap	
69	1001225580	1	Harness, Interface (Not Shown - See Separate Breakdown in ELECTRICAL SECTION)	



**SECTION 5 - PLATFORM**

**FIGURE 5-19. DECAL AND LIGHT PANEL (ANSI SPECS)**



ART\_1001121826\_20F2

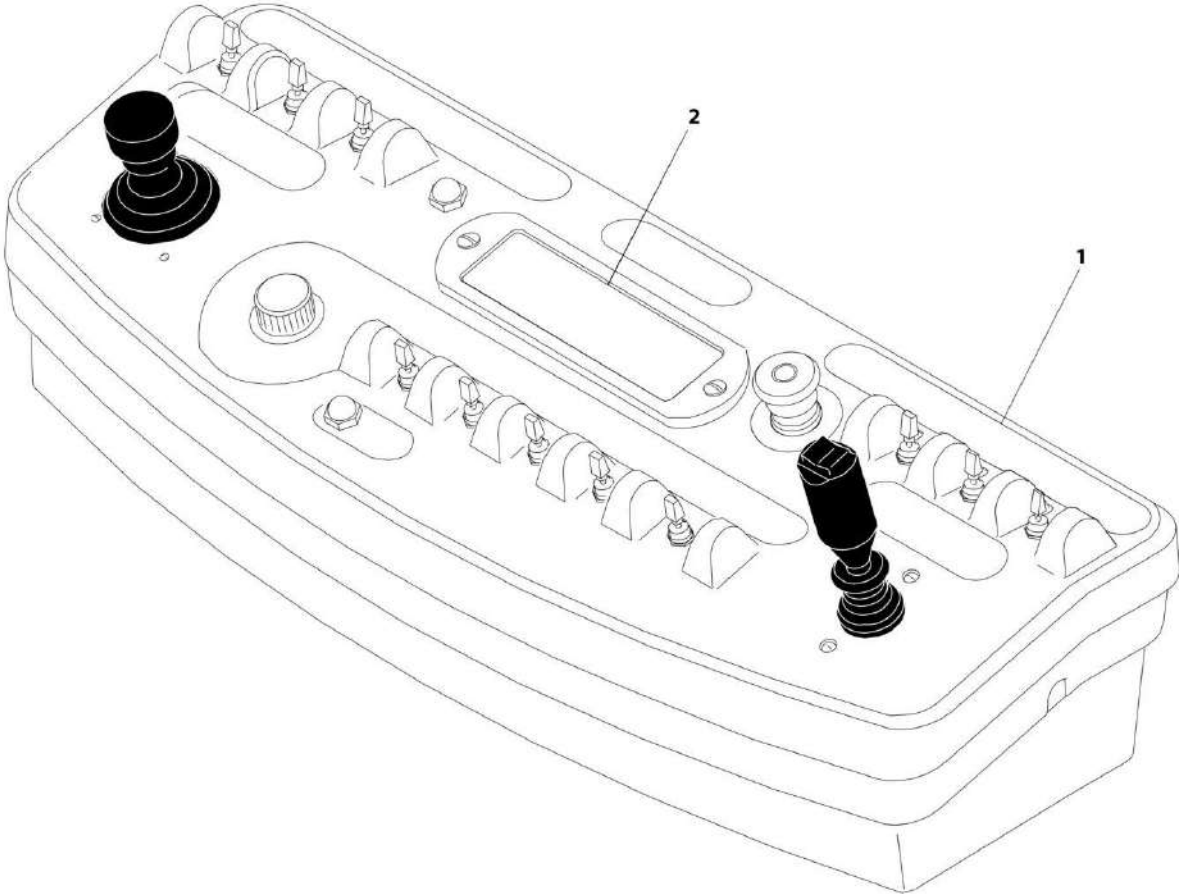
## SECTION 5 - PLATFORM

**FIGURE 5-19. DECAL AND LIGHT PANEL (ANSI SPECS)**

ITEM	PART NUMBER	QTY	DESCRIPTION	REV
	1001121826	Ref	DECAL AND LIGHT PANEL (ANSI SPECS)	A
2	1001122384	1	Decal - Display	
3	1001122611	1	Decal - Stop	

**SECTION 5 - PLATFORM**

**FIGURE 5-20. DECAL AND LIGHT PANEL (CE SPECS)**



ART\_1001121827\_2OF2



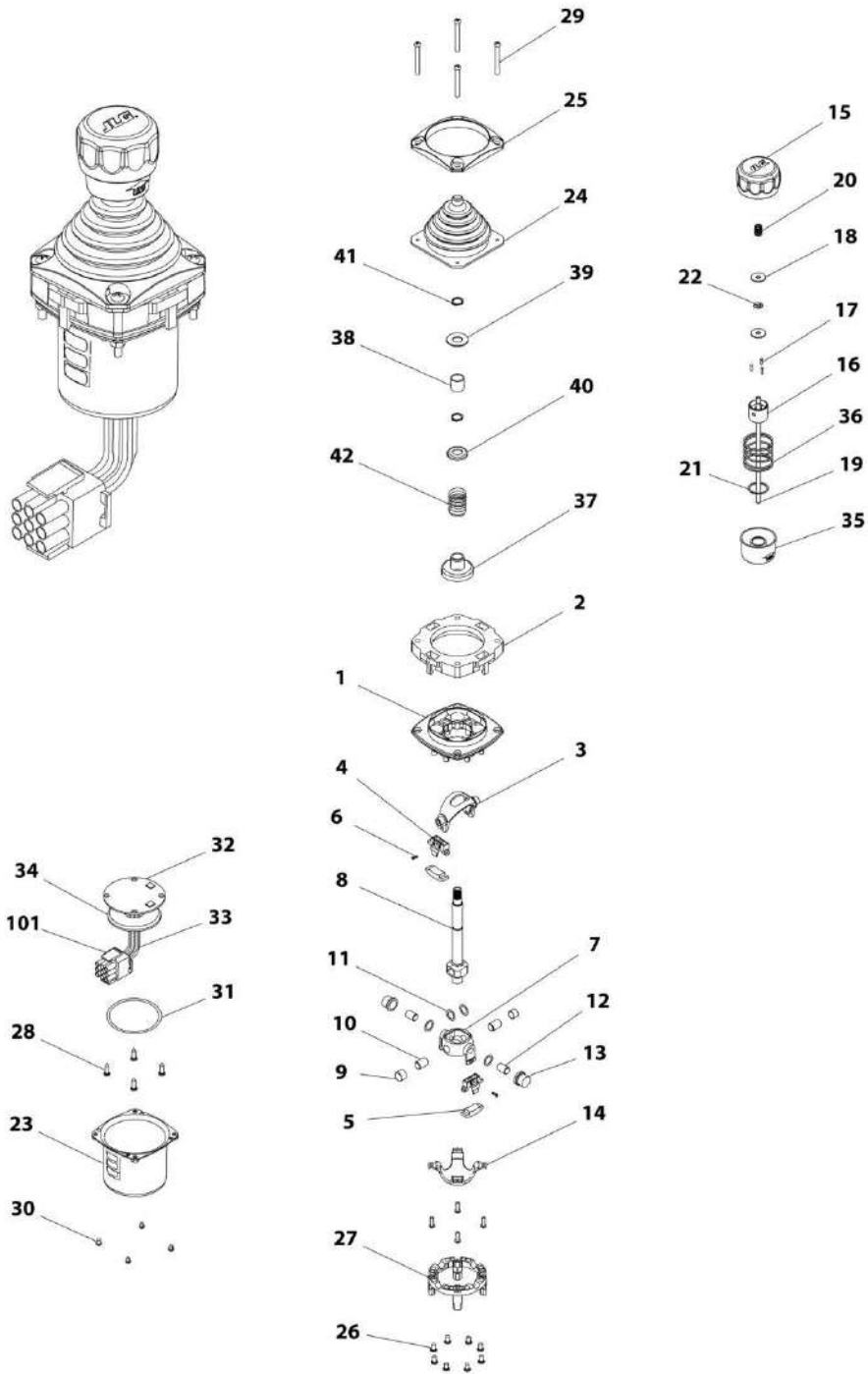
## SECTION 5 - PLATFORM

**FIGURE 5-20. DECAL AND LIGHT PANEL (CE SPECS)**

ITEM	PART NUMBER	QTY	DESCRIPTION	REV
	1001121827	Ref	DECAL AND LIGHT PANEL (CE SPECS)	A
1	1705974	1	Decal - Stop	
2	1705973	1	Decal - Display	

# SECTION 5 - PLATFORM

## FIGURE 5-21. CONTROLLER ASSEMBLY (LIFT AND SWING)



ART\_1001166539

## SECTION 5 - PLATFORM

**FIGURE 5-21. CONTROLLER ASSEMBLY (LIFT AND SWING)**

ITEM	PART NUMBER	QTY	DESCRIPTION	REV
	1001166539	Ref	CONTROLLER ASSEMBLY (LIFT AND SWING)	D
		Ref	Note: Use p/n 1001129555 as replacement	
1	See Note	1	Main Cast Body (Note: Not Available - Purchase Complete Assembly)	
2	70004752	1	Adapter	
3	See Note	1	Pivot Arm, Plastic (Note: Not Available - Purchase Complete Assembly)	
4	See Note	2	Holder, Magnet (Note: Not Available - Purchase Complete Assembly)	
5	See Note	2	Arc, Magnet (Note: Not Available - Purchase Complete Assembly)	
6	See Note	2	Screw (Note: Not Available for Purchase)	
7	See Note	1	Pivot Arm, Cast (Note: Not Available - Purchase Complete Assembly)	
8	See Note	1	Shaft, Main (Note: Not Available - Purchase Complete Assembly)	
9	See Note	2	Bearing (Note: Not Available - Purchase Complete Assembly)	
10	See Note	2	Pin (Note: Not Available - Purchase Complete Assembly)	
11	See Note	4	Shim (Note: Not Available - Purchase Complete Assembly)	
12	See Note	2	Pin (Note: Not Available - Purchase Complete Assembly)	
13	See Note	2	Bearing (Note: Not Available - Purchase Complete Assembly)	
14	See Note	1	Dome, Centering (Note: Not Available - Purchase Complete Assembly)	
15	70004753	1	Cap	
16	70004754	1	Insert, Cap	
17	70004755	3	Pin	
18	70004756	2	Washer	
19	70004757	1	Pin, Centering	
20	70004758	1	Spring	
21	70004759	1	Ring, Retaining	
22	70004760	1	E-Ring	
23	70004761	1	Can, Enclosure	
24	70004762	1	Boot	
25	70004763	1	Bezel	
26	See Note	8	Screw (Note: Not Available for Purchase)	
27	See Note	1	Base, Mounting (Note: Not Available - Purchase Complete Assembly)	
28	See Note	4	Screw (Note: Not Available for Purchase)	
29	70004764	4	Screw	
30	70004765	4	Screw	
31	70004766	1	O-Ring	
32	See Note	1	Plate (Note: Not Available - Purchase Complete Assembly)	
33	See Note	1	Harness (Note: Not Available - Purchase Complete Assembly)	
34	70004767	1	Grommet, Rubber	
35	70004768	1	Housing	
36	70004769	1	Spring	
37	70004770	1	Stopper	
38	70004771	1	Spacer	
39	70004772	1	Washer	
40	70004773	1	Disc	
41	70004774	2	Ring, Retaining	
42	70004775	1	Spring	
101	4460265	1	Connector - 9 Position	

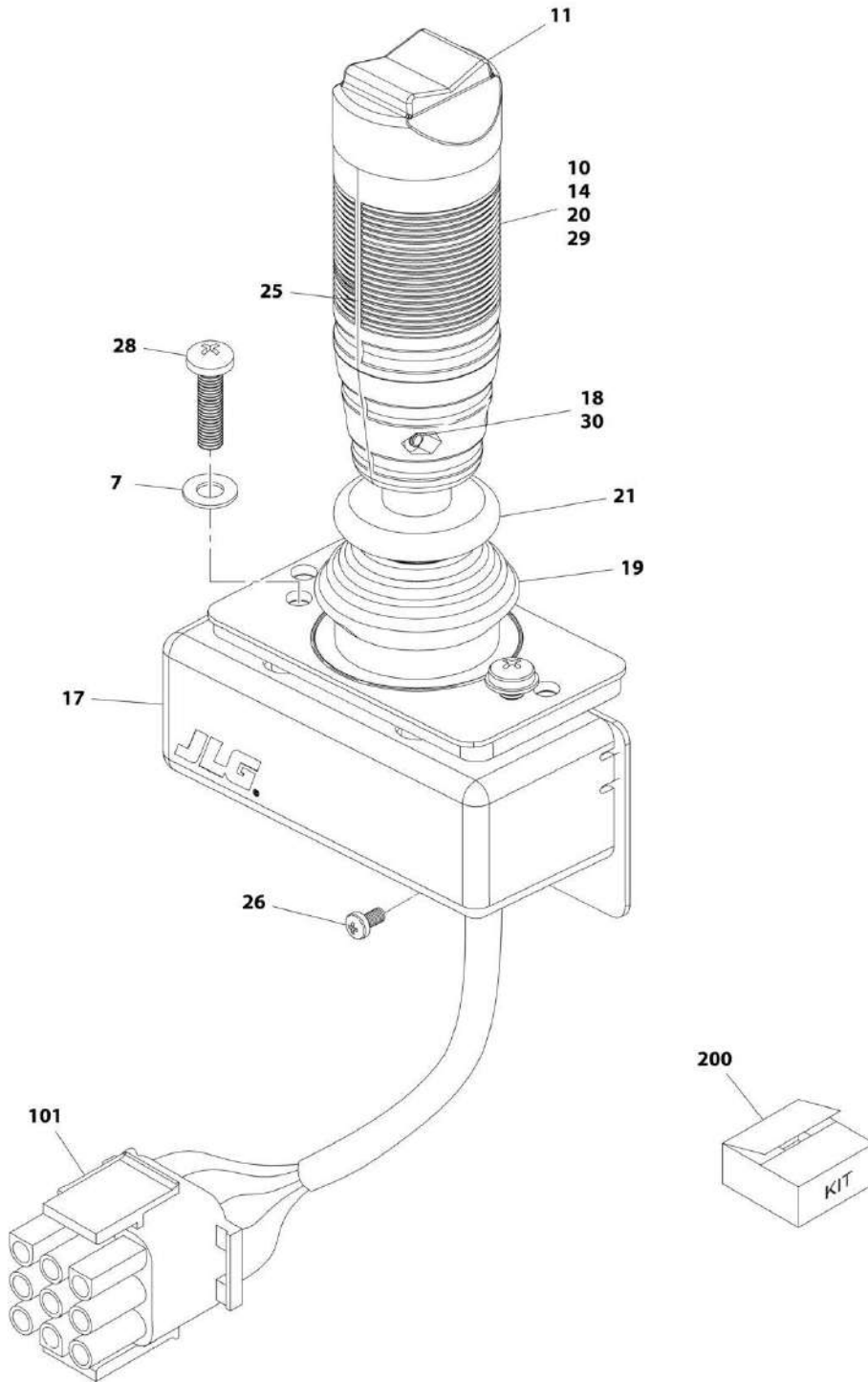
## SECTION 5 - PLATFORM

ITEM	PART NUMBER	QTY	DESCRIPTION	REV
101	4460226	6	Socket, Female	



# SECTION 5 - PLATFORM

## FIGURE 5-22. CONTROLLER ASSEMBLY (DRIVE AND STEER)



ART\_1001166538

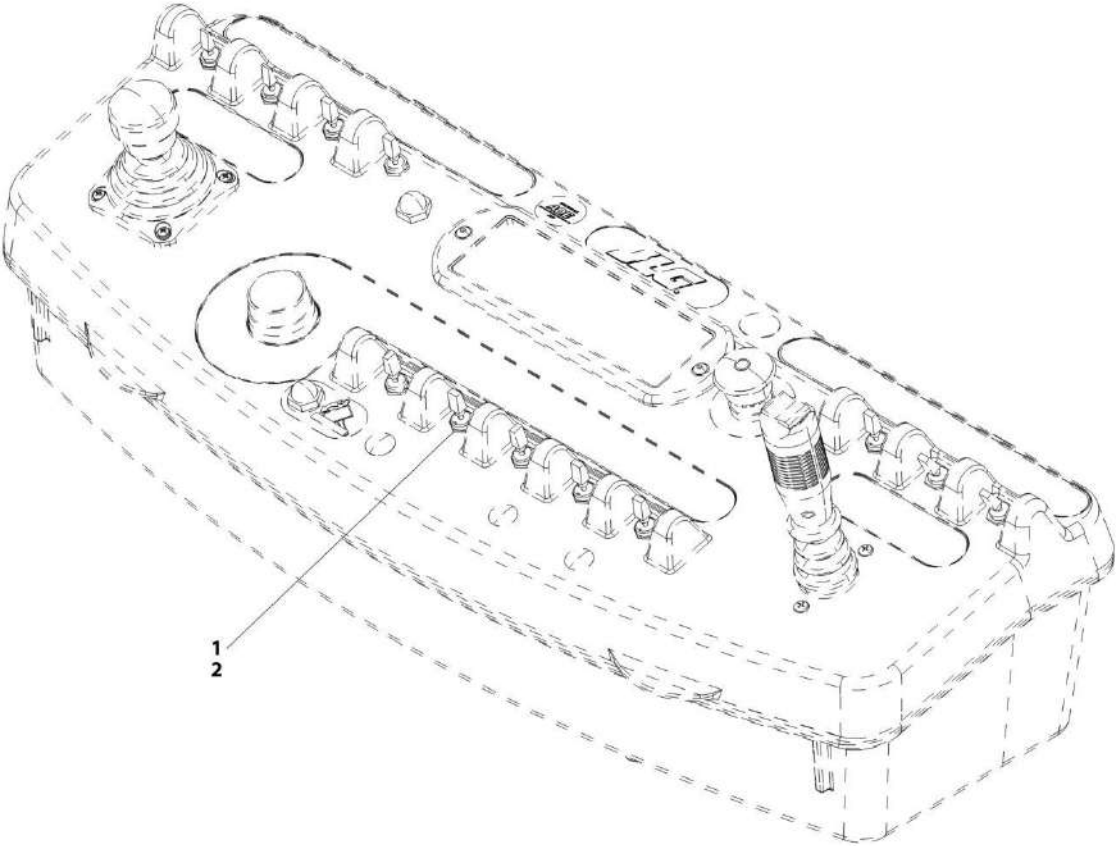
## SECTION 5 - PLATFORM

**FIGURE 5-22. CONTROLLER ASSEMBLY (DRIVE AND STEER)**

ITEM	PART NUMBER	QTY	DESCRIPTION	REV
	1001166538	Ref	CONTROLLER ASSEMBLY (DRIVE AND STEER)	G
		Ref	Note: Use p/n 1001212415 for Replacement.	
7	70004738	2	Washer	
10	70004739	1	Roller	
11	70004740	1	Boot, Switch	
14	70004741	2	Half, Handle	
17	70004742	1	Enclosure	
18	70004743	4	Nut	
19	70004744	NLA	Boot, Controller (Use Item 200)	
20	70004745	NLA	Tube, Locking (Use Item 200)	
21	70004746	NLA	Disc, Locking (Use Item 200)	
25	70004747	2	Seal, Rope	
26	70004748	1	Screw M3 x 6	
28	70004749	2	Screw M5 x 20	
29	70004750	1	Pin, Dowel	
30	70004751	4	Screw M3 x 16	
101	4460265	1	Connector - 9 Position	
101	4460226	7	Socket, Female	
200	70005230	1	Boot Kit (Includes Items 19-21)	

**SECTION 5 - PLATFORM**

**FIGURE 5-23. TOWER LIFT SWITCH INSTALLATION**



ART\_0273446



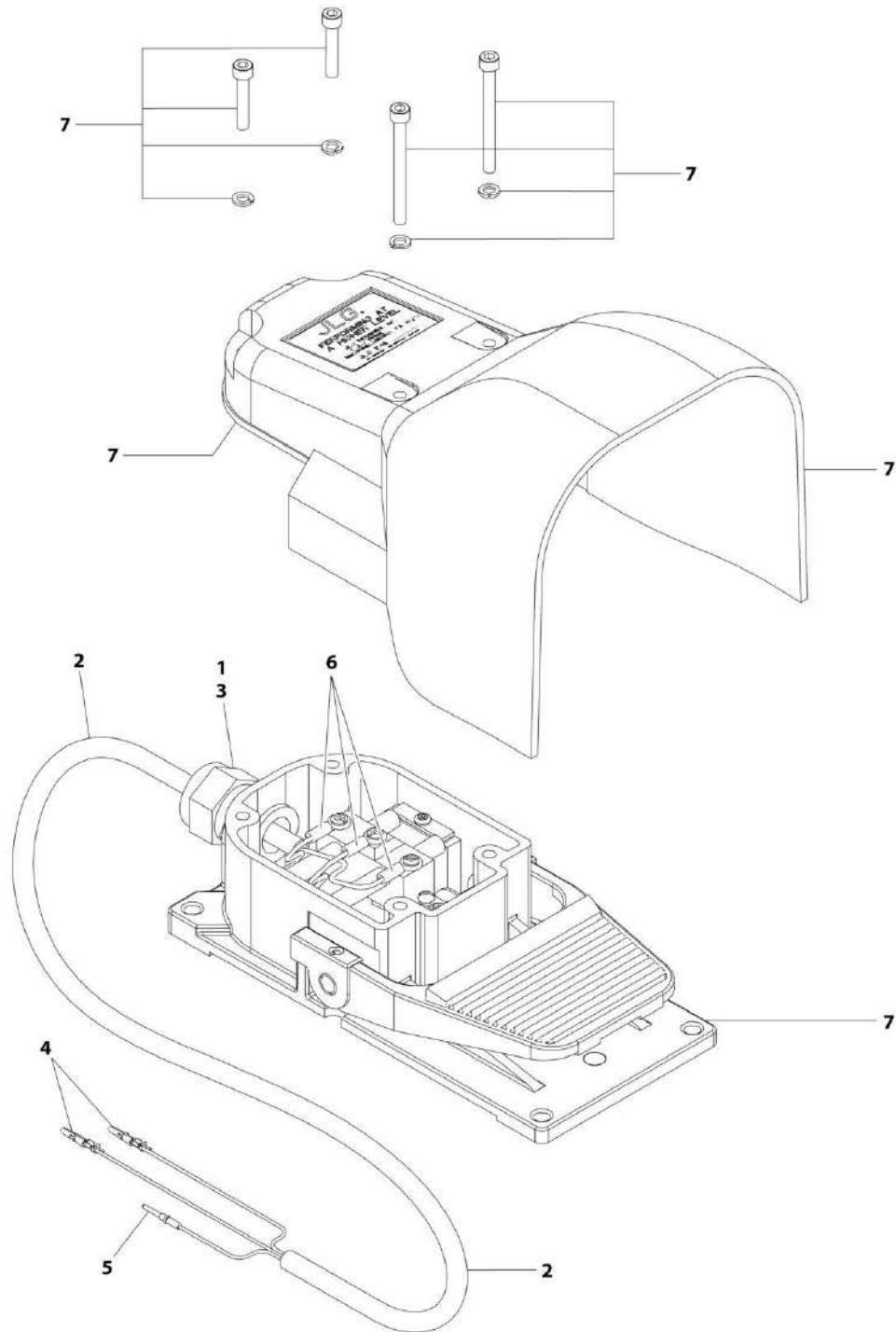
## SECTION 5 - PLATFORM

**FIGURE 5-23. TOWER LIFT SWITCH INSTALLATION**

ITEM	PART NUMBER	QTY	DESCRIPTION	REV
	0273446	Ref	TOWER LIFT SWITCH INSTALLATION	A
1	3790012	1	O-Ring	
2	4360328	1	Switch, Toggle	

# SECTION 5 - PLATFORM

## FIGURE 5-24. FOOTSWITCH ASSEMBLY



ART\_1001117174

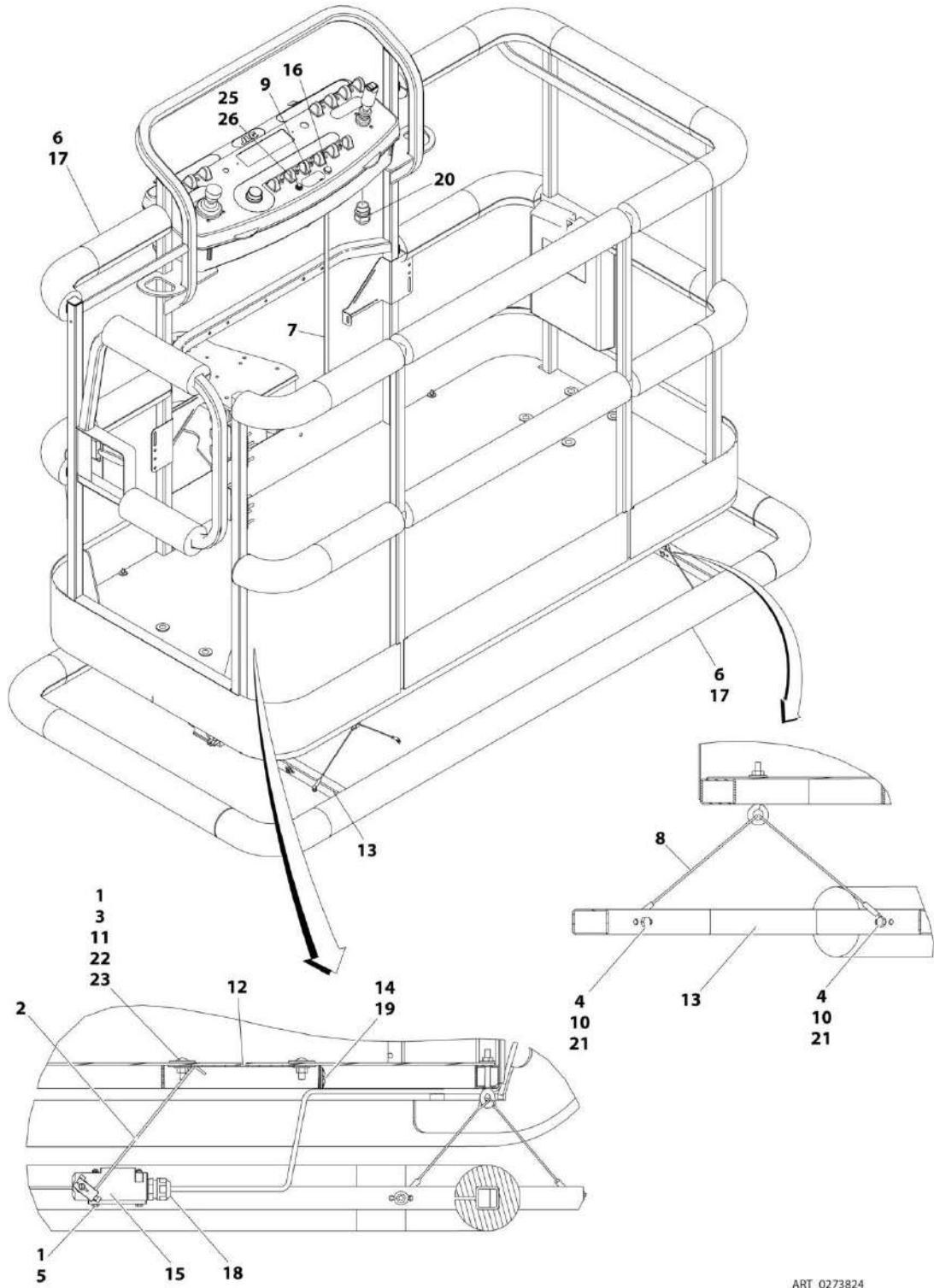
## SECTION 5 - PLATFORM

**FIGURE 5-24. FOOTSWITCH ASSEMBLY**

ITEM	PART NUMBER	QTY	DESCRIPTION	REV
	1001117174	Ref	FOOTSWITCH ASSEMBLY	B
1	0100020	AR	Sealant	
2	1060918	7.5 ft /2.3m	Cable, Electrical - 18/3	
3	4460071	1	Connector, Strain Relief	
4	4460226	2	Socket, Female	
5	4460464	1	Pin, Male	
6	1001098122	3	Terminal	
7	1001117172	1	Footswitch	
7	70002902	1	Switch, 20A	
7	70002903	1	Gasket	
7	70002904	1	Kit, Replacement Bolt	
7	70002905	1	Cover	

# SECTION 5 - PLATFORM

FIGURE 5-25. SOFT TOUCH SYSTEM INSTALLATION - 6FT/1.8M PLATFORMS (OPTIONAL)



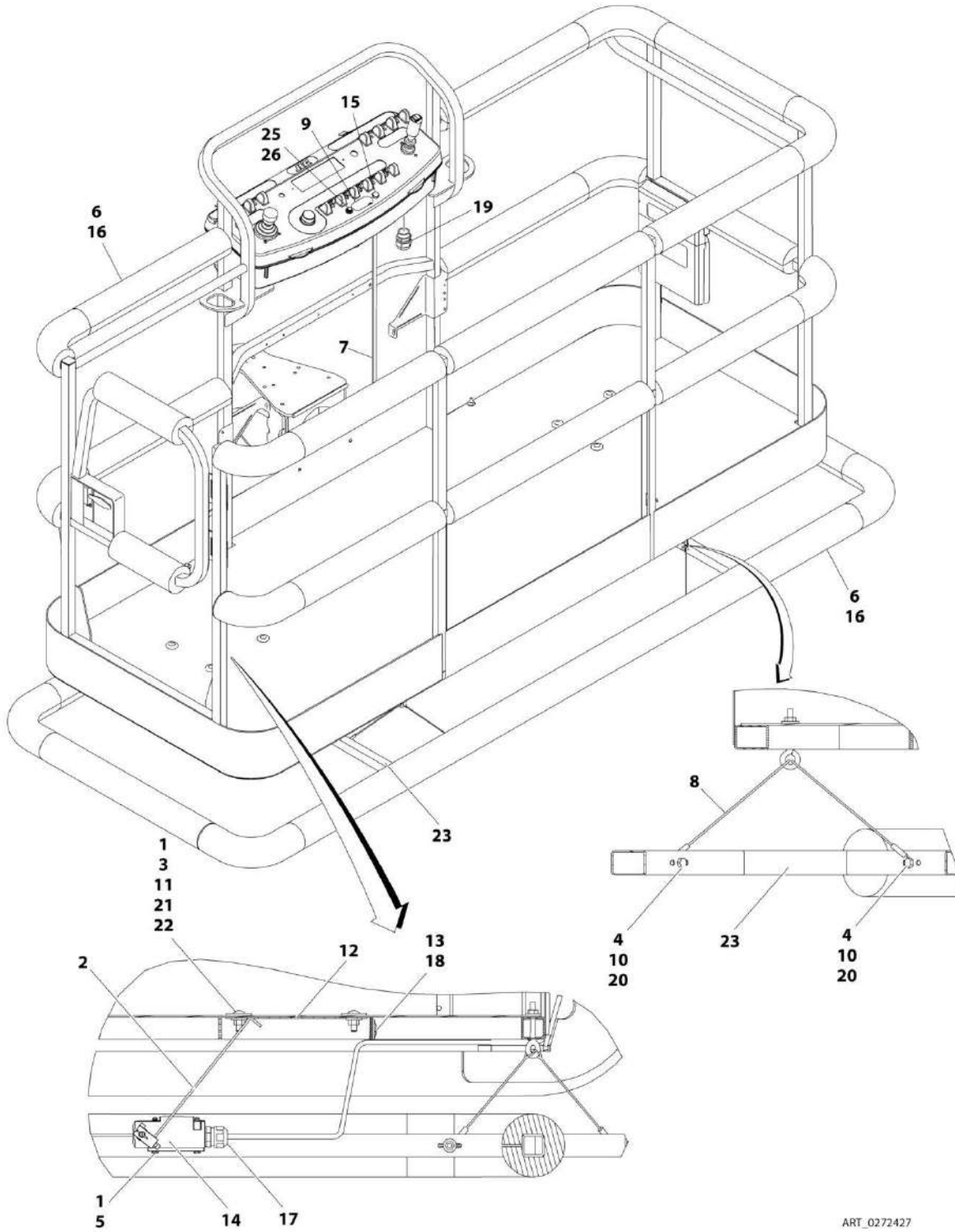
## SECTION 5 - PLATFORM

**FIGURE 5-25. SOFT TOUCH SYSTEM INSTALLATION - 6FT/1.8M PLATFORMS (OPTIONAL)**

ITEM	PART NUMBER	QTY	DESCRIPTION	REV
	0273824	Ref	SOFT TOUCH SYSTEM INSTALLATION - 6FT/1.8M PLATFORMS (OPTIONAL)	D
1	0100011	AR	Compound, Locking	
2	0200048	2	Arm, Switch	
3	0630462	8	Bolt, Carriage	
4	0641414	8	Bolt 1/4 x 1-3/4	
5	0721005	4	Bolt #10 x 5/8	
6	0940134	1	Bumper Kit	
6	0940092	AR	Bumper (Corner)	
6	0940094	AR	Bumper (12ft Length)	
7	1060341	23 ft/7m	Cable, Electrical - 16/2	
8	1060903	4	Wire Rope and Eyebolt Assembly	
9	1702938	1	Decal - Soft Touch Override	
10	3311401	8	Nut 1/4	
11	3311501	8	Nut 5/16	
12	3575359	2	Plate, Switch Strike	
13	3641569	1	Rail, Soft Touch	
14	4240099	7	Tie-Strap	
15	4360057	2	Switch, Limit	
16	4360387	1	Switch, Push Button	
17	4420068	AR	Tape, Adhesive	
17	1001197017	AR	Tie-Strap	
18	4460049	2	Connector, Strain Relief	
19	4460234	7	Mount, Tie-Strap	
20	4460425	1	Connector, Strain Relief	
21	4751400	8	Washer 1/4	
22	4751500	12	Washer 5/16	
23	4751800	8	Washer 1/2	
24	4933218	1	Wiring Diagram (See ELECTRICAL SECTION for Breakdown) (Not Shown)	
25	2920028	1	Light, Indicator	
26	2920029	1	Bulb	

# SECTION 5 - PLATFORM

FIGURE 5-26. SOFT TOUCH SYSTEM INSTALLATION - 8FT/2.4M PLATFORMS (OPTIONAL)



ART\_0272427

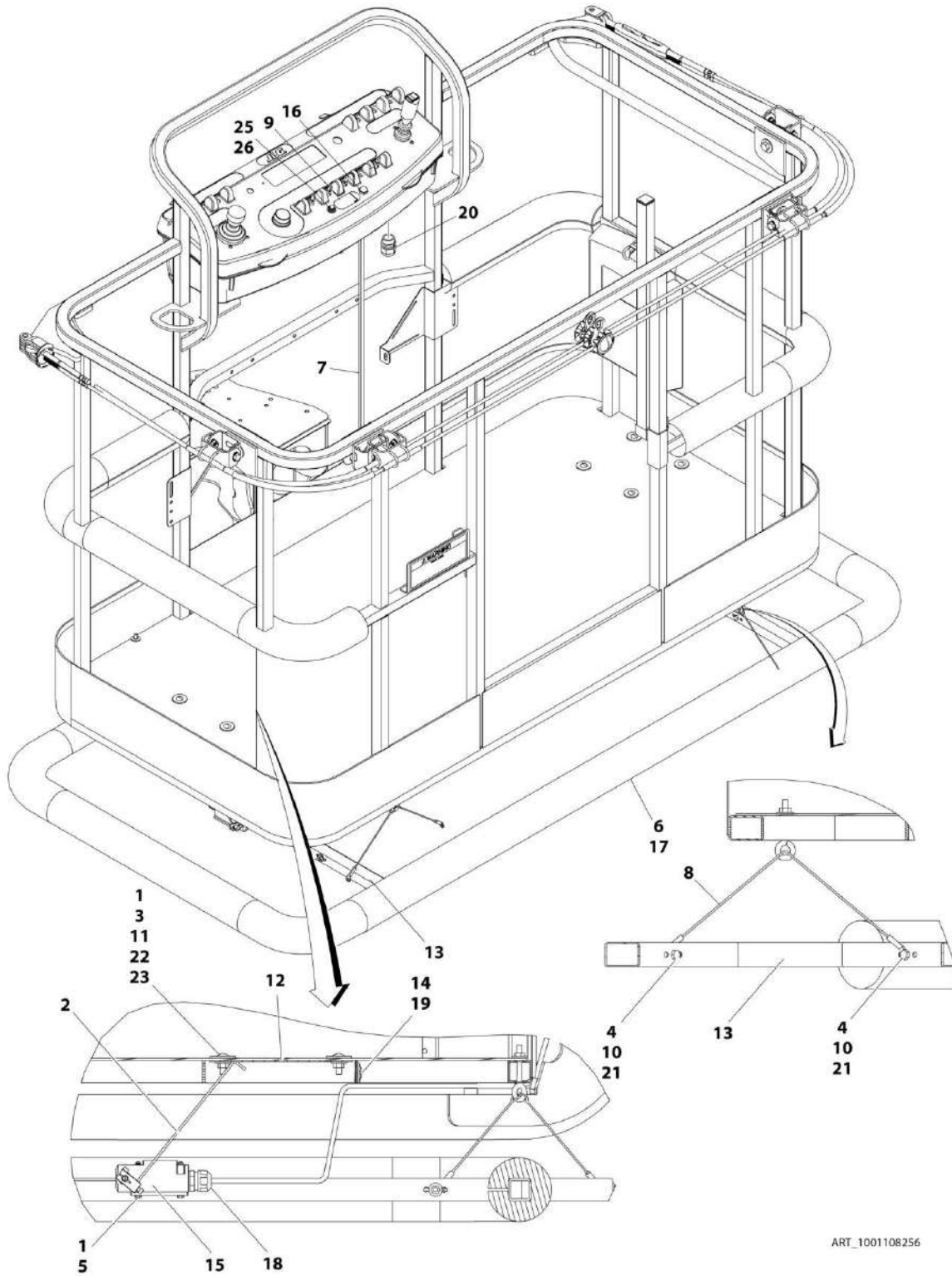
## SECTION 5 - PLATFORM

**FIGURE 5-26. SOFT TOUCH SYSTEM INSTALLATION - 8FT/2.4M PLATFORMS (OPTIONAL)**

ITEM	PART NUMBER	QTY	DESCRIPTION	REV
	0272427	Ref	SOFT TOUCH SYSTEM INSTALLATION - 8FT/2.4M PLATFORMS (OPTIONAL)	G
1	0100011	AR	Compound, Locking	
2	0200048	2	Arm, Switch	
3	0630462	8	Bolt, Carriage	
4	0641414	8	Bolt 1/4 x 1-3/4	
5	0721005	4	Bolt #10 x 5/8	
6	0940103	1	Bumper Kit	
6	0940092	AR	Bumper (Corner)	
6	0940094	AR	Bumper (12ft Length)	
7	1060341	23 ft/7m	Cable, Electrical - 16/2	
8	1060903	4	Wire Rope and Eyebolt Assembly	
9	1702938	1	Decal - Soft Touch Override	
10	3311401	8	Nut 1/4	
11	3311501	8	Nut 5/16	
12	3574091	2	Plate, Switch Strike	
13	4240099	7	Tie-Strap	
14	4360057	2	Switch, Limit	
15	4360387	1	Switch, Push Button	
16	4420068	AR	Tape, Adhesive	
16	1001197017	AR	Tie-Strap	
17	4460049	2	Connector, Strain Relief	
18	4460234	7	Mount, Tie-Strap	
19	4460425	1	Connector, Strain Relief	
20	4751400	8	Washer 1/4	
21	4751500	12	Washer 5/16	
22	4751800	8	Washer 1/2	
23	4846673	1	Rail, Soft Touch	
24	4933218	1	Wiring Diagram (See ELECTRICAL SECTION for Breakdown) (Not Shown)	
25	2920028	1	Light, Indicator	
26	2920029	1	Bulb	

# SECTION 5 - PLATFORM

## FIGURE 5-27. SOFT TOUCH SYSTEM INSTALLATION - 6FT/1.8M PLATFORMS (WITH FALL ARREST) (OPTIONAL)





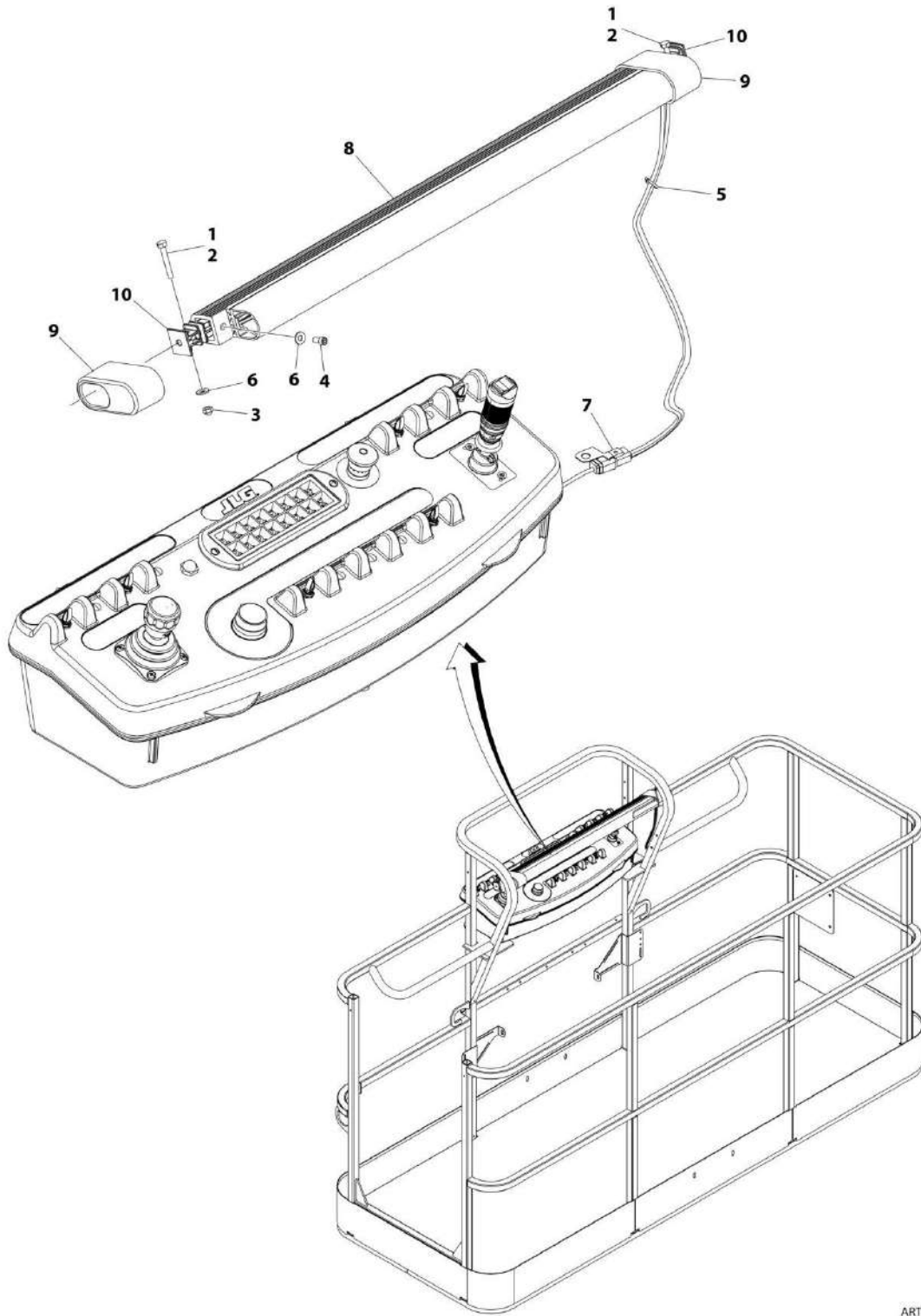
## SECTION 5 - PLATFORM

**FIGURE 5-27. SOFT TOUCH SYSTEM INSTALLATION - 6FT/1.8M PLATFORMS (WITH FALL ARREST)  
(OPTIONAL)**

ITEM	PART NUMBER	QTY	DESCRIPTION	REV
	1001108256	Ref	SOFT TOUCH SYSTEM INSTALLATION - 6FT/1.8M PLATFORMS (WITH FALL ARREST) (OPTIONAL)	C
1	0100011	AR	Compound, Locking	
2	0200048	2	Arm, Switch	
3	0630462	8	Bolt, Carriage	
4	0641414	8	Bolt 1/4 x 1-3/4	
5	0721005	4	Bolt #10 x 5/8	
6	0940177	Ref	Bumper Kit	
6	0940092	AR	Bumper (Corner)	
6	0940094	AR	Bumper (12ft Length)	
7	1060341	23 ft/7m	Cable, Electrical - 16/2	
8	1060903	4	Wire Rope and Eyebolt Assembly	
9	1702938	1	Decal - Soft Touch Override	
10	3311401	8	Nut 1/4	
11	3311501	8	Nut 5/16	
12	3575359	2	Plate, Switch Strike	
13	3641569	1	Rail, Soft Touch	
14	4240099	7	Tie-Strap	
15	4360057	2	Switch, Limit	
16	4360387	1	Switch, Push Button	
17	4420068	AR	Tape, Adhesive	
17	1001197017	AR	Tie-Strap	
18	4460049	2	Connector, Strain Relief	
19	4460234	7	Mount, Tie-Strap	
20	4460425	1	Connector, Strain Relief	
21	4751400	8	Washer 1/4	
22	4751500	12	Washer 5/16	
23	4751800	8	Washer 1/2	
24	4933218	1	Wiring Diagram (See ELECTRICAL SECTION for Breakdown) (Not Shown)	
25	2920028	1	Light, Indicator	
26	2920029	1	Bulb	

# SECTION 5 - PLATFORM

## FIGURE 5-28. SKYGUARD SYSTEM INSTALLATION



ART\_1001187508

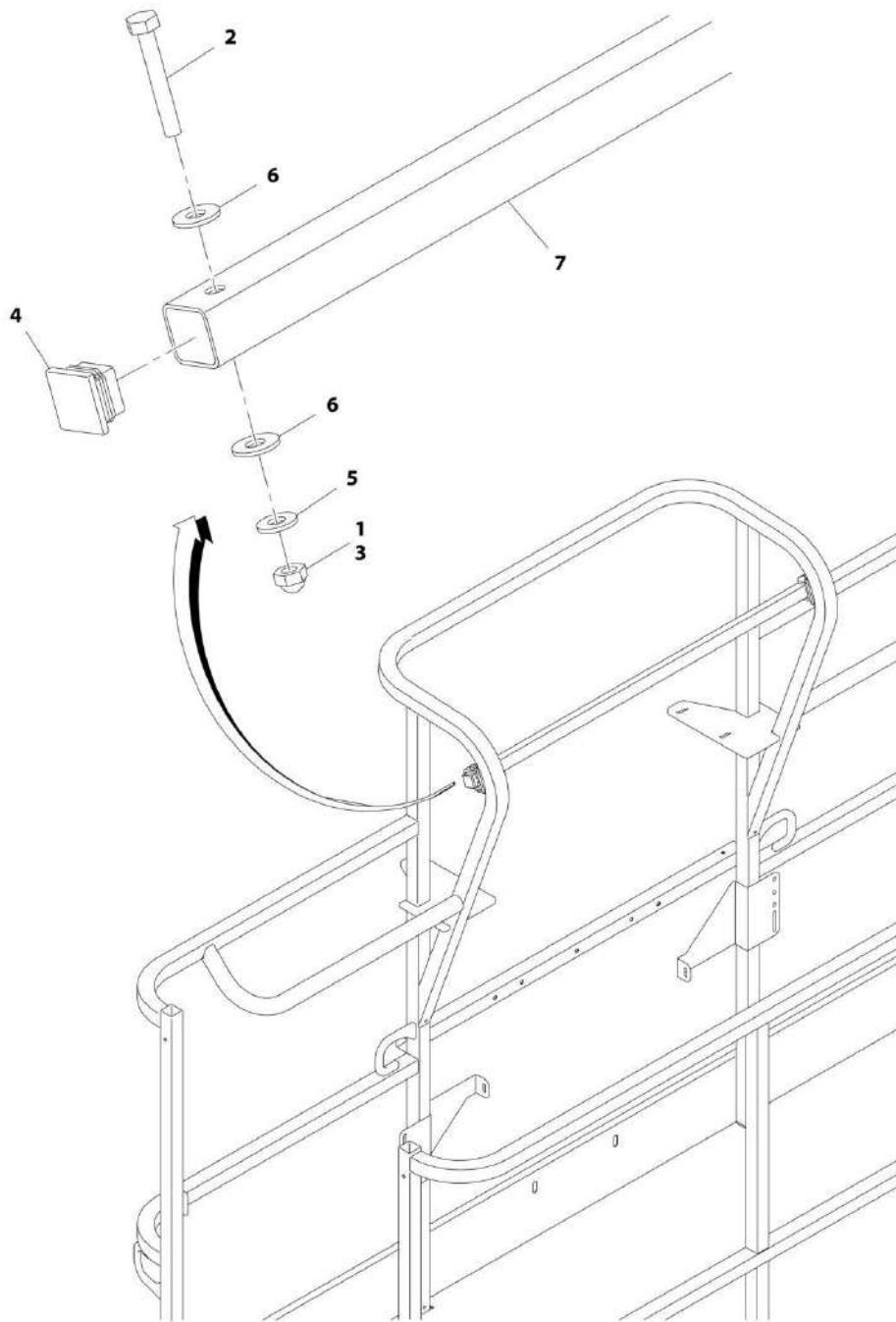
## SECTION 5 - PLATFORM

**FIGURE 5-28. SKYGUARD SYSTEM INSTALLATION**

ITEM	PART NUMBER	QTY	DESCRIPTION	REV
	1001187508	Ref	SKYGUARD SYSTEM INSTALLATION	C
1	0100011	AR	Compound, Locking	
2	0641414	2	Bolt 1/4 x 1-3/4	
3	3300430	2	Nut 1/4	
4	3931424	2	Capscrew 1/4 x 1-1/2	
4	3931408	2	Capscrew 1/4 x 1/2	
5	4240033	AR	Tie-Strap	
6	4711400	AR	Washer 1/4	
7	1001120328	1	Mount	
8	1001137673	1	Switch, SkyGuard Assembly	
9	1001186517	2	Cover, Platform Sensor	
10	1001188889	NLA	Support, Block (Use p/n 1001209664) <b>(SN 0300201017 through 0300246738)</b>	
10	1001209664	2	Support, Block <b>(SN 0300246739 to Present)</b>	

# SECTION 5 - PLATFORM

## FIGURE 5-29. CROSS RAIL INSTALLATION



ART\_1001182138

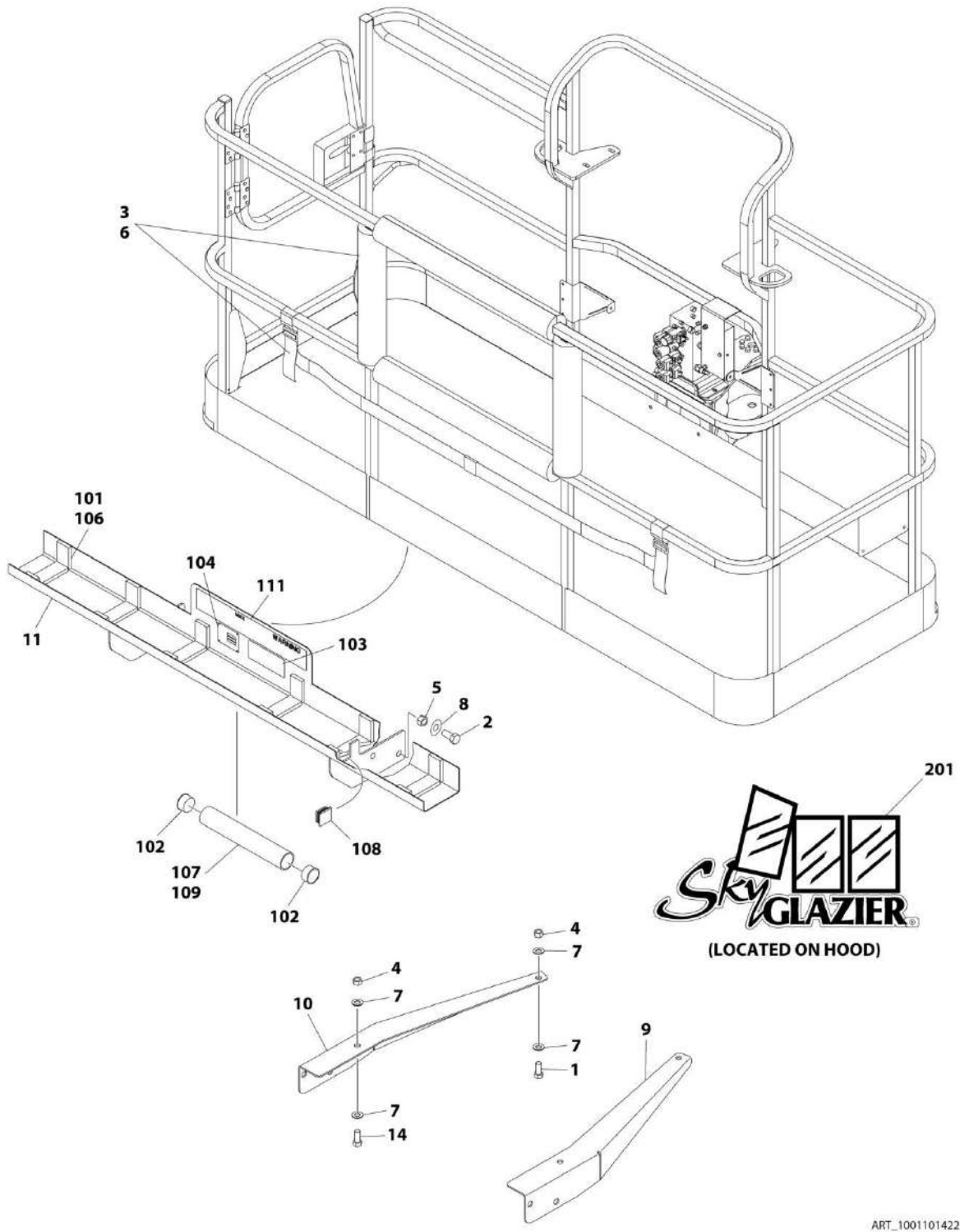
## SECTION 5 - PLATFORM

### FIGURE 5-29. CROSS RAIL INSTALLATION

ITEM	PART NUMBER	QTY	DESCRIPTION	REV
	1001182138	Ref	CROSS RAIL INSTALLATION	A
1	0100071	AR	Compound, Locking	
2	0641414	2	Bolt 1/4 x 1-3/4	
3	3300430	2	Nut 1/4	
4	3520182	2	Plug	
5	4711400	2	Washer 1/4	
6	4751400	4	Washer 1/4	
7	1001191708	1	Bar	

# SECTION 5 - PLATFORM

## FIGURE 5-30. SKYGLAZIER INSTALLATION (ANSI AND CSA SPECS)



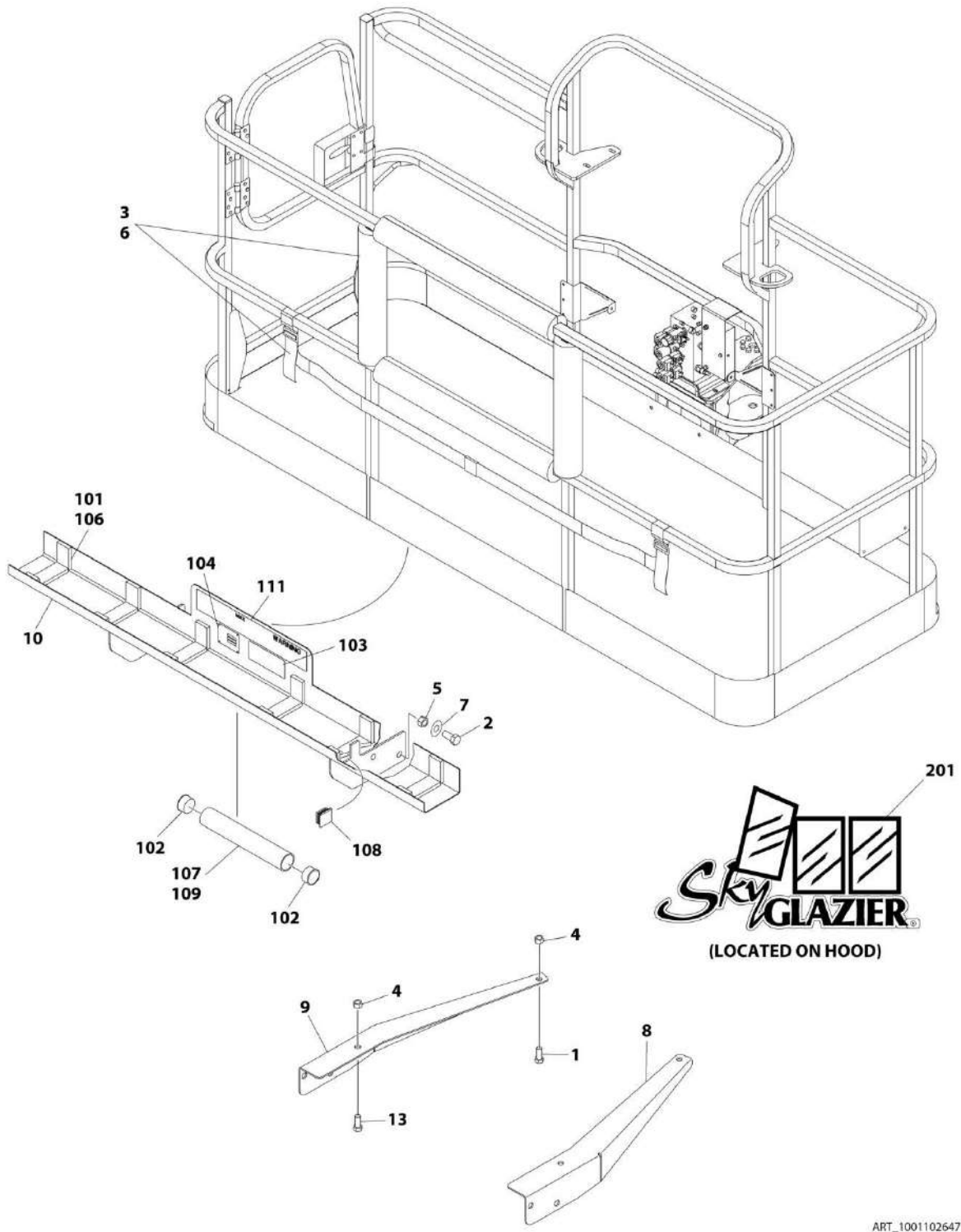
## SECTION 5 - PLATFORM

**FIGURE 5-30. SKYGLAZIER INSTALLATION (ANSI AND CSA SPECS)**

ITEM	PART NUMBER	QTY	DESCRIPTION	REV
	1001101422	Ref	SKYGLAZIER INSTALLATION (ANSI AND CSA SPECS)	C
1	0642012	2	Bolt 5/8 x 1-1/2	
2	0642212	4	Bolt 3/4 x 1-1/2	
3	2902212	1	Bumpers and Strap Kit	
3	0940102	1	Bumper Only	
3	4240149	1	Strap Only	
4	3312005	4	Nut 5/8	
5	3312205	4	Nut 3/4	
6	4420014	AR	Tape	
7	4712000	6	Washer 5/8	
8	4712200	8	Washer 3/4	
9	1001099366	1	Support	
10	1001099367	1	Support	
11	1001101421	1	Tray Assembly (See Items 101-111 for Breakdown)	
14	8310129	2	Bolt 3/4 x 2-1/2	
	1001101421	Ref	TRAY ASSEMBLY	E
101	0100081	AR	Adhesive	
102	1120555	2	Cap, Tube	
103	1701509	1	Decal - Manual	
104	See Note	NSS	Nameplate - Serial Number (Note: Not Available for Purchase)	
106	3340956	1	Pad Kit	
107	3460334	1	Tube	
108	3520071	2	Plug	
109	4420066	AR	Tape, Double Sided	
111	1001163131	2	Decal - Glazier Capacity	
	0272418	Ref	SKYGLAZIER DECAL INSTALLATION	4
201	1705358	2	Decal - SkyGlazier	

# SECTION 5 - PLATFORM

FIGURE 5-31. SKYGLAZIER INSTALLATION (AUSTRALIAN SPECS) (SN 0300201017 through 0300234289)



ART\_1001102647



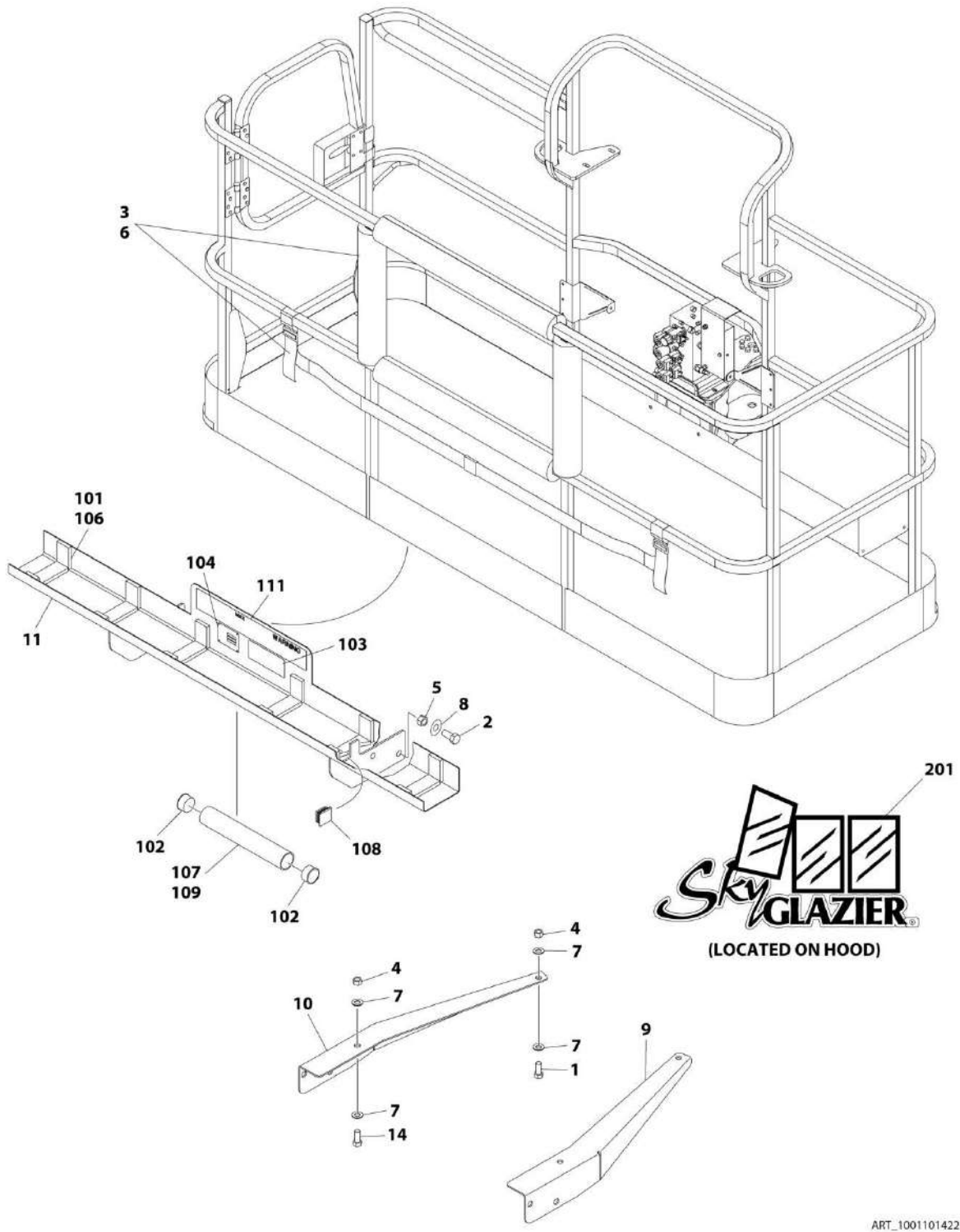
## SECTION 5 - PLATFORM

**FIGURE 5-31. SKYGLAZIER INSTALLATION (AUSTRALIAN SPECS) (SN 0300201017 through 0300234289)**

ITEM	PART NUMBER	QTY	DESCRIPTION	REV
	1001102647	Ref	SKYGLAZIER INSTALLATION (AUSTRALIAN SPECS) (SN 0300201017 through 0300234289)	C
1	0642026	2	Bolt 5/8 x 3-1/4	
2	0642212	4	Bolt 3/4 x 1-1/2	
3	2902212	1	Bumpers and Strap Kit	
3	0940102	1	Bumper Only	
3	4240149	1	Strap Only	
4	3312005	4	Nut 5/8	
5	3312205	4	Nut 3/4	
6	4420014	AR	Tape	
7	4712200	8	Washer 3/4	
8	1001099366	1	Support	
9	1001099367	1	Support	
10	1001101421	1	Tray Assembly (See Items 101-111 for Breakdown)	
13	8310230	2	Bolt 5/8 x 4	
	1001101421	Ref	TRAY ASSEMBLY	E
101	0100081	AR	Adhesive	
102	1120555	2	Cap, Tube	
103	1701509	1	Decal - Manual	
104	See Note	NSS	Nameplate - Serial Number (Note: Not Available for Purchase)	
106	3340956	1	Pad Kit	
107	3460334	1	Tube	
108	3520071	2	Plug	
109	4420066	AR	Tape, Double Sided	
111	1001163131	2	Decal - Glazier Capacity	
	0272418	Ref	SKYGLAZIER DECAL INSTALLATION	4
201	1705358	2	Decal - SkyGlazier	

# SECTION 5 - PLATFORM

FIGURE 5-32. SKYGLAZIER INSTALLATION (AUSTRALIAN SPECS) (SN 0300234290 to Present)



ART\_1001101422

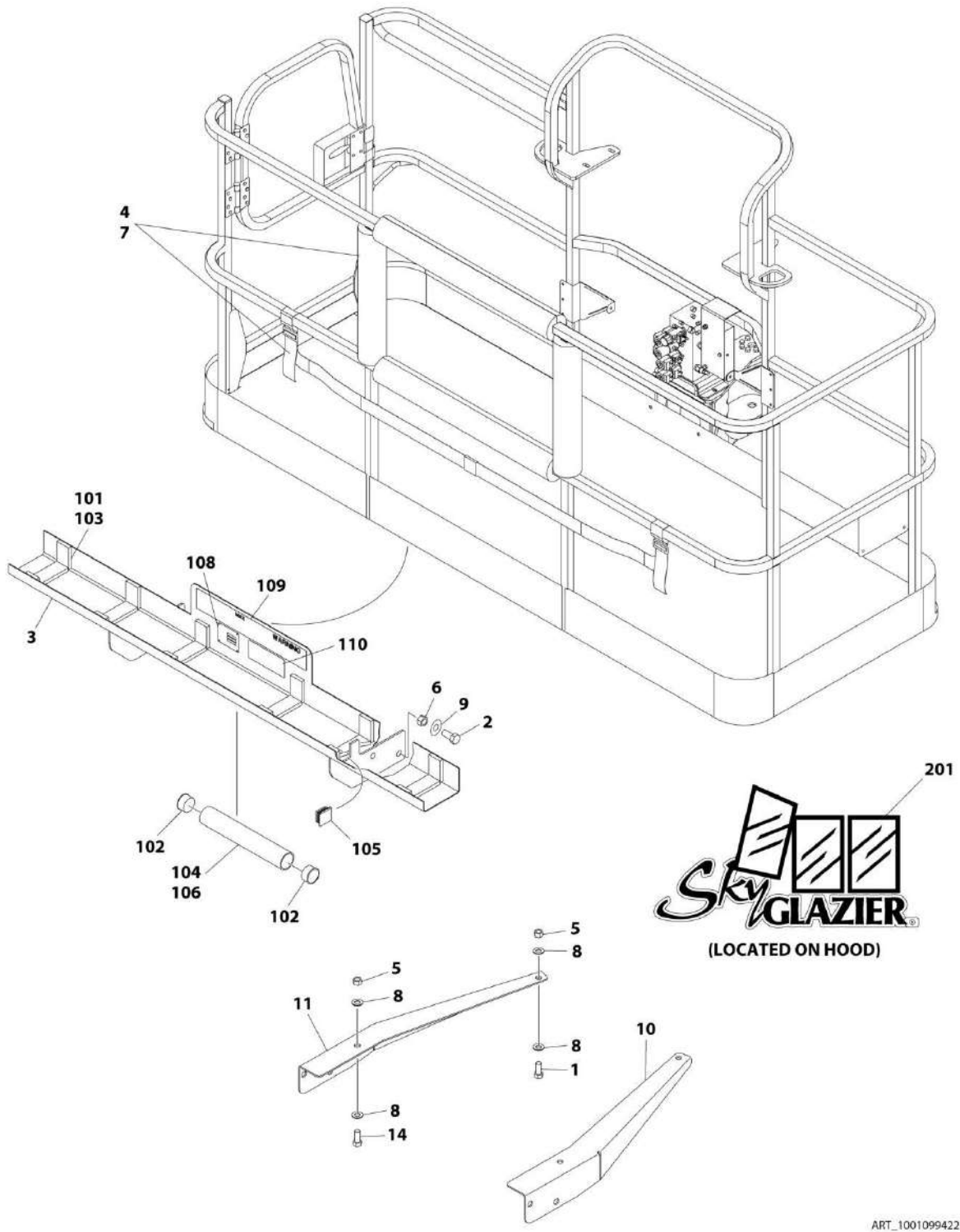
## SECTION 5 - PLATFORM

**FIGURE 5-32. SKYGLAZIER INSTALLATION (AUSTRALIAN SPECS) (SN 0300234290 to Present)**

ITEM	PART NUMBER	QTY	DESCRIPTION	REV
	1001101422	Ref	SKYGLAZIER INSTALLATION (AUSTRALIAN SPECS) (SN <b>0300234290 to Present</b> )	C
1	0642012	2	Bolt 5/8 x 1-1/2	
2	0642212	4	Bolt 3/4 x 1-1/2	
3	2902212	1	Bumpers and Strap Kit	
3	0940102	1	Bumper Only	
3	4240149	1	Strap Only	
4	3312005	4	Nut 5/8	
5	3312205	4	Nut 3/4	
6	4420014	AR	Tape	
7	4712000	6	Washer 5/8	
8	4712200	8	Washer 3/4	
9	1001099366	1	Support	
10	1001099367	1	Support	
11	1001101421	1	Tray Assembly (See Items 101-111 for Breakdown)	
14	8310129	2	Bolt 3/4 x 2-1/2	
	1001101421	Ref	TRAY ASSEMBLY	E
101	0100081	AR	Adhesive	
102	1120555	2	Cap, Tube	
103	1701509	1	Decal - Manual	
104	See Note	NSS	Nameplate - Serial Number (Note: Not Available for Purchase)	
106	3340956	1	Pad Kit	
107	3460334	1	Tube	
108	3520071	2	Plug	
109	4420066	AR	Tape, Double Sided	
111	1001163131	2	Decal - Glazier Capacity	
	0272418	Ref	SKYGLAZIER DECAL INSTALLATION	4
201	1705358	2	Decal - SkyGlazier	

# SECTION 5 - PLATFORM

## FIGURE 5-33. SKYGLAZIER INSTALLATION (BRAZIL SPECS)



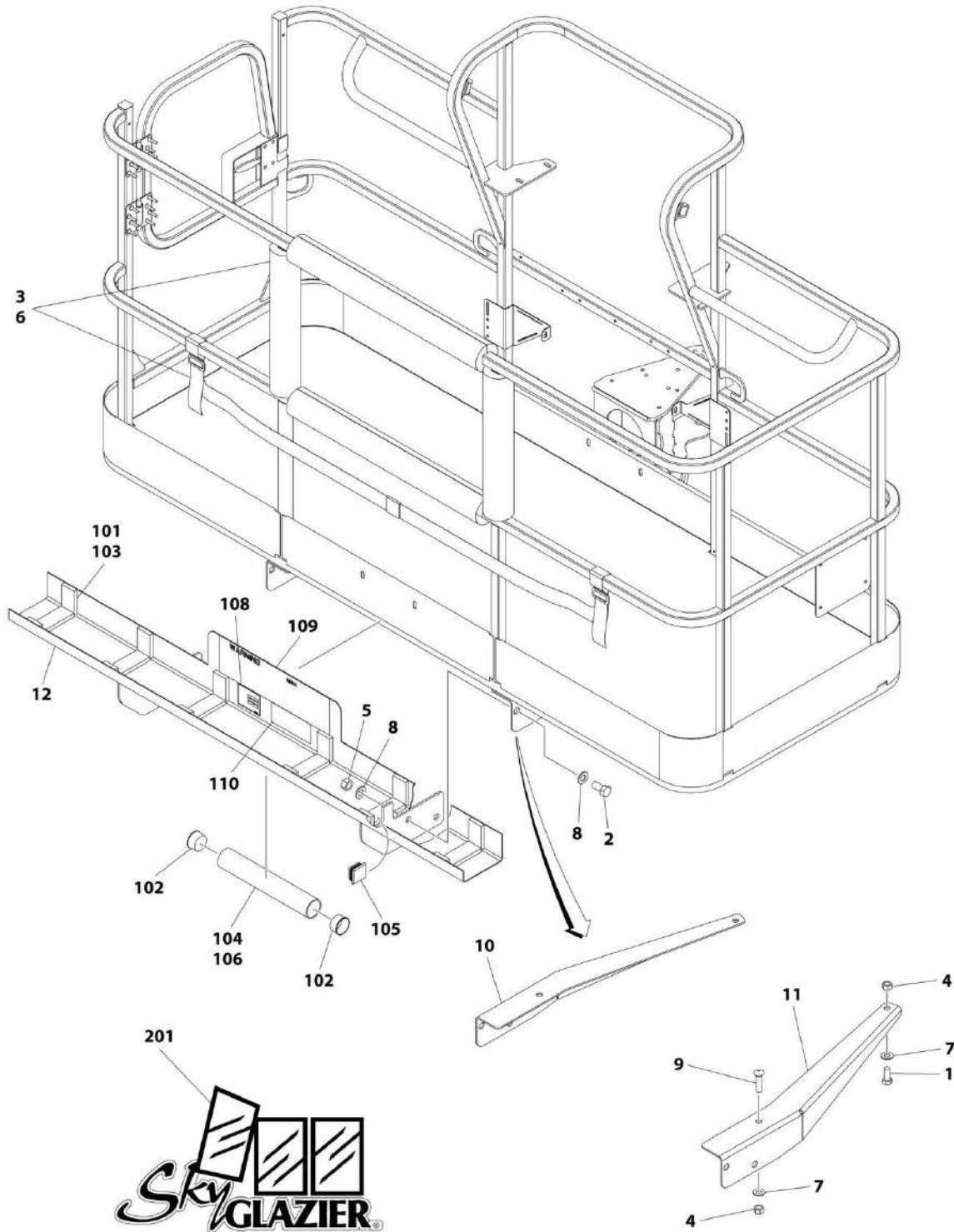
## SECTION 5 - PLATFORM

**FIGURE 5-33. SKYGLAZIER INSTALLATION (BRAZIL SPECS)**

ITEM	PART NUMBER	QTY	DESCRIPTION	REV
	1001099422	Ref	SKYGLAZIER INSTALLATION (BRAZIL SPECS)	C
1	0642012	2	Bolt 5/8 x 1-1/2	
2	0642212	4	Bolt 3/4 x 1-1/2	
3	0272951	1	Tray Assembly (See Items 101-110 for Breakdown)	
4	2902212	1	Bumpers and Strap Kit	
4	0940102	1	Bumper Only	
4	4240149	1	Strap Only	
5	3312005	4	Nut 5/8	
6	3312205	4	Nut 3/4	
7	4420014	AR	Tape	
8	4712000	6	Washer 5/8	
9	4712200	8	Washer 3/4	
10	1001099366	1	Support	
11	1001099367	1	Support	
14	8310129	2	Bolt 5/8 x 2-1/2	
	0272951	Ref	TRAY ASSEMBLY	E
101	0100081	AR	Adhesive	
102	1120555	2	Cap, Tube	
103	3340956	1	Pad Kit	
104	3460334	1	Tube	
105	3520071	2	Plug	
106	4420066	AR	Tape, Double Sided	
108	See Note	NSS	Nameplate - Serial Number (Note: Not Available for Purchase)	
109	1001163297	2	Decal - Glazier Capacity	
110	1701509	1	Decal - Manual	
	0272418	Ref	SKYGLAZIER DECAL INSTALLATION	4
201	1705358	2	Decal - SkyGlazier	

# SECTION 5 - PLATFORM

## FIGURE 5-34. SKYGLAZIER INSTALLATION (DANISH SPECS)



ART\_1001238462

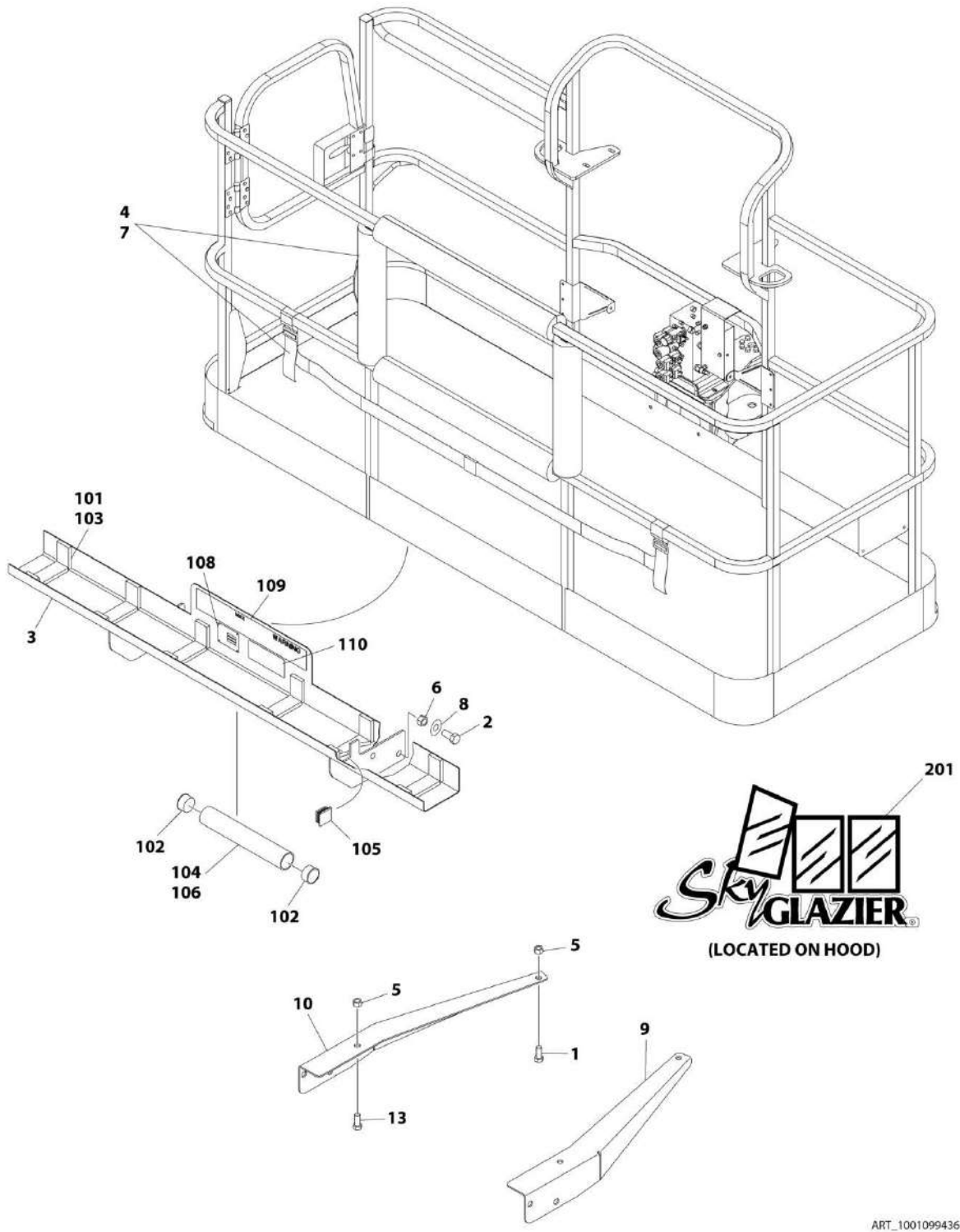
## SECTION 5 - PLATFORM

**FIGURE 5-34. SKYGLAZIER INSTALLATION (DANISH SPECS)**

ITEM	PART NUMBER	QTY	DESCRIPTION	REV
	1001238462	Ref	SKYGLAZIER INSTALLATION (DANISH SPECS)	A
1	0642012	2	Bolt 5/8 x 1-1/2	
2	0642212	4	Bolt 3/4 x 1-1/2	
3	2902212	1	Bumpers and Strap Kit	
3	0940102	1	Bumper Only	
3	4240149	1	Strap Only	
4	3312005	4	Nut 5/8	
5	3312205	4	Nut 3/4	
6	4420014	AR	Tape	
7	4712000	6	Washer 5/8	
8	4712200	8	Washer 3/4	
9	8310129	2	Bolt 5/8 x 2-1/2	
10	1001099366	1	Support	
11	1001099367	1	Support	
12	1001238423	1	Tray Assembly (See Items 101-110 for Breakdown)	
	1001238423	Ref	TRAY ASSEMBLY	A
101	0100081	AR	Adhesive	
102	1120555	2	Cap, Tube	
103	3340956	1	Pad Kit	
104	3460334	1	Tube	
105	3520071	2	Plug	
106	4420066	AR	Tape, Double Sided	
108	See Note	NSS	Nameplate - Serial Number (Note: Not Available for Purchase)	
109	1001237705	2	Decal - Glazier Capacity	
110	1701509	1	Decal - Manual	
	0272418	Ref	SKYGLAZIER DECAL INSTALLATION	4
201	1705358	2	Decal - SkyGlazier	

# SECTION 5 - PLATFORM

FIGURE 5-35. SKYGLAZIER INSTALLATION (FRENCH SPECS) (SN 0300201017 through 0300234289)





## SECTION 5 - PLATFORM

**FIGURE 5-35. SKYGLAZIER INSTALLATION (FRENCH SPECS) (SN 0300201017 through 0300234289)**

ITEM	PART NUMBER	QTY	DESCRIPTION	REV
	1001099436	Ref	SKYGLAZIER INSTALLATION (FRENCH SPECS) (SN 0300201017 through 0300234289)	D
1	0642026	2	Bolt 5/8 x 3-1/4	
2	0642212	4	Bolt 3/4 x 1-1/2	
3	0272949	1	Tray Assembly (See Items 101-110 for Breakdown)	
4	2902212	1	Bumpers and Strap Kit	
4	0940102	1	Bumper Only	
4	4240149	1	Strap Only	
5	3312005	4	Nut 5/8	
6	3312205	4	Nut 3/4	
7	4420014	AR	Tape	
8	4712200	8	Washer 3/4	
9	1001099366	1	Support	
10	1001099367	1	Support	
13	8310230	2	Bolt 5/8 x 4	
	0272949	Ref	TRAY ASSEMBLY	D
101	0100081	AR	Adhesive	
102	1120555	2	Cap, Tube	
103	3340956	1	Pad Kit	
104	3460334	1	Tube	
105	3520071	2	Plug	
106	4420066	AR	Tape, Double Sided	
108	See Note	NSS	Nameplate - Serial Number (Note: Not Available for Purchase)	
109	1001163293	2	Decal - Glazier Capacity	
110	1701509	1	Decal - Manual	
	0272418	Ref	SKYGLAZIER DECAL INSTALLATION	4
201	1705358	2	Decal - SkyGlazier	



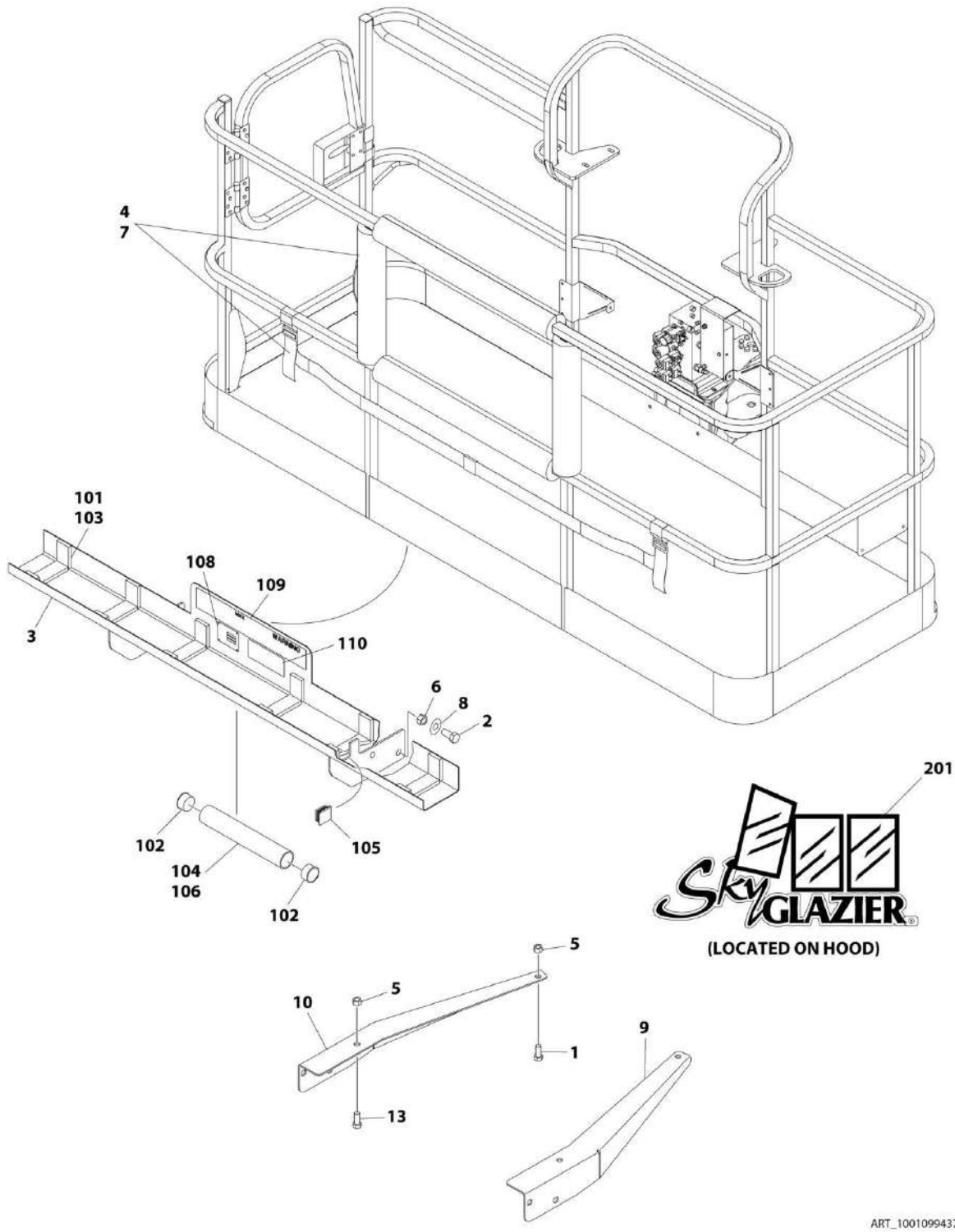
## SECTION 5 - PLATFORM

**FIGURE 5-36. SKYGLAZIER INSTALLATION (FRENCH SPECS) (SN 0300234290 to Present)**

ITEM	PART NUMBER	QTY	DESCRIPTION	REV
	1001225250	Ref	SKYGLAZIER INSTALLATION (FRENCH SPECS) (SN 0300234290 to Present)	A
1	0272949	1	Tray Assembly (See Items 101-110 for Breakdown)	
2	0642012	2	Bolt 5/8 x 1-1/2	
3	0642212	4	Bolt 3/4 x 1-1/2	
4	2902212	1	Bumpers and Strap Kit	
4	0940102	1	Bumper Only	
4	4240149	1	Strap Only	
5	3312005	4	Nut 5/8	
6	3312205	4	Nut 3/4	
7	4420014	AR	Tape	
8	4712000	6	Washer 5/8	
9	4712200	8	Washer 3/4	
10	8310129	2	Bolt 5/8 x 2-1/2	
11	1001099366	1	Support	
12	1001099367	1	Support	
	0272949	Ref	TRAY ASSEMBLY	D
101	0100081	AR	Adhesive	
102	1120555	2	Cap, Tube	
103	3340956	1	Pad Kit	
104	3460334	1	Tube	
105	3520071	2	Plug	
106	4420066	AR	Tape, Double Sided	
108	See Note	NSS	Nameplate - Serial Number (Note: Not Available for Purchase)	
109	1001163293	2	Decal - Glazier Capacity	
110	1701509	1	Decal - Manual	
	0272418	Ref	SKYGLAZIER DECAL INSTALLATION	4
201	1705358	2	Decal - SkyGlazier	

# SECTION 5 - PLATFORM

FIGURE 5-37. SKYGLAZIER INSTALLATION (GERMAN SPECS) (SN 0300201017 through 0300234289)



ART\_1001099437

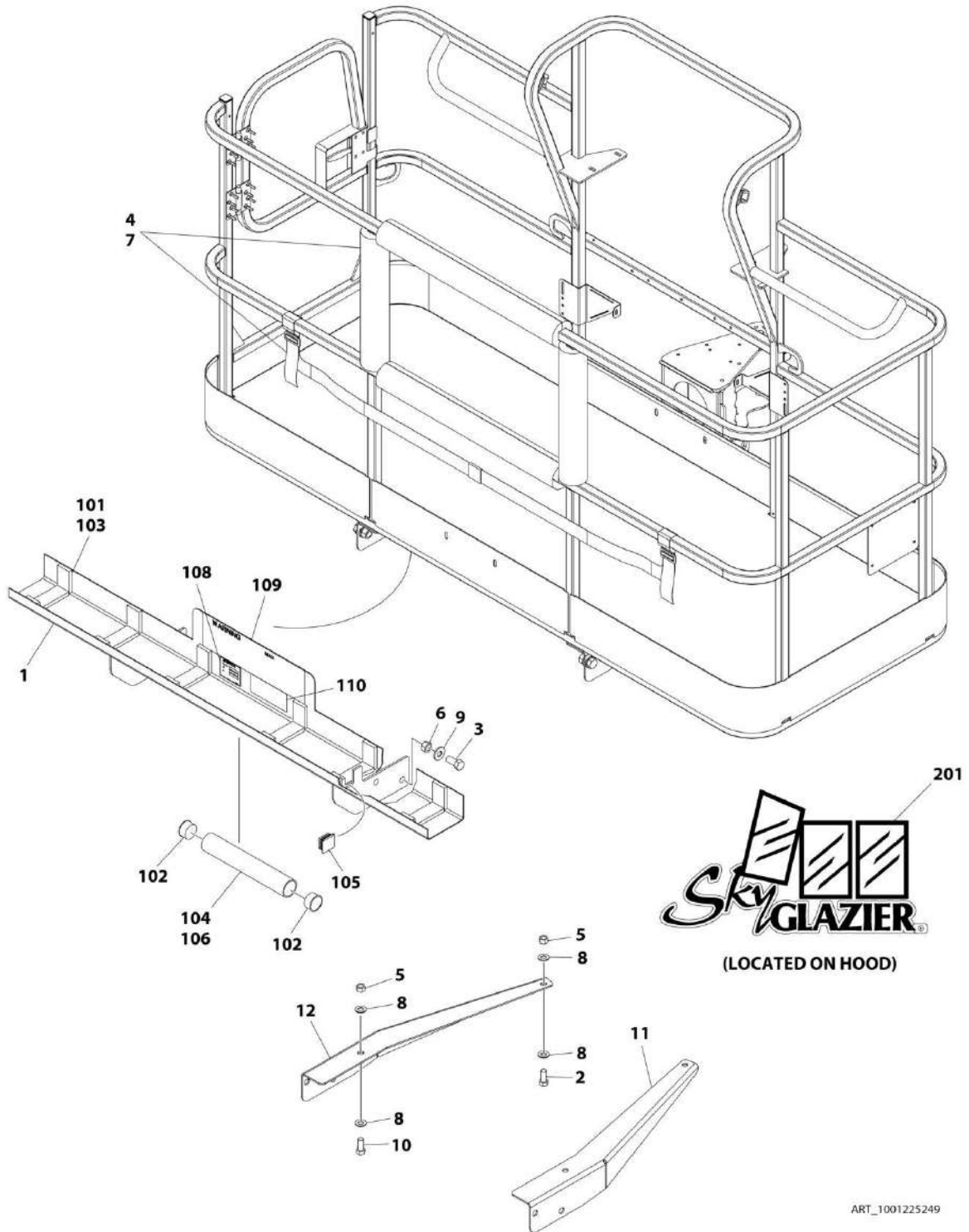
## SECTION 5 - PLATFORM

**FIGURE 5-37. SKYGLAZIER INSTALLATION (GERMAN SPECS) (SN 0300201017 through 0300234289)**

ITEM	PART NUMBER	QTY	DESCRIPTION	REV
	1001099437	Ref	SKYGLAZIER INSTALLATION (GERMAN SPECS) (SN 0300201017 through 0300234289)	D
1	0642026	2	Bolt 5/8 x 3-1/4	
2	0642212	4	Bolt 3/4 x 1-1/2	
3	0272950	1	Tray Assembly (See Items 101-110 for Breakdown)	
4	2902212	1	Bumpers and Strap Kit	
4	0940102	1	Bumper Only	
4	4240149	1	Strap Only	
5	3312005	4	Nut 5/8	
6	3312205	4	Nut 3/4	
7	4420014	AR	Tape	
8	4712200	8	Washer 3/4	
9	1001099366	1	Support	
10	1001099367	1	Support	
13	8310230	2	Bolt 5/8 x 4	
	0272950	Ref	TRAY ASSEMBLY	D
101	0100081	AR	Adhesive	
102	1120555	2	Cap, Tube	
103	3340956	1	Pad Kit	
104	3460334	1	Tube	
105	3520071	2	Plug	
106	4420066	AR	Tape, Double Sided	
108	See Note	NSS	Nameplate - Serial Number (Note: Not Available for Purchase)	
109	1001163298	2	Decal - Glazier Capacity	
110	1701509	1	Decal - Manual	
	0272418	Ref	SKYGLAZIER DECAL INSTALLATION	4
201	1705358	2	Decal - SkyGlazier	

# SECTION 5 - PLATFORM

FIGURE 5-38. SKYGLAZIER INSTALLATION (GERMAN SPECS) (SN 0300234290 to Present)



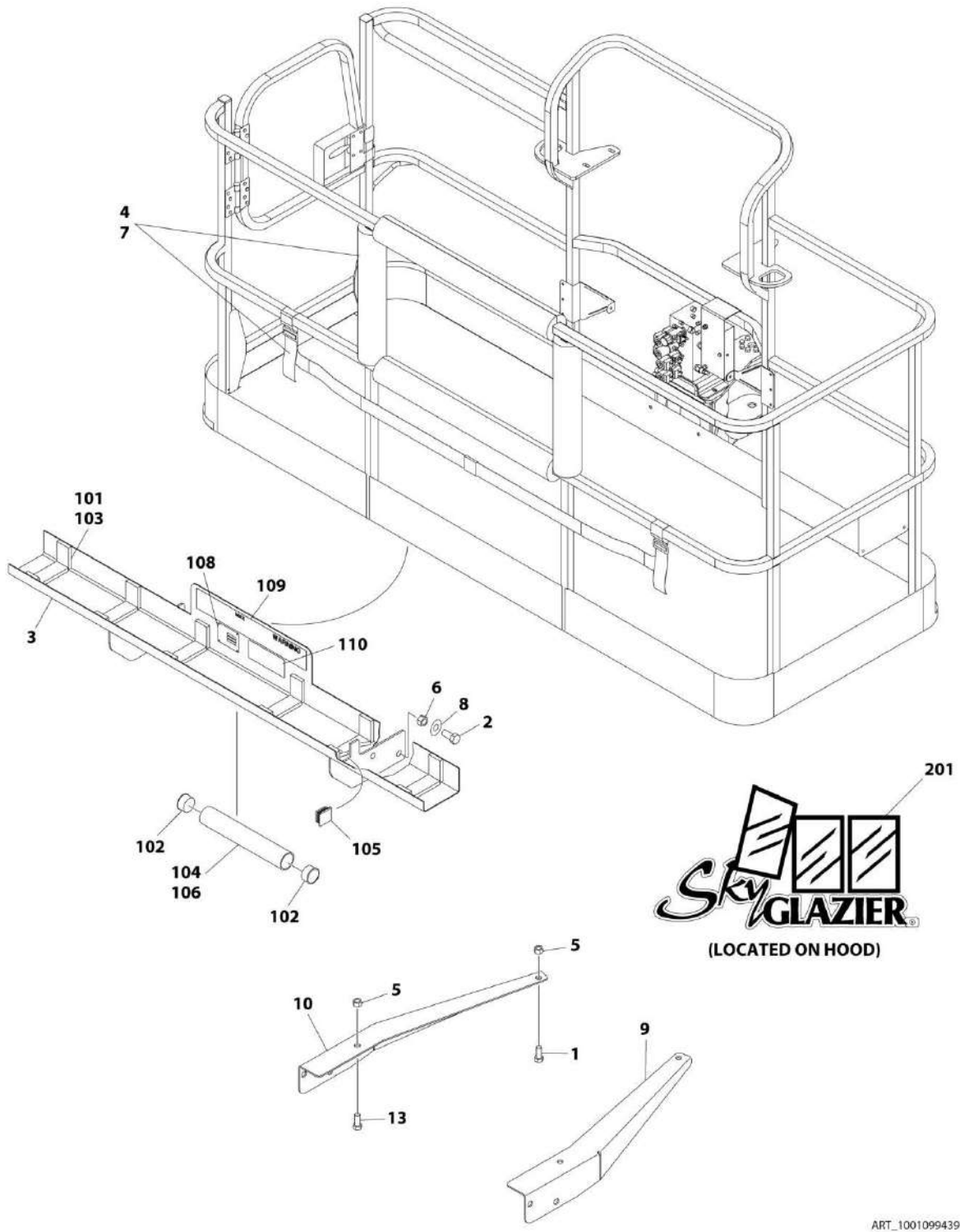
## SECTION 5 - PLATFORM

**FIGURE 5-38. SKYGLAZIER INSTALLATION (GERMAN SPECS) (SN 0300234290 to Present)**

ITEM	PART NUMBER	QTY	DESCRIPTION	REV
	1001225249	Ref	SKYGLAZIER INSTALLATION (GERMAN SPECS) (SN <b>0300234290 to Present</b> )	A
1	0272950	1	Tray Assembly (See Items 101-110 for Breakdown)	
2	0642012	2	Bolt 5/8 x 1-1/2	
3	0642212	4	Bolt 3/4 x 1-1/2	
4	2902212	1	Bumpers and Strap Kit	
4	0940102	1	Bumper Only	
4	4240149	1	Strap Only	
5	3312005	4	Nut 5/8	
6	3312205	4	Nut 3/4	
7	4420014	AR	Tape	
8	4712000	6	Washer 5/8	
9	4712200	8	Washer 3/4	
10	8310129	2	Bolt 5/8 x 2-1/2	
11	1001099366	1	Support	
12	1001099367	1	Support	
	0272950	Ref	TRAY ASSEMBLY	D
101	0100081	AR	Adhesive	
102	1120555	2	Cap, Tube	
103	3340956	1	Pad Kit	
104	3460334	1	Tube	
105	3520071	2	Plug	
106	4420066	AR	Tape, Double Sided	
108	See Note	NSS	Nameplate - Serial Number (Note: Not Available for Purchase)	
109	1001163298	2	Decal - Glazier Capacity	
110	1701509	1	Decal - Manual	
	0272418	Ref	SKYGLAZIER DECAL INSTALLATION	4
201	1705358	2	Decal - SkyGlazier	

# SECTION 5 - PLATFORM

FIGURE 5-39. SKYGLAZIER INSTALLATION (ITALIAN SPECS) (SN 0300201017 through 0300234289)





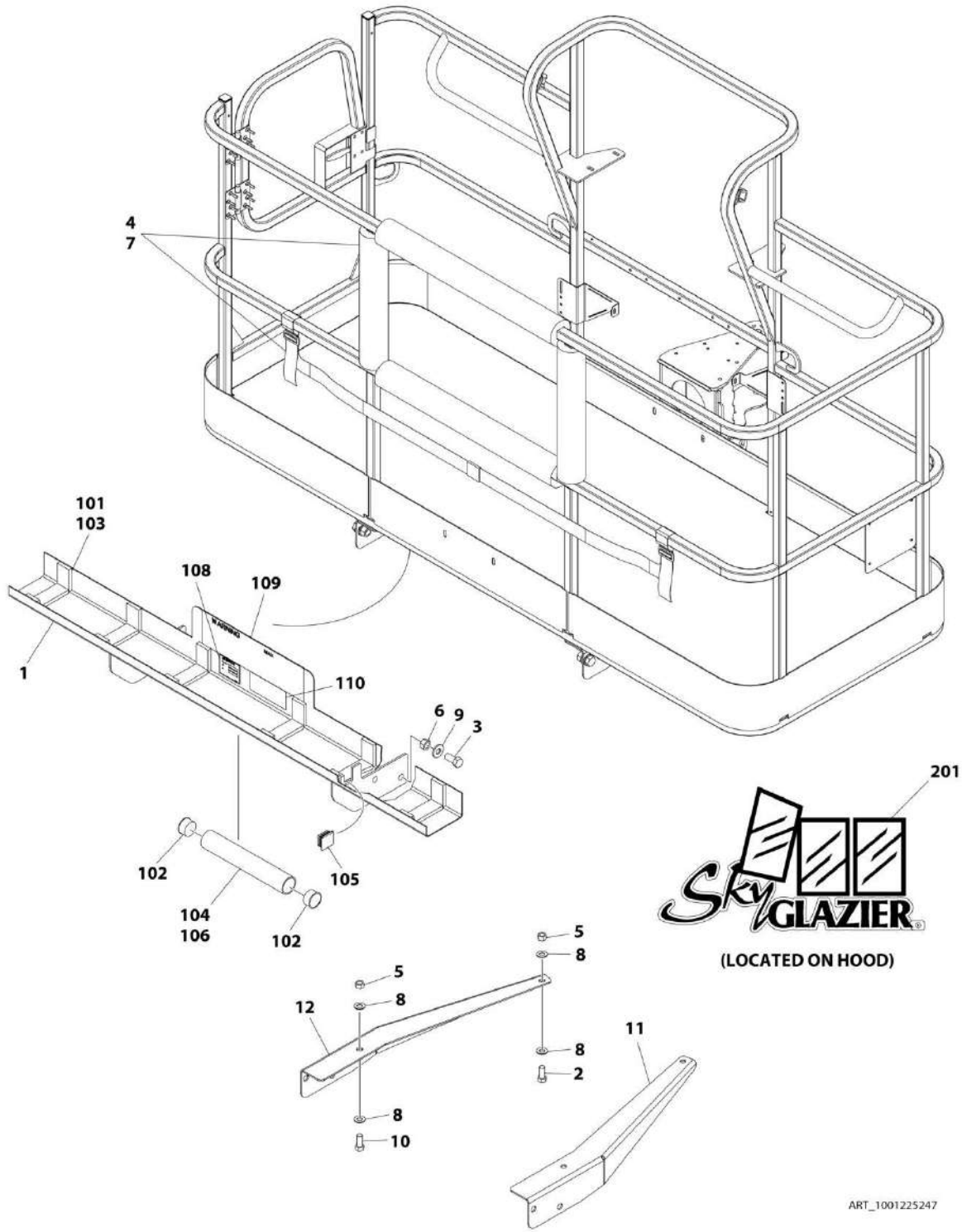
## SECTION 5 - PLATFORM

**FIGURE 5-39. SKYGLAZIER INSTALLATION (ITALIAN SPECS) (SN 0300201017 through 0300234289)**

ITEM	PART NUMBER	QTY	DESCRIPTION	REV
	1001099439	Ref	SKYGLAZIER INSTALLATION (ITALIAN SPECS) (SN 0300201017 through 0300234289)	D
1	0642026	2	Bolt 5/8 x 3-1/4	
2	0642212	4	Bolt 3/4 x 1-1/2	
3	0272952	1	Tray Assembly (See Items 101-110 for Breakdown)	
4	2902212	1	Bumpers and Strap Kit	
4	0940102	1	Bumper Only	
4	4240149	1	Strap Only	
5	3312005	4	Nut 5/8	
6	3312205	4	Nut 3/4	
7	4420014	AR	Tape	
8	4712200	8	Washer 3/4	
9	1001099366	1	Support	
10	1001099367	1	Support	
13	8310230	2	Bolt 5/8 x 4	
	0272952	Ref	TRAY ASSEMBLY	D
101	0100081	AR	Adhesive	
102	1120555	2	Cap, Tube	
103	3340956	1	Pad Kit	
104	3460334	1	Tube	
105	3520071	2	Plug	
106	4420066	AR	Tape, Double Sided	
108	See Note	NSS	Nameplate - Serial Number (Note: Not Available for Purchase)	
109	1001163287	2	Decal - Glazier Capacity	
110	1701509	1	Decal - Manual	
	0272418	Ref	SKYGLAZIER DECAL INSTALLATION	4
201	1705358	2	Decal - SkyGlazier	

# SECTION 5 - PLATFORM

FIGURE 5-40. SKYGLAZIER INSTALLATION (ITALIAN SPECS) (SN 0300234290 to Present)



ART\_1001225247

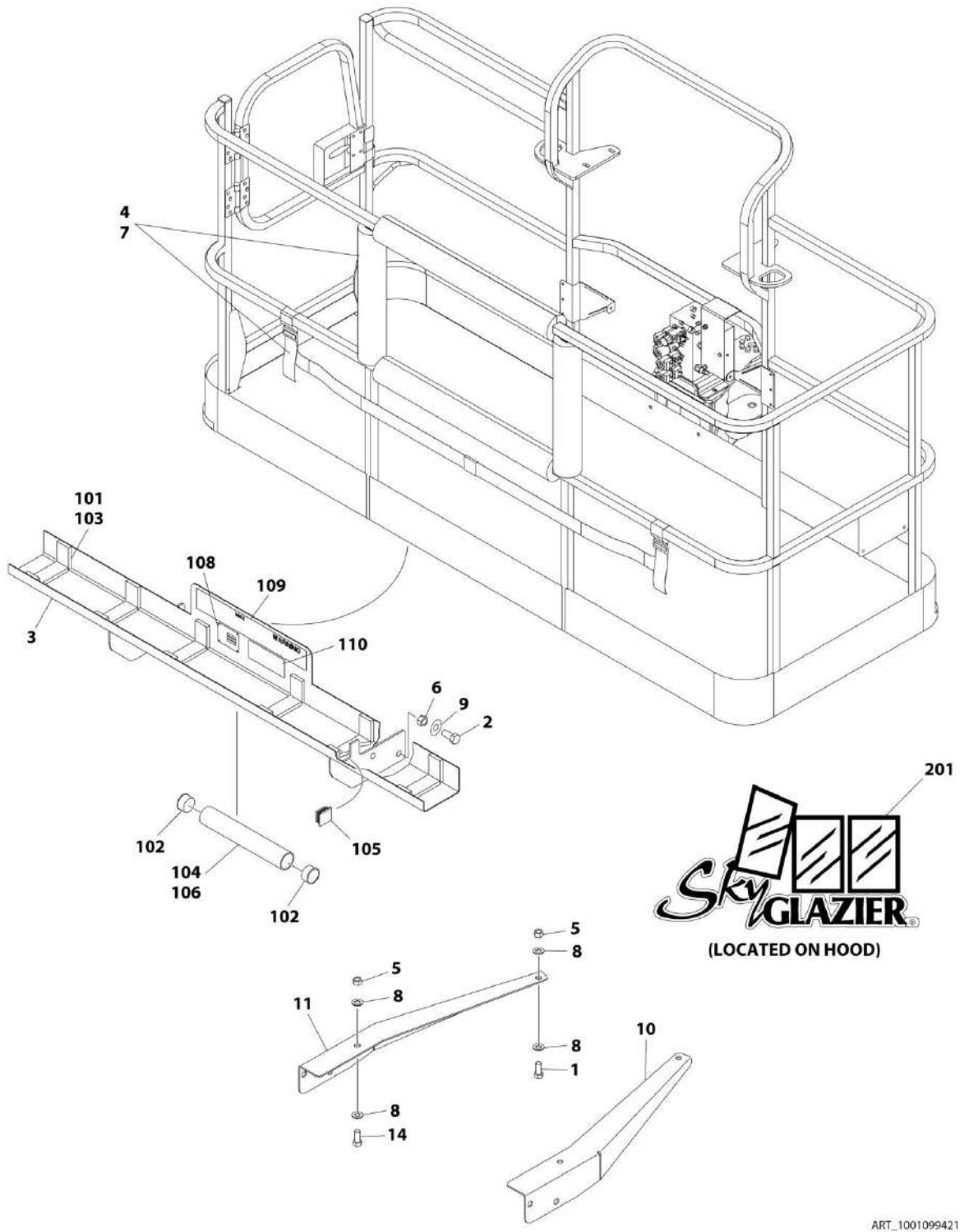
## SECTION 5 - PLATFORM

**FIGURE 5-40. SKYGLAZIER INSTALLATION (ITALIAN SPECS) (SN 0300234290 to Present)**

ITEM	PART NUMBER	QTY	DESCRIPTION	REV
	1001225247	Ref	SKYGLAZIER INSTALLATION (ITALIAN SPECS) (SN 0300234290 to Present)	A
1	0272952	1	Tray Assembly (See Items 101-110 for Breakdown)	
2	0642012	2	Bolt 5/8 x 1-1/2	
3	0642212	4	Bolt 3/4 x 1-1/2	
4	2902212	1	Bumpers and Strap Kit	
4	0940102	1	Bumper Only	
4	4240149	1	Strap Only	
5	3312005	4	Nut 5/8	
6	3312205	4	Nut 3/4	
7	4420014	AR	Tape	
8	4712000	6	Washer 5/8	
9	4712200	8	Washer 3/4	
10	8310129	2	Bolt 5/8 x 2-1/2	
11	1001099366	1	Support	
12	1001099367	1	Support	
	0272952	Ref	TRAY ASSEMBLY	D
101	0100081	AR	Adhesive	
102	1120555	2	Cap, Tube	
103	3340956	1	Pad Kit	
104	3460334	1	Tube	
105	3520071	2	Plug	
106	4420066	AR	Tape, Double Sided	
108	See Note	NSS	Nameplate - Serial Number (Note: Not Available for Purchase)	
109	1001163287	2	Decal - Glazier Capacity	
110	1701509	1	Decal - Manual	
	0272418	Ref	SKYGLAZIER DECAL INSTALLATION	4
201	1705358	2	Decal - SkyGlazier	

# SECTION 5 - PLATFORM

## FIGURE 5-41. SKYGLAZIER INSTALLATION (LATIN AMERICAN SPECS)



ART\_1001099421

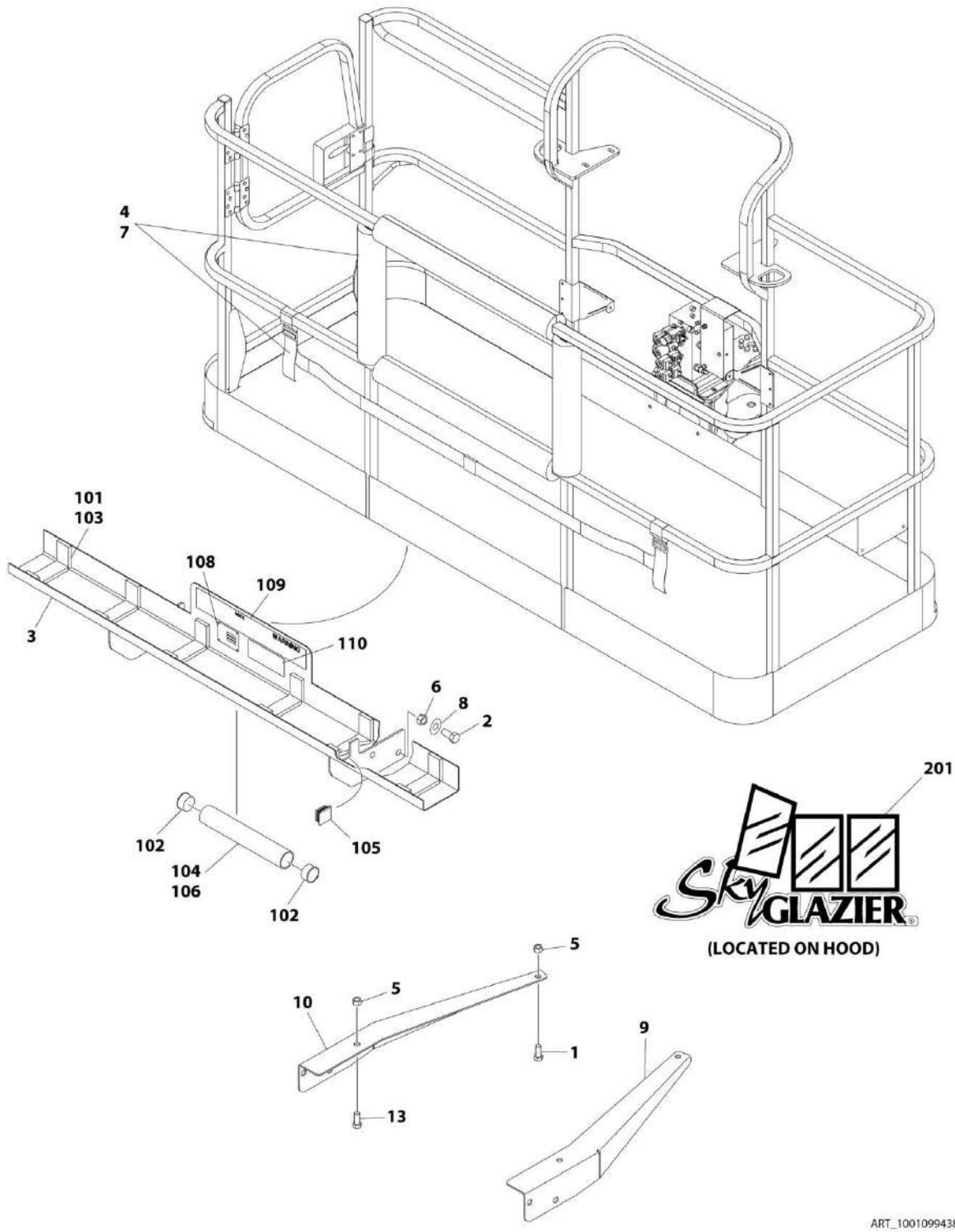
## SECTION 5 - PLATFORM

**FIGURE 5-41. SKYGLAZIER INSTALLATION (LATIN AMERICAN SPECS)**

ITEM	PART NUMBER	QTY	DESCRIPTION	REV
	1001099421	Ref	SKYGLAZIER INSTALLATION (LATIN AMERICAN SPECS)	C
1	0642012	2	Bolt 5/8 x 1-1/2	
2	0642212	4	Bolt 3/4 x 1-1/2	
3	0272948	1	Tray Assembly (See Items 101-110 for Breakdown)	
4	2902212	1	Bumpers and Strap Kit	
4	0940102	1	Bumper Only	
4	4240149	1	Strap Only	
5	3312005	4	Nut 5/8	
6	3312205	4	Nut 3/4	
7	4420014	AR	Tape	
8	4712000	6	Washer 5/8	
9	4712200	8	Washer 3/4	
10	1001099366	1	Support	
11	1001099367	1	Support	
14	8310129	2	Bolt 5/8 x 2.5	
	0272948	Ref	TRAY ASSEMBLY	E
101	0100081	AR	Adhesive	
102	1120555	2	Cap, Tube	
103	3340956	1	Pad Kit	
104	3460334	1	Tube	
105	3520071	2	Plug	
106	4420066	AR	Tape, Double Sided	
108	See Note	NSS	Nameplate - Serial Number (Note: Not Available for Purchase)	
109	1001163296	2	Decal - Glazier Capacity	
110	1701509	1	Decal - Manual	
	0272418	Ref	SKYGLAZIER DECAL INSTALLATION	4
201	1705358	2	Decal - SkyGlazier	

# SECTION 5 - PLATFORM

FIGURE 5-42. SKYGLAZIER INSTALLATION (PORTUGUESE SPECS) (SN 0300201017 through 0300234289)



## SECTION 5 - PLATFORM

**FIGURE 5-42. SKYGLAZIER INSTALLATION (PORTUGUESE SPECS) (SN 0300201017 through 0300234289)**

ITEM	PART NUMBER	QTY	DESCRIPTION	REV
	1001099438	Ref	SKYGLAZIER INSTALLATION (PORTUGUESE SPECS) (SN <b>0300201017 through 0300234289</b> )	D
1	0642026	2	Bolt 5/8 x 3-1/4	
2	0642212	4	Bolt 3/4 x 1-1/2	
3	0273406	1	Tray Assembly (See Items 101-110 for Breakdown)	
4	2902212	1	Bumpers and Strap Kit	
4	0940102	1	Bumper Only	
4	4240149	1	Strap Only	
5	3312005	4	Nut 5/8	
6	3312205	4	Nut 3/4	
7	4420014	AR	Tape	
8	4712200	8	Washer 3/4	
9	1001099366	1	Support	
10	1001099367	1	Support	
13	8310230	2	Bolt 5/8 x 4	
	0273406	Ref	TRAY ASSEMBLY	D
101	0100081	AR	Adhesive	
102	1120555	2	Cap, Tube	
103	3340956	1	Pad Kit	
104	3460334	1	Tube	
105	3520071	2	Plug	
106	4420066	AR	Tape, Double Sided	
108	See Note	NSS	Nameplate - Serial Number (Note: Not Available for Purchase)	
109	1001163289	2	Decal - Glazier Capacity	
110	1701509	1	Decal - Manual	
	0272418	Ref	SKYGLAZIER DECAL INSTALLATION	4
201	1705358	2	Decal - SkyGlazier	





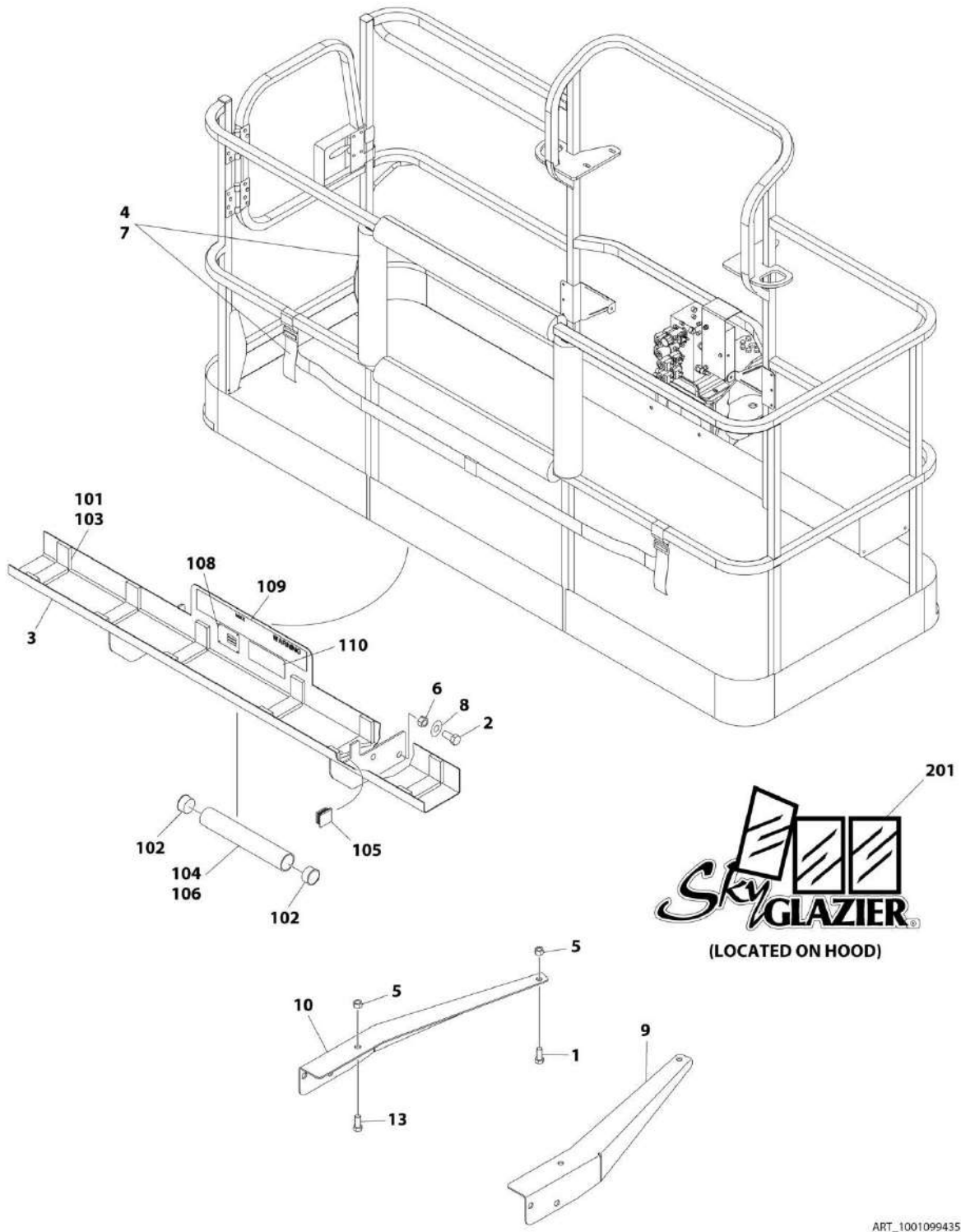
## SECTION 5 - PLATFORM

**FIGURE 5-43. SKYGLAZIER INSTALLATION (PORTUGUESE SPECS) (SN 0300234290 to Present)**

ITEM	PART NUMBER	QTY	DESCRIPTION	REV
	1001225248	Ref	SKYGLAZIER INSTALLATION (PORTUGUESE SPECS) (SN <b>0300234290 to Present</b> )	A
1	0273406	1	Tray Assembly (See Items 101-110 for Breakdown)	
2	0642012	2	Bolt 5/8 x 1-1/2	
3	0642212	4	Bolt 3/4 x 1-1/2	
4	2902212	1	Bumpers and Strap Kit	
4	0940102	1	Bumper Only	
4	4240149	1	Strap Only	
5	3312005	4	Nut 5/8	
6	3312205	4	Nut 3/4	
7	4420014	AR	Tape	
8	4712000	6	Washer 5/8	
9	4712200	8	Washer 3/4	
10	8310129	2	Bolt 5/8 x 2-1/2	
11	1001099366	1	Support	
12	1001099367	1	Support	
	0273406	Ref	TRAY ASSEMBLY	D
101	0100081	AR	Adhesive	
102	1120555	2	Cap, Tube	
103	3340956	1	Pad Kit	
104	3460334	1	Tube	
105	3520071	2	Plug	
106	4420066	AR	Tape, Double Sided	
108	See Note	NSS	Nameplate - Serial Number (Note: Not Available for Purchase)	
109	1001163289	2	Decal - Glazier Capacity	
110	1701509	1	Decal - Manual	
	0272418	Ref	SKYGLAZIER DECAL INSTALLATION	4
201	1705358	2	Decal - SkyGlazier	

# SECTION 5 - PLATFORM

FIGURE 5-44. SKYGLAZIER INSTALLATION (SPANISH SPECS) (SN 0300201017 through 0300234289)



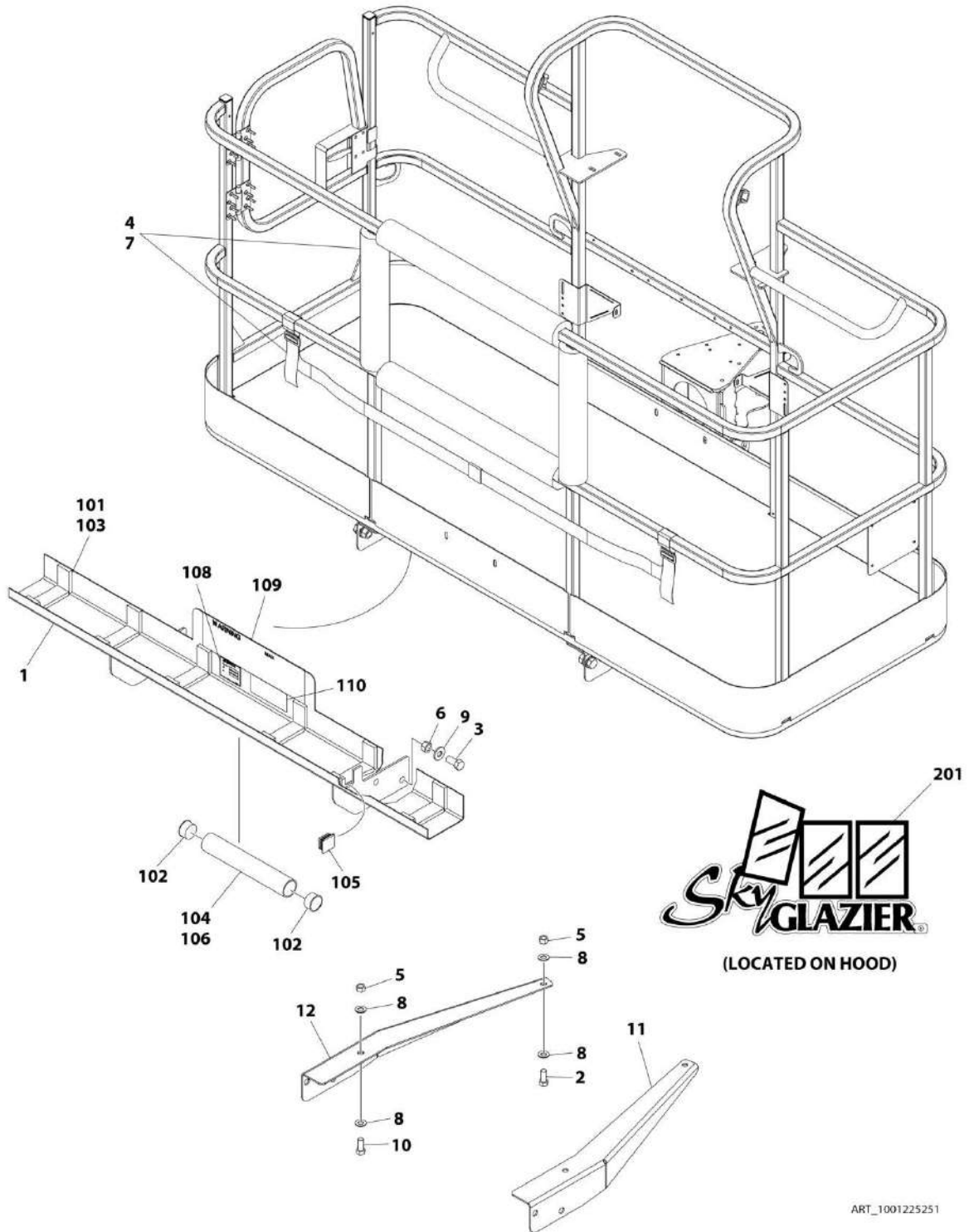
## SECTION 5 - PLATFORM

**FIGURE 5-44. SKYGLAZIER INSTALLATION (SPANISH SPECS) (SN 0300201017 through 0300234289)**

ITEM	PART NUMBER	QTY	DESCRIPTION	REV
	1001099435	Ref	SKYGLAZIER INSTALLATION (SPANISH SPECS) (SN <b>0300201017 through 0300234289</b> )	D
1	0642026	2	Bolt 5/8 x 3-1/4	
2	0642212	4	Bolt 3/4 x 1-1/2	
3	0273405	1	Tray Assembly (See Items 101-110 for Breakdown)	
4	2902212	1	Bumpers and Strap Kit	
4	0940102	1	Bumper Only	
4	4240149	1	Strap Only	
5	3312005	4	Nut 5/8	
6	3312205	4	Nut 3/4	
7	4420014	AR	Tape	
8	4712200	8	Washer 3/4	
9	1001099366	1	Support	
10	1001099367	1	Support	
13	8310230	2	Bolt 5/8 x 4	
	0273405	Ref	TRAY ASSEMBLY	D
101	0100081	AR	Adhesive	
102	1120555	2	Cap, Tube	
103	3340956	1	Pad Kit	
104	3460334	1	Tube	
105	3520071	2	Plug	
106	4420066	AR	Tape, Double Sided	
108	See Note	NSS	Nameplate - Serial Number (Note: Not Available for Purchase)	
109	1001163288	2	Decal - Glazier Capacity	
110	1701509	1	Decal - Manual	
	0272418	Ref	SKYGLAZIER DECAL INSTALLATION	4
201	1705358	2	Decal - SkyGlazier	

# SECTION 5 - PLATFORM

FIGURE 5-45. SKYGLAZIER INSTALLATION (SPANISH SPECS) (SN 0300234290 to Present)



ART\_1001225251

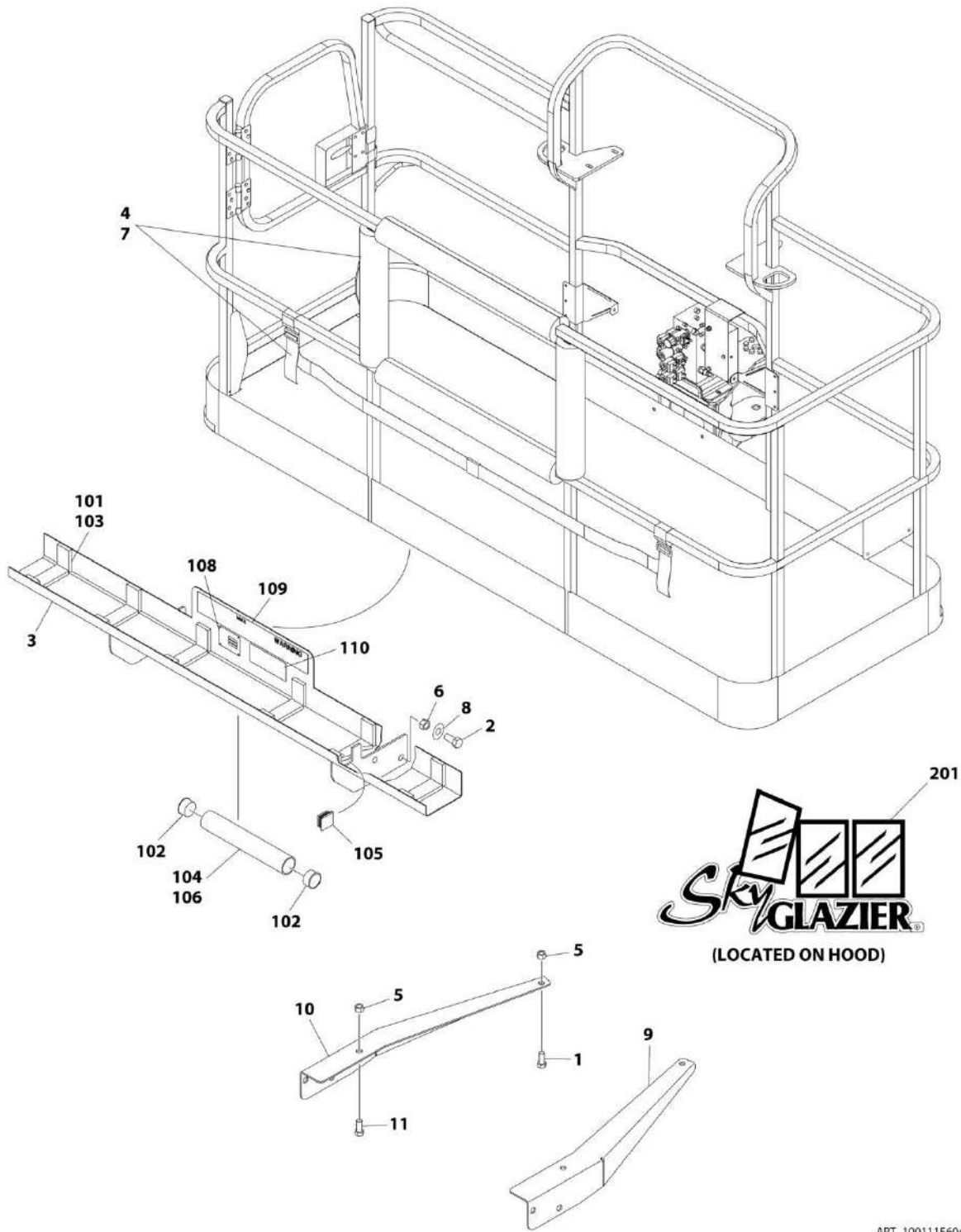
## SECTION 5 - PLATFORM

**FIGURE 5-45. SKYGLAZIER INSTALLATION (SPANISH SPECS) (SN 0300234290 to Present)**

ITEM	PART NUMBER	QTY	DESCRIPTION	REV
	1001225251	Ref	SKYGLAZIER INSTALLATION (SPANISH SPECS) (SN <b>0300234290 to Present</b> )	A
1	0273405	1	Tray Assembly (See Items 101-110 for Breakdown)	
2	0642012	2	Bolt 5/8 x 1-1/2	
3	0642212	4	Bolt 3/4 x 1-1/2	
4	2902212	1	Bumpers and Strap Kit	
4	0940102	1	Bumper Only	
4	4240149	1	Strap Only	
5	3312005	4	Nut 5/8	
6	3312205	4	Nut 3/4	
7	4420014	AR	Tape	
8	4712000	6	Washer 5/8	
9	4712200	8	Washer 3/4	
10	8310129	2	Bolt 5/8 x 2-1/2	
11	1001099366	1	Support	
12	1001099367	1	Support	
	0273405	Ref	TRAY ASSEMBLY	D
101	0100081	AR	Adhesive	
102	1120555	2	Cap, Tube	
103	3340956	1	Pad Kit	
104	3460334	1	Tube	
105	3520071	2	Plug	
106	4420066	AR	Tape, Double Sided	
108	See Note	NSS	Nameplate - Serial Number (Note: Not Available for Purchase)	
109	1001163288	2	Decal - Glazier Capacity	
110	1701509	1	Decal - Manual	
	0272418	Ref	SKYGLAZIER DECAL INSTALLATION	4
201	1705358	1	Decal - SkyGlazier	

# SECTION 5 - PLATFORM

FIGURE 5-46. SKYGLAZIER INSTALLATION (SWEDISH SPECS) (SN 0300201017 through 0300234289)



ART\_1001115604

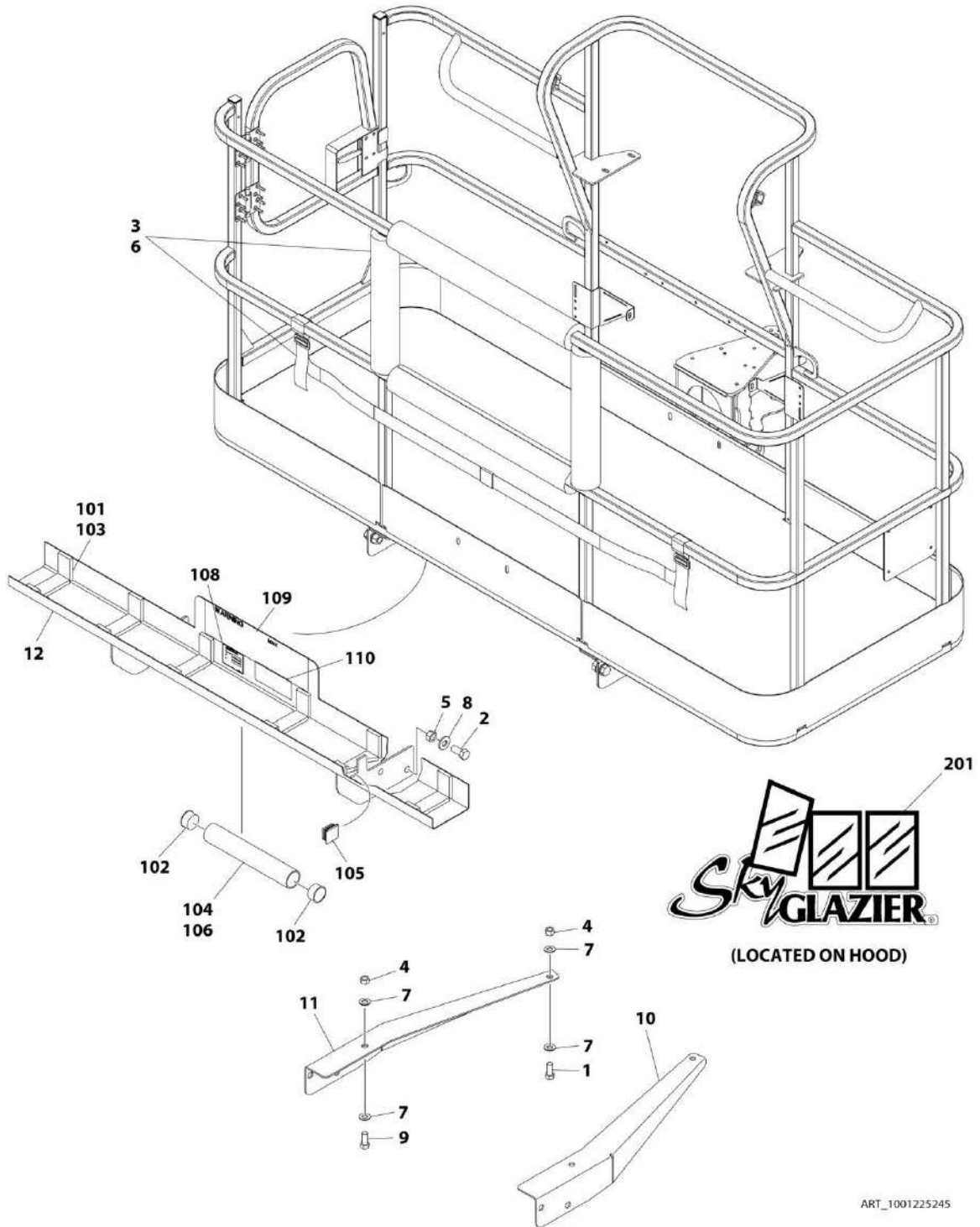
## SECTION 5 - PLATFORM

**FIGURE 5-46. SKYGLAZIER INSTALLATION (SWEDISH SPECS) (SN 0300201017 through 0300234289)**

ITEM	PART NUMBER	QTY	DESCRIPTION	REV
	1001115604	Ref	SKYGLAZIER INSTALLATION (SWEDISH SPECS) (SN <b>0300201017 through 0300234289</b> )	C
1	0642026	2	Bolt 5/8 x 3-1/4	
2	0642212	4	Bolt 3/4 x 1-1/2	
3	1001115603	1	Tray Assembly (See Items 101-110 for Breakdown)	
4	2902212	1	Bumpers and Strap Kit	
4	0940102	1	Bumper Only	
4	4240149	1	Strap Only	
5	3312005	4	Nut 5/8	
6	3312205	4	Nut 3/4	
7	4420014	AR	Tape	
8	4712200	8	Washer 3/4	
9	1001099366	1	Support	
10	1001099367	1	Support	
11	8310230	2	Bolt 5/8 x 4	
	1001115603	Ref	TRAY ASSEMBLY	C
101	0100081	AR	Adhesive	
102	1120555	2	Cap, Tube	
103	3340956	1	Pad Kit	
104	3460334	1	Tube	
105	3520071	2	Plug	
106	4420066	AR	Tape, Double Sided	
108	See Note	NSS	Nameplate - Serial Number (Note: Not Available for Purchase)	
109	1001163292	2	Decal - Glazier Capacity	
110	1701509	1	Decal - Manual	
	0272418	Ref	SKYGLAZIER DECAL INSTALLATION	4
201	1705358	2	Decal - SkyGlazier	

# SECTION 5 - PLATFORM

FIGURE 5-47. SKYGLAZIER INSTALLATION (SWEDISH SPECS) (SN 0300234290 to Present)





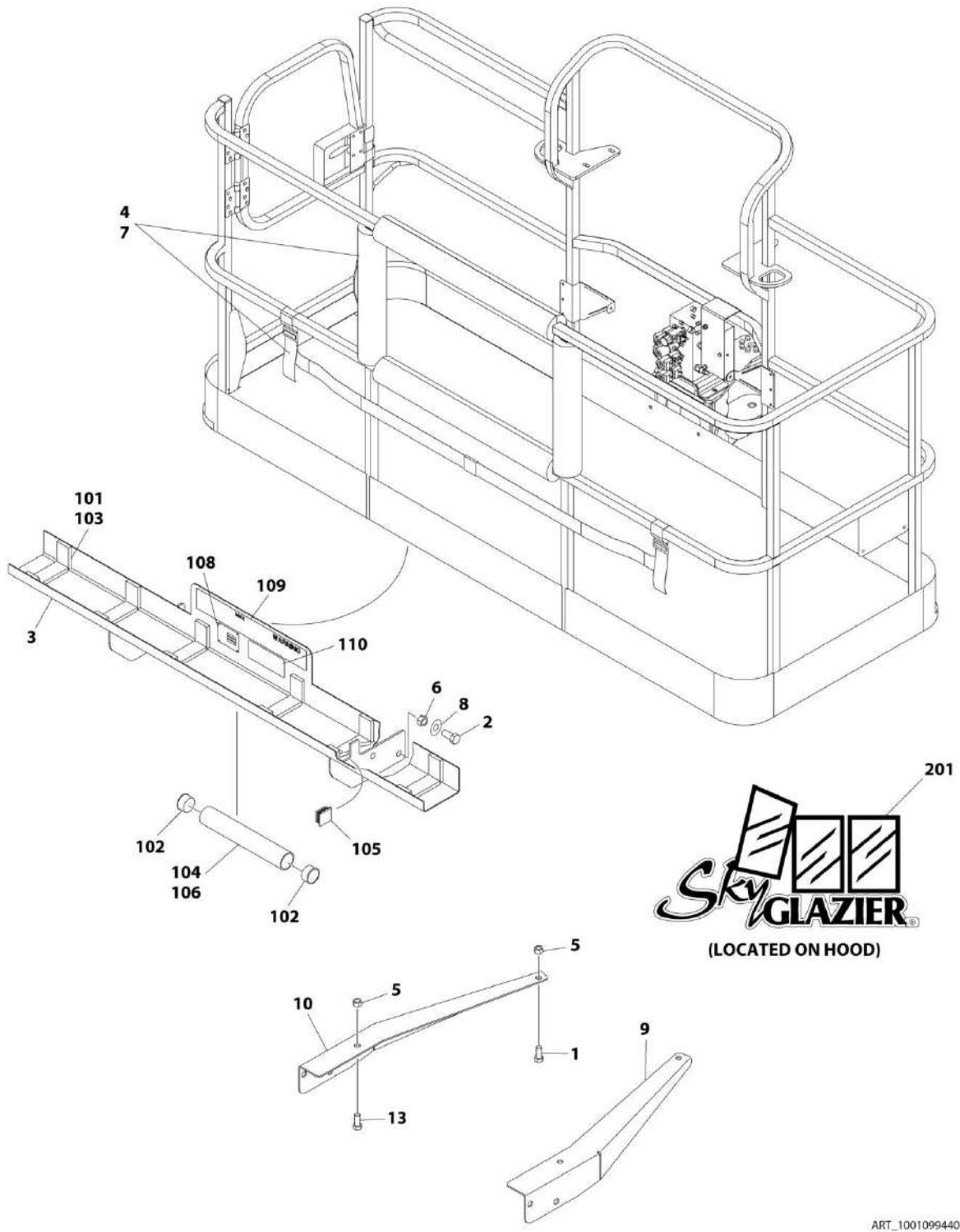
## SECTION 5 - PLATFORM

**FIGURE 5-47. SKYGLAZIER INSTALLATION (SWEDISH SPECS) (SN 0300234290 to Present)**

ITEM	PART NUMBER	QTY	DESCRIPTION	REV
	1001225245	Ref	SKYGLAZIER INSTALLATION (SWEDISH SPECS) (SN <b>0300234290 to Present</b> )	A
1	0642012	2	Bolt 5/8 x 1-1/2	
2	0642212	4	Bolt 3/4 x 1-1/2	
3	2902212	1	Bumpers and Strap Kit	
3	0940102	1	Bumper Only	
3	4240149	1	Strap Only	
4	3312005	4	Nut 5/8	
5	3312205	4	Nut 3/4	
6	4420014	AR	Tape	
7	4712000	6	Washer 5/8	
8	4712200	8	Washer 3/4	
9	8310129	2	Bolt 5/8 x 2-1/2	
10	1001099366	1	Support	
11	1001099367	1	Support	
12	1001115603	1	Tray Assembly (See Items 101-110 for Breakdown)	
	1001115603	Ref	TRAY ASSEMBLY	C
101	0100081	AR	Adhesive	
102	1120555	2	Cap, Tube	
103	3340956	1	Pad Kit	
104	3460334	1	Tube	
105	3520071	2	Plug	
106	4420066	AR	Tape, Double Sided	
108	See Note	NSS	Nameplate - Serial Number (Note: Not Available for Purchase)	
109	1001163292	2	Decal - Glazier Capacity	
110	1701509	1	Decal - Manual	
	0272418	Ref	SKYGLAZIER DECAL INSTALLATION	4
201	1705358	2	Decal - SkyGlazier	

# SECTION 5 - PLATFORM

FIGURE 5-48. SKYGLAZIER INSTALLATION (UK SPECS) (SN 0300201017 through 0300234289)



ART\_1001099440

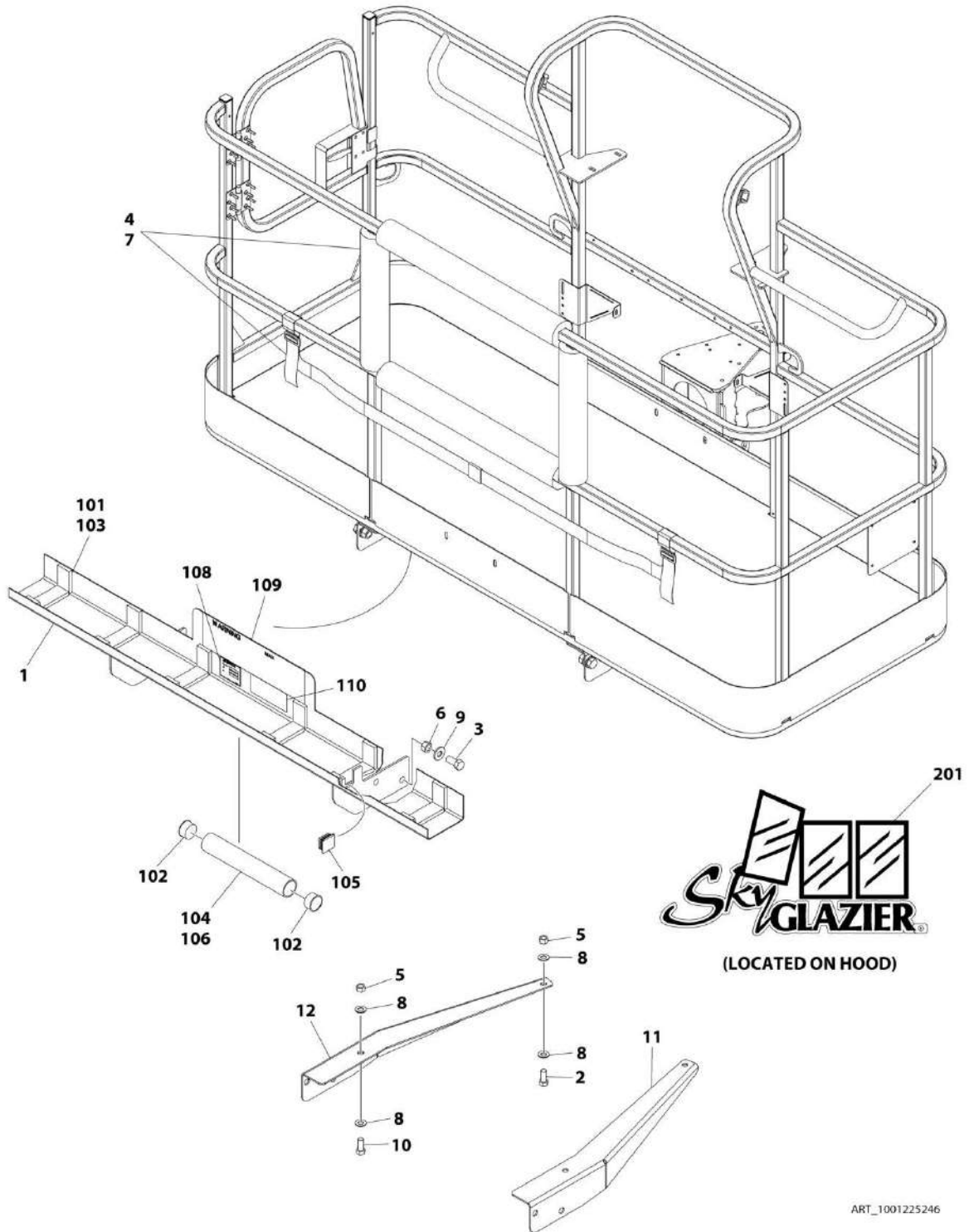
## SECTION 5 - PLATFORM

**FIGURE 5-48. SKYGLAZIER INSTALLATION (UK SPECS) (SN 0300201017 through 0300234289)**

ITEM	PART NUMBER	QTY	DESCRIPTION	REV
	1001099440	Ref	SKYGLAZIER INSTALLATION (UK SPECS) (SN 0300201017 through 0300234289)	D
1	0642026	2	Bolt 5/8 x 3-1/4	
2	0642212	4	Bolt 3/4 x 1-1/2	
3	0273404	1	Tray Assembly (See Items 101-110 for Breakdown)	
4	2902212	1	Bumpers and Strap Kit	
4	0940102	1	Bumper Only	
4	4240149	1	Strap Only	
5	3312005	4	Nut 5/8	
6	3312205	4	Nut 3/4	
7	4420014	AR	Tape	
8	4712200	8	Washer 3/4	
9	1001099366	1	Support	
10	1001099367	1	Support	
13	8310230	2	Bolt 5/8 x 4	
	0273404	Ref	TRAY ASSEMBLY	D
101	0100081	AR	Adhesive	
102	1120555	2	Cap, Tube	
103	3340956	1	Pad Kit	
104	3460334	1	Tube	
105	3520071	2	Plug	
106	4420066	AR	Tape, Double Sided	
108	See Note	NSS	Nameplate - Serial Number (Note: Not Available for Purchase)	
109	1001163295	2	Decal - Glazier Capacity	
110	1701509	1	Decal - Manual	
	0272418	Ref	SKYGLAZIER DECAL INSTALLATION	4
201	1705358	2	Decal - SkyGlazier	

# SECTION 5 - PLATFORM

FIGURE 5-49. SKYGLAZIER INSTALLATION (UK SPECS) (SN 0300234290 to Present)



ART\_1001225246

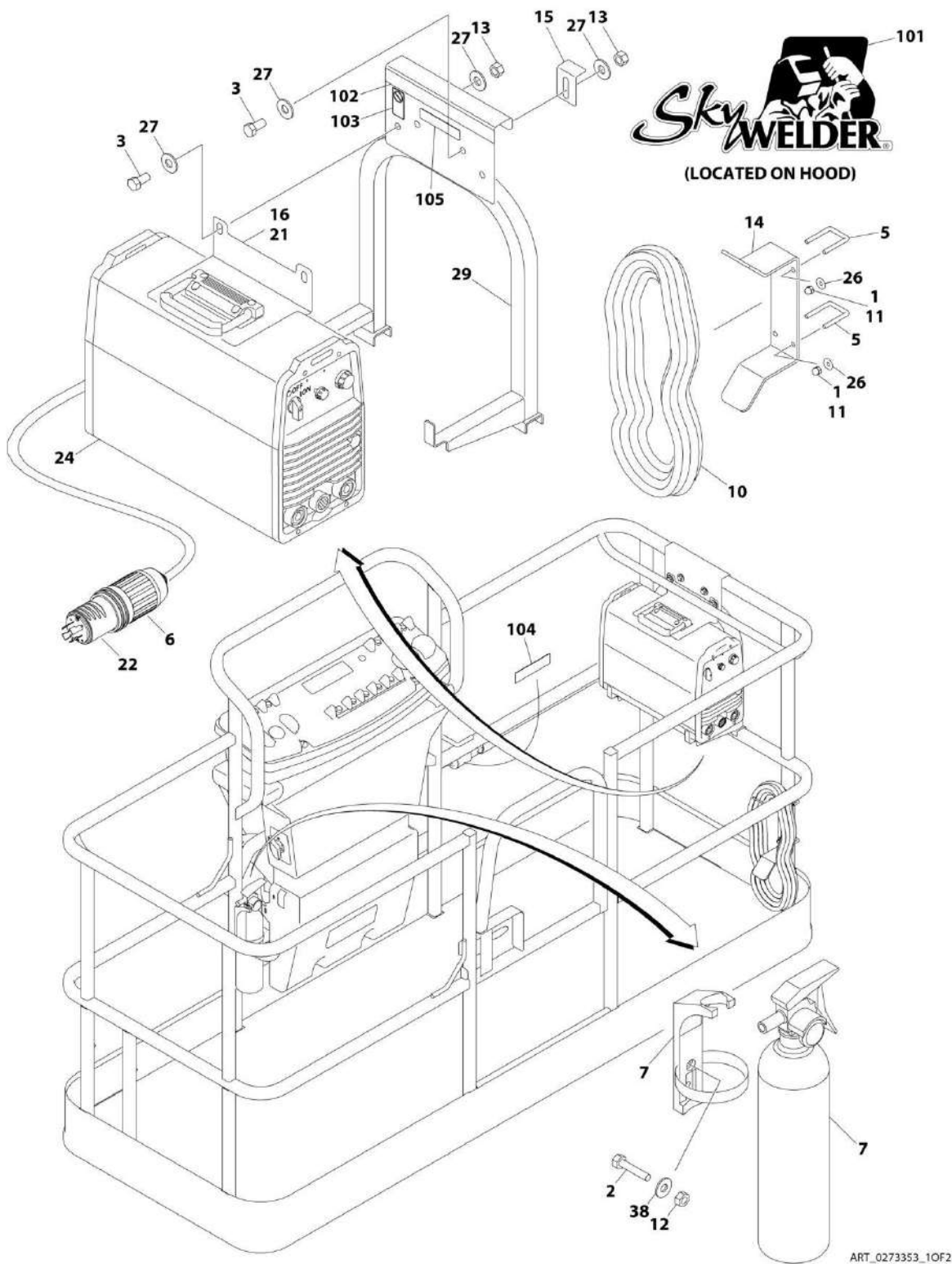
## SECTION 5 - PLATFORM

**FIGURE 5-49. SKYGLAZIER INSTALLATION (UK SPECS) (SN 0300234290 to Present)**

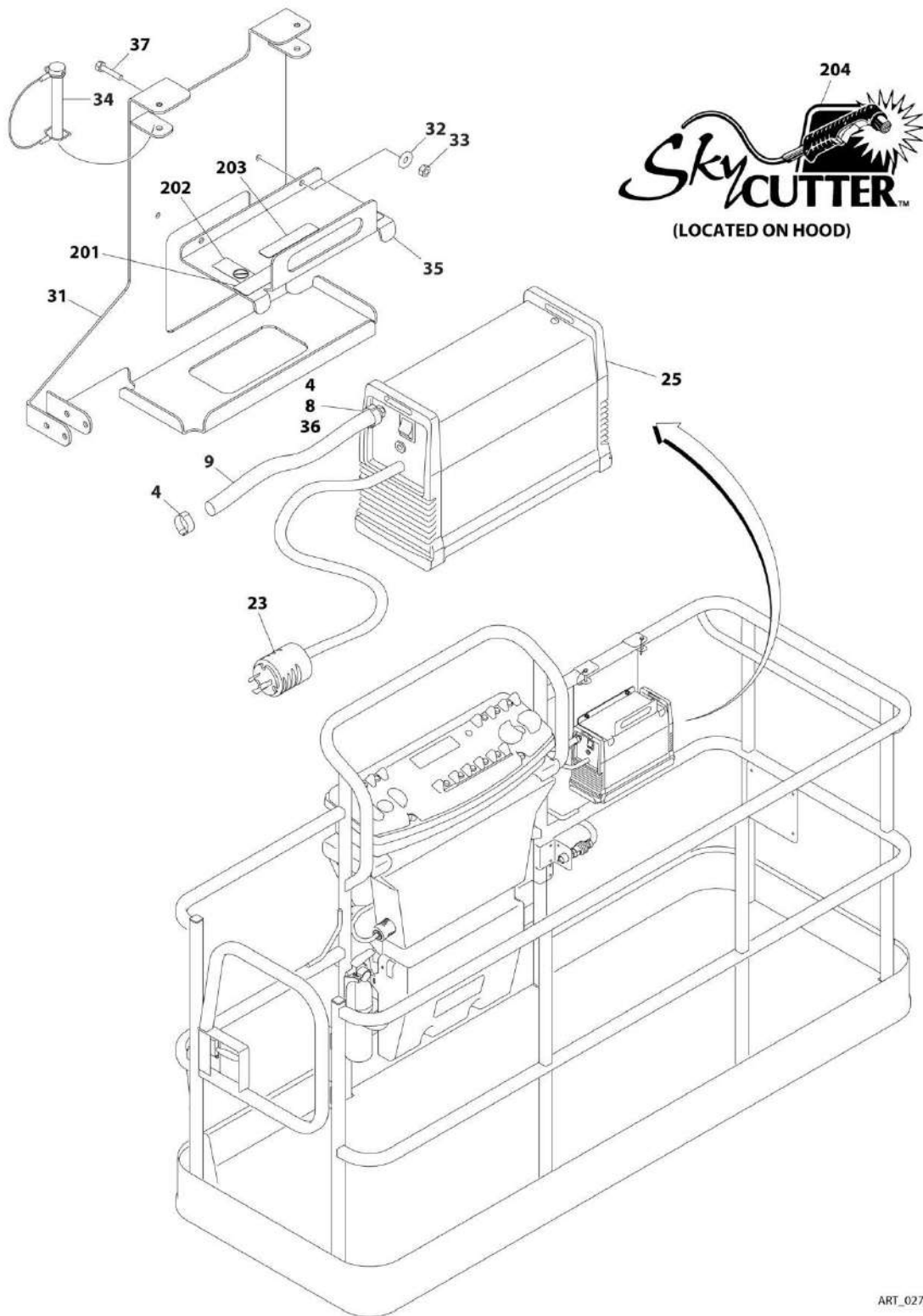
ITEM	PART NUMBER	QTY	DESCRIPTION	REV
	1001225246	Ref	SKYGLAZIER INSTALLATION (UK SPECS) (SN 0300234290 to Present)	A
1	0273404	1	Tray Assembly (See Items 101-110 for Breakdown)	
2	0642012	2	Bolt 5/8 x 1-1/2	
3	0642212	4	Bolt 3/4 x 1-1/2	
4	2902212	1	Bumpers and Strap Kit	
4	0940102	1	Bumper Only	
4	4240149	1	Strap Only	
5	3312005	4	Nut 5/8	
6	3312205	4	Nut 3/4	
7	4420014	AR	Tape	
8	4712000	6	Washer 5/8	
9	4712200	8	Washer 3/4	
10	8310129	2	Bolt 5/8 x 2-1/2	
11	1001099366	1	Support	
12	1001099367	1	Support	
	0273404	Ref	TRAY ASSEMBLY	D
101	0100081	AR	Adhesive	
102	1120555	2	Cap, Tube	
103	3340956	1	Pad Kit	
104	3460334	1	Tube	
105	3520071	2	Plug	
106	4420066	AR	Tape, Double Sided	
108	See Note	NSS	Nameplate - Serial Number (Note: Not Available for Purchase)	
109	1001163295	2	Decal - Glazier Capacity	
110	1701509	1	Decal - Manual	
	0272418	Ref	SKYGLAZIER DECAL INSTALLATION	4
201	1705358	2	Decal - SkyGlazier	

# SECTION 5 - PLATFORM

## FIGURE 5-50. SKYWELDER/SKYCUTTER COMBO INSTALLATION (60HZ)



# SECTION 5 - PLATFORM



ART\_0273353\_20F2

# SECTION 5 - PLATFORM

## FIGURE 5-50. SKYWELDER/SKYCUTTER COMBO INSTALLATION (60HZ)

ITEM	PART NUMBER	QTY	DESCRIPTION	REV
	0273353	Ref	SKYWELDER/SKYCUTTER COMBO INSTALLATION (60HZ)	G
		Ref	Note: ANSI, ANSI Export and CSA Spec Only.	
1	0100011	AR	Compound, Locking	
2	0630518	2	Screw #10 x 3/4	
3	0641606	4	Bolt 3/8 x 3/4	
4	1320177	2	Clamp	
5	1320302	2	Clamp	
6	1671093	1	Cover, Plug	
7	2030010	1	Extinguisher, Fire	
8	2180832	1	Fitting, Barbed/NPT	
9	2720160	4.5 ft/ 1.4m	Hose	
10	2902217	1	Weld Leads Kit	
11	3300151	4	Nut 1/4	
12	3311005	2	Nut #10	
13	3311605	4	Nut 3/8	
14	3573400	1	Bracket	
15	3577121	2	Angle	
16	3573642	1	Plate	
20	4240099	AR	Tie-Strap (Not Shown)	
21	4420037	2.36 ft/ .71m	Tape	
22	4460962	1	Plug, Twist Lock	
23	4460971	1	Plug, Twist Lock	
24	4530028	1	Welder Assembly (See WELDER ASSEMBLY for Breakdown)	
25	1001098012	1	Plasma Cutter Assembly (See PLASMA CUTTER ASSEMBLY for Breakdown)	
26	4751400	4	Washer 1/4	
27	4751600	8	Washer 3/8	
29	4846627	1	Support	
31	1001145405	1	Bracket	
32	4811700	2	Washer M6	
33	3290605	2	Nut M6	
34	3421453	3	Pin	
35	3576799	1	Plate, Hold-Down	
36	0100020	1	Sealant	
37	4010608	2	Screw M6 x 16	
38	4751000	2	Washer #10	
	0272448	Ref	SKYWELDER DECAL INSTALLATION	B
101	1705355	2	Decal - SkyWelder	
102	1702868	1	Decal - No Hands	
103	1705305	1	Decal - Weld Leads	
104	1705375	1	Decal - 240V - 3 Phase - 60Hz	
105	1705466	1	Decal - Weight (SN 0300201017 through 0300233698)	
105	1001228988	1	Decal - Weight (SN 0300233699 to Present)	
	0272599	Ref	SKYCUTTER DECAL INSTALLATION	B
201	1702868	1	Decal - No Hands	
202	1705305	1	Decal - Weld Leads	
203	1705466	1	Decal - Weight (SN 0300201017 through 0300233698)	
203	1001228988	1	Decal - Weight (SN 0300233699 to Present)	

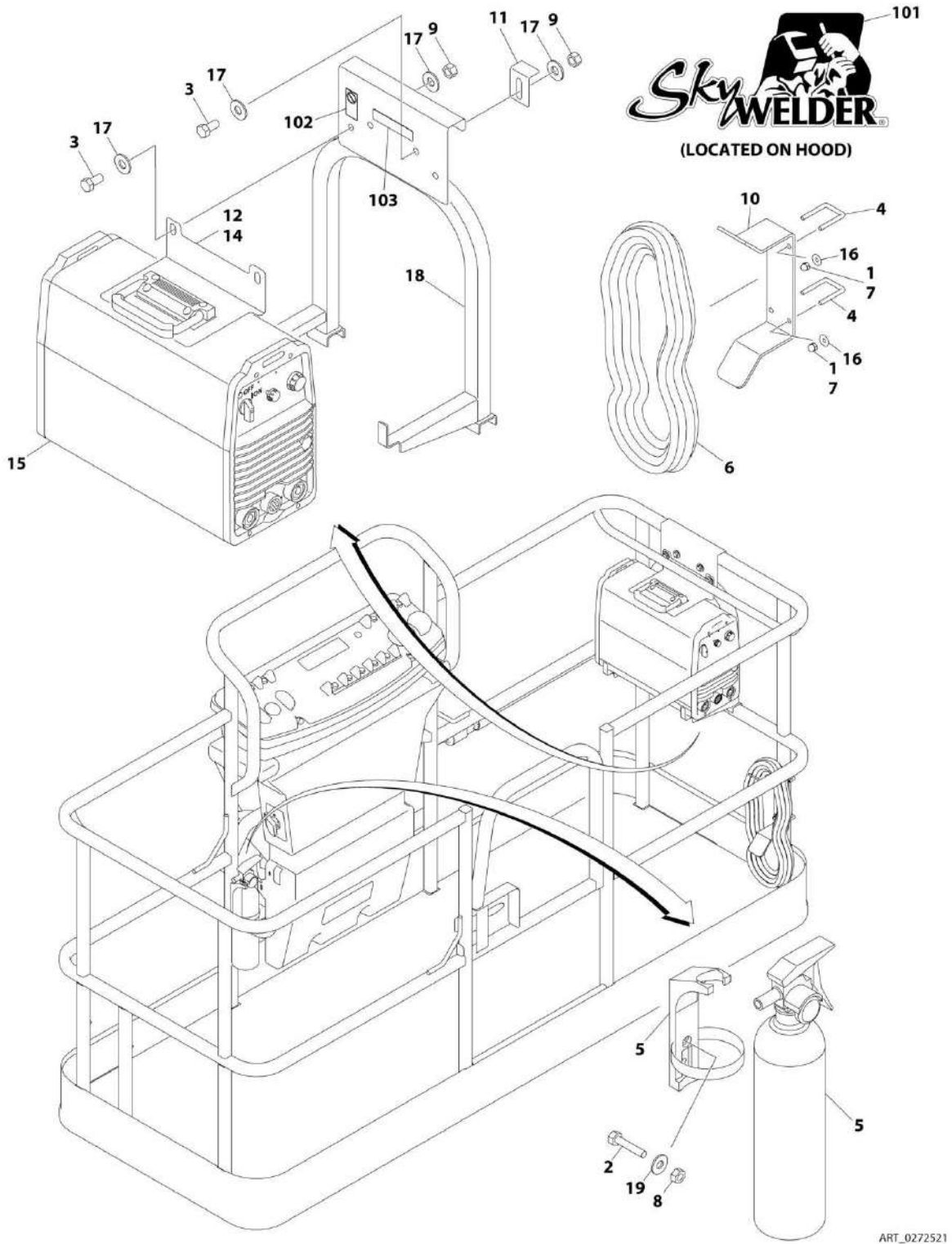


## SECTION 5 - PLATFORM

ITEM	PART NUMBER	QTY	DESCRIPTION	REV
204	1705490	2	Decal - SkyCutter	

# SECTION 5 - PLATFORM

## FIGURE 5-51. SKYWELDER INSTALLATION (50HZ)



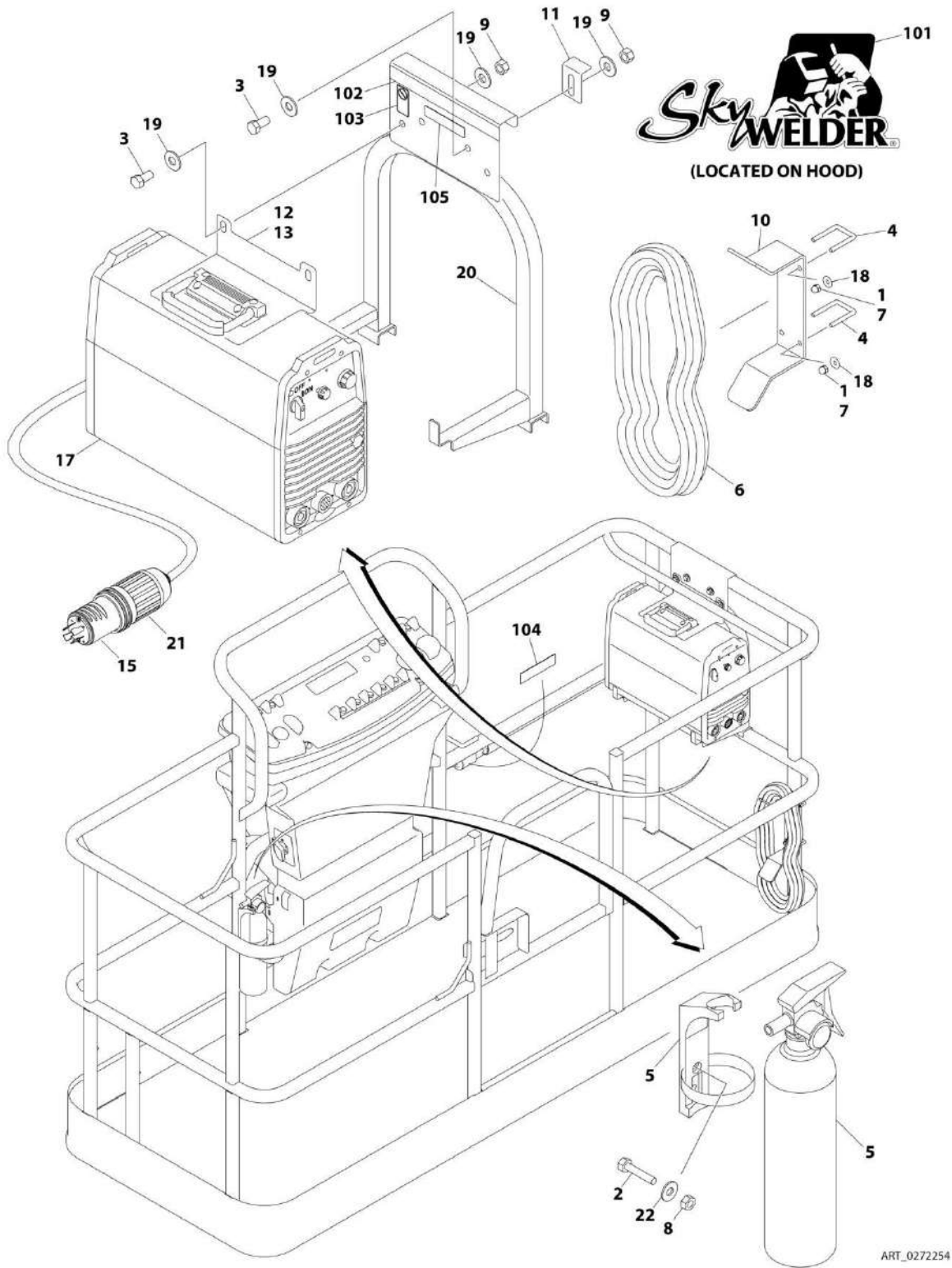
## SECTION 5 - PLATFORM

**FIGURE 5-51. SKYWELDER INSTALLATION (50HZ)**

ITEM	PART NUMBER	QTY	DESCRIPTION	REV
	0272521	Ref	SKYWELDER INSTALLATION (50HZ)	F
		Ref	Note: Australian, CE and Japanese Specs Only.	
1	0100011	AR	Compound, Locking	
2	0630518	2	Screw #10 x 3/4	
3	0641606	4	Bolt 3/8 x 3/4	
4	1320302	2	U-Clamp	
5	2030010	1	Extinguisher, Fire	
6	2902217	1	Weld Leads Kit	
7	3300151	4	Nut 1/4	
8	3311005	2	Nut #10	
9	3311605	4	Nut 3/8	
10	3573400	1	Bracket	
11	3577121	2	Angle	
12	3573642	1	Plate	
13	4240099	AR	Tie-Strap (Not Shown)	
14	4420037	AR	Tape	
15	4530028	1	Welder Assembly (See WELDER ASSEMBLY for Breakdown)	
16	4751400	4	Washer 1/4	
17	4751600	8	Washer 3/8	
18	4846627	1	Support	
19	4751000	2	Washer #10	
	0272588	Ref	SKYWELDER DECAL INSTALLATION	B
101	1705355	2	Decal - SkyWelder	
102	1705305	1	Decal - Weld Lead	
103	1705466	1	Decal - Weight (SN 0300201017 through 0300233698)	
103	1001228988	1	Decal - Weight (SN 0300233699 to Present)	

# SECTION 5 - PLATFORM

## FIGURE 5-52. SKYWELDER INSTALLATION (60HZ)



ART\_0272254

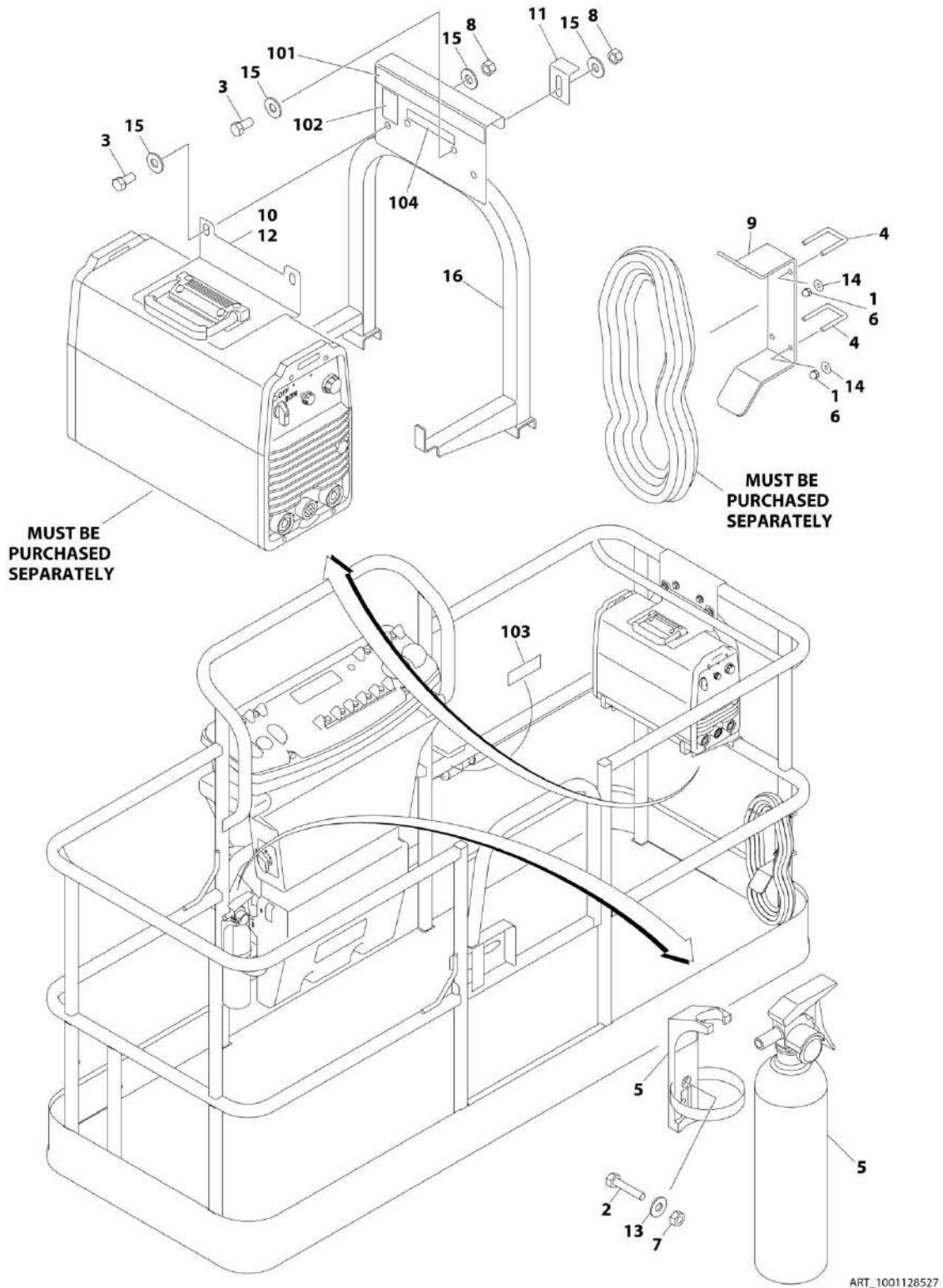
## SECTION 5 - PLATFORM

**FIGURE 5-52. SKYWELDER INSTALLATION (60HZ)**

ITEM	PART NUMBER	QTY	DESCRIPTION	REV
	0272254	Ref	SKYWELDER INSTALLATION (60HZ)	I
		Ref	Note: ANSI, ANSI Export and CSA Specs Only.	
1	0100011	AR	Compound, Locking	
2	0630518	2	Screw #10 x 3/4	
3	0641606	4	Bolt 3/8 x 3/4	
4	1320302	2	U-Clamp	
5	2030010	1	Extinguisher, Fire	
6	2902217	1	Weld Leads Kit	
7	3300151	4	Nut 1/4	
8	3311005	2	Nut #10	
9	3311605	4	Nut 3/8	
10	3573400	1	Bracket	
11	3577121	2	Angle	
12	3573642	1	Plate	
13	4420037	AR	Tape	
14	4240099	AR	Tie-Strap (Not Shown)	
15	4460962	1	Plug, Male Twistlock	
17	4530028	1	Welder Assembly (See WELDER ASSEMBLY for Breakdown)	
18	4751400	4	Washer 1/4	
19	4751600	8	Washer 3/8	
20	4846627	1	Support	
21	1671093	1	Cover, Plug	
22	4751000	2	Washer #10	
	0272448	Ref	SKYWELDER DECAL INSTALLATION	B
101	1705355	2	Decal - SkyWelder	
102	1702868	1	Decal - No Hands	
103	1705305	1	Decal - Weld Lead	
104	1705375	1	Decal - 240V - 3 Phase - 60Hz	
105	1705466	1	Decal - Weight <b>(SN 0300201017 through 0300233698)</b>	
105	1001228988	1	Decal - Weight <b>(SN 0300233699 to Present)</b>	

# SECTION 5 - PLATFORM

## FIGURE 5-53. SKYWELDER PREP PACKAGE (60HZ)



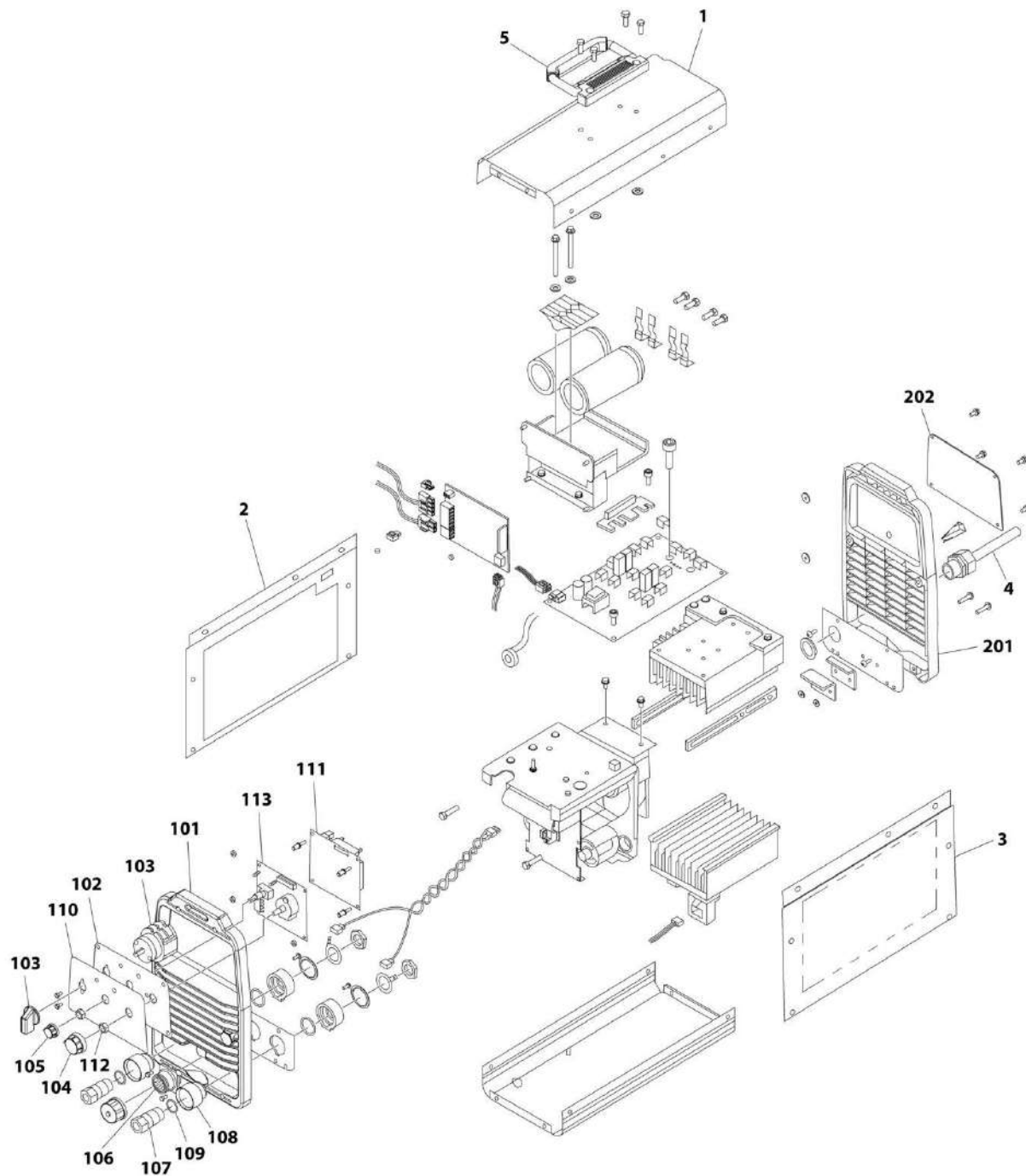
## SECTION 5 - PLATFORM

**FIGURE 5-53. SKYWELDER PREP PACKAGE (60HZ)**

ITEM	PART NUMBER	QTY	DESCRIPTION	REV
	1001128527	Ref	SKYWELDER PREP PACKAGE (60HZ)	B
		Ref	Note: ANSI, ANSI Export and CSA Specs Only.	
1	0100011	AR	Compound, Locking	
2	0630518	2	Screw #10 x 3/4	
3	0641606	4	Bolt 3/8 x 3/4	
4	1320302	2	U-Clamp	
5	2030010	1	Extinguisher, Fire	
6	3300151	4	Nut 1/4	
7	3311005	2	Nut #10	
8	3311605	4	Nut 3/8	
9	3573400	1	Bracket	
10	3573642	1	Plate	
11	3577121	2	Angle	
12	4420037	AR	Tape	
13	4751000	2	Washer #10	
14	4751400	4	Washer 1/4	
15	4751600	8	Washer 3/8	
16	4846627	1	Support	
	1001128556	Ref	SKYWELDER DECAL INSTALLATION	B
101	1702868	1	Decal - No Hands	
102	1705305	1	Decal - Weld Lead	
103	1705375	1	Decal - 240V - 3 Phase - 60Hz	
104	1705466	1	Decal - Weight <b>(SN 0300201017 through 0300233698)</b>	
104	1001228988	1	Decal - Weight <b>(SN 0300233699 to Present)</b>	

# SECTION 5 - PLATFORM

## FIGURE 5-54. WELDER ASSEMBLY



ART\_4530028



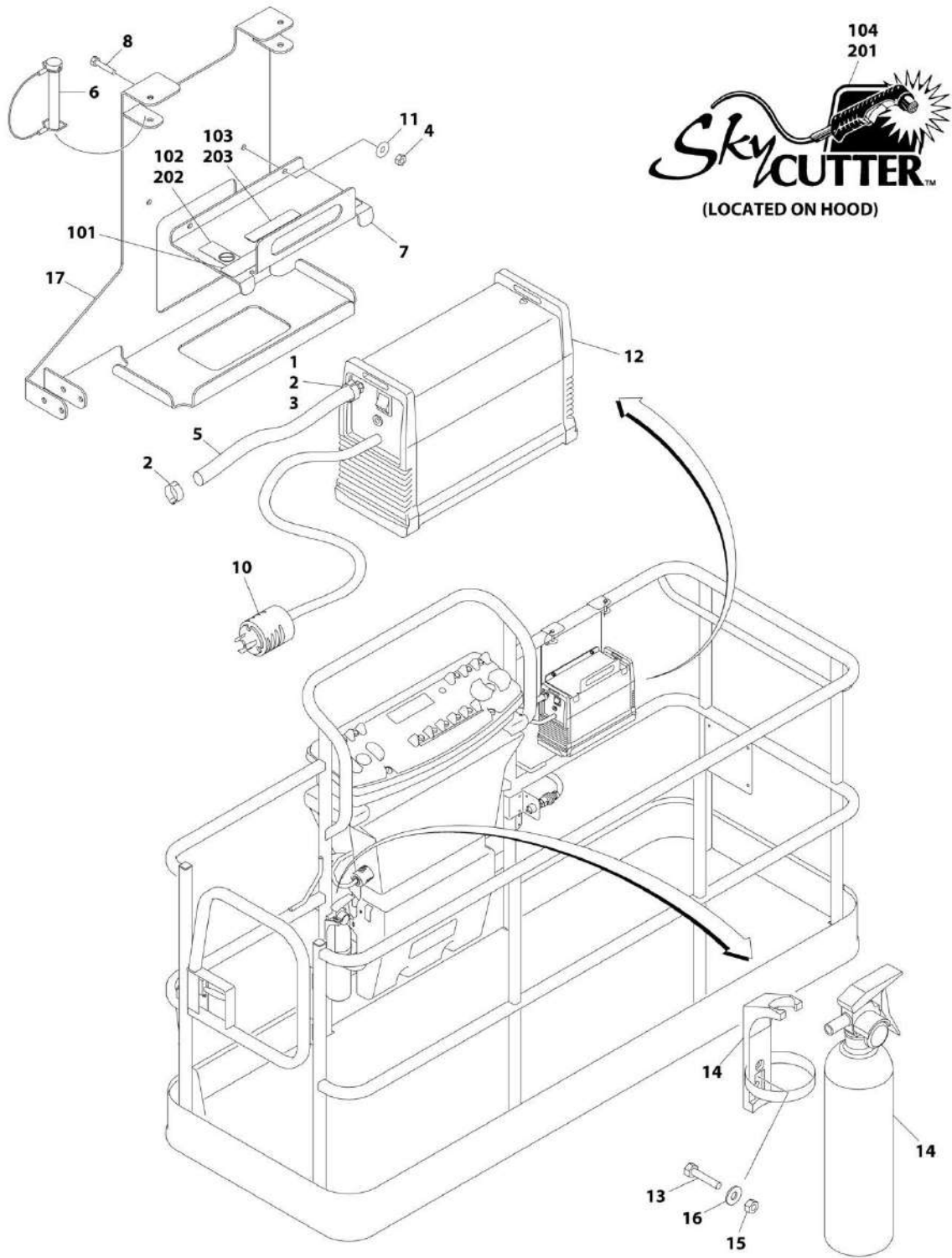
## SECTION 5 - PLATFORM

### FIGURE 5-54. WELDER ASSEMBLY

ITEM	PART NUMBER	QTY	DESCRIPTION	REV
	4530028	Ref	WELDER ASSEMBLY	B
		Ref	Note: For Other Components, contact your Miller Welder Dealer.	
1	7027773	1	Cover, Top	
1	7027774	1	Decal - Static Precautionary Warning	
2	See Note	NSS	Panel, LH Side (Note: Part of Item 1. Purchase Item 1)	
3	See Note	NSS	Panel, RH Side (Note: Part of Item 1. Purchase Item 1)	
4	7024467	1	Cable, Power	
4	7027775	1	Decal - Electrical Shock Warning (Not Shown)	
5	7027776	1	Handle, Carrying	
101	7024462	1	Panel, Front	
102	7024463	1	Panel, Console	
103	7024469	1	Switch with Lead	
104	7024470	1	Knob	
105	7024471	1	Knob	
106	7024472	1	Receptacle with Leads and Plugs	
107	7024473	2	Receptacle, Twistlock Female	
108	7024474	2	Insulator	
109	7024475	2	O-Ring	
110	7027777	1	Nameplate	
111	7027779	1	Circuit Card Assembly (Process Control)	
112	7024478	2	Nut	
113	7027778	1	Circuit Card Assembly (Operator Interface)	
201	7024462	1	Panel, Rear	
202	7027780	1	Panel, Cover	

# SECTION 5 - PLATFORM

## FIGURE 5-55. SKYCUTTER INSTALLATION



ART\_1001098149

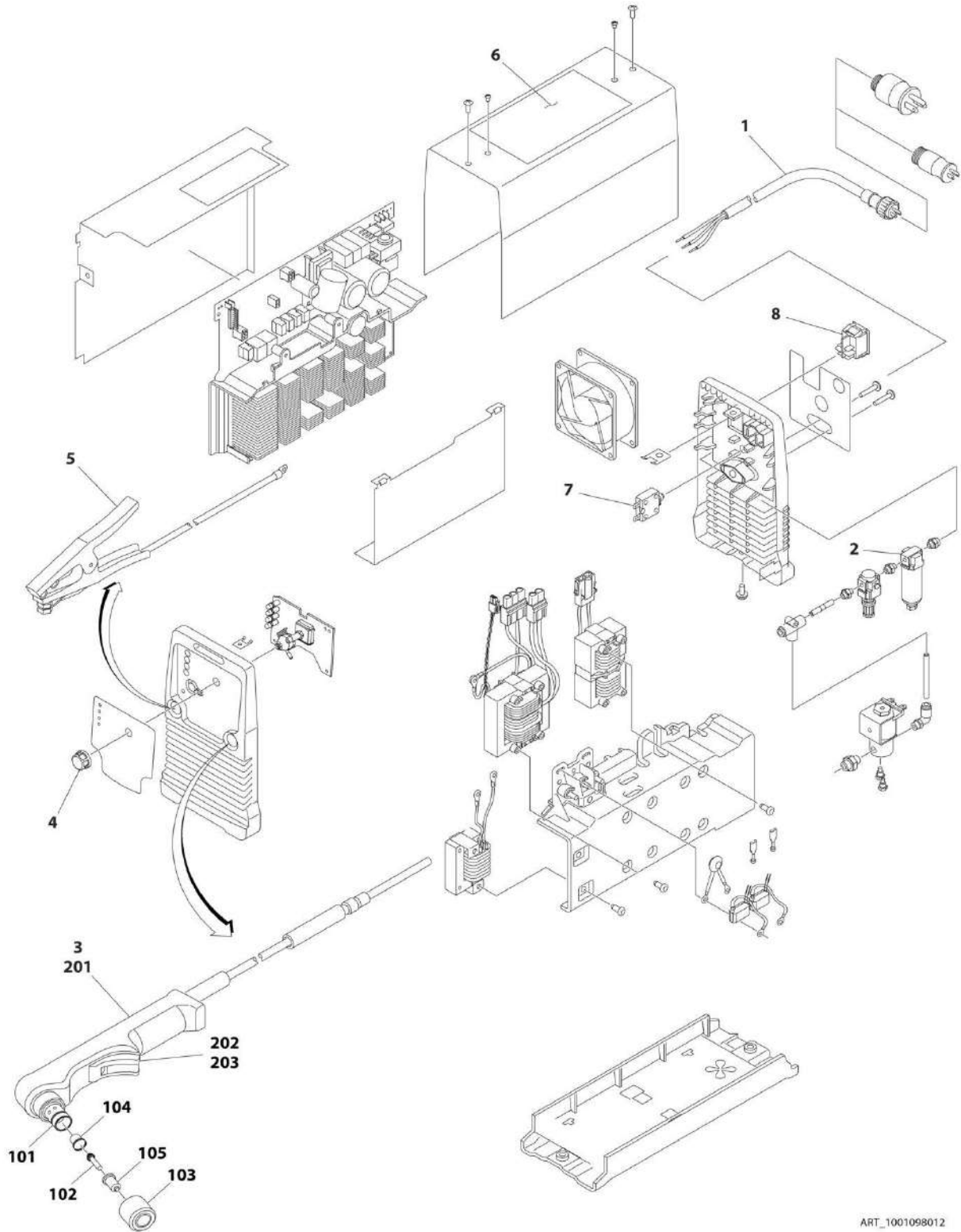
## SECTION 5 - PLATFORM

### FIGURE 5-55. SKYCUTTER INSTALLATION

ITEM	PART NUMBER	QTY	DESCRIPTION	REV
	1001098149	Ref	SKYCUTTER INSTALLATION	D
		Ref	Note: ANSI, ANSI Export, CSA and Japanese Specs Only.	
		Ref	Note: When replacing platform on machines with SkyCutter option, new bracket p/n 1001145405 must be purchased to accommodate SkyCutter components.	
1	0100020	AR	Sealant	
2	1320177	2	Clamp, Hose	
3	2180832	1	Fitting, NPT/Barbed	
4	3290605	2	Nut M6	
5	2720160	3 ft/.9m	Hose	
6	3421453	3	Pin	
7	3576799	1	Plate, Hold-Down	
8	4010608	2	Screw M6 x 16	
10	4460971	1	Plug, Twistlock	
11	4811700	2	Washer M6	
12	1001098012	1	Plasma Cutter Assembly (See PLASMA CUTTER ASSEMBLY for Breakdown)	
13	0630518	2	Screw #10 x 3/4	
14	2030010	1	Extinguisher, Fire	
15	3311005	2	Nut #10	
16	4751000	2	Washer #10	
17	1001145405	1	Support	
	0272599	Ref	SKYCUTTER DECAL INSTALLATION (ANSI, ANSI EXPORT AND CSA SPECS)	B
101	1702868	1	Decal - No Hands	
102	1705305	1	Decal - Weld Lead	
103	1705466	1	Decal - Weight <b>(SN 0300201017 through 0300233698)</b>	
103	1001228988	1	Decal - Weight <b>(SN 0300233699 to Present)</b>	
104	1705490	2	Decal - SkyCutter	
	0272607	Ref	SKYCUTTER DECAL INSTALLATION (JAPANESE SPECS)	B
201	1705490	2	Decal - SkyCutter	
202	1705305	1	Decal - Weld Lead	
203	1705466	1	Decal - Weight <b>(SN 0300201017 through 0300233698)</b>	
203	1001228988	1	Decal - Weight <b>(SN 0300233699 to Present)</b>	

# SECTION 5 - PLATFORM

## FIGURE 5-56. PLASMA CUTTER ASSEMBLY



ART\_1001098012

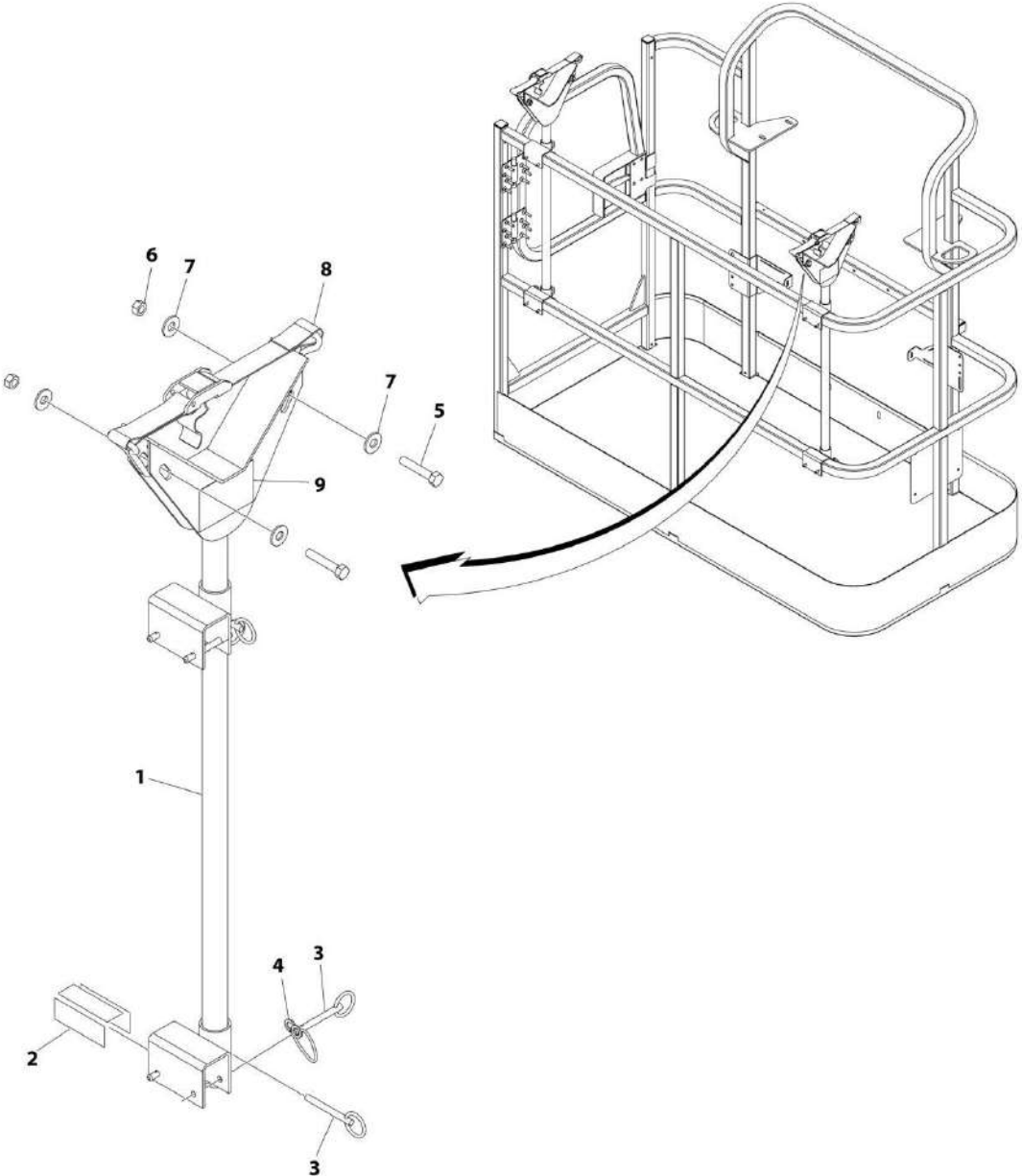
## SECTION 5 - PLATFORM

### FIGURE 5-56. PLASMA CUTTER ASSEMBLY

ITEM	PART NUMBER	QTY	DESCRIPTION	REV
	1001098012	Ref	PLASMA CUTTER ASSEMBLY	A
		Ref	Note: For Other Components, contact your Miller Welder Dealer.	
1	70001424	1	Cable, Power	
1	70001425	1	Decal - Voltage Warning	
2	70001427	1	Filter, Regulator	
3	70001428	1	Torch Assembly (See Items 101-203 for Breakdown)	
4	7024471	1	Knob	
5	70001429	1	Clamp with Cable	
6	70001430	1	Decal - Caution	
7	70001431	1	Breaker, Circuit	
8	70001432	1	Switch, Rocker	
	70001428	Ref	TORCH ASSEMBLY	
101	7024530	1	O-Ring	
102	7024531	1	Electrode	
103	7024532	1	Cup, Retaining	
104	7024533	1	Swirl Ring	
105	7024534	1	Tip	
201	7024535	1	Handle, Torch	
202	7024536	1	Switch	
203	7024537	1	Trigger	

**SECTION 5 - PLATFORM**

**FIGURE 5-57. PIPE RACK INSTALLATION (ANSI SPEC)**



ART\_0257728

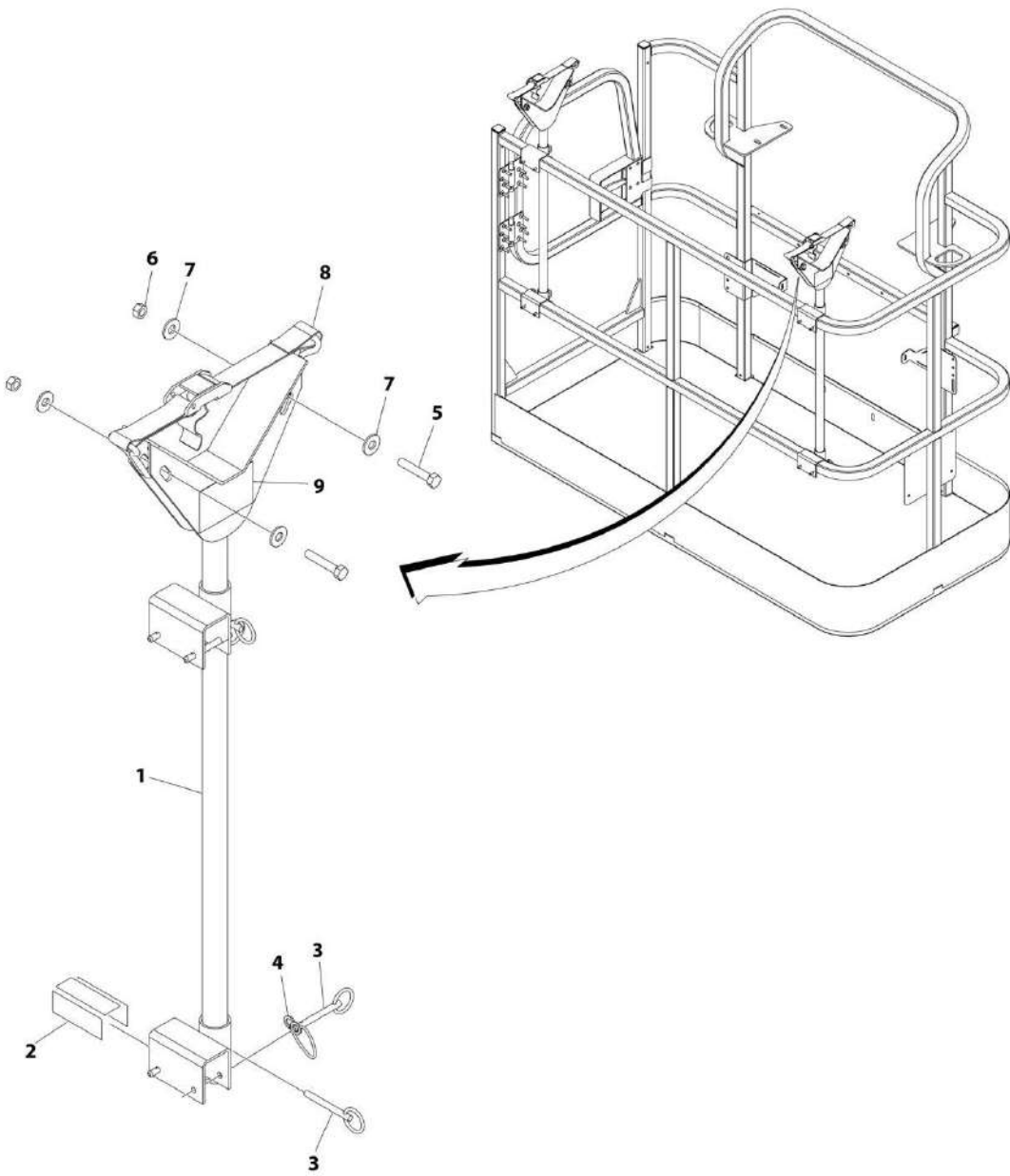
## SECTION 5 - PLATFORM

**FIGURE 5-57. PIPE RACK INSTALLATION (ANSI SPEC)**

ITEM	PART NUMBER	QTY	DESCRIPTION	REV
	0257728	Ref	PIPE RACK INSTALLATION (ANSI SPEC)	2/C
1	4845582	2	Rack, Pipe	
2	4420062	AR	Tape	
3	3422661	10	Pin	
4	1060379	4	Lanyard	
5	0641514	4	Bolt 5/16 x 1-3/4	
6	3311505	4	Nut 5/16	
7	4751500	8	Washer 5/16	
8	0480100	2	Tie-Down	
9	1703683	2	Decal - Capacity	

# SECTION 5 - PLATFORM

FIGURE 5-58. PIPE RACK INSTALLATION (AUSTRALIAN AND CE SPEC)



ART\_0274661



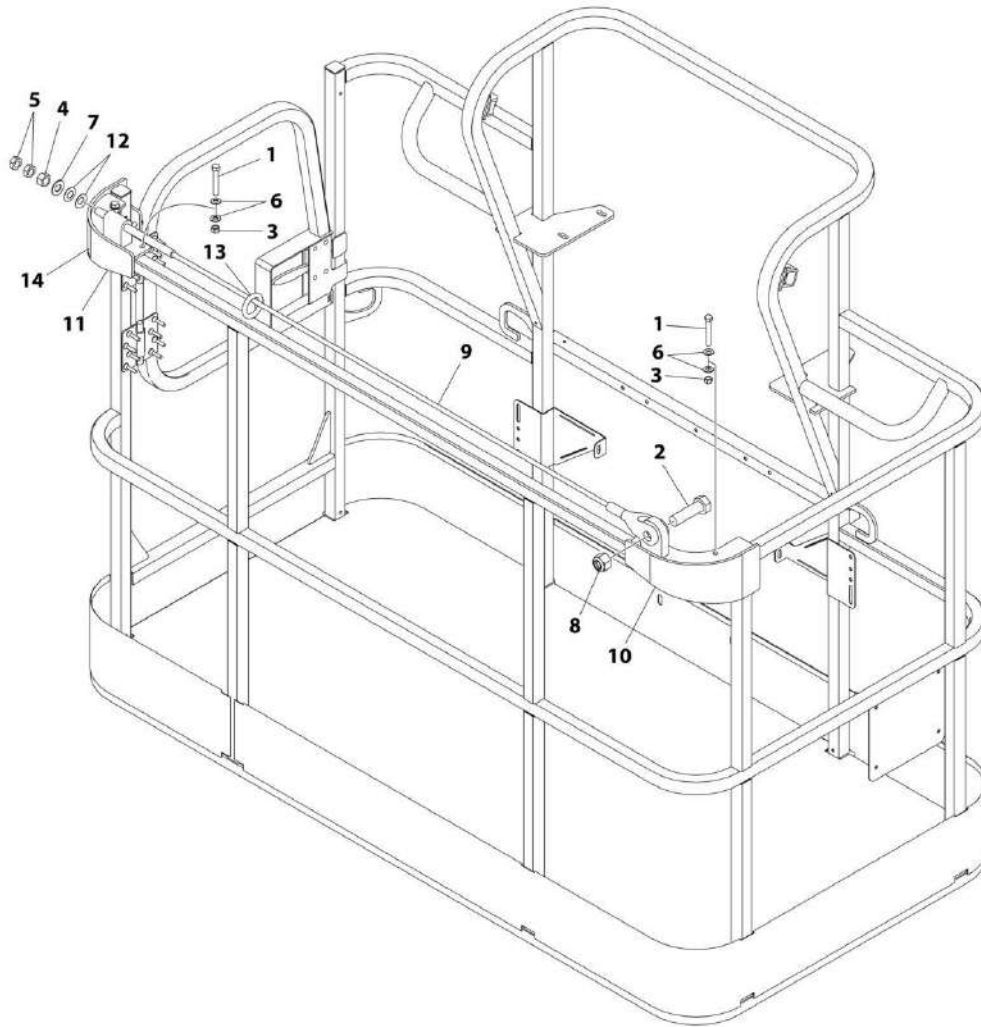
## SECTION 5 - PLATFORM

**FIGURE 5-58. PIPE RACK INSTALLATION (AUSTRALIAN AND CE SPEC)**

ITEM	PART NUMBER	QTY	DESCRIPTION	REV
	0274661	Ref	PIPE RACK INSTALLATION (AUSTRALIAN AND CE SPEC)	1/A
1	4845582	2	Rack, Pipe	
2	4420062	AR	Tape	
3	3422661	10	Pin	
4	1060379	4	Lanyard	
5	0641514	4	Bolt 5/16 x 1-3/4	
6	3311505	4	Nut 5/16	
7	4751500	8	Washer 5/16	
8	0480100	2	Tie-Down	
9	1706510	2	Decal - Capacity	

# SECTION 5 - PLATFORM

FIGURE 5-59. FALL ARREST INSTALLATION (BOLT-ON EXTERNAL) (6FT/1.82M PLATFORM)



ART\_1001236747

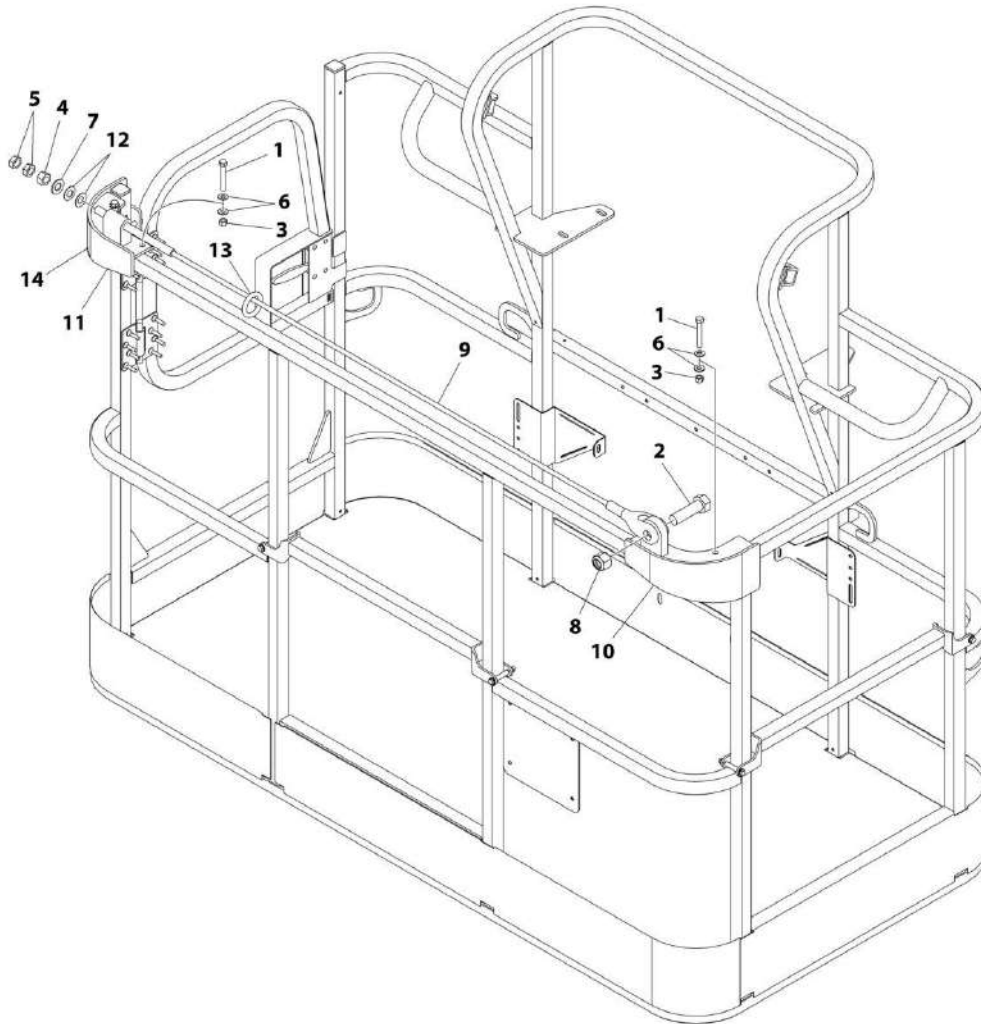
## SECTION 5 - PLATFORM

**FIGURE 5-59. FALL ARREST INSTALLATION (BOLT-ON EXTERNAL) (6FT/1.82M PLATFORM)**

ITEM	PART NUMBER	QTY	DESCRIPTION	REV
	1001236747	Ref	FALL ARREST INSTALLATION (BOLT - ON) 6FT/1.82M PLATFORM	A
1	0681620	6	Bolt 3/8 x 2-1/2	
2	0682424	1	Bolt 7/8 x 3	
3	3271605	6	Nut 3/8	
4	3272001	1	Nut 5/8	
5	3312002	2	Nut 5/8	
6	4711600	12	Washer 3/8	
7	4712000	1	Washer 5/8	
8	88521214	1	Nut 7/8	
9	1001231950	1	Rope	
10	1001232010	1	Bracket (RH)	
11	1001232011	1	Bracket (LH)	
12	1001236891	2	Washer	
13	1001236895	1	Ring	
14	1001238263	1	Decal - Warning Falling Hazard	

# SECTION 5 - PLATFORM

FIGURE 5-60. FALL ARREST INSTALLATION (BOLT-ON EXTERNAL) (6FT/1.82M TRI-ENTRY PLATFORM)



ART\_1001238463

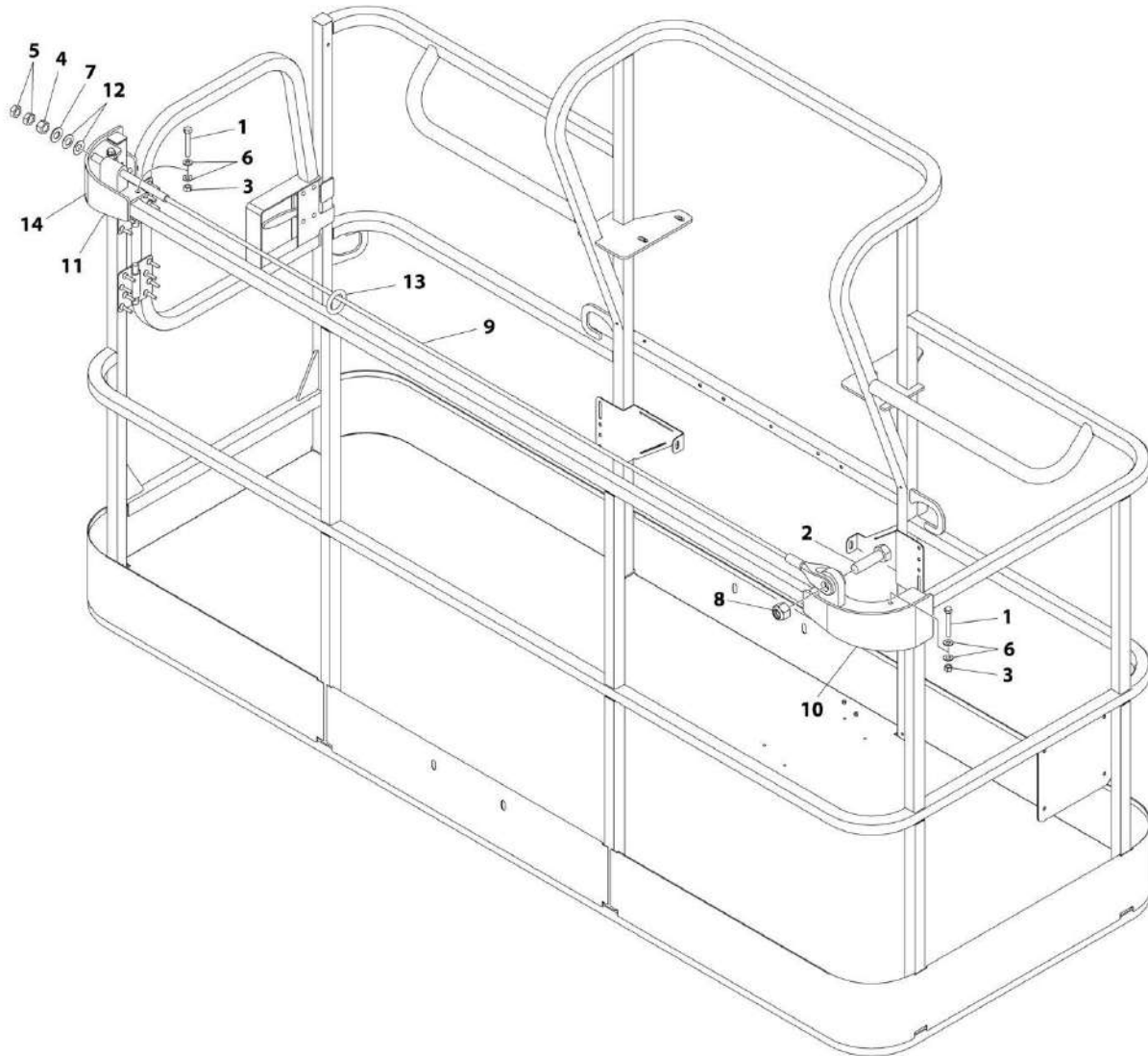
## SECTION 5 - PLATFORM

**FIGURE 5-60. FALL ARREST INSTALLATION (BOLT-ON EXTERNAL) (6FT/1.82M TRI-ENTRY PLATFORM)**

ITEM	PART NUMBER	QTY	DESCRIPTION	REV
	1001238463	Ref	FALL ARREST INSTALLATION (BOLT - ON) 6FT/1.82M PLATFORM	B
1	0681620	6	Bolt 3/8 x 2-1/2	
2	0682424	1	Bolt 7/8 x 3	
3	3271605	6	Nut 3/8	
4	3272001	1	Nut 5/8	
5	3312002	2	Nut 5/8	
6	4711600	12	Washer 3/8	
7	4712000	1	Washer 5/8	
8	88521214	1	Nut 7/8	
9	1001231950	1	Rope	
10	1001232010	1	Bracket (RH)	
11	1001232011	1	Bracket (LH)	
12	1001236891	2	Washer	
13	1001236895	1	Ring	
14	1001238263	1	Decal - Warning Falling Hazard	

# SECTION 5 - PLATFORM

FIGURE 5-61. FALL ARREST INSTALLATION (BOLT-ON EXTERNAL) (8FT/2.4M PLATFORM)



ART\_1001236746

## SECTION 5 - PLATFORM

**FIGURE 5-61. FALL ARREST INSTALLATION (BOLT-ON EXTERNAL) (8FT/2.4M PLATFORM)**

ITEM	PART NUMBER	QTY	DESCRIPTION	REV
	1001236746	Ref	FALL ARREST INSTALLATION (BOLT - ON) 8FT/2.4M PLATFORM	A
1	0681620	6	Bolt 3/8 x 2-1/2	
2	0682424	1	Bolt 7/8 x 3	
3	3271605	6	Nut 3/8	
4	3272001	1	Nut 5/8	
5	3312002	2	Nut 5/8	
6	4711600	12	Washer 3/8	
7	4712000	1	Washer 5/8	
8	88521214	1	Nut 7/8	
9	1001231949	1	Rope	
10	1001232010	1	Bracket (RH)	
11	1001232011	1	Bracket (LH)	
12	1001236891	2	Washer	
13	1001236895	1	Ring	
14	1001238263	1	Decal - Warning Falling Hazard	

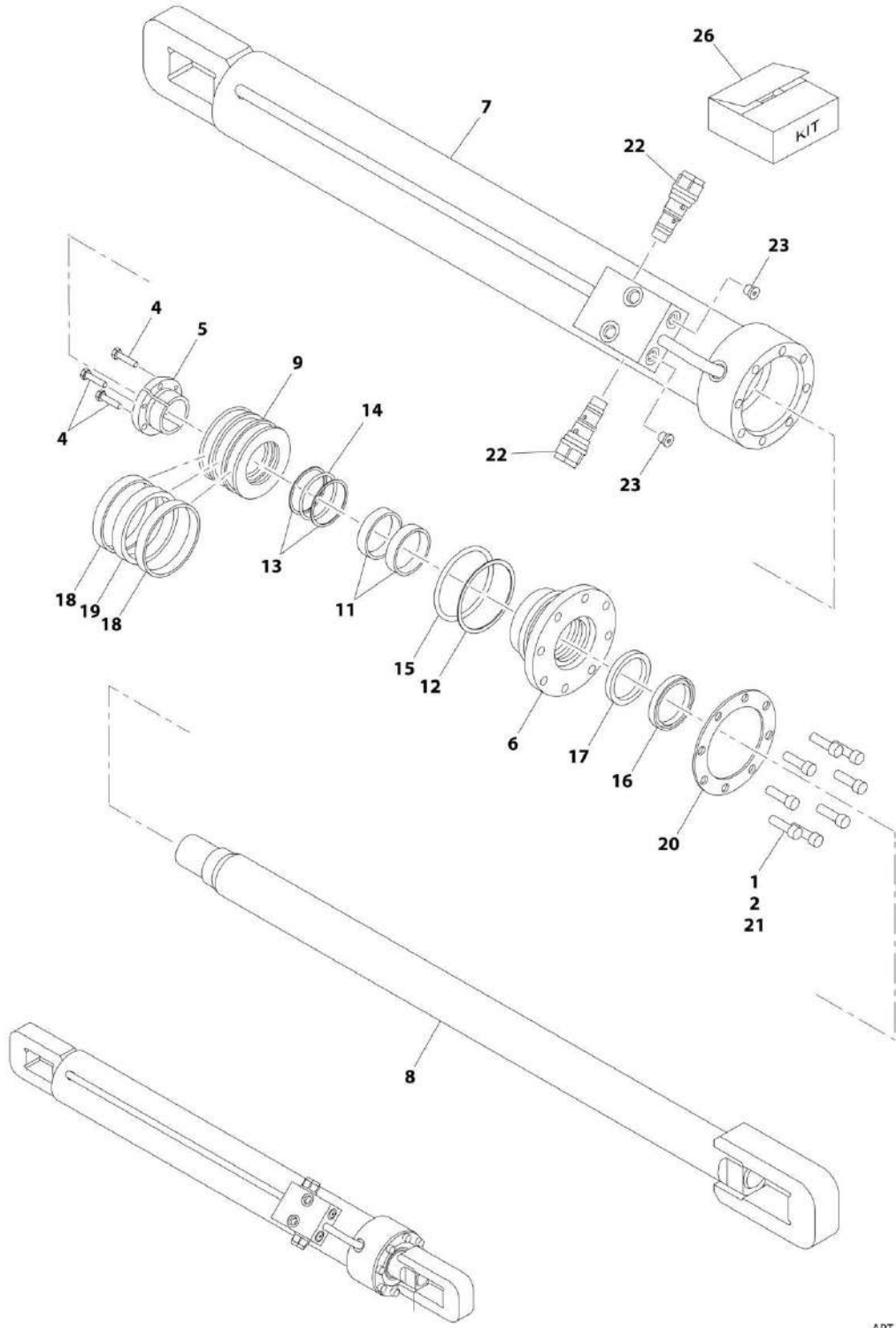




**SECTION 6 - CYLINDER**

# SECTION 6 - CYLINDER

FIGURE 6-1. AXLE EXTENSION CYLINDER ASSEMBLY (SN 0300201017 through 0300238558)



ART\_1684102

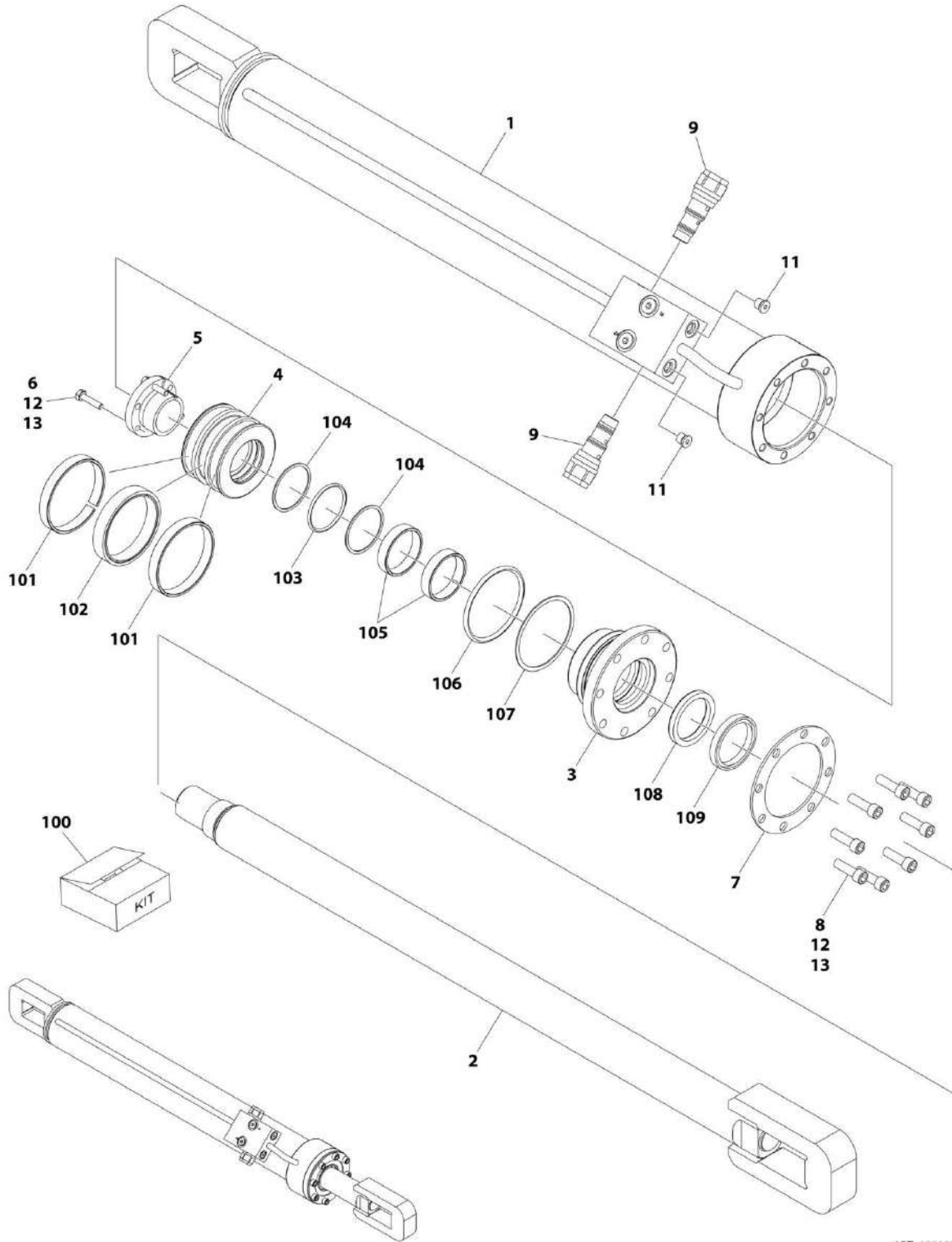
## SECTION 6 - CYLINDER

**FIGURE 6-1. AXLE EXTENSION CYLINDER ASSEMBLY (SN 0300201017 through 0300238558)**

ITEM	PART NUMBER	QTY	DESCRIPTION	REV
	1684102	Ref	AXLE EXTENSION CYLINDER ASSEMBLY (SN 0300201017 through 0300238558)	E
1	0100011	AR	Compound, Locking	
2	0100038	AR	Primer, Locking	
4	0630535	3	Capscrew 1/4 x 1-1/8	
5	0961896	1	Bushing, Tapered	
6	1683056	1	Head	
7	1684103	1	Barrel Weldment	
8	1684105	1	Rod Weldment	
9	3480272	1	Piston	
11	See Note	NSS	Ring, Wear (Note: Use Item 26)	
12	See Note	NSS	Ring, Back-up (Note: Use Item 26)	
13	See Note	NSS	Ring, Back-up (Note: Use Item 26)	
14	See Note	NSS	O-Ring (Note: Use Item 26)	
15	See Note	NSS	O-Ring (Note: Use Item 26)	
16	See Note	NSS	Wiper, Rod (Note: Use Item 26)	
17	See Note	NSS	Seal (Note: Use Item 26)	
18	See Note	NSS	Ring, Wear (Note: Use Item 26)	
19	See Note	NSS	T-Seal (Note: Use Item 26)	
20	3760369	1	Ring, Washer	
21	3931620	8	Bolt 3/8 x 1-1/4	
22	4640509	2	Cartridge, Holding Valve	
22	2900792	2	Seal Kit - 4640509 Cartridge Valve	
23	2220883	2	Plug, O-Ring	
26	2901773	1	Seal Kit (Includes Items 11-19)	

# SECTION 6 - CYLINDER

FIGURE 6-2. AXLE EXTENSION CYLINDER ASSEMBLY (SN 0300238559 to Present)



ART\_1001228020

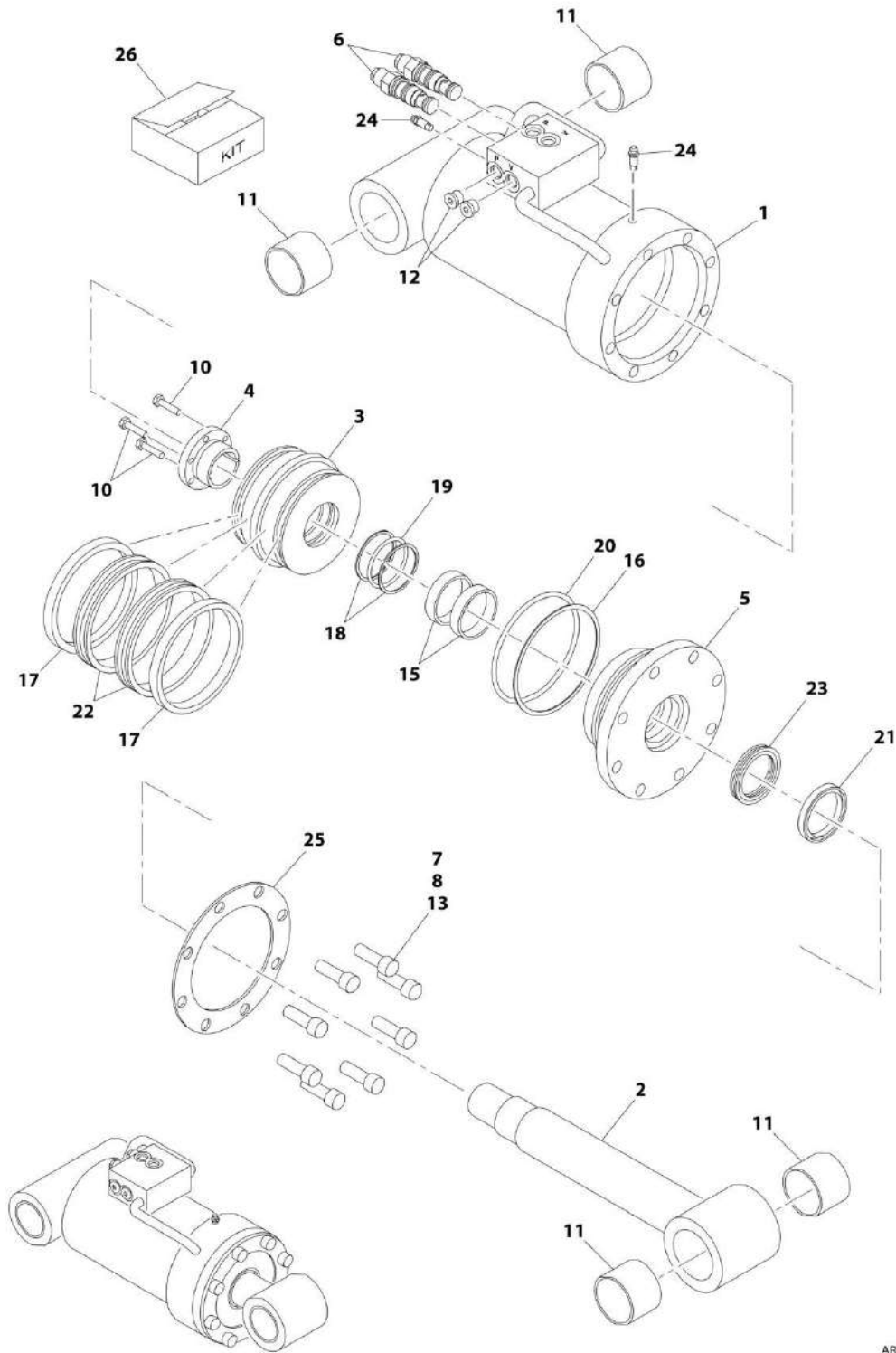
## SECTION 6 - CYLINDER

**FIGURE 6-2. AXLE EXTENSION CYLINDER ASSEMBLY (SN 0300238559 to Present)**

ITEM	PART NUMBER	QTY	DESCRIPTION	REV
	1001228020	Ref	AXLE EXTENSION CYLINDER ASSEMBLY (SN 0300238559 to Present)	D
1	See Note	NSS	Barrel Weldment (Note: Not Available for Purchase)	
2	70006363	1	Rod Weldment	
3	70006362	1	Head	
4	70006361	1	Piston	
5	70006360	1	Bushing, Tapered	
6	0630535	3	Capscrew 1/4 x 1-1/8	
7	70006359	1	Ring, Washer	
8	3931620	8	Bolt 3/8 x 1-1/4	
9	4640509	2	Cartridge, Holding Valve	
9	2900792	2	Seal Kit - 4640509 Cartridge Valve (1 Per Valve)	
11	2220883	2	Plug, O-Ring	
12	0100011	AR	Compound, Locking	
13	0100038	AR	Primer, Locking	
100	2901773	1	Seal Kit (Includes Items 101-109)	
101	See Note	NSS	Ring, Wear (Note: Use Item 100)	
102	See Note	NSS	T-Seal (Note: Use Item 100)	
103	See Note	NSS	O-Ring (Note: Use Item 100)	
104	See Note	NSS	Ring, Back-up (Note: Use Item 100)	
105	See Note	NSS	Ring, Wear (Note: Use Item 100)	
106	See Note	NSS	O-Ring (Note: Use Item 100)	
107	See Note	NSS	Ring, Back-up (Note: Use Item 100)	
108	See Note	NSS	Seal (Note: Use Item 100)	
109	See Note	NSS	Wiper, Rod (Note: Use Item 100)	

# SECTION 6 - CYLINDER

FIGURE 6-3. AXLE LOCKOUT CYLINDER ASSEMBLY (SN 0300201017 through 0300239155)



ART\_1684081

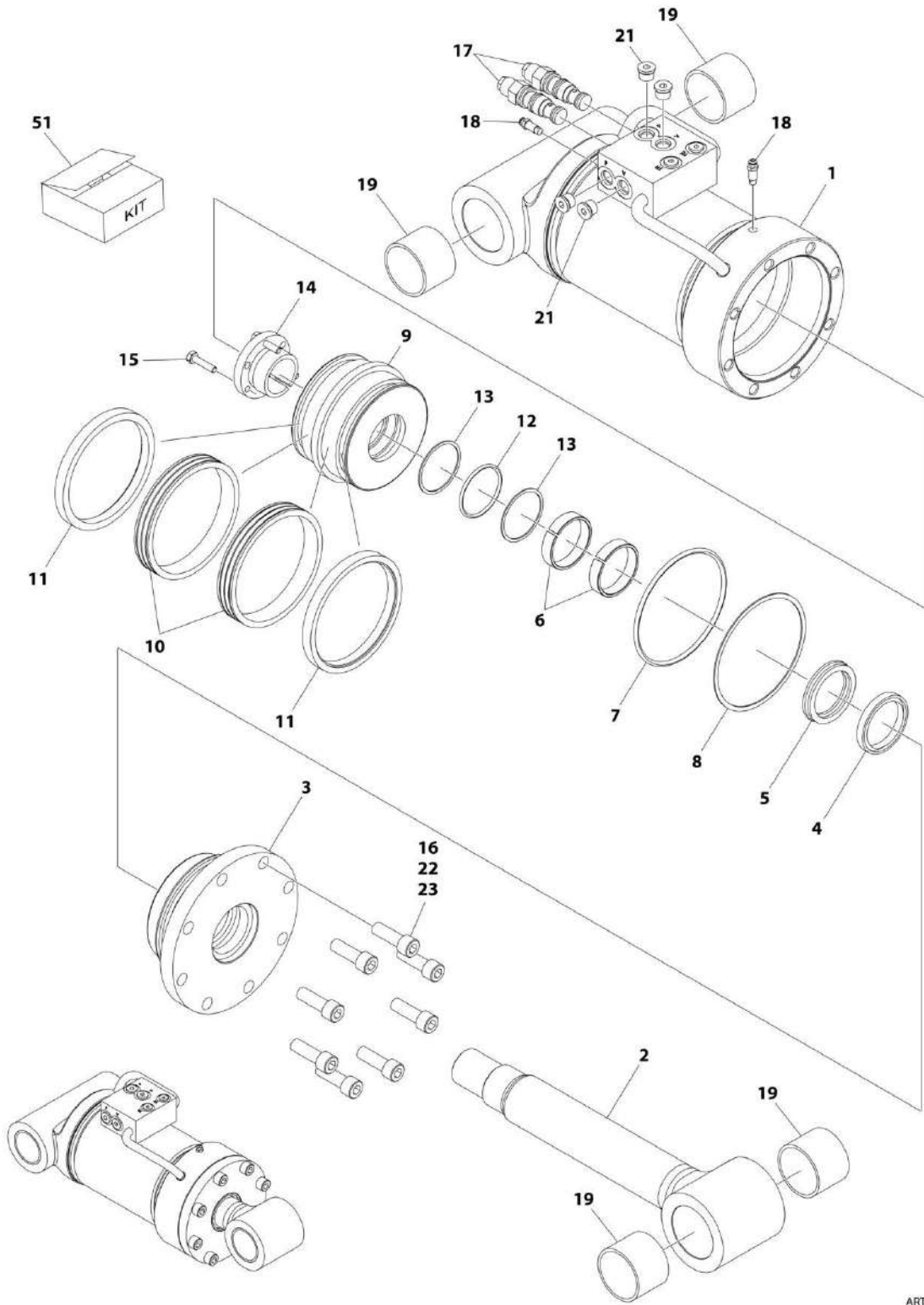
## SECTION 6 - CYLINDER

**FIGURE 6-3. AXLE LOCKOUT CYLINDER ASSEMBLY (SN 0300201017 through 0300239155)**

ITEM	PART NUMBER	QTY	DESCRIPTION	REV
	1684081	Ref	AXLE LOCKOUT CYLINDER ASSEMBLY (SN 0300201017 through 0300239155)	F
1	1684082	1	Barrel Weldment	
2	1684083	1	Rod Weldment	
3	3480269	1	Piston	
4	0961896	1	Bushing	
5	1683062	1	Head	
6	4641276	2	Cartridge, Valve (Counterbalance)	
6	2900770	2	Seal Kit - 4641276 Valve (1 Per Assembly)	
7	0100011	AR	Compound, Locking	
8	0100038	AR	Primer, Locking	
10	0630535	3	Bolt 1/4 x 1-1/8	
11	0961950	4	Bearing	
12	2220885	2	Plug, O-Ring	
13	3931824	8	Bolt 1/2 x 1-1/2	
15	See Note	NSS	Ring, Wear (Note: Use Item 26)	
16	See Note	NSS	Ring, Back-up (Note: Use Item 26)	
17	See Note	NSS	Ring, Lock (Note: Use Item 26)	
18	See Note	NSS	Ring, Back-up (Note: Use Item 26)	
19	See Note	NSS	O-Ring (Note: Use Item 26)	
20	See Note	NSS	O-Ring (Note: Use Item 26)	
21	See Note	NSS	Wiper (Note: Use Item 26)	
22	See Note	NSS	Seal (Note: Use Item 26)	
23	See Note	NSS	Seal, Rod (Note: Use Item 26)	
24	4640858	2	Valve, Bleeder	
25	3760371	1	Ring, Washer	
26	2902087	1	Seal Kit (Includes Items 15-23)	

# SECTION 6 - CYLINDER

FIGURE 6-4. AXLE LOCKOUT CYLINDER ASSEMBLY (SN 0300239156 to Present)



ART\_1001228019



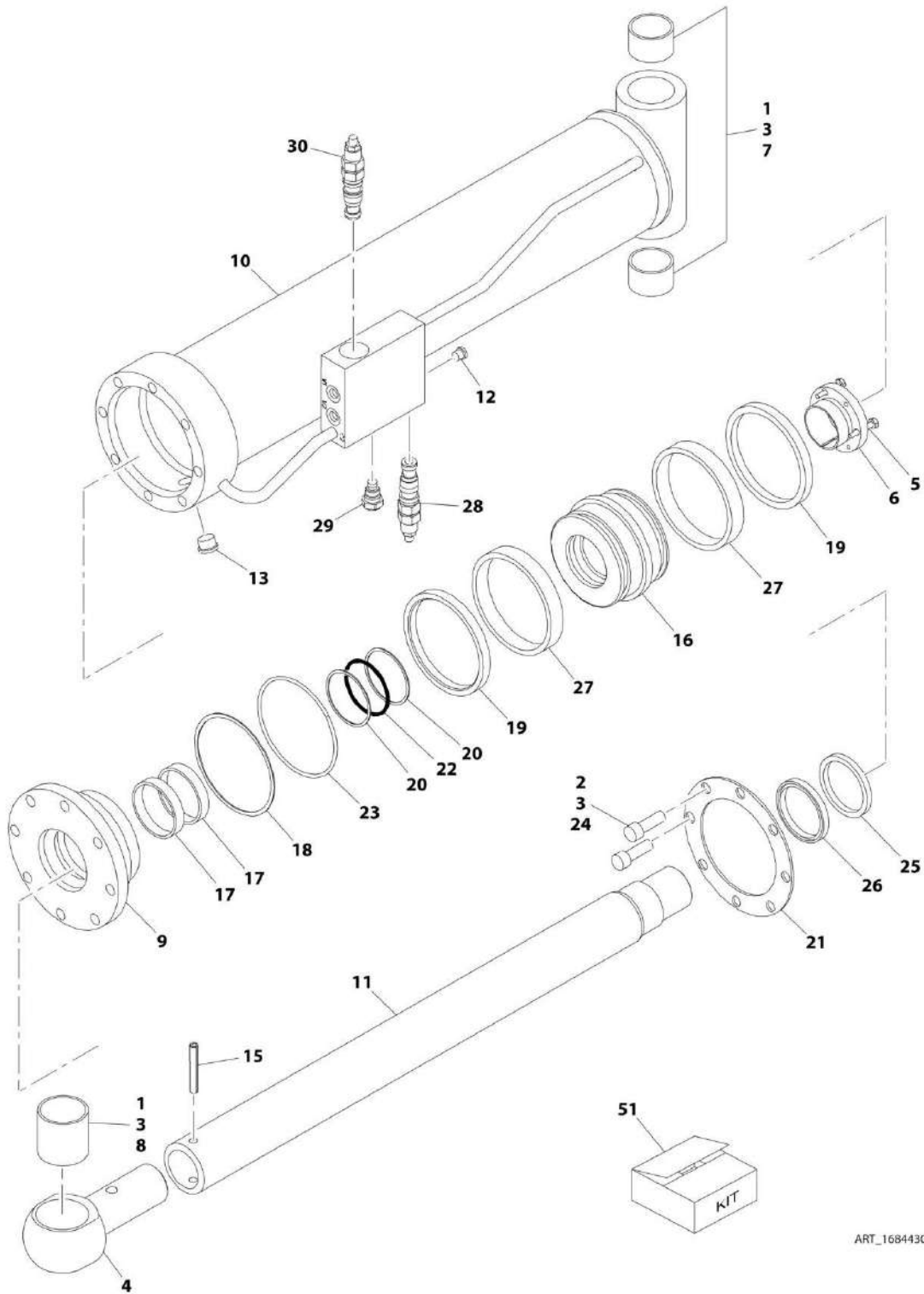
## SECTION 6 - CYLINDER

**FIGURE 6-4. AXLE LOCKOUT CYLINDER ASSEMBLY (SN 0300239156 to Present)**

ITEM	PART NUMBER	QTY	DESCRIPTION	REV
	1001228019	Ref	<b>AXLE LOCKOUT CYLINDER ASSEMBLY (SN 0300239156 to Present)</b>	C
1	See Note	NSS	Barrel Weldment (Note: Not Available for Purchase)	
2	70006520	1	Rod Weldment	
3	70006474	1	Head	
4	See Note	NSS	Wiper (Note: Use Item 51)	
5	See Note	NSS	Seal, Rod (Note: Use Item 51)	
6	See Note	NSS	Ring, Wear (Note: Use Item 51)	
7	See Note	NSS	O-Ring (Note: Use Item 51)	
8	See Note	NSS	Ring, Back-up (Note: Use Item 51)	
9	70006473	1	Piston	
10	See Note	NSS	Seal (Note: Use Item 51)	
11	See Note	NSS	Ring, Lock (Note: Use Item 51)	
12	See Note	NSS	O-Ring (Note: Use Item 51)	
13	See Note	NSS	Ring, Back-up (Note: Use Item 51)	
14	0961896	1	Bushing	
15	0630535	3	Bolt 1/4 x 1-1/8	
16	3931824	8	Bolt 1/2 x 1-1/2	
17	4641276	2	Cartridge, Valve Options: (Counterbalance)	
17	2900770	2	Seal Kit - 4641276 Valve (1 Per Assembly)	
18	4640858	2	Valve, Bleeder	
19	0961950	4	Bearing	
21	2220885	4	Plug, O-Ring	
22	0100011	AR	Compound, Locking	
23	0100038	AR	Primer, Locking	
51	2902087	1	Seal Kit (Includes Items 4-8 & 10-13)	

# SECTION 6 - CYLINDER

FIGURE 6-5. PLATFORM LEVEL CYLINDER ASSEMBLY - WITHOUT COLD WEATHER PLUS PACKAGE (SN 0300201017 through 0300238006)



ART\_1684430

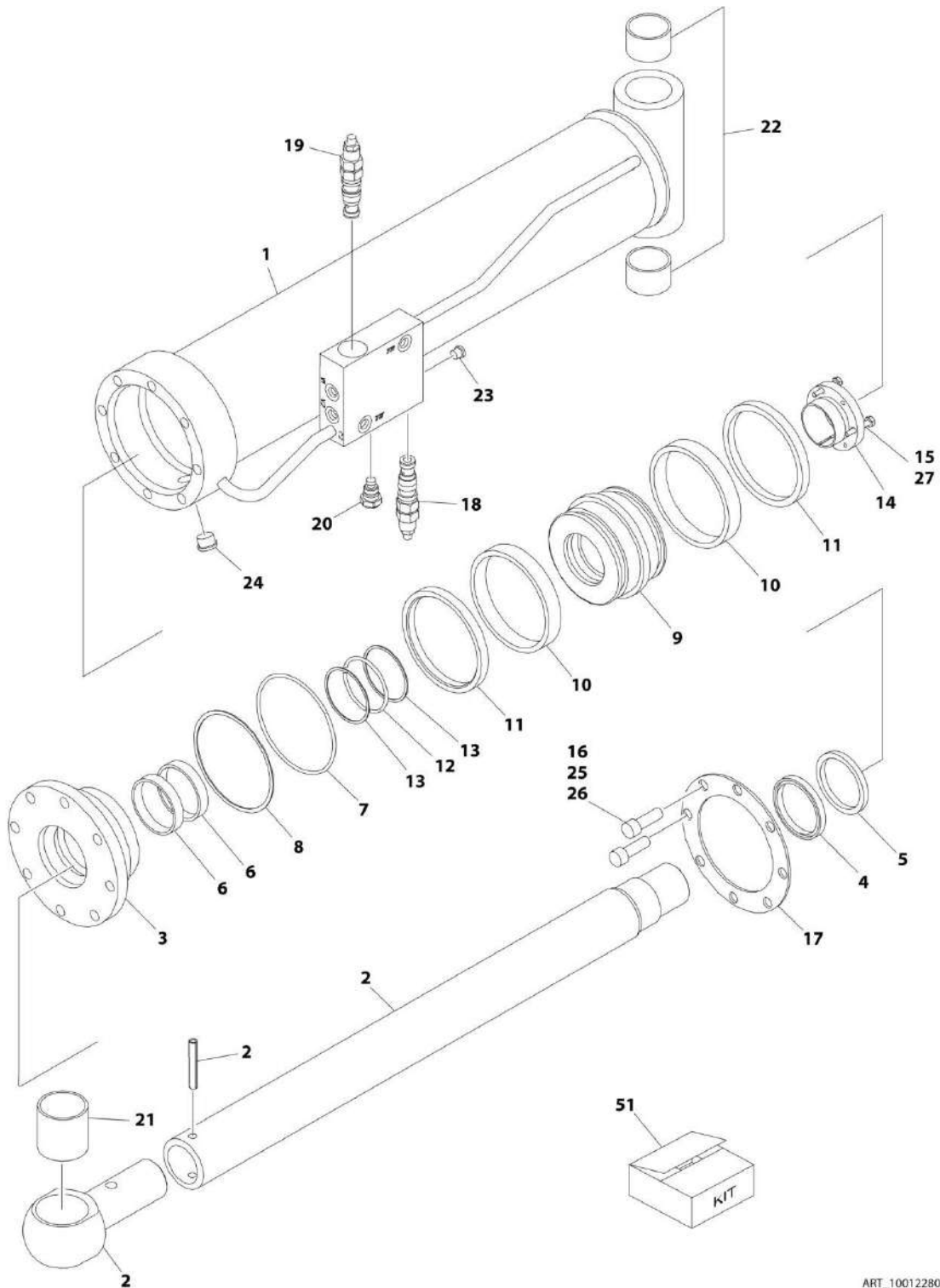
## SECTION 6 - CYLINDER

**FIGURE 6-5. PLATFORM LEVEL CYLINDER ASSEMBLY - WITHOUT COLD WEATHER PLUS PACKAGE (SN 0300201017 through 0300238006)**

ITEM	PART NUMBER	QTY	DESCRIPTION	REV
	1684430	Ref	PLATFORM LEVEL CYLINDER ASSEMBLY - WITHOUT COLD WEATHER PLUS PACKAGE (SN 0300201017 through 0300238006)	E
1	0100011	AR	Compound, Locking	
2	0100019	AR	Compound, Locking	
3	0100038	AR	Primer, Locking	
4	0561546	1	Link, Rod	
5	0630535	3	Capscrew 1/4 x 1-1/8	
6	0961897	1	Bushing, Tapered	
7	0961949	2	Bushing	
8	0962561	1	Bushing	
9	1683063	1	Head	
10	0370025	1	Barrel Weldment	
11	1684346	1	Rod Weldment	
12	2220883	1	Plug, O-Ring	
13	2220886	1	Plug, O-Ring	
15	3441240	1	Rollpin	
16	3480282	1	Piston	
17	See Note	NSS	Ring, Wear (Note: Use Item 51)	
18	See Note	NSS	Ring, Back-up (Note: Use Item 51)	
19	See Note	NSS	Ring, Lock (Note: Use Item 51)	
20	See Note	NSS	Ring, Back-up (Note: Use Item 51)	
21	3760371	1	Ring, Washer	
22	See Note	NSS	O-Ring (Note: Use Item 51)	
23	See Note	NSS	O-Ring (Note: Use Item 51)	
24	3931824	8	Capscrew 1/2 x 1-1/2	
25	See Note	NSS	Seal, Rod (Note: Use Item 51)	
26	See Note	NSS	Wiper, Rod (Note: Use Item 51)	
27	See Note	NSS	Ring, Guide (Note: Use Item 51)	
28	4641386	1	Cartridge, Holding Valve (Vented)	
28	7011376	1	Seal Kit - 4641386 Cartridge (1 Per Cartridge)	
29	4641388	1	Cartridge, Holding Valve	
29	7011353	1	Seal Kit - 4641388 Cartridge (1 Per Cartridge)	
30	4641393	1	Cartridge, Holding Valve (Vented)	
30	7011376	1	Seal Kit - 4641393 Cartridge (1 Per Cartridge)	
51	2902285	1	Seal Kit (Includes Items 17-20, 22, 23 & 25-27)	

# SECTION 6 - CYLINDER

FIGURE 6-6. PLATFORM LEVEL CYLINDER ASSEMBLY - WITHOUT COLD WEATHER PLUS PACKAGE (SN 0300238007 to Present)



ART\_1001228034

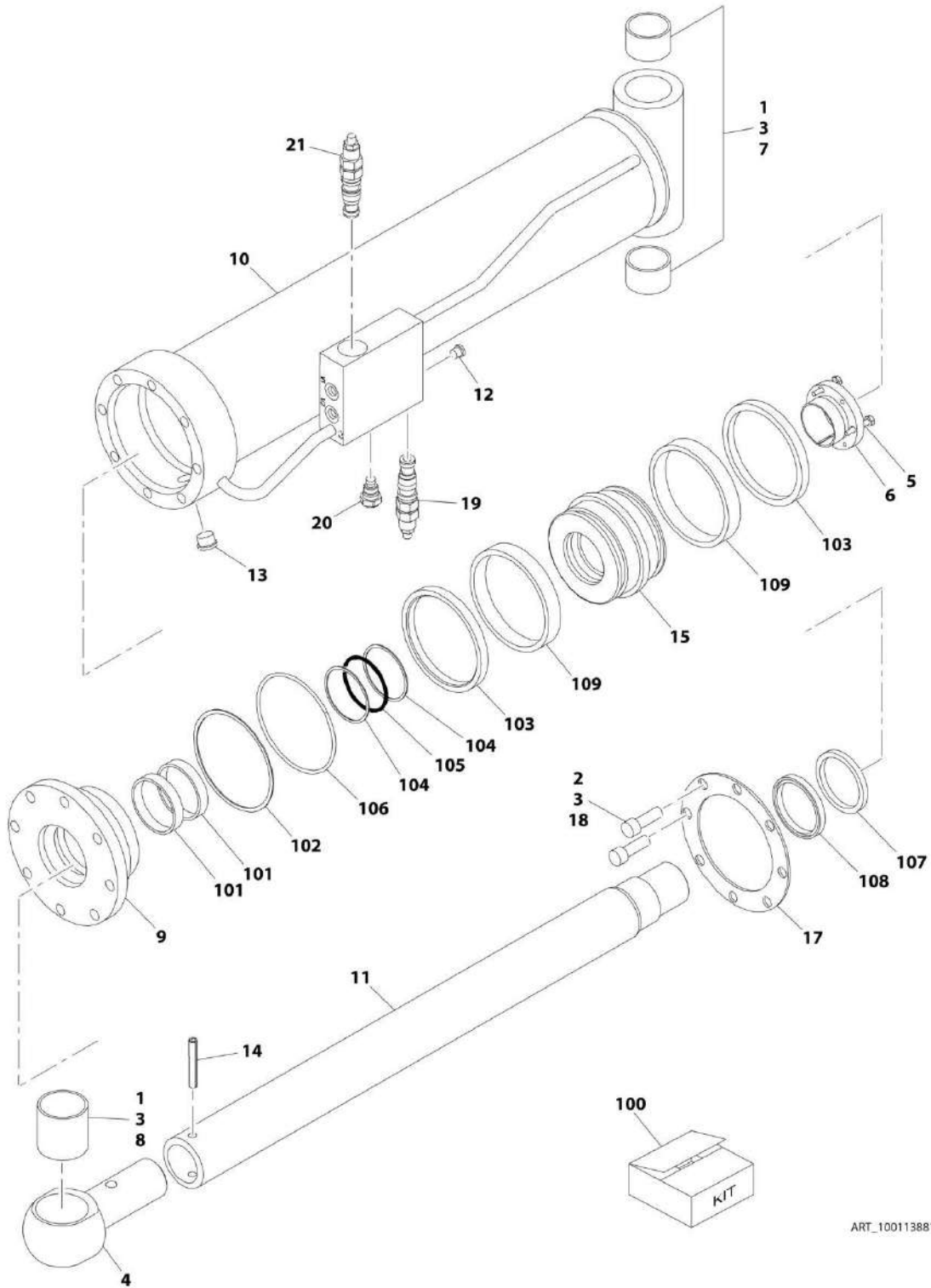
## SECTION 6 - CYLINDER

**FIGURE 6-6. PLATFORM LEVEL CYLINDER ASSEMBLY - WITHOUT COLD WEATHER PLUS PACKAGE (SN 0300238007 to Present)**

ITEM	PART NUMBER	QTY	DESCRIPTION	REV
	1001228034	Ref	PLATFORM LEVEL CYLINDER ASSEMBLY - WITHOUT COLD WEATHER PLUS PACKAGE (SN 0300238007 to Present)	C
1	See Note	NSS	Barrel Weldment (Note: Not Available for Purchase)	
2	70006496	1	Rod Weldment	
3	70006495	1	Head	
4	See Note	NSS	Wiper, Rod (Note: Use Item 51)	
5	See Note	NSS	Seal, Rod (Note: Use Item 51)	
6	See Note	NSS	Ring, Wear (Note: Use Item 51)	
7	See Note	NSS	O-Ring (Note: Use Item 51)	
8	See Note	NSS	Ring, Back-up (Note: Use Item 51)	
9	70006494	1	Piston	
10	See Note	NSS	Ring, Guide (Note: Use Item 51)	
11	See Note	NSS	Ring, Lock (Note: Use Item 51)	
12	See Note	NSS	O-Ring (Note: Use Item 51)	
13	See Note	NSS	Ring, Back-up (Note: Use Item 51)	
14	0961897	1	Bushing, Tapered	
15	0630535	3	Capscrew 1/4 x 1-1/8	
16	3931824	8	Capscrew 1/2 x 1-1/2	
17	3760371	1	Ring, Washer	
18	4641386	1	Cartridge, Holding Valve (Vented)	
18	7011376	1	Seal Kit - 4641386 Cartridge (1 Per Cartridge)	
19	4641393	1	Cartridge, Holding Valve (Vented)	
19	7011376	1	Seal Kit - 4641393 Cartridge (1 Per Cartridge)	
20	4641388	1	Cartridge, Holding Valve	
20	7011353	1	Seal Kit - 4641388 Cartridge (1 Per Cartridge)	
21	0962561	1	Bushing	
22	0961949	2	Bushing	
23	2220883	5	Plug, O-Ring	
24	2220886	1	Plug, O-Ring	
25	0100011	AR	Compound, Locking	
26	0100038	AR	Primer, Locking	
27	0100019	AR	Compound, Locking	
51	2902285	1	Seal Kit (Includes Items 4-8 & 10-13)	

# SECTION 6 - CYLINDER

FIGURE 6-7. PLATFORM LEVEL CYLINDER ASSEMBLY (SN 0300201017 through 0300239155)



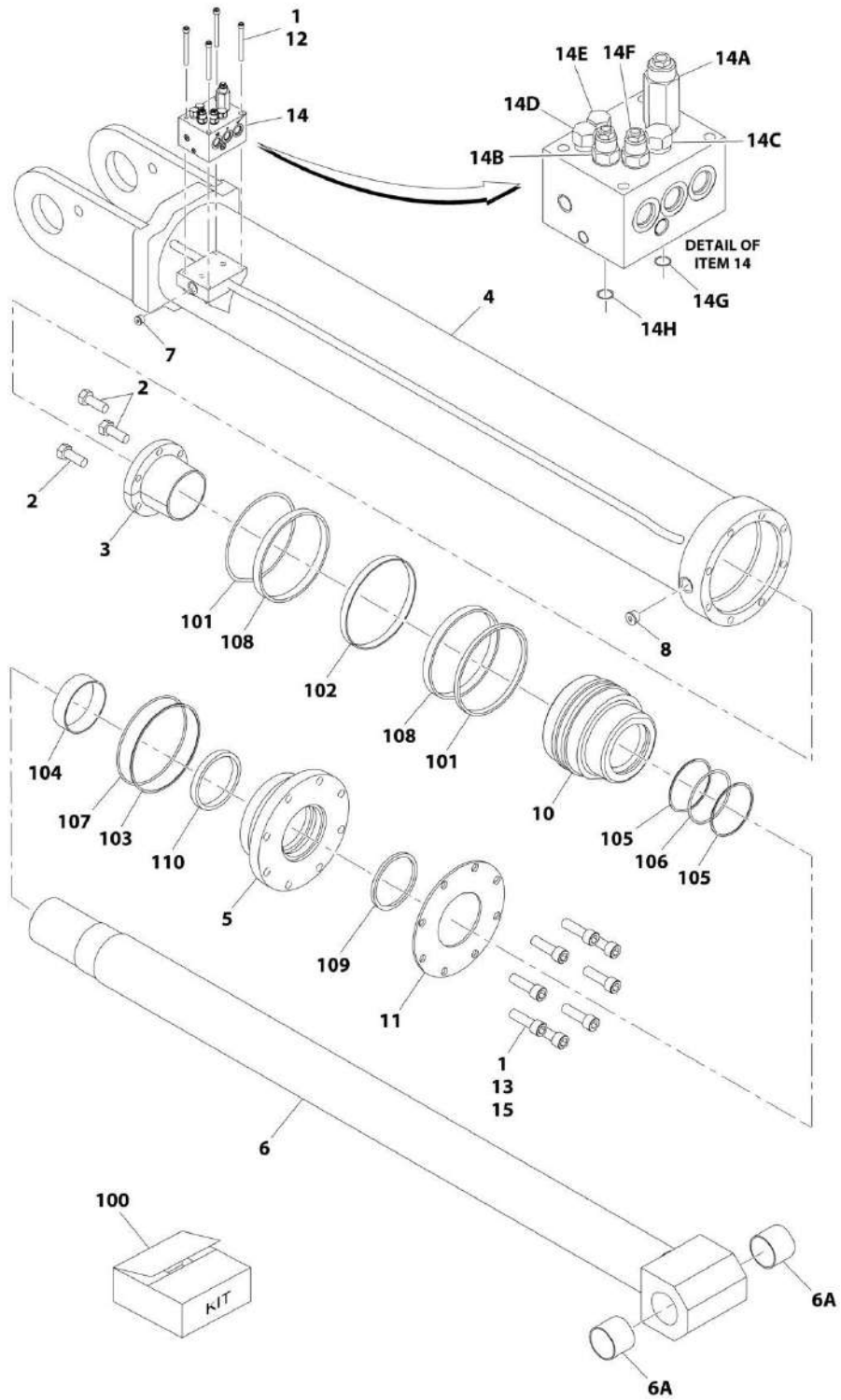
## SECTION 6 - CYLINDER

**FIGURE 6-7. PLATFORM LEVEL CYLINDER ASSEMBLY (SN 0300201017 through 0300239155)**

ITEM	PART NUMBER	QTY	DESCRIPTION	REV
	1001138813	Ref	PLATFORM LEVEL CYLINDER ASSEMBLY (SN 0300201017 through 0300239155)	C
1	0100011	AR	Compound, Locking	
2	0100019	AR	Compound, Locking	
3	0100038	AR	Primer, Locking	
4	0561546	1	Link, Rod	
5	0630535	3	Capscrew 1/4 x 1-1/8	
6	0961897	1	Bushing, Tapered	
7	0961949	2	Bushing	
8	0962561	1	Bushing	
9	1683063	1	Head	
10	0370025	1	Barrel Weldment	
11	1684346	1	Rod Weldment	
12	2220883	1	Plug, O-Ring	
13	2220886	1	Plug, O-Ring	
14	3441240	1	Rollpin	
15	3480282	1	Piston	
17	3760371	1	Ring, Washer	
18	3931824	8	Capscrew 1/2 x 1-1/2	
19	4641386	1	Cartridge, Holding Valve (Vented)	
19	7011376	1	Seal Kit - 4641386 Cartridge (1 Per Cartridge)	
20	4641388	1	Cartridge, Holding Valve	
20	7011353	1	Seal Kit - 4641388 Cartridge (1 Per Cartridge)	
21	4641393	1	Cartridge, Holding Valve (Vented)	
21	7011376	1	Seal Kit - 4641393 Cartridge (1 Per Cartridge)	
100	1001138814	1	Seal Kit (Includes Items 101-109)	
101	See Note	NSS	Ring, Wear (Note: Use Item 100)	
102	See Note	NSS	Ring, Back-up (Note: Use Item 100)	
103	See Note	NSS	Ring, Lock (Note: Use Item 100)	
104	See Note	NSS	Ring, Back-up (Note: Use Item 100)	
105	See Note	NSS	O-Ring (Note: Use Item 100)	
106	See Note	NSS	O-Ring (Note: Use Item 100)	
107	See Note	NSS	Seal, Rod (Note: Use Item 100)	
108	See Note	NSS	Wiper, Rod (Note: Use Item 100)	
109	See Note	NSS	Ring, Guide (Note: Use Item 100)	

# SECTION 6 - CYLINDER

FIGURE 6-8. LIFT CYLINDER ASSEMBLY - MAIN BOOM (SN 0300201017 through 0300211613)



ART\_1684318



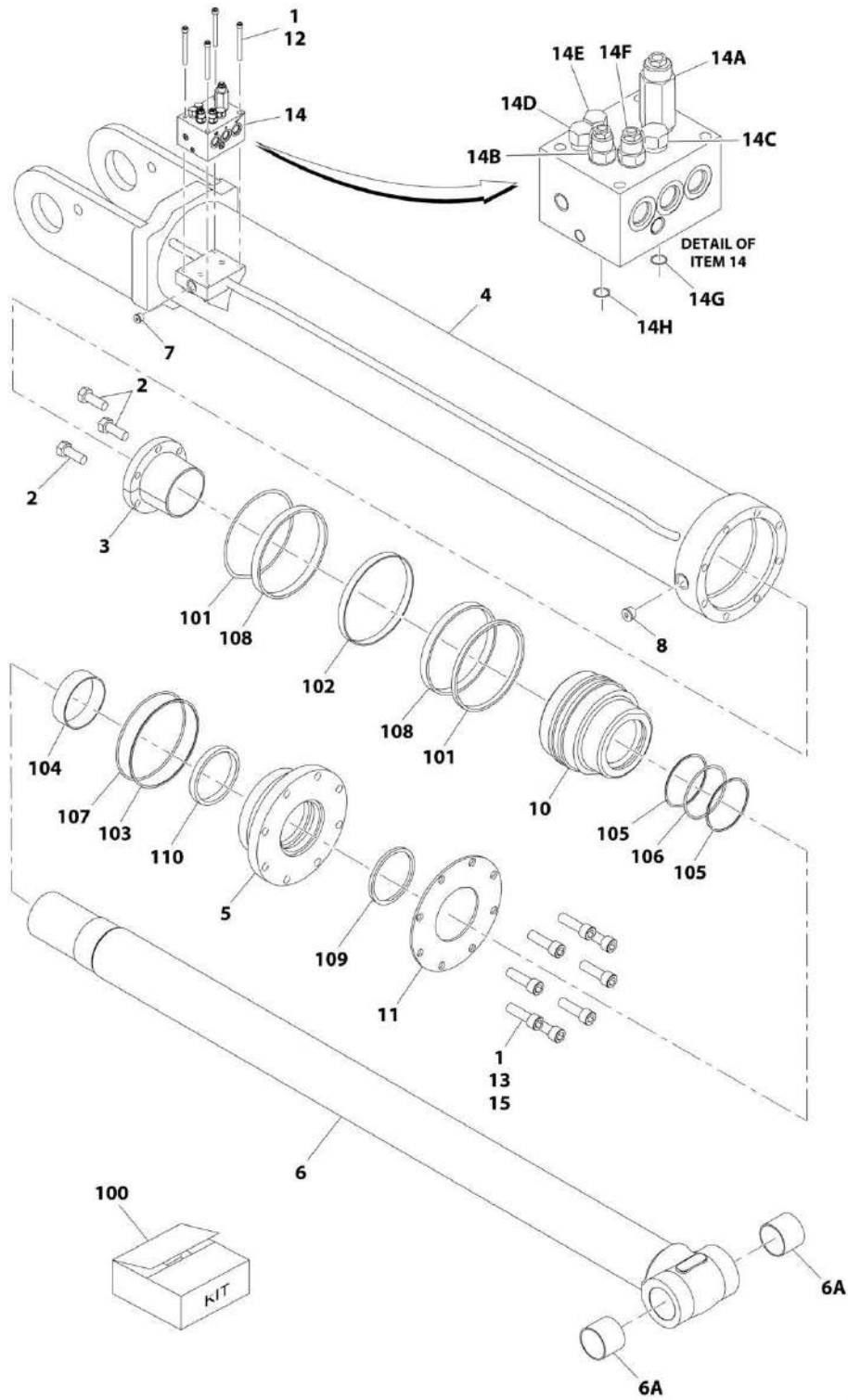
## SECTION 6 - CYLINDER

**FIGURE 6-8. LIFT CYLINDER ASSEMBLY - MAIN BOOM (SN 0300201017 through 0300211613)**

ITEM	PART NUMBER	QTY	DESCRIPTION	REV
	1684318	Ref	LIFT CYLINDER ASSEMBLY - MAIN BOOM (SN 0300201017 through 0300211613)	G
1	0100011	AR	Compound, Locking	
2	0630573	3	Capscrew	
3	0962562	1	Bushing, Tapered	
4	1684334	1	Barrel	
5	1684336	1	Head	
6	1684337	1	Rod	
6A	0962297	2	Bushing	
7	2220886	2	Plug, O-Ring	
8	2220888	1	Plug, O-Ring	
10	3480281	1	Piston	
11	3760375	1	Ring, Washer	
12	3931660	4	Capscrew 3/8 x 3-3/4	
13	3932244	8	Capscrew 3/4 x 2-3/4	
14	4641370	1	Valve Block Assembly	A
14A	4641340	1	Cartridge, Valve	
14A	7011367	1	Seal Kit - 4641340 Cartridge Valve	
14B	4640938	1	Cartridge, Valve	
14B	2900770	1	Seal Kit - 4640938 Cartridge Valve	
14C	7011362	1	Cartridge, Valve	
14C	7011311	1	Seal Kit - 7011362 Cartridge Valve	
14D	7011365	1	Cartridge, Valve	
14D	7011346	1	Seal Kit - 7011365 Cartridge Valve	
14E	7011364	1	Cartridge, Valve	
14E	7011346	1	Seal Kit - 7011364 Cartridge Valve	
14F	7011375	1	Cartridge, Valve	
14F	2900770	1	Seal Kit - 7011375 Cartridge Valve	
14G	70000777	1	O-Ring	
14H	70000778	1	O-Ring	
15	0100038	AR	Primer, Locking	
100	1001174326	1	Seal Kit (Includes Items 101-110)	
101	See Note	NSS	Ring, Lock (Note: Use Item 100)	
102	See Note	NSS	Ring, Wear (Note: Use Item 100)	
103	See Note	NSS	Ring, Back-up (Note: Use Item 100)	
104	See Note	NSS	Ring, Wear (Note: Use Item 100)	
105	See Note	NSS	Ring, Back-up (Note: Use Item 100)	
106	See Note	NSS	O-Ring (Note: Use Item 100)	
107	See Note	NSS	O-Ring (Note: Use Item 100)	
108	See Note	NSS	Ring, Hydrolock (Note: Use Item 100)	
109	See Note	NSS	Ring, Wiper (Note: Use Item 100)	
110	See Note	NSS	Seal, Rod (Note: Use Item 100)	

# SECTION 6 - CYLINDER

FIGURE 6-9. LIFT CYLINDER ASSEMBLY - MAIN BOOM (SN 0300211614 through 0300239976)



ART\_1001165510

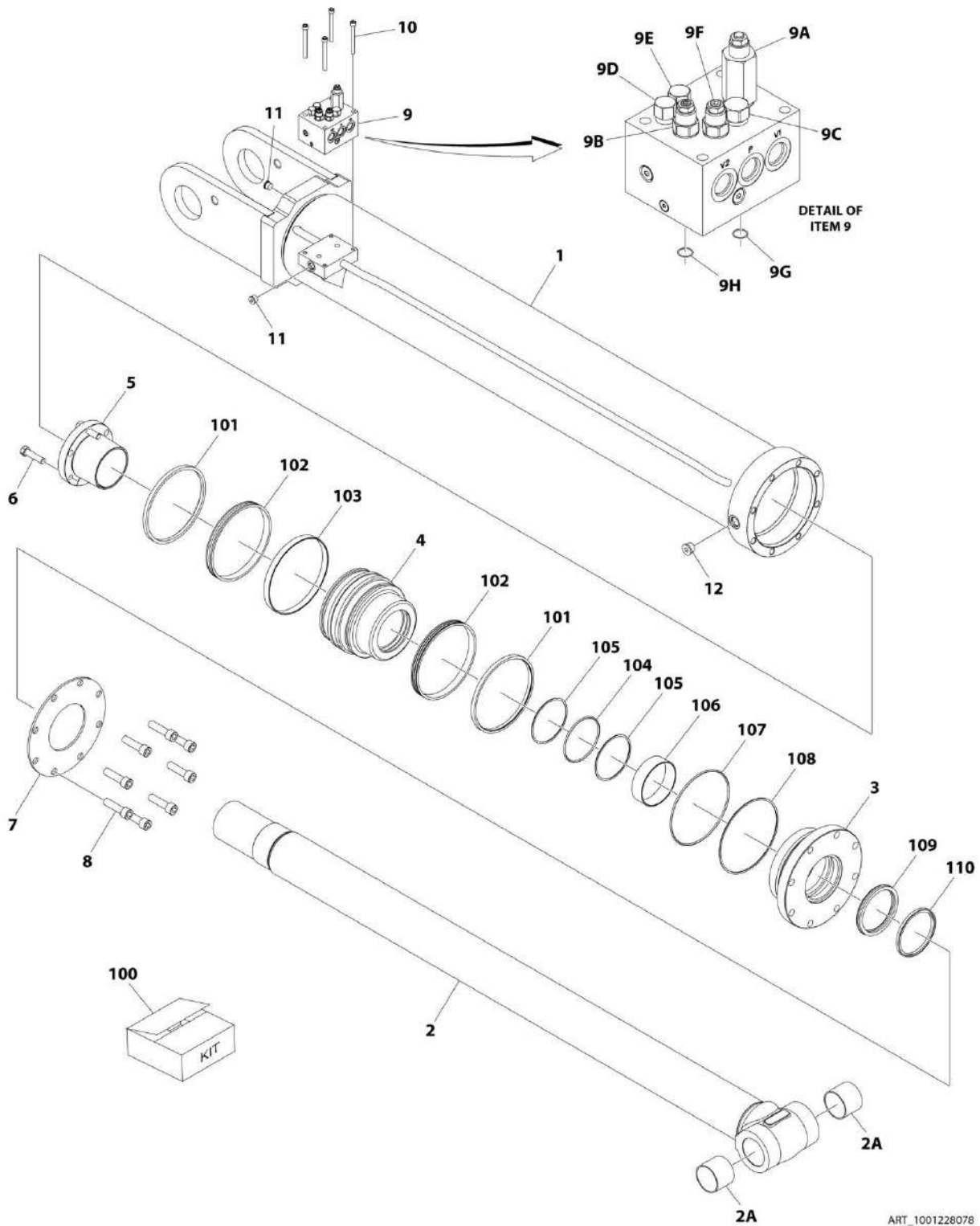
## SECTION 6 - CYLINDER

**FIGURE 6-9. LIFT CYLINDER ASSEMBLY - MAIN BOOM (SN 0300211614 through 0300239976)**

ITEM	PART NUMBER	QTY	DESCRIPTION	REV
	1001165510	Ref	LIFT CYLINDER ASSEMBLY - MAIN BOOM (SN 0300211614 through 0300239976)	D
1	0100011	AR	Compound, Locking	
2	0630573	3	Capscrew	
3	0962562	1	Bushing, Tapered	
4	1684334	1	Barrel	
5	1684336	1	Head	
6	1001165511	1	Rod	
6A	0962297	2	Bushing	
7	2220886	2	Plug, O-Ring	
8	2220888	1	Plug, O-Ring	
10	3480281	1	Piston	
11	3760375	1	Ring, Washer	
12	3931660	4	Capscrew 3/8 x 3-3/4	
13	3932244	8	Capscrew 3/4 x 2-3/4	
14	4641370	1	Valve Block Assembly	A
14A	4641340	1	Cartridge, Valve	
14A	7011367	1	Seal Kit - 4641340 Cartridge Valve	
14B	4640938	1	Cartridge, Valve	
14B	2900770	1	Seal Kit - 4640938 Cartridge Valve	
14C	7011362	1	Cartridge, Valve	
14C	7011311	1	Seal Kit - 7011362 Cartridge Valve	
14D	7011365	1	Cartridge, Valve	
14D	7011346	1	Seal Kit - 7011365 Cartridge Valve	
14E	7011364	1	Cartridge, Valve	
14E	7011346	1	Seal Kit - 7011364 Cartridge Valve	
14F	7011375	1	Cartridge, Valve	
14F	2900770	1	Seal Kit - 7011375 Cartridge Valve	
14G	70000777	1	O-Ring	
14H	70000778	1	O-Ring	
15	0100038	AR	Primer, Locking	
100	1001174326	1	Seal Kit (Includes Items 101-110)	
101	See Note	NSS	Ring, Lock (Note: Use Item 100)	
102	See Note	NSS	Ring, Wear (Note: Use Item 100)	
103	See Note	NSS	Ring, Back-up (Note: Use Item 100)	
104	See Note	NSS	Ring, Wear (Note: Use Item 100)	
105	See Note	NSS	Ring, Back-up (Note: Use Item 100)	
106	See Note	NSS	O-Ring (Note: Use Item 100)	
107	See Note	NSS	O-Ring (Note: Use Item 100)	
108	See Note	NSS	Ring, Hydrolock (Note: Use Item 100)	
109	See Note	NSS	Ring, Wiper (Note: Use Item 100)	
110	See Note	NSS	Seal, Rod (Note: Use Item 100)	

# SECTION 6 - CYLINDER

## FIGURE 6-10. LIFT CYLINDER ASSEMBLY - MAIN BOOM (SN 0300239977 to Present)



ART\_1001228078

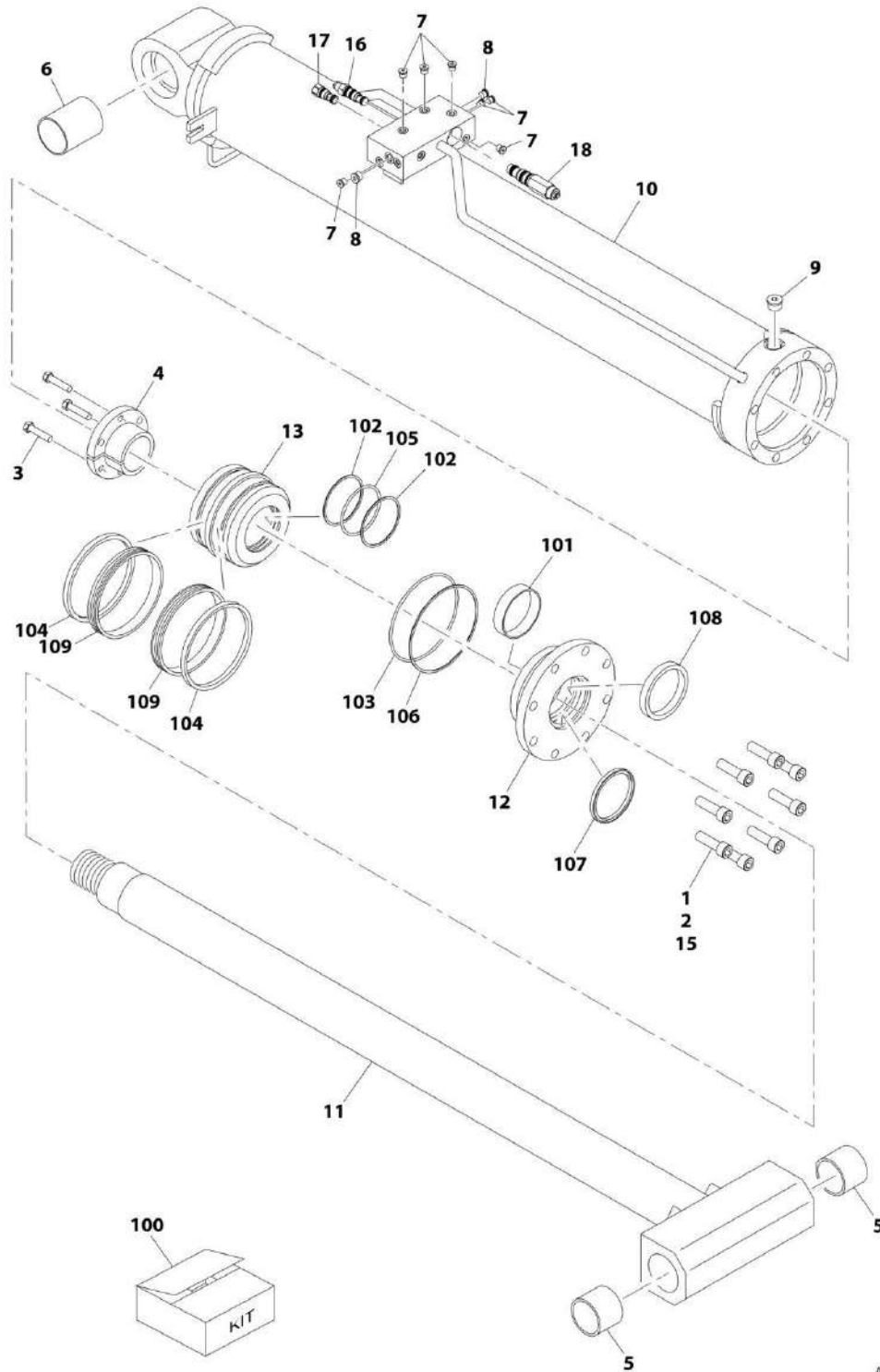
## SECTION 6 - CYLINDER

**FIGURE 6-10. LIFT CYLINDER ASSEMBLY - MAIN BOOM (SN 0300239977 to Present)**

ITEM	PART NUMBER	QTY	DESCRIPTION	REV
	1001228078	Ref	LIFT CYLINDER ASSEMBLY - MAIN BOOM (SN 0300239977 to Present)	D
1	See Note	NSS	Barrel Weldment (Note: Not Available for Purchase)	
2	70006383	1	Rod	
2A	0962297	2	Bushing	
3	70006382	1	Head	
4	70006381	1	Piston	
5	70006365	1	Bushing, Tapered	
6	0630573	3	Capscrew	
7	70006380	1	Ring, Washer	
8	3932244	8	Capscrew 3/4 x 2-3/4	
9	4641370	1	Valve Block Assembly	A
9A	4641340	1	Cartridge, Valve	
9A	7011367	1	Seal Kit - 4641340 Cartridge Valve	
9B	4640938	1	Cartridge, Valve	
9B	2900770	1	Seal Kit - 4640938 Cartridge Valve	
9C	7011362	1	Cartridge, Valve	
9C	7011311	1	Seal Kit - 7011362 Cartridge Valve	
9D	7011365	1	Cartridge, Valve	
9D	7011346	1	Seal Kit - 7011365 Cartridge Valve	
9E	7011364	1	Cartridge, Valve	
9E	7011346	1	Seal Kit - 7011364 Cartridge Valve	
9F	7011375	1	Cartridge, Valve	
9F	2900770	1	Seal Kit - 7011375 Cartridge Valve	
9G	70000777	1	O-Ring	
9H	70000778	1	O-Ring	
10	3931660	4	Capscrew 3/8 x 3-3/4	
11	2220886	2	Plug, O-Ring	
12	2220888	1	Plug, O-Ring	
100	1001174326	1	Seal Kit (Includes Items 101-110)	
101	See Note	NSS	Ring, Lock (Note: Use Item 100)	
102	See Note	NSS	Ring, Hydrolock (Note: Use Item 100)	
103	See Note	NSS	Ring, Wear (Note: Use Item 100)	
104	See Note	NSS	O-Ring (Note: Use Item 100)	
105	See Note	NSS	Ring, Back-up (Note: Use Item 100)	
106	See Note	NSS	Ring, Wear (Note: Use Item 100)	
107	See Note	NSS	O-Ring (Note: Use Item 100)	
108	See Note	NSS	Ring, Back-up (Note: Use Item 100)	
109	See Note	NSS	Seal, Rod (Note: Use Item 100)	
110	See Note	NSS	Ring, Wiper (Note: Use Item 100)	

# SECTION 6 - CYLINDER

FIGURE 6-11. LIFT CYLINDER ASSEMBLY - TOWER BOOM (SN 0300201017 through 0300211613)



ART\_1001118753

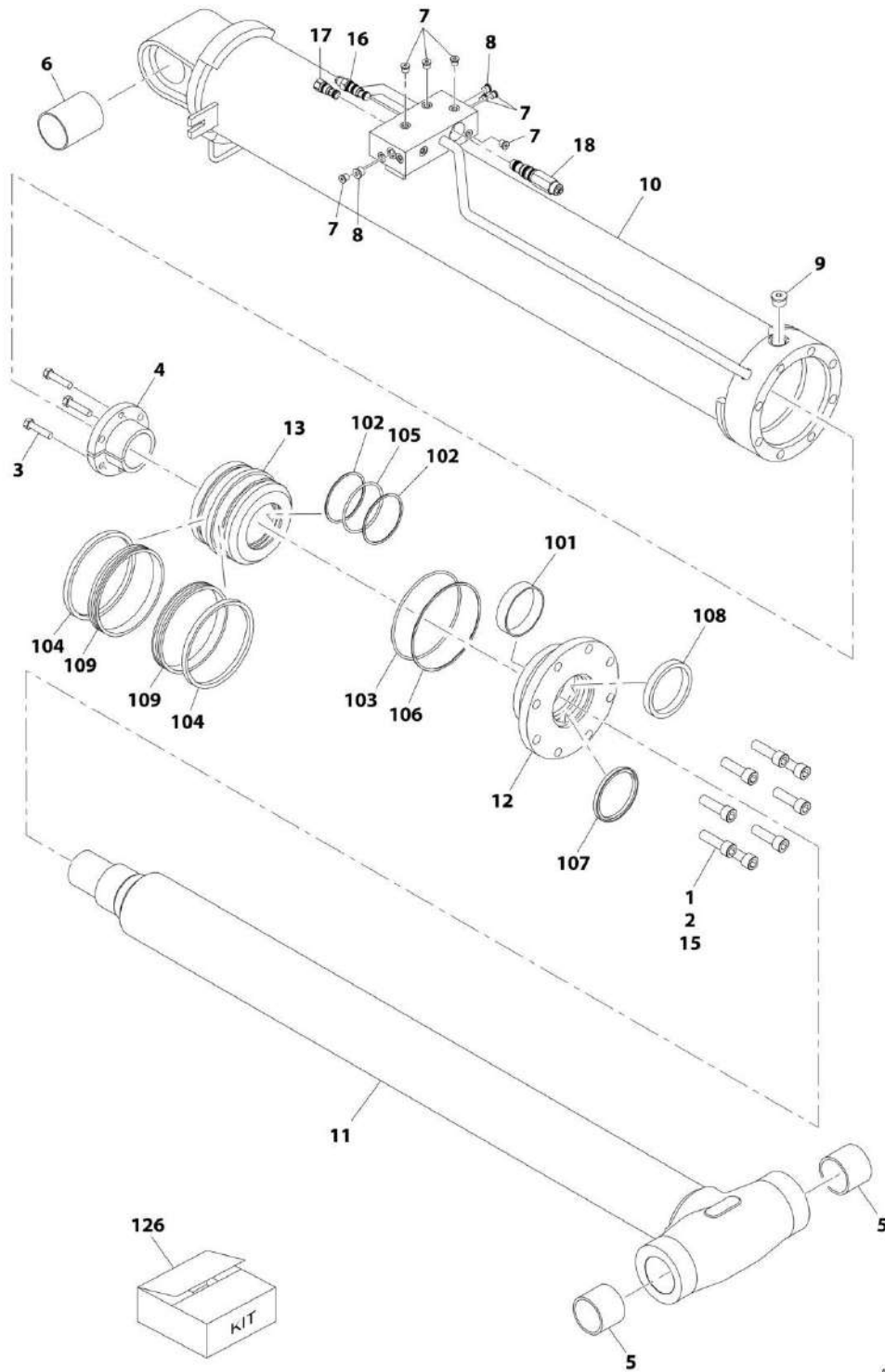
## SECTION 6 - CYLINDER

**FIGURE 6-11. LIFT CYLINDER ASSEMBLY - TOWER BOOM (SN 0300201017 through 0300211613)**

ITEM	PART NUMBER	QTY	DESCRIPTION	REV
	1001118753	Ref	LIFT CYLINDER ASSEMBLY - TOWER BOOM (SN 0300201017 through 0300211613)	D
1	0100011	AR	Compound, Locking	
2	0100038	AR	Primer, Locking	
3	0630537	3	Capscrew	
4	0961901	1	Bushing, Tapered	
5	0962297	2	Bushing	
6	0962552	1	Bushing	
7	2220883	8	Plug, O-Ring	
8	2220885	2	Plug, O-Ring	
9	2220888	1	Plug, O-Ring	
10	1001118754	1	Barrel	
11	1001118756	1	Rod	
12	1001118761	1	Head	
13	3480280	1	Piston	
15	3932240	8	Capscrew 3/4 x 2-1/2	
16	1001120140	1	Cartridge, Valve	
16	2900770	1	Seal Kit - 1001120140 Cartridge Valve	
17	4641285	1	Cartridge, Valve	
17	7011311	1	Seal Kit - 4641285 Cartridge Valve	
18	1001120141	1	Cartridge, Valve	
18	7011367	1	Seal Kit - 1001120141 Cartridge Valve	
100	1001118762	1	Seal Kit (Includes Items 101-109)	
101	See Note	NSS	Ring, Wear (Note: Use Item 100)	
102	See Note	NSS	Ring, Back-up (Note: Use Item 100)	
103	See Note	NSS	Ring, Back-up (Note: Use Item 100)	
104	See Note	NSS	Ring, Lock (Note: Use Item 100)	
105	See Note	NSS	O-Ring (Note: Use Item 100)	
106	See Note	NSS	O-Ring (Note: Use Item 100)	
107	See Note	NSS	Ring, Wiper (Note: Use Item 100)	
108	See Note	NSS	Seal, Rod (Note: Use Item 100)	
109	See Note	NSS	Ring, Hydrolock (Note: Use Item 100)	

# SECTION 6 - CYLINDER

FIGURE 6-12. LIFT CYLINDER ASSEMBLY - TOWER BOOM (SN 0300211614 through 0300238464)



ART\_1001165507



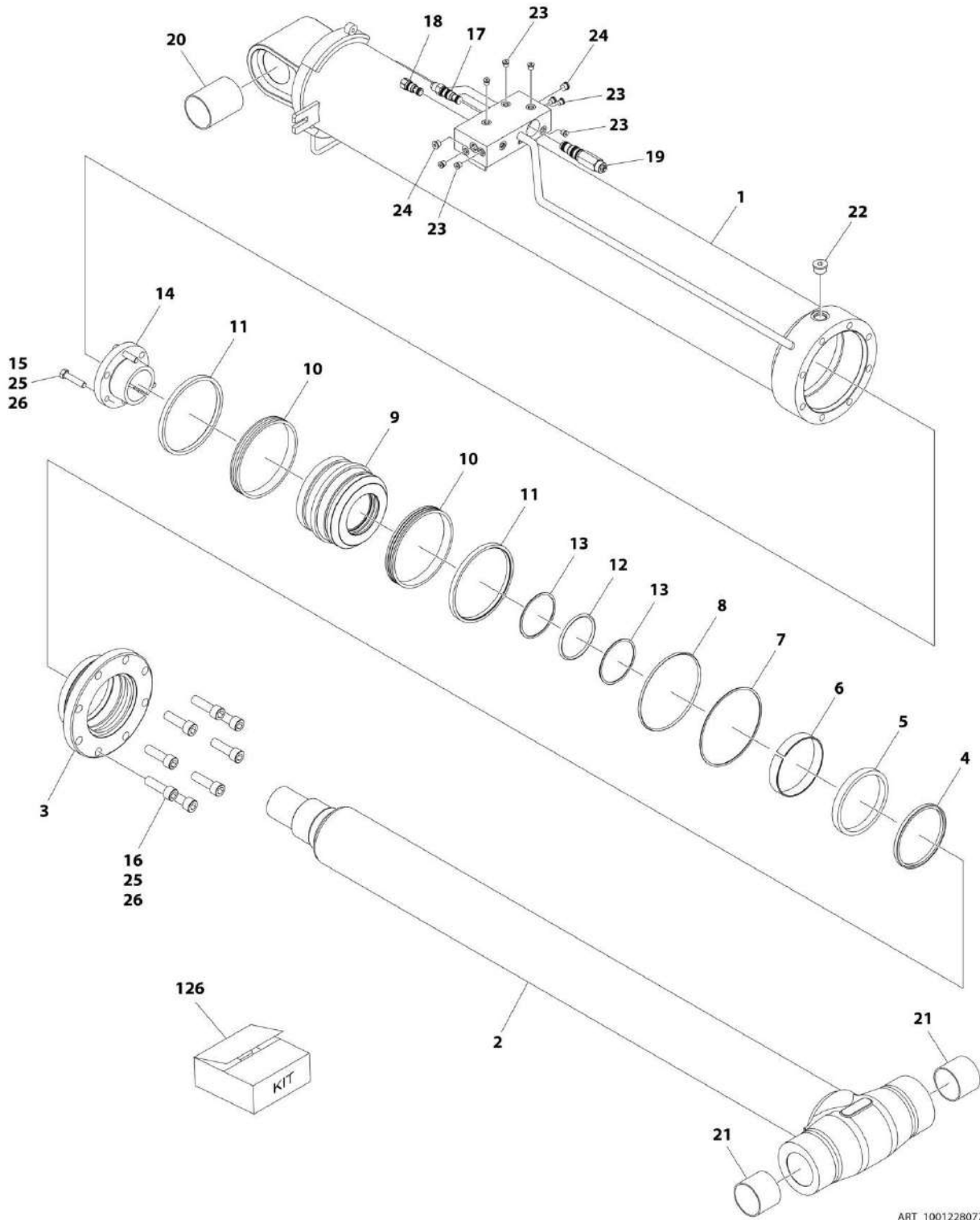
## SECTION 6 - CYLINDER

**FIGURE 6-12. LIFT CYLINDER ASSEMBLY - TOWER BOOM (SN 0300211614 through 0300238464)**

ITEM	PART NUMBER	QTY	DESCRIPTION	REV
	1001165507	Ref	LIFT CYLINDER ASSEMBLY - TOWER BOOM (SN 0300211614 through 0300238464)	C
1	0100011	AR	Compound, Locking	
2	0100038	AR	Primer, Locking	
3	0630537	3	Capscrew	
4	0961901	1	Bushing, Tapered	
5	0962297	2	Bushing	
6	0962552	1	Bushing	
7	2220883	8	Plug, O-Ring	
8	2220885	2	Plug, O-Ring	
9	2220888	1	Plug, O-Ring	
10	1001165508	1	Barrel	
11	1001165509	1	Rod	
12	1001118761	1	Head	
13	3480280	1	Piston	
15	3932240	8	Capscrew 3/4 x 2-1/2	
16	1001120140	1	Cartridge, Valve	
16	2900770	1	Seal Kit - 1001120140 Cartridge Valve	
17	4641285	1	Cartridge, Valve	
17	7011311	1	Seal Kit - 4641285 Cartridge Valve	
18	1001120141	1	Cartridge, Valve	
18	7011367	1	Seal Kit - 1001120141 Cartridge Valve	
101	See Note	NSS	Ring, Wear (Note: Use Item 126)	
102	See Note	NSS	Ring, Back-up (Note: Use Item 126)	
103	See Note	NSS	Ring, Back-up (Note: Use Item 126)	
104	See Note	NSS	Ring, Lock (Note: Use Item 126)	
105	See Note	NSS	O-Ring (Note: Use Item 126)	
106	See Note	NSS	O-Ring (Note: Use Item 126)	
107	See Note	NSS	Ring, Wiper (Note: Use Item 126)	
108	See Note	NSS	Seal, Rod (Note: Use Item 126)	
109	See Note	NSS	Ring, Hydrolock (Note: Use Item 126)	
126	1001118762	1	Seal Kit (Includes Items 101-109)	

# SECTION 6 - CYLINDER

FIGURE 6-13. LIFT CYLINDER ASSEMBLY - TOWER BOOM (SN 0300239465 to Present)



ART\_1001228077

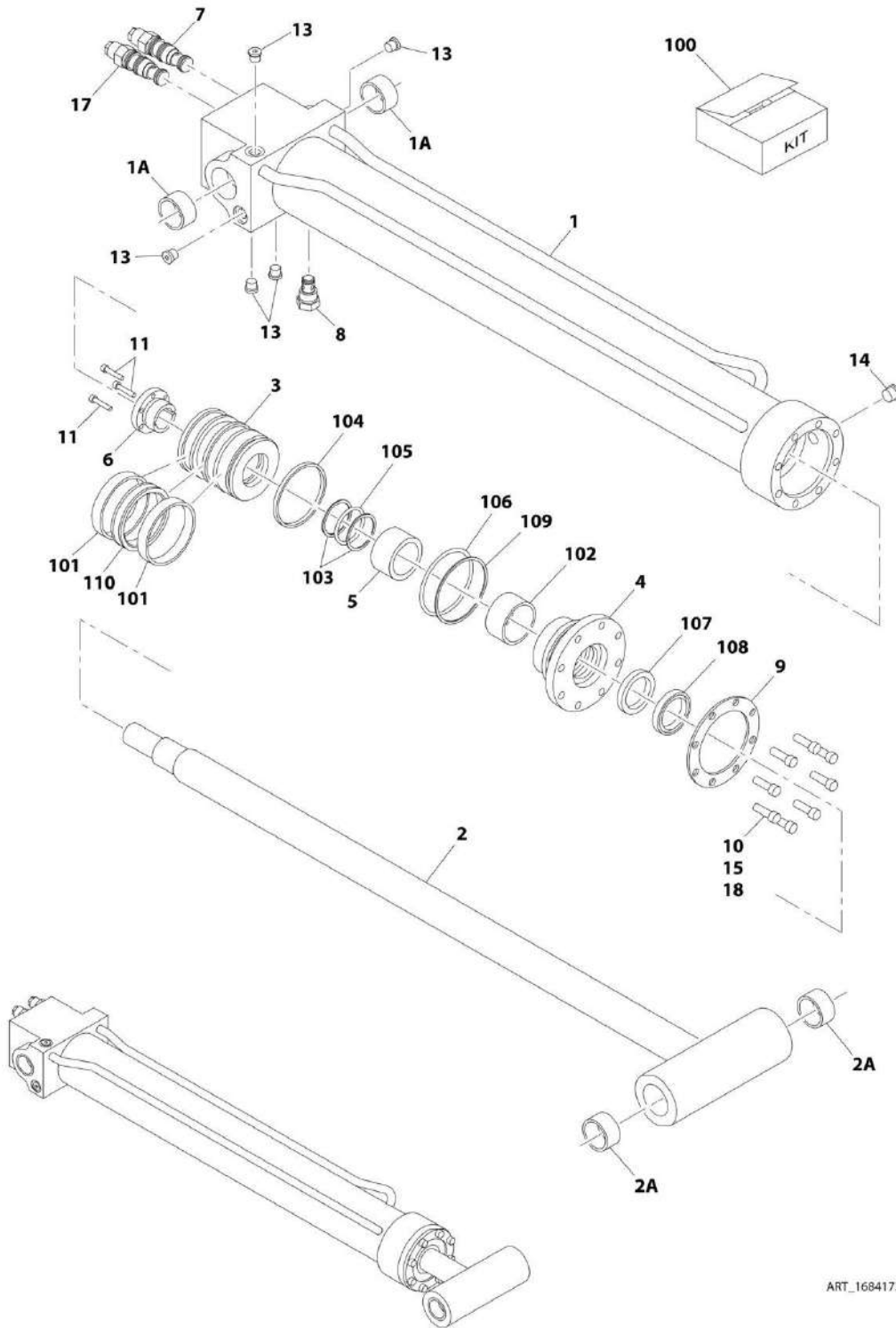
## SECTION 6 - CYLINDER

**FIGURE 6-13. LIFT CYLINDER ASSEMBLY - TOWER BOOM (SN 0300239465 to Present)**

ITEM	PART NUMBER	QTY	DESCRIPTION	REV
	1001228077	Ref	LIFT CYLINDER ASSEMBLY - TOWER BOOM (SN 0300239465 to Present)	C
1	See Note	NSS	Barrel Weldment (Note: Not Available for Purchase)	
2	70006509	1	Rod	
3	70006508	1	Head	
4	See Note	NSS	Ring, Wiper (Note: Use Item 126)	
5	See Note	NSS	Seal, Rod (Note: Use Item 126)	
6	See Note	NSS	Ring, Wear (Note: Use Item 126)	
7	See Note	NSS	O-Ring (Note: Use Item 126)	
8	See Note	NSS	Ring, Back-up (Note: Use Item 126)	
9	70006507	1	Piston	
10	See Note	NSS	Ring, Hydrolock (Note: Use Item 126)	
11	See Note	NSS	Ring, Lock (Note: Use Item 126)	
12	See Note	NSS	O-Ring (Note: Use Item 126)	
13	See Note	NSS	Ring, Back-up (Note: Use Item 126)	
14	0961901	1	Bushing, Tapered	
15	0630537	3	Capscrew	
16	3932240	8	Capscrew 3/4 x 2-1/2	
17	1001120140	1	Cartridge, Valve	
17	2900770	1	Seal Kit - 1001120140 Cartridge Valve	
18	4641285	1	Cartridge, Valve	
18	7011311	1	Seal Kit - 4641285 Cartridge Valve	
19	1001120141	1	Cartridge, Valve	
19	7011367	1	Seal Kit - 1001120141 Cartridge Valve	
20	0962552	1	Bushing	
21	0962297	2	Bushing	
22	2220888	1	Plug, O-Ring	
23	2220883	9	Plug, O-Ring	
24	2220885	2	Plug, O-Ring	
25	0100011	AR	Compound, Locking	
26	0100038	AR	Primer, Locking	
126	1001118762	1	Seal Kit (Includes Items 4-8 & 10-13)	

# SECTION 6 - CYLINDER

FIGURE 6-14. JIB CYLINDER ASSEMBLY (SN 0300201017 through 0300239155)



ART\_1684173

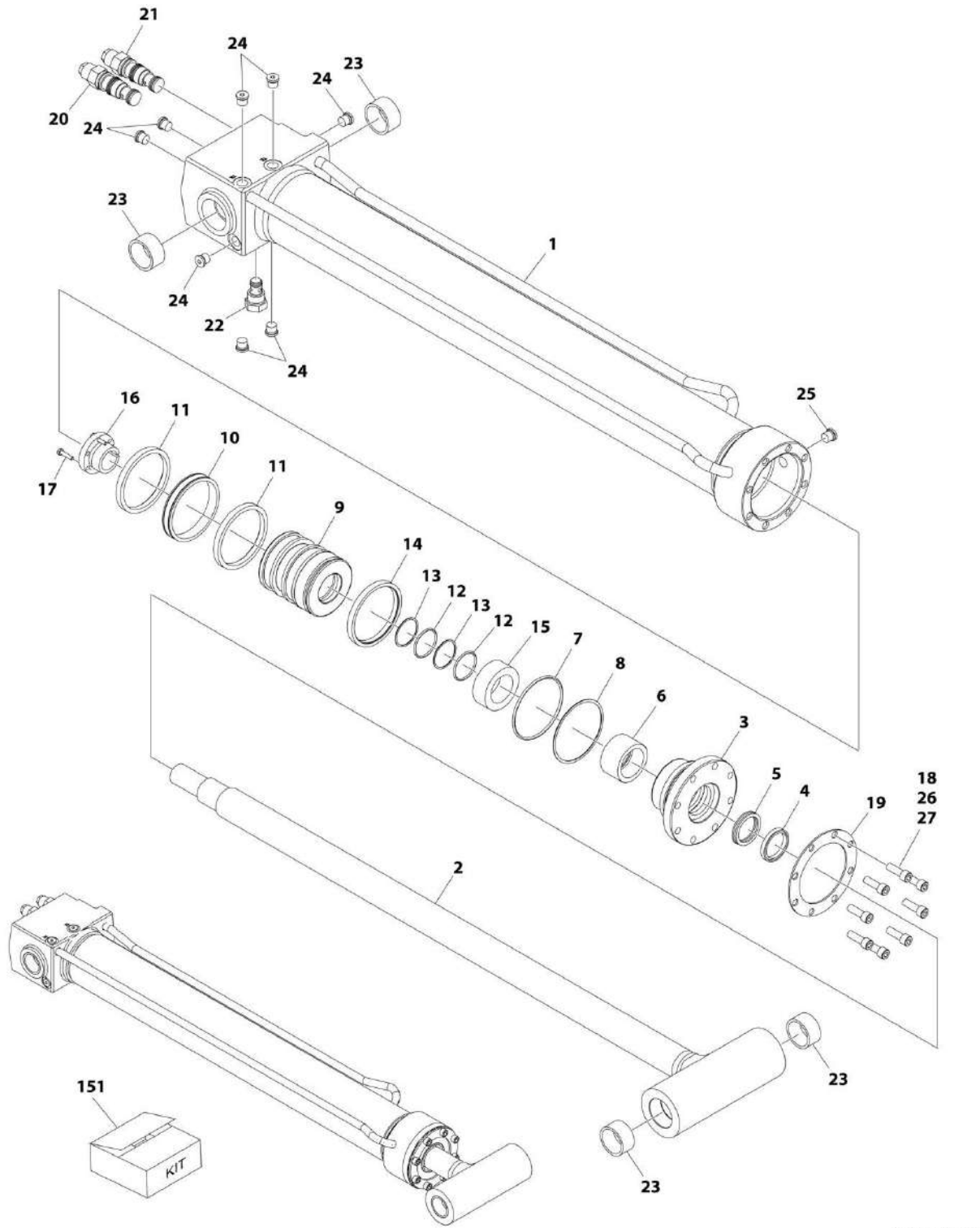
## SECTION 6 - CYLINDER

**FIGURE 6-14. JIB CYLINDER ASSEMBLY (SN 0300201017 through 0300239155)**

ITEM	PART NUMBER	QTY	DESCRIPTION	REV
	1684173	Ref	JIB CYLINDER ASSEMBLY (SN 0300201017 through 0300239155)	H
1	1684174	1	Barrel Weldment	
1A	0962257	2	Bushing	
2	1684176	1	Rod Weldment	
2A	0962257	2	Bushing	
3	3480271	1	Piston	
4	1683053	1	Head	
5	4100100	1	Spacer	
6	0961893	1	Bushing, Tapered	
7	4640452	1	Cartridge, Counterbalance (Port above V2)	
7	2900770	1	Seal Kit - 4640452 Cartridge Valve (1 Per Valve)	
8	4641114	1	Cartridge, Restricted/Check	
8	7012967	1	Seal Kit - 4641114 Cartridge Valve (1 Per Valve)	
9	3760368	1	Ring, Washer	
10	3931516	8	Capscrew 5/16 x 1	
11	0630534	3	Capscrew #10 x 1	
13	2220883	5	Plug, O-Ring	
14	2220885	1	Plug, O-Ring	
15	0100011	AR	Compound, Locking	
17	4641260	1	Cartridge, Counterbalance (Port above V1)	
17	2900770	1	Seal Kit - 4641260 Cartridge Valve (1 Per Valve)	
18	0100038	AR	Primer, Locking	
100	2902092	1	Seal Kit (Includes Items 101-110)	
101	See Note	NSS	Ring, Wear (Note: Use Item 100)	
102	See Note	NSS	Ring, Wear (Note: Use Item 100)	
103	See Note	NSS	Ring, Back-up (Note: Use Item 100)	
104	See Note	NSS	Seal (Note: Use Item 100)	
105	See Note	NSS	O-Ring (Note: Use Item 100)	
106	See Note	NSS	O-Ring (Note: Use Item 100)	
107	See Note	NSS	Seal (Note: Use Item 100)	
108	See Note	NSS	Wiper, Rod (Note: Use Item 100)	
109	See Note	NSS	Ring, Back-up (Note: Use Item 100)	
110	See Note	NSS	Seal (Note: Use Item 100)	

# SECTION 6 - CYLINDER

FIGURE 6-15. JIB CYLINDER ASSEMBLY (SN 0300239156 to Present)



ART\_1001228025

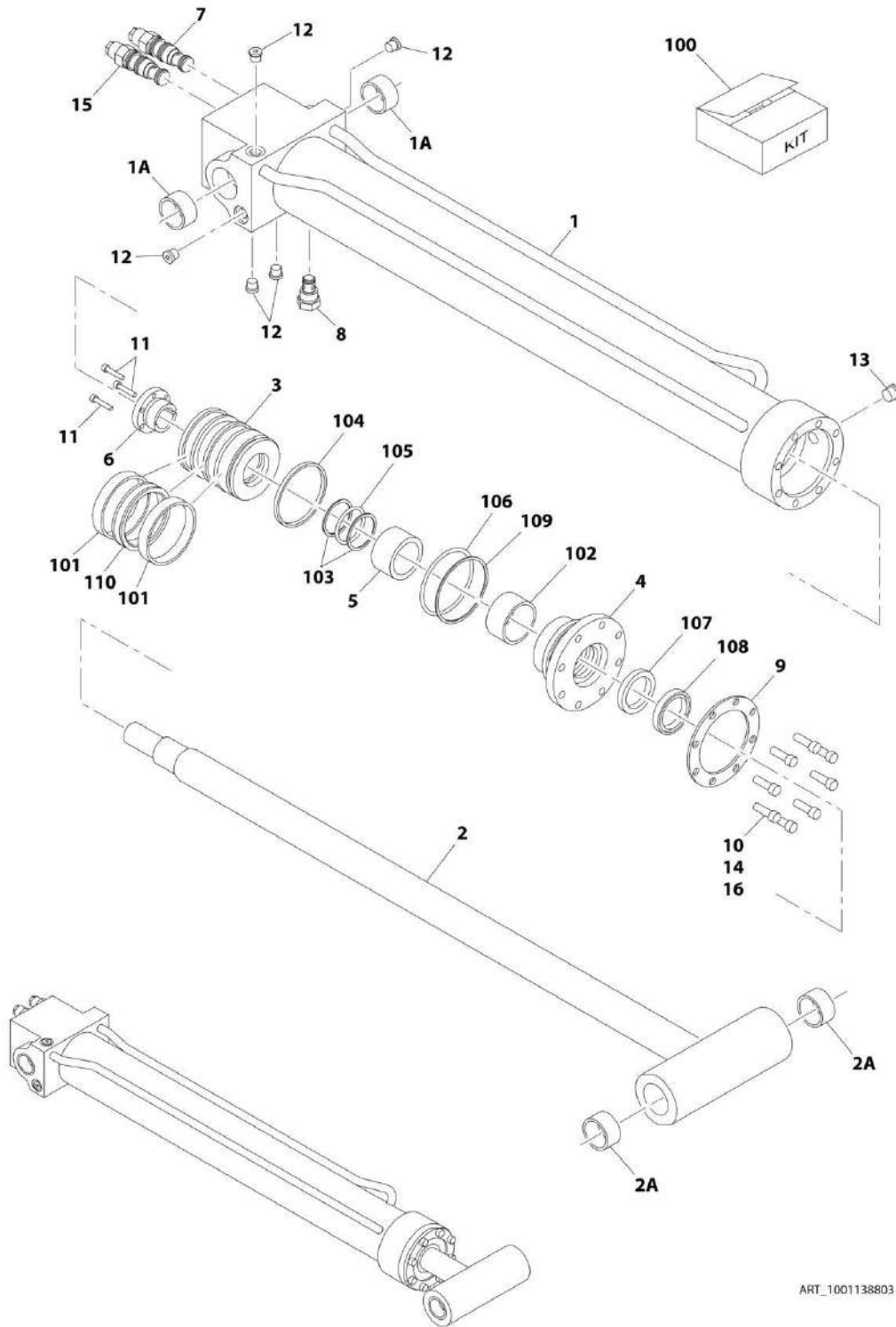
## SECTION 6 - CYLINDER

**FIGURE 6-15. JIB CYLINDER ASSEMBLY (SN 0300239156 to Present)**

ITEM	PART NUMBER	QTY	DESCRIPTION	REV
	1001228025	Ref	JIB CYLINDER ASSEMBLY (SN 0300239156 to Present)	E
1	See Note	NSS	Barrel Weldment (Note: Not Available for Purchase)	
2	70006526	1	Rod Weldment	
3	70006525	1	Head	
4	See Note	NSS	Wiper, Rod (Note: Use Item 151)	
5	See Note	NSS	Seal (Note: Use Item 151)	
6	See Note	NSS	Ring, Wear (Note: Use Item 151)	
7	See Note	NSS	O-Ring (Note: Use Item 151)	
8	See Note	NSS	Ring, Back-up (Note: Use Item 151)	
9	70006524	1	Piston	
10	See Note	NSS	Seal (Note: Use Item 151)	
11	See Note	NSS	Ring, Wear (Note: Use Item 151)	
12	See Note	NSS	O-Ring (Note: Use Item 151)	
13	See Note	NSS	Ring, Back-up (Note: Use Item 151)	
14	See Note	NSS	Seal (Note: Use Item 151)	
15	70006523	1	Spacer	
16	0961893	1	Bushing, Tapered	
17	0630534	3	Capscrew #10 x 1	
18	3931516	8	Capscrew 5/16 x 1	
19	3760368	1	Ring, Washer	
20	4641260	1	Cartridge, Counterbalance (Port above V1)	
20	2900770	1	Seal Kit - 4641260 Cartridge Valve (1 Per Valve)	
21	4640452	1	Cartridge, Counterbalance (Port above V2)	
21	2900770	1	Seal Kit - 4640452 Cartridge Valve (1 Per Valve)	
22	4641114	1	Cartridge, Restricted/Check	
22	7012967	1	Seal Kit - 4641114 Cartridge Valve (1 Per Valve)	
23	0962257	4	Bushing	
24	2220883	8	Plug, O-Ring	
25	2220885	AR	Plug, O-Ring	
26	0100011	AR	Compound, Locking	
27	0100038	AR	Primer, Locking	
151	1001138805	1	Seal Kit Options (Includes Items 4-8 & 10-14)	

# SECTION 6 - CYLINDER

FIGURE 6-16. JIB CYLINDER ASSEMBLY (SN 0300201017 through 0300239155)



ART\_1001138803



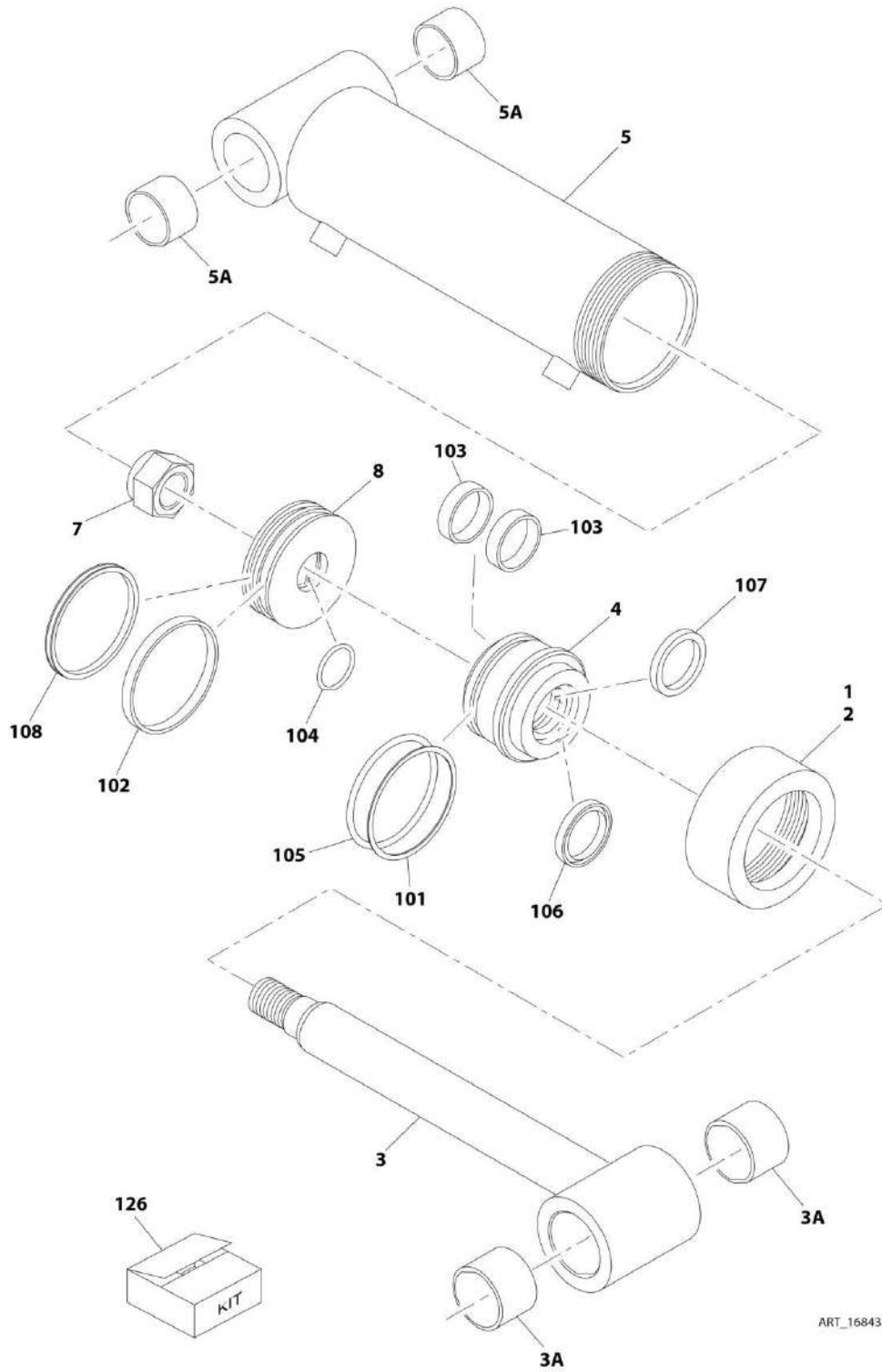
## SECTION 6 - CYLINDER

**FIGURE 6-16. JIB CYLINDER ASSEMBLY (SN 0300201017 through 0300239155)**

ITEM	PART NUMBER	QTY	DESCRIPTION	REV
	1001138803	Ref	JIB CYLINDER ASSEMBLY (SN 0300201017 through 0300239155)	B
1	1684174	1	Barrel Weldment	
1A	0962257	2	Bushing	
2	1684176	1	Rod Weldment	
2A	0962257	2	Bushing	
3	3480271	1	Piston	
4	1683053	1	Head	
5	4100100	1	Spacer	
6	0961893	1	Bushing, Tapered	
7	4640452	1	Cartridge, Counterbalance (Port above V2)	
7	2900770	1	Seal Kit - 4640452 Cartridge Valve (1 Per Valve)	
8	4641114	1	Cartridge, Restricted/Check	
8	7012967	1	Seal Kit - 4641114 Cartridge Valve (1 Per Valve)	
9	3760368	1	Ring, Washer	
10	3931516	8	Capscrew 5/16 x 1	
11	0630534	3	Capscrew #10 x 1	
12	2220883	5	Plug, O-Ring	
13	2220885	1	Plug, O-Ring	
14	0100011	AR	Compound, Locking	
15	4641260	1	Cartridge, Counterbalance (Port above V1)	
15	2900770	1	Seal Kit - 4641260 Cartridge Valve (1 Per Valve)	
16	0100038	AR	Primer, Locking	
100	1001138805	1	Seal Kit (Includes Items 101-110)	
101	See Note	NSS	Ring, Wear (Note: Use Item 100)	
102	See Note	NSS	Ring, Wear (Note: Use Item 100)	
103	See Note	NSS	Ring, Back-up (Note: Use Item 100)	
104	See Note	NSS	Seal (Note: Use Item 100)	
105	See Note	NSS	O-Ring (Note: Use Item 100)	
106	See Note	NSS	O-Ring (Note: Use Item 100)	
107	See Note	NSS	Seal (Note: Use Item 100)	
108	See Note	NSS	Wiper, Rod (Note: Use Item 100)	
109	See Note	NSS	Ring, Back-up (Note: Use Item 100)	
110	See Note	NSS	Seal (Note: Use Item 100)	

# SECTION 6 - CYLINDER

FIGURE 6-17. STEER CYLINDER ASSEMBLY (SN 0300201017 through 0300238558)



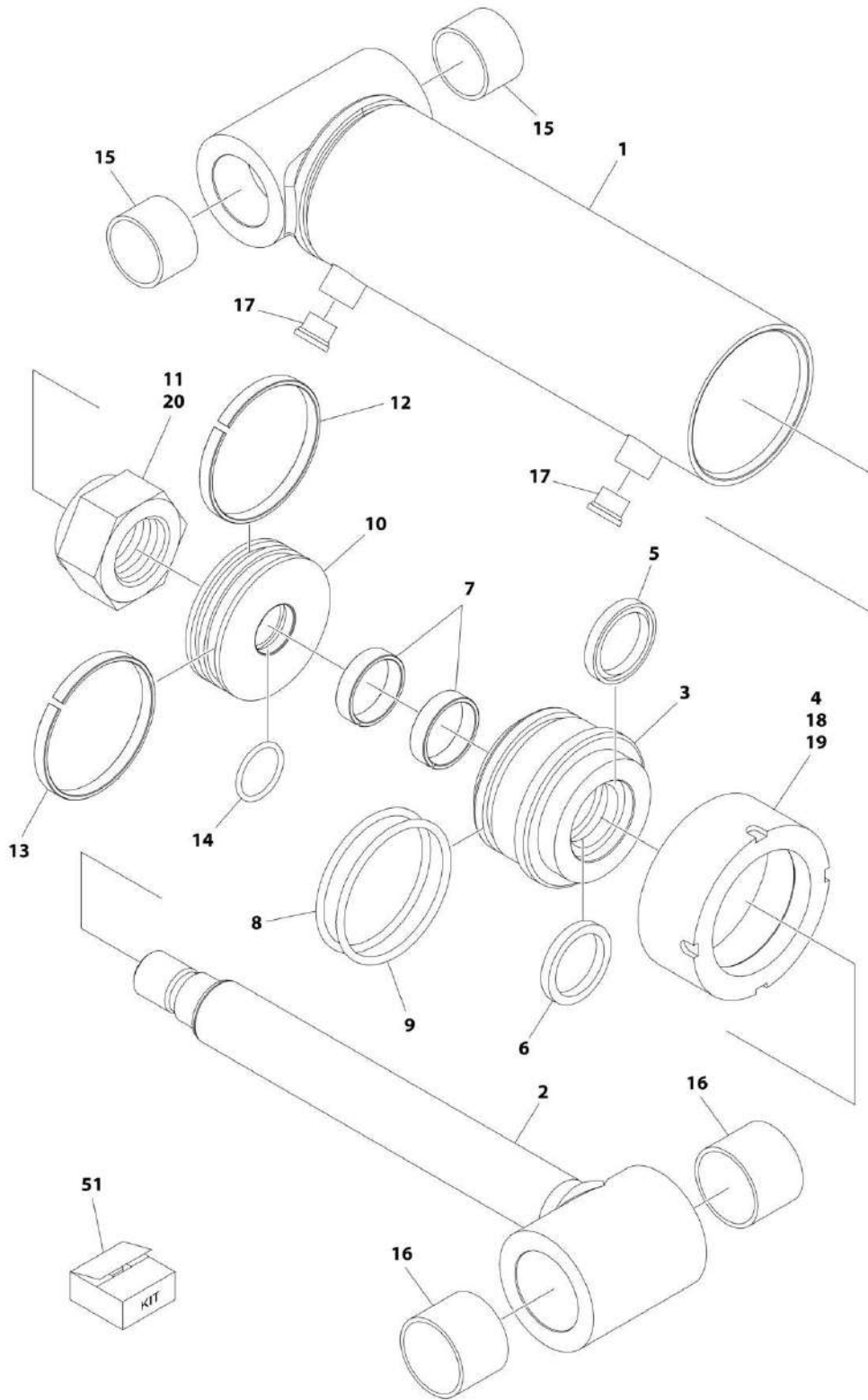
## SECTION 6 - CYLINDER

**FIGURE 6-17. STEER CYLINDER ASSEMBLY (SN 0300201017 through 0300238558)**

ITEM	PART NUMBER	QTY	DESCRIPTION	REV
	1684314	Ref	STEER CYLINDER ASSEMBLY (SN 0300201017 through <b>0300238558</b> )	F
1	0100035	AR	Compound, Locking	
2	1120094	1	Cap, Cylinder	
3	1684275	1	Rod	
3A	0961950	2	Bushing	
4	1684315	1	Head	
5	1684317	1	Barrel	
5A	0961949	2	Bushing	
7	3300465	1	Nut	
8	3480278	1	Piston	
101	See Note	NSS	Ring, Back-up (Note: Use Item 126)	
102	See Note	NSS	Ring, Wear (Note: Use Item 126)	
103	See Note	NSS	Ring, Wear (Note: Use Item 126)	
104	See Note	NSS	O-Ring (Note: Use Item 126)	
105	See Note	NSS	O-Ring (Note: Use Item 126)	
106	See Note	NSS	Wiper (Note: Use Item 126)	
107	See Note	NSS	Seal, Rod (Note: Use Item 126)	
108	See Note	NSS	Seal, Piston (Note: Use Item 126)	
126	2902257	1	Seal Kit (Includes Items 101-108)	

# SECTION 6 - CYLINDER

FIGURE 6-18. STEER CYLINDER ASSEMBLY (SN 0300238559 to Present)



ART\_1001228031

## SECTION 6 - CYLINDER

**FIGURE 6-18. STEER CYLINDER ASSEMBLY (SN 0300238559 to Present)**

ITEM	PART NUMBER	QTY	DESCRIPTION	REV
	1001228031	Ref	STEER CYLINDER ASSEMBLY (SN 0300238559 to Present)	B
1	See Note	NSS	Barrel Weldment (Note: Not Available for Purchase)	
2	70006493	1	Rod	
3	70006492	1	Head	
4	70006491	1	Cap, Cylinder	
5	See Note	NSS	Wiper (Note: Use Item 51)	
6	See Note	NSS	Seal, Piston (Note: Use Item 51)	
7	See Note	NSS	Ring, Wear (Note: Use Item 51)	
8	See Note	NSS	O-Ring (Note: Use Item 51)	
9	See Note	NSS	Ring, Back-up (Note: Use Item 51)	
10	70006490	1	Piston	
11	3300465	1	Nut	
12	See Note	1	Seal (Note: Use Item 51)	
13	See Note	1	Ring, Wear (Note: Use Item 51)	
14	See Note	1	O-Ring (Note: Use Item 51)	
15	0961949	2	Bushing	
16	0961950	2	Bushing	
17	2220885	2	Plug (With O-Ring)	
18	0100011	AR	Compound, Locking	
19	0100038	AR	Primer, Locking	
20	0100019	AR	Compound, Locking	
51	2902257	1	Seal Kit (Includes Items 5-9 & 12-14)	



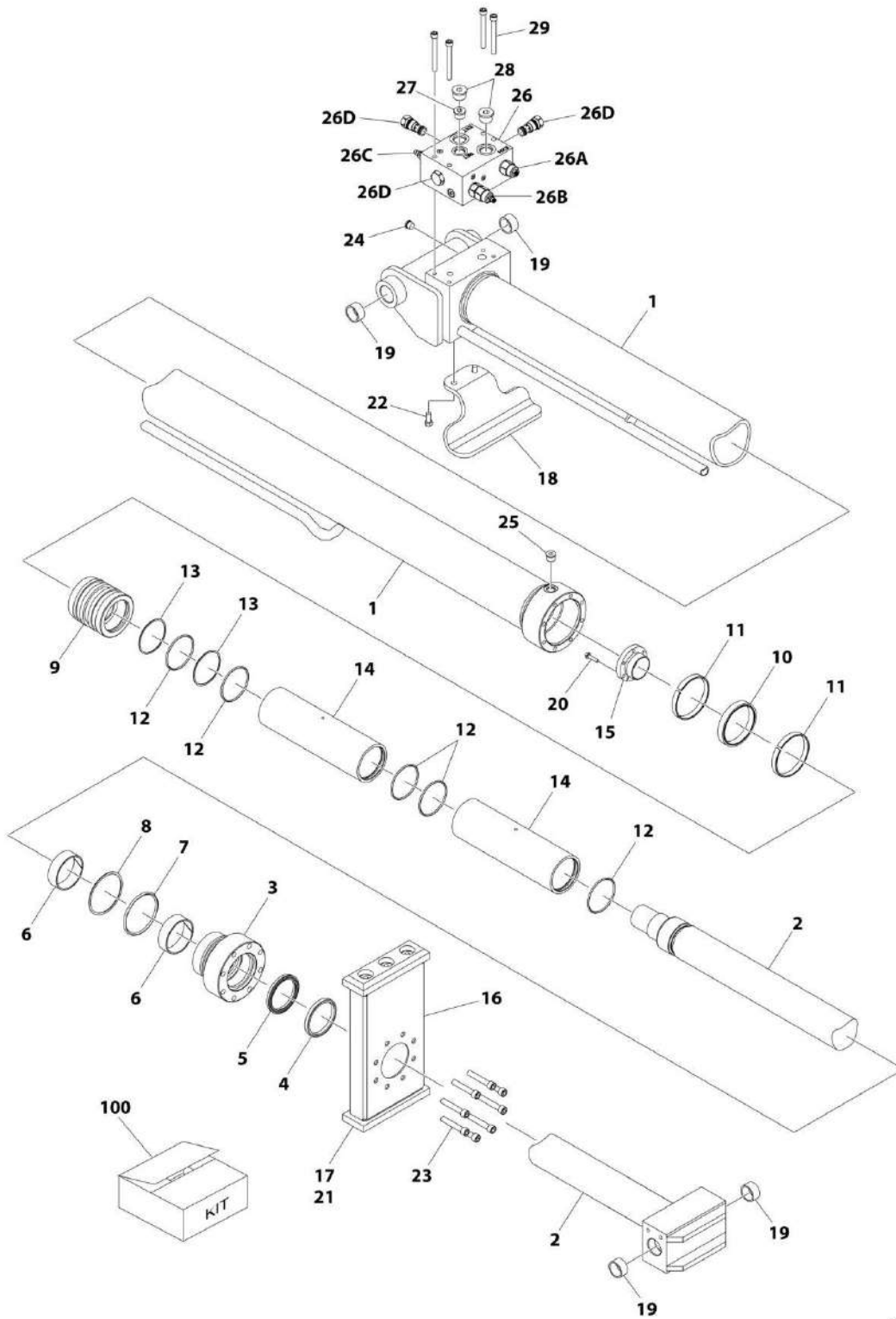
## SECTION 6 - CYLINDER

**FIGURE 6-19. TELESCOPE CYLINDER ASSEMBLY - MAIN BOOM (SN 0300201017 through 0300243463)**

ITEM	PART NUMBER	QTY	DESCRIPTION	REV
	1001175888	Ref	<b>TELESCOPE CYLINDER ASSEMBLY - MAIN BOOM (SN 0300201017 through 0300243463)</b> Note: Original Cylinder May Have Been Replaced with Service Replacement. Identify PN Stamped on Cylinder Before Ordering Parts.	D
		Ref		
1	0100011	AR	Compound, Locking	
2	0100038	AR	Primer, Locking	
3	0630535	3	Capscrew	
4	0641606	6	Bolt 3/8 x 3/4	
5	0641607	2	Bolt 3/8 x 7/8	
6	0961897	1	Bushing, Tapered	
7	1684323	1	Barrel Weldment	
7A	0962257	2	Bushing	
8	1684325	1	Rod Weldment	
8A	0962257	2	Bushing	
9	2111010	1	Fitting, Straight ORFS/ORB	
10	2111212	2	Fitting, Straight ORFS/ORB	
11	2220886	1	Plug, O-Ring	
12	3340982	2	Pad, Wear	
13	3480266	1	Piston	
14	3574580	1	Plate, Wear Pad Mount	
15	3574586	1	Plate, Tele Foot	
16	3931656	4	Capscrew 3/8 x 3-1/2	
17	3931740	8	Capscrew 7/16 x 2-1/2	
18	4568808	2	Spacer	
19	4641288	1	Valve Assembly	
19A	7011372	1	Cartridge	
19A	2900789	1	Seal Kit - 7011372 Cartridge Valve	
19B	7011370	1	Cartridge	
19B	7011371	1	Seal Kit - 7011370 Cartridge Valve	
19C	7011369	1	Cartridge	
19C	7011311	1	Seal Kit - 7011369 Cartridge Valve	
19D	7011368	3	Cartridge	
19D	7011351	3	Seal Kit - 7011368 Cartridge Valve (1 Per Cartridge)	
20	1001175884	1	Head, Cylinder	
21	2220885	1	Plug, O-Ring	
100	1001175887	1	Seal Kit (Includes Items 101-109)	
101	See Note	NSS	Ring, Wear (Note: Use Item 100)	
102	See Note	NSS	Ring, Back-up (Note: Use Item 100)	
103	See Note	NSS	Ring, Back-up (Note: Use Item 100)	
104	See Note	NSS	Ring, Wear (Note: Use Item 100)	
105	See Note	NSS	O-Ring (Note: Use Item 100)	
106	See Note	NSS	O-Ring (Note: Use Item 100)	
107	See Note	NSS	Seal, Rod (Note: Use Item 100)	
108	See Note	NSS	Wiper, Rod (Note: Use Item 100)	
109	See Note	NSS	T-Seal (Note: Use Item 100)	

# SECTION 6 - CYLINDER

FIGURE 6-20. TELESCOPE CYLINDER ASSEMBLY - MAIN BOOM (SN 0300243464 to Present)



ART\_1001228080



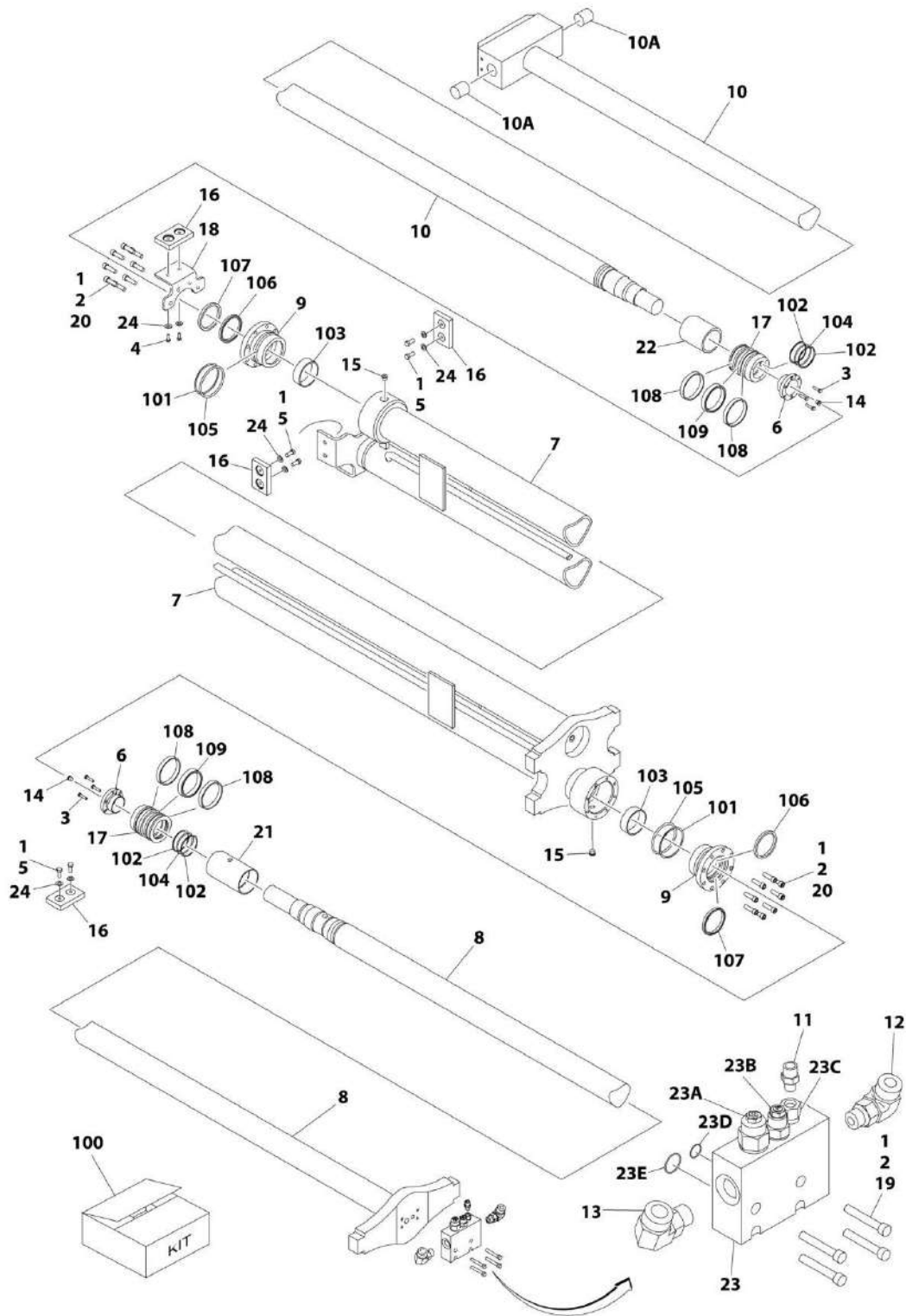
## SECTION 6 - CYLINDER

**FIGURE 6-20. TELESCOPE CYLINDER ASSEMBLY - MAIN BOOM (SN 0300243464 to Present)**

ITEM	PART NUMBER	QTY	DESCRIPTION	REV
	1001228080	Ref	TELESCOPE CYLINDER ASSEMBLY - MAIN BOOM (SN 0300243464 to Present)	B
		Ref	Note: Original Cylinder May Have Been Replaced with Service Replacement. Identify PN Stamped on Cylinder Before Ordering Parts.	
1	See Note	NSS	Barrel (Note: Not Available for Purchase)	
2	70006693	1	Rod	
3	70006694	1	Head	
4	See Note	NSS	Wiper (Note: Use Item 100)	
5	See Note	NSS	Seal, Rod (Note: Use Item 100)	
6	See Note	NSS	Ring, Wear (Note: Use Item 100)	
7	See Note	NSS	O-Ring (Note: Use Item 100)	
8	See Note	NSS	Ring, Back-up (Note: Use Item 100)	
9	70006695	1	Piston	
10	See Note	NSS	Seal (Note: Use Item 100)	
11	See Note	NSS	Ring, Wear (Note: Use Item 100)	
12	See Note	NSS	O-Ring (Note: Use Item 100)	
13	See Note	NSS	Ring, Back-up (Note: Use Item 100)	
14	70006696	1	Spacer	
15	0961897	1	Bushing, Tapered	
16	3574580	1	Plate, Wear Pad Mount	
17	3340982	2	Pad, Wear	
18	3574586	1	Plate, Tele Foot	
19	0962257	4	Bushing	
20	0630535	3	Capscrew 1/4 x 1-1/8	
21	0641606	6	Bolt 3/8 x 3/4	
22	0641607	2	Bolt 3/8 x 7/8	
23	3931740	8	Capscrew 7/16 x 2-1/2	
24	2220885	1	Plug, O-Ring	
25	2220886	1	Plug, O-Ring	
26	4641288	1	Valve Assembly	
26A	7011372	1	Cartridge	
26A	2900789	1	Seal Kit - 7011372 Cartridge Valve	
26B	7011370	1	Cartridge	
26B	7011371	1	Seal Kit - 7011370 Cartridge Valve	
26C	7011369	1	Cartridge	
26C	7011311	1	Seal Kit - 7011369 Cartridge Valve	
26D	7011368	3	Cartridge	
26D	7011351	3	Seal Kit - 7011368 Cartridge Valve (1 Per Cartridge)	
27	2111010	1	Fitting, Straight ORFS/ORB	
28	2111212	2	Fitting, Straight ORFS/ORB	
29	3931656	4	Capscrew 3/8 x 3-1/2	
100	1001175887	1	Seal Kit (Includes Items 4-8 & 10-13)	

# SECTION 6 - CYLINDER

FIGURE 6-21. TELESCOPE CYLINDER ASSEMBLY - TOWER BOOM (SN 0300201017 through 0300243458)



ART\_1684320

## SECTION 6 - CYLINDER

**FIGURE 6-21. TELESCOPE CYLINDER ASSEMBLY - TOWER BOOM (SN 0300201017 through 0300243458)**

ITEM	PART NUMBER	QTY	DESCRIPTION	REV
	1684320	Ref	TELESCOPE CYLINDER ASSEMBLY - TOWER BOOM (SN 0300201017 through 0300243458)	H
		Ref	Note: Original Cylinder May Have Been Replaced with Service Replacement. Identify PN Stamped on Cylinder Before Ordering Parts.	
1	0100011	AR	Compound, Locking	
2	0100038	AR	Primer, Locking	
3	0630535	6	Capscrew 1/4 x 1-1/8	
4	0791606	2	Screw 3/8 x 3/4	
4	0641606	2	Bolt 3/8 x 3/4	
5	0791607	6	Screw 3/8 x 7/8	
5	0641607	6	Bolt 3/8 x 7/8	
6	0961897	1	Bushing, Tapered	
7	1684328	1	Barrel Weldment	
8	1684330	1	Rod Weldment	
9	1684331	2	Head	
10	1684342	1	Rod Weldment	
10A	0961951	2	Bushing	
11	2110404	1	Fitting, Straight	
12	2131008	1	Fitting, 90	
13	2131210	1	Fitting, 90	
14	2220883	2	Plug, O-Ring	
15	2220885	2	Plug, O-Ring	
16	3340763	4	Pad, Wear	
17	3480205	2	Piston	
18	3574630	1	Bracket, Wear Pad Mounting	
19	3931532	4	Capscrew 5/16 x 2	
20	3931724	16	Capscrew 7/16 x 1-1/2	
21	4568811	1	Spacer	
22	4568819	1	Spacer	
23	4641298	1	Valve Assembly	
23A	7011359	1	Cartridge, Valve	
23A	2900789	1	Seal Kit - 7011359 Valve	
23B	4641162	1	Cartridge, Valve (was p/n 7011360)	
23B	2900770	1	Seal Kit - 7011360 & 4641162 Valve	
23C	7011361	1	Cartridge, Flow-Through Valve	
23C	7011346	1	Seal Kit - 7011361 Valve	
23D	70000778	1	O-Ring	
23E	70000777	1	O-Ring	
24	4711600	8	Washer 3/8 (SN 0300227268 to Present)	
100	2902291	2	Seal Kit (Includes Items 101-109)	
		Ref	Note: Two kits required to rebuild this double barreled cylinder - One kit required for each barrel of the cylinder.	
101	See Note	NSS	Ring, Back-up (Qty 1 per Kit) (Note: Use Item 100)	
102	See Note	NSS	Ring, Back-up (Qty 2 per Kit) (Note: Use Item 100)	
103	See Note	NSS	Ring, Wear (Qty 1 per Kit) (Note: Use Item 100)	
104	See Note	NSS	O-Ring (Qty 1 per Kit) (Note: Use Item 100)	
105	See Note	NSS	O-Ring (Qty 1 per Kit) (Note: Use Item 100)	
106	See Note	NSS	Seal (Qty 1 per Kit) (Note: Use Item 100)	
107	See Note	NSS	Wiper, Rod (Qty 1 per Kit) (Note: Use Item 100)	

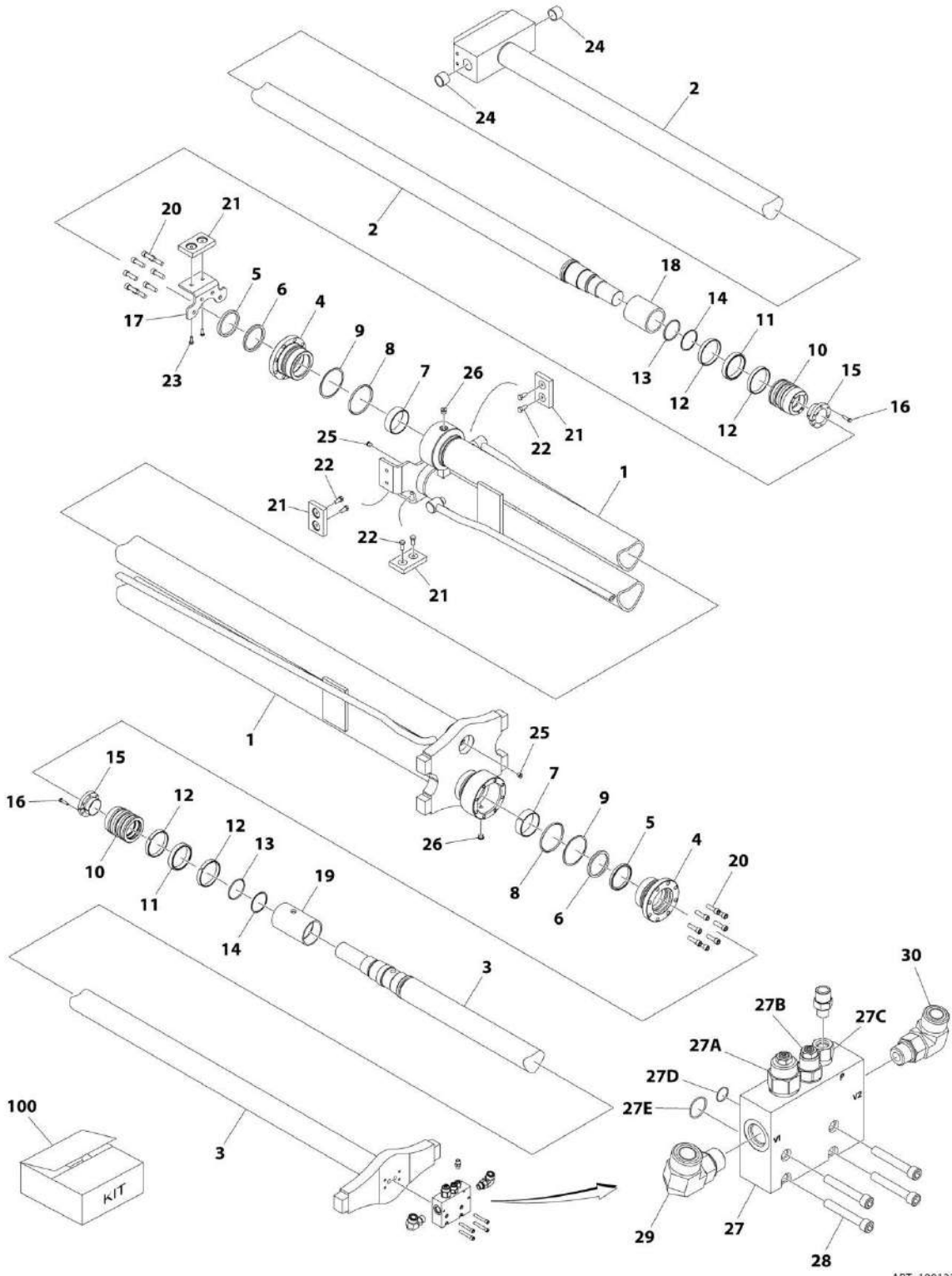
## SECTION 6 - CYLINDER

ITEM	PART NUMBER	QTY	DESCRIPTION	REV
108	See Note	NSS	Ring, Wear (Qty 2 per Kit) (Note: Use Item 100)	
109	See Note	NSS	Seal (Qty 1 per Kit) (Note: Use Item 100)	



# SECTION 6 - CYLINDER

FIGURE 6-22. TELESCOPE CYLINDER ASSEMBLY - TOWER BOOM (SN 0300243459 to Present)



ART\_1001228032

## SECTION 6 - CYLINDER

**FIGURE 6-22. TELESCOPE CYLINDER ASSEMBLY - TOWER BOOM (SN 0300243459 to Present)**

ITEM	PART NUMBER	QTY	DESCRIPTION	REV
	1001228032	Ref	TELESCOPE CYLINDER ASSEMBLY - TOWER BOOM (SN 0300243459 to Present)	A
		Ref	Note: Original Cylinder May Have Been Replaced with Service Replacement. Identify PN Stamped on Cylinder Before Ordering Parts.	
1	See Note	NSS	Barrel (Note: Not Available for Purchase)	
2	70006713	1	Rod	
3	70006714	1	Rod	
4	70006715	2	Head	
5	See Note	NSS	Wiper (Note: Use Item 100)	
6	See Note	NSS	Seal, Rod (Note: Use Item 100)	
7	See Note	NSS	Ring, Wear (Note: Use Item 100)	
8	See Note	NSS	O-Ring (Note: Use Item 100)	
9	See Note	NSS	Ring, Back-up (Note: Use Item 100)	
10	70006716	2	Piston	
11	See Note	NSS	Seal (Note: Use Item 100)	
12	See Note	NSS	Ring, Wear (Note: Use Item 100)	
13	See Note	NSS	O-Ring (Note: Use Item 100)	
14	See Note	NSS	Ring, Back-up (Note: Use Item 100)	
15	0961897	2	Bushing, Tapered	
16	0630535	6	Capscrew 1/4 x 1-1/8	
17	3574630	1	Bracket, Wear Pad Mounting	
18	70006717	1	Spacer	
19	70006718	1	Spacer	
20	3931724	16	Capscrew 7/16 x 1-1/2	
21	3340763	4	Pad, Wear	
22	0641607	6	Bolt 3/8 x 7/8	
23	0641606	2	Bolt 3/8 x 3/4	
24	0961951	2	Bushing	
25	2220883	2	Plug, O-Ring	
26	2220885	2	Plug, O-Ring	
27	4641298	1	Valve Assembly	
27A	7011359	1	Cartridge, Valve	
27A	2900789	1	Seal Kit - 7011359 Valve	
27B	4641162	1	Cartridge, Valve (was p/n 7011360)	
27B	2900770	1	Seal Kit - 7011360 & 4641162 Valve	
27C	7011361	1	Cartridge, Flow-Through Valve	
27C	7011346	1	Seal Kit - 7011361 Valve	
27D	70000778	1	O-Ring	
27E	70000777	1	O-Ring	
28	3931532	4	Capscrew 5/16 x 2	
29	2131210	1	Fitting, 90 ORFS/ORB	
30	2131008	1	Fitting, 90 ORFS/ORB	
100	2902291	2	Seal Kit (Includes Items 5-9 & 11-14)	

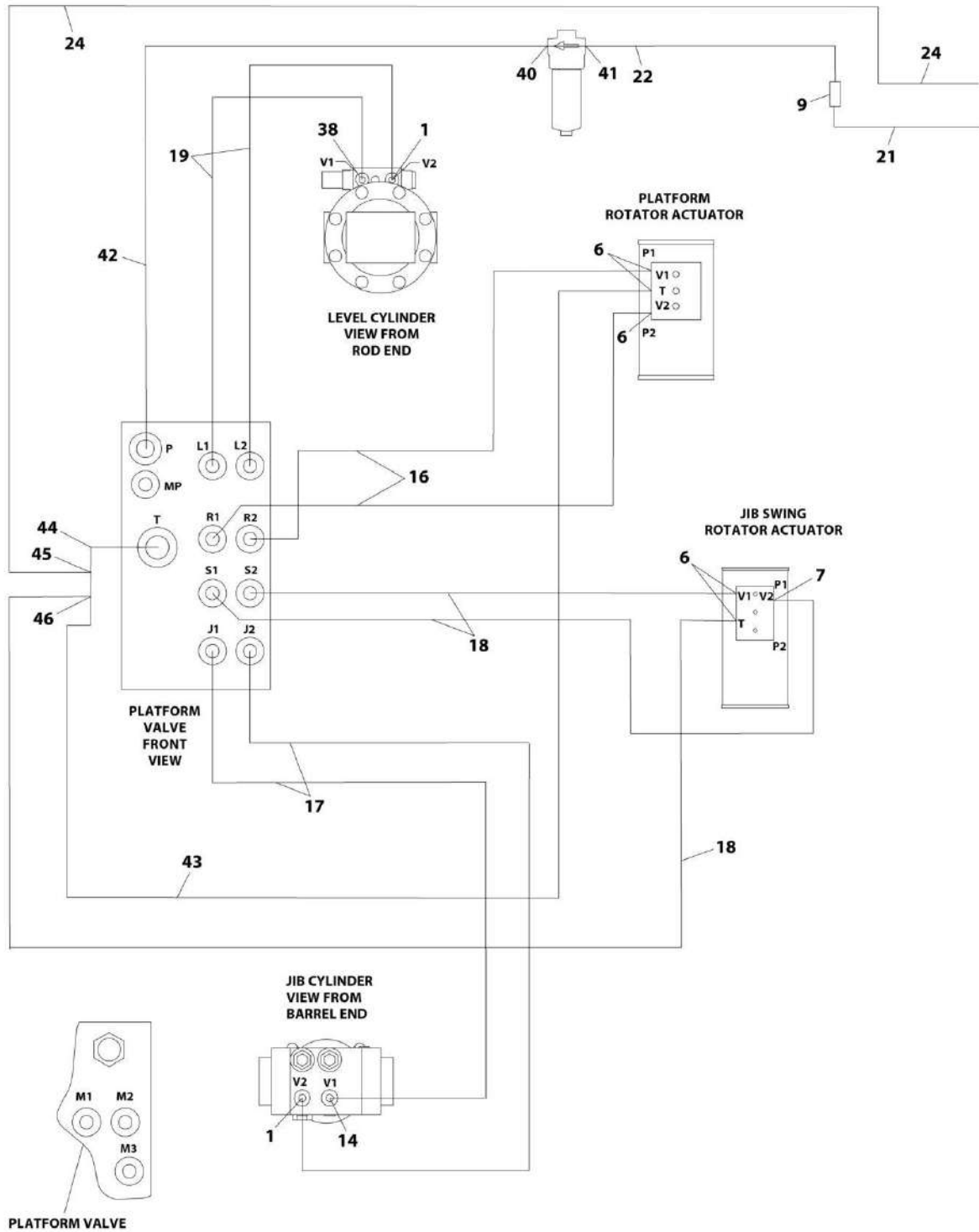




**SECTION 7 - HYDRAULIC**

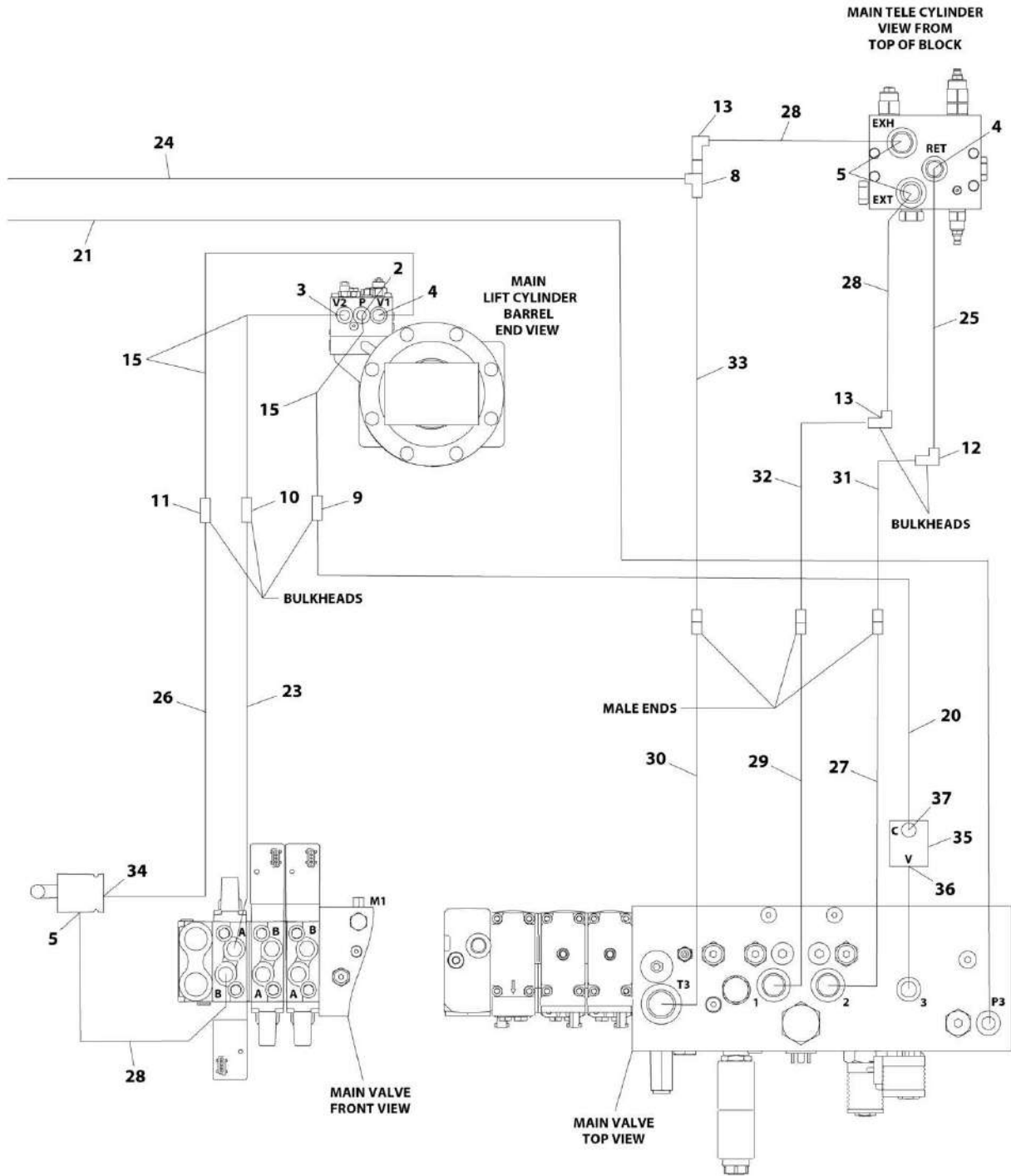
# SECTION 7 - HYDRAULIC

## FIGURE 7-1. HYDRAULIC DIAGRAM - BOOM (WITH REXROTH PUMPS)



ART\_1283457\_10F8

# SECTION 7 - HYDRAULIC



ART\_1283457\_2OF8

# SECTION 7 - HYDRAULIC

## FIGURE 7-1. HYDRAULIC DIAGRAM - BOOM (WITH REXROTH PUMPS)

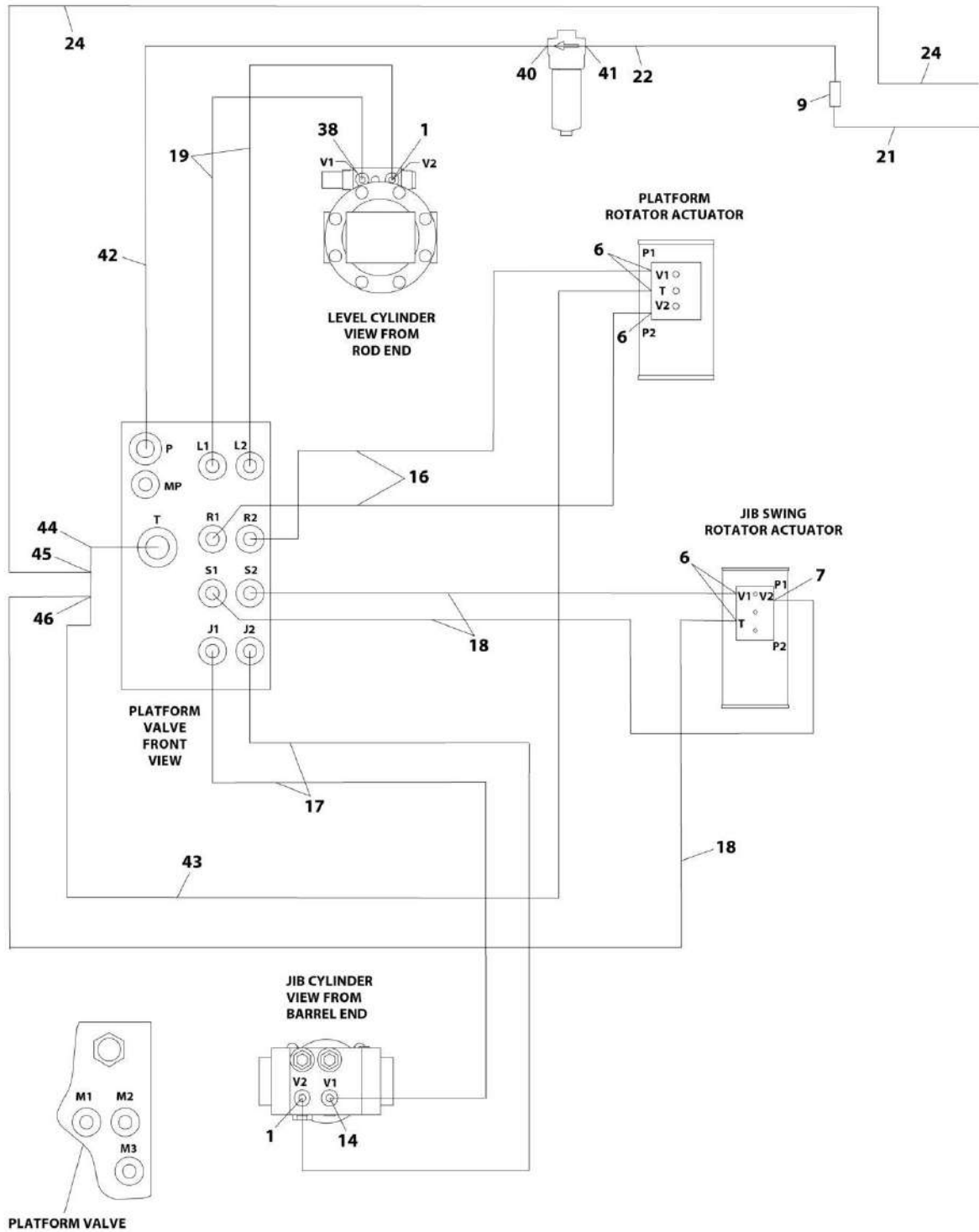
ITEM	PART NUMBER	QTY	DESCRIPTION	REV
	1283457	Ref	HYDRAULIC DIAGRAM - BOOM (WITH REXROTH PUMPS)	L
	1001098027	Ref	Hydraulic Diagram - Tower/Upper Boom	B
1	2110404	2	Fitting, Straight ORFS/ORB	
2	2110610	1	Fitting, Straight ORFS/ORB	
3	2110810	1	Fitting, Straight ORFS/ORB	
4	2111010	1	Fitting, Straight ORFS/ORB	
5	2111212	1	Fitting, Straight ORFS/ORB	
6	2150404	5	Fitting, 45 ORFS/ORB	
7	2170204	1	Fitting, 90 ORFS/ORB	
8	2170712	1	Fitting, Tee ORFS/FSORFS/ORFS	
9	2171306	2	Fitting, 45 ORFS/ORB	
10	2171308	1	Fitting, 45 ORFS/ORB	
11	2171310	1	Fitting, 45 ORFS/ORB	
12	2171210	1	Fitting, 90 ORFS/ORB	
13	2171212	2	Fitting, 90 ORFS/ORB	
14	2180830	1	Fitting, Straight ORFS/ORB	
15	2720516	1	Hose	
16	2753545	2	Hose	
17	2753717	2	Hose	
18	2753716	3	Hose	
19	2753897	2	Hose	
20	2753978	1	Hose	
21	2754123	1	Hose	
22	2754124	1	Hose	
23	2753985	1	Hose	
24	2753986	1	Hose	
25	2753987	1	Hose	
26	2753994	1	Hose	
27	2753993	1	Hose	
28	2753998	3	Hose	
29	2754002	1	Hose	
30	2754003	1	Hose	
31	2754010	1	Hose	
32	2754011	1	Hose	
33	2753999	1	Hose	
34	2111012	1	Fitting, Straight ORFS/ORB	
35	4641372	1	Valve, Double Check	
35A	7027284	1	Cartridge	
35A	7011346	1	Seal Kit - 7027284 Cartridge	
35B	7027285	1	Cartridge	
35B	7011311	1	Seal Kit - 7027285 Cartridge	
36	2221123	1	Fitting, Straight S FSORFS/ORB	
37	2130606	1	Fitting, 90 ORFS/ORB	
38	2180830	1	Fitting, Straight ORFS/ORB	
40	2110612	1	Fitting, Straight ORFS/ORB	
41	2130612	1	Fitting, 90 ORFS/ORB	
42	2717059	1	Hose	
43	2754288	1	Hose	
44	2170708	1	Fitting, Swivel Nut Run Tee ORFS/FSORFS/ORFS	
45	1001097820	1	Fitting, Adapter ORFS/FSORFS	

## SECTION 7 - HYDRAULIC

ITEM	PART NUMBER	QTY	DESCRIPTION	REV
46	2170704	1	Fitting, Swivel Nut Run Tee ORFS/FSORFS/ORFS	

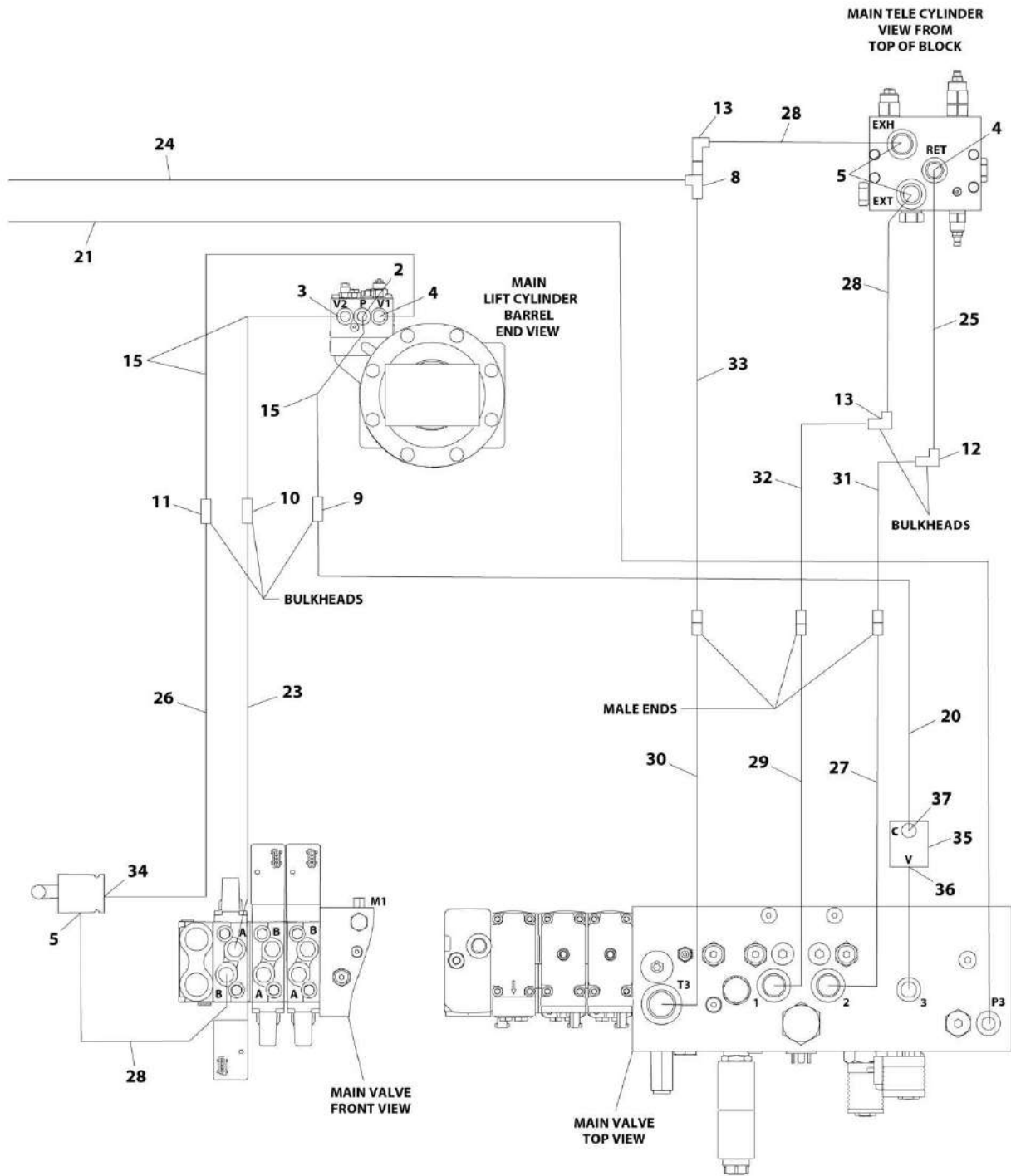
# SECTION 7 - HYDRAULIC

## FIGURE 7-2. HYDRAULIC DIAGRAM - BOOM (WITH SAUER PUMPS)



ART\_1001110252\_1OF8

# SECTION 7 - HYDRAULIC



ART\_100110252\_2OF8

# SECTION 7 - HYDRAULIC

## FIGURE 7-2. HYDRAULIC DIAGRAM - BOOM (WITH SAUER PUMPS)

ITEM	PART NUMBER	QTY	DESCRIPTION	REV
	1001110252	Ref	HYDRAULIC DIAGRAM - BOOM (WITH SAUER PUMPS)	L
	1001111084	Ref	Hydraulic Diagram - Tower/Upper Boom	B
1	2110404	2	Fitting, Straight ORFS/ORB	
2	2110610	1	Fitting, Straight ORFS/ORB	
3	2110810	1	Fitting, Straight ORFS/ORB	
4	2111010	1	Fitting, Straight ORFS/ORB	
5	2111212	1	Fitting, Straight ORFS/ORB	
6	2150404	5	Fitting, 45 ORFS/ORB	
7	2170204	1	Fitting, 90 ORFS/ORB	
8	2170712	1	Fitting, Tee ORFS/FSORFS/ORFS	
9	2171306	2	Fitting, 45 ORFS/ORB	
10	2171308	1	Fitting, 45 ORFS/ORB	
11	2171310	1	Fitting, 45 ORFS/ORB	
12	2171210	1	Fitting, 90 ORFS/ORB	
13	2171212	2	Fitting, 90 ORFS/ORB	
14	2180830	1	Fitting, Straight ORFS/ORB	
15	2720516	1	Hose	
16	2753545	2	Hose	
17	2753717	2	Hose	
18	2753716	3	Hose	
19	2753897	2	Hose	
20	2753978	1	Hose	
21	2754123	1	Hose	
22	2754124	1	Hose	
23	2753985	1	Hose	
24	2753986	1	Hose	
25	2753987	1	Hose	
26	2753994	1	Hose	
27	2753993	1	Hose	
28	2753998	3	Hose	
29	2754002	1	Hose	
30	2754003	1	Hose	
31	2754010	1	Hose	
32	2754011	1	Hose	
33	2753999	1	Hose	
34	2111012	1	Fitting, Straight ORFS/ORB	
35	4641372	1	Valve, Double Check	
35A	7027284	1	Cartridge	
35A	7011346	1	Seal Kit - 7027284 Cartridge	
35B	7027285	1	Cartridge	
35B	7011311	1	Seal Kit - 7027285 Cartridge	
36	2221123	1	Fitting, Straight S FSORFS/ORB	
37	2130606	1	Fitting, 90 ORFS/ORB	
38	2180830	1	Fitting, Straight ORFS/ORB	
40	2110612	1	Fitting, Straight ORFS/ORB	
41	2130612	1	Fitting, 90 ORFS/ORB	
42	2717059	1	Hose	
43	2754288	1	Hose	
44	2170708	1	Fitting, Swivel Nut Run Tee ORFS/FSORFS/ORFS	
45	1001097820	1	Fitting, Adapter ORFS/FSORFS	

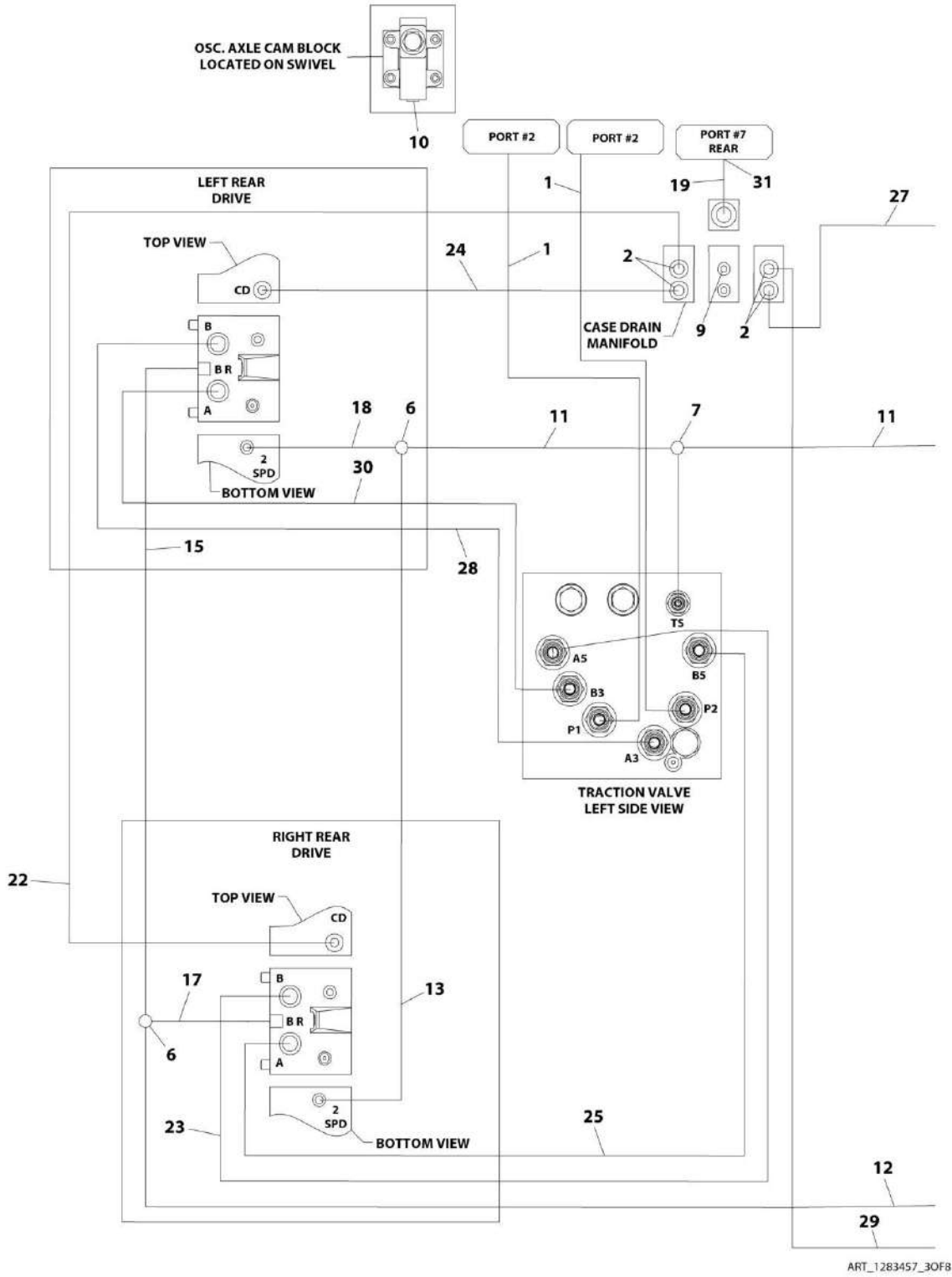


## SECTION 7 - HYDRAULIC

ITEM	PART NUMBER	QTY	DESCRIPTION	REV
46	2170704	1	Fitting, Swivel Nut Run Tee ORFS/FSORFS/ORFS	

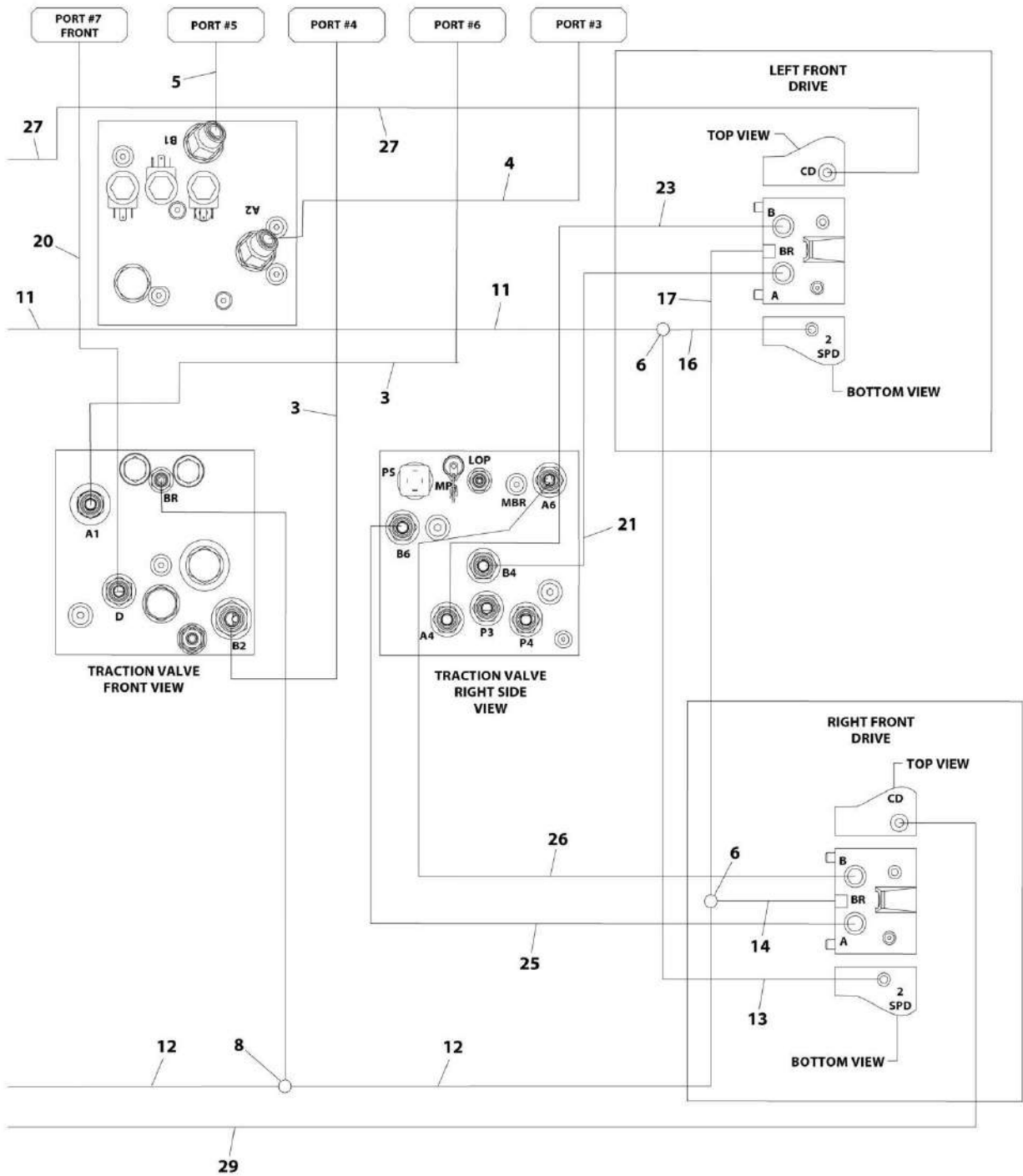
# SECTION 7 - HYDRAULIC

## FIGURE 7-3. HYDRAULIC DIAGRAM - DRIVE (WITH REXROTH PUMPS)



ART\_1283457\_30F8

# SECTION 7 - HYDRAULIC



ART\_1283457\_4OF8

## SECTION 7 - HYDRAULIC

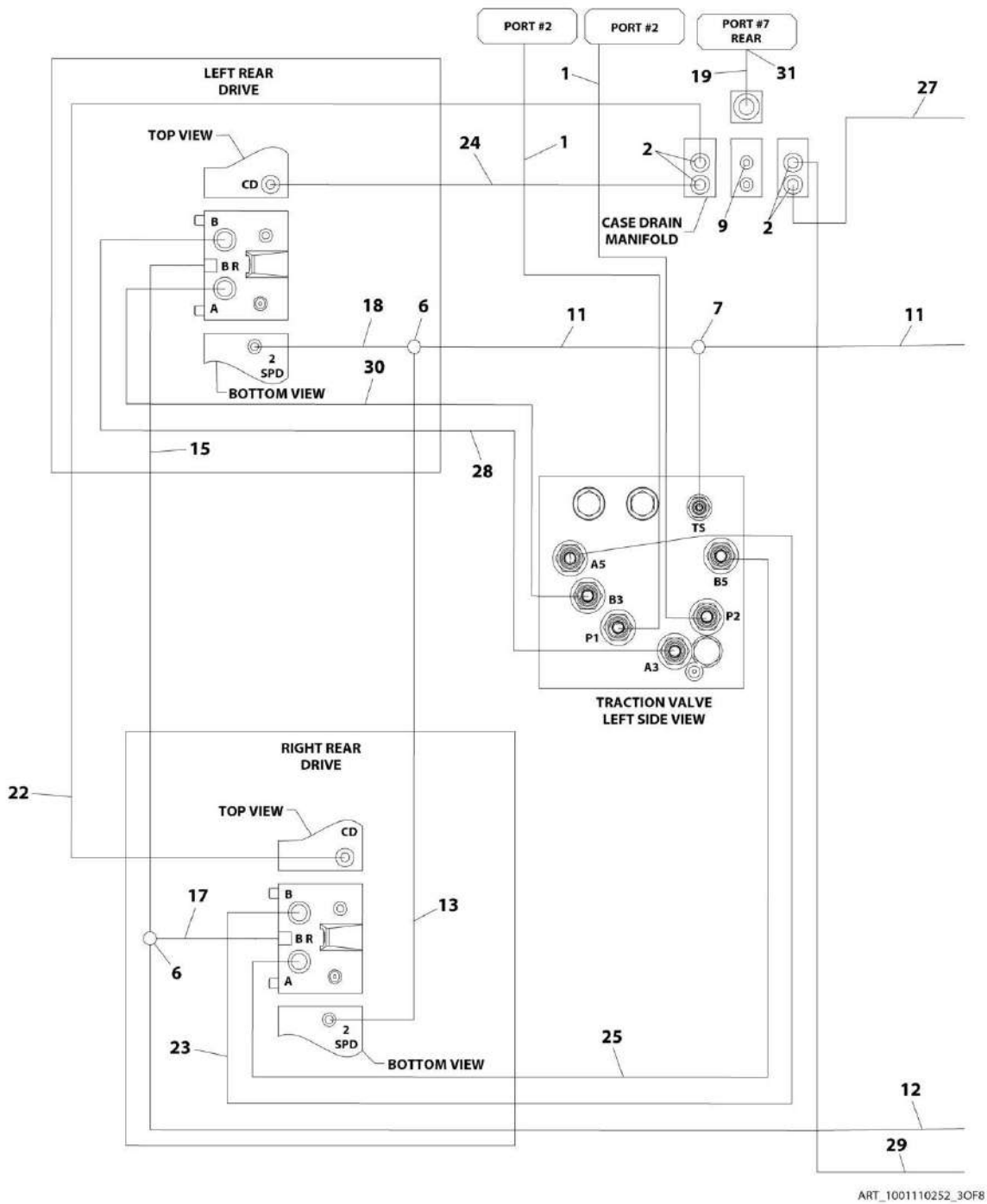
**FIGURE 7-3. HYDRAULIC DIAGRAM - DRIVE (WITH REXROTH PUMPS)**

ITEM	PART NUMBER	QTY	DESCRIPTION	REV
	1283457	Ref	HYDRAULIC DIAGRAM - DRIVE (WITH REXROTH PUMPS)	L
	2792772	Ref	Hydraulic Diagram - Drive Circuit	F
1	2753685	2	Hose	
2	2110808	4	Fitting, Straight ORFS/ORB	
3	2753703	2	Hose	
4	2753764	1	Hose	
5	2753768	1	Hose	
6	2170504	4	Fitting, Tee ORFS	
7	2170704	1	Fitting, Tee ORFS/ORB/ORFS	
8	2170804	1	Fitting, Tee ORFS/ORB/ORFS	
9	2220235	1	Plug	
10	2220238	0	Plug (Not Used on 1250AJP)	
11	2753541	2	Hose	
12	2753545	2	Hose	
13	2753677	2	Hose	
14	2753714	1	Hose	
15	2753713	1	Hose	
16	2753716	1	Hose	
17	2753715	2	Hose	
18	2753552	1	Hose	
19	2753752	1	Hose	
20	2753582	1	Hose	
21	2753756	1	Hose	
22	2753747	1	Hose	
23	2753757	2	Hose	
24	2753748	1	Hose	
25	2753759	2	Hose	
26	2753760	1	Hose	
27	2753749	1	Hose	
28	2753761	1	Hose	
29	2753750	1	Hose	
30	2753762	1	Hose	
31	2110812	1	Fitting, Straight ORFS/ORB	



# SECTION 7 - HYDRAULIC

## FIGURE 7-4. HYDRAULIC DIAGRAM - DRIVE (WITH SAUER PUMPS)



ART\_1001110252\_3OF8



## SECTION 7 - HYDRAULIC

**FIGURE 7-4. HYDRAULIC DIAGRAM - DRIVE (WITH SAUER PUMPS)**

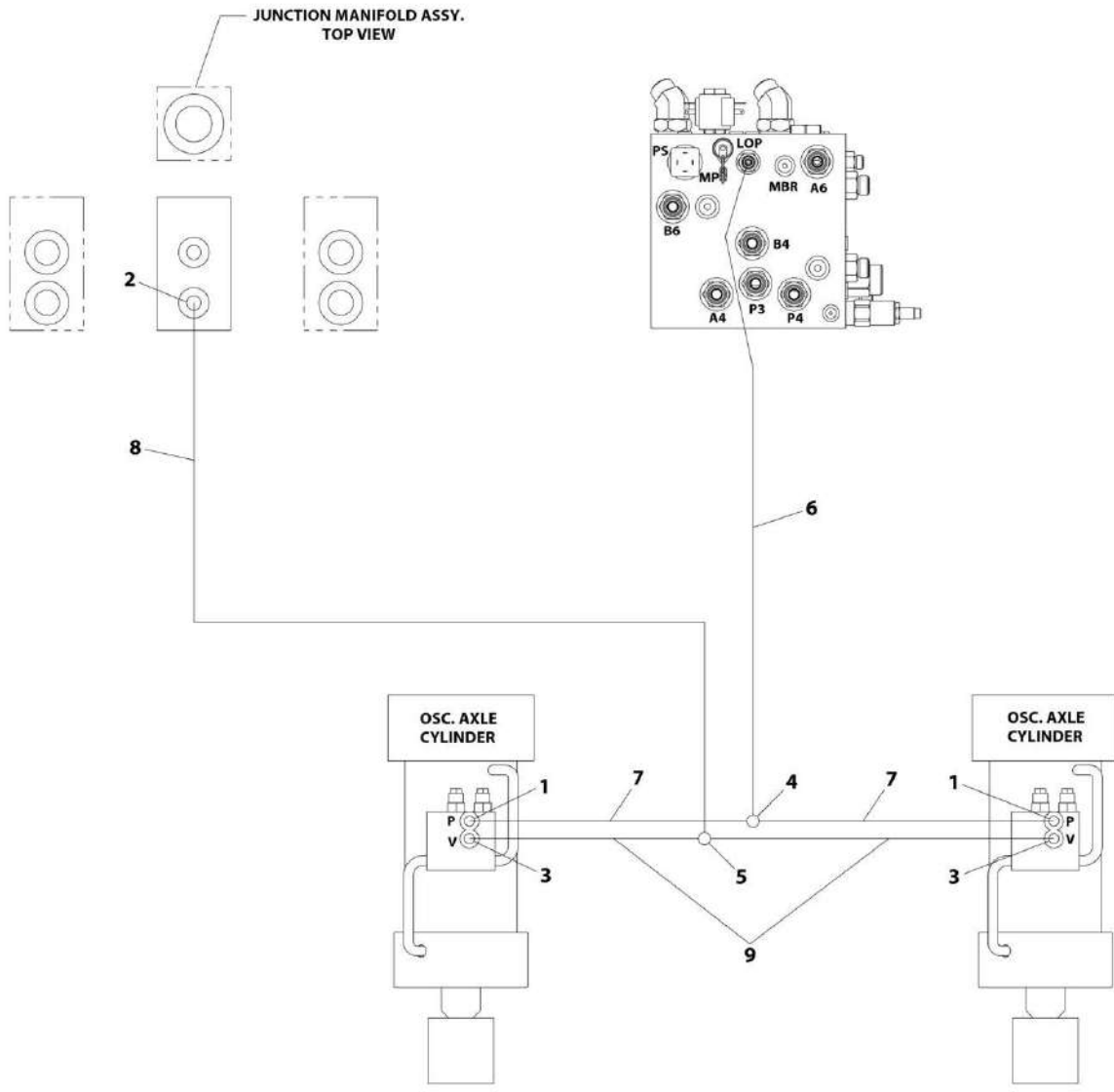
ITEM	PART NUMBER	QTY	DESCRIPTION	REV
	1001110252	Ref	HYDRAULIC DIAGRAM - DRIVE (WITH SAUER PUMPS)	L
	1001111082	Ref	Hydraulic Diagram - Drive Circuit	C
1	2753685	2	Hose	
2	2110808	4	Fitting, Straight ORFS/ORB	
3	2753703	2	Hose	
4	2753764	1	Hose	
5	2753768	1	Hose	
6	2170504	4	Fitting, Tee ORFS	
7	2170704	1	Fitting, Tee ORFS/ORB/ORFS	
8	2170804	1	Fitting, Tee ORFS/ORB/ORFS	
9	2220235	1	Plug	
11	2753541	2	Hose	
12	2753545	2	Hose	
13	2753677	2	Hose	
14	2753714	1	Hose	
15	2753713	1	Hose	
16	2753716	1	Hose	
17	2753715	2	Hose	
18	2753552	1	Hose	
19	2753752	1	Hose	
20	2753582	1	Hose	
21	2753756	1	Hose	
22	2753747	1	Hose	
23	2753757	2	Hose	
24	2753748	1	Hose	
25	2753759	2	Hose	
26	2753760	1	Hose	
27	2753749	1	Hose	
28	2753761	1	Hose	
29	2753750	1	Hose	
30	2753762	1	Hose	
31	2110812	1	Fitting, Straight ORFS/ORB	





# SECTION 7 - HYDRAULIC

## FIGURE 7-5. HYDRAULIC DIAGRAM - OSCILLATING AXLE (WITH REXROTH PUMPS)



ART\_1283457\_SOF8

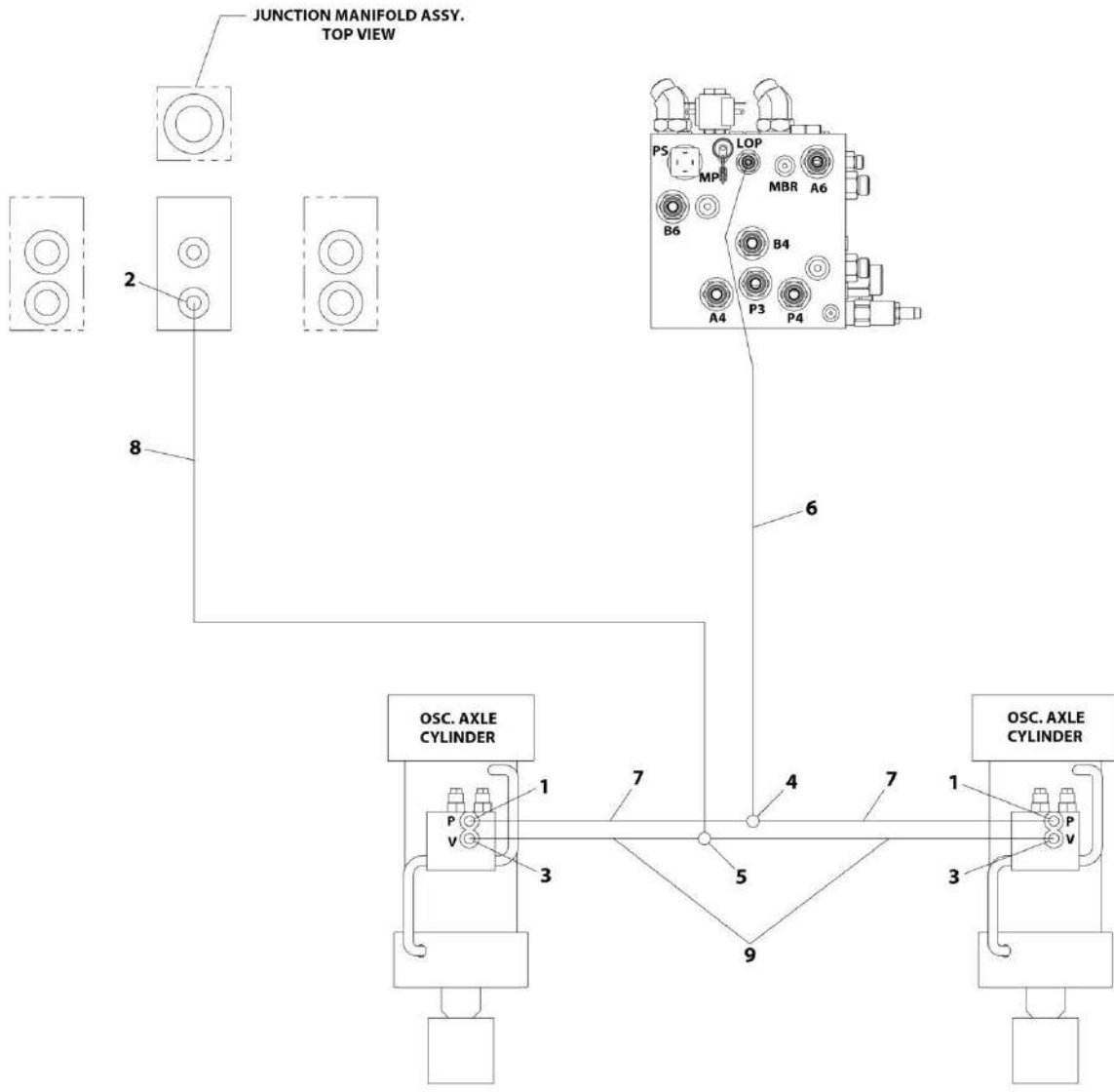
## SECTION 7 - HYDRAULIC

**FIGURE 7-5. HYDRAULIC DIAGRAM - OSCILLATING AXLE (WITH REXROTH PUMPS)**

ITEM	PART NUMBER	QTY	DESCRIPTION	REV
	1283457	Ref	HYDRAULIC DIAGRAM - OSCILLATING AXLE (WITH REXROTH PUMPS)	L
	2792647	Ref	Hydraulic Diagram - Oscillating Axle	4
1	2110406	2	Fitting, Straight ORFS/ORB	
2	2110604	1	Fitting, Straight ORFS/ORB	
3	2110606	2	Fitting, Straight ORFS/ORB	
4	2170504	1	Fitting, Tee ORFS	
5	2170506	1	Fitting, Tee ORFS	
6	2753726	1	Hose	
7	2753719	2	Hose	
8	2753727	1	Hose	
9	2753729	2	Hose	

# SECTION 7 - HYDRAULIC

## FIGURE 7-6. HYDRAULIC DIAGRAM - OSCILLATING AXLE (WITH SAUER PUMPS)



ART\_1001110252\_50F8

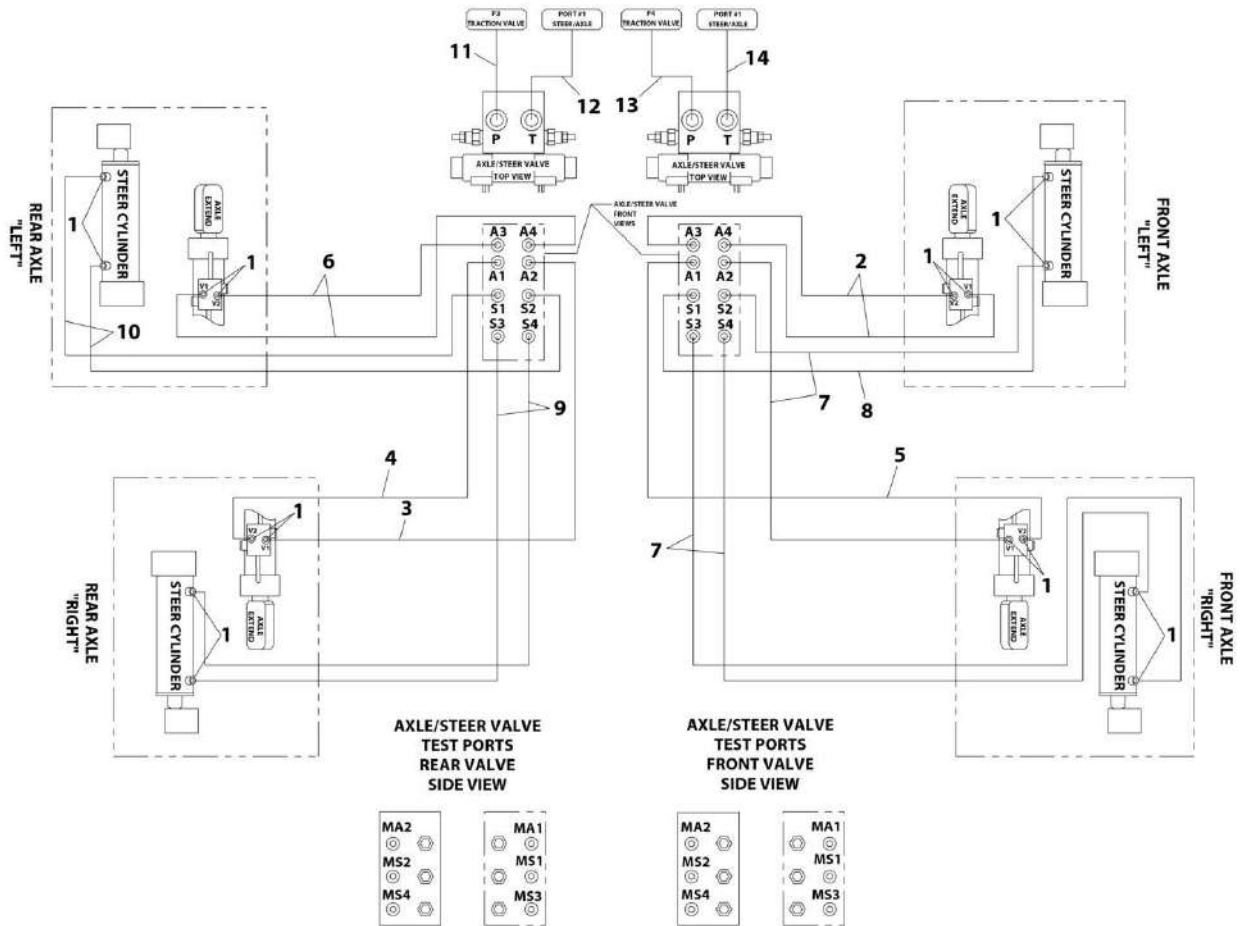
## SECTION 7 - HYDRAULIC

**FIGURE 7-6. HYDRAULIC DIAGRAM - OSCILLATING AXLE (WITH SAUER PUMPS)**

ITEM	PART NUMBER	QTY	DESCRIPTION	REV
	1001110252	Ref	HYDRAULIC DIAGRAM - OSCILLATING AXLE (WITH SAUER PUMPS)	L
	1001111081	Ref	Hydraulic Diagram - Oscillating Axle	1
1	2110406	2	Fitting, Straight ORFS/ORB	
2	2110604	1	Fitting, Straight ORFS/ORB	
3	2110606	2	Fitting, Straight ORFS/ORB	
4	2170504	1	Fitting, Tee ORFS	
5	2170506	1	Fitting, Tee ORFS	
6	2753726	1	Hose	
7	2753719	2	Hose	
8	2753727	1	Hose	
9	2753729	2	Hose	

# SECTION 7 - HYDRAULIC

FIGURE 7-7. HYDRAULIC DIAGRAM - STEER (WITH REXROTH PUMPS)



ART\_1283457\_60F8

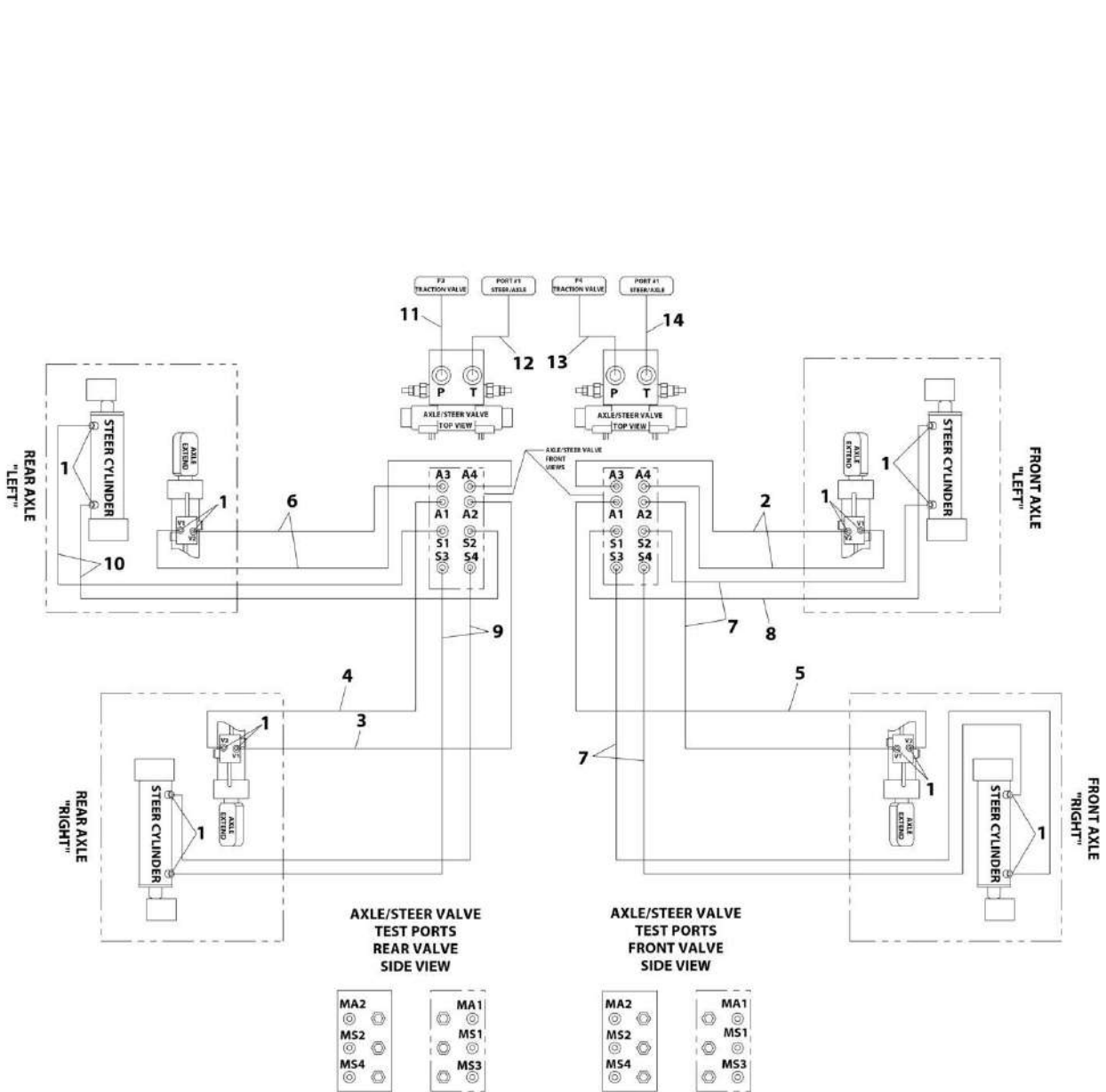
## SECTION 7 - HYDRAULIC

**FIGURE 7-7. HYDRAULIC DIAGRAM - STEER (WITH REXROTH PUMPS)**

ITEM	PART NUMBER	QTY	DESCRIPTION	REV
	1283457	Ref	HYDRAULIC DIAGRAM - STEER (WITH REXROTH PUMPS)	L
	2792773	Ref	Hydraulic Diagram - Steer	2
1	2130606	16	Fitting, 90 ORFS/ORB	
2	2753732	2	Hose	
3	2753733	1	Hose	
4	2753728	1	Hose	
5	2753734	1	Hose	
6	2753735	2	Hose	
7	2753736	4	Hose	
8	2753737	1	Hose	
9	2753738	2	Hose	
10	2753739	2	Hose	
11	2753753	1	Hose	
12	2753742	1	Hose	
13	2753754	1	Hose	
14	2753743	1	Hose	

# SECTION 7 - HYDRAULIC

## FIGURE 7-8. HYDRAULIC DIAGRAM - STEER (WITH SAUER PUMPS)



ART\_1001110252\_60F8



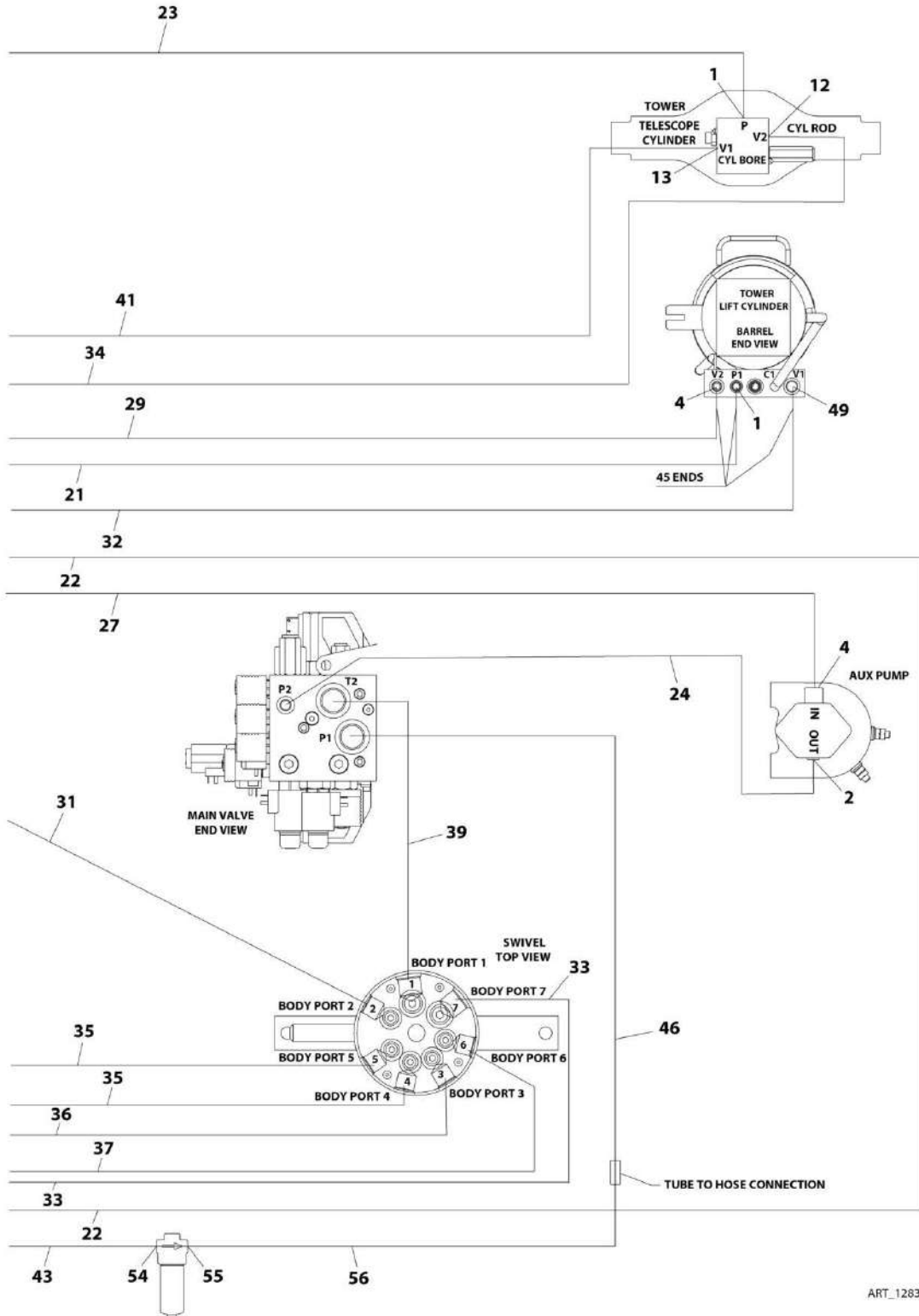
## SECTION 7 - HYDRAULIC

**FIGURE 7-8. HYDRAULIC DIAGRAM - STEER (WITH SAUER PUMPS)**

ITEM	PART NUMBER	QTY	DESCRIPTION	REV
	1001110252	Ref	HYDRAULIC DIAGRAM - STEER (WITH SAUER PUMPS)	L
	1001111083	Ref	Hydraulic Diagram - Steer	1
1	2130606	16	Fitting, 90 ORFS/ORB	
2	2753732	2	Hose	
3	2753733	1	Hose	
4	2753728	1	Hose	
5	2753734	1	Hose	
6	2753735	2	Hose	
7	2753736	4	Hose	
8	2753737	1	Hose	
9	2753738	2	Hose	
10	2753739	2	Hose	
11	2753753	1	Hose	
12	2753742	1	Hose	
13	2753754	1	Hose	
14	2753743	1	Hose	



# SECTION 7 - HYDRAULIC



ART\_1283457\_80F8

## SECTION 7 - HYDRAULIC

**FIGURE 7-9. HYDRAULIC DIAGRAM - TURNTABLE (DEUTZ TD2011 ENGINES WITH REXROTH PUMPS)**

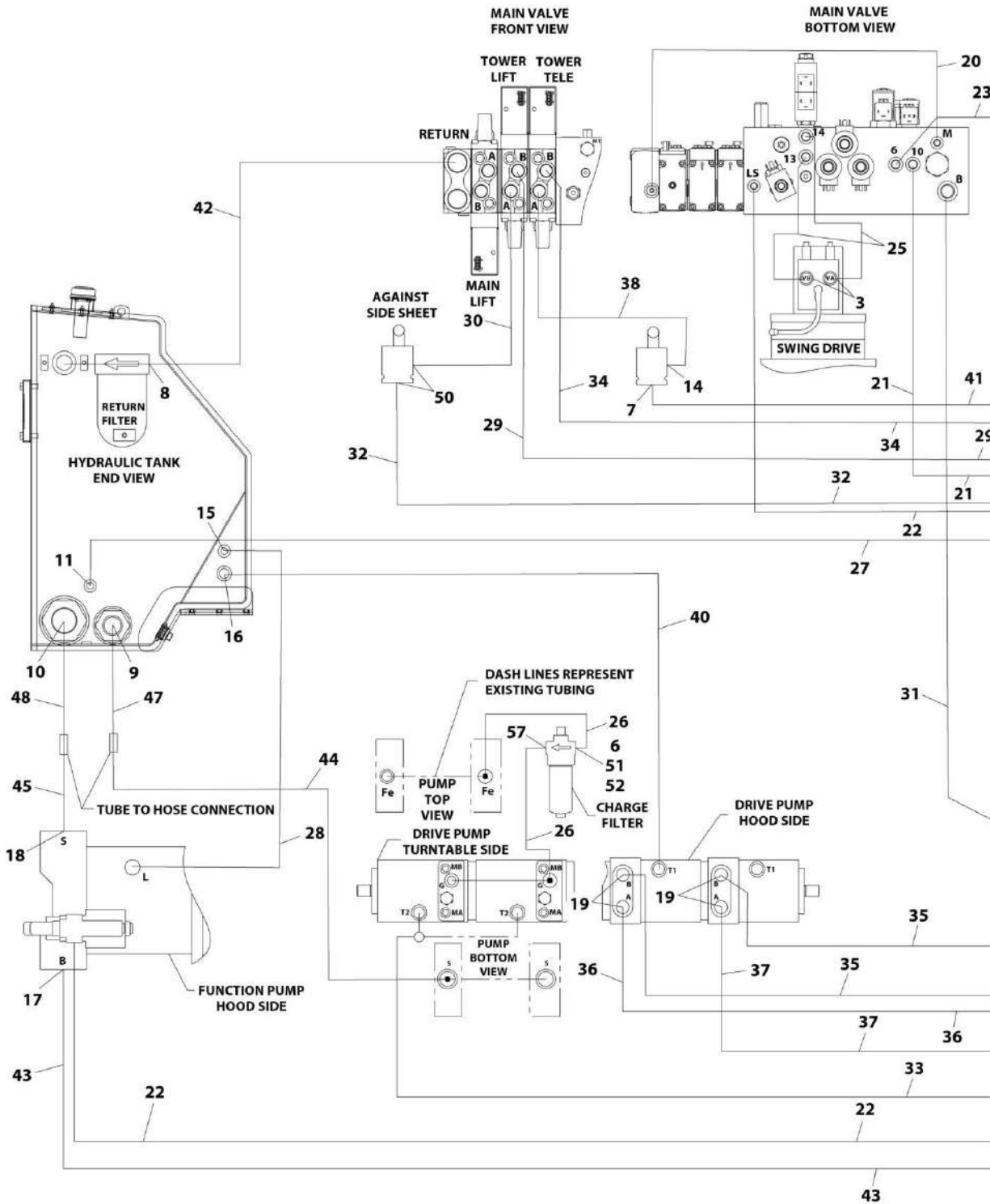
ITEM	PART NUMBER	QTY	DESCRIPTION	REV
	1283457	Ref	HYDRAULIC DIAGRAM - TURNTABLE (DEUTZ TD2011 ENGINES WITH REXROTH PUMPS)	L
	1001145321	Ref	Hydraulic Diagram - Turntable	B
1	2110404	1	Fitting, Straight ORFS/ORB	
2	2110608	1	Fitting, Straight ORFS/ORB	
3	2110610	2	Fitting, Straight ORFS/ORB	
4	2110808	2	Fitting, Straight ORFS/ORB	
6	2220811	1	Fitting, Reducer ORB/ORB	
7	2111212	1	Fitting, Straight ORFS/ORB	
8	2111620	1	Fitting, Straight ORFS/ORB	
9	2112020	1	Fitting, Straight ORFS/ORB	
10	2113232	1	Fitting, Straight ORFS/ORB	
11	2130808	1	Fitting, 90 ORFS/ORB	
12	2131008	1	Fitting, 90 ORFS/ORB	
13	2131210	1	Fitting, 90 ORFS/ORB	
14	2131212	1	Fitting, 90 ORFS/ORB	
15	2150808	1	Fitting, 45 ORFS/ORB	
16	2151212	1	Fitting, 45 ORFS/ORB	
17	2220478	1	Flange Kit	
18	2220737	1	Flange Kit	
19	2221117	4	Flange Kit	
20	2753546	1	Hose	
21	2753975	1	Hose	
22	2753976	1	Hose	
23	2753977	1	Hose	
24	2753673	1	Hose	
25	2753979	2	Hose	
26	2753746	2	Hose	
27	2753590	1	Hose	
28	2753741	1	Hose	
29	2753984	1	Hose	
30	2753988	1	Hose	
31	2753989	1	Hose	
32	2753990	1	Hose	
33	2753991	1	Hose	
34	2753992	1	Hose	
35	2753995	2	Hose	
36	2753996	1	Hose	
37	2753997	1	Hose	
38	2753843	1	Hose	
39	2753999	1	Hose	
40	2754000	1	Hose	
41	2754001	1	Hose	
42	2754004	1	Hose	
43	2754870	1	Hose	
44	2754006	1	Hose	
45	2754007	1	Hose	
46	1001173889	1	Tube	
47	4568849	1	Tube	

## SECTION 7 - HYDRAULIC

ITEM	PART NUMBER	QTY	DESCRIPTION	REV
48	4568815	1	Tube	
49	2111010	1	Fitting, Straight ORFS/ORB	
50	2111012	AR	Fitting, Straight ORFS/ORB	
51	2170308	1	Fitting, Tee ORFS/ORFS/ORB	
52	2170908	1	Fitting, Cap ORFS	
54	2131620	1	Fitting, 90 ORFS/ORB	
55	2132020	1	Fitting, 90 ORFS/ORB	
56	1001173890	1	Hose	
57	2130812	1	Fitting, 90 ORFS/ORB	

# SECTION 7 - HYDRAULIC

FIGURE 7-10. HYDRAULIC DIAGRAM - TURNTABLE (DEUTZ TCD2.9L4 ENGINES WITH REXROTH PUMPS)



ART\_1001152971\_1OF2



## SECTION 7 - HYDRAULIC

**FIGURE 7-10. HYDRAULIC DIAGRAM - TURNTABLE (DEUTZ TCD2.9L4 ENGINES WITH REXROTH PUMPS)**

ITEM	PART NUMBER	QTY	DESCRIPTION	REV
	1001152971	Ref	HYDRAULIC DIAGRAM - TURNTABLE (DEUTZ TCD2.9L4 ENGINES WITH REXROTH PUMPS)	C
	1001153188	Ref	Hydraulic Diagram - Turntable	B
1	2110404	1	Fitting, Straight ORFS/ORB	
2	2110608	1	Fitting, Straight ORFS/ORB	
3	2110610	2	Fitting, Straight ORFS/ORB	
4	2110808	2	Fitting, Straight ORFS/ORB	
6	2220811	1	Fitting, Reducer ORB/ORB	
7	2111212	1	Fitting, Straight ORFS/ORB	
8	2111620	1	Fitting, Straight ORFS/ORB	
9	2112020	1	Fitting, Straight ORFS/ORB	
10	2113232	1	Fitting, Straight ORFS/ORB	
11	2130808	1	Fitting, 90 ORFS/ORB	
12	2131008	1	Fitting, 90 ORFS/ORB	
13	2131210	1	Fitting, 90 ORFS/ORB	
14	2131212	1	Fitting, 90 ORFS/ORB	
15	2150808	1	Fitting, 45 ORFS/ORB	
16	2151212	1	Fitting, 45 ORFS/ORB	
17	2220478	1	Flange Kit	
18	2220737	1	Flange Kit	
19	2221117	4	Flange Kit	
20	2753546	1	Hose	
21	2753975	1	Hose	
22	2753976	1	Hose	
23	2753977	1	Hose	
24	2753673	1	Hose	
25	2753979	2	Hose	
26	2753746	2	Hose	
27	2753590	1	Hose	
28	2753741	1	Hose	
29	2753984	1	Hose	
30	2753988	1	Hose	
31	2753989	1	Hose	
32	2753990	1	Hose	
33	2753991	1	Hose	
34	2753992	1	Hose	
35	2753995	2	Hose	
36	2753996	1	Hose	
37	2753997	1	Hose	
38	2753843	1	Hose	
39	2753999	1	Hose	
40	2754000	1	Hose	
41	2754001	1	Hose	
42	2754004	1	Hose	
43	2754870	1	Hose	
44	1001153186	1	Hose	
45	2754007	1	Hose	
46	1001173889	1	Tube	
47	4568849	1	Tube	

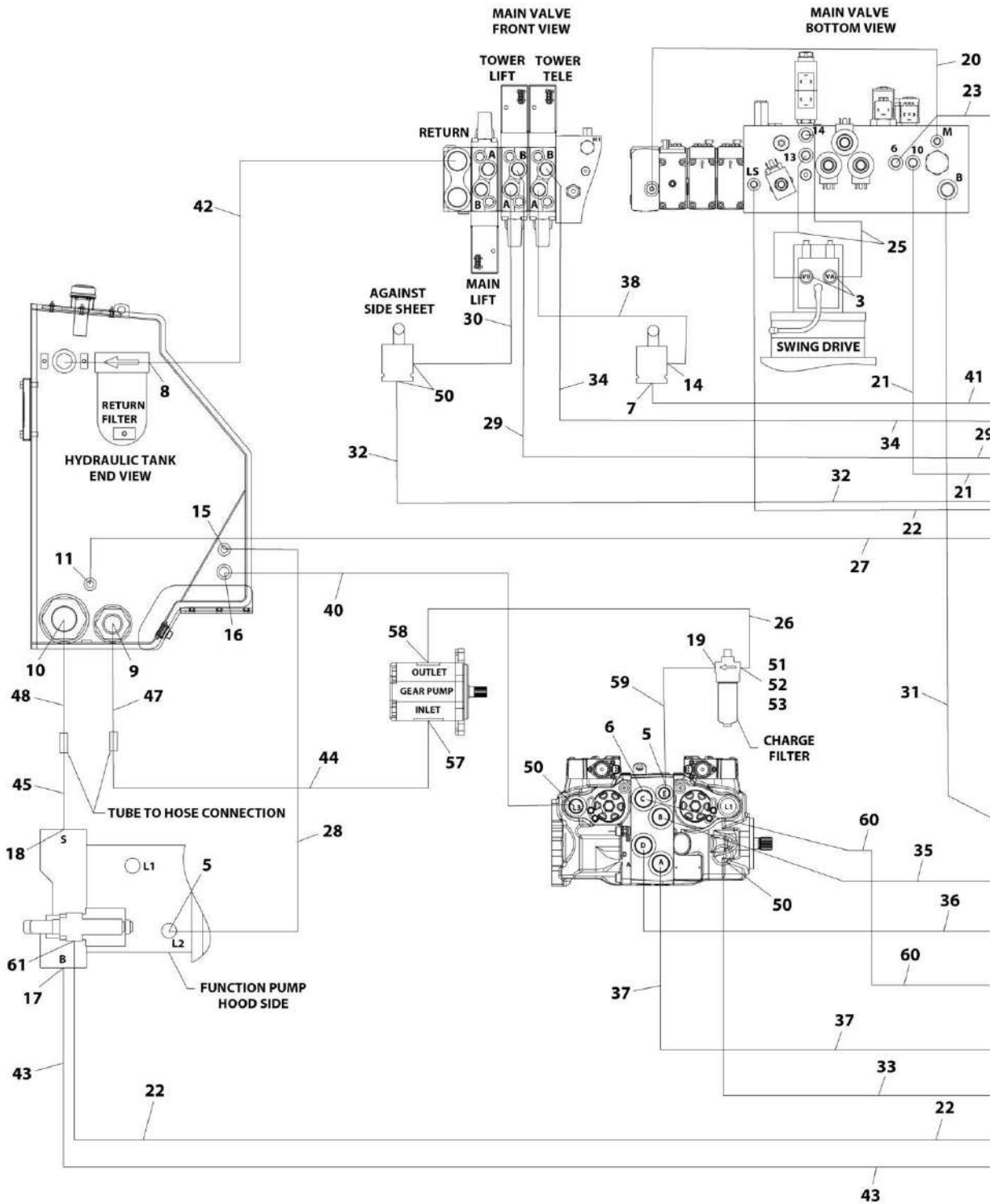


## SECTION 7 - HYDRAULIC

ITEM	PART NUMBER	QTY	DESCRIPTION	REV
48	4568815	1	Tube	
49	2111010	1	Fitting, Straight ORFS/ORB	
50	2111012	AR	Fitting, Straight ORFS/ORB	
51	2170308	1	Fitting, Tee ORFS/ORFS/ORB	
52	2170908	1	Fitting, Cap ORFS	
54	2131620	1	Fitting, 90 ORFS/ORB	
55	2132020	1	Fitting, 90 ORFS/ORB	
56	1001173890	1	Hose	
57	2130812	1	Fitting, 90 ORFS/ORB	

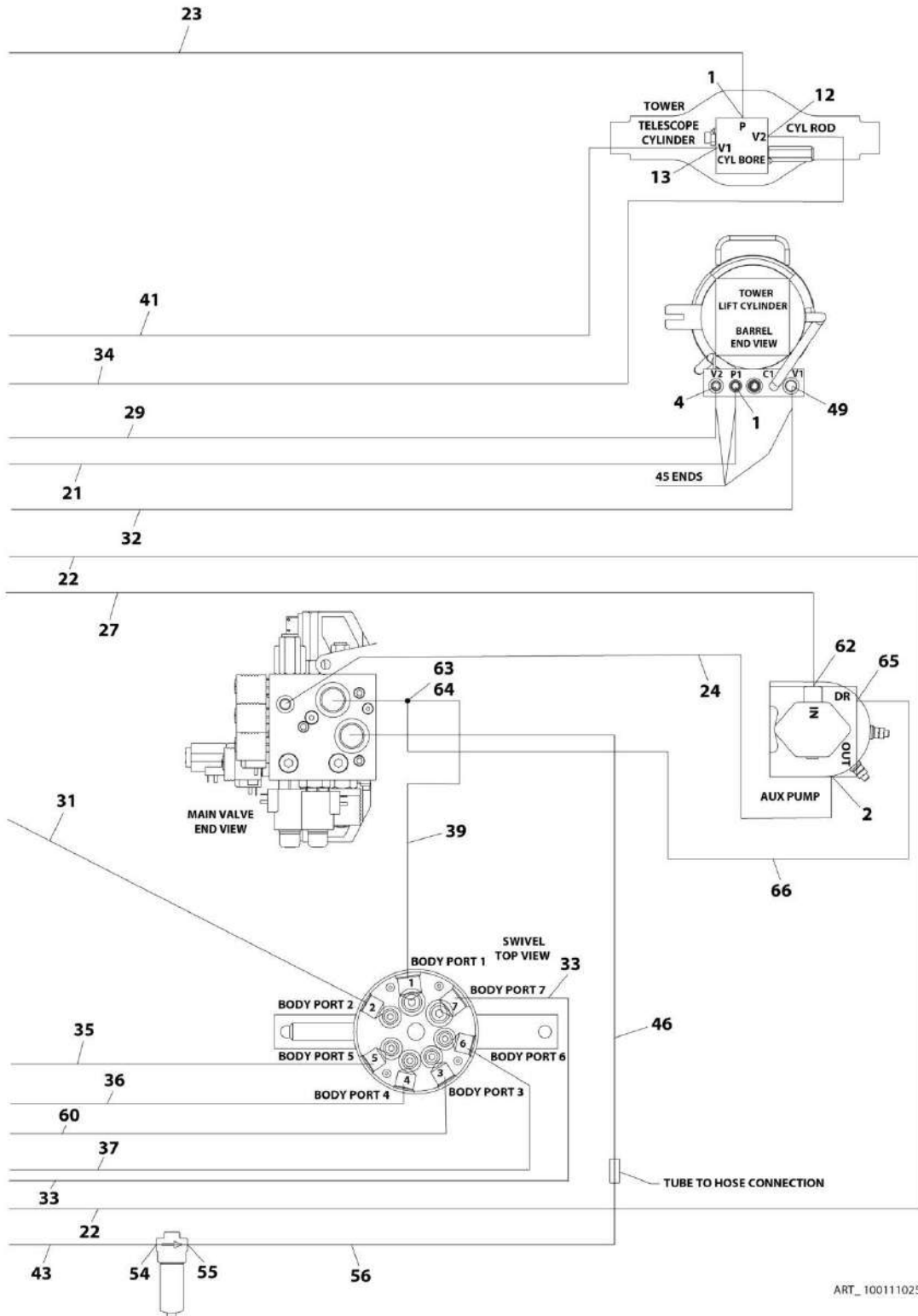
# SECTION 7 - HYDRAULIC

## FIGURE 7-11. HYDRAULIC DIAGRAM - TURNTABLE (WITH SAUER PUMPS)



ART\_1001110252\_7QF8

# SECTION 7 - HYDRAULIC



ART\_1001110252\_BOF8

# SECTION 7 - HYDRAULIC

## FIGURE 7-11. HYDRAULIC DIAGRAM - TURNTABLE (WITH SAUER PUMPS)

ITEM	PART NUMBER	QTY	DESCRIPTION	REV
	1001110252	Ref	HYDRAULIC DIAGRAM - TURNTABLE (WITH SAUER PUMPS)	L
	1001145322	Ref	Hydraulic Diagram - Turntable	E
1	2110404	1	Fitting, Straight ORFS/ORB	
2	2110608	1	Fitting, Straight ORFS/ORB	
3	2110610	2	Fitting, Straight ORFS/ORB	
4	2110808	1	Fitting, Straight ORFS/ORB	
5	2110810	2	Fitting, Straight ORFS/ORB	
6	2111016	4	Fitting, Straight ORFS/ORB	
7	2111212	AR	Fitting, Straight ORFS/ORB	
8	2111620	1	Fitting, Straight ORFS/ORB	
9	2112020	1	Fitting, Straight ORFS/ORB	
10	2113232	1	Fitting, Straight ORFS/ORB	
11	2130808	1	Fitting, 90 ORFS/ORB	
12	2131008	1	Fitting, 90 ORFS/ORB	
13	2131210	1	Fitting, 90 ORFS/ORB	
14	2131212	1	Fitting, 90 ORFS/ORB	
15	2150808	1	Fitting, 45 ORFS/ORB	
16	2151212	1	Fitting, 45 ORFS/ORB	
17	2220478	1	Flange Kit	
18	1001110604	1	Flange Kit	
19	2130812	1	Fitting, 90 ORFS/ORB	
20	2753546	1	Hose	
21	2753975	1	Hose	
22	2753976	1	Hose	
23	2753977	1	Hose	
24	2753673	1	Hose	
25	2753979	2	Hose	
26	2753746	1	Hose	
27	2753590	1	Hose	
28	1001109439	1	Hose	
29	2753984	1	Hose	
30	2753988	1	Hose	
31	2753989	1	Hose	
32	2753990	1	Hose	
33	2753991	1	Hose	
34	2753992	1	Hose	
35	1001109468	1	Hose	
36	1001109470	1	Hose	
37	1001109471	1	Hose	
38	2753843	1	Hose	
39	2753999	1	Hose	
40	1001176982	1	Hose	
41	2754001	1	Hose	
42	2754004	1	Hose	
43	2754870	1	Hose	
44	1001109438	1	Hose	
45	1001109465	1	Hose	
46	1001173889	1	Tube	
47	4568849	1	Tube	
48	4568815	1	Tube	

## SECTION 7 - HYDRAULIC

ITEM	PART NUMBER	QTY	DESCRIPTION	REV
49	2111010	1	Fitting, Straight ORFS/ORB	
50	2111012	AR	Fitting, Straight ORFS/ORB	
51	2170308	1	Fitting, Tee ORFS/ORFS/ORB	
52	2170908	1	Fitting, Cap ORFS	
53	2220811	1	Fitting, Reducer ORB/ORB	
54	2131620	1	Fitting, 90 ORFS/ORB	
55	2132020	1	Fitting, 90 ORFS/ORB	
56	1001173890	1	Hose	
57	2111616	1	Fitting, Straight ORFS/ORB	
58	2110812	1	Fitting, Straight ORFS/ORB	
59	1001104577	1	Hose	
60	1001119296	1	Hose	
61	2130404	1	Fitting, 90 ORFS/ORB	
62	2110808	1	Fitting, Straight ORFS/ORB	
63	2170712	1	Fitting, Tee ORFS/FSORFS/ORFS	
64	2221221	1	Fitting, Straight ORFS/FSORFS	
65	2130406	1	Fitting, 90 ORFS/ORB <b>(SN 0300201017 through 0300218840)</b>	
65	2110406	1	Fitting, Straight ORFS/ORB <b>(SN 0300218841 to Present)</b>	
66	1001103977	1 in/ 2.54cm	Hose	



## SECTION 7 - HYDRAULIC

### FIGURE 7-12. HYDRAULIC DIAGRAM - AUXILIARY POWER MOTOR

ITEM	PART NUMBER	QTY	DESCRIPTION	REV
	1001139520	Ref	HYDRAULIC DIAGRAM - AUXILIARY POWER MOTOR	A
8	2110406	1	Fitting, Straight ORFS/ORB	
9	2130406	1	Fitting, 90 ORFS/ORB	
10	2170312	1	Fitting, Tee ORFS	
11	2170506	1	Fitting, Tee ORFS/ORFS/ORFS	
12	2220550	1	Fitting, Straight SFORB/ORB	
13	2221123	1	Fitting, Straight S FSORFS/ORB	
14	2221221	1	Fitting, Straight ORFS/FSORFS	
15	2753781	2	Hose	
20	4641316	1	Valve, Check	
25	1001092764	1	Fitting, Tube End Reducer	

# SECTION 7 - HYDRAULIC

## FIGURE 7-13. HYDRAULIC DIAGRAM LIST

ITEM	PART NUMBER	QTY	DESCRIPTION	REV
		Ref	HYDRAULIC DIAGRAM - BOOM	
	1283457	Ref	Hydraulic Diagram for Deutz TD2011 Engines Machines with Rexroth Pumps	
	1001152971	Ref	Hydraulic Diagram for Deutz TCD2.9L4 Engines Machines with Rexroth Pumps	
	1001098027	Ref	Hydraulic Diagram - Tower/Upper	
	1001110252	Ref	Hydraulic Diagram for Deutz TD2011 Engines Machines with Sauer Pumps	
	1001110252	Ref	Hydraulic Diagram for Deutz TCD2.9L4 Engines Machines with Sauer Pumps	
	1001111084	Ref	Hydraulic Diagram - Tower/Upper	
		Ref	HYDRAULIC DIAGRAM - DRIVE	
	1283457	Ref	Hydraulic Diagram for Deutz TD2011 Engines Machines with Rexroth Pumps	
	1001152971	Ref	Hydraulic Diagram for Deutz TCD2.9L4 Engines Machines with Rexroth Pumps	
	2792772	Ref	Hydraulic Diagram - Drive Circuit	
	1001110252	Ref	Hydraulic Diagram for Deutz TD2011 Engines Machines with Sauer Pumps	
	1001110252	Ref	Hydraulic Diagram for Deutz TCD2.9L4 Engines Machines with Sauer Pumps	
	1001111082	Ref	Hydraulic Diagram - Drive Circuit	
		Ref	HYDRAULIC DIAGRAM - OSCILLATING AXLE	
	1283457	Ref	Hydraulic Diagram for Deutz TD2011 Engines Machines with Rexroth Pumps	
	1001152971	Ref	Hydraulic Diagram for Deutz TCD2.9L4 Engines Machines with Rexroth Pumps	
	2792647	Ref	Hydraulic Diagram - Oscillating Axle	
	1001110252	Ref	Hydraulic Diagram for Deutz TD2011 Engines Machines with Sauer Pumps	
	1001110252	Ref	Hydraulic Diagram for Deutz TCD2.9L4 Engines Machines with Sauer Pumps	
	1001111081	Ref	Hydraulic Diagram - Oscillating Axle	
		Ref	HYDRAULIC DIAGRAM - STEER	
	1283457	Ref	Hydraulic Diagram for Deutz TD2011 Engines Machines with Rexroth Pumps	
	1001152971	Ref	Hydraulic Diagram for Deutz TCD2.9L4 Engines Machines with Rexroth Pumps	
	2792773	Ref	Hydraulic Diagram - Steer	
	1001110252	Ref	Hydraulic Diagram for Deutz TD2011 Engines Machines with Sauer Pumps	
	1001110252	Ref	Hydraulic Diagram for Deutz TCD2.9L4 Engines Machines with Sauer Pumps	
	1001111083	Ref	Hydraulic Diagram - Steer	
		Ref	HYDRAULIC DIAGRAMS - TURNTABLE	
	1283457	Ref	Hydraulic Diagram for Deutz TD2011 Engines Machines with Rexroth Pumps	
	1001152971	Ref	Hydraulic Diagram for Deutz TCD2.9L4 Engines Machines with Rexroth Pumps	
	1001145321	Ref	Hydraulic Diagram - Turntable (Deutz TD2011 Engines)	
	1001153188	Ref	Hydraulic Diagram - Turntable (Deutz LCD2.9L4 Engines)	
	1001110252	Ref	Hydraulic Diagram for Deutz TD2011 Engines Machines with	



## SECTION 7 - HYDRAULIC

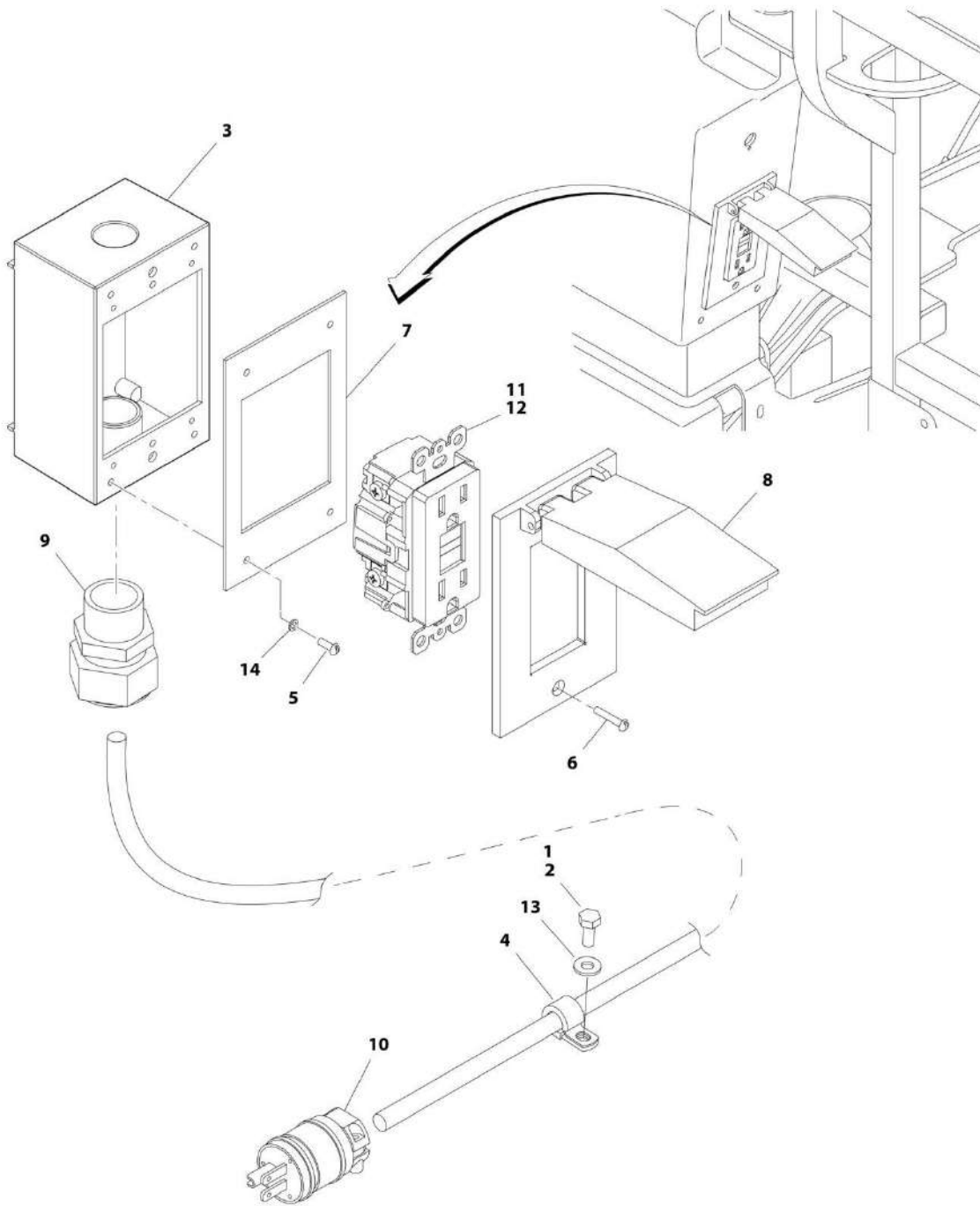
ITEM	PART NUMBER	QTY	DESCRIPTION	REV
	1001110252	Ref	Sauer Pumps Hydraulic Diagram for Deutz TCD2.9L4 Engines Machines with Sauer Pumps	
	1001145322	Ref	Hydraulic Diagram - Turntable	
	1001139520	Ref	HYDRAULIC DIAGRAMS - AUXILIARY POWER MOTOR (MACHINES WITH COLD WEATHER PLUS PACKAGE)	
	0272080	Ref	HYDRAULIC SCHEMATIC - OIL COOLER	
	1001118957	Ref	Deutz Engines Machines with Rexroth Pumps	
	1001110761	Ref	Deutz Engines Machines with Sauer Pumps	
		Ref	HYDRAULIC SCHEMATIC - STANDARD (Not Shown - See Service Manual)	



**SECTION 8 - ELECTRICAL**

# SECTION 8 - ELECTRICAL

## FIGURE 8-1. AC BOX AT PLATFORM - 110V GFI RECEPTACLE (ANSI SPECS)



ART\_0273462

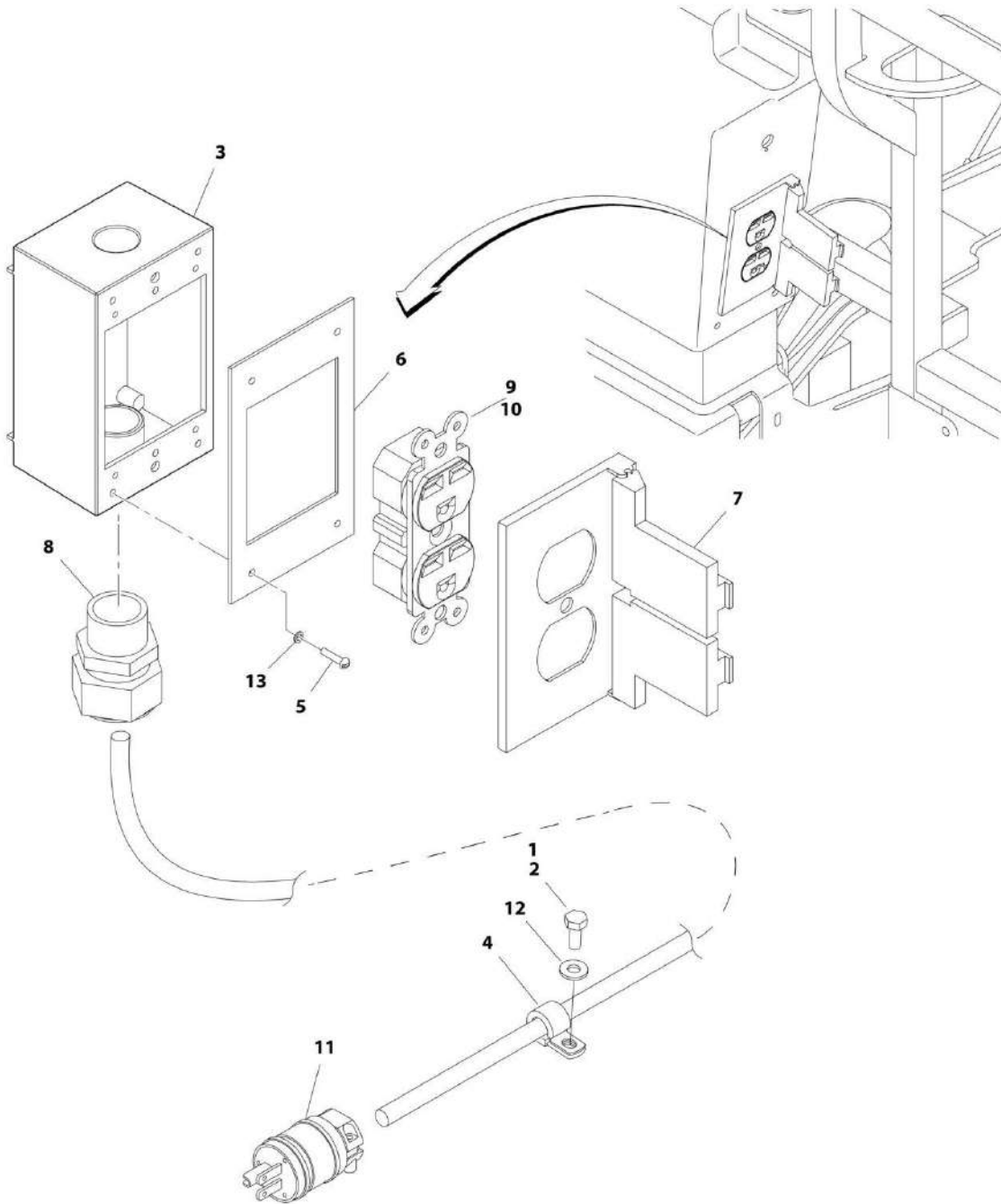
## SECTION 8 - ELECTRICAL

**FIGURE 8-1. AC BOX AT PLATFORM - 110V GFI RECEPTACLE (ANSI SPECS)**

ITEM	PART NUMBER	QTY	DESCRIPTION	REV
	0273462	Ref	AC BOX AT PLATFORM - 110V GFI RECEPTACLE (ANSI SPECS)	B
1	0100011	AR	Compound, Locking	
2	0641405	1	Bolt 1/4 x 5/8	
3	0860038	1	Box, Switch	
4	1320041	1	Clamp	
5	3910606	4	Screw #6 x 3/8	
6	3910612	2	Screw #6 x 3/4	
7	3960422	1	Gasket, AC Receptacle	
8	1001110873	1	Shield, Receptacle Cover	
9	4460051	1	Connector, Strain Relief	
10	4460205	1	Plug, Male	
11	4460315	1	Terminal, Spade	
12	4460346	1	Terminal, Receptacle	
13	4711400	1	Washer 1/4	
14	4760600	4	Washer #6	

# SECTION 8 - ELECTRICAL

## FIGURE 8-2. AC BOX AT PLATFORM - 220V GFI RECEPTACLE (ANSI SPECS)



ART\_0273463

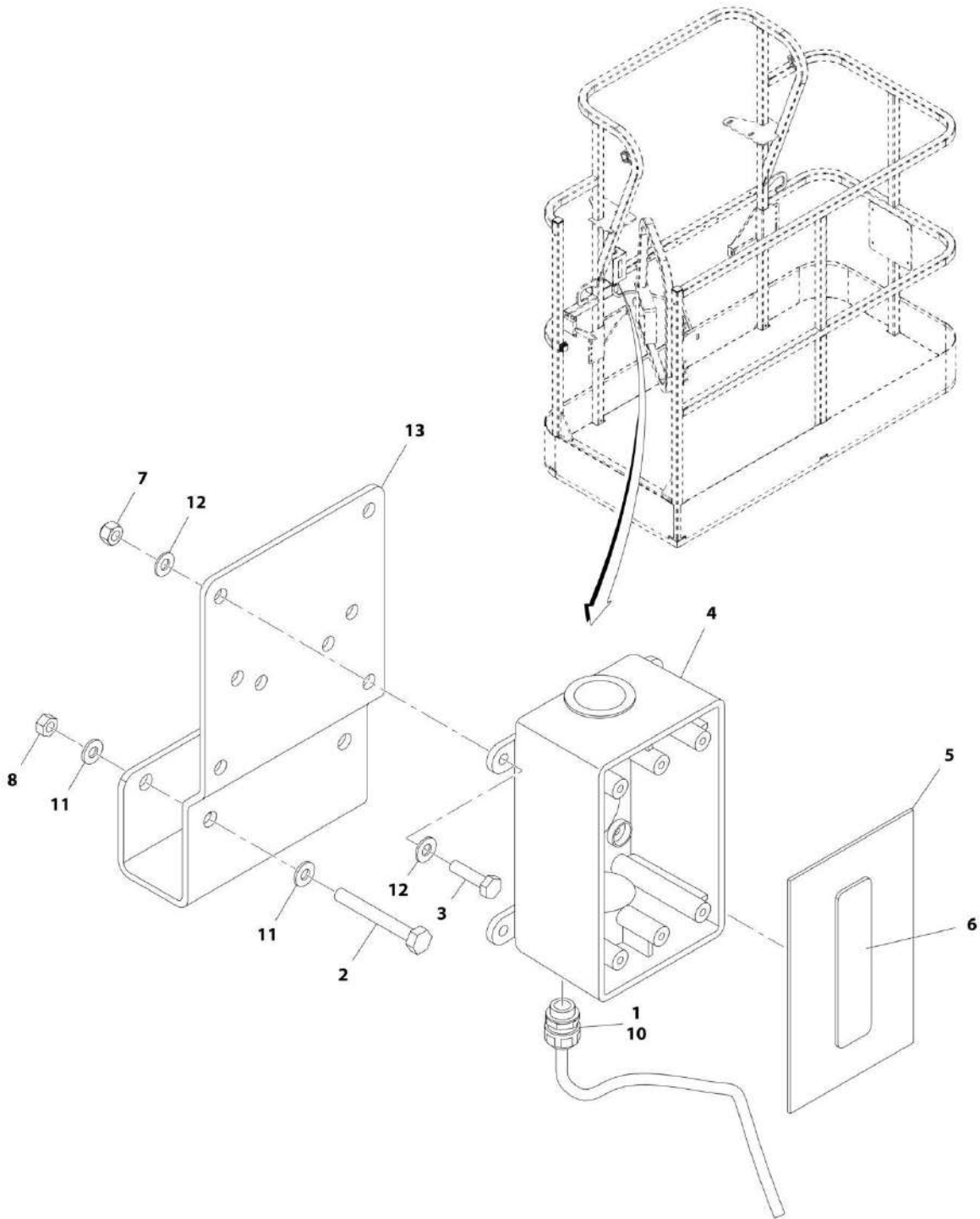
## SECTION 8 - ELECTRICAL

**FIGURE 8-2. AC BOX AT PLATFORM - 220V GFI RECEPTACLE (ANSI SPECS)**

ITEM	PART NUMBER	QTY	DESCRIPTION	REV
	0273463	Ref	AC BOX AT PLATFORM - 220V GFI RECEPTACLE (ANSI SPECS)	A
1	0100011	AR	Compound, Locking	
2	0641405	1	Bolt 1/4 x 5/8	
3	0860038	1	Box, Switch	
4	1320041	1	Clamp	
5	3910606	4	Screw #6 x 3/8	
6	3960422	1	Gasket, AC Receptacle	
7	4060092	1	Shield, Receptacle Cover	
8	4460051	1	Connector, Strain Relief	
9	4460125	1	Terminal, Receptacle	
10	4460315	1	Terminal, Spade	
11	4460709	1	Plug, Male	
12	4711400	1	Washer 1/4	
13	4760600	4	Washer #6	

## SECTION 8 - ELECTRICAL

FIGURE 8-3. AC BOX AT PLATFORM INSTALLATION - BOX WITH COVER (2X4 BOX) WITH 4000W GENERATOR (ANSI EXPORT SPECS) (SN 0300201017 through 0300214026)



ART\_1001194365



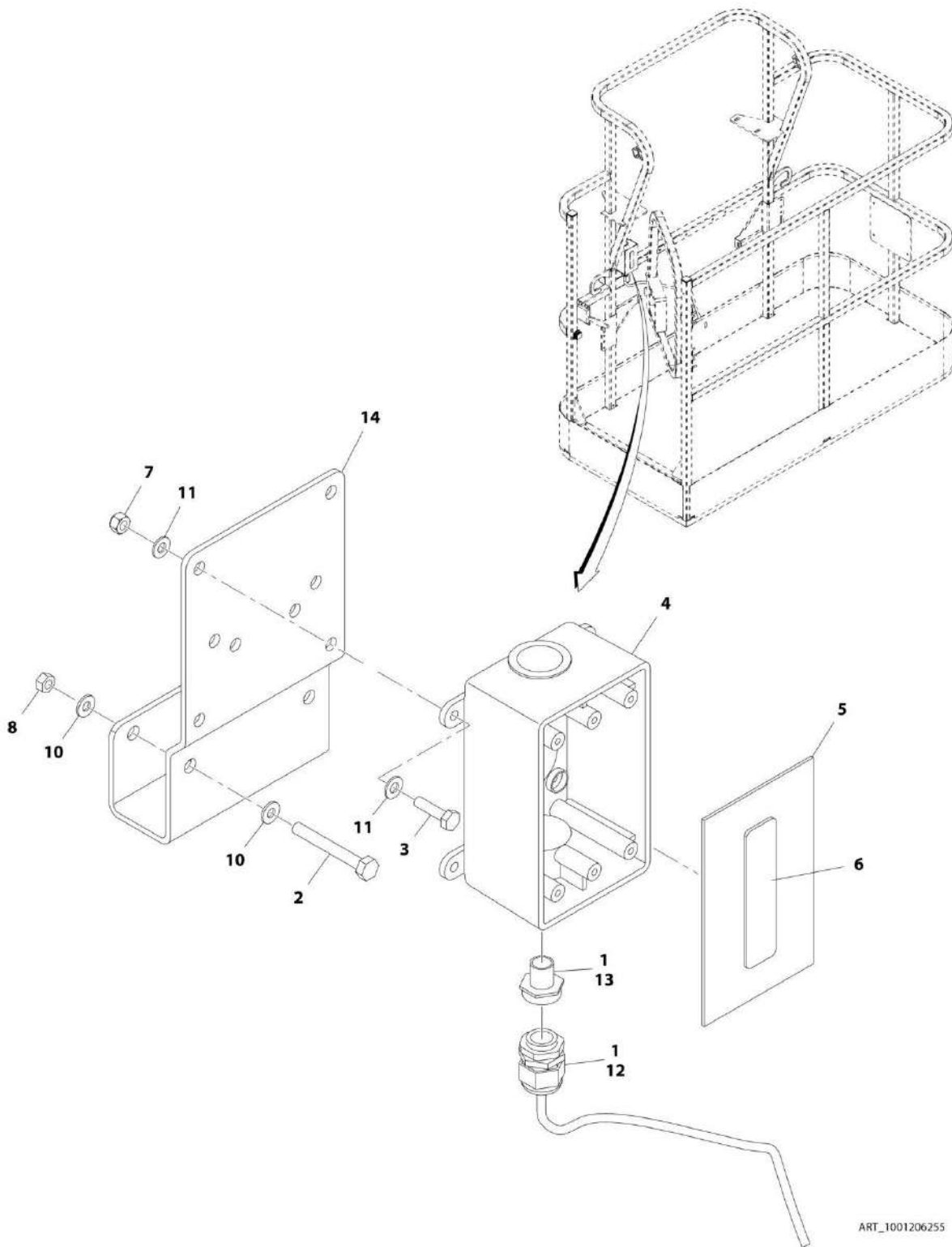
## SECTION 8 - ELECTRICAL

**FIGURE 8-3. AC BOX AT PLATFORM INSTALLATION - BOX WITH COVER (2X4 BOX) WITH 4000W GENERATOR (ANSI EXPORT SPECS) (SN 0300201017 through 0300214026)**

ITEM	PART NUMBER	QTY	DESCRIPTION	REV
	1001194365	Ref	AC BOX AT PLATFORM INSTALLATION - BOX WITH COVER (2X4 BOX) WITH 4000W GENERATOR (ANSI EXPORT SPECS) (SN 0300201017 through 0300214026)	A
1	0100020	AR	Sealant, Pipe	
2	0641416	2	Bolt 1/4 x 2	
3	0700408	4	Bolt M4 x 16	
4	0861731	1	Box, Switch	
5	1670603	1	Cover	
6	3251242	1	Decal - 240V-50Hz	
7	3290405	4	Nut M4	
8	3311405	2	Nut 1/4	
9	4460384	3	Terminal (Not Shown)	
10	4460662	1	Connector, Strain Relief	
11	4711400	4	Washer 1/4	
12	4811400	8	Washer M4	
13	1001193018	1	Bracket, AC Receptacle	

## SECTION 8 - ELECTRICAL

FIGURE 8-4. AC BOX AT PLATFORM INSTALLATION - BOX WITH COVER (2X4 BOX) WITH 4000W GENERATOR (ANSI EXPORT, AUSTRALIAN, CE AND JAPANESE SPECS) (SN 0300214027 to Present)



ART\_1001206255

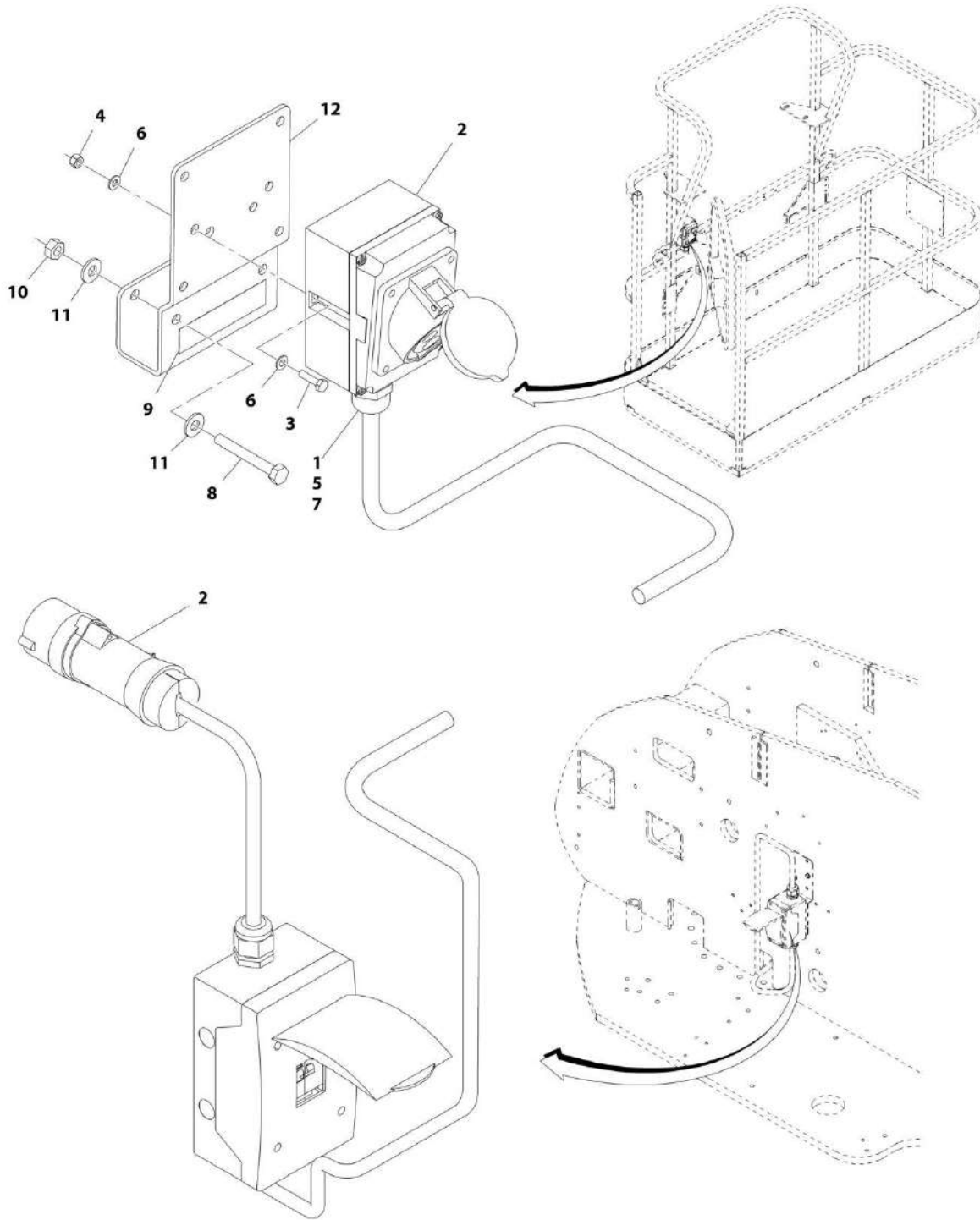
## SECTION 8 - ELECTRICAL

**FIGURE 8-4. AC BOX AT PLATFORM INSTALLATION - BOX WITH COVER (2X4 BOX) WITH 4000W GENERATOR (ANSI EXPORT, AUSTRALIAN, CE AND JAPANESE SPECS) (SN 0300214027 to Present)**

ITEM	PART NUMBER	QTY	DESCRIPTION	REV
	1001206255	Ref	AC BOX AT PLATFORM INSTALLATION - BOX WITH COVER (2X4 BOX) WITH 4000W GENERATOR (ANSI EXPORT, AUSTRALIAN, CE AND JAPANESE SPECS) (SN 0300214027 to Present)	A
1	0100020	AR	Sealant, Pipe	
2	0641416	2	Bolt 1/4 x 2	
3	0700408	4	Bolt M4 x 16	
4	0861731	1	Box, Switch	
5	1670603	1	Cover	
6	3251242	1	Decal - 240V-50Hz	
7	3290405	4	Nut M4	
8	3311405	2	Nut 1/4	
9	4460384	3	Terminal (Not Shown)	
10	4711400	4	Washer 1/4	
11	4811400	8	Washer M4	
12	1001101191	1	Connector, Strain Relief	
13	1001101197	1	Connector, Adapter	
14	1001193018	1	Bracket, AC Receptacle	

# SECTION 8 - ELECTRICAL

FIGURE 8-5. AC BOX AT PLATFORM INSTALLATION - 110V IEC 60309 YELLOW WITHOUT 2500W GENERATOR (CE SPECS)



ART\_1001091969

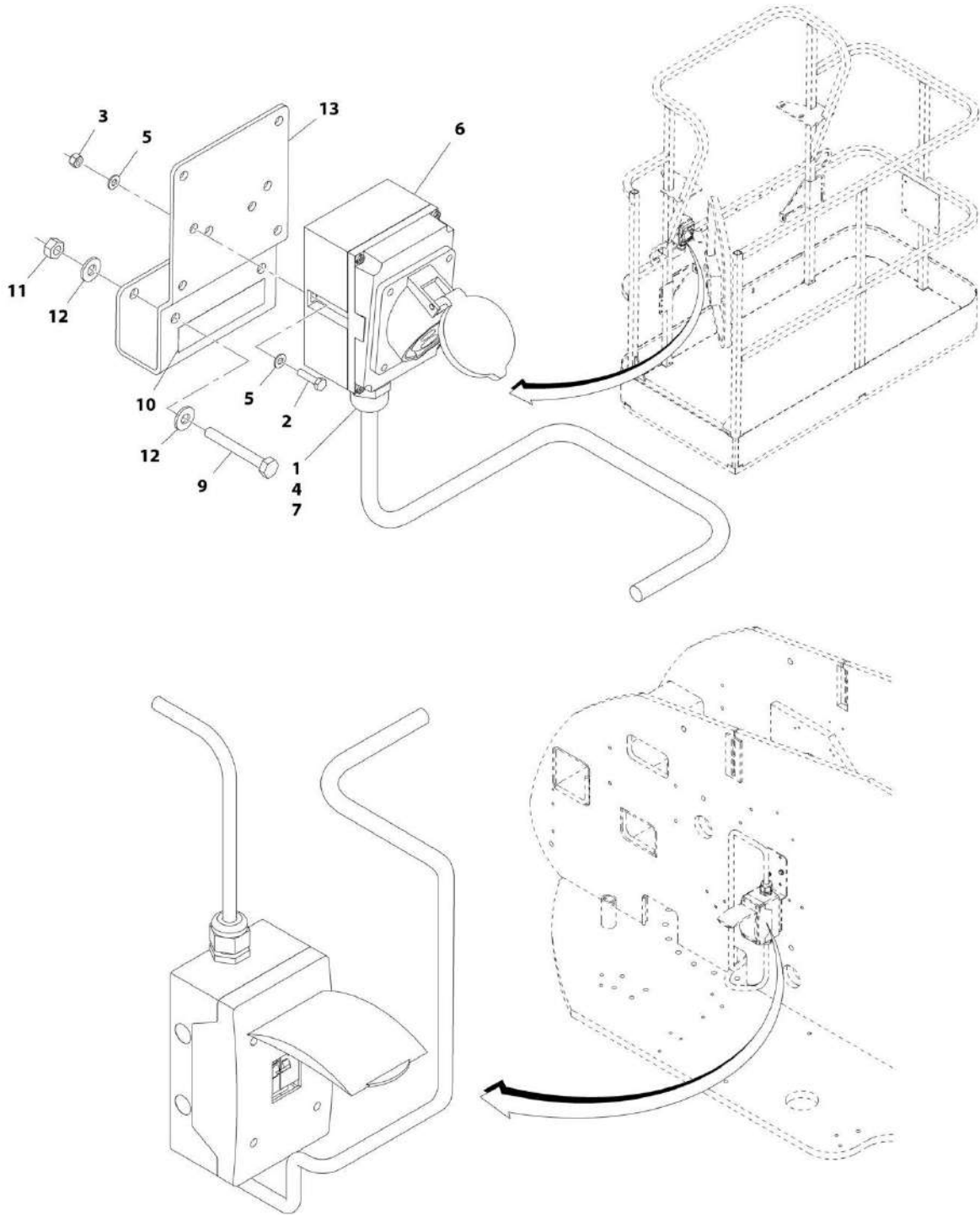
## SECTION 8 - ELECTRICAL

**FIGURE 8-5. AC BOX AT PLATFORM INSTALLATION - 110V IEC 60309 YELLOW WITHOUT 2500W GENERATOR (CE SPECS)**

ITEM	PART NUMBER	QTY	DESCRIPTION	REV
	1001091969	Ref	AC BOX AT PLATFORM INSTALLATION - 110V IEC 60309 YELLOW WITHOUT 2500W GENERATOR (CE SPECS)	C
1	0100020	AR	Sealant, Pipe	
2	0275216	1	Receptacle Box Kit (See RECEPTACLE BOX KIT - 110V IEC YELLOW WITHOUT 2500W GENERATOR (CE SPECS) for Breakdown)	
3	0700408	2	Bolt M4 x 16	
4	3290405	2	Nut M4	
5	1001101196	1	Adapter	
6	4811400	4	Washer M4	
7	1001101191	1	Connector, Strain Relief	
8	0641416	2	Bolt 1/4 x 2	
9	1705325	1	Decal - 110V	
10	3311405	2	Nut 1/4	
11	4711400	4	Washer 1/4	
12	1001193018	1	Bracket	

# SECTION 8 - ELECTRICAL

FIGURE 8-6. AC BOX AT PLATFORM INSTALLATION - 110V IEC 60309 YELLOW WITH 2500W GENERATOR (CE SPECS)



ART\_1001100326

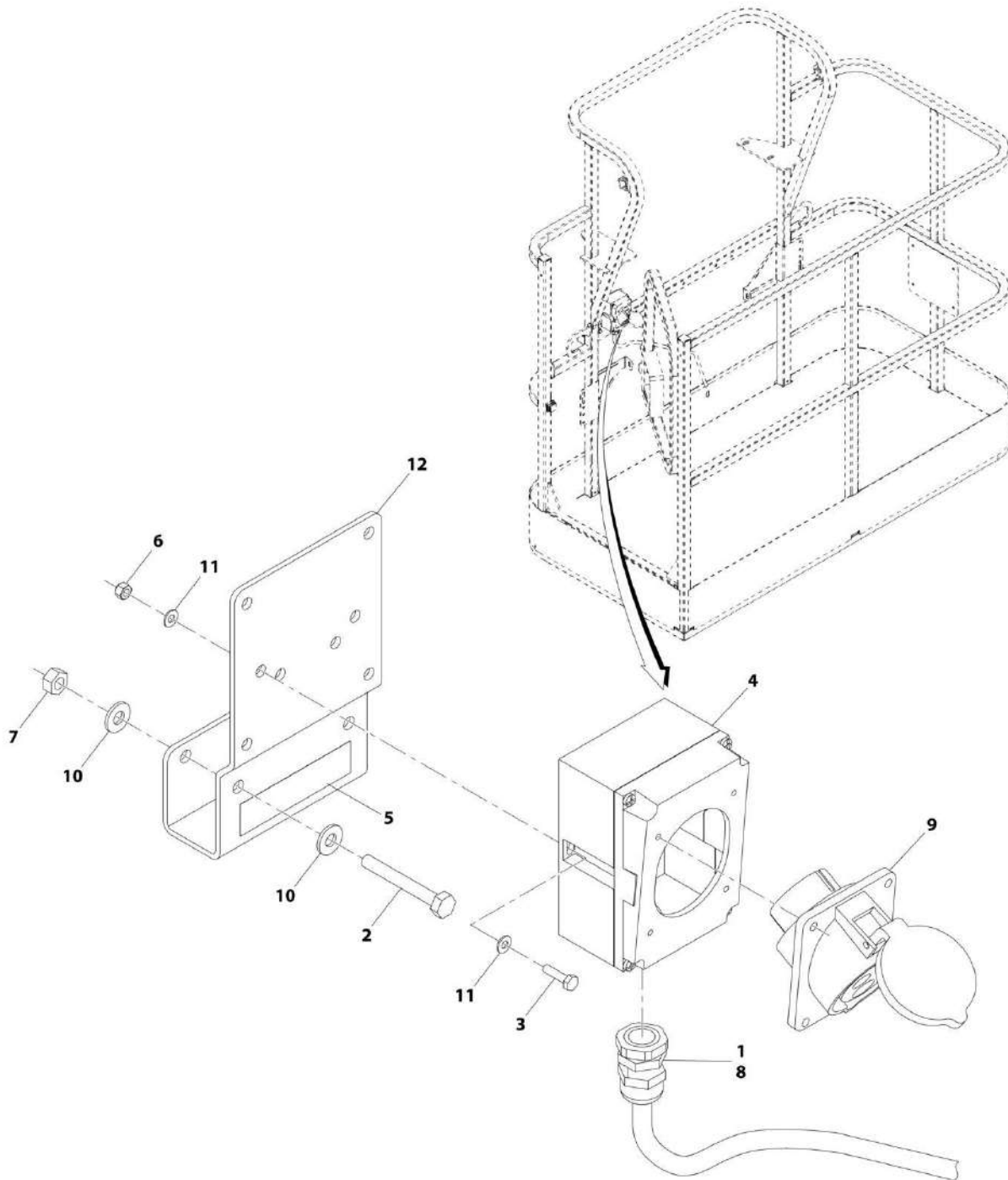
## SECTION 8 - ELECTRICAL

**FIGURE 8-6. AC BOX AT PLATFORM INSTALLATION - 110V IEC 60309 YELLOW WITH 2500W GENERATOR (CE SPECS)**

ITEM	PART NUMBER	QTY	DESCRIPTION	REV
	1001100326	Ref	AC BOX AT PLATFORM INSTALLATION - 110V IEC 60309 YELLOW WITH 2500W GENERATOR (CE SPECS)	D
1	0100020	AR	Sealant, Pipe	
2	0700408	2	Bolt M4 x 16	
3	3290405	2	Nut M4	
4	1001101196	1	Adapter	
5	4811400	4	Washer M4	
6	1001100341	1	Receptacle Box Kit (See RECEPTACLE BOX KIT - 110V IEC 60309 YELLOW WITH 2500W GENERATOR (CE SPECS) for Breakdown)	
7	1001101191	1	Connector, Strain Relief	
8	1060908	10 ft /3.05m	Cable, Electrical 12/3 (Not Shown)	
9	0641416	2	Bolt 1/4 x 2	
10	1705325	1	Decal - 110V	
11	3311405	2	Nut 1/4	
12	4711400	4	Washer 1/4	
13	1001193018	1	Bracket	

# SECTION 8 - ELECTRICAL

FIGURE 8-7. AC BOX AT PLATFORM INSTALLATION - 110V IEC 60309 YELLOW WITH 4000W GENERATOR (CE SPECS) (SN 0300201017 through 0300214026)



ART\_1001194203



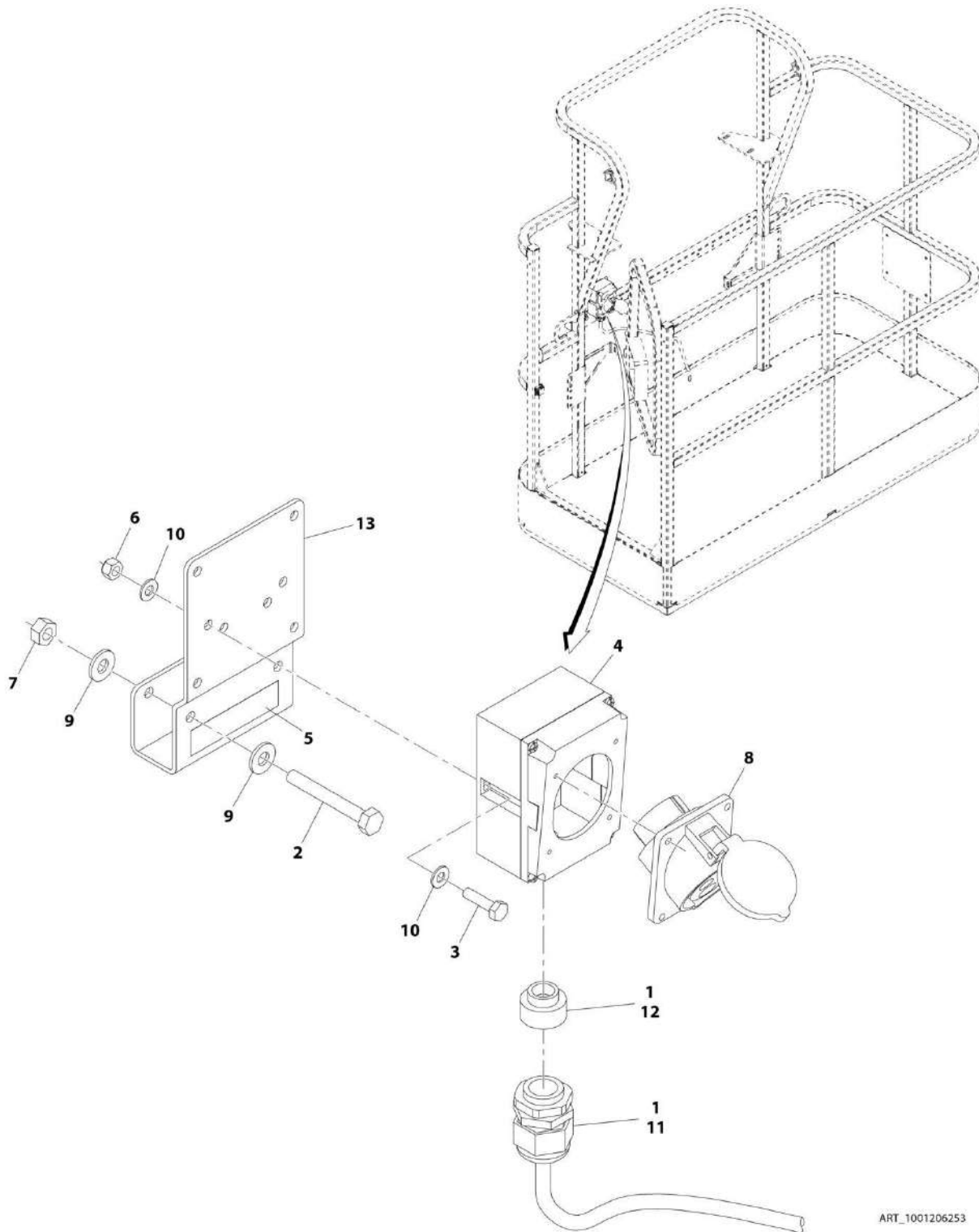
## SECTION 8 - ELECTRICAL

**FIGURE 8-7. AC BOX AT PLATFORM INSTALLATION - 110V IEC 60309 YELLOW WITH 4000W GENERATOR (CE SPECS) (SN 0300201017 through 0300214026)**

ITEM	PART NUMBER	QTY	DESCRIPTION	REV
	1001194203	Ref	AC BOX AT PLATFORM INSTALLATION - 110V IEC 60309 YELLOW WITH 4000W GENERATOR (CE SPECS) (SN 0300201017 through 0300214026)	B
1	0100020	AR	Sealant, Pipe	
2	0641416	2	Bolt 1/4 x 2	
3	0700408	2	Bolt M4 x 16	
4	0861781	1	Box, Switch	
5	1705325	1	Decal - 110V	
6	3290405	2	Nut M4	
7	3311405	2	Nut 1/4	
8	4460968	1	Connector, Strain Relief	
9	4461198	1	Receptacle	
10	4711400	4	Washer 1/4	
11	4811400	4	Washer M4	
12	1001193018	1	Bracket, AC Receptacle	

# SECTION 8 - ELECTRICAL

FIGURE 8-8. AC BOX AT PLATFORM INSTALLATION - 110V IEC 60309 YELLOW WITH 4000W GENERATOR (CE SPECS) (SN 0300214027 to Present)



ART\_1001206253

## SECTION 8 - ELECTRICAL

**FIGURE 8-8. AC BOX AT PLATFORM INSTALLATION - 110V IEC 60309 YELLOW WITH 4000W GENERATOR (CE SPECS) (SN 0300214027 to Present)**

ITEM	PART NUMBER	QTY	DESCRIPTION	REV
	1001206253	Ref	AC BOX AT PLATFORM INSTALLATION - 110V IEC 60309 YELLOW WITH 4000W GENERATOR (CE SPECS) (SN <b>0300214027 to Present</b> )	A
1	0100020	AR	Sealant, Pipe	
2	0641416	2	Bolt 1/4 x 2	
3	0700408	2	Bolt M4 x 16	
4	0861781	1	Box, Switch	
5	1705325	1	Decal - 110V	
6	3290405	2	Nut M4	
7	3311405	2	Nut 1/4	
8	4461198	1	Receptacle	
9	4711400	4	Washer 1/4	
10	4811400	4	Washer M4	
11	1001101191	1	Connector, Strain Relief	
12	1001101196	1	Connector, Adapter	
13	1001193018	1	Bracket, AC Receptacle	



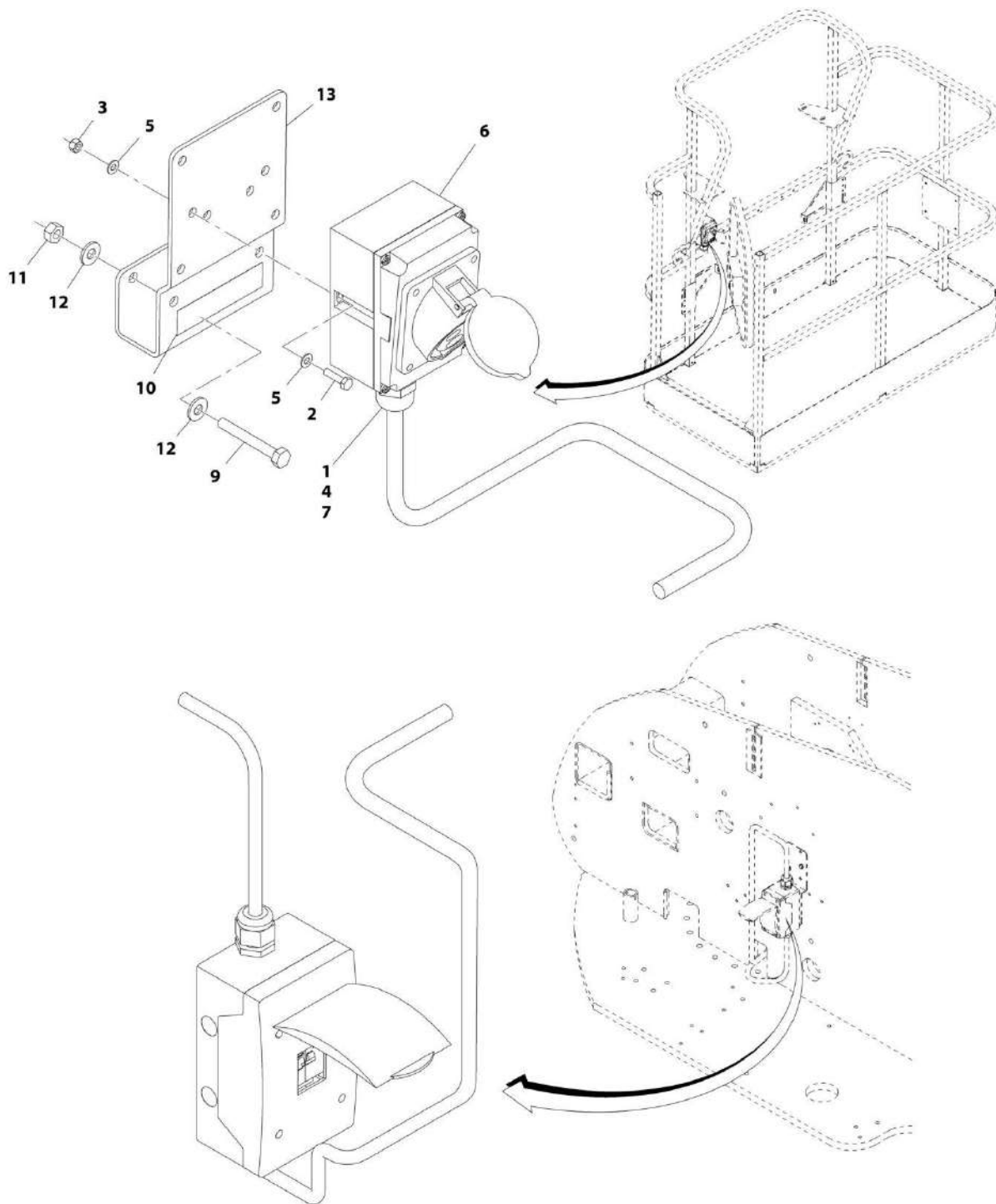
## SECTION 8 - ELECTRICAL

**FIGURE 8-9. AC BOX AT PLATFORM INSTALLATION - 220V IEC 60309 BLUE WITHOUT 2500W GENERATOR (CE SPECS)**

ITEM	PART NUMBER	QTY	DESCRIPTION	REV
	1001091970	Ref	AC BOX AT PLATFORM INSTALLATION - 220V IEC 60309 BLUE WITHOUT 2500W GENERATOR (CE SPECS)	C
1	0100020	AR	Sealant, Pipe	
2	0275217	1	Receptacle Box Kit (See RECEPTACLE BOX KIT - 220V IEC BLUE WITHOUT 2500W GENERATOR (CE SPECS) for Breakdown)	
3	0700408	2	Bolt M4 x 16	
4	3290405	2	Nut M4	
5	1001101196	1	Adapter	
6	4811400	4	Washer M4	
7	1001101191	1	Connector, Strain Relief	
8	0641416	2	Bolt 1/4 x 2	
9	3311405	2	Nut 1/4	
10	4711400	4	Washer 1/4	
11	1001193018	1	Bracket	

# SECTION 8 - ELECTRICAL

FIGURE 8-10. AC BOX AT PLATFORM INSTALLATION - 220V IEC 60309 BLUE WITH 2500W GENERATOR (CE SPECS)



ART\_1001100327

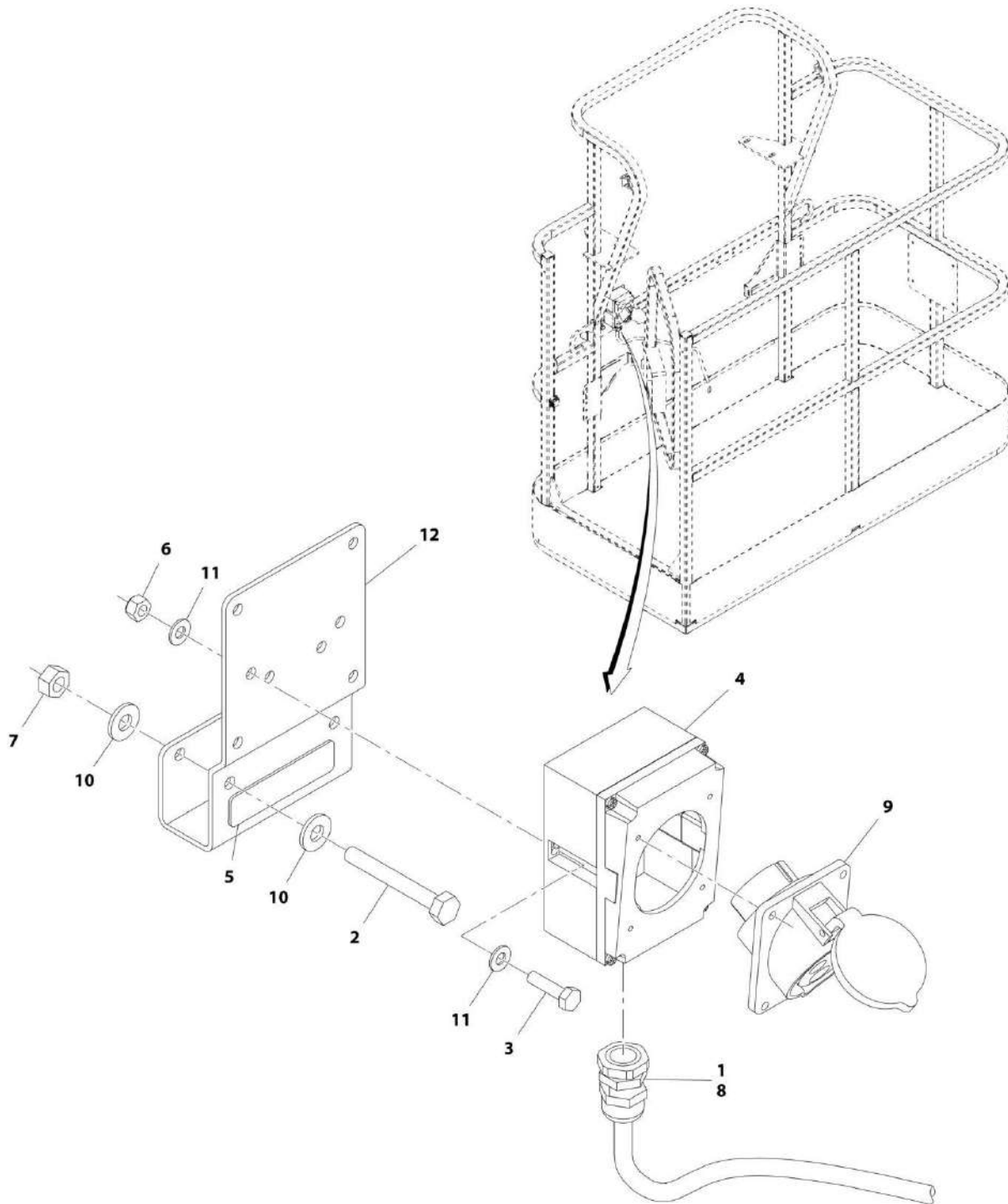
## SECTION 8 - ELECTRICAL

**FIGURE 8-10. AC BOX AT PLATFORM INSTALLATION - 220V IEC 60309 BLUE WITH 2500W GENERATOR (CE SPECS)**

ITEM	PART NUMBER	QTY	DESCRIPTION	REV
	1001100327	Ref	AC BOX AT PLATFORM INSTALLATION - 220V IEC 60309 BLUE WITH 2500W GENERATOR (CE SPECS)	D
1	0100020	AR	Sealant, Pipe	
2	0700408	2	Bolt M4 x 16	
3	3290405	2	Nut M4	
4	1001101196	1	Adapter	
5	4811400	4	Washer M4	
6	1001100342	1	Receptacle Box Kit (See RECEPTACLE BOX KIT - 220V IEC 60309 BLUE WITH 2500W GENERATOR (CE SPECS) for Breakdown)	
7	1001101191	1	Connector, Strain Relief	
8	1060908	10 ft /3.05m	Cable, Electrical 12/3 (Not Shown)	
9	0641416	2	Bolt 1/4 x 2	
10	3252507	1	Decal - 220V	
11	3311405	2	Nut 1/4	
12	4711400	4	Washer 1/4	
13	1001193018	1	Bracket	

# SECTION 8 - ELECTRICAL

FIGURE 8-11. AC BOX AT PLATFORM INSTALLATION - 220V IEC 60309 BLUE WITH 4000W GENERATOR (CE SPECS) (SN 0300201017 through 0300214026)



ART\_1001194204



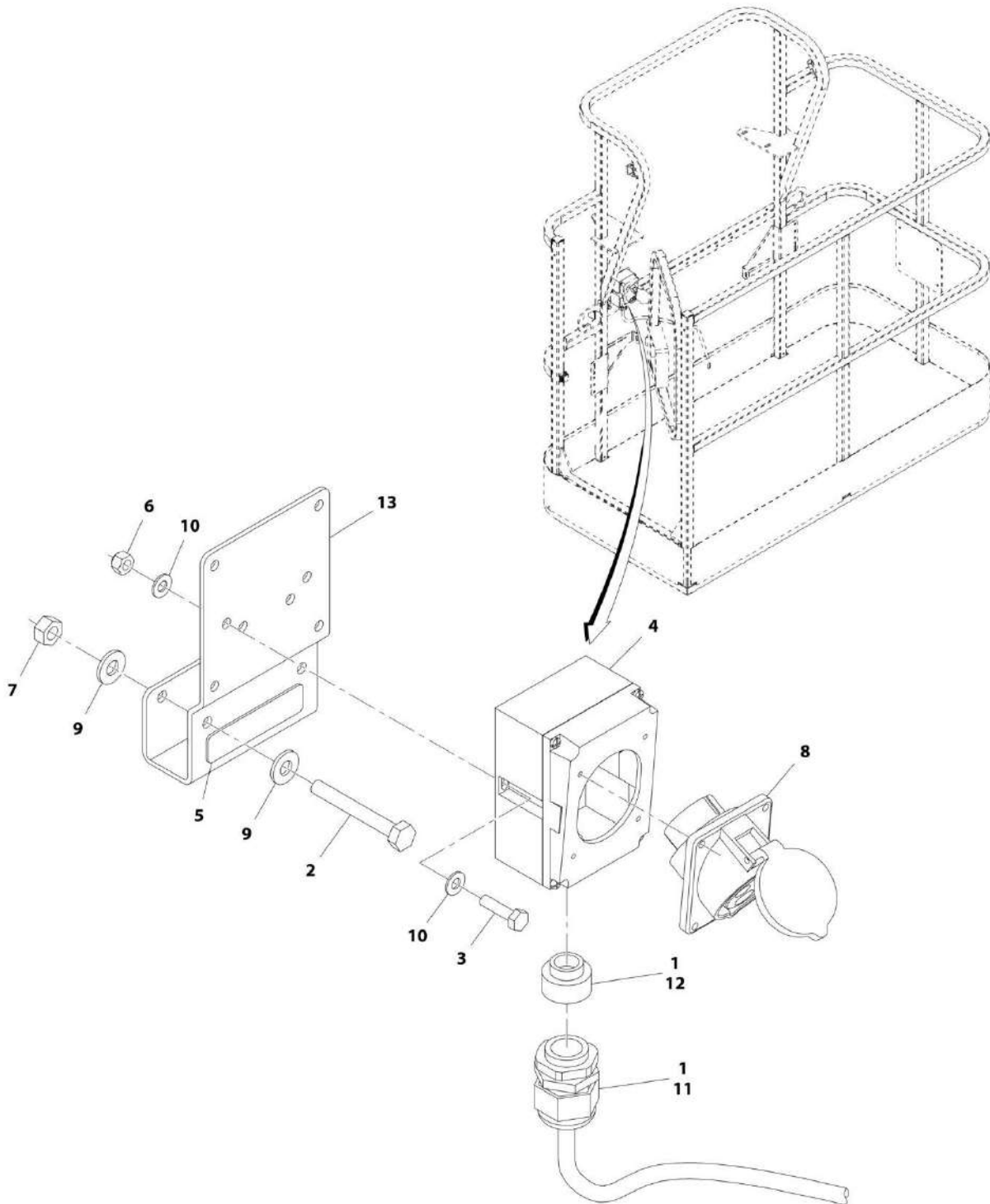
## SECTION 8 - ELECTRICAL

**FIGURE 8-11. AC BOX AT PLATFORM INSTALLATION - 220V IEC 60309 BLUE WITH 4000W GENERATOR (CE SPECS) (SN 0300201017 through 0300214026)**

ITEM	PART NUMBER	QTY	DESCRIPTION	REV
	1001194204	Ref	AC BOX AT PLATFORM INSTALLATION - 220V IEC 60309 BLUE WITH 4000W GENERATOR (CE SPECS) <b>(SN 0300201017 through 0300214026)</b>	B
1	0100020	AR	Sealant, Pipe	
2	0641416	2	Bolt 1/4 x 2	
3	0700408	2	Bolt M4 x 16	
4	0861781	1	Box, Switch	
5	3251242	1	Decal - 240V-50Hz	
6	3290405	2	Nut M4	
7	3311405	2	Nut 1/4	
8	4460968	1	Connector, Strain Relief	
9	4461201	1	Receptacle	
10	4711400	4	Washer 1/4	
11	4811400	4	Washer M4	
12	1001193018	1	Bracket, AC Receptacle	

# SECTION 8 - ELECTRICAL

FIGURE 8-12. AC BOX AT PLATFORM INSTALLATION - 220V IEC 60309 BLUE WITH 4000W GENERATOR (CE SPECS) (SN 0300214027 to Present)



ART\_1001206254

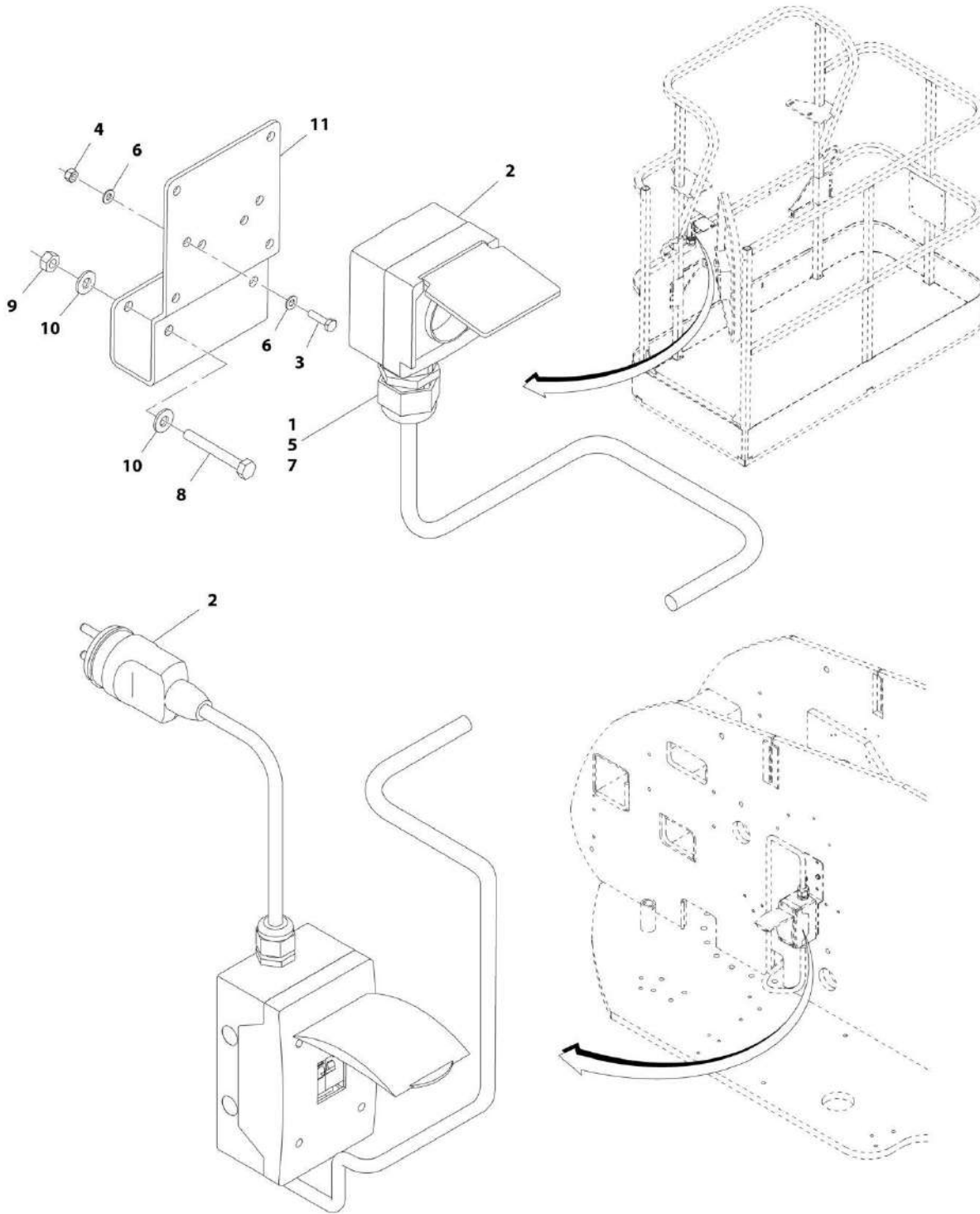
## SECTION 8 - ELECTRICAL

**FIGURE 8-12. AC BOX AT PLATFORM INSTALLATION - 220V IEC 60309 BLUE WITH 4000W GENERATOR (CE SPECS) (SN 0300214027 to Present)**

ITEM	PART NUMBER	QTY	DESCRIPTION	REV
	1001206254	Ref	AC BOX AT PLATFORM INSTALLATION - 220V IEC 60309 BLUE WITH 4000W GENERATOR (CE SPECS) <b>(SN 0300214027 to Present)</b>	A
1	0100020	AR	Sealant, Pipe	
2	0641416	2	Bolt 1/4 x 2	
3	0700408	2	Bolt M4 x 16	
4	0861781	1	Box, Switch	
5	3251242	1	Decal - 240V-50Hz	
6	3290405	2	Nut M4	
7	3311405	2	Nut 1/4	
8	4461201	1	Receptacle	
9	4711400	4	Washer 1/4	
10	4811400	4	Washer M4	
11	1001101191	1	Connector, Strain Relief	
12	1001101196	1	Connector, Adapter	
13	1001193018	1	Bracket, AC Receptacle	

## SECTION 8 - ELECTRICAL

FIGURE 8-13. AC BOX AT PLATFORM INSTALLATION - 220V CEE7 POST GROUND (70MM X 70MM BOX) WITHOUT 2500W GENERATOR (CE SPECS) (SN 0300201017 through 0300205138)



ART\_1001091971

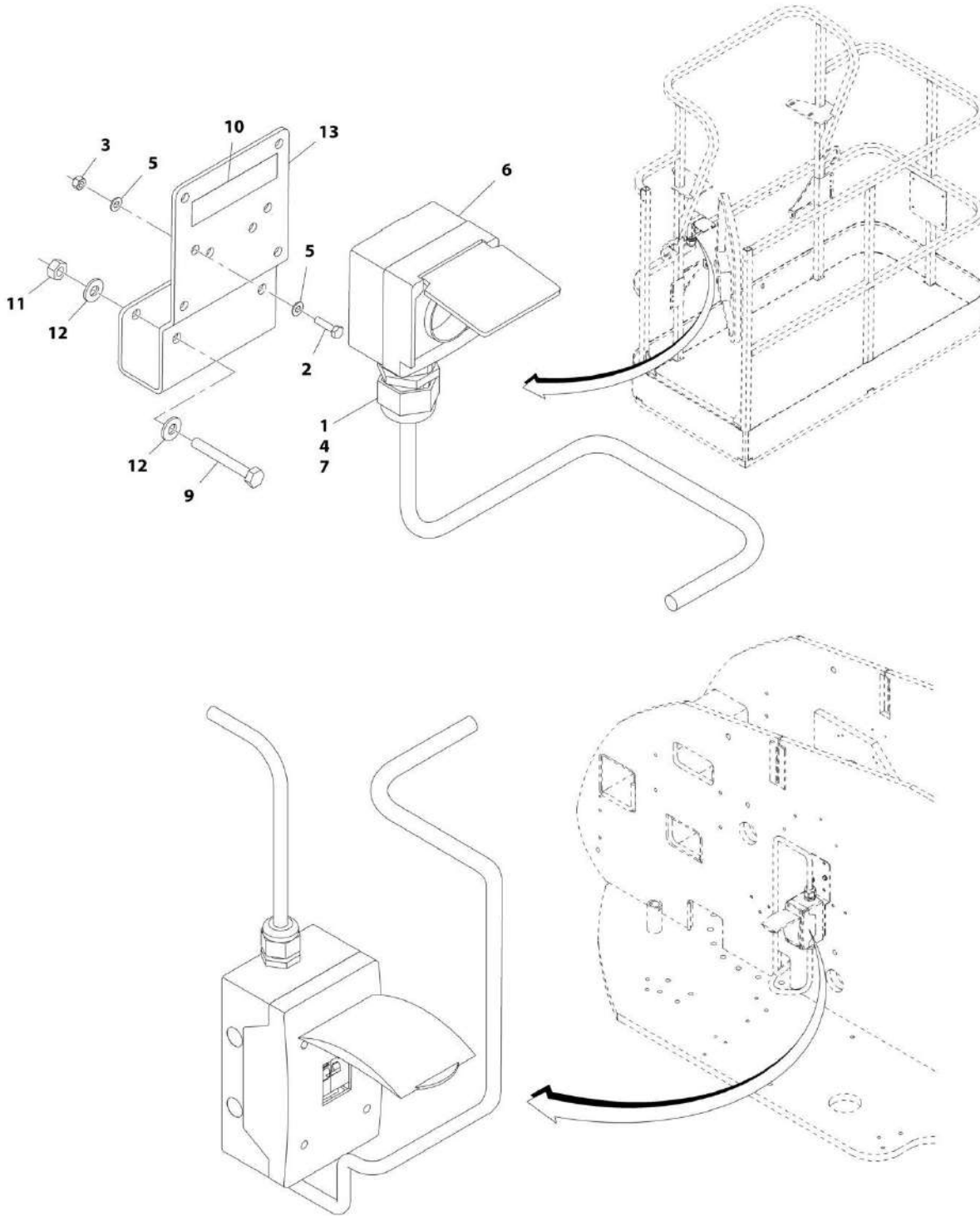
## SECTION 8 - ELECTRICAL

**FIGURE 8-13. AC BOX AT PLATFORM INSTALLATION - 220V CEE7 POST GROUND (70MM X 70MM BOX) WITHOUT 2500W GENERATOR (CE SPECS) (SN 0300201017 through 0300205138)**

ITEM	PART NUMBER	QTY	DESCRIPTION	REV
	1001091971	Ref	AC BOX AT PLATFORM INSTALLATION - 220V CEE7 POST GROUND (70MM X 70MM BOX) WITHOUT 2500W GENERATOR (CE SPECS) (SN 0300201017 through 0300205138)	C
1	0100020	AR	Sealant, Pipe	
2	0275218	1	Receptacle Box Kit (See RECEPTACLE BOX KIT - 220V CEE7 POST GROUND WITHOUT 2500W GENERATOR (70MM X 70MM BOX) (CE SPECS) for Breakdown)	
3	0700408	2	Bolt M4 x 16	
4	3290405	2	Nut M4	
5	1001101196	1	Adapter	
6	4811400	4	Washer M4	
7	1001101191	1	Connector, Strain Relief	
8	0641416	2	Bolt 1/4 x 2	
9	3311405	2	Nut 1/4	
10	4711400	4	Washer 1/4	
11	1001193018	1	Bracket	

# SECTION 8 - ELECTRICAL

**FIGURE 8-14. AC BOX AT PLATFORM INSTALLATION - 220V CEE7 POST GROUND (70MM X 70MM BOX) WITH 2500W GENERATOR (CE SPECS) (SN 0300201017 through 0300205138)**



ART\_1001100328

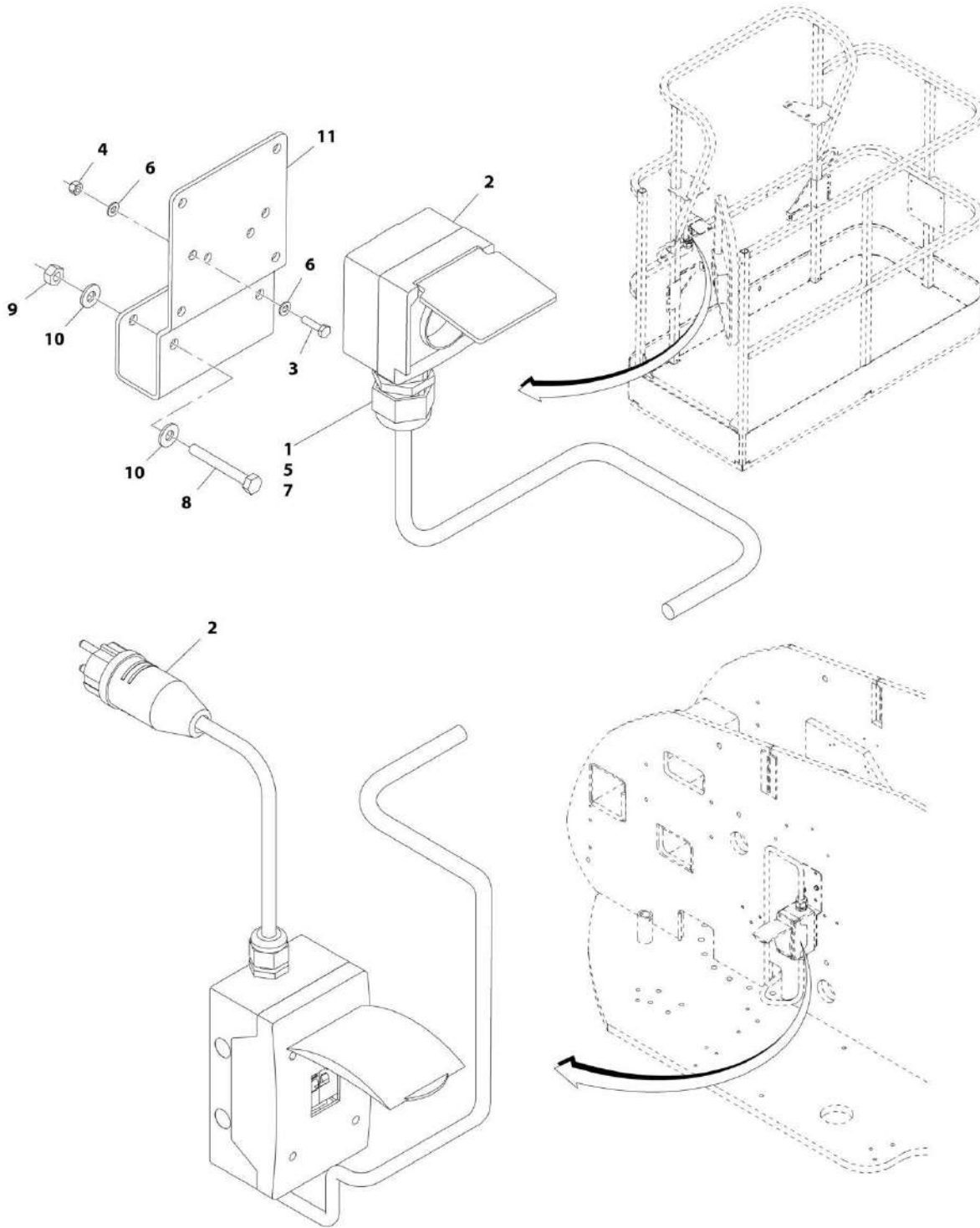
## SECTION 8 - ELECTRICAL

**FIGURE 8-14. AC BOX AT PLATFORM INSTALLATION - 220V CEE7 POST GROUND (70MM X 70MM BOX) WITH 2500W GENERATOR (CE SPECS) (SN 0300201017 through 0300205138)**

ITEM	PART NUMBER	QTY	DESCRIPTION	REV
	1001100328	Ref	AC BOX AT PLATFORM INSTALLATION - 220V CEE7 POST GROUND (70MM X 70MM BOX) WITH 2500W GENERATOR (CE SPECS) (SN 0300201017 through 0300205138)	D
1	0100020	AR	Sealant, Pipe	
2	0700408	2	Bolt M4 x 16	
3	3290405	2	Nut M4	
4	1001101196	1	Adapter	
5	4811400	4	Washer M4	
6	1001100343	1	Receptacle Box Kit (See RECEPTACLE BOX KIT - 220V CEE7 POST GROUND (70MM X 70MM BOX) WITH 2500W GENERATOR (CE SPECS) for Breakdown)	
7	1001101191	1	Connector, Strain Relief	
8	1060908	10 ft /3.05m	Cable, Electrical 12/3 (Not Shown)	
9	0641416	2	Bolt 1/4 x 2	
10	3252507	1	Decal - 220V	
11	3311405	2	Nut 1/4	
12	4711400	4	Washer 1/4	
13	1001193018	1	Bracket	

## SECTION 8 - ELECTRICAL

FIGURE 8-15. AC BOX AT PLATFORM INSTALLATION - 220V CEE7 SIDE GROUND (70MM X 70MM BOX) WITHOUT 2500W GENERATOR (CE SPECS) (SN 0300201017 through 0300205138)



ART\_1001091972



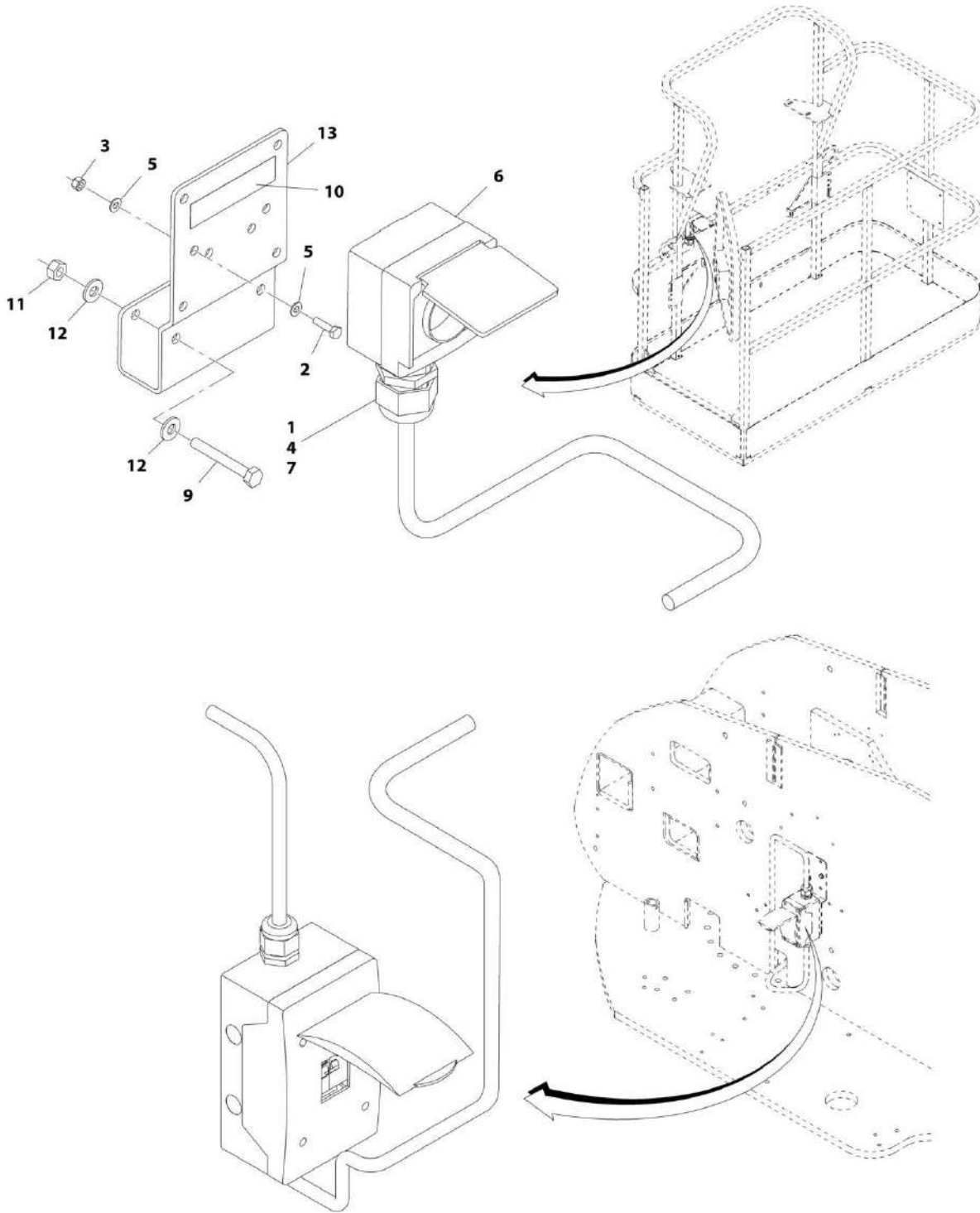
## SECTION 8 - ELECTRICAL

**FIGURE 8-15. AC BOX AT PLATFORM INSTALLATION - 220V CEE7 SIDE GROUND (70MM X 70MM BOX) WITHOUT 2500W GENERATOR (CE SPECS) (SN 0300201017 through 0300205138)**

ITEM	PART NUMBER	QTY	DESCRIPTION	REV
	1001091972	Ref	AC BOX AT PLATFORM INSTALLATION - 220V CEE7 SIDE GROUND (70MM X 70MM BOX) WITHOUT 2500W GENERATOR (CE SPECS) (SN 0300201017 through 0300205138)	C
1	0100020	AR	Sealant, Pipe	
2	0275219	1	Receptacle Box Kit (See RECEPTACLE BOX KIT - 220V CEE7 SIDE GROUND WITHOUT 2500W GENERATOR (70MM X 70MM BOX) (CE SPECS) for Breakdown)	
3	0700408	2	Bolt M4 x 16	
4	3290405	2	Nut M4	
5	1001101196	1	Adapter	
6	4811400	4	Washer M4	
7	1001101191	1	Connector, Strain Relief	
8	0641416	2	Bolt 1/4 x 2	
9	3311405	2	Nut 1/4	
10	4711400	4	Washer 1/4	
11	1001193018	1	Bracket	

# SECTION 8 - ELECTRICAL

**FIGURE 8-16. AC BOX AT PLATFORM INSTALLATION - 220V CEE7 SIDE GROUND (70MM X 70MM BOX) WITH 2500W GENERATOR (CE SPECS) (SN 0300201017 through 0300205138)**



ART\_1001100329

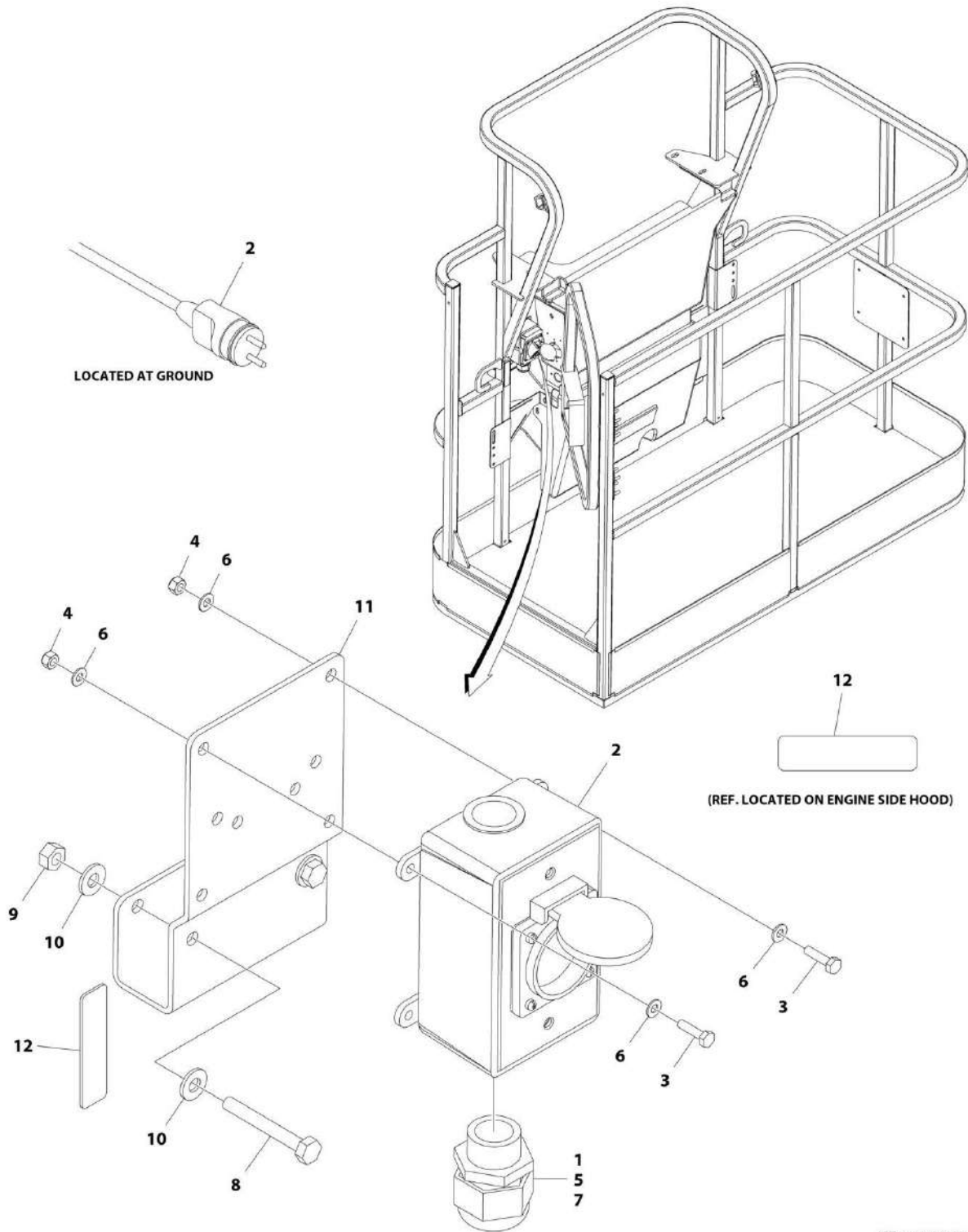
## SECTION 8 - ELECTRICAL

**FIGURE 8-16. AC BOX AT PLATFORM INSTALLATION - 220V CEE7 SIDE GROUND (70MM X 70MM BOX) WITH 2500W GENERATOR (CE SPECS) (SN 0300201017 through 0300205138)**

ITEM	PART NUMBER	QTY	DESCRIPTION	REV
	1001100329	Ref	AC BOX AT PLATFORM INSTALLATION - 220V CEE7 SIDE GROUND (70MM X 70MM BOX) WITH 2500W GENERATOR (CE SPECS) (SN 0300201017 through 0300205138)	D
1	0100020	AR	Sealant, Pipe	
2	0700408	2	Bolt M4 x 16	
3	3290405	2	Nut M4	
4	1001101196	1	Adapter	
5	4811400	4	Washer M4	
6	1001100344	1	Receptacle Box Kit (See RECEPTACLE BOX KIT - 220V CEE7 SIDE GROUND (70MM X 70MM BOX) WITH 2500W GENERATOR (CE SPECS) for Breakdown)	
7	1001101191	1	Connector, Strain Relief	
8	1060908	10 ft /3.05m	Cable, Electrical 12/3 (Not Shown)	
9	0641416	2	Bolt 1/4 x 2	
10	3252507	1	Decal - 220V	
11	3311405	2	Nut 1/4	
12	4711400	4	Washer 1/4	
13	1001193018	1	Bracket	

# SECTION 8 - ELECTRICAL

## FIGURE 8-17. AC BOX AT PLATFORM INSTALLATION - 220V CEE7 POST GROUND (2X4 BOX) WITHOUT 2500W GENERATOR (CE SPECS)



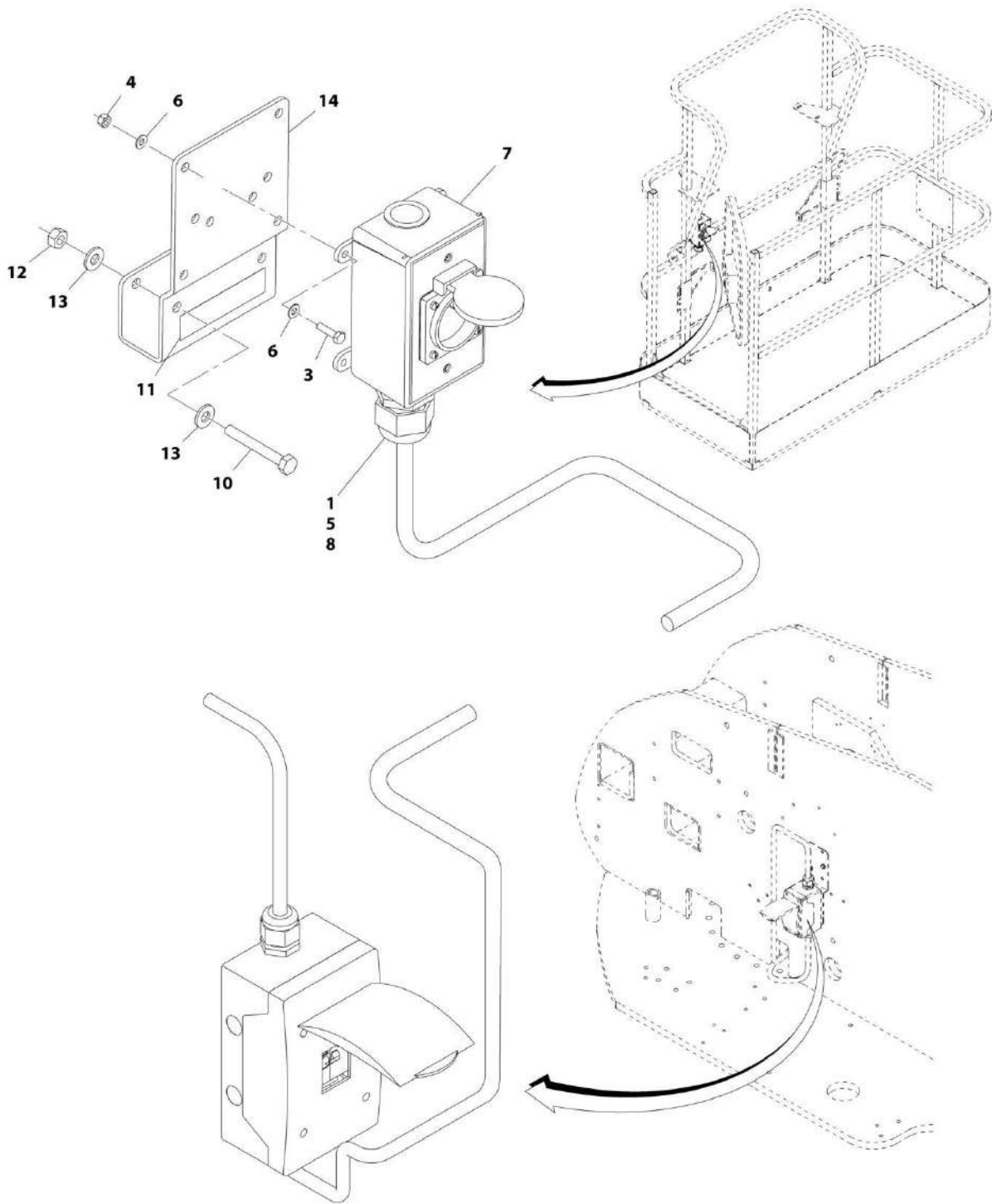
## SECTION 8 - ELECTRICAL

**FIGURE 8-17. AC BOX AT PLATFORM INSTALLATION - 220V CEE7 POST GROUND (2X4 BOX) WITHOUT 2500W GENERATOR (CE SPECS)**

ITEM	PART NUMBER	QTY	DESCRIPTION	REV
	1001091973	Ref	AC BOX AT PLATFORM INSTALLATION - 220V CEE7 POST GROUND (2X4 BOX) WITHOUT 2500W GENERATOR (CE SPECS)	F
1	0100020	AR	Sealant, Pipe	
2	0275452	1	Receptacle Box Kit (See RECEPTACLE BOX KIT - 220V CEE7 POST GROUND WITHOUT 2500W GENERATOR (2X4 BOX) (CE SPECS) for Breakdown)	
3	0700408	4	Bolt M4 x 16	
4	3290405	4	Nut M4	
5	1001101197	1	Adapter	
6	4811400	8	Washer M4	
7	1001101191	1	Connector, Strain Relief	
8	0641416	2	Bolt 1/4 x 2	
9	3311405	2	Nut 1/4	
10	4711400	4	Washer 1/4	
11	1001193018	1	Bracket	
12	3251242	2	Decal - 240V-50Hz <b>(SN 0300190146 to Present)</b>	
13	4460806	2	Terminal, Fork (Not Shown)	
14	1001205958	1	Terminal (Not Shown)	

# SECTION 8 - ELECTRICAL

FIGURE 8-18. AC BOX AT PLATFORM INSTALLATION - 220V CEE7 POST GROUND (2X4 BOX) WITH 2500W GENERATOR (CE SPECS)



ART\_1001100331

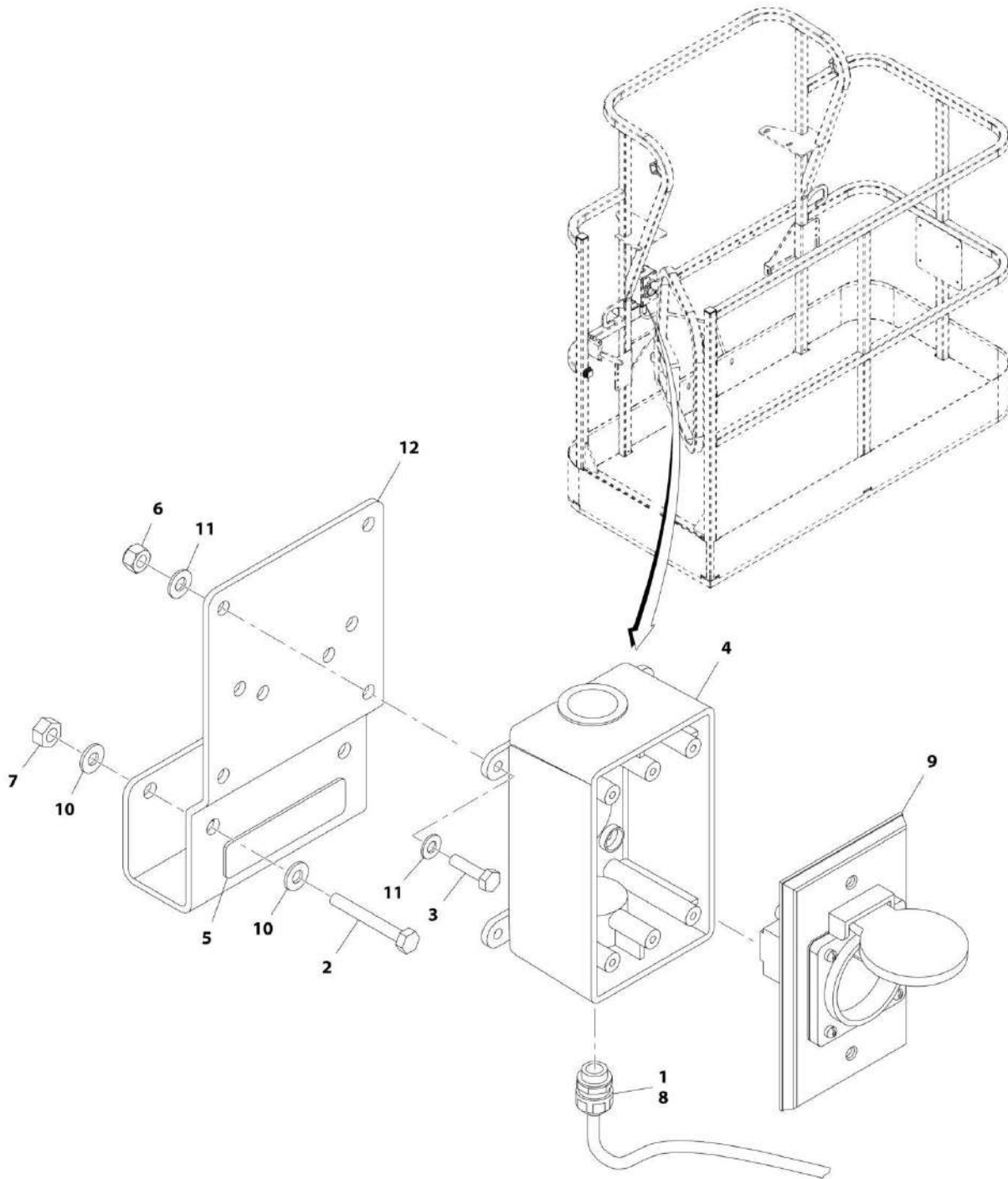
## SECTION 8 - ELECTRICAL

**FIGURE 8-18. AC BOX AT PLATFORM INSTALLATION - 220V CEE7 POST GROUND (2X4 BOX) WITH 2500W GENERATOR (CE SPECS)**

ITEM	PART NUMBER	QTY	DESCRIPTION	REV
	1001100331	Ref	AC BOX AT PLATFORM INSTALLATION - 220V CEE7 POST GROUND (2X4 BOX) WITH 2500W GENERATOR (CE SPECS)	E
1	0100020	AR	Sealant, Pipe	
3	0700408	4	Bolt M4 x 16	
4	3290405	4	Nut M4	
5	1001101197	1	Adapter	
6	4811400	8	Washer M4	
7	1001100345	1	Receptacle Box Kit (See RECEPTACLE BOX KIT - 220V CEE7 POST GROUND WITH 2500W GENERATOR (2X4 BOX) (CE SPECS) for Breakdown)	
8	1001101191	1	Connector, Strain Relief	
9	1060908	10 ft /3.05m	Cable, Electrical 12/3 (Not Shown)	
10	0641416	2	Bolt 1/4 x 2	
11	3252507	1	Decal - 220V	
12	3311405	2	Nut 1/4	
13	4711400	4	Washer 1/4	
14	1001193018	1	Bracket	
15	4460806	2	Terminal, Fork (Not Shown)	
16	1001205958	1	Terminal (Not Shown)	

## SECTION 8 - ELECTRICAL

FIGURE 8-19. AC BOX AT PLATFORM INSTALLATION - 220V CEE7 POST GROUND (2X4 BOX) WITH 4000W GENERATOR (CE SPECS) (SN 0300201017 through 0300214026)



ART\_1001194197



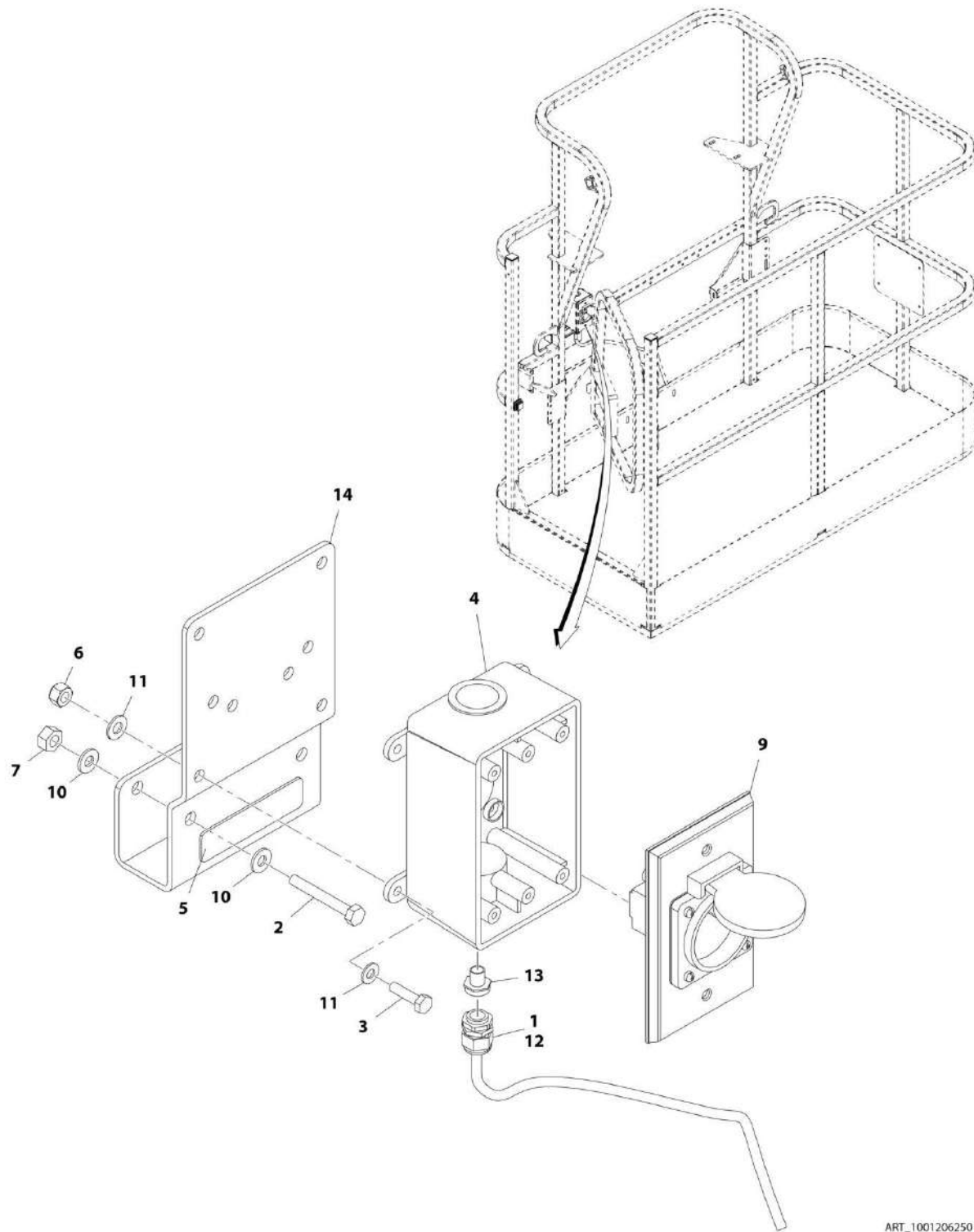
## SECTION 8 - ELECTRICAL

**FIGURE 8-19. AC BOX AT PLATFORM INSTALLATION - 220V CEE7 POST GROUND (2X4 BOX) WITH 4000W GENERATOR (CE SPECS) (SN 0300201017 through 0300214026)**

ITEM	PART NUMBER	QTY	DESCRIPTION	REV
	1001194197	Ref	AC BOX AT PLATFORM INSTALLATION - 220V CEE7 POST GROUND (2X4 BOX) WITH 4000W GENERATOR (CE SPECS) (SN 0300201017 through 0300214026)	B
1	0100020	AR	Sealant, Pipe	
2	0641416	2	Bolt 1/4 x 2	
3	0700408	4	Bolt M4 x 16	
4	0861731	1	Box, Switch	
5	3251242	1	Decal - 240V-50Hz	
6	3290405	4	Nut M4	
7	3311405	2	Nut 1/4	
8	4460662	1	Connector, Strain Relief	
9	4461244	1	Receptacle	
10	4711400	4	Washer 1/4	
11	4811400	8	Washer M4	
12	1001193018	1	Bracket, AC Receptacle	
13	4460806	2	Terminal, Fork (Not Shown)	
14	1001205958	1	Terminal (Not Shown)	

# SECTION 8 - ELECTRICAL

FIGURE 8-20. AC BOX AT PLATFORM INSTALLATION - 220V CEE7 POST GROUND (2X4 BOX) WITH 4000W GENERATOR (CE SPECS) (SN 0300214027 to Present)



ART\_1001206250

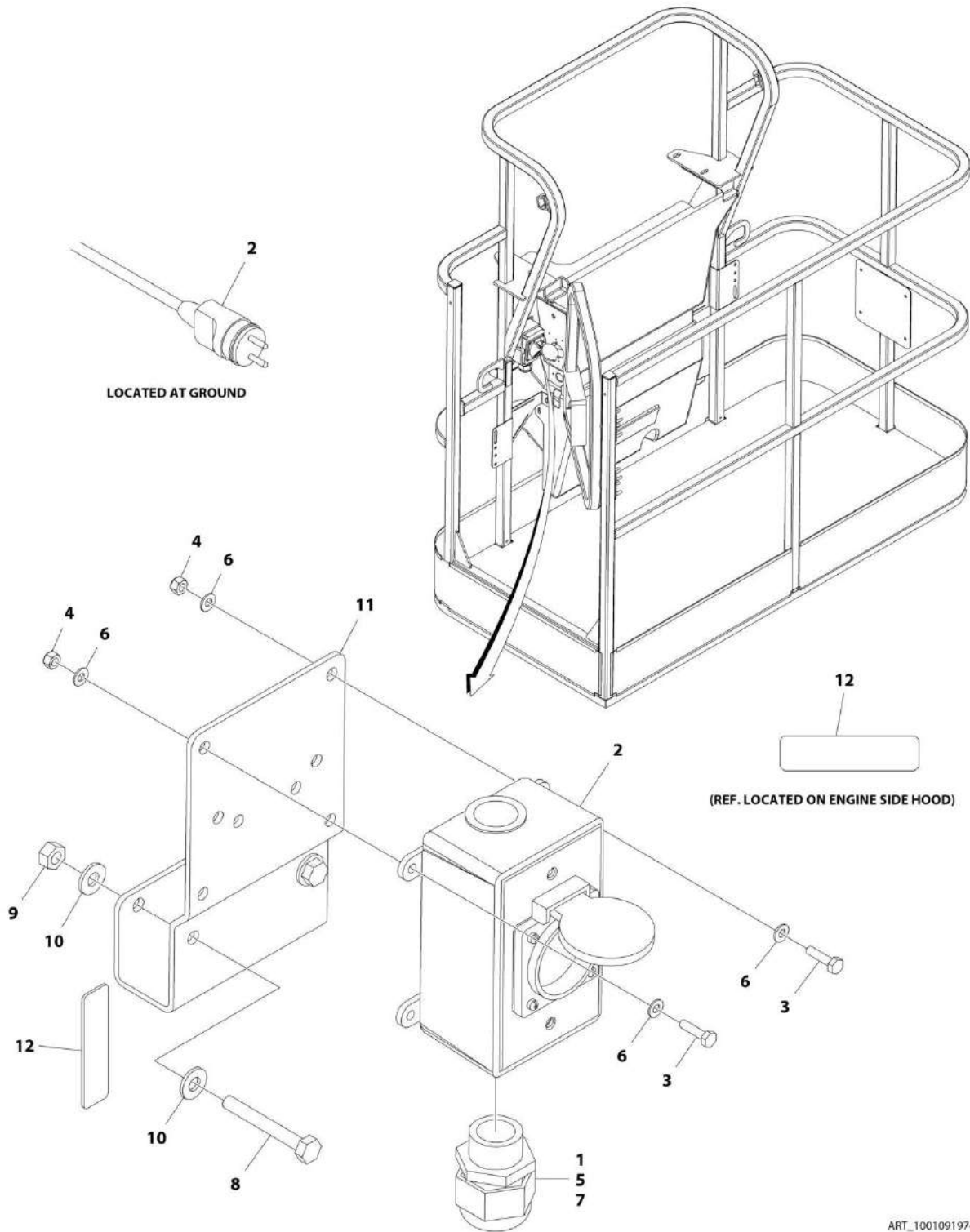
## SECTION 8 - ELECTRICAL

**FIGURE 8-20. AC BOX AT PLATFORM INSTALLATION - 220V CEE7 POST GROUND (2X4 BOX) WITH 4000W GENERATOR (CE SPECS) (SN 0300214027 to Present)**

ITEM	PART NUMBER	QTY	DESCRIPTION	REV
	1001206250	Ref	AC BOX AT PLATFORM INSTALLATION - 220V CEE7 POST GROUND (2X4 BOX) WITH 4000W GENERATOR (CE SPECS) (SN 0300214027 to Present)	A
1	0100020	AR	Sealant, Pipe	
2	0641416	2	Bolt 1/4 x 2	
3	0700408	4	Bolt M4 x 16	
4	0861731	1	Box, Switch	
5	3251242	1	Decal - 240V-50Hz	
6	3290405	4	Nut M4	
7	3311405	2	Nut 1/4	
8	4460806	2	Terminal, Fork (Not Shown)	
9	4461244	1	Receptacle	
10	4711400	4	Washer 1/4	
11	4811400	8	Washer M4	
12	1001101191	1	Connector, Strain Relief	
13	1001101197	1	Connector, Adapter	
14	1001193018	1	Bracket, AC Receptacle	
15	1001205958	1	Terminal (Not Shown)	

# SECTION 8 - ELECTRICAL

FIGURE 8-21. AC BOX AT PLATFORM INSTALLATION - 220V CEE7 SIDE GROUND (2X4 BOX) WITHOUT 2500W GENERATOR (CE SPECS)



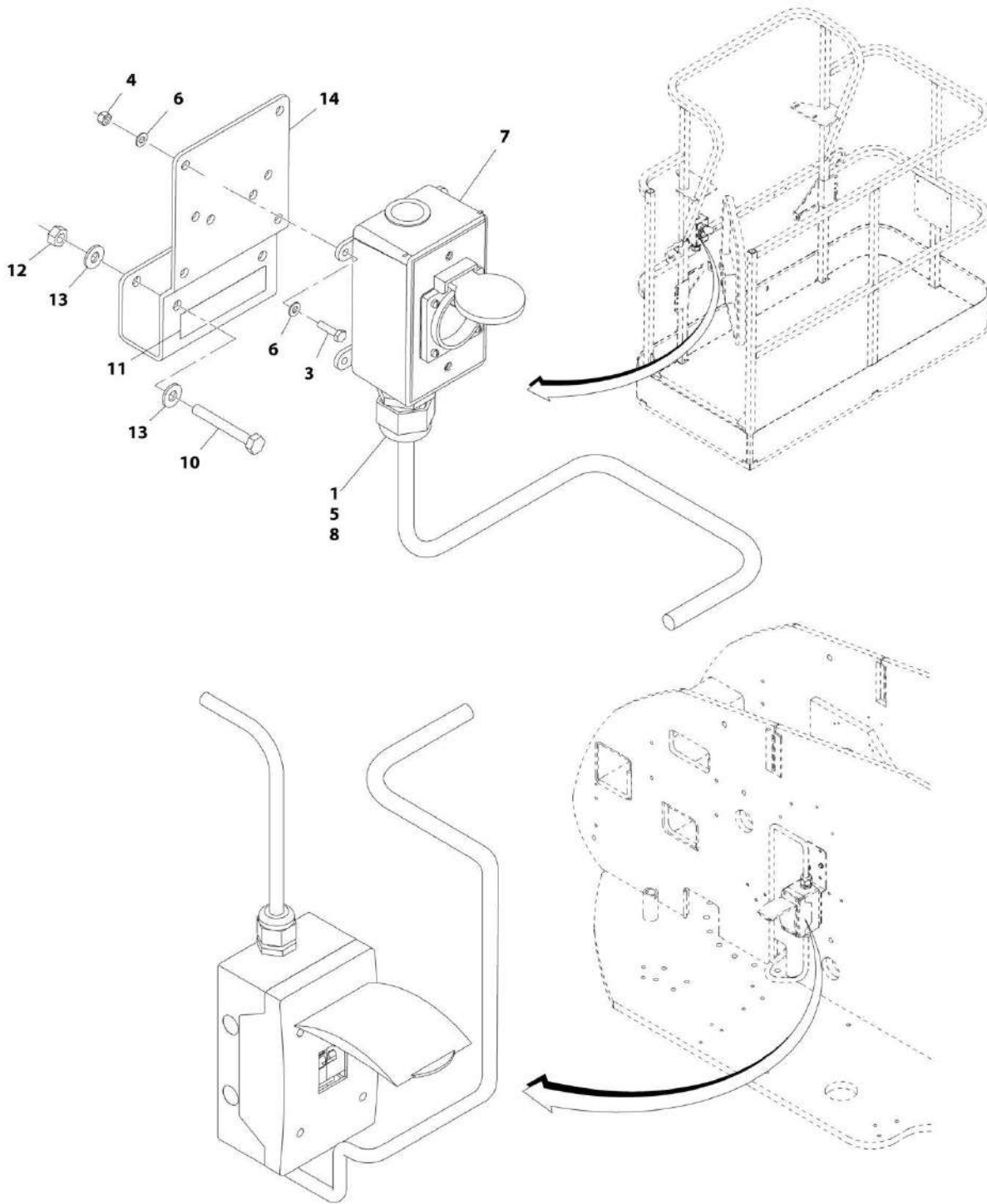
## SECTION 8 - ELECTRICAL

**FIGURE 8-21. AC BOX AT PLATFORM INSTALLATION - 220V CEE7 SIDE GROUND (2X4 BOX)  
WITHOUT 2500W GENERATOR (CE SPECS)**

ITEM	PART NUMBER	QTY	DESCRIPTION	REV
	1001091974	Ref	AC BOX AT PLATFORM INSTALLATION - 220V CEE7 SIDE GROUND (2X4 BOX) WITHOUT 2500W GENERATOR (CE SPECS)	F
1	0100020	AR	Sealant, Pipe	
2	0275453	1	Receptacle Box Kit (See RECEPTACLE BOX KIT - 220V CEE7 SIDE GROUND WITHOUT 2500W GENERATOR (2X4 BOX) (CE SPECS) for Breakdown)	
3	0700408	4	Bolt M4 x 16	
4	3290405	4	Nut M4	
5	1001101197	1	Adapter	
6	4811400	8	Washer M4	
7	1001101191	1	Connector, Strain Relief	
8	0641416	2	Bolt 1/4 x 2	
9	3311405	2	Nut 1/4	
10	4711400	4	Washer 1/4	
11	1001193018	1	Bracket	
12	3251242	2	Decal - 240V-50Hz <b>(SN 0300190146 to Present)</b>	
13	4460806	2	Terminal, Fork (Not Shown)	
14	1001205958	1	Terminal (Not Shown)	

# SECTION 8 - ELECTRICAL

FIGURE 8-22. AC BOX AT PLATFORM INSTALLATION - 220V CEE7 SIDE GROUND (2X4 BOX) WITH 2500W GENERATOR (CE SPECS)



ART\_1001100333

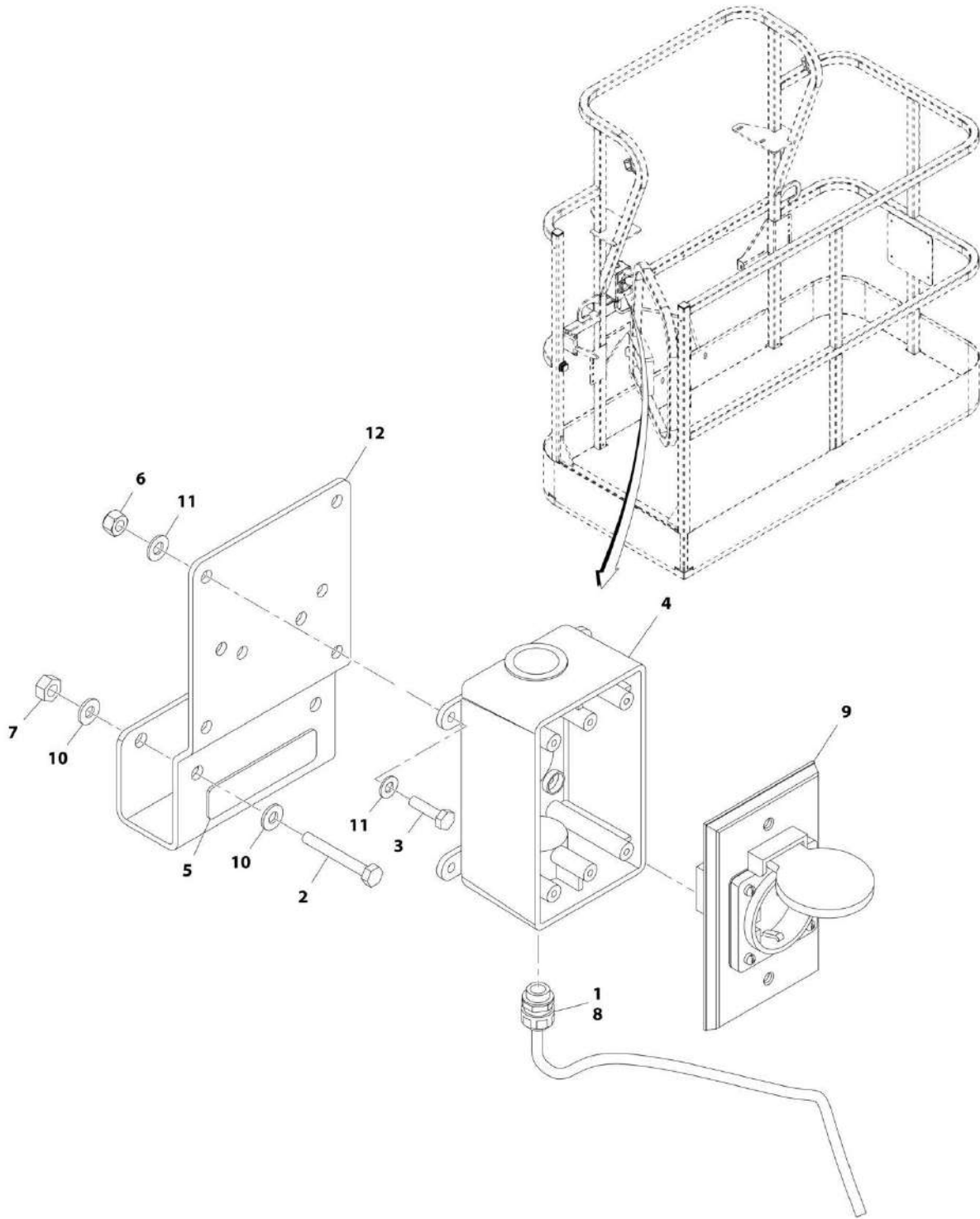
## SECTION 8 - ELECTRICAL

**FIGURE 8-22. AC BOX AT PLATFORM INSTALLATION - 220V CEE7 SIDE GROUND (2X4 BOX) WITH 2500W GENERATOR (CE SPECS)**

ITEM	PART NUMBER	QTY	DESCRIPTION	REV
	1001100333	Ref	AC BOX AT PLATFORM INSTALLATION - 220V CEE7 SIDE GROUND (2X4 BOX) WITH 2500W GENERATOR (CE SPECS)	E
1	0100020	AR	Sealant, Pipe	
3	0700408	4	Bolt M4 x 16	
4	3290405	4	Nut M4	
5	1001101197	1	Adapter	
6	4811400	8	Washer M4	
7	1001100347	1	Receptacle Box Kit (See RECEPTACLE BOX KIT - 220V CEE7 SIDE GROUND WITH 2500W GENERATOR (2X4 BOX) (CE SPECS) for Breakdown)	
8	1001101191	1	Connector, Strain Relief	
9	1060908	10 ft /3.05m	Cable, Electrical 12/3 (Not Shown)	
10	0641416	2	Bolt 1/4 x 2	
11	3252507	1	Decal - 220V	
12	3311405	2	Nut 1/4	
13	4711400	4	Washer 1/4	
14	1001193018	1	Bracket	
15	4460806	2	Terminal, Fork (Not Shown)	
16	1001205958	1	Terminal (Not Shown)	

## SECTION 8 - ELECTRICAL

FIGURE 8-23. AC BOX AT PLATFORM INSTALLATION - 220V CEE7 SIDE GROUND (2X4 BOX) WITH 4000W GENERATOR (CE SPECS) (SN 0300201017 through 0300214026)



ART\_1001194198



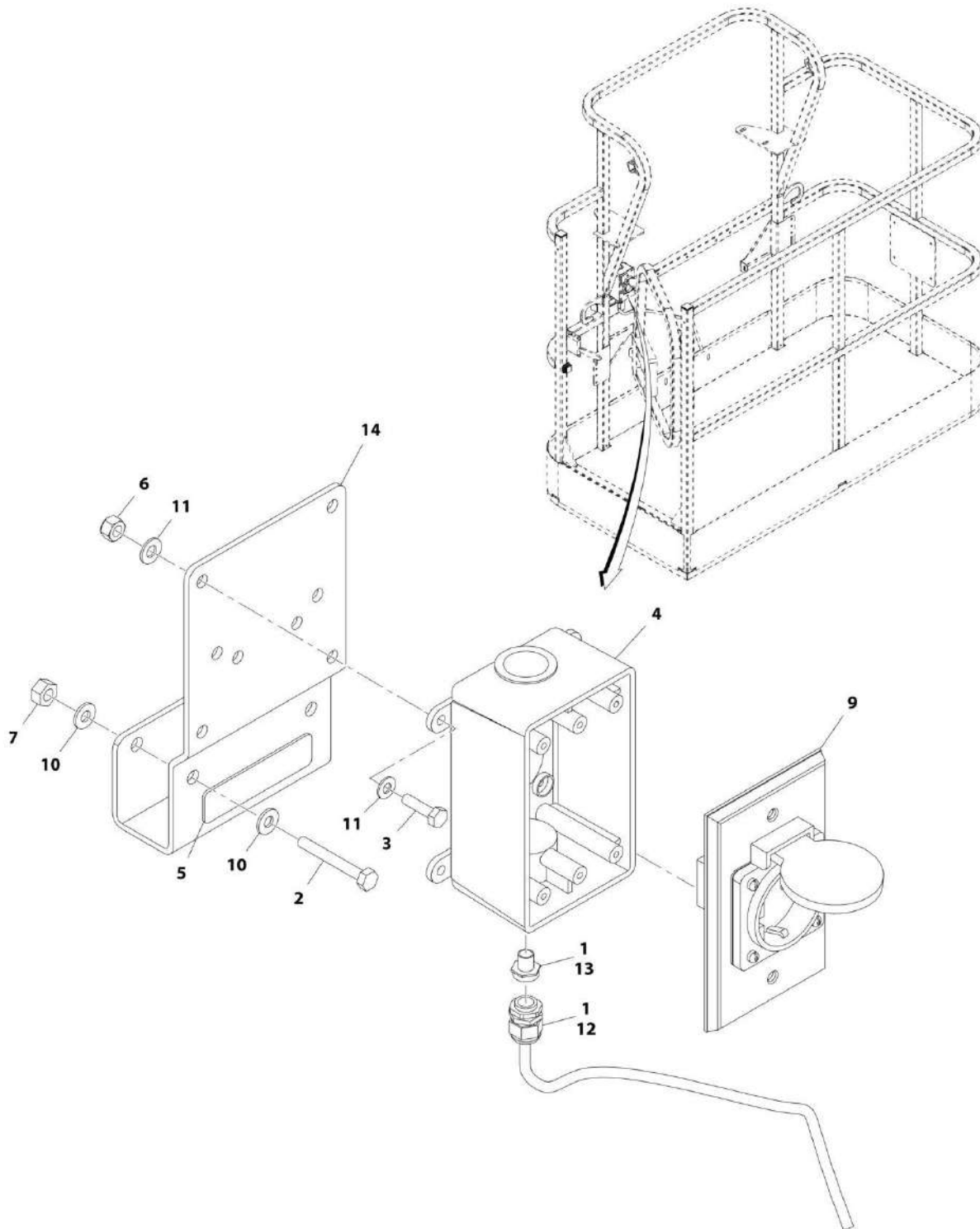
## SECTION 8 - ELECTRICAL

**FIGURE 8-23. AC BOX AT PLATFORM INSTALLATION - 220V CEE7 SIDE GROUND (2X4 BOX) WITH 4000W GENERATOR (CE SPECS) (SN 0300201017 through 0300214026)**

ITEM	PART NUMBER	QTY	DESCRIPTION	REV
	1001194198	Ref	AC BOX AT PLATFORM INSTALLATION - 220V CEE7 SIDE GROUND (2X4 BOX) WITH 4000W GENERATOR (CE SPECS) (SN 0300201017 through 0300214026)	B
1	0100020	AR	Sealant, Pipe	
2	0641416	2	Bolt 1/4 x 2	
3	0700408	4	Bolt M4 x 16	
4	0861731	1	Box, Switch	
5	3251242	1	Decal - 240V-50Hz	
6	3290405	4	Nut M4	
7	3311405	2	Nut 1/4	
8	4460662	1	Connector, Strain Relief	
9	4461245	1	Receptacle	
10	4711400	4	Washer 1/4	
11	4811400	8	Washer M4	
12	1001193018	1	Bracket, AC Receptacle	
13	4460806	2	Terminal, Fork (Not Shown)	
14	1001205958	1	Terminal (Not Shown)	

## SECTION 8 - ELECTRICAL

FIGURE 8-24. AC BOX AT PLATFORM INSTALLATION - 220V CEE7 SIDE GROUND (2X4 BOX) WITH 4000W GENERATOR (CE SPECS) (SN 0300214027 to Present)



ART\_1001206251

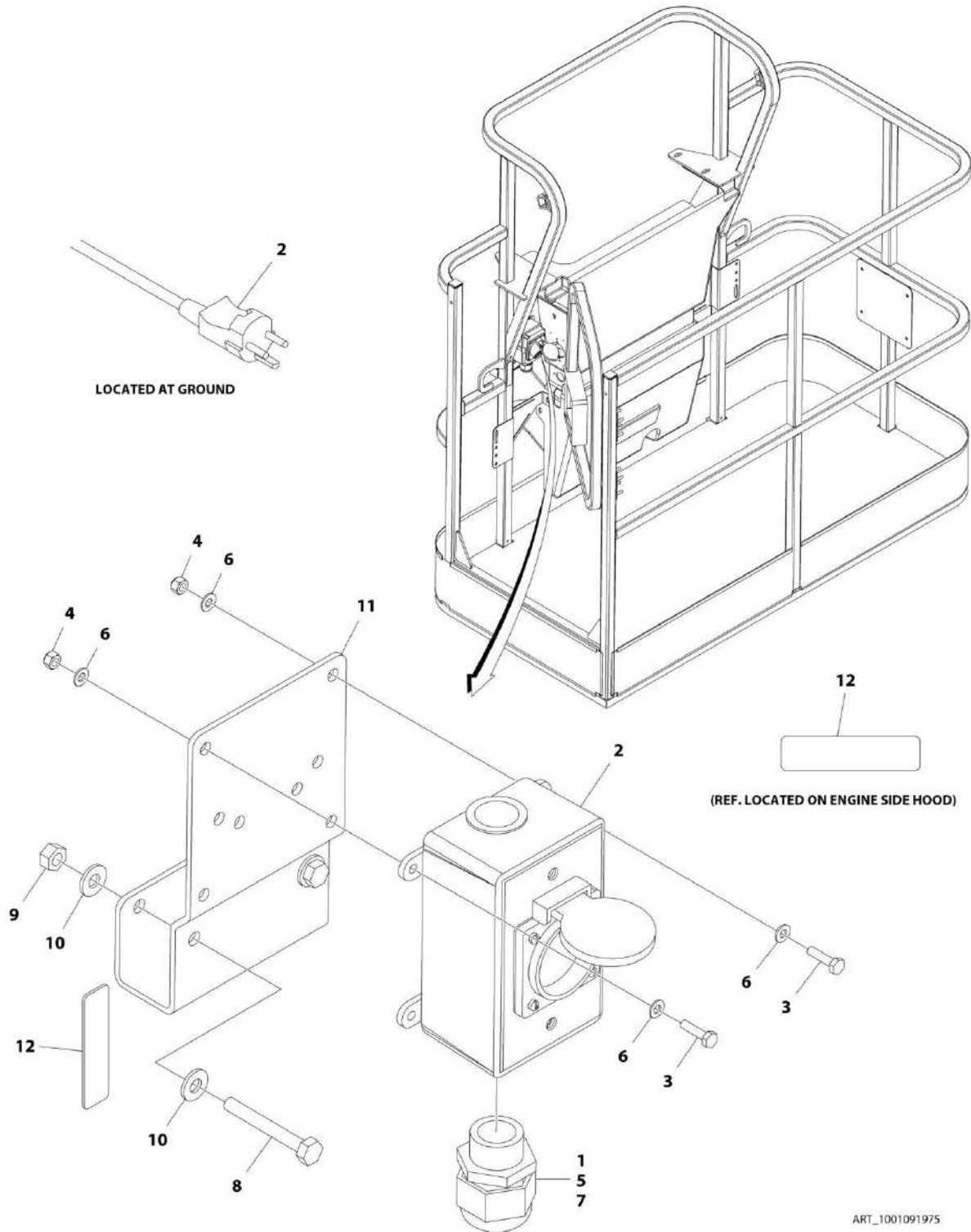
## SECTION 8 - ELECTRICAL

**FIGURE 8-24. AC BOX AT PLATFORM INSTALLATION - 220V CEE7 SIDE GROUND (2X4 BOX) WITH 4000W GENERATOR (CE SPECS) (SN 0300214027 to Present)**

ITEM	PART NUMBER	QTY	DESCRIPTION	REV
	1001206251	Ref	AC BOX AT PLATFORM INSTALLATION - 220V CEE7 SIDE GROUND (2X4 BOX) WITH 4000W GENERATOR (CE SPECS) (SN 0300214027 to Present)	A
1	0100020	AR	Sealant, Pipe	
2	0641416	2	Bolt 1/4 x 2	
3	0700408	4	Bolt M4 x 16	
4	0861731	1	Box, Switch	
5	3251242	1	Decal - 240V-50Hz	
6	3290405	4	Nut M4	
7	3311405	2	Nut 1/4	
8	4460806	2	Terminal, Fork (Not Shown)	
9	4461245	1	Receptacle	
10	4711400	4	Washer 1/4	
11	4811400	8	Washer M4	
12	1001101191	1	Connector, Strain Relief	
13	1001101197	1	Connector, Adapter	
14	1001193018	1	Bracket, AC Receptacle	
15	1001205958	1	Terminal (Not Shown)	

# SECTION 8 - ELECTRICAL

FIGURE 8-25. AC BOX AT PLATFORM INSTALLATION - 220V AFSINT 107 KEYED GROUND (2X4 BOX) WITHOUT 2500W GENERATOR (CE SPECS)



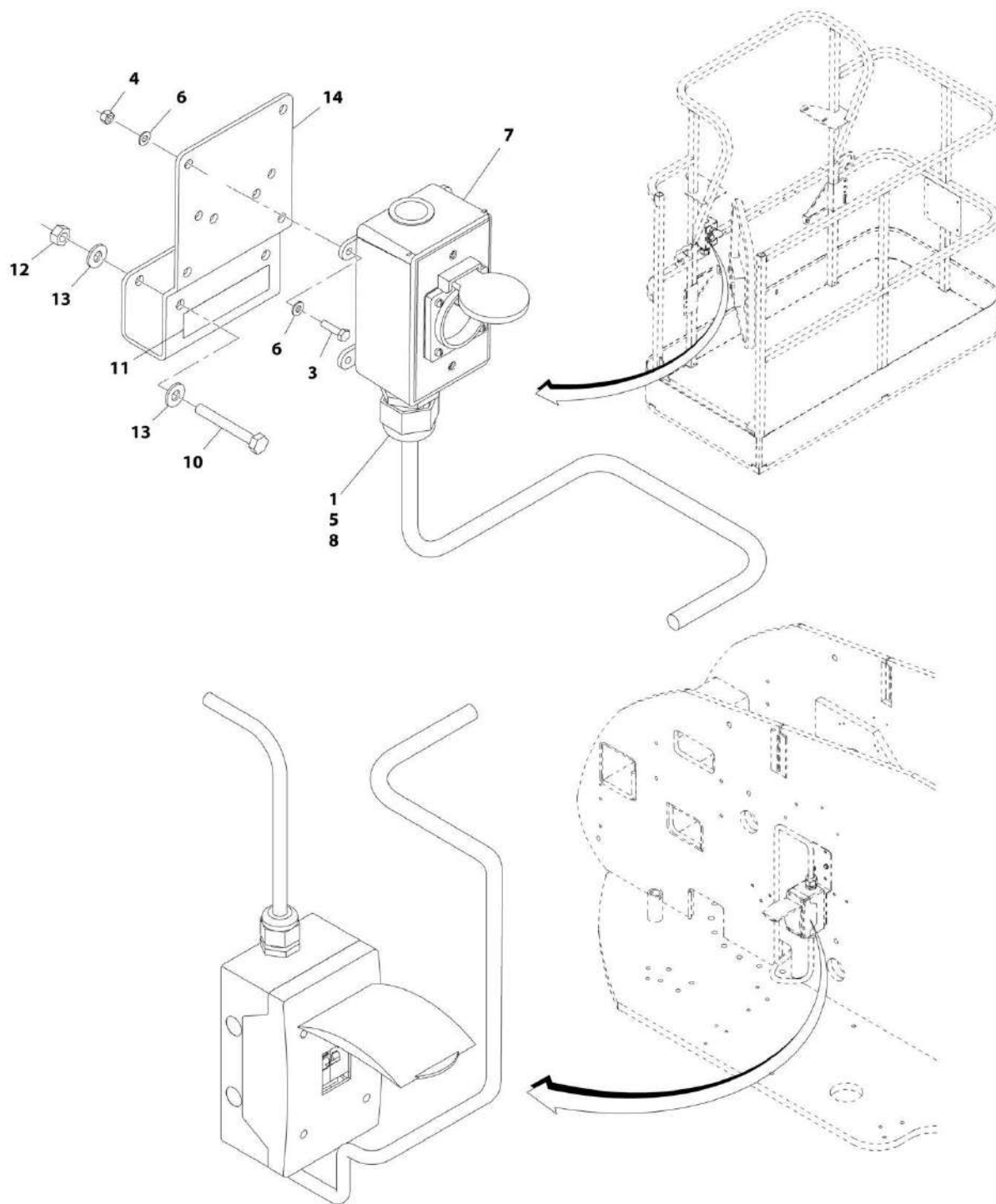
## SECTION 8 - ELECTRICAL

**FIGURE 8-25. AC BOX AT PLATFORM INSTALLATION - 220V AFSINT 107 KEYED GROUND (2X4 BOX) WITHOUT 2500W GENERATOR (CE SPECS)**

ITEM	PART NUMBER	QTY	DESCRIPTION	REV
	1001091975	Ref	AC BOX AT PLATFORM INSTALLATION - 220V AFSINT 107 KEYED GROUND (2X4 BOX) WITHOUT 2500W GENERATOR (CE SPECS)	F
1	0100020	AR	Sealant, Pipe	
2	0275454	1	Receptacle Box Kit (See RECEPTACLE BOX KIT - 220V AFSINT 107 KEYED GROUND WITHOUT 2500W GENERATOR (2X4 BOX) (CE SPECS) for Breakdown)	
3	0700408	4	Bolt M4 x 16	
4	3290405	4	Nut M4	
5	1001101197	1	Adapter	
6	4811400	8	Washer M4	
7	1001101191	1	Connector, Strain Relief	
8	0641416	2	Bolt 1/4 x 2	
9	3311405	2	Nut 1/4	
10	4711400	4	Washer 1/4	
11	1001193018	1	Bracket	
12	3251242	2	Decal - 240V-50Hz <b>(SN 0300190146 to Present)</b>	
13	1001205958	3	Terminal (Not Shown)	

# SECTION 8 - ELECTRICAL

FIGURE 8-26. AC BOX AT PLATFORM INSTALLATION - 220V AFSINT 107 KEYED GROUND (2X4 BOX) WITH 2500W GENERATOR (CE SPECS)



ART\_1001100337

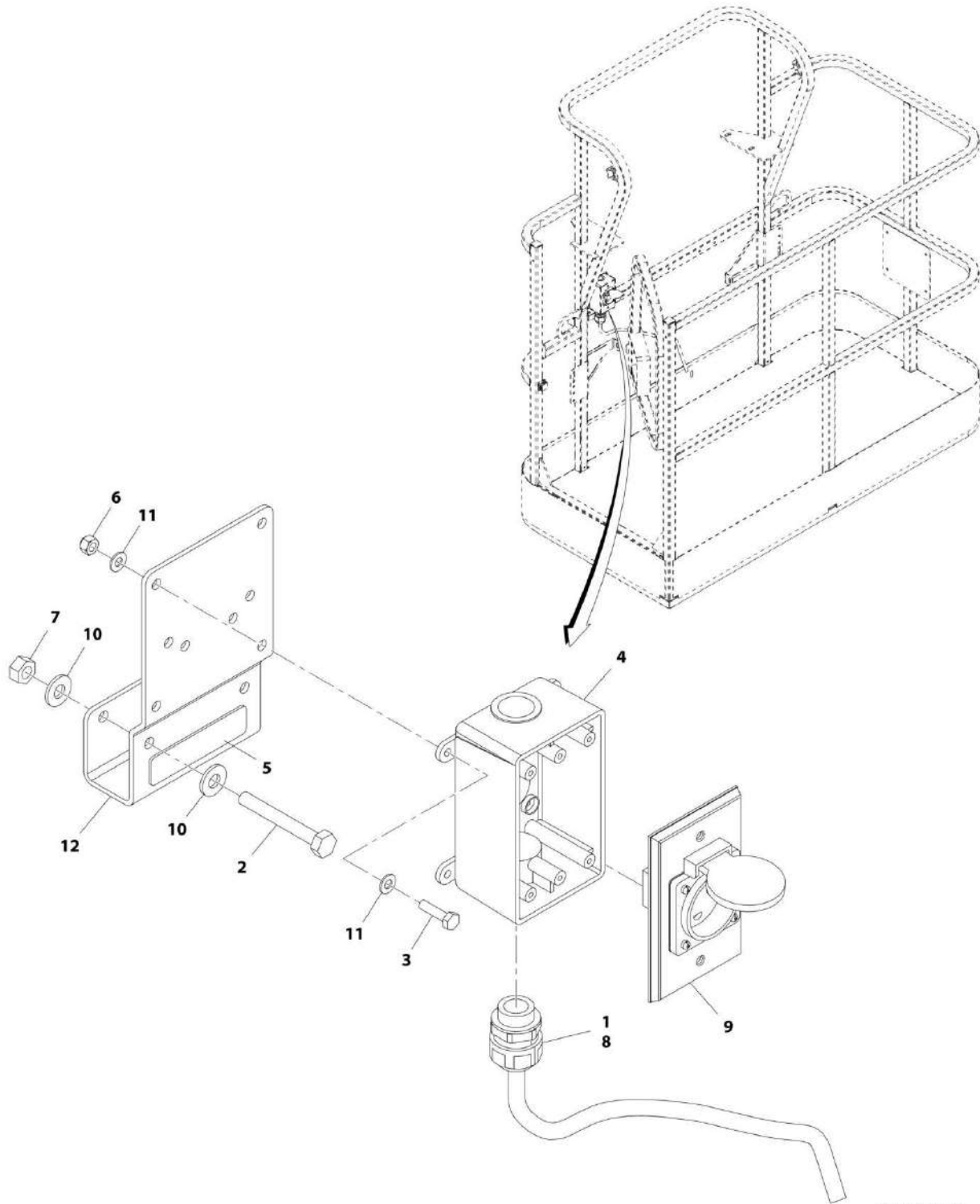
## SECTION 8 - ELECTRICAL

**FIGURE 8-26. AC BOX AT PLATFORM INSTALLATION - 220V AFSINT 107 KEYED GROUND (2X4 BOX) WITH 2500W GENERATOR (CE SPECS)**

ITEM	PART NUMBER	QTY	DESCRIPTION	REV
	1001100337	Ref	AC BOX AT PLATFORM INSTALLATION - 220V AFSINT 107 KEYED GROUND (2X4 BOX) WITH 2500W GENERATOR (CE SPECS)	E
1	0100020	AR	Sealant, Pipe	
3	0700408	4	Bolt M4 x 16	
4	3290405	4	Nut M4	
5	1001101197	1	Adapter	
6	4811400	8	Washer M4	
7	1001100346	1	Receptacle Box Kit (See RECEPTACLE BOX KIT - 220V AFSINT 107 KEYED GROUND WITH 2500W GENERATOR (2X4 BOX) (CE SPECS) for Breakdown)	
8	1001101191	1	Connector, Strain Relief	
9	1060908	10 ft /3.05m	Cable, Electrical 12/3 (Not Shown)	
10	0641416	2	Bolt 1/4 x 2	
11	3252507	1	Decal - 220V	
12	3311405	2	Nut 1/4	
13	4711400	4	Washer 1/4	
14	1001193018	1	Bracket	
15	1001205958	3	Terminal (Not Shown)	

# SECTION 8 - ELECTRICAL

**FIGURE 8-27. AC BOX AT PLATFORM INSTALLATION - 220V AFSINT 107 KEYED GROUND (2X4 BOX) WITH 4000W GENERATOR (CE SPECS) (SN 0300201017 through 0300214026)**



ART\_1001194200



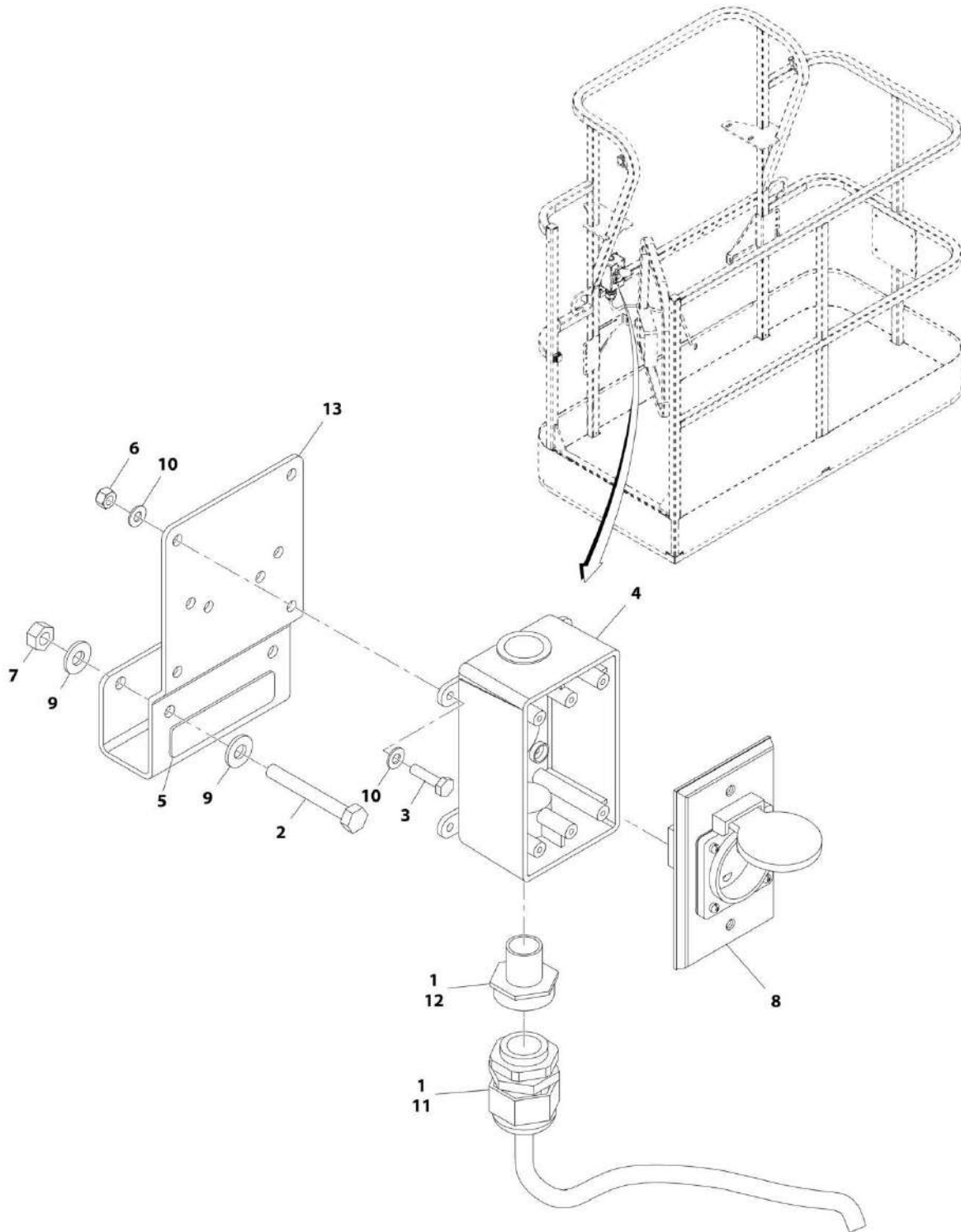
## SECTION 8 - ELECTRICAL

**FIGURE 8-27. AC BOX AT PLATFORM INSTALLATION - 220V AFSINT 107 KEYED GROUND (2X4 BOX) WITH 4000W GENERATOR (CE SPECS) (SN 0300201017 through 0300214026)**

ITEM	PART NUMBER	QTY	DESCRIPTION	REV
	1001194200	Ref	AC BOX AT PLATFORM INSTALLATION - 220V AFSINT 107 KEYED GROUND (2X4 BOX) WITH 4000W GENERATOR (CE SPECS) (SN 0300201017 through 0300214026)	B
1	0100020	AR	Sealant, Pipe	
2	0641416	2	Bolt 1/4 x 2	
3	0700408	4	Bolt M4 x 16	
4	0861731	1	Box, Switch	
5	3251242	1	Decal - 240V-50Hz	
6	3290405	4	Nut M4	
7	3311405	2	Nut 1/4	
8	4460662	1	Connector, Strain Relief	
9	4461246	1	Receptacle	
10	4711400	4	Washer 1/4	
11	4811400	8	Washer M4	
12	1001193018	1	Bracket, AC Receptacle	
13	1001205958	3	Terminal (Not Shown)	

# SECTION 8 - ELECTRICAL

**FIGURE 8-28. AC BOX AT PLATFORM INSTALLATION - 220V AFSINT 107 KEYED GROUND (2X4 BOX) WITH 4000W GENERATOR (CE SPECS) (SN 0300214027 to Present)**



ART\_1001206252

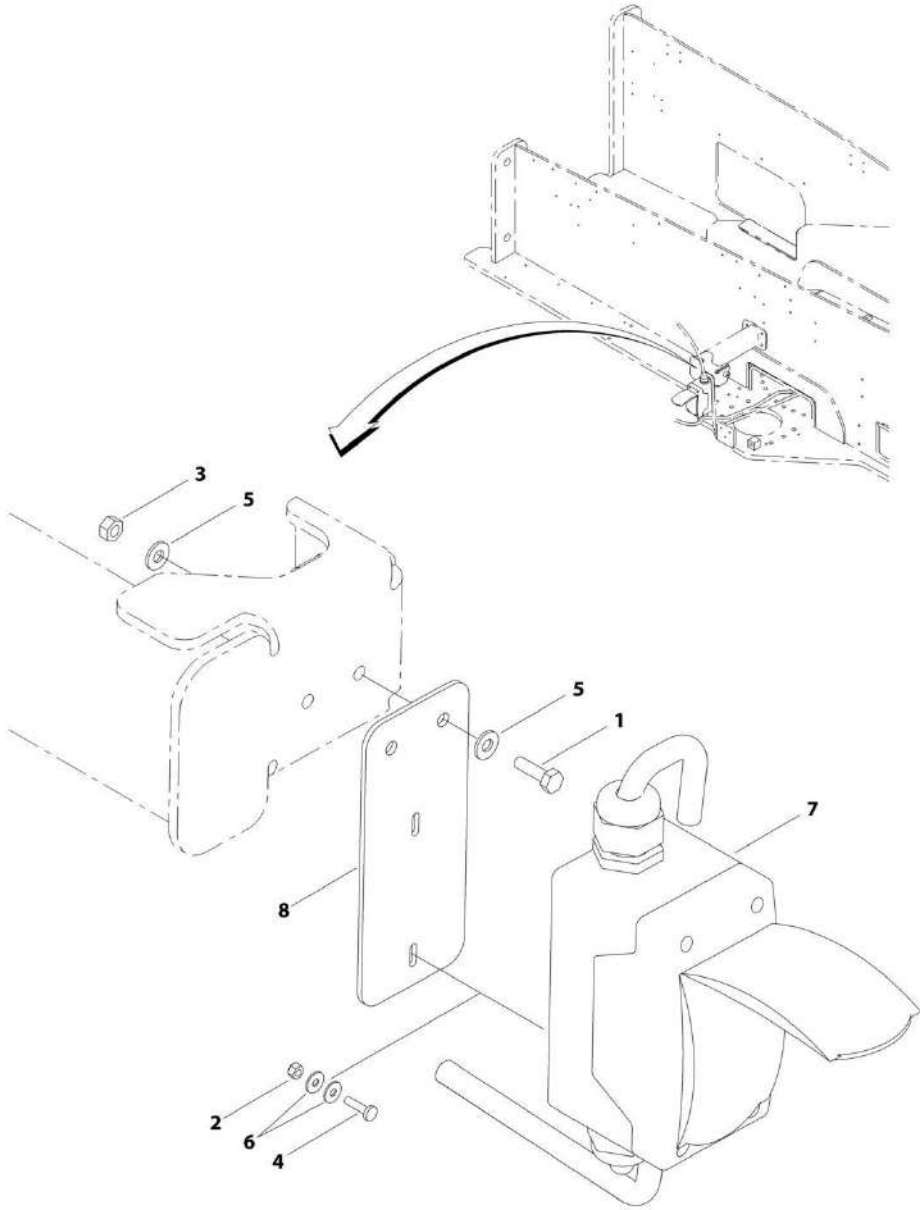
## SECTION 8 - ELECTRICAL

**FIGURE 8-28. AC BOX AT PLATFORM INSTALLATION - 220V AFSINT 107 KEYED GROUND (2X4 BOX) WITH 4000W GENERATOR (CE SPECS) (SN 0300214027 to Present)**

ITEM	PART NUMBER	QTY	DESCRIPTION	REV
	1001206252	Ref	AC BOX AT PLATFORM INSTALLATION - 220V AFSINT 107 KEYED GROUND (2X4 BOX) WITH 4000W GENERATOR (CE SPECS) (SN 0300214027 to Present)	A
1	0100020	AR	Sealant, Pipe	
2	0641416	2	Bolt 1/4 x 2	
3	0700408	4	Bolt M4 x 16	
4	0861731	1	Box, Switch	
5	3251242	1	Decal - 240V-50Hz	
6	3290405	4	Nut M4	
7	3311405	2	Nut 1/4	
8	4461246	1	Receptacle	
9	4711400	4	Washer 1/4	
10	4811400	8	Washer M4	
11	1001101191	1	Connector, Strain Relief	
12	1001101197	1	Connector, Adapter	
13	1001193018	1	Bracket, AC Receptacle	
14	1001205958	1	Terminal (Not Shown)	

**SECTION 8 - ELECTRICAL**

**FIGURE 8-29. AC CIRCUIT BREAKER INSTALLATION**



ART\_100118786

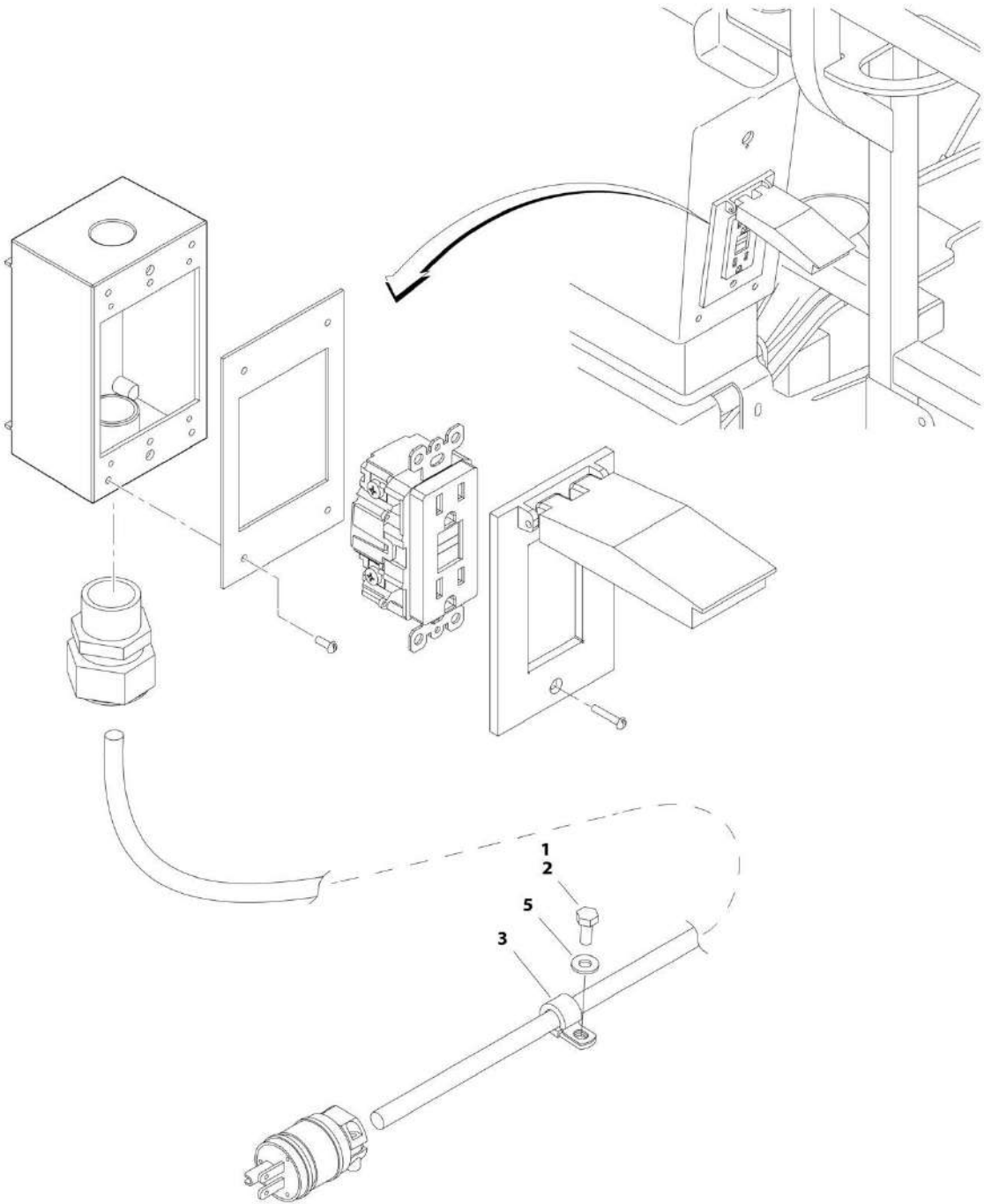
## SECTION 8 - ELECTRICAL

### FIGURE 8-29. AC CIRCUIT BREAKER INSTALLATION

ITEM	PART NUMBER	QTY	DESCRIPTION	REV
	1001187786	Ref	AC CIRCUIT BREAKER INSTALLATION	A
1	0641407	2	Bolt 1/4 x 7/8	
2	3290405	2	Nut M4	
3	3311405	2	Nut 1/4	
4	4010408	2	Screw M4 x 16	
5	4711400	4	Washer 1/4	
6	1001091102	4	Washer M4	
7	1001096070	1	Breaker Box Kit (See BREAKER BOX KIT – 30mA/16 Amp for Breakdown)	
8	1001096172	1	Bracket	

**SECTION 8 - ELECTRICAL**

**FIGURE 8-30. AC LEAD INSTALLATION (CE SPECS)**



ART\_0273461

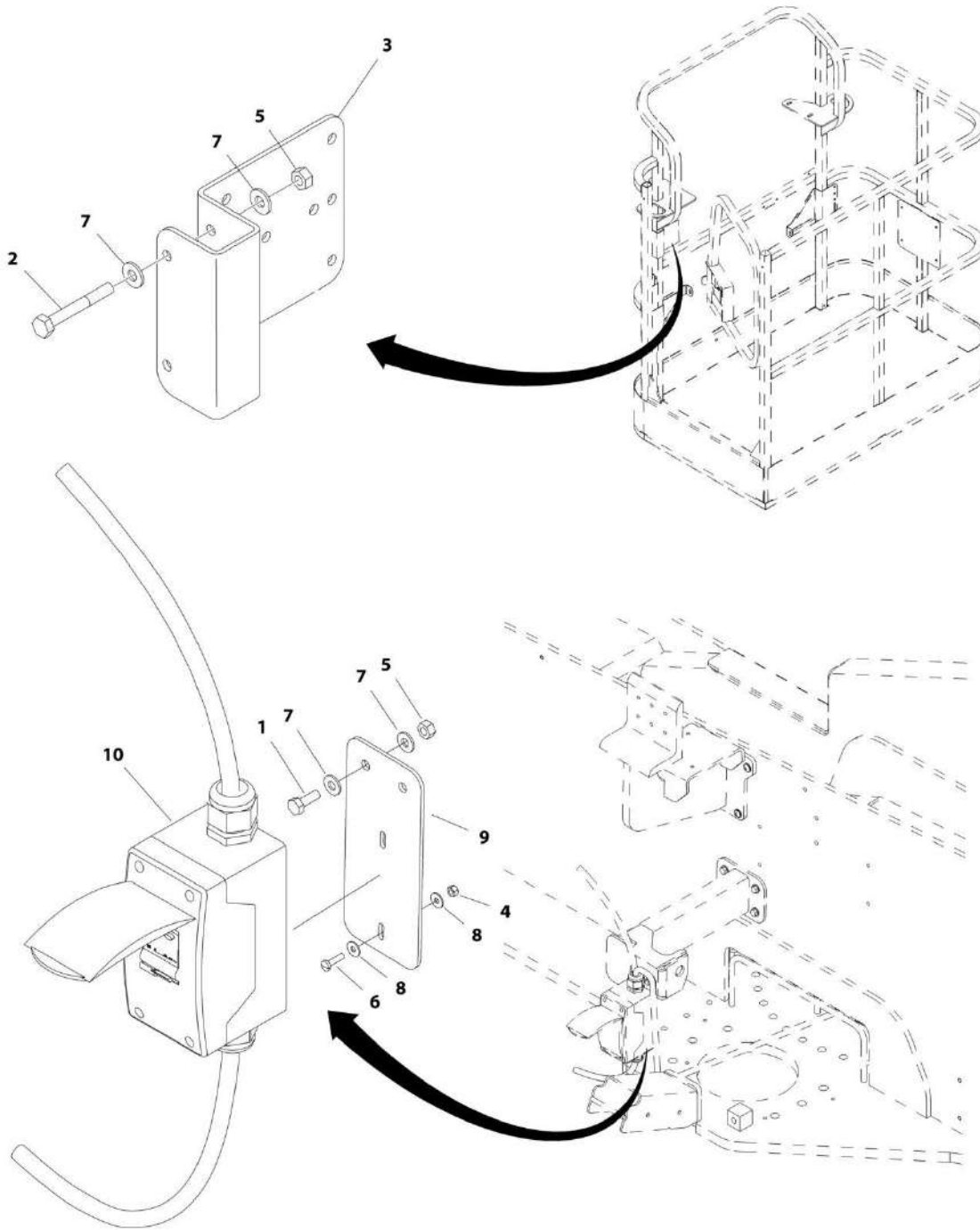
## SECTION 8 - ELECTRICAL

### FIGURE 8-30. AC LEAD INSTALLATION (CE SPECS)

ITEM	PART NUMBER	QTY	DESCRIPTION	REV
	0273461	Ref	AC LEAD INSTALLATION (CE SPECS)	B
1	0100011	AR	Compound, Locking	
2	0641405	1	Bolt 1/4 x 5/8	
3	1320041	1	Clamp	
5	4711400	1	Washer 1/4	

# SECTION 8 - ELECTRICAL

## FIGURE 8-31. AC 10 AMP BREAKER BOX INSTALLATION (CE SPECS)



ART\_1001109557



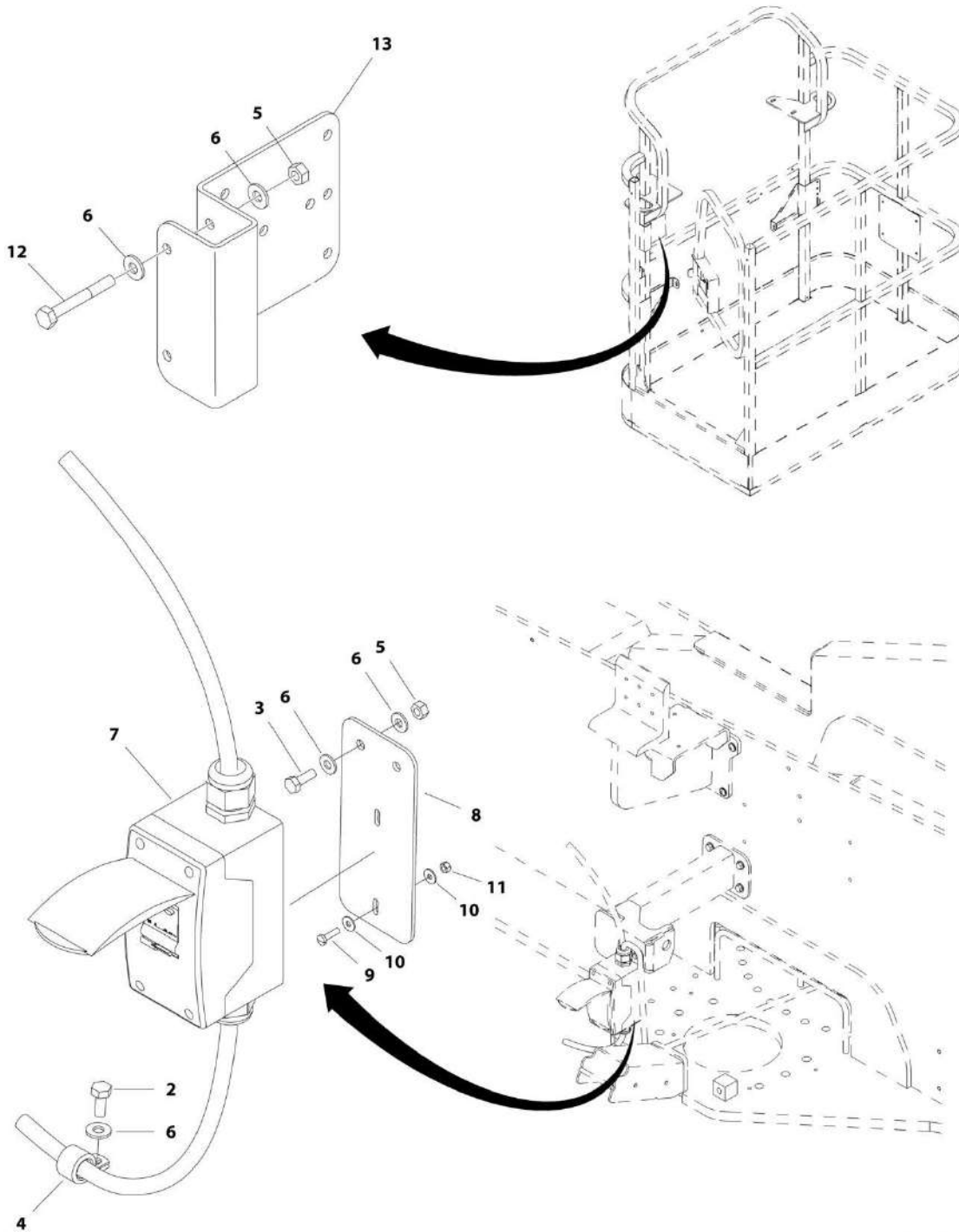
## SECTION 8 - ELECTRICAL

**FIGURE 8-31. AC 10 AMP BREAKER BOX INSTALLATION (CE SPECS)**

ITEM	PART NUMBER	QTY	DESCRIPTION	REV
	1001109557	Ref	AC 10 AMP BREAKER BOX INSTALLATION (CE SPECS)	B
1	0641406	2	Bolt 1/4 x 3/4	
2	0641416	2	Bolt 1/4 x 2 <b>(SN 0300201017 through 0300234778)</b>	
3	0903484	1	Bracket <b>(SN 0300201017 through 0300234778)</b>	
4	3290405	2	Nut M4	
5	0641405	AR	Bolt 1/4 x 5/8	
6	4010408	2	Screw M4 x 16	
7	4711400	AR	Washer 1/4	
8	1001091102	4	Washer M4	
9	1001096172	1	Bracket	
10	1001109648	1	Breaker Box Kit - 10 Amp (See BREAKER BOX KIT - 10 AMP for Breakdown)	

# SECTION 8 - ELECTRICAL

## FIGURE 8-32. AC 16 AMP BREAKER BOX INSTALLATION (CE SPECS)



ART\_1001096163

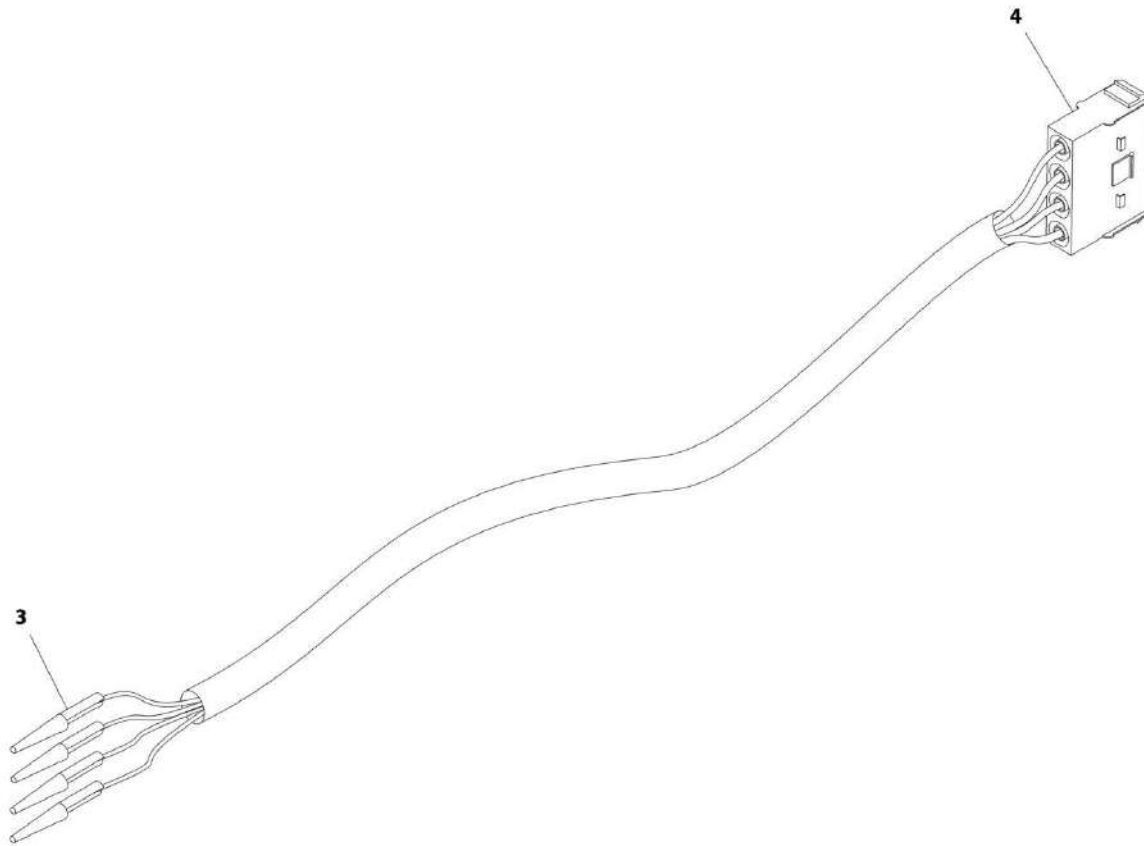
## SECTION 8 - ELECTRICAL

**FIGURE 8-32. AC 16 AMP BREAKER BOX INSTALLATION (CE SPECS)**

ITEM	PART NUMBER	QTY	DESCRIPTION	REV
	1001096163	Ref	AC 16 AMP BREAKER BOX INSTALLATION (CE SPECS)	D
1	0100011	AR	Compound, Locking	
2	0641405	1	Bolt 1/4 x 5/8	
3	0641406	2	Bolt 1/4 x 3/4	
4	1320041	1	Clamp	
5	3311405	AR	Nut 1/4	
6	4711400	AR	Washer 1/4	
7	1001109654	1	Breaker Box Kit - 16 Amp (See BREAKER BOX KIT - 16 AMP for Breakdown)	
8	1001096172	1	Bracket	
9	4010408	2	Screw M4 x 16	
10	1001091102	4	Washer M4	
11	3290405	2	Nut M4	
12	0641416	2	Bolt 1/4 x 2 (SN 0300201017 through 0300234778)	
13	0903484	1	Bracket (SN 0300201017 through 0300234778)	

# SECTION 8 - ELECTRICAL

## FIGURE 8-33. ANALYZER CALBE HARNESS



ART\_4922666

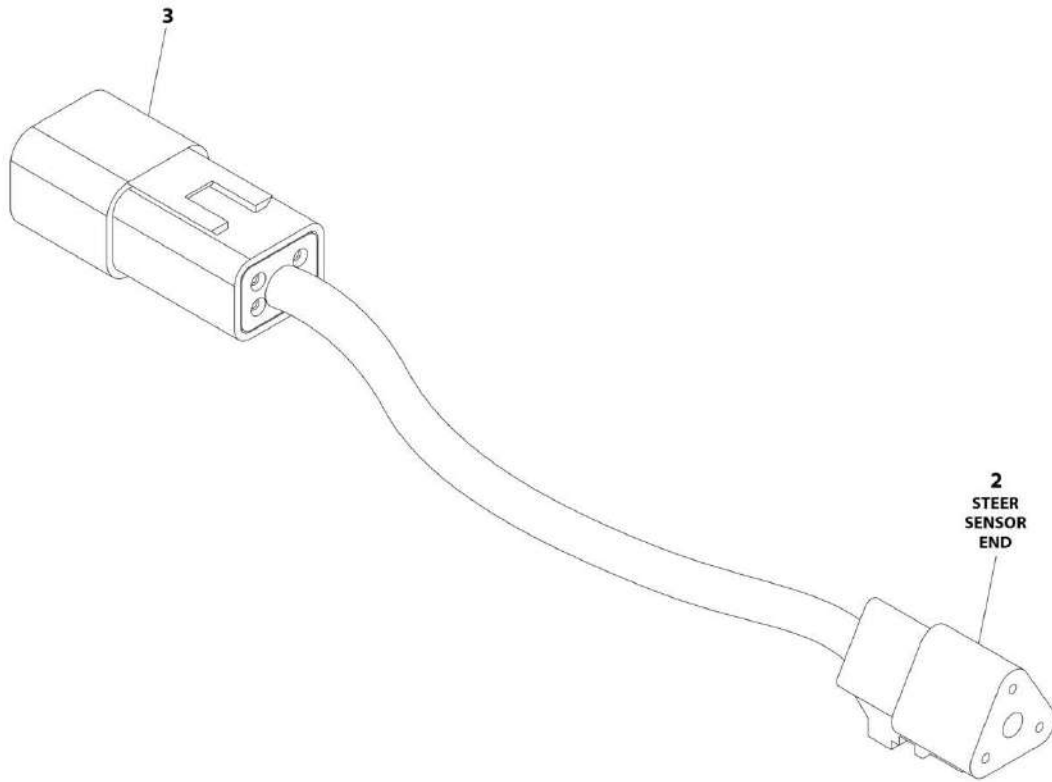
## SECTION 8 - ELECTRICAL

### FIGURE 8-33. ANALYZER CALBE HARNESS

ITEM	PART NUMBER	QTY	DESCRIPTION	REV
	4922666	Ref	ANALYZER CALBE HARNESS	C
3	4460226	4	Socket, Female	
4	4460761	1	Connector - 4 Position	
4	4460227	4	Pin, Male	

## SECTION 8 - ELECTRICAL

FIGURE 8-34. AXLE POWER TRACK HARNESS ASSEMBLY



ART\_4922718

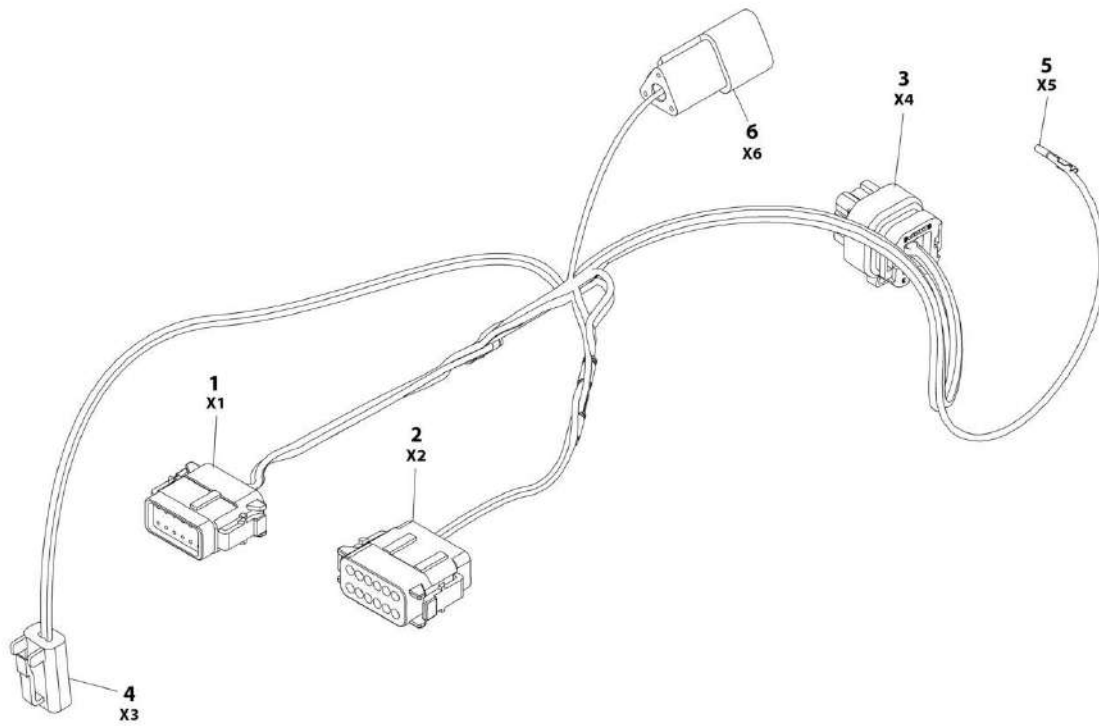
## SECTION 8 - ELECTRICAL

### FIGURE 8-34. AXLE POWER TRACK HARNESS ASSEMBLY

ITEM	PART NUMBER	QTY	DESCRIPTION	REV
	4922718	Ref	AXLE POWER TRACK HARNESS ASSEMBLY	D
2	4460539	1	Connector - 3 Position	
2	4460944	3	Socket, Female	
3	4460932	1	Connector - 4 Position	
3	4460943	4	Pin, Male	

# SECTION 8 - ELECTRICAL

## FIGURE 8-35. BEACON CONTROL HARNESS (BLUE BEACON LIGHT ONLY)



ART\_1001150944



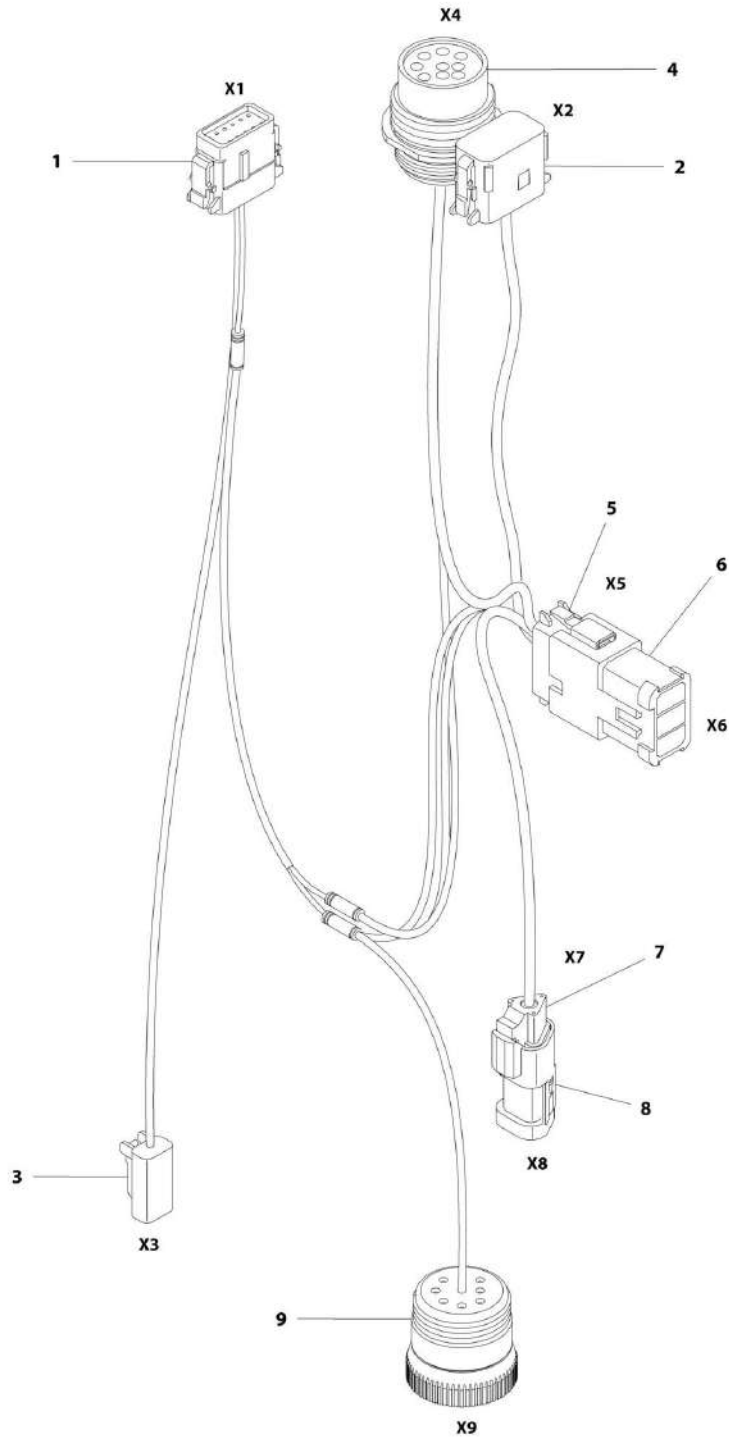
## SECTION 8 - ELECTRICAL

**FIGURE 8-35. BEACON CONTROL HARNESS (BLUE BEACON LIGHT ONLY)**

ITEM	PART NUMBER	QTY	DESCRIPTION	REV
	1001150944	Ref	BEACON CONTROL HARNESS	C
1	1001116808	1	Connector - 12 Position	
1	1001126008	3	Pin, Male	
1	4460518	9	Plug, Sealing	
2	1001116774	1	Connector - 12 Position	
2	1001116008	2	Pin, Male	
2	4460518	10	Plug, Sealing	
3	1001113961	1	Connector - 8 Position	
3	4460871	5	Socket, Female	
3	4460905	3	Plug, Sealing	
4	4460891	1	Connector - 2 Position	
4	4460465	2	Socket, Female	
5	4460871	1	Socket, Female	
6	4460536	1	Connector - 3 Position <b>(SN 0300201017 through 0300207777)</b>	
6	1001144147	1	Connector - 3 Position <b>(SN 0300207778 to Present)</b>	
6	4460464	2	Pin, Male	
6	4460466	1	Plug, Terminal	
6	1001116815	1	Connector - 3 Position	

# SECTION 8 - ELECTRICAL

## FIGURE 8-36. BEACON LIGHT HARNESS (BLUE BEACON LIGHT ONLY)



ART\_1001142736

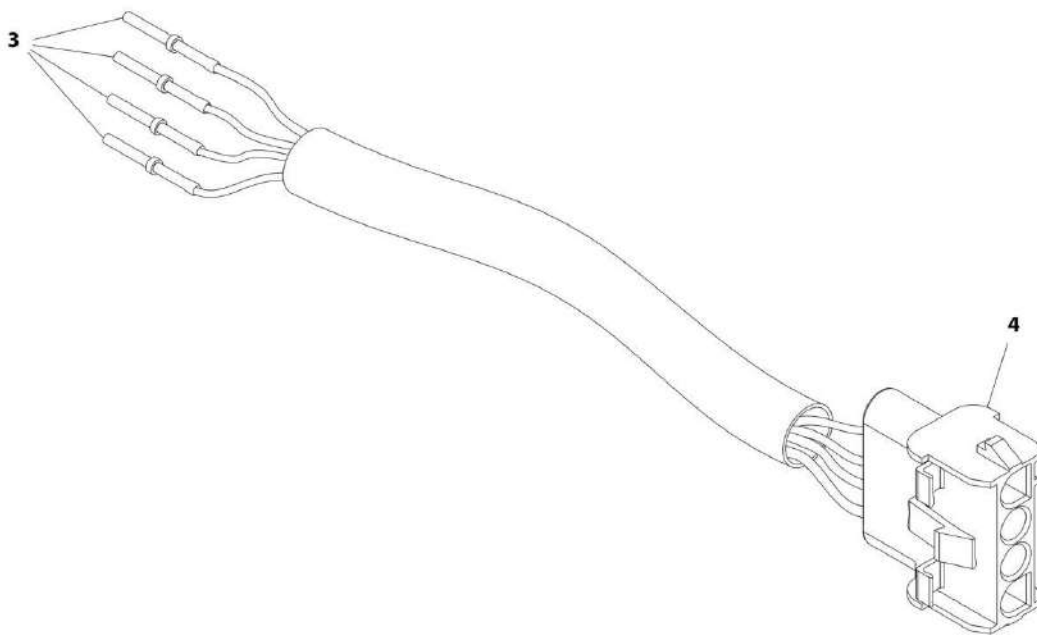
## SECTION 8 - ELECTRICAL

**FIGURE 8-36. BEACON LIGHT HARNESS (BLUE BEACON LIGHT ONLY)**

ITEM	PART NUMBER	QTY	DESCRIPTION	REV
	1001142736	Ref	BEACON LIGHT HARNESS (BLUE BEACON LIGHT ONLY)	F
1	1001116808	1	Plug, Male - 12 Position	
1	4460928	3	Socket, Female	
1	4460518	9	Plug, Terminal	
2	1001116774	1	Plug, Male - 12 Position	
2	4460928	3	Socket, Female	
2	4460518	9	Plug, Terminal	
3	4460891	1	Plug, Male - 2 Position	
3	4460465	2	Socket, Female	
4	1001112612	1	Connector - 9 Position	
4	4460464	6	Pin, Male	
4	4460466	3	Plug, Terminal	
5	4460933	1	Plug, Male - 12 Position	
5	4460465	12	Socket, Female	
6	1001119020	1	Bussbar - 12 Position	
7	4461095	1	Plug, Male - 3 Position	
7	4460465	3	Socket, Female	
8	4461070	1	Bussbar - 3 Position	
9	1001112796	1	Connector - 9 Position	
9	4460465	6	Socket, Female	
9	4460466	3	Plug, Terminal	

# SECTION 8 - ELECTRICAL

## FIGURE 8-37. B.L.A.M. BOARD ANALYZER HARNESS



ART\_4922705

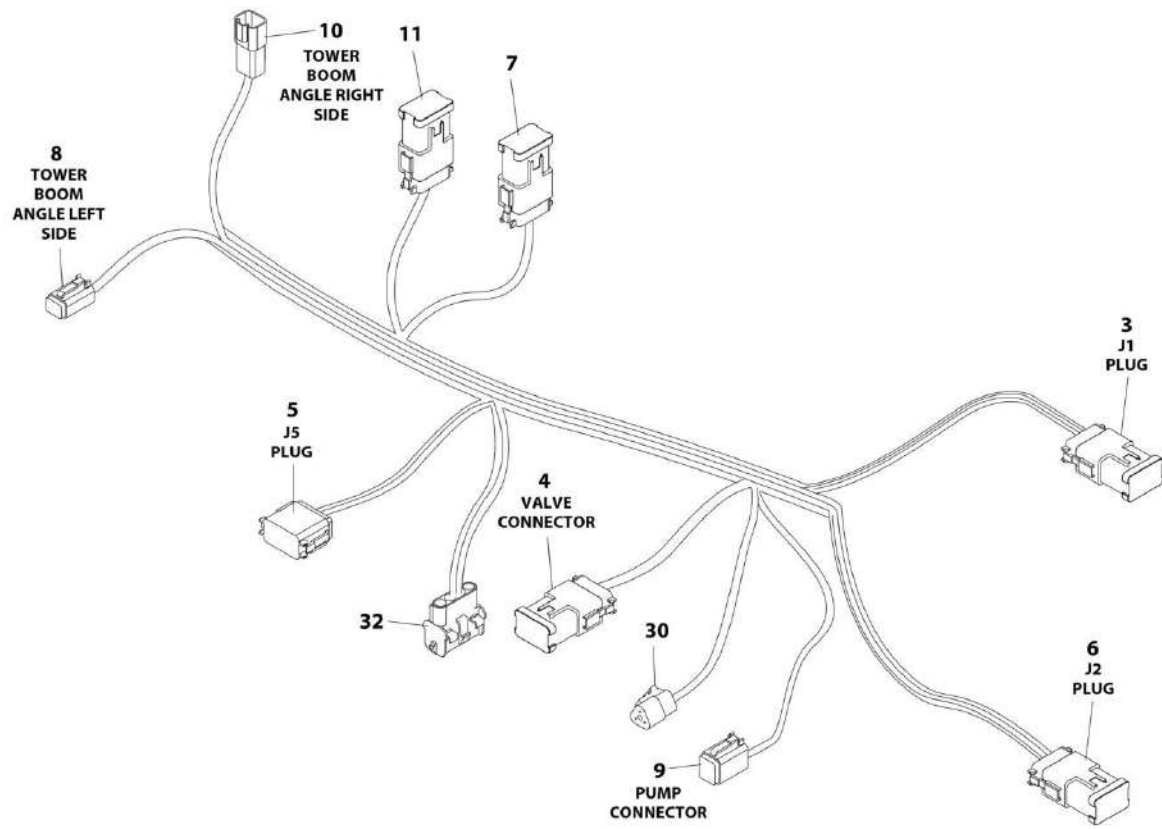
## SECTION 8 - ELECTRICAL

### FIGURE 8-37. B.L.A.M. BOARD ANALYZER HARNESS

ITEM	PART NUMBER	QTY	DESCRIPTION	REV
	4922705	Ref	B.L.A.M. BOARD ANALYZER HARNESS	B
3	4460465	4	Socket, Female	
4	4460761	1	Connector - 4 Position	
4	4460227	4	Pin, Male	

# SECTION 8 - ELECTRICAL

## FIGURE 8-38. B.L.A.M. HARNESS



ART\_4922946

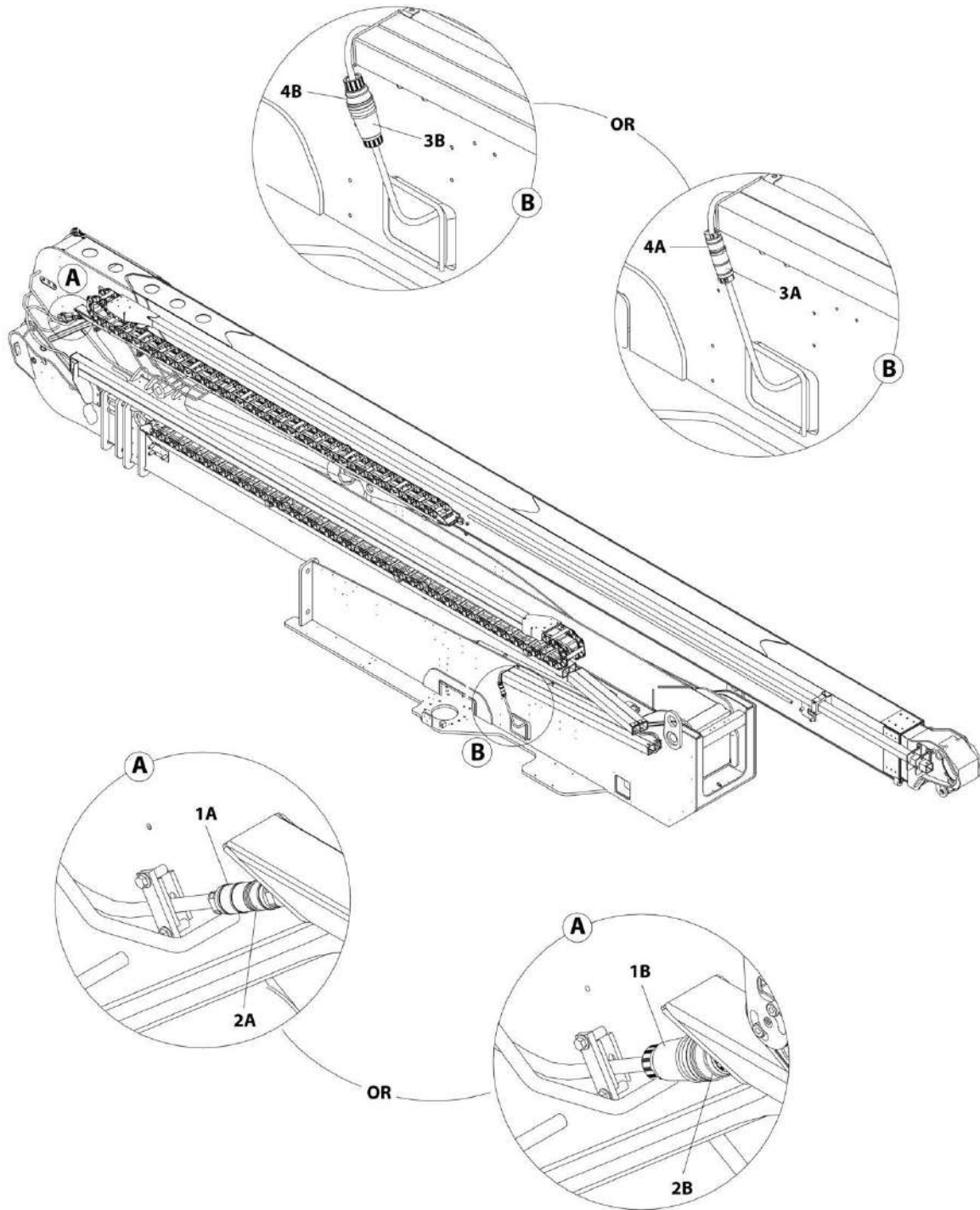
## SECTION 8 - ELECTRICAL

### FIGURE 8-38. B.L.A.M. HARNESS

ITEM	PART NUMBER	QTY	DESCRIPTION	REV
	4922946	Ref	B.L.A.M. HARNESS	B
3	4460933	1	Connector - 12 Position (Gray)	
3	4460466	7	Plug, Seal	
3	4460944	3	Socket, Female	
3	4460465	1	Socket, Female	
3	4460942	1	Socket, Female	
4	4460837	1	Connector - 12 Position	
4	4460943	3	Pin, Male (Gold)	
4	4460464	6	Pin, Male	
4	4460941	3	Pin, Male	
5	4460935	1	Connector - 12 Position (Green)	
5	4460466	5	Plug, Seal	
5	4460465	2	Socket, Female	
6	4460836	1	Connector - 12 Position (Black)	
6	4460466	8	Plug, Seal	
6	4460944	2	Socket, Female	
6	4460465	2	Socket, Female	
7	4460836	1	Connector - 12 Position (Black)	
7	4460466	8	Plug, Seal	
7	4460465	4	Socket, Female	
7	4460942	2	Socket, Female	
7	4460837	1	Connector - 12 Position Buss Bar	
8	4460884	1	Connector - 4 Position (Gray)	
8	4460944	4	Socket, Female	
9	4460894	1	Connector - 6 Position (Gray)	
9	4460465	5	Socket, Female	
9	4460466	2	Plug, Seal	
10	4460932	1	Connector - 4 Position (Gray)	
10	4460943	4	Pin, Male	
11	4460836	1	Plug, Male - 12 Position (Black)	
11	4460466	6	Plug, Seal	
11	4460944	5	Socket, Female	
11	4460465	1	Socket, Female	
11	4460837	1	Connector - 12 Position Buss Bar	
18	4240033	7	Tie-Strap (Not Shown)	
30	4460539	1	Connector - 3 Position	
30	4460944	3	Socket, Female	
32	4460761	1	Connector - 4 Position	
32	4460227	4	Pin, Male	

# SECTION 8 - ELECTRICAL

## FIGURE 8-39. BOOM CABLE INSTALLATION (ANSI SPECS)



ART\_0273474



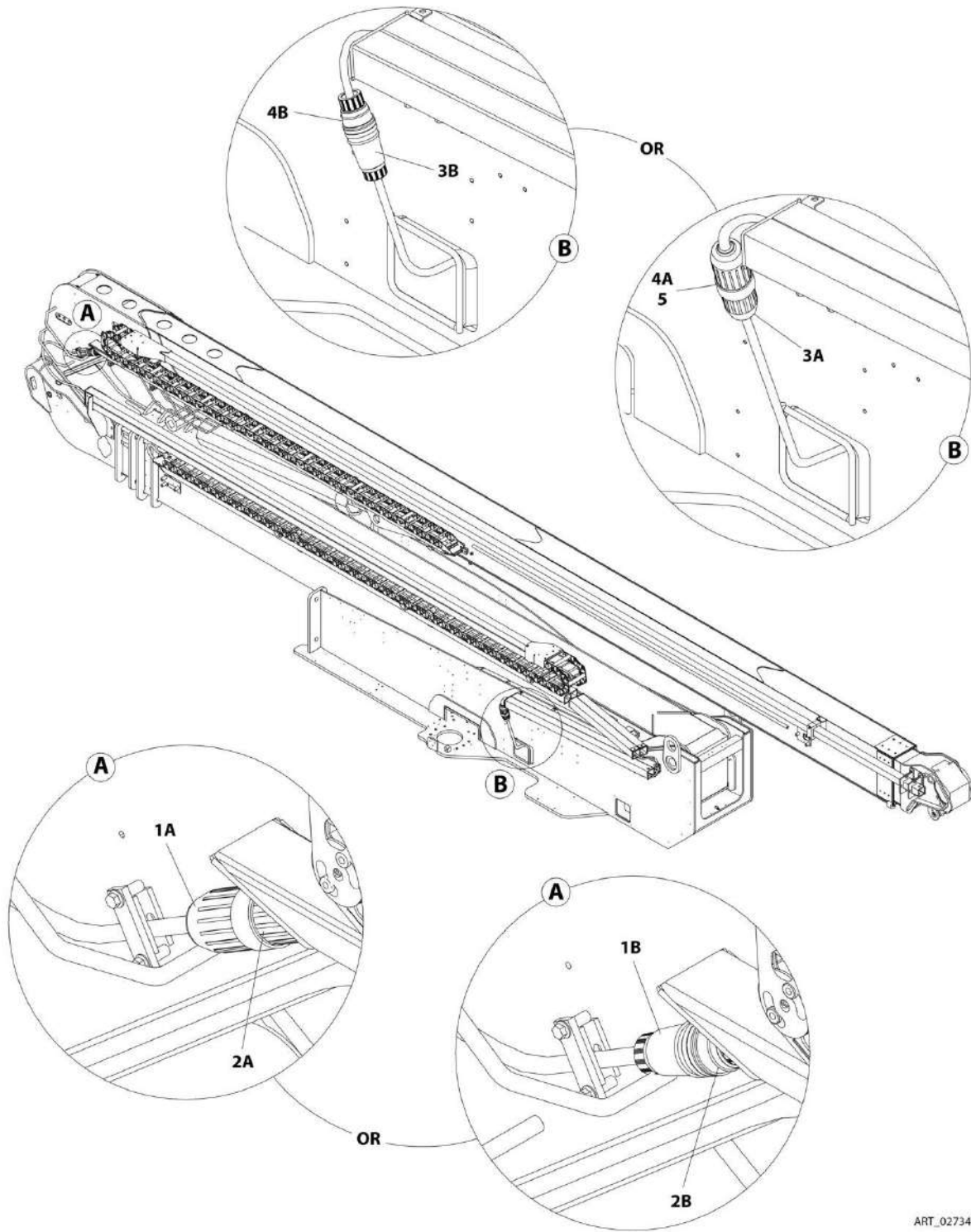
## SECTION 8 - ELECTRICAL

**FIGURE 8-39. BOOM CABLE INSTALLATION (ANSI SPECS)**

ITEM	PART NUMBER	QTY	DESCRIPTION	REV
	0273474	Ref	BOOM CABLE INSTALLATION (ANSI SPECS)	C
1A	4923642	1	Tower Boom AC Cable Harness <b>(SN 0300201017 through 0300237152)</b>	
1A	4460134	1	Receptacle, Female	
1B	1001227932	1	Tower Boom AC Cable Harness <b>(SN 0300237153 to Present)</b>	
1B	1001213585	1	Receptacle, Female	
2A	4922981	1	Main Boom AC Cable Harness <b>(SN 0300201017 through 0300237152)</b>	
2A	4460205	1	Plug, Male	
2B	1001227933	1	Main Boom AC Cable Harness <b>(SN 0300237153 to Present)</b>	
2B	1001213584	1	Plug, Male	
3A	4923643	1	Turntable AC Cable Harness <b>(SN 0300201017 through 0300237152)</b>	
3A	4460134	1	Receptacle, Female	
3B	1001227934	1	Turntable AC Cable Harness <b>(SN 0300237153 to Present)</b>	
3B	1001213585	1	Receptacle, Female	
4A	4460205	1	Plug, Male <b>(SN 0300201017 through 0300237152)</b>	
4B	1001213584	1	Plug, Male <b>(SN 0300237153 to Present)</b>	

# SECTION 8 - ELECTRICAL

## FIGURE 8-40. BOOM CABLE INSTALLATION (CE SPECS)



ART\_0273475

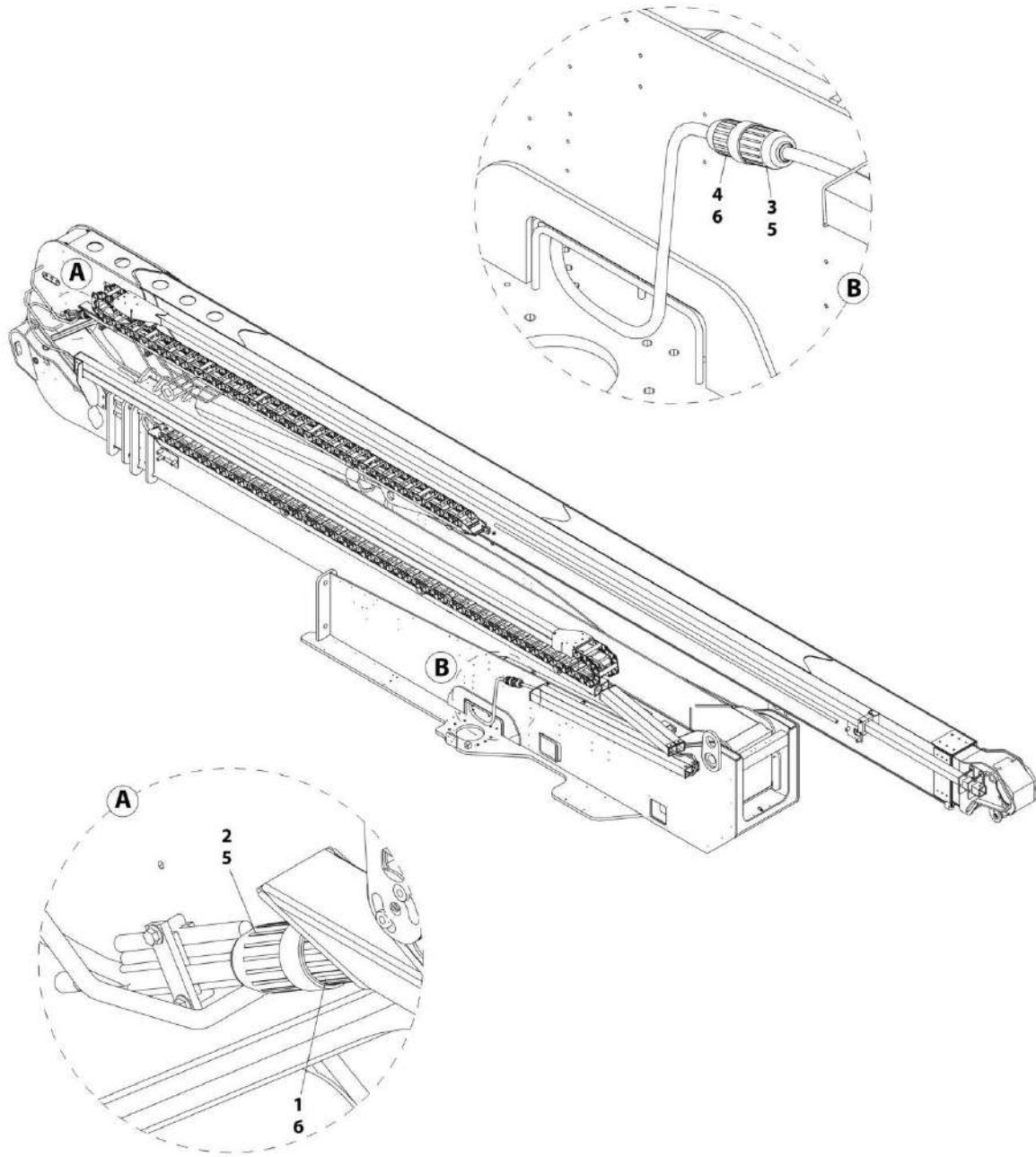
## SECTION 8 - ELECTRICAL

**FIGURE 8-40. BOOM CABLE INSTALLATION (CE SPECS)**

ITEM	PART NUMBER	QTY	DESCRIPTION	REV
	0273475	Ref	BOOM CABLE INSTALLATION (CE SPECS)	E
1A	4923640	1	Tower Boom AC Cable Harness <b>(SN 0300201017 through 0300237152)</b>	
1A	4460710	1	Receptacle, Female	
1A	1671093	1	Cover, Male Connector	
1B	1001227935	1	Tower Boom AC Cable Harness <b>(SN 0300237153 to Present)</b>	
1B	1001213585	1	Receptacle, Female	
2A	4922983	1	Main Boom AC Cable Harness <b>(SN 0300201017 through 0300237152)</b>	
2A	4460709	1	Plug, Male	
2A	1671092	1	Cover, Male Connector	
2B	1001227936	1	Main Boom AC Cable Harness <b>(SN 0300237153 to Present)</b>	
2B	1001213584	1	Plug, Male	
3A	4923641	1	Turntable AC Cable Harness <b>(SN 0300201017 through 0300237152)</b>	
3A	4460710	1	Receptacle, Female	
3A	1671093	1	Cover, Female	
3B	1001227937	1	Turntable AC Cable Harness <b>(SN 0300237153 to Present)</b>	
3B	1001213585	1	Receptacle, Female	
4A	4460709	1	Plug, Male <b>(SN 0300201017 through 0300237152)</b>	
4B	1001213584	1	Plug, Male <b>(SN 0300237153 to Present)</b>	
5	1671092	1	Cover, Male Connector <b>(SN 0300201017 through 0300237152)</b>	

# SECTION 8 - ELECTRICAL

## FIGURE 8-41. BOOM CABLE INSTALLATION - 4000W 60HZ GENERATOR



ART\_1001161049

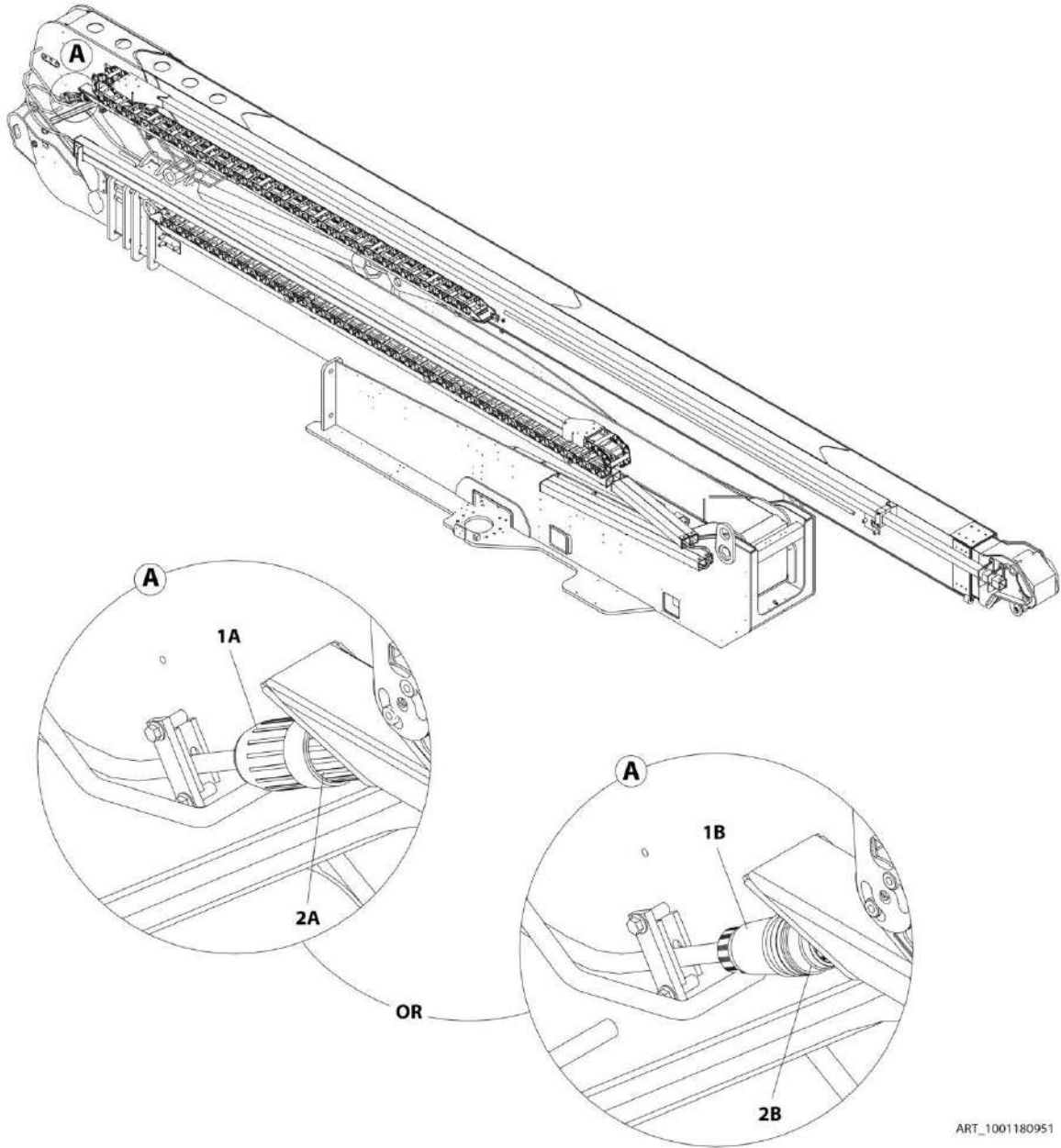
## SECTION 8 - ELECTRICAL

**FIGURE 8-41. BOOM CABLE INSTALLATION - 4000W 60HZ GENERATOR**

ITEM	PART NUMBER	QTY	DESCRIPTION	REV
	1001161049	Ref	BOOM CABLE INSTALLATION - 4000W 60HZ GENERATOR	A
1	1001161042	1	Main Boom 4000W Generator Cable Harness	
1	1001131969	85 ft /25.9m	Cable, Electrical 8/4	
1	4460962	1	Plug, Male	
2	1001161043	1	Tower Boom 4000W Generator Cable Harness	
2	1001131969	71 ft /21.6m	Cable, Electrical 8/4	
2	4460963	1	Plug, Female	
3	4460962	1	Plug, Male	
4	1001161045	1	Turntable 4000W Generator Cable Harness	
4	1001131969	14 ft /4.27m	Cable, Electrical 8/4	
4	4460963	1	Plug, Female	
5	1671092	1	Cover, Male Connector	
6	1671093	1	Cover, Female Connector	

# SECTION 8 - ELECTRICAL

## FIGURE 8-42. BOOM CABLE INSTALLATION - 4000W 50HZ GENERATOR



ART\_1001180951

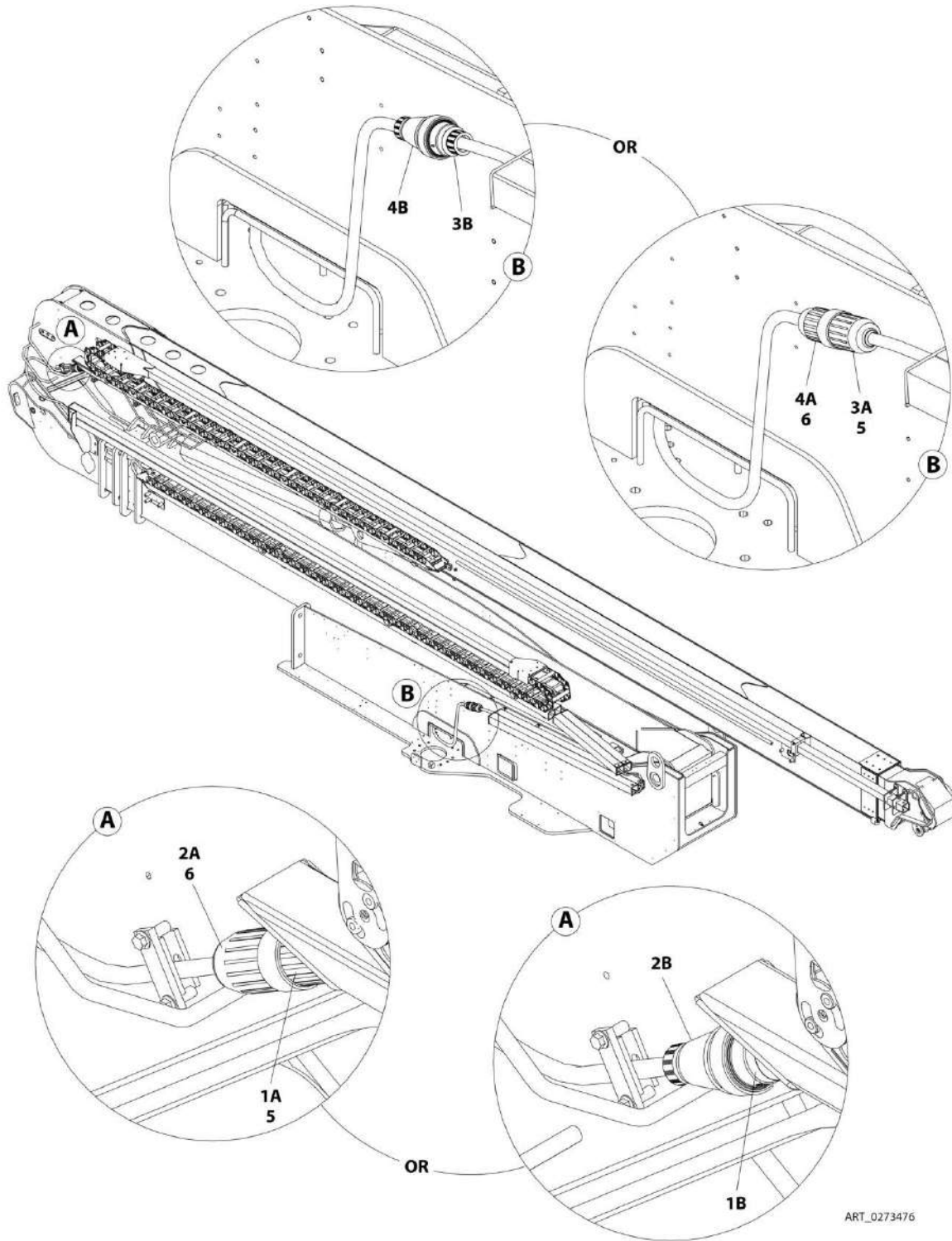
## SECTION 8 - ELECTRICAL

**FIGURE 8-42. BOOM CABLE INSTALLATION - 4000W 50HZ GENERATOR**

ITEM	PART NUMBER	QTY	DESCRIPTION	REV
	1001180951	Ref	BOOM CABLE INSTALLATION - 4000W 50HZ GENERATOR	B
1A	4923640	1	Tower Boom AC Cable Harness <b>(SN 0300201017 through 0300237152)</b>	
1A	4460710	1	Receptacle, Female	
1A	1671093	1	Cover, Female Connector	
1B	1001227935	1	Tower Boom AC Cable Harness <b>(SN 0300237153 to Present)</b>	
1B	1001213585	1	Receptacle, Female	
2A	4922983	1	Main Boom AC Cable Harness <b>(SN 0300201017 through 0300237152)</b>	
2A	4460709	1	Plug, Male	
2A	1671092	1	Cover, Male Connector	
2B	1001227936	1	Main Boom AC Cable Harness <b>(SN 0300237153 to Present)</b>	
2B	1001213584	1	Plug, Male	

# SECTION 8 - ELECTRICAL

## FIGURE 8-43. BOOM CABLE INSTALLATION - 7500W GENERATOR





## SECTION 8 - ELECTRICAL

**FIGURE 8-43. BOOM CABLE INSTALLATION - 7500W GENERATOR**

ITEM	PART NUMBER	QTY	DESCRIPTION	REV
	0273476	Ref	BOOM CABLE INSTALLATION - 7500W GENERATOR	D
1A	4922962	1	Main Boom SkyPower Cable Harness <b>(SN 0300201017 through 0300237152)</b>	
1A	4460959	1	Plug, Male	
1B	1001226294	1	Main Boom SkyPower Cable Harness <b>(SN 0300237153 to Present)</b>	
1B	1001218622	1	Plug, Male	
2A	4923384	1	Tower Boom SkyPower Cable Harness	
2A	4460960	1	Plug, Female	
2B	1001226293	1	Tower Boom SkyPower Cable Harness <b>(SN 0300237153 to Present)</b>	
2B	1001218623	1	Plug, Female	
3A	4460959	1	Plug, Male <b>(SN 0300201017 through 0300237152)</b>	
3B	1001218622	1	Plug, Male <b>(SN 0300237153 to Present)</b>	
4A	4923385	1	Turntable SkyPower Cable Harness <b>(SN 0300201017 through 0300237152)</b>	
4A	4460960	1	Plug, Female	
4B	1001226306	1	Turntable SkyPower Cable Harness <b>(SN 0300237153 to Present)</b>	
4B	1001218623	1	Plug, Female	
5	1671092	1	Cover, Male Connector <b>(SN 0300201017 through 0300237152)</b>	
6	1671093	1	Cover, Female Connector <b>(SN 0300201017 through 0300237152)</b>	



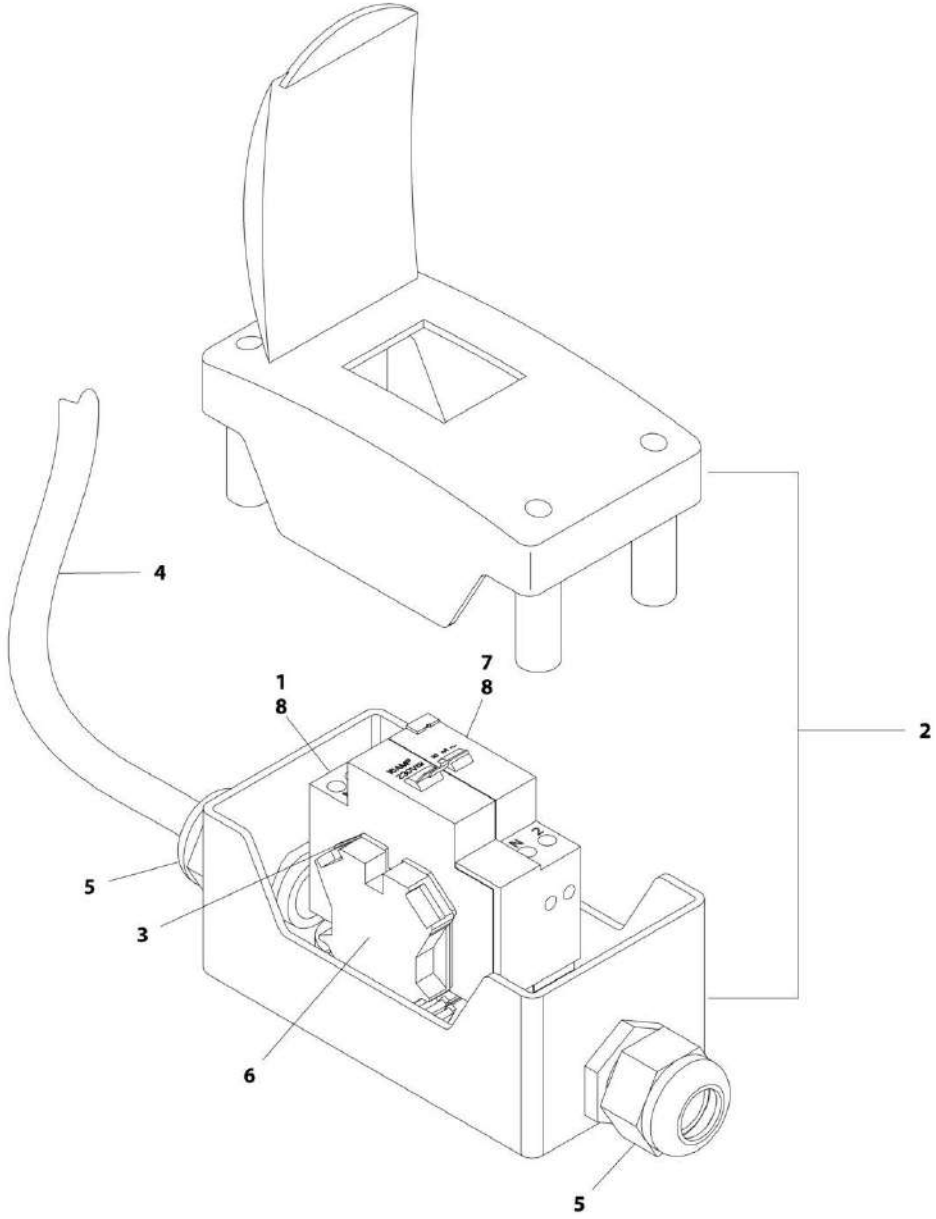
## SECTION 8 - ELECTRICAL

**FIGURE 8-44. BREAKER BOX KIT - 10 AMP (2500W GENERATOR)**

ITEM	PART NUMBER	QTY	DESCRIPTION	REV
	1001109648	Ref	BREAKER BOX KIT - 10 AMP (2500W GENERATOR)	B
1	0861880	1	Box, Breaker	
2	1060908	12 ft /3.6m	Cable, Electrical 12/3	
3	4460956	1	Barrier, Terminal Block End	
4	4460957	1	Block, Terminal	
5	1001097150	1	Connector, Strain Relief	
6	1001101191	1	Connector, Strain Relief	
7	1001109477	NLA	Breaker 10Amp (Use p/n 1001181046) <b>(SN 0300201017 through 0300204782)</b>	
8	1001109482	NLA	Breaker 30mA (Use p/n 1001181046) <b>(SN 0300201017 through 0300204782)</b>	
9	1001181046	1	Breaker 30mA/16Amp <b>(SN 0300204783 to Present)</b>	

**SECTION 8 - ELECTRICAL**

**FIGURE 8-45. BREAKER BOX KIT - 16 AMP (4000W GENERATOR)**



ART\_1001165368

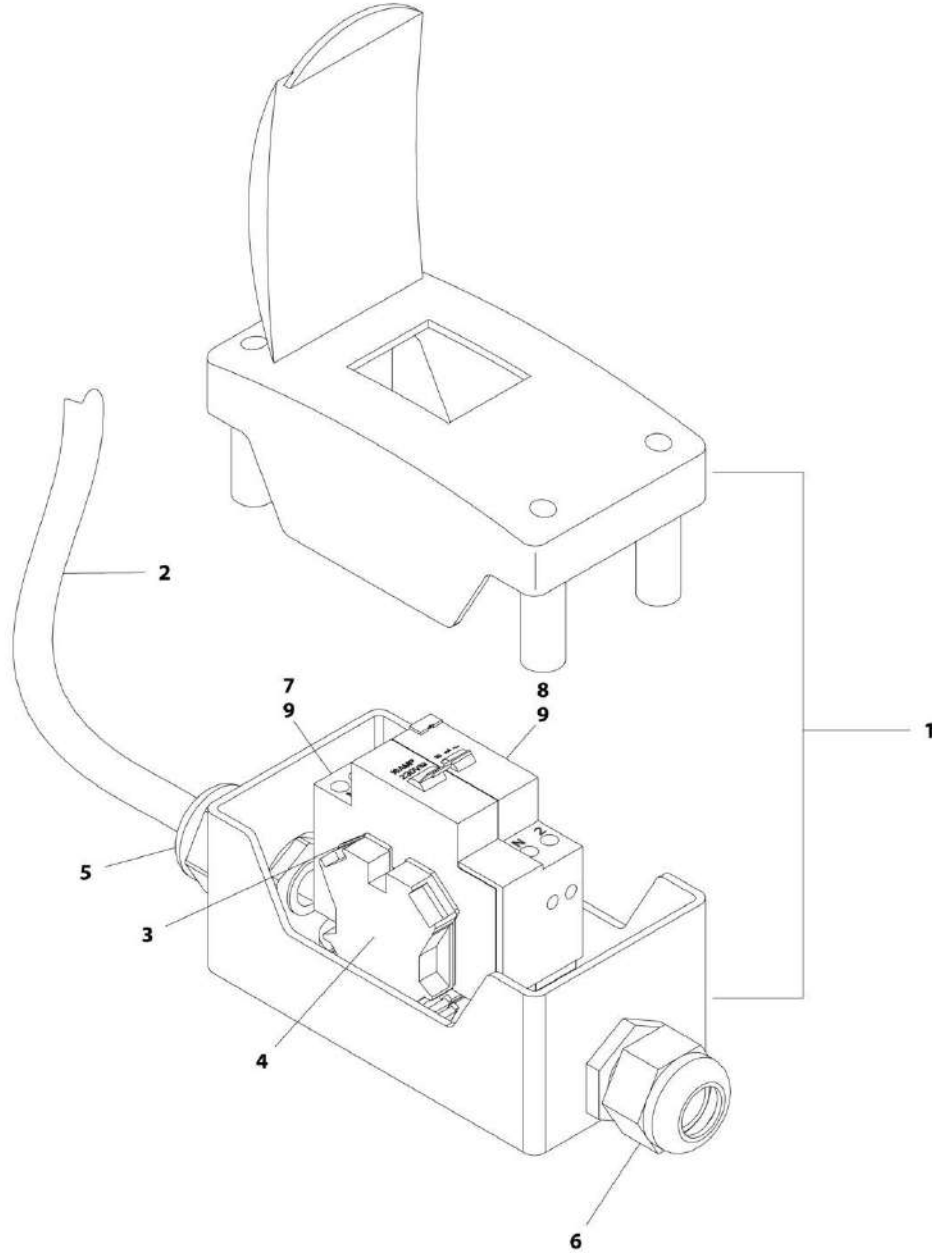
## SECTION 8 - ELECTRICAL

**FIGURE 8-45. BREAKER BOX KIT - 16 AMP (4000W GENERATOR)**

ITEM	PART NUMBER	QTY	DESCRIPTION	REV
1	1001165368	Ref	BREAKER BOX KIT - 16 AMP (4000W GENERATOR)	B
	1001109475	NLA	Breaker 16Amp (Use p/n 1001181045) <b>(SN 0300201017 through 0300204782)</b>	
2	0861880	1	Box, Circuit Breaker	
3	4460956	1	Barrier, Terminal Block End	
4	1060545	12 ft /3.6m	Cable, Electrical 10/3	
5	1001101191	2	Connector, Strain Relief	
6	4460957	1	Block, Terminal	
7	1001109482	NLA	Breaker 30mA (Use p/n 1001181045) <b>(SN 0300201017 through 0300204782)</b>	
8	1001181045	1	Breaker 30mA/16Amp <b>(SN 0300204783 to Present)</b>	

# SECTION 8 - ELECTRICAL

## FIGURE 8-46. BREAKER BOX KIT - 16 AMP (2500W GENERATOR)



ART\_1001109654

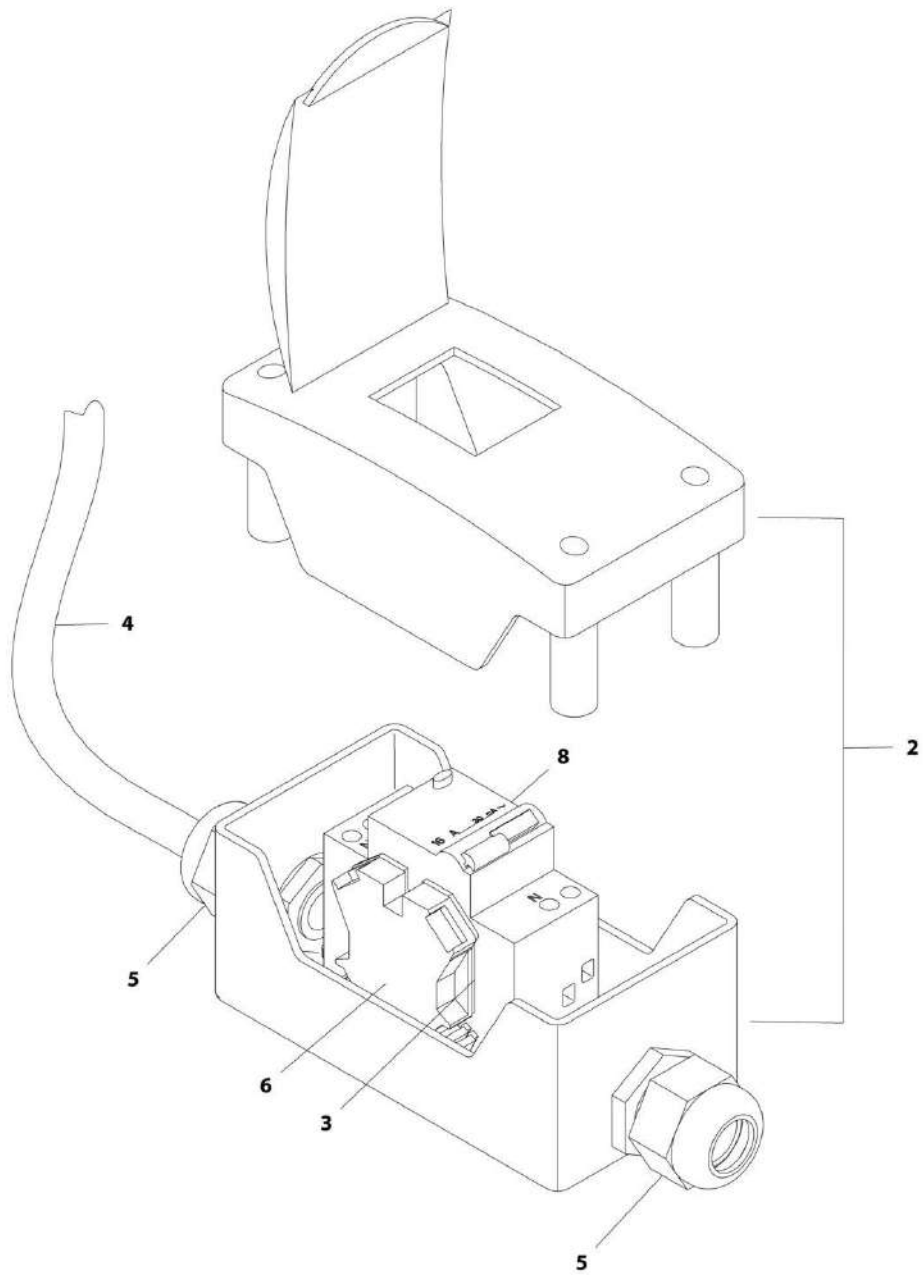
## SECTION 8 - ELECTRICAL

**FIGURE 8-46. BREAKER BOX KIT - 16 AMP (2500W GENERATOR)**

ITEM	PART NUMBER	QTY	DESCRIPTION	REV
	1001109654	Ref	BREAKER BOX KIT - 16 AMP (2500W GENERATOR)	B
1	0861880	1	Box, Breaker	
2	1060908	12 ft /3.6m	Cable, Electrical 12/3	
3	4460956	1	Barrier, Terminal Block End	
4	4460957	1	Block, Terminal	
5	1001097150	1	Connector, Strain Relief	
6	1001101191	1	Connector, Strain Relief	
7	1001109475	NLA	Breaker 16Amp (Use p/n 1001181045) <b>(SN 0300201017 through 0300204782)</b>	
8	1001109482	NLA	Breaker 30mA (Use p/n 1001181045) <b>(SN 0300201017 through 0300204782)</b>	
9	1001181045	1	Breaker, Double 30mA/16Amp <b>(SN 0300204783 to Present)</b>	

# SECTION 8 - ELECTRICAL

## FIGURE 8-47. BREAKER BOX KIT - 30MA/16 AMP (WITHOUT GENERATOR)



ART\_1001096070



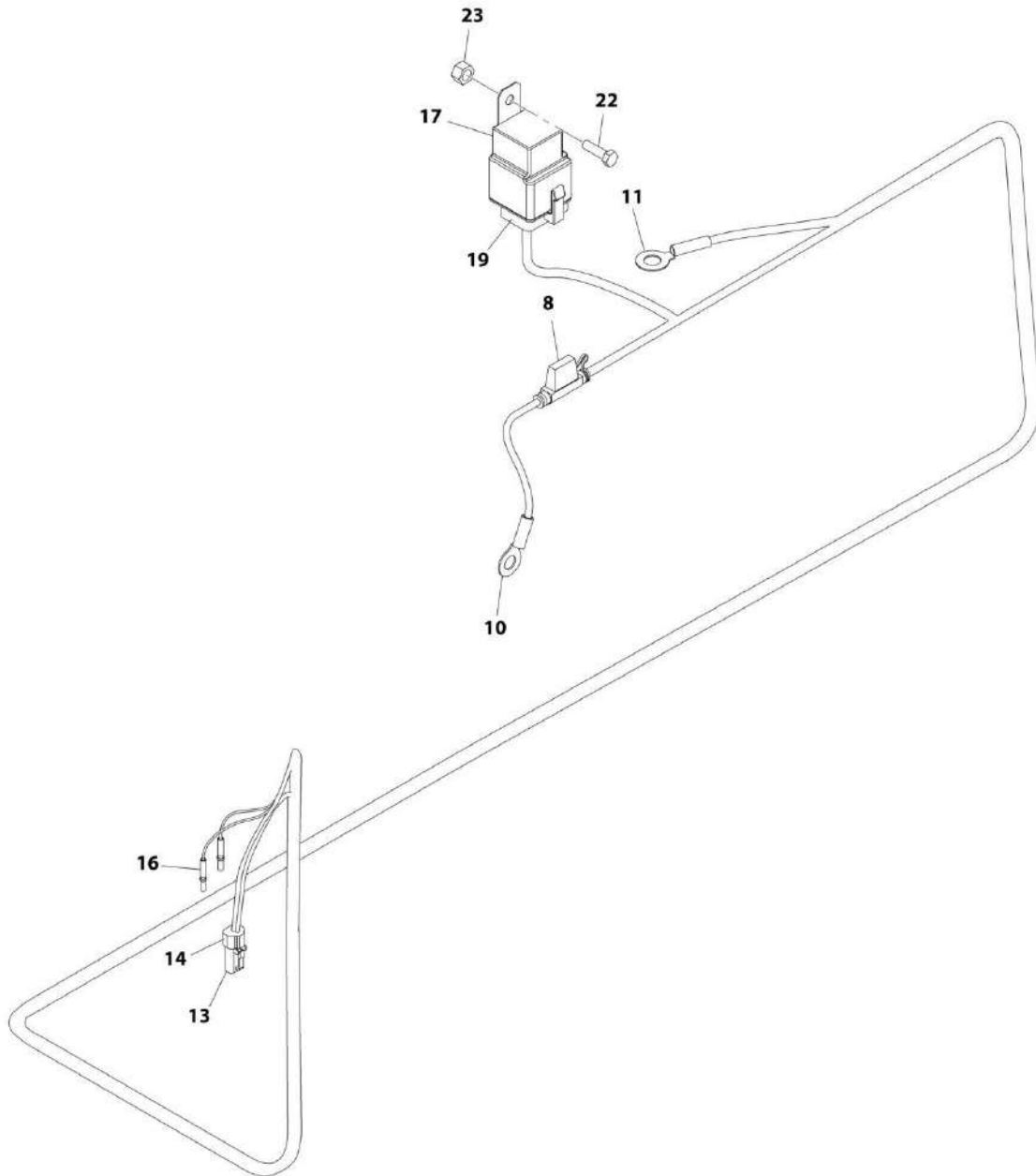
## SECTION 8 - ELECTRICAL

**FIGURE 8-47. BREAKER BOX KIT - 30MA/16 AMP (WITHOUT GENERATOR)**

ITEM	PART NUMBER	QTY	DESCRIPTION	REV
	1001096070	Ref	BREAKER BOX KIT - 30mA/16 AMP (WITHOUT GENERATOR)	E
2	0861880	1	Box, Breaker	
3	4460956	1	Barrier, Terminal Block End	
4	1060908	12 ft/3.6m	Cable, Electrical 12/3	
5	1001097150	2	Connector, Strain Relief	
6	4460957	1	Block, Terminal	
8	1001181045	1	Breaker, Double 30mA/16Amp	

# SECTION 8 - ELECTRICAL

## FIGURE 8-48. CHASSIS POWER DISTRIBUTION HARNESS



ART\_4923382

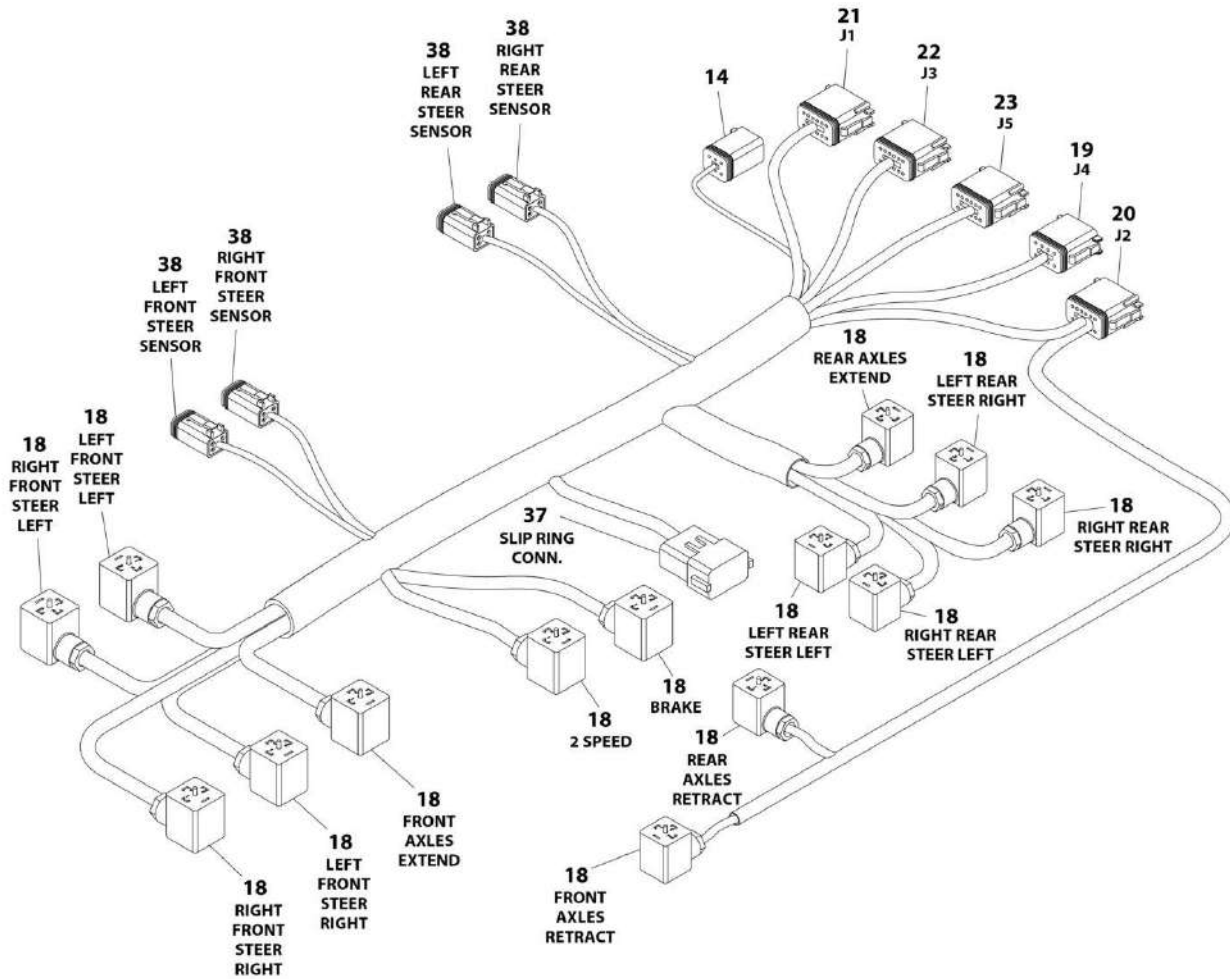
## SECTION 8 - ELECTRICAL

**FIGURE 8-48. CHASSIS POWER DISTRIBUTION HARNESS**

ITEM	PART NUMBER	QTY	DESCRIPTION	REV
	4923382	Ref	CHASSIS POWER DISTRIBUTION HARNESS	D
8	2400066	1	Fuseholder	
8	2400065	1	Fuse 30 Amp	
9	4240032	3	Tie-Strap (Not Shown)	
10	4460019	1	Terminal, Eyelet	
11	4460256	1	Terminal, Eyelet	
13	4460891	1	Connector - 2 Position <b>(SN 0300201047 through 0300226469)</b>	
14	4460897	1	Connector - 2 Position	
14	4460464	2	Pin, Male	
16	4460942	2	Socket, Female	
17	3740080	1	Relay	
19	4460374	1	Plug, Sealed	
19	4460375	5	Terminal	
19	0100048	AR	Lubricant, Silicone	
22	0641408	1	Bolt 1/4 x 1	
23	3311405	1	Nut 1/4	

# SECTION 8 - ELECTRICAL

## FIGURE 8-49. CHASSIS HARNESS ASSEMBLY



ART\_4922696

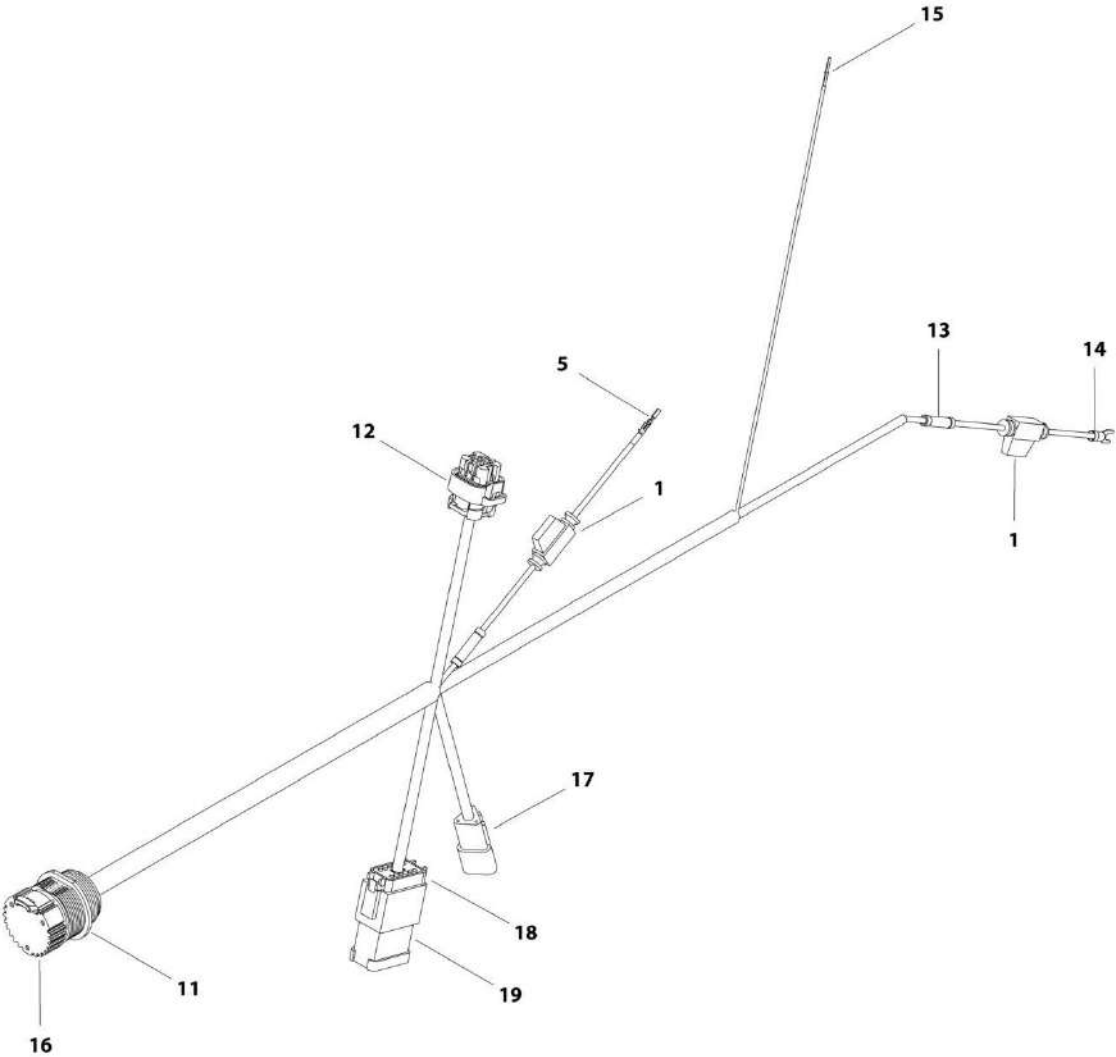
## SECTION 8 - ELECTRICAL

**FIGURE 8-49. CHASSIS HARNESS ASSEMBLY**

ITEM	PART NUMBER	QTY	DESCRIPTION	REV
	4922696	Ref	CHASSIS HARNESS ASSEMBLY	D
14	4460894	1	Connector - 6 Position	
14	4460465	6	Socket, Female	
14	4460892	1	Connector - 6 Position Buss Bar	
17	4460894	1	Connector - 6 Position (Not Shown)	
17	4460465	6	Socket, Female	
17	4460892	1	Connector - 6 Position Buss Bar	
18	4460880	14	DIN Connector	
19	4460930	1	Connector - 8 Position (Gray)	
19	4460465	1	Socket, Female	
19	4460466	7	Plug, Terminal	
20	4460836	1	Connector - 12 Position (Black)	
20	4460465	6	Socket, Female	
20	4460466	6	Plug, Terminal	
21	4460933	1	Connector - 12 Position (Gray)	
21	4460465	8	Socket, Female	
21	4460466	4	Plug, Terminal	
22	4460934	1	Connector - 12 Position (Green)	
22	4460944	12	Socket, Female	
23	4460935	1	Connector - 12 Position (Brown)	
23	4460465	8	Socket, Female	
25	4240032	10	Tie-Strap (Not Shown)	
26	4240033	15	Tie-Strap (Not Shown)	
37	4460950	1	Connector - 12 Position	
37	4460464	6	Pin, Male	
37	4460943	3	Pin, Male	
37	4460941	2	Pin, Male	
38	4460884	4	Connector - 4 Position (Gray)	
38	4460944	16	Socket, Female	

**SECTION 8 - ELECTRICAL**

**FIGURE 8-50. CLEARSKY READY HARNESS**



ART\_1001114438

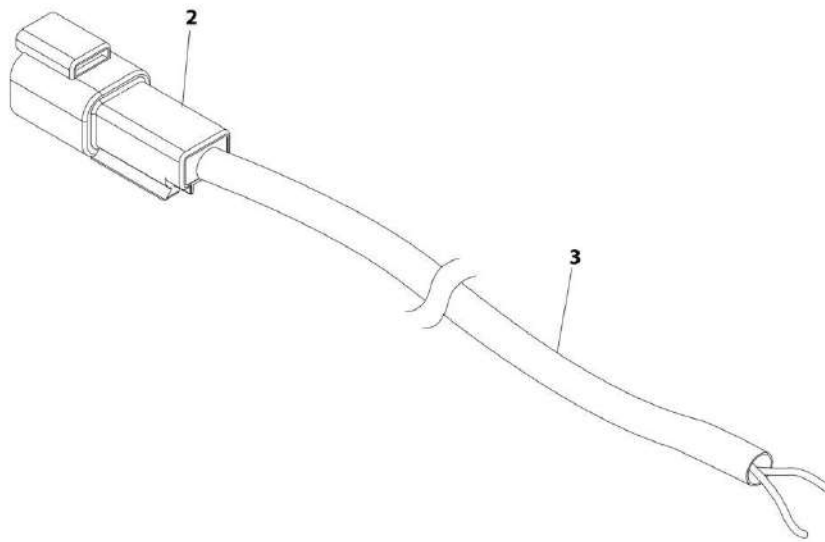
## SECTION 8 - ELECTRICAL

### FIGURE 8-50. CLEARSKY READY HARNESS

ITEM	PART NUMBER	QTY	DESCRIPTION	REV
	1001114438	Ref	CLEARSKY READY HARNESS	A
1	2400060	2	Fuseholder with Cover	
1	2400064	2	Fuse 5Amp	
5	4460871	1	Socket, Female	
11	1001112612	1	Connector - 9 Position	
11	4460464	6	Pin, Male	
11	4460466	3	Plug, Sealing	
12	1001113961	1	Connector - 8 Position	
12	4460871	5	Socket, Female	
12	4460905	5	Plug, Sealing	
13	4460035	2	Terminal, Connector	
14	4460183	1	Terminal, Eyelet	
15	4460465	1	Socket, Female	
16	1001106736	1	Cap, Dust	
17	4460536	1	Connector - 3 Position	
17	4460464	3	Pin, Male	
18	4460933	1	Connector - 12 Position	
18	4460465	9	Socket, Female	
18	4460466	3	Plug, Sealing	
19	4460898	1	Connector Bussbar - 9 Position	

## SECTION 8 - ELECTRICAL

FIGURE 8-51. DUAL CAPACITY JIB POSITION SWITCH HARNESS



ART\_4922785



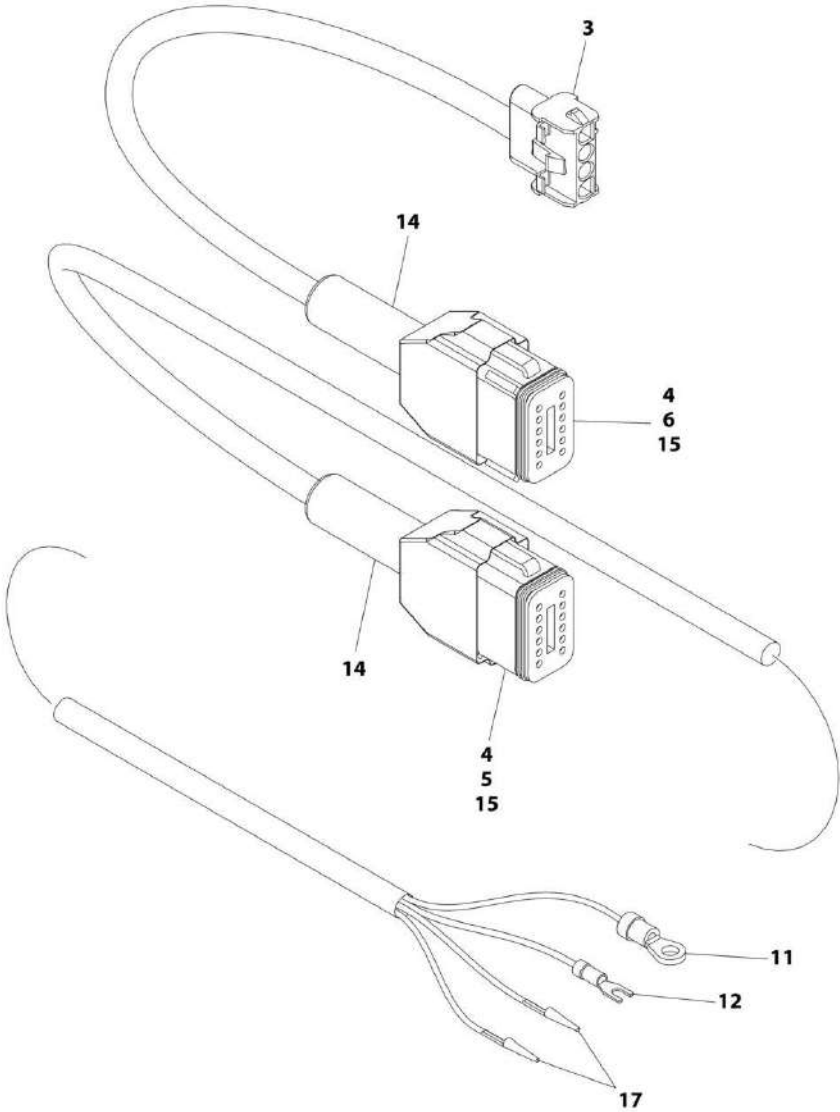
## SECTION 8 - ELECTRICAL

**FIGURE 8-51. DUAL CAPACITY JIB POSITION SWITCH HARNESS**

ITEM	PART NUMBER	QTY	DESCRIPTION	REV
	4922785	Ref	DUAL CAPACITY JIB POSITION SWITCH HARNESS	C
2	4460897	1	Connector - 2 Position	
2	4460464	2	Pin, Male	
3	1060902	15 ft/4.5m	Cable, Electrical 18/2	

**SECTION 8 - ELECTRICAL**

**FIGURE 8-52. EIM LOAD CELL HARNESS**



ART\_4922869

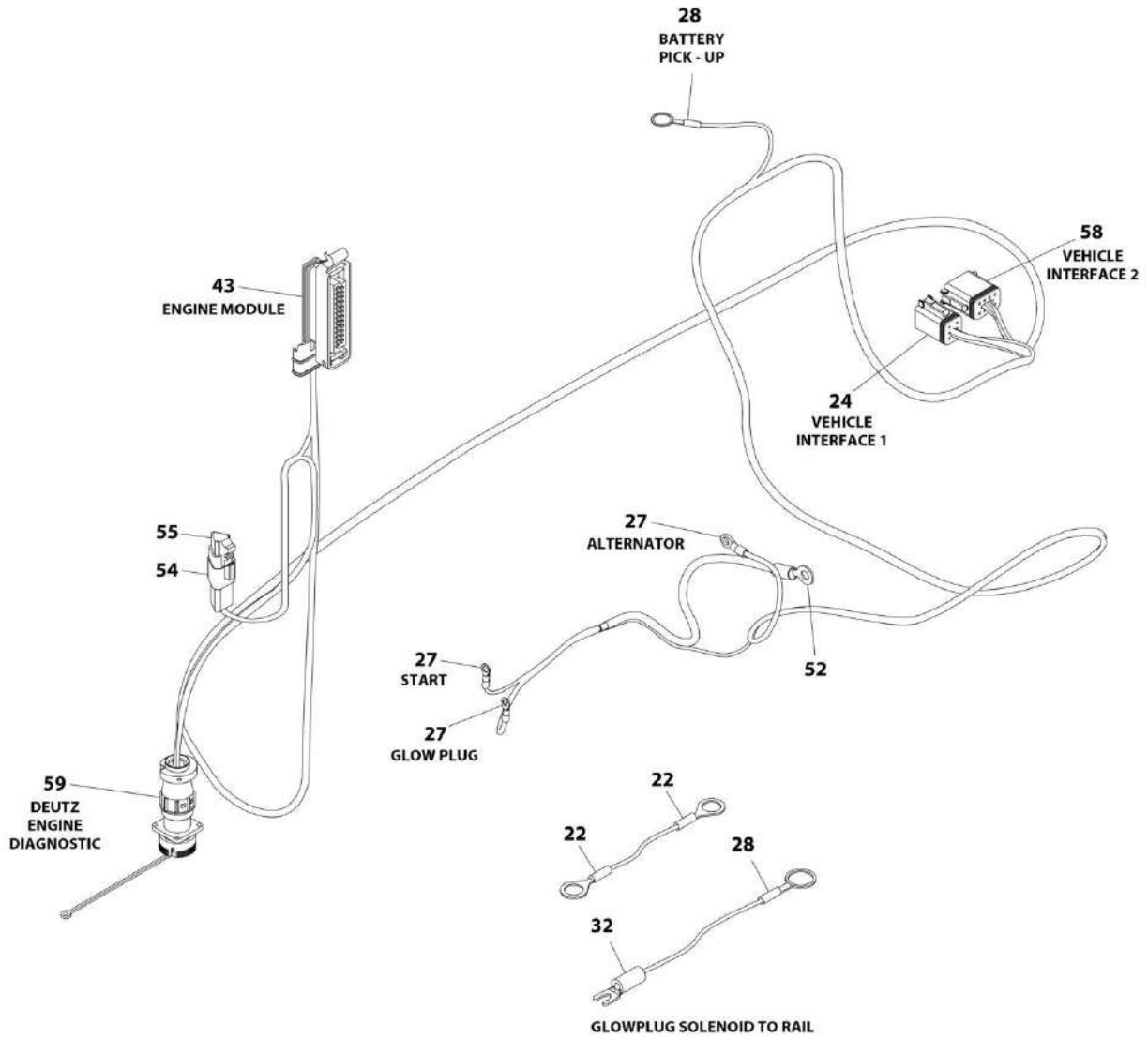
## SECTION 8 - ELECTRICAL

**FIGURE 8-52. EIM LOAD CELL HARNESS**

ITEM	PART NUMBER	QTY	DESCRIPTION	REV
	4922869	Ref	EIM LOAD CELL HARNESS	E
3	4922705	1	Analyzer Harness	
3	4460761	1	Connector, Female - 4 Position	
3	4460227	4	Pin, Male	
3	4460465	4	Socket, Female	
4	4460465	6	Socket, Female	
5	4460933	1	Connector - 12 Position (Gray)	
6	4460836	1	Plug, Male - 12 Position (Black)	
11	4460042	1	Terminal, Eyelet	
12	4460183	1	Terminal, Fork	
14	0840055	2	Boot	
15	4460466	16	Plug, Terminal	
17	4460226	2	Terminal	

# SECTION 8 - ELECTRICAL

## FIGURE 8-53. ENGINE HARNESS - DEUTZ TD2011 ENGINES



ART\_1001119470

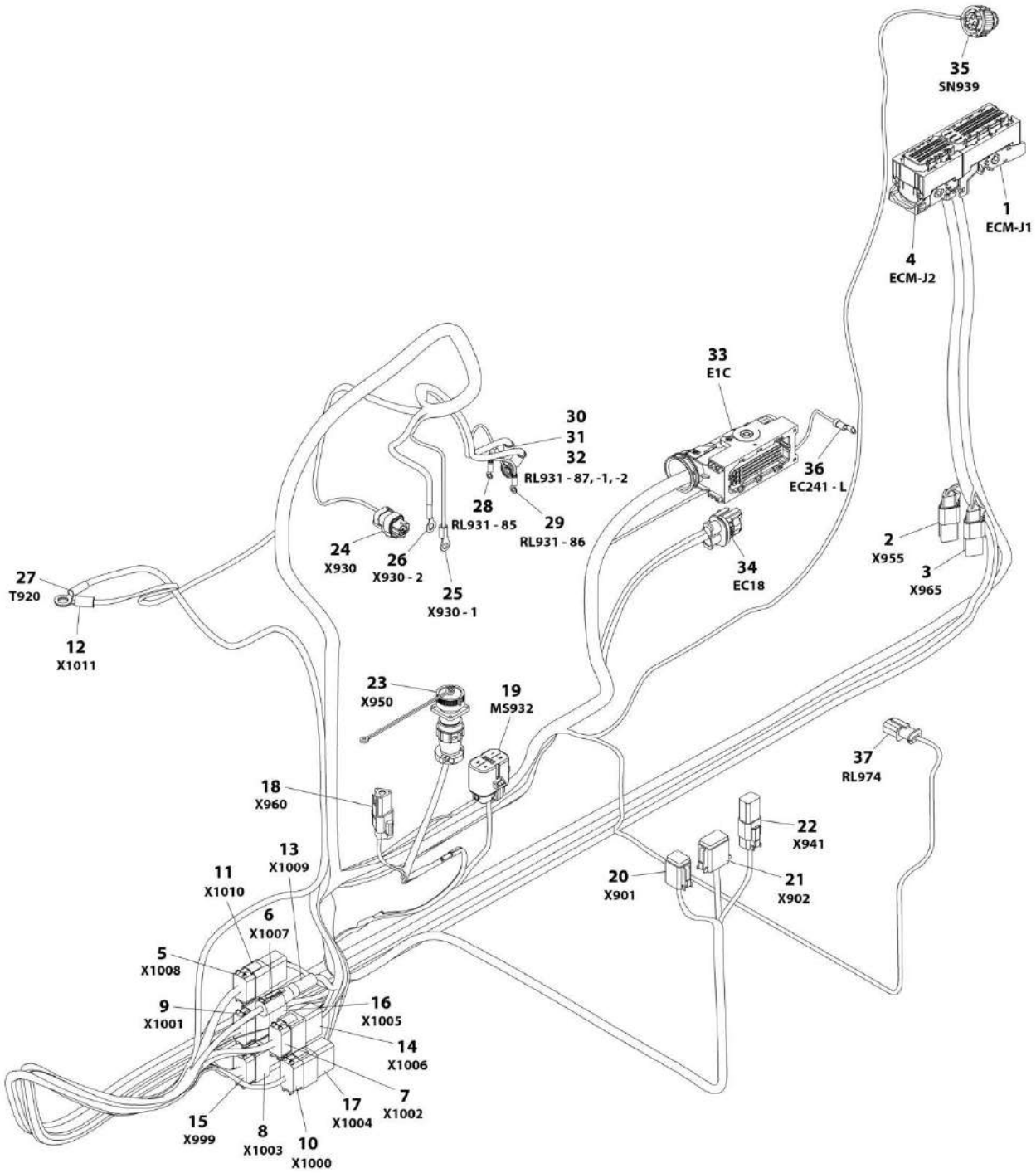
## SECTION 8 - ELECTRICAL

**FIGURE 8-53. ENGINE HARNESS - DEUTZ TD2011 ENGINES**

ITEM	PART NUMBER	QTY	DESCRIPTION	REV
	1001119470	Ref	ENGINE HARNESS - DEUTZ TD2011 ENGINES	B
22	4460702	2	Terminal, Eyelet	
24	4460894	1	Connector - 6 Position	
24	4460465	2	Socket, Female	
24	4460466	1	Plug, Terminal	
24	4460944	3	Socket, Female	
27	4460313	3	Terminal, Eyelet	
28	4460019	2	Terminal, Eyelet	
32	4460315	1	Terminal, Fork	
43	4461052	1	Connector - 25 Position	
43	4461005	5	Terminal	
43	4461006	5	Seal	
43	4461060	2	Terminal (Tin)	
43	4461054	2	Seal, Terminal	
43	4461008	18	Plug, Hole	
43	4461053	1	Cover, Plug	
50	4240032	AR	Tie-Strap (Not Shown)	
51	4240033	AR	Tie-Strap (Not Shown)	
52	4461097	1	Terminal, Eyelet	
54	4461095	1	Connector - 3 Position	
54	4460944	3	Socket, Female	
55	4461070	1	Connector With Resistor (3 Position)	
58	4460930	1	Connector - 8 Position	
58	4460465	2	Socket, Female	
58	4460466	6	Seal, Plug	
59	2902443	1	Kit, Receptacle	
59	4461071	8	Terminal, Female (Gold)	
59	4461072	1	Connector, Flange Mount	
59	4461073	1	Connector, Dust Cap	
59	4461074	1	Connector, Shell	

# SECTION 8 - ELECTRICAL

## FIGURE 8-54. ENGINE HARNESS - DEUTZ TCD2.9L4 ENGINES



ART\_1001138346

## SECTION 8 - ELECTRICAL

### FIGURE 8-54. ENGINE HARNESS - DEUTZ TCD2.9L4 ENGINES

ITEM	PART NUMBER	QTY	DESCRIPTION	REV
	1001138346	Ref	ENGINE HARNESS - DEUTZ TCD2.9L4 ENGINES	G
1	1001133956	1	Connector (Includes Cover, Locks and Retention Plate)	
1	1001126352	6	Terminal	
1	1001126384	19	Terminal	
1	1001126351	1	Terminal	
1	1001126357	3	Plug, Seal	
1	1001126356	65	Plug, Seal	
2	4461070	1	Connector With Resistor (3 Position)	
2	4461095	1	Connector - 3 Position	
2	4460944	2	Socket, Female	
2	4460466	1	Seal, Plug	
3	4461070	1	Connector With Resistor (3 Position)	
3	4461095	1	Connector - 3 Position	
3	4460944	2	Socket, Female	
3	4460466	1	Seal, Plug	
4	1001133957	1	Connector (Includes Cover, Locks and Retention Plate)	
4	1001126351	13	Terminal	
4	1001126384	17	Terminal	
4	1001126356	19	Plug, Seal	
4	1001126357	11	Plug, Seal	
5	4460930	1	Connector - 8 Position	
5	4460944	5	Socket, Female (Gold)	
5	4460465	2	Socket, Female	
5	4460466	1	Seal, Plug	
6	1001116707	1	Connector - 1 Position	
6	91143340	1	Terminal	
7	4460935	1	Plug, Brown - 12 Position	
7	4460465	12	Socket, Female	
8	4460970	1	Connector - 12 Position	
8	4460941	12	Pin, Male	
9	4460934	1	Connector, Green - 12 Position	
9	4460465	10	Socket, Female	
9	4460466	2	Seal, Plug	
10	4460836	1	Connector, Black - 12 Position	
10	4460465	8	Socket, Female	
10	4460466	4	Seal, Plug	
11	4460931	1	Connector - 8 Position (Gray)	
11	4460943	5	Pin, Male (Gold)	
11	4460466	3	Plug, Socket	
12	8220164	1	Terminal, Eyelet	
13	1001116967	1	Connector - 1 Position	
13	91143339	1	Terminal	
14	4460982	1	Connector - 12 Position	
14	4460464	12	Pin, Male	
15	4460933	1	Connector, Gray - 12 Position	
15	4460942	12	Socket, Female	
16	1001152742	1	Connector - 12 Position	
16	4460464	10	Pin, Male	
16	4460466	2	Seal, Plug	
17	4460950	1	Connector - 12 Position	

## SECTION 8 - ELECTRICAL

ITEM	PART NUMBER	QTY	DESCRIPTION	REV
17	4460464	8	Pin, Male	
17	4460466	4	Plug, Seal	
18	4461070	1	Connector With Resistor (3 Position)	
18	4461095	1	Connector - 3 Position	
18	4460944	2	Socket, Female	
18	4460466	1	Seal, Plug	
19	80484084	1	Connector - 8 Position	
19	8229242	1	Fuse - 5A	
19	80983191	1	Fuse - 10A	
19	1001147264	1	Cap	
19	1001116728	4	Plug	
19	4460458	4	Seal	
20	4460894	1	Connector - 6 Position	
20	4460465	3	Socket, Female	
20	4460944	2	Socket, Female	
20	4460466	1	Seal, Plug	
21	4460930	1	Connector - 8 Position	
21	4460465	1	Socket, Female	
21	4460466	7	Plug, Seal	
22	4460884	1	Connector - 4 Position (SN 0300201017 through 0300224743)	
22	1001220379	1	Connector - 4 Position (SN 0300224744 to Present)	
22	4460465	2	Socket, Female	
22	4460942	2	Socket, Female	
22	4460932	1	Connector - 4 Position (SN 0300211945 to Present)	
22	4460466	4	Seal, Plug (SN 0300211945 to Present)	
23	2902443	1	Kit, Receptacle	
23	4461071	8	Terminal, Female (Gold)	
23	4461072	1	Connector, Flange Mount	
23	4461073	1	Connector, Dust Cap	
23	4461074	1	Connector, Shell	
24	1001116952	1	Connector - 2 Position	
24	4460465	2	Socket, Female	
25	4460043	1	Terminal, Eyelet	
26	1001117106	1	Terminal, Eyelet	
27	4460019	1	Terminal, Eyelet	
28	4460247	1	Terminal, Eyelet	
29	4460247	1	Terminal, Eyelet	
30	1001117107	1	Terminal, Eyelet	
31	1001117107	1	Terminal, Eyelet	
32	4460703	1	Terminal, Eyelet	
33	1001126362	1	Connector - 62 Position	
33	1001126363	33	Terminal	
33	1001126364	33	Seal	
33	1001126391	23	Plug	
33	4461008	4	Plug, Cavity	
33	1001126365	2	Terminal	
33	4461054	2	Seal	
34	1001142938	1	Connector - 2 Position	
34	1001142940	2	Terminal, Female	
34	1001142941	2	Seal	
35	1001133714	1	Connector - 4 Position	

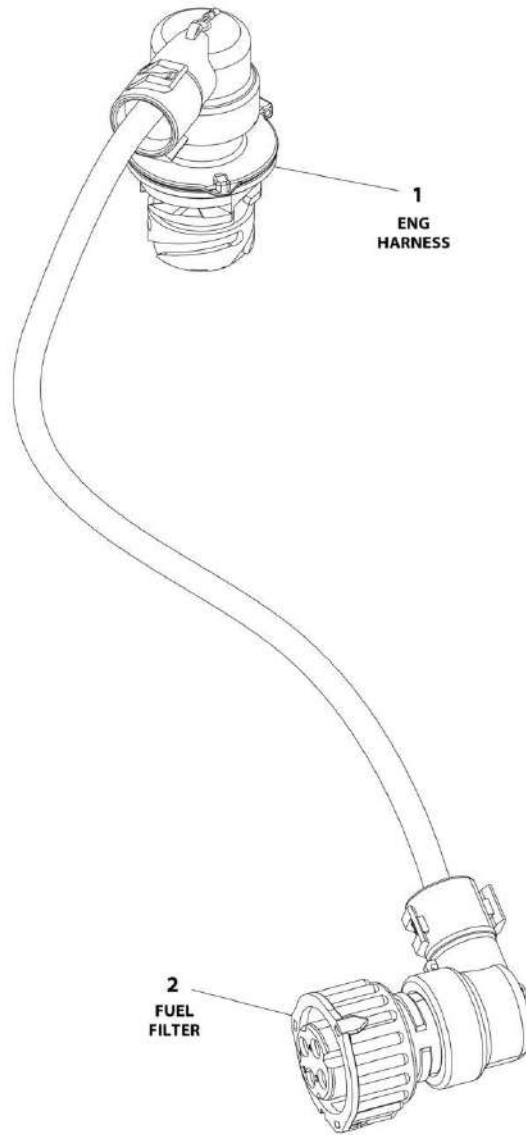


## SECTION 8 - ELECTRICAL

ITEM	PART NUMBER	QTY	DESCRIPTION	REV
35	1001133715	3	Terminal, Female	
35	1001135650	1	Seal	
35	1001135651	1	Plug, Cavity	
36	4460042	1	Terminal, Eyelet	
37	1001138110	1	Connector - 2 Position	
37	1001138111	2	Socket, Female	
37	1001138113	2	Seal	

## SECTION 8 - ELECTRICAL

FIGURE 8-55. FUEL FILTER HARNESS - DEUTZ TCD2.9L4 ENGINES



ART\_1001148843

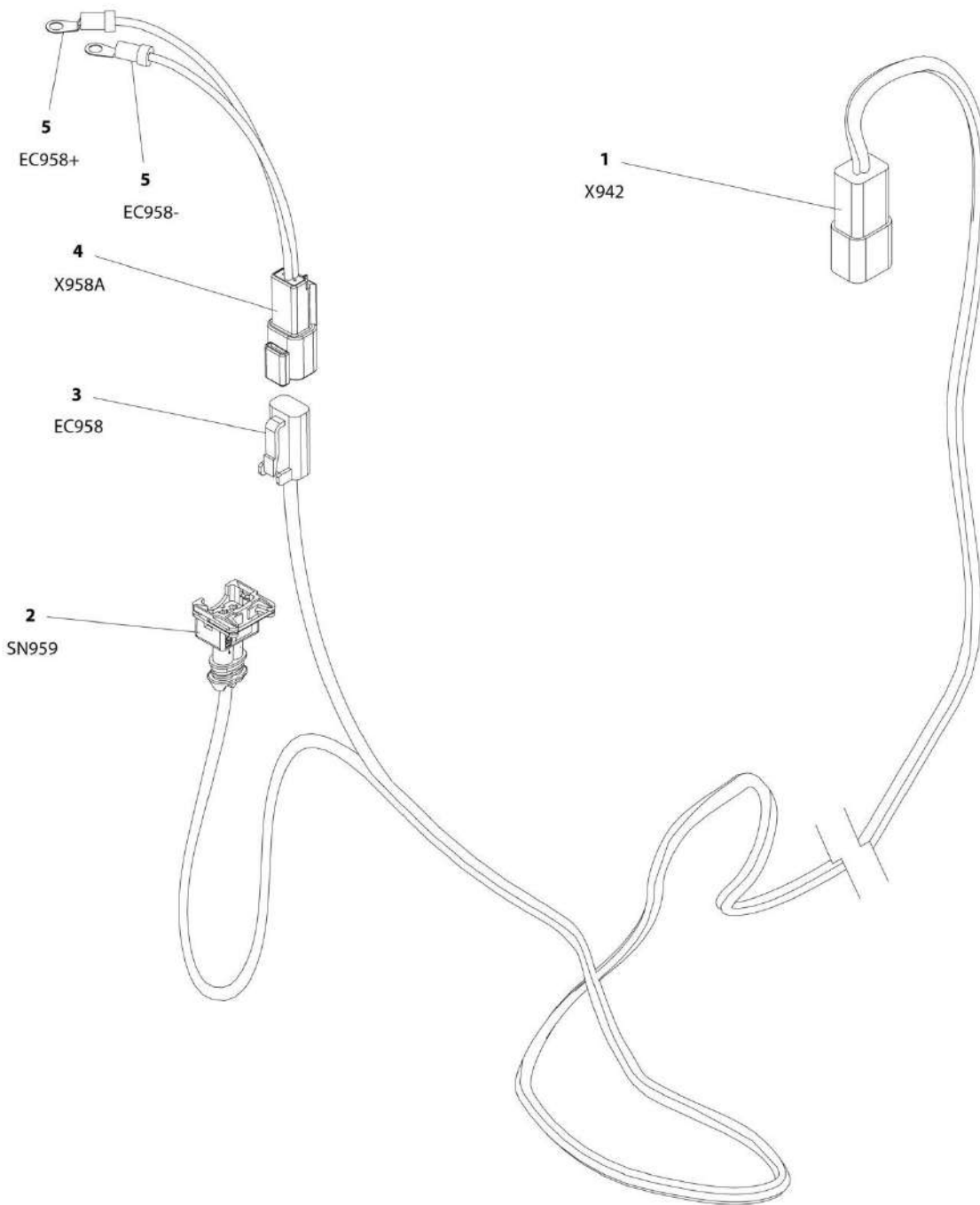
## SECTION 8 - ELECTRICAL

### FIGURE 8-55. FUEL FILTER HARNESS - DEUTZ TCD2.9L4 ENGINES

ITEM	PART NUMBER	QTY	DESCRIPTION	REV
	1001148843	Ref	FUEL FILTER HARNESS - DEUTZ TCD2.9L4 ENGINES	A
1	1001148842	1	Connector - 4 Position	
1	1001148841	4	Pin, Male	
1	1001135650	4	Seal	
2	1001133714	1	Plug, Male - 4 Position	
2	1001133715	4	Socket, Female	
2	1001135650	4	Seal	

# SECTION 8 - ELECTRICAL

## FIGURE 8-56. FUEL HARNESS - DEUTZ TCD2.9L4 ENGINES



ART\_1001138491

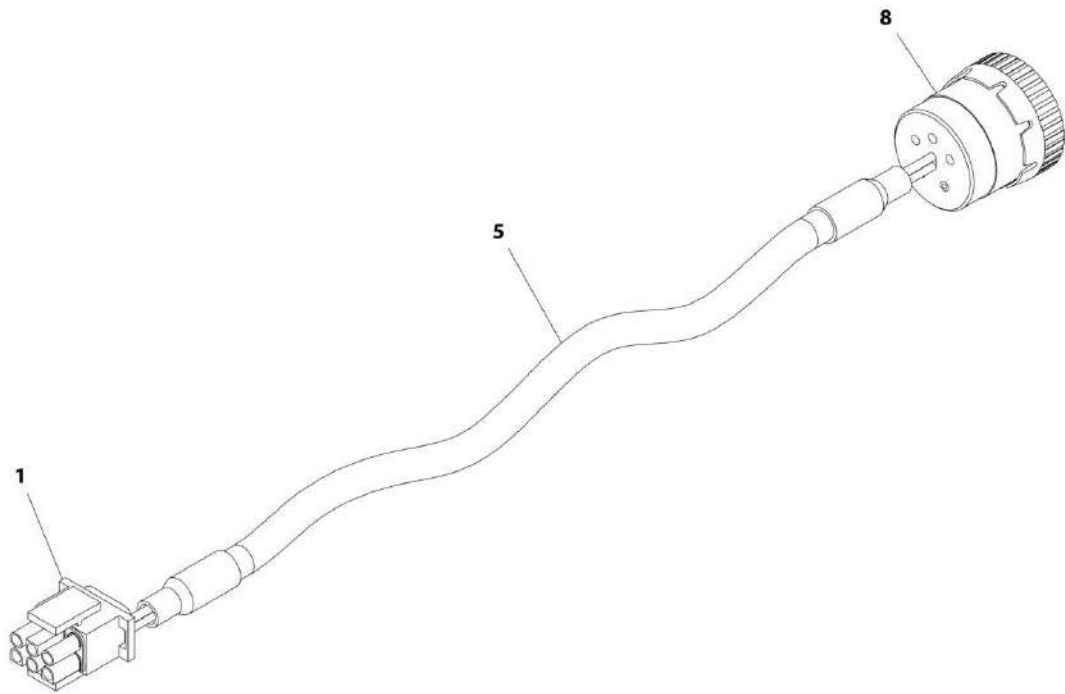
## SECTION 8 - ELECTRICAL

### FIGURE 8-56. FUEL HARNESS - DEUTZ TCD2.9L4 ENGINES

ITEM	PART NUMBER	QTY	DESCRIPTION	REV
	1001138491	Ref	FUEL HARNESS - DEUTZ TCD2.9L4 ENGINES	D
1	4460932	1	Connector - 4 Position	
1	4460464	2	Pin, Male	
1	4460941	2	Pin, Male	
2	1001116983	1	Connector - 2 Position	
2	1001116710	2	Socket, Female	
2	4461054	2	Seal	
3	4460891	1	Connector - 2 Position	
3	4460942	2	Socket, Female	
4	4460897	1	Connector - 2 Position	
4	4460941	2	Pin, Male	
5	8220051	2	Terminal, Eye	

# SECTION 8 - ELECTRICAL

FIGURE 8-57. GENERATOR HARNESS - 4000W GENERATOR



ART\_1001152533

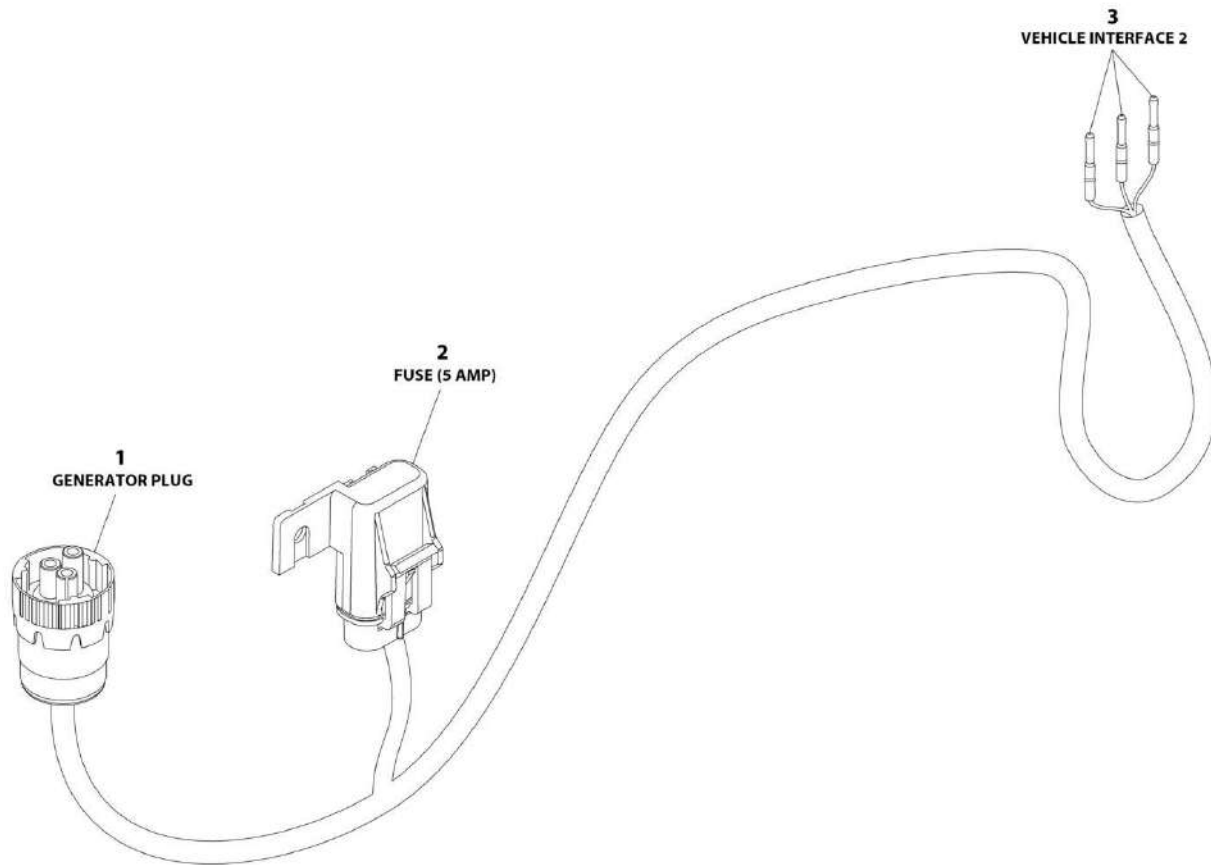
## SECTION 8 - ELECTRICAL

**FIGURE 8-57. GENERATOR HARNESS - 4000W GENERATOR**

ITEM	PART NUMBER	QTY	DESCRIPTION	REV
	1001152533	Ref	GENERATOR HARNESS - 4000W GENERATOR	A
1	4460225	1	Connector - 6 Position	
1	4460268	2	Socket, Female	
1	4460807	1	Seal, Plug	
1	4460808	1	Seal, Plug	
5	1060341	8 ft /2.44m	Cable, 16/2	
8	77363233	1	Connector - 6 Position	
8	4460465	2	Socket, Female	

# SECTION 8 - ELECTRICAL

## FIGURE 8-58. GENERATOR HARNESS - 7500W GENERATOR



ART\_1001119968



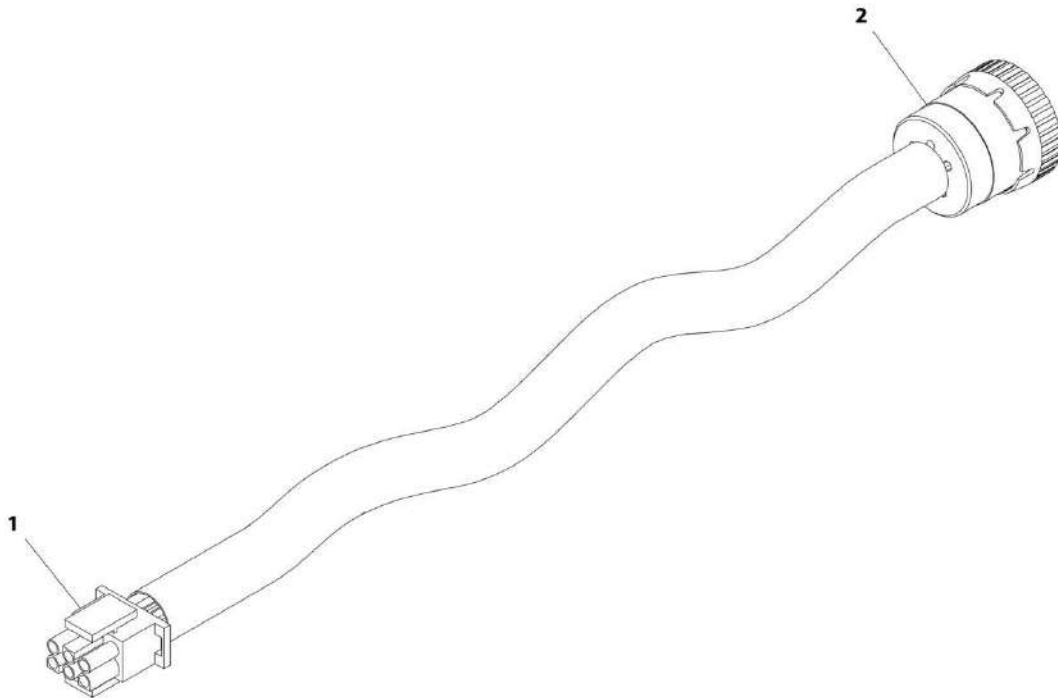
## SECTION 8 - ELECTRICAL

### FIGURE 8-58. GENERATOR HARNESS - 7500W GENERATOR

ITEM	PART NUMBER	QTY	DESCRIPTION	REV
	1001119968	Ref	GENERATOR HARNESS - 7500W GENERATOR	C
1	4460967	1	Connector - 3 Position	
1	4460465	3	Socket, Female	
2	1001117078	1	Connector, Metri-Pack W/5Amp Fuse	
3	4460465	3	Socket, Female	

## SECTION 8 - ELECTRICAL

FIGURE 8-59. GENERATOR CABLE HARNESS - 7500W GENERATOR



ART\_4922972

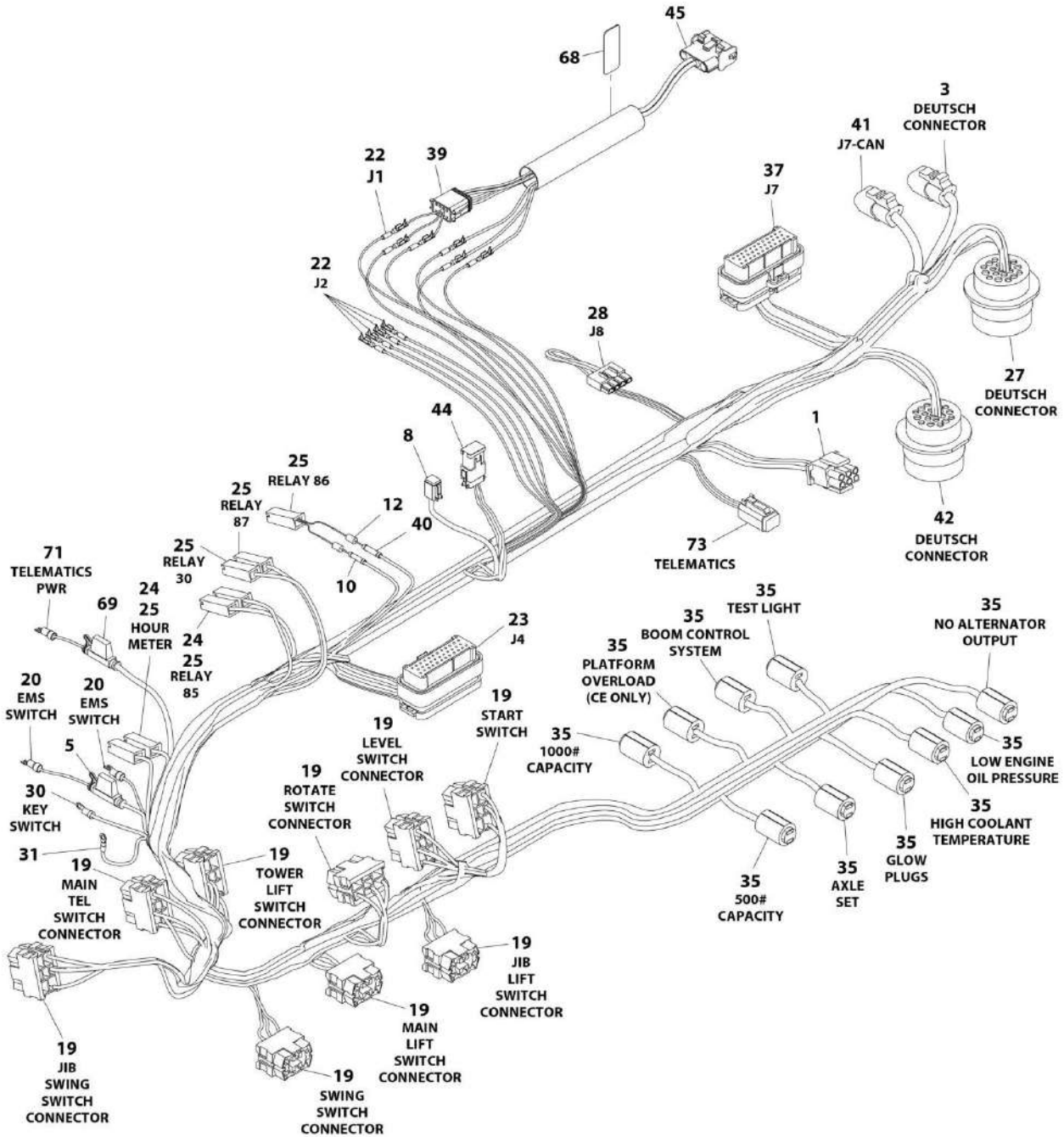
## SECTION 8 - ELECTRICAL

**FIGURE 8-59. GENERATOR CABLE HARNESS - 7500W GENERATOR**

ITEM	PART NUMBER	QTY	DESCRIPTION	REV
	4922972	Ref	GENERATOR CABLE HARNESS - 7500W GENERATOR	C
1	77363233	1	Plug, Male - 6 Position	
1	4460465	6	Socket, Female	
1	4460807	1	Seal, Plug	
1	4460808	1	Seal, Plug	
2	4460225	1	Connector - 6 Position	
2	4460226	6	Socket, Female	

# SECTION 8 - ELECTRICAL

## FIGURE 8-60. GROUND CONTROL BOX HARNESS



ART\_1001120181

## SECTION 8 - ELECTRICAL

### FIGURE 8-60. GROUND CONTROL BOX HARNESS

ITEM	PART NUMBER	QTY	DESCRIPTION	REV
	1001120181	Ref	GROUND CONTROL BOX HARNESS	E
1	4460225	1	Connector - 6 Position	
1	4460227	5	Pin, Male	
3	4460965	1	Connector - 3 Position (Blue Lock)	
3	4460944	3	Socket, Female	
3	4922099	AR	Cable, Can-Buss	
5	2400066	1	Fuseholder with Cover	
5	2400065	1	Fuse	
8	4460894	1	Connector - 6 Position	
8	4460465	1	Socket, Female 16-18GA	
8	4460942	1	Socket, Female 14-16 GA	
10	4460474	1	Terminal, Connector	
12	3990001	2	Diode - 3 Amp	
19	4460418	8	Connector, Female - 6 Position	
19	4460419	25	Socket, Female	
20	4460806	6	Terminal, Fork	
22	4460871	17	Socket, Female	
23	4460876	1	Connector, Blue - 35 Position	
23	4460871	33	Socket, Female	
24	4460260	3	Terminal, Housing	
24	4460259	3	Terminal	
25	4460260	3	Terminal, Housing	
25	4460297	3	Terminal	
27	4460866	1	Connector - 19 Pin	
27	4460464	10	Pin, Male	
27	4460508	3	Pin, Male	
28	4460878	1	Connector - 4 Position	
28	4460887	3	Terminal	
30	4460142	3	Terminal, Eyelet	
31	4460313	3	Terminal, Eyelet	
35	4120035	10	Base, Light	
35	4460634	10	Terminal (16 Gauge)	
35	4460635	10	Terminal (12 Gauge)	
37	4460873	1	Connector, Black - 35 Position	
37	4460871	14	Socket, Female	
39	4460930	1	Connector - 8 Position	
39	4460944	6	Socket, Female	
40	4460035	1	Terminal, Connector	
41	4460966	1	Connector - 3 Position (Green Lock)	
41	4460944	3	Socket, Female	
41	4922099	AR	Cable, Can-Buss	
42	4460613	1	Connector - 21 Pin	
42	4460464	8	Pin, Male Deutsch 16 Ga	
42	4460941	2	Pin, Male Deutsch 14 Ga	
44	4460836	1	Connector - 12 Position	
44	4460465	3	Socket, Female 16-18GA	
44	4460942	2	Socket, Female 14-16 GA	
45	4460761	1	Connector - 4 Position	
45	4460227	4	Pin, Male	
68	1001096076	1	Decal - Troubleshooting	

## SECTION 8 - ELECTRICAL

ITEM	PART NUMBER	QTY	DESCRIPTION	REV
69	2400060	1	Fuse, Holder (SN 0300207776 to Present)	
69	8229242	1	Fuse, 5Amp (SN 0300207776 to Present)	
71	4460888	1	Terminal, Fork (SN 0300207776 to Present)	
73	4460884	1	Connector - 4 Position (SN 0300207776 to Present)	
73	4460465	4	Socket, Female (SN 0300207776 to Present)	
73	1001192401	1	Connector, Dust Cap (SN 0300207776 to Present)	







## SECTION 8 - ELECTRICAL

**FIGURE 8-61. GROUND CONTROL BOX HARNESS - DEUTZ TCD2.9L4 ENGINES (CE SPECS)**

ITEM	PART NUMBER	QTY	DESCRIPTION	REV
	1001186468	Ref	GROUND CONTROL BOX HARNESS - DEUTZ TCD2.9L4 ENGINES (CE SPECS)	D
1	4460225	1	Plug, Male - 6 Position	
1	4460227	5	Pin, Male	
3	4460965	1	Plug, Male - 3 Position	
3	4460944	3	Socket, Female	
5	2400066	1	Fuseholder with Cover	
5	2400065	1	Fuse	
8	4460894	1	Connector - 6 Position	
8	4460465	1	Socket, Female	
8	4460942	1	Socket, Female	
10	4460474	1	Terminal, Connector	
12	3990010	2	Diode - 3 Amp	
17	4240032	AR	Tie-Strap (Not Shown)	
19	4460418	9	Connector - 6 Position	
19	4460419	25	Socket, Female	
20	4460806	6	Terminal, Fork	
22	4460871	20	Socket, Female	
23	4460876	1	Connector, Blue - 35 Position	
23	4460871	33	Socket, Female	
23	4460905	2	Plug, Sealing	
24	4460260	1	Terminal, Housing	
24	4460259	1	Terminal	
25	4460260	3	Terminal, Housing	
25	4460297	3	Terminal	
27	4460866	1	Connector - 19 Pin	
27	4460464	10	Pin, Male	
27	4460508	3	Pin, Male	
28	4460878	1	Connector - 4 Position	
28	4460887	4	Terminal	
30	4460142	3	Terminal, Eyelet	
31	4460313	3	Terminal, Eyelet	
35	4120035	10	Base, Light	
35	4460634	10	Terminal	
35	4460635	10	Terminal	
37	4460873	1	Connector, Black - 35 Position	
37	4460871	17	Socket, Female	
37	4460905	18	Plug, Sealing	
39	4460930	1	Connector - 8 Position	
39	4460944	6	Socket, Female	
40	4460035	1	Terminal, Connector	
41	4460966	2	Connector - 3 Position (Green Lock)	
41	4460944	3	Socket, Female	
42	4460613	1	Connector - 21 Pin	
42	4460464	8	Pin, Male	
42	4460941	2	Pin, Male	
44	4460836	1	Connector - 12 Position	
44	4460465	3	Socket, Female	
44	4460942	2	Socket, Female	
45	4460761	1	Connector - 4 Position	

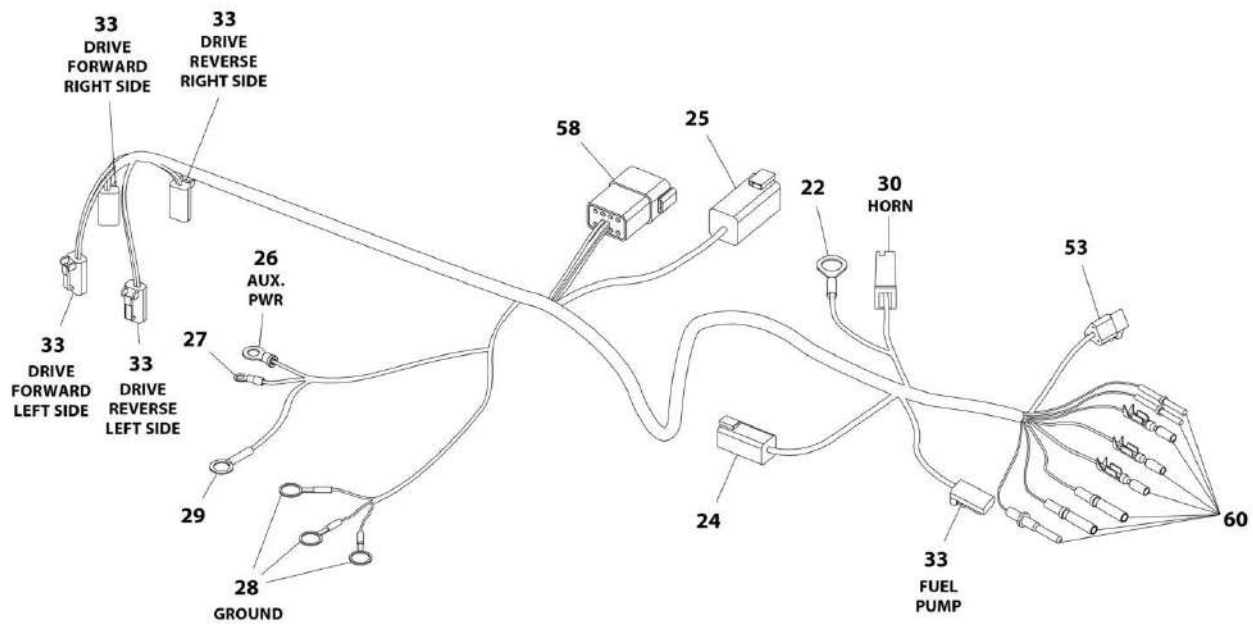
## SECTION 8 - ELECTRICAL

ITEM	PART NUMBER	QTY	DESCRIPTION	REV
45	4460227	4	Pin, Male	
46	1060698	AR	Cable 18/4	
68	1001096076	1	Decal - Troubleshooting	
69	4460868	1	Connector - 6 Position	
69	4460877	4	Terminal	
69	4460905	1	Plug, Sealing	
70	4460260	2	Terminal, Housing	
72	4460945	1	Connector, Female - 3 Way	
74	4460905	52	Plug, Sealing	
75	1001116812	2	Connector - 3 Position	
75	4460944	5	Socket, Female	
76	2400060	1	Fuse, Holder <b>(SN 0300207776 to Present)</b>	
76	8229242	1	Fuse, 5Amp <b>(SN 0300207776 to Present)</b>	
78	4460888	1	Terminal, Fork <b>(SN 0300207776 to Present)</b>	
80	4460884	1	Connector - 4 Position <b>(SN 0300207776 to Present)</b>	
80	4460465	4	Socket, Female <b>(SN 0300207776 to Present)</b>	
80	1001192401	1	Connector, Dust Cap <b>(SN 0300207776 to Present)</b>	



# SECTION 8 - ELECTRICAL

## FIGURE 8-62. GROUND CONTROLS TO ENGINE HARNESS



ART\_1001119529

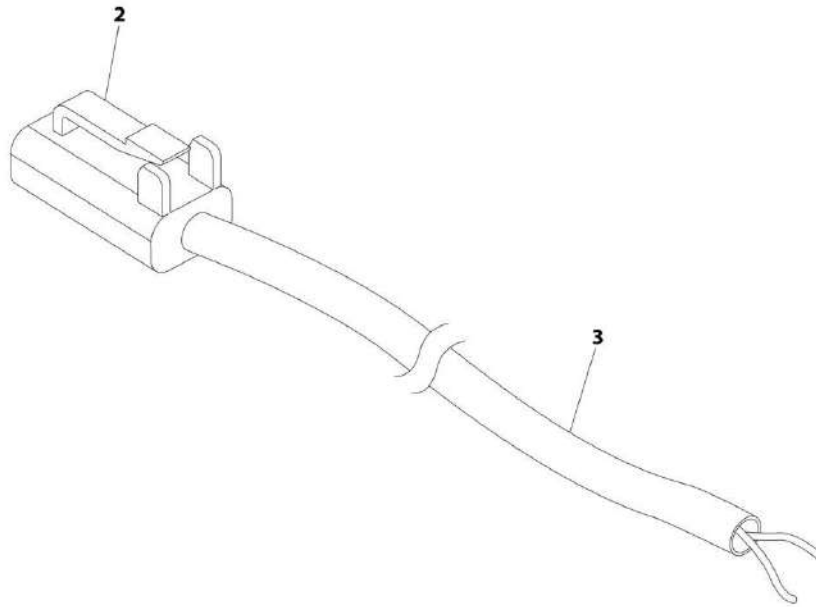
## SECTION 8 - ELECTRICAL

### FIGURE 8-62. GROUND CONTROLS TO ENGINE HARNESS

ITEM	PART NUMBER	QTY	DESCRIPTION	REV
	1001119529	Ref	GROUND CONTROLS TO ENGINE HARNESS	D
22	4460702	1	Terminal, Eyelet	
24	4460899	1	Connector - 6 Position	
24	4460464	5	Pin, Male	
24	4460466	1	Plug, Terminal	
25	4460899	1	Connector - 6 Position	
25	4460464	4	Pin, Male	
25	4460943	2	Pin, Male (Gold)	
26	4460312	1	Terminal, Eyelet	
27	4460313	1	Terminal, Eyelet	
28	4460019	3	Terminal, Eyelet	
29	4460256	1	Terminal, Eyelet	
30	4460260	1	Terminal, Housing	
30	4460259	1	Terminal	
33	4460891	5	Connector - 2 Position	
33	4460465	10	Socket, Female	
53	4460539	1	Connector - 3 Position	
53	4460944	3	Socket, Female	
58	4460931	1	Connector - 8 Position	
58	4460464	8	Pin, Male	
60	4460465	2	Socket, Female	
60	4460887	1	Terminal (12 Gauge)	
60	4460871	12	Socket, Female	
60	4460508	1	Pin, Male	

## SECTION 8 - ELECTRICAL

FIGURE 8-63. JIB STOW SWITCH HARNESS



ART\_4922784

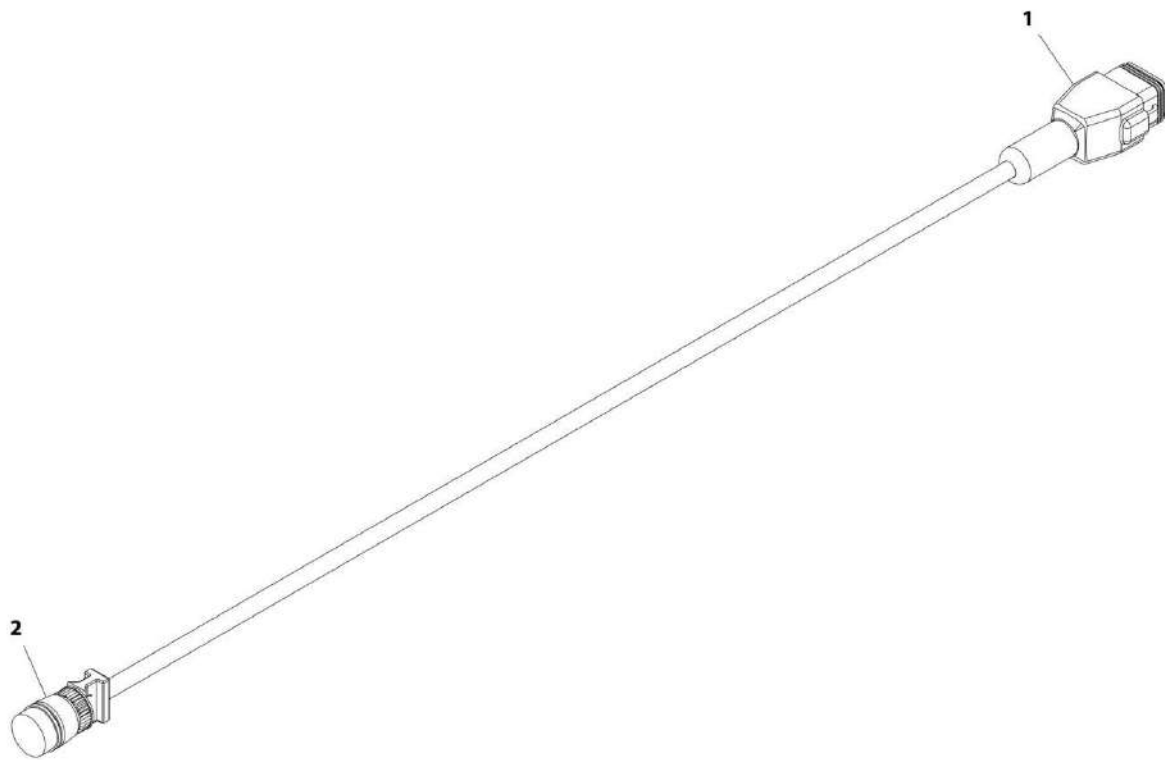
## SECTION 8 - ELECTRICAL

### FIGURE 8-63. JIB STOW SWITCH HARNESS

ITEM	PART NUMBER	QTY	DESCRIPTION	REV
	4922784	Ref	JIB STOW SWITCH HARNESS	C
2	4460891	1	Connector - 2 Position	
2	4460465	2	Socket, Female	
3	1060902	15 ft/ 4.57m	Cable, Electrical 18/2	

# SECTION 8 - ELECTRICAL

## FIGURE 8-64. LOAD SENSING PIN HARNESS



ART\_4923256



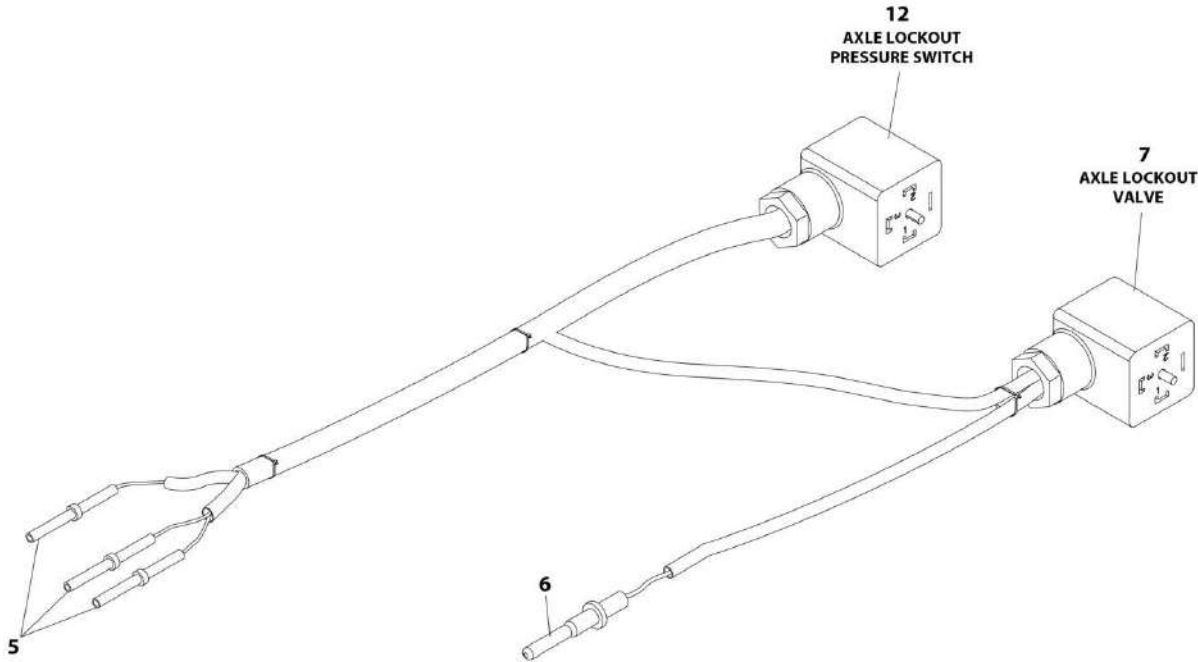
## SECTION 8 - ELECTRICAL

### FIGURE 8-64. LOAD SENSING PIN HARNESS

ITEM	PART NUMBER	QTY	DESCRIPTION	REV
	4923256	Ref	LOAD SENSING PIN HARNESS	B
1	4460930	1	Connector - 8 Position (Gray)	
1	4460465	4	Socket, Female	
1	4460466	3	Plug, Sealing	
2	See Note	NSS	Connector - 4 Position (Note: Not Available for Purchase)	
2	See Note	NSS	Terminal (Note: Not Available for Purchase)	

**SECTION 8 - ELECTRICAL**

**FIGURE 8-65. LOCKOUT VALVE HARNESS**



ART\_4922767

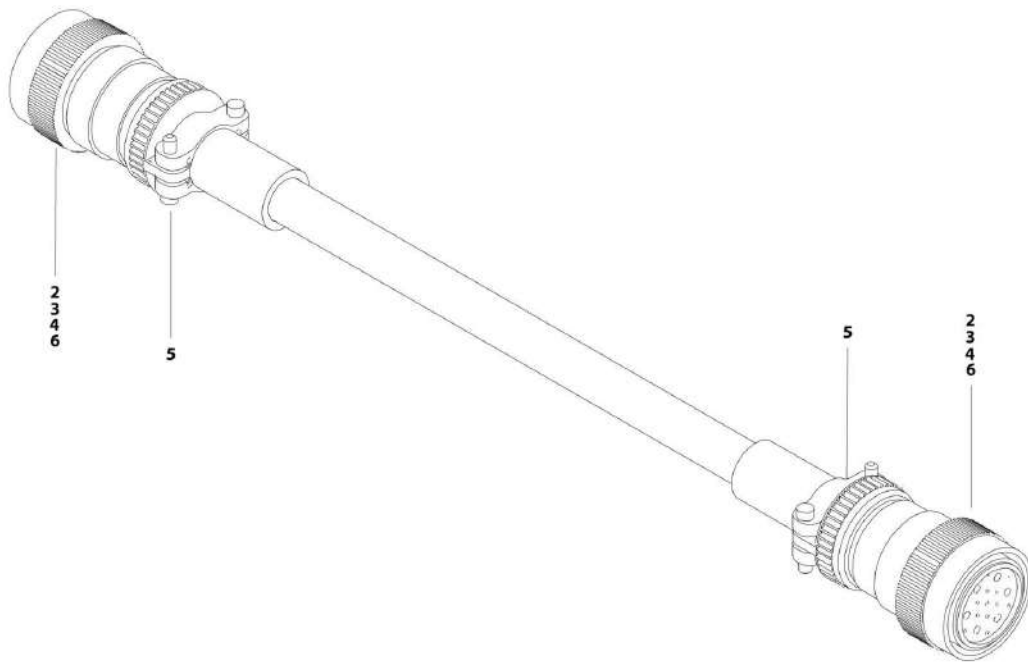
## SECTION 8 - ELECTRICAL

### FIGURE 8-65. LOCKOUT VALVE HARNESS

ITEM	PART NUMBER	QTY	DESCRIPTION	REV
	4922767	Ref	LOCKOUT VALVE HARNESS	C
5	4460465	3	Socket, Female	
6	4460464	1	Pin, Male	
7	4460880	1	Connector, Din	
8	4240033	6	Tie-Strap (Not Shown)	
12	4460449	1	Connector, DIN	

# SECTION 8 - ELECTRICAL

## FIGURE 8-66. MAIN BOOM CONTROL CABLE HARNESS



ART\_4922955

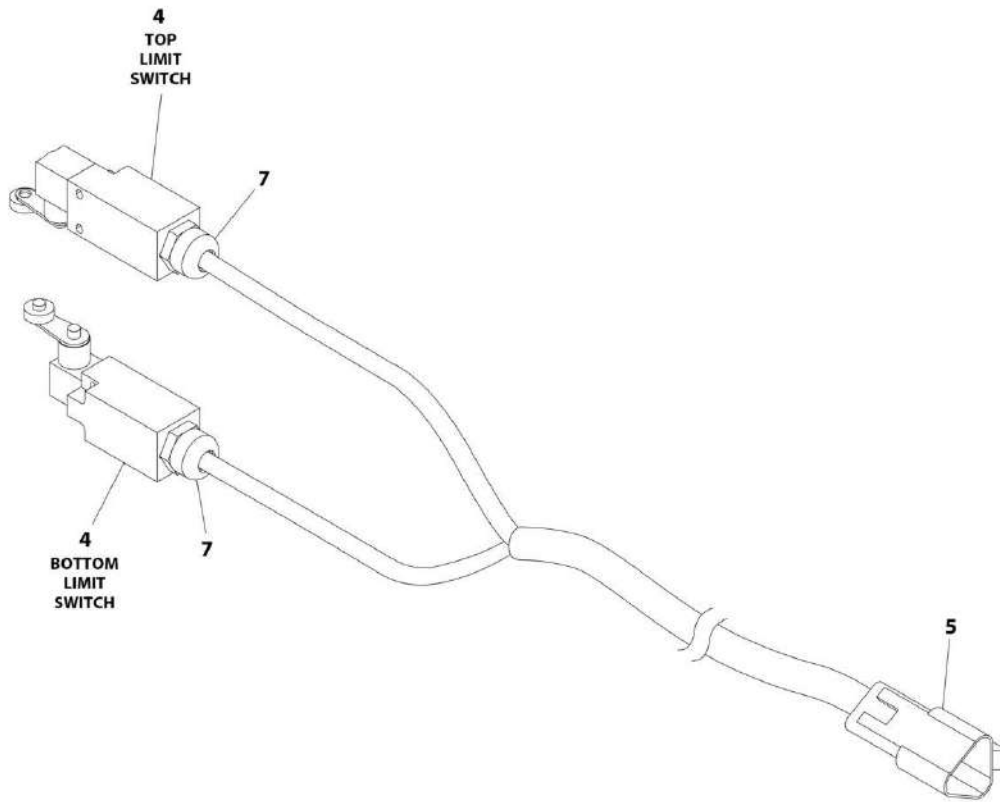
## SECTION 8 - ELECTRICAL

### FIGURE 8-66. MAIN BOOM CONTROL CABLE HARNESS

ITEM	PART NUMBER	QTY	DESCRIPTION	REV
	4922955	Ref	MAIN BOOM CONTROL CABLE HARNESS	D
2	4460465	22	Socket, Female	
3	4460865	2	Connector - 19 Position	
4	4460509	8	Socket, Female	
5	4460473	2	Clamp	
6	4460466	8	Plug, Socket	

# SECTION 8 - ELECTRICAL

## FIGURE 8-67. MAIN BOOM DUAL CAPACITY SWITCH HARNESS



ART\_4923170

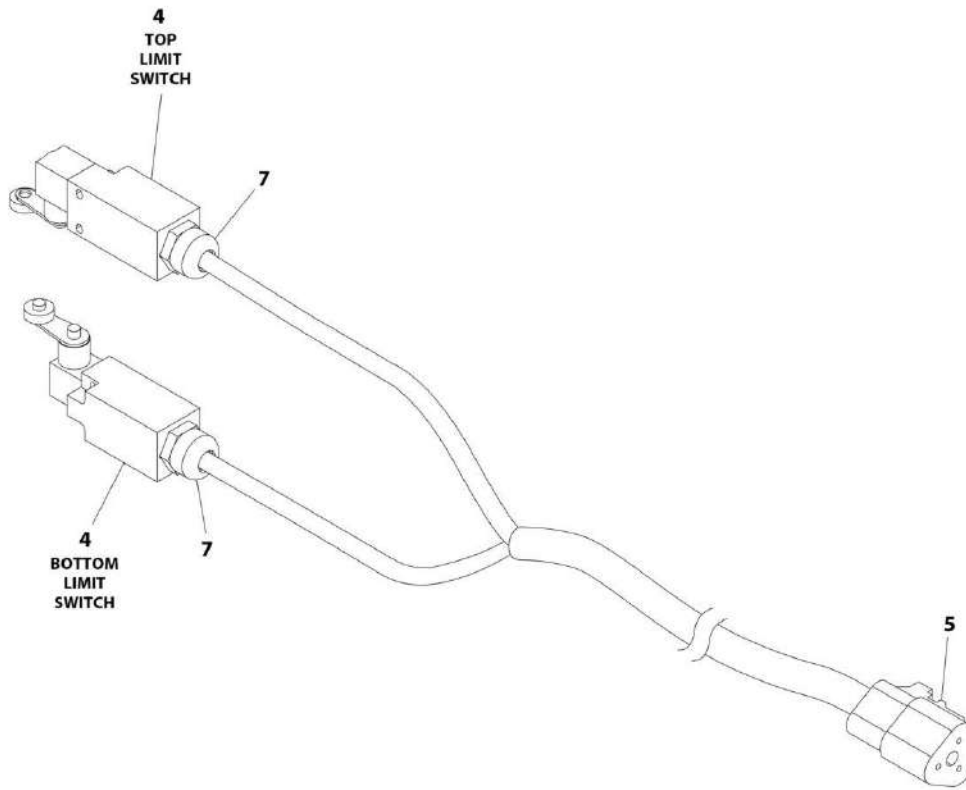
## SECTION 8 - ELECTRICAL

### FIGURE 8-67. MAIN BOOM DUAL CAPACITY SWITCH HARNESS

ITEM	PART NUMBER	QTY	DESCRIPTION	REV
	4923170	Ref	MAIN BOOM DUAL CAPACITY SWITCH HARNESS	C
4	4360578	2	Switch, Limit	
5	4460536	1	Connector - 3 Position	
5	4460943	3	Pin, Male (Gold)	
7	4460968	2	Connector, Strain Relief	

# SECTION 8 - ELECTRICAL

## FIGURE 8-68. MAIN BOOM TRANSPORT SWITCH HARNESS



ART\_4923171



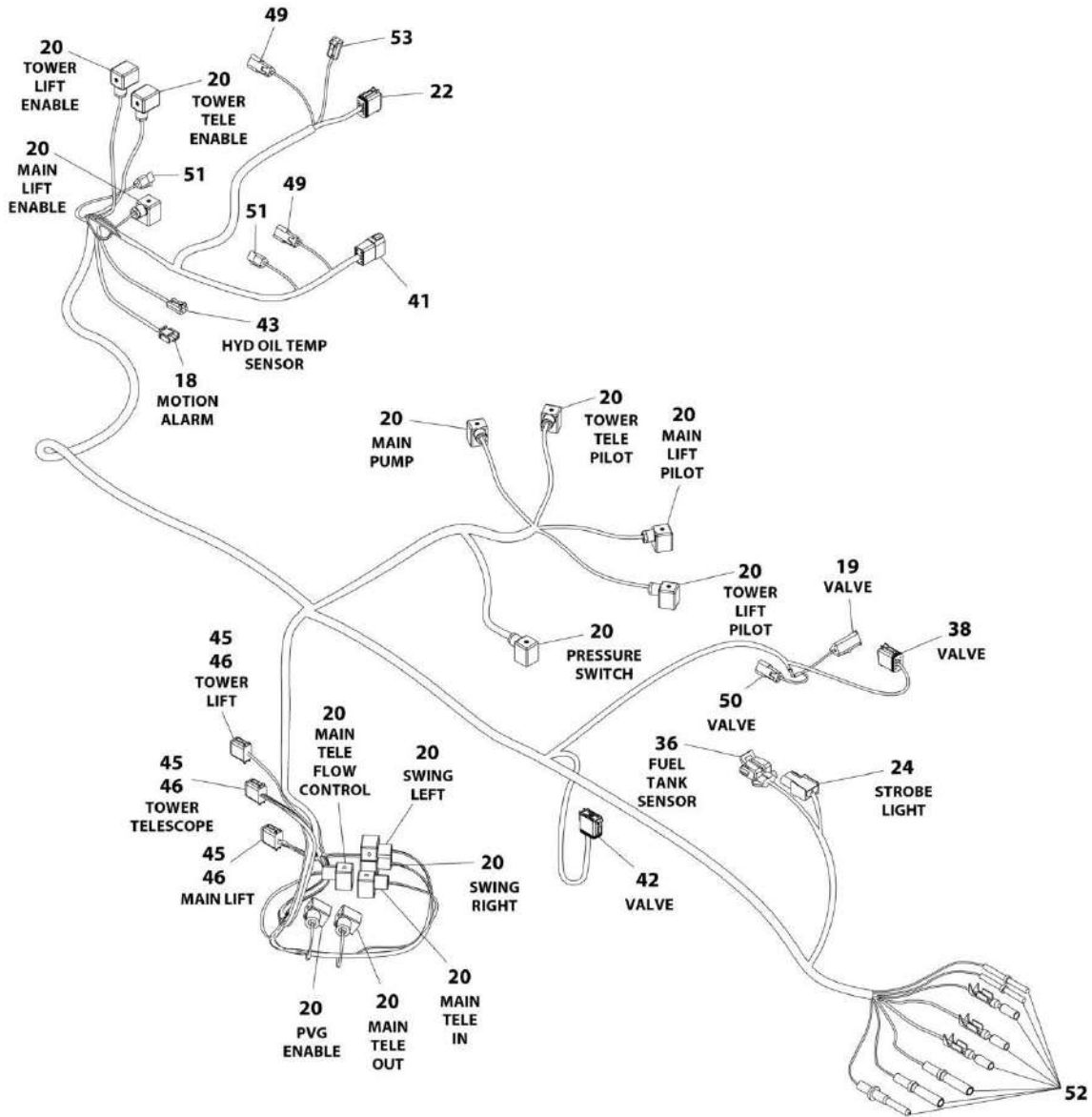
## SECTION 8 - ELECTRICAL

### FIGURE 8-68. MAIN BOOM TRANSPORT SWITCH HARNESS

ITEM	PART NUMBER	QTY	DESCRIPTION	REV
	4923171	Ref	MAIN BOOM TRANSPORT SWITCH HARNESS	C
4	4360578	2	Switch, Limit	
5	4460539	1	Connector - 3 Position	
5	4460944	3	Socket, Female (Gold)	
7	4460968	2	Connector, Strain Relief	

# SECTION 8 - ELECTRICAL

## FIGURE 8-69. MAIN VALVE HARNESS



ART\_4923397

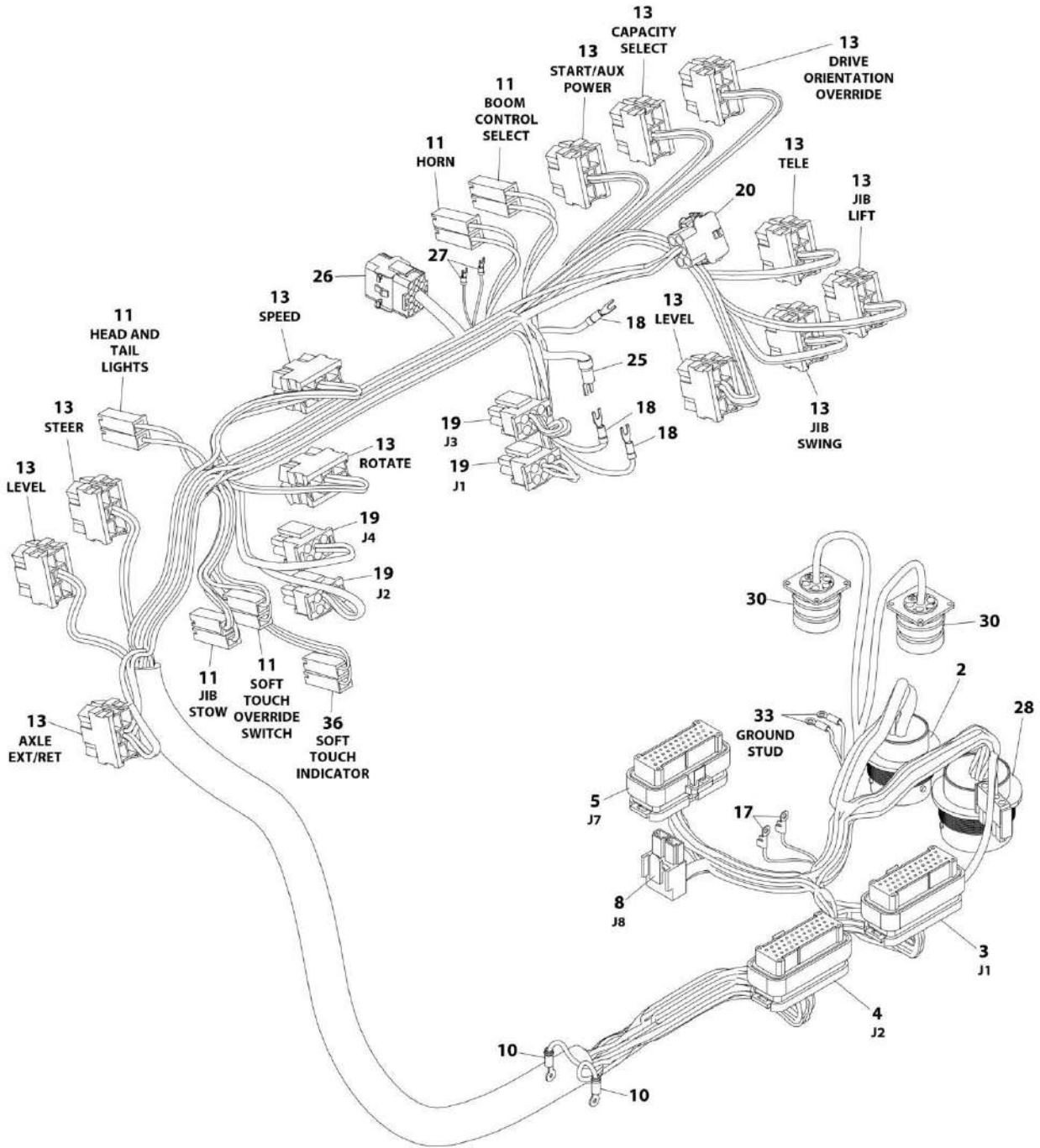
## SECTION 8 - ELECTRICAL

### FIGURE 8-69. MAIN VALVE HARNESS

ITEM	PART NUMBER	QTY	DESCRIPTION	REV
	4923397	Ref	MAIN VALVE HARNESS	D
18	4460320	1	Connector - 2 Position	
18	4460267	2	Pin, Male	
19	4460965	1	Connector - 3 Position	
19	4460944	3	Socket, Female	
20	4460880	14	DIN Connector	
22	4460836	1	Connector - 12 Position (Black)	
22	4460465	3	Socket, Female	
22	4460466	4	Plug, Socket	
22	4460944	3	Socket, Female 16-18 GA (Gold)	
22	4460942	2	Socket, Female 14-16 GA	
24	4460424	1	Connector - 2 Position	
24	4460268	2	Socket, Female	
36	4460843	1	Connector - 2 Position	
36	4460842	2	Socket, Female	
38	4460930	1	Connector - 8 Position	
38	4460944	5	Socket, Female (Gold)	
38	4460466	3	Plug, Socket	
38	0840062	1	Boot, Deutsch	
41	4460931	1	Connector - 8 Position (Gray)	
41	4460943	5	Pin, Male (Gold)	
41	4460466	3	Plug, Socket	
42	4460933	1	Connector - 12 Position (Gray)	
42	4460465	7	Socket, Female	
42	4460942	5	Socket, Female 14-16 GA	
43	4460891	1	Connector - 2 Position	
43	4460465	2	Socket, Female	
45	4461004	3	Connector - 4 Position (Black)	
45	4461005	12	Terminal	
45	4461006	12	Seal	
46	4461007	3	Connector - 4 Position (Gray)	
46	4461008	12	Plug, Hole	
49	4460536	2	Connector - 3 Position	
49	4460943	6	Pin, Male (Gold)	
50	4460536	1	Connector - 3 Position	
50	4460943	3	Pin, Male (Gold)	
50	1060698	AR	Cable 18/4	
51	4460539	AR	Connector - 3 Position	
51	4460944	6	Socket, Female (Gold)	
52	4460465	3	Socket, Female	
52	4460944	2	Socket, Female (Gold)	
52	4460871	29	Socket, Female	
52	4460464	1	Pin, Male	
52	4460942	3	Socket, Female	
52	4460419	2	Socket, Female	
53	4460891	1	Connector - 2 Position (SN 0300226469 to Present)	
53	4460942	2	Socket, Female (SN 0300226469 to Present)	

# SECTION 8 - ELECTRICAL

## FIGURE 8-70. PLATFORM CONSOLE BOX HARNESS - WITHOUT SKYGUARD



ART\_4923448

## SECTION 8 - ELECTRICAL

**FIGURE 8-70. PLATFORM CONSOLE BOX HARNESS - WITHOUT SKYGUARD**

ITEM	PART NUMBER	QTY	DESCRIPTION	REV
	4923448	Ref	PLATFORM CONSOLE BOX HARNESS - WITHOUT SKYGUARD	C
2	4460866	1	Connector - 19 Pin	
2	4460464	7	Pin, Male	
2	4460508	4	Pin, Male	
2	4460943	3	Pin, Male 16 Ga (Gold)	
3	4460874	1	Connector - 35 Position (Natural)	
3	4460871	32	Socket, Female	
3	4460905	3	Plug	
4	4460876	1	Connector - 35 Position (Blue)	
4	4460871	34	Socket, Female	
4	4460905	1	Plug	
5	4460873	1	Connector - 35 Position (Black)	
5	4460871	23	Socket, Female	
5	4460905	12	Plug	
8	4460879	1	Connector, Male - 2 Position	
8	4460887	2	Terminal (12 Gauge)	
10	4460213	2	Terminal, Eyelet	
11	4460260	10	Terminal, Housing	
11	4460259	10	Terminal	
13	4460418	12	Connector - 6 Position	
13	4460419	36	Socket, Female	
17	1001121703	2	Terminal, Eyelet	
18	4460888	3	Terminal, Fork	
19	4460225	4	Connector - 6 Position	
19	4460226	21	Terminal (16 Gauge)	
20	4460225	1	Connector - 6 Position	
20	4460227	5	Pin, Male	
25	4460806	1	Terminal, Fork	
26	4460434	1	Connector - 15 Position	
26	4460227	14	Pin, Male	
27	4460183	13	Terminal, Fork	
28	4460925	1	Connector - 21 Pin	
28	4460929	13	Pin, Male Deutsch 16 Ga	
28	4460466	8	Plug	
30	1001121616	2	Connector - 6 Position	
30	1001121615	2	Base, Mounting	
33	4460142	2	Terminal, Eyelet	
36	4460016	2	Terminal	



## SECTION 8 - ELECTRICAL

**FIGURE 8-71. PLATRORM CONSOLE BOX HARNESS - WITH SKYGUARD (SN 0300201017 through 0300234289)**

ITEM	PART NUMBER	QTY	DESCRIPTION	REV
	1001186477	Ref	PLATFORM CONSOLE BOX HARNESS - WITH SKYGUARD (SN 0300201017 through 0300234289)	D
2	4460866	1	Connector - 19 Pin	
2	4460464	7	Pin, Male Deutsch 16 Ga	
2	4460508	4	Pin, Male Deutsch 12 Ga	
2	4460943	3	Pin, Male 16 Ga (Gold)	
3	4460874	1	Connector - 35 Position (Natural)	
3	4460871	32	Socket, Female	
3	4460905	3	Plug	
4	4460876	1	Connector - 35 Position (Blue)	
4	4460871	34	Socket, Female	
4	4460905	1	Plug	
5	4460873	1	Connector - 35 Position (Black)	
5	4460871	24	Socket, Female	
5	4460905	11	Plug	
8	4460879	1	Connector - 2 Position	
8	4460887	2	Terminal	
10	4460213	2	Terminal Eyelet	
11	4460260	10	Terminal, Housing	
11	4460259	10	Terminal	
13	4460418	12	Connector, Female - 6 Position	
13	4460419	36	Socket, Female	
17	1001121703	2	Terminal, Eyelet	
18	4460888	3	Terminal, Fork	
19	4460225	4	Connector - 6 Position	
19	4460226	21	Terminal (16 Gauge)	
20	4460225	1	Connector - 6 Position	
20	4460227	5	Pin, Male	
25	4460806	1	Terminal, Fork	
26	4460434	2	Connector - 15 Position	
26	4460227	14	Pin, Male	
26	4460267	1	Pin, Male	
27	4460183	13	Terminal, Fork	
28	4460925	1	Connector - 21 Pin	
28	4460929	13	Pin, Male Deutsch 16 Ga	
28	4460466	8	Plug	
30	1001121616	2	Connector, 6 Position	
30	1001121615	2	Base, Mounting	
33	4460142	2	Terminal, Eyelet	
36	4460016	2	Terminal	
37	4460708	1	Connector - 15 Position	
37	4460226	3	Terminal (16 Gauge)	
39	4460884	1	Connector - 4 Position	
39	4460944	4	Socket, Female (Gold)	
41	1001116720	4	Terminal	
42	1001118388	4	Terminal	
43	4460539	1	Plug, Male - 3 Position	
43	4460944	3	Socket, Female (Gold)	
44	4460536	1	Connector - 3 Position	

## SECTION 8 - ELECTRICAL

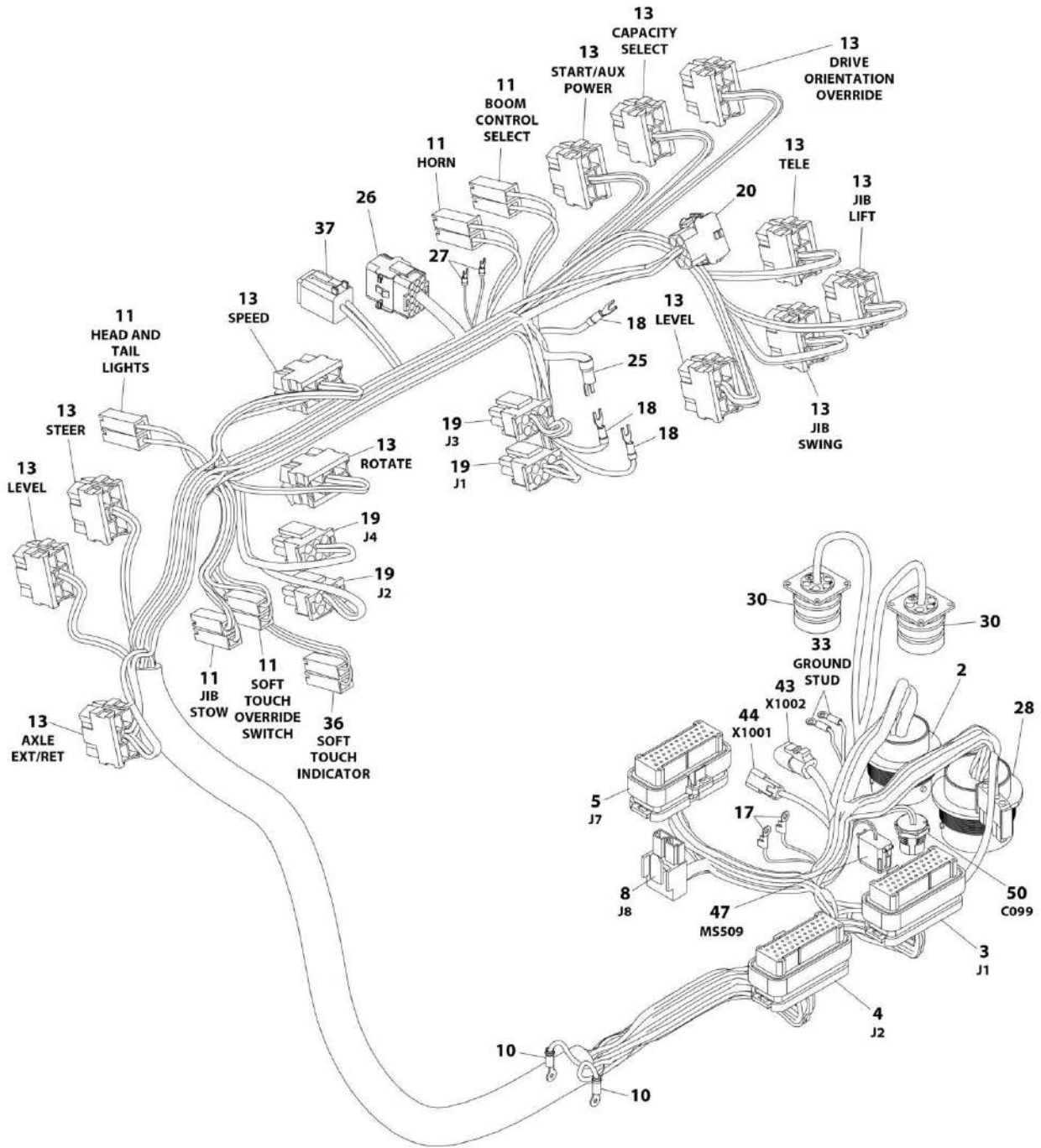
ITEM	PART NUMBER	QTY	DESCRIPTION	REV
44	4460943	3	Pin, Male (Gold)	
46	4460932	1	Connector - 4 Position	





# SECTION 8 - ELECTRICAL

## FIGURE 8-72. PLATFORM CONSOLE BOX HARNESS - WITH SKYGUARD (SN 0300234290 to Present)



ART\_1001220866

## SECTION 8 - ELECTRICAL

**FIGURE 8-72. PLATFORM CONSOLE BOX HARNESS - WITH SKYGUARD (SN 0300234290 to Present)**

ITEM	PART NUMBER	QTY	DESCRIPTION	REV
	1001220866	Ref	PLATFORM CONSOLE BOX HARNESS - WITH SKYGUARD (SN 0300234290 to Present)	E
2	4460866	1	Connector - 19 Pin	
2	4460464	7	Pin, Male Deutsch 16 Ga	
2	4460508	4	Pin, Male Deutsch 12 Ga	
2	4460943	3	Pin, Male 16 Ga (Gold)	
3	4460874	1	Connector - 35 Position (Natural)	
3	4460871	33	Socket, Female	
3	4460905	2	Plug	
4	4460876	1	Connector - 35 Position (Blue)	
4	4460871	34	Socket, Female	
4	4460905	1	Plug	
5	4460873	1	Connector - 35 Position (Black)	
5	4460871	24	Socket, Female	
5	4460905	11	Plug	
8	4460879	1	Connector - 2 Position	
8	4460887	2	Terminal	
10	4460213	2	Terminal Eyelet	
11	4460260	10	Terminal, Housing	
11	4460259	10	Terminal	
13	4460418	12	Connector, Female - 6 Position	
13	4460419	34	Socket, Female	
17	1001121703	2	Terminal, Eyelet	
18	4460888	3	Terminal, Fork	
19	4460225	4	Connector - 6 Position	
19	4460226	21	Terminal (16 Gauge)	
20	4460225	1	Connector - 6 Position	
20	4460227	5	Pin, Male	
25	4460806	1	Terminal, Fork	
26	4460434	2	Connector - 15 Position	
26	4460227	16	Pin, Male	
27	4460183	13	Terminal, Fork	
28	4460925	1	Connector - 21 Pin	
28	4460929	13	Pin, Male Deutsch 16 Ga	
28	4460466	8	Plug	
30	1001121616	2	Connector, 6 Position	
30	1001121615	2	Base, Mounting	
33	4460142	2	Terminal, Eyelet	
36	4460016	2	Terminal	
37	4460894	1	Connector - 6 Position	
37	4460465	5	Socket, Female	
37	4460466	1	Plug	
43	4460539	1	Plug, Male - 3 Position	
43	4460944	3	Socket, Female (Gold)	
44	4460536	1	Connector - 3 Position	
44	4460943	3	Pin, Male (Gold)	
47	4460933	1	Connector, Gray - 12 Position	
47	4460944	8	Socket, Female (Gold)	
47	4460466	4	Plug	

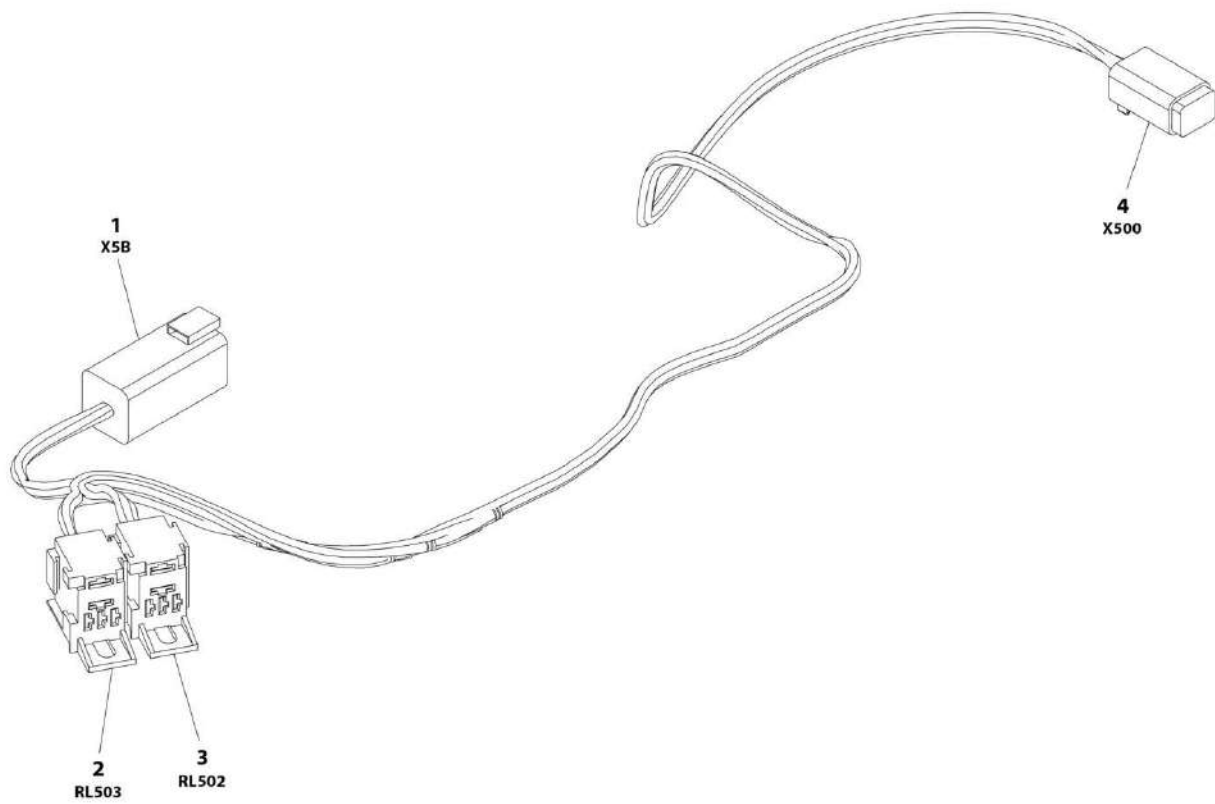
## SECTION 8 - ELECTRICAL

ITEM	PART NUMBER	QTY	DESCRIPTION	REV
47	1001119020	1	Bussbar - 12 Position	
50	1001213447	1	Connector - 5 Position	



# SECTION 8 - ELECTRICAL

## FIGURE 8-73. PLATFORM INTERFACE HARNESS



ART\_1001225580

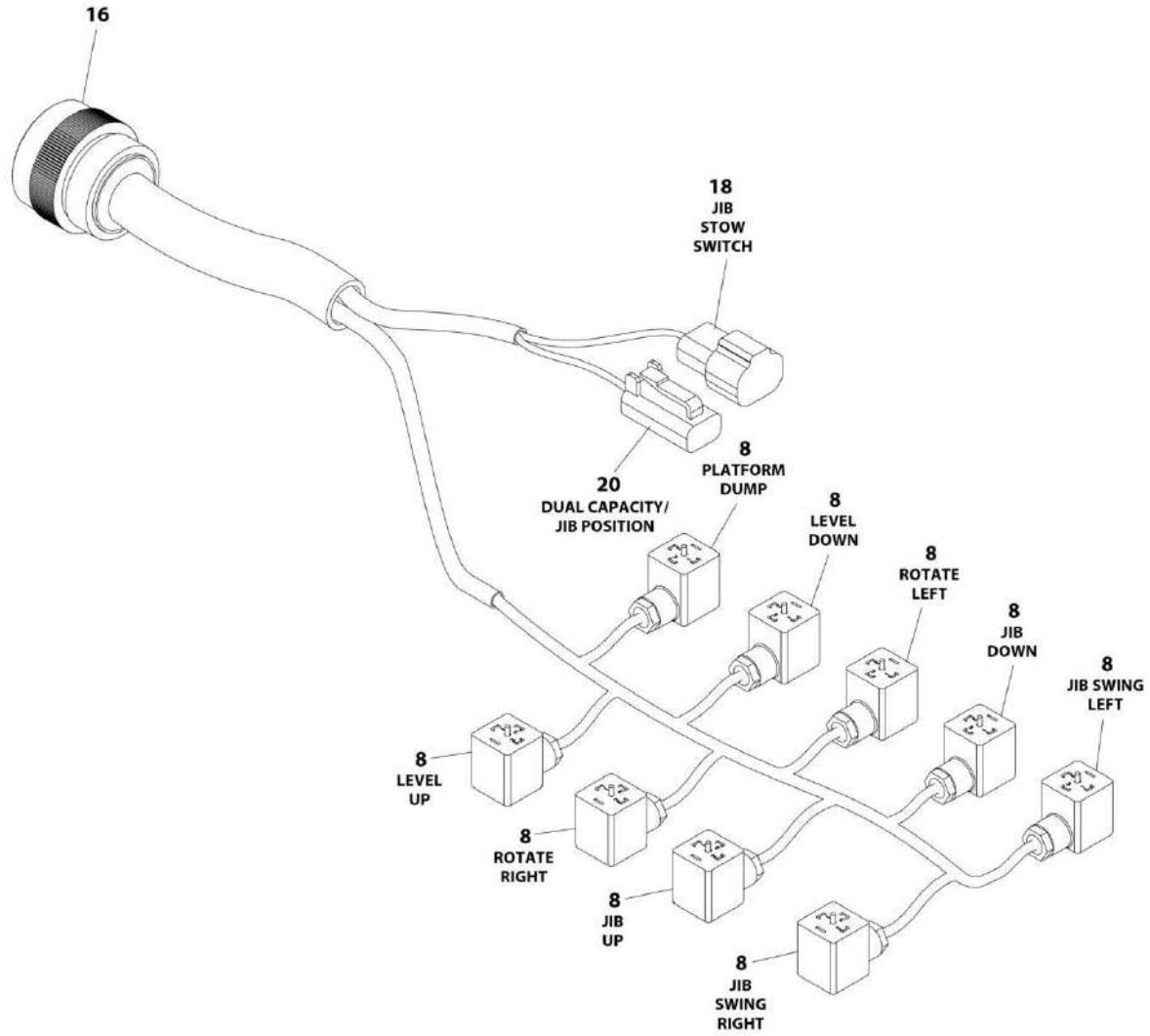
## SECTION 8 - ELECTRICAL

### FIGURE 8-73. PLATFORM INTERFACE HARNESS

ITEM	PART NUMBER	QTY	DESCRIPTION	REV
	1001225580	Ref	PLATFORM INTERFACE HARNESS	D
1	4460899	1	Connector, Female - 6 Position	
1	4460464	4	Pin, Male	
1	4460466	2	Seal, Plug	
2	1001186432	1	Holder, Micro Relay	
2	1001116720	2	Terminal	
2	1001118388	2	Terminal	
3	1001186432	1	Holder, Micro Relay	
3	1001116720	2	Terminal	
3	1001118388	2	Terminal	
4	4460884	1	Connector - 3 Position	
4	4460465	4	Socket, Female	

# SECTION 8 - ELECTRICAL

## FIGURE 8-74. PLATFORM VALVE HARNESS



ART\_4922777



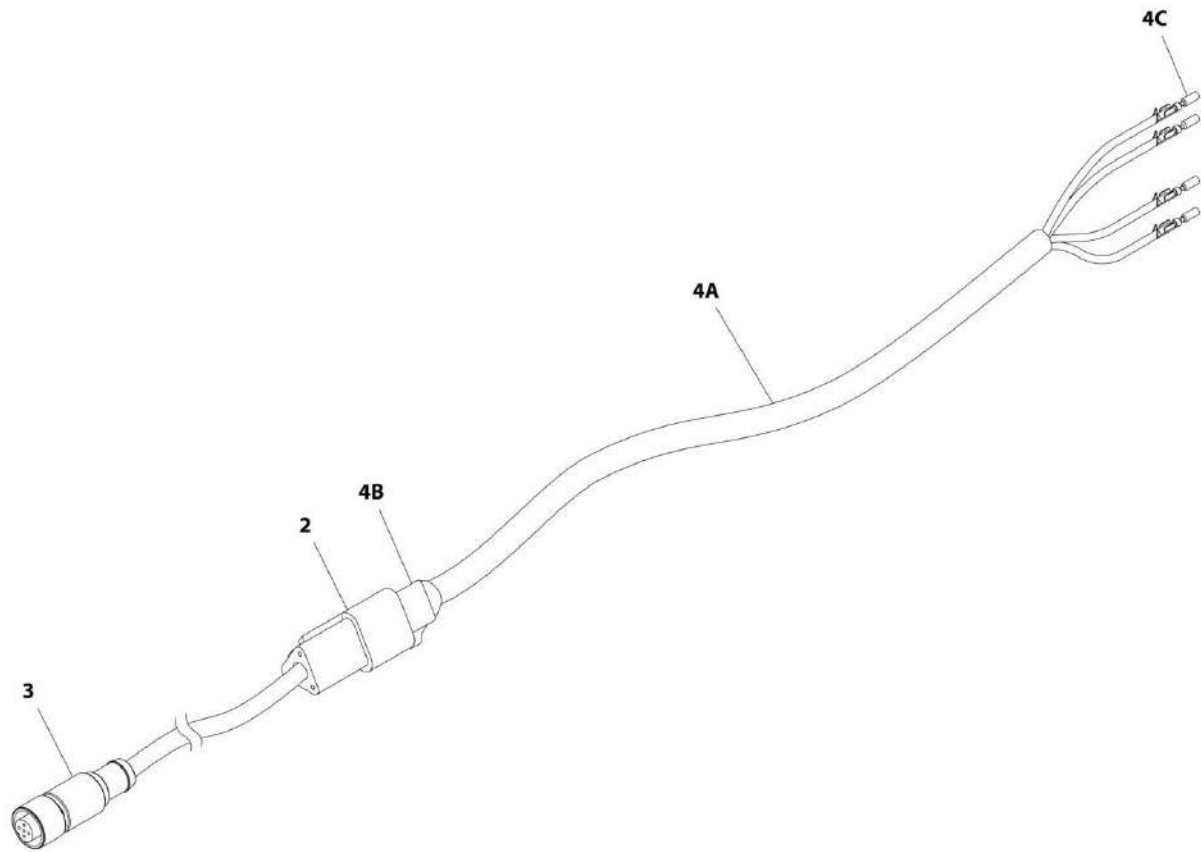
## SECTION 8 - ELECTRICAL

### FIGURE 8-74. PLATFORM VALVE HARNESS

ITEM	PART NUMBER	QTY	DESCRIPTION	REV
	4922777	Ref	PLATFORM VALVE HARNESS	D
7	4240033	10	Tie-Strap (Not Shown)	
8	4460880	9	DIN Connector	
16	4460926	1	Connector - 21 Position	
16	4460928	13	Socket, Female	
16	4460466	8	Plug, Hole	
18	4460897	1	Connector - 2 Position	
18	4460464	2	Pin, Male	
20	4460891	1	Plug, Male - 2 Position	
20	4460465	2	Socket, Female	

# SECTION 8 - ELECTRICAL

FIGURE 8-75. PRESSURE TRANSDUCER HARNESS (SN 0300201017 through 0300226468)



ART\_1001120161

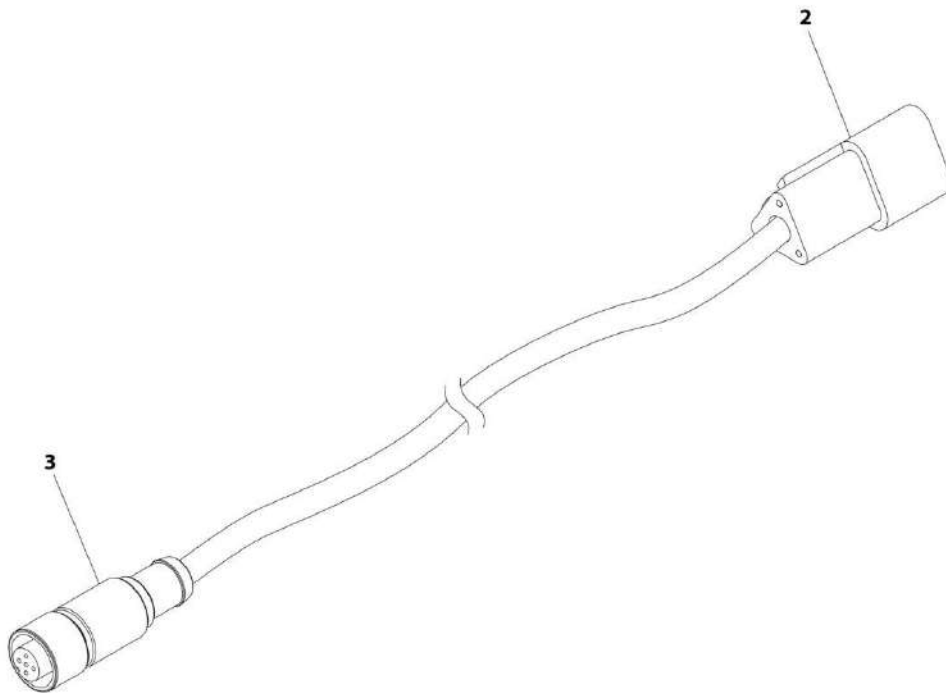
## SECTION 8 - ELECTRICAL

**FIGURE 8-75. PRESSURE TRANSDUCER HARNESS (SN 0300201017 through 0300226468)**

ITEM	PART NUMBER	QTY	DESCRIPTION	REV
	1001120161	Ref	PRESSURE TRANSDUCER HARNESS (SN 0300201017 through <b>0300226468</b> )	C
2	4460536	1	Connector - 3 Position	
2	4460464	3	Pin, Male	
3	1001120634	1	Cable, Shielded M12	
4	1001120681	1	Harness, Pressure Transducer	
4A	1060981	20 ft/6.1m	Cable, Electrical 18/3	
4B	4460539	1	Connector - 3 Position	
4B	4460465	3	Socket, Female	
4C	4460871	4	Socket, Female	

## SECTION 8 - ELECTRICAL

FIGURE 8-76. PRESSURE TRANSDUCER HARNESS (SN 0300226469 through 0300234068)



ART\_1001220898

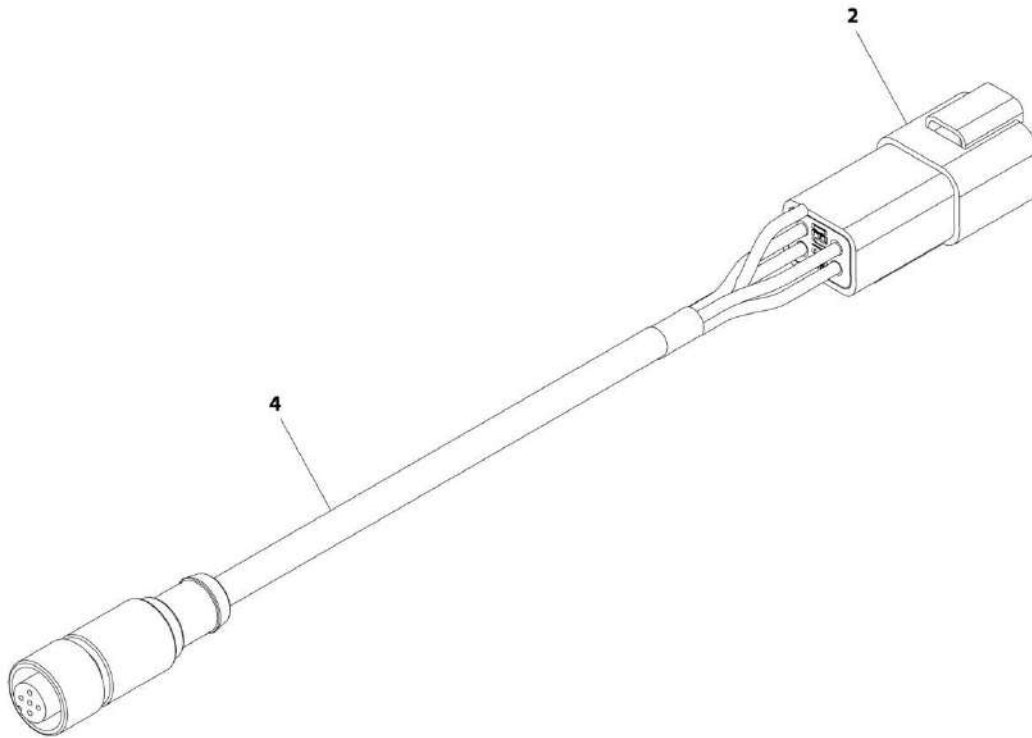
## SECTION 8 - ELECTRICAL

**FIGURE 8-76. PRESSURE TRANSDUCER HARNESS (SN 0300226469 through 0300234068)**

ITEM	PART NUMBER	QTY	DESCRIPTION	REV
	1001220898	Ref	PRESSURE TRANSDUCER HARNESS (SN 0300266469 through <b>0300234068</b> )	B
2	4460536	1	Connector - 3 Position	
2	4460464	3	Pin, Male	
3	1001120634	1	Cable, Shielded M12	

## SECTION 8 - ELECTRICAL

FIGURE 8-77. PRESSURE TRANSDUCER HARNESS (SN 0300234069 to Present)



ART\_1001228498

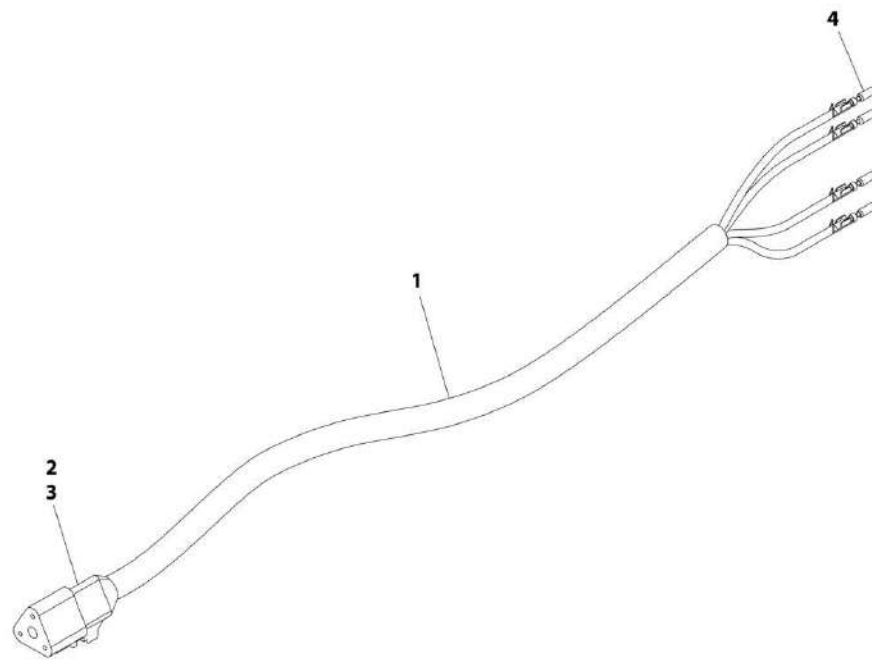
## SECTION 8 - ELECTRICAL

**FIGURE 8-77. PRESSURE TRANSDUCER HARNESS (SN 0300234069 to Present)**

ITEM	PART NUMBER	QTY	DESCRIPTION	REV
	1001228498	Ref	PRESSURE TRANSDUCER HARNESS (SN 0300234069 to Present)	A
2	4460932	1	Connector - 3 Position	
2	4460464	4	Pin, Male	
4	1001120634	1	Cable, Shielded M12	

# SECTION 8 - ELECTRICAL

FIGURE 8-78. PRESSURE TRANSDUCER HARNESS (SN 0300226469 through 0300234068)



ART\_1001120681



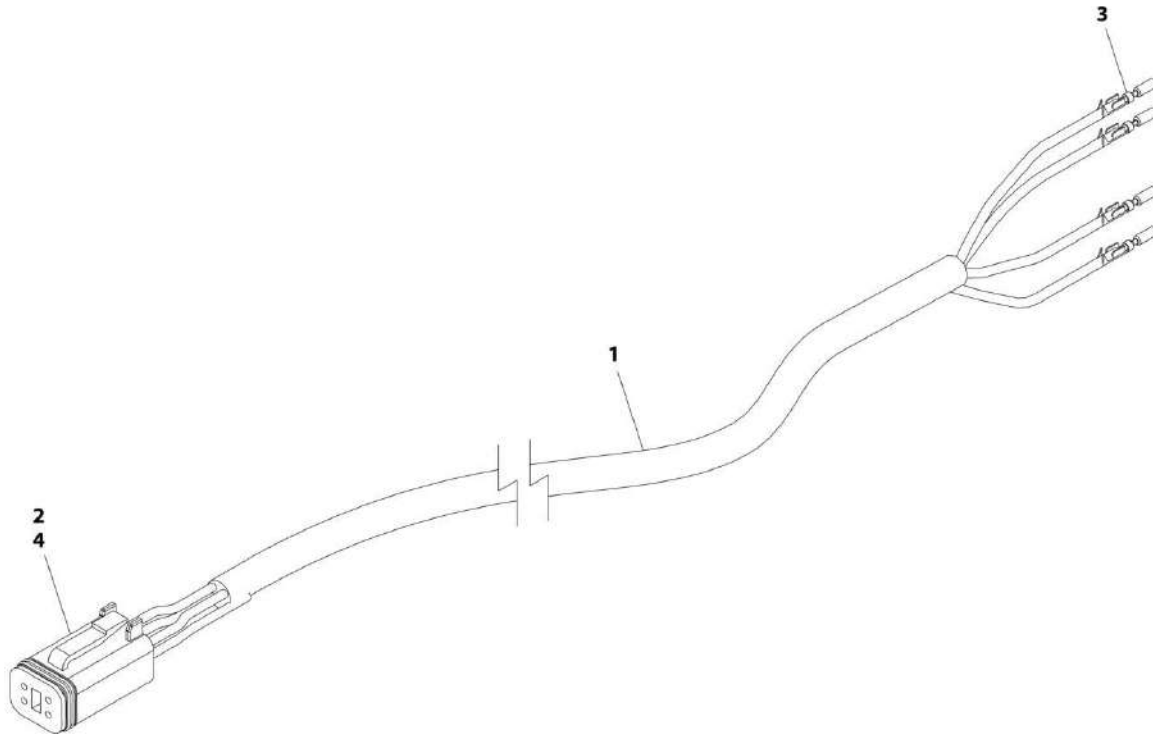
## SECTION 8 - ELECTRICAL

**FIGURE 8-78. PRESSURE TRANSDUCER HARNESS (SN 0300226469 through 0300234068)**

ITEM	PART NUMBER	QTY	DESCRIPTION	REV
	1001120681	Ref	PRESSURE TRANSDUCER HARNESS (SN 0300226469 through <b>0300234068</b> )	B
1	1060981	20 ft/6.1m	Cable, Electrical 18/3	
2	4460539	1	Connector - 3 Position	
3	4460465	3	Socket, Female	
4	4460871	4	Socket, Female	

# SECTION 8 - ELECTRICAL

FIGURE 8-79. PRESSURE TRANSDUCER HARNESS (SN 0300234069 to Present)



ART\_1001228497

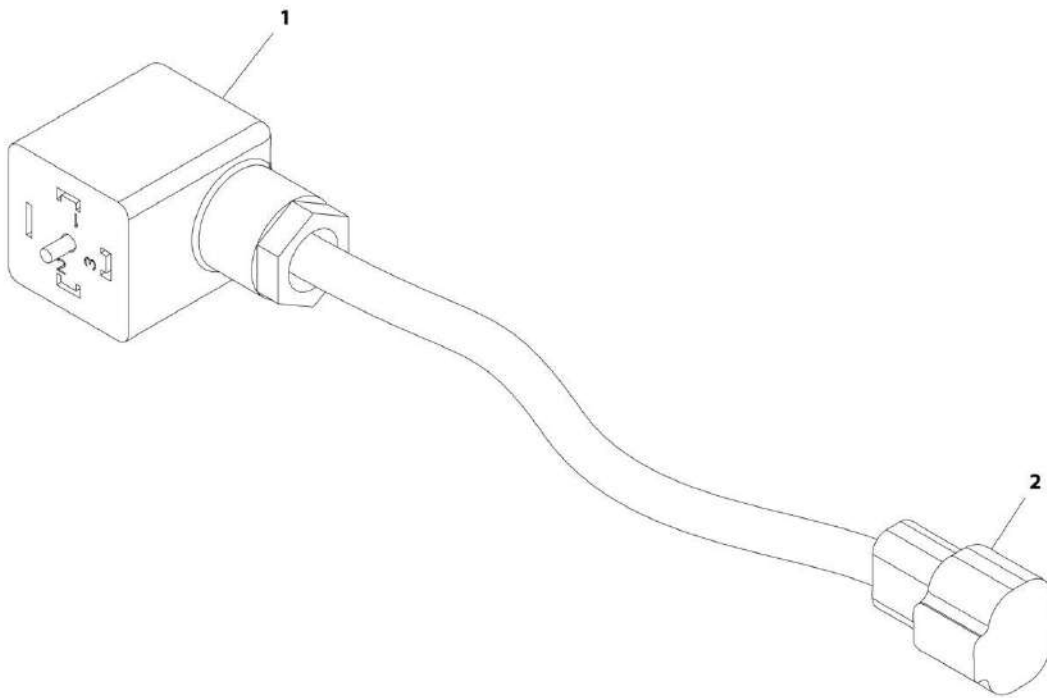
## SECTION 8 - ELECTRICAL

**FIGURE 8-79. PRESSURE TRANSDUCER HARNESS (SN 0300234069 to Present)**

ITEM	PART NUMBER	QTY	DESCRIPTION	REV
	1001228497	Ref	<b>PRESSURE TRANSDUCER HARNESS (SN 0300234069 to Present)</b>	A
1	1060981	11 ft/ 3.35m	Cable, Electrical 18/3	
2	4460465	4	Socket, Female	
3	4460871	4	Socket, Female	
4	4460884	1	Connector - 4 Position	

## SECTION 8 - ELECTRICAL

FIGURE 8-80. PUMP ADAPTER HARNESS - SAUER PUMPS



ART\_1001119456

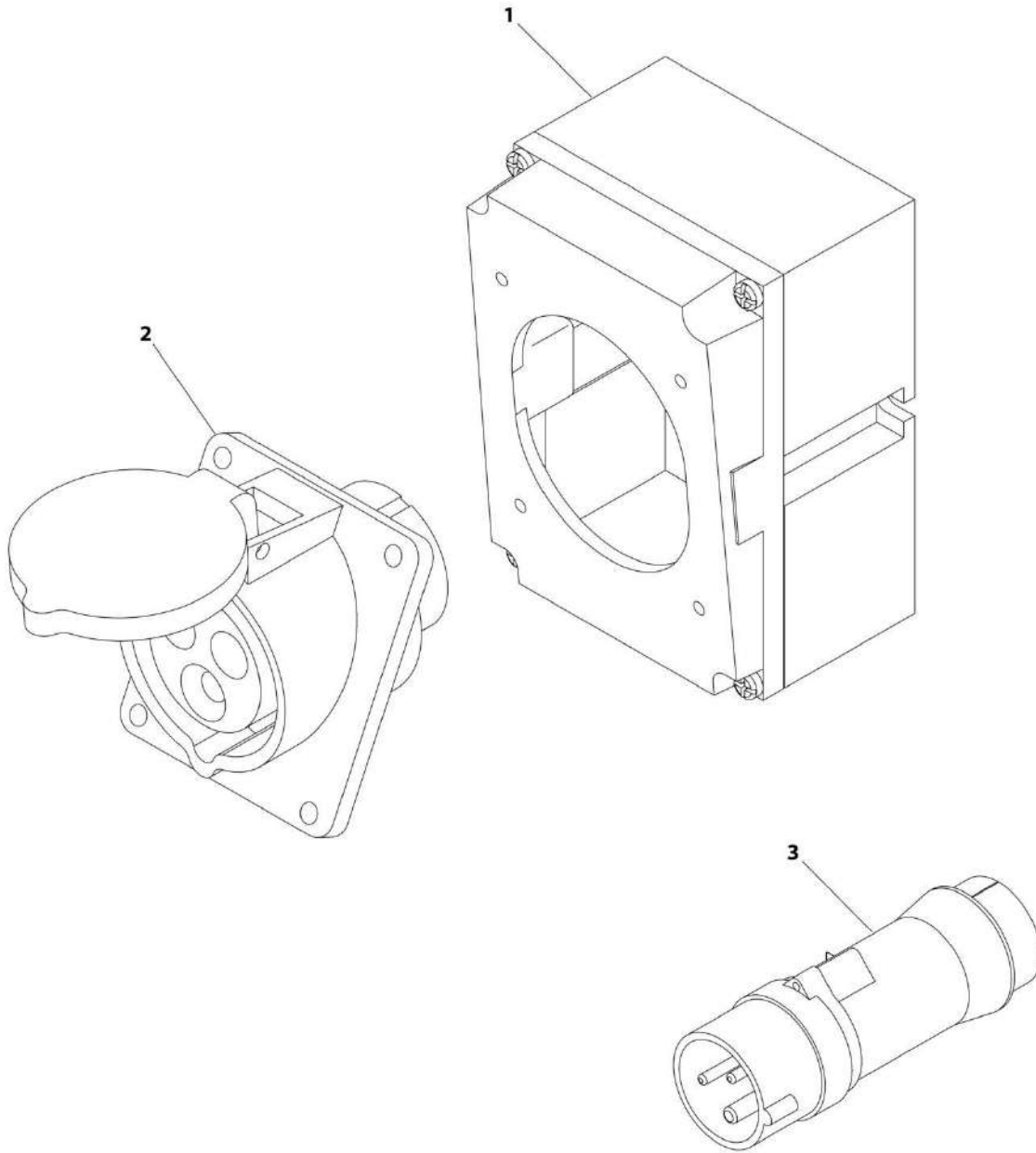
## SECTION 8 - ELECTRICAL

### FIGURE 8-80. PUMP ADAPTER HARNESS - SAUER PUMPS

ITEM	PART NUMBER	QTY	DESCRIPTION	REV
	1001119456	Ref	PUMP ADAPTER HARNESS - SAUER PUMPS	C
1	4460880	2	DIN Connector	
2	4460897	2	Connector - 2 Position	
2	4460464	4	Pin, Male	

# SECTION 8 - ELECTRICAL

FIGURE 8-81. RECEPTACLE BOX KIT - 110V IEC YELLOW WITHOUT 2500W GENERATOR (CE SPECS)



ART\_0275216

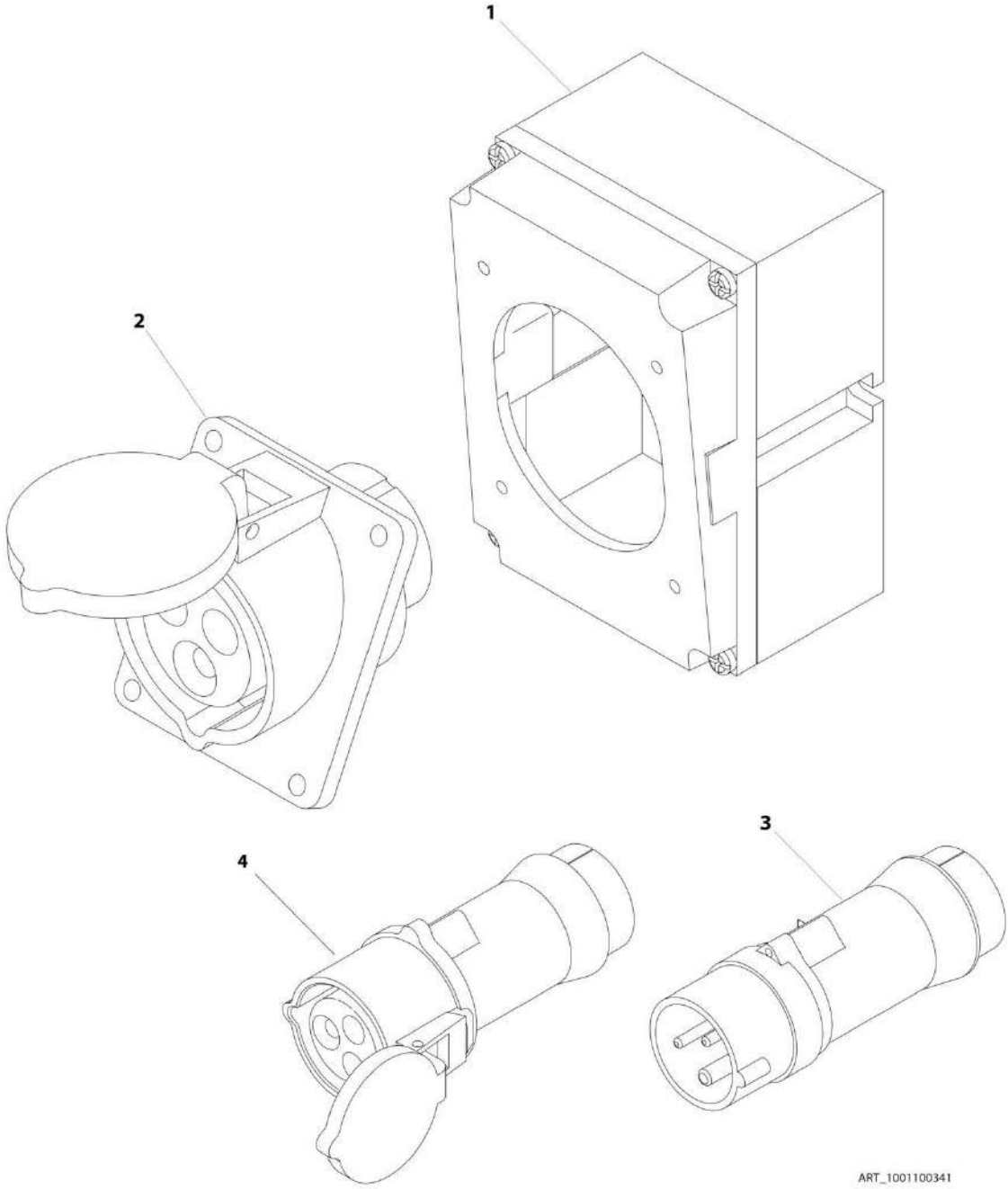
## SECTION 8 - ELECTRICAL

**FIGURE 8-81. RECEPTACLE BOX KIT - 110V IEC YELLOW WITHOUT 2500W GENERATOR (CE SPECS)**

ITEM	PART NUMBER	QTY	DESCRIPTION	REV
	0275216	Ref	RECEPTACLE BOX KIT - 110V IEC YELLOW WITHOUT 2500W GENERATOR (CE SPECS)	B
1	0861781	1	Box, Switch	
2	4461198	1	Receptacle	
3	4461196	1	Plug, Male	

**SECTION 8 - ELECTRICAL**

**FIGURE 8-82. RECEPTACLE BOX KIT - 110V IEC YELLOW WITH 2500W GENERATOR (CE SPECS)**



ART\_1001100341



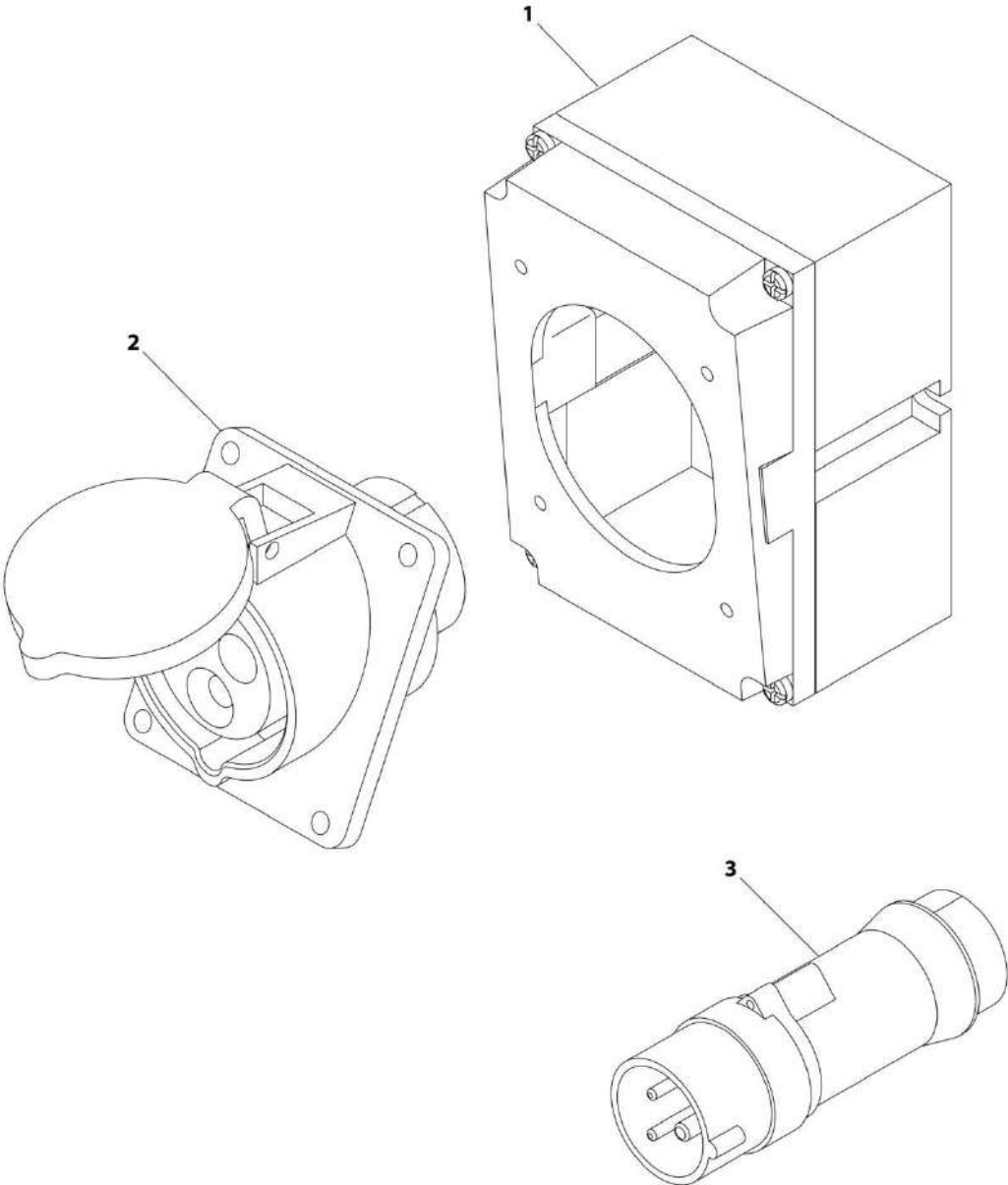
## SECTION 8 - ELECTRICAL

**FIGURE 8-82. RECEPTACLE BOX KIT - 110V IEC YELLOW WITH 2500W GENERATOR (CE SPECS)**

ITEM	PART NUMBER	QTY	DESCRIPTION	REV
	1001100341	Ref	RECEPTACLE BOX KIT - 110V IEC YELLOW WITHOUT 2500W GENERATOR (CE SPECS)	2
1	0861781	1	Box, Switch	
2	4461198	1	Receptacle	
3	4461196	1	Plug, Male	
4	4461197	1	Plug, Female	

**SECTION 8 - ELECTRICAL**

**FIGURE 8-83. RECEPTACLE BOX KIT - 220V IEC BLUE WITHOUT 2500W GENERATOR (CE SPECS)**



ART\_0275217

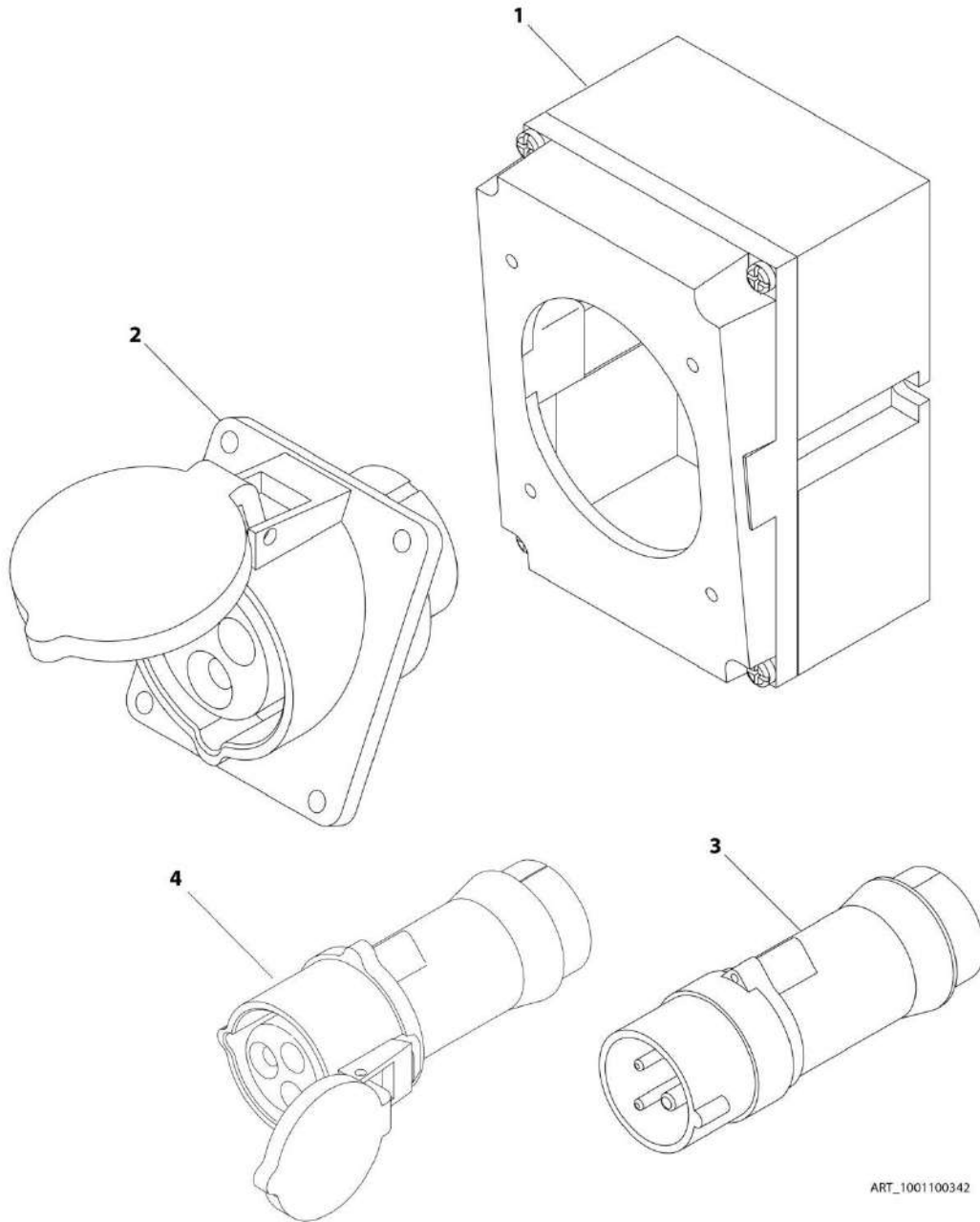
## SECTION 8 - ELECTRICAL

**FIGURE 8-83. RECEPTACLE BOX KIT - 220V IEC BLUE WITHOUT 2500W GENERATOR (CE SPECS)**

ITEM	PART NUMBER	QTY	DESCRIPTION	REV
	0275217	Ref	RECEPTACLE BOX KIT - 220V IEC BLUE WITHOUT 2500W GENERATOR (CE SPECS)	B
1	0861781	1	Box, Switch	
2	4461201	1	Receptacle	
3	4461199	1	Plug, Male	

# SECTION 8 - ELECTRICAL

FIGURE 8-84. RECEPTACLE BOX KIT - 220V IEC BLUE WITH 2500W GENERATOR (CE SPECS)



ART\_1001100342

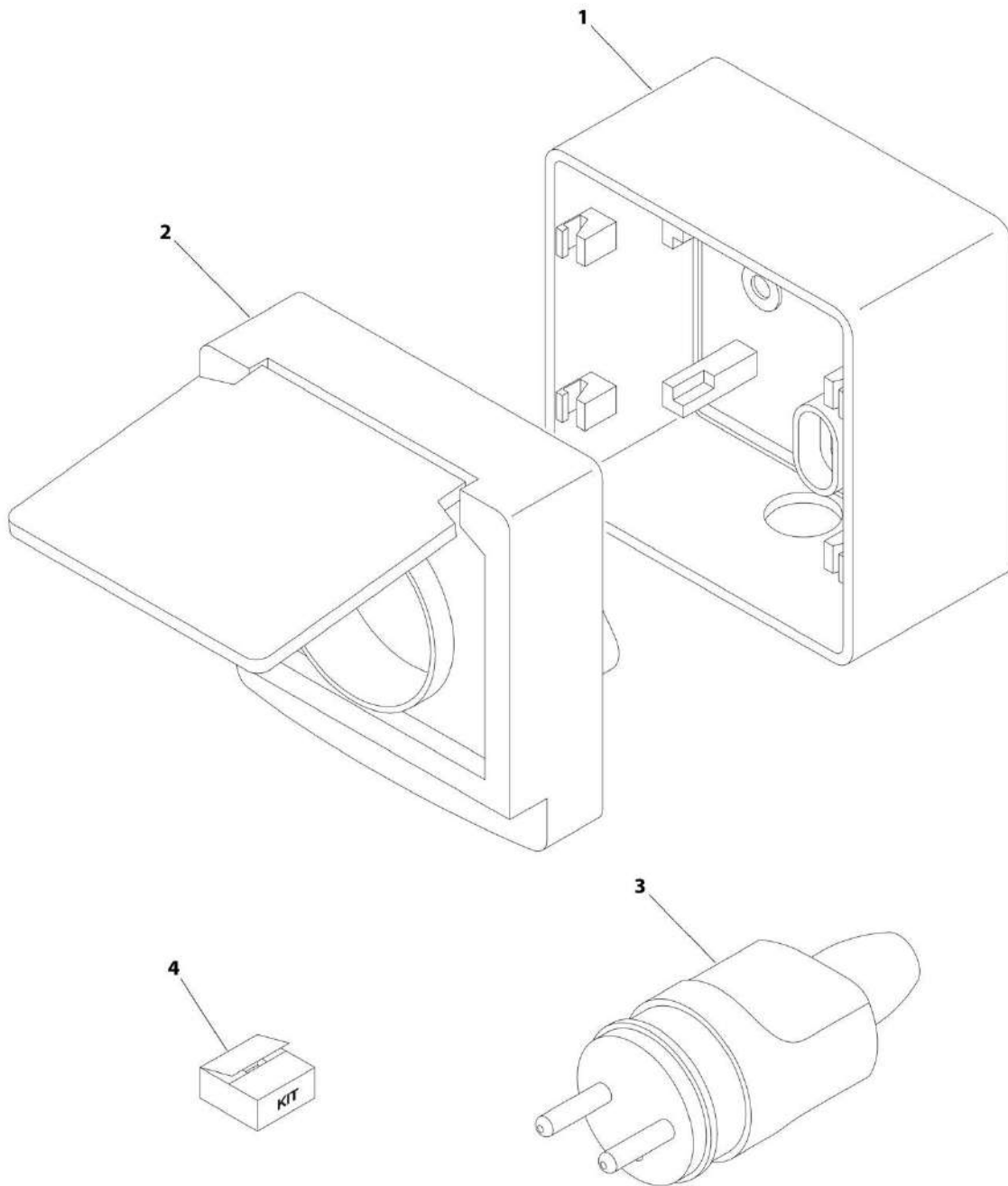
## SECTION 8 - ELECTRICAL

**FIGURE 8-84. RECEPTACLE BOX KIT - 220V IEC BLUE WITH 2500W GENERATOR (CE SPECS)**

ITEM	PART NUMBER	QTY	DESCRIPTION	REV
	1001100342	Ref	RECEPTACLE BOX KIT - 220V IEC BLUE WITH 2500W GENERATOR (CE SPECS)	2
1	0861781	1	Box, Switch	
2	4461201	1	Receptacle	
3	4461199	1	Plug, Male	
4	4461200	1	Plug, Female	

## SECTION 8 - ELECTRICAL

FIGURE 8-85. RECEPTACLE BOX KIT - 220V CEE7 POST GROUND WITHOUT 2500W GENERATOR  
(70MM X 70MM BOX) (CE SPECS)



ART\_0275218

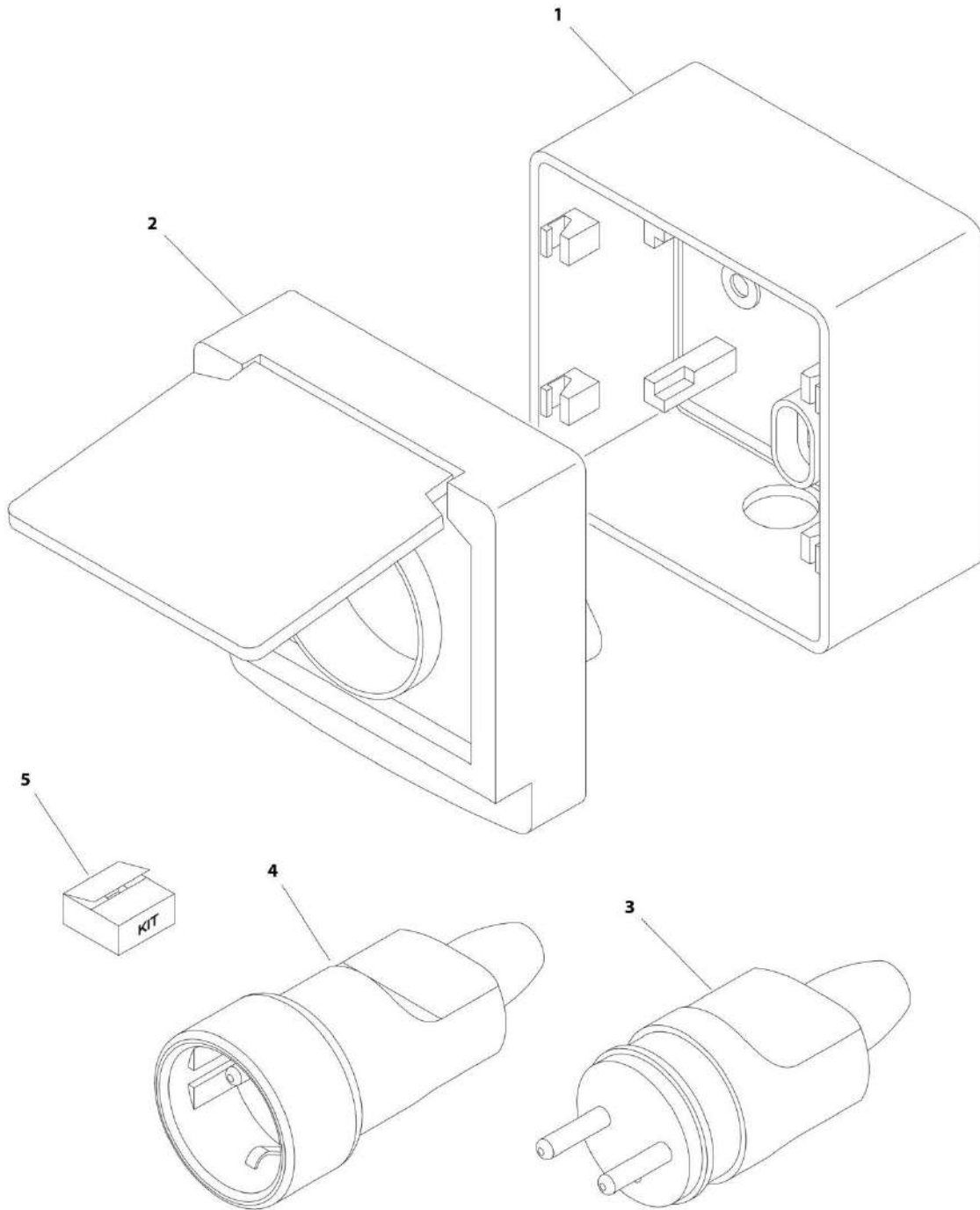
## SECTION 8 - ELECTRICAL

**FIGURE 8-85. RECEPTACLE BOX KIT - 220V CEE7 POST GROUND WITHOUT 2500W GENERATOR  
(70MM X 70MM BOX) (CE SPECS)**

ITEM	PART NUMBER	QTY	DESCRIPTION	REV
	0275218	Ref	RECEPTACLE BOX KIT - 220V CEE7 POST GROUND WITHOUT 2500W GENERATOR (70MM X 70MM BOX) (CE SPECS)	C
1	1001141967	1	Box, Switch	
2	1001141968	1	Receptacle	
3	4461202	NLA	Plug, Male (Use p/n 4461205) <b>(SN 0300201017 through 0300218295)</b>	
3	4461205	1	Plug, Male <b>(SN 0300218296 to Present)</b>	
4	1001141971	1	Plug and Socket Kit (Includes Items 1-3 and Female Plug p/n 4461203)	

## SECTION 8 - ELECTRICAL

FIGURE 8-86. RECEPTACLE BOX KIT - 220V CEE7 POST GROUND WITH 2500W GENERATOR  
(70MM X 70MM BOX) (CE SPECS)



ART\_1001100343



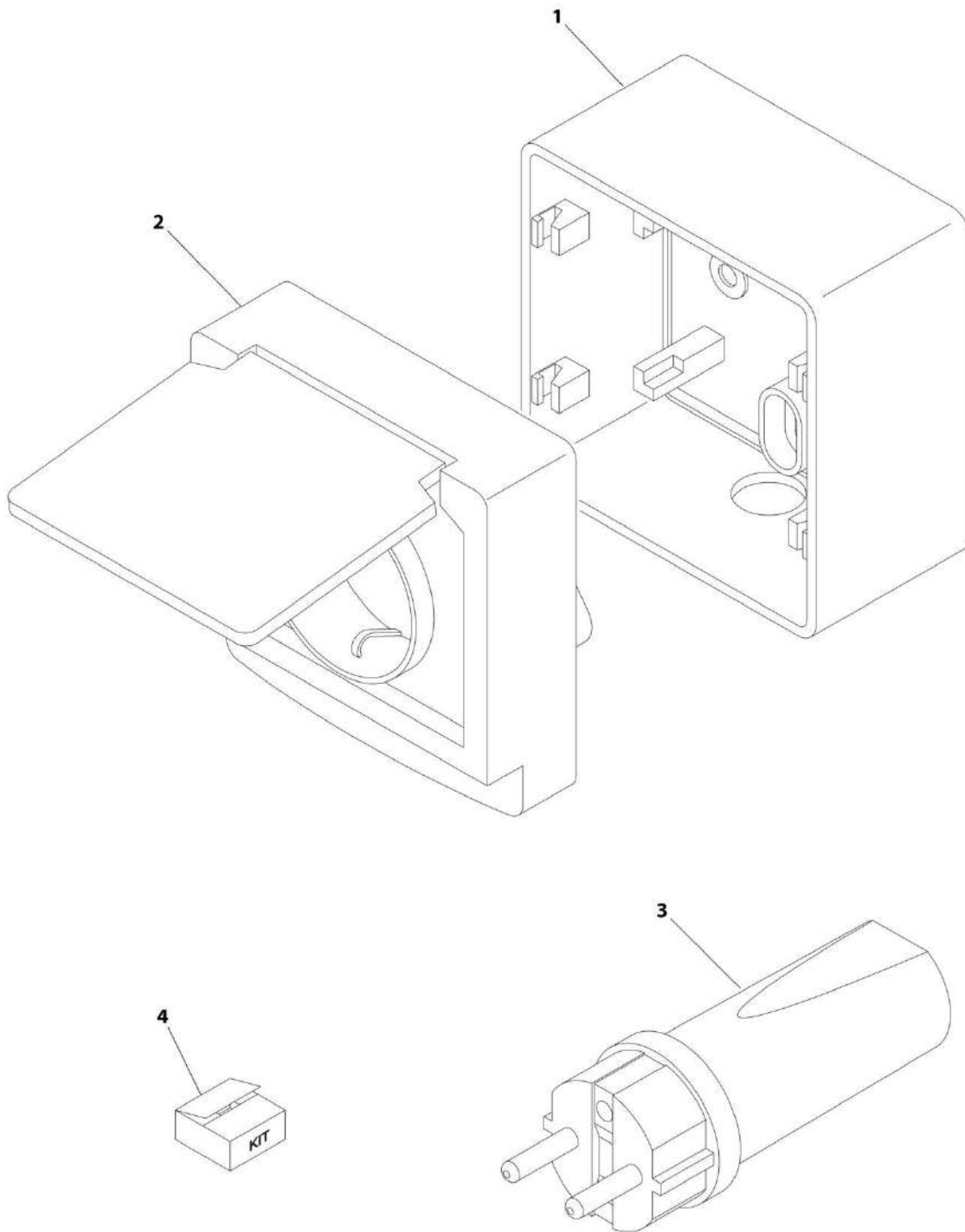
## SECTION 8 - ELECTRICAL

**FIGURE 8-86. RECEPTACLE BOX KIT - 220V CEE7 POST GROUND WITH 2500W GENERATOR  
(70MM X 70MM BOX) (CE SPECS)**

ITEM	PART NUMBER	QTY	DESCRIPTION	REV
	1001100343	Ref	RECEPTACLE BOX KIT - 220V CEE7 POST GROUND WITH 2500W GENERATOR (70MM X 70MM BOX) (CE SPECS)	C
1	1001141967	1	Box, Switch	
2	1001141968	1	Receptacle	
3	4461202	NLA	Plug, Male (Use p/n 4461205) <b>(SN 0300201017 through 0300218295)</b>	
3	4461205	1	Plug, Male <b>(SN 0300218295 to Present)</b>	
4	4461203	1	Plug, Female	
5	1001141971	1	Plug and Socket Kit (Includes Items 1-4)	

## SECTION 8 - ELECTRICAL

FIGURE 8-87. RECEPTACLE BOX KIT - 220V CEE7 SIDE GROUND WITHOUT 2500W GENERATOR  
(70MM X 70MM BOX) (CE SPECS)



ART\_0275219

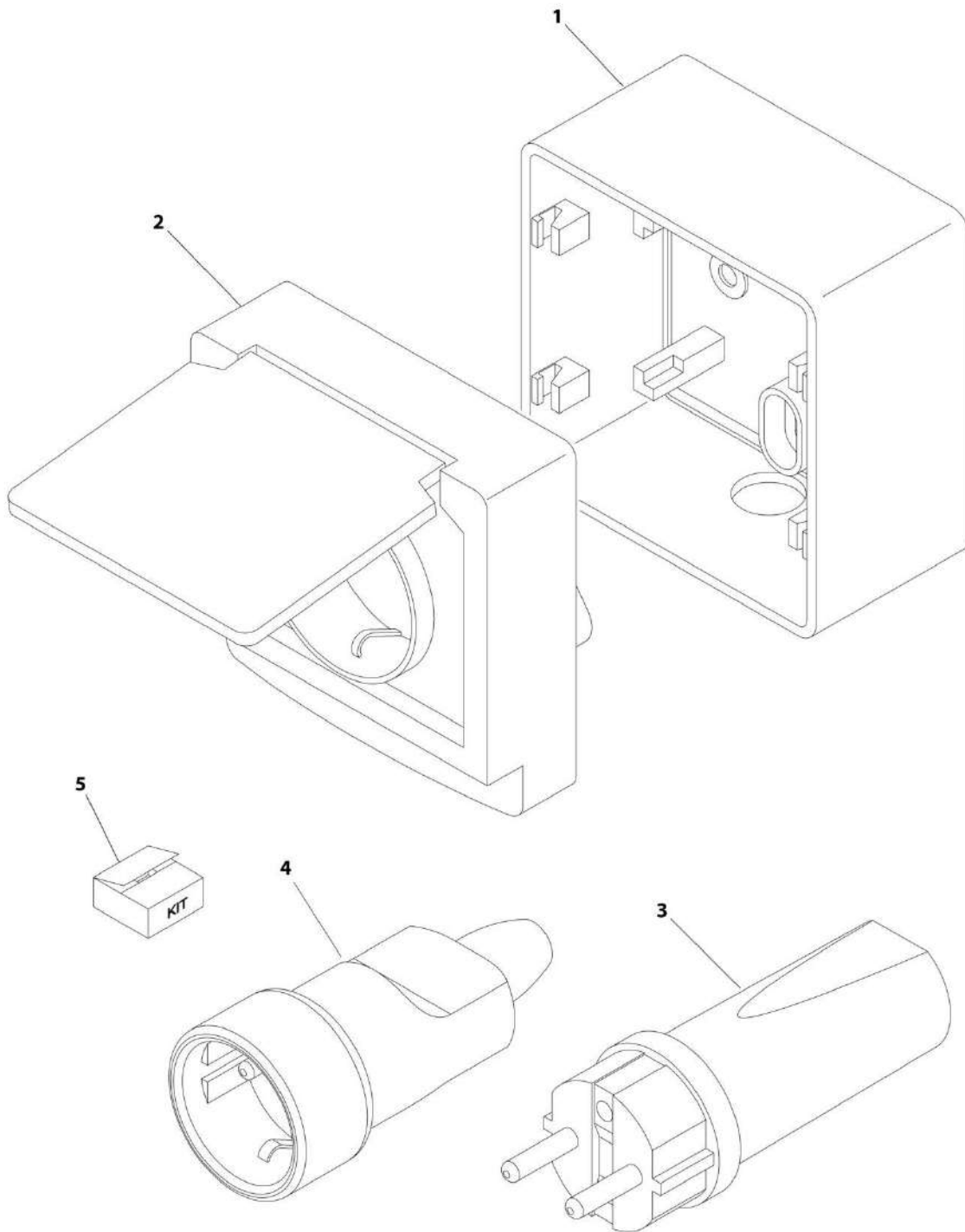
## SECTION 8 - ELECTRICAL

**FIGURE 8-87. RECEPTACLE BOX KIT - 220V CEE7 SIDE GROUND WITHOUT 2500W GENERATOR  
(70MM X 70MM BOX) (CE SPECS)**

ITEM	PART NUMBER	QTY	DESCRIPTION	REV
	0275219	Ref	RECEPTACLE BOX KIT - 220V CEE7 SIDE GROUND 70MM X 70MM BOX (CE SPEC)	B
1	1001141967	1	Box, Switch	
2	1001141969	1	Receptacle	
3	4461205	1	Plug, Male	
4	1001141970	1	Plug and Socket Kit (Includes Items 1-3 and Female Plug p/n 4461206)	

# SECTION 8 - ELECTRICAL

FIGURE 8-88. RECEPTACLE BOX KIT - 220V CEE7 SIDE GROUND WITH 2500W GENERATOR (70MM X 70MM BOX) (CE SPECS)



ART\_1001100344

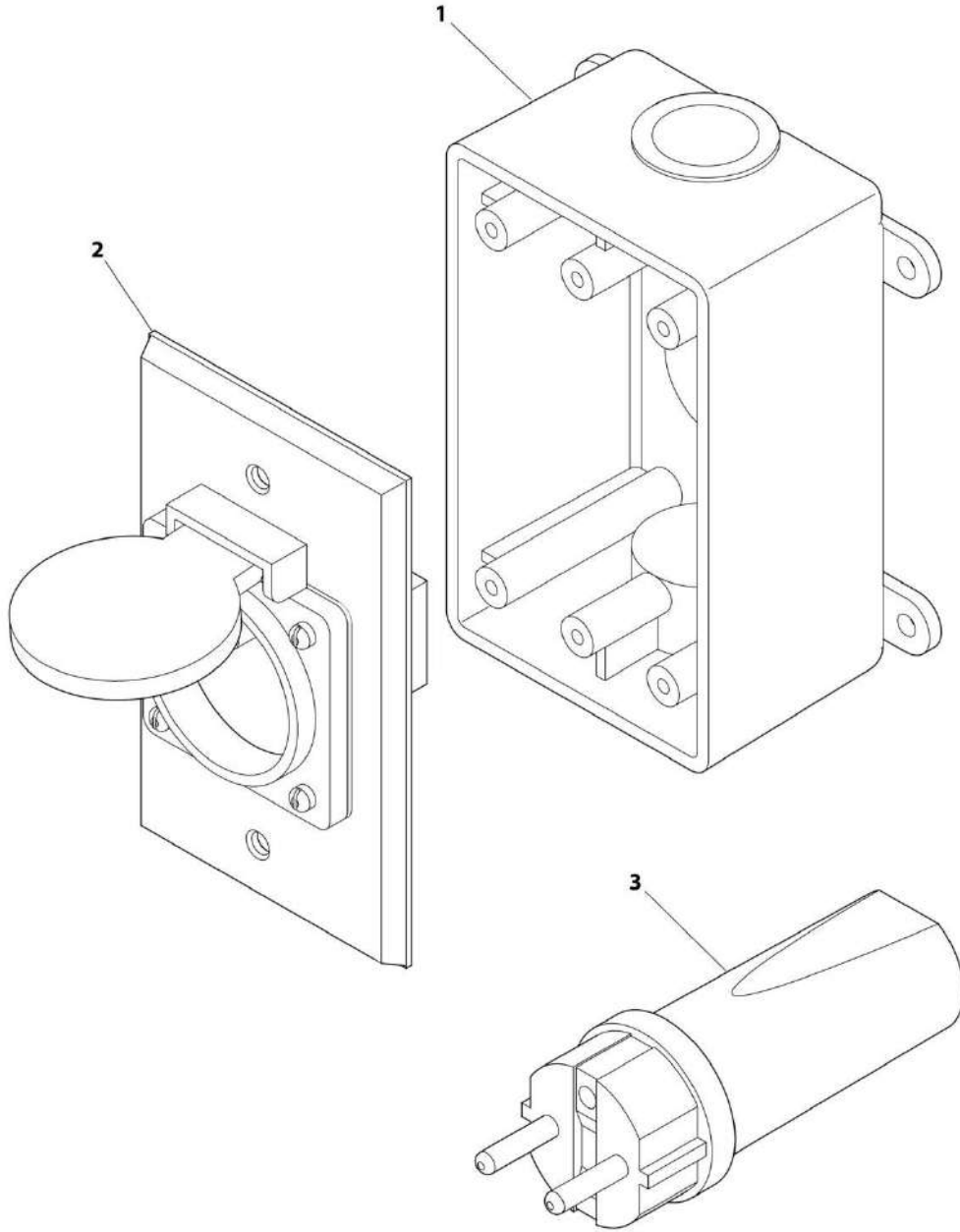
## SECTION 8 - ELECTRICAL

**FIGURE 8-88. RECEPTACLE BOX KIT - 220V CEE7 SIDE GROUND WITH 2500W GENERATOR (70MM X 70MM BOX) (CE SPECS)**

ITEM	PART NUMBER	QTY	DESCRIPTION	REV
	1001100344	Ref	RECEPTACLE BOX KIT - 220V CEE7 SIDE GROUND WITH 2500W GENERATOR (2X4 BOX) (CE SPECS)	B
1	1001141967	1	Box, Switch	
2	1001141969	1	Receptacle	
3	4461205	1	Plug, Male	
4	4461206	1	Plug, Female	

## SECTION 8 - ELECTRICAL

FIGURE 8-89. RECEPTACLE BOX KIT - 220V CEE7 POST GROUND WITHOUT 2500W GENERATOR (2X4 BOX) (CE SPECS)



ART\_0275452

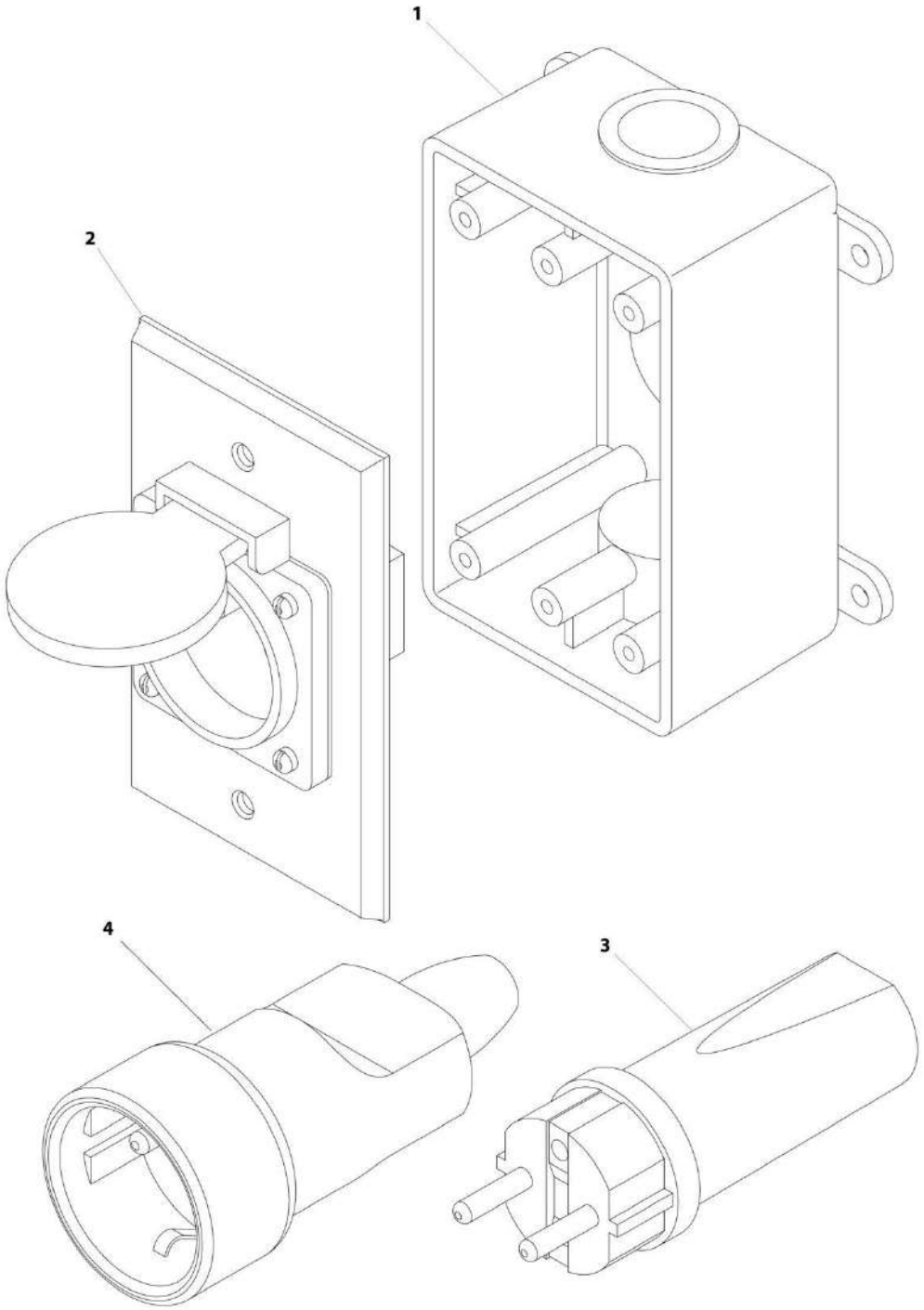
## SECTION 8 - ELECTRICAL

**FIGURE 8-89. RECEPTACLE BOX KIT - 220V CEE7 POST GROUND WITHOUT 2500W GENERATOR  
(2X4 BOX) (CE SPECS)**

ITEM	PART NUMBER	QTY	DESCRIPTION	REV
	0275452	Ref	RECEPTACLE BOX KIT - 220V CEE7 POST GROUND 2IN X 4IN BOX (CE SPEC)	C
1	0861731	1	Box, Switch	
2	4461244	1	Receptacle	
3	4461202	NLA	Plug, Male (Use p/n 4461205) <b>(SN 0300201017 through 0300218295)</b>	
3	4461205	1	Plug, Male <b>(SN 0300218296 to Present)</b>	

**SECTION 8 - ELECTRICAL**

**FIGURE 8-90. RECEPTACLE BOX KIT - 220V CEE7 POST GROUND WITH 2500W GENERSTOR (2X4 BOX) (CE SPECS)**



ART\_1001100345



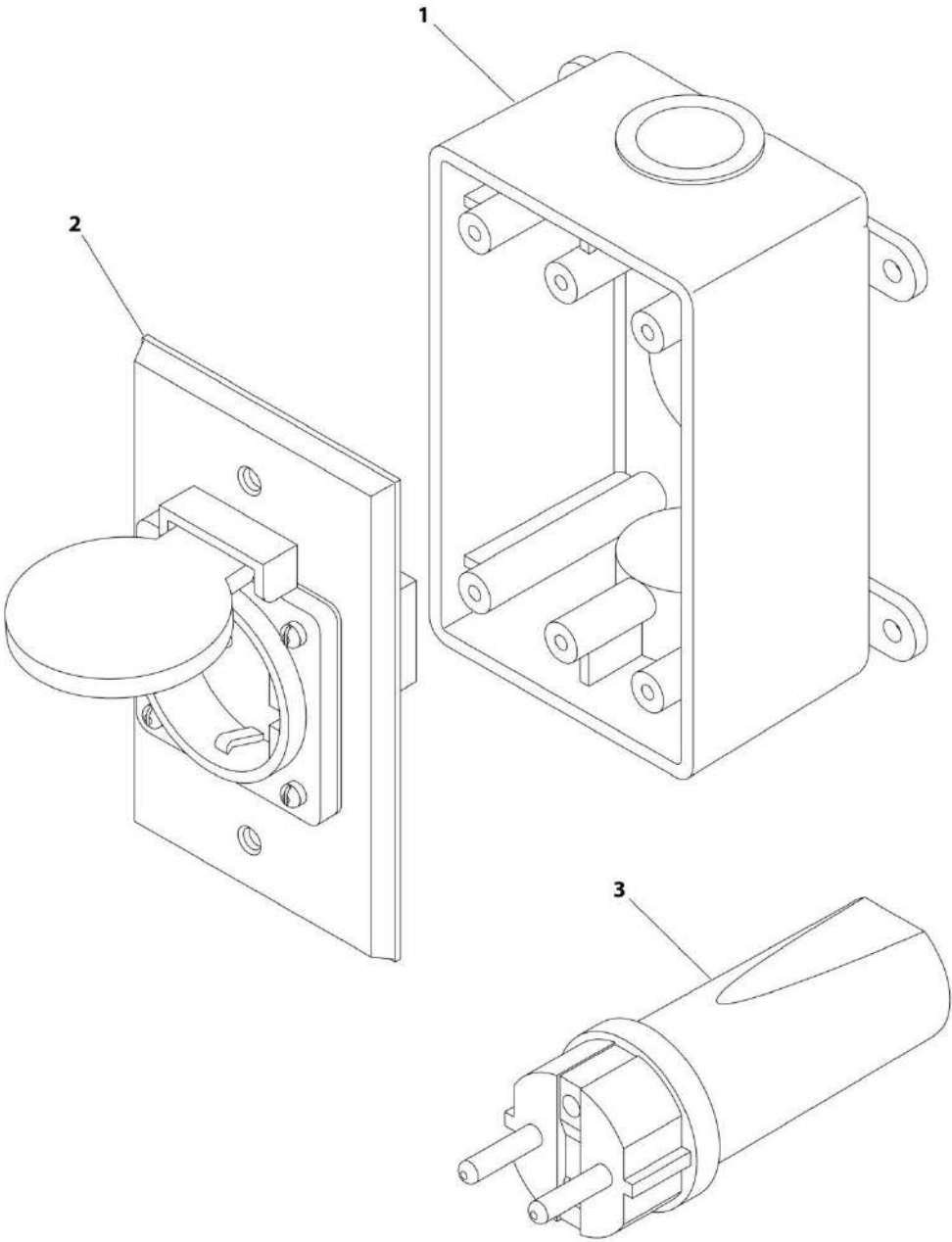
## SECTION 8 - ELECTRICAL

**FIGURE 8-90. RECEPTACLE BOX KIT - 220V CEE7 POST GROUND WITH 2500W GENERSTOR (2X4 BOX) (CE SPECS)**

ITEM	PART NUMBER	QTY	DESCRIPTION	REV
	1001100345	Ref	RECEPTACLE BOX KIT - 220V CEE7 POST GROUND WITH 2500W GENERSTOR (2X4 BOX) (CE SPECS)	2
1	0861731	1	Box, Switch	
2	4461244	1	Receptacle	
3	4461202	NLA	Plug, Male (Use p/n 4461205) <b>(SN 0300201017 through 0300218295)</b>	
3	4461205	1	Plug, Male <b>(SN 0300218296 to Present)</b>	
4	4461203	1	Plug, Female	

**SECTION 8 - ELECTRICAL**

**FIGURE 8-91. RECEPTACLE BOX KIT - 220V CEE7 SIDE GROUND WITHOUT 2500W GENERATOR  
(2X4 BOX) (CE SPECS)**



ART\_0275453

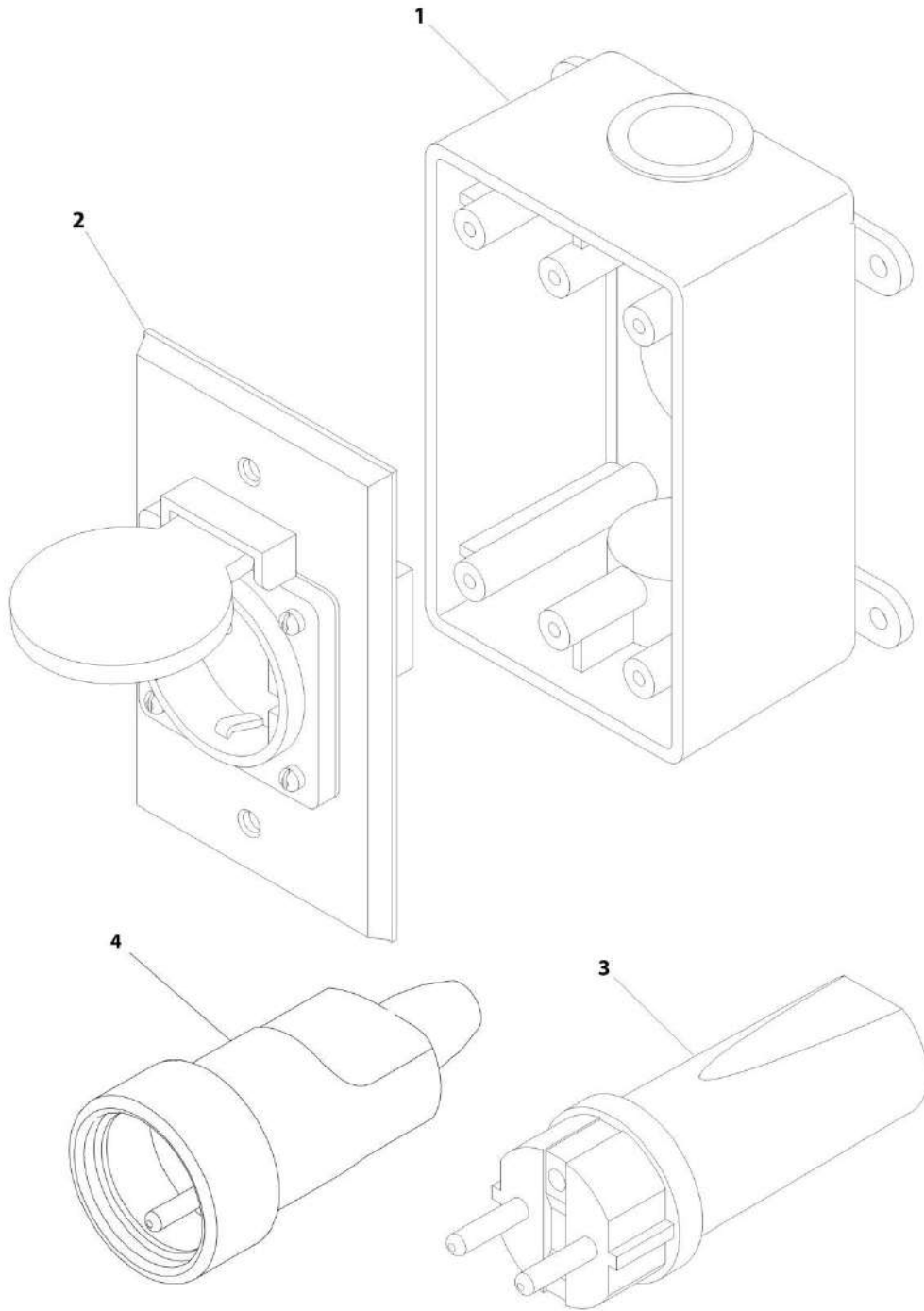
## SECTION 8 - ELECTRICAL

**FIGURE 8-91. RECEPTACLE BOX KIT - 220V CEE7 SIDE GROUND WITHOUT 2500W GENERATOR  
(2X4 BOX) (CE SPECS)**

ITEM	PART NUMBER	QTY	DESCRIPTION	REV
	0275453	Ref	RECEPTACLE BOX KIT - 220V CEE7 SIDE GROUND WITHOUT 2500W GENERATOR (2X4 BOX) (CE SPECS)	1
1	0861731	1	Box, Switch	
2	4461245	1	Receptacle	
3	4461205	1	Plug, Male	

## SECTION 8 - ELECTRICAL

FIGURE 8-92. RECEPTACLE BOX KIT - 220V CEE7 SIDE GROUND WITH 2500W GENERATOR (2X4 BOX) (CE SPECS)



ART\_1001100347

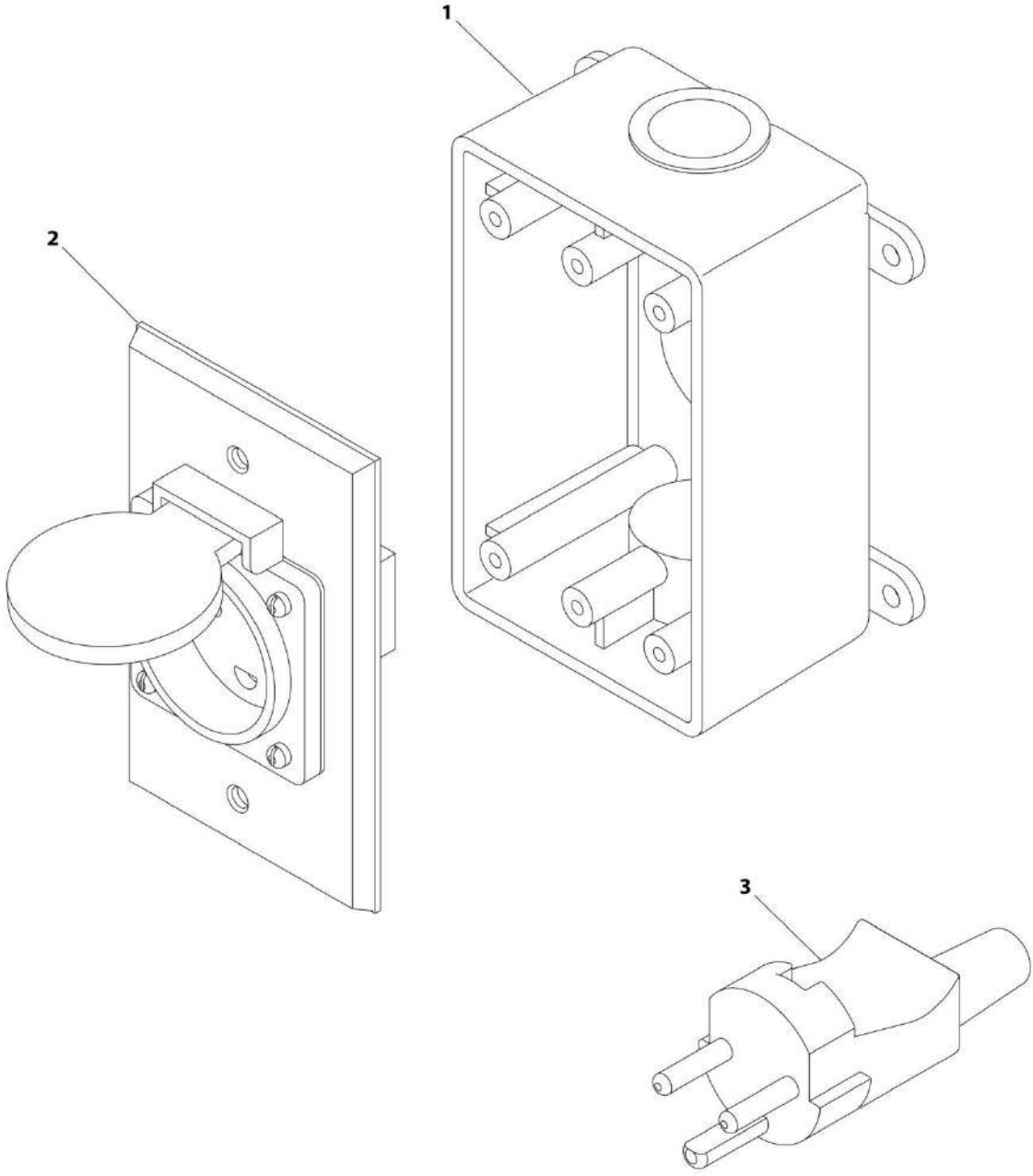
## SECTION 8 - ELECTRICAL

**FIGURE 8-92. RECEPTACLE BOX KIT - 220V CEE7 SIDE GROUND WITH 2500W GENERATOR (2X4 BOX) (CE SPECS)**

ITEM	PART NUMBER	QTY	DESCRIPTION	REV
	1001100347	Ref	RECEPTACLE BOX KIT - 220V CEE7 SIDE GROUND WITH 2500W GENERATOR (2X4 BOX) (CE SPECS)	3
1	0861731	1	Box, Switch	
2	4461245	1	Receptacle	
3	4461205	1	Plug, Male	
4	4461206	1	Plug, Female	

**SECTION 8 - ELECTRICAL**

**FIGURE 8-93. RECEPTACLE BOX KIT - 220V AFSINT 107 KEYED GROUND WITHOUT 2500W GENERATOR (2X4 BOX) (CE SPECS)**



ART\_0275454

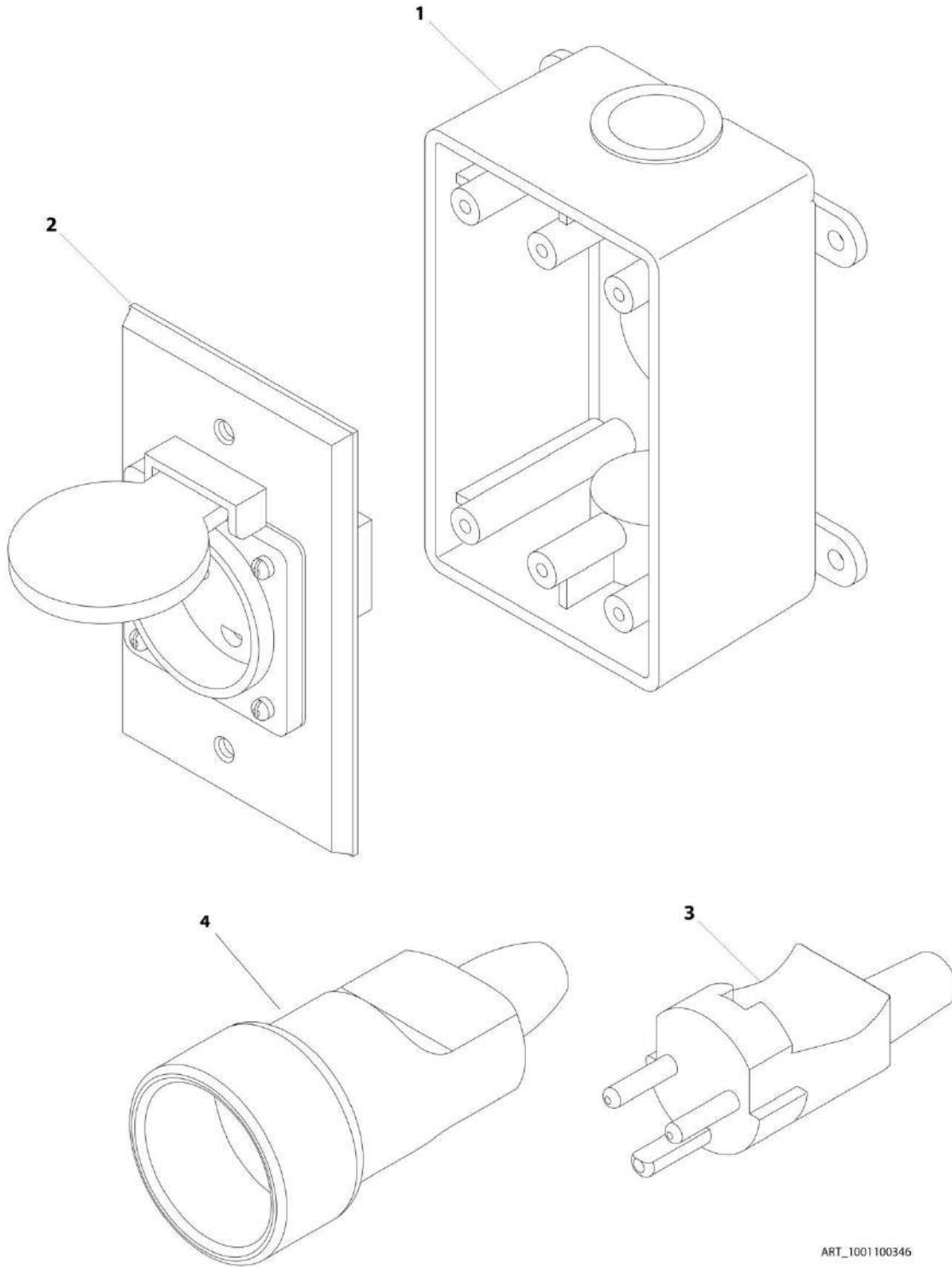
## SECTION 8 - ELECTRICAL

**FIGURE 8-93. RECEPTACLE BOX KIT - 220V AFSINT 107 KEYED GROUND WITHOUT 2500W GENERATOR (2X4 BOX) (CE SPECS)**

ITEM	PART NUMBER	QTY	DESCRIPTION	REV
	0275454	Ref	RECEPTACLE BOX KIT - 220V AFSINT 107 KEYED GROUND WITHOUT 2500W GENERATOR (2X4 BOX) (CE SPECS)	1
1	0861731	1	Box, Switch	
2	4461246	1	Receptacle	
3	4461249	1	Plug, Male	

# SECTION 8 - ELECTRICAL

FIGURE 8-94. RECEPTACLE BOX KIT - 220V AFSINT 107 KEYED GROUND WITH 2500W GENERATOR (2X4 BOX) (CE SPECS)



ART\_1001100346



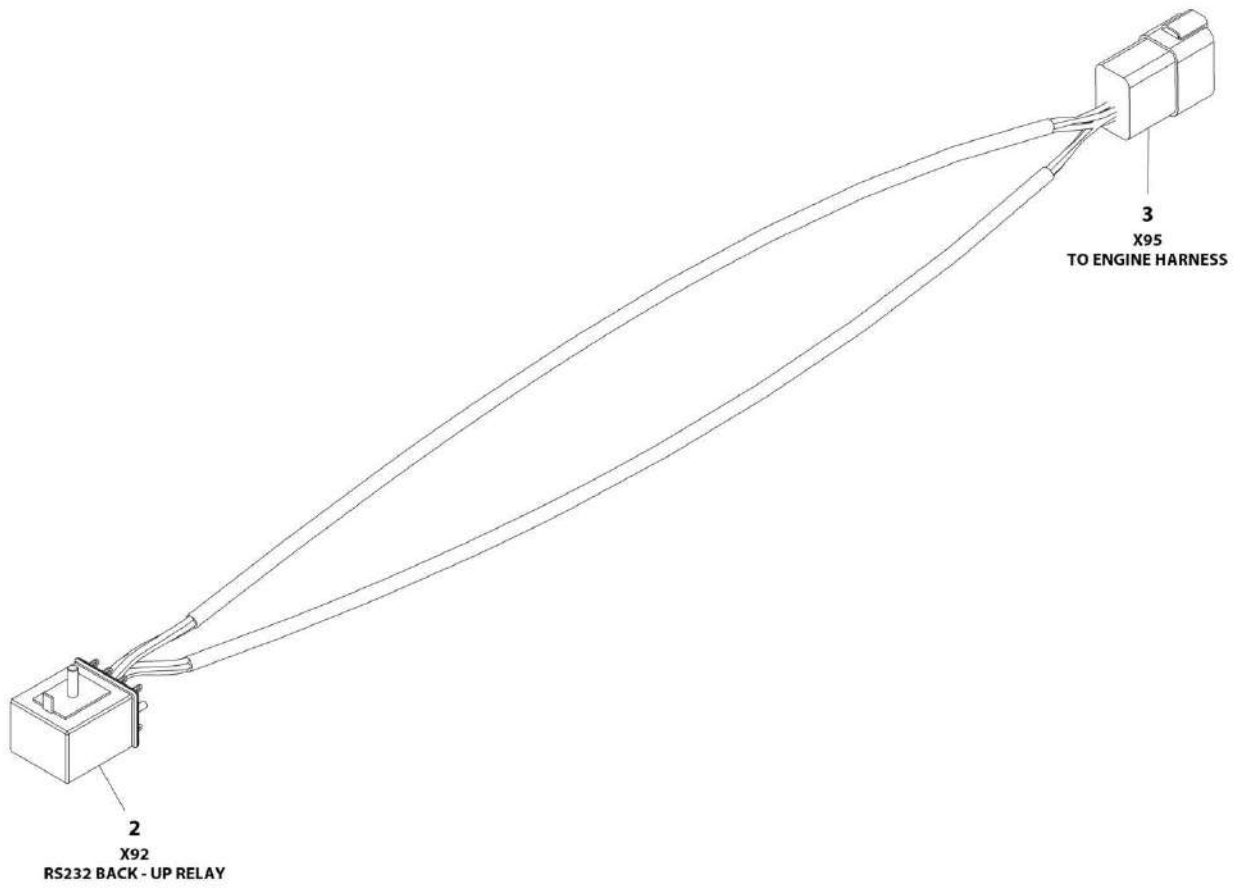
## SECTION 8 - ELECTRICAL

**FIGURE 8-94. RECEPTACLE BOX KIT - 220V AFSINT 107 KEYED GROUND WITH 2500W GENERATOR (2X4 BOX) (CE SPECS)**

ITEM	PART NUMBER	QTY	DESCRIPTION	REV
	1001100346	Ref	RECEPTACLE BOX KIT - 220V AFSINT 107 KEYED GROUND WITH 2500W GENERATOR (2X4 BOX) (CE SPECS)	2
1	0861731	1	Box, Switch	
2	4461246	1	Receptacle	
3	4461249	1	Plug, Male	
4	4461250	1	Plug, Female	

# SECTION 8 - ELECTRICAL

## FIGURE 8-95. RELAY HARNESS



ART\_4923036

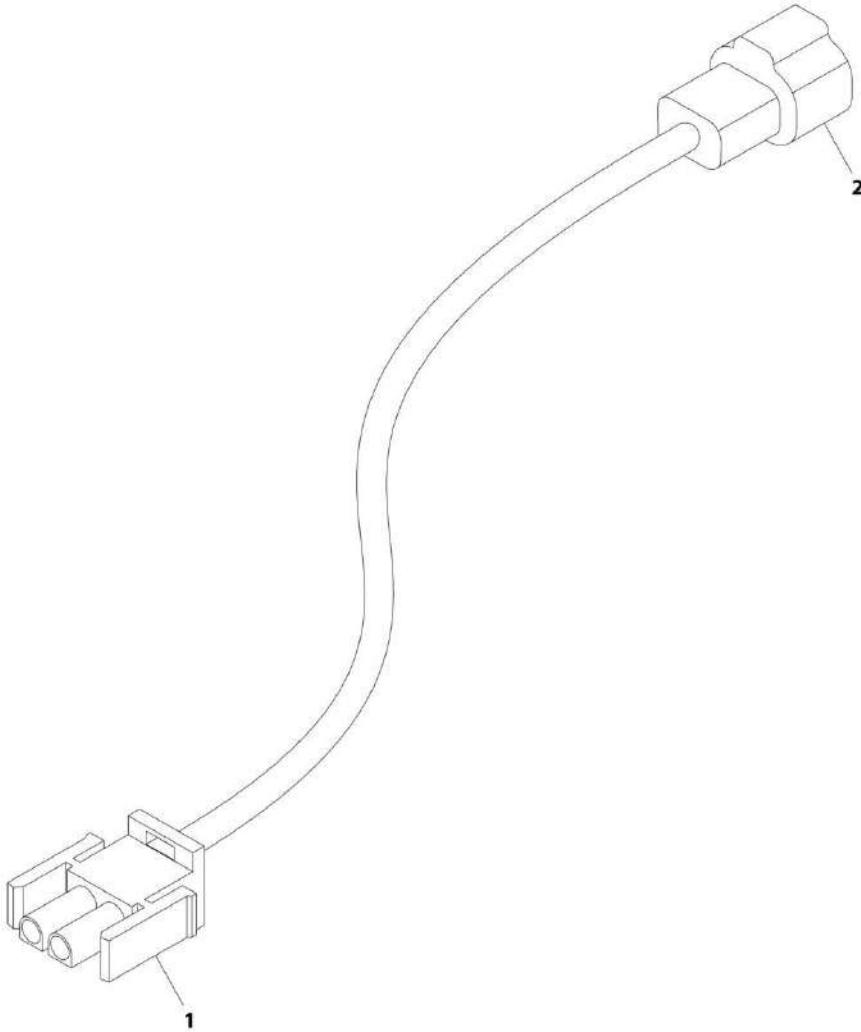
## SECTION 8 - ELECTRICAL

### FIGURE 8-95. RELAY HARNESS

ITEM	PART NUMBER	QTY	DESCRIPTION	REV
	4923036	Ref	RELAY HARNESS	D
2	3740143	1	Relay	
3	4460931	1	Connector - 8 Position	
3	4460943	8	Pin, Male	

## SECTION 8 - ELECTRICAL

FIGURE 8-96. STROBE LIGHT HARNESS (AMBER)



ART\_1001149818

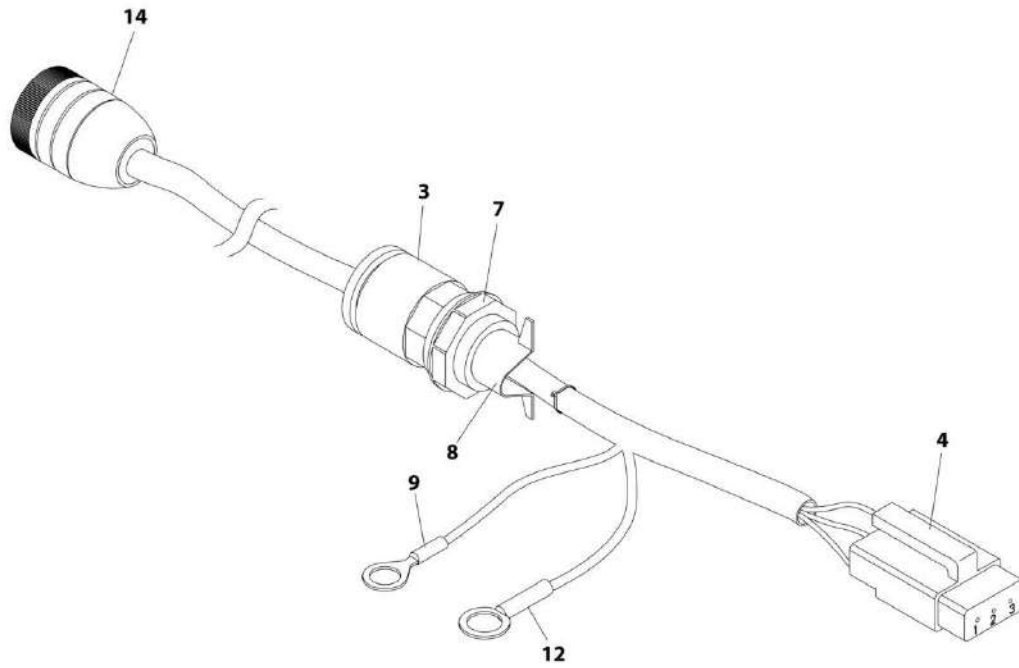
## SECTION 8 - ELECTRICAL

### FIGURE 8-96. STROBE LIGHT HARNESS (AMBER)

ITEM	PART NUMBER	QTY	DESCRIPTION	REV
	1001149818	Ref	STROBE LIGHT HARNESS (AMBER)	D
1	4460320	1	Plug, Male - 2 Position	
1	4460267	2	Pin, Male	
2	4460897	1	Connector - 2 Position	
2	4460464	1	Pin, Male	

# SECTION 8 - ELECTRICAL

## FIGURE 8-97. TILT SENSOR HARNESS (LEFT)



ART\_4922948

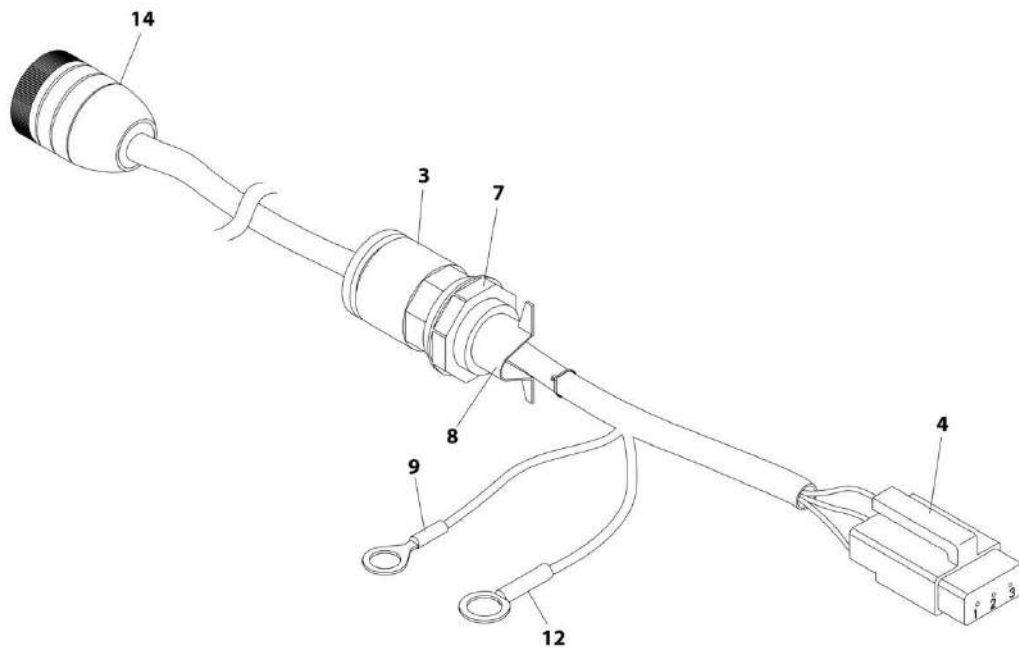
## SECTION 8 - ELECTRICAL

### FIGURE 8-97. TILT SENSOR HARNESS (LEFT)

ITEM	PART NUMBER	QTY	DESCRIPTION	REV
	4922948	Ref	TILT SENSOR HARNESS (LEFT)	E
3	1560011	1	Connector, Conduit	
4	4460911	1	Connector - 3 Position	
4	4460912	1	Lock, Wedge	
4	4460918	3	Pin, Male	
7	1560012	1	Nut, Conduit	
8	1320309	1	Clamp, Cable	
9	4460702	1	Terminal, Eyelet	
10	4240032	2	Tie-Strap (Not Shown)	
12	4460256	1	Terminal, Eyelet	
14	4461013	1	Connector - 6 Position	

# SECTION 8 - ELECTRICAL

## FIGURE 8-98. TILT SENSOR HARNESS (RIGHT)



ART\_4922947



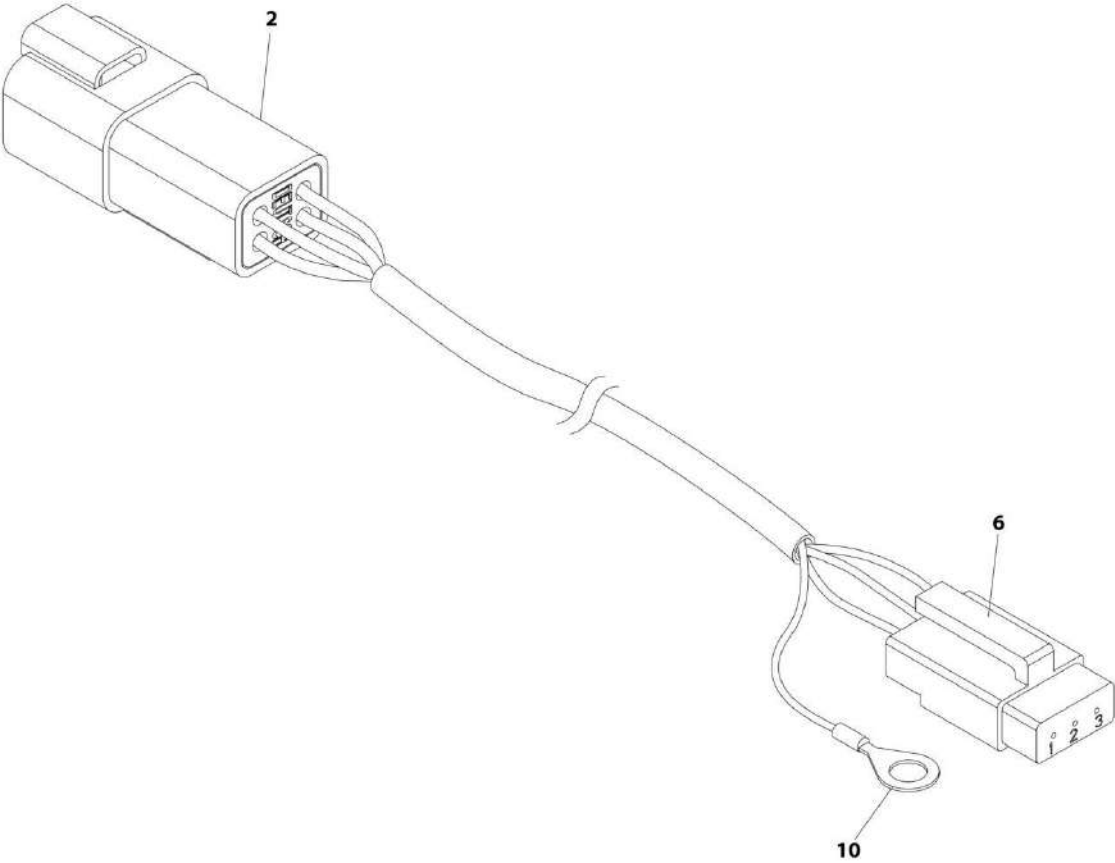
## SECTION 8 - ELECTRICAL

### FIGURE 8-98. TILT SENSOR HARNESS (RIGHT)

ITEM	PART NUMBER	QTY	DESCRIPTION	REV
	4922947	Ref	TILT SENSOR HARNESS (RIGHT)	E
3	1560011	1	Connector, Conduit	
4	4460911	1	Connector - 3 Position	
4	4460912	1	Lock, Wedge	
4	4460918	3	Pin, Male	
7	1560012	1	Nut, Conduit	
8	1320309	1	Clamp, Cable	
9	4460702	1	Terminal, Eyelet	
10	4240032	2	Tie-Strap (Not Shown)	
12	4460256	1	Terminal, Eyelet	
14	4461013	1	Connector - 6 Position	

**SECTION 8 - ELECTRICAL**

**FIGURE 8-99. TOWER BOOM ANGLE SENSOR HARNESS (LEFT)**



ART\_4922951

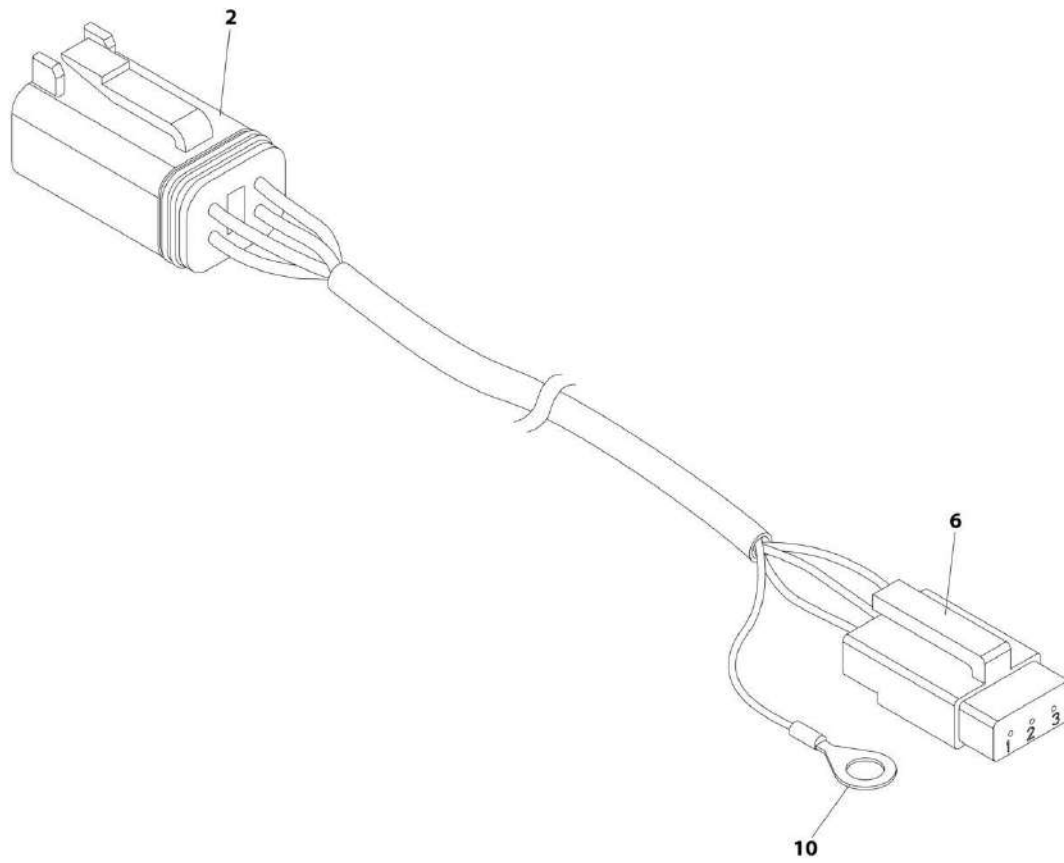
## SECTION 8 - ELECTRICAL

### FIGURE 8-99. TOWER BOOM ANGLE SENSOR HARNESS (LEFT)

ITEM	PART NUMBER	QTY	DESCRIPTION	REV
	4922951	Ref	TOWER BOOM ANGLE SENSOR HARNESS (LEFT)	E
2	4460932	1	Connector - 4 Position	
2	4460943	4	Pin, Male (Gold)	
6	4460911	1	Connector - 3 Position	
6	4460918	3	Socket, Female	
6	4460912	1	Lock, Wedge - Position	
10	4460722	1	Terminal, Eyelet	

# SECTION 8 - ELECTRICAL

## FIGURE 8-100. TOWER BOOM ANGLE SENSOR HARNESS (RIGHT)



ART\_4922950

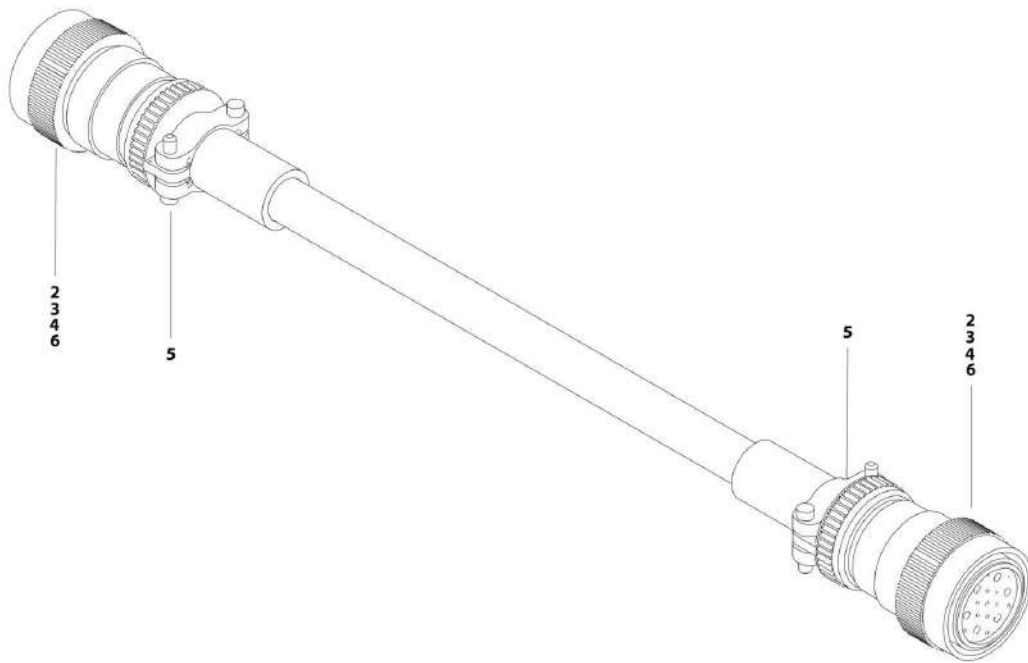
## SECTION 8 - ELECTRICAL

### FIGURE 8-100. TOWER BOOM ANGLE SENSOR HARNESS (RIGHT)

ITEM	PART NUMBER	QTY	DESCRIPTION	REV
	4922950	Ref	TOWER BOOM ANGLE SENSOR HARNESS (RIGHT)	D
2	4460884	1	Connector - 4 Position	
2	4460944	4	Socket, Female (Gold)	
6	4460911	1	Connector - 3 Position	
6	4460918	3	Socket, Female	
6	4460912	1	Lock, Wedge - Position	
10	4460722	1	Terminal, Eyelet	

# SECTION 8 - ELECTRICAL

## FIGURE 8-101. TOWER BOOM CONTROL CABLE HARNESS



ART\_4922956

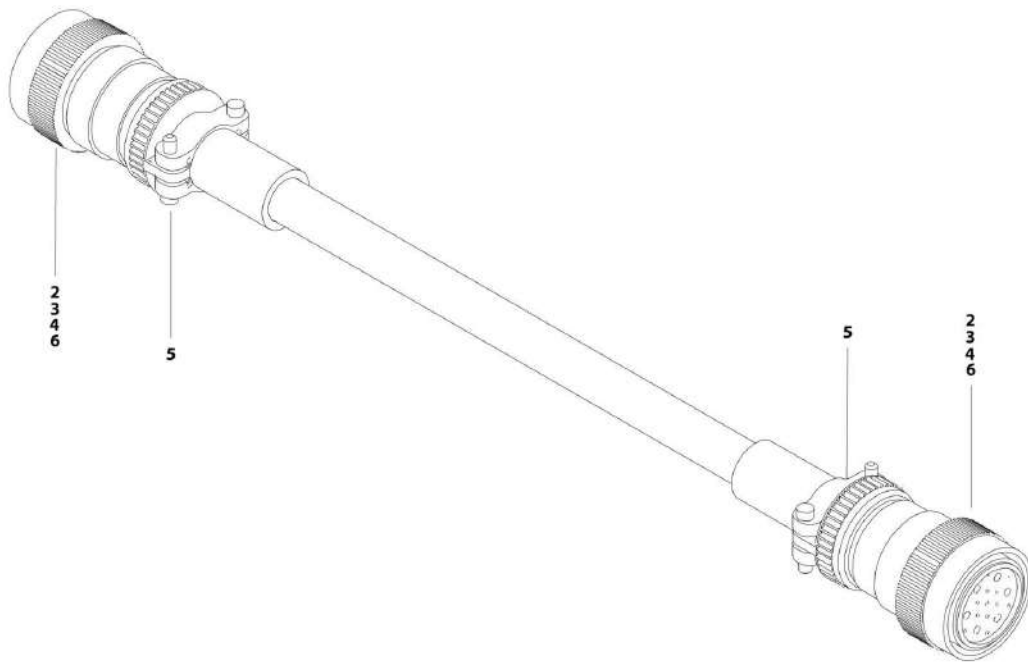
## SECTION 8 - ELECTRICAL

### FIGURE 8-101. TOWER BOOM CONTROL CABLE HARNESS

ITEM	PART NUMBER	QTY	DESCRIPTION	REV
	4922956	Ref	TOWER BOOM CONTROL CABLE HARNESS	E
2	4460465	11	Socket, Female	
3	4460865	2	Connector - 19 Position	
4	4460509	4	Socket, Female	
5	4460473	2	Clamp	
6	4460466	4	Plug, Socket	

# SECTION 8 - ELECTRICAL

## FIGURE 8-102. TOWER BOOM FLY TO GROUND CONTROL BOX HARNESS



ART\_4922958



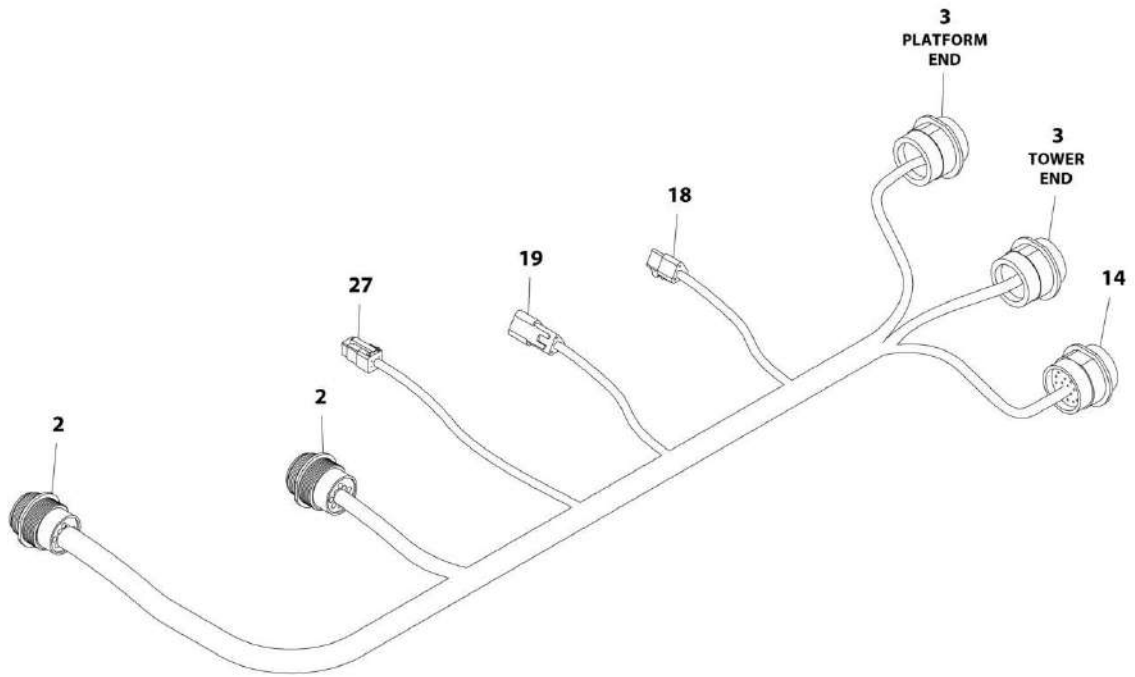
## SECTION 8 - ELECTRICAL

**FIGURE 8-102. TOWER BOOM FLY TO GROUND CONTROL BOX HARNESS**

ITEM	PART NUMBER	QTY	DESCRIPTION	REV
	4922958	Ref	TOWER BOOM FLY TO GROUND CONTROL BOX HARNESS	D
2	4460465	22	Socket, Female	
3	4461003	2	Connector - 21 Position	
4	4460509	8	Socket, Female	
5	4460473	2	Clamp, Cable	
6	4460466	12	Seal, Plug	

# SECTION 8 - ELECTRICAL

## FIGURE 8-103. TOWER BOOM FLY TO MAIN BOOM BASE HARNESS



ART\_4923373

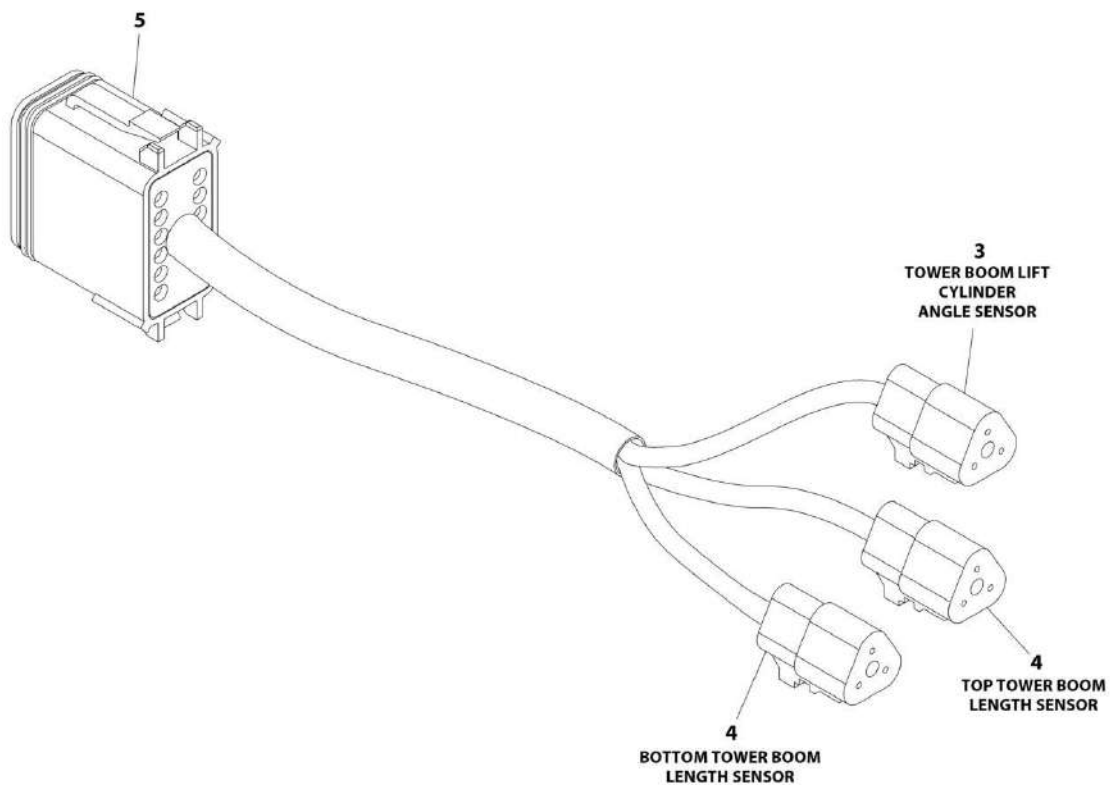
## SECTION 8 - ELECTRICAL

### FIGURE 8-103. TOWER BOOM FLY TO MAIN BOOM BASE HARNESS

ITEM	PART NUMBER	QTY	DESCRIPTION	REV
	4923373	Ref	TOWER BOOM FLY TO MAIN BOOM BASE HARNESS	B
2	4461009	2	Connector - 5 Position	
3	4460866	2	Connector - 19 Position	
3	4460465	24	Socket, Female	
3	4460509	8	Socket, Female	
3	4460943	9	Pin, Male (Gold)	
3	4460466	17	Seal, Plug	
14	4460613	1	Connector - 21 Position	
14	4460464	8	Pin, Male	
14	4460508	5	Pin, Male	
18	4460539	1	Connector - 3 Position	
18	4460944	3	Socket, Female (Gold)	
19	4460536	1	Connector - 3 Position	
19	4460943	3	Pin, Male (Gold)	
27	4461077	1	Plug, Male	
27	4460918	4	Socket, Female (Gold)	

# SECTION 8 - ELECTRICAL

## FIGURE 8-104. TOWER BOOM LENGTH SENSORS HARNESS



ART\_4922949

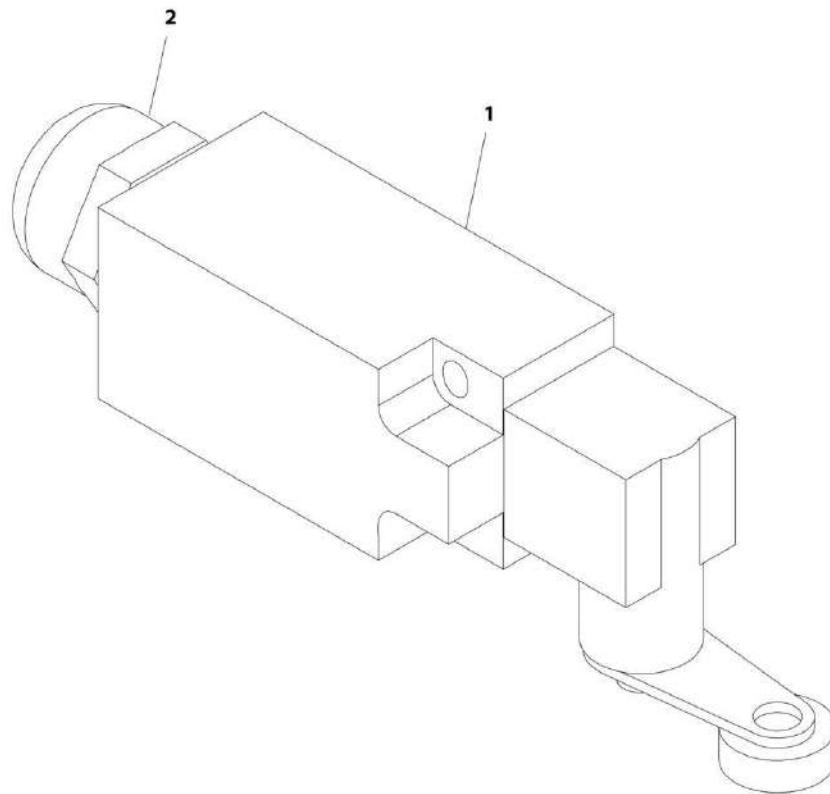
## SECTION 8 - ELECTRICAL

### FIGURE 8-104. TOWER BOOM LENGTH SENSORS HARNESS

ITEM	PART NUMBER	QTY	DESCRIPTION	REV
	4922949	Ref	TOWER BOOM LENGTH SENSORS HARNESS	B
3	4460539	1	Connector - 3 Position	
3	4460943	3	Pin, Male (Gold)	
4	4460539	2	Connector - 3 Position	
4	4460944	6	Socket, Female (Gold)	
5	4460934	1	Connector - 12 Position	
5	4460944	11	Socket, Female (Gold)	
5	4460466	1	Plug	

## SECTION 8 - ELECTRICAL

FIGURE 8-105. TOWER BOOM TRANSPORT LENGTH SWITCH HARNESS



ART\_4923169

## SECTION 8 - ELECTRICAL

**FIGURE 8-105. TOWER BOOM TRANSPORT LENGTH SWITCH HARNESS**

ITEM	PART NUMBER	QTY	DESCRIPTION	REV
	4923169	Ref	TOWER BOOM TRANSPORT LENGTH SWITCH HARNESS	A
1	4360579	1	Switch, Limit	
2	4460968	1	Connector, Strain Relief	

## SECTION 8 - ELECTRICAL

FIGURE 8-106. ELECTRICAL DIAGRAM LIST

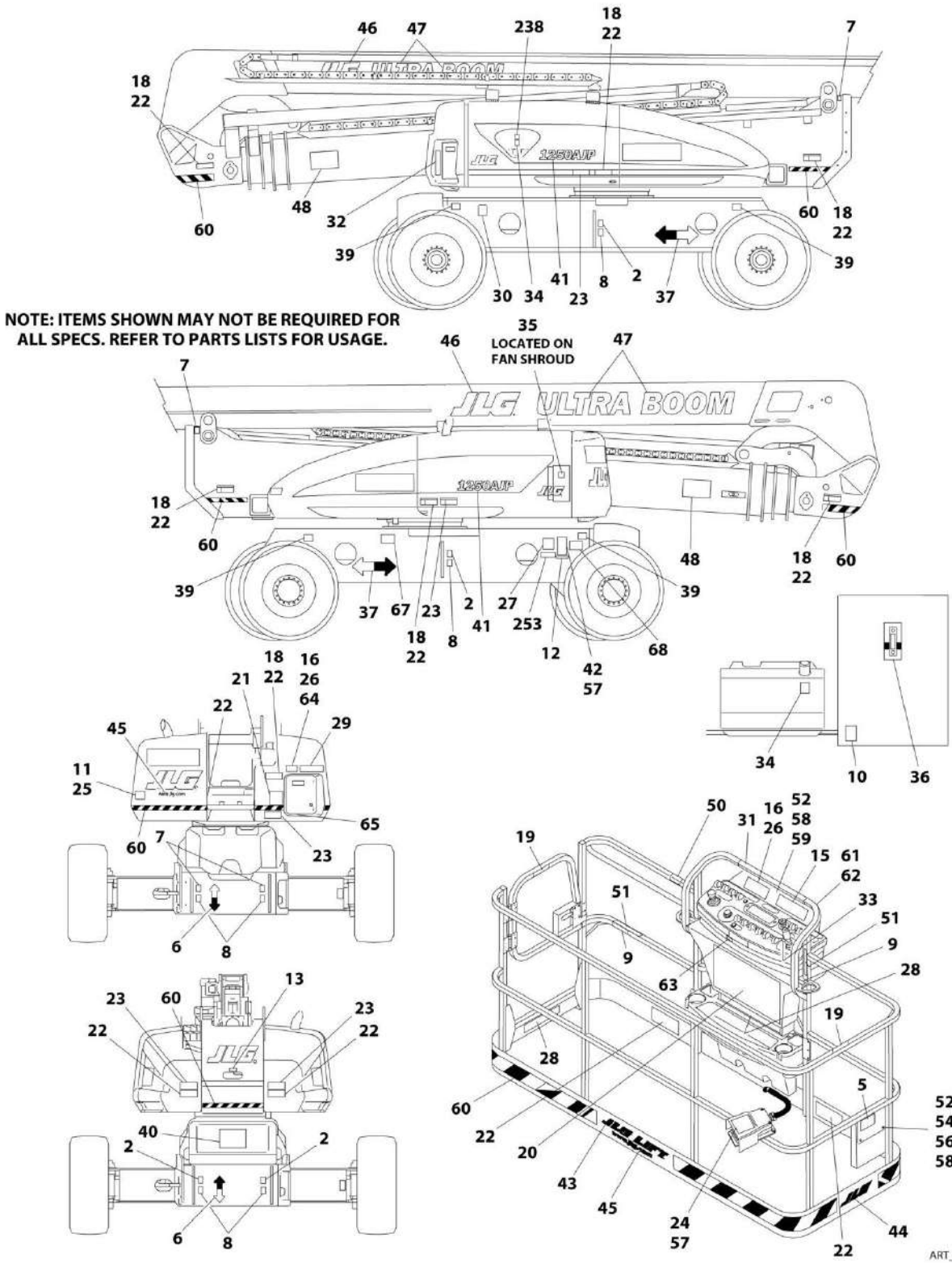
ITEM	PART NUMBER	QTY	DESCRIPTION	REV
		Ref	Note: Diagrams not shown are available from the JLG Service Department. Schematics shown in the Service and Maintenance Manual.	
		Ref	ELECTRICAL DIAGRAM LIST	
	1001119861	Ref	Electrical Schematic	
	4933278	Ref	Wiring Diagram - EIM Load Cell to Platform Console Box Wiring	
	1001119567	Ref	Wiring Diagram - Ground Control Box	
	1001162901	Ref	Wiring Diagram - 4000W Generator 50Hz (ANSI Export Specs) <b>(SN 0300201017 through 0300205137)</b>	
	1001195793	Ref	Wiring Diagram - 4000W Generator 50Hz (ANSI Export Specs) <b>(SN 0300205138 to Present)</b>	
	1001162901	Ref	Wiring Diagram - 4000W Generator 50Hz (CE Specs)	
	1001162899	Ref	Wiring Diagram - 4000W Generator 50Hz (Australian Specs)	
	1001162900	Ref	Wiring Diagram - 4000W Generator 50Hz (CE Specs)	
	0274670	Ref	Wiring Harness Installation	
	4933218	Ref	Wiring Diagram - Soft Touch	



**SECTION 9 - DECALS**

# SECTION 9 - DECALS

## FIGURE 9-1. DECAL INSTALLATION - ANSI SPEC



## SECTION 9 - DECALS

**FIGURE 9-1. DECAL INSTALLATION - ANSI SPEC**

ITEM	PART NUMBER	QTY	DESCRIPTION	REV
	0274722	Ref	DECAL INSTALLATION - ANSI SPEC	H
2	1701499	4	Decal - No Lift	
5	1701509	1	Decal - Manual	
6	1701529	2	Decal - Arrow	
7	1703811	4	Decal - Tie Down/Lift	
8	1703814	AR	Decal - Tie Down	
9	1704277	4	Decal - Attach Lanyard Here	
10	1704412	1	Decal - Hydraulic Oil Chart	
12	1705514	1	Decal - CSA <b>(SN 0300222912 to Present)</b>	
13	3251243	1	Nameplate - 120V-60Hz	
15	1705337	1	Decal - Tip Over <b>(SN 0300201017 through 0300241306)</b>	
18	1703953	AR	Decal - Warning/Crushing	
19	1702868	2	Decal - No Hands	
20	1703797	1	Decal - Danger/Warning (Platform) <b>(SN 0300201017 through 0300241306)</b>	
20	1001231315	1	Decal - Danger/Warning (Platform) <b>(SN 0300241307 to Present)</b>	
21	1705336	1	Decal - Danger/Warning (Ground Control)	
22	1703804	AR	Decal - Warning Crushing	
23	1703805	5	Decal - Danger/Electrocution	
24	3252347	1	Decal - Footswitch	
25		Ref	Decal - USA (See DECAL INSTALLATION - OPTIONS)	
26	1705492	AR	Decal - Tip Over Hazard	
27	See Note	1	Decal - Bar Code (Note: Not Available for Purchase)	
28	1001122369	2	Decal - Capacity (Platform)	
29	1001122376	1	Decal - Capacity (Ground Control)	
30	1001131269	1	Decal - Patent	
31	1706751	1	Decal - Legend (Platform)	
32	1705868	1	Decal - Legend (Ground Control)	
33	1705351	1	Decal - Drive/Steer Instructions	
34	1701505	2	Decal - Fuel	
35	1704972	1	Decal - Warning Explosion/Fire	
36	1705511	1	Decal - Oil Level	
37	1701501	4	Decal - Arrow	
39		Ref	Decal - Tire Load (See DECAL INSTALLATION - OPTIONS)	
40		Ref	Decal - Lift Diagram (See DECAL INSTALLATION - OPTIONS)	
41		Ref	Decal - Model 1250AJP (See DECAL INSTALLATION - OPTIONS)	
42	See Note	1	Nameplate - Serial Number (Note: Not Available for Purchase)	
43		Ref	Decal - JLG Lift (See DECAL INSTALLATION - OPTIONS)	
44		Ref	Decal - JLG (See DECAL INSTALLATION - OPTIONS)	
45		Ref	Decal - www.jlg.com (See DECAL INSTALLATION - OPTIONS)	
46		Ref	Decal - JLG (See DECAL INSTALLATION - OPTIONS)	
47		Ref	Decal - Ultra Boom (See DECAL INSTALLATION - OPTIONS)	
48	1703959	2	Decal - Quikstik	
50		Ref	Decal - Warning (Proposition 65) (California Spec Only) (See DECAL INSTALLATION - OPTIONS)	
51		Ref	Decal - Lanyard Attach (GM Spec Only) (See DECAL INSTALLATION - OPTIONS)	
52	0641406	AR	Bolt 1/4 x 3/4	
54	91403230	1	Box, Manual Storage	
56	3311405	4	Nut 1/4	

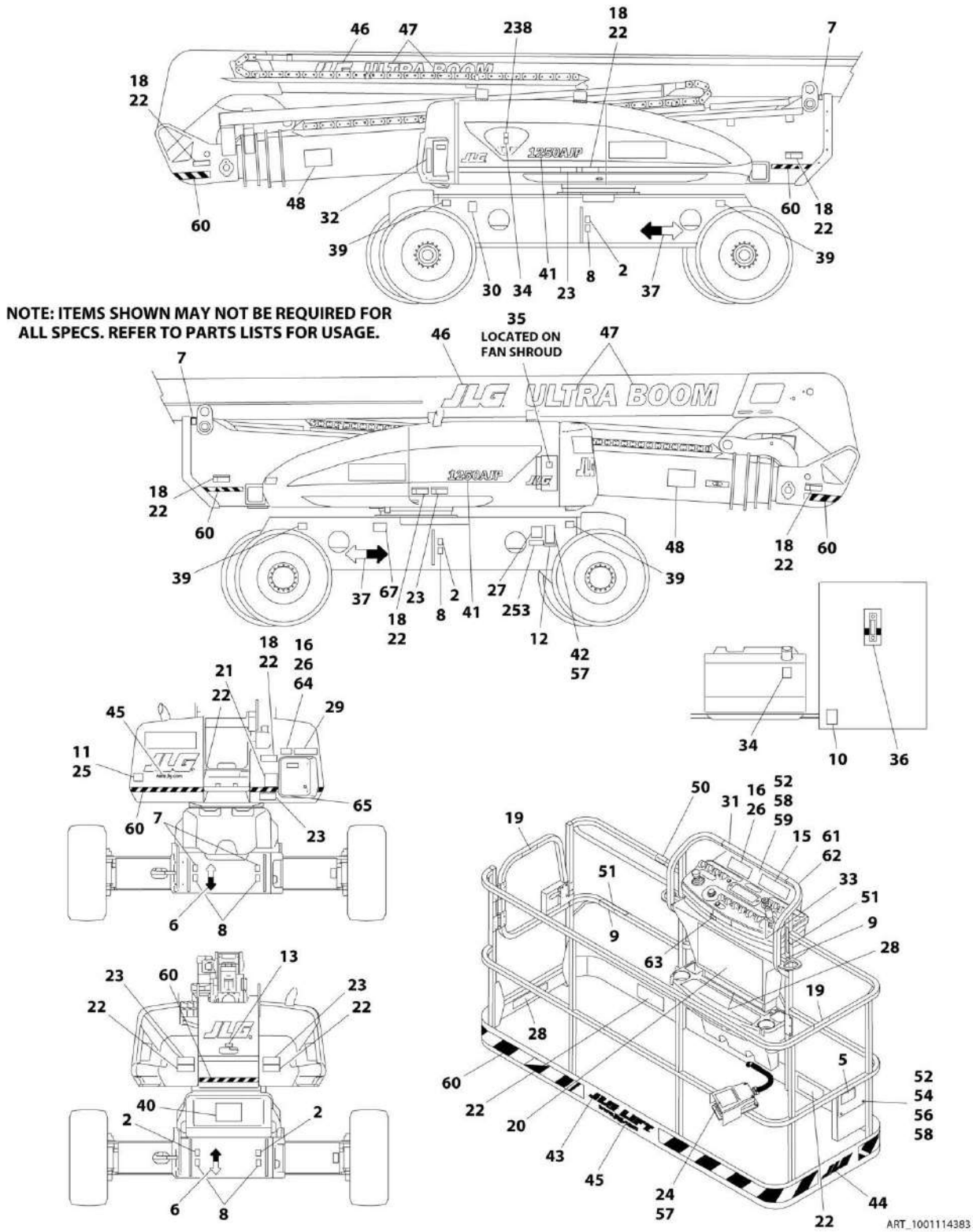
## SECTION 9 - DECALS

ITEM	PART NUMBER	QTY	DESCRIPTION	REV
57	3820001	2	Rivet	
58	4751400	AR	Washer 1/4	
59	3572327	1	Plate, Decal Mount <b>(SN 0300201017 through 0300241306)</b>	
60		Ref	Decal - Warning Stripes (See DECAL INSTALLATION - OPTIONS)	
61	3520174	3	Plug <b>(SN 0300241307 to Present)</b>	
62	0100048	AR	Grease, Dielectric <b>(SN 0300241307 to Present)</b>	
63		Ref	Decal - Troubleshooting (See DECAL INSTALLATION - OPTIONS)	
65		Ref	Decal - MSSO (See DECAL INSTALLATION - OPTIONS) <b>(SN 0300211945 to Present)</b>	
67	1001223055	1	Decal - Yearly Inspection <b>(SN 0300235503 to Present)</b>	
68	1001223453	1	Decal - Ices (Canada) <b>(SN 0300241341 to Present)</b>	



# SECTION 9 - DECALS

## FIGURE 9-2. DECAL INSTALLATION - AUSTRALIAN SPEC



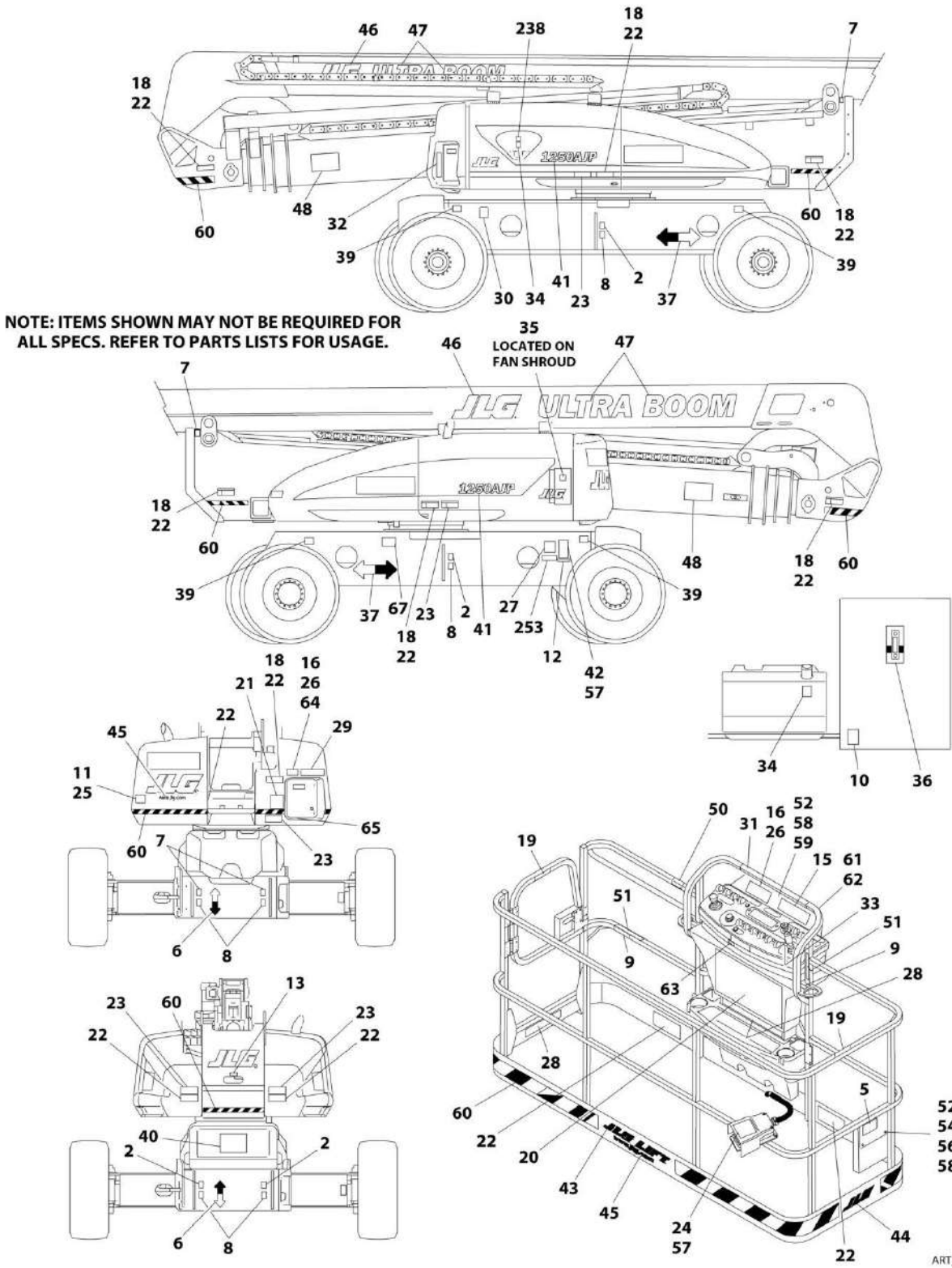
## SECTION 9 - DECALS

### FIGURE 9-2. DECAL INSTALLATION - AUSTRALIAN SPEC

ITEM	PART NUMBER	QTY	DESCRIPTION	REV
	100114383	Ref	DECAL INSTALLATION - AUSTRALIAN SPEC	E
2	1701499	4	Decal - No Lift	
5	1701509	1	Decal - Manual	
6	1701529	2	Decal - Arrow	
7	1703811	4	Decal - Tie Down/Lift	
8	1703814	6	Decal - Tie Down	
9	1704277	4	Decal - Attach Lanyard Here	
10	1704412	1	Decal - Hydraulic Oil Chart	
11		Ref	Decal - Sound Power Level (See DECAL INSTALLATION - OPTIONS)	
20	1705921	1	Decal - Tipping/Electrical (Platform)	
21	1705822	1	Decal - Danger/Warning (Ground Control)	
22	1701518	10	Decal - Warning Crushing	
23	1705961	5	Decal - Danger/Electrocution	
24	1705828	1	Decal - Footswitch	
27	See Note	1	Decal - Bar Code (Note: Not Available for Purchase)	
28	1706770	1	Decal - Capacity (Platform)	
29	1705468	1	Decal - Capacity (Ground Control)	
34	1701505	2	Decal - Fuel	
35	1706098	1	Decal - Warning Explosion/Fire	
36	1705511	1	Decal - Oil Level	
37	1701501	4	Decal - Arrow	
39		Ref	Decal - Tire Load (See DECAL INSTALLATION - OPTIONS)	
40		Ref	Decal - Lift Diagram (See DECAL INSTALLATION - OPTIONS)	
41		Ref	Decal - 1250AJP Model Designation (See DECAL INSTALLATION - OPTIONS)	
42	See Note	1	Nameplate - Serial Number (Note: Not Available for Purchase)	
43		Ref	Decal - JLG Lift (See DECAL INSTALLATION - OPTIONS)	
44		Ref	Decal - JLG (See DECAL INSTALLATION - OPTIONS)	
45		Ref	Decal - www.jlg.com (See DECAL INSTALLATION - OPTIONS)	
46		Ref	Decal - JLG (See DECAL INSTALLATION - OPTIONS)	
47		Ref	Decal - Ultra Boom (See DECAL INSTALLATION - OPTIONS)	
48		Ref	Decal - Quikstik (See DECAL INSTALLATION - OPTIONS)	
50		Ref	Decal - Warning (Proposition 65) (See DECAL INSTALLATION - OPTIONS)	
51		Ref	Decal - Lanyard Attach (GM Spec Only) (See DECAL INSTALLATION - OPTIONS)	
52	0641406	4	Bolt 1/4 x 3/4	
54	91403230	1	Box, Manual Storage	
56	3311405	4	Nut 1/4	
57	3820001	6	Rivet	
58	4751400	4	Washer 1/4	
60		Ref	Decal - Warning Stripes (See DECAL INSTALLATION - OPTIONS)	
61	3520174	3	Plug	
62	0100048	AR	Grease, Dielectric	
63		Ref	Decal - Troubleshooting (See DECAL INSTALLATION - OPTIONS)	
64	100112551	1	Decal - Emergency Controls	
65		Ref	Decal - MSSO (See DECAL INSTALLATION - OPTIONS) <b>(SN 0300211945 to Present)</b>	

# SECTION 9 - DECALS

## FIGURE 9-3. DECAL INSTALLATION - BRAZIL SPEC (PORTUGUESE/ENGLISH)





## SECTION 9 - DECALS

**FIGURE 9-3. DECAL INSTALLATION - BRAZIL SPEC (PORTUGUESE/ENGLISH)**

ITEM	PART NUMBER	QTY	DESCRIPTION	REV
	0274725	Ref	DECAL INSTALLATION - BRAZIL SPEC (PORTUGUESE/ENGLISH)	F
2	1701499	4	Decal - No Lift	
5	1701509	1	Decal - Manual	
6	1701529	2	Decal - Arrow	
7	1703811	4	Decal - Tie Down/Lift	
8	1703814	6	Decal - Tie Down	
9	1704277	4	Decal - Attach Lanyard Here	
10	1704412	1	Decal - Hydraulic Oil Chart	
13	3251243	1	Nameplate - 120V-60Hz	
15	1705904	1	Decal - Tip Over <b>(SN 0300201017 through 0300241306)</b>	
16	1705906	AR	Decal - Tip Over Hazard	
18	1705903	AR	Decal - Warning/Crushing	
19	1705967	2	Decal - No Hands	
20	1705895	1	Decal - Danger/Warning (Platform) <b>(SN 0300201017 through 0300241306)</b>	
20	1001231319	1	Decal - Danger/Warning (Platform) <b>(SN 0300241307 to Present)</b>	
21	1705896	1	Decal - Danger/Warning (Ground Control)	
22	1705898	AR	Decal - Warning Crushing	
23	1705897	5	Decal - Danger/Electrocution	
24	1705902	1	Decal - Footswitch	
25		Ref	Decal - USA (See DECAL INSTALLATION - OPTIONS)	
27	See Note	1	Decal - Bar Code (Note: Not Available for Purchase)	
28	1001122372	2	Decal - Capacity (Platform)	
29	1001122379	1	Decal - Capacity (Ground Control)	
31	1706751	1	Decal - Legend (Platform)	
32	1705868	1	Decal - Legend (Ground Controls)	
33	1705905	1	Decal - Drive/Steer Instructions	
34	1701505	2	Decal - Fuel	
35	1706059	1	Decal - Warning Explosion/Fire	
36	1705511	1	Decal - Oil Level	
37	1701501	4	Decal - Arrow	
39		Ref	Decal - Tire Load (See DECAL INSTALLATION - OPTIONS)	
40		Ref	Decal - Lift Diagram (See DECAL INSTALLATION - OPTIONS)	
41		Ref	Decal - 1250AJP Model Designation (See DECAL INSTALLATION - OPTIONS)	
42	See Note	1	Nameplate - Serial Number (Note: Not Available for Purchase)	
43		Ref	Decal - JLG Lift (See DECAL INSTALLATION - OPTIONS)	
44		Ref	Decal - JLG (See DECAL INSTALLATION - OPTIONS)	
45		Ref	Decal - www.jlg.com (See DECAL INSTALLATION - OPTIONS)	
46		Ref	Decal - JLG (See DECAL INSTALLATION - OPTIONS)	
47		Ref	Decal - Ultra Boom (See DECAL INSTALLATION - OPTIONS)	
48		Ref	Decal - Quikstik (See DECAL INSTALLATION - OPTIONS)	
50		Ref	Decal - Warning (Proposition 65) (See DECAL INSTALLATION - OPTIONS)	
51		Ref	Decal - Lanyard Attach (GM Spec Only) (See DECAL INSTALLATION - OPTIONS)	
52	0641406	AR	Bolt 1/4 x 3/4	
54	91403230	1	Box, Manual Storage	
56	3311405	4	Nut 1/4	
57	3820001	2	Rivet	

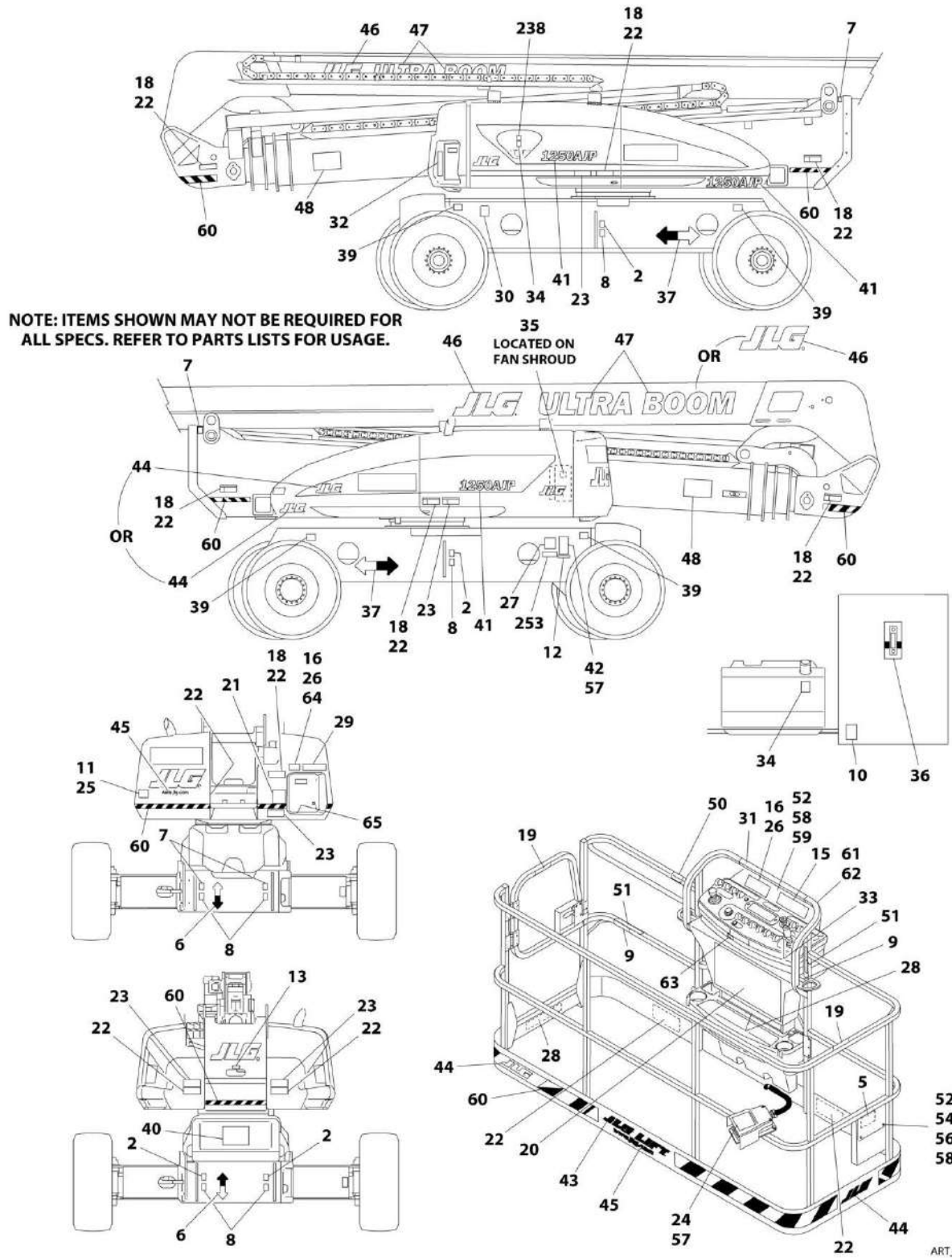
## SECTION 9 - DECALS

ITEM	PART NUMBER	QTY	DESCRIPTION	REV
58	4751400	AR	Washer 1/4	
59	3572327	1	Plate, Decal Mount <b>(SN 0300201017 through 0300241306)</b>	
60		Ref	Decal - Warning Stripes (See DECAL INSTALLATION - OPTIONS)	
63		Ref	Decal - Troubleshooting (See DECAL INSTALLATION - OPTIONS)	
65		Ref	Decal - MSSO (See DECAL INSTALLATION - OPTIONS) <b>(SN 0300211945 to Present)</b>	
67	1001224052	1	Decal - Yearly Inspection <b>(SN 0300235503 to Present)</b>	



# SECTION 9 - DECALS

## FIGURE 9-4. DECAL INSTALLATION - CE SPEC



ART\_0274728

## SECTION 9 - DECALS

**FIGURE 9-4. DECAL INSTALLATION - CE SPEC**

ITEM	PART NUMBER	QTY	DESCRIPTION	REV
	1283410	Ref	STANDARD DECAL INSTALLATION - CE SPEC <b>(SN 0300201017 through 0300218783)</b>	Q
	1001217564	Ref	STANDARD DECAL INSTALLATION - CE SPEC <b>(SN 0300218784 to Present)</b>	B
	0274728	Ref	DECAL INSTALLATION - CE SPEC	G
2	1701499	4	Decal - No Lift	
5	1701509	1	Decal - Manual	
6	1701529	2	Decal - Arrow	
7	1703811	4	Decal - Tie Down/Lift	
8	1703814	6	Decal - Tie Down	
9	1704277	4	Decal - Attach Lanyard Here	
10	1704412	1	Decal - Hydraulic Oil Chart	
11		Ref	Decal - Sound Power Level (See DECAL INSTALLATION - OPTIONS)	
20	1705921	1	Decal - Tipping/Electrical (Platform)	
21	1705822	1	Decal - Danger/Warning (Ground Control)	
22	1701518	10	Decal - Warning Crushing	
23	1705961	5	Decal - Danger/Electrocution	
24	1705828	1	Decal - Footswitch	
27	See Note	1	Decal - Bar Code (Note: Not Available for Purchase)	
28	1706770	1	Decal - Capacity (Platform) <b>(SN 0300201017 through 0300218784)</b>	
28	1706770	1	Decal - Capacity (Platform) <b>(SN 0300225800 to Present)</b>	
29	1705468	1	Decal - Capacity (Ground Control)	
34	1701505	2	Decal - Fuel	
35	1706098	1	Decal - Warning Explosion/Fire	
36	1705511	1	Decal - Oil Level	
37	1701501	4	Decal - Arrow	
39		Ref	Decal - Tire Load (See DECAL INSTALLATION - OPTIONS)	
40		Ref	Decal - Lift Diagram (See DECAL INSTALLATION - OPTIONS)	
41		Ref	Decal - 1250AJP Model Designation (See DECAL INSTALLATION - OPTIONS)	
42	See Note	1	Nameplate - Serial Number (Note: Not Available for Purchase)	
43		Ref	Decal - JLG Lift (See DECAL INSTALLATION - OPTIONS)	
44	1702773	AR	Decal - JLG	
45		Ref	Decal - www.jlg.com (See DECAL INSTALLATION - OPTIONS)	
46	1705864	2	Decal - JLG	
47		Ref	Decal - Ultra Boom (See DECAL INSTALLATION - OPTIONS)	
48		Ref	Decal - Quikstik (See DECAL INSTALLATION - OPTIONS)	
50		Ref	Decal - Warning (Proposition 65) (See DECAL INSTALLATION - OPTIONS)	
51		Ref	Decal - Lanyard Attach (GM Spec Only) (See DECAL INSTALLATION - OPTIONS)	
52	0641406	4	Bolt 1/4 x 3/4	
54	91403230	1	Box, Manual Storage	
56	3311405	4	Nut 1/4	
57	3820001	6	Rivet	
58	4751400	4	Washer 1/4	
60		Ref	Decal - Warning Stripes (See DECAL INSTALLATION - OPTIONS)	
61	3520174	3	Plug	

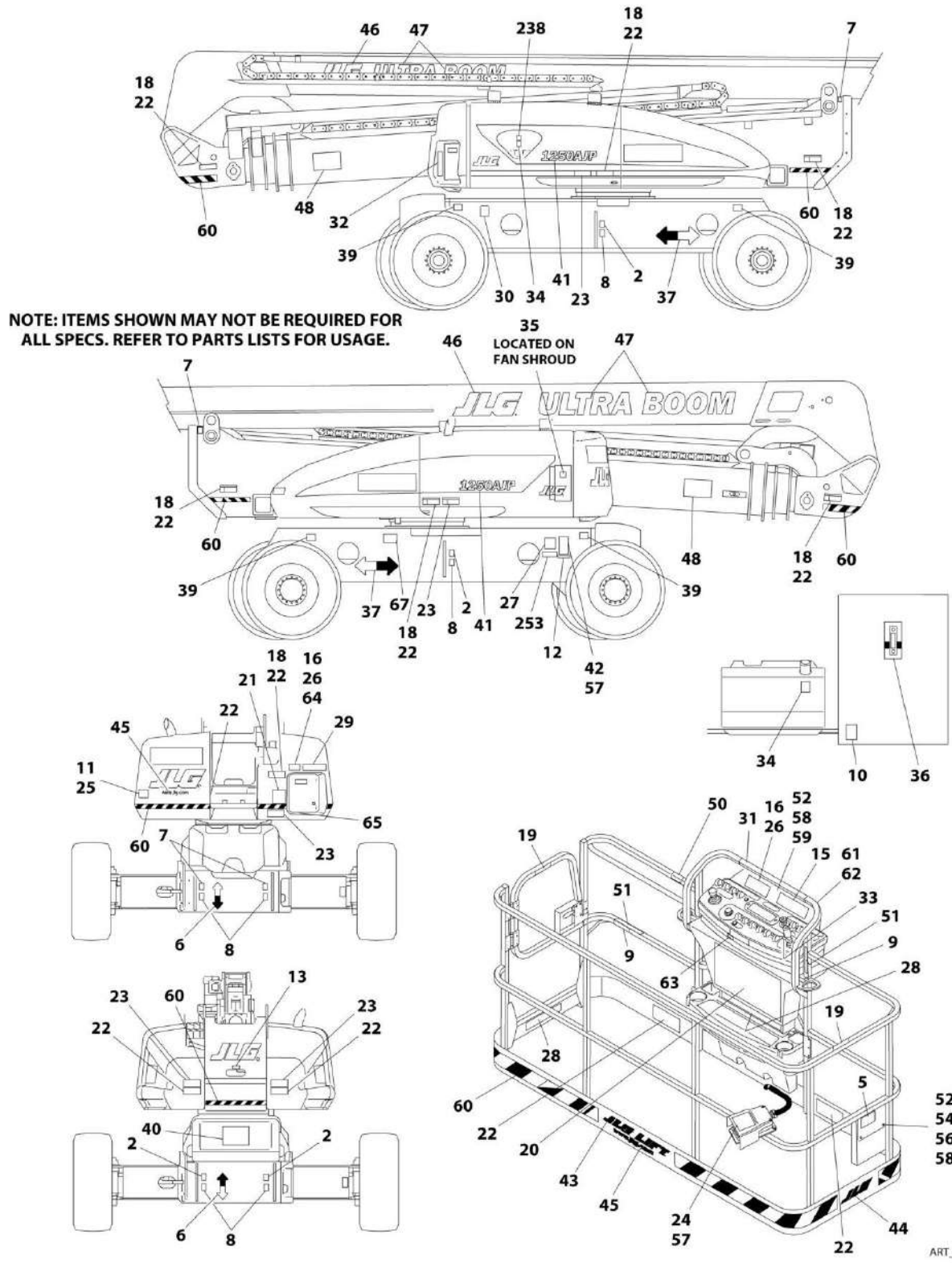
## SECTION 9 - DECALS

ITEM	PART NUMBER	QTY	DESCRIPTION	REV
62	0100048	AR	Grease, Dielectric	
63		Ref	Decal - Troubleshooting (See DECAL INSTALLATION - OPTIONS)	
65		Ref	Decal - MSSO (See DECAL INSTALLATION - OPTIONS) <b>(SN 0300211945 to Present)</b>	



# SECTION 9 - DECALS

## FIGURE 9-5. DECAL INSTALLATION - CHINESE SPEC (CHINESE/ENGLISH)





## SECTION 9 - DECALS

**FIGURE 9-5. DECAL INSTALLATION - CHINESE SPEC (CHINESE/ENGLISH)**

ITEM	PART NUMBER	QTY	DESCRIPTION	REV
	0274724	Ref	DECAL INSTALLATION - CHINESE SPEC (CHINESE/ENGLISH)	F
2	1701499	4	Decal - No Lift	
5	1701509	1	Decal - Manual	
6	1701529	2	Decal - Arrow	
7	1703811	4	Decal - Tie Down/Lift	
8	1703814	6	Decal - Tie Down	
9	1704277	4	Decal - Attach Lanyard Here	
10	1704412	1	Decal - Hydraulic Oil Chart	
13	3251243	1	Nameplate - 120V-60Hz	
15	1001117034	1	Decal - Tip Over <b>(SN 0300201017 through 0300241306)</b>	
16	1001117035	AR	Decal - Tip Over Hazard	
18	1703943	AR	Decal - Warning/Crushing	
19	1001116846	2	Decal - No Hands	
20	1703925	1	Decal - Danger/Warning (Platform) <b>(SN 0300201017 through 0300241306)</b>	
20	1001231321	1	Decal - Danger/Warning (Platform) <b>(SN 0300241307 to Present)</b>	
21	1001116849	1	Decal - Danger/Warning (Ground Control)	
22	1703949	AR	Decal - Warning Crushing	
23	1001116851	5	Decal - Danger/Electrocution	
24	1703982	1	Decal - Footswitch	
25		Ref	Decal - USA (See DECAL INSTALLATION - OPTIONS)	
27	See Note	1	Decal - Bar Code (Note: Not Available for Purchase)	
28	1001122371	2	Decal - Capacity (Platform)	
29	1001122378	1	Decal - Capacity (Ground Control)	
31	1706751	1	Decal - Legend (Platform)	
32	1705868	1	Decal - Legend (Ground Controls)	
33	1705430	1	Decal - Drive/Steer Instructions	
34	1701505	2	Decal - Fuel	
35	1706060	1	Decal - Warning Explosion/Fire	
36	1705511	1	Decal - Oil Level	
37	1701501	4	Decal - Arrow	
39		Ref	Decal - Tire Load (See DECAL INSTALLATION - OPTIONS)	
40		Ref	Decal - Lift Diagram (See DECAL INSTALLATION - OPTIONS)	
41		Ref	Decal - 1250AJP Model Designation (See DECAL INSTALLATION - OPTIONS)	
42	See Note	1	Nameplate - Serial Number (Note: Not Available for Purchase)	
43		Ref	Decal - JLG Lift (See DECAL INSTALLATION - OPTIONS)	
44		Ref	Decal - JLG (See DECAL INSTALLATION - OPTIONS)	
45		Ref	Decal - www.jlg.com (See DECAL INSTALLATION - OPTIONS)	
46		Ref	Decal - JLG (See DECAL INSTALLATION - OPTIONS)	
47		Ref	Decal - Ultra Boom (See DECAL INSTALLATION - OPTIONS)	
48		Ref	Decal - Quikstik (See DECAL INSTALLATION - OPTIONS)	
50		Ref	Decal - Warning (Proposition 65) (See DECAL INSTALLATION - OPTIONS)	
51		Ref	Decal - Lanyard Attach (GM Spec Only) (See DECAL INSTALLATION - OPTIONS)	
52	0641406	AR	Bolt 1/4 x 3/4	
54	91403230	1	Box, Manual Storage	
56	3311405	4	Nut 1/4	
57	3820001	2	Rivet	

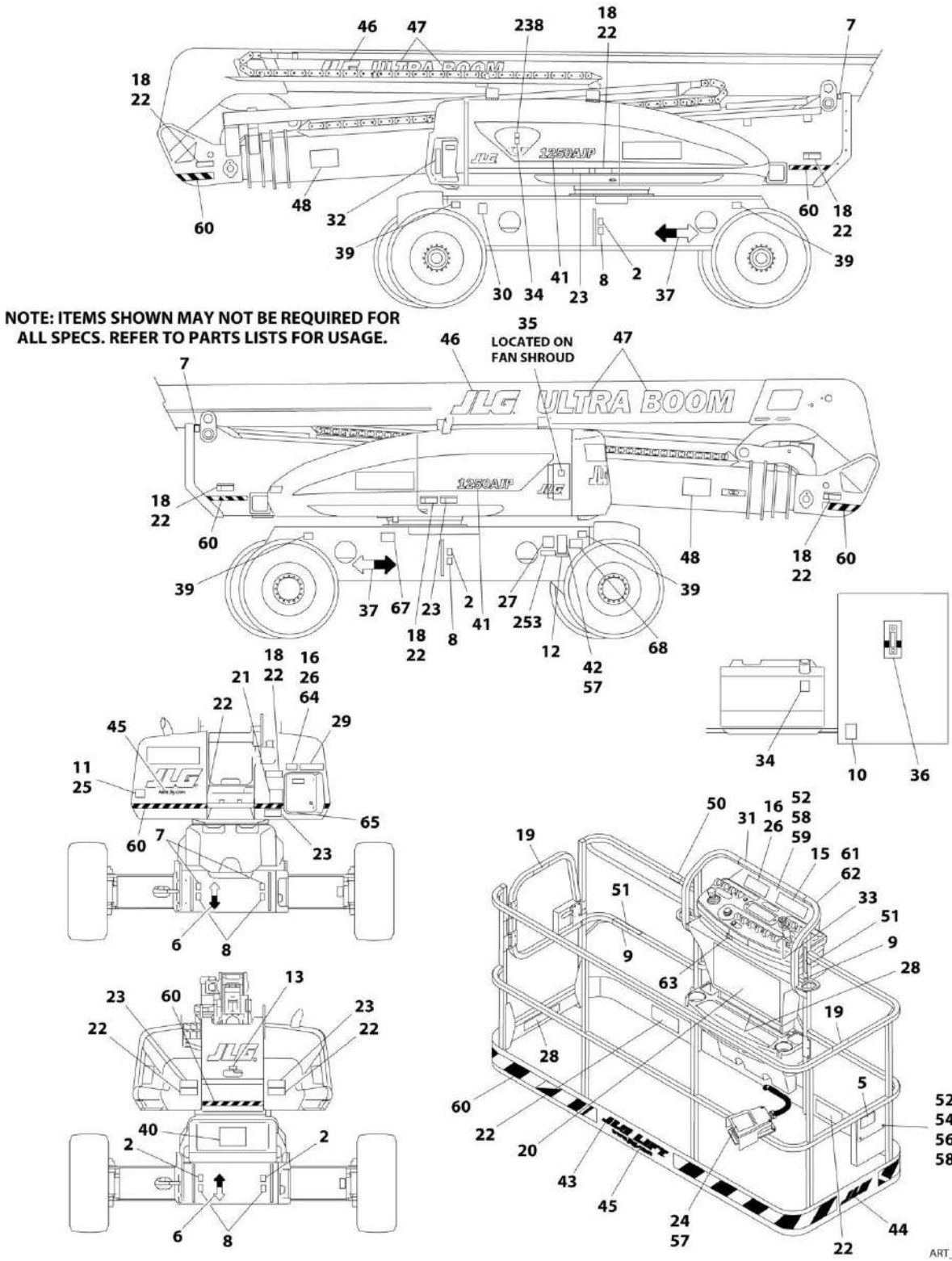
## SECTION 9 - DECALS

ITEM	PART NUMBER	QTY	DESCRIPTION	REV
58	4751400	AR	Washer 1/4	
59	3572327	1	Plate, Decal Mount <b>(SN 0300201017 through 0300241306)</b>	
60		Ref	Decal - Warning Stripes (See DECAL INSTALLATION - OPTIONS)	
63	1001094055	1	Decal - Troubleshooting	
65		Ref	Decal - MSSO (See DECAL INSTALLATION - OPTIONS) <b>(SN 0300211945 to Present)</b>	
67	1001224050	1	Decal - Yearly Inspection <b>(SN 0300235503 to Present)</b>	



# SECTION 9 - DECALS

## FIGURE 9-6. DECAL INSTALLATION - CSA SPEC (ENGLISH/FRENCH)



## SECTION 9 - DECALS

**FIGURE 9-6. DECAL INSTALLATION - CSA SPEC (ENGLISH/FRENCH)**

ITEM	PART NUMBER	QTY	DESCRIPTION	REV
	0274727	Ref	DECAL INSTALLATION - CSA SPEC (ENGLISH/FRENCH)	G
2	1701499	4	Decal - No Lift	
5	1701509	1	Decal - Manual	
6	1701529	2	Decal - Arrow	
7	1703811	4	Decal - Tie Down/Lift	
8	1703814	6	Decal - Tie Down	
9	1704277	4	Decal - Attach Lanyard Here	
10	1704412	1	Decal - Hydraulic Oil Chart	
12	1705514	1	Decal - CSA	
13	3251243	1	Nameplate - 120V-60Hz	
15	1705341	1	Decal - Tip Over <b>(SN 0300201017 through 0300241306)</b>	
16	1705505	AR	Decal - Tip Over Hazard	
18	1703942	AR	Decal - Warning/Crushing	
19	1704000	2	Decal - No Hands	
20	1703924	1	Decal - Danger/Warning (Platform) <b>(SN 0300201017 through 0300241306)</b>	
20	1001231316	1	Decal - Danger/Warning (Platform) <b>(SN 0300241307 to Present)</b>	
21	1705347	1	Decal - Danger/Warning (Ground Control)	
22	1703948	AR	Decal - Warning Crushing	
23	1703936	5	Decal - Danger/Electrocution	
24	1703984	1	Decal - Footswitch	
25		Ref	Decal - USA (See DECAL INSTALLATION - OPTIONS)	
27	See Note	1	Decal - Bar Code (Note: Not Available for Purchase)	
28	1001122374	2	Decal - Capacity (Platform)	
29	1001122381	1	Decal - Capacity (Ground Control)	
30	1001131269	1	Decal - Patent	
31	1706751	1	Decal - Legend (Platform)	
32	1705868	1	Decal - Legend (Ground Controls)	
33	1705429	1	Decal - Drive/Steer Instructions	
34	1701505	2	Decal - Fuel	
35	1706064	1	Decal - Warning Explosion/Fire	
36	1705511	1	Decal - Oil Level	
37	1701501	4	Decal - Arrow	
39		Ref	Decal - Tire Load (See DECAL INSTALLATION - OPTIONS)	
40		Ref	Decal - Lift Diagram (See DECAL INSTALLATION - OPTIONS)	
41		Ref	Decal - 1250AJP Model Designation (See DECAL INSTALLATION - OPTIONS)	
42	See Note	1	Nameplate - Serial Number (Note: Not Available for Purchase)	
43		Ref	Decal - JLG Lift (See DECAL INSTALLATION - OPTIONS)	
44		Ref	Decal - JLG (See DECAL INSTALLATION - OPTIONS)	
45		Ref	Decal - www.jlg.com (See DECAL INSTALLATION - OPTIONS)	
46		Ref	Decal - JLG (See DECAL INSTALLATION - OPTIONS)	
47		Ref	Decal - Ultra Boom (See DECAL INSTALLATION - OPTIONS)	
48		Ref	Decal - Quikstik (See DECAL INSTALLATION - OPTIONS)	
50		Ref	Decal - Warning (Proposition 65) (See DECAL INSTALLATION - OPTIONS)	
51		Ref	Decal - Lanyard Attach (GM Spec Only) (See DECAL INSTALLATION - OPTIONS)	
52	0641406	AR	Bolt 1/4 x 3/4	
54	91403230	1	Box, Manual Storage	

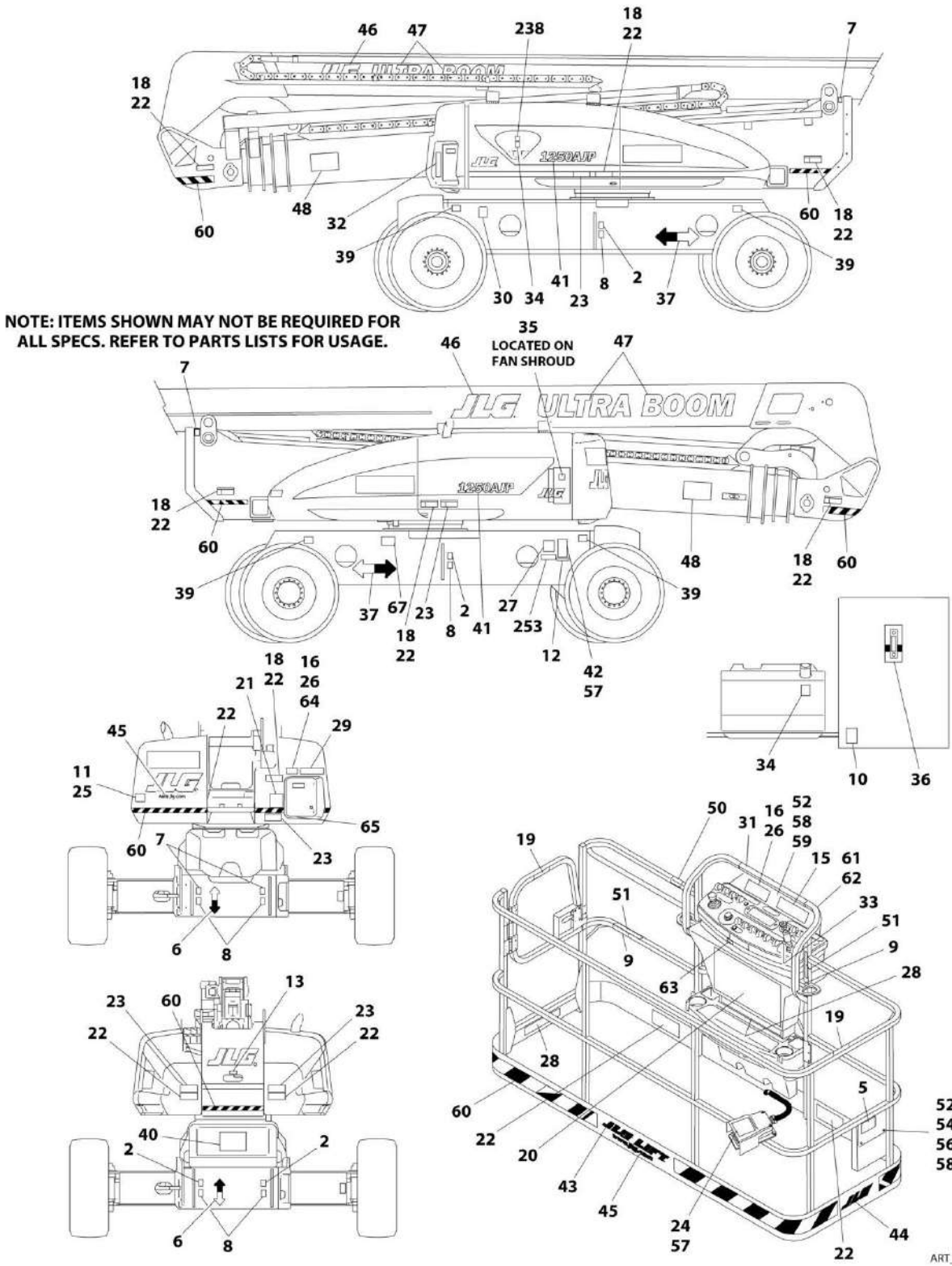
## SECTION 9 - DECALS

ITEM	PART NUMBER	QTY	DESCRIPTION	REV
56	3311405	4	Nut 1/4	
57	3820001	2	Rivet	
58	4751400	AR	Washer 1/4	
59	3572327	1	Plate, Decal Mount <b>(SN 0300201017 through 0300241306)</b>	
60		Ref	Decal - Warning Stripes (See DECAL INSTALLATION - OPTIONS)	
63		Ref	Decal - Troubleshooting (See DECAL INSTALLATION - OPTIONS)	
65		Ref	Decal - MSSO (See DECAL INSTALLATION - OPTIONS) <b>(SN 0300211945 to Present)</b>	
67	1001223971	1	Decal- Yearly Inspection <b>(SN 0300235503 to Present)</b>	
68	1001223453	1	Decal - Ices (Canada) <b>(SN 0300241341 to Present)</b>	



# SECTION 9 - DECALS

## FIGURE 9-7. DECAL INSTALLATION - JAPANESE SPEC (JAPANESE/ENGLISH)





## SECTION 9 - DECALS

**FIGURE 9-7. DECAL INSTALLATION - JAPANESE SPEC (JAPANESE/ENGLISH)**

ITEM	PART NUMBER	QTY	DESCRIPTION	REV
	0274729	Ref	DECAL INSTALLATION - JAPANESE SPEC (JAPANESE/ENGLISH)	F
2	1701499	4	Decal - No Lift	
5	1701509	1	Decal - Manual	
6	1701529	2	Decal - Arrow	
7	1703811	4	Decal - Tie Down/Lift	
8	1703814	6	Decal - Tie Down	
9	1704277	4	Decal - Attach Lanyard Here	
10	1704412	1	Decal - Hydraulic Oil Chart	
13	3251243	1	Nameplate - 120V-60Hz	
15	1705338	1	Decal - Tip Over <b>(SN 0300201017 through 0300241306)</b>	
16	1705493	AR	Decal - Tip Over Hazard	
18	1703944	AR	Decal - Warning/Crushing	
20	1703926	1	Decal - Danger/Warning (Platform) <b>(SN 0300201017 through 0300241306)</b>	
20	1001231320	1	Decal - Danger/Warning (Platform) <b>(SN 0300241307 to Present)</b>	
21	1705344	1	Decal - Danger/Warning (Ground Control)	
22	1703950	AR	Decal - Warning Crushing	
23	1703938	5	Decal - Danger/Electrocution	
24	1703980	1	Decal - Footswitch	
25		Ref	Decal - USA (See DECAL INSTALLATION - OPTIONS)	
27	See Note	1	Decal - Bar Code (Note: Not Available for Purchase)	
28	1001122375	2	Decal - Capacity (Platform)	
29	1001122382	1	Decal - Capacity (Ground Control)	
31	1706751	1	Decal - Legend (Platform)	
32	1705868	1	Decal - Legend (Ground Controls)	
33	1705426	1	Decal - Drive/Steer Instructions	
34	1701505	2	Decal - Fuel	
35	1704972	1	Decal - Warning Explosion/Fire <b>(SN 0300201017 through 0300235502)</b>	
35	1706062	1	Decal - Warning Explosion/Fire <b>(SN 0300235503 to Present)</b>	
36	1705511	1	Decal - Oil Level	
37	1701501	4	Decal - Arrow	
39		Ref	Decal - Tire Load (See DECAL INSTALLATION - OPTIONS)	
40		Ref	Decal - Lift Diagram (See DECAL INSTALLATION - OPTIONS)	
41		Ref	Decal - 1250AJP Model Designation (See DECAL INSTALLATION - OPTIONS)	
42	See Note	1	Nameplate - Serial Number (Note: Not Available for Purchase)	
43		Ref	Decal - JLG Lift (See DECAL INSTALLATION - OPTIONS)	
44		Ref	Decal - JLG (See DECAL INSTALLATION - OPTIONS)	
45		Ref	Decal - www.jlg.com (See DECAL INSTALLATION - OPTIONS)	
46		Ref	Decal - JLG (See DECAL INSTALLATION - OPTIONS)	
47		Ref	Decal - Ultra Boom (See DECAL INSTALLATION - OPTIONS)	
48		Ref	Decal - Quikstik (See DECAL INSTALLATION - OPTIONS)	
50		Ref	Decal - Warning (Proposition 65) (See DECAL INSTALLATION - OPTIONS)	
51		Ref	Decal - Lanyard Attach (GM Spec Only) (See DECAL INSTALLATION - OPTIONS)	
52	0641406	AR	Bolt 1/4 x 3/4	
54	91403230	1	Box, Manual Storage	
56	3311405	4	Nut 1/4	

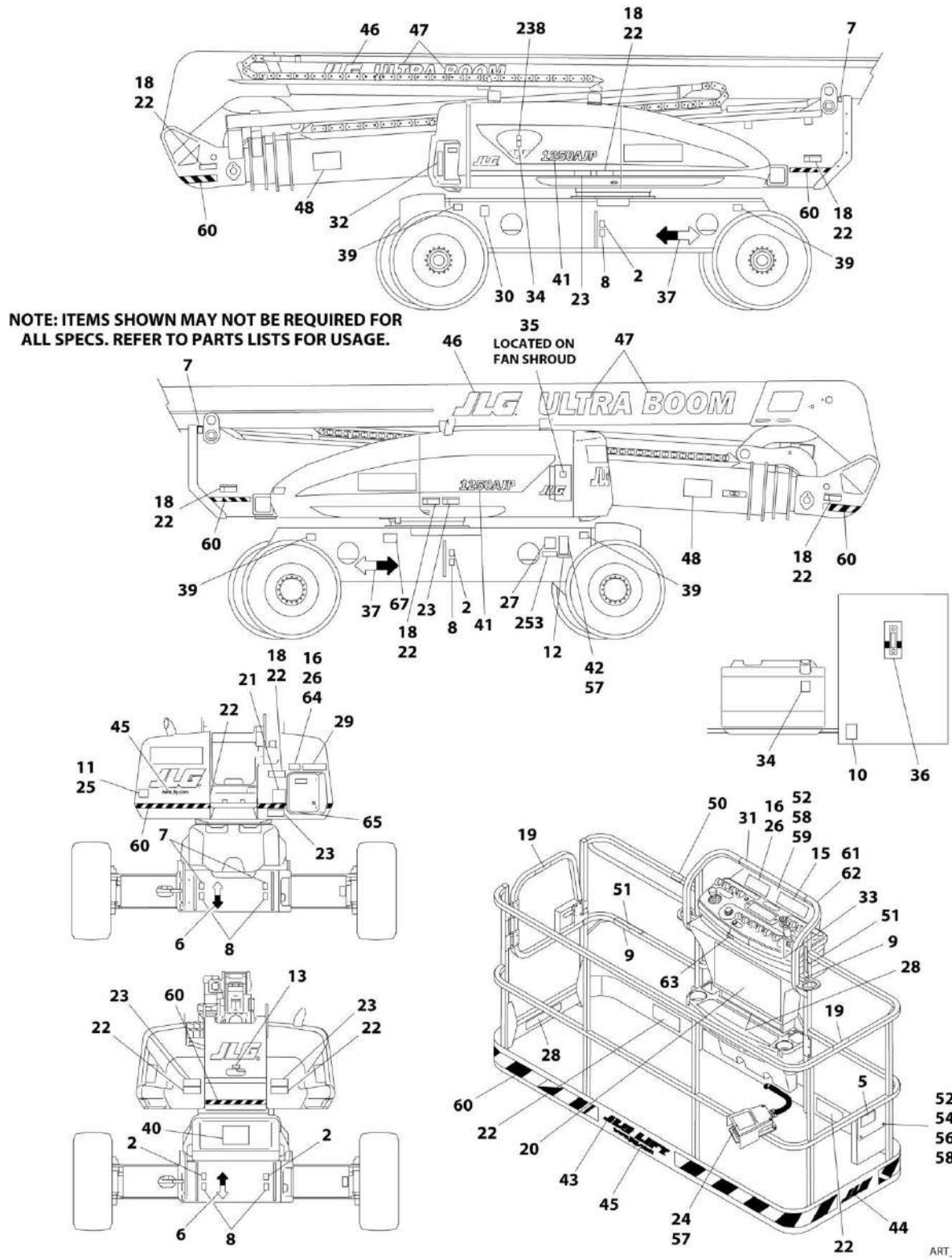
## SECTION 9 - DECALS

ITEM	PART NUMBER	QTY	DESCRIPTION	REV
57	3820001	2	Rivet	
58	4751400	AR	Washer 1/4	
59	3572327	1	Plate, Decal Mount <b>(SN 0300201017 through 0300241306)</b>	
60		Ref	Decal - Warning Stripes (Not Shown) (See DECAL INSTALLATION - OPTIONS)	
63		Ref	Decal - Troubleshooting (Not Shown) (See DECAL INSTALLATION - OPTIONS)	
65		Ref	Decal - MSSO (See DECAL INSTALLATION - OPTIONS) <b>(SN 0300211945 to Present)</b>	
67	1001224053	1	Decal - Yearly Inspection <b>(SN 0300235503 to Present)</b>	



# SECTION 9 - DECALS

## FIGURE 9-8. DECAL INSTALLATION - KOREAN SPEC (KOREAN/ENGLISH)



## SECTION 9 - DECALS

**FIGURE 9-8. DECAL INSTALLATION - KOREAN SPEC (KOREAN/ENGLISH)**

ITEM	PART NUMBER	QTY	DESCRIPTION	REV
	0274723	Ref	DECAL INSTALLATION - KOREAN SPEC (KOREAN/ENGLISH)	F
2	1701499	4	Decal - No Lift	
5	1701509	1	Decal - Manual	
6	1701529	2	Decal - Arrow	
7	1703811	4	Decal - Tie Down/Lift	
8	1703814	6	Decal - Tie Down	
9	1704277	4	Decal - Attach Lanyard Here	
10	1704412	1	Decal - Hydraulic Oil Chart	
13	3251243	1	Nameplate - 120V-60Hz	
15	1705339	1	Decal - Tip Over <b>(SN 0300201017 through 0300241306)</b>	
16	1705339	AR	Decal - Tip Over Hazard	
18	1703945	AR	Decal - Warning/Crushing	
19	1705969	2	Decal - No Hands	
20	1703927	1	Decal - Danger/Warning (Platform) <b>(SN 0300201017 through 0300241306)</b>	
20	1001231317	1	Decal - Danger/Warning (Platform) <b>(SN 0300241307 to Present)</b>	
21	1705345	1	Decal - Danger/Warning (Ground Control)	
22	1703951	AR	Decal - Warning Crushing	
23	1703939	5	Decal - Danger/Electrocution	
24	1703981	1	Decal - Footswitch	
27	See Note	1	Decal - Bar Code (Note: Not Available for Purchase)	
28	1001122370	2	Decal - Capacity (Platform)	
29	1001122377	1	Decal - Capacity (Ground Control)	
31	1706751	1	Decal - Legend (Platform)	
32	1705868	1	Decal - Legend (Ground Controls)	
33	1705427	1	Decal - Drive/Steer Instructions	
34	1701505	2	Decal - Fuel	
35	1706061	1	Decal - Warning Explosion/Fire	
36	1705511	1	Decal - Oil Level	
37	1701501	4	Decal - Arrow	
39		Ref	Decal - Tire Load (See DECAL INSTALLATION - OPTIONS)	
40		Ref	Decal - Lift Diagram (See DECAL INSTALLATION - OPTIONS)	
41		Ref	Decal - 1250AJP Model Designation (See DECAL INSTALLATION - OPTIONS)	
42	See Note	1	Nameplate - Serial Number (Note: Not Available for Purchase)	
43		Ref	Decal - JLG Lift (See DECAL INSTALLATION - OPTIONS)	
44		Ref	Decal - JLG (See DECAL INSTALLATION - OPTIONS)	
45		Ref	Decal - www.jlg.com (See DECAL INSTALLATION - OPTIONS)	
46		Ref	Decal - JLG (See DECAL INSTALLATION - OPTIONS)	
47		Ref	Decal - Ultra Boom (See DECAL INSTALLATION - OPTIONS)	
48		Ref	Decal - Quikstik (See DECAL INSTALLATION - OPTIONS)	
50		Ref	Decal - Warning (Proposition 65) (See DECAL INSTALLATION - OPTIONS)	
51		Ref	Decal - Lanyard Attach (GM Spec Only) (See DECAL INSTALLATION - OPTIONS)	
52	0641406	AR	Bolt 1/4 x 3/4	
54	91403230	1	Box, Manual Storage	
56	3311405	4	Nut 1/4	
57	3820001	2	Rivet	
58	4751400	AR	Washer 1/4	

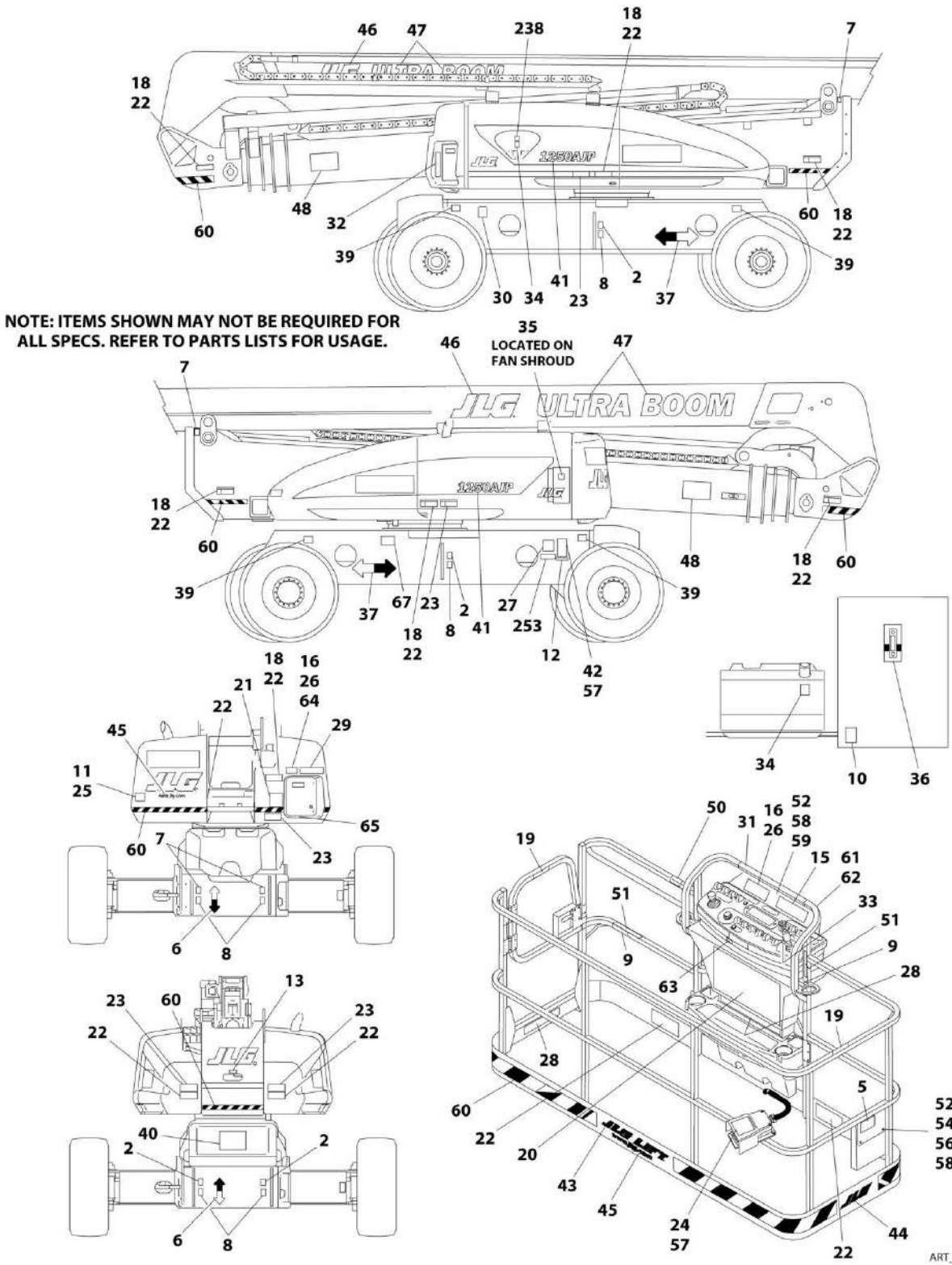
## SECTION 9 - DECALS

ITEM	PART NUMBER	QTY	DESCRIPTION	REV
59	3572327	1	Plate, Decal Mount <b>(SN 0300201017 through 0300241306)</b>	
60		Ref	Decal - Warning Stripes (See DECAL INSTALLATION - OPTIONS)	
63		Ref	Decal - Troubleshooting (See DECAL INSTALLATION - OPTIONS)	
65		Ref	Decal - MSSO (See DECAL INSTALLATION - OPTIONS) <b>(SN 0300211945 to Present)</b>	
67	1001224048	1	Decal - Yearly Inspection <b>(SN 0300235503 to Present)</b>	



# SECTION 9 - DECALS

## FIGURE 9-9. DECAL INSTALLATION - LATIN AMERICAN SPEC (SPANISH/ENGLISH)





## SECTION 9 - DECALS

**FIGURE 9-9. DECAL INSTALLATION - LATIN AMERICAN SPEC (SPANISH/ENGLISH)**

ITEM	PART NUMBER	QTY	DESCRIPTION	REV
	0274726	Ref	DECAL INSTALLATION - LATIN AMERICAN SPEC (SPANISH/ENGLISH)	F
2	1701499	4	Decal - No Lift	
5	1701509	1	Decal - Manual	
6	1701529	2	Decal - Arrow	
7	1703811	4	Decal - Tie Down/Lift	
8	1703814	6	Decal - Tie Down	
9	1704277	4	Decal - Attach Lanyard Here	
10	1704412	1	Decal - Hydraulic Oil Chart	
13	3251243	1	Nameplate - 120V-60Hz	
15	1705909	1	Decal - Tip Over <b>(SN 0300201017 through 0300241306)</b>	
16	1705915	AR	Decal - Tip Over Hazard	
18	1703941	AR	Decal - Warning/Crushing	
19	1704001	2	Decal - No Hands	
20	1703923	1	Decal - Danger/Warning (Platform) <b>(SN 0300201017 through 0300241306)</b>	
20	1001231318	1	Decal - Danger/Warning (Platform) <b>(SN 0300241307 to Present)</b>	
21	1705917	1	Decal - Danger/Warning (Ground Control)	
22	1703947	AR	Decal - Warning Crushing	
23	1703935	5	Decal - Danger/Electrocution	
24	1703983	1	Decal - Footswitch	
25		Ref	Decal - USA (See DECAL INSTALLATION - OPTIONS)	
27	See Note	1	Decal - Bar Code (Note: Not Available for Purchase)	
28	1001122373	2	Decal - Capacity (Platform)	
29	1001122380	1	Decal - Capacity (Ground Control)	
31	1706751	1	Decal - Legend (Platform)	
32	1705868	1	Decal - Legend (Ground Controls)	
33	1705910	1	Decal - Drive/Steer Instructions	
34	1701505	2	Decal - Fuel	
35	1705910	1	Decal - Warning Explosion/Fire	
36	1705511	1	Decal - Oil Level	
37	1701501	4	Decal - Arrow	
39		Ref	Decal - Tire Load (See DECAL INSTALLATION - OPTIONS)	
40		Ref	Decal - Lift Diagram (See DECAL INSTALLATION - OPTIONS)	
41		Ref	Decal - 1250AJP Model Designation (See DECAL INSTALLATION - OPTIONS)	
42	See Note	1	Nameplate - Serial Number (Note: Not Available for Purchase)	
43		Ref	Decal - JLG Lift (See DECAL INSTALLATION - OPTIONS)	
44		Ref	Decal - JLG (See DECAL INSTALLATION - OPTIONS)	
45		Ref	Decal - www.jlg.com (See DECAL INSTALLATION - OPTIONS)	
46		Ref	Decal - JLG (See DECAL INSTALLATION - OPTIONS)	
47		Ref	Decal - Ultra Boom (See DECAL INSTALLATION - OPTIONS)	
48		Ref	Decal - Quikstik (See DECAL INSTALLATION - OPTIONS)	
50		Ref	Decal - Warning (Proposition 65) (See DECAL INSTALLATION - OPTIONS)	
51		Ref	Decal - Lanyard Attach (GM Spec Only) (See DECAL INSTALLATION - OPTIONS)	
52	0641406	AR	Bolt 1/4 x 3/4	
54	91403230	1	Box, Manual Storage	
56	3311405	4	Nut 1/4	
57	3820001	2	Rivet	

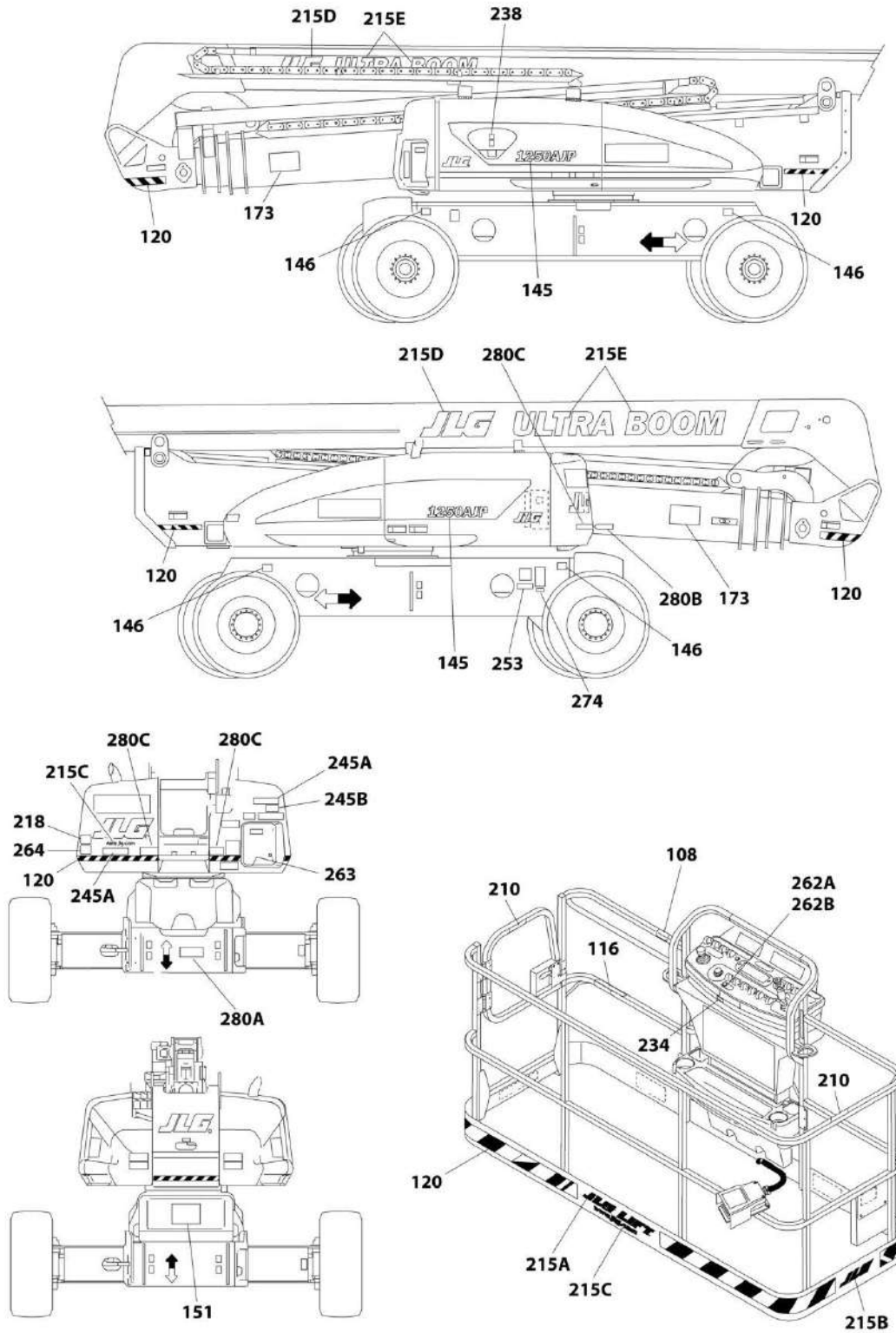
## SECTION 9 - DECALS

ITEM	PART NUMBER	QTY	DESCRIPTION	REV
58	4751400	AR	Washer 1/4	
59	3572327	1	Plate, Decal Mount <b>(SN 0300201017 through 0300241306)</b>	
60		Ref	Decal - Warning Stripes (See DECAL INSTALLATION - OPTIONS)	
63		Ref	Decal - Troubleshooting (See DECAL INSTALLATION - OPTIONS)	
65		Ref	Decal - MSSO (See DECAL INSTALLATION - OPTIONS) <b>(SN 0300211945 to Present)</b>	
67	1001224049	1	Decal - Yearly Inspection <b>(SN 0300235503 to Present)</b>	



# SECTION 9 - DECALS

## FIGURE 9-10. DECAL INSTALLATION - OPTIONS



ART\_OPTIONS

## SECTION 9 - DECALS

### FIGURE 9-10. DECAL INSTALLATION - OPTIONS

ITEM	PART NUMBER	QTY	DESCRIPTION	REV
	1001160110	Ref	DECAL INSTALLATION - OPTIONS	AO
108	1702962	1	Decal - Warning (Proposition 65) (ANSI Spec Only) <b>(SN 0300201017 through 030024709)</b>	
108	1001231801	1	Decal - Warning (Proposition 65) (ANSI Spec Only) <b>(SN 0300247510 to Present)</b>	
116	1703175	2	Decal - Lanyard Attach (GM Spec Only)	
120	4420051	29 ft/8.8m	Decal - Warning Stripes	
145	1705840	2	Decal - Model 1250AJP	
146	1703483	4	Decal - Tire Load	
151	1705838	1	Decal - Lift Diagram	
173	1703959	2	Decal - Quikstik	
210	1702868	2	Decal - No Hands (ANSI and ANSI Export Specs)	
210	1704000	2	Decal - No Hands (CSA Specs) (French/English)	
210	1704001	2	Decal - No Hands (ANSI Export Specs) (Spanish/English)	
210	1705969	2	Decal - No Hands (ANSI Export Specs) (Korean/English)	
210	1705967	2	Decal - No Hands (ANSI Export Specs) (English/Portuguese)	
215	0274730	Ref	Decal - JLG Logo	
215A	1702774	1	Decal - JLG Lift	
215B	1702773	1	Decal - JLG	
215C	1704885	AR	Decal - www.jlg.com	
215D	1705864	2	Decal - JLG	
215E	1705865	2	Decal - Ultra Boom	
218	3251813	1	Decal - USA (ANSI, ANSI Export and CSA Specs)	
234	1001094055	1	Decal - Troubleshooting	
238	1001125387	1	Decal - Fuel Specification (Machines with Deutz TCD2.9L4 Engine Only) (ANSI and CSA Specs)	
238	1001139654	1	Decal - Fuel Specification (Machines with Deutz TCD2.9L4 Engine Only) (CE and Japanese Specs)	
245	1001120995	Ref	Decal - ClearSky Telematics Installation	
245A	1001116208	2	Decal - ClearSky	
245B	1001120989	1	Decal - Radio Frequency Device	
253	1001143852	1	Decal - Emissions Compliance (ANSI Export, CE (LRC) and Australian Specs)	
262A	1001141300	1	Decal - SkyGuard Override	
262B	1001141302	1	Decal - SkyGuard/Soft Touch Override	
263	1001197408	1	Decal - MSSO	
264	1705515	1	Decal - Sound Power Level (Deutz TD2011 Engines)	
264	1001191526	1	Decal - Sound Power Level (Deutz TCD2.9L4 Engines)	
274	1001214029	1	Decal Installation - EAC (Russian/CIS Specs)	
274	1001173703	1	Decal - EAC (Russian/CIS Specs)	
280	1001221278	Ref	Decal Installation – Boom Transport Position <b>(SN 0300224236 to Present)</b>	
280A	1001220512	1	Decal – Lower Boom	
280B	1001220510	2	Decal – Warning Arrow	
280C	1001220511	2	Decal – Warning Stripe	



**SECTION 10 - RECOMMENDED SERVICE PARTS STOCK**

**SECTION 10 - RECOMMENDED SERVICE PARTS STOCK**

# SECTION 10 - RECOMMENDED SERVICE PARTS STOCK

## FIGURE 10-1. RECOMMENDED SERVICE PARTS

ITEM	PART NUMBER	QTY	DESCRIPTION	REV
		Ref	Note: The following list will service one machine (built to current production per date on the front cover) with emergency repair parts which can be installed in the fields. Parts from the list should be replaced when inventory is depleted to keep service parts stock supplied. For further information, contact your JLG dealer or the JLG Industries Parts Department.	
		Ref	STANDARD PARTS	
	7018991	1	Coil	
	7012944	1	Coil	
	7024890	1	Coil	
	7012943	1	Coil	
	7027206	1	Coil	
	7027207	1	Coil	
	7027208	1	Coil	
	7027209	1	Coil	
	3740067	1	Relay	
	3740080	1	Relay	
	2120219	12	Element, High Pressure Filter	
	70002231	12	Element, Pressure Filter	
	2120168	12	Element, Hydraulic Oil Filter	
	7024444	12	Breather, Hydraulic Oil Tank	
	3740049	1	Relay	
	4360328	1	Switch, Toggle	
	4360475	1	Switch, Mushroom	
	4360476	1	Contact, Switch Block	
	2860030	1	Key, Replacement	
	70003919	1	Boom Powertrack Repair Kit	
	70003913	1	Boom Powertrack Repair Kit	
	7024571	1	Coil	
	70002097	12	Element, Pressure Filter	
	2940074	1	Latch, Platform	
	1001155045	1	Switch, Toggle	
	1001159256	1	Switch, Toggle	
	1001161709	1	Switch, Toggle	
	1001161710	1	Switch, Toggle	
	4360387	1	Switch, Push Button	
	1001129555	1	Controller, Lift and Swing	
	1001212415	1	Controller, Drive and Steer	
	3990001	2	Diode - 3 Amp	
	3740143	1	Relay	
		Ref	VARIABLE PARTS	
	4360578	1	Switch, Limit	
	4360505	1	Switch, Rotary Angle Sensor	
	1001112758	1	Module, Chassis	
	1001227960	1	Module, B.L.A.M.	
	7027239	1	Relay	
	7026608	1	Relay	
	1001117308	1	Relay	
	7003655	12	Element, Deutz TD2011 Air Filter	



## SECTION 10 - RECOMMENDED SERVICE PARTS STOCK

ITEM	PART NUMBER	QTY	DESCRIPTION	REV
	70024190	12	Element, Deutz TCD2.9L4 Air Filter	
	7016331	12	Element, Deutz Engine Oil Filter	
	8320270	12	Element, Deutz TD2011 Engines Fuel	
	1001225430	12	Element, Deutz TCD2.9L4 Engines Fuel	
	1001202281	1	Element, Deutz TCD2.9L4 Engines Water/Fuel	
	1001119508	1	Module, Ground Control	
	4360469	1	Switch, Key (ANSI, ANSI Export and Australian Specs)	
	4360470	1	Switch, Key (CE Specs)	
	3740080	1	Relay (110V/220V Generator Options)	
	4360336	1	Switch, Toggle (Generator Options)	
	4000008	1	Sensor, Proximity	
	1001147479	1	Switch, Digital Angle Sensor	
	4360548	1	Switch, Plunger	
	4360552	1	Switch, Boom Length	
	4360622	1	Switch, Rotary Transducer	
	1001117174	1	Footswitch	
	1600343	1	Module, Platform Control	
	4360057	1	Switch, Limit	
	4360579	1	Switch, Limit	
	2400064	1	Fuse (7500W SkyPower Generator/ClearSky Telematics Options)	



**SECTION 11 - SPECIAL OPTIONS**

# SECTION 11 - SPECIAL OPTIONS

## FIGURE 11-1. SPECIAL OPTIONS

ITEM	PART NUMBER	QTY	DESCRIPTION	REV
		Ref	MISCELLANEOUS SPECIAL OPTIONS	
		Ref	Note: This is to accommodate machines ordered with special equipment. Options may not be applicable to all models. For more specific parts information contact JLG Parts Department.	
	1001108504	Ref	Additional Transport Tie Down (ANSI Specs)	
	1340067	Ref	Air Cleaner Pre-Cleaner	
	0273464	Ref	Airline Installation, 1/2 in	
	1001202697	Ref	Air Intake Shut-off Valve (Deutz TCD2.9L4 Engines)	
	1001241275	Ref	Axle Wear Pad Kit	
	0271803	Ref	Bellows, Cylinder (Fixed Axle)	
	0271804	Ref	Bellows, Cylinder (Oscillating Axle)	
	0273471	Ref	Bellows, Cylinder (Boom)	
	1001220147	Ref	Boom Cable Kit - 4kW 60Hz Generator	
	0273513	Ref	Boom Wipers Installation	
	1001233763	Ref	Breather Heater (Deutz TCD2.9L4 Engines)	
	0256789	Ref	Camera Mounting Installation	
		Ref	ClearSky (Telematics) Installations (Dealer Installed)	
	1001119938	Ref	ClearSky Telematics (Dealer Installed) (ANSI Spec)	
	1001119946	Ref	ClearSky Telematics (Dealer Installed) (CSA Spec)	
	1001234099	Ref	ClearSky Telematics Kit (Dealer Installed) (CE Specs)	
		Ref	ClearSky (Telematics) Installations (Factory Installed)	
	1001112988	Ref	ClearSky (Telematics) Installation (Factory Installed) (ANSI Specs) Note: Refer to Manual Supplement p/n 3128499 for available replacement parts.	
	1001112973	Ref	ClearSky (Telematics) Installation (Factory Installed) (CSA Specs) Note: Refer to Manual Supplement p/n 3128499 for available replacement parts.	
	1001127092	Ref	ClearSky (Telematics) Installation (Factory Installed) (ANSI Export Specs - Brazil Spec Only) Note: Refer to Manual Supplement p/n 3128499 for available replacement parts.	
	1001127092	Ref	ClearSky (Telematics) Installation (Factory Installed) (Australian Specs - New Zealand Spec Only) Note: Refer to Manual Supplement p/n 3128499 for available replacement parts.	
	1001132730	Ref	ClearSky (Telematics) Installation (Factory Installed) (Australian Specs) Note: Refer to Manual Supplement p/n 3128499 for available replacement parts.	
		Ref	ClearSky Telematics (Factory Installed)	
	1001227449	Ref	Canbus Connection (ANSI and CSA Specs)	
	1001228953	Ref	Canbus Connection (ANSI Export and CE Specs)	
	1001227452	Ref	Canbus Connection (ANSI and CSA Specs)	
	1001229107	Ref	3 Wire Connection (ANSI and CSA Specs)	
	1001233237	Ref	3 Wire Connection (ANSI Export and CE Specs)	
	0273862	Ref	Cold Weather Package (110V)	
	1001235617	Ref	Cold Weather Package (Deutz TCD2.9L4 Engines)	
	1001205035	Ref	Cold Weather Plus Package (110V)	
	0274885	Ref	Cold Weather Transformer Installation	
	0272621	Ref	Control System Analyzer Installation	
	1001233047	Ref	Crankcase Breather Heater (Deutz TCD2'9L4 Engines)	
	1001213183	Ref	Cribbing Enable Installation (ANSI Spec Only)	
	1001177348	Ref	Cylinder Head Replacement Kit for p/n 1001175884	
		Ref	Decals Installations	

## SECTION 11 - SPECIAL OPTIONS

ITEM	PART NUMBER	QTY	DESCRIPTION	REV
	1001196617	Ref	Decal - Ahern Rentals	
	1702788	Ref	Decal - Biodegradable Hydraulic Fluid	
	1001196718	Ref	Decal - Blueline Rentals	
	1001221139	Ref	Decal - Fedex	
	0257195	Ref	Decal - Government Warranty Decal	
	1001221926	Ref	Decal - Herc Rentals	
	1001222206	Ref	Decal - Hertz (Canada)	
	1001143081	Ref	Decal - Hewitt Rental Installation (English)	
	1001143516	Ref	Decal - Hewitt Rental Installation (French)	
	1703175	Ref	Decal - Lanyard Attachment (GM K-1 Spec)	
	1001140649	Ref	Decal - Leavitt Installation	
	1001104378	Ref	Decal - NES Installation	
		Ref	No Hands Decal Options (Used with Soft Touch System and Platform Mesh Installations.):	
	1702868	2	ANSI and ANSI Export Spec (English)	
	1704000	2	CSA Spec (French/English)	
	1704001	2	ANSI Export Spec (Spanish/English)	
	1705969	2	ANSI Export Spec (Korean/English)	
	1705967	2	ANSI Export Spec (Portuguese/English)	
	1001197511	Ref	Decal - Quick Reference (Dutch) (Lomax Rentals)	
	1001197513	Ref	Decal - Quick Reference (Danish) (Lomax Rentals)	
	1001180696	Ref	Decal - Quick Reference (English) (Lomax Rentals)	
	1001197510	Ref	Decal - Quick Reference (French) (Lomax Rentals)	
	1001197512	Ref	Decal - Quick Reference (German) (Lomax Rentals)	
	1001197519	Ref	Decal - Quick Reference (Norwegian) (Lomax Rentals)	
	1001197515	Ref	Decal - Quick Reference (Spanish) (Lomax Rentals)	
	1001197514	Ref	Decal - Quick Reference (Swedish) (Lomax Rentals)	
	1001218711	Ref	Decal - Riwal	
	1001104379	Ref	RSC Decals Installation <b>(SN 0300201017 through 0300206910)</b>	
	1001120567	Ref	Sunbelt Rentals Decals Installation <b>(SN 0300201017 through 0300206910)</b>	
	1001197858	Ref	Sunbelt Rentals Decals Installation <b>(SN 0300206911 to Present)</b>	
	1001236992	Ref	Decals - Synergy Equipment Installation	
	1001151113	Ref	Titan Rentals Decals Installation	
	1001235117	Ref	Decal - Thompson Cat Rental	
	1705307	1	Tool Location	
	1001120729	Ref	United Rentals Decals Installation	
	4420051	Ref	Warning Stripe Decals	
		Ref	Decal Kits Options:	
	1001220864	Ref	Decal Kit - Boom Transport	
	2902307	Ref	Decal Kit - Country Spec (ANSI and ANSI Export) <b>(SN 0300201017 through 0300241306)</b>	
	1001232172	Ref	Decal Kit - Country Spec (ANSI and ANSI Export) <b>(SN 0300241307 to Present)</b>	
	2902329	Ref	Decal Kit - Country Spec (Australian and CE)	
	2902312	Ref	Decal Kit - Country Spec (Brazil) <b>(SN 0300201017 through 0300241306)</b>	
	1001232176	Ref	Decal Kit - Country Spec (Brazil) <b>(SN 0300241307 to Present)</b>	
	2902309	Ref	Decal Kit- Country Spec (Chinese) <b>(SN 0300201017 through 0300241306)</b>	
	1001232178	Ref	Decal Kit- Country Spec (Chinese) <b>(SN 0300241307 to Present)</b>	
	2902322	Ref	Decal Kit- Country Spec (CSA) <b>(SN 0300201017 through 0300241306)</b>	

## SECTION 11 - SPECIAL OPTIONS

ITEM	PART NUMBER	QTY	DESCRIPTION	REV
	1001232173	Ref	Decal Kit - Country Spec (CSA) <b>(SN 0300241307 to Present)</b>	
	2902308	Ref	Decal Kit - Country Spec (Japanese) <b>(SN 0300201017 through 0300241306)</b>	
	1001232177	Ref	Decal Kit - Country Spec (Japanese) <b>(SN 0300241307 to Present)</b>	
	2902310	Ref	Decal Kit- Country Spec (Korean) <b>(SN 0300201017 through 0300241306)</b>	
	1001232174	Ref	Decal Kit- Country Spec (Korean) <b>(SN 0300241307 to Present)</b>	
	2902311	Ref	Decal Kit - Country Spec (Latin America) <b>(SN 0300201017 through 0300241306)</b>	
	1001232175	Ref	Decal Kit - Country Spec (Latin America) <b>(SN 0300241307 to Present)</b>	
	2902303	Ref	Decal Kit - Master	
	1001104650	Ref	Decal Kit - Master (Australian and CE Spec)	
	1001193642	Ref	Decal Kit - Machine	
	1001109181	Ref	Decal Kit - Platform Console Box	
	1001108708	Ref	Decal Kit - Platform	
	2902356	Ref	Decal Kit - Tire Load	
		Ref	Electrical Connector Kits	
	1001148902	Ref	Amp/Tyco Electrical Connector Kit	
	1001148903	Ref	Deutsch DT Electrical Connector Kit	
	1001148904	Ref	Deutsch HD Electrical Connector Kit	
	1001148905	Ref	Packard Electrical Connector Kit	
	1001148906	Ref	Various Electrical Connectors Kit	
	1001109621	Ref	Exhaust Raincap Installation	
	1120423	1	Raincap	
	1001109619	1	Tube, Exhaust Stack	
	1001237883	Ref	Fall Arrest Bolt on Kit (6FT x 1.83M) (ANSI, ANSI Export, China, CSA, and Japanese Specs) (Fits Platform p/ns 1001186384 & 1001228376)	
	1001237882	Ref	Fall Arrest Bolt on Kit (8FT x 2.44M) (ANSI, ANSI Export, China, CSA, and Japanese Specs) (Fits Platform p/ns 1001186383)	
	1001206794	Ref	Fan and Belt Grille Add-on Kit (Deutz D2011 Engines Only)	
	1001206796	Ref	Fan and Belt Grille Add-on Kit (Deutz TCD2.9L4 Engines Only)	
	1001202076	Ref	Fan and Belt Guard (Deutz TD2011 Engines)	
	1001202221	Ref	Fan and Belt Guard (Deutz TCD 2.9L4 Engines)	
	1001145708	Ref	Fan Guard Installation (Deutz TCD2.9L4 Engines Only)	
		Ref	Filter Kits	
		Ref	Deutz TD 2011 Engines	
	1001137028	1	Filter Kit (Service), Combined, Filter B-C45	
	1001137023	1	Kit (Service), Boom Hydraulic/Air Filter B-HA30	
	1001110133	1	Engine - Fuel/Engine Oil Filter	
		Ref	Deutz TCD 2.9L4 Engines	
	1001225648	1	Filter Kit (Service), Combined, Filter B-C	
	1001204046	1	Engine - Water/Fuel Filter	
	1001182242	1	Engine - Fuel/Engine Oil Filter C-FE1	
	1001139099	Ref	Fire Extinguisher Installation	
		Ref	Fluids	
	2300040	Ref	Conditioner, Diesel Fuel	
		Ref	Coolant, Antifreeze (TCD2.9L4 Engines)	
	2300004	Ref	Machines without Arctic Package	
	2300041	Ref	Machines with Arctic Package	
	3020008	Ref	Drive Hub Lubricant	

## SECTION 11 - SPECIAL OPTIONS

ITEM	PART NUMBER	QTY	DESCRIPTION	REV
		Ref	Engine Oil	
	3020016	Ref	Motor Oil 15W-40	
		Ref	Hydraulic Fluids:	
	2300014	Ref	Mobil 424	
	2300029	Ref	Mobil EAL ISO 46 Bio	
	2300016	Ref	Mobil DTE 10 EXCEL 32	
	2300019	Ref	Quaker State Quintolubric 888-46 Fire Resistant	
	2300039	Ref	Exxon Univis Hvl 26 (Machines with Arctic Package)	
	1001117294	Ref	Foot Switch Shield (With Cold Weather Plus Package)	
	1001191395	Ref	Fuel Cap Cover, Lockable (Green)	
	1001202749	Ref	Fuel Cap Cover, Lockable (Black)	
	1001094475	Ref	Generator Hourmeter Installation <b>(SN 0300201017 through 0300223772)</b>	
	1001103286	Ref	Generator Hourmeter Installation <b>(SN 0300223773 to Present)</b>	
	1001213601	Ref	Generator Kit - 4kW 60Hz Deutz TD2011	
	1001176291	Ref	Generator Kit - 4kW 50Hz Deutz TD2011	
	1001213600	Ref	Generator Kit - 4kW 60Hz Deutz TCD2.9L4	
	1001211801	Ref	Generator Kit - 4kW 50Hz Deutz TCD2.9L4	
	0273502	Ref	Headlight and Taillights Installation	
		Ref	Hose Kits	
	1001098244	Ref	Hose Kit - Boom/Boom Valve	
	1001193806	Ref	Hose Kit - Boom Only	
	2902484	Ref	Hose Kit - Turntable (Rexroth Pumps)	
		Ref	Hose Kit - Turntable (Sauer Pumps)	
	1001241418	Ref	Hostile Environment Kit	
	0273503	Ref	Illumination Lights Installation	
	1001116352	Ref	Intercom David Clark	
	1001148971	Ref	Lanyard (Bolt-on) Installation Kit	
	1001183407	Ref	Low Temperature Cutout Installation (Russian Specs) <b>(SN 0300201017 through 0300245504)</b>	
	1001236951	Ref	Low Temperature Cutout Installation (Russian Specs) <b>(SN 0300245505 to Present)</b>	
	1001205175	1	Platform Console Cover Add-On Kit (Steel)	
	1001195304	1	Platform Console Cover Kit (Clear Polycarbonate)	
	1580013	Ref	Platform Corner Storage Tray	
		Ref	Platform Entry Kits	
	1001142504	Ref	Drop Bar (Replacing Swing Gate with Drop Bar)	
	1001142505	Ref	Swing Gate (Replacing Drop Bar with Swing Gate)	
	0273466	Ref	Platform Floodlights Installation	
	1001116420	NLA	Platform Ladder Carrier Installation (36 in Platform) (Use p/n 1001172045) <b>(SN 0300201017 through 0300226468)</b>	
	1001172045	Ref	Platform Ladder Carrier Installation (30in and 36 in Platform) <b>(SN 0300226469 to Present)</b>	
		Ref	Platform Mesh to Mid Rail Installations (ANSI, ANSI Export, Australian and CSA Specs)	
	1001138773	Ref	Mesh to Top Rail - 36in x 8ft (91.5cm x 2.44m)	
	1001138772	Ref	Mesh to Top Rail - 36in x 6ft (91.5cm x 1.83m)	
		Ref	Platform Mesh to Mid Rail Add-On Kit (ANSI, ANSI Export, Australian and CSA Specs)	
	1001214540	Ref	Mesh to Top Rail - 36in x 8ft (91.5cm x 2.44m) with Gate	
	1001214548	Ref	Mesh to Top Rail - 36in x 6ft (91.5cm x 1.83m) with Gate	
		Ref	Platform Mesh to Top Rail Installations (ANSI, ANSI Export and CSA Specs)	

## SECTION 11 - SPECIAL OPTIONS

ITEM	PART NUMBER	QTY	DESCRIPTION	REV
	0273145	Ref	Platform Mesh to Top Rail Installations - 36in x 8ft (91.5cm x 2.44m)	
	0273149	Ref	Platform Mesh to Top Rail Installations - 36in x 6ft (91.5cm x 1.83m)	
		Ref	Platform Mesh to Top Rail Add-On Kit (ANSI, ANSI Export and CSA Specs)	
	1001214561	Ref	Platform Mesh to Top Rail - 36in x 8ft (91.5cm x 2.44m) with Gate	
	1001214562	Ref	Platform Mesh to Top Rail - 36in x 6ft (91.5cm x 1.83m) with Gate	
	1001149730	Ref	Platform Mid Rail Repair Kit	
		Ref	Platform Rail Extensions	
	0272733	Ref	Platform Rail Extensions - 6ft Platform	
	0272725	Ref	Platform Rail Extensions - 8ft Platform	
	1001204898	Ref	Platform Valve Hose Kit	
	0273465	Ref	Platform Worklights Installation	
	1001209059	Ref	Platform Work Surface Installation	
	1001171131	Ref	Receptacle with 240V GFI Installation - 4000W Generator	
	1001159121	Ref	Receptacle with 240V GFI Installation - 7500W Generator	
		Ref	SkyGuard Component Options:	
	1001209481	Ref	SkyGuard Complete Add-On Kit (Blue Beacon)	
	1001208923	NLA	SkyGuard Complete Add-On Kit (Blue Beacon) (Use p/n 1001209481)	
	1001210042	Ref	SkyGuard Complete Add-On Kit (Red Beacon)	
	1001137672	Ref	SkyGuard Platform Sensor Kit	
	1001186431	2	Sensor Relay	
	1001206544	Ref	SkyGuard Strobe Light Kit (Blue Beacon)	
	1001155079	NLA	SkyGuard Strobe Light Kit (Blue Beacon) (Use p/n 1001206544)	
	1001210029	Ref	SkyGuard Strobe Light Kit (Red Beacon)	
	1001176372	Ref	SkyGuard Removal Plug Kit	
	1001231235	Ref	SkyWelder Locking Bracket	
	1001200258	Ref	Telematics Installation - Customer Supplied	
	1001210089	Ref	Telematics Installation - CAT	
	1001228363	Ref	Telematics Installation - Herc	
	1001209282	Ref	Telematics Installation - Loxam	
	1001210090	Ref	Telematics Installation - Riwal	
	1001195610	Ref	Telematics Installation - United Rentals (M6)	
	1001214463	Ref	Telematics Installation - United Rentals (M8)	
	1001228586	Ref	Telematics Canbus Installation - Customer Supplied	
	1001228964	Ref	Telematic Retrofit Harness Kit (Machines with UGM)	
	1001108504	Ref	Tie-Down (Additional) Kit - Frame Mounted	
		Ref	Tools For Service:	
	2901443	1	Analyzer Kit	
	3128444	1	CD, Troubleshooting	
	7002821	Ref	Crimper, Wire	
	7002823	Ref	Pin Extractor - Universal (For Electrical Connectors with Pins and Sockets)	
	4460467	1	Extractor - 16-18 Gauge (For Removal of Pin/Sockets from Deutsch Connectors)	
	4460510	1	Extractor - 12-14 Gauge (For Removal of Pin/Sockets from Deutsch Connectors)	
	7016654	Ref	Screwdriver, Magnetic	
	7002822	Ref	Screwdriver, Pontimeter	



## SECTION 11 - SPECIAL OPTIONS

ITEM	PART NUMBER	QTY	DESCRIPTION	REV
	7004275	Ref	Seal Tool 1 in (For Cylinders)	
	7004276	Ref	Seal Tool 1-1/2 in (For Cylinders)	
	7002828	Ref	Stripper, Wire	
	7016655	1	Wire Rope Sheave Gauge	
	1001106846	1	Sleeve, Cylinder Head Installation (Tower Lift Cylinder)	
	1001106847	1	Sleeve, Cylinder Piston Installation (Tower Lift Cylinder)	
	1001106848	1	Gauge, Go - No Go (Tower Lift Cylinder)	
	1001107000	1	Sleeve, Cylinder Head Installation (Main Lift Cylinder)	
	1001107001	1	Sleeve, Cylinder Piston Installation (Main Lift Cylinder)	
	1001107002	1	Gauge, Go - No Go (Main Lift Cylinder)	
	1001107143	1	Sleeve, Cylinder Head Installation (Tower Telescope Cylinder)	
	1001107145	1	Sleeve, Cylinder Piston Installation (Tower Telescope Cylinder)	
	1001107146	1	Gauge, Go - No Go (Tower Telescope Cylinder)	
	1001107147	1	Gauge, Go - No Go (Tower Telescope Cylinder)	
	1001137005	1	Software Cable Kit (Service Kit)	
	70004185	1	Torque Multiplier	
	70004646	1	Puller	
	70004647	1	Seal Tool for Lifetine Seal Assembly	
	70004648	1	Puller for Brade Disassembly	
	1001119136	Ref	Wear Pad Kit (Includes Wear Pads, Shims and Hardware)	
	0273467	Ref	Weld Leads at Platform Installation	



**PART NUMBER INDEX**

# PART NUMBER INDEX

0080237.....175, 199	0100079... 107, 171, 179,	0273145 ..... 912	0440273.....365, 369
0080244.... 183, 191, 207,	187, 195, 203, 211,	0273149 ..... 912	0480100..... 543, 545
215	221, 233, 245, 257,	0273349 ..... 105	0480127..... 327
0080277.....35, 401	273, 279, 321	0273350 ..... 162	0480128..... 331, 347
0100009....443, 447, 451,	0100081 17, 26, 107, 129,	0273353 ..... 528	0480129..... 351
455, 459	133, 162, 163, 166,	0273360 ..... 393	0561380..... 365, 369
0100011.... 17, 21, 25, 29,	167, 393, 396, 443,	0273361 ..... 396	0561533..... 374
35, 46, 50, 59, 61, 67,	447, 451, 487, 489,	0273377 ..... 59, 71, 409	0561546..... 563, 567
71, 73, 75, 77, 95, 105,	491, 493, 495, 497,	0273395 ..... 157	0561547..... 365, 369
107, 117, 119, 121,	499, 501, 503, 505,	0273401 ..... 107	0630407..... 130, 134
123, 125, 127, 130,	507, 509, 511, 513,	0273404 ..... 523, 525	0630462..... 477, 479, 481
134, 162, 163, 166,	515, 517, 519, 521,	0273405 ..... 515, 517	0630464..... 35, 129, 133,
167, 171, 175, 179,	523, 525	0273406 ..... 511, 513	400
183, 187, 191, 195,	0140001 ..... 71, 73	0273446 ..... 473	0630467..... 396, 409
199, 203, 207, 211,	0140011 ... 443, 447, 451,	0273447 ..... 145	0630518.... 129, 133, 528,
215, 221, 225, 230,	455, 459	0273451 ..... 91	531, 533, 535, 539
233, 237, 240, 245,	0140032 ..... 145	0273461 ..... 703	0630534.... 581, 583, 585
249, 254, 257, 261,	0200048 ... 477, 479, 481	0273462 ..... 645	0630535.... 555, 557, 559,
264, 273, 277, 279,	0200742 ..... 327	0273463 ..... 647	561, 563, 565, 567,
283, 288, 319, 327,	0200833 ..... 35, 401	0273464 ..... 908	591, 593, 595, 599
331, 335, 339, 343,	0236768 ..... 75, 77	0273465 ..... 912	0630537.... 575, 577, 579
347, 351, 355, 359,	0239842 ..... 93	0273466 ..... 911	0630539..... 393
365, 369, 374, 378,	0256789 ..... 908	0273467 ..... 913	0630548..... 129, 133
382, 393, 396, 400,	0257195 ..... 909	0273471 ..... 908	0630558..... 378, 382
403, 405, 407, 409,	0257728 ..... 543	0273474 ..... 721	0630568.... 443, 448, 452,
411, 421, 423, 425,	0257887 ..... 145	0273475 ..... 723	456, 460
431, 433, 477, 479,	0259666 ..... 137	0273476 ..... 729	0630573.... 569, 571, 573
481, 483, 528, 531,	0259667 ..... 139	0273502 ..... 911	0630593..... 393
533, 535, 555, 557,	0271520 ..... 35	0273503 ..... 911	0641404..... 77, 331, 335,
559, 561, 563, 565,	0271521 ..... 25	0273513 ..... 908	339, 343, 347, 351,
567, 569, 571, 575,	0271596 ..... 87	0273824 ..... 477	355, 359, 443, 447,
577, 579, 581, 583,	0271803 ..... 908	0273862 ..... 908	451, 455, 459
585, 589, 591, 595,	0271804 ..... 908	0274106 ..... 33	0641405.... 400, 405, 645,
645, 647, 703, 707	0271852 ..... 55	0274661 ..... 545	647, 703, 705, 707
0100019.... 17, 21, 25, 29,	0271874 ..... 95	0274670 ..... 864	064140671, 73, 129, 133,
33, 35, 37, 39, 87, 89,	0271934 ..... 17	0274722 ..... 867	166, 175, 183, 191,
91, 339, 343, 347, 351,	0272055 ..... 55	0274723 ..... 893	199, 207, 215, 228,
355, 359, 365, 369,	0272056 ..... 55	0274724 ..... 881	240, 252, 264, 286,
378, 382, 563, 565,	0272060 ... 176, 183, 191,	0274725 ..... 873	327, 343, 396, 435,
567, 589	200, 207, 215	0274726 ..... 897	437, 439, 441, 705,
0100020.... 230, 240, 254,	0272070 ..... 403	0274727 ..... 885	707, 867, 871, 873,
264, 288, 331, 339,	0272080 ..... 109, 641	0274728 ..... 877	877, 881, 885, 889,
348, 355, 475, 528,	0272254 ..... 533	0274729 ..... 889	893, 897
539, 649, 651, 653,	0272418 ... 487, 489, 491,	0274730 ..... 901	0641407.... 335, 405, 701
655, 657, 659, 661,	493, 495, 497, 499,	0274885 ..... 908	0641408.. 71, 73, 75, 107,
663, 665, 667, 669,	501, 503, 505, 507,	0275216 ..... 653, 815	149, 151, 153, 155,
671, 673, 675, 677,	509, 511, 513, 515,	0275217 ..... 661, 819	162, 166, 221, 233,
679, 681, 683, 685,	517, 519, 521, 523, 525	0275218 ..... 669, 823	245, 257, 273, 279,
687, 689, 691, 693,	0272427 ..... 479	0275219 ..... 673, 827	437, 439, 441, 739
695, 697, 699	0272435 ..... 348, 357	0275452 ..... 677, 831	0641410.... 171, 179, 187,
0100035..... 35, 147, 400,	0272448 ..... 528, 533	0275453 ..... 685, 835	195, 203, 211, 221,
455, 459, 587	0272521 ..... 531	0275454 ..... 693, 839	233, 245, 257, 273, 279
0100038.... 555, 557, 559,	0272588 ..... 531	0275685 ..... 37	0641412..... 67
561, 563, 565, 567,	0272589 ..... 352, 360	0340003 ... 175, 183, 191,	0641413..... 77
569, 571, 575, 577,	0272599 ..... 528, 539	199, 207, 215	0641414.... 443, 447, 451,
579, 581, 583, 585,	0272607 ..... 539	0340051 ... 175, 183, 191,	455, 459, 477, 479,
589, 591, 595	0272621 ..... 908	199, 207, 215	481, 483, 485
0100048.... 129, 133, 331,	0272703 ..... 405	0363037 ... 17, 21, 25, 29	0641416.... 405, 649, 651,
339, 343, 348, 352,	0272725 ..... 912	0363062 ..... 75, 77	653, 655, 657, 659,
355, 359, 405, 443,	0272733 ..... 912	0363076 ..... 17, 22	661, 663, 665, 667,
447, 451, 455, 459,	0272948 ..... 509	0363081 ..... 327	669, 671, 673, 675,
739, 868, 871, 878	0272949 ..... 497, 499	0363082 ..... 327	677, 679, 681, 683,
0100062.... 230, 242, 254,	0272950 ..... 501, 503	0363224 ..... 400	685, 687, 689, 691,
266, 288	0272951 ..... 493	0370025 ..... 563, 567	693, 695, 697, 699,
0100071..... 485	0272952 ..... 505, 507	0400020 ..... 75, 77	705, 707
	0273121 ..... 400	0440251 ..... 91	

## PART NUMBER INDEX

0641418 ... 421, 423, 425, 431, 433	0641613 ... 17, 21, 25, 29, 365, 369	0642214 ..... 17, 21, 25, 29	0761215 ..... 46, 200, 207, 216, 249, 261, 283
0641424 ..... 59, 61	0641615 ..... 107	0642612 ..... 149, 153	0761216 ..... 403, 407
0641503 ... 230, 242, 254, 266, 288	0641616 ..... 331, 335	0642616 ..... 365, 369	0771212 ... 228, 240, 252, 264, 286
0641504 ..... 59, 61	0641618 ... 339, 343, 348, 352, 355, 359	0642624 ..... 365, 369	0771414 ... 175, 183, 191, 199, 207, 215, 228, 240, 252, 264, 286
0641505 ..... 35, 400	0641620 ..... 17, 71, 73	0642684 ..... 403, 405, 407	0791410 ..... 67
0641506 ... 105, 145, 162, 163, 167, 175, 183, 191, 199, 207, 215	0641622 ..... 374	0651606 ... 171, 179, 187, 195, 203, 211, 222, 234, 246, 258, 274, 280	0791504 ..... 400
0641507 ... 175, 183, 191, 199, 207, 215, 411	0641624 ..... 26	0681608 ..... 403, 405, 407	0791506 ..... 400
0641508 ... 107, 228, 240, 252, 264, 286, 327	0641626 ..... 396	0681620 ..... 547, 549, 551	0791510 ..... 396
0641509 59, 61, 159, 171, 179, 187, 195, 203, 211	0641628 ..... 393	0681813 ..... 18, 21, 26, 29	0791604 ..... 67, 400
0641510 ..... 166	0641630 ..... 162, 166	0681814 ..... 18, 21, 26, 29, 427, 429	0791605 ... 162, 166, 400
0641511 ..... 35, 171, 179, 187, 195, 203, 211, 221, 233, 245, 257, 273, 279	0641634 ..... 35	0681815 ..... 18, 21, 26, 29	0791606 ... 378, 382, 400, 595
0641514 ..... 543, 545	0641636 ..... 71, 73, 397	0682014 ..... 379, 383	0791607 ..... 67, 595
0641516 ... 331, 335, 339, 343, 347, 351, 355, 359	0641638 ..... 396	0682016 ..... 365, 369	0791608 ..... 396, 400
0641520 ... 109, 111, 113, 115	0641644 ..... 396	0682026 ..... 91	0791610 ..... 396
0641604 ..... 107, 374	0641652 ..... 393	0682028 ..... 228, 240, 252, 264, 286, 378, 382	0791616 ..... 396
0641605 ... 171, 175, 179, 183, 187, 191, 195, 199, 203, 207, 211, 215, 221, 233, 245, 257, 273, 279, 396	0641706 ... 228, 240, 252, 264, 286	0682040 ..... 91	0791618 ..... 396
0641606 ... 17, 21, 25, 29, 162, 166, 171, 179, 187, 196, 204, 212, 221, 228, 233, 240, 245, 252, 257, 264, 273, 279, 286, 393, 396, 528, 531, 533, 535, 591, 593, 595, 599	0641708 ... 228, 240, 252, 264, 286	0682048 ..... 365, 369	0791622 ..... 396
0641607 75, 77, 117, 119, 121, 123, 125, 127, 378, 382, 591, 593, 595, 599	0641718 ..... 327	0682212 ..... 378, 382	0791808 ..... 393, 396
0641608 ... 17, 21, 25, 29, 59, 61, 71, 73, 77, 95, 109, 111, 157, 159, 162, 166, 175, 183, 191, 199, 207, 215, 221, 228, 233, 240, 245, 249, 252, 257, 261, 264, 273, 279, 283, 286, 327, 365, 369	0641806 ... 171, 179, 187, 195, 203, 211, 222, 234, 246, 258, 274, 280	0682418 ..... 87	0791810 ..... 400
0641609 ... 17, 21, 25, 29, 175, 183, 191, 199, 207, 215	0641808 ... 17, 21, 25, 29, 59, 61, 171, 175, 179, 183, 187, 191, 195, 199, 203, 207, 211, 215, 221, 233, 245, 257, 273, 279, 378, 382	0682422 ..... 89	0801365 ..... 374
0641610 ... 162, 166, 171, 175, 179, 183, 187, 191, 195, 199, 203, 207, 211, 215, 221, 228, 233, 240, 245, 252, 257, 264, 273, 279, 286, 321, 327, 378, 382, 437, 439, 441	0641809 ... 374, 378, 382, 393, 396	0682424 ..... 547, 549, 551	0801366 ..... 374
0641611 ... 17, 21, 25, 29, 245, 319	0641810 ... 331, 335, 339, 343, 347, 351, 355, 359, 374, 378, 382	0700408 ..... 649, 651, 653, 655, 657, 659, 661, 663, 665, 667, 669, 671, 673, 675, 677, 679, 681, 683, 685, 687, 689, 691, 693, 695, 697, 699	0801367 ..... 374
	0641812 ... 105, 175, 183, 191, 225, 237, 249, 261, 277, 283, 403, 407	0700615 ..... 149, 151, 153, 155	0801369 ..... 378, 382
	0641813 ..... 378, 382	0700815 ..... 228, 240, 252, 264, 286	0801370 ... 365, 369, 374
	0641814 17, 22, 199, 207, 215	0701418 ..... 327	0801371 ..... 365, 378
	0641816 ..... 159	0701617 ..... 37, 39	0801497 ..... 378, 382
	0641818 ... 157, 175, 183, 191, 199, 207, 215	0701619 ..... 55, 57	0801550 ..... 379, 383
	0641820 ..... 105	0711214 ..... 175, 183, 191, 199, 207, 215	0811606 ... 374, 378, 382, 396
	0641822 ..... 405	0711417 ..... 183, 191, 207, 215	0811607 ... 374, 378, 382
	0641826 ... 175, 183, 191, 199, 207, 215	0720804 ..... 443, 447, 451, 455, 459	0840055 ..... 747
	0642010 ... 171, 179, 187, 195, 203, 211, 221, 233, 245, 257, 273, 279, 378, 382	0721003 ..... 401	0840062 ..... 787
	0642012 ... 487, 491, 493, 495, 499, 503, 507, 509, 513, 517, 521, 525	0721005 ..... 477, 479, 481	0860038 ... 331, 339, 347, 355, 645, 647
	0642016 ..... 35	0721006 ..... 319, 443, 447, 451, 455, 459	0861538 ..... 347, 355
	0642020 ..... 25, 29	0731007 ..... 107	0861572 ..... 351, 359
	0642024 ..... 405	0741606 ..... 35	0861627 ..... 130, 134
	0642026 ... 489, 497, 501, 505, 511, 515, 519, 523	0741607 ... 331, 335, 339, 343, 355, 359	0861628 ..... 129, 130
	0642212 ... 365, 369, 487, 489, 491, 493, 495, 497, 499, 501, 503, 505, 507, 509, 511, 513, 515, 517, 519, 521, 523, 525	0741806 ..... 378, 382	0861630 ..... 443
		0742210 ..... 365, 369	0861731 ... 649, 651, 681, 683, 689, 691, 697, 699, 831, 833, 835, 837, 839, 841
		0760608 ..... 162, 163, 167	0861781 ... 657, 659, 665, 667, 815, 817, 819, 821
		0760810 ... 230, 242, 254, 266, 288	0861880 ... 731, 733, 735, 737
		0761014 ..... 407	0902746 ... 162, 163, 167
		0761015 ..... 366, 370	0902761 ..... 162, 167
		0761210 ... 221, 233, 245, 257, 273, 279	0902762 ..... 163, 167
		0761214 ..... 50, 230, 242, 254, 266, 288	0902763 ..... 163, 167
			0902800 ..... 71, 73
			0902813 ..... 327
			0902888 ... 331, 335, 339, 343, 347, 351, 355, 359
			0902915 ..... 105
			0902919 ..... 405
			0902920 ..... 405
			0902932 ..... 396
			0902965 ..... 397
			0903154 ..... 162, 166
			0903157 ..... 162, 166

# PART NUMBER INDEX

0903161.....163, 167	1001093242..... 45	1001101191 ..... 651, 653,	1001109482..... 731, 733,
0903162.....163, 167	1001093243..... 41, 45	655, 659, 661, 663,	735
0903484.....705, 707	1001094055 ..... 882, 901	667, 669, 671, 673,	1001109503..... 133
0903530.....409	1001094475 ..... 911	675, 677, 679, 683,	1001109557..... 705
0903696.....75, 77	1001096070 ..... 701, 737	685, 687, 691, 693,	1001109619..... 910
0940070.....175, 183, 191,	1001096076 ..... 765, 770	695, 699, 731, 733, 735	1001109621..... 910
199, 207, 215, 228,	1001096163 ..... 707	1001101196 ..... 653, 655,	1001109648..... 705, 731
240, 252, 264, 286	1001096172 ..... 335, 343,	659, 661, 663, 667,	1001109654..... 707, 735
0940092.....477, 479, 481	701, 705, 707	669, 671, 673, 675	1001109677..... 111, 115
0940094.....477, 479, 481	1001097150 ..... 731, 735,	1001101197 ..... 651, 677,	1001110133..... 910
0940102.....487, 489, 491,	737	679, 683, 685, 687,	1001110252..... 608, 616,
493, 495, 497, 499,	1001097619 ..... 378, 382,	691, 693, 695, 699	621, 625, 636, 640, 641
501, 503, 505, 507,	389	1001101421 ..... 487, 489,	1001110425..... 221, 233,
509, 511, 513, 515,	1001097643 ..... 378, 382,	491	245, 257, 273, 279
517, 519, 521, 523, 525	385	1001101422 ..... 487, 491	1001110604..... 636
0940103.....479	1001097820 ..... 604, 608	1001101550 ..... 49	1001110761..... 641
0940134.....477	1001098012 ..... 528, 539,	1001102647 ..... 489	1001110873..... 331, 339,
0940177.....481	541	1001103286 ..... 911	348, 356, 645
0961845.....421, 423, 425,	1001098027 ..... 604, 640	1001103793 ..... 71, 73, 83	1001111081..... 621, 640
431, 433	1001098122 ..... 475	1001103977 ..... 637	1001111082..... 616, 640
0961893.....581, 583, 585	1001098149 ..... 539	1001104315 ..... 39, 43	1001111083..... 625, 640
0961896.....555, 559, 561	1001098244 ..... 911	1001104324 ..... 39	1001111084..... 608, 640
0961897.....563, 565, 567,	1001098513 ..... 175	1001104325 ..... 43, 49	1001112551..... 871
591, 593, 595, 599	1001098518 ..... 179	1001104378 ..... 909	1001112612..... 715, 743
0961901.....575, 577, 579	1001098519 ..... 171	1001104379 ..... 909	1001112669..... 57
0961949.....563, 565, 567,	1001098520 ..... 187	1001104577 ..... 637	1001112716..... 57
587, 589	1001098530 ..... 183	1001104650 ..... 910	1001112757..... 71, 73
0961950.....559, 561, 587,	1001098531 ..... 191	1001104841 ..... 83	1001112758... 59, 61, 904
589	1001098601 ..... 175, 184,	1001106475 ..... 378, 382	1001112766..... 175, 183,
0961951.....378, 382, 595,	192, 199, 208, 216, 219	1001106476 ..... 378, 382	191, 199, 207, 215
599	1001098828 ..... 407	1001106483 ..... 378, 382	1001112796..... 715
0961986.....175, 183, 191,	1001099366 ..... 487, 489,	1001106736 ..... 743	1001112850..... 71, 73
199, 207, 215, 228,	491, 493, 495, 497,	1001106846 ..... 913	1001112927..... 201, 208,
240, 252, 264, 286	499, 501, 503, 505,	1001106847 ..... 913	216, 249, 261, 283, 315
0962033.....17, 21, 25, 29,	507, 509, 511, 513,	1001106848 ..... 913	1001112973..... 908
366, 370	515, 517, 519, 521,	1001107000 ..... 913	1001112988..... 908
0962051.....157, 159	523, 525	1001107001 ..... 913	1001113483..... 405
0962122.....366, 370	1001099367 ..... 487, 489,	1001107002 ..... 913	1001113961..... 713, 743
0962224.....379, 383	491, 493, 495, 497,	1001107143 ..... 913	1001114383..... 871
0962257.....581, 583, 585,	499, 501, 503, 505,	1001107145 ..... 913	1001114438..... 129, 133,
591, 593	507, 509, 511, 513,	1001107146 ..... 913	743
0962270.....427, 429	515, 517, 519, 521,	1001107147 ..... 913	1001114487..... 117, 119,
0962297.....365, 369, 374,	523, 525	1001107971 ..... 199	121, 123, 125, 127
569, 571, 573, 575,	1001099421 ..... 509	1001107972 ..... 195	1001114495..... 229, 241,
577, 579	1001099422 ..... 493	1001107973 ..... 207	253, 265, 287
0962423.....35	1001099435 ..... 515	1001107974 ..... 203	1001115603..... 519, 521
0962450.....405	1001099436 ..... 497	1001107975 ..... 215	1001115604..... 519
0962520.....331, 335, 339,	1001099437 ..... 501	1001107976 ..... 211	1001115961..... 57
343, 347, 351, 355, 359	1001099438 ..... 511	1001108256 ..... 481	1001116008..... 713
0962552.....575, 577, 579	1001099439 ..... 505	1001108504 ..... 908, 912	1001116208..... 901
0962556.....379, 383	1001099440 ..... 523	1001108616 ..... 200, 208,	1001116352..... 911
0962561.....563, 565, 567	1001099632 ..... 35	217, 249, 261, 283, 308	1001116420..... 911
0962562.....569, 571	1001100326 ..... 655	1001108617 ..... 171, 179,	1001116707..... 751
1001091102.....335, 344,	1001100327 ..... 663	187, 195, 203, 211,	1001116710..... 757
701, 705, 707	1001100328 ..... 671	221, 233, 245, 257,	1001116720..... 791, 799
1001091460.....98	1001100329 ..... 675	273, 279	1001116728..... 752
1001091461.....98	1001100331 ..... 679	1001108708 ..... 910	1001116774..... 713, 715
1001091969.....653	1001100333 ..... 687	1001109181 ..... 910	1001116792..... 221, 233,
1001091970.....661	1001100337 ..... 695	1001109438 ..... 636	245, 257, 273, 279
1001091971.....669	1001100341 ..... 655, 817	1001109439 ..... 636	1001116808..... 713, 715
1001091972.....673	1001100342 ..... 663, 821	1001109465 ..... 636	1001116812..... 770
1001091973.....677	1001100343 ..... 671, 825	1001109468 ..... 636	1001116815..... 713
1001091974.....685	1001100344 ..... 675, 829	1001109470 ..... 636	1001116846..... 881
1001091975.....693	1001100345 ..... 679, 833	1001109471 ..... 636	1001116849..... 881
1001092764.....639	1001100346 ..... 695, 841	1001109475 ..... 733, 735	1001116851..... 881
1001092856.....176, 184,	1001100347 ..... 687, 837	1001109477 ..... 731	1001116952..... 752
192, 200, 208, 216			1001116967..... 751

## PART NUMBER INDEX

1001116983..... 757	1001121615..... 789, 791, 795	1001133715..... 753, 755	1001138011..... 339, 343, 356, 360
1001117034..... 881	1001121616..... 789, 791, 795	1001133956..... 751	1001138016..... 121
1001117035..... 881	1001121703..... 789, 791, 795	1001133957..... 751	1001138110..... 753
1001117078..... 349, 352, 357, 361, 761	1001121826..... 141, 463	1001134098..... 87, 98	1001138111..... 753
1001117106..... 752	1001121827..... 143, 465	1001134390..... 249	1001138113..... 753
1001117107..... 752	1001122369..... 867	1001134392..... 228, 252	1001138228..... 229, 241, 253, 265, 287
1001117140..... 167	1001122370..... 893	1001134485..... 229, 241, 253, 265	1001138248..... 229, 242, 253, 266, 287
1001117172..... 475	1001122371..... 881	1001134488..... 228, 242, 252, 266, 286	1001138253..... 229, 241, 253, 265, 287
1001117174..... 444, 448, 452, 456, 460, 475, 905	1001122372..... 873	1001135090..... 229, 241, 253, 265, 287	1001138346..... 229, 241, 253, 265, 287, 751
1001117294..... 911	1001122373..... 897	1001135124..... 113, 115	1001138491..... 221, 233, 245, 257, 273, 279, 757
1001117308..... 229, 241, 253, 265, 287, 904	1001122374..... 885	1001135138..... 229, 241, 253, 265, 287	1001138494..... 423, 425, 431, 433
1001118388..... 791, 799	1001122375..... 889	1001135149..... 159	1001138514..... 423, 425, 433
1001118753..... 365, 369, 575	1001122376..... 867	1001135560..... 229, 241, 253, 265, 287	1001138524..... 229, 241, 253, 265, 287
1001118754..... 575	1001122377..... 893	1001135562..... 229, 241, 253, 265, 287	1001138559..... 229, 241, 253, 265, 287
1001118756..... 575	1001122378..... 881	1001135650..... 753, 755	1001138565..... 335, 336
1001118761..... 575, 577	1001122379..... 873	1001135651..... 753	1001138566..... 331, 335, 339, 343
1001118762..... 575, 577, 579	1001122380..... 897	1001135679..... 229, 241, 253, 265, 287	1001138717..... 230, 242, 254, 266, 288
1001118957..... 111, 641	1001122381..... 885	1001135680..... 229, 241, 253, 265, 287	1001138772..... 911
1001119020..... 715, 796	1001122382..... 889	1001135779..... 230, 242, 254, 266, 288	1001138773..... 911
1001119119..... 107	1001122383..... 141	1001135901..... 229, 241, 253, 265, 287	1001138803..... 382, 585
1001119136..... 913	1001122384..... 463	1001135903..... 229, 241, 253, 265, 287	1001138805..... 583, 585
1001119296..... 637	1001122528..... 348, 352, 357, 360	1001135913..... 229, 241, 253, 265, 286	1001138811..... 369
1001119353..... 119	1001122611..... 463	1001135914..... 229, 241, 253, 265, 286	1001138812..... 369, 382
1001119354..... 117	1001125387..... 901	1001135924..... 229, 241, 253, 265, 287	1001138813..... 382, 567
1001119376..... 117, 119, 121, 129	1001125425..... 327	1001135926..... 229, 241, 253, 265, 287	1001138814..... 567
1001119455..... 107	1001125427..... 347	1001135943..... 229, 241, 253, 265, 287	1001138827..... 229, 241, 253, 265, 287
1001119456..... 117, 125, 813	1001125428..... 351	1001135946..... 229, 241, 253, 265, 287	1001138838..... 77, 81
1001119470..... 117, 119, 125, 127, 749	1001126008..... 713	1001135949..... 229, 241, 253, 265, 287	1001139099..... 910
1001119508..... 129, 133, 905	1001126351..... 751	1001136079..... 230, 254, 288	1001139240..... 229, 241, 253, 265, 287
1001119529..... 129, 133, 773	1001126352..... 751	1001136172..... 240, 264	1001139357..... 331, 335
1001119567..... 864	1001126356..... 751	1001136292..... 229, 241, 253, 265, 287	1001139492..... 115
1001119614..... 366, 370	1001126357..... 751	1001136356..... 335	1001139494..... 113
1001119861..... 864	1001126362..... 752	1001136357..... 343, 360	1001139520..... 77, 639, 641
1001119899..... 379, 383	1001126363..... 752	1001136626..... 229, 241, 253, 265, 287	1001139654..... 901
1001119938..... 908	1001126364..... 752	1001136665..... 229, 241, 253, 265, 287	1001139665..... 113, 115
1001119946..... 908	1001126365..... 752	1001136988..... 355, 359	1001139666..... 113, 115
1001119968..... 349, 352, 357, 360, 761	1001126384..... 751	1001137005..... 913	1001139930..... 325
1001120140..... 575, 577, 579	1001126391..... 752	1001137023..... 910	1001139958..... 331
1001120141..... 575, 577, 579	1001127092..... 908	1001137028..... 910	1001140222..... 319
1001120161..... 366, 370, 803	1001128527..... 535	1001137276..... 229, 241, 253, 265, 287	1001140312..... 242, 266
1001120181..... 129, 765	1001128556..... 535	1001137590..... 355	1001140344..... 339
1001120328..... 483	1001128947..... 229, 241, 253, 265, 269	1001137591..... 359	1001140346..... 340
1001120564..... 109, 111	1001129555..... 904	1001137672..... 912	1001140347..... 344
1001120567..... 909	1001129858..... 331, 332	1001137673..... 483	1001140397..... 343
1001120634..... 803, 805, 807	1001131269..... 867, 885		1001140429..... 421, 423, 425, 431, 433
1001120653..... 365	1001131482..... 159		1001140485..... 166
1001120681..... 130, 134, 803, 809	1001131542..... 175, 183, 191, 199, 207, 215, 222, 234, 246, 258, 274, 280		1001140564..... 228, 242, 252, 266, 286
1001120729..... 909	1001131730..... 393		1001140649..... 909
1001120989..... 901	1001131732..... 397		1001141300..... 901
1001120995..... 901	1001131969..... 725		1001141302..... 901
	1001132055..... 339		
	1001132730..... 908		
	1001133163..... 77		
	1001133593..... 77		
	1001133633..... 229, 242, 253, 266, 287		
	1001133634..... 229, 241, 253, 265, 287		
	1001133714..... 752, 755		

# PART NUMBER INDEX

1001141304.....230, 241, 254, 265, 288	1001145154 ..... 230, 242, 254, 266, 288	1001153387 ..... 230, 242, 254, 266, 288	1001163297.....493
1001141717 .....230, 241, 254, 265, 288	1001145321 ..... 628, 640	1001154157 ..... 325	1001163298.....501, 503
1001141718.....319	1001145322 ..... 636, 641	1001154214 ..... 113	1001164700.....79
1001141719.....228, 241, 252, 265, 286	1001145323 ..... 75	1001154405 ..... 221, 230, 233, 242, 245, 254, 257, 266, 273, 279, 288, 319	1001165035.....221, 230, 233, 242, 245, 254, 257, 266, 288
1001141745 .....261	1001145382 ..... 176, 184, 192, 200, 208, 216	1001155044 ..... 444, 448, 452, 456, 460	1001165101.....222, 234, 246, 258, 274, 280, 319
1001141746 .....240, 264	1001145405 ..... 528, 539	1001155045 ..... 444, 448, 452, 456, 460, 904	1001165368.....335, 343, 733
1001141812.....225	1001145560 ..... 221, 233, 245, 257, 273, 279	1001155079 ..... 912	1001165507.....365, 369, 577
1001141813.....237	1001145708 ..... 910	1001155575 ..... 229, 241, 253, 265, 287	1001165508.....577
1001141967 .....823, 825, 827, 829	1001145785 ..... 437	1001155813 ..... 336, 344	1001165509.....577
1001141968.....823, 825	1001145842 ..... 222, 234, 246, 258, 274, 280	1001155823 ..... 230, 242, 254, 266, 288	1001165510.....365, 369, 571
1001141969.....827, 829	1001146050 ..... 159	1001157520 ..... 348, 352, 357, 360	1001165511.....571
1001141970.....827	1001146132 ..... 166	1001157521 ..... 348, 352, 357, 360	1001165820.....230, 242, 254, 266, 288
1001141971 .....823, 825	1001146142 ..... 166	1001157525 ..... 351, 352, 359, 360	1001166393.....229, 241, 253, 265, 287
1001142021 .....167	1001146178 ..... 166	1001157528 ..... 348, 352, 357, 360	1001166538.....444, 448, 452, 456, 460, 471
1001142023 .....166	1001146183 ..... 166	1001157592 ..... 347, 348, 355, 356	1001166539.....444, 448, 452, 456, 460, 467
1001142144 .....166	1001146219 ..... 228, 240, 252, 264, 286	1001158007 ..... 348, 352, 357, 360	1001166665.....437, 443
1001142181 .....166	1001147264 ..... 752	1001158008 ..... 332, 336, 340, 344, 348, 352, 357, 360	1001167565.....407
1001142375 .....221	1001147479 ..... 400, 905	1001158363 ..... 332, 336, 340, 344	1001167567.....407
1001142376 .....245	1001148648 ..... 336, 344	1001159121 ..... 912	1001167596.....407
1001142377 .....233	1001148841 ..... 755	1001159256 ..... 444, 448, 452, 456, 460, 904	1001168402.....407
1001142378 .....257	1001148842 ..... 755	1001160110 ..... 901	1001171095.....200, 209, 217, 249, 261, 283, 311
1001142380 .....166	1001148843 ..... 230, 242, 254, 266, 288, 755	1001160567 ..... 107	1001171130.....339
1001142398.....229, 241, 253, 265, 287	1001148902 ..... 910	1001161042 ..... 725	1001171131.....912
1001142501 .....230, 242, 254, 266, 288	1001148903 ..... 910	1001161043 ..... 725	1001172045.....911
1001142504 .....911	1001148904 ..... 910	1001161045 ..... 725	1001172663.....407
1001142505 .....911	1001148905 ..... 910	1001161049 ..... 725	1001172760.....444, 448, 452, 456, 460
1001142610.....221, 233, 245, 257, 273, 279	1001148906 ..... 910	1001161401 ... 17, 21, 25, 30	1001173703.....901
1001142637 .....230, 242, 254, 266, 288	1001148971 ..... 911	1001161402 ... 17, 21, 25, 30	1001173889.....628, 632, 636
1001142645 .....339, 356	1001149730 ..... 912	1001161403 ... 17, 21, 25, 30	1001173890.....629, 633, 637
1001142683 .....149, 151, 153, 155	1001149818 ..... 147, 845	1001161709 ..... 444, 448, 452, 456, 460, 904	1001173913.....29
1001142685 .....230, 242, 254, 266, 288	1001149955 ..... 147	1001162880 ..... 75, 79	1001173914.....21
1001142694 .....149, 153	1001149994 ..... 147, 151, 155	1001162899 ..... 864	1001174326.....569, 571, 573
1001142719 .....149, 151, 153, 155	1001150406 ..... 147	1001162900 ..... 864	1001175884.....591
1001142736.....149, 151, 153, 155, 715	1001150944 ..... 149, 713	1001162901 ..... 864	1001175887.....591, 593
1001142938 .....752	1001151113 ..... 909	1001163131 ..... 487, 489, 491	1001175888.....378, 382, 591
1001142940 .....752	1001151393 ..... 137, 139	1001163287 ..... 505, 507	1001176291.....911
1001142941 .....752	1001152456 ..... 332, 336, 340, 344	1001163288 ..... 515, 517	1001176346.....67
1001143081 .....909	1001152457 ..... 331, 339, 340	1001163289 ..... 511, 513	1001176372.....912
1001143087 .....113, 115	1001152458 ..... 335, 343, 344	1001163292 ..... 519, 521	1001176469.....133
1001143123 .....113, 115	1001152525 ..... 332, 340, 348, 352, 356, 360	1001163293 ..... 497, 499	1001176982.....636
1001143298 .....159	1001152530 ..... 332, 336, 340, 344	1001163295 ..... 523, 525	1001177348.....908
1001143390 .....230, 242, 254, 266, 288	1001152533 ..... 331, 335, 339, 343, 759	1001163296 ..... 509	1001178247.....378, 382, 387
1001143431 .....149	1001152566 ..... 167		1001178248.....378, 382, 391
1001143516 .....909	1001152742 ..... 751		1001179154.....332, 340, 348, 356
1001143852 .....901	1001152963 ..... 225, 237, 277, 302		1001180007.....133
1001144089 .....230, 242, 254, 266, 288	1001152971 ..... 632, 640		1001180019.....335
1001144147 .....713	1001153024 ..... 230, 241, 254, 265, 287		1001180219.....343
1001144433 .....452, 456, 460	1001153186 ..... 632		1001180696.....909
1001144629 .....417, 419, 431	1001153188 ..... 632, 640		
1001145089 .....221, 233, 245, 257, 273, 279	1001153257 ..... 331, 339		
	1001153260 ..... 332, 340		



## PART NUMBER INDEX

1001180951 ..... 727	1001195304..... 911	1001210042..... 912	1001226294 ..... 729
1001181045 ..... 733, 735, 737	1001195610..... 912	1001210089..... 912	1001226306 ..... 729
1001181046 ..... 731	1001195793..... 864	1001210090..... 912	1001226872 ..... 421
1001181895 ..... 242, 266	1001196617..... 909	1001211801..... 911	1001227449 ..... 908
1001182138 ..... 485	1001196718..... 909	1001212223..... 355, 359	1001227452 ..... 908
1001182242 ..... 910	1001197017..... 477, 479, 481	1001212243..... 366, 370	1001227932 ..... 721
1001183407 ..... 911	1001197067..... 153	1001212415..... 904	1001227933 ..... 721
1001184934 ..... 167	1001197408..... 901	1001213183..... 908	1001227934 ..... 721
1001185281 ..... 452, 456, 460	1001197510..... 909	1001213447..... 796	1001227935 ..... 723, 727
1001185296 ..... 134	1001197511..... 909	1001213584..... 721, 723, 727	1001227936 ..... 723, 727
1001185297 ..... 134	1001197512..... 909	1001213585..... 721, 723, 727	1001227937 ..... 723
1001185301 ..... 123, 125, 127, 133	1001197513..... 909	1001213600..... 911	1001227960 .. 71, 73, 904
1001185588 ..... 123	1001197514..... 909	1001213601..... 911	1001228019 ..... 29, 561
1001186333 ..... 427	1001197515..... 909	1001214029..... 901	1001228020 .. 21, 29, 557
1001186334 ..... 429	1001197519..... 909	1001214463..... 912	1001228025 ..... 378, 382, 583
1001186379 ..... 423	1001197858..... 909	1001214540..... 911	1001228031 ..... 35, 589
1001186382 ..... 425	1001198671..... 321	1001214548..... 911	1001228032 ..... 374, 599
1001186383 ..... 419	1001200258..... 912	1001214561..... 912	1001228034 ..... 378, 382, 565
1001186384 ..... 417	1001200491..... 407	1001214562..... 912	1001228077 ..... 365, 369, 579
1001186431 ..... 460, 912	1001200494..... 407	1001216630..... 403, 405, 407	1001228078 ..... 365, 369, 573
1001186432 ..... 799	1001200575..... 443, 452	1001217005..... 151	1001228080 ..... 378, 382, 593
1001186468 ..... 134, 769	1001200839..... 379, 383	1001217564..... 877	1001228215 ..... 421
1001186477 ..... 452, 456, 791	1001200910..... 151	1001218622..... 729	1001228363 ..... 912
1001186517 ..... 483	1001201351..... 407	1001218623..... 729	1001228376 ..... 431
1001187508 ..... 483	1001201888..... 448, 456	1001218711..... 909	1001228377 ..... 433
1001187786 ..... 701	1001201889..... 460	1001219987..... 441, 459	1001228488 ..... 89, 101
1001188622 ..... 407	1001202076..... 910	1001219989..... 61, 73, 411	1001228497 ..... 130, 134, 811
1001188844 ..... 407	1001202221..... 910	1001220147..... 908	1001228498 ..... 366, 370, 807
1001188885 ..... 321	1001202280..... 321	1001220379..... 752	1001228586 ..... 912
1001188887 ..... 321	1001202281..... 321, 905	1001220510..... 901	1001228617 ..... 89
1001188889 ..... 483	1001202562..... 439, 455	1001220511..... 901	1001228953 ..... 908
1001189001 ..... 407	1001202564..... 437, 447	1001220512..... 901	1001228964 ..... 912
1001189002 ..... 407	1001202697..... 908	1001220864..... 909	1001228988 ..... 528, 531, 533, 535, 539
1001189176 ..... 149	1001202749..... 911	1001220866..... 460, 795	1001229058 ..... 89
1001190098 ..... 439, 451	1001203655..... 427	1001220898..... 366, 370, 805	1001229107 ..... 908
1001190106 ..... 452	1001203656..... 429	1001221139..... 909	1001231235 ..... 912
1001190111 ..... 439	1001204046..... 910	1001221278..... 901	1001231315 ..... 867
1001190985 ..... 407	1001204725..... 407	1001221706..... 441	1001231316 ..... 885
1001191272 ..... 229, 241, 253, 265, 287	1001204898..... 912	1001221926..... 909	1001231317 ..... 893
1001191395 ..... 911	1001205035..... 908	1001222206..... 909	1001231318 ..... 897
1001191526 ..... 901	1001205175..... 911	10012222314..... 411	1001231319 ..... 873
1001191541 ..... 22, 30	1001205401..... 151	10012223055..... 868	1001231320 ..... 889
1001191708 ..... 485	1001205958..... 677, 679, 681, 683, 685, 687, 689, 691, 693, 695, 697, 699	10012223453..... 868, 886	1001231321 ..... 881
1001192401 ..... 766, 770	1001206250..... 683	10012223971..... 886	1001231322 ..... 889
1001193018 ..... 649, 651, 653, 655, 657, 659, 661, 663, 665, 667, 669, 671, 673, 675, 677, 679, 681, 683, 685, 687, 689, 691, 693, 695, 697, 699	1001206251..... 691	10012224048..... 894	1001231321 ..... 881
1001193642 ..... 910	1001206252..... 699	10012224049..... 898	1001231801 ..... 901
1001193674 ..... 22, 30	1001206253..... 659	10012224050..... 882	1001231949 ..... 551
1001193806 ..... 911	1001206254..... 667	10012224052..... 874	1001231950 ..... 547, 549
1001194124 ..... 125	1001206255..... 651	10012224053..... 890	1001232010 ..... 547, 549, 551
1001194125 ..... 127	1001206544..... 912	10012225118..... 176, 184, 192, 200, 208, 216	1001232011 ..... 547, 549, 551
1001194197 ..... 681	1001206794..... 910	10012225245..... 521	1001232172 ..... 909
1001194198 ..... 689	1001206796..... 910	10012225246..... 525	1001232173 ..... 910
1001194200 ..... 697	1001207004..... 155	10012225247..... 507	1001232174 ..... 910
1001194203 ..... 657	1001207309..... 153	10012225248..... 513	1001232175 ..... 910
1001194204 ..... 665	1001207969..... 411	10012225249..... 503	1001232176 ..... 909
1001194365 ..... 649	1001208923..... 912	10012225250..... 499	1001232177 ..... 910
	1001208994..... 411	10012225251..... 517	1001232178 ..... 909
	1001209059..... 912	10012225430..... 905	1001233047 ..... 908
	1001209282..... 912	10012225580..... 460, 799	1001233237 ..... 908
	1001209481..... 912	10012225648..... 910	
	1001209664..... 483	10012226293..... 729	
	1001209873..... 155		
	1001210029..... 912		

# PART NUMBER INDEX

1001233763.....908	1260017.....93	1670964.....396, 409	1684430.....378, 563
1001234099.....908	1271538.....405	1670996.....67	1701499....867, 871, 873,
1001235117.....909	1283410.....877	1671013.....374	877, 881, 885, 889,
1001235459.....287, 291	1283457... 604, 612, 619,	1671023... 175, 183, 191,	893, 897
1001235476.....279, 283	623, 628, 640	199, 207, 215	1701501....867, 871, 873,
1001235477.....277, 283,	1320022... 171, 175, 179,	1671039.....400	877, 881, 885, 889,
286	183, 187, 191, 195,	1671040.....35, 400	893, 897
1001235479.....273, 277	199, 203, 207, 211,	1671044.....400	1701505....867, 871, 873,
1001235480.....273	215, 222, 230, 234,	1671045.....67	877, 881, 885, 889,
1001235483.....279	242, 246, 254, 258,	1671046.....67	893, 897
1001235617.....908	266, 274, 280, 287, 321	1671047.....67	1701509....487, 489, 491,
1001236746.....551	1320041... 171, 179, 187,	1671048.....67	493, 495, 497, 499,
1001236747.....547	195, 203, 211, 645,	1671049.....67	501, 503, 505, 507,
1001236891.....547, 549,	647, 703, 707	1671092... 348, 356, 723,	509, 511, 513, 515,
551	1320058... 175, 183, 191,	725, 727, 729	517, 519, 521, 523,
1001236895.....547, 549,	199, 207, 215	1671093... 528, 533, 723,	525, 867, 871, 873,
551	1320060... 175, 183, 191,	725, 727, 729	877, 881, 885, 889,
1001236951.....911	199, 207, 215	1671109.....162, 166	893, 897
1001236992.....909	1320095.....129, 133	1671112.....400	1701518.....871, 877
1001237705.....495	1320136.....405	1671113.....400	1701529....867, 871, 873,
1001237882.....910	1320159.....396	1671117.....400	877, 881, 885, 889,
1001237883.....910	1320162... 109, 111, 113,	1671118.....162, 166	893, 897
1001238263.....547, 549,	115	1671121... 171, 179, 187,	1702565....443, 447, 451,
551	1320177.....528, 539	195, 203, 211, 221,	455, 459
1001238423.....495	1320187... 171, 179, 187,	233, 245, 257, 273, 279	1702566....443, 447, 451,
1001238462.....495	195, 203, 211, 221,	1671122.....396	455, 459
1001238463.....549	233, 245, 257, 273, 279	1671123.....400	1702773....427, 429, 877,
1001241275.....908	1320190... 171, 179, 187,	1671142.....401	901
1001241418.....911	195, 203, 211, 221,	1671176... 443, 447, 451,	1702774.....901
1001241835.....274, 280	233, 245, 257, 273, 279	455, 459	1702788.....909
1060341....477, 479, 481,	1320223... 175, 183, 191,	1671191.....163	1702868....528, 533, 535,
759	199, 207, 215	1671192.....162	539, 867, 901, 909
1060343.....348, 356	1320224.....405	1671193.....163, 167	1702938....477, 479, 481
1060379.....543, 545	1320263... 17, 21, 25, 29,	1671194... 162, 163, 166,	1702942.....187, 211
1060494....331, 340, 348,	396	167	1702962.....901
356	1320277.....396	1671314... 443, 447, 451,	1703162....175, 183, 191,
1060545.....733	1320288.....393, 396	455, 459	199, 207, 215, 230,
1060698.....770, 787	1320289.....396	1683053.....581, 585	242, 254, 266, 288
1060902.....745, 775	1320294.....396	1683056.....555	1703175.....901, 909
1060903....477, 479, 481	1320296.....396	1683062.....559	1703483.....901
1060904.....191, 215	1320298.....17, 26	1683063.....563, 567	1703683.....543
1060908....655, 663, 671,	1320301.....400	1684081.....25, 29, 559	1703797.....867
675, 679, 687, 695,	1320302... 528, 531, 533,	1684082.....559	1703804.....867
731, 735, 737	535	1684083.....559	1703805.....867
1060918.....475	1320309.....847, 849	1684102... 17, 21, 25, 29,	1703811....867, 871, 873,
1060919.....427	1320322.....71, 73, 107	555	877, 881, 885, 889,
1060981....803, 809, 811	1320323.....107	1684103.....555	893, 897
10702077..348, 352, 356,	1320325.....396	1684105.....555	1703814....867, 871, 873,
360	1320327.....396	1684173.....378, 581	877, 881, 885, 889,
10702082..348, 352, 356,	1320328.....393	1684174.....581, 585	893, 897
360	1321385.....397	1684176.....581, 585	1703923.....897
1100141.....378, 382	1340065... 175, 183, 191,	1684275.....587	1703924.....885
1120094.....587	199, 207, 215	1684314.....35, 587	1703925.....881
1120423.....910	1340067.....908	1684315.....587	1703926.....889
1120549.....35	1380147.....157, 159	1684317.....587	1703927.....893
1120550.....35	1560011.....847, 849	1684318... 365, 369, 569	1703935.....897
1120555....487, 489, 491,	1560012.....847, 849	1684320.....374, 595	1703936.....885
493, 495, 497, 499,	1580012.....435	1684323.....591	1703938.....889
501, 503, 505, 507,	1580013.....911	1684325.....591	1703939.....893
509, 511, 513, 515,	1600343... 443, 447, 451,	1684328.....595	1703941.....897
517, 519, 521, 523, 525	455, 459, 905	1684330.....595	1703942.....885
1180358.....17, 25	1600387.....405	1684331.....595	1703943.....881
1180386.....396	1600443.....219	1684334.....569, 571	1703944.....889
1180387.....393	1660256.....105	1684336.....569, 571	1703945.....893
1180388.....393	1660261.....400	1684337.....569	1703947.....897
1180389.....393	1670603.....649, 651	1684342.....595	1703948.....885
1180390.....393	1670829.....129, 133	1684346.....563, 567	1703949.....881

## PART NUMBER INDEX

1703950 ..... 889	1705511 ... 867, 871, 873, 877, 881, 885, 889, 893, 897	211080846, 50, 612, 616, 628, 632, 636, 637	2170908 .... 629, 633, 637
1703951 ..... 893	1705514 ..... 867, 885	211081065, 84, 604, 608, 636	2171112 ..... 113, 115
1703953 ..... 867	1705515 ..... 901	211081246, 50, 612, 616, 637	2171210 ..... 604, 608
1703959 ..... 867, 901	1705744 ... 443, 447, 451, 455, 459	211101083, 84, 105, 591, 593, 604, 608, 629, 633, 637	2171212 ..... 604, 608
1703980 ..... 889	1705745 ... 443, 447, 451, 455, 459	2111012 ..... 65, 105, 604, 608, 629, 633, 637	2171306 ..... 604, 608
1703981 ..... 893	1705799 ..... 129	2111016 ..... 636	2171308 ..... 604, 608
1703982 ..... 881	1705822 ..... 871, 877	2111210 ..... 83, 84	2171310 ..... 604, 608
1703983 ..... 897	1705828 ..... 871, 877	2111212 ..... 83, 105, 591, 593, 604, 608, 628, 632, 636	2180344 ..... 91
1703984 ..... 885	1705838 ..... 901	2111216 ..... 83	2180348 ... 171, 179, 187, 195, 203, 211, 321
1704000 .... 885, 901, 909	1705840 ..... 901	2111616 ..... 637	2180830 ..... 604, 608
1704001 ... 897, 901, 909	1705864 ..... 877, 901	2111620 ..... 628, 632, 636	2180832 ... 221, 233, 245, 257, 273, 279, 528, 539
1704260 ... 443, 447, 451, 455, 459	1705865 ..... 901	2112016 ..... 83	2200222 ... 172, 180, 188, 196, 204, 212, 221, 233, 245, 257
1704277 ... 867, 871, 873, 877, 881, 885, 889, 893, 897	1705868 ... 867, 873, 881, 885, 889, 893, 897	2112020 ..... 628, 632, 636	2200001 ..... 91
1704412 ... 867, 871, 873, 877, 881, 885, 889, 893, 897	1705895 ..... 873	21120217 ..... 409, 411	2202035 ..... 22, 612, 616
1704885 ..... 901	1705896 ..... 873	21120218 ..... 171, 179, 187, 195, 203, 211, 222, 234, 246, 258, 274, 280	2202038 ..... 612
1704972 ..... 867, 889	1705897 ..... 873	21120219 ..... 171, 179, 187, 195, 203, 211, 222, 234, 246, 258, 274, 280, 904	22020313 ... 171, 179, 187, 195, 203, 211, 221, 233, 245, 257, 273, 279
1705014 ..... 427, 429	1705898 ..... 873	2130404 ..... 637	2220451 ... 175, 183, 191, 199, 207, 215
1705171 ... 443, 447, 451, 455, 459	1705902 ..... 873	2130406.46, 50, 637, 639	2220478 .... 628, 632, 636
1705174 ..... 143	1705903 ..... 873	2130606 ... 604, 608, 623, 625	2220498 ... 175, 183, 191, 199, 207, 215
1705305 ... 528, 531, 533, 535, 539	1705904 ..... 873	2130612 ..... 604, 608	2220550 ..... 639
1705307 ..... 909	1705905 ..... 873	2130808 ..... 628, 632, 636	2220737 ..... 628, 632
1705325 ... 653, 655, 657, 659	1705906 ..... 873	2130810 ..... 63, 84	2220811 .... 628, 632, 637
1705336 ..... 867	1705909 ..... 897	213081246, 50, 629, 633, 636	2220816 ..... 321
1705337 ..... 867	1705910 ..... 897	2131008 ... 595, 599, 628, 632, 636	2220883 .... 65, 555, 557, 563, 565, 567, 575, 577, 579, 581, 583, 585, 595, 599
1705338 ..... 889	1705915 ..... 897	2131010 ..... 84	2220885 ... 559, 561, 575, 577, 579, 581, 583, 585, 589, 591, 593, 595, 599
1705339 ..... 893	1705917 ..... 897	2131210 ..... 595, 599, 628, 632, 636	2220886 ... 563, 565, 567, 569, 571, 573, 591, 593
1705341 ..... 885	1705921 ..... 871, 877	2131620 ..... 629, 633, 637	2220887 ..... 83
1705344 ..... 889	1705961 ..... 871, 877	2132020 ..... 629, 633, 637	2220888 .... 84, 569, 571, 573, 575, 577, 579
1705345 ..... 893	1705967 ... 873, 901, 909	2150404 ..... 604, 608	2220893 ..... 107
1705347 ..... 885	1705969 ... 893, 901, 909	2150808 ..... 628, 632, 636	2221046 ..... 321
1705351 ..... 867	1705973 ..... 465	2151012 ..... 65	2221086 ... 63, 65, 83, 84, 413
1705355 ... 528, 531, 533	1705974 ..... 465	2151212 ..... 628, 632, 636	2221117 ..... 628, 632
1705358 ... 487, 489, 491, 493, 495, 497, 499, 501, 503, 505, 507, 509, 511, 513, 515, 517, 519, 521, 523, 525	1706059 ..... 873	2160002 ..... 91	2221123 .... 604, 608, 639
1705374 ... 331, 340, 348, 357	1706060 ..... 881	2170204 ..... 604, 608	2221176 ... 171, 179, 187, 195, 203, 211
1705375 ... 348, 357, 528, 533, 535	1706061 ..... 893	2170308 ..... 629, 633, 637	2221221 ..... 637, 639
1705387 ... 331, 340, 348, 357	1706062 ..... 889	2170312 ..... 639	2300004 ... 230, 254, 288, 910
1705426 ..... 889	1706064 ..... 885	2170504 ... 612, 616, 619, 621	2300014 ..... 911
1705427 ..... 893	1706098 ..... 871, 877	2170506 ... 619, 621, 639	2300016 ..... 911
1705429 ..... 885	1706385 ..... 427, 429	2170704 ... 605, 609, 612, 616	2300019 ..... 911
1705430 ..... 881	1706510 ..... 545	2170708 ..... 604, 608	2300029 ..... 911
1705460 ... 348, 352, 357, 360	1706751 ... 867, 873, 881, 885, 889, 893, 897	2170712 ... 109, 111, 113, 115, 604, 608, 637	2300039 ..... 911
1705461 ..... 352, 360	1706770 ..... 871, 877	2170804 ..... 612, 616	2300040 ..... 910
1705466 ... 528, 531, 533, 535, 539	2030010 ... 528, 531, 533, 535, 539		2300041 ... 240, 264, 910
1705468 ..... 871, 877	2060025 ... 175, 183, 191, 199, 207, 215		2400060 ... 743, 766, 770
1705489 ... 335, 343, 352, 360	2080040 ... 417, 419, 431		2400064 ..... 743, 905
1705490 ..... 529, 539	2080051 ..... 162, 166		2400065 ... 739, 765, 769
1705492 ..... 867	2110404 ... 46, 50, 83, 84, 413, 595, 604, 608, 628, 632, 636		2400066 ... 739, 765, 769
1705493 ..... 889	211040665, 83, 619, 621, 637, 639		2410014 ..... 427, 429
1705505 ..... 885	2110604 ..... 619, 621		
	211060663, 83, 413, 619, 621		
	2110608 ... 628, 632, 636		
	2110610 ... 604, 608, 628, 632, 636		
	2110612 ..... 604, 608		

# PART NUMBER INDEX

2420172.....129	2753746 .... 628, 632, 636	2820146 ..... 163	3128444.....912
2420191.....107	2753747 ..... 612, 616	2840016 ..... 157, 159	3160339.....41, 43, 53
2420202.....405	2753748 ..... 612, 616	2860030 .... 137, 139, 904	3200362....176, 184, 192,
2420203.....327	2753749 ..... 612, 616	2900770 ... 413, 559, 561,	200, 207, 216
2460048.....347, 351	2753750 ..... 612, 616	569, 571, 573, 575,	3200401....176, 184, 192,
2460055.....327	2753752 ..... 612, 616	577, 579, 581, 583,	200, 208, 216
2540038.....405	2753753 ..... 623, 625	585, 595, 599	3200433.....400
2540044.....396	2753754 ..... 623, 625	2900789 ... 591, 593, 595,	3200458.....400
2560136....443, 447, 451,	2753756 ..... 612, 616	599	3220126....176, 184, 192,
455, 459	2753757 ..... 612, 616	2900792 ..... 555, 557	200, 208, 216
2560187 ..... 163, 167	2753759 ..... 612, 616	2901443 ..... 912	3220130.....323
2580062.....191, 215	2753760 ..... 612, 616	2901773 ..... 555, 557	3251102....327, 331, 335,
2600279.....130, 134	2753761 ..... 612, 616	2902065 ... 175, 183, 191,	339, 343, 347, 351,
2600280.....162, 166	2753762 ..... 612, 616	199, 207, 215, 229,	355, 359
2600281 .... 417, 419, 431	2753764 ..... 612, 616	240, 253, 264, 287, 317	3251242....335, 343, 649,
2680496.....163, 167	2753768 ..... 612, 616	2902087 ..... 559, 561	651, 665, 667, 677,
2680498.....163, 167	2753778 ..... 109, 111	2902092 ..... 581	681, 683, 685, 689,
2717059.....604, 608	2753781 ..... 639	2902212 ... 487, 489, 491,	691, 693, 697, 699
2720015....229, 242, 253,	2753843 ... 109, 628, 632,	493, 495, 497, 499,	3251243....331, 340, 348,
266, 287	636	501, 503, 505, 507,	357, 867, 873, 881,
2720058....175, 183, 191,	2753897 ..... 604, 608	509, 511, 513, 515,	885, 889, 893, 897
199, 207, 215, 321	2753975 .... 628, 632, 636	517, 519, 521, 523, 525	3251813.....901
2720160.....528, 539	2753976 .... 628, 632, 636	2902217 .... 528, 531, 533	3252347.....867
2720500....175, 183, 191,	2753977 .... 628, 632, 636	2902257 ..... 587, 589	3252507....663, 671, 675,
199, 207, 215	2753978 ..... 604, 608	2902285 ..... 563, 565	679, 687, 695
2720501 .... 175, 183, 191,	2753979 .... 628, 632, 636	2902291 ..... 595, 599	3271605....547, 549, 551
199, 207, 215	2753984 .... 628, 632, 636	2902292 ... 171, 179, 187,	3271805.....427, 429
2720516.....604, 608	2753985 ..... 604, 608	195, 203, 211	3272001....228, 240, 252,
2750528.....91	2753986 ..... 604, 608	2902303 ..... 910	264, 286, 365, 369,
2750532....171, 175, 179,	2753987 ..... 604, 608	2902307 ..... 909	379, 383, 547, 549, 551
183, 187, 191, 195,	2753988 .... 628, 632, 636	2902308 ..... 910	3272605.....405
199, 203, 209, 211,	2753989 .... 628, 632, 636	2902309 ..... 909	3290405....335, 344, 649,
215, 221, 233, 245,	2753990 .... 628, 632, 636	2902310 ..... 910	651, 653, 655, 657,
257, 273, 279	2753991 .... 628, 632, 636	2902311 ..... 910	659, 661, 663, 665,
2753541 ..... 612, 616	2753992 .... 628, 632, 636	2902312 ..... 909	667, 669, 671, 673,
2753545....604, 608, 612,	2753993 ..... 604, 608	2902322 ..... 909	675, 677, 679, 681,
616	2753994 ..... 604, 608	2902329 ..... 909	683, 685, 687, 689,
2753546....628, 632, 636	2753995 ..... 628, 632	2902356 ..... 910	691, 693, 695, 697,
2753552.....612, 616	2753996 ..... 628, 632	2902443 ..... 749, 752	699, 701, 705, 707
2753582.....612, 616	2753997 ..... 628, 632	2902484 ..... 911	3290601.....163, 167
2753590....628, 632, 636	2753998 ..... 604, 608	2915024 .59, 61, 71, 443,	3290605.....528, 539
2753673....628, 632, 636	2753999 ... 111, 604, 608,	447, 451, 455, 459	3290606....423, 425, 433
2753677.....612, 616	628, 632, 636	2915072 ..... 91	3290607....149, 151, 153,
2753685.....612, 616	2754000 ..... 628, 632	2920028 ... 451, 455, 459,	155
2753703.....612, 616	2754001 .... 628, 632, 636	477, 479, 481	3290801....228, 240, 252,
2753713.....612, 616	2754002 ..... 604, 608	2920029 ... 451, 455, 459,	264, 286
2753714.....612, 616	2754003 ..... 604, 608	477, 479, 481	3291001.....407
2753715.....612, 616	2754004 .... 628, 632, 636	2920129 ..... 405	3291005.....407
2753716....604, 608, 612,	2754006 ..... 628	2920154 ... 443, 447, 451,	3291007.....366, 370
616	2754007 ..... 628, 632	455, 459	3291201.....407
2753717 ..... 604, 608	2754010 ..... 604, 608	2920161 ..... 147	3291205.....403, 407
2753719 ..... 619, 621	2754011 ..... 604, 608	2940074 ... 417, 419, 431,	3300151....421, 423, 425,
2753726 ..... 619, 621	2754123 ..... 604, 608	904	431, 433, 528, 531,
2753727 ..... 619, 621	2754124 ..... 604, 608	2940139 ..... 130, 134	533, 535
2753728.....623, 625	2754288 ..... 604, 608	2940173 ..... 162, 166	3300243.....403, 407
2753729.....619, 621	2754870 .... 628, 632, 636	3010133 ..... 365, 369	3300353....443, 447, 451,
2753732.....623, 625	2760105 ..... 129, 133	3010134 ..... 366, 370	455, 459
2753733.....623, 625	2780286 ..... 37, 41	3010136 ..... 379, 383	3300364.....400
2753734.....623, 625	2792647 ..... 619, 640	3010142 ..... 379, 383	3300396....332, 340, 348,
2753735.....623, 625	2792772 ..... 612, 640	3020008 ..... 46, 50, 910	352, 356, 360
2753736.....623, 625	2792773 ..... 623, 640	3020016 ... 175, 183, 199,	3300408....129, 133, 443,
2753737.....623, 625	2820031 ... 327, 331, 335,	207, 911	447, 451, 455, 459
2753738.....623, 625	339, 343, 347, 351,	3020021 ..... 317	3300430....400, 483, 485
2753739.....623, 625	355, 359	3020037 ... 225, 237, 249,	330045471, 73, 149, 151,
2753741 ..... 628, 632	2820035 ..... 145	261, 277, 283	153, 155, 176, 184,
2753742.....623, 625	2820141 ..... 162	3020042 ..... 379, 383	192, 200, 208, 216
2753743.....623, 625	2820145 ..... 163	3020044 ..... 192, 216	3300464.....35

## PART NUMBER INDEX

3300465 ..... 587, 589	3311801 ... 339, 343, 355, 359	3422833.....25, 29	3537416 ... 176, 184, 192, 200, 208, 216
3300482 ... 443, 447, 451, 455, 459	3311805 ... 105, 157, 159, 176, 184, 192, 200, 208, 216, 222, 234, 246, 258, 274, 280, 403, 405, 407	3422915.....25, 29	3537445 ..... 157
3300492 ..... 393, 397	3312002 87, 89, 547, 549, 551	3422917 ..... 35	3538758 ..... 396
3310401 ... 229, 240, 253, 264, 287	3312005 25, 29, 405, 487, 489, 491, 493, 495, 497, 499, 501, 503, 505, 507, 509, 511, 513, 515, 517, 519, 521, 523, 525	3422918..... 17, 21, 25, 29	3539971 ... 176, 184, 192, 200, 208, 216
3310601 ... 129, 133, 157, 159	3312205 ... 487, 489, 491, 493, 495, 497, 499, 501, 503, 505, 507, 509, 511, 513, 515, 517, 519, 521, 523, 525	3422920..... 365, 369	3572327 ... 868, 874, 882, 886, 890, 894, 898
3310805 .... 17, 21, 25, 29	3312602 ... 147, 151, 155, 365, 369	3422937 ..... 379, 383	3573142 ... 176, 184, 192, 200, 208, 216
3311001 ... 129, 133, 319, 332, 336, 340, 344, 348, 352, 356, 360	3322201 ..... 105	3422940..... 35	3573144 ..... 130, 134
3311005 ... 149, 153, 327, 331, 335, 340, 343, 348, 352, 356, 360, 443, 447, 451, 455, 459, 528, 531, 533, 535, 539	3340763 ..... 595, 599	3422957 ..... 379, 383	3573294 .... 17, 21, 25, 29
3311401 ... 129, 133, 477, 479, 481	3340764 ..... 396	3422958..... 379, 383	3573335 .... 17, 21, 25, 29
3311402 ..... 130, 134	3340787 ..... 396	3422960..... 17, 21, 25, 29	3573355 ..... 95
3311405 59, 61, 166, 176, 184, 192, 200, 208, 216, 221, 228, 233, 240, 245, 252, 257, 264, 273, 279, 286, 327, 335, 343, 400, 405, 437, 439, 441, 649, 651, 653, 655, 657, 659, 661, 663, 665, 667, 669, 671, 673, 675, 677, 679, 681, 683, 685, 687, 689, 691, 693, 695, 697, 699, 701, 707, 739, 867, 871, 873, 877, 881, 886, 889, 893, 897	3340877 ..... 163, 167	3423058..... 379, 383	3573400 ... 528, 531, 533, 535
3311501 ... 163, 167, 477, 479, 481	3340878 .... 374, 378, 382	3423061 ..... 365, 369	3573411 ... 176, 184, 192, 200, 208, 216
3311505 . 35, 59, 61, 109, 111, 113, 115, 159, 171, 176, 179, 184, 187, 192, 195, 200, 203, 208, 211, 216, 411, 543, 545	3340881 .... 17, 21, 25, 29	3423062 ..... 365, 369	3573412 ... 176, 184, 192, 200, 208, 216
3311508 ... 331, 335, 339, 343, 347, 351, 355, 359	3340927 ..... 365, 369	3423063 ..... 365, 369	3573529 ... 176, 184, 192, 200, 208, 216
3311601 ..... 77, 107, 162, 166, 443, 448, 452, 456, 460	3340934 ..... 396	3423064 ..... 365, 369	3573642 ... 528, 531, 533, 535
3311602 ..... 393	3340939 ..... 17, 26	3423065 ..... 365, 369	3573644 ... 171, 179, 187, 195, 203, 211
3311605 . 59, 61, 75, 109, 111, 157, 159, 162, 166, 171, 176, 179, 184, 187, 192, 195, 200, 203, 208, 211, 216, 228, 240, 252, 264, 286, 319, 327, 378, 382, 397, 409, 411, 427, 429, 437, 439, 441, 528, 531, 533, 535	3340941 ..... 393, 396	3423066 ..... 374	3573669 ... 171, 179, 187, 195, 203, 211
3311608 75, 77, 393, 396, 400	3340942 ..... 396	3423190 ..... 379, 383	3573727 ... 171, 179, 188, 195, 203, 211
3311705 ... 228, 240, 252, 264, 286	3340943 ..... 396	3423209 ..... 365, 369	3573728 ... 172, 180, 188, 195, 203, 212
	3340956 ... 487, 489, 491, 493, 495, 497, 499, 501, 503, 505, 507, 509, 511, 513, 515, 517, 519, 521, 523, 525	3423256 ..... 35, 400	3574091 ..... 479
	3340974 ..... 378, 382	3430616..... 448, 456, 460	3574492 ..... 157
	3340978 ..... 374	3430816 ..... 157, 159	3574494 ..... 107
	3340979 ..... 374	3441240 ..... 563, 567	3574533 ..... 162, 166
	3340980 ..... 374	3450404 ..... 157, 159	3574580 ..... 591, 593
	3340982 ..... 591, 593	3451214 ..... 35	3574586 ..... 591, 593
	3380434 ... 437, 439, 441	3460334.... 487, 489, 491, 493, 495, 497, 499, 501, 503, 505, 507, 509, 511, 513, 515, 517, 519, 521, 523, 525	3574606 ..... 396
	3380473 ... 171, 179, 187, 195, 203, 211	3470003.... 443, 448, 452, 456, 460	3574630 ..... 595, 599
	3380494 ..... 130	3480205 ..... 595	3574633 ... 172, 180, 188, 196, 204, 212
	3380498 ... 171, 179, 187, 195, 203, 211	3480266 ..... 591	3574644 ..... 393
	3380523 ..... 71, 73	3480269 ..... 559	3575359 ..... 477, 481
	3380528 ..... 400	3480271 ..... 581, 585	3575782 ..... 163, 167
	3380547 ..... 366, 370	3480272 ..... 555	3576799 ..... 528, 539
	3380723 ... 171, 179, 187, 195, 203, 211, 222, 234, 246, 258, 274, 280	3480278 ..... 587	3577121 ... 528, 531, 533, 535
	3421453 ..... 528, 539	3480280 ..... 575, 577	3580158 ..... 176, 200
	3421563 ..... 93	3480281 ..... 569, 571	3580276 ..... 327
	3421565 ..... 93	3480282 ..... 563, 567	3580317 ... 331, 335, 339, 343, 348, 351, 355, 359
	3422178 ..... 378, 382	3520026.... 443, 447, 451, 455, 459	3580318 ... 331, 339, 348, 355
	3422446 ... 171, 179, 187, 195, 203, 211, 221, 233, 245, 257, 273, 279	3520027 ..... 443, 447	3580319 ... 335, 343, 352, 359
	3422532 ... 176, 184, 192, 200, 208, 216	3520030 ..... 459	3580320 ... 184, 192, 208, 216, 228, 240, 252, 264, 286
	3422661 ..... 543, 545	3520035 ..... 447	3600339 ... 176, 184, 192, 296
		3520054 26, 29, 176, 184, 192, 200, 208, 216, 443, 447, 451, 455, 459	3620034 ..... 109, 111
		3520071 .... 487, 489, 491, 493, 495, 497, 499, 501, 503, 505, 507, 509, 511, 513, 515, 517, 519, 521, 523, 525	3641569 ..... 477, 481
		3520072 .... 417, 419, 421, 423, 425, 427, 429, 431, 433	3740049 .... 129, 133, 904
		3520174 .... 868, 871, 877	3740067 75, 77, 176, 184, 192, 200, 208, 216, 904
		3520182 ..... 485	
		3520186 ..... 162, 166	
		3520189 ..... 352, 360	
		3520192 .... 336, 344, 352, 360	
		3520198 .... 417, 419, 421, 423, 425, 431, 433	

# PART NUMBER INDEX

3740080.... 176, 184, 192, 200, 208, 216, 327, 739, 904, 905	3900363 ..... 163, 167	4010608 ..... 528, 539	477, 479, 481, 528, 531, 533
3740143.....843, 904	3910408 ... 229, 240, 253, 264, 287	4010618 .... 423, 425, 433	4240139..... 107
3760133..... 374, 379, 383	3910606 ... 331, 339, 348, 355, 645, 647	4031914 ... 228, 240, 252, 264, 286	4240149.... 487, 489, 491, 493, 495, 497, 499, 501, 503, 505, 507, 509, 511, 513, 515, 517, 519, 521, 523, 525
3760170.....93	3910608 ..... 157, 159	4032014 ... 228, 240, 252, 264, 286	4240150..... 163, 167
3760217.....379, 383	3910612 ..... 645	4032022 ... 176, 184, 192, 200, 208, 216	4240153..... 396
3760233.....379, 383	3910804 ..... 137, 139	4060092 ..... 647	4240155.21, 30, 393, 396
3760368..... 581, 583, 585	3911012 ..... 149, 153	4060802 ... 327, 331, 335, 339, 343, 348, 352, 355, 359	4240156..... 397
3760369..... 555	3930606 ..... 400	4060804 ... 163, 167, 176, 184, 192, 200, 208, 216	4300157.... 339, 343, 355, 359
3760371.... 559, 563, 565, 567	3930816 ..... 400	4060805 ... 176, 184, 192, 200, 208, 216	4340810..... 400
3760375..... 569, 571	3930820 .... 17, 21, 25, 29	4060806 ..... 163, 167	4340811..... 400
3760383..... 35	3931008 ..... 105	4060808 ..... 59, 61	4340832..... 129, 133
3760475..... 365, 369	3931016 ... 331, 335, 339, 343, 347, 351, 355, 359	4060906 ..... 129, 133	4340861..... 401
3780383..... 400	3931020 ..... 35, 400	4061054 ..... 405	4340959..... 400
3790012.... 443, 447, 451, 455, 459, 473	3931408 ..... 483	4070864 .... 374, 379, 383	4340995..... 162, 166
3790152.... 201, 209, 217, 249, 261, 283	3931412 ..... 35, 400	4071031 ..... 374, 400	4340996..... 162, 166
3790155.... 201, 209, 217, 249, 261, 283	3931414 ..... 400	4071035 .... 17, 21, 25, 29	4341000..... 162, 166
3790158..... 46, 50	3931424 ..... 483	4071036 .... 17, 21, 25, 29	4341001..... 162, 166
3811340..... 374	3931432 ... 229, 240, 253, 264, 287	4071039 .... 17, 21, 25, 29	4341110.... 172, 180, 188, 196, 204, 212
3820001.... 868, 871, 873, 877, 881, 886, 890, 893, 897	3931508 ... 230, 242, 254, 266, 288	4071040 .... 17, 21, 25, 29	4341158..... 401
3820020.... 417, 419, 431	3931512 ... 105, 228, 240, 252, 264, 286	4071041 ..... 87, 89	4341264..... 409
3841143.... 172, 180, 188, 196, 204, 212, 221, 233, 245, 257, 273, 279, 379, 383, 407	3931516 .... 581, 583, 585	4071042 .... 17, 21, 25, 29	4360057.... 477, 479, 481, 905
3841203..... 379, 383	3931532 ..... 595, 599	4071044 ..... 379, 383	4360070.... 332, 340, 348, 352, 356, 360
3841258.. 25, 29, 35, 379, 383	3931616 ... 117, 119, 121, 123, 125, 127	4071045 ..... 379, 383	4360328.... 129, 133, 473, 904
3841287.... 17, 21, 25, 29, 365, 369	3931620 ..... 555, 557	4071048 ..... 162, 166	4360336.... 327, 331, 335, 339, 343, 348, 352, 355, 359, 905
3841340..... 59, 61, 107	3931624 ..... 400	4071049 ..... 17, 22	4360387.... 133, 443, 447, 451, 455, 459, 477, 479, 481, 904
3841356..... 365, 369	3931628 ... 228, 240, 252, 264, 286	4071050 ..... 17, 22	4360407.... 443, 447, 451, 455, 459
3841581..... 365, 369	3931656 ..... 591, 593	4071054 .... 17, 21, 25, 29	4360469..... 137, 905
3890040..... 429	3931660 .... 569, 571, 573	4071055 .... 17, 21, 25, 29	4360470..... 139, 905
3900054..... 427, 429	3931724 ..... 595, 599	4071067 ..... 374	4360475.... 129, 133, 443, 447, 451, 455, 459, 904
3900085.... 147, 151, 155	3931740 ..... 591, 593	4071069 ..... 374	4360476.... 129, 133, 443, 447, 451, 455, 459, 904
3900183.... 443, 447, 451, 455, 459	3931816 ..... 33	4071071 ..... 374	4360505..... 35, 400, 904
3900210..... 409, 411	3931824 ... 559, 561, 563, 565, 567	4071072 ..... 396	4360542..... 327
3900223..... 87	3932024 ..... 35	4071073 ..... 379, 383	4360548..... 400, 905
3900232.... 107, 162, 166, 409	3932240 .... 575, 577, 579	4071074 ... 443, 447, 451, 455, 459	4360552..... 401, 905
3900251 ..... 130, 134	3932244 .... 569, 571, 573	4071076 ..... 393	4360578.... 17, 21, 25, 29, 783, 785, 904
3900259..... 379, 383	3941404 ..... 83	4071081 ..... 374	4360579..... 863, 905
3900260..... 396	3952020 ..... 87, 89	4100063 ..... 397	4360622..... 401, 905
3900267.... 332, 336, 340, 344	3960389 ..... 401	4100100 ..... 581, 585	4400462..... 107
3900269..... 374	3960418 ..... 130, 134	4100101 ..... 379, 383	4420014.... 487, 489, 491, 493, 495, 497, 499, 501, 503, 505, 507, 509, 511, 513, 515, 517, 519, 521, 523, 525
3900270.... 17, 21, 25, 29	3960422 ... 331, 339, 348, 355, 645, 647	4120035 ..... 765, 769	4420037 75, 77, 528, 531, 533, 535
3900283.... 67, 162, 166, 393, 396, 405, 409, 411	3960464 ..... 163, 167	4160194 ..... 162, 166	4420038..... 107
3900300.... 332, 336, 340, 344	3960525 ..... 107	4220189 ..... 393	4420051..... 901, 909
3900316.... 162, 166, 172, 180, 188, 196, 204, 212, 222, 234, 246, 258, 274, 280, 411	3960543 ... 176, 184, 192, 200, 208, 216, 228, 240, 252, 264, 286	4220190 ..... 393	4420060..... 379, 383
3900322..... 327	3960544 ... 176, 184, 192, 200, 208, 216, 228, 240, 252, 264, 286	4220197 ..... 397	4420062..... 543, 545
3900349.... 443, 447, 451, 455, 459	3960551 ..... 35	4220235 ..... 33	
	3960552 ..... 35	4240018 ... 172, 180, 188, 196, 204, 212, 331, 335, 339, 343, 348, 352, 355, 359, 400	
	3960571 ..... 401	4240032 ... 151, 155, 460, 739, 741, 749, 769, 847, 849	
	3980006 ..... 75, 77	4240033 ... 172, 180, 188, 196, 204, 212, 397, 400, 405, 483, 719, 741, 749, 779, 801	
	3990001 ..... 765, 904	4240099 ... 176, 184, 192, 200, 208, 216, 230, 242, 254, 266, 288,	
	3990010 ..... 769		
	4000008 ..... 401, 905		
	4010408 ... 335, 343, 701, 705, 707		

## PART NUMBER INDEX

4420066 ... 487, 489, 491, 493, 495, 497, 499, 501, 503, 505, 507, 509, 511, 513, 515, 517, 519, 521, 523, 525	4460419 ... 765, 769, 787, 789, 791, 795	4460662....649, 681, 689, 697	4460914 ..... 35, 129, 133, 401
4420068 .... 477, 479, 481	4460424 ..... 145, 787	4460702....749, 773, 847, 849	4460918 ... 847, 849, 851, 853, 859
4460007 ... 444, 447, 451, 455, 459	4460425 ... 129, 133, 332, 336, 340, 344, 348, 352, 356, 360, 477, 479, 481	4460703.....752	4460925 .... 789, 791, 795
4460016 .... 789, 791, 795	4460426 ... 332, 340, 348, 352, 356, 360	4460708....444, 448, 452, 456, 460, 791	4460926 ..... 801
4460019 ... 739, 749, 752, 773	4460428 ... 129, 133, 444, 447, 451, 455, 459	4460709.....647, 723, 727	4460928 ..... 715, 801
4460027 ..... 327	4460434 .... 789, 791, 795	4460710.....723, 727	4460929 .... 789, 791, 795
4460035 .... 743, 765, 769	4460449 ..... 779	4460722.....851, 853	4460930 ... 741, 749, 751, 752, 765, 769, 777, 787
4460042 ..... 747, 753	4460458 ..... 752	4460761....709, 717, 719, 747, 765, 769	4460931 ... 751, 773, 787, 843
4460043 ..... 752	4460464 ... 475, 713, 715, 719, 739, 741, 743, 745, 751, 752, 757, 765, 769, 773, 779, 787, 789, 791, 795, 799, 801, 803, 805, 807, 813, 845, 859	4460806....677, 679, 681, 683, 685, 687, 689, 691, 765, 769, 789, 791, 795	4460932 ... 711, 719, 752, 757, 792, 807, 851
4460049 .... 477, 479, 481	4460465 ... 349, 352, 357, 360, 713, 715, 717, 719, 741, 743, 747, 749, 751, 752, 759, 761, 763, 765, 766, 769, 770, 773, 775, 777, 779, 781, 787, 795, 799, 801, 803, 809, 811, 855, 857, 859	4460807.....759, 763	4460933 ... 715, 719, 741, 743, 747, 751, 787, 795
4460051 ..... 645, 647	4460466 ... 713, 715, 719, 741, 743, 747, 749, 751, 752, 773, 777, 781, 787, 789, 791, 795, 799, 801, 855, 857, 859, 861	4460808.....759, 763	4460934 .... 741, 751, 861
4460068 ..... 332, 340	4460467 ..... 912	4460836....719, 741, 747, 751, 765, 769, 787	4460935 .... 719, 741, 751
4460071 ... 331, 339, 348, 355, 475	4460470 ... 129, 133, 444, 447, 451, 455, 459	4460837 ..... 129, 133, 719	4460941 ... 719, 741, 751, 757, 765, 769
4460125 ..... 647	4460471 ... 129, 133, 444, 447, 451, 455, 460	4460842.....787	4460942 ... 719, 739, 751, 752, 757, 765, 769, 787
4460134 ..... 721	4460473 .... 781, 855, 857	4460843.....787	4460943 ... 149, 151, 153, 155, 711, 719, 741, 751, 773, 783, 787, 789, 791, 792, 795, 843, 851, 859, 861
4460142 ... 765, 769, 789, 791, 795	4460474 ..... 765, 769	4460865.....781, 855	4460944 ... 711, 719, 741, 749, 751, 752, 765, 769, 770, 773, 785, 787, 791, 795, 853, 859, 861
4460183 ... 743, 747, 789, 791, 795	4460483 ..... 332, 340	4460866....765, 769, 789, 791, 795, 859	4460945 ..... 770
4460190 ..... 327	4460488 .... 151, 155, 460	4460868.....770	4460950 ..... 741, 751
4460205 ..... 645, 721	4460496 ... 117, 119, 121, 123, 125, 127, 444, 448, 452, 456, 460	4460871....713, 743, 765, 769, 773, 787, 789, 791, 795, 803, 809, 811	4460956 ... 731, 733, 735, 737
4460213 .... 789, 791, 795	4460497 ... 117, 119, 121, 123, 125, 127, 444, 448, 452, 456, 460	4460873....765, 769, 789, 791, 795	4460957 ... 731, 733, 735, 737
4460224 ..... 344	4460500 ..... 773, 799	4460874.... 129, 133, 789, 791, 795	4460959 ..... 729
4460225 ... 759, 763, 765, 769, 789, 791, 795	4460508 ... 765, 769, 773, 789, 791, 795, 859	4460875..... 129, 133	4460960 ..... 729
4460226 ... 468, 471, 475, 709, 747, 763, 789, 791, 795	4460509 ... 781, 855, 857, 859	4460876....765, 769, 789, 791, 795	4460962 .... 528, 533, 725
4460227 ... 709, 717, 719, 747, 765, 769, 770, 789, 791, 795	4460510 ..... 912	4460877.....770	4460963 .... 348, 356, 725
4460234 ... 192, 216, 242, 266, 444, 447, 451, 455, 459, 477, 479, 481	4460518 ..... 713, 715	4460878.....765, 769	4460965 .... 765, 769, 787
4460247 ..... 752	4460526 ..... 129, 133	4460879....789, 791, 795	4460966 ..... 765, 769
4460256 ... 739, 773, 847, 849	4460536 ... 713, 743, 783, 787, 791, 795, 803, 805, 859	4460880....741, 779, 787, 801, 813	4460967 ... 349, 352, 357, 360, 761
4460259 ... 765, 769, 773, 789, 791, 795	4460539 ... 711, 719, 773, 785, 787, 791, 795, 803, 809, 859, 861	4460884....719, 741, 752, 766, 770, 791, 799, 811, 853	4460968 ... 18, 21, 26, 30, 401, 657, 665, 783, 785, 863
4460260 ... 765, 769, 770, 773, 789, 791, 795	4460540 ..... 713, 715	4460887....765, 769, 773, 789, 791, 795	4460970 ..... 751
4460265 ..... 467, 471	4460549 ..... 773, 799	4460888....766, 770, 789, 791, 795	4460971 ..... 528, 539
4460267 .... 787, 791, 845	4460550 ..... 743, 799	4460889.....773, 799	4460982 ..... 751
4460268 .... 145, 759, 787	44605536 ... 713, 743, 783, 787, 791, 795, 803, 805, 859	4460890.... 129, 133, 741	4461003 ..... 857
4460294 ..... 344	4460559 ... 711, 719, 773, 785, 787, 791, 795, 803, 809, 859, 861	4460894....719, 741, 749, 752, 765, 769, 795	4461004 ..... 787
4460297 ..... 765, 769	4460613 .... 765, 769, 859	4460897....739, 745, 757, 801, 813, 845	4461005 ..... 749, 787
4460312 ..... 773	4460634 ..... 765, 769	4460898.....743	4461006 ..... 749, 787
4460313 ... 749, 765, 769, 773	4460635 ..... 765, 769	4460899.....773, 799	4461007 ..... 787
4460315 ... 355, 645, 647, 749		4460905.... 129, 133, 444, 448, 452, 456, 460, 713, 743, 769, 770, 789, 791, 795	4461008 .... 749, 752, 787
4460320 ..... 787, 845		4460911....847, 849, 851, 853	4461009 ..... 859
4460346 ... 331, 339, 348, 355, 645		4460912....847, 849, 851, 853	4461013 ..... 847, 849
4460374 ..... 739			4461052 ..... 749
4460375 ..... 739			4461053 ..... 749
4460384 ..... 649, 651			4461054 .... 749, 752, 757
4460418 ... 765, 769, 789, 791, 795			4461060 ..... 749
			4461070 ... 715, 749, 751, 752
			4461071 ..... 749, 752

# PART NUMBER INDEX

4461072.....749, 752	4641454..... 59, 61, 65	509, 511, 513, 515,	4791400....71, 73, 75, 77,
4461073.....749, 752	4641460.... 409, 411, 413	517, 519, 521, 523, 525	176, 184, 192, 200,
4461074.....749, 752	4700014..... 374	4712600 ..... 149, 153	208, 216, 228, 240,
4461077.....859	4710400 ... 229, 240, 253,	4740171 ..... 237	252, 264, 286, 331,
4461095....715, 749, 751,	264, 287	4740181 ..... 35	335, 339, 343, 348,
752	4711000... 149, 153, 319,	4740229 ..... 35	352, 355, 359
4461097.....749	332, 336, 340, 344,	4740274 ... 176, 184, 192,	4811400....649, 651, 653,
4461196.....815, 817	348, 352, 356, 360	200, 208, 216	655, 657, 659, 661,
4461197.....817	4711400 ... 59, 61, 71, 73,	4740362 .... 437, 439, 441	663, 665, 667, 669,
4461198....657, 659, 815,	75, 77, 162, 166, 172,	4740397 ... 327, 444, 448,	671, 673, 675, 677,
817	180, 188, 196, 204,	452, 456, 460	679, 681, 683, 685,
4461199.....819, 821	212, 221, 229, 233,	4740430 ..... 67	687, 689, 691, 693,
4461200.....821	240, 245, 253, 257,	4740444 ..... 129, 133	695, 697, 699
4461201....665, 667, 819,	264, 273, 279, 287,	4740461 .... 18, 21, 25, 30	4811600.....35
821	331, 335, 339, 343,	4740492 ..... 366, 370	4811700.... 149, 151, 153,
4461202....823, 825, 831,	348, 352, 355, 359,	4740500 ..... 162, 166	155, 423, 425, 433,
833	396, 401, 405, 421,	4740505 ..... 35	528, 539
4461203.....825, 833	423, 425, 431, 433,	4740518 ... 176, 184, 192,	4811900.... 163, 167, 228,
4461205....823, 825, 827,	483, 485, 645, 647,	200, 208, 216	240, 252, 264, 286
829, 831, 833, 835, 837	649, 651, 653, 655,	4750600 ... 129, 133, 157,	4811902....228, 240, 252,
4461206.....829, 837	657, 659, 661, 663,	159	264, 286
4461244....681, 683, 831,	665, 667, 669, 671,	4750800 ... 18, 21, 26, 30,	4812000....228, 240, 252,
833	673, 675, 677, 679,	35, 444, 448, 452, 456,	264, 286, 366, 370, 407
4461245....689, 691, 835,	681, 683, 685, 687,	460	4812100....221, 228, 233,
837	689, 691, 693, 695,	4751000 ... 107, 129, 133,	241, 245, 252, 257,
4461246....697, 699, 839,	697, 699, 701, 703,	147, 151, 155, 327,	265, 273, 279, 286, 407
841	705, 707	331, 335, 339, 343,	4812200....228, 241, 252,
4461249.....839, 841	4711500. 35, 59, 61, 109,	348, 352, 356, 360,	265, 286
4461250.....841	111, 113, 115, 159,	401, 444, 448, 452,	4831900....228, 241, 252,
4530028....528, 531, 533,	172, 176, 180, 184,	456, 460, 528, 531,	265, 286
537	188, 192, 196, 200,	533, 535, 539	4845582.....543, 545
4562516.....393, 396	204, 208, 212, 216,	4751400 ... 129, 133, 149,	4846383.... 18, 21, 26, 30
4568293.... 176, 184, 192,	228, 240, 252, 264,	151, 153, 155, 176,	4846482..... 379, 383
200, 208, 216	286, 397, 401, 409,	184, 192, 200, 208,	4846503.....162
4568426.....109, 111	411, 443, 452	216, 228, 240, 252,	4846552.... 176, 184, 192,
4568427.....109, 111	4711600 ... 17, 21, 25, 30,	264, 286, 328, 405,	200, 208, 216
4568808.....591	59, 61, 71, 73, 75, 77,	435, 437, 439, 441,	4846573.....403, 405
4568811.....595	107, 157, 159, 162,	444, 448, 452, 456,	4846627.... 528, 531, 533,
4568815....629, 633, 636	166, 172, 176, 180,	460, 477, 479, 481,	535
4568819.....595	184, 188, 192, 196,	485, 528, 531, 533,	4846637.... 18, 21, 26, 30
4568849....628, 632, 636	200, 204, 208, 212,	535, 868, 871, 874,	4846673.....479
4630006.....379, 383	216, 221, 228, 233,	877, 882, 886, 890,	4846871..... 162, 166
4640452....581, 583, 585	240, 245, 252, 257,	893, 898	4846872..... 162, 166
4640509.....555, 557	264, 273, 279, 286,	4751500 ... 145, 163, 167,	4846920.....397
4640751.... 176, 184, 192,	319, 321, 327, 331,	331, 335, 339, 343,	4846945.... 184, 192, 208,
200, 208, 216, 230,	335, 339, 343, 348,	348, 352, 355, 359,	216
242, 254, 266, 288	352, 355, 359, 365,	477, 479, 481, 543, 545	4846946.... 176, 184, 192,
4640858.....559, 561	369, 393, 397, 405,	4751600 ... 35, 67, 75, 77,	200, 208, 216
4640938....569, 571, 573	409, 411, 448, 456,	95, 107, 109, 111, 117,	4891400.....401
4641114....581, 583, 585	460, 547, 549, 551, 595	119, 121, 123, 125,	4891500.....328
4641155.....59, 61	4711700 ... 228, 240, 252,	127, 162, 166, 409,	4891600.... 107, 200, 208,
4641162.....595, 599	264, 286, 321, 327	411, 437, 439, 441,	217, 249, 261, 283,
4641247.....109, 113	4711800 ... 18, 21, 26, 30,	528, 531, 533, 535	393, 397, 403, 405, 407
4641255.....413	35, 59, 61, 157, 159,	4751700 ... 228, 240, 252,	4891800.... 157, 159, 176,
4641260....581, 583, 585	176, 184, 192, 200,	264, 286	184, 192, 200, 208,
4641268.....59, 61, 63	208, 216, 222, 234,	4751800 ... 105, 427, 429,	216, 225, 249, 261,
4641276.....559, 561	246, 258, 274, 280,	477, 479, 481	277, 283, 331, 335,
4641285....575, 577, 579	401, 427, 429	4752000 ... 172, 180, 188,	339, 343, 348, 352,
4641288.....591, 593	4711900 ..... 327	196, 204, 212, 221,	355, 359, 374, 379,
4641298.....595, 599	471200025, 30, 487, 491,	233, 245, 257, 273, 279	383, 393, 397, 403,
4641316.....639	493, 495, 499, 503,	4755000 ..... 35	405, 407
4641340....569, 571, 573	507, 509, 513, 517,	4760600 ..... 645, 647	4892000.... 37, 39, 55, 57,
4641370....569, 571, 573	521, 525, 547, 549, 551	4760800 ... 444, 448, 452,	91, 228, 241, 252, 265,
4641372.....604, 608	4712200 ... 487, 489, 491,	456, 460	286, 328, 366, 370, 405
4641386....563, 565, 567	493, 495, 497, 499,	4761400 .... 129, 133, 435	4892400.....87, 89
4641388....563, 565, 567	501, 503, 505, 507,	4761600 ..... 77	4892600.... 403, 405, 407
4641393....563, 565, 567		4770600 ..... 157, 159	4922099.....765



# PART NUMBER INDEX

4922641 ... 349, 352, 357, 361	7000803 ..... 65	70001130.....219	70002047 ..... 49
4922666 ... 444, 448, 452, 456, 460, 709	7000804 ..... 65	70001131.....219	70002048 ..... 49
4922696 ..... 741	7000805 ..... 65	70001135.....219	70002049 ..... 49
4922705 ..... 717, 747	7000806 ..... 65	70001344..171, 179, 187, 195, 203, 211, 222, 234, 246, 258, 274, 280	70002050 ..... 49
4922718 ..... 711	7000810 ..... 45	70001384..347, 351, 356, 359	70002052 ..... 49
4922767 ..... 779	7000811 ..... 45	70001421.....84	70002057 ..... 49, 101
4922777 ..... 801	7000812 ..... 45	70001424.....541	70002088 ..... 347, 351
4922784 ..... 775	7000813 ..... 45	70001425.....541	70002097.. 409, 411, 904
4922785 ..... 745	7000815 ..... 45	70001427.....541	7000213 ..... 98
4922869 ..... 405, 747	7000816 ..... 45	70001428.....541	70002132 ..... 308
4922946 ..... 719	7000817 ..... 45	70001429.....541	70002133 ..... 308, 311
4922947 ..... 849	7000818 ..... 45	70001430.....541	70002134 ..... 308
4922948 ..... 847	7000819 ..... 46	70001431.....541	70002135 ..... 308
4922949 ..... 861	7000820 ..... 45	70001432.....541	70002136 ..... 308
4922950 ..... 853	7000821 ..... 45	70001433.....541	70002137 ..... 308
4922951 ..... 851	7000822 ..... 45	70001435.....219	70002138 ..... 308
4922955 ..... 781	7000823 ..... 45	70001639.....385, 387	70002139 ..... 308
4922956 ..... 855	7000824 ..... 45	70001640.....389, 391	70002140 ..... 308
4922958 ..... 857	7000825 ..... 45	70001696..347, 351, 356, 360	70002141 ..... 308
4922962 ..... 729	7000826 ..... 45	70001847 ..... 219	70002142 ..... 308
4922972 ... 348, 352, 355, 359, 763	7000828 ..... 45	70001850.....219	70002143 ..... 308
4922981 ..... 721	7000829 ..... 45	70001857.....219	70002145 ..... 308
4922983 ..... 723, 727	7000830 ..... 45	70001867.....219	70002148 ..... 308
4923036 ... 129, 133, 843	7000831 ..... 45	70001868.....219	70002150 ..... 308
4923169 ..... 863	7000832 ..... 45	70001870...219, 269, 291	70002151 ..... 308
4923170 ..... 783	7000833 ..... 45	70001871.....219	70002152 ..... 308
4923171 ..... 785	7000834 ..... 45	70001873.....84	70002153 ..... 308
4923256 ..... 777	7000835 ..... 45	70001939.....63	70002154 ..... 308
4923373 ..... 859	7000836 ..... 45	70001952.....296	70002155 ..... 308
4923382 ..... 739	7000837 ..... 45	70001953.....347, 351	70002156 ..... 308
4923384 ..... 729	7000838 ..... 45	70001955.....311	70002157 ..... 308
4923385 ..... 729	7000839 ..... 45	70001956.....311	70002158 ..... 308
4923397 ... 129, 133, 787	7000840 ..... 45	70001958.....309	70002159 ..... 308
4923448 ... 444, 448, 789	7000841 ..... 45	70001966..332, 336, 340, 344, 347, 351, 356, 360	70002160 ..... 308
4923468 ... 176, 184, 192, 200, 208, 216	7000842 ..... 45	70001968.....297	70002161 ..... 308
4923592 ... 176, 184, 200, 208	7000843 ..... 45	70001973..347, 351, 356, 360	70002162 ..... 308
4923640 ..... 723, 727	7000844 ..... 45	70001974..347, 351, 356, 360	70002163 ..... 308
4923641 ..... 723	7000845 ..... 45	70001976.....63	70002164 ..... 308
4923642 ..... 721	7000846 ..... 45	70002015.....49	70002165 ..... 308
4923643 ..... 721	7000847 ..... 45	70002016.....49	70002168 ..... 309
4933218 ... 477, 479, 481, 864	7000848 ..... 45	70002018.....49	70002174 ..... 309
4933278 ..... 405, 864	7000849 ..... 45	70002019.....49	70002175 ..... 309
5241200 46, 50, 403, 407	7000852 ..... 53	70002020.....49	70002177 ..... 309
5251008 ..... 407	7000853 ..... 53	70002021.....49	70002178 ..... 309
5251016 ..... 407	7000854 ..... 53	70002026.....49	70002179 ..... 309
70000044 ..... 219	7000855 ..... 53	70002027.....49	70002231 . 171, 179, 187, 195, 203, 211, 221, 233, 245, 257, 273, 279, 904
70000124 ..... 327	7000856 ..... 53	70002029.....49	7000224 ..... 98
70000125 ..... 327	7000857 ..... 53	70002030.....49	70002247 ..... 50
70000342 ..... 385, 387	7000858 ..... 53	70002031.....49	70002248 ..... 50
70000345 .. 219, 269, 291	7000859 ..... 53	70002032.....49, 101	70002249 ..... 50
70000619 . 347, 351, 355, 359	7000860 ..... 53	70002033.....49	70002255 ..... 347, 351
70000777 . 569, 571, 573, 595, 599	7000861 ..... 53	70002034.....49	70002291 ..... 356, 360
70000778 . 569, 571, 573, 595, 599	7000862 ..... 53	70002035.....49	70002297 . 347, 351, 356, 359
70000780 ..... 105	7000863 . 347, 351, 356, 359	70002036.....49	7000236 ..... 98
70000793 ..... 317	7000863 . 347, 351, 356, 359	70002037.....49	7000239 ..... 98
70000796 ..... 389, 391	7000866 . 347, 351, 355, 359	70002039.....49	70002393 ..... 45
70000801 ..... 65	7000867 . 347, 351, 355, 359	70002040.....49	70002395 ..... 45
70000802 ..... 65	7000868 . 347, 351, 355, 359	70002041.....49	70002396 ..... 45
	7000869 . 347, 351, 355, 359	70002044.....49	7000240 ..... 98
	7000870 . 347, 351, 355, 359	70002045.....49	70002460 . 347, 351, 356, 360
	7000871 . 347, 351, 355, 359	70002046.....49	70002569 ..... 298
	7000872 . 347, 351, 355, 359		70002576 ..... 315

# PART NUMBER INDEX

70002578.....311	70004092 . 332, 336, 340, 344, 356, 360	70004747 ..... 471	70006494.....565
70002580.....311	70004093..... 356, 359	70004748 ..... 471	70006495.....565
70002582.....311	70004094..... 356, 360	70004749 ..... 471	70006496.....565
70002583.....311	70004095..... 356, 360	70004750 ..... 471	70006507.....579
70002585.....311	70004096..... 356, 360	70004751 ..... 471	70006508.....579
70002586.....311	70004097..... 356, 360	70004752 ..... 467	70006509.....579
70002588.....311	70004098 . 332, 340, 356, 360	70004753 ..... 467	70006520.....561
70002589.....311	70004099 . 340, 344, 356, 359	70004754 ..... 467	70006523.....583
70002590.....311	70004169..... 347, 351	70004755 ..... 467	70006524.....583
70002592.....312	70004171 . 332, 336, 347, 351	70004756 ..... 467	70006525.....583
70002593.....312	70004185..... 913	70004757 ..... 467	70006526.....583
70002599.....312	70004275 ..... 269, 291	70004758 ..... 467	70006552.. 331, 335, 339, 343
70002600.....308	70004277 ..... 270, 292	70004759 ..... 467	70006553.. 331, 335, 339, 343
70002601.....308	70004279 ..... 270, 292	70004760 ..... 467	70006693..... 593
70002602.....308	70004280 ..... 269, 291	70004761 ..... 467	70006694..... 593
70002604.....309	70004282 ..... 270, 292	70004762 ..... 467	70006695..... 593
70002605.....309	70004284 ..... 270, 292	70004763 ..... 467	70006696..... 593
70002606.....309	70004328 ..... 409, 411	70004764 ..... 467	70006713..... 599
70002607.....309	70004414 ..... 107	70004765 ..... 467	70006714..... 599
70002609.....309	70004416 ..... 311	70004766 ..... 467	70006715..... 599
70002610.....309	70004417 ..... 311	70004767 ..... 467	70006716..... 599
70002612.....309	70004420 ..... 311	70004768 ..... 467	70006717..... 599
70002616.....309	70004421 ..... 311	70004769 ..... 467	70006718..... 599
70002617.....309	70004422 ..... 312	70004770 ..... 467	70006986..... 101
70002618.....308	70004423 ..... 311	70004771 ..... 467	70006987..... 101
70002619.....308	70004426 ..... 311	70004772 ..... 467	70006988..... 101
70002620.....308	70004427 ..... 311	70004773 ..... 467	70006989..... 101
70002621.....309	70004428 ..... 311	70004774 ..... 467	70006990..... 101
70002622.....309	70004429 ..... 311	70004775 ..... 467	70006991..... 101
70002623.....309	70004467 ..... 101	70005230 ..... 471	70006992..... 101
70002674..... 49	70004469 ..... 101	70005317 ..... 101	70006993..... 101
70002718... 219, 269, 291	70004474 ..... 101	70005318 ..... 101	70006994..... 101
70002742..... 84	70004477 ..... 101	70005418 ..... 312	70006995..... 101
70002743..... 84	70004480 ..... 101	70005445 ..... 270, 292	70006996..... 101
7000281..... 98	70004481 ..... 101	70005456 ..... 105	70006997..... 101
70002859..... 389, 391	70004484 ..... 102	70005480 ..... 302	70006998..... 101
7000287..... 98	70004494 ..... 102	70005481 ..... 302	70006999..... 101
7000288..... 98	70004501 ..... 270, 292	70005615 ..... 79	70007000..... 101
70002902..... 475	70004502 ..... 270, 292	70005616 ..... 79	70007001..... 101
70002903..... 475	70004503 ..... 270, 292	70005617 ..... 79	70007002..... 101
70002904..... 475	70004646 ..... 913	70005618 ..... 79	70007003..... 101
70002905..... 475	70004647 ..... 913	70005619 ..... 79	70007004..... 102
70003043..... 84	70004648 ..... 913	70006093 ..... 356, 359	70007005..... 79, 102
70003135..... 219	70004676 . 332, 336, 340, 344	70006094 ..... 356, 360	70007006..... 79, 102
70003136..... 219	70004677 ..... 336	70006095 ..... 356, 360	70007007..... 79, 102
70003475..... 219	70004678 . 332, 336, 340, 344	70006096 ..... 356, 360	70007008..... 102
70003523..... 98	70004680 . 332, 336, 340, 344	70006097 ..... 356, 360	70007009..... 101
70003524..... 98, 99	70004681 ..... 336, 344	70006137 . 171, 179, 187, 195, 203, 211, 222, 234, 246, 258, 274, 280	70007010..... 102
70003628..... 53	70004682 . 332, 336, 340, 344	70006315 ..... 83	70007011..... 101
70003629..... 98	70004683 ..... 336, 344	70006359 ..... 557	70007012..... 102
70003631.. 347, 351, 356, 359	70004684 ..... 332	70006360 ..... 557	70007013..... 102
70003708.. 332, 336, 340, 344, 347, 351, 356, 360	70004685 ..... 332, 340	70006361 ..... 557	7000731..... 98, 99
70003709.. 332, 336, 340, 344, 347, 351, 356, 360	70004686 ..... 344	70006362 ..... 557	70007439..... 309
70003784.. 443, 447, 451, 455, 459	70004687 ..... 340	70006363 ..... 557	7001900..... 98
70003800..... 81	70004688 ..... 340	70006365 ..... 573	7001902..... 98
70003801..... 81	70004738 ..... 471	70006380 ..... 573	7001904..... 98
70003802..... 81	70004739 ..... 471	70006381 ..... 573	7001906..... 98
70003803..... 81	70004740 ..... 471	70006382 ..... 573	7001917..... 98
70003913..... 397, 904	70004741 ..... 471	70006383 ..... 573	7001918..... 98
70003914..... 397	70004742 ..... 471	70006473 ..... 561	7001920..... 98
70003916..... 397	70004743 ..... 471	70006474 ..... 561	7001921..... 98
70003919..... 393, 904	70004744 ..... 471	70006490 ..... 589	7001922..... 98
70003920..... 393	70004745 ..... 471	70006491 ..... 589	7001923..... 98
	70004746 ..... 471	70006492 ..... 589	7001924..... 98
		70006493 ..... 589	7001926..... 98

## PART NUMBER INDEX

7001927 ..... 98	70025179 ..... 270, 292	7011367.....569, 571, 573, 575, 577, 579	7020109 ..... 327
7001929 ..... 98	70025180 ..... 270, 292	7011368.....591, 593	7020110 ..... 327
70021867 ..... 296, 302	70025181 ..... 269, 291	7011369.....591, 593	7020111 ..... 327
70022286 ..... 311	70025182 ..... 270, 292	7011370.....591, 593	7020175 ... 129, 133, 443, 447, 451, 455, 459
70023592 . 229, 241, 253, 265, 287	70025183 ..... 270, 292	7011371.....591, 593	7020176 ... 129, 133, 443, 447, 451, 455, 459
70023593 . 229, 241, 253, 265, 287	70025184 ..... 270, 292	7011372.....591, 593	7020190 ..... 327
70024190 . 229, 242, 253, 266, 287, 905	70025190 ..... 269, 291	7011375.....569, 571, 573	7020404 ..... 269, 291
70024473 ..... 270, 292	70025200 ..... 270, 292	7011376.....563, 565, 567	7020414 ..... 219
70024484 ..... 270, 292	70025203 ..... 270, 292	70124530.....270	7020447 ..... 219
70024486 ..... 269, 291	70025204 ..... 269, 291	70124538.....271	7020460 ..... 219
70024488 ..... 269, 291	70025205 ..... 269, 291	7012513.....327	7020465 ... 219, 269, 291
70024504 ..... 270, 292	70025206 ..... 269, 291	7012514.....327	7020468 ..... 219
70024507 ..... 270, 292	70025207 ..... 269, 291	7012558.....327	7020471 ..... 219
70024513 ..... 269, 291	70025208 ..... 269, 291	7012706.....296, 302	7020479 ..... 219
70024517 ..... 269, 291	70025210 ..... 270, 292	7012709.....296, 302	7020486 ..... 219
70024904 ..... 269, 291	70025231 ..... 269, 291	7012715.....296, 302	7020492 ..... 270, 292
70024905 ..... 269, 291	70025235 ..... 270, 292	7012773.....63	7021249 ..... 53
70024906 ..... 269, 291	70025239 ..... 269, 291	7012941.....65	7021256 ..... 309
70024907 ..... 269, 291	70025477 ..... 270, 292	7012942.....65	7021265 ..... 309
70024910 ..... 270, 292	70025533 ..... 270, 292	7012943.....83, 904	7021275 ..... 53, 308, 311
70024912 ..... 270, 292	70025660 ..... 271	7012944.....65, 413, 904	7021293 ..... 309
70024915 ..... 270, 292	70026210 ..... 270, 292	7012955.....65	7022300 ..... 309
70024917 ..... 270, 292	7002821 ..... 912	7012967.....65, 581, 583, 585	7022301 ..... 308
70024918 ..... 270, 292	7002822 ..... 912	7012998.....65	7022311 ..... 53
70024919 ..... 270, 292	7002823 ..... 912	7015003.....175, 183, 191, 199, 207, 215	7022314 ..... 53
70024920 ..... 270, 292	7002828 ..... 913	7015013.....175, 183, 191, 199, 207, 215	7022321 ..... 53
70024924 ..... 269, 291	7003655 ... 175, 183, 191, 199, 207, 215, 904	7015014.....175, 183, 191, 199, 207, 215	7022340 ..... 311
70024925 ..... 269, 291	7004035 ..... 99	7015015.....175, 183, 191, 199, 207, 215	7022368 ..... 53
70024961 ..... 269, 291	7004043 ..... 99	7016319.....147	7022371 ..... 53
70025076 ..... 269, 291	7004044 ..... 99	7016322.....157, 159	7022608 ..... 309
70025080 ..... 269, 291	7004275 ..... 913	7016331.....219, 269, 291, 905	7023881 ..... 297
70025082 ..... 269, 291	7004276 ..... 913	7016372.....147	7023922 ..... 413
70025084 ..... 270, 292	7004453 ..... 99	7016374.....157, 159	7023936 ..... 77
70025088 ..... 269, 291	7007207 ..... 308, 311	7016654.....912	7023962 ..... 311
70025091 ..... 269, 291	7007415 ... 309, 311, 312	7016655.....913	7023964 ..... 311, 312
70025103 ..... 270, 292	7007418 ..... 308	7017072.....98	7024005 ..... 297
7002511 ..... 269, 291	7007419 ..... 308	7017082.....98	7024038 ..... 296, 302
70025112 ..... 270, 292	7007420 ..... 53	7017085.....98	7024042 ..... 296
70025120 ..... 270, 292	7007437 ..... 53	7017094.....98	7024043 ..... 296
70025135 ..... 269, 291	7007438 ..... 53	7017142.....385, 387	7024044 ..... 296, 302
70025136 ..... 269, 291	7007439 ..... 53	7017158.....385	7024064 ..... 296
70025137 ..... 269, 291	7007446 ..... 53, 308, 311	7017159.....385, 387	7024065 ..... 297
70025140 ..... 269, 291	7007489 ..... 315	7017162.....385, 387, 391	7024068 ..... 297
70025142 ..... 270, 292	7007645 ..... 98	7017163.....385, 387, 391	7024069 ..... 298
70025143 ..... 270, 292	7007646 ..... 98	7017164.....385, 387, 391	7024070 ..... 297
70025144 ..... 270, 292	7007648 ..... 98	7017184.....389	7024071 ..... 297
70025145 ..... 269, 291	70104570 ..... 271	7017185.....389, 391	7024072 ..... 297
70025146 ..... 269, 291	7010467 ..... 98	7017187.....389	7024073 ..... 297
70025149 ..... 270, 292	7010543 ..... 65	7017188.....389	7024075 ..... 297
70025151 ..... 270, 292	7010697 ..... 83	7017191.....389	7024076 ..... 297
70025152 ..... 269, 291	7010795 ..... 99	7017195.....385, 387, 389, 391	7024077 ..... 297
70025153 ..... 269, 291	7011311 ... 569, 571, 573, 575, 577, 579, 591, 593, 604, 608	7017402.....413	7024080 ..... 297
70025154 ..... 269, 291	7011346 ..... 63, 413, 569, 571, 573, 595, 599, 604, 608	7017405.....65	7024081 ..... 297
70025155 ..... 270, 292	7011351 ..... 591, 593	7018936.....298	7024083 ..... 297
70025156 ..... 270, 292	7011353 ... 563, 565, 567	7018991.....63, 904	7024084 ..... 297
70025160 ..... 270, 292	7011355 ..... 413	7019680.....327	7024085 ..... 298
70025161 ..... 270, 292	7011359 ..... 595, 599	7020021 ..... 107	7024087 ..... 298
70025162 ..... 269, 291	7011361 ..... 595, 599	7020043 ..... 107	7024088 ..... 298
70025163 ..... 269, 291	7011362 ... 569, 571, 573	7020108.....327	7024089 ..... 298
70025164 ..... 270, 292	7011364 ... 569, 571, 573		7024097 ..... 297
70025171 ..... 269, 291	7011365 ... 569, 571, 573		7024135 ..... 98
70025176 ..... 269, 291			7024183 ..... 98
70025177 ..... 270, 292			7024184 ..... 98
70025178 ..... 270, 292			7024185 ..... 98
			7024186 ..... 98

# PART NUMBER INDEX

7024188.....98, 99	7024572 ..... 413	7026690 ..... 83	7027882.....83
7024189.....99	7024579 ... 219, 269, 291	7026691 ..... 83	7027887.....327
7024190.....99	7024584 ... 171, 179, 187,	7026692 ..... 83	7028909....149, 151, 153,
7024191.....99	195, 203, 211	7026693 ..... 83	155
7024192.....99	7024598 ..... 157, 159	7026694 ..... 83	77363233.....759, 763
7024193.....99	7024763 ..... 98	7026695 ..... 83	8007894.....84
7024194.....99	7024800 ..... 309	7026696 ..... 83	8007935.....84
7024196.....99	7024865 ..... 53	7026697 ..... 83	8007939.....84
7024197.....99	7024867 ..... 53	7026698 ..... 83	8007954.....84
7024365.....17, 25	7024868 ..... 53	7027008 ... 171, 179, 187,	80334251.....105
7024366.....17, 25	7024890 ..... 71, 73, 904	195, 203, 211	80484084.....752
7024379.....99	7024906 ..... 297	7027009 ... 171, 179, 187,	80983191.....752
7024380.....99	7024908 ..... 297	195, 203, 211	8220051.....757
7024381.....99	7024911 ..... 297	7027010 ... 171, 179, 187,	8220164.....751
7024389.....99	7024913 ..... 296, 302	195, 203, 211	8229242....752, 766, 770
7024390.....99	7024914 ..... 296, 302	7027011 ... 171, 179, 187,	8310070.....401
7024391.....99	7024915 ..... 296, 302	195, 203, 211	8310129....487, 491, 493,
7024392.....99	7024916 ..... 296, 302	7027046 ... 221, 233, 245,	495, 499, 503, 507,
7024393.....99	7024917 ..... 296, 302	257, 273, 279	509, 513, 517, 521, 525
7024394.....99	7024918 ..... 296, 302	7027047 ... 221, 233, 245,	8310230....489, 497, 501,
7024395.....99	7024919 ..... 296, 302	257, 273, 279	505, 511, 515, 519, 523
7024439.....107	7024920 ..... 296, 302	7027048 ... 221, 233, 246,	8320270.....219, 905
7024440.....107	7024921 ..... 296, 302	257, 273, 279	8405006....221, 230, 233,
7024441.....107	7024922 ..... 296, 302	7027049 ... 222, 234, 246,	242, 245, 254, 257,
7024443.....107	7024927 ..... 63	258, 274, 280	266, 273, 279, 288, 319
7024444.....107, 904	7026018 ..... 413	7027200 ..... 83	8405007....229, 242, 253,
7024445.....107	7026019 ..... 413	7027201 ..... 83	266, 287
7024446.....107	7026020 ..... 413	7027202 ..... 83	8405201....228, 241, 252,
7024453.....99	7026021 ..... 413	7027203 ..... 83	265, 286
7024462.....537	7026022 ..... 413	7027204 ..... 83	8405204....228, 241, 252,
7024463.....537	7026023 ..... 413	7027206 ..... 83, 904	265, 286
7024467.....537	7026028 ..... 63	7027207 ..... 83, 904	8406102....230, 242, 254,
7024469.....537	7026029 ..... 105	7027208 ..... 83, 904	266, 288
7024470.....537	7026030 ..... 105	7027209 ..... 83, 904	8406112....230, 242, 254,
7024471.....537, 541	7026031 ..... 105	7027235 ..... 219	266, 288
7024472.....537	7026032 ..... 105	7027236 ..... 219	8406302....228, 240, 252,
7024473.....537	7026188 ..... 347, 351	7027239 ..... 219, 904	264, 286
7024474.....537	7026597 ... 347, 351, 356,	7027240 ..... 219	8410013....176, 184, 192,
7024475.....537	360	7027276 ..... 219	200, 208, 216, 228,
7024478.....537	7026599 ..... 107	7027284 ..... 604, 608	241, 252, 265, 287
7024485....347, 351, 356,	7026600 ..... 107	7027285 ..... 604, 608	8580420.....67
360	7026608 ..... 219, 904	7027738 ..... 83	88261024.....411
7024488....347, 351, 355,	7026626 ... 347, 351, 356,	7027740 ..... 53	88521214...547, 549, 551
359	360	7027773 ..... 537	88662523.....162, 166
7024489....347, 351, 355,	7026665 ..... 105	7027774 ..... 537	90028660..172, 180, 188,
359	7026671 ..... 84	7027775 ..... 537	196, 204, 212, 222,
7024530.....541	7026672 ..... 84	7027776 ..... 537	234, 246, 258, 274, 280
7024531.....541	7026678 ..... 84	7027777 ..... 537	91143339.....751
7024532.....541	7026680 ..... 84	7027778 ..... 537	91143340.....751
7024533.....541	7026683 ..... 84	7027779 ..... 537	91203039.....407
7024534.....541	7026684 ..... 83	7027780 ..... 537	91403230..867, 871, 873,
7024535.....541	7026685 ..... 83	7027790 ..... 219	877, 881, 885, 889,
7024536.....541	7026686 ..... 83	7027791 ..... 219	893, 897
7024537.....541	7026687 ..... 83	7027792 ..... 219	91563070..228, 241, 252,
7024565.....219	7026688 ..... 83	7027799 ... 347, 351, 356,	265, 287
7024571.....413, 904	7026689 ..... 83	360	





3121737



An Oshkosh Corporation Company

**Corporate Office**  
**JLG Industries, Inc.**  
**1 JLG Drive**  
**McConnellsburg, PA 17233-9533 USA**  
☎ **(717) 485-5161 (Corporate)**  
☎ **(877) 554-5438 (Customer Support)**  
☎ **(717) 485-6417**

**Visit our website for JLG Worldwide Locations.**  
**[www.jlg.com](http://www.jlg.com)**