



Illustrated Parts Manual

Models
1200SJP
1350SJP

SN 0300201016 to Present
SN B300002238 to Present

P/N
3121738

September 4, 2018 - Rev J

ANSI

CE



AS/NZS



An Oshkosh Corporation Company

REVISION LOG

NOTE: The 1200SJP & 1350SJP may be manufactured by JLG Industries in the following countries: USA and China. The country of manufacture may be determined by the serial number located on the serial number nameplate. Machines manufactured in the USA will have a prefix number of 03 (i.e. 03xxxxxxxx). Machines manufactured in China will have a prefix number of B3 (i.e. B3xxxxxxxx).

REVISION LOG:

June 30, 2016 - A - Original Issue Of Manual (Edited to B/M 1001160100 Revision AJ)

September 15, 2016 - B - Revised Manual (Edited to B/M 1001160100 Revision AJ)

December 31, 2016 - C - Revised Manual (Edited to B/M 1001160100 Revision AJ)

March 15, 2017 - D - Revised Manual (Edited to B/M 1001160100 Revision AW)

June 23, 2017 - E - Revised Manual (Edited to B/M 1001160100 Revision AW)

September 15, 2017 - F - Revised Manual (Edited to B/M 1001160100 Revision AX and 1001220713 Revision B)

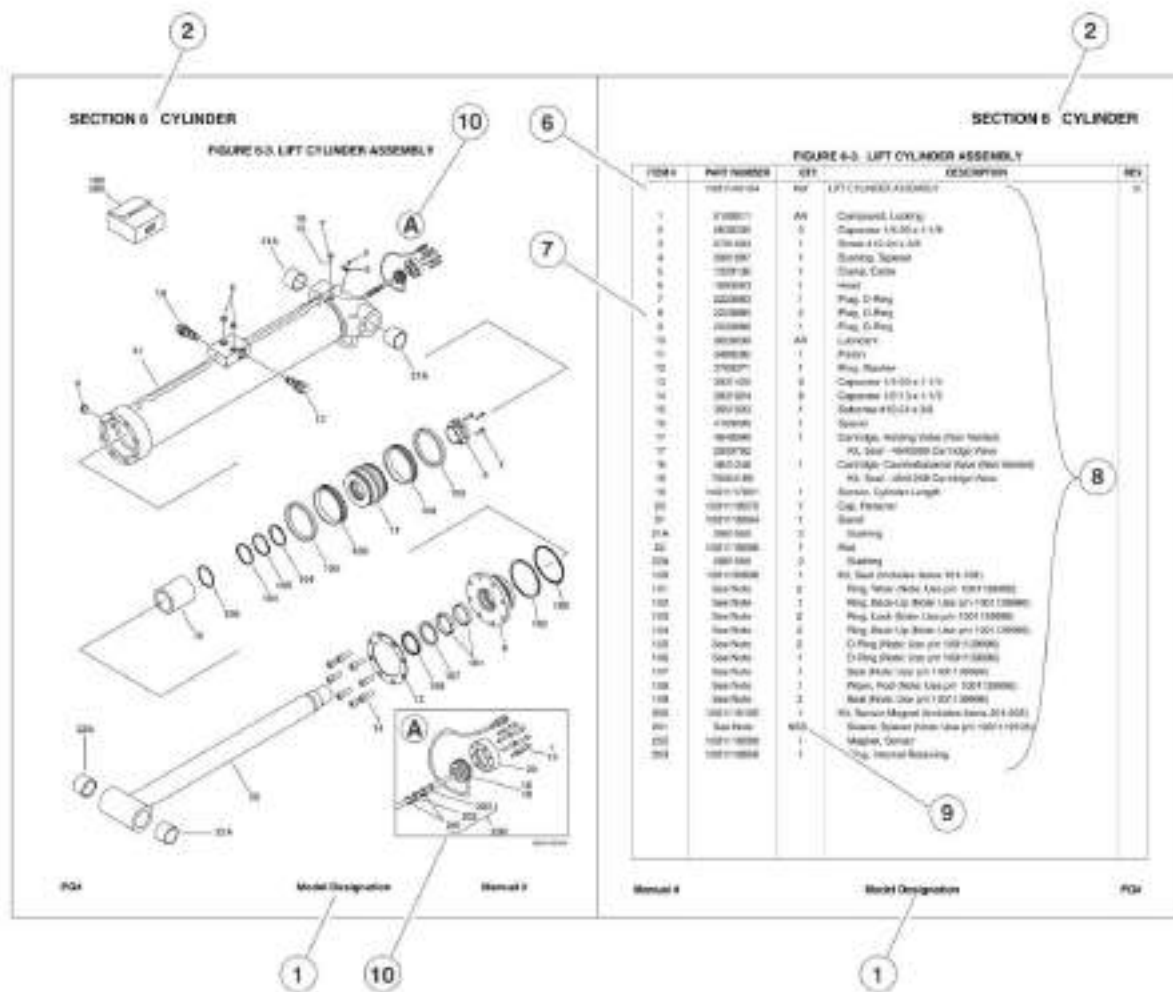
December 22, 2017 - G - Revised Manual (Edited to B/M 1001160100 Revision AY and 1001220713 Revision C)

March 16, 2018 - H - Revised Manual (Edited to B/M 1001160100 Revision BD and 1001220713 Revision C)

June 15, 2018 - I - Revised Manual (Edited to B/M 1001160100 Revision BK and 1001220713 Revision C) (Revision 1)

September 4, 2018 - J - Revised Manual (Edited to B/M 1001160100 Revision BP and 1001220713 Revision G) (Revision 2)

GENERAL INFORMATION



1) MACHINE IDENTIFICATION

Machines are identified by model and in some cases a combination of models, serial number (SN) or regional standard (Le ANSI, CE, CSA). Components may also be identified by SN or manufacturer. Common components that may be identified by these characteristics are engines and hydraulic components.

2) PARTS MANUAL ORGANIZATION

Product information in this manual is organized under section titles. Frame, Cylinder, Hydraulic and Electrical are a few examples. Each section is organized by figure and page number. The information within the figure is then organized by item number, part number, description and corresponding illustration(s).

3) TABLE OF CONTENTS

A table of contents is found toward the beginning of the manual. Figure number, description and page number are provided for quick reference to the page containing the related information.

4) RECOMMENDED SPARE PARTS

The Recommended Spare Parts, located near the end of the manual, reference most frequently used maintenance parts.

5) PART NUMBER INDEX

A numerical index listing all part numbers and the corresponding page number(s) appears at the back of the manual.

GENERAL INFORMATION

6) NON-SERVICED PARTS

In some instances, it is necessary to display non-serviced parts, assemblies or installations. In the case of assemblies and installations there will be a Ref in the Qty column. In case of parts that are not available for service within assemblies or components, there will be a NSS (Not Sold Separately) or NLA (No Longer Available) listed in the Qty. column of the manual.

7) PARTS LIST ITEM NUMBERS

Numbers shown in the item# column correspond to numbers used in the associated illustration (s). Item numbers which are missing from the sequence in the parts list are not used on that page.

8) INDENTED PARTS DESCRIPTION

An indented part description is included in the item under which it is indented.

9) ABBREVIATION AND SYMBOLS

AC.....	.. Alternating Current	LCD.....	.. Liquid Crystal Display
ADE.....	..Advanced Design Electronics	LED.....	.. Light Emitting Diodes
ANSI.....	..American National Standards Institute	LH.....	.. Left Hand
AR.....	..As Required	LSS.....	..Load Sensing System
ASSY.....	.. Assembly	M(m).....	.. Metric/Meter
AUX.....	..Auxiliary	MM (mm).....	..Millimeter
AWG.....	..American WireGauge	mA.....	.. Milliamps
B/M.....	.. Bill of Material	NLA.....	..No Longer Available
CE.....	..European Conformity	NPT.....	.. National Pipe Threads
CCW.....	..Counter Clockwise	NSS.....	..Not So Id Separately
cm.....	..Centimeter	OD.....	..Outside Diameter
CW.....	..Clockwise	ORB.....	.. O-Ring Boss
CSA.....	..Canadian Standards Association	ORFS.....	.. O-Ring Face Seal
CYL.....	..Cylinder	OZ (oz).....	..Ounces
DIA.....	..Diameter	PG.....	..Page
DC.....	..Direct Current	P/N.....	..Part Number
EMS.....	..Emergency Stop	qt.....	..Quarts
ENG.....	..Engine	QTY.....	..Quantity
FT(ft).....	..Feet	REF.....	..Reference
GA(Gal).....	..Gauge	REV.....	..Revision Level
HYD.....	..Hydraulic	RH.....	.. Right Hand
Hz.....	..Hertz	SAE.....	.. Society of Automotive Engineers
ID.....	..Inside Diameter	SN.....	..Serial Number
In.....	..Inches	SPEC(S).....	..Specifications
ISO.....	..International Organization for Standards	T/T.....	..Turntable
JIC.....	..Joint Industry Council	UGM.....	..Universal Ground Module
KG.....	..Kilogram	V.....	..Volts
L.....	..Liter	W.....	..Watts
LB.....	..Pounds	#.....	.. Number

10) ILLUSTRATION REFERENCE LETTERS

When necessary, illustrations may contain reference letters that are intended to track information (i.e. hoses, harnesses) from one point to another or to track visual enlargement of components to show details that may be located in another area on the illustration.

Note: Due to continuous product improvements, JLG Industries, Inc. reserves the right to make specification changes without prior notification. Contact JLG Industries, Inc. for updated information.

TABLE OF CONTENTS

SECTION 1 - FRAME.....	15
FIGURE 1-1. AXLE INSTALLATION - FIXED (SN 0300201016 through 0300207700).....	16
FIGURE 1-2. AXLE INSTALLATION - FIXED (SN 0300207701 to Present, SN B30002238 to Present).....	20
FIGURE 1-3. AXLE INSTALLATION - OSCILLATING AXLE (SN 0300201016 through 0300207700)	24
FIGURE 1-4. AXLE INSTALLATION - OSCILLATING (SN 0300207701 to Present, SN B300002238 to Present).....	28
FIGURE 1-5. STEER INSTALLATION.....	32
FIGURE 1-6. WHEEL DRIVE INSTALLATION - BONFIGLIOLI	34
FIGURE 1-7. WHEEL DRIVE INSTALLATION - REGGIANA RIDUTTORI	36
FIGURE 1-8. DRIVE HUB AND MOTOR ASSEMBLY - BONFIGLIOLI.....	38
FIGURE 1-9. DRIVE HUB AND MOTOR ASSEMBLY - REGGIANA RIDUTTORI	40
FIGURE 1-10. DRIVE HUB ASSEMBLY - BONFIGLIOLI.....	42
FIGURE 1-11. DRIVE HUB ASSEMBLY - REGGIANA RIDUTTORI.....	46
FIGURE 1-12. DRIVE MOTOR ASSEMBLY	50
FIGURE 1-13. TIRE AND WHEEL INSTALLATION - FOAM - FILLED	52
FIGURE 1-14. TIRE AND WHEEL INSTALLATION - SOLID	54
FIGURE 1-15. TIRE AND WHEEL INSTALLATION - SOLID NON MARKING	56
FIGURE 1-16. FRAME VALVES INSTALLATION - WITHOUT LSS AND WITH 4 CELL LSS	58
FIGURE 1-17. FRAME VALVES INSTALLATION - WITH 1 CELL LSS	60
FIGURE 1-18. STEER VALVE ASSEMBLY	62
FIGURE 1-19. TRACTION VALVE ASSEMBLY.....	64
FIGURE 1-20. FRAME COVERS INSTALLATION - ABS.....	66
FIGURE 1-21. FRAME COVERS INSTALLATION - STEEL	68
SECTION 2 - TURNTABLE	71
FIGURE 2-1. TURNTABLE VALVES INSTALLATION - WITHOUT LSS AND WITH 4 CELL LSS.....	72
FIGURE 2-2. TURNTABLE VALVES INSTALLATION - WITH 1 CELL LSS	74
FIGURE 2-3. BATTERY AND AUXILIARY PUMP INSTALLATION - ABS HOODS	76
FIGURE 2-4. BATTERY AND AUXILIARY PUMP INSTALLATION - STEEL HOODS	78
FIGURE 2-5. AUXILIARY PUMP ASSEMBLY.....	80
FIGURE 2-6. MAIN VALVE ASSEMBLY	82
FIGURE 2-7. SWING DRIVE INSTALLATION (SN 0300201016 through 0300254466, SN B300002238 to Present)	86
FIGURE 2-8. SWING DRIVE INSTALLATION (SN 0300254467 to Present)	88
FIGURE 2-9. TURNTABLE BEARING AND LUBE INSTALLATION	90
FIGURE 2-10. TURNTABLE LOCK INSTALLATION.....	92
FIGURE 2-11. PINION SHIELD INSTALLATION	94
FIGURE 2-12. EXTREME HOSTILE PACKAGE INSTALLATION (OPTIONAL)	96
FIGURE 2-13. SWING MOTOR/HUB ASSEMBLY (SN 0300201016 through 0300254466, SN B300002238 to Present)	98
FIGURE 2-14. SWING MOTOR/HUB ASSEMBLY (SN 0300254467 to Present)	104
FIGURE 2-15. ROTARY COUPLING AND COLLECTOR RING INSTALLATION.....	108
FIGURE 2-16. TANK INSTALLATION - WITH ABS HOODS	110
FIGURE 2-17. TANK INSTALLATION - WITH STEEL HOODS	112
FIGURE 2-18. TANK INSTALLATION - WITH STEEL HOODS AND 52.8 GAL/200 L FUEL TANK	114
FIGURE 2-19. HYDRAULIC OIL TANK ASSEMBLY.....	116
FIGURE 2-20. HYDRAULIC OIL COOLER INSTALLATION - DEUTZ TD2011 ENGINES WITH REXROTH PUMPS (OPTIONAL)	118
FIGURE 2-21. HYDRAULIC OIL COOLER INSTALLATION - DEUTZ TD2011 ENGINES WITH SAUER PUMPS (OPTIONAL)	120
FIGURE 2-22. HYDRAULIC OIL COOLER INSTALLATION - DEUTZ TCD2.9L4 ENGINES WITH REXROTH PUMPS (OPTIONAL)	122
FIGURE 2-23. HYDRAULIC OIL COOLER INSTALLATION - DEUTZ TCD2.9L4 ENGINES WITH REXROTH PUMPS (OPTIONAL) (CHINA SPEC ONLY)	124
FIGURE 2-24. HYDRAULIC OIL COOLER INSTALLATION - DEUTZ TCD2.9L4 ENGINES WITH SAUER PUMPS (OPTIONAL)	126
FIGURE 2-25. HYDRAULIC OIL COOLER INSTALLATION - DEUTZ TCD2.9L4 ENGINES WITH SAUER PUMPS (OPTIONAL) (CHINA SPEC ONLY).....	128
FIGURE 2-26. GROUND CONTROL BOX INSTALLATION - DEUTZ TD2011 ENGINES WITH REXROTH PUMPS (ALL SPECS EXCEPT CE SPECS).....	130
FIGURE 2-27. GROUND CONTROL BOX INSTALLATION - DEUTZ TD2011 ENGINES WITH REXROTH PUMPS (CE SPECS)	132
FIGURE 2-28. GROUND CONTROL BOX INSTALLATION - DEUTZ TD2011 ENGINES WITH SAUER PUMPS (ALL SPECS EXCEPT CE SPECS)	134
FIGURE 2-29. GROUND CONTROL BOX INSTALLATION - DEUTZ TD2011 ENGINES WITH SAUER PUMPS (CE SPECS)	136
FIGURE 2-30. GROUND CONTROL BOX INSTALLATION - DEUTZ TCD2.9L4 ENGINES (ALL SPECS EXCEPT CE SPECS)	138
FIGURE 2-31. GROUND CONTROL BOX INSTALLATION - DEUTZ TCD2.9L4 ENGINES (CE SPECS).....	140

TABLE OF CONTENTS

FIGURE 2-32. GROUND CONTROL BOX ASSEMBLY (ALL SPECS EXCEPT CE SPECS)	142
FIGURE 2-33. GROUND CONTROL BOX ASSEMBLY (CE SPECS)	146
FIGURE 2-34. KEYSWITCH INSTALLATION	150
FIGURE 2-35. KEYSWITCH INSTALLATION (SN 0300201016 through 0300205135)	152
FIGURE 2-36. LIGHT PANEL INSTALLATION - ANSI AND ANSI EXPORT SPECS	154
FIGURE 2-37. LIGHT PANEL INSTALLATION - AUSTRALIAN AND CE SPECS	156
FIGURE 2-38. ALARMS INSTALLATION	158
FIGURE 2-39. STROBE LIGHT INSTALLATION (AMBER)	160
FIGURE 2-40. BEACON LIGHT INSTALLATION (BLUE) (SN 0300201016 through 0300217081)	162
FIGURE 2-41. STROBE LIGHT INSTALLATION (BLUE) (SN 0300217082 to Present, SN B300002238 to Present)	164
FIGURE 2-42. STROBE LIGHT INSTALLATION (RED) (SN 0300216184 through 0300217081)	166
FIGURE 2-43. STROBE LIGHT INSTALLATION (RED) (SN 0300217082 to Present)	168
FIGURE 2-44. ENGINE TRAY JACK INSTALLATION - DEUTZ TD2011 ENGINES	170
FIGURE 2-45. ENGINE TRAY JACK INSTALLATION - DEUTZ TD2.9L4/TCD2.9L4 ENGINES	172
FIGURE 2-46. HOOD INSTALLATIONS - DEUTZ TD2011 ENGINES (ABS)	174
FIGURE 2-47. HOOD INSTALLATION - DEUTZ TCD2.9L4 ENGINES (ABS)	178
FIGURE 2-48. HOOD INSTALLATION - DEUTZ TD2011/TD2.9L4 ENGINES (STEEL)	182
FIGURE 2-49. HOOD INSTALLATION - DEUTZ TCD2.9L4 ENGINES (STEEL)	186
FIGURE 2-50. CLEARSKY TELEMATICS INSTALLATION (ANSI SPECS) (OPTIONAL)	190
FIGURE 2-51. CLEARSKY TELEMATICS CONTROLLERS (ANSI EXPORT - BRAZIL AND NEW ZEALAND SPECS) (OPTIONAL)	192
FIGURE 2-52. CLEARSKY TELEMATICS INSTALLATION (AUSTRALIAN SPECS) (OPTIONAL)	194
FIGURE 2-53. CLEARSKY TELEMATICS INSTALLATION (CSA SPECS) (OPTIONAL)	196
SECTION 3 - ENGINE	199
FIGURE 3-1. DEUTZ TD2011 DIESEL ENGINE INSTALLATION - WITH REXROTH PUMPS AND ABS HOODS (WITHOUT SKYPOWER AND WITHOUT COLD WEATHER PLUS PACKAGE)	200
FIGURE 3-2. DEUTZ TD2011 ENGINE ASSEMBLY - WITH REXROTH PUMPS AND ABS HOODS (WITHOUT SKYPOWER AND WITHOUT COLD WEATHER PLUS PACKAGE)	204
FIGURE 3-3. DEUTZ TD2011 DIESEL ENGINE INSTALLATION - WITH REXROTH PUMPS AND ABS HOODS (WITH SKYPOWER AND WITHOUT COLD WEATHER PLUS PACKAGE)	208
FIGURE 3-4. DEUTZ TD2011 ENGINE ASSEMBLY - WITH REXROTH PUMPS AND ABS HOODS (WITH SKYPOWER AND WITHOUT COLD WEATHER PLUS PACKAGE)	212
FIGURE 3-5. DEUTZ TD2011 DIESEL ENGINE INSTALLATION - WITH REXROTH PUMPS AND STEEL HOOD (WITHOUT SKYPOWER AND WITHOUT COLD WEATHER PLUS PACKAGE)	216
FIGURE 3-6. DEUTZ TD2011 ENGINE ASSEMBLY - WITH REXROTH PUMPS AND STEEL HOODS (WITHOUT SKYPOWER AND WITHOUT COLD WEATHER PLUS PACKAGE)	220
FIGURE 3-7. DEUTZ TD2011 DIESEL ENGINE INSTALLATION - WITH REXROTH PUMPS AND STEEL HOODS (WITH SKYPOWER AND WITHOUT COLD WEATHER PLUS PACKAGE)	224
FIGURE 3-8. DEUTZ TD2011 ENGINE ASSEMBLY - WITH REXROTH PUMPS AND STEEL HOODS (WITH SKYPOWER AND WITHOUT COLD WEATHER PLUS PACKAGE)	228
FIGURE 3-9. DEUTZ TD2011 DIESEL ENGINE INSTALLATION - WITH REXROTH PUMPS AND STEEL HOODS (WITH SKYPOWER AND WITH COLD WEATHER PLUS PACKAGE)	232
FIGURE 3-10. DEUTZ TD2011 ENGINE ASSEMBLY - WITH REXROTH PUMPS AND STEEL HOODS (WITH SKYPOWER AND WITH COLD WEATHER PLUS PACKAGE)	236
FIGURE 3-11. DEUTZ TD2011 DIESEL ENGINE INSTALLATION - WITH SAUER PUMPS AND ABS HOODS (WITHOUT SKYPOWER AND WITHOUT COLD WEATHER PLUS PACKAGE)	240
FIGURE 3-12. DEUTZ TD2011 ENGINE ASSEMBLY - WITH SAUER PUMPS AND ABS HOODS (WITHOUT SKYPOWER AND WITHOUT COLD WEATHER PLUS PACKAGE)	244
FIGURE 3-13. DEUTZ TD2011 DIESEL ENGINE INSTALLATION - WITH SAUER PUMPS AND ABS HOODS (WITH SKYPOWER AND WITHOUT COLD WEATHER PLUS PACKAGE)	248
FIGURE 3-14. DEUTZ TD2011 ENGINE ASSEMBLY - WITH SAUER PUMPS AND ABS HOODS (WITH SKYPOWER AND WITHOUT COLD WEATHER PLUS PACKAGE)	252
FIGURE 3-15. DEUTZ TD2011 DIESEL ENGINE INSTALLATION - WITH SAUER PUMPS AND STEEL HOODS (WITHOUT SKYPOWER AND WITHOUT COLD WEATHER PLUS PACKAGE)	256
FIGURE 3-16. DEUTZ TD2011 ENGINE ASSEMBLY - WITH SAUER PUMPS AND STEEL HOODS (WITHOUT SKYPOWER AND WITHOUT COLD WEATHER PLUS PACKAGE)	260
FIGURE 3-17. DEUTZ TD2011 DIESEL ENGINE INSTALLATION - WITH SAUER PUMPS AND STEEL HOODS (WITH SKYPOWER AND WITHOUT COLD WEATHER PLUS PACKAGE)	264
FIGURE 3-18. DEUTZ TD2011 ENGINE ASSEMBLY - WITH SAUER PUMPS AND STEEL HOODS (WITH SKYPOWER AND WITHOUT COLD WEATHER PLUS PACKAGE)	268
FIGURE 3-19. DEUTZ TD2011 DIESEL ENGINE INSTALLATION - WITH SAUER PUMPS AND STEEL HOODS (WITH SKYPOWER AND WITH COLD WEATHER PLUS PACKAGE)	272
FIGURE 3-20. DEUTZ TD2011 ENGINE ASSEMBLY - WITH SAUER PUMPS AND STEEL HOODS (WITH SKYPOWER AND WITH COLD WEATHER PLUS PACKAGE)	276
FIGURE 3-21. DEUTZ TD2011 ENGINE COMPONENTS	280

TABLE OF CONTENTS

FIGURE 3-22. DEUTZ TD2.9L4 DIESEL ENGINE INSTALLATION - WITH REXROTH PUMPS AND STEEL HOODS (CHINA SPEC ONLY).....	282
FIGURE 3-23. DEUTZ TD2.9L4 DIESEL ENGINE INSTALLATION - WITH SAUER PUMPS AND STEEL HOODS (CHINA SPEC ONLY).....	286
FIGURE 3-24. DEUTZ TD2.9L4 ENGINE SUB-ASSEMBLY - WITH REXROTH PUMP (CHINA SPEC ONLY).....	290
FIGURE 3-25. DEUTZ TD2.9L4 ENGINE SUB-ASSEMBLY - WITH SAUER PUMPS (CHINA SPEC ONLY).....	292
FIGURE 3-26. DEUTZ TD2.9L4 ENGINE ASSEMBLY (CHINA SPEC ONLY).....	294
FIGURE 3-27. DEUTZ TD2.9L4 ENGINE COMPONENTS (CHINA SPEC ONLY).....	300
FIGURE 3-28. DEUTZ TCD2.9L4 DIESEL ENGINE INSTALLATION - WITH REXROTH PUMPS AND ABS HOODS (WITHOUT COLD WEATHER PLUS PACKAGE).....	304
FIGURE 3-29. DEUTZ TCD2.9L4 DIESEL ENGINE INSTALLATION - WITH REXROTH PUMPS AND STEEL HOODS (WITHOUT COLD WEATHER PLUS PACKAGE).....	308
FIGURE 3-30. DEUTZ TCD2.9L4 DIESEL ENGINE INSTALLATION - WITH REXROTH PUMPS AND STEEL HOODS (WITH COLD WEATHER PLUS PACKAGE).....	312
FIGURE 3-31. DEUTZ TCD2.9L4 DIESEL ENGINE INSTALLATION - WITH SAUER PUMPS AND ABS HOODS (WITHOUT COLD WEATHER PLUS PACKAGE).....	316
FIGURE 3-32. DEUTZ TCD2.9L4 DIESEL ENGINE INSTALLATION - WITH SAUER PUMPS AND STEEL HOODS (WITHOUT COLD WEATHER PLUS PACKAGE).....	320
FIGURE 3-33. DEUTZ TCD2.9L4 DIESEL ENGINE INSTALLATION - WITH SAUER PUMPS AND STEEL HOODS (WITH COLD WEATHER PLUS PACKAGE).....	324
FIGURE 3-34. DEUTZ TCD2.9L4 ENGINE SUB-ASSEMBLY - WITH REXROTH PUMP (WITHOUT COLD WEATHER PLUS PACKAGE).....	328
FIGURE 3-35. DEUTZ TCD2.9L4 ENGINE SUB-ASSEMBLY - WITH REXROTH PUMP (WITH COLD WEATHER PLUS PACKAGE).....	330
FIGURE 3-36. DEUTZ TCD2.9L4 ENGINE SUB-ASSEMBLY - WITH SAUER PUMP (WITHOUT COLD WEATHER PLUS PACKAGE).....	332
FIGURE 3-37. DEUTZ TCD2.9L4 ENGINE SUB-ASSEMBLY - WITH SAUER PUMPS (WITH COLD WEATHER PLUS PACKAGE).....	334
FIGURE 3-38. DEUTZ TCD2.9L4 ENGINE ASSEMBLY (WITHOUT COLD WEATHER PLUS PACKAGE).....	336
FIGURE 3-39. DEUTZ TCD2.9L4 ENGINE ASSEMBLY (WITH COLD WEATHER PLUS PACKAGE).....	342
FIGURE 3-40. DEUTZ TCD2.9L4 ENGINE COMPONENTS.....	348
FIGURE 3-41. DEUTZ TCD2.9L4 DIESEL ENGINE (STAGE V) INSTALLATION - WITH SAUER PUMPS AND ABS HOODS (WITHOUT COLD WEATHER PLUS PACKAGE).....	352
FIGURE 3-42. DEUTZ TCD2.9L4 DIESEL ENGINE (STAGE V) INSTALLATION - WITH REXROTH PUMPS AND ABS HOODS (WITHOUT COLD WEATHER PLUS PACKAGE).....	356
FIGURE 3-43. DEUTZ TCD2.9L4 ENGINE (STAGE V) SUB-ASSEMBLY - WITH SAUER PUMP AND ABS HOODS (WITHOUT COLD WEATHER PLUS PACKAGE).....	360
FIGURE 3-44. DEUTZ TCD2.9L4 ENGINE (STAGE V) SUB-ASSEMBLY - WITH REXROTH PUMP AND ABS HOODS (WITHOUT COLD WEATHER PLUS PACKAGE).....	362
FIGURE 3-45. DEUTZ TCD2.9L4 ENGINE (STAGE V) ASSEMBLY (WITHOUT COLD WEATHER PLUS PACKAGE).....	364
FIGURE 3-46. DEUTZ TCD2.9L4 ENGINE COMPONENTS (STAGE V).....	370
FIGURE 3-47. PUMP ASSEMBLY (REXROTH) (DEUTZ TD2011 ENGINES).....	374
FIGURE 3-48. PUMP ASSEMBLY (REXROTH) (DEUTZ TCD2.9L4 ENGINES).....	380
FIGURE 3-49. PUMP ASSEMBLY (SAUER TANDEM).....	386
FIGURE 3-50. PUMP ASSEMBLY (SAUER PISTON).....	390
FIGURE 3-51. PUMP ASSEMBLY (SAUER GEAR).....	394
FIGURE 3-52. PUMP COUPLING KIT.....	396
FIGURE 3-53. WATER/FUEL SEPARATOR INSTALLATION - DEUTZ TD2011 ENGINE.....	398
FIGURE 3-54. FUEL PUMP/FILTER BRACKET ASSEMBLY - DEUTZ TCD2.9L4 ENGINE.....	400
FIGURE 3-55. FUEL PUMP/FILTER BRACKET ASSEMBLY - DEUTZ TD2.9L4 ENGINE (CHINA SPECS ONLY) (SN 0300238862 to Present, SN B300002450 to Present).....	402
FIGURE 3-56. FUEL FILTER/WATER SEPARATOR INSTALLATION - DEUTZ TD2.9L4 ENGINE.....	404
FIGURE 3-57. SPARK ARRESTING CATALYTIC MUFFLER - DEUTZ TD2011 ENGINES (OPTIONAL).....	406
FIGURE 3-58. SPARK ARRESTOR INSTALLATION - DEUTZ TCD2.9L4 ENGINES (OPTIONAL).....	408
FIGURE 3-59. 2500W GENERATOR INSTALLATION - 60HZ SPEC (DEUTZ TD2011 ENGINES) (OPTIONAL).....	410
FIGURE 3-60. 2500W GENERATOR INSTALLATION - 50HZ SPEC (DEUTZ TD2011 ENGINES) (OPTIONAL).....	414
FIGURE 3-61. 4000W GENERATOR INSTALLATION - 60HZ SPEC (DEUTZ TD2011 ENGINES) (OPTIONAL).....	418
FIGURE 3-62. 4000W GENERATOR INSTALLATION - 50HZ SPEC (DEUTZ TD2011 ENGINES) (OPTIONAL).....	422
FIGURE 3-63. 4000W GENERATOR INSTALLATION - 60HZ SPEC (DEUTZ TCD2.9L4 ENGINES) (OPTIONAL).....	426
FIGURE 3-64. 4000W GENERATOR INSTALLATION - 50HZ SPEC (DEUTZ TCD2.9L4 ENGINES) (OPTIONAL).....	430
FIGURE 3-65. 7500W SKYPOWER GENERATOR INSTALLATION - 60HZ SPEC (DEUTZ TD2011 ENGINES) (OPTIONAL).....	434
FIGURE 3-66. 7500W SKYPOWER GENERATOR INSTALLATION - 50HZ SPEC (DEUTZ TD2011 ENGINES) (OPTIONAL).....	438
FIGURE 3-67. 7500W SKYPOWER GENERATOR INSTALLATION - 60HZ SPEC (DEUTZ TCD2.9L4 ENGINES) (OPTIONAL).....	442
FIGURE 3-68. 7500W SKYPOWER GENERATOR INSTALLATION - 50HZ SPEC (DEUTZ TCD2.9L4 ENGINES) (OPTIONAL).....	446

TABLE OF CONTENTS

SECTION 4 - BOOM.....	451
FIGURE 4-1. BOOM INSTALLATION 1200SJP - WITHOUT COLD WEATHER PLUS PACKAGE	452
FIGURE 4-2. BOOM INSTALLATION 1200SJP - WITH COLD WEATHER PLUS PACKAGE	454
FIGURE 4-3. BOOM INSTALLATION 1350SJP - WITHOUT COLD WEATHER PLUS PACKAGE	456
FIGURE 4-4. BOOM INSTALLATION 1350SJP - WITH COLD WEATHER PLUS PACKAGE	458
FIGURE 4-5. BOOM ASSEMBLY 1200SJP - WITHOUT COLD WEATHER PLUS PACKAGE.....	460
FIGURE 4-6. BOOM ASSEMBLY 1200SJP - WITH COLD WEATHER PLUS PACKAGE	468
FIGURE 4-7. BOOM ASSEMBLY 1350SJP - WITHOUT COLD WEATHER PLUS PACKAGE.....	476
FIGURE 4-8. BOOM ASSEMBLY 1350SJP - WITH COLD WEATHER PLUS PACKAGE	484
FIGURE 4-9. WIRE ROPE TOOLS INSTALLATION (OPTIONAL)	492
FIGURE 4-10. PLATFORM ROTATE ASSEMBLY (SN 0300201016 through 0300201348)	494
FIGURE 4-11. PLATFORM ROTATE ASSEMBLY (SN 0300201349 to Present, SN B300002238 to Present)	496
FIGURE 4-12. JIB ROTATE ASSEMBLY (SN 0300201016 through 0300201348)	498
FIGURE 4-13. JIB ROTATE ASSEMBLY (SN 0300201349 to Present, SN B300002238 to Present).....	500
FIGURE 4-14. POWER TRACK INSTALLATION - 1200SJP.....	502
FIGURE 4-15. POWER TRACK INSTALLATION - 1350SJP.....	506
FIGURE 4-16. BOOM SENSORS AND SWITCHES INSTALLATION	510
FIGURE 4-17. PLATFORM SUPPORT INSTALLATION - WITHOUT LSS.....	514
FIGURE 4-18. PLATFORM SUPPORT INSTALLATION - WITH 4 CELL LSS	516
FIGURE 4-19. PLATFORM SUPPORT INSTALLATION - WITH 1 CELL LSS	518
FIGURE 4-20. CONTROL VALVE INSTALLATION - WITHOUT LSS AND WITH 4 CELL LSS	520
FIGURE 4-21. CONTROL VALVE INSTALLATION - WITH 1 CELL LSS.....	522
FIGURE 4-22. CONTROL VALVE ASSEMBLY	524
SECTION 5 - PLATFORM.....	527
FIGURE 5-1. PLATFORM ASSEMBLY - 30IN X 4FT (76.2CM X 1.22M) WITH SWING GATE	528
FIGURE 5-2. PLATFORM ASSEMBLY - 36IN X 6FT (91.5CM X 1.83M) WITH SWING GATE	530
FIGURE 5-3. PLATFORM ASSEMBLY - 36IN X 8FT (91.5CM X 2.44M) WITH SWING GATE	532
FIGURE 5-4. PLATFORM ASSEMBLY - 30IN X 3FT (76CM X .91M) - WITH DROP BAR	534
FIGURE 5-5. PLATFORM ASSEMBLY - 30IN X 4FT (76.2CM X 1.22M) WITH DROP BAR	536
FIGURE 5-6. PLATFORM ASSEMBLY - 36IN X 6FT (91.5CM X 1.83M) WITH DROP BAR	538
FIGURE 5-7. PLATFORM ASSEMBLY - 36IN X 8FT (91.5CM X 2.44M) WITH DROP BAR (USA BUILT MACHINES).....	540
FIGURE 5-8. PLATFORM ASSEMBLY - 36IN X 8FT (91.5CM X 2.44M) WITH DROP BAR (CHINA BUILT MACHINES).....	542
FIGURE 5-9. PLATFORM ASSEMBLY - 36IN X 6FT (91.5CM X 1.83M) WITH FALL ARREST (ANSI, ANSI EXPORT AND CSA SPECS).....	544
FIGURE 5-10. PLATFORM ASSEMBLY - 36IN X 8FT (91.5CM X 2.44M) WITH FALL ARREST (ANSI SPEC).....	546
FIGURE 5-11. PLATFORM ASSEMBLY - 36IN X 8FT (91.5CM X 2.44M) WITH FALL ARREST (ALL SPECS EXCEPT CSA SPECS).....	548
FIGURE 5-12. PLATFORM ASSEMBLY - 36IN X 6FT (91.5CM X 1.83M) TRI-ENTRY WITH SWING GATE	550
FIGURE 5-13. PLATFORM ASSEMBLY - 36IN X 6FT (91.5CM X 1.83M) TRI-ENTRY WITH DROPBAR	552
FIGURE 5-14. TRAY ASSEMBLY	554
FIGURE 5-15. PLATFORM CONTROLS INSTALLATION - WITHOUT SKYGUARD.....	556
FIGURE 5-16. PLATFORM CONTROLS INSTALLATION - WITH SKYGUARD (SN 0300201016 through 0300235781, SN B300002238 through B300002991)	558
FIGURE 5-17. PLATFORM CONTROLS INSTALLATION - WITH SKYGUARD (SN 0300235782 to Present, SN B300002992 to Present).....	560
FIGURE 5-18. PLATFORM CONSOLE ASSEMBLY - WITHOUT SKYGUARD (SN 0300201016 through 0300220138)	562
FIGURE 5-19. PLATFORM CONSOLE ASSEMBLY - WITHOUT SKYGUARD (SN 0300220139 to Present, SN B300002238 to Present).....	566
FIGURE 5-20. PLATFORM CONSOLE ASSEMBLY - WITH SKYGUARD (SN 0300201016 through 0300220138).....	570
FIGURE 5-21. PLATFORM CONSOLE ASSEMBLY - WITH SKYGUARD (SN 0300220139 through 0300235781, SN B300002238 through B300002991)	574
FIGURE 5-22. PLATFORM CONSOLE ASSEMBLY - WITH SKYGUARD (SN 0300235782 to Present, SN B300002992 to Present).....	578
FIGURE 5-23. DECAL AND LIGHT PANEL (ANSI SPECS)	582
FIGURE 5-24. DECAL AND LIGHT PANEL (CE SPECS)	584
FIGURE 5-25. CONTROLLER ASSEMBLY (LIFT AND SWING)	586
FIGURE 5-26. CONTROLLER ASSEMBLY (DRIVE AND STEER)	590
FIGURE 5-27. BOOM CONTROL SELECT SWITCH INSTALLATION.....	592
FIGURE 5-28. FOOTSWITCH ASSEMBLY	594
FIGURE 5-29. SOFT TOUCH SYSTEM INSTALLATION - 6FT/1.8M PLATFORMS (OPTIONAL)	596
FIGURE 5-30. SOFT TOUCH SYSTEM INSTALLATION - 8FT/2.4M PLATFORMS (OPTIONAL)	598
FIGURE 5-31. SOFT TOUCH INSTALLATION - 8FT (2.4M) FALL ARREST PLATFORM (OPTIONAL)	600
FIGURE 5-32. SKYGUARD SYSTEM INSTALLATION	602
FIGURE 5-33. CROSS RAIL INSTALLATION	604

TABLE OF CONTENTS

FIGURE 5-34. SKYEYE INSTALLATION	606
FIGURE 5-35. SKYGLAZIER INSTALLATION (ANSI, CSA AND JAPANESE SPECS).....	608
FIGURE 5-36. SKYGLAZIER INSTALLATION (AUSTRALIAN SPECS)	610
FIGURE 5-37. SKYGLAZIER INSTALLATION (BRAZIL SPECS)	612
FIGURE 5-38. SKYGLAZIER INSTALLATION (DANISH SPECS)	614
FIGURE 5-39. SKYGLAZIER INSTALLATION (FINNISH SPECS) (SN 0300201016 through 0300235781)	616
FIGURE 5-40. SKYGLAZIER INSTALLATION (FINNISH SPECS) (SN 0300235782 to Present)	618
FIGURE 5-41. SKYGLAZIER INSTALLATION (FRENCH SPECS) (SN 0300201016 through 0300235781).....	620
FIGURE 5-42. SKYGLAZIER INSTALLATION (FRENCH SPECS) (SN 0300235782 to Present)	622
FIGURE 5-43. SKYGLAZIER INSTALLATION (GERMAN SPECS) (SN 0300201016 through 0300235781).....	624
FIGURE 5-44. SKYGLAZIER INSTALLATION (GERMAN SPECS) (SN 0300235782 to Present)	626
FIGURE 5-45. SKYGLAZIER INSTALLATION (ITALIAN SPECS) (SN 0300201016 through 0300235781)	628
FIGURE 5-46. SKYGLAZIER INSTALLATION (ITALIAN SPECS) (SN 0300235782 to Present).....	630
FIGURE 5-47. SKYGLAZIER INSTALLATION (LATIN AMERICAN SPECS).....	632
FIGURE 5-48. SKYGLAZIER INSTALLATION (PORTUGUESE SPECS) (SN 0300201016 through 0300235781)	634
FIGURE 5-49. SKYGLAZIER INSTALLATION (PORTUGUESE SPECS) (SN 0300235782 to Present)	636
FIGURE 5-50. SKYGLAZIER INSTALLATION (SPANISH SPECS) (SN 0300201016 through 0300235781).....	638
FIGURE 5-51. SKYGLAZIER INSTALLATION (SPANISH SPECS) (SN 0300235782 to Present)	640
FIGURE 5-52. SKYGLAZIER INSTALLATION (SWEDISH SPECS) (SN 0300201016 through 0300235781).....	642
FIGURE 5-53. SKYGLAZIER INSTALLATION (SWEDISH SPECS) (SN 0300235782 to Present).....	644
FIGURE 5-54. SKYGLAZIER INSTALLATION (UK SPECS) (SN 0300201016 through 0300235781)	646
FIGURE 5-55. SKYGLAZIER INSTALLATION (UK SPECS) (SN 0300235782 to Present)	648
FIGURE 5-56. SKYLINE INSTALLATION	650
FIGURE 5-57. SKYWELDER/SKYCUTTER COMBO INSTALLATION (60HZ)	652
FIGURE 5-58. SKYWELDER INSTALLATION (50HZ)	656
FIGURE 5-59. SKYWELDER INSTALLATION (60HZ)	658
FIGURE 5-60. SKYWELDER PREP PACKAGE (60HZ)	660
FIGURE 5-61. WELDER ASSEMBLY	662
FIGURE 5-62. SKYCUTTER INSTALLATION.....	664
FIGURE 5-63. PLASMA CUTTER ASSEMBLY.....	666
FIGURE 5-64. PIPE RACK INSTALLATION (ANSI SPEC)	668
FIGURE 5-65. PIPE RACK INSTALLATION (AUSTRALIAN AND CE SPECS)	670
FIGURE 5-66. PIPE RACK INSTALLATION (KOREAN SPEC)	672
FIGURE 5-67. FALL ARREST INSTALLATION (BOLT - ON EXTERNAL) 6FT/1.82M PLATFORM.....	674
FIGURE 5-68. FALL ARREST INSTALLATION (BOLT - ON EXTERNAL) 6FT/1.82M PLATFORM.....	676
FIGURE 5-69. FALL ARREST INSTALLATION (BOLT - ON EXTERNAL) 8FT/2.4M PLATFORM.....	678
SECTION 6 - CYLINDER	681
FIGURE 6-1. AXLE EXTENSION CYLINDER ASSEMBLY (SN 0300207701 through 0300238565, SN B300002238 through B300002404)	682
FIGURE 6-2. AXLE EXTENSION CYLINDER ASSEMBLY (SN 0300238566 to Present, SN B300002405 to Present).....	684
FIGURE 6-3. AXLE LOCKOUT CYLINDER ASSEMBLY (SN 0300207701 through 0300239161, SN B300002238 through B300002449)	686
FIGURE 6-4. AXLE LOCKOUT CYLINDER ASSEMBLY (SN 0300239162 to Present, SN B300002450 to Present)	688
FIGURE 6-5. PLATFORM LEVEL CYLINDER ASSEMBLY - WITHOUT COLD WEATHER PLUS PACKAGE (SN 0300201016 through 0300239161, SN B300002238 through B300002449).....	690
FIGURE 6-6. PLATFORM LEVEL CYLINDER ASSEMBLY - WITHOUT COLD WEATHER PLUS PACKAGE (SN 0300239162 to Present, SN B300002450 to Present).....	692
FIGURE 6-7. PLATFORM LEVEL CYLINDER ASSEMBLY - WITH COLD WEATHER PLUS PACKAGE (SN 0300201016 through 0300239980)	694
FIGURE 6-8. PLATFORM LEVEL CYLINDER ASSEMBLY - WITH COLD WEATHER PLUS PACKAGE (SN 0300239981 to Present)	696
FIGURE 6-9. LIFT CYLINDER ASSEMBLY (SN 0300201016 through 0300239470, SN B300002238 through B300002473)....	698
FIGURE 6-10. LIFT CYLINDER ASSEMBLY (SN 0300239471 to Present, SN B300002474 to Present)	700
FIGURE 6-11. JIB CYLINDER ASSEMBLY - WITHOUT COLD WEATHER PLUS PACKAGE (SN 0300201016 through 0300239161, SN B300002238 through B300002449)	702
FIGURE 6-12. JIB CYLINDER ASSEMBLY - WITH COLD WEATHER PLUS PACKAGE (SN 0300201016 through 0300239161)	704
FIGURE 6-13. JIB CYLINDER ASSEMBLY - WITH OR WITHOUT COLD WEATHER PLUS PACKAGE (SN 0300239162 to Present, SN B300002450 to Present).....	706
FIGURE 6-14. STEER CYLINDER ASSEMBLY (SN 0300201016 through 0300238011, SN B300002238 through B300002376)	708
FIGURE 6-15. STEER CYLINDER ASSEMBLY (SN 0300238012 to Present, SN B300002377 to Present).....	710
FIGURE 6-16. TELESCOPE CYLINDER ASSEMBLY - 1200SJP (SN 0300201016 through 0300243437, SN B300002238 through B300002718).....	712
FIGURE 6-17. TELESCOPE CYLINDER ASSEMBLY - 1200SJP (SN 0300243438 to Present, SN B300002719 to Present)....	714

TABLE OF CONTENTS

FIGURE 6-18. TELESCOPE CYLINDER ASSEMBLY - 1350SJP (SN 0300201016 through 0300243473, SN B300002238 through B300002646).....	716
FIGURE 6-19. TELESCOPE CYLINDER ASSEMBLY - 1350SJP (SN 0300243474 to Present, SN B300002647 to Present)	718
SECTION 7 - HYDRAULIC	721
FIGURE 7-1. HYDRAULIC DIAGRAM - BOOM (1200SJP)	722
FIGURE 7-2. HYDRAULIC DIAGRAM - BOOM (1350SJP)	724
FIGURE 7-3. HYDRAULIC DIAGRAM - DRIVE	726
FIGURE 7-4. HYDRAULIC DIAGRAM - OSCILLATING AXLE	730
FIGURE 7-5. HYDRAULIC DIAGRAM - STEER	732
FIGURE 7-6. HYDRAULIC DIAGRAM - TURNTABLE (DEUTZ TD2011 ENGINES WITH REXROTH PUMPS)	734
FIGURE 7-7. HYDRAULIC DIAGRAM - TURNTABLE (DEUTZ TCD2.9L4 ENGINES WITH REXROTH PUMPS)	738
FIGURE 7-8. HYDRAULIC DIAGRAM - TURNTABLE (WITH SAUER PUMPS)	742
FIGURE 7-9. HYDRAULIC DIAGRAM LIST.....	746
SECTION 8 - ELECTRICAL.....	749
FIGURE 8-1. AC BOX AT PLATFORM - 110V (ANSI SPECS).....	750
FIGURE 8-2. AC BOX AT PLATFORM - 110V GFI RECEPTACLE (ANSI SPECS)	752
FIGURE 8-3. AC BOX AT PLATFORM - 220V GFI RECEPTACLE (ANSI SPECS)	754
FIGURE 8-4. AC BOX AT PLATFORM INSTALLATION - BOX WITH COVER (2X4 BOX) WITH 4000W GENERATOR (ANSI EXPORT SPECS) (SN 0300205136 through 0300214024)	756
FIGURE 8-5. AC BOX AT PLATFORM INSTALLATION - BOX WITH COVER (2X4 BOX) WITH 4000W GENERATOR (ANSI EXPORT SPECS) (SN 0300214025 to Present, SN B300002238 to Present)	758
FIGURE 8-6. AC BOX AT PLATFORM INSTALLATION - 110V IEC 60309 YELLOW WITHOUT 2500W GENERATOR (CE SPECS).....	760
FIGURE 8-7. AC BOX AT PLATFORM INSTALLATION - 110V IEC 60309 YELLOW WITHOUT 4000W GENERATOR (CE SPECS) (SN 0300205136 through 0300214024).....	762
FIGURE 8-8. AC BOX AT PLATFORM INSTALLATION - 110V IEC 60309 YELLOW WITHOUT 4000W GENERATOR (CE SPECS) (SN 0300214025 to Present, SN B300002238 to Present).....	764
FIGURE 8-9. AC BOX AT PLATFORM INSTALLATION - 220V IEC 60309 BLUE WITHOUT 2500W GENERATOR (CE SPECS)	766
FIGURE 8-10. AC BOX AT PLATFORM INSTALLATION - 220V IEC 60309 BLUE WITHOUT 4000W GENERATOR (CE SPECS) (SN 0300205136 through 0300214024)	768
FIGURE 8-11. AC BOX AT PLATFORM INSTALLATION - 220V IEC 60309 BLUE WITHOUT 4000W GENERATOR (CE SPECS) (SN 0300214025 to Present, SN B300002238 to Present)	770
FIGURE 8-12. AC BOX AT PLATFORM INSTALLATION - 220V CEE7 POST GROUND (70MM X 70MM BOX) WITHOUT 2500W GENERATOR (CE SPECS) (SN 0300201016 through 0300205136)	772
FIGURE 8-13. AC BOX AT PLATFORM INSTALLATION - 220V CEE7 SIDE GROUND (70MM X 70MM BOX) WITHOUT 2500W GENERATOR (CE SPECS) (SN 0300201016 through 0300205136)	774
FIGURE 8-14. AC BOX AT PLATFORM INSTALLATION - 220V CEE7 POST GROUND (2X4 BOX) WITHOUT 2500W GENERATOR (CE SPECS)	776
FIGURE 8-15. AC BOX AT PLATFORM INSTALLATION - 220V CEE7 POST GROUND (2X4 BOX) WITHOUT 4000W GENERATOR (CE SPECS) (SN 0300205136 through 0300214024).....	778
FIGURE 8-16. AC BOX AT PLATFORM INSTALLATION - 220V CEE7 POST GROUND (2X4 BOX) WITHOUT 4000W GENERATOR (CE SPECS) (SN 0300214025 to Present).....	780
FIGURE 8-17. AC BOX AT PLATFORM INSTALLATION - 220V CEE7 SIDE GROUND (2X4 BOX) WITHOUT 2500W GENERATOR (CE SPECS).....	782
FIGURE 8-18. AC BOX AT PLATFORM INSTALLATION - 220V CEE7 SIDE GROUND (2X4 BOX) WITHOUT 4000W GENERATOR (CE SPECS) (SN 0300205136 through 0300214024).....	784
FIGURE 8-19. AC BOX AT PLATFORM INSTALLATION - 220V CEE7 SIDE GROUND (2X4 BOX) WITHOUT 4000W GENERATOR (CE SPECS) (SN 0300214025 to Present).....	786
FIGURE 8-20. AC BOX AT PLATFORM INSTALLATION - 220V AFSINT 107 KEYED GROUND (2X4 BOX) WITHOUT 2500W GENERATOR (CE SPECS)	788
FIGURE 8-21. AC BOX AT PLATFORM INSTALLATION - 220V AFSINT 107 KEYED GROUND (2X4 BOX) WITHOUT 4000W GENERATOR (CE SPECS) (SN 0300205136 through 0300214024).....	790
FIGURE 8-22. AC BOX AT PLATFORM INSTALLATION - 220V AFSINT 107 KEYED GROUND (2X4 BOX) WITHOUT 4000W GENERATOR (CE SPECS) (SN 0300214025 to Present).....	792
FIGURE 8-23. AC 16 AMP BREAKER BOX INSTALLATION.....	794
FIGURE 8-24. AC 16 AMP BREAKER BOX INSTALLATION (CE SPECS)	796
FIGURE 8-25. ANALYZER CABLE HARNESS.....	798
FIGURE 8-26. AXLE POWER TRACK HARNESS ASSEMBLY	800
FIGURE 8-27. BEACON CONTROL HARNESS (BLUE BEACON LIGHT ONLY).....	802
FIGURE 8-28. BEACON LIGHT HARNESS (BLUE BEACON LIGHT ONLY).....	804
FIGURE 8-29. B.L.A.M. TO BOOM LENGTH SENSOR HARNESS	806
FIGURE 8-30. B.L.A.M. TO BOOM ANGLE SENSOR HARNESS (LEFT SIDE)	808

TABLE OF CONTENTS

FIGURE 8-31. B.L.A.M. TO BOOM ANGLE SENSOR HARNESS (RIGHT SIDE)	810
FIGURE 8-32. B.L.A.M. HARNESS	812
FIGURE 8-33. BOOM CABLES INSTALLATION - 1200SJP (ANSI, ANSI EXPORT, CHINA, CSA AND JAPANESE SPECS) ..	814
FIGURE 8-34. BOOM CABLES INSTALLATION - 1350SJP (ANSI, ANSI EXPORT, CHINA, CSA AND JAPANESE SPECS) ..	816
FIGURE 8-35. BOOM CABLES INSTALLATION - 1200SJP (AUSTRALIAN AND CE SPECS)	818
FIGURE 8-36. BOOM CABLES INSTALLATION - 1350SJP (AUSTRALIAN AND CE SPECS)	820
FIGURE 8-37. BOOM CABLES INSTALLATION - 1200SJP WITH 4000W GENERATOR	822
FIGURE 8-38. BOOM CABLES INSTALLATION - 1350SJP WITH 4000W GENERATOR	824
FIGURE 8-39. BOOM CABLES INSTALLATION - 1200SJP WITH 7500W GENERATOR	826
FIGURE 8-40. BOOM CABLES INSTALLATION - 1350SJP WITH 7500W GENERATOR	828
FIGURE 8-41. BREAKER BOX KIT - 16 AMP (2500W GENERATOR).....	830
FIGURE 8-42. BREAKER BOX KIT - 16 AMP (4000W GENERATOR).....	832
FIGURE 8-43. CHASSIS HARNESS ASSEMBLY	834
FIGURE 8-44. CLEARSKY READY HARNESS	836
FIGURE 8-45. DUAL CAPACITY JIB POSITION SWITCH HARNESS	838
FIGURE 8-46. EIM LOAD CELL HARNESS.....	840
FIGURE 8-47. ENGINE HARNESS - DEUTZ TD2011 ENGINES	842
FIGURE 8-48. ENGINE HARNESS - DEUTZ TCD2.9L4 ENGINES.....	844
FIGURE 8-49. FUEL FILTER HARNESS - DEUTZ TCD2.9L4 ENGINES	848
FIGURE 8-50. FUEL HARNESS - DEUTZ TCD2.9L4 ENGINES	850
FIGURE 8-51. GENERATOR HARNESS - 4000W GENERATOR	852
FIGURE 8-52. GENERATOR HARNESS - 7500W GENERATOR	854
FIGURE 8-53. GENERATOR HARNESS - 7500W GENERATOR	856
FIGURE 8-54. GROUND CONTROL BOX HARNESS	858
FIGURE 8-55. GROUND CONTROL BOX HARNESS - DEUTZ TCD2.9L4 ENGINES (CE SPECS).....	860
FIGURE 8-56. GROUND CONTROLS TO ENGINE HARNESS	864
FIGURE 8-57. JIB STOW SWITCH HARNESS.....	866
FIGURE 8-58. LOAD SENSING PIN HARNESS	868
FIGURE 8-59. LOCKOUT VALVE HARNESS	870
FIGURE 8-60. MAIN BOOM CONTROL CABLE HARNESS - 1200SJP	872
FIGURE 8-61. MAIN BOOM CONTROL CABLE HARNESS - 1350SJP	874
FIGURE 8-62. MAIN VALVE HARNESS	876
FIGURE 8-63. PLATFORM CONSOLE BOX HARNESS - WITHOUT SKYGUARD	878
FIGURE 8-64. PLATFORM CONSOLE BOX HARNESS - WITH SKYGUARD (SN 0300201016 through 0300234290, SN B300002238 through B300002991).....	880
FIGURE 8-65. PLATFORM CONSOLE BOX HARNESS - WITH SKYGUARD (SN 0300234291 to Present, SN B300002992 to Present)	884
FIGURE 8-66. PLATFORM INTERFACE HARNESS	888
FIGURE 8-67. PLATFORM VALVE HARNESS.....	890
FIGURE 8-68. PUMP ADAPTER HARNESS - SAUER PUMPS	892
FIGURE 8-69. RECEPTACLE BOX KIT - 110V IEC YELLOW WITHOUT 2500W GENERATOR (CE SPECS).....	894
FIGURE 8-70. RECEPTACLE BOX KIT - 220V IEC BLUE WITHOUT 2500W GENERATOR (CE SPECS)	896
FIGURE 8-71. RECEPTACLE BOX KIT - 220V CEE7 POST GROUND WITHOUT 2500W GENERATOR (70MM X 70MM BOX) (CE SPECS)	898
FIGURE 8-72. RECEPTACLE BOX KIT - 220V CEE7 SIDE GROUND WITHOUT 2500W GENERATOR (70MM X 70MM BOX) (CE SPECS)	900
FIGURE 8-73. RECEPTACLE BOX KIT - 220V CEE7 POST GROUND WITHOUT 2500W GENERATOR (2X4 BOX) (CE SPECS)	902
FIGURE 8-74. RECEPTACLE BOX KIT - 220V CEE7 SIDE GROUND WITHOUT 2500W GENERATOR (2X4 BOX) (CE SPECS)	904
FIGURE 8-75. RECEPTACLE BOX KIT - 220V AFSINT 107 KEYED GROUND WITHOUT 2500W GENERATOR (2X4 BOX) (CE SPECS)	906
FIGURE 8-76. SKYEYE INTERMEDIATE HARNESS	908
FIGURE 8-77. SKYEYE EMITTER HARNESS.....	910
FIGURE 8-78. SKYEYE RECEIVER HARNESS	912
FIGURE 8-79. SKYLINE HARNESS.....	914
FIGURE 8-80. STROBE LIGHT HARNESS (AMBER)	916
FIGURE 8-81. TILT SENSOR HARNESS (LEFT)	918
FIGURE 8-82. TILT SENSOR HARNESS (RIGHT).....	920
FIGURE 8-83. ELECTRICAL DIAGRAM LIST	922
SECTION 9 - DECALS	923
FIGURE 9-1. DECAL INSTALLATION - ANSI SPEC	924
FIGURE 9-2. DECAL INSTALLATION - AUSTRALIAN SPEC	926
FIGURE 9-3. DECAL INSTALLATION - BRAZIL SPEC (PORTGUESE/ENGLISH).....	928
FIGURE 9-4. DECAL INSTALLATION - CE SPEC.....	930

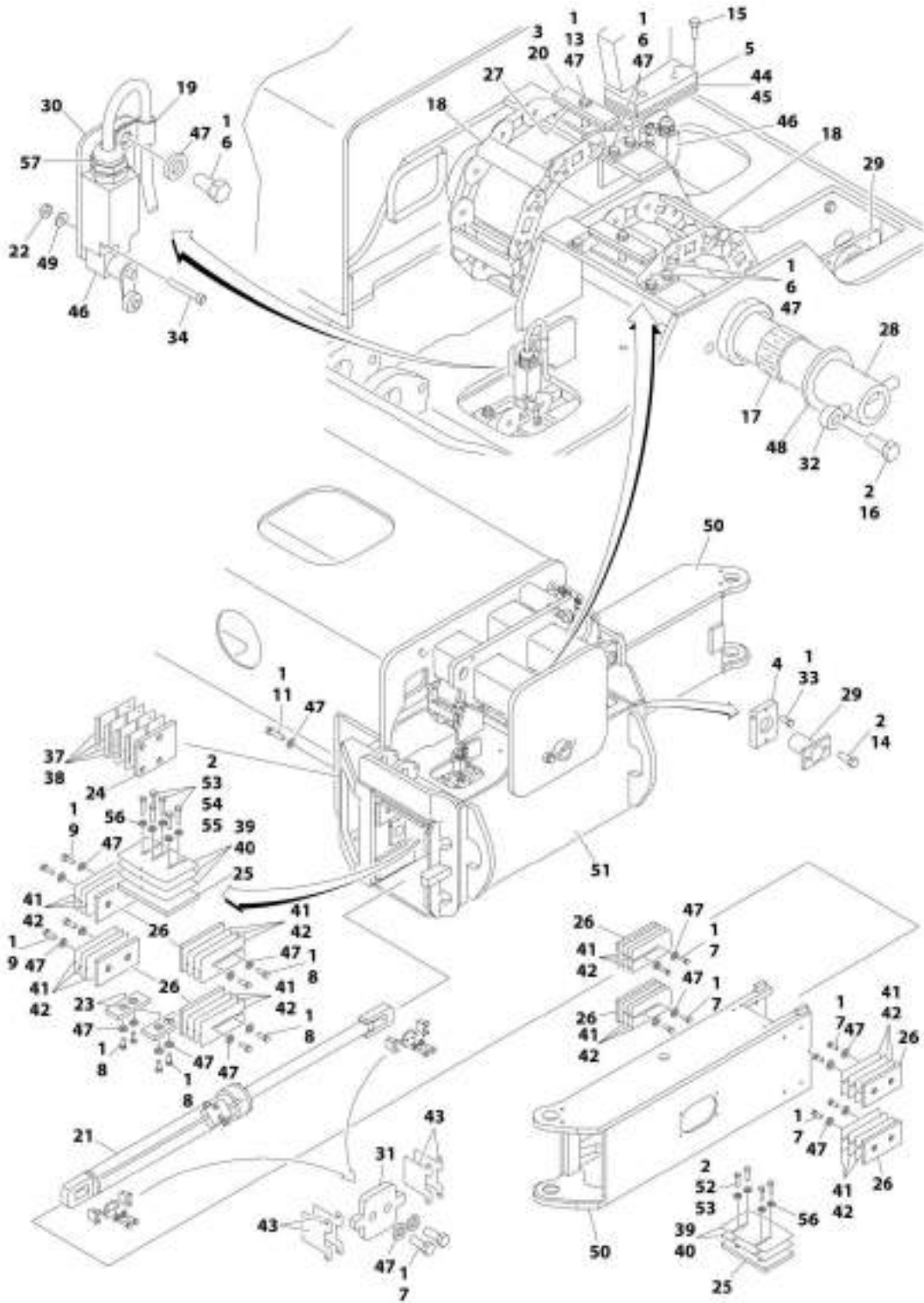
TABLE OF CONTENTS

FIGURE 9-5. DECAL INSTALLATION - CHINESE SPEC (CHINESE/ENGLISH)	932
FIGURE 9-6. DECAL INSTALLATION - CSA SPEC (ENGLISH/FRENCH)	934
FIGURE 9-7. DECAL INSTALLATION - JAPANESE SPEC (JAPANESE/ENGLISH)	936
FIGURE 9-8. DECAL INSTALLATION - KOREAN SPEC (KOREAN/ENGLISH)	938
FIGURE 9-9. DECAL INSTALLATION - LATIN AMERICAN SPEC (SPANISH/ENGLISH).....	940
FIGURE 9-10. DECAL INSTALLATION - OPTIONS	942
SECTION 10 - RECOMMENDED SERVICE PARTS STOCK	945
FIGURE 10-1. RECOMMENDED SERVICE PARTS STOCK.....	946
SECTION 11 - SPECIAL OPTIONS	949
FIGURE 11-1. SPECIAL OPTIONS	950
PART NUMBER INDEX.....	957

SECTION 1 - FRAME

SECTION 1 - FRAME

FIGURE 1-1. AXLE INSTALLATION - FIXED (SN 0300201016 through 0300207700)



ART_0371934

SECTION 1 - FRAME

FIGURE 1-1. AXLE INSTALLATION - FIXED (SN 0300201016 through 0300207700)

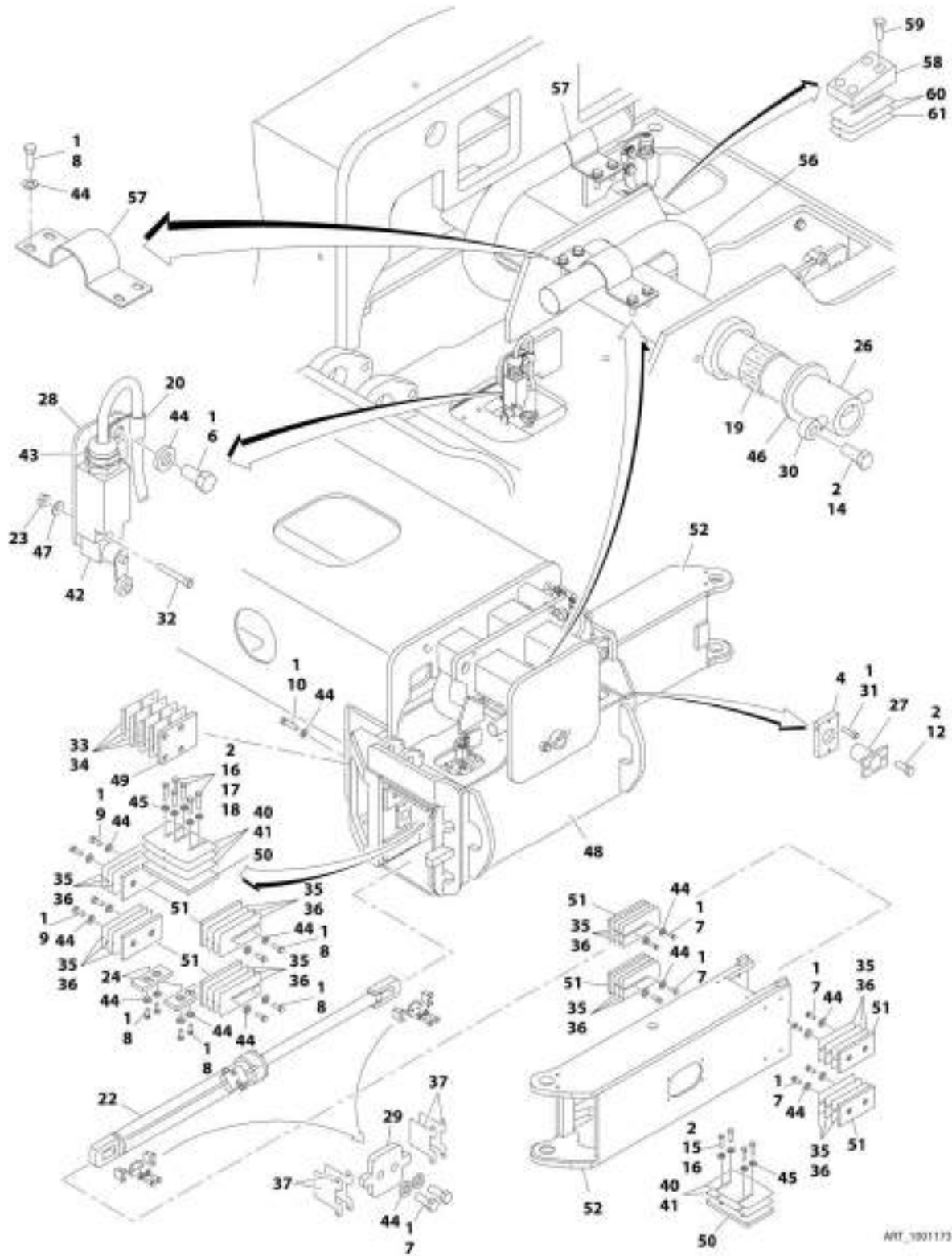
ITEM	PART NUMBER	QTY	DESCRIPTION	REV
	0271934	Ref	AXLE INSTALLATION - FIXED (SN 0300201016 through 0300207700)	M
1	0100011	AR	Compound, Locking	
2	0100019	AR	Compound, Locking	
3	0100081	AR	Adhesive #454	
4	0363037	4	Bar, Stop	
5	0363076	2	Bar, Stop	
6	0641606	40	Bolt 3/8 x 3/4	
7	0641608	48	Bolt 3/8 x 1	
8	0641609	32	Bolt 3/8 x 1-1/8	
9	0641611	16	Bolt 3/8 x 1-3/8	
11	0641613	8	Bolt 3/8 x 1-5/8	
13	0641620	4	Bolt 3/8 x 2-1/2	
14	0641808	8	Bolt 1/2 x 1	
15	0641814	4	Bolt 1/2 x 1-3/4	
16	0642214	1	Bolt 3/4 x 1-3/4	
17	0962033	2	Bushing	
18	1180358	4	Carrier	
18	7024365	AR	Section Repair Kit (Includes Inner and Outer Links, Joining Bars and Rollers and Assembling Hardware)	
18	7024366	1	Mounting Bracket Kit (Includes Mounting Brackets for Both Ends, 1 Roller Assembly and Assembling Hardware)	
19	1320263	4	Clamp, Cable	
20	1320298	4	Clamp, Hose	
21	1684102	NLA	Axle Extension Cylinder Assembly (Use p/n 1001228020) (See Separate Breakdown in CYLINDER SECTION)	
22	3310805	8	Nut #8	
23	3340881	8	Pad, Wear	
24	1001161401	2	Pad, Axle	
25	1001161402	8	Pad, Wear	
26	1001161403	32	Pad, Wear	
27	3340939	8	Pad, Rubber	
28	3422918	1	Pin	
29	3422960	4	Pin	
30	3573294	4	Plate	
31	3573335	8	Plate	
32	3841287	1	Keeper, Pin	
33	3900270	4	Bolt 1/2 x 1-1/2	
34	3930820	8	Capscrew #8 x 1-1/4	
37	4071035	2	Shim #18 Gauge	
38	4071036	4	Shim #11 Gauge	
39	4071054	8	Shim #18 Gauge	
40	4071055	12	Shim #11 Gauge	
41	4071039	10	Shim #18 Gauge	
42	4071040	36	Shim #11 Gauge	
43	4071042	24	Shim #16 Gauge	
44	4071049	6	Shim #11 Gauge	
45	4071050	4	Shim #16 Gauge	
46	4360578	4	Switch, Limit	
47	4711600	140	Washer 3/8	

SECTION 1 - FRAME

ITEM	PART NUMBER	QTY	DESCRIPTION	REV
48	4740461	1	Thrustwasher	
49	4750800	8	Washer #8	
50	4846637	4	Extension, Axle	
51	4846383	1	Box, Axle Pivot	
52	0681813	12	Bolt 1/2 x 1-5/8 Grade 8	
53	0681814	18	Bolt 1/2 x 1-3/4 Grade 8	
54	0681815	12	Bolt 1/2 x 1-7/8 Grade 8	
55	0681816	6	Bolt 1/2 x 2 Grade 8	
56	4711800	48	Washer 1/2	
57	4460968	4	Connector, Strain Relief	

SECTION 1 - FRAME

FIGURE 1-2. AXLE INSTALLATION - FIXED (SN 0300207701 to Present, SN B30002238 to Present)



ART_100173904

SECTION 1 - FRAME

FIGURE 1-2. AXLE INSTALLATION - FIXED (SN 0300207701 to Present, SN B30002238 to Present)

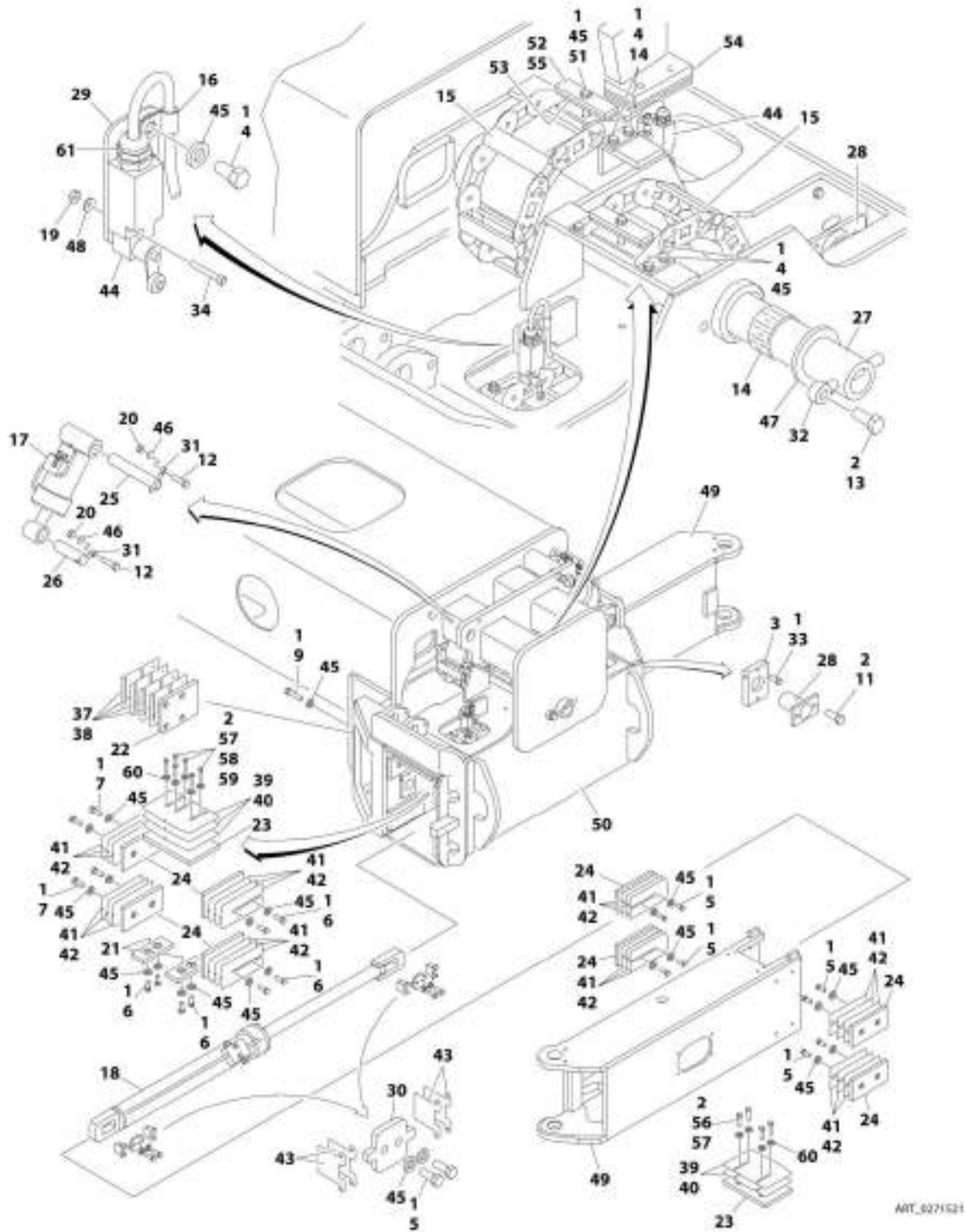
ITEM	PART NUMBER	QTY	DESCRIPTION	REV
	1001173914	Ref	AXLE INSTALLATION - FIXED (SN 0300207701 to Present, SN B30002238 to Present)	I
1	0100011	AR	Compound, Locking	
2	0100019	AR	Compound, Locking	
4	0363037	4	Bar, Stop	
6	0641606	8	Bolt 3/8 x 3/4	
7	0641608	48	Bolt 3/8 x 1	
8	0641609	64	Bolt 3/8 x 1-1/8	
9	0641611	16	Bolt 3/8 x 1-3/8	
10	0641613	8	Bolt 3/8 x 1-5/8	
12	0641808	8	Bolt 1/2 x 1	
14	0642214	1	Bolt 3/4 x 1-3/4	
15	0681813	12	Bolt 1/2 x 1-5/8 Grade 8	
16	0681814	18	Bolt 1/2 x 1-3/4 Grade 8	
17	0681815	12	Bolt 1/2 x 1-7/8 Grade 8	
18	0681816	6	Bolt 1/2 x 2 Grade 8	
19	0962033	2	Bushing	
20	1320263	4	Clamp, Cable	
22	1684102	NLA	Axle Extension Cylinder Assembly (Use p/n 1001228020) (See Separate Breakdown in CYLINDER SECTION) (SN 0300207701 through 0300238565, SN B300002238 through B300002404)	
22	1001228020	4	Axle Extension Cylinder Assembly (See Separate Breakdown in CYLINDER SECTION) (SN 0300238566 to Present, SN B300002405 to Present)	
23	3310805	8	Nut #8	
24	3340881	8	Pad, Wear	
26	3422918	1	Pin	
27	3422960	4	Pin	
28	3573294	4	Plate	
29	3573335	8	Plate	
30	3841287	1	Keeper, Pin	
31	3900270	4	Bolt 1/2 x 1-1/2	
32	3930820	8	Capscrew #8 x 1-1/4	
33	4071035	2	Shim #18 Gauge	
34	4071036	4	Shim #11 Gauge	
35	4071039	10	Shim #18 Gauge	
36	4071040	36	Shim #11 Gauge	
37	4071042	24	Shim #16 Gauge	
40	4071054	8	Shim #18 Gauge	
41	4071055	12	Shim #11 Gauge	
42	4360578	4	Switch, Limit	
43	4460968	4	Connector, Strain Relief	
44	4711600	144	Washer 3/8	
45	4711800	48	Washer 1/2	
46	4740461	1	Thrustwasher	
47	4750800	8	Washer #8	
48	4846383	1	Box, Axle Pivot	
49	1001161401	2	Pad, Axle	
50	1001161402	8	Pad, Wear	
51	1001161403	32	Pad, Wear	
52	4846637	4	Extension, Axle	

SECTION 1 - FRAME

ITEM	PART NUMBER	QTY	DESCRIPTION	REV
55	4240155	6	Strap (Not Shown)	
56	1001193674	4	Sleeve, Nylon	
57	1001191541	8	Bracket, Hose Mount	
58	0363076	2	Bar	
59	0641814	4	Bolt 1/2 x 1-3/4	
60	4071049	4	Shim #11 Gauge	
61	4071050	2	Shim #16 Gauge	
62	2220235	1	Plug (Not Shown - Located on Junction Manifold) (SN 0300218848 to Present, SN B30002238 to Present)	

SECTION 1 - FRAME

FIGURE 1-3. AXLE INSTALLATION - OSCILLATING AXLE (SN 0300201016 through 0300207700)



ART_0271521

SECTION 1 - FRAME

FIGURE 1-3. AXLE INSTALLATION - OSCILLATING AXLE (SN 0300201016 through 0300207700)

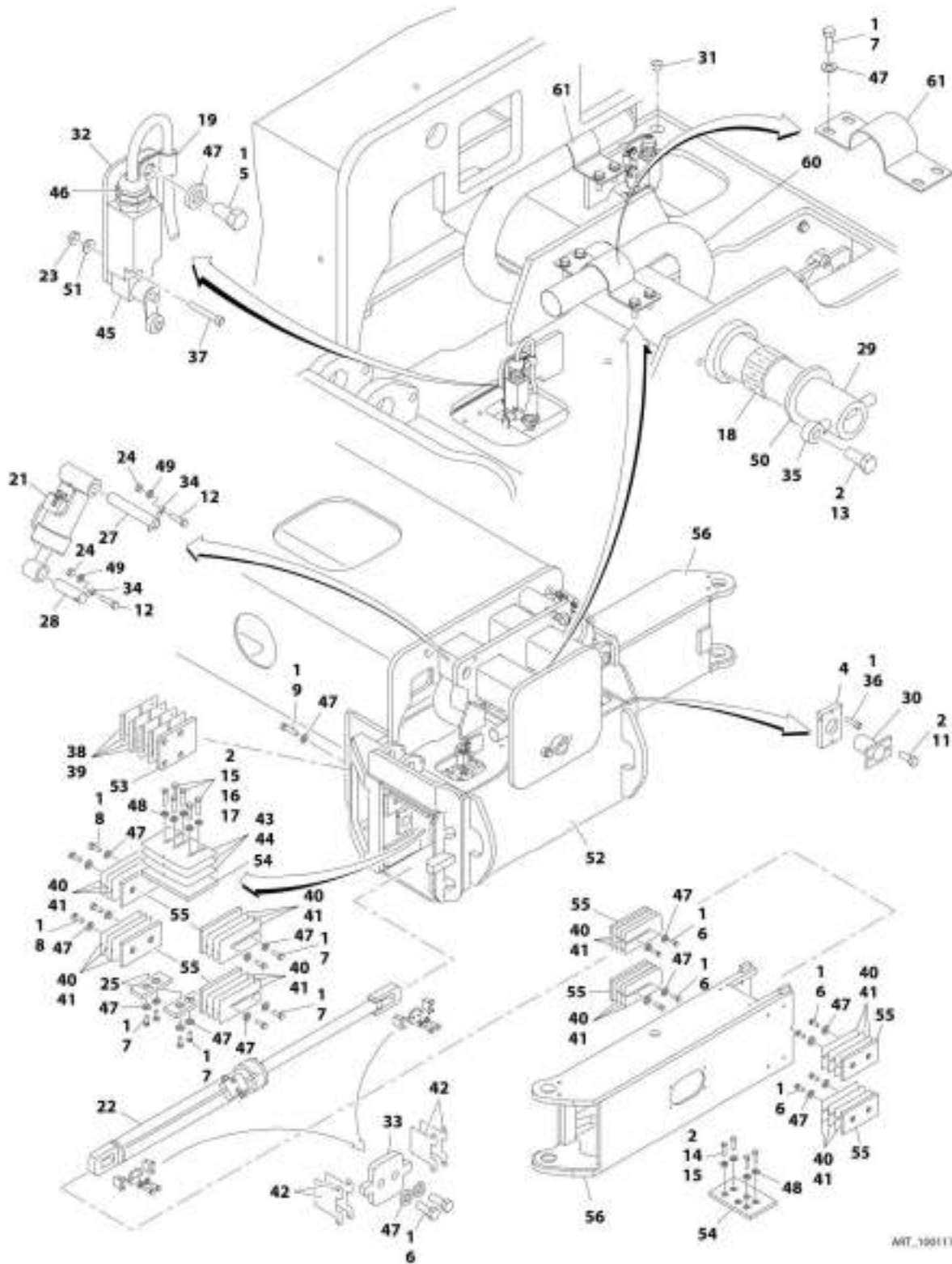
ITEM	PART NUMBER	QTY	DESCRIPTION	REV
	0271521	Ref	AXLE INSTALLATION - OSCILLATING AXLE (SN 0300201016 through 0300207700)	M
1	0100011	AR	Compound, Locking	
2	0100019	AR	Compound, Locking	
3	0363037	4	Bar, Stop	
4	0641606	40	Bolt 3/8 x 3/4	
5	0641608	48	Bolt 3/8 x 1	
6	0641609	32	Bolt 3/8 x 1-1/8	
7	0641611	16	Bolt 3/8 x 1-3/8	
9	0641613	8	Bolt 3/8 x 1-5/8	
11	0641808	8	Bolt 1/2 x 1	
12	0642020	4	Bolt 5/8 x 2-1/2	
13	0642214	1	Bolt 3/4 x 1-3/4	
14	0962033	2	Bushing	
15	1180358	4	Carrier	
15	7024365	AR	Section Repair Kit (Includes Inner and Outer Links, Joining Bars and Rollers and Assembling Hardware)	
15	7024366	1	Mounting Bracket Kit (Includes Mounting Brackets for Both Ends, 1 Roller Assembly and Assembling Hardware)	
16	1320263	4	Clamp, Cable	
17	1684081	NLA	Oscillating Axle Cylinder Assembly (Use p/n 1001228019) (See Separate Breakdown in CYLINDER SECTION)	
18	1684102	NLA	Axle Extension Cylinder Assembly (Use p/n 1001228020) (See Separate Breakdown in CYLINDER SECTION)	
19	3310805	8	Nut #8	
20	3312005	4	Nut 5/8	
21	3340881	8	Pad, Wear	
22	1001161401	2	Pad, Axle	
23	1001161402	8	Pad, Wear	
24	1001161403	32	Pad, Wear	
25	3422833	2	Pin	
26	3422915	2	Pin	
27	3422918	1	Pin	
28	3422960	4	Pin	
29	3573294	4	Plate	
30	3573335	8	Plate	
31	3841258	4	Keeper, Pin	
32	3841287	1	Keeper, Pin	
33	3900270	4	Bolt 1/2 x 1-1/2	
34	3930820	8	Capscrew #8 x 1-1/4	
37	4071035	2	Shim #18 Gauge	
38	4071036	4	Shim #11 Gauge	
39	4071054	8	Shim #18 Gauge	
40	4071055	12	Shim #11 Gauge	
41	4071039	10	Shim #18 Gauge	
42	4071040	36	Shim #11 Gauge	
43	4071042	24	Shim #16 Gauge	
44	4360578	4	Switch, Limit	
45	4711600	140	Washer 3/8	
46	4712000	4	Washer 5/8	
47	4740461	1	Thrustwasher	

SECTION 1 - FRAME

ITEM	PART NUMBER	QTY	DESCRIPTION	REV
48	4750800	8	Washer #8	
49	4846637	4	Extension, Axle	
50	4846383	1	Box, Axle Pivot	
51	0641624	4	Bolt 3/8 x 3	
52	1320298	4	Clamp, Hose	
53	3340939	8	Pad, Rubber	
54	3520054	4	Plug	
55	0100081	AR	Adhesive #454	
56	0681813	12	Bolt 1/2 x 1-5/8 Grade 8	
57	0681814	18	Bolt 1/2 x 1-3/4 Grade 8	
58	0681815	12	Bolt 1/2 x 1-7/8 Grade 8	
59	0681816	6	Bolt 1/2 x 2 Grade 8	
60	4711800	48	Washer 1/2	
61	4460968	4	Connector, Strain Relief	

SECTION 1 - FRAME

FIGURE 1-4. AXLE INSTALLATION - OSCILLATING (SN 0300207701 to Present, SN B300002238 to Present)



AWT_1001173013

SECTION 1 - FRAME

FIGURE 1-4. AXLE INSTALLATION - OSCILLATING (SN 0300207701 to Present, SN B300002238 to Present)

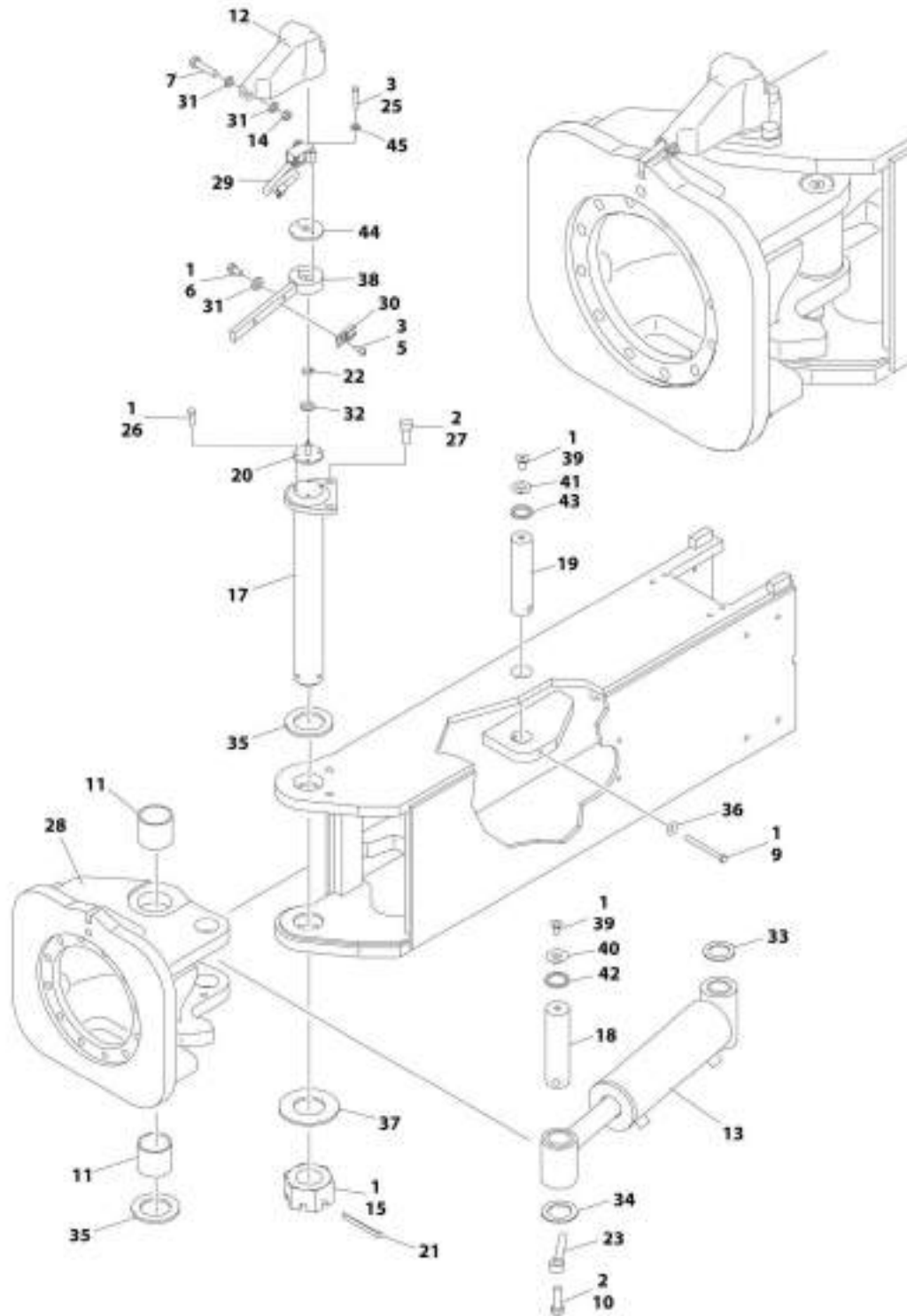
ITEM	PART NUMBER	QTY	DESCRIPTION	REV
	1001173913	Ref	AXLE INSTALLATION - OSCILLATING (SN 0300207701 to Present, SN B300002238 to Present)	H
1	0100011	AR	Compound, Locking	
2	0100019	AR	Compound, Locking	
4	0363037	4	Bar, Stop	
5	0641606	8	Bolt 3/8 x 3/4	
6	0641608	48	Bolt 3/8 x 1	
7	0641609	64	Bolt 3/6 x 1-1/8	
8	0641611	16	Bolt 3/8 x 1-3/8	
9	0641613	8	Bolt 3/8 x 1-5/8	
11	0641808	8	Bolt 1/2 x 1	
12	0642020	4	Bolt 5/8 x 2-1/2	
13	0642214	1	Bolt 3/4 x 1-3/4	
14	0681813	12	Bolt 1/2 x 1-5/8 Grade 8	
15	0681814	18	Bolt 1/2 x 1-3/4 Grade 8	
16	0681815	12	Bolt 1/2 x 1-7/8 Grade 8	
17	0681816	6	Bolt 1/2 x 2 Grade 8	
18	0962033	2	Bushing	
19	1320263	4	Clamp, Cable	
21	1684081	NLA	Oscillating Axle Cylinder Assembly (Use p/n 1001228019) (See Separate Breakdown in CYLINDER SECTION) (SN 0300207701 through 0300239161, SN B300002238 through B300002449)	
21	1001228019	2	Oscillating Axle Cylinder Assembly (See Separate Breakdown in CYLINDER SECTION) (SN 0300239162 to Present, SN B300002450 to Present)	
22	1684102	NLA	Axle Extension Cylinder Assembly (Use p/n 1001228020) (See Separate Breakdown in CYLINDER SECTION) (SN 0300207701 through 0300238565, SN B300002238 through B300002404)	
22	1001228020	4	Axle Extension Cylinder Assembly (See Separate Breakdown in CYLINDER SECTION) (SN 0300238566 to Present, SN B300002405 to Present)	
23	3310805	8	Nut #8	
24	3312005	4	Nut 5/8	
25	3340881	8	Pad, Wear	
27	3422833	2	Pin	
28	3422915	2	Pin	
29	3422918	1	Pin	
30	3422960	4	Pin	
31	3520054	4	Plug	
32	3573294	4	Plate	
33	3573335	8	Plate	
34	3841258	4	Keeper, Pin	
35	3841287	1	Keeper, Pin	
36	3900270	4	Bolt 1/2 x 1-1/2	
37	3930820	8	Capscrew #8 x 1-1/4	
38	4071035	2	Shim #18 Gauge	
39	4071036	4	Shim #11 Gauge	
40	4071039	10	Shim #18 Gauge	
41	4071040	36	Shim #11 Gauge	
42	4071042	24	Shim #16 Gauge	
43	4071054	8	Shim #18 Gauge	

SECTION 1 - FRAME

ITEM	PART NUMBER	QTY	DESCRIPTION	REV
44	4071055	12	Shim #11 Gauge	
45	4360578	4	Switch, Limit	
46	4460968	4	Connector, Strain Relief	
47	4711600	144	Washer 3/8	
48	4711800	48	Washer 1/2	
49	4712000	4	Washer 5/8	
50	4740461	1	Thrustwasher	
51	4750800	8	Washer #8	
52	4846383	1	Box, Axle Pivot	
53	1001161401	2	Pad, Axle	
54	1001161402	8	Pad, Wear	
55	1001161403	32	Pad, Wear	
56	4846637	4	Extension, Axle	
59	4240155	6	Strap (Not Shown)	
60	1001193674	4	Sleeve, Nylon	
61	1001191541	8	Bracket, Hose Mount	

SECTION 1 - FRAME

FIGURE 1-5. STEER INSTALLATION



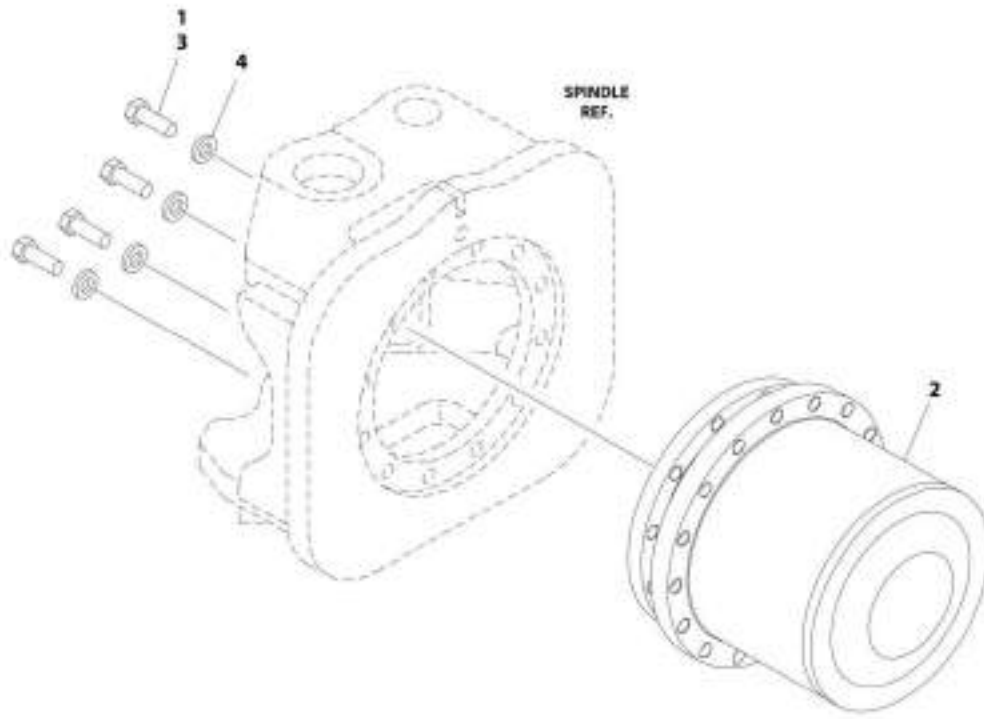
ART_0271520

FIGURE 1-5. STEER INSTALLATION

ITEM	PART NUMBER	QTY	DESCRIPTION	REV
	0271520	Ref	STEER INSTALLATION	L
1	0100011	AR	Compound, Locking	
2	0100019	AR	Compound, Locking	
3	0100035	AR	Compound, Locking	
5	0630464	4	Screw #10 x 1/2	
6	0641505	4	Bolt 5/16 x 5/8	
7	0641511	4	Bolt 5/16 x 1-3/8	
9	0641634	4	Bolt 3/8 x 4-1/4	
10	0642016	4	Bolt 5/8 x 2	
11	0962423	8	Bushing	
12	1671040	4	Cover, Sensor	
13	1684314	NLA	Steer Cylinder Assembly (Use p/n 1001228031) (See Separate Breakdown in CYLINDER SECTION) (SN 0300201016 through 0300238011, SN B300002238 through B300002376)	
13	1001228031	4	Steer Cylinder Assembly (See Separate Breakdown in CYLINDER SECTION) (SN 0300238012 to Present, SN B300002377 to Present)	
14	3311505	4	Nut 5/16	
15	3300464	4	Nut, Slotted	
17	3422917	4	Kingpin	
18	3422940	4	Pin, Steer Cylinder (Outer)	
19	3422941	4	Pin, Steer Cylinder (Inner)	
20	3423256	4	Pin, Sensor	
21	3451214	4	Pin, Cotter 3/8 x 3-1/2	
22	3760383	4	Ring, Retaining	
23	3841258	4	Keeper, Pin	
25	3931020	8	Capscrew #10 x 1-1/4	
26	3931412	16	Capscrew 1/4 x 3/4	
27	3932024	8	Capscrew 5/8 x 1-1/2	
28	1001099632	4	Spindle	
29	4360505	4	Switch, Rotary Angle Sensor (Steer)	
30	4460914	4	Terminal	
31	4711500	12	Washer 5/16	
32	4711800	4	Washer 1/2	
33	4740181	4	Thrustwasher	
34	4740229	4	Thrustwasher	
35	4740505	8	Thrustwasher	
36	4751600	4	Washer 3/8	
37	4755000	4	Washer 2-1/2	
38	0200833	4	Arm, Steer	
39	0741606	8	Screw 3/8 x 3/4	
40	1120549	4	Cap, Seal (Outer)	
41	1120550	4	Cap, Seal (Inner)	
42	3960551	4	Seal (Outer)	
43	3960552	4	Seal (Inner)	
44	0080277	4	Adapter, Angle Sensor Pilot	
45	4750800	8	Washer M8 (SN 0300201016 through 0300235781)	
45	4811600	8	Washer M5 (SN 0300235782 to Present, SN B30002238 to Present)	

SECTION 1 - FRAME

FIGURE 1-6. WHEEL DRIVE INSTALLATION - BONFIGLIOLI



ART. 0275685

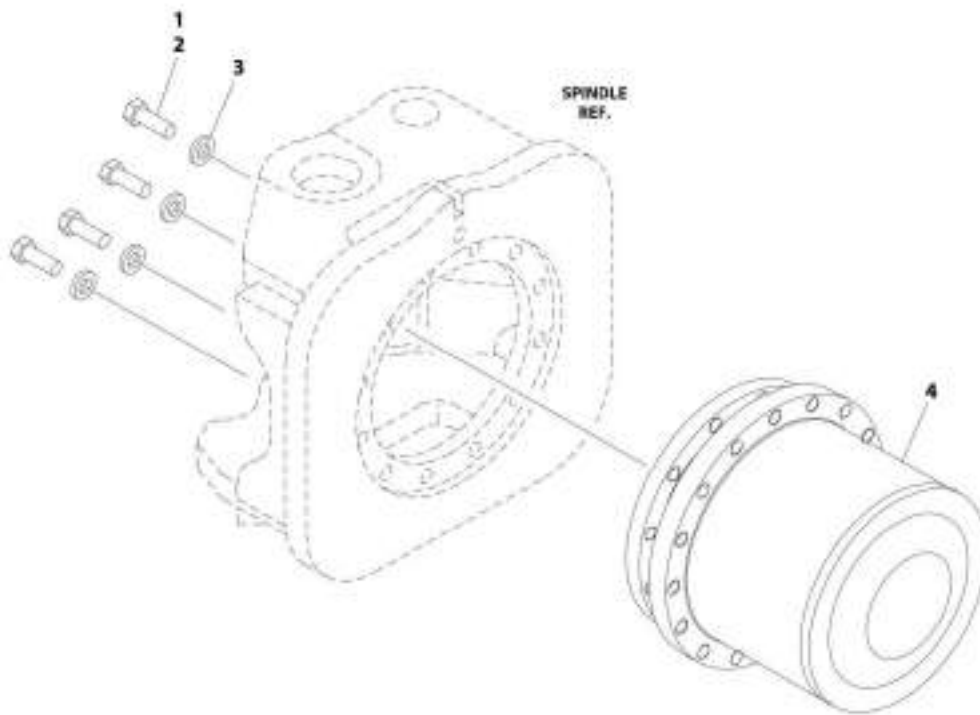
SECTION 1 - FRAME

FIGURE 1-6. WHEEL DRIVE INSTALLATION - BONFIGLIOLI

ITEM	PART NUMBER	QTY	DESCRIPTION	REV
	0275685	Ref	WHEEL DRIVE INSTALLATION - BONFIGLIOLI	C
1	0100019	AR	Compound, Locking	
2	2780286	4	Drive Hub and Motor Assembly - Bonfiglioli (See Separate Breakdown in this Section)	
3	0701617	48	Bolt M16 x 45 (12 Per Wheel)	
4	4892000	48	Washer 5/8 (12 Per Wheel)	

SECTION 1 - FRAME

FIGURE 1-7. WHEEL DRIVE INSTALLATION - REGGIANA RIDUTTORI



ART_1001104324

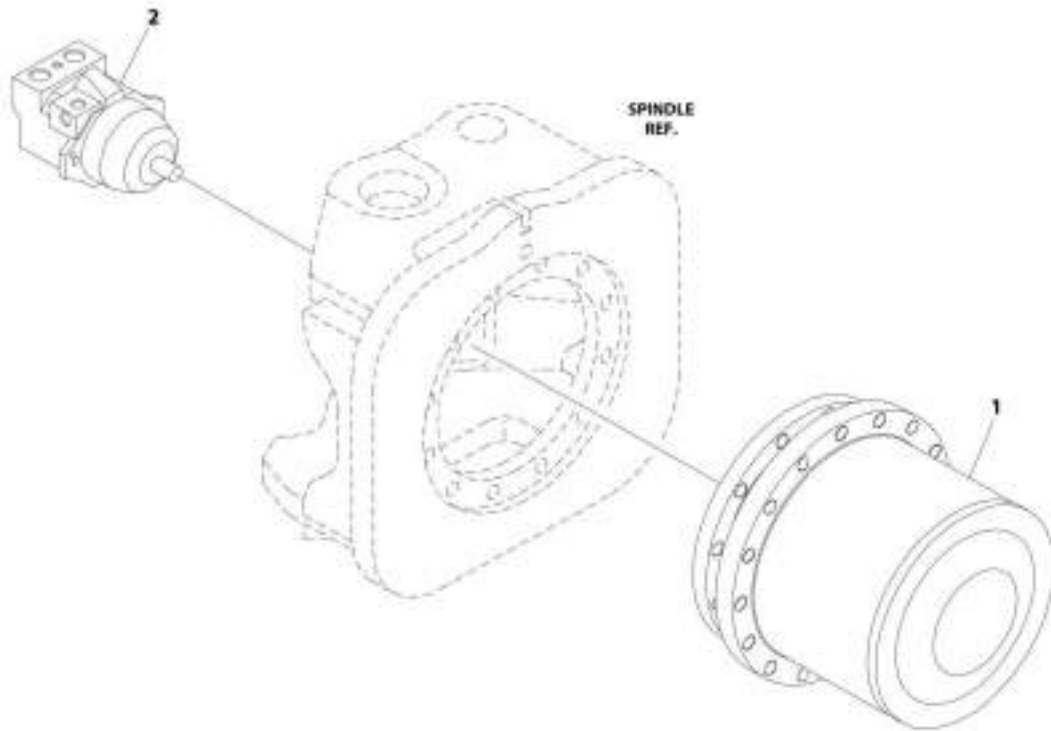
SECTION 1 - FRAME

FIGURE 1-7. WHEEL DRIVE INSTALLATION - REGGIANA RIDUTTORI

ITEM	PART NUMBER	QTY	DESCRIPTION	REV
	1001104324	Ref	WHEEL DRIVE INSTALLATION - REGGIANA RIDUTTORI	B
1	0100019	AR	Compound, Locking	
2	0701617	48	Bolt M16 x 45 (12 Per Wheel)	
3	4892000	48	Washer 5/8 (12 Per Wheel)	
4	1001104315	4	Drive Hub and Motor Assembly - Reggiana Riduttori (See Separate Breakdown in this Section)	

SECTION 1 - FRAME

FIGURE 1-8. DRIVE HUB AND MOTOR ASSEMBLY - BONFIGLIOLI



ART. 2/80286

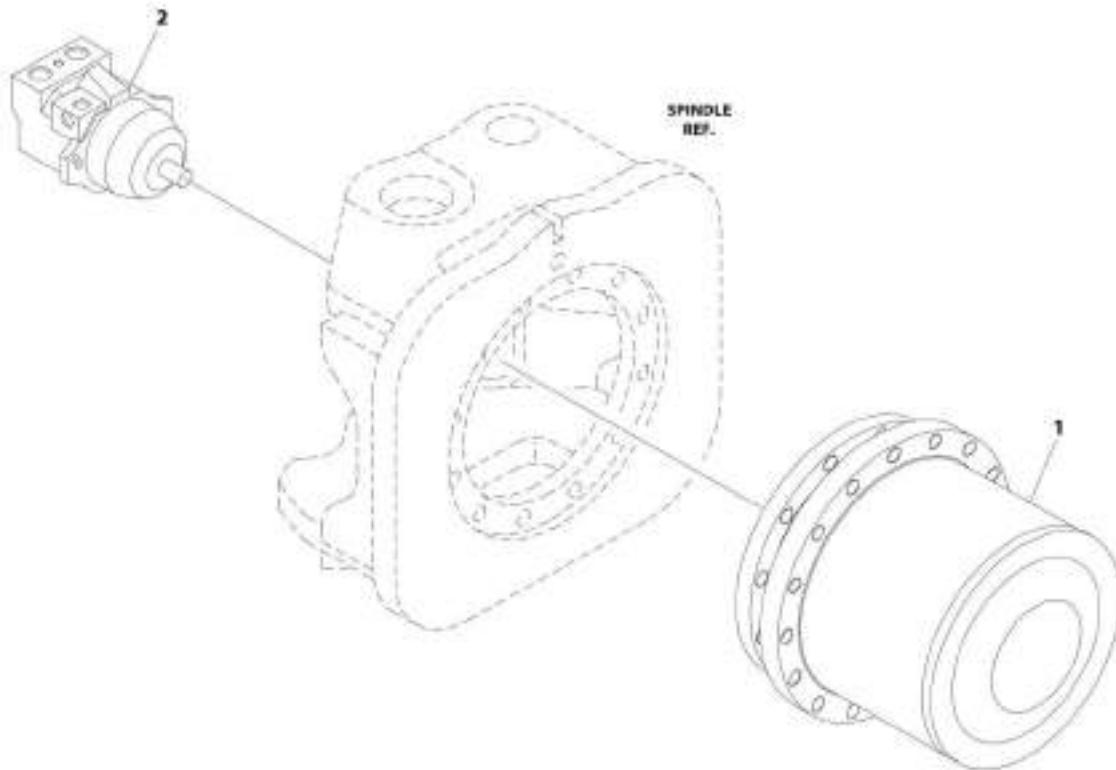
SECTION 1 - FRAME

FIGURE 1-8. DRIVE HUB AND MOTOR ASSEMBLY - BONFIGLIOLI

ITEM	PART NUMBER	QTY	DESCRIPTION	REV
	2780286	Ref	DRIVE HUB AND MOTOR ASSEMBLY - BONFIGLIOLI	D
		Ref	Note: Various brands used on Machines. When replacing complete hub, note that all 4 hubs must be the same brand.	
		Ref	Note: Various brands used on Machines. Identify brand before ordering replacement parts.	
1	1001093243	4	Drive Hub Assembly - Bonfiglioli (See Separate Breakdown in this Section)	
2	3160339	4	Drive Motor Assembly (See Separate Breakdown in this Section)	

SECTION 1 - FRAME

FIGURE 1-9. DRIVE HUB AND MOTOR ASSEMBLY - REGGIANA RIDUTTORI



ART_1001104315

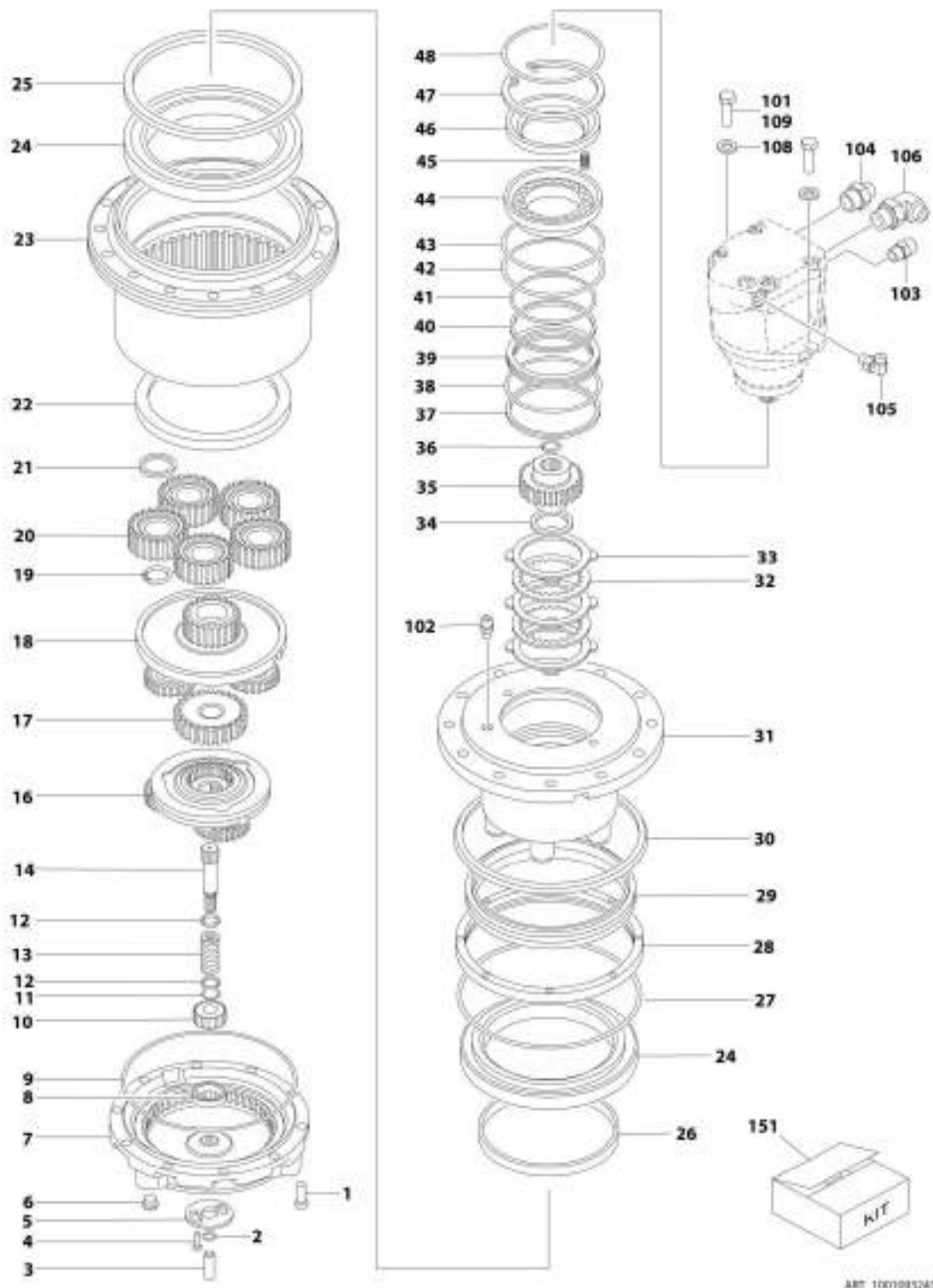
SECTION 1 - FRAME

FIGURE 1-9. DRIVE HUB AND MOTOR ASSEMBLY - REGGIANA RIDUTTORI

ITEM	PART NUMBER	QTY	DESCRIPTION	REV
	1001104315	Ref	DRIVE HUB AND MOTOR ASSEMBLY - REGGIANA RIDUTTORI Note: Various brands used on Machines. When replacing complete hub, note that all 4 hubs must be the same brand. Note: Various brands used on Machines. Identify brand before ordering replacement parts.	B
		Ref		
		Ref		
1	1001104325	4	Drive Hub Assembly - Reggiana Riduttori (See Separate Breakdown in this Section)	
2	3160339	4	Drive Motor Assembly (See Separate Breakdown in this Section)	

SECTION 1 - FRAME

FIGURE 1-10. DRIVE HUB ASSEMBLY - BONFIGLIOLI



ART_1001093243

SECTION 1 - FRAME

FIGURE 1-10. DRIVE HUB ASSEMBLY - BONFIGLIOLI

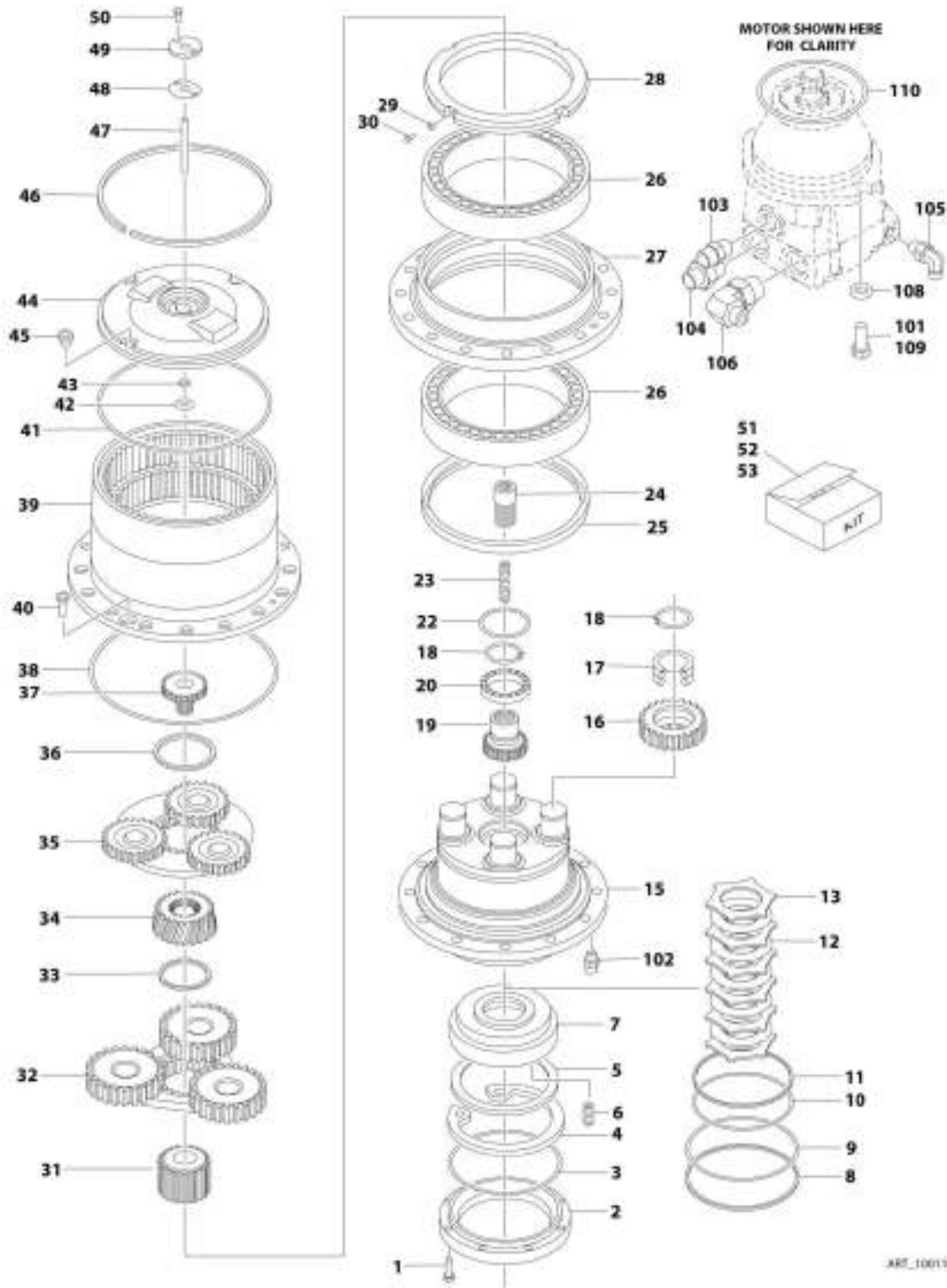
ITEM	PART NUMBER	QTY	DESCRIPTION	REV
	1001093243	Ref	DRIVE HUB ASSEMBLY - BONFIGLIOLI	D
		Ref	Note: Various brands used on Machines. Identify brand before ordering replacement parts.	
	1001093242	1	Hub, Torque - Bonfiglioli	
1	70000810	10	Bolt M10 x 25	
2	70000811	1	O-Ring	
3	70000812	1	Pin	
4	70000813	2	Bolt M8 x 16	
5	70002393	1	Cap, Disconnect	
6	See Note	2	Plug (Note: Not Available for Purchase)	
7	70000815	1	Cover Assembly (Includes Items 2-6 & 8)	
8	70000816	1	Pad	
9	70000817	1	O-Ring	
10	70000818	1	Gear, Primary Sun	
11	See Note	NSS	Ring, Neoprene (Note: Use Item 151)	
12	See Note	NSS	Washer (Note: Use Item 151)	
13	See Note	NSS	Spring (Note: Use Item 151)	
14	See Note	NSS	Shaft (Note: Use Item 151)	
16	70000820	1	Reduction Assembly, Primary	
17	70000821	1	Gear, Secondary Sun	
18	70000822	1	Reduction Assembly, Secondary	
19	70000823	5	Snap Ring	
20	70000824	5	Gear Assembly, Planetary	
21	70000825	5	Spacer	
22	70000826	1	Nut	
23	70002395	1	Housing, Hub (Includes Item 24)	
24	70002396	2	Ball Bearing	
25	70000828	1	Spacer	
26	70000829	1	Spacer	
27	70000830	1	O-Ring	
28	70000831	1	Spacer	
29	70000832	1	Seal	
30	70000833	1	Ring, Sealing	
31	See Note	NSS	Spindle (Note: Not Available - Purchase Complete Assembly)	
32	70000834	4	Disc, Steel	
33	70000835	5	Disc, Lined	
34	70000836	1	Spacer	
35	70000837	1	Shaft, Brake	
36	70000838	1	Snap Ring	
37	70000839	1	Ring, Back-up	
38	70000840	1	O-Ring	
39	70000841	1	Spacer	
40	70000842	1	Ring, Back-up	
41	70000843	1	O-Ring	
42	70000844	1	O-Ring	
43	70000845	1	Ring, Back-up	
44	70000846	1	Piston, Brake	
45	70000847	15	Spring	
46	70000848	1	Plate, Spring Retainer	
47	70000849	1	Snap Ring	

SECTION 1 - FRAME

ITEM	PART NUMBER	QTY	DESCRIPTION	REV
48	3790158	1	O-Ring	
101	0761215	2	Bolt M12 x 35	
102	2110404	1	Fitting, Adapter	
103	2110808	1	Fitting, Adapter	
104	2110812	1	Fitting, Adapter	
105	2130406	1	Fitting, 90 Adapter	
106	2130812	1	Fitting, 90 Adapter	
108	5241200	2	Washer M12	
109	0100011	AR	Compound, Locking	
110	3020008	17 oz /0.5L	Lubricant HD 80W-90 (Not Shown)	
151	70000819	1	Brake Shaft Kit (Includes Items 11-14)	

SECTION 1 - FRAME

FIGURE 1-11. DRIVE HUB ASSEMBLY - REGGIANA RIDUTTORI



SECTION 1 - FRAME

FIGURE 1-11. DRIVE HUB ASSEMBLY - REGGIANA RIDUTTORI

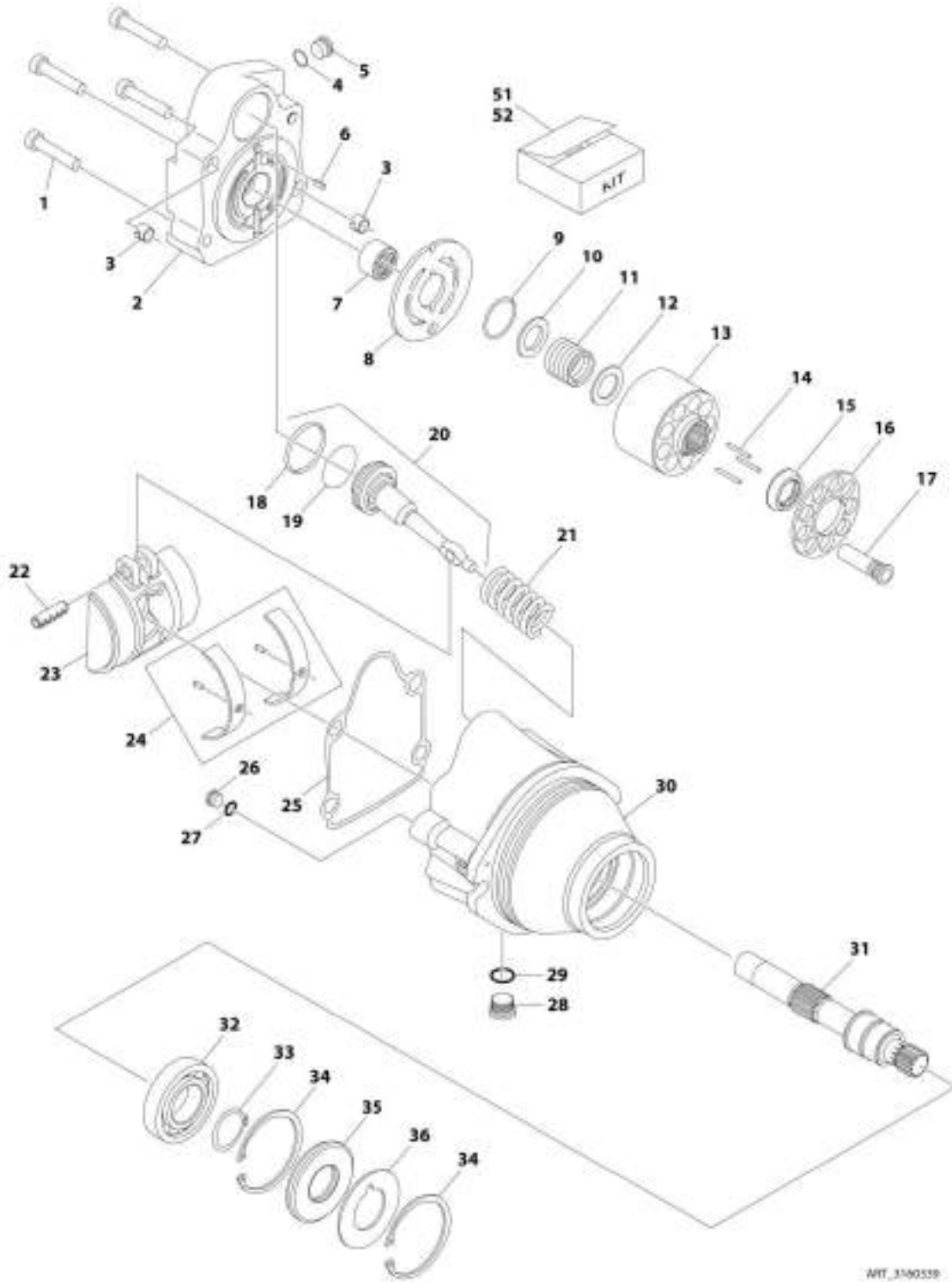
ITEM	PART NUMBER	QTY	DESCRIPTION	REV
	1001104325	Ref	DRIVE HUB ASSEMBLY - REGGIANA RIDUTTORI	E
		Ref	Note: Various brands used on Machines. Identify brand before ordering replacement parts.	
	1001101550	1	Hub, Torque	C
1	70002015	8	Bolt M8 x 25	
2	70002016	1	Ring, Motor Support	
3	See Note	NSS	O-Ring (Note: Use Item 51)	
4	70002018	1	Snap Ring	
5	70002019	1	Retainer, Spring	
6	70002020	9	Spring	
7	70002021	1	Piston	
8	See Note	NSS	Ring, Back-up (Note: Use Item 51 or 53)	
9	See Note	NSS	O-Ring (Note: Use Item 51 or 53)	
10	See Note	NSS	O-Ring (Note: Use Item 51 or 53)	
11	See Note	NSS	Ring, Back-up (Note: Use Item 51 or 53)	
12	70002026	5	Disc, Friction	
13	70002027	6	Disc, Steel	
15	70002029	1	Spindle	
16	70002030	4	Gear, Planetary	
17	70002031	4	Bearing	
18	70002032	5	Snap Ring	
19	70002033	1	Gear, Brake/Input	
20	70002034	1	Bearing	
22	70002035	1	Ring, Wear	
23	70002036	1	Spring	
24	70002037	1	Shaft, Engagement	
25	See Note	NSS	Seal (Note: Use Item 51)	
26	70002039	2	Bearing Assembly	
27	70002040	1	Support, Hub	
28	70002041	1	Nut, Retaining	
29	70002674	4	Washer	
30	70002674	4	Screw	
31	70002044	1	Gear, Planetary Sun	
32	70002045	1	Reduction Assembly, Secondary	
33	70002046	1	Snap Ring	
34	70002047	1	Gear, Secondary Input Sun	
35	70002048	1	Reduction Assembly, Primary	
36	70002049	1	Snap Ring	
37	70002050	1	Gear, Primary Input Sun	
38	See Note	NSS	O-Ring (Note: Use Item 51)	
39	See Note	NSS	Housing, Hub (Note: Not Available - Purchase Complete Assembly)	
40	70002052	2	Screw, Countersunk	
41	See Note	NSS	O-Ring (Note: Use Item 51 or 52)	
42	See Note	NSS	Thrustwasher (Note: Use Item 52)	
43	See Note	NSS	O-Ring (Note: Use Item 51 or 52)	
44	See Note	NSS	Cover, Hub (Note: Use Item 52)	
45	70002057	3	Plug	
46	See Note	NSS	Snap Ring (Note: Use Item 52)	
47	See Note	NSS	Pin, Engagement (Note: Use Item 52)	

SECTION 1 - FRAME

ITEM	PART NUMBER	QTY	DESCRIPTION	REV
48	See Note	NSS	Gasket (Note: Use Item 51 or 52)	
49	See Note	NSS	Cover, Engagement (Note: Use Item 52)	
50	See Note	NSS	Screw (Note: Use Item 52)	
51	70002248	1	Seal Kit (Includes Items 3, 8-11, 25, 38, 41, 43 & 48)	
52	70002247	1	Cover Kit (Includes Items 41-50)	
53	70002249	1	Brake Kit (Includes Items 4-13)	
101	0761214	2	Bolt M12 x 30	
102	2110404	1	Fitting, Adapter	
103	2110808	1	Fitting, Adapter	
104	2110812	1	Fitting, Adapter	
105	2130406	1	Fitting, 90 Adapter	
106	2130812	1	Fitting, 90 Adapter	
108	5241200	2	Washer M12	
109	0100011	AR	Compound, Locking	
110	3790158	1	O-Ring	
111	3020008	51 oz / 1.5L	Lubricant HD 80W-90 (Not Shown)	

SECTION 1 - FRAME

FIGURE 1-12. DRIVE MOTOR ASSEMBLY



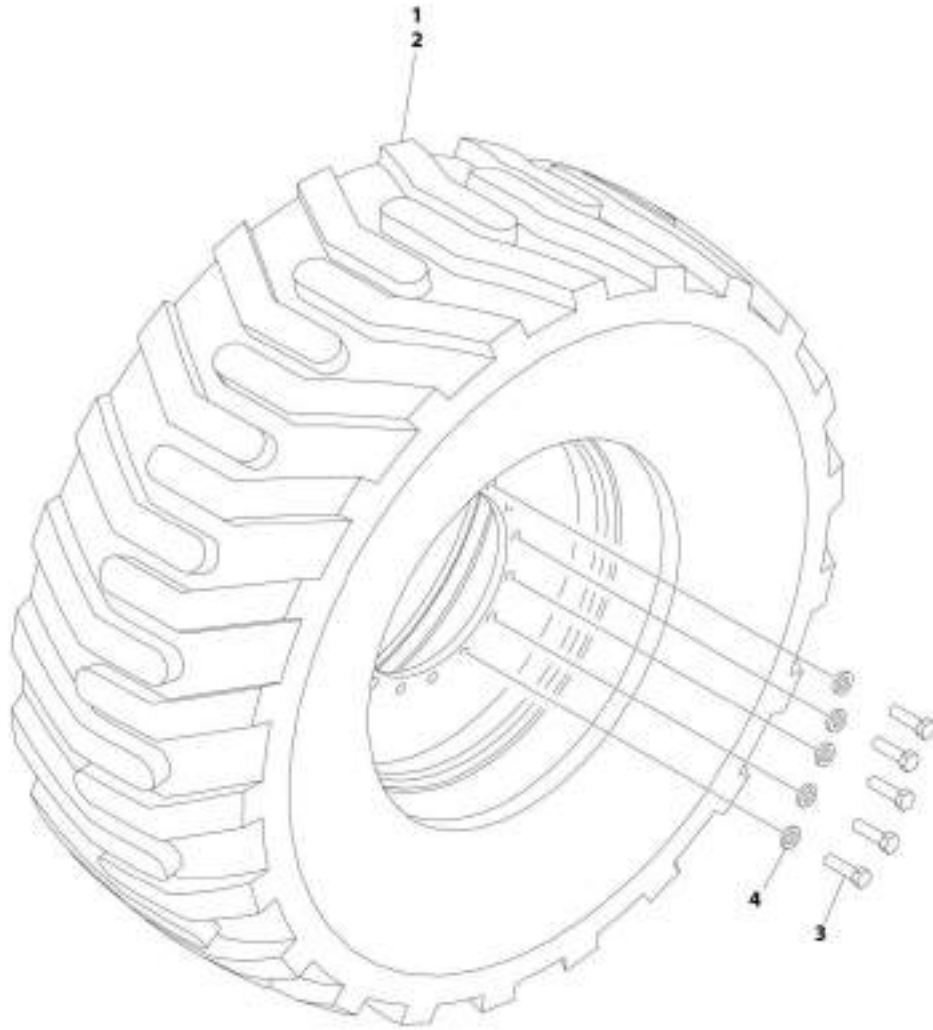
WIT_3190559

FIGURE 1-12. DRIVE MOTOR ASSEMBLY

ITEM	PART NUMBER	QTY	DESCRIPTION	REV
	3160339	Ref	DRIVE MOTOR ASSEMBLY	D
1	7022368	4	Bolt	
2	70000859	1	End Cap, Motor	
3	70003628	2	Locating Pin	
4	See Note	NSS	O-Ring (Note: Use Item 51)	
5	7007420	1	Plug (Includes Item 4)	
6	7007446	1	Pin, Dowel	
7	7021249	1	Bearing, Needle	
8	70000854	1	Plate, Valve	
9	7022311	1	Snap Ring	
10	7022314	1	Retainer, Spring	
11	7024867	1	Spring	
12	7024868	1	Washer	
13	70000855	1	Block, Cylinder	
14	7021275	3	Pin, Slipper	
15	70000856	1	Guide	
16	70000857	1	Retainer, Slipper	
17	7024865	9	Piston, Cylinder	
18	See Note	NSS	Ring, Piston (Note: Use Item 51)	
19	See Note	NSS	O-Ring (Note: Use Item 51)	
20	70000860	1	Piston, Servo (Includes Items 18 & 19)	
21	70000861	1	Spring	
22	See Note	1	Pin (Note: Not Available for Purchase)	
23	70000853	1	Swash Plate	
24	70000852	1	Bearing Kit	
25	See Note	NSS	Gasket (Note: Use Item 51)	
26	See Note	1	Plug (Note: Not Available for Purchase)	
27	See Note	NSS	O-Ring (Note: Use Item 51)	
28	7022321	1	Plug (Includes Item 29)	
29	See Note	NSS	O-Ring (Note: Use Item 51)	
30	See Note	1	Housing (Note: Not Available - Purchase Complete Motor)	
31	70000858	1	Shaft	
32	7007437	1	Bearing	
33	7007439	1	Snap Ring	
34	7007438	2	Snap Ring	
35	See Note	NSS	Seal (Note: Use Item 51)	
36	7022371	1	Washer, Seal Support	
51	70000862	1	Kit 1 - Motor Seal Kit (Includes Items 4, 18, 19, 25, 27, 29 & 35)	
52	7027740	1	Kit 2 - Cylinder Block Kit (Includes Items 9-17)	

SECTION 1 - FRAME

FIGURE 1-13. TIRE AND WHEEL INSTALLATION - FOAM - FILLED



ART. 5271652

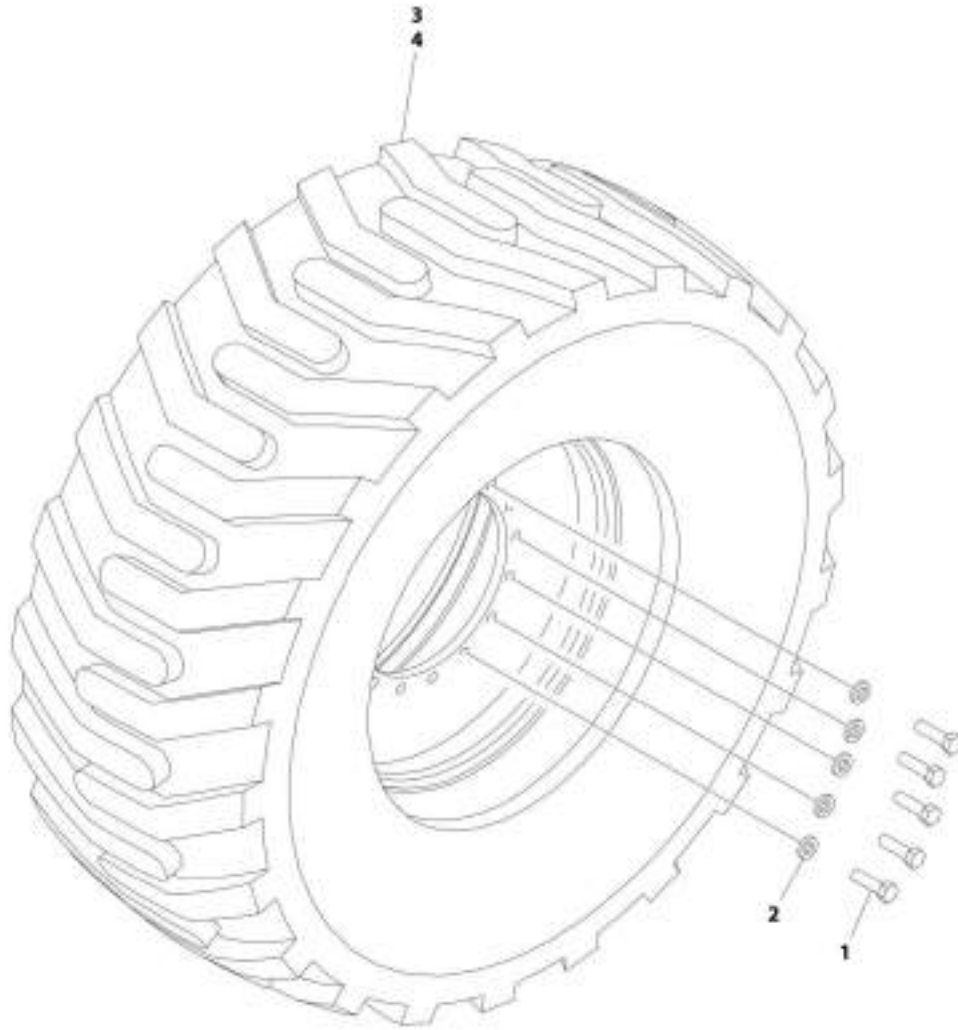
SECTION 1 - FRAME

FIGURE 1-13. TIRE AND WHEEL INSTALLATION - FOAM - FILLED

ITEM	PART NUMBER	QTY	DESCRIPTION	REV
	0271852	Ref	TIRE AND WHEEL INSTALLATION - FOAM - FILLED	B
		Ref	Note: Assemblies may require ballast/foam filling to manufacturer's specifications prior to installing on a machine. Refer to Operation and Safety or Service and Maintenance Manuals. Purchase individual tire and/or rim only if able to foam fill tire and wheel assembly, otherwise, purchase complete assembly.	
1	0272055	2	Right Side Tire and Wheel Assembly - Foam - Filled	
2	0272056	2	Left Side Tire and Wheel Assembly - Foam - Filled	
3	0701619	64	Bolt M16 x 55 (16 Per Wheel)	
4	4892000	64	Washer 5/8 (16 Per Wheel)	

SECTION 1 - FRAME

FIGURE 1-14. TIRE AND WHEEL INSTALLATION - SOLID



ART_330113901

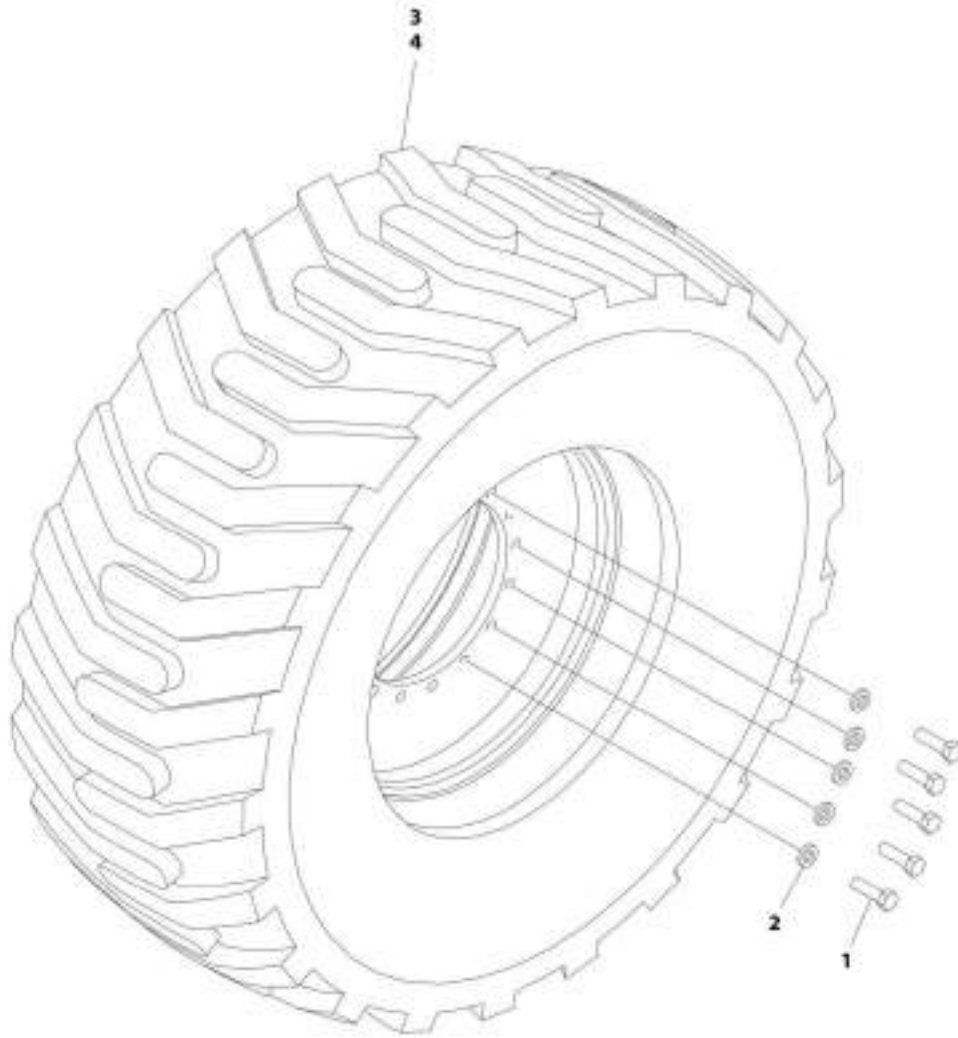
SECTION 1 - FRAME

FIGURE 1-14. TIRE AND WHEEL INSTALLATION - SOLID

ITEM	PART NUMBER	QTY	DESCRIPTION	REV
	1001115961	Ref	TIRE AND WHEEL INSTALLATION - SOLID	A
1	0701619	64	Bolt M16 x 55 (16 Per Wheel)	
2	4892000	64	Washer 5/8 (16 Per Wheel)	
3	1001112716	2	Right Side Tire and Wheel Assembly - Solid	
4	1001112669	2	Left Side Tire and Wheel Assembly - Solid	

SECTION 1 - FRAME

FIGURE 1-15. TIRE AND WHEEL INSTALLATION - SOLID NON MARKING



ART_1301221883

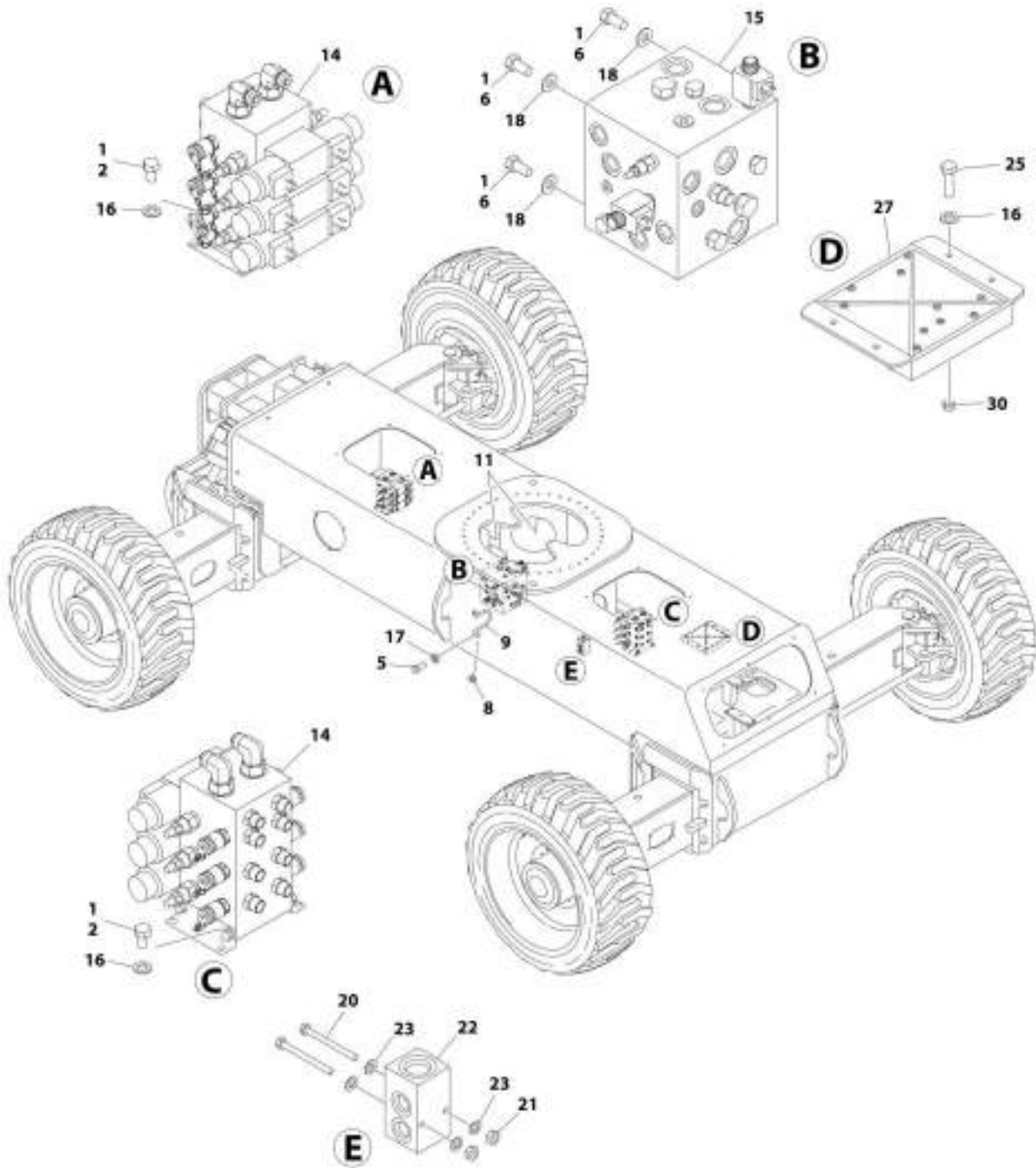
SECTION 1 - FRAME

FIGURE 1-15. TIRE AND WHEEL INSTALLATION - SOLID NON MARKING

ITEM	PART NUMBER	QTY	DESCRIPTION	REV
	1001223883	Ref	TIRE AND WHEEL INSTALLATION - SOLID NON MARKING	A
1	0701619	64	Bolt M16 x 55 (16 Per Wheel)	
2	4892000	64	Washer 5/8 (16 Per Wheel)	
3	1001216876	2	Left Side Tire and Wheel Assembly - Solid	
4	1001216877	2	Right Side Tire and Wheel Assembly - Solid	

SECTION 1 - FRAME

FIGURE 1-16. FRAME VALVES INSTALLATION - WITHOUT LSS AND WITH 4 CELL LSS



ART_021802_TOP3

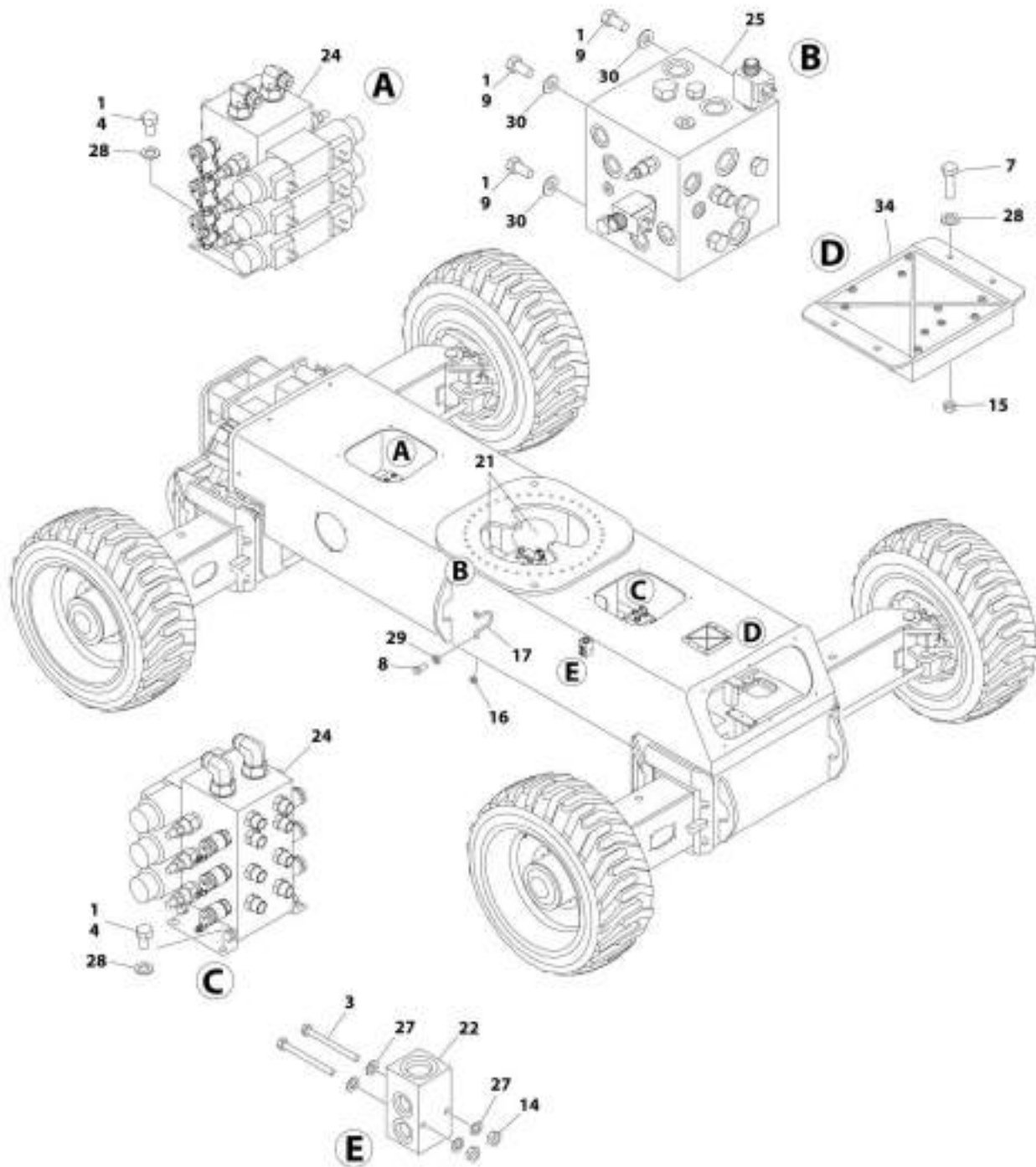
SECTION 1 - FRAME

FIGURE 1-16. FRAME VALVES INSTALLATION - WITHOUT LSS AND WITH 4 CELL LSS

ITEM	PART NUMBER	QTY	DESCRIPTION	REV
	0271802	Ref	FRAME VALVES INSTALLATION - WITHOUT LSS AND WITH 4 CELL LSS	M
1	0100011	AR	Compound, Locking	
2	0641504	8	Bolt 5/16 x 1/2	
5	0641608	4	Bolt 3/8 x 1	
6	0641808	4	Bolt 1/2 x 1	
8	3311605	4	Nut 3/8	
9	3841340	2	Loop, Hose	
11	4060808	124 in/ 3.2m	Flex-Trim	
14	4641268	2	Valve Assembly - Steer (See Separate Breakdown in this Section)	
15	4641454	1	Valve Assembly - Traction (See Separate Breakdown in this Section)	
16	4711500	16	Washer 5/16	
17	4711600	4	Washer 3/8	
18	4711800	4	Washer 1/2	
20	0641424	2	Bolt 1/4 x 3	
21	3311405	2	Nut 1/4	
22	4641155	1	Manifold, Junction	
23	4711400	4	Washer 1/4	
25	0641509	4	Bolt 5/16 x 1-1/8	
27	1001112758	1	Module (Chassis) (Note: Re-calibration Required when Replaced)	
27	2915024	1	Update Kit (Includes Cables, Programming Instructions and CD Software)	
30	3311505	4	Nut 5/16	

SECTION 1 - FRAME

FIGURE 1-17. FRAME VALVES INSTALLATION - WITH 1 CELL LSS



ART_1001210990_10F3

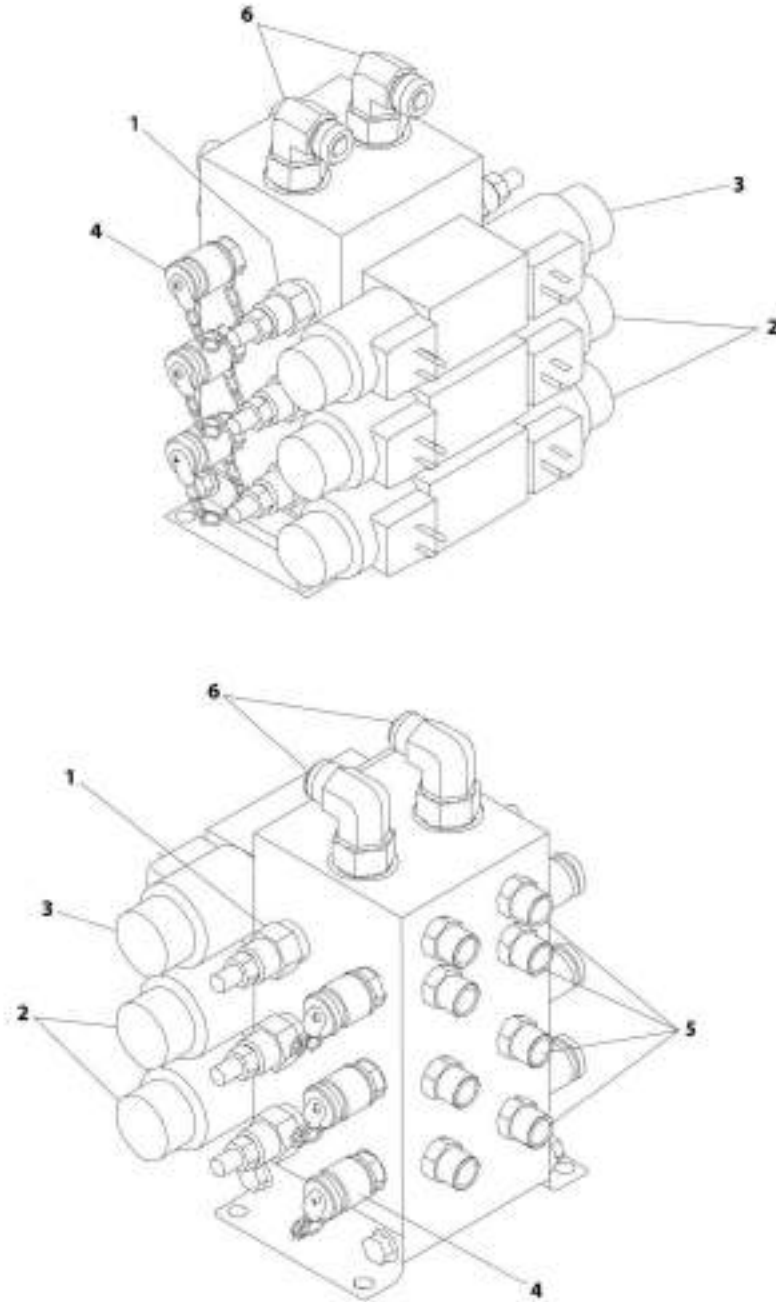
SECTION 1 - FRAME

FIGURE 1-17. FRAME VALVES INSTALLATION - WITH 1 CELL LSS

ITEM	PART NUMBER	QTY	DESCRIPTION	REV
	1001219990	Ref	FRAME VALVES INSTALLATION - WITH 1 CELL LSS	B
1	0100011	AR	Compound, Locking	
3	0641424	2	Bolt 1/4 x 3	
4	0641504	8	Bolt 5/16 x 1/2	
7	0641509	4	Bolt 5/16 x 1-1/8	
8	0641608	4	Bolt 3/8 x 1	
9	0641808	4	Bolt 1/2 x 1	
14	3311405	2	Nut 1/4	
15	3311505	4	Nut 5/16	
16	3311605	4	Nut 3/8	
17	3841340	2	Loop, Hose	
21	4060808	124 in/ 3.2m	Flex-Trim	
22	4641155	1	Manifold, Junction	
24	4641268	2	Valve Assembly - Steer (See Separate Breakdown in this Section)	
25	4641454	1	Valve Assembly - Traction (See Separate Breakdown in this Section)	
27	4711400	4	Washer 1/4	
28	4711500	16	Washer 5/16	
29	4711600	2	Washer 3/8	
30	4711800	4	Washer 1/2	
34	100112758	1	Module (Chassis) (Note: Re-calibration Required when Replaced)	

SECTION 1 - FRAME

FIGURE 1-18. STEER VALVE ASSEMBLY



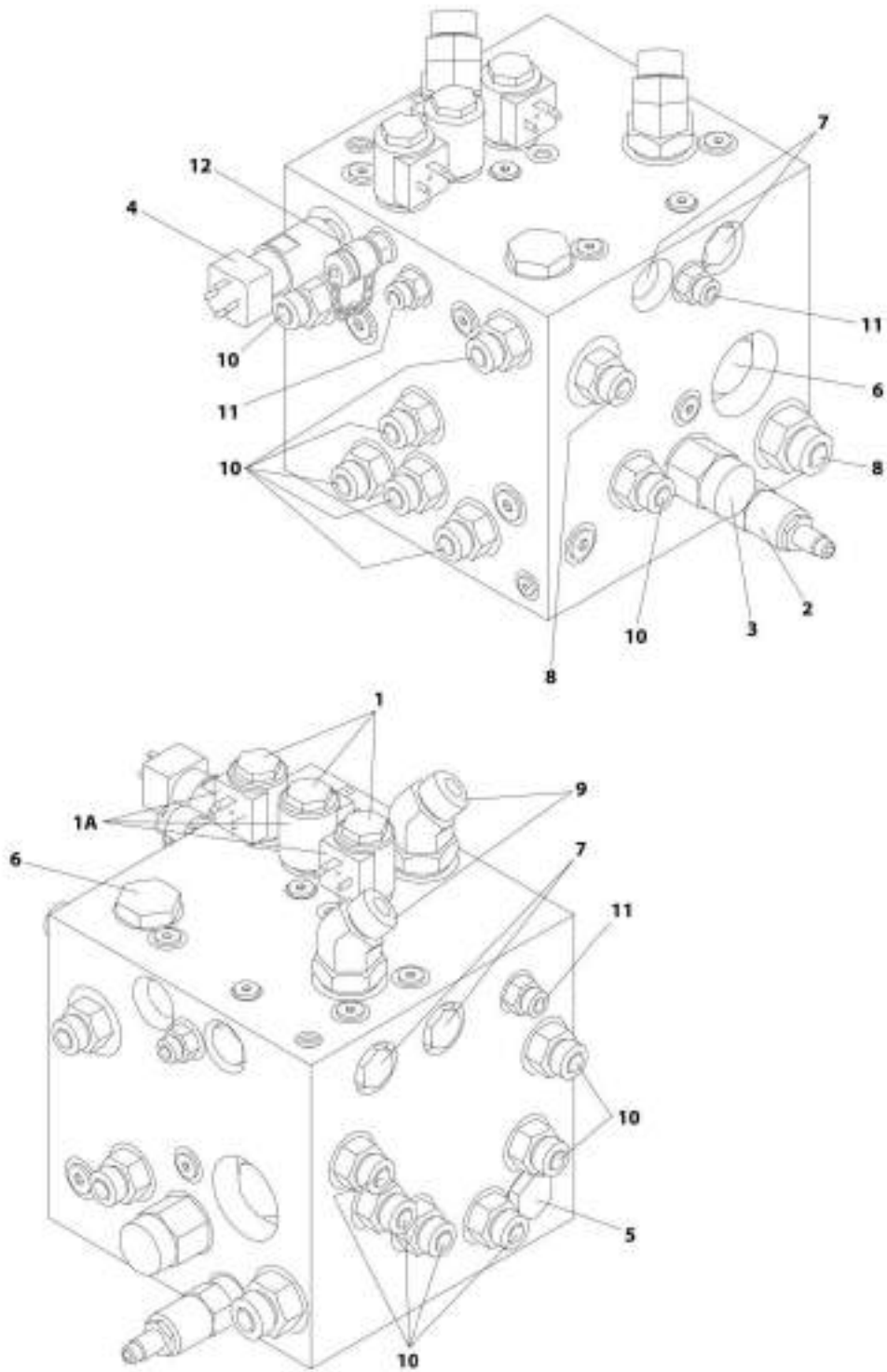
AWT_4641206

FIGURE 1-18. STEER VALVE ASSEMBLY

ITEM	PART NUMBER	QTY	DESCRIPTION	REV
	4641268	Ref	STEER VALVE ASSEMBLY	B
1	7026028	12	Cartridge (6 Per Valve)	
1	7011346	12	Seal Kit - Cartridge (1 Per Cartridge)	
2	7024927	4	Valve (2 Per Valve)	
2	7012773	4	Seal Kit - Cartridge (1 Per Cartridge)	
2	7018991	8	Coil (2 Per Valve)	
3	70001976	2	Valve (1 Per Valve)	
3	7012773	2	Seal Kit - Cartridge (1 Per Cartridge)	
3	7018991	4	Coil (2 Per Valve)	
3	70001939	2	Orifice	
4	2221086	6	Check, Pressure	
5	2110606	8	Fitting, Straight	
6	2130810	2	Fitting, 90	

SECTION 1 - FRAME

FIGURE 1-19. TRACTION VALVE ASSEMBLY



ART_4641956

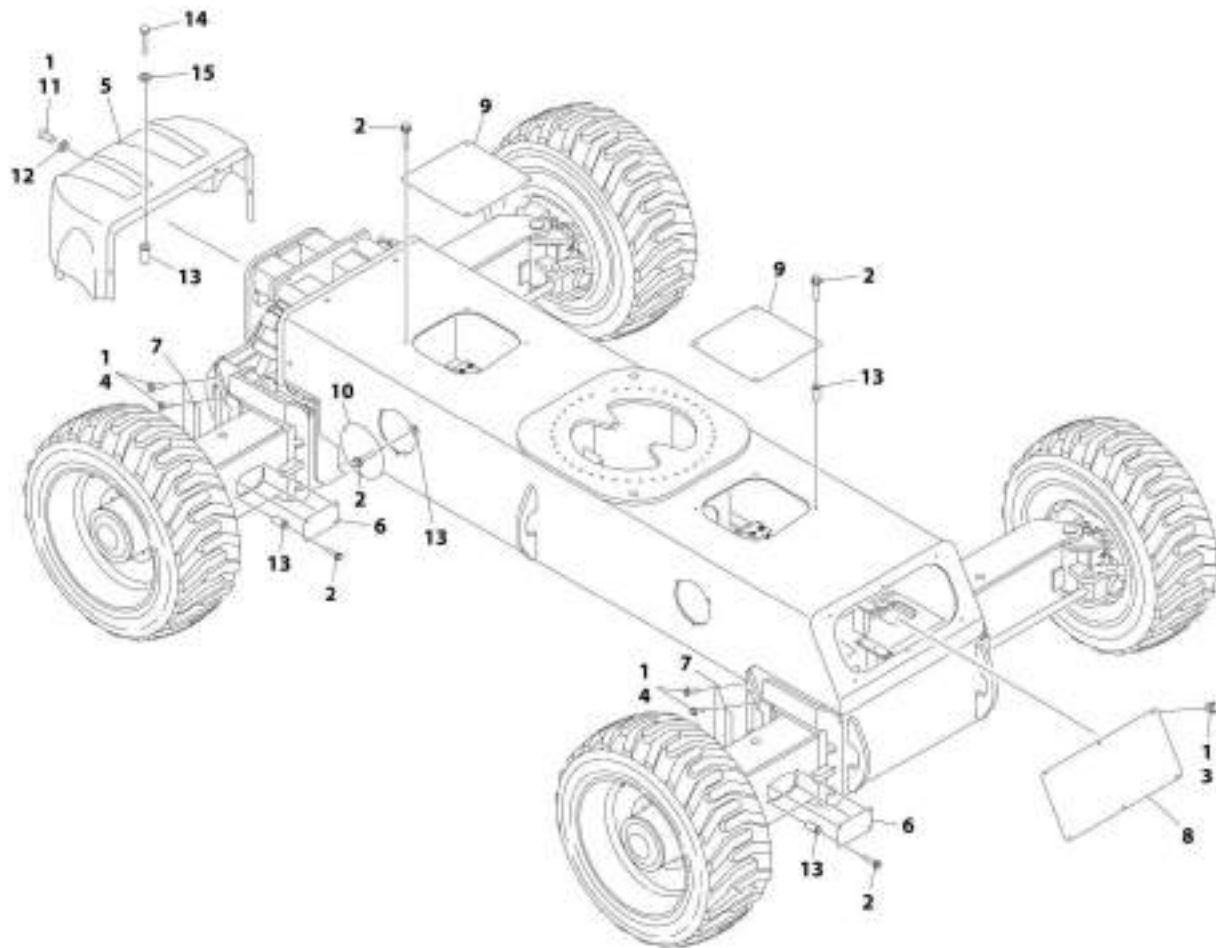
SECTION 1 - FRAME

FIGURE 1-19. TRACTION VALVE ASSEMBLY

ITEM	PART NUMBER	QTY	DESCRIPTION	REV
	4641454	Ref	TRACTION VALVE ASSEMBLY	E
1	7012941	3	Cartridge, Valve (Steer, Brake and Axle Lockout)	
1	7010543	3	Seal Kit - 7012941 Cartridge	
1A	7012944	2	Coil	
2	70000801	1	Cartridge, Valve (Relief)	
2	7012998	1	Seal Kit - 70000801 Cartridge	
3	70000802	1	Cartridge, Valve (Pilot)	
3	7012942	1	Seal Kit - 70000802 Cartridge	
4	70000803	1	Pressure Switch	
5	70000804	1	Cartridge, Valve (Shuttle)	
5	70000805	1	Seal Kit - 70000804 Cartridge	
6	70000806	2	Cartridge, Valve (Flow Divider)	
6	7017405	2	Seal Kit - 70000806 Cartridge	
7	7012955	4	Cartridge, Valve (Check)	
7	7012967	4	Seal Kit - 7012955 Cartridge	
8	2111012	2	Fitting, Straight	
9	2151012	2	Fitting, 45	
10	2110810	13	Fitting, Straight	
11	2110406	3	Fitting, Straight	
12	2221086	1	Check, Pressure	
13	2220883	1	Plug, #4 (Not Shown)	

SECTION 1 - FRAME

FIGURE 1-20. FRAME COVERS INSTALLATION - ABS



ART_100176346

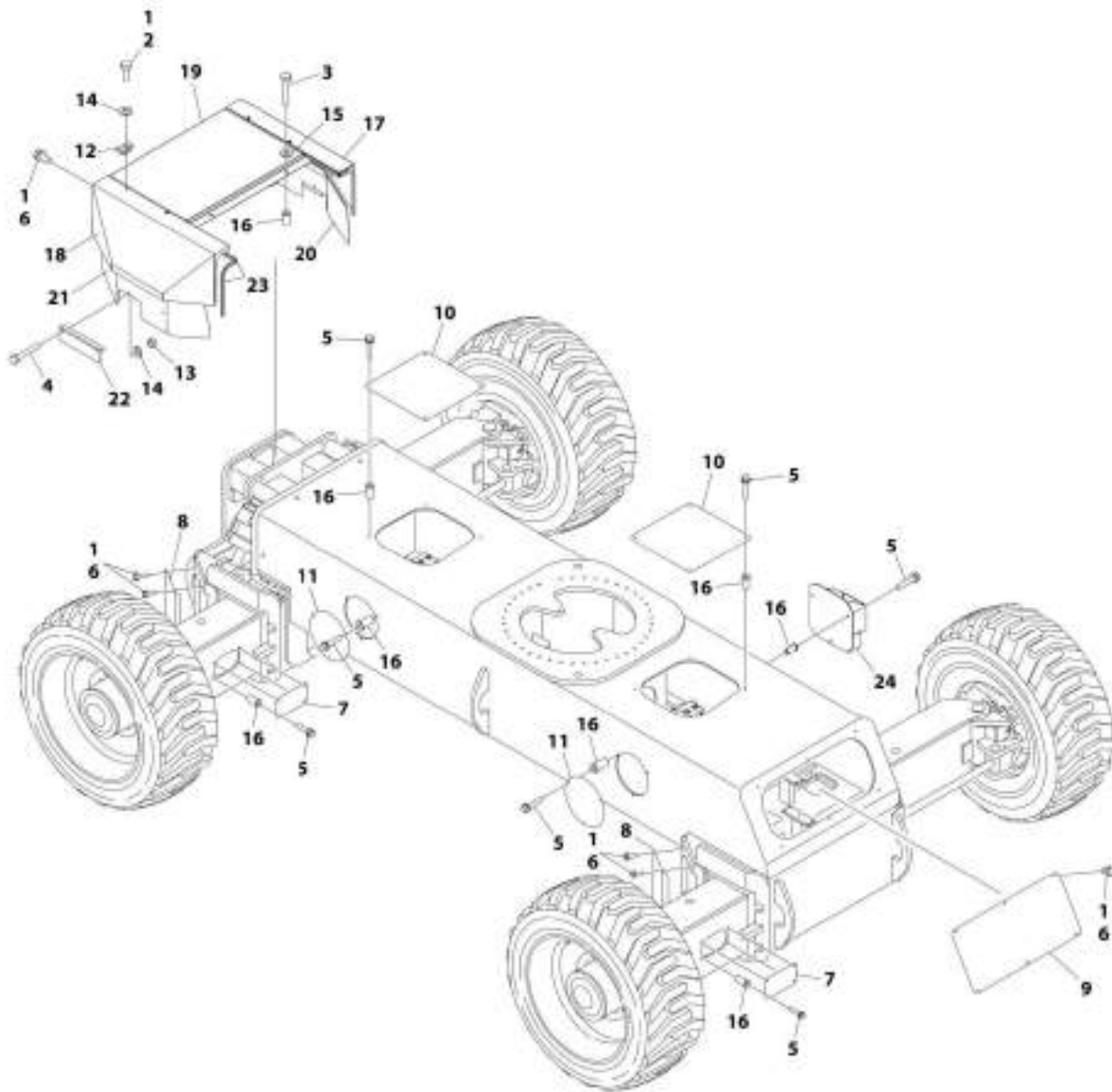
SECTION 1 - FRAME

FIGURE 1-20. FRAME COVERS INSTALLATION - ABS

ITEM	PART NUMBER	QTY	DESCRIPTION	REV
	1001176346	Ref	FRAME COVERS INSTALLATION - ABS	C
1	0100011	AR	Compound, Locking	
2	0791410	36	Screw 1/4 x 1-1/4	
3	0791604	6	Screw 3/8 x 1/2	
4	0791607	16	Screw 3/8 x 7/8	
5	1670996	1	Cover, Front	
6	1671045	4	Plate, Cover (Axle Side)	
7	1671046	4	Plate, Cover (Axle Corner)	
8	1671047	1	Plate, Cover (Rear)	
9	1671048	2	Plate, Cover (Frame Top)	
10	1671049	4	Plate, Cover (Frame Side)	
11	3900283	3	Screw 3/8 x 3/4	
12	4751600	3	Washer 3/8	
13	8580420	40	Nut, Well	
14	0641412	4	Bolt 1/4 x 1-1/2	
15	4740430	4	Washer, Fender	

SECTION 1 - FRAME

FIGURE 1-21. FRAME COVERS INSTALLATION - STEEL



ART_3001176347

SECTION 1 - FRAME

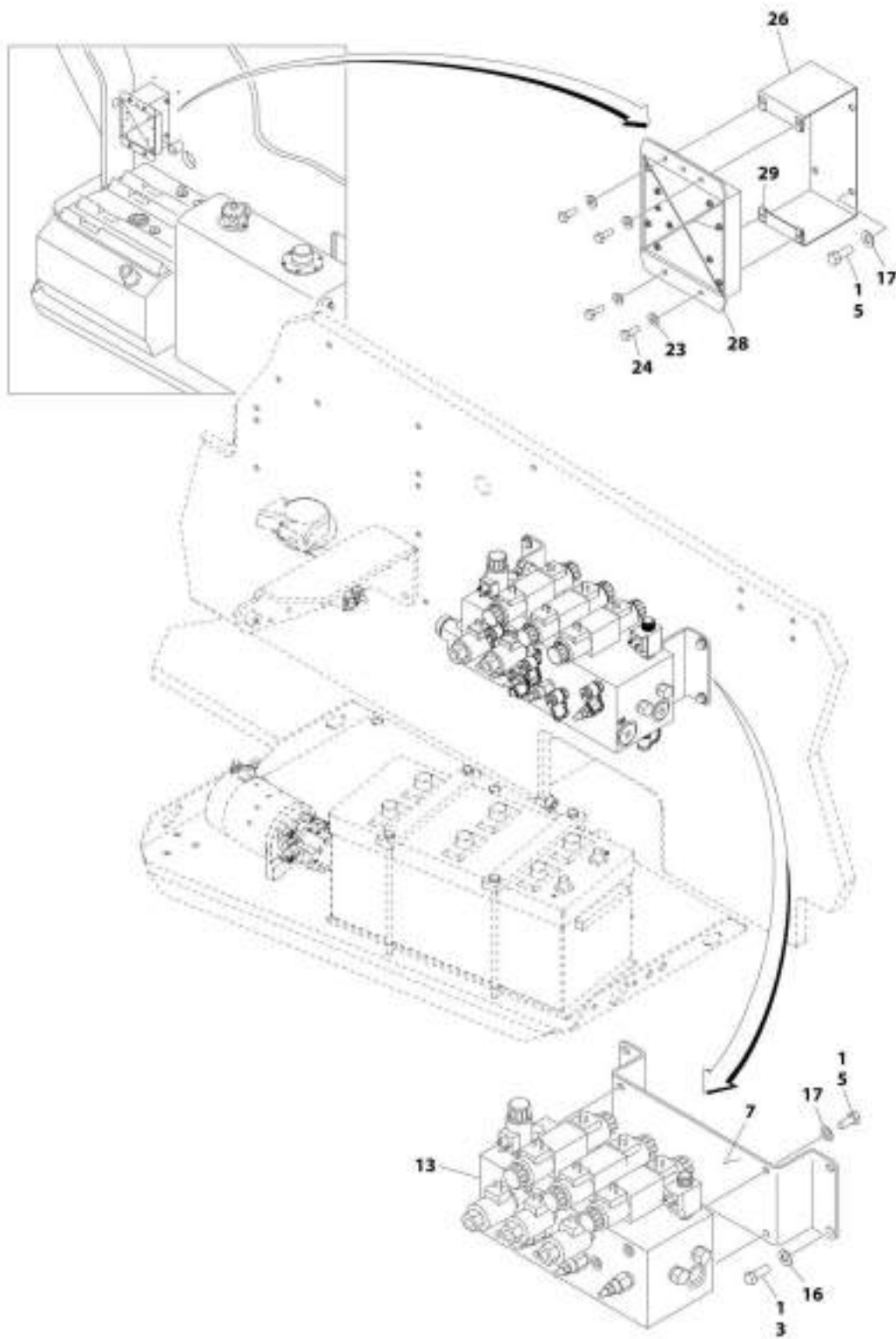
FIGURE 1-21. FRAME COVERS INSTALLATION - STEEL

ITEM	PART NUMBER	QTY	DESCRIPTION	REV
	1001176347	Ref	FRAME COVERS INSTALLATION (STEEL)	C
		Ref	Note: Only Available on ANSI, ANSI Export and Japanese Specs.	
1	0100011	AR	Compound, Locking	
2	0641406	8	Screw 1/4 x 3/4	
3	0641412	2	Bolt 1/4 x 1-1/2	
4	0641414	4	Screw 1/4 x 1-3/4	
5	0791410	36	Screw 1/4 x 1-1/4	
6	0791604	25	Screw 3/8 x 1/2	
7	1671045	4	Plate, Cover (Axle Side)	
8	1671046	4	Plate, Cover (Axle Corner)	
9	1671047	1	Plate, Cover (Rear)	
10	1671048	2	Plate, Cover (Frame Top)	
11	1671049	3	Plate, Cover (Frame Side)	
12	3300454	8	Nut 1/4	
13	3311405	4	Nut 1/4	
14	4711400	12	Washer 1/4	
15	4740430	2	Washer, Fender	
16	8580420	38	Nut, Well	
17	1001110108	1	Cover - RH Side	
18	1001110109	1	Cover - LH Side	
19	1001110110	1	Cover - Center Side	
20	1001110111	1	Shift - RH Side	
21	1001110112	1	Shift - LH Side	
22	1001110113	2	Plate	
23	1001110513	51 in /5.5m	Seal	
24	1001110877	1	Mount, Fire Extinguisher	

SECTION 2 - TURNTABLE

SECTION 2 - TURNTABLE

FIGURE 2-1. TURNTABLE VALVES INSTALLATION - WITHOUT LSS AND WITH 4 CELL LSS



ART_0271802_20F1

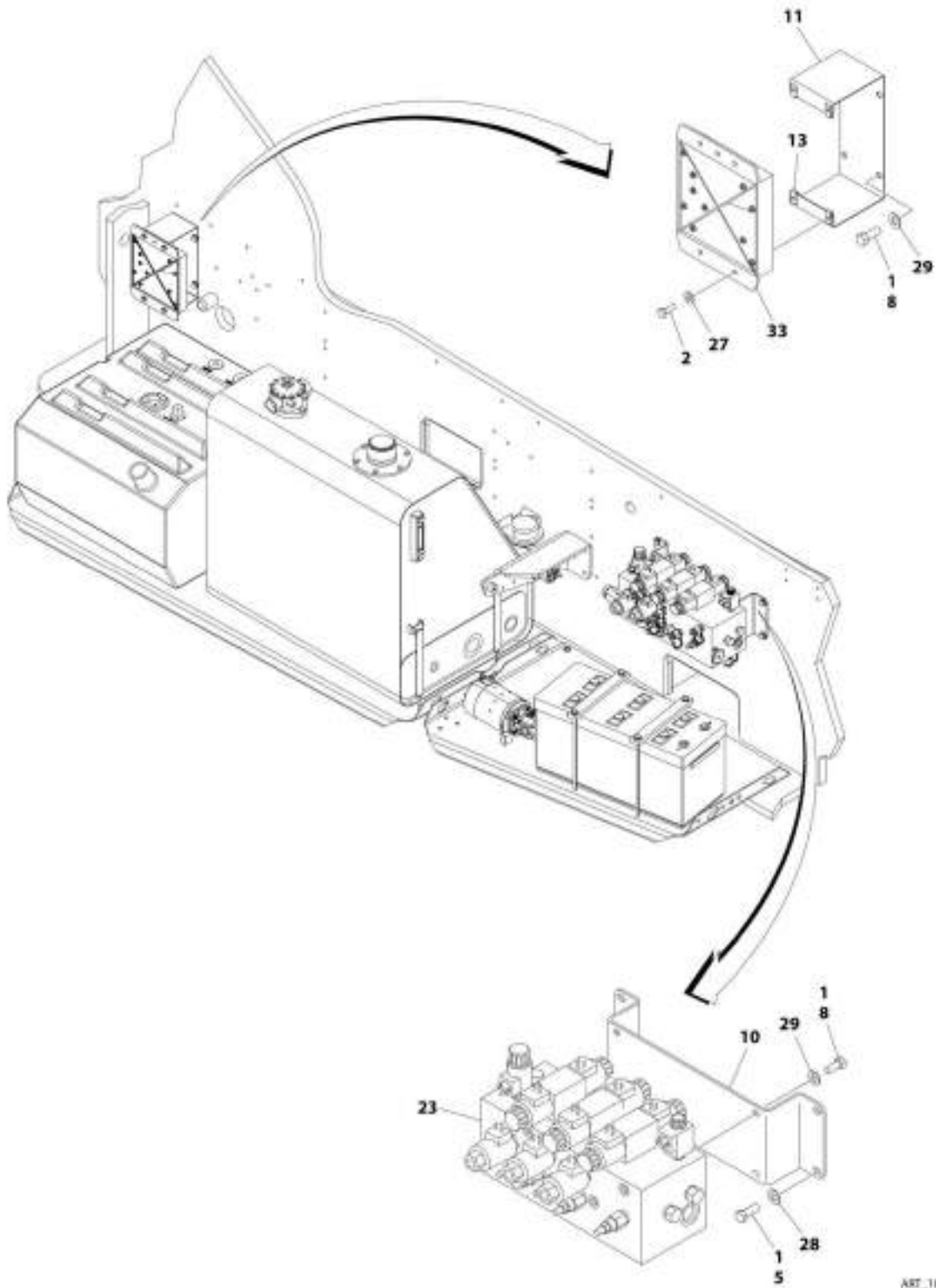
SECTION 2 - TURNTABLE

FIGURE 2-1. TURNTABLE VALVES INSTALLATION - WITHOUT LSS AND WITH 4 CELL LSS

ITEM	PART NUMBER	QTY	DESCRIPTION	REV
	0271802	Ref	TURNTABLE VALVES INSTALLATION - WITHOUT LSS AND WITH 4 CELL LSS	M
1	0100011	AR	Compound, Locking	
3	0641506	4	Bolt 5/16 x 3/4	
5	0641608	8	Bolt 3/8 x 1	
7	0902755	1	Bracket, Valve Mounting	
13	4641267	1	Main Valve Assembly (See Separate Breakdown in this Section)	
16	4711500	4	Washer 5/16	
17	4711600	8	Washer 3/8	
23	4711400	4	Washer 1/4	
24	0641406	4	Bolt 1/4 x 3/4	
26	0902800	1	Bracket, Module Mounting	
28	1001112757	NLA	Module, B.L.A.M. (Use p/n 1001227960) (Note: Control System must be recalibrated when Module is replaced) (SN 0300201016 through 0300248611)	
28	1001227960	1	Module, B.L.A.M. (Note: Control System must be recalibrated when Module is replaced) (SN 0300248612 to Present)	
28	2915024	1	Update Kit (Includes Cables, Programming Instructions and CD Software)	
29	3300454	4	Nut, Special	

SECTION 2 - TURNTABLE

FIGURE 2-2. TURNTABLE VALVES INSTALLATION - WITH 1 CELL LSS



ART_1001210960_20F3

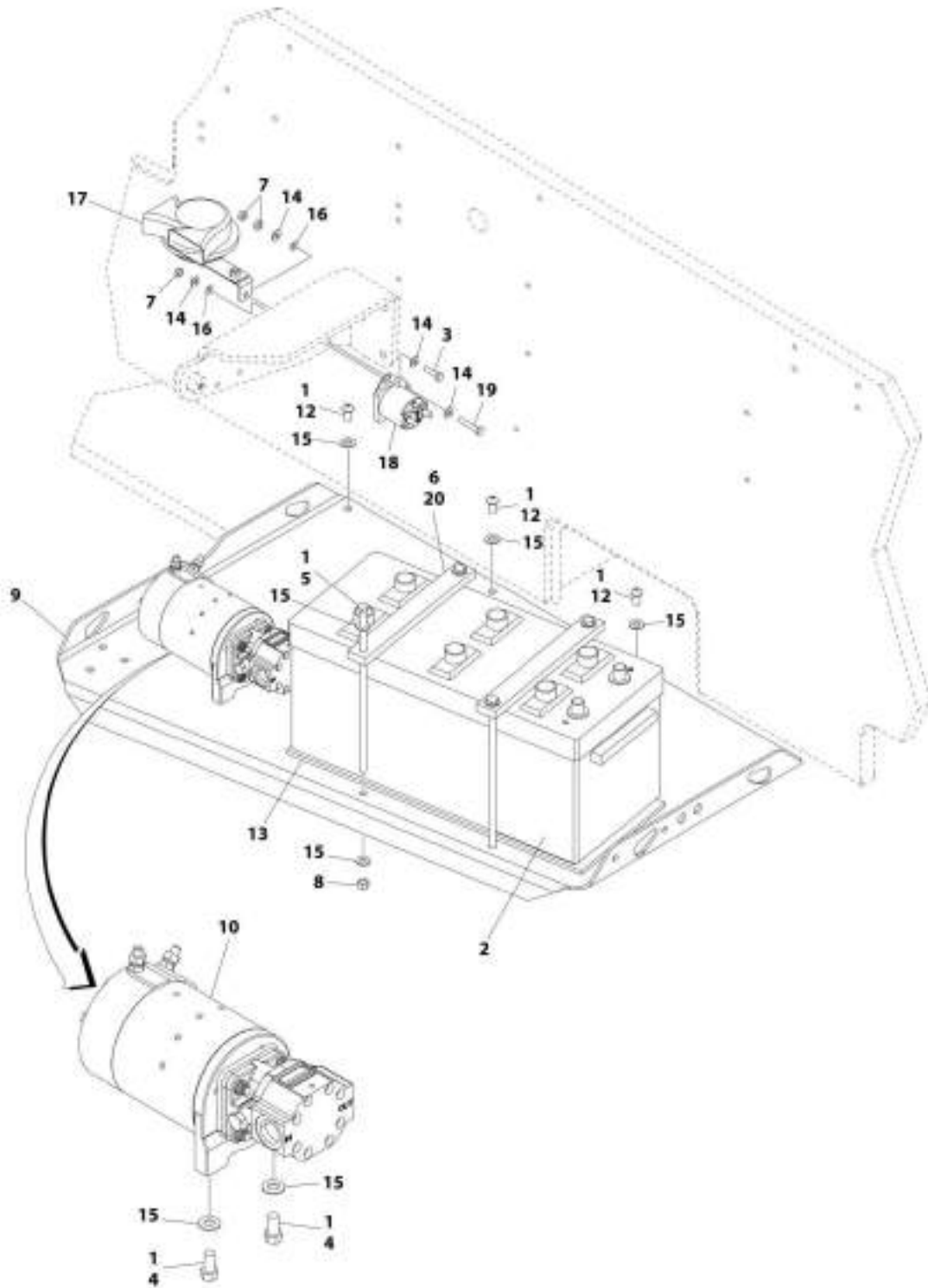
SECTION 2 - TURNTABLE

FIGURE 2-2. TURNTABLE VALVES INSTALLATION - WITH 1 CELL LSS

ITEM	PART NUMBER	QTY	DESCRIPTION	REV
	1001219990	Ref	TURNTABLE VALVES INSTALLATION - WITH 1 CELL LSS	B
1	0100011	AR	Compound, Locking	
2	0641406	4	Bolt 1/4 x 3/4	
5	0641506	4	Bolt 5/16 x 3/4	
8	0641608	8	Bolt 3/8 x 1	
10	0902755	1	Bracket, Valve Mounting	
11	0902800	1	Bracket, Module Mounting	
13	3300454	1	Nut, Special	
23	4641267	1	Main Valve Assembly (See Separate Breakdown in this Section)	
27	4711400	1	Washer 1/4	
28	4711500	1	Washer 5/16	
29	4711600	1	Washer 3/8	
33	1001112757	NLA	Module, B.L.A.M. (Use p/n 1001227960) (Note: Control System must be recalibrated when Module is replaced) (SN 0300201016 through 0300248611, SN B300002238 through B300002991)	
33	1001227960	1	Module, B.L.A.M. (Note: Control System must be Re-calibrated when Module is Replaced) (SN 0300248612 to Present, SN B300002992 to Present)	
33	2915024	1	Update Kit (Includes Cables, Programming Instructions and CD Software)	

SECTION 2 - TURNTABLE

FIGURE 2-3. BATTERY AND AUXILIARY PUMP INSTALLATION - ABS HOODS



ART_0271785

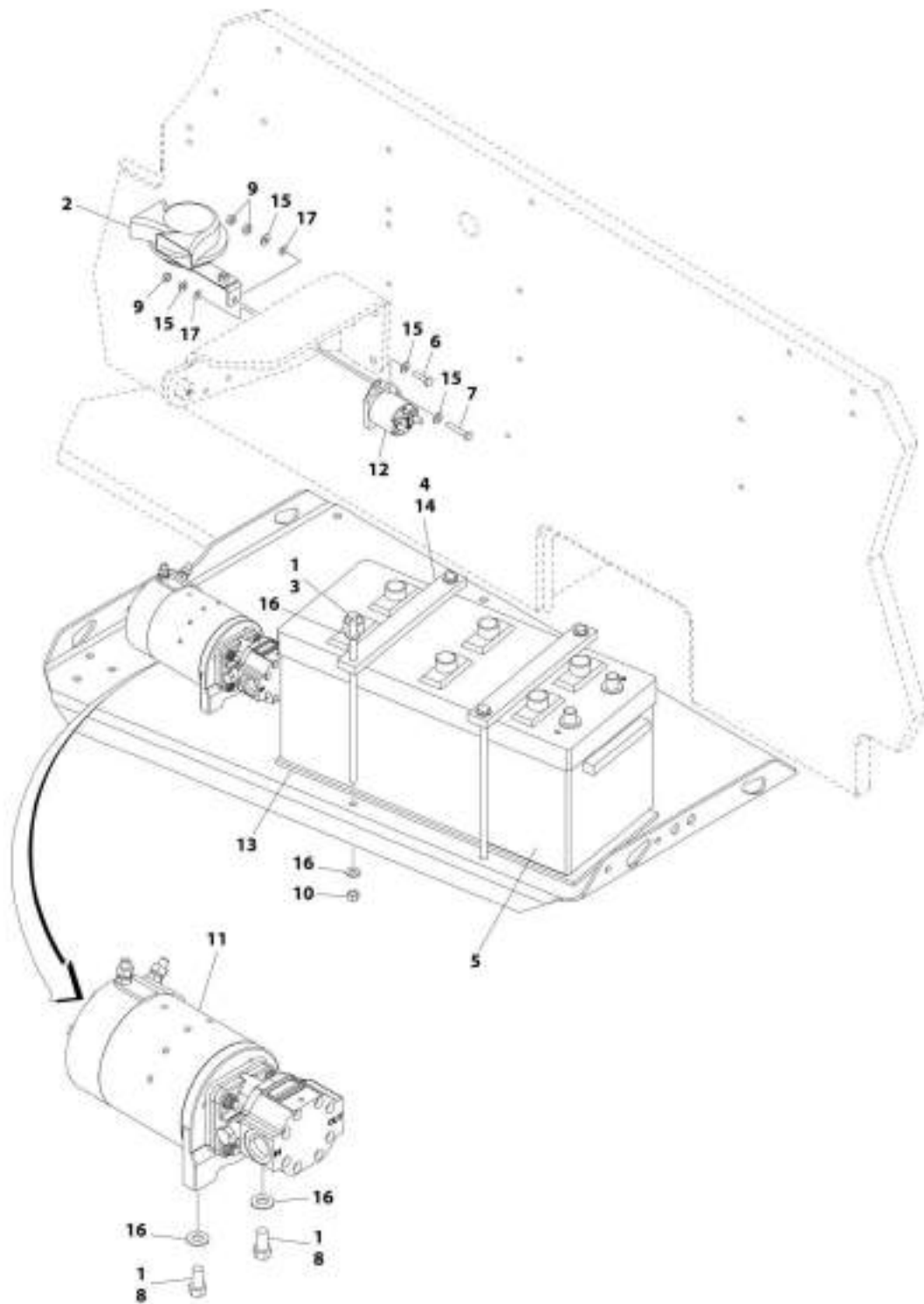
SECTION 2 - TURNTABLE

FIGURE 2-3. BATTERY AND AUXILIARY PUMP INSTALLATION - ABS HOODS

ITEM	PART NUMBER	QTY	DESCRIPTION	REV
	0271795	Ref	BATTERY AND AUXILIARY PUMP INSTALLATION - ABS HOODS	E
1	0100011	AR	Compound, Locking	
2	0400020	1	Battery	
3	0641408	1	Bolt 1/4 x 1	
4	0641606	2	Bolt 3/8 x 3/4	
5	0236768	4	Rod, Hold-down	
6	0363062	2	Bar, Battery	
7	3311405	3	Nut 1/4	
8	3311601	4	Nut 3/8	
9	3573259	1	Tray	
10	3600424	1	Auxiliary Pump Assembly (See Separate Breakdown in this Section)	
12	3900283	7	Screw 3/8 x 3/4	
13	3980006	1	Seat, Battery	
14	4711400	4	Washer 1/4	
15	4711600	17	Washer 3/8	
16	4791400	2	Starwasher 1/4	
17	0140001	1	Horn	
18	3740140	1	Relay	
19	0641412	1	Bolt 1/4 x 1-1/2	
20	4420037	17 in /43cm	Tape, Insulation	

SECTION 2 - TURNTABLE

FIGURE 2-4. BATTERY AND AUXILIARY PUMP INSTALLATION - STEEL HOODS



ART_100110240

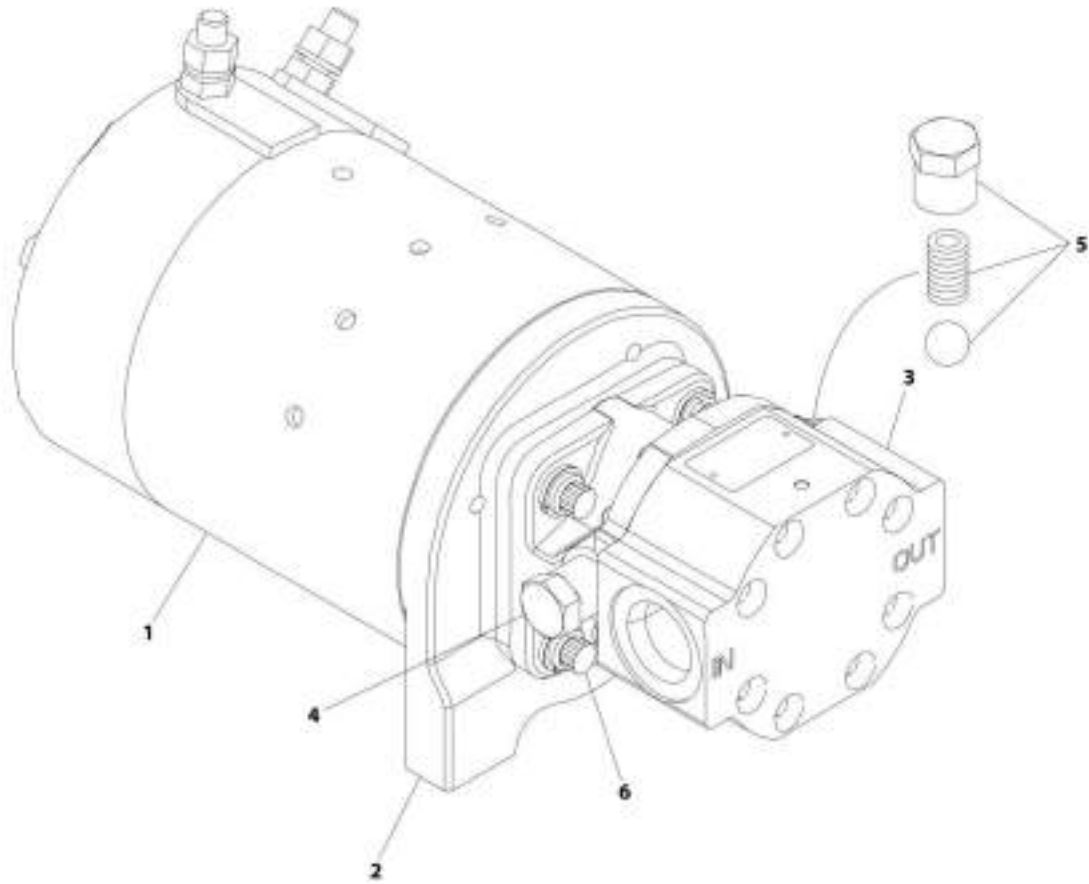
SECTION 2 - TURNTABLE

FIGURE 2-4. BATTERY AND AUXILIARY PUMP INSTALLATION - STEEL HOODS

ITEM	PART NUMBER	QTY	DESCRIPTION	REV
	1001110740	Ref	BATTERY AND AUXILIARY PUMP INSTALLATION – STEEL HOODS	A
1	0100011	AR	Compound, Locking	
2	0140001	1	Horn	
3	0236768	4	Rod, Hold-down	
4	0363062	2	Bar, Battery	
5	0400020	1	Battery	
6	0641408	1	Bolt 1/4 x 1	
7	0641412	1	Bolt 1/4 x 1-1/2	
8	0641606	2	Bolt 3/8 x 3/4	
9	3311405	3	Nut 1/4	
10	3311601	4	Nut 3/8	
11	3600424	1	Auxiliary Pump Assembly (See Separate Breakdown in this Section)	
12	3740067	1	Relay	
13	3980006	1	Seat, battery	
14	4420037	17 in /43cm	Tape, Insulation	
15	4711400	4	Washer 1/4	
16	4711600	10	Washer 3/8	
17	4791400	2	Starwasher 1/4	

SECTION 2 - TURNTABLE

FIGURE 2-5. AUXILIARY PUMP ASSEMBLY



ART_3800424

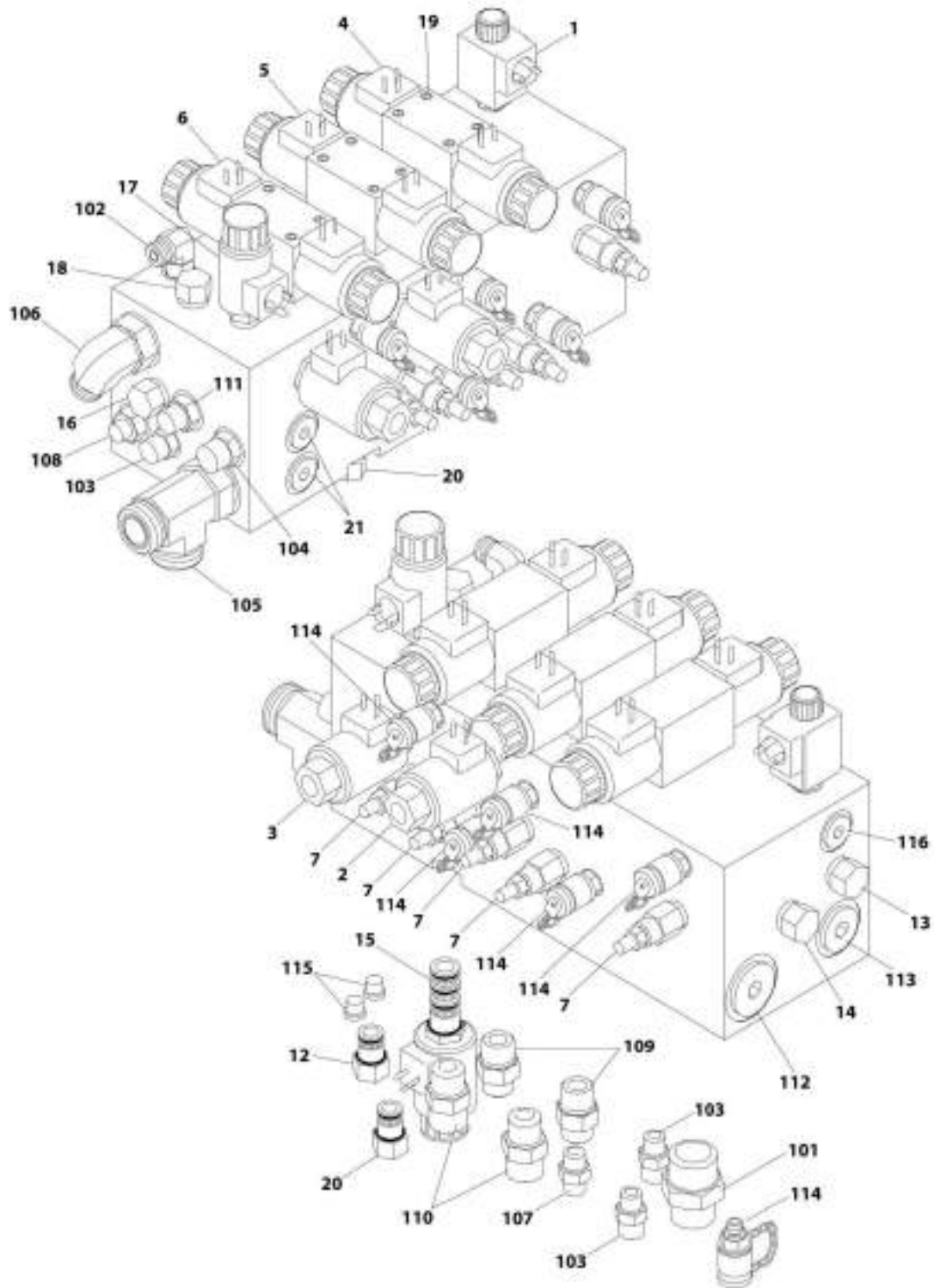
SECTION 2 - TURNTABLE

FIGURE 2-5. AUXILIARY PUMP ASSEMBLY

ITEM	PART NUMBER	QTY	DESCRIPTION	REV
	3600424	Ref	AUXILIARY PUMP ASSEMBLY	B
1	70001056	1	Motor Service Replacement Kit (Includes Motor, p/n 7011062 Adapter, p/n 7011016 Coupling and qty 2 Setscrews)	
1	See Note	1	Brush Kit (Note: Not Available For Purchase)	
2	7011062	1	Bracket, Motor/Pump (Part of Item 1)	
2	7011016	1	Coupling (Part of Items 1 & 3)	
2	7011044	1	Gasket (Part of Item 3)	
3	7029593	1	Pump Service Replacement Kit (Includes Pump, p/n 7011016 Coupling, qty 2 Gaskets and qty 4 each of Screws and Washers)	
3	See Note	1	Seal, Shaft (Note: Not Available For Purchase)	
4	7029593	1	Valve Components	
5	7029593	1	Valve Components	
6	7011048	4	Screw	
6	7011043	4	Washer	

SECTION 2 - TURNTABLE

FIGURE 2-6. MAIN VALVE ASSEMBLY



ART_4641267

SECTION 2 - TURNTABLE

FIGURE 2-6. MAIN VALVE ASSEMBLY

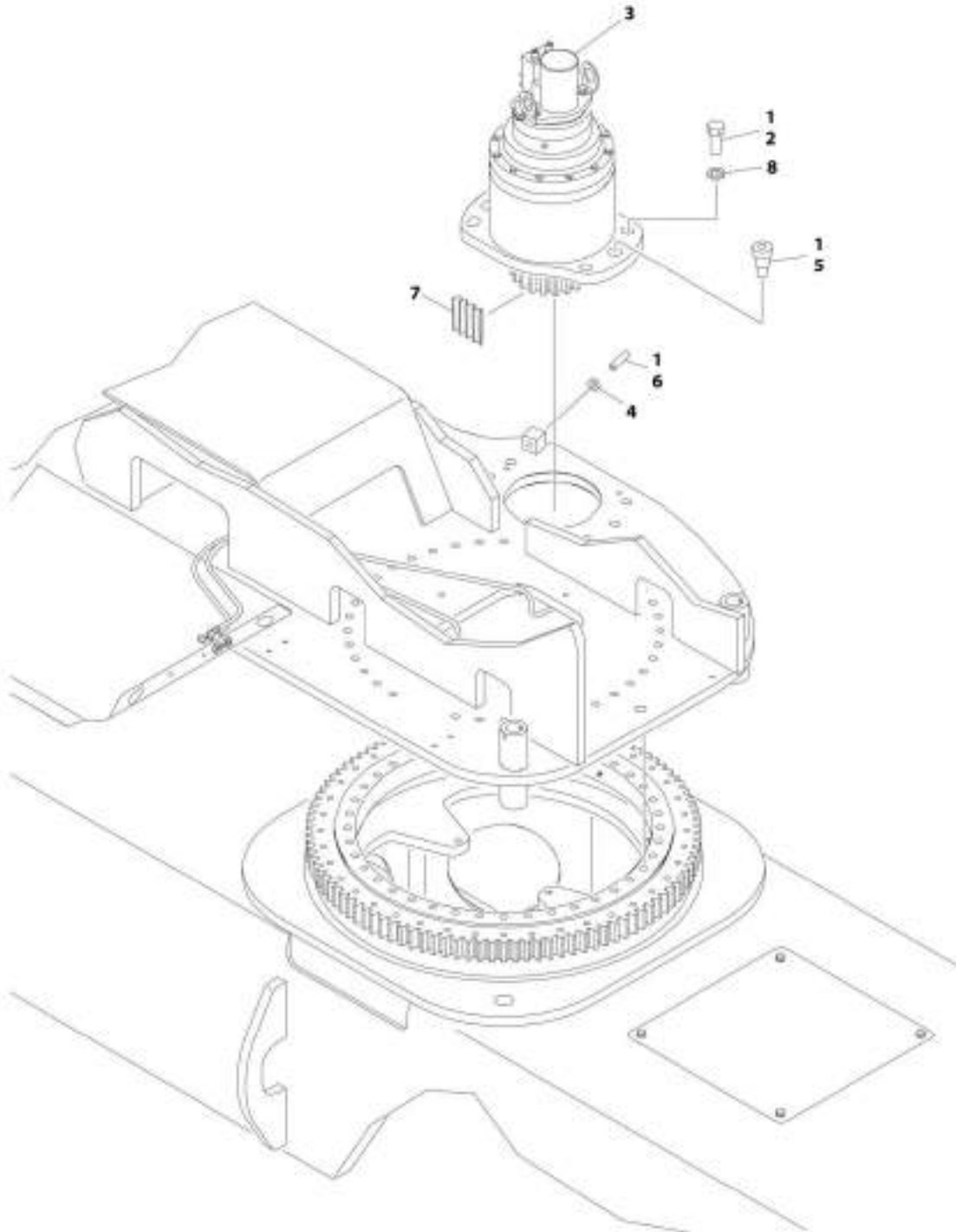
ITEM	PART NUMBER	QTY	DESCRIPTION	REV
	4641267	Ref	MAIN VALVE ASSEMBLY	B
1	7024573	1	Cartridge, Solenoid Valve (Dump)	
1	7024574	1	Seal Kit - Cartridge	
1	7011354	1	Coil	
2	7021636	1	Cartridge, Solenoid Valve (Lift Flow)	
2	7017495	1	Seal Kit - Cartridge	
2	7017451	1	Coil	
3	7021636	1	Cartridge, Solenoid Valve (Tele Flow)	
3	7017495	1	Seal Kit - Cartridge	
3	7017451	1	Coil	
4	7024924	1	Control Valve Assembly (Swing)	
4	7012773	1	Seal Kit - Valve	
4	7018991	2	Coil	
4	7021375	2	Nut, Coil	
5	7024925	1	Control Valve Assembly (Lift)	
5	7012773	1	Seal Kit - Valve	
5	7018991	2	Coil	
5	7021375	2	Nut, Coil	
6	70001976	1	Control Valve Assembly (Tele)	
6	7012773	1	Seal Kit - Valve	
6	7018991	2	Coil	
6	7021375	2	Nut, Coil	
7	7026007	5	Cartridge, Relief Valve (Swing/Lift Up/Lift Down/Tele In/Tele Out)	
7	7024574	1	Seal Kit - Cartridge	
12	7026000	1	Cartridge, Check Valve	
12	7011311	1	Seal Kit - Cartridge	
13	7026001	1	Cartridge, Check Valve	
13	7011311	1	Seal Kit - Cartridge	
14	7026002	1	Cartridge, Shuttle Valve	
14	2900770	1	Seal Kit - Cartridge	
15	7024570	1	Cartridge, Solenoid Valve (Aux Lift Down Select)	
15	70001930	1	Seal Kit - Cartridge	
15	7024571	1	Coil	
16	7026003	1	Cartridge, Pilot Valve	
16	7026004	1	Seal Kit - Cartridge	
17	7026005	1	Cartridge, Solenoid Valve (Aux Lift Down)	
17	7026006	1	Seal Kit - Cartridge	
17	7024571	1	Coil	
18	7026008	1	Cartridge, Check Valve	
18	7011346	1	Seal Kit - Cartridge	
19	7018942	12	Capscrew #10 x 2	
20	7026016	1	Cartridge, Valve	
20	7011346	1	Seal Kit - Cartridge	
21	70002759	1	Plug with O-Ring (Valve p/n 4641222 Only)	
	4641267	Ref	Main Valve Assembly (Fitting Information)	B
101	2111216	1	Fitting, Straight	
102	2130606	1	Fitting, Elbow	
103	2110606	3	Fitting, Straight	
104	2110808	1	Fitting, Straight	
105	2170316	1	Fitting, Tee	

SECTION 2 - TURNTABLE

ITEM	PART NUMBER	QTY	DESCRIPTION	REV
106	2131012	1	Fitting, Elbow	
107	2110406	1	Fitting, Straight	
108	2110408	1	Fitting, Straight	
109	2110810	2	Fitting, Straight	
110	2111010	2	Fitting, Straight	
111	2110608	1	Fitting, Straight	
112	2220890	1	Plug	
113	70002760	1	Plug	
114	2221086	6	Check, Pressure	
115	70002758	2	Fitting, Plug	
116	70002759	1	Plug with O-Ring	

SECTION 2 - TURNTABLE

FIGURE 2-7. SWING DRIVE INSTALLATION (SN 0300201016 through 0300254466, SN B300002238 to Present)



ART_0071596

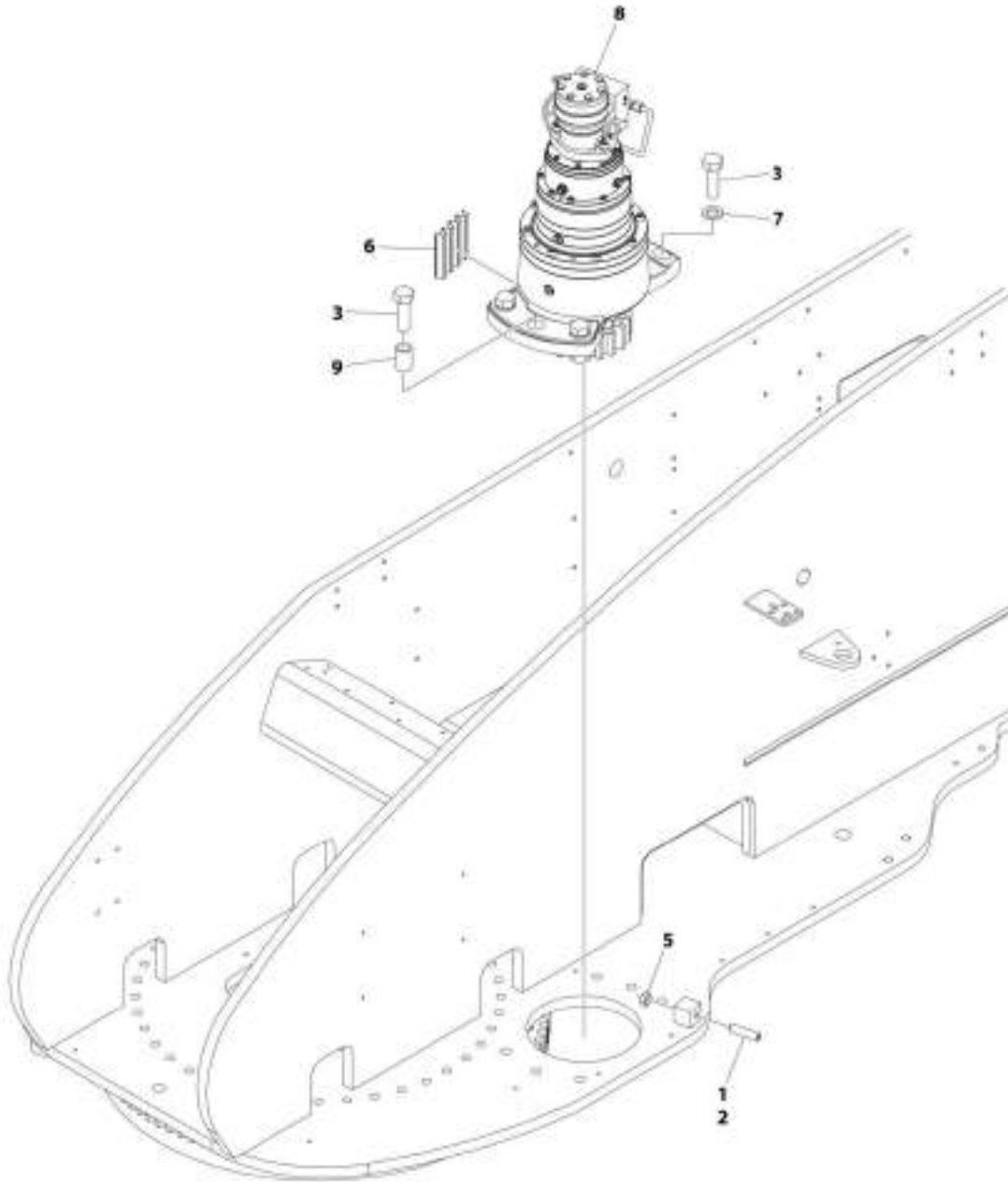
SECTION 2 - TURNTABLE

FIGURE 2-7. SWING DRIVE INSTALLATION (SN 0300201016 through 0300254466, SN B300002238 to Present)

ITEM	PART NUMBER	QTY	DESCRIPTION	REV
	0271596	Ref	SWING DRIVE INSTALLATION	E
1	0100019	AR	Compound, Locking	
2	0682418	5	Bolt 7/8 x 2-1/4 Grade 8	
3	1001134098	1	Swing Motor/Hub Assembly (See Separate Breakdown in this Section)	
4	3312002	1	Nut 5/8	
5	3900223	1	Screw, Shoulder	
6	3952020	1	Setscrew 5/8 x 2-1/2	
7	4071041	1	Shim	
8	4892400	5	Washer 7/8	

SECTION 2 - TURNTABLE

FIGURE 2-8. SWING DRIVE INSTALLATION (SN 0300254467 to Present)



ART_1001220617

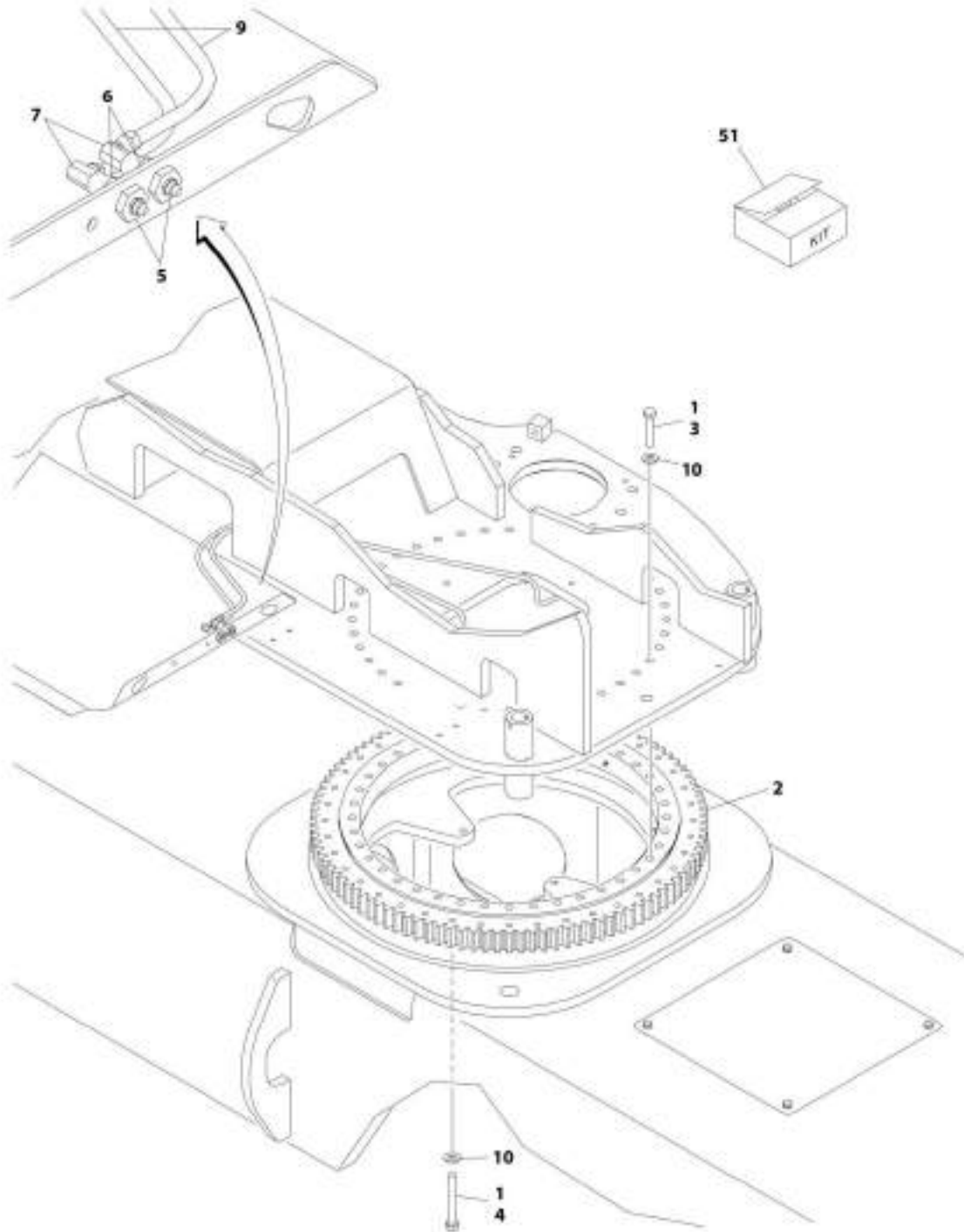
SECTION 2 - TURNTABLE

FIGURE 2-8. SWING DRIVE INSTALLATION (SN 0300254467 to Present)

ITEM	PART NUMBER	QTY	DESCRIPTION	REV
	1001228617	Ref	SWING DRIVE INSTALLATION	D
1	0100019	AR	Compound, Locking	
2	3952020	1	Setscrew 5/8 x 2-1/2	
3	0682422	6	Bolt 7/8 x 2-3/4 Grade 8	
5	3312002	1	Nut 5/8	
6	4071041	1	Shim	
7	4892400	5	Washer 7/8	
8	1001228488	1	Swing Motor/Hub Assembly (See Separate Breakdown in this Section)	
9	1001229058	1	Sleeve	

SECTION 2 - TURNTABLE

FIGURE 2-9. TURNTABLE BEARING AND LUBE INSTALLATION



ART_0071512

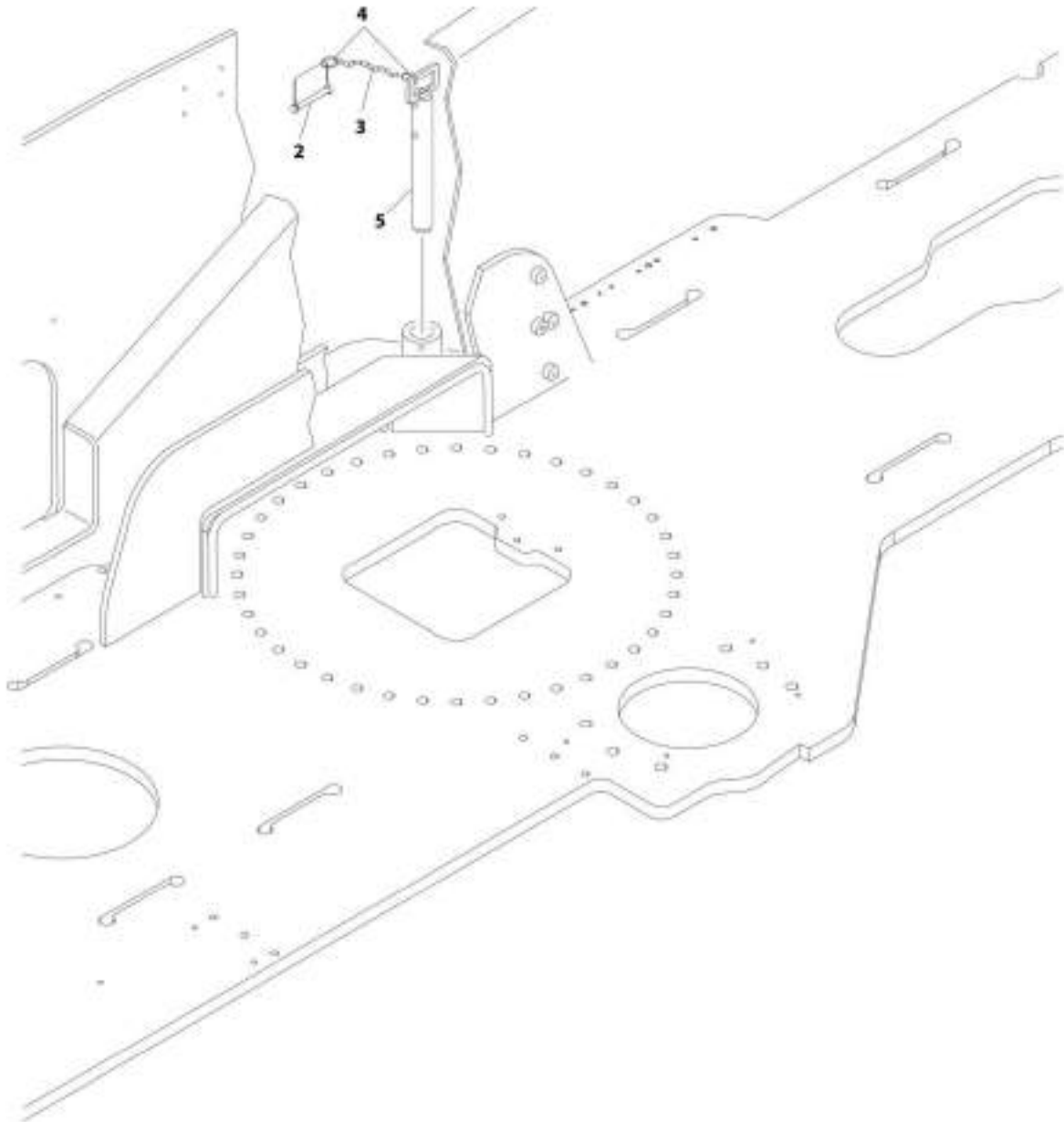
SECTION 2 - TURNTABLE

FIGURE 2-9. TURNTABLE BEARING AND LUBE INSTALLATION

ITEM	PART NUMBER	QTY	DESCRIPTION	REV
	0271512	Ref	TURNTABLE BEARING AND LUBE INSTALLATION	B
1	0100019	AR	Compound, Locking	
2	0440251	1	Bearing, Turntable	
3	0682026	40	Bolt 5/8 x 3-1/4 Grade 8	
4	0682040	40	Bolt 5/8 x 5 Grade 8	
5	2160002	2	Fitting, Grease	
6	2180344	2	Fitting, Bulkhead	
7	2220063	2	Fitting, Adapter	
9	2750528	2	Hose	
10	4892000	80	Washer 5/8	
51	2915072	1	Bearing Kit (Includes Items 2, 3, 4 & 10)	

SECTION 2 - TURNTABLE

FIGURE 2-10. TURNTABLE LOCK INSTALLATION



ART_029643

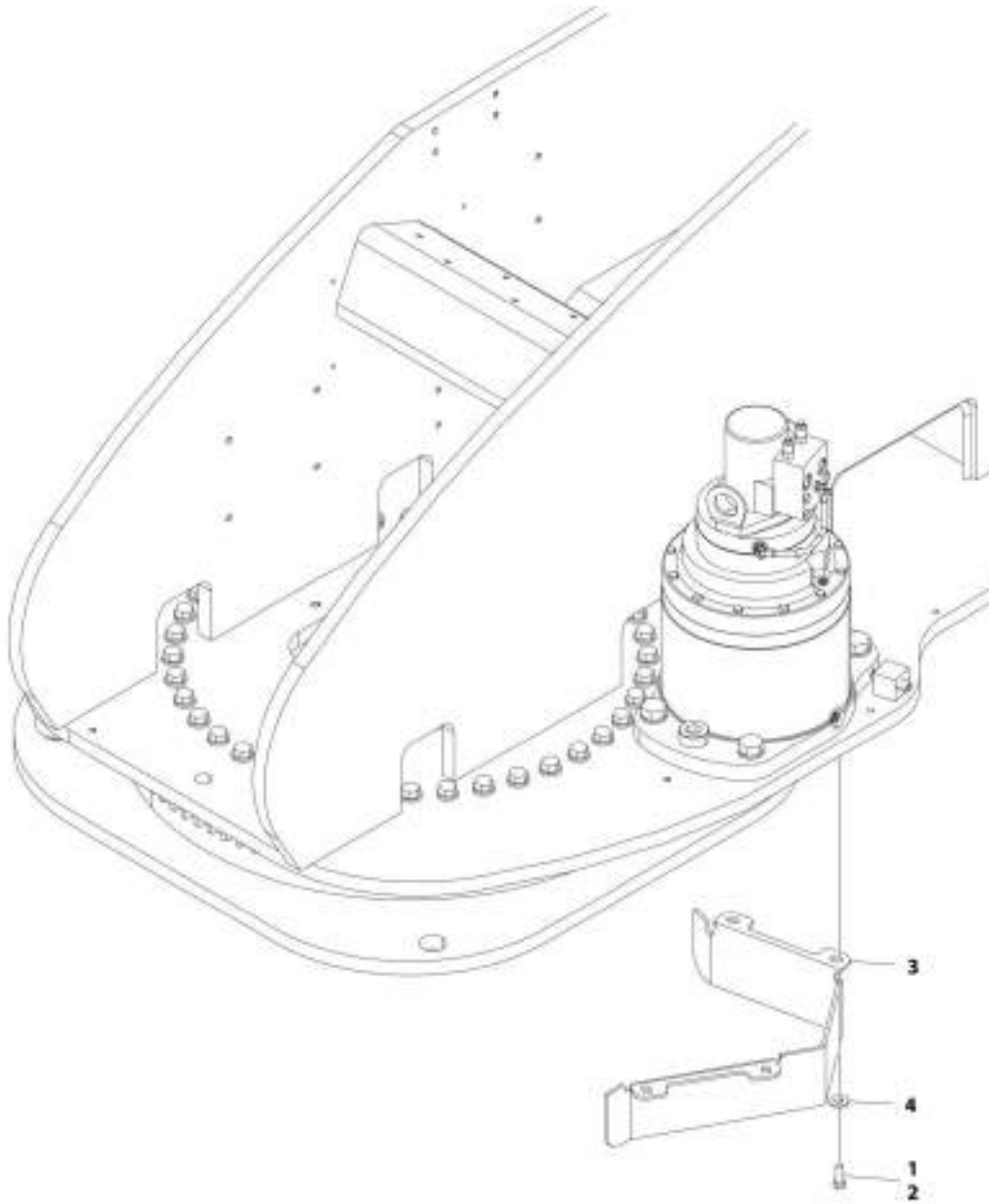
SECTION 2 - TURNTABLE

FIGURE 2-10. TURNTABLE LOCK INSTALLATION

ITEM	PART NUMBER	QTY	DESCRIPTION	REV
	0239842	Ref	TURNTABLE LOCK INSTALLATION	B
2	3421565	1	Pin, Snap	
3	1260017	9 in/23cm	Chain - #3	
4	3760170	2	Ring, Quick Release	
5	3421563	1	Pin, Turntable Lock	

SECTION 2 - TURNTABLE

FIGURE 2-11. PINION SHIELD INSTALLATION



ART_021874

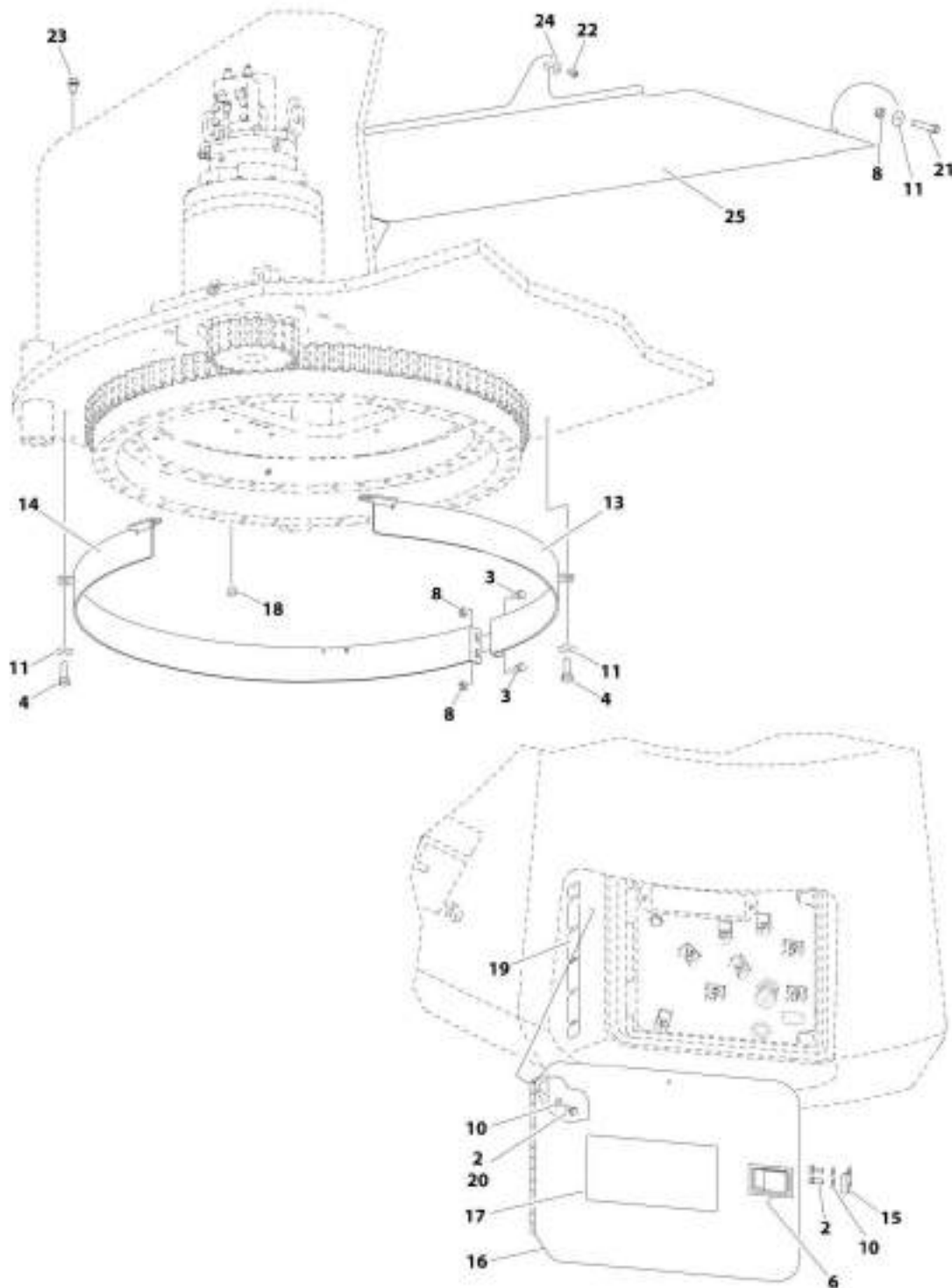
SECTION 2 - TURNTABLE

FIGURE 2-11. PINION SHIELD INSTALLATION

ITEM	PART NUMBER	QTY	DESCRIPTION	REV
	0271874	Ref	PINION SHIELD INSTALLATION	A
1	0100011	AR	Compound, Locking	
2	0641608	4	Bolt 3/8 x 1	
3	3573355	1	Plate, Pinion	
4	4751600	4	Washer 3/8	

SECTION 2 - TURNTABLE

FIGURE 2-12. EXTREME HOSTILE PACKAGE INSTALLATION (OPTIONAL)



ART_100111219

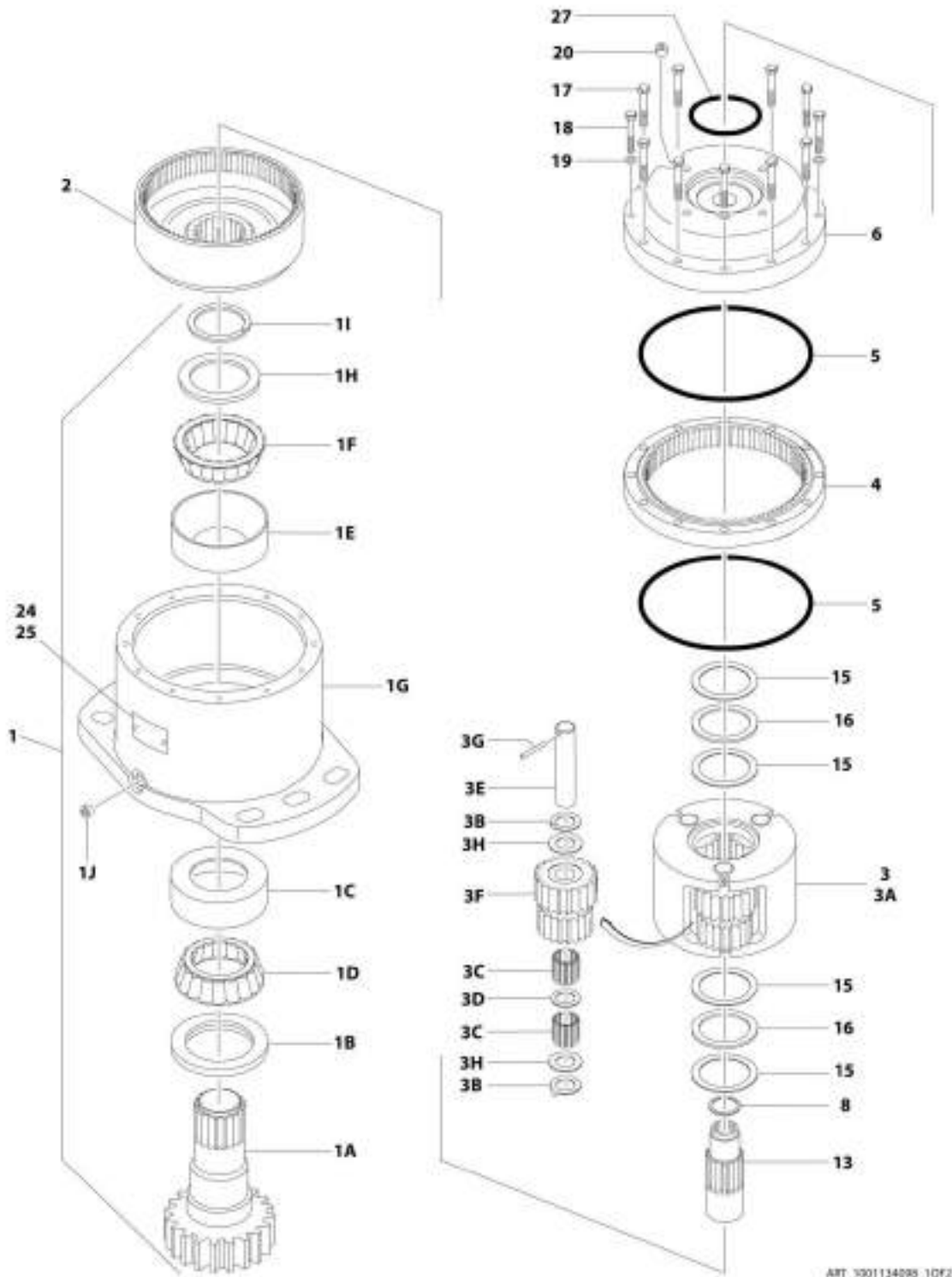
SECTION 2 - TURNTABLE

FIGURE 2-12. EXTREME HOSTILE PACKAGE INSTALLATION (OPTIONAL)

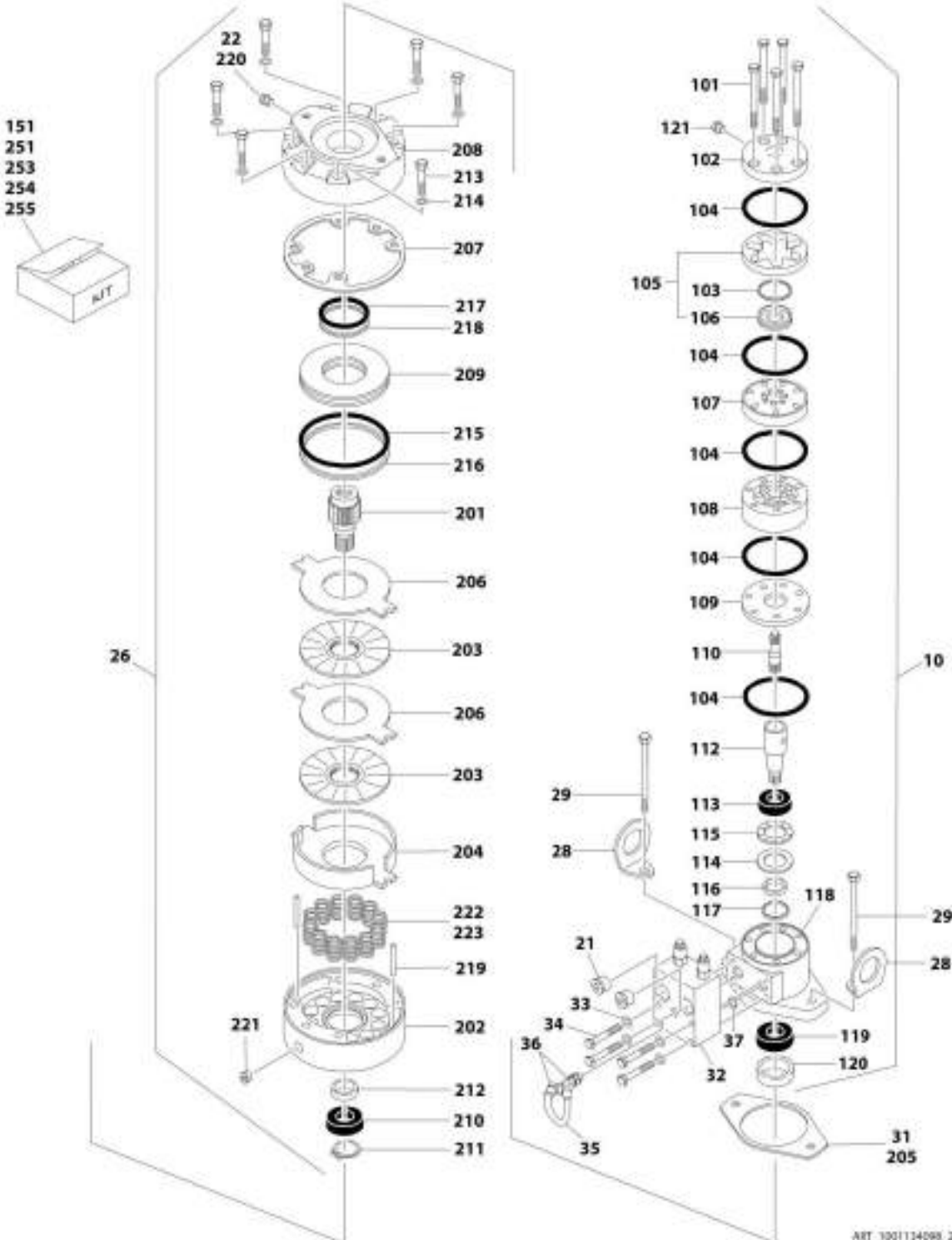
ITEM	PART NUMBER	QTY	DESCRIPTION	REV
	1001111219	Ref	EXTREME HOSTILE PACKAGE INSTALLATION (OPTIONAL)	G
2	0641506	5	Bolt 5/16 x 3/4	
3	0641606	2	Bolt 3/8 x 3/4	
4	0641608	3	Bolt 3/8 x 1	
6	2940045	1	Latch, Paddle	
8	3311605	AR	Nut 3/8	
10	4711500	7	Washer 5/16	
11	4751600	AR	Washer 3/8	
12	1001110940	1	Filter, Hydraulic Tank (Not Shown)	
13	1001111175	1	Plate, Bearing Cover	
14	1001111176	1	Plate, Bearing Cover	
15	1001112911	1	Plate, Striker	
16	1001111193	1	Door	
17	1001113173	1	Decal - Emergency Stop	
18	1001114392	1	Plug, Rubber	
19	1001115168	1	Shim	
20	0100011	AR	Compound, Locking	
21	0630511	1	Bolt 3/8 x 2	
22	0641404	1	Bolt 1/4 x 1/2	
23	0791604	2	Bolt 3/8 x 1/2	
24	4751400	1	Washer 1/4	
25	1001115440	1	Shield, Turntable	

SECTION 2 - TURNTABLE

FIGURE 2-13. SWING MOTOR/HUB ASSEMBLY (SN 0300201016 through 0300254466, SN B300002238 to Present)



SECTION 2 - TURNTABLE



SECTION 2 - TURNTABLE

FIGURE 2-13. SWING MOTOR/HUB ASSEMBLY (SN 0300201016 through 0300254466, SN B300002238 to Present)

ITEM	PART NUMBER	QTY	DESCRIPTION	REV
	1001134098	Ref	SWING MOTOR/HUB ASSEMBLY	D
1	See Note	1	Housing/Shaft Assembly (Note: Not Available - Purchase Complete Swing Motor/Hub Assembly)	
1A	7024183	1	Shaft, Output	
1B	7000236	1	Seal, Lip	
1C	1001091460	1	Cup, Bearing	
1D	1001091460	1	Cone, Bearing	
1E	1001091461	1	Cup, Bearing	
1F	1001091461	1	Cone, Bearing	
1G	7024184	1	Housing	
1H	7000239	1	Thrustwasher	
1I	7000240	1	Ring, Retaining	
1J	7017072	1	Plug, Pipe	
2	7001917	1	Gear, Internal	
3	7001918	1	Carrier Assembly	
3A	7001900	1	Carrier	
3B	7007645	6	Washer, Tanged	
3C	7001902	84	Bearing, Needle	
3D	7007646	3	Thrustwasher	
3E	7001904	3	Shaft, Planet	
3F	7001927	3	Gear, Cluster	
3G	7001906	3	Rollpin	
3H	7007648	6	Washer	
4	7010467	1	Gear, Ring	
5	7000224	2	O-Ring	
6	7001920	1	Cover, Input	
8	7001922	1	Thrustwasher	
10	7024188	1	Motor Assembly (See Items 101-121 for Breakdown)	
13	7001921	1	Gear, Sun	
15	7000287	4	Washer, Thrust	
16	7000288	2	Bearing, Thrust	
17	7001923	8	Bolt 3/8 x 3 Grade 8	
18	7001924	4	Bolt 3/8 x 2-3/4 Grade 8	
19	7001929	4	Washer, Lock (Used with Item 18 Only)	
20	7001928	1	Plug, Pipe	
21	7001926	2	Plug, Pipe	
22	7017082	1	Plug, Pipe	
24	See Note	1	Plate, ID (Note: Not Available For Purchase)	
25	7000281	2	Screw, Drive	
26	70003524	1	Brake Assembly (See Items 201-223 for Breakdown)	
27	7024763	1	O-Ring	
28	See Note	2	Lug, Lifting (Note: Not Available For Purchase)	
29	7024185	2	Bolt 1/2 x 5 Grade 8	
31	7000731	1	Gasket	
32	70003523	1	Valve	
32	70003629	2	Cartridge	
32	2900770	2	Seal Kit - 70003629 Cartridge (1 Per Cartridge)	
33	See Note	4	Washer, Lock (Note: Not Available For Purchase)	
34	7024135	4	Bolt 5/16 x 2-1/2 Grade 8	

SECTION 2 - TURNTABLE

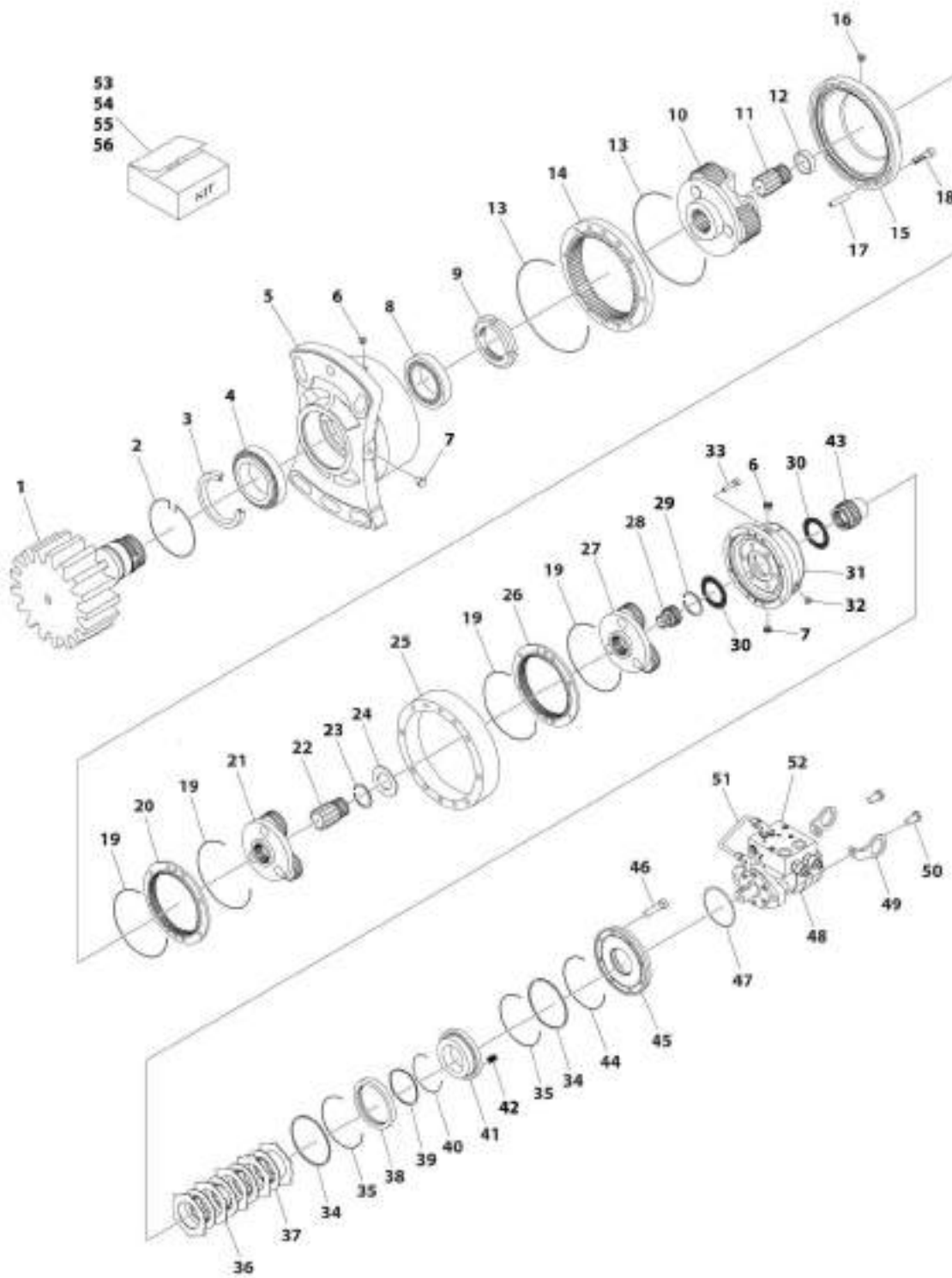
ITEM	PART NUMBER	QTY	DESCRIPTION	REV
35	7024186	1	Tube	
36	7017085	2	Elbow	
37	7000213	2	O-Ring	
	7024188	Ref	MOTOR ASSEMBLY	
101	7024391	5	Bolt	
102	7004035	1	Cover, End	
103	7024389	1	Seal, Commutator	
104	7024389	5	Seal, Ring	
105	7024453	1	Commutator and Ring Assembly	
106	7004453	1	Ring	
107	7024379	1	Manifold	
108	7024392	1	Rotor Set	
109	7024380	1	Plate, Wear	
110	7024393	1	Link, Drive	
112	7024395	1	Shaft, Coupling	
113	7024381	1	Bushing, Bronze	
114	7004043	1	Thrustwasher	
115	7004044	1	Bearing, Thrust	
116	7024389	1	Seal, Inner	
117	7024389	1	Washer, Back-up	
118	7024394	1	Housing	
119	7024390	1	Bearing	
120	7024389	1	Seal	
121	7010795	1	Plug, O-Ring	
151	7024389	1	Seal Kit - 7024188 Motor (Includes Items 103, 104, 116, 117 & 120)	
	70003524	Ref	BRAKE ASSEMBLY	
201	7024189	1	Shaft	
202	7024182	1	Housing (Note: Not Available For Purchase)	
203	7024193	2	Plate, Friction	
204	7024193	1	Plate, Pressure	
205	7000731	1	Gasket	
206	7024193	2	Plate, Outer	
207	See Note	1	Gasket (Note: Use Item 251, 254 or 255)	
208	7024191	1	Cylinder	
209	7024192	1	Piston	
210	7024197	1	Bearing, Ball	
211	7024197	1	Ring, Retaining	
212	7024197	1	Seal, Shaft	
213	See Note	6	Capscrew (Note: Not Available For Purchase)	
214	See Note	6	Washer, Lock (Note: Not Available For Purchase)	
215	7024194	1	O-Ring	
216	7024194	1	Ring, Back-up	
217	7024194	1	O-Ring	
218	7024194	1	Ring, Back-up	
219	7024190	2	Pin, Dowel	
220	See Note	1	Plug (Note: Not Available For Purchase)	
221	See Note	1	Plug (Note: Not Available For Purchase)	
222	7024196	AR	Spring (Natural)	
223	7024196	AR	Spring, (Blue)	
251	7024194	1	Seal Kit - Brake (Includes Items 205, 207 & 215-218)	
253	7024196	1	Spring Kit - Brake (Includes 12 Natural & 2 Blue Colored Springs)	

SECTION 2 - TURNTABLE

ITEM	PART NUMBER	QTY	DESCRIPTION	REV
254	7024193	1	Friction Disc Kit - Brake (Includes Items 203, 204, 206 & 207)	
255	7024197	1	Bearing Kit - Brake (Includes Items 207 & 210-212)	

SECTION 2 - TURNTABLE

FIGURE 2-14. SWING MOTOR/HUB ASSEMBLY (SN 0300254467 to Present)



ART_1001228488

SECTION 2 - TURNTABLE

FIGURE 2-14. SWING MOTOR/HUB ASSEMBLY (SN 0300254467 to Present)

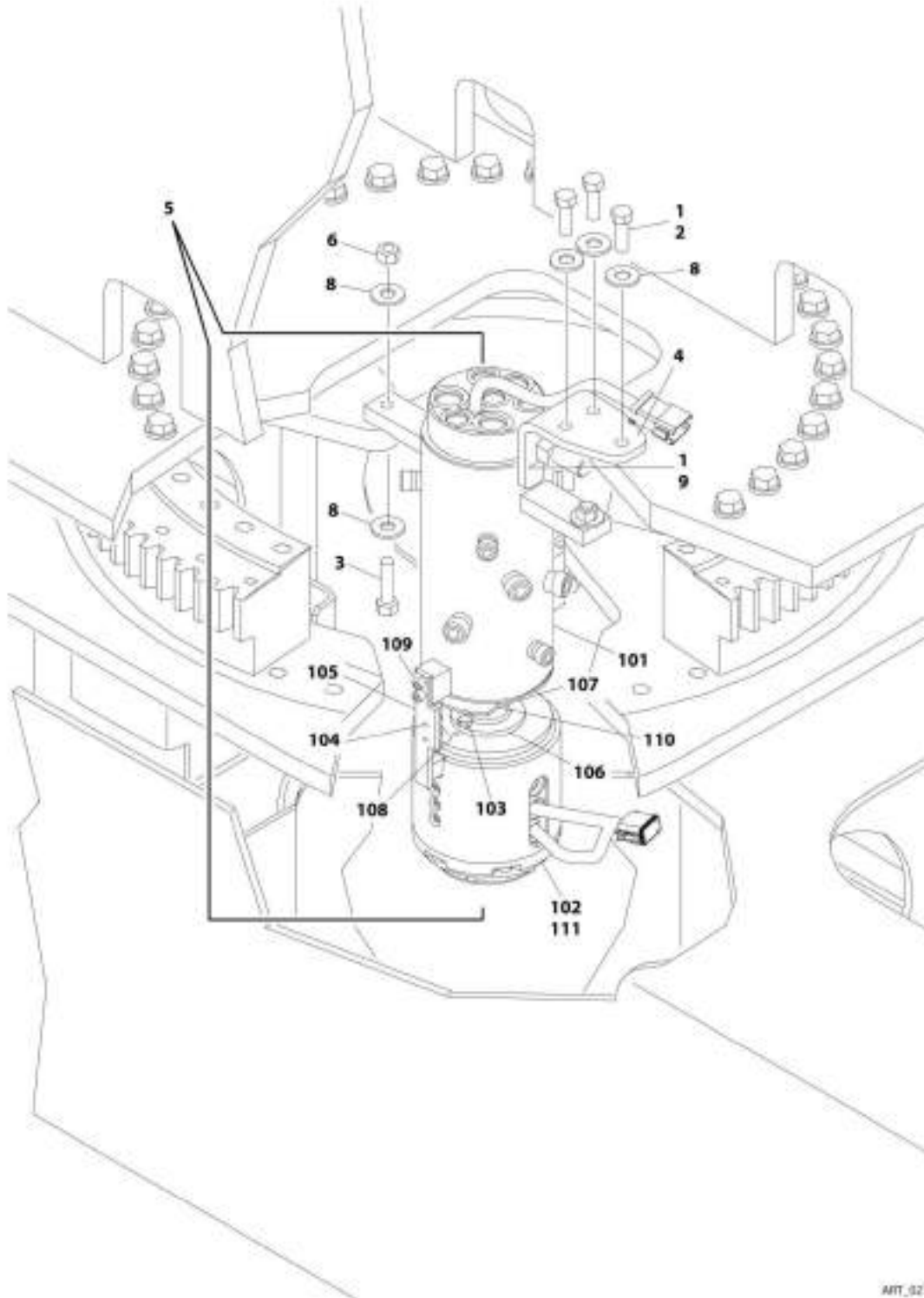
ITEM	PART NUMBER	QTY	DESCRIPTION	REV
	1001228488	Ref	SWING MOTOR/HUB ASSEMBLY	B
1	See Note	NSS	Shaft (Note: Use Item 56)	
2	70004467	1	Ring	
3	See Note	NSS	Seal, Oil (Note: Use Item 53)	
4	See Note	NSS	Bearing (Note: Use Item 55)	
5	See Note	NSS	Support, Output (Note: Not Available for Purchase)	
6	70002057	5	Plug with O-Ring	
7	70004469	2	Plug with O-Ring	
8	See Note	NSS	Bearing (Note: Use Item 55)	
9	See Note	NSS	Nut, Ring (Note: Use Item 56)	
10	70006986	1	Reduction, Gear - Complete	
11	70006987	1	Pinion	
12	70004477	1	Spacer	
13	See Note	NSS	O-Ring (Note: Use Item 53)	
14	70004474	1	Ring, Planetary	
15	70006988	1	Spacer	
16	70002057	2	Plug with O-Ring	
17	70006989	4	Pin, Spring	
18	70004480	8	Capscrew M10 x 55	
19	See Note	NSS	O-Ring (Note: Use Item 53)	
20	70006990	1	Ring, Planetary	
21	70006991	1	Reduction, Gear - Complete	
22	70006992	1	Pinion	
23	70002032	1	Ring	
24	70006993	1	Spacer	
25	70006994	1	Spacer	
26	70004481	1	Ring, Planetary	
27	70006995	1	Reduction, Gear - Complete	
28	70006996	1	Pinion	
29	70006997	1	Ring	
30	70006998	2	Washer	
31	See Note	NSS	Housing, Brake (Note: Not Available for Purchase)	
32	70006999	1	Plug	
33	70007000	8	Capscrew M8 x 90	
34	See Note	NSS	Seal (Note: Use Item 53 or 54)	
35	See Note	NSS	O-Ring (Note: Use Item 53 or 54)	
36	See Note	NSS	Disc, Steel (Note: Use Item 54)	
37	See Note	NSS	Disc (Note: Use Item 54)	
38	70005317	1	Spacer	
39	See Note	NSS	Seal (Note: Use Item 53 or 54)	
40	See Note	NSS	O-Ring (Note: Use Item 53 or 54)	
41	70005318	1	Piston, Brake	
42	See Note	NSS	Spring, Brake (Note: Use Item 54)	
43	70007001	1	Shaft, Input	
44	See Note	NSS	O-Ring (Note: Use Item 53 or 54)	
45	70007002	1	Cover	
46	70007003	8	Screw M6 x 25	
47	See Note	NSS	O-Ring (Note: Use Item 53)	
48	70007009	1	Motor	
48	70007011	1	Seal Kit	

SECTION 2 - TURNTABLE

ITEM	PART NUMBER	QTY	DESCRIPTION	REV
49	See Note	NSS	Lug, Lifting (Note: Not Available for Purchase)	
50	70004494	2	Capscrew M12 x 35	
51	70007004	1	Brake, Valve Adapter	
52	70007010	1	Valve	
52	70007012	1	Seal Kit	
52	70007013	1	Hardware Kit	
53	70007005	1	Seal Kit – Brake and Hub (Includes Items 3, 13, 19, 34, 35, 39, 40, 44 & 47)	
54	70007006	1	Seal Kit – Brake (Includes Items 34-37, 39, 40, 42 & 44)	
55	70007007	1	Bearing Kit (Includes Items 4 & 8)	
56	70007008	1	Output Shaft Kit (Includes Items 1 & 9)	

SECTION 2 - TURNTABLE

FIGURE 2-15. ROTARY COUPLING AND COLLECTOR RING INSTALLATION



AMT_0271668

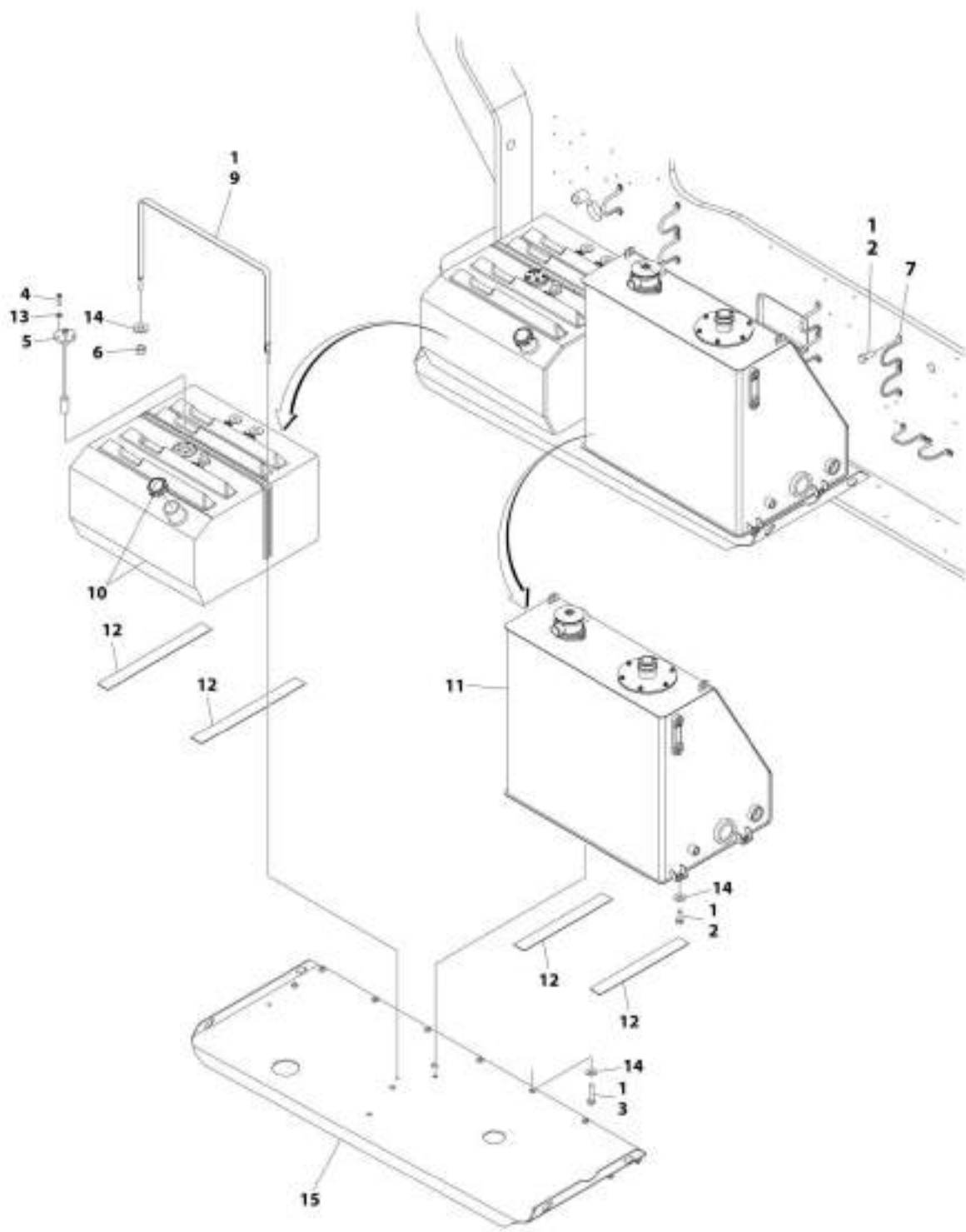
SECTION 2 - TURNTABLE

FIGURE 2-15. ROTARY COUPLING AND COLLECTOR RING INSTALLATION

ITEM	PART NUMBER	QTY	DESCRIPTION	REV
	0271688	Ref	ROTARY COUPLING AND COLLECTOR RING INSTALLATION	E
1	0100011	AR	Compound, Locking	
2	0641812	3	Bolt 1/2 x 1-1/2	
3	0641820	2	Bolt 1/2 x 2-1/2	
4	0902790	1	Bracket, Swivel (SN 0300201016 through 0300227054)	
4	0902915	1	Bracket, Swivel (SN 0300227055 to Present, SN B300002238 to Present)	
5	1660302	1	Rotary Coupling and Collector Ring Assembly (See Items 101-111 for Breakdown)	
6	3311805	2	Nut 1/2	
8	4751800	7	Washer 1/2	
9	3322201	2	Nut 3/4	
	1660302	Ref	ROTARY COUPLING AND COLLECTOR RING ASSEMBLY	C
101	70001102	1	Coupling, Rotary	
101	See Note	1	Bearing (Note: Not Available For Purchase)	
101	70001101	1	Seal Kit - Coupling	
102	7026029	1	Contactora, Rotary Circuit (Does not include connector or pins)	
103	0641506	4	Bolt 5/16 x 3/4	
104	3931512	2	Capscrew 5/16 x 3/4	
105	70000780	1	Arm, Torque	
106	80334251	1	Adapter	
107	7026030	1	Plate, Cam	
108	7026031	1	Sensor, Proximity	
109	3931008	2	Capscrew #10 x 1/2	
110	7026032	1	Pin, Dowel	
111	0100048	AR	Grease, Silicone (Apply to Contactora Connector)	

SECTION 2 - TURNTABLE

FIGURE 2-16. TANK INSTALLATION - WITH ABS HOODS



ART_0071572

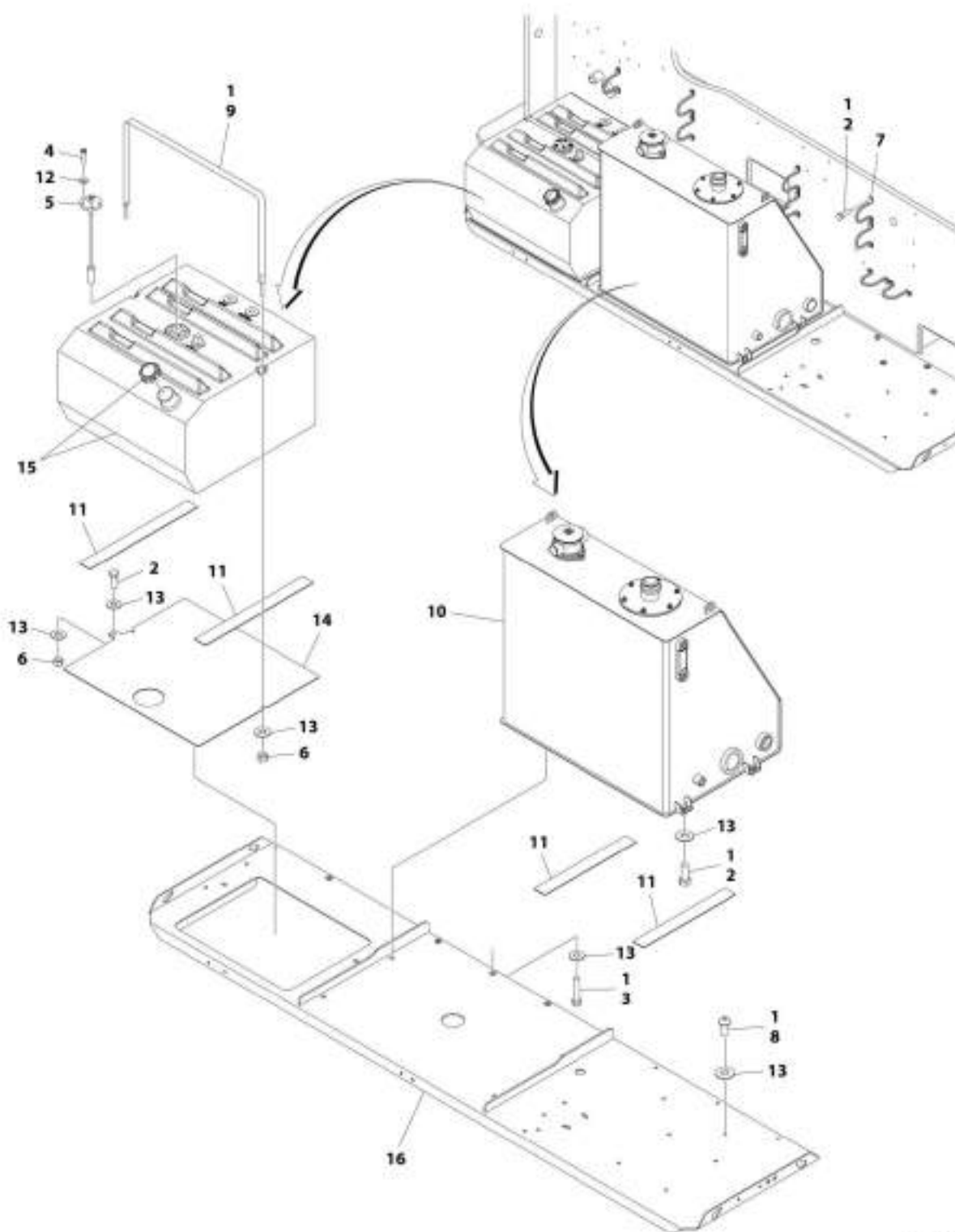
SECTION 2 - TURNTABLE

FIGURE 2-16. TANK INSTALLATION - WITH ABS HOODS

ITEM	PART NUMBER	QTY	DESCRIPTION	REV
	0271572	Ref	TANKS INSTALLATION - WITH ABS HOODS	C
1	0100011	AR	Compound, Locking	
2	0641608	22	Bolt 3/8 x 1	
3	0641614	10	Bolt 3/8 x 1-3/4	
4	0731007	5	Screw, Machine #10 x 7/8	
5	2420191	1	Gauge, Fuel	
6	3311601	2	Nut 3/8	
7	3841340	9	Loop, Hose	
9	4240139	1	Strap, Tank	
10	1001160567	1	Tank, Fuel	
10	70004414	1	Cap	
10	7020043	1	Tube, Pick up	
11	4400457	1	Tank, Hydraulic Oil (See Separate Breakdown in this Section)	
12	4420038	74 in /1.9m	Tape	
13	4751000	5	Washer #10	
14	4751600	16	Washer 3/8	
15	4846476	1	Tray	

SECTION 2 - TURNTABLE

FIGURE 2-17. TANK INSTALLATION - WITH STEEL HOODS



ART_1001173915

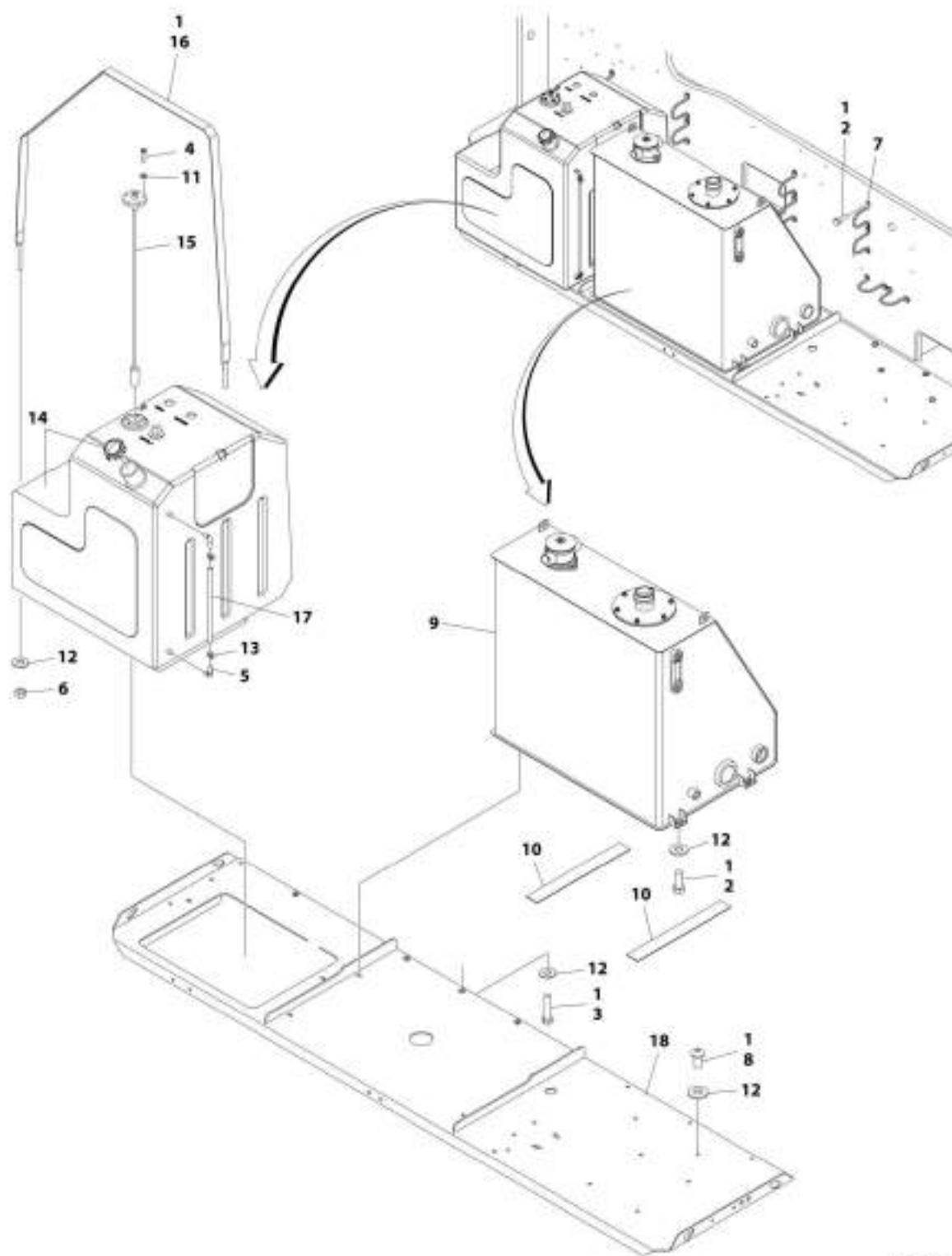
SECTION 2 - TURNTABLE

FIGURE 2-17. TANK INSTALLATION - WITH STEEL HOODS

ITEM	PART NUMBER	QTY	DESCRIPTION	REV
	1001173915	Ref	TANKS INSTALLATION - WITH STEEL HOODS	C
1	0100011	AR	Compound, Locking	
2	0641608	23	Bolt 3/8 x 1	
3	0641614	10	Bolt 3/8 x 1-3/4	
4	0731007	5	Screw, Machine #10 x 7/8	
5	2420191	1	Gauge, Fuel	
6	3311601	3	Nut 3/8	
7	3841340	9	Loop, Hose	
8	3900283	6	Screw 3/8 x 3/4	
9	4240139	1	Strap, Tank	
10	4400457	1	Tank, Hydraulic Oil (See Separate Breakdown in this Section)	
11	4420038	74 in /1.9m	Tape	
12	4751000	5	Washer #10	
13	4751600	24	Washer 3/8	
14	1001107359	1	Plate, Support	
15	1001160567	1	Tank, Fuel	
15	70004414	1	Cap	
15	7020043	1	Tube, Pick up	
16	1001173171	1	Tray	

SECTION 2 - TURNTABLE

FIGURE 2-18. TANK INSTALLATION - WITH STEEL HOODS AND 52.8 GAL/200 L FUEL TANK



ART_1001173918

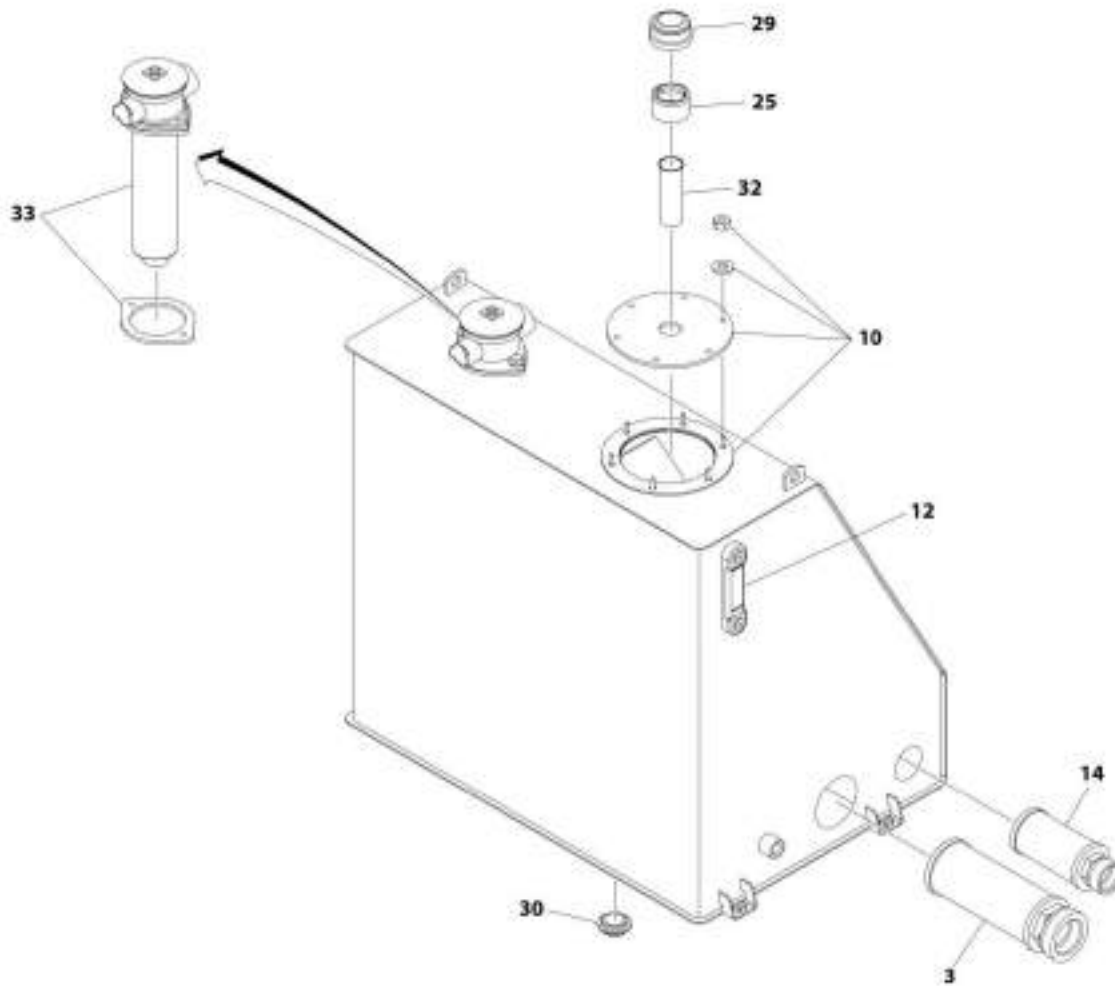
SECTION 2 - TURNTABLE

FIGURE 2-18. TANK INSTALLATION - WITH STEEL HOODS AND 52.8 GAL/200 L FUEL TANK

ITEM	PART NUMBER	QTY	DESCRIPTION	REV
	1001173918	Ref	TANKS INSTALLATION - WITH STEEL HOODS AND 52.8 GAL/200 L FUEL TANK	C
1	0100011	AR	Compound, Locking	
2	0641608	22	Bolt 3/8 x 1	
3	0641614	10	Bolt 3/8 x 1-3/4	
4	0731007	5	Screw, Machine #10 x 7/8	
5	2180467	2	Fitting, Barb	
6	3311601	2	Nut 3/8	
7	3841340	9	Loop, Hose	
8	3900283	6	Screw 3/8 x 3/4	
9	4400457	1	Tank, Hydraulic Oil (See Separate Breakdown in this Section)	
10	4420038	74 in/1.9m	Tape	
11	4751000	5	Washer #10	
12	4751600	22	Washer 3/8	
13	8405009	2	Clamp	
14	1001108579	1	Tank, Fuel	
14	7016314	1	Cap	
14	70004413	1	Tube, Pick up	
15	1001109048	1	Gauge, Fuel	
16	1001110059	1	Strap, Tank Mounting	
17	1001113103	19.5 in /0.5m	Tube, Sight	
18	1001173171	1	Tray	

SECTION 2 - TURNTABLE

FIGURE 2-19. HYDRAULIC OIL TANK ASSEMBLY



ART. 480457

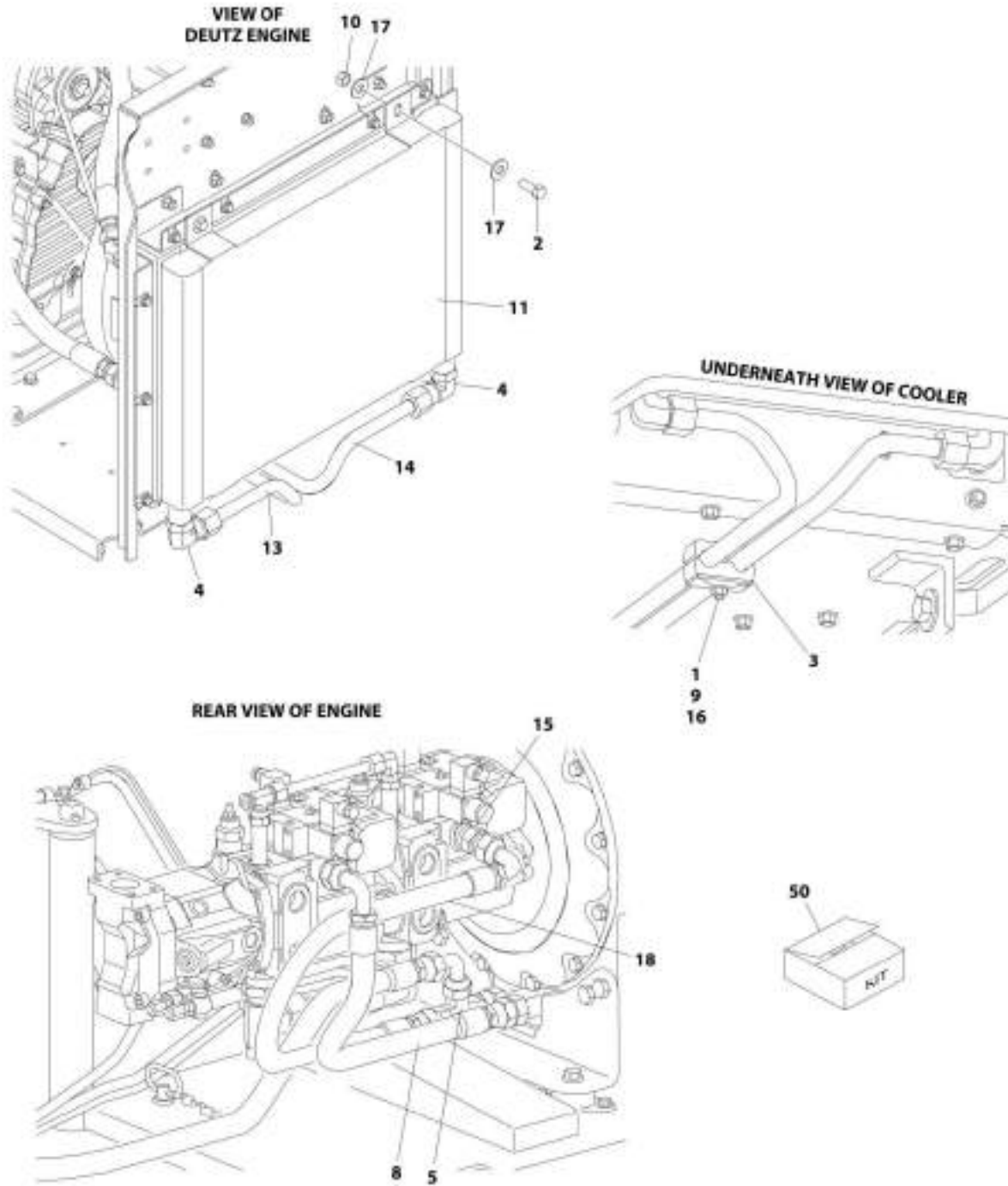
SECTION 2 - TURNTABLE

FIGURE 2-19. HYDRAULIC OIL TANK ASSEMBLY

ITEM	PART NUMBER	QTY	DESCRIPTION	REV
	4400457	Ref	HYDRAULIC OIL TANK ASSEMBLY	E
3	7026571	1	Strainer, Suction	
10	7024439	1	Cover	
10	7023306	1	Seal, Cover Plate	
10	7024440	1	Gasket	
12	7024441	1	Gauge, Sight	
14	7024442	1	Strainer	
25	7024445	1	Strainer (Filler Neck)	
29	7024444	1	Cap, Fill	
30	7024446	1	Plug, Magnetic	
32	7024443	1	Neck, Filler	
33	7024374	1	Filter, Hydraulic Oil	
33	7024375	1	Element, Filter	
33	7023347	1	Gasket, Filter Mounting Flange	

SECTION 2 - TURNTABLE

FIGURE 2-20. HYDRAULIC OIL COOLER INSTALLATION - DEUTZ TD2011 ENGINES WITH REXROTH PUMPS (OPTIONAL)



ART_0273080

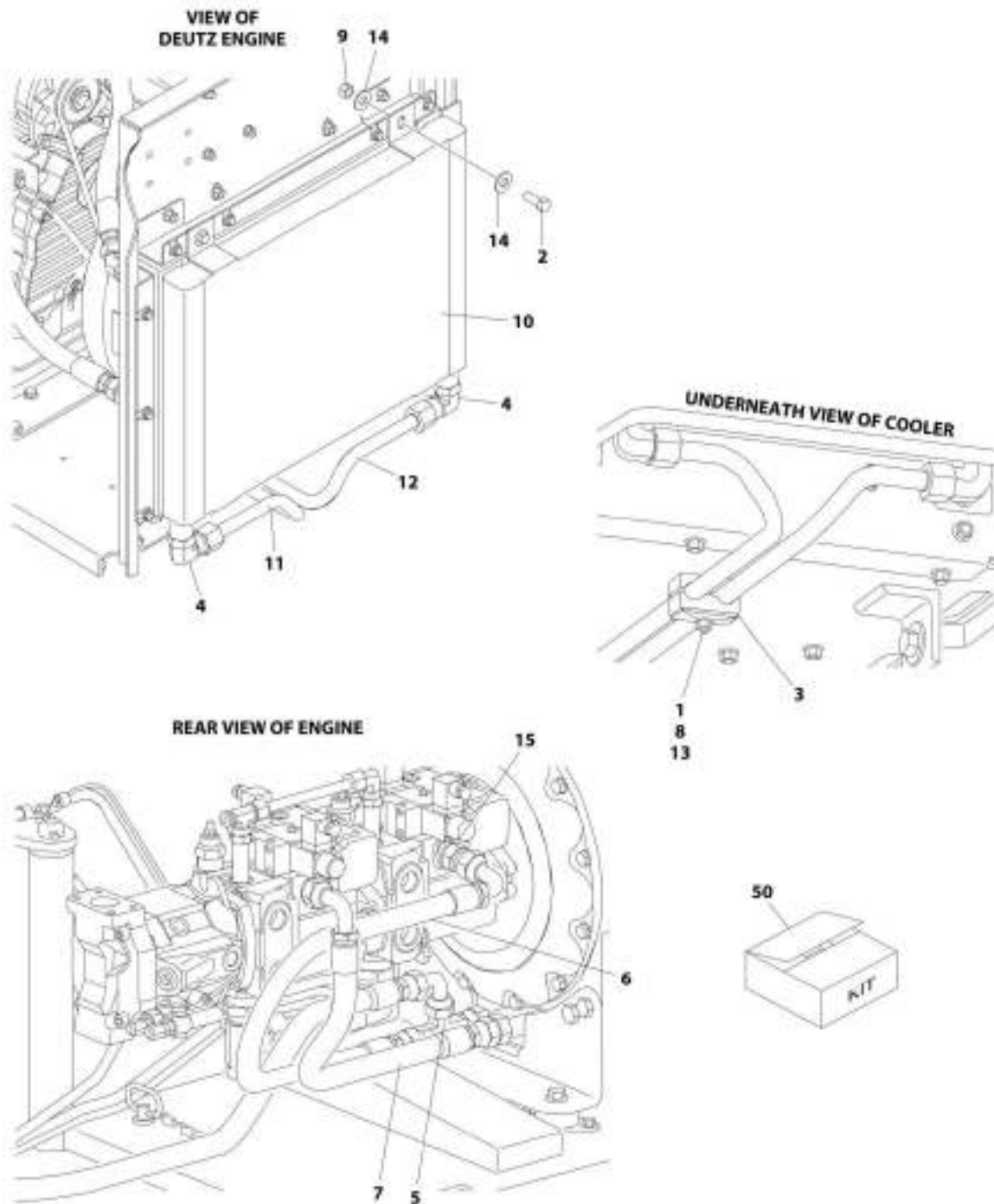
SECTION 2 - TURNTABLE

FIGURE 2-20. HYDRAULIC OIL COOLER INSTALLATION - DEUTZ TD2011 ENGINES WITH REXROTH PUMPS (OPTIONAL)

ITEM	PART NUMBER	QTY	DESCRIPTION	REV
	0272080	Ref	HYDRAULIC OIL COOLER INSTALLATION - DEUTZ TD2011 ENGINES WITH REXROTH PUMPS (OPTIONAL)	B
		Ref	Note: See Engine Installation for Engine Oil Cooler.	
1	0641520	2	Bolt 5/16 x 2-1/2	
2	0641608	4	Bolt 3/8 x 1	
3	1320162	2	Clamp, Hose	
4	2131212	2	Fitting, Elbow	
5	2170712	1	Fitting, Tee	
8	2753778	1	Hose	
9	3311505	2	Nut 5/16	
10	3311605	4	Nut 3/8	
11	3620034	1	Cooler, Hydraulic Oil	
13	4568426	1	Tube	
14	4568427	1	Tube	
15	4641247	1	Valve, Check	
16	4711500	4	Washer 5/16	
17	4751600	8	Washer 3/8	
18	2753843	1	Hose	
50	1001120564	1	Oil Cooler Add-on Kit (Includes Items 1-18)	

SECTION 2 - TURNTABLE

FIGURE 2-21. HYDRAULIC OIL COOLER INSTALLATION - DEUTZ TD2011 ENGINES WITH SAUER PUMPS (OPTIONAL)



AWT_3001118857

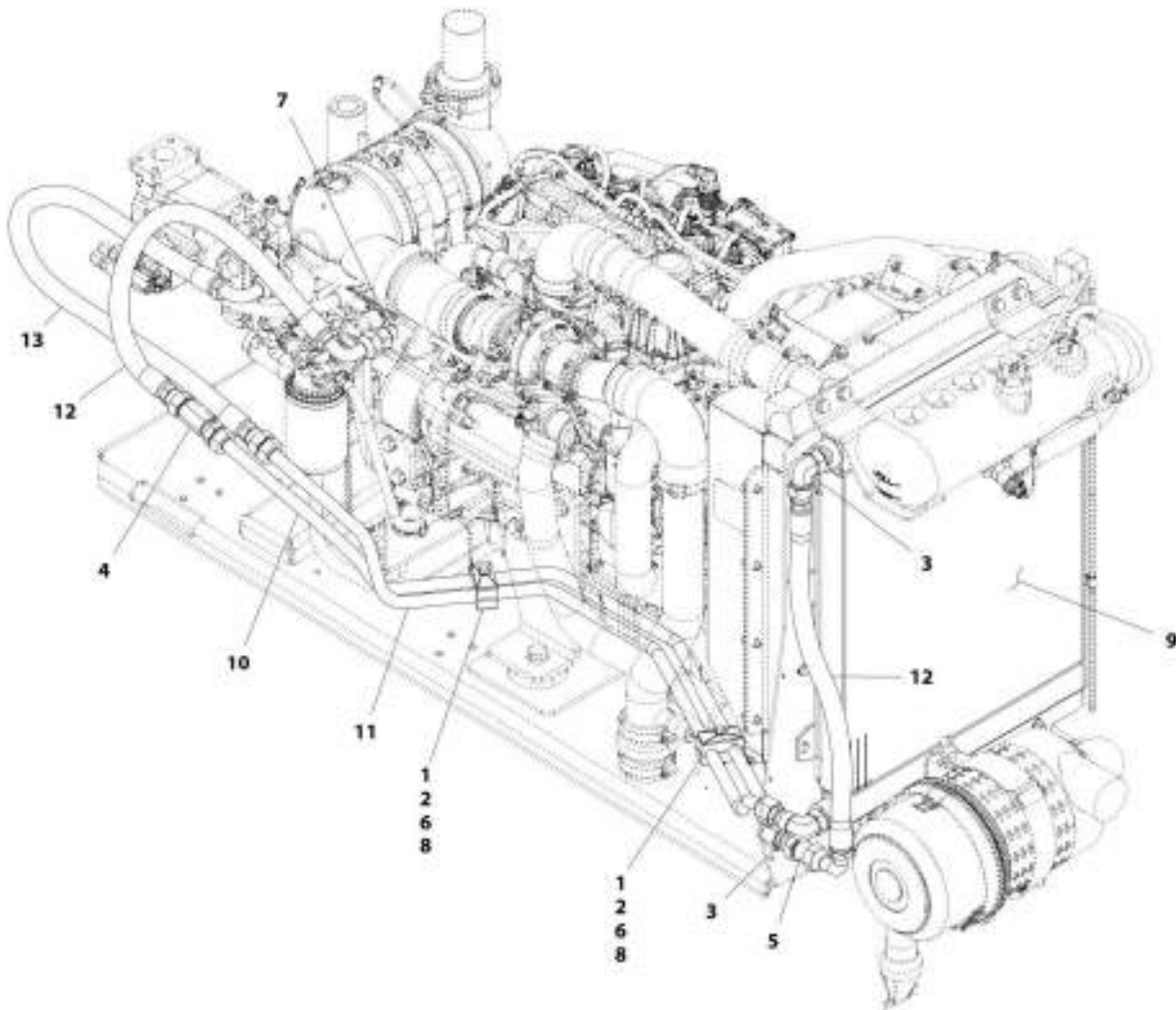
SECTION 2 - TURNTABLE

FIGURE 2-21. HYDRAULIC OIL COOLER INSTALLATION - DEUTZ TD2011 ENGINES WITH SAUER PUMPS (OPTIONAL)

ITEM	PART NUMBER	QTY	DESCRIPTION	REV
	1001118957	Ref	HYDRAULIC OIL COOLER INSTALLATION - DEUTZ TD2011 ENGINES WITH SAUER PUMPS (OPTIONAL)	B
		Ref	Note: See Engine Installation for Engine Oil Cooler.	
1	0641520	2	Bolt 5/16 x 2-1/2	
2	0641608	4	Bolt 3/8 x 1	
3	1320162	2	Clamp, Hose	
4	2131212	2	Fitting, Elbow	
5	2170712	1	Fitting, Tee	
6	2753778	1	Hose	
7	2753999	1	Hose	
8	3311505	2	Nut 5/16	
9	3311605	4	Nut 3/8	
10	3620034	1	Cooler, Hydraulic Oil	
11	4568426	1	Tube	
12	4568427	1	Tube	
13	4711500	4	Washer 5/16	
14	4751600	8	Washer 3/8	
15	1001109677	1	Valve, Check	
50	1001120564	1	Oil Cooler Add-on Kit Options (Includes Items 1-15):	

SECTION 2 - TURNTABLE

FIGURE 2-22. HYDRAULIC OIL COOLER INSTALLATION - DEUTZ TCD2.9L4 ENGINES WITH REXROTH PUMPS (OPTIONAL)



ART_1001139404

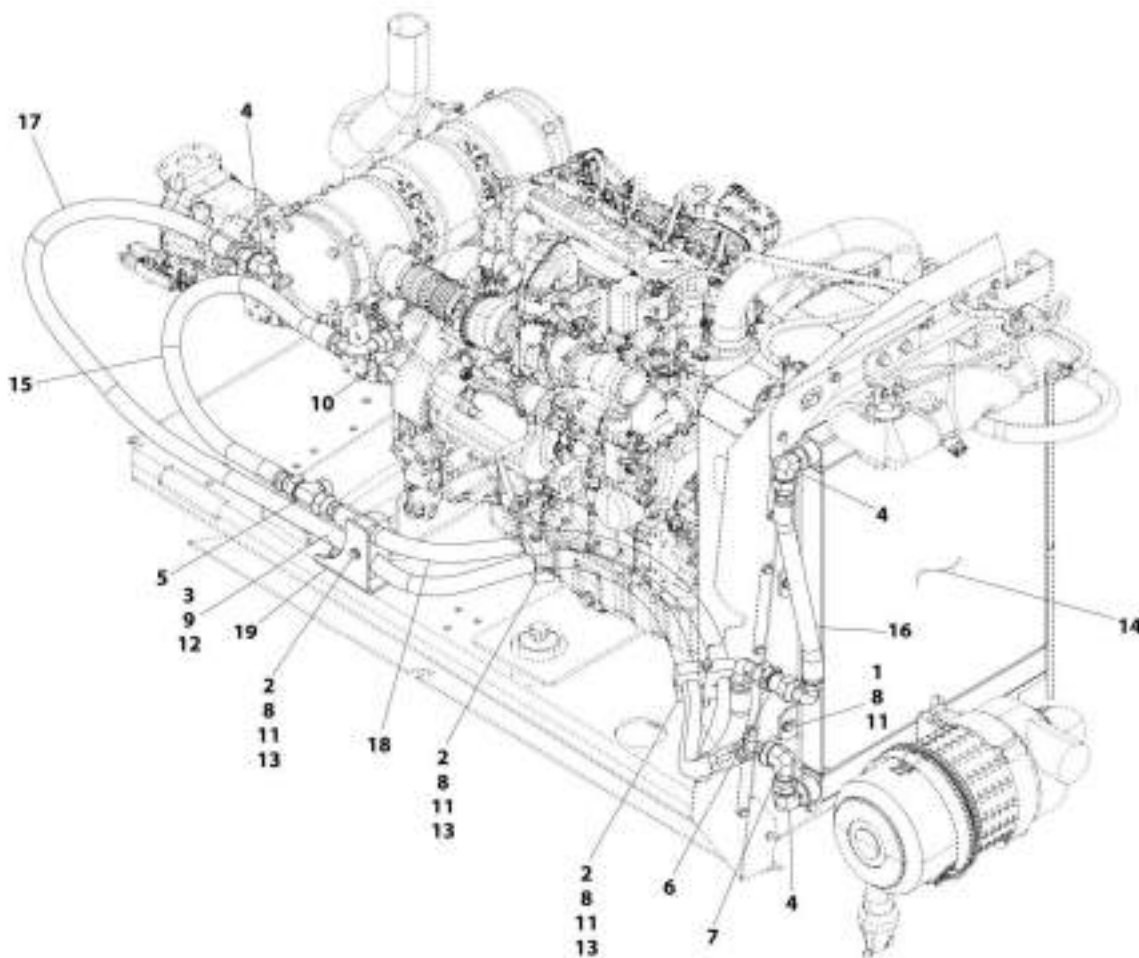
SECTION 2 - TURNTABLE

FIGURE 2-22. HYDRAULIC OIL COOLER INSTALLATION - DEUTZ TCD2.9L4 ENGINES WITH REXROTH PUMPS (OPTIONAL)

ITEM	PART NUMBER	QTY	DESCRIPTION	REV
	1001139494	Ref	HYDRAULIC OIL COOLER INSTALLATION - DEUTZ TCD2.9L4 ENGINES WITH REXROTH PUMPS (OPTIONAL)	E
		Ref	Note: See Engine Installation for Engine Oil Cooler.	
1	0641520	2	Bolt 5/16 x 2-1/2	
2	1320162	2	Clamp, Hose	
3	2131212	2	Fitting, 90	
4	2170712	1	Fitting, Tee	
5	2171112	1	Fitting, Straight	
6	3311505	2	Nut 5/16	
7	4641247	1	Valve	
8	4711500	4	Washer 5/16	
9	1001135124	1	Cooler, Hydraulic Oil	
10	1001154214	1	Tube (SN 0300201016 through 0300237153)	
10	1001139665	1	Tube (SN 0300237154 to Present, SN B30002238 to Present)	
11	1001139666	1	Tube	
12	1001143087	2	Hose	
13	1001143123	1	Hose	

SECTION 2 - TURNTABLE

FIGURE 2-23. HYDRAULIC OIL COOLER INSTALLATION - DEUTZ TCD2.9L4 ENGINES WITH REXROTH PUMPS (OPTIONAL) (CHINA SPEC ONLY)



ART_1001221803

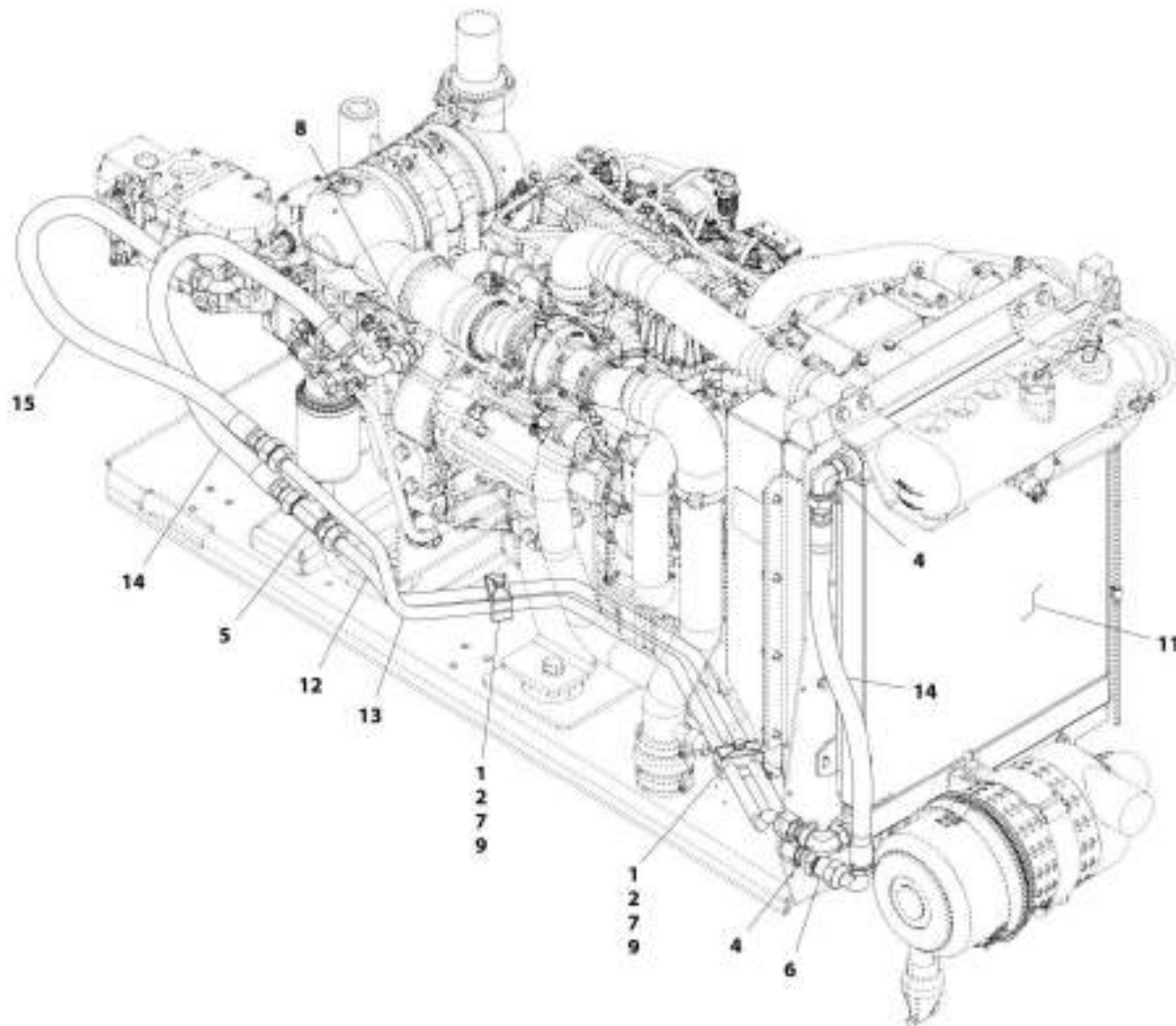
SECTION 2 - TURNTABLE

FIGURE 2-23. HYDRAULIC OIL COOLER INSTALLATION - DEUTZ TCD2.9L4 ENGINES WITH REXROTH PUMPS (OPTIONAL) (CHINA SPEC ONLY)

ITEM	PART NUMBER	QTY	DESCRIPTION	REV
	1001221802	Ref	HYDRAULIC OIL COOLER INSTALLATION - DEUTZ TCD2.9L4 ENGINES WITH REXROTH PUMPS (OPTIONAL) (CHINA SPEC ONLY)	A
1	0641508	4	Bolt 5/16 x 1	
2	0641524	3	Bolt 5/16 x 3	
3	0641609	2	Bolt 3/8 x 1-1/8	
4	2131212	3	Fitting, 90 ORFS/ORB	
5	2170512	1	Fitting, Tee ORFS/ORFS/ORFS	
6	2171112	1	Fitting, Straight ORFS/ORFS	
7	2172112	1	Fitting, 90 ORFS/FSORFS	
8	3311505	7	Nut 5/16	
9	3311605	2	Nut 3/8	
10	4641247	1	Valve	
11	4711500	14	Washer 5/16	
12	4711600	4	Washer 3/8	
13	8750024	3	Clamp	
14	1001135124	1	Cooler, Hydraulic Oil	
15	1001143087	1	Hose	
16	1001181129	1	Hose	
17	1001188376	1	Hose	
18	1001188382	1	Hose	
19	1001220560	1	Bracket	

SECTION 2 - TURNTABLE

FIGURE 2-24. HYDRAULIC OIL COOLER INSTALLATION – DEUTZ TCD2.9L4 ENGINES WITH SAUER PUMPS (OPTIONAL)



ART_1001139482

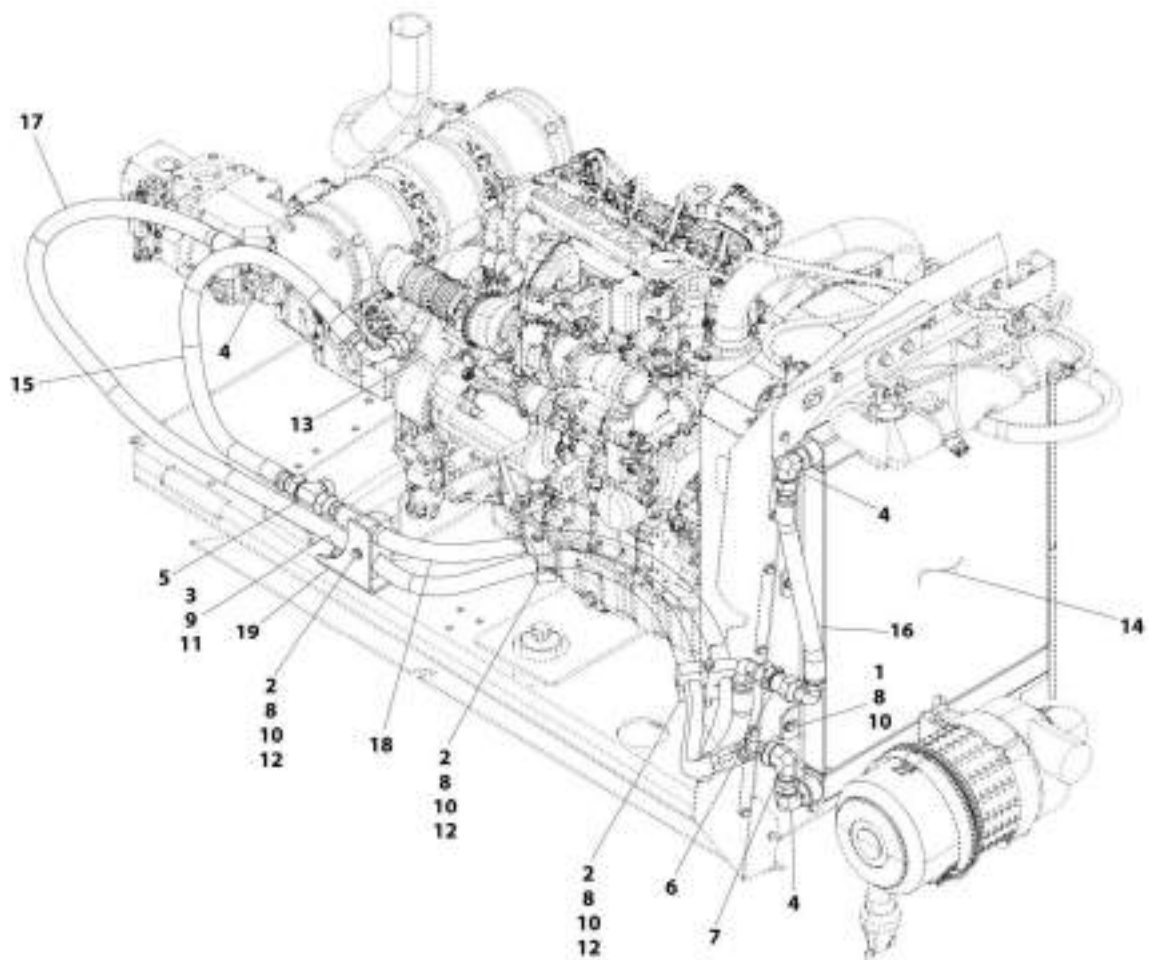
SECTION 2 - TURNTABLE

FIGURE 2-24. HYDRAULIC OIL COOLER INSTALLATION – DEUTZ TCD2.9L4 ENGINES WITH SAUER PUMPS (OPTIONAL)

ITEM	PART NUMBER	QTY	DESCRIPTION	REV
	1001139492	Ref	HYDRAULIC OIL COOLER INSTALLATION - DEUTZ TCD2.9L4 ENGINES WITH SAUER PUMPS (OPTIONAL)	E
		Ref	Note: See Engine Installation for Engine Oil Cooler	
1	0641520	2	Bolt 5/16 x 2-1/2	
2	1320162	2	Clamp, Hose	
4	2131212	2	Fitting, 90	
5	2170712	1	Fitting, Tee	
6	2171112	1	Fitting, Straight	
7	3311505	2	Nut 5/16	
8	1001109677	1	Valve	
9	4711500	4	Washer 5/16	
11	1001135124	1	Cooler, Hydraulic Oil	
12	1001139665	1	Tube	
13	1001139666	1	Tube	
14	1001143087	2	Hose	
15	1001143123	1	Hose	

SECTION 2 - TURNTABLE

FIGURE 2-25. HYDRAULIC OIL COOLER INSTALLATION - DEUTZ TCD2.9L4 ENGINES WITH SAUER PUMPS (OPTIONAL) (CHINA SPEC ONLY)



ART_1001221666

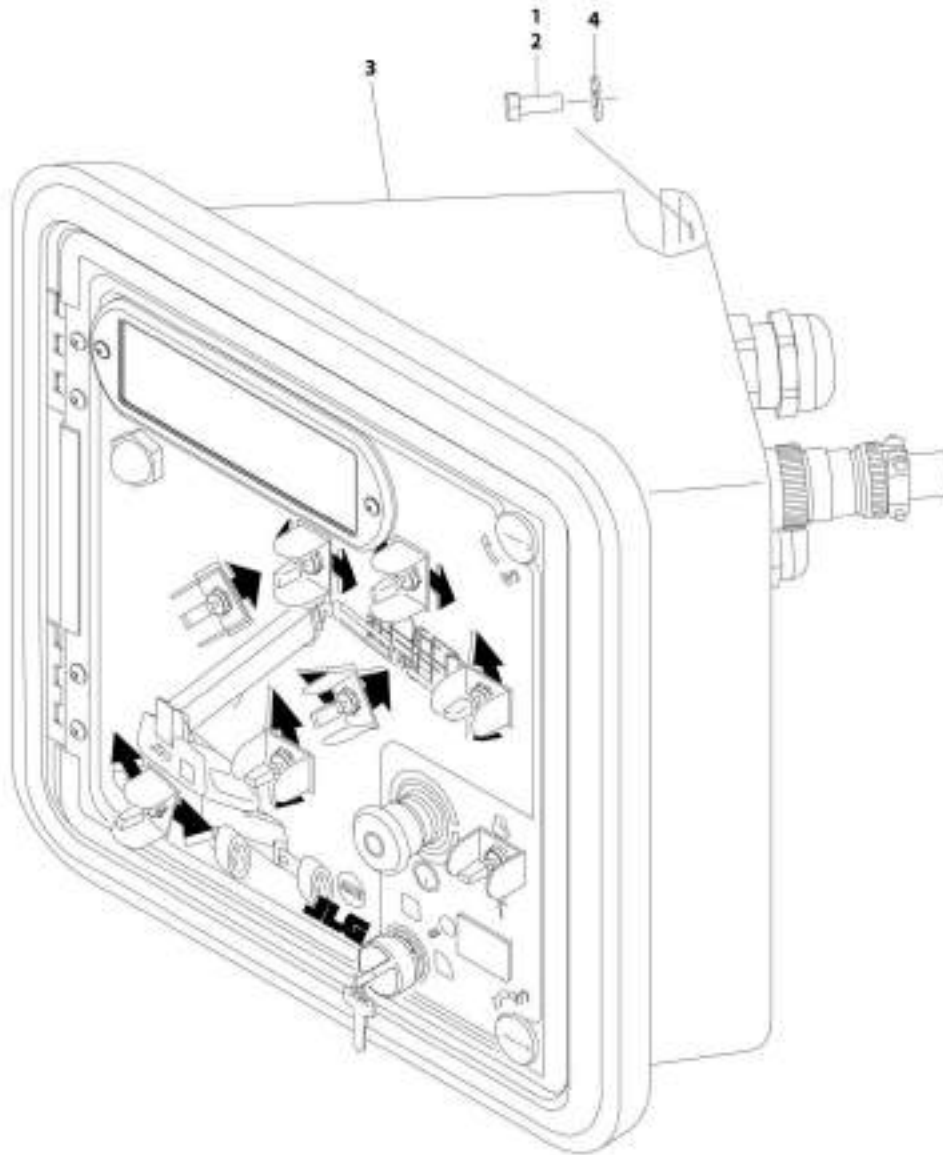
SECTION 2 - TURNTABLE

FIGURE 2-25. HYDRAULIC OIL COOLER INSTALLATION - DEUTZ TCD2.9L4 ENGINES WITH SAUER PUMPS (OPTIONAL) (CHINA SPEC ONLY)

ITEM	PART NUMBER	QTY	DESCRIPTION	REV
	1001221666	Ref	HYDRAULIC OIL COOLER INSTALLATION - DEUTZ TCD2.9L4 ENGINES WITH SAUER PUMPS (OPTIONAL) (CHINA SPEC ONLY)	A
1	0641508	4	Bolt 5/16 x 1	
2	0641524	3	Bolt 5/16 x 3	
3	0641609	2	Bolt 3/8 x 1-1/8	
4	2131212	3	Fitting, 90 ORFS/ORB	
5	2170512	1	Fitting, Tee ORFS/ORFS/ORFS	
6	2171112	1	Fitting, Straight ORFS/ORFS	
7	2172112	1	Fitting, 90 ORFS/FSORFS	
8	3311505	7	Nut 5/16	
9	3311605	2	Nut 3/8	
10	4711500	14	Washer 5/16	
11	4711600	4	Washer 3/8	
12	8750024	3	Clamp	
13	1001109677	1	Valve	
14	1001135124	1	Cooler, Hydraulic Oil	
15	1001143087	1	Hose	
16	1001181129	1	Hose	
17	1001188376	1	Hose	
18	1001188382	1	Hose	
19	1001220560	1	Bracket	

SECTION 2 - TURNTABLE

FIGURE 2-26. GROUND CONTROL BOX INSTALLATION - DEUTZ TD2011 ENGINES WITH REXROTH PUMPS (ALL SPECS EXCEPT CE SPECS)



4RT_1001109346

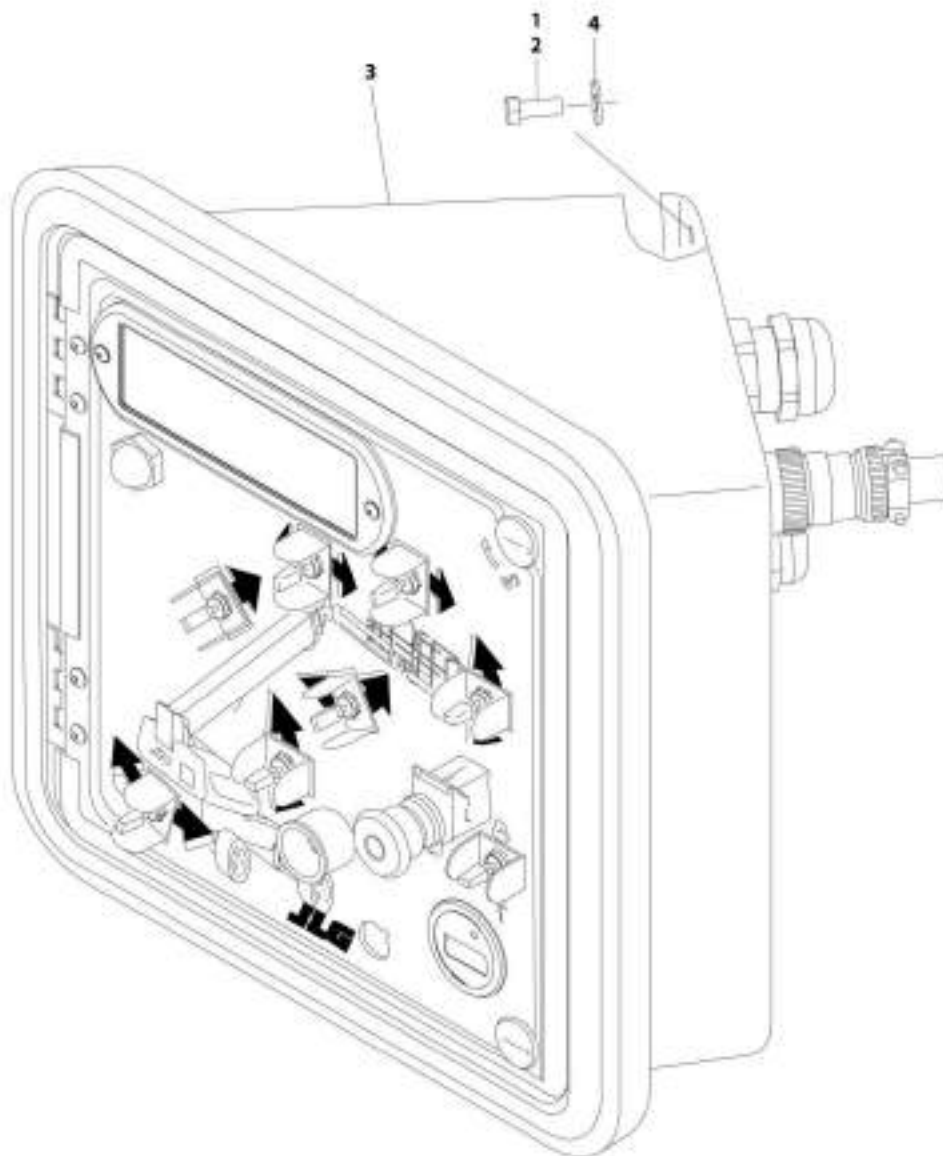
SECTION 2 - TURNTABLE

FIGURE 2-26. GROUND CONTROL BOX INSTALLATION - DEUTZ TD2011 ENGINES WITH REXROTH PUMPS (ALL SPECS EXCEPT CE SPECS)

ITEM	PART NUMBER	QTY	DESCRIPTION	REV
	1001119346	Ref	GROUND CONTROL BOX INSTALLATION - DEUTZ TD2011 ENGINES WITH REXROTH PUMPS (ALL SPECS EXCEPT CE SPECS)	B
1	0100011	AR	Compound, Locking	
2	3931616	4	Bolt 3/8 x 3/4	
3	1001119374	1	Ground Control Box Assembly (See Separate Breakdown in this Section)	
4	4751600	4	Washer 3/8	
5	1001119456	2	Harness, Pump Adapter (Not Shown) (See Separate Breakdown in ELECTRICAL SECTION)	
6	1001119470	1	Harness, Engine (Not Shown) (See Separate Breakdown in ELECTRICAL SECTION)	

SECTION 2 - TURNTABLE

FIGURE 2-27. GROUND CONTROL BOX INSTALLATION – DEUTZ TD2011 ENGINES WITH REXROTH PUMPS (CE SPECS)



ART_1001194122

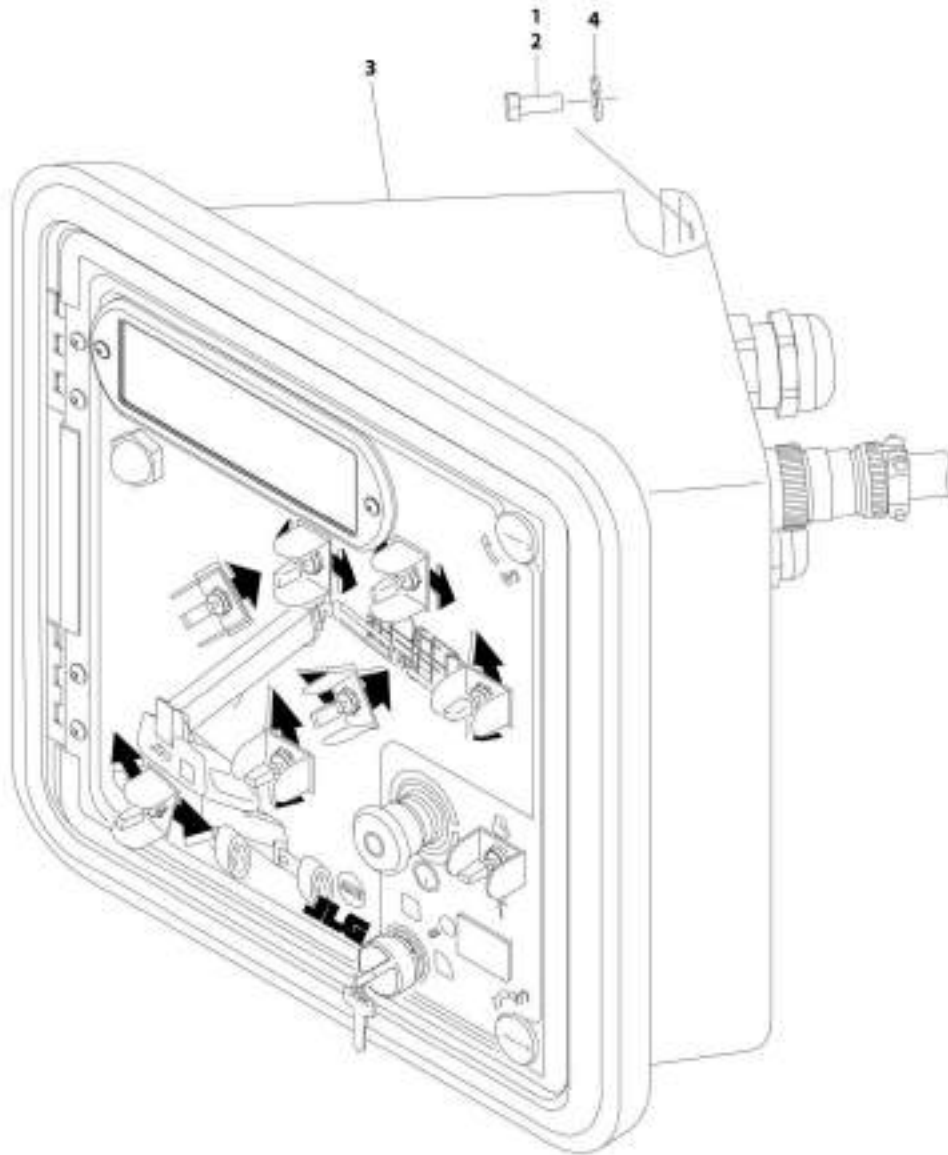
SECTION 2 - TURNTABLE

FIGURE 2-27. GROUND CONTROL BOX INSTALLATION – DEUTZ TD2011 ENGINES WITH REXROTH PUMPS (CE SPECS)

ITEM	PART NUMBER	QTY	DESCRIPTION	REV
	1001194122	Ref	GROUND CONTROL BOX INSTALLATION – DEUTZ TD2011 ENGINES WITH REXROTH PUMPS (CE SPECS)	B
1	0100011	AR	Compound, Locking	
2	3931616	4	Bolt 3/8 x 3/4	
3	1001184939	1	Ground Control Box Assembly (See Separate Breakdown in this Section)	
4	4751600	4	Washer 3/8	
5	1001119456	2	Harness, Pump Adapter (Not Shown) (See Separate Breakdown in ELECTRICAL SECTION)	
6	1001119470	1	Harness, Engine (Not Shown) (See Separate Breakdown in ELECTRICAL SECTION)	

SECTION 2 - TURNTABLE

FIGURE 2-28. GROUND CONTROL BOX INSTALLATION – DEUTZ TD2011 ENGINES WITH SAUER PUMPS (ALL SPECS EXCEPT CE SPECS)



ART_1001109345

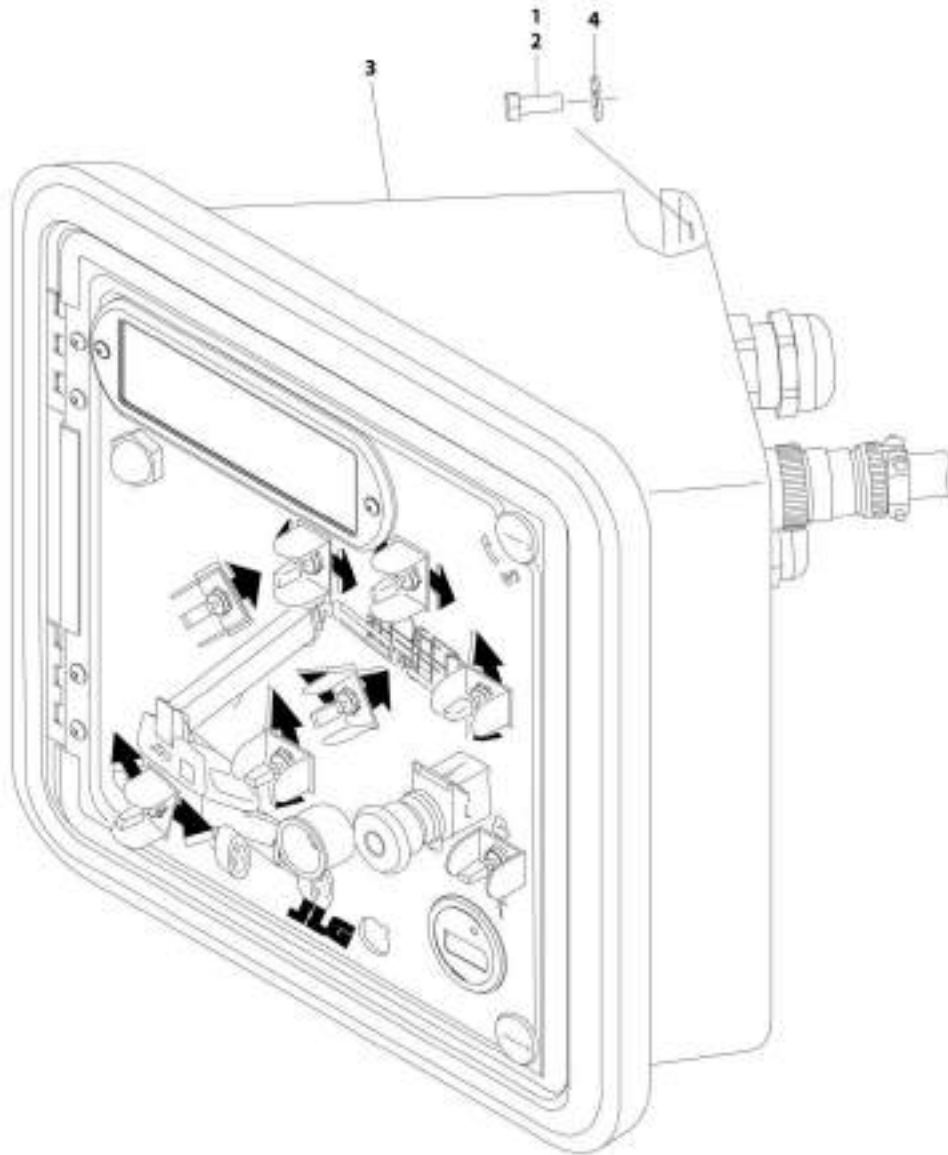
SECTION 2 - TURNTABLE

FIGURE 2-28. GROUND CONTROL BOX INSTALLATION – DEUTZ TD2011 ENGINES WITH SAUER PUMPS (ALL SPECS EXCEPT CE SPECS)

ITEM	PART NUMBER	QTY	DESCRIPTION	REV
	1001119345	Ref	GROUND CONTROL BOX INSTALLATION – DEUTZ TD2011 ENGINES WITH SAUER PUMPS (ALL SPECS EXCEPT CE SPECS)	B
1	0100011	AR	Compound, Locking	
2	3931616	4	Bolt 3/8 x 3/4	
3	1001119374	1	Ground Control Box Assembly (See Separate Breakdown in this Section)	
4	4751600	4	Washer 3/8	
6	1001119470	1	Harness, Engine (Not Shown) (See Separate Breakdown in ELECTRICAL SECTION)	

SECTION 2 - TURNTABLE

FIGURE 2-29. GROUND CONTROL BOX INSTALLATION – DEUTZ TD2011 ENGINES WITH SAUER PUMPS (CE SPECS)



ART_1001194123

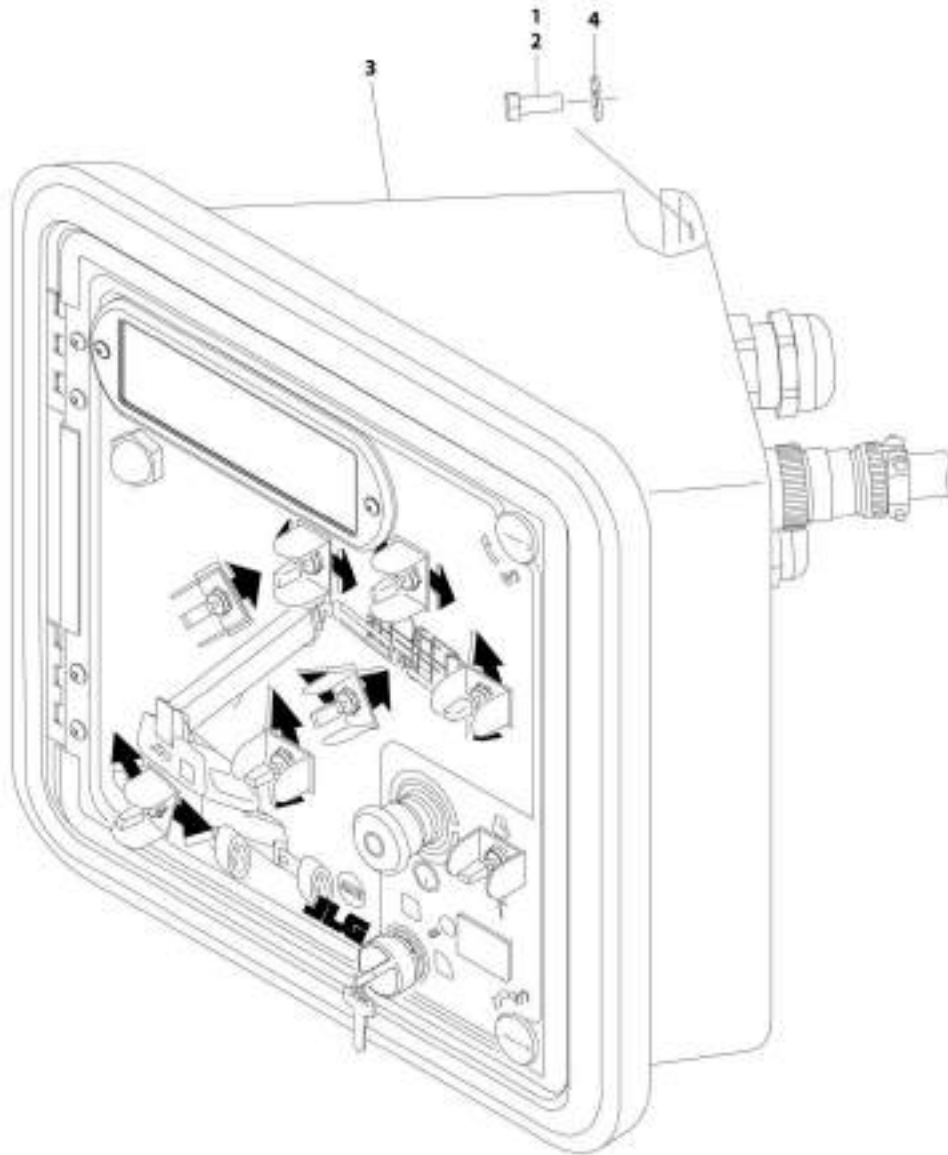
SECTION 2 - TURNTABLE

FIGURE 2-29. GROUND CONTROL BOX INSTALLATION – DEUTZ TD2011 ENGINES WITH SAUER PUMPS (CE SPECS)

ITEM	PART NUMBER	QTY	DESCRIPTION	REV
	1001194123	Ref	GROUND CONTROL BOX INSTALLATION – DEUTZ TD2011 ENGINES WITH SAUER PUMPS (CE SPECS)	B
1	0100011	AR	Compound, Locking	
2	3931616	4	Bolt 3/8-16 x 3/4	
3	1001174939	1	Ground Control Box Assembly (See Separate Breakdown in this Section)	
4	4751600	4	Washer 3/8	
6	1001119470	1	Harness, Engine (Not Shown) (See Separate Breakdown in ELECTRICAL SECTION)	

SECTION 2 - TURNTABLE

FIGURE 2-30. GROUND CONTROL BOX INSTALLATION – DEUTZ TCD2.9L4 ENGINES (ALL SPECS EXCEPT CE SPECS)



48T_1001144347

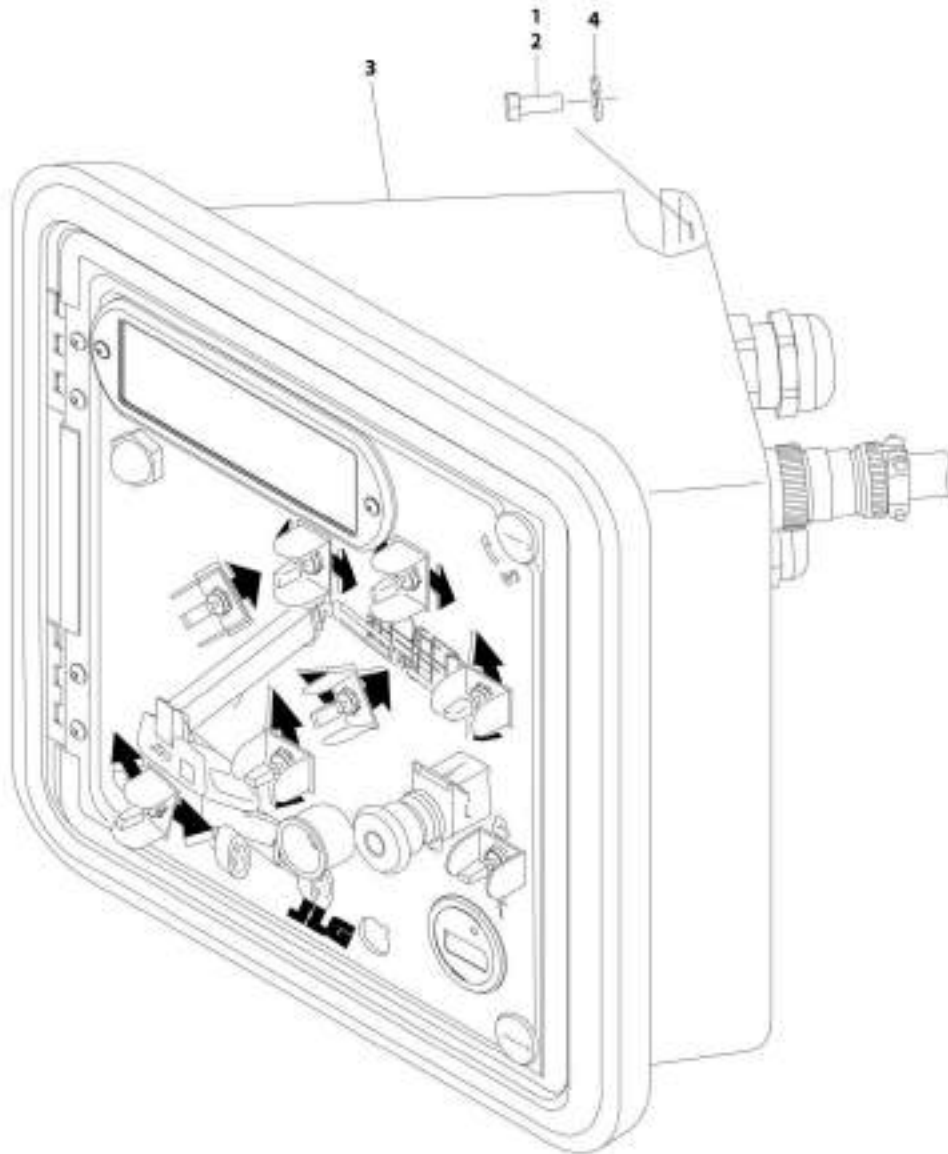
SECTION 2 - TURNTABLE

FIGURE 2-30. GROUND CONTROL BOX INSTALLATION – DEUTZ TCD2.9L4 ENGINES (ALL SPECS EXCEPT CE SPECS)

ITEM	PART NUMBER	QTY	DESCRIPTION	REV
	1001144347	Ref	GROUND CONTROL BOX INSTALLATION – DEUTZ TCD2.9L4 ENGINES (ALL SPECS EXCEPT CE SPECS)	C
1	0100011	AR	Compound, Locking	
2	3931616	4	Bolt 3/8 x 3/4	
3	1001119374	1	Ground Control Box Assembly (See Separate Breakdown in this Section)	
4	4751600	4	Washer 3/8	

SECTION 2 - TURNTABLE

FIGURE 2-31. GROUND CONTROL BOX INSTALLATION – DEUTZ TCD2.9L4 ENGINES (CE SPECS)



ART_1001385264

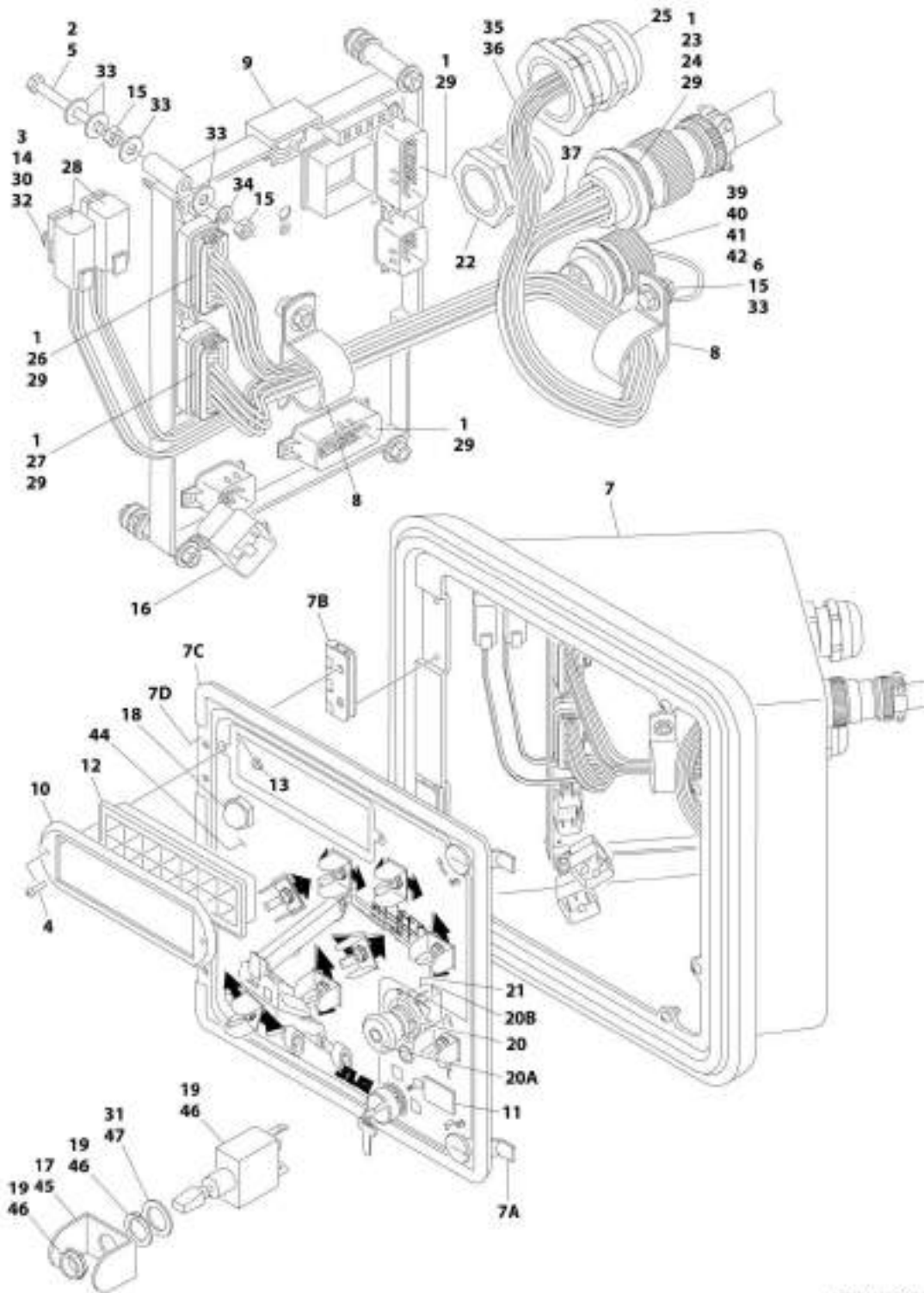
SECTION 2 - TURNTABLE

FIGURE 2-31. GROUND CONTROL BOX INSTALLATION – DEUTZ TCD2.9L4 ENGINES (CE SPECS)

ITEM	PART NUMBER	QTY	DESCRIPTION	REV
	1001185284	Ref	GROUND CONTROL BOX INSTALLATION - DEUTZ TCD2.9L4 ENGINES (CE SPECS)	B
1	0100011	AR	Compound, Locking	
2	3931616	4	Bolt 3/8 x 3/4	
3	1001184939	1	Ground Control Box Assembly (See Separate Breakdown in this Section)	
4	4751600	4	Washer 3/8	

SECTION 2 - TURNTABLE

FIGURE 2-32. GROUND CONTROL BOX ASSEMBLY (ALL SPECS EXCEPT CE SPECS)



ARL 100119374

SECTION 2 - TURNTABLE

FIGURE 2-32. GROUND CONTROL BOX ASSEMBLY (ALL SPECS EXCEPT CE SPECS)

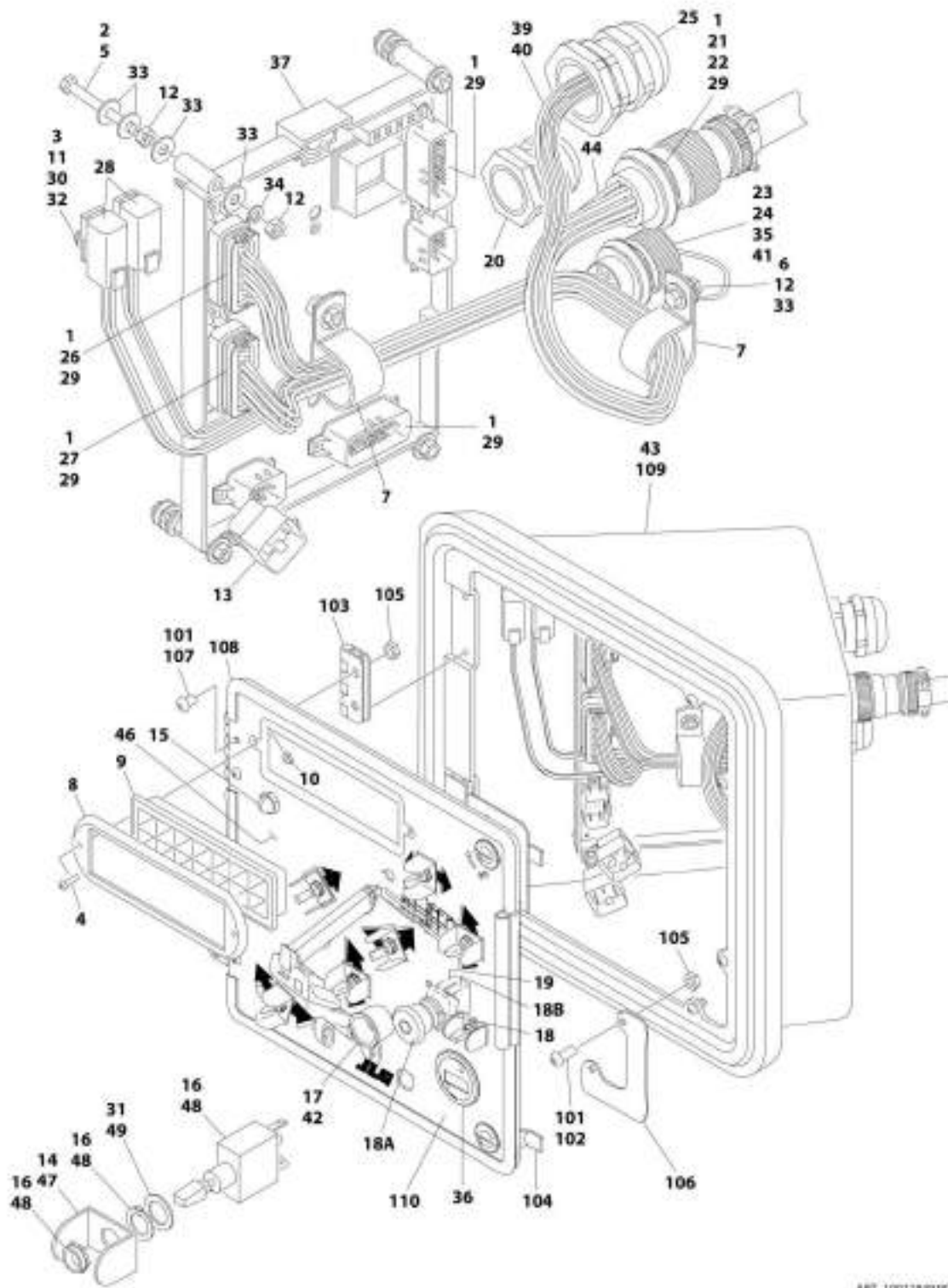
ITEM	PART NUMBER	QTY	DESCRIPTION	REV
	1001119374	Ref	GROUND CONTROL BOX SUB-ASSEMBLY (ALL SPECS EXCEPT CE SPECS)	E
	1001119363	Ref	GROUND CONTROL BOX ASSEMBLY	L
1	0100048	AR	Grease, Dielectric	
2	0100081	AR	Loctite #454	
3	0630464	2	Screw #10 x 1/2	
4	0630518	2	Screw #10 x 3/4	
5	0630548	5	Screw, Self Tapping	
6	0641406	1	Bolt 1/4 x 3/4	
7	1001110014	1	Box Assembly	
7A	2940139	2	Latch	
7B	2600279	2	Hinge	
7C	3960418	53 in /1.4m	Seal	
7D	3380465	1	Panel, Front	
8	1320095	2	Clamp	
9	1001110084	1	Module, Ground Control (Note: Control System must be recalibrated when Module is replaced)	
10	1670829	1	Bezel	
11	2420172	1	Hourmeter	
12	2760105	1	Housing, Light	
13	3300408	2	Nut, Nylon	
14	3311001	2	Nut #10	
15	3311401	11	Nut 1/4	
16	3740049	1	Relay	
17	4060906	7	Guard, Switch	
18	4360274	1	Switch, Pushbutton	
19	4360328	7	Switch, Toggle	
20	4360475	1	Switch, Push-Pull Emergency	
20A	7020175	1	Cap	
20B	7020176	1	Block, Contact	
21	4360476	1	Block, Contact	
22	4460426	1	Connector, Strain Relief	
23	4460470	1	Nut, Terminal	
24	4460471	1	Washer, Terminal	
25	4460526	1	Connector, Strain Relief	
26	4460874	1	Connector, White	
27	4460875	1	Connector, Gray	
28	4460892	2	Connector, Buss Bar - 6 Position	
29	4460905	4	Connector, Plug	
30	4460914	2	Base, Terminal	
31	4740444	7	Washer	
32	4751000	2	Washer #10	
33	4751400	22	Washer 1/4	
34	4761400	5	Washer 1/4	
35	1001119372	1	Harness, Ground Control Box (See Separate Breakdown in ELECTRICAL SECTION)	
36	1001116369	1	Harness, Valve (See Separate Breakdown in ELECTRICAL SECTION)	
37	1001120180	1	Harness, Ground Control Box (See Separate Breakdown in ELECTRICAL SECTION)	

SECTION 2 - TURNTABLE

ITEM	PART NUMBER	QTY	DESCRIPTION	REV
39	4460496	1	Terminal, Washer	
40	4460497	1	Nut, Strain Relief	
41	1001120337	1	Harness, ClearSky Ready (See Separate Breakdown in ELECTRICAL SECTION)	
42	1001106736	1	Cap, Dust	
44	1706911	1	Decal - Lid	
45	4060906	1	Guard, Switch	
46	4360328	1	Switch, Toggle	
47	4740444	1	Washer	

SECTION 2 - TURNTABLE

FIGURE 2-33. GROUND CONTROL BOX ASSEMBLY (CE SPECS)



ART. 100184036

SECTION 2 - TURNTABLE

FIGURE 2-33. GROUND CONTROL BOX ASSEMBLY (CE SPECS)

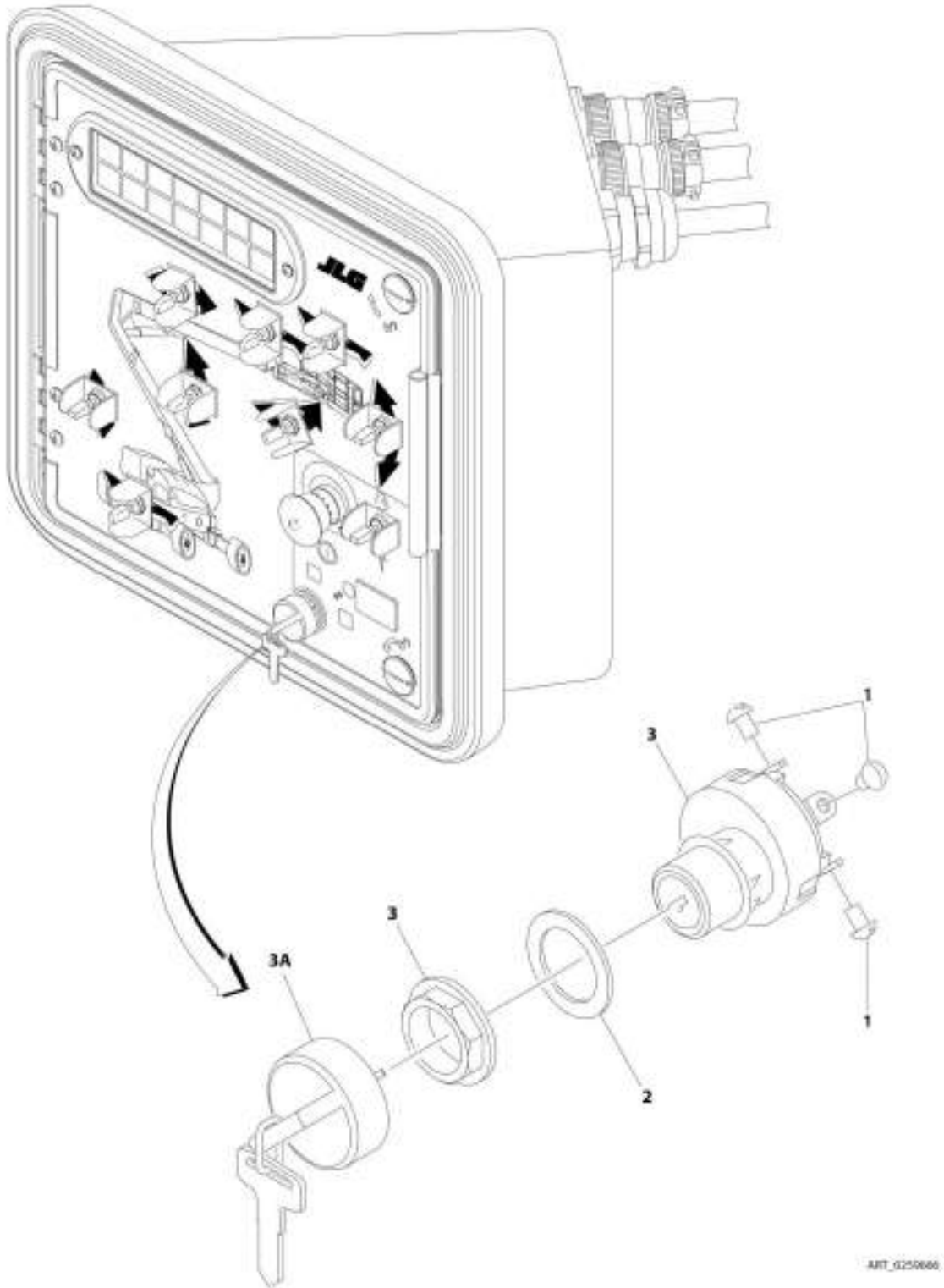
ITEM	PART NUMBER	QTY	DESCRIPTION	REV
	1001184939	Ref	GROUND CONTROL BOX SUB-ASSEMBLY	B
	1001184938	Ref	GROUND CONTROLS ASSEMBLY (CE SPECS)	B
1	0100048	AR	Grease, Dielectric	
2	0100081	AR	Loctite #454	
3	0630464	2	Screw #10 x 1/2	
4	0630518	2	Screw #10 x 3/4	
5	0630548	5	Screw, Self Tapping	
6	0641406	1	Bolt 1/4 x 3/4	
7	1320095	2	Clamp	
8	1670829	1	Bezel	
9	2760105	1	Housing, Light	
10	3300408	2	Nut, Nylon	
11	3311001	2	Nut #10	
12	3311401	11	Nut 1/4	
13	3740049	1	Relay	
14	4060906	7	Guard, Switch	
15	4360274	1	Switch, Pushbutton	
16	4360328	7	Switch, Toggle	
17	4360387	1	Switch, Push Button	
18	4360475	1	Switch, Push-Pull Emergency	
18A	7020175	1	Cap	
18B	7020176	1	Block, Contact	
19	4360476	1	Block, Contact	
20	4460426	1	Connector, Strain Relief	
21	4460470	1	Nut, Terminal	
22	4460471	1	Washer, Terminal	
23	4460496	1	Terminal, Washer	
24	4460497	1	Nut, Strain Relief	
25	4460526	1	Connector, Strain Relief	
26	4460874	1	Connector, White	
27	4460875	1	Connector, Gray	
28	4460892	2	Connector, Buss Bar - 6 Position	
29	4460905	4	Connector, Plug	
30	4460914	2	Base, Terminal	
31	4740444	7	Washer	
32	4751000	2	Washer #10	
33	4751400	22	Washer 1/4	
34	4761400	5	Washer 1/4	
35	1001106736	1	Cap, Dust	
36	1001109503	1	Gauge, Indicator	
37	1001110084	1	Module, Ground Control (Note: Control System must be recalibrated when Module is replaced)	
39	1001116369	1	Harness, Valve (See Separate Breakdown in ELECTRICAL SECTION)	
40	1001119372	1	Harness, Ground Control Box (See Separate Breakdown in ELECTRICAL SECTION)	
41	1001120337	1	Harness, ClearSky Ready (See Separate Breakdown in ELECTRICAL SECTION)	
42	1001176469	1	Shroud	
43	1001184937	1	Box Assembly (See Items 101-110 for Breakdown)	

SECTION 2 - TURNTABLE

ITEM	PART NUMBER	QTY	DESCRIPTION	REV
44	1001187386	1	Harness, Ground Control Box (See Separate Breakdown in ELECTRICAL SECTION)	
46	1001179831	1	Decal - Lid	
47	4060906	1	Guard, Switch	
48	4360328	1	Switch, Toggle	
49	4740444	1	Washer	
	1001184937	Ref	BOX ASSEMBLY	A
101	0100011	AR	Compound, Locking	
102	0630407	4	Screw 1/4 x 5/8	
103	2600279	2	Hinge	
104	2940139	2	Latch	
105	3311402	8	Nut 1/4	
106	3573144	2	Plate, Latch	
107	3900251	8	Screw 1/4 x 3/8	
108	3960418	53 in /1.4m	Seal	
109	1001110064	1	Box	
110	1001184936	1	Lid	

SECTION 2 - TURNTABLE

FIGURE 2-34. KEYSWITCH INSTALLATION



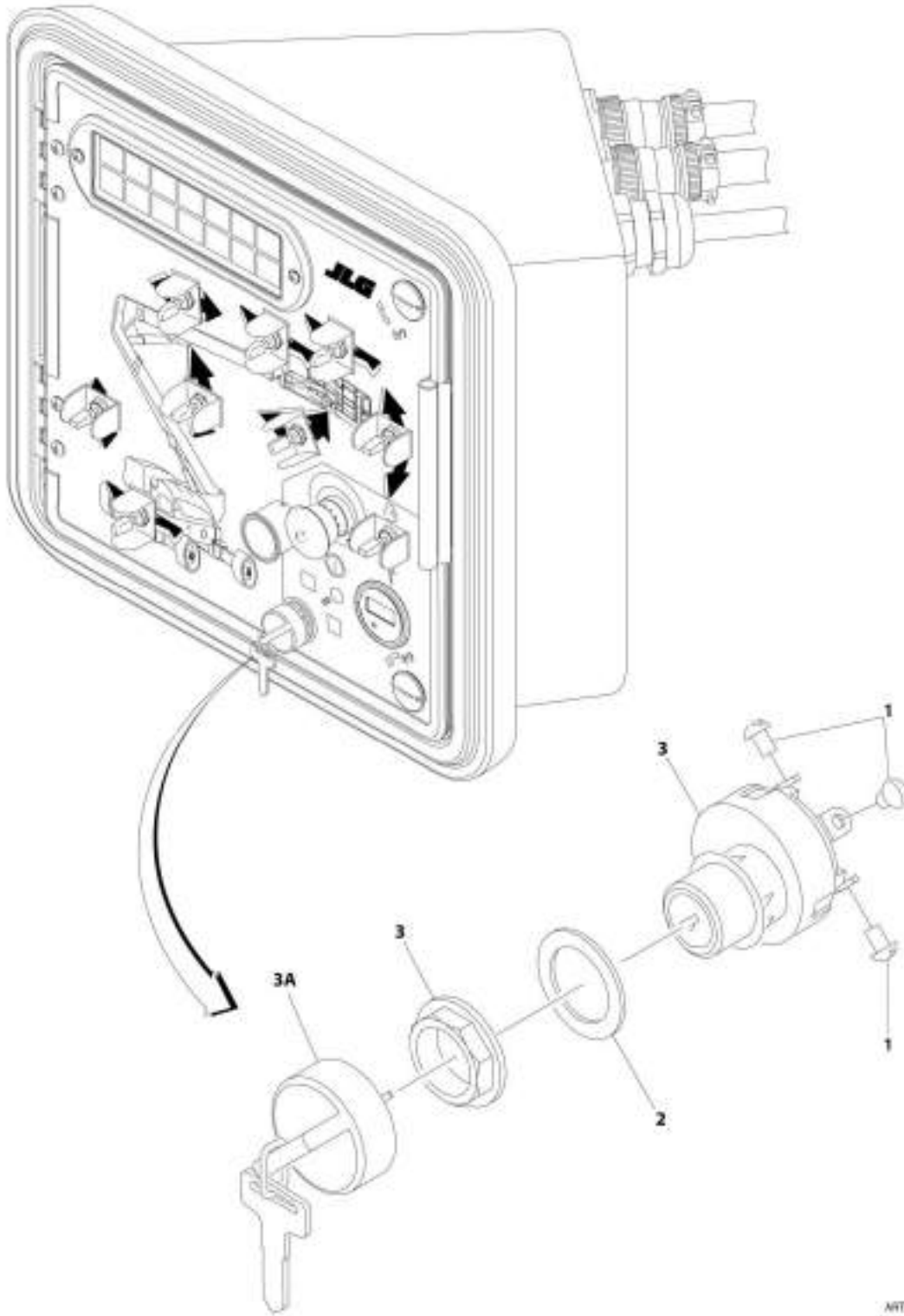
SECTION 2 - TURNTABLE

FIGURE 2-34. KEYSWITCH INSTALLATION

ITEM	PART NUMBER	QTY	DESCRIPTION	REV
		Ref	USAGE CHART:	
		Ref	- All Specs Except CE (LRC) Specs	
		Ref	- CE (LRC) Specs (SN 0300205136 to Present, SN B300002238 to Present)	
	0259666	Ref	KEYSWITCH INSTALLATION	B
1	3910804	6	Screw #8 x 1/8	
2	1001151393	1	Shim .063	
3	4360469	1	Keypad	
3A	2860030	1	Key, Replacement	

SECTION 2 - TURNTABLE

FIGURE 2-35. KEYSWITCH INSTALLATION (SN 0300201016 through 0300205135)



ART_625967

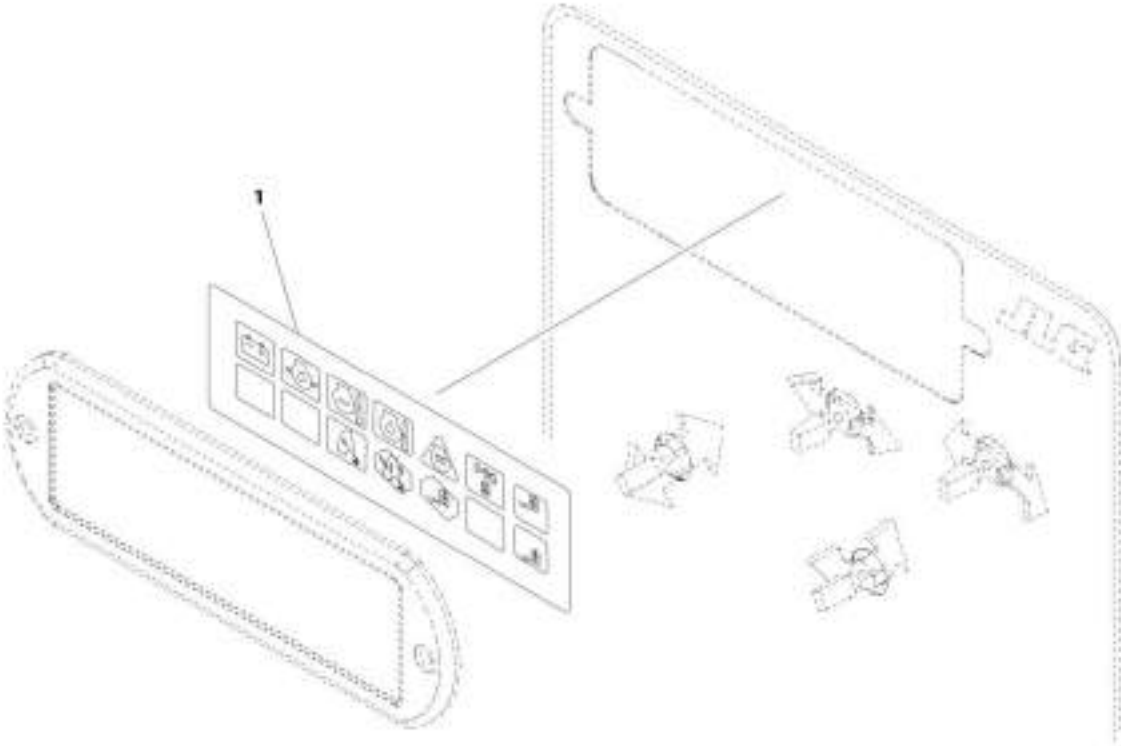
SECTION 2 - TURNTABLE

FIGURE 2-35. KEYSWITCH INSTALLATION (SN 0300201016 through 0300205135)

ITEM	PART NUMBER	QTY	DESCRIPTION	REV
		Ref	USAGE CHART:	
		Ref	- CE (LRC) Specs	
	0259667	Ref	KEYSWITCH INSTALLATION (SN 0300201016 through 0300205135)	B
1	3910804	6	Screw #8 x 1/8	
2	1001151393	1	Shim .063	
3	4360470	1	Keyswitch	
3A	2860030	1	Key, Replacement	

SECTION 2 - TURNTABLE

FIGURE 2-36. LIGHT PANEL INSTALLATION - ANSI AND ANSI EXPORT SPECS



MIT_1001121826_10F2

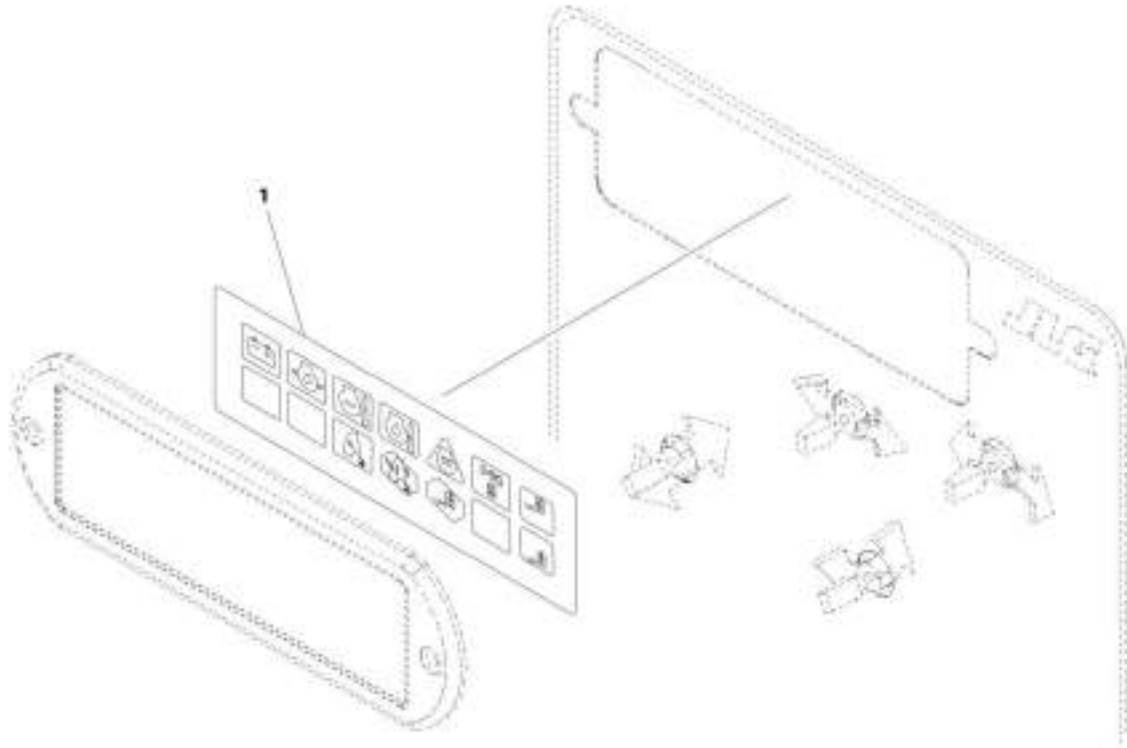
SECTION 2 - TURNTABLE

FIGURE 2-36. LIGHT PANEL INSTALLATION - ANSI AND ANSI EXPORT SPECS

ITEM	PART NUMBER	QTY	DESCRIPTION	REV
1	1001121826 1001122383	Ref 1	LIGHT PANEL INSTALLATION - ANSI AND ANSI EXPORT SPECS Decal - Light Panel	A

SECTION 2 - TURNTABLE

FIGURE 2-37. LIGHT PANEL INSTALLATION - AUSTRALIAN AND CE SPECS



MIT_1001121827_10F2

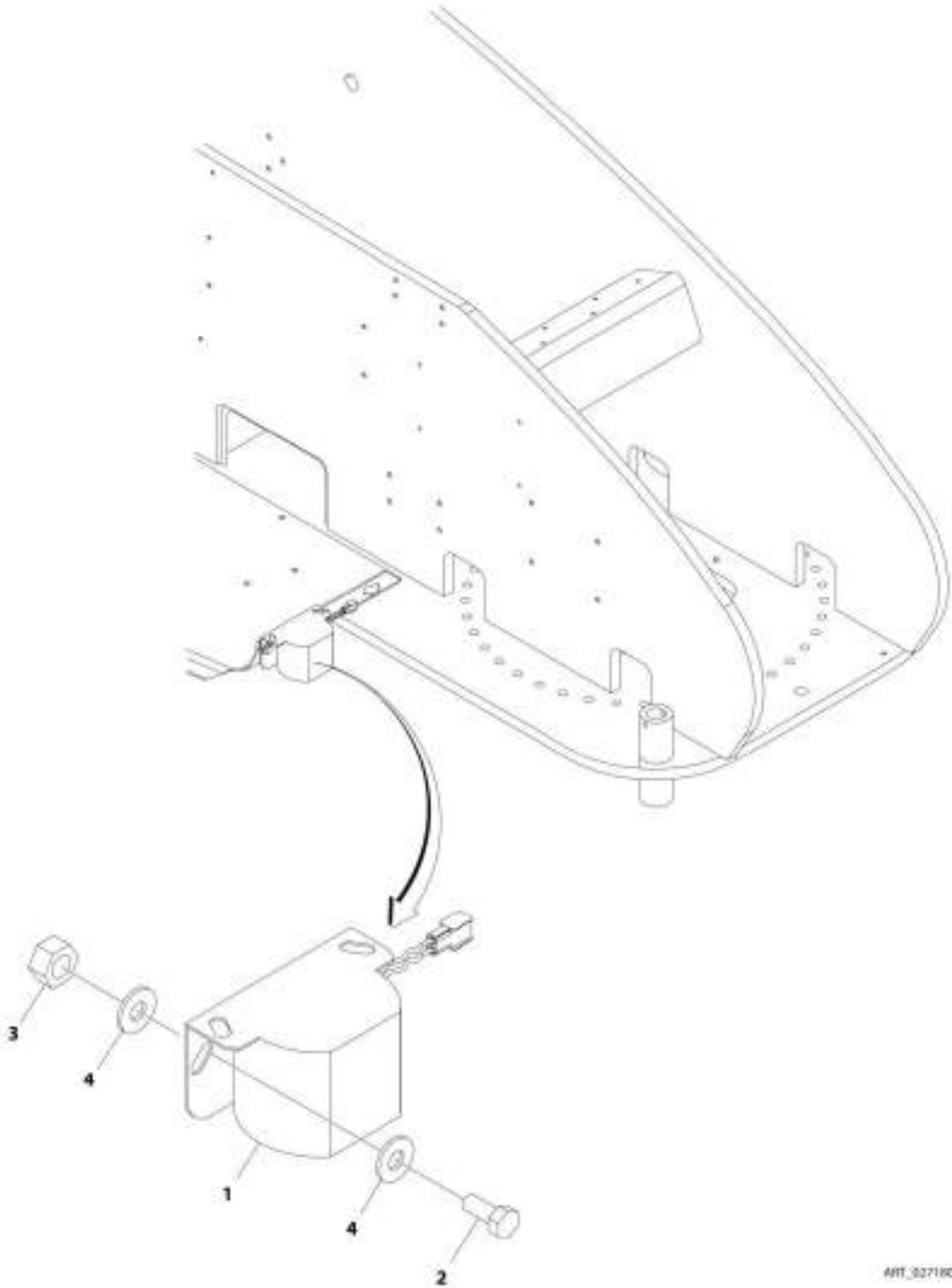
SECTION 2 - TURNTABLE

FIGURE 2-37. LIGHT PANEL INSTALLATION - AUSTRALIAN AND CE SPECS

ITEM	PART NUMBER	QTY	DESCRIPTION	REV
1	1001121827 1705174	Ref 1	LIGHT PANEL INSTALLATION - AUSTRALIAN AND CE SPECS Decal - Light Panel	A

SECTION 2 - TURNTABLE

FIGURE 2-38. ALARMS INSTALLATION



ART_0271806

SECTION 2 - TURNTABLE

FIGURE 2-38. ALARMS INSTALLATION

ITEM	PART NUMBER	QTY	DESCRIPTION	REV
	0271806	Ref	ALARMS INSTALLATION	A
1	0257887	1	Alarm	
1	0140032	1	Alarm	
1	2820035	6 in/15cm	Loom	
1	4460424	1	Plug	
1	4460268	2	Socket, Female	
2	0641506	2	Bolt 5/16 x 3/4	
3	3311505	2	Nut 5/16	
4	4751500	4	Washer 5/16	

SECTION 2 - TURNTABLE

FIGURE 2-39. STROBE LIGHT INSTALLATION (AMBER)



ART_10014885

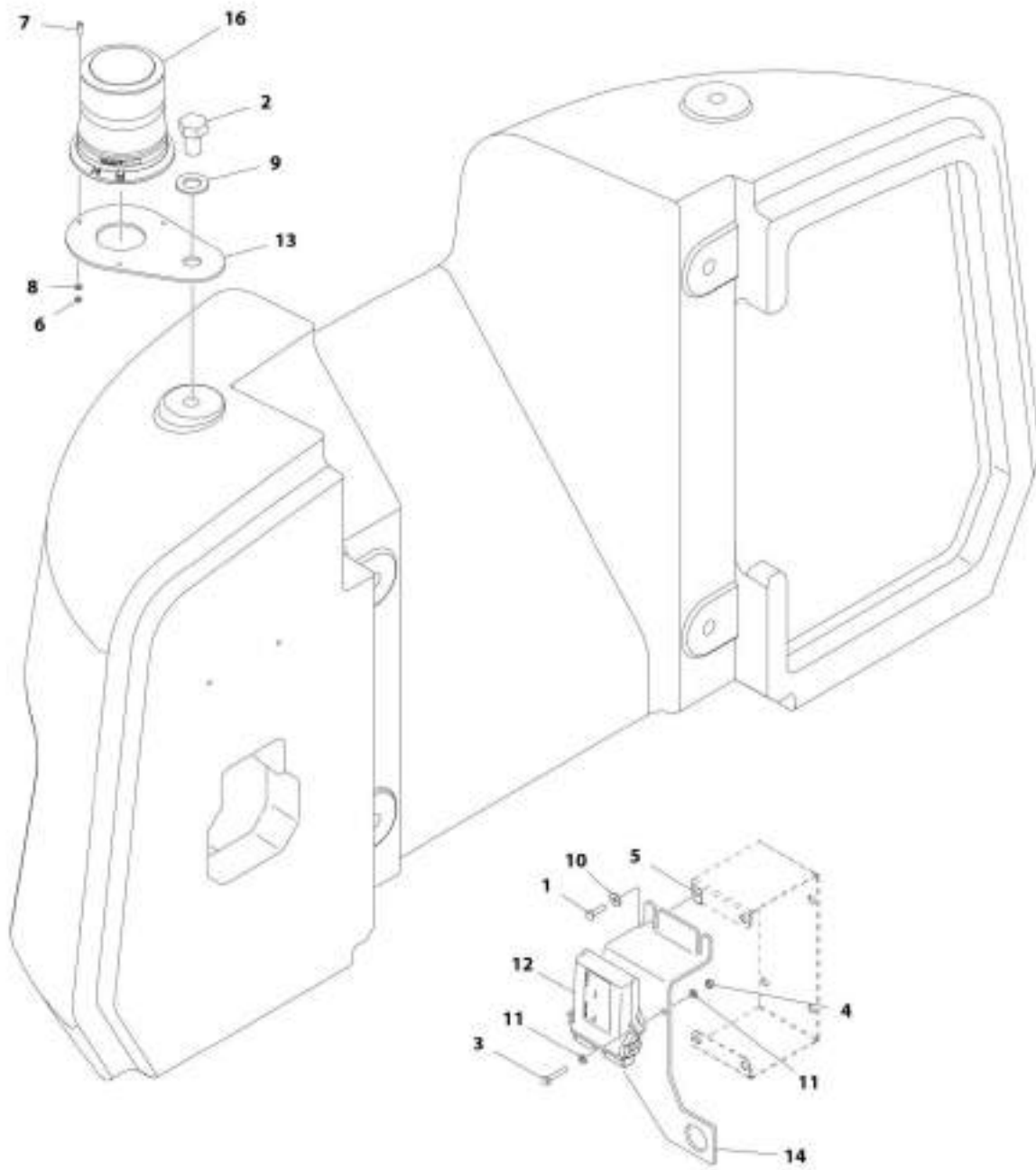
SECTION 2 - TURNTABLE

FIGURE 2-39. STROBE LIGHT INSTALLATION (AMBER)

ITEM	PART NUMBER	QTY	DESCRIPTION	REV
	1001149955	Ref	STROBE LIGHT INSTALLATION (AMBER)	B
1	1001150406	1	Strobe Light Assembly (See Items 101-106 for Breakdown)	
2	1001149818	1	Harness, Strobe Light (Not Shown) (See Separate Breakdown in ELECTRICAL SECTION)	
	1001150406	Ref	STROBE LIGHT ASSEMBLY (AMBER)	B
101	0100035	AR	Compound, Locking	
102	2920161	1	Strobe Light/Harness Assembly	
102	7016319	1	Bulb	
102	7016372	1	Lens	
103	3312602	1	Nut 1	
104	3900085	2	Screw #10 x 1/2	
105	4751000	2	Washer 1/4	
106	1001149994	1	Mount Strobe	

SECTION 2 - TURNTABLE

FIGURE 2-40. BEACON LIGHT INSTALLATION (BLUE) (SN 0300201016 through 0300217081)



AWT_0001188170

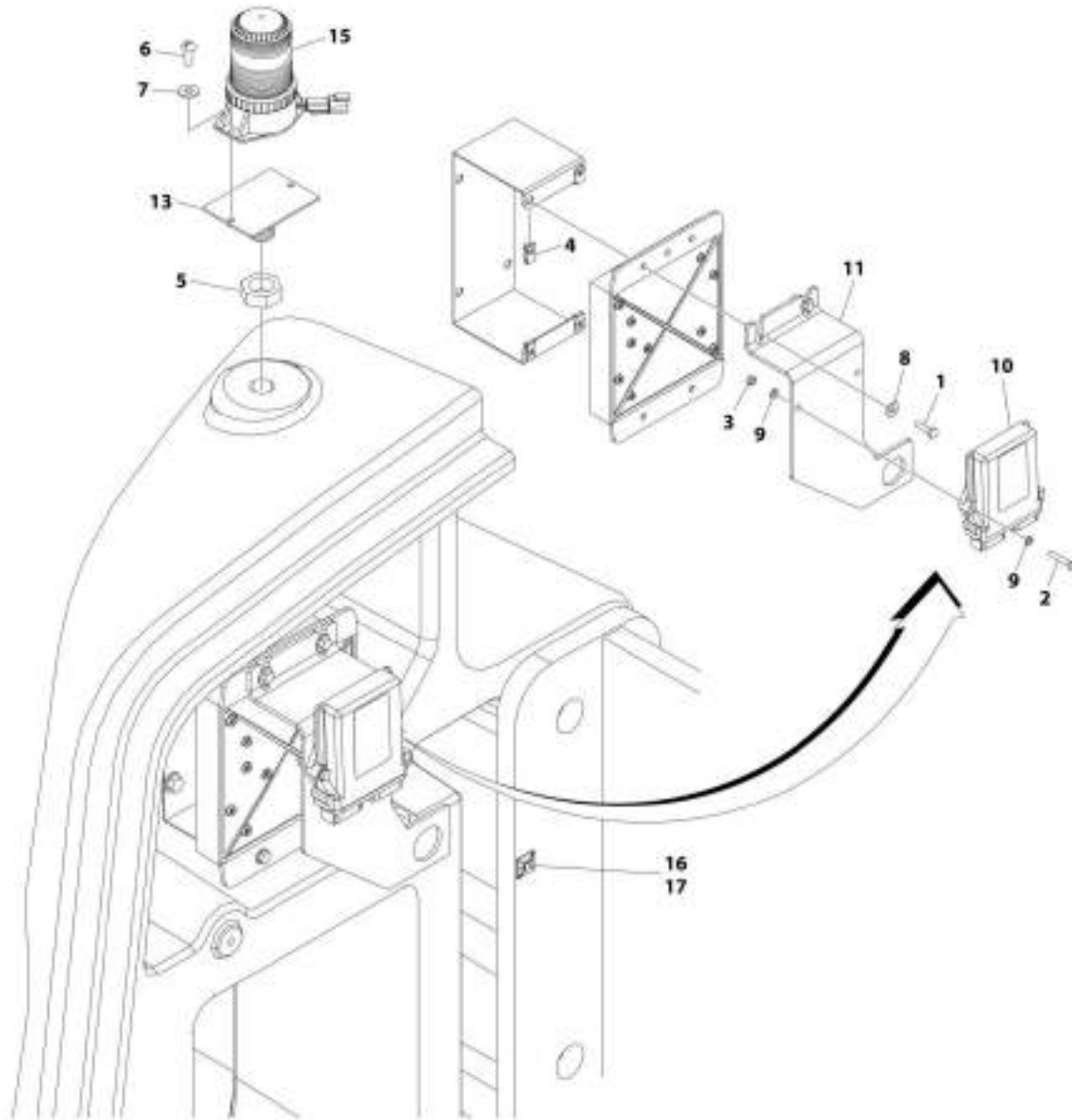
SECTION 2 - TURNTABLE

FIGURE 2-40. BEACON LIGHT INSTALLATION (BLUE) (SN 0300201016 through 0300217081)

ITEM	PART NUMBER	QTY	DESCRIPTION	REV
	1001189176	Ref	BEACON LIGHT INSTALLATION (BLUE) (SN 0300201016 through 0300217081)	B
1	0641408	2	Bolt 1/4 x 1	
2	0642612	1	Bolt 1 x 1-1/2	
3	0700615	2	Bolt M6 x 35	
4	3290607	2	Nut M6 x 1	
5	3300454	2	Nut	
6	3311005	3	Nut #10	
7	3911012	3	Screw 10 x 3/4	
8	4711000	3	Washer #10	
9	4712600	1	Washer 1	
10	4751400	2	Washer 1/4	
11	4811700	4	Washer M6	
12	1001142683	1	Control, Beacon Module	
13	1001142694	1	Bracket, Beacon Mounting	
14	1001142719	1	Bracket, Beacon Module Ultra	
15	1001142736	1	Harness, Beacon Control (Not Shown) (See Separate Breakdown in ELECTRICAL SECTION)	
16	1001143431	NLA	Lamp, Beacon (Use p/n 1001210693 & 1001200910)	
16	7028909	1	Connector - 2 Position	
16	4460943	2	Pin, Male	
17	1001150944	1	Harness, Beacon Control (Not Shown) (See Separate Breakdown in ELECTRICAL SECTION)	

SECTION 2 - TURNTABLE

FIGURE 2-41. STROBE LIGHT INSTALLATION (BLUE) (SN 0300217082 to Present, SN B300002238 to Present)



ART_1001265401

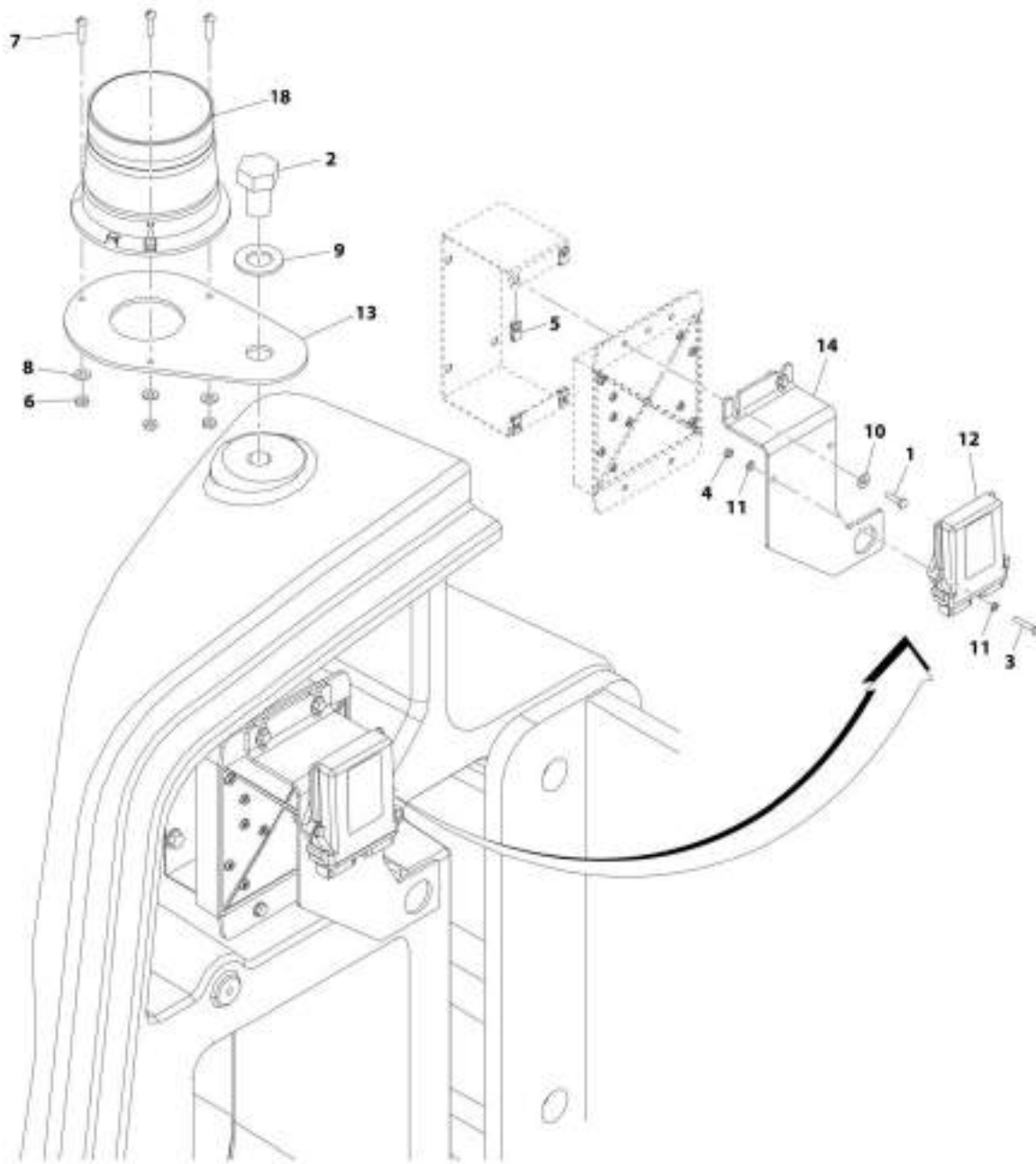
SECTION 2 - TURNTABLE

FIGURE 2-41. STROBE LIGHT INSTALLATION (BLUE) (SN 0300217082 to Present, SN B300002238 to Present)

ITEM	PART NUMBER	QTY	DESCRIPTION	REV
	1001205401	Ref	STROBE LIGHT INSTALLATION (BLUE) (SN 0300217082 to Present, SN B300002238 to Present)	E
1	0641408	2	Bolt 1/4 x 1	
2	0700615	2	Bolt M6 x 35	
3	3290607	2	Nut M6 x 1	
4	3300454	2	Nut	
5	3312602	1	Nut 1	
6	3900085	2	Screw 10 x 1/2	
7	4751000	2	Washer #10	
8	4751400	2	Washer 1/4	
9	4811700	4	Washer M6	
10	1001142683	1	Module, Control Beacon	
11	1001142719	1	Bracket	
12	1001142736	1	Harness, Beacon Control (Not Shown) (See Separate Breakdown in ELECTRICAL SECTION)	
13	1001149994	1	Mount, Beacon	
15	1001200910	1	Light, Strobe	
15	7028909	1	Connector - 2 Position	
15	4460943	2	Pin, Male	
16	4240032	AR	Tie-Strap (SN 0300237541 to Present)	
17	4460488	AR	Mount, Tie-Strap (SN 0300237541 to Present)	
18	1001217005	1	Strobe Light Kit - Blue (Includes Items 5, 6, 7, 13 &15) (Not Shown) (SN 0300237541 to Present)	

SECTION 2 - TURNTABLE

FIGURE 2-42. STROBE LIGHT INSTALLATION (RED) (SN 0300216184 through 0300217081)



ART_1001207909

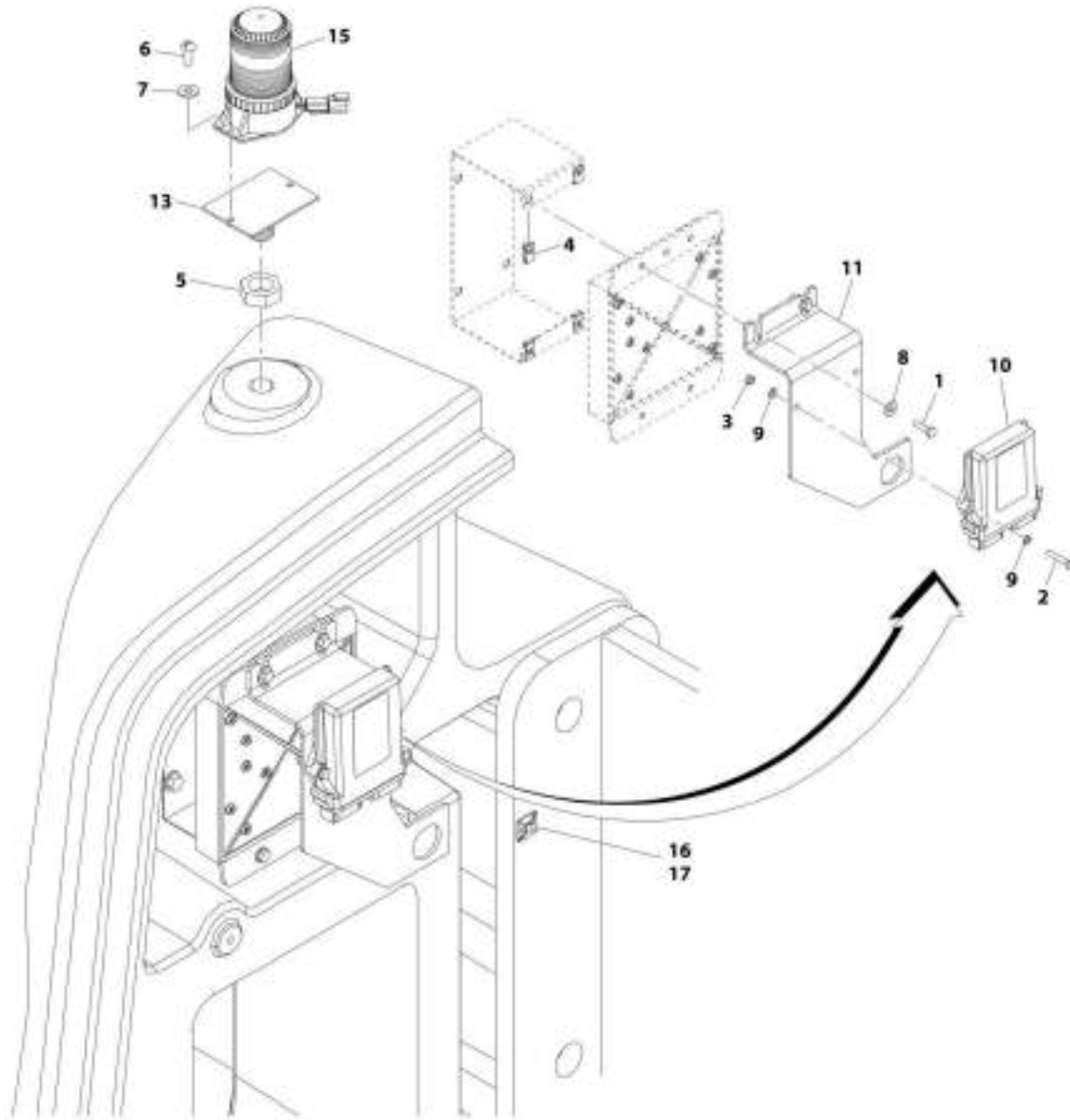
SECTION 2 - TURNTABLE

FIGURE 2-42. STROBE LIGHT INSTALLATION (RED) (SN 0300216184 through 0300217081)

ITEM	PART NUMBER	QTY	DESCRIPTION	REV
	1001207309	Ref	STROBE LIGHT INSTALLATION (RED) (SN 0300216184 through 0300217081)	B
1	0641408	2	Bolt 1/4 x 1	
2	0642612	1	Bolt 1 x 1-1/2	
3	0700615	2	Bolt M6 x 35	
4	3290607	2	Nut M6 x 1	
5	3300454	2	Nut	
6	3311005	3	Nut #10	
7	3911012	3	Screw 10 x 3/4	
8	4711000	3	Washer #10	
9	4712600	1	Washer 1	
10	4751400	2	Washer 1/4	
11	4811700	4	Washer M6	
12	1001142683	1	Module, Control Beacon	
13	1001142694	1	Bracket	
14	1001142719	1	Bracket	
15	1001142736	1	Harness, Beacon Control (Not Shown) (See Separate Breakdown in ELECTRICAL SECTION)	
18	1001197067	NLA	Light, Strobe (Use p/n 1001210693 & 1001207004)	
18	7028909	1	Connector - 2 Position	
18	4460943	2	Pin, Male	

SECTION 2 - TURNTABLE

FIGURE 2-43. STROBE LIGHT INSTALLATION (RED) (SN 0300217082 to Present)



ART_1001209873

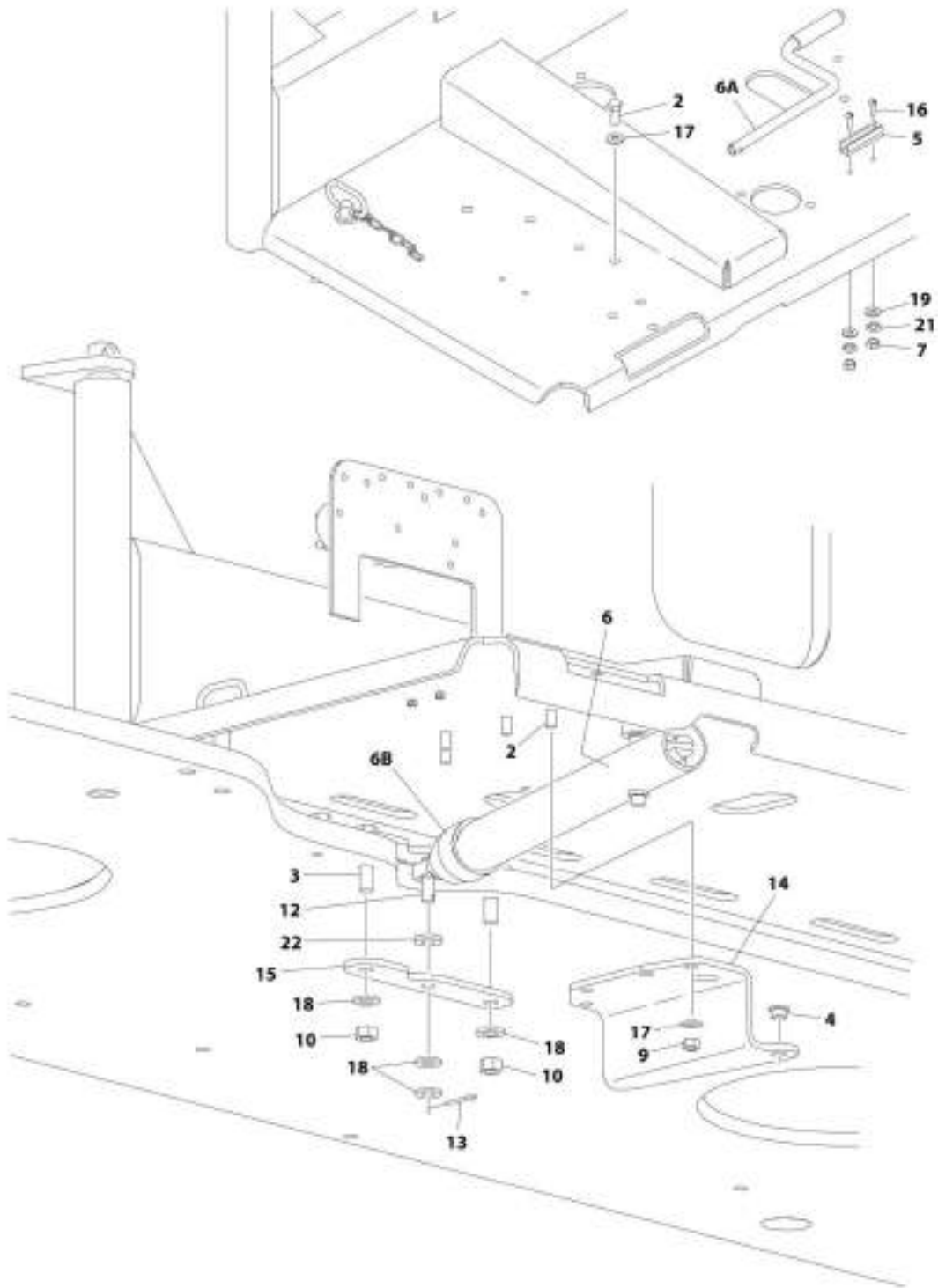
SECTION 2 - TURNTABLE

FIGURE 2-43. STROBE LIGHT INSTALLATION (RED) (SN 0300217082 to Present)

ITEM	PART NUMBER	QTY	DESCRIPTION	REV
	1001209873	Ref	STROBE LIGHT INSTALLATION (RED) (SN 0300217082 to Present)	D
1	0641408	2	Bolt 1/4 x 1	
2	0700615	2	Bolt M6 x 35	
3	3290607	2	Nut M6 x 1	
4	3300454	2	Nut	
5	3312602	1	Nut 1	
6	3900085	2	Screw 10 x 1/2	
7	4751000	2	Washer #10	
8	4751400	2	Washer 1/4	
9	4811700	4	Washer M6	
10	1001142683	1	Module, Control Beacon	
11	1001142719	1	Bracket	
12	1001142736	1	Harness, Beacon Control (Not Shown) (See Separate Breakdown in ELECTRICAL SECTION)	
13	1001149994	1	Mount, Beacon	
15	1001207004	1	Light, Strobe	
15	7028909	1	Connector - 2 Position	
15	4460943	2	Pin, Male	
16	4240032	AR	Tie-Strap (SN 0300233745 to Present)	
17	4460488	AR	Mount, Tie Strap (SN 0300233745 to Present)	

SECTION 2 - TURNTABLE

FIGURE 2-44. ENGINE TRAY JACK INSTALLATION - DEUTZ TD2011 ENGINES



ART_0212064

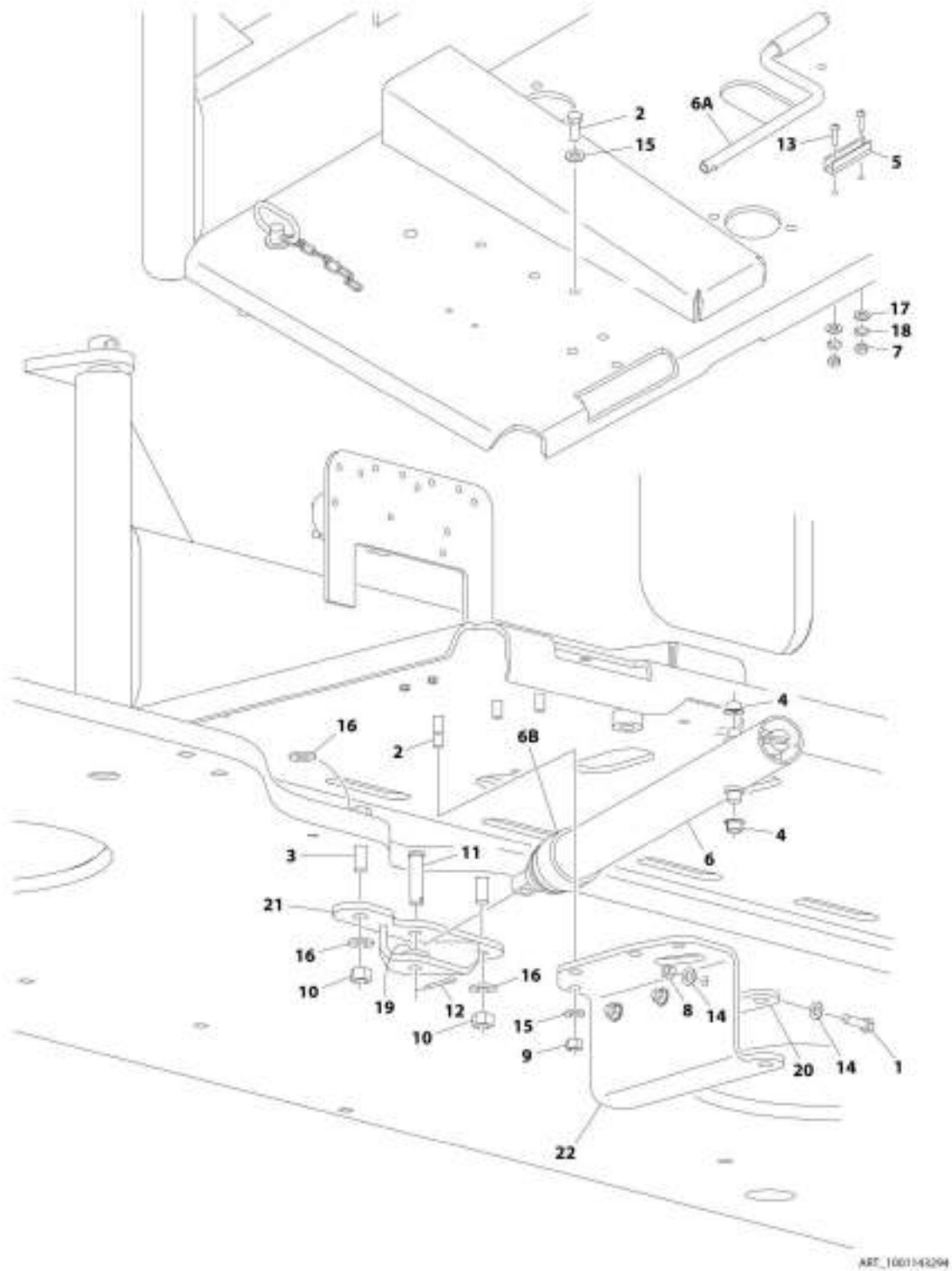
SECTION 2 - TURNTABLE

FIGURE 2-44. ENGINE TRAY JACK INSTALLATION - DEUTZ TD2011 ENGINES

ITEM	PART NUMBER	QTY	DESCRIPTION	REV
	0272064	Ref	ENGINE TRAY JACK INSTALLATION - DEUTZ TD2011 ENGINES	C
2	0641608	4	Bolt 3/8 x 1	
3	0641818	2	Bolt 1/2 x 2-1/4	
4	0962051	2	Bearing, Flanged	
5	1380147	1	Clip, Spring	
6	2840016	1	Jack and Handle Assembly	
6A		Ref	Handle Options:	
6A	7016374	1	Burr Manufacturing Brand	
6A	7024598	1	Hammerblow Corp Brand	
6B	7016322	1	Wiper (Burr Manufacturing Brand Only)	
7	3310601	2	Nut #6	
9	3311605	4	Nut 3/8	
10	3311805	2	Nut 1/2	
12	3430816	1	Pin, Clevis	
13	3450404	1	Pin, Cotter 1/8 x 1	
14	3537445	1	Bracket	
15	3573454	2	Plate	
16	3910608	2	Screw #6 x 1/2	
17	4711600	8	Washer 3/8	
18	4711800	4	Washer 1/2	
19	4750600	2	Washer #6	
21	4770600	2	Starwasher #6	
22	4891800	1	Washer 1/2	

SECTION 2 - TURNTABLE

FIGURE 2-45. ENGINE TRAY JACK INSTALLATION - DEUTZ TD2.9L4/TCD2.9L4 ENGINES



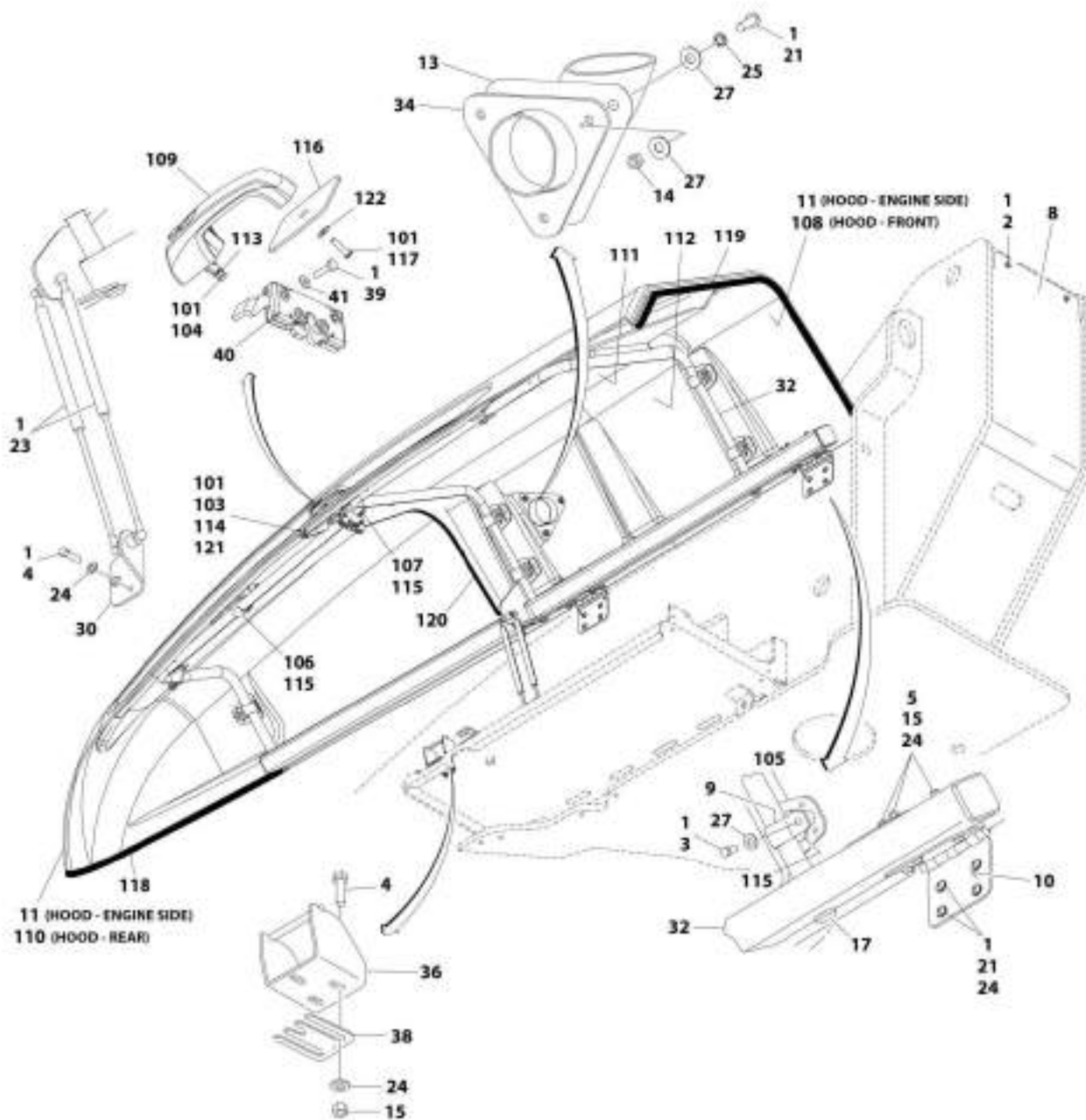
SECTION 2 - TURNTABLE

FIGURE 2-45. ENGINE TRAY JACK INSTALLATION - DEUTZ TD2.9L4/TCD2.9L4 ENGINES

ITEM	PART NUMBER	QTY	DESCRIPTION	REV
	1001143294	Ref	ENGINE TRAY JACK INSTALLATION - DEUTZ TD2.9L4/TCD2.9L4 ENGINES	A
1	0641509	3	Bolt 5/16 x 1-1/8	
2	0641608	4	Bolt 3/8 x 1	
3	0641816	2	Bolt 1/2 x 2	
4	0962051	2	Bearing, Flanged	
5	1380147	1	Clip, Spring	
6	2840016	1	Jack and Handle Assembly	
6A		Ref	Handle Options:	
6A	7016374	1	Burr Manufacturing Brand (Identified by 4in handle offset)	
6A	7024598	1	Hammerblow Corp Brand (Identified by 4-1/2in handle offset)	
6B	7016322	1	Wiper (Burr Manufacturing Brand Only)	
7	3310601	2	Nut #6	
8	3311505	3	Nut 5/16	
9	3311605	4	Nut 3/8	
10	3311805	2	Nut 1/2	
11	3430816	1	Pin, Clevis	
12	3450404	1	Pin, Cotter 1/8 x 1	
13	3910608	2	Screw #6 x 1/2	
14	4711500	6	Washer 5/16	
15	4711600	8	Washer 3/8	
16	4711800	4	Washer 1/2	
17	4750600	2	Washer #6	
18	4770600	2	Starwasher #6	
19	4891800	1	Washer 1/2	
20	1001131482	1	Plate, Jack Bracket	
21	1001135663	1	Support, Engine Tray Jack	
22	1001143298	1	Plate, Jack Bracket	

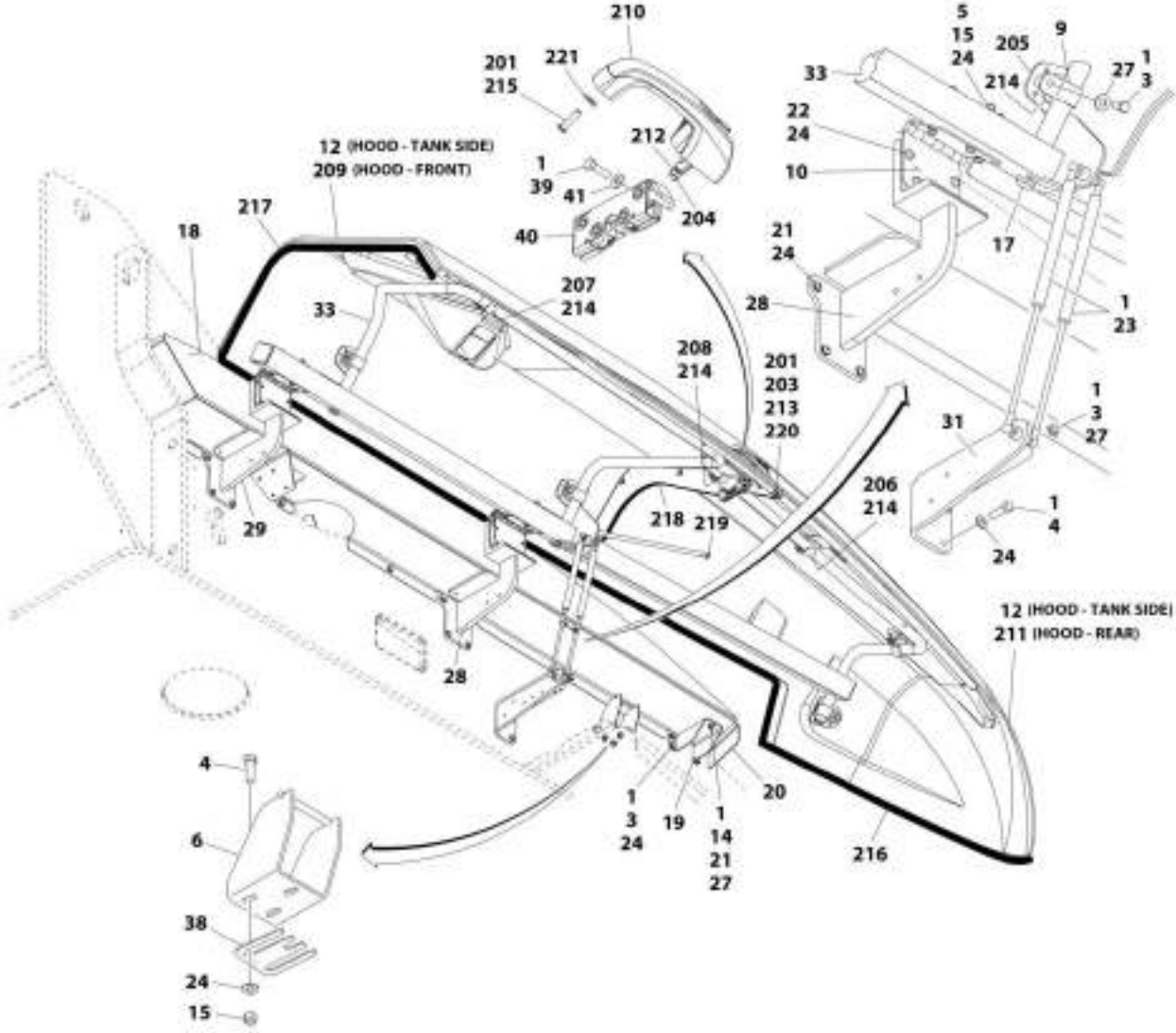
SECTION 2 - TURNTABLE

FIGURE 2-46. HOOD INSTALLATIONS - DEUTZ TD2011 ENGINES (ABS)



AKF_0271399_10F2

SECTION 2 - TURNTABLE



ART_0271596_30F2

SECTION 2 - TURNTABLE

FIGURE 2-46. HOOD INSTALLATIONS - DEUTZ TD2011 ENGINES (ABS)

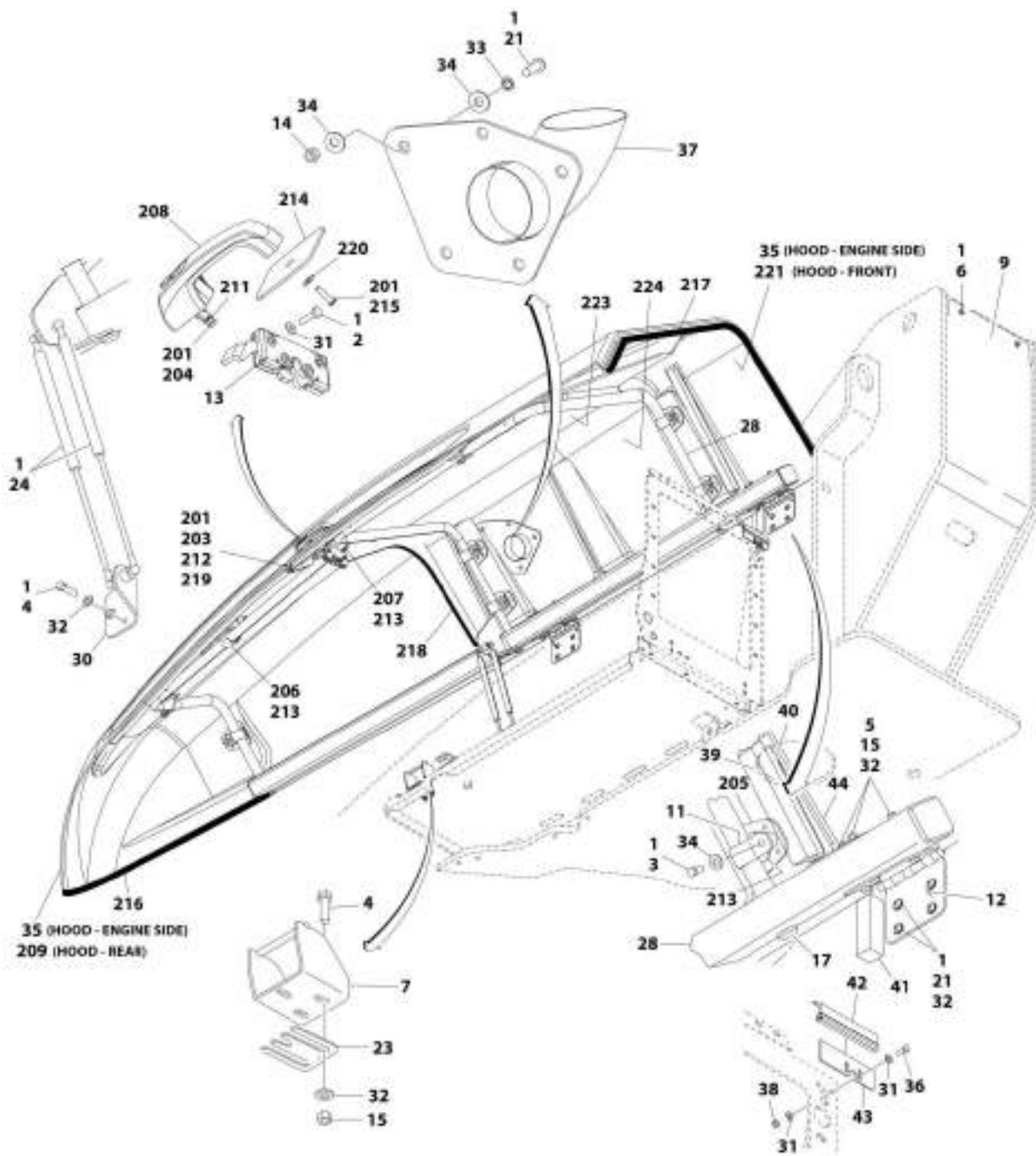
ITEM	PART NUMBER	QTY	DESCRIPTION	REV
	0271595	Ref	HOOD INSTALLATIONS - DEUTZ TD2011 ENGINES (ABS)	F
1	0100011	AR	Compound, Locking	
2	0791604	2	Screw 3/8 x 1/2	
3	0641608	24	Bolt 3/8 x 1	
4	0641610	12	Bolt 3/8 x 1-1/4	
5	0641630	12	Bolt 3/8 x 3-3/4	
6	0903156	1	Bracket	
8	1671038	1	Cover, Turntable	
9	2080051	16	Clamp	
10	2600280	4	Hinge	
11	1671192	1	Hood, Engine Side (See Items 101-123 for Breakdown)	
		Ref	Note: Replacement decals must be ordered separately - See DECAL SECTION.	
12	1671194	1	Hood, Tank Side (See Items 201-225 for Breakdown)	
		Ref	Note: Replacement decals must be ordered separately - See DECAL SECTION.	
13	2820141	1	Shield, Heat	
14	3311601	5	Nut 3/8	
15	3311605	18	Nut 3/8	
17	3520186	6	Plug	
18	3573231	1	Trough, Powertrack	
19	3573232	1	Mount, Trough	
20	3573233	1	Plate, Seal Mounting	
21	3900232	21	Screw 3/8 x 1-1/4	
22	3900283	16	Screw 3/8 x 3/4	
23	4160194	4	Spring, Gas	
24	4711600	70	Washer 3/8	
25	4740500	3	Washer, Nylon	
27	4751600	38	Washer 3/8	
28	4340923	1	Support, Rear Hood	
29	4340924	1	Support, Front Hood	
30	4341001	1	Mount, Gas Spring	
31	4340999	1	Mount, Gas Spring	
32	4340996	1	Support, Engine Side Hood	
33	4340995	1	Support, Tank Side Hood	
34	4846503	1	Stack, Exhaust	
36	0903154	1	Bracket, Latch	
37	3520034	2	Plug (Not Shown - Located in Boom Rest)	
38	4071048	2	Shim	
39	0641408	8	Bolt 1/4 x 1	
40	2940173	2	Latch, Rotary	
41	4711400	8	Washer 1/4	
	1671192	Ref	ENGINE SIDE HOOD ASSEMBLIES (ABS)	B
101	0100011	AR	Compound, Locking	
102	0100081	AR	Adhesive (Not Shown)	
103	0641506	10	Bolt 5/16 x 3/4	
104	0760608	1	Screw M6 x 16	
105	0902746	7	Bracket	
106	0902761	1	Bracket	
107	0903161	1	Bracket	

SECTION 2 - TURNTABLE

ITEM	PART NUMBER	QTY	DESCRIPTION	REV
108	1671191	1	Hood - Front	
109	2560187	1	Handle, Push Button	
110	2680496	1	Hood - Rear	
111	2820145	1	Insulation	
112	2820146	1	Insulation	
113	3290601	1	Nut M6 x 1	
114	3311501	10	Nut 5/16	
115	3340877	9	Pad	
116	3575782	1	Plate, Handle Backing	
117	3900363	2	Screw M6 x 1 x 25	
118	3960464	12 ft /3.7m	Seal, Hood	
119	4060804	61 in /1.6m	Flex-Trim	
120	4060806	49 in /1.3m	Flex-Trim	
121	4751500	20	Washer 5/16	
122	4811900	2	Washer M8	
	1671194	Ref	TANK SIDE HOOD ASSEMBLY (ABS)	A
201	0100011	AR	Compound, Locking	
202	0100081	AR	Adhesive (Not Shown)	
203	0641506	9	Bolt 5/16 x 3/4	
204	0760608	1	Screw M6 x 16	
205	0902746	4	Bracket	
206	0902762	1	Bracket	
207	0902763	1	Bracket	
208	0903162	1	Bracket	
209	1671193	1	Hood - Front	
210	2560187	1	Handle, Push Button	
211	2680498	1	Hood - Rear	
212	3290601	1	Nut M6	
213	3311501	9	Nut 5/16	
214	3340877	7	Pad	
215	3900363	2	Screw M6 x 1 x 25	
216	3960464	149 in /3.8m	Seal, Hood	
217	4060804	53 in /1.4m	Flex-Trim	
218	4060806	40 in /1.2m	Flex-Trim	
219	4240150	1	Strap, Ground	
220	4751500	18	Washer 5/16	
221	4811900	2	Washer M8	

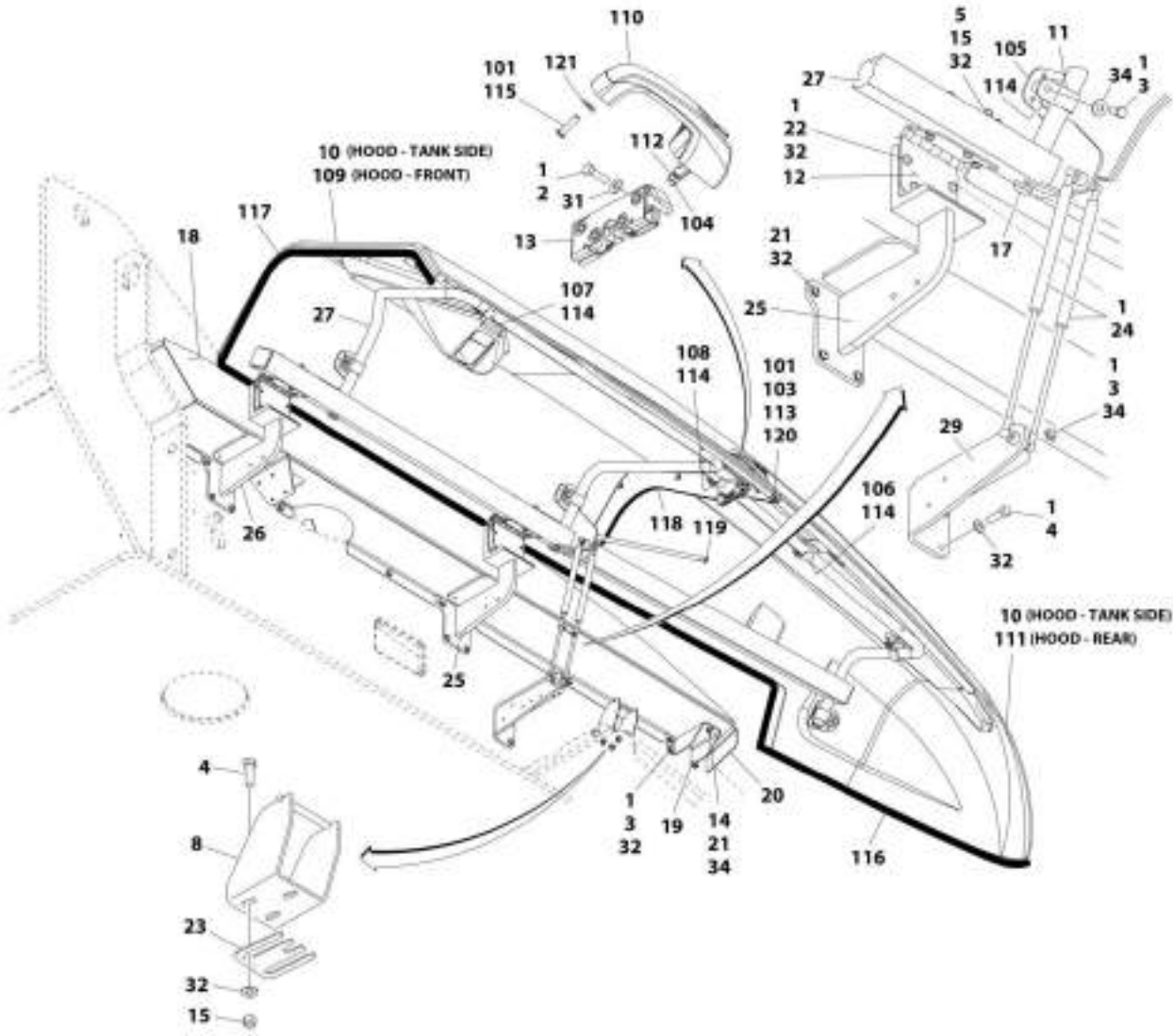
SECTION 2 - TURNTABLE

FIGURE 2-47. HOOD INSTALLATION - DEUTZ TCD2.9L4 ENGINES (ABS)



AHT_100114202A_10F2

SECTION 2 - TURNTABLE



ART_1001142034_20F2

SECTION 2 - TURNTABLE

FIGURE 2-47. HOOD INSTALLATION - DEUTZ TCD2.9L4 ENGINES (ABS)

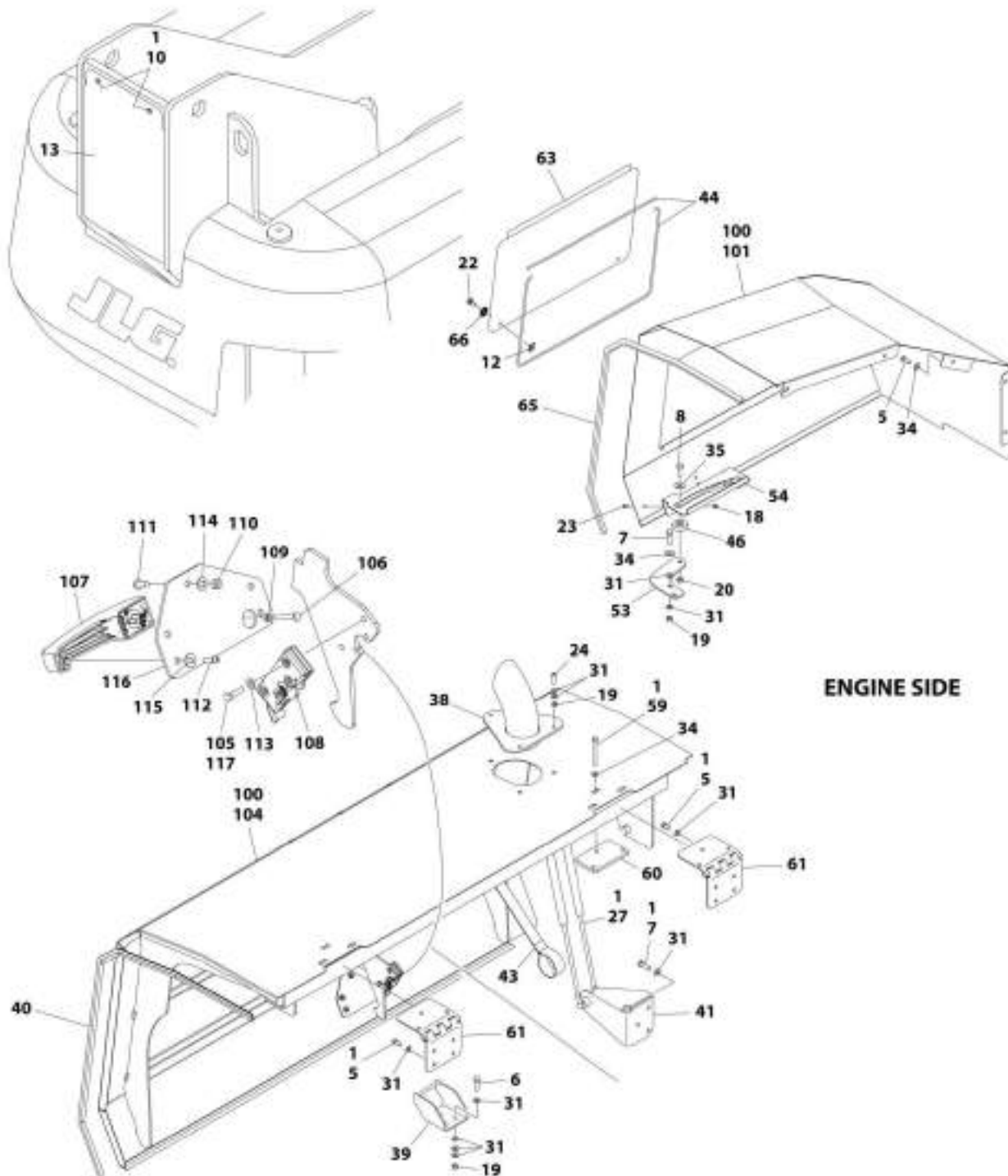
ITEM	PART NUMBER	QTY	DESCRIPTION	REV
	1001142024	Ref	HOOD INSTALLATION - DEUTZ TCD2.9L4 ENGINES (ABS)	C
1	0100011	AR	Compound, Locking	
2	0641408	8	Bolt 1/4 x 1	
3	0641608	24	Bolt 3/8 x 1	
4	0641610	12	Bolt 3/8 x 1-1/4	
5	0641630	12	Bolt 3/8 x 3-3/4	
6	0791604	2	Screw 3/8 x 1/2	
7	0903154	1	Bracket, Latch	
8	0903156	1	Bracket	
9	1671038	1	Cover, Turntable	
10	1671194	1	Hood, Tank Side (See Items 101-121 for Breakdown)	
		Ref	Note: Replacement decals must be ordered separately - See DECAL SECTION.	
11	2080051	16	Clamp	
12	2600280	4	Hinge	
13	2940173	2	Latch, Rotary	
14	3311601	7	Nut 3/8	
15	3311605	18	Nut 3/8	
16	3520034	2	Plug (Not Shown - Located in Boom Rest)	
17	3520186	6	Plug	
18	3573231	1	Trough, Powertrack	
19	3573232	1	Mount, Trough	
20	3573233	1	Plate, Seal Mounting	
21	3900232	23	Screw 3/8 x 1-1/4	
22	3900283	16	Screw 3/8 x 3/4	
23	4071048	2	Shim	
24	4160194	4	Spring, Gas	
25	4340923	1	Support, Rear Hood	
26	4340924	1	Support, Front Hood	
27	4340995	1	Support, Tank Side Hood	
28	4340996	1	Support, Engine Side Hood	
29	4340999	1	Mount, Gas Spring	
30	4341001	1	Mount, Gas Spring	
31	4711400	12	Washer 1/4	
32	4711600	70	Washer 3/8	
33	4740500	5	Washer, Nylon	
34	4751600	42	Washer 3/8	
35	1001142023	1	Hood, Engine Side (See Items 201-224 for Breakdown)	
		Ref	Note: Replacement decals must be ordered separately - See DECAL SECTION.	
36	0641406	2	Bolt 1/4 x 3/4	
37	1001142181	1	Stack, Exhaust	
38	3311405	2	Nut 1/4	
39	1001140485	1	Seal	
40	1001142144	1	Bracket	
41	1001146132	1	Seal	
42	1001146178	1	Seal	
43	1001146183	1	Plate	
44	1001146142	1	Seal	
	1671194	Ref	TANK SIDE HOOD ASSEMBLY (ABS)	A

SECTION 2 - TURNTABLE

ITEM	PART NUMBER	QTY	DESCRIPTION	REV
101	0100011	AR	Compound, Locking	
102	0100081	AR	Adhesive (Not Shown)	
103	0641506	9	Bolt 5/16 x 3/4	
104	0760608	1	Screw M6 x 16	
105	0902746	4	Bracket	
106	0902762	1	Bracket	
107	0902763	1	Bracket	
108	0903162	1	Bracket	
109	1671193	1	Hood - Front	
110	2560187	1	Handle, Push Button	
111	2680498	1	Hood - Rear	
112	3290601	1	Nut M6	
113	3311501	9	Nut 5/16	
114	3340877	7	Pad	
115	3900363	2	Screw M6 x 25	
116	3960464	12.4 ft /3.8m	Seal, Hood	
117	4060804	4.4 ft /1.4m	Flex-Trim	
118	4060806	3.3 ft /1.2m	Flex-Trim	
119	4240150	1	Strap, Ground	
120	4751500	18	Washer 5/16	
121	4811900	2	Washer M8	
	1001142023	Ref	ENGINE SIDE HOOD ASSEMBLY (ABS)	D
201	0100011	AR	Compound, Locking	
202	0100081	AR	Adhesive (Not Shown)	
203	0641510	10	Bolt 5/16 x 1-1/4	
204	0760608	1	Screw M6 x 16	
205	0902746	7	Bracket	
206	0902761	1	Bracket	
207	0903161	1	Bracket	
208	2560187	1	Handle, Push Button	
209	2680496	1	Hood - Rear	
211	3290601	1	Nut M6	
212	3311501	10	Nut 5/16	
213	3340877	9	Pad	
214	3575782	1	Plate, Handle Backing	
215	3900363	2	Screw M6 x 25	
216	3960464	12 ft /3.7m	Seal, Hood	
217	4060804	5.1 ft /1.6m	Flex-Trim	
218	4060806	4.1 ft /1.3m	Flex-Trim	
219	4751500	20	Washer 5/16	
220	4811900	2	Washer M8	
221	1001142021	1	Hood - Front	
		Ref	Note: When installing a replacement hood, heat shields (item 223) must be installed on the replacement hood before being place in service. Heat shield must be purchased separately.	
223	1001152566	AR	Insulation	
224	1001117140	AR	Tape, Aluminized	

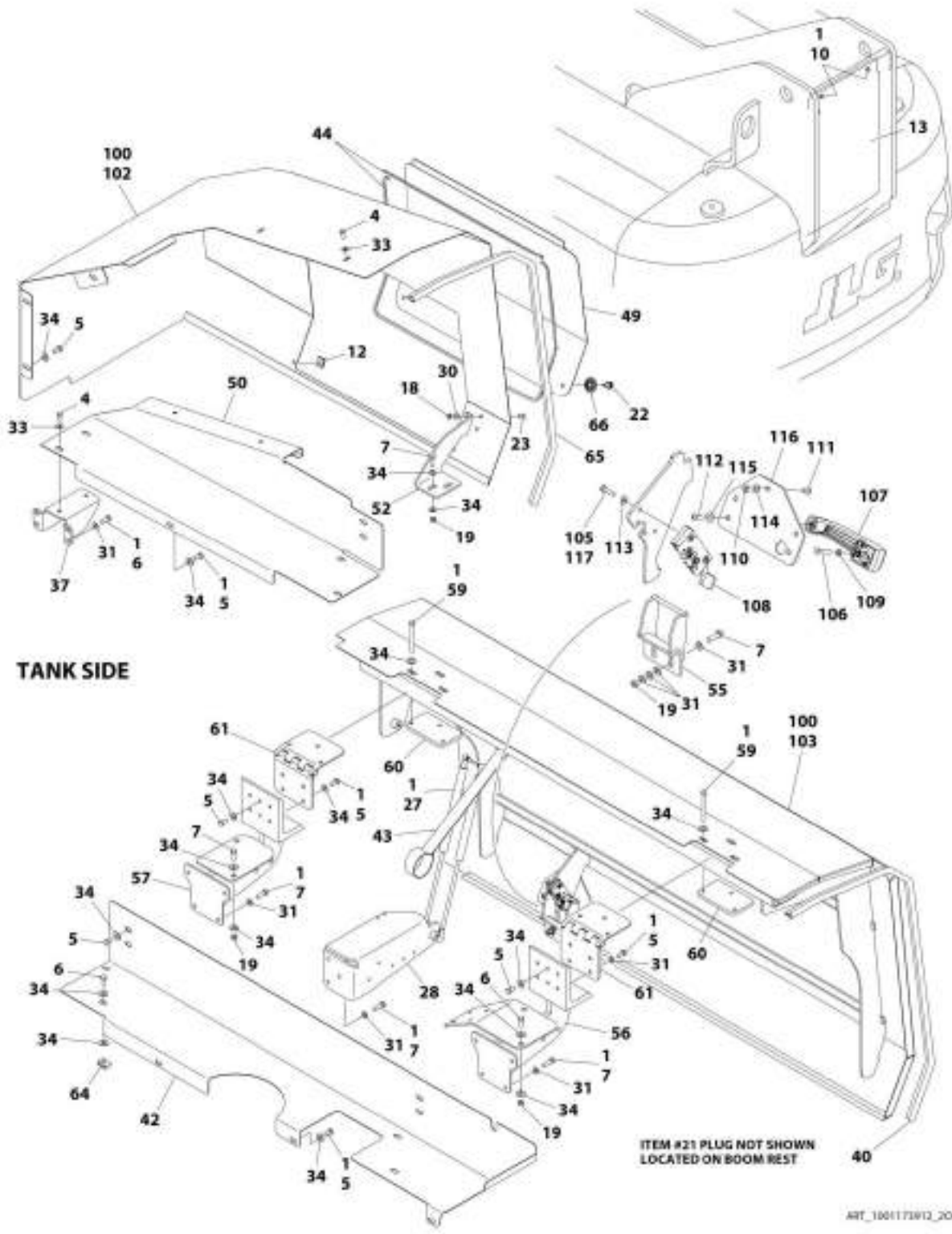
SECTION 2 - TURNTABLE

FIGURE 2-48. HOOD INSTALLATION - DEUTZ TD2011/TD2.9L4 ENGINES (STEEL)



AWT_3001173812_10F2

SECTION 2 - TURNTABLE



SECTION 2 - TURNTABLE

FIGURE 2-48. HOOD INSTALLATION - DEUTZ TD2011/TD2.9L4 ENGINES (STEEL)

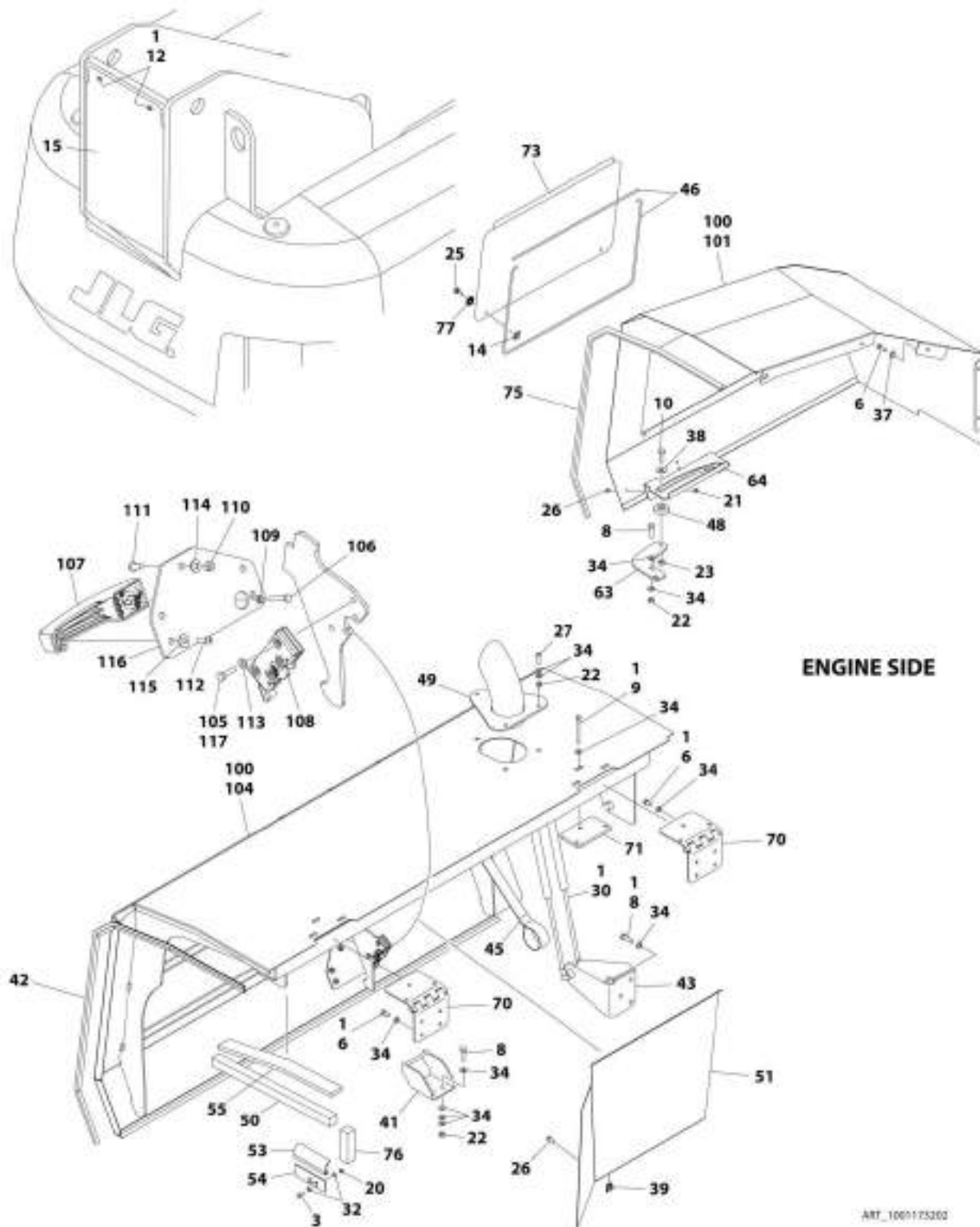
ITEM	PART NUMBER	QTY	DESCRIPTION	REV
	1001173912	Ref	HOOD INSTALLATION - DEUTZ TD2011/TD2.9L4 ENGINES (STEEL)	H
		Ref	Note: Replacement Decals Must be Ordered Separately - See DECAL SECTION.	
1	0100011	AR	Compound, Locking	
4	0641506	AR	Bolt 5/16 x 3/4	
5	0641606	32	Bolt 3/8 x 3/4	
6	0641608	8	Bolt 3/8 x 1	
7	0641610	AR	Bolt 3/8 x 1-1/4	
8	0641813	1	Bolt 1/2 x 1-5/8	
10	0791604	2	Screw 3/8 x 1/2	
12	1380169	4	Clip	
13	1671038	1	Cover	
18	3311505	5	Nut 5/16	
19	3311605	AR	Nut 3/8	
20	3311805	1	Nut 1/2	
21	3520034	2	Plug, Hole	
22	3900174	4	Screw, Thumb	
23	3900210	5	Screw 5/16 x 3/4	
24	3900232	3	Screw 3/8 x 1-1/4	
27	4160194	4	Spring, Gas	
28	4340999	1	Mount, Gas Spring	
30	4711500	2	Washer 5/16	
31	4711600	64	Washer 3/8	
33	4751500	4	Washer 5/16	
34	4751600	AR	Washer 3/8	
35	4751800	1	Washer 1/2	
37	1001109759	1	Support, Power Track Trough (SN 0300201016 through 0300225809)	
37	3573232	1	Support, Power Track Trough (SN 0300225810 to Present, SN B300002238 to Present)	
38	1001110027	1	Stack, Exhaust	
39	1001110194	1	Bracket, Striker	
40	1001110433	AR	Seal	
41	1001110486	1	Mount, Gas Spring	
42	1001175859	1	Plate, Power Track Trough	
43	1001112691	2	Strap, Hand Pull	
44	1001113047	14.5 ft/ 4.4m	Seal	
46	1001131462	1	Pad, Hood Slide	
49	1001173166	1	Cover, Access (Tank Side)	
50	1001173170	1	Plate, Power Track Trough	
52	1001173185	1	Plate, Mounting	
53	1001173186	1	Bracket, Engine Tray	
54	1001173187	1	Bracket, Engine Tray	
55	1001173188	1	Bracket, Hood Latch	
56	1001173647	1	Support, Front Hood	
57	1001173651	1	Support, Front Hood	
59	0641630	12	Bolt 3/8 x 3-3/4	
60	1001175880	4	Plate	
61	1001175879	4	Hinge, Offset Hood	

SECTION 2 - TURNTABLE

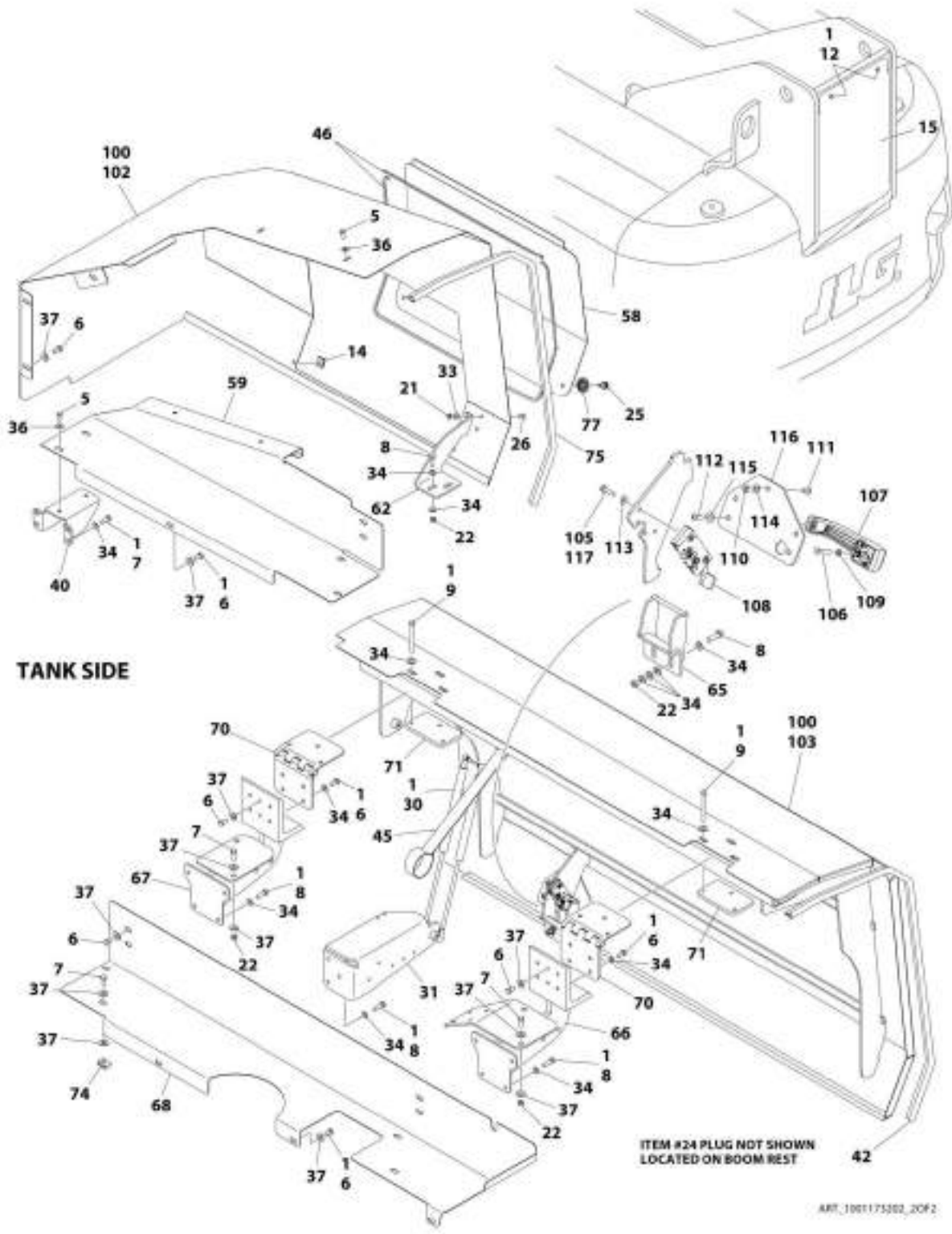
ITEM	PART NUMBER	QTY	DESCRIPTION	REV
63	1001180051	1	Cover, Access (Engine Side)	
64	88662523	4	Nut, Tinnerman	
65	3960447	10 ft/ 3.1m	Seal, Self-Gripping	
66	3760308	4	Retainer (SN 0300243050 to Present, SN B300002647 to Present)	
100	1001175250	1	Kit, Hood	D
101	1001173163	1	Hood, Engine Side - Rear	
102	1001173164	1	Hood, Tank Side - Rear	
103	1001173183	1	Hood, Tank Side - Front	
104	1001174331	1	Hood, Engine Side - Front	
105	0641408	8	Bolt 1/4 x 1	
106	0700616	2	Bolt M6 x 40	
107	2560187	2	Handle, Push Button	
108	2940173	2	Latch, Rotary	
109	3290601	2	Nut M6	
110	3311505	6	Nut 5/16	
111	3900210	6	Screw 5/16 x 3/4	
112	3900363	4	Screw M6 x 25	
113	4711400	8	Washer 1/4	
114	4711500	6	Washer 5/16	
115	4751400	4	Washer 1/4	
116	1001116290	2	Plate, Latch Mounting	
117	0100011	AR	Compound, Locking	

SECTION 2 - TURNTABLE

FIGURE 2-49. HOOD INSTALLATION - DEUTZ TCD2.9L4 ENGINES (STEEL)



SECTION 2 - TURNTABLE



SECTION 2 - TURNTABLE

FIGURE 2-49. HOOD INSTALLATION - DEUTZ TCD2.9L4 ENGINES (STEEL)

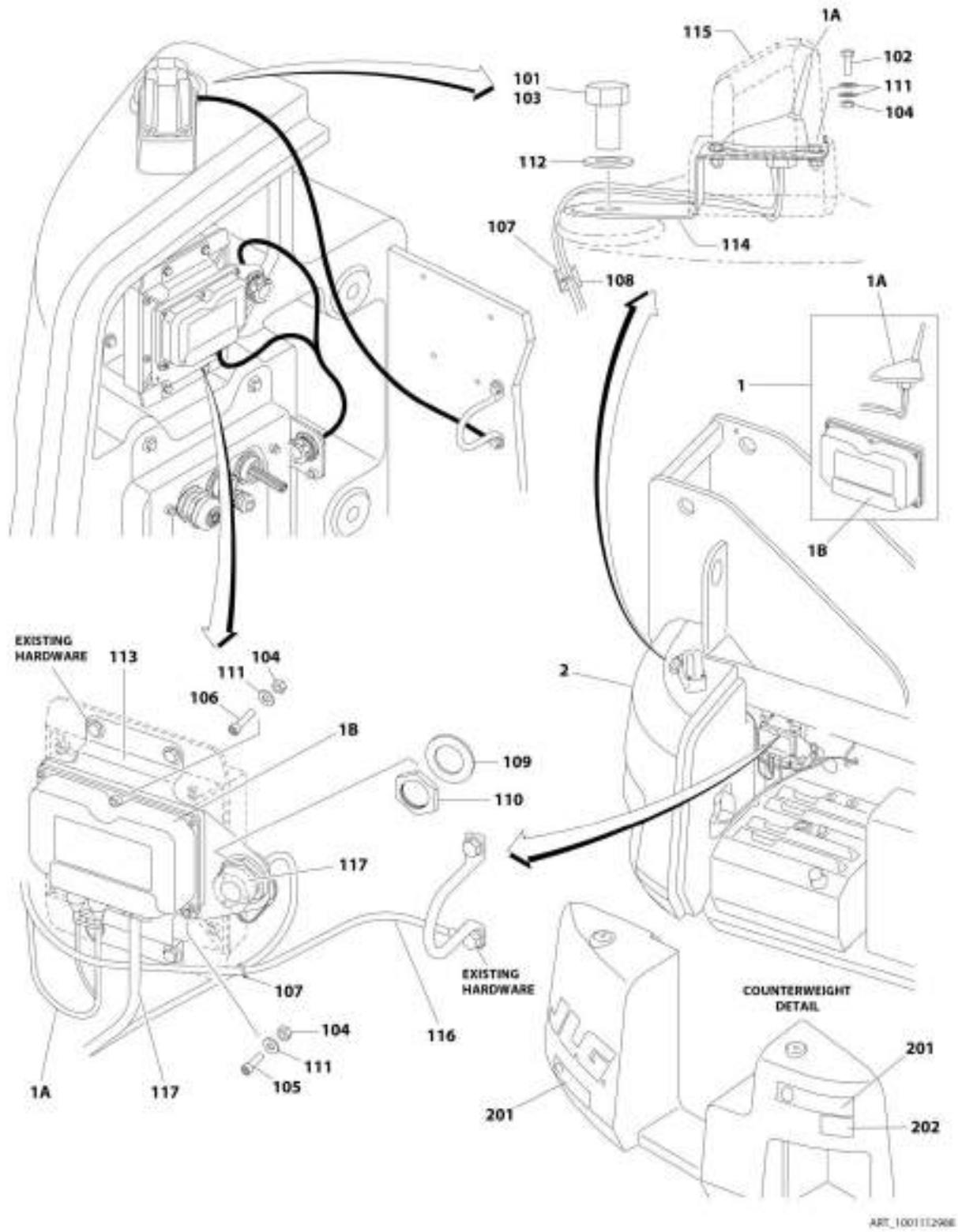
ITEM	PART NUMBER	QTY	DESCRIPTION	REV
	1001173202	Ref	HOOD INSTALLATION - DEUTZ TCD2.9L4 ENGINES (STEEL)	I
		Ref	Note: Replacement Decals Must be Ordered Separately - See DECAL SECTION.	
1	0100011	AR	Compound, Locking	
3	0641406	2	Bolt 1/4 x 3/4	
5	0641506	AR	Bolt 5/16 x 3/4	
6	0641606	32	Bolt 3/8 x 3/4	
7	0641608	8	Bolt 3/8 x 1	
8	0641610	AR	Bolt 3/8 x 1-1/4	
9	0641630	12	Bolt 3/8 x 3-3/4	
10	0641813	1	Bolt 1/2 x 1-5/8	
12	0791604	2	Screw 3/8 x 1/2	
14	1380169	4	Clip	
15	1671038	1	Cover	
20	3311405	2	Nut 1/4	
21	3311505	5	Nut 5/16	
22	3311605	AR	Nut 3/8	
23	3311805	1	Nut 1/2	
24	3520034	2	Plug, Hole	
25	3900174	4	Screw, Thumb	
26	3900210	10	Screw 5/16 x 3/4	
27	3900232	3	Screw 3/8 x 1-1/4	
30	4160194	4	Spring, Gas	
31	4340999	1	Mount, Gas Spring	
32	4711400	4	Washer 1/4	
33	4711500	2	Washer 5/16	
34	4711600	82	Washer 3/8	
36	4751500	AR	Washer 5/16	
37	4751600	AR	Washer 3/8	
38	4751800	1	Washer 1/2	
39	8310658	5	Nut .312 x 1	
40	1001109759	1	Support, Power Track Trough (SN 0300201016 through 0300225809)	
40	3573232	1	Support, Power Track Trough (SN 0300225810 to Present)	
41	1001110194	1	Bracket, Striker	
42	1001110433	AR	Seal	
43	1001110486	1	Mount, Gas Spring	
45	1001112691	2	Strap, Hand Pull	
46	1001113047	14.5 ft/ 4.2m	Seal	
48	1001131462	1	Pad, Hood Slide	
49	1001139778	1	Stack, Exhaust	
50	1001140485	1	Seal	
51	1001145162	1	Panel, Heat Deflector	
53	1001146178	1	Seal	
54	1001146183	1	Plate	
55	1001146244	1	Seal	
58	1001173166	1	Cover, Access (Tank Side)	
59	1001173170	1	Plate, Power Track Trough	
62	1001173185	1	Plate, Mounting	

SECTION 2 - TURNTABLE

ITEM	PART NUMBER	QTY	DESCRIPTION	REV
63	1001173186	1	Bracket, Engine Tray	
64	1001173187	1	Bracket, Engine Tray	
65	1001173188	1	Bracket, Hood Latch	
66	1001173647	1	Support, Front Hood	
67	1001173651	1	Support, Front Hood	
68	1001175859	1	Plate, Power Track Trough	
70	1001175879	4	Hinge, Offset Hood	
71	1001175880	4	Plate	
73	1001180051	1	Cover, Access (Engine Side)	
74	88662523	1	Nut, Tinnerman	
75	3960447	10 ft/ 3.1m	Seal, Self-Gripping	
76	1001146132	1	Seal (SN 0300219183 to Present)	
77	3760308	4	Retainer (SN 0300243050 to Present)	
100	1001175237	1	Kit, Hood	D
101	1001173163	1	Hood, Engine Side - Rear	
102	1001173164	1	Hood, Tank Side - Rear	
103	1001173183	1	Hood, Tank Side - Front	
104	1001173184	1	Hood, Engine Side - Front	
105	0641408	8	Bolt 1/4 x 1	
106	0700616	2	Bolt M6 x 40	
107	2560187	2	Handle, Push Button	
108	2940173	2	Latch, Rotary	
109	3290601	2	Nut M6	
110	3311505	6	Nut 5/16	
111	3900210	6	Screw 5/16 x 3/4	
112	3900363	4	Screw M6 x 25	
113	4711400	8	Washer 1/4	
114	4711500	6	Washer 5/16	
115	4751400	4	Washer 1/4	
116	1001116290	2	Plate, Latch Mounting	
117	0100011	1	Compound, Locking	

SECTION 2 - TURNTABLE

FIGURE 2-50. CLEARSKY TELEMATICS INSTALLATION (ANSI SPECS) (OPTIONAL)



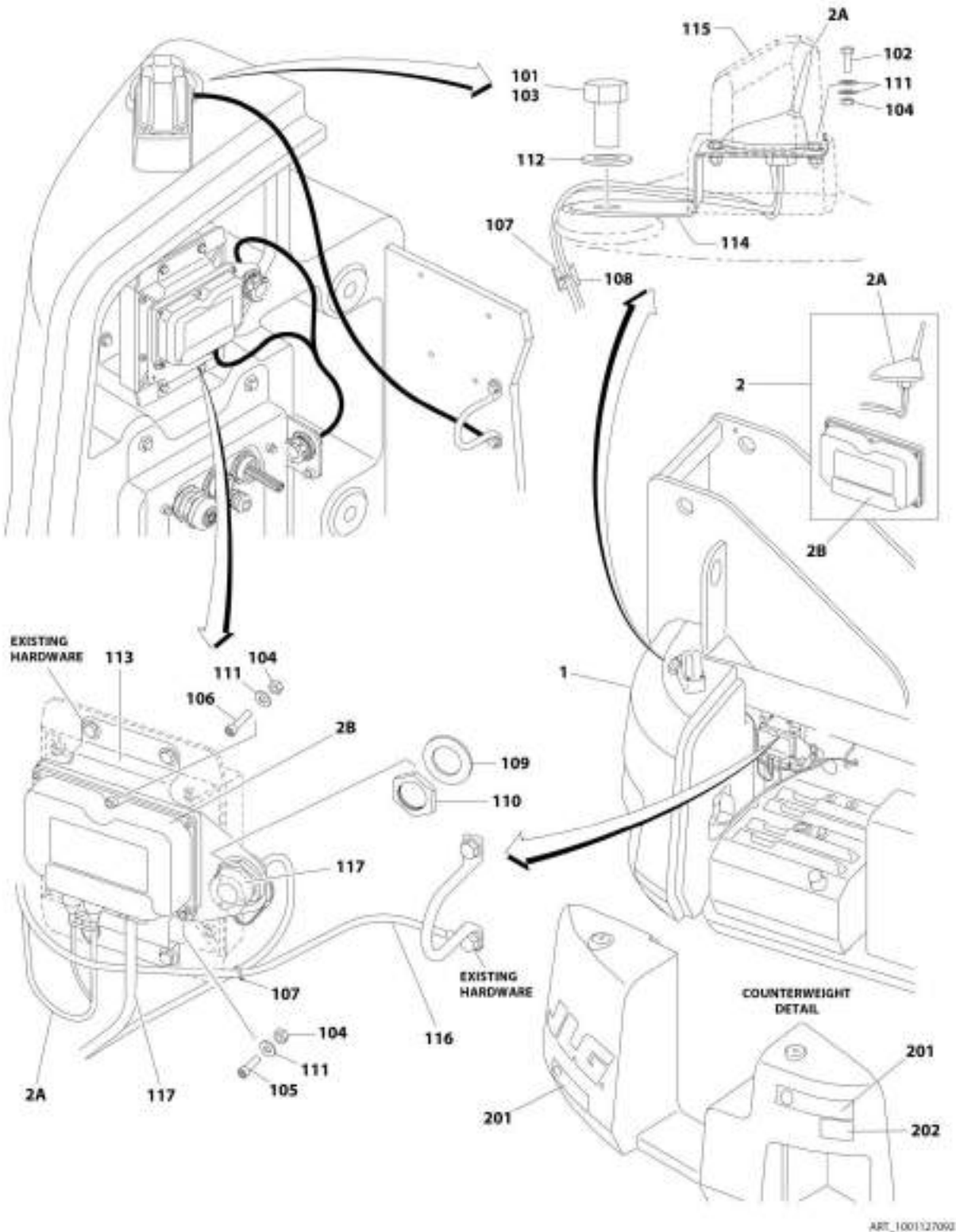
SECTION 2 - TURNTABLE

FIGURE 2-50. CLEARSKY TELEMATICS INSTALLATION (ANSI SPECS) (OPTIONAL)

ITEM	PART NUMBER	QTY	DESCRIPTION	REV
	1001112988	Ref	CLEARSKY TELEMATICS INSTALLATION (ANSI SPECS) (OPTIONAL)	A
1	1001100352	Ref	Controller, Telematics Kit (Includes Items 1A & 1B)	
1A	1001100443	1	Antenna and Harness	
1B	70002293	1	Controller, Telematics	
2	1001112987	1	ClearSky Telematics Installation (See Items 101-117 for Breakdown)	
	1001112987	Ref	CLEARSKY TELEMATICS INSTALLATION	B
101	0100011	AR	Compound, Locking	
102	0641406	4	Bolt 1/4 x 3/4	
103	0642612	1	Bolt 1 x 1-1/2	
104	3311405	7	Nut 1/4	
105	3931412	2	Capscrew 1/4 x 3/4	
106	3931416	1	Capscrew 1/4 x 1	
107	4240033	AR	Strap, Tie	
108	4460488	2	Mount, Tie Strap	
109	4460496	1	Washer, Strain Relief	
110	4460497	1	Nut, Strain Relief	
111	4711400	11	Washer 1/4	
112	4712600	1	Washer 1	
113	1001100432	1	Support, Controller	
114	1001100672	1	Mount, Antenna	
115	1001100876	1	Cover	
116	1001103356	1	Ground Wire	
117	1001111914	1	Harness, Telematics (See Separate Breakdown in ELECTRICAL SECTION)	
118	1001116208	1	Decal - ClearSky	
	1001120994	Ref	CLEARSKY TELEMATICS DECALS	A
201	1001116208	2	Decal - ClearSky	
202	1001120989	1	Decal - Radio Frequency Device	

SECTION 2 - TURNTABLE

FIGURE 2-51. CLEARSKY TELEMATICS CONTROLLERS (ANSI EXPORT - BRAZIL AND NEW ZEALAND SPECS) (OPTIONAL)



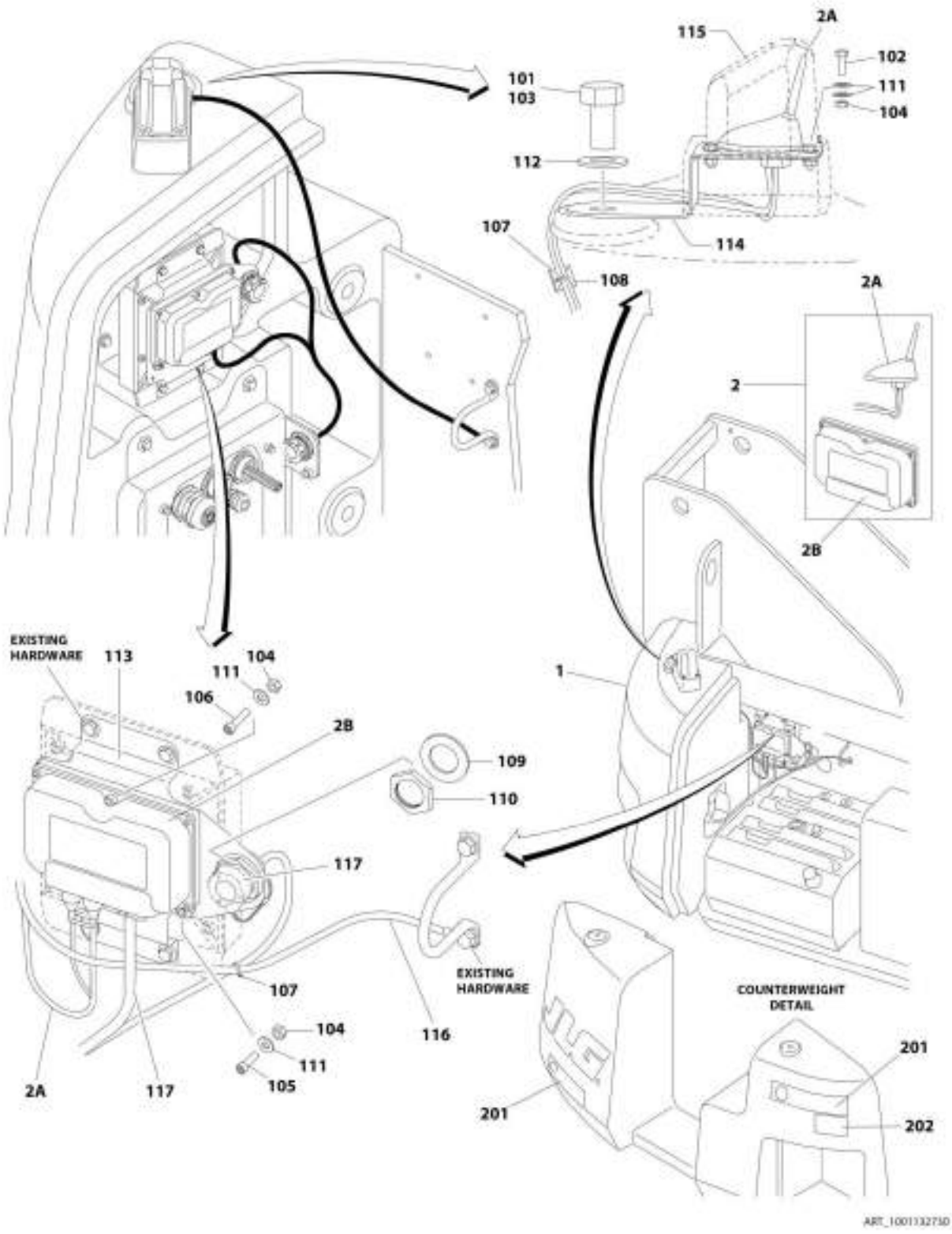
SECTION 2 - TURNTABLE

FIGURE 2-51. CLEARSKY TELEMATICS CONTROLLERS (ANSI EXPORT - BRAZIL AND NEW ZEALAND SPECS) (OPTIONAL)

ITEM	PART NUMBER	QTY	DESCRIPTION	REV
	1001127092	Ref	CLEARSKY TELEMATICS CONTROLLERS (ANSI EXPORT - BRAZIL AND NEW ZEALAND SPECS) (OPTIONAL)	A
1	1001112987	1	ClearSky Telematics Installation (See Items 101-117 for Breakdown)	
2	1001102831	Ref	Controller, Telematics Kit (Includes Items 2A & 2B)	
2A	1001100443	1	Antenna and Harness	
2B	70002295	1	Controller, Telematics	
	1001112987	Ref	CLEARSKY TELEMATICS INSTALLATION	B
101	0100011	AR	Compound, Locking	
102	0641406	4	Bolt 1/4 x 3/4	
103	0642612	1	Bolt 1 x 1-1/2	
104	3311405	7	Nut 1/4	
105	3931412	2	Capscrew 1/4 x 3/4	
106	3931416	1	Capscrew 1/4 x 1	
107	4240033	AR	Strap, Tie	
108	4460488	2	Mount, Tie Strap	
109	4460496	1	Washer, Strain Relief	
110	4460497	1	Nut, Strain Relief	
111	4711400	11	Washer 1/4	
112	4712600	1	Washer 1	
113	1001100432	1	Support, Controller	
114	1001100672	1	Mount, Antenna	
115	1001100876	1	Cover	
116	1001103356	1	Ground Wire	
117	1001111914	1	Harness, Telematics (See Separate Breakdown in ELECTRICAL SECTION)	
	1001120994	Ref	CLEARSKY TELEMATICS DECALS	A
201	1001116208	2	Decal - ClearSky	
202	1001120989	1	Decal - Radio Frequency Device	

SECTION 2 - TURNTABLE

FIGURE 2-52. CLEARSKY TELEMATICS INSTALLATION (AUSTRALIAN SPECS) (OPTIONAL)



ART_10013273D

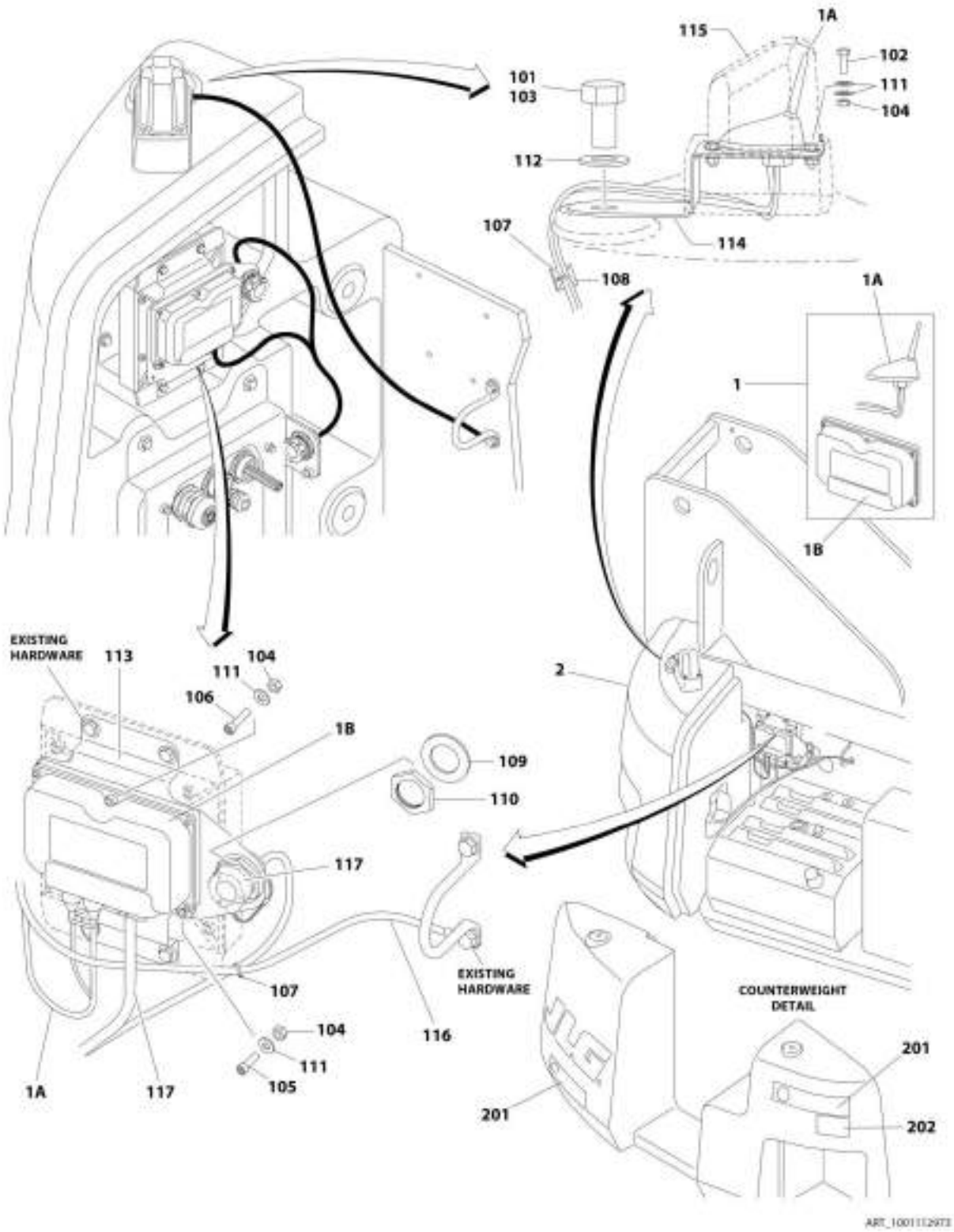
SECTION 2 - TURNTABLE

FIGURE 2-52. CLEARSKY TELEMATICS INSTALLATION (AUSTRALIAN SPECS) (OPTIONAL)

ITEM	PART NUMBER	QTY	DESCRIPTION	REV
	1001132730	Ref	CLEARSKY TELEMATICS INSTALLATION (AUSTRALIAN SPECS) (OPTIONAL)	A
1	1001112987	1	ClearSky Telematics Installation (See Items 101-117 for Breakdown)	
2	1001132733	Ref	Controller, Telematics Kit (Includes Items 2A & 2B)	
2A	1001100443	1	Antenna and Harness	
2B	70003617	1	Controller, Telematics	
	1001112987	Ref	CLEARSKY TELEMATICS INSTALLATION	B
101	0100011	AR	Compound, Locking	
102	0641406	4	Bolt 1/4 x 3/4	
103	0642612	1	Bolt 1 x 1-1/2	
104	3311405	7	Nut 1/4	
105	3931412	2	Capscrew 1/4 x 3/4	
106	3931416	1	Capscrew 1/4 x 1	
107	4240033	AR	Strap, Tie	
108	4460488	2	Mount, Tie Strap	
109	4460496	1	Washer, Strain Relief	
110	4460497	1	Nut, Strain Relief	
111	4711400	11	Washer 1/4	
112	4712600	1	Washer 1	
113	1001100432	1	Support, Controller	
114	1001100672	1	Mount, Antenna	
115	1001100876	1	Cover	
116	1001103356	1	Ground Wire	
117	1001111914	1	Harness, Telematics (See Separate Breakdown in ELECTRICAL SECTION)	
	1001120994	Ref	CLEARSKY TELEMATICS DECALS	A
201	1001116208	2	Decal - ClearSky	
202	1001120989	1	Decal - Radio Frequency Device	

SECTION 2 - TURNTABLE

FIGURE 2-53. CLEARSKY TELEMATICS INSTALLATION (CSA SPECS) (OPTIONAL)



SECTION 2 - TURNTABLE

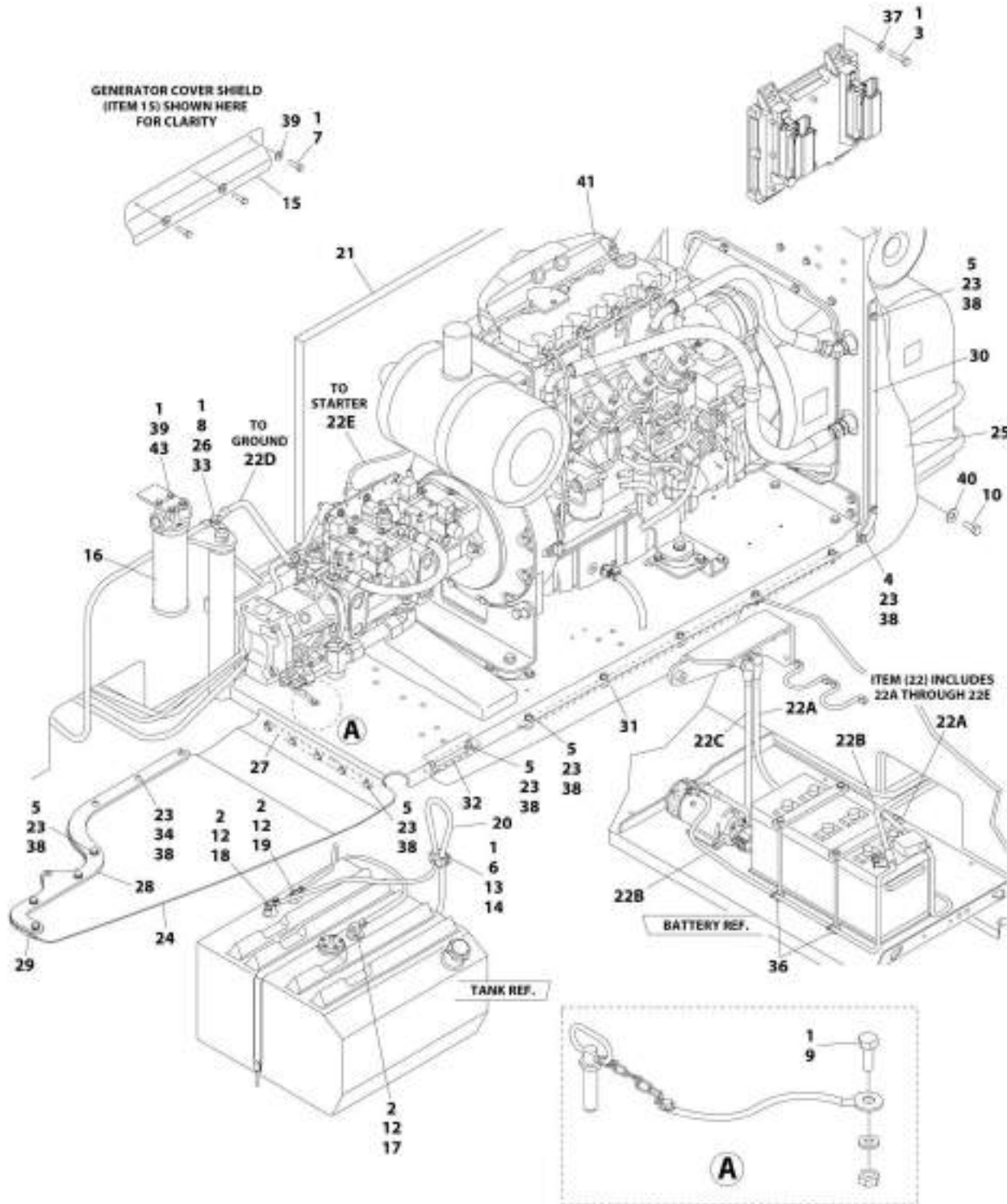
FIGURE 2-53. CLEARSKY TELEMATICS INSTALLATION (CSA SPECS) (OPTIONAL)

ITEM	PART NUMBER	QTY	DESCRIPTION	REV
	1001112973	Ref	CLEARSKY TELEMATICS INSTALLATION (CSA SPECS) (OPTIONAL)	A
1	1001104735	Ref	Controller, Telematics Kit (Includes Items 1A & 1B)	
1A	1001100443	1	Antenna and Harness	
1B	70002294	1	Controller, Telematics	
2	1001112987	1	ClearSky Telematics Installation (See Items 101-117 for Breakdown)	
	1001112987	Ref	CLEARSKY TELEMATICS INSTALLATION	B
101	0100011	AR	Compound, Locking	
102	0641406	4	Bolt 1/4 x 3/4	
103	0642612	1	Bolt 1 x 1-1/2	
104	3311405	7	Nut 1/4	
105	3931412	2	Capscrew 1/4 x 3/4	
106	3931416	1	Capscrew 1/4 x 1	
107	4240033	AR	Strap, Tie	
108	4460488	2	Mount, Tie Strap	
109	4460496	1	Washer, Strain Relief	
110	4460497	1	Nut, Strain Relief	
111	4711400	11	Washer 1/4	
112	4712600	1	Washer 1	
113	1001100432	1	Support, Controller	
114	1001100672	1	Mount, Antenna	
115	1001100876	1	Cover	
116	1001103356	1	Ground Wire	
117	1001111914	1	Harness, Telematics (See Separate Breakdown in ELECTRICAL SECTION)	
	1001120994	Ref	CLEARSKY TELEMATICS DECALS	A
201	1001116208	2	Decal - ClearSky	
202	1001120989	1	Decal - Radio Frequency Device	

SECTION 3 - ENGINE

SECTION 3 - ENGINE

FIGURE 3-1. DEUTZ TD2011 DIESEL ENGINE INSTALLATION - WITH REXROTH PUMPS AND ABS HOODS (WITHOUT SKYPOWER AND WITHOUT COLD WEATHER PLUS PACKAGE)



WIT_3001098512

SECTION 3 - ENGINE

FIGURE 3-1. DEUTZ TD2011 DIESEL ENGINE INSTALLATION - WITH REXROTH PUMPS AND ABS HOODS (WITHOUT SKYPOWER AND WITHOUT COLD WEATHER PLUS PACKAGE)

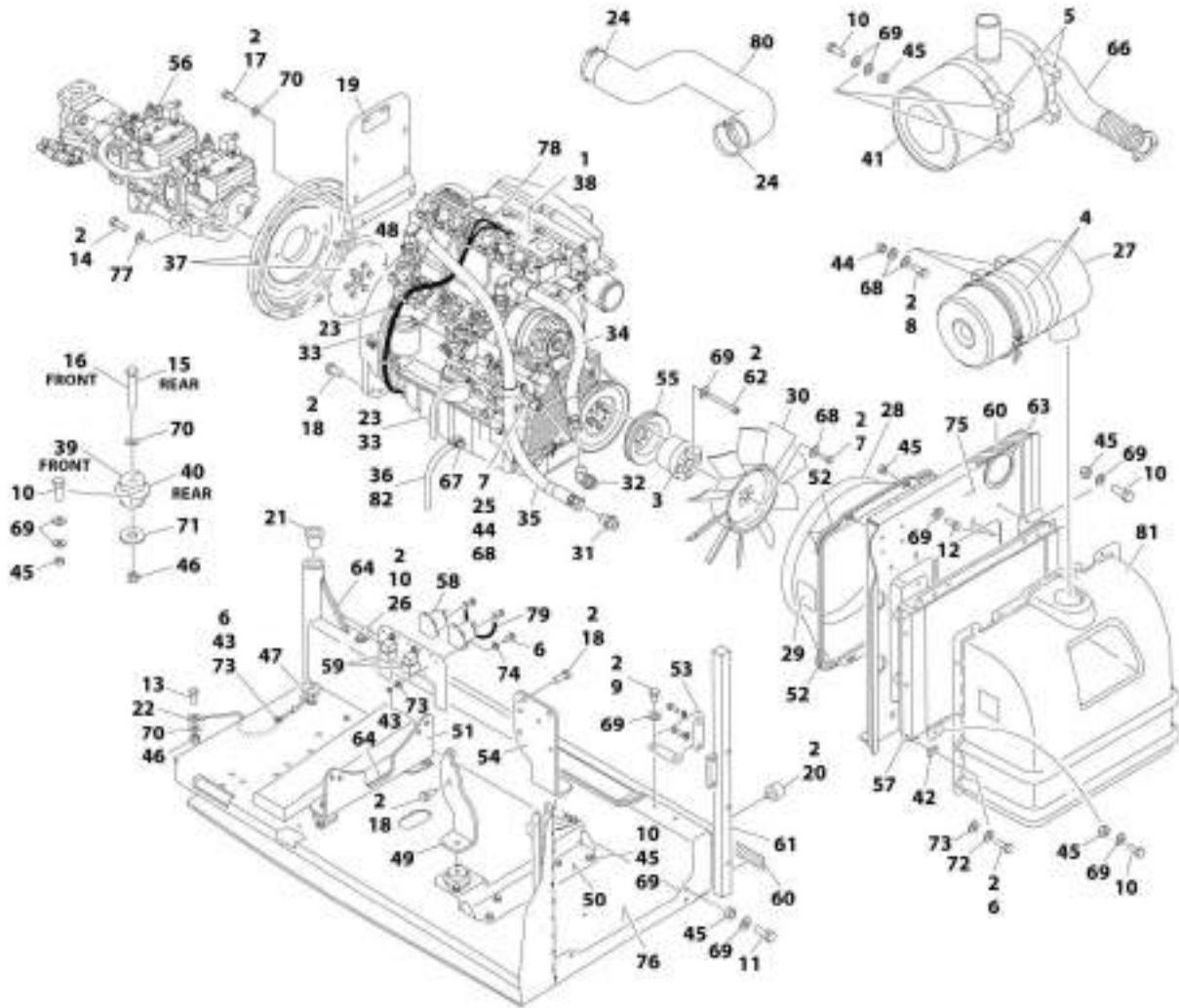
ITEM	PART NUMBER	QTY	DESCRIPTION	REV
	1001098512	Ref	DEUTZ TD2011 DIESEL ENGINE INSTALLATION - WITH REXROTH PUMPS AND ABS HOODS (WITHOUT SKYPOWER AND WITHOUT COLD WEATHER PLUS PACKAGE)	G
1	0100011	AR	Compound, Locking	
2	0100079	AR	Sealant, Pipe	
3	0641410	4	Bolt 1/4 x 1-1/4	
4	0641506	1	Bolt 5/16 x 3/4	
5	0641509	18	Bolt 5/16 x 1-1/8	
6	0641511	1	Bolt 5/16 x 1-3/8	
7	0641605	3	Bolt 3/8 x 5/8	
8	0641610	1	Bolt 3/8 x 1-1/4	
9	0641808	1	Bolt 1/2 x 1	
10	0642010	1	Bolt 5/8 x 1-1/4	
12	1320022	3	Clamp	
13	1320187	1	Clamp, Twin	
14	1320190	1	Cover, Clamp	
15	1671121	1	Cover, Generator	
16	1001108617	1	Pressure Filter	
16	70002231	1	Element, Filter	
17	2180348	1	Fitting, Barbed	
18	2220313	1	Fitting, Elbow Barbed	
19	2221176	1	Fitting, Elbow	
20	2750532	5 ft/ 1.5m	Hose	
21	2820170	1	Insulation, Sound Absorbing	
22	2902099	1	Battery Cable Kit	
22A	7024580	1	Cable, Red (To Aux Pump Relay, Battery Positive Terminal and Start Relay)	
22B	7024581	1	Cable, Black (To Aux Pump, Battery Negative Terminal and Ground at Tray Pivot)	
22C	7024582	1	Cable, Red (Aux Pump Relay to Aux Pump)	
22D	7024583	1	Cable, Black (Tray Pivot to Engine Mount)	
22E	7024584	1	Cable, Red (Start Relay to Starter)	
23	3311505	23	Nut 5/16	
24	3380472	1	Panel, Rubber	
25	3380473	1	Panel, Rubber	
26	3422446	1	Pin	
27	3573644	1	Plate, Tray Clamp	
28	3573645	1	Plate, Top Clamp	
29	3573646	1	Plate, Bottom Clamp	
30	3573669	1	Plate, Clamp	
31	3573727	1	Plate, Tray Clamp	
32	3573728	1	Plate, Tray Clamp	
33	3841143	1	Keeper, Pin	
34	3900272	4	Screw 5/16 x 1-3/4	
35	4240018	2	Strap, Tie (Not Shown)	
36	4240099	AR	Strap, Tie	
37	4711400	4	Washer 1/4	
38	4711500	42	Washer 5/16	
39	4711600	7	Washer 3/8	
40	4752000	1	Washer 5/8	

SECTION 3 - ENGINE

ITEM	PART NUMBER	QTY	DESCRIPTION	REV
41	1001098513	1	Engine Assembly with Pumps (See Separate Breakdown in this Section)	
42	2200222	1	Plug, Pipe - Used in Bottom of Fuel Tank (Not Shown) (SN 0300201016 through 0300237154)	
43	0641606	4	Bolt 3/8 x 3/4	

SECTION 3 - ENGINE

FIGURE 3-2. DEUTZ TD2011 ENGINE ASSEMBLY - WITH REXROTH PUMPS AND ABS HOODS (WITHOUT SKYPOWER AND WITHOUT COLD WEATHER PLUS PACKAGE)



ART_1001068513

SECTION 3 - ENGINE

**FIGURE 3-2. DEUTZ TD2011 ENGINE ASSEMBLY - WITH REXROTH PUMPS AND ABS HOODS
(WITHOUT SKYPOWER AND WITHOUT COLD WEATHER PLUS PACKAGE)**

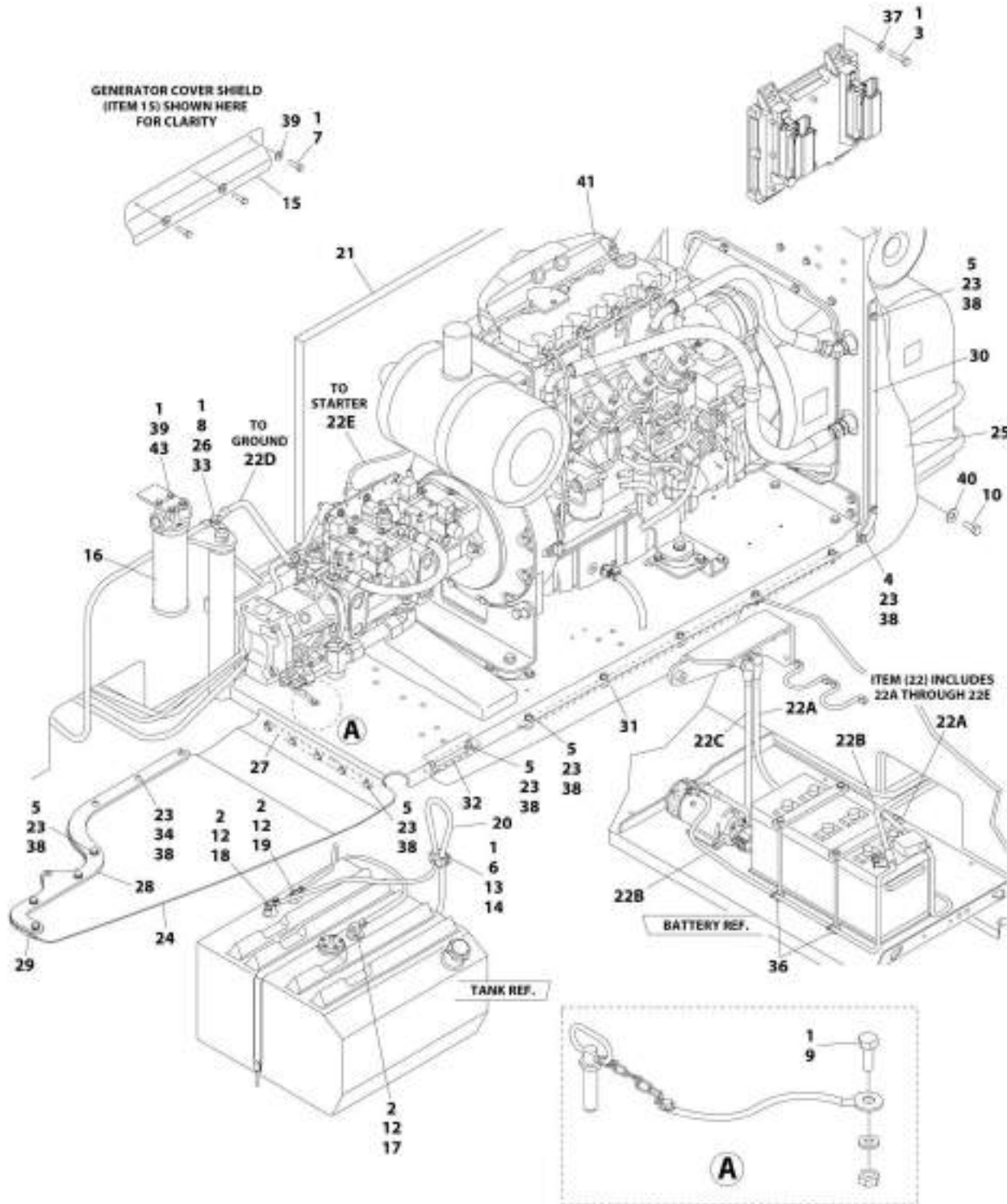
ITEM	PART NUMBER	QTY	DESCRIPTION	REV
	1001098513	Ref	DEUTZ TD2011 ENGINE ASSEMBLY - WITH REXROTH PUMPS AND ABS HOODS (WITHOUT SKYPOWER AND WITHOUT COLD WEATHER PLUS PACKAGE)	H
1	1001098601	1	Engine, Deutz TD2011 Components (See Separate Breakdown in this Section))	
2	0100011	AR	Compound, Locking	
3	0080237	1	Spacer, Fan	
4	0340003	2	Band, Air Cleaner	
5	0340051	2	Band, Muffler	
6	0641406	15	Bolt 1/4 x 3/4	
7	0641506	5	Bolt 5/16 x 3/4	
8	0641507	4	Bolt 5/16 x 7/8	
9	0641605	4	Bolt 3/8 x 5/8	
10	0641608	25	Bolt 3/8 x 1	
11	0641609	2	Bolt 3/8 x 1-1/8	
12	0641610	4	Bolt 3/8 x 1-1/4	
13	0641808	1	Bolt 1/2 x 1	
14	0641812	2	Bolt 1/2 x 1-1/2	
15	0641818	2	Bolt 1/2 x 2-1/4	
16	0641826	2	Bolt 1/2 x 3-1/4	
17	0711214	2	Bolt M12 x 30	
18	0771414	10	Bolt M14 x 30	
19	1001112766	1	Bracket, Muffler	
20	0940070	1	Bumper	
21	0961986	2	Bushing, Flanged	
22	1001131542	1	Lanyard	
23	1320022	3	Clamp	
24	1320058	2	Clamp	
25	1320060	1	Clamp	
26	1320223	1	J-Clip	
27	1340065	1	Air Cleaner Assembly	
27	7003655	1	Element, Air Cleaner	
27	7015013	1	Baffle, Rubber	
27	7015014	1	Clamp, Cap	
27	7015015	1	Cup	
27	7015003	1	Wingnut	
28	1671023	1	Shroud, Fan	
29	1703162	2	Decal - Fan Blade	
30	2060025	1	Fan	
31	2220451	1	Fitting, Straight	
32	2220498	1	Fitting, Elbow	
33	2720058	34 ft/ 10.3m	Hose	
34	2720500	1	Hose, Oil Cooler (Top)	
35	2720501	1	Hose, Oil Cooler (Bottom)	
36	2750532	9 in /23cm	Hose	
37	2902065	1	Pump Coupling Kit (See Separate Breakdown in this Section)	
38	3020016	3.3 gl/ 12.3L	Motor Oil, 15W-40	
39	3200362	2	Mount, Motor (Front)	

SECTION 3 - ENGINE

ITEM	PART NUMBER	QTY	DESCRIPTION	REV
40	3200401	2	Mount, Motor (Rear)	
41	3220126	1	Muffler	
41	70003555	1	Clamp	
42	3300454	10	Nut	
43	3311405	5	Nut 1/4	
44	3311505	5	Nut 5/16	
45	3311605	30	Nut 3/8	
46	3311805	5	Nut 1/2	
47	3422532	1	Pin, Hitch	
48	3520054	2	Plug	
49	3537416	1	Plate, Mounting (Front Right)	
50	3539971	1	Bracket, Engine Mounting (Front)	
51	3573142	1	Bracket, Engine Mounting (Rear)	
52	3573411	2	Plate, Clamp	
53	3573412	1	Gusset	
54	3573529	1	Plate, Mounting (Front Left)	
55	3580158	1	Pulley	
56	3600339	1	Pump Assembly - Rexroth (See Separate Breakdown in this Section)	
57	1001145382	1	Cooler, Engine Oil	
58	3740067	2	Relay, Start	
59	3740080	2	Relay	
60	3960543	1	Seal	
61	3960544	1	Seal	
62	4032022	4	Capscrew M10 x 90	
63	4060804	1 ft/25cm	Flex-Trim	
64	4060805	8 in/20cm	Flex-Trim	
65	4240099	AR	Tie, Wire (Not Shown)	
66	4568293	1	Pipe, Exhaust	
67	4640751	1	Valve, Oil Drain	
68	4711500	13	Washer 5/16	
69	4711600	68	Washer 3/8	
70	4711800	7	Washer 1/2	
71	4740274	4	Washer, Snubbing	
72	4740518	10	Washer, Nylon	
73	4751400	20	Washer 1/4	
74	4791400	4	Washer 1/4	
75	4846552	1	Plate, Oil Cooler Mounting	
76	4846946	1	Tray	
77	4891800	2	Washer 1/2 Hardened	
78	4923468	1	Harness, Glow Plugs	
79	4923592	1	Cable, Jumper	
80	1001092856	1	Hose, Air Intake (SN 0300201016 through 0300234290)	
80	1001225118	1	Hose, Air Intake (SN 0300243291 to Present)	
81	0272060	1	Box, Air Intake	
82	8410013	1	Clamp, Gear	

SECTION 3 - ENGINE

FIGURE 3-3. DEUTZ TD2011 DIESEL ENGINE INSTALLATION - WITH REXROTH PUMPS AND ABS HOODS (WITH SKYPOWER AND WITHOUT COLD WEATHER PLUS PACKAGE)



WIT_3001098516

SECTION 3 - ENGINE

FIGURE 3-3. DEUTZ TD2011 DIESEL ENGINE INSTALLATION - WITH REXROTH PUMPS AND ABS HOODS (WITH SKYPOWER AND WITHOUT COLD WEATHER PLUS PACKAGE)

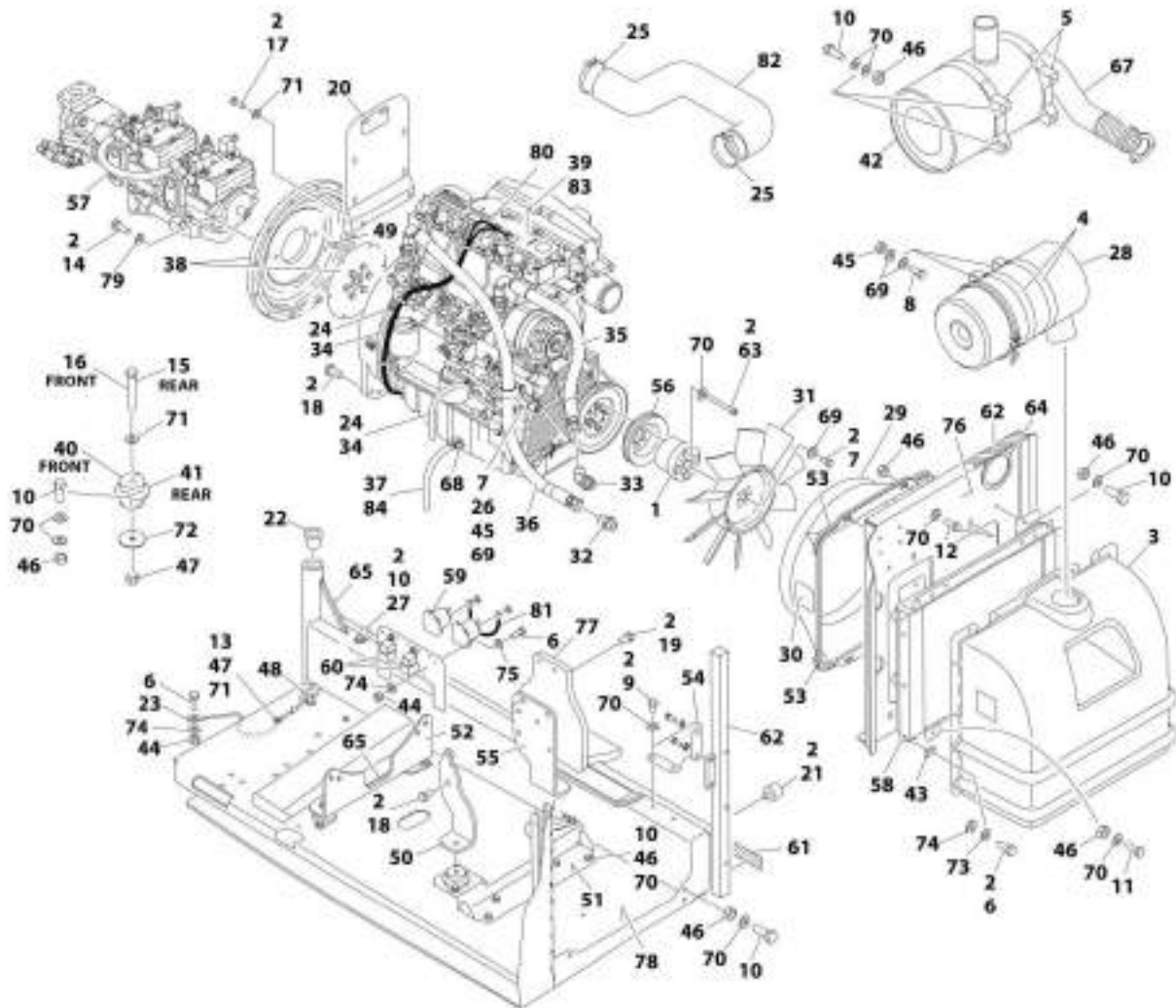
ITEM	PART NUMBER	QTY	DESCRIPTION	REV
	1001098516	Ref	DEUTZ TD2011 DIESEL ENGINE INSTALLATION - WITH REXROTH PUMPS AND ABS HOODS (WITH SKYPOWER AND WITHOUT COLD WEATHER PLUS PACKAGE)	G
1	0100011	AR	Compound, Locking	
2	0100079	AR	Sealant, Pipe	
3	0641410	4	Bolt 1/4 x 1-1/4	
4	0641506	1	Bolt 5/16 x 3/4	
5	0641509	18	Bolt 5/16 x 1-1/8	
6	0641511	1	Bolt 5/16 x 1-3/8	
7	0641605	3	Bolt 3/8 x 5/8	
8	0641610	1	Bolt 3/8 x 1-1/4	
9	0641808	1	Bolt 1/2 x 1	
10	0642010	1	Bolt 5/8 x 1-1/4	
12	1320022	3	Clamp	
13	1320187	1	Clamp, Twin	
14	1320190	1	Cover, Clamp	
15	1671121	1	Cover, Generator	
16	1001108617	1	Pressure Filter	
16	70002231	1	Element, Filter	
17	2180348	1	Fitting, Barbed	
18	2220313	1	Fitting, Elbow Barbed	
19	2221176	1	Fitting, Elbow	
20	2750532	5 ft/ 1.5m	Hose	
21	2820170	1	Insulation, Sound Absorbing	
22	2902099	1	Battery Cable Kit	
22A	7024580	1	Cable, Red (To Aux Pump Relay, Battery Positive Terminal and Start Relay)	
22B	7024581	1	Cable, Black (To Aux Pump, Battery Negative Terminal and Ground at Tray Pivot)	
22C	7024582	1	Cable, Red (Aux Pump Relay to Aux Pump)	
22D	7024583	1	Cable, Black (Tray Pivot to Engine Mount)	
22E	7024584	1	Cable, Red (Start Relay to Starter)	
23	3311505	23	Nut 5/16	
24	3380472	1	Panel, Rubber	
25	3380473	1	Panel, Rubber	
26	3422446	1	Pin	
27	3573644	1	Plate, Tray Clamp	
28	3573645	1	Plate, Top Clamp	
29	3573646	1	Plate, Bottom Clamp	
30	3573669	1	Plate, Clamp	
31	3573727	1	Plate, Tray Clamp	
32	3573728	1	Plate, Tray Clamp	
33	3841143	1	Keeper, Pin	
34	3900272	4	Screw 5/16 x 1-3/4	
35	4240018	2	Strap, Tie (Not Shown)	
36	4240099	AR	Strap, Tie	
37	4711400	4	Washer 1/4	
38	4711500	42	Washer 5/16	
39	4711600	7	Washer 3/8	
40	4752000	1	Washer 5/8	

SECTION 3 - ENGINE

ITEM	PART NUMBER	QTY	DESCRIPTION	REV
41	1001098530	1	Engine Assembly with Pumps (See Separate Breakdown in this Section)	
42	2200222	1	Plug, Pipe - Used in Bottom of Fuel Tank (Not Shown) (SN 0300201016 through 0300237154)	
43	0641606	4	Bolt 3/8 x 3/4	

SECTION 3 - ENGINE

FIGURE 3-4. DEUTZ TD2011 ENGINE ASSEMBLY - WITH REXROTH PUMPS AND ABS HOODS (WITH SKYPOWER AND WITHOUT COLD WEATHER PLUS PACKAGE)



ART_1001098530

SECTION 3 - ENGINE

FIGURE 3-4. DEUTZ TD2011 ENGINE ASSEMBLY - WITH REXROTH PUMPS AND ABS HOODS (WITH SKYPOWER AND WITHOUT COLD WEATHER PLUS PACKAGE)

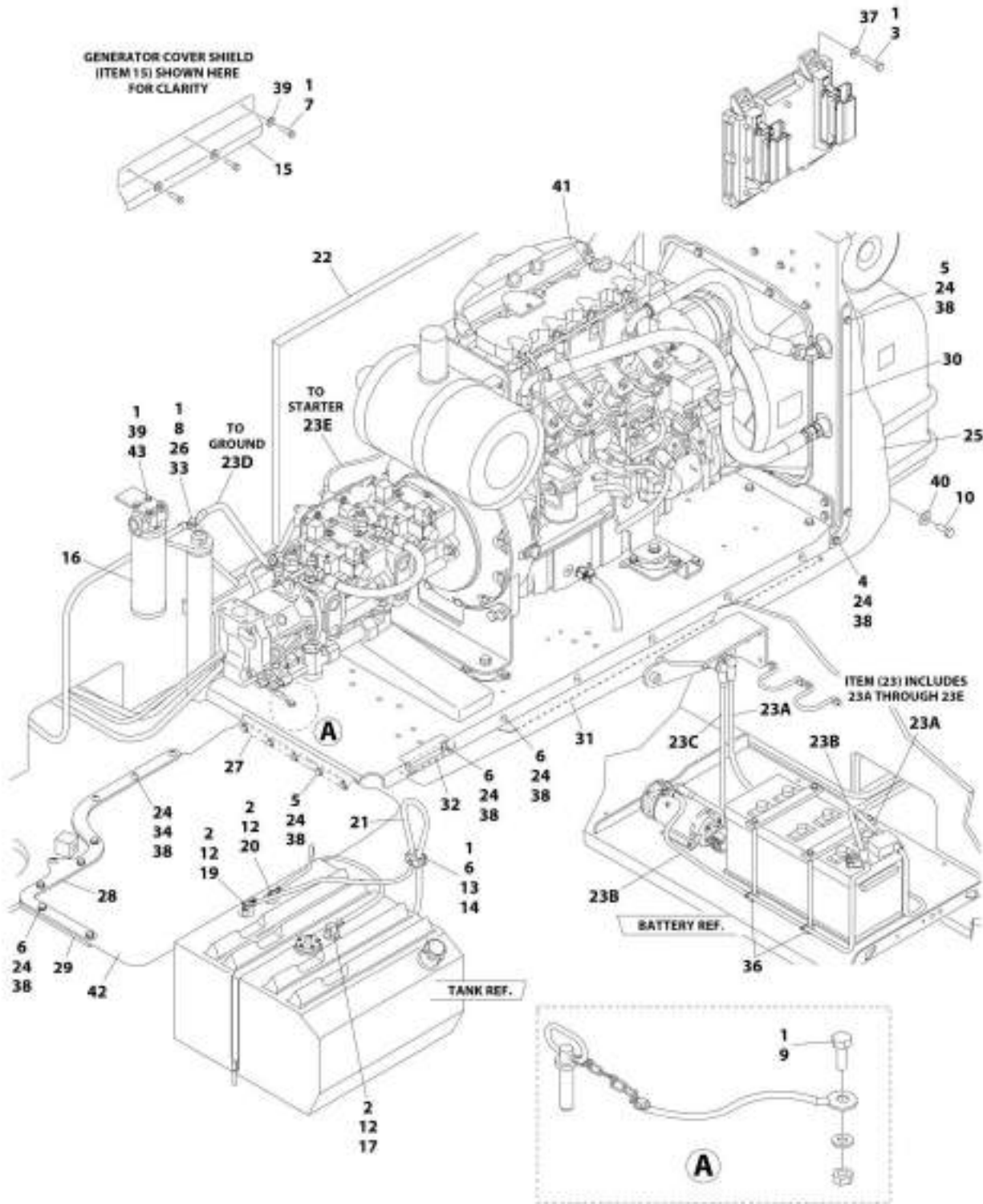
ITEM	PART NUMBER	QTY	DESCRIPTION	REV
	1001098530	Ref	DEUTZ TD2011 ENGINE ASSEMBLY - WITH REXROTH PUMPS AND ABS HOODS (WITH SKYPOWER AND WITHOUT COLD WEATHER PLUS PACKAGE)	J
1	0080244	1	Spacer, Fan	
2	0100011	AR	Compound, Locking	
3	0272060	1	Box, Air Intake	
4	0340003	2	Band, Air Cleaner	
5	0340051	2	Band, Muffler	
6	0641406	15	Bolt 1/4 x 3/4	
7	0641506	5	Bolt 5/16 x 3/4	
8	0641507	4	Bolt 5/16 x 7/8	
9	0641605	4	Bolt 3/8 x 5/8	
10	0641608	25	Bolt 3/8 x 1	
11	0641609	2	Bolt 3/8 x 1-1/8	
12	0641610	4	Bolt 3/8 x 1-1/4	
13	0641808	1	Bolt 1/2 x 1	
14	0641812	2	Bolt 1/2 x 1-1/2	
15	0641818	2	Bolt 1/2 x 2-1/4	
16	0641826	2	Bolt 1/2 x 3-1/4	
17	0711214	2	Bolt M12 x 30	
18	0771414	6	Bolt M14 x 30	
19	0711417	4	Bolt M14 x 45	
20	1001112766	1	Bracket, Muffler	
21	0940070	1	Bumper	
22	0961986	2	Bushing, Flanged	
23	1001131542	1	Lanyard	
24	1320022	2	Clamp	
25	1320058	2	Clamp	
26	1320060	1	Clamp	
27	1320223	1	J-Clip	
28	1340065	1	Air Cleaner Assembly	
28	7003655	1	Element, Air Cleaner	
28	7015013	1	Baffle, Rubber	
28	7015014	1	Clamp, Cap	
28	7015015	1	Cup	
28	7015003	1	Wingnut	
29	1671023	1	Shroud, Fan	
30	1703162	2	Decal - Fan Blade	
31	2060025	1	Fan	
32	2220451	1	Fitting, Straight	
33	2220498	1	Fitting, Elbow	
34	2720058	34 ft/ 10.3m	Hose	
35	2720500	1	Hose, Oil Cooler (Top)	
36	2720501	1	Hose, Oil Cooler (Bottom)	
37	2750532	9 in/23cm	Hose	
38	2902065	1	Pump Coupling Kit (See Separate Breakdown in this Section)	
39	3020016	3.3 gal/ 12.3L	Motor Oil, 15W-40	
40	3200362	2	Mount, Motor (Front)	

SECTION 3 - ENGINE

ITEM	PART NUMBER	QTY	DESCRIPTION	REV
41	3200401	2	Mount, Motor (Rear)	
42	3220126	1	Muffler	
42	70003555	1	Clamp	
43	3300454	10	Nut	
44	3311405	5	Nut 1/4	
45	3311505	5	Nut 5/16	
46	3311605	30	Nut 3/8	
47	3311805	5	Nut 1/2	
48	3422532	1	Pin, Hitch	
49	3520054	2	Plug	
50	3537416	1	Plate, Mounting (Front Right)	
51	3539971	1	Bracket, Engine Mounting (Front)	
52	3573142	1	Bracket, Engine Mounting (Rear)	
53	3573411	2	Plate, Clamp	
54	3573412	1	Gusset	
55	3573529	1	Plate, Mounting (Front Left)	
56	3580320	1	Pulley	
57	3600339	1	Pump Assembly - Rexroth (See Separate Breakdown in this Section)	
58	1001145382	1	Cooler, Engine Oil	
59	3740067	2	Relay, Start	
60	3740080	2	Relay	
61	3960543	1	Seal	
62	3960544	1	Seal	
63	4032022	4	Capscrew M10 x 90	
64	4060804	1 ft/25cm	Flex-Trim	
65	4060805	8 in/20cm	Flex-Trim	
66	4240099	AR	Tie, Wire (Not Shown)	
67	4568293	1	Pipe, Exhaust	
68	4640751	1	Valve, Oil Drain	
69	4711500	13	Washer 5/16	
70	4711600	68	Washer 3/8	
71	4711800	7	Washer 1/2	
72	4740274	4	Washer, Snubbing	
73	4740518	10	Washer, Nylon	
74	4751400	20	Washer 1/4	
75	4791400	4	Washer 1/4	
76	4846552	1	Plate, Oil Cooler Mounting	
77	4846945	1	Mount, Generator	
78	4846946	1	Tray	
79	4891800	2	Washer 1/2	
80	4923468	1	Harness, Glow Plugs	
81	4923592	1	Cable, Jumper	
82	1001092856	1	Hose, Air Intake (SN 0300201016 through 0300234290)	
82	1001225118	1	Hose, Air Intake (SN 0300243291 to Present)	
83	1001098601	1	Engine, Deutz TD2011 Components (See Separate Breakdown in this Section)	
84	8410013	1	Clamp, Gear	

SECTION 3 - ENGINE

FIGURE 3-5. DEUTZ TD2011 DIESEL ENGINE INSTALLATION - WITH REXROTH PUMPS AND STEEL HOOD (WITHOUT SKYPOWER AND WITHOUT COLD WEATHER PLUS PACKAGE)



APP_10011175FD

SECTION 3 - ENGINE

FIGURE 3-5. DEUTZ TD2011 DIESEL ENGINE INSTALLATION - WITH REXROTH PUMPS AND STEEL HOOD (WITHOUT SKYPOWER AND WITHOUT COLD WEATHER PLUS PACKAGE)

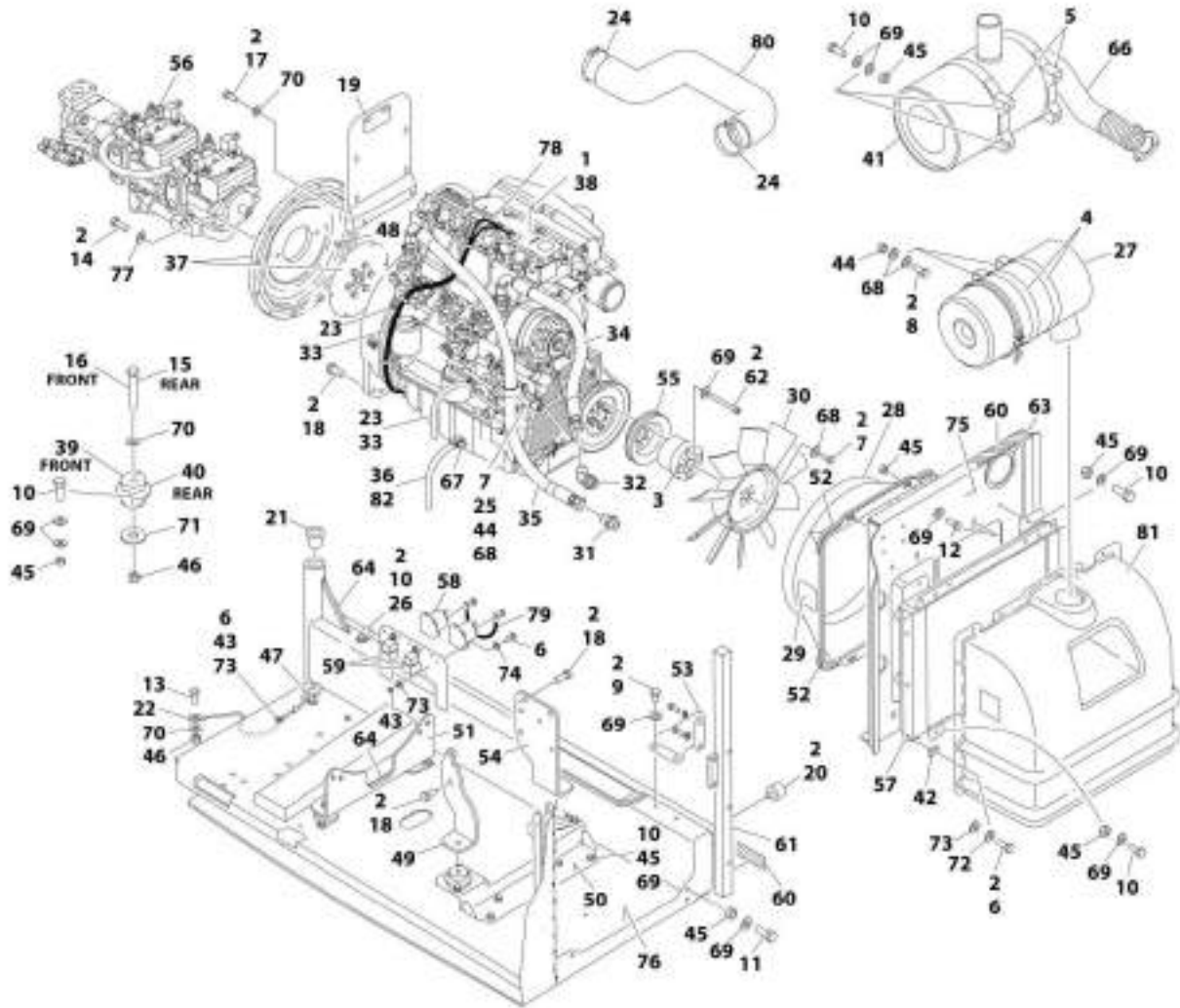
ITEM	PART NUMBER	QTY	DESCRIPTION	REV
	1001117370	Ref	DEUTZ TD2011 DIESEL ENGINE INSTALLATION - WITH REXROTH PUMPS AND STEEL HOOD (WITHOUT SKYPOWER AND WITHOUT COLD WEATHER PLUS PACKAGE)	D
1	0100011	AR	Compound, Locking	
2	0100079	AR	Sealant, Pipe	
3	0641410	4	Bolt 1/4 x 1-1/4	
4	0641506	1	Bolt 5/16 x 3/4	
5	0641509	7	Bolt 5/16 x 1-1/8	
6	0641511	13	Bolt 5/16 x 1-3/8	
7	0641605	3	Bolt 3/8 x 5/8	
8	0641610	1	Bolt 3/8 x 1-1/4	
9	0641808	1	Bolt 1/2 x 1	
10	0642010	1	Bolt 5/8 x 1-1/4	
12	1320022	3	Clamp	
13	1320187	1	Clamp, Twin	
14	1320190	1	Cover, Clamp	
15	1671121	1	Cover, Generator	
16	1001108617	1	Pressure Filter	
16	70002231	1	Element, Filter	
17	2180348	1	Fitting, Barbed	
18	2200222	1	Plug, Pipe - Used in Bottom of Fuel Tank (Not Shown) (SN 0300201016 through 0300237154)	
19	2220313	1	Fitting, Elbow Barbed	
20	2221176	1	Fitting, Elbow	
21	2750532	5 ft/ 1.5m	Hose	
22	2820170	1	Insulation, Sound Absorbing	
23	2902099	1	Battery Cable Kit	
23A	7024580	1	Cable, Red (To Aux Pump Relay, Battery Positive Terminal and Start Relay)	
23B	7024581	1	Cable, Black (To Aux Pump, Battery Negative Terminal and Ground at Tray Pivot)	
23C	7024582	1	Cable, Red (Aux Pump Relay to Aux Pump)	
23D	7024583	1	Cable, Black (Tray Pivot to Engine Mount)	
23E	7024584	1	Cable, Red (Start Relay to Starter)	
24	3311505	24	Nut 5/16	
25	3380473	1	Panel, Rubber	
26	3422446	1	Pin	
27	3573644	1	Plate, Tray Clamp	
28	1001112878	1	Plate, Top Clamp	
29	1001112879	1	Plate, Bottom Clamp	
30	3573669	1	Plate, Clamp	
31	1001112880	1	Plate, Tray Clamp	
32	3573728	1	Plate, Tray Clamp	
33	3841143	1	Keeper, Pin	
34	3900272	4	Screw 5/16 x 1-3/4	
35	4240018	2	Strap, Tie (Not Shown)	
36	4240099	AR	Strap, Tie	
37	4711400	4	Washer 1/4	
38	4711500	44	Washer 5/16	
39	4711600	7	Washer 3/8	

SECTION 3 - ENGINE

ITEM	PART NUMBER	QTY	DESCRIPTION	REV
40	4752000	1	Washer 5/8	
41	1001098513	1	Engine Assembly with Pumps (See Separate Breakdown in this Section)	
42	1001111132	1	Panel, Rubber	
43	0641606	4	Bolt 3/8 x 3/4	

SECTION 3 - ENGINE

FIGURE 3-6. DEUTZ TD2011 ENGINE ASSEMBLY - WITH REXROTH PUMPS AND STEEL HOODS (WITHOUT SKYPOWER AND WITHOUT COLD WEATHER PLUS PACKAGE)



ART_1001068513

SECTION 3 - ENGINE

**FIGURE 3-6. DEUTZ TD2011 ENGINE ASSEMBLY - WITH REXROTH PUMPS AND STEEL HOODS
(WITHOUT SKYPOWER AND WITHOUT COLD WEATHER PLUS PACKAGE)**

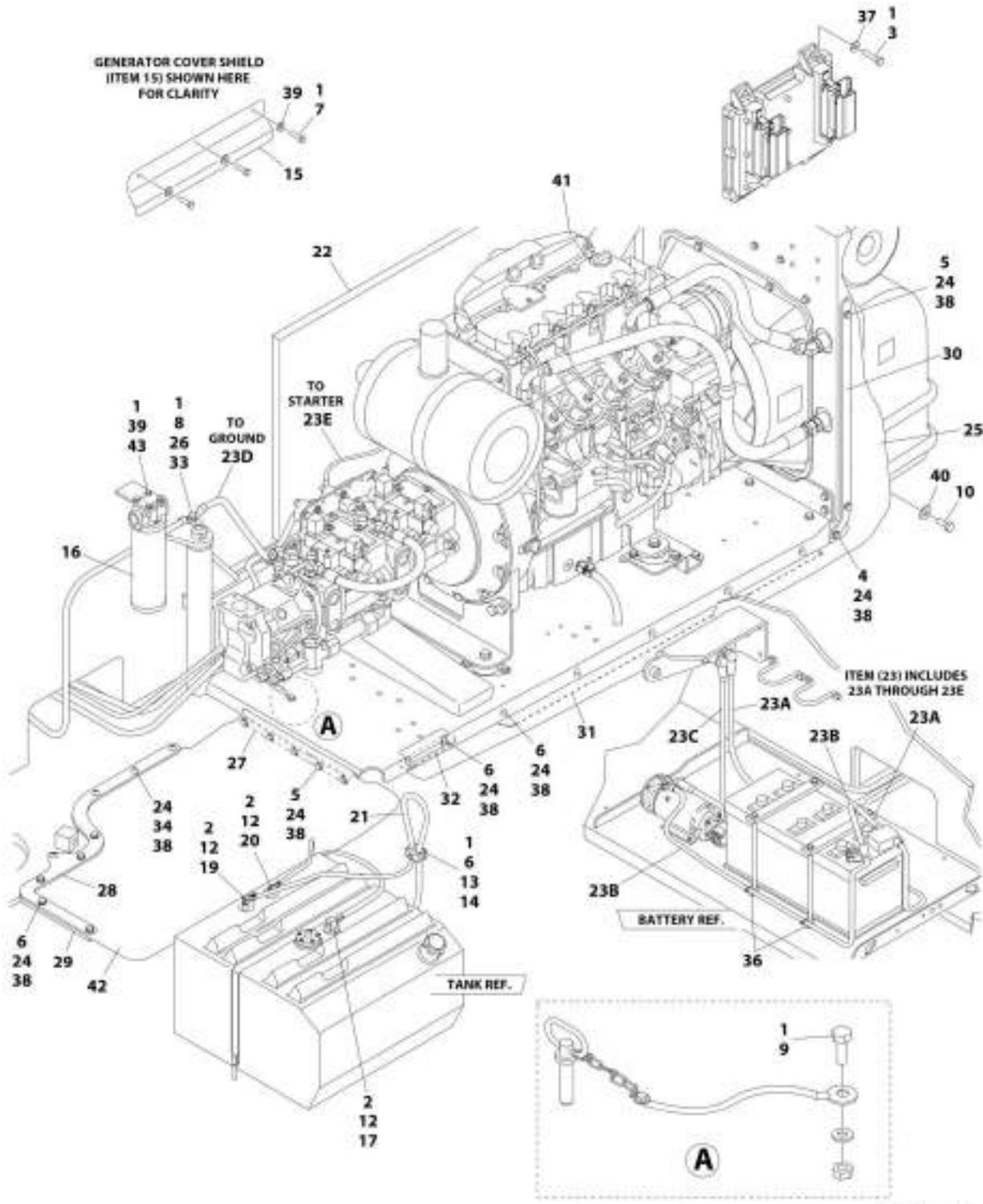
ITEM	PART NUMBER	QTY	DESCRIPTION	REV
	1001098513	Ref	DEUTZ TD2011 ENGINE ASSEMBLY - WITH REXROTH PUMPS AND STEEL HOODS (WITHOUT SKYPOWER AND WITHOUT COLD WEATHER PLUS PACKAGE)	I
1	1001098601	1	Engine, Deutz TD2011 Components (See Separate Breakdown in this Section)	
2	0100011	AR	Compound, Locking	
3	0080237	1	Spacer, Fan	
4	0340003	2	Band, Air Cleaner	
5	0340051	2	Band, Muffler	
6	0641406	15	Bolt 1/4 x 3/4	
7	0641506	5	Bolt 5/16 x 3/4	
8	0641507	4	Bolt 5/16 x 7/8	
9	0641605	4	Bolt 3/8 x 5/8	
10	0641608	25	Bolt 3/8 x 1	
11	0641609	2	Bolt 3/8 x 1-1/8	
12	0641610	4	Bolt 3/8 x 1-1/4	
13	0641808	1	Bolt 1/2 x 1	
14	0641812	2	Bolt 1/2 x 1-1/2	
15	0641818	2	Bolt 1/2 x 2-1/4	
16	0641826	2	Bolt 1/2 x 3-1/4	
17	0711214	2	Bolt M12 x 30	
18	0771414	10	Bolt M14 x 30	
19	1001112766	1	Bracket, Muffler	
20	0940070	1	Bumper	
21	0961986	2	Bushing, Flanged	
22	1001131542	1	Lanyard	
23	1320022	3	Clamp	
24	1320058	2	Clamp	
25	1320060	1	Clamp	
26	1320223	1	J-Clip	
27	1340065	1	Air Cleaner Assembly	
27	7003655	1	Element, Air Cleaner	
27	7015013	1	Baffle, Rubber	
27	7015014	1	Clamp, Cap	
27	7015015	1	Cup	
27	7015003	1	Wingnut	
28	1671023	1	Shroud, Fan	
29	1703162	2	Decal - Fan Blade	
30	2060025	1	Fan	
31	2220451	1	Fitting, Straight	
32	2220498	1	Fitting, Elbow	
33	2720058	34 ft/ 10.3m	Hose	
34	2720500	1	Hose, Oil Cooler (Top)	
35	2720501	1	Hose, Oil Cooler (Bottom)	
36	2750532	9 in/23cm	Hose	
37	2902065	1	Pump Coupling Kit (See Separate Breakdown in this Section)	
38	3020016	3.3 gal/ 12.3L	Motor Oil, 15W-40	
39	3200362	2	Mount, Motor (Front)	

SECTION 3 - ENGINE

ITEM	PART NUMBER	QTY	DESCRIPTION	REV
40	3200401	2	Mount, Motor (Rear)	
41	3220126	1	Muffler	
41	70003555	1	Clamp	
42	3300454	10	Nut	
43	3311405	5	Nut 1/4	
44	3311505	5	Nut 5/16	
45	3311605	30	Nut 3/8	
46	3311805	5	Nut 1/2	
47	3422532	1	Pin, Hitch	
48	3520054	2	Plug	
49	3537416	1	Plate, Mounting (Front Right)	
50	3539971	1	Bracket, Engine Mounting (Front)	
51	3573142	1	Bracket, Engine Mounting (Rear)	
52	3573411	2	Plate, Clamp	
53	3573412	1	Gusset	
54	3573529	1	Plate, Mounting (Front Left)	
55	3580158	1	Pulley	
56	3600339	1	Pump Assembly - Rexroth (See Separate Breakdown in this Section)	
57	1001145382	1	Cooler, Engine Oil	
58	3740067	2	Relay, Start	
59	3740080	2	Relay	
60	3960543	1	Seal	
61	3960544	1	Seal	
62	4032022	4	Capscrew M10 x 90	
63	4060804	1 ft/ 25cm	Flex-Trim	
64	4060805	8 in/ 20cm	Flex-Trim	
65	4240099	AR	Tie, Wire (Not Shown)	
66	4568293	1	Pipe, Exhaust	
67	4640751	1	Valve, Oil Drain	
68	4711500	13	Washer 5/16	
69	4711600	68	Washer 3/8	
70	4711800	7	Washer 1/2	
71	4740274	4	Washer, Snubbing	
72	4740518	10	Washer, Nylon	
73	4751400	20	Washer 1/4	
74	4791400	4	Washer 1/4	
75	4846552	1	Plate, Oil Cooler Mounting	
76	4846946	1	Tray	
77	4891800	2	Washer 1/2 Hardened	
78	4923468	1	Harness, Glow Plugs	
79	4923592	1	Cable, Jumper	
80	1001092856	1	Hose, Air Intake (SN 0300201016 through 0300234290)	
80	1001225118	1	Hose, Air Intake (SN 0300243291 to Present)	
81	0272060	1	Box, Air Intake	
82	8410013	1	Clamp, Gear	

SECTION 3 - ENGINE

FIGURE 3-7. DEUTZ TD2011 DIESEL ENGINE INSTALLATION - WITH REXROTH PUMPS AND STEEL HOODS (WITH SKYPOWER AND WITHOUT COLD WEATHER PLUS PACKAGE)



APP_1001117571

SECTION 3 - ENGINE

FIGURE 3-7. DEUTZ TD2011 DIESEL ENGINE INSTALLATION - WITH REXROTH PUMPS AND STEEL HOODS (WITH SKYPOWER AND WITHOUT COLD WEATHER PLUS PACKAGE)

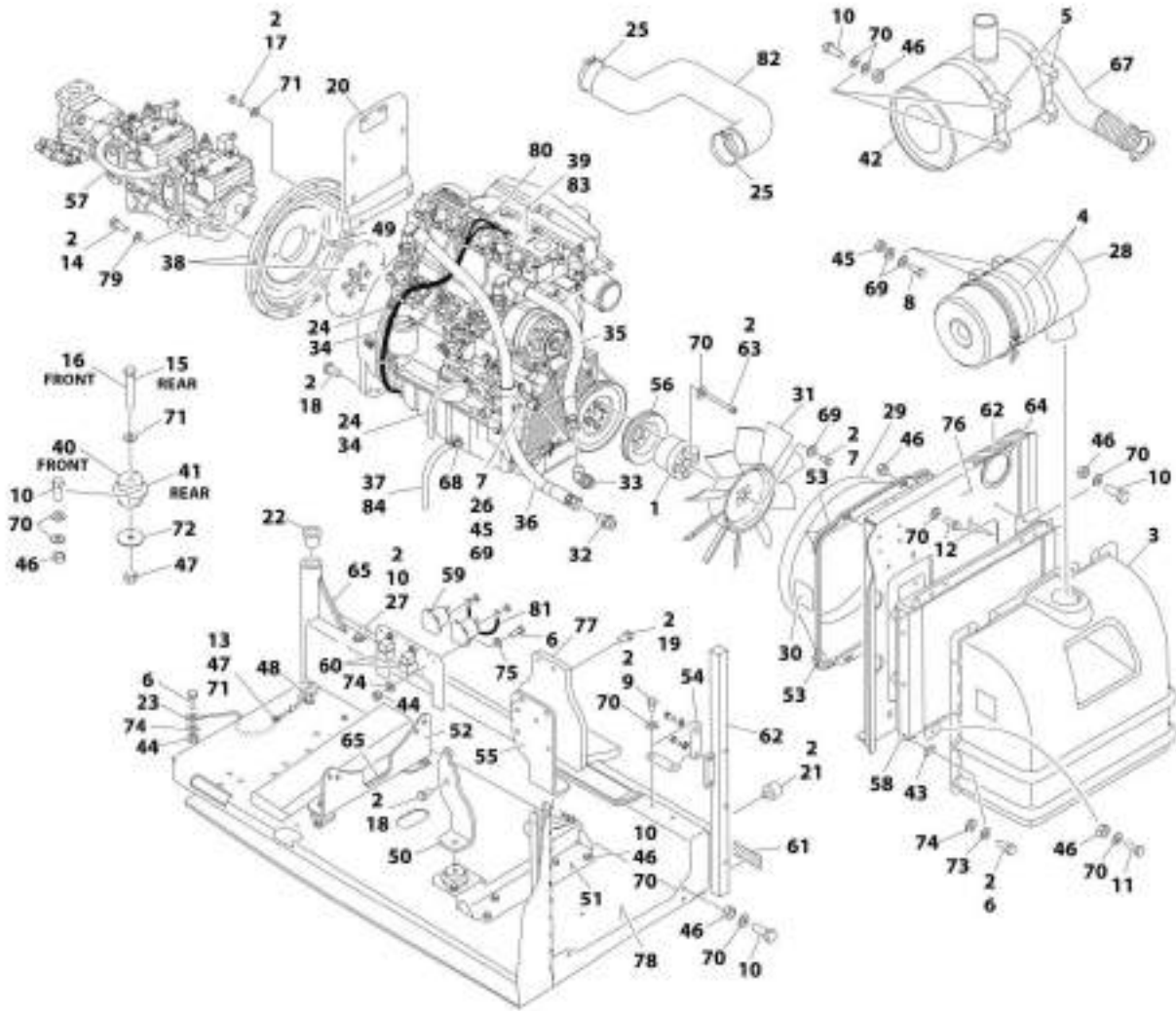
ITEM	PART NUMBER	QTY	DESCRIPTION	REV
	1001117371	Ref	DEUTZ TD2011 DIESEL ENGINE INSTALLATION - WITH REXROTH PUMPS AND STEEL HOODS (WITH SKYPOWER AND WITHOUT COLD WEATHER PLUS PACKAGE)	D
1	0100011	AR	Compound, Locking	
2	0100079	AR	Sealant, Pipe	
3	0641410	4	Bolt 1/4 x 1-1/4	
4	0641506	1	Bolt 5/16 x 3/4	
5	0641509	7	Bolt 5/16 x 1-1/8	
6	0641511	13	Bolt 5/16 x 1-3/8	
7	0641605	3	Bolt 3/8 x 5/8	
8	0641610	1	Bolt 3/8 x 1-1/4	
9	0641808	1	Bolt 1/2 x 1	
10	0642010	1	Bolt 5/8 x 1-1/4	
12	1320022	3	Clamp	
13	1320187	1	Clamp, Twin	
14	1320190	1	Cover, Clamp	
15	1671121	1	Cover, Generator	
16	1001108617	1	Pressure Filter	
16	70002231	1	Element, Filter	
17	2180348	1	Fitting, Barbed	
18	2200222	1	Plug, Pipe - Used in Bottom of Fuel Tank (Not Shown) (SN 0300201016 through 0300237154)	
19	2220313	1	Fitting, Elbow Barbed	
20	2221176	1	Fitting, Elbow	
21	2750532	5 ft/ 1.5m	Hose	
22	2820170	1	Insulation, Sound Absorbing	
23	2902099	1	Battery Cable Kit	
23A	7024580	1	Cable, Red (To Aux Pump Relay, Battery Positive Terminal and Start Relay)	
23B	7024581	1	Cable, Black (To Aux Pump, Battery Negative Terminal and Ground at Tray Pivot)	
23C	7024582	1	Cable, Red (Aux Pump Relay to Aux Pump)	
23D	7024583	1	Cable, Black (Tray Pivot to Engine Mount)	
23E	7024584	1	Cable, Red (Start Relay to Starter)	
24	3311505	24	Nut 5/16	
25	3380473	1	Panel, Rubber	
26	3422446	1	Pin	
27	3573644	1	Plate, Tray Clamp	
28	1001112878	1	Plate, Top Clamp	
29	1001112879	1	Plate, Bottom Clamp	
30	3573669	1	Plate, Clamp	
31	1001112880	1	Plate, Tray Clamp	
32	3573728	1	Plate, Tray Clamp	
33	3841143	1	Keeper, Pin	
34	3900272	4	Screw 5/16 x 1-3/4	
35	4240018	2	Strap, Tie (Not Shown)	
36	4240099	AR	Strap, Tie	
37	4711400	4	Washer 1/4	
38	4711500	44	Washer 5/16	
39	4711600	7	Washer 3/8	

SECTION 3 - ENGINE

ITEM	PART NUMBER	QTY	DESCRIPTION	REV
40	4752000	1	Washer 5/8	
41	1001098530	1	Engine Assembly with Pumps (See Separate Breakdown in this Section)	
42	1001111132	1	Panel, Rubber	
43	0641606	4	Bolt 3/8 x 3/4	

SECTION 3 - ENGINE

FIGURE 3-8. DEUTZ TD2011 ENGINE ASSEMBLY - WITH REXROTH PUMPS AND STEEL HOODS (WITH SKYPOWER AND WITHOUT COLD WEATHER PLUS PACKAGE)



ART_1001098530

SECTION 3 - ENGINE

**FIGURE 3-8. DEUTZ TD2011 ENGINE ASSEMBLY - WITH REXROTH PUMPS AND STEEL HOODS
(WITH SKYPOWER AND WITHOUT COLD WEATHER PLUS PACKAGE)**

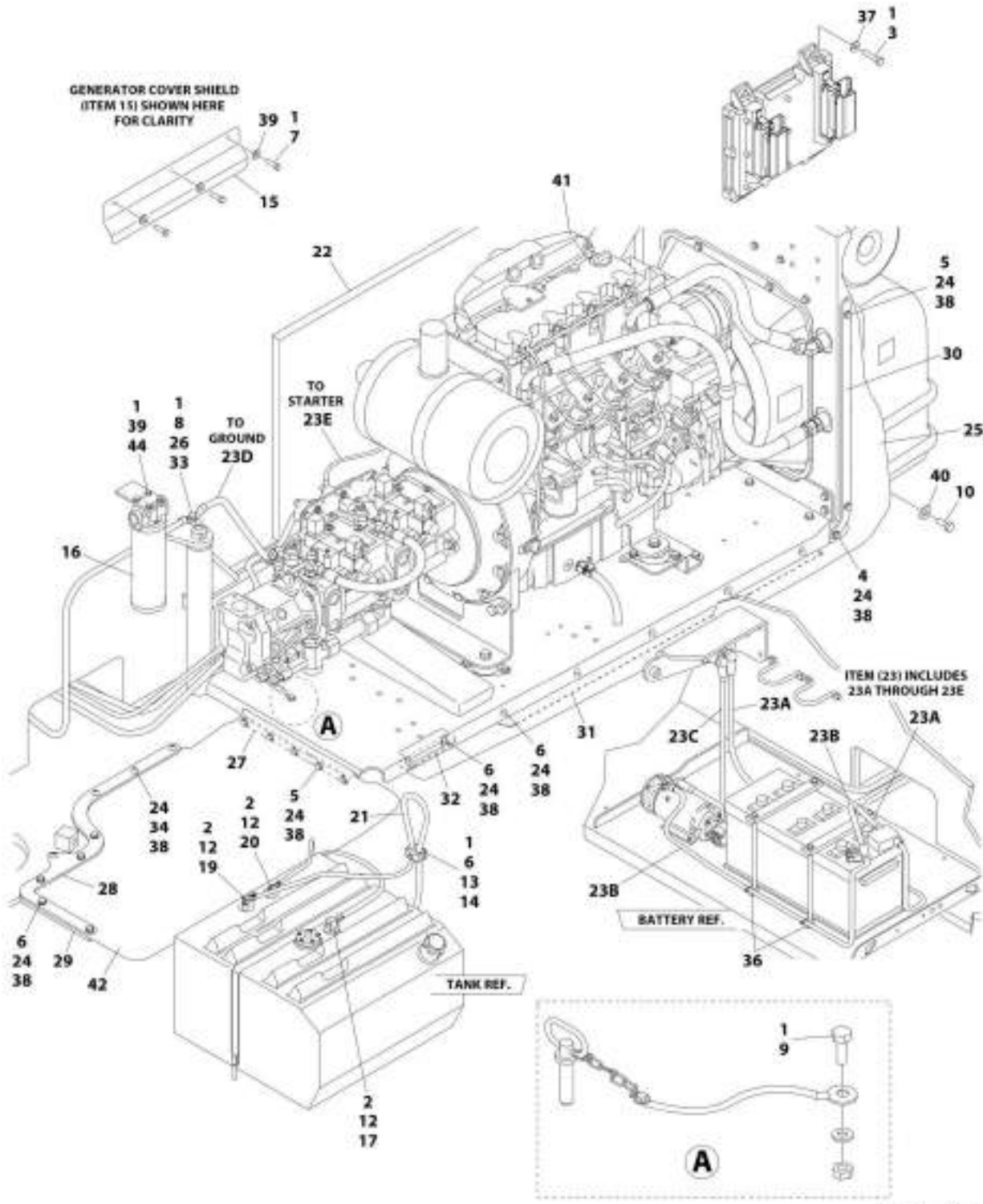
ITEM	PART NUMBER	QTY	DESCRIPTION	REV
	1001098530	Ref	DEUTZ TD2011 ENGINE ASSEMBLY - WITH REXROTH PUMPS AND STEEL HOODS (WITH SKYPOWER AND WITHOUT COLD WEATHER PLUS PACKAGE)	J
1	0080244	1	Spacer, Fan	
2	0100011	AR	Compound, Locking	
3	0272060	1	Box, Air Intake	
4	0340003	2	Band, Air Cleaner	
5	0340051	2	Band, Muffler	
6	0641406	15	Bolt 1/4 x 3/4	
7	0641506	5	Bolt 5/16 x 3/4	
8	0641507	4	Bolt 5/16 x 7/8	
9	0641605	4	Bolt 3/8 x 5/8	
10	0641608	25	Bolt 3/8 x 1	
11	0641609	2	Bolt 3/8 x 1-1/8	
12	0641610	4	Bolt 3/8 x 1-1/4	
13	0641808	1	Bolt 1/2 x 1	
14	0641812	2	Bolt 1/2 x 1-1/2	
15	0641818	2	Bolt 1/2 x 2-1/4	
16	0641826	2	Bolt 1/2 x 3-1/4	
17	0711214	2	Bolt M12 x 30	
18	0771414	6	Bolt M14 x 30	
19	0711417	4	Bolt M14 x 45	
20	1001112766	1	Bracket, Muffler	
21	0940070	1	Bumper	
22	0961986	2	Bushing, Flanged	
23	1001131542	1	Lanyard	
24	1320022	2	Clamp	
25	1320058	2	Clamp	
26	1320060	1	Clamp	
27	1320223	1	J-Clip	
28	1340065	1	Air Cleaner Assembly	
28	7003655	1	Element, Air Cleaner	
28	7015013	1	Baffle, Rubber	
28	7015014	1	Clamp, Cap	
28	7015015	1	Cup	
28	7015003	1	Wingnut	
29	1671023	1	Shroud, Fan	
30	1703162	2	Decal - Fan Blade	
31	2060025	1	Fan	
32	2220451	1	Fitting, Straight	
33	2220498	1	Fitting, Elbow	
34	2720058	34 ft/ 10.3m	Hose	
35	2720500	1	Hose, Oil Cooler (Top)	
36	2720501	1	Hose, Oil Cooler (Bottom)	
37	2750532	9 in/23cm	Hose	
38	2902065	1	Pump Coupling Kit (See Separate Breakdown in this Section)	
39	3020016	3.3 gal/ 12.3L	Motor Oil, 15W-40	
40	3200362	2	Mount, Motor (Front)	

SECTION 3 - ENGINE

ITEM	PART NUMBER	QTY	DESCRIPTION	REV
41	3200401	2	Mount, Motor (Rear)	
42	3220126	1	Muffler	
42	70003555	1	Clamp	
43	3300454	10	Nut	
44	3311405	5	Nut 1/4	
45	3311505	5	Nut 5/16	
46	3311605	30	Nut 3/8	
47	3311805	5	Nut 1/2	
48	3422532	1	Pin, Hitch	
49	3520054	2	Plug	
50	3537416	1	Plate, Mounting (Front Right)	
51	3539971	1	Bracket, Engine Mounting (Front)	
52	3573142	1	Bracket, Engine Mounting (Rear)	
53	3573411	2	Plate, Clamp	
54	3573412	1	Gusset	
55	3573529	1	Plate, Mounting (Front Left)	
56	3580320	1	Pulley	
57	3600339	1	Pump Assembly - Rexroth (See Separate Breakdown in this Section)	
58	1001145382	1	Cooler, Engine Oil	
59	3740067	2	Relay, Start	
60	3740080	2	Relay	
61	3960543	1	Seal	
62	3960544	1	Seal	
63	4032022	4	Capscrew M10 x 90	
64	4060804	1 ft/25cm	Flex-Trim	
65	4060805	8 in/20cm	Flex-Trim	
66	4240099	AR	Tie, Wire (Not Shown)	
67	4568293	1	Pipe, Exhaust	
68	4640751	1	Valve, Oil Drain	
69	4711500	13	Washer 5/16	
70	4711600	68	Washer 3/8	
71	4711800	7	Washer 1/2	
72	4740274	4	Washer, Snubbing	
73	4740518	10	Washer, Nylon	
74	4751400	20	Washer 1/4	
75	4791400	4	Washer 1/4	
76	4846552	1	Plate, Oil Cooler Mounting	
77	4846945	1	Mount, Generator	
78	4846946	1	Tray	
79	4891800	2	Washer 1/2	
80	4923468	1	Harness, Glow Plugs	
81	4923592	1	Cable, Jumper	
82	1001092856	1	Hose, Air Intake (SN 0300201016 through 0300234290)	
82	1001225118	1	Hose, Air Intake (SN 0300243291 to Present)	
83	1001098601	1	Engine, Deutz TD2011 Components (See Separate Breakdown in this Section)	
84	8410013	1	Clamp, Gear	

SECTION 3 - ENGINE

FIGURE 3-9. DEUTZ TD2011 DIESEL ENGINE INSTALLATION – WITH REXROTH PUMPS AND STEEL HOODS (WITH SKYPOWER AND WITH COLD WEATHER PLUS PACKAGE)



APP_1001110015

SECTION 3 - ENGINE

FIGURE 3-9. DEUTZ TD2011 DIESEL ENGINE INSTALLATION – WITH REXROTH PUMPS AND STEEL HOODS (WITH SKYPOWER AND WITH COLD WEATHER PLUS PACKAGE)

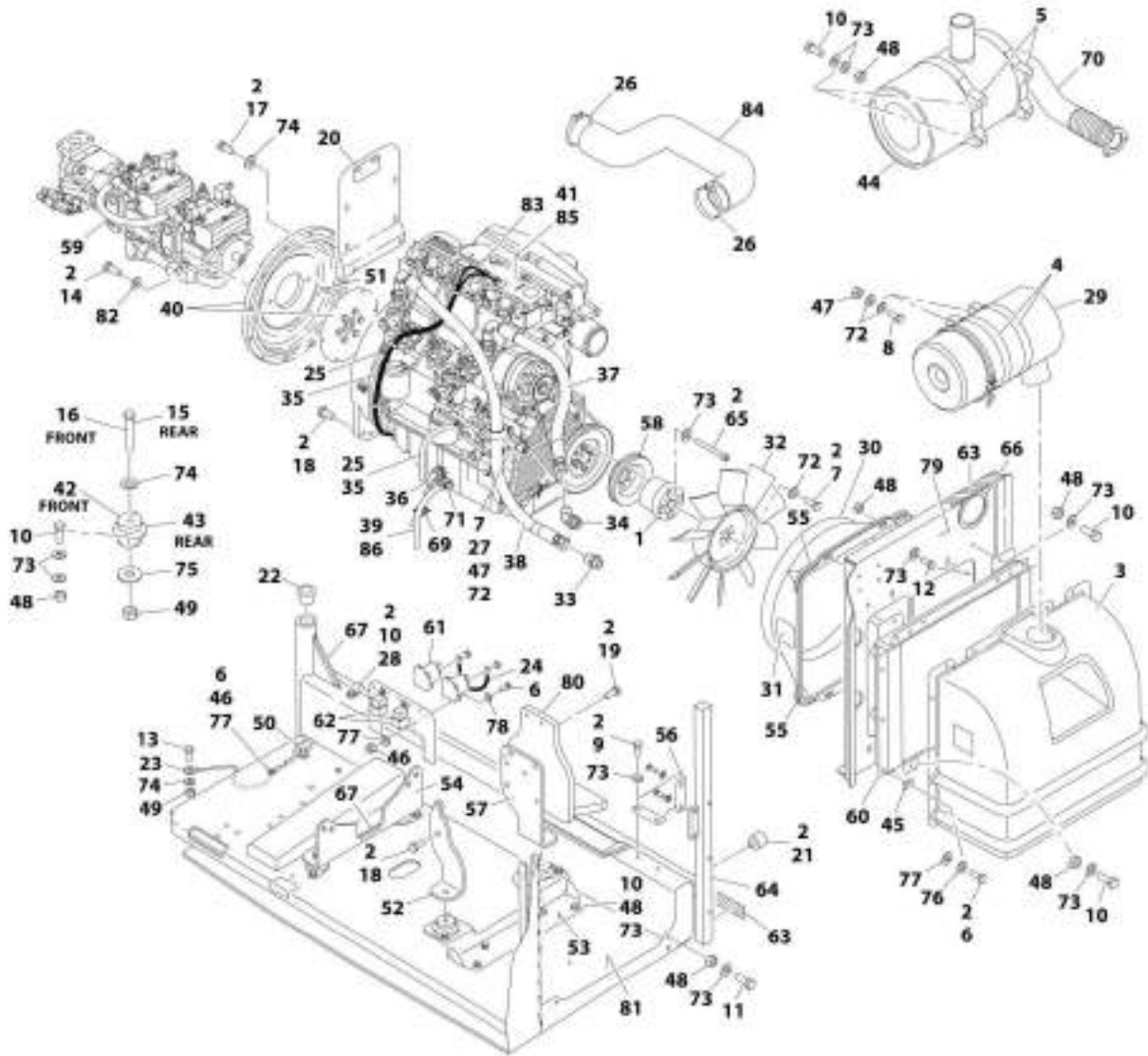
ITEM	PART NUMBER	QTY	DESCRIPTION	REV
	1001116015	Ref	DEUTZ TD2011 DIESEL ENGINE INSTALLATION - WITH REXROTH PUMPS AND STEEL HOODS (WITH SKYPOWER AND WITH COLD WEATHER PLUS PACKAGE)	D
1	0100011	AR	Compound, Locking	
2	0100079	AR	Sealant, Pipe	
3	0641410	4	Bolt 1/4 x 1-1/4	
4	0641506	1	Bolt 5/16 x 3/4	
5	0641509	7	Bolt 5/16 x 1-1/8	
6	0641511	13	Bolt 5/16 x 1-3/8	
7	0641605	3	Bolt 3/8 x 5/8	
8	0641610	1	Bolt 3/8 x 1-1/4	
9	0641808	1	Bolt 1/2 x 1	
10	0642010	1	Bolt 5/8 x 1-1/4	
12	1320022	3	Clamp	
13	1320187	1	Clamp, Twin	
14	1320190	1	Cover, Clamp	
15	1671121	1	Cover, Generator	
16	1001108617	1	Pressure Filter	
16	70002231	1	Element, Filter	
17	2180348	1	Fitting, Barbed	
18	2200222	1	Plug, Pipe - Used in Bottom of Fuel Tank (Not Shown) (SN 0300201016 through 0300237154)	
19	2220313	1	Fitting, Elbow Barbed	
20	2221176	1	Fitting, Elbow	
21	2750532	5 ft/ 1.5m	Hose	
22	2820170	1	Insulation, Sound Absorbing	
23	2902099	1	Battery Cable Kit	
23A	7024580	1	Cable, Red (To Aux Pump Relay, Battery Positive Terminal and Start Relay)	
23B	7024581	1	Cable, Black (To Aux Pump, Battery Negative Terminal and Ground at Tray Pivot)	
23C	7024582	1	Cable, Red (Aux Pump Relay to Aux Pump)	
23D	7024583	1	Cable, Black (Tray Pivot to Engine Mount)	
23E	7024584	1	Cable, Red (Start Relay to Starter)	
24	3311505	24	Nut 5/16	
25	3380473	1	Panel, Rubber	
26	3422446	1	Pin	
27	3573644	1	Plate, Tray Clamp	
28	1001112878	1	Plate, Top Clamp	
29	1001112879	1	Plate, Bottom Clamp	
30	3573669	1	Plate, Clamp	
31	1001112880	1	Plate, Tray Clamp	
32	3573728	1	Plate, Tray Clamp	
33	3841143	1	Keeper, Pin	
34	3900272	4	Screw, Button 5/16 x 1-3/4	
35	4240018	2	Strap, Tie (Not Shown)	
36	4240099	AR	Strap, Tie	
37	4711400	4	Washer 1/4	
38	4711500	44	Washer 5/16	
39	4711600	7	Washer 3/8	

SECTION 3 - ENGINE

ITEM	PART NUMBER	QTY	DESCRIPTION	REV
40	4752000	1	Washer 5/8	
41	1001098531	1	Engine Assembly with Pumps (See Separate Breakdown in this Section)	
42	1001111132	1	Panel, Rubber	
43	1702942	1	Decal - Block Heater (Not Shown)	
44	0641606	4	Bolt 3/8 x 3/4	

SECTION 3 - ENGINE

FIGURE 3-10. DEUTZ TD2011 ENGINE ASSEMBLY - WITH REXROTH PUMPS AND STEEL HOODS
(WITH SKYPOWER AND WITH COLD WEATHER PLUS PACKAGE)



AWT_1001098531

SECTION 3 - ENGINE

**FIGURE 3-10. DEUTZ TD2011 ENGINE ASSEMBLY - WITH REXROTH PUMPS AND STEEL HOODS
(WITH SKYPOWER AND WITH COLD WEATHER PLUS PACKAGE)**

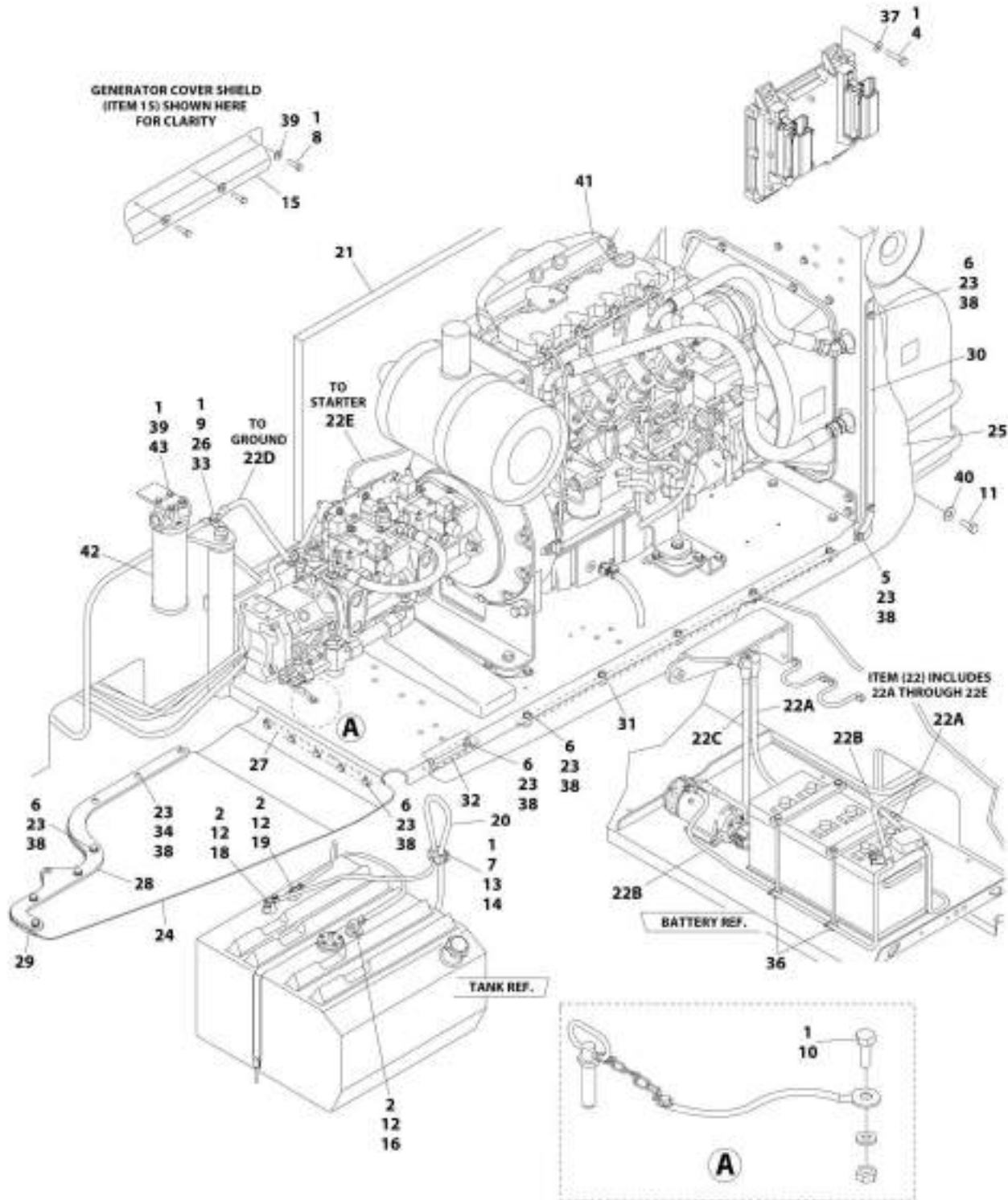
ITEM	PART NUMBER	QTY	DESCRIPTION	REV
	1001098531	Ref	DEUTZ TD2011 ENGINE ASSEMBLY - WITH REXROTH PUMPS AND STEEL HOODS (WITH SKYPOWER AND WITH COLD WEATHER PLUS PACKAGE)	I
1	0080244	1	Spacer, Fan	
2	0100011	AR	Compound, Locking	
3	0272060	1	Box, Air Intake	
4	0340003	2	Band, Air Cleaner	
5	0340051	2	Band, Muffler	
6	0641406	15	Bolt 1/4 x 3/4	
7	0641506	5	Bolt 5/16 x 3/4	
8	0641507	4	Bolt 5/16 x 7/8	
9	0641605	4	Bolt 3/8 x 5/8	
10	0641608	25	Bolt 3/8 x 1	
11	0641609	2	Bolt 3/8 x 1-1/8	
12	0641610	4	Bolt 3/8 x 1-1/4	
13	0641808	1	Bolt 1/2 x 1	
14	0641812	2	Bolt 1/2 x 1-1/2	
15	0641818	2	Bolt 1/2 x 2-1/4	
16	0641826	2	Bolt 1/2 x 3-1/4	
17	0711214	2	Bolt M12 x 30	
18	0771414	6	Bolt M14 x 30	
19	0711417	4	Bolt M14 x 45	
20	1001112766	1	Bracket, Muffler	
21	0940070	1	Bumper	
22	0961986	2	Bushing, Flanged	
23	1001131542	1	Lanyard	
24	1060904	1	Cable, Jumper	
25	1320022	2	Clamp	
26	1320058	2	Clamp	
27	1320060	1	Clamp	
28	1320223	1	J-Clip	
29	1340065	1	Air Cleaner Assembly	
29	7003655	1	Element, Air Cleaner	
29	7015013	1	Baffle, Rubber	
29	7015014	1	Clamp, Cap	
29	7015015	1	Cup	
29	7015003	1	Wingnut	
30	1671023	1	Shroud, Fan	
31	1703162	2	Decal - Fan Blade	
32	2060025	1	Fan	
33	2220451	1	Fitting, Straight	
34	2220498	1	Fitting, Elbow	
35	2720058	34 ft/ 10.3m	Hose	
36	2580062	1	Heater, Engine Block	
37	2720500	1	Hose, Oil Cooler (Top)	
38	2720501	1	Hose, Oil Cooler (Bottom)	
39	2750532	9 in/23cm	Hose	
40	2902065	1	Pump Coupling Kit (See Separate Breakdown in this Section)	

SECTION 3 - ENGINE

ITEM	PART NUMBER	QTY	DESCRIPTION	REV
41	3020044	3.3 gal/ 12.3L	Oil, Engine	
42	3200362	2	Mount, Motor (Front)	
43	3200401	2	Mount, Motor (Rear)	
44	3220126	1	Muffler	
44	70003555	1	Clamp	
45	3300454	10	Nut	
46	3311405	5	Nut 1/4	
47	3311505	5	Nut 5/16	
48	3311605	30	Nut 3/8	
49	3311805	5	Nut 1/2	
50	3422532	1	Pin, Hitch	
51	3520054	2	Plug	
52	3537416	1	Plate, Mounting (Front Right)	
53	3539971	1	Bracket, Engine Mounting (Front)	
54	3573142	1	Bracket, Engine Mounting (Rear)	
55	3573411	2	Plate, Clamp	
56	3573412	1	Gusset	
57	3573529	1	Plate, Mounting (Front Left)	
58	3580320	1	Pulley	
59	3600339	1	Pump Assembly - Rexroth (See Separate Breakdown in this Section)	
60	1001145382	1	Cooler, Engine Oil	
61	3740067	2	Relay, Start	
62	3740080	2	Relay	
63	3960543	1	Seal	
64	3960544	1	Seal	
65	4032022	4	Capscrew M10 x 90	
66	4060804	1 ft/25cm	Flex-Trim	
67	4060805	8 in/20cm	Flex-Trim	
68	4240099	AR	Tie, Wire (Not Shown)	
69	4460234	3	Mount, Wire Tie	
70	4568293	1	Pipe, Exhaust	
71	4640751	1	Valve, Oil Drain	
72	4711500	13	Washer 5/16	
73	4711600	68	Washer 3/8	
74	4711800	7	Washer 1/2	
75	4740274	4	Washer, Snubbing	
76	4740518	10	Washer, Nylon	
77	4751400	20	Washer 1/4	
78	4791400	4	Washer 1/4	
79	4846552	1	Plate, Oil Cooler Mounting	
80	4846945	1	Mount, Generator	
81	4846946	1	Tray	
82	4891800	2	Washer 1/2 Hardened	
83	4923468	1	Harness, Glow Plugs	
84	1001092856	1	Hose, Air Intake (SN 0300201016 through 0300234290)	
84	1001225118	1	Hose, Air Intake (SN 0300243291 to Present)	
85	1001098601	1	Engine, Deutz TD2011 Components (See Separate Breakdown in this Section)	
86	8410013	1	Clamp, Gear	

SECTION 3 - ENGINE

FIGURE 3-11. DEUTZ TD2011 DIESEL ENGINE INSTALLATION - WITH SAUER PUMPS AND ABS HOODS (WITHOUT SKYPOWER AND WITHOUT COLD WEATHER PLUS PACKAGE)



WIT_3001098712

SECTION 3 - ENGINE

FIGURE 3-11. DEUTZ TD2011 DIESEL ENGINE INSTALLATION - WITH SAUER PUMPS AND ABS HOODS (WITHOUT SKYPOWER AND WITHOUT COLD WEATHER PLUS PACKAGE)

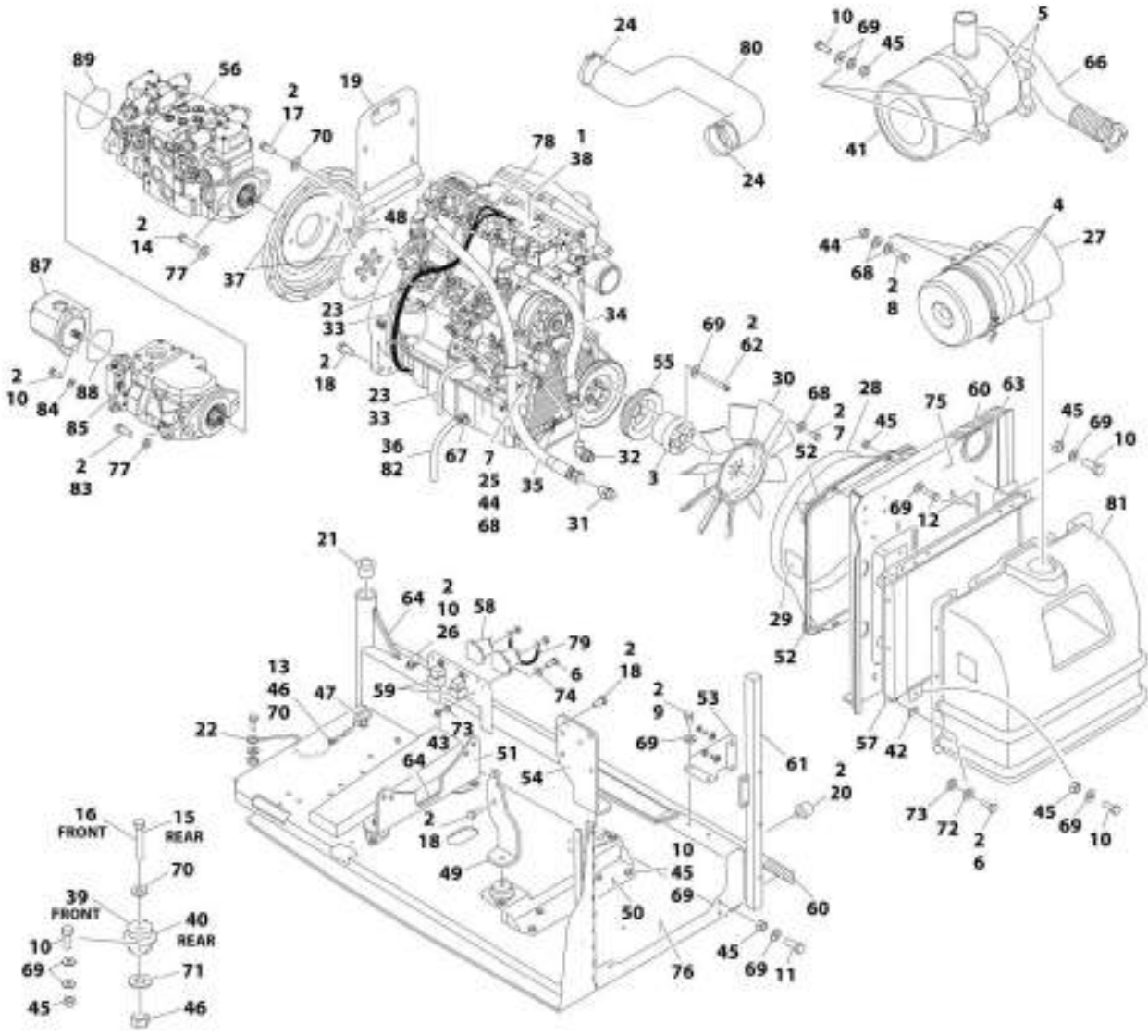
ITEM	PART NUMBER	QTY	DESCRIPTION	REV
	1001118712	Ref	DEUTZ TD2011 DIESEL ENGINE INSTALLATION - WITH SAUER PUMPS AND ABS HOODS (WITHOUT SKYPOWER AND WITHOUT COLD WEATHER PLUS PACKAGE)	E
1	0100011	AR	Compound, Locking	
2	0100079	AR	Sealant, Pipe	
3	0641410	4	Bolt 1/4 x 1-1/4	
4	0641506	1	Bolt 5/16 x 3/4	
5	0641509	18	Bolt 5/16 x 1-1/8	
6	0641511	1	Bolt 5/16 x 1-3/8	
7	0641605	3	Bolt 3/8 x 5/8	
8	0641610	1	Bolt 3/8 x 1-1/4	
9	0641808	1	Bolt 1/2 x 1	
10	0642010	1	Bolt 5/8 x 1-1/4	
12	1320022	3	Clamp	
13	1320187	1	Clamp, Twin	
14	1320190	1	Cover, Clamp	
15	1671121	1	Cover, Generator	
16	2180348	1	Fitting, Barbed	
17	2200222	1	Plug, Pipe - Used in Bottom of Fuel Tank (Not Shown) (SN 0300201016 through 0300237154)	
18	2220313	1	Fitting, Elbow Barbed	
19	2221176	1	Fitting, Elbow	
20	2750532	5 ft/ 1.5m	Hose	
21	2820170	1	Insulation, Sound Absorbing	
22	2902099	1	Battery Cable Kit	
22A	7024580	1	Cable, Red (To Aux Pump Relay, Battery Positive Terminal and Start Relay)	
22B	7024581	1	Cable, Black (To Aux Pump, Battery Negative Terminal and Ground at Tray Pivot)	
22C	7024582	1	Cable, Red (Aux Pump Relay to Aux Pump)	
22D	7024583	1	Cable, Black (Tray Pivot to Engine Mount)	
22E	7024584	1	Cable, Red (Start Relay to Starter)	
23	3311505	23	Nut 5/16	
24	3380472	1	Panel, Rubber	
25	3380473	1	Panel, Rubber	
26	3422446	1	Pin	
27	3573644	1	Plate, Tray Clamp	
28	3573645	1	Plate, Top Clamp	
29	3573646	1	Plate, Bottom Clamp	
30	3573669	1	Plate, Clamp	
31	3573727	1	Plate, Tray Clamp	
32	3573728	1	Plate, Tray Clamp	
33	3841143	1	Keeper, Pin	
34	3900272	4	Screw, Button 5/16 x 1-3/4	
35	4240018	2	Strap, Tie (Not Shown)	
36	4240099	AR	Strap, Tie	
37	4711400	4	Washer 1/4	
38	4711500	42	Washer 5/16	
39	4711600	7	Washer 3/8	
40	4752000	1	Washer 5/8	

SECTION 3 - ENGINE

ITEM	PART NUMBER	QTY	DESCRIPTION	REV
41	1001107971	1	Engine Assembly with Pumps (See Separate Breakdown in this Section)	
42	1001108617	1	Pressure Filter	
42	70002231	1	Element, Filter	
43	0641606	4	Bolt 3/8 x 3/4	

SECTION 3 - ENGINE

FIGURE 3-12. DEUTZ TD2011 ENGINE ASSEMBLY - WITH SAUER PUMPS AND ABS HOODS (WITHOUT SKYPOWER AND WITHOUT COLD WEATHER PLUS PACKAGE)



ART_1001102921

SECTION 3 - ENGINE

**FIGURE 3-12. DEUTZ TD2011 ENGINE ASSEMBLY - WITH SAUER PUMPS AND ABS HOODS
(WITHOUT SKYPOWER AND WITHOUT COLD WEATHER PLUS PACKAGE)**

ITEM	PART NUMBER	QTY	DESCRIPTION	REV
	1001107971	Ref	DEUTZ TD2011 ENGINE ASSEMBLY - WITH SAUER PUMPS AND ABS HOODS (WITHOUT SKYPOWER AND WITHOUT COLD WEATHER PLUS PACKAGE)	1
1	1001098601	1	Engine, Deutz TD2011 Components (See Separate Breakdown in this Section)	
2	0100011	AR	Compound, Locking	
3	0080237	1	Spacer, Fan	
4	0340003	2	Band, Air Cleaner	
5	0340051	2	Band, Muffler	
6	0641406	15	Bolt 1/4 x 3/4	
7	0641506	5	Bolt 5/16 x 3/4	
8	0641507	4	Bolt 5/16 x 7/8	
9	0641605	4	Bolt 3/8 x 5/8	
10	0641608	27	Bolt 3/8 x 1	
11	0641609	2	Bolt 3/8 x 1-1/8	
12	0641610	4	Bolt 3/8 x 1-1/4	
13	0641808	1	Bolt 1/2 x 1	
14	0641814	2	Bolt 1/2 x 1-3/4	
15	0641818	2	Bolt 1/2 x 2-1/4	
16	0641826	2	Bolt 1/2 x 3-1/4	
17	0711214	2	Bolt M12 x 30	
18	0771414	10	Bolt M14 x 30	
19	1001112766	1	Bracket, Muffler	
20	0940070	1	Bumper	
21	0961986	2	Bushing, Flanged	
22	1001131542	1	Lanyard	
23	1320022	3	Clamp	
24	1320058	2	Clamp	
25	1320060	1	Clamp	
26	1320223	1	J-Clip	
27	1340065	1	Air Cleaner Assembly	
27	7003655	1	Element, Air Cleaner	
27	7015013	1	Baffle, Rubber	
27	7015014	1	Clamp, Cap	
27	7015015	1	Cup	
27	7015003	1	Wingnut	
28	1671023	1	Shroud, Fan	
29	1703162	2	Decal - Fan Blade	
30	2060025	1	Fan	
31	2220451	1	Fitting, Straight	
32	2220498	1	Fitting, Elbow	
33	2720058	34 ft/ 10.3m	Hose	
34	2720500	1	Hose, Oil Cooler (Top)	
35	2720501	1	Hose, Oil Cooler (Bottom)	
36	2750532	9 in /23cm	Hose	
37	2902065	1	Pump Coupling Kit (See Separate Breakdown in this Section)	
38	3020016	3.3 gal/ 12.3L	Motor Oil, 15W-40	
39	3200362	2	Mount, Motor (Front)	

SECTION 3 - ENGINE

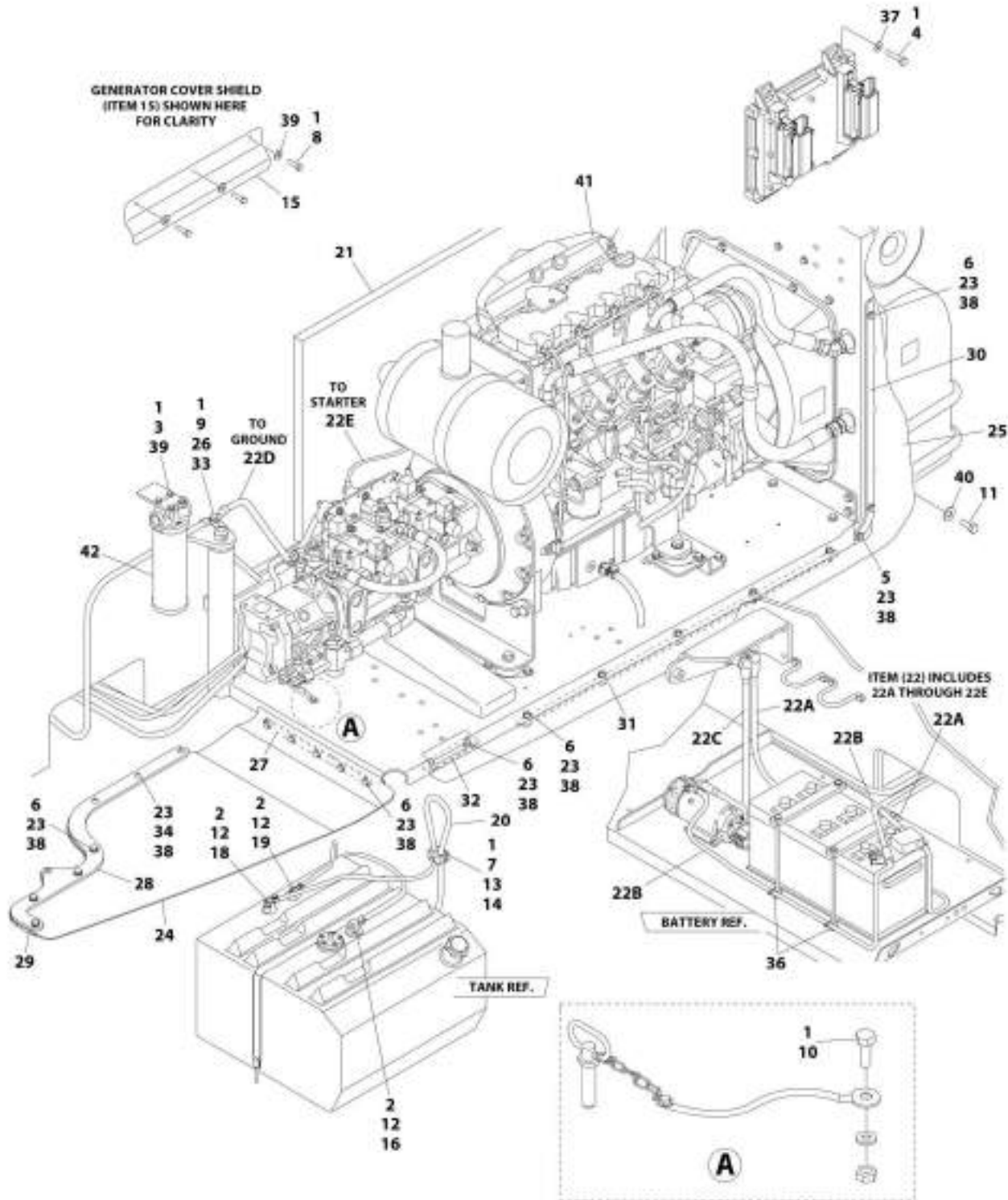
ITEM	PART NUMBER	QTY	DESCRIPTION	REV
40	3200401	2	Mount, Motor (Rear)	
41	3220126	1	Muffler	
41	70003555	1	Clamp	
42	3300454	10	Nut	
43	3311405	5	Nut 1/4	
44	3311505	5	Nut 5/16	
45	3311605	30	Nut 3/8	
46	3311805	5	Nut 1/2	
47	3422532	1	Pin, Hitch	
48	3520054	2	Plug	
49	3537416	1	Plate, Mounting (Front Right)	
50	3539971	1	Bracket, Engine Mounting (Front)	
51	3573142	1	Bracket, Engine Mounting (Rear)	
52	3573411	2	Plate, Clamp	
53	3573412	1	Gusset	
54	3573529	1	Plate, Mounting (Front Left)	
55	3580158	1	Pulley	
56	1001108616	1	Pump Assembly - Sauer (See Separate Breakdown in this Section)	
57	1001145382	1	Cooler, Engine Oil	
58	3740067	2	Relay, Start	
59	3740080	2	Relay	
60	3960543	1	Seal	
61	3960544	1	Seal	
62	4032022	4	Capscrew M10 x 90	
63	4060804	1 ft /25cm	Flex-Trim	
64	4060805	8 in /20cm	Flex-Trim	
65	4240099	AR	Tie, Wire (Not Shown)	
66	4568293	1	Pipe, Exhaust	
67	4640751	1	Valve, Oil Drain	
68	4711500	13	Washer 5/16	
69	4711600	68	Washer 3/8	
70	4711800	7	Washer 1/2	
71	4740274	4	Washer, Snubbing	
72	4740518	10	Washer, Nylon	
73	4751400	20	Washer 1/4	
74	4791400	4	Washer 1/4	
75	4846552	1	Plate, Oil Cooler Mounting	
76	4846946	1	Tray	
77	4891800	4	Washer 1/2	
78	4923468	1	Harness, Glow Plugs	
79	4923592	1	Cable, Jumper	
80	1001092856	1	Hose, Air Intake (SN 0300201016 through 0300234290)	
80	1001225118	1	Hose, Air Intake (SN 0300243291 to Present)	
81	0272060	1	Box, Air Intake	
82	8410013	1	Clamp, Gear	
83	0761215	2	Bolt M12 x 35mm	
84	4891600	2	Washer 3/8	
85	1001171095	1	Pump Assembly - Sauer Piston (See Separate Breakdown in this Section)	
87	1001112927	1	Pump Assembly - Sauer Gear (See Separate Breakdown in this Section)	
88	3790152	1	O-Ring	

SECTION 3 - ENGINE

ITEM	PART NUMBER	QTY	DESCRIPTION	REV
89	3790155	1	O-Ring	

SECTION 3 - ENGINE

FIGURE 3-13. DEUTZ TD2011 DIESEL ENGINE INSTALLATION - WITH SAUER PUMPS AND ABS HOODS (WITH SKYPOWER AND WITHOUT COLD WEATHER PLUS PACKAGE)



WIT_3001098713

SECTION 3 - ENGINE

FIGURE 3-13. DEUTZ TD2011 DIESEL ENGINE INSTALLATION - WITH SAUER PUMPS AND ABS HOODS (WITH SKYPOWER AND WITHOUT COLD WEATHER PLUS PACKAGE)

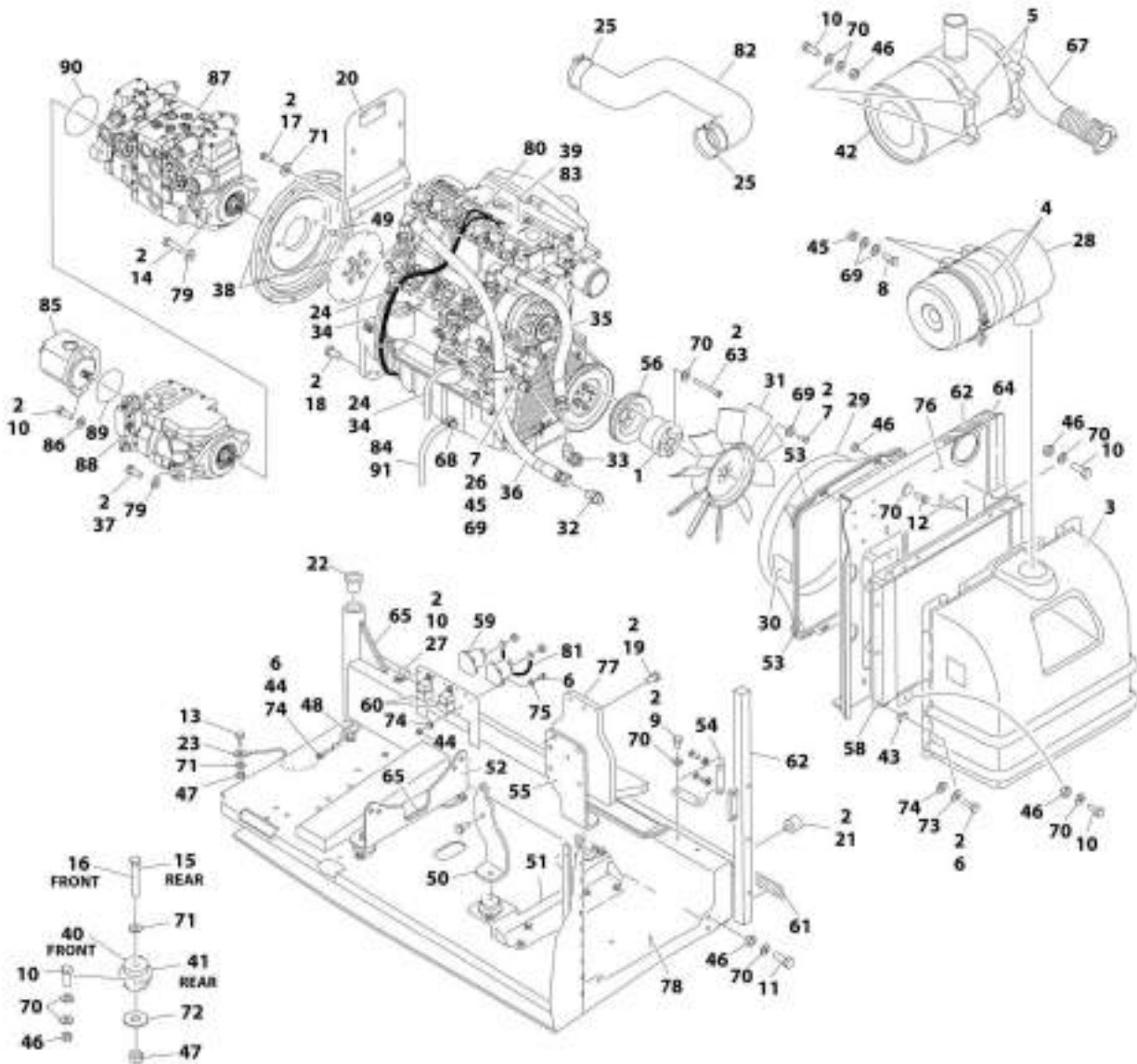
ITEM	PART NUMBER	QTY	DESCRIPTION	REV
	100118713	Ref	DEUTZ TD2011 DIESEL ENGINE INSTALLATION - WITH SAUER PUMPS AND ABS HOODS (WITH SKYPOWER AND WITHOUT COLD WEATHER PLUS PACKAGE)	E
1	0100011	AR	Compound, Locking	
2	0100079	AR	Sealant, Pipe	
3	0641606	4	Bolt 3/8 x 3/4	
4	0641410	4	Bolt 1/4 x 1-1/4	
5	0641506	1	Bolt 5/16 x 3/4	
6	0641509	18	Bolt 5/16 x 1-1/8	
7	0641511	1	Bolt 5/16 x 1-3/8	
8	0641605	3	Bolt 3/8 x 5/8	
9	0641610	1	Bolt 3/8 x 1-1/4	
10	0641808	1	Bolt 1/2 x 1	
11	0642010	1	Bolt 5/8 x 1-1/4	
12	1320022	3	Clamp	
13	1320187	1	Clamp, Twin	
14	1320190	1	Cover, Clamp	
15	1671121	1	Cover, Generator	
16	2180348	1	Fitting, Barbed	
17	2200222	1	Plug, Pipe - Used in Bottom of Fuel Tank (Not Shown) (SN 0300201016 through 0300237154)	
18	2220313	1	Fitting, Elbow Barbed	
19	2221176	1	Fitting, Elbow	
20	2750532	5 ft/ 1.5m	Hose	
21	2820170	1	Insulation, Sound Absorbing	
22	2902099	1	Battery Cable Kit	
22A	7024580	1	Cable, Red (To Aux Pump Relay, Battery Positive Terminal and Start Relay)	
22B	7024581	1	Cable, Black (To Aux Pump, Battery Negative Terminal and Ground at Tray Pivot)	
22C	7024582	1	Cable, Red (Aux Pump Relay to Aux Pump)	
22D	7024583	1	Cable, Black (Tray Pivot to Engine Mount)	
22E	7024584	1	Cable, Red (Start Relay to Starter)	
23	3311505	23	Nut 5/16	
24	3380472	1	Panel, Rubber	
25	3380473	1	Panel, Rubber	
26	3422446	1	Pin	
27	3573644	1	Plate, Tray Clamp	
28	3573645	1	Plate, Top Clamp	
29	3573646	1	Plate, Bottom Clamp	
30	3573669	1	Plate, Clamp	
31	3573727	1	Plate, Tray Clamp	
32	3573728	1	Plate, Tray Clamp	
33	3841143	1	Keeper, Pin	
34	3900272	4	Screw, Button 5/16 x 1-3/4	
35	4240018	2	Strap, Tie (Not Shown)	
36	4240099	AR	Strap, Tie	
37	4711400	4	Washer 1/4	
38	4711500	42	Washer 5/16	
39	4711600	7	Washer 3/8	

SECTION 3 - ENGINE

ITEM	PART NUMBER	QTY	DESCRIPTION	REV
40	4752000	1	Washer 5/8	
41	1001107973	1	Engine Assembly with Pumps (See Separate Breakdown in this Section)	
42	1001108617	1	Pressure Filter	
42	70002231	1	Element, Filter	

SECTION 3 - ENGINE

FIGURE 3-14. DEUTZ TD2011 ENGINE ASSEMBLY - WITH SAUER PUMPS AND ABS HOODS (WITH SKYPOWER AND WITHOUT COLD WEATHER PLUS PACKAGE)



ART_1001107073

SECTION 3 - ENGINE

FIGURE 3-14. DEUTZ TD2011 ENGINE ASSEMBLY - WITH SAUER PUMPS AND ABS HOODS (WITH SKYPOWER AND WITHOUT COLD WEATHER PLUS PACKAGE)

ITEM	PART NUMBER	QTY	DESCRIPTION	REV
	1001107973	Ref	DEUTZ TD2011 ENGINE ASSEMBLY - WITH SAUER PUMPS AND ABS HOODS (WITH SKYPOWER AND WITHOUT COLD WEATHER PLUS PACKAGE)	1
1	0080244	1	Spacer, Fan	
2	0100011	AR	Compound, Locking	
3	0272060	1	Box, Air Intake	
4	0340003	2	Band, Air Cleaner	
5	0340051	2	Band, Muffler	
6	0641406	15	Bolt 1/4 x 3/4	
7	0641506	5	Bolt 5/16 x 3/4	
8	0641507	4	Bolt 5/16 x 7/8	
9	0641605	4	Bolt 3/8 x 5/8	
10	0641608	27	Bolt 3/8 x 1	
11	0641609	2	Bolt 3/8 x 1-1/8	
12	0641610	4	Bolt 3/8 x 1-1/4	
13	0641808	1	Bolt 1/2 x 1	
14	0641814	2	Bolt 1/2 x 1-3/4	
15	0641818	2	Bolt 1/2 x 2-1/4	
16	0641826	2	Bolt 1/2 x 3-1/4	
17	0711214	2	Bolt M12 x 30	
18	0771414	6	Bolt M14 x 30	
19	0711417	4	Bolt M14 x 45	
20	1001112766	1	Bracket, Muffler	
21	0940070	1	Bumper	
22	0961986	2	Bushing, Flanged	
23	1001131542	1	Lanyard	
24	1320022	2	Clamp	
25	1320058	2	Clamp	
26	1320060	1	Clamp	
27	1320223	1	J-Clip	
28	1340065	1	Air Cleaner Assembly	
28	7003655	1	Element, Air Cleaner	
28	7015013	1	Baffle, Rubber	
28	7015014	1	Clamp, Cap	
28	7015015	1	Cup	
28	7015003	1	Wingnut	
29	1671023	1	Shroud, Fan	
30	1703162	2	Decal - Fan Blade	
31	2060025	1	Fan	
32	2220451	1	Fitting, Straight	
33	2220498	1	Fitting, Elbow	
34	2720058	34 ft/ 10.3m	Hose	
35	2720500	1	Hose, Oil Cooler (Top)	
36	2720501	1	Hose, Oil Cooler (Bottom)	
37	0761215	2	Bolt M12 x 35mm	
38	2902065	1	Pump Coupling Kit (See Separate Breakdown in this Section)	
39	3020016	3.3 gal/ 12.3L	Motor Oil, 15W-40	
40	3200362	2	Mount, Motor (Front)	

SECTION 3 - ENGINE

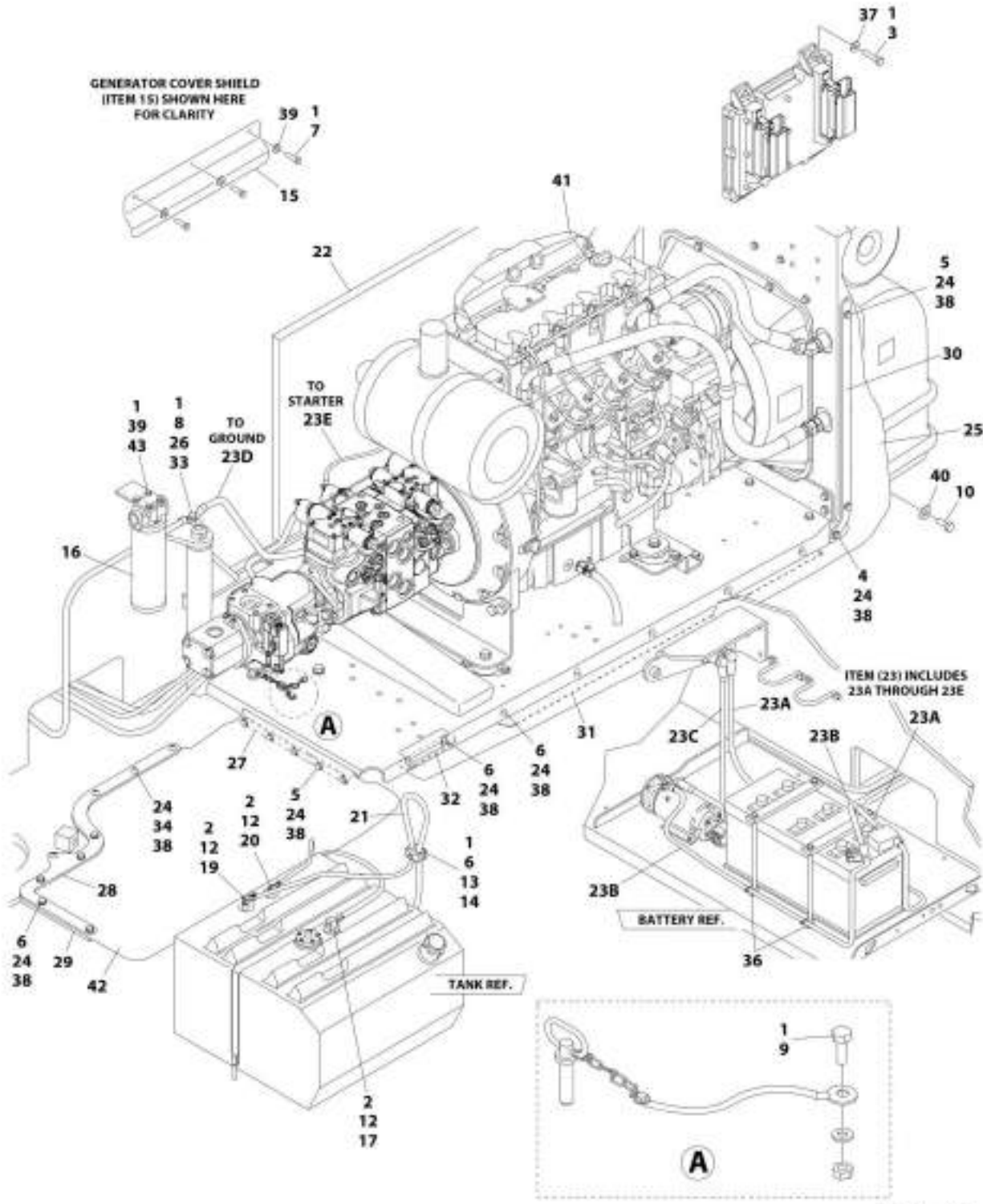
ITEM	PART NUMBER	QTY	DESCRIPTION	REV
41	3200401	2	Mount, Motor (Rear)	
42	3220126	1	Muffler	
42	70003555	1	Clamp	
43	3300454	10	Nut	
44	3311405	5	Nut 1/4	
45	3311505	5	Nut 5/16	
46	3311605	30	Nut 3/8	
47	3311805	5	Nut 1/2	
48	3422532	1	Pin, Hitch	
49	3520054	2	Plug	
50	3537416	1	Plate, Mounting (Front Right)	
51	3539971	1	Bracket, Engine Mounting (Front)	
52	3573142	1	Bracket, Engine Mounting (Rear)	
53	3573411	2	Plate, Clamp	
54	3573412	1	Gusset	
55	3573529	1	Plate, Mounting (Front Left)	
56	3580320	1	Pulley	
58	1001145382	1	Cooler, Engine Oil	
59	3740067	2	Relay, Start	
60	3740080	2	Relay	
61	3960543	1	Seal	
62	3960544	1	Seal	
63	4032022	4	Capscrew M10 x 90	
64	4060804	1 ft /25cm	Flex-Trim	
65	4060805	8 in/20cm	Flex-Trim	
66	4240099	AR	Tie, Wire (Not Shown)	
67	4568293	1	Pipe, Exhaust	
68	4640751	1	Valve, Oil Drain	
69	4711500	13	Washer 5/16	
70	4711600	68	Washer 3/8	
71	4711800	7	Washer 1/2	
72	4740274	4	Washer, Snubbing	
73	4740518	10	Washer, Nylon	
74	4751400	20	Washer 1/4	
75	4791400	4	Washer 1/4	
76	4846552	1	Plate, Oil Cooler Mounting	
77	4846945	1	Mount, Generator	
78	4846946	1	Tray	
79	4891800	4	Washer 1/2	
80	4923468	1	Harness, Glow Plugs	
81	4923592	1	Cable, Jumper	
82	1001092856	1	Hose, Air Intake (SN 0300201016 through 0300234290)	
82	1001225118	1	Hose, Air Intake (SN 0300243291 to Present)	
83	1001098601	1	Engine, Deutz TD2011 Components (See Separate Breakdown in this Section)	
84	8410013	1	Clamp, Gear	
85	1001112927	1	Pump Assembly - Sauer Gear (See Separate Breakdown in this Section)	
86	4891600	2	Washer 3/8	
87	1001108616	1	Pump Assembly - Sauer (See Separate Breakdown in this Section)	
88	1001171095	1	Pump Assembly - Sauer Piston (See Separate Breakdown in this Section)	

SECTION 3 - ENGINE

ITEM	PART NUMBER	QTY	DESCRIPTION	REV
89	3790152	1	O-Ring	
90	3790155	1	O-Ring	
91	2750532	0.8 ft/ 0.2m	Hose	

SECTION 3 - ENGINE

FIGURE 3-15. DEUTZ TD2011 DIESEL ENGINE INSTALLATION - WITH SAUER PUMPS AND STEEL HOODS (WITHOUT SKYPOWER AND WITHOUT COLD WEATHER PLUS PACKAGE)



APP_1001119022

SECTION 3 - ENGINE

FIGURE 3-15. DEUTZ TD2011 DIESEL ENGINE INSTALLATION - WITH SAUER PUMPS AND STEEL HOODS (WITHOUT SKYPOWER AND WITHOUT COLD WEATHER PLUS PACKAGE)

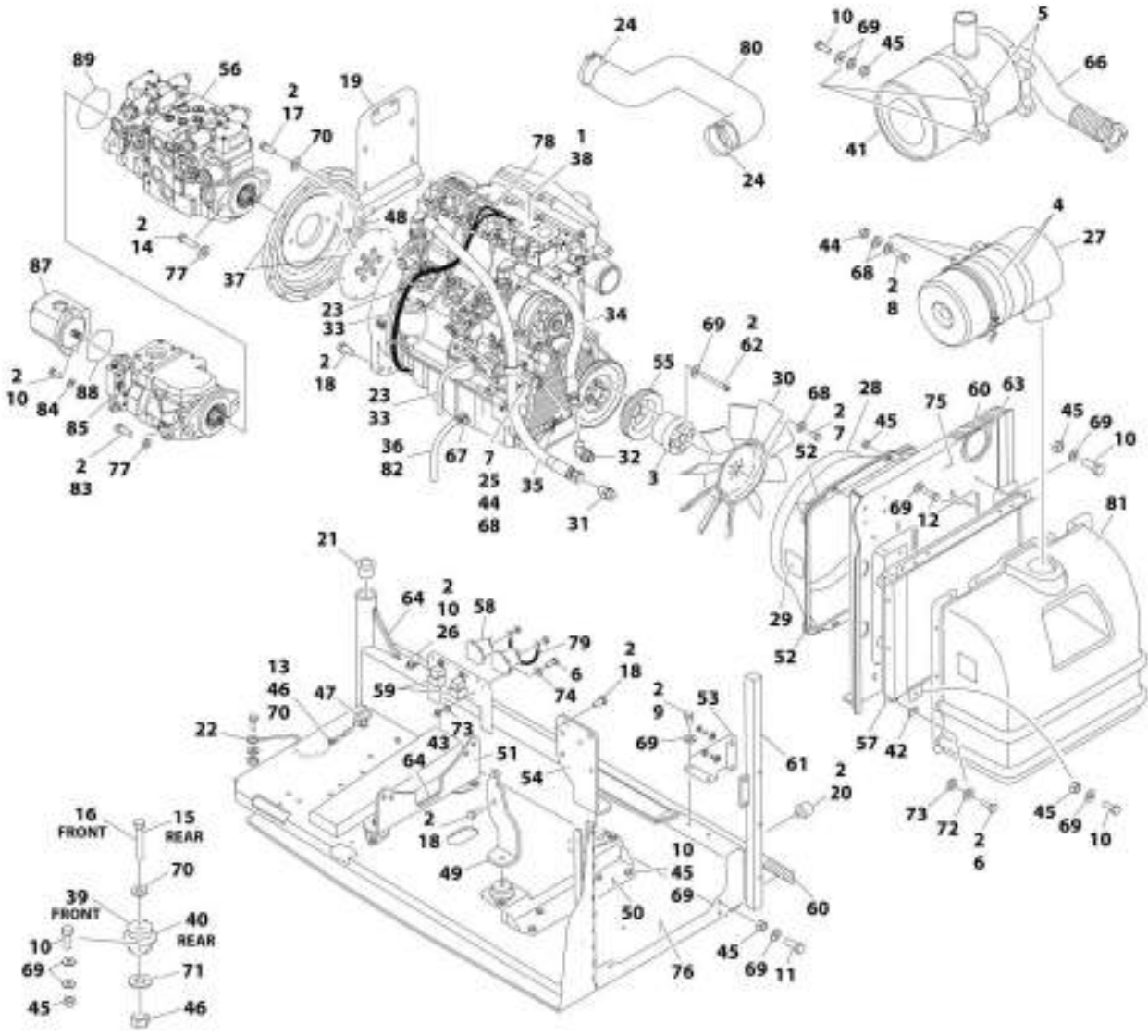
ITEM	PART NUMBER	QTY	DESCRIPTION	REV
	1001119052	Ref	DEUTZ TD2011 DIESEL ENGINE INSTALLATION - WITH SAUER PUMPS AND STEEL HOODS (WITHOUT SKYPOWER AND WITHOUT COLD WEATHER PLUS PACKAGE)	D
1	0100011	AR	Compound, Locking	
2	0100079	AR	Sealant, Pipe	
3	0641410	4	Bolt 1/4 x 1-1/4	
4	0641506	1	Bolt 5/16 x 3/4	
5	0641509	7	Bolt 5/16 x 1-1/8	
6	0641511	13	Bolt 5/16 x 1-3/8	
7	0641605	3	Bolt 3/8 x 5/8	
8	0641610	1	Bolt 3/8 x 1-1/4	
9	0641808	1	Bolt 1/2 x 1	
10	0642010	1	Bolt 5/8 x 1-1/4	
12	1320022	3	Clamp	
13	1320187	1	Clamp, Twin	
14	1320190	1	Cover, Clamp	
15	1671121	1	Cover, Generator	
16	1001108617	1	Pressure Filter	
16	70002231	1	Element, Filter	
17	2180348	1	Fitting, Barbed	
18	2200222	1	Plug, Pipe - Used in Bottom of Fuel Tank (Not Shown) (SN 0300201016 through 0300237154)	
19	2220313	1	Fitting, Elbow Barbed	
20	2221176	1	Fitting, Elbow	
21	2750532	5 ft/ 1.5m	Hose	
22	2820170	1	Insulation, Sound Absorbing	
23	2902099	1	Battery Cable Kit	
23A	7024580	1	Cable, Red (To Aux Pump Relay, Battery Positive Terminal and Start Relay)	
23B	7024581	1	Cable, Black (To Aux Pump, Battery Negative Terminal and Ground at Tray Pivot)	
23C	7024582	1	Cable, Red (Aux Pump Relay to Aux Pump)	
23D	7024583	1	Cable, Black (Tray Pivot to Engine Mount)	
23E	7024584	1	Cable, Red (Start Relay to Starter)	
24	3311505	24	Nut 5/16	
25	3380473	1	Panel, Rubber	
26	3422446	1	Pin	
27	3573644	1	Plate, Tray Clamp	
28	1001112878	1	Plate, Top Clamp	
29	1001112879	1	Plate, Bottom Clamp	
30	3573669	1	Plate, Clamp	
31	1001112880	1	Plate, Tray Clamp	
32	3573728	1	Plate, Tray Clamp	
33	3841143	1	Keeper, Pin	
34	3900272	4	Screw 5/16 x 1-3/4	
35	4240018	2	Strap, Tie (Not Shown)	
36	4240099	AR	Strap, Tie	
37	4711400	4	Washer 1/4	
38	4711500	44	Washer 5/16	
39	4711600	7	Washer 3/8	

SECTION 3 - ENGINE

ITEM	PART NUMBER	QTY	DESCRIPTION	REV
40	4752000	1	Washer 5/8	
41	1001107971	1	Engine Assembly with Pumps (See Separate Breakdown in this Section)	
42	1001111132	1	Panel, Rubber	
43	0641606	4	Bolt 3/8 x 3/4	

SECTION 3 - ENGINE

FIGURE 3-16. DEUTZ TD2011 ENGINE ASSEMBLY - WITH SAUER PUMPS AND STEEL HOODS (WITHOUT SKYPOWER AND WITHOUT COLD WEATHER PLUS PACKAGE)



ART_1001102921

SECTION 3 - ENGINE

**FIGURE 3-16. DEUTZ TD2011 ENGINE ASSEMBLY - WITH SAUER PUMPS AND STEEL HOODS
(WITHOUT SKYPOWER AND WITHOUT COLD WEATHER PLUS PACKAGE)**

ITEM	PART NUMBER	QTY	DESCRIPTION	REV
	1001107971	Ref	DEUTZ TD2011 ENGINE ASSEMBLY - WITH SAUER PUMPS AND STEEL HOODS (WITHOUT SKYPOWER AND WITHOUT COLD WEATHER PLUS PACKAGE)	I
1	1001098601	1	Engine, Deutz TD2011 Components (See Separate Breakdown in this Section)	
2	0100011	AR	Compound, Locking	
3	0080237	1	Spacer, Fan	
4	0340003	2	Band, Air Cleaner	
5	0340051	2	Band, Muffler	
6	0641406	15	Bolt 1/4 x 3/4	
7	0641506	5	Bolt 5/16 x 3/4	
8	0641507	4	Bolt 5/16 x 7/8	
9	0641605	4	Bolt 3/8 x 5/8	
10	0641608	27	Bolt 3/8 x 1	
11	0641609	2	Bolt 3/8 x 1-1/8	
12	0641610	4	Bolt 3/8 x 1-1/4	
13	0641808	1	Bolt 1/2 x 1	
14	0641814	2	Bolt 1/2 x 1-3/4	
15	0641818	2	Bolt 1/2 x 2-1/4	
16	0641826	2	Bolt 1/2 x 3-1/4	
17	0711214	2	Bolt M12 x 30	
18	0771414	10	Bolt M14 x 30	
19	1001112766	1	Bracket, Muffler	
20	0940070	1	Bumper	
21	0961986	2	Bushing, Flanged	
22	1001131542	1	Lanyard	
23	1320022	3	Clamp	
24	1320058	2	Clamp	
25	1320060	1	Clamp	
26	1320223	1	J-Clip	
27	1340065	1	Air Cleaner Assembly	
27	7003655	1	Element, Air Cleaner	
27	7015013	1	Baffle, Rubber	
27	7015014	1	Clamp, Cap	
27	7015015	1	Cup	
27	7015003	1	Wingnut	
28	1671023	1	Shroud, Fan	
29	1703162	2	Decal - Fan Blade	
30	2060025	1	Fan	
31	2220451	1	Fitting, Straight	
32	2220498	1	Fitting, Elbow	
33	2720058	34 ft/ 10.3m	Hose	
34	2720500	1	Hose, Oil Cooler (Top)	
35	2720501	1	Hose, Oil Cooler (Bottom)	
36	2750532	9 in/23cm	Hose	
37	2902065	1	Pump Coupling Kit (See Separate Breakdown in this Section)	
38	3020016	3.3 gal/ 12.3L	Motor Oil, 15W-40	
39	3200362	2	Mount, Motor (Front)	

SECTION 3 - ENGINE

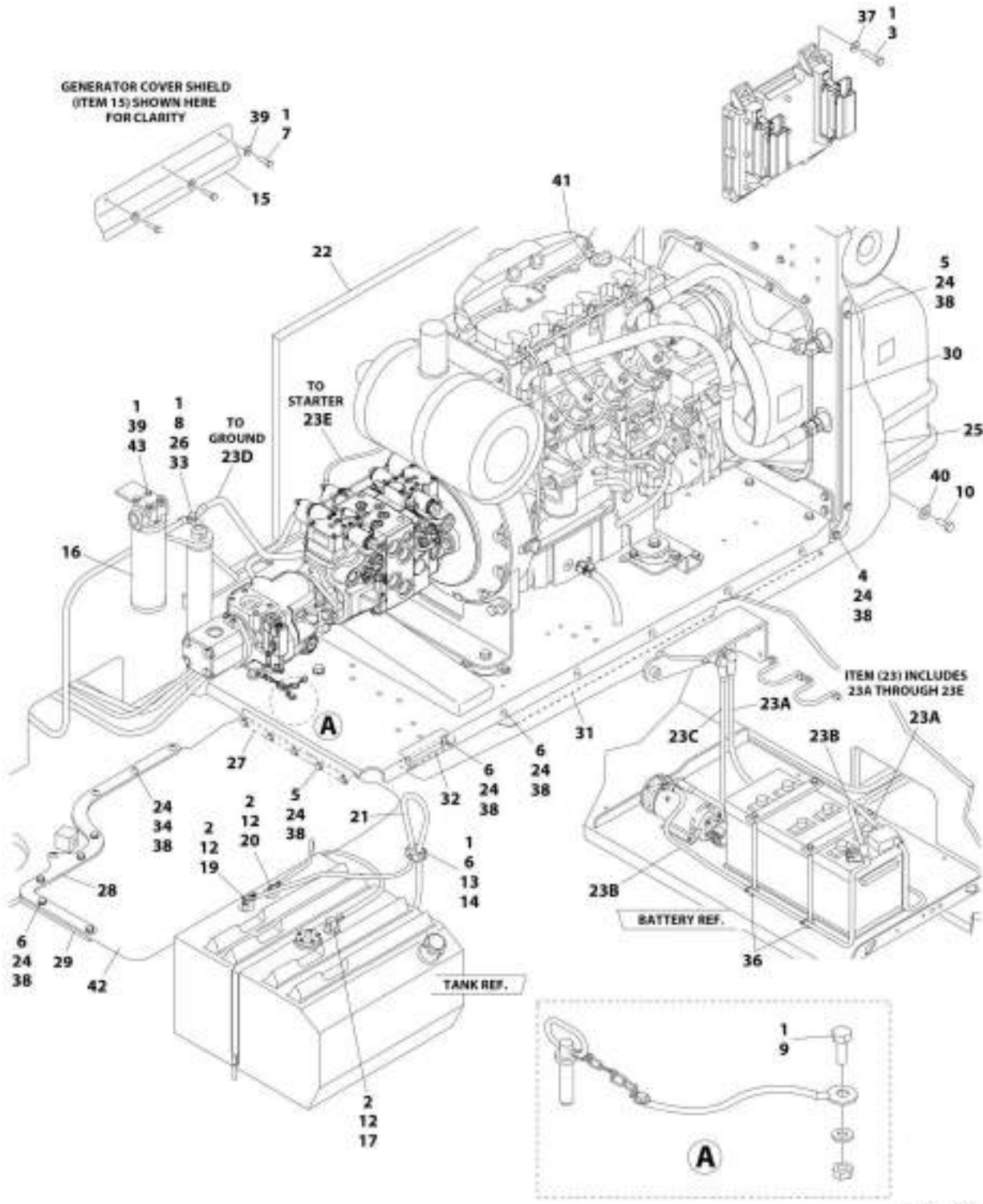
ITEM	PART NUMBER	QTY	DESCRIPTION	REV
40	3200401	2	Mount, Motor (Rear)	
41	3220126	1	Muffler	
41	70003555	1	Clamp	
42	3300454	10	Nut	
43	3311405	5	Nut 1/4	
44	3311505	5	Nut 5/16	
45	3311605	30	Nut 3/8	
46	3311805	5	Nut 1/2	
47	3422532	1	Pin, Hitch	
48	3520054	2	Plug	
49	3537416	1	Plate, Mounting (Front Right)	
50	3539971	1	Bracket, Engine Mounting (Front)	
51	3573142	1	Bracket, Engine Mounting (Rear)	
52	3573411	2	Plate, Clamp	
53	3573412	1	Gusset	
54	3573529	1	Plate, Mounting (Front Left)	
55	3580158	1	Pulley	
56	1001108616	1	Pump Assembly - Sauer (See Separate Breakdown in this Section)	
57	1001145382	1	Cooler, Engine Oil	
58	3740067	2	Relay, Start	
59	3740080	2	Relay	
60	3960543	1	Seal	
61	3960544	1	Seal	
62	4032022	4	Capscrew M10 x 90	
63	4060804	1 ft/ 25cm	Flex-Trim	
64	4060805	8 in/20cm	Flex-Trim	
65	4240099	AR	Tie, Wire (Not Shown)	
66	4568293	1	Pipe, Exhaust	
67	4640751	1	Valve, Oil Drain	
68	4711500	13	Washer 5/16	
69	4711600	68	Washer 3/8	
70	4711800	7	Washer 1/2	
71	4740274	4	Washer, Snubbing	
72	4740518	10	Washer, Nylon	
73	4751400	20	Washer 1/4	
74	4791400	4	Washer 1/4	
75	4846552	1	Plate, Oil Cooler Mounting	
76	4846946	1	Tray	
77	4891800	4	Washer 1/2	
78	4923468	1	Harness, Glow Plugs	
79	4923592	1	Cable, Jumper	
80	1001092856	1	Hose, Air Intake (SN 0300201016 through 0300234290)	
80	1001225118	1	Hose, Air Intake (SN 0300243291 to Present)	
81	0272060	1	Box, Air Intake	
82	8410013	1	Clamp, Gear	
83	0761215	2	Bolt M12 x 35mm	
84	4891600	2	Washer 3/8	
85	1001171095	1	Pump Assembly - Sauer Piston (See Separate Breakdown in this Section)	
87	1001112927	1	Pump Assembly - Sauer Gear (See Separate Breakdown in this Section)	
88	3790152	1	O-Ring	

SECTION 3 - ENGINE

ITEM	PART NUMBER	QTY	DESCRIPTION	REV
89	3790155	1	O-Ring	

SECTION 3 - ENGINE

FIGURE 3-17. DEUTZ TD2011 DIESEL ENGINE INSTALLATION - WITH SAUER PUMPS AND STEEL HOODS (WITH SKYPOWER AND WITHOUT COLD WEATHER PLUS PACKAGE)



AWT_1001116053

SECTION 3 - ENGINE

FIGURE 3-17. DEUTZ TD2011 DIESEL ENGINE INSTALLATION - WITH SAUER PUMPS AND STEEL HOODS (WITH SKYPOWER AND WITHOUT COLD WEATHER PLUS PACKAGE)

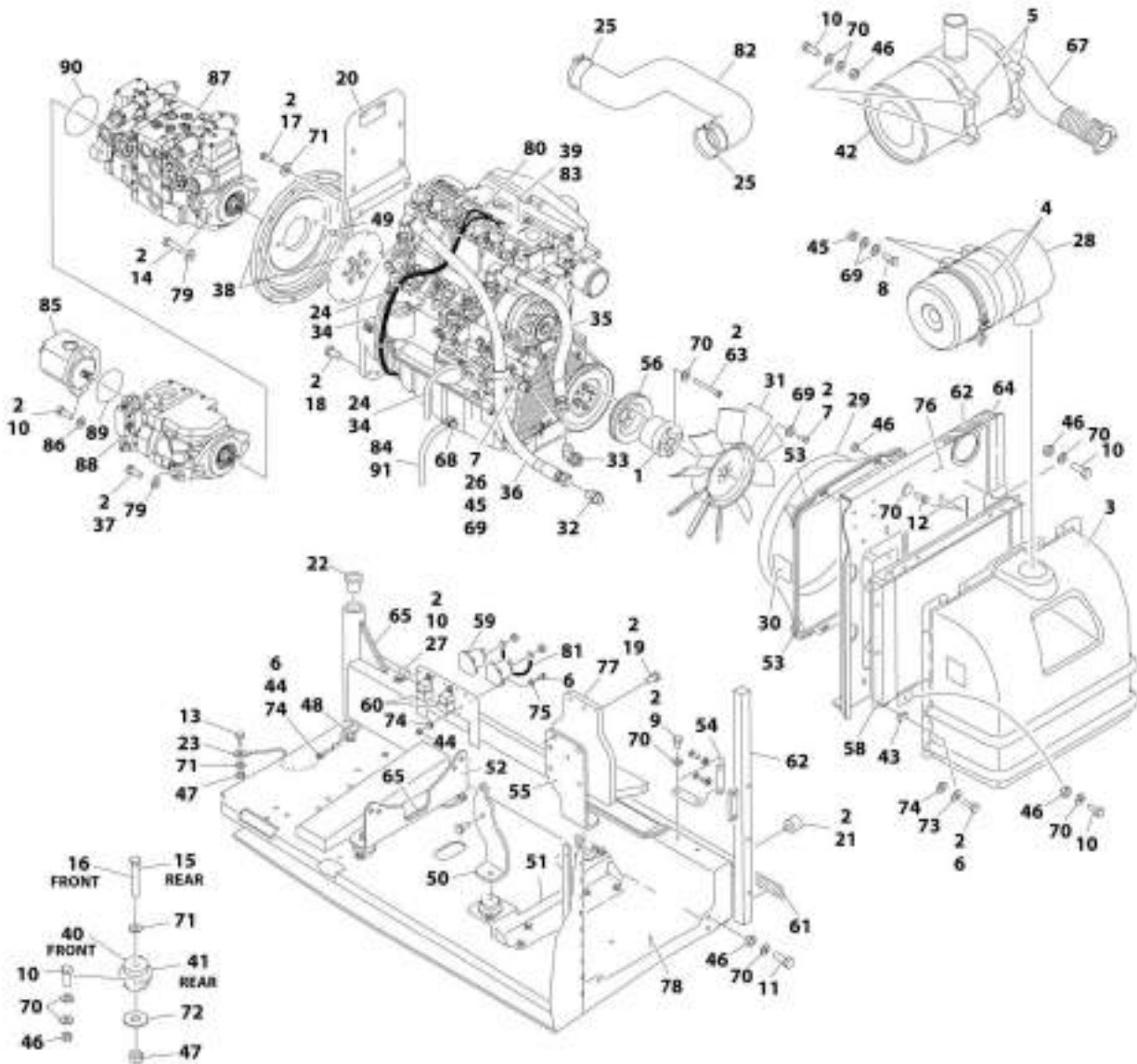
ITEM	PART NUMBER	QTY	DESCRIPTION	REV
	1001119053	Ref	DEUTZ TD2011 DIESEL ENGINE INSTALLATION - WITH SAUER PUMPS AND STEEL HOODS (WITH SKYPOWER AND WITHOUT COLD WEATHER PLUS PACKAGE)	D
1	0100011	AR	Compound, Locking	
2	0100079	AR	Sealant, Pipe	
3	0641410	4	Bolt 1/4 x 1-1/4	
4	0641506	1	Bolt 5/16 x 3/4	
5	0641509	7	Bolt 5/16 x 1-1/8	
6	0641511	13	Bolt 5/16 x 1-3/8	
7	0641605	3	Bolt 3/8 x 5/8	
8	0641610	1	Bolt 3/8 x 1-1/4	
9	0641808	1	Bolt 1/2 x 1	
10	0642010	1	Bolt 5/8 x 1-1/4	
12	1320022	3	Clamp	
13	1320187	1	Clamp, Twin	
14	1320190	1	Cover, Clamp	
15	1671121	1	Cover, Generator	
16	1001108617	1	Pressure Filter	
16	70002231	1	Element, Filter	
17	2180348	1	Fitting, Barbed	
18	2200222	1	Plug, Pipe - Used in Bottom of Fuel Tank (Not Shown) (SN 0300201016 through 0300237154)	
19	2220313	1	Fitting, Elbow Barbed	
20	2221176	1	Fitting, Elbow	
21	2750532	5 ft/ 1.5m	Hose	
22	2820170	1	Insulation, Sound Absorbing	
23	2902099	1	Battery Cable Kit	
23A	7024580	1	Cable, Red (To Aux Pump Relay, Battery Positive Terminal and Start Relay)	
23B	7024581	1	Cable, Black (To Aux Pump, Battery Negative Terminal and Ground at Tray Pivot)	
23C	7024582	1	Cable, Red (Aux Pump Relay to Aux Pump)	
23D	7024583	1	Cable, Black (Tray Pivot to Engine Mount)	
23E	7024584	1	Cable, Red (Start Relay to Starter)	
24	3311505	24	Nut 5/16	
25	3380473	1	Panel, Rubber	
26	3422446	1	Pin	
27	3573644	1	Plate, Tray Clamp	
28	1001112878	1	Plate, Top Clamp	
29	1001112879	1	Plate, Bottom Clamp	
30	3573669	1	Plate, Clamp	
31	1001112880	1	Plate, Tray Clamp	
32	3573728	1	Plate, Tray Clamp	
33	3841143	1	Keeper, Pin	
34	3900272	4	Screw 5/16 x 1-3/4	
35	4240018	2	Strap, Tie (Not Shown)	
36	4240099	AR	Strap, Tie	
37	4711400	4	Washer 1/4	
38	4711500	44	Washer 5/16	
39	4711600	7	Washer 3/8	

SECTION 3 - ENGINE

ITEM	PART NUMBER	QTY	DESCRIPTION	REV
40	4752000	1	Washer 5/8	
41	1001107973	1	Engine Assembly with Pumps (See DEUTZ TD2011 ENGINE ASSEMBLY - WITH SAUER PUMPS AND STEEL HOODS (WITH SKYPOWER AND WITHOUT COLD WEATHER PLUS PACKAGE) for Breakdown)	
42	1001111132	1	Panel, Rubber	
43	0641606	4	Bolt 3/8 x 3/4	

SECTION 3 - ENGINE

FIGURE 3-18. DEUTZ TD2011 ENGINE ASSEMBLY - WITH SAUER PUMPS AND STEEL HOODS (WITH SKYPOWER AND WITHOUT COLD WEATHER PLUS PACKAGE)



ART_1001107073

SECTION 3 - ENGINE

**FIGURE 3-18. DEUTZ TD2011 ENGINE ASSEMBLY - WITH SAUER PUMPS AND STEEL HOODS
(WITH SKYPOWER AND WITHOUT COLD WEATHER PLUS PACKAGE)**

ITEM	PART NUMBER	QTY	DESCRIPTION	REV
	1001107973	Ref	DEUTZ TD2011 ENGINE ASSEMBLY - WITH SAUER PUMPS AND STEEL HOODS (WITH SKYPOWER AND WITHOUT COLD WEATHER PLUS PACKAGE)	I
1	0080244	1	Spacer, Fan	
2	0100011	AR	Compound, Locking	
3	0272060	1	Box, Air Intake	
4	0340003	2	Band, Air Cleaner	
5	0340051	2	Band, Muffler	
6	0641406	15	Bolt 1/4 x 3/4	
7	0641506	5	Bolt 5/16 x 3/4	
8	0641507	4	Bolt 5/16 x 7/8	
9	0641605	4	Bolt 3/8 x 5/8	
10	0641608	27	Bolt 3/8 x 1	
11	0641609	2	Bolt 3/8 x 1-1/8	
12	0641610	4	Bolt 3/8 x 1-1/4	
13	0641808	1	Bolt 1/2 x 1	
14	0641814	2	Bolt 1/2 x 1-3/4	
15	0641818	2	Bolt 1/2 x 2-1/4	
16	0641826	2	Bolt 1/2 x 3-1/4	
17	0711214	2	Bolt M12 x 30	
18	0771414	6	Bolt M14 x 30	
19	0711417	4	Bolt M14 x 45	
20	1001112766	1	Bracket, Muffler	
21	0940070	1	Bumper	
22	0961986	2	Bushing, Flanged	
23	1001131542	1	Lanyard	
24	1320022	2	Clamp	
25	1320058	2	Clamp	
26	1320060	1	Clamp	
27	1320223	1	J-Clip	
28	1340065	1	Air Cleaner Assembly	
28	7003655	1	Element, Air Cleaner	
28	7015013	1	Baffle, Rubber	
28	7015014	1	Clamp, Cap	
28	7015015	1	Cup	
28	7015003	1	Wingnut	
29	1671023	1	Shroud, Fan	
30	1703162	2	Decal - Fan Blade	
31	2060025	1	Fan	
32	2220451	1	Fitting, Straight	
33	2220498	1	Fitting, Elbow	
34	2720058	34 ft/ 10.3m	Hose	
35	2720500	1	Hose, Oil Cooler (Top)	
36	2720501	1	Hose, Oil Cooler (Bottom)	
37	0761215	2	Bolt M12 x 35mm	
38	2902065	1	Pump Coupling Kit (See Separate Breakdown in this Section)	
39	3020016	3.3 gal/ 12.3L	Motor Oil, 15W-40	
40	3200362	2	Mount, Motor (Front)	

SECTION 3 - ENGINE

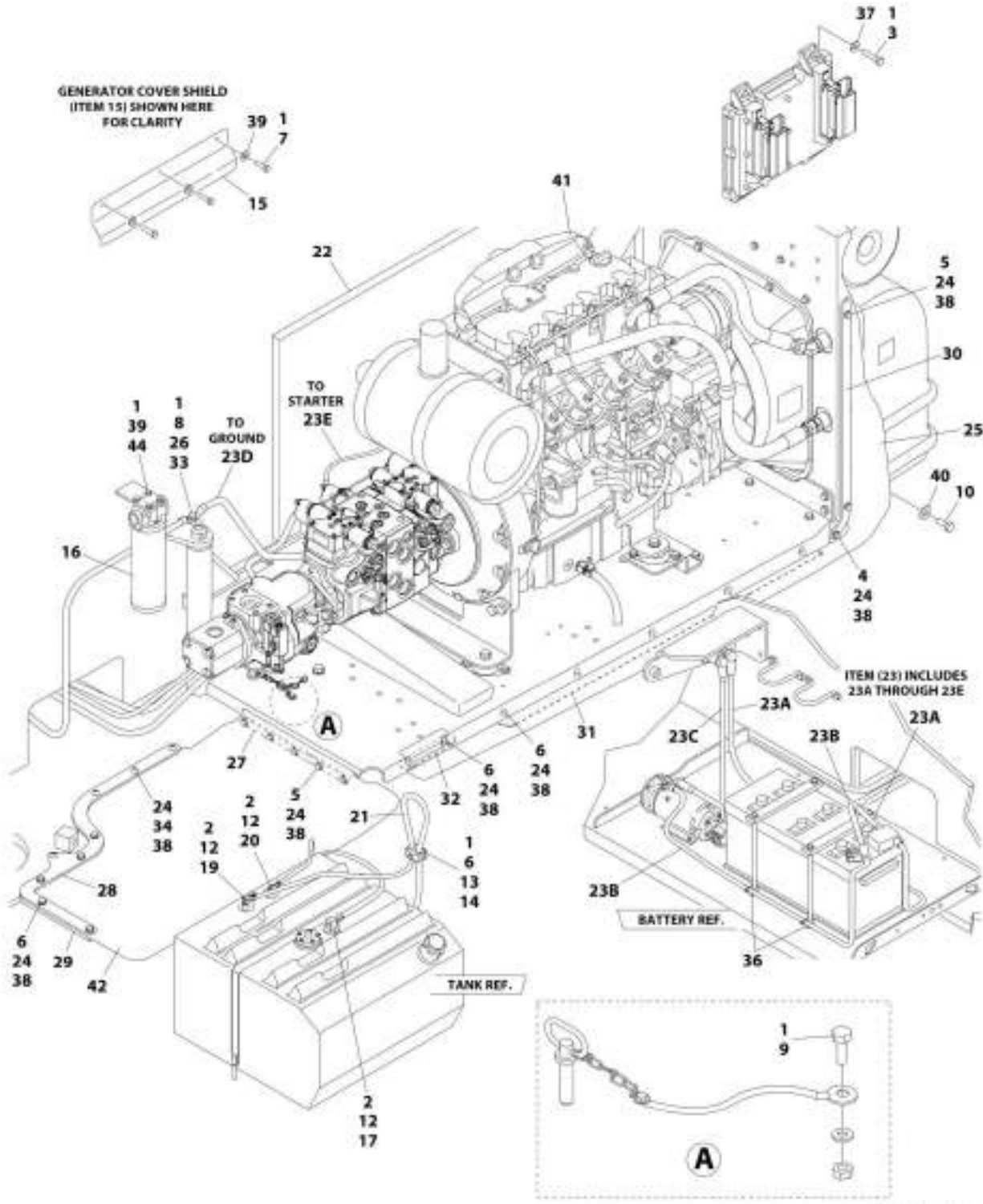
ITEM	PART NUMBER	QTY	DESCRIPTION	REV
41	3200401	2	Mount, Motor (Rear)	
42	3220126	1	Muffler	
42	70003555	1	Clamp	
43	3300454	10	Nut	
44	3311405	5	Nut 1/4	
45	3311505	5	Nut 5/16	
46	3311605	30	Nut 3/8	
47	3311805	5	Nut 1/2	
48	3422532	1	Pin, Hitch	
49	3520054	2	Plug	
50	3537416	1	Plate, Mounting (Front Right)	
51	3539971	1	Bracket, Engine Mounting (Front)	
52	3573142	1	Bracket, Engine Mounting (Rear)	
53	3573411	2	Plate, Clamp	
54	3573412	1	Gusset	
55	3573529	1	Plate, Mounting (Front Left)	
56	3580320	1	Pulley	
58	1001145382	1	Cooler, Engine Oil	
59	3740067	2	Relay, Start	
60	3740080	2	Relay	
61	3960543	1	Seal	
62	3960544	1	Seal	
63	4032022	4	Capscrew M10 x 90	
64	4060804	1 ft/ 25cm	Flex-Trim	
65	4060805	8 in/20cm	Flex-Trim	
66	4240099	AR	Tie, Wire (Not Shown)	
67	4568293	1	Pipe, Exhaust	
68	4640751	1	Valve, Oil Drain	
69	4711500	13	Washer 5/16	
70	4711600	68	Washer 3/8	
71	4711800	7	Washer 1/2	
72	4740274	4	Washer, Snubbing	
73	4740518	10	Washer, Nylon	
74	4751400	20	Washer 1/4	
75	4791400	4	Washer 1/4	
76	4846552	1	Plate, Oil Cooler Mounting	
77	4846945	1	Mount, Generator	
78	4846946	1	Tray	
79	4891800	4	Washer 1/2	
80	4923468	1	Harness, Glow Plugs	
81	4923592	1	Cable, Jumper	
82	1001092856	1	Hose, Air Intake (SN 0300201016 through 0300234290)	
82	1001225118	1	Hose, Air Intake (SN 0300243291 to Present)	
83	1001098601	1	Engine, Deutz TD2011 Components (See Separate Breakdown in this Section)	
84	8410013	1	Clamp, Gear	
85	1001112927	1	Pump Assembly - Sauer Gear (See Separate Breakdown in this Section)	
86	4891600	2	Washer 3/8	
87	1001108616	1	Pump Assembly - Sauer (See Separate Breakdown in this Section)	
88	1001171095	1	Pump Assembly - Sauer Piston (See Separate Breakdown in this Section)	

SECTION 3 - ENGINE

ITEM	PART NUMBER	QTY	DESCRIPTION	REV
89	3790152	1	O-Ring	
90	3790155	1	O-Ring	
91	2750532	0.8 ft/ 0.2m	Hose	

SECTION 3 - ENGINE

FIGURE 3-19. DEUTZ TD2011 DIESEL ENGINE INSTALLATION - WITH SAUER PUMPS AND STEEL HOODS (WITH SKYPOWER AND WITH COLD WEATHER PLUS PACKAGE)



APP_100119004

SECTION 3 - ENGINE

FIGURE 3-19. DEUTZ TD2011 DIESEL ENGINE INSTALLATION - WITH SAUER PUMPS AND STEEL HOODS (WITH SKYPOWER AND WITH COLD WEATHER PLUS PACKAGE)

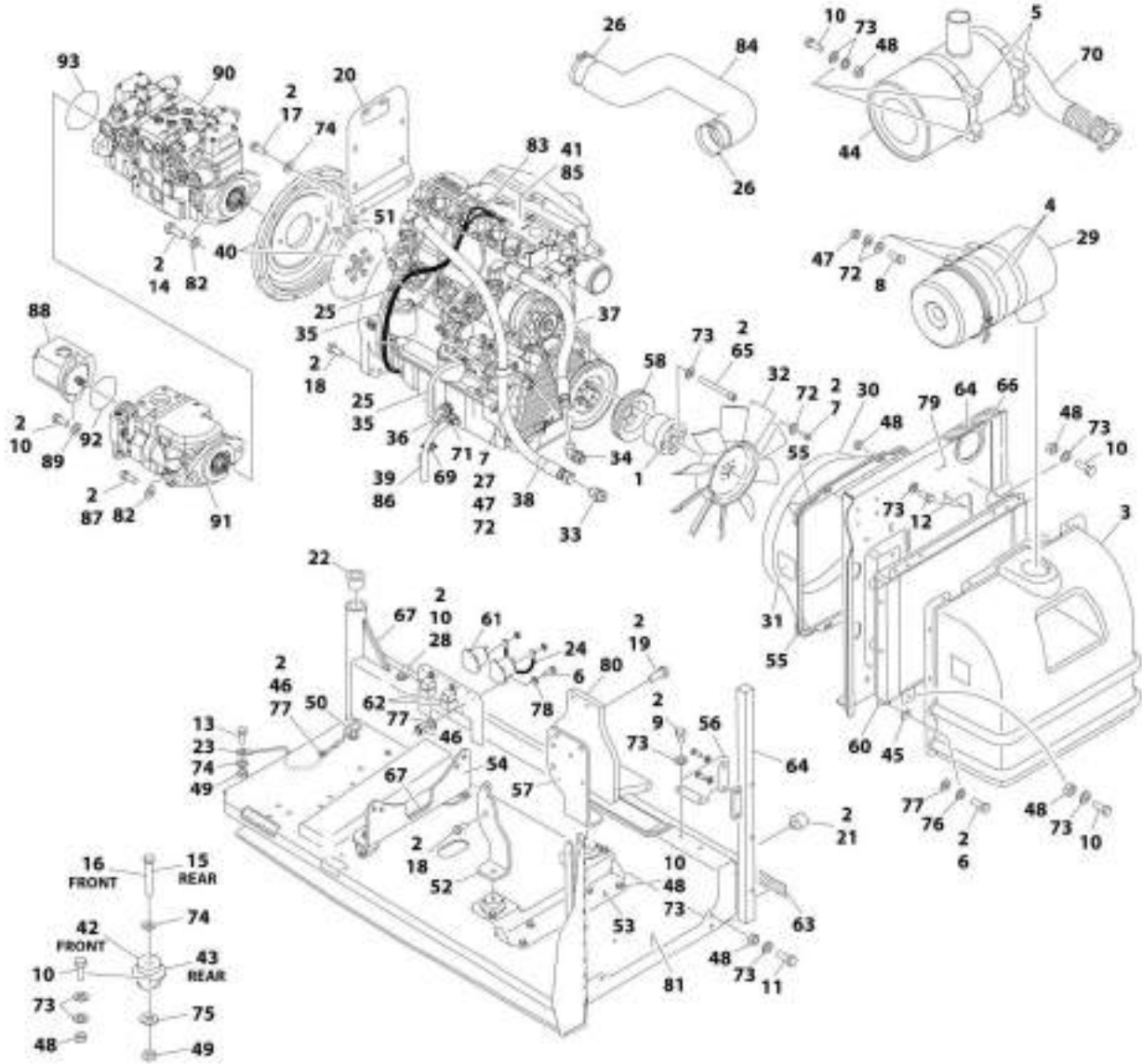
ITEM	PART NUMBER	QTY	DESCRIPTION	REV
	1001119054	Ref	DEUTZ TD2011 DIESEL ENGINE INSTALLATION - WITH SAUER PUMPS AND STEEL HOODS (WITH SKYPOWER AND WITH COLD WEATHER PLUS PACKAGE)	D
1	0100011	AR	Compound, Locking	
2	0100079	AR	Sealant, Pipe	
3	0641410	4	Bolt 1/4 x 1-1/4	
4	0641506	1	Bolt 5/16 x 3/4	
5	0641509	7	Bolt 5/16 x 1-1/8	
6	0641511	13	Bolt 5/16 x 1-3/8	
7	0641605	3	Bolt 3/8 x 5/8	
8	0641610	1	Bolt 3/8 x 1-1/4	
9	0641808	1	Bolt 1/2 x 1	
10	0642010	1	Bolt 5/8 x 1-1/4	
12	1320022	3	Clamp	
13	1320187	1	Clamp, Twin	
14	1320190	1	Cover, Clamp	
15	1671121	1	Cover, Generator	
16	1001108617	1	Pressure Filter	
16	70002231	1	Element, Filter	
17	2180348	1	Fitting, Barbed	
18	2200222	1	Plug, Pipe - Used in Bottom of Fuel Tank (Not Shown) (SN 0300201016 through 0300237154)	
19	2220313	1	Fitting, Elbow Barbed	
20	2221176	1	Fitting, Elbow	
21	2750532	5 ft/ 1.5m	Hose	
22	2820170	1	Insulation, Sound Absorbing	
23	2902099	1	Battery Cable Kit	
23A	7024580	1	Cable, Red (To Aux Pump Relay, Battery Positive Terminal and Start Relay)	
23B	7024581	1	Cable, Black (To Aux Pump, Battery Negative Terminal and Ground at Tray Pivot)	
23C	7024582	1	Cable, Red (Aux Pump Relay to Aux Pump)	
23D	7024583	1	Cable, Black (Tray Pivot to Engine Mount)	
23E	7024584	1	Cable, Red (Start Relay to Starter)	
24	3311505	24	Nut 5/16	
25	3380473	1	Panel, Rubber	
26	3422446	1	Pin	
27	3573644	1	Plate, Tray Clamp	
28	1001112878	1	Plate, Top Clamp	
29	1001112879	1	Plate, Bottom Clamp	
30	3573669	1	Plate, Clamp	
31	1001112880	1	Plate, Tray Clamp	
32	3573728	1	Plate, Tray Clamp	
33	3841143	1	Keeper, Pin	
34	3900272	4	Screw 5/16 x 1-3/4	
35	4240018	2	Strap, Tie (Not Shown)	
36	4240099	AR	Strap, Tie	
37	4711400	4	Washer 1/4	
38	4711500	44	Washer 5/16	
39	4711600	7	Washer 3/8	

SECTION 3 - ENGINE

ITEM	PART NUMBER	QTY	DESCRIPTION	REV
40	4752000	1	Washer 5/8	
41	1001107975	1	Engine Assembly with Pumps (See Separate Breakdown in this Section)	
42	1001111132	1	Panel, Rubber	
43	1702942	1	Decal - Block Heater (Not Shown)	
44	0641606	4	Bolt 3/8 x 3/4	

SECTION 3 - ENGINE

FIGURE 3-20. DEUTZ TD2011 ENGINE ASSEMBLY - WITH SAUER PUMPS AND STEEL HOODS (WITH SKYPOWER AND WITH COLD WEATHER PLUS PACKAGE)



4RF_1001107905

SECTION 3 - ENGINE

**FIGURE 3-20. DEUTZ TD2011 ENGINE ASSEMBLY - WITH SAUER PUMPS AND STEEL HOODS
(WITH SKYPOWER AND WITH COLD WEATHER PLUS PACKAGE)**

ITEM	PART NUMBER	QTY	DESCRIPTION	REV
	1001107975	Ref	DEUTZ TD2011 ENGINE ASSEMBLY - WITH SAUER PUMPS AND STEEL HOODS (WITH SKYPOWER AND WITH COLD WEATHER PLUS PACKAGE)	I
1	0080244	1	Spacer, Fan	
2	0100011	AR	Compound, Locking	
3	0272060	1	Box, Air Intake	
4	0340003	2	Band, Air Cleaner	
5	0340051	2	Band, Muffler	
6	0641406	15	Bolt 1/4 x 3/4	
7	0641506	5	Bolt 5/16 x 3/4	
8	0641507	4	Bolt 5/16 x 7/8	
9	0641605	4	Bolt 3/8 x 5/8	
10	0641608	27	Bolt 3/8 x 1	
11	0641609	2	Bolt 3/8 x 1-1/8	
12	0641610	4	Bolt 3/8 x 1-1/4	
13	0641808	1	Bolt 1/2 x 1	
14	0641814	2	Bolt 1/2 x 1-3/4	
15	0641818	2	Bolt 1/2 x 2-1/4	
16	0641826	2	Bolt 1/2 x 3-1/4	
17	0711214	2	Bolt M12 x 30	
18	0771414	6	Bolt M14 x 30	
19	0711417	4	Bolt M14 x 45	
20	1001112766	1	Bracket, Muffler	
21	0940070	1	Bumper	
22	0961986	2	Bushing, Flanged	
23	1001131542	1	Lanyard	
24	1060904	1	Cable, Jumper	
25	1320022	2	Clamp	
26	1320058	2	Clamp	
27	1320060	1	Clamp	
28	1320223	1	J-Clip	
29	1340065	1	Air Cleaner Assembly	
29	7003655	1	Element, Air Cleaner	
29	7015013	1	Baffle, Rubber	
29	7015014	1	Clamp, Cap	
29	7015015	1	Cup	
29	7015003	1	Wingnut	
30	1671023	1	Shroud, Fan	
31	1703162	2	Decal - Fan Blade	
32	2060025	1	Fan	
33	2220451	1	Fitting, Straight	
34	2220498	1	Fitting, Elbow	
35	2720058	34 ft/ 10.3m	Hose	
36	2580062	1	Heater, Engine Block	
37	2720500	1	Hose, Oil Cooler (Top)	
38	2720501	1	Hose, Oil Cooler (Bottom)	
39	2750532	9 in /23cm	Hose	
40	2902065	1	Pump Coupling Kit (See Separate Breakdown in this Section))	

SECTION 3 - ENGINE

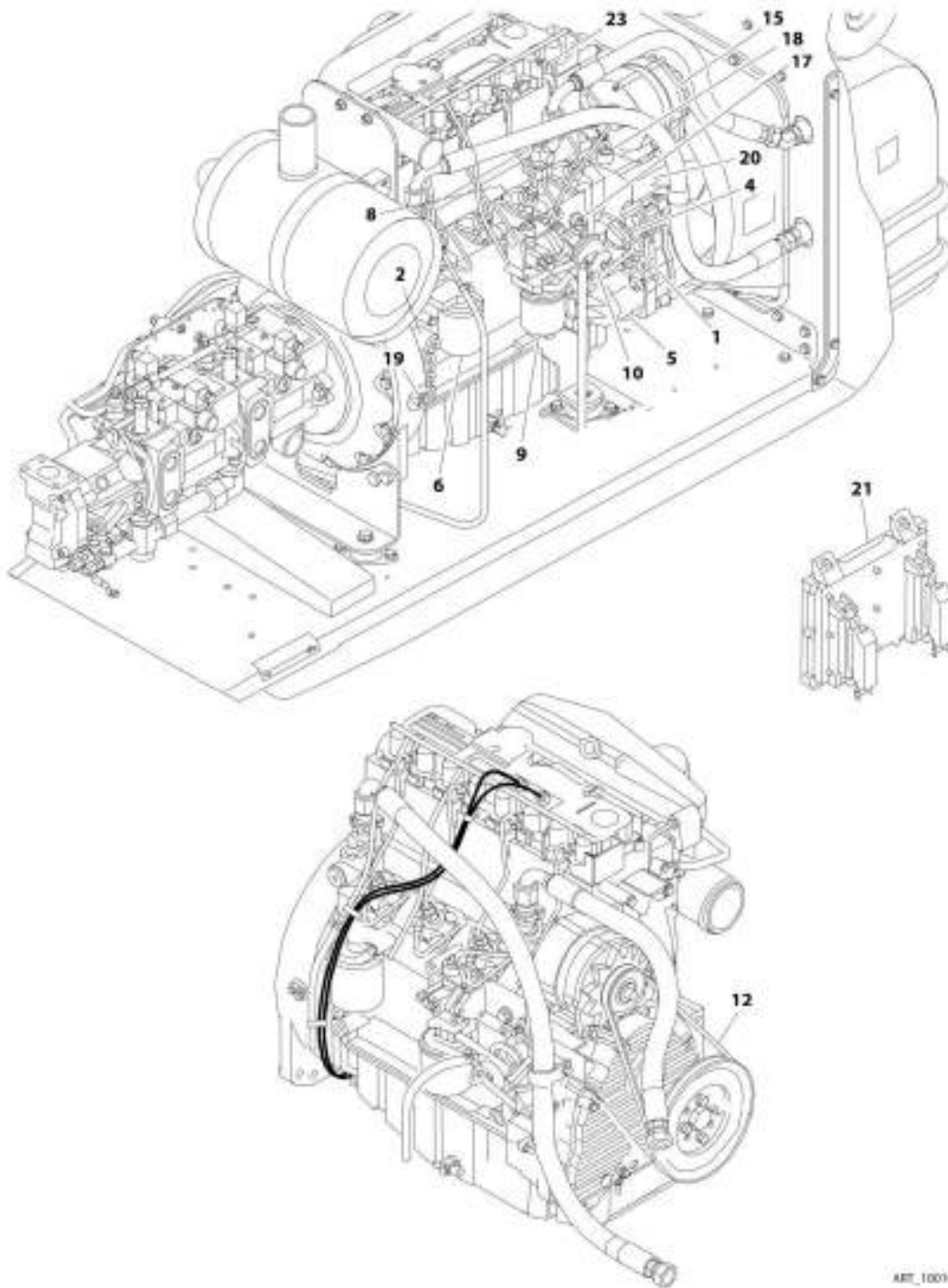
ITEM	PART NUMBER	QTY	DESCRIPTION	REV
41	3020044	3.3 gal/ 12.3L	Oil, Engine	
42	3200362	2	Mount, Motor (Front)	
43	3200401	2	Mount, Motor (Rear)	
44	3220126	1	Muffler	
44	70003555	1	Clamp	
45	3300454	10	Nut	
46	3311405	5	Nut 1/4	
47	3311505	5	Nut 5/16	
48	3311605	30	Nut 3/8	
49	3311805	5	Nut 1/2	
50	3422532	1	Pin, Hitch	
51	3520054	2	Plug	
52	3537416	1	Plate, Mounting (Front Right)	
53	3539971	1	Bracket, Engine Mounting (Front)	
54	3573142	1	Bracket, Engine Mounting (Rear)	
55	3573411	2	Plate, Clamp	
56	3573412	1	Gusset	
57	3573529	1	Plate, Mounting (Front Left)	
58	3580320	1	Pulley	
60	1001145382	1	Cooler, Engine Oil	
61	3740067	2	Relay, Start	
62	3740080	2	Relay	
63	3960543	1	Seal	
64	3960544	1	Seal	
65	4032022	4	Capscrew M10 x 90	
66	4060804	1 ft/ 25cm	Flex-Trim	
67	4060805	8 in/20cm	Flex-Trim	
68	4240099	AR	Tie, Wire (Not Shown)	
69	4460234	3	Mount, Wire Tie	
70	4568293	1	Pipe, Exhaust	
71	4640751	1	Valve, Oil Drain	
72	4711500	13	Washer 5/16	
73	4711600	68	Washer 3/8	
74	4711800	7	Washer 1/2	
75	4740274	4	Washer, Snubbing	
76	4740518	10	Washer, Nylon	
77	4751400	20	Washer 1/4	
78	4791400	4	Washer 1/4	
79	4846552	1	Plate, Oil Cooler Mounting	
80	4846945	1	Mount, Generator	
81	4846946	1	Tray	
82	4891800	4	Washer 1/2	
83	4923468	1	Harness, Glow Plugs	
84	1001092856	1	Hose, Air Intake (SN 0300201016 through 0300234290)	
84	1001225118	1	Hose, Air Intake (SN 0300243291 to Present)	
85	1001098601	1	Engine, Deutz TD2011 Components (See Separate Breakdown in this Section)	
86	8410013	1	Clamp, Gear	
87	0761215	2	Bolt M12 x 35	
88	1001112927	1	Pump Assembly - Sauer Gear (See Separate Breakdown in this Section)	

SECTION 3 - ENGINE

ITEM	PART NUMBER	QTY	DESCRIPTION	REV
89	4891600	2	Washer 3/8	
90	1001108616	1	Pump Assembly - Sauer Tandem (See Separate Breakdown in this Section)	
91	1001171095	1	Pump Assembly - Sauer Piston (See Separate Breakdown in this Section)	
92	3790152	1	O-Ring	
93	3790155	1	O-Ring	

SECTION 3 - ENGINE

FIGURE 3-21. DEUTZ TD2011 ENGINE COMPONENTS



AMT_1001098601

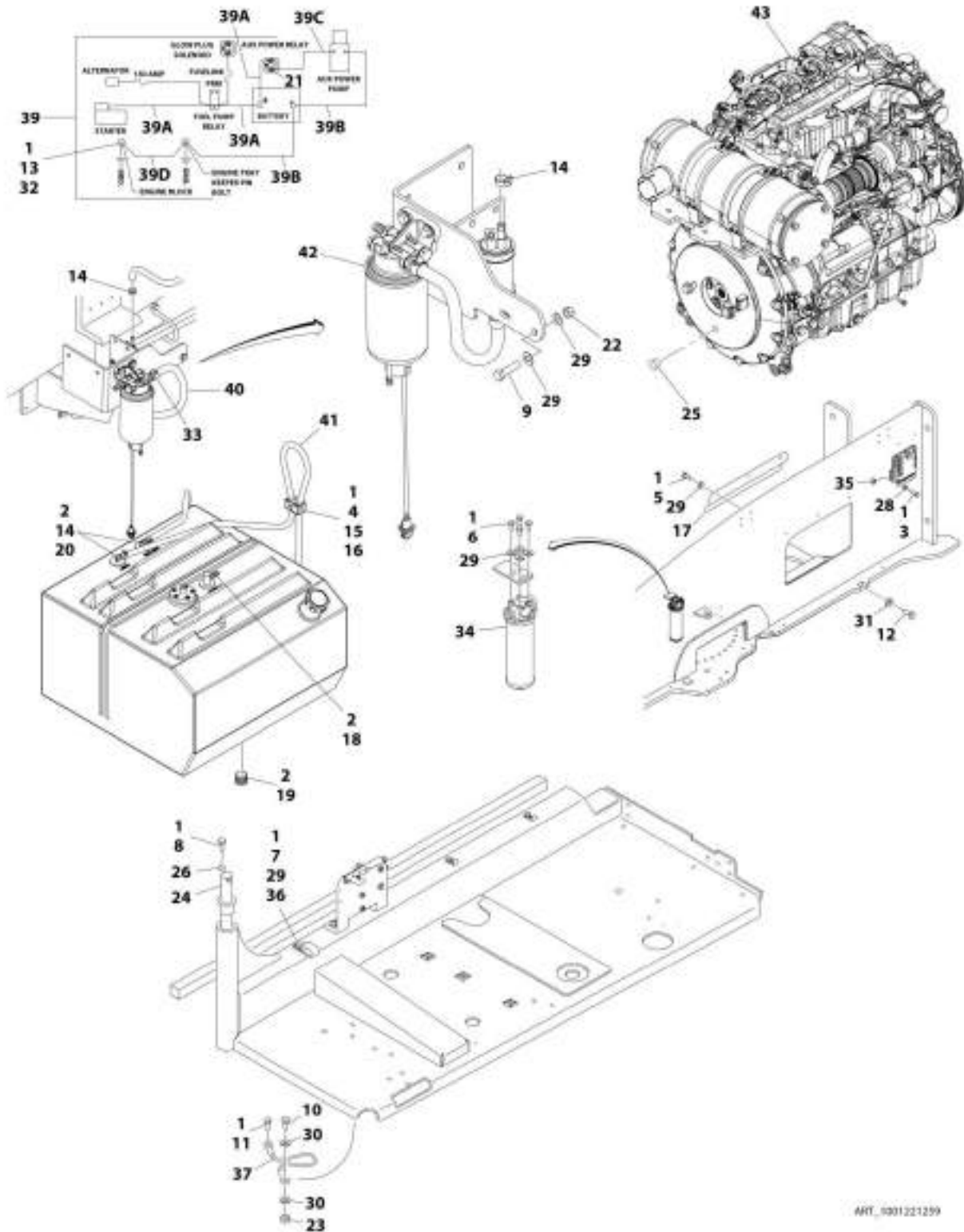
SECTION 3 - ENGINE

FIGURE 3-21. DEUTZ TD2011 ENGINE COMPONENTS

ITEM	PART NUMBER	QTY	DESCRIPTION	REV
	1001098601	Ref	DEUTZ TD2011 ENGINE COMPONENTS	C
1	7027235	1	Dipstick	
1	70000044	1	O-Ring	
2	70003475	1	Thermostat	
2	7020460	1	Compression Spring	
3	70001870	1	Flywheel (Not Shown)	
3	7024579	1	Gear, Ring (Not Shown)	
4	7020465	1	Cap, Filler	
5	70001850	1	Pump, Oil	
5	7020468	1	Seal Between Oil Pump and Engine Block (Not Shown)	
6	7016331	1	Filter, Oil	
6	7027236	1	Sender, Temperature (Located near Oil Filter)	
8		Ref	Injector Pump	
8	70001128	AR	"A" Series	
8	70001129	AR	"B" Series	
8	70001130	AR	"C" Series	
8	70001131	AR	"D" Series	
8	7020447	AR	Gasket (1 per Injector)	
9	8320270	1	Filter, Fuel	
10	70000916	1	Pump Fuel Supply	
10	70001435	1	Repair Kit	
10	70000917	1	O-Seal Between Fuel Pump and Engine Block (Not Shown)	
10	70000918	1	Sealing Ring (Not Shown)	
10	70000919	1	Pump, Hand (Not Shown)	
11	7027239	1	Solenoid, Start (Not Shown - Located near Throttle)	
12	7020414	1	V-Belt	
13	7020471	4	Gasket, Exhaust Manifold to Engine Block (Not Shown)	
13	7020486	1	Gasket, Exhaust Manifold to Exhaust Pipe (Not Shown)	
14	7027240	1	Turbocharger (Not Shown)	
14	70001857	1	Flange, Turbocharger (Not Shown)	
14	70001135	1	Gasket (Not Shown)	
15	70001867	1	Alternator	
15	70001868	1	Regulator, Voltage (Not Shown)	
16	7020479	1	Starter (Not Shown - Located on Right Side of Engine)	
16	7026608	1	Relay, Start (Not Shown)	
17	7027790	1	Sensor, Oil Pressure	
18	7027791	1	Sensor, Temperature (Not Shown)	
19	7024565	1	Sensor, Speed	
20	7027792	1	Actuator Throttle	
20	7027276	2	Spring	
21	1600443	1	Module, EMR2 Controller	
22	70002718	1	Seal, Rear Main (Not Shown)	
23	70003135	4	Injector, Fuel	
23	70003136	1	Ring, Sealing	
24	70001847	1	Valve, Breather (Located - Front Cover) (Not Shown)	
24	70001126	1	O-Ring (Not Shown)	
25	70001125	1	Cap, Breather (Located In Cylinder Head Cover) (Not Shown)	
25	70001126	1	O-Ring (Not Shown)	
26	70001871	4	Gasket, Air Intake Manifold (Not Shown)	
27	70000345	4	Plug, Glow (Not Shown)	

SECTION 3 - ENGINE

FIGURE 3-22. DEUTZ TD2.9L4 DIESEL ENGINE INSTALLATION - WITH REXROTH PUMPS AND STEEL HOODS (CHINA SPEC ONLY)



ART_1001221299

SECTION 3 - ENGINE

FIGURE 3-22. DEUTZ TD2.9L4 DIESEL ENGINE INSTALLATION - WITH REXROTH PUMPS AND STEEL HOODS (CHINA SPEC ONLY)

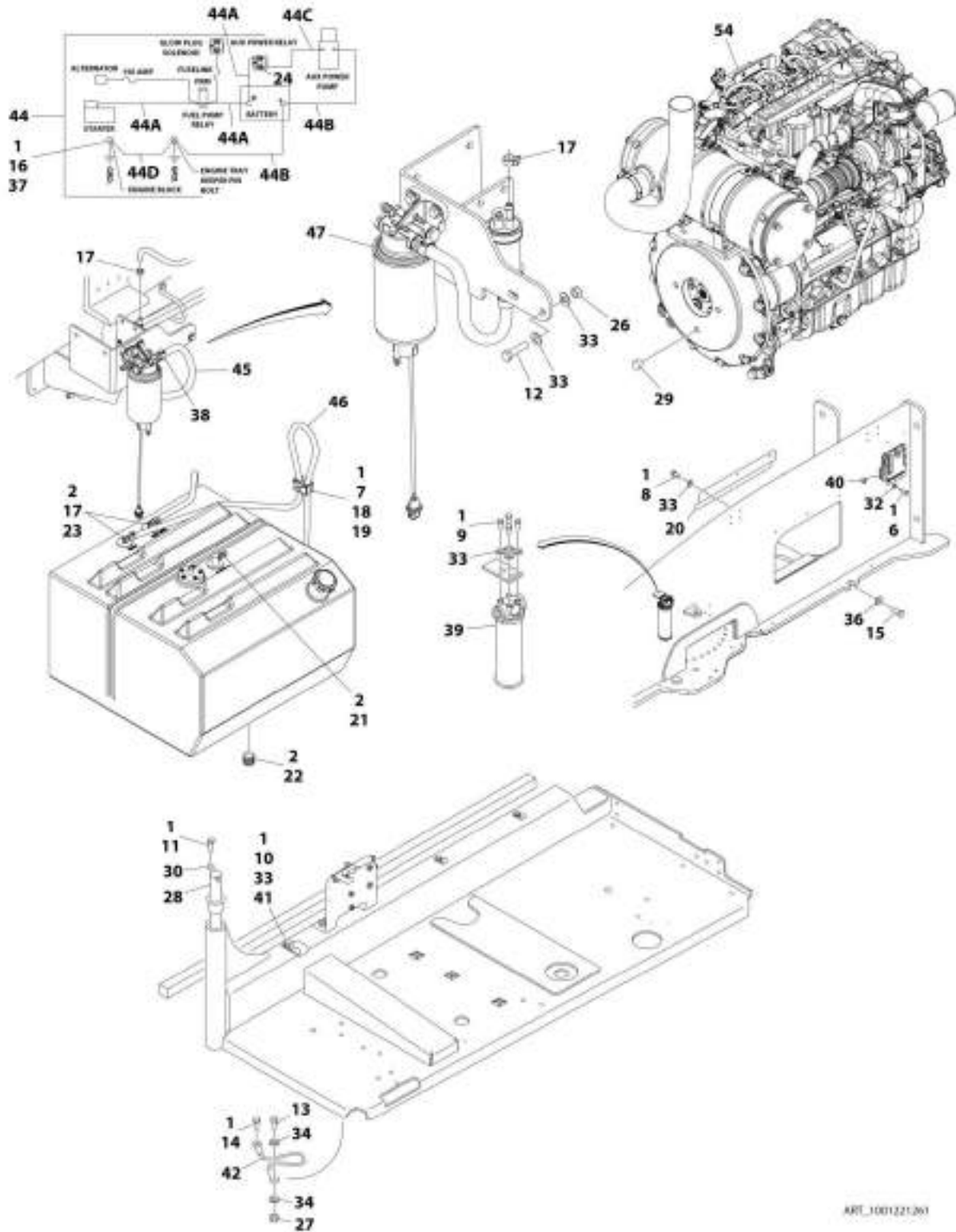
ITEM	PART NUMBER	QTY	DESCRIPTION	REV
	1001221259	Ref	DEUTZ TD2.9L4 DIESEL ENGINE INSTALLATION - WITH REXROTH PUMPS AND STEEL HOODS (CHINA SPEC ONLY)	C
1	0100011	AR	Compound, Locking	
2	0100079	AR	Sealant, Pipe	
3	0641410	4	Bolt 1/4 x 1-1/4	
4	0641511	1	Bolt 5/16 x 1-3/8	
5	0641605	3	Bolt 3/8 x 5/8	
6	0641606	4	Bolt 3/8 x 3/4	
7	0641608	1	Bolt 3/8 x 1	
8	0641610	1	Bolt 3/8 x 1-1/4	
9	0641612	2	Bolt 3/8 x 1-1/2	
10	0641708	1	Bolt 7/16 x 1	
11	0641808	1	Bolt 1/2 x 1	
12	0642010	1	Bolt 5/8 x 1-1/4	
13	0761210	1	Bolt M12 x 20	
14	1320022	3	Clamp	
15	1320187	1	Clamp	
16	1320190	1	Cover, Clamp	
17	1671121	1	Cover	
18	2180832	1	Fitting, Barbed	
19	2200222	1	Plug, Pipe (SN 0300201016 through 0300238861)	
20	2220313	2	Fitting, Elbow Barbed	
21	3300220	2	Nut 5/16	
22	3311605	2	Nut 3/8	
23	3311705	1	Nut 7/16	
24	3422446	1	Pin, Pivot	
25	3520054	1	Plug	
26	3841143	1	Pin, Keeper	
27	4240018	2	Strap, Tie (Not Shown)	
28	4711400	4	Washer 1/4	
29	4711600	12	Washer 3/8	
30	4711700	2	Washer 7/16	
31	4752000	1	Washer 5/8	
32	4812100	1	Washer M12	
33	8405006	2	Clamp (SN 0300201016 through 0300238861)	
34	1001108617	1	Filter	
34	70002231	1	Element, Filter	
35	1001110425	4	Spacer	
36	1001116792	1	Clamp	
37	1001131542	1	Lanyard	
38	1001138491	NLA	Harness, Fuel (Use p/n 1001222665) (Not Shown - See Separate Breakdown in ELECTRICAL SECTION)	
39	1001141225	1	Battery Cable Kit	E
39A	7027042	1	Cable, Battery (Red) (Battery + to Relays and Starter)	
39B	7027043	1	Cable, Battery (Black) (Battery - to Tray Pivot Grd and Aux Pump)	
39C	7027044	1	Cable (Red) (Aux Relay to Aux Pump)	
39D	7027045	1	Cable, Battery (Black) (Engine to Tray Pivot Grd)	
40	1001154405	2 ft/ 0.6m	Hose (SN 0300201016 through 0300238861)	

SECTION 3 - ENGINE

ITEM	PART NUMBER	QTY	DESCRIPTION	REV
41	1001165035	5 ft/ 1.5m	Hose (SN 0300201016 through 0300238861)	
41	2750532	5 ft/ 1.5m	Hose (SN 0300238862 to Present)	
42	1001165101	1	Bracket, Fuel Pump Filter Assembly (See Separate Breakdown in this Section) (SN 0300201016 through 0300238861)	
42	1001227606	1	Bracket, Fuel Pump Filter Assembly (See Separate Breakdown in this Section) (SN 0300238862 to Present)	
43	1001221263	1	Engine Sub-Assembly (See Separate Breakdown in this Section)	

SECTION 3 - ENGINE

FIGURE 3-23. DEUTZ TD2.9L4 DIESEL ENGINE INSTALLATION - WITH SAUER PUMPS AND STEEL HOODS (CHINA SPEC ONLY)



ART_1001221-261

SECTION 3 - ENGINE

FIGURE 3-23. DEUTZ TD2.9L4 DIESEL ENGINE INSTALLATION - WITH SAUER PUMPS AND STEEL HOODS (CHINA SPEC ONLY)

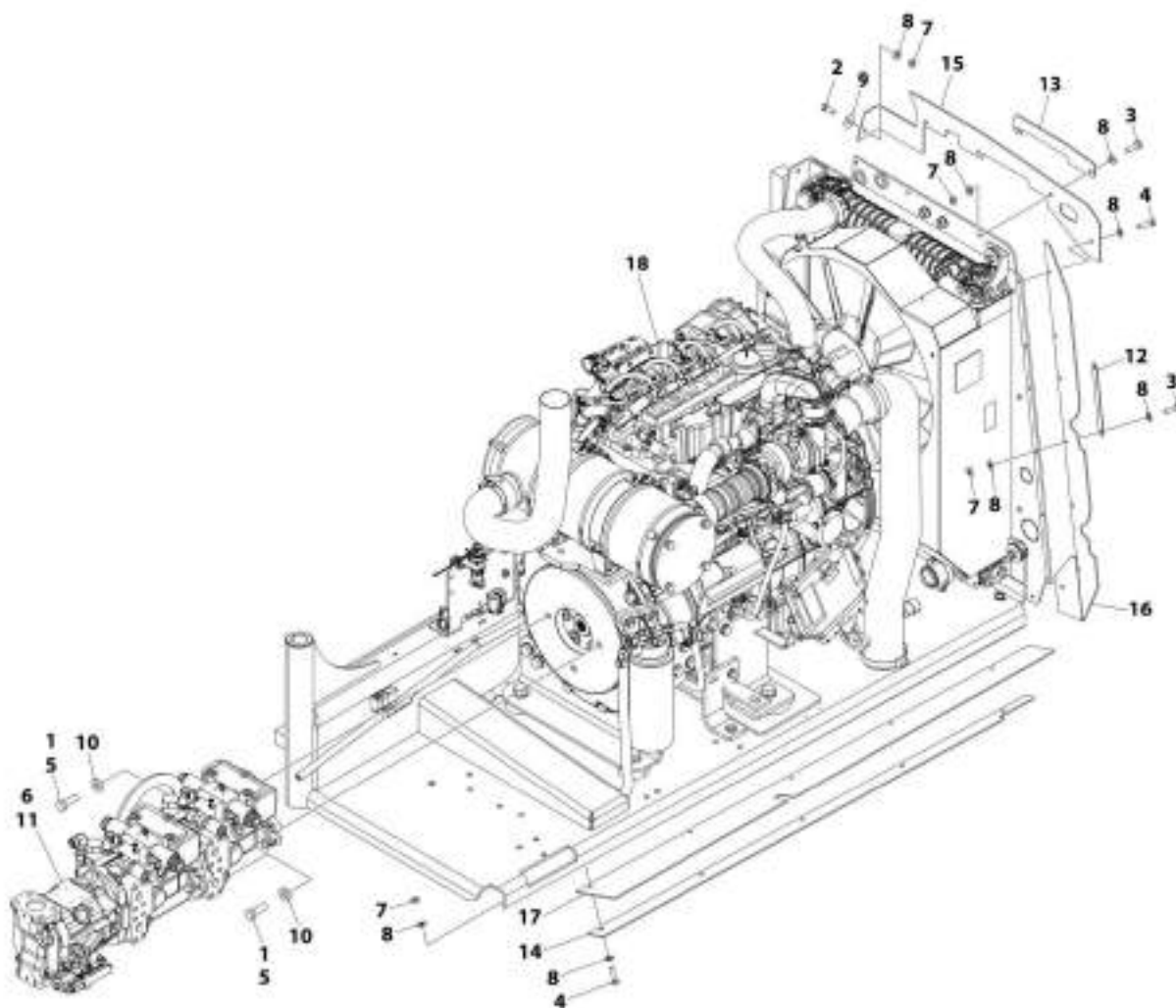
ITEM	PART NUMBER	QTY	DESCRIPTION	REV
	1001221261	Ref	DEUTZ TD2.9L4 DIESEL ENGINE INSTALLATION - WITH SAUER PUMPS AND STEEL HOODS (CHINA SPEC ONLY)	D
1	0100011	AR	Compound, Locking	
2	0100079	AR	Sealant, Pipe	
6	0641410	4	Bolt 1/4 x 1-1/4	
7	0641511	1	Bolt 5/16 x 1-3/8	
8	0641605	3	Bolt 3/8 x 5/8	
9	0641606	4	Bolt 3/8 x 3/4	
10	0641608	1	Bolt 3/8 x 1	
11	0641610	1	Bolt 3/8 x 1-1/4	
12	0641612	2	Bolt 3/8 x 1-1/2	
13	0641708	1	Bolt 7/16 x 1	
14	0641808	1	Bolt 1/2 x 1	
15	0642010	1	Bolt 5/8 x 1-1/4	
16	0761210	1	Bolt M12 x 20	
17	1320022	3	Clamp	
18	1320187	1	Clamp	
19	1320190	1	Cover, Clamp	
20	1671121	1	Cover	
21	2180832	1	Fitting, Barbed	
22	2200222	1	Plug, Pipe (SN 0300201016 through 0300238861, SN B300002238 through B300002449)	
23	2220313	2	Fitting, Elbow Barbed	
24	3300220	2	Nut 5/16	
26	3311605	2	Nut 3/8	
27	3311705	1	Nut 7/16	
28	3422446	1	Pin, Pivot	
29	3520054	1	Plug	
30	3841143	1	Pin, Keeper	
31	4240018	2	Strap, Tie (Not Shown)	
32	4711400	4	Washer 1/4	
33	4711600	12	Washer 3/8	
34	4711700	2	Washer 7/16	
36	4752000	1	Washer 5/8	
37	4812100	1	Washer M12	
38	8405006	2	Clamp (SN 0300201016 through 0300238861, SN B300002238 through B300002449)	
39	1001108617	1	Filter	
39	70002231	1	Element, Filter	
40	1001110425	4	Spacer	
41	1001116792	1	Clamp	
42	1001131542	1	Lanyard	
43	1001138491	NLA	Harness, Fuel (Use p/n 1001222665) (Not Shown - See Separate Breakdown in ELECTRICAL SECTION)	
44	1001141225	1	Battery Cable Kit	E
44A	7027042	1	Cable, Battery (Red) (Battery + to Relays and Starter)	
44B	7027043	1	Cable, Battery (Black) (Battery - to Tray Pivot Grd and Aux Pump)	
44C	7027044	1	Cable (Red) (Aux Relay to Aux Pump)	
44D	7027045	1	Cable, Battery (Black) (Engine to Tray Pivot Grd)	

SECTION 3 - ENGINE

ITEM	PART NUMBER	QTY	DESCRIPTION	REV
45	1001154405	2 ft/ 0.6m	Hose (SN 0300201016 through 0300238861, SN B300002238 through B300002449)	
46	1001165035	5 ft/ 1.5m	Hose (SN 0300201016 through 0300238861, SN B300002238 through B300002449)	
46	2750532	5 ft/ 1.5m	Hose (SN 0300238862 to Present, SN B300002450 to Present)	
47	1001165101	1	Bracket, Fuel Pump Filter Assembly (See Separate Breakdown in this Section) (SN 0300201016 through 0300238861, SN B300002238 through B300002449)	
47	1001227606	1	Bracket, Fuel Pump Filter Assembly (See Separate Breakdown in this Section) (SN 0300238862 to Present, SN B300002450 to Present)	
54	1001221265	1	Engine Sub-Assembly (See Separate Breakdown in this Section)	

SECTION 3 - ENGINE

FIGURE 3-24. DEUTZ TD2.9L4 ENGINE SUB-ASSEMBLY - WITH REXROTH PUMP (CHINA SPEC ONLY)



ART_1001221363

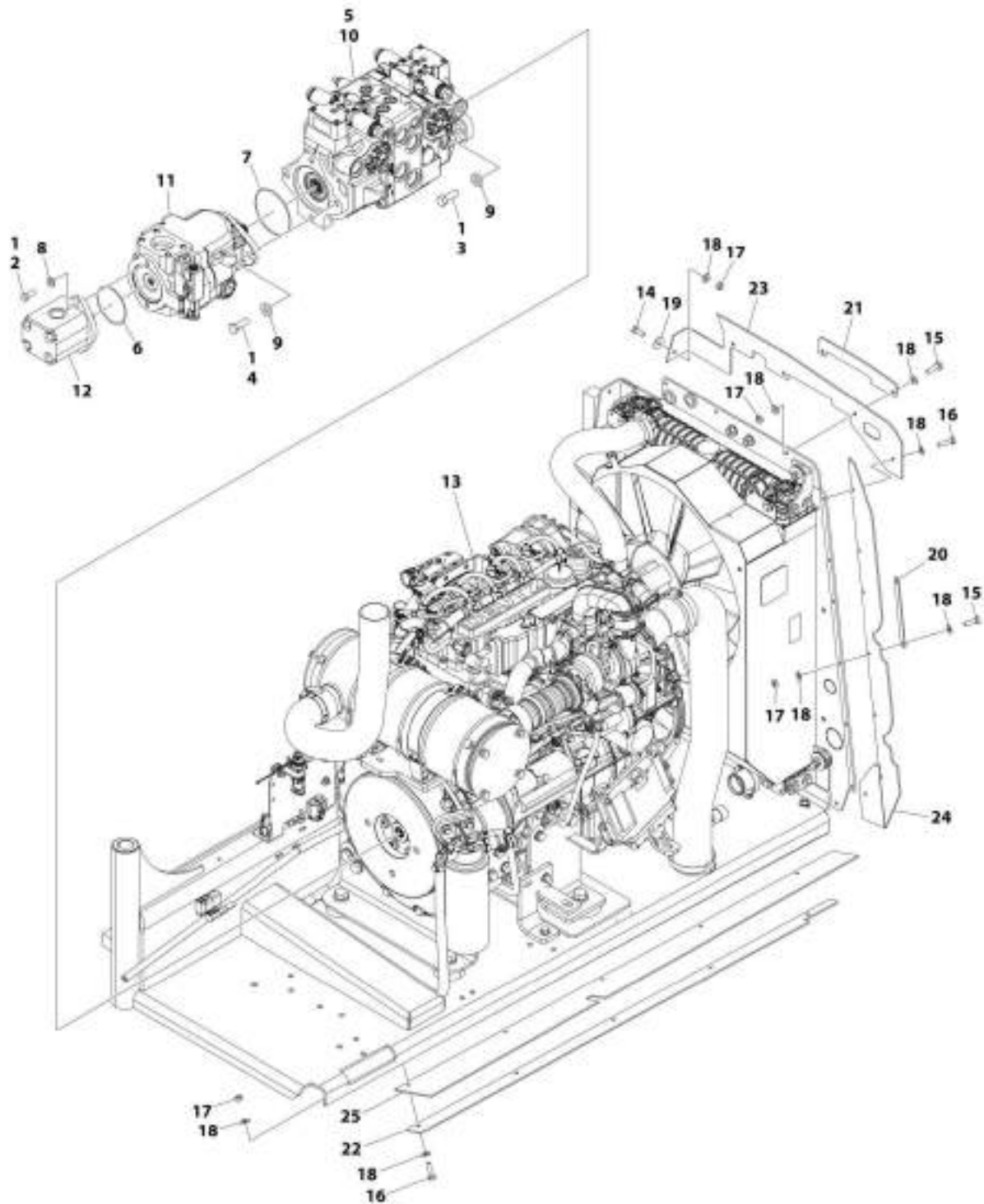
SECTION 3 - ENGINE

FIGURE 3-24. DEUTZ TD2.9L4 ENGINE SUB-ASSEMBLY - WITH REXROTH PUMP (CHINA SPEC ONLY)

ITEM	PART NUMBER	QTY	DESCRIPTION	REV
	1001221263	Ref	DEUTZ TD2.9L4 ENGINE SUB-ASSEMBLY - WITH REXROTH PUMP (CHINA SPEC ONLY)	G
1	0100011	AR	Compound, Locking	
2	0641406	AR	Bolt 1/4 x 3/4	
3	0641407	8	Bolt 1/4 x 7/8	
4	0641408	AR	Bolt 1/4 x 1	
5	0641812	2	Bolt 1/2 x 1-1/2	
6	3020037	AR	Grease, Pump Coupling (SN 0300201016 through 0300238861)	
7	3311405	16	Nut 1/4	
8	4711400	AR	Washer 1/4	
9	4740430	AR	Washer, Fender	
10	4891800	2	Washer 1/2	
11	1001152963	1	Pump Assembly - Rexroth (See Separate Breakdown in this Section)	
12	1001167164	3	Plate, Support	
13	1001177945	1	Bracket	
14	1001177946	1	Bracket	
15	1001177957	1	Seal, Rubber Baffle	
16	1001177958	1	Seal, Rubber Baffle	
17	1001177959	1	Seal, Rubber Baffle	
18	1001220735	1	Deutz TD2.9L4 Engine Assembly (See Separate Breakdown in this Section)	

SECTION 3 - ENGINE

FIGURE 3-25. DEUTZ TD2.9L4 ENGINE SUB-ASSEMBLY - WITH SAUER PUMPS (CHINA SPEC ONLY)



ART_1001221265

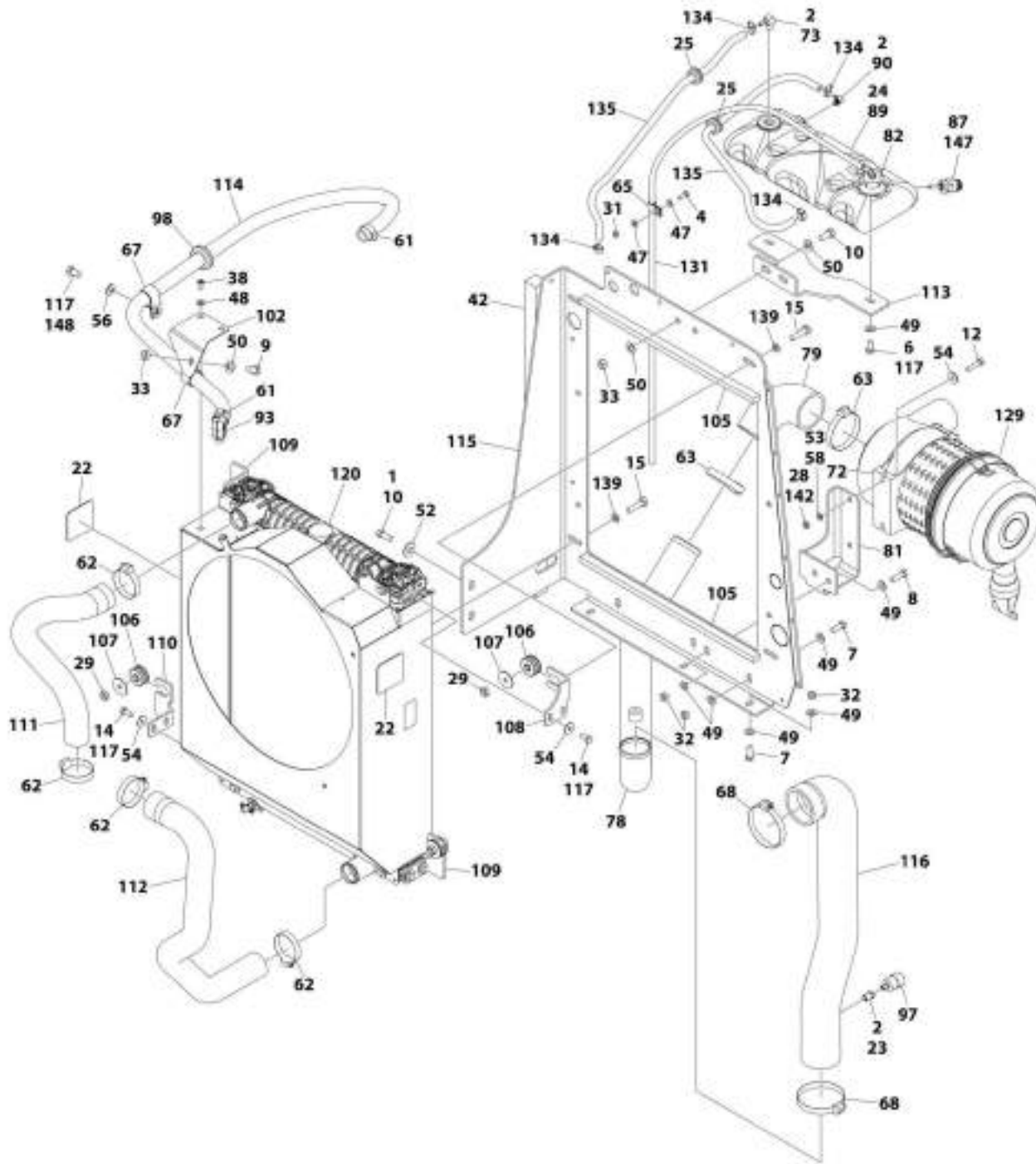
SECTION 3 - ENGINE

FIGURE 3-25. DEUTZ TD2.9L4 ENGINE SUB-ASSEMBLY - WITH SAUER PUMPS (CHINA SPEC ONLY)

ITEM	PART NUMBER	QTY	DESCRIPTION	REV
	1001221265	Ref	DEUTZ TD2.9L4 ENGINE SUB-ASSEMBLY - WITH SAUER PUMPS (CHINA SPEC ONLY)	H
1	0100011	AR	Compound, Locking	
2	0641608	2	Bolt 3/8 x 1	
3	0641812	2	Bolt 1/2 x 1-1/2	
4	0761215	2	Bolt M12 x 35	
5	3020037	AR	Grease, Pump Coupling (SN 0300201016 through 0300238861, SN B300002238 through B300002449)	
6	3790152	1	O-Ring	
7	3790155	1	O-Ring	
8	4891600	2	Washer 3/8	
9	4891800	4	Washer 1/2	
10	1001108616	1	Pump Assembly (Sauer Tandem) (See Separate Breakdown in this Section)	
11	1001171095	1	Pump Assembly (Sauer Piston) (See Separate Breakdown in this Section)	
12	1001112927	1	Pump Assembly (Sauer Gear) (See Separate Breakdown in this Section)	
13	1001220735	1	Deutz TD2.9L4 Engine Assembly (See Separate Breakdown in this Section)	
14	0641406	AR	Bolt 1/4 x 3/4	
15	0641407	8	Bolt 1/4 x 7/8	
16	0641408	AR	Bolt 1/4 x 1	
16	0641407	AR	Bolt 1/4 x 7/8	
17	3311405	16	Nut 1/4	
18	4711400	AR	Washer 1/4	
19	4740430	AR	Washer, Fender	
20	1001167164	3	Plate, Support	
21	1001177945	1	Bracket	
22	1001177946	1	Bracket	
23	1001177957	1	Seal, Rubber Baffle	
24	1001177958	1	Seal, Rubber Baffle	
25	1001177959	1	Seal, Rubber Baffle	

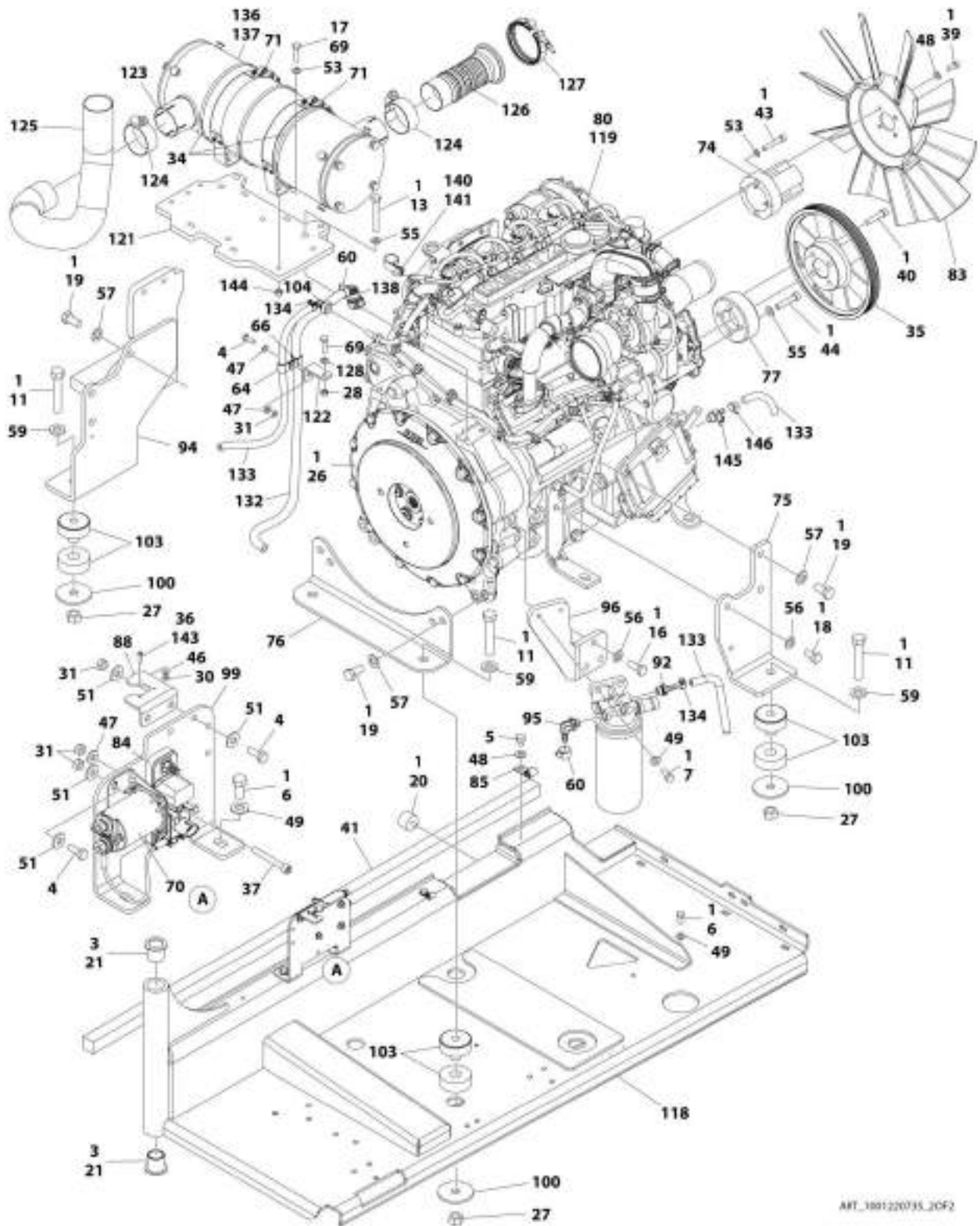
SECTION 3 - ENGINE

FIGURE 3-26. DEUTZ TD2.9L4 ENGINE ASSEMBLY (CHINA SPEC ONLY)



ART_1001220735_10F3

SECTION 3 - ENGINE



ART_1801220735_20F2

SECTION 3 - ENGINE

FIGURE 3-26. DEUTZ TD2.9L4 ENGINE ASSEMBLY (CHINA SPEC ONLY)

ITEM	PART NUMBER	QTY	DESCRIPTION	REV
	1001220735	Ref	DEUTZ TD2.9L4 ENGINE ASSEMBLY (CHINA SPEC ONLY)	I
1	0100011	AR	Compound, Locking	
2	0100020	AR	Sealant	
3	0100062	AR	Adhesive, Loctite #680	
4	0641406	7	Bolt 1/4 x 3/4	
5	0641503	2	Bolt 5/16 x 3/8	
6	0641606	5	Bolt 3/8 x 3/4	
7	0641608	7	Bolt 3/8 x 1	
8	0641610	2	Bolt 3/8 x 1-1/4	
9	0641706	AR	Bolt 7/16 x 3/4	
10	0641708	4	Bolt 7/16 x 1	
11	0682028	4	Bolt 5/8 x 3-1/2 Grade 8	
12	0700815	2	Bolt M8 x 35	
13	0701024	4	Bolt M10 x 80	
14	0760810	8	Bolt M8 x 20	
15	0761016	4	Bolt M10 x 40	
16	0761214	3	Bolt M12 x 30	
17	0770814	4	Bolt M8 x 30 (SN 0300201016 through 0300227054)	
18	0771212	1	Bolt M12 x 25 Grade 10.9	
19	0771414	9	Bolt M14 x 30 Grade 10.9	
20	0940070	1	Bumper	
21	0961986	2	Bushing, Flanged	
22	1703162	2	Decal - Fan	
23	2220273	1	Fitting, Straight NPTF/FNPTF	
24	2300004	3.2 gal/ 12.1L	Anti-freeze	
25	2540038	2	Grommet	
26	2902065	1	Pump Coupling Kit (See Separate Breakdown in this Section)	
27	3272001	4	Nut 5/8 Grade 8	
28	3290801	AR	Nut M8	
29	3291001	4	Nut M10	
29	3291007	4	Nut M10	
30	3310401	3	Nut #4	
31	3311405	8	Nut 1/4	
32	3311605	7	Nut 3/8	
33	3311705	3	Nut 7/16	
34	1001137336	AR	Strap	
35	3580320	1	Pulley	
36	3910408	3	Screw #4 x 1/2	
37	3931432	1	Capscrew 1/4 x 2	
38	3931508	2	Capscrew 5/16 x 1/2	
38	4031907	2	Capscrew M8 x 16	
39	3931512	4	Capscrew 5/16 x 3/4	
40	3931628	4	Capscrew 3/8 x 1-3/4	
41	3960543	1	Seal	
42	3960544	1	Seal	
43	4031914	4	Bolt M8 x 50	
44	4032014	4	Bolt M10 x 50	
45	4240099	AR	Tie-Strap (Not Shown)	
46	4710400	3	Washer #4	

SECTION 3 - ENGINE

ITEM	PART NUMBER	QTY	DESCRIPTION	REV
47	4711400	7	Washer 1/4	
48	4711500	AR	Washer 5/16	
49	4711600	21	Washer 3/8	
50	4711700	6	Washer 7/16	
51	4751400	8	Washer 1/4	
52	4751700	2	Washer 7/16	
53	4811900	AR	Washer M8	
54	4811902	10	Washer M8	
55	4812000	AR	Washer M10	
56	4812100	AR	Washer M12	
57	4812200	9	Washer M14	
58	4831900	2	Washer M8 (SN 0300201016 through 0300227054)	
59	4892000	4	Washer 5/8	
60	8405006	2	Clamp	
61	8405007	2	Clamp	
62	8405201	4	Clamp	
63	8405204	2	Clamp	
64	8406102	1	Clip	
65	8406110	2	Clip (SN 0300201016 through 0300227054)	
65	8406109	2	Clip (SN 0300227055 to Present, SN B300002238 to Present)	
66	8406112	1	Clip	
67	8406302	2	Clamp	
68	8410011	2	Clamp	
69	0760814001	1	Bolt M8 x 30	
69	0760814	5	Bolt M8 x 30	
70	1001117308	1	Relay	
71	1001119727	2	Clamp	
72	1001133634	1	Clamp	
73	1001134488	1	Fitting, 90 Barbed	
74	1001135138	1	Spacer, Fan	
75	1001135560	1	Support, Engine	
76	1001135562	1	Support, Engine - Rear	
77	1001135679	1	Spacer, Pulley	
78	1001135903	1	Pipe, Air Intake	
79	1001135946	1	Elbow, Rubber	
80	1001136079	2.4 gal /9L	Oil, Motor	
80	1001136172	2.4 gal /9L	Oil, Motor	
81	1001136665	1	Bracket	
82	1001136834	1	Cap, Tank	
83	1001137276	1	Fan	
84	1001138228	1	Module, Power	
84	70023592	1	Fuse 20Amp (Switched Output)	
84	70023593	1	Fuse 30Amp (Battery Output)	
85	1001138253	2	Clamp	
86	1001138346	1	Harness, Engine (Not Shown - See Separate Breakdown in ELECTRICAL SECTION)	
87	1001138827	1	Sensor, Coolant Level	
88	1001139240	1	Bracket	
89	1001140535	1	Tank, Surge (SN 0300201016 through 0300238861, SN B30002238 through B300002449)	
89	1001166393	1	Tank, Surge (SN 0300238862 to Present, SN B300002450 to Present)	

SECTION 3 - ENGINE

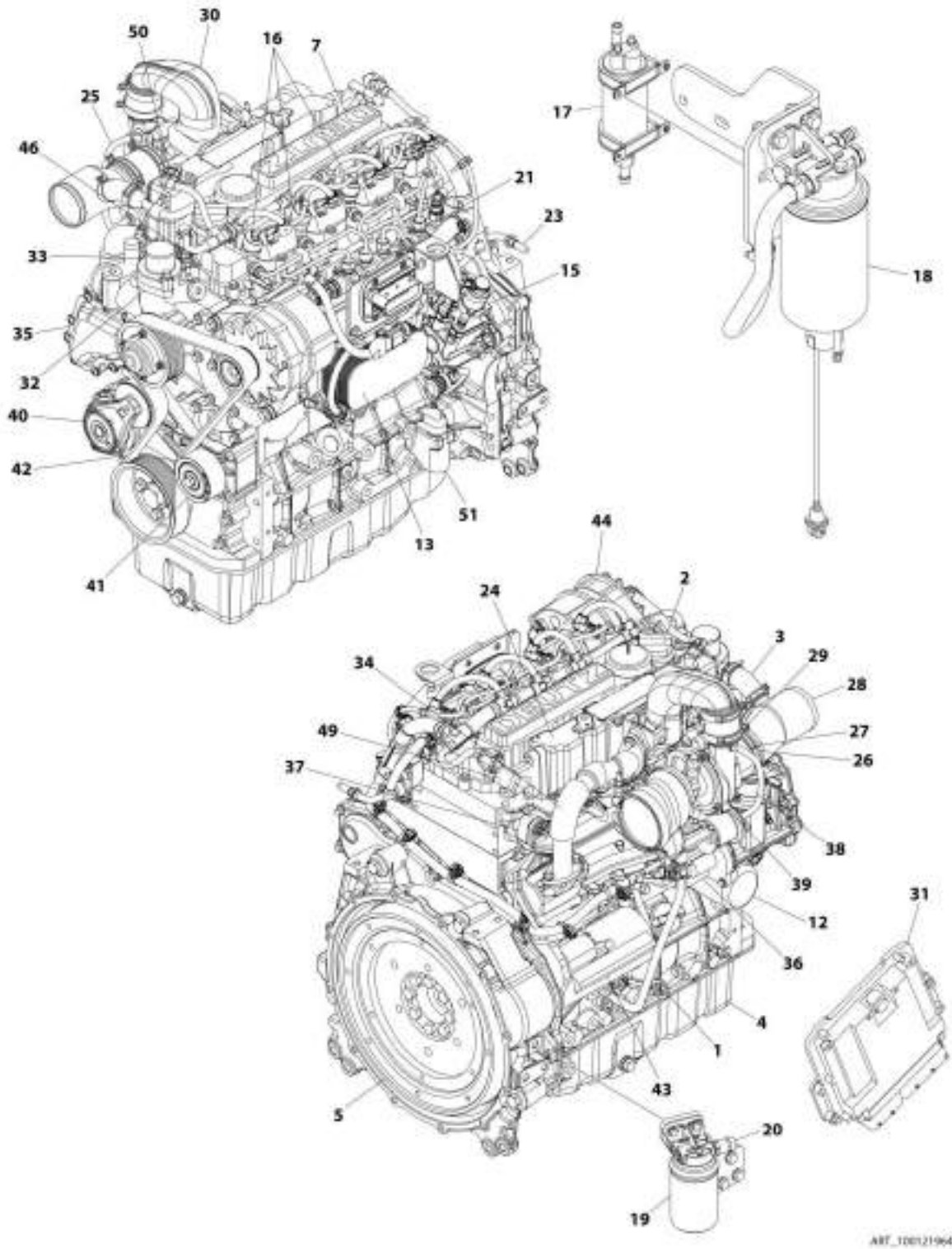
ITEM	PART NUMBER	QTY	DESCRIPTION	REV
90	1001140564	1	Fitting, 90 Barbed	
91	1001141304	1	Wire, Glow Plug (Not Shown)	
92	1001141717	1	Fitting, Straight	
93	1001141719	1	Fitting, 90 Barbed	
94	1001142398	1	Support, Engine	
95	1001142501	1	Fitting, 90 Barbed	
96	1001142685	1	Bracket	
97	1001143390	1	Indicator, Air Filter Service	
98	1001144089	1	Grommet	
99	1001145154	1	Plate, Mounting	
100	1001146219	4	Washer Special	
101	1001148843	1	Harness, Fuel Filter (Not Shown - See Separate Breakdown in ELECTRICAL SECTION)	
102	1001153387	1	Plate (SN 0300201016 through 0300238861, SN B30002238 through B300002449)	
102	1001229600	1	Plate (SN 0300238862 to Present, SN B300002450 to Present)	
103	1001155575	4	Mount, Motor	
104	1001155823	1	Coupling	
105	1001168166	2	Seal	
106	1001169054	4	Isolator	
107	1001169138	4	Pad	
108	1001170035	1	Bracket	
109	1001176329	2	Bracket	
110	1001176330	1	Bracket	
111	1001176415	1	Hose, Radiator (Upper)	
112	1001176416	1	Hose, Radiator (Lower)	
113	1001176940	1	Bracket (SN 0300201016 through 0300238861, SN B30002238 through B300002449)	
113	1001229599	1	Bracket (SN 0300238862 to Present, SN B300002450 to Present)	
114	1001177094	1	Hose (SN 0300201016 through 0300238861, SN B30002238 through B300002449)	
114	1001138524	1	Hose (SN 0300238862 to Present, SN B300002450 to Present)	
115	1001178236	1	Support, Radiator	
116	1001178894	1	Hose, Air Intake	
117	1001180620	AR	Adhesive	
118	1001187011	1	Tray	
119	1001219642	1	Engine, Deutz TD2.9L4 (See Separate Breakdown in this Section)	
120	1001220770	1	Radiator	
121	1001221203	1	Muffler Bracket Assembly	
122	1001221205	1	Bracket	
123	1001221207	1	Muffler	
124	1001221212	2	Clamp	
125	1001221213	1	Pipe, Exhaust	
126	1001221217	1	Pipe, Flex Assembly	
127	1001221219	1	Clamp	
128	4811900001	1	Washer M8 (SN 0300201016 through 0300227054)	
129	1001133633	1	Air Cleaner Assembly	
129	70024190	1	Element, Air Filter	
130	1001135779	1	Cable, Alternator Positive (Not Shown)	
131	1001138248	4 ft/ 1.2m	Tubing	
132	1001154405	5 ft/ 1.5m	Hose	

SECTION 3 - ENGINE

ITEM	PART NUMBER	QTY	DESCRIPTION	REV
133	1001165035	30.5 ft/ 9.3m	Hose	
134	1320022	2	Clamp	
135	2720015	5 ft/ 1.52m	Hose	
136	1001221427	1	Muffler-Wrap Assembly	
137	4920385	AR	Wire, Safety (SN 0300227055 to Present, SN B300002238 to Present)	
138	1001170982	1	Adapter (SN 0300227055 to Present, SN B300002238 to Present)	
139	4812002	4	Washer M10 (SN 0300227055 to Present, SN B300002238 to Present)	
140	1320130	1	Clamp (SN 0300227055 to Present, SN B300002238 to Present)	
141	5250808	1	Bolt M8 x 16 (SN 0300227055 to Present, SN B300002238 to Present)	
142	3290805	2	Nut, M10 (Not Shown) (SN 0300227055 to Present, SN B300002238 to Present)	
143	0100035	AR	Compound, Locking (SN 0300227055 to Present, SN B300002238 to Present)	
144	3290807	4	Nut M8 (SN 0300238862 to Present, SN B300002450 to Present)	
145	4640751	1	Valve, Oil Drain (SN 0300238862 to Present, SN B300002450 to Present)	
146	8410013	1	Clamp, Gear (SN 0300238862 to Present, SN B300002450 to Present)	
147	1001182997	AR	Adhesive (SN 0300238862 to Present, SN B300002450 to Present)	
148	0761210	1	Bolt M12 x 20 (SN 0300238862 to Present, SN B300002450 to Present)	
149	1001138559	1	Fitting, 90 (SN 0300238862 to Present, SN B300002450 to Present)	

SECTION 3 - ENGINE

FIGURE 3-27. DEUTZ TD2.9L4 ENGINE COMPONENTS (CHINA SPEC ONLY)



ART_1001219642

SECTION 3 - ENGINE

FIGURE 3-27. DEUTZ TD2.9L4 ENGINE COMPONENTS (CHINA SPEC ONLY)

ITEM	PART NUMBER	QTY	DESCRIPTION	REV
	1001219642	Ref	DEUTZ TD2.9L4 ENGINE COMPONENTS (CHINA SPEC ONLY)	C
1	70006127	1	Dipstick	
1	70024905	1	O-Ring	
2	7020465	2	Cap, Filler	
3	70005920	1	Hose	
3	70025111	2	Clamp	
4	70025162	1	Pan, Oil	
4	70005941	2	Plug	
4	70005942	2	Washer, Sealing	
5	70001870	1	Flywheel	
5	7024579	1	Gear, Ring	
6	70024906	1	Gasket, Head (Not Shown)	
7	70005921	1	Cover, Valve	
7	70025205	1	Gasket	
7	70005171	1	Gasket	
8	70025076	1	Valve (Not Shown - Located on Right Side of Front Engine Cover)	
8	70025176	1	Spring	
8	70025082	1	Ring, Sealing	
8	70025091	1	Plug	
9	70004280	1	Seal, Shaft - Front (Not Shown)	
10	70002718	1	Seal, Shaft - Rear (Not Shown)	
11	70005172	1	Pump, Oil Lube (Not Shown)	
11	70025135	1	O-Ring	
11	70005173	1	Gasket	
12	7016331	1	Filter, Oil	
12	70025137	1	Bushing	
13	70024494	1	Cooler, Engine Oil (Not Shown - Located on Right Side)	
13	70024925	1	Gasket	
14	70025171	1	Oil Suction Pump (Not Shown - Located Inside of Engine Oil Pan)	
15	70024924	1	Pump, Fuel	
15	70025152	1	O-Ring	
15	70025080	1	Washer	
15	70024488	1	Spacer	
15	70024517	1	O-Ring	
16	70025181	4	Injector, Fuel (Not Shown - Located on Right Side)	
16	70025140	4	Washer, Sealing	
16	70025146	4	Clamp (Top of Injector)	
16	70025145	4	O-Ring	
16	70025154	4	Shoe, Clamping	
16	70000345	1	Plug, Glow (Not Shown)	
16	70025231	1	Harness, Glow Plug (Not Shown)	
17	70005174	NLA	Pump, Fuel (Use p/n 1001226098)	
17	70025144	2	Clamp	
18	70024961	1	Fuel Filter Assembly	
18	70025153	NLA	Filter, Fuel (Use p/n 1001225430)	
18	70024513	1	Cable, Sensor	
18	70025239	1	Ring, Sealing	
19	70004511	1	Filter with Head	
19	70004512	NLA	Filter, Fuel (Use p/n 1001225432)	
20	70024504	1	Sensor, Pressure	

SECTION 3 - ENGINE

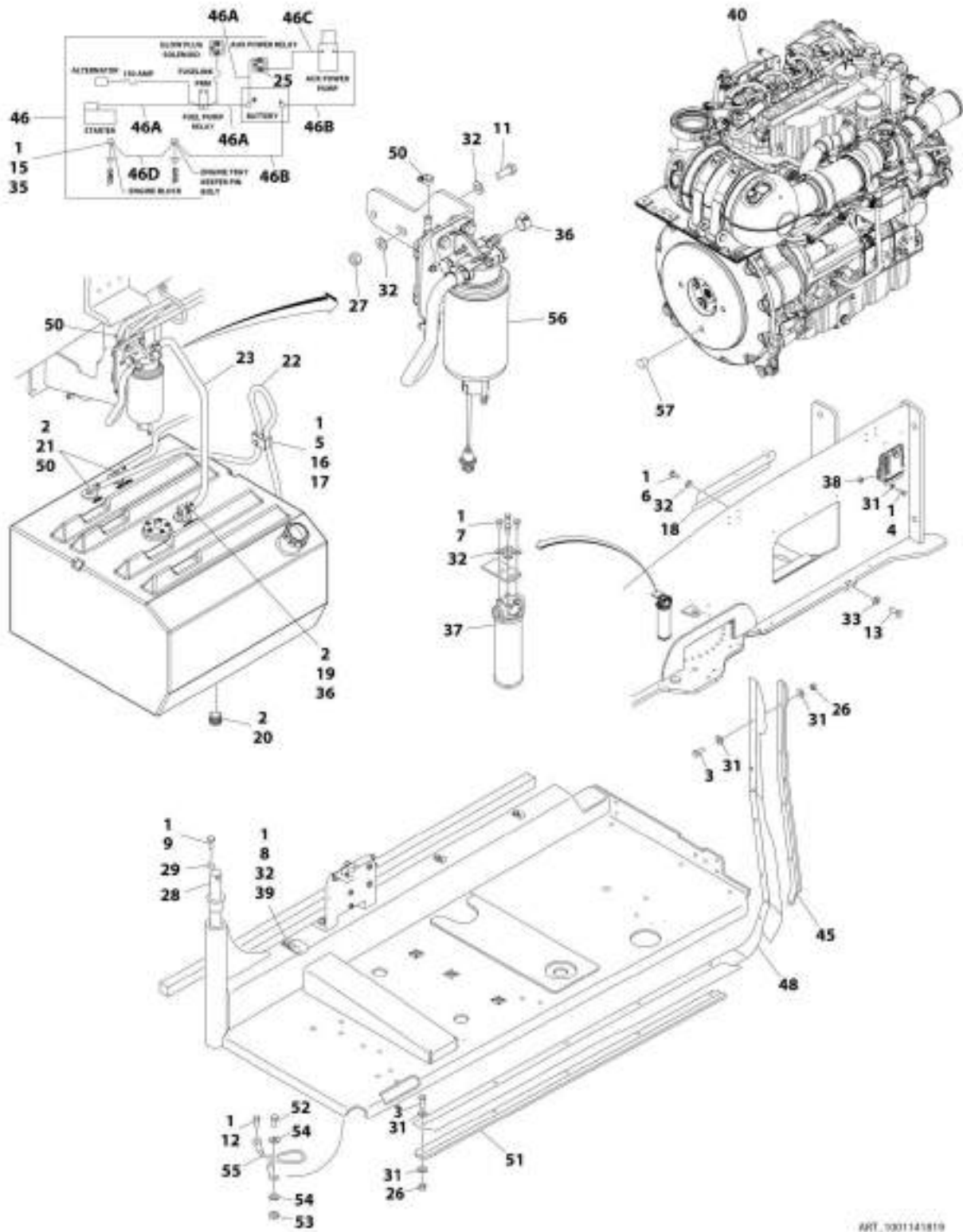
ITEM	PART NUMBER	QTY	DESCRIPTION	REV
20	70024920	1	O-Ring	
21	70025151	1	Rail, Fuel	
21	70025235	1	Repair Kit	
21	70025240	1	O-Ring	
22	70025182	1	Fuel Line - High Pressure (Cylinder 1 & 2) (Not Shown)	
22	70025183	1	Fuel Line - High Pressure (Cylinder 3 & 4) (Not Shown)	
22	70025184	1	Fuel Line - High Pressure (Supply) (Not Shown)	
23	70025158	1	Manifold, Fuel	
23	70025109	2	Clamp	
23	70025115	1	Clamp	
23	70025133	1	Hose	
23	70024502	1	Pipe	
23	70025185	1	Hose	
23	70025101	2	Clamp	
24	70005923	1	Charge Air Pipe	
24	70005924	1	O-Ring	
24	70005177	1	Gasket	
25	70005925	1	Breather Line	
25	70005181	1	O-Ring	
26	70004501	1	Sleeve, Rubber	
27	70025112	2	Clamp	
28	70005926	1	Elbow Connector	
29	70005927	1	Sleeve, Rubber	
29	70025107	2	Clamp	
30	70005928	1	Charge Air Elbow	
31	70025210	1	ECU (Engine Control Unit)	
32	70024910	1	Pump, Water	
32	70025200	1	Ring, Sealing	
32	70025084	2	Plug	
32	7020492	2	Ring, Sealing	
33	70005929	1	Thermostat	
33	70005184	1	O-Ring	
33	70025142	1	Cover, Thermostat	
33	70025931	1	Gasket	
34	70025178	1	Pipe	
34	70025768	1	Valve, Shuttle	
34	70025179	2	Gasket	
34	70025180	1	Gasket	
35	70025203	1	Module, EGR (Includes Item 36)	
35	70025155	1	Plug	
36	70005188	1	Control Valve	
36	70005189	1	Seal	
37	70004282	1	Manifold, Exhaust	
37	70025164	1	Gasket, Exhaust Manifold to Head	
38	70026995	1	Pipe (Not Shown - Located on Left Side)	
38	70021895	2	Gasket	
39	70004276	1	Turbocharger	
39	70024912	1	Gasket, Exhaust Manifold	
39	70024509	1	Gasket, Return Line	
40	70025477	1	Tensioner, Belt	
41	70024484	1	Idler Roller	

SECTION 3 - ENGINE

ITEM	PART NUMBER	QTY	DESCRIPTION	REV
42	70004277	1	Belt, Drive	
43	70024915	1	Starter	
43	70005647	1	Switch, Solenoid	
43	70005648	1	Relay	
44	70025533	1	Generator	
44	70025149	1	Regulator, Voltage	
45	70025077	1	Harness, Engine (Not Shown)	
46	70024918	1	Sender, Temperature	
47	70024504	1	Sensor, Pressure (Not Shown - Located on Right Side)	
47	70024920	1	O-Ring	
48	70026210	2	Sensor, Speed (Not Shown - Located Left Side Front and Flywheel Housing)	
48	70005191	2	O-Ring	
49	70024507	1	Sensor, Pressure (Not Shown - Located Top Rear)	
49	70025120	1	O-Ring	
50	70024922	1	Temperature, Transmitter	
50	70035212	1	O-Ring	
51	70025660	1	Screw	

SECTION 3 - ENGINE

FIGURE 3-28. DEUTZ TCD2.9L4 DIESEL ENGINE INSTALLATION - WITH REXROTH PUMPS AND ABS HOODS (WITHOUT COLD WEATHER PLUS PACKAGE)



AWT, 9301141819

SECTION 3 - ENGINE

FIGURE 3-28. DEUTZ TCD2.9L4 DIESEL ENGINE INSTALLATION - WITH REXROTH PUMPS AND ABS HOODS (WITHOUT COLD WEATHER PLUS PACKAGE)

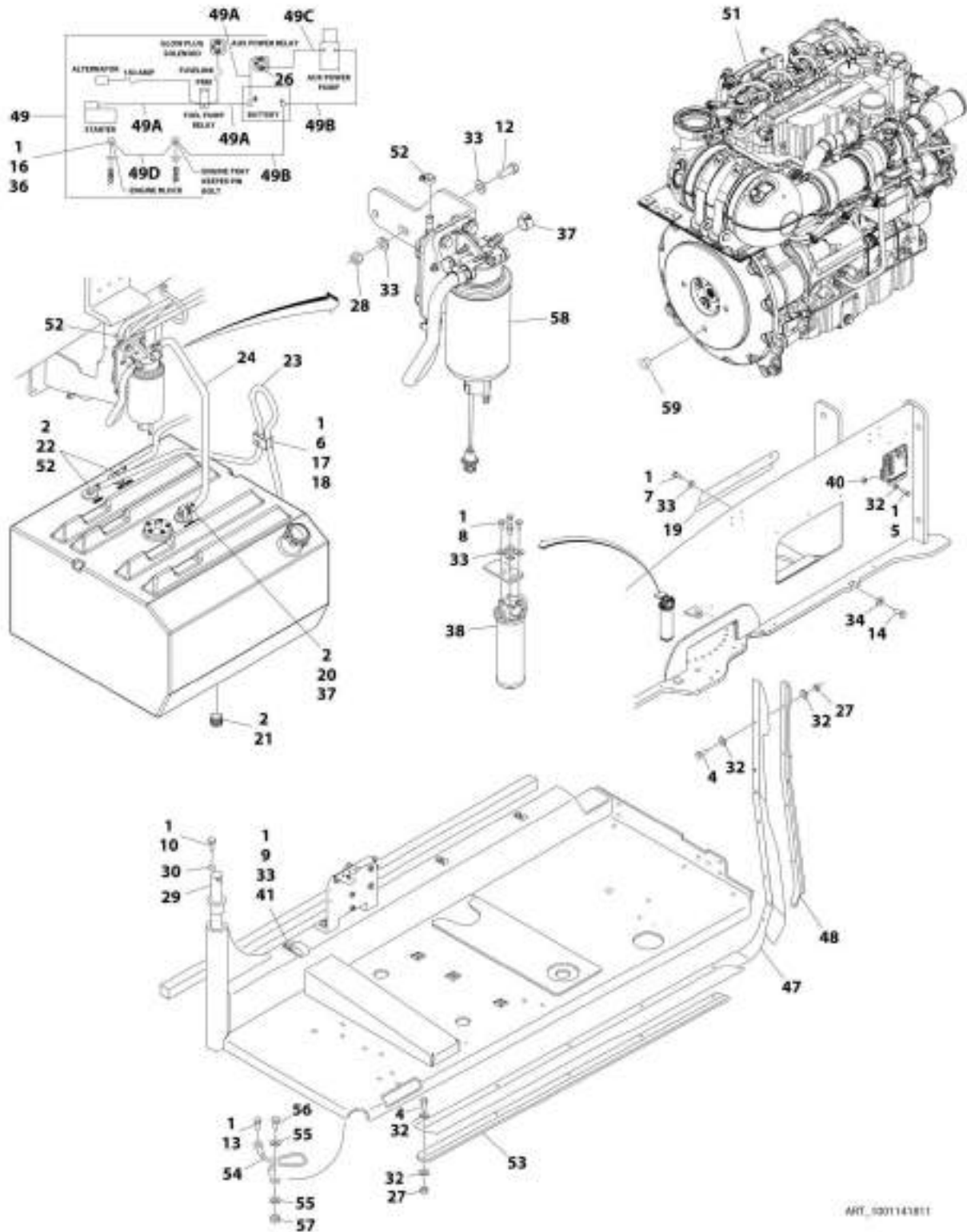
ITEM	PART NUMBER	QTY	DESCRIPTION	REV
	1001141819	Ref	DEUTZ TCD2.9L4 DIESEL ENGINE INSTALLATION - WITH REXROTH PUMPS AND ABS HOODS (WITHOUT COLD WEATHER PLUS PACKAGE)	J
1	0100011	AR	Compound, Locking	
2	0100079	AR	Sealant, Pipe	
3	0641408	10	Bolt 1/4 x 1	
4	0641410	4	Bolt 1/4 x 1-1/4	
5	0641511	1	Bolt 5/16 x 1-3/8	
6	0641605	3	Bolt 3/8 x 5/8	
7	0641606	4	Bolt 3/8 x 3/4	
8	0641608	1	Bolt 3/8 x 1	
9	0641610	1	Bolt 3/8 x 1-1/4	
11	0641612	2	Bolt 3/8 x 1-1/2	
12	0641808	1	Bolt 1/2 x 1	
13	0642010	1	Bolt 5/8 x 1-1/4	
15	0761210	1	Bolt M12 x 20	
16	1320187	1	Clamp	
17	1320190	1	Cover, Clamp	
18	1671121	1	Cover	
19	2180832	1	Fitting, Barbed	
20	2200222	1	Plug, Pipe (SN 0300201016 through 0300237154)	
21	2220313	2	Fitting, Elbow Barbed	
22	1001165035	5 ft/ 1.5m	Hose (SN 0300201016 through 0300217382)	
22	2750532	5 ft/ 1.5m	Hose (SN 0300217383 to Present)	
23	1001154405	2 ft/ 0.6m	Hose	
25	3300220	2	Nut 5/16	
26	3311405	10	Nut 1/4	
27	3311605	2	Nut 3/8	
28	3422446	1	Pin, Pivot	
29	3841143	1	Pin, Keeper	
30	4240018	2	Strap, Tie (Not Shown)	
31	4711400	24	Washer 1/4	
32	4711600	12	Washer 3/8	
33	4752000	1	Washer 5/8	
35	4812100	1	Washer M12	
36	8405006	2	Clamp	
37	1001108617	1	Filter	
37	70002231	1	Element, Filter	
38	1001110425	4	Spacer	
39	1001116792	1	Clamp	
40	1001141812	1	Engine Sub-Assembly (See Separate Breakdown in this Section)	
42	1001138491	NLA	Harness, Fuel (Use p/n 1001222665) (Not Shown - See Separate Breakdown in ELECTRICAL SECTION)	
45	1001145089	1	Clamp	
46	1001141225	1	Battery Cable Kit	
46A	7027042	1	Cable, Battery (Red) (Battery + to Relays and Starter)	
46B	7027043	1	Cable, Battery (Black) (Battery - to Tray Pivot Grd and Aux Pump)	
46C	7027044	1	Cable (Red) (Aux Relay to Aux Pump)	
46D	7027045	1	Cable, Battery (Black) (Engine to Tray Pivot Grd)	

SECTION 3 - ENGINE

ITEM	PART NUMBER	QTY	DESCRIPTION	REV
48	1001145560	1	Panel, Rubber	
50	1320022	3	Clamp	
51	1001145842	1	Plate, Clamping	
52	0641708	1	Bolt 7/16 x 1	
53	3311705	1	Nut 7/16	
54	4711700	2	Washer 7/16	
55	1001131542	1	Lanyard	
56	1001165101	1	Bracket, Fuel Pump Filter Assembly (See Separate Breakdown in this Section)	
57	3520054	1	Plug	

SECTION 3 - ENGINE

FIGURE 3-29. DEUTZ TCD2.9L4 DIESEL ENGINE INSTALLATION - WITH REXROTH PUMPS AND STEEL HOODS (WITHOUT COLD WEATHER PLUS PACKAGE)



ART_1001141811

SECTION 3 - ENGINE

FIGURE 3-29. DEUTZ TCD2.9L4 DIESEL ENGINE INSTALLATION - WITH REXROTH PUMPS AND STEEL HOODS (WITHOUT COLD WEATHER PLUS PACKAGE)

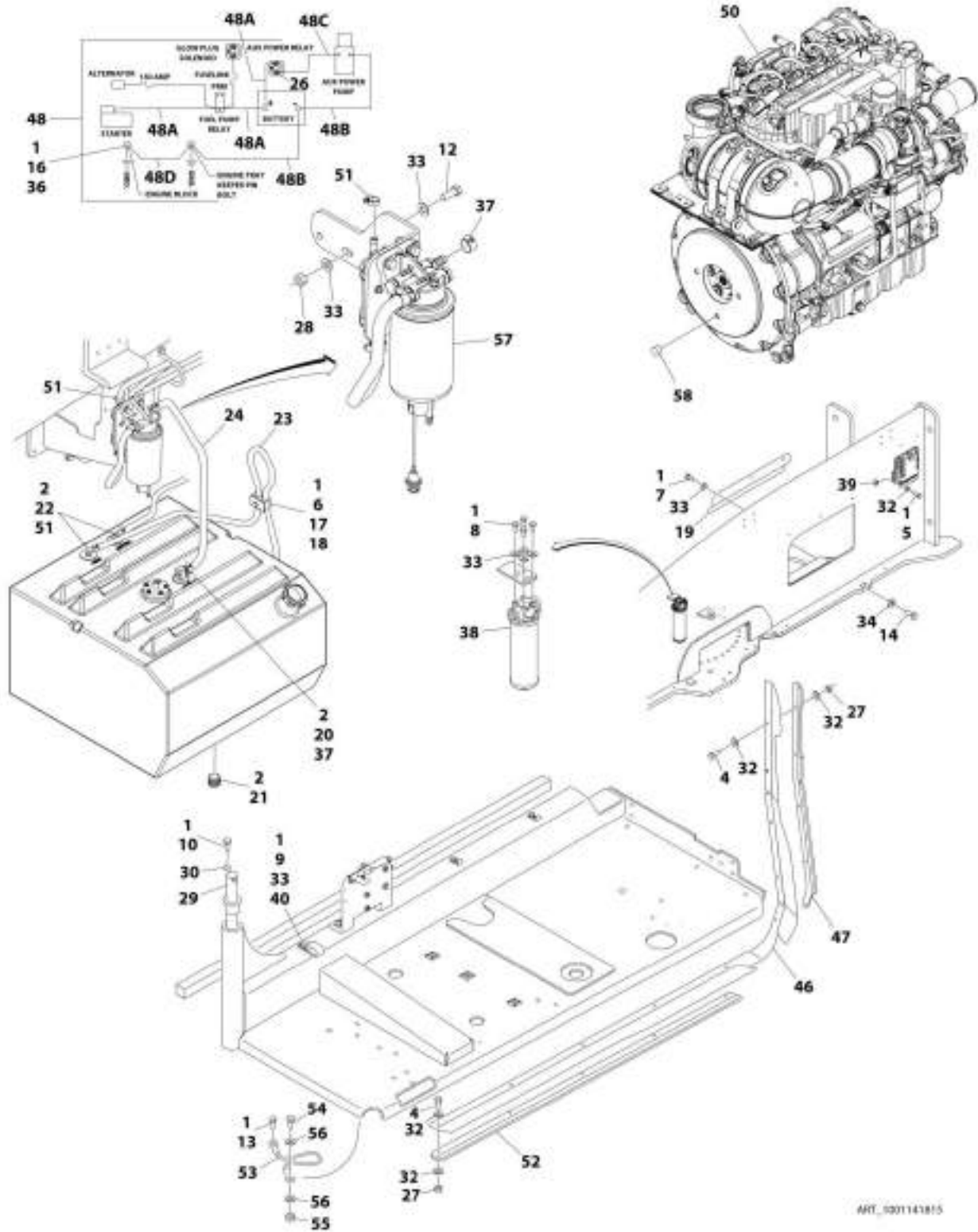
ITEM	PART NUMBER	QTY	DESCRIPTION	REV
	1001141811	Ref	DEUTZ TCD2.9L4 DIESEL ENGINE INSTALLATION - WITH REXROTH PUMPS AND STEEL HOODS (WITHOUT COLD WEATHER PLUS PACKAGE)	J
1	0100011	AR	Compound, Locking	
2	0100079	AR	Sealant, Pipe	
4	0641408	10	Bolt 1/4 x 1	
5	0641410	4	Bolt 1/4 x 1-1/4	
6	0641511	1	Bolt 5/16 x 1-3/8	
7	0641605	3	Bolt 3/8 x 5/8	
8	0641606	4	Bolt 3/8 x 3/4	
9	0641608	1	Bolt 3/8 x 1	
10	0641610	1	Bolt 3/8 x 1-1/4	
12	0641612	2	Bolt 3/8 x 1-1/2	
13	0641808	1	Bolt 1/2 x 1	
14	0642010	1	Bolt 5/8 x 1-1/4	
16	0761210	1	Bolt M12 x 20	
17	1320187	1	Clamp	
18	1320190	1	Cover, Clamp	
19	1671121	1	Cover	
20	2180832	1	Fitting, Barbed	
21	2200222	1	Plug, Pipe (SN 0300201016 through 0300237154)	
22	2220313	2	Fitting, Elbow Barbed	
23	1001165035	5 ft/ 1.5m	Hose (SN 0300201016 through 0300217382)	
23	2750532	5 ft/ 1.5m	Hose (SN 0300217383 to Present)	
24	1001154405	2 ft/ 0.6m	Hose	
26	3300220	2	Nut 5/16	
27	3311405	10	Nut 1/4	
28	3311605	2	Nut 3/8	
29	3422446	1	Pin, Pivot	
30	3841143	1	Pin, Keeper	
31	4240018	2	Strap, Tie (Not Shown)	
32	4711400	24	Washer 1/4	
33	4711600	12	Washer 3/8	
34	4752000	1	Washer 5/8	
36	4812100	1	Washer M12	
37	8405006	2	Clamp	
38	1001108617	1	Filter	
38	70002231	1	Element, Filter	
40	1001110425	4	Spacer	
41	1001116792	1	Clamp	
43	1001138491	NLA	Harness, Fuel (Use p/n 1001222665) (Not Shown - See Separate Breakdown in ELECTRICAL SECTION)	
47	1001140604	1	Panel, Rubber	
48	1001145089	1	Clamp	
49	1001141225	1	Battery Cable Kit	E
49A	7027042	1	Cable, Battery (Red) (Battery + to Relays and Starter)	
49B	7027043	1	Cable, Battery (Black) (Battery - to Tray Pivot Grd and Aux Pump)	
49C	7027044	1	Cable (Red) (Aux Relay to Aux Pump)	
49D	7027045	1	Cable, Battery (Black) (Engine to Tray Pivot Grd)	

SECTION 3 - ENGINE

ITEM	PART NUMBER	QTY	DESCRIPTION	REV
51	1001141812	1	Engine Sub-Assembly (See Separate Breakdown in this Section)	
52	1320022	3	Clamp	
53	1001145842	1	Plate, Clamping	
54	1001131542	1	Lanyard	
55	4711700	2	Washer 7/16	
56	0641708	1	Bolt 7/16 x 1	
57	3311705	1	Nut 7/16	
58	1001165101	1	Bracket, Fuel Pump Filter Assembly (See Separate Breakdown in this Section)	
59	3520054	1	Plug	

SECTION 3 - ENGINE

FIGURE 3-30. DEUTZ TCD2.9L4 DIESEL ENGINE INSTALLATION - WITH REXROTH PUMPS AND STEEL HOODS (WITH COLD WEATHER PLUS PACKAGE)



SECTION 3 - ENGINE

FIGURE 3-30. DEUTZ TCD2.9L4 DIESEL ENGINE INSTALLATION - WITH REXROTH PUMPS AND STEEL HOODS (WITH COLD WEATHER PLUS PACKAGE)

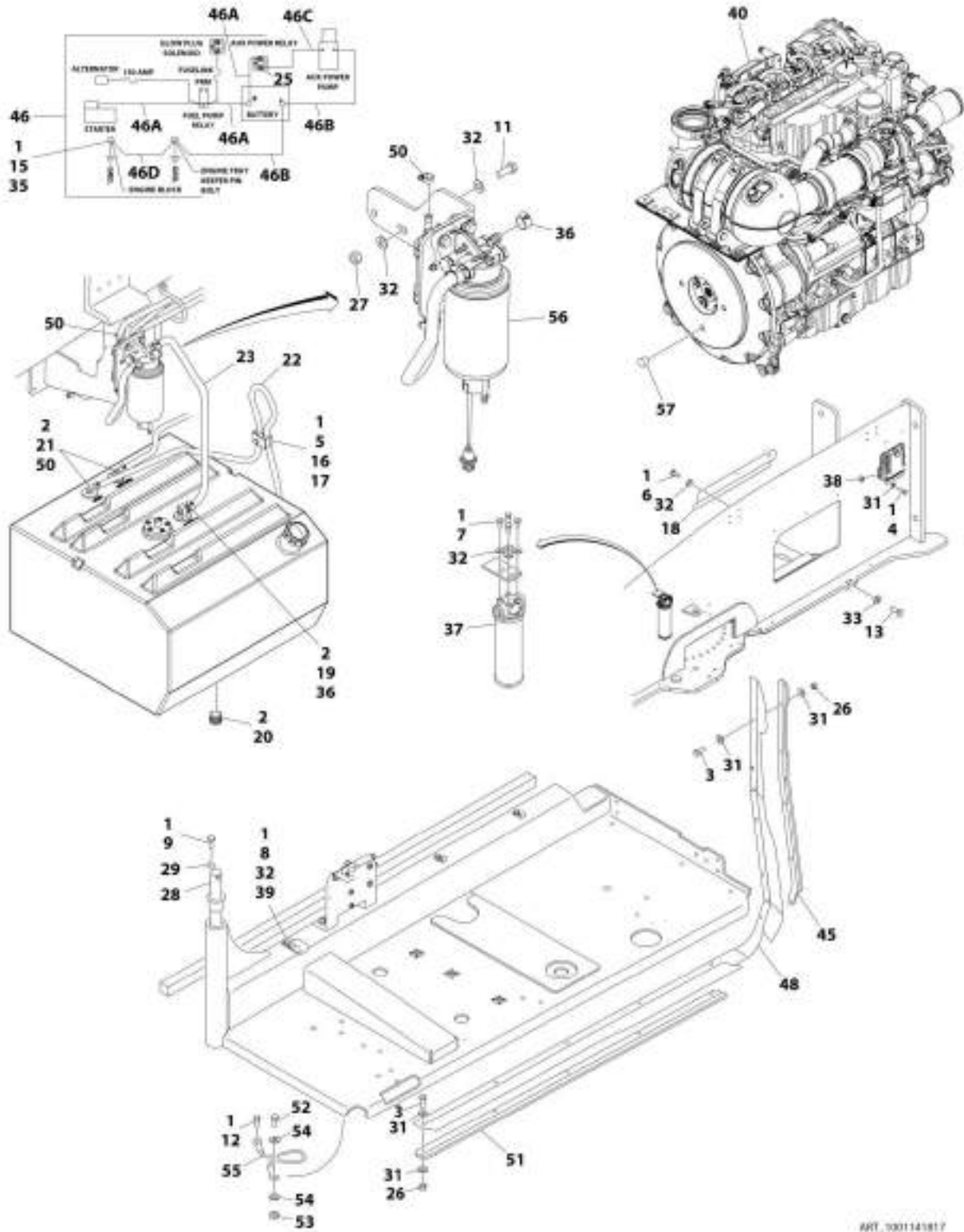
ITEM	PART NUMBER	QTY	DESCRIPTION	REV
	1001141815	Ref	DEUTZ TCD2.9L4 DIESEL ENGINE INSTALLATION - WITH REXROTH PUMPS AND STEEL HOODS (WITH COLD WEATHER PLUS PACKAGE)	L
1	0100011	AR	Compound, Locking	
2	0100079	AR	Sealant, Pipe	
4	0641408	10	Bolt 1/4 x 1	
5	0641410	4	Bolt 1/4 x 1-1/4	
6	0641511	1	Bolt 5/16 x 1-3/8	
7	0641605	3	Bolt 3/8 x 5/8	
8	0641606	4	Bolt 3/8 x 3/4	
9	0641608	1	Bolt 3/8 x 1	
10	0641610	1	Bolt 3/8 x 1-1/4	
12	0641612	2	Bolt 3/8 x 1-1/2	
13	0641808	1	Bolt 1/2 x 1	
14	0642010	1	Bolt 5/8 x 1-1/4	
16	0761210	1	Bolt M12 x 20	
17	1320187	1	Clamp	
18	1320190	1	Cover, Clamp	
19	1671121	1	Cover	
20	2180832	1	Fitting, Barbed	
21	2200222	1	Plug, Pipe (SN 0300201016 through 0300237154)	
22	2220313	2	Fitting, Elbow Barbed	
23	1001165035	5 ft/ 1.5m	Hose (SN 0300201016 through 0300217382)	
23	2750532	5 ft/ 1.5m	Hose (SN 0300217383 to Present)	
24	1001154405	2 ft/ 0.6m	Hose	
26	3300220	2	Nut 5/16	
27	3311405	10	Nut 1/4	
28	3311605	2	Nut 3/8	
29	3422446	1	Pin, Pivot	
30	3841143	1	Pin, Keeper	
31	4240018	2	Strap, Tie (Not Shown)	
32	4711400	24	Washer 1/4	
33	4711600	12	Washer 3/8	
34	4752000	1	Washer 5/8	
36	4812100	1	Washer M12	
37	8405006	2	Clamp	
38	1001108617	1	Filter	
38	70002231	1	Element, Filter	
39	1001110425	4	Spacer	
40	1001116792	1	Clamp	
42	1001138491	NLA	Harness, Fuel (Use p/n 1001222665) (Not Shown - See Separate Breakdown in ELECTRICAL SECTION)	
46	1001140604	1	Panel, Rubber	
47	1001145089	1	Clamp	
48	1001141225	1	Battery Cable Kit	E
48A	7027042	1	Cable, Battery (Red) (Battery + to Relays and Starter)	
48B	7027043	1	Cable, Battery (Black) (Battery - to Tray Pivot Grd and Aux Pump)	
48C	7027044	1	Cable (Red) (Aux Relay to Aux Pump)	
48D	7027045	1	Cable, Battery (Black) (Engine to Tray Pivot Grd)	

SECTION 3 - ENGINE

ITEM	PART NUMBER	QTY	DESCRIPTION	REV
50	1001141813	1	Engine Sub-Assembly (See Separate Breakdown in this Section)	
51	1320022	3	Clamp	
52	1001145842	1	Plate, Clamping	
53	1001131542	1	Lanyard	
54	0641708	1	Bolt 7/16 x 1	
55	3311705	1	Nut 7/16	
56	4711700	2	Washer 7/16	
57	1001165101	1	Bracket, Fuel Pump Filter Assembly (See Separate Breakdown in this Section)	
58	3520054	1	Plug	

SECTION 3 - ENGINE

FIGURE 3-31. DEUTZ TCD2.9L4 DIESEL ENGINE INSTALLATION - WITH SAUER PUMPS AND ABS HOODS (WITHOUT COLD WEATHER PLUS PACKAGE)



AWT, 9001141817

SECTION 3 - ENGINE

FIGURE 3-31. DEUTZ TCD2.9L4 DIESEL ENGINE INSTALLATION - WITH SAUER PUMPS AND ABS HOODS (WITHOUT COLD WEATHER PLUS PACKAGE)

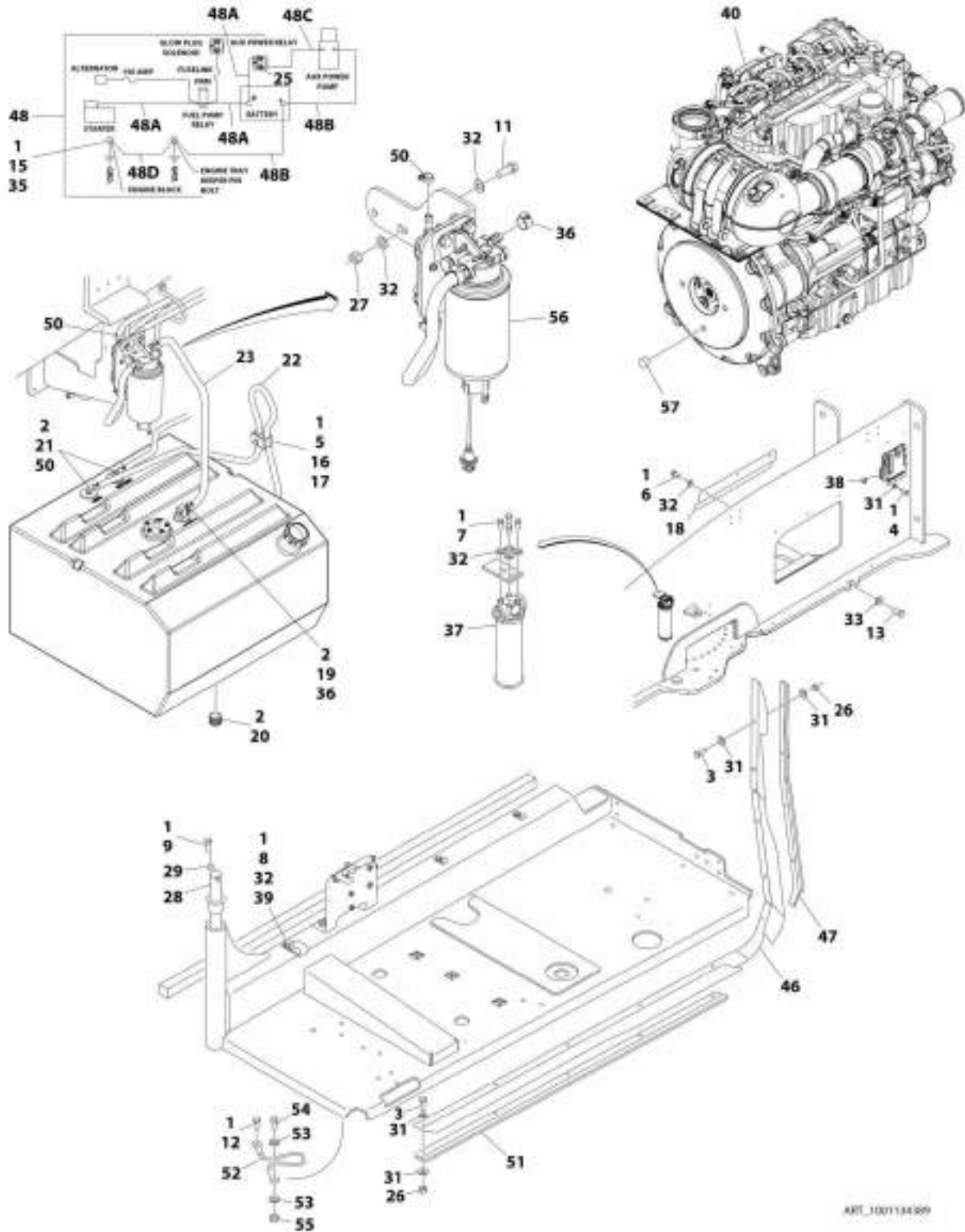
ITEM	PART NUMBER	QTY	DESCRIPTION	REV
	1001141817	Ref	DEUTZ TCD2.9L4 DIESEL ENGINE INSTALLATION - WITH SAUER PUMPS AND ABS HOODS (WITHOUT COLD WEATHER PLUS PACKAGE)	J
1	0100011	AR	Compound, Locking	
2	0100079	AR	Sealant, Pipe	
3	0641408	10	Bolt 1/4 x 1	
4	0641410	4	Bolt 1/4 x 1-1/4	
5	0641511	1	Bolt 5/16 x 1-3/8	
6	0641605	3	Bolt 3/8 x 5/8	
7	0641606	4	Bolt 3/8 x 3/4	
8	0641608	1	Bolt 3/8 x 1	
9	0641610	1	Bolt 3/8 x 1-1/4	
11	0641612	2	Bolt 3/8 x 1-1/2	
12	0641808	1	Bolt 1/2 x 1	
13	0642010	1	Bolt 5/8 x 1-1/4	
15	0761210	1	Bolt M12 x 20	
16	1320187	1	Clamp	
17	1320190	1	Cover, Clamp	
18	1671121	1	Cover	
19	2180832	1	Fitting, Barbed	
20	2200222	1	Plug, Pipe (SN 0300201016 through 0300237154)	
21	2220313	2	Fitting, Elbow Barbed	
22	1001165035	5 ft/ 1.5m	Hose (SN 0300201016 through 0300217382)	
22	2750532	5 ft/ 1.5m	Hose (SN 0300217383 to Present)	
23	1001154405	2 ft/ 0.6m	Hose	
25	3300220	2	Nut 5/16	
26	3311405	10	Nut 1/4	
27	3311605	2	Nut 3/8	
28	3422446	1	Pin, Pivot	
29	3841143	1	Pin, Keeper	
30	4240018	2	Strap, Tie (Not Shown)	
31	4711400	24	Washer 1/4	
32	4711600	12	Washer 3/8	
33	4752000	1	Washer 5/8	
35	4812100	1	Washer M12	
36	8405006	2	Clamp	
37	1001108617	1	Filter	
37	70002231	1	Element, Filter	
38	1001110425	4	Spacer	
39	1001116792	1	Clamp	
40	1001134390	1	Engine Sub-Assembly (See Separate Breakdown in this Section)	
42	1001138491	NLA	Harness, Fuel (Use p/n 1001222665) (Not Shown - See Separate Breakdown in ELECTRICAL SECTION)	
45	1001145089	1	Clamp	
46	1001141225	1	Battery Cable Kit	E
46A	7027042	1	Cable, Battery (Red) (Battery + to Relays and Starter)	
46B	7027043	1	Cable, Battery (Black) (Battery - to Tray Pivot Grd and Aux Pump)	
46C	7027044	1	Cable (Red) (Aux Relay to Aux Pump)	
46D	7027045	1	Cable, Battery (Black) (Engine to Tray Pivot Grd)	

SECTION 3 - ENGINE

ITEM	PART NUMBER	QTY	DESCRIPTION	REV
48	1001145560	1	Panel, Rubber	
50	1320022	3	Clamp	
51	1001145842	1	Plate, Clamping	
52	0641708	1	Bolt 7/16 x 1	
53	3311705	1	Nut 7/16	
54	4711700	2	Washer 7/16	
55	1001131542	1	Lanyard	
56	1001165101	1	Bracket, Fuel Pump Filter Assembly (See Separate Breakdown in this Section)	
57	3520054	1	Plug	

SECTION 3 - ENGINE

FIGURE 3-32. DEUTZ TCD2.9L4 DIESEL ENGINE INSTALLATION - WITH SAUER PUMPS AND STEEL HOODS (WITHOUT COLD WEATHER PLUS PACKAGE)



ART_1001134599

SECTION 3 - ENGINE

FIGURE 3-32. DEUTZ TCD2.9L4 DIESEL ENGINE INSTALLATION - WITH SAUER PUMPS AND STEEL HOODS (WITHOUT COLD WEATHER PLUS PACKAGE)

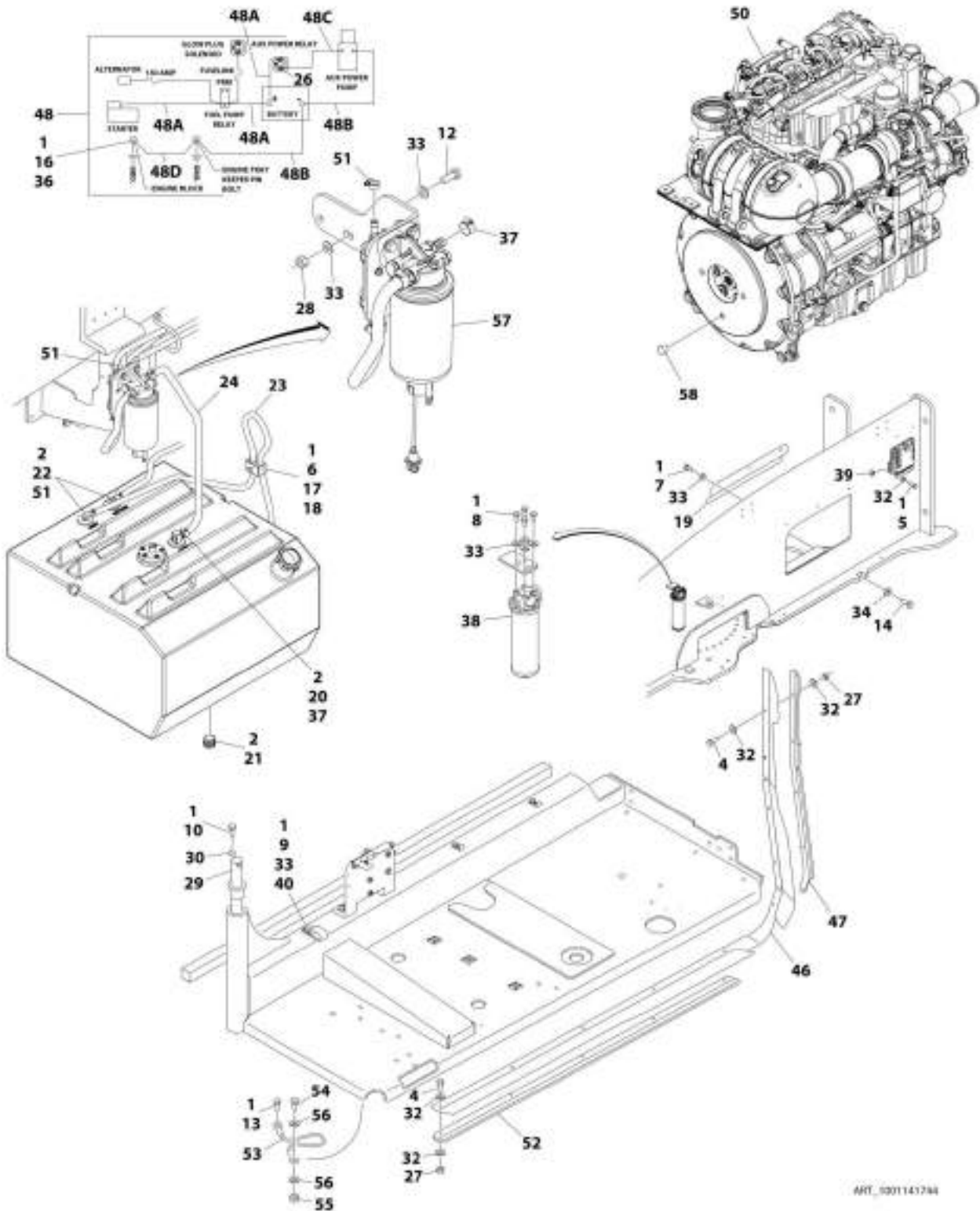
ITEM	PART NUMBER	QTY	DESCRIPTION	REV
	1001134389	Ref	DEUTZ TCD2.9L4 DIESEL ENGINE INSTALLATION - WITH SAUER PUMPS AND STEEL HOODS (WITHOUT COLD WEATHER PLUS PACKAGE)	J
1	0100011	AR	Compound, Locking	
2	0100079	AR	Sealant, Pipe	
3	0641408	10	Bolt 1/4 x 1	
4	0641410	4	Bolt 1/4 x 1-1/4	
5	0641511	1	Bolt 5/16 x 1-3/8	
6	0641605	3	Bolt 3/8 x 5/8	
7	0641606	4	Bolt 3/8 x 3/4	
8	0641608	1	Bolt 3/8 x 1	
9	0641610	1	Bolt 3/8 x 1-1/4	
11	0641612	2	Bolt 3/8 x 1-1/2	
12	0641808	1	Bolt 1/2 x 1	
13	0642010	1	Bolt 5/8 x 1-1/4	
15	0761210	1	Bolt M12 x 20	
16	1320187	1	Clamp	
17	1320190	1	Cover, Clamp	
18	1671121	1	Cover	
19	2180832	1	Fitting, Barbed	
20	2200222	1	Plug, Pipe (SN 0300201016 through 0300237154)	
21	2220313	2	Fitting, Elbow Barbed	
22	1001165035	5 ft/ 1.5m	Hose (SN 0300201016 through 0300217382)	
22	2750532	5 ft/ 1.5m	Hose (SN 0300217383 to Present)	
23	1001154405	2 ft/ 0.6m	Hose	
25	3300220	2	Nut 5/16	
26	3311405	10	Nut 1/4	
27	3311605	2	Nut 3/8	
28	3422446	1	Pin, Pivot	
29	3841143	1	Pin, Keeper	
30	4240018	2	Strap, Tie (Not Shown)	
31	4711400	24	Washer 1/4	
32	4711600	12	Washer 3/8	
33	4752000	1	Washer 5/8	
35	4812100	1	Washer M12	
36	8405006	2	Clamp	
37	1001108617	1	Filter	
37	70002231	1	Element, Filter	
38	1001110425	4	Spacer	
39	1001116792	1	Clamp	
40	1001134390	1	Engine Sub-Assembly (See Separate Breakdown in this Section)	
42	1001138491	NLA	Harness, Fuel (Use p/n 1001222665) (Not Shown - See Separate Breakdown in ELECTRICAL SECTION)	
46	1001140604	1	Panel, Rubber	
47	1001145089	1	Clamp	
48	1001141225	1	Battery Cable Kit	E
48A	7027042	1	Cable, Battery (Red) (Battery + to Relays and Starter)	
48B	7027043	1	Cable, Battery (Black) (Battery - to Tray Pivot Grd and Aux Pump)	
48C	7027044	1	Cable (Red) (Aux Relay to Aux Pump)	

SECTION 3 - ENGINE

ITEM	PART NUMBER	QTY	DESCRIPTION	REV
48D	7027045	1	Cable, Battery (Black) (Engine to Tray Pivot Grd)	
50	1320022	3	Clamp	
51	1001145842	1	Plate, Clamping	
52	1001131542	1	Lanyard	
53	4711700	2	Washer 7/16	
54	0641708	1	Bolt 7/16 x 1	
55	3311705	1	Nut 7/16	
56	1001165101	1	Bracket, Fuel Pump Filter Assembly (See Separate Breakdown in this Section)	
57	3520054	1	Plug	

SECTION 3 - ENGINE

FIGURE 3-33. DEUTZ TCD2.9L4 DIESEL ENGINE INSTALLATION - WITH SAUER PUMPS AND STEEL HOODS (WITH COLD WEATHER PLUS PACKAGE)



ART_1001141794

SECTION 3 - ENGINE

FIGURE 3-33. DEUTZ TCD2.9L4 DIESEL ENGINE INSTALLATION - WITH SAUER PUMPS AND STEEL HOODS (WITH COLD WEATHER PLUS PACKAGE)

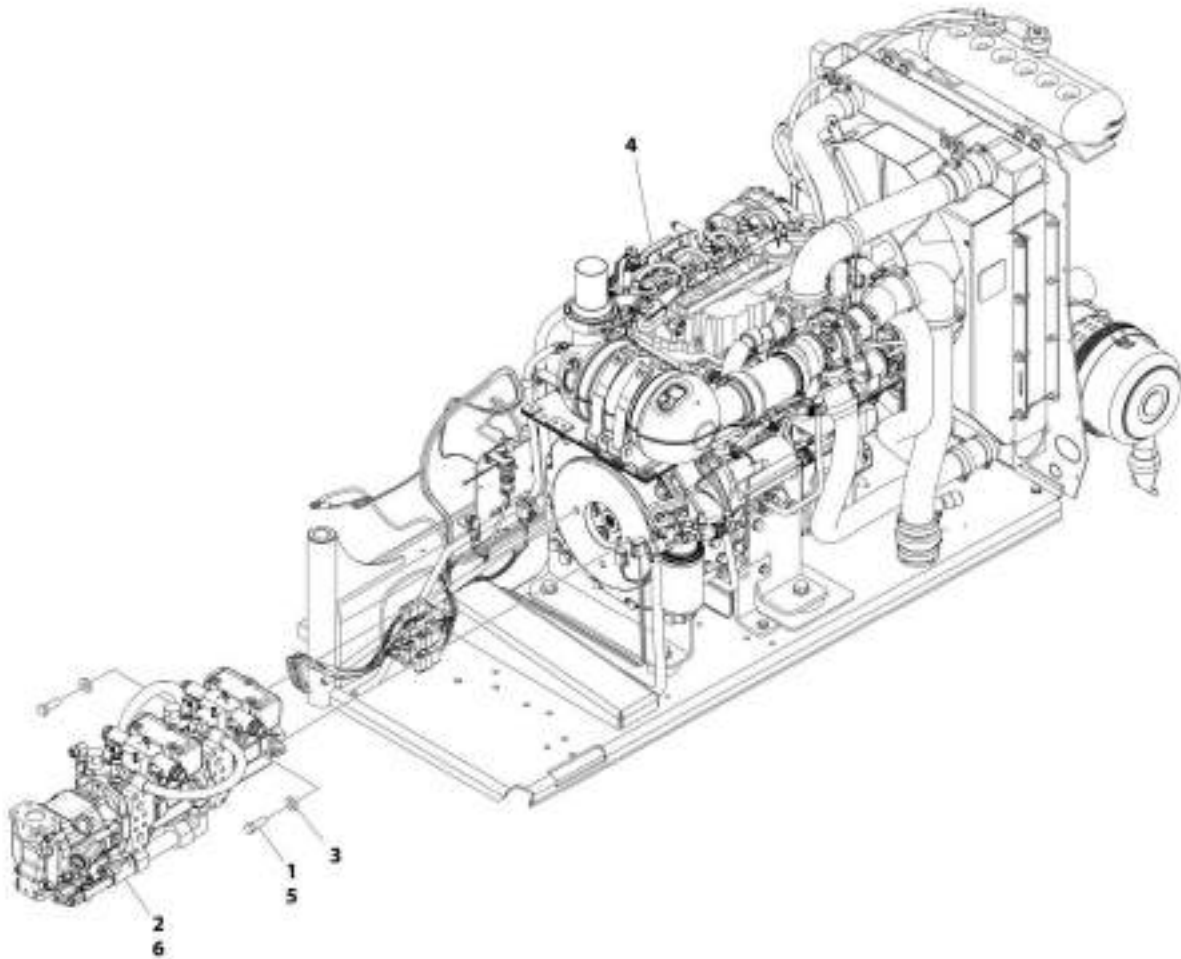
ITEM	PART NUMBER	QTY	DESCRIPTION	REV
	1001141744	Ref	DEUTZ TCD2.9L4 DIESEL ENGINE INSTALLATION - WITH SAUER PUMPS AND STEEL HOODS (WITH COLD WEATHER PLUS PACKAGE)	L
1	0100011	AR	Compound, Locking	
2	0100079	AR	Sealant, Pipe	
4	0641408	10	Bolt 1/4 x 1	
5	0641410	4	Bolt 1/4 x 1-1/4	
6	0641511	1	Bolt 5/16 x 1-3/8	
7	0641605	3	Bolt 3/8 x 5/8	
8	0641606	4	Bolt 3/8 x 3/4	
9	0641608	1	Bolt 3/8 x 1	
10	0641610	1	Bolt 3/8 x 1-1/4	
12	0641612	2	Bolt 3/8 x 1-1/2	
13	0641808	1	Bolt 1/2 x 1	
14	0642010	1	Bolt 5/8 x 1-1/4	
16	0761210	1	Bolt M12 x 20	
17	1320187	1	Clamp	
18	1320190	1	Cover, Clamp	
19	1671121	1	Cover	
20	2180832	1	Fitting, Barbed	
21	2200222	1	Plug, Pipe (SN 0300201016 through 0300237154)	
22	2220313	2	Fitting, Elbow Barbed	
23	1001165035	5 ft/ 1.5m	Hose (SN 0300201016 through 0300217382)	
23	2750532	5 ft/ 1.5m	Hose (SN 0300217383 to Present)	
24	1001154405	2 ft/ 0.6m	Hose	
26	3300220	2	Nut 5/16	
27	3311405	10	Nut 1/4	
28	3311605	2	Nut 3/8	
29	3422446	1	Pin, Pivot	
30	3841143	1	Pin, Keeper	
31	4240018	2	Strap, Tie (Not Shown)	
32	4711400	24	Washer 1/4	
33	4711600	12	Washer 3/8	
34	4752000	1	Washer 5/8	
36	4812100	1	Washer M12	
37	8405006	2	Clamp	
38	1001108617	1	Filter	
38	70002231	1	Element, Filter	
39	1001110425	4	Spacer	
40	1001116792	1	Clamp	
42	1001138491	NLA	Harness, Fuel (Use p/n 1001222665) (Not Shown - See Separate Breakdown in ELECTRICAL SECTION)	
46	1001140604	1	Panel, Rubber	
47	1001145089	1	Clamp	
48	1001141225	1	Battery Cable Kit	E
48A	7027042	1	Cable, Battery (Red) (Battery + to Relays and Starter)	
48B	7027043	1	Cable, Battery (Black) (Battery - to Tray Pivot Grd and Aux Pump)	
48C	7027044	1	Cable (Red) (Aux Relay to Aux Pump)	
48D	7027045	1	Cable, Battery (Black) (Engine to Tray Pivot Grd)	

SECTION 3 - ENGINE

ITEM	PART NUMBER	QTY	DESCRIPTION	REV
50	1001141745	1	Engine Sub-Assembly (See Separate Breakdown in this Section)	
51	1320022	3	Clamp	
52	1001145842	1	Plate, Clamping	
53	1001131542	1	Lanyard	
54	0641708	1	Bolt 7/16 x 1	
55	3311705	1	Nut 7/16	
56	4711700	2	Washer 7/16	
57	1001165101	1	Bracket, Fuel Pump Filter Assembly (See Separate Breakdown in this Section)	
58	3520054	1	Plug	

SECTION 3 - ENGINE

FIGURE 3-34. DEUTZ TCD2.9L4 ENGINE SUB-ASSEMBLY - WITH REXROTH PUMP (WITHOUT COLD WEATHER PLUS PACKAGE)



ART.1001541012

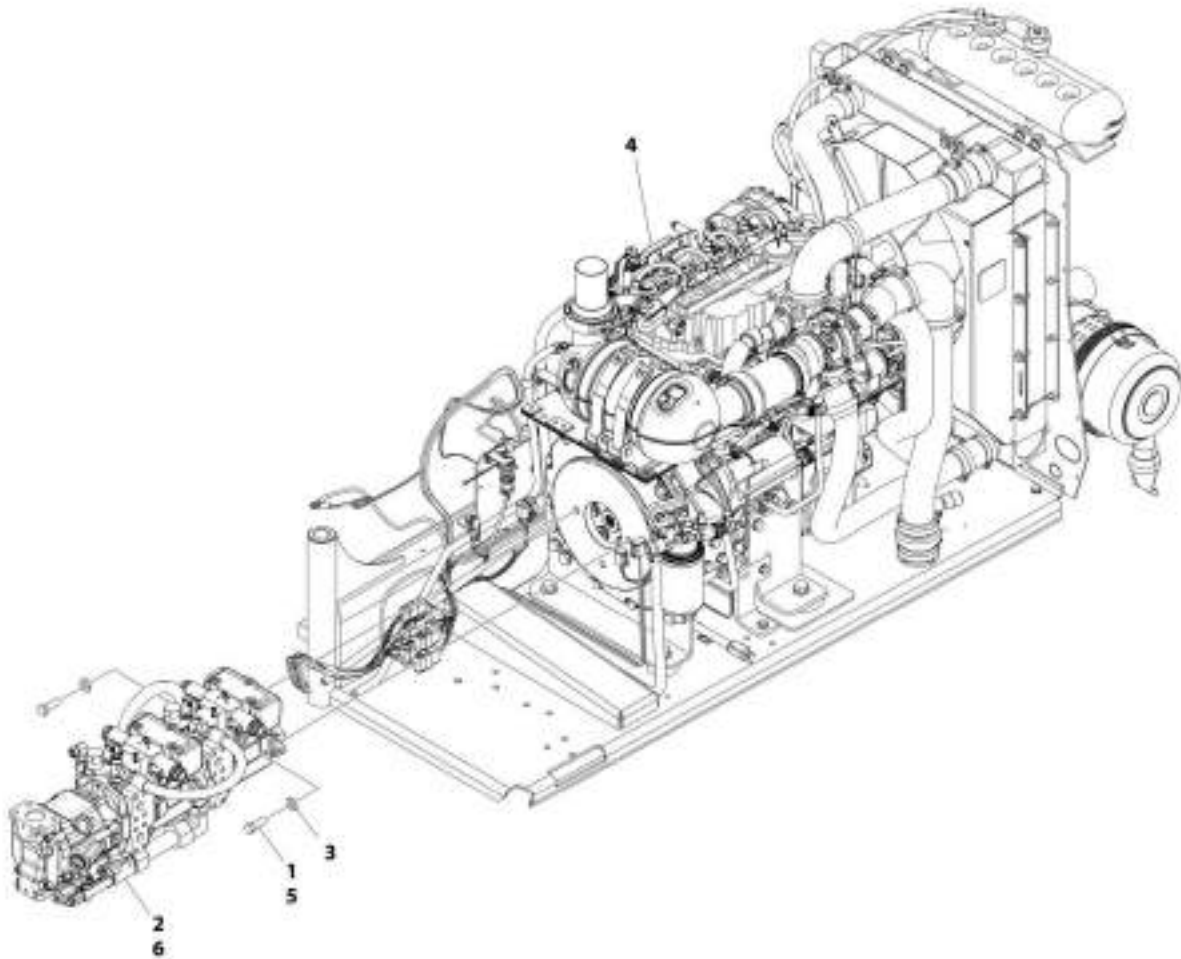
SECTION 3 - ENGINE

FIGURE 3-34. DEUTZ TCD2.9L4 ENGINE SUB-ASSEMBLY - WITH REXROTH PUMP (WITHOUT COLD WEATHER PLUS PACKAGE)

ITEM	PART NUMBER	QTY	DESCRIPTION	REV
	1001141812	Ref	DEUTZ TCD2.9L4 ENGINE SUB-ASSEMBLY - WITH REXROTH PUMP (WITHOUT COLD WEATHER PLUS PACKAGE)	Z
1	0641812	2	Bolt 1/2 x 1-1/2	
2	3020037	AR	Grease, Pump Coupling	
3	4891800	2	Washer 1/2	
4	1001134392	1	Engine Assembly (See Separate Breakdown in this Section)	
5	0100011	AR	Compound, Locking	
6	1001152963	1	Pump Assembly - Rexroth (See Separate Breakdown in this Section)	

SECTION 3 - ENGINE

FIGURE 3-35. DEUTZ TCD2.9L4 ENGINE SUB-ASSEMBLY - WITH REXROTH PUMP (WITH COLD WEATHER PLUS PACKAGE)



ART.1001541013

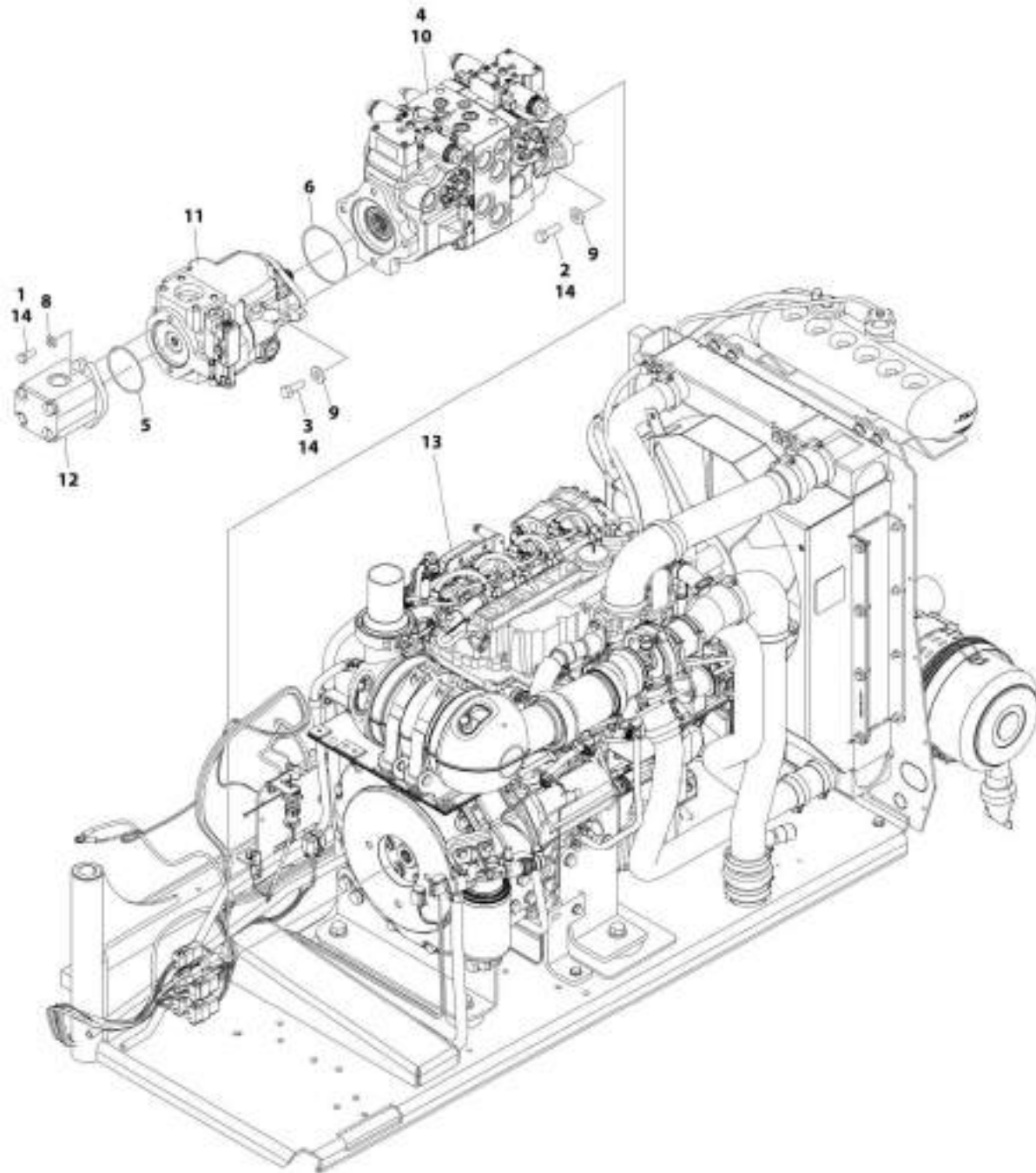
SECTION 3 - ENGINE

FIGURE 3-35. DEUTZ TCD2.9L4 ENGINE SUB-ASSEMBLY - WITH REXROTH PUMP (WITH COLD WEATHER PLUS PACKAGE)

ITEM	PART NUMBER	QTY	DESCRIPTION	REV
	1001141813	Ref	DEUTZ TCD2.9L4 ENGINE SUB-ASSEMBLY - WITH REXROTH PUMP (WITH COLD WEATHER PLUS PACKAGE)	AB
1	0641812	2	Bolt 1/2 x 1-1/2	
2	3020037	AR	Grease, Pump Coupling	
3	4740171	2	Washer 1/2	
4	1001134392	1	Engine Assembly (See Separate Breakdown in this Section)	
5	0100011	AR	Compound, Locking	
6	1001152963	1	Pump Assembly - Rexroth (See Separate Breakdown in this Section)	

SECTION 3 - ENGINE

FIGURE 3-36. DEUTZ TCD2.9L4 ENGINE SUB-ASSEMBLY - WITH SAUER PUMP (WITHOUT COLD WEATHER PLUS PACKAGE)



MIT_100113490

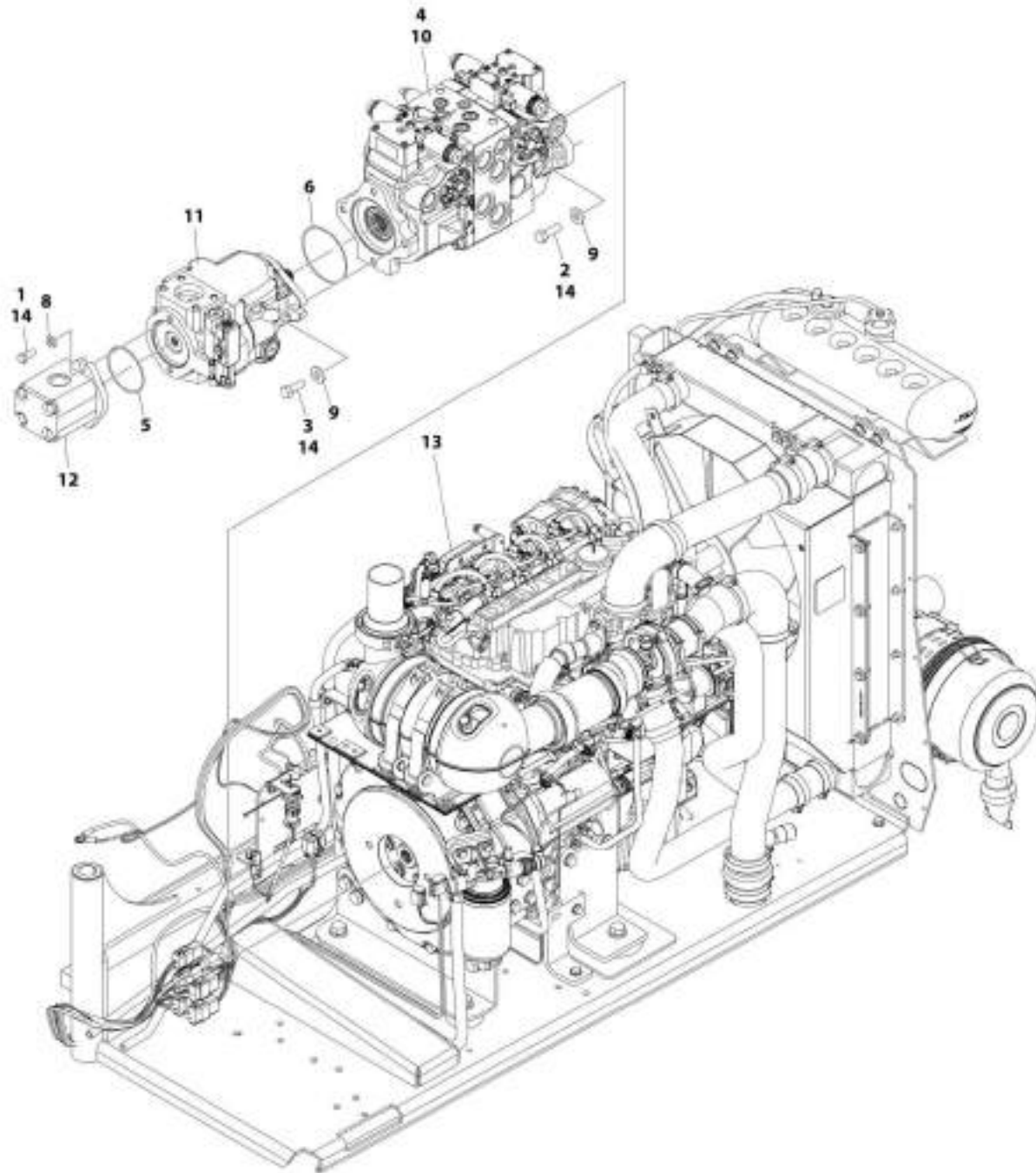
SECTION 3 - ENGINE

FIGURE 3-36. DEUTZ TCD2.9L4 ENGINE SUB-ASSEMBLY - WITH SAUER PUMP (WITHOUT COLD WEATHER PLUS PACKAGE)

ITEM	PART NUMBER	QTY	DESCRIPTION	REV
	1001134390	Ref	DEUTZ TCD2.9L4 ENGINE SUB-ASSEMBLY - WITH SAUER PUMP (WITHOUT COLD WEATHER PLUS PACKAGE)	Y
1	0641608	2	Bolt 3/8 x 1	
2	0641812	2	Bolt 1/2 x 1-1/2	
3	0761215	2	Bolt M12 x 35	
4	3020037	AR	Grease, Pump Coupling	
5	3790152	1	O-Ring	
6	3790155	1	O-Ring	
8	4891600	2	Washer 3/8	
9	4891800	4	Washer 1/2	
10	1001108616	1	Pump Assembly - Sauer Tandem (See Separate Breakdown in this Section)	
11	1001171095	1	Pump Assembly - Sauer Piston (See Separate Breakdown in this Section)	
12	1001112927	1	Pump Assembly - Sauer Gear (See Separate Breakdown in this Section)	
13	1001134392	1	Engine Assembly (See Separate Breakdown in this Section)	
14	0100011	AR	Compound, Locking	

SECTION 3 - ENGINE

FIGURE 3-37. DEUTZ TCD2.9L4 ENGINE SUB-ASSEMBLY - WITH SAUER PUMPS (WITH COLD WEATHER PLUS PACKAGE)



ART_1001041745

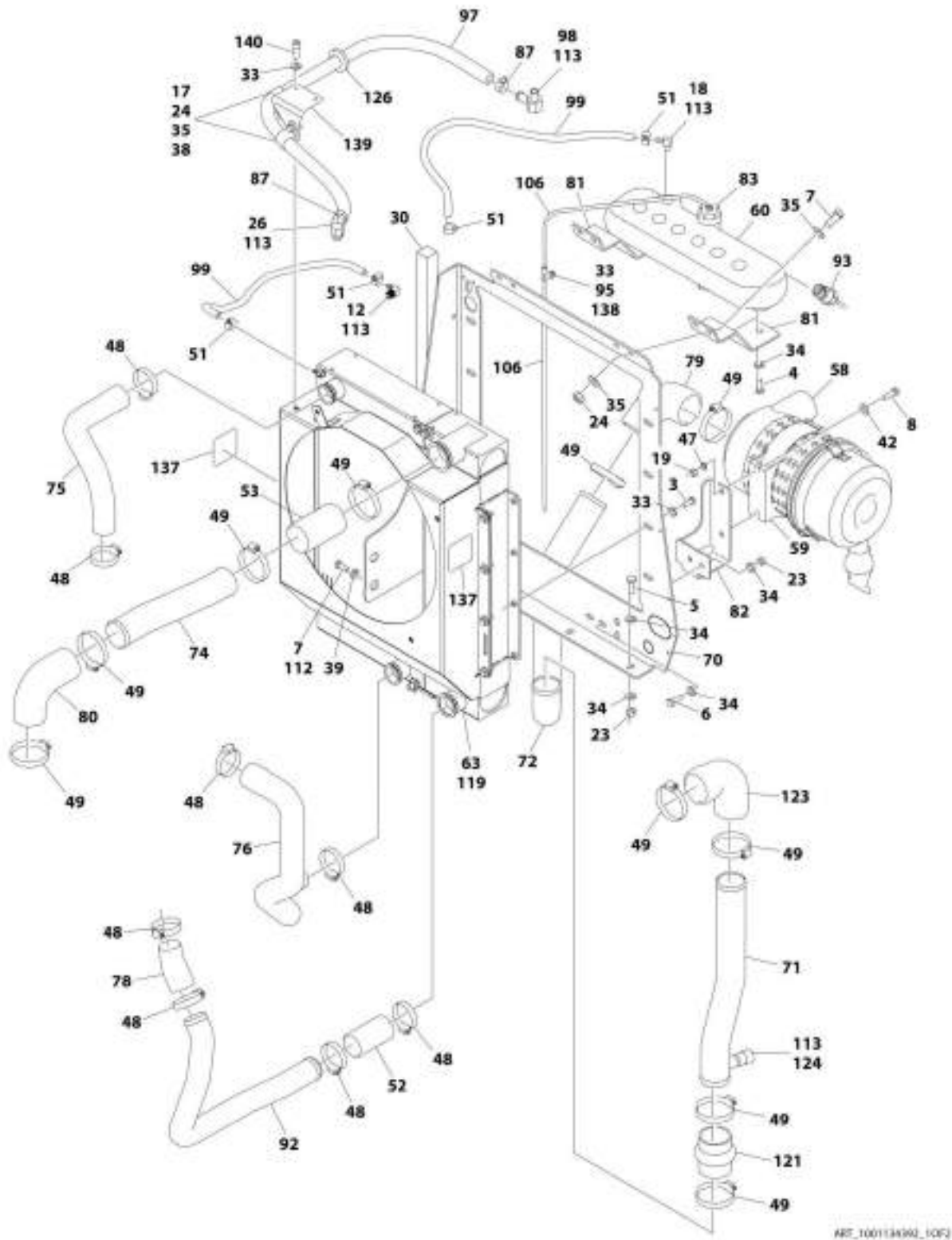
SECTION 3 - ENGINE

FIGURE 3-37. DEUTZ TCD2.9L4 ENGINE SUB-ASSEMBLY - WITH SAUER PUMPS (WITH COLD WEATHER PLUS PACKAGE)

ITEM	PART NUMBER	QTY	DESCRIPTION	REV
	1001141745	Ref	DEUTZ TCD2.9L4 ENGINE SUB-ASSEMBLY - WITH SAUER PUMPS (WITH COLD WEATHER PLUS PACKAGE)	Y
1	0641608	2	Bolt 3/8 x 1	
2	0641812	2	Bolt 1/2 x 1-1/2	
3	0761215	2	Bolt M12 x 35	
4	3020037	AR	Grease, Pump Coupling	
5	3790152	1	O-Ring	
6	3790155	1	O-Ring	
8	4891600	2	Washer 3/8	
9	4891800	4	Washer 1/2	
10	1001108616	1	Pump Assembly - Sauer Tandem (See Separate Breakdown in this Section)	
11	1001171095	1	Pump Assembly - Sauer Piston (See Separate Breakdown in this Section)	
12	1001112927	1	Pump Assembly - Sauer Gear (See Separate Breakdown in this Section)	
13	1001141746	1	Engine Assembly (See Separate Breakdown in this Section)	
14	0100011	AR	Compound, Locking	

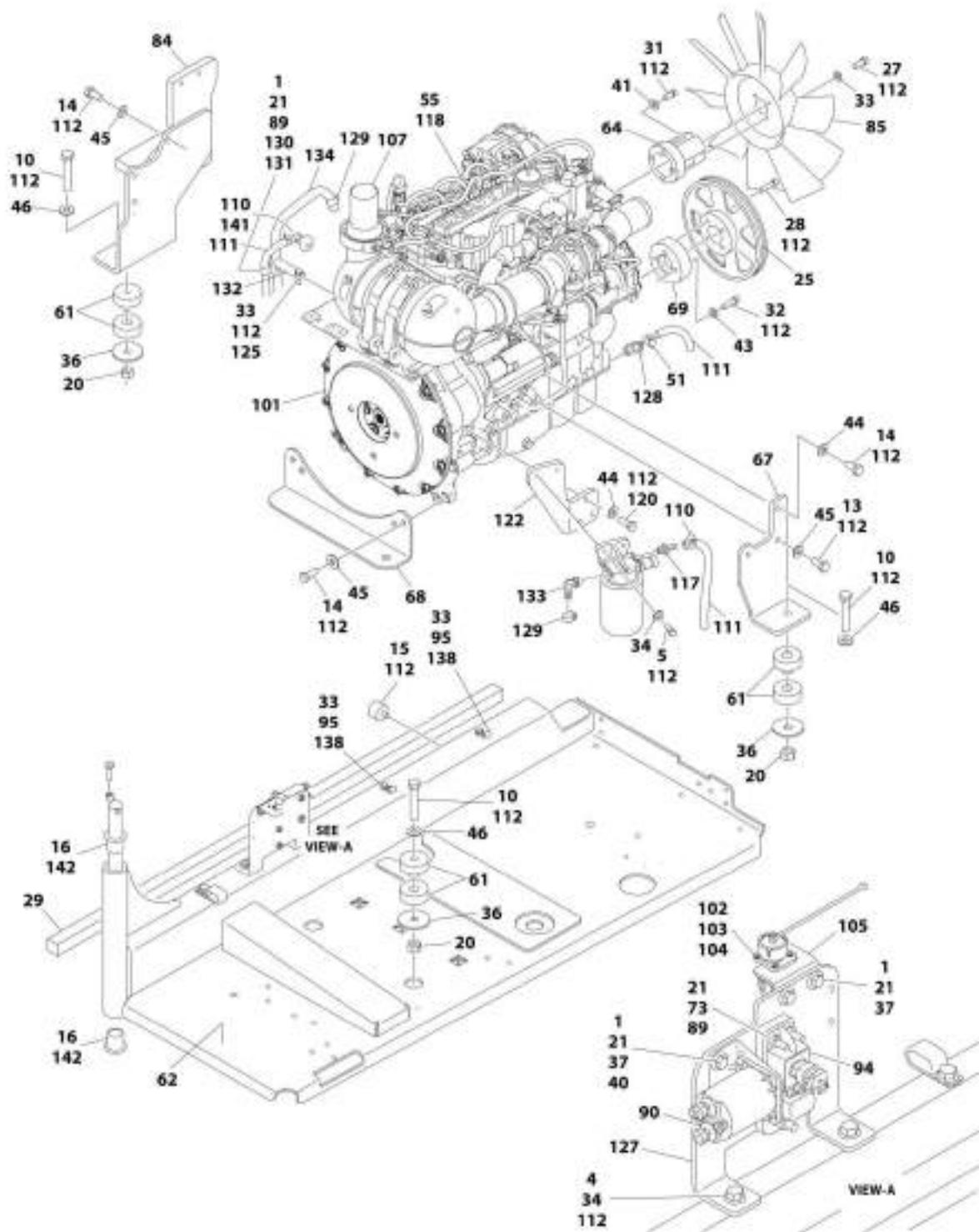
SECTION 3 - ENGINE

FIGURE 3-38. DEUTZ TCD2.9L4 ENGINE ASSEMBLY (WITHOUT COLD WEATHER PLUS PACKAGE)



ART_1001134902_10F3

SECTION 3 - ENGINE



ART_100134360_20F2

SECTION 3 - ENGINE

FIGURE 3-38. DEUTZ TCD2.9L4 ENGINE ASSEMBLY (WITHOUT COLD WEATHER PLUS PACKAGE)

ITEM	PART NUMBER	QTY	DESCRIPTION	REV
	1001134392	Ref	DEUTZ TCD2.9L4 ENGINE ASSEMBLY (WITHOUT COLD WEATHER PLUS PACKAGE)	AI
1	0641406	5	Bolt 1/4 x 3/4	
3	0641508	8	Bolt 5/16 x 1	
4	0641606	5	Bolt 3/8 x 3/4	
5	0641608	9	Bolt 3/8 x 1	
6	0641610	2	Bolt 3/8 x 1-1/4	
7	0641708	6	Bolt 7/16 x 1	
8	0700815	2	Bolt M8 x 35	
10	0682028	4	Bolt 5/8 x 3-1/2 Grade 8	
12	1001140564	1	Fitting, 90 Barbed	
13	0771212	1	Bolt M12 x 25 Grade 10.9	
14	0771414	9	Bolt M14 x 30 Grade 10.9	
15	0940070	1	Bumper	
16	0961986	2	Bushing, Flanged	
17	0641706	2	Bolt 7/16 x 3/4	
18	1001134488	1	Fitting, 90 Barbed	
19	3290801	2	Nut M8	
20	3272001	4	Nut 5/8 Grade 8	
21	3311405	6	Nut 1/4	
23	3311605	9	Nut 3/8	
24	3311705	5	Nut 7/16	
25	3580320	1	Pulley	
26	1001141719	1	Fitting, 90 Barbed	
27	3931512	4	Capscrew 5/16 x 3/4	
28	3931628	4	Capscrew 3/8 x 1-3/4	
29	3960543	1	Seal	
30	3960544	1	Seal	
31	4031914	4	Bolt M8 x 50	
32	4032014	4	Bolt M10 x 50	
33	4711500	19	Washer 5/16	
34	4711600	25	Washer 3/8	
35	4711700	10	Washer 7/16	
36	1001146219	4	Washer Special	
37	4751400	8	Washer 1/4	
38	8406302	2	Clamp	
39	4751700	2	Washer 7/16	
40	4791400	2	Starwasher 1/4	
41	4811900	4	Washer M8	
42	4811902	2	Washer M8	
43	4812000	4	Washer M10	
44	4812100	4	Washer M12	
45	4812200	9	Washer M14	
46	4892000	4	Washer 5/8	
47	4831900	2	Washer M8	
48	8405201	8	Clamp	
49	8405204	10	Clamp	
51	8410013	5	Clamp	
52	91563070	1	Coupling, Rubber	
53	1001114495	1	Hose	

SECTION 3 - ENGINE

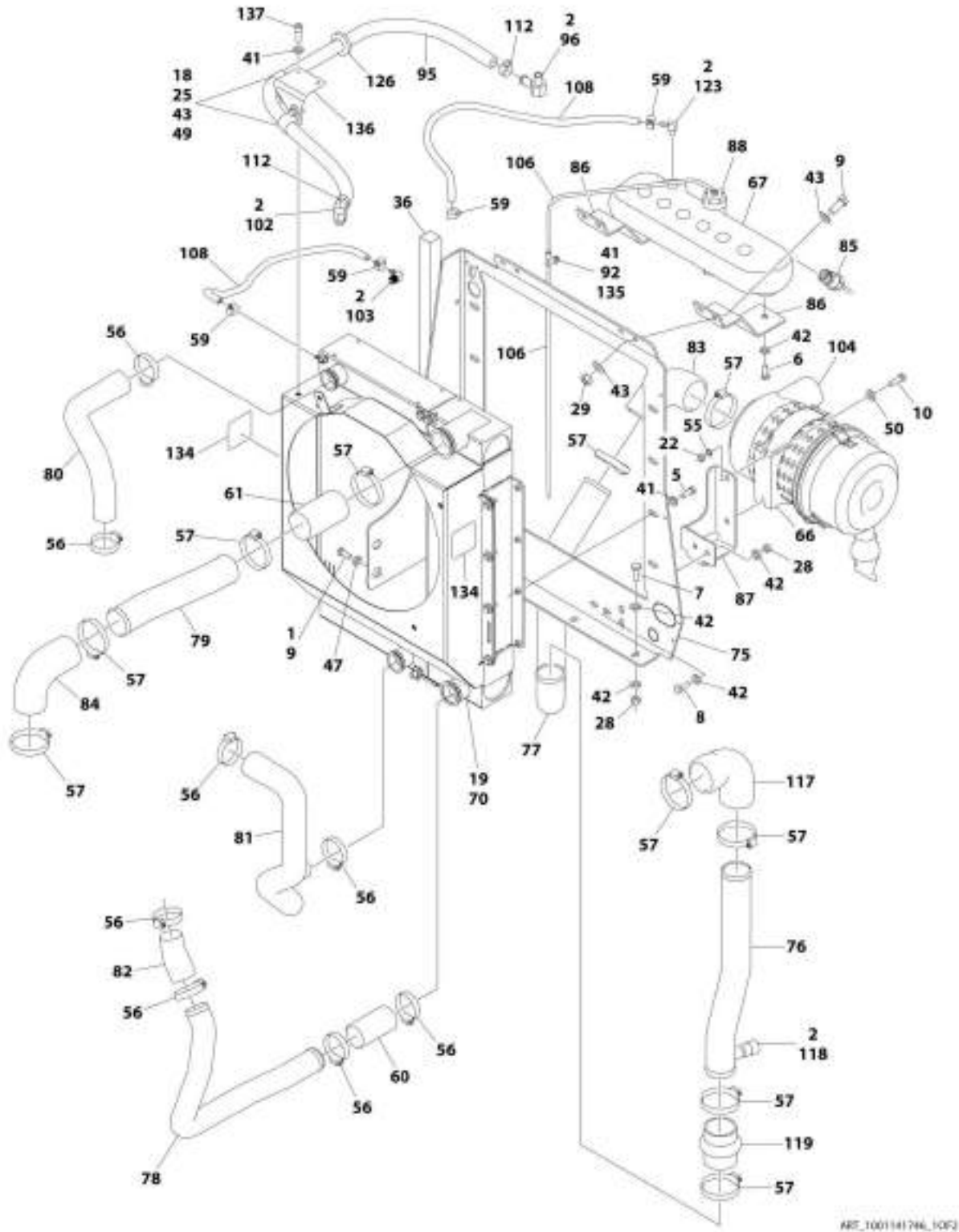
ITEM	PART NUMBER	QTY	DESCRIPTION	REV
55	1001128947	1	Engine, Deutz TCD2.9L4 (See Separate Breakdown in this Section)	
58	1001133633	1	Air Cleaner Assembly	
58	70024190	1	Element, Air Filter	
59	1001133634	1	Clamp	
60	1001166393	1	Tank, Surge	
61	1001155575	4	Mount, Motor	
62	1001134485	NLA	Tray (Use p/n 1001191272) (SN 0300201016 through 0300230056)	
62	1001191272	1	Tray (SN 0300230057 to Present, SN B300002238 to Present)	
63	1001135090	1	Radiator	
64	1001135138	1	Spacer, Fan	
67	1001135560	1	Support, Engine	
68	1001135562	1	Support, Engine - Rear	
69	1001135679	1	Spacer, Pulley	
70	1001135680	1	Support, Radiator	
71	1001135901	1	Pipe, Air Intake	
72	1001135903	1	Pipe, Air Intake	
73	3931432	1	Capscrew 1/4 x 2	
74	1001135914	1	Pipe, Air Cleaner to Intake	
75	1001135924	1	Hose, Radiator (Upper)	
76	1001135926	1	Hose, Radiator (Lower)	
78	1001135943	1	Coupling, Rubber	
79	1001135946	1	Elbow, Rubber	
80	1001136292	1	Pipe, 90	
81	1001136626	2	Bracket	
82	1001136665	1	Bracket	
83	1001136834	1	Cap, Tank	
84	1001142398	1	Support, Engine	
85	1001137276	1	Fan	
87	8405007	2	Clamp	
89	4711400	3	Washer 1/4	
90	1001117308	1	Relay	
92	1001135913	1	Pipe, Turbo to Air Cleaner	
93	1001138827	1	Sensor, Coolant Level	
94	1001138228	1	Module, Power	
94	70023592	1	Fuse 20Amp (Switched Output)	
94	70023593	1	Fuse 30Amp (Battery Output)	
95	1001138253	5	Clamp	
96	1001138346	1	Harness, Engine (Not Shown - See Separate Breakdown in ELECTRICAL SECTION)	
97	1001138524	1	Hose	
98	1001138559	1	Fitting, 90	
99	2720015	4.5 ft/ 1.4m	Hose	
101	2902065	1	Pump Coupling Kit (See Separate Breakdown in this Section)	
102	3310401	3	Nut #4	
103	3910408	3	Screw #4 x 1/2	
104	4710400	3	Washer #4	
105	1001139240	1	Bracket	
106	1001138248	4 ft/ 1.2m	Tubing	
107	1001153024	1	Pipe, Exhaust	

SECTION 3 - ENGINE

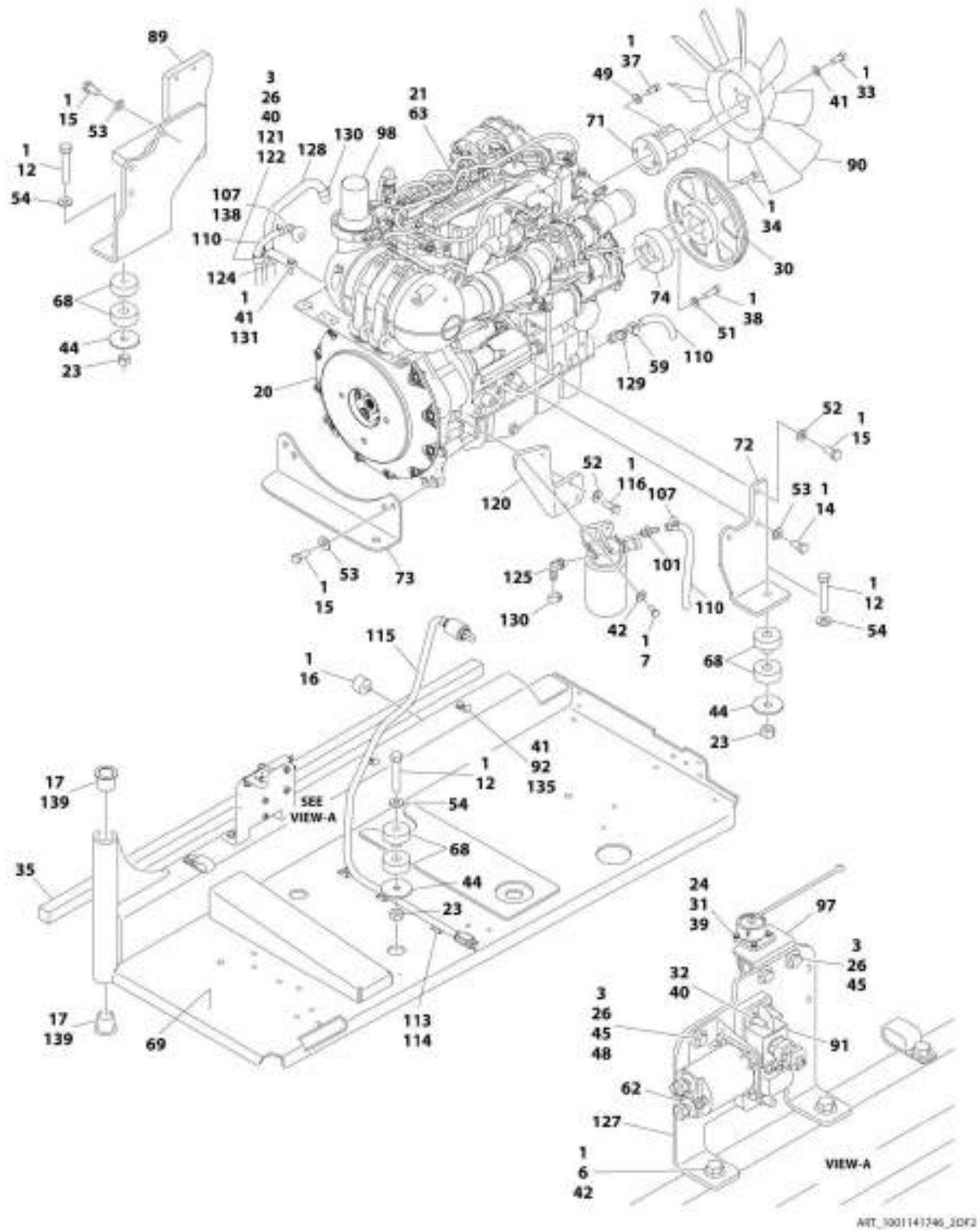
ITEM	PART NUMBER	QTY	DESCRIPTION	REV
110	1320022	2	Clamp	
111	1001165035	30.5 ft/ 9.3m	Hose	
112	0100011	AR	Compound, Locking	
113	0100020	AR	Sealant	
114	1001141304	1	Wire, Glow Plug (Not Shown)	
115	1001135779	1	Cable, Alternator Positive (Not Shown)	
117	1001141717	1	Fitting, Straight	
118	1001136079	2.4 gal /9L	Oil, Motor	
119	2300004	3.2 gal/ 12.1L	Anti-freeze	
120	0761214	3	Bolt M12 x 30	
121	1001142637	1	Hose, Hump	
122	1001142685	1	Bracket	
123	1001165820	1	Pipe, Elbow	
124	1001143390	1	Indicator, Air Filter Service	
125	0760810	2	Bolt M8 x 20	
126	1001144089	1	Grommet	
127	1001145154	1	Plate, Mounting	
128	4640751	1	Valve, Oil Drain	
129	8405006	2	Clamp	
130	8406102	AR	Clip	
131	8406112	1	Clip	
132	1001138717	1	Bracket	
133	1001142501	1	Fitting, 90 Barbed	
134	1001154405	5 ft/ 1.5m	Hose	
135	1001148843	1	Harness, Fuel Filter (Not Shown - See Separate Breakdown in ELECTRICAL SECTION)	
137	1703162	2	Decal - Fan	
138	0641503	3	Bolt 5/16 x 3/8	
139	1001153387	1	Plate	
140	3931508	2	Capscrew 5/16 x 1/2	
141	1001155823	1	Coupling	
142	0100062	AR	Adhesive, Loctite #680	
143	4240099	AR	Tie-Strap (Not Shown)	

SECTION 3 - ENGINE

FIGURE 3-39. DEUTZ TCD2.9L4 ENGINE ASSEMBLY (WITH COLD WEATHER PLUS PACKAGE)



SECTION 3 - ENGINE



SECTION 3 - ENGINE

FIGURE 3-39. DEUTZ TCD2.9L4 ENGINE ASSEMBLY (WITH COLD WEATHER PLUS PACKAGE)

ITEM	PART NUMBER	QTY	DESCRIPTION	REV
	1001141746	Ref	DEUTZ TCD2.9L4 ENGINE ASSEMBLY (WITH COLD WEATHER PLUS PACKAGE)	AG
1	0100011	AR	Compound, Locking	
2	0100020	AR	Sealant	
3	0641406	5	Bolt 1/4 x 3/4	
5	0641508	8	Bolt 5/16 x 1	
6	0641606	5	Bolt 3/8 x 3/4	
7	0641608	9	Bolt 3/8 x 1	
8	0641610	2	Bolt 3/8 x 1-1/4	
9	0641708	6	Bolt 7/16 x 1	
10	0700815	2	Bolt M8 x 35	
12	0682028	4	Bolt 5/8 x 3-1/2 Grade 8	
14	0771212	1	Bolt M12 x 25 Grade 10.9	
15	0771414	9	Bolt M14 x 30 Grade 10.9	
16	0940070	1	Bumper	
17	0961986	2	Bushing, Flanged	
18	0641706	2	Bolt 7/16 x 3/4	
19	2300041	3.2 gal/ 12.1L	Anti-freeze	
20	2902065	1	Pump Coupling Kit (See Separate Breakdown in this Section)	
21	1001136172	2.4 gal /9L	Oil, Motor	
22	3290801	2	Nut M8	
23	3272001	4	Nut 5/8 Grade 8	
24	3310401	3	Nut #4	
25	8406302	2	Clamp	
26	3311405	6	Nut 1/4	
28	3311605	9	Nut 3/8	
29	3311705	5	Nut 7/16	
30	3580320	1	Pulley	
31	3910408	3	Screw #4 x 1/2	
32	3931432	1	Capscrew 1/4 x 2	
33	3931512	4	Capscrew 5/16 x 3/4	
34	3931628	4	Capscrew 3/8 x 1-3/4	
35	3960543	1	Seal	
36	3960544	1	Seal	
37	4031914	4	Bolt M8 x 50	
38	4032014	4	Bolt M10 x 50	
39	4710400	3	Washer #4	
40	4711400	3	Washer 1/4	
41	4711500	19	Washer 5/16	
42	4711600	25	Washer 3/8	
43	4711700	10	Washer 7/16	
44	1001146219	4	Washer Special	
45	4751400	8	Washer 1/4	
47	4751700	2	Washer 7/16	
48	4791400	2	Starwasher 1/4	
49	4811900	4	Washer M8	
50	4811902	2	Washer M8	
51	4812000	4	Washer M10	
52	4812100	4	Washer M12	

SECTION 3 - ENGINE

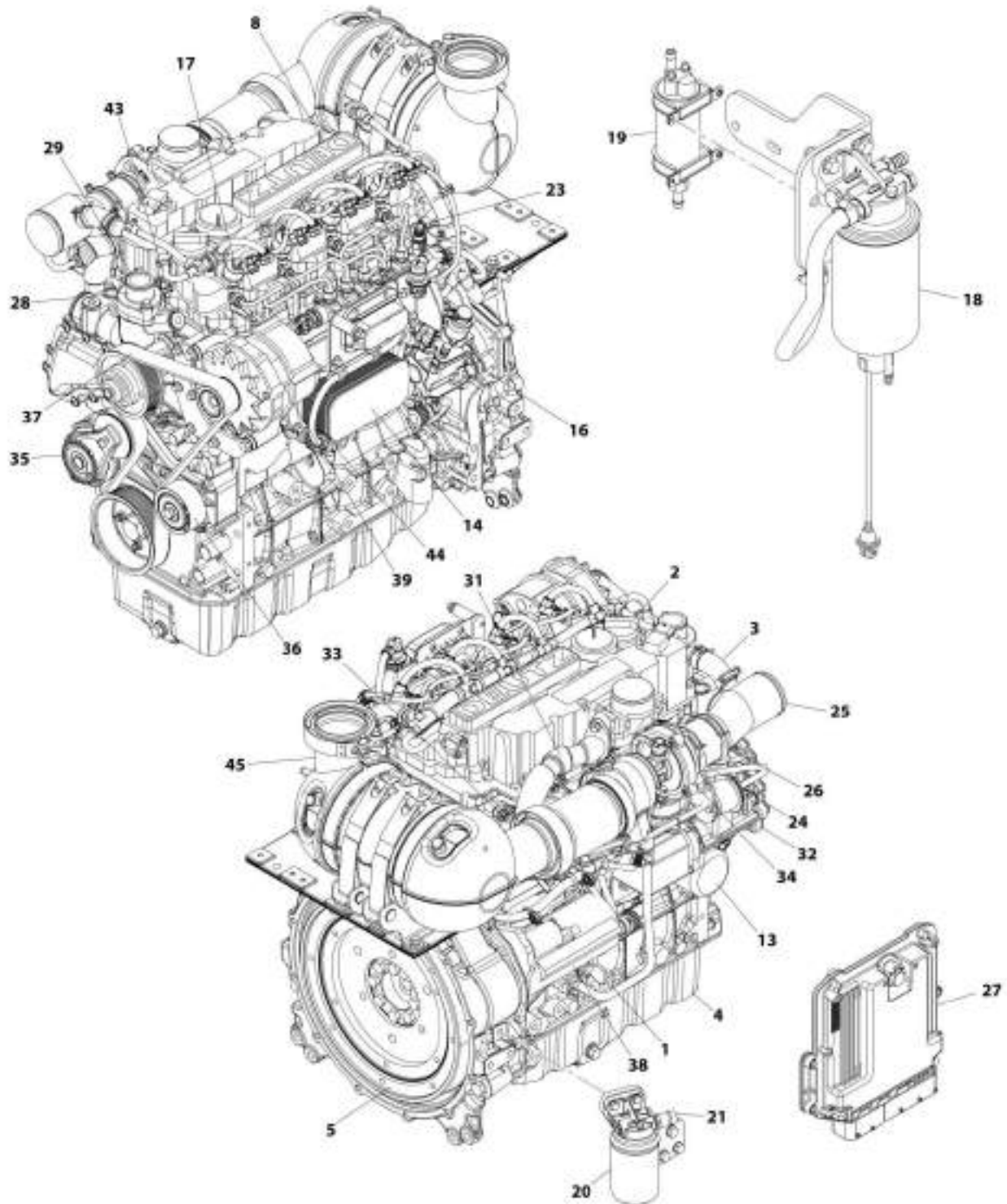
ITEM	PART NUMBER	QTY	DESCRIPTION	REV
53	4812200	9	Washer M14	
54	4892000	4	Washer 5/8	
55	4831900	2	Washer M8	
56	8405201	8	Clamp	
57	8405204	10	Clamp	
59	8410013	5	Clamp	
60	91563070	1	Coupling, Rubber	
61	1001114495	1	Hose	
62	1001117308	1	Relay	
63	1001128947	1	Engine, Deutz TCD2.9L4 (See Separate Breakdown in this Section)	
66	1001133634	1	Clamp	
67	1001166393	1	Tank, Surge	
68	1001155575	4	Mount, Motor	
69	1001134485	NLA	Tray (Use p/n 1001191272) (SN 0300201016 through 0300230056)	
69	1001191272	1	Tray (SN 0300230057 to Present)	
70	1001135090	1	Radiator	
71	1001135138	1	Spacer, Fan	
72	1001135560	1	Support, Engine	
73	1001135562	1	Support, Engine - Rear	
74	1001135679	1	Spacer, Pulley	
75	1001135680	1	Support, Radiator	
76	1001135901	1	Pipe, Air Intake	
77	1001135903	1	Pipe, Air Intake	
78	1001135913	1	Pipe, Turbo to Air Cleaner	
79	1001135914	1	Pipe, Air Cleaner to Intake	
80	1001135924	1	Hose, Radiator (Upper)	
81	1001135926	1	Hose, Radiator (Lower)	
82	1001135943	1	Coupling, Rubber	
83	1001135946	1	Elbow, Rubber	
84	1001136292	1	Pipe, 90	
85	1001138827	1	Sensor, Coolant Level	
86	1001136626	2	Bracket	
87	1001136665	1	Bracket	
88	1001136834	1	Cap, Tank	
89	1001142398	1	Support, Engine	
90	1001137276	1	Fan	
91	1001138228	1	Module, Power	
91	70023592	1	Fuse 20Amp (Switched Output)	
91	70023593	1	Fuse 30Amp (Battery Output)	
92	1001138253	5	Clamp	
94	1001138346	1	Harness, Engine (Not Shown - See Separate Breakdown in ELECTRICAL SECTION)	
95	1001138524	1	Hose	
96	1001138559	1	Fitting, 90	
97	1001139240	1	Bracket	
98	1001153024	1	Pipe, Exhaust	
100	1001141304	1	Wire, Glow Plug (Not Shown)	
101	1001141717	1	Fitting, Straight	
102	1001141719	1	Fitting, 90 Barbed	
103	1001140564	1	Fitting, 90 Barbed	

SECTION 3 - ENGINE

ITEM	PART NUMBER	QTY	DESCRIPTION	REV
104	1001133633	1	Air Cleaner Assembly	
104	70024190	1	Element, Air Filter	
105	1001135779	1	Cable, Alternator Positive (Not Shown)	
106	1001138248	4 ft/ 1.2m	Tubing	
107	1320022	2	Clamp	
108	2720015	4.5 ft/ 1.4m	Hose	
110	1001165035	30.5 ft/ 9.3m	Hose	
112	8405007	2	Clamp	
113	4240099	AR	Tie-Strap (Used to Secure Block Heater Cord)	
114	4460234	3	Mount, Wire Tie (Used to Secure Block Heater Cord)	
115	1001140312	1	Heater, Block	
116	0761214	3	Bolt M12 x 30	
117	1001165820	1	Pipe, Elbow	
118	1001143390	1	Indicator, Air Filter Service	
119	1001142637	1	Hose, Hump	
120	1001142685	1	Bracket	
121	8406102	AR	Clip	
122	8406112	1	Clip	
123	1001134488	1	Fitting, 90 Barbed	
124	1001138717	1	Bracket	
125	1001142501	1	Fitting, 90 Barbed	
126	1001144089	1	Grommet	
127	1001145154	1	Plate, Mounting	
128	1001154405	5 ft/ 1.5m	Hose	
129	4640751	1	Valve, Oil Drain	
130	8405006	2	Clamp	
131	0760810	AR	Bolt M8 x 20	
132	1001148843	1	Harness, Fuel Filter (Not Shown - See Separate Breakdown in ELECTRICAL SECTION)	
134	1703162	2	Decal - Fan	
135	0641503	3	Bolt 5/16 x 3/8	
136	1001153387	1	Plate	
137	3931508	2	Capscrew 5/16 x 1/2	
138	1001155823	1	Coupling	
139	0100062	AR	Adhesive, Loctite #680	
140	1001181895	AR	Adhesive, Loctite #640 (Not Shown - Apply to Block Heater)	

SECTION 3 - ENGINE

FIGURE 3-40. DEUTZ TCD2.9L4 ENGINE COMPONENTS



ART_1001128947

SECTION 3 - ENGINE

FIGURE 3-40. DEUTZ TCD2.9L4 ENGINE COMPONENTS

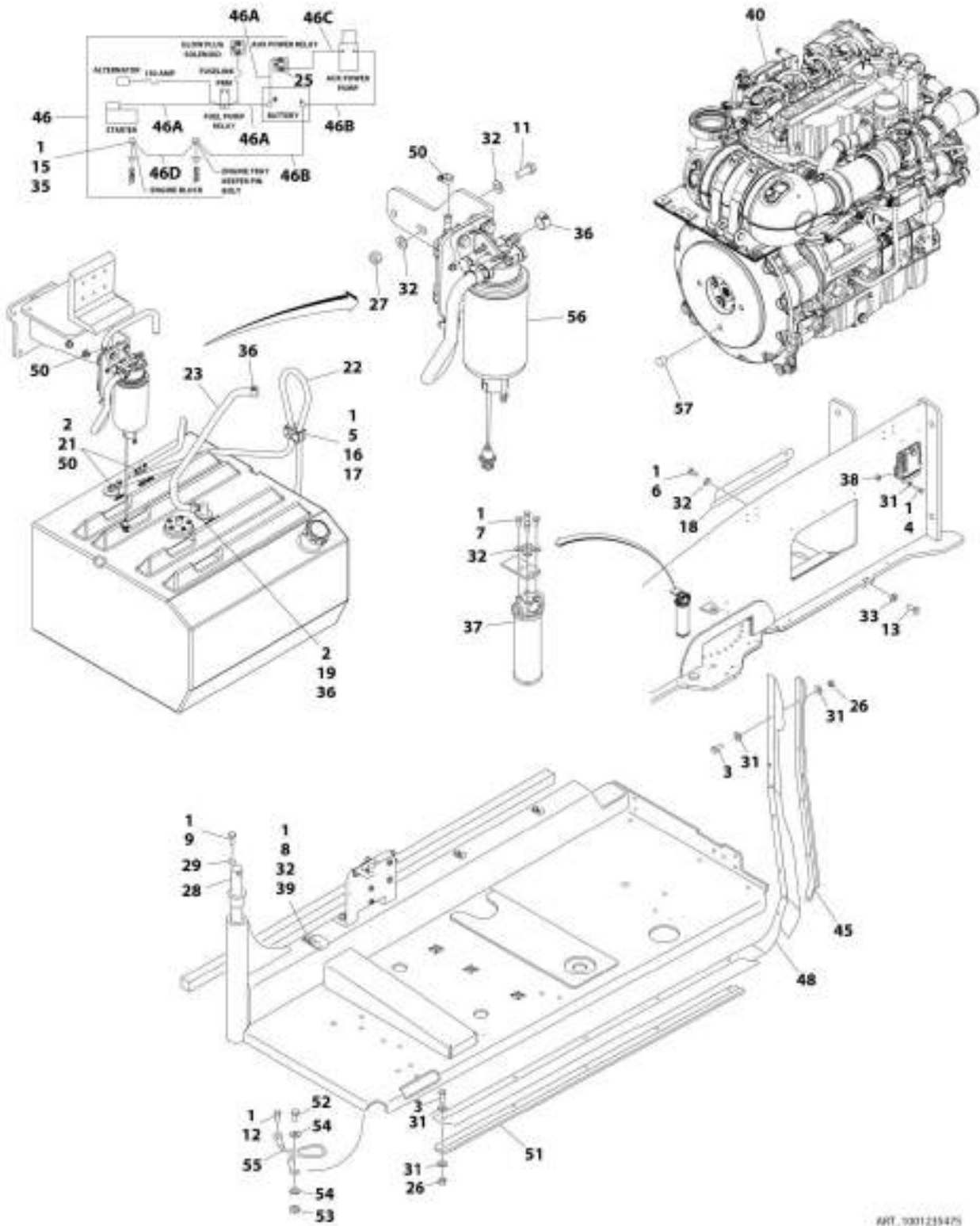
ITEM	PART NUMBER	QTY	DESCRIPTION	REV
	1001128947	Ref	DEUTZ TCD2.9L4 ENGINE COMPONENTS	K
1	70024904	1	Dipstick	
1	70024905	1	O-Ring	
2	7020465	2	Cap, Filler	
3	7002511	2	Clamp	
4	70025162	1	Pan, Oil	
4	70025088	2	Plug	
4	7020404	2	Washer, Sealing	
5	70001870	1	Flywheel	
5	7024579	1	Gear, Ring	
6	70024906	1	Gasket, Head (Not Shown)	
7	70025204	1	Shield, Heat (Not Shown)	
8	70025163	1	Cover, Valve	
8	70025205	1	Gasket	
8	70025206	1	Gasket, Small Valve Cover	
8	70025207	1	Gasket, Large Valve Cover	
8	70025208	1	Gasket	
9	70025076	1	Valve (Not Shown - Located on Right Side of Front Engine Cover)	
9	70025176	1	Spring	
9	70025082	1	Ring, Sealing	
9	70025091	1	Plug	
10	70025190	1	Cover, Front (Not Shown - Located on Front of Engine)	
10	70024907	1	Gasket, Front Cover	
10	70004280	1	Seal, Shaft - Front	
11	70002718	1	Seal, Shaft - Rear (Not Shown)	
12	70025202	1	Pump, Oil Lube (Not Shown)	
12	70025135	1	O-Ring	
12	70025136	1	Gasket	
13	7016331	1	Filter, Oil	
13	70025137	1	Bushing	
14	70004275	1	Cooler, Engine Oil	
14	70024925	1	Gasket	
15	70025171	1	Oil Suction Pump (Not Shown - Located Inside of Engine Oil Pan)	
16	70024924	1	Pump, Fuel	
16	70025152	1	O-Ring	
16	70025080	1	Washer	
16	70024488	1	Spacer	
16	70024517	1	O-Ring	
17	70025181	4	Injector, Fuel	
17	70025140	4	Washer, Sealing	
17	70025146	4	Clamp (Top of Injector)	
17	70025145	4	O-Ring	
17	70025154	4	Shoe, Clamping	
17	70000345	1	Plug, Glow (Not Shown)	
17	70025231	1	Harness, Glow Plug (Not Shown)	
18	70024961	1	Fuel Filter Assembly	
18	70025153	NLA	Filter, Fuel (Use p/n 1001225430)	
18	70024513	1	Cable, Sensor	
18	70025239	1	Ring, Sealing	
19	70024486	2	Pump, Fuel	

SECTION 3 - ENGINE

ITEM	PART NUMBER	QTY	DESCRIPTION	REV
19	70025144	1	Clamp	
20	70025160	1	Filter with Head	
20	70025161	NLA	Filter, Fuel (Use p/n 1001225431)	
21	70024504	1	Sensor, Pressure	
21	70024920	1	O-Ring	
21	70025103	1	Retainer	
22	70025151	1	Rail, Fuel (Not Shown)	
22	70025235	1	Repair Kit (Not Shown)	
23	70025182	1	Fuel Line - High Pressure (Cylinder 1 & 2)	
23	70025183	1	Fuel Line - High Pressure (Cylinder 3 & 4)	
23	70025184	1	Fuel Line - High Pressure (Supply)	
24	70004501	1	Sleeve, Rubber	
25	70004502	1	Pipe, Intake	
26	70025112	2	Clamp	
27	70025210	1	ECU (Engine Control Unit)	
28	70024910	1	Pump, Water	
28	70025200	1	Ring, Sealing	
28	70025084	2	Plug	
28	7020492	2	Ring, Sealing	
29	70024473	1	Thermostat	
29	70025143	1	O-Ring	
29	70025142	1	Cover, Thermostat	
30	70025177	1	Pipe (Not Shown - Located on Left Side)	
30	70025179	2	Gasket (Not Shown)	
31	70025178	1	Pipe	
31	70025156	1	Valve, Shuttle	
31	70025179	2	Gasket	
31	70025180	1	Gasket	
32	70025203	1	Module, EGR	
32	70025155	1	Plug	
33	70004282	1	Manifold, Exhaust	
33	70025164	1	Gasket, Exhaust Manifold to Head	
34	70004503	1	Turbocharger	
34	70024912	1	Gasket, Exhaust Manifold	
35	70025477	1	Tensioner, Belt	
36	70024484	1	Idler Roller	
37	70004277	1	Belt, Drive	
38	70024915	1	Starter	
39	70025533	1	Generator	
39	70025149	1	Regulator, Voltage	
40	70004284	1	Harness, Engine (Not Shown)	
41	70024507	1	Sensor, Pressure (Not Shown - Located Top Rear)	
41	70025120	1	O-Ring	
42	70026210	1	Sensor (Not Shown - Located Left Side Front and Flywheel Housing)	
42	70024917	1	O-Ring	
43	70024918	1	Sender, Temperature	
44	70024919	1	Sensor, Pressure	
44	70024920	1	O-Ring	
45	70005445	1	Outlet, Muffler	
46	70004279	1	Gasket Kit (Not Shown)	

SECTION 3 - ENGINE

FIGURE 3-41. DEUTZ TCD2.9L4 DIESEL ENGINE (STAGE V) INSTALLATION - WITH SAUER PUMPS AND ABS HOODS (WITHOUT COLD WEATHER PLUS PACKAGE)



ART. 901235475

SECTION 3 - ENGINE

FIGURE 3-41. DEUTZ TCD2.9L4 DIESEL ENGINE (STAGE V) INSTALLATION - WITH SAUER PUMPS AND ABS HOODS (WITHOUT COLD WEATHER PLUS PACKAGE)

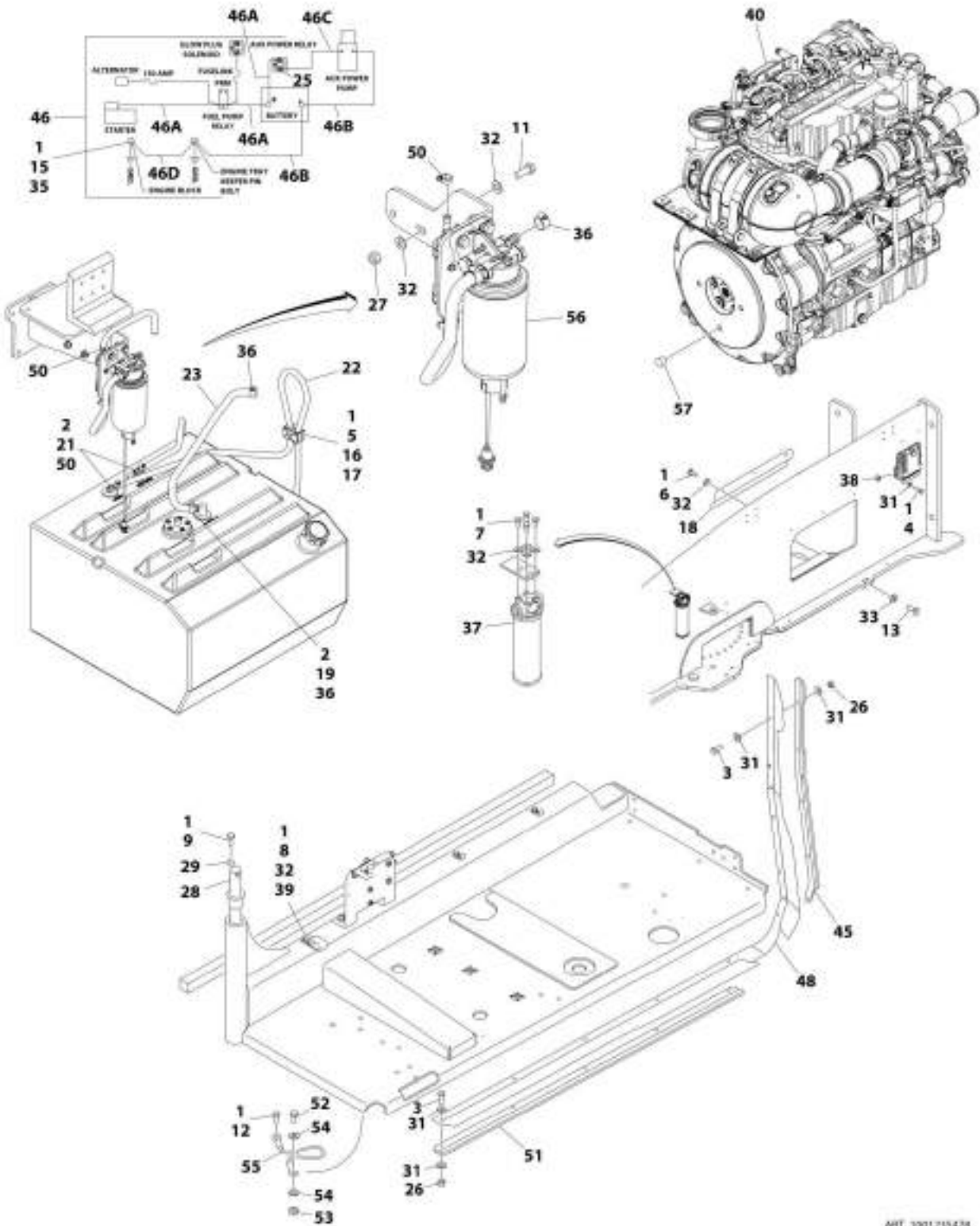
ITEM	PART NUMBER	QTY	DESCRIPTION	REV
	1001235475	Ref	DEUTZ TCD2.9L4 DIESEL ENGINE (Stage V) INSTALLATION - WITH SAUER PUMPS AND ABS HOODS (WITHOUT COLD WEATHER PLUS PACKAGE)	B
1	0100011	AR	Compound, Locking	
2	0100079	AR	Sealant, Pipe	
3	0641408	10	Bolt 1/4 x 1	
4	0641410	4	Bolt 1/4 x 1-1/4	
5	0641511	1	Bolt 5/16 x 1-3/8	
6	0641605	3	Bolt 3/8 x 5/8	
7	0641606	4	Bolt 3/8 x 3/4	
8	0641608	1	Bolt 3/8 x 1	
9	0641610	1	Bolt 3/8 x 1-1/4	
11	0641612	2	Bolt 3/8 x 1-1/2	
12	0641808	1	Bolt 1/2 x 1	
13	0642010	1	Bolt 5/8 x 1-1/4	
15	0761210	1	Bolt M12 x 20	
16	1320187	1	Clamp	
17	1320190	1	Cover, Clamp	
18	1671121	1	Cover	
19	2180832	1	Fitting, Barbed	
21	2220313	2	Fitting, Elbow Barbed	
22	2750532	5 ft/ 1.5m	Hose	
23	1001154405	2 ft/ 0.6m	Hose	
25	3300220	2	Nut 5/16	
26	3311405	10	Nut 1/4	
27	3311605	2	Nut 3/8	
28	3422446	1	Pin, Pivot	
29	3841143	1	Pin, Keeper	
30	4240018	2	Strap, Tie (Not Shown)	
31	4711400	24	Washer 1/4	
32	4711600	12	Washer 3/8	
33	4752000	1	Washer 5/8	
35	4812100	1	Washer M12	
36	8405006	2	Clamp	
37	1001108617	1	Filter	
37	70002231	1	Element, Filter	
38	1001110425	4	Spacer	
39	1001116792	1	Clamp	
40	1001235476	1	Engine Sub-Assembly (See Separate Breakdown in this Section)	
42	1001138491	NLA	Harness, Fuel (Use p/n 1001222665) (Not Shown - See Separate Breakdown in ELECTRICAL SECTION)	
45	1001145089	1	Clamp	
46	1001141225	1	Battery Cable Kit	E
46A	7027042	1	Cable, Battery (Red) (Battery + to Relays and Starter)	
46B	7027043	1	Cable, Battery (Black) (Battery - to Tray Pivot Grd and Aux Pump)	
46C	7027044	1	Cable (Red) (Aux Relay to Aux Pump)	
46D	7027045	1	Cable, Battery (Black) (Engine to Tray Pivot Grd)	
48	1001145560	1	Panel, Rubber	
50	1320022	3	Clamp	

SECTION 3 - ENGINE

ITEM	PART NUMBER	QTY	DESCRIPTION	REV
51	1001145842	1	Plate, Clamping	
52	0641708	1	Bolt 7/16 x 1	
53	3311705	1	Nut 7/16	
54	4711700	2	Washer 7/16	
55	1001131542	1	Lanyard	
56	1001165101	1	Bracket, Fuel Pump Filter Assembly (See Separate Breakdown in this Section)	
57	3520054	1	Plug	
58	1001241835	1 l	Fluid, Diesel Fuel Additive (Not Shown)	

SECTION 3 - ENGINE

FIGURE 3-42. DEUTZ TCD2.9L4 DIESEL ENGINE (STAGE V) INSTALLATION - WITH REXROTH PUMPS AND ABS HOODS (WITHOUT COLD WEATHER PLUS PACKAGE)



WIT_1001255478

SECTION 3 - ENGINE

FIGURE 3-42. DEUTZ TCD2.9L4 DIESEL ENGINE (STAGE V) INSTALLATION - WITH REXROTH PUMPS AND ABS HOODS (WITHOUT COLD WEATHER PLUS PACKAGE)

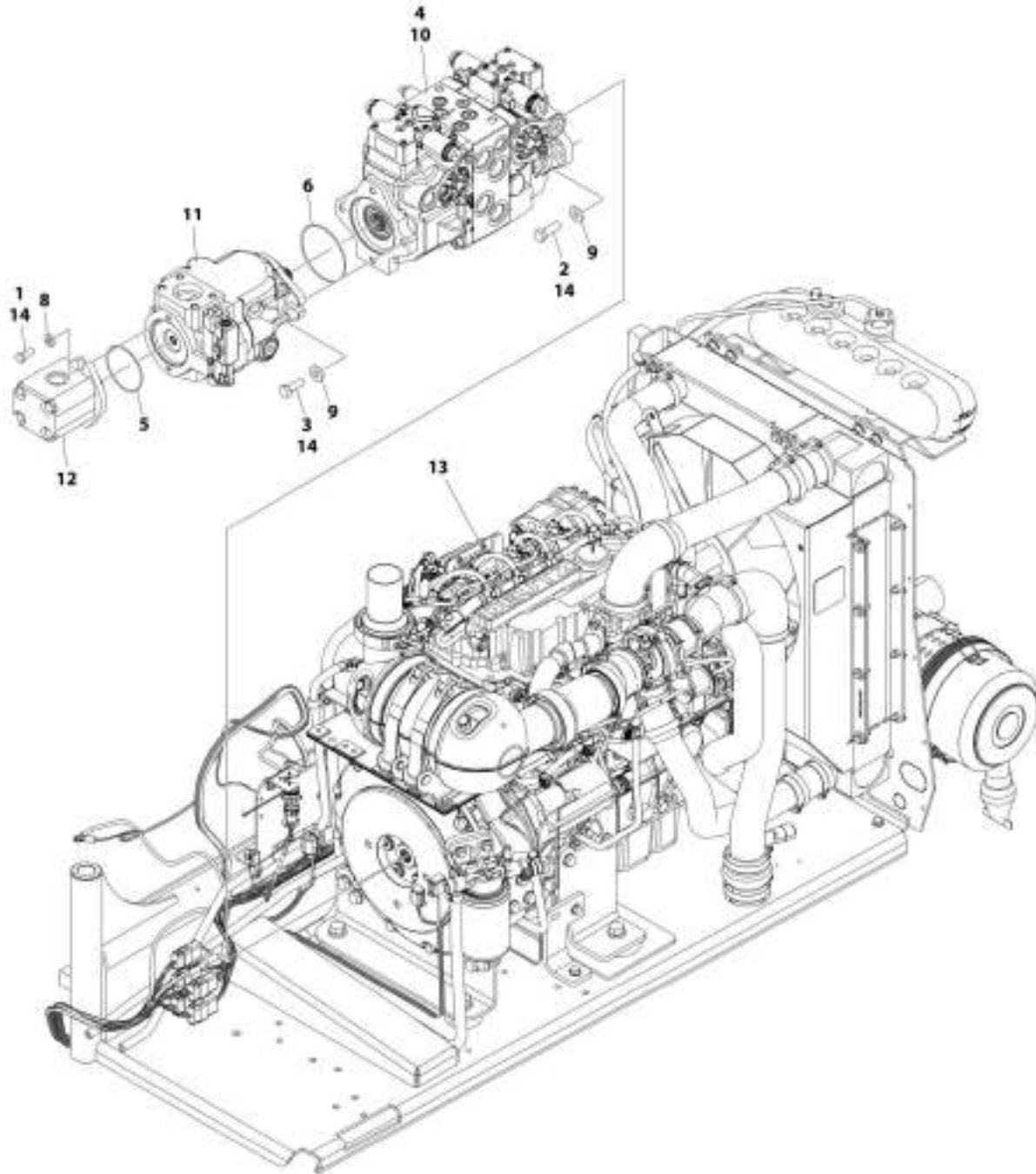
ITEM	PART NUMBER	QTY	DESCRIPTION	REV
	1001235478	Ref	DEUTZ TCD2.9L4 DIESEL ENGINE (STAGE V) INSTALLATION - WITH REXROTH PUMPS AND ABS HOODS (WITHOUT COLD WEATHER PLUS PACKAGE)	B
1	0100011	AR	Compound, Locking	
2	0100079	AR	Sealant, Pipe	
3	0641408	10	Bolt 1/4 x 1	
4	0641410	4	Bolt 1/4 x 1-1/4	
5	0641511	1	Bolt 5/16 x 1-3/8	
6	0641605	3	Bolt 3/8 x 5/8	
7	0641606	4	Bolt 3/8 x 3/4	
8	0641608	1	Bolt 3/8 x 1	
9	0641610	1	Bolt 3/8 x 1-1/4	
11	0641612	2	Bolt 3/8 x 1-1/2	
12	0641808	1	Bolt 1/2 x 1	
13	0642010	1	Bolt 5/8 x 1-1/4	
15	0761210	1	Bolt M12 x 20	
16	1320187	1	Clamp	
17	1320190	1	Cover, Clamp	
18	1671121	1	Cover	
19	2180832	1	Fitting, Barbed	
21	2220313	2	Fitting, Elbow Barbed	
22	2750532	5 ft/ 1.5m	Hose	
23	1001154405	2 ft/ 0.6m	Hose	
25	3300220	2	Nut 5/16	
26	3311405	10	Nut 1/4	
27	3311605	2	Nut 3/8	
28	3422446	1	Pin, Pivot	
29	3841143	1	Pin, Keeper	
30	4240018	2	Strap, Tie (Not Shown)	
31	4711400	24	Washer 1/4	
32	4711600	12	Washer 3/8	
33	4752000	1	Washer 5/8	
35	4812100	1	Washer M12	
36	8405006	2	Clamp	
37	1001108617	1	Filter	
37	70002231	1	Element, Filter	
38	1001110425	4	Spacer	
39	1001116792	1	Clamp	
40	1001235479	1	Engine Sub-Assembly (See Separate Breakdown in this Section)	
42	1001138491	NLA	Harness, Fuel (Use p/n 1001222665) (Not Shown - See Separate Breakdown in ELECTRICAL SECTION)	
45	1001145089	1	Clamp	
46	1001141225	1	Battery Cable Kit	
46A	7027042	1	Cable, Battery (Red) (Battery + to Relays and Starter)	
46B	7027043	1	Cable, Battery (Black) (Battery - to Tray Pivot Grd and Aux Pump)	
46C	7027044	1	Cable (Red) (Aux Relay to Aux Pump)	
46D	7027045	1	Cable, Battery (Black) (Engine to Tray Pivot Grd)	
48	1001145560	1	Panel, Rubber	
50	1320022	3	Clamp	

SECTION 3 - ENGINE

ITEM	PART NUMBER	QTY	DESCRIPTION	REV
51	1001145842	1	Plate, Clamping	
52	0641708	1	Bolt 7/16 x 1	
53	3311705	1	Nut 7/16	
54	4711700	2	Washer 7/16	
55	1001131542	1	Lanyard	
56	1001165101	1	Bracket, Fuel Pump Filter Assembly (See Separate Breakdown in this Section)	
57	3520054	1	Plug	
58	1001241835	1 l	Fluid, Diesel Fuel Additive (Not Shown)	

SECTION 3 - ENGINE

FIGURE 3-43. DEUTZ TCD2.9L4 ENGINE (STAGE V) SUB-ASSEMBLY - WITH SAUER PUMP AND ABS HOODS (WITHOUT COLD WEATHER PLUS PACKAGE)



AWT_1001235476

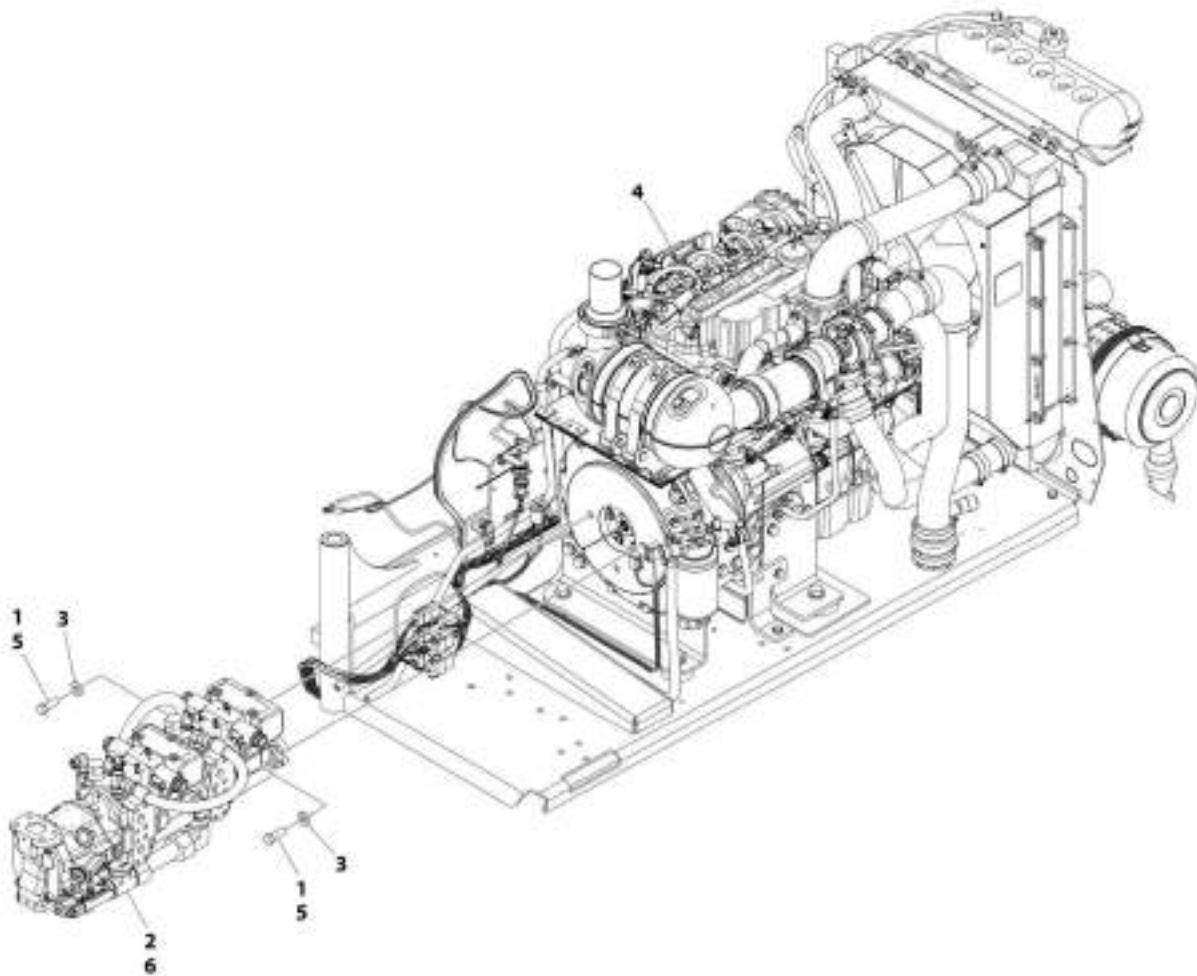
SECTION 3 - ENGINE

FIGURE 3-43. DEUTZ TCD2.9L4 ENGINE (STAGE V) SUB-ASSEMBLY - WITH SAUER PUMP AND ABS HOODS (WITHOUT COLD WEATHER PLUS PACKAGE)

ITEM	PART NUMBER	QTY	DESCRIPTION	REV
	1001235476	Ref	DEUTZ TCD2.9L4 ENGINE (STAGE V) SUB-ASSEMBLY - WITH SAUER PUMP (WITHOUT COLD WEATHER PLUS PACKAGE)	C
1	0641608	2	Bolt 3/8 x 1	
2	0641812	2	Bolt 1/2 x 1-1/2	
3	0761215	2	Bolt M12 x 35	
4	3020037	AR	Grease, Pump Coupling	
5	3790152	1	O-Ring	
6	3790155	1	O-Ring	
8	4891600	2	Washer 3/8	
9	4891800	4	Washer 1/2	
10	1001108616	1	Pump Assembly - Sauer Tandem (See Separate Breakdown in this Section)	
11	1001171095	1	Pump Assembly - Sauer Piston (See Separate Breakdown in this Section)	
12	1001112927	1	Pump Assembly - Sauer Gear (See Separate Breakdown in this Section)	
13	1001235477	1	Engine Assembly (See Separate Breakdown in this Section)	
14	0100011	AR	Compound, Locking	

SECTION 3 - ENGINE

FIGURE 3-44. DEUTZ TCD2.9L4 ENGINE (STAGE V) SUB-ASSEMBLY - WITH REXROTH PUMP AND ABS HOODS (WITHOUT COLD WEATHER PLUS PACKAGE)



ART_1001235478

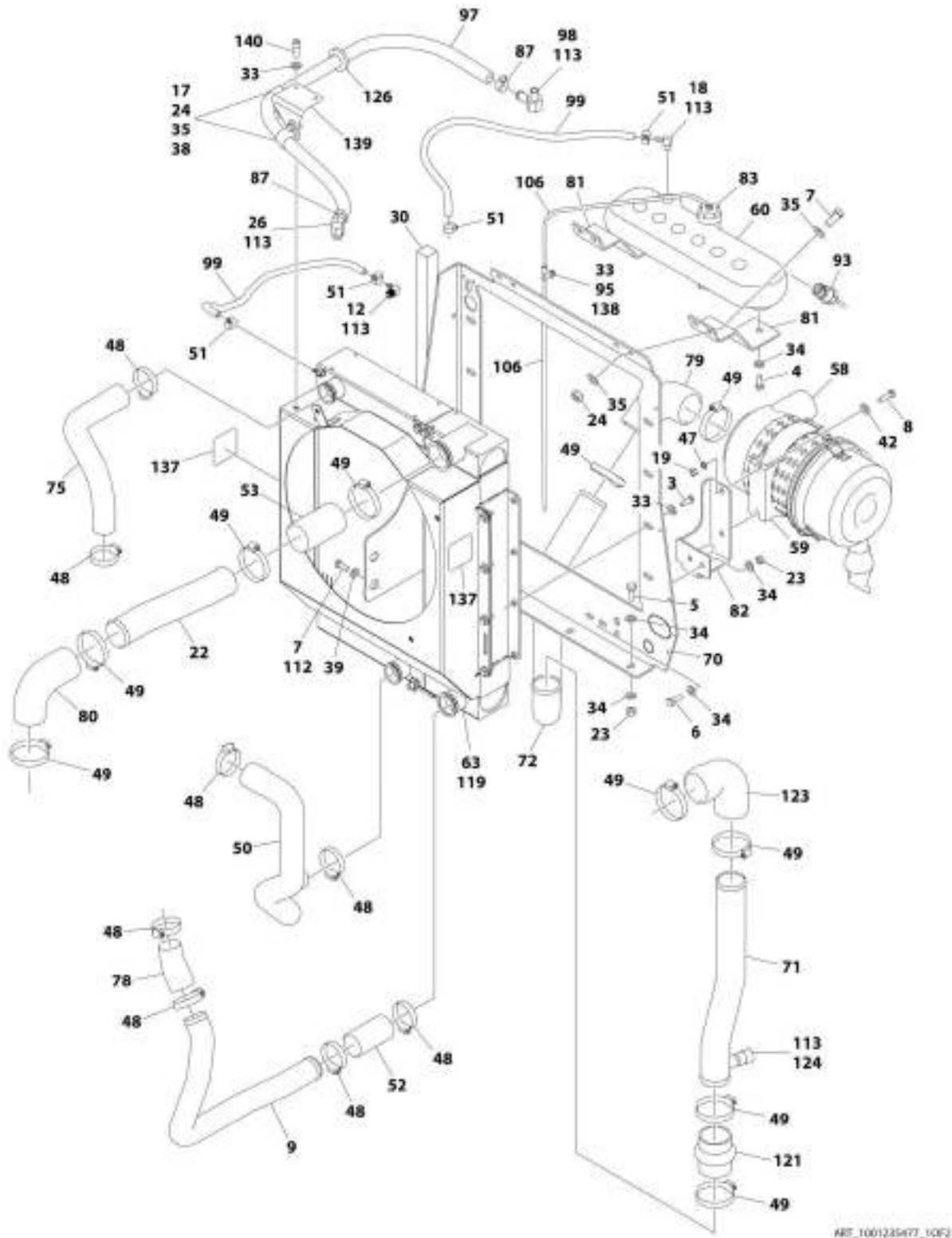
SECTION 3 - ENGINE

FIGURE 3-44. DEUTZ TCD2.9L4 ENGINE (STAGE V) SUB-ASSEMBLY - WITH REXROTH PUMP AND ABS HOODS (WITHOUT COLD WEATHER PLUS PACKAGE)

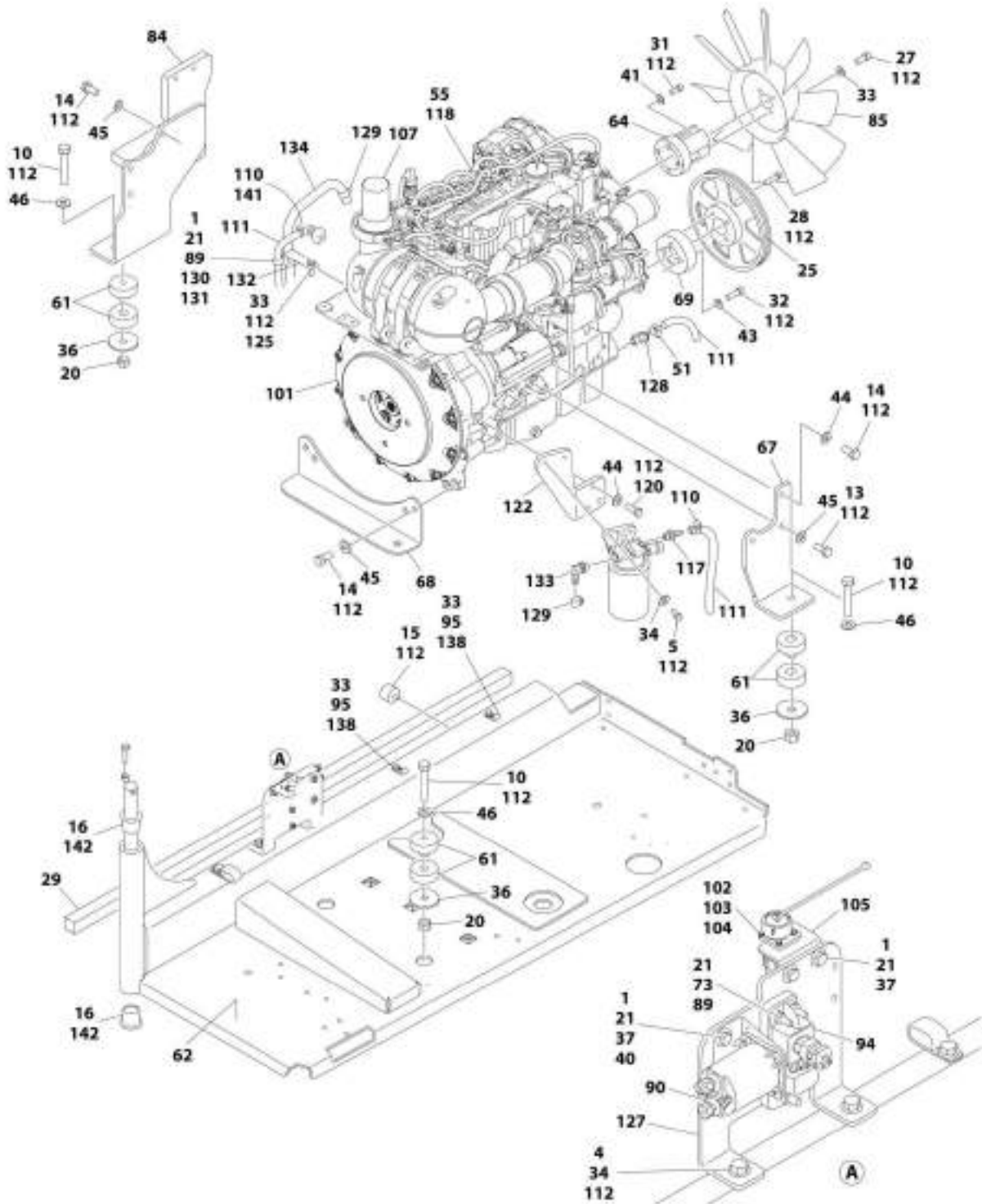
ITEM	PART NUMBER	QTY	DESCRIPTION	REV
	1001235479	Ref	DEUTZ TCD2.9L4 ENGINE (STAGE V) SUB-ASSEMBLY - WITH REXROTH PUMP (WITHOUT COLD WEATHER PLUS PACKAGE)	C
1	0641812	2	Bolt 1/2 x 1-1/2	
2	3020037	AR	Grease, Pump Coupling	
3	4891800	2	Washer 1/2	
4	1001235477	1	Engine Assembly (See Separate Breakdown in this Section)	
5	0100011	AR	Compound, Locking	
6	1001152963	1	Pump Assembly - Rexroth (See Separate Breakdown in this Section)	

SECTION 3 - ENGINE

FIGURE 3-45. DEUTZ TCD2.9L4 ENGINE (STAGE V) ASSEMBLY (WITHOUT COLD WEATHER PLUS PACKAGE)



SECTION 3 - ENGINE



ART. 1001256477_20F2

SECTION 3 - ENGINE

FIGURE 3-45. DEUTZ TCD2.9L4 ENGINE (STAGE V) ASSEMBLY (WITHOUT COLD WEATHER PLUS PACKAGE)

ITEM	PART NUMBER	QTY	DESCRIPTION	REV
	1001235477	Ref	DEUTZ TCD2.9L4 ENGINE (STAGE V) ASSEMBLY (WITHOUT COLD WEATHER PLUS PACKAGE)	C
1	0641406	5	Bolt 1/4 x 3/4	
3	0641508	8	Bolt 5/16 x 1	
4	0641606	5	Bolt 3/8 x 3/4	
5	0641608	9	Bolt 3/8 x 1	
6	0641610	2	Bolt 3/8 x 1-1/4	
7	0641708	6	Bolt 7/16 x 1	
8	0700815	2	Bolt M8 x 35	
9	1001135913	1	Pipe, Turbo to Air Cleaner	
10	0682028	4	Bolt 5/8 x 3-1/2 Grade 8	
12	1001140564	1	Fitting, 90 Barbed	
13	0771212	1	Bolt M12 x 25 Grade 10.9	
14	0771414	9	Bolt M14 x 30 Grade 10.9	
15	0940070	1	Bumper	
16	0961986	2	Bushing, Flanged	
17	0641706	2	Bolt 7/16 x 3/4	
18	1001134488	1	Fitting, 90 Barbed	
19	3290801	2	Nut M8	
20	3272001	4	Nut 5/8 Grade 8	
21	3311405	6	Nut 1/4	
22	1001135914	1	Pipe, Air Cleaner to Intake	
23	3311605	9	Nut 3/8	
24	3311705	5	Nut 7/16	
25	3580320	1	Pulley	
26	1001141719	1	Fitting, 90 Barbed	
27	3931512	4	Capscrew 5/16 x 3/4	
28	3931628	4	Capscrew 3/8 x 1-3/4	
29	3960543	1	Seal	
30	3960544	1	Seal	
31	4031914	4	Bolt M8 x 50	
32	4032014	4	Bolt M10 x 50	
33	4711500	19	Washer 5/16	
34	4711600	25	Washer 3/8	
35	4711700	10	Washer 7/16	
36	1001146219	4	Washer Special	
37	4751400	8	Washer 1/4	
38	8406302	2	Clamp	
39	4751700	2	Washer 7/16	
40	4791400	2	Starwasher 1/4	
41	4811900	4	Washer M8	
42	4811902	2	Washer M8	
43	4812000	4	Washer M10	
44	4812100	4	Washer M12	
45	4812200	9	Washer M14	
46	4892000	4	Washer 5/8	
47	4831900	2	Washer M8	
48	8405201	8	Clamp	
49	8405204	10	Clamp	

SECTION 3 - ENGINE

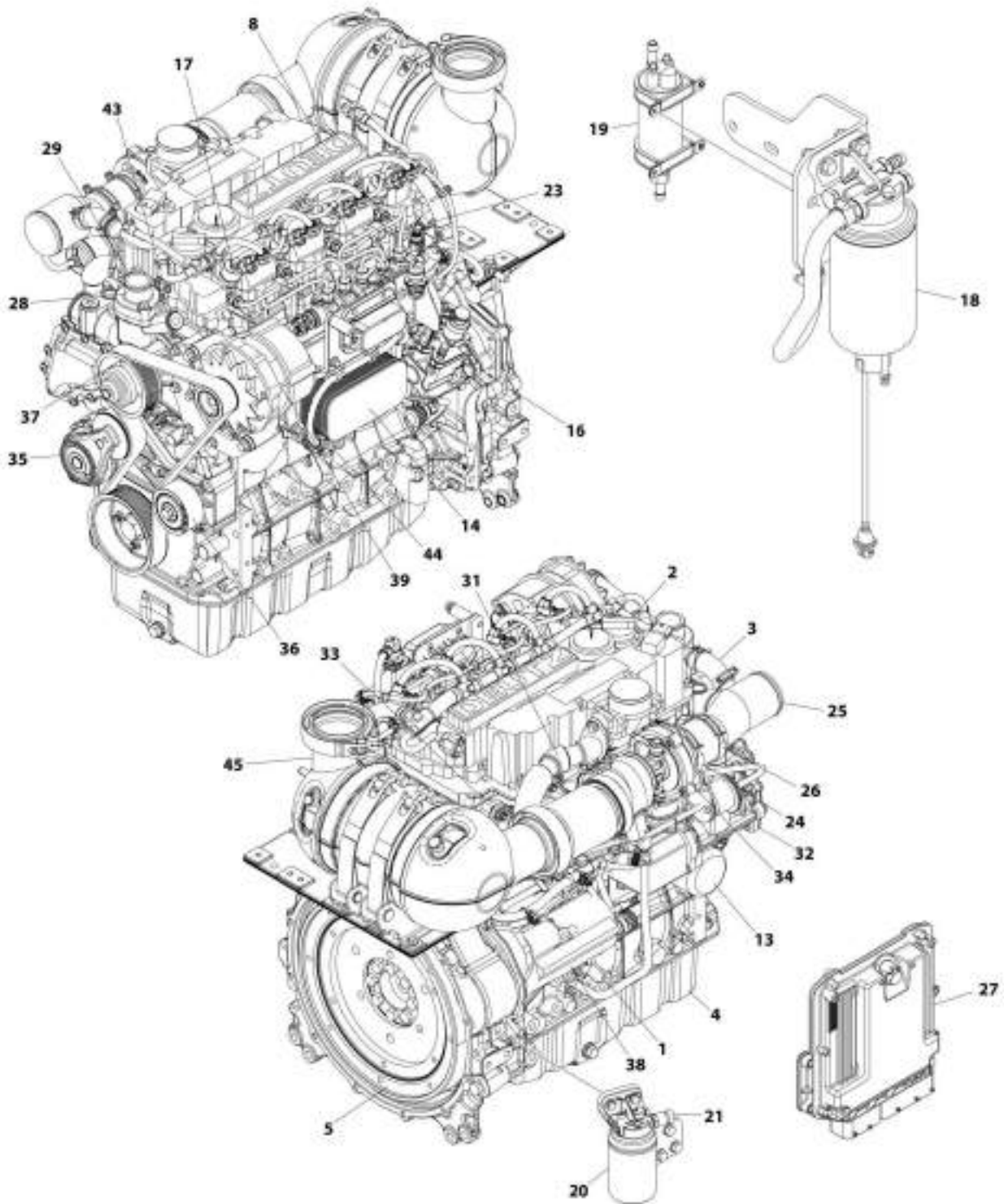
ITEM	PART NUMBER	QTY	DESCRIPTION	REV
50	1001135926	1	Pipe, Radiator (Lower)	
51	8410013	5	Clamp	
52	91563070	1	Coupling, Rubber	
53	1001114495	1	Hose	
55	1001235459	1	Engine, Deutz TCD2.9L4 (See Separate Breakdown in this Section)	
58	1001133633	1	Air Cleaner Assembly	
58	70024190	1	Element, Air Filter	
59	1001133634	1	Clamp	
60	1001166393	1	Tank, Surge	
61	1001155575	4	Mount, Motor	
62	1001191272	1	Tray	
63	1001135090	1	Radiator	
64	1001135138	1	Spacer, Fan	
67	1001135560	1	Support, Engine	
68	1001135562	1	Support, Engine - Rear	
69	1001135679	1	Spacer, Pulley	
70	1001135680	1	Support, Radiator	
71	1001135901	1	Pipe, Air Intake	
72	1001135903	1	Pipe, Air Intake	
73	3931432	1	Capscrew 1/4 x 2	
75	1001135924	1	Hose, Radiator (Upper)	
78	1001135943	1	Coupling, Rubber	
79	1001135946	1	Elbow, Rubber	
80	1001136292	1	Pipe, 90	
81	1001136626	2	Bracket	
82	1001136665	1	Bracket	
83	1001136834	1	Cap, Tank	
84	1001142398	1	Support, Engine	
85	1001137276	1	Fan	
87	8405007	2	Clamp	
89	4711400	3	Washer 1/4	
90	1001117308	1	Relay	
93	1001138827	1	Sensor, Coolant Level	
94	1001138228	1	Module, Power	
94	70023592	1	Fuse 20Amp (Switched Output)	
94	70023593	1	Fuse 30Amp (Battery Output)	
95	1001138253	5	Clamp	
96	1001138346	1	Harness, Engine (Not Shown - See Separate Breakdown in ELECTRICAL SECTION)	
97	1001138524	1	Hose	
98	1001138559	1	Fitting, 90	
99	2720015	4.5 ft/ 1.4m	Hose	
101	2902065	1	Pump Coupling Kit (See Separate Breakdown in this Section)	
102	3310401	3	Nut #4	
103	3910408	3	Screw #4 x 1/2	
104	4710400	3	Washer #4	
105	1001139240	1	Bracket	
106	1001138248	4 ft/ 1.2m	Tubing	
107	1001153024	1	Pipe, Exhaust	
110	1320022	2	Clamp	

SECTION 3 - ENGINE

ITEM	PART NUMBER	QTY	DESCRIPTION	REV
111	1001165035	30.5 ft/ 9.3m	Hose	
112	0100011	AR	Compound, Locking	
113	0100020	AR	Sealant	
114	1001141304	1	Wire, Glow Plug (Not Shown)	
115	1001135779	1	Cable, Alternator Positive (Not Shown)	
117	1001141717	1	Fitting, Straight	
118	1001136079	2.4 gal/ 9L	Oil, Motor	
119	2300004	3.2 gal/ 12.1L	Anti-freeze	
120	0761214	3	Bolt M12 x 30	
121	1001142637	1	Hose, Hump	
122	1001142685	1	Bracket	
123	1001165820	1	Pipe, Elbow	
124	1001143390	1	Indicator, Air Filter Service	
125	0760810	2	Bolt M8 x 20	
126	1001144089	1	Grommet	
127	1001145154	1	Plate, Mounting	
128	4640751	1	Valve, Oil Drain	
129	8405006	2	Clamp	
130	8406102	AR	Clip	
131	8406112	1	Clip	
132	1001138717	1	Bracket	
133	1001142501	1	Fitting, 90 Barbed	
134	1001154405	5 ft/ 1.5m	Hose	
135	1001148843	1	Harness, Fuel Filter (Not Shown - See Separate Breakdown in ELECTRICAL SECTION)	
137	1703162	2	Decal - Fan	
138	0641503	3	Bolt 5/16 x 3/8	
139	1001153387	1	Plate	
140	3931508	2	Capscrew 5/16 x 1/2	
141	1001155823	1	Coupling	
142	0100062	AR	Adhesive, Loctite #680	
143	4240099	AR	Tie-Strap (Not Shown)	

SECTION 3 - ENGINE

FIGURE 3-46. DEUTZ TCD2.9L4 ENGINE COMPONENTS (STAGE V)



ART_1001215459

SECTION 3 - ENGINE

FIGURE 3-46. DEUTZ TCD2.9L4 ENGINE COMPONENTS (STAGE V)

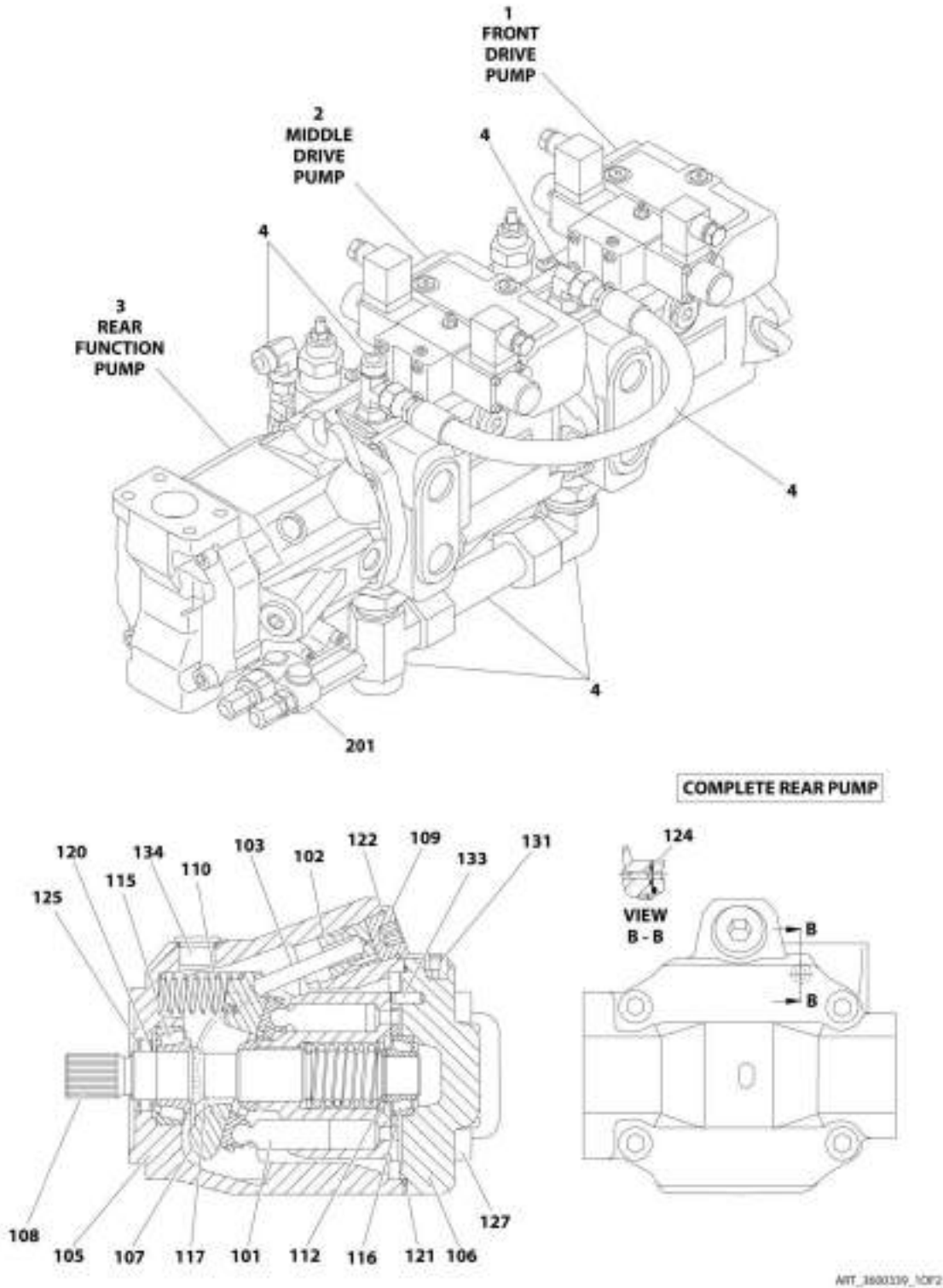
ITEM	PART NUMBER	QTY	DESCRIPTION	REV
	1001235459	Ref	DEUTZ TCD2.9L4 ENGINE COMPONENTS (STAGE V)	B
1	70024904	1	Dipstick	
1	70024905	1	O-Ring	
2	7020465	2	Cap, Filler	
3	7002511	2	Clamp	
4	70025162	1	Pan, Oil	
4	70025088	2	Plug	
4	7020404	2	Washer, Sealing	
5	70001870	1	Flywheel	
5	7024579	1	Gear, Ring	
6	70024906	1	Gasket, Head (Not Shown)	
7	70025204	1	Shield, Heat (Not Shown)	
8	70025163	1	Cover, Valve	
8	70025205	1	Gasket	
8	70025206	1	Gasket, Small Valve Cover	
8	70025207	1	Gasket, Large Valve Cover	
8	70025208	1	Gasket	
9	70025076	1	Valve (Not Shown - Located on Right Side of Front Engine Cover)	
9	70025176	1	Spring	
9	70025082	1	Ring, Sealing	
9	70025091	1	Plug	
10	70025190	1	Cover, Front (Not Shown - Located on Front of Engine)	
10	70024907	1	Gasket, Front Cover	
10	70004280	1	Seal, Shaft - Front	
11	70002718	1	Seal, Shaft - Rear (Not Shown)	
12	70025202	1	Pump, Oil Lube (Not Shown)	
12	70025135	1	O-Ring	
12	70025136	1	Gasket	
13	7016331	1	Filter, Oil	
13	70025137	1	Bushing	
14	70004275	1	Cooler, Engine Oil	
14	70024925	1	Gasket	
15	70025171	1	Oil Suction Pump (Not Shown - Located Inside of Engine Oil Pan)	
16	70024924	1	Pump, Fuel	
16	70025152	1	O-Ring	
16	70025080	1	Washer	
16	70024488	1	Spacer	
16	70024517	1	O-Ring	
17	70025181	4	Injector, Fuel	
17	70025140	4	Washer, Sealing	
17	70025146	4	Clamp (Top of Injector)	
17	70025145	4	O-Ring	
17	70025154	4	Shoe, Clamping	
17	70000345	1	Plug, Glow (Not Shown)	
17	70025231	1	Harness, Glow Plug (Not Shown)	
18	70024961	1	Fuel Filter Assembly	
18	70025153	NLA	Filter, Fuel (Use p/n 1001225430)	
18	70024513	1	Cable, Sensor	
18	70025239	1	Ring, Sealing	
19	70024486	2	Pump, Fuel	

SECTION 3 - ENGINE

ITEM	PART NUMBER	QTY	DESCRIPTION	REV
19	70025144	1	Clamp	
20	70025160	1	Filter with Head	
20	70025161	NLA	Filter, Fuel (Use p/n 1001225431)	
21	70024504	1	Sensor, Pressure	
21	70024920	1	O-Ring	
21	70025103	1	Retainer	
22	70025151	1	Rail, Fuel (Not Shown)	
22	70025235	1	Repair Kit (Not Shown)	
23	70025182	1	Fuel Line - High Pressure (Cylinder 1 & 2)	
23	70025183	1	Fuel Line - High Pressure (Cylinder 3 & 4)	
23	70025184	1	Fuel Line - High Pressure (Supply)	
24	70004501	1	Sleeve, Rubber	
25	70004502	1	Pipe, Intake	
26	70025112	2	Clamp	
27	70025210	1	ECU (Engine Control Unit)	
28	70024910	1	Pump, Water	
28	70025200	1	Ring, Sealing	
28	70025084	2	Plug	
28	7020492	2	Ring, Sealing	
29	70024473	1	Thermostat	
29	70025143	1	O-Ring	
29	70025142	1	Cover, Thermostat	
30	70025177	1	Pipe (Not Shown - Located on Left Side)	
30	70025179	2	Gasket (Not Shown)	
31	70025178	1	Pipe	
31	70025156	1	Valve, Shuttle	
31	70025179	2	Gasket	
31	70025180	1	Gasket	
32	70025203	1	Module, EGR	
32	70025155	1	Plug	
33	70004282	1	Manifold, Exhaust	
33	70025164	1	Gasket, Exhaust Manifold to Head	
34	70004503	1	Turbocharger	
34	70024912	1	Gasket, Exhaust Manifold	
35	70025477	1	Tensioner, Belt	
36	70024484	1	Idler Roller	
37	70004277	1	Belt, Drive	
38	70024915	1	Starter	
39	70025533	1	Generator	
39	70025149	1	Regulator, Voltage	
40	70004284	1	Harness, Engine (Not Shown)	
41	70024507	1	Sensor, Pressure (Not Shown - Located Top Rear)	
41	70025120	1	O-Ring	
42	70026210	1	Sensor (Not Shown - Located Left Side Front and Flywheel Housing)	
42	70024917	1	O-Ring	
43	70024918	1	Sender, Temperature	
44	70024919	1	Sensor, Pressure	
44	70024920	1	O-Ring	
45	70005445	1	Outlet, Muffler	
46	70004279	1	Gasket Kit (Not Shown)	

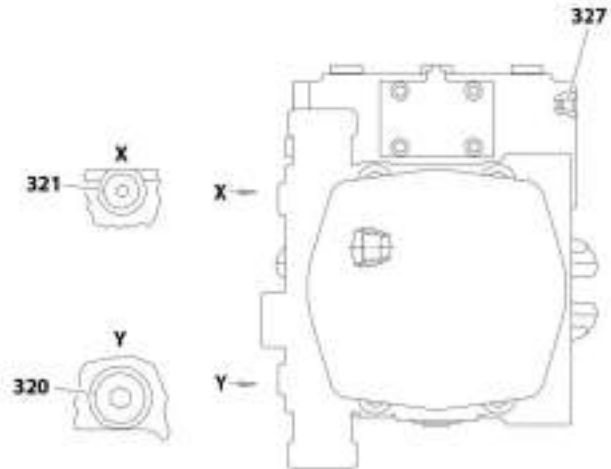
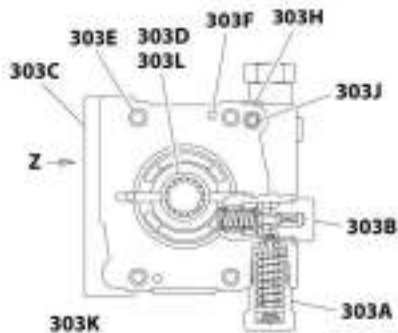
SECTION 3 - ENGINE

FIGURE 3-47. PUMP ASSEMBLY (REXROTH) (DEUTZ TD2011 ENGINES)

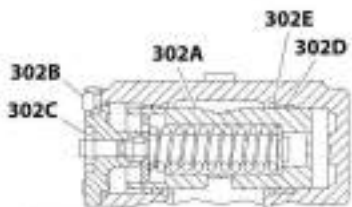


SECTION 3 - ENGINE

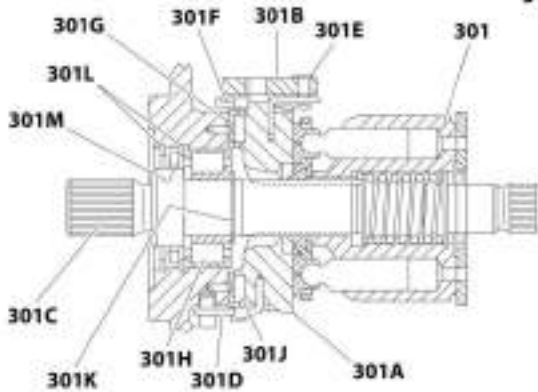
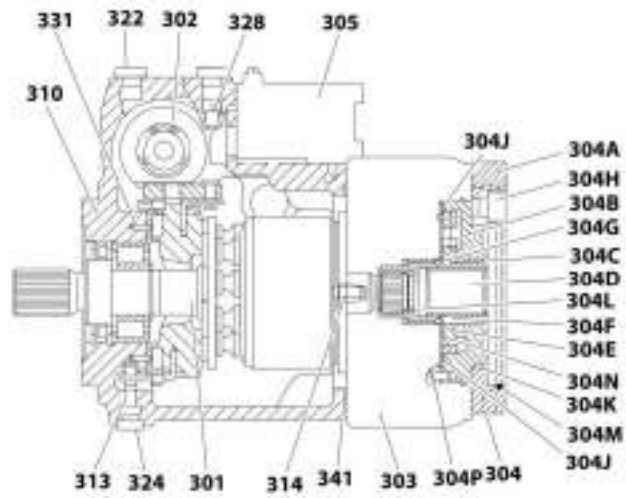
COMPLETE FRONT AND PUMPS



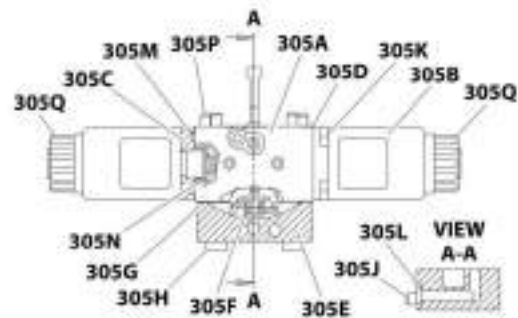
PORT PLATE SECTION FRONT AND MID PUMPS (DETAIL OF ITEM 303)



HYD. CONTROL FRONT AND MID PUMPS (DETAIL OF ITEM 302)



ROTARY GROUP FRONT AND MID PUMPS (DETAIL OF ITEM 301)



CONTROL MODULE FRONT AND MID PUMPS (DETAIL OF ITEM 305)

AWT_300039_20F2

SECTION 3 - ENGINE

FIGURE 3-47. PUMP ASSEMBLY (REXROTH) (DEUTZ TD2011 ENGINES)

ITEM	PART NUMBER	QTY	DESCRIPTION	REV
	3600339	Ref	PUMP ASSEMBLY (REXROTH) (DEUTZ TD2011 ENGINES)	D
1	7024042	1	Front Drive Pump Assembly (Includes Items 301-341)	
2	7024043	1	Middle Drive Pump Assembly (Includes Items 301-341)	
3	7024044	1	Rear Function Pump Assembly (Includes Items 101-201)	
4	70001952	1	Hydraulic Kit (Includes all Rexroth Supplied Hydraulic Fittings, Hoses and Tubes)	
	7024044	Ref	REAR FUNCTION PUMP ASSEMBLY	
101	7024914	1	Rotary Section	
102	See Note	1	Piston, Control (Note: Not Available - Purchase Complete Assembly)	
103	See Note	1	Rod, Piston (Note: Not Available - Purchase Complete Assembly)	
105	See Note	1	Housing, Pump (Note: Not Available - Purchase Complete Assembly)	
106	See Note	1	Plate, Port (Note: Not Available - Purchase Complete Assembly)	
107	7024915	1	Plate, Swash	
108	7024916	1	Driveshaft	
109	See Note	1	Plug (Note: Not Available for Purchase)	
110	See Note	1	Spring (Note: Not Available for Purchase)	
112	7012709	1	Shim	
115	7024038	1	Bearing, Roller	
116	7012706	1	Bearing, Roller	
117	7024917	2	Shell, Cradle	
120	7024918	1	Seal, Shaft	
121	7024919	1	O-Ring	
122	7024920	1	O-Ring	
124	7024921	1	Seal	
125	7012715	1	V-Ring	
127	See Note	4	Capscrew M12 x 45 Grade 10.9 (Note: Not Available for Purchase)	
131	See Note	1	Plug (Note: Not Available for Purchase)	
133	See Note	1	Pin, Dowel (Note: Not Available for Purchase)	
134	See Note	1	Plug (Note: Not Available for Purchase)	
201	7024913	Ref	Pilot Valve Assembly	
		Ref	Note: Two mounting designs of p/n 7024913 pilot valve exist. Early design uses qty. 3 O-rings. Late design uses qty 1 sealing plate. Seal designs cannot be interchanged. Verify seal design before ordering.	
201	7024922	3	O-Ring (Seals between Pilot Valve and Rear Pump)	
201	70021867	1	Plate, Sealing (Seals between Pilot Valve and Rear Pump)	
		Ref	FRONT DRIVE PUMP ASSEMBLIES	
	7024042	Ref	Front Drive Pump Assembly	
	7024043	Ref	Middle Drive Pump Assembly	
301	7024064	1	Rotary Group	
301A	See Note	NSS	Cradle (Note: Use Item 301)	
301B	See Note	NSS	Ring, Slide (Note: Use Item 301)	
301C	See Note	NSS	Driveshaft (Note: Use Item 301)	
301D	See Note	NSS	Wire (Note: Use Item 301)	
301E	See Note	NSS	Pin, Joint (Note: Use Item 301)	
301F	See Note	NSS	Wire (Note: Use Item 301)	
301G	See Note	NSS	Liner, Bearing (Note: Use Item 301)	
301H	See Note	NSS	Bearing, Roller (Note: Use Item 301)	
301J	See Note	NSS	Cradle Bearing Assembly (Note: Use Item 301)	

SECTION 3 - ENGINE

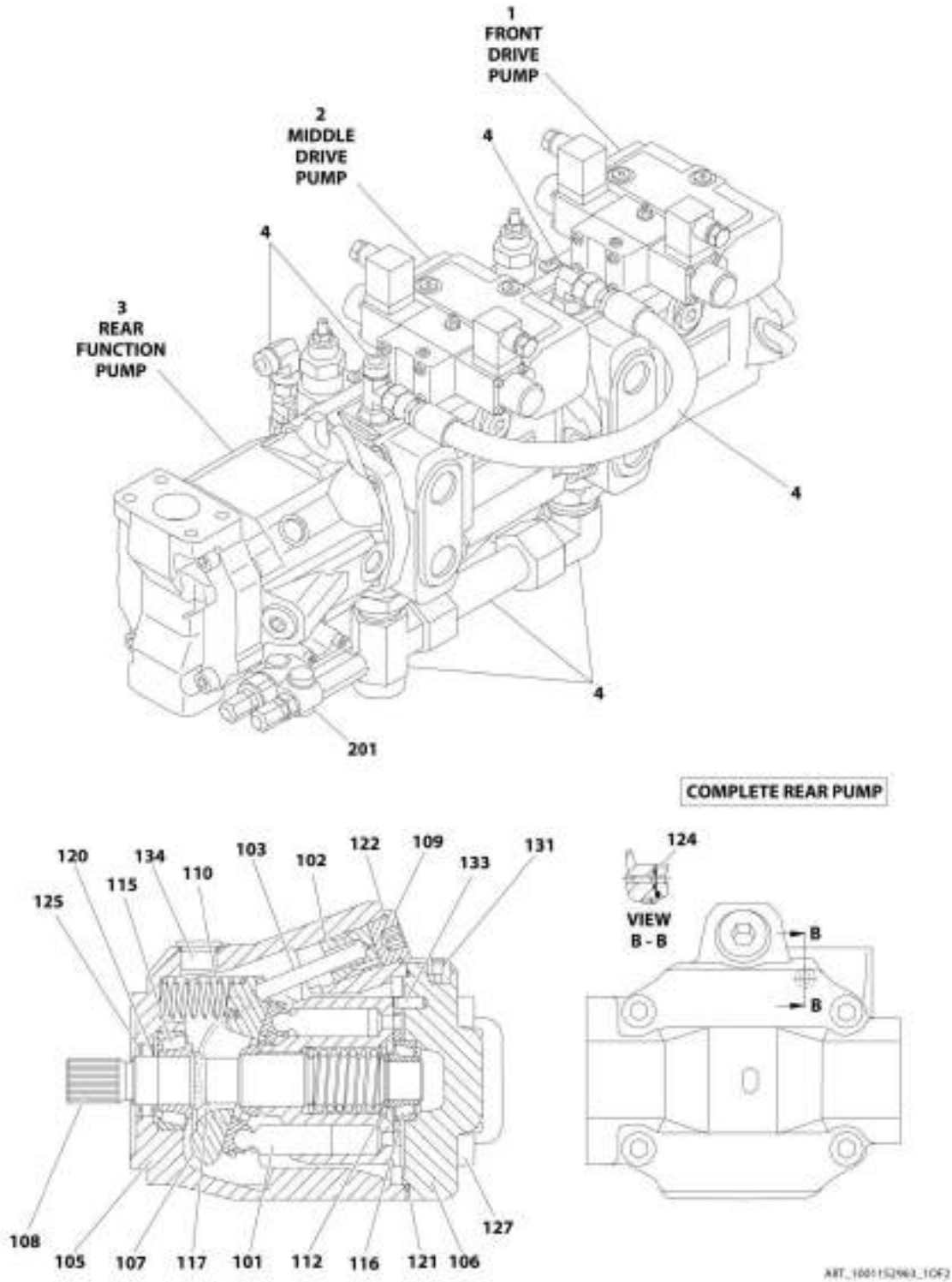
ITEM	PART NUMBER	QTY	DESCRIPTION	REV
301K	See Note	NSS	Ring, Retaining (Note: Use Item 301)	
301L	70001968	2	Ring, Retaining	
301M	7024070	1	Seal, Shaft Ring	
302	7024065	1	Control Group - Hydraulic	
302A	See Note	NSS	Piston, Positioning - Complete (Note: Use Item 302)	
302A	7024071	1	O-Ring, Outer Seal	
302A	7024072	1	O-Ring, Stem	
302B	See Note	4	Capscrew M6 x 12 (Note: Not Available - Purchase Locally)	
302C	See Note	NSS	Nut (Note: Use Item 302)	
302D	See Note	NSS	Ring, Guide (Note: Use Item 302)	
302E	See Note	NSS	Seal, O-Ring (Note: Use Item 302)	
303	7024911	1	Port Plate Group	
303A	7024073	2	Cartridge, Relief Valve (High Pressure)	
303A	7024075	1	O-Ring	
303A	7024076	1	Ring, Back-up	
303B		Ref	Cartridge Options:	
303B	7024097	1	Front Pump Cartridge (Lock Valve with Orifice) Note: Sold as an Assembly except Outer Seal.	
303B	7024075	1	O-Ring	
303B	7023881	1	Middle Pump Cartridge (Pressure Relief Valve) Note: Sold as an Assembly except Outer Seal.	
303B	7024077	1	O-Ring	
303C	See Note	NSS	Plate, Port (Note: Use Item 303)	
303D	See Note	NSS	Bushing, Bearing (Note: Use Item 303)	
303E	See Note	4	Capscrew M12 x 70 Grade10.9 (Note: Not Available - Purchase Locally)	
303F	See Note	NSS	Pin, Dowel (Note: Use Item 303)	
303G	See Note	NSS	Pin, Break-Off (Note: Use Item 303)	
303H	See Note	1	Screw, Locking M10 x 1 (Note: Not Available - Purchase Locally)	
303J	7024908	2	O-Ring	
303K	See Note	2	Screw, Locking 7/16 (Note: Not Available - Purchase Locally)	
303L	See Note	NSS	Bearing, Roller (Note: Use Item 303)	
304	7024906	1	Internal Gear Pump	
304A	See Note	NSS	Flange, Intermediate (Note: Use Item 304)	
304B	See Note	NSS	IZP-Housing (Note: Use Item 304)	
304C	See Note	NSS	Bushing, Bearing (Note: Use Item 304)	
304D	See Note	NSS	Coupling, Driveshaft Through (Note: Use Item 304)	
304E	See Note	NSS	Gear Set (Note: Use Item 304)	
304F	See Note	NSS	Key, Driveshaft (Note: Use Item 304)	
304G	See Note	NSS	Ring, Retaining (Note: Use Item 304)	
304H	See Note	4	Capscrew M10 x 20 (Note: Not Available - Purchase Locally)	
304J	7024080	2	Seal	
304K	7024081	1	O-Ring	
304L	See Note	NSS	Ring, Retaining (Note: Use Item 304)	
304M	See Note	NSS	O-Ring (Note: Use Item 304)	
304N	7024005	1	Plate, Wear	
304P	See Note	NSS	Pin, Cylinder (Note: Use Item 304)	
305	7024068	1	Control Module	
305A	7024084	1	Valve Body, Lever and Internal Components	
305B	7024083	2	Coil, Solenoid	
305C	See Note	NSS	Spacer, Coil (Note: Use Item 305)	

SECTION 3 - ENGINE

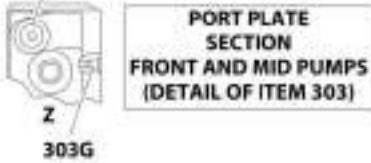
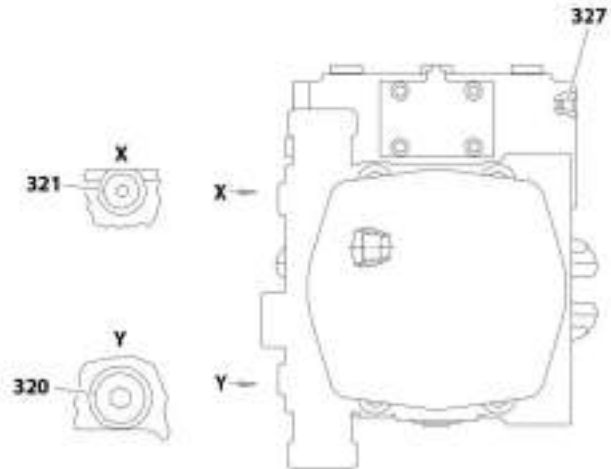
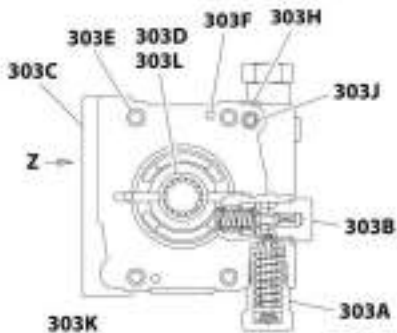
ITEM	PART NUMBER	QTY	DESCRIPTION	REV
305D	7024085	1	Gasket	
305E	See Note	NSS	Cover (Note: Use Item 305)	
305F	See Note	NSS	Spring, Draw (Note: Use Item 305)	
305G	See Note	NSS	Gasket (Note: Use Item 305)	
305H	See Note	4	Capscrew M6 x 65 (Note: Not Available - Purchase Locally)	
305J	See Note	1	Capscrew M6 x 45 (Note: Not Available - Purchase Locally)	
305K	See Note	8	Capscrew M5 x 10 (Note: Not Available - Purchase Locally)	
305L	7024087	1	O-Ring	
305M	7024088	2	O-Ring	
305N	7024089	2	Cup, Spring	
305P	See Note	NSS	Pin, Cylinder (Note: Use Item 305)	
305Q	70002569	2	Nut, Coil	
310	See Note	1	Housing (Note: Not Available for Purchase)	
313	See Note	2	Pin, Dowel (Note: Not Available for Purchase)	
314	See Note	1	Pin, Cylinder (Note: Not Available for Purchase)	
320	See Note	1	Screw 7/8 (Front Drive Pump Only) (Note: Not Available - Purchase Locally)	
321	See Note	1	Screw 9/16 (Note: Not Available - Purchase Locally)	
322	See Note	1	Screw 7/16 (Note: Not Available - Purchase Locally)	
324	See Note	1	Screw M10 x 1 (Note: Not Available - Purchase Locally)	
327	See Note	1	Pin, Double Break-Off (Note: Not Available for Purchase)	
328	7018936	2	Orifice	
331	See Note	2	Pin, Clamping (Note: Not Available for Purchase)	
341	7024069	1	O-Ring	

SECTION 3 - ENGINE

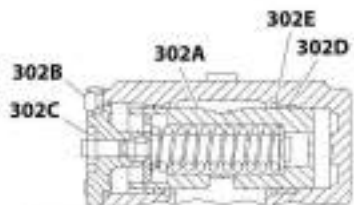
FIGURE 3-48. PUMP ASSEMBLY (REXROTH) (DEUTZ TCD2.9L4 ENGINES)



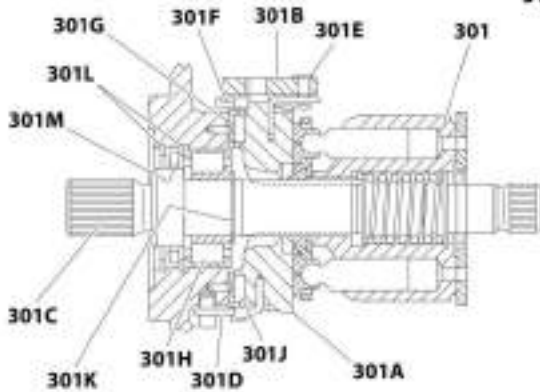
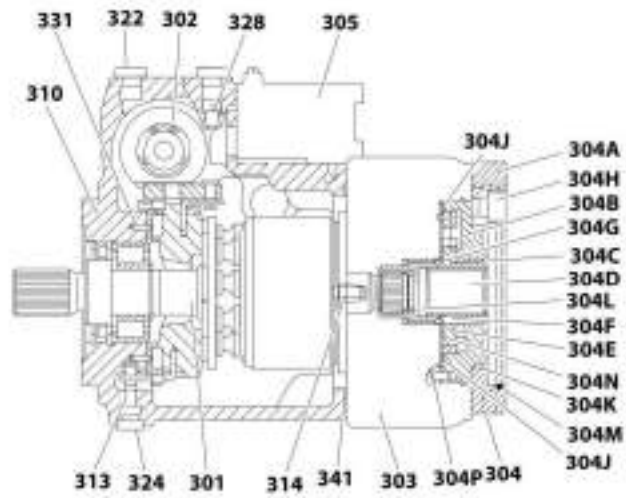
COMPLETE FRONT AND PUMPS



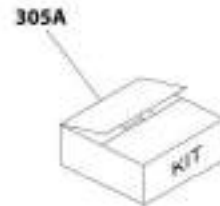
PORT PLATE SECTION FRONT AND MID PUMPS (DETAIL OF ITEM 303)



HYD. CONTROL FRONT AND MID PUMPS (DETAIL OF ITEM 302)



ROTARY GROUP FRONT AND MID PUMPS (DETAIL OF ITEM 301)



ART. 1001152963_20F2

SECTION 3 - ENGINE

FIGURE 3-48. PUMP ASSEMBLY (REXROTH) (DEUTZ TCD2.9L4 ENGINES)

ITEM	PART NUMBER	QTY	DESCRIPTION	REV
	1001152963	Ref	PUMP ASSEMBLY (REXROTH) (DEUTZ TCD2.9L4 ENGINES)	C
1	70005480	1	Front Drive Pump Assembly Options (Includes Items 301-341)	
2	70005481	1	Middle Drive Pump Assembly (Includes Items 301-341)	
3	7024044	1	Rear Function Pump Assembly (Includes Items 101-201)	
4	See Note	NSS	Hydraulic Kit (Includes all Rexroth Supplied Hydraulic Fittings, Hoses and Tubes) (Note: Not Available for Purchase)	
	7024044	Ref	REAR FUNCTION PUMP ASSEMBLY	
101	7024914	1	Rotary Section	
102	See Note	1	Piston Control (Note: Not Available - Purchase Complete Assembly)	
103	See Note	1	Rod, Piston (Note: Not Available - Purchase Complete Assembly)	
105	See Note	1	Housing, Pump (Note: Not Available - Purchase Complete Assembly)	
106	See Note	1	Plate, Port (Note: Not Available - Purchase Complete Assembly)	
107	7024915	1	Plate, Swash	
108	7024916	1	Driveshaft	
109	See Note	1	Plug (Note: Not Available for Purchase)	
110	See Note	1	Spring (Note: Not Available for Purchase)	
112	7012709	1	Shim	
115	7024038	1	Bearing, Roller	
116	7012706	1	Bearing, Roller	
117	7024917	2	Shell, Cradle	
120	7024918	1	Seal, Shaft	
121	7024919	1	O-Ring	
122	7024920	1	O-Ring	
124	7024921	1	Seal	
125	7012715	1	V-Ring	
127	See Note	4	Capscrew M12 x 45 Grade 10.9 (Note: Not Available for Purchase)	
131	See Note	1	Plug (Note: Not Available for Purchase)	
133	See Note	1	Pin, Dowel (Note: Not Available for Purchase)	
134	See Note	1	Plug (Note: Not Available for Purchase)	
201	7024913	Ref	Pilot Valve Assembly	
		Ref	Note: Two mounting designs of p/n 7024913 pilot valve exist. Early design uses qty. 3 o-rings. Late design uses qty. 1 sealing plate. Seal designs cannot be interchanged. Verify seal design before ordering.	
201	7024922	3	O-Ring (Seals between Pilot Valve and Rear Pump)	
201	70021867	1	Plate, Sealing (Seals between Pilot Valve and Rear Pump)	
		Ref	FRONT DRIVE PUMP ASSEMBLIES	
	70005480	Ref	Front Drive Pump Assembly	
	70005481	Ref	Middle Drive Pump Assembly	
		Ref	Note: Service Parts not available at time of printing, call-out number on illustration for ref only.	
301	See Note	NSS	Rotary Group (Use p/n 70005480 or 70005481)	
301A	See Note	NSS	Cradle (Note: Use Item 301)	
301B	See Note	NSS	Ring, Slide (Note: Use Item 301)	
301C	See Note	NSS	Driveshaft (Note: Use Item 301)	
301D	See Note	NSS	Wire (Note: Use Item 301)	
301E	See Note	NSS	Pin, Joint (Note: Use Item 301)	
301F	See Note	NSS	Wire (Note: Use Item 301)	
301G	See Note	NSS	Liner, Bearing (Note: Use Item 301)	

SECTION 3 - ENGINE

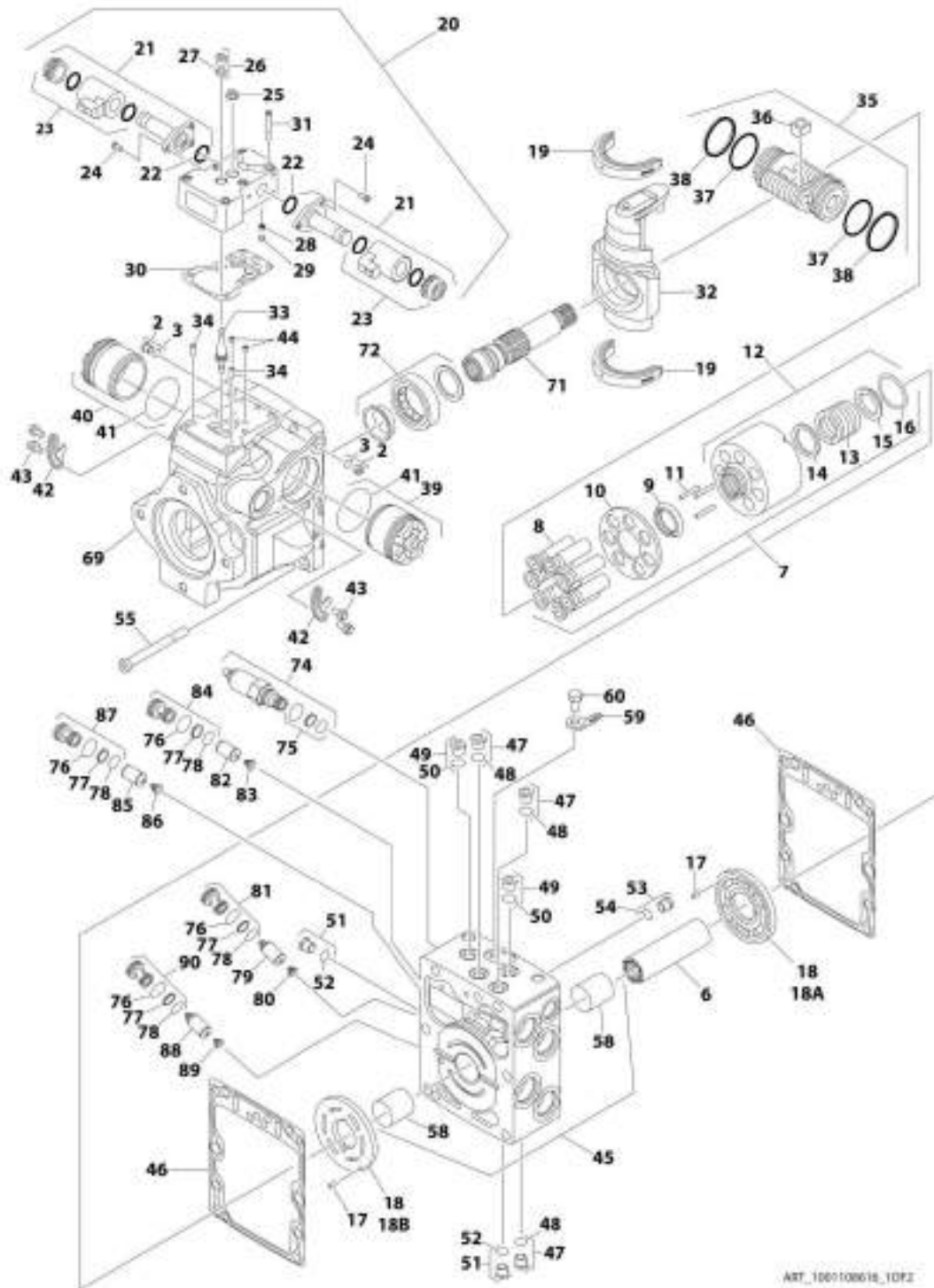
ITEM	PART NUMBER	QTY	DESCRIPTION	REV
301H	See Note	NSS	Bearing, Roller (Note: Use Item 301)	
301J	See Note	NSS	Cradle Bearing Assembly (Note: Use Item 301)	
301K	See Note	NSS	Ring, Retaining (Note: Use Item 301)	
301L	See Note	NSS	Ring, Retaining (Note: Not Available for Purchase)	
301M	See Note	NSS	Seal, Shaft Ring	
302	See Note	NSS	Control Group - Hydraulic (Use p/n 70005480 or 70005481)	
302A	See Note	NSS	Piston, Positioning - Complete (Note: Use Item 302)	
302A	See Note	NSS	O-Ring, Outer Seal (Note: Not Available for Purchase)	
302A	See Note	NSS	O-Ring, Stem (Note: Not Available for Purchase)	
302B	See Note	4	Capscrew M6 x 12 (Note: Not Available - Purchase Locally)	
302C	See Note	NSS	Nut (Note: Use Item 302)	
302D	See Note	NSS	Ring, Guide (Note: Use Item 302)	
302E	See Note	NSS	Seal, O-Ring (Note: Use Item 302)	
303	See Note	NSS	Port Plate Group (Use p/n 70005480 or 70005481)	
303A	See Note	NSS	Cartridge, Relief Valve (High Pressure) (Note: Not Available for Purchase)	
303A	See Note	NSS	O-Ring (Note: Not Available for Purchase)	
303A	See Note	NSS	Ring, Back-up (Note: Not Available for Purchase)	
303B		Ref	Cartridge Options:	
303B	See Note	NSS	Front Pump Cartridge (Lock Valve with Orifice) Note: Sold as an Assembly except Outer Seal. (Note: Not Available for Purchase)	
303B	See Note	NSS	O-Ring (Note: Not Available for Purchase)	
303B	See Note	NSS	Middle Pump Cartridge (Pressure Relief valve) Note: Sold as an Assembly except Outer Seal. (Note: Not Available for Purchase)	
303B	See Note	NSS	O-Ring	
303C	See Note	NSS	Plate, Port (Note: Use Item 303)	
303D	See Note	NSS	Bushing, Bearing (Note: Use Item 303)	
303E	See Note	4	Capscrew M12 x 70 Grade 10.9 (Note: Not Available - Purchase Locally)	
303F	See Note	NSS	Pin, Dowel (Note: Use Item 303)	
303G	See Note	NSS	Pin, Break-Off (Note: Use Item 303)	
303H	See Note	1	Screw, Locking M10 x 1 (Note: Not Available - Purchase Locally)	
303J	See Note	NSS	O-Ring (Note: Not Available for Purchase)	
303K	See Note	2	Screw, Locking 7/16 (Note: Not Available - Purchase Locally)	
303L	See Note	NSS	Bearing, Roller (Note: Use Item 303)	
304	See Note	NSS	Internal Gear Pump (Use p/n 70005480 or 70005481)	
304A	See Note	NSS	Flange, Intermediate (Note: Use Item 304)	
304B	See Note	NSS	IZP-Housing (Note: Use Item 304)	
304C	See Note	NSS	Bushing, Bearing (Note: Use Item 304)	
304D	See Note	NSS	Coupling, Driveshaft Through (Note: Use Item 304)	
304E	See Note	NSS	Gear Set (Note: Use Item 304)	
304F	See Note	NSS	Key, Driveshaft (Note: Use Item 304)	
304G	See Note	NSS	Ring, Retaining (Note: Use Item 304)	
304H	See Note	4	Capscrew M10 x 20 (Note: Not Available - Purchase Locally)	
304J	See Note	NSS	Seal (Note: Not Available for Purchase)	
304K	See Note	NSS	O-Ring (Note: Not Available for Purchase)	
304L	See Note	NSS	Ring, Retaining (Note: Use Item 304)	
304M	See Note	NSS	O-Ring (Note: Use Item 304)	
304N	See Note	NSS	Plate, Wear (Note: Not Available for Purchase)	
304P	See Note	NSS	Pin, Cylinder (Note: Use Item 304)	

SECTION 3 - ENGINE

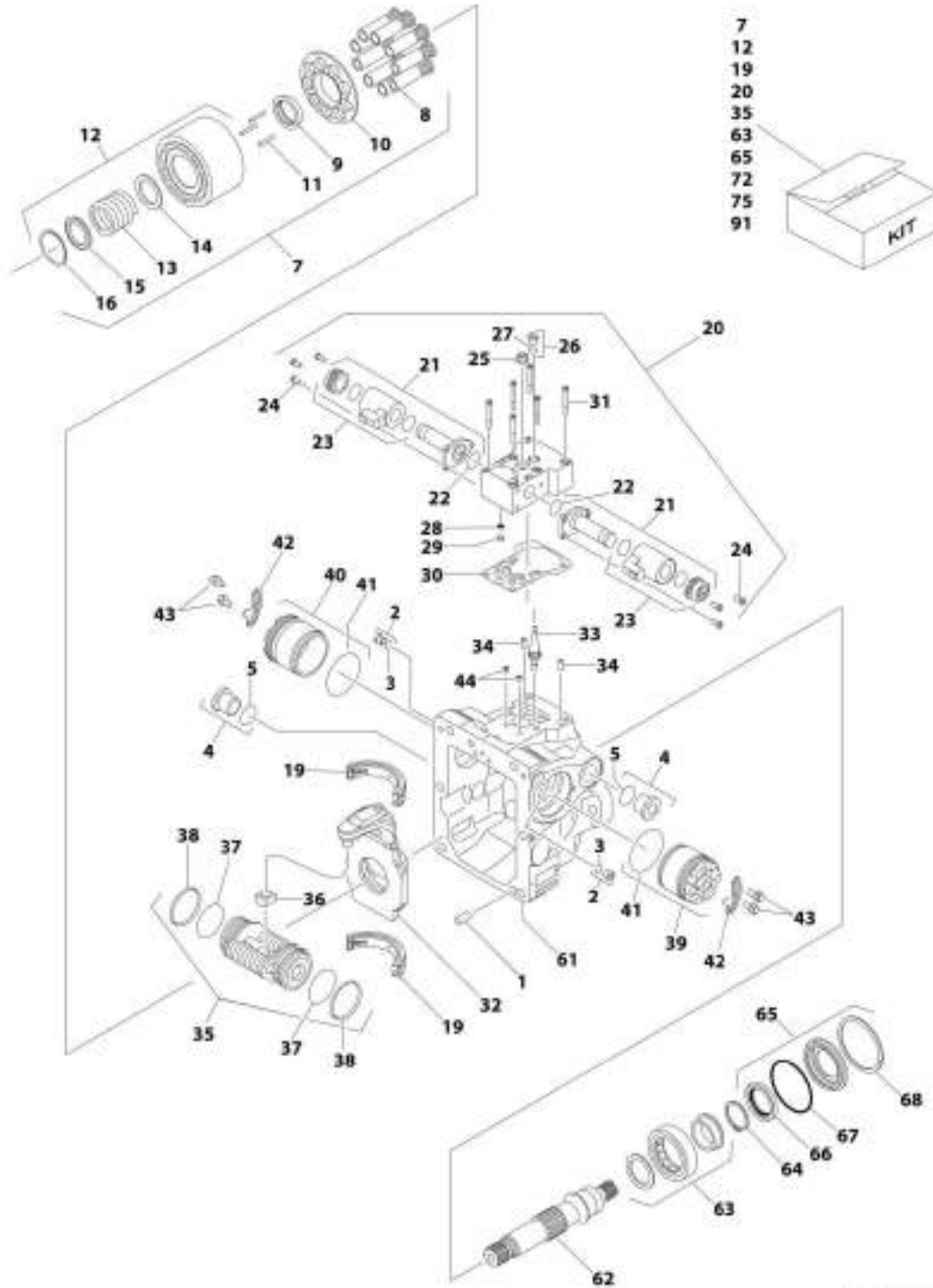
ITEM	PART NUMBER	QTY	DESCRIPTION	REV
305	See Note	NSS	Control Module (Use p/n 70005480 or 70005481)	
305	See Note	NSS	Coil, Solenoid (Note: Not Available for Purchase)	
305A	See Note	NSS	Seal Kit (Note: Not Available for Purchase)	
310	See Note	1	Housing (Note: Not Available for Purchase)	
313	See Note	2	Pin, Dowel (Note: Not Available for Purchase)	
314	See Note	1	Pin, Cylinder (Note: Not Available for Purchase)	
320	See Note	1	Screw 7/8 (Front Drive Pump Only) (Note: Not Available - Purchase Locally)	
321	See Note	1	Screw 9/16 (Note: Not Available - Purchase Locally)	
322	See Note	1	Screw 7/16 (Note: Not Available - Purchase Locally)	
324	See Note	1	Screw M10 x 1 (Note: Not Available - Purchase Locally)	
327	See Note	1	Pin, Double Break-Off (Note: Not Available - Purchase Locally)	
328	See Note	NSS	Orifice (Note: Not Available for Purchase)	
331	See Note	2	Pin, Clamping (Note: Not Available for Purchase)	
341	See Note	NSS	O-Ring (Note: Not Available for Purchase)	

SECTION 3 - ENGINE

FIGURE 3-49. PUMP ASSEMBLY (SAUER TANDEM)



SECTION 3 - ENGINE



ART. 100108616_2CF2

SECTION 3 - ENGINE

FIGURE 3-49. PUMP ASSEMBLY (SAUER TANDEM)

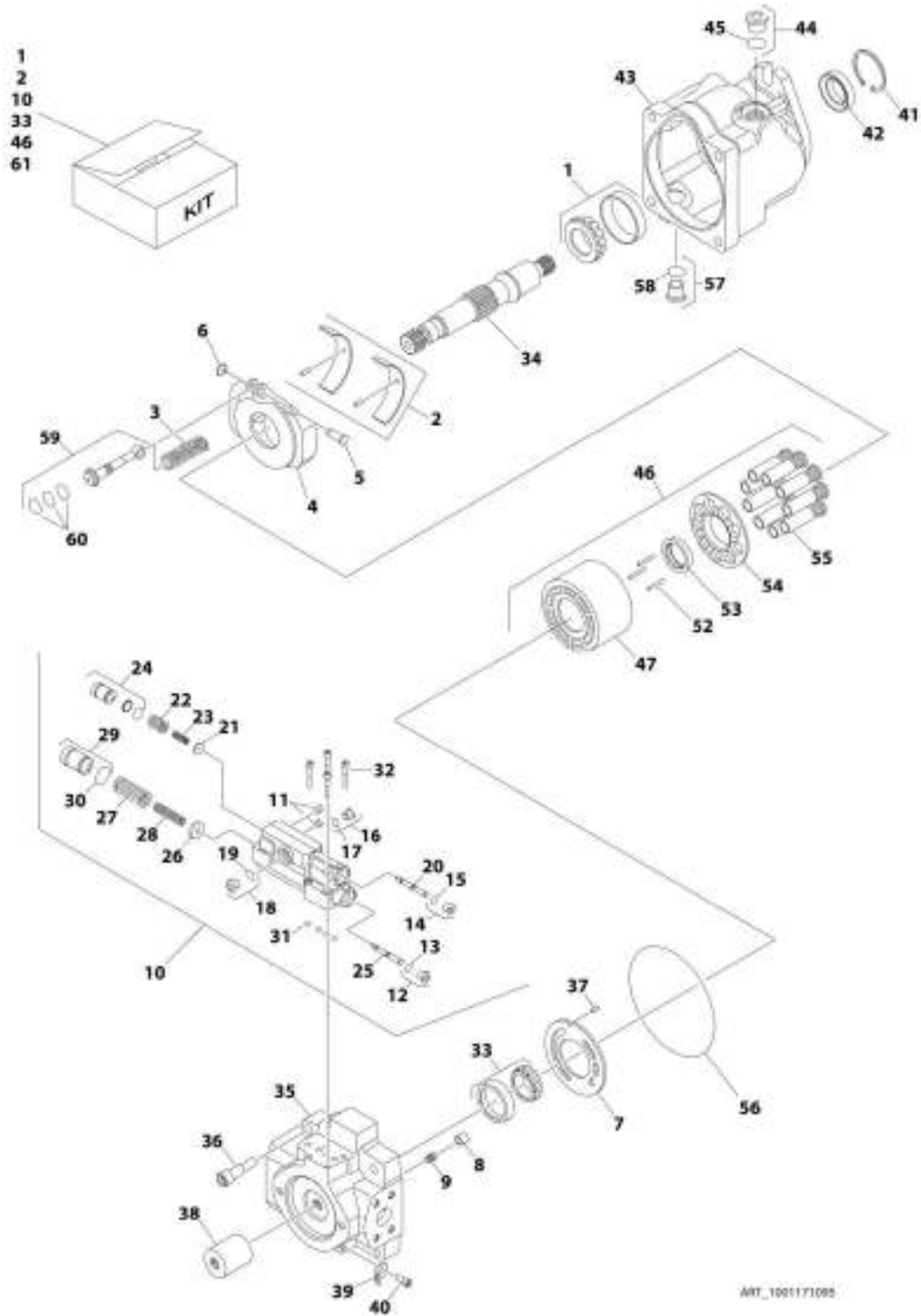
ITEM	PART NUMBER	QTY	DESCRIPTION	REV
	1001108616	Ref	PUMP ASSEMBLY (SAUER TANDEM)	D
1	70002132	4	Pin	
2	70002133	4	Plug Assembly (Includes Item 3)	
3	7007207	4	O-Ring (Part of Item 2)	
4	7007419	2	Plug Assembly (Includes Item 5)	
5	7007418	2	O-Ring (Part of Item 4)	
6	70002600	1	Coupling	
7	70002135	2	Cylinder Block Kit (Each Kit Includes Qty 1 of Items 8-10 & 12-16 & Qty 3 of Item 11)	
8	70002136	2	Piston Assembly Kit (Includes Qty 9 Piston Assemblies) (Part of Item 7)	
9	70002137	2	Guide, Slipper Retainer (Part of Item 7)	
10	70002138	2	Retainer, Slipper (Part of Item 7)	
11	7021275	6	Pin, Slipper Retainer Holddown (Part of Item 7)	
12	70002135	2	Cylinder Block Assembly (Includes Qty 1 of Item 13-16) (Part of Item 7)	
13	70002139	2	Spring (Part of Item 12)	
14	70002140	2	Washer (Part of Item 12)	
15	70002141	2	Washer (Part of Item 12)	
16	70002142	2	Ring, Retaining (Part of Item 12)	
17	7007446	2	Pin	
18		Ref	Plate, Valve Options:	
18A	70002601	1	Plate, CW Valve	
18B	70002602	1	Plate, CCW Valve	
19	70002145	2	Swash Plate Bearing Kit (Includes Qty 2 Bearings)	
20	70002618	2	EDC Kit (Includes Items 21-31)	
21	70002619	4	Solenoid Valve Assembly (Includes Items 22 & 23) (Part of Item 20)	
22	70002148	4	O-Ring (2 Per EDC Assembly) (Part of Item 21)	
23	70002620	4	Coil, Nut and Seals Kit (2 Per EDC Assembly) (Part of Item 21)	
24	70002150	12	Screw (Part of Item 20)	
25	7022301	2	Nut, Seal (Part of Item 20)	
26	70002151	2	Plug Assembly (Part of Item 20) (Includes Item 27)	
27	7007207	2	O-Ring (Part of Item 26)	
28	70002134	2	Screen (Part of Item 20)	
29	70002153	2	Ring, Locking (Part of Item 20)	
30	70002154	2	Gasket, Control (Part of Item 20)	
31	70002156	12	Capscrew (Part of Item 20)	
32	70002152	2	Swash Plate	
33	70002155	2	Link, Swash Plate	
34	70002157	4	Pin, Dowel	
35	70002158	2	Servo Piston Assembly (Includes Items 36-38)	
36	70002159	2	Block, Slider (Part of Item 35)	
37	70002160	2	O-Ring (Part of Item 35)	
38	70002161	2	Ring, Piston (Part of Item 35)	
39	70002162	2	Cylinder, Servo	
40	70002162	2	Cylinder, Servo	
41	70002163	4	O-Ring	
42	70002164	4	Plate, Locking	
43	70002165	8	Screw	

SECTION 3 - ENGINE

ITEM	PART NUMBER	QTY	DESCRIPTION	REV
44	70002604	4	Orifice	
45	70002605	1	Center Section Assembly (Includes Item 58)	
46	70002168	2	Gasket, End Cap	
47	70001958	2	Plug Assembly (Includes Item 48)	
48	7021256	2	O-Ring (Part of Item 47)	
49	70001958	2	Plug Assembly (Includes Item 50)	
50	7021256	2	O-Ring (Part of Item 49)	
51	70001958	2	Plug Assembly (Includes Item 52)	
52	7021256	2	O-Ring (Part of Item 51)	
53	70001958	2	Plug Assembly (Includes Item 54)	
54	7021256	2	O-Ring (Part of Item 53)	
55	70002606	4	Capscrew	
58	70002607	2	Bearing, Journal (Part of Item 45)	
59	70002608	1	Bracket, Lifting	
60	70002609	1	Screw	
61	See Note	1	Housing (Note: Not Available for Purchase)	
62	70002175	1	Shaft	
63	70002610	1	Ball Bearing Kit	
64	70007439	1	Ring, Retaining	
65	70002174	1	Shaft Seal Kit (Includes Items 66-68) (Note: This is a universal kit and will contain extra pieces that are not used on this pump assembly)	
66	70002177	1	Seal, Lip	
67	70002178	1	O-Ring	
68	70002179	1	Ring, Retaining	
69	See Note	1	Housing (Note: Not Available for Purchase)	
71	70002612	1	Shaft	
72	70002610	1	Ball Bearing Kit	
74	70002621	1	High Pressure Relief Valve Cartridge Assembly (Includes Item 75)	
75	70002622	1	Seal Kit - 70002621 Valve (Part of Item 74)	
76	7007415	1	O-Ring (Part of Items 81, 84, 87 & 90)	
77	7021293	1	Ring, Back-up (Part of Items 81, 84, 87 & 90)	
78	7022300	1	O-Ring (Part of Items 81, 84, 87 & 90)	
79	70002616	1	SCR Valve Assembly	
80	7024800	1	Spring	
81	7021265	1	Plug Assembly (Includes Qty 1 of Items 76-78)	
82	70002616	1	SCR Valve Assembly	
83	7024800	1	Spring	
84	7021265	1	Plug Assembly (Includes Qty 1 of Item 76-78)	
85	70002616	1	SCR Valve Assembly	
86	7024800	1	Spring	
87	70002617	1	Plug Assembly (Includes Qty 1 of Item 76-78)	
88	70002616	1	SCR Valve Assembly	
89	7024800	1	Spring	
90	7021265	1	Plug Assembly (Includes Qty 1 of Items 76-78)	
91	70002623	1	Overhaul Seal Kit (Includes Items 3, 5, 22, 27, 30, 37, 38, 41, 46, 48, 50, 52, 54, 66, 67, 75, 76, 77 & 78)	

SECTION 3 - ENGINE

FIGURE 3-50. PUMP ASSEMBLY (SAUER PISTON)



ART_1001171005

SECTION 3 - ENGINE

FIGURE 3-50. PUMP ASSEMBLY (SAUER PISTON)

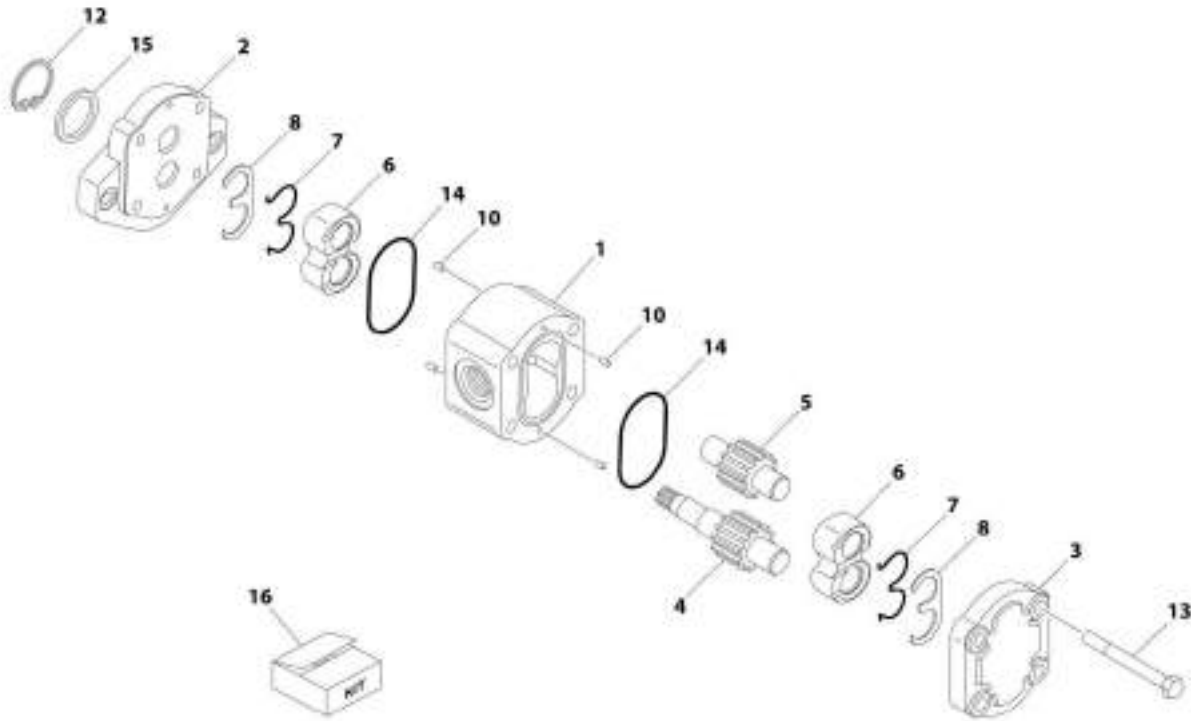
ITEM	PART NUMBER	QTY	DESCRIPTION	REV
	1001171095	Ref	PUMP ASSEMBLY (SAUER PISTON)	B
1	70002578	1	Bearing Kit - Front (Includes Cup and Cone)	
2	70004426	1	Swash Plate Bearing Kit (Includes Qty 2 Bearings and Retainer Pins)	
3	70002580	1	Spring, Bias	
4	70004416	1	Swash Plate Assembly	
5	70002582	1	Shaft	
6	70002583	1	Ring, Retaining	
7	70004417	1	Plate, Valve	
8	70001956	1	Poppet, Check Valve	
9	70001955	1	Spring	
10	70022286	1	Control Kit (Includes Items 11-32)	
11	See Note	NSS	Setscrew (Note: Use Item 10)	
12	70002133	1	Plug Assembly (Includes Item 13)	
13	7007207	1	O-Ring (Part of Item 12)	
14	70002133	1	Plug Assembly (Part of Item 15)	
15	7007207	1	O-Ring (Part of Item 14)	
16	70002133	1	Plug Assembly (Includes Item 17)	
17	7007207	1	O-Ring (Part of Item 16)	
18	70002133	1	Plug Assembly (Includes Item 19)	
19	7007207	1	O-Ring (Part of Item 18)	
20	See Note	NSS	Spool (Note: Use Item 10)	
21	See Note	NSS	Guide, Spring LS (Note: Use Item 10)	
22	See Note	NSS	Spring, Outer LS (Note: Use Item 10)	
23	See Note	NSS	Spring, Inner LS (Note: Use Item 10)	
24	See Note	NSS	Plug, Adjusting LS (Note: Use Item 10 or 61)	
25	See Note	NSS	Spool, Control (Note: Use Item 10)	
26	See Note	NSS	Guide, Spring PC (Note: Use Item 10)	
27	See Note	NSS	Spring, Outer PC (Note: Use Item 10)	
28	See Note	NSS	Spring, Inner PC (Note: Use Item 10)	
29	See Note	NSS	Plug, Adjusting PC (Note: Use Item 10)	
30	See Note	NSS	O-Ring (Note: Use Item 10 or 61)	
31	See Note	NSS	Ring, Seal (Note: Use Item 10 or 61)	
32	See Note	NSS	Capscrew (Note: Use Item 10)	
33	70002585	1	Bearing Kit - Rear (Includes Cup and Cone)	
34	70002586	1	Shaft	
35	70004420	1	Cap, End	
36	70002588	4	Capscrew	
37	7007446	1	Pin, Slotted	
38	70002589	1	Coupling	
39	7022340	1	Bracket, Lifting	
40	70002590	1	Capscrew	
41	7023962	1	Ring, Retaining	
42	See Note	NSS	Seal, Lip (Note: Use Item 61)	
43	See Note	NSS	Housing (Note: Not Available for Purchase)	
44	7023964	1	Plug Assembly (Includes Item 45)	
45	7007415	1	O-Ring (Part of Item 44)	
46	70004423	1	Cylinder Block Kit (Includes Items 47-55)	
47	70004421	1	Cylinder	
52	7021275	3	Pin, Hold-down	

SECTION 3 - ENGINE

ITEM	PART NUMBER	QTY	DESCRIPTION	REV
53	70002592	1	Guide, Slipper Retainer	
54	70002593	1	Retainer, Slipper	
55	70004422	1	Piston Assembly	
56	See Note	NSS	Seal, End Cap (Note: Use Item 61)	
57	7023964	1	Plug, O-Ring (Includes Item 58)	
58	7007415	1	O-Ring (Part of Item 57)	
59	70005418	1	Servo Piston Assembly (Includes Item 60)	
60	See Note	NSS	Ring, Piston (Part of Item 59) (Note: Use Item 61)	
61	70002599	1	Complete Seal Kit (Includes Items 13, 15, 17, 19, 24, 30, 31, 42, 45, 56, 58 & 60)	

SECTION 3 - ENGINE

FIGURE 3-51. PUMP ASSEMBLY (SAUER GEAR)



AWT_100112807

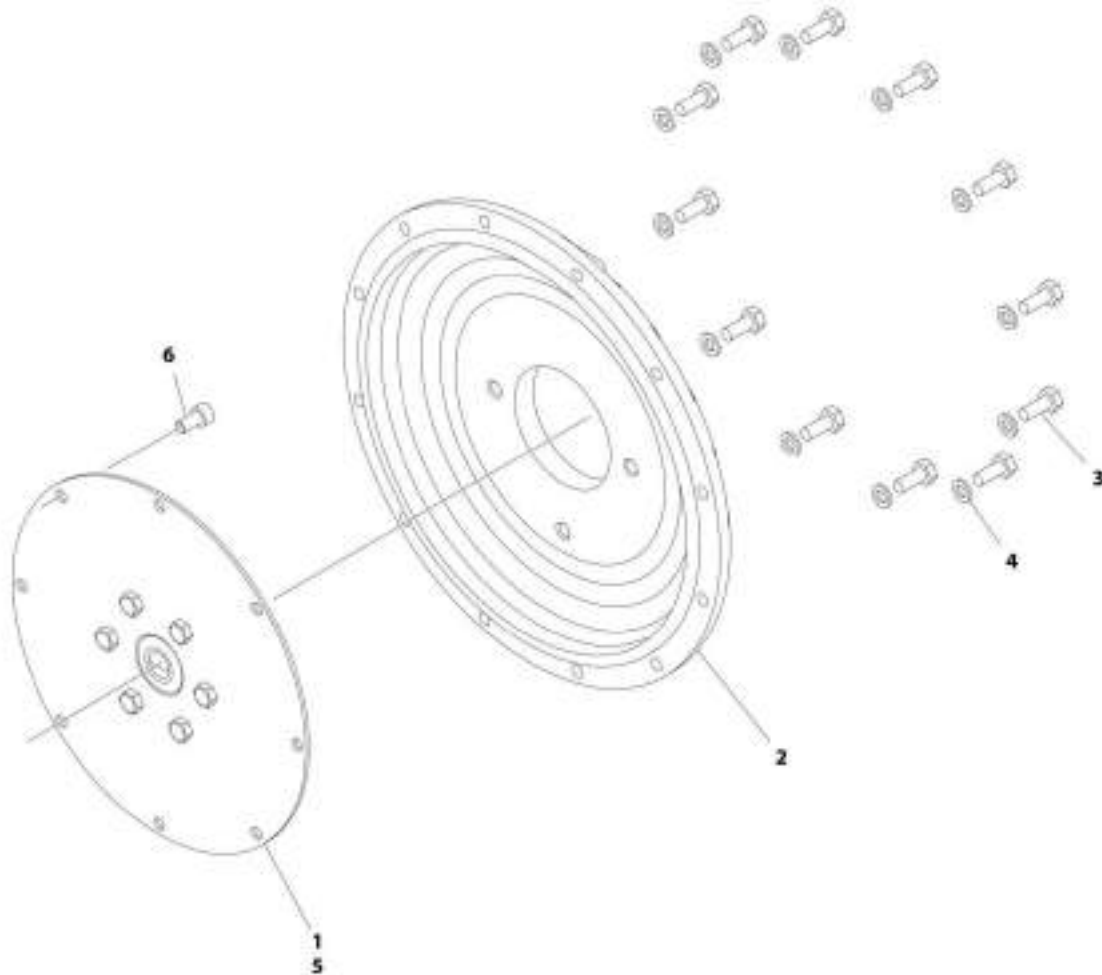
SECTION 3 - ENGINE

FIGURE 3-51. PUMP ASSEMBLY (SAUER GEAR)

ITEM	PART NUMBER	QTY	DESCRIPTION	REV
	1001112927	Ref	PUMP ASSEMBLY (SAUER GEAR)	A
1	See Note	NSS	Body (Note: Use p/n 1001112927)	
2	See Note	NSS	Cover, Front (Note: Use p/n 1001112927)	
3	See Note	NSS	Cover, Rear (Note: Use p/n 1001112927)	
4	See Note	NSS	Shaft, Gear (Note: Use p/n 1001112927)	
5	See Note	NSS	Gear, Idler (Note: Use p/n 1001112927)	
6	See Note	NSS	Block, Bearing (Note: Use p/n 1001112927)	
7	7007489	2	Ring, Anti-Extrusion	
8	7007489	2	Ring, Seal	
10	See Note	NSS	Pin, Dowel (Note: Use p/n 1001112927)	
12	70002576	1	Ring, Retaining	
13	See Note	NSS	Capscrew (Note: Use p/n 1001112927)	
14	7007489	2	O-Ring	
15	7007489	1	Seal, Lip	
16	7007489	1	Seal Kit - 1001112927 Pump (Includes Items 7, 8, 14 & 15)	

SECTION 3 - ENGINE

FIGURE 3-52. PUMP COUPLING KIT



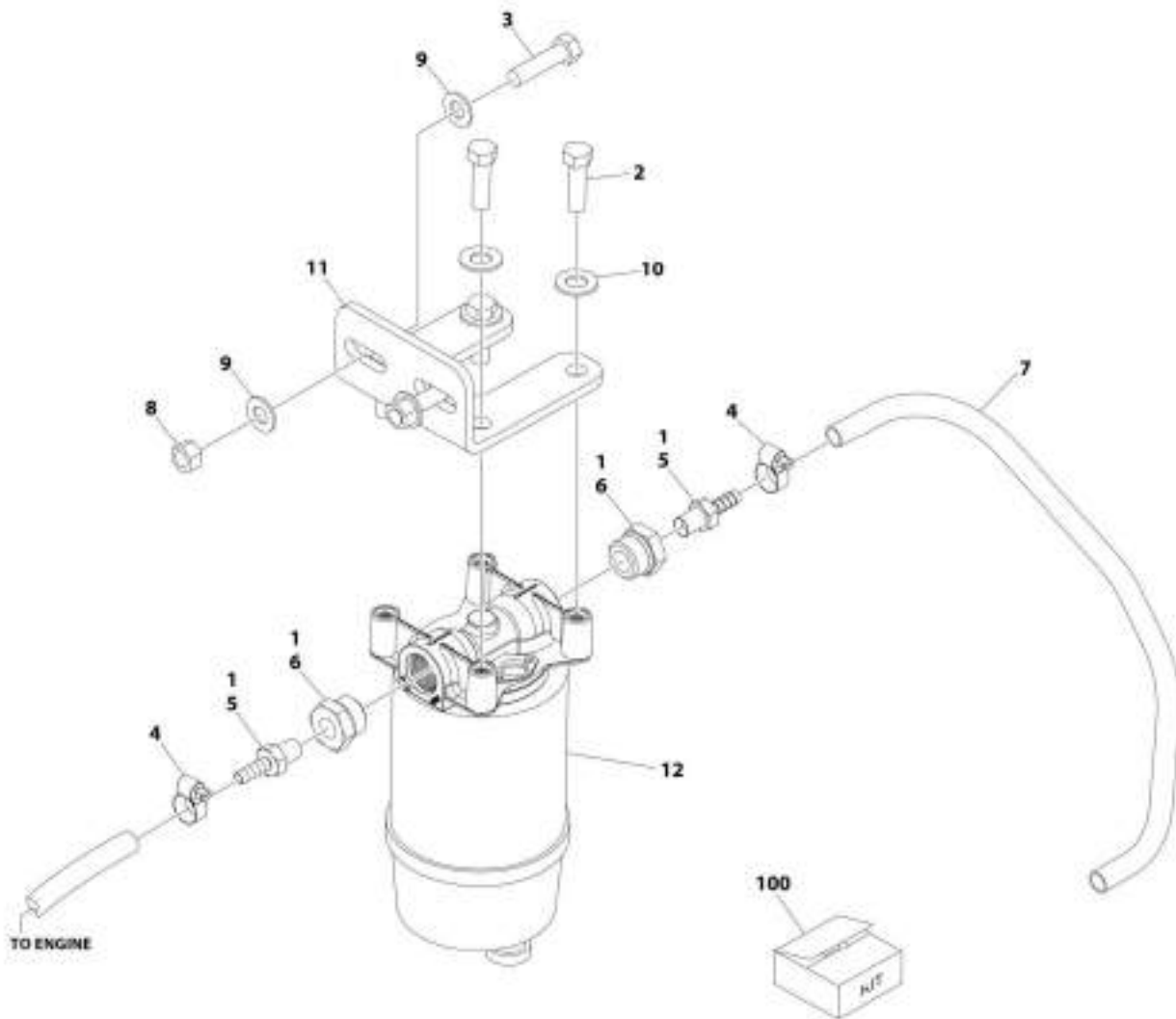
ART_2003000

FIGURE 3-52. PUMP COUPLING KIT

ITEM	PART NUMBER	QTY	DESCRIPTION	REV
	2902065	Ref	PUMP COUPLING KIT	K
1	70000793	1	Coupling, Hayes	
2	See Note	NSS	Plate, Pump Adapter (Note: Use p/n 2902065)	
3	See Note	NSS	Bolt M10 x 30 Grade 10.9 (Note: Use p/n 2902065)	
4	See Note	NSS	Washer M10 (Note: Use p/n 2902065)	
5	3020021	AR	Grease, Coupling	
6	See Note	NSS	Bolt M10 x 20 Grade 10.9 (Note: Use p/n 2902065)	

SECTION 3 - ENGINE

FIGURE 3-53. WATER/FUEL SEPARATOR INSTALLATION - DEUTZ TD2011 ENGINE



ART_1001195214

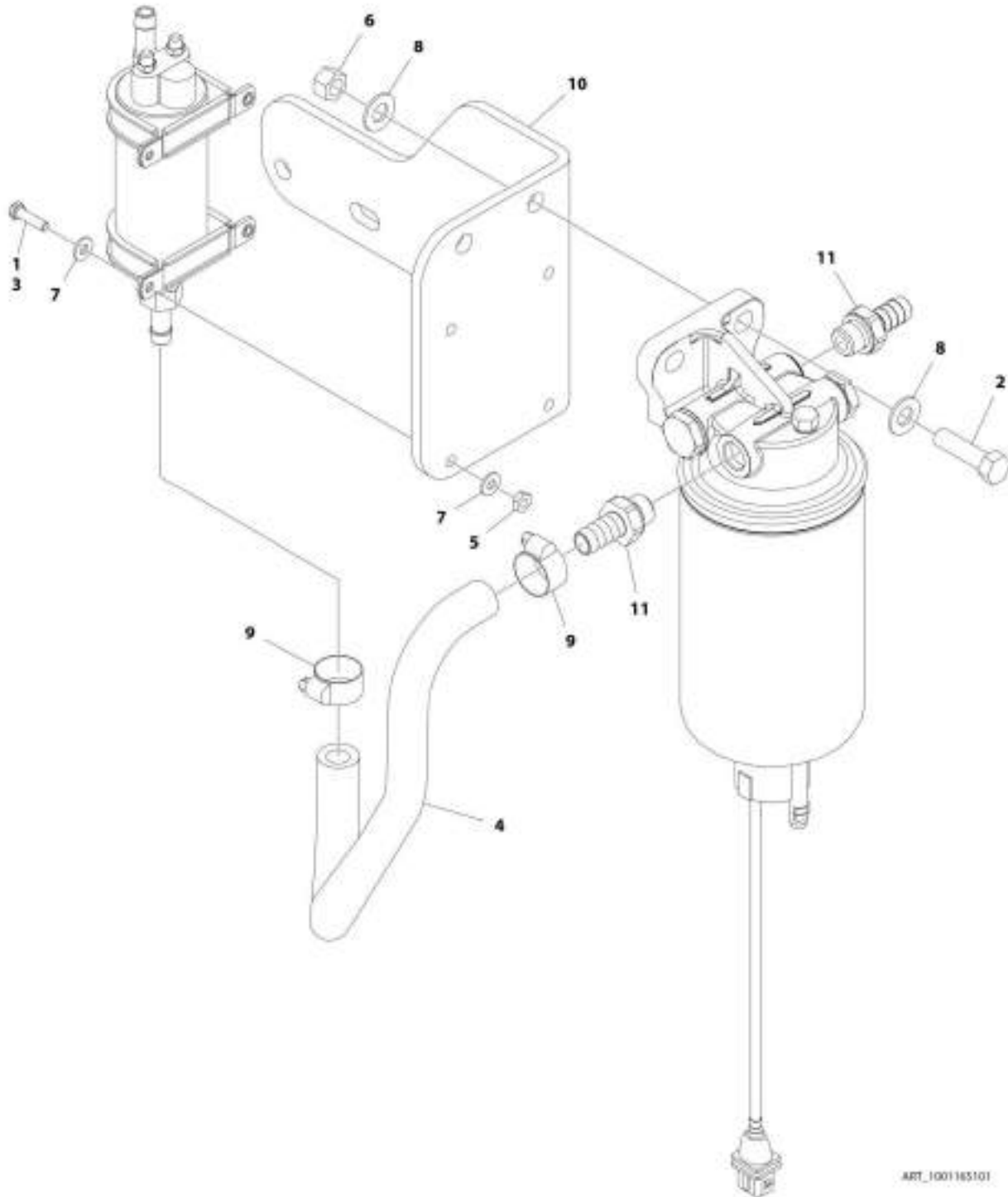
SECTION 3 - ENGINE

FIGURE 3-53. WATER/FUEL SEPARATOR INSTALLATION - DEUTZ TD2011 ENGINE

ITEM	PART NUMBER	QTY	DESCRIPTION	REV
	1001195214	Ref	WATER/FUEL SEPARATOR INSTALLATION - DEUTZ TD2011 ENGINE	A
1	0100079	AR	Sealant, Pipe	
2	0641610	4	Bolt 3/8 x 1-1/4	
3	0641612	2	Bolt 3/8 x 1-1/2	
4	1320022	2	Clamp	
5	2180348	1	Fitting, Barbed	
6	2220816	2	Fitting, Adapter FNPTF/ORB	
7	2720058	3.5 ft /1.1m	Hose	
8	3271601	2	Nut 3/8	
9	4711600	4	Washer 3/8	
10	4711700	4	Washer 7/16	
11	1001188884	1	Bracket, Water/Fuel	
12	1001188887	1	Filter Water/Fuel	
12	1001202280	1	Filter, Head	
12	1001202281	1	Filter, Element	
100	1001204159	1	Water/Separator Add-on Kit	

SECTION 3 - ENGINE

FIGURE 3-54. FUEL PUMP/FILTER BRACKET ASSEMBLY - DEUTZ TCD2.9L4 ENGINE



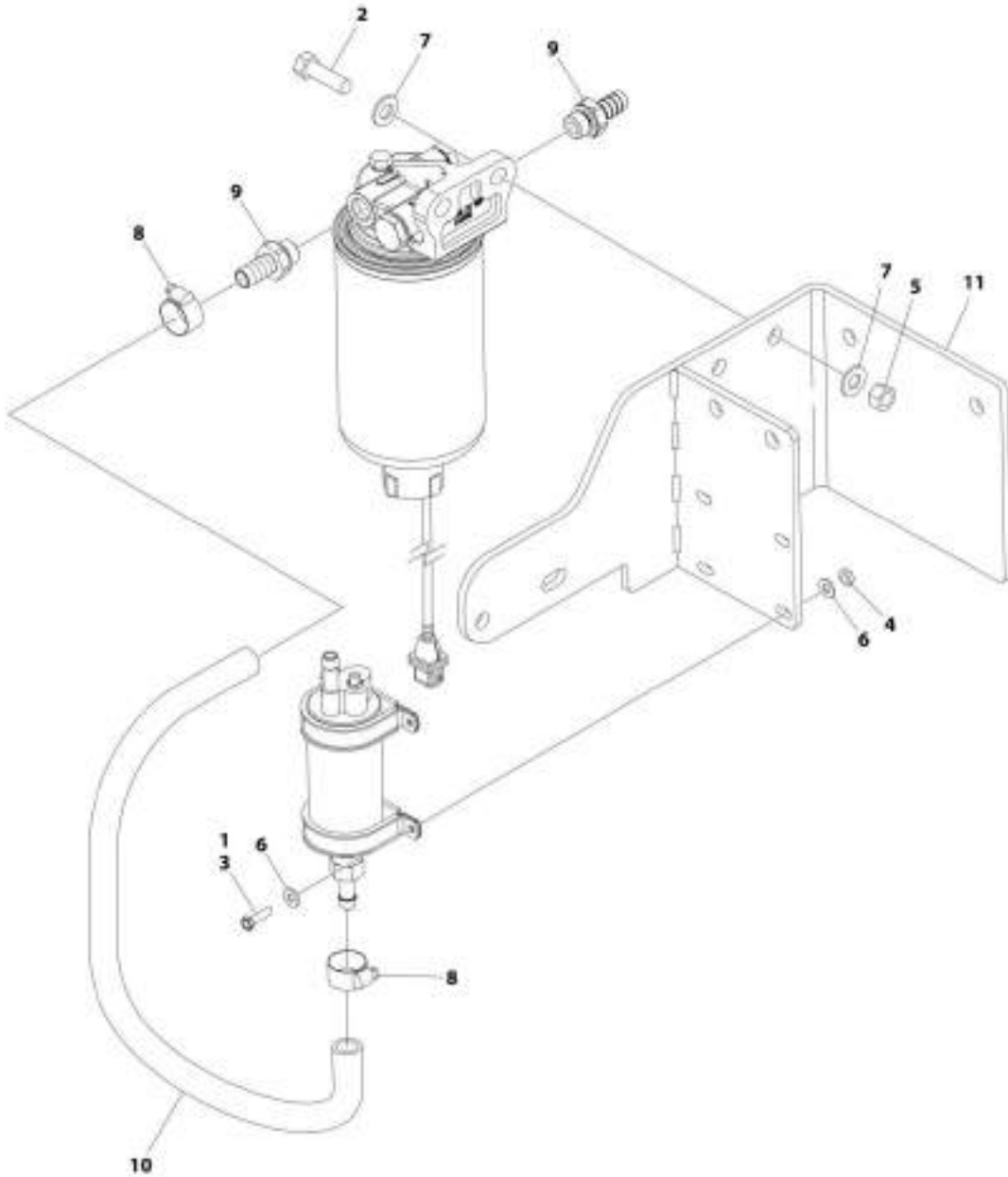
SECTION 3 - ENGINE

FIGURE 3-54. FUEL PUMP/FILTER BRACKET ASSEMBLY - DEUTZ TCD2.9L4 ENGINE

ITEM	PART NUMBER	QTY	DESCRIPTION	REV
	1001165101	Ref	FUEL PUMP/FILTER BRACKET ASSEMBLY - DEUTZ TCD2.9L4 ENGINE	C
1	0100011	AR	Compound, Locking	
2	0641611	2	Bolt 3/8 x 1-3/8	
3	0721006	4	Bolt #10 x 3/4	
4	1001154405	1.5 ft /0.4m	Hose	
5	3311001	4	Nut #10	
6	3311605	2	Nut 3/8	
7	4711000	8	Washer #10	
8	4711600	4	Washer 3/8	
9	8405006	2	Clamp	
10	1001140222	1	Bracket, Fuel Pump Mounting	
11	1001141718	1	Fitting, Barbed	

SECTION 3 - ENGINE

FIGURE 3-55. FUEL PUMP/FILTER BRACKET ASSEMBLY - DEUTZ TD2.9L4 ENGINE (CHINA SPECS ONLY) (SN 0300238862 to Present, SN B300002450 to Present)



AWT_1001227600

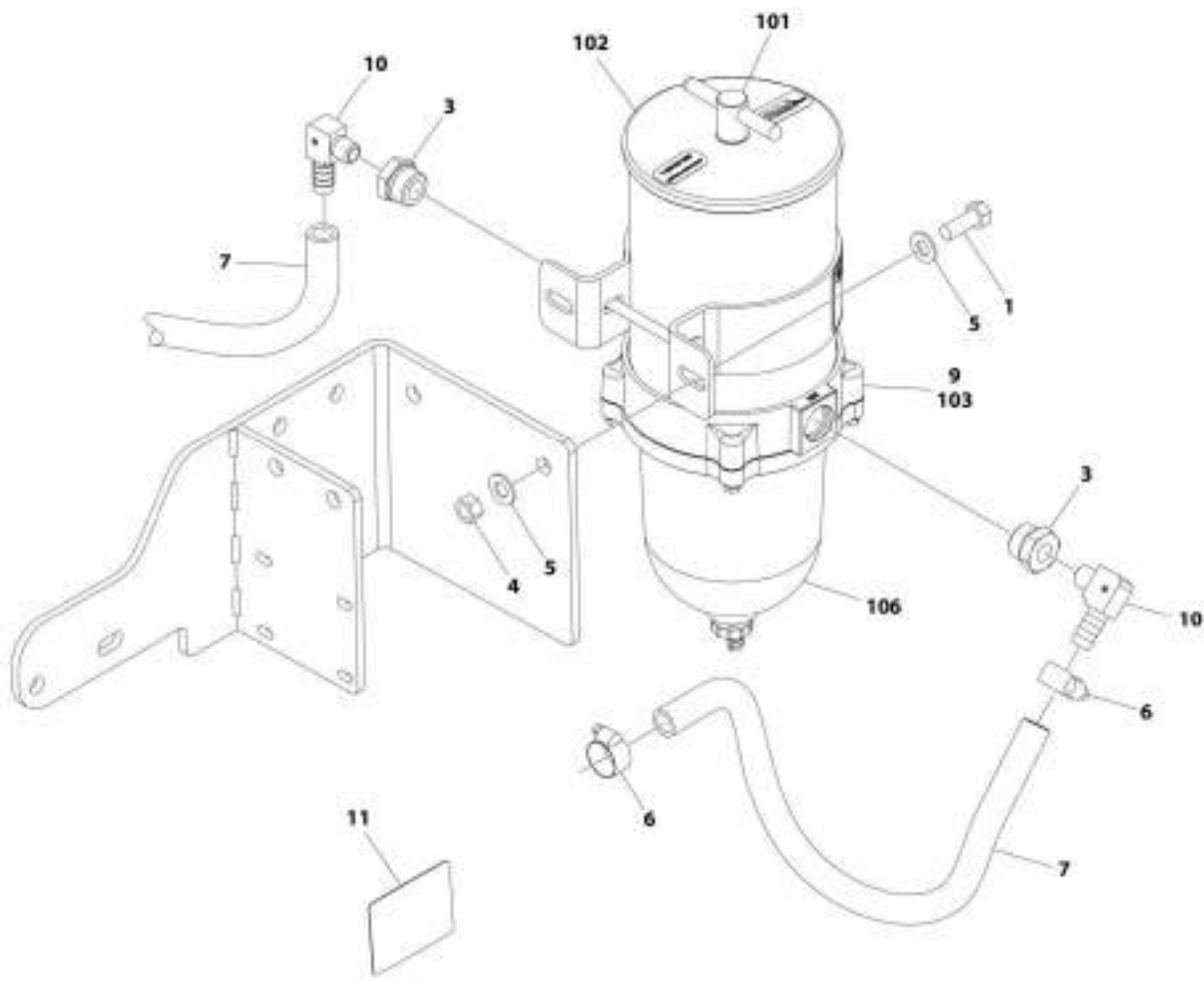
SECTION 3 - ENGINE

FIGURE 3-55. FUEL PUMP/FILTER BRACKET ASSEMBLY - DEUTZ TD2.9L4 ENGINE (CHINA SPECS ONLY) (SN 0300238862 to Present, SN B300002450 to Present)

ITEM	PART NUMBER	QTY	DESCRIPTION	REV
	1001227606	Ref	FUEL PUMP/FILTER BRACKET ASSEMBLY - DEUTZ TD2.9L4 ENGINE (CHINA SPECS ONLY) (SN 0300238862 to Present, SN B300002450 to Present)	A
1	0100011	AR	Compound, Locking	
2	0641610	2	Bolt 3/8 x 1-1/4	
3	0721006	4	Bolt #10 x 3/4	
4	3311001	4	Nut #10	
5	3311605	2	Nut 3/8	
6	4711000	8	Washer #10	
7	4711600	4	Washer 3/8	
8	8405006	2	Clamp	
9	1001141718	2	Fitting, Barbed	
10	1001154405	1.5 ft/ 0.4m	Hose	
11	1001222773	1	Bracket, Fuel Pump Mounting	

SECTION 3 - ENGINE

FIGURE 3-56. FUEL FILTER/WATER SEPARATOR INSTALLATION - DEUTZ TD2.9L4 ENGINE



NOTE: LOCATED ON HOOD

ART_100123908

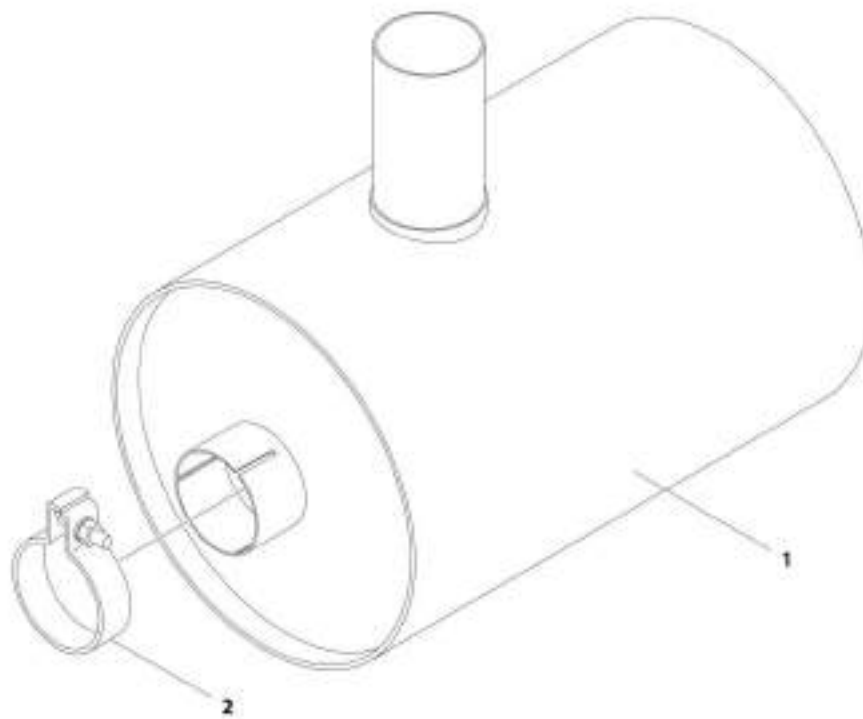
SECTION 3 - ENGINE

FIGURE 3-56. FUEL FILTER/WATER SEPARATOR INSTALLATION - DEUTZ TD2.9L4 ENGINE

ITEM	PART NUMBER	QTY	DESCRIPTION	REV
	1001223068	Ref	FUEL FILTER/WATER SEPARATOR INSTALLATION - DEUTZ TD2.9L4 ENGINE	C
1	0641608	2	Bolt 3/8 x 1	
3	2220816	2	Fitting, Adapter FNPTF/ORB	
4	3311605	2	Nut 3/8	
5	4711600	4	Washer 3/8	
6	8405006	4	Clamp	
7	1001154405	4 ft/ 1.22m	Hose	
9	1001222817	1	Fuel Filter Assembly (See Items 101-107 for Breakdown)	
10	1001178797	2	Fitting, 90	
11	1001226923	1	Decal - Fuel Water Separator	
	1001222817	Ref	FUEL FILTER ASSEMBLY	
101	70006403	1	T-Handle Kit (Includes O-Ring)	
102	70006404	1	Lid Kit (Includes Gasket)	
103	70006405	1	Element	
104	70006406	1	Checkball & Gasket Kit (Not Shown)	
105	70006407	1	Centrifuge and Baffle Kit (Not Shown)	
106	70006409	1	Bowl Kit (Includes Gasket, O-Ring and Drain)	
106	70006408	1	Gasket, Bowl	
107	70006410	1	Bowl Ring Kit (Includes Gasket & Hardware) (Not Shown)	

SECTION 3 - ENGINE

FIGURE 3-57. SPARK ARRESTING CATALYTIC MUFFLER - DEUTZ TD2011 ENGINES (OPTIONAL)



ART_3J2013B

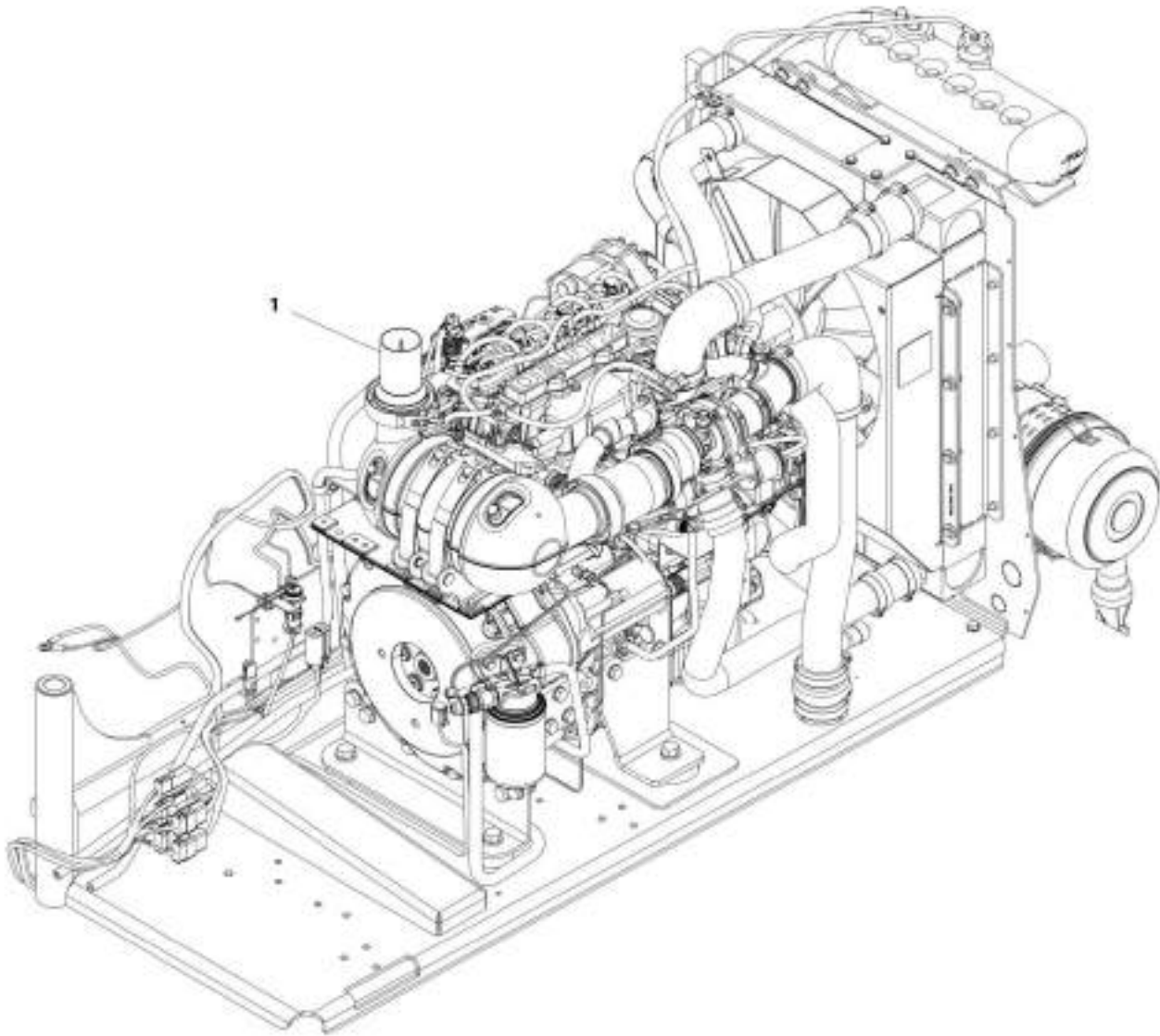
SECTION 3 - ENGINE

FIGURE 3-57. SPARK ARRESTING CATALYTIC MUFFLER - DEUTZ TD2011 ENGINES (OPTIONAL)

ITEM	PART NUMBER	QTY	DESCRIPTION	REV
	3220130	Ref	SPARK ARRESTING CATALYTIC MUFFLER - DEUTZ TD2011 ENGINES (OPTIONAL)	A
1	See Note	NSS	Muffler (Note: Use p/n 3220130)	
2	70001017	1	Clamp	

SECTION 3 - ENGINE

FIGURE 3-58. SPARK ARRESTOR INSTALLATION - DEUTZ TCD2.9L4 ENGINES (OPTIONAL)



ART_100115830

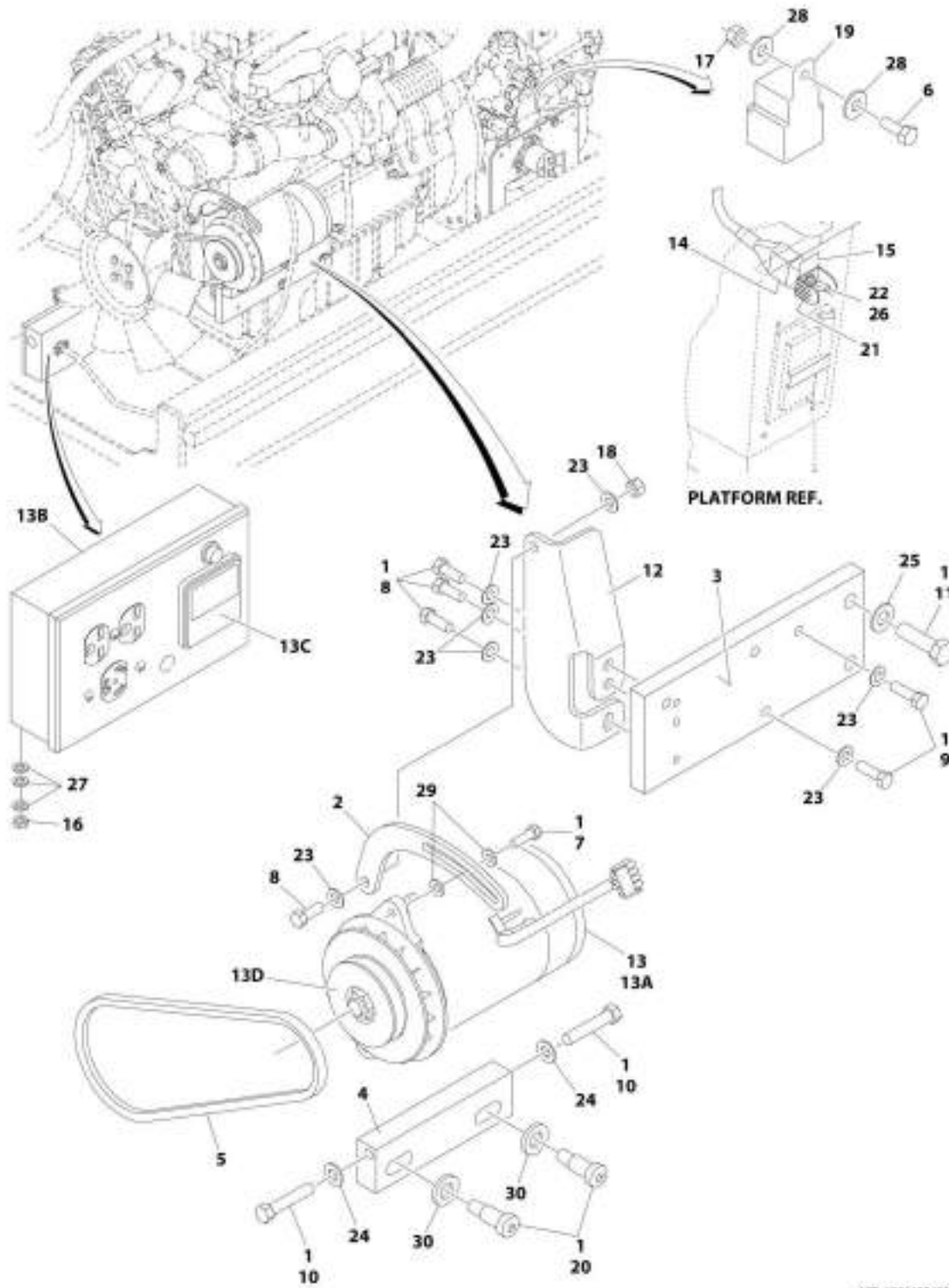
SECTION 3 - ENGINE

FIGURE 3-58. SPARK ARRESTOR INSTALLATION - DEUTZ TCD2.9L4 ENGINES (OPTIONAL)

ITEM	PART NUMBER	QTY	DESCRIPTION	REV
	1001139930	Ref	SPARK ARRESTOR INSTALLATION - DEUTZ TCD2.9L4 ENGINES (OPTIONAL)	C
1	1001154157	1	Arrestor, Spark	

SECTION 3 - ENGINE

FIGURE 3-59. 2500W GENERATOR INSTALLATION - 60HZ SPEC (DEUTZ TD2011 ENGINES) (OPTIONAL)



MIT_3001125425

SECTION 3 - ENGINE

**FIGURE 3-59. 2500W GENERATOR INSTALLATION - 60HZ SPEC (DEUTZ TD2011 ENGINES)
(OPTIONAL)**

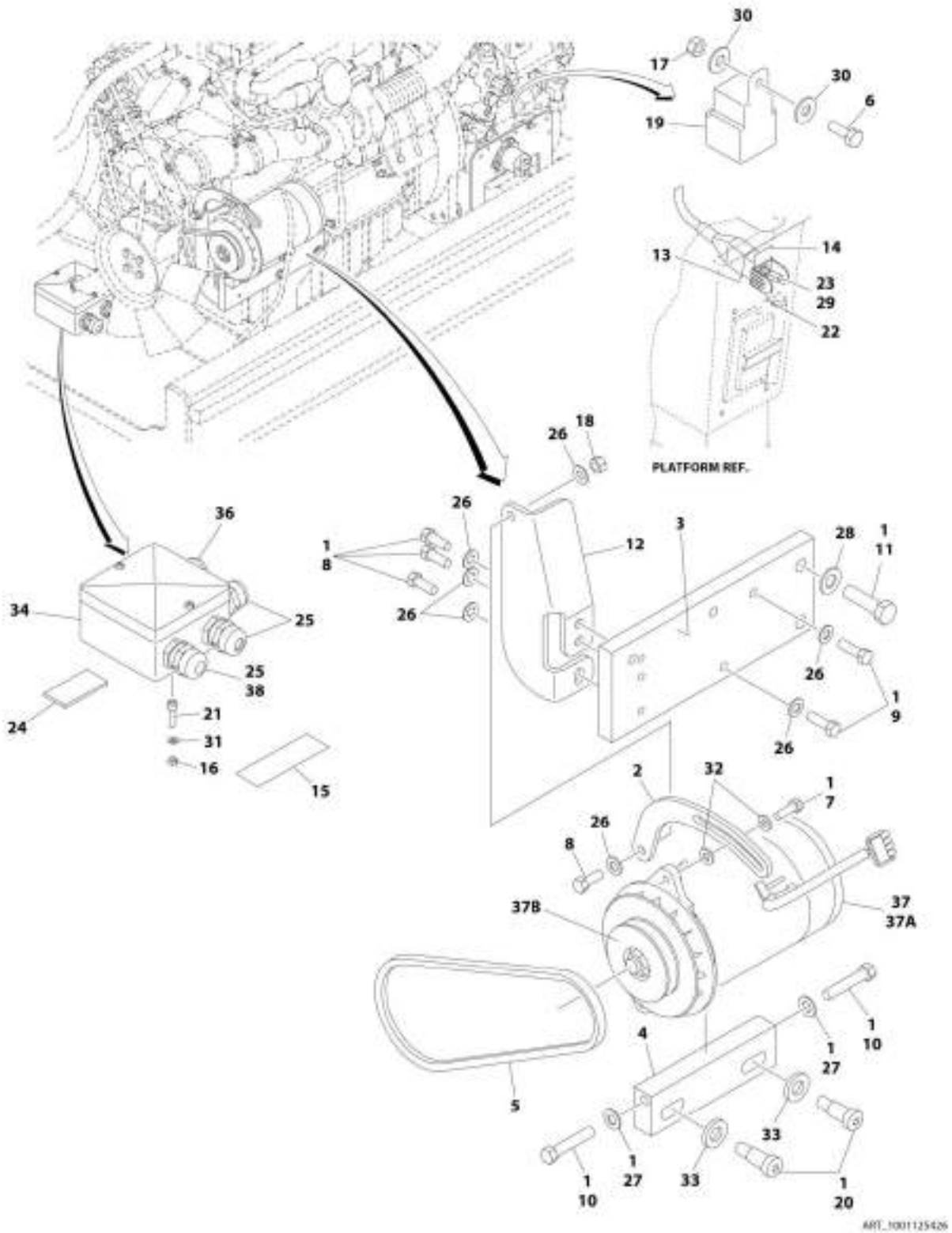
ITEM	PART NUMBER	QTY	DESCRIPTION	REV
	1001125425	Ref	2500W GENERATOR INSTALLATION - 60HZ SPEC (DEUTZ TD2011 ENGINES) (OPTIONAL)	A
1	0100011	AR	Compound, Locking	
2	0200742	1	Arm, Adjusting	
3	0363081	1	Bar, Mounting	
4	0363082	1	Bar, Adjusting	
5	0480127	1	Belt	
6	0641406	1	Bolt 1/4 x 3/4	
7	0641508	1	Bolt 5/16 x 1	
8	0641608	4	Bolt 3/8 x 1	
9	0641610	2	Bolt 3/8 x 1-1/4	
10	0641718	2	Bolt 7/16 x 2-1/14	
11	0701418	2	Bolt M14 x 50	
12	0902813	1	Bracket, Arm Mounting	
13	2460055	1	Generator, 110V/60Hz	
13A	7012558	1	Generator 110V/60Hz	
		Ref	Note: Replacement generators come standard with p/n 3580134 pulley. This pulley may not be correct for all applications. Refer to pulley options below for correct pulley.	
13A	7012513	4	Cap, Brush Holder	
13A	7020108	4	Brush	
13A	7020109	4	Holder, Brush	
13A	7012514	1	Fan	
13A	7020190	2	Bearing	
13A	7020110	1	End Bell, Front	
13A	7020111	1	End Bell, Rear	
13B	7019680	1	Box Control	
13B	4360542	1	Breaker, Circuit	
13B	4460190	AR	Receptacle, Double (110V)	
13B	4460027	AR	Receptacle, Double Twist Lock (110V)	
13B	70000124	1	Receptacle, Double (220V)	
13B	70000125	1	Receptacle, Single Twist Lock (220V)	
13C	2420203	1	Voltmeter	
13D	3580276	1	Pulley	
13D	7027887	1	Key, Woodruff	
14	2820031	AR	Heat Shrink	
15	3251102	1	Nameplate - Generator	
16	3311005	2	Nut #10	
17	3311405	1	Nut 1/4	
18	3311605	1	Nut 3/8	
19	3740080	1	Relay	
20	3900322	2	Screw, Socket Head Shoulder	
21	4060802	1	Guard, Switch	
22	4360336	1	Switch, Toggle	
23	4711600	7	Washer 3/8	
24	4711700	2	Washer 7/16	
25	4711900	2	Washer 9/16	
26	4740397	1	Spacer	
27	4751000	6	Washer #10	

SECTION 3 - ENGINE

ITEM	PART NUMBER	QTY	DESCRIPTION	REV
28	4751400	2	Washer 1/4	
29	4891500	2	Washer 5/16	
30	4892000	2	Washer 5/8	

SECTION 3 - ENGINE

FIGURE 3-60. 2500W GENERATOR INSTALLATION - 50HZ SPEC (DEUTZ TD2011 ENGINES) (OPTIONAL)



SECTION 3 - ENGINE

**FIGURE 3-60. 2500W GENERATOR INSTALLATION - 50HZ SPEC (DEUTZ TD2011 ENGINES)
(OPTIONAL)**

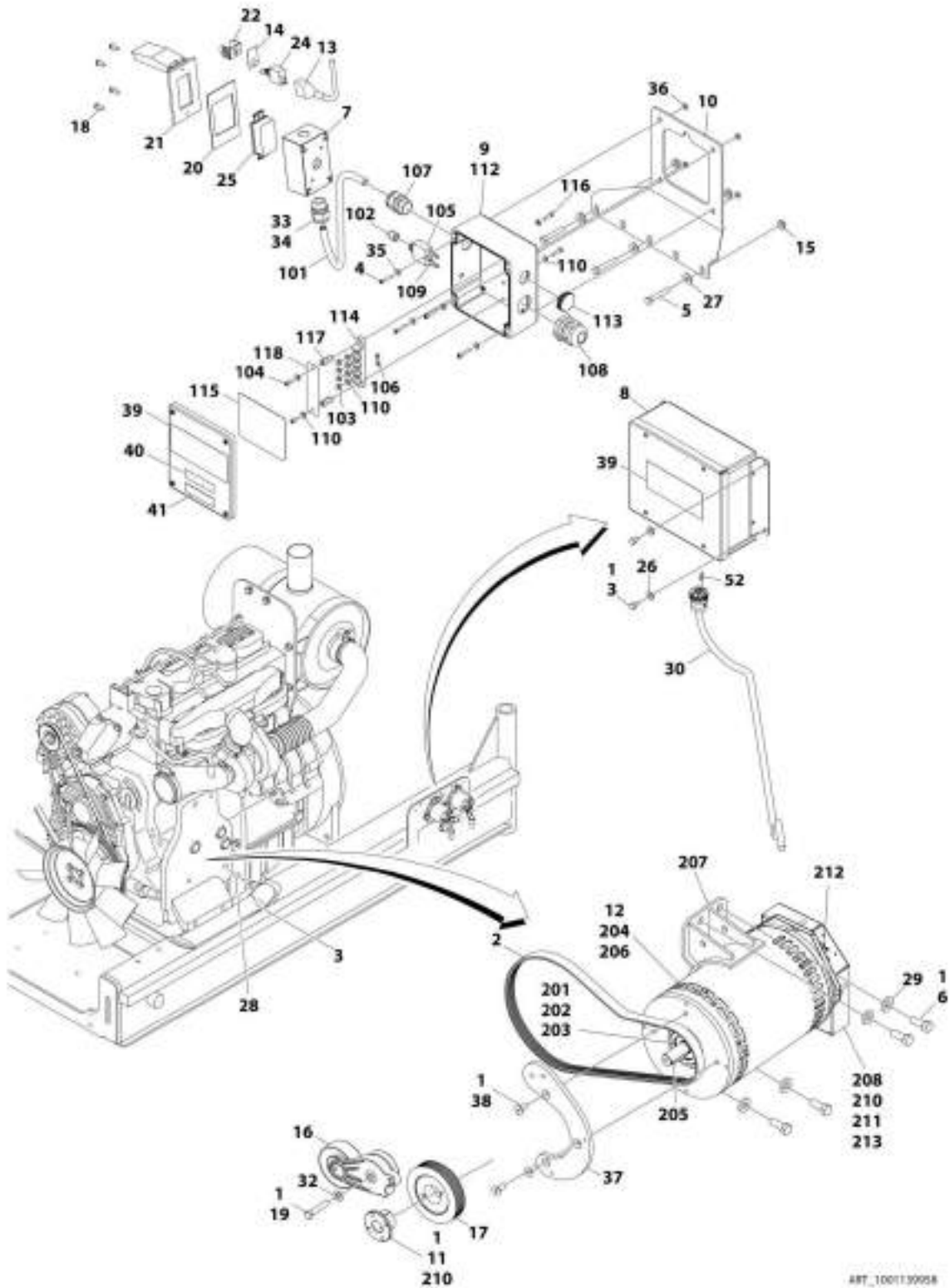
ITEM	PART NUMBER	QTY	DESCRIPTION	REV
	1001125426	Ref	2500W GENERATOR INSTALLATION - 50HZ SPEC (DEUTZ TD2011 ENGINES) (OPTIONAL)	A
1	0100011	AR	Compound, Locking	
2	0200742	1	Arm, Adjusting	
3	0363081	1	Bar, Mounting	
4	0363082	1	Bar, Adjusting	
5	0480122	1	Belt	
6	0641406	1	Bolt 1/4 x 3/4	
7	0641508	1	Bolt 5/16 x 1	
8	0641608	4	Bolt 3/8 x 1	
9	0641610	2	Bolt 3/8 x 1-1/4	
10	0641718	2	Bolt 7/16 x 2-1/4	
11	0701418	2	Bolt M14 x 50	
12	0902813	1	Bracket, Arm Mounting	
13	2820031	AR	Heat Shrink	
14	3251102	1	Nameplate - Generator	
15	3252507	1	Decal, Voltage	
16	3290505	1	Nut M5	
17	3311405	1	Nut 1/4	
18	3311605	1	Nut 3/8	
19	3740080	1	Relay	
20	3900322	2	Screw, Socket Head Shoulder	
21	4031608	1	Screw M5 x 20	
22	4060802	1	Guard, Switch	
23	4360336	1	Switch, Toggle	
24	4420060	AR	Tape, Double-Sided	
25	4460968	3	Relief, Strain	
26	4711600	7	Washer 3/8	
27	4711700	2	Washer 7/16	
28	4711900	2	Washer 9/16	
29	4740397	1	Spacer	
30	4751400	2	Washer 1/4	
31	4811600	1	Washer M5	
32	4891500	2	Washer 5/16	
33	4892000	2	Washer 5/8	
34	1001099869	1	Box, Junction	
35	1001120382	1	Wiring Diagram (Not Shown - See Separate Breakdown in ELECTRICAL SECTION)	
36	1001100233	1	Light, Red	
37	1001100321	1	Generator Assembly	
		Ref	Note: Replacement generators come standard with p/n 3580134 pulley. This pulley may not be correct for all applications. Refer to pulley options below for correct pulley.	
37A	7012513	4	Cap, Brush Holder	
37A	7020108	4	Brush	
37A	7020109	4	Holder, Brush	
37A	7012514	1	Fan	
37A	7020190	2	Bearing	
37A	7020110	1	End Bell, Front	
37A	7020111	1	End Bell, Rear	

SECTION 3 - ENGINE

ITEM	PART NUMBER	QTY	DESCRIPTION	REV
37B	7027887	1	Key, Woodruff	
38	0962449	1	Bushing, Silicone	

SECTION 3 - ENGINE

FIGURE 3-61. 4000W GENERATOR INSTALLATION - 60HZ SPEC (DEUTZ TD2011 ENGINES) (OPTIONAL)



ART_1001130058

SECTION 3 - ENGINE

**FIGURE 3-61. 4000W GENERATOR INSTALLATION - 60HZ SPEC (DEUTZ TD2011 ENGINES)
(OPTIONAL)**

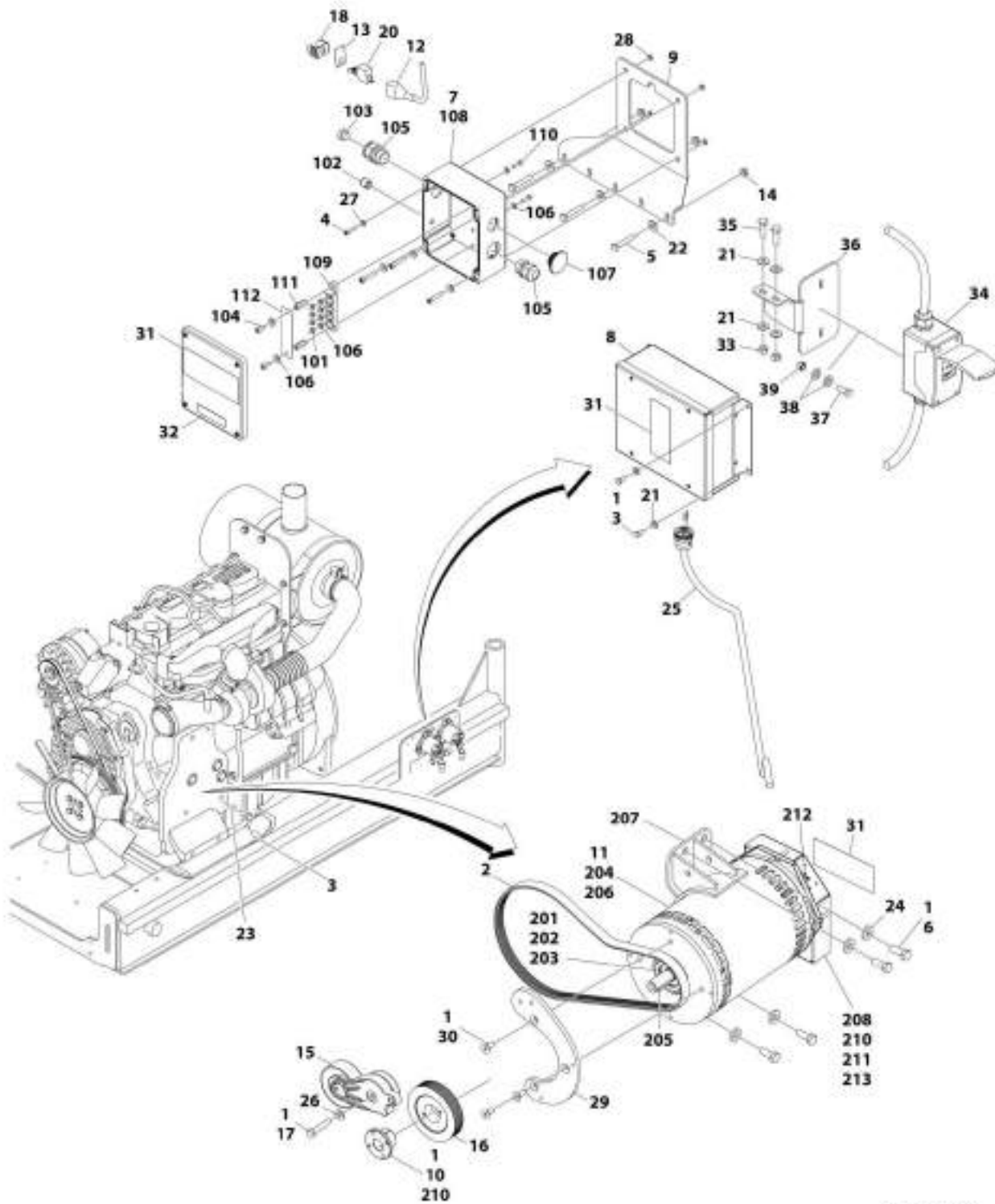
ITEM	PART NUMBER	QTY	DESCRIPTION	REV
	1001139958	Ref	4000W GENERATOR INSTALLATION - 60HZ SPEC (DEUTZ TD2011 ENGINES) (OPTIONAL)	B
		Ref	Note: See ELECTRICAL SECTION for Boom Cable Installation.	
1	0100011	AR	Compound, Locking	
2	0480128	1	Belt, Generator	
3	0641404	5	Bolt 1/4 x 1/2	
4	3931016	4	Screw 1/4 x 1	
5	0641516	3	Bolt 5/16 x 2	
6	0641810	4	Bolt 1/2 x 1-1/4	
7	0860038	1	Box, Switch-Weatherhead	
8	1001138566	1	Box, Generator Control	
8	70006552	1	Capacitor	
8	70006553	1	Relay	
9	1001152457	1	Box, Junction Assembly (See Items 101-118 for Breakdown)	
10	0902888	1	Bracket, Generator Junction Box	
11	0962520	1	Bushing, Taper	
12	1001129858	1	Generator, 4000W Assembly (See Items 200-213 for Breakdown)	
13	2820031	AR	Insulator, Heat Shrink	
14	3251102	1	Nameplate, Generator	
15	3311508	3	Nut 5/16	
16	3580317	1	Pulley, Belt Tensioner	
17	3580318	1	Pulley, Generator	
18	3910606	4	Screw 6 x 3/8	
19	0641616	AR	Bolt 3/8 x 2	
20	3960422	1	Gasket, AC Receptacle	
21	1001110873	1	Cover, Gang Vertical Receptacle GFCI	
22	4060802	1	Guard, Switch	
23	4240018	AR	Strap, Tie (Not Shown)	
24	4360336	1	Switch, Toggle	
25	4460346	1	Terminal, Receptacle	
26	4711400	4	Washer 1/4	
27	4751500	3	Washer 5/16	
28	4791400	2	Starwasher 1/4	
29	4891800	4	Washer 1/2	
30	1001152533	1	Harness, Generator Cable (See Items 301-308 for Breakdown)	
31	1001153257	1	Diagram, Generator Wiring (Not Shown)	
32	4711600	1	Washer 3/8	
33	0100020	AR	Sealant, Pipe	
34	4460071	1	Connector, Strain Relief	
35	4751000	4	Washer #10	
36	3311005	4	Nut #10	
37	1001139357	1	Mount, Generator Tensioner	
38	0741607	3	Screw 3/8 x 0.88	
39	1705387	3	Decal - Hazardous Voltage	
40	3251243	1	Decal - 120V-60Hz	
41	1705374	1	Decal - 240V-60Hz	
52	0100048	AR	Grease, Dielectric	
	1001152457	Ref	JUNCTION BOX ASSEMBLY	B
101	1060494	2 ft/ 0.6m	Cable, 12/3 (SN 0300201016 through 0300205503)	

SECTION 3 - ENGINE

ITEM	PART NUMBER	QTY	DESCRIPTION	REV
101	1001179154	2.5 ft/ 0.8m	Cable, 12/3 (SN 0300205504 to Present, SN B300002238 to Present)	
102	3300396	1	Cover, Fuse	
103	3311001	4	Nut #10 Grade 2	
104	3900300	2	Screw, Spec, Cap	
105	4360070	1	Circuit Breaker, 15Amp	
106	4460068	3	Terminal, Ring	
107	4460425	1	Terminal, Strain Relief	
108	4460426	1	Connector, Strain Relief	
109	4460483	2	Terminal	
110	4711000	8	Washer #10	
112	1001152456	1	Box, Junction	
113	1001152525	1	Plug, Hole Pluggit	
114	1001152530	1	Terminal, Block, 4 Pole	
115	1001153260	1	Decal - Wiring 4000W Generator	
116	3900267	2	Screw, Spec, Cap	
117	1001158008	2	Stand-Off, Female, Threaded	
118	1001158363	1	Plate, Cover, PVC	
	1001129858	Ref	4000W GENERATOR ASSEMBLY	
201	70003709	1	Ring, Retaining	
202	70003708	1	Ring, Retaining	
203	70001966	1	Bearing, Ball	
204	70004092	1	Endbell	
205	70004171	1	Key	
206	70004676	1	Rotor Assembly	
207	70004684	1	Stator, Generator 4000W	
208	70004678	1	Endbell	
210	70004680	1	Enclosure	
211	70004685	1	Cover, Enclosure	
212	70004682	1	Protector, Supplementary, Manual Reset	
213	70004098	1	Bushing, Strain Relief	

SECTION 3 - ENGINE

FIGURE 3-62. 4000W GENERATOR INSTALLATION - 50HZ SPEC (DEUTZ TD2011 ENGINES) (OPTIONAL)



ART. 1001139959

SECTION 3 - ENGINE

**FIGURE 3-62. 4000W GENERATOR INSTALLATION - 50HZ SPEC (DEUTZ TD2011 ENGINES)
(OPTIONAL)**

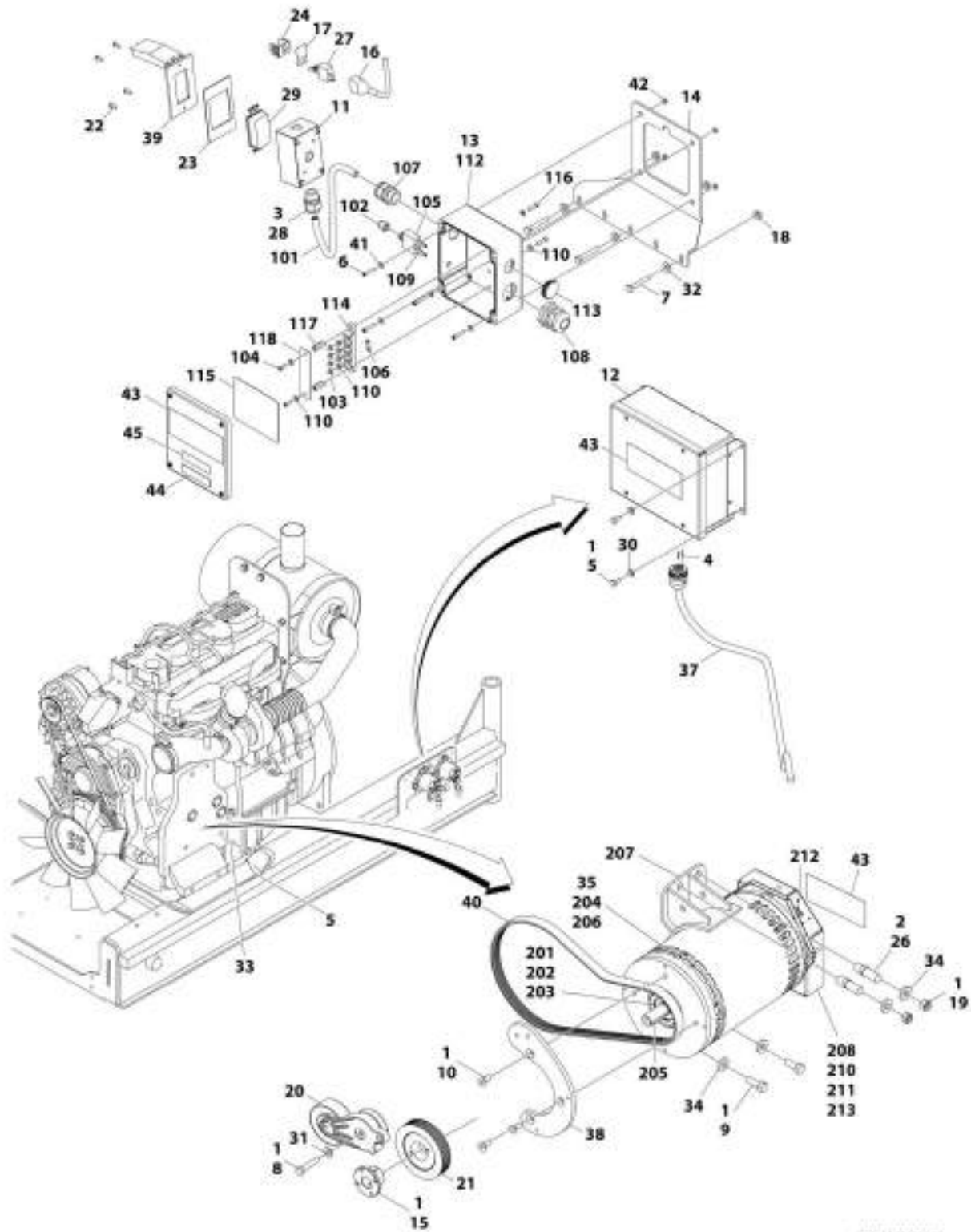
ITEM	PART NUMBER	QTY	DESCRIPTION	REV
	1001139959	Ref	4000W GENERATOR INSTALLATION - 50HZ SPEC (DEUTZ TD2011 ENGINES) (OPTIONAL)	D
		Ref	Note: See ELECTRICAL SECTION for Boom Cable Installation.	
1	0100011	AR	Compound, Locking	
2	1001136356	1	Belt, Generator	
3	0641404	5	Bolt 1/4 x 1/2	
4	3931016	4	Screw 1/4 x 1 (SN 0300201016 through 0300203454)	
5	0641516	3	Bolt 5/16 x 2 (SN 0300201016 through 0300203454)	
6	0641810	4	Bolt 1/2 x 1-1/4	
7	1001152458	1	Box, Junction Assembly (50Hz Spec Only) (See items 101-112 for Breakdown) (SN 0300201016 through 0300203454)	
8	1001138566	1	Box, Generator Control	
8	70006552	1	Capacitor	
8	70006553	1	Relay	
9	0902888	1	Bracket, Generator Junction Box (SN 0300201016 through 0300203454)	
10	0962520	1	Bushing, Taper	
11	1001138565	1	Generator, 4000W Assembly Options: (See items 200-213 for Breakdown)	
12	2820031	AR	Insulator, Heat Shrink (Not Shown)	
13	3251102	1	Nameplate, Generator	
14	3311508	3	Nut 5/16 (SN 0300201016 through 0300203454)	
15	3580317	1	Pulley, Belt Tensioner	
16	3580319	1	Pulley, Generator	
17	0641616	1	Bolt 3/8 x 2	
18	4060802	1	Guard, Switch	
19	4240018	AR	Strap, Tie (Not Shown)	
20	4360336	1	Switch, Toggle	
21	4711400	8	Washer 1/4	
22	4751500	3	Washer 5/16 (SN 0300201016 through 0300203454)	
23	4791400	2	Washer 1/4	
24	4891800	4	Washer 1/2	
25	1001152533	1	Harness, Generator Cable (See Separate Breakdown in ELECTRICAL SECTION)	
26	4711600	1	Washer 3/8	
27	4751000	4	Washer #10 (SN 0300201016 through 0300203454)	
28	3311005	4	Nut #10 (SN 0300201016 through 0300203454)	
29	1001139357	1	Mount, Generator Tensioner	
30	0741607	3	Screw, Flat head, 3/8 x .88	
31	1705489	AR	Decal - Hazardous Voltage	
32	3251242	1	Decal - 240V-50Hz (SN 0300201016 through 0300203454)	
33	3311405	2	Nut 1/4	
34	1001165368	1	Kit, Box and Breaker (See Separate Breakdown in ELECTRICAL SECTION)	
35	0641407	2	Bolt 1/4 x 7/8	
36	1001094915	1	Bracket, AC Breaker Box	
37	4010408	2	Screw M4 x 16	
38	1001091102	4	Washer M4	
39	3290405	2	Nut M4	
	1001152458	Ref	JUNCTION BOX ASSEMBLY (SN 0300201016 through	B

SECTION 3 - ENGINE

ITEM	PART NUMBER	QTY	DESCRIPTION	REV
			0300203454)	
101	3311001	3	Nut #10	
102	1001155813	1	Plug, Hole Pluggit	
103	3520192	1	Plug, Hole	
104	3900300	2	Screw, Spec, Cap	
105	4460425	1	Terminal, Strain Relief	
106	4711000	7	Washer #10	
107	1001148648	1	Plug, Hole Pluggit	
108	1001152456	1	Box, Junction	
109	1001152530	1	Terminal, Block, 4 pole	
110	3900267	2	Screw, Spec, Cap	
111	1001158008	2	Standoff, female, threaded	
112	1001158363	1	Plate, Cover, PVC	
	1001138565	Ref	4000W GENERATOR ASSEMBLY	
201	70003709	1	Ring, Retaining	
202	70003708	1	Ring, Retaining	
203	70001966	1	Bearing, Ball	
204	70004092	1	Endbell	
205	70004171	1	Key	
206	70004676	1	Rotor Assembly	
207	70004677	1	Stator, Generator 4000W	
208	70004678	1	Endbell	
210	70004680	1	Enclosure	
211	70004681	1	Cover, Enclosure	
212	70004682	1	Protector, Supplementary, Manual Reset	
213	70004683	1	Bushing, Strain Relief	

SECTION 3 - ENGINE

FIGURE 3-63. 4000W GENERATOR INSTALLATION - 60HZ SPEC (DEUTZ TCD2.9L4 ENGINES)
(OPTIONAL)



AWT_1001171130

SECTION 3 - ENGINE

**FIGURE 3-63. 4000W GENERATOR INSTALLATION - 60HZ SPEC (DEUTZ TCD2.9L4 ENGINES)
(OPTIONAL)**

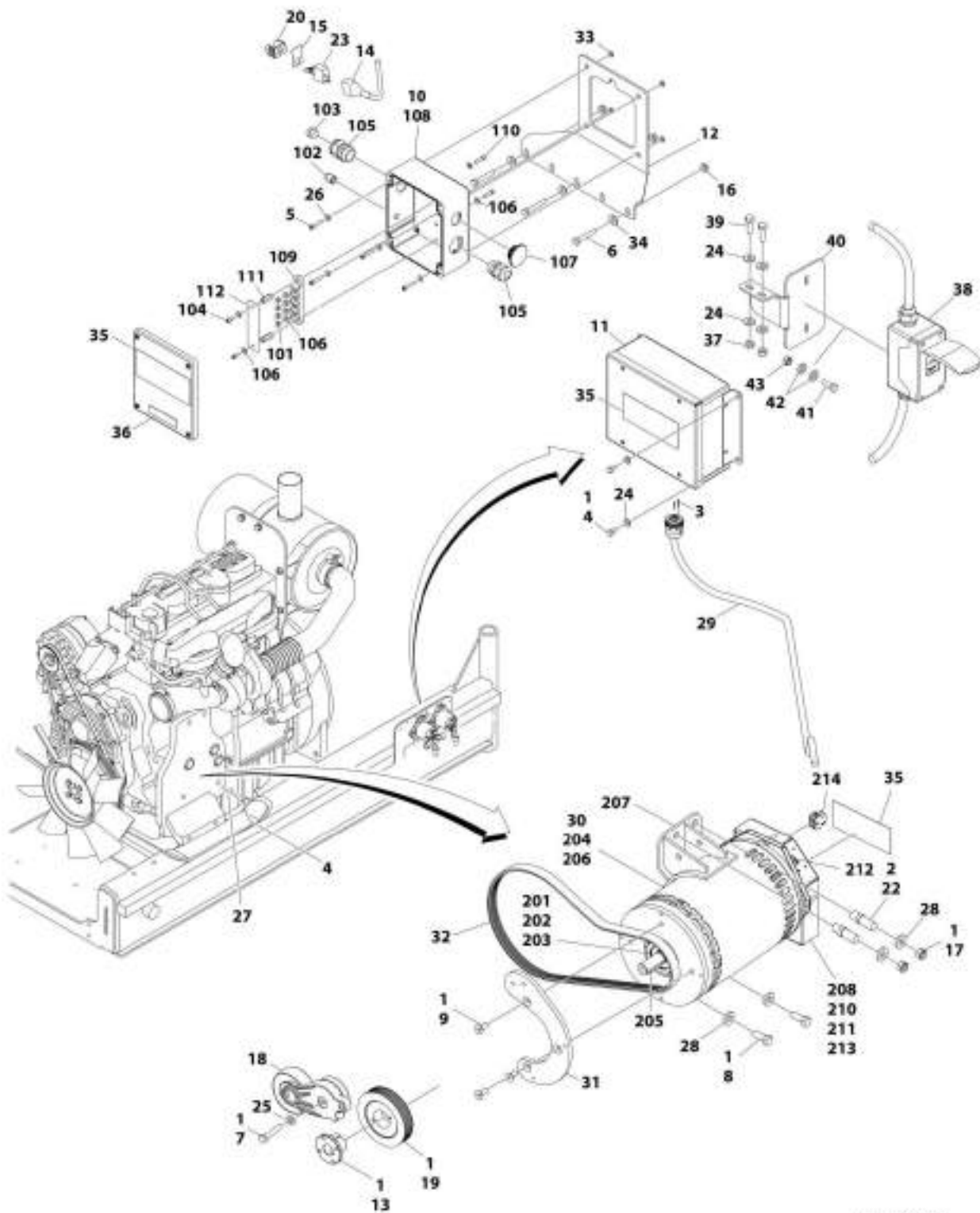
ITEM	PART NUMBER	QTY	DESCRIPTION	REV
	1001171130	Ref	4000W GENERATOR INSTALLATION - 60HZ SPEC (DEUTZ TCD2.9L4 ENGINES) (OPTIONAL)	B
		Ref	Note: See ELECTRICAL SECTION for Boom Cable Installation.	
1	0100011	AR	Compound, Locking	
2	0100019	AR	Compound, Locking	
3	0100020	AR	Sealant, Pipe	
4	0100048	AR	Grease, Dielectric	
5	0641404	5	Bolt 1/4 x 1/2	
6	3931016	4	Screw 1/4 x 1	
7	0641516	3	Bolt 5/16 x 2	
8	0641618	1	Bolt 3/8 x 2-1/4	
9	0641810	2	Bolt 1/2 x 1-1/4	
10	0741607	3	Screw 3/8 x 0.88	
11	0860038	1	Box, Switch-Weatherhead	
12	1001138566	1	Box, Generator Control	
12	70006552	1	Capacitor	
12	70006553	1	Relay	
13	1001152457	1	Box, Junction Assembly (See Items 101-118 for Breakdown)	
14	0902888	1	Bracket, Generator Junction Box	
15	0962520	1	Bushing, Taper	
16	2820031	AR	Insulator, Heat Shrink	
17	3251102	1	Nameplate, Generator	
18	3311508	3	Nut 5/16	
19	3311801	2	Nut 1/2	
20	3580317	1	Pulley, Belt Tensioner	
21	3580318	1	Pulley, Generator	
22	3910606	4	Screw 6 x 3/8	
23	3960422	1	Gasket, AC Receptacle	
24	4060802	1	Guard, Switch	
25	4240018	AR	Strap, Tie (Not Shown)	
26	4300157	2	Stud	
27	4360336	1	Switch, Toggle	
28	4460071	1	Connector, Strain Relief	
29	4460346	1	Terminal, Receptacle	
30	4711400	4	Washer 1/4	
31	4711600	1	Washer 3/8	
32	4751500	3	Washer 5/16	
33	4791400	2	Starwasher 1/4	
34	4891800	4	Washer 1/2	
35	1001140344	1	Generator, 4000W Assembly (See Items 200-213 for Breakdown)	
36	1001132055	1	Diagram, Generator Wiring (Not Shown) (SN 0300201017 through 0300213727)	
36	1001153257	1	Diagram, Generator Wiring (Not Shown) (SN 0300213728 to Present, SN B300002238 to Present)	
37	1001152533	1	Harness, Generator Cable (See ELECTRICAL SECTION for Breakdown)	
38	1001138011	1	Mount, Generator Tensioner	
39	1001110873	1	Cover, Gang Vertical Receptacle GFCI	
40	1001142645	1	Belt, Generator	
41	4751000	4	Washer #10	

SECTION 3 - ENGINE

ITEM	PART NUMBER	QTY	DESCRIPTION	REV
42	3311005	4	Nut 10	
43	1705387	3	Decal - Hazardous Voltage	
44	1705374	1	Decal - 240V-60Hz	
45	3251243	1	Decal - 120V-60Hz	
	1001152457	Ref	JUNCTION BOX ASSEMBLY	B
101	1060494	2 ft/0.7m	Cable, Electrical 12/3 (SN 0300201016 through 0300205503)	
101	1001179154	2.5 ft/ 0.8m	Cable, Electrical 12/3 (SN 0300205504 to Present, SN B300002238 to Present)	
102	3300396	1	Cover, Fuse	
103	3311001	4	Nut 10 Grade 2	
104	3900300	2	Screw, Spec, Cap	
105	4360070	1	Circuit Breaker, 15Amp	
106	4460068	3	Terminal, Ring	
107	4460425	1	Terminal, Strain Relief	
108	4460426	1	Connector, Strain Relief	
109	4460483	2	Terminal	
110	4711000	AR	Washer #10	
112	1001152456	1	Box, Junction	
113	1001152525	1	Plug, Hole Pluggit	
114	1001152530	1	Terminal, Block, 4 Pole	
115	1001153260	1	Decal - Wiring 4000W Generator	
116	3900267	2	Screw, Spec, Cap	
117	1001158008	2	Stand-Off, Female, Threaded	
118	1001158363	1	Plate, Cover, PVC	
	1001140346	Ref	4000W GENERATOR ASSEMBLY	
201	70003709	1	Ring, Retaining	
202	70003708	1	Ring, Retaining	
203	70001966	1	Bearing, Ball	
204	70004092	1	Endbell	
205	70004099	1	Key	
206	70004676	1	Rotor Assembly	
207	70004687	1	Stator, Generator 4000W	
208	70004678	1	Endbell	
210	70004680	1	Enclosure	
211	70004685	1	Cover, Enclosure	
212	70004682	1	Protector, Supplementary, Manual Reset	
213	70004098	1	Bushing, Strain Relief	

SECTION 3 - ENGINE

FIGURE 3-64. 4000W GENERATOR INSTALLATION - 50HZ SPEC (DEUTZ TCD2.9L4 ENGINES) (OPTIONAL)



ARE:1001171293

SECTION 3 - ENGINE

**FIGURE 3-64. 4000W GENERATOR INSTALLATION - 50HZ SPEC (DEUTZ TCD2.9L4 ENGINES)
(OPTIONAL)**

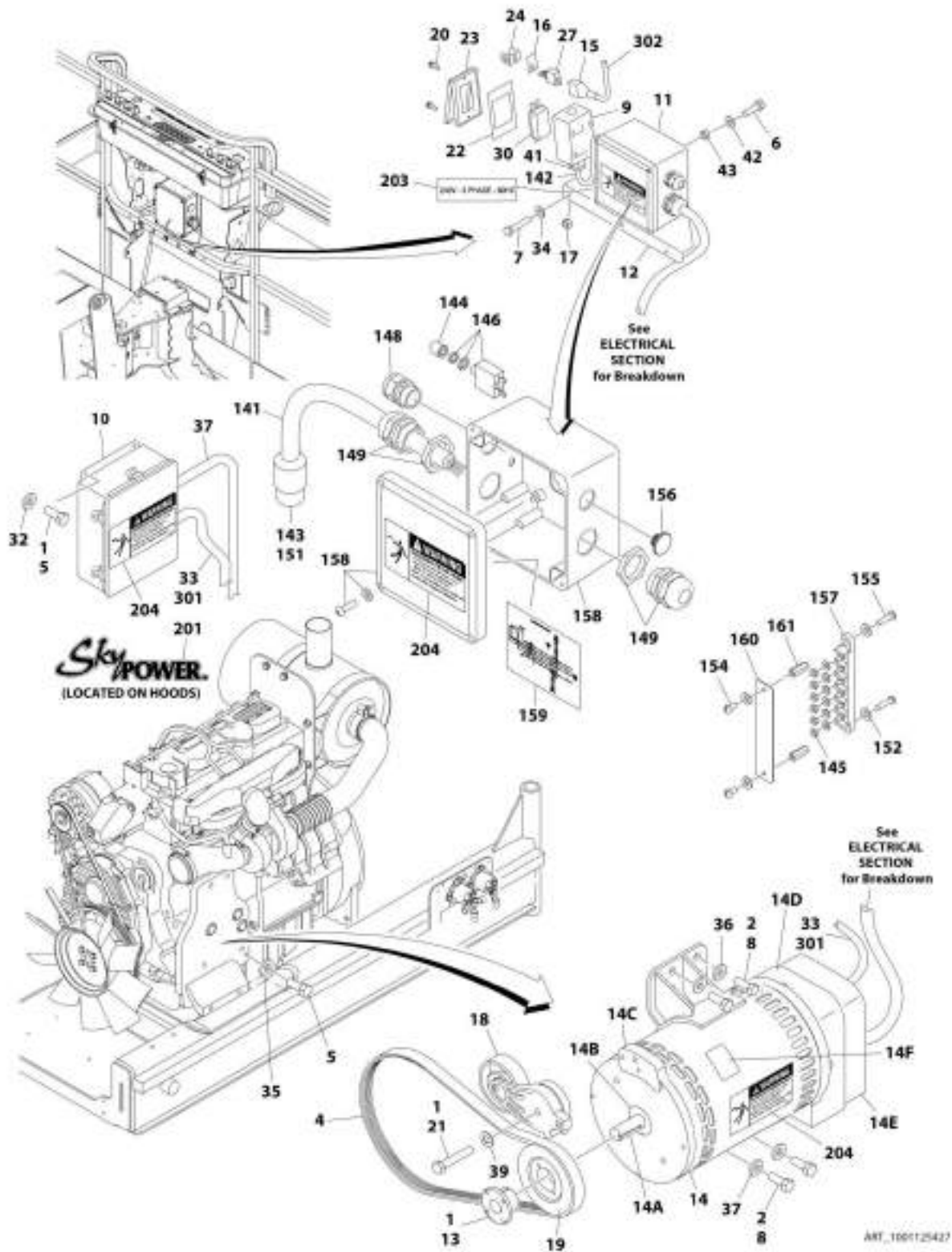
ITEM	PART NUMBER	QTY	DESCRIPTION	REV
	1001171273	Ref	4000W GENERATOR INSTALLATION - 50HZ SPEC (DEUTZ TCD2.9L4 ENGINES) (OPTIONAL)	C
		Ref	Note: See ELECTRICAL SECTION for Boom Cable Installation.	
1	0100011	AR	Compound, Locking	
2	0100019	AR	Compound, Locking	
3	0100048	AR	Grease, Dielectric	
4	0641404	5	Bolt 1/4 x 1/2	
5	3931016	4	Screw 1/4 x 1 (SN 0300201016 through 0300205136)	
6	0641516	3	Bolt 5/16 x 2 (SN 0300201016 through 0300205136)	
7	0641618	1	Bolt 3/8 x 2-1/4	
8	0641810	2	Bolt 1/2 x 1-1/4	
9	0741607	3	Screw 3/8 x 0.88	
10	1001152458	1	Box, Junction Assembly (See Items 101-113 for Breakdown) (SN 0300201016 through 0300205136)	
11	1001138566	1	Box, Generator Control	
11	70006552	1	Capacitor	
11	70006553	1	Relay	
12	0902888	1	Bracket, Generator Junction Box (SN 0300201016 through 0300205136)	
13	0962520	1	Bushing, Taper	
14	2820031	AR	Insulator, Heat Shrink	
15	3251102	1	Nameplate, Generator	
16	3311508	3	Nut 5/16 (SN 0300201016 through 0300205136)	
17	3311801	2	Nut 1/2	
18	3580317	1	Pulley, Belt Tensioner	
19	3580319	1	Pulley, Generator	
20	4060802	1	Guard, Switch	
21	4240018	AR	Strap, Tie (Not Shown)	
22	4300157	2	Stud	
23	4360336	1	Switch, Toggle	
24	4711400	8	Washer 1/4	
25	4711600	1	Washer 3/8	
26	4751000	AR	Washer #10 (SN 0300201016 through 0300205136)	
27	4791400	2	Starwasher 1/4	
28	4891800	4	Washer 1/2	
29	1001152533	1	Harness, Generator Cable (See Separate Breakdown in ELECTRICAL SECTION)	
30	1001140347	1	Generator, 4000W Assembly (See Items 200-213 for Breakdown)	
31	1001138011	1	Mount, Generator Tensioner	
32	1001136357	1	Belt, Generator	
33	3311005	4	Nut #10 (SN 0300201016 through 0300205136)	
34	4751500	3	Washer 5/16 (SN 0300201016 through 0300205136)	
35	1705489	AR	Decal - Hazardous Voltage	
36	3251242	1	Decal - 240V-50Hz (SN 0300201016 through 0300205136)	
37	3311405	2	Nut 1/4	
38	1001165368	1	Kit, Box and Breaker (See Separate Breakdown in ELECTRICAL SECTION)	
39	0641407	2	Bolt 1/4 x 7/8	
40	1001094915	1	Bracket	
41	4010408	2	Screw M4 x 16	

SECTION 3 - ENGINE

ITEM	PART NUMBER	QTY	DESCRIPTION	REV
42	1001091102	4	Washer M4	
43	3290405	2	Nut M4	
	1001152458	Ref	JUNCTION BOX ASSEMBLY (SN 0300201016 through 0300205136)	B
101	3311001	3	Nut #10	
102	1001155813	1	Plug, Hole Pluggit	
103	3520192	1	Plug	
104	3900300	2	Screw, Spec, Cap	
105	4460425	2	Terminal, Strain Relief	
106	4711000	7	Washer #10	
107	1001148648	1	Plug	
108	1001152456	1	Box, Junction	
109	1001152530	1	Terminal, Block, 4 Pole	
110	3900267	2	Screw, Spec, Cap	
111	1001158008	2	Stand-Off, Female, Threaded	
112	1001158363	1	Plate, Cover, PVC	
	1001140347	Ref	4000W GENERATOR ASSEMBLY	
201	70003709	1	Ring, Retaining	
202	70003708	1	Ring, Retaining	
203	70001966	1	Bearing, Ball	
204	70004092	1	Endbell	
205	70004099	1	Key	
206	70004676	1	Rotor Assembly	
207	70004686	1	Stator, Generator 4000W	
208	70004678	1	Endbell	
210	70004680	1	Enclosure	
211	70004681	1	Cover, Enclosure	
212	70004682	1	Protector, Supplementary, Manual Reset	
213	70004683	1	Bushing, Strain Relief	
214	4460224	1	Connector - 6 Position (50Hz) (Located on Enclosure Cover)	
214	4460294	2	Pin, Male (50Hz) (Located on Enclosure Cover)	

SECTION 3 - ENGINE

FIGURE 3-65. 7500W SKYPOWER GENERATOR INSTALLATION - 60HZ SPEC (DEUTZ TD2011 ENGINES) (OPTIONAL)



SECTION 3 - ENGINE

FIGURE 3-65. 7500W SKYPOWER GENERATOR INSTALLATION - 60HZ SPEC (DEUTZ TD2011 ENGINES) (OPTIONAL)

ITEM	PART NUMBER	QTY	DESCRIPTION	REV
	1001125427	Ref	7500W SKYPOWER GENERATOR INSTALLATION - 60HZ SPEC (DEUTZ TD2011 ENGINES) (OPTIONAL)	D
		Ref	Note: See ELECTRICAL SECTION for Boom Cable Installation.	
1	0100011	AR	Compound, Locking	
2	0100019	AR	Compound, Locking	
4	0480128	1	Belt, Generator	
5	0641404	6	Bolt 1/4 x 1/2	
6	3931016	AR	Bolt 10 x 1	
7	0641516	3	Bolt 5/16 x 2	
8	0641810	4	Bolt 1/2 x 1-1/4	
9	0860038	1	Box, Switch	
10	0861538	1	Box, Generator Control	
10	7024488	1	Card, Circuit - Generator Power (Not Shown)	
10	See Note	1	Fuse (Note: Not Available - Purchase Locally)	
10	7024489	1	Card, Circuit - Control (Not Shown)	
		Ref	Note: When replacing card, rocker switch on card must be set for required application.	
10	70000619	1	Harness, Circuit Card	
11	1001157592	1	Junction Box Assembly Options (See Items 141-161 for Breakdown)	
12	0902888	1	Bracket, Generator Junction Box	
13	0962520	1	Bushing, Taper	
14	2460048	1	Generator, 7500W	
14	70001100	1	Rotor (Includes p/n 70001384 & 70000863) (Not Shown)	
14	70001384	1	Bearing, Shaft (Rear) (Not Shown)	
14	70000863	1	Fan, Generator (Not Shown)	
14	70002088	1	Stator (Not Shown)	
14	70002297	2	Stud 1/4 x 12-7/8 (Not Shown)	
14	70003631	1	Brushholder Assembly (Not Shown) (was p/n 7024484)	
14A	70004171	1	Key	
14B	70001966	1	Bearing, Ball Radial (Located in Belt Tensioner Endbell)	
14B	70003709	1	Ring, Retaining (Small)	
14B	70003708	1	Ring, Retaining (Large)	
14C	70001953	1	Endbell, Belt Tensioner	
14D	70004169	1	Kit, Endbell (Includes Endbell, Brush Block and Shroud Assembly)	
14E	7027799	1	Block, Connector 6 Position (Not Shown)	
14E	70002460	6	Nut, Brass (Attaches p/n 7027799 to Cover) (Not Shown)	
14E	7024485	1	Breaker, Circuit 30Amp (Not Shown)	
14E	70001696	1	Boot, Breaker (Not Shown)	
14E	7026597	1	Connector with Leads (Not Shown)	
14E	7026626	1	Connector with Pins (Not Shown)	
14E	7026188	1	Clamp, Cable (Not Shown)	
14E	70002255	1	Plate, End Panel (Not Shown)	
14E	See Note	NSS	Insulator, End Panel (Note: Not Available for Purchase)	
14E	70001974	1	Decal - Terminal Connections (Not Shown)	
14F	70001973	1	Decal - Warning Moving Parts	
15	2820031	AR	Insulator, Heat Shrink	
16	3251102	1	Nameplate, Generator	
17	3311508	3	Nut 5/16	

SECTION 3 - ENGINE

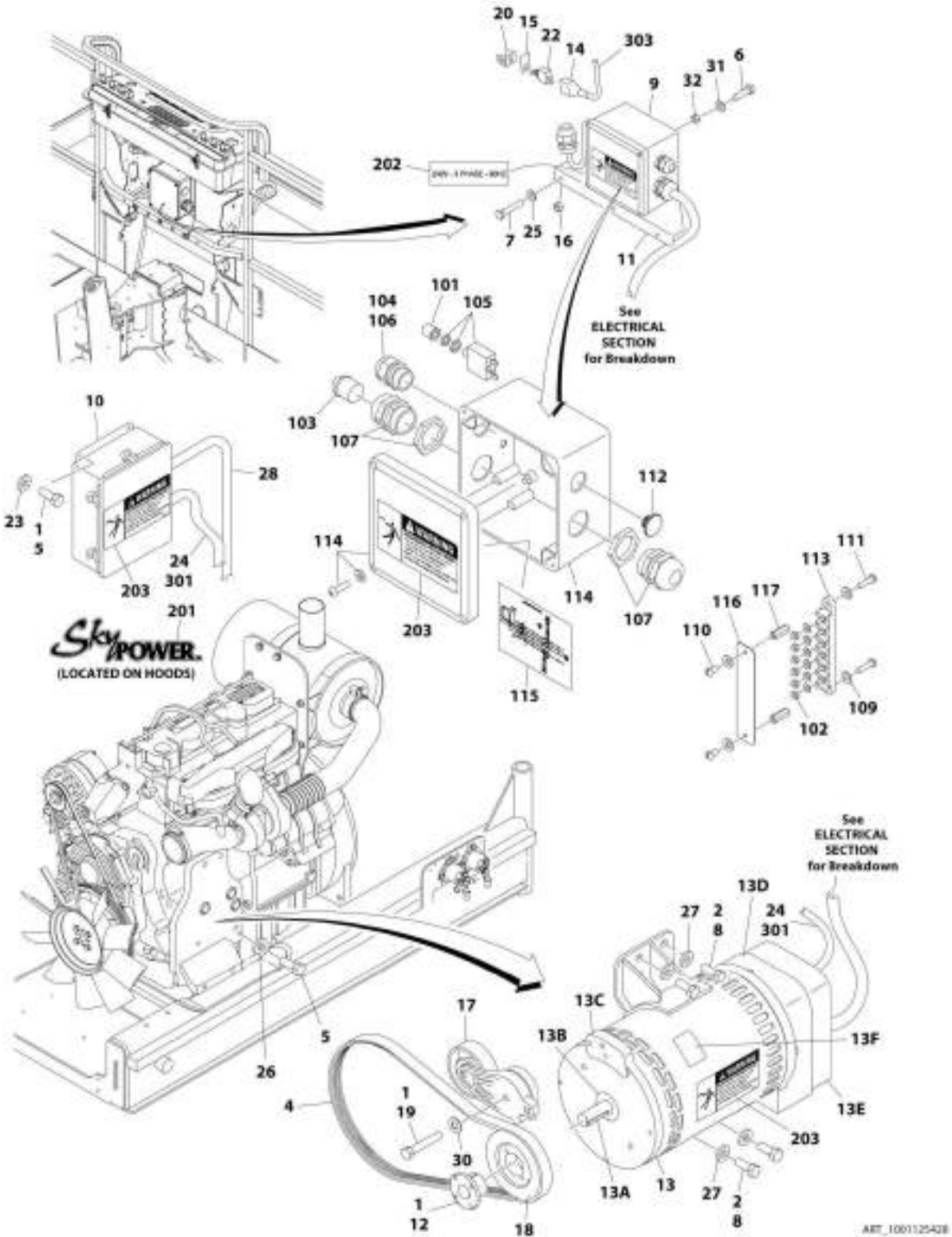
ITEM	PART NUMBER	QTY	DESCRIPTION	REV
18	3580317	1	Pulley, Belt Tensioner	
19	3580318	1	Pulley, Generator	
20	3910606	4	Screw #6 x 3/8	
21	0641618	1	Bolt 3/8 x 2	
22	3960422	1	Gasket, AC Receptacle	
23	1001110873	1	Shield, Receptacle Cover	
24	4060802	1	Guard, Switch	
26	4240018	AR	Strap, Tie (Not Shown)	
27	4360336	1	Switch, Toggle	
30	4460346	1	Terminal, Receptacle	
32	4711400	4	Washer 1/4	
33	0100048	AR	Grease, Dielectric	
34	4751500	3	Washer 5/16	
35	4791400	2	Starwasher 1/4	
36	4891800	4	Washer 1/2	
37	4922972	1	Harness, Generator Cable (See Separate Breakdown in ELECTRICAL SECTION)	
39	4711600	1	Washer 3/8	
40	0100020	AR	Sealant, Pipe (Not Shown)	
41	4460071	1	Connector, Strain Relief	
42	4751000	4	Washer #10	
43	3311005	4	Nut #10	
	1001157592	Ref	JUNCTION BOX ASSEMBLY	C
141	1060343	1.5 ft/ 0.5m	Cable, Electrical 10/4	
142	1060494	2 ft/ 0.7m	Cable, 12/3 (SN 0300201016 through 0300205503)	
142	1001179154	2.5 ft/ 0.8m	Cable, 12/3 (SN 0300205504 to Present, SN B300002238 to Present)	
143	1671092	1	Cover	
144	3300396	1	Cover, Fuse	
145	3311001	6	Nut #10	
146	4360070	1	Circuit Breaker - 15Amp	
148	4460425	1	Strain Relief, Terminal	
149	4460426	2	Connector, Strain Relief	
151	4460963	1	Connector	
152	4711000	10	Washer #10	
154	10702077	2	Screw #10 x 3/8	
155	10702082	2	Screw #10 x 3/4	
156	1001152525	1	Plug	
157	1001157520	1	Block, Terminal	
158	1001157521	1	Box, Junction	
159	1001157528	1	Decal - Wiring Schematic	
160	1001158007	1	Decal - PVC	
161	1001158008	2	Stand-Off	
	0272435	Ref	DECAL INSTALLATION	D
201	1705460	2	Decal - SkyPower	
202	3251243	1	Decal - 120V - 60Hz (Located at Platform Receptacle) (SN 0300222664 to Present, SN B300002238 to Present)	
203	1705375	1	Decal - 240V - 3 Phase	
204	1705387	3	Decal - Hazardous Voltage	
	1001122528	Ref	ELECTRICAL DIAGRAM COMPONENTS	B
301	1001119968	1	Generator Harness (See ELECTRICAL SECTION for Breakdown)	B

SECTION 3 - ENGINE

ITEM	PART NUMBER	QTY	DESCRIPTION	REV
301A	4460967	1	Plug, Male - 3 Position (Not Shown)	
301A	4460465	6	Socket, Female	
301B	1001117078	1	Fuseholder with Fuse (Not Shown)	
302	4922641	1	Switch, Harness	

SECTION 3 - ENGINE

FIGURE 3-66. 7500W SKYPOWER GENERATOR INSTALLATION - 50HZ SPEC (DEUTZ TD2011 ENGINES) (OPTIONAL)



SECTION 3 - ENGINE

FIGURE 3-66. 7500W SKYPOWER GENERATOR INSTALLATION - 50HZ SPEC (DEUTZ TD2011 ENGINES) (OPTIONAL)

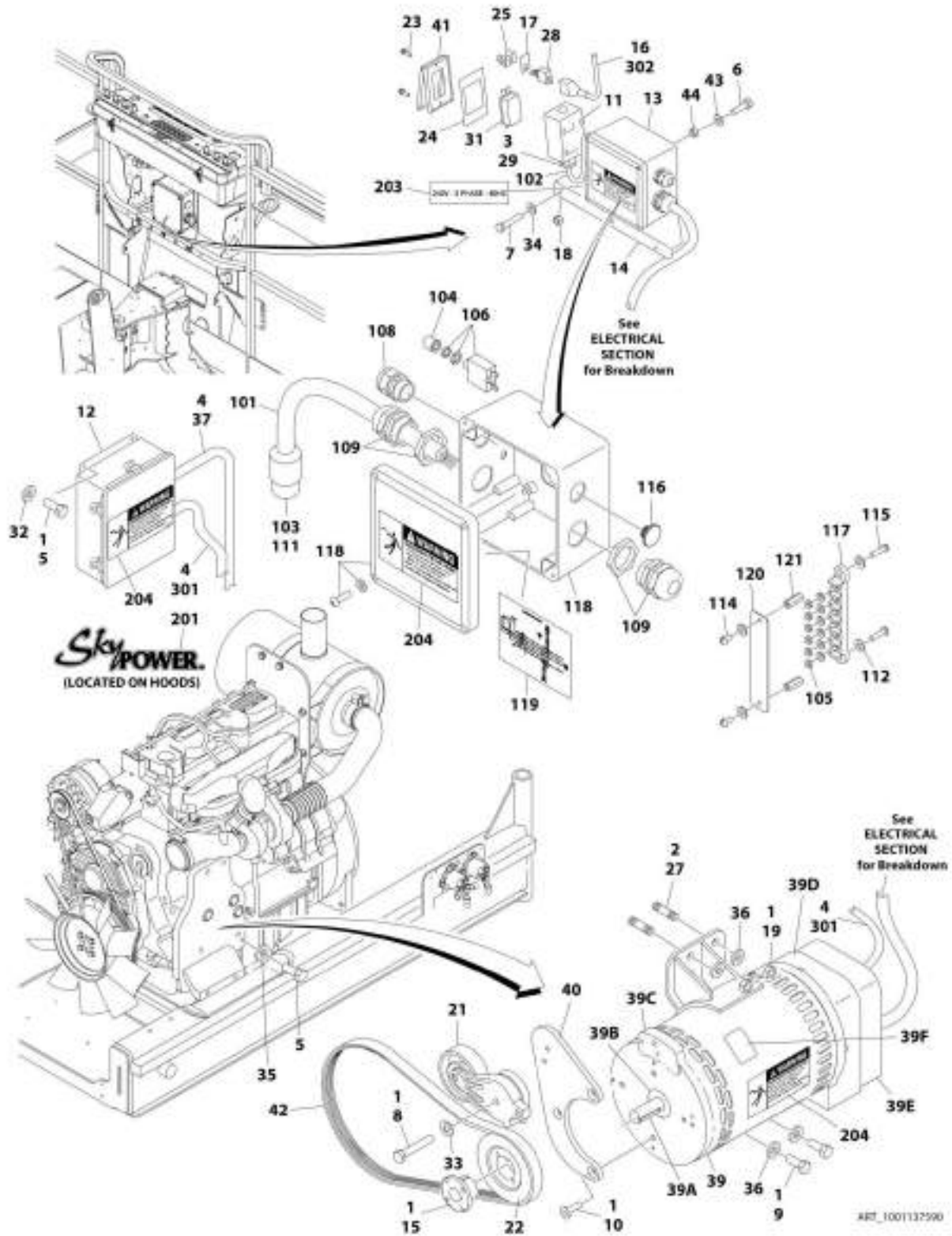
ITEM	PART NUMBER	QTY	DESCRIPTION	REV
	1001125428	Ref	7500W SKYPOWER GENERATOR INSTALLATION - 50HZ SPEC (DEUTZ TD2011 ENGINES) (OPTIONAL)	C
		Ref	Note: See ELECTRICAL SECTION for Boom Cable Installation.	
1	0100011	AR	Compound, Locking	
2	0100019	AR	Compound, Locking	
4	0480129	1	Belt, Generator	
5	0641404	5	Bolt 1/4 x 1/2	
6	3931016	4	Bolt 10 x 1	
7	0641516	3	Bolt 5/16 x 2	
8	0641810	4	Bolt 1/2 x 1-1/4	
9	1001157525	1	Junction Box Assembly (See Items 101-117 for Breakdown)	
10	0861572	1	Box, Generator Control	
10	7024488	1	Card, Circuit - Generator Power (Not Shown)	
10	See Note	1	Fuse (Note: Not Available - Purchase Locally)	
10	7024489	1	Card, Circuit - Control (Not Shown)	
		Ref	Note: When replacing card, rocker switch on card must be set for required application.	
10	70000619	1	Harness, Circuit Card	
11	0902888	1	Bracket, Generator Junction Box	
12	0962520	1	Bushing, Taper	
13	2460048	1	Generator, 7500W	
13	70001100	1	Rotor (Includes p/n 70001384 & 70000863) (Not Shown)	
13	70001384	1	Bearing, Shaft (Rear) (Not Shown)	
13	70000863	1	Fan, Generator (Not Shown)	
13	70002088	1	Stator (Not Shown)	
13	70002297	2	Stud 1/4 x 12-7/8	
13	70003631	1	Brushholder Assembly (Not Shown)	
13A	70004171	1	Key	
13B	70001966	1	Bearing, Ball Radial (Located in Belt Tensioner Endbell)	
13B	70003709	1	Ring, Retaining (Small)	
13B	70003708	1	Ring, Retaining (Large)	
13C	70001953	1	Endbell, Belt Tensioner	
13D	70004169	1	Kit, Endbell (Includes Endbell, Brush Block and Shroud Assembly)	
13E	7027799	1	Block, Connector 6 Position (Not Shown)	
13E	70002460	6	Nut, Brass (Attaches p/n 7027799 to Cover) (Not Shown)	
13E	7024485	1	Breaker, Circuit 30Amp (Not Shown)	
13E	70001696	1	Boot, Breaker (Not Shown)	
13E	7026597	1	Connector with Lead (Not Shown)	
13E	7026626	1	Connector with Pins (Not Shown)	
13E	7026188	1	Clamp, Cable (Not Shown)	
13E	70002255	1	Plate, End Panel (Not Shown)	
13E	See Note	1	Insulator, End Panel (Not Shown) (Note: Not Available for Purchase)	
13E	70001974	1	Decal - Terminal Connections (Not Shown)	
13F	70001973	1	Decal - Warning Moving Parts	
14	2820031	AR	Insulator, Heat Shrink	
15	3251102	1	Nameplate, Generator	
16	3311508	3	Nut 5/16	
17	3580317	1	Pulley, Belt Tensioner	

SECTION 3 - ENGINE

ITEM	PART NUMBER	QTY	DESCRIPTION	REV
18	3580319	1	Pulley, Generator	
19	0641618	1	Bolt 3/8 x 2	
20	4060802	1	Guard, Switch	
21	4240018	AR	Strap, Tie (Not Shown)	
22	4360336	1	Switch, Toggle	
23	4711400	4	Washer 1/4	
24	0100048	AR	Grease, Dielectric	
25	4751500	3	Washer 5/16	
26	4791400	2	Starwasher 1/4	
27	4891800	4	Washer 1/2	
28	4922972	1	Harness, Generator Cable (See Separate Breakdown in ELECTRICAL SECTION)	
30	4711600	1	Washer 3/8	
31	4751000	4	Washer #10	
32	3311005	4	Nut #10	
	1001157525	Ref	JUNCTION BOX ASSEMBLY	B
101	3300396	1	Cover, Fuse	
102	3311001	6	Nut #10	
103	3520189	1	Plug	
104	3520192	1	Plug	
105	4360070	1	Circuit Breaker - 15Amp	
106	4460425	1	Strain Relief, Terminal	
107	4460426	2	Connector, Strain Relief	
109	4711000	10	Washer #10	
110	10702077	2	Screw #10 x 3/8	
111	10702082	2	Screw #10 x 3/4	
112	1001152525	1	Plug	
113	1001157520	1	Block, Terminal	
114	1001157521	1	Box, Junction	
115	1001157528	1	Decal - Wiring Schematic	
116	1001158007	1	Cover, PVC	
117	1001158008	2	Stand-Off	
	0272589	Ref	DECAL INSTALLATION	A
201	1705460	2	Decal - SkyPower	
202	1705461	1	Decal - 240V - 3 Phase	
203	1705489	3	Decal - Hazardous Voltage	
	1001122528	Ref	ELECTRICAL DIAGRAM COMPONENTS	B
301	1001119968	1	Generator Harness	B
301A	4460967	1	Plug, Male - 3 Position (Not Shown)	
301A	4460465	6	Socket, Female	
301B	1001117078	1	Fuseholder with Fuse (Not Shown)	
303	4922641	1	Switch Harness	

SECTION 3 - ENGINE

FIGURE 3-67. 7500W SKYPOWER GENERATOR INSTALLATION - 60HZ SPEC (DEUTZ TCD2.9L4 ENGINES) (OPTIONAL)



SECTION 3 - ENGINE

FIGURE 3-67. 7500W SKYPOWER GENERATOR INSTALLATION - 60HZ SPEC (DEUTZ TCD2.9L4 ENGINES) (OPTIONAL)

ITEM	PART NUMBER	QTY	DESCRIPTION	REV
	1001137590	Ref	7500W SKYPOWER GENERATOR INSTALLATION - 60HZ SPEC (DEUTZ TCD2.9L4 ENGINES) (OPTIONAL)	G
		Ref	Note: See ELECTRICAL SECTION for Boom Cable Installation.	
1	0100011	AR	Compound, Locking	
2	0100019	AR	Compound, Locking	
3	0100020	AR	Sealant, Pipe	
4	0100048	AR	Grease, Dielectric	
5	0641404	5	Bolt 1/4 x 1/2	
6	3931016	4	Bolt 10 x 1	
7	0641516	3	Bolt 5/16 x 2	
8	0641618	1	Bolt 3/8 x 2	
9	0641810	2	Bolt 1/2 x 1-1/4	
10	0741607	3	Screw 3/8 x 7/8	
11	0860038	1	Box, Switch	
12	0861538	1	Box, Generator Control	
12	7024488	1	Card, Circuit - Generator Power (Not Shown)	
12	See Note	1	Fuse (Note: Not Available Purchase Locally)	
12	7024489	1	Card, Circuit - Control (Not Shown)	
		Ref	Note: When replacing card, rocker switch on card must be set for required application.	
12	70000619	1	Harness, Circuit Card	
13	1001157592	1	Junction Box Assembly (See Items 101-121 for Breakdown)	
14	0902888	1	Bracket, Generator Junction Box	
15	0962520	1	Bushing, Taper	
16	2820031	AR	Insulator, Heat Shrink	
17	3251102	1	Nameplate, Generator	
18	3311508	3	Nut 5/16	
19	3311801	2	Nut 1/2	
21	3580317	1	Pulley, Belt Tensioner	
22	3580318	1	Pulley, Generator	
23	3910606	AR	Screw #6 x 3/8	
24	3960422	1	Gasket, AC Receptacle	
25	4060802	1	Guard, Switch	
26	4240018	AR	Strap, Tie (Not Shown)	
27	4300157	2	Stud 1/2	
28	4360336	1	Switch, Toggle	
29	4460071	1	Connector, Strain Relief	
31	4460346	1	Terminal, Receptacle	
32	4711400	4	Washer 1/4	
33	4711600	1	Washer 3/8	
34	4751500	3	Washer 5/16	
35	4791400	2	Starwasher 1/4	
36	4891800	4	Washer 1/2	
37	4922972	1	Harness, Generator Cable (See Separate Breakdown in ELECTRICAL SECTION)	
39	1001136988	NLA	Generator, 7500W (Use p/n 1001212223) (SN 0300201016 through 0300226418)	
39	1001212223	1	Generator, 7500W (SN 0300226419 to Present, SN B300002238 to Present)	
39	70001100	1	Rotor (Includes p/n 70001384 & 70000863) (Not Shown)	

SECTION 3 - ENGINE

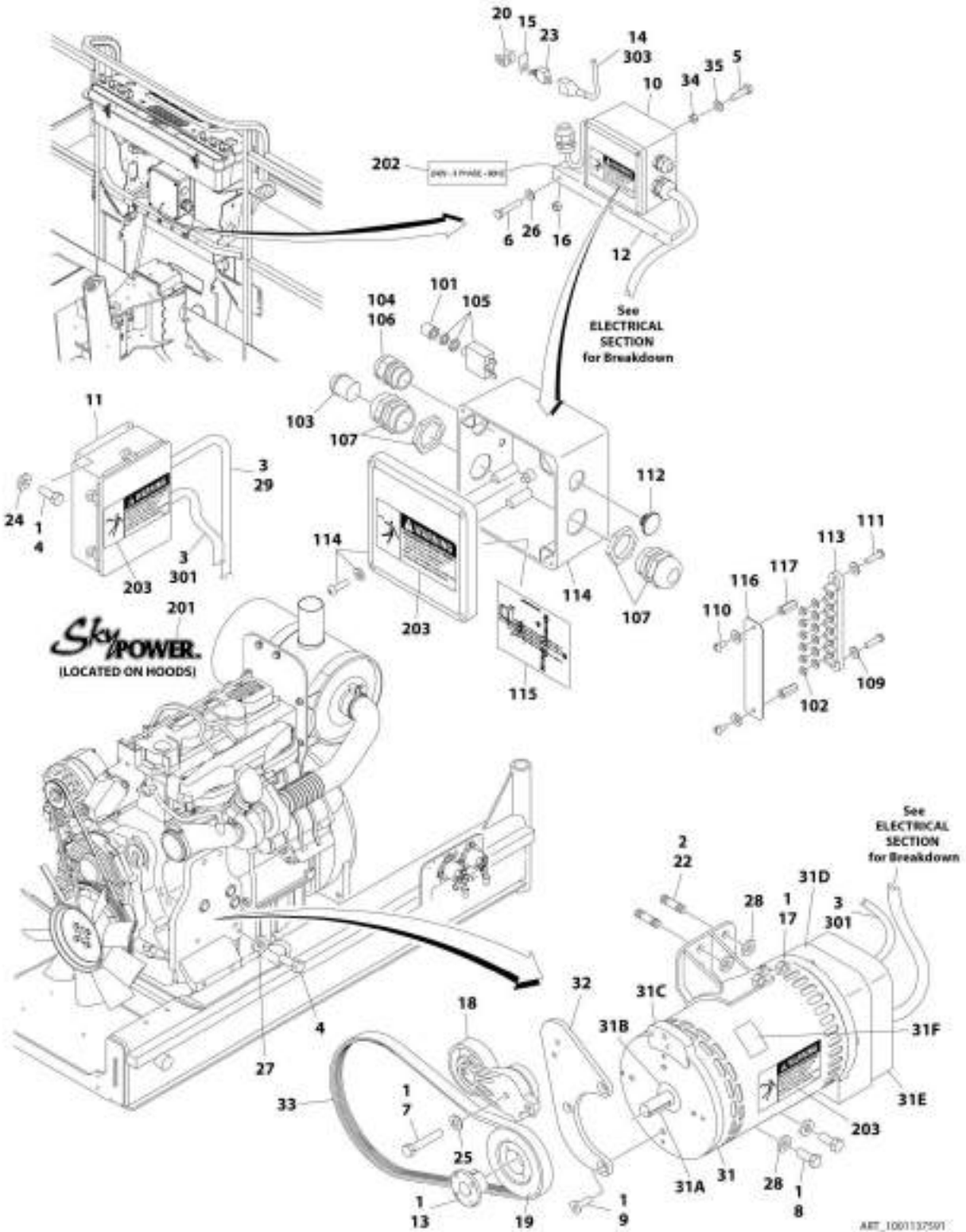
ITEM	PART NUMBER	QTY	DESCRIPTION	REV
39	70001384	1	Bearing, Shaft (Rear) (Not Shown)	
39	70000863	1	Fan, Generator (Not Shown)	
39	70004093	1	Stator - 1001136988 Generator (Not Shown)	
39	70006093	1	Stator - 1001212223 Generator (Not Shown)	
39	70002297	2	Stud 1/4 x 12-7/8 - 1001136988 Generator (Not Shown)	
39	70003631	1	Brushholder Assembly (Not Shown) (was p/n 7024484)	
39A	70004099	NLA	Key (Use p/n 70004171)	
39B	70001966	1	Bearing, Ball Radial (Located in Belt Tensioner Endbell)	
39B	70003709	1	Ring, Retaining (Small)	
39B	70003708	1	Ring, Retaining (Large)	
39C	70004092	1	Endbell, Belt Tensioner	
39D	70004094	1	Endbell, Brush Block	
39E	70004096	1	Shroud Assembly - 1001136988 Generator	
39E	70006094	1	Shroud Assembly - 1001212223 Generator	
39E	7027799	1	Block, Connector - 6 Position (Not Shown)	
39E	70002460	6	Nut, Brass (Attaches p/n 7027799 to Cover) (Not Shown)	
39E	7024485	1	Breaker, Circuit 30Amp - 1001136988 Generator (Not Shown)	
39E	70006095	1	Breaker, Circuit 30Amp - 1001212223 Generator (Not Shown)	
39E	70001696	1	Boot, Breaker - 1001136988 Generator (Not Shown)	
39E	70006096	1	Boot, Breaker - 1001212223 Generator (Not Shown)	
39E	7026597	1	Connector with Leads (Not Shown)	
39E	7026626	1	Connector with Pins (Not Shown)	
39E	70004098	1	Clamp, Cable (Not Shown)	
39E	70004095	1	Plate, End Panel - 1001136988 Generator (Not Shown)	
39E	70006097	1	Plate, End Panel - 1001212223 Generator (Not Shown)	
39E	70004097	1	Insulator, End Panel - 1001136988 Generator (Not Shown)	
39E	70002291	1	Insulator, End Panel - 1001212223 Generator (Not Shown)	
39E	70001974	1	Decal - Terminal Connections (Not Shown)	
39F	70001973	1	Decal - Warning Moving Parts	
40	1001138011	1	Bracket	
41	1001110873	1	Shield, Receptacle Cover	
42	1001142645	1	Belt, Generator	
43	4751000	4	Washer #10	
44	3311005	4	Nut #10	
	1001157592	Ref	JUNCTION BOX ASSEMBLY	C
101	1060343	1.5 ft/ 0.5m	Cable, Electrical 10/4	
102	1060494	2 ft/ 0.7m	Cable, 12/3 (SN 0300201016 through 0300205503)	
102	1001179154	2.5 ft/ 0.8m	Cable, Electrical 12/3 (SN 0300205504 to Present, SN B300002238 to Present)	
103	1671092	1	Cover	
104	3300396	1	Cover, Fuse	
105	3311001	6	Nut #10	
106	4360070	1	Circuit Breaker - 15Amp	
108	4460425	1	Strain Relief, Terminal	
109	4460426	2	Connector, Strain Relief	
111	4460963	1	Connector	
112	4711000	10	Washer #10	
114	10702077	2	Screw #10 x 3/8	
115	10702082	2	Screw #10 x 3/4	
116	1001152525	1	Plug	
117	1001157520	1	Block, Terminal	

SECTION 3 - ENGINE

ITEM	PART NUMBER	QTY	DESCRIPTION	REV
118	1001157521	1	Box, Junction	
119	1001157528	1	Decal - Wiring Schematic	
120	1001158007	1	Cover, PVC	
121	1001158008	2	Stand-Off	
	0272435	Ref	DECAL INSTALLATION	D
201	1705460	2	Decal - SkyPower	
202	3251243	1	Decal - 120V - 60Hz (Not Shown - Located at Platform Receptacle) (SN 0300222664 to Present, SN B300002238 to Present)	
203	1705375	1	Decal - 240V - 3 Phase	
204	1705387	3	Decal - Hazardous Voltage	
	1001122528	Ref	ELECTRICAL DIAGRAM COMPONENTS	B
301	1001119968	1	Generator Harness	B
301A	4460967	1	Plug, Male - 3 Position (Not Shown)	
301A	4460465	6	Socket, Female	
301B	1001117078	1	Fuseholder with Fuse (Not Shown)	
302	4922641	1	Switch Harness	

SECTION 3 - ENGINE

FIGURE 3-68. 7500W SKYPOWER GENERATOR INSTALLATION - 50HZ SPEC (DEUTZ TCD2.9L4 ENGINES) (OPTIONAL)



SECTION 3 - ENGINE

FIGURE 3-68. 7500W SKYPOWER GENERATOR INSTALLATION - 50HZ SPEC (DEUTZ TCD2.9L4 ENGINES) (OPTIONAL)

ITEM	PART NUMBER	QTY	DESCRIPTION	REV
	1001137591	Ref	7500W SKYPOWER GENERATOR INSTALLATION - 50HZ SPEC (DEUTZ TCD2.9L4 ENGINES) (OPTIONAL)	D
		Ref	Note: See ELECTRICAL SECTION for Boom Cable Installation.	
1	0100011	AR	Compound, Locking	
2	0100019	AR	Compound, Locking	
3	0100048	AR	Grease, Dielectric	
4	0641404	5	Bolt 1/4 x 1/2	
5	3931016	4	Bolt 10 x 1	
6	0641516	3	Bolt 5/16 x 2	
7	0641618	1	Bolt 3/8 x 2	
8	0641810	2	Bolt 1/2 x 1-1/4	
9	0741607	3	Screw 3/8 x 7/8	
10	1001157525	1	Junction Box Assembly (See Items 101-117 for Breakdown)	
11	0861572	1	Box, Generator Control	
11	7024488	1	Card, Circuit - Generator Power (Not Shown)	
11	See Note	1	Fuse (Note: Not Available - Purchase Locally)	
11	7024489	1	Card, Circuit - Control (Not Shown)	
		Ref	Note: When replacing card, rocker switch on card must be set for required application.	
11	70000619	1	Harness, Circuit Card	
12	0902888	1	Bracket, Generator Junction Box	
13	0962520	1	Bushing, Taper	
14	2820031	AR	Insulator, Heat Shrink	
15	3251102	1	Nameplate, Generator	
16	3311508	3	Nut 5/16	
17	3311801	2	Nut 1/2	
18	3580317	1	Pulley, Belt Tensioner	
19	3580319	1	Pulley, Generator	
20	4060802	1	Guard, Switch	
21	4240018	AR	Strap, Tie (Not Shown)	
22	4300157	2	Stud 1/2	
23	4360336	1	Switch, Toggle	
24	4711400	4	Washer 1/4	
25	4711600	1	Washer 3/8	
26	4751500	3	Washer 5/16	
27	4791400	2	Starwasher 1/4	
28	4891800	4	Washer 1/2	
29	4922972	1	Harness, Generator Cable (See Separate Breakdown in ELECTRICAL SECTION)	
31	1001136988	NLA	Generator, 7500W (Use p/n 1001212223) (SN 0300201016 through 0300226418)	
31	1001212223	1	Generator, 7500W (SN 0300226419 to Present, SN B300002238 to Present)	
31	70001100	1	Rotor (Includes p/n 70001384 & 70000863) (Not Shown)	
31	70001384	1	Bearing, Shaft (Rear) (Not Shown)	
31	70000863	1	Fan, Generator (Not Shown)	
31	70004093	1	Stator - 1001136988 Generator (Not Shown)	
31	70006093	1	Stator - 1001212223 Generator (Not Shown)	
31	70002297	2	Stud 1/4 x 12-7/8 - 1001136988 Generator (Not Shown)	
31	70003631	1	Brushholder Assembly (Not Shown)	

SECTION 3 - ENGINE

ITEM	PART NUMBER	QTY	DESCRIPTION	REV
31A	70004099	NLA	Key (Use p/n 70004171)	
31B	70001966	1	Bearing, Ball Radial (Located in Belt Tensioner Endbell)	
31B	70003709	1	Ring, Retaining (Small)	
31B	70003708	1	Ring, Retaining (Large)	
31C	70004092	1	Endbell, Belt Tensioner	
31D	70004094	1	Endbell, Brush Block	
31E	70004096	1	Shroud Assembly - 1001136988 Generator	
31E	70006094	1	Shroud Assembly - 1001212223 Generator	
31E	7027799	1	Block, Connector - 6 Position (Not Shown)	
31E	70002460	6	Nut, Brass (Attaches p/n 7027799 to Cover) (Not Shown)	
31E	7024485	1	Breaker, Circuit 30Amp - 1001136988 Generator (Not Shown)	
31E	70006095	1	Breaker, Circuit 30Amp - 1001212223 Generator (Not Shown)	
31E	70001696	1	Boot, Breaker - 1001136988 Generator (Not Shown)	
31E	70006096	1	Boot, Breaker - 1001212223 Generator (Not Shown)	
31E	7026597	1	Connector with Leads (Not Shown)	
31E	7026626	1	Connector with Pins (Not Shown)	
31E	70004098	1	Clamp, Cable (Not Shown)	
31E	70004095	1	Plate, End Panel - 1001136988 Generator (Not Shown)	
31E	70006097	1	Plate, End Panel - 1001212223 Generator (Not Shown)	
31E	70004097	1	Insulator, End Panel - 1001136988 Generator (Not Shown)	
31E	70002291	1	Insulator, End Panel - 1001212223 Generator (Not Shown)	
31E	70001974	1	Decal - Terminal Connections (Not Shown)	
31F	70001973	1	Decal - Warning Moving Parts	
32	1001138011	1	Bracket	
33	1001136357	1	Belt, Generator	
34	3311005	4	Nut #10	
35	4751000	4	Washer #10	
	1001157525	Ref	JUNCTION BOX ASSEMBLY	B
101	3300396	1	Cover, Fuse	
102	3311001	6	Nut #10	
103	3520189	1	Plug (50Hz Spec Only)	
104	3520192	1	Plug	
105	4360070	1	Circuit Breaker - 15Amp	
106	4460425	1	Strain Relief, Terminal	
107	4460426	2	Connector, Strain Relief	
109	4711000	10	Washer #10	
110	10702077	2	Screw #10 x 3/8	
111	10702082	2	Screw #10 x 3/4	
112	1001152525	1	Plug	
113	1001157520	1	Block, Terminal	
114	1001157521	1	Box, Junction	
115	1001157528	1	Decal - Wiring Schematic	
116	1001158007	1	Cover, PVC	
117	1001158008	2	Stand-Off	
	0272589	Ref	DECAL INSTALLATION	A
201	1705460	2	Decal - SkyPower	
202	1705461	1	Decal - 240V - 3 Phase	
203	1705489	3	Decal - Hazardous Voltage	
	1001122528	Ref	ELECTRICAL DIAGRAM COMPONENTS	B
301	1001119968	1	Generator Harness (With UGM)	B
301A	4460967	1	Plug, Male - 3 Position (Not Shown)	

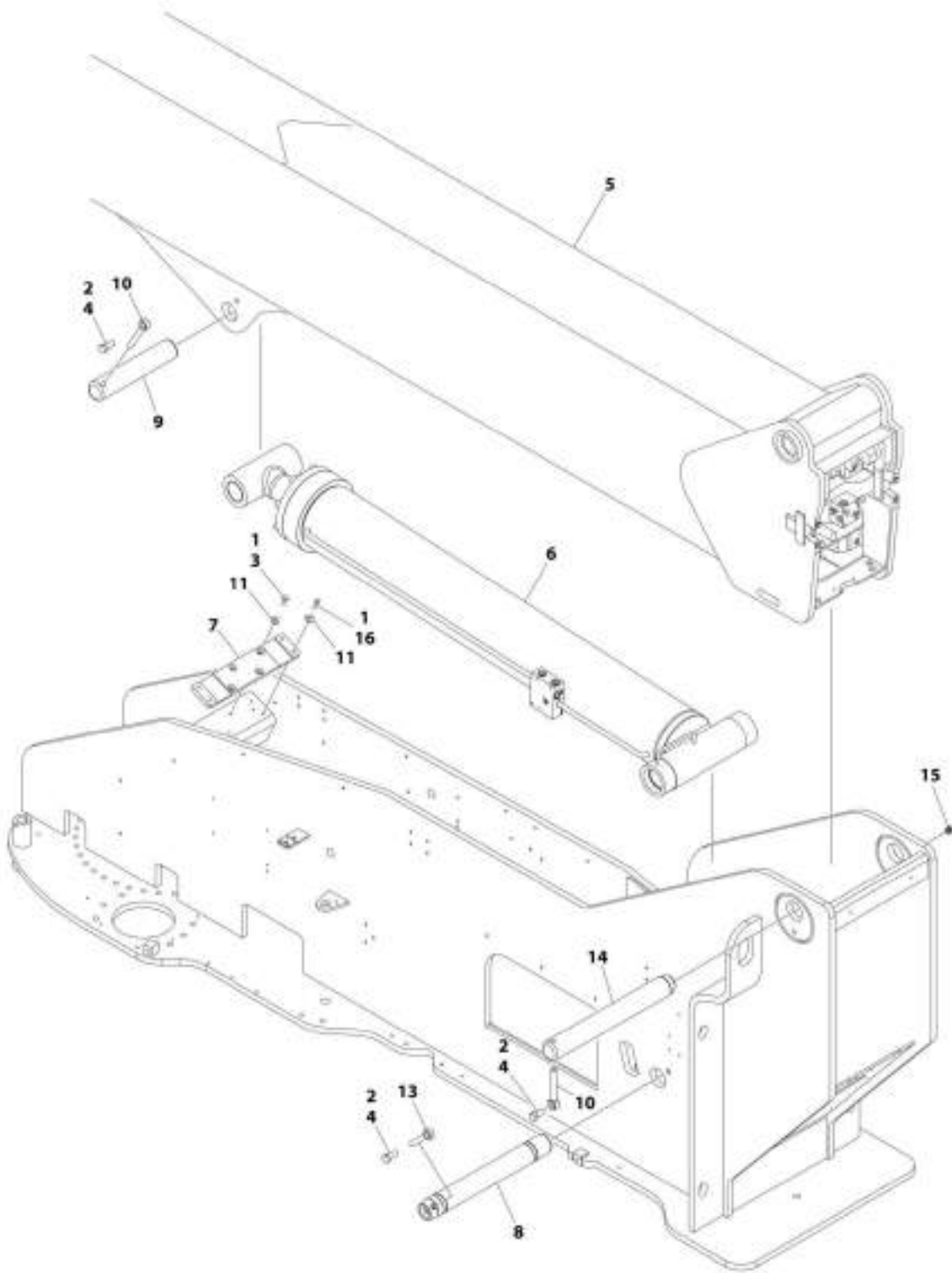
SECTION 3 - ENGINE

ITEM	PART NUMBER	QTY	DESCRIPTION	REV
301A	4460465	6	Socket, Female	
301B	1001117078	1	Fuseholder with Fuse (Not Shown)	
303	4922641	1	Switch Harness	

SECTION 4 - BOOM

SECTION 4 - BOOM

FIGURE 4-1. BOOM INSTALLATION 1200SJP - WITHOUT COLD WEATHER PLUS PACKAGE



ART.3271798

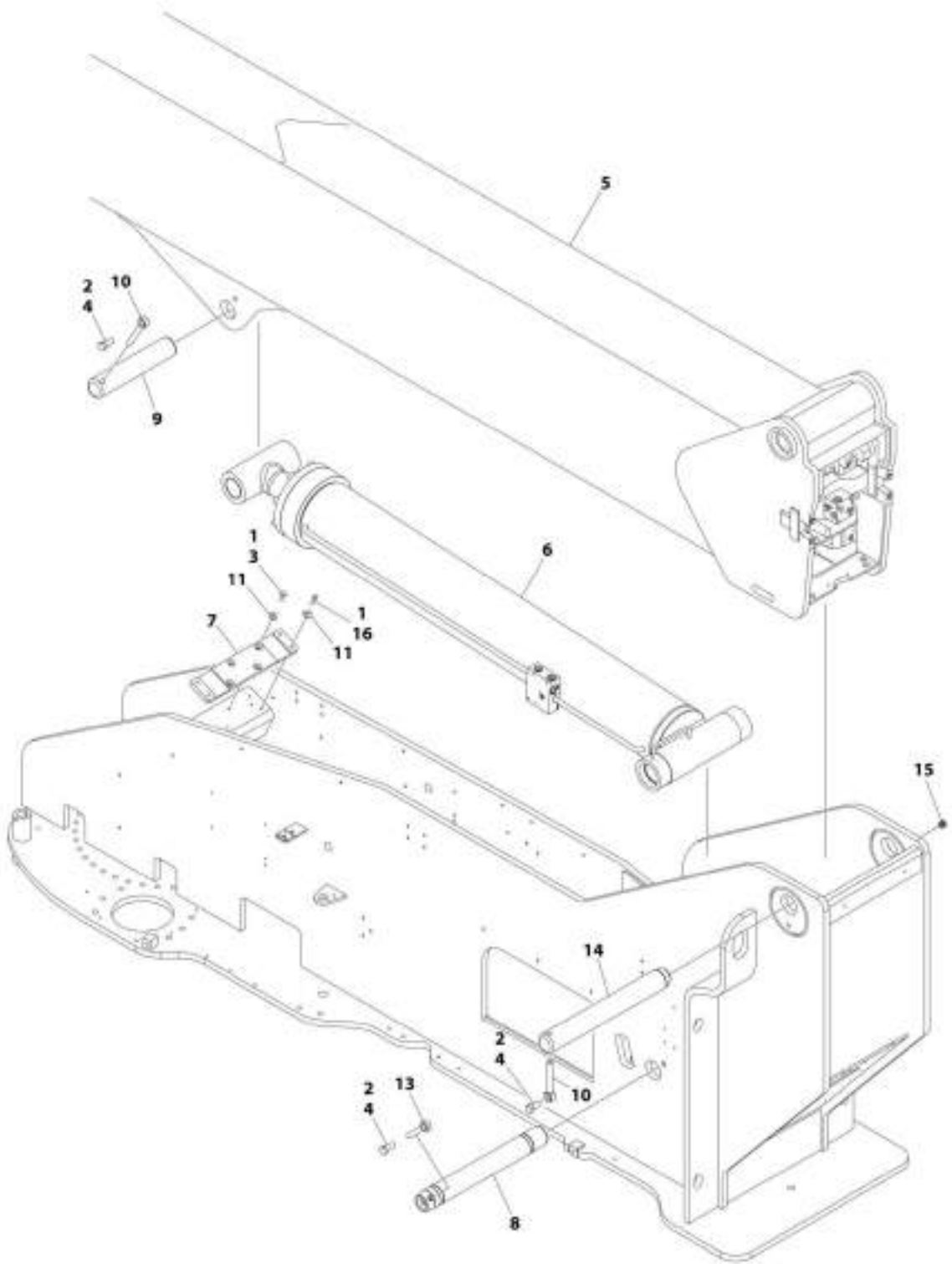
SECTION 4 - BOOM

FIGURE 4-1. BOOM INSTALLATION 1200SJP - WITHOUT COLD WEATHER PLUS PACKAGE

ITEM	PART NUMBER	QTY	DESCRIPTION	REV
	0271799	Ref	BOOM INSTALLATION 1200SJP - WITHOUT COLD WEATHER PLUS PACKAGE	I
1	0100011	AR	Compound, Locking	
2	0100019	AR	Compound, Locking	
3	0641608	4	Bolt 3/8 x 1	
4	0642214	3	Bolt 3/4 x 1-3/4	
5	0801320	1	Boom Assembly (See Separate Breakdown in this Section)	
6	1684162	NLA	Lift Cylinder Assembly (Use p/n 1001228024) (See Separate Breakdown in CYLINDER SECTION) (SN 0300201016 through 0300239470, SN B300002238 through B300002473)	
6	1001228024	1	Lift Cylinder Assembly (See Separate Breakdown in CYLINDER SECTION) (SN 0300239471 to Present, SN B300002474 to Present)	
7	3340927	1	Pad (SN 0300201016 through 0300251445, SN B300002238 through B300003452)	
7	1001237755	1	Pad (SN 0300251446 to Present, SN B300003453 to Present)	
8	3423208	1	Pin, Load Sensing	
9	3422955	1	Pin	
10	3841287	2	Keeper, Pin	
11	4751600	AR	Washer 3/8	
13	3841581	1	Keeper, Pin	
14	3422988	1	Pin	
15	1001213705	1	Plug (SN 0300216184 to Present, SN B300002238 to Present)	
16	0641612	4	Bolt 3/8 x 1-1/2	

SECTION 4 - BOOM

FIGURE 4-2. BOOM INSTALLATION 1200SJP - WITH COLD WEATHER PLUS PACKAGE



ART_3001128800

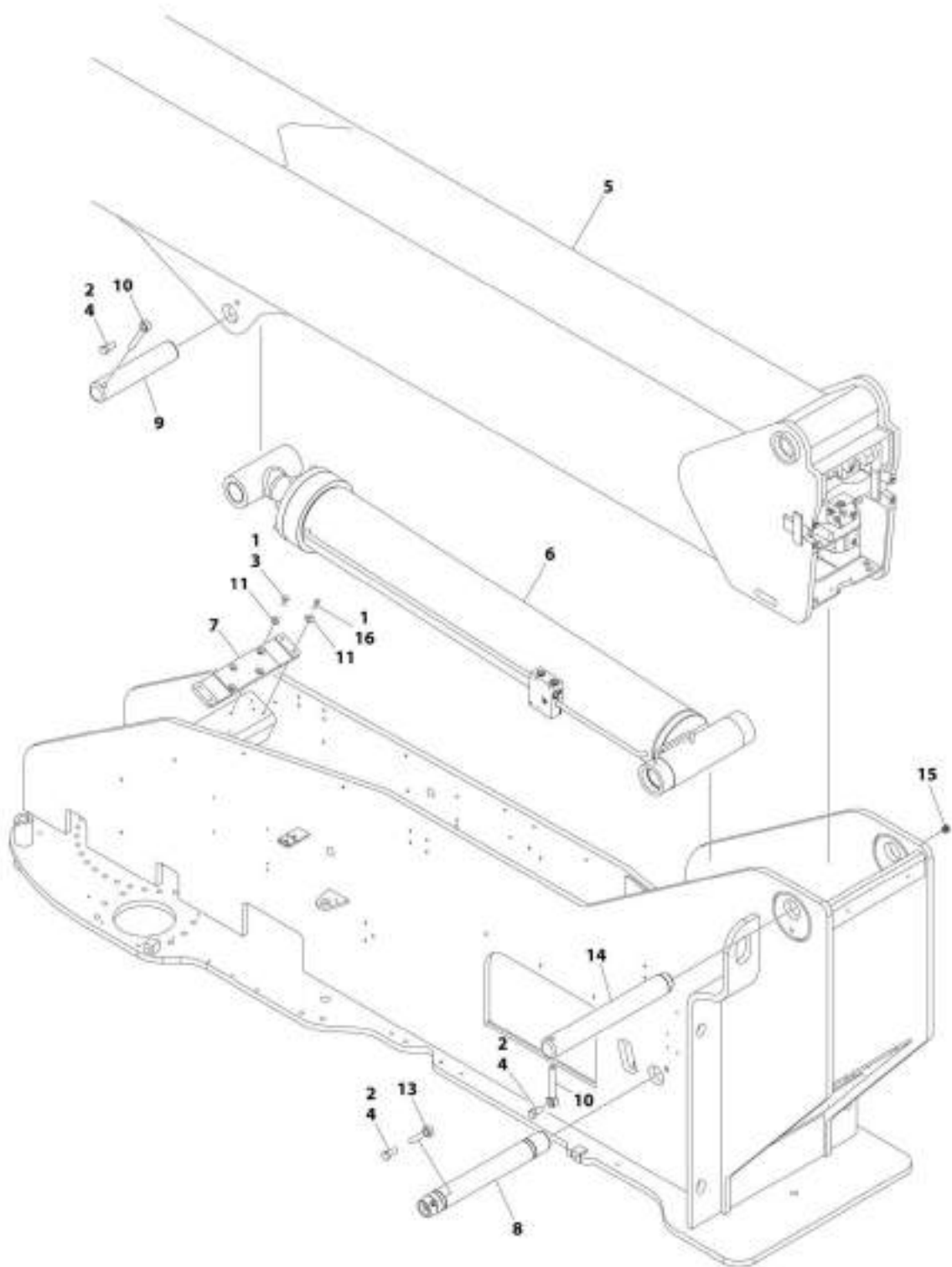
SECTION 4 - BOOM

FIGURE 4-2. BOOM INSTALLATION 1200SJP - WITH COLD WEATHER PLUS PACKAGE

ITEM	PART NUMBER	QTY	DESCRIPTION	REV
	1001138800	Ref	BOOM INSTALLATION 1200SJP - WITH COLD WEATHER PLUS PACKAGE	D
1	0100011	AR	Compound, Locking	
2	0100019	AR	Compound, Locking	
3	0641608	4	Bolt 3/8 x 1	
4	0642214	3	Bolt 3/4 x 1-3/4	
5	1001138801	1	Boom Assembly (See Separate Breakdown in this Section)	
6	1684162	NLA	Lift Cylinder Assembly (Use p/n 1001228024) (See Separate Breakdown in CYLINDER SECTION) (SN 0300201016 through 0300239470)	
6	1001228024	1	Lift Cylinder Assembly (See Separate Breakdown in CYLINDER SECTION) (SN 0300239471 to Present)	
7	3340927	1	Pad (SN 0300201016 through 0300251445)	
7	1001237755	1	Pad (SN 0300251446 to Present)	
8	3423208	1	Pin, Load Sensing	
9	3422955	1	Pin	
10	3841287	2	Keeper, Pin	
11	4751600	AR	Washer 3/8	
13	3841581	1	Keeper, Pin	
14	3422988	1	Pin	
15	1001213705	1	Plug (SN 0300216184 to Present)	
16	0641611	4	Bolt 3/8 x 1-3/8	

SECTION 4 - BOOM

FIGURE 4-3. BOOM INSTALLATION 1350SJP - WITHOUT COLD WEATHER PLUS PACKAGE



ART_0071530

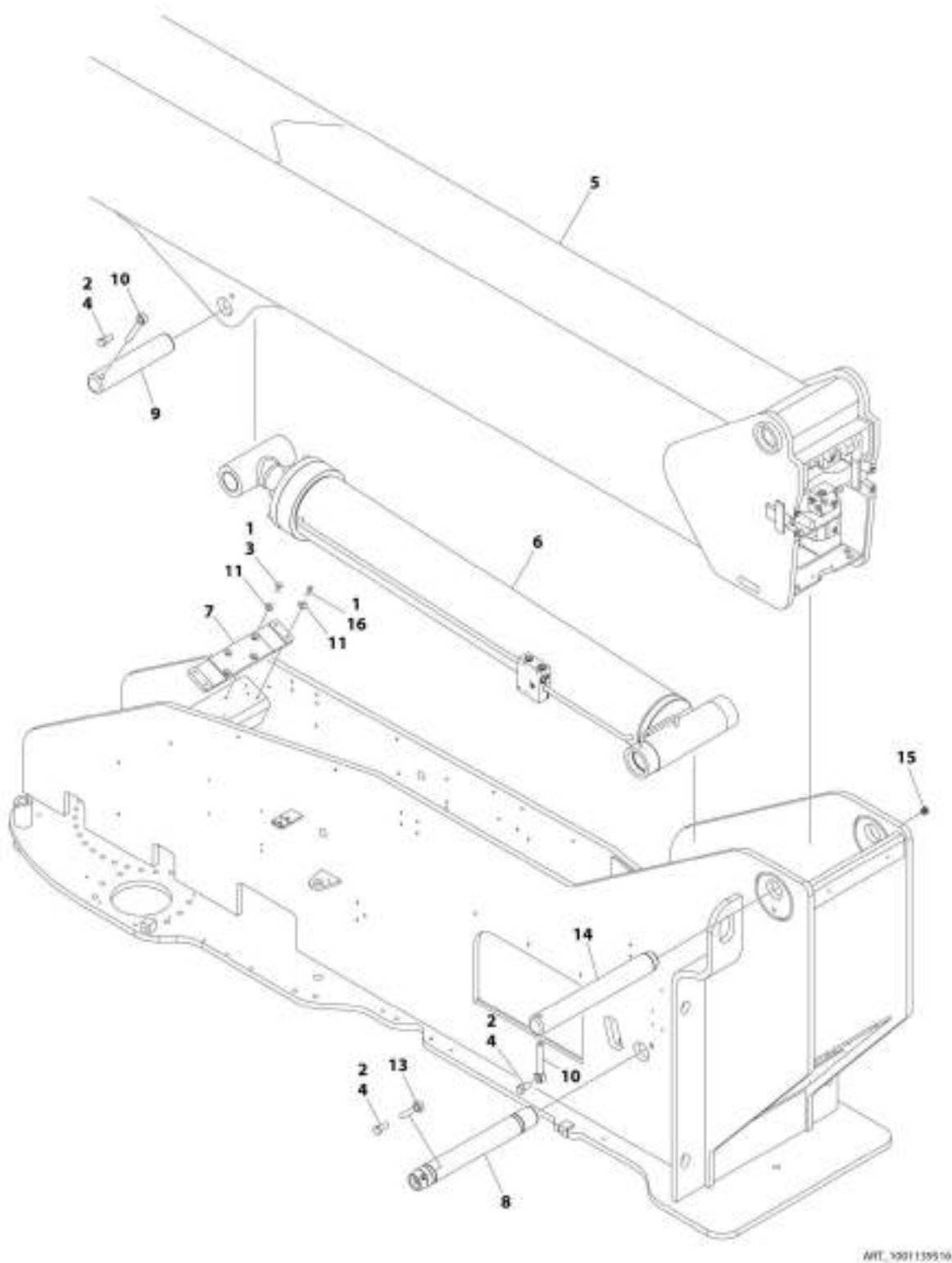
SECTION 4 - BOOM

FIGURE 4-3. BOOM INSTALLATION 1350SJP - WITHOUT COLD WEATHER PLUS PACKAGE

ITEM	PART NUMBER	QTY	DESCRIPTION	REV
	0271530	Ref	BOOM INSTALLATION 1350SJP - WITHOUT COLD WEATHER PLUS PACKAGE	I
1	0100011	AR	Compound, Locking	
2	0100019	AR	Compound, Locking	
3	0641608	4	Bolt 3/8 x 1	
4	0642214	3	Bolt 3/4 x 1-3/4	
5	0801315	1	Boom Assembly (See Separate Breakdown in this Section)	
6	1684162	NLA	Lift Cylinder Assembly (Use p/n 1001228024) (See Separate Breakdown in CYLINDER SECTION) (SN 0300201016 through 0300239470, SN B300002238 through B300002473)	
6	1001228024	1	Lift Cylinder Assembly (See Separate Breakdown in CYLINDER SECTION) (SN 0300239471 to Present, SN B300002474 to Present)	
7	3340927	1	Pad (SN 0300201016 through 0300251445, SN B300002238 through B300003452)	
7	1001237755	1	Pad (SN 0300251446 to Present, SN B300003453 to Present)	
8	3423208	1	Pin, Load Sensing	
9	3422955	1	Pin	
10	3841287	2	Keeper, Pin	
11	4751600	AR	Washer 3/8	
13	3841581	1	Keeper, Pin	
14	3422988	1	Pin	
15	1001213705	1	Plug (SN 0300216184 to Present, SN B300002238 to Present)	
16	0641612	4	Bolt 3/8 x 1-1/2	

SECTION 4 - BOOM

FIGURE 4-4. BOOM INSTALLATION 1350SJP - WITH COLD WEATHER PLUS PACKAGE



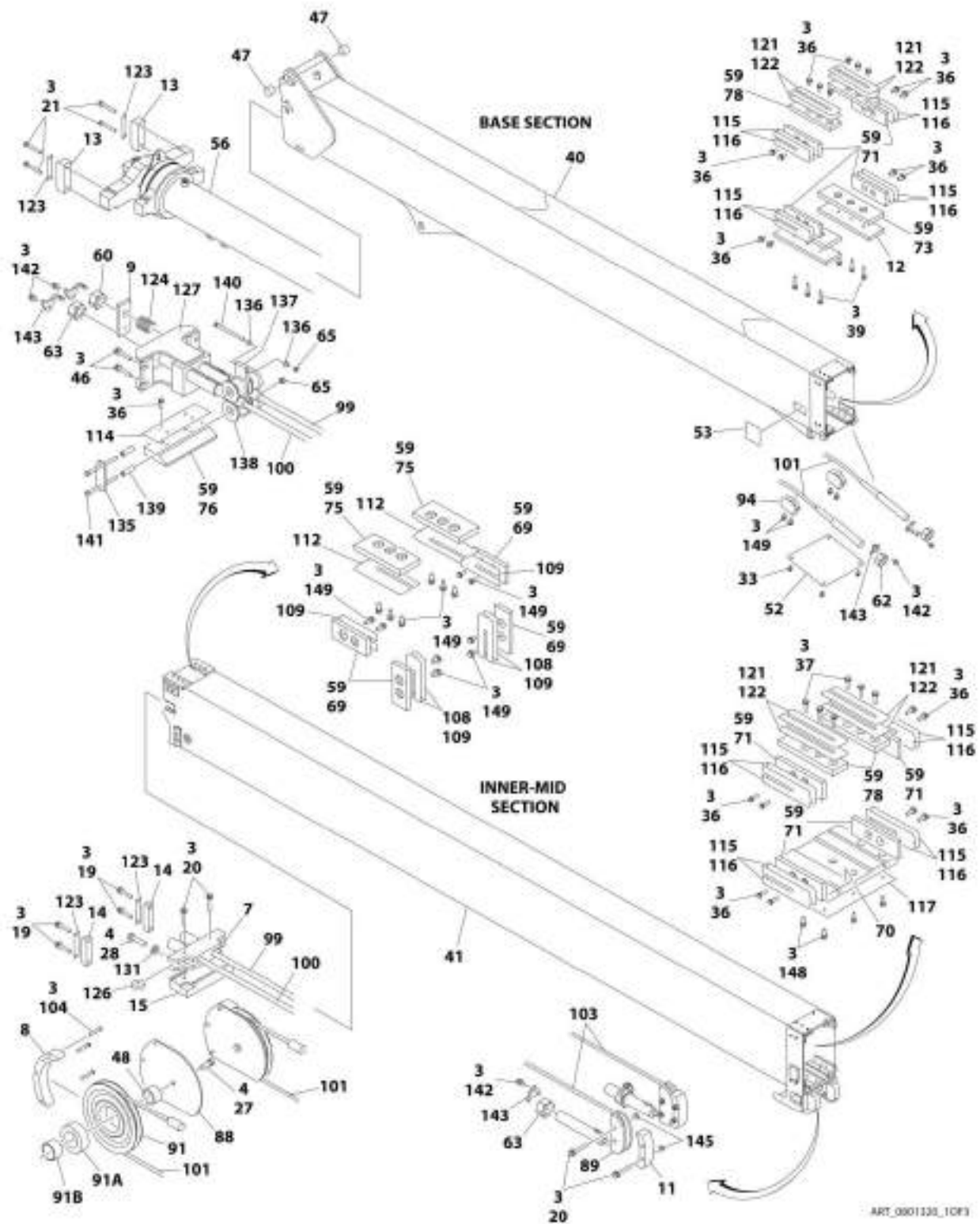
SECTION 4 - BOOM

FIGURE 4-4. BOOM INSTALLATION 1350SJP - WITH COLD WEATHER PLUS PACKAGE

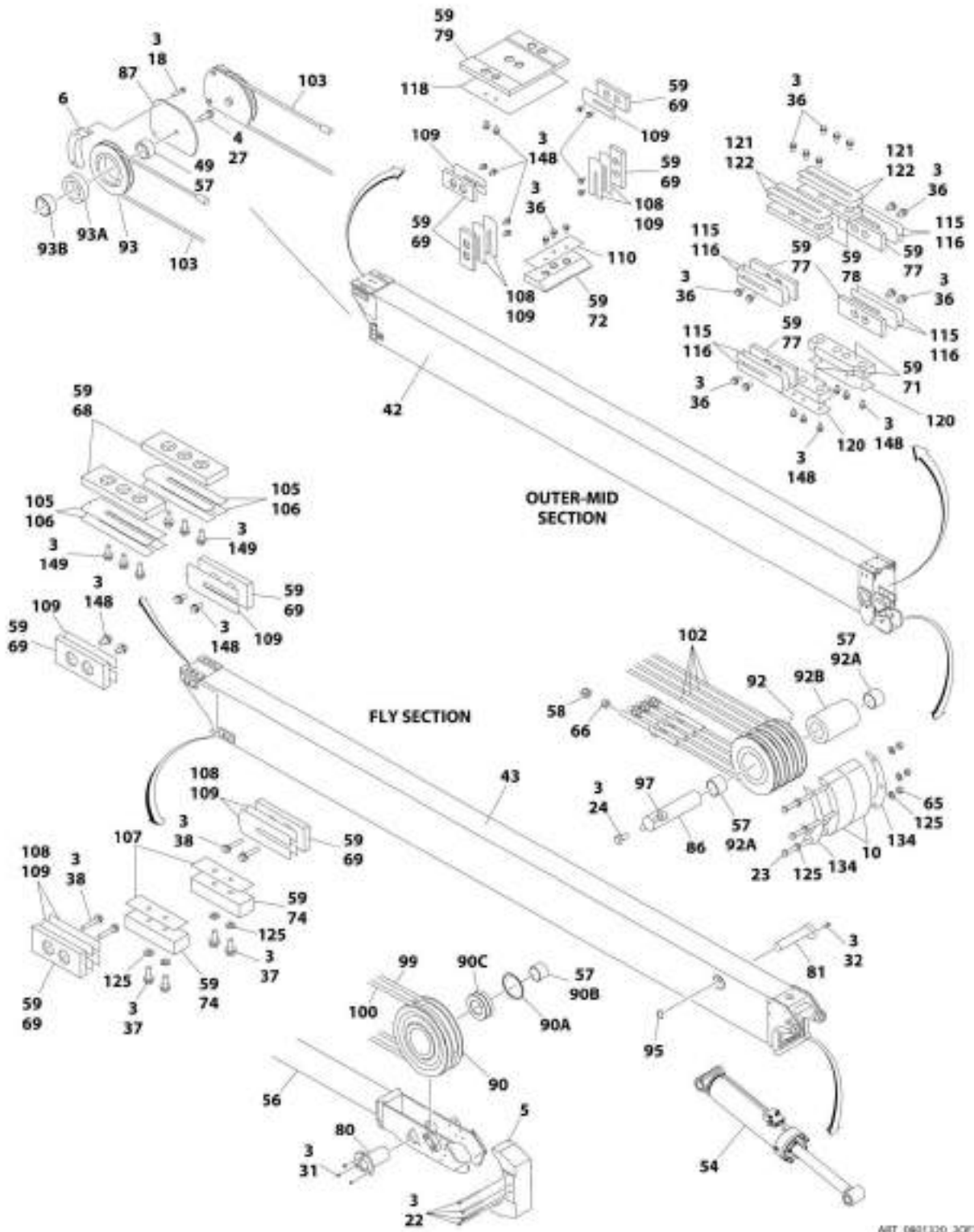
ITEM	PART NUMBER	QTY	DESCRIPTION	REV
	1001139516	Ref	BOOM INSTALLATION 1350SJP - WITH COLD WEATHER PLUS PACKAGE	D
1	0100011	AR	Compound, Locking	
2	0100019	AR	Compound, Locking	
3	0641608	4	Bolt 3/8 x 1	
4	0642214	3	Bolt 3/4 x 1-3/4	
5	1001139517	1	Boom Assembly (See Separate Breakdown in this Section)	
6	1684162	NLA	Lift Cylinder Assembly (Use p/n 1001228024) (See Separate Breakdown in CYLINDER SECTION) (SN 0300201016 through 0300239470)	
6	1001228024	1	Lift Cylinder Assembly (See Separate Breakdown in CYLINDER SECTION) (SN 0300239471 to Present)	
7	3340927	1	Pad (SN 0300201016 through 0300251445)	
7	1001237755	1	Pad (SN 0300251446 to Present)	
8	3423208	1	Pin, Load Sensing	
9	3422955	1	Pin	
10	3841287	2	Keeper, Pin	
11	4751600	AR	Washer 3/8	
13	3841581	1	Keeper, Pin	
14	3422988	1	Pin	
15	1001213705	1	Plug (SN 0300216184 to Present)	
16	0641611	4	Bolt 3/8 x 1-3/8	

SECTION 4 - BOOM

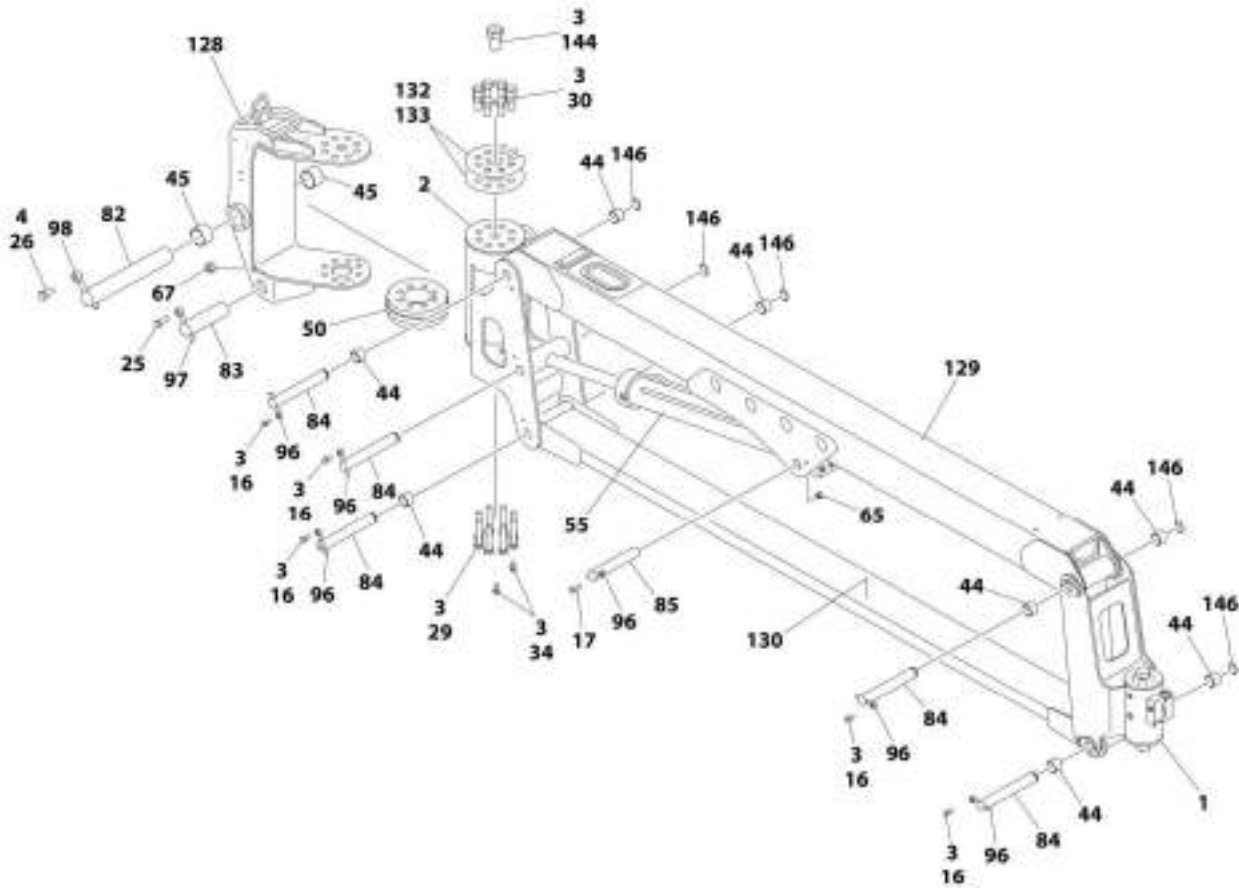
FIGURE 4-5. BOOM ASSEMBLY 1200SJP - WITHOUT COLD WEATHER PLUS PACKAGE



SECTION 4 - BOOM



SECTION 4 - BOOM



ART_080132D_3CP1

SECTION 4 - BOOM

FIGURE 4-5. BOOM ASSEMBLY 1200SJP - WITHOUT COLD WEATHER PLUS PACKAGE

ITEM	PART NUMBER	QTY	DESCRIPTION	REV
	0801320	Ref	BOOM ASSEMBLY 1200SJP - WITHOUT COLD WEATHER PLUS PACKAGE	W
1	1001097643	NLA	Actuator Assembly (Platform Rotate) (See Separate Breakdown in this Section) (SN 0300201016 through 0300201349)	
1	1001178247	1	Actuator Assembly (Platform Rotate) (See Separate Breakdown in this Section) (SN 0300201350 to Present, SN B300002238 to Present)	
2	1001097619	NLA	Actuator Assembly (Jib Rotate) (See Separate Breakdown in this Section) (SN 0300201016 through 0300201349)	
2	1001178248	1	Actuator Assembly (Jib Rotate) (See Separate Breakdown in this Section) (SN 0300201350 to Present, SN B300002238 to Present)	
3	0100011	AR	Compound, Locking	
4	0100019	AR	Compound, Locking	
5	0561431	1	Block, Rope Retainer	
6	0561437	2	Block, Rope Retainer	
7	0561439	1	Block, Outer Mid Extend	
8	0561444	2	Block, Cable Retainer	
9	0561454	1	Block, Switch Adjuster	
10	0561457	2	Block, Cable Retainer	
11	0561458	2	Block, Cable Retainer	
12	0561471	2	Block, Spacer	
13	0561500	2	Block, Trunnion Keeper	
14	0561482	2	Block, Trunnion Keeper	
15	3340955	1	Pad	
16	0641607	5	Bolt 3/8 x 7/8	
17	0641610	1	Bolt 3/8 x 1-1/4	
18	0641615	4	Bolt 3/8 x 1-7/8	
19	0791618	4	Screw 3/8 x 2-1/4	
20	0791620	10	Screw 3/8 x 2-1/2	
21	0791624	4	Screw 3/8 x 3	
22	0641646	4	Bolt 3/8 x 5-3/4	
23	0641652	3	Bolt 3/8 x 6-1/2	
24	0641808	1	Bolt 1/2 x 1	
25	0641813	1	Bolt 1/2 x 1-5/8	
26	0642012	1	Bolt 5/8 x 1-1/2	
27	0642014	4	Bolt 5/8 x 1-3/4	
28	0642022	2	Bolt 5/8 x 2-3/4	
29	0682028	8	Bolt 5/8 x 3-1/2 Grade 8	
30	0682212	8	Bolt 3/4 x 1-1/2 Grade 8	
31	0741606	3	Screw 3/8 x 3/4	
32	0741806	1	Screw 1/2 x 3/4	
33	0791604	4	Screw 3/8 x 1/2	
34	0791606	2	Screw 3/8 x 3/4	
36	0811608	43	Screw 3/8 x 1	
37	0811610	10	Screw 3/8 x 1-1/4	
38	0811614	4	Screw 3/8 x 1-3/4	
39	0811616	6	Screw 3/8 x 2	
40	0801316	1	Base, Boom	
41	0801317	1	Mid, Inner	
42	0801318	1	Mid, Outer	

SECTION 4 - BOOM

ITEM	PART NUMBER	QTY	DESCRIPTION	REV
43	0801319	1	Fly, Boom	
44	0961951	8	Bushing	
45	0962224	2	Bearing	
46	0791612	4	Screw 3/8 x 1-1/2	
47	0962297	2	Bushing	
48	0962409	2	Bushing	
49	0962410	2	Bushing	
50	1100131	1	Cam	
52	1671032	1	Cover	
53	1671033	1	Cover	
54	1684149	NLA	Platform Level Cylinder Assembly (Use p/n 1001228023) (See Separate Breakdown in CYLINDER SECTION)	
54	1001228023	1	Platform Level Cylinder Assembly (See Separate Breakdown in CYLINDER SECTION)	
55	1684173	NLA	Jib Cylinder Assembly (Use p/n 1001228025) (See Separate Breakdown in CYLINDER SECTION) (SN 0300201016 through 0300239161, SN B300002238 through B300002449)	
55	1001228025	1	Jib Cylinder Assembly (See Separate Breakdown in CYLINDER SECTION) (SN 0300239162 to Present, SN B300002450 to Present)	
56	1684178	NLA	Telescope Cylinder Assembly (Use p/n 1001228026) (See Separate Breakdown in CYLINDER SECTION) (SN 0300201016 through 0300243437, SN B300002238 through B300002719)	
56	1001228026	1	Telescope Cylinder Assembly (See Separate Breakdown in CYLINDER SECTION) (SN 0300243438 to Present, SN B300002719 to Present)	
57	3020039	AR	Lubricant, Moly	
58	3300239	4	Nut, Nylon Insert	
59	3020042	AR	Lubricant with PTFE	
60	3300458	1	Nut 1	
62	3300460	2	Nut 1-1/4	
63	3300461	3	Nut 1-3/8	
65	3311605	7	Nut 3/8	
66	3311801	4	Nut 1/2	
67	3311805	1	Nut 1/2	
68	3340871	2	Pad, Wear	
69	3340881	12	Pad, Wear	
70	3340910	1	Pad, Wear	
71	3340912	2	Pad, Wear	
72	4700039	1	Pad, Wear	
73	3340916	2	Pad, Wear	
74	3340917	2	Pad, Wear	
75	3340918	2	Pad, Wear	
76	4700038	1	Pad, Wear	
77	3340921	12	Pad, Wear	
78	3340922	6	Pad, Wear	
79	3340926	1	Pad, Wear	
80	3422926	1	Pin	
81	3422937	1	Pin	
82	1001119899	1	Pin	
83	3422956	1	Pin	
84	3422957	5	Pin	
85	3422958	1	Pin	
86	3422959	1	Pin	

SECTION 4 - BOOM

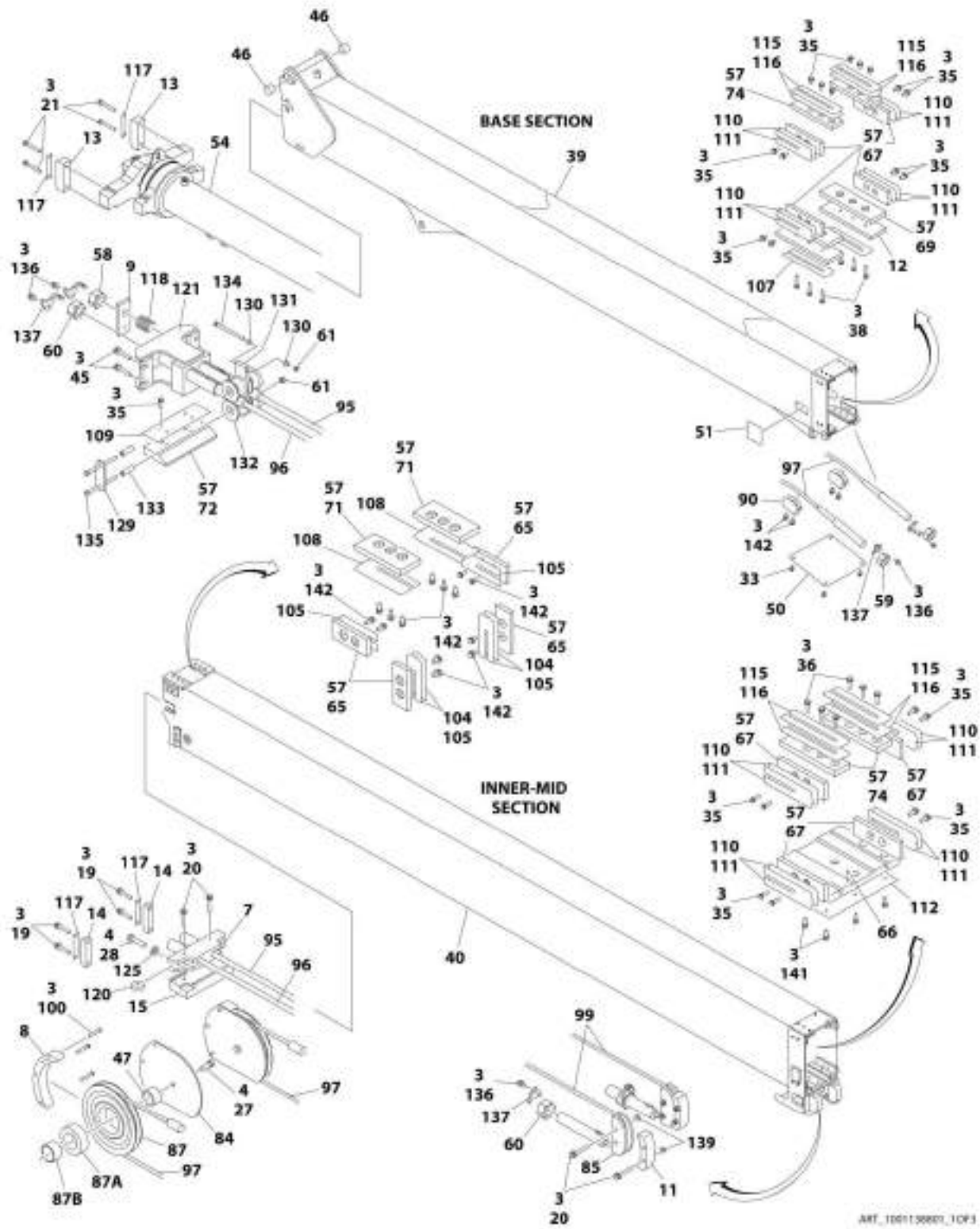
ITEM	PART NUMBER	QTY	DESCRIPTION	REV
87	3572950	2	Plate, Cable Retract Retainer	
88	3572951	2	Plate, Cable Retract Retainer	
89	3580342	2	Sheave	
90	1001154260	2	Sheave	
90A	1001154294	1	Ring, Snap	
90B	1001154304	1	Bushing (Inner)	
90C	1001154306	1	Bushing (Outer)	
91	3580298	2	Sheave	
91A	0962402	1	Bushing (Outer)	
91B	0962406	1	Bushing (Inner)	
92	3580300	1	Sheave	
92A	1001139972	1	Sleeve, Bushing (Inner)	
92B	0962403	1	Bushing (Outer)	
93	3580302	2	Sheave	
93A	0962404	1	Bushing (Outer)	
93B	0962411	1	Bushing (Inner)	
94	3580341	2	Sheave	
95	3760233	1	Ring, Retaining	
96	3841143	6	Keeper, Pin	
97	3841203	2	Keeper, Pin	
98	3841258	1	Keeper, Pin	
99	3890034	1	Cable, Outer Mid Extend	
100	3890035	1	Cable, Outer Mid Extend	
101	3890036	2	Cable, Outer Mid Retract	
102	3890037	4	Cable, Fly Extend	
103	3890038	2	Cable, Fly Retract	
104	0641618	6	Screw 3/8 x 2-1/4	
105	4070863	2	Shim #11 Gauge	
106	4070864	2	Shim #18 Gauge	
107	4070895	2	Shim #16 Gauge	
108	4070897	6	Shim #18 Gauge	
109	4070898	12	Shim #11 Gauge	
110	4071012	1	Shim #16 Gauge	
112	4071015	2	Shim #16 Gauge	
114	4071017	1	Shim #16 Gauge	
115	4071018	8	Shim #16 Gauge	
116	4071019	12	Shim #11 Gauge	
117	4071024	1	Shim #16 Gauge	
118	4071025	1	Shim #16 Gauge	
120	4071027	2	Shim #16 Gauge	
121	4071028	6	Shim #16 Gauge	
122	4071029	6	Shim #11 Gauge	
123	4071031	4	Shim #16 Gauge	
124	4160197	1	Spring	
125	4711600	10	Washer 3/8	
126	4740509	2	Spacer	
127	4846453	1	Plate, Mounting	
128	4846462	1	Pivot	
129	4846482	1	Link, Jib (Upper)	
130	0801550	1	Link, Jib (Lower)	
131	4892000	2	Washer 5/8	

SECTION 4 - BOOM

ITEM	PART NUMBER	QTY	DESCRIPTION	REV
132	4071044	1	Shim #18 Gauge	
133	4071045	1	Shim #11 Gauge	
134	4071046	2	Shim #16 Gauge	
135	0363066	2	Bar, Stabilizer	
136	0962447	2	Bearing, Flanged	
137	3573437	1	Plate, Pulley Adjustment	
138	3580306	4	Pulley	
139	4568423	4	Tube, Spacer	
140	0641640	1	Bolt 3/8 x 5	
141	0641644	2	Bolt 3/8 x 5-1/2	
142	0791605	6	Screw 3/8 x 5/8	
143	3573444	6	Plate, Lock	
144	0630558	1	Bolt 1 x 2	
145	3311608	8	Nut 3/8	
146	3760133	5	Ring, Retaining	
148	0811606	30	Screw 3/8 x 3/4	
149	0811607	24	Screw 3/8 x 7/8	

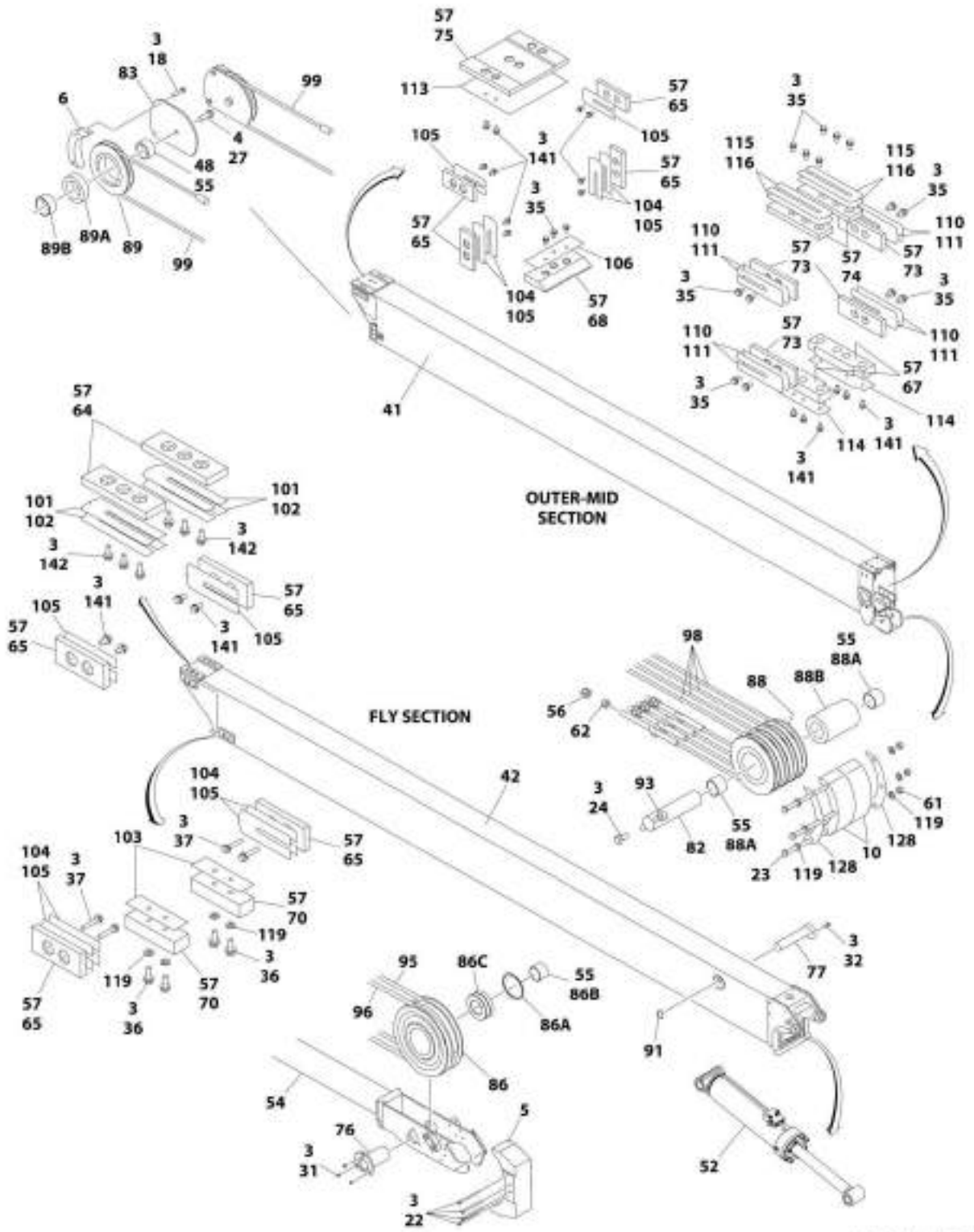
SECTION 4 - BOOM

FIGURE 4-6. BOOM ASSEMBLY 1200SJP - WITH COLD WEATHER PLUS PACKAGE



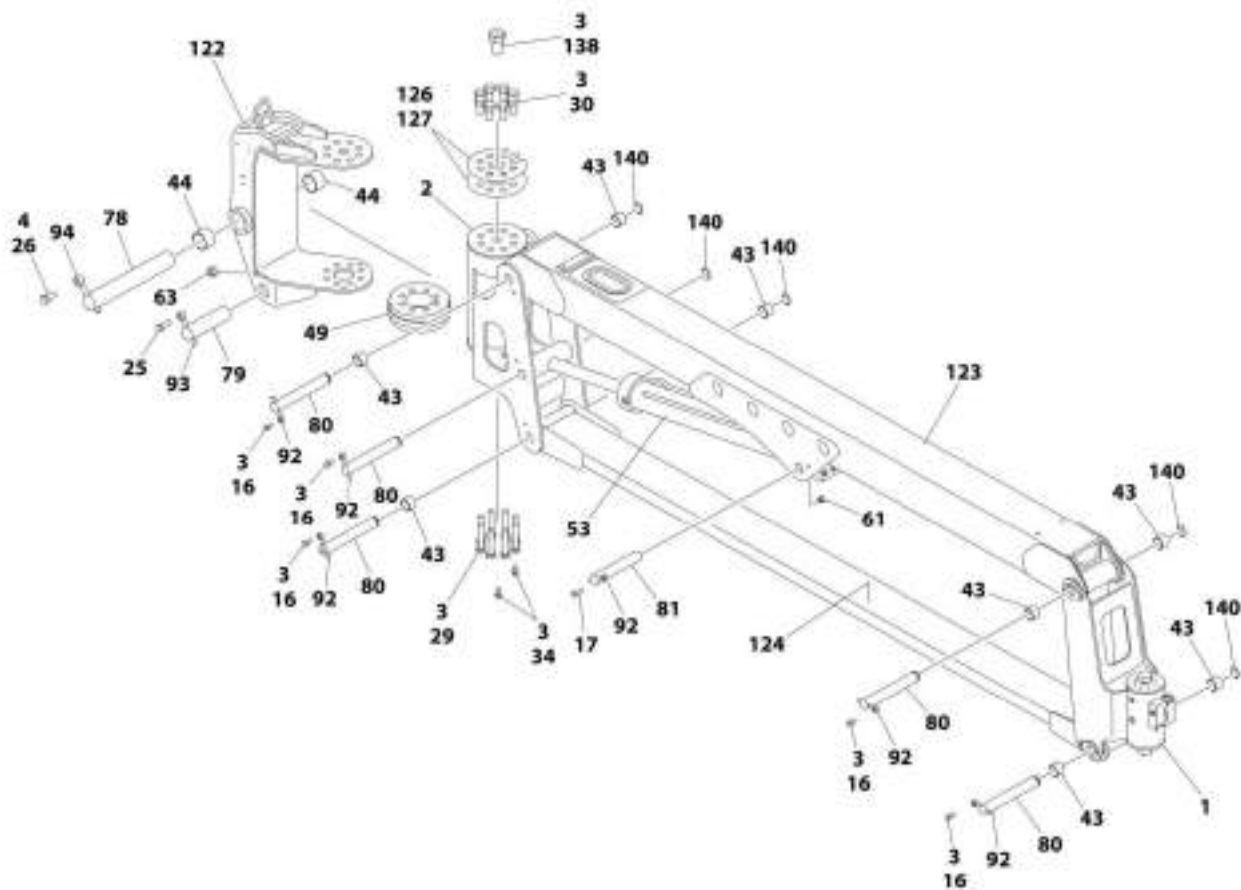
AWT_1001130001_10F3

SECTION 4 - BOOM



ART_100130001_20F1

SECTION 4 - BOOM



ART_1001138801_30F3

SECTION 4 - BOOM

FIGURE 4-6. BOOM ASSEMBLY 1200SJP - WITH COLD WEATHER PLUS PACKAGE

ITEM	PART NUMBER	QTY	DESCRIPTION	REV
	1001138801	Ref	BOOM ASSEMBLY 1200SJP - WITH COLD WEATHER PLUS PACKAGE	F
1	1001097643	NLA	Actuator Assembly (Platform Rotate) (See Separate Breakdown in this Section) (SN 0300201016 through 0300201349)	
1	1001178247	1	Actuator Assembly (Platform Rotate) (See Separate Breakdown in this Section) (SN 0300201350 to Present)	
2	1001097619	NLA	Actuator Assembly (Jib Rotate) (See Separate Breakdown in this Section) (SN 0300201016 through 0300201349)	
2	1001178248	1	Actuator Assembly (Jib Rotate) (See Separate Breakdown in this Section) (SN 0300201350 to Present)	
3	0100011	AR	Compound, Locking	
4	0100019	AR	Compound, Locking	
5	0561431	1	Block, Rope Retainer	
6	0561437	2	Block, Rope Retainer	
7	0561439	1	Block, Outer Mid Extend	
8	0561444	2	Block, Cable Retainer	
9	0561454	1	Block, Switch Adjuster	
10	0561457	2	Block, Cable Retainer	
11	0561458	2	Block, Cable Retainer	
12	0561471	2	Block, Spacer	
13	0561500	2	Block, Trunnion Keeper	
14	0561482	2	Block, Trunnion Keeper	
15	3340955	1	Pad	
16	0641607	5	Bolt 3/8 x 7/8	
17	0641610	1	Bolt 3/8 x 1-1/4	
18	0641615	4	Bolt 3/8 x 1-7/8	
19	0791618	4	Screw 3/8 x 2-1/4	
20	0791620	10	Screw 3/8 x 2-1/2	
21	0791624	4	Screw 3/8 x 3	
22	0641646	4	Bolt 3/8 x 5-3/4	
23	0641652	3	Bolt 3/8 x 6-1/2	
24	0641808	1	Bolt 1/2 x 1	
25	0641813	1	Bolt 1/2 x 1-5/8	
26	0642012	1	Bolt 5/8 x 1-1/2	
27	0642014	4	Bolt 5/8 x 1-3/4	
28	0642022	2	Bolt 5/8 x 2-3/4	
29	0682028	8	Bolt 5/8 x 3-1/2 Grade 8	
30	0682212	8	Bolt 3/4 x 1-1/2 Grade 8	
31	0741606	3	Screw 3/8 x 3/4	
32	0741806	1	Screw 1/2 x 3/4	
33	0791604	4	Screw 3/8 x 1/2	
34	0791606	2	Screw 3/8 x 3/4	
35	0811608	43	Screw 3/8 x 1	
36	0811610	10	Screw 3/8 x 1-1/4	
37	0811614	4	Screw 3/8 x 1-3/4	
38	0811616	6	Screw 3/8 x 2	
39	0801316	1	Base, Boom	
40	0801317	1	Mid, Inner	
41	0801318	1	Mid, Outer	
42	0801319	1	Fly, Boom	
43	0961951	8	Bushing	

SECTION 4 - BOOM

ITEM	PART NUMBER	QTY	DESCRIPTION	REV
44	0962224	2	Bearing	
45	0791612	4	Screw 3/8 x 1-1/2	
46	0962297	2	Bushing	
47	0962409	2	Bushing	
48	0962410	2	Bushing	
49	1100131	1	Cam	
50	1671032	1	Cover	
51	1671033	1	Cover	
52	1001138802	NLA	Platform Level Cylinder Assembly (Use p/n 1001228053) (See Separate Breakdown in CYLINDER SECTION) (SN 0300201016 through 0300239980)	
52	1001228053	1	Platform Level Cylinder Assembly (See Separate Breakdown in CYLINDER SECTION) (SN 0300239981 to Present)	
53	1001138803	NLA	Jib Cylinder Assembly (Use p/n 1001228025) (See Separate Breakdown in CYLINDER SECTION) (SN 0300201016 through 0300239161)	
53	1001228025	1	Jib Cylinder Assembly (See Separate Breakdown in CYLINDER SECTION) (SN 0300239162 to Present)	
54	1684178	NLA	Telescope Cylinder Assembly (Use p/n 1001228026) (See Separate Breakdown in CYLINDER SECTION) (SN 0300201016 through 0300243437)	
54	1001228026	1	Telescope Cylinder Assembly (See Separate Breakdown in CYLINDER SECTION) (SN 0300243438 to Present)	
55	3020039	AR	Lubricant, Moly	
56	3300239	4	Nut, Nylon Insert	
57	3020042	AR	Lubricant with PTFE	
58	3300458	1	Nut 1	
59	3300460	2	Nut 1-1/4	
60	3300461	3	Nut 1-3/8	
61	3311605	7	Nut 3/8	
62	3311801	4	Nut 1/2	
63	3311805	1	Nut 1/2	
64	3340871	2	Pad, Wear	
65	3340881	12	Pad, Wear	
66	3340910	1	Pad, Wear	
67	3340912	2	Pad, Wear	
68	4700039	1	Pad, Wear	
69	3340916	2	Pad, Wear	
70	3340917	2	Pad, Wear	
71	3340918	2	Pad, Wear	
72	4700038	1	Pad, Wear	
73	3340921	12	Pad, Wear	
74	3340922	6	Pad, Wear	
75	3340926	1	Pad, Wear	
76	3422926	1	Pin	
77	3422937	1	Pin	
78	1001119899	1	Pin	
79	3422956	1	Pin	
80	3422957	5	Pin	
81	3422958	1	Pin	
82	3422959	1	Pin	
83	3572950	2	Plate, Cable Retract Retainer	
84	3572951	2	Plate, Cable Retract Retainer	

SECTION 4 - BOOM

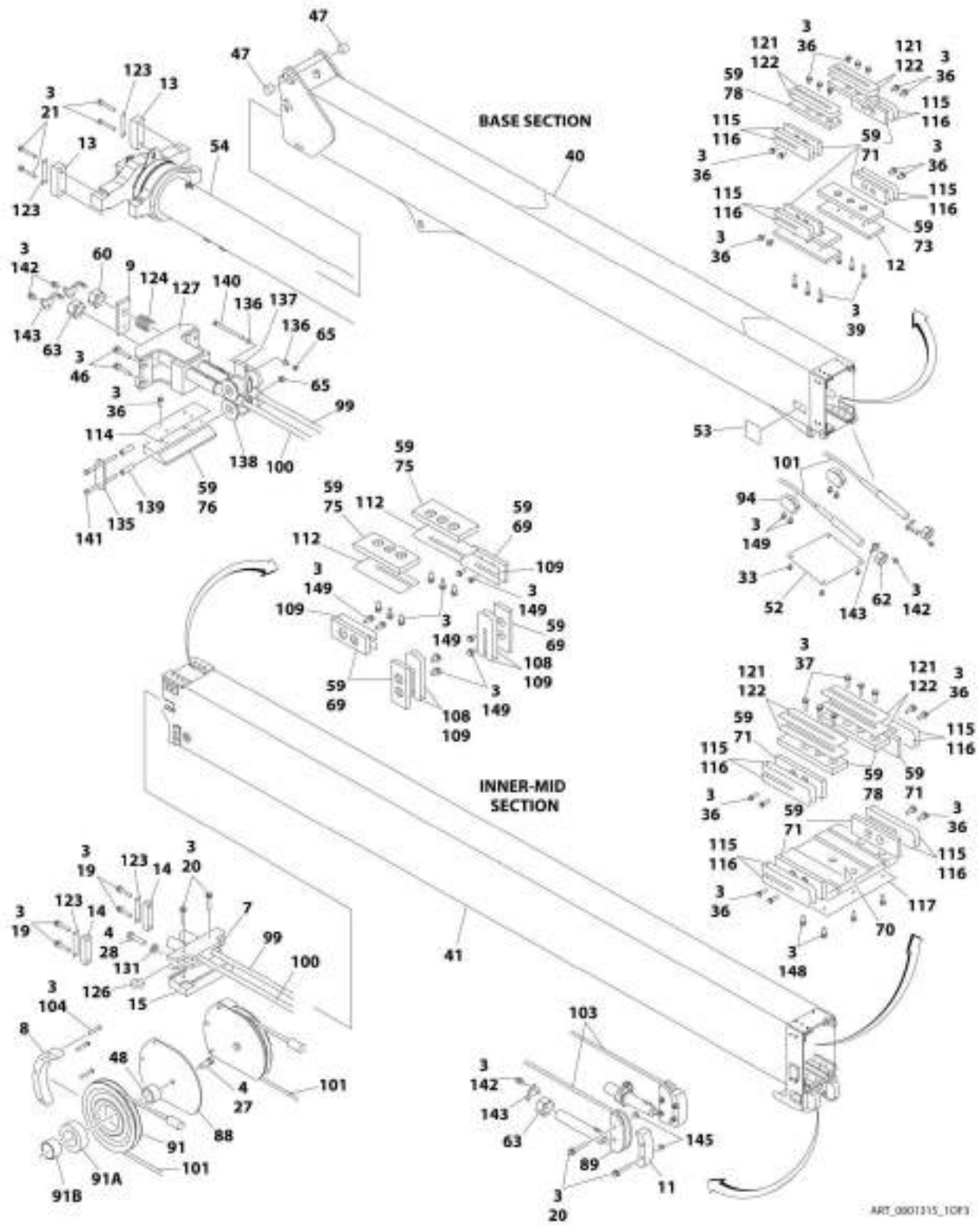
ITEM	PART NUMBER	QTY	DESCRIPTION	REV
85	3580342	2	Sheave	
86	1001154260	2	Sheave	
86A	1001154294	1	Ring, Snap	
86B	1001154304	1	Bushing (Inner)	
86C	1001154306	1	Bushing (Outer)	
87	3580298	2	Sheave	
87A	0962402	1	Bushing (Outer)	
87B	0962406	1	Bushing (Inner)	
88	3580300	1	Sheave	
88A	1001139972	1	Sleeve, Bushing (Inner)	
88B	0962403	1	Bushing (Outer)	
89	3580302	2	Sheave	
89A	0962404	1	Bushing (Outer)	
89B	0962411	1	Bushing (Inner)	
90	3580341	2	Sheave	
91	3760233	1	Ring, Retaining	
92	3841143	6	Keeper, Pin	
93	3841203	2	Keeper, Pin	
94	3841258	1	Keeper, Pin	
95	3890034	1	Cable, Outer Mid Extend	
96	3890035	1	Cable, Outer Mid Extend	
97	3890036	2	Cable, Outer Mid Retract	
98	3890037	4	Cable, Fly Extend	
99	3890038	2	Cable, Fly Retract	
100	0641618	6	Screw 3/8 x 2-1/4	
101	4070863	2	Shim #11 Gauge	
102	4070864	2	Shim #18 Gauge	
103	4070895	2	Shim #16 Gauge	
104	4070897	6	Shim #18 Gauge	
105	4070898	12	Shim #11 Gauge	
106	4071012	1	Shim #16 Gauge	
107	4071013	2	Shim #16 Gauge	
108	4071015	2	Shim #16 Gauge	
109	4071017	1	Shim #16 Gauge	
110	4071018	8	Shim #16 Gauge	
111	4071019	12	Shim #11 Gauge	
112	4071024	1	Shim #16 Gauge	
113	4071025	1	Shim #16 Gauge	
114	4071027	2	Shim #16 Gauge	
115	4071028	6	Shim #16 Gauge	
116	4071029	6	Shim #11 Gauge	
117	4071031	4	Shim #16 Gauge	
118	4160197	1	Spring	
119	4711600	10	Washer 3/8	
120	4740509	2	Spacer	
121	4846453	1	Plate, Mounting	
122	4846462	1	Pivot	
123	4846482	1	Link, Jib (Upper)	
124	0801550	1	Link, Jib (Lower)	
125	4892000	2	Washer 5/8	
126	4071044	1	Shim #18 Gauge	

SECTION 4 - BOOM

ITEM	PART NUMBER	QTY	DESCRIPTION	REV
127	4071045	1	Shim #11 Gauge	
128	4071046	2	Shim #16 Gauge	
129	0363066	2	Bar, Stabilizer	
130	0962447	2	Bearing, Flanged	
131	3573437	1	Plate, Pulley Adjustment	
132	3580306	4	Pulley	
133	4568423	4	Tube, Spacer	
134	0641640	1	Bolt 3/8 x 5	
135	0641644	2	Bolt 3/8 x 5-1/2	
136	0791605	6	Screw 3/8 x 5/8	
137	3573444	6	Plate, Lock	
138	0630558	1	Bolt 1 x 2	
139	3311608	8	Nut 3/8	
140	3760133	5	Ring, Retaining	
141	0811606	30	Screw 3/8 x 3/4	
142	0811607	24	Screw 3/8 x 7/8	

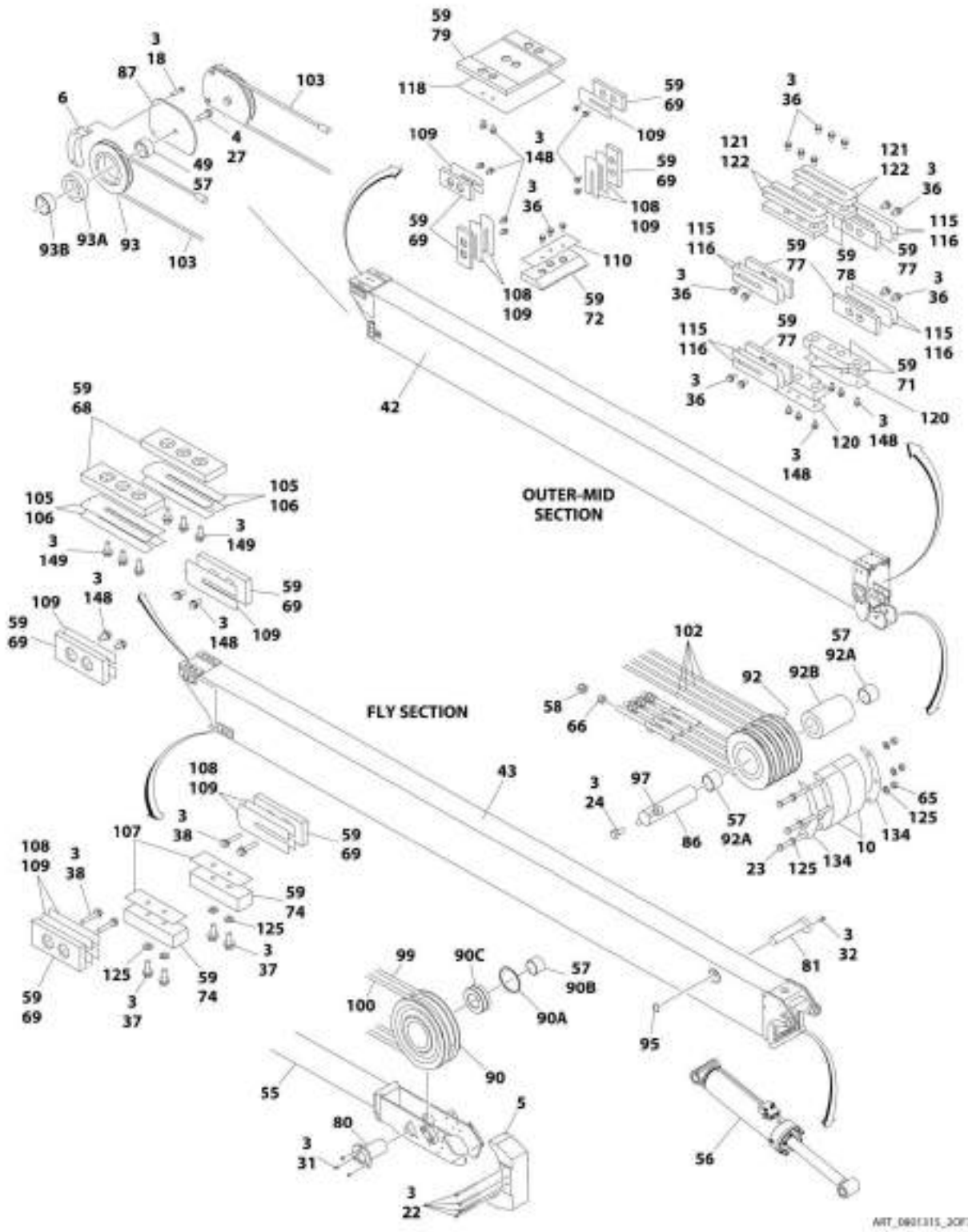
SECTION 4 - BOOM

FIGURE 4-7. BOOM ASSEMBLY 1350SJP - WITHOUT COLD WEATHER PLUS PACKAGE



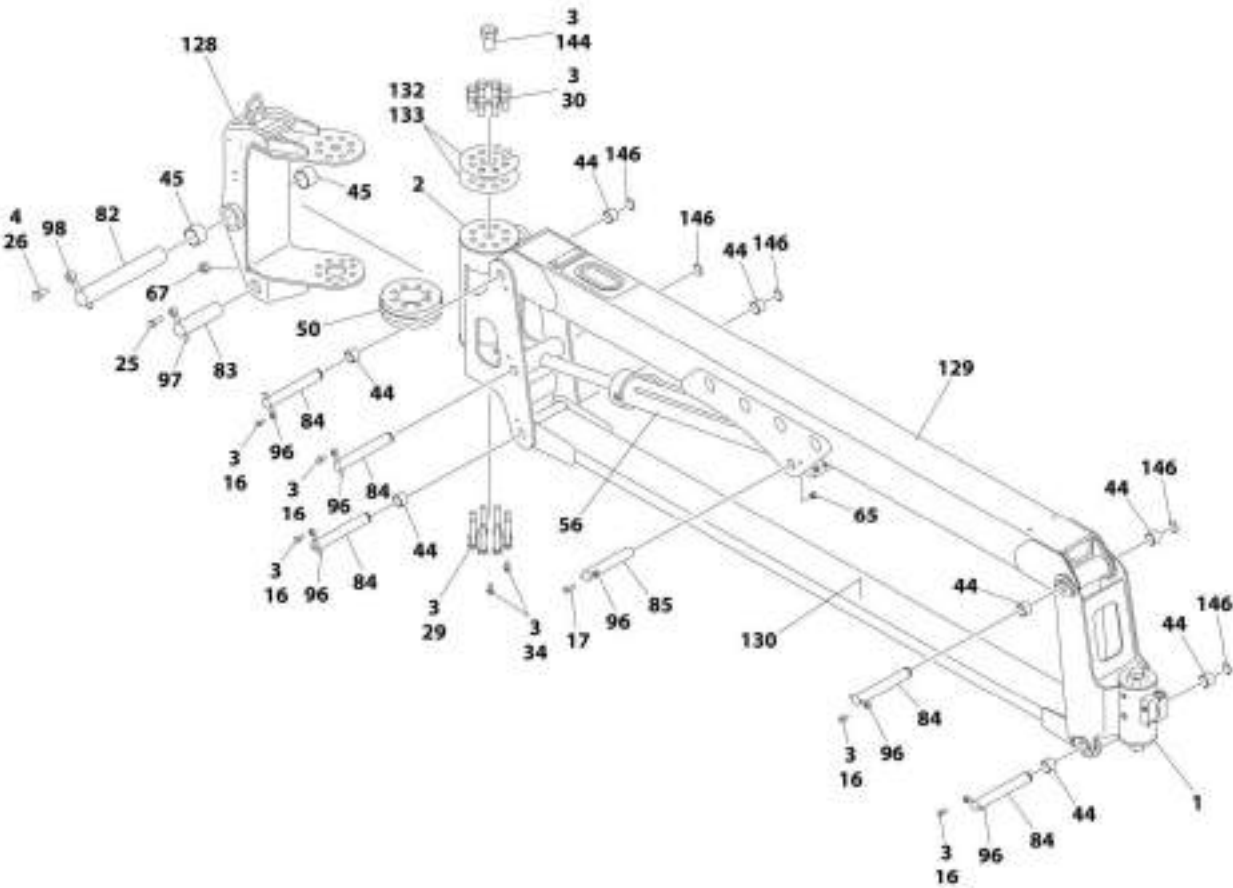
ART 0801315_10F3

SECTION 4 - BOOM



ART_0801315_30F3

SECTION 4 - BOOM



ART_0801511_3CP1

SECTION 4 - BOOM

FIGURE 4-7. BOOM ASSEMBLY 1350SJP - WITHOUT COLD WEATHER PLUS PACKAGE

ITEM	PART NUMBER	QTY	DESCRIPTION	REV
	0801315	Ref	BOOM ASSEMBLY 1350SJP - WITHOUT COLD WEATHER PLUS PACKAGE	U
1	1001097643	NLA	Actuator Assembly (Platform Rotate) (See Separate Breakdown in this Section) (SN 0300201016 through 0300201349)	
1	1001178247	1	Actuator Assembly (Platform Rotate) (See Separate Breakdown in this Section) (SN 0300201350 to Present, SN B300002238 to Present)	
2	1001097619	NLA	Actuator Assembly (Jib Rotate) (See Separate Breakdown in this Section) (SN 0300201016 through 0300201349)	
2	1001178248	1	Actuator Assembly (Jib Rotate) (See Separate Breakdown in this Section) (SN 0300201350 to Present, SN B300002238 to Present)	
3	0100011	AR	Compound, Locking	
4	0100019	AR	Compound, Locking	
5	0561431	1	Block, Rope Retainer	
6	0561437	2	Block, Rope Retainer	
7	0561439	1	Block, Outer Mid Extend	
8	0561444	2	Block, Cable Retainer	
9	0561454	1	Block, Switch Adjuster	
10	0561457	2	Block, Cable Retainer	
11	0561458	2	Block, Cable Retainer	
12	0561471	2	Block, Spacer	
13	0561500	2	Block, Trunnion Keeper	
14	0561482	2	Block, Trunnion Keeper	
15	3340955	1	Pad	
16	0641607	5	Bolt 3/8 x 7/8	
17	0641610	1	Bolt 3/8 x 1-1/4	
18	0641615	4	Bolt 3/8 x 1-7/8	
19	0791618	4	Screw 3/8 x 2-1/4	
20	0791620	10	Screw 3/8 x 2-1/2	
21	0791624	4	Screw 3/8 x 3	
22	0641646	4	Bolt 3/8 x 5-3/4	
23	0641652	3	Bolt 3/8 x 6-1/2	
24	0641808	1	Bolt 1/2 x 1	
25	0641813	1	Bolt 1/2 x 1-5/8	
26	0642012	1	Bolt 5/8 x 1-1/2	
27	0642014	4	Bolt 5/8 x 1-3/4	
28	0642022	2	Bolt 5/8 x 2-3/4	
29	0682028	8	Bolt 5/8 x 3-1/2 Grade 8	
30	0682212	8	Bolt 3/4 x 1-1/2 Grade 8	
31	0741606	3	Screw 3/8 x 3/4	
32	0741806	1	Screw 1/2 x 3/4	
33	0791604	4	Screw 3/8 x 1/2	
34	0791606	2	Screw 3/8 x 3/4	
36	0811608	43	Screw 3/8 x 1	
37	0811610	10	Screw 3/8 x 1-1/4	
38	0811614	4	Screw 3/8 x 1-3/4	
39	0811616	6	Screw 3/8 x 2	
40	0801301	1	Base, Boom	
41	0801302	1	Mid, Inner	
42	0801303	1	Mid, Outer	

SECTION 4 - BOOM

ITEM	PART NUMBER	QTY	DESCRIPTION	REV
43	0801304	1	Fly, Boom	
44	0961951	8	Bushing	
45	0962224	2	Bearing	
46	0791612	4	Screw 3/8 x 1-1/2	
47	0962297	2	Bushing	
48	0962409	2	Bushing	
49	0962410	2	Bushing	
50	1100131	1	Cam	
52	1671032	1	Cover	
53	1671033	1	Cover	
54	1684108	NLA	Telescope Cylinder Assembly (Use p/n 1001228021) (See Separate Breakdown in CYLINDER SECTION) (SN 0300201016 through 0300243473, SN B300002238 through B300002646)	
54	1001228021	1	Telescope Cylinder Assembly (See Separate Breakdown in CYLINDER SECTION) (SN 0300243474 to Present, SN B300002647 to Present)	
55	1684149	NLA	Platform Level Cylinder Assembly (Use p/n 1001228023) (See Separate Breakdown in CYLINDER SECTION) (SN 0300201016 through 0300239980, SN B300002238 through B300002570)	
55	1001228023	1	Platform Level Cylinder Assembly (See Separate Breakdown in CYLINDER SECTION) (SN 0300239981 to Present, SN B300002571 to Present)	
56	1684173	NLA	Jib Cylinder Assembly (Use p/n 1001228025) (See Separate Breakdown in CYLINDER SECTION) (SN 0300201016 through 0300239161, SN B300002238 through B300002449)	
56	1001228025	1	Jib Cylinder Assembly (See Separate Breakdown in CYLINDER SECTION) (SN 0300239162 to Present, SN B300002450 to Present)	
57	3020039	AR	Lubricant, Moly	
58	3300239	4	Nut, Nylon Insert	
59	3020042	AR	Lubricant with PTFE	
60	3300458	1	Nut 1	
62	3300460	2	Nut 1-1/4	
63	3300461	3	Nut 1-3/8	
65	3311605	7	Nut 3/8	
66	3311801	4	Nut 1/2	
67	3311805	1	Nut 1/2	
68	3340871	2	Pad, Wear	
69	3340881	12	Pad, Wear	
70	3340910	1	Pad, Wear	
71	3340912	2	Pad, Wear	
72	4700039	1	Pad, Wear	
73	3340916	2	Pad, Wear	
74	3340917	2	Pad, Wear	
75	3340918	2	Pad, Wear	
76	4700038	1	Pad, Wear	
77	3340921	12	Pad, Wear	
78	3340922	6	Pad, Wear	
79	3340926	1	Pad, Wear	
80	3422926	1	Pin	
81	3422937	1	Pin	
82	1001119899	1	Pin	
83	3422956	1	Pin	
84	3422957	5	Pin	

SECTION 4 - BOOM

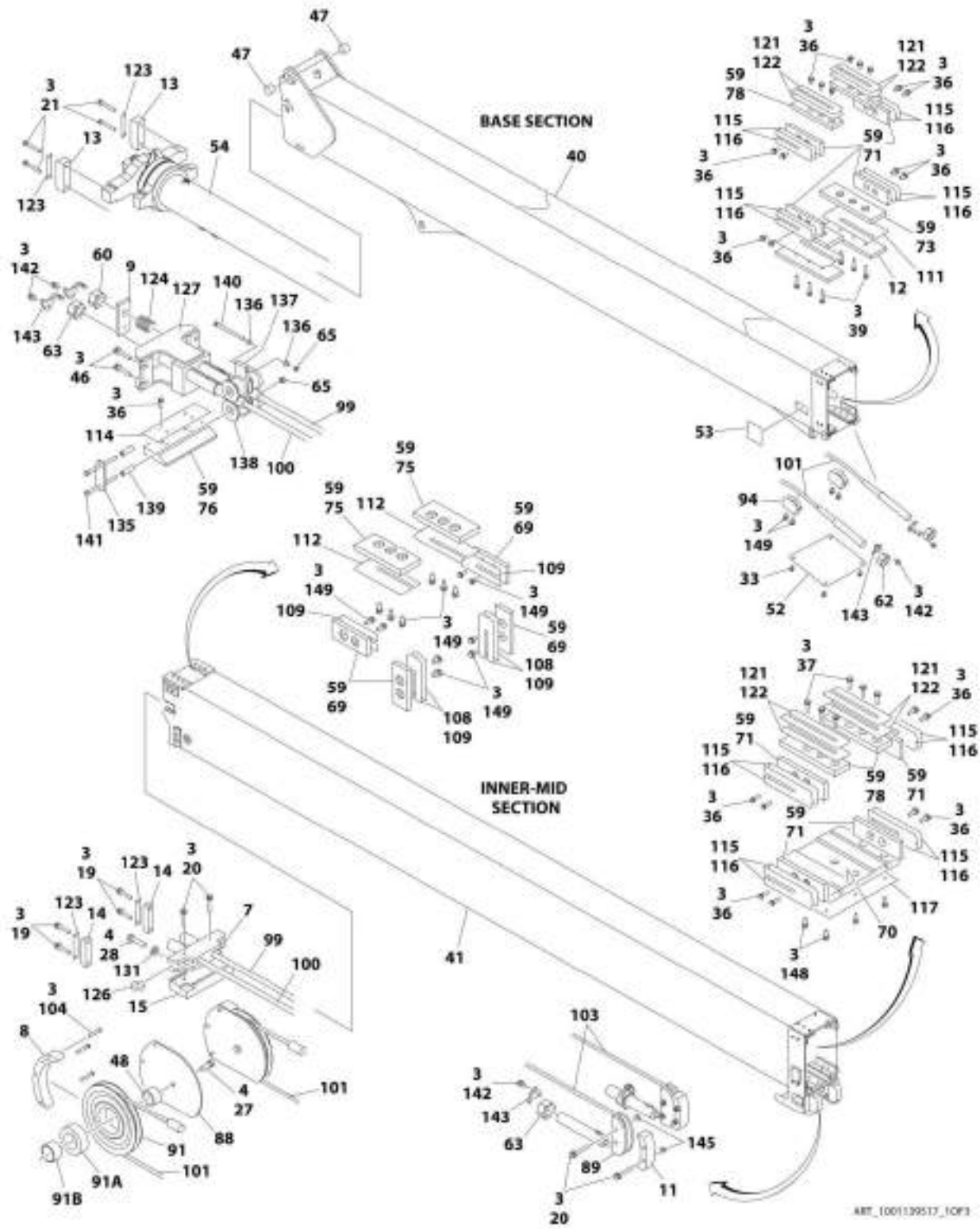
ITEM	PART NUMBER	QTY	DESCRIPTION	REV
85	3422958	1	Pin	
86	3422959	1	Pin	
87	3572950	2	Plate, Cable Retract Retainer	
88	3572951	2	Plate, Cable Retract Retainer	
89	3580342	2	Sheave	
90	1001154260	2	Sheave	
90A	1001154294	1	Ring, Snap	
90B	1001154304	1	Bushing (Inner)	
90C	1001154306	1	Bushing (Outer)	
91	3580298	2	Sheave	
91A	0962402	1	Bushing (Outer)	
91B	0962406	1	Bushing (Inner)	
92	3580300	1	Sheave	
92A	1001139972	1	Bushing (Inner)	
92B	0962403	1	Bushing (Outer)	
93	3580302	1	Sheave	
93A	0962404	1	Bushing (Outer)	
93B	0962411	1	Bushing (Inner)	
94	3580341	2	Sheave	
95	3760233	1	Ring, Retaining	
96	3841143	6	Keeper, Pin	
97	3841203	2	Keeper, Pin	
98	3841258	1	Keeper, Pin	
99	3890029	1	Cable, Outer Mid Extend	
100	3890030	1	Cable, Outer Mid Extend	
101	3890031	2	Cable, Outer Mid Retract	
102	3890032	4	Cable, Fly Extend	
103	3890033	2	Cable, Fly Retract	
104	0641618	6	Screw 3/8 x 2-1/4	
105	4070863	2	Shim #11 Gauge	
106	4070864	2	Shim #18 Gauge	
107	4070895	2	Shim #16 Gauge	
108	4070897	6	Shim #18 Gauge	
109	4070898	12	Shim #11 Gauge	
110	4071012	1	Shim #16 Gauge	
112	4071015	2	Shim #16 Gauge	
114	4071017	1	Shim #16 Gauge	
115	4071018	8	Shim #16 Gauge	
116	4071019	12	Shim #11 Gauge	
117	4071024	1	Shim #16 Gauge	
118	4071025	1	Shim #16 Gauge	
120	4071027	2	Shim #16 Gauge	
121	4071028	6	Shim #16 Gauge	
122	4071029	6	Shim #11 Gauge	
123	4071031	4	Shim #16 Gauge	
124	4160197	1	Spring	
125	4711600	10	Washer 3/8	
126	4740509	2	Spacer	
127	4846453	1	Plate, Mounting	
128	4846462	1	Pivot	
129	4846482	1	Link, Jib (Upper)	

SECTION 4 - BOOM

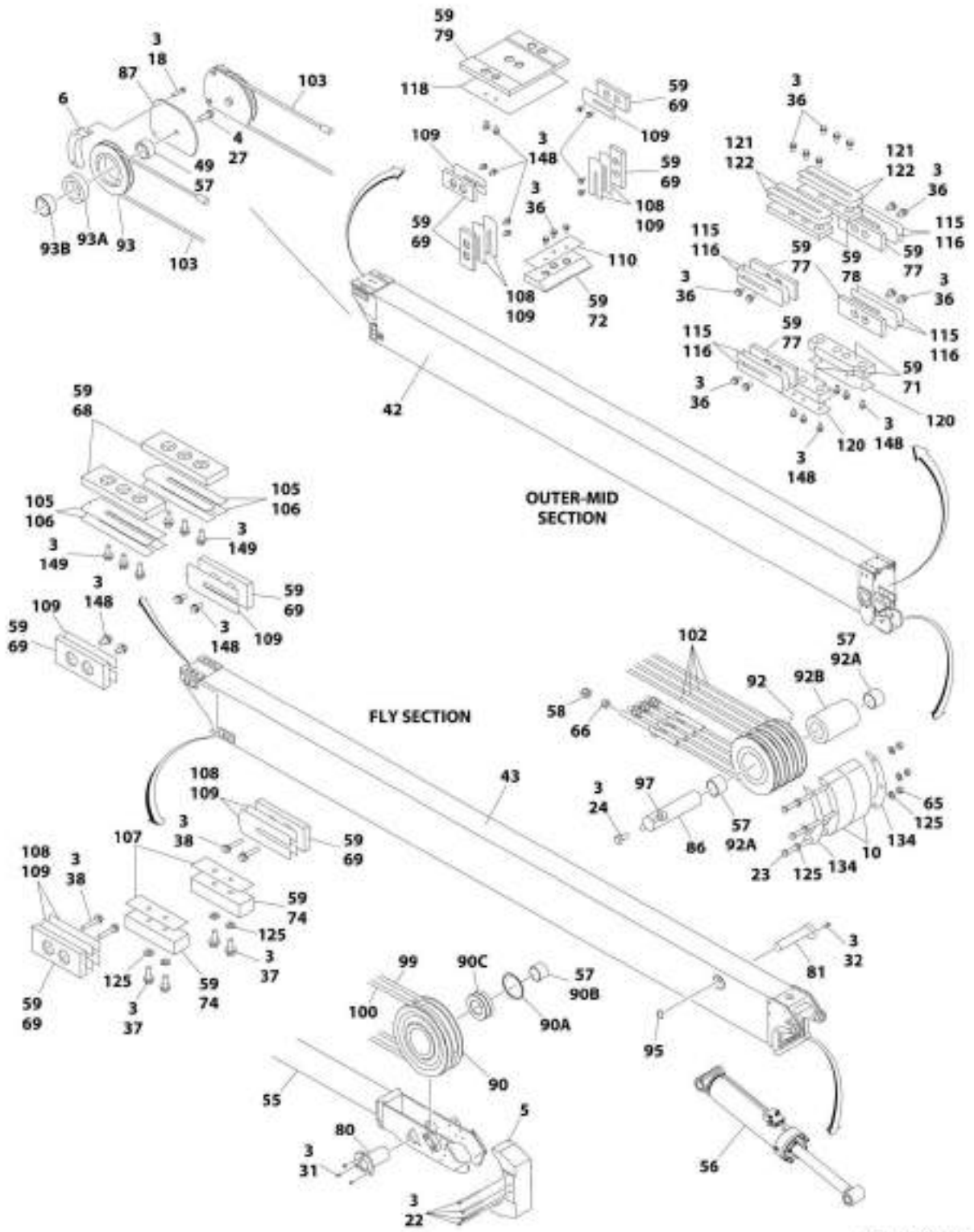
ITEM	PART NUMBER	QTY	DESCRIPTION	REV
130	0801550	1	Link, Jib (Lower)	
131	4892000	2	Washer 5/8	
132	4071044	1	Shim #18 Gauge	
133	4071045	1	Shim #11 Gauge	
134	4071046	2	Shim #16 Gauge	
135	0363066	2	Bar, Stabilizer	
136	0962447	2	Bearing, Flanged	
137	3573437	1	Plate, Pulley Adjustment	
138	3580306	4	Pulley	
139	4568423	4	Tube, Spacer	
140	0641640	1	Bolt 3/8 x 5	
141	0641644	2	Bolt 3/8 x 5-1/2	
142	0791605	6	Screw 3/8 x 5/8	
143	3573444	6	Plate, Lock	
144	0630558	1	Bolt 1-1/8 x 2	
145	3311608	8	Nut 3/8	
146	3760133	5	Ring, Retaining	
148	0811606	30	Screw 3/8 x 3/4	
149	0811607	24	Screw 3/8 x 7/8	

SECTION 4 - BOOM

FIGURE 4-8. BOOM ASSEMBLY 1350SJP - WITH COLD WEATHER PLUS PACKAGE

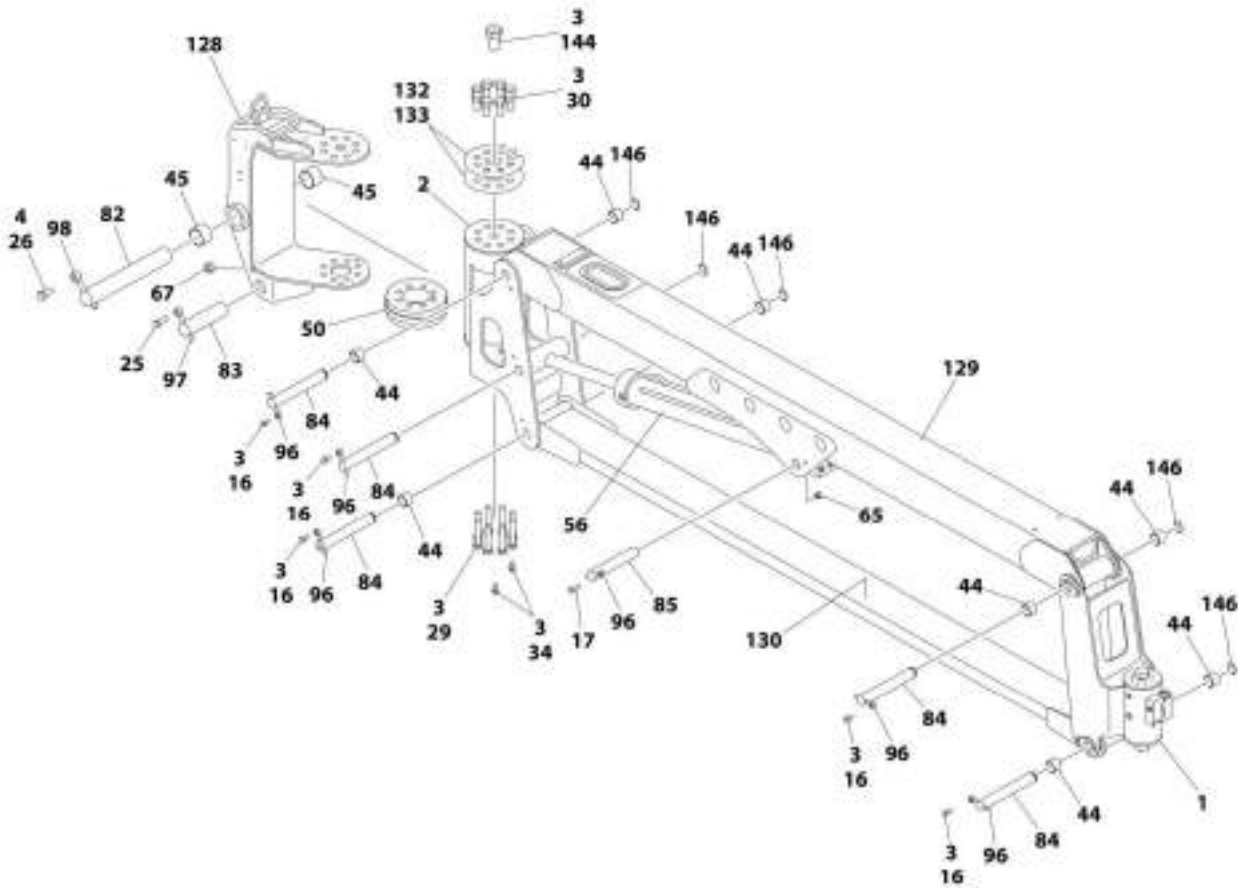


SECTION 4 - BOOM



ART_1061130517_20F3

SECTION 4 - BOOM



MIT_1001135517_30F3

SECTION 4 - BOOM

FIGURE 4-8. BOOM ASSEMBLY 1350SJP - WITH COLD WEATHER PLUS PACKAGE

ITEM	PART NUMBER	QTY	DESCRIPTION	REV
	1001139517	Ref	BOOM ASSEMBLY 1350SJP - WITH COLD WEATHER PLUS PACKAGE	F
1	1001097643	NLA	Actuator Assembly (Platform Rotate) (See Separate Breakdown in this Section) (SN 0300201016 through 0300201349)	
1	1001178247	1	Actuator Assembly (Platform Rotate) (See Separate Breakdown in this Section) (SN 0300201350 to Present)	
2	1001097619	NLA	Actuator Assembly (Jib Rotate) (See Separate Breakdown in this Section) (SN 0300201016 through 0300201349)	
2	1001178248	1	Actuator Assembly (Jib Rotate) (See Separate Breakdown in this Section) (SN 0300201350 to Present)	
3	0100011	AR	Compound, Locking	
4	0100019	AR	Compound, Locking	
5	0561431	1	Block, Rope Retainer	
6	0561437	2	Block, Rope Retainer	
7	0561439	1	Block, Outer Mid Extend	
8	0561444	2	Block, Cable Retainer	
9	0561454	1	Block, Switch Adjuster	
10	0561457	2	Block, Cable Retainer	
11	0561458	2	Block, Cable Retainer	
12	0561471	2	Block, Spacer	
13	0561500	2	Block, Trunnion Keeper	
14	0561482	2	Block, Trunnion Keeper	
15	3340955	1	Pad	
16	0641607	5	Bolt 3/8 x 7/8	
17	0641610	1	Bolt 3/8 x 1-1/4	
18	0641615	4	Bolt 3/8 x 1-7/8	
19	0791618	4	Screw 3/8 x 2-1/4	
20	0791620	10	Screw 3/8 x 2-1/2	
21	0791624	4	Screw 3/8 x 3	
22	0641646	4	Bolt 3/8 x 5-3/4	
23	0641652	3	Bolt 3/8 x 6-1/2	
24	0641808	1	Bolt 1/2 x 1	
25	0641813	1	Bolt 1/2 x 1-5/8	
26	0642012	1	Bolt 5/8 x 1-1/2	
27	0642014	4	Bolt 5/8 x 1-3/4	
28	0642022	2	Bolt 5/8 x 2-3/4	
29	0682028	8	Bolt 5/8 x 3-1/2 Grade 8	
30	0682212	8	Bolt 3/4 x 1-1/2 Grade 8	
31	0741606	3	Screw 3/8 x 3/4	
32	0741806	1	Screw 1/2 x 3/4	
33	0791604	4	Screw 3/8 x 1/2	
34	0791606	2	Screw 3/8 x 3/4	
36	0811608	43	Screw 3/8 x 1	
37	0811610	10	Screw 3/8 x 1-1/4	
38	0811614	4	Screw 3/8 x 1-3/4	
39	0811616	6	Screw 3/8 x 2	
40	0801301	1	Base, Boom	
41	0801302	1	Mid, Inner	
42	0801303	1	Mid, Outer	
43	0801304	1	Fly, Boom	
44	0961951	8	Bushing	

SECTION 4 - BOOM

ITEM	PART NUMBER	QTY	DESCRIPTION	REV
45	0962224	2	Bearing	
46	0791612	4	Screw 3/8 x 1-1/2	
47	0962297	2	Bushing	
48	0962409	2	Bushing	
49	0962410	2	Bushing	
50	1100131	1	Cam	
52	1671032	1	Cover	
53	1671033	1	Cover	
54	1684108	NLA	Telescope Cylinder Assembly (Use p/n 1001228021) (See Separate Breakdown in CYLINDER SECTION) (SN 0300201016 through 0300243476)	
54	1001228021	1	Telescope Cylinder Assembly (See Separate Breakdown in CYLINDER SECTION) (SN 0300243474 to Present)	
55	1001138802	NLA	Platform Level Cylinder Assembly (Use p/n 1001228053) (See Separate Breakdown in CYLINDER SECTION) (SN 0300201016 through 0300239980)	
55	1001228053	1	Platform Level Cylinder Assembly (See Separate Breakdown in CYLINDER SECTION) (SN 0300239981 to Present)	
56	1001138803	NLA	Jib Cylinder Assembly (Use p/n 1001228025) (See Separate Breakdown in CYLINDER SECTION) (SN 0300201016 through 0300239161)	
56	1001228025	1	Jib Cylinder Assembly (See Separate Breakdown in CYLINDER SECTION) (SN 0300239162 to Present)	
57	3020039	AR	Lubricant, Moly	
58	3300239	4	Nut, Nylon Insert	
59	3020042	AR	Lubricant with PTFE	
60	3300458	1	Nut 1	
62	3300460	2	Nut 1-1/4	
63	3300461	3	Nut 1-3/8	
65	3311605	7	Nut 3/8	
66	3311801	4	Nut 1/2	
67	3311805	1	Nut 1/2	
68	3340871	2	Pad, Wear	
69	3340881	12	Pad, Wear	
70	3340910	1	Pad, Wear	
71	3340912	2	Pad, Wear	
72	4700039	1	Pad, Wear	
73	3340916	2	Pad, Wear	
74	3340917	2	Pad, Wear	
75	3340918	2	Pad, Wear	
76	4700038	1	Pad, Wear	
77	3340921	12	Pad, Wear	
78	3340922	6	Pad, Wear	
79	3340926	1	Pad, Wear	
80	3422926	1	Pin	
81	3422937	1	Pin	
82	1001119899	1	Pin	
83	3422956	1	Pin	
84	3422957	5	Pin	
85	3422958	1	Pin	
86	3422959	1	Pin	
87	3572950	2	Plate, Cable Retract Retainer	
88	3572951	2	Plate, Cable Retract Retainer	

SECTION 4 - BOOM

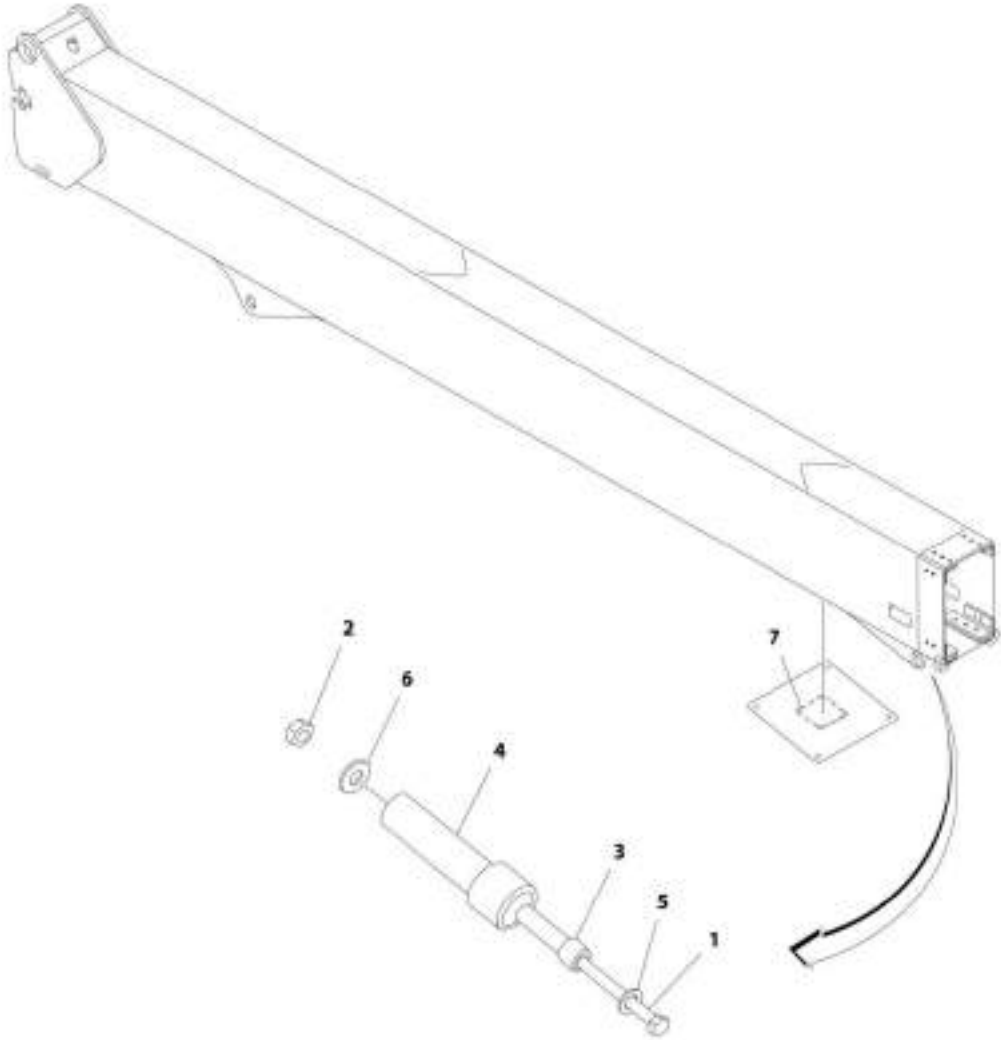
ITEM	PART NUMBER	QTY	DESCRIPTION	REV
89	3580342	2	Sheave	
90	1001154260	2	Sheave	
90A	1001154294	1	Ring, Snap	
90B	1001154304	1	Bushing (Inner)	
90C	1001154306	1	Bushing (Outer)	
91	3580298	2	Sheave	
91A	0962402	1	Bushing (Outer)	
91B	0962406	1	Bushing (Inner)	
92	3580300	1	Sheave	
92A	1001139972	1	Sleeve, Bushing (Inner)	
92B	0962403	1	Bushing (Outer)	
93	3580302	2	Sheave	
93A	0962404	1	Bushing (Outer)	
93B	0962411	1	Bushing (Inner)	
94	3580341	2	Sheave	
95	3760233	1	Ring, Retaining	
96	3841143	6	Keeper, Pin	
97	3841203	2	Keeper, Pin	
98	3841258	1	Keeper, Pin	
99	3890029	1	Cable, Outer Mid Extend	
100	3890030	1	Cable, Outer Mid Extend	
101	3890031	2	Cable, Outer Mid Retract	
102	3890032	4	Cable, Fly Extend	
103	3890033	2	Cable, Fly Retract	
104	0641618	6	Screw 3/8 x 2-1/4	
105	4070863	2	Shim #11 Gauge	
106	4070864	2	Shim #18 Gauge	
107	4070895	2	Shim #16 Gauge	
108	4070897	6	Shim #18 Gauge	
109	4070898	12	Shim #11 Gauge	
110	4071012	1	Shim #16 Gauge	
111	4071013	2	Shim #16 Gauge	
112	4071015	2	Shim #16 Gauge	
114	4071017	1	Shim #16 Gauge	
115	4071018	8	Shim #16 Gauge	
116	4071019	12	Shim #11 Gauge	
117	4071024	1	Shim #16 Gauge	
118	4071025	1	Shim #16 Gauge	
120	4071027	2	Shim #16 Gauge	
121	4071028	6	Shim #16 Gauge	
122	4071029	6	Shim #11 Gauge	
123	4071031	4	Shim #16 Gauge	
124	4160197	1	Spring	
125	4711600	10	Washer 3/8	
126	4740509	2	Spacer	
127	4846453	1	Plate, Mounting	
128	4846462	1	Pivot	
129	4846482	1	Link, Jib (Upper)	
130	0801550	1	Link, Jib (Lower)	
131	4892000	2	Washer 5/8	
132	4071044	1	Shim #18 Gauge	

SECTION 4 - BOOM

ITEM	PART NUMBER	QTY	DESCRIPTION	REV
133	4071045	1	Shim #11 Gauge	
134	4071046	2	Shim #16 Gauge	
135	0363066	2	Bar, Stabilizer	
136	0962447	2	Bearing, Flanged	
137	3573437	1	Plate, Pulley Adjustment	
138	3580306	4	Pulley	
139	4568423	4	Tube, Spacer	
140	0641640	1	Bolt 3/8 x 5	
141	0641644	2	Bolt 3/8 x 5-1/2	
142	0791605	6	Screw 3/8 x 5/8	
143	3573444	6	Plate, Lock	
144	0630558	1	Bolt 1 x 2	
145	3311608	8	Nut 3/8	
146	3760133	5	Ring, Retaining	
148	0811606	30	Screw 3/8 x 3/4	
149	0811607	24	Screw 3/8 x 7/8	

SECTION 4 - BOOM

FIGURE 4-9. WIRE ROPE TOOLS INSTALLATION (OPTIONAL)



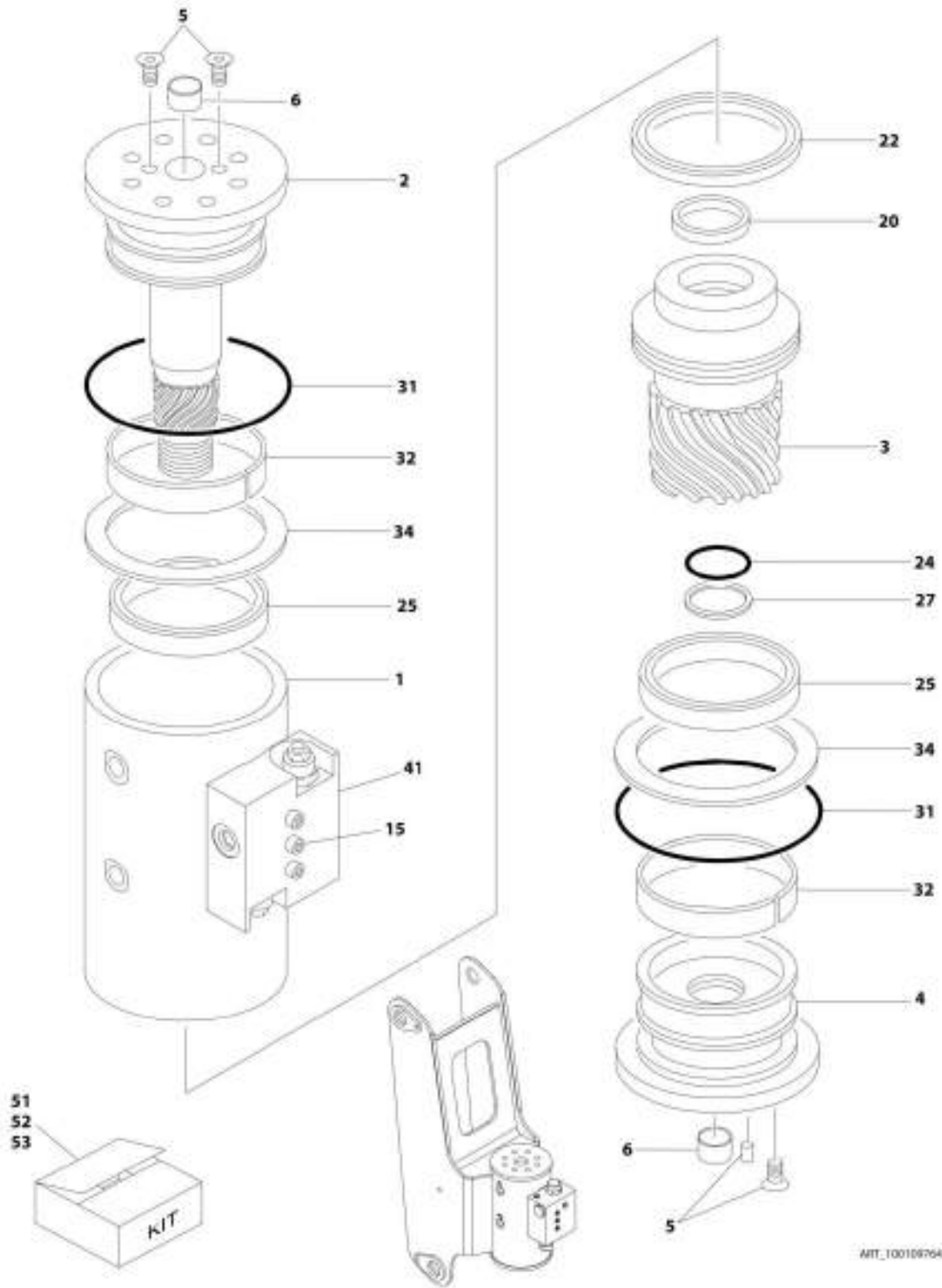
481_037344

FIGURE 4-9. WIRE ROPE TOOLS INSTALLATION (OPTIONAL)

ITEM	PART NUMBER	QTY	DESCRIPTION	REV
	0272048	Ref	WIRE ROPE TOOLS INSTALLATION (OPTIONAL)	B
1	0641676	1	Bolt 3/8 x 9-1/2	
2	3311605	1	Nut 3/8	
3	4120040	1	Socket 3/4	
4	4120043	1	Socket 2	
5	4711600	1	Washer 3/8	
6	4891600	1	Washer 3/8	
7	1705307	1	Decal - Tool Location	

SECTION 4 - BOOM

FIGURE 4-10. PLATFORM ROTATE ASSEMBLY (SN 0300201016 through 0300201348)



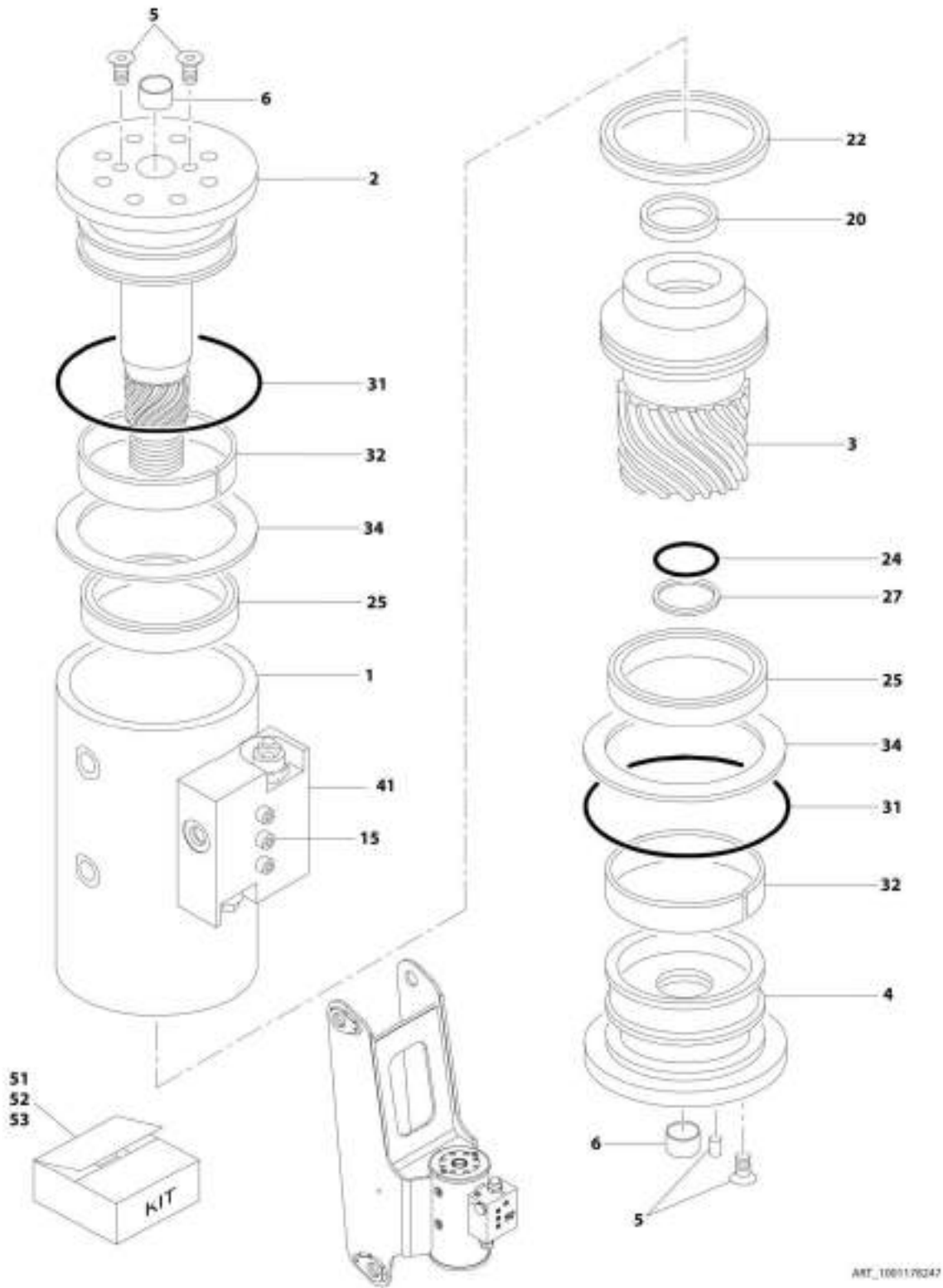
SECTION 4 - BOOM

FIGURE 4-10. PLATFORM ROTATE ASSEMBLY (SN 0300201016 through 0300201348)

ITEM	PART NUMBER	QTY	DESCRIPTION	REV
	1001097643	Ref	PLATFORM ROTATE ASSEMBLY (SN 0300201016 through 0300201348)	B
1	See Note	1	Case/Bracket Weldment (Note: Not Available - Purchase Complete Assembly)	
2	7017162	1	Shaft	
3	7017163	1	Sleeve, Piston	
4	7017164	1	Cap, End	
5	See Note	AR	Screw (Note: See Item 53 for Replacement)	
5	See Note	AR	Dowel Pin (Note: See Item 53 for Replacement)	
6	7017195	2	Bushing	
15	See Note	NSS	Capscrew 1/4 x 1-1/2 (Grade 8) (Note: Not Available for Purchase)	
20	See Note	1	Seal, Rod (Note: See Item 51 for Replacement Options)	
22	See Note	1	Seal, Piston (Note: See Item 51 for Replacement Options)	
24	See Note	1	Seal, Cap (Note: See Item 51 for Replacement Options)	
25	See Note	2	Packing, Bearing (Note: See Item 51 for Replacement Options)	
27	See Note	1	Ring, Cap Back-up (Note: See Item 51 for Replacement Options)	
31	See Note	2	Seal (Note: See Item 51 for Replacement Options)	
32	See Note	2	Bearing, Shaft (Note: See Item 52 for Replacement)	
34	See Note	2	Thrustwasher (Note: See Item 52 for Replacement)	
41	70001639	1	Motion Control Valve Assembly (Cartridges not serviced separately)	
51		Ref	Seal Kit Options: (Includes Items 20, 22, 24, 25, 27 & 31)	
51	7017158	1	Standard	
51	70000342	1	Cold Climate	
52	7017159	1	Bearing Kit (Includes Items 32 & 34)	
53	7017142	1	Hardware Kit (Includes Item 5 and Plugs)	

SECTION 4 - BOOM

FIGURE 4-11. PLATFORM ROTATE ASSEMBLY (SN 0300201349 to Present, SN B300002238 to Present)



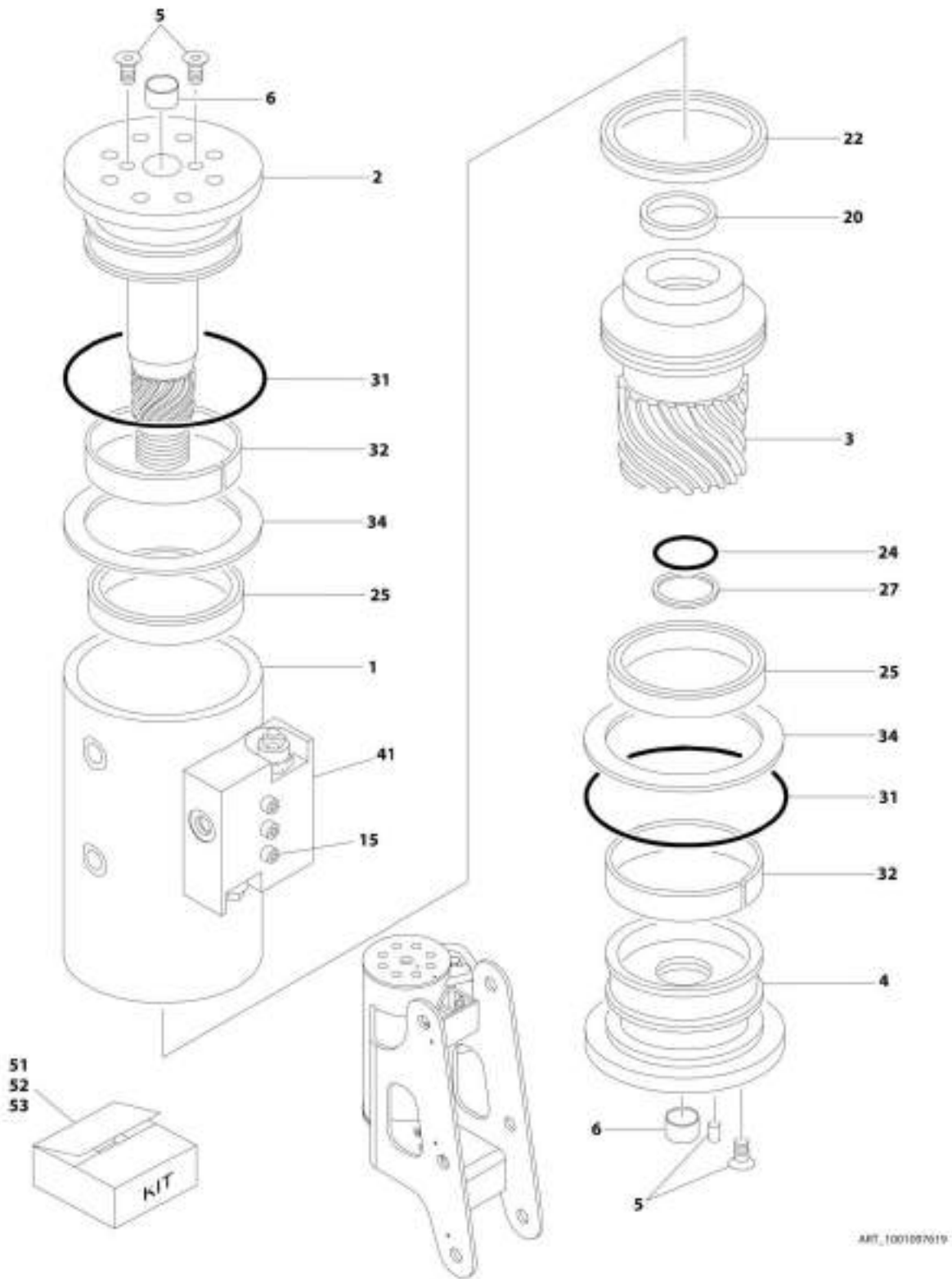
SECTION 4 - BOOM

FIGURE 4-11. PLATFORM ROTATE ASSEMBLY (SN 0300201349 to Present, SN B300002238 to Present)

ITEM	PART NUMBER	QTY	DESCRIPTION	REV
	1001178247	Ref	PLATFORM ROTATE ASSEMBLY (SN 0300201349 to Present, SN B300002238 to Present)	A
1	See Note	NSS	Case/Bracket Weldment (Note: Not Available - Purchase Complete Assembly)	
2	7017162	1	Shaft	
3	7017163	1	Sleeve, Piston	
4	7017164	1	Cap, End	
5	See Note	AR	Screw (Note: See Item 53 for Replacement)	
5	See Note	AR	Dowel Pin (Note: See Item 53 for Replacement)	
6	7017195	2	Bushing	
15	See Note	NSS	Capscrew 1/4 x 1-1/2 Grade 8 (Note: Not Available for Purchase)	
20	See Note	1	Seal, Rod (Note: See Item 51 for Replacement Options)	
22	See Note	1	Seal, Piston (Note: See Item 51 for Replacement Options)	
24	See Note	1	Seal, Cap (Note: See Item 51 for Replacement Options)	
25	See Note	2	Packing, Bearing (Note: See Item 51 for Replacement Options)	
27	See Note	1	Ring, Cap Back-up (Note: See Item 51 for Replacement Options)	
31	See Note	2	Seal (Note: See Item 51 for Replacement Options)	
32	See Note	2	Bearing, Shaft (Note: See Item 52 for Replacement)	
34	See Note	2	Thrustwasher (Note: See Item 52 for Replacement)	
41	70001639	1	Motion Control Valve Assembly (Cartridges not serviced separately)	
51	70000342	1	Seal Kit (Includes Items 20, 22, 24, 25, 27 & 31)	
52	7017159	1	Bearing Kit (Includes Items 32 & 34)	
53	7017142	1	Hardware Kit (Includes Item 5 and Plugs)	

SECTION 4 - BOOM

FIGURE 4-12. JIB ROTATE ASSEMBLY (SN 0300201016 through 0300201348)



AMT_1001097619

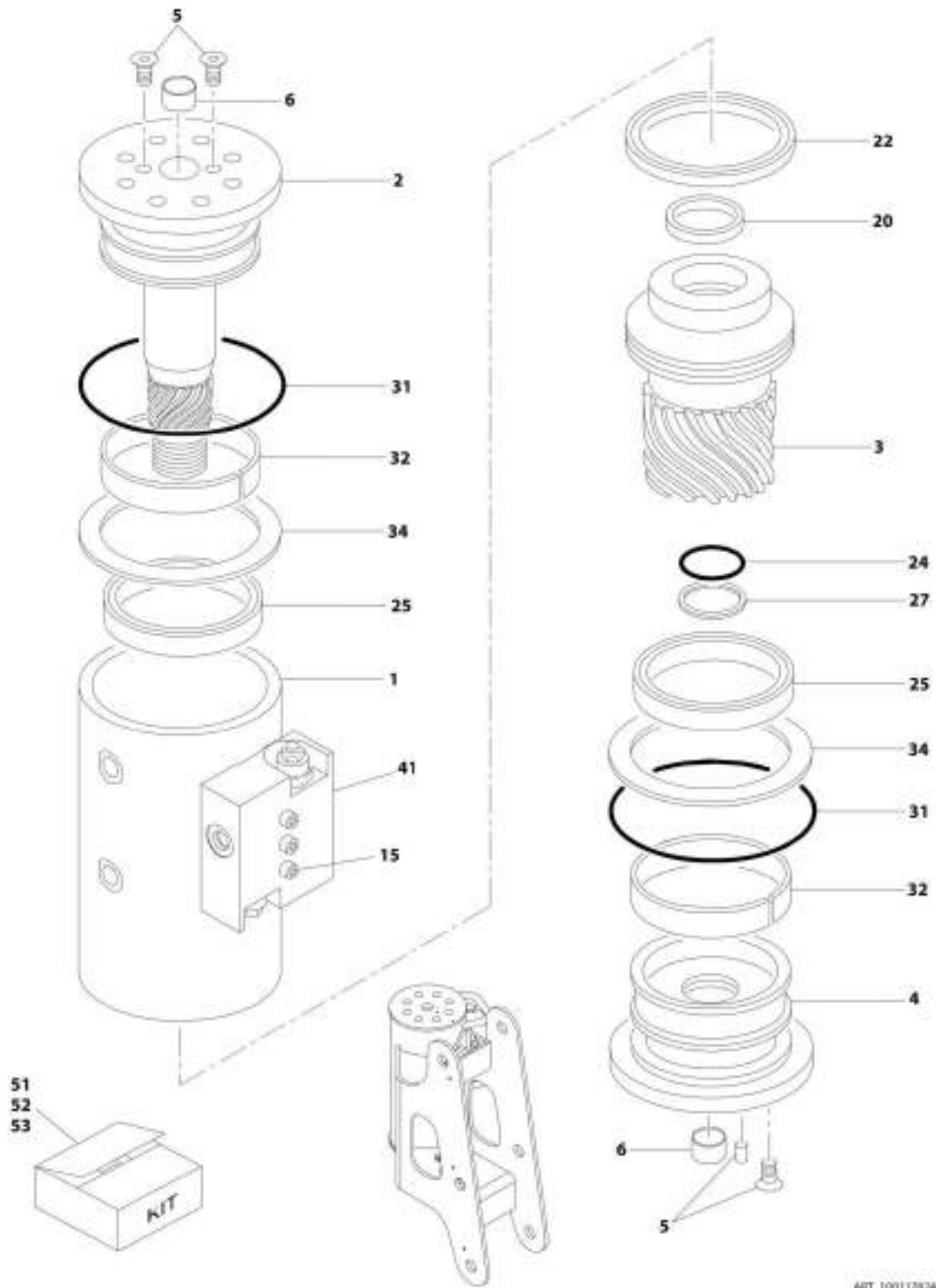
SECTION 4 - BOOM

FIGURE 4-12. JIB ROTATE ASSEMBLY (SN 0300201016 through 0300201348)

ITEM	PART NUMBER	QTY	DESCRIPTION	REV
	1001097619	Ref	JIB ROTATE ASSEMBLY (SN 0300201016 through 0300201348)	B
1	See Note	1	Case/Bracket Weldment (Note: Not Available - Purchase Complete Assembly)	
2	7017191	1	Shaft	
3	7017187	1	Sleeve, Piston	
4	7017188	1	Cap, End	
5	See Note	AR	Screw (Note: See Item 53 for Replacement)	
5	See Note	AR	Dowel Pin (Note: See Item 53 for Replacement)	
6	7017195	2	Bushing	
15	See Note	NSS	Capscrew 1/4 x 1-1/2 (Grade 8) (Note: Not Available for Purchase)	
20	See Note	1	Seal, Rod (Note: See Item 51 for Replacement Options)	
22	See Note	1	Seal, Piston (Note: See Item 51 for Replacement Options)	
24	See Note	1	Seal, Cap (Note: See Item 51 for Replacement Options)	
25	See Note	2	Packing, Bearing (Note: See Item 51 for Replacement Options)	
27	See Note	1	Ring, Cap Back-up (Note: See Item 51 for Replacement Options)	
31	See Note	2	Seal (Note: See Item 51 for Replacement Options)	
32	See Note	2	Bearing, Shaft (Note: See Item 52 for Replacement)	
34	See Note	2	Thrustwasher (Note: See Item 52 for Replacement)	
41	70002859	1	Motion Control Valve Assembly (Cartridges not serviced separately)	
51		Ref	Seal Kit Options: (Includes Items 20, 22, 24, 25, 27 & 31)	
51	7017184	1	Standard	
51	70000796	1	Cold Climate	
52	7017185	1	Bearing Kit (Includes Items 32 & 34)	
53	70001640	1	Hardware Kit (Includes Item 5 and Plugs)	

SECTION 4 - BOOM

FIGURE 4-13. JIB ROTATE ASSEMBLY (SN 0300201349 to Present, SN B300002238 to Present)



MIT_1001178248

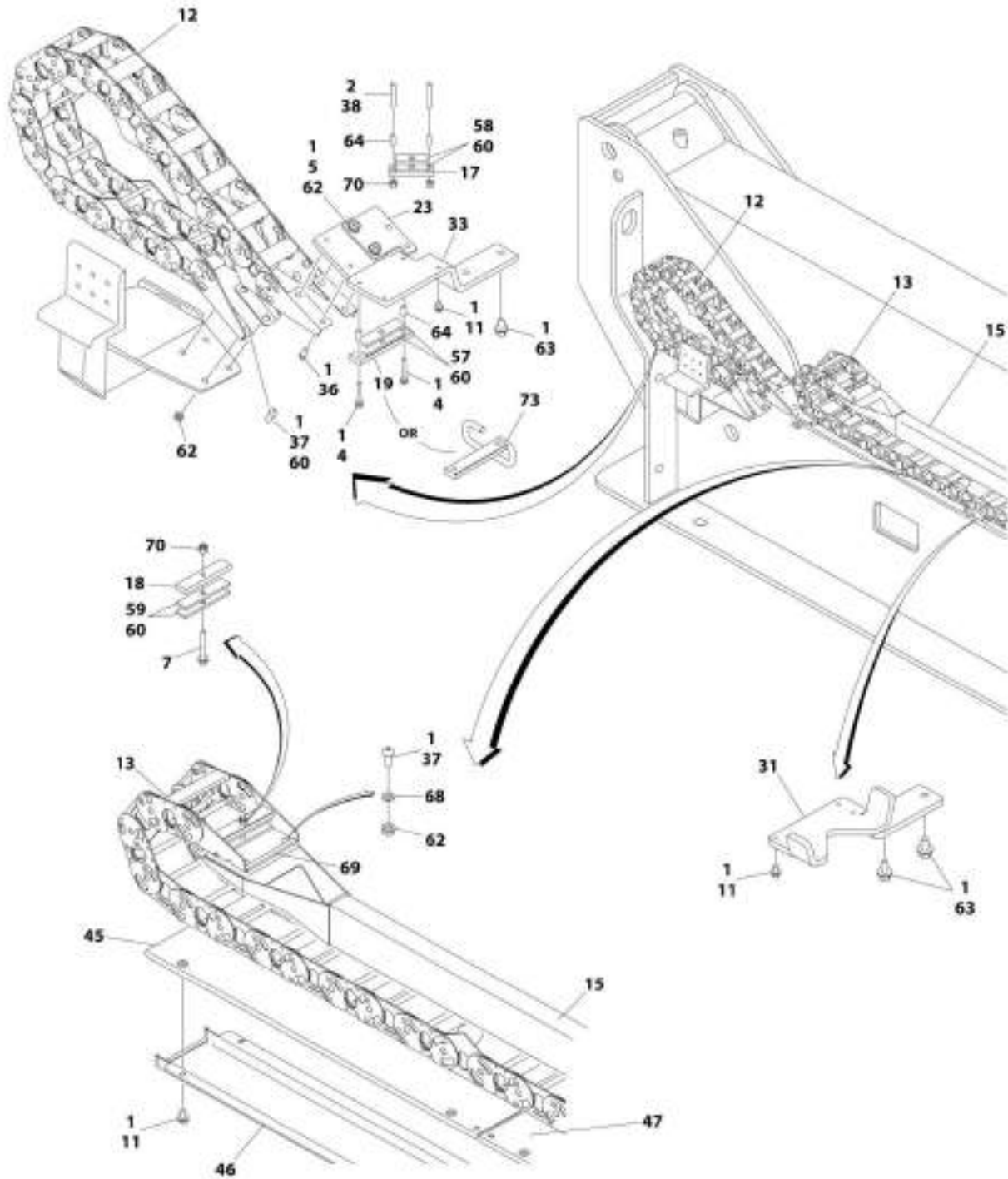
SECTION 4 - BOOM

FIGURE 4-13. JIB ROTATE ASSEMBLY (SN 0300201349 to Present, SN B300002238 to Present)

ITEM	PART NUMBER	QTY	DESCRIPTION	REV
	1001178248	Ref	JIB ROTATE ASSEMBLY (SN 0300201349 to Present, SN B300002238 to Present)	A
1	See Note	NSS	Case/Bracket Weldment (Note: Not Available - Purchase Complete Assembly)	
2	7017162	1	Shaft	
3	7017163	1	Sleeve, Piston	
4	7017164	1	Cap, End	
5	See Note	AR	Screw (Note: See Item 53 for Replacement)	
5	See Note	AR	Dowel Pin (Note: See Item 53 for Replacement)	
6	7017195	2	Bushing	
15	See Note	NSS	Capscrew 1/4 x 1-1/2 Grade 8 (Note: Not Available for Purchase)	
20	See Note	1	Seal, Rod (Note: See Item 51 for Replacement Options)	
22	See Note	1	Seal, Piston (Note: See Item 51 for Replacement Options)	
24	See Note	1	Seal, Cap (Note: See Item 51 for Replacement Options)	
25	See Note	2	Packing, Bearing (Note: See Item 51 for Replacement Options)	
27	See Note	1	Ring, Cap Back-up (Note: See Item 51 for Replacement Options)	
31	See Note	2	Seal (Note: See Item 51 for Replacement Options)	
32	See Note	2	Bearing, Shaft (Note: See Item 52 for Replacement)	
34	See Note	2	Thrustwasher (Note: See Item 52 for Replacement)	
41	70002859	1	Motion Control Valve Assembly (Cartridges not serviced separately)	
51	70000796	1	Seal Kit (Includes Items 20, 22, 24, 25, 27 & 31)	
52	7017185	1	Bearing Kit (Includes Items 32 & 34)	
53	70001640	1	Hardware Kit (Includes Item 5 and Plugs)	

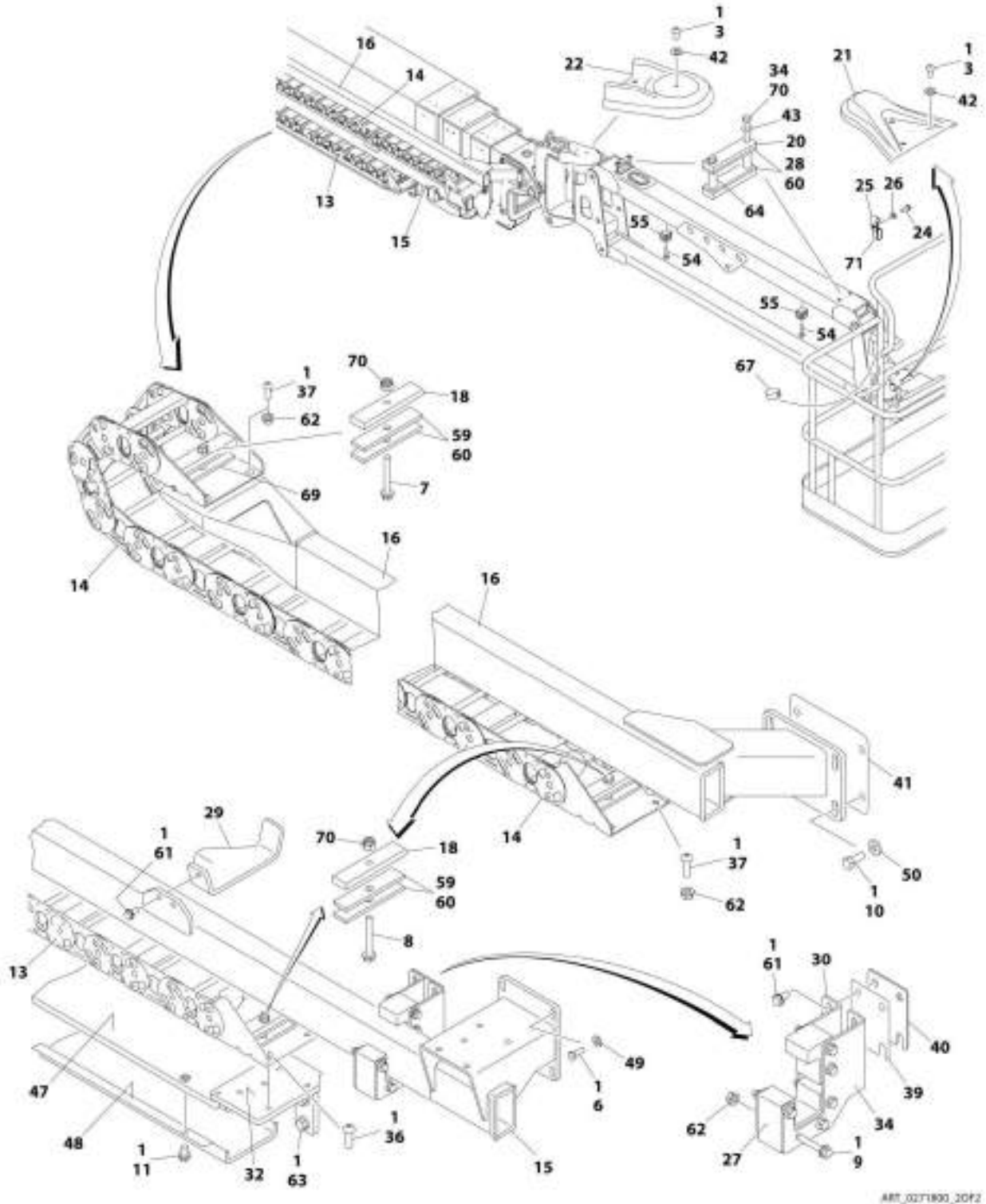
SECTION 4 - BOOM

FIGURE 4-14. POWER TRACK INSTALLATION - 1200SJP



ART_0271806_1CF2

SECTION 4 - BOOM



ART_0071800_20F2

SECTION 4 - BOOM

FIGURE 4-14. POWER TRACK INSTALLATION - 1200SJP

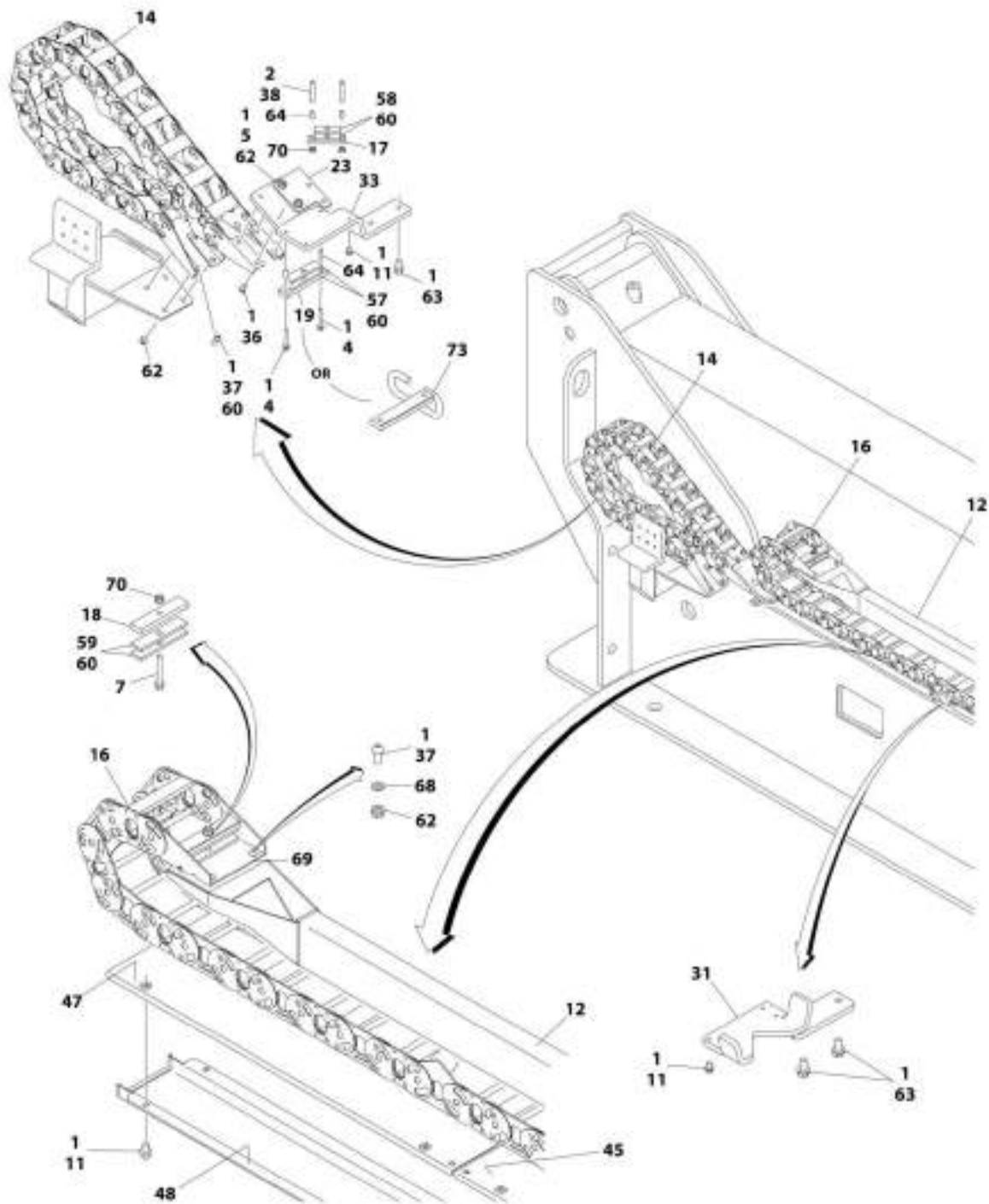
ITEM	PART NUMBER	QTY	DESCRIPTION	REV
	0271800	Ref	POWER TRACK INSTALLATION - 1200SJP	Q
1	0100011	AR	Compound, Locking	
2	0100019	AR	Compound, Locking	
3	0630467	AR	Screw 5/16 x 1/2	
4	0791518	2	Screw 5/16 x 2-1/4	
5	3900232	AR	Screw 3/8 x 1-1/4	
6	0641608	4	Bolt 3/8 x 1	
7	0791620	2	Screw 3/8 x 2-1/2	
8	0791622	2	Screw 3/8 x 2-3/4	
9	0791624	6	Screw 3/8 x 3	
10	0641810	4	Bolt 1/2 x 1-1/4	
11	0791504	48	Screw 5/16 x 1/2	
12	1001131620	Ref	Carrier (T/T to Boom)	
12	70003917	AR	Section Repair Kit (Includes Inner and Outer Links, Joining Bars and Rollers and Assembling Hardware)	
12	70003918	1	Mounting Bracket Kit (Includes Mounting Brackets for Both Ends, 1 Roller Assembly and Assembling Hardware)	
13	1001131734	1	Carrier (Lower)	
13	70003913	AR	Section Repair Kit (Includes Inner and Outer Links, Joining Bars and Rollers and Assembling Hardware)	
13	70003915	1	Mounting Bracket Kit (Includes Mounting Brackets for Both Ends, 1 Roller Assembly and Assembling Hardware)	
13	70003914	AR	Center Bracket Kit (Includes 1 Flat Bar, 1 Round Bar, 1 Roller and Assembling Hardware)	
14	1001131729	1	Carrier (Upper)	
14	70003913	AR	Section Repair (Includes Inner and Outer Links, Joining Bars and Rollers and Assembling Hardware)	
14	70003915	1	Mounting Bracket Kit (Includes Mounting Brackets for Both Ends, 1 Roller Assembly and Assembling Hardware)	
14	70003914	AR	Center Bracket Kit (Includes 1 Flat Bar, 1 Round Bar, 1 Roller and Assembling Hardware)	
15	1180369	1	Tube, Push (Lower)	
16	1180370	1	Tube, Push (Upper)	
17	1320277	1	Clamp, Hose	
18	1320294	4	Clamp, Bar	
19	1320295	1	Clamp, Bar (SN 0300201016 through 0300247517, SN B300002238 through B300002942)	
20	1320296	3	Clamp, Bar	
21	1670964	1	Cover, Support/Rotator (SN 0300201016 through 0300224860)	
22	1671043	1	Cover, Jib Pivot	
23	4846753	1	Shield, Hose Protection (SN 0300201016 through 0300247517, SN B300002238 through B300002942)	
24	0641406	1	Screw 1/4 x 3/4	
25	1320263	1	Clamp, Cable	
26	4711400	1	Washer 1/4	
27	3340925	1	Pad	
28	3340934	4	Pad, Clamp	
29	3573016	3	Support, Track	
30	3573179	2	Plate, Mounting	
31	3573181	4	Support, Track	
32	3573194	1	Plate, Track Mounting	
33	3573210	1	Plate, Track Mounting	

SECTION 4 - BOOM

ITEM	PART NUMBER	QTY	DESCRIPTION	REV
34	3900260	4	Capscrew 3/8 x 4	
36	3900283	6	Screw 3/8 x 3/4	
37	3900316	16	Screw 3/8 x 1	
38	3951620	2	Setscrew 3/8 x 2-1/2	
39	4071021	1	Shim, Adjusting 16Ga	
40	4071022	1	Shim, Adjusting 11Ga	
41	4071023	1	Shim, Adjusting 11Ga	
42	4711500	AR	Washer 5/16	
43	4711600	4	Washer 3/8	
45	4846431	1	Cover, Cable (Front)	
46	4846485	1	Support, Cable (Front)	
47	4846515	4	Cover, Cable (Rear)	
48	4846516	4	Support, Cable (Rear)	
49	4891600	4	Washer 3/8	
50	4891800	4	Washer 1/2	
54	0641510	2	Bolt 5/16 x 1-1/4	
55	1320159	2	Clamp	
56	4240018	10	Tie-Strap (Not Shown)	
57	3340940	2	Pad, Rubber	
58	3340941	2	Pad, Rubber	
59	3340942	8	Pad, Rubber	
60	0100081	AR	Adhesive #454	
61	0791607	10	Screw 3/8 x 7/8	
62	3311608	24	Nut 3/8	
63	0791808	12	Screw 1/2 x 1	
64	4562516	AR	Tubing, Poly	
66	4240155	4	Strap, 8 Cinch (Not Shown)	
67	4240156	1	Strap, 12 Cinch	
68	4751500	4	Washer 5/16	
69	4060804	11 in /28cm	Shield, Flex Trim 3/16	
70	3300492	8	Nut, Nylon Insert	
71	1321385	1	Clamp, Hose	
72	4240153	1	Strap, 4 Cinch (Not Shown)	
73	1001212790	1	Clamp (SN 0300247518 to Present, SN B300002943 to Present)	

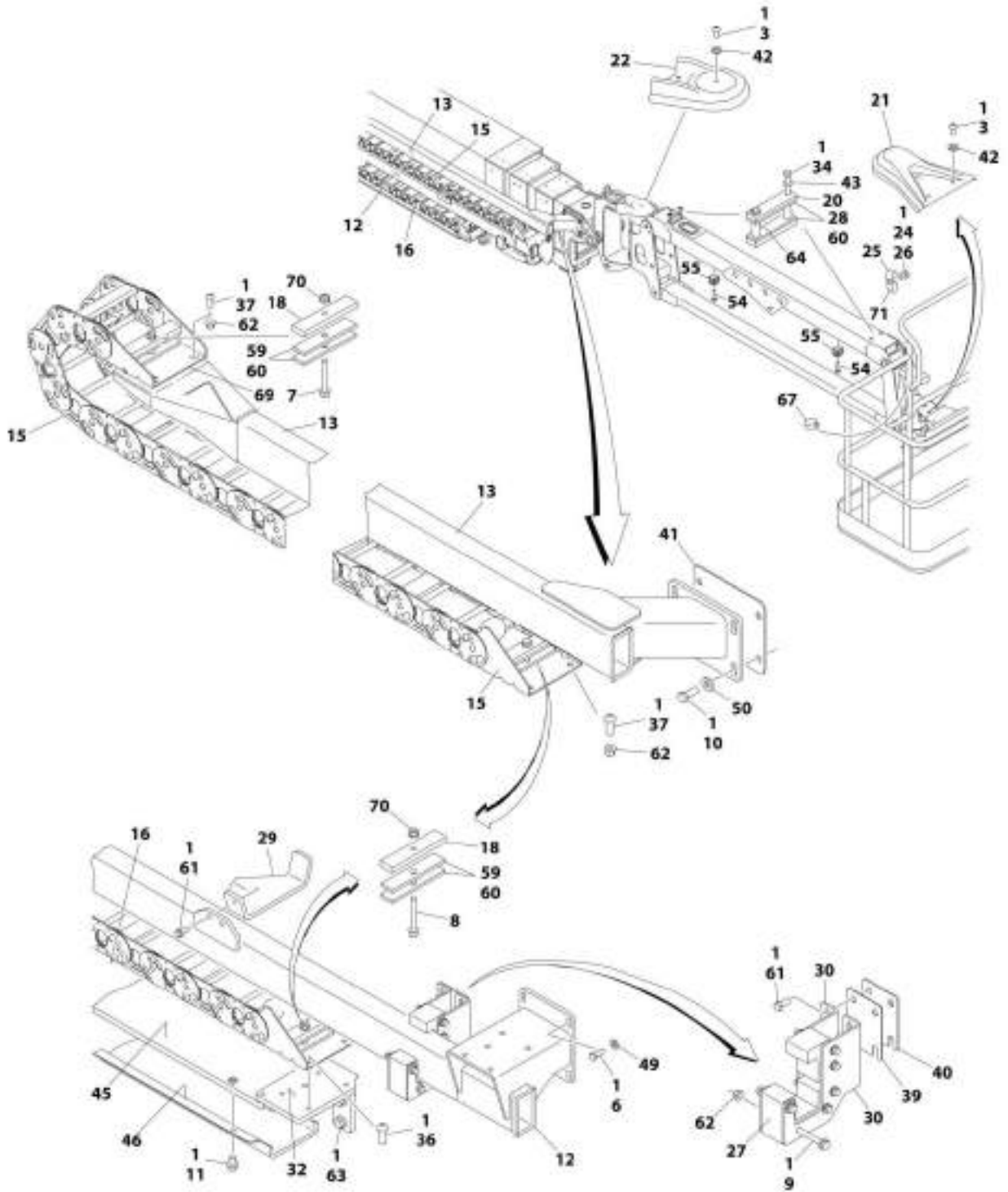
SECTION 4 - BOOM

FIGURE 4-15. POWER TRACK INSTALLATION - 1350SJP



#R0_0271570_10F2

SECTION 4 - BOOM



ART_8271576_20F3

SECTION 4 - BOOM

FIGURE 4-15. POWER TRACK INSTALLATION - 1350SJP

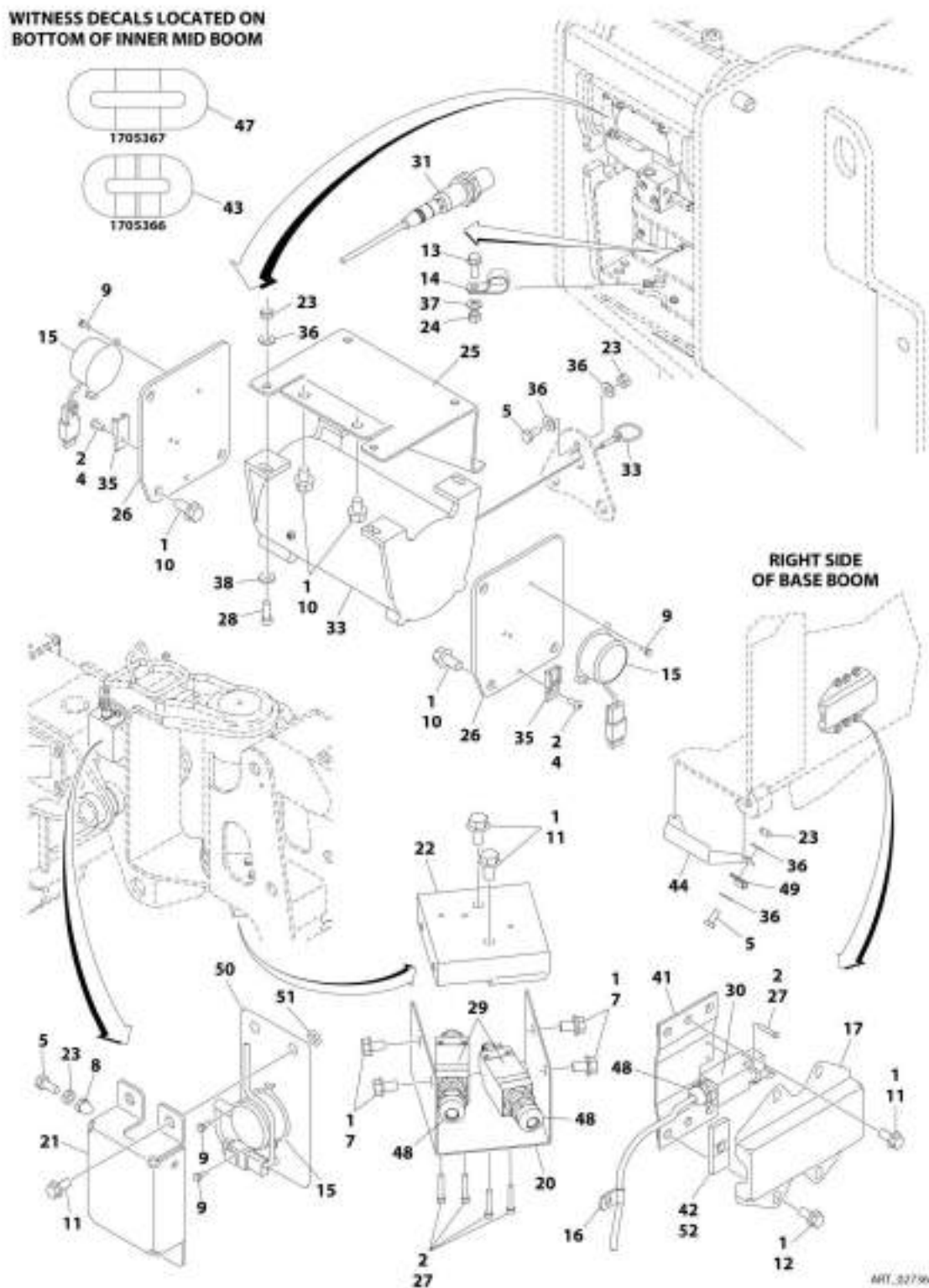
ITEM	PART NUMBER	QTY	DESCRIPTION	REV
	0271570	Ref	POWER TRACK INSTALLATION - 1350SJP	R
1	0100011	AR	Compound, Locking	
2	0100019	AR	Compound, Locking	
3	0630467	AR	Screw 5/16 x 1/2	
4	0791518	2	Screw 5/16 x 2-1/4	
5	3900232	AR	Screw 3/8 x 1-1/4	
6	0641608	4	Bolt 3/8 x 1	
7	0791620	2	Screw 3/8 x 2-1/2	
8	0791622	2	Screw 3/8 x 2-3/4	
9	0791624	6	Screw 3/8 x 3	
10	0641810	4	Bolt 1/2 x 1-1/4	
11	0791504	58	Screw 5/16 x 1/2	
12	1180362	1	Tube, Push (Lower)	
13	1180363	1	Tube, Push (Upper)	
14	1001131620	1	Carrier (T/T to Boom)	
14	70003917	AR	Section Repair Kit (Includes Inner and Outer Links, Joining Bars and Rollers and Assembling Hardware)	
14	70003918	1	Mounting Bracket Kit (Includes Mounting Brackets for Both Ends, 1 Roller Assembly and Assembling Hardware)	
15	1001131728	1	Carrier (Upper)	
15	70003913	AR	Section Repair Kit (Includes Inner and Outer Links, Joining Bars and Rollers and Assembling Hardware)	
15	70003915	1	Mounting Bracket Kit (Includes Mounting Brackets for Both Ends, 1 Roller Assembly and Assembling Hardware)	
15	70003914	AR	Center Bracket Kit (Includes 1 Flat Bar, 1 Round Bar, 1 Roller and Assembling Hardware)	
16	1001131733	1	Carrier (Lower)	
16	70003913	AR	Section Repair Kit (Includes Inner and Outer Links, Joining Bars and Rollers and Assembling Hardware)	
16	70003915	1	Mounting Bracket Kit (Includes Mounting Brackets for Both Ends, 1 Roller Assembly and Assembling Hardware)	
16	70003914	AR	Center Bracket Kit (Includes 1 Flat Bar, 1 Round Bar, 1 Roller and Assembling Hardware)	
17	1320277	1	Clamp, Hose	
18	1320294	4	Clamp, Bar	
19	1320295	1	Clamp, Bar (SN 0300201016 through 0300247528, SN B300002238 through B300002833)	
20	1320296	3	Clamp, Bar	
21	1670964	1	Cover, Support/Rotator (SN 0300201016 through 0300224860)	
22	1671043	1	Cover, Jib Pivot	
23	4846753	1	Shield, Hose Protection (SN 0300201016 through 0300247528, SN B300002238 through B300002833)	
24	0641406	1	Screw 1/4 x 3/4	
25	1320263	1	Clamp, Cable	
26	4711400	1	Washer 1/4	
27	3340925	1	Pad	
28	3340934	4	Pad, Clamp	
29	3573016	3	Support, Track	
30	3573179	2	Plate, Mounting	
31	3573181	5	Support, Track	
32	3573194	1	Plate, Track Mounting	
33	3573210	1	Plate, Track Mounting	

SECTION 4 - BOOM

ITEM	PART NUMBER	QTY	DESCRIPTION	REV
34	3900260	4	Capscrew 3/8 x 4	
36	3900283	AR	Screw 3/8 x 3/4	
37	3900316	16	Screw 3/8 x 1	
38	3951620	2	Setscrew 3/8 x 2-1/2	
39	4071021	1	Shim, Adjusting 16Ga	
40	4071022	1	Shim, Adjusting 11Ga	
41	4071023	1	Shim, Adjusting 11Ga	
42	4711500	AR	Washer 5/16	
43	4711600	4	Washer 3/8	
45	4846423	5	Cover, Cable (Rear)	
46	4846429	5	Support, Cable (Rear)	
47	4846431	1	Cover, Cable (Front)	
48	4846485	1	Support, Cable (Front)	
49	4891600	4	Washer 3/8	
50	4891800	4	Washer 1/2	
54	0641510	2	Bolt 5/16 x 1-1/4	
55	1320159	2	Clamp	
56	4240018	10	Tie-Strap (Not Shown)	
57	3340940	2	Pad, Rubber	
58	3340941	2	Pad, Rubber	
59	3340942	8	Pad, Rubber	
60	0100081	AR	Adhesive #454	
61	0791607	10	Screw 3/8 x 7/8	
62	3311608	AR	Nut 3/8	
63	0791808	14	Screw 1/2 x 1	
64	4562516	AR	Tubing, Poly	
66	4240155	4	Strap, 8 Cinch (Not Shown)	
67	4240156	1	Strap, 12 Cinch	
68	4751500	4	Washer 5/16	
69	4060804	11 in /28cm	Shield, Flex Trim 3/16	
70	3300492	8	Nut, Nylon Insert	
71	1321385	1	Clamp, Hose	
72	4240153	1	Strap, 4 Cinch (Not Shown)	
73	1001212790	1	Clamp (SN 0300247529 to Present, SN B300002833 to Present)	

SECTION 4 - BOOM

FIGURE 4-16. BOOM SENSORS AND SWITCHES INSTALLATION



SECTION 4 - BOOM

FIGURE 4-16. BOOM SENSORS AND SWITCHES INSTALLATION

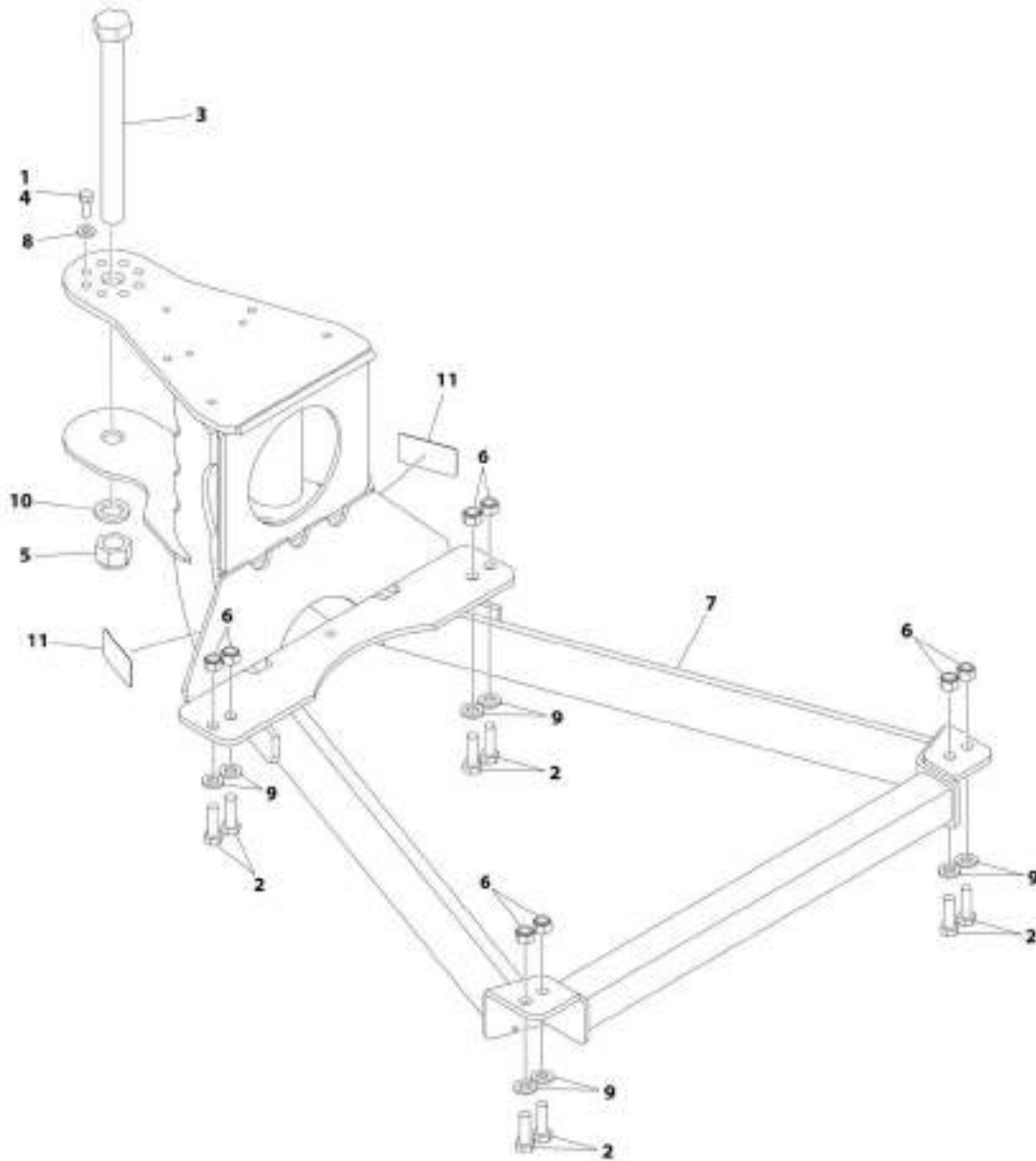
ITEM	PART NUMBER	QTY	DESCRIPTION	REV
	0273696	Ref	BOOM SENSORS AND SWITCHES INSTALLATION	H
1	0100011	AR	Compound, Locking	
2	0100035	AR	Compound, Locking	
3	0100048	AR	Grease, Dielectric	
4	0630464	2	Screw #10 x 1/2	
5	0641405	5	Bolt 1/4 x 5/8	
7	0791504	4	Screw 5/16 x 1/2	
8	3300430	2	Nut 1/4	
9	3930606	12	Screw, Machine #6 x 3/8	
10	0791604	8	Screw 3/8 x 1/2	
11	0791605	12	Screw 3/8 x 5/8	
12	0791606	4	Screw 3/8 x 3/4	
13	0791608	4	Screw 3/8 x 1	
14	1320130	2	Clamp, Hose	
15	1001147479	4	Sensor, Angle Indicator (Note: Control System must be recalibrated when Sensor is replaced)	
15	4460910	2	Connector, Female Deutsch - 3 Position	
15	4460917	6	Pin, Male	
15	4460913	1	Lock, Wedge	
16	1320301	1	Clamp, Cable	
17	1671031	1	Cover, Limit Switch	
20	1671039	1	Cover, Jib Switch	
21	1671044	2	Cover, Level Sensor	
22	3200433	1	Mount, Jib Switch	
23	3311405	9	Nut 1/4	
24	3311605	2	Nut 3/8	
25	3574431	1	Plate, Switch Mounting	
26	3573301	2	Plate, Sensor Mounting	
27	3930816	6	Capscrew #8 x 1	
28	3931414	4	Capscrew 1/4 x 7/8	
29	4360548	2	Switch, Jib Limit (Note: Control System must be recalibrated when Switch is replaced)	
30	4360578	1	Switch, Limit (Note: Control System must be recalibrated when Switch is replaced)	
31	4360527	1	Switch, Cable Break Proximity (Note: Control System must be recalibrated when Switch is replaced)	
33	4360543	1	Sensor, Boom Length (Note: Control System must be recalibrated when Sensor is replaced)	
35	4460914	2	Terminal, Base	
36	4711400	10	Washer 1/4	
37	4711600	2	Washer 3/8	
38	4891400	4	Washer 1/4	
41	4846484	1	Mount, Switch	
42	3340941	1	Pad, Rubber	
43	1705366	1	Decal - Boom Length (500LB Cap)	
44	3574616	1	Plate, Boom Length	
47	1705367	1	Decal - Boom Length (1000LB Cap)	
48	4460968	3	Connector, Strain Relief (Not Shown)	
49	1320136	2	Clamp, Cable (Not Shown)	
50	4341158	2	Plate, Mounting Sensor	
51	8310070	6	Pushnut 3/8	

SECTION 4 - BOOM

ITEM	PART NUMBER	QTY	DESCRIPTION	REV
52	0100081	AR	Adhesive	

SECTION 4 - BOOM

FIGURE 4-17. PLATFORM SUPPORT INSTALLATION - WITHOUT LSS



ref_000000

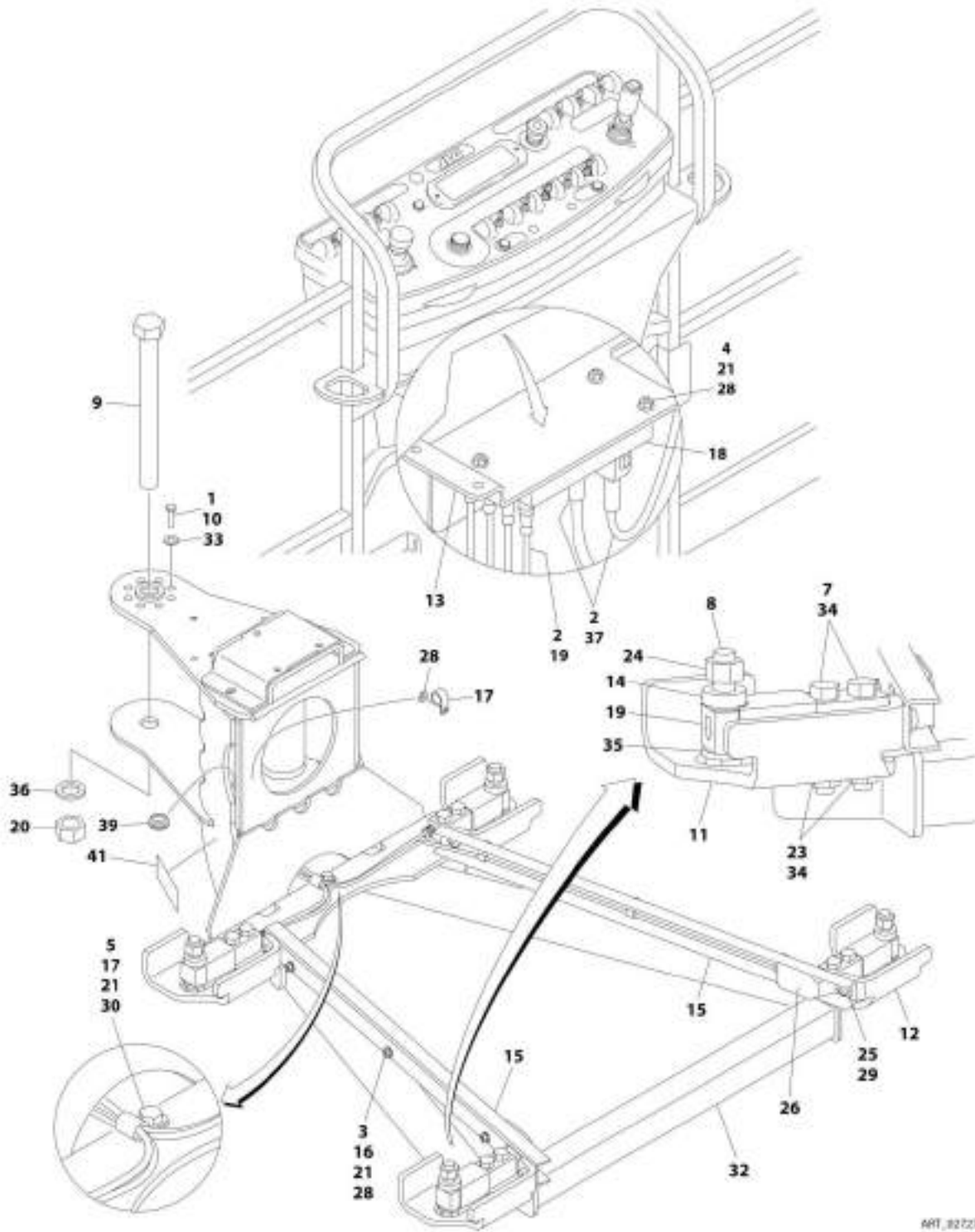
SECTION 4 - BOOM

FIGURE 4-17. PLATFORM SUPPORT INSTALLATION - WITHOUT LSS

ITEM	PART NUMBER	QTY	DESCRIPTION	REV
	0272070	Ref	PLATFORM SUPPORT INSTALLATION - WITHOUT LSS	I
1	0100011	AR	Compound, Locking	
2	0641812	8	Bolt 1/2 x 1-1/2	
2	0761216	8	Bolt M12 x 40	
3	0642684	1	Bolt 1 x 10-1/2	
4	0681608	8	Bolt 3/8 x 1 Grade 8	
5	3300243	1	Nut 1	
6	3311805	8	Nut 1/2	
6	3291205	8	Nut M12	
7	4846573	1	Support	
8	4891600	8	Washer 3/8	
9	4891800	8	Washer 1/2	
9	5241200	8	Washer M12	
10	4892600	1	Washer 1	
11	1001216630	2	Decal - Tie Down/No Lift (SN 0300224749 to Present)	

SECTION 4 - BOOM

FIGURE 4-18. PLATFORM SUPPORT INSTALLATION - WITH 4 CELL LSS



ART_0272703

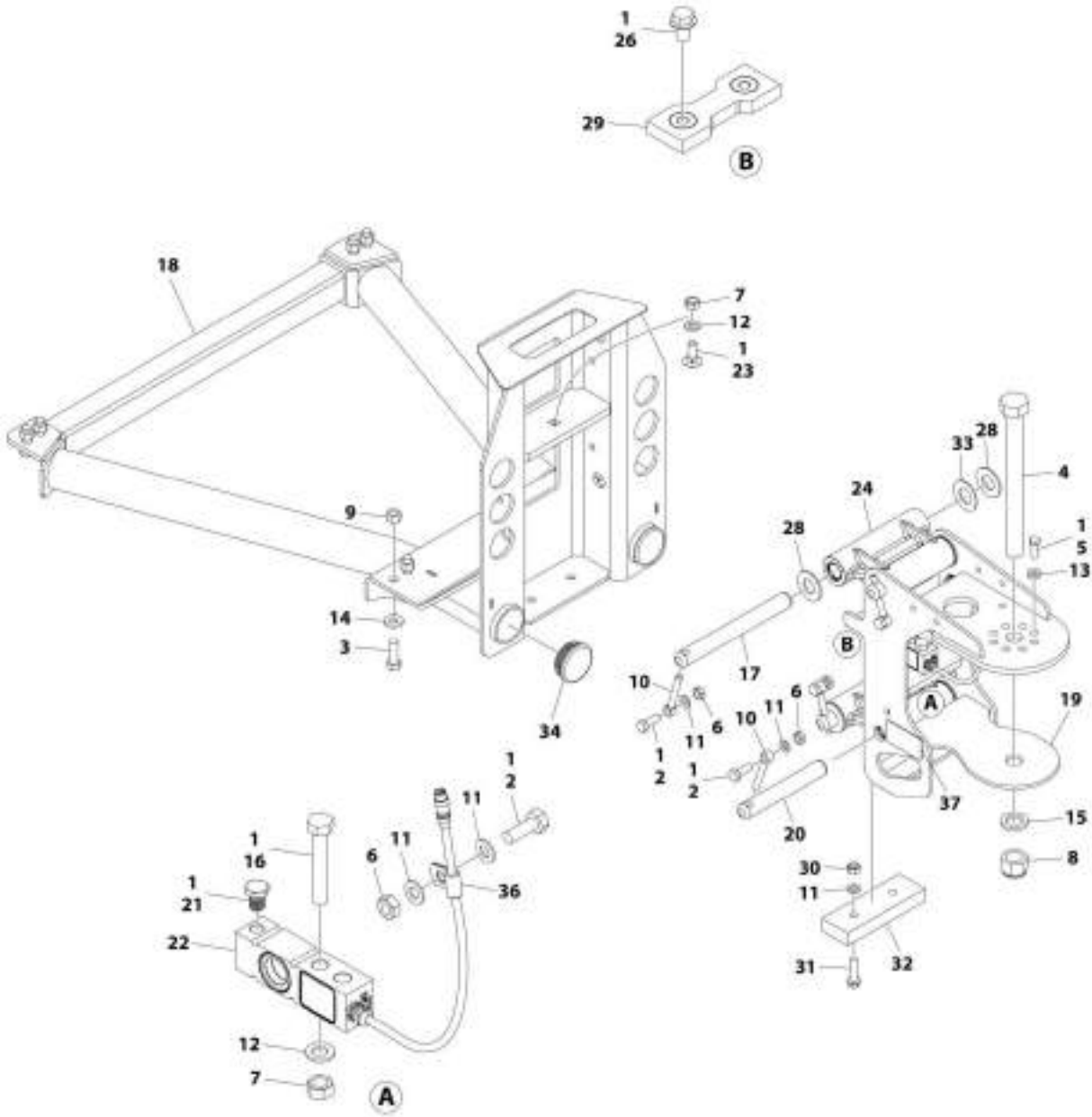
SECTION 4 - BOOM

FIGURE 4-18. PLATFORM SUPPORT INSTALLATION - WITH 4 CELL LSS

ITEM	PART NUMBER	QTY	DESCRIPTION	REV
	0272703	Ref	PLATFORM SUPPORT INSTALLATION - WITH 4 CELL LSS	Q
1	0100011	AR	Compound, Locking	
2	0100048	AR	Grease, Dielectric	
3	0641405	6	Bolt 1/4 x 5/8	
4	0641416	3	Bolt 1/4 x 2	
5	0641407	1	Bolt 1/4 x 7/8	
7	0641822	8	Bolt 1/2 x 2-3/4	
8	0642024	4	Bolt 5/8 x 3	
9	0642684	1	Bolt 1 x 10-1/2	
10	0681608	8	Bolt 3/8 x 1	
11	0902919	2	Bracket, Cell Guard	
12	0902920	2	Bracket, Cell Guard	
13	1001113483	1	Bracket, Module Mount	
14	0962450	4	Bushing, Spacer	
15	1271538	2	Channel	
16	1320136	6	Clamp	
17	1320224	2	Clamp	
18	1600387	1	Electronic Interface Module	
19	2420202	4	Load Cell Assembly	
20	3272605	1	Nut 1	
21	3311405	10	Nut 1/4	
23	3311805	8	Nut 1/2	
24	3312005	4	Nut 5/8	
25	3900283	4	Screw 3/8 x 3/4	
26	4061054	2	Shield	
27	4240033	AR	Tie-Strap (Not Shown)	
28	4711400	13	Washer 1/4	
29	4711600	4	Washer 3/8	
30	4751400	1	Washer 1/4	
32	4846573	1	Platform Support	
33	4891600	8	Washer 3/8	
34	4891800	8	Washer 1/2	
35	4892000	4	Washer 5/8	
36	4892600	1	Washer 1	
37	4922869	1	EIM Load Cell Harness (See Separate Breakdown in ELECTRICAL SECTION)	
38	4933278	1	EIM Load Cell to Platform Console Box Wiring (See Separate Breakdown in ELECTRICAL SECTION)	
39	2540038	1	Grommet	
40	2920129	1	Bulb (Not Shown - Located in Ground Control Box)	
41	1001216630	2	Decal - Tie Down/No Lift	

SECTION 4 - BOOM

FIGURE 4-19. PLATFORM SUPPORT INSTALLATION - WITH 1 CELL LSS



AWT_100167596

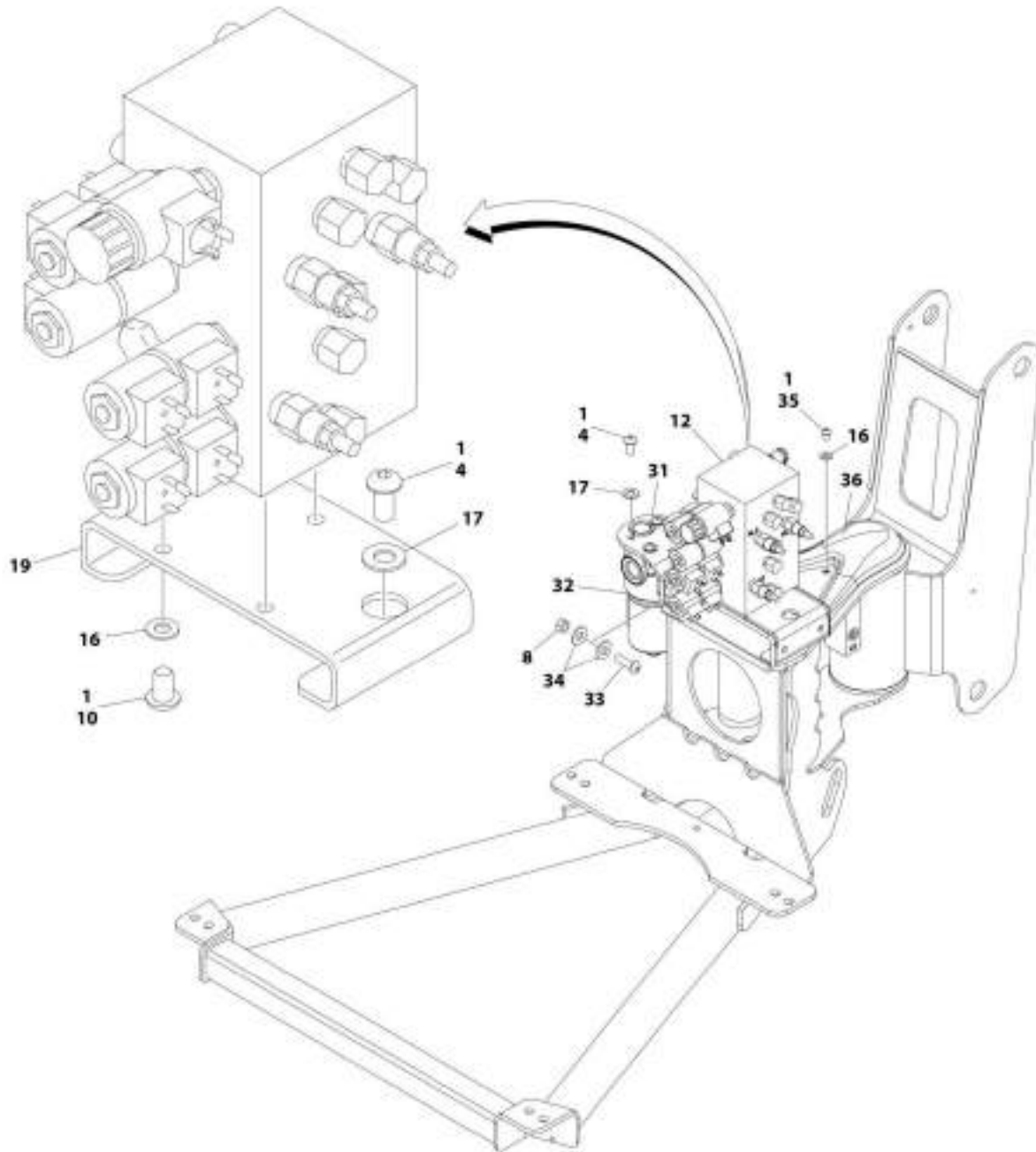
SECTION 4 - BOOM

FIGURE 4-19. PLATFORM SUPPORT INSTALLATION - WITH 1 CELL LSS

ITEM	PART NUMBER	QTY	DESCRIPTION	REV
	1001167596	Ref	PLATFORM SUPPORT INSTALLATION - WITH LSS	J
1	0100011	AR	Compound, Locking	
2	0761014	5	Bolt M10 x 30	
3	0641812	8	Bolt 1/2 x 1-1/2	
3	0761216	8	Bolt M12 x 40	
4	0642684	1	Bolt 1 x 10-1/2	
5	0681608	8	Bolt 3/8 x 1	
6	3291001	5	Nut M10	
7	3291201	3	Nut M12	
8	3300243	1	Nut 1	
9	3311805	8	Nut 1/2	
9	3291205	8	Nut M12	
10	3841143	4	Keeper, Pin	
11	4812000	8	Washer M10	
12	4812100	3	Washer M12	
13	4891600	8	Washer 3/8	
14	4891800	8	Washer 1/2	
14	5241200	8	Washer M12	
15	4892600	1	Washer 1	
16	1001098828	2	Bolt M12 x 70 Grade 10.9	
17	1001167565	2	Pin	
18	1001200494	1	Support, Platform	
19	1001167567	1	Support, Rotator	
20	1001168402	2	Pin	
21	1001188622	1	Screw	
22	1001172663	1	Gauge, Load Sensing	
23	1001188844	1	Bolt M12 x 35	
24	1001201351	2	Link	
26	5251008	2	Bolt M10 x 16	
28	1001189002	8	Bearing	
29	1001190985	1	Pad, Wear	
30	3291005	2	Nut M10	
31	5251016	2	Bolt M10 x 40	
32	1001200491	1	Pad, Wear	
33	1001189001	4	Bearing	
34	1001204725	2	Plug	
36	91203039	1	Clamp	
37	1001216630	2	Decal - Tie Down/No Lift	

SECTION 4 - BOOM

FIGURE 4-20. CONTROL VALVE INSTALLATION - WITHOUT LSS AND WITH 4 CELL LSS



ART_0271802_30F3

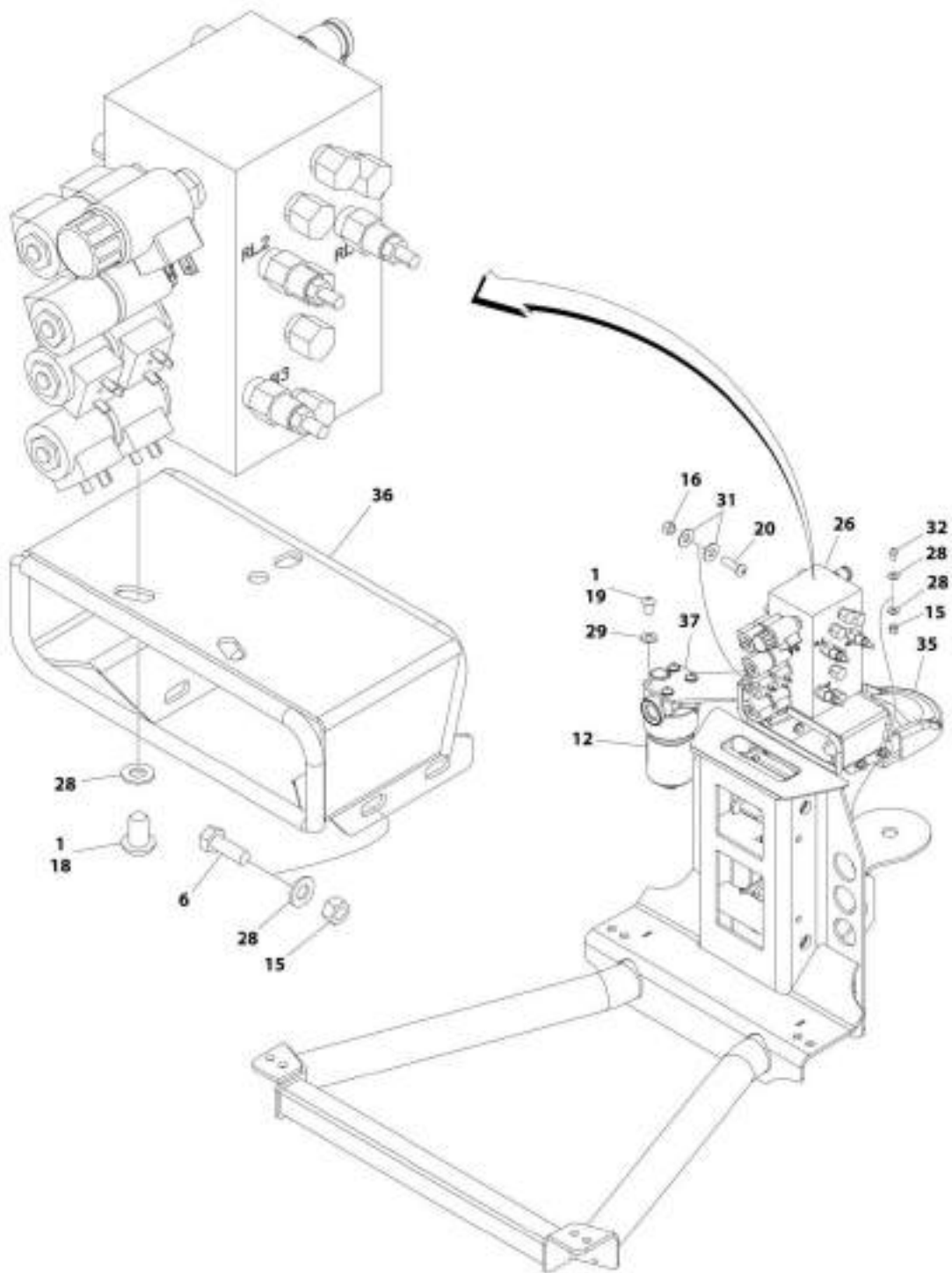
SECTION 4 - BOOM

FIGURE 4-20. CONTROL VALVE INSTALLATION - WITHOUT LSS AND WITH 4 CELL LSS

ITEM	PART NUMBER	QTY	DESCRIPTION	REV
	0271802	Ref	CONTROL VALVE INSTALLATION - WITHOUT LSS AND WITH 4 CELL LSS	M
1	0100011	AR	Compound, Locking	
4	3900283	6	Screw 3/8 x 3/4	
8	3311605	2	Nut 3/8	
10	3900210	3	Screw 5/16 x 3/4	
12	4641460	1	Platform Valve (See Separate Breakdown in this Section)	
16	4711500	AR	Washer 5/16	
17	4711600	6	Washer 3/8	
19	4341264	1	Plate, Valve Mounting	
31	0903530	1	Bracket, Filter Mounting	
32	2120217	1	Filter, Pressure	
32	70002097	1	Element	
32	70004328	1	Plug, Indicator	
33	3900232	2	Screw 3/8 x 1-1/4	
34	4751600	4	Washer 3/8	
35	0630467	3	Screw 5/16 x 1/2 (SN 0300224861 to Present)	
36	1670964	1	Cover, Support/Rotator (SN 0300224861 to Present)	

SECTION 4 - BOOM

FIGURE 4-21. CONTROL VALVE INSTALLATION - WITH 1 CELL LSS



ART_1001219990_3CF1

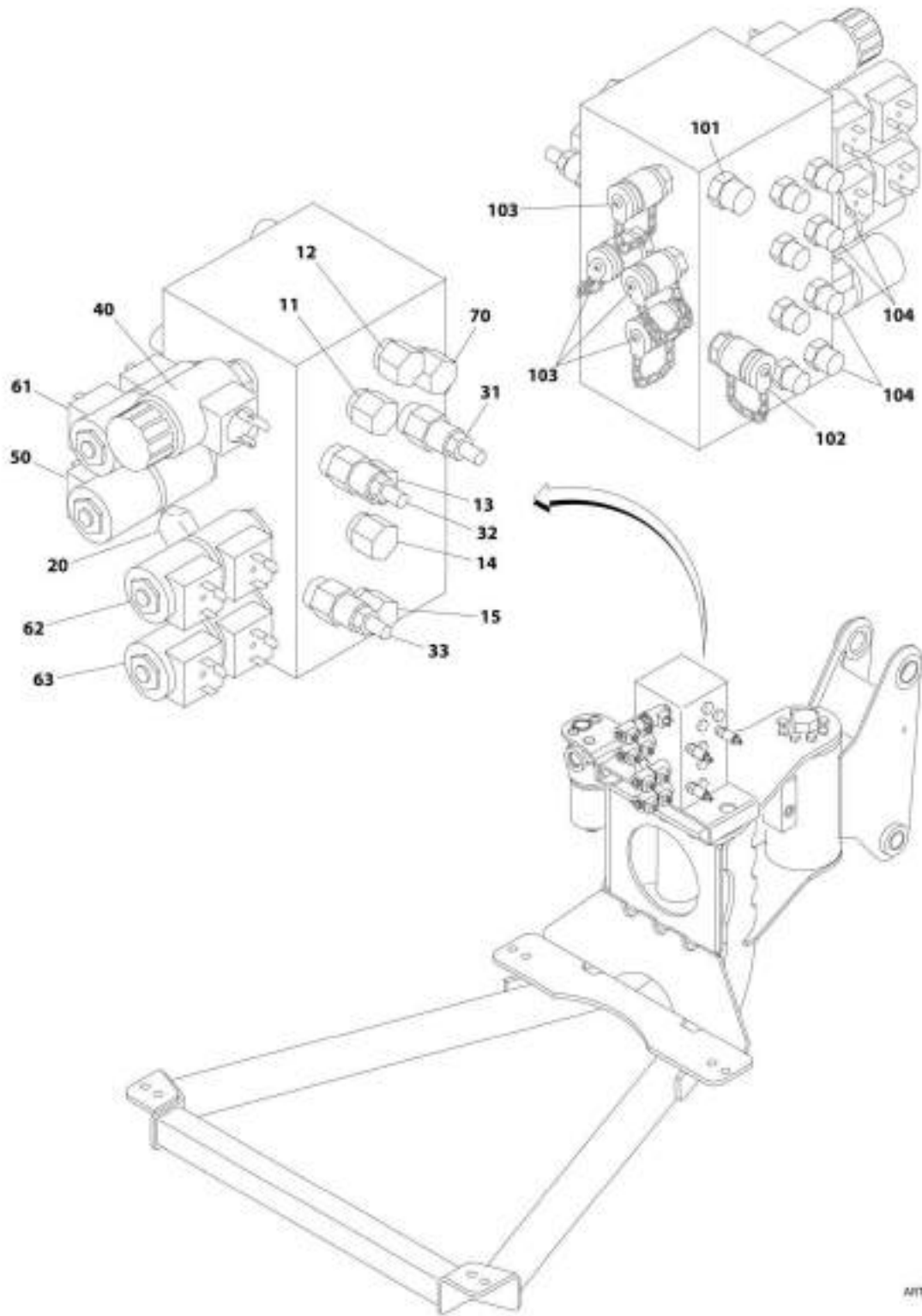
SECTION 4 - BOOM

FIGURE 4-21. CONTROL VALVE INSTALLATION - WITH 1 CELL LSS

ITEM	PART NUMBER	QTY	DESCRIPTION	REV
	1001219990	Ref	CONTROL VALVE INSTALLATION - WITH 1 CELL LSS	B
1	0100011	AR	Compound, Locking	
6	0641507	4	Bolt 5/16 x 7/8	
12	2120217	1	Filter, Pressure	
12	70002097	1	Element	
12	70004328	1	Plug, Indicator	
15	3311505	6	Nut 5/16	
16	3311605	2	Nut 3/8	
18	3900210	3	Screw 5/16 x 3/4	
19	3900283	4	Screw 3/8 x 3/4	
20	3900316	2	Screw 3/8 x 1	
26	4641460	1	Platform Valve (See Separate Breakdown in this Section)	
28	4711500	15	Washer 5/16	
29	4711600	4	Washer 3/8	
31	4751600	4	Washer 3/8	
32	88261024	2	Bolt 5/16 x 1	
35	1001207969	1	Cover, Support/Rotator	
36	1001208994	1	Plate, Valve Mounting	
37	1001222314	1	Bracket, Filter Mounting	

SECTION 4 - BOOM

FIGURE 4-22. CONTROL VALVE ASSEMBLY



MTT_4941460

SECTION 4 - BOOM

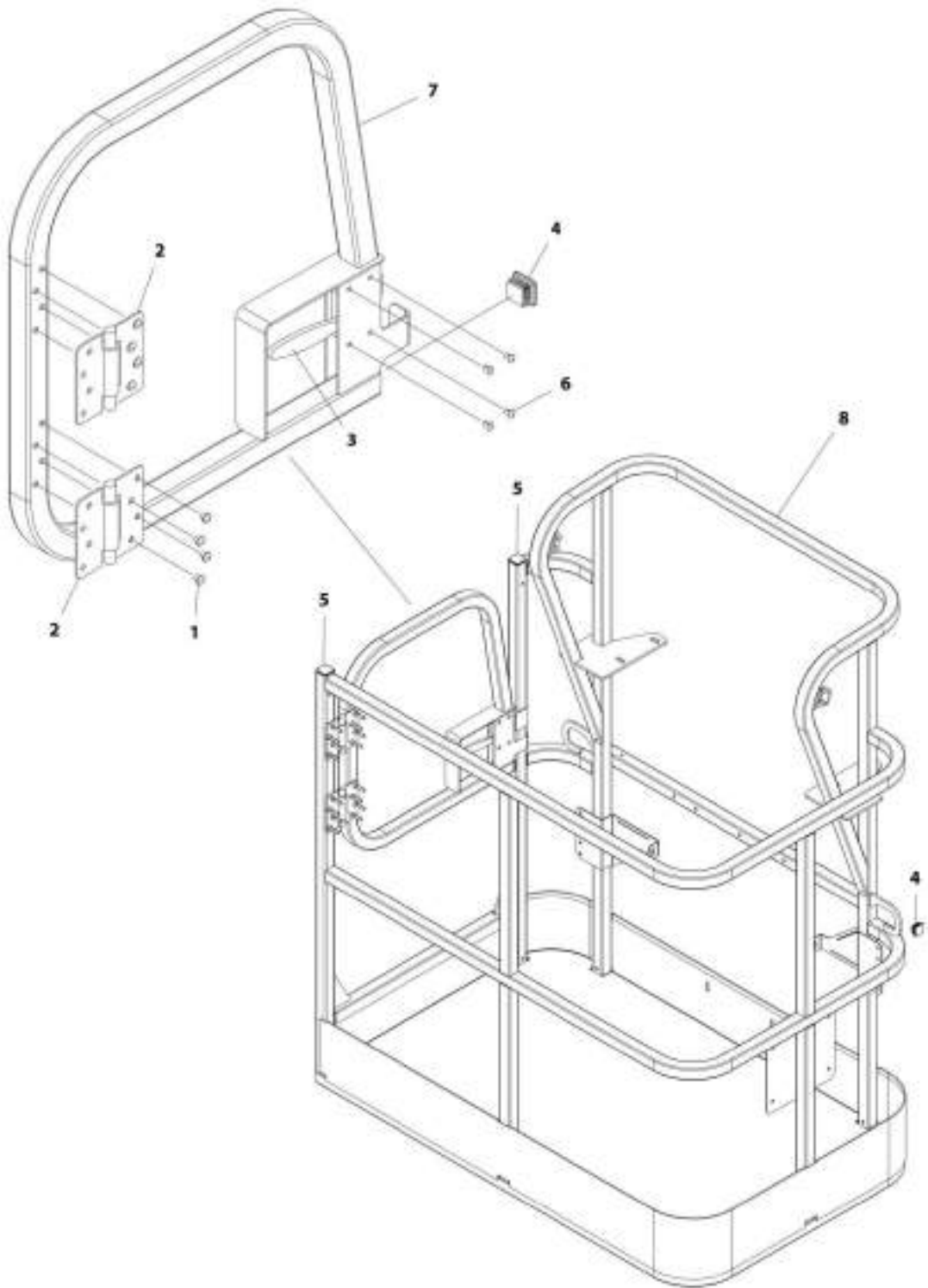
FIGURE 4-22. CONTROL VALVE ASSEMBLY

ITEM	PART NUMBER	QTY	DESCRIPTION	REV
	4641460	Ref	PLATFORM VALVE ASSEMBLY	C
11	7026018	1	Valve, Cartridge	
11	7011346	1	Seal Kit - Valve	
12	7026019	1	Valve, Cartridge (Flow Control)	
12	7011346	1	Seal Kit - Valve	
13	7026020	1	Valve, Cartridge (Rotate)	
13	7011346	1	Seal Kit - Valve	
14	7026021	1	Valve, Cartridge (Jib Swing)	
14	7011346	1	Seal Kit - Valve	
15	7026019	1	Valve, Cartridge (Jib Lift)	
15	7011346	1	Seal Kit - Valve	
20	7011355	1	Valve, Cartridge (Jib)	
20	2900770	1	Seal Kit - Valve	
31	7024572	1	Valve, Relief Cartridge (Platform Level Up)	
31	7011346	1	Seal Kit - Valve	
32	7024572	1	Valve, Relief Cartridge (Platform Level Down)	
32	7011346	1	Seal Kit - Valve	
33	7024572	1	Valve, Relief Cartridge (Jib Up/Down)	
33	7011346	1	Seal Kit - Valve	
40	7026022	1	Valve, Cartridge (Dump)	
40	2900770	1	Seal Kit - Valve	
40	7024571	1	Coil	
50	7023922	1	Valve, Cartridge (Platform Rotate)	
50	7017402	1	Seal Kit - Valve	
50	7012944	2	Coil	
61	7023922	1	Valve, Cartridge (Platform Level)	
61	7017402	1	Seal Kit - Valve	
61	7012944	2	Coil	
62	7023922	1	Valve, Cartridge (Jib Swing)	
62	7017402	1	Seal Kit - Valve	
62	7012944	2	Coil	
63	7023922	1	Valve, Cartridge (Jib Lift)	
63	7017402	1	Seal Kit - Valve	
63	7012944	2	Coil	
70	7026023	1	Valve, Cartridge (Check)	
70	7011346	1	Seal Kit - Valve	
	4641460	Ref	Platform Valve Assembly (Fitting Information)	C
101	2110606	1	Fitting, Straight	
102	4641255	1	Fitting (Check Valve)	
103	2221086	4	Check, Pressure	
104	2110404	8	Fitting, Straight	

SECTION 5 - PLATFORM

SECTION 5 - PLATFORM

FIGURE 5-1. PLATFORM ASSEMBLY - 30IN X 4FT (76.2CM X 1.22M) WITH SWING GATE



ART_1001100387

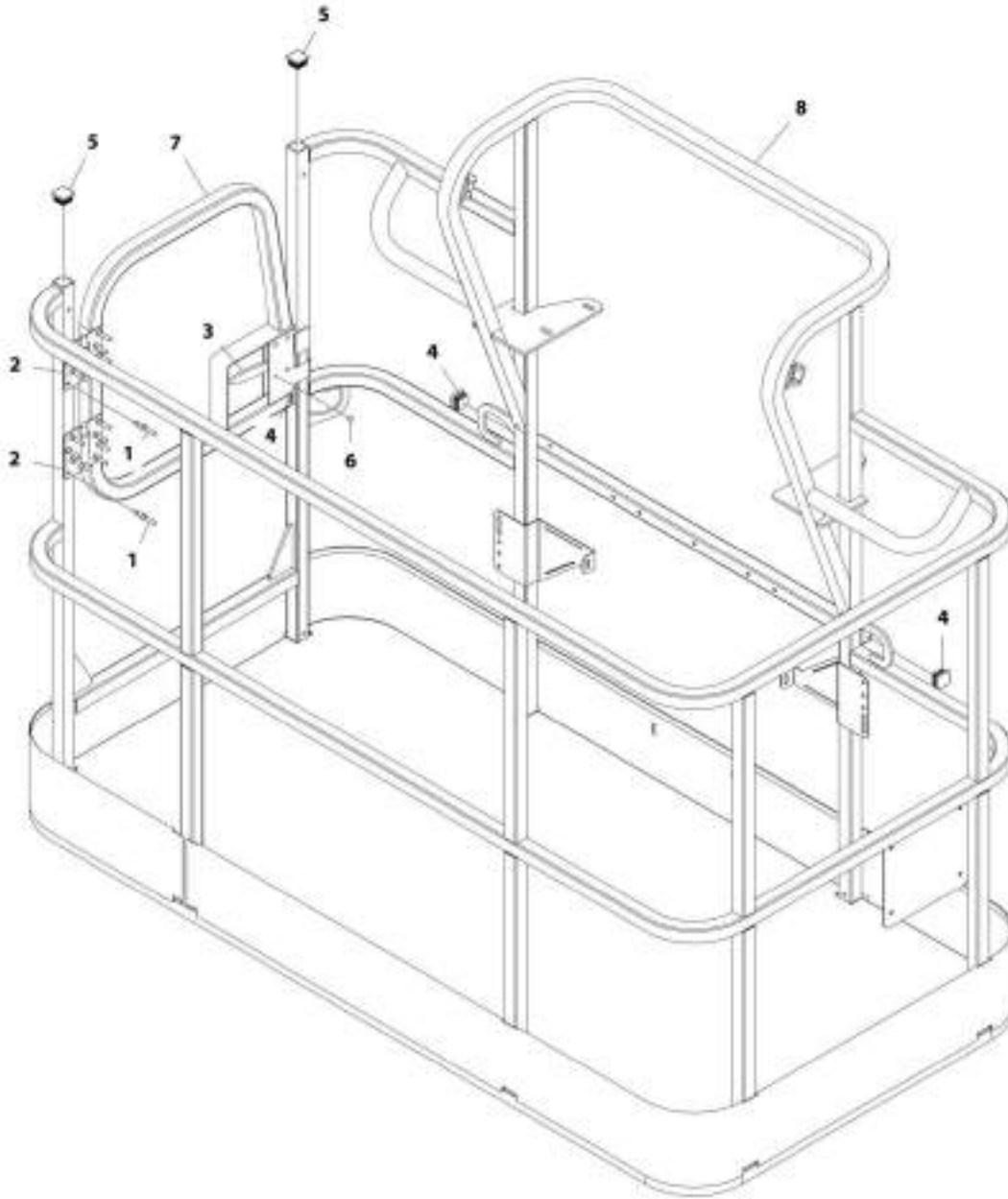
SECTION 5 - PLATFORM

FIGURE 5-1. PLATFORM ASSEMBLY - 30IN X 4FT (76.2CM X 1.22M) WITH SWING GATE

ITEM	PART NUMBER	QTY	DESCRIPTION	REV
	1001186387	Ref	PLATFORM ASSEMBLY - 30IN X 4FT (76.2CM X 1.22M) WITH SWING GATE	C
		Ref	Note: Platform and Mesh must be ordered separately for Platforms with Mesh. See SPECIAL OPTIONS SECTION for Mesh Installations.	
		Ref	Note: Replacement Decals Must be Ordered Separately - See DECALS SECTION.	
1	2080040	16	Fastener, Huck	
2	2600281	2	Hinge, Self-Closing	
3	2940074	1	Latch	
4	3520072	3	Plug, Cap	
5	3520198	2	Plug, Cap	
6	3820020	4	Rivet	
7	1001144629	1	Gate	
8	See Note	1	Platform (Note: Not Available - Purchase Platform Assembly)	

SECTION 5 - PLATFORM

FIGURE 5-2. PLATFORM ASSEMBLY - 36IN X 6FT (91.5CM X 1.83M) WITH SWING GATE



ARE_1001180384

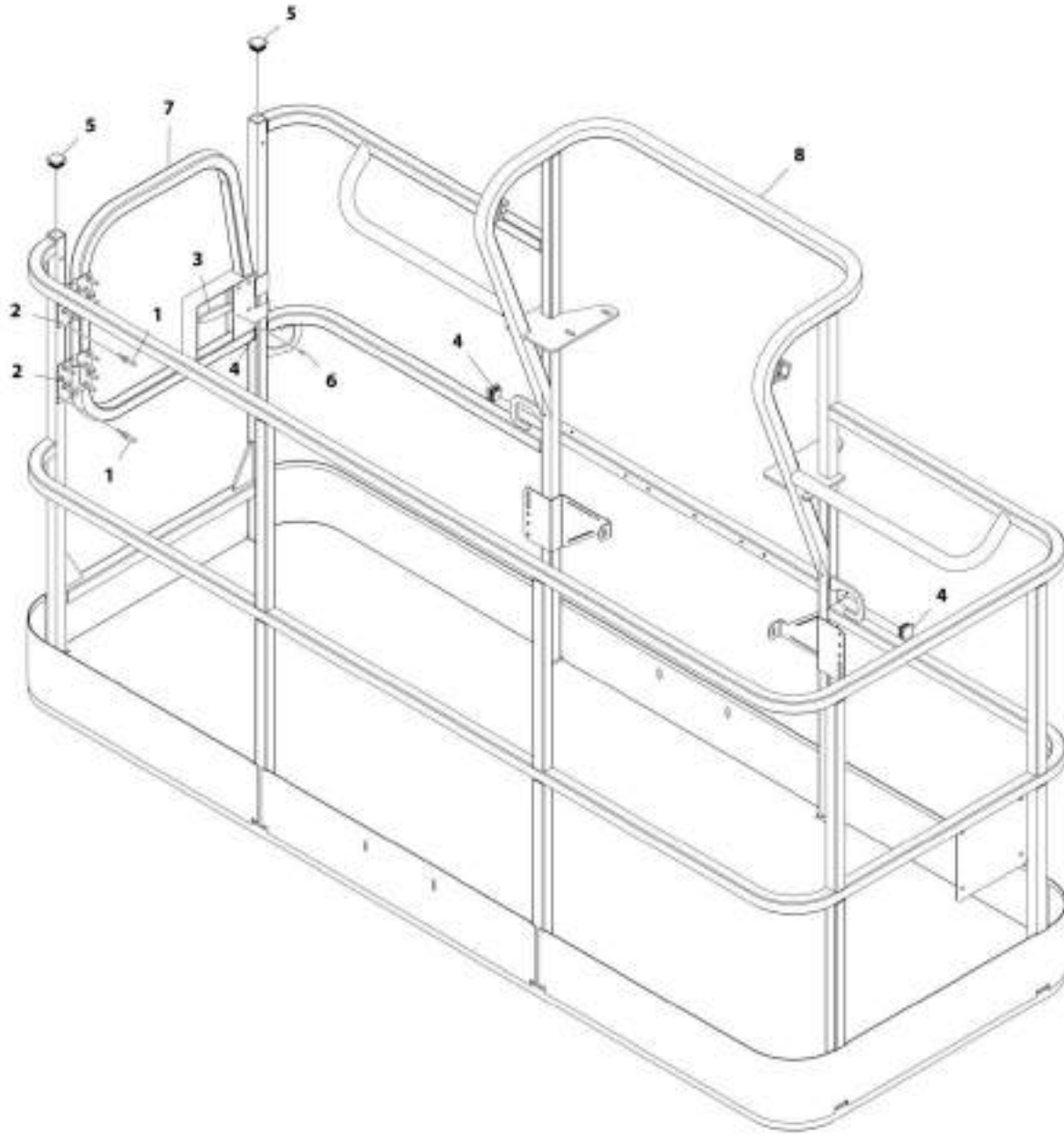
SECTION 5 - PLATFORM

FIGURE 5-2. PLATFORM ASSEMBLY - 36IN X 6FT (91.5CM X 1.83M) WITH SWING GATE

ITEM	PART NUMBER	QTY	DESCRIPTION	REV
	1001186384	Ref	PLATFORM ASSEMBLY - 36IN X 6FT (91.5CM X 1.83M) WITH SWING GATE	C
	See Note	Ref	Note: Platform and Mesh must be ordered separately for Platforms with Mesh. See SPECIAL OPTIONS SECTION for Mesh Installations.	
	See Note	Ref	Note: Replacement Decals Must be Ordered Separately - See DECALS SECTION.	
1	2080040	16	Fastener, Huck	
2	2600281	2	Hinge, Self-Closing	
3	2940074	1	Latch	
4	3520072	3	Cap, Plug	
5	3520198	2	Cap, Plug	
6	3820020	4	Rivet	
7	1001144629	1	Gate, Weldment	
8	See Note	1	Platform, Weldment (Note: Not Available - Purchase Platform Assembly)	

SECTION 5 - PLATFORM

FIGURE 5-3. PLATFORM ASSEMBLY - 36IN X 8FT (91.5CM X 2.44M) WITH SWING GATE



ART_100180383

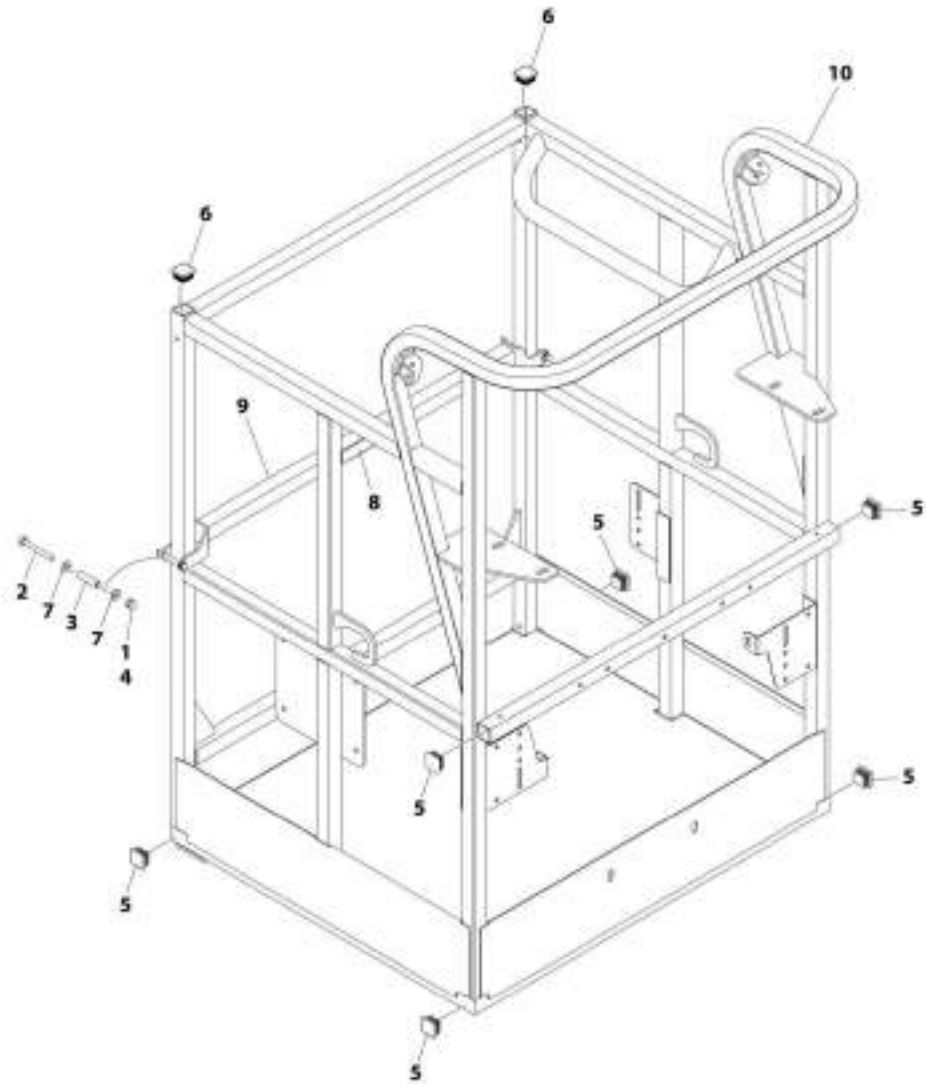
SECTION 5 - PLATFORM

FIGURE 5-3. PLATFORM ASSEMBLY - 36IN X 8FT (91.5CM X 2.44M) WITH SWING GATE

ITEM	PART NUMBER	QTY	DESCRIPTION	REV
	1001186383	Ref	PLATFORM ASSEMBLY - 36IN X 8FT (91.5CM X 2.44M) WITH SWING GATE	D
	See Note	Ref	Note: Platform and Mesh must be ordered separately for Platforms with Mesh. See SPECIAL OPTIONS SECTION for Mesh Installations.	
	See Note	Ref	Note: Replacement Decals Must be Ordered Separately - See DECALS SECTION.	
1	2080040	16	Fastener, Huck	
2	2600281	2	Hinge, Self-Closing	
3	2940074	1	Latch	
4	3520072	3	Cap, Plug	
5	3520198	2	Cap, Plug	
6	3820020	4	Rivet	
7	1001144629	1	Gate, Weldment	
8	See Note	1	Platform, Weldment (Note: Not Available - Purchase Platform Assembly)	

SECTION 5 - PLATFORM

FIGURE 5-4. PLATFORM ASSEMBLY - 30IN X 3FT (76CM X .91M) - WITH DROP BAR



ART_1001228215

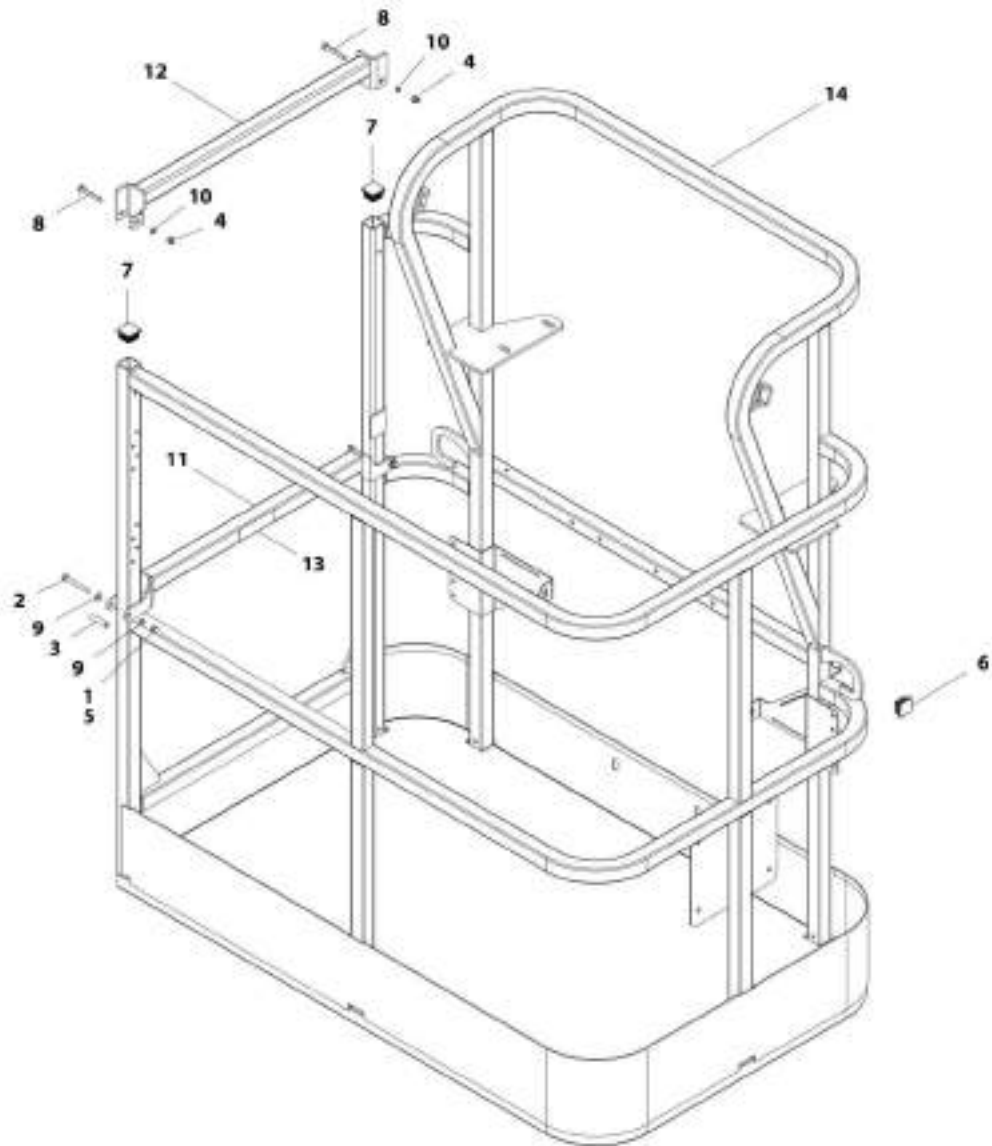
SECTION 5 - PLATFORM

FIGURE 5-4. PLATFORM ASSEMBLY - 30IN X 3FT (76CM X .91M) - WITH DROP BAR

ITEM	PART NUMBER	QTY	DESCRIPTION	REV
	1001228215	Ref	PLATFORM ASSEMBLY - 30IN X 3FT (76CM X .91M) - DROP BAR ENTRY	A
	See Note	Ref	Note: Platform and Mesh must be ordered separately for Platforms with Mesh. See SPECIAL OPTIONS SECTION for Mesh Installations.	
	See Note	Ref	Note: Replacement Decals Must be Ordered Separately - See DECAL SECTION.	
1	0100011	AR	Compound, Locking	
2	0641418	2	Bolt 1/4 x 2-1/4	
3	0961845	2	Bushing	
4	3300151	2	Nut 1/4	
5	3520072	6	Cap, Plug	
6	3520198	2	Cap, Plug	
7	4711400	4	Washer 1/4	
8	1001140429	1	Decal - Drop Bar	
9	1001226872	1	Bar, Drop	
10	See Note	NSS	Platform, Weldment (Note: Not Available - Purchase Platform Assembly)	

SECTION 5 - PLATFORM

FIGURE 5-5. PLATFORM ASSEMBLY - 30IN X 4FT (76.2CM X 1.22M) WITH DROP BAR



MIT_1001186175

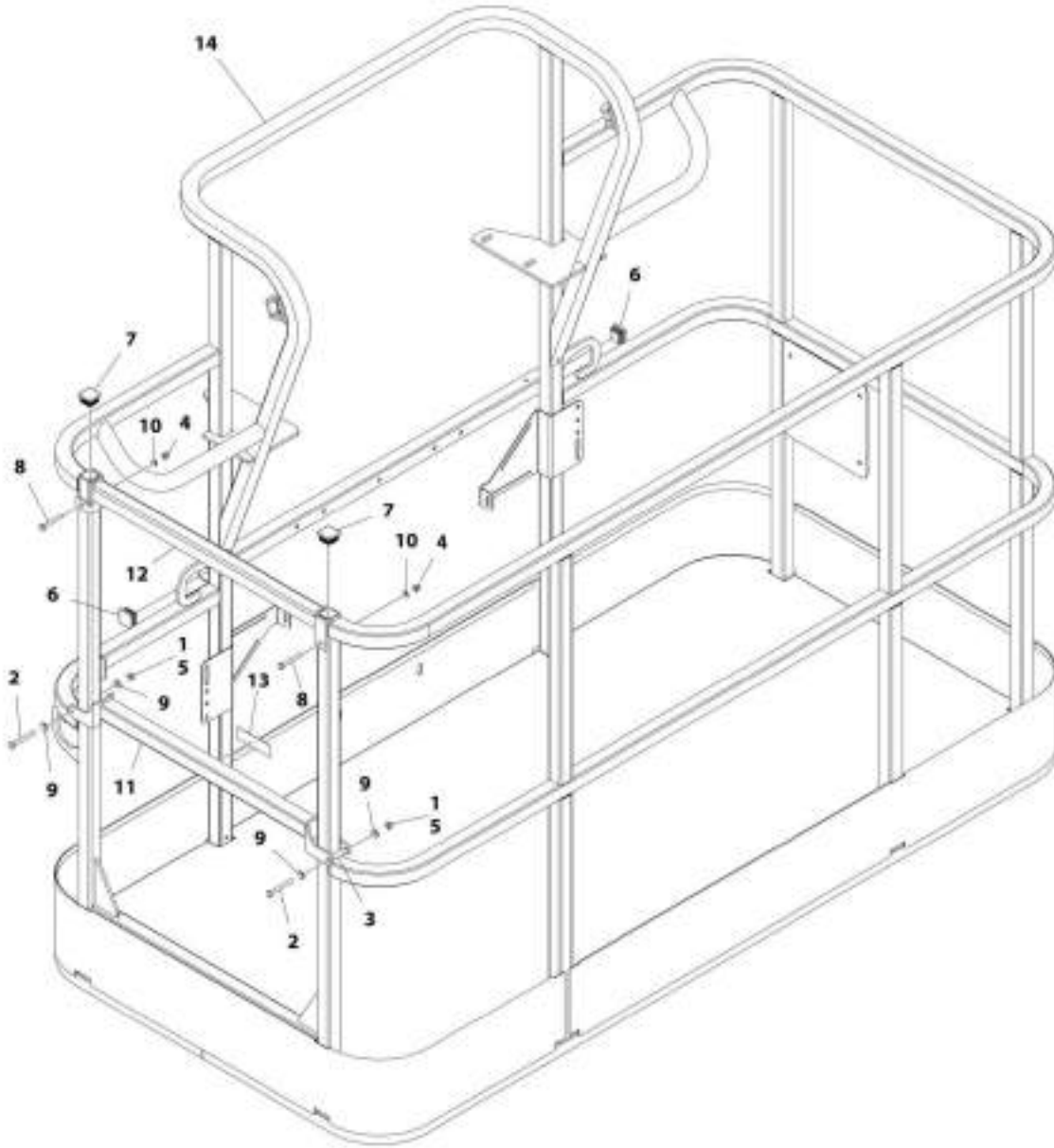
SECTION 5 - PLATFORM

FIGURE 5-5. PLATFORM ASSEMBLY - 30IN X 4FT (76.2CM X 1.22M) WITH DROP BAR

ITEM	PART NUMBER	QTY	DESCRIPTION	REV
	1001186375	Ref	PLATFORM ASSEMBLY - 30IN X 4FT (76.2CM x 1.22M) WITH DROP BAR	B
		Ref	Note: Replacement Decals Must be Ordered Separately - See DECALS SECTION.	
1	0100011	AR	Compound, Locking	
2	0641418	2	Bolt 1/4 x 2-1/4	
3	0961845	2	Bushing	
4	3290606	2	Nut M6	
5	3300151	2	Nut 1/4	
6	3520072	2	Plug, Cap	
7	3520198	2	Plug, Cap	
8	4010618	2	Screw M6 x 50	
9	4711400	4	Washer 1/4	
10	4811700	2	Washer M6	
11	1001138494	1	Bar, Drop	
12	1001138514	1	Rail - Top	
13	1001140429	1	Decal - Drop Bar	
14	See Note	1	Platform (Note: Not Available - Purchase Platform Assembly)	

SECTION 5 - PLATFORM

FIGURE 5-6. PLATFORM ASSEMBLY - 36IN X 6FT (91.5CM X 1.83M) WITH DROP BAR



ART_100196379

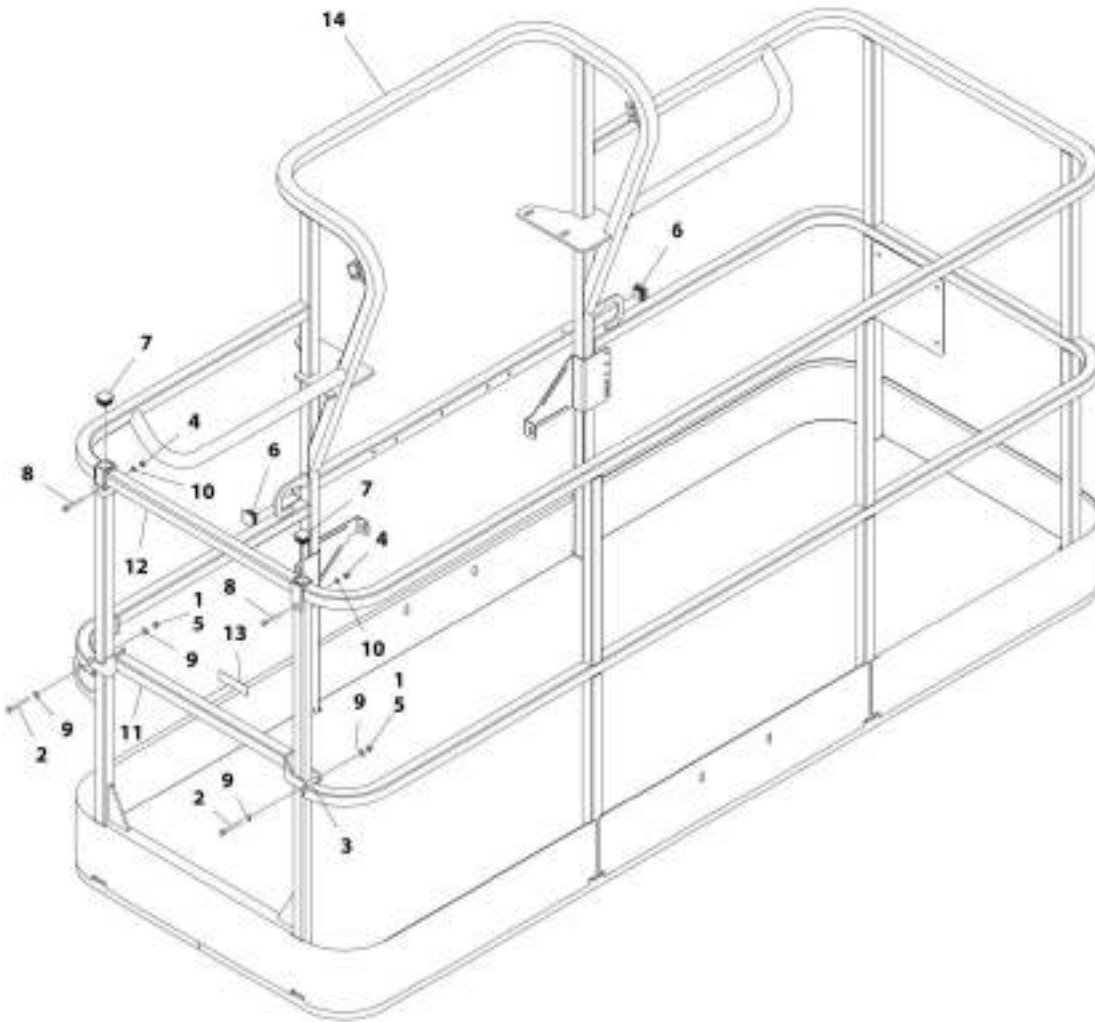
SECTION 5 - PLATFORM

FIGURE 5-6. PLATFORM ASSEMBLY - 36IN X 6FT (91.5CM X 1.83M) WITH DROP BAR

ITEM	PART NUMBER	QTY	DESCRIPTION	REV
	1001186379	Ref	PLATFORM ASSEMBLY - 36IN X 6FT (91.5CM X 1.83M) WITH DROP BAR	B
	See Note	Ref	Note: Platform and Mesh must be ordered separately for Platforms with Mesh. See SPECIAL OPTIONS SECTION for Mesh Installations.	
	See Note	Ref	Note: Replacement Decals Must be Ordered Separately - See DECALS SECTION.	
1	0100011	AR	Compound, Locking	
2	0641418	2	Bolt 1/4 x 2-1/4	
3	0961845	2	Bushing	
4	3290606	2	Nut M6 x 1	
5	3300151	2	Nut 1/4	
6	3520072	2	Cap, Plug	
7	3520198	2	Cap, Plug	
8	4010618	2	Screw M6 x 50	
9	4711400	4	Washer 1/4	
10	4811700	2	Washer M6	
11	1001138494	1	Bar, Drop	
12	1001138514	1	Rail (Top)	
13	1001140429	1	Decal - Drop Bar	
14	See Note	1	Platform (Note: Not Available - Purchase Platform Assembly)	

SECTION 5 - PLATFORM

FIGURE 5-7. PLATFORM ASSEMBLY - 36IN X 8FT (91.5CM X 2.44M) WITH DROP BAR (USA BUILT MACHINES)



ART_1001160382

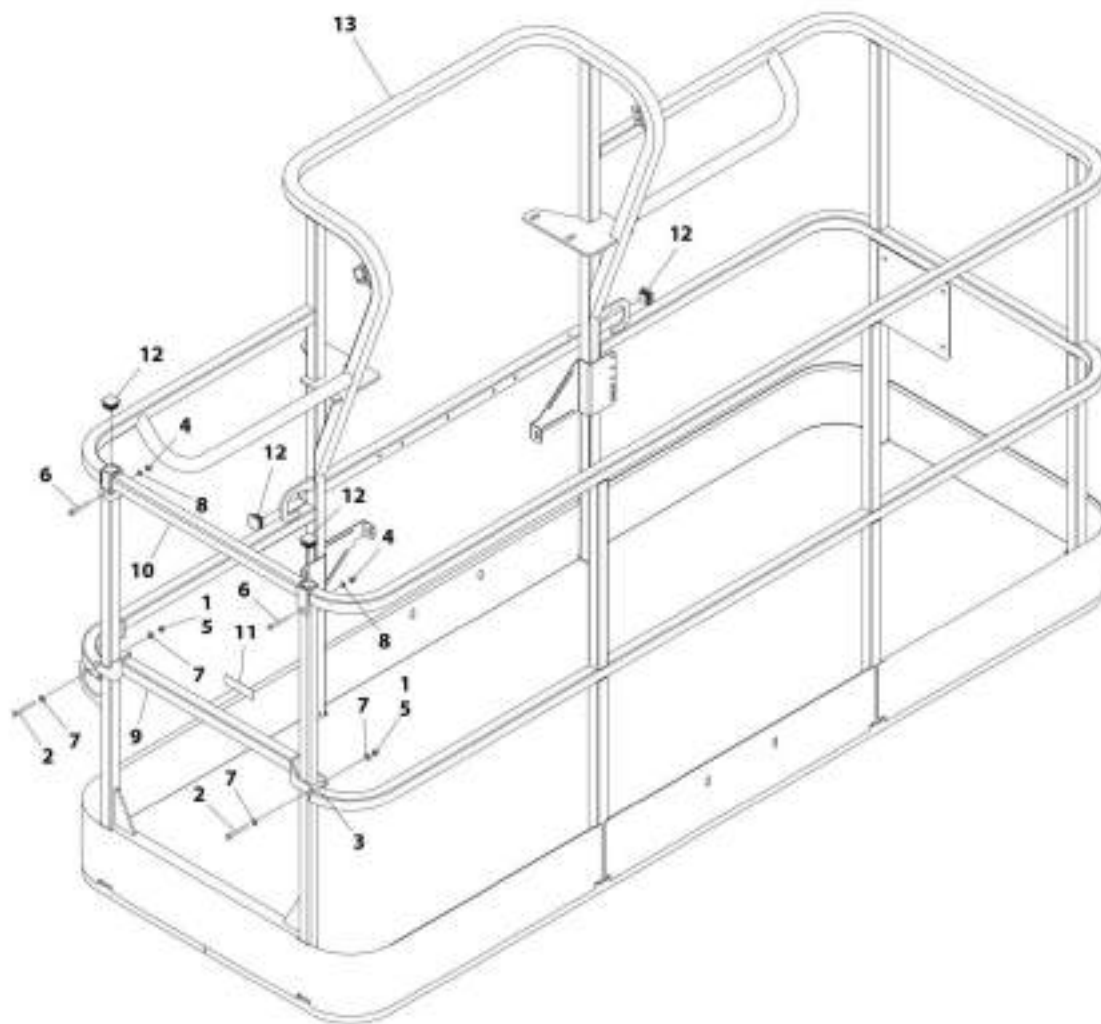
SECTION 5 - PLATFORM

FIGURE 5-7. PLATFORM ASSEMBLY - 36IN X 8FT (91.5CM X 2.44M) WITH DROP BAR (USA BUILT MACHINES)

ITEM	PART NUMBER	QTY	DESCRIPTION	REV
	1001186382	Ref	PLATFORM ASSEMBLY - 36IN X 8FT (91.5CM X 2.44M) WITH DROP BAR (USA BUILT MACHINES)	C
	See Note	Ref	Note: Platform and Mesh must be ordered separately for Platforms with Mesh. See SPECIAL OPTIONS SECTION for Mesh Installations.	
	See Note	Ref	Note: Replacement Decals Must be Ordered Separately - See DECALS SECTION.	
1	0100011	AR	Compound, Locking	
2	0641418	2	Bolt 1/4 x 2-1/4	
3	0961845	2	Bushing	
4	3290606	2	Nut M6 x 1	
5	3300151	2	Nut 1/4	
6	3520072	2	Cap, Plug	
7	3520198	2	Cap, Plug	
8	4010618	2	Screw M6 x 50	
9	4711400	4	Washer 1/4	
10	4811700	2	Washer M6	
11	1001138494	1	Bar, Drop	
12	1001138514	1	Rail (Top)	
13	1001140429	1	Decal - Drop Bar	
14	See Note	NSS	Platform (Note: Not Available - Purchase Platform Assembly)	

SECTION 5 - PLATFORM

FIGURE 5-8. PLATFORM ASSEMBLY - 36IN X 8FT (91.5CM X 2.44M) WITH DROP BAR (CHINA BUILT MACHINES)



AWT_1001160309

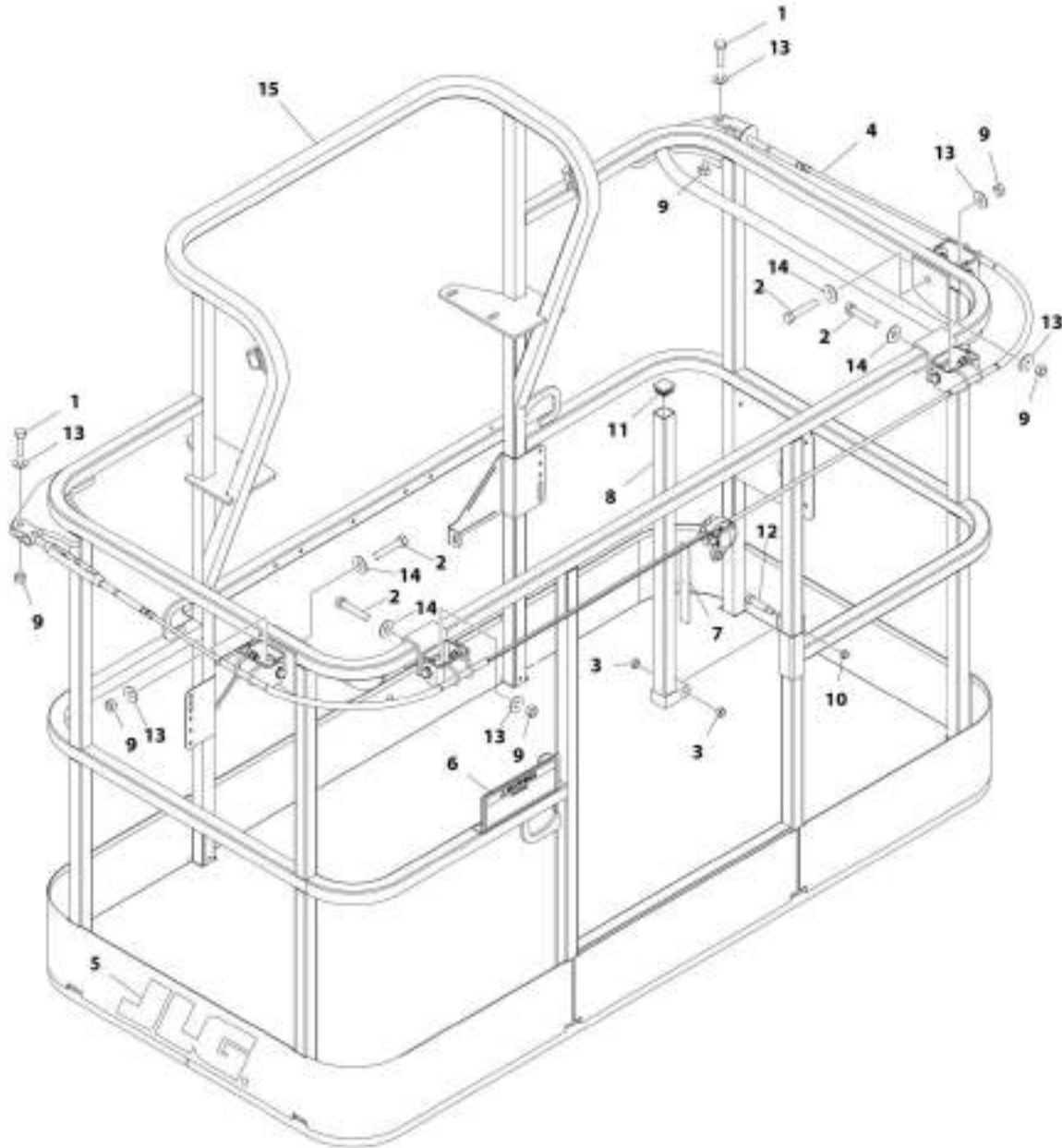
SECTION 5 - PLATFORM

FIGURE 5-8. PLATFORM ASSEMBLY - 36IN X 8FT (91.5CM X 2.44M) WITH DROP BAR (CHINA BUILT MACHINES)

ITEM	PART NUMBER	QTY	DESCRIPTION	REV
	1001188309	Ref	PLATFORM ASSEMBLY - 36IN X 8FT (91.5CM X 2.44M) WITH DROP BAR (CHINA BUILT MACHINES)	B
	See Note	Ref	Note: Platform and Mesh must be ordered separately for Platforms with Mesh. See SPECIAL OPTIONS SECTION for Mesh Installations.	
	See Note	Ref	Note: Replacement Decals Must be Ordered Separately - See DECALS SECTION	
1	0100011	AR	Compound, Locking	
2	0641418	2	Bolt 1/4 x 2-1/4	
3	0961845	2	Bushing	
4	3290606	2	Nut M6 x 1	
5	3300151	2	Nut 1/4	
6	4010618	2	Screw M6 x 50	
7	4711400	4	Washer 1/4	
8	4811700	2	Washer M6	
9	1001138494	1	Bar, Drop	
10	1001138514	1	Rail (Top)	
11	1001140429	1	Decal - Drop Bar	
12	1001145781	4	Cap, Plug	
13	See Note	NSS	Platform (Note: Not Available - Purchase Platform Assembly)	

SECTION 5 - PLATFORM

FIGURE 5-9. PLATFORM ASSEMBLY - 36IN X 6FT (91.5CM X 1.83M) WITH FALL ARREST (ANSI, ANSI EXPORT AND CSA SPECS)



ART_1001186332

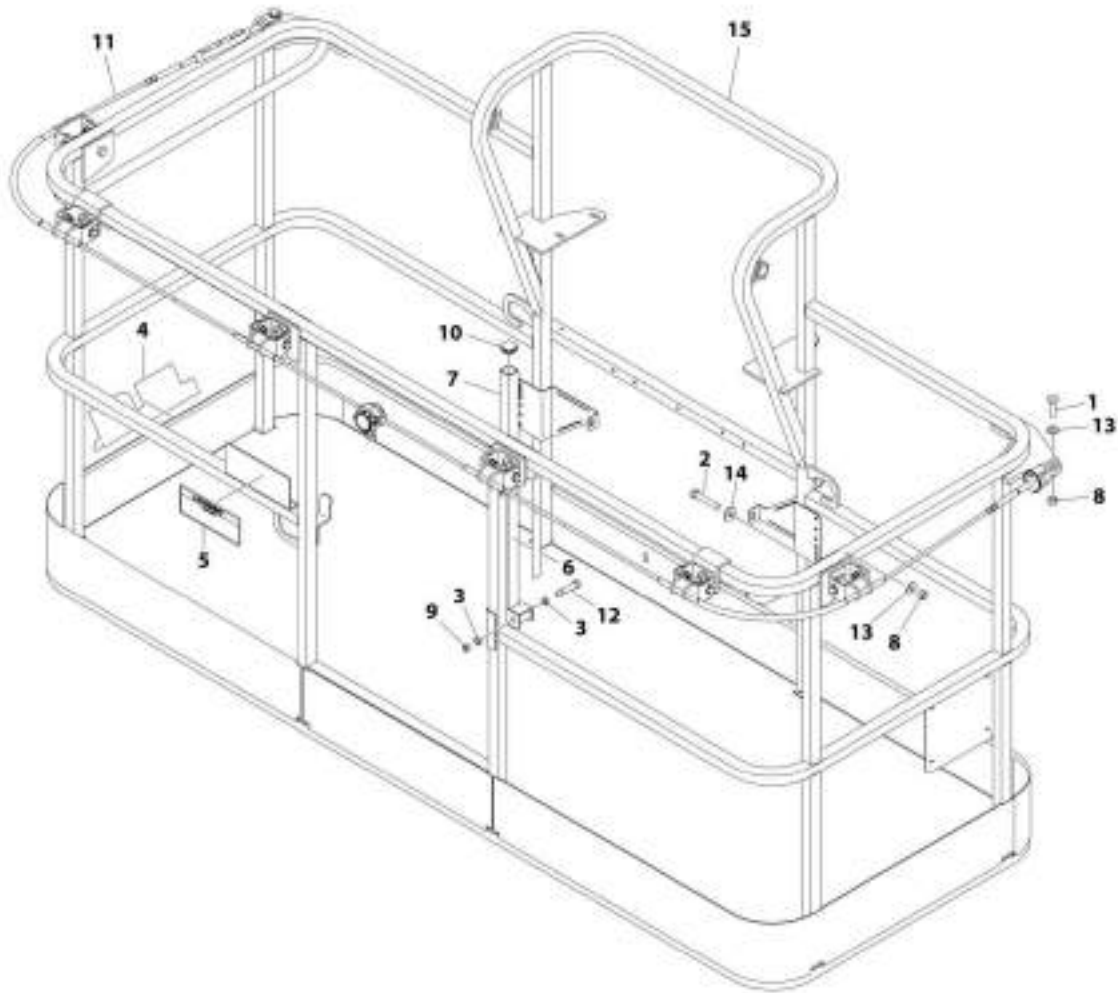
SECTION 5 - PLATFORM

FIGURE 5-9. PLATFORM ASSEMBLY - 36IN X 6FT (91.5CM X 1.83M) WITH FALL ARREST (ANSI, ANSI EXPORT AND CSA SPECS)

ITEM	PART NUMBER	QTY	DESCRIPTION	REV
	1001186333	Ref	PLATFORM ASSEMBLY - 36IN X 6FT (91.5CM X 1.83M) WITH FALL ARREST (ANSI, ANSI EXPORT AND CSA SPECS)	C
	See Note	Ref	Note: Fall Arrest Not Available on CE Spec Platform Assembly.	
	See Note	Ref	Note: Replacement Decals Must be Ordered Separately - See DECALS SECTION.	
1	0681814	2	Bolt 1/2 x 1-3/4 Grade 8	
2	0681822	4	Bolt 1/2 x 2-3/4 Grade 8	
3	0962270	2	Bearing	
4	1060919	NLA	Cable (Use p/n 1001203655) (SN 0300201016 through 0300214283)	
4	1001203655	1	Cable (SN 0300214284 to Present)	
5	1702773	1	Decal - JLG	
6	1705014	1	Decal - Safety	
7	1706385	1	Decal - Drop Bar	
8	2410014	1	Bar, Drop	
9	3271805	6	Nut 1/2 Grade 8	
10	3311605	1	Nut 3/8	
11	3520072	1	Cap, Plug	
12	3900054	1	Bolt 1/2 x 1-3/4	
13	4711800	8	Washer 1/2	
14	4751800	4	Washer 1/2	
15	See Note	1	Platform (Note: Not Available - Purchase Platform Assembly)	

SECTION 5 - PLATFORM

FIGURE 5-10. PLATFORM ASSEMBLY - 36IN X 8FT (91.5CM X 2.44M) WITH FALL ARREST (ANSI SPEC)



ART_101186334

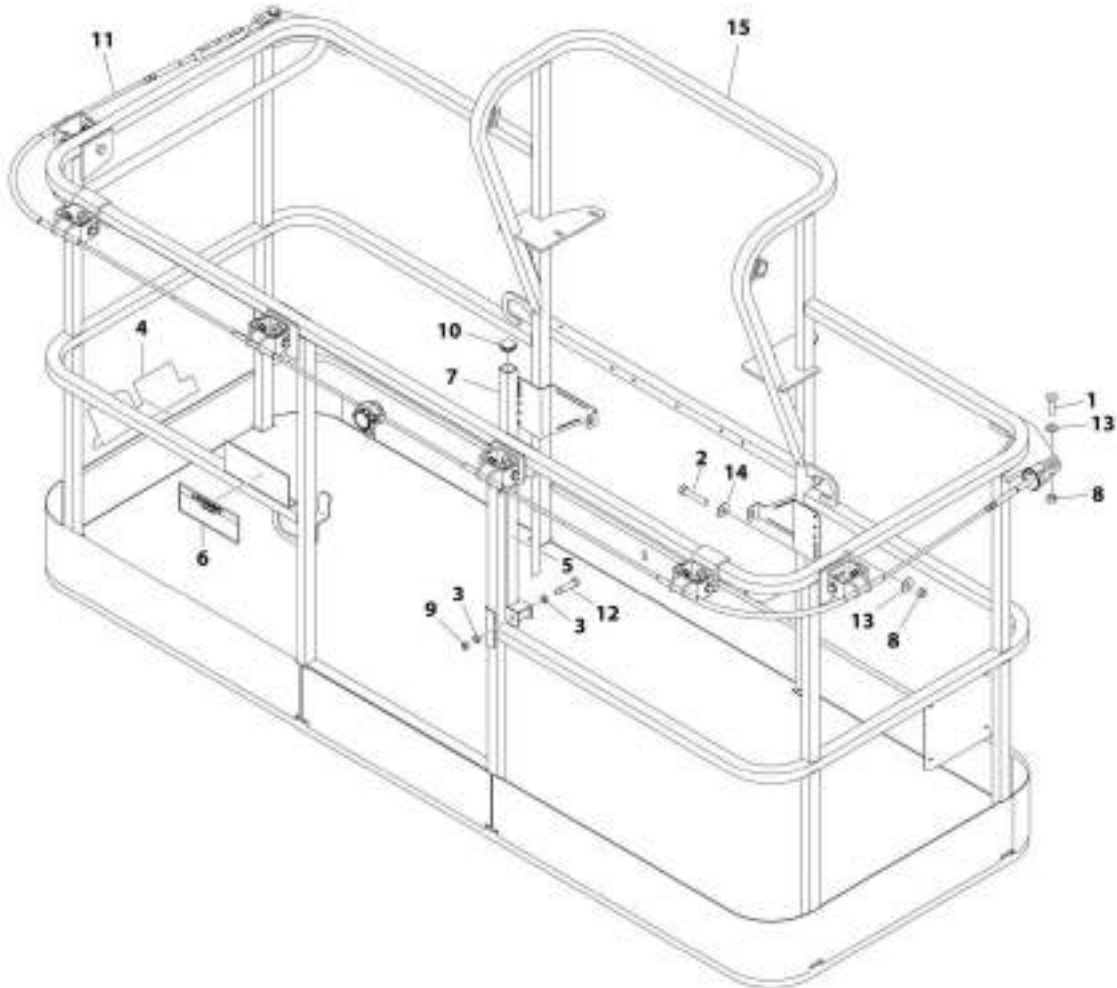
SECTION 5 - PLATFORM

FIGURE 5-10. PLATFORM ASSEMBLY - 36IN X 8FT (91.5CM X 2.44M) WITH FALL ARREST (ANSI SPEC)

ITEM	PART NUMBER	QTY	DESCRIPTION	REV
	1001186334	Ref	PLATFORM ASSEMBLY - 36IN X 8FT (91.5CM X 2.44M) WITH FALL ARREST (ANSI SPEC)	D
		Ref	Note: Replacement Decals Must be Ordered Separately - See DECALS SECTION.	
1	0681814	2	Bolt 1/2 x 1-3/4 Grade 8	
2	0681822	6	Bolt 1/2 x 2-3/4 Grade 8	
3	0962270	2	Bearing	
4	1702773	1	Decal - JLG	
5	1705014	1	Decal - Safety	
6	1706385	1	Decal - Drop Bar	
7	2410014	1	Bar, Drop	
8	3271805	8	Nut 1/2 Grade 8	
9	3311605	1	Nut 3/8	
10	3520072	1	Plug	
11	3890040	NLA	Cable (Use p/n 1001203656) (SN 0300201016 through 0300214283)	
11	1001203656	1	Cable (SN 0300214284 to Present)	
12	3900054	1	Bolt 1/2 x 1-3/4	
13	4711800	10	Washer 1/2	
14	4751800	6	Washer 1/2	
15	See Note	NSS	Platform (Note: Purchase Platform Assembly)	

SECTION 5 - PLATFORM

FIGURE 5-11. PLATFORM ASSEMBLY - 36IN X 8FT (91.5CM X 2.44M) WITH FALL ARREST (ALL SPECS EXCEPT CSA SPECS)



ART_100126289

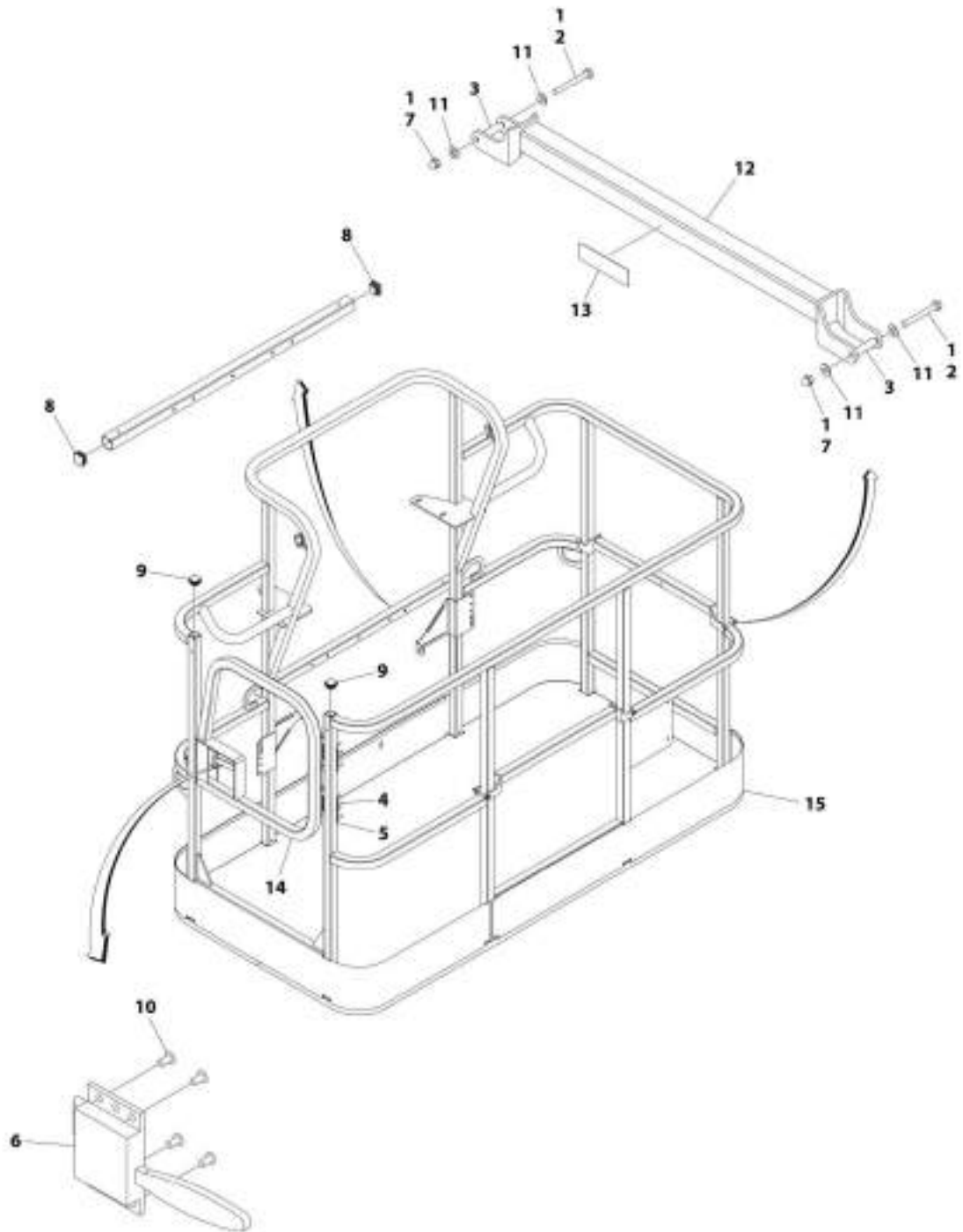
SECTION 5 - PLATFORM

FIGURE 5-11. PLATFORM ASSEMBLY - 36IN X 8FT (91.5CM X 2.44M) WITH FALL ARREST (ALL SPECS EXCEPT CSA SPECS)

ITEM	PART NUMBER	QTY	DESCRIPTION	REV
	1001186389	Ref	PLATFORM ASSEMBLY - 36IN X 8FT (91.5CM X 2.44M) WITH FALL ARREST (All SPECS EXCEPT CSA SPECS)	D
		Ref	Note: Standard decals must be ordered separately - See DECAL SECTION.	
1	0681814	2	Bolt 1/2 x 1-3/4 Grade 8	
2	0681822	6	Bolt 1/2 x 2-3/4 Grade 8	
3	0962270	2	Bearing	
4	1702773	1	Decal - JLG	
5	1706493	1	Decal - Drop Bar	
6	1706501	1	Decal - Safety	
7	2410014	1	Gate	
8	3271805	8	Nut 1/2 Grade 8	
9	3311605	1	Nut 3/8	
10	3520072	1	Plug	
11	3890040	NLA	Cable (Use p/n 1001203656) (SN 0300201016 through 0300214283)	
11	1001203656	1	Cable (SN 0300214284 to Present)	
12	3900054	1	Bolt 1/2 x 1-3/4	
13	4711800	8	Washer 1/2	
14	4751800	6	Washer 1/2	
15	1001186318	NSS	Platform (Note: Not Available - Purchase Platform Assembly)	

SECTION 5 - PLATFORM

FIGURE 5-12. PLATFORM ASSEMBLY - 36IN X 6FT (91.5CM X 1.83M) TRI-ENTRY WITH SWING GATE



AHT_1001228176

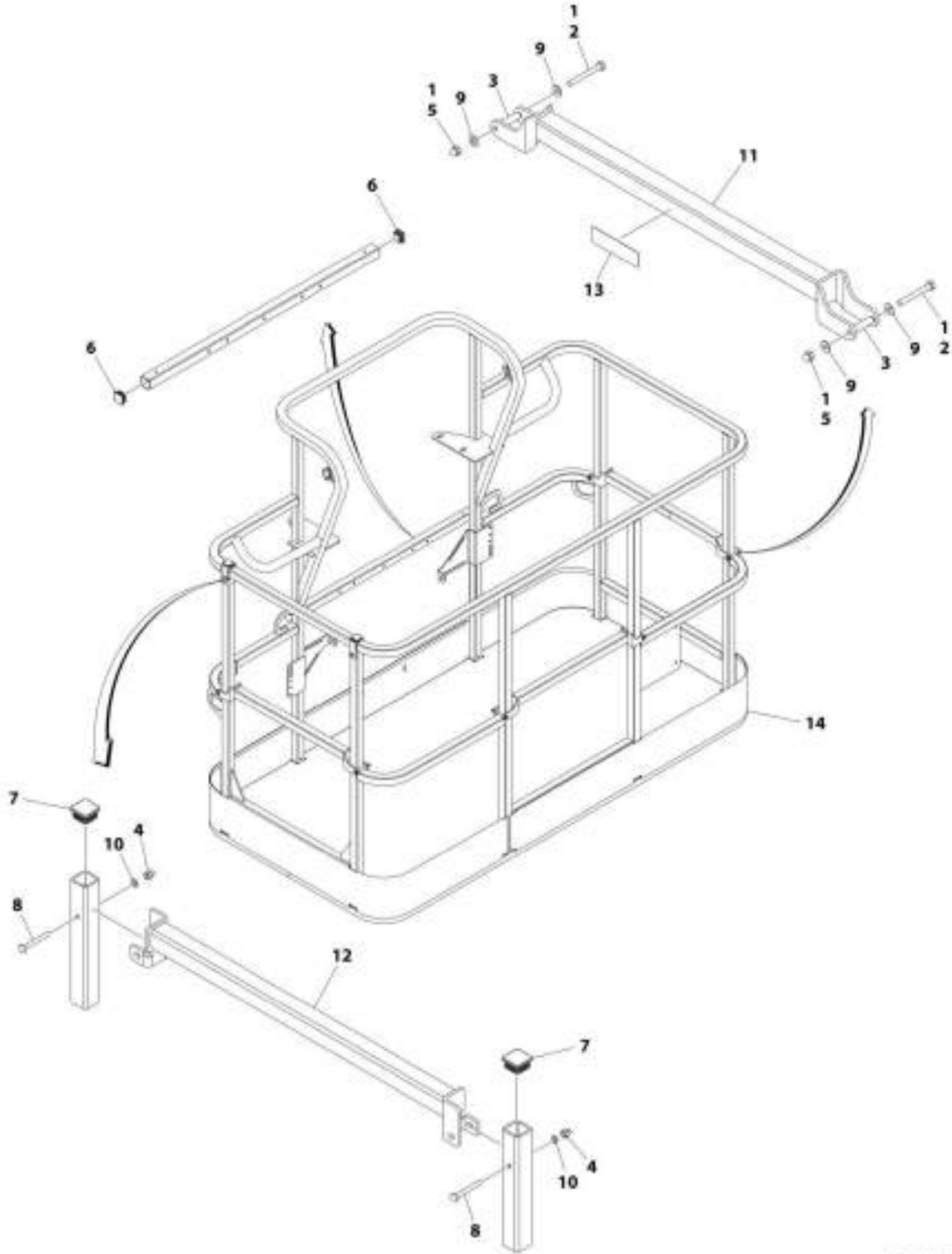
SECTION 5 - PLATFORM

FIGURE 5-12. PLATFORM ASSEMBLY - 36IN X 6FT (91.5CM X 1.83M) TRI-ENTRY WITH SWING GATE

ITEM	PART NUMBER	QTY	DESCRIPTION	REV
	1001228376	Ref	PLATFORM ASSEMBLY - 36IN x 6FT (91.5CM x 1.83M)	A
		Ref	Note: Platform and Mesh must be ordered separately for Platforms with Mesh. See SPECIAL OPTIONS SECTION for Mesh Installations.	
		Ref	Note: Replacement Decals Must be Ordered Separately - See DECAL SECTION.	
1	0100011	AR	Compound, Locking	
2	0641418	4	Bolt 1/4 x 2-1/4	
3	0961845	4	Bushing	
4	2080040	16	Fastener	
5	2600281	2	Hinge	
6	2940074	1	Latch	
7	3300151	4	Nut 1/4	
8	3520072	3	Plug	
9	3520198	2	Plug	
10	3820020	4	Rivet	
11	4711400	8	Washer 1/4	
12	1001138494	2	Bar, Drop	
13	1001140429	2	Decal - Drop Bar	
14	1001144629	1	Gate	
15	See Note	NSS	Platform (Note: Not Available - Purchase Platform Assembly)	

SECTION 5 - PLATFORM

FIGURE 5-13. PLATFORM ASSEMBLY - 36IN X 6FT (91.5CM X 1.83M) TRI-ENTRY WITH DROPBAR



ART_1001226377

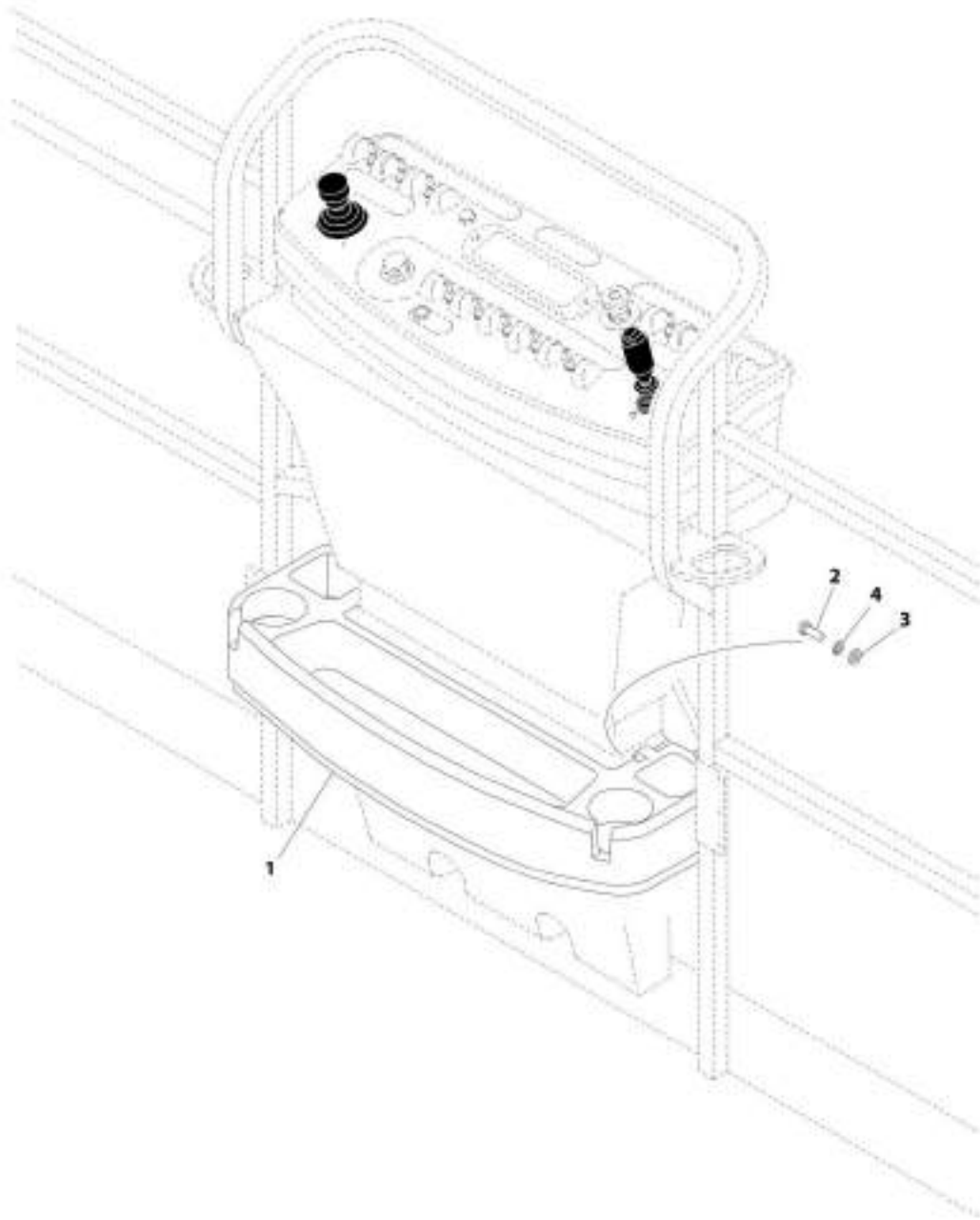
SECTION 5 - PLATFORM

FIGURE 5-13. PLATFORM ASSEMBLY - 36IN X 6FT (91.5CM X 1.83M) TRI-ENTRY WITH DROPBAR

ITEM	PART NUMBER	QTY	DESCRIPTION	REV
	1001228377	Ref	PLATFORM ASSEMBLY - 36IN x 6FT (91.5CM x 1.83M)	A
		Ref	Note: Platform and Mesh must be ordered separately for Platforms with Mesh. See SPECIAL OPTIONS SECTION for Mesh Installations.	
		Ref	Note: Replacement Decals Must be Ordered Separately - See DECAL SECTION.	
1	0100011	1	Compound, Locking	
2	0641418	6	Bolt 1/4 x 2-1/4	
3	0961845	6	Bushing	
4	3290606	2	Nut M6	
5	3300151	6	Nut 1/4	
6	3520072	2	Plug	
7	3520198	2	Plug	
8	4010618	2	Screw M6 x 50	
9	4711400	12	Washer 1/4	
10	4811700	2	Washer M6	
11	1001138494	3	Bar, Drop	
12	1001138514	1	Rail (Top)	
13	1001140429	3	Decal - Drop Bar	
14	See Note	NSS	Platform, Weldment (Note: Not Available - Purchase Platform Assembly)	

SECTION 5 - PLATFORM

FIGURE 5-14. TRAY ASSEMBLY



AWT_1590012

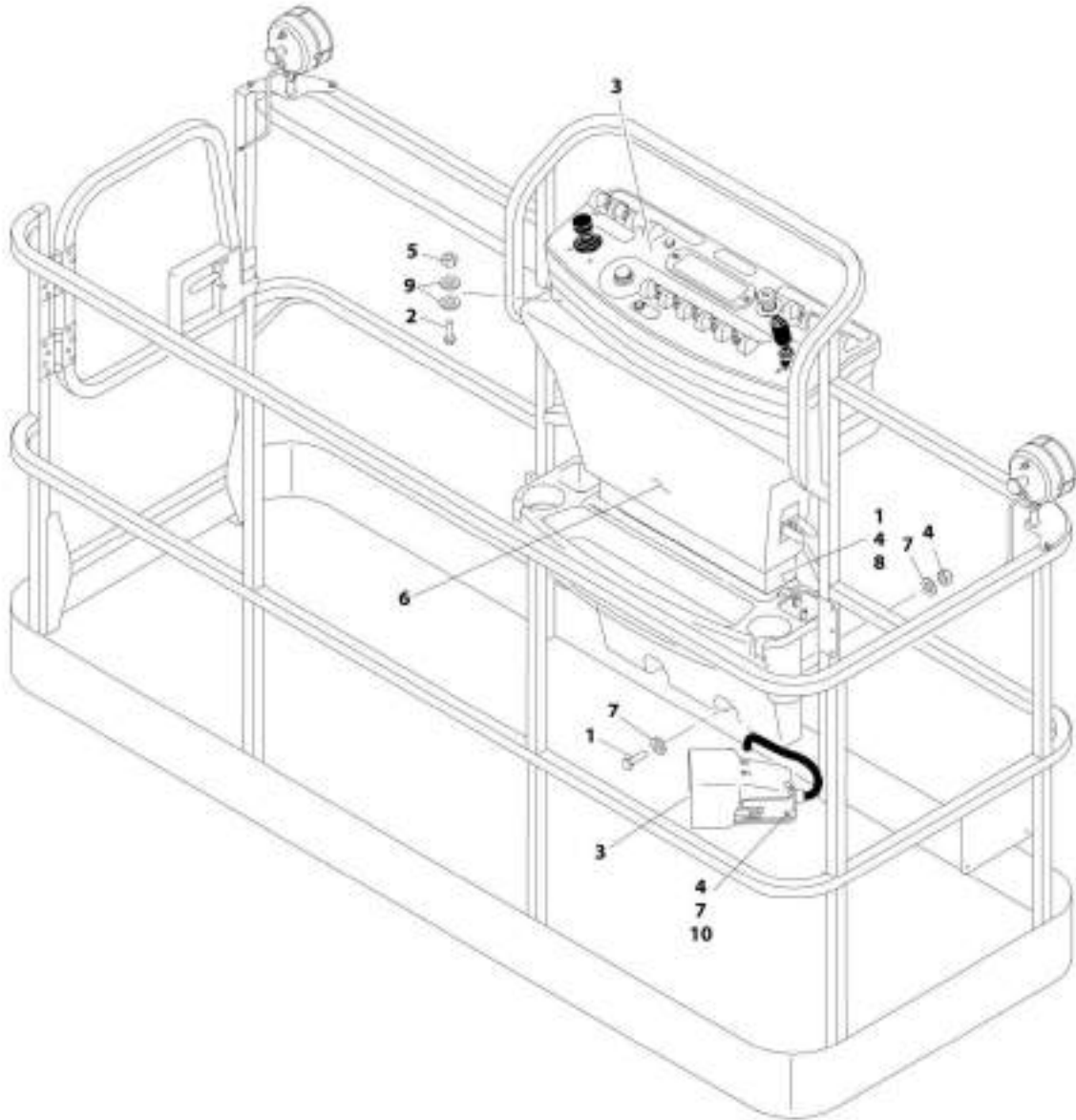
SECTION 5 - PLATFORM

FIGURE 5-14. TRAY ASSEMBLY

ITEM	PART NUMBER	QTY	DESCRIPTION	REV
	1580012	Ref	TRAY ASSEMBLY	C
1	See Note	1	Tray, Storage (Center) (Note: Purchase p/n 1580012)	
2	0641406	2	Bolt 1/4 x 3/4	
3	4751400	2	Washer 1/4	
4	4761400	2	Washer 1/4	

SECTION 5 - PLATFORM

FIGURE 5-15. PLATFORM CONTROLS INSTALLATION - WITHOUT SKYGUARD



ART_1001345700

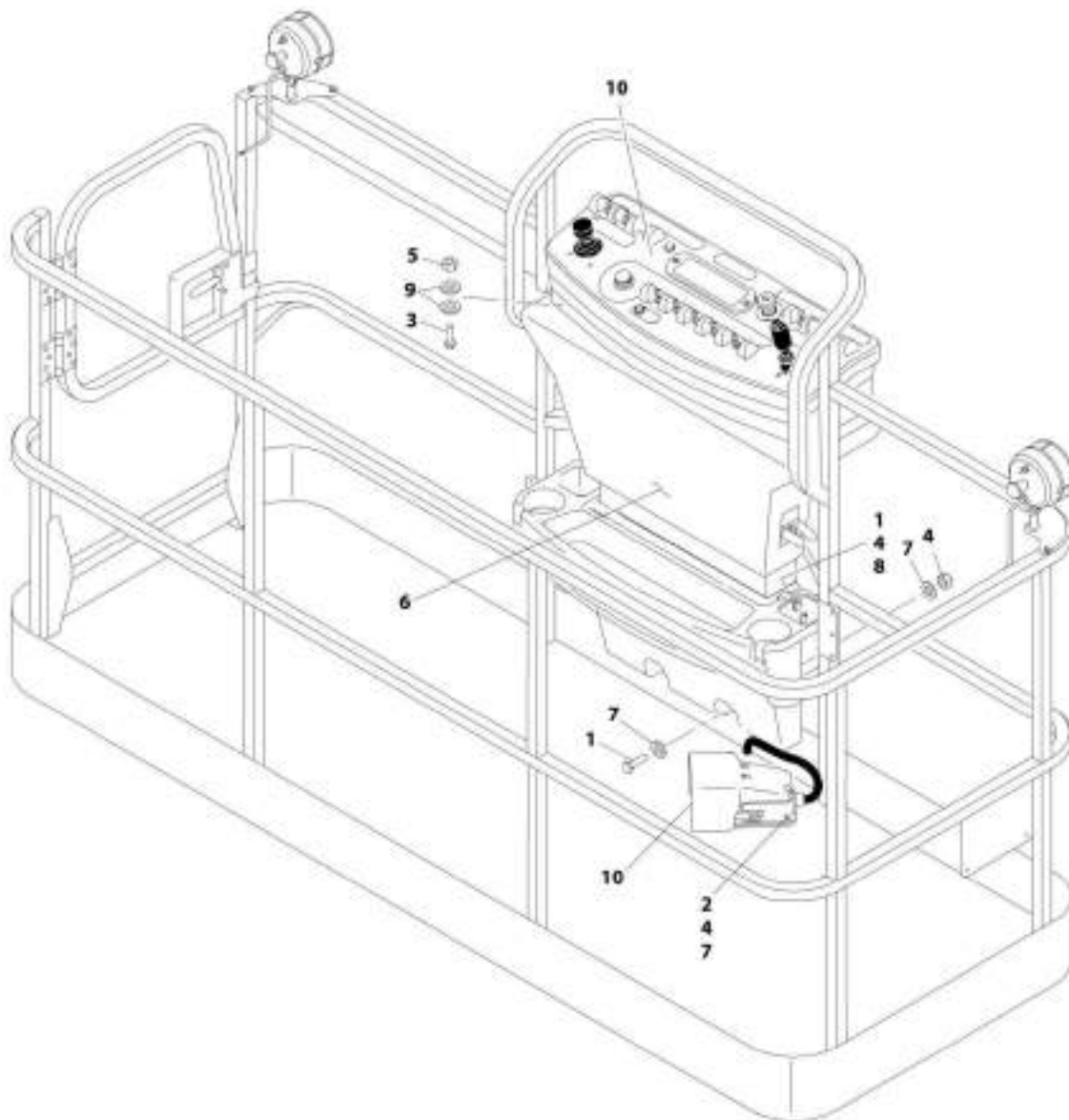
SECTION 5 - PLATFORM

FIGURE 5-15. PLATFORM CONTROLS INSTALLATION - WITHOUT SKYGUARD

ITEM	PART NUMBER	QTY	DESCRIPTION	REV
	1001145785	Ref	PLATFORM CONTROLS INSTALLATION - WITHOUT SKYGUARD	C
1	0641406	4	Bolt 1/4 x 3/4	
2	0641610	4	Bolt 3/8 x 1-1/4	
3	1001166665	1	Platform Console Box Assembly (See Separate Breakdown in this Section) (SN 0300201016 through 0300220138)	
3	1001202564	1	Platform Console Box Assembly (See Separate Breakdown in this Section) (SN 0300220139 to Present)	
4	3311405	7	Nut 1/4	
5	3311605	4	Nut 3/8	
6	3380434	1	Panel, Molded	
7	4740362	7	Washer, Fender	
8	4751400	4	Washer 1/4	
9	4751600	8	Washer 3/8	
10	0641408	3	Bolt 1/4 x 1	

SECTION 5 - PLATFORM

FIGURE 5-16. PLATFORM CONTROLS INSTALLATION - WITH SKYGUARD (SN 0300201016 through 0300235781, SN B300002238 through B300002991)



AWT_100190111

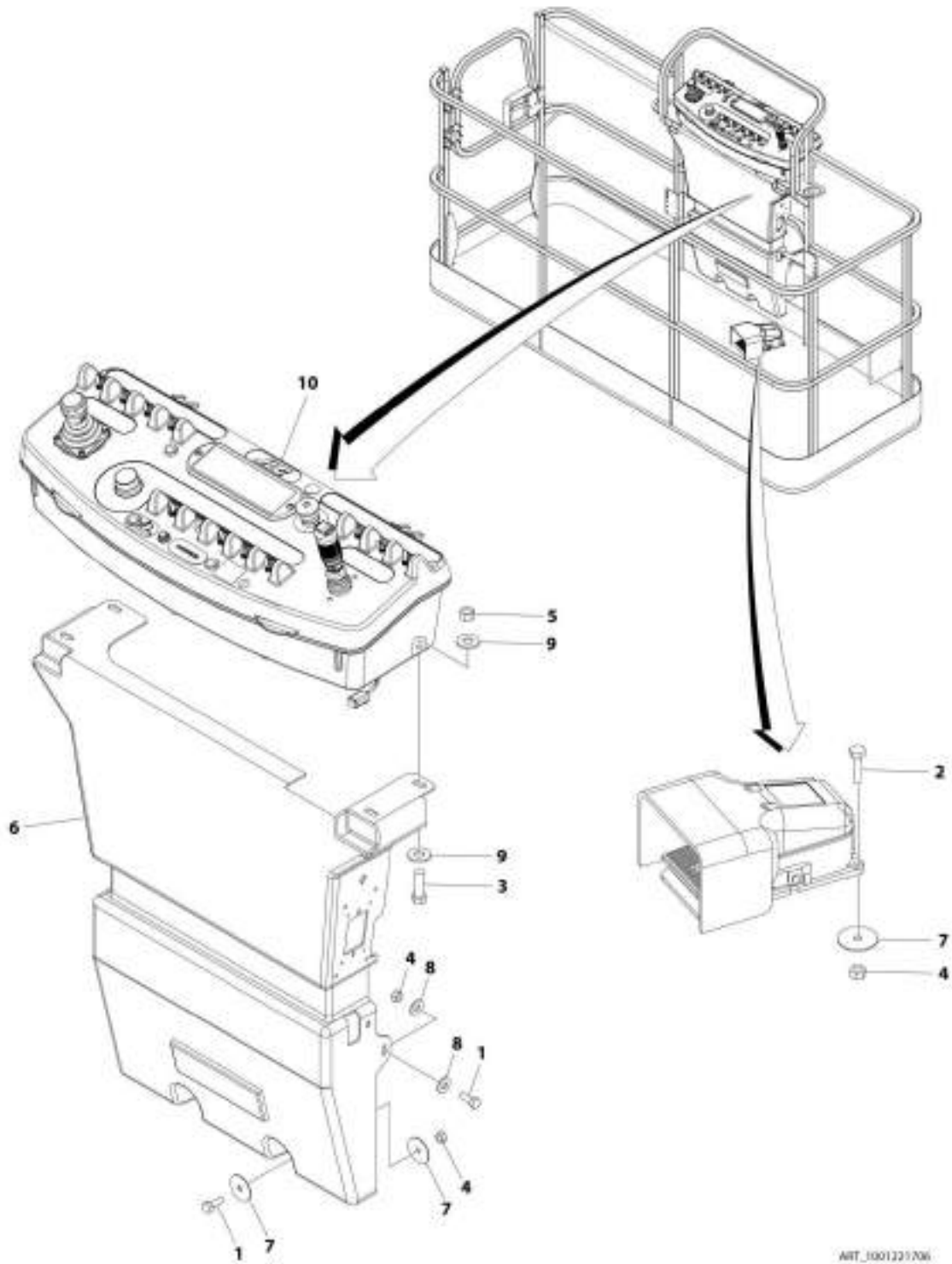
SECTION 5 - PLATFORM

FIGURE 5-16. PLATFORM CONTROLS INSTALLATION - WITH SKYGUARD (SN 0300201016 through 0300235781, SN B300002238 through B300002991)

ITEM	PART NUMBER	QTY	DESCRIPTION	REV
	1001190111	Ref	PLATFORM CONTROLS INSTALLATION - WITH SKYGUARD (SN 0300201016 through 0300235781, SN B300002238 through B300002991)	C
1	0641406	4	Bolt 1/4 x 3/4	
2	0641408	3	Bolt 1/4 x 1	
3	0641610	4	Bolt 3/8 x 1-1/4	
4	3311405	7	Nut 1/4	
5	3311605	4	Nut 3/8	
6	3380434	1	Panel, Molded	
7	4740362	7	Washer, Fender	
8	4751400	4	Washer 1/4	
9	4751600	8	Washer 3/8	
10	1001190098	1	Platform Console Box Assembly (See Separate Breakdown in this Section) (SN 0300201016 through 0300200138)	
10	1001202562	1	Platform Console Box Assembly (See Separate Breakdown in this Section) (SN 0300200139 through 0300235781, SN B300002238 through B300002991)	

SECTION 5 - PLATFORM

FIGURE 5-17. PLATFORM CONTROLS INSTALLATION - WITH SKYGUARD (SN 0300235782 to Present, SN B300002992 to Present)



WIT_1001225706

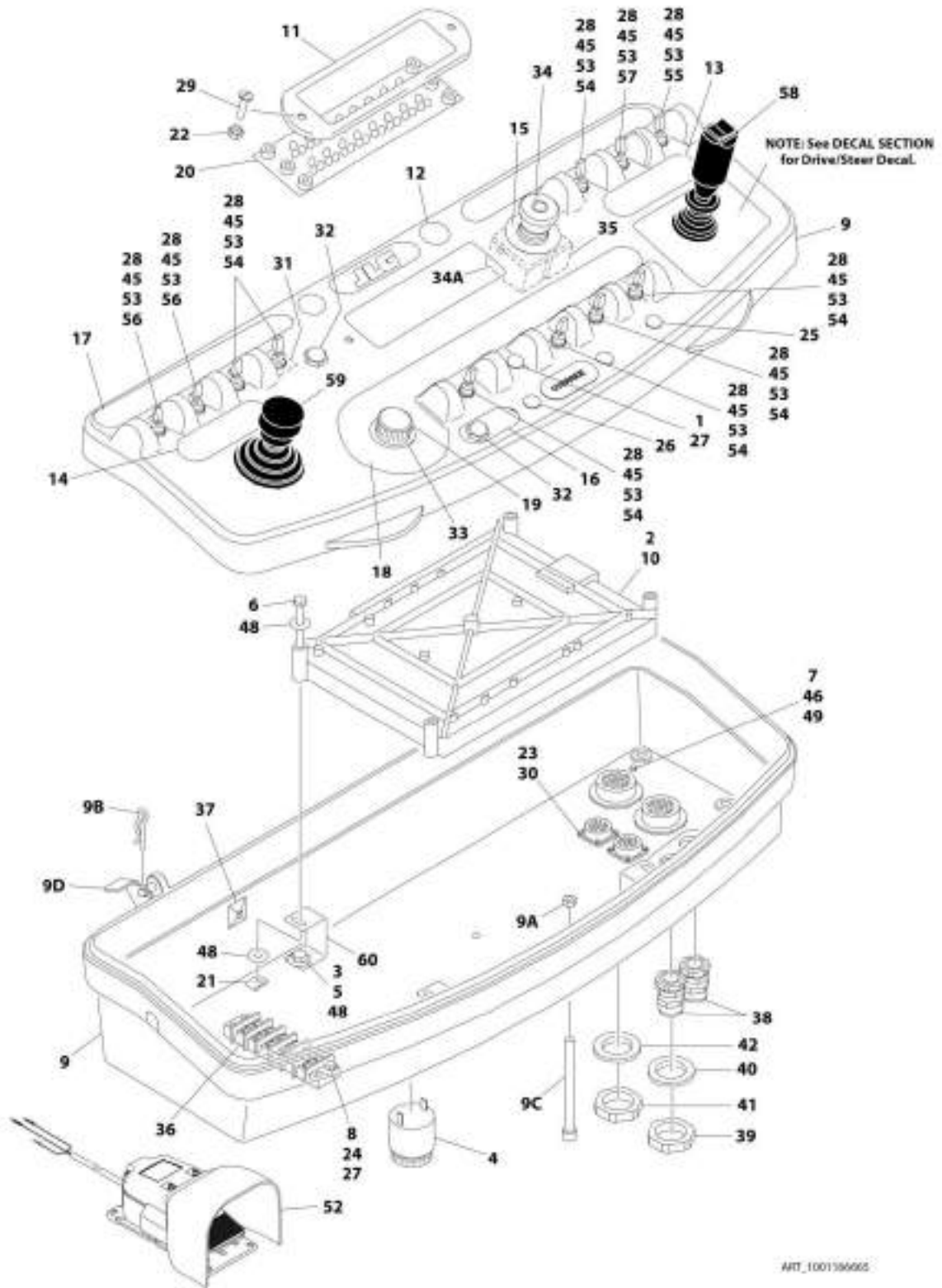
SECTION 5 - PLATFORM

FIGURE 5-17. PLATFORM CONTROLS INSTALLATION - WITH SKYGUARD (SN 0300235782 to Present, SN B300002992 to Present)

ITEM	PART NUMBER	QTY	DESCRIPTION	REV
	1001221706	Ref	PLATFORM CONTROLS INSTALLATION - WITH SKYGUARD (SN 0300235782 to Present, SN B300002992 to Present)	A
1	0641406	4	Bolt 1/4 x 3/4	
2	0641408	3	Bolt 1/4 x 1	
3	0641610	4	Bolt 3/8 x 1-1/4	
4	3311405	7	Nut 1/4	
5	3311605	4	Nut 3/8	
6	3380434	1	Panel, Molded	
7	4740362	7	Washer, Fender	
8	4751400	4	Washer 1/4	
9	4751600	8	Washer 3/8	
10	1001219987	1	Platform Console Box Assembly (See Separate Breakdown in this Section)	

SECTION 5 - PLATFORM

FIGURE 5-18. PLATFORM CONSOLE ASSEMBLY - WITHOUT SKYGUARD (SN 0300201016 through 0300220138)



SECTION 5 - PLATFORM

FIGURE 5-18. PLATFORM CONSOLE ASSEMBLY - WITHOUT SKYGUARD (SN 0300201016 through 0300220138)

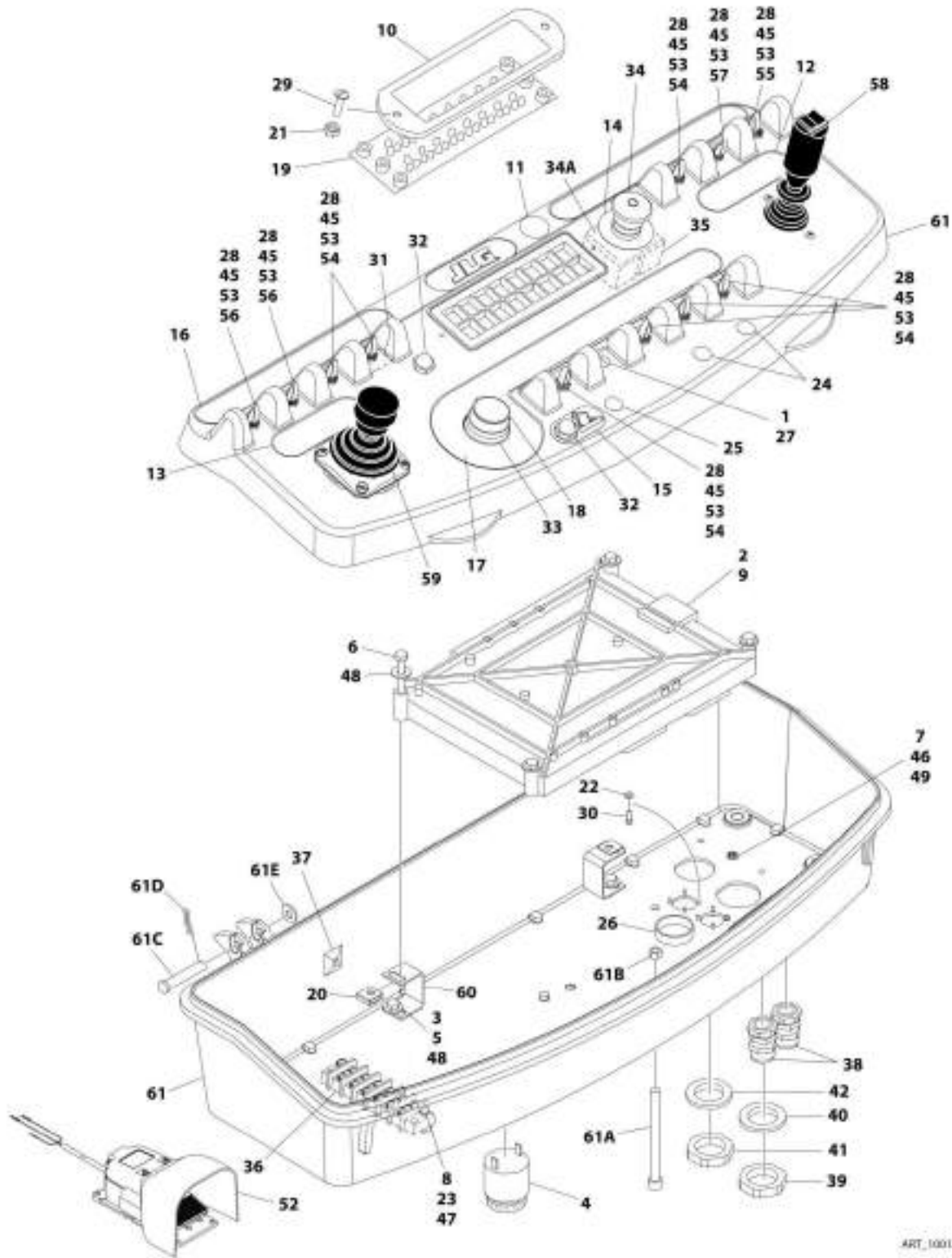
ITEM	PART NUMBER	QTY	DESCRIPTION	REV
	1001166665	Ref	PLATFORM CONSOLE ASSEMBLY - WITHOUT SKYGUARD (SN 0300201016 through 0300220138)	C
1	0100009	AR	Sealant	
2	0100048	AR	Grease, Dielectric	
3	0100081	AR	Loctite 454	
4	0140011	1	Alarm	
5	0641404	4	Bolt 1/4 x 1/2	
6	0641414	4	Bolt 1/4 x 1-3/4	
7	0720804	1	Screw #8 x 1/2	
8	0721006	2	Bolt #10 x 3/4	
9	0861630	1	Box, Console	I
9A	3311601	1	Nut 3/8	
9B	3470003	2	Pin	
9C	0630568	1	Screw 3/8 x 4-1/2	
9D	4711500	2	Washer 5/16 (SN 0300201016 through 0300210408)	
9D	1001200575	2	Bracket, Stop (SN 0300210409 through 0300220138)	
10	1600343	1	Module, Platform Control (Note: Re-calibration Required when Replaced)	
10	2915024	1	Update Kit (Includes Cables, Programming Instructions and CD Software)	
11	1671176	1	Bezel	
12	1671314	1	Cover, Hole	
13	1702565	1	Decal - Drive and Steer	
14	1702566	1	Decal - Lift and Swing	
15	1704260	1	Decal - EMS	
16	1705171	1	Decal - Jib Stow	
17	1705744	1	Decal - Horn	
18	1705745	1	Decal - Function Speed	
19	2560136	1	Handle, Knob	
20	2920154	1	Panel, LED Light	
21	3300353	4	Nut, Tinnerman	
22	3300408	2	Insert, Nylon	
23	3300482	2	Nut M2.5	
24	3311005	2	Nut #10	
25	3520026	2	Plug, Hole	
26	3520027	1	Plug, Hole	
27	3520054	1	Plug, Hole	
28	3790012	11	O-Ring	
29	3900183	2	Screw #10 x 1-1/4	
30	3900349	8	Capscrew M2.5	
31	4071074	1	Shim	
32	4360387	2	Switch, Pushbutton	
33	4360407	1	Controller, Speed	
	See Note	1	Gasket "Top Hat" (Included with Switch) (Note: Not Available - Purchase Complete Controller)	
33	70003784	1	Seal	
34	4360475	1	Switch, Emergency Stop	
34	7020175	1	Cap, Red	
34A	7020176	1	Block, Contact	
35	4360476	1	Block, Contact	

SECTION 5 - PLATFORM

ITEM	PART NUMBER	QTY	DESCRIPTION	REV
36	4460007	1	Bar, Buss	
37	4460234	3	Tie-Strap	
38	4460428	2	Connector, Strain Relief	
39	4460470	1	Nut, Terminal	
40	4460471	1	Washer, Terminal	
41	4460496	1	Nut, Terminal	
42	4460497	1	Washer, Terminal	
43	4460708	2	Connector, Female - 15 Position (Not Shown - See ELECTRICAL SECTION for Location)	
44	4460905	AR	Plug, Seal (Not Shown - See ELECTRICAL SECTION for Location)	
45	4740397	11	Spacer	
46	4750800	1	Washer #8	
47	4751000	2	Washer #10	
48	4751400	8	Washer 1/4	
49	4760800	1	Washer #8	
50	4922666	1	Harness, Analyzer Cable (Not Shown - See Separate Breakdown in ELECTRICAL SECTION)	
51	4923448	1	Harness, Console Box (Not Shown - See Separate Breakdown in ELECTRICAL SECTION)	
52	1001117174	1	Footswitch Assembly (See Separate Breakdown in this Section)	
53	1001155044	11	Nut	
54	1001155045	7	Switch, Toggle	
55	1001159256	1	Switch, Toggle	
56	1001161709	2	Switch, Toggle	
57	1001161710	1	Switch, Toggle	
58	1001166538	NLA	Controller Assembly (Drive and Steer) (Use p/n 1001212415) (See Separate Breakdown in this Section)	
59	1001166539	NLA	Controller Assembly (Lift and Swing) (Use p/n 1001129555) (See Separate Breakdown in this Section)	
60	1001172760	4	Bracket, Support	

SECTION 5 - PLATFORM

FIGURE 5-19. PLATFORM CONSOLE ASSEMBLY - WITHOUT SKYGUARD (SN 0300220139 to Present, SN B300002238 to Present)



SECTION 5 - PLATFORM

FIGURE 5-19. PLATFORM CONSOLE ASSEMBLY - WITHOUT SKYGUARD (SN 0300220139 to Present, SN B300002238 to Present)

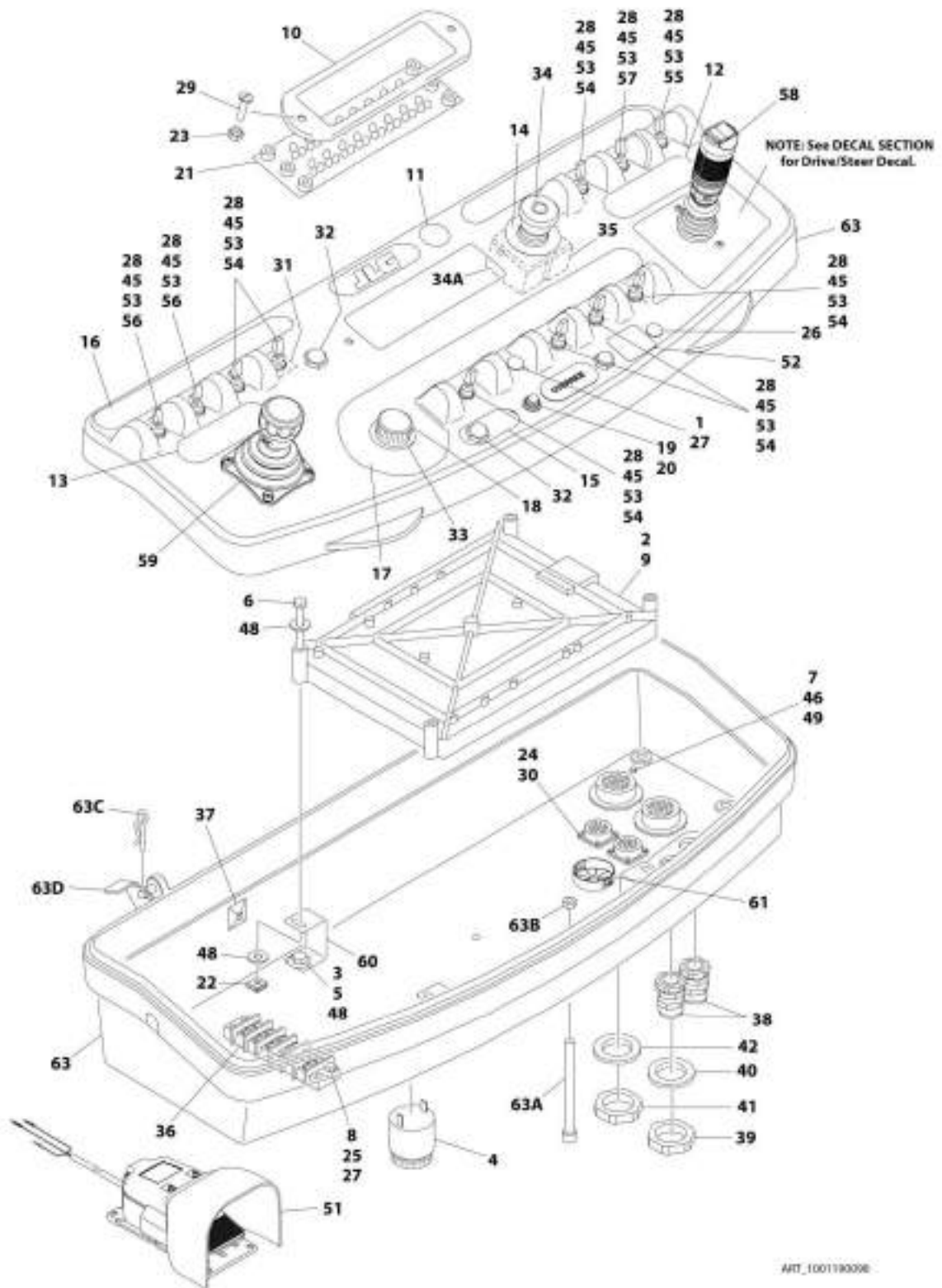
ITEM	PART NUMBER	QTY	DESCRIPTION	REV
	1001202564	Ref	PLATFORM CONSOLE ASSEMBLY - WITHOUT SKYGUARD (SN 0300220139 to Present, SN B300002238 to Present)	B
1	0100009	AR	Sealant	
2	0100048	AR	Grease, Dielectric	
3	0100081	AR	Loctite 454	
4	0140011	1	Alarm	
5	0641404	4	Bolt 1/4 x 1/2	
6	0641414	4	Bolt 1/4 x 1-3/4	
7	0720804	1	Screw #8 x 1/2	
8	0721006	2	Bolt #10 x 3/4	
9	1600343	1	Module, Platform Control (Note: Re-calibration Required when Replaced)	
9	2915024	1	Update Kit (Includes Cables, Programming Instructions and CD Software)	
10	1671176	1	Bezel	
11	1671314	1	Cover, Hole	
12	1702565	1	Decal - Drive and Steer	
13	1702566	1	Decal - Lift and Swing	
14	1704260	1	Decal - EMS	
15	1705171	1	Decal - Jib Stow	
16	1705744	1	Decal - Horn	
17	1705745	1	Decal - Function Speed	
18	2560136	1	Handle, Knob	
19	2920154	1	Panel, LED Light	
20	3300353	4	Nut, Tinnerman	
21	3300408	2	Insert, Nylon	
22	3300482	2	Nut M2.5	
23	3311005	2	Nut #10	
24	3520026	2	Plug, Hole	
25	3520027	1	Plug, Hole	
26	3520035	1	Plug, Cap	
27	3520054	1	Plug, Hole	
28	3790012	11	O-Ring	
29	3900183	2	Screw #10 x 1-1/4	
30	3900349	8	Capscrew M2.5	
31	4071074	1	Shim	
32	4360387	2	Switch, Pushbutton	
33	4360407	1	Controller, Speed	
	See Note	1	Gasket "Top Hat" (Included with Switch) (Note: Not Available - Purchase Complete Controller)	
33	70003784	1	Seal	
34	4360475	1	Switch, Emergency Stop	
34	7020175	1	Cap, Red	
34A	7020176	1	Block, Contact	
35	4360476	1	Block, Contact	
36	4460007	1	Bar, Buss	
37	4460234	3	Tie-Strap	
38	4460428	2	Connector, Strain Relief	
39	4460470	1	Nut, Terminal	
40	4460471	1	Washer, Terminal	

SECTION 5 - PLATFORM

ITEM	PART NUMBER	QTY	DESCRIPTION	REV
41	4460496	1	Nut, Terminal	
42	4460497	1	Washer, Terminal	
43	4460708	2	Connector, Female - 15 Position (Not Shown)	
44	4460905	AR	Plug, Seal (Not Shown)	
45	4740397	11	Spacer	
46	4750800	1	Washer #8	
47	4751000	2	Washer #10	
48	4751400	8	Washer 1/4	
49	4760800	1	Washer #8	
50	4922666	1	Harness, Analyzer Cable (Not Shown - See Separate Breakdown in ELECTRICAL SECTION)	
51	4923448	1	Harness, Console Box (Not Shown - See Separate Breakdown in ELECTRICAL SECTION)	
52	1001117174	1	Footswitch Assembly (See Separate Breakdown in this Section)	
53	1001155044	11	Nut	
54	1001155045	7	Switch, Toggle	
55	1001159256	1	Switch, Toggle	
56	1001161709	2	Switch, Toggle	
57	1001161710	1	Switch, Toggle	
58	1001166538	NLA	Controller Assembly (Drive and Steer) (Use p/n 1001212415) (See Separate Breakdown in this Section)	
59	1001166539	NLA	Controller Assembly (Lift and Swing) (Use p/n 1001129555) (See Separate Breakdown in this Section)	
60	1001172760	4	Bracket, Support	
61	1001201888	1	Box, Console	B
61A	0630568	1	Screw 3/8 x 4-1/2	
61B	3311601	1	Nut 3/8	
61C	3430616	2	Clevis	
61D	3470003	2	Pin	
61E	4711600	2	Washer 3/8	

SECTION 5 - PLATFORM

FIGURE 5-20. PLATFORM CONSOLE ASSEMBLY - WITH SKYGUARD (SN 0300201016 through 0300220138)



SECTION 5 - PLATFORM

FIGURE 5-20. PLATFORM CONSOLE ASSEMBLY - WITH SKYGUARD (SN 0300201016 through 0300220138)

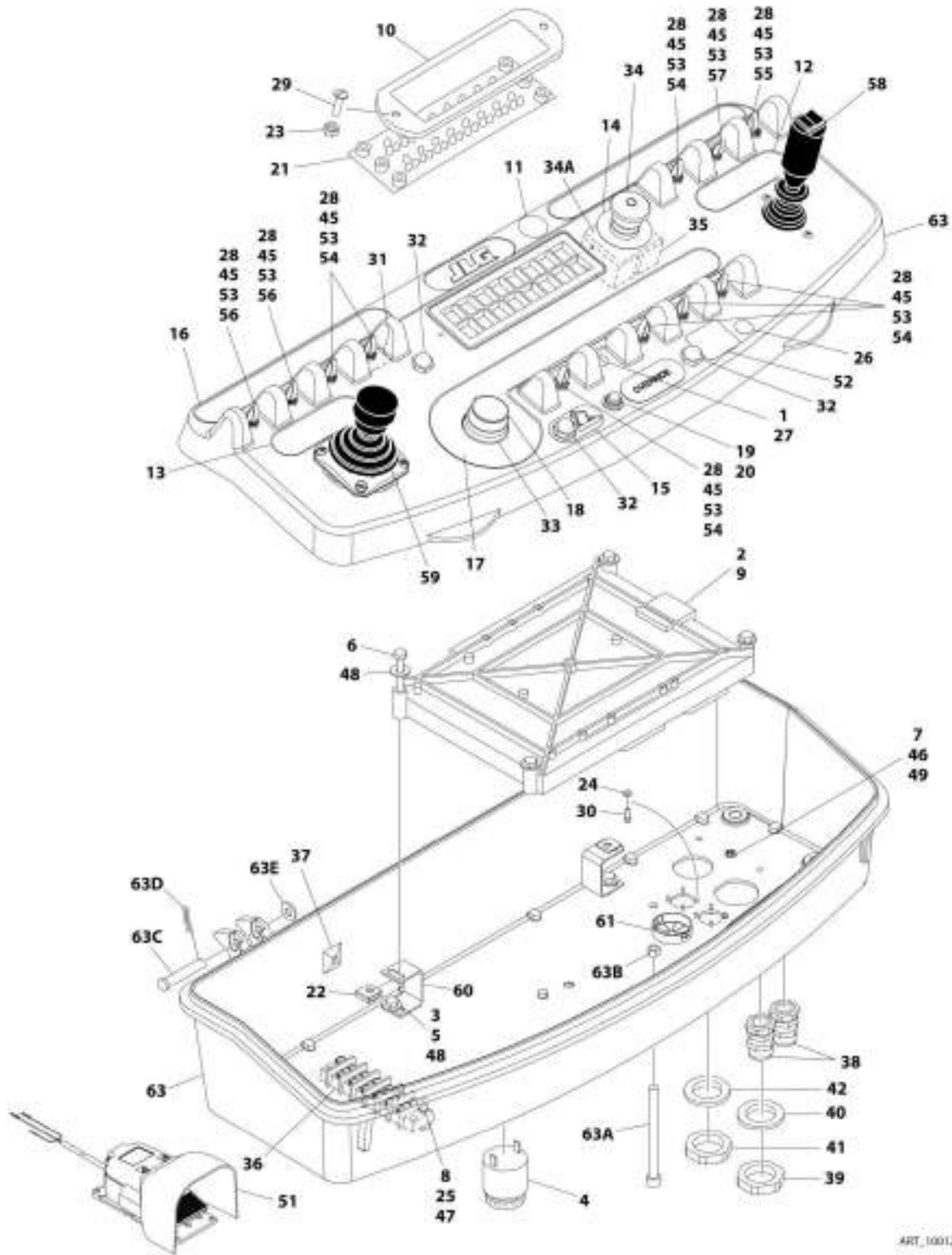
ITEM	PART NUMBER	QTY	DESCRIPTION	REV
	1001190098	Ref	PLATFORM CONSOLE ASSEMBLY - WITH SKYGUARD (SN 0300201016 through 0300220138)	C
1	0100009	AR	Sealant	
2	0100048	AR	Grease, Dielectric	
3	0100081	AR	Loctite 454	
4	0140011	1	Alarm	
5	0641404	4	Bolt 1/4 x 1/2	
6	0641414	4	Bolt 1/4 x 1-3/4	
7	0720804	1	Screw #8 x 1/2	
8	0721006	2	Bolt #10 x 3/4	
9	1600343	1	Module, Platform Control (Note: Re-calibration Required when Replaced)	
9	2915024	1	Update Kit (Includes Cables, Programming Instructions and CD Software)	
10	1671176	1	Bezel	
11	1671314	1	Cover, Hole	
12	1702565	1	Decal - Drive and Steer	
13	1702566	1	Decal - Lift and Swing	
14	1704260	1	Decal - EMS	
15	1705171	1	Decal - Jib Stow	
16	1705744	1	Decal - Horn	
17	1705745	1	Decal - Function Speed	
18	2560136	1	Handle, Knob	
19	2920028	1	Light, Indicator	
20	2920029	1	Bulb	
21	2920154	1	Panel, LED Light	
22	3300353	4	Nut, Tinnerman	
23	3300408	2	Insert, Nylon	
24	3300482	2	Nut M2.5	
25	3311005	2	Nut #10	
26	3520026	1	Plug, Hole	
27	3520054	1	Plug, Hole	
28	3790012	11	O-Ring	
29	3900183	2	Screw #10 x 1-1/4	
30	3900349	8	Capscrew M2.5	
31	4071074	1	Shim	
32	4360387	3	Switch, Pushbutton	
33	4360407	1	Controller, Speed	
	See Note	1	Gasket "Top Hat" (Included with Switch) (Note: Not Available - Purchase Complete Controller)	
33	70003784	1	Seal	
34	4360475	1	Switch, Emergency Stop	
34	7020175	1	Cap, Red	
34A	7020176	1	Block, Contact	
35	4360476	1	Block, Contact	
36	4460007	1	Bar, Buss	
37	4460234	3	Tie-Strap	
38	4460428	2	Connector, Strain Relief	
39	4460470	1	Nut, Terminal	
40	4460471	1	Washer, Terminal	

SECTION 5 - PLATFORM

ITEM	PART NUMBER	QTY	DESCRIPTION	REV
41	4460496	1	Nut, Terminal	
42	4460497	1	Washer, Terminal	
43	4460708	2	Connector, Female - 15 Position (Not Shown - See ELECTRICAL SECTION for Location)	
44	4460905	AR	Plug, Seal (Not Shown - See ELECTRICAL SECTION for Location)	
45	4740397	11	Spacer	
46	4750800	1	Washer #8	
47	4751000	2	Washer #10	
48	4751400	8	Washer 1/4	
49	4760800	1	Washer #8	
50	4922666	1	Harness, Analyzer Cable (Not Shown - See Separate Breakdown in ELECTRICAL SECTION)	
51	1001117174	1	Footswitch Assembly (See Separate Breakdown in this Section)	
52	1001144433	1	Decal - No Weight SkyGuard	
53	1001155044	11	Nut	
54	1001155045	7	Switch, Toggle	
55	1001159256	1	Switch, Toggle	
56	1001161709	2	Switch, Toggle	
57	1001161710	1	Switch, Toggle	
58	1001166538	NLA	Controller Assembly (Drive and Steer) (Use p/n 1001212415) (See Separate Breakdown in this Section)	
59	1001166539	NLA	Controller Assembly (Lift and Swing) (Use p/n 1001129555) (See Separate Breakdown in this Section)	
60	1001172760	4	Bracket, Support	
61	1001185281	1	Plug	
62	1001186477	1	Harness, Console Box (Not Shown - See Separate Breakdown in ELECTRICAL SECTION)	
63	1001190106	1	Box, Console	C
63A	0630568	1	Capscrew 3/8 X 4-1/2	
63B	3311601	1	Nut 3/8	
63C	3470003	2	Pin, Hair	
63D	4711500	2	Washer 5/16 (SN 0300201016 through 0300210408)	
63D	1001200575	2	Bracket, Stop (SN 0300210409 to Present, SN B300002238 to Present)	

SECTION 5 - PLATFORM

FIGURE 5-21. PLATFORM CONSOLE ASSEMBLY - WITH SKYGUARD (SN 0300220139 through 0300235781, SN B300002238 through B300002991)



SECTION 5 - PLATFORM

FIGURE 5-21. PLATFORM CONSOLE ASSEMBLY - WITH SKYGUARD (SN 0300220139 through 0300235781, SN B300002238 through B300002991)

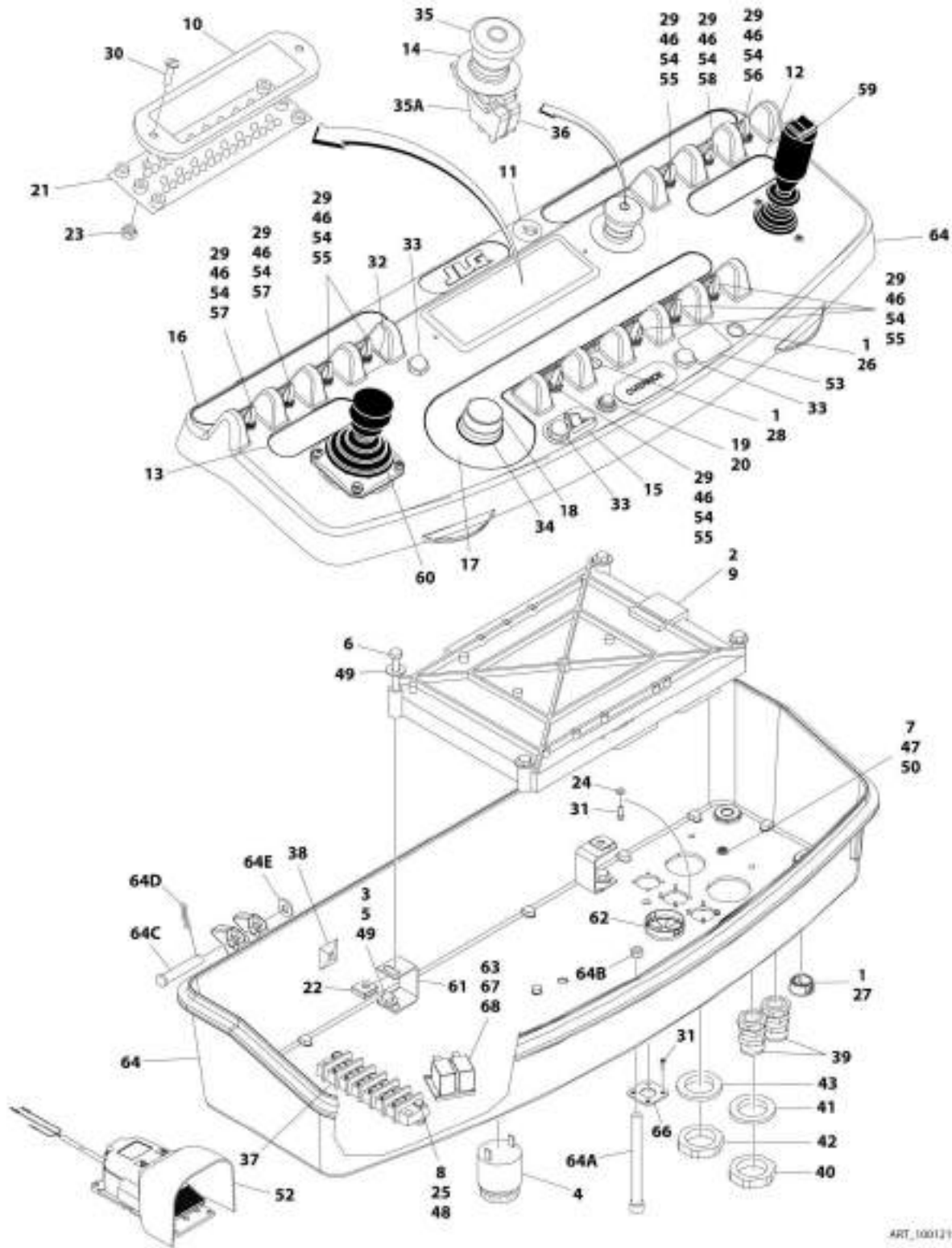
ITEM	PART NUMBER	QTY	DESCRIPTION	REV
	1001202562	Ref	PLATFORM CONSOLE ASSEMBLY - WITH SKYGUARD (SN 0300220139 through 0300235781, SN B300002238 through B300002991)	D
1	0100009	AR	Sealant	
2	0100048	AR	Grease, Dielectric	
3	0100035	AR	Compound, Locking	
4	0140011	1	Alarm	
5	0641404	4	Bolt 1/4 x 1/2	
6	0641414	4	Bolt 1/4 x 1-3/4	
7	0720804	1	Screw #8 x 1/2	
8	0721006	2	Bolt #10 x 3/4	
9	1600343	1	Module, Platform Control (Note: Re-calibration Required when Replaced)	
9	2915024	1	Update Kit (Includes Cables, Programming Instructions and CD Software)	
10	1671176	1	Bezel	
11	1671314	1	Cover, Hole	
12	1702565	1	Decal - Drive and Steer	
13	1702566	1	Decal - Lift and Swing	
14	1704260	1	Decal - EMS	
15	1705171	1	Decal - Jib Stow	
16	1705744	1	Decal - Horn	
17	1705745	1	Decal - Function Speed	
18	2560136	1	Handle, Knob	
19	2920028	1	Light, Indicator	
20	2920029	1	Bulb	
21	2920154	1	Panel, LED Light	
22	3300353	4	Nut, Tinnerman	
23	3300408	2	Insert, Nylon	
24	3300482	2	Nut M2.5	
25	3311005	2	Nut #10	
26	3520026	2	Plug, Hole	
27	3520054	1	Plug, Hole	
28	3790012	11	O-Ring	
29	3900183	2	Screw #10 x 1-1/4	
30	3900349	8	Capscrew M2.5	
31	4071074	1	Shim	
32	4360387	2	Switch, Pushbutton	
33	4360407	1	Controller, Speed	
	See Note	1	Gasket "Top Hat" (Included with Switch) (Note: Not Available - Purchase Complete Controller)	
33	70003784	1	Seal	
34	4360475	1	Switch, Emergency Stop	
34	7020175	1	Cap, Red	
34A	7020176	1	Block, Contact	
35	4360476	1	Block, Contact	
36	4460007	1	Bar, Buss	
37	4460234	3	Tie-Strap	
38	4460428	2	Connector, Strain Relief	
39	4460470	1	Nut, Terminal	

SECTION 5 - PLATFORM

ITEM	PART NUMBER	QTY	DESCRIPTION	REV
40	4460471	1	Washer, Terminal	
41	4460496	1	Nut, Terminal	
42	4460497	1	Washer, Terminal	
43	4460708	2	Connector, Female - 15 Position (Not Shown)	
44	4460905	AR	Plug, Seal (Not Shown)	
45	4740397	11	Spacer	
46	4750800	1	Washer #8	
47	4751000	2	Washer #10	
48	4751400	8	Washer 1/4	
49	4760800	1	Washer #8	
50	4922666	1	Harness, Analyzer Cable (Not Shown - See Separate Breakdown in ELECTRICAL SECTION)	
51	100117174	1	Footswitch Assembly (See Separate Breakdown in this Section)	
52	1001144433	1	Decal - No Weight SkyGuard	
53	1001155044	11	Nut	
54	1001155045	7	Switch, Toggle	
55	1001159256	1	Switch, Toggle	
56	1001161709	2	Switch, Toggle	
57	1001161710	1	Switch, Toggle	
58	1001166538	NLA	Controller Assembly (Drive and Steer) (Use p/n 1001212415) (See Separate Breakdown in this Section)	
59	1001166539	NLA	Controller Assembly (Lift and Swing) (Use p/n 1001129555) (See Separate Breakdown in this Section)	
60	1001172760	4	Bracket, Support	
61	1001185281	1	Plug	
62	1001186477	1	Harness, Console Box (Not Shown - See Separate Breakdown in ELECTRICAL SECTION)	
63	1001201888	1	Box, Console	B
63A	0630568	1	Screw 3/8 x 4-1/2	
63B	3311601	1	Nut 3/8	
63C	3430616	2	Clevis	
63D	3470003	2	Pin	
63E	4711600	2	Washer 3/8	

SECTION 5 - PLATFORM

FIGURE 5-22. PLATFORM CONSOLE ASSEMBLY - WITH SKYGUARD (SN 0300235782 to Present, SN B300002992 to Present)



SECTION 5 - PLATFORM

FIGURE 5-22. PLATFORM CONSOLE ASSEMBLY - WITH SKYGUARD (SN 0300235782 to Present, SN B300002992 to Present)

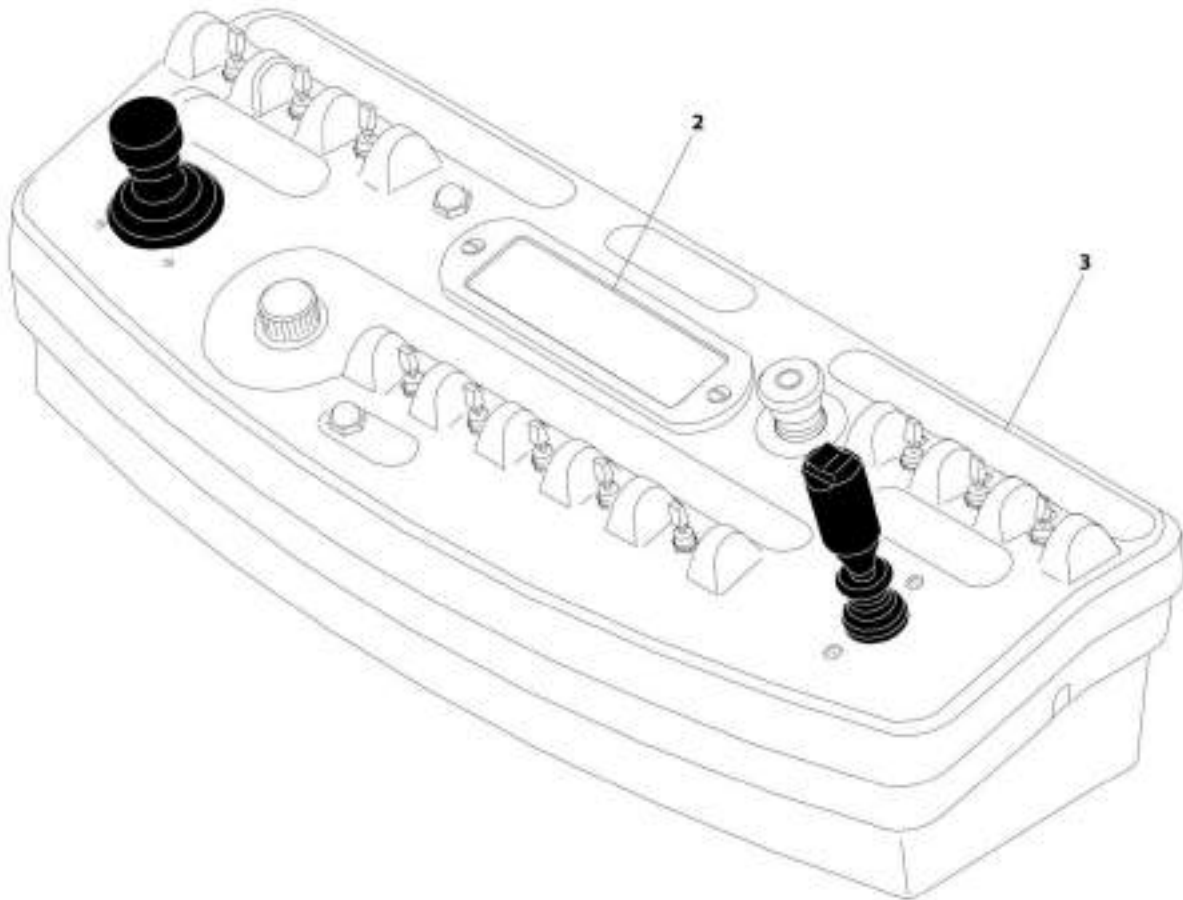
ITEM	PART NUMBER	QTY	DESCRIPTION	REV
	1001219987	Ref	PLATFORM CONSOLE ASSEMBLY - WITH SKYGUARD (SN 0300235782 to Present, SN B300002992 to Present)	C
1	0100009	AR	Sealant	
2	0100048	AR	Grease, Dielectric	
3	0100035	AR	Compound, Locking	
4	0140011	1	Alarm	
5	0641404	4	Bolt 1/4 x 1/2	
6	0641414	4	Bolt 1/4 x 1-3/4	
7	0720804	1	Screw #8 x 1/2	
8	0721006	2	Bolt #10 x 3/4	
9	1600343	1	Module, Platform Control (Note: Re-calibration Required when Replaced)	
9	2915024	1	Update Kit (Includes Cables, Programming Instructions and CD Software)	
10	1671176	1	Bezel	
11	1671314	1	Cover, Hole	
12	1702565	1	Decal - Drive and Steer	
13	1702566	1	Decal - Lift and Swing	
14	1704260	1	Decal - EMS	
15	1705171	1	Decal - Jib Stow	
16	1705744	1	Decal - Horn	
17	1705745	1	Decal - Function Speed	
18	2560136	1	Handle, Knob	
19	2920028	1	Light, Indicator	
20	2920029	1	Bulb	
21	2920154	1	Panel, LED Light	
22	3300353	4	Nut, Tinnerman	
23	3300408	2	Insert, Nylon	
24	3300482	2	Nut M2.5	
25	3311005	2	Nut #10	
26	3520026	2	Plug, Hole	
27	3520030	1	Plug, Hole	
28	3520054	1	Plug, Hole	
29	3790012	11	O-Ring	
30	3900183	2	Screw #10 x 1-1/4	
31	3900349	12	Capscrew M2.5	
32	4071074	1	Shim	
33	4360387	3	Switch, Pushbutton	
34	4360407	1	Controller, Speed	
	See Note	NSS	Gasket "Top Hat" (Included with Switch) (Note: Not Available - Purchase Complete Controller)	
34	70003784	1	Seal	
35	4360475	1	Switch, Emergency Stop	
35	7020175	1	Cap, Red	
35A	7020176	1	Block, Contact	
36	4360476	1	Block, Contact	
37	4460007	1	Bar, Buss	
38	4460234	3	Tie-Strap	
39	4460428	2	Connector, Strain Relief	
40	4460470	1	Nut, Terminal	

SECTION 5 - PLATFORM

ITEM	PART NUMBER	QTY	DESCRIPTION	REV
41	4460471	1	Washer, Terminal	
42	4460496	1	Nut, Terminal	
43	4460497	1	Washer, Terminal	
44	4460708	2	Connector, Female - 15 Position (Not Shown)	
45	4460905	AR	Plug, Seal (Not Shown)	
46	4740397	11	Spacer	
47	4750800	1	Washer #8	
48	4751000	2	Washer #10	
49	4751400	8	Washer 1/4	
50	4760800	1	Washer #8	
51	4922666	1	Harness, Analyzer Cable (Not Shown - See Separate Breakdown in ELECTRICAL SECTION)	
52	1001117174	1	Footswitch Assembly (See Separate Breakdown in this Section)	
53	1001144433	1	Decal - No Weight SkyGuard	
54	1001155044	11	Nut	
55	1001155045	7	Switch, Toggle	
56	1001159256	1	Switch, Toggle	
57	1001161709	2	Switch, Toggle	
58	1001161710	1	Switch, Toggle	
59	1001166538	NLA	Controller Assembly (Drive and Steer) (Use p/n 1001212415) (See Separate Breakdown in this Section)	
60	1001166539	NLA	Controller Assembly (Lift and Swing) (Use p/n 1001129555) (See Separate Breakdown in this Section)	
61	1001172760	4	Bracket, Support	
62	1001185281	1	Plug	
63	1001186431	2	Relay	
64	1001201889	1	Box, Console	C
64A	0630568	1	Screw 3/8 x 4-1/2	
64B	3311601	1	Nut 3/8	
64C	3430616	2	Clevis	
64D	3470003	2	Pin	
64E	4711600	2	Washer 3/8	
65	1001220866	1	Harness, Console Box (Not Shown - See Separate Breakdown in ELECTRICAL SECTION)	
66	1001220929	1	Mount	
67	4240032	1	Tie-Strap	
68	4460488	1	Mount, Tie-Strap	
69	1001225580	1	Harness, Interface (Not Shown - See Separate Breakdown in ELECTRICAL SECTION)	
69	4460899	1	Connector, Female - 6 Position	
69	1001186432	2	Relay	
69	4460884	1	Connector, Gray - 4 Position	

SECTION 5 - PLATFORM

FIGURE 5-23. DECAL AND LIGHT PANEL (ANSI SPECS)



ART_100121636_2DF2

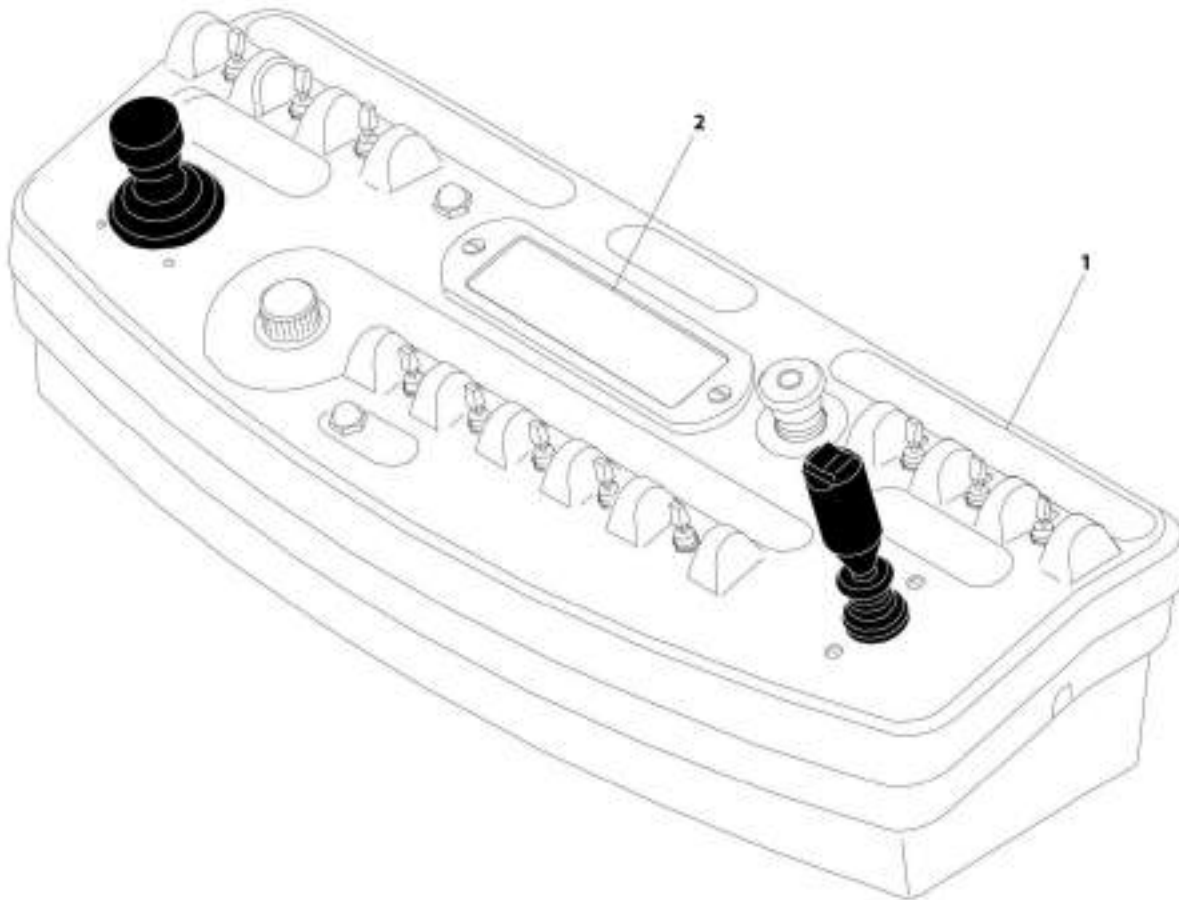
SECTION 5 - PLATFORM

FIGURE 5-23. DECAL AND LIGHT PANEL (ANSI SPECS)

ITEM	PART NUMBER	QTY	DESCRIPTION	REV
	1001121826	Ref	DECAL AND LIGHT PANEL (ANSI SPECS)	A
2	1001122384	1	Decal - Display	
3	1001122611	1	Decal - Stop	

SECTION 5 - PLATFORM

FIGURE 5-24. DECAL AND LIGHT PANEL (CE SPECS)



ART_1001121027_20F2

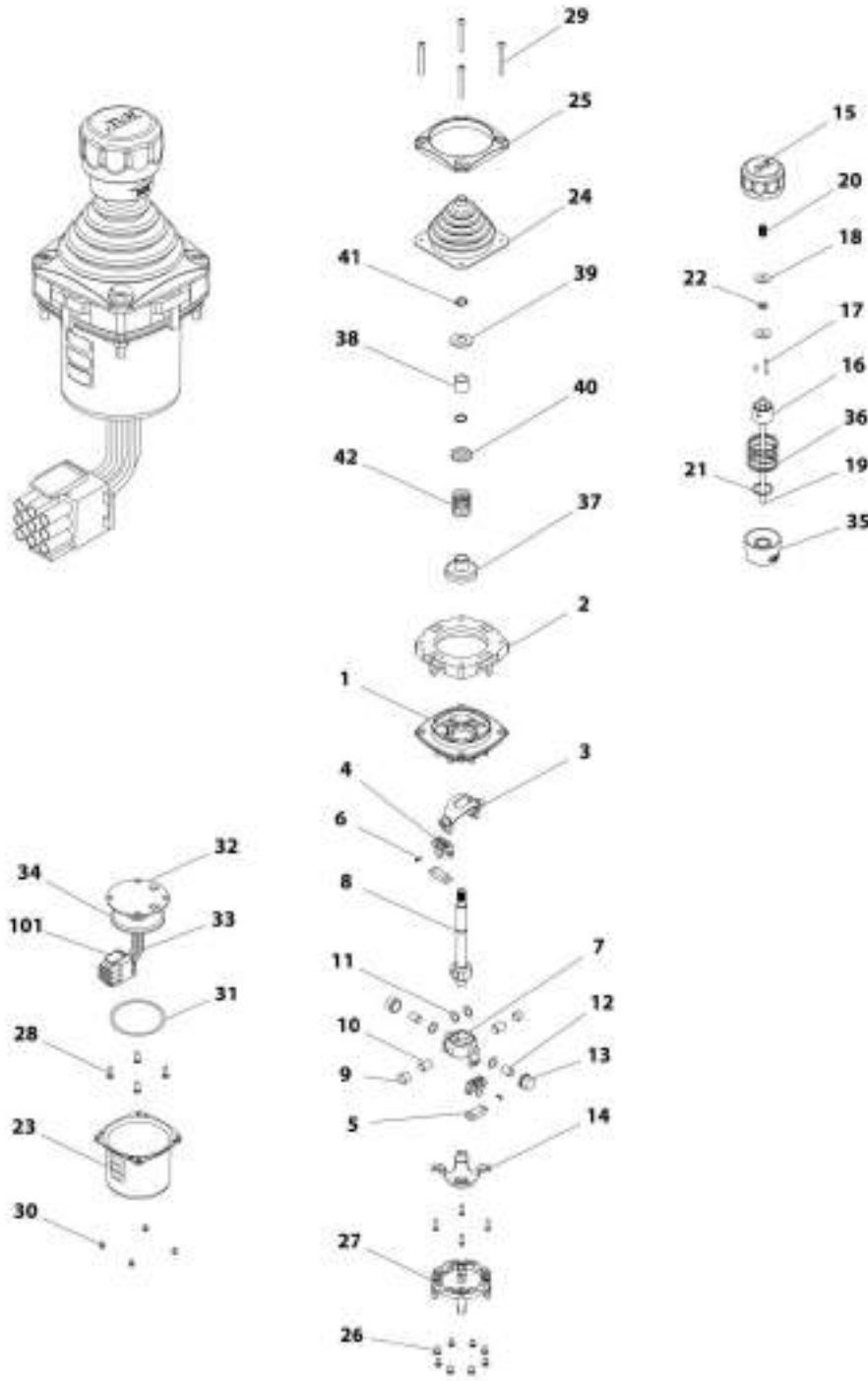
SECTION 5 - PLATFORM

FIGURE 5-24. DECAL AND LIGHT PANEL (CE SPECS)

ITEM	PART NUMBER	QTY	DESCRIPTION	REV
	1001121827	Ref	DECAL AND LIGHT PANEL (CE SPECS)	A
1	1705974	1	Decal - Stop	
2	1705973	1	Decal - Display	

SECTION 5 - PLATFORM

FIGURE 5-25. CONTROLLER ASSEMBLY (LIFT AND SWING)



ART_100166538

SECTION 5 - PLATFORM

FIGURE 5-25. CONTROLLER ASSEMBLY (LIFT AND SWING)

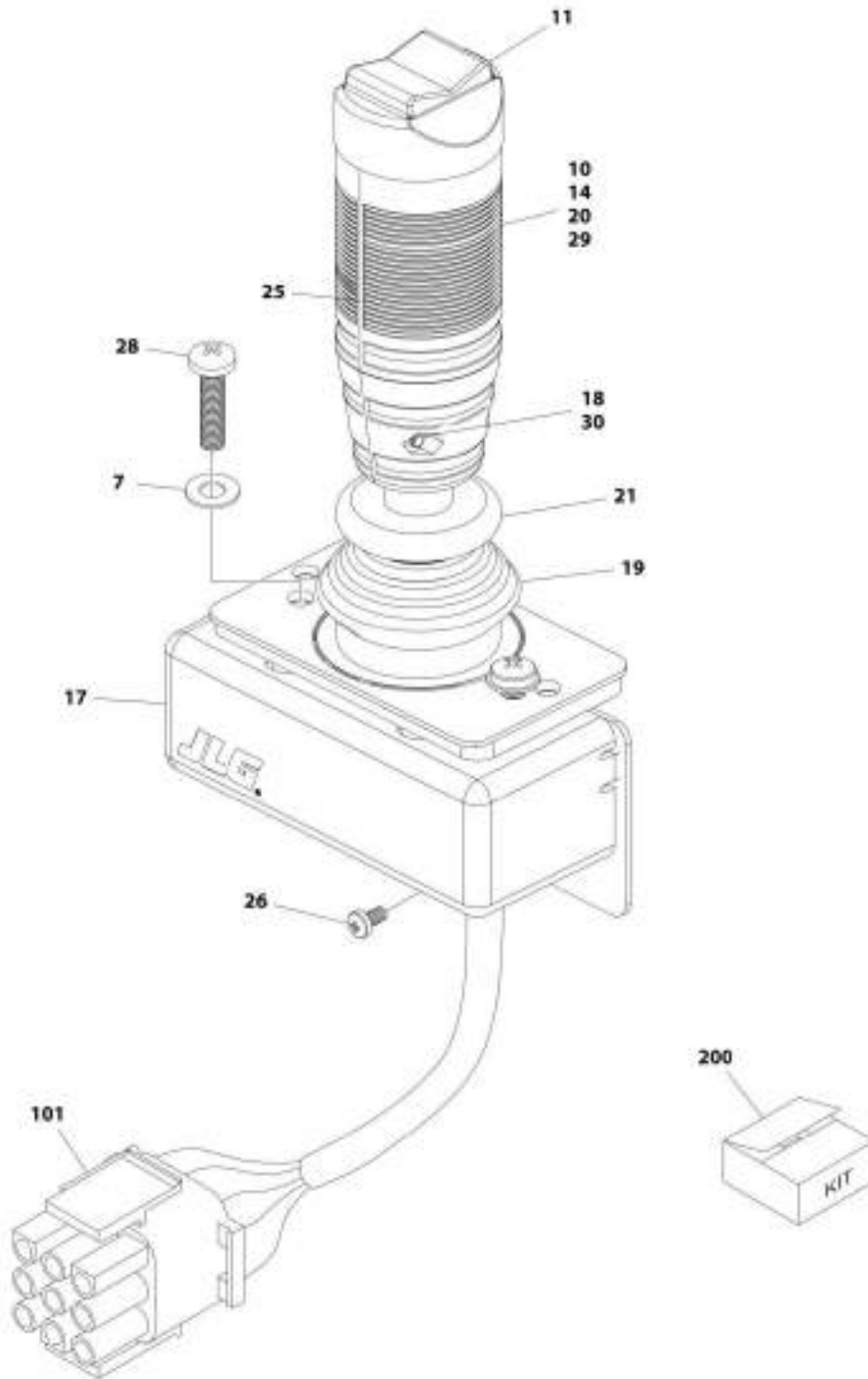
ITEM	PART NUMBER	QTY	DESCRIPTION	REV
	1001166539	Ref	CONTROLLER ASSEMBLY (LIFT AND SWING)	D
		Ref	Note: Use p/n 1001129555 as replacement.	
1	See Note	1	Main Cast Body (Note: Not Available - Purchase Complete Assembly)	
2	70004752	1	Adapter	
3	See Note	1	Pivot Arm, Plastic (Note: Not Available - Purchase Complete Assembly)	
4	See Note	2	Holder, Magnet (Note: Not Available - Purchase Complete Assembly)	
5	See Note	2	Arc, Magnet (Note: Not Available - Purchase Complete Assembly)	
6	See Note	2	Screw (Note: Not Available for Purchase)	
7	See Note	1	Pivot Arm, Cast (Note: Not Available - Purchase Complete Assembly)	
8	See Note	1	Shaft, Main (Note: Not Available - Purchase Complete Assembly)	
9	See Note	2	Bearing (Note: Not Available - Purchase Complete Assembly)	
10	See Note	2	Pin (Note: Not Available - Purchase Complete Assembly)	
11	See Note	4	Shim (Note: Not Available - Purchase Complete Assembly)	
12	See Note	2	Pin (Note: Not Available - Purchase Complete Assembly)	
13	See Note	2	Bearing (Note: Not Available - Purchase Complete Assembly)	
14	See Note	1	Dome, Centering (Note: Not Available - Purchase Complete Assembly)	
15	70004753	1	Cap	
16	70004754	1	Insert, Cap	
17	70004755	3	Pin	
18	70004756	2	Washer	
19	70004757	1	Pin, Centering	
20	70004758	1	Spring	
21	70004759	1	Ring, Retaining	
22	70004760	1	E-Ring	
23	70004761	1	Can, Enclosure	
24	70004762	1	Boot	
25	70004763	1	Bezel	
26	See Note	8	Screw (Note: Not Available for Purchase)	
27	See Note	1	Base, Mounting (Note: Not Available - Purchase Complete Assembly)	
28	See Note	4	Screw (Note: Not Available for Purchase)	
29	70004764	4	Screw	
30	70004765	4	Screw	
31	70004766	1	O-Ring	
32	See Note	1	Plate (Note: Not Available - Purchase Complete Assembly)	
33	See Note	1	Harness (Note: Not Available - Purchase Complete Assembly)	
34	70004767	1	Grommet, Rubber	
35	70004768	1	Housing	
36	70004769	1	Spring	
37	70004770	1	Stopper	
38	70004771	1	Spacer	
39	70004772	1	Washer	
40	70004773	1	Disc	
41	70004774	2	Ring, Retaining	
42	70004775	1	Spring	
101	4460265	1	Connector - 9 Position	

SECTION 5 - PLATFORM

ITEM	PART NUMBER	QTY	DESCRIPTION	REV
101	4460226	6	Socket, Female	

SECTION 5 - PLATFORM

FIGURE 5-26. CONTROLLER ASSEMBLY (DRIVE AND STEER)



ARE_1001166518

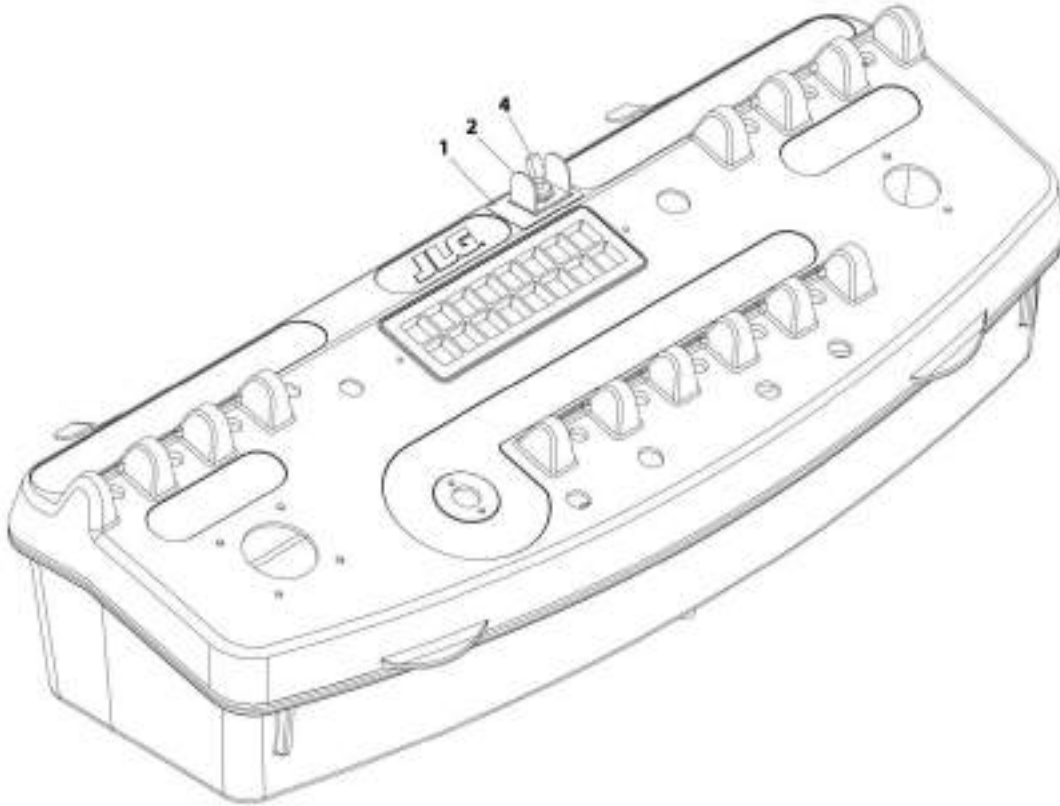
SECTION 5 - PLATFORM

FIGURE 5-26. CONTROLLER ASSEMBLY (DRIVE AND STEER)

ITEM	PART NUMBER	QTY	DESCRIPTION	REV
	1001166538	Ref	CONTROLLER ASSEMBLY (DRIVE AND STEER)	G
		Ref	Note: Use p/n 1001212415 Kit as Replacement.	
7	70004738	2	Washer	
10	70004739	1	Roller	
11	70004740	1	Boot, Switch	
14	70004741	2	Half, Handle	
17	70004742	1	Enclosure	
18	70004743	4	Nut	
19	70004744	NLA	Boot, Controller (Use Item 200)	
20	70004745	NLA	Tube, Locking (Use Item 200)	
21	70004746	NLA	Disc, Locking (Use Item 200)	
25	70004747	2	Seal, Rope	
26	70004748	1	Screw M3 x 6	
28	70004749	2	Screw M5 x 20	
29	70004750	1	Pin, Dowel	
30	70004751	4	Screw M3 x 16	
101	4460265	1	Connector - 9 Position	
101	4460226	7	Socket, Female	
200	70005230	1	Boot Kit (Includes Items 19-21)	

SECTION 5 - PLATFORM

FIGURE 5-27. BOOM CONTROL SELECT SWITCH INSTALLATION



ART_0075096

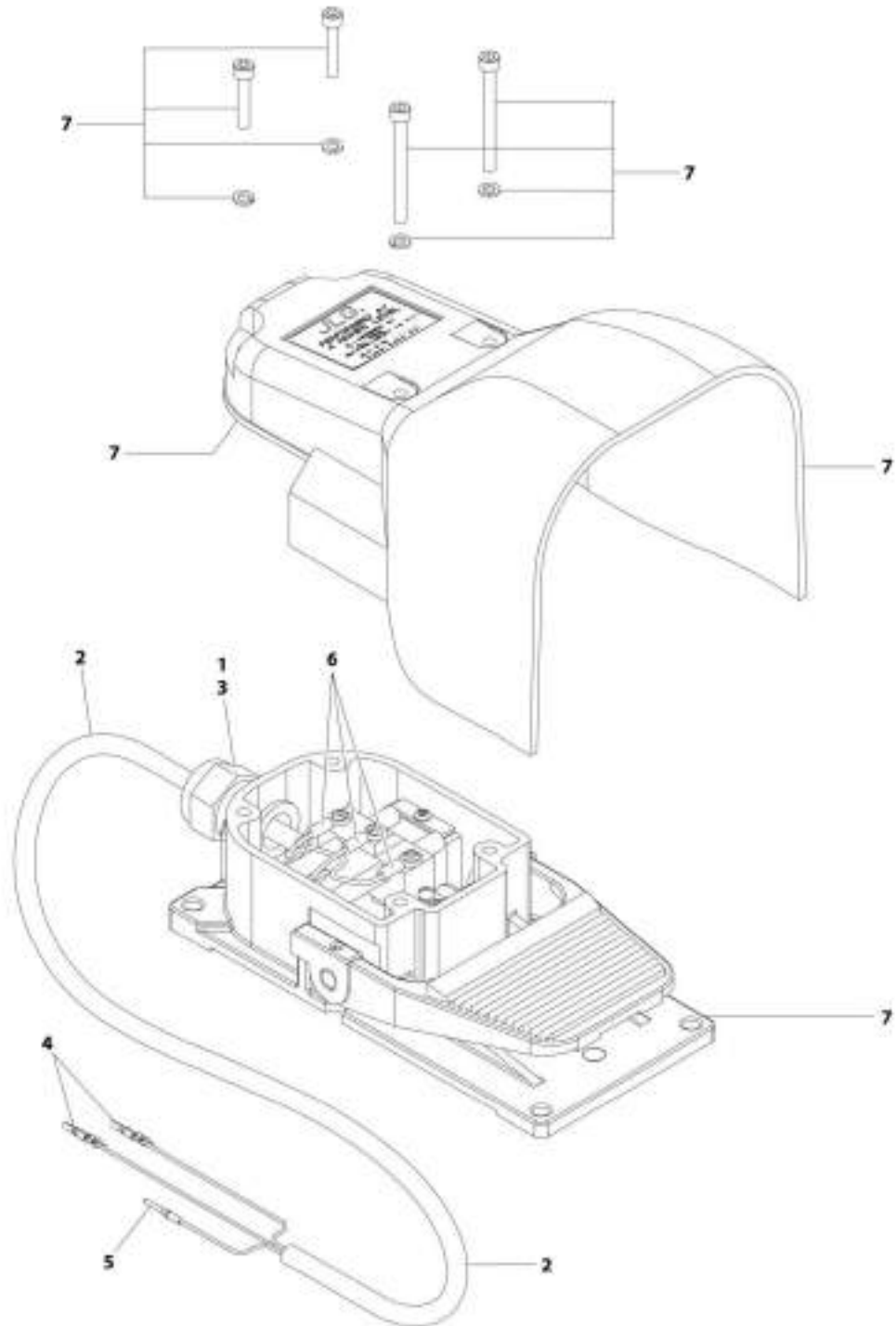
SECTION 5 - PLATFORM

FIGURE 5-27. BOOM CONTROL SELECT SWITCH INSTALLATION

ITEM	PART NUMBER	QTY	DESCRIPTION	REV
	0275098	Ref	BOOM CONTROL SELECT SWITCH INSTALLATION	B
1	1706741	1	Decal - Boom Control Select	
2	4060906	1	Guard	
4	4360336	1	Switch, Toggle	

SECTION 5 - PLATFORM

FIGURE 5-28. FOOTSWITCH ASSEMBLY



ARS_100117134

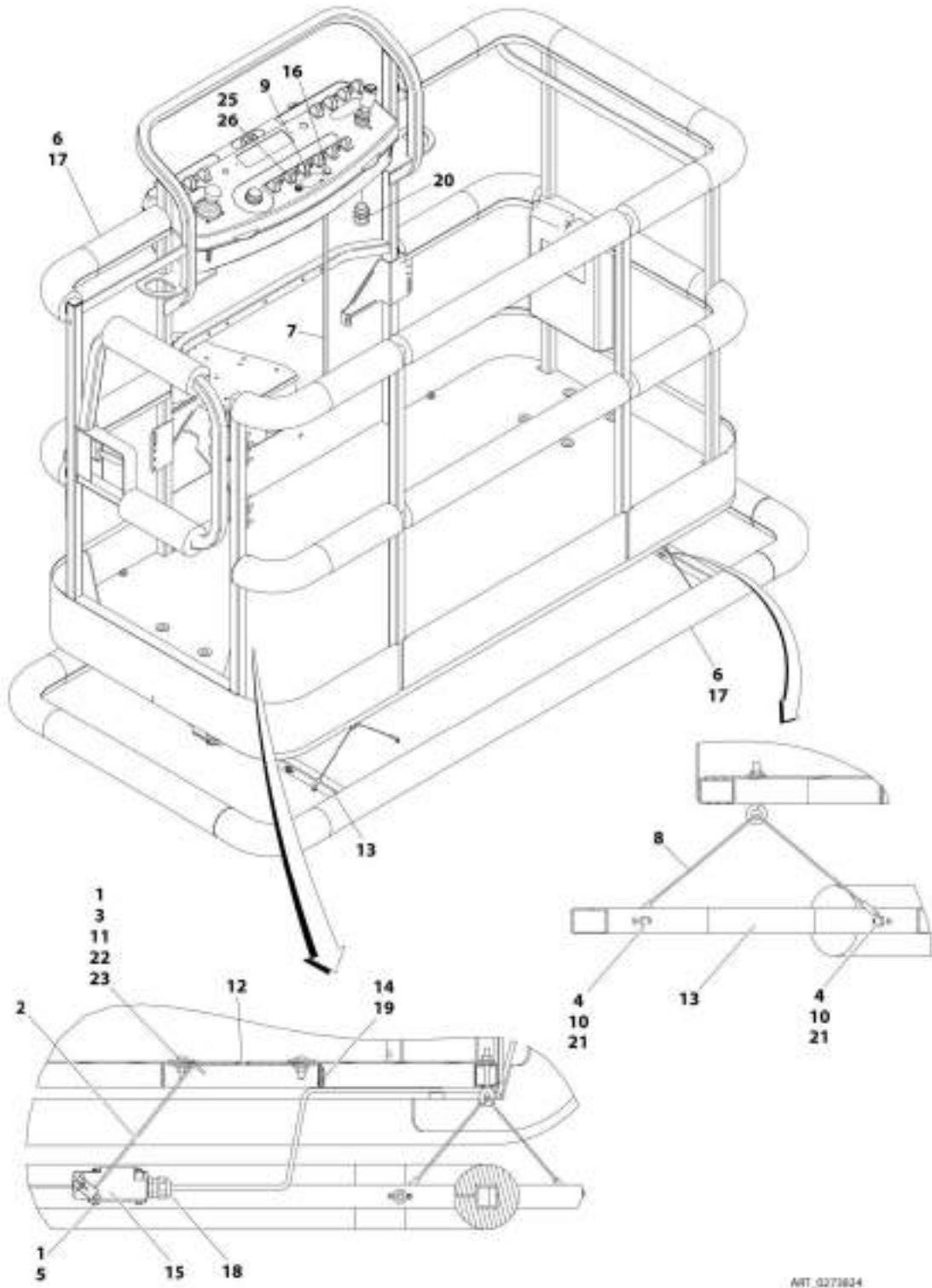
SECTION 5 - PLATFORM

FIGURE 5-28. FOOTSWITCH ASSEMBLY

ITEM	PART NUMBER	QTY	DESCRIPTION	REV
	1001117174	Ref	FOOTSWITCH ASSEMBLY	B
1	0100020	AR	Sealant	
2	1060918	7.5 ft /2.3m	Cable, Electrical - 18/3	
3	4460071	1	Connector, Strain Relief	
4	4460226	2	Socket, Female	
5	4460464	1	Pin, Male	
6	1001098122	3	Terminal	
7	1001117172	1	Footswitch	
7	70002902	1	Switch, 20A	
7	70002903	1	Gasket	
7	70002904	1	Kit, Replacement Bolt	
7	70002905	1	Cover	

SECTION 5 - PLATFORM

FIGURE 5-29. SOFT TOUCH SYSTEM INSTALLATION - 6FT/1.8M PLATFORMS (OPTIONAL)



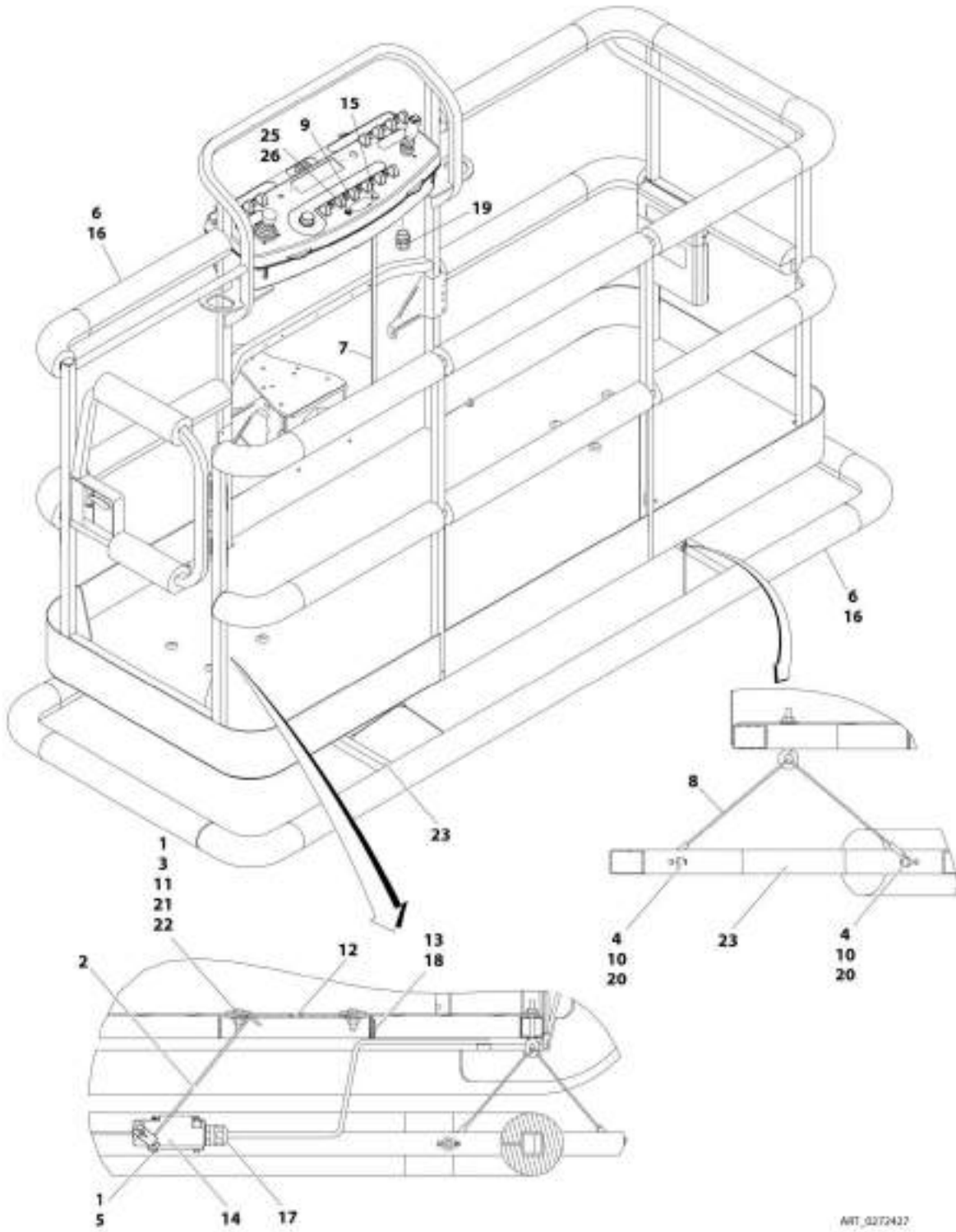
SECTION 5 - PLATFORM

FIGURE 5-29. SOFT TOUCH SYSTEM INSTALLATION - 6FT/1.8M PLATFORMS (OPTIONAL)

ITEM	PART NUMBER	QTY	DESCRIPTION	REV
	0273824	Ref	SOFT TOUCH SYSTEM INSTALLATION - 6FT/1.8M PLATFORMS (OPTIONAL)	D
1	0100011	AR	Compound, Locking	
2	0200048	2	Arm, Switch	
3	0630462	8	Bolt, Carriage	
4	0641414	8	Bolt 1/4 x 1-3/4	
5	0721005	4	Bolt #10 x 5/8	
6	0940134	1	Bumper Kit	
6	0940092	AR	Bumper (Corner)	
6	0940094	AR	Bumper (12ft Length)	
7	1060341	23 ft/ 7m	Cable, Electrical - 16/2	
8	1060903	4	Wire Rope and Eyebolt Assembly	
9	1702938	1	Decal - Soft Touch Override	
10	3311401	8	Nut 1/4	
11	3311501	8	Nut 5/16	
12	3575359	2	Plate, Switch Strike	
13	3641569	1	Rail, Soft Touch	
14	4240099	7	Tie-Strap	
15	4360057	2	Switch, Limit	
16	4360387	1	Switch, Push Button	
17	4420068	AR	Tape, Adhesive	
17	1001197017	AR	Tie-Strap	
18	4460049	2	Connector, Strain Relief	
19	4460234	7	Mount, Tie-Strap	
20	4460425	1	Connector, Strain Relief	
21	4751400	8	Washer 1/4	
22	4751500	12	Washer 5/16	
23	4751800	8	Washer 1/2	
24	4933218	1	Wiring Diagram (Not Shown - See Separate Breakdown in ELECTRICAL SECTION)	
25	2920028	1	Light, Indicator	
26	2920029	1	Bulb	

SECTION 5 - PLATFORM

FIGURE 5-30. SOFT TOUCH SYSTEM INSTALLATION - 8FT/2.4M PLATFORMS (OPTIONAL)



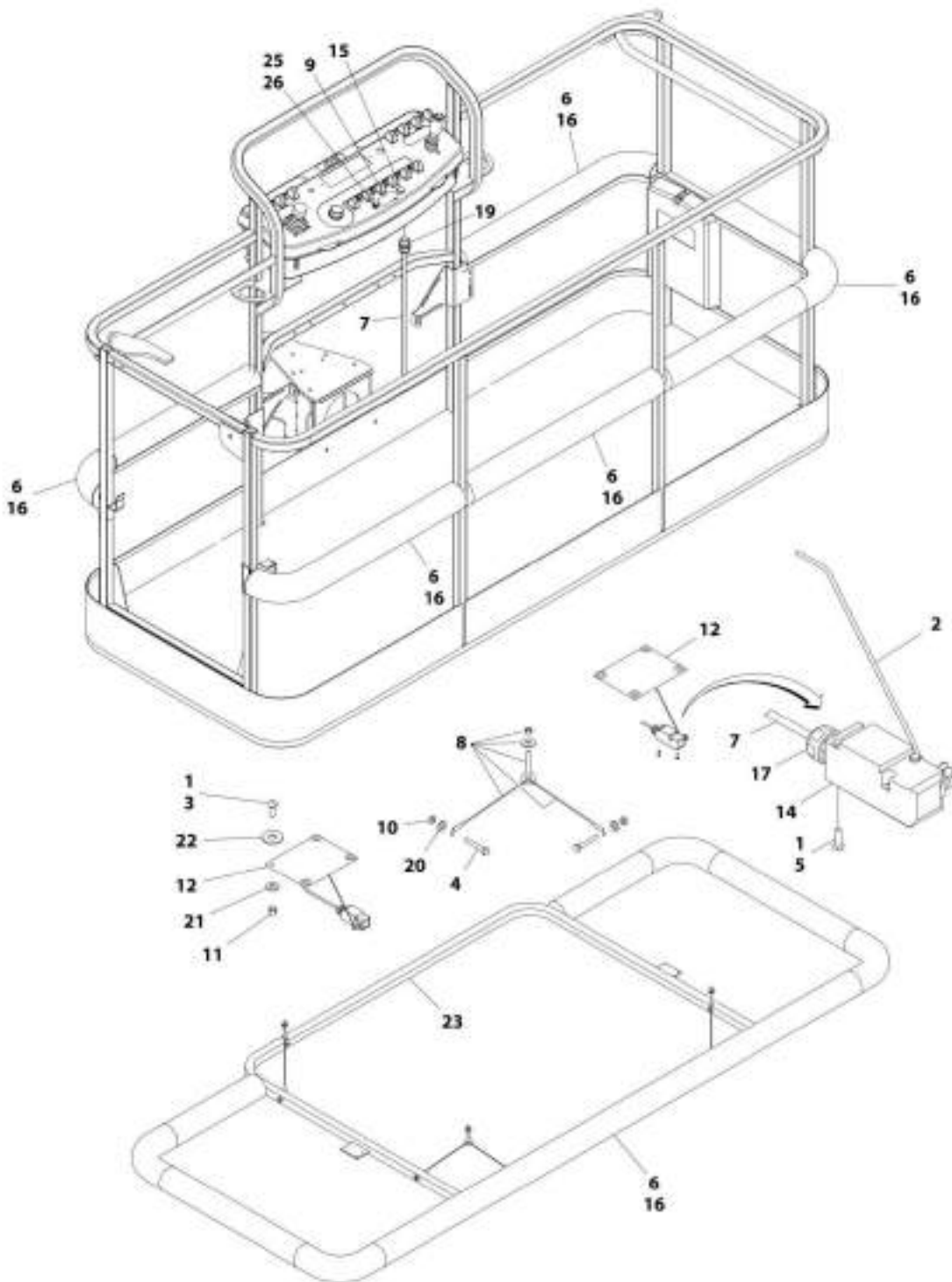
SECTION 5 - PLATFORM

FIGURE 5-30. SOFT TOUCH SYSTEM INSTALLATION - 8FT/2.4M PLATFORMS (OPTIONAL)

ITEM	PART NUMBER	QTY	DESCRIPTION	REV
	0272427	Ref	SOFT TOUCH SYSTEM INSTALLATION - 8FT/2.4M PLATFORMS (OPTIONAL)	G
1	0100011	AR	Compound, Locking	
2	0200048	2	Arm, Switch	
3	0630462	8	Bolt, Carriage	
4	0641414	8	Bolt 1/4 x 1-3/4	
5	0721005	4	Bolt #10 x 5/8	
6	0940103	1	Bumper Kit	
6	0940092	AR	Bumper (Corner)	
6	0940094	AR	Bumper (12ft Length)	
7	1060341	23 ft/ 7m	Cable, Electrical - 16/2	
8	1060903	4	Wire Rope and Eyebolt Assembly	
9	1702938	1	Decal - Soft Touch Override	
10	3311401	8	Nut 1/4	
11	3311501	8	Nut 5/16	
12	3574091	2	Plate, Switch Strike	
13	4240099	7	Tie-Strap	
14	4360057	2	Switch, Limit	
15	4360387	1	Switch, Push Button	
16	4420068	AR	Tape, Adhesive	
16	1001197017	AR	Tie-Strap	
17	4460049	2	Connector, Strain Relief	
18	4460234	7	Mount, Tie-Strap	
19	4460425	1	Connector, Strain Relief	
20	4751400	8	Washer 1/4	
21	4751500	12	Washer 5/16	
22	4751800	8	Washer 1/2	
23	4846673	1	Rail, Soft Touch	
24	4933218	1	Wiring Diagram (Not Shown - See Separate Breakdown in ELECTRICAL SECTION)	
25	2920028	1	Light, Indicator	
26	2920029	1	Bulb	

SECTION 5 - PLATFORM

FIGURE 5-31. SOFT TOUCH INSTALLATION - 8FT (2.4M) FALL ARREST PLATFORM (OPTIONAL)



ART_027206

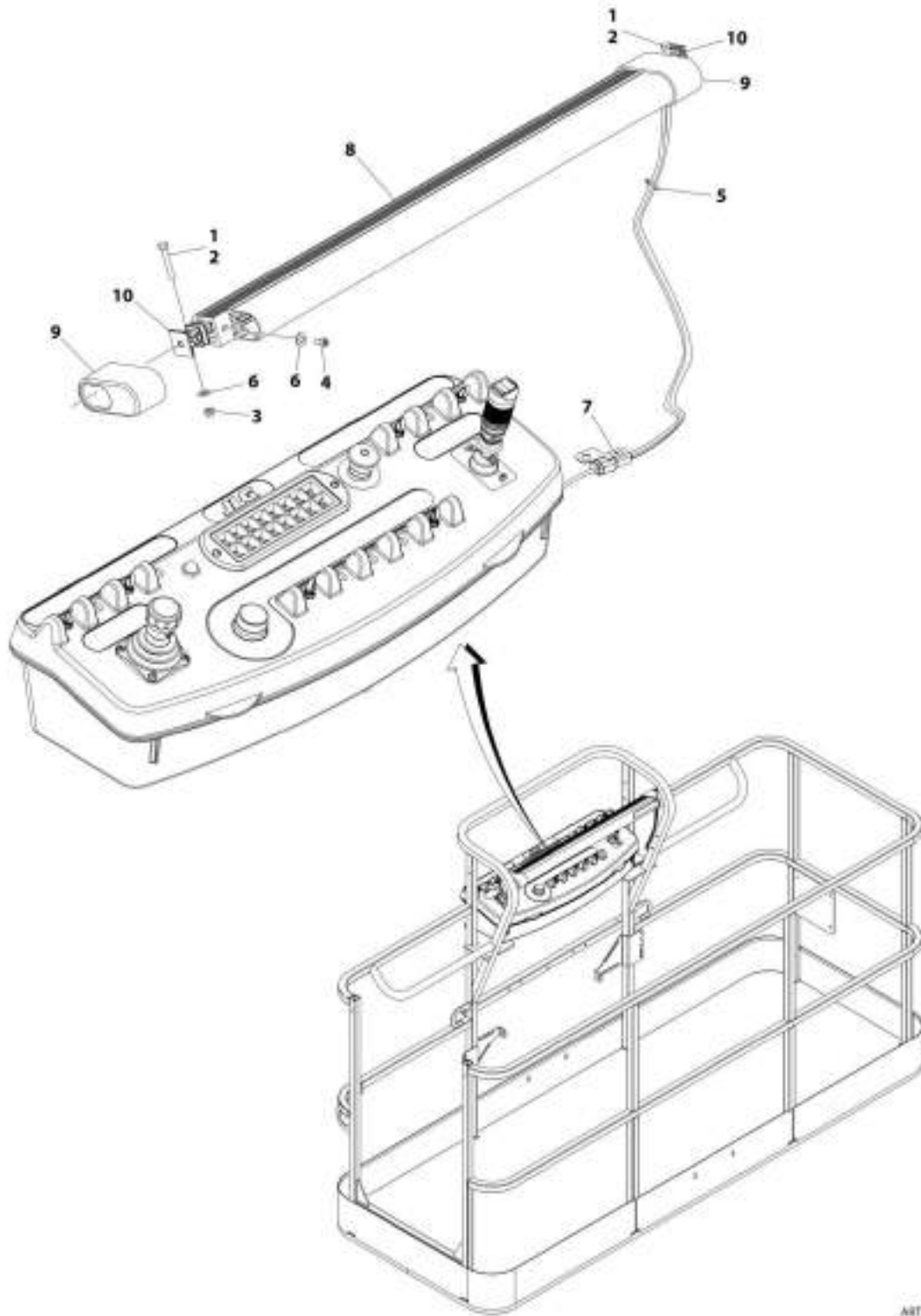
SECTION 5 - PLATFORM

FIGURE 5-31. SOFT TOUCH INSTALLATION - 8FT (2.4M) FALL ARREST PLATFORM (OPTIONAL)

ITEM	PART NUMBER	QTY	DESCRIPTION	REV
	0273706	Ref	SOFT TOUCH INSTALLATION - 8FT (2.4M) FALL ARREST PLATFORM (OPTIONAL)	D
1	0100011	AR	Compound, Locking	
2	0200048	2	Arm, Switch	
3	0630462	8	Bolt	
4	0641414	8	Bolt 1/4 x 1-3/4	
5	0721005	4	Bolt #10 x 5/8	
6	0940133	1	Bumper Kit (Includes Corners and Enough Straight Material for One Platform)	
6	0940092	8	Bumper (Corner)	
6	0940094	AR	Bumper (12ft Length)	
7	1060341	23 ft/ 7m	Cable, Electrical - 16/2	
8	1060903	4	Wire Rope and Eyebolt Assembly	
9	1702938	1	Decal - Soft Touch Override	
10	3311401	8	Nut 1/4	
11	3311501	8	Nut 5/16	
12	3574091	2	Plate, Switch Strike	
13	4240099	7	Tie-Strap (Not Shown)	
14	4360057	2	Switch, Limit	
15	4360387	1	Switch, Push Button	
16	4420068	AR	Tape, Adhesive	
16	1001197017	AR	Tie-Strap	
17	4460049	2	Connector, Strain Relief	
18	4460234	7	Tie-Strap (Not Shown)	
19	4460425	1	Connector, Strain Relief	
20	4751400	8	Washer 1/4	
21	4751500	12	Washer 5/16	
22	4751800	8	Washer 1/2	
23	4846673	1	Rail, Soft Touch	
24	4933218	1	Wiring Diagram (See Separate Breakdown in ELECTRICAL SECTION) (Not Shown)	
25	2920028	1	Light, Indicator	
26	2920029	1	Bulb, Light	

SECTION 5 - PLATFORM

FIGURE 5-32. SKYGUARD SYSTEM INSTALLATION



ART_100197508

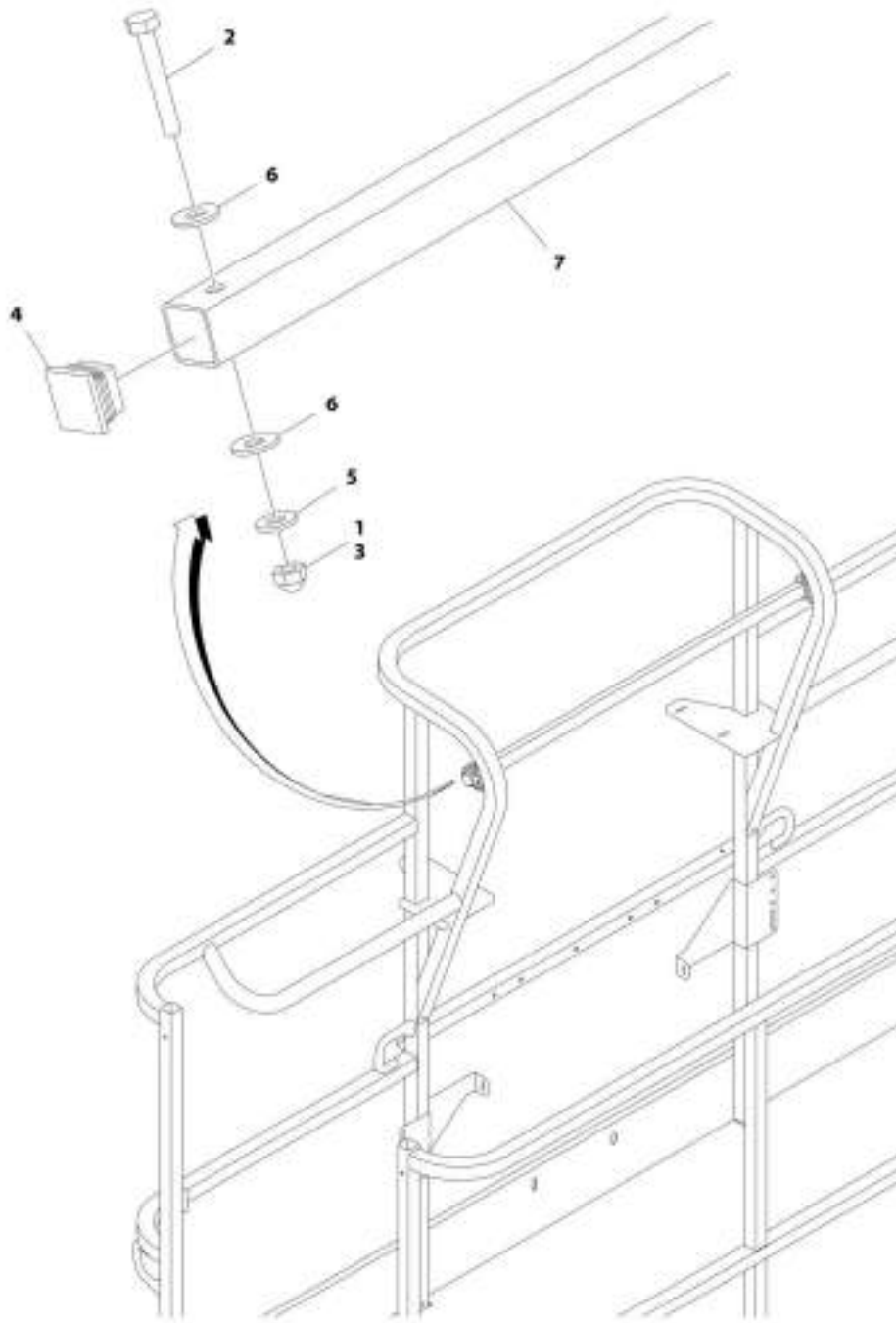
SECTION 5 - PLATFORM

FIGURE 5-32. SKYGUARD SYSTEM INSTALLATION

ITEM	PART NUMBER	QTY	DESCRIPTION	REV
	1001187508	Ref	SKYGUARD SYSTEM INSTALLATION	C
1	0100011	AR	Compound, Locking	
2	0641414	2	Bolt 1/4 x 1-3/4	
3	3300430	2	Nut 1/4	
4	3931424	2	Capscrew 1/4 x 1-1/2	
5	4240033	AR	Tie-Strap	
6	4711400	AR	Washer 1/4	
7	1001120328	1	Mount	
8	1001137673	1	Switch, SkyGuard Assembly	
9	1001186517	2	Cover, Platform Sensor	
10	1001188889	NLA	Support, Block (Use p/n 1001209664) (SN 0300201016 through 0300245526, SN B300002238 through B300002888)	
10	1001209664	2	Support, Block (SN 0300245527 to Present, SN B300002889 to Present)	

SECTION 5 - PLATFORM

FIGURE 5-33. CROSS RAIL INSTALLATION



ART_1001182138

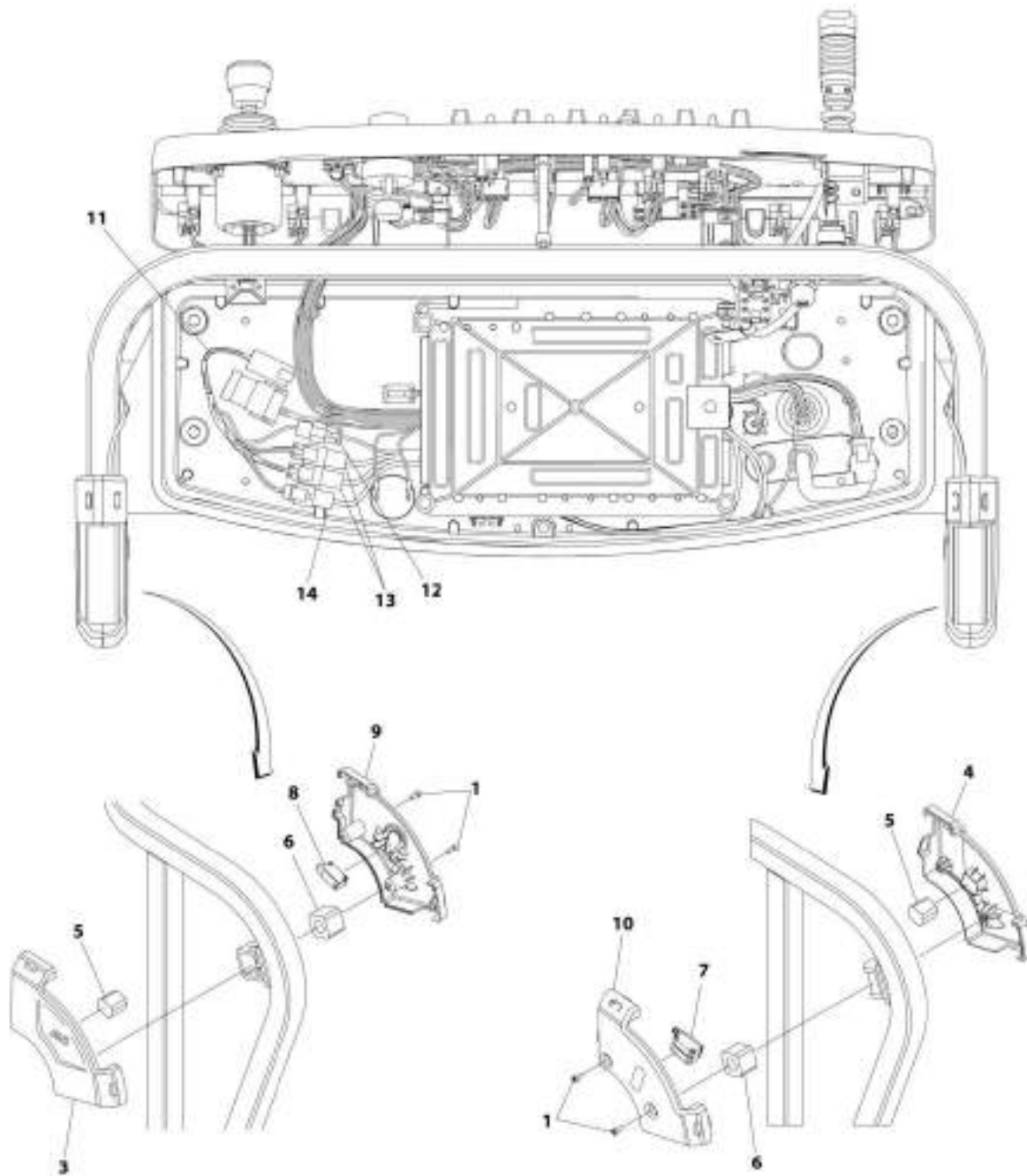
SECTION 5 - PLATFORM

FIGURE 5-33. CROSS RAIL INSTALLATION

ITEM	PART NUMBER	QTY	DESCRIPTION	REV
	1001182138	Ref	CROSS RAIL INSTALLATION	A
1	0100071	AR	Compound, Locking	
2	0641414	2	Bolt 1/4 x 1-3/4	
3	3300430	2	Nut 1/4	
4	3520182	2	Plug	
5	4711400	2	Washer 1/4	
6	4751400	4	Washer 1/4	
7	1001191708	1	Bar	

SECTION 5 - PLATFORM

FIGURE 5-34. SKYEYE INSTALLATION



ART_100120541

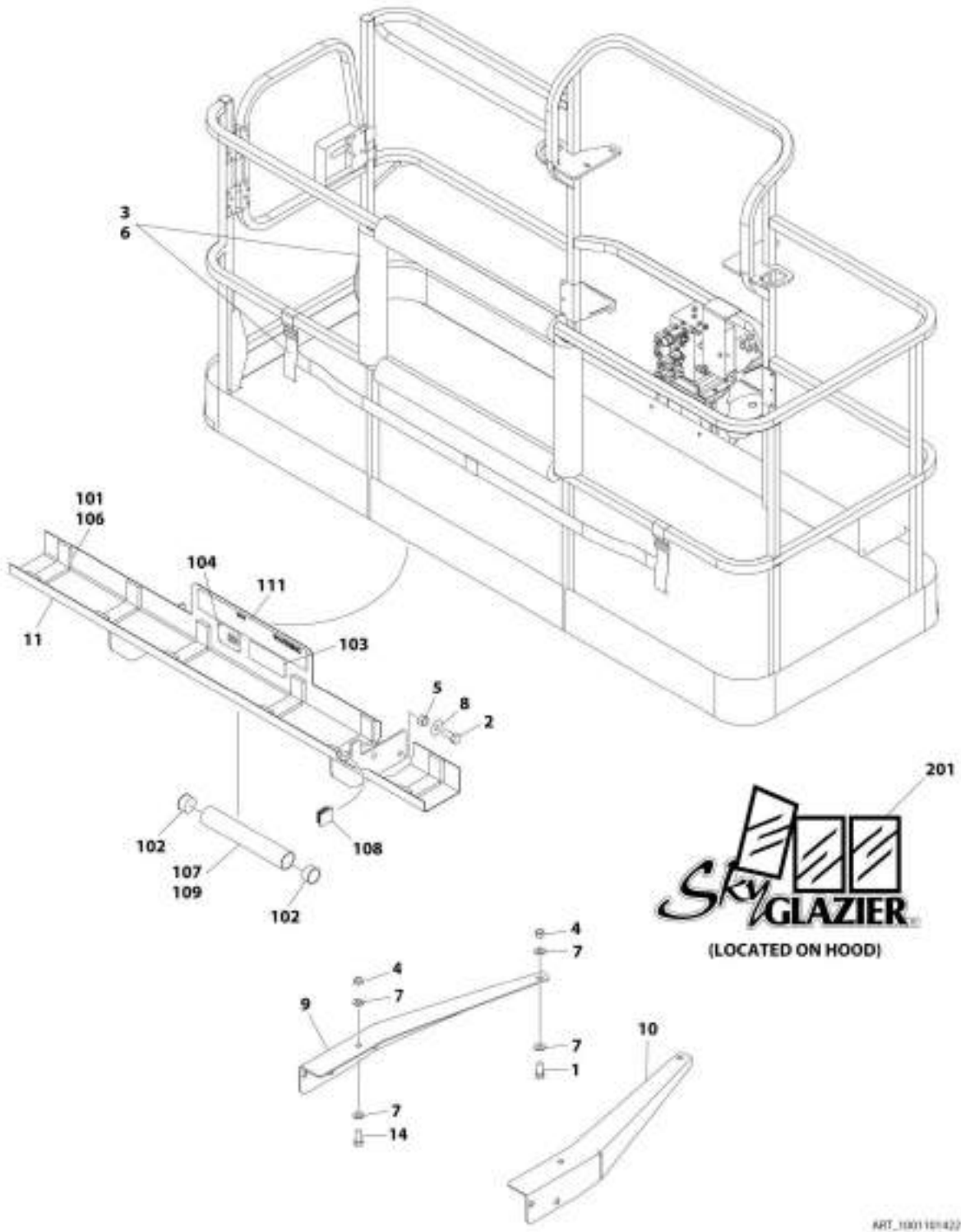
SECTION 5 - PLATFORM

FIGURE 5-34. SKYEYE INSTALLATION

ITEM	PART NUMBER	QTY	DESCRIPTION	REV
	1001229341	Ref	SKYEYE INSTALLATION	A
1	4031505	4	Bolt M4 x 10	
2	4240033	AR	Tie-Strap (Not Shown)	
3	1001227633	1	Housing, LH Outer	
4	1001227634	1	Housing, RH Outer	
5	1001227985	2	Shim	
6	1001227987	2	Shim	
7	1001228224	2	Sensor, Receiver	
8	1001228225	1	Sensor, Emitter	
9	1001232164	1	Housing, LH Inner	
10	1001232165	1	Housing, RH Inner	
11	1001237865	1	Harness, Skyeeye Intermediate (See Separate Breakdown in ELECTRICAL SECTION)	
12	1001238319	1	Harness, Skyeeye Drain Jumper	
12	1001187674	1	Plug, Male - 2 Position	
12	4460942	1	Terminal	
12	4460466	1	Plug, Terminal	
12	4460508	1	Pin, Male	
13	1001237863	2	Harness, Skyeeye Receiver (See Separate Breakdown in ELECTRICAL SECTION)	
14	1001237864	1	Harness, Skyeeye Emitter (See Separate Breakdown in ELECTRICAL SECTION)	

SECTION 5 - PLATFORM

FIGURE 5-35. SKYGLAZIER INSTALLATION (ANSI, CSA AND JAPANESE SPECS)



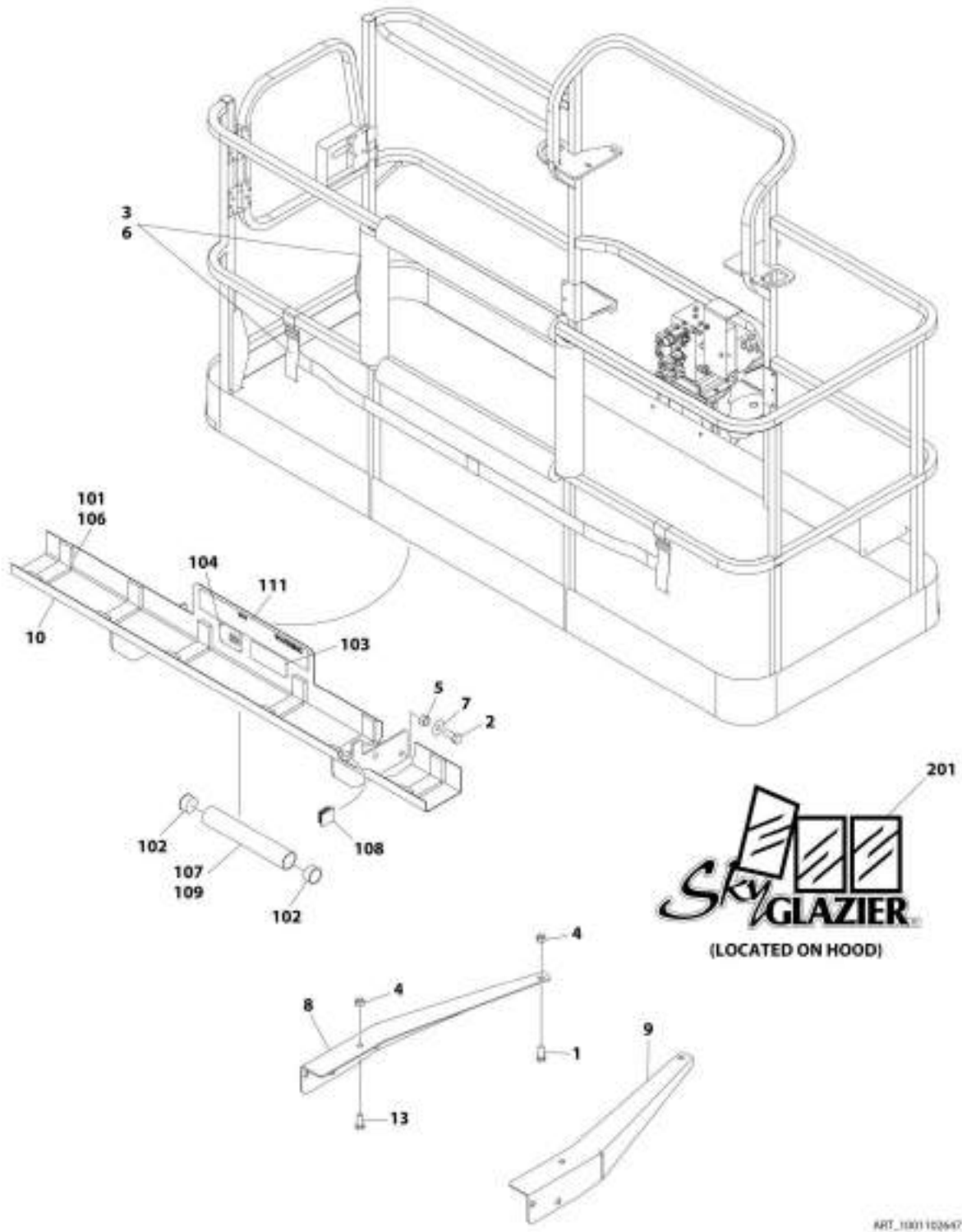
SECTION 5 - PLATFORM

FIGURE 5-35. SKYGLAZIER INSTALLATION (ANSI, CSA AND JAPANESE SPECS)

ITEM	PART NUMBER	QTY	DESCRIPTION	REV
	1001101422	Ref	SKYGLAZIER INSTALLATION (ANSI, CSA AND JAPANESE SPECS)	C
1	0642012	2	Bolt 5/8 x 1-1/2	
2	0642212	4	Bolt 3/4 x 1-1/2	
3	2902212	1	Bumpers and Strap Kit	
3	0940102	1	Bumper Only	
3	4240149	1	Strap Only	
4	3312005	4	Nut 5/8	
5	3312205	4	Nut 3/4	
6	4420014	AR	Tape	
7	4712000	6	Washer 5/8	
8	4712200	8	Washer 3/4	
9	1001099366	1	Support	
10	1001099367	1	Support	
11	1001101421	1	Tray Assembly (See Items 101-111 for Breakdown)	
14	8310129	2	Bolt 3/4 x 2-1/2	
	1001101421	Ref	TRAY ASSEMBLY	E
101	0100081	AR	Adhesive	
102	1120555	2	Cap, Tube	
103	1701509	1	Decal - Manual	
104	See Note	NSS	Nameplate - Serial Number (Note: Not Available for Purchase)	
106	3340956	1	Pad Kit	
107	3460334	1	Tube	
108	3520071	2	Plug	
109	4420066	AR	Tape, Double Sided	
111	1001163131	2	Decal - Glazier Capacity	
	0272418	Ref	SKYGLAZIER DECAL INSTALLATION	4
201	1705358	2	Decal - SkyGlazier	

SECTION 5 - PLATFORM

FIGURE 5-36. SKYGLAZIER INSTALLATION (AUSTRALIAN SPECS)



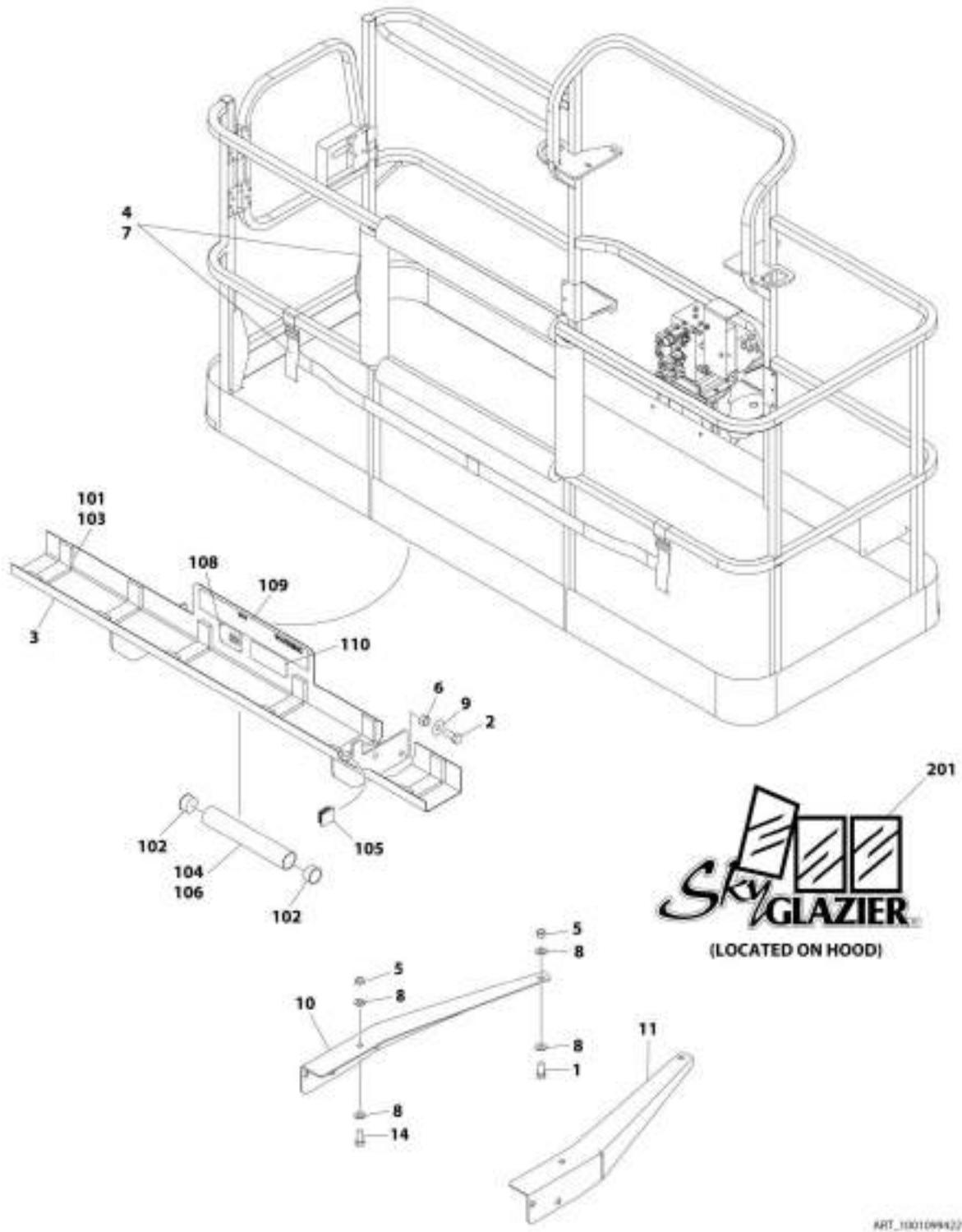
SECTION 5 - PLATFORM

FIGURE 5-36. SKYGLAZIER INSTALLATION (AUSTRALIAN SPECS)

ITEM	PART NUMBER	QTY	DESCRIPTION	REV
	1001102647	Ref	SKYGLAZIER INSTALLATION (AUSTRALIAN SPECS)	C
1	0642026	2	Bolt 5/8 x 3-1/4	
2	0642212	4	Bolt 3/4 x 1-1/2	
3	2902212	1	Bumpers and Strap Kit	
3	0940102	1	Bumper Only	
3	4240149	1	Strap Only	
4	3312005	4	Nut 5/8	
5	3312205	4	Nut 3/4	
6	4420014	AR	Tape	
7	4712200	8	Washer 3/4	
8	1001099366	1	Support	
9	1001099367	1	Support	
10	1001101421	1	Tray Assembly (See Items 101-111 for Breakdown)	
13	8310230	2	Bolt 5/8 x 4	
	1001101421	Ref	TRAY ASSEMBLY	E
101	0100081	AR	Adhesive	
102	1120555	2	Cap, Tube	
103	1701509	1	Decal - Manual	
104	See Note	NSS	Nameplate - Serial Number (Note: Not Available for Purchase)	
106	3340956	1	Pad Kit	
107	3460334	1	Tube	
108	3520071	2	Plug	
109	4420066	AR	Tape, Double Sided	
111	1001163131	2	Decal - Glazier Capacity	
	0272418	Ref	SKYGLAZIER DECAL INSTALLATION	4
201	1705358	2	Decal - SkyGlazier	

SECTION 5 - PLATFORM

FIGURE 5-37. SKYGLAZIER INSTALLATION (BRAZIL SPECS)



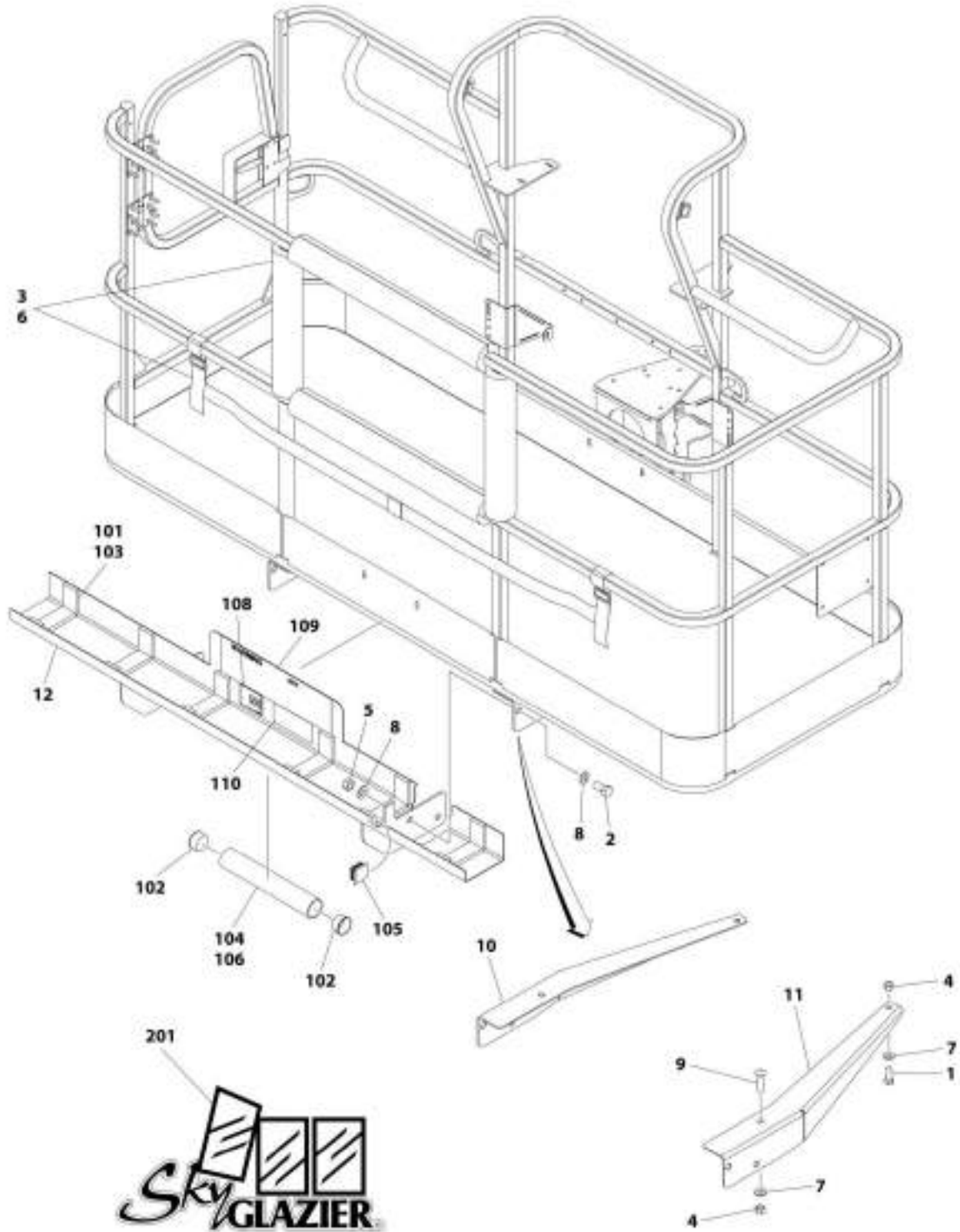
SECTION 5 - PLATFORM

FIGURE 5-37. SKYGLAZIER INSTALLATION (BRAZIL SPECS)

ITEM	PART NUMBER	QTY	DESCRIPTION	REV
	1001099422	Ref	SKYGLAZIER INSTALLATION (BRAZIL SPECS)	C
1	0642012	2	Bolt 5/8 x 1-1/2	
2	0642212	4	Bolt 3/4 x 1-1/2	
3	0272951	1	Tray Assembly (See Items 101-110 for Breakdown)	
4	2902212	1	Bumpers and Strap Kit	
4	0940102	1	Bumper Only	
4	4240149	1	Strap Only	
5	3312005	4	Nut 5/8	
6	3312205	4	Nut 3/4	
7	4420014	AR	Tape	
8	4712000	6	Washer 5/8	
9	4712200	8	Washer 3/4	
10	1001099366	1	Support	
11	1001099367	1	Support	
14	8310129	2	Bolt 5/8 x 2-1/2	
	0272951	Ref	TRAY ASSEMBLY	E
101	0100081	AR	Adhesive	
102	1120555	2	Cap, Tube	
103	3340956	1	Pad Kit	
104	3460334	1	Tube	
105	3520071	2	Plug	
106	4420066	AR	Tape, Double Sided	
108	See Note	NSS	Nameplate - Serial Number (Note: Not Available for Purchase)	
109	1001163297	2	Decal - Glazier Capacity	
110	1701509	1	Decal - Manual	
	0272418	Ref	SKYGLAZIER DECAL INSTALLATION	4
201	1705358	2	Decal - SkyGlazier	

SECTION 5 - PLATFORM

FIGURE 5-38. SKYGLAZIER INSTALLATION (DANISH SPECS)



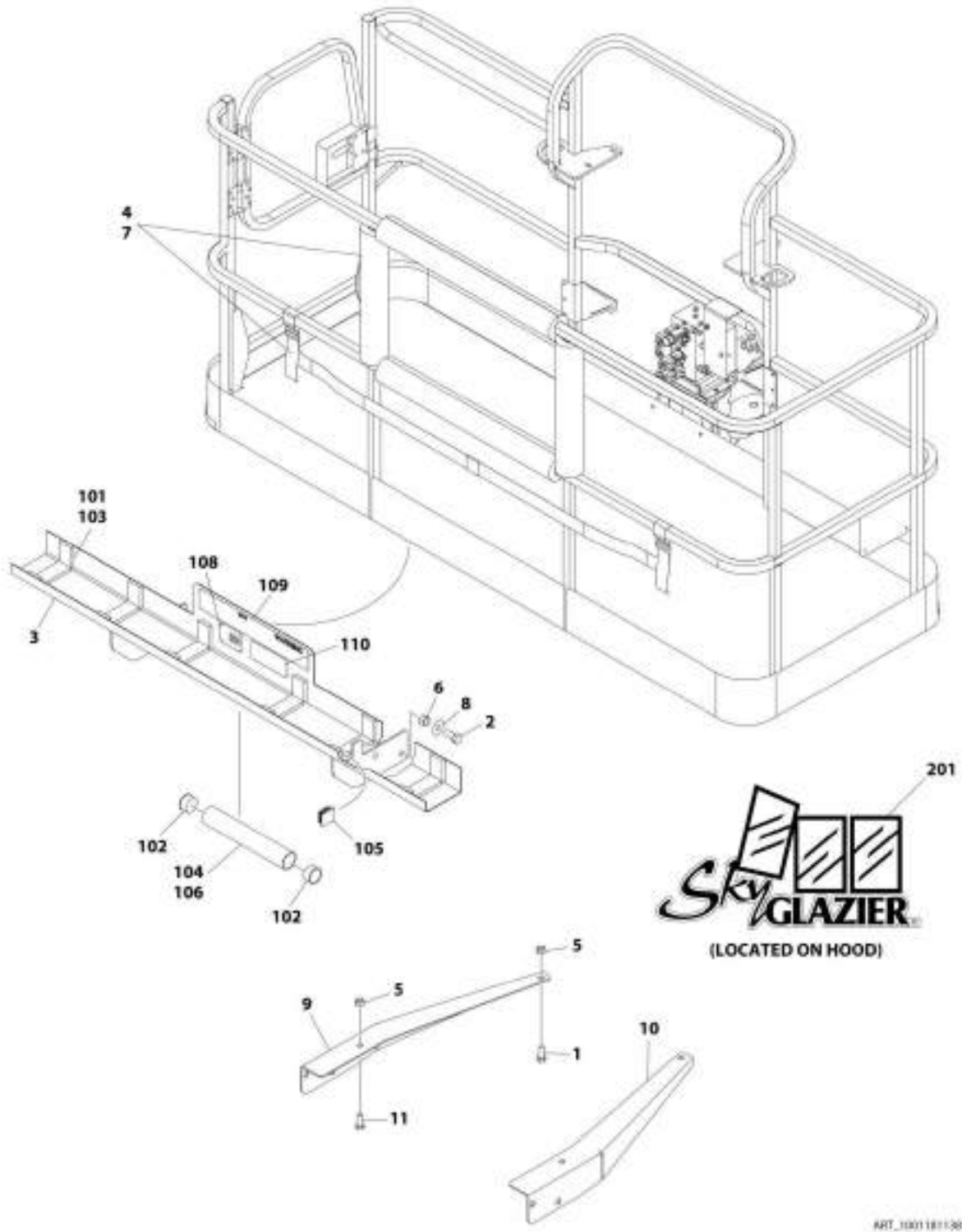
SECTION 5 - PLATFORM

FIGURE 5-38. SKYGLAZIER INSTALLATION (DANISH SPECS)

ITEM	PART NUMBER	QTY	DESCRIPTION	REV
	1001238462	Ref	SKYGLAZIER INSTALLATION (DANISH SPECS)	A
1	0642012	2	Bolt 5/8 x 1-1/2	
2	0642212	4	Bolt 3/4 x 1-1/2	
3	2902212	1	Bumpers and Strap Kit	
3	0940102	1	Bumper Only	
3	4240149	1	Strap Only	
4	3312005	4	Nut 5/8	
5	3312205	4	Nut 3/4	
6	4420014	AR	Tape	
7	4712000	6	Washer 5/8	
8	4712200	8	Washer 3/4	
9	8310129	2	Bolt 5/8 x 2-1/2	
10	1001099366	1	Support	
11	1001099367	1	Support	
12	1001238423	1	Tray Assembly (See Items 101-110 for Breakdown)	
	1001238423	Ref	TRAY ASSEMBLY	A
101	0100081	AR	Adhesive	
102	1120555	2	Cap, Tube	
103	3340956	1	Pad Kit	
104	3460334	1	Tube	
105	3520071	2	Plug	
106	4420066	AR	Tape, Double Sided	
108	See Note	NSS	Nameplate - Serial Number (Note: Not Available for Purchase)	
109	1001237705	2	Decal - Glazier Capacity	
110	1701509	1	Decal - Manual	
	0272418	Ref	SKYGLAZIER DECAL INSTALLATION	4
201	1705358	2	Decal - SkyGlazier	

SECTION 5 - PLATFORM

FIGURE 5-39. SKYGLAZIER INSTALLATION (FINNISH SPECS) (SN 0300201016 through 0300235781)



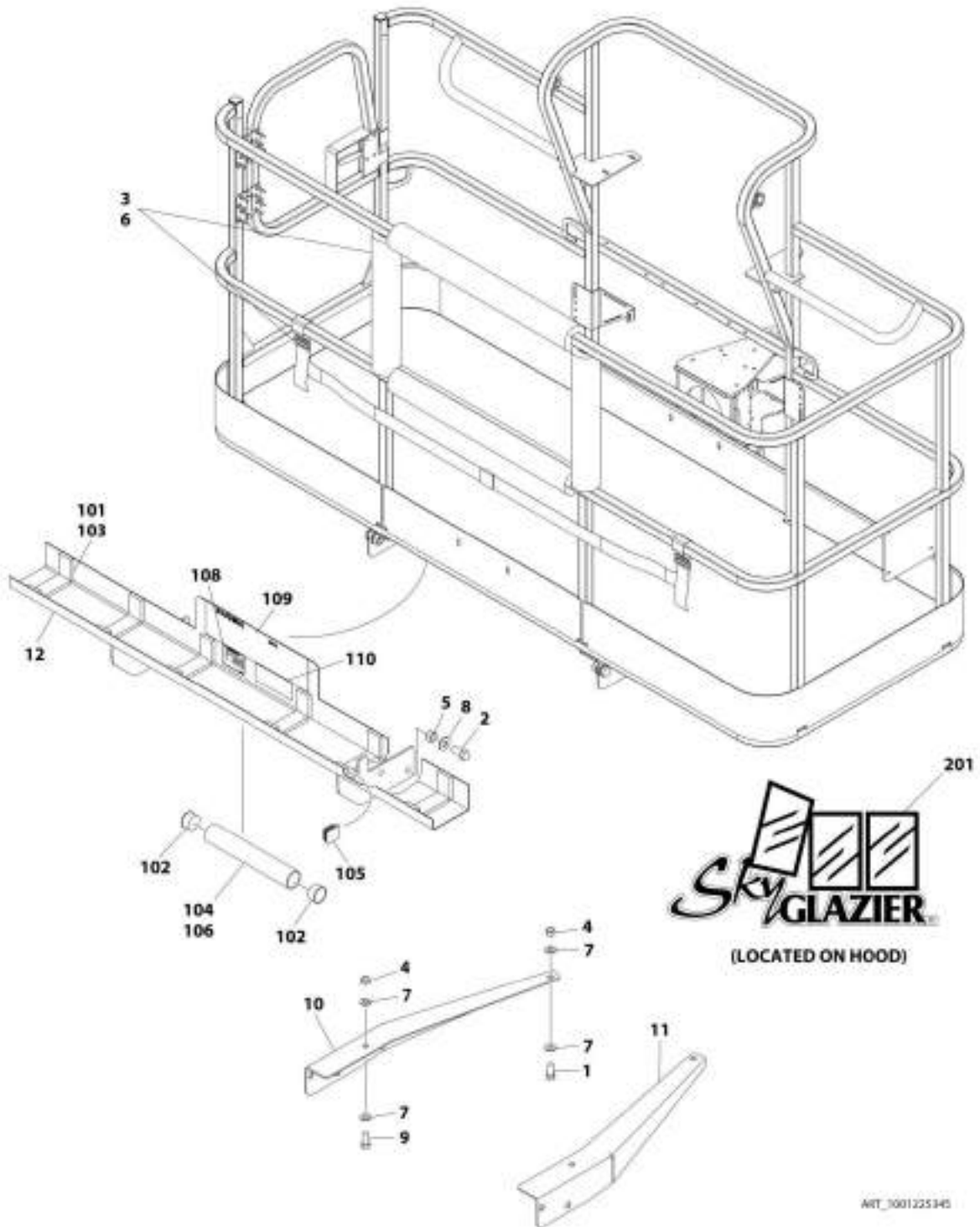
SECTION 5 - PLATFORM

FIGURE 5-39. SKYGLAZIER INSTALLATION (FINNISH SPECS) (SN 0300201016 through 0300235781)

ITEM	PART NUMBER	QTY	DESCRIPTION	REV
	1001181138	Ref	SKYGLAZIER INSTALLATION (FINNISH SPECS) (SN 0300201016 through 0300235781)	C
1	0642026	2	Bolt 5/8 x 3-1/4	
2	0642212	4	Bolt 3/4 x 1-1/2	
3	1001181142	1	Tray Assembly (See Items 101-110 for Breakdown)	
4	2902212	1	Bumpers and Strap Kit	
4	0940102	1	Bumper Only	
4	4240149	1	Strap Only	
5	3312005	4	Nut 5/8	
6	3312205	4	Nut 3/4	
7	4420014	AR	Tape	
8	4712200	8	Washer 3/4	
9	1001099366	1	Support	
10	1001099367	1	Support	
11	8310230	2	Bolt 5/8 x 2-1/2	
	1001181142	Ref	TRAY ASSEMBLY	A
101	0100081	AR	Adhesive	
102	1120555	2	Cap, Tube	
103	3340956	1	Pad Kit	
104	3460334	1	Tube	
105	3520071	2	Plug	
106	4420066	AR	Tape, Double Sided	
108	See Note	NSS	Nameplate - Serial Number (Note: Not Available for Purchase)	
109	1001181134	2	Decal - Glazier Capacity	
110	1701509	1	Decal - Manual	
	0272418	Ref	SKYGLAZIER DECAL INSTALLATION	4
201	1705358	2	Decal - SkyGlazier	

SECTION 5 - PLATFORM

FIGURE 5-40. SKYGLAZIER INSTALLATION (FINNISH SPECS) (SN 0300235782 to Present)



AWT_3001225345

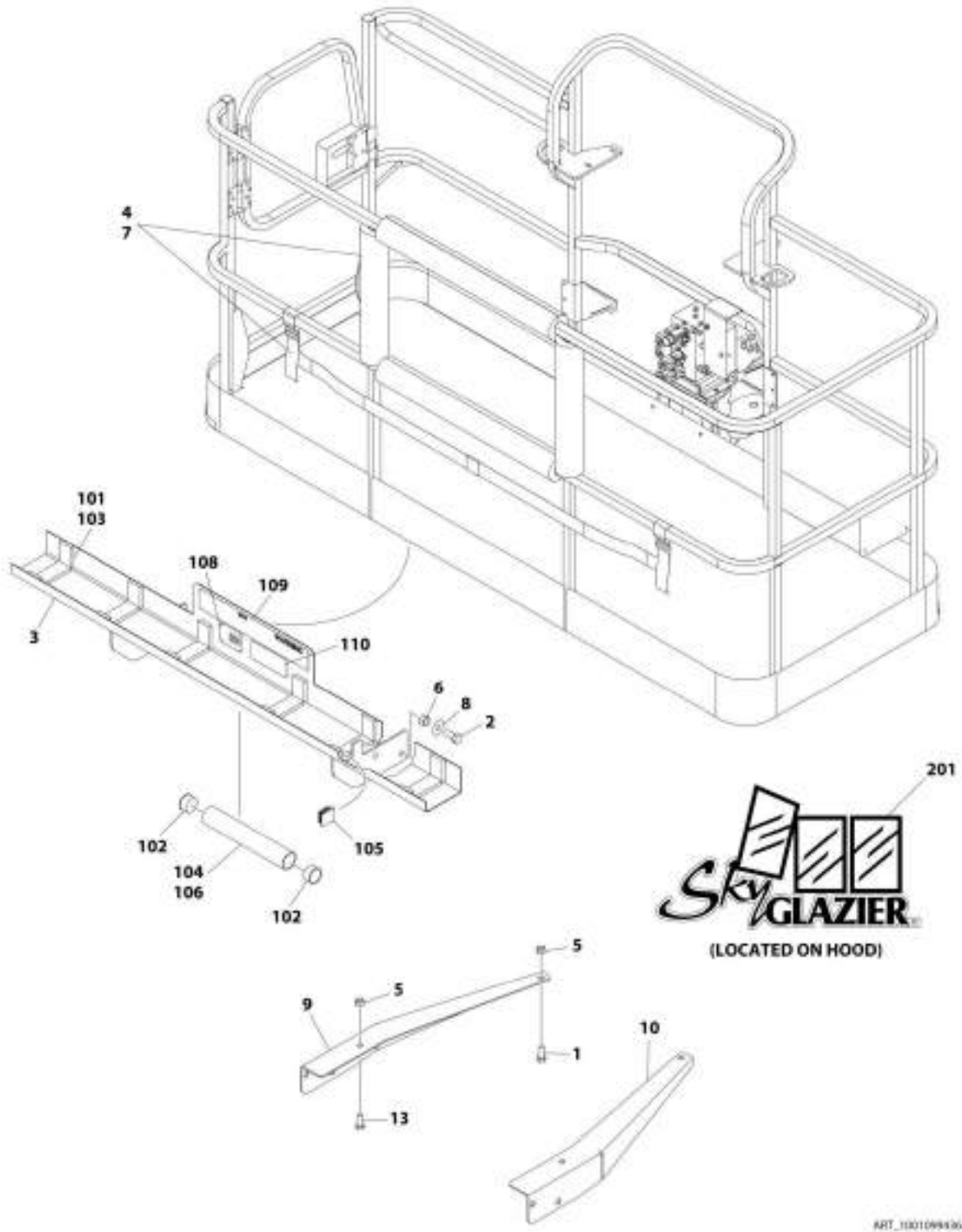
SECTION 5 - PLATFORM

FIGURE 5-40. SKYGLAZIER INSTALLATION (FINNISH SPECS) (SN 0300235782 to Present)

ITEM	PART NUMBER	QTY	DESCRIPTION	REV
	1001225345	Ref	SKYGLAZIER INSTALLATION (FINNISH SPECS) (SN 0300235782 to Present)	A
1	0642012	2	Bolt 5/8 x 1-1/2	
2	0642212	4	Bolt 3/4 x 1-1/2	
3	2902212	1	Bumpers and Strap Kit	
3	0940102	1	Bumper Only	
3	4240149	1	Strap Only	
4	3312005	4	Nut 5/8	
5	3312205	4	Nut 3/4	
6	4420014	AR	Tape	
7	4712000	6	Washer 5/8	
8	4712200	8	Washer 3/4	
9	8310129	2	Bolt 5/8 x 2-1/2	
10	1001099366	1	Support	
11	1001099367	1	Support	
12	1001181142	1	Tray Assembly (See Items 101-110 for Breakdown)	
	1001181142	Ref	TRAY ASSEMBLY	A
101	0100081	AR	Adhesive	
102	1120555	2	Cap, Tube	
103	3340956	1	Pad Kit	
104	3460334	1	Tube	
105	3520071	2	Plug	
106	4420066	AR	Tape, Double Sided	
108	See Note	NSS	Nameplate - Serial Number (Note: Not Available for Purchase)	
109	1001181134	2	Decal - Glazier Capacity	
110	1701509	1	Decal - Manual	
	0272418	Ref	SKYGLAZIER DECAL INSTALLATION	4
201	1705358	2	Decal - SkyGlazier	

SECTION 5 - PLATFORM

FIGURE 5-41. SKYGLAZIER INSTALLATION (FRENCH SPECS) (SN 0300201016 through 0300235781)



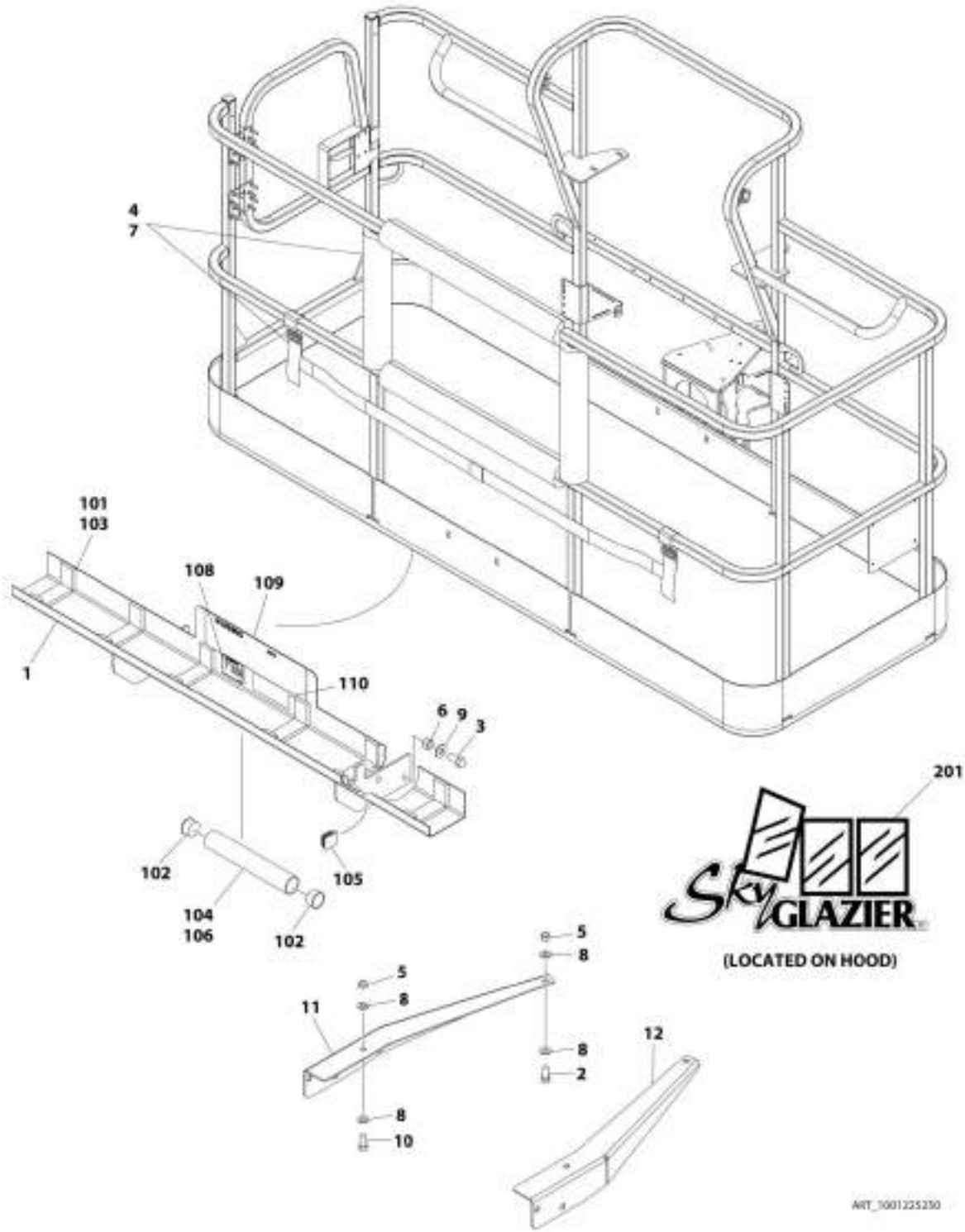
SECTION 5 - PLATFORM

FIGURE 5-41. SKYGLAZIER INSTALLATION (FRENCH SPECS) (SN 0300201016 through 0300235781)

ITEM	PART NUMBER	QTY	DESCRIPTION	REV
	1001099436	Ref	SKYGLAZIER INSTALLATION (FRENCH SPECS) (SN 0300201016 through 0300235781)	D
1	0642026	2	Bolt 5/8 x 3-1/4	
2	0642212	4	Bolt 3/4 x 1-1/2	
3	0272949	1	Tray Assembly (See Items 101-110 for Breakdown)	
4	2902212	1	Bumpers and Strap Kit	
4	0940102	1	Bumper Only	
4	4240149	1	Strap Only	
5	3312005	4	Nut 5/8	
6	3312205	4	Nut 3/4	
7	4420014	AR	Tape	
8	4712200	8	Washer 3/4	
9	1001099366	1	Support	
10	1001099367	1	Support	
13	8310230	2	Bolt 5/8 x 4	
	0272949	Ref	TRAY ASSEMBLY	D
101	0100081	AR	Adhesive	
102	1120555	2	Cap, Tube	
103	3340956	1	Pad Kit	
104	3460334	1	Tube	
105	3520071	2	Plug	
106	4420066	AR	Tape, Double Sided	
108	See Note	NSS	Nameplate - Serial Number (Note: Not Available for Purchase)	
109	1001163293	2	Decal - Glazier Capacity	
110	1701509	1	Decal - Manual	
	0272418	Ref	SKYGLAZIER DECAL INSTALLATION	4
201	1705358	2	Decal - SkyGlazier	

SECTION 5 - PLATFORM

FIGURE 5-42. SKYGLAZIER INSTALLATION (FRENCH SPECS) (SN 0300235782 to Present)



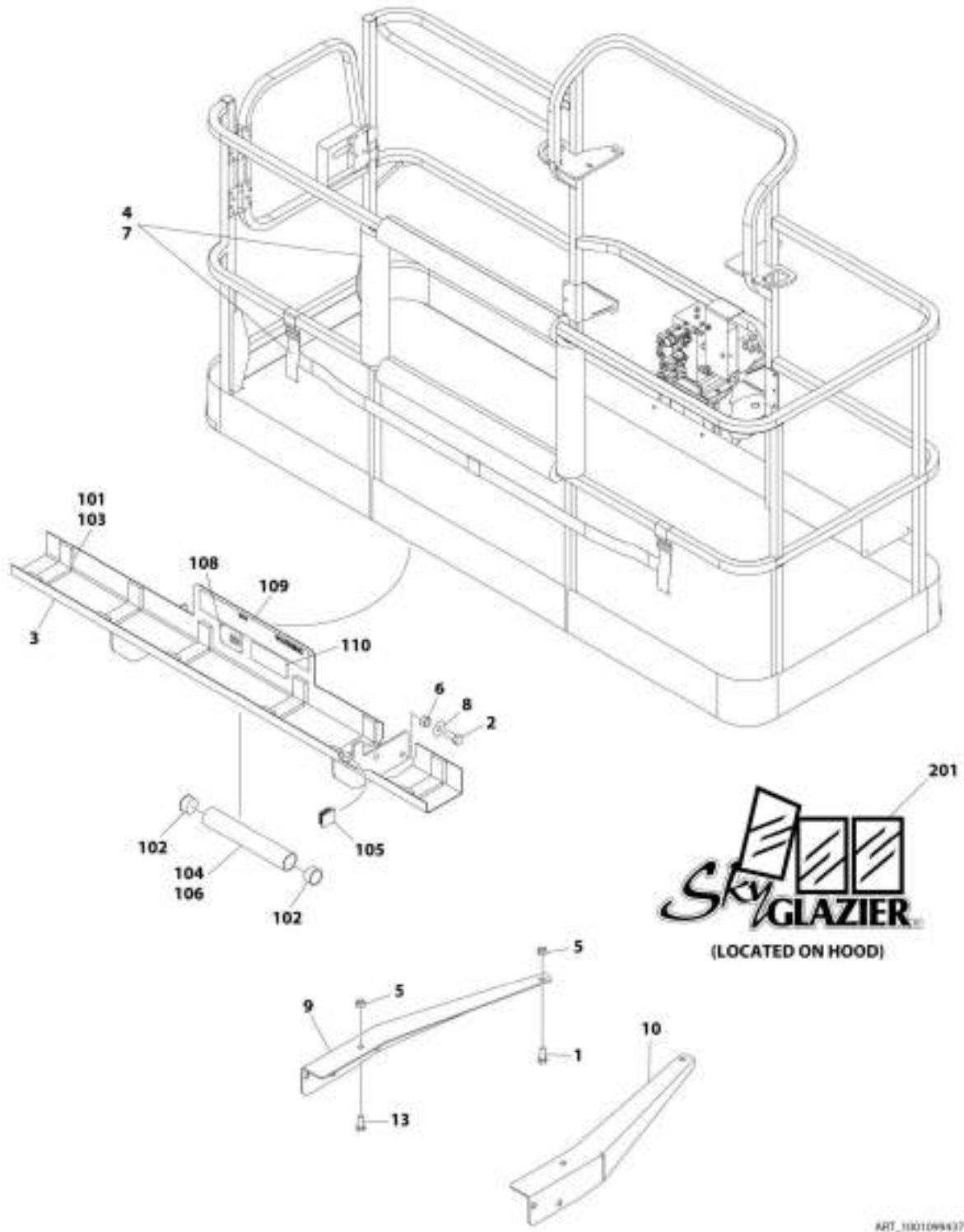
SECTION 5 - PLATFORM

FIGURE 5-42. SKYGLAZIER INSTALLATION (FRENCH SPECS) (SN 0300235782 to Present)

ITEM	PART NUMBER	QTY	DESCRIPTION	REV
	1001225250	Ref	SKYGLAZIER INSTALLATION (FRENCH SPECS) (SN 0300235782 to Present)	A
1	0272949	1	Tray Assembly (See Items 101-110 for Breakdown)	
2	0642012	2	Bolt 5/8 x 1-1/2	
3	0642212	4	Bolt 3/4 x 1-1/2	
4	2902212	1	Bumpers and Strap Kit	
4	0940102	1	Bumper Only	
4	4240149	1	Strap Only	
5	3312005	4	Nut 5/8	
6	3312205	4	Nut 3/4	
7	4420014	AR	Tape	
8	4712000	6	Washer 5/8	
9	4712200	8	Washer 3/4	
10	8310129	2	Bolt 5/8 x 2-1/2	
11	1001099366	1	Support	
12	1001099367	1	Support	
	0272949	Ref	TRAY ASSEMBLY	D
101	0100081	AR	Adhesive	
102	1120555	2	Cap, Tube	
103	3340956	1	Pad Kit	
104	3460334	1	Tube	
105	3520071	2	Plug	
106	4420066	AR	Tape, Double Sided	
108	See Note	NSS	Nameplate - Serial Number (Note: Not Available for Purchase)	
109	1001163293	2	Decal - Glazier Capacity	
110	1701509	1	Decal - Manual	
	0272418	Ref	SKYGLAZIER DECAL INSTALLATION	4
201	1705358	2	Decal - SkyGlazier	

SECTION 5 - PLATFORM

FIGURE 5-43. SKYGLAZIER INSTALLATION (GERMAN SPECS) (SN 0300201016 through 0300235781)



ART_11301099437

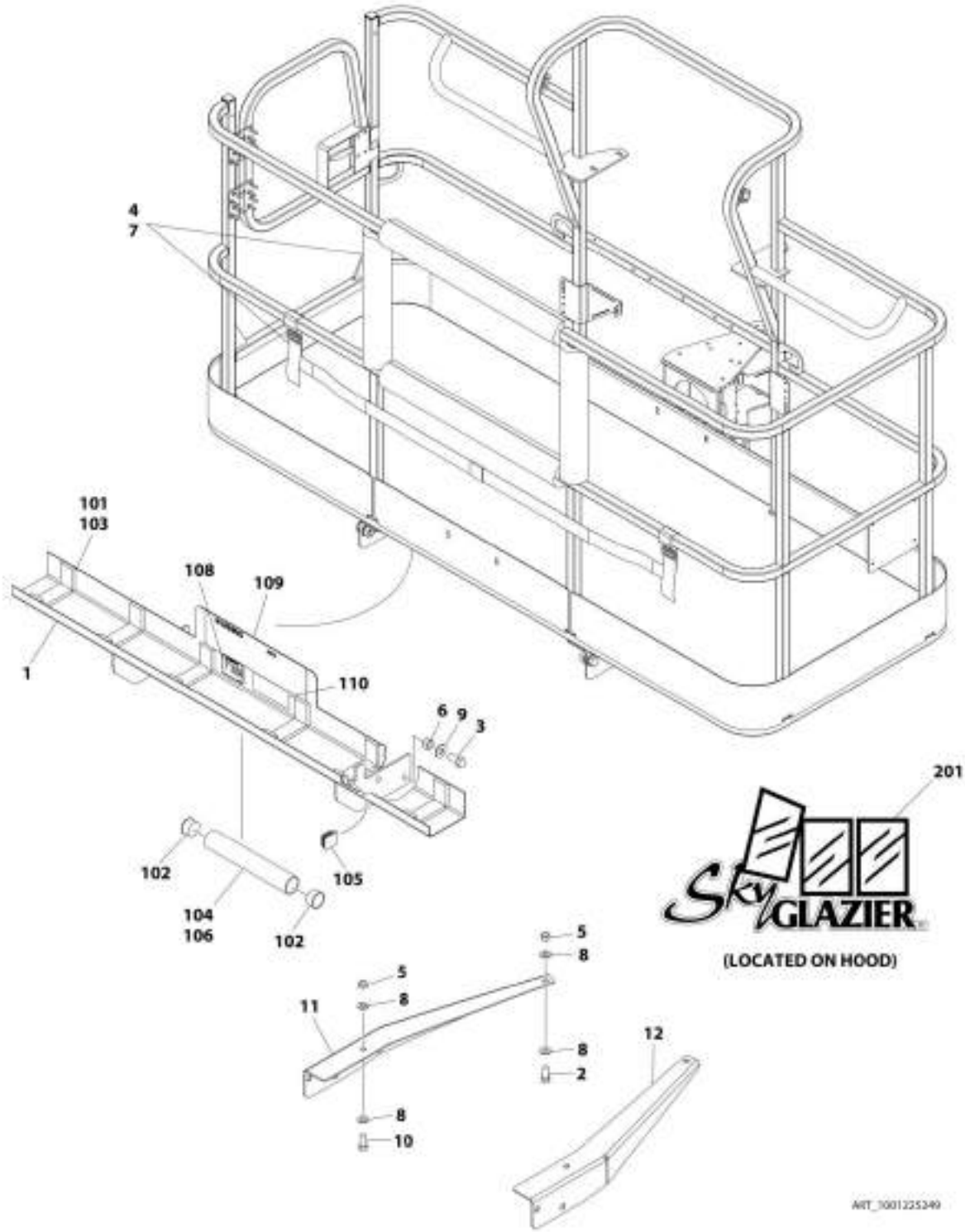
SECTION 5 - PLATFORM

FIGURE 5-43. SKYGLAZIER INSTALLATION (GERMAN SPECS) (SN 0300201016 through 0300235781)

ITEM	PART NUMBER	QTY	DESCRIPTION	REV
	1001099437	Ref	SKYGLAZIER INSTALLATION (GERMAN SPECS) (SN 0300201016 through 0300235781)	D
1	0642026	2	Bolt 5/8 x 3-1/4	
2	0642212	4	Bolt 3/4 x 1-1/2	
3	0272950	1	Tray Assembly (See Items 101-110 for Breakdown)	
4	2902212	1	Bumpers and Strap Kit	
4	0940102	1	Bumper Only	
4	4240149	1	Strap Only	
5	3312005	4	Nut 5/8	
6	3312205	4	Nut 3/4	
7	4420014	AR	Tape	
8	4712200	8	Washer 3/4	
9	1001099366	1	Support	
10	1001099367	1	Support	
13	8310230	2	Bolt 5/8 x 4	
	0272950	Ref	TRAY ASSEMBLY	D
101	0100081	AR	Adhesive	
102	1120555	2	Cap, Tube	
103	3340956	1	Pad Kit	
104	3460334	1	Tube	
105	3520071	2	Plug	
106	4420066	AR	Tape, Double Sided	
108	See Note	NSS	Nameplate - Serial Number (Note: Not Available for Purchase)	
109	1001163298	2	Decal - Glazier Capacity	
110	1701509	1	Decal - Manual	
	0272418	Ref	SKYGLAZIER DECAL INSTALLATION	4
201	1705358	2	Decal - SkyGlazier	

SECTION 5 - PLATFORM

FIGURE 5-44. SKYGLAZIER INSTALLATION (GERMAN SPECS) (SN 0300235782 to Present)



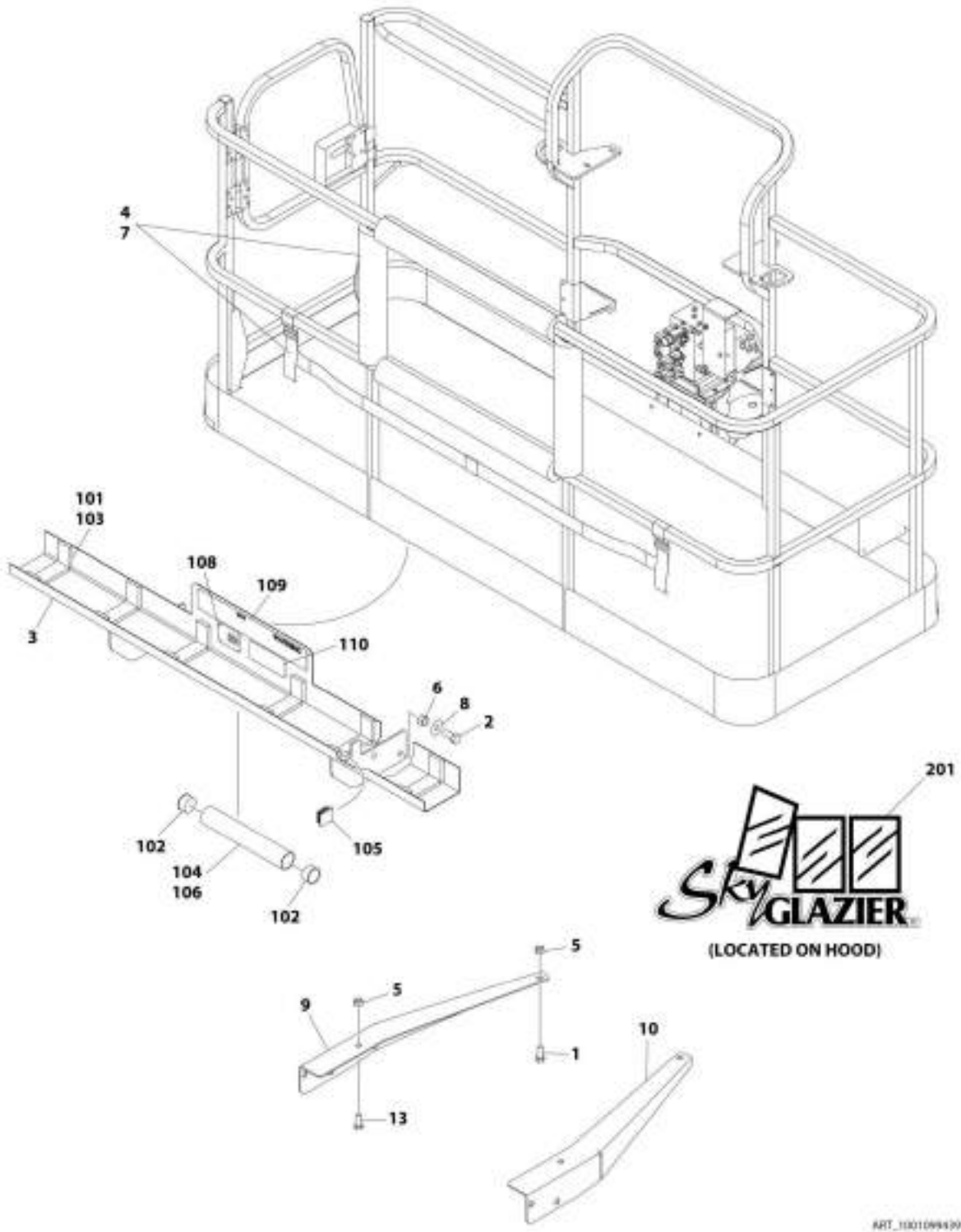
SECTION 5 - PLATFORM

FIGURE 5-44. SKYGLAZIER INSTALLATION (GERMAN SPECS) (SN 0300235782 to Present)

ITEM	PART NUMBER	QTY	DESCRIPTION	REV
	1001225249	Ref	SKYGLAZIER INSTALLATION (GERMAN SPECS) (SN 0300235782 to Present)	A
1	0272950	1	Tray Assembly (See Items 101-110 for Breakdown)	
2	0642012	2	Bolt 5/8 x 1-1/2	
3	0642212	4	Bolt 3/4 x 1-1/2	
4	2902212	1	Bumpers and Strap Kit	
4	0940102	1	Bumper Only	
4	4240149	1	Strap Only	
5	3312005	4	Nut 5/8	
6	3312205	4	Nut 3/4	
7	4420014	AR	Tape	
8	4712000	6	Washer 5/8	
9	4712200	8	Washer 3/4	
10	8310129	2	Bolt 5/8 x 2-1/2	
11	1001099366	1	Support	
12	1001099367	1	Support	
	0272950	Ref	TRAY ASSEMBLY	D
101	0100081	AR	Adhesive	
102	1120555	2	Cap, Tube	
103	3340956	1	Pad Kit	
104	3460334	1	Tube	
105	3520071	2	Plug	
106	4420066	AR	Tape, Double Sided	
108	See Note	NSS	Nameplate - Serial Number (Note: Not Available for Purchase)	
109	1001163298	2	Decal - Glazier Capacity	
110	1701509	1	Decal - Manual	
	0272418	Ref	SKYGLAZIER DECAL INSTALLATION	4
201	1705358	2	Decal - SkyGlazier	

SECTION 5 - PLATFORM

FIGURE 5-45. SKYGLAZIER INSTALLATION (ITALIAN SPECS) (SN 0300201016 through 0300235781)



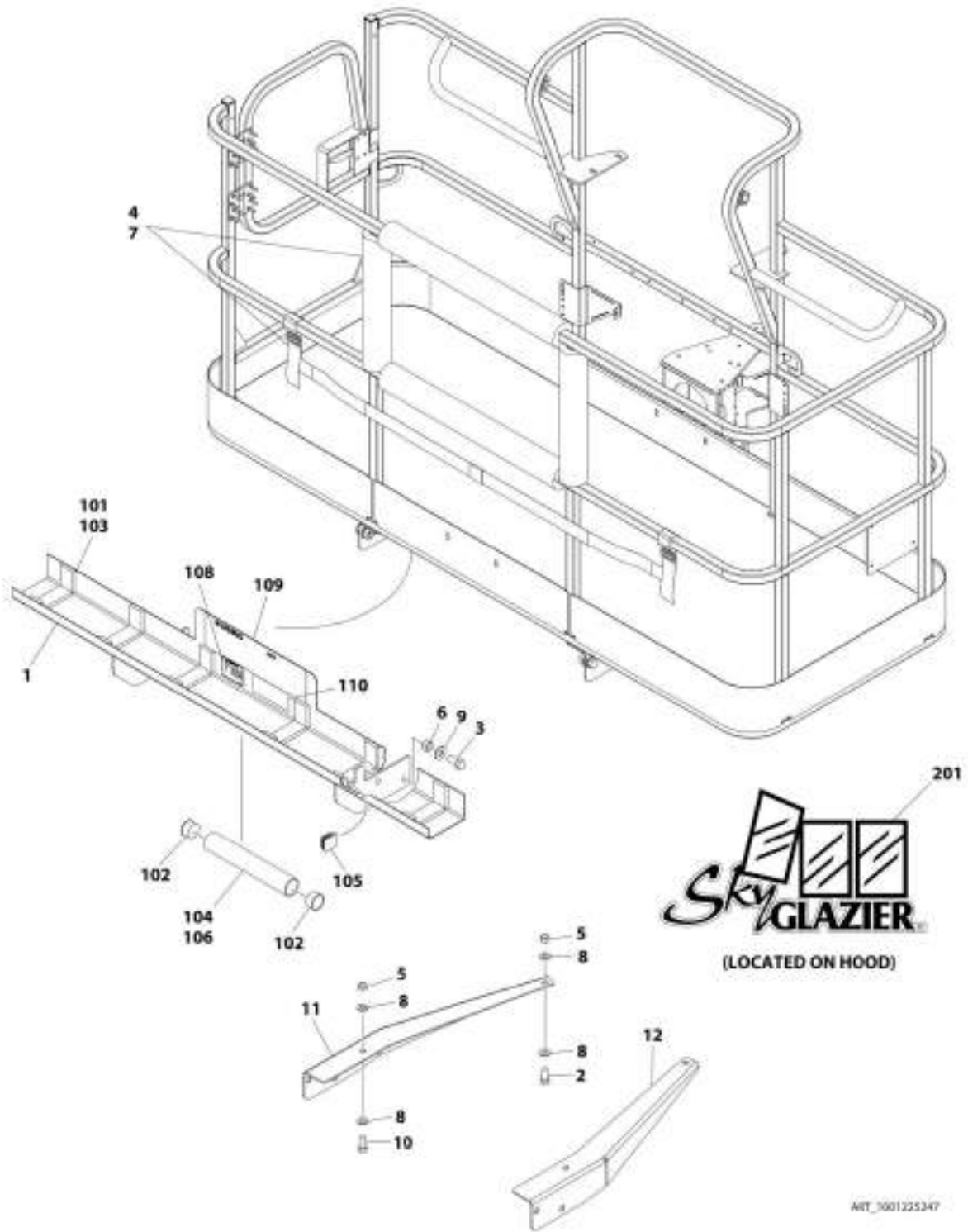
SECTION 5 - PLATFORM

FIGURE 5-45. SKYGLAZIER INSTALLATION (ITALIAN SPECS) (SN 0300201016 through 0300235781)

ITEM	PART NUMBER	QTY	DESCRIPTION	REV
	1001099439	Ref	SKYGLAZIER INSTALLATION (ITALIAN SPECS) (SN 0300201016 through 0300235781)	D
1	0642026	2	Bolt 5/8 x 3-1/4	
2	0642212	4	Bolt 3/4 x 1-1/2	
3	0272952	1	Tray Assembly (See Items 101-110 for Breakdown)	
4	2902212	1	Bumpers and Strap Kit	
4	0940102	1	Bumper Only	
4	4240149	1	Strap Only	
5	3312005	4	Nut 5/8	
6	3312205	4	Nut 3/4	
7	4420014	AR	Tape	
8	4712200	8	Washer 3/4	
9	1001099366	1	Support	
10	1001099367	1	Support	
13	8310230	2	Bolt 5/8 x 4	
	0272952	Ref	TRAY ASSEMBLY	D
101	0100081	AR	Adhesive	
102	1120555	2	Cap, Tube	
103	3340956	1	Pad Kit	
104	3460334	1	Tube	
105	3520071	2	Plug	
106	4420066	AR	Tape, Double Sided	
108	See Note	NSS	Nameplate - Serial Number (Note: Not Available for Purchase)	
109	1001163287	2	Decal - Glazier Capacity	
110	1701509	1	Decal - Manual	
	0272418	Ref	SKYGLAZIER DECAL INSTALLATION	4
201	1705358	2	Decal - SkyGlazier	

SECTION 5 - PLATFORM

FIGURE 5-46. SKYGLAZIER INSTALLATION (ITALIAN SPECS) (SN 0300235782 to Present)



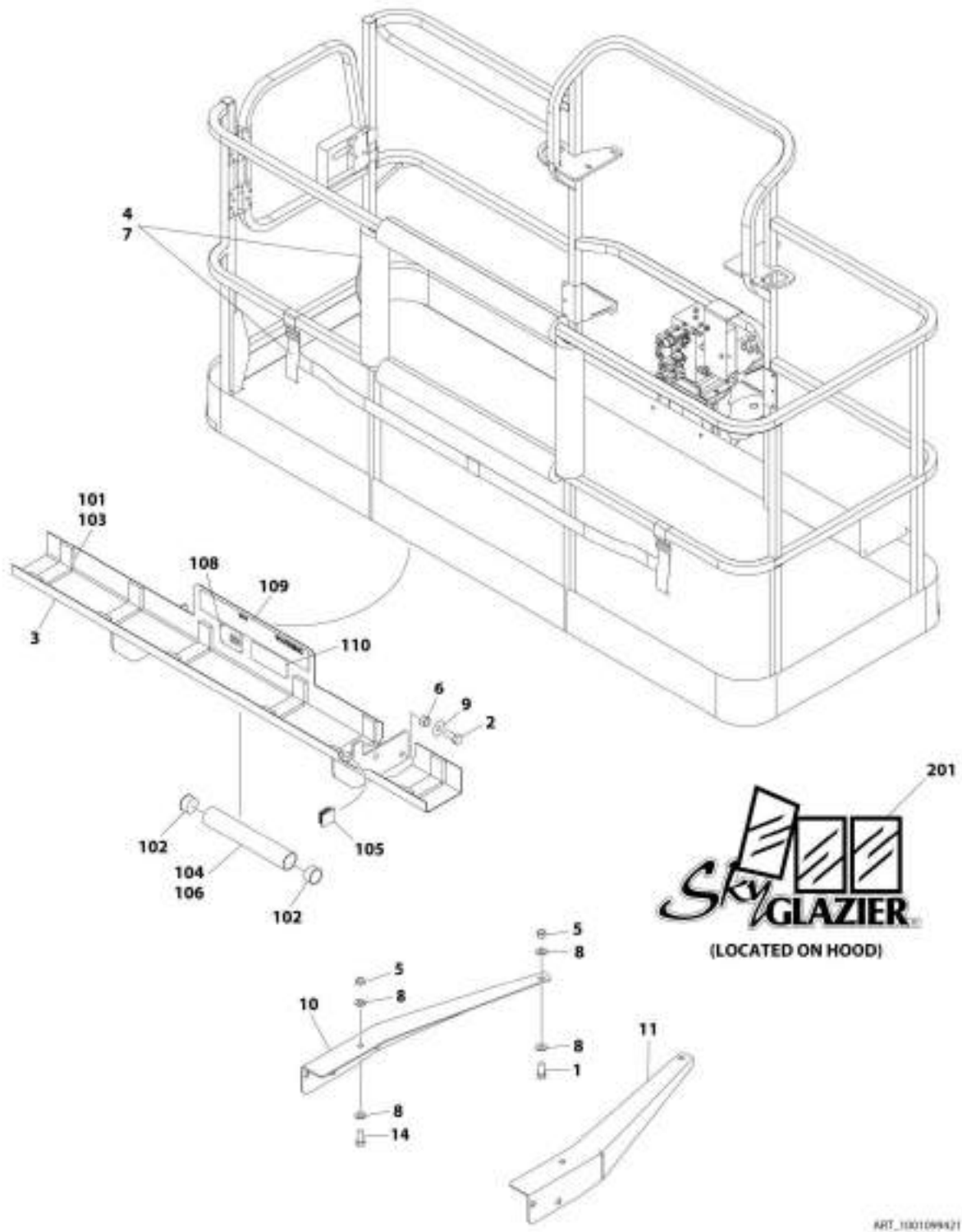
SECTION 5 - PLATFORM

FIGURE 5-46. SKYGLAZIER INSTALLATION (ITALIAN SPECS) (SN 0300235782 to Present)

ITEM	PART NUMBER	QTY	DESCRIPTION	REV
	1001225247	Ref	SKYGLAZIER INSTALLATION (ITALIAN SPECS) (SN 0300235782 to Present)	A
1	0272952	1	Tray Assembly (See Items 101-110 for Breakdown)	
2	0642012	2	Bolt 5/8 x 1-1/2	
3	0642212	4	Bolt 3/4 x 1-1/2	
4	2902212	1	Bumpers and Strap Kit	
4	0940102	1	Bumper Only	
4	4240149	1	Strap Only	
5	3312005	4	Nut 5/8	
6	3312205	4	Nut 3/4	
7	4420014	AR	Tape	
8	4712000	6	Washer 5/8	
9	4712200	8	Washer 3/4	
10	8310129	2	Bolt 5/8 x 2-1/2	
11	1001099366	1	Support	
12	1001099367	1	Support	
	0272952	Ref	TRAY ASSEMBLY	D
101	0100081	AR	Adhesive	
102	1120555	2	Cap, Tube	
103	3340956	1	Pad Kit	
104	3460334	1	Tube	
105	3520071	2	Plug	
106	4420066	AR	Tape, Double Sided	
108	See Note	NSS	Nameplate - Serial Number (Note: Not Available for Purchase)	
109	1001163287	2	Decal - Glazier Capacity	
110	1701509	1	Decal - Manual	
	0272418	Ref	SKYGLAZIER DECAL INSTALLATION	4
201	1705358	2	Decal - SkyGlazier	

SECTION 5 - PLATFORM

FIGURE 5-47. SKYGLAZIER INSTALLATION (LATIN AMERICAN SPECS)



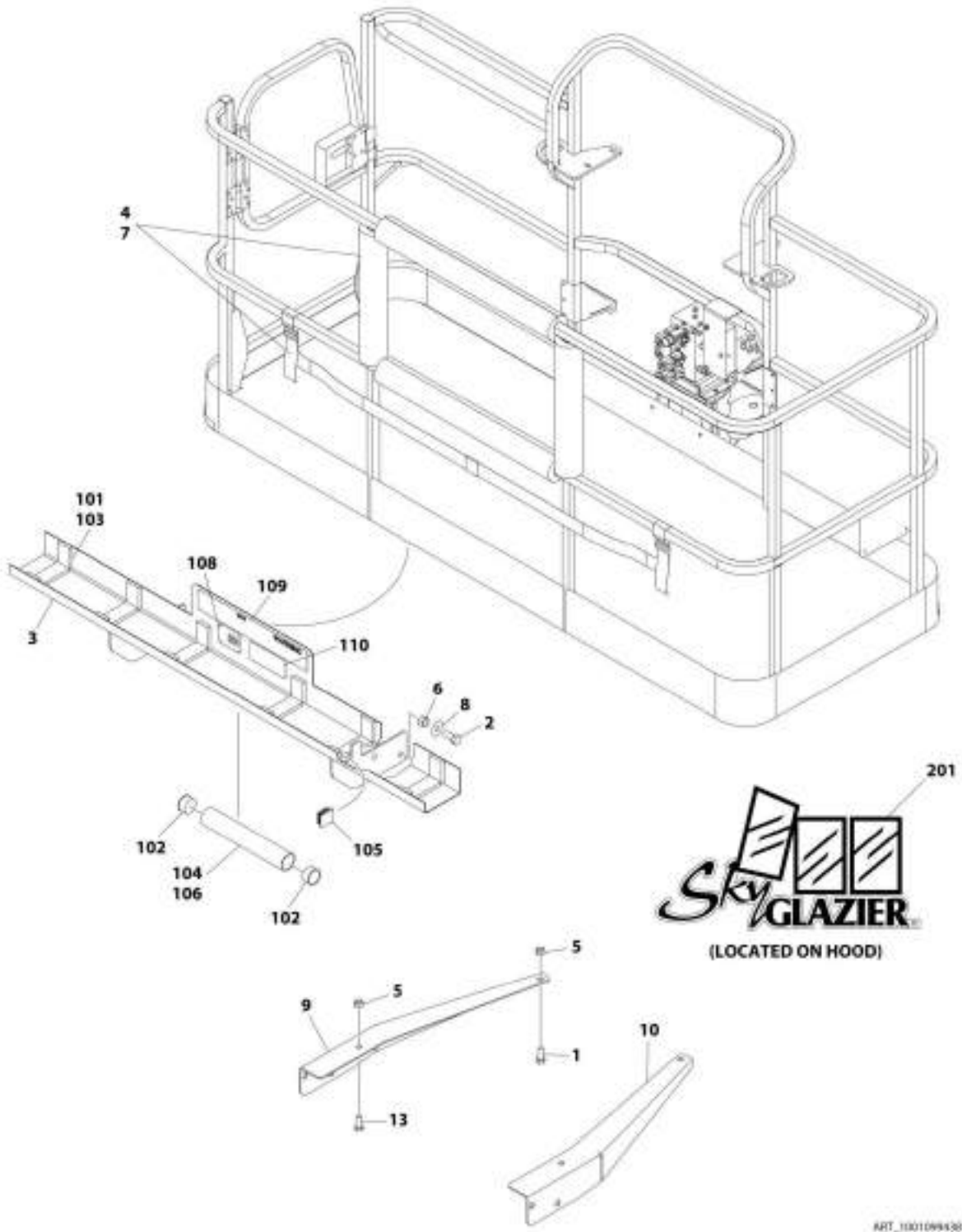
SECTION 5 - PLATFORM

FIGURE 5-47. SKYGLAZIER INSTALLATION (LATIN AMERICAN SPECS)

ITEM	PART NUMBER	QTY	DESCRIPTION	REV
	1001099421	Ref	SKYGLAZIER INSTALLATION (LATIN AMERICAN SPECS)	C
1	0642012	2	Bolt 5/8 x 1-1/2	
2	0642212	4	Bolt 3/4 x 1-1/2	
3	0272948	1	Tray Assembly (See Items 101-110 for Breakdown)	
4	2902212	1	Bumpers and Strap Kit	
4	0940102	1	Bumper Only	
4	4240149	1	Strap Only	
5	3312005	4	Nut 5/8	
6	3312205	4	Nut 3/4	
7	4420014	AR	Tape	
8	4712000	6	Washer 5/8	
9	4712200	8	Washer 3/4	
10	1001099366	1	Support	
11	1001099367	1	Support	
14	8310129	2	Bolt 5/8 x 2.5	
	0272948	Ref	TRAY ASSEMBLY	E
101	0100081	AR	Adhesive	
102	1120555	2	Cap, Tube	
103	3340956	1	Pad Kit	
104	3460334	1	Tube	
105	3520071	2	Plug	
106	4420066	AR	Tape, Double Sided	
108	See Note	NSS	Nameplate - Serial Number (Note: Not Available for Purchase)	
109	1001163296	2	Decal - Glazier Capacity	
110	1701509	1	Decal - Manual	
	0272418	Ref	SKYGLAZIER DECAL INSTALLATION	4
201	1705358	2	Decal - SkyGlazier	

SECTION 5 - PLATFORM

FIGURE 5-48. SKYGLAZIER INSTALLATION (PORTUGUESE SPECS) (SN 0300201016 through 0300235781)



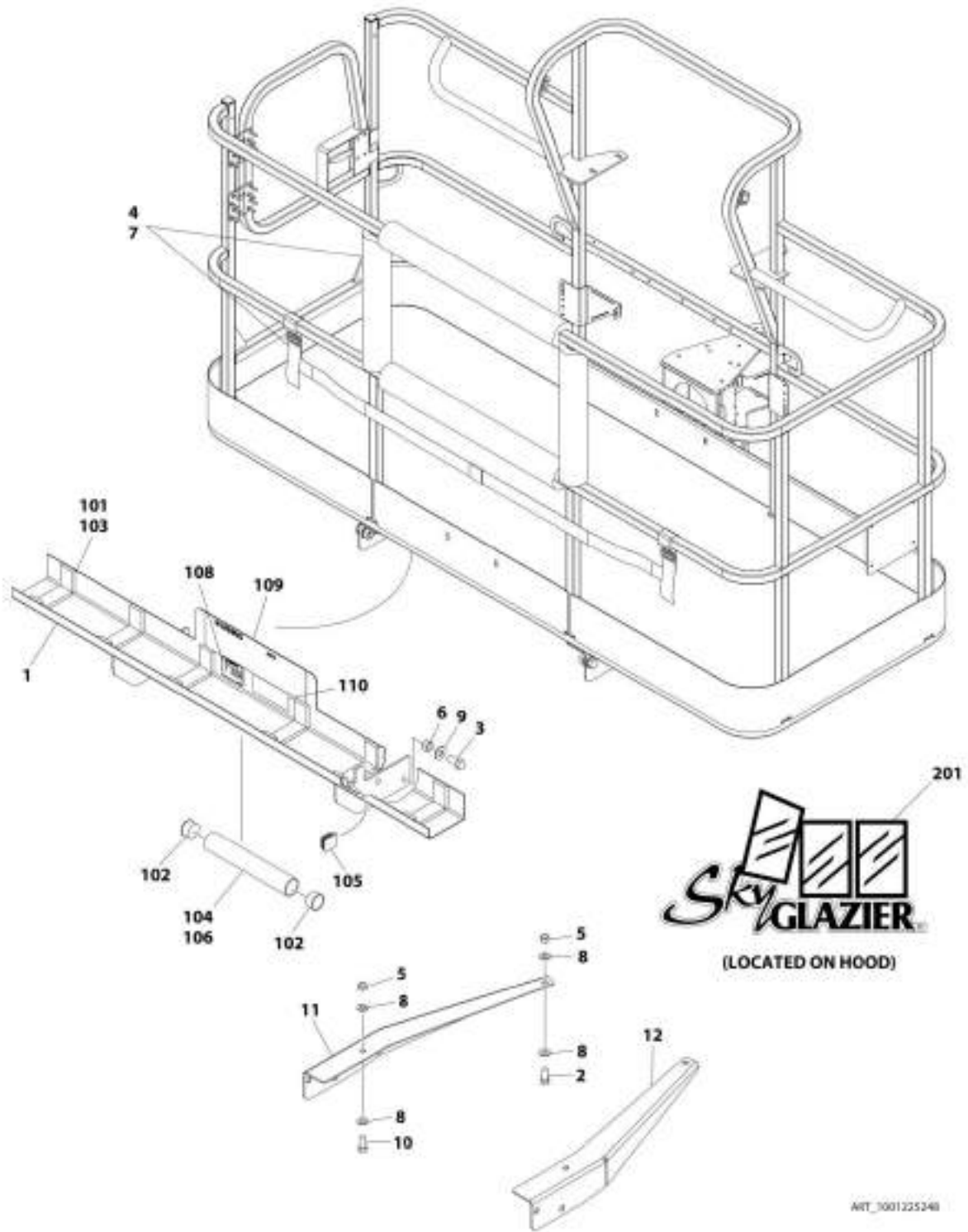
SECTION 5 - PLATFORM

FIGURE 5-48. SKYGLAZIER INSTALLATION (PORTUGUESE SPECS) (SN 0300201016 through 0300235781)

ITEM	PART NUMBER	QTY	DESCRIPTION	REV
	1001099438	Ref	SKYGLAZIER INSTALLATION (PORTUGUESE SPECS) (SN 0300201016 through 0300235781)	D
1	0642026	2	Bolt 5/8 x 3-1/4	
2	0642212	4	Bolt 3/4 x 1-1/2	
3	0273406	1	Tray Assembly (See Items 101-110 for Breakdown)	
4	2902212	1	Bumpers and Strap Kit	
4	0940102	1	Bumper Only	
4	4240149	1	Strap Only	
5	3312005	4	Nut 5/8	
6	3312205	4	Nut 3/4	
7	4420014	AR	Tape	
8	4712200	8	Washer 3/4	
9	1001099366	1	Support	
10	1001099367	1	Support	
13	8310230	2	Bolt 5/8 x 4	
	0273406	Ref	TRAY ASSEMBLY	D
101	0100081	AR	Adhesive	
102	1120555	2	Cap, Tube	
103	3340956	1	Pad Kit	
104	3460334	1	Tube	
105	3520071	2	Plug	
106	4420066	AR	Tape, Double Sided	
108	See Note	NSS	Nameplate - Serial Number (Note: Not Available for Purchase)	
109	1001163289	2	Decal - Glazier Capacity	
110	1701509	1	Decal - Manual	
	0272418	Ref	SKYGLAZIER DECAL INSTALLATION	4
201	1705358	2	Decal - SkyGlazier	

SECTION 5 - PLATFORM

FIGURE 5-49. SKYGLAZIER INSTALLATION (PORTUGUESE SPECS) (SN 0300235782 to Present)



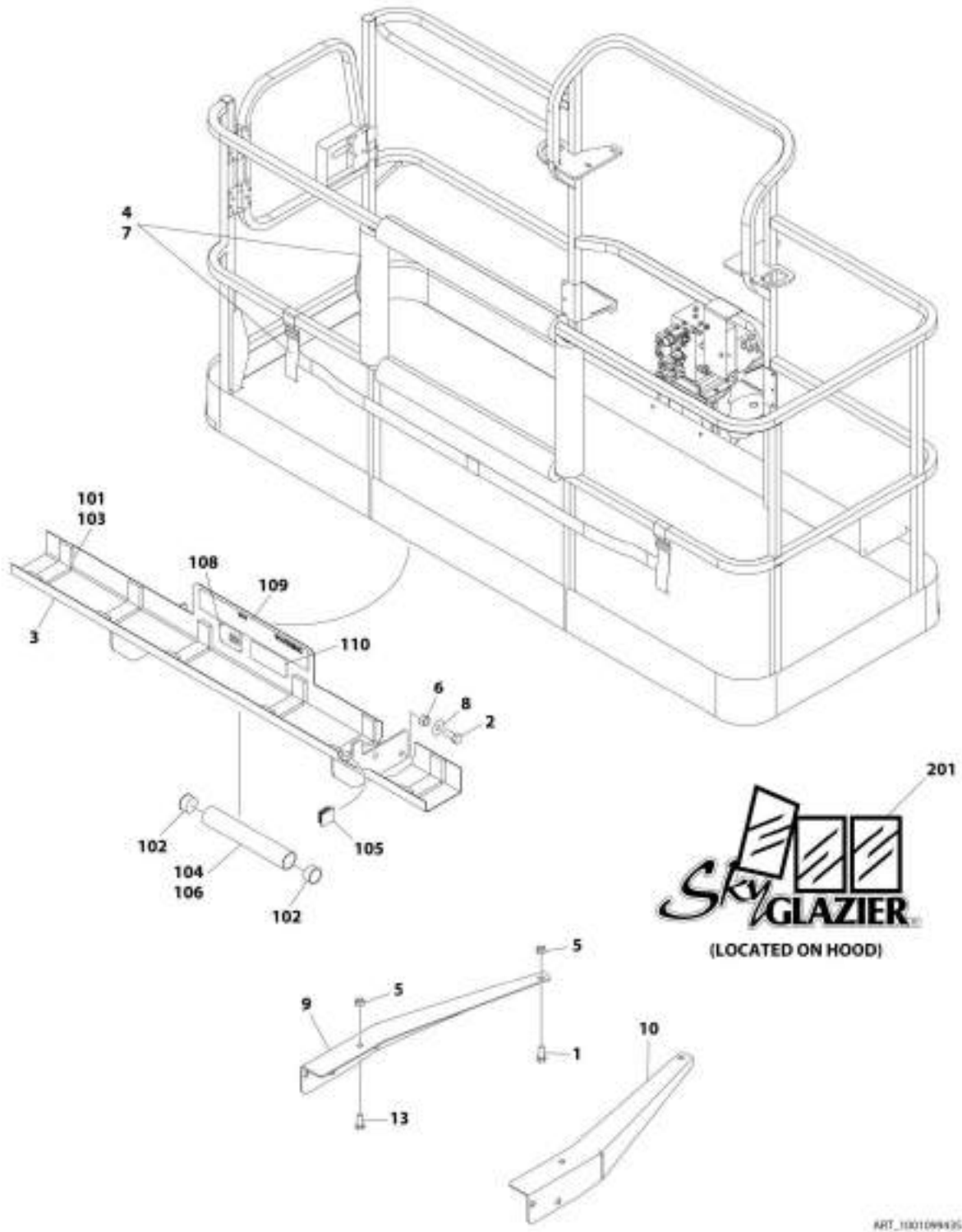
SECTION 5 - PLATFORM

FIGURE 5-49. SKYGLAZIER INSTALLATION (PORTUGUESE SPECS) (SN 0300235782 to Present)

ITEM	PART NUMBER	QTY	DESCRIPTION	REV
	1001225248	Ref	SKYGLAZIER INSTALLATION (PORTUGUESE SPECS) (SN 0300235782 to Present)	A
1	0273406	1	Tray Assembly (See Items 101-110 for Breakdown)	
2	0642012	2	Bolt 5/8 x 1-1/2	
3	0642212	4	Bolt 3/4 x 1-1/2	
4	2902212	1	Bumpers and Strap Kit	
4	0940102	1	Bumper Only	
4	4240149	1	Strap Only	
5	3312005	4	Nut 5/8	
6	3312205	4	Nut 3/4	
7	4420014	AR	Tape	
8	4712000	6	Washer 5/8	
9	4712200	8	Washer 3/4	
10	8310129	2	Bolt 5/8 x 2-1/2	
11	1001099366	1	Support	
12	1001099367	1	Support	
	0273406	Ref	TRAY ASSEMBLY	D
101	0100081	AR	Adhesive	
102	1120555	2	Cap, Tube	
103	3340956	1	Pad Kit	
104	3460334	1	Tube	
105	3520071	2	Plug	
106	4420066	AR	Tape, Double Sided	
108	See Note	NSS	Nameplate - Serial Number (Note: Not Available for Purchase)	
109	1001163289	2	Decal - Glazier Capacity	
110	1701509	1	Decal - Manual	
	0272418	Ref	SKYGLAZIER DECAL INSTALLATION	4
201	1705358	2	Decal - SkyGlazier	

SECTION 5 - PLATFORM

FIGURE 5-50. SKYGLAZIER INSTALLATION (SPANISH SPECS) (SN 0300201016 through 0300235781)



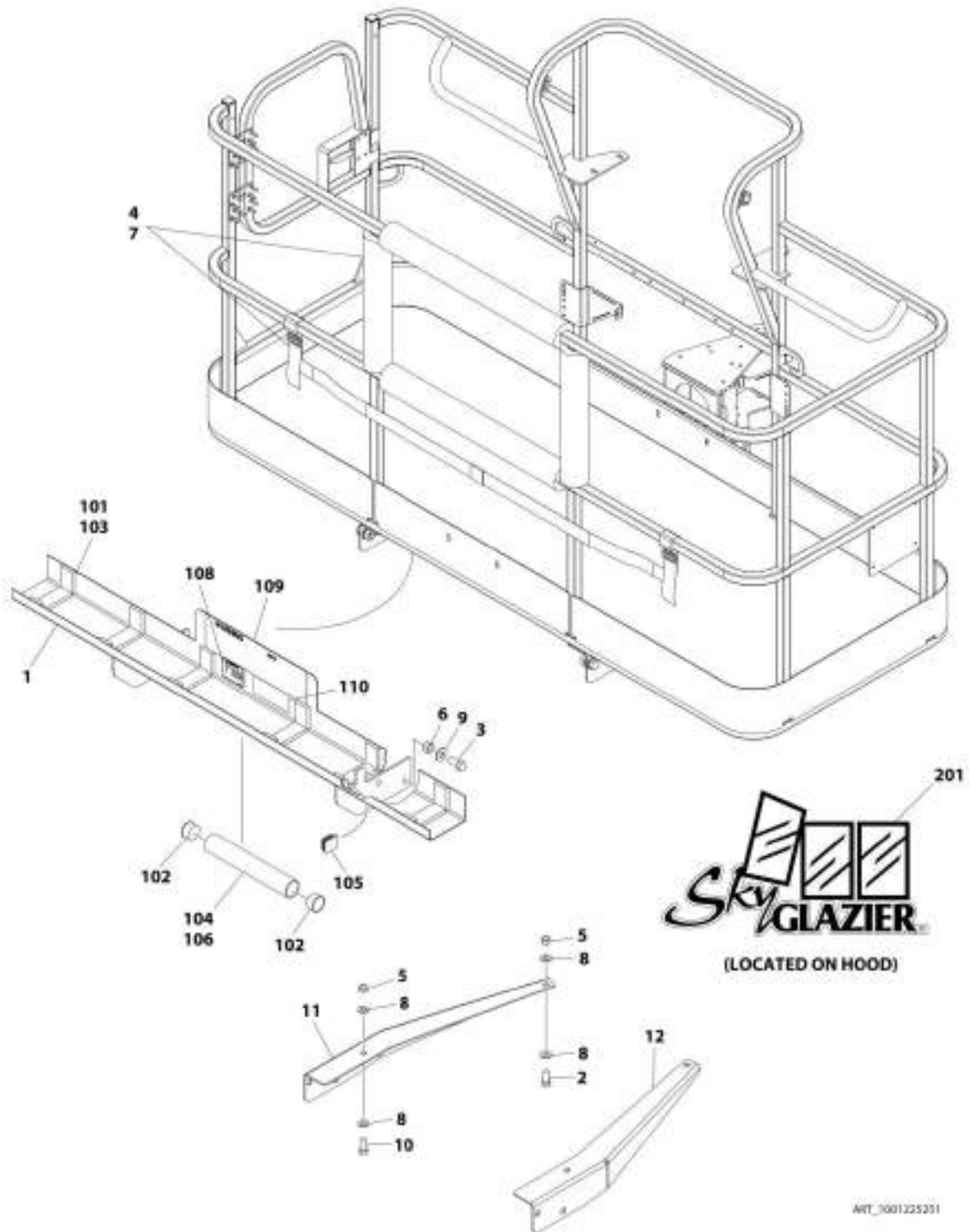
SECTION 5 - PLATFORM

FIGURE 5-50. SKYGLAZIER INSTALLATION (SPANISH SPECS) (SN 0300201016 through 0300235781)

ITEM	PART NUMBER	QTY	DESCRIPTION	REV
	1001099435	Ref	SKYGLAZIER INSTALLATION (SPANISH SPECS) (SN 0300201016 through 0300235781)	D
1	0642026	2	Bolt 5/8 x 3-1/4	
2	0642212	4	Bolt 3/4 x 1-1/2	
3	0273405	1	Tray Assembly (See Items 101-110 for Breakdown)	
4	2902212	1	Bumpers and Strap Kit	
4	0940102	1	Bumper Only	
4	4240149	1	Strap Only	
5	3312005	4	Nut 5/8	
6	3312205	4	Nut 3/4	
7	4420014	AR	Tape	
8	4712200	8	Washer 3/4	
9	1001099366	1	Support	
10	1001099367	1	Support	
13	8310230	2	Bolt 5/8 x 4	
	0273405	Ref	TRAY ASSEMBLY	D
101	0100081	AR	Adhesive	
102	1120555	2	Cap, Tube	
103	3340956	1	Pad Kit	
104	3460334	1	Tube	
105	3520071	2	Plug	
106	4420066	AR	Tape, Double Sided	
108	See Note	NSS	Nameplate - Serial Number (Note: Not Available for Purchase)	
109	1001163288	2	Decal - Glazier Capacity	
110	1701509	1	Decal - Manual	
	0272418	Ref	SKYGLAZIER DECAL INSTALLATION	4
201	1705358	2	Decal - SkyGlazier	

SECTION 5 - PLATFORM

FIGURE 5-51. SKYGLAZIER INSTALLATION (SPANISH SPECS) (SN 0300235782 to Present)



AWT_3001235201

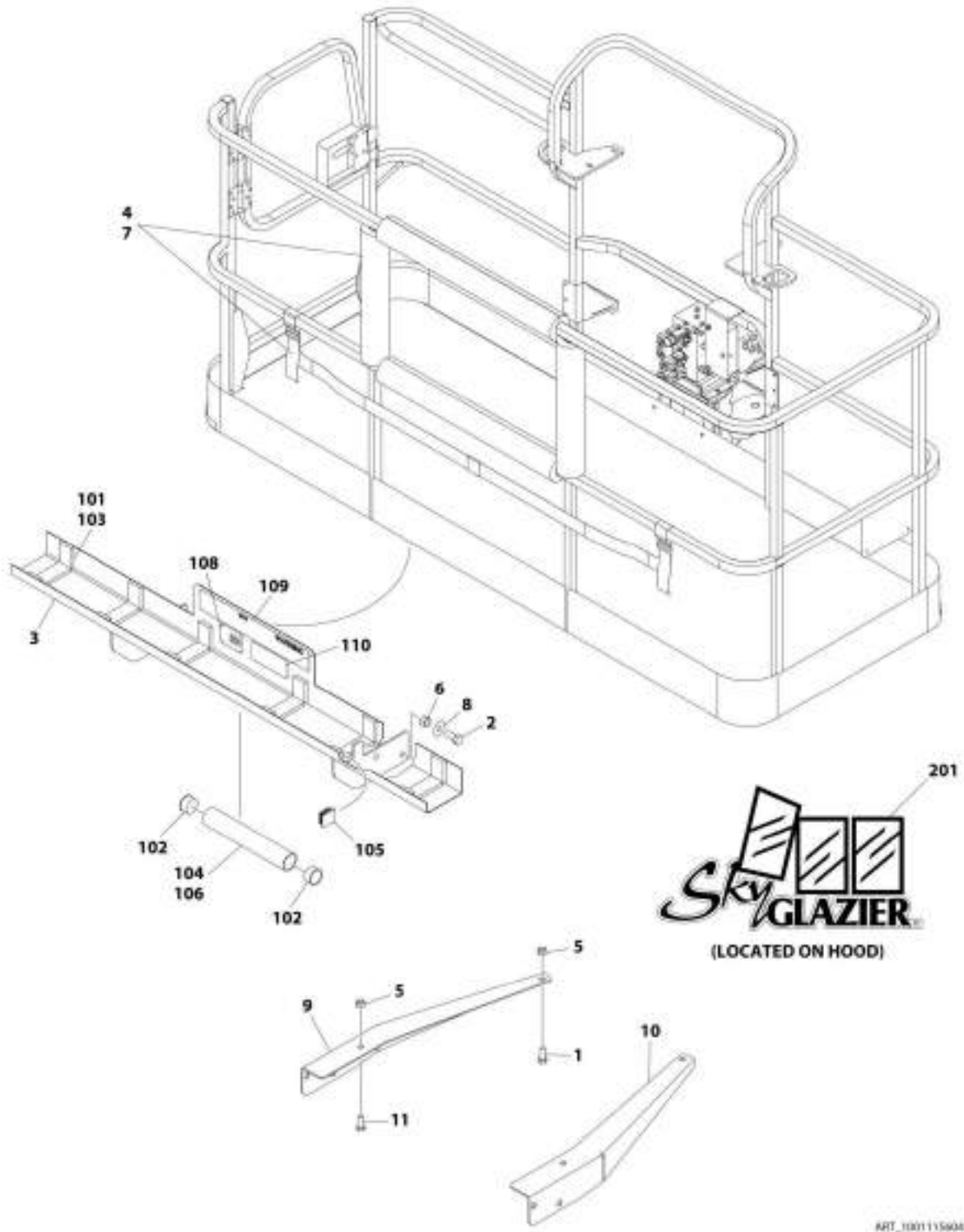
SECTION 5 - PLATFORM

FIGURE 5-51. SKYGLAZIER INSTALLATION (SPANISH SPECS) (SN 0300235782 to Present)

ITEM	PART NUMBER	QTY	DESCRIPTION	REV
	1001225251	Ref	SKYGLAZIER INSTALLATION (SPANISH SPECS) (SN 0300235782 to Present)	A
1	0273405	1	Tray Assembly (See Items 101-110 for Breakdown)	
2	0642012	2	Bolt 5/8 x 1-1/2	
3	0642212	4	Bolt 3/4 x 1-1/2	
4	2902212	1	Bumpers and Strap Kit	
4	0940102	1	Bumper Only	
4	4240149	1	Strap Only	
5	3312005	4	Nut 5/8	
6	3312205	4	Nut 3/4	
7	4420014	AR	Tape	
8	4712000	6	Washer 5/8	
9	4712200	8	Washer 3/4	
10	8310129	2	Bolt 5/8 x 2-1/2	
11	1001099366	1	Support	
12	1001099367	1	Support	
	0273405	Ref	TRAY ASSEMBLY	D
101	0100081	AR	Adhesive	
102	1120555	2	Cap, Tube	
103	3340956	1	Pad Kit	
104	3460334	1	Tube	
105	3520071	2	Plug	
106	4420066	AR	Tape, Double Sided	
108	See Note	NSS	Nameplate - Serial Number (Note: Not Available for Purchase)	
109	1001163288	2	Decal - Glazier Capacity	
110	1701509	1	Decal - Manual	
	0272418	Ref	SKYGLAZIER DECAL INSTALLATION	4
201	1705358	2	Decal - SkyGlazier	

SECTION 5 - PLATFORM

FIGURE 5-52. SKYGLAZIER INSTALLATION (SWEDISH SPECS) (SN 0300201016 through 0300235781)



ART_110115604

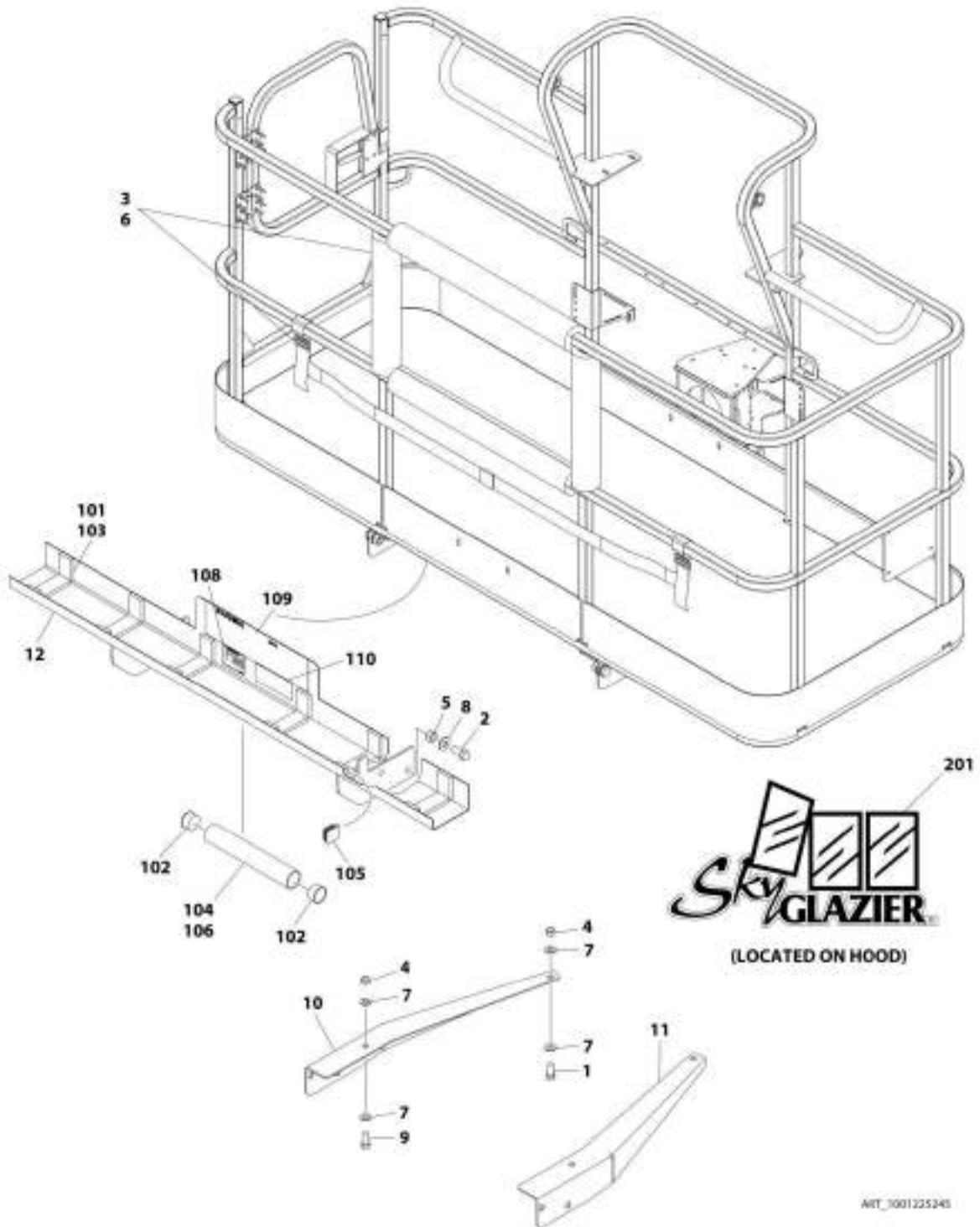
SECTION 5 - PLATFORM

FIGURE 5-52. SKYGLAZIER INSTALLATION (SWEDISH SPECS) (SN 0300201016 through 0300235781)

ITEM	PART NUMBER	QTY	DESCRIPTION	REV
	1001115604	Ref	SKYGLAZIER INSTALLATION (SWEDISH SPECS) (SN 0300201016 through 0300235781)	C
1	0642026	2	Bolt 5/8 x 3-1/4	
2	0642212	4	Bolt 3/4 x 1-1/2	
3	1001115603	1	Tray Assembly (See Items 101-110 for Breakdown)	
4	2902212	1	Bumpers and Strap Kit	
4	0940102	1	Bumper Only	
4	4240149	1	Strap Only	
5	3312005	4	Nut 5/8	
6	3312205	4	Nut 3/4	
7	4420014	AR	Tape	
8	4712200	8	Washer 3/4	
9	1001099366	1	Support	
10	1001099367	1	Support	
11	8310230	2	Bolt 5/8 x 4	
	1001115603	Ref	TRAY ASSEMBLY	C
101	0100081	AR	Adhesive	
102	1120555	2	Cap, Tube	
103	3340956	1	Pad Kit	
104	3460334	1	Tube	
105	3520071	2	Plug	
106	4420066	AR	Tape, Double Sided	
108	See Note	NSS	Nameplate - Serial Number (Note: Not Available for Purchase)	
109	1001163292	2	Decal - Glazier Capacity	
110	1701509	1	Decal - Manual	
	0272418	Ref	SKYGLAZIER DECAL INSTALLATION	4
201	1705358	2	Decal - SkyGlazier	

SECTION 5 - PLATFORM

FIGURE 5-53. SKYGLAZIER INSTALLATION (SWEDISH SPECS) (SN 0300235782 to Present)



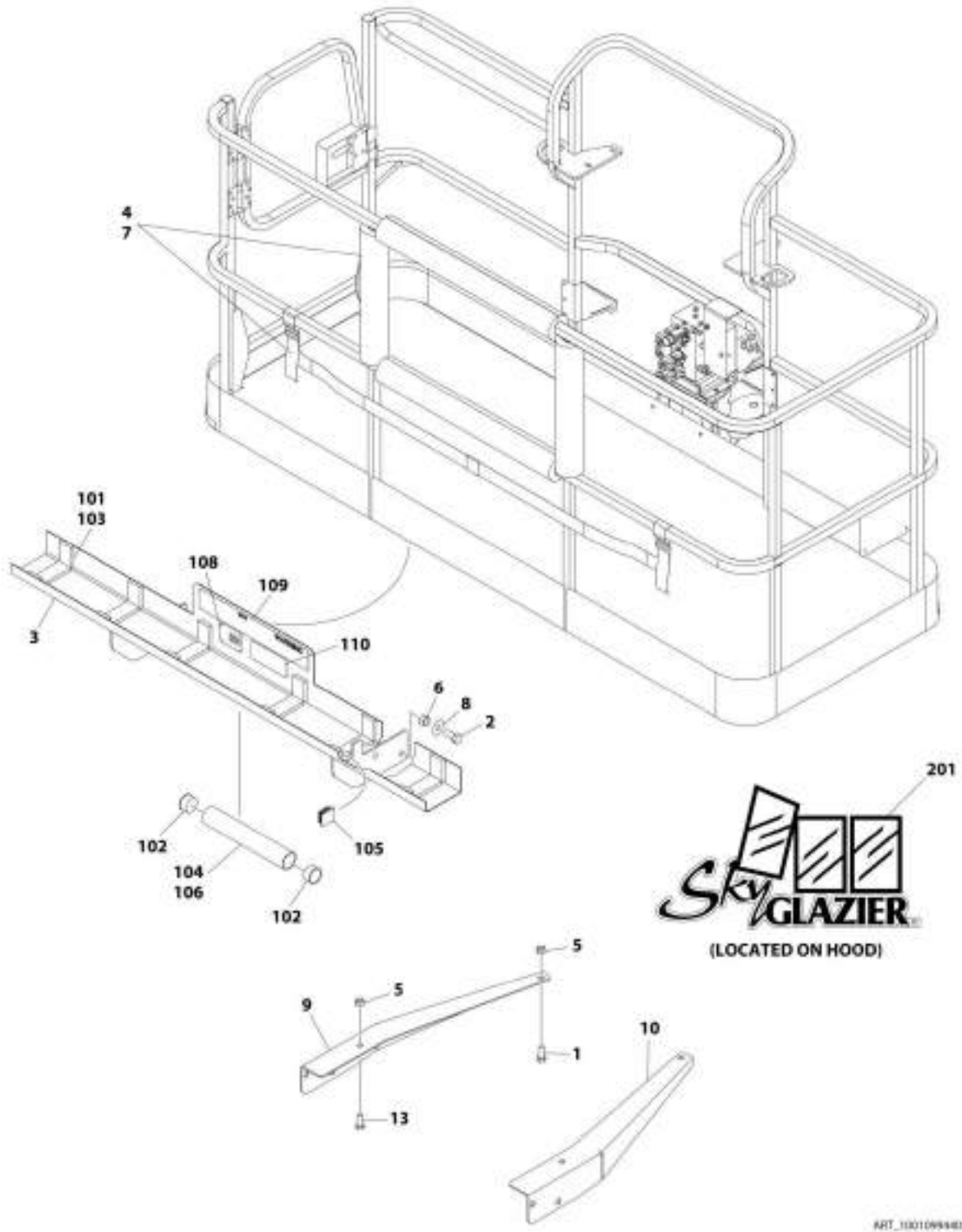
SECTION 5 - PLATFORM

FIGURE 5-53. SKYGLAZIER INSTALLATION (SWEDISH SPECS) (SN 0300235782 to Present)

ITEM	PART NUMBER	QTY	DESCRIPTION	REV
	1001225245	Ref	SKYGLAZIER INSTALLATION (SWEDISH SPECS) (SN 0300235782 to Present)	B
1	0642012	2	Bolt 5/8 x 1-1/2	
2	0642212	4	Bolt 3/4 x 1-1/2	
3	2902212	1	Bumpers and Strap Kit	
3	0940102	1	Bumper Only	
3	4240149	1	Strap Only	
4	3312005	4	Nut 5/8	
5	3312205	4	Nut 3/4	
6	4420014	AR	Tape	
7	4712000	6	Washer 5/8	
8	4712200	8	Washer 3/4	
9	8310129	2	Bolt 5/8 x 2-1/2	
10	1001099366	1	Support	
11	1001099367	1	Support	
12	1001115603	1	Tray Assembly (See Items 101-110 for Breakdown)	
	1001115603	Ref	TRAY ASSEMBLY	C
101	0100081	AR	Adhesive	
102	1120555	2	Cap, Tube	
103	3340956	1	Pad Kit	
104	3460334	1	Tube	
105	3520071	2	Plug	
106	4420066	AR	Tape, Double Sided	
108	See Note	NSS	Nameplate - Serial Number (Note: Not Available for Purchase)	
109	1001163292	2	Decal - Glazier Capacity	
110	1701509	1	Decal - Manual	
	0272418	Ref	SKYGLAZIER DECAL INSTALLATION	4
201	1705358	2	Decal - SkyGlazier	

SECTION 5 - PLATFORM

FIGURE 5-54. SKYGLAZIER INSTALLATION (UK SPECS) (SN 0300201016 through 0300235781)



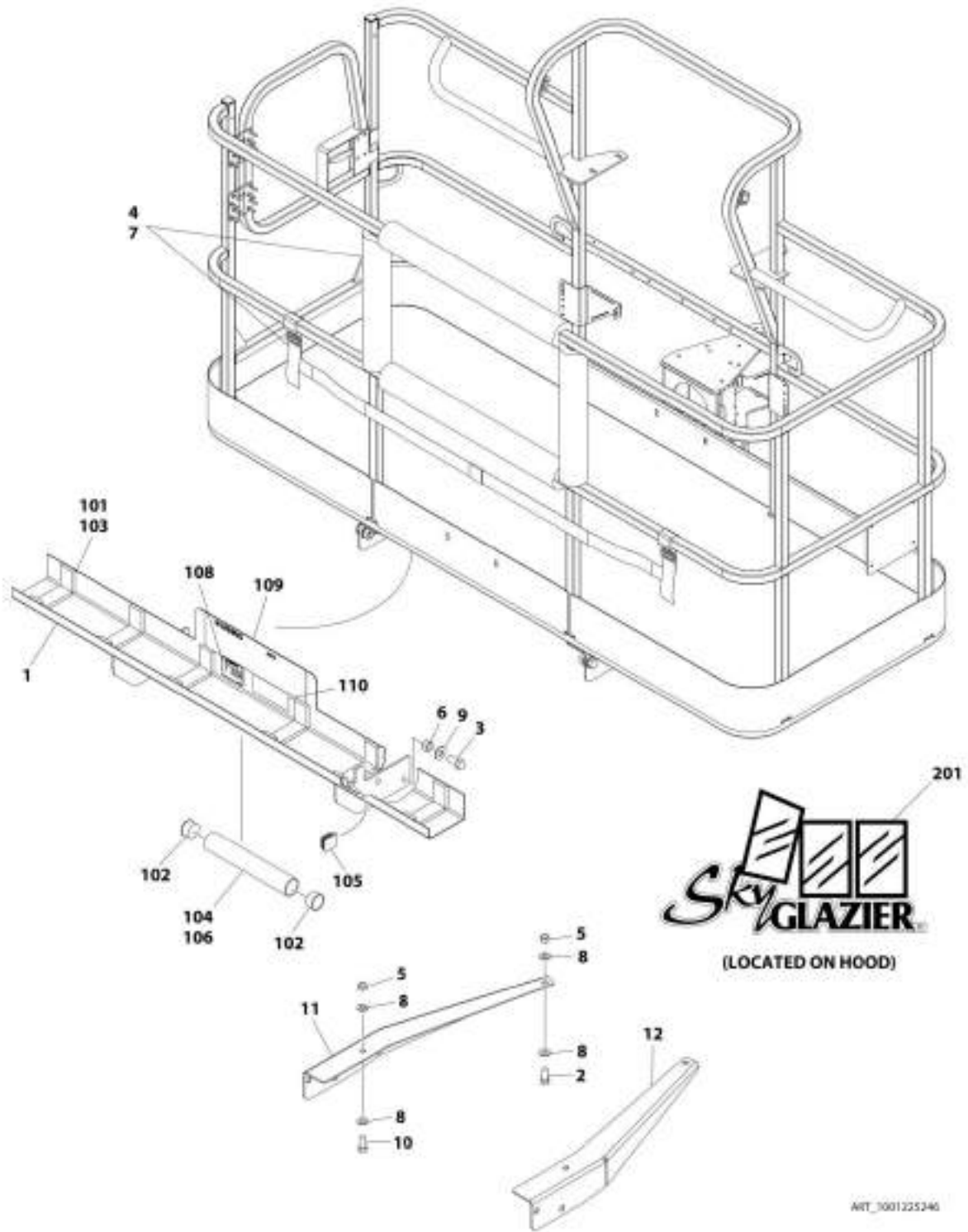
SECTION 5 - PLATFORM

FIGURE 5-54. SKYGLAZIER INSTALLATION (UK SPECS) (SN 0300201016 through 0300235781)

ITEM	PART NUMBER	QTY	DESCRIPTION	REV
	1001099440	Ref	SKYGLAZIER INSTALLATION (UK SPECS) (SN 0300201016 through 0300235781)	D
1	0642026	2	Bolt 5/8 x 3-1/4	
2	0642212	4	Bolt 3/4 x 1-1/2	
3	0273404	1	Tray Assembly (See Items 101-110 for Breakdown)	
4	2902212	1	Bumpers and Strap Kit	
4	0940102	1	Bumper Only	
4	4240149	1	Strap Only	
5	3312005	4	Nut 5/8	
6	3312205	4	Nut 3/4	
7	4420014	AR	Tape	
8	4712200	8	Washer 3/4	
9	1001099366	1	Support	
10	1001099367	1	Support	
13	8310230	2	Bolt 5/8 x 4	
	0273404	Ref	TRAY ASSEMBLY	D
101	0100081	AR	Adhesive	
102	1120555	2	Cap, Tube	
103	3340956	1	Pad Kit	
104	3460334	1	Tube	
105	3520071	2	Plug	
106	4420066	AR	Tape, Double Sided	
108	See Note	NSS	Nameplate - Serial Number (Note: Not Available for Purchase)	
109	1001163295	2	Decal - Glazier Capacity	
110	1701509	1	Decal - Manual	
	0272418	Ref	SKYGLAZIER DECAL INSTALLATION	4
201	1705358	2	Decal - SkyGlazier	

SECTION 5 - PLATFORM

FIGURE 5-55. SKYGLAZIER INSTALLATION (UK SPECS) (SN 0300235782 to Present)



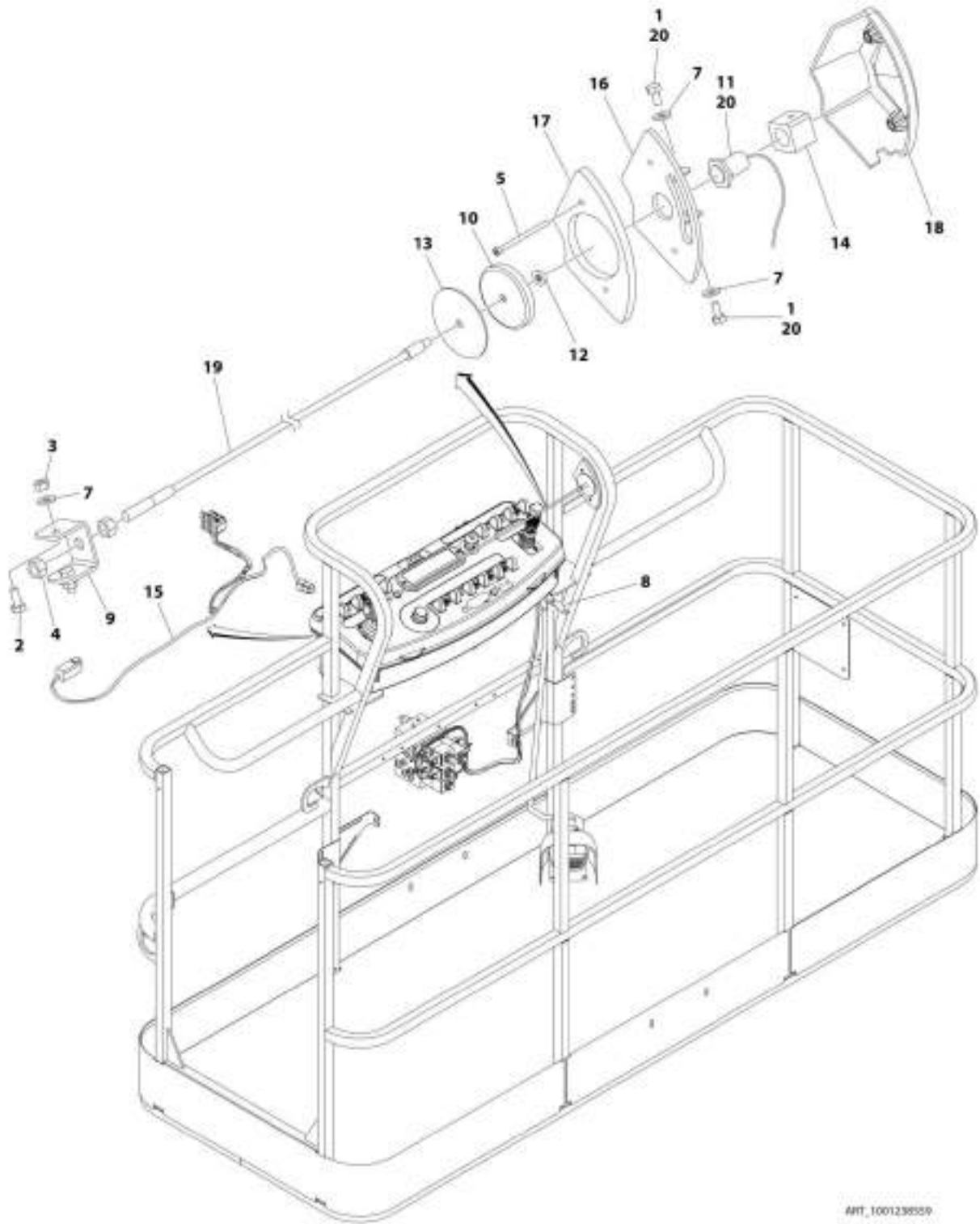
SECTION 5 - PLATFORM

FIGURE 5-55. SKYGLAZIER INSTALLATION (UK SPECS) (SN 0300235782 to Present)

ITEM	PART NUMBER	QTY	DESCRIPTION	REV
	1001225246	Ref	SKYGLAZIER INSTALLATION (UK SPECS) (SN 0300235782 to Present)	A
1	0273404	1	Tray Assembly (See Items 101-110 for Breakdown)	
2	0642012	2	Bolt 5/8 x 1-1/2	
3	0642212	4	Bolt 3/4 x 1-1/2	
4	2902212	1	Bumpers and Strap Kit	
4	0940102	1	Bumper Only	
4	4240149	1	Strap Only	
5	3312005	4	Nut 5/8	
6	3312205	4	Nut 3/4	
7	4420014	AR	Tape	
8	4712000	6	Washer 5/8	
9	4712200	8	Washer 3/4	
10	8310129	2	Bolt 5/8 x 2-1/2	
11	1001099366	1	Support	
12	1001099367	1	Support	
	0273404	Ref	TRAY ASSEMBLY	D
101	0100081	AR	Adhesive	
102	1120555	2	Cap, Tube	
103	3340956	1	Pad Kit	
104	3460334	1	Tube	
105	3520071	2	Plug	
106	4420066	AR	Tape, Double Sided	
108	See Note	NSS	Nameplate - Serial Number (Note: Not Available for Purchase)	
109	1001163295	2	Decal - Glazier Capacity	
110	1701509	1	Decal - Manual	
	0272418	Ref	SKYGLAZIER DECAL INSTALLATION	4
201	1705358	2	Decal - SkyGlazier	

SECTION 5 - PLATFORM

FIGURE 5-56. SKYLINE INSTALLATION



48T_1001238559

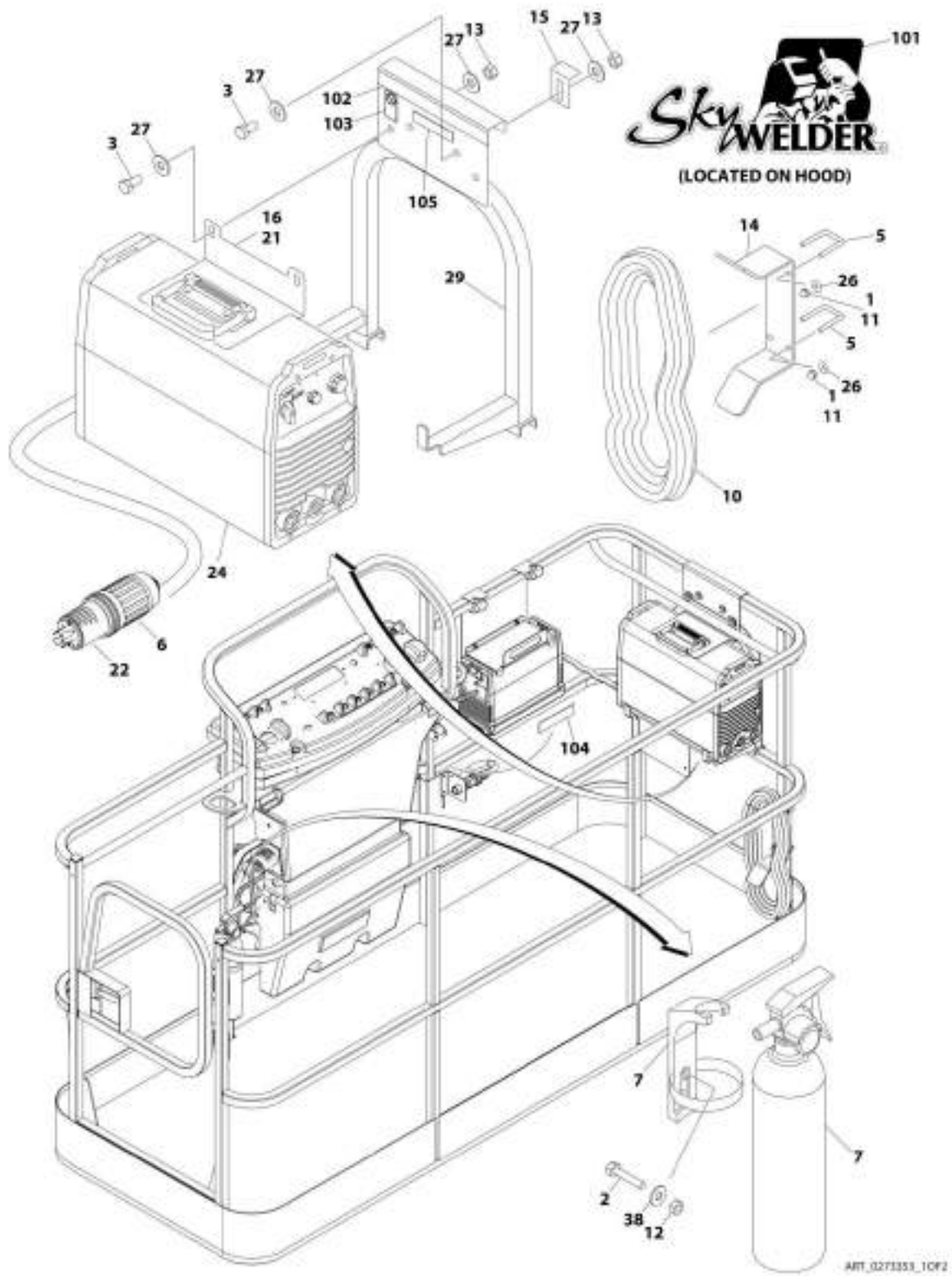
SECTION 5 - PLATFORM

FIGURE 5-56. SKYLINE INSTALLATION

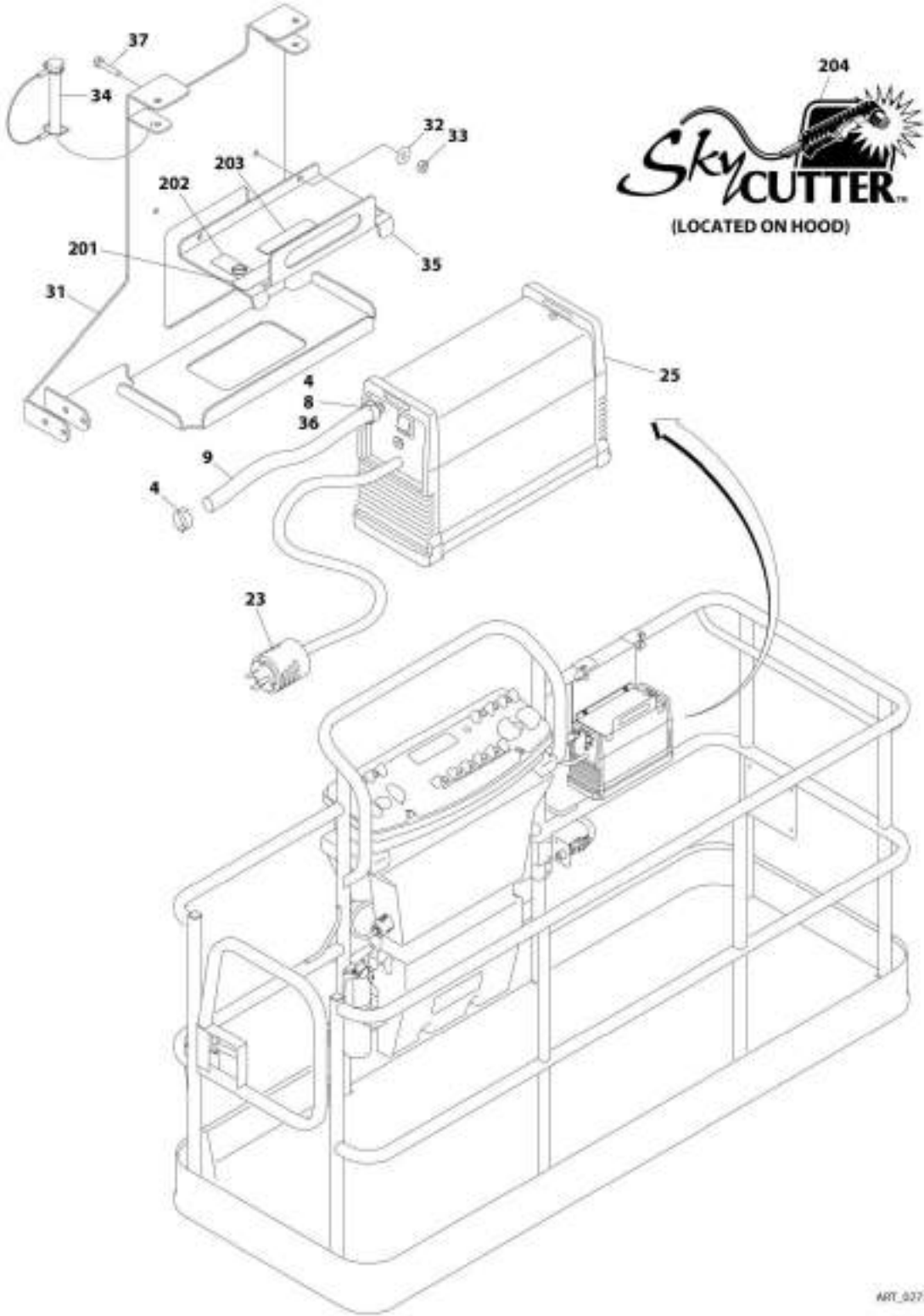
ITEM	PART NUMBER	QTY	DESCRIPTION	REV
	1001238559	Ref	SKYLINE INSTALLATION	B
1	0641404	2	Bolt 1/4 x 1/2	
2	0641405	2	Bolt 1/4 x 5/8	
3	3311405	2	Nut 1/4	
4	3311601	2	Nut 3/8	
5	4031516	2	Capscrew M4 x 60	
6	4240033	AR	Tie-Strap (Not Shown)	
7	4711400	4	Washer 1/4	
8	1001120328	1	Mount	
9	1001232642	1	Bracket	
10	1001232650	1	Magnet	
11	1001232667	1	Sensor, Proximity	
12	1001235011	1	Nut	
13	1001235013	1	Washer	
14	1001236552	1	Block	
15	1001238418	1	Harness, Skyline (See Separate Breakdown in ELECTRICAL SECTION)	
16	1001238472	1	Mount	
17	1001238477	1	Housing, LH	
18	1001241965	1	Housing, RH	
19	1001238824	1	Rope	
20	0100011	AR	Compound, Locking	

SECTION 5 - PLATFORM

FIGURE 5-57. SKYWELDER/SKYCUTTER COMBO INSTALLATION (60HZ)



SECTION 5 - PLATFORM



ART_0270061_20F3

SECTION 5 - PLATFORM

FIGURE 5-57. SKYWELDER/SKYCUTTER COMBO INSTALLATION (60HZ)

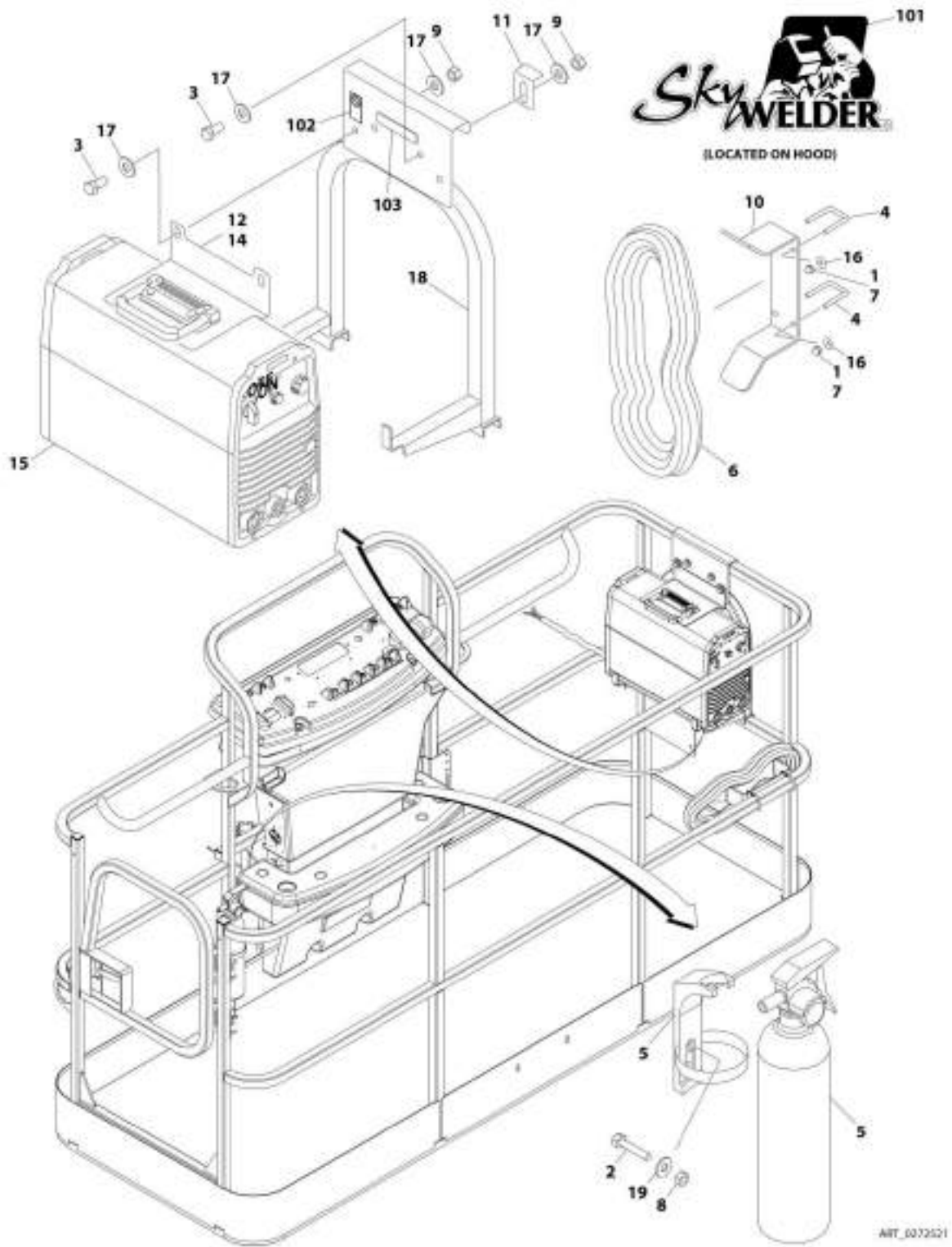
ITEM	PART NUMBER	QTY	DESCRIPTION	REV
	0273353	Ref	SKYWELDER/SKYCUTTER COMBO INSTALLATION (60HZ)	G
		Ref	Note: ANSI, ANSI Export, China, CSA and Japanese Spec Only.	
1	0100011	AR	Compound, Locking	
2	0630518	2	Screw #10 x 3/4	
3	0641606	4	Bolt 3/8 x 3/4	
4	1320177	2	Clamp	
5	1320302	2	Clamp	
6	1671093	1	Cover, Plug	
7	2030010	1	Extinguisher, Fire	
8	2180832	1	Fitting, Barbed/NPT	
9	2720160	4.5 ft/ 1.4m	Hose	
10	2902217	1	Weld Leads Kit	
11	3300151	4	Nut 1/4	
12	3311005	2	Nut #10	
13	3311605	4	Nut 3/8	
14	3573400	1	Bracket	
15	3577121	2	Angle	
16	3573642	1	Plate	
20	4240099	AR	Tie-Strap (Not Shown)	
21	4420037	2.4 ft/ 0.7m	Tape	
22	4460962	1	Plug, Twist Lock	
23	4460971	1	Plug, Twist Lock	
24	4530028	1	Welder Assembly (See Separate Breakdown in this Section)	
25	1001098012	1	Plasma Cutter Assembly (See Separate Breakdown in this Section)	
26	4751400	4	Washer 1/4	
27	4751600	8	Washer 3/8	
29	4846627	1	Support	
31	1001145405	1	Bracket	
32	4811700	2	Washer M6	
33	3290605	2	Nut M6	
34	3421453	3	Pin	
35	3576799	1	Plate, Hold-Down	
36	0100020	1	Sealant	
37	4010608	2	Screw M6 x 16	
38	4751000	2	Washer #10	
	0272448	Ref	SKYWELDER DECAL INSTALLATION	B
101	1705355	2	Decal - SkyWelder	
102	1702868	1	Decal - No Hands	
103	1705305	1	Decal - Weld Leads	
104	1705375	1	Decal - 240V - 3 Phase - 60Hz	
105	1705466	1	Decal - Weight (SN 0300201016 through 0300233704)	
105	1001228988	1	Decal - Weight (SN 0300233705 to Present, SN B300000100 to Present)	
	0272599	Ref	SKYCUTTER DECAL INSTALLATION	B
201	1702868	1	Decal - No Hands	
202	1705305	1	Decal - Weld Leads	
203	1705466	1	Decal - Weight (SN 0300201016 through 0300233704)	

SECTION 5 - PLATFORM

ITEM	PART NUMBER	QTY	DESCRIPTION	REV
203	1001228988	1	Decal - Weight (SN 0300233705 to Present, SN B300000100 to Present)	
204	1705490	2	Decal - SkyCutter	

SECTION 5 - PLATFORM

FIGURE 5-58. SKYWELDER INSTALLATION (50HZ)



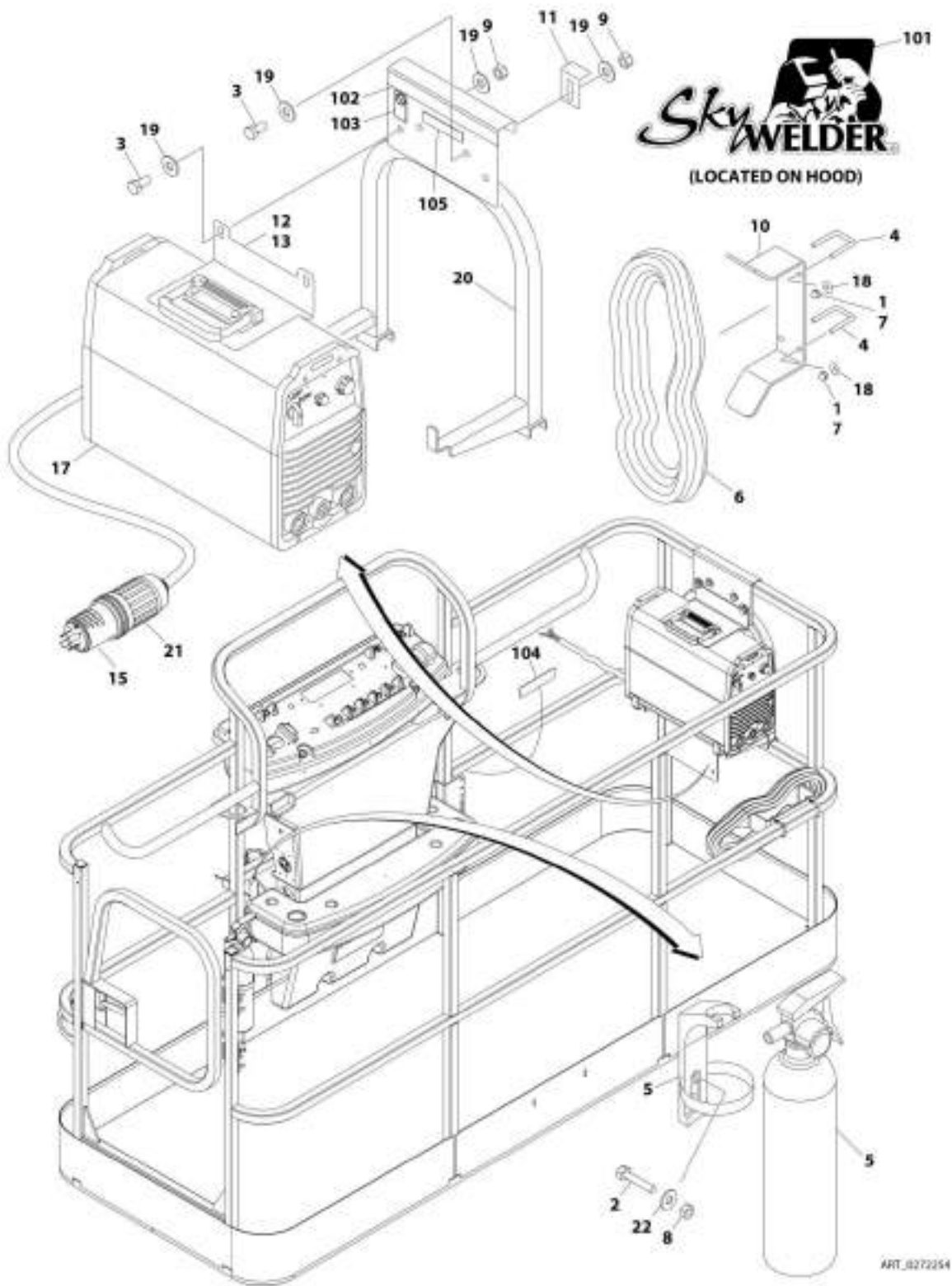
SECTION 5 - PLATFORM

FIGURE 5-58. SKYWELDER INSTALLATION (50HZ)

ITEM	PART NUMBER	QTY	DESCRIPTION	REV
	0272521	Ref	SKYWELDER INSTALLATION (50HZ)	F
		Ref	Note: ANSI Export, Australian, CE, Chinese and Japanese Specs Only.	
1	0100011	AR	Compound, Locking	
2	0630518	2	Screw #10 x 3/4	
3	0641606	4	Bolt 3/8 x 3/4	
4	1320302	2	U-Clamp	
5	2030010	1	Extinguisher, Fire	
6	2902217	1	Weld Leads Kit	
7	3300151	4	Nut 1/4	
8	3311005	2	Nut #10	
9	3311605	4	Nut 3/8	
10	3573400	1	Bracket	
11	3577121	2	Angle	
12	3573642	1	Plate	
13	4240099	AR	Tie-Strap (Not Shown)	
14	4420037	AR	Tape	
15	4530028	1	Welder Assembly (See Separate Breakdown in this Section)	
16	4751400	4	Washer 1/4	
17	4751600	8	Washer 3/8	
18	4846627	1	Support	
19	4751000	2	Washer #10	
	0272588	Ref	SKYWELDER DECAL INSTALLATION	B
101	1705355	2	Decal - SkyWelder	
102	1705305	1	Decal - Weld Lead	
103	1705466	1	Decal - Weight (SN 0300201016 through 0300233704)	
103	1001228988	1	Decal - Weight (SN 0300233705 to Present, SN B300000100 to Present)	

SECTION 5 - PLATFORM

FIGURE 5-59. SKYWELDER INSTALLATION (60HZ)



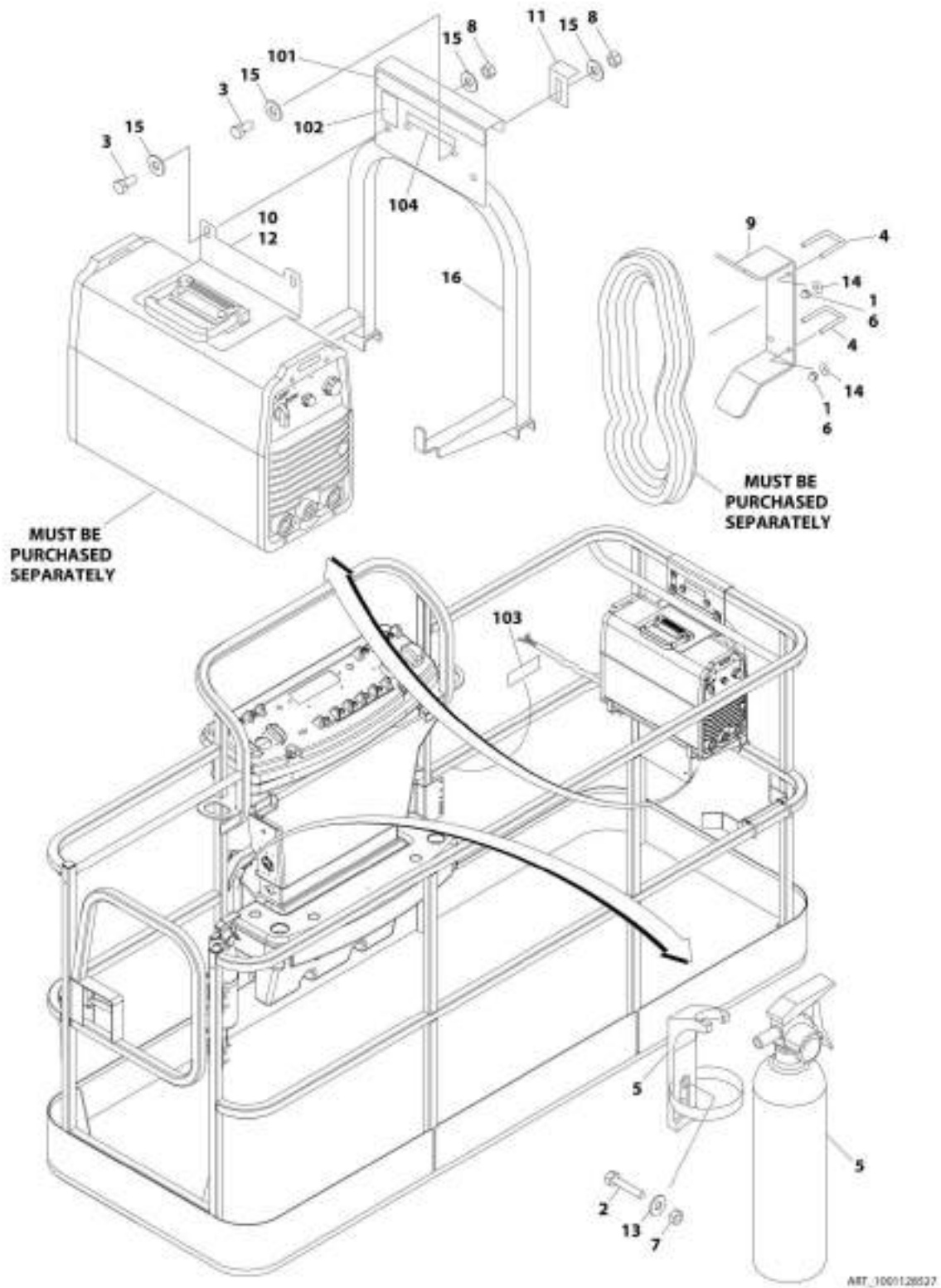
SECTION 5 - PLATFORM

FIGURE 5-59. SKYWELDER INSTALLATION (60HZ)

ITEM	PART NUMBER	QTY	DESCRIPTION	REV
	0272254	Ref	SKYWELDER INSTALLATION (60HZ)	I
		Ref	Note: ANSI, ANSI Export, CSA and Japanese Specs Only.	
1	0100011	AR	Compound, Locking	
2	0630518	2	Screw #10 x 3/4	
3	0641606	4	Bolt 3/8 x 3/4	
4	1320302	2	U-Clamp	
5	2030010	1	Extinguisher, Fire	
6	2902217	1	Weld Leads Kit	
7	3300151	4	Nut 1/4	
8	3311005	2	Nut #10	
9	3311605	4	Nut 3/8	
10	3573400	1	Bracket	
11	3577121	2	Angle	
12	3573642	1	Plate	
13	4420037	AR	Tape	
14	4240099	AR	Tie-Strap (Not Shown)	
15	4460962	1	Plug, Male Twistlock	
17	4530028	1	Welder Assembly (See Separate Breakdown in this Section)	
18	4751400	4	Washer 1/4	
19	4751600	8	Washer 3/8	
20	4846627	1	Support	
21	1671093	1	Cover, Plug	
22	4751000	2	Washer #10	
	0272448	Ref	SKYWELDER DECAL INSTALLATION	B
101	1705355	2	Decal - SkyWelder	
102	1702868	1	Decal - No Hands	
103	1705305	1	Decal - Weld Lead	
104	1705375	1	Decal - 240V - 3 Phase - 60Hz	
105	1705466	1	Decal - Weight (SN 0300201016 through 0300233704)	
105	1001228988	1	Decal - Weight (SN 0300233705 to Present, SN B300000100 to Present)	

SECTION 5 - PLATFORM

FIGURE 5-60. SKYWELDER PREP PACKAGE (60HZ)



SECTION 5 - PLATFORM

FIGURE 5-60. SKYWELDER PREP PACKAGE (60HZ)

ITEM	PART NUMBER	QTY	DESCRIPTION	REV
	1001128527	Ref	SKYWELDER PREP PACKAGE (60HZ)	B
		Ref	Note: ANSI, ANSI Export and CSA Specs Only.	
1	0100011	AR	Compound, Locking	
2	0630518	2	Screw #10 x 3/4	
3	0641606	4	Bolt 3/8 x 3/4	
4	1320302	2	U-Clamp	
5	2030010	1	Extinguisher, Fire	
6	3300151	4	Nut 1/4	
7	3311005	2	Nut #10	
8	3311605	4	Nut 3/8	
9	3573400	1	Bracket	
10	3573642	1	Plate	
11	3577121	2	Angle	
12	4420037	AR	Tape	
13	4751000	2	Washer #10	
14	4751400	4	Washer 1/4	
15	4751600	8	Washer 3/8	
16	4846627	1	Support	
	1001128556	Ref	SKYWELDER DECAL INSTALLATION	B
101	1702868	1	Decal - No Hands	
102	1705305	1	Decal - Weld Lead	
103	1705375	1	Decal - 240V - 3 Phase - 60Hz	
104	1705466	1	Decal - Weight (SN 0300201016 through 0300233704)	
104	1001228988	1	Decal - Weight (SN 0300233705 to Present, SN B300000100 to Present)	

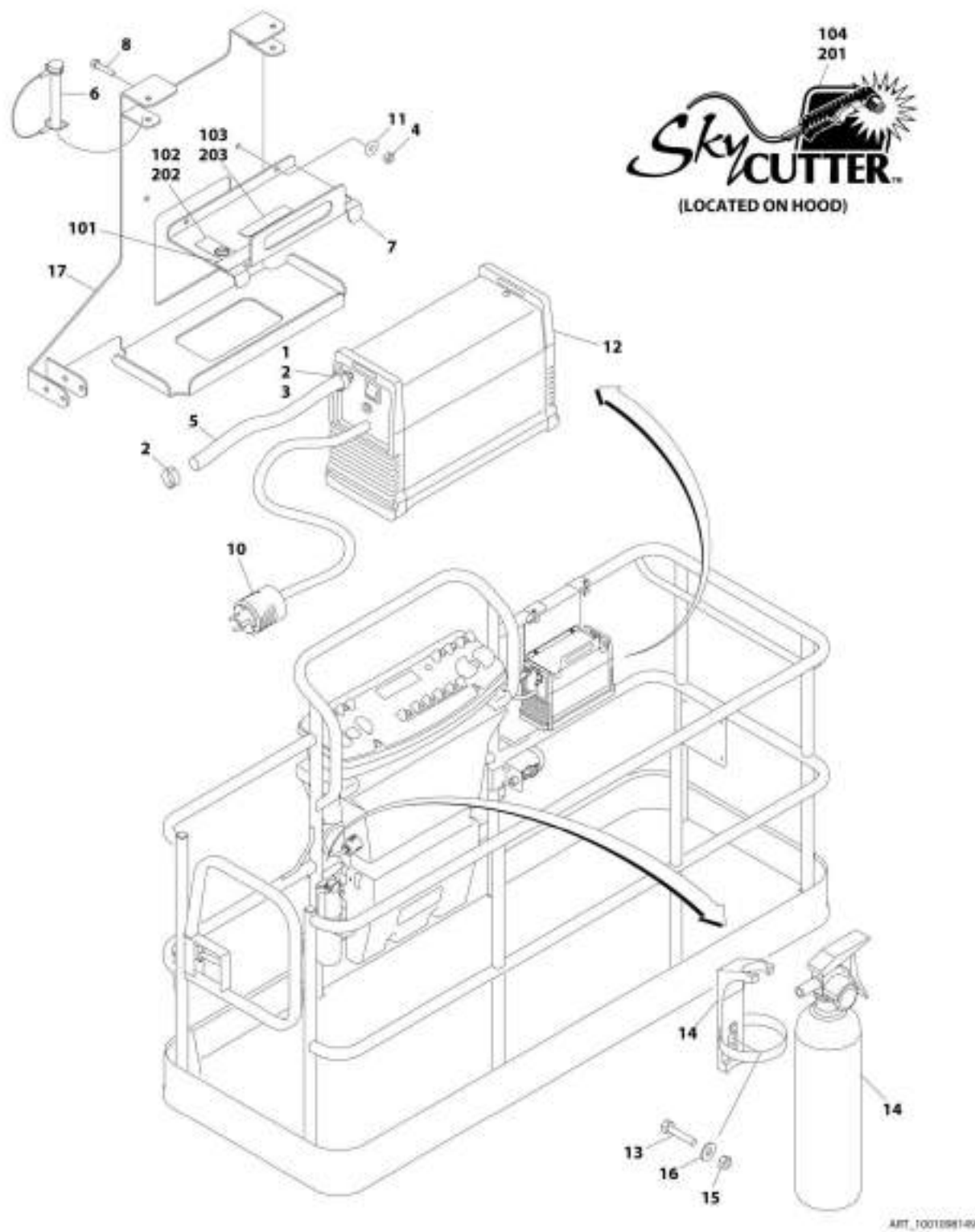
SECTION 5 - PLATFORM

FIGURE 5-61. WELDER ASSEMBLY

ITEM	PART NUMBER	QTY	DESCRIPTION	REV
	4530028	Ref	WELDER ASSEMBLY	B
		Ref	Note: For Other Components, contact your Miller Welder Dealer.	
1	7027773	1	Cover, Top	
1	7027774	1	Decal - Static Precautionary Warning	
2	See Note	NSS	Panel, LH Side (Note: Part of Item 1. Purchase Item 1)	
3	See Note	NSS	Panel, RH Side (Note: Part of Item 1. Purchase Item 1)	
4	7024467	1	Cable, Power	
4	7027775	1	Decal - Electrical Shock Warning (Not Shown)	
5	7027776	1	Handle, Carrying	
101	7024462	1	Panel, Front	
102	7024463	1	Panel, Console	
103	7024469	1	Switch with Lead	
104	7024470	1	Knob	
105	7024471	1	Knob	
106	7024472	1	Receptacle with Leads and Plugs	
107	7024473	2	Receptacle, Twistlock Female	
108	7024474	2	Insulator	
109	7024475	2	O-Ring	
110	7027777	1	Nameplate	
111	7027779	1	Circuit Card Assembly (Process Control)	
112	7024478	2	Nut	
113	7027778	1	Circuit Card Assembly (Operator Interface)	
201	7024462	1	Panel, Rear	
202	7027780	1	Panel, Cover	

SECTION 5 - PLATFORM

FIGURE 5-62. SKYCUTTER INSTALLATION



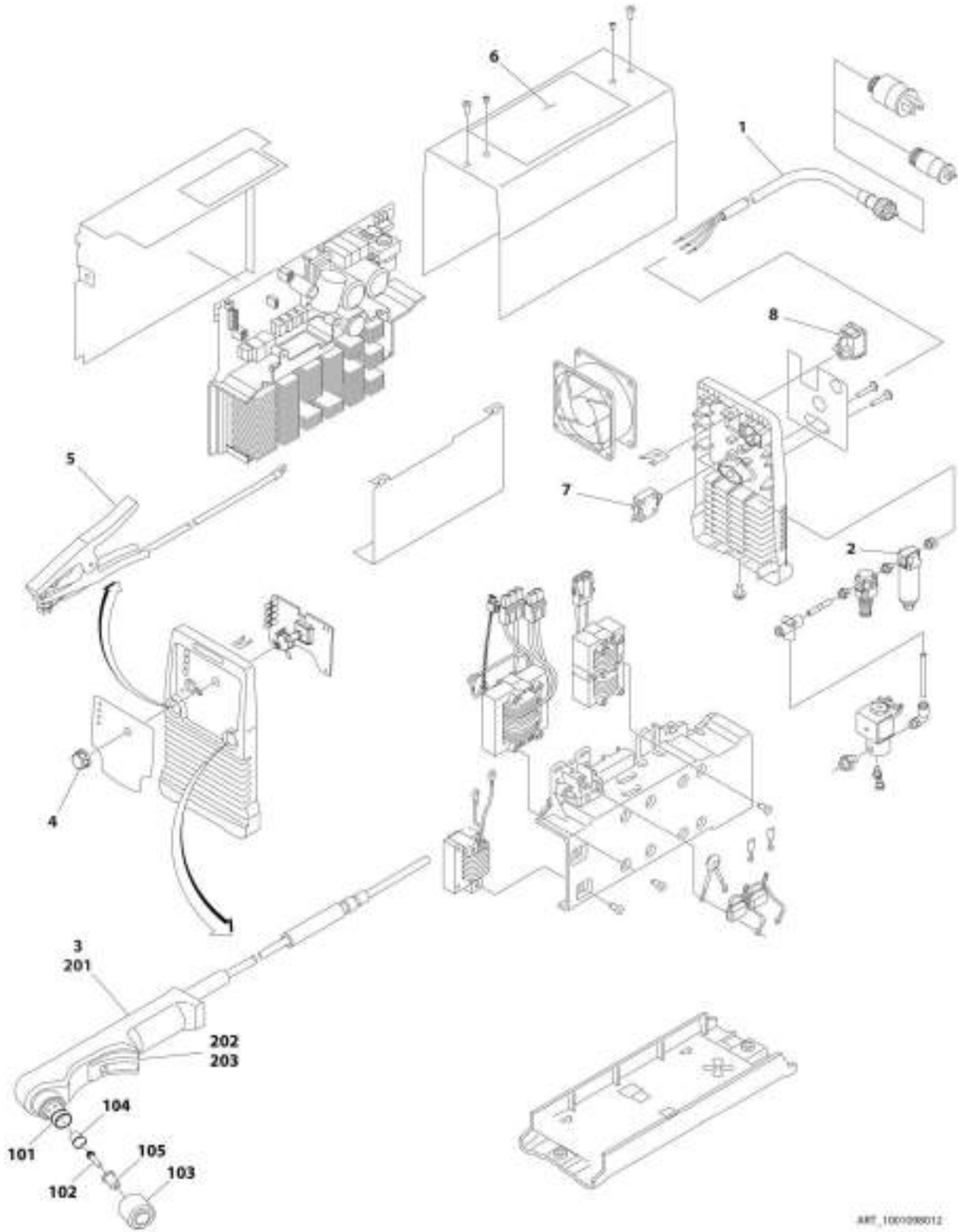
SECTION 5 - PLATFORM

FIGURE 5-62. SKYCUTTER INSTALLATION

ITEM	PART NUMBER	QTY	DESCRIPTION	REV
	1001098149	Ref	SKYCUTTER INSTALLATION	D
		Ref	Note: ANSI, ANSI Export, China, CSA and Japanese Specs Only.	
		Ref	Note: When replacing platform on machines with SkyCutter option, new bracket p/n 1001145405 must be purchased to accommodate SkyCutter components.	
1	0100020	AR	Sealant	
2	1320177	2	Clamp, Hose	
3	2180832	1	Fitting, NPT/Barbed	
4	3290605	2	Nut M6	
5	2720160	3 ft/.9m	Hose	
6	3421453	3	Pin	
7	3576799	1	Plate, Hold-Down	
8	4010608	2	Screw M6 x 16	
10	4460971	1	Plug, Twistlock	
11	4811700	2	Washer M6	
12	1001098012	1	Plasma Cutter Assembly (See Separate Breakdown in this Section)	
13	0630518	2	Screw #10 x 3/4	
14	2030010	1	Extinguisher, Fire	
15	3311005	2	Nut #10	
16	4751000	2	Washer #10	
17	1001145405	1	Support	
	0272599	Ref	SKYCUTTER DECAL INSTALLATION (ANSI, ANSI EXPORT AND CSA SPECS)	B
101	1702868	1	Decal - No Hands	
102	1705305	1	Decal - Weld Lead	
103	1705466	1	Decal - Weight (SN 0300201016 through 0300233704)	
103	1001228988	1	Decal - Weight (SN 0300233705 to Present, SN B300000100 to Present)	
104	1705490	2	Decal - SkyCutter	
	0272607	Ref	SKYCUTTER DECAL INSTALLATION (JAPANESE SPECS)	B
201	1705490	2	Decal - SkyCutter	
202	1705305	1	Decal - Weld Lead	
203	1705466	1	Decal - Weight (SN 0300201016 through 0300233704)	
203	1001228988	1	Decal - Weight (SN 0300233705 to Present, SN B300000100 to Present)	

SECTION 5 - PLATFORM

FIGURE 5-63. PLASMA CUTTER ASSEMBLY



ART 100098012

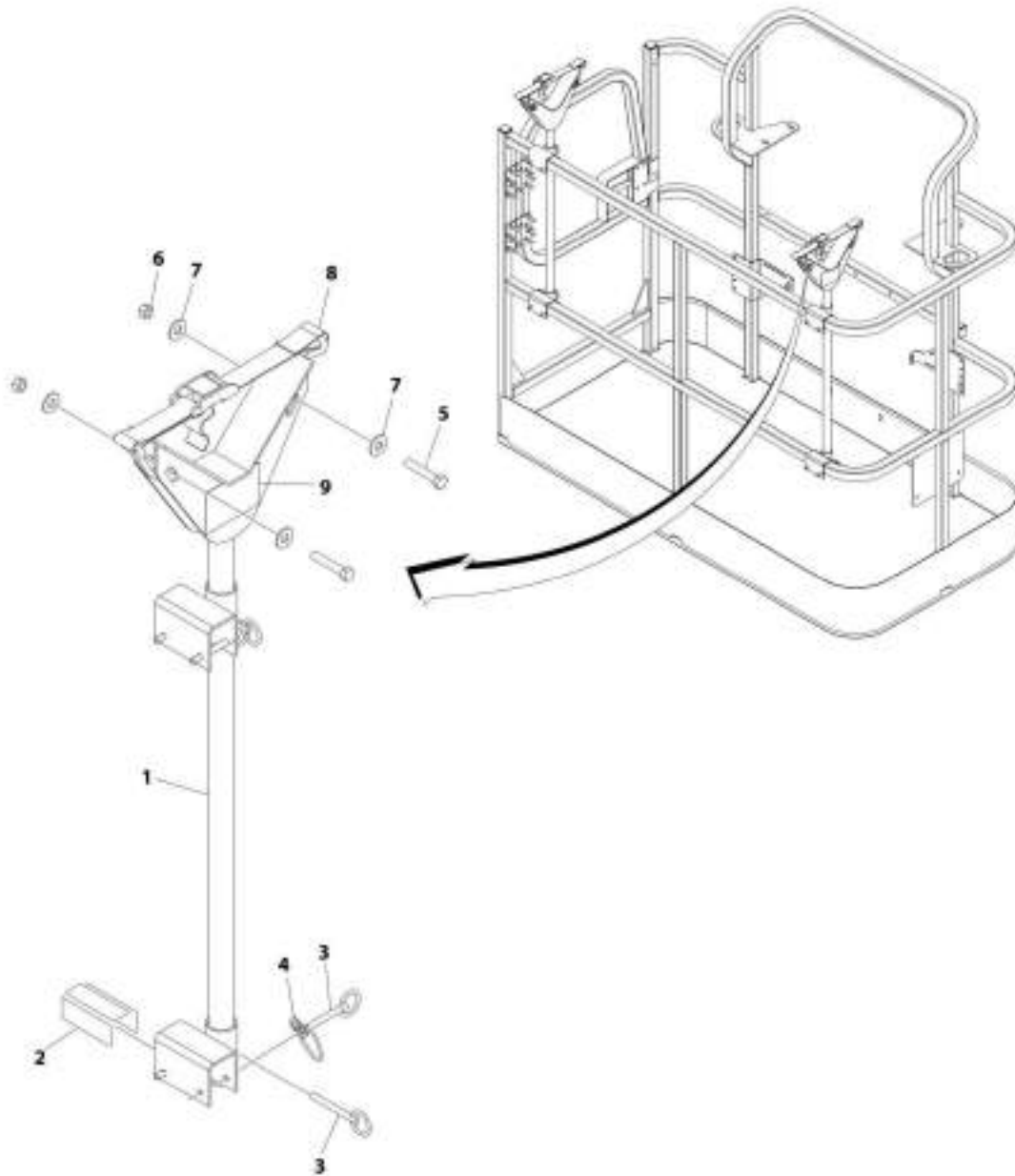
SECTION 5 - PLATFORM

FIGURE 5-63. PLASMA CUTTER ASSEMBLY

ITEM	PART NUMBER	QTY	DESCRIPTION	REV
	1001098012	Ref	PLASMA CUTTER ASSEMBLY	A
		Ref	Note: For Other Components, contact your Miller Welder Dealer.	
1	70001424	1	Cable, Power	
1	70001425	1	Decal - Voltage Warning	
2	70001427	1	Filter, Regulator	
3	70001428	1	Torch Assembly (See Items 101-203 for Breakdown)	
4	7024471	1	Knob	
5	70001429	1	Clamp with Cable	
6	70001430	1	Decal - Caution	
7	70001431	1	Breaker, Circuit	
8	70001432	1	Switch, Rocker	
	70001428	Ref	TORCH ASSEMBLY	
101	7024530	1	O-Ring	
102	7024531	1	Electrode	
103	7024532	1	Cup, Retaining	
104	7024533	1	Swirl Ring	
105	7024534	1	Tip	
201	7024535	1	Handle, Torch	
202	7024536	1	Switch	
203	7024537	1	Trigger	

SECTION 5 - PLATFORM

FIGURE 5-64. PIPE RACK INSTALLATION (ANSI SPEC)



ART. 0257728

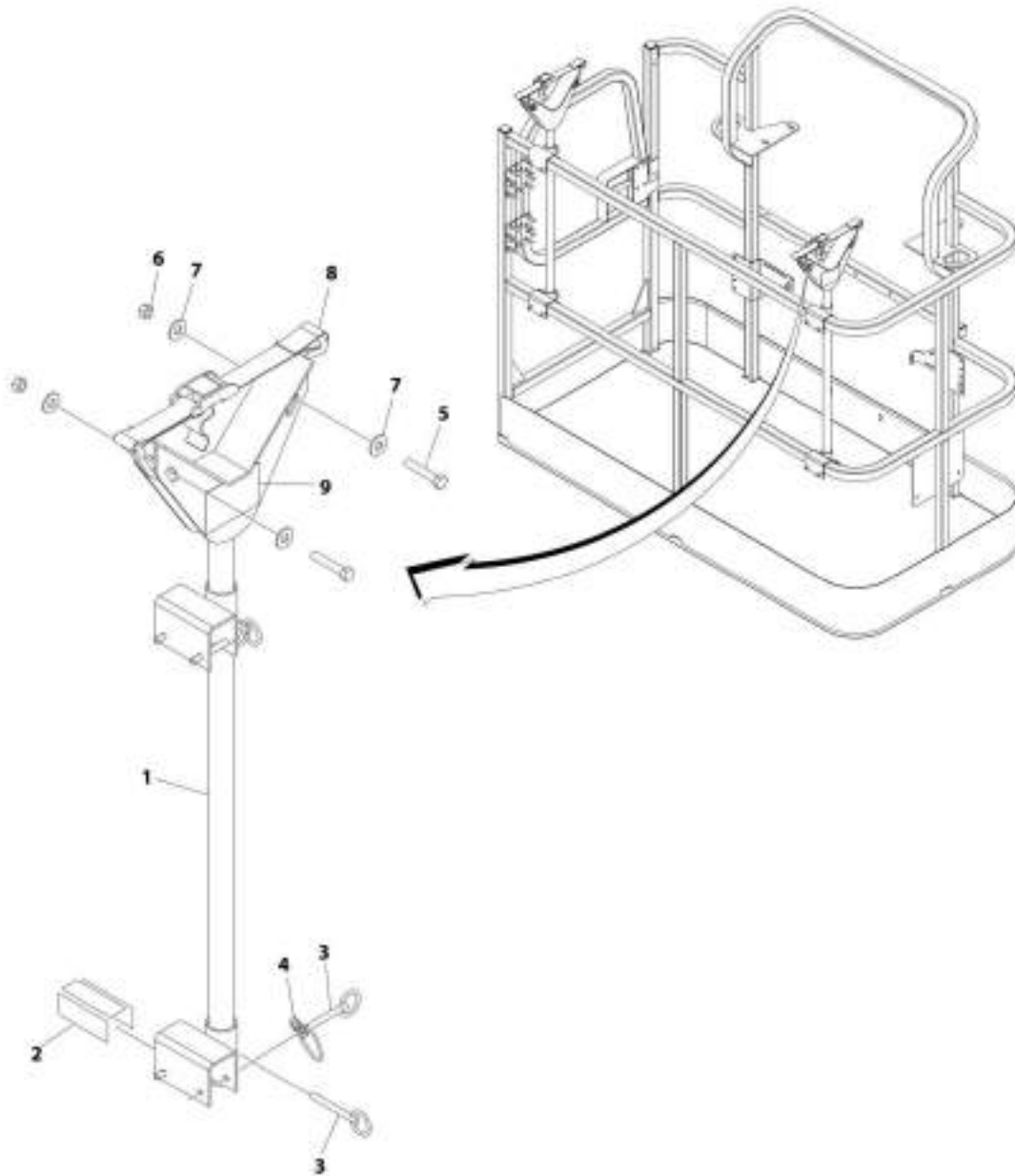
SECTION 5 - PLATFORM

FIGURE 5-64. PIPE RACK INSTALLATION (ANSI SPEC)

ITEM	PART NUMBER	QTY	DESCRIPTION	REV
	0257728	Ref	PIPE RACK INSTALLATION (ANSI SPEC)	2/C
1	4845582	2	Rack, Pipe	
2	4420062	AR	Tape	
3	3422661	10	Pin	
4	1060379	4	Lanyard	
5	0641514	4	Bolt 5/16 x 1-3/4	
6	3311505	4	Nut 5/16	
7	4751500	8	Washer 5/16	
8	0480100	2	Tie-Down	
9	1703683	2	Decal - Capacity	

SECTION 5 - PLATFORM

FIGURE 5-65. PIPE RACK INSTALLATION (AUSTRALIAN AND CE SPECS)



ART. 0270661

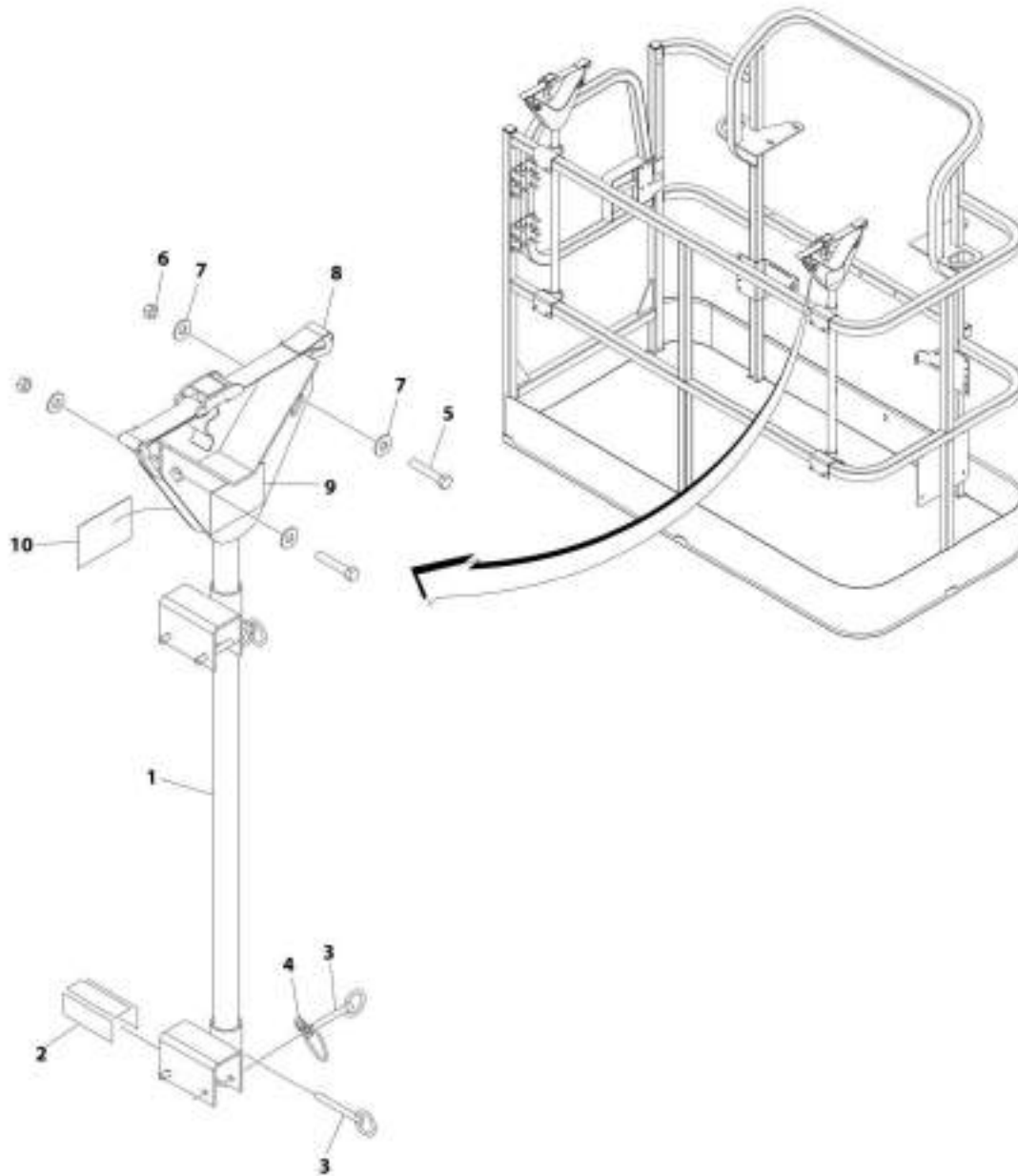
SECTION 5 - PLATFORM

FIGURE 5-65. PIPE RACK INSTALLATION (AUSTRALIAN AND CE SPECS)

ITEM	PART NUMBER	QTY	DESCRIPTION	REV
	0274661	Ref	PIPE RACK INSTALLATION (AUSTRALIAN AND CE SPECS)	1/A
1	4845582	2	Rack, Pipe	
2	4420062	AR	Tape	
3	3422661	10	Pin	
4	1060379	4	Lanyard	
5	0641514	4	Bolt 5/16 x 1-3/4	
6	3311505	4	Nut 5/16	
7	4751500	8	Washer 5/16	
8	0480100	2	Tie-Down	
9	1706510	2	Decal - Capacity	

SECTION 5 - PLATFORM

FIGURE 5-66. PIPE RACK INSTALLATION (KOREAN SPEC)



ART_1001178978

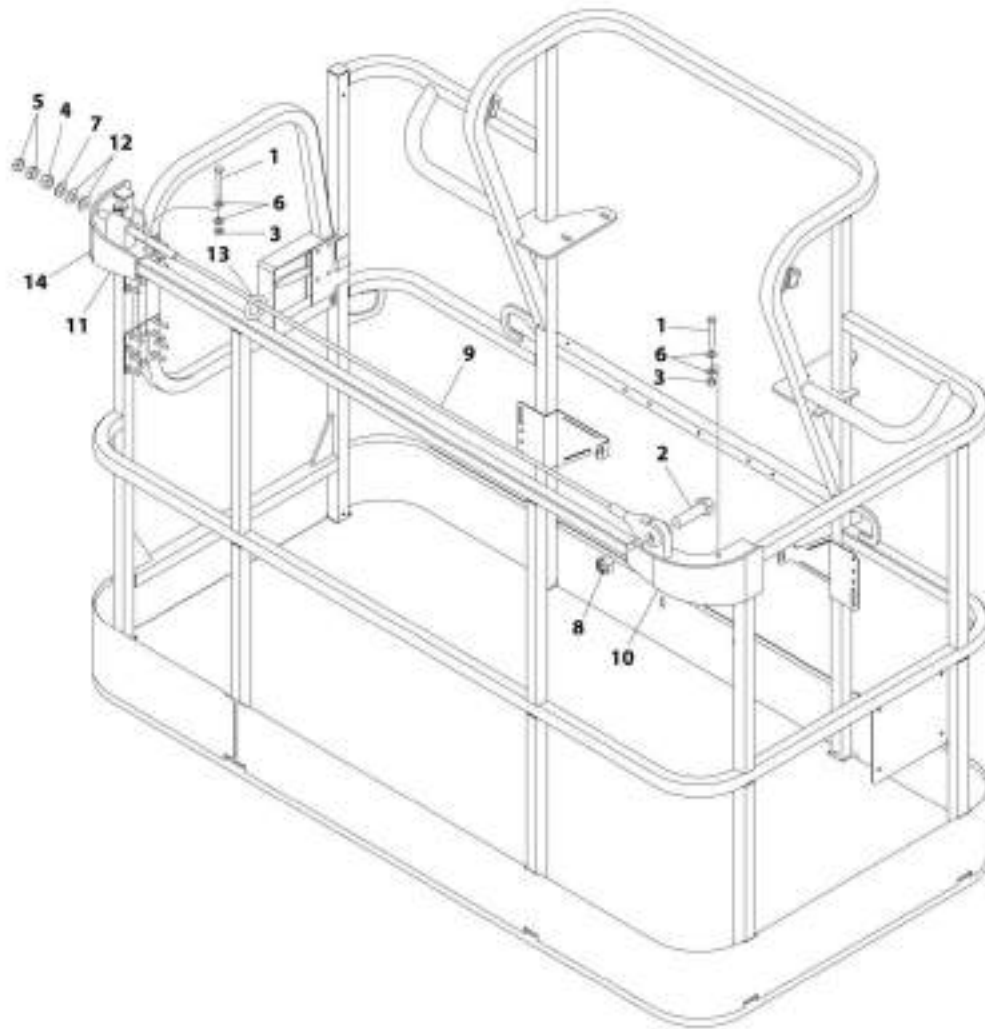
SECTION 5 - PLATFORM

FIGURE 5-66. PIPE RACK INSTALLATION (KOREAN SPEC)

ITEM	PART NUMBER	QTY	DESCRIPTION	REV
	1001178978	Ref	PIPE RACK INSTALLATION (KOREAN SPEC)	1/A
1	4845582	2	Rack, Pipe	
2	4420062	AR	Tape	
3	3422661	10	Pin	
4	1060379	4	Lanyard	
5	0641514	4	Bolt 5/16 x 1-3/4	
6	3311505	4	Nut 5/16	
7	4751500	8	Washer 5/16	
8	0480100	2	Tie-Down	
9	1703683	2	Decal - Capacity	
10	1001178266	2	Decal - Capacity	

SECTION 5 - PLATFORM

FIGURE 5-67. FALL ARREST INSTALLATION (BOLT - ON EXTERNAL) 6FT/1.82M PLATFORM



ART_1001230747

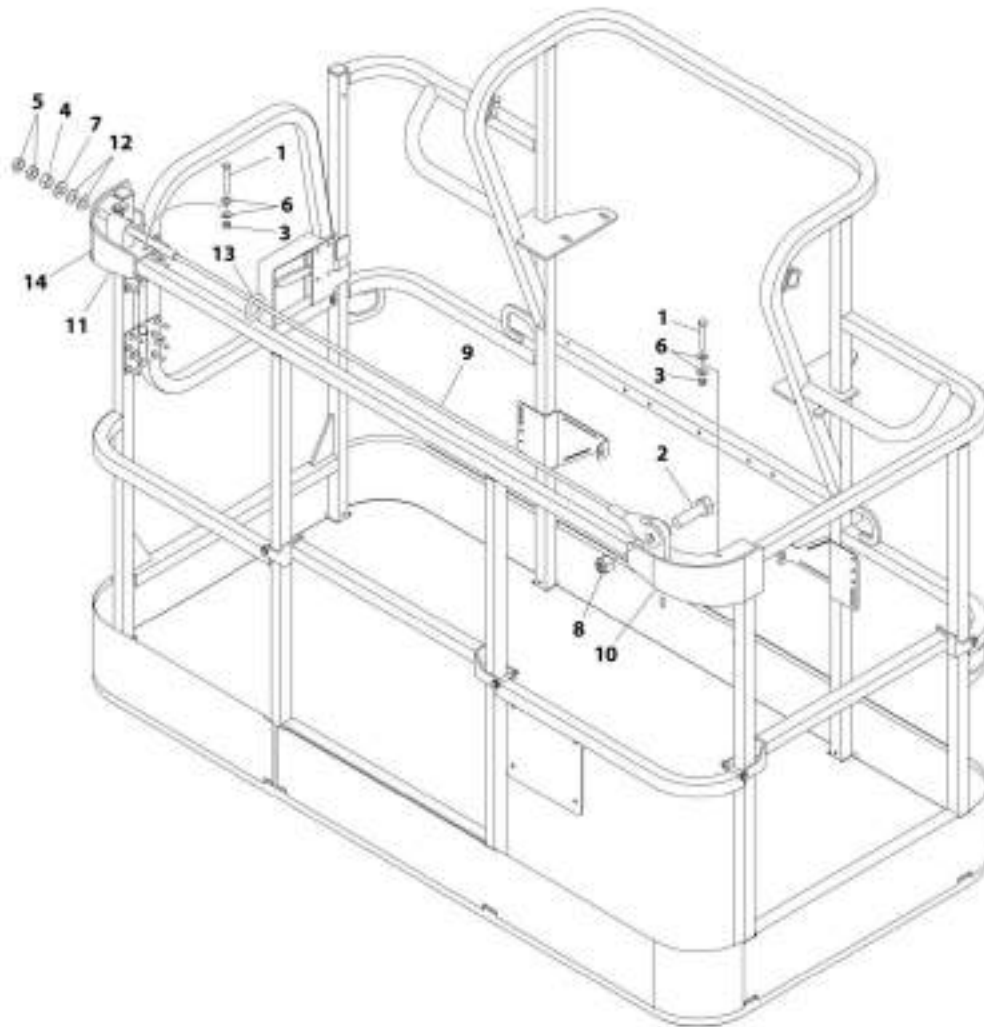
SECTION 5 - PLATFORM

FIGURE 5-67. FALL ARREST INSTALLATION (BOLT - ON EXTERNAL) 6FT/1.82M PLATFORM

ITEM	PART NUMBER	QTY	DESCRIPTION	REV
	1001236747	Ref	FALL ARREST INSTALLATION (BOLT - ON) 6FT/1.82M PLATFORM	A
1	0681620	6	Bolt 3/8 x 2-1/2	
2	0682424	1	Bolt 7/8 x 3	
3	3271605	6	Nut 3/8	
4	3272001	1	Nut 5/8	
5	3312002	2	Nut 5/8	
6	4711600	12	Washer 3/8	
7	4712000	1	Washer 5/8	
8	88521214	1	Nut 7/8	
9	1001231950	1	Rope	
10	1001232010	1	Bracket (RH)	
11	1001232011	1	Bracket (LH)	
12	1001236891	2	Washer	
13	1001236895	1	Ring	
14	1001238263	1	Decal - Warning Falling Hazard	

SECTION 5 - PLATFORM

FIGURE 5-68. FALL ARREST INSTALLATION (BOLT - ON EXTERNAL) 6FT/1.82M PLATFORM



ART_1001238463

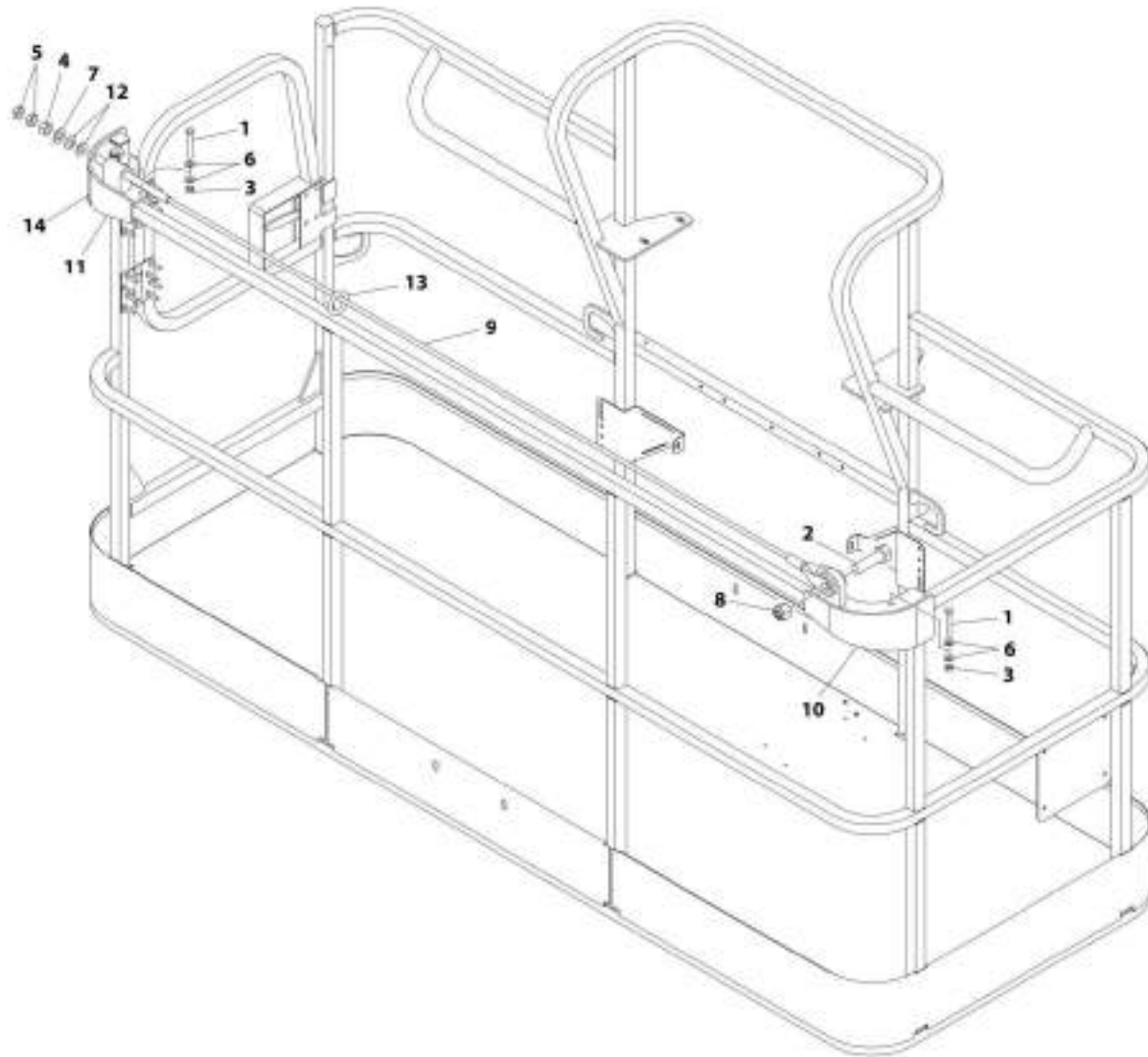
SECTION 5 - PLATFORM

FIGURE 5-68. FALL ARREST INSTALLATION (BOLT - ON EXTERNAL) 6FT/1.82M PLATFORM

ITEM	PART NUMBER	QTY	DESCRIPTION	REV
	1001238463	Ref	FALL ARREST INSTALLATION (BOLT - ON) 6FT/1.82M PLATFORM	B
1	0681620	6	Bolt 3/8 x 2-1/2	
2	0682424	1	Bolt 7/8 x 3	
3	3271605	6	Nut 3/8	
4	3272001	1	Nut 5/8	
5	3312002	2	Nut 5/8	
6	4711600	12	Washer 3/8	
7	4712000	1	Washer 5/8	
8	88521214	1	Nut 7/8	
9	1001231950	1	Rope	
10	1001232010	1	Bracket (RH)	
11	1001232011	1	Bracket (LH)	
12	1001236891	2	Washer	
13	1001236895	1	Ring	
14	1001238263	1	Decal - Warning Falling Hazard	

SECTION 5 - PLATFORM

FIGURE 5-69. FALL ARREST INSTALLATION (BOLT - ON EXTERNAL) 8FT/2.4M PLATFORM



ART_1001236748

SECTION 5 - PLATFORM

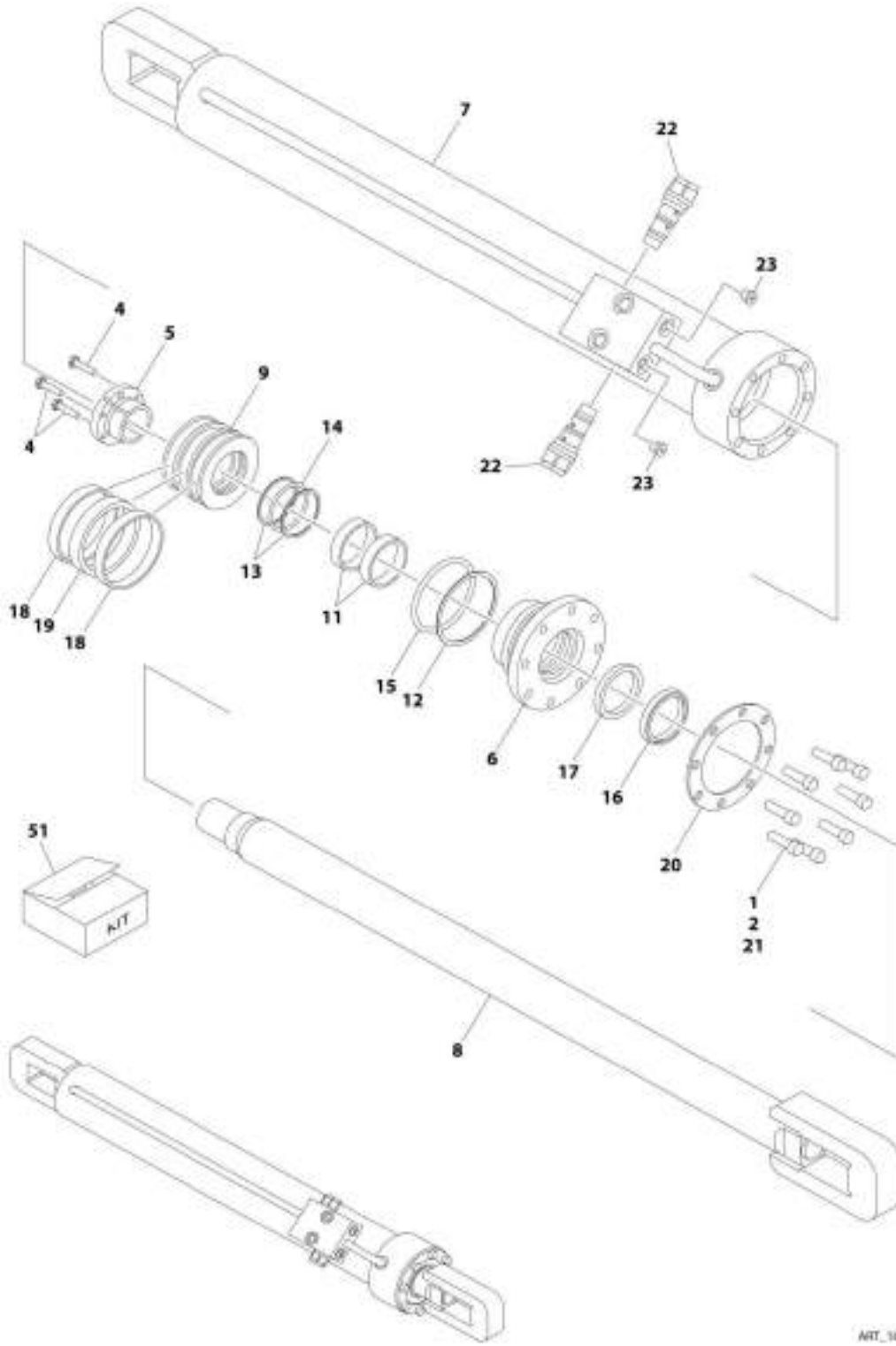
FIGURE 5-69. FALL ARREST INSTALLATION (BOLT - ON EXTERNAL) 8FT/2.4M PLATFORM

ITEM	PART NUMBER	QTY	DESCRIPTION	REV
	1001236746	Ref	FALL ARREST INSTALLATION (BOLT - ON) 8FT/2.4M PLATFORM	A
1	0681620	6	Bolt 3/8 x 2-1/2	
2	0682424	1	Bolt 7/8 x 3	
3	3271605	6	Nut 3/8	
4	3272001	1	Nut 5/8	
5	3312002	2	Nut 5/8	
6	4711600	12	Washer 3/8	
7	4712000	1	Washer 5/8	
8	88521214	1	Nut 7/8	
9	1001231949	1	Rope	
10	1001232010	1	Bracket (RH)	
11	1001232011	1	Bracket (LH)	
12	1001236891	2	Washer	
13	1001236895	1	Ring	
14	1001238263	1	Decal - Warning Falling Hazard	

SECTION 6 - CYLINDER

SECTION 6 - CYLINDER

FIGURE 6-1. AXLE EXTENSION CYLINDER ASSEMBLY (SN 0300207701 through 0300238565, SN B300002238 through B300002404)



ART_1684102

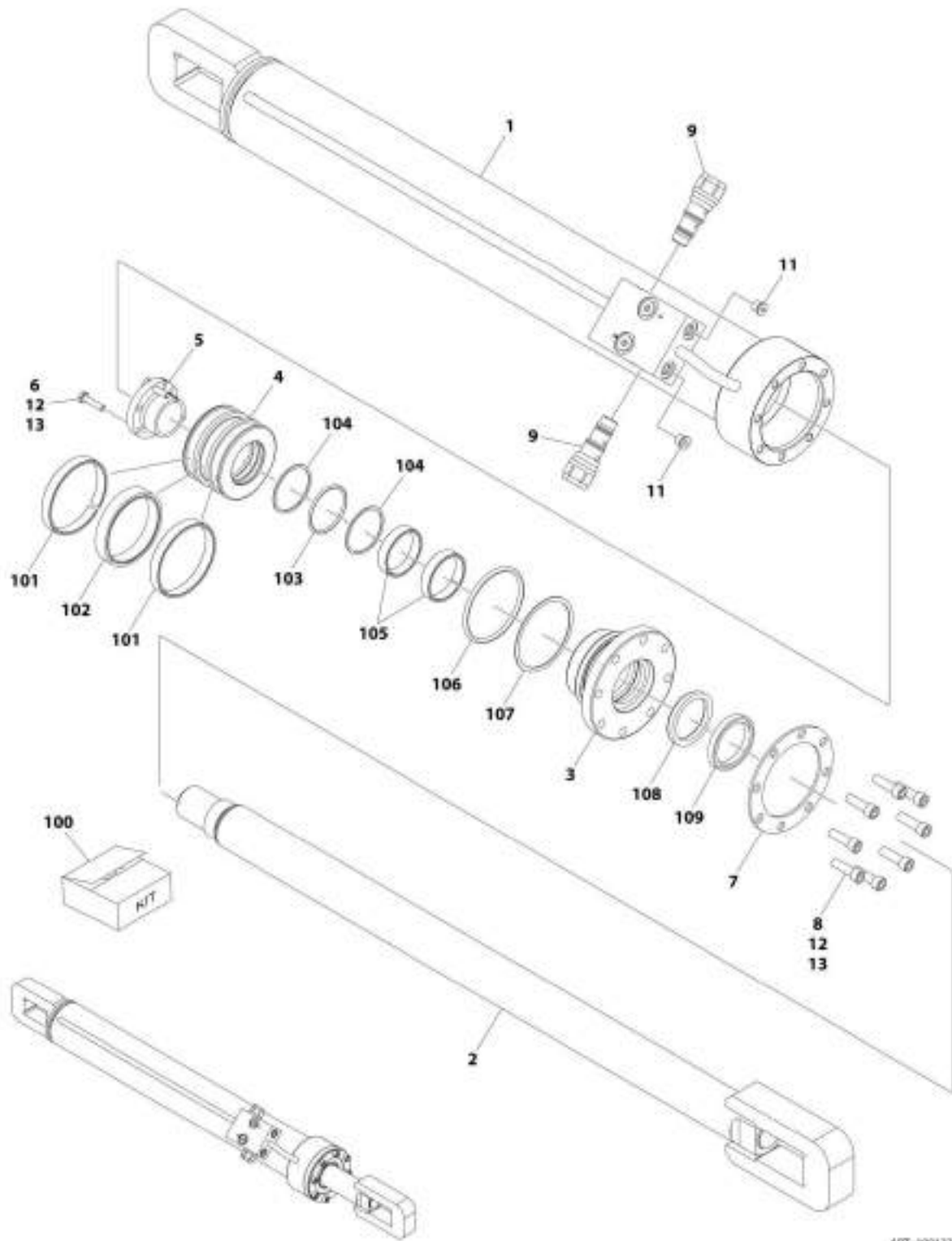
SECTION 6 - CYLINDER

FIGURE 6-1. AXLE EXTENSION CYLINDER ASSEMBLY (SN 0300207701 through 0300238565, SN B300002238 through B300002404)

ITEM	PART NUMBER	QTY	DESCRIPTION	REV
	1684102	Ref	AXLE EXTENSION CYLINDER ASSEMBLY (SN 0300207701 through 0300238565, SN B300002238 through B300002404) Note: Original Cylinder May Have Been Replaced with Service Replacement. Identify PN Stamped on Cylinder Before Ordering Parts.	E
		Ref		
1	0100011	AR	Compound, Locking	
2	0100038	AR	Primer, Locking	
4	0630535	3	Capscrew 1/4 x 1-1/8	
5	0961896	1	Bushing, Tapered	
6	1683056	1	Head	
7	1684103	1	Barrel Weldment	
8	1684105	1	Rod Weldment	
9	3480272	1	Piston	
11	See Note	NSS	Ring, Wear (Note: Use Item 51)	
12	See Note	NSS	Ring, Back-up (Note: Use Item 51)	
13	See Note	NSS	Ring, Back-up (Note: Use Item 51)	
14	See Note	NSS	O-Ring (Note: Use Item 51)	
15	See Note	NSS	O-Ring (Note: Use Item 51)	
16	See Note	NSS	Wiper, Rod (Note: Use Item 51)	
17	See Note	NSS	Seal (Note: Use Item 51)	
18	See Note	NSS	Ring, Wear (Note: Use Item 51)	
19	See Note	NSS	T-Seal (Note: Use Item 51)	
20	3760369	1	Ring, Washer	
21	3931620	8	Bolt 3/8 x 1-1/4	
22	4640509	2	Cartridge, Holding Valve	
22	2900792	2	Seal Kit - 4640509 Cartridge Valve (1 Per Valve)	
23	2220883	2	Plug, O-Ring	
51	2901773	1	Seal Kit (Includes Items 11-19)	

SECTION 6 - CYLINDER

FIGURE 6-2. AXLE EXTENSION CYLINDER ASSEMBLY (SN 0300238566 to Present, SN B300002405 to Present)



ART_1001328020

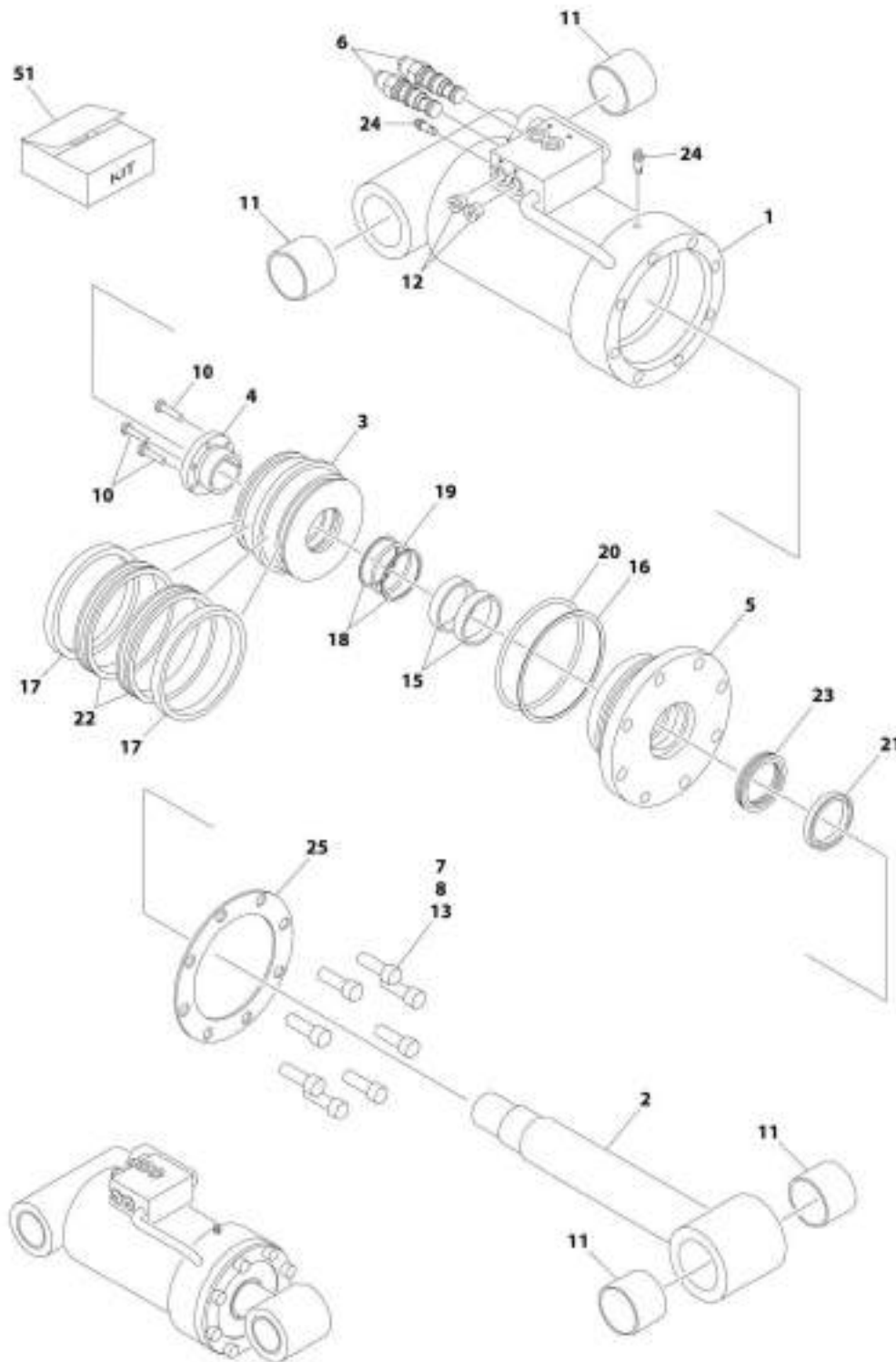
SECTION 6 - CYLINDER

FIGURE 6-2. AXLE EXTENSION CYLINDER ASSEMBLY (SN 0300238566 to Present, SN B300002405 to Present)

ITEM	PART NUMBER	QTY	DESCRIPTION	REV
	1001228020	Ref	AXLE EXTENSION CYLINDER ASSEMBLY	D
		Ref	Note: Original Cylinder May Have Been Replaced with Service Replacement. Identify PN Stamped on Cylinder Before Ordering Parts.	
1	See Note	NSS	Barrel Weldment (Note: Not Available for Purchase)	
2	70006363	1	Rod Weldment	
3	70006362	1	Head	
4	70006361	1	Piston	
5	70006360	1	Bushing, Tapered	
6	0630535	3	Capscrew 1/4 x 1-1/8	
7	70006359	1	Ring, Washer	
8	3931620	8	Bolt 3/8 x 1-1/4	
9	4640509	2	Cartridge, Holding Valve	
9	2900792	2	Seal Kit - 4640509 Cartridge Valve (1 Per Valve)	
11	2220883	2	Plug, O-Ring	
12	0100011	AR	Compound, Locking	
13	0100038	AR	Primer, Locking	
100	2901773	1	Seal Kit (Includes Items 101-109)	
101	See Note	NSS	Ring, Wear (Note: Use Item 100)	
102	See Note	NSS	T-Seal (Note: Use Item 100)	
103	See Note	NSS	O-Ring (Note: Use Item 100)	
104	See Note	NSS	Ring, Back-up (Note: Use Item 100)	
105	See Note	NSS	Ring, Wear (Note: Use Item 100)	
106	See Note	NSS	O-Ring (Note: Use Item 100)	
107	See Note	NSS	Ring, Back-up (Note: Use Item 100)	
108	See Note	NSS	Seal (Note: Use Item 100)	
109	See Note	NSS	Wiper, Rod (Note: Use Item 100)	

SECTION 6 - CYLINDER

FIGURE 6-3. AXLE LOCKOUT CYLINDER ASSEMBLY (SN 0300207701 through 0300239161, SN B300002238 through B300002449)



ART_1682001

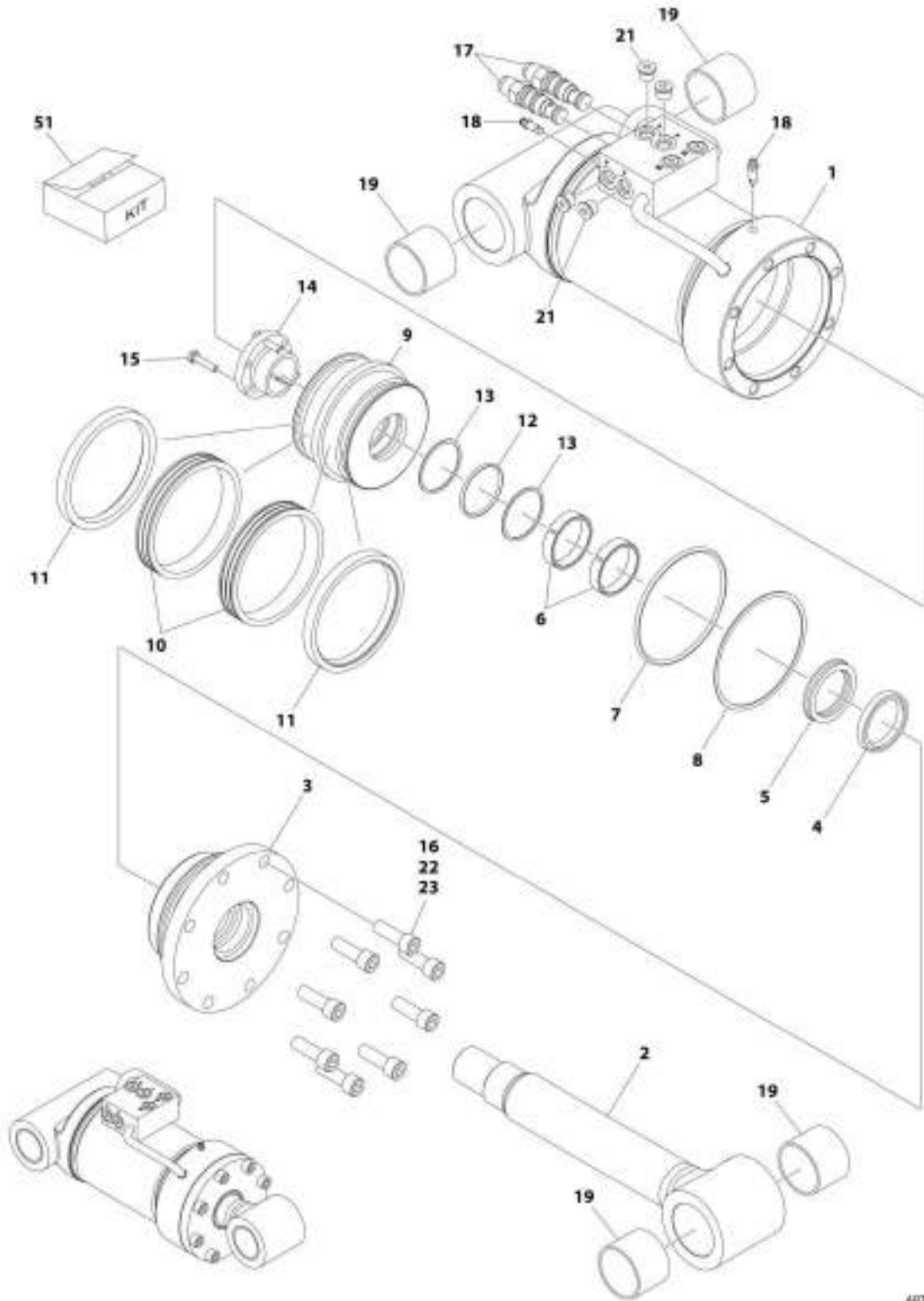
SECTION 6 - CYLINDER

FIGURE 6-3. AXLE LOCKOUT CYLINDER ASSEMBLY (SN 0300207701 through 0300239161, SN B300002238 through B300002449)

ITEM	PART NUMBER	QTY	DESCRIPTION	REV
	1684081	Ref	AXLE LOCKOUT CYLINDER ASSEMBLY (SN 0300207701 through 0300239161, SN B300002238 through B300002449)	F
		Ref	Note: Original Cylinder May Have Been Replaced with Service Replacement. Identify PN Stamped on Cylinder Before Ordering Parts.	
1	1684082	1	Barrel Weldment	
2	1684083	1	Rod Weldment	
3	3480269	1	Piston	
4	0961896	1	Bushing	
5	1683062	1	Head	
6	4641276	2	Cartridge, Valve Options: (Counterbalance)	
6	2900770	2	Seal Kit - 4641276 Valve (1 Per Assembly)	
7	0100011	AR	Compound, Locking	
8	0100038	AR	Primer, Locking	
10	0630535	3	Bolt 1/4 x 1-1/8	
11	0961950	4	Bearing	
12	2220885	2	Plug, O-Ring	
13	3931824	8	Bolt 1/2 x 1-1/2	
15	See Note	NSS	Ring, Wear (Note: Use Item 51)	
16	See Note	NSS	Ring, Back-up (Note: Use Item 51)	
17	See Note	NSS	Ring, Lock (Note: Use Item 51)	
18	See Note	NSS	Ring, Back-up (Note: Use Item 51)	
19	See Note	NSS	O-Ring (Note: Use Item 51)	
20	See Note	NSS	O-Ring (Note: Use Item 51)	
21	See Note	NSS	Wiper (Note: Use Item 51)	
22	See Note	NSS	Seal (Note: Use Item 51)	
23	See Note	NSS	Seal, Rod (Note: Use Item 51)	
24	4640858	2	Valve, Bleeder	
25	3760371	1	Ring, Washer	
51	2902087	1	Seal Kit (Includes Items 15-23)	

SECTION 6 - CYLINDER

FIGURE 6-4. AXLE LOCKOUT CYLINDER ASSEMBLY (SN 0300239162 to Present, SN B300002450 to Present)



ART_3001228019

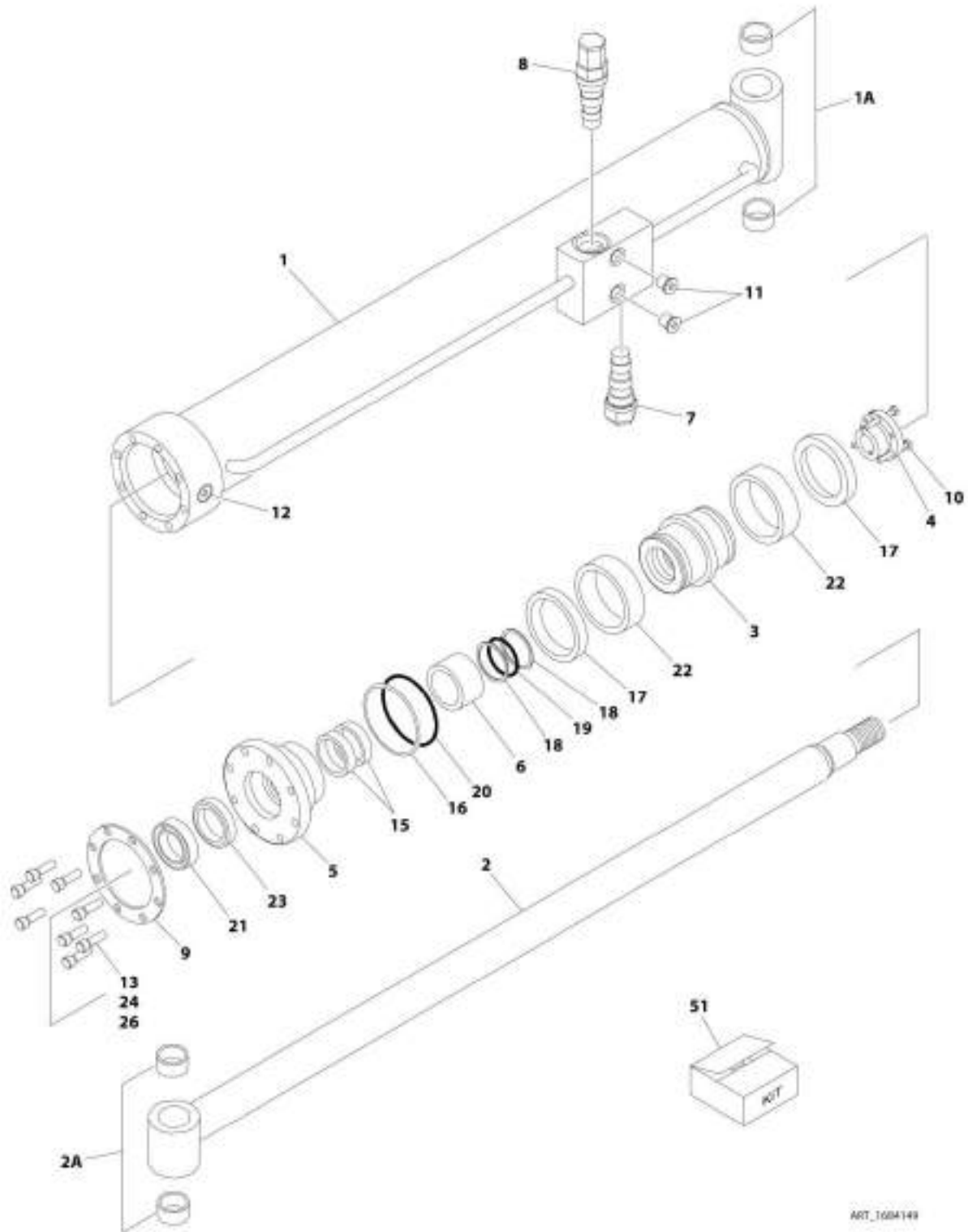
SECTION 6 - CYLINDER

FIGURE 6-4. AXLE LOCKOUT CYLINDER ASSEMBLY (SN 0300239162 to Present, SN B300002450 to Present)

ITEM	PART NUMBER	QTY	DESCRIPTION	REV
	1001228019	Ref	AXLE LOCKOUT CYLINDER ASSEMBLY	C
		Ref	Note: Original Cylinder May Have Been Replaced with Service Replacement. Identify PN Stamped on Cylinder Before Ordering Parts.	
1	See Note	NSS	Barrel Weldment (Note: Not Available for Purchase)	
2	70006520	1	Rod Weldment	
3	70006474	1	Head	
4	See Note	NSS	Wiper (Note: Use Item 51)	
5	See Note	NSS	Seal, Rod (Note: Use Item 51)	
6	See Note	NSS	Ring, Wear (Note: Use Item 51)	
7	See Note	NSS	O-Ring (Note: Use Item 51)	
8	See Note	NSS	Ring, Back-up (Note: Use Item 51)	
9	70006473	1	Piston	
10	See Note	NSS	Seal (Note: Use Item 51)	
11	See Note	NSS	Ring, Lock (Note: Use Item 51)	
12	See Note	NSS	O-Ring (Note: Use Item 51)	
13	See Note	NSS	Ring, Back-up (Note: Use Item 51)	
14	0961896	1	Bushing	
15	0630535	3	Bolt 1/4 x 1-1/8	
16	3931824	8	Bolt 1/2 x 1-1/2	
17	4641276	2	Cartridge, Valve Options: (Counterbalance)	
17	2900770	2	Seal Kit - 4641276 Valve (1 Per Assembly)	
18	4640858	2	Valve, Bleeder	
19	0961950	4	Bearing	
21	2220885	4	Plug, O-Ring	
22	0100011	AR	Compound, Locking	
23	0100038	AR	Primer, Locking	
51	2902087	1	Seal Kit (Includes Items 4-8 & 10-13)	

SECTION 6 - CYLINDER

FIGURE 6-5. PLATFORM LEVEL CYLINDER ASSEMBLY - WITHOUT COLD WEATHER PLUS PACKAGE (SN 0300201016 through 0300239161, SN B300002238 through B300002449)



ART_100A149

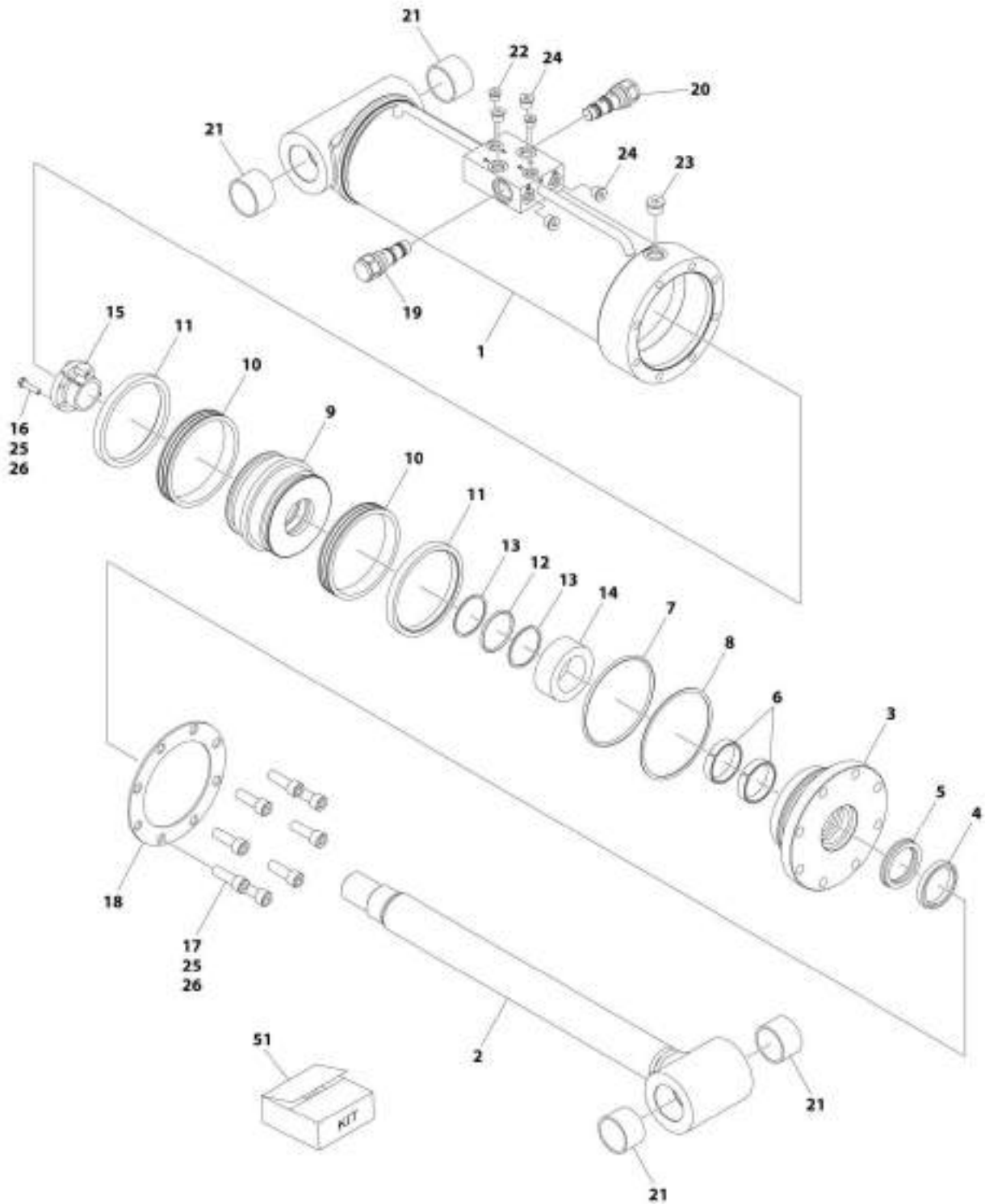
SECTION 6 - CYLINDER

FIGURE 6-5. PLATFORM LEVEL CYLINDER ASSEMBLY - WITHOUT COLD WEATHER PLUS PACKAGE (SN 0300201016 through 0300239161, SN B300002238 through B300002449)

ITEM	PART NUMBER	QTY	DESCRIPTION	REV
	1684149	Ref	PLATFORM LEVEL CYLINDER ASSEMBLY - WITHOUT COLD WEATHER PLUS PACKAGE (SN 0300201016 through 0300239161, SN B300002238 through B300002449)	G
		Ref	Note: Original Cylinder May Have Been Replaced with Service Replacement. Identify PN Stamped on Cylinder Before Ordering Parts.	
1	1684150	1	Barrel Weldment	
1A	0961949	2	Bushing	
2	1684306	1	Rod Weldment	
2A	0961949	2	Bushing	
3	3480269	1	Piston	
4	0961896	1	Bushing, Tapered	
5	1683062	1	Head	
6	4568345	1	Spacer	
7	4640509	1	Cartridge, Holding Valve (Non-Vented)	
7	2900792	1	Seal Kit - 4640509 Cartridge Valve	
8	4641248	1	Cartridge, Counterbalance Valve (Non-Vented)	
8	See Note	NSS	Seal Kit - 4641248 Cartridge Valve (Note: Use p/n 4641248)	
9	3760371	1	Ring, Washer	
10	0630535	3	Capscrew 1/4 x 1-1/8	
11	2220885	2	Plug, O-Ring	
12	2220886	1	Plug, O-Ring	
13	3931824	8	Capscrew 1/2 x 1-1/2	
15	See Note	NSS	Ring, Wear (Note: Use Item 51)	
16	See Note	NSS	Ring, Back-up (Note: Use Item 51)	
17	See Note	NSS	Ring, Lock (Note: Use Item 51)	
18	See Note	NSS	Ring, Back-up (Note: Use Item 51)	
19	See Note	NSS	O-Ring (Note: Use Item 51)	
20	See Note	NSS	O-Ring (Note: Use Item 51)	
21	See Note	NSS	Wiper, Rod (Note: Use Item 51)	
22	See Note	NSS	Ring, Guide (Note: Use Item 51)	
23	See Note	NSS	Seal, Rod (Note: Use Item 51)	
24	0100011	AR	Compound, Locking	
26	0100038	AR	Primer, Locking	
51	2902087	1	Seal Kit Options (Includes Items 15-23)	

SECTION 6 - CYLINDER

FIGURE 6-6. PLATFORM LEVEL CYLINDER ASSEMBLY - WITHOUT COLD WEATHER PLUS PACKAGE (SN 0300239162 to Present, SN B300002450 to Present)



ART_1001226033

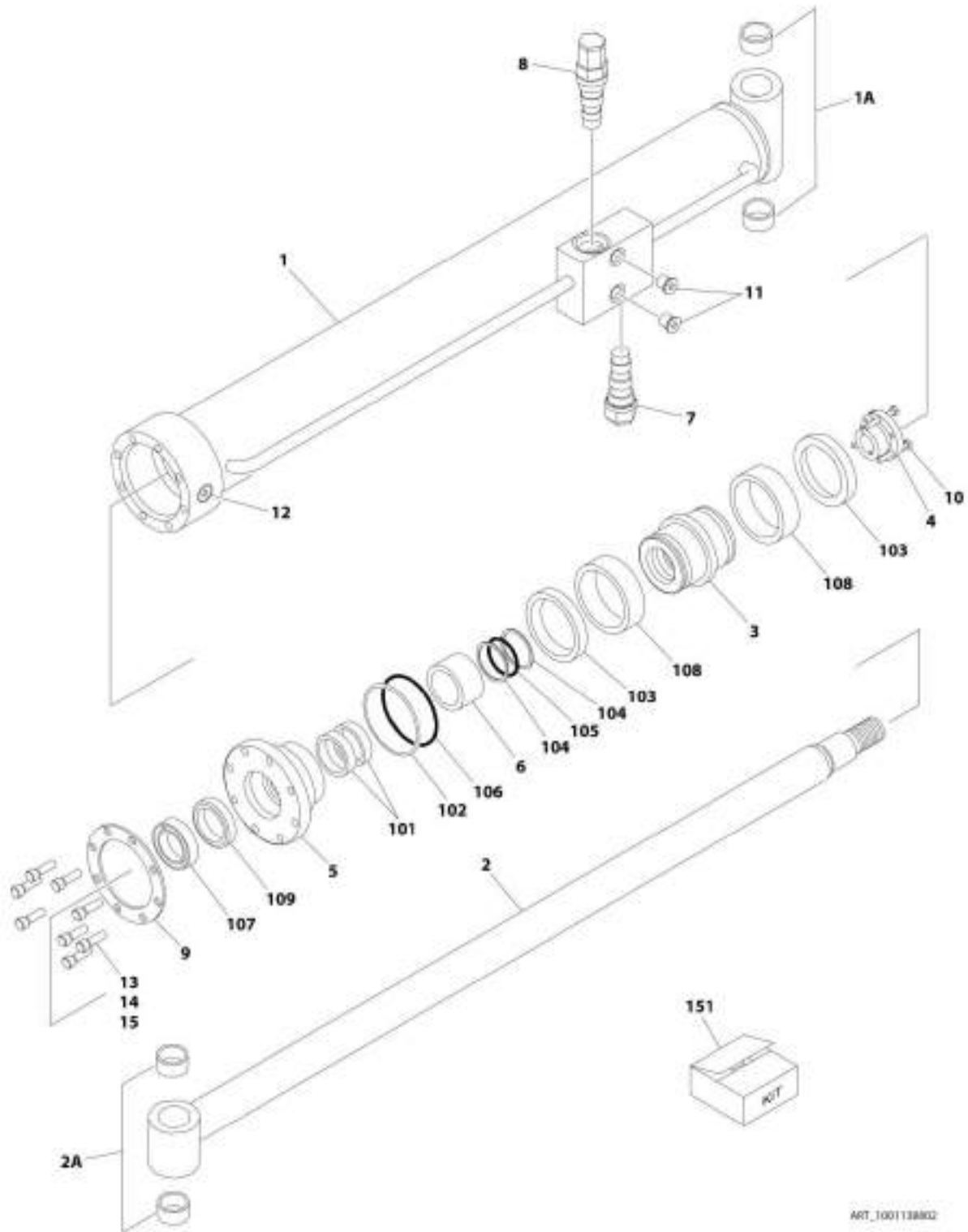
SECTION 6 - CYLINDER

FIGURE 6-6. PLATFORM LEVEL CYLINDER ASSEMBLY - WITHOUT COLD WEATHER PLUS PACKAGE (SN 0300239162 to Present, SN B300002450 to Present)

ITEM	PART NUMBER	QTY	DESCRIPTION	REV
	1001228023	Ref	PLATFORM LEVEL CYLINDER ASSEMBLY - WITHOUT COLD WEATHER PLUS PACKAGE	C
		Ref	Note: Original Cylinder May Have Been Replaced with Service Replacement. Identify PN Stamped on Cylinder Before Ordering Parts.	
1	See Note	NSS	Barrel Weldment (Note: Not Available for Purchase)	
2	70006550	1	Rod Weldment	
3	70006549	1	Head	
4	See Note	NSS	Wiper, Rod (Note: Use Item 51)	
5	See Note	NSS	Seal, Rod (Note: Use Item 51)	
6	See Note	NSS	Ring, Wear (Note: Use Item 51)	
7	See Note	NSS	O-Ring (Note: Use Item 51)	
8	See Note	NSS	Ring, Back-up (Note: Use Item 51)	
9	70006548	1	Piston	
10	See Note	NSS	Ring, Guide (Note: Use Item 51)	
11	See Note	NSS	Ring, Lock (Note: Use Item 51)	
12	See Note	NSS	O-Ring (Note: Use Item 51)	
13	See Note	NSS	Ring, Back-up (Note: Use Item 51)	
14	70006547	1	Spacer	
15	0961896	1	Bushing, Tapered	
16	0630535	3	Capscrew 1/4 x 1-1/8	
17	3931824	8	Capscrew 1/2 x 1-1/2	
18	3760371	1	Ring, Washer	
19	4641248	1	Cartridge, Counterbalance Valve (Non-Vented)	
19	See Note	NSS	Seal Kit - 4641248 Cartridge Valve (Note: Use p/n 4641248)	
20	4640509	1	Cartridge, Holding Valve (Non-Vented)	
20	2900792	1	Seal Kit - 4640509 Cartridge Valve	
21	0961949	4	Bushing	
22	2220883	4	Plug, O-Ring	
23	2220886	AR	Plug, O-Ring	
24	2220885	2	Plug, O-Ring	
25	0100011	AR	Compound, Locking	
26	0100038	AR	Primer, Locking	
51	2902087	1	Seal Kit Options (Includes Items 4-8 & 10-13)	

SECTION 6 - CYLINDER

FIGURE 6-7. PLATFORM LEVEL CYLINDER ASSEMBLY - WITH COLD WEATHER PLUS PACKAGE
(SN 0300201016 through 0300239980)



ART_100113802

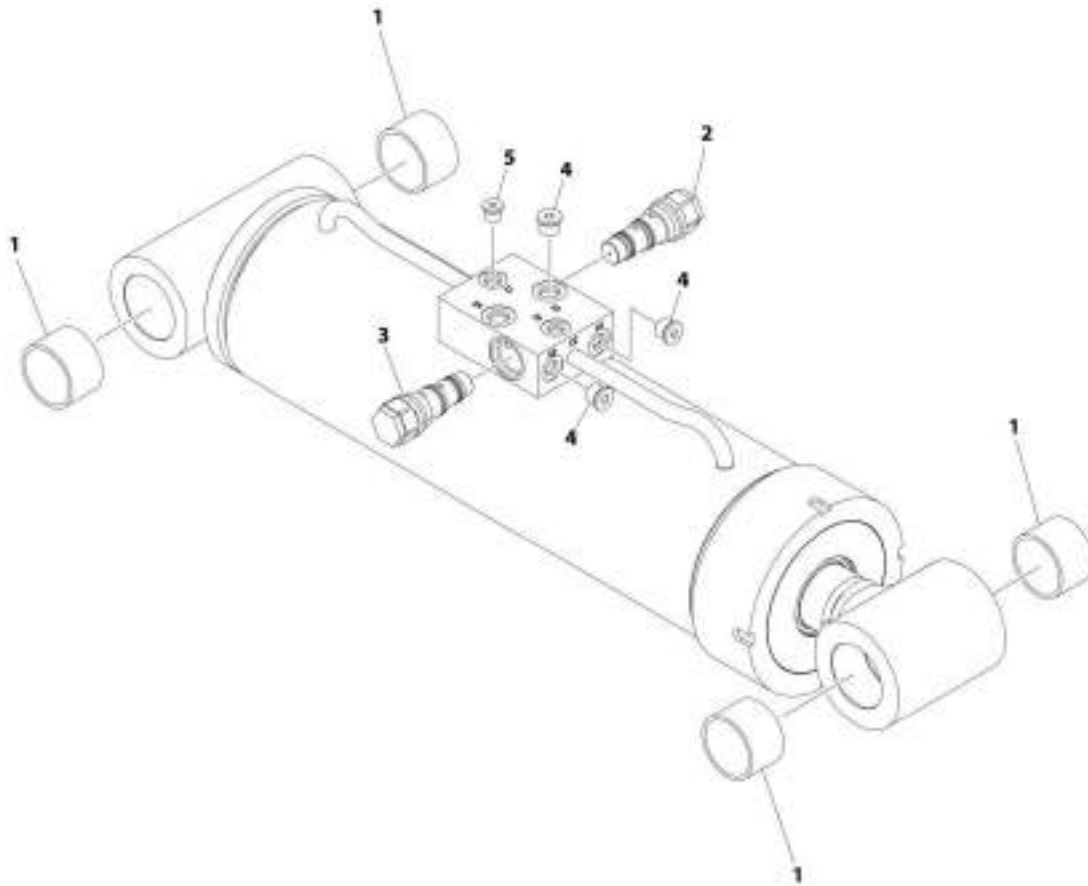
SECTION 6 - CYLINDER

**FIGURE 6-7. PLATFORM LEVEL CYLINDER ASSEMBLY - WITH COLD WEATHER PLUS PACKAGE
(SN 0300201016 through 0300239980)**

ITEM	PART NUMBER	QTY	DESCRIPTION	REV
	1001138802	Ref	PLATFORM LEVEL CYLINDER ASSEMBLY - WITH COLD WEATHER PLUS PACKAGE (SN 0300201016 through 0300239980)	B
		Ref	Note: Original Cylinder May Have Been Replaced with Service Replacement. Identify PN Stamped on Cylinder Before Ordering Parts.	
1	1684150	1	Barrel Weldment	
1A	0961949	2	Bushing	
2	1684306	1	Rod Weldment	
2A	0961949	2	Bushing	
3	3480269	1	Piston	
4	0961896	1	Bushing, Tapered	
5	1683062	1	Head	
6	4568345	1	Spacer	
7	4640509	1	Cartridge, Holding Valve (Non-Vented)	
7	2900792	1	Seal Kit - 4640509 Cartridge Valve	
8	4641248	1	Cartridge, Counterbalance Valve (Non-Vented)	
8	See Note	NSS	Seal Kit - 4641248 Cartridge Valve (Note: Use p/n 4641248)	
9	3760371	1	Ring, Washer	
10	0630535	3	Capscrew 1/4 x 1-1/8	
11	2220885	2	Plug, O-Ring	
12	2220886	1	Plug, O-Ring	
13	3931824	8	Capscrew 1/2 x 1-1/2	
14	0100011	AR	Compound, Locking	
15	0100038	AR	Primer, Locking	
101	See Note	NSS	Ring, Wear (Note: Use Item 151)	
102	See Note	NSS	Ring, Back-up (Note: Use Item 151)	
103	See Note	NSS	Ring, Lock (Note: Use Item 151)	
104	See Note	NSS	Ring, Back-up (Note: Use Item 151)	
105	See Note	NSS	O-Ring (Note: Use Item 151)	
106	See Note	NSS	O-Ring (Note: Use Item 151)	
107	See Note	NSS	Wiper, Rod (Note: Use Item 151)	
108	See Note	NSS	Ring, Guide (Note: Use Item 151)	
109	See Note	NSS	Seal, Rod (Note: Use Item 151)	
151	1001138804	1	Seal Kit Options (Includes Items 101-109)	

SECTION 6 - CYLINDER

FIGURE 6-8. PLATFORM LEVEL CYLINDER ASSEMBLY - WITH COLD WEATHER PLUS PACKAGE
(SN 0300239981 to Present)



ART_1001228053

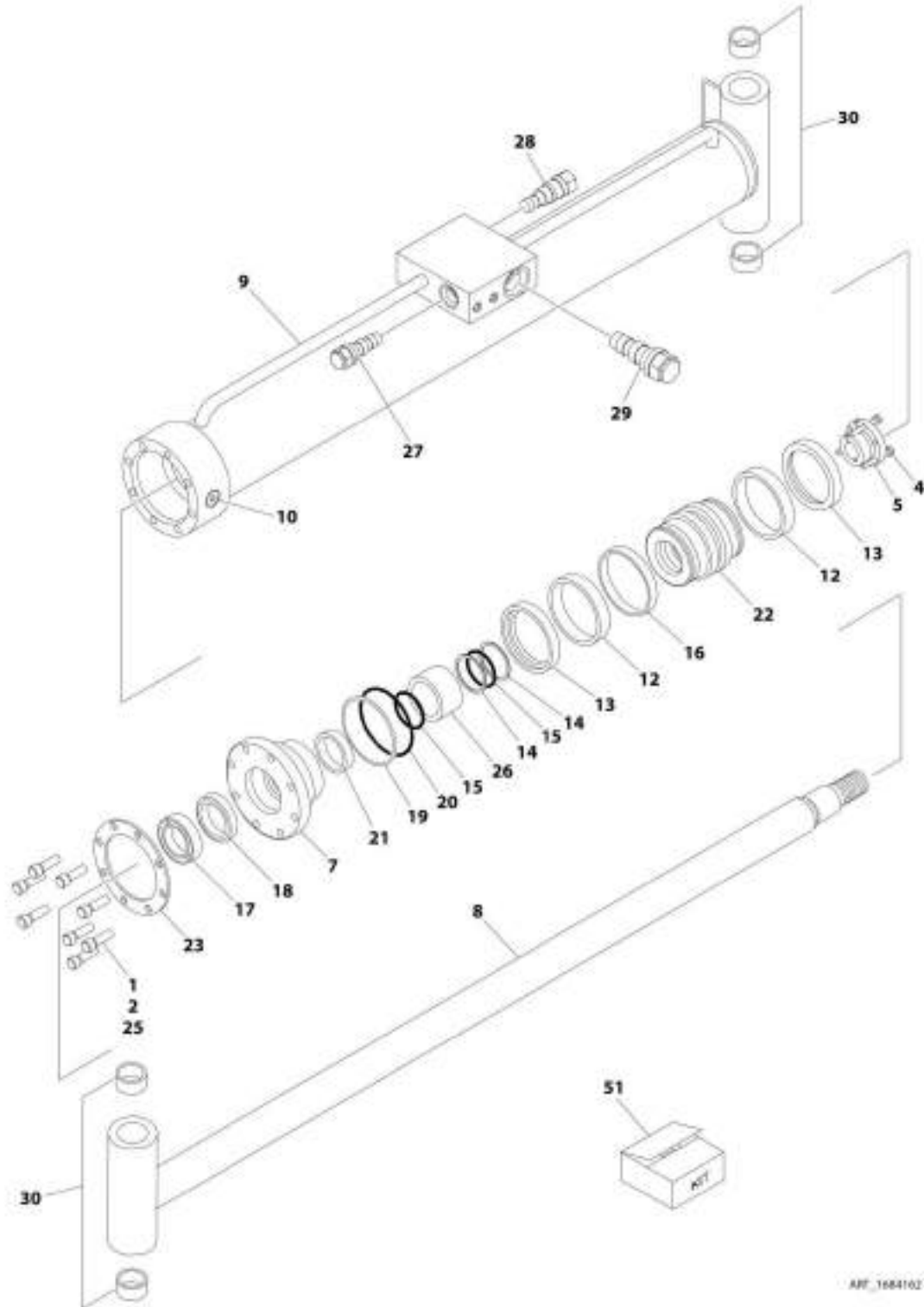
SECTION 6 - CYLINDER

**FIGURE 6-8. PLATFORM LEVEL CYLINDER ASSEMBLY - WITH COLD WEATHER PLUS PACKAGE
(SN 0300239981 to Present)**

ITEM	PART NUMBER	QTY	DESCRIPTION	REV
	1001228053	Ref	PLATFORM LEVEL CYLINDER ASSEMBLY - WITH COLD WEATHER PLUS PACKAGE (SN 0300239981 to Present)	B
		Ref	Note: Original Cylinder May Have Been Replaced with Service Replacement. Identify PN Stamped on Cylinder Before Ordering Parts.	
	See Note	Ref	Note: Breakdown Not Available at Time of Printing.	
1	0961949	2	Bushing	
2	4640509	1	Cartridge, Holding Valve (Non-Vented)	
2	2900792	1	Seal Kit - 4640509 Cartridge Valve	
3	4641248	1	Cartridge, Counterbalance Valve (Non-Vented)	
3	See Note	NSS	Seal Kit - 4641248 Cartridge Valve (Note: Use p/n 4641248)	
4	2220885	4	Plug, O-Ring	
5	2220883	2	Plug, O-Ring	

SECTION 6 - CYLINDER

FIGURE 6-9. LIFT CYLINDER ASSEMBLY (SN 0300201016 through 0300239470, SN B300002238 through B300002473)



APP_1684102

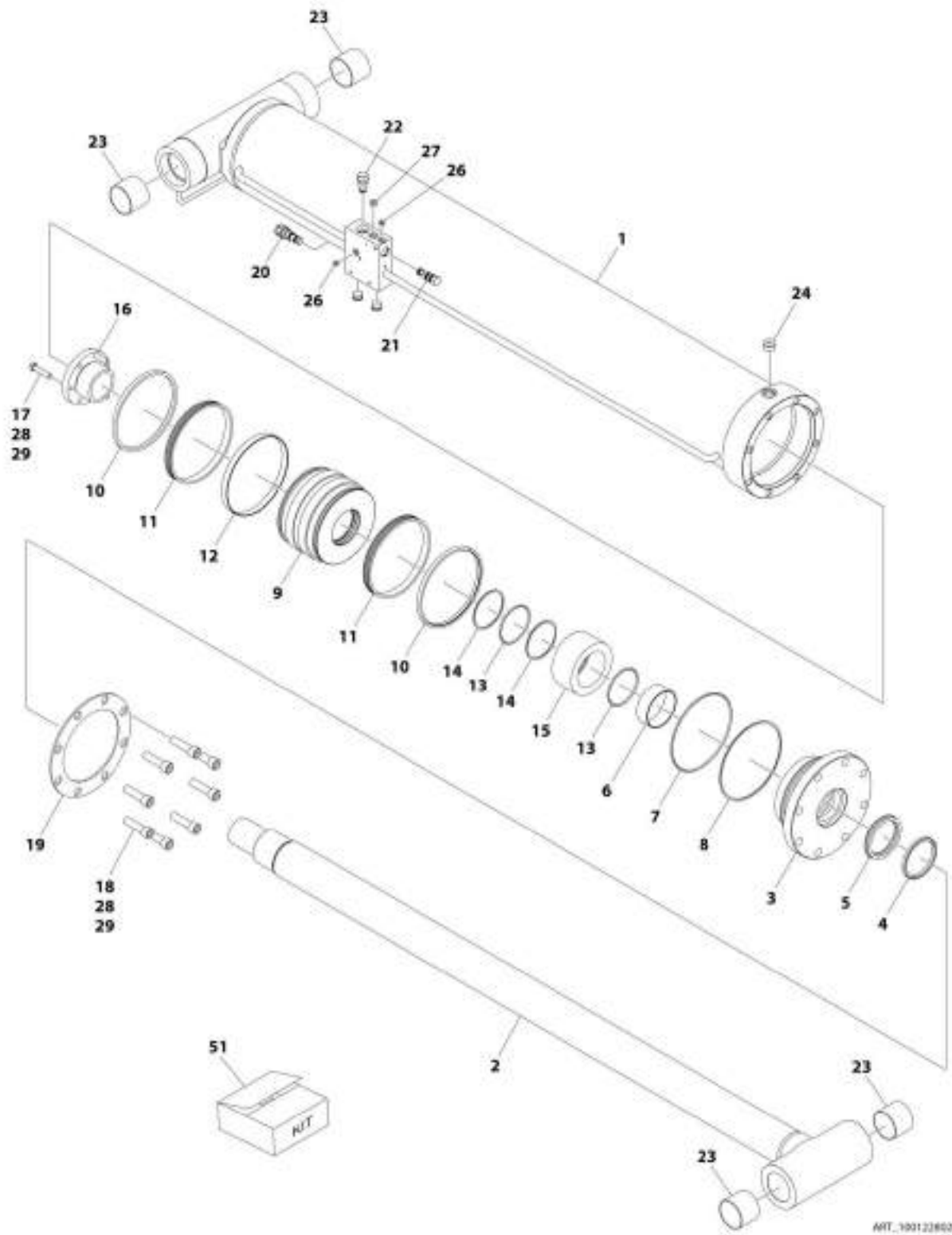
SECTION 6 - CYLINDER

FIGURE 6-9. LIFT CYLINDER ASSEMBLY (SN 0300201016 through 0300239470, SN B300002238 through B300002473)

ITEM	PART NUMBER	QTY	DESCRIPTION	REV
	1684162	Ref	LIFT CYLINDER ASSEMBLY (SN 0300201016 through 0300239470, SN B300002238 through B300002473) Note: Original Cylinder May Have Been Replaced with Service Replacement. Identify PN Stamped on Cylinder Before Ordering Parts.	J
		Ref		
1	0100011	AR	Compound, Locking	
2	0100038	AR	Primer, Locking	
4	0630537	3	Capscrew	
5	0961901	1	Bushing, Tapered	
7	1683072	1	Head	
8	1684159	1	Rod	
9	1684249	1	Barrel	
10	2220888	1	Plug, O-Ring	
12	See Note	NSS	Ring, Guide (Note: Use Item 51)	
13	See Note	NSS	Ring, Lock (Note: Use Item 51)	
14	See Note	NSS	Ring, Back-up (Note: Use Item 51)	
15	See Note	NSS	O-Ring (Note: Use Item 51)	
16	See Note	NSS	Ring, Wear (Note: Use Item 51)	
17	See Note	NSS	Wiper, Rod (Note: Use Item 51)	
18	See Note	NSS	Seal, Rod (Note: Use Item 51)	
19	See Note	NSS	Ring, Back-up (Note: Use Item 51)	
20	See Note	NSS	O-Ring (Note: Use Item 51)	
21	See Note	NSS	Ring, Wear (Note: Use Item 51)	
22	3480270	1	Piston	
23	3760375	1	Ring, Washer	
25	3932244	8	Capscrew 3/4 x 2-3/4	
26	4568319	1	Spacer	
27	4640438	1	Cartridge, Check Valve	
27	2900770	1	Seal Kit - 4640438 Cartridge Valve	
28	4640509	1	Cartridge, Holding Valve (Non-Vented)	
28	2900792	1	Seal Kit - 4640509 Cartridge Valve	
29	4641210	1	Cartridge, Pressure Regulator Valve	
29	7010545	1	Seal Kit - 4641210 Cartridge Valve	
30	0962297	4	Bushing	
51	1001174325	1	Seal Kit (Includes Items 12-21)	

SECTION 6 - CYLINDER

FIGURE 6-10. LIFT CYLINDER ASSEMBLY (SN 0300239471 to Present, SN B300002474 to Present)



AWT_1001228024

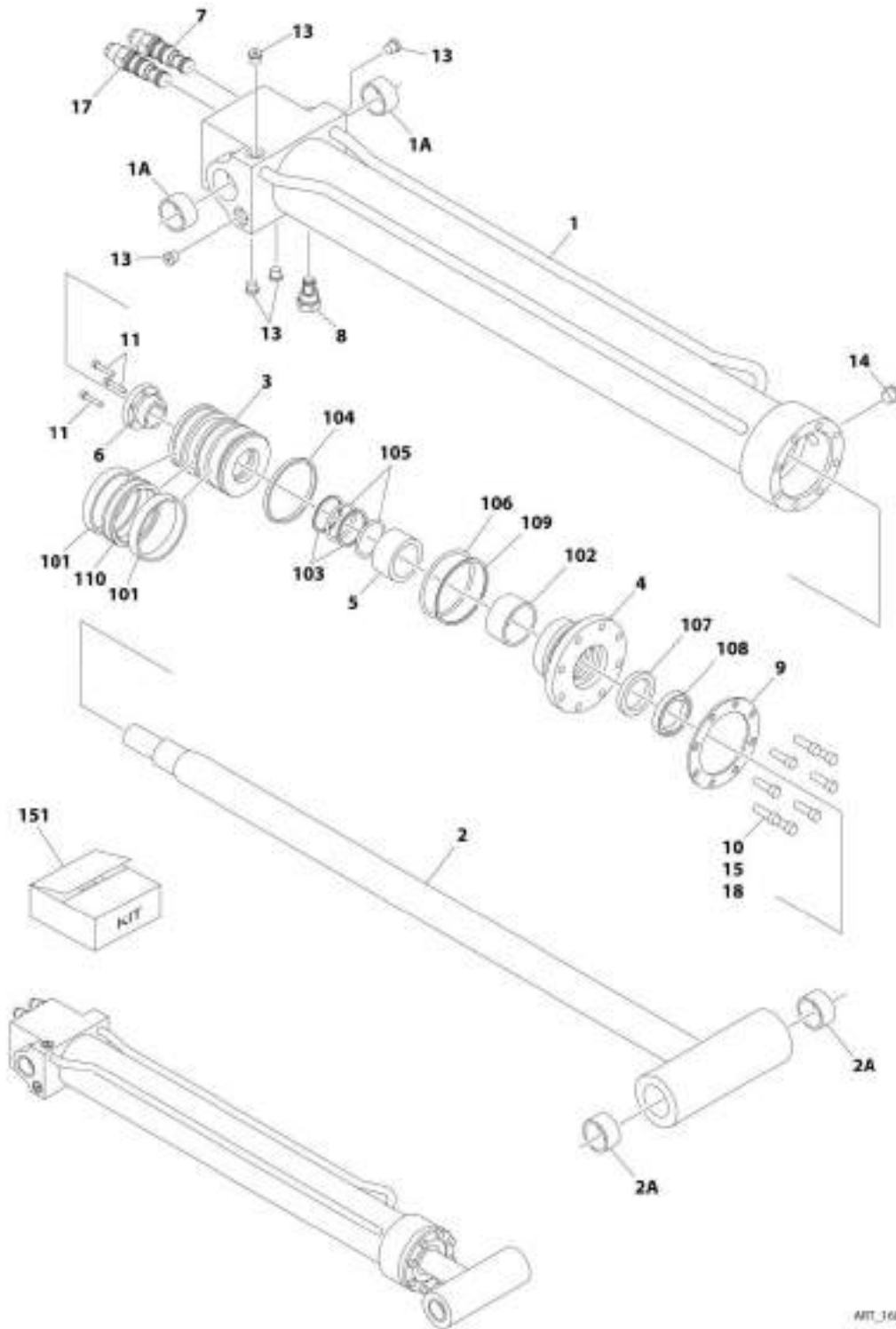
SECTION 6 - CYLINDER

FIGURE 6-10. LIFT CYLINDER ASSEMBLY (SN 0300239471 to Present, SN B300002474 to Present)

ITEM	PART NUMBER	QTY	DESCRIPTION	REV
	1001228024	Ref	LIFT CYLINDER ASSEMBLY	D
		Ref	Note: Original Cylinder May Have Been Replaced with Service Replacement. Identify PN Stamped on Cylinder Before Ordering Parts.	
1	See Note	NSS	Barrel Weldment (Note: Not Available for Purchase)	
2	70006530	1	Rod	
3	70006529	1	Head	
4	See Note	NSS	Wiper, Rod (Note: Use Item 51)	
5	See Note	NSS	Seal, Rod (Note: Use Item 51)	
6	See Note	NSS	Ring, Wear (Note: Use Item 51)	
7	See Note	NSS	O-Ring (Note: Use Item 51)	
8	See Note	NSS	Ring, Back-up (Note: Use Item 51)	
9	70006528	1	Piston	
10	See Note	NSS	Ring, Lock (Note: Use Item 51)	
11	See Note	NSS	Ring, Guide (Note: Use Item 51)	
12	See Note	NSS	Ring, Wear (Note: Use Item 51)	
13	See Note	NSS	O-Ring (Note: Use Item 51)	
14	See Note	NSS	Ring, Back-up (Note: Use Item 51)	
15	70006527	1	Spacer	
16	0961901	1	Bushing, Tapered	
17	0630537	3	Capscrew	
18	3932244	8	Capscrew 3/4 x 2-3/4	
19	3760375	1	Ring, Washer	
20	4640509	1	Cartridge, Holding Valve (Non-Vented)	
20	2900792	1	Seal Kit - 4640509 Cartridge Valve	
21	4640438	1	Cartridge, Check Valve	
21	2900770	1	Seal Kit - 4640438 Cartridge Valve	
22	4641210	1	Cartridge, Pressure Regulator Valve	
22	7010545	1	Seal Kit - 4641210 Cartridge Valve	
23	0962297	4	Bushing	
24	2220888	AR	Plug, O-Ring	
26	2220883	2	Plug, O-Ring	
27	2220885	1	Plug, O-Ring	
28	0100011	AR	Compound, Locking	
29	0100038	AR	Primer, Locking	
51	1001174325	1	Seal Kit (Includes Items 4-8 & 10-14)	

SECTION 6 - CYLINDER

FIGURE 6-11. JIB CYLINDER ASSEMBLY - WITHOUT COLD WEATHER PLUS PACKAGE (SN 0300201016 through 0300239161, SN B300002238 through B300002449)



MIT_1684173

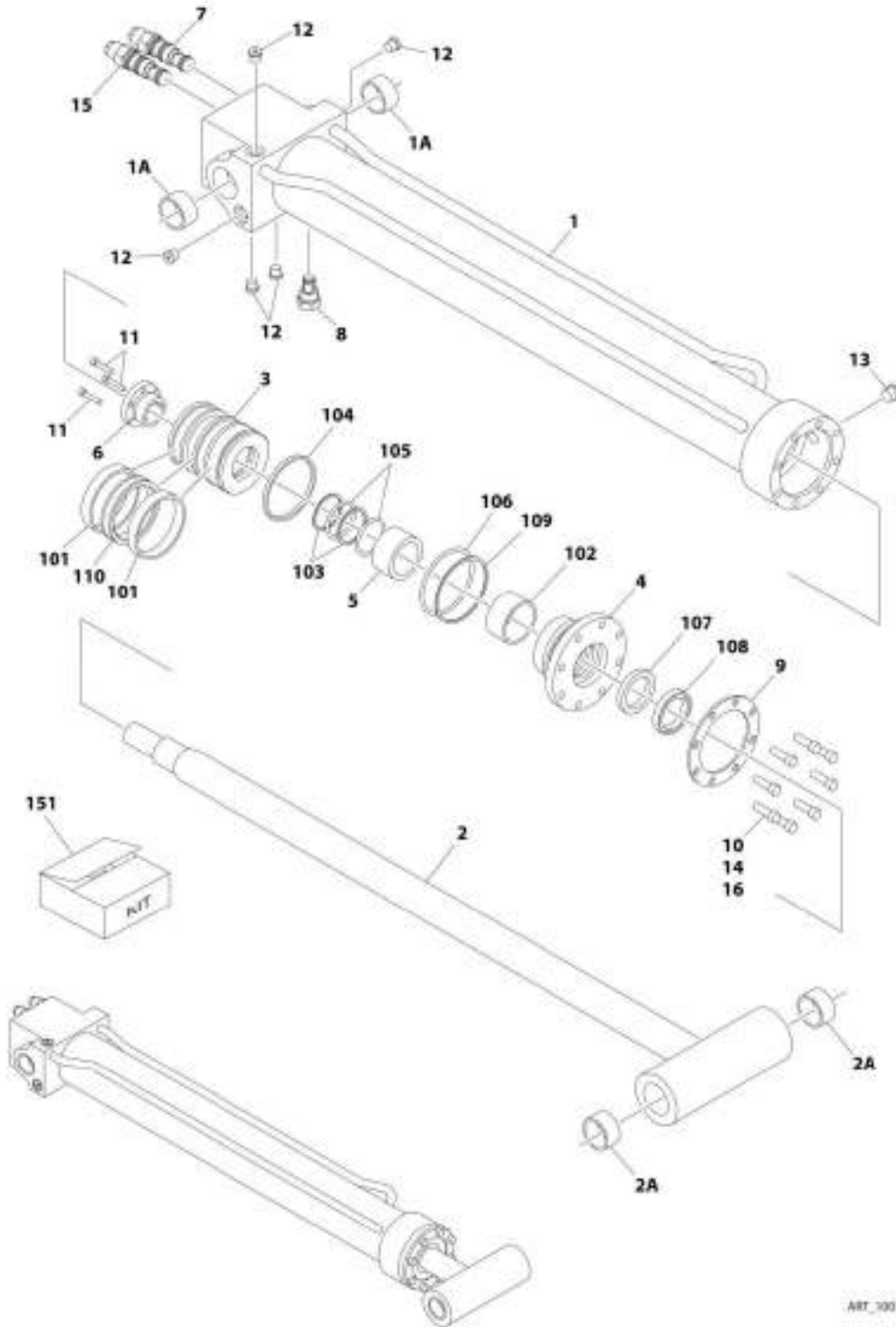
SECTION 6 - CYLINDER

FIGURE 6-11. JIB CYLINDER ASSEMBLY - WITHOUT COLD WEATHER PLUS PACKAGE (SN 0300201016 through 0300239161, SN B300002238 through B300002449)

ITEM	PART NUMBER	QTY	DESCRIPTION	REV
	1684173	Ref	JIB CYLINDER ASSEMBLY- WITHOUT COLD WEATHER PLUS PACKAGE (SN 0300201016 through 0300239161, SN B300002238 through B300002449)	H
		Ref	Note: Original Cylinder May Have Been Replaced with Service Replacement. Identify PN Stamped on Cylinder Before Ordering Parts.	
1	1684174	1	Barrel Weldment	
1A	0962257	2	Bushing	
2	1684176	1	Rod Weldment	
2A	0962257	2	Bushing	
3	3480271	1	Piston	
4	1683053	1	Head	
5	4100100	1	Spacer	
6	0961893	1	Bushing, Tapered	
7	4640452	1	Cartridge, Counterbalance (Port above V2)	
7	2900770	1	Seal Kit - 4640452 Cartridge Valve (1 Per Valve)	
8	4641114	1	Cartridge, Restricted/Check	
8	7012967	1	Seal Kit - 4641114 Cartridge Valve (1 Per Valve)	
9	3760368	1	Ring, Washer	
10	3931516	8	Capscrew 5/16 x 1	
11	0630534	3	Capscrew #10 x 1	
13	2220883	5	Plug, O-Ring	
14	2220885	1	Plug, O-Ring	
15	0100011	AR	Compound, Locking	
17	4641260	1	Cartridge, Counterbalance (Port above V1)	
17	2900770	1	Seal Kit - 4641260 Cartridge Valve (1 Per Valve)	
18	0100038	AR	Primer, Locking	
101	See Note	NSS	Ring, Wear (Note: Use Item 151)	
102	See Note	NSS	Ring, Wear (Note: Use Item 151)	
103	See Note	NSS	Ring, Back-up (Note: Use Item 151)	
104	See Note	NSS	Seal (Note: Use Item 151)	
105	See Note	NSS	O-Ring (Note: Use Item 151)	
106	See Note	NSS	O-Ring (Note: Use Item 151)	
107	See Note	NSS	Seal (Note: Use Item 151)	
108	See Note	NSS	Wiper, Rod (Note: Use Item 151)	
109	See Note	NSS	Ring, Back-up (Note: Use Item 151)	
110	See Note	NSS	Seal (Note: Use Item 151)	
151	2902092	1	Seal Kit Options (Includes Items 101-110)	

SECTION 6 - CYLINDER

FIGURE 6-12. JIB CYLINDER ASSEMBLY - WITH COLD WEATHER PLUS PACKAGE (SN 0300201016 through 0300239161)



ART_300115803

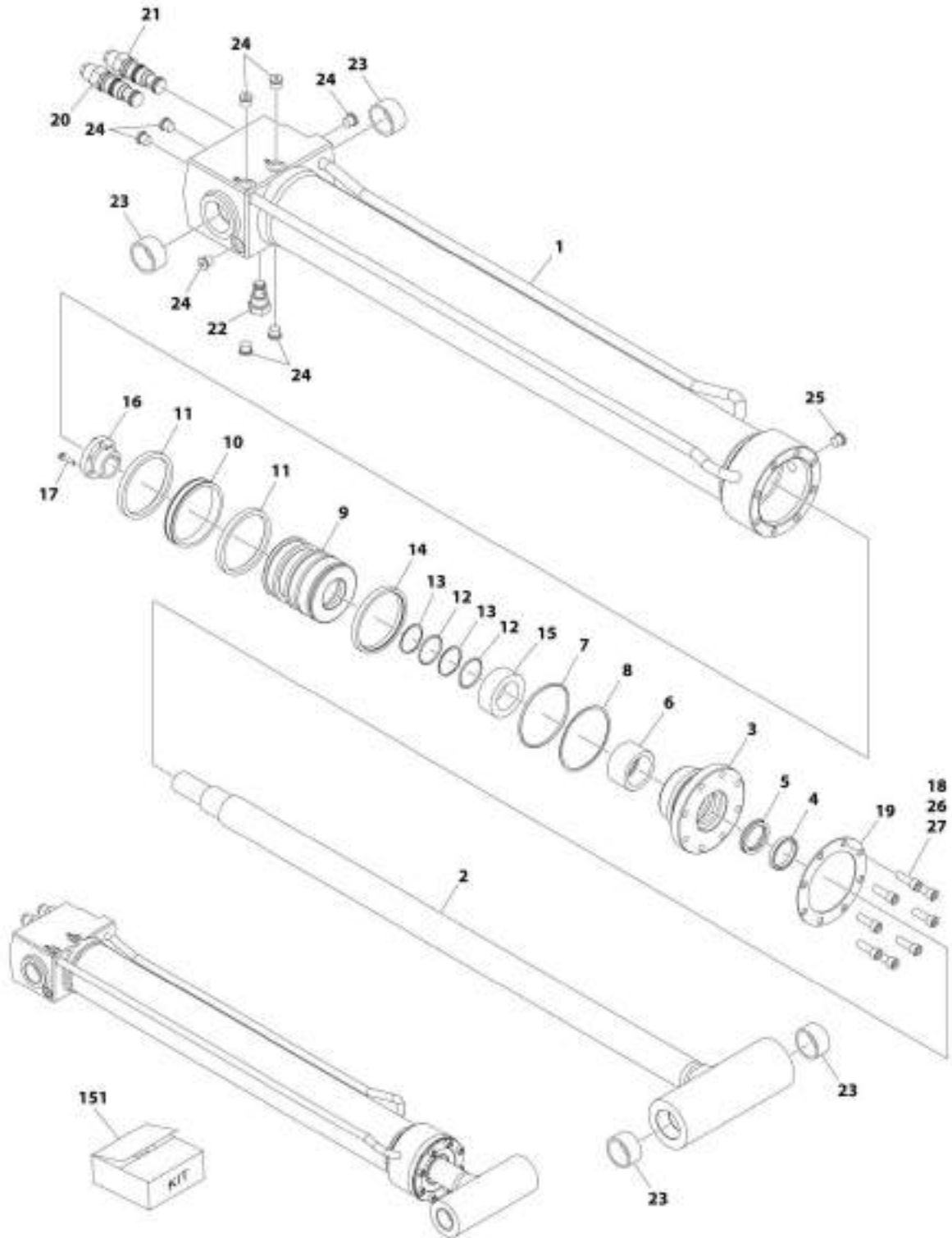
SECTION 6 - CYLINDER

FIGURE 6-12. JIB CYLINDER ASSEMBLY - WITH COLD WEATHER PLUS PACKAGE (SN 0300201016 through 0300239161)

ITEM	PART NUMBER	QTY	DESCRIPTION	REV
	1001138803	Ref	JIB CYLINDER ASSEMBLY - WITH COLD WEATHER PLUS PACKAGE (SN 0300201016 through 0300239161)	B
		Ref	Note: Original Cylinder May Have Been Replaced with Service Replacement. Identify PN Stamped on Cylinder Before Ordering Parts.	
1	1684174	1	Barrel Weldment	
1A	0962257	2	Bushing	
2	1684176	1	Rod Weldment	
2A	0962257	2	Bushing	
3	3480271	1	Piston	
4	1683053	1	Head	
5	4100100	1	Spacer	
6	0961893	1	Bushing, Tapered	
7	4640452	1	Cartridge, Counterbalance (Port above V2)	
7	2900770	1	Seal Kit - 4640452 Cartridge Valve (1 Per Valve)	
8	4641114	1	Cartridge, Restricted/Check	
8	7012967	1	Seal Kit - 4641114 Cartridge Valve (1 Per Valve)	
9	3760368	1	Ring, Washer	
10	3931516	8	Capscrew 5/16 x 1	
11	0630534	3	Capscrew # 10 x 1	
12	2220883	5	Plug, O-Ring	
13	2220885	1	Plug, O-Ring	
14	0100011	AR	Compound, Locking	
15	4641260	1	Cartridge, Counterbalance (Port above V1)	
15	2900770	1	Seal Kit - 4641260 Cartridge Valve	
16	0100038	AR	Primer, Locking	
101	See Note	NSS	Ring, Wear (Note: Use Item 151)	
102	See Note	NSS	Ring, Wear (Note: Use Item 151)	
103	See Note	NSS	Ring, Back-up (Note: Use Item 151)	
104	See Note	NSS	Seal (Note: Use Item 151)	
105	See Note	NSS	O-Ring (Note: Use Item 151)	
106	See Note	NSS	O-Ring (Note: Use Item 151)	
107	See Note	NSS	Seal (Note: Use Item 151)	
108	See Note	NSS	Wiper, Rod (Note: Use Item 151)	
109	See Note	NSS	Ring, Back-up (Note: Use Item 151)	
110	See Note	NSS	Seal (Note: Use Item 151)	
151	1001138805	1	Seal Kit Options (Includes Items 101-110)	

SECTION 6 - CYLINDER

FIGURE 6-13. JIB CYLINDER ASSEMBLY - WITH OR WITHOUT COLD WEATHER PLUS PACKAGE
(SN 0300239162 to Present, SN B300002450 to Present)



ART_1001228025

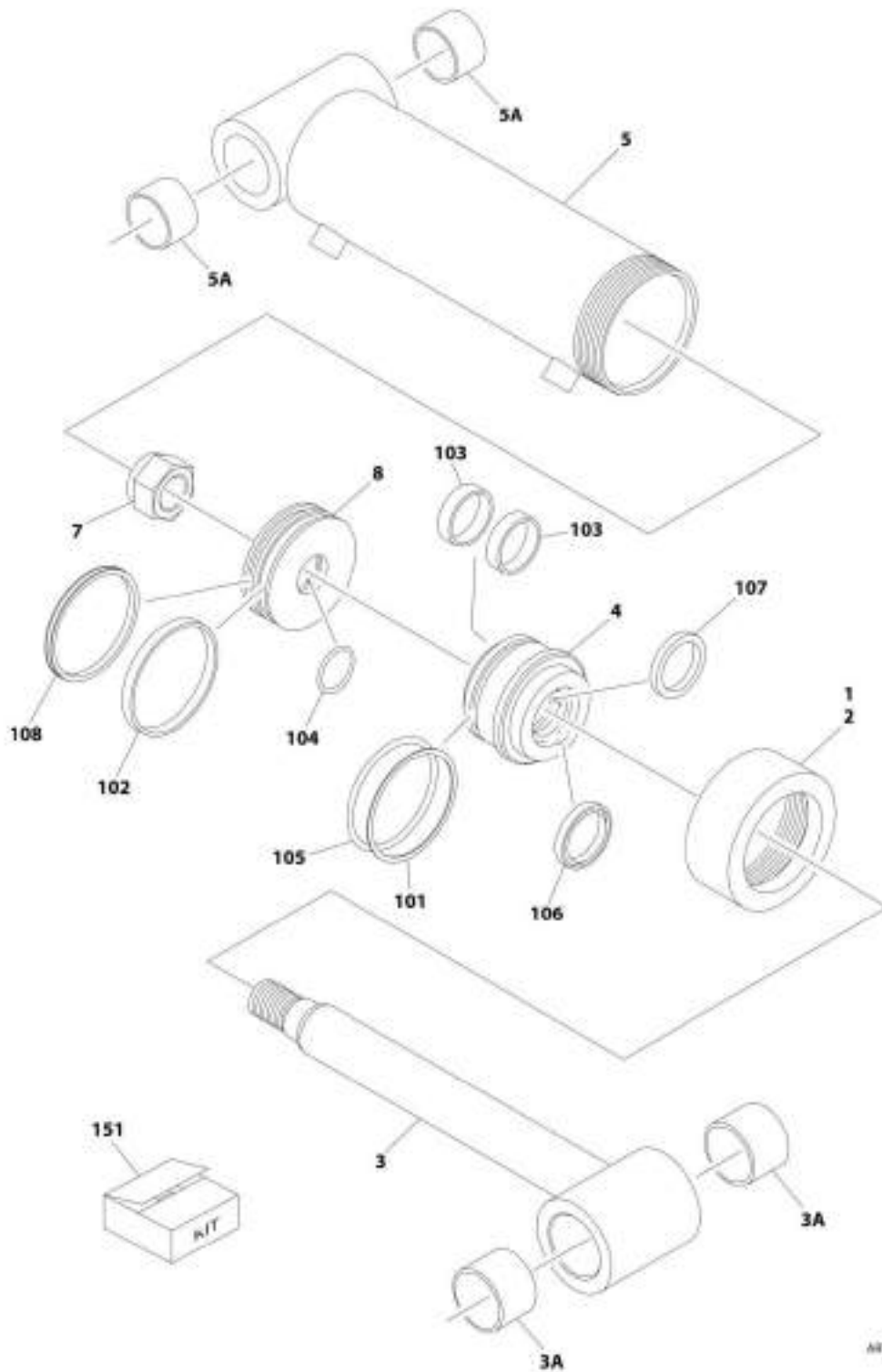
SECTION 6 - CYLINDER

**FIGURE 6-13. JIB CYLINDER ASSEMBLY - WITH OR WITHOUT COLD WEATHER PLUS PACKAGE
(SN 0300239162 to Present, SN B30002450 to Present)**

ITEM	PART NUMBER	QTY	DESCRIPTION	REV
	1001228025	Ref	JIB CYLINDER ASSEMBLY	E
		Ref	Note: Original Cylinder May Have Been Replaced with Service Replacement. Identify PN Stamped on Cylinder Before Ordering Parts.	
1	See Note	NSS	Barrel Weldment (Note: Not Available for Purchase)	
2	70006526	1	Rod Weldment	
3	70006525	1	Head	
4	See Note	NSS	Wiper, Rod (Note: Use Item 151)	
5	See Note	NSS	Seal (Note: Use Item 151)	
6	See Note	NSS	Ring, Wear (Note: Use Item 151)	
7	See Note	NSS	O-Ring (Note: Use Item 151)	
8	See Note	NSS	Ring, Back-up (Note: Use Item 151)	
9	70006524	1	Piston	
10	See Note	NSS	Seal (Note: Use Item 151)	
11	See Note	NSS	Ring, Wear (Note: Use Item 151)	
12	See Note	NSS	O-Ring (Note: Use Item 151)	
13	See Note	NSS	Ring, Back-up (Note: Use Item 151)	
14	See Note	NSS	Seal (Note: Use Item 151)	
15	70006523	1	Spacer	
16	0961893	1	Bushing, Tapered	
17	0630534	3	Capscrew #10 x 1	
18	3931516	8	Capscrew 5/16 x 1	
19	3760368	1	Ring, Washer	
20	4641260	1	Cartridge, Counterbalance (Port above V1)	
20	2900770	1	Seal Kit - 4641260 Cartridge Valve (1 Per Valve)	
21	4640452	1	Cartridge, Counterbalance (Port above V2)	
21	2900770	1	Seal Kit - 4640452 Cartridge Valve (1 Per Valve)	
22	4641114	1	Cartridge, Restricted/Check	
22	7012967	1	Seal Kit - 4641114 Cartridge Valve (1 Per Valve)	
23	0962257	4	Bushing	
24	2220883	8	Plug, O-Ring	
25	2220885	AR	Plug, O-Ring	
26	0100011	AR	Compound, Locking	
27	0100038	AR	Primer, Locking	
151	1001138805	1	Seal Kit Options (Includes Items 4-8 & 10-14)	

SECTION 6 - CYLINDER

FIGURE 6-14. STEER CYLINDER ASSEMBLY (SN 0300201016 through 0300238011, SN B300002238 through B300002376)



ART_1684314

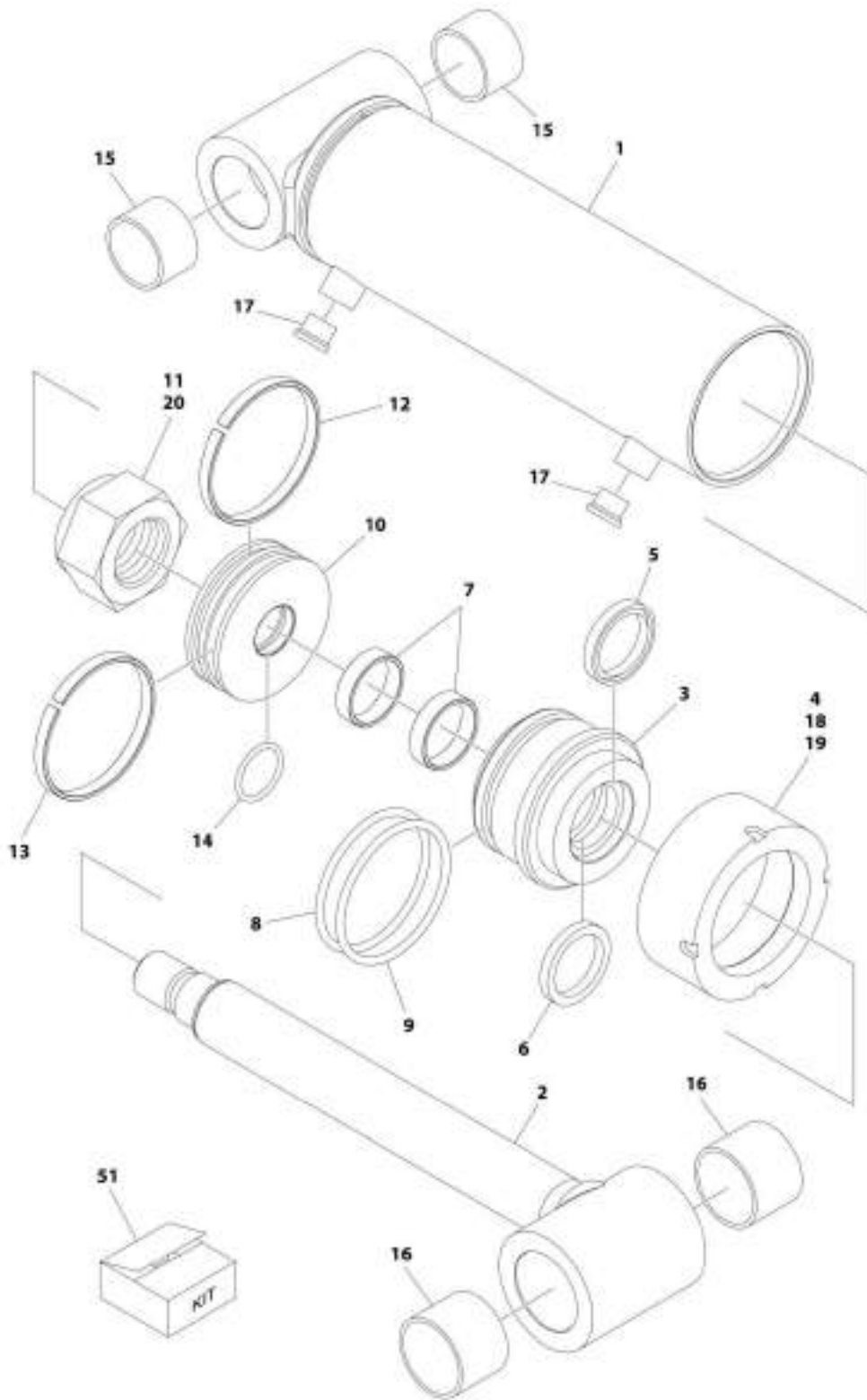
SECTION 6 - CYLINDER

FIGURE 6-14. STEER CYLINDER ASSEMBLY (SN 0300201016 through 0300238011, SN B300002238 through B300002376)

ITEM	PART NUMBER	QTY	DESCRIPTION	REV
	1684314	Ref	STEER CYLINDER ASSEMBLY (SN 0300201016 through 0300238011, SN B300002238 through B300002376) Note: Original Cylinder May Have Been Replaced with Service Replacement. Identify PN Stamped on Cylinder Before Ordering Parts.	F
		Ref		
1	0100035	AR	Compound, Locking	
2	1120094	1	Cap, Cylinder	
3	1684275	1	Rod	
3A	0961950	2	Bushing	
4	1684315	1	Head	
5	1684317	1	Barrel	
5A	0961949	2	Bushing	
7	3300465	1	Nut	
8	3480278	1	Piston	
101	See Note	NSS	Ring, Back-up (Note: Use Item 151)	
102	See Note	NSS	Ring, Wear (Note: Use Item 151)	
103	See Note	NSS	Ring, Wear (Note: Use Item 151)	
104	See Note	NSS	O-Ring (Note: Use Item 151)	
105	See Note	NSS	O-Ring (Note: Use Item 151)	
106	See Note	NSS	Wiper (Note: Use Item 151)	
107	See Note	NSS	Seal, Piston (Note: Use Item 151)	
108	See Note	NSS	Seal (Note: Use Item 151)	
151	2902257	1	Seal Kit (Includes Items 101-108)	

SECTION 6 - CYLINDER

FIGURE 6-15. STEER CYLINDER ASSEMBLY (SN 0300238012 to Present, SN B300002377 to Present)



ART_300128031

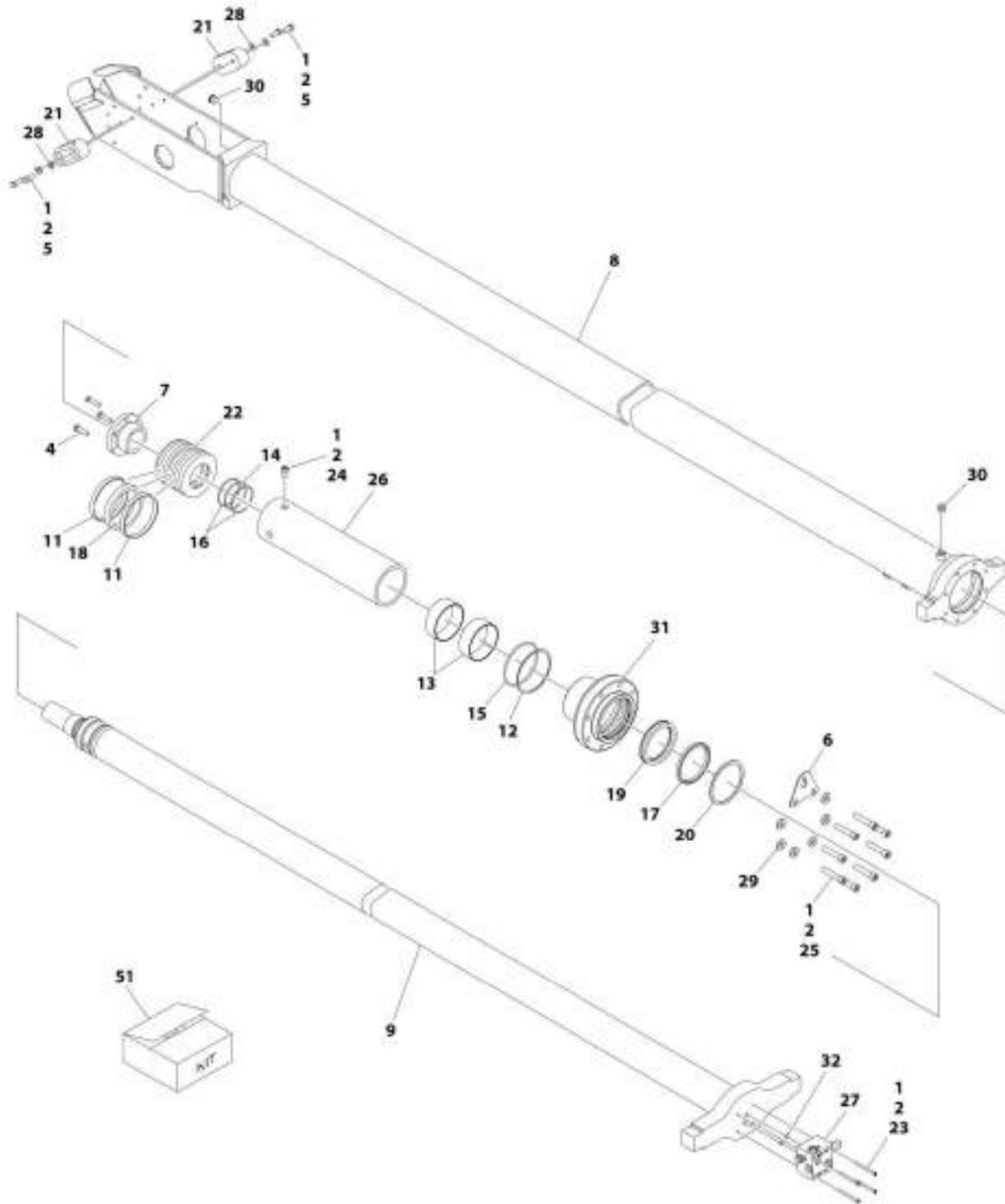
SECTION 6 - CYLINDER

FIGURE 6-15. STEER CYLINDER ASSEMBLY (SN 0300238012 to Present, SN B300002377 to Present)

ITEM	PART NUMBER	QTY	DESCRIPTION	REV
	1001228031	Ref	STEER CYLINDER ASSEMBLY	B
		Ref	Note: Original Cylinder May Have Been Replaced with Service Replacement. Identify PN Stamped on Cylinder Before Ordering Parts.	
1	See Note	NSS	Barrel Weldment (Note: Not Available for Purchase)	
2	70006493	1	Rod	
3	70006492	1	Head	
4	70006491	1	Cap, Cylinder	
5	See Note	NSS	Wiper (Note: Use Item 51)	
6	See Note	NSS	Seal, Piston (Note: Use Item 51)	
7	See Note	NSS	Ring, Wear (Note: Use Item 51)	
8	See Note	NSS	O-Ring (Note: Use Item 51)	
9	See Note	NSS	Ring, Back-up (Note: Use Item 51)	
10	70006490	1	Piston	
11	3300465	1	Nut	
12	See Note	NSS	Seal (Note: Use Item 51)	
13	See Note	NSS	Ring, Wear (Note: Use Item 51)	
14	See Note	NSS	O-Ring (Note: Use Item 51)	
15	0961949	2	Bushing	
16	0961950	2	Bushing	
17	2220885	2	Plug (With O-Ring)	
18	0100011	AR	Compound, Locking	
19	0100038	AR	Primer, Locking	
20	0100019	AR	Compound, Locking	
51	2902257	1	Seal Kit (Includes Items 5-9 & 12-14)	

SECTION 6 - CYLINDER

FIGURE 6-16. TELESCOPE CYLINDER ASSEMBLY - 1200SJP (SN 0300201016 through 0300243437, SN B300002238 through B300002718)



ART.1604178

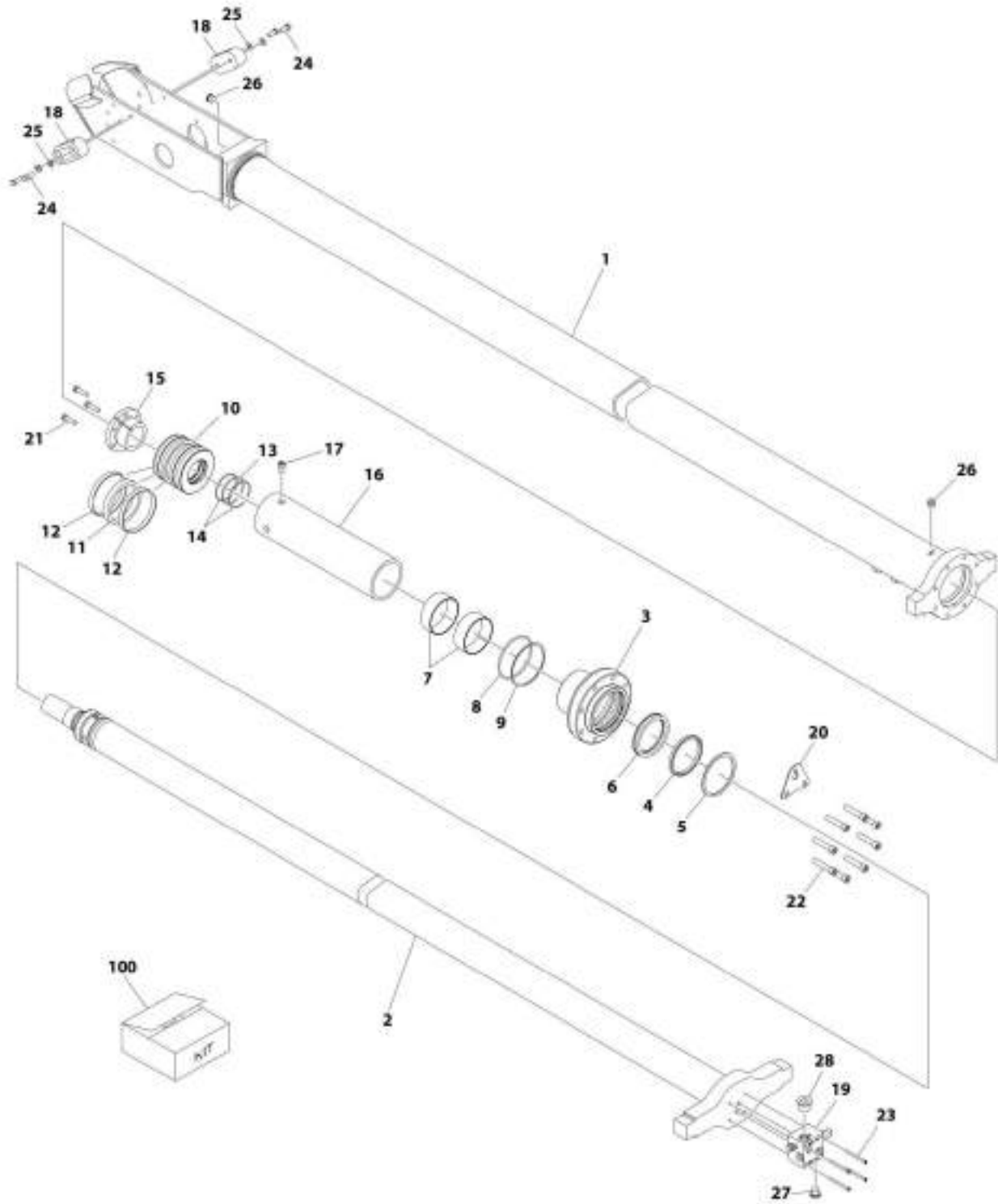
SECTION 6 - CYLINDER

FIGURE 6-16. TELESCOPE CYLINDER ASSEMBLY - 1200SJP (SN 0300201016 through 0300243437, SN B300002238 through B300002718)

ITEM	PART NUMBER	QTY	DESCRIPTION	REV
	1684178	Ref	TELESCOPE CYLINDER ASSEMBLY - 1200SJP (SN 0300201016 through 0300243437, SN B300002238 through B300002718)	K
		Ref	Note: Original Cylinder May Have Been Replaced with Service Replacement. Identify PN Stamped on Cylinder Before Ordering Parts.	
1	0100011	AR	Compound, Locking	
2	0100038	AR	Primer, Locking	
4	0630536	3	Capscrew	
5	0641608	4	Bolt 3/8 x 1	
6	0902743	1	Bracket	
7	0961903	1	Bushing, Tapered	
8	1684179	1	Barrel Weldment	
9	1001105016	1	Rod Weldment	
11	See Note	NSS	Ring, Wear (Note: Use Item 51)	
12	See Note	NSS	Ring, Back-up (Note: Use Item 51)	
13	See Note	NSS	Ring, Wear (Note: Use Item 51)	
14	See Note	NSS	O-Ring (Note: Use Item 51)	
15	See Note	NSS	O-Ring (Note: Use Item 51)	
16	See Note	NSS	Ring, Back-up (Note: Use Item 51)	
17	See Note	NSS	Wiper, Rod (Note: Use Item 51)	
18	See Note	NSS	T-Seal (Note: Use Item 51)	
19	See Note	NSS	Seal, Rod (Note: Use Item 51)	
20	See Note	NSS	Ring, Retaining (Note: Use Item 51)	
21	3340963	2	Pad, Wear	
22	3480268	1	Piston	
23	3931448	4	Capscrew 1/4 x 3	
24	3931608	1	Capscrew 3/8 x 1	
25	3931840	8	Capscrew 1/2 x 2-1/2	
26	1001105014	1	Spacer	
27	4641256	1	Valve Assembly	
27	2220884	1	Plug, SAE #5 (With O-Ring)	
27	2220885	1	Plug, SAE #6 (With O-Ring)	
28	4711600	4	Washer 3/8	
29	4891800	6	Washer 1/2	
30	2220885	2	Plug, O-Ring	
31	1684141	1	Head	
32	3790112	2	O-Ring	
51	2902081	1	Seal Kit (Includes Items 11-20)	

SECTION 6 - CYLINDER

FIGURE 6-17. TELESCOPE CYLINDER ASSEMBLY - 1200SJP (SN 0300243438 to Present, SN B300002719 to Present)



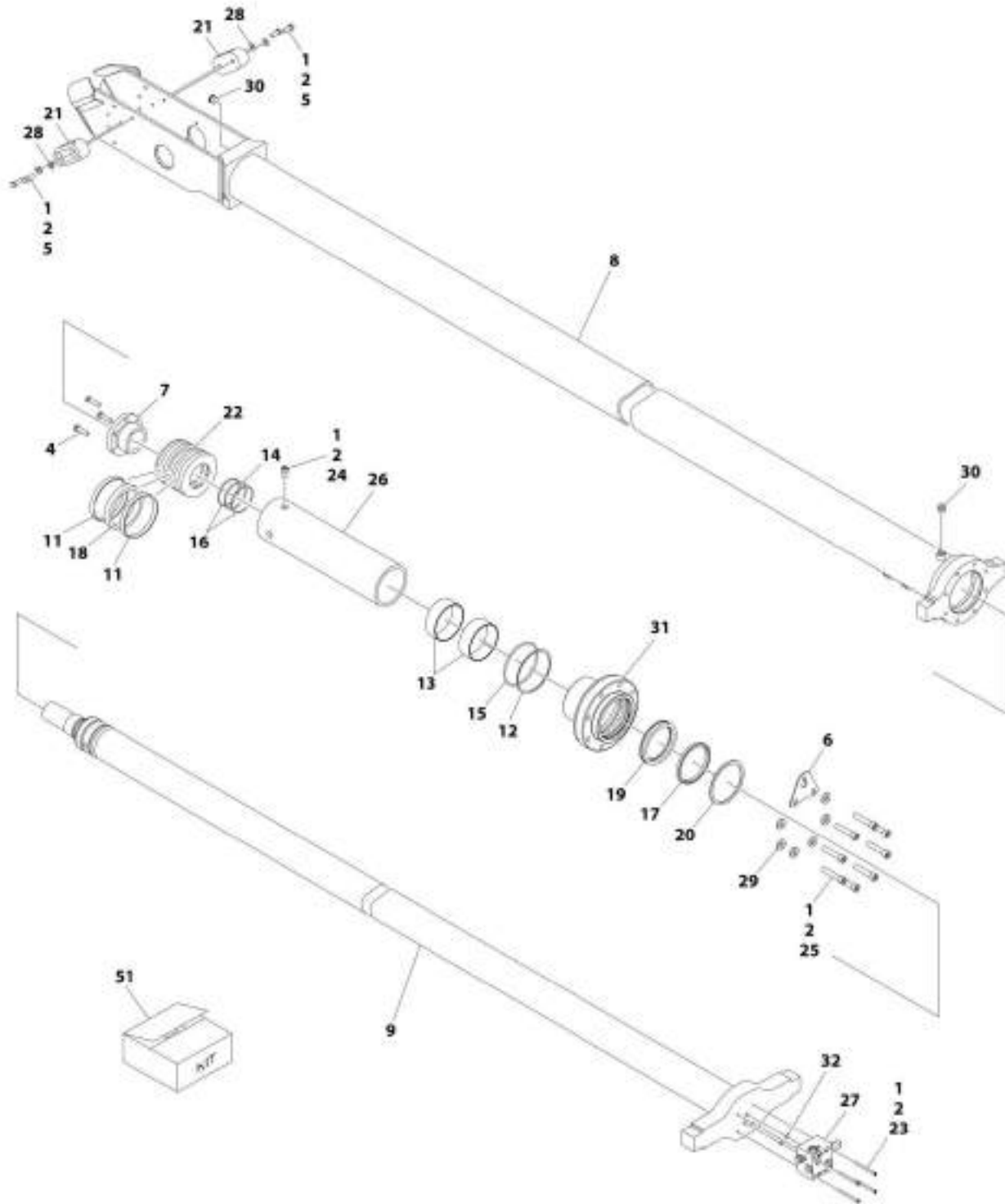
SECTION 6 - CYLINDER

FIGURE 6-17. TELESCOPE CYLINDER ASSEMBLY - 1200SJP (SN 0300243438 to Present, SN B300002719 to Present)

ITEM	PART NUMBER	QTY	DESCRIPTION	REV
	1001228026	Ref	TELESCOPE CYLINDER ASSEMBLY - 1200SJP (SN 0300243438 to Present, SN B300002719 to Present)	B
		Ref	Note: Original Cylinder May Have Been Replaced with Service Replacement. Identify PN Stamped on Cylinder Before Ordering Parts.	
1	See Note	NSS	Barrel (Note: Not Available for Purchase)	
2	70006656	1	Rod	
3	70006657	1	Head	
4	See Note	NSS	Wiper (Note: Use Item 100)	
5	See Note	NSS	Ring, Retaining (Note: Use Item 100)	
6	See Note	NSS	Seal, Rod (Note: Use Item 100)	
7	See Note	NSS	Ring, Wear (Note: Use Item 100)	
8	See Note	NSS	O-Ring (Note: Use Item 100)	
9	See Note	NSS	Ring, Back-up (Note: Use Item 100)	
10	70006658	1	Piston	
11	See Note	NSS	Seal (Note: Use Item 100)	
12	See Note	NSS	Ring, Wear (Note: Use Item 100)	
13	See Note	NSS	O-Ring (Note: Use Item 100)	
14	See Note	NSS	Ring, Back-up (Note: Use Item 100)	
15	0961903	1	Bushing, Tapered	
16	70006659	1	Spacer	
17	3931608	1	Capscrew 3/8 x 1	
18	3340963	2	Pad, Wear	
19	4641256	1	Valve Assembly	
19	2220884	1	Plug, SAE #5 (With O-Ring)	
19	2220885	1	Plug, SAE #6 (With O-Ring)	
20	0902743	1	Bracket	
21	0630536	3	Capscrew	
22	3931840	8	Capscrew 1/2 x 2-1/2	
23	3931448	4	Capscrew 1/4 x 3	
24	0641608	4	Bolt 3/8 x 1	
25	4711600	4	Washer 3/8	
26	2220885	2	Plug, O-Ring	
27	2220886	1	Plug, O-Ring	
28	70005433	1	Plug, O-Ring	
100	2902081	1	Seal Kit (Includes Items 4-9 & 11-14)	

SECTION 6 - CYLINDER

FIGURE 6-18. TELESCOPE CYLINDER ASSEMBLY - 1350SJP (SN 0300201016 through 0300243473, SN B300002238 through B300002646)



ART.1604108

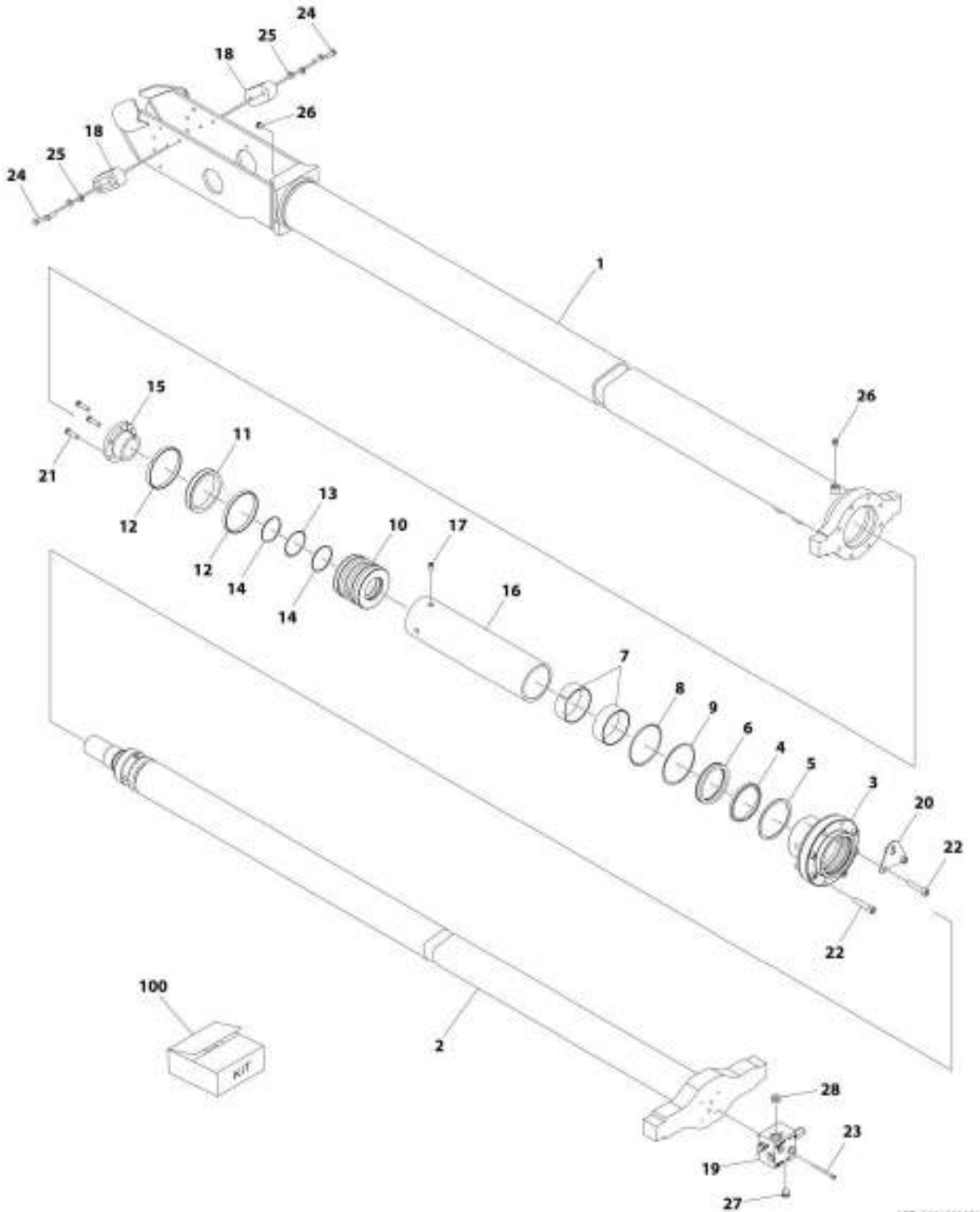
SECTION 6 - CYLINDER

**FIGURE 6-18. TELESCOPE CYLINDER ASSEMBLY - 1350SJP (SN 0300201016 through 0300243473,
SN B300002238 through B300002646)**

ITEM	PART NUMBER	QTY	DESCRIPTION	REV
	1684108	Ref	TELESCOPE CYLINDER ASSEMBLY - 1350SJP	M
		Ref	Note: Original Cylinder May Have Been Replaced with Service Replacement. Identify PN Stamped on Cylinder Before Ordering Parts.	
1	0100011	AR	Compound, Locking	
2	0100038	AR	Primer, Locking	
4	0630536	3	Capscrew	
5	0641608	4	Bolt 3/8 x 1	
6	0902743	1	Bracket	
7	0961903	1	Bushing, Tapered	
8	1684109	1	Barrel Weldment	
9	1001104923	1	Rod Weldment	
11	See Note	NSS	Ring, Wear (Note: Use Item 51)	
12	See Note	NSS	Ring, Back-up (Note: Use Item 51)	
13	See Note	NSS	Ring, Wear (Note: Use Item 51)	
14	See Note	NSS	O-Ring (Note: Use Item 51)	
15	See Note	NSS	O-Ring (Note: Use Item 51)	
16	See Note	NSS	Ring, Back-up (Note: Use Item 51)	
17	See Note	NSS	Wiper, Rod (Note: Use Item 51)	
18	See Note	NSS	T-Seal (Note: Use Item 51)	
19	See Note	NSS	Seal, Rod (Note: Use Item 51)	
20	See Note	NSS	Ring, Retaining (Note: Use Item 51)	
21	3340963	2	Pad, Wear	
22	3480268	1	Piston	
23	3931448	4	Capscrew 1/4 x 3	
24	3931608	1	Capscrew 3/8 x 1	
25	3931840	8	Capscrew 1/2 x 2-1/2	
26	1001104922	1	Spacer	
27	4641256	1	Valve Assembly	
27	2220884	1	Plug, SAE #5 (With O-Ring)	
27	2220885	1	Plug, SAE #6 (With O-Ring)	
28	4711600	4	Washer 3/8	
29	4891800	6	Washer 1/2	
30	2220885	2	Plug, O-Ring	
31	1684141	1	Head	
32	3790112	2	O-Ring	
51	2902081	1	Seal Kit (Includes Items 11-20)	

SECTION 6 - CYLINDER

FIGURE 6-19. TELESCOPE CYLINDER ASSEMBLY - 1350SJP (SN 0300243474 to Present, SN B300002647 to Present)



SECTION 6 - CYLINDER

FIGURE 6-19. TELESCOPE CYLINDER ASSEMBLY - 1350SJP (SN 0300243474 to Present, SN B300002647 to Present)

ITEM	PART NUMBER	QTY	DESCRIPTION	REV
	1001228021	Ref	TELESCOPE CYLINDER ASSEMBLY - 1350SJP (SN 0300243474 to Present, SN B300002647 to Present)	C
		Ref	Note: Original Cylinder May Have Been Replaced with Service Replacement. Identify PN Stamped on Cylinder Before Ordering Parts.	
1	See Note	NSS	Barrel (Note: Not Available for Purchase)	
2	70006697	1	Rod	
3	70006657	1	Head	
4	See Note	NSS	Wiper (Note: Use Item 100)	
5	See Note	NSS	Ring, Retaining (Note: Use Item 100)	
6	See Note	NSS	Seal, Rod (Note: Use Item 100)	
7	See Note	NSS	Ring, Wear (Note: Use Item 100)	
8	See Note	NSS	O-Ring (Note: Use Item 100)	
9	See Note	NSS	Ring, Back-up (Note: Use Item 100)	
10	70006658	1	Piston	
11	See Note	NSS	Seal (Note: Use Item 100)	
12	See Note	NSS	Ring, Wear (Note: Use Item 100)	
13	See Note	NSS	O-Ring (Note: Use Item 100)	
14	See Note	NSS	Ring, Back-up (Note: Use Item 100)	
15	0961903	1	Bushing, Tapered	
16	70006698	1	Spacer	
17	70006631	1	Capscrew M8 x 16	
18	3340963	2	Pad, Wear	
19	4641256	1	Valve Assembly	
19	2220884	1	Plug, SAE #5 (With O-Ring)	
19	2220885	1	Plug, SAE #6 (With O-Ring)	
20	0902743	1	Bracket	
21	0630536	3	Capscrew	
22	3931840	8	Capscrew 1/2 x 2-1/2	
23	3931448	4	Capscrew 1/4 x 3	
24	0641608	4	Bolt 3/8 x 1	
25	4711600	4	Washer 3/8	
26	2220885	2	Plug, O-Ring	
27	2220886	1	Plug, O-Ring	
28	70005433	1	Plug, O-Ring	
100	2902081	1	Seal Kit (Includes Items 4-9 & 11-14)	

SECTION 7 - HYDRAULIC

SECTION 7 - HYDRAULIC

FIGURE 7-1. HYDRAULIC DIAGRAM - BOOM (1200SJP)

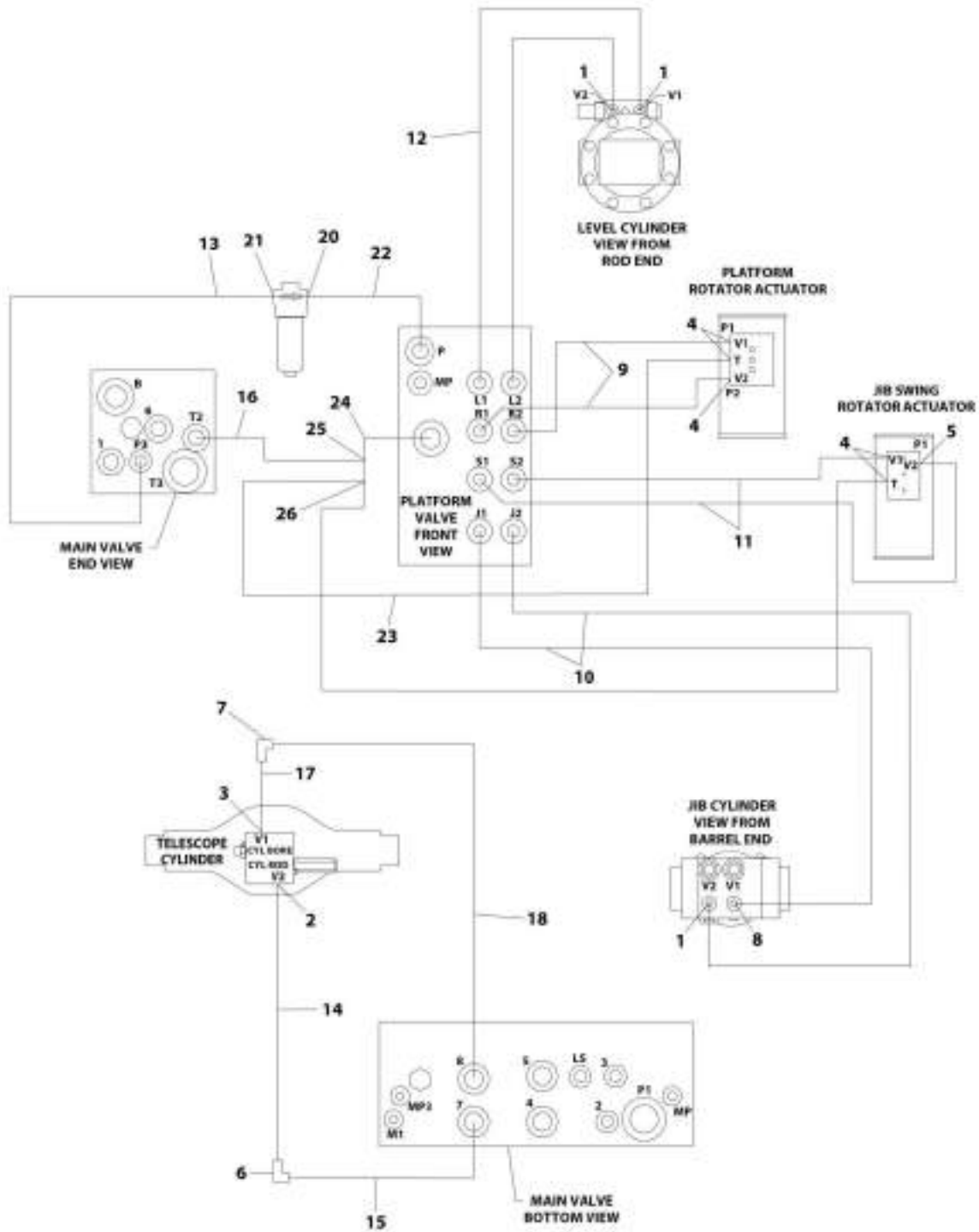


FIG. 1283457_10F7

SECTION 7 - HYDRAULIC

FIGURE 7-1. HYDRAULIC DIAGRAM - BOOM (1200SJP)

ITEM	PART NUMBER	QTY	DESCRIPTION	REV
	1283457	Ref	HYDRAULIC DIAGRAM - BOOM (1200SJP)	L
	1001098025	Ref	Hydraulic Diagram - Upper Boom	3
1	2110404	3	Fitting, Straight ORFS/ORB	
2	2110808	1	Fitting, Straight ORFS/ORB	
3	2111010	1	Fitting, Straight ORFS/ORB	
4	2150404	5	Fitting, 45 ORFS/ORB	
5	2170204	1	Fitting, 90 ORFS/ORB	
6	2171208	1	Fitting, Elbow	
7	2171210	1	Fitting, Elbow	
8	2180830	1	Fitting, Orifice	
9	2753545	2	Hose	
10	2753717	2	Hose	
11	2753716	3	Hose	
12	2753552	2	Hose	
13	2753810	1	Hose	
14	2753745	1	Hose	
15	2753755	1	Hose	
16	2753811	1	Hose	
17	2753763	1	Hose	
18	2753767	1	Hose	
20	2110612	1	Fitting, Straight ORFS/ORB	
21	2130612	1	Fitting, 90 ORFS/ORB	
22	2717059	1	Hose	
23	2754288	1	Hose	
24	2170708	1	Fitting, Swivel Nut Run Tee ORFS/FSORFS/ORFS	
25	1001097820	1	Fitting, Adapter ORFS/FSORFS	
26	2170704	1	Fitting, Swivel Nut Run Tee ORFS/FSORFS/ORFS	

SECTION 7 - HYDRAULIC

FIGURE 7-2. HYDRAULIC DIAGRAM - BOOM (1350SJP)

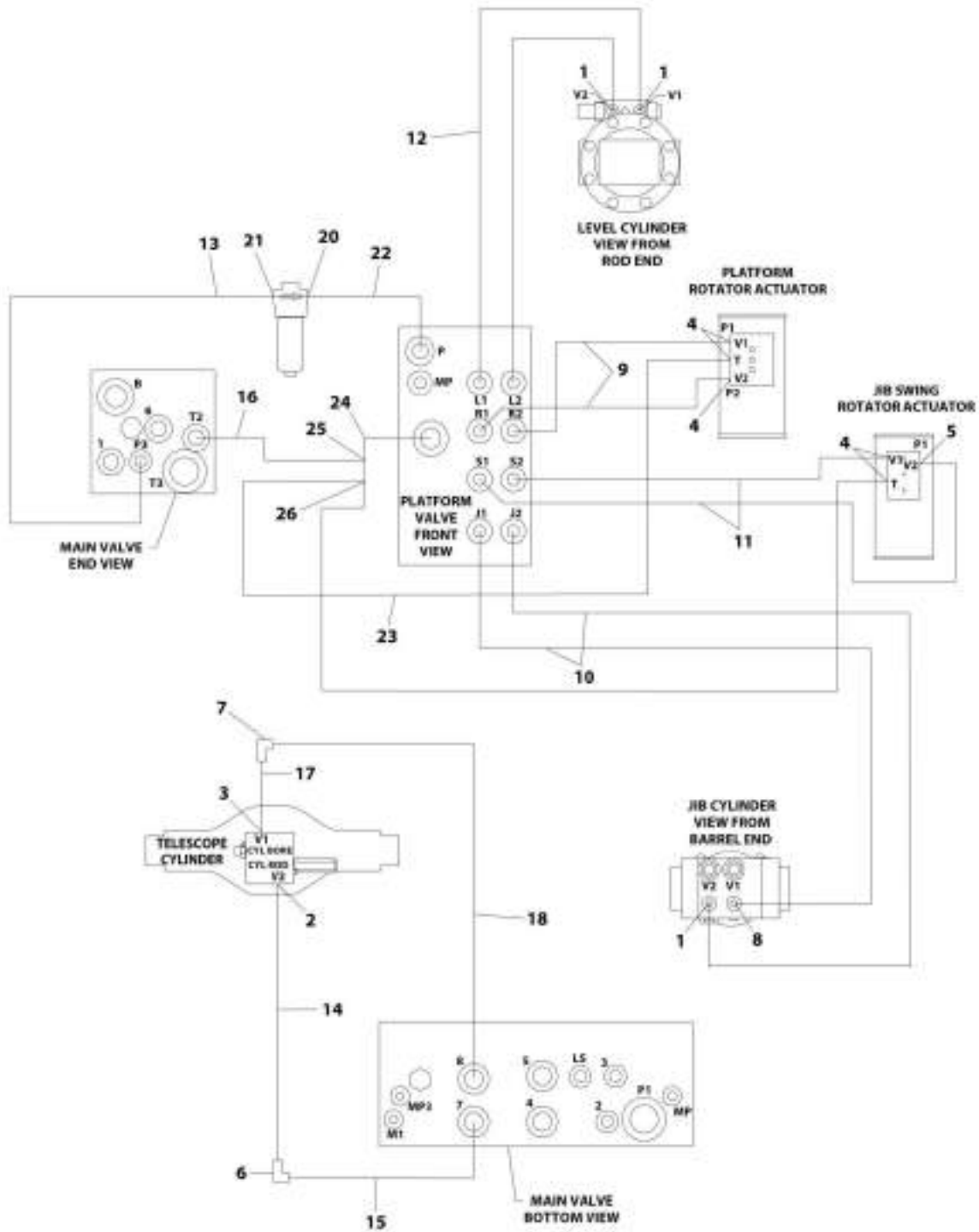


FIG. 1283457_10F7

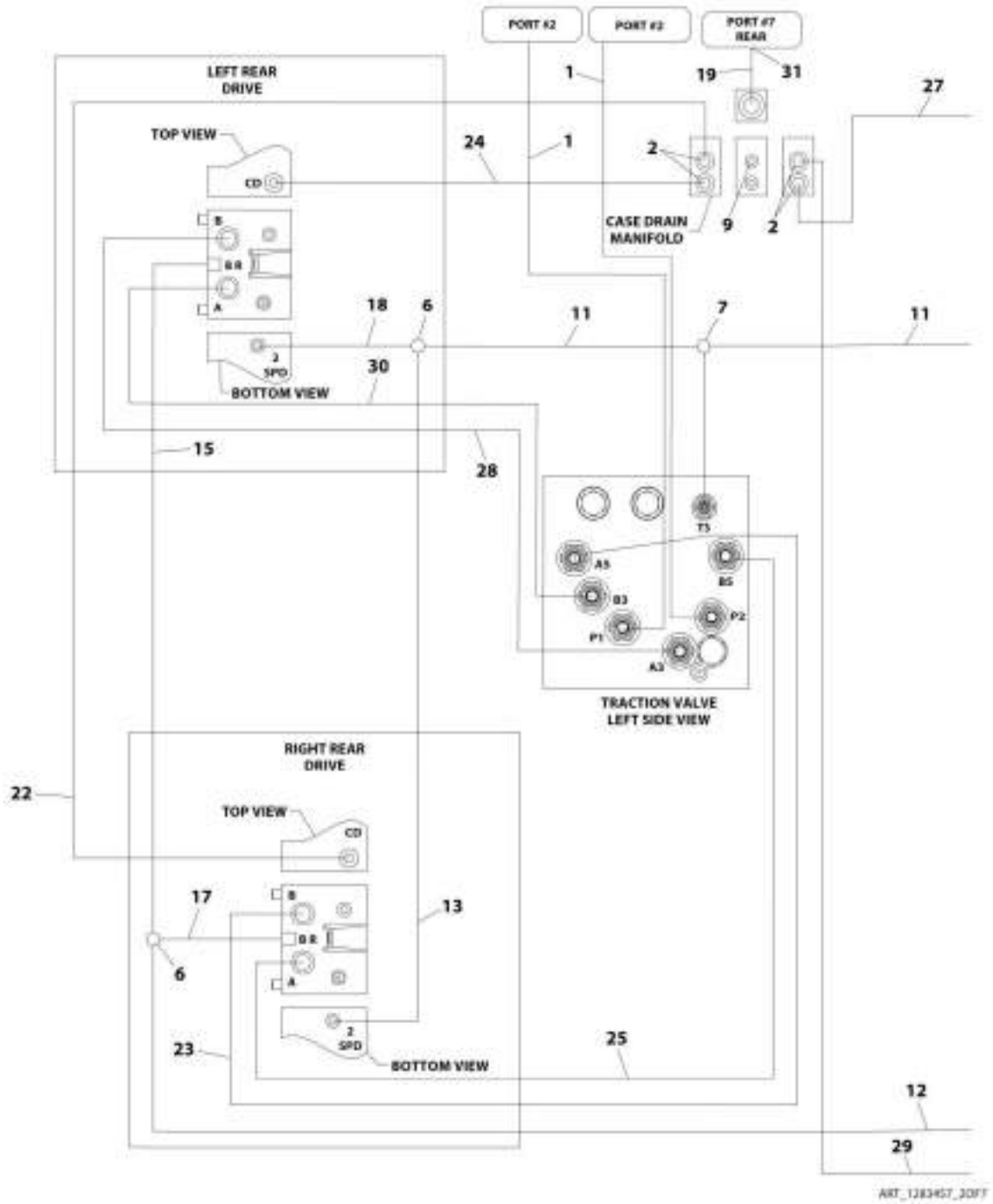
SECTION 7 - HYDRAULIC

FIGURE 7-2. HYDRAULIC DIAGRAM - BOOM (1350SJP)

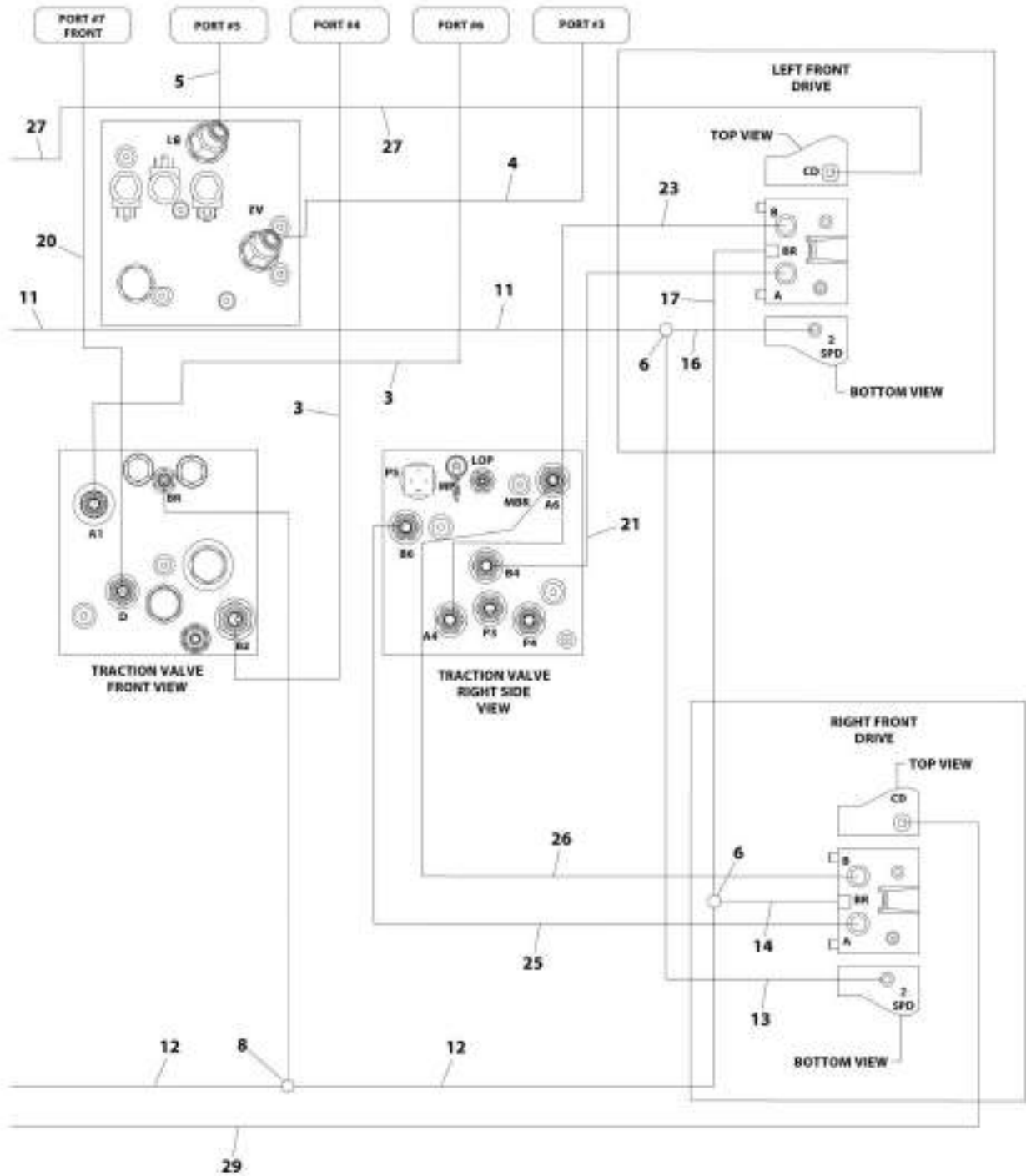
ITEM	PART NUMBER	QTY	DESCRIPTION	REV
	1283457	Ref	HYDRAULIC DIAGRAM - BOOM (1350SJP)	L
	1001098026	Ref	Hydraulic Diagram - Upper Boom	3
1	2110404	3	Fitting, Straight ORFS/ORB	
2	2110808	1	Fitting, Straight ORFS/ORB	
3	2111010	1	Fitting, Straight ORFS/ORB	
4	2150404	5	Fitting, 45 ORFS/ORB	
5	2170204	1	Fitting, 90 ORFS/ORB	
6	2171208	1	Fitting, Elbow	
7	2171210	1	Fitting, Elbow	
8	2180830	1	Fitting, Orifice	
9	2753545	2	Hose	
10	2753717	2	Hose	
11	2753716	3	Hose	
12	2753552	2	Hose	
13	2753740	1	Hose	
14	2753745	1	Hose	
15	2753755	1	Hose	
16	2753751	1	Hose	
17	2753763	1	Hose	
18	2753767	1	Hose	
20	2110612	1	Fitting, Straight ORFS/ORB	
21	2130612	1	Fitting, 90 ORFS/ORB	
22	2717059	1	Hose	
23	2754288	1	Hose	
24	2170708	1	Fitting, Swivel Nut Run Tee ORFS/FSORFS/ORFS	
25	1001097820	1	Fitting, Adapter ORFS/FSORFS	
26	2170704	1	Fitting, Swivel Nut Run Tee ORFS/FSORFS/ORFS	

SECTION 7 - HYDRAULIC

FIGURE 7-3. HYDRAULIC DIAGRAM - DRIVE



SECTION 7 - HYDRAULIC



ART_1281457_30F7

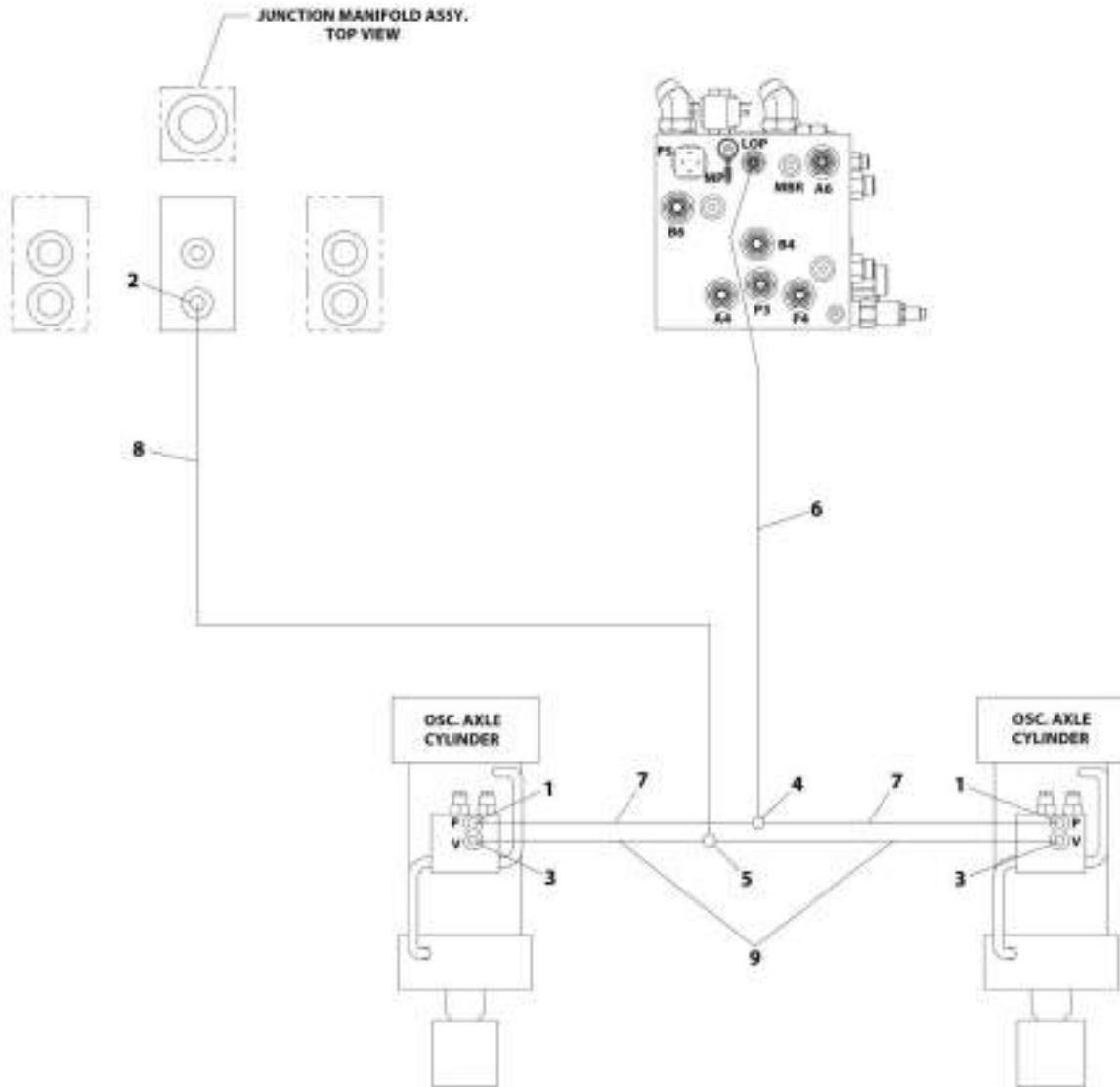
SECTION 7 - HYDRAULIC

FIGURE 7-3. HYDRAULIC DIAGRAM - DRIVE

ITEM	PART NUMBER	QTY	DESCRIPTION	REV
	1283457	Ref	HYDRAULIC DIAGRAM - DRIVE	L
	2792772	Ref	Hydraulic Diagram - Drive Circuit	F
1	2753685	2	Hose	
2	2110808	4	Fitting, Straight ORFS/ORB	
3	2753703	2	Hose	
4	2753764	1	Hose	
5	2753768	1	Hose	
6	2170504	4	Fitting, Tee ORFS	
7	2170704	1	Fitting, Tee ORFS/ORB/ORFS	
8	2170804	1	Fitting, Tee ORFS/ORB/ORFS	
9	2220235	1	Plug	
11	2753541	2	Hose	
12	2753545	2	Hose	
13	2753677	2	Hose	
14	2753714	1	Hose	
15	2753713	1	Hose	
16	2753716	1	Hose	
17	2753715	2	Hose	
18	2753552	1	Hose	
19	2753752	1	Hose	
20	2753582	1	Hose	
21	2753756	1	Hose	
22	2753747	1	Hose	
23	2753757	2	Hose	
24	2753748	1	Hose	
25	2753759	2	Hose	
26	2753760	1	Hose	
27	2753749	1	Hose	
28	2753761	1	Hose	
29	2753750	1	Hose	
30	2753762	1	Hose	
31	2110812	1	Fitting, Straight ORFS/ORB	

SECTION 7 - HYDRAULIC

FIGURE 7-4. HYDRAULIC DIAGRAM - OSCILLATING AXLE



ABT_1283457_4DF7

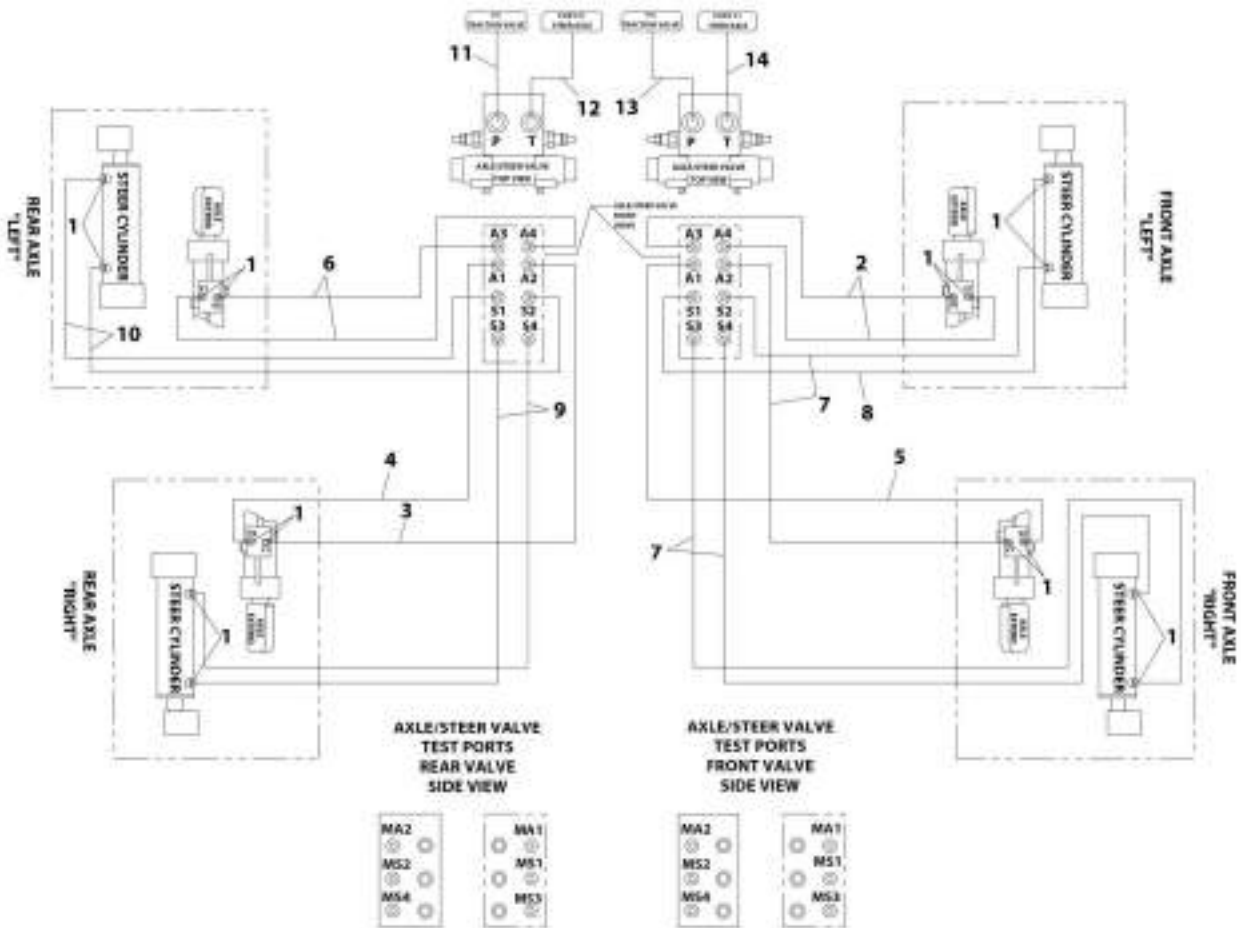
SECTION 7 - HYDRAULIC

FIGURE 7-4. HYDRAULIC DIAGRAM - OSCILLATING AXLE

ITEM	PART NUMBER	QTY	DESCRIPTION	REV
	1283457	Ref	HYDRAULIC DIAGRAM - OSCILLATING AXLE	L
	2792647	Ref	Hydraulic Diagram - Oscillating Axle	4
1	2110406	2	Fitting, Straight ORFS/ORB	
2	2110604	1	Fitting, Straight ORFS/ORB	
3	2110606	2	Fitting, Straight ORFS/ORB	
4	2170504	1	Fitting, Tee ORFS	
5	2170506	1	Fitting, Tee ORFS	
6	2753726	1	Hose	
7	2753719	2	Hose	
8	2753727	1	Hose	
9	2753729	2	Hose	

SECTION 7 - HYDRAULIC

FIGURE 7-5. HYDRAULIC DIAGRAM - STEER



ART_128967_50F7

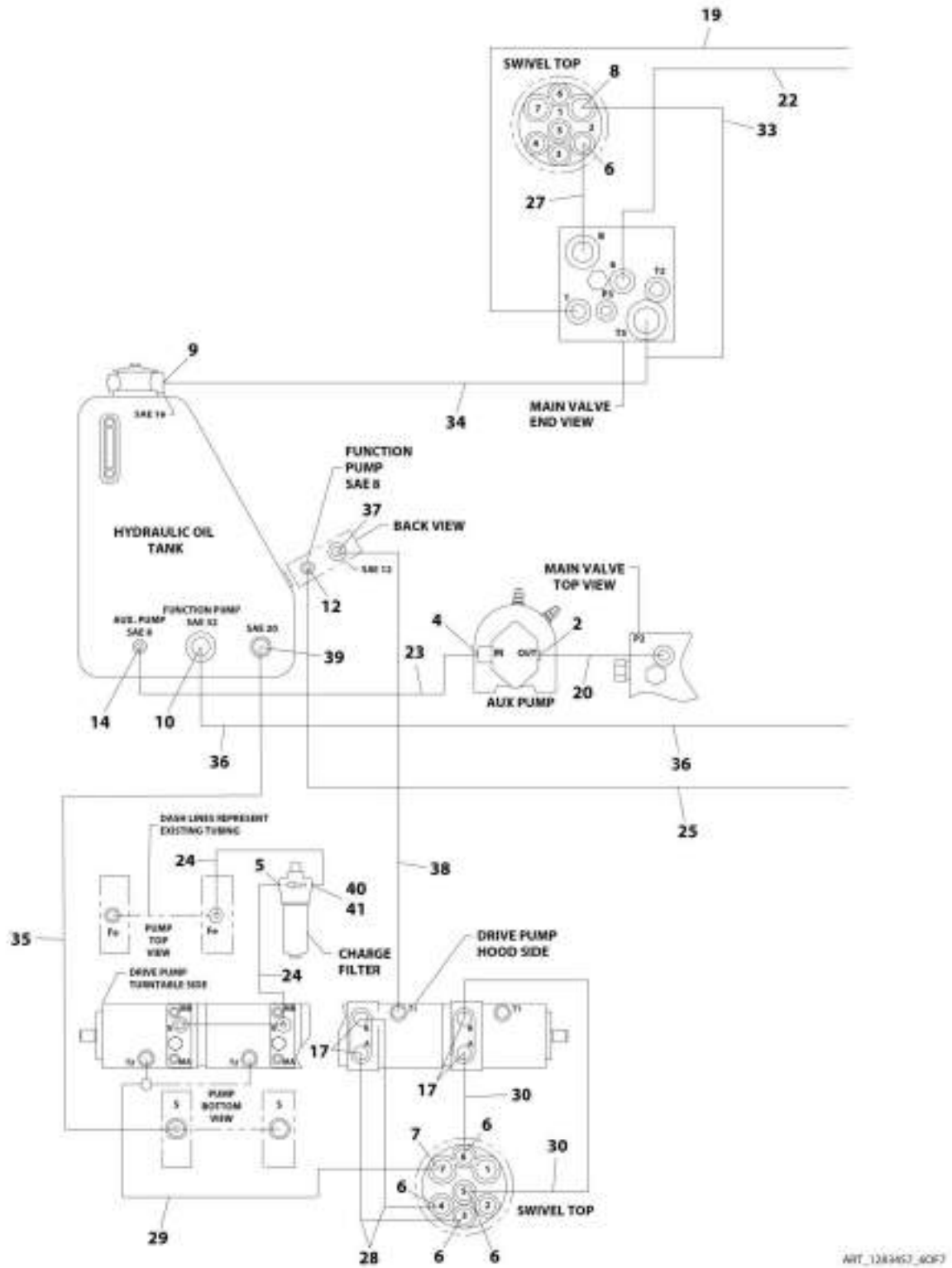
SECTION 7 - HYDRAULIC

FIGURE 7-5. HYDRAULIC DIAGRAM - STEER

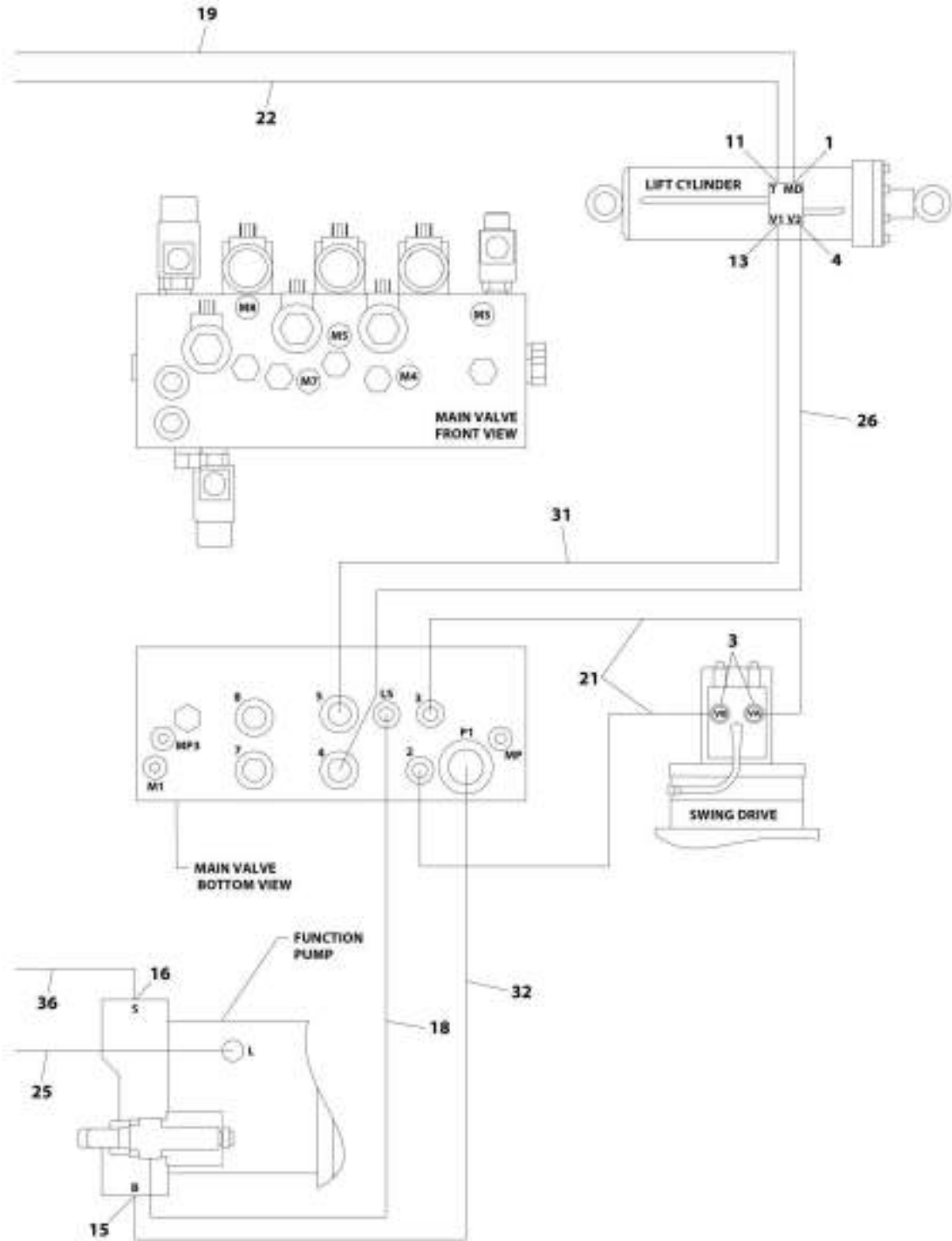
ITEM	PART NUMBER	QTY	DESCRIPTION	REV
	1283457	Ref	HYDRAULIC DIAGRAM - STEER	L
	2792773	Ref	Hydraulic Diagram - Steer	2
1	2130606	16	Fitting, 90 ORFS/ORB	
2	2753732	2	Hose	
3	2753733	1	Hose	
4	2753728	1	Hose	
5	2753734	1	Hose	
6	2753735	2	Hose	
7	2753736	4	Hose	
8	2753737	1	Hose	
9	2753738	2	Hose	
10	2753739	2	Hose	
11	2753753	1	Hose	
12	2753742	1	Hose	
13	2753754	1	Hose	
14	2753743	1	Hose	

SECTION 7 - HYDRAULIC

FIGURE 7-6. HYDRAULIC DIAGRAM - TURNTABLE (DEUTZ TD2011 ENGINES WITH REXROTH PUMPS)



SECTION 7 - HYDRAULIC



ART_1203457_3DFF

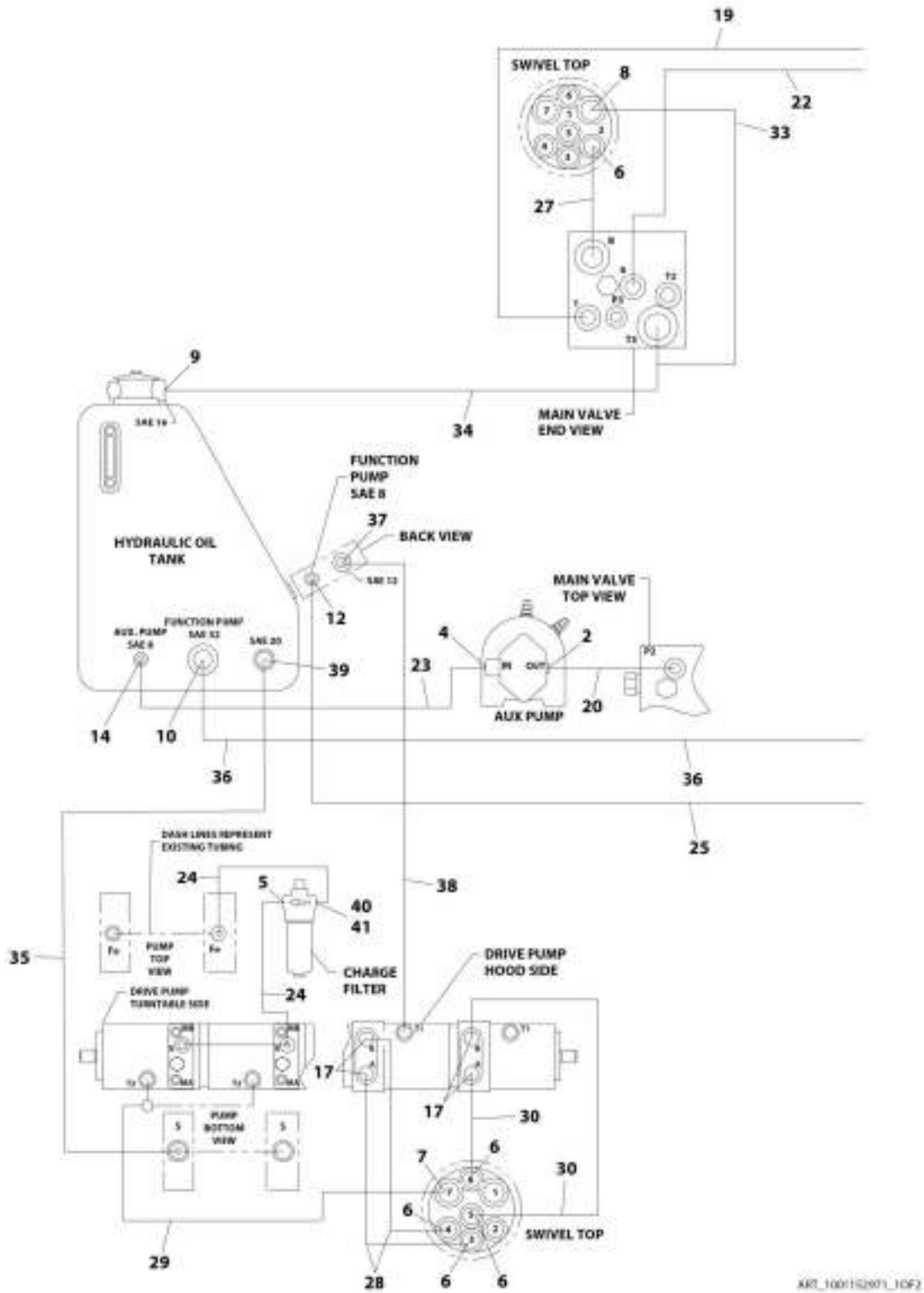
SECTION 7 - HYDRAULIC

FIGURE 7-6. HYDRAULIC DIAGRAM - TURNTABLE (DEUTZ TD2011 ENGINES WITH REXROTH PUMPS)

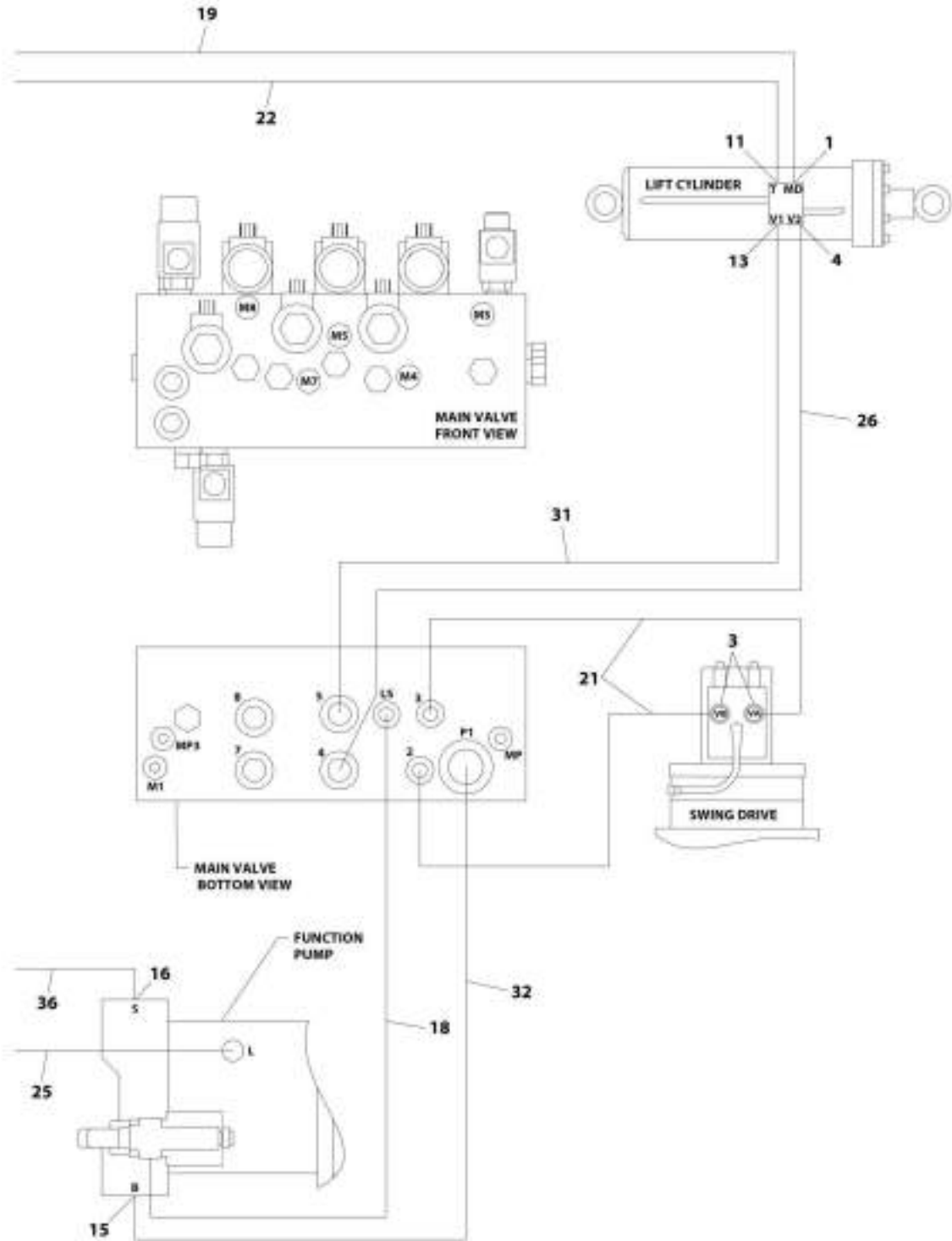
ITEM	PART NUMBER	QTY	DESCRIPTION	REV
	1283457	Ref	HYDRAULIC DIAGRAM - TURNTABLE (DEUTZ TD2011 ENGINES WITH REXROTH PUMPS)	L
	1001114620	Ref	Hydraulic Diagram - Turntable	B
1	2110404	1	Fitting, Straight ORFS/ORB	
2	2110608	1	Fitting, Straight ORFS/ORB	
3	2110610	2	Fitting, Straight ORFS/ORB	
4	2110810	2	Fitting, Straight ORFS/ORB	
5	2110812	1	Fitting, Straight ORFS/ORB	
6	2111010	5	Fitting, Straight ORFS/ORB	
7	2111012	1	Fitting, Straight ORFS/ORB	
8	2111212	1	Fitting, Straight ORFS/ORB	
9	2111616	1	Fitting, Straight ORFS/ORB	
10	2113232	1	Fitting, Straight ORFS/ORB	
11	2130606	1	Fitting, 90 ORFS/ORB	
12	2130808	1	Fitting, 90 ORFS/ORB	
13	2131010	1	Fitting, 90 ORFS/ORB	
14	2150808	1	Fitting, 45 ORFS/ORB	
15	2220478	1	Flange Kit	
16	2220737	1	Flange Kit	
17	2221117	4	Flange Kit	
18	2753622	1	Hose (SN 0300201016 through 0300217081)	
18	1001213385	1	Hose (SN 0300217082 to Present, SN B300002238 to Present)	
19	2753718	1	Hose	
20	2753730	1	Hose	
21	2753731	2	Hose	
22	2753734	1	Hose	
23	2753758	1	Hose	
24	2753746	2	Hose	
25	2753741	1	Hose	
26	2753744	1	Hose	
27	2753766	1	Hose	
28	2753769	2	Hose	
29	2753708	1	Hose	
30	2753770	2	Hose	
31	2753765	1	Hose	
32	2753771	1	Hose	
33	2753772	1	Hose	
34	2753774	1	Hose	
35	2753775	1	Hose	
36	2753776	1	Hose	
37	2131212	1	Fitting, 90 ORFS/ORB	
38	2753773	1	Hose	
39	2112020	1	Fitting, Straight ORFS/ORB	
40	2221084	1	Fitting, Tee ORFS/ORFS/ORB	
41	2170908	1	Fitting, Cap ORFS	

SECTION 7 - HYDRAULIC

FIGURE 7-7. HYDRAULIC DIAGRAM - TURNTABLE (DEUTZ TCD2.9L4 ENGINES WITH REXROTH PUMPS)



SECTION 7 - HYDRAULIC



ART_1001152801_20F2

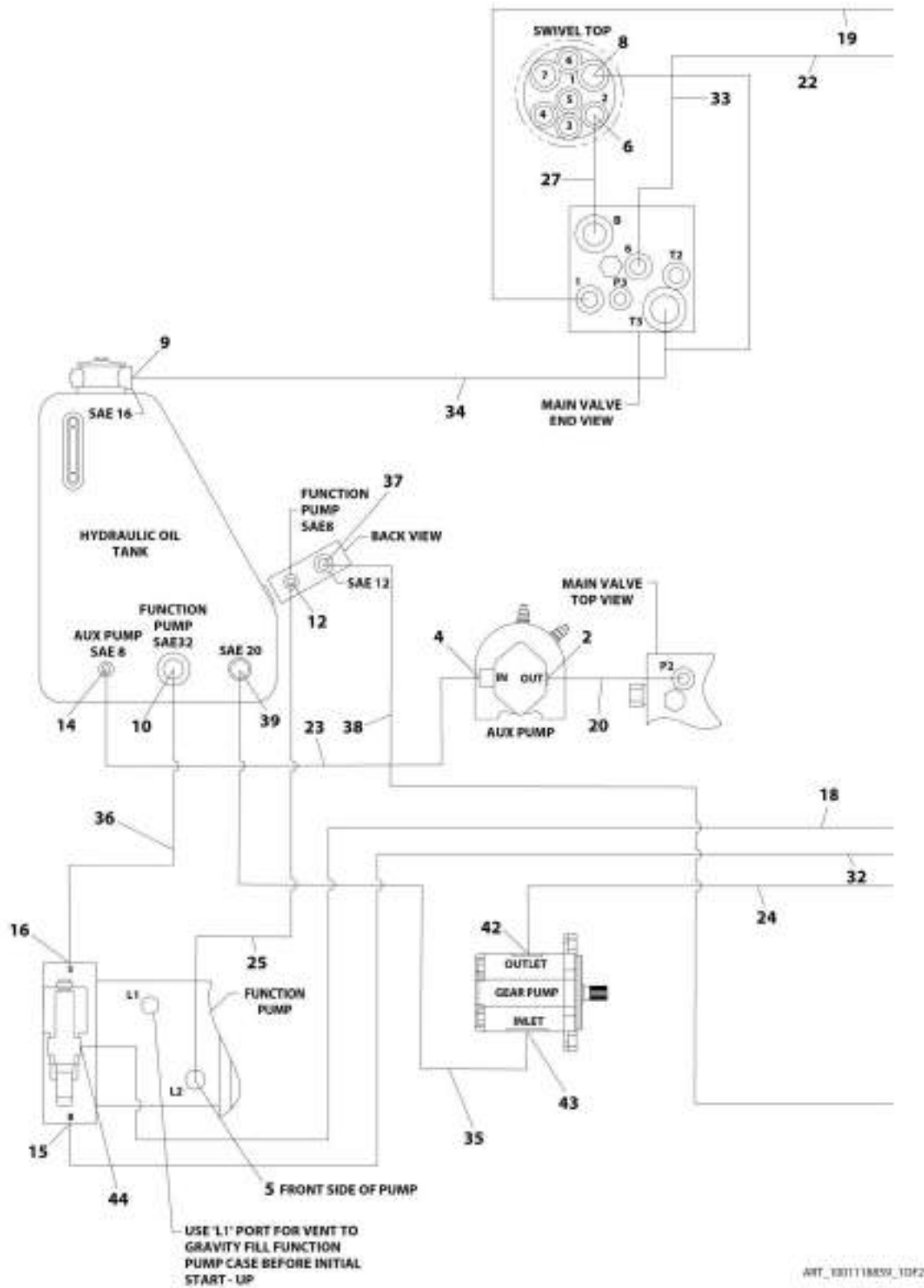
SECTION 7 - HYDRAULIC

FIGURE 7-7. HYDRAULIC DIAGRAM - TURNTABLE (DEUTZ TCD2.9L4 ENGINES WITH REXROTH PUMPS)

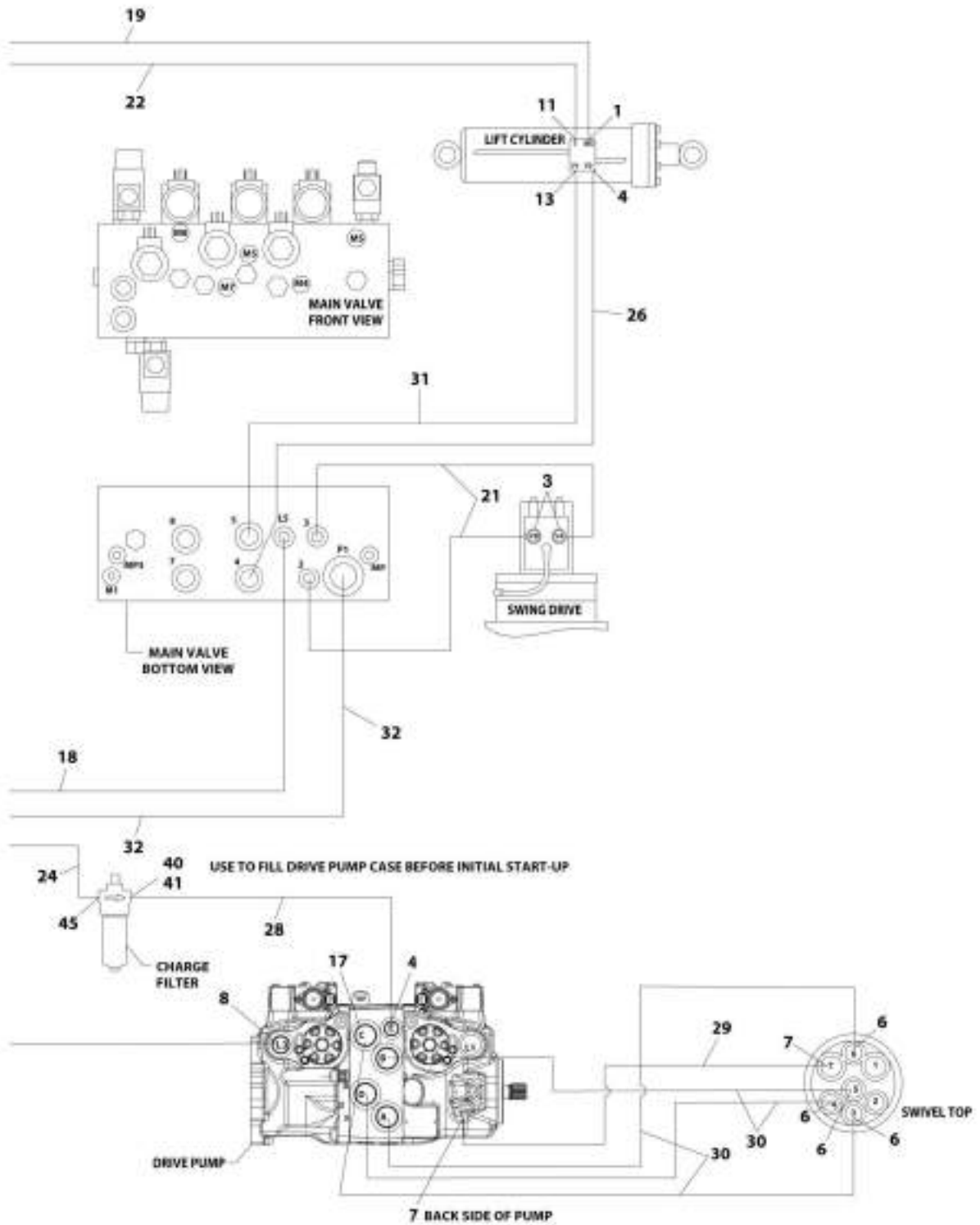
ITEM	PART NUMBER	QTY	DESCRIPTION	REV
	1001152971	Ref	HYDRAULIC DIAGRAM - TURNTABLE (DEUTZ TCD2.9L4 ENGINES WITH REXROTH PUMPS)	C
	1001152968	Ref	Hydraulic Diagram - Turntable	B
1	2110404	1	Fitting, Straight ORFS/ORB	
2	2110608	1	Fitting, Straight ORFS/ORB	
3	2110610	2	Fitting, Straight ORFS/ORB	
4	2110810	2	Fitting, Straight ORFS/ORB	
5	2110812	1	Fitting, Straight ORFS/ORB	
6	2111010	5	Fitting, Straight ORFS/ORB	
7	2111012	1	Fitting, Straight ORFS/ORB	
8	2111212	1	Fitting, Straight ORFS/ORB	
9	2111616	1	Fitting, Straight ORFS/ORB	
10	2113232	1	Fitting, Straight ORFS/ORB	
11	2130606	1	Fitting, 90 ORFS/ORB	
12	2130808	1	Fitting, 90 ORFS/ORB	
13	2131010	1	Fitting, 90 ORFS/ORB	
14	2150808	1	Fitting, 45 ORFS/ORB	
15	2220478	1	Flange Kit	
16	2220737	1	Flange Kit	
17	2221117	4	Flange Kit	
18	2753622	1	Hose (SN 0300201016 through 0300217081)	
18	1001213385	1	Hose (SN 0300217082 to Present, SN B300002238 to Present)	
19	2753718	1	Hose	
20	2753730	1	Hose	
21	2753731	2	Hose	
22	2753734	1	Hose	
23	2753758	1	Hose	
24	2753746	2	Hose	
25	2753741	1	Hose	
26	2753744	1	Hose	
27	2753766	1	Hose	
28	2753769	2	Hose	
29	2753708	1	Hose	
30	2753770	2	Hose	
31	2753765	1	Hose	
32	2753771	1	Hose	
33	2753772	1	Hose	
34	2753774	1	Hose	
35	1001152966	1	Hose	
36	2753776	1	Hose	
37	2131212	1	Fitting, 90 ORFS/ORB	
38	2753773	1	Hose	
39	2112020	1	Fitting, Straight ORFS/ORB	
40	2221084	1	Fitting, Tee ORFS/ORFS/ORB	
41	2170908	1	Fitting, Cap ORFS	

SECTION 7 - HYDRAULIC

FIGURE 7-8. HYDRAULIC DIAGRAM - TURNTABLE (WITH SAUER PUMPS)



SECTION 7 - HYDRAULIC



ART_100111889_30F3

SECTION 7 - HYDRAULIC

FIGURE 7-8. HYDRAULIC DIAGRAM - TURNTABLE (WITH SAUER PUMPS)

ITEM	PART NUMBER	QTY	DESCRIPTION	REV
	1001118859	Ref	HYDRAULIC DIAGRAM - TURNTABLE (WITH SAUER PUMPS)	D
	1001118869	Ref	Hydraulic Diagram - Turntable	B
1	2110404	1	Fitting, Straight ORFS/ORB	
2	2110608	1	Fitting, Straight ORFS/ORB	
3	2110610	2	Fitting, Straight ORFS/ORB	
4	2110810	3	Fitting, Straight ORFS/ORB	
5	2130810	1	Fitting, 90 ORFS/ORB	
6	2111010	5	Fitting, Straight ORFS/ORB	
7	2111012	2	Fitting, Straight ORFS/ORB	
8	2111212	2	Fitting, Straight ORFS/ORB	
9	2111616	1	Fitting, Straight ORFS/ORB	
10	2113232	1	Fitting, Straight ORFS/ORB	
11	2130606	1	Fitting, 90 ORFS/ORB	
12	2130808	1	Fitting, 90 ORFS/ORB	
13	2131010	1	Fitting, 90 ORFS/ORB	
14	2150808	1	Fitting, 45 ORFS/ORB	
15	2220478	1	Flange Kit	
16	1001110604	1	Flange Kit	
17	2111016	4	Fitting, Straight ORFS/ORB	
18	1001118932	1	Hose (SN 0300201016 through 0300217081)	
18	1001213385	1	Hose (SN 0300217082 to Present, SN B300002238 to Present)	
19	2753718	1	Hose	
20	2753730	1	Hose	
21	2753731	2	Hose	
22	2753734	1	Hose	
23	2753758	1	Hose	
24	2753746	1	Hose	
25	1001118934	1	Hose	
26	2753744	1	Hose	
27	2753766	1	Hose	
28	1001118933	1	Hose	
29	2753708	1	Hose	
30	1001109468	4	Hose	
31	2753765	1	Hose	
32	2753771	1	Hose	
33	2753772	1	Hose	
34	2753774	1	Hose	
35	1001119817	1	Hose	
36	1001118935	1	Hose	
37	2131612	1	Fitting, 90 ORFS/ORB	
38	1001119138	1	Hose	
39	2112020	1	Fitting, Straight ORFS/ORB	
40	2221084	1	Fitting, Tee ORFS/ORFS/ORB	
41	2170908	1	Fitting, Cap ORFS	
42	2110812	1	Fitting, Straight ORFS/ORB	
43	2112016	1	Fitting, Straight ORFS/ORB	
44	2130404	1	Fitting, 90 ORFS/ORB	
45	2130812	1	Fitting, 90 ORFS/ORB	

SECTION 7 - HYDRAULIC

FIGURE 7-9. HYDRAULIC DIAGRAM LIST

ITEM	PART NUMBER	QTY	DESCRIPTION	REV
		Ref	HYDRAULIC DIAGRAM - BOOM (1200SJP) Options:	
	1283457	Ref	Hydraulic Diagram for Deutz TD2011 Engine Machines with Rexroth Pumps	
	1001152971	Ref	Hydraulic Diagram for Deutz TCD2.9L4 Engine Machines with Rexroth Pumps	
	1001098025	Ref	Hydraulic Diagram - Boom	
	1001118859	Ref	Hydraulic Diagram (Sauer Pumps)	
	1001098025	Ref	Hydraulic Diagram - Boom	
		Ref	Hydraulic Diagram - Boom (1350SJP) Options:	
	1283457	Ref	Hydraulic Diagram for Deutz TD2011 Engine Machines with Rexroth Pumps	
	1001152971	Ref	Hydraulic Diagram for Deutz TCD2.9L4 Engine Machines with Rexroth Pumps	
	1001098026	Ref	Hydraulic Diagram - Boom	
	1001118859	Ref	Hydraulic Diagram (Sauer Pumps) (Deutz TD2011 and TCD2.9L4 Engine Machines)	
	1001098026	Ref	Hydraulic Diagram - Boom	
		Ref	Hydraulic Diagram - Drive Options:	
	1283457	Ref	Hydraulic Diagram for Deutz TD2011 Engine Machines with Rexroth Pumps	
	1001152971	Ref	Hydraulic Diagram for Deutz TCD2.9L4 Engine Machines with Rexroth Pumps	
	2792772	Ref	Hydraulic Diagram - Drive	
	1001118859	Ref	Hydraulic Diagram for Machines with Sauer Pumps	
	2792772	Ref	Hydraulic Diagram - Drive	
		Ref	Hydraulic Diagram - Oscillating Axle Options:	
	1283457	Ref	Hydraulic Diagram for Deutz TD2011 Engine Machines with Rexroth Pumps	
	1001152971	Ref	Hydraulic Diagram for Deutz TCD2.9L4 Engine Machines with Rexroth Pumps	
	2792647	Ref	Hydraulic Diagram - Oscillating Axle	
	1001118859	Ref	Hydraulic Diagram for Machines with Sauer Pumps	
	2792647	Ref	Hydraulic Diagram - Oscillating Axle	
		Ref	Hydraulic Diagram - Steer Options:	
	1283457	Ref	Hydraulic Diagram for Deutz TD2011 Engine Machines with Rexroth Pumps	
	1001152971	Ref	Hydraulic Diagram for Deutz TCD2.9L4 Engine Machines with Rexroth Pumps	
	2792773	Ref	Hydraulic Diagram - Steer	
	1001118859	Ref	Hydraulic Diagram for Machines with Sauer Pumps	
	2792773	Ref	Hydraulic Diagram - Steer	
		Ref	Hydraulic Diagram - Turntable Options:	
	1283457	Ref	Hydraulic Diagram for Deutz TD2011 Engine Machines with Rexroth Pumps	
	1001152971	Ref	Hydraulic Diagram for Deutz TCD2.9L4 Engine Machines with Rexroth Pumps	
	1001114620	Ref	Hydraulic Diagram - Turntable (Deutz BF4M2011 & TD2011 Engines)	
	1001152968	Ref	Hydraulic Diagram - Turntable (Deutz TCD2.9L4 Engines)	
	1001118859	Ref	Hydraulic Diagram for Machines with Sauer Pumps	
	1001118869	Ref	Hydraulic Diagram - Turntable	

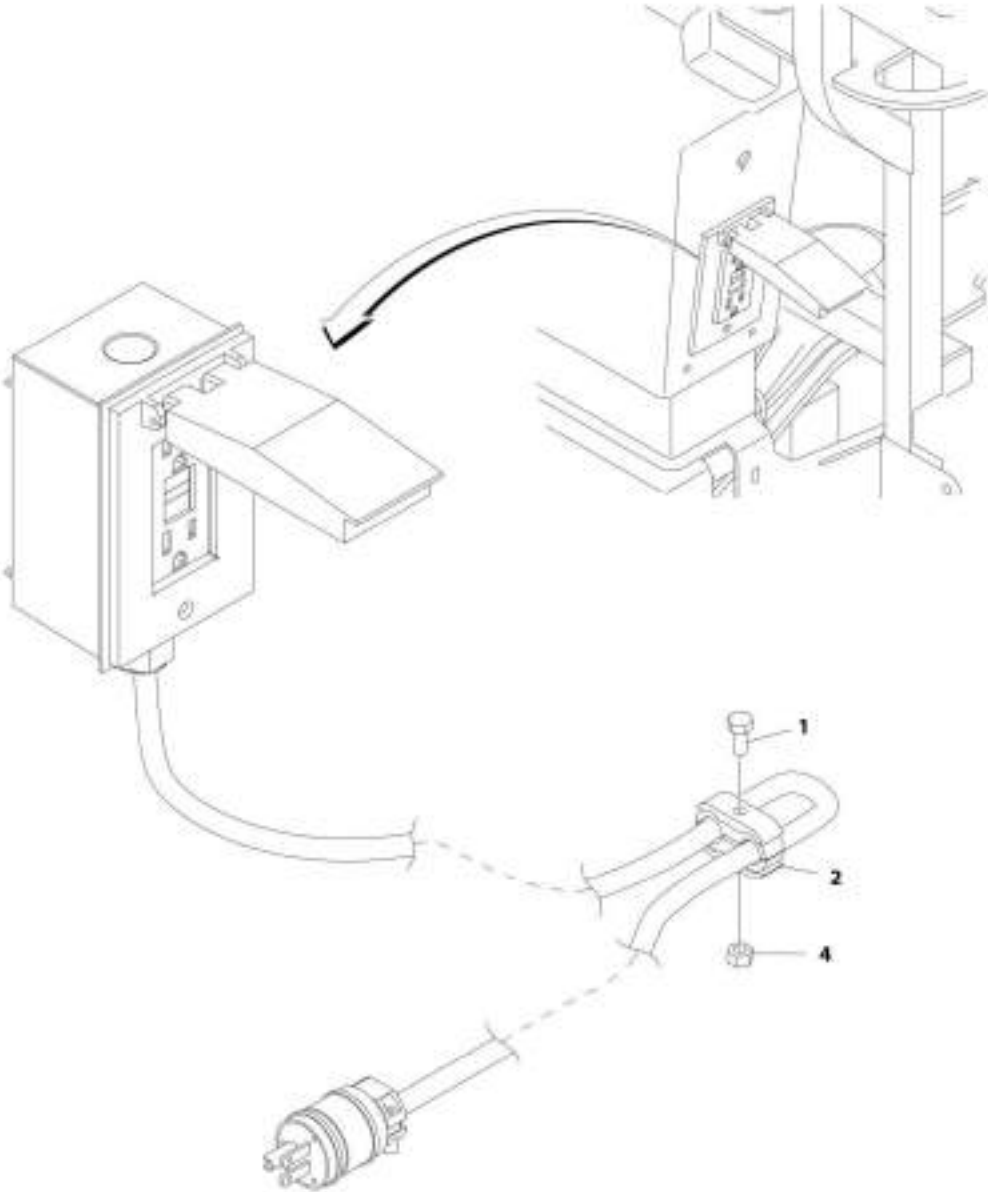
SECTION 7 - HYDRAULIC

ITEM	PART NUMBER	QTY	DESCRIPTION	REV
		Ref	Hydraulic Schematic - Oil Cooler Options:	
	0272080	Ref	Deutz TD2011 Engine Machines with Rexroth Pumps	
	1001139494	Ref	Deutz TCD2.9L4 Engine Machines with Rexroth Pumps	
	1001221802	Ref	Deutz TD2.9L4 Engine Machines with Rexroth Pumps (China Spec Only)	
	1001118957	Ref	Deutz Machines with Sauer Pumps	
	1001221666	Ref	Deutz TD2.9L4 Engine Machines with Sauer Pumps (China Spec Only)	
	1001110749	Ref	Hydraulic Schematic - Standard	

SECTION 8 - ELECTRICAL

SECTION 8 - ELECTRICAL

FIGURE 8-1. AC BOX AT PLATFORM - 110V (ANSI SPECS)



ART_3271985

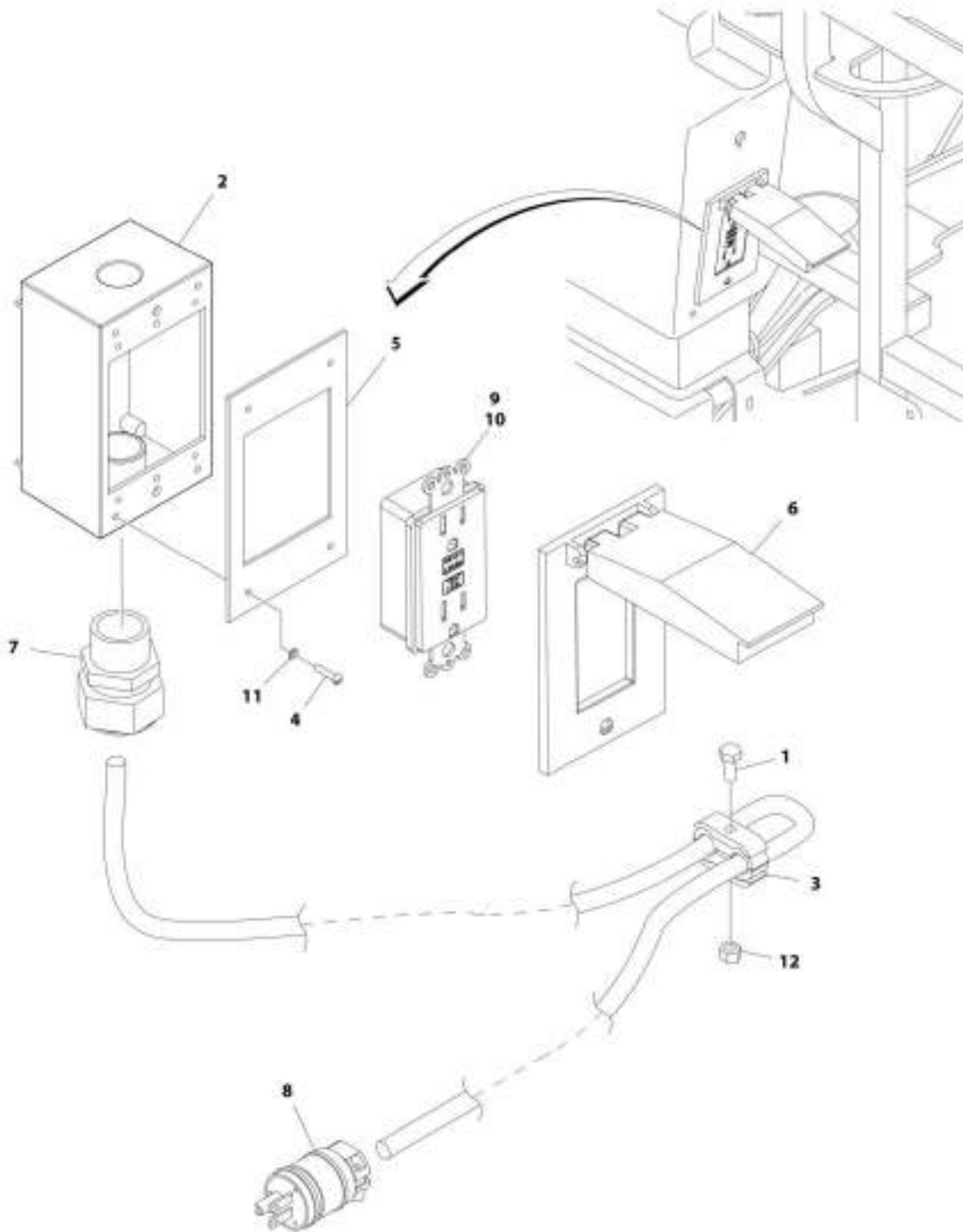
SECTION 8 - ELECTRICAL

FIGURE 8-1. AC BOX AT PLATFORM - 110V (ANSI SPECS)

ITEM	PART NUMBER	QTY	DESCRIPTION	REV
	0271955	Ref	AC BOX AT PLATFORM - 110V (ANSI SPECS)	C
1	0641416	1	Bolt 1/4 x 2	
2	1320146	1	Clamp	
4	3311405	1	Nut 1/4	

SECTION 8 - ELECTRICAL

FIGURE 8-2. AC BOX AT PLATFORM - 110V GFI RECEPTACLE (ANSI SPECS)



ART_0371855

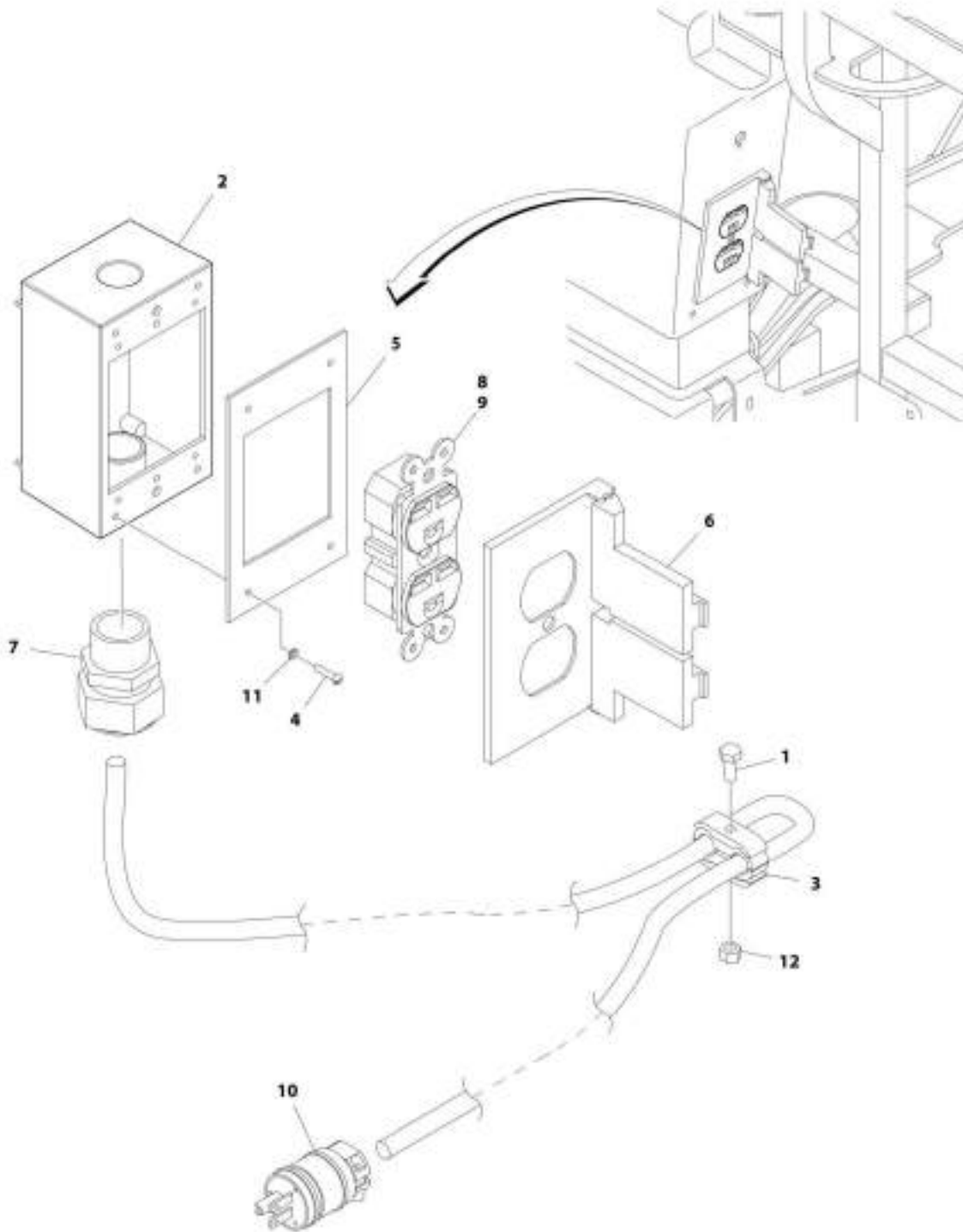
SECTION 8 - ELECTRICAL

FIGURE 8-2. AC BOX AT PLATFORM - 110V GFI RECEPTACLE (ANSI SPECS)

ITEM	PART NUMBER	QTY	DESCRIPTION	REV
	0271953	Ref	AC BOX AT PLATFORM - 110V GFI RECEPTACLE (ANSI SPECS)	D
1	0641416	1	Bolt 1/4 x 2	
2	0860038	1	Box, Switch	
3	1320146	1	Clamp	
4	3910606	4	Screw #6 x 3/8	
5	3960422	1	Gasket, AC Receptacle	
6	1001110873	1	Shield, Receptacle Cover	
7	4460051	1	Connector, Strain Relief	
8	4460205	1	Plug, Male	
9	4460315	1	Terminal, Spade	
10	4460346	1	Terminal, Receptacle	
11	4760600	4	Washer #6	
12	3311405	1	Nut 1/4	

SECTION 8 - ELECTRICAL

FIGURE 8-3. AC BOX AT PLATFORM - 220V GFI RECEPTACLE (ANSI SPECS)



ARF_0271854

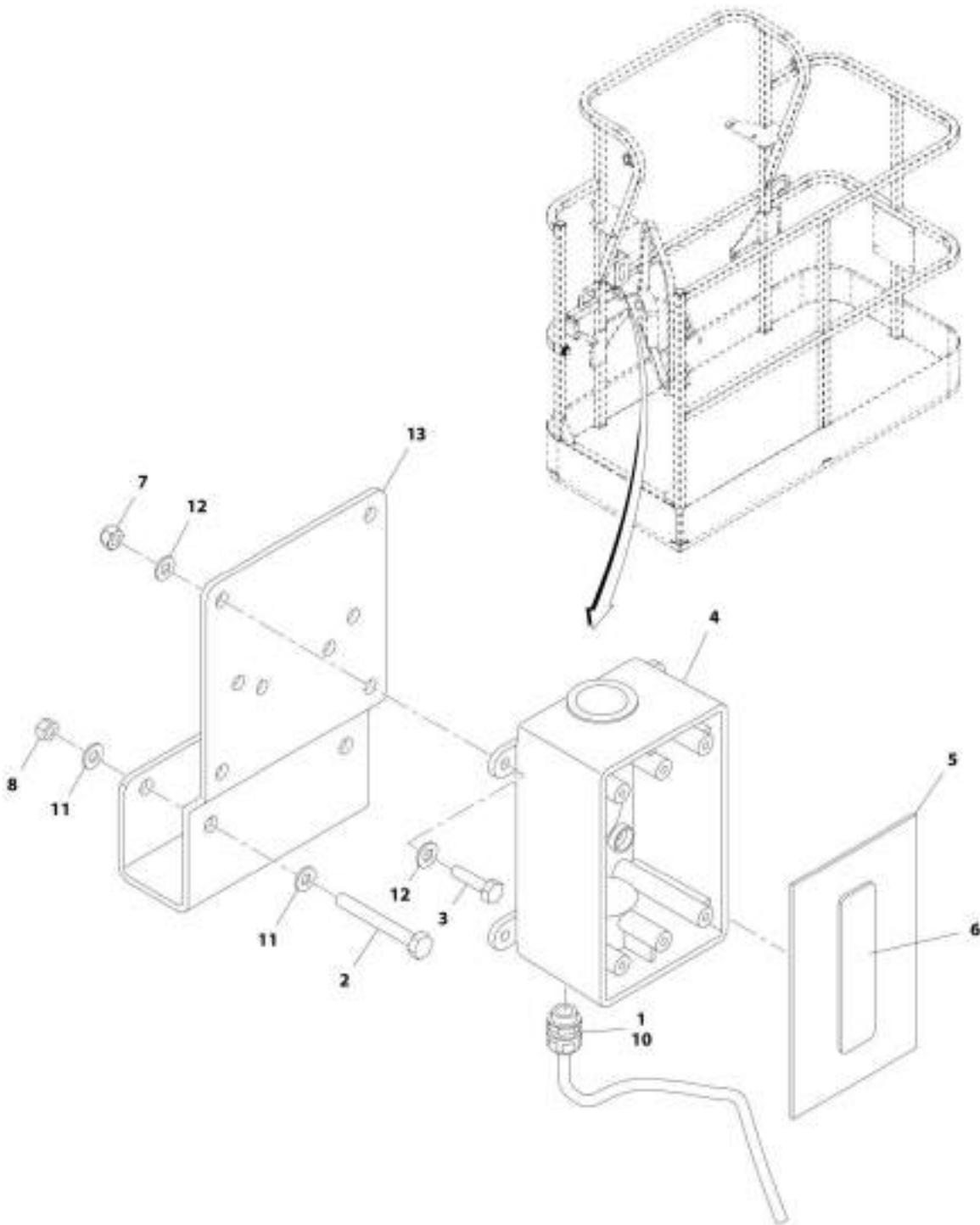
SECTION 8 - ELECTRICAL

FIGURE 8-3. AC BOX AT PLATFORM - 220V GFI RECEPTACLE (ANSI SPECS)

ITEM	PART NUMBER	QTY	DESCRIPTION	REV
	0271954	Ref	AC BOX AT PLATFORM - 220V GFI RECEPTACLE (ANSI SPECS)	C
1	0641416	1	Bolt 1/4 x 2	
2	0860038	1	Box, Switch	
3	1320146	1	Clamp	
4	3910606	4	Screw #6 x 3/8	
5	3960422	1	Gasket, AC Receptacle	
6	4060092	1	Shield, Receptacle Cover	
7	4460051	1	Connector, Strain Relief	
8	4460125	1	Terminal, Receptacle	
9	4460315	1	Terminal, Spade	
10	4460709	1	Plug, Male	
11	4760600	4	Washer #6	
12	3311405	1	Nut 1/4	

SECTION 8 - ELECTRICAL

FIGURE 8-4. AC BOX AT PLATFORM INSTALLATION - BOX WITH COVER (2X4 BOX) WITH 4000W GENERATOR (ANSI EXPORT SPECS) (SN 0300205136 through 0300214024)



ART_1001104301

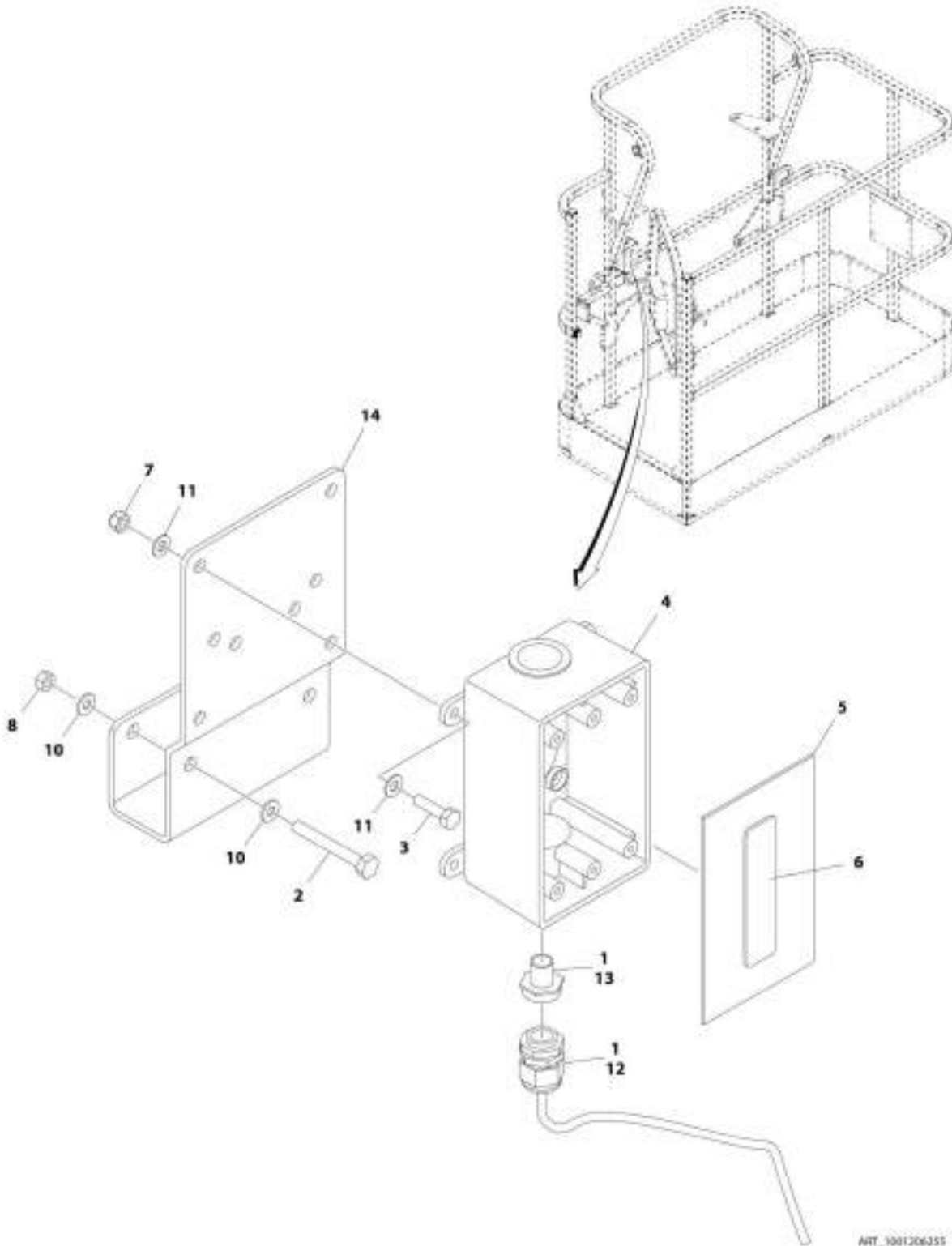
SECTION 8 - ELECTRICAL

FIGURE 8-4. AC BOX AT PLATFORM INSTALLATION - BOX WITH COVER (2X4 BOX) WITH 4000W GENERATOR (ANSI EXPORT SPECS) (SN 0300205136 through 0300214024)

ITEM	PART NUMBER	QTY	DESCRIPTION	REV
	1001194365	Ref	AC BOX AT PLATFORM INSTALLATION - BOX WITH COVER (2X4 BOX) WITH 4000W GENERATOR (ANSI EXPORT SPECS) (SN 0300205136 through 0300214024)	A
1	0100020	AR	Sealant, Pipe	
2	0641416	2	Bolt 1/4 x 2	
3	0700408	4	Bolt M4 x 16	
4	0861731	1	Box, Switch	
5	1670603	1	Cover	
6	3251242	1	Decal - 240V-50Hz	
7	3290405	4	Nut M4	
8	3311405	2	Nut 1/4	
9	4460384	3	Terminal (Not Shown)	
10	4460662	1	Connector, Strain Relief	
11	4711400	4	Washer 1/4	
12	4811400	8	Washer M4	
13	1001193018	1	Bracket, AC Receptacle	

SECTION 8 - ELECTRICAL

FIGURE 8-5. AC BOX AT PLATFORM INSTALLATION - BOX WITH COVER (2X4 BOX) WITH 4000W GENERATOR (ANSI EXPORT SPECS) (SN 0300214025 to Present, SN B300002238 to Present)



ART_1001306355

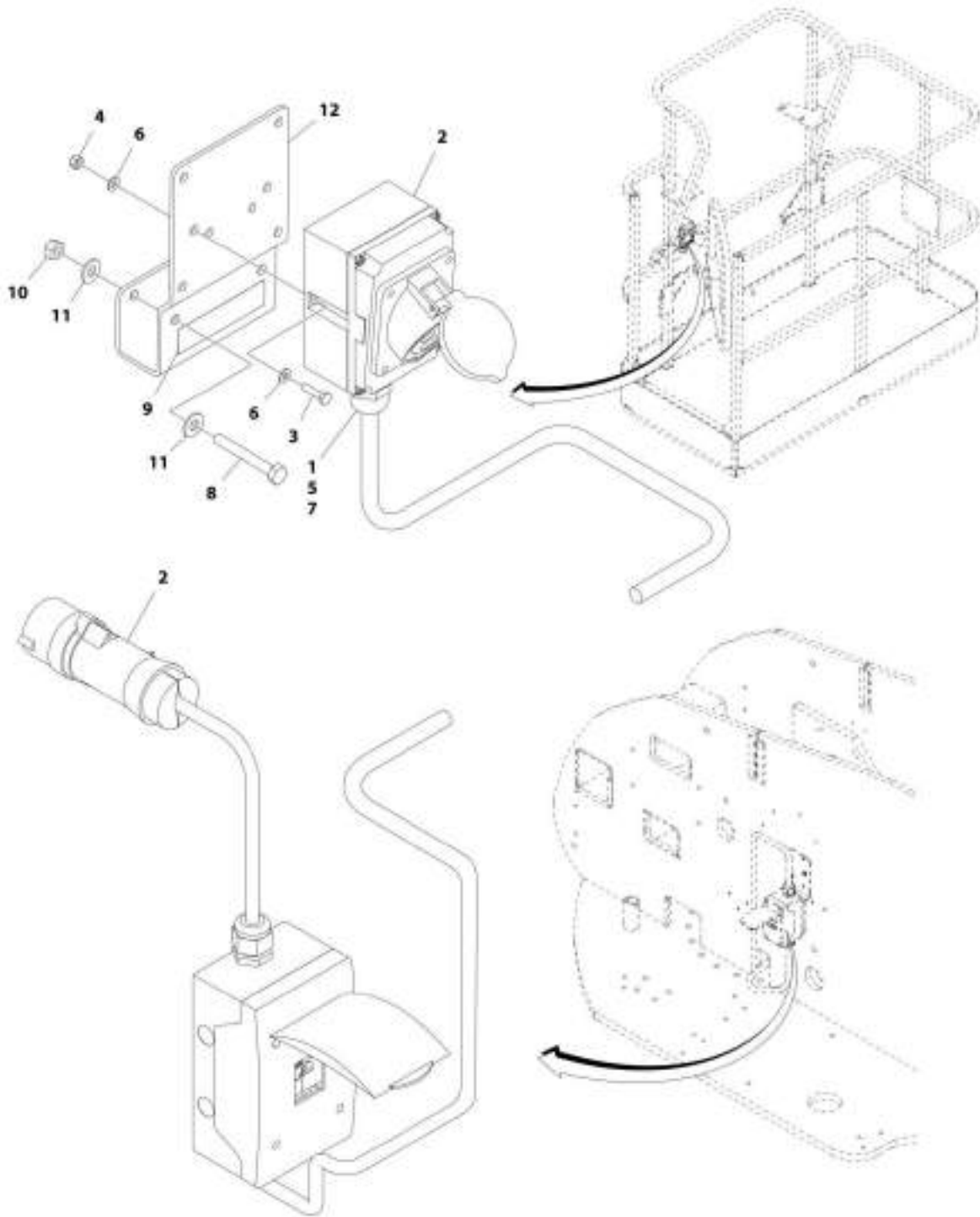
SECTION 8 - ELECTRICAL

FIGURE 8-5. AC BOX AT PLATFORM INSTALLATION - BOX WITH COVER (2X4 BOX) WITH 4000W GENERATOR (ANSI EXPORT SPECS) (SN 0300214025 to Present, SN B300002238 to Present)

ITEM	PART NUMBER	QTY	DESCRIPTION	REV
	1001206255	Ref	AC BOX AT PLATFORM INSTALLATION - BOX WITH COVER (2X4 BOX) WITH 4000W GENERATOR (ANSI EXPORT SPECS) (SN 0300214025 to Present, SN B300002238 to Present)	A
1	0100020	AR	Sealant, Pipe	
2	0641416	2	Bolt 1/4 x 2	
3	0700408	4	Bolt M4 x 16	
4	0861731	1	Box, Switch	
5	1670603	1	Cover	
6	3251242	1	Decal - 240V-50Hz	
7	3290405	4	Nut M4	
8	3311405	2	Nut 1/4	
10	4711400	4	Washer 1/4	
11	4811400	8	Washer M4	
12	1001101191	1	Connector, Strain Relief	
13	1001101197	1	Adapter	
14	1001193018	1	Bracket, AC Receptacle	

SECTION 8 - ELECTRICAL

FIGURE 8-6. AC BOX AT PLATFORM INSTALLATION - 110V IEC 60309 YELLOW WITHOUT 2500W GENERATOR (CE SPECS)



ART_100106/989

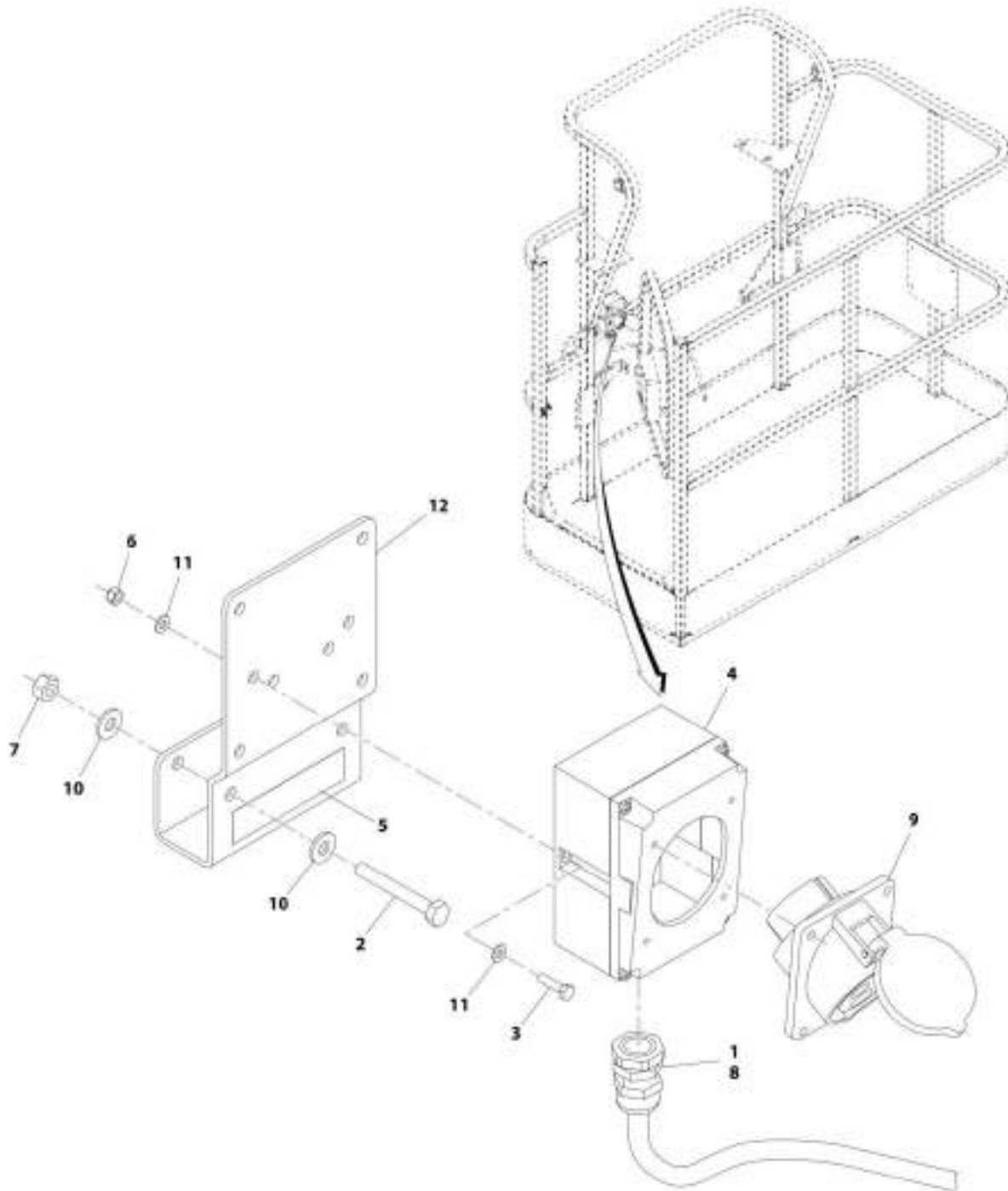
SECTION 8 - ELECTRICAL

FIGURE 8-6. AC BOX AT PLATFORM INSTALLATION - 110V IEC 60309 YELLOW WITHOUT 2500W GENERATOR (CE SPECS)

ITEM	PART NUMBER	QTY	DESCRIPTION	REV
	1001091969	Ref	AC BOX AT PLATFORM INSTALLATION - 110V IEC 60309 YELLOW WITHOUT 2500W GENERATOR (CE SPECS)	C
1	0100020	AR	Sealant, Pipe	
2	0275216	1	Receptacle Box Kit (See Separate Breakdown in this Section)	
3	0700408	2	Bolt M4 x 16	
4	3290405	2	Nut M4	
5	1001101196	1	Adapter	
6	4811400	4	Washer M4	
7	1001101191	1	Connector, Strain Relief	
8	0641416	2	Bolt 1/4 x 2	
9	1705325	1	Decal - 110V	
10	3311405	2	Nut 1/4	
11	4711400	4	Washer 1/4	
12	1001193018	1	Bracket	

SECTION 8 - ELECTRICAL

FIGURE 8-7. AC BOX AT PLATFORM INSTALLATION - 110V IEC 60309 YELLOW WITHOUT 4000W GENERATOR (CE SPECS) (SN 0300205136 through 0300214024)



ART_100194031

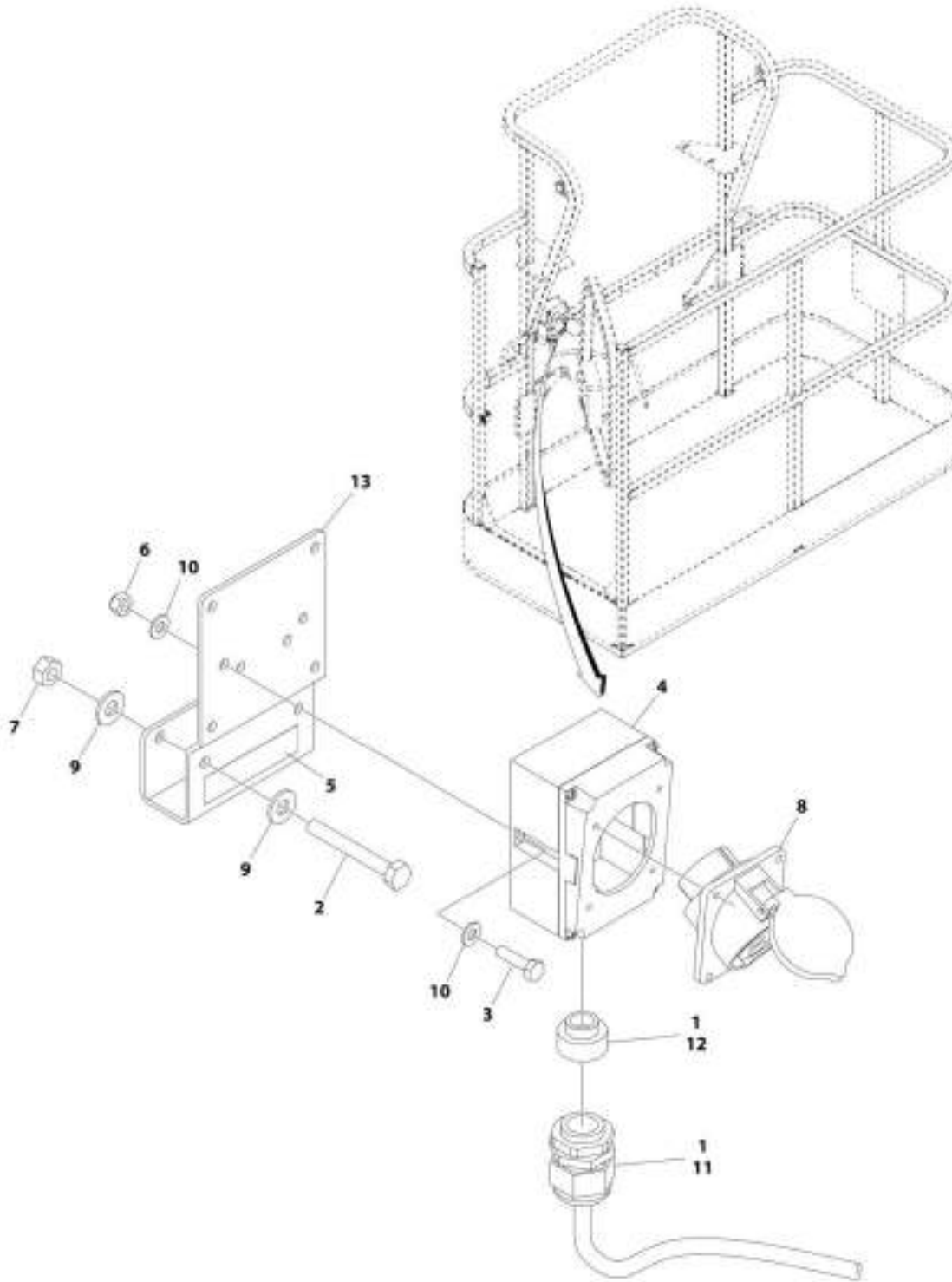
SECTION 8 - ELECTRICAL

FIGURE 8-7. AC BOX AT PLATFORM INSTALLATION - 110V IEC 60309 YELLOW WITHOUT 4000W GENERATOR (CE SPECS) (SN 0300205136 through 0300214024)

ITEM	PART NUMBER	QTY	DESCRIPTION	REV
	1001194203	Ref	AC BOX AT PLATFORM INSTALLATION - 110V IEC 60309 YELLOW WITHOUT 4000W GENERATOR (CE SPECS) (SN 0300205136 through 0300214024)	B
1	0100020	AR	Sealant, Pipe	
2	0641416	2	Bolt 1/4 x 2	
3	0700408	2	Bolt M4 x 16	
4	0861781	1	Box, Switch	
5	1705325	1	Decal - 110V	
6	3290405	2	Nut M4	
7	3311405	2	Nut 1/4	
8	4460968	1	Connector, Strain Relief	
9	4461198	1	Receptacle	
10	4711400	4	Washer 1/4	
11	4811400	4	Washer M4	
12	1001193018	1	Bracket, AC Receptacle	

SECTION 8 - ELECTRICAL

FIGURE 8-8. AC BOX AT PLATFORM INSTALLATION - 110V IEC 60309 YELLOW WITHOUT 4000W GENERATOR (CE SPECS) (SN 0300214025 to Present, SN B300002238 to Present)



ART. 1001206253

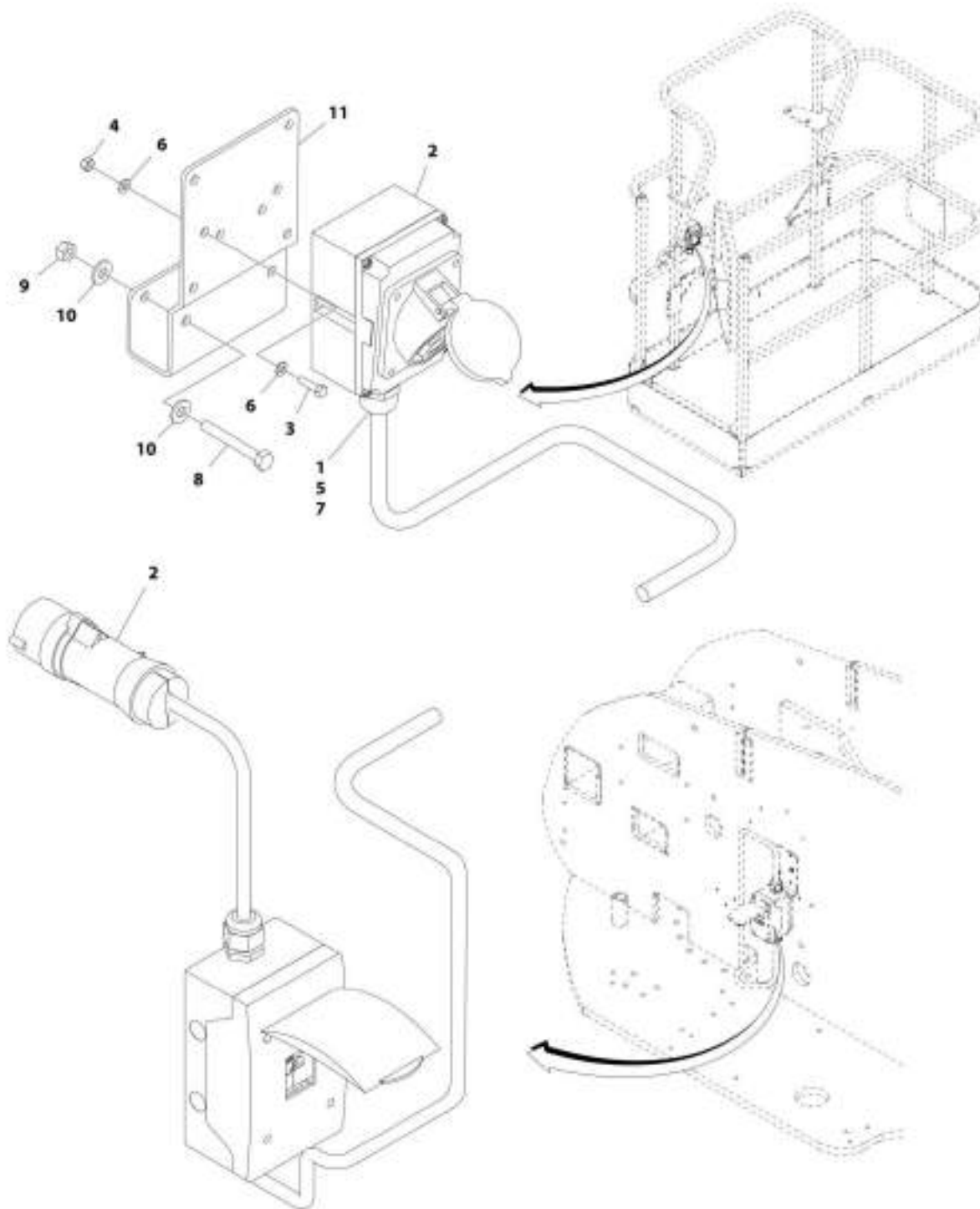
SECTION 8 - ELECTRICAL

FIGURE 8-8. AC BOX AT PLATFORM INSTALLATION - 110V IEC 60309 YELLOW WITHOUT 4000W GENERATOR (CE SPECS) (SN 0300214025 to Present, SN B300002238 to Present)

ITEM	PART NUMBER	QTY	DESCRIPTION	REV
	1001206253	Ref	AC BOX AT PLATFORM INSTALLATION - 110V IEC 60309 YELLOW WITHOUT 4000W GENERATOR (CE SPECS) (SN 0300214025 to Present, SN B300002238 to Present)	A
1	0100020	AR	Sealant, Pipe	
2	0641416	2	Bolt 1/4 x 2	
3	0700408	2	Bolt M4 x 16	
4	0861781	1	Box, Switch	
5	1705325	1	Decal - 110V	
6	3290405	2	Nut M4	
7	3311405	2	Nut 1/4	
8	4461198	1	Receptacle	
9	4711400	4	Washer 1/4	
10	4811400	4	Washer M4	
11	1001101191	1	Connector, Strain Relief	
12	1001101196	1	Adapter	
13	1001193018	1	Bracket, AC Receptacle	

SECTION 8 - ELECTRICAL

FIGURE 8-9. AC BOX AT PLATFORM INSTALLATION - 220V IEC 60309 BLUE WITHOUT 2500W GENERATOR (CE SPECS)



ART_100106/920

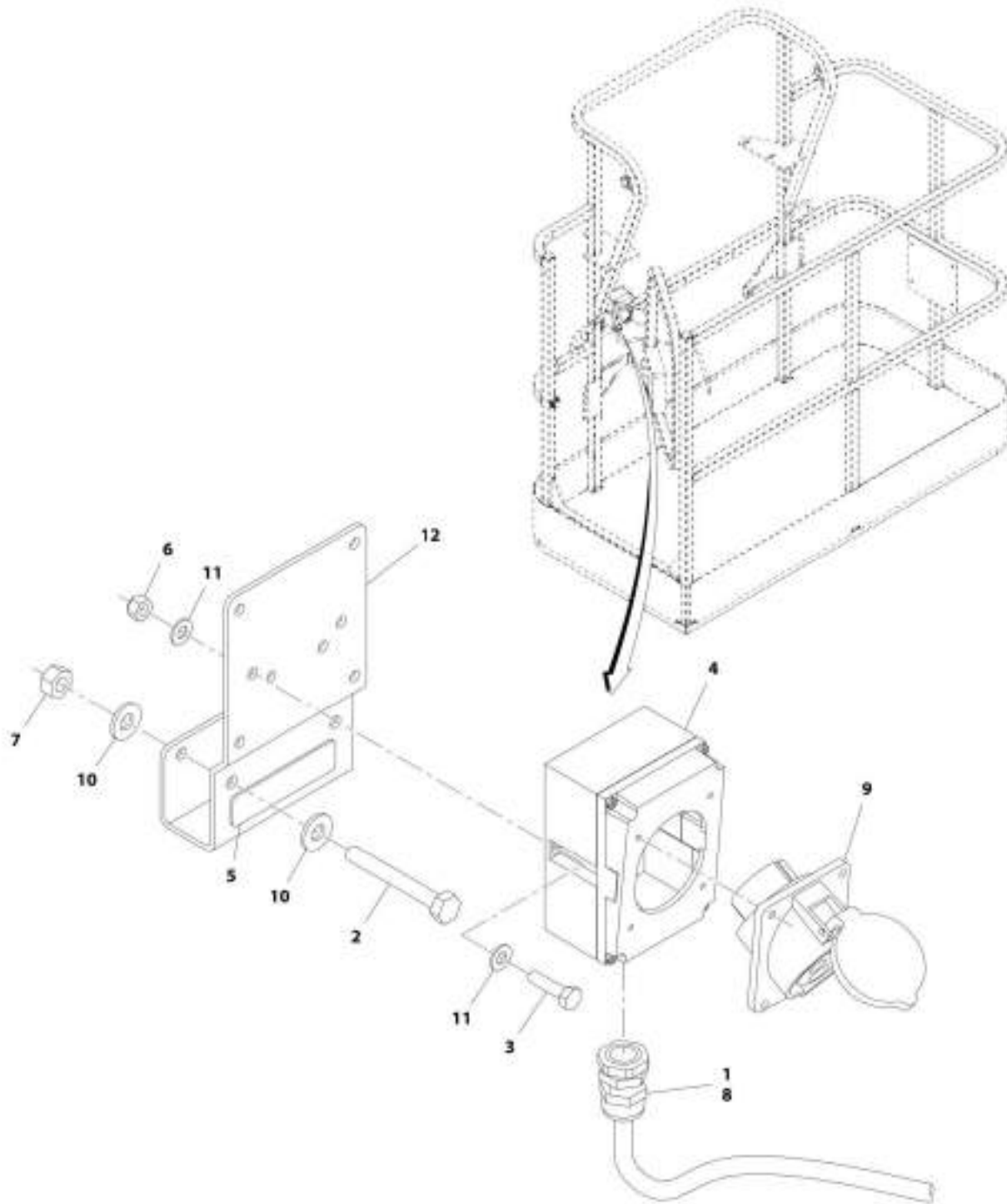
SECTION 8 - ELECTRICAL

FIGURE 8-9. AC BOX AT PLATFORM INSTALLATION - 220V IEC 60309 BLUE WITHOUT 2500W GENERATOR (CE SPECS)

ITEM	PART NUMBER	QTY	DESCRIPTION	REV
	1001091970	Ref	AC BOX AT PLATFORM INSTALLATION - 220V IEC 60309 BLUE WITHOUT 2500W GENERATOR (CE SPECS)	C
1	0100020	AR	Sealant, Pipe	
2	0275217	1	Receptacle Box Kit (See Separate Breakdown in this Section)	
3	0700408	2	Bolt M4 x 16	
4	3290405	2	Nut M4	
5	1001101196	1	Adapter	
6	4811400	4	Washer M4	
7	1001101191	1	Connector, Strain Relief	
8	0641416	2	Bolt 1/4 x 2	
9	3311405	2	Nut 1/4	
10	4711400	4	Washer 1/4	
11	1001193018	1	Bracket	

SECTION 8 - ELECTRICAL

FIGURE 8-10. AC BOX AT PLATFORM INSTALLATION - 220V IEC 60309 BLUE WITHOUT 4000W GENERATOR (CE SPECS) (SN 0300205136 through 0300214024)



ART_1001184204

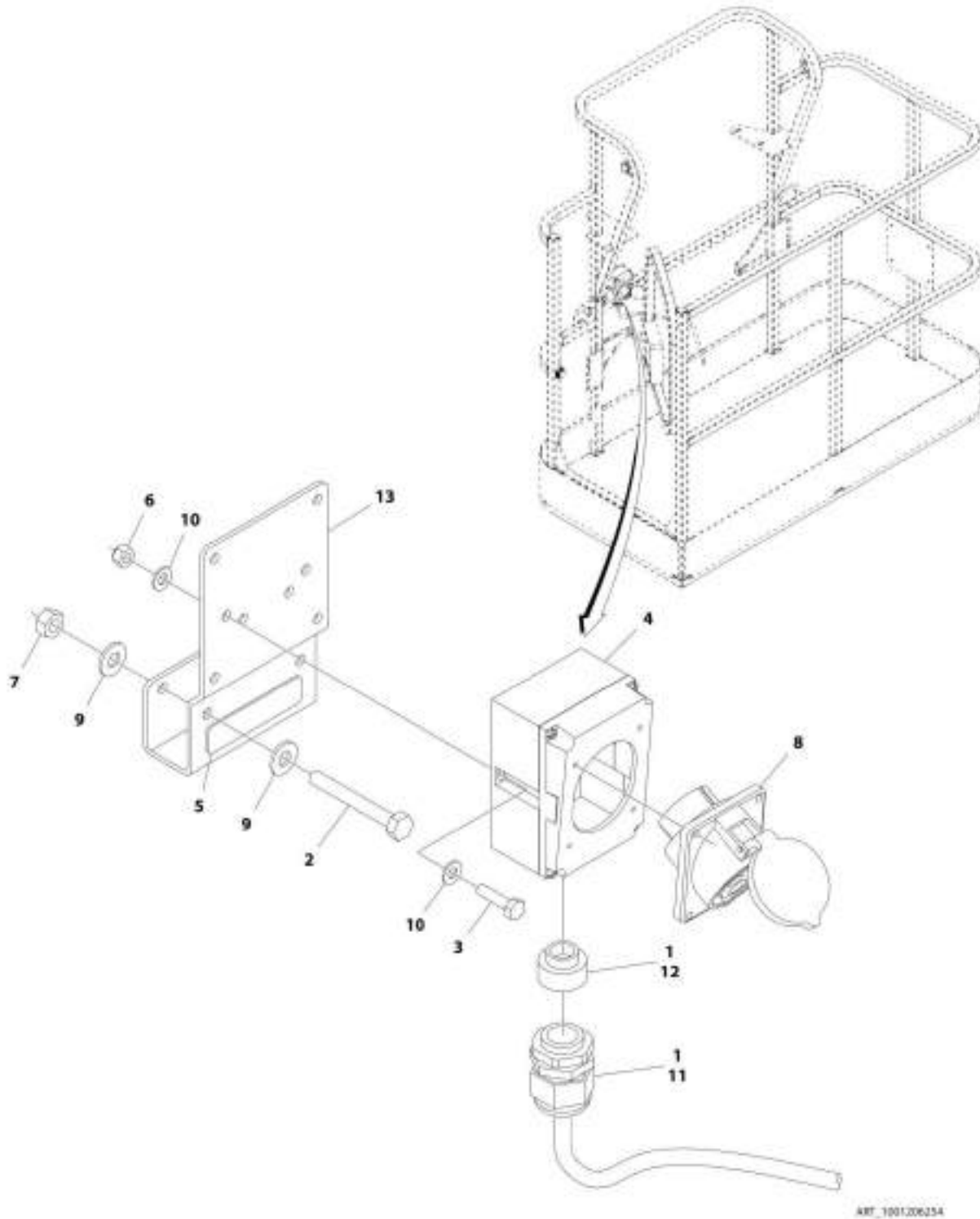
SECTION 8 - ELECTRICAL

FIGURE 8-10. AC BOX AT PLATFORM INSTALLATION - 220V IEC 60309 BLUE WITHOUT 4000W GENERATOR (CE SPECS) (SN 0300205136 through 0300214024)

ITEM	PART NUMBER	QTY	DESCRIPTION	REV
	1001194204	Ref	AC BOX AT PLATFORM INSTALLATION - 220V IEC 60309 BLUE WITHOUT 4000W GENERATOR (CE SPECS) (SN 0300205136 through 0300214024)	B
1	0100020	AR	Sealant, Pipe	
2	0641416	2	Bolt 1/4 x 2	
3	0700408	2	Bolt M4 x 16	
4	0861781	1	Box, Switch	
5	3251242	1	Decal - 240V-50Hz	
6	3290405	2	Nut M4	
7	3311405	2	Nut 1/4	
8	4460968	1	Connector, Strain Relief	
9	4461201	1	Receptacle	
10	4711400	4	Washer 1/4	
11	4811400	4	Washer M4	
12	1001193018	1	Bracket, AC Receptacle	

SECTION 8 - ELECTRICAL

FIGURE 8-11. AC BOX AT PLATFORM INSTALLATION - 220V IEC 60309 BLUE WITHOUT 4000W GENERATOR (CE SPECS) (SN 0300214025 to Present, SN B300002238 to Present)



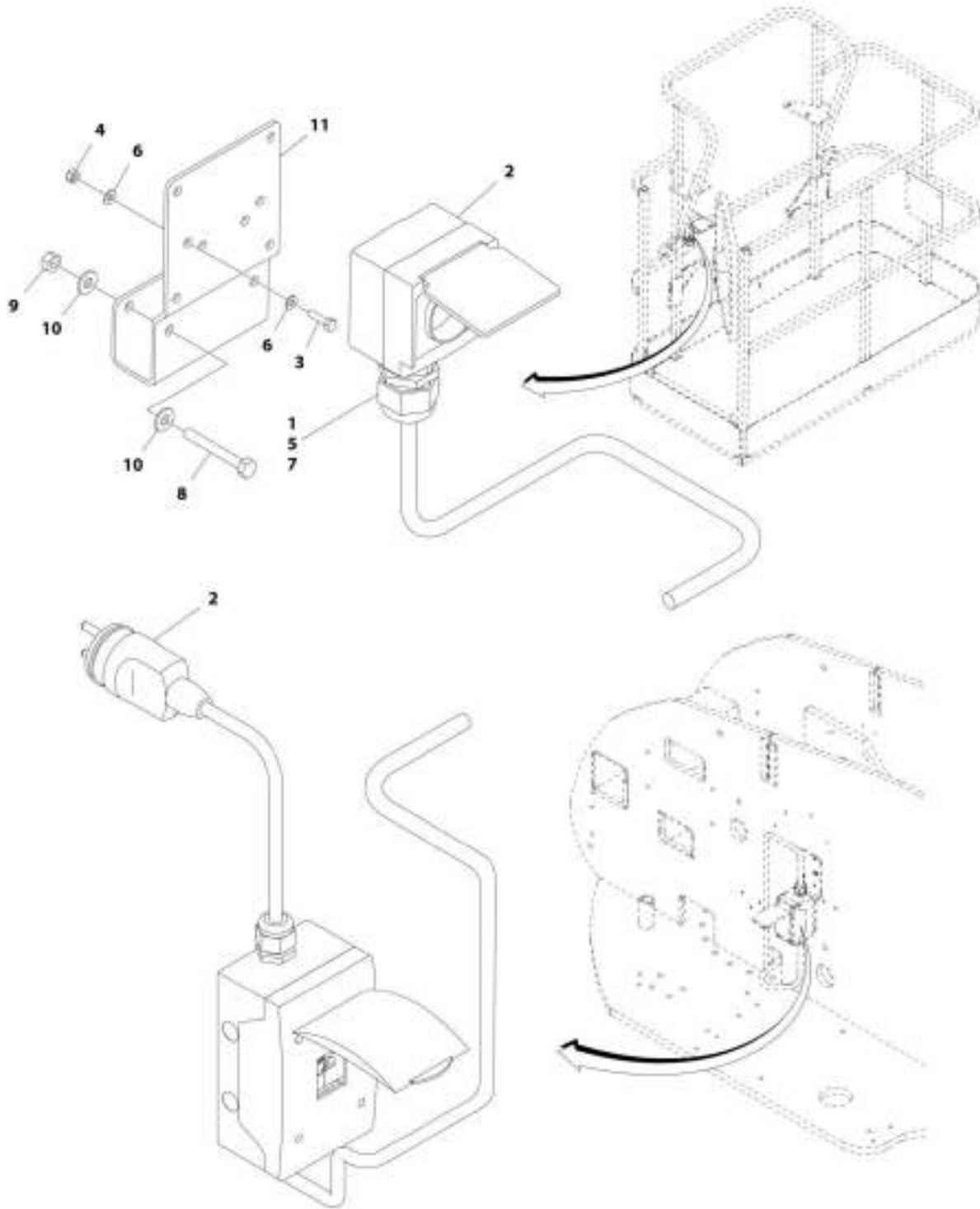
SECTION 8 - ELECTRICAL

FIGURE 8-11. AC BOX AT PLATFORM INSTALLATION - 220V IEC 60309 BLUE WITHOUT 4000W GENERATOR (CE SPECS) (SN 0300214025 to Present, SN B300002238 to Present)

ITEM	PART NUMBER	QTY	DESCRIPTION	REV
	1001206254	Ref	AC BOX AT PLATFORM INSTALLATION - 220V IEC 60309 BLUE WITHOUT 4000W GENERATOR (CE SPECS) (SN 0300214025 to Present, SN B300002238 to Present)	A
1	0100020	AR	Sealant, Pipe	
2	0641416	2	Bolt 1/4 x 2	
3	0700408	2	Bolt M4 x 16	
4	0861781	1	Box, Switch	
5	3251242	1	Decal - 240V-50Hz	
6	3290405	2	Nut M4	
7	3311405	2	Nut 1/4	
8	4461201	1	Receptacle	
9	4711400	4	Washer 1/4	
10	4811400	4	Washer M4	
11	1001101191	1	Connector, Strain Relief	
12	1001101196	1	Adapter	
13	1001193018	1	Bracket, AC Receptacle	

SECTION 8 - ELECTRICAL

FIGURE 8-12. AC BOX AT PLATFORM INSTALLATION - 220V CEE7 POST GROUND (70MM X 70MM BOX) WITHOUT 2500W GENERATOR (CE SPECS) (SN 0300201016 through 0300205136)



ART_100106/071

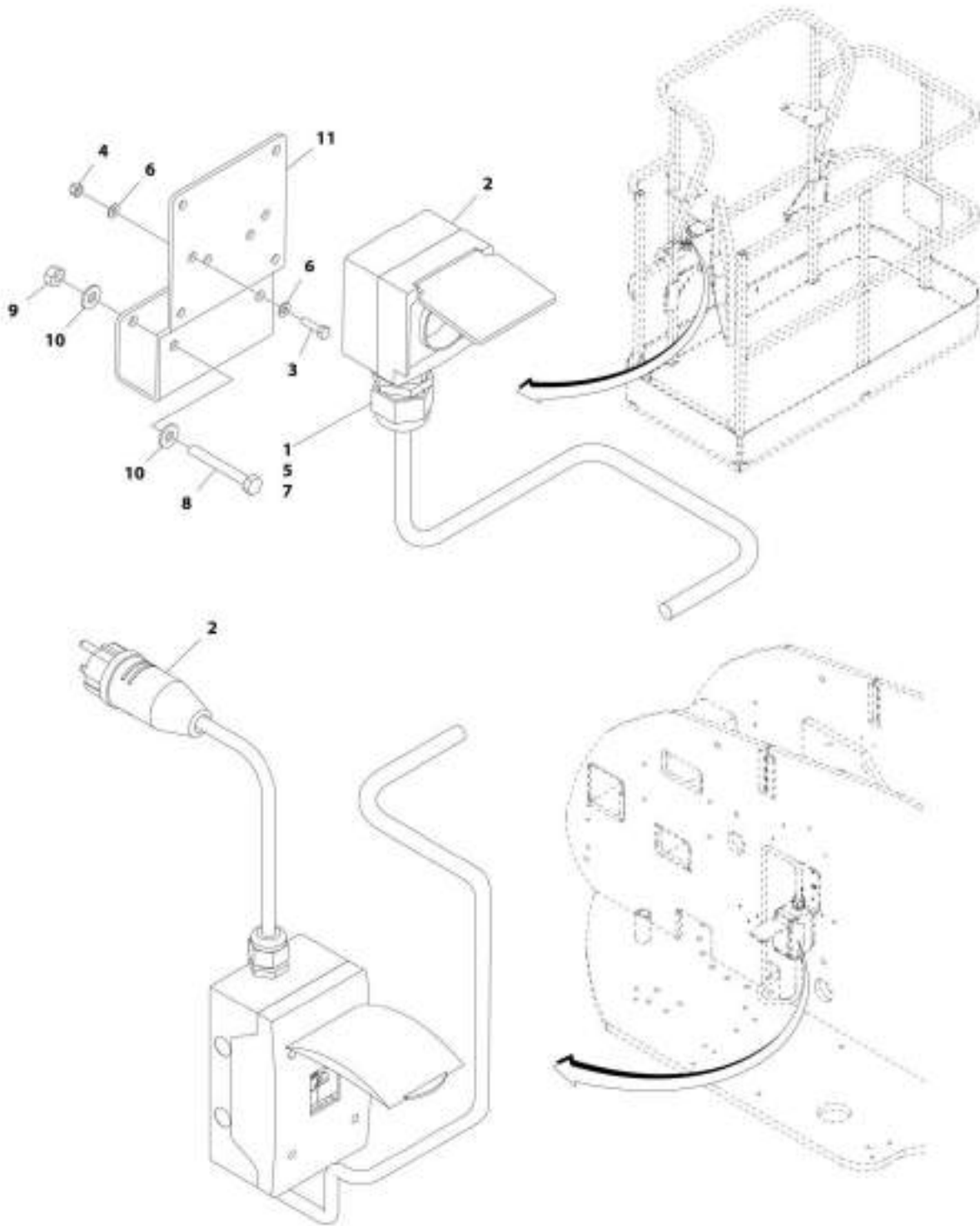
SECTION 8 - ELECTRICAL

FIGURE 8-12. AC BOX AT PLATFORM INSTALLATION - 220V CEE7 POST GROUND (70MM X 70MM BOX) WITHOUT 2500W GENERATOR (CE SPECS) (SN 0300201016 through 0300205136)

ITEM	PART NUMBER	QTY	DESCRIPTION	REV
	1001091971	Ref	AC BOX AT PLATFORM INSTALLATION - 220V CEE7 POST GROUND (70MM X 70MM BOX) WITHOUT 2500W GENERATOR (CE SPECS) (SN 0300201016 through 0300205136)	C
1	0100020	AR	Sealant, Pipe	
2	0275218	1	Receptacle Box Kit (See Separate Breakdown in this Section)	
3	0700408	2	Bolt M4 x 16	
4	3290405	2	Nut M4	
5	1001101196	1	Adapter	
6	4811400	4	Washer M4	
7	1001101191	1	Connector, Strain Relief	
8	0641416	2	Bolt 1/4 x 2	
9	3311405	2	Nut 1/4	
10	4711400	4	Washer 1/4	
11	1001193018	1	Bracket	

SECTION 8 - ELECTRICAL

FIGURE 8-13. AC BOX AT PLATFORM INSTALLATION - 220V CEE7 SIDE GROUND (70MM X 70MM BOX) WITHOUT 2500W GENERATOR (CE SPECS) (SN 0300201016 through 0300205136)



ART_100106/072

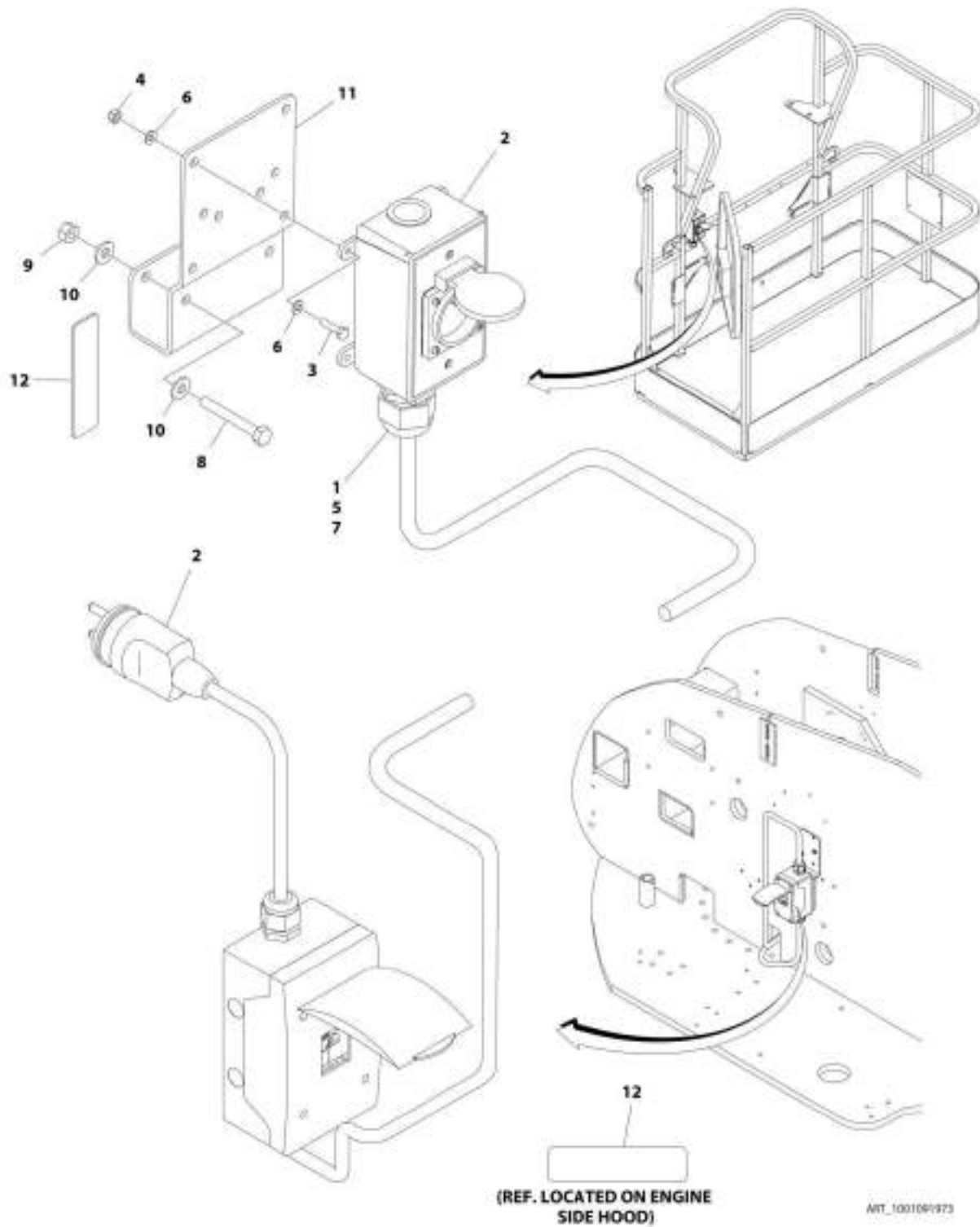
SECTION 8 - ELECTRICAL

FIGURE 8-13. AC BOX AT PLATFORM INSTALLATION - 220V CEE7 SIDE GROUND (70MM X 70MM BOX) WITHOUT 2500W GENERATOR (CE SPECS) (SN 0300201016 through 0300205136)

ITEM	PART NUMBER	QTY	DESCRIPTION	REV
	1001091972	Ref	AC BOX AT PLATFORM INSTALLATION - 220V CEE7 SIDE GROUND (70MM X 70MM BOX) WITHOUT 2500W GENERATOR (CE SPECS) (SN 0300201016 through 0300205136)	C
1	0100020	AR	Sealant, Pipe	
2	0275219	1	Receptacle Box Kit (See Separate Breakdown in this Section)	
3	0700408	2	Bolt M4 x 16	
4	3290405	2	Nut M4	
5	1001101196	1	Adapter	
6	4811400	4	Washer M4	
7	1001101191	1	Connector, Strain Relief	
8	0641416	2	Bolt 1/4 x 2	
9	3311405	2	Nut 1/4	
10	4711400	4	Washer 1/4	
11	1001193018	1	Bracket	

SECTION 8 - ELECTRICAL

FIGURE 8-14. AC BOX AT PLATFORM INSTALLATION - 220V CEE7 POST GROUND (2X4 BOX) WITHOUT 2500W GENERATOR (CE SPECS)



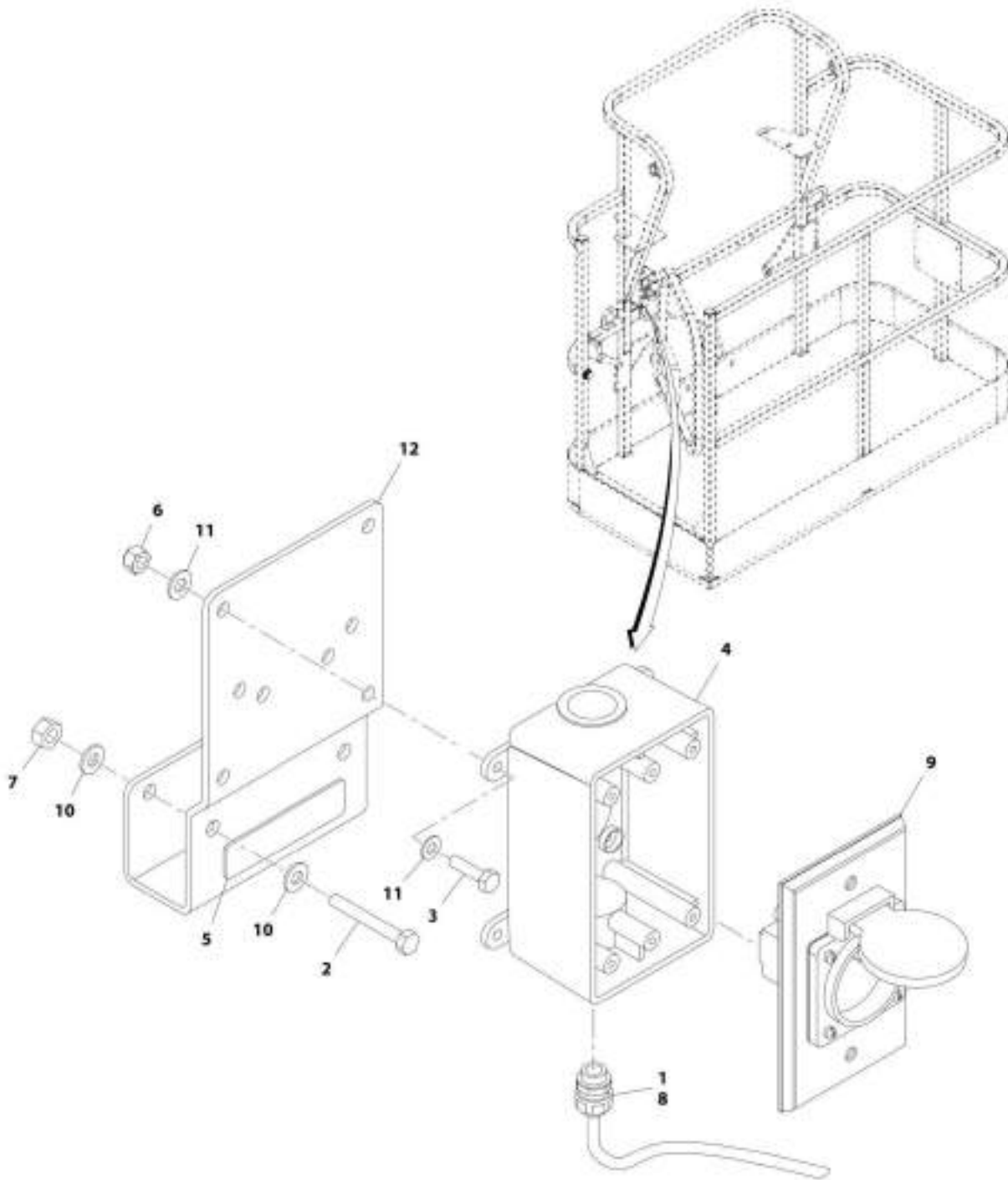
SECTION 8 - ELECTRICAL

**FIGURE 8-14. AC BOX AT PLATFORM INSTALLATION - 220V CEE7 POST GROUND (2X4 BOX)
WITHOUT 2500W GENERATOR (CE SPECS)**

ITEM	PART NUMBER	QTY	DESCRIPTION	REV
	1001091973	Ref	AC BOX AT PLATFORM INSTALLATION - 220V CEE7 POST GROUND (2X4 BOX) WITHOUT 2500W GENERATOR (CE SPECS)	F
1	0100020	AR	Sealant, Pipe	
2	0275452	1	Receptacle Box Kit (See Separate Breakdown in this Section)	
3	0700408	4	Bolt M4 x 16	
4	3290405	4	Nut M4	
5	1001101197	1	Adapter	
6	4811400	8	Washer M4	
7	1001101191	1	Connector, Strain Relief	
8	0641416	2	Bolt 1/4 x 2	
9	3311405	2	Nut 1/4	
10	4711400	4	Washer 1/4	
11	1001193018	1	Bracket	
12	3251242	2	Decal - 240V-50Hz (SN 0300190452 to Present)	
13	4460806	2	Terminal, Fork (Not Shown)	
14	1001205958	1	Terminal (Not Shown)	

SECTION 8 - ELECTRICAL

FIGURE 8-15. AC BOX AT PLATFORM INSTALLATION - 220V CEE7 POST GROUND (2X4 BOX)
WITHOUT 4000W GENERATOR (CE SPECS) (SN 0300205136 through 0300214024)



ART_1001194197

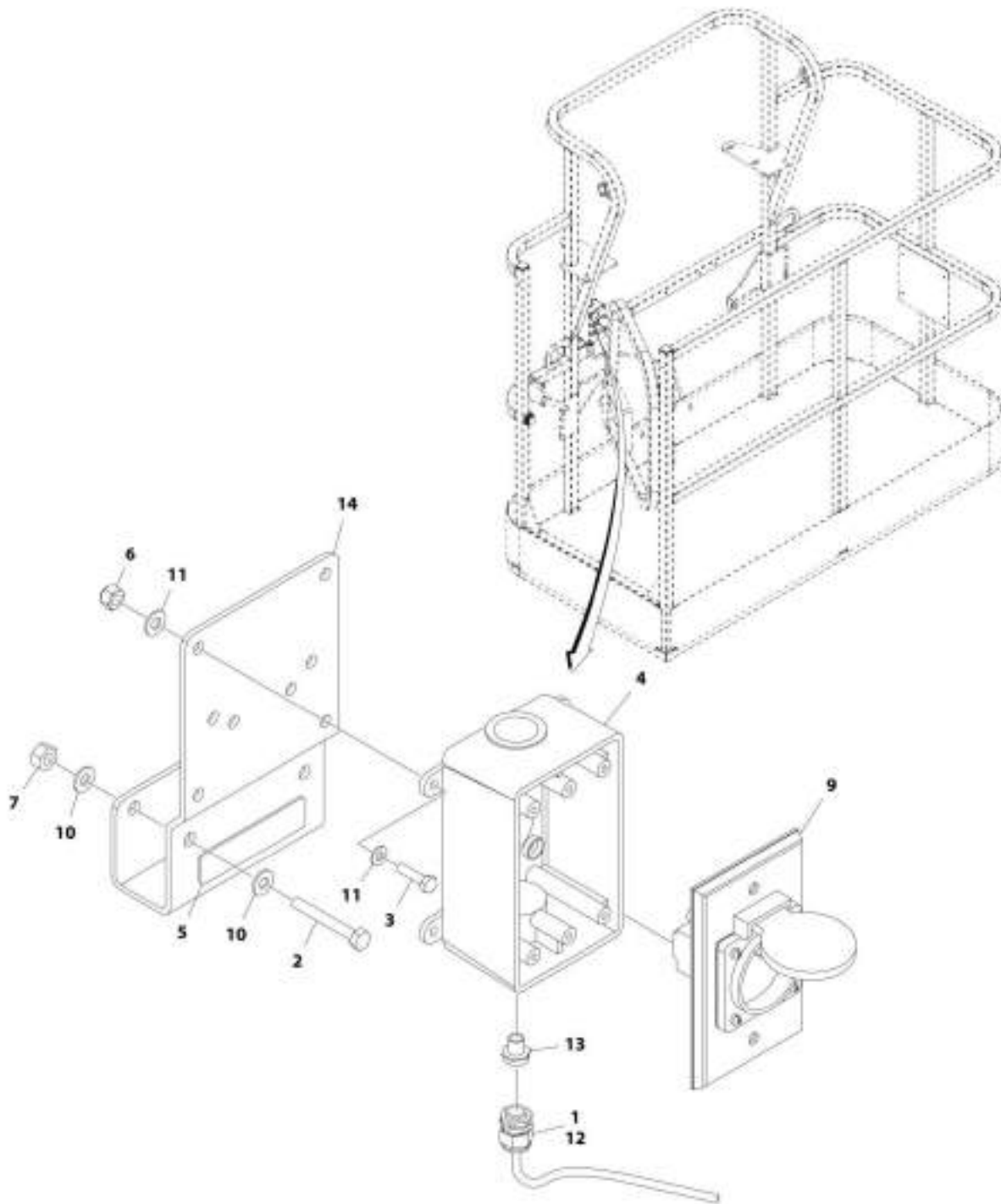
SECTION 8 - ELECTRICAL

**FIGURE 8-15. AC BOX AT PLATFORM INSTALLATION - 220V CEE7 POST GROUND (2X4 BOX)
WITHOUT 4000W GENERATOR (CE SPECS) (SN 0300205136 through 0300214024)**

ITEM	PART NUMBER	QTY	DESCRIPTION	REV
	1001194197	Ref	AC BOX AT PLATFORM INSTALLATION - 220V CEE7 POST GROUND (2X4 BOX) WITHOUT 4000W GENERATOR (CE SPECS) (SN 0300205136 through 0300214024)	B
1	0100020	AR	Sealant, Pipe	
2	0641416	2	Bolt 1/4 x 2	
3	0700408	4	Bolt M4 x 16	
4	0861731	1	Box, Switch	
5	3251242	1	Decal - 240V-50Hz	
6	3290405	4	Nut M4	
7	3311405	2	Nut 1/4	
8	4460662	1	Connector, Strain Relief	
9	4461244	1	Receptacle	
10	4711400	4	Washer 1/4	
11	4811400	8	Washer M4	
12	1001193018	1	Bracket, AC Receptacle	
13	4460806	2	Terminal, Fork	
14	1001205958	1	Terminal	

SECTION 8 - ELECTRICAL

FIGURE 8-16. AC BOX AT PLATFORM INSTALLATION - 220V CEE7 POST GROUND (2X4 BOX) WITHOUT 4000W GENERATOR (CE SPECS) (SN 0300214025 to Present)



ART_1001266250

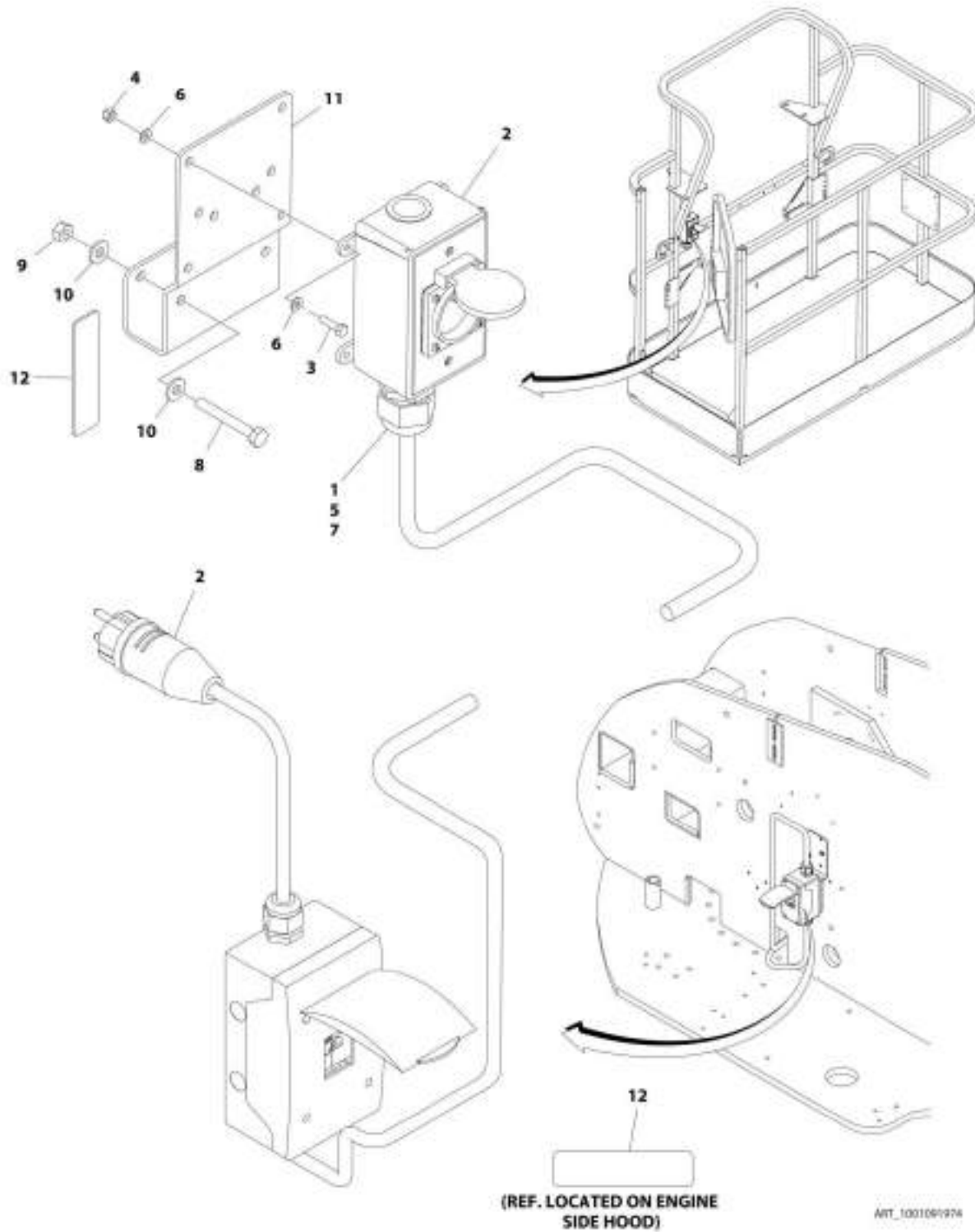
SECTION 8 - ELECTRICAL

**FIGURE 8-16. AC BOX AT PLATFORM INSTALLATION - 220V CEE7 POST GROUND (2X4 BOX)
WITHOUT 4000W GENERATOR (CE SPECS) (SN 0300214025 to Present)**

ITEM	PART NUMBER	QTY	DESCRIPTION	REV
	1001206250	Ref	AC BOX AT PLATFORM INSTALLATION - 220V CEE7 POST GROUND (2X4 BOX) WITHOUT 4000W GENERATOR (CE SPECS) (SN 0300214025 to Present)	A
1	0100020	AR	Sealant, Pipe	
2	0641416	2	Bolt 1/4 x 2	
3	0700408	4	Bolt M4 x 16	
4	0861731	1	Box, Switch	
5	3251242	1	Decal - 240V-50Hz	
6	3290405	4	Nut M4	
7	3311405	2	Nut 1/4	
8	4460806	2	Terminal, Fork	
9	4461244	1	Receptacle	
10	4711400	4	Washer 1/4	
11	4811400	8	Washer M4	
12	1001101191	1	Connector, Strain Relief	
13	1001101197	1	Adapter	
14	1001193018	1	Bracket, AC Receptacle	
15	1001205958	1	Terminal	

SECTION 8 - ELECTRICAL

FIGURE 8-17. AC BOX AT PLATFORM INSTALLATION - 220V CEE7 SIDE GROUND (2X4 BOX)
WITHOUT 2500W GENERATOR (CE SPECS)



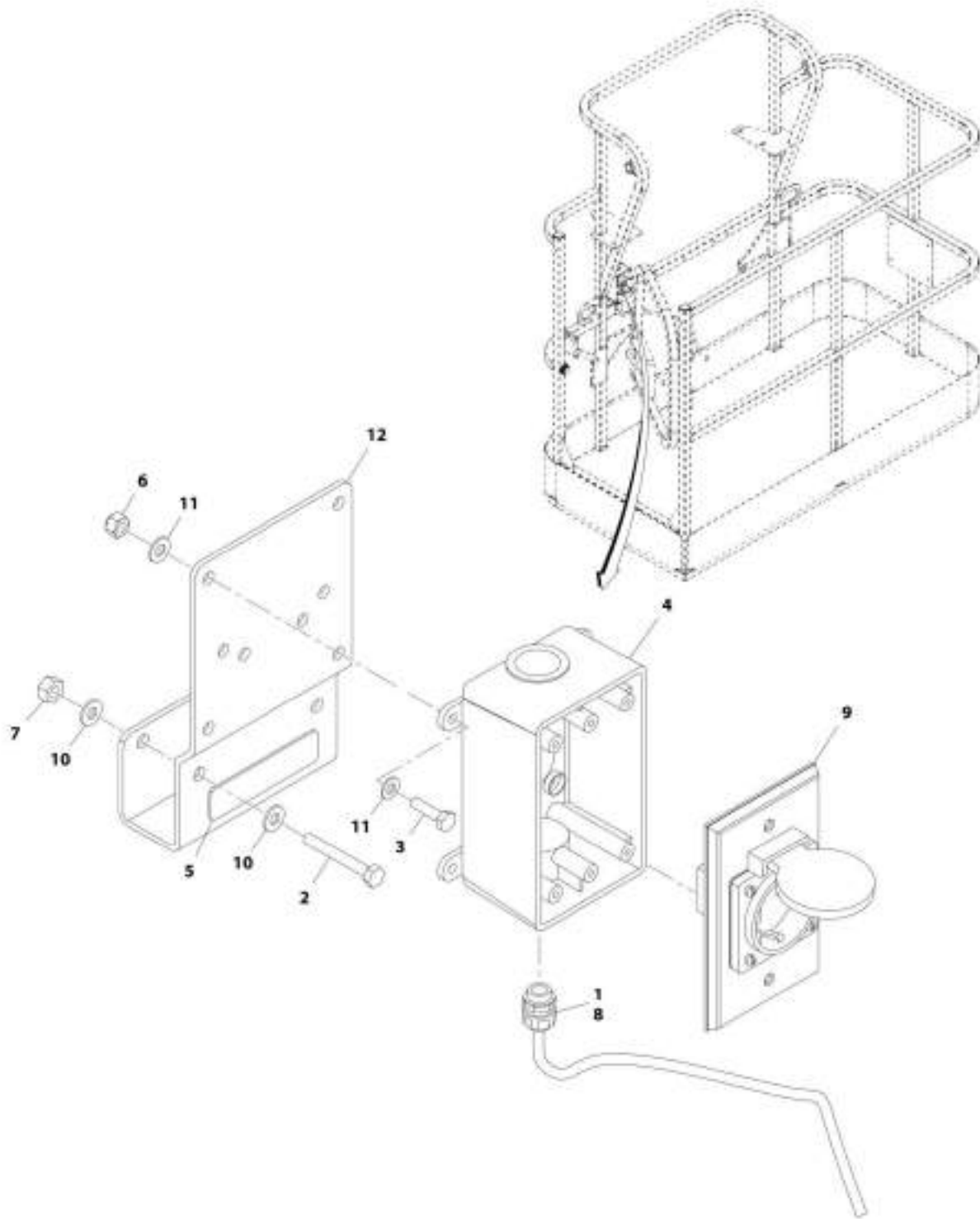
SECTION 8 - ELECTRICAL

**FIGURE 8-17. AC BOX AT PLATFORM INSTALLATION - 220V CEE7 SIDE GROUND (2X4 BOX)
WITHOUT 2500W GENERATOR (CE SPECS)**

ITEM	PART NUMBER	QTY	DESCRIPTION	REV
	1001091974	Ref	AC BOX AT PLATFORM INSTALLATION - 220V CEE7 SIDE GROUND (2X4 BOX) WITHOUT 2500W GENERATOR (CE SPECS)	F
1	0100020	AR	Sealant, Pipe	
2	0275453	1	Receptacle Box Kit (See Separate Breakdown in this Section)	
3	0700408	4	Bolt M4 x 16	
4	3290405	4	Nut M4	
5	1001101197	1	Adapter	
6	4811400	8	Washer M4	
7	1001101191	1	Connector, Strain Relief	
8	0641416	2	Bolt 1/4 x 2	
9	3311405	2	Nut 1/4	
10	4711400	4	Washer 1/4	
11	1001193018	1	Bracket	
12	3251242	2	Decal - 240V-50Hz (SN 0300190452 to Present)	
13	4460806	2	Terminal, Fork (Not Shown)	
14	1001205958	1	Terminal (Not Shown)	

SECTION 8 - ELECTRICAL

FIGURE 8-18. AC BOX AT PLATFORM INSTALLATION - 220V CEE7 SIDE GROUND (2X4 BOX)
WITHOUT 4000W GENERATOR (CE SPECS) (SN 0300205136 through 0300214024)



ART_1001194106

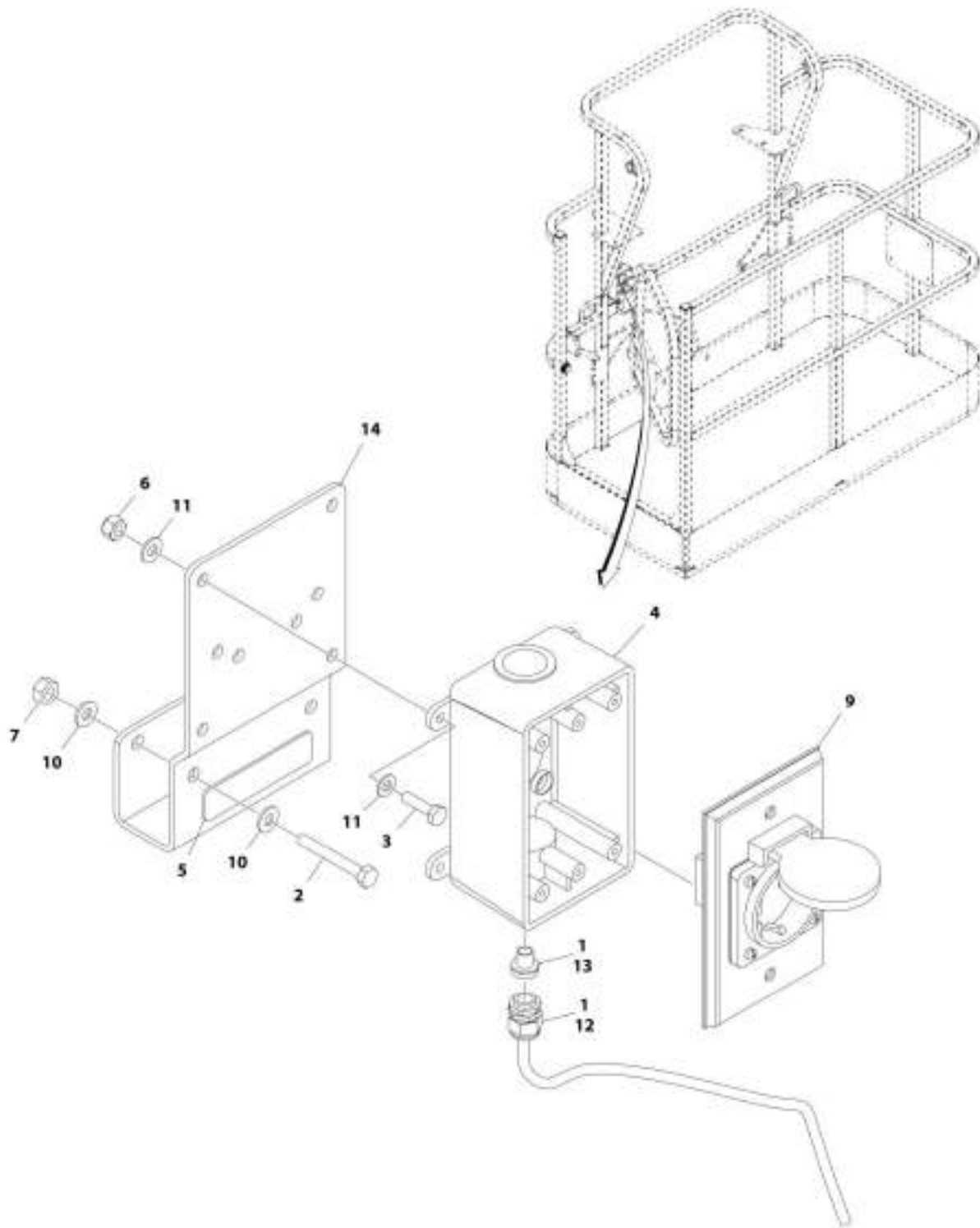
SECTION 8 - ELECTRICAL

**FIGURE 8-18. AC BOX AT PLATFORM INSTALLATION - 220V CEE7 SIDE GROUND (2X4 BOX)
WITHOUT 4000W GENERATOR (CE SPECS) (SN 0300205136 through 0300214024)**

ITEM	PART NUMBER	QTY	DESCRIPTION	REV
	1001194198	Ref	AC BOX AT PLATFORM INSTALLATION - 220V CEE7 SIDE GROUND (2X4 BOX) WITHOUT 4000W GENERATOR (CE SPECS) (SN 0300205136 through 0300214024)	B
1	0100020	AR	Sealant, Pipe	
2	0641416	2	Bolt 1/4 x 2	
3	0700408	4	Bolt M4 x 16	
4	0861731	1	Box, Switch	
5	3251242	1	Decal - 240V-50Hz	
6	3290405	4	Nut M4	
7	3311405	2	Nut 1/4	
8	4460662	1	Connector, Strain Relief	
9	4461245	1	Receptacle	
10	4711400	4	Washer 1/4	
11	4811400	8	Washer M4	
12	1001193018	1	Bracket, AC Receptacle	
13	4460806	2	Terminal, Fork	
14	1001205958	1	Terminal	

SECTION 8 - ELECTRICAL

FIGURE 8-19. AC BOX AT PLATFORM INSTALLATION - 220V CEE7 SIDE GROUND (2X4 BOX)
WITHOUT 4000W GENERATOR (CE SPECS) (SN 0300214025 to Present)



ART_1001206251

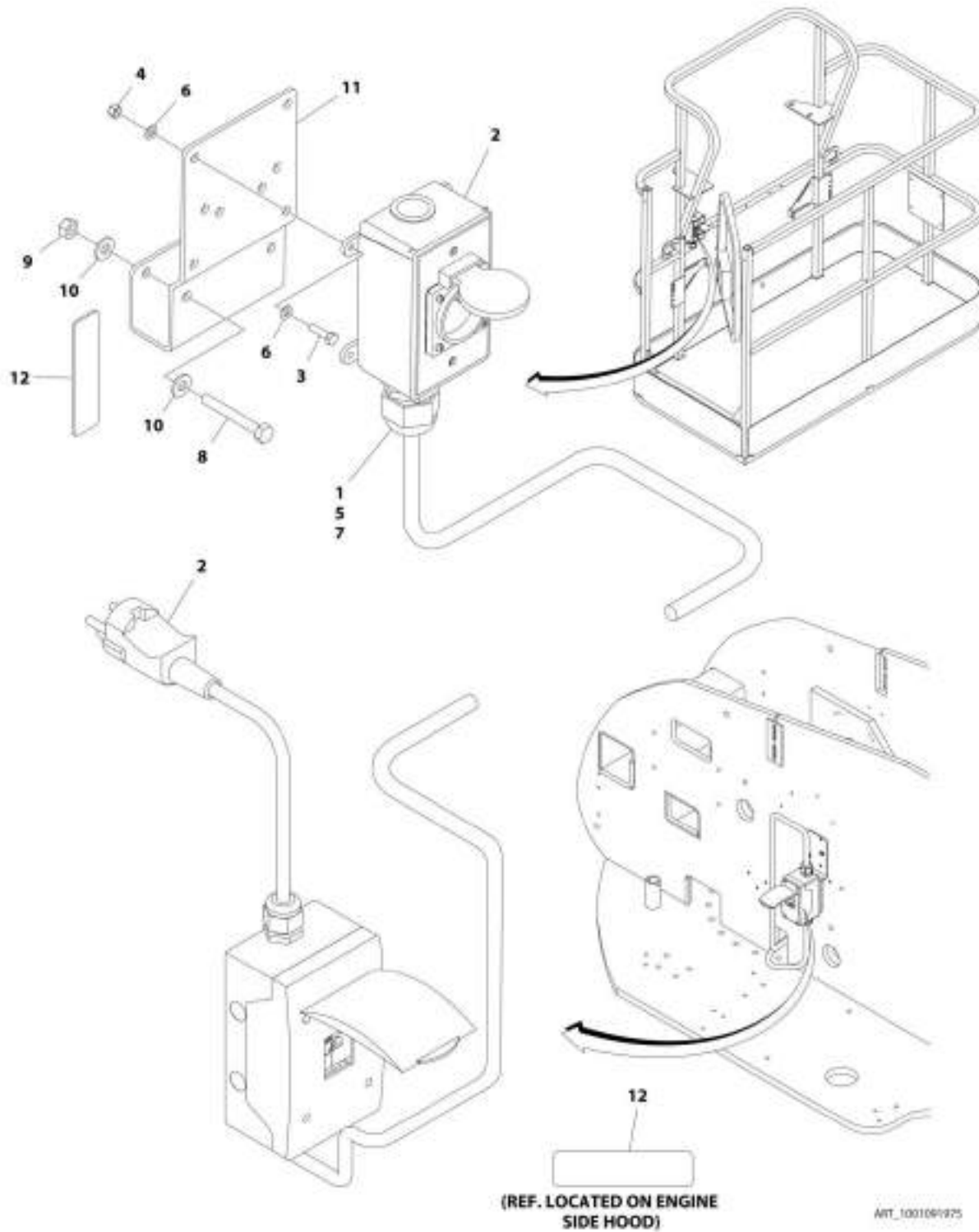
SECTION 8 - ELECTRICAL

**FIGURE 8-19. AC BOX AT PLATFORM INSTALLATION - 220V CEE7 SIDE GROUND (2X4 BOX)
WITHOUT 4000W GENERATOR (CE SPECS) (SN 0300214025 to Present)**

ITEM	PART NUMBER	QTY	DESCRIPTION	REV
	1001206251	Ref	AC BOX AT PLATFORM INSTALLATION - 220V CEE7 SIDE GROUND (2X4 BOX) WITHOUT 4000W GENERATOR (CE SPECS) (SN 0300214025 to Present)	A
1	0100020	AR	Sealant, Pipe	
2	0641416	2	Bolt 1/4 x 2	
3	0700408	4	Bolt M4 x 16	
4	0861731	1	Box, Switch	
5	3251242	1	Decal - 240V-50Hz	
6	3290405	4	Nut M4	
7	3311405	2	Nut 1/4	
8	4460806	2	Terminal, Fork	
9	4461245	1	Receptacle	
10	4711400	4	Washer 1/4	
11	4811400	8	Washer M4	
12	1001101191	1	Connector, Strain Relief	
13	1001101197	1	Adapter	
14	1001193018	1	Bracket, AC Receptacle	
15	1001205958	1	Terminal	

SECTION 8 - ELECTRICAL

FIGURE 8-20. AC BOX AT PLATFORM INSTALLATION - 220V AFSINT 107 KEYED GROUND (2X4 BOX) WITHOUT 2500W GENERATOR (CE SPECS)



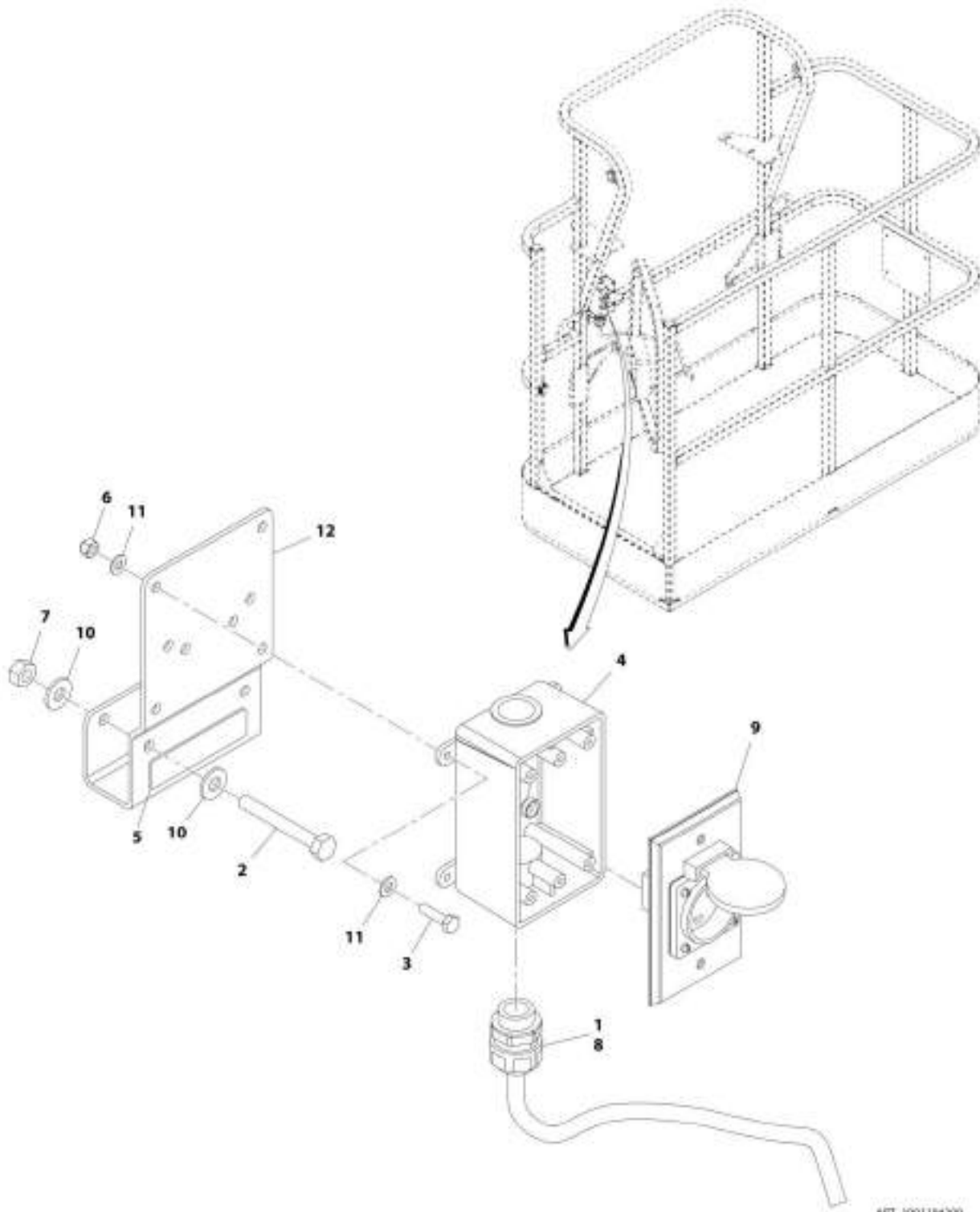
SECTION 8 - ELECTRICAL

FIGURE 8-20. AC BOX AT PLATFORM INSTALLATION - 220V AFSINT 107 KEYED GROUND (2X4 BOX) WITHOUT 2500W GENERATOR (CE SPECS)

ITEM	PART NUMBER	QTY	DESCRIPTION	REV
	1001091975	Ref	AC BOX AT PLATFORM INSTALLATION - 220V AFSINT 107 KEYED GROUND (2X4 BOX) WITHOUT 2500W GENERATOR (CE SPECS)	F
1	0100020	AR	Sealant, Pipe	
2	0275454	1	Receptacle Box Kit (See Separate Breakdown in this Section)	
3	0700408	4	Bolt M4 x 16	
4	3290405	4	Nut M4	
5	1001101197	1	Adapter	
6	4811400	8	Washer M4	
7	1001101191	1	Connector, Strain Relief	
8	0641416	2	Bolt 1/4 x 2	
9	3311405	2	Nut 1/4	
10	4711400	4	Washer 1/4	
11	1001193018	1	Bracket	
12	3251242	2	Decal - 240V-50Hz (SN 0300190452 to Present)	
13	1001205958	3	Terminal (Not Shown)	

SECTION 8 - ELECTRICAL

FIGURE 8-21. AC BOX AT PLATFORM INSTALLATION - 220V AFSINT 107 KEYED GROUND (2X4 BOX) WITHOUT 4000W GENERATOR (CE SPECS) (SN 0300205136 through 0300214024)



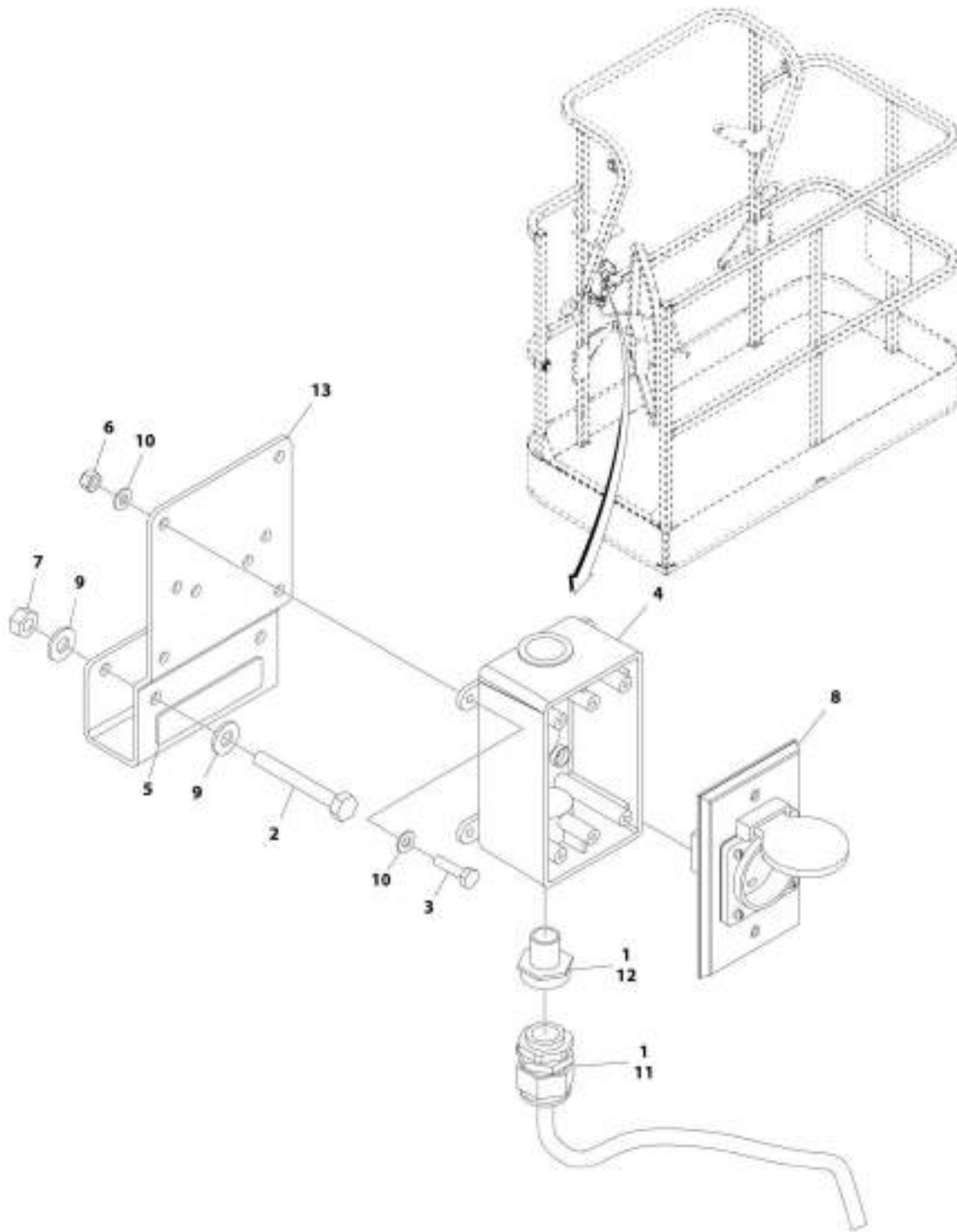
SECTION 8 - ELECTRICAL

FIGURE 8-21. AC BOX AT PLATFORM INSTALLATION - 220V AFSINT 107 KEYED GROUND (2X4 BOX) WITHOUT 4000W GENERATOR (CE SPECS) (SN 0300205136 through 0300214024)

ITEM	PART NUMBER	QTY	DESCRIPTION	REV
	1001194200	Ref	AC BOX AT PLATFORM INSTALLATION - 220V AFSINT 107 KEYED GROUND (2X4 BOX) WITHOUT 4000W GENERATOR (CE SPECS) (SN 0300205136 through 0300214024)	B
1	0100020	AR	Sealant, Pipe	
2	0641416	2	Bolt 1/4 x 2	
3	0700408	4	Bolt M4 x 16	
4	0861731	1	Box, Switch	
5	3251242	1	Decal - 240V-50Hz	
6	3290405	4	Nut M4	
7	3311405	2	Nut 1/4	
8	4460662	1	Connector, Strain Relief	
9	4461246	1	Receptacle	
10	4711400	4	Washer 1/4	
11	4811400	8	Washer M4	
12	1001193018	1	Bracket, AC Receptacle	
13	1001205958	3	Terminal	

SECTION 8 - ELECTRICAL

FIGURE 8-22. AC BOX AT PLATFORM INSTALLATION - 220V AFSINT 107 KEYED GROUND (2X4 BOX) WITHOUT 4000W GENERATOR (CE SPECS) (SN 0300214025 to Present)



ART_1001396253

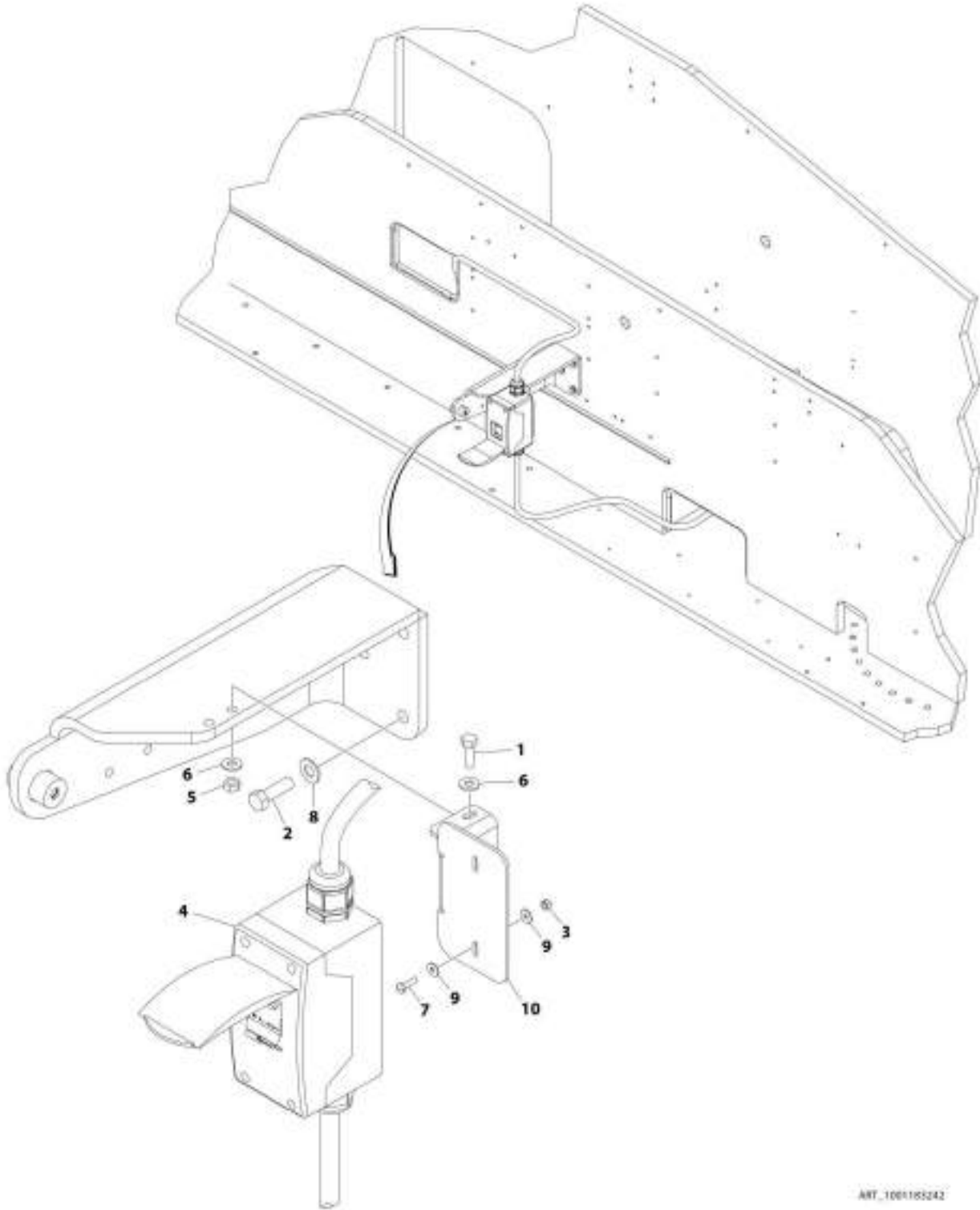
SECTION 8 - ELECTRICAL

FIGURE 8-22. AC BOX AT PLATFORM INSTALLATION - 220V AFSINT 107 KEYED GROUND (2X4 BOX) WITHOUT 4000W GENERATOR (CE SPECS) (SN 0300214025 to Present)

ITEM	PART NUMBER	QTY	DESCRIPTION	REV
	1001206252	Ref	AC BOX AT PLATFORM INSTALLATION - 220V AFSINT 107 KEYED GROUND (2X4 BOX) WITHOUT 4000W GENERATOR (CE SPECS) (SN 0300214025 to Present)	A
1	0100020	AR	Sealant, Pipe	
2	0641416	2	Bolt 1/4 x 2	
3	0700408	4	Bolt M4 x 16	
4	0861731	1	Box, Switch	
5	3251242	1	Decal - 240V-50Hz	
6	3290405	4	Nut M4	
7	3311405	2	Nut 1/4	
8	4461246	1	Receptacle	
9	4711400	4	Washer 1/4	
10	4811400	8	Washer M4	
11	1001101191	1	Connector, Strain Relief	
12	1001101197	1	Adapter	
13	1001193018	1	Bracket, AC Receptacle	
14	1001205958	3	Terminal	

SECTION 8 - ELECTRICAL

FIGURE 8-23. AC 16 AMP BREAKER BOX INSTALLATION



ART_1001185242

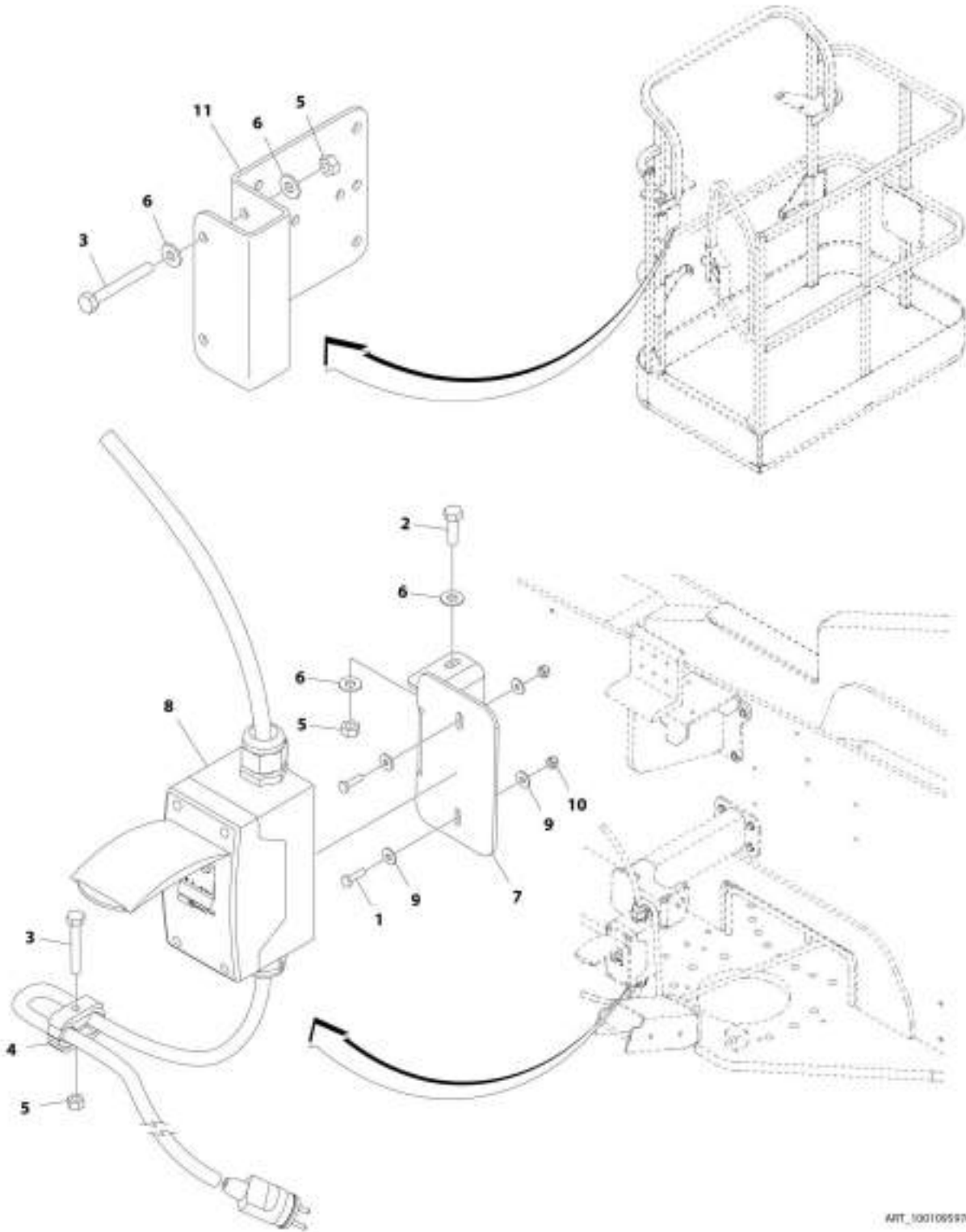
SECTION 8 - ELECTRICAL

FIGURE 8-23. AC 16 AMP BREAKER BOX INSTALLATION

ITEM	PART NUMBER	QTY	DESCRIPTION	REV
	1001183242	Ref	AC 16 AMP BREAKER BOX INSTALLATION	A
1	0641407	2	Bolt 1/4 x 7/8	
2	0641610	3	Bolt 3/8 x 1-1/4	
3	3290405	2	Nut M4	
4	1001109654	1	Breaker Box Kit - 16 Amp (See Separate Breakdown in this Section)	
5	3311405	2	Nut 1/4	
6	4711400	4	Washer 1/4	
7	4010408	2	Screw M4 x 16	
8	4711600	3	Washer 3/8	
9	1001091102	4	Washer M4	
10	1001094915	1	Bracket	

SECTION 8 - ELECTRICAL

FIGURE 8-24. AC 16 AMP BREAKER BOX INSTALLATION (CE SPECS)



MIT_100105570

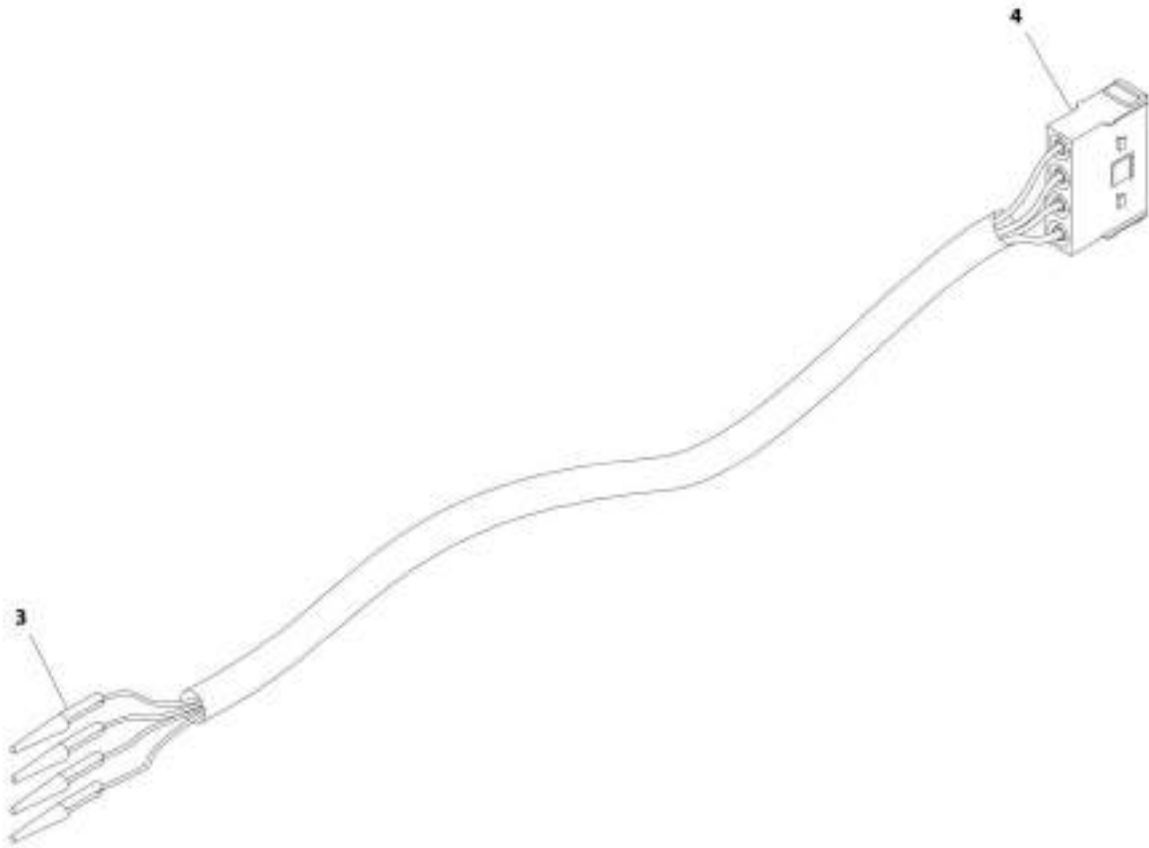
SECTION 8 - ELECTRICAL

FIGURE 8-24. AC 16 AMP BREAKER BOX INSTALLATION (CE SPECS)

ITEM	PART NUMBER	QTY	DESCRIPTION	REV
	1001095976	Ref	AC 16 AMP BREAKER BOX INSTALLATION (CE SPECS)	D
1	4010408	2	Screw M4 x 16	
2	0641407	2	Bolt 1/4 x 7/8	
3	0641416	AR	Bolt 1/4 x 2	
4	1320146	1	Clamp	
5	3311405	AR	Nut 1/4	
6	4711400	AR	Washer 1/4	
7	1001094915	1	Bracket	
8	1001109654	1	Breaker Box Kit - 16 Amp (See Separate Breakdown in this Section)	
9	1001091102	4	Washer M4	
10	3290405	2	Nut M4	
11	0903484	1	Bracket (SN 0300201016 through 0300234780)	

SECTION 8 - ELECTRICAL

FIGURE 8-25. ANALYZER CABLE HARNESS



ART_4922686

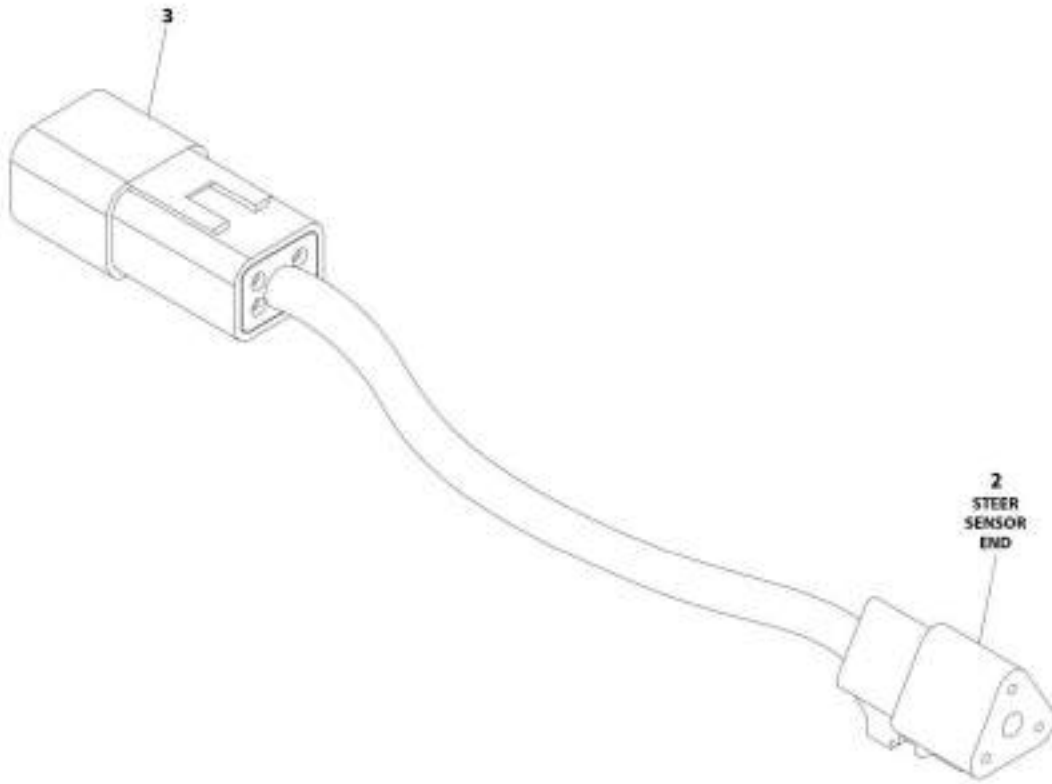
SECTION 8 - ELECTRICAL

FIGURE 8-25. ANALYZER CABLE HARNESS

ITEM	PART NUMBER	QTY	DESCRIPTION	REV
	4922666	Ref	ANALYZER CABLE HARNESS	C
3	4460226	4	Socket, Female	
4	4460761	1	Connector - 4 Position	
4	4460227	4	Pin, Male	

SECTION 8 - ELECTRICAL

FIGURE 8-26. AXLE POWER TRACK HARNESS ASSEMBLY



ART_492271B

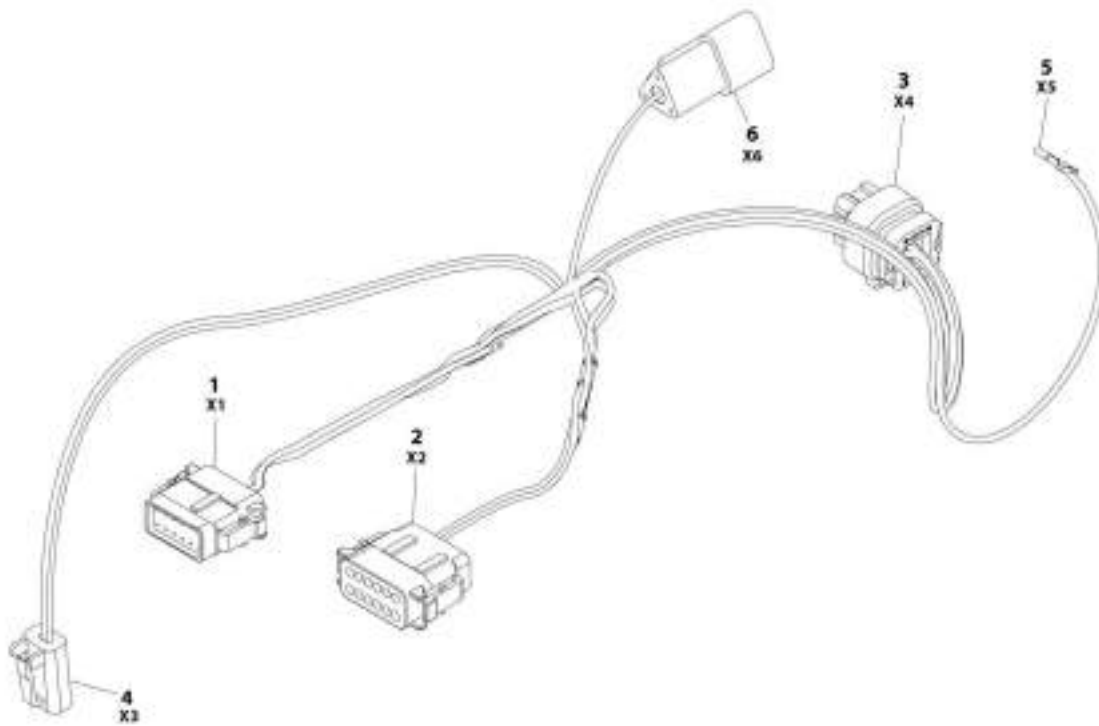
SECTION 8 - ELECTRICAL

FIGURE 8-26. AXLE POWER TRACK HARNESS ASSEMBLY

ITEM	PART NUMBER	QTY	DESCRIPTION	REV
	4922718	Ref	AXLE POWER TRACK HARNESS ASSEMBLY	D
2	4460539	1	Connector - 3 Position	
2	4460944	3	Socket, Female	
3	4460932	1	Connector - 4 Position	
3	4460943	4	Pin, Male	

SECTION 8 - ELECTRICAL

FIGURE 8-27. BEACON CONTROL HARNESS (BLUE BEACON LIGHT ONLY)



ART_1001150944

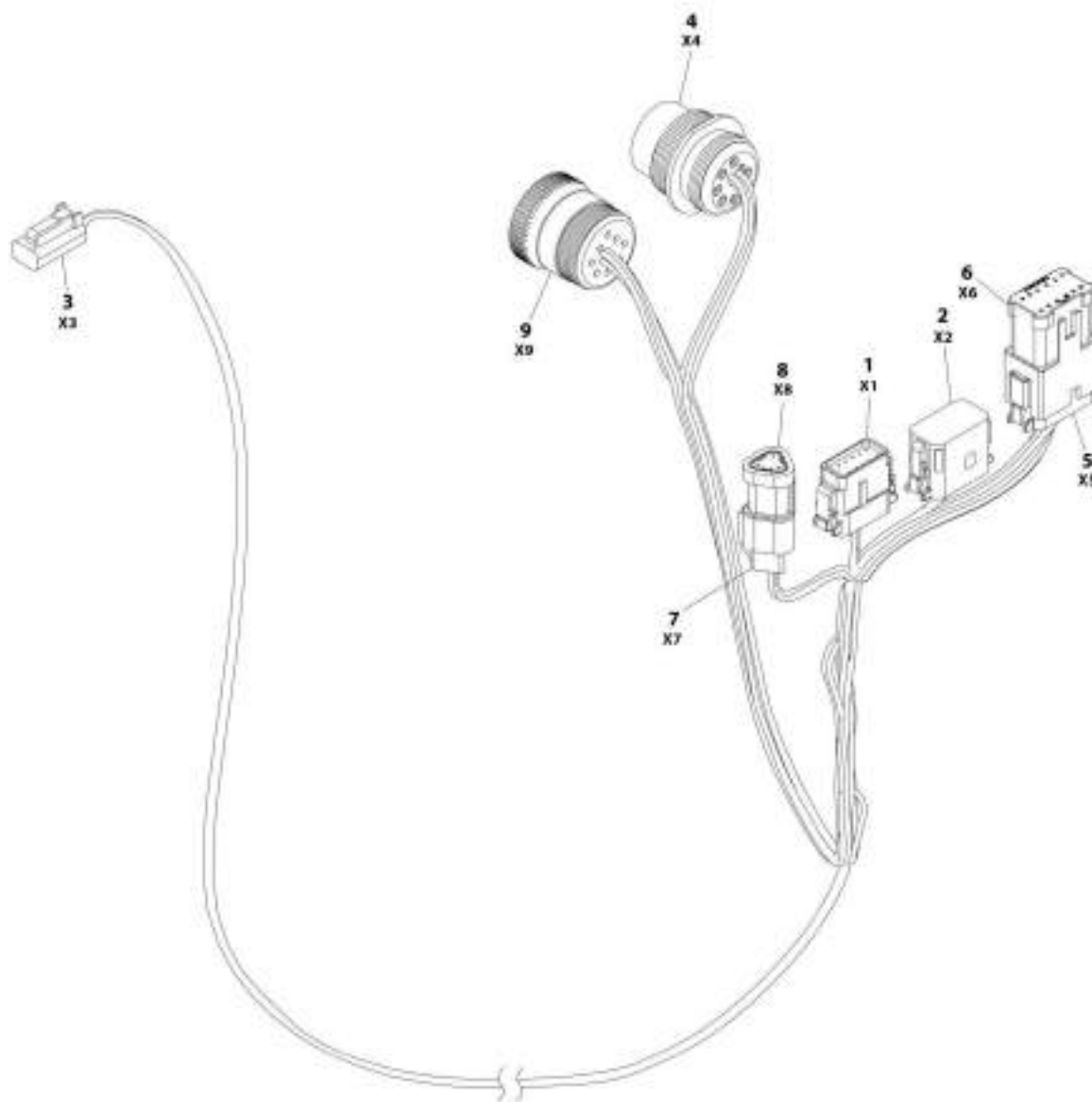
SECTION 8 - ELECTRICAL

FIGURE 8-27. BEACON CONTROL HARNESS (BLUE BEACON LIGHT ONLY)

ITEM	PART NUMBER	QTY	DESCRIPTION	REV
	1001150944	Ref	BEACON CONTROL HARNESS (BLUE BEACON LIGHT ONLY)	C
1	1001116808	1	Connector - 12 Position	
1	1001126008	3	Pin, Male	
1	4460518	9	Plug, Sealing	
2	1001116774	1	Connector - 12 Position	
2	1001116008	2	Pin, Male	
2	4460518	10	Plug, Sealing	
3	1001113961	1	Connector - 8 Position	
3	4460871	5	Socket, Female	
3	4460905	3	Plug, Sealing	
4	4460891	1	Connector - 2 Position	
4	4460465	2	Socket, Female	
5	4460871	1	Socket, Female	
6	4460536	1	Connector - 3 Position (SN 0300201016 through 0300207775)	
6	1001144147	1	Connector - 3 Position (SN 0300207776 to Present)	
6	4460464	2	Pin, Male	
6	4460466	1	Plug, Terminal	
6	1001116815	1	Connector - 3 Position	

SECTION 8 - ELECTRICAL

FIGURE 8-28. BEACON LIGHT HARNESS (BLUE BEACON LIGHT ONLY)



ART_1001142750

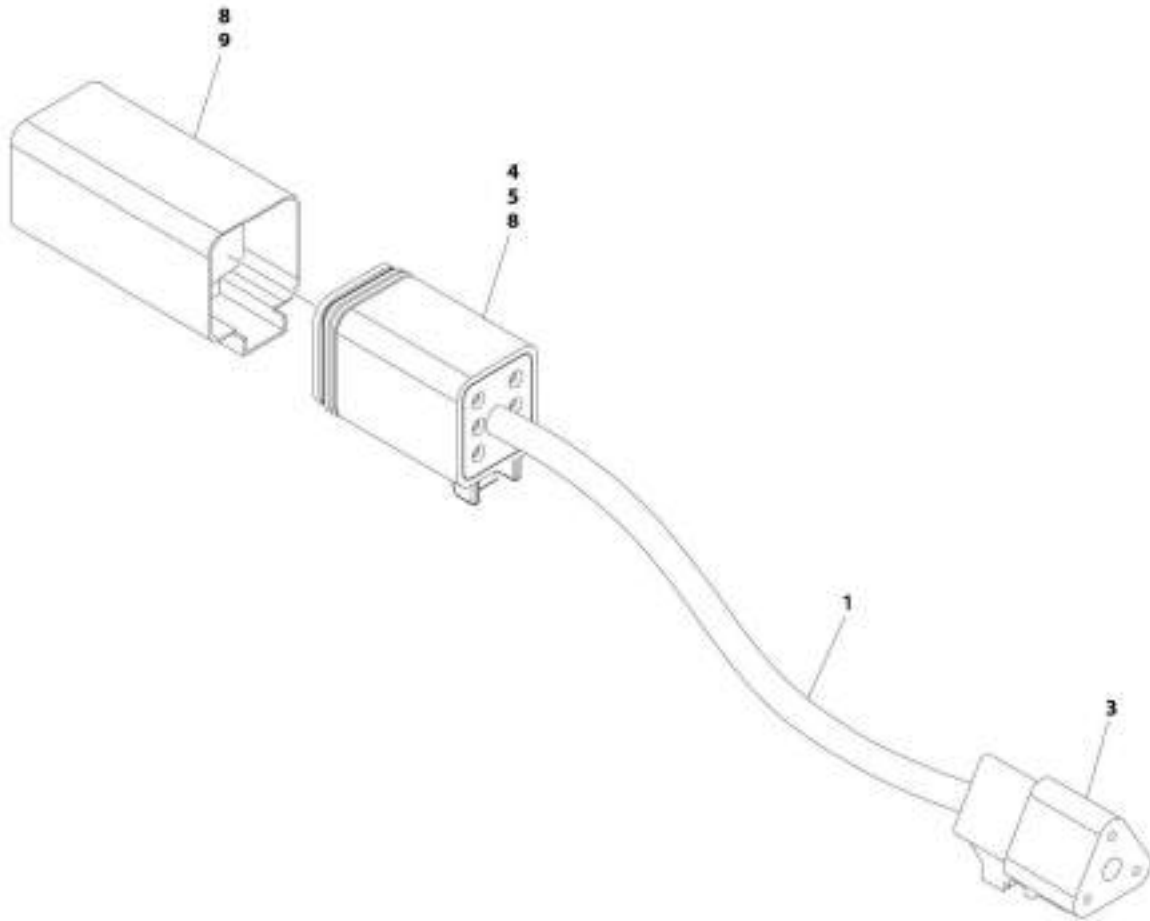
SECTION 8 - ELECTRICAL

FIGURE 8-28. BEACON LIGHT HARNESS (BLUE BEACON LIGHT ONLY)

ITEM	PART NUMBER	QTY	DESCRIPTION	REV
	1001142736	Ref	BEACON LIGHT HARNESS (BLUE BEACON LIGHT ONLY)	F
1	1001116808	1	Plug, Male - 12 Position	
1	4460928	3	Socket, Female	
1	4460518	9	Plug, Terminal	
2	1001116774	1	Plug, Male - 12 Position	
2	4460928	3	Socket, Female	
2	4460518	9	Plug, Terminal	
3	4460891	1	Plug, Male - 2 Position	
3	4460465	2	Socket, Female	
4	1001112612	1	Connector - 9 Position	
4	4460464	6	Pin, Male	
4	4460466	3	Plug, Terminal	
5	4460933	1	Plug, Male - 12 Position	
5	4460465	12	Socket, Female	
6	1001119020	1	Bussbar - 12 Position	
7	4461095	1	Plug, Male - 3 Position	
7	4460465	3	Socket, Female	
8	4461070	1	Bussbar - 3 Position	
9	1001112796	1	Connector - 9 Position	
9	4460465	6	Socket, Female	
9	4460466	3	Plug, Terminal	

SECTION 8 - ELECTRICAL

FIGURE 8-29. B.L.A.M. TO BOOM LENGTH SENSOR HARNESS



AMT_4622716

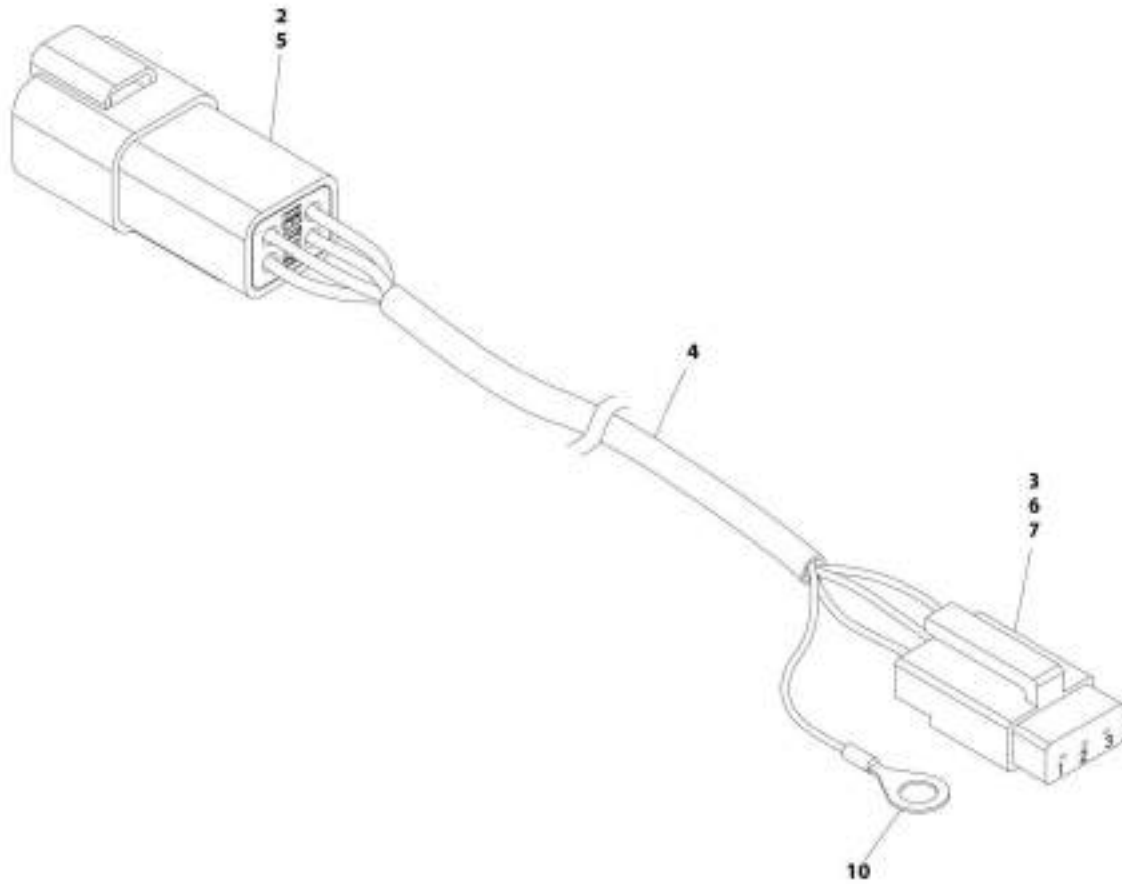
SECTION 8 - ELECTRICAL

FIGURE 8-29. B.L.A.M. TO BOOM LENGTH SENSOR HARNESS

ITEM	PART NUMBER	QTY	DESCRIPTION	REV
	4922716	Ref	B.L.A.M. TO BOOM LENGTH SENSOR HARNESS	G
1	1060981	14 ft/ 4.3m	Cable, Electrical 18/3	
3	4460539	1	Connector - 3 Position	
4	4460944	7	Socket, Female (Gold)	
5	4460894	1	Plug, Male - 6 Position	
8	4460466	AR	Plug, Terminal	
9	4460899	1	Connector, Female - 6 Position (SN 0300235239 to Present, SN B300002238 to Present)	

SECTION 8 - ELECTRICAL

FIGURE 8-30. B.L.A.M. TO BOOM ANGLE SENSOR HARNESS (LEFT SIDE)



ART_9922181

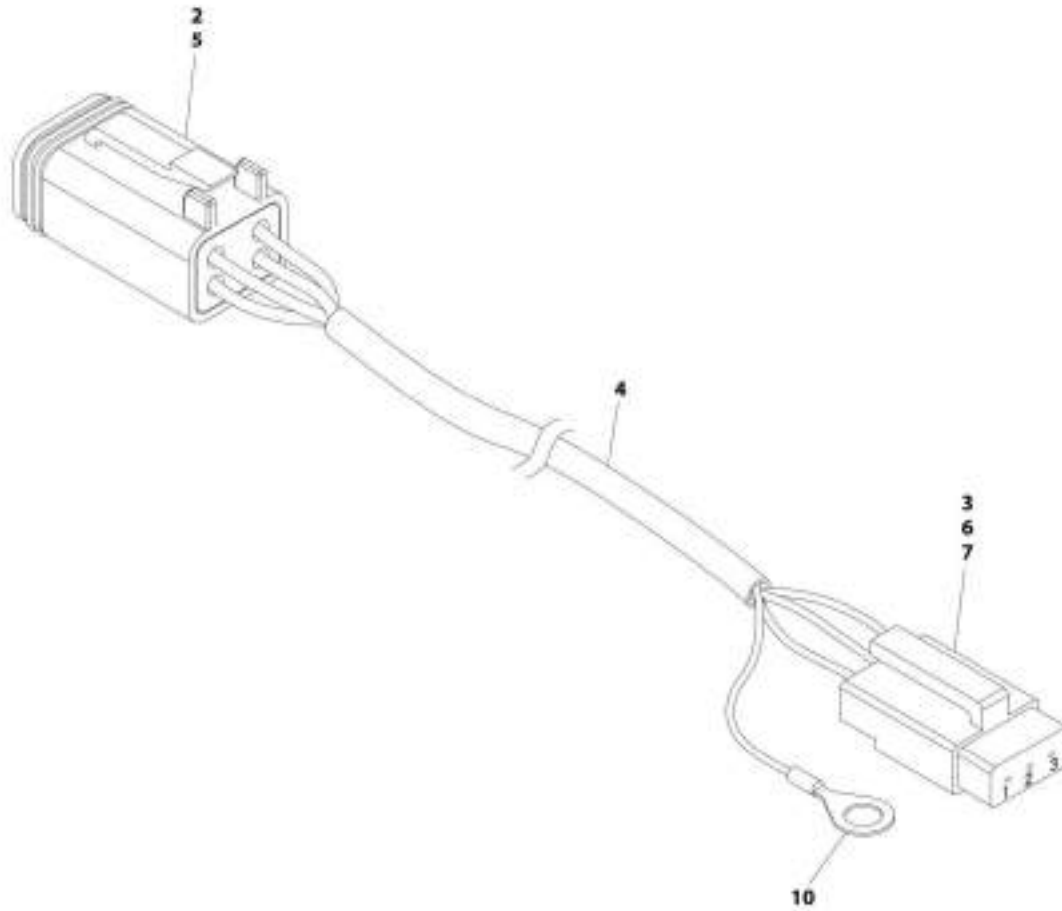
SECTION 8 - ELECTRICAL

FIGURE 8-30. B.L.A.M. TO BOOM ANGLE SENSOR HARNESS (LEFT SIDE)

ITEM	PART NUMBER	QTY	DESCRIPTION	REV
	4922781	Ref	B.L.A.M. TO BOOM ANGLE SENSOR HARNESS (LEFT SIDE)	F
2	4460932	1	Connector, Female - 4 Position	
3	4460912	1	Lock, Wedge - Position	
4	1060982	16.2 ft/ 4.9m	Cable, Electrical 18/3	
5	4460943	4	Pin, Male 16 Ga	
6	4460911	1	Plug, Male - 3 Position	
7	4460918	3	Socket, Female (Gold)	
10	4460722	1	Terminal, Ring	

SECTION 8 - ELECTRICAL

FIGURE 8-31. B.L.A.M. TO BOOM ANGLE SENSOR HARNESS (RIGHT SIDE)



ART. 9121781

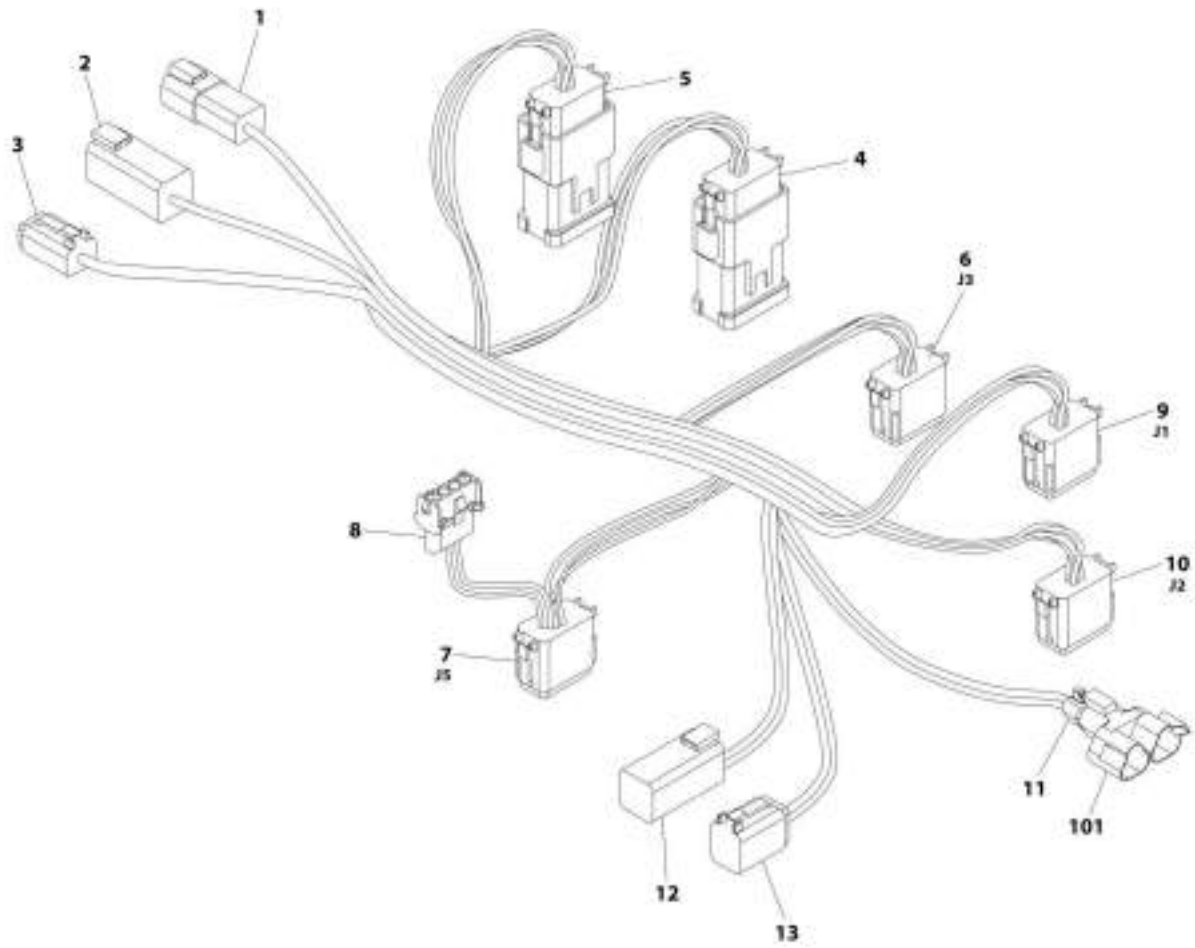
SECTION 8 - ELECTRICAL

FIGURE 8-31. B.L.A.M. TO BOOM ANGLE SENSOR HARNESS (RIGHT SIDE)

ITEM	PART NUMBER	QTY	DESCRIPTION	REV
	4922780	Ref	B.L.A.M. TO BOOM ANGLE SENSOR HARNESS (RIGHT SIDE)	E
2	4460884	1	Connector, Gray - 4 Position	
3	4460912	1	Lock, Wedge - Position	
4	1060981	16.2 ft/ 4.9m	Cable, Electrical 18/3	
5	4460944	4	Socket, Female (Gold)	
6	4460911	1	Plug, Male - 3 Position	
7	4460918	3	Socket, Female (Gold)	
10	4460722	1	Terminal, Ring	

SECTION 8 - ELECTRICAL

FIGURE 8-32. B.L.A.M. HARNESS



ART 4022796

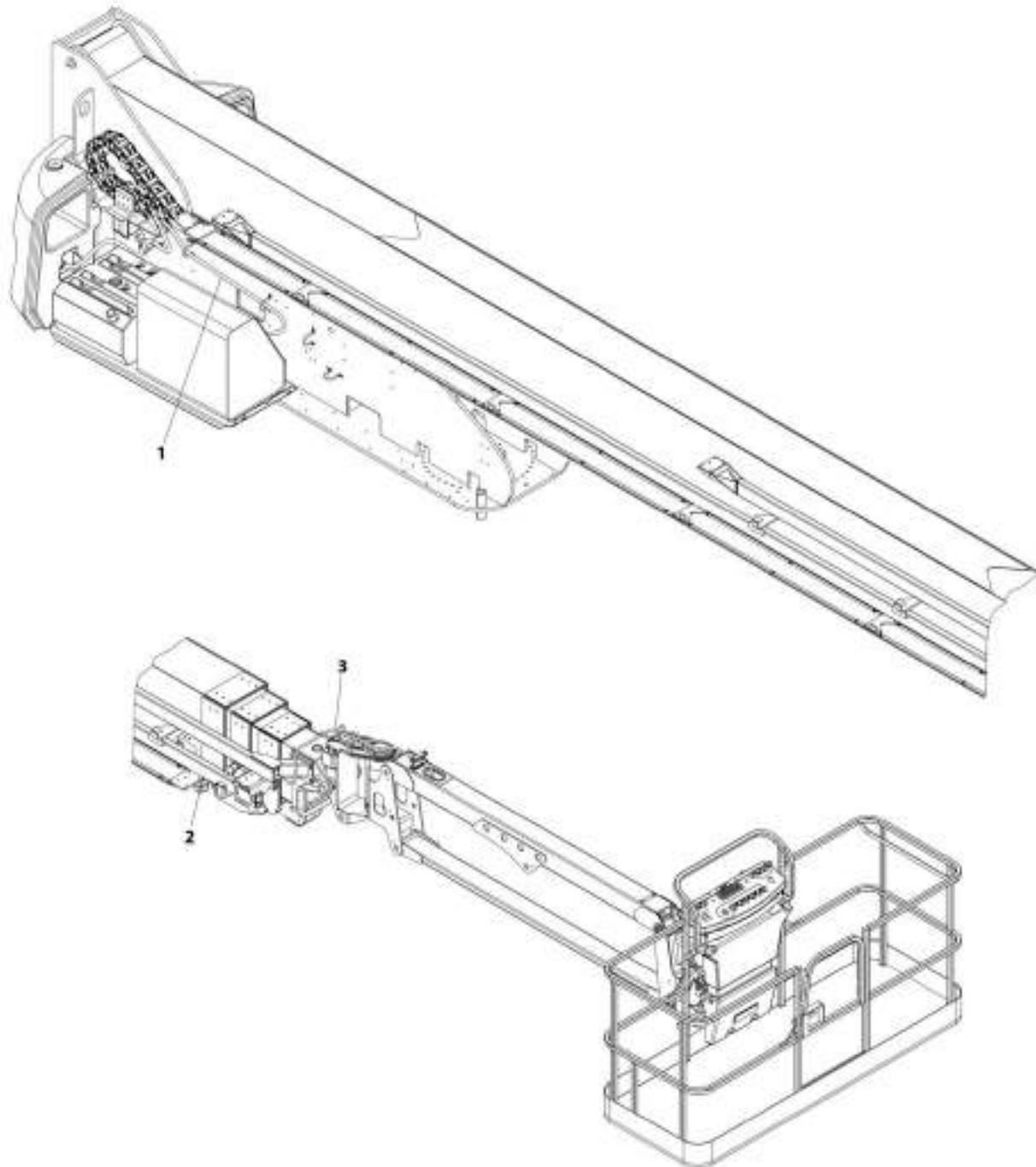
SECTION 8 - ELECTRICAL

FIGURE 8-32. B.L.A.M. HARNESS

ITEM	PART NUMBER	QTY	DESCRIPTION	REV
	4922786	Ref	B.L.A.M. HARNESS	C/4
1	4460932	1	Connector - 4 Position (Gray)	
1	4460943	4	Pin, Male	
2	4460899	1	Connector, Female - 6 Position	
2	4460943	4	Pin, Male (Gold)	
2	4460466	2	Plug, Seal	
3	4460884	1	Connector - 4 Position (Gray)	
3	4460944	4	Socket, Female	
4	4460836	1	Connector - 12 Position (Black)	
4	4460466	8	Plug, Seal	
4	4460465	4	Socket, Female	
4	4460942	2	Socket, Female	
4	4460837	1	Connector - 12 Position Buss Bar	
5	4460836	1	Plug, Male - 12 Position (Black)	
5	4460466	6	Plug, Seal	
5	4460944	5	Socket, Female	
5	4460465	1	Socket, Female	
5	4460837	1	Connector - 12 Position Buss Bar	
6	4460934	1	Connector, Green - 12 Position	
6	4460466	7	Plug, Seal	
6	4460944	3	Socket, Female	
6	4460465	2	Socket, Female	
7	4460935	1	Connector - 12 Position (Green)	
7	4460466	5	Plug, Seal	
7	4460465	2	Socket, Female	
8	4922705	1	Analyzer Harness	
8	4460761	1	Connector, Female - 4 Position	
8	4460227	4	Pin, Male	
8	4460465	4	Socket, Female	
9	4460933	1	Connector - 12 Position (Gray)	
9	4460466	7	Plug, Seal	
9	4460944	3	Socket, Female	
9	4460465	1	Socket, Female	
9	4460942	1	Socket, Female	
10	4460836	1	Connector - 12 Position (Black)	
10	4460466	8	Plug, Seal	
10	4460944	2	Socket, Female	
10	4460465	2	Socket, Female	
11	4460966	1	Plug, Male - 3 Position (Green Lock)	
11	4460944	3	Socket, Female	
12	4460899	1	Connector, Female - 6 Position	
12	4460465	3	Socket, Female	
12	4460464	3	Plug, Seal	
13	4460894	1	Connector - 6 Position (Gray)	
13	4460465	4	Socket, Female	
13	4460466	2	Plug, Seal	
14	4240033	AR	Tie-Strap (Not Shown)	
101	4460945	1	Connector, Female - 3 Way	

SECTION 8 - ELECTRICAL

FIGURE 8-33. BOOM CABLES INSTALLATION - 1200SJP (ANSI, ANSI EXPORT, CHINA, CSA AND JAPANESE SPECS)



ART_0271932

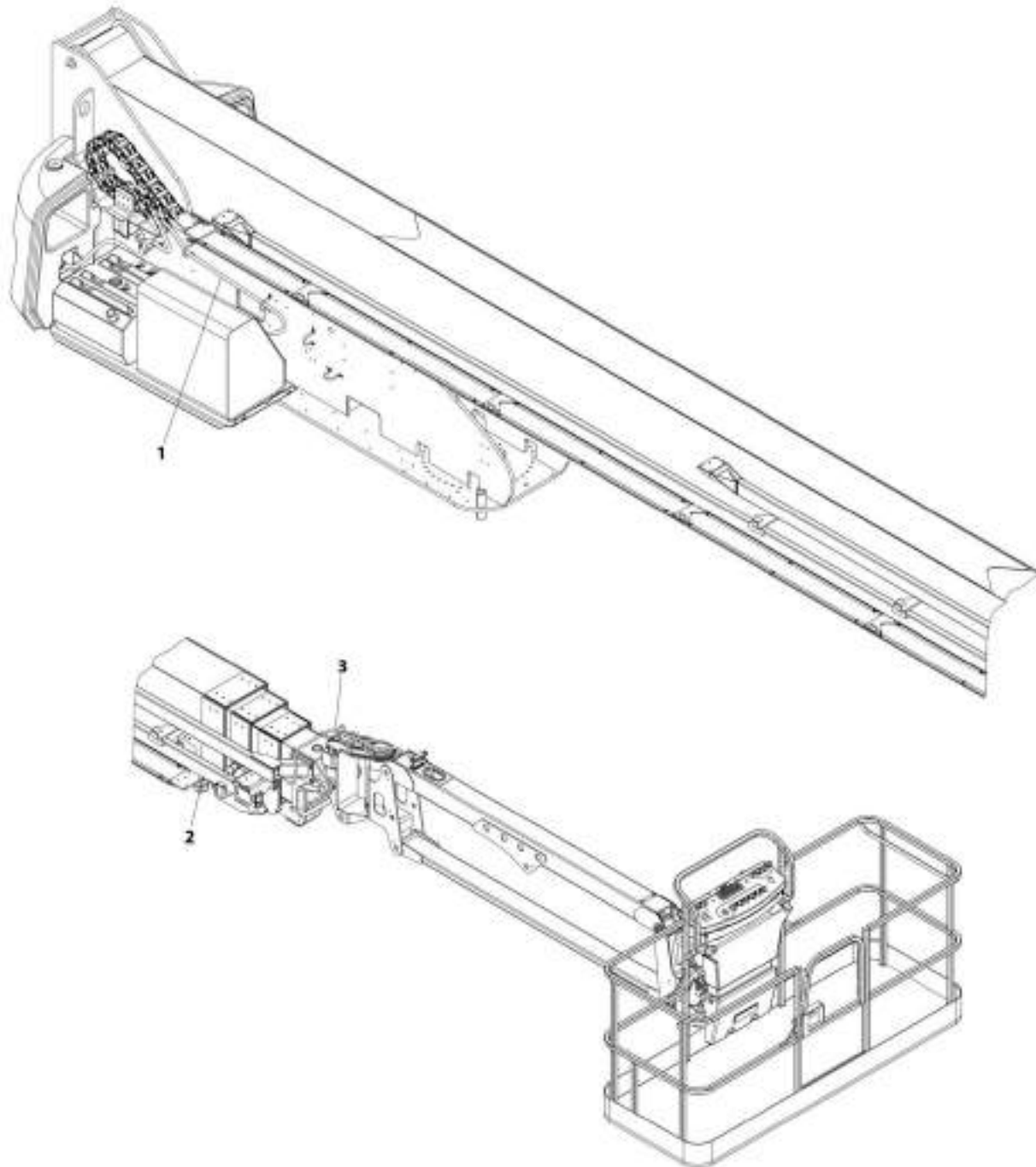
SECTION 8 - ELECTRICAL

FIGURE 8-33. BOOM CABLES INSTALLATION - 1200SJP (ANSI, ANSI EXPORT, CHINA, CSA AND JAPANESE SPECS)

ITEM	PART NUMBER	QTY	DESCRIPTION	REV
	0271932	Ref	BOOM CABLES INSTALLATION - 1200SJP (ANSI, ANSI EXPORT, CHINA, CSA AND JAPANESE SPECS)	D
1	4922759	1	Harness, 10/3 AC	
2	4922763	1	Harness, 18/3 Transport Switch	
3	4922672	1	Harness, Main Boom Control (See Separate Breakdown in this Section)	

SECTION 8 - ELECTRICAL

FIGURE 8-34. BOOM CABLES INSTALLATION - 1350SJP (ANSI, ANSI EXPORT, CHINA, CSA AND JAPANESE SPECS)



ART_0271951

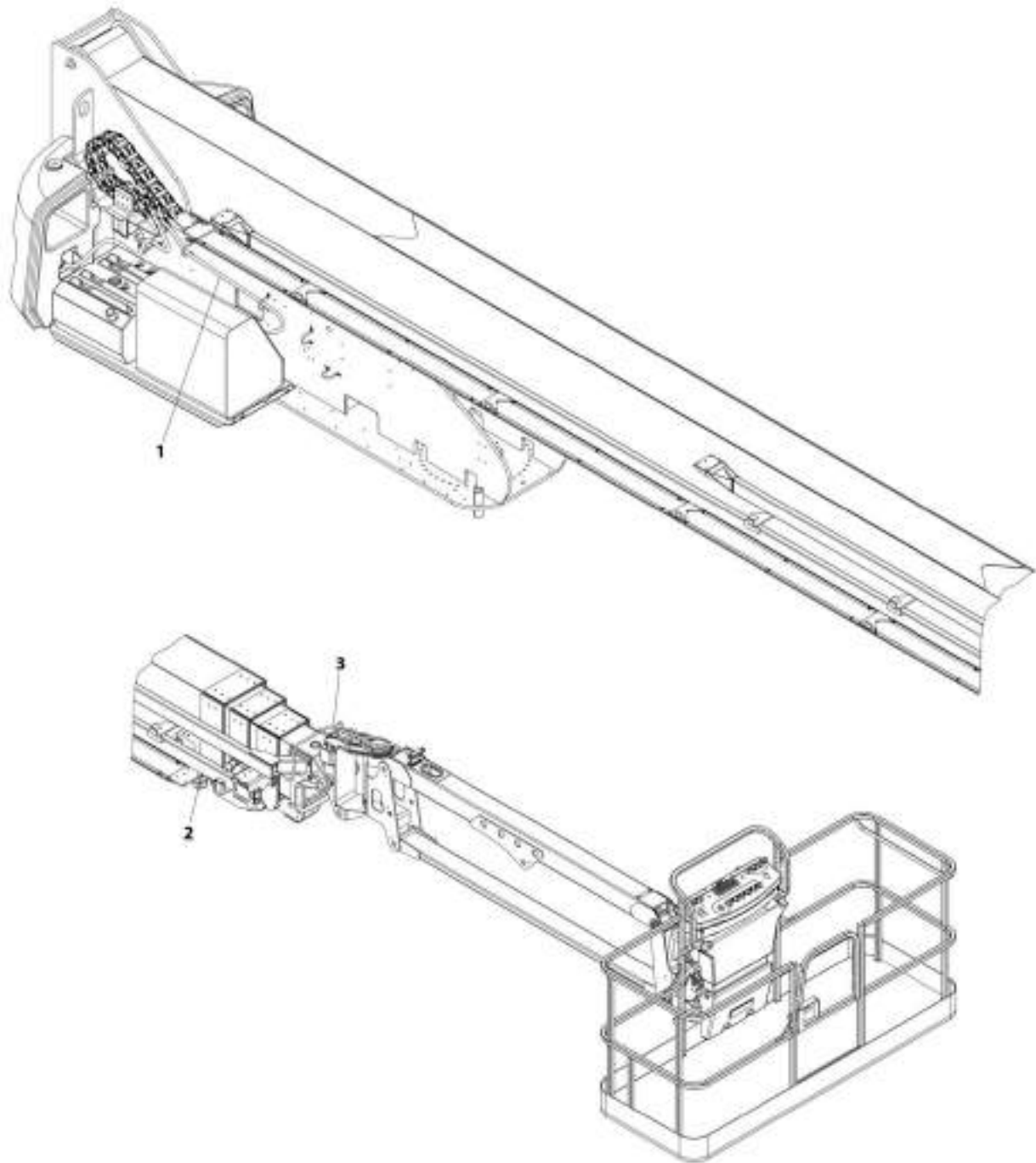
SECTION 8 - ELECTRICAL

FIGURE 8-34. BOOM CABLES INSTALLATION - 1350SJP (ANSI, ANSI EXPORT, CHINA, CSA AND JAPANESE SPECS)

ITEM	PART NUMBER	QTY	DESCRIPTION	REV
	0271951	Ref	BOOM CABLES INSTALLATION - 1350SJP (ANSI, ANSI EXPORT, CHINA, CSA AND JAPANESE SPECS)	D
1	4922758	1	Harness, 10/3 AC	
2	4922762	1	Harness, 18/3 Transport Switch	
3	4922673	1	Harness, Main Boom Control (See Separate Breakdown in this Section)	

SECTION 8 - ELECTRICAL

FIGURE 8-35. BOOM CABLES INSTALLATION - 1200SJP (AUSTRALIAN AND CE SPECS)



ART_0271950

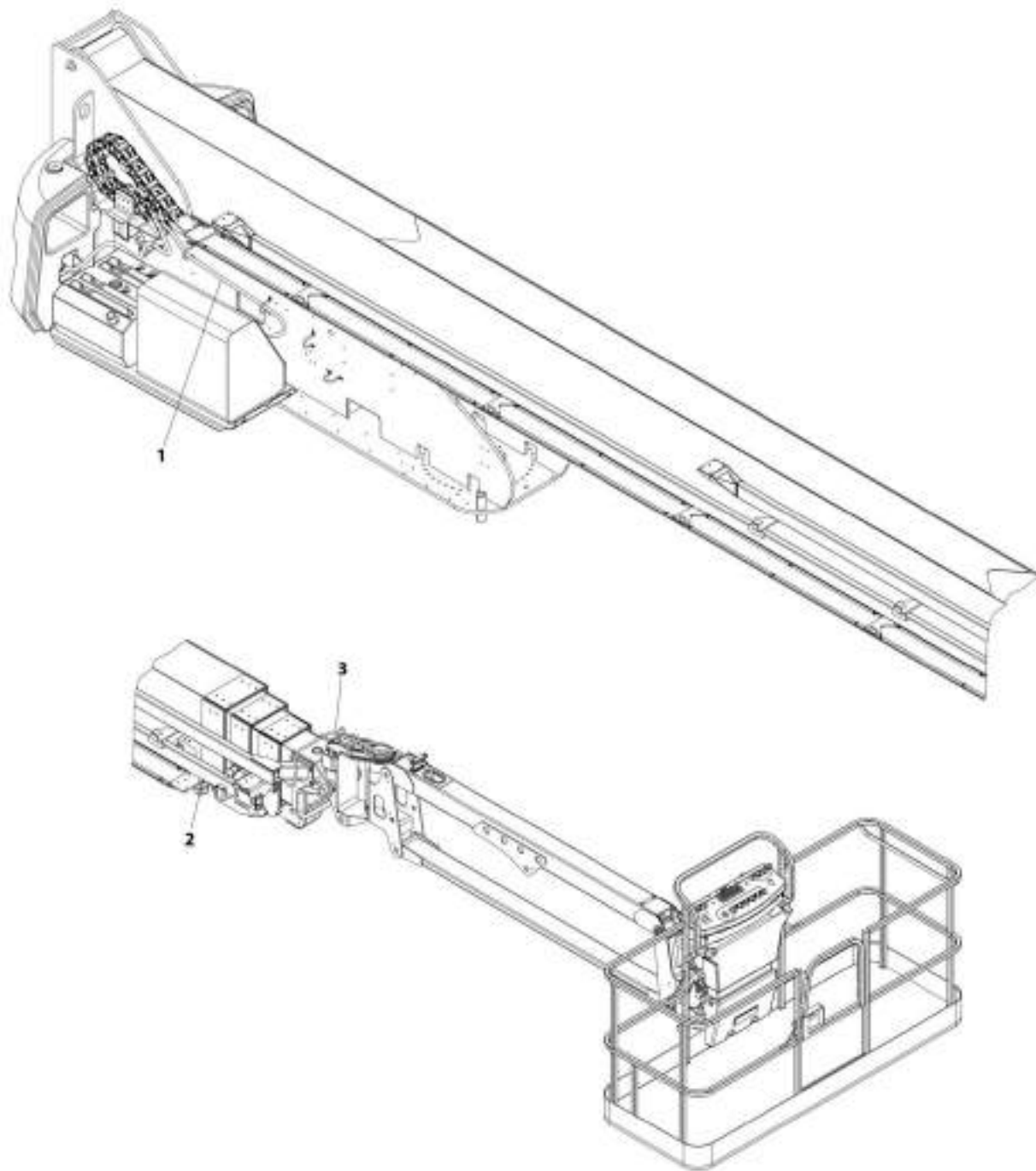
SECTION 8 - ELECTRICAL

FIGURE 8-35. BOOM CABLES INSTALLATION - 1200SJP (AUSTRALIAN AND CE SPECS)

ITEM	PART NUMBER	QTY	DESCRIPTION	REV
	0271950	Ref	BOOM CABLES INSTALLATION - 1200SJP (AUSTRALIAN AND CE SPECS)	D
1	4922761	1	Harness, 10/3 AC	
2	4922763	1	Harness, 18/3 Transport Switch	
3	4922672	1	Harness, Main Boom Control (See Separate Breakdown in this Section)	

SECTION 8 - ELECTRICAL

FIGURE 8-36. BOOM CABLES INSTALLATION - 1350SJP (AUSTRALIAN AND CE SPECS)



ART_0211952

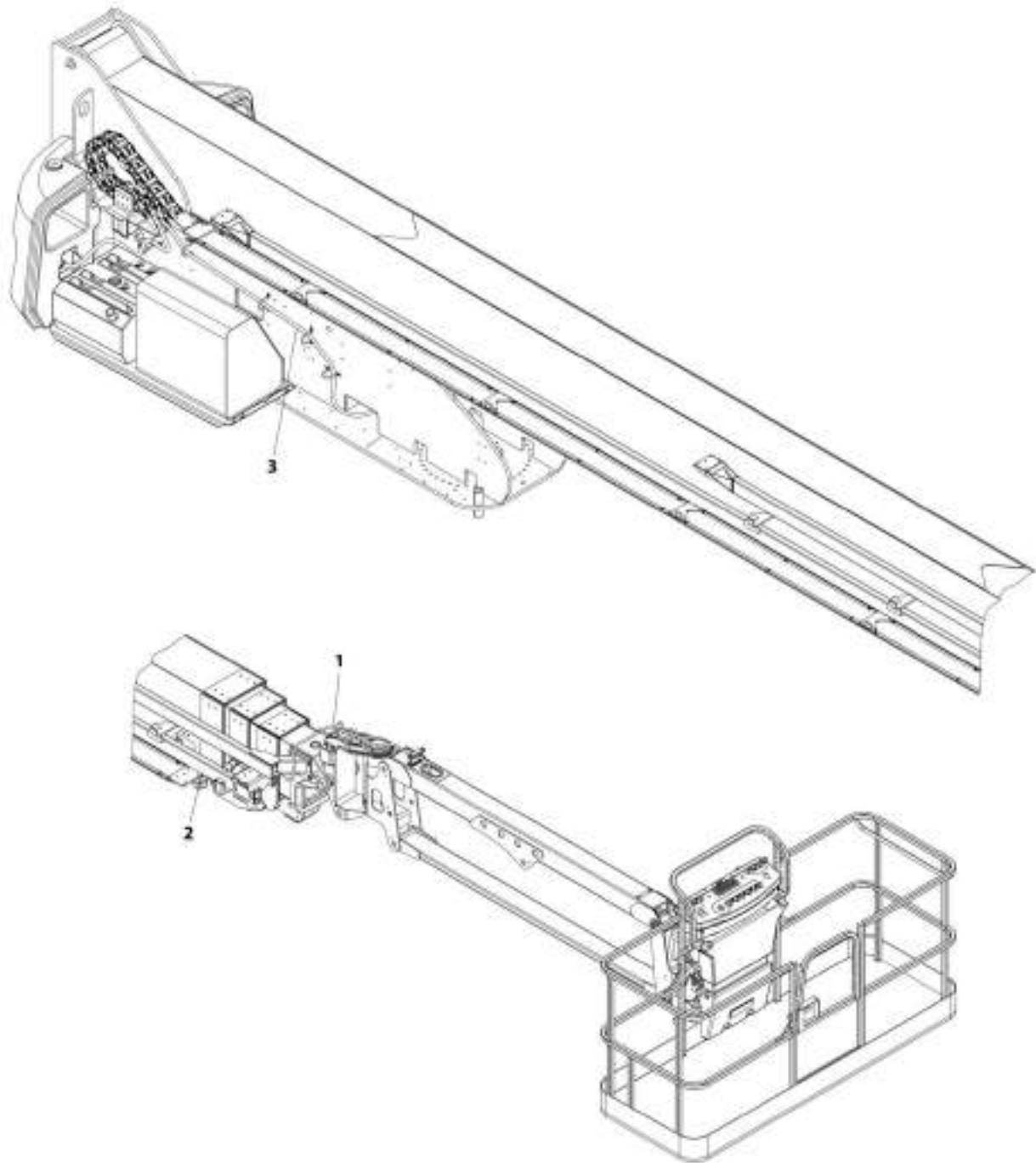
SECTION 8 - ELECTRICAL

FIGURE 8-36. BOOM CABLES INSTALLATION - 1350SJP (AUSTRALIAN AND CE SPECS)

ITEM	PART NUMBER	QTY	DESCRIPTION	REV
	0271952	Ref	BOOM CABLES INSTALLATION - 1350SJP (AUSTRALIAN AND CE SPECS)	D
1	4922760	1	Harness, 10/3 AC	
2	4922762	1	Harness, 18/3 Transport Switch	
3	4922673	1	Harness, Main Boom Control (See Separate Breakdown in this Section)	

SECTION 8 - ELECTRICAL

FIGURE 8-37. BOOM CABLES INSTALLATION - 1200SJP WITH 4000W GENERATOR



ART_1001101048

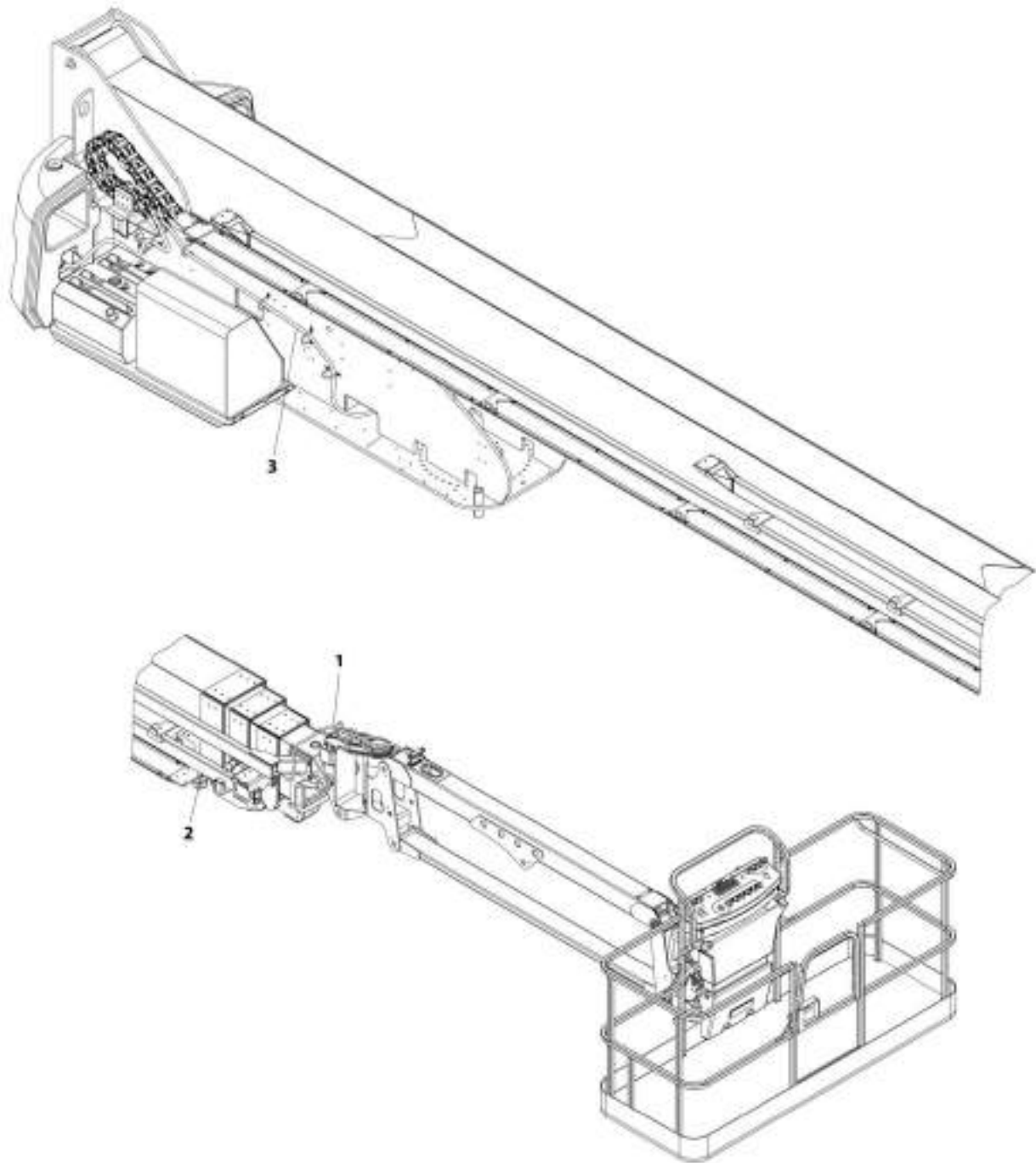
SECTION 8 - ELECTRICAL

FIGURE 8-37. BOOM CABLES INSTALLATION - 1200SJP WITH 4000W GENERATOR

ITEM	PART NUMBER	QTY	DESCRIPTION	REV
	1001161048	Ref	BOOM CABLES INSTALLATION - 1200SJP WITH 4000W GENERATOR	A
1	4922673	1	Harness, Main Boom Control (See Separate Breakdown in this Section)	
2	4922762	1	Harness, 18/3 Transport Switch	
3	1001161041	1	Harness, 8/4 Generator	
3	1001131969	152 ft /46.3m	Cable, Electrical 8/4	

SECTION 8 - ELECTRICAL

FIGURE 8-38. BOOM CABLES INSTALLATION – 1350SJP WITH 4000W GENERATOR



ART_1001181050

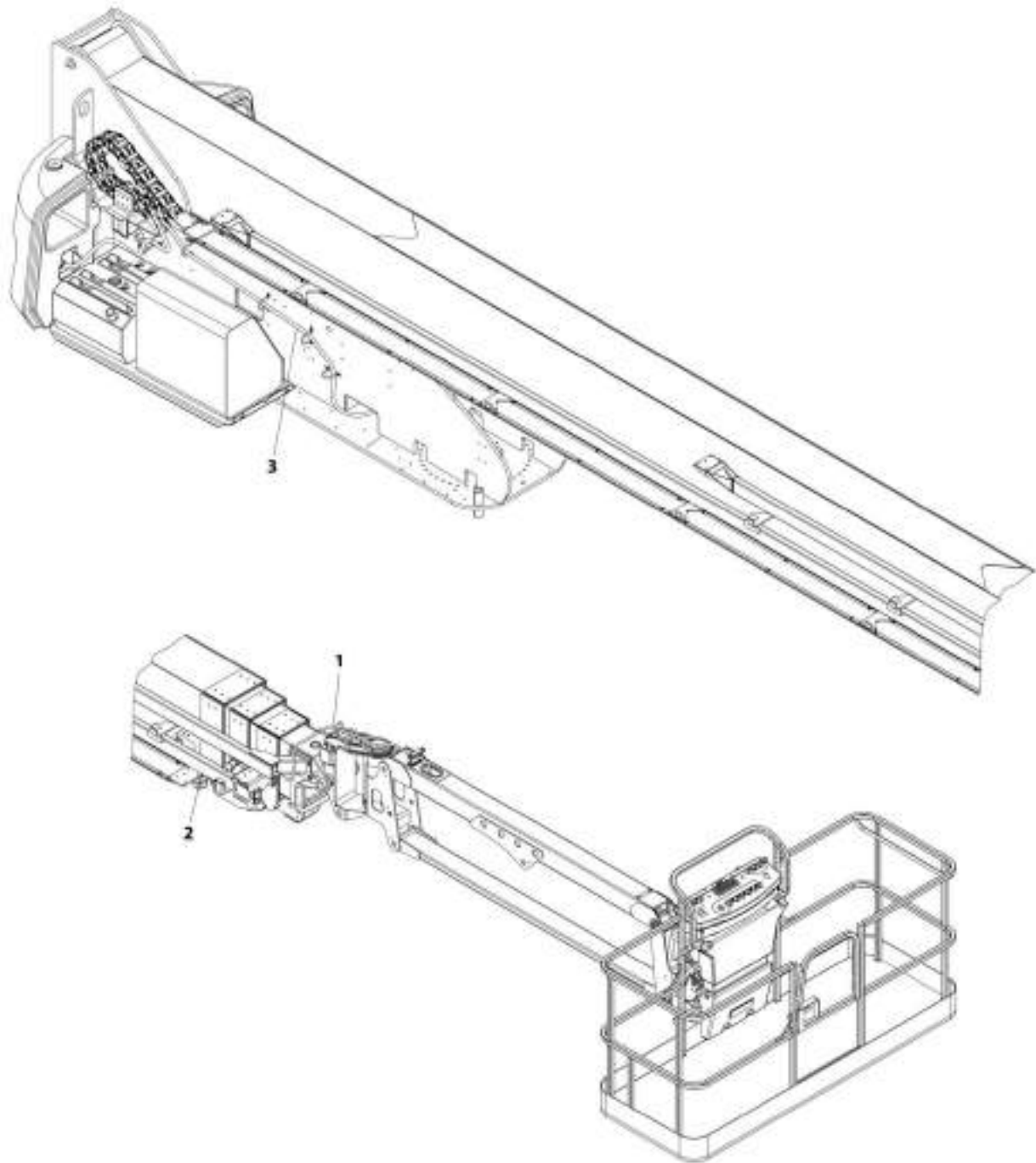
SECTION 8 - ELECTRICAL

FIGURE 8-38. BOOM CABLES INSTALLATION – 1350SJP WITH 4000W GENERATOR

ITEM	PART NUMBER	QTY	DESCRIPTION	REV
	1001161050	Ref	BOOM CABLES INSTALLATION – 1350SJP WITH 4000W GENERATOR	A
1	4922673	1	Harness, Main Boom Control (See Separate Breakdown in this Section)	
2	4922762	1	Harness, 18/3 Transport Switch	
3	1001161044	1	Harness, Generator	
3	1001131969	168 ft /51.2m	Cable, Electrical 8/4	

SECTION 8 - ELECTRICAL

FIGURE 8-39. BOOM CABLES INSTALLATION - 1200SJP WITH 7500W GENERATOR



ART_0275854

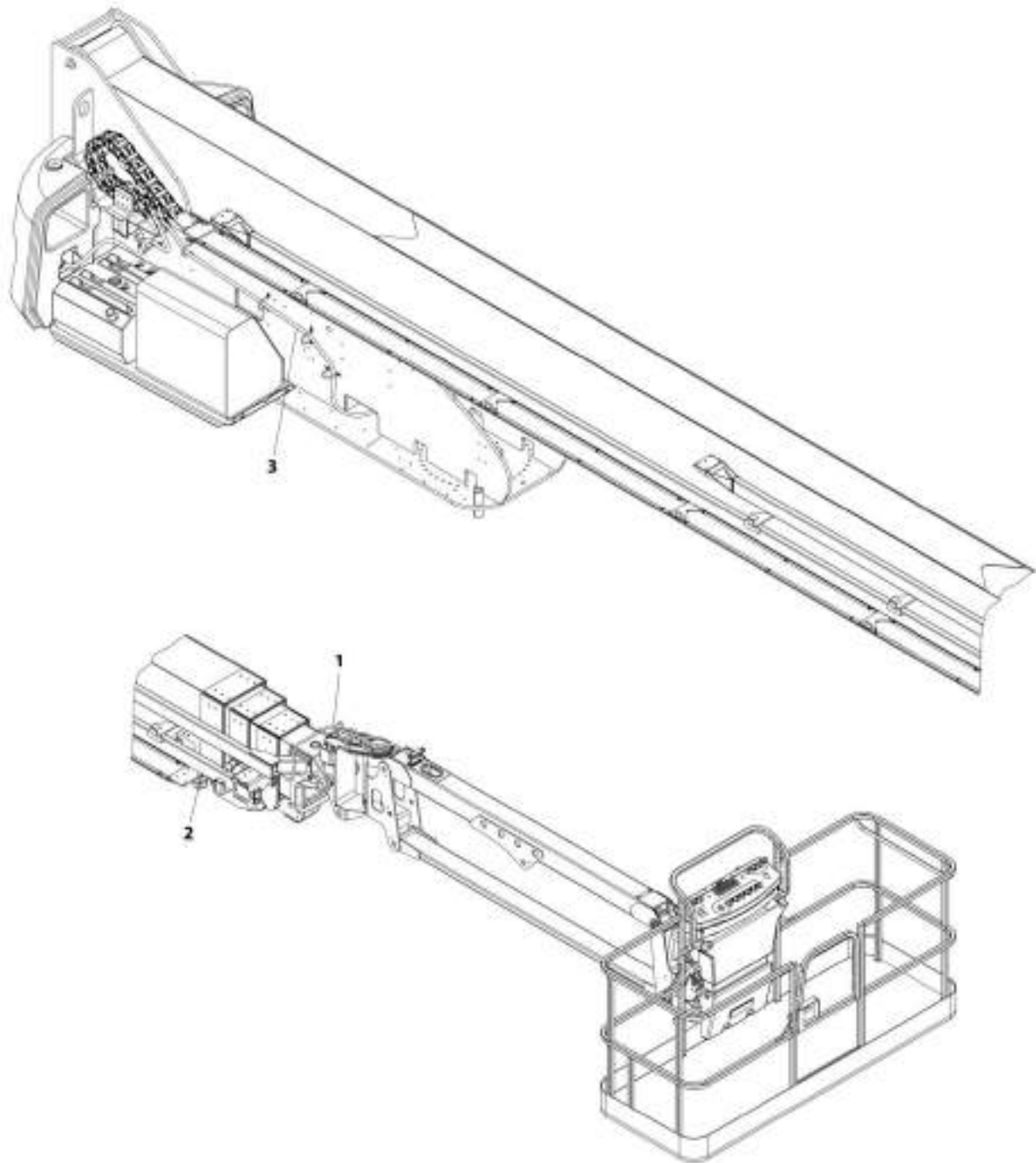
SECTION 8 - ELECTRICAL

FIGURE 8-39. BOOM CABLES INSTALLATION - 1200SJP WITH 7500W GENERATOR

ITEM	PART NUMBER	QTY	DESCRIPTION	REV
	0273854	Ref	BOOM CABLES INSTALLATION - 1200SJP WITH 7500W GENERATOR	A
1	4922672	1	Harness, Main Boom Control (See Separate Breakdown in this Section)	
2	4922763	1	Harness, 18/3 Transport Switch	
3	4922796	1	Harness, Generator	

SECTION 8 - ELECTRICAL

FIGURE 8-40. BOOM CABLES INSTALLATION - 1350SJP WITH 7500W GENERATOR



ART_0275835

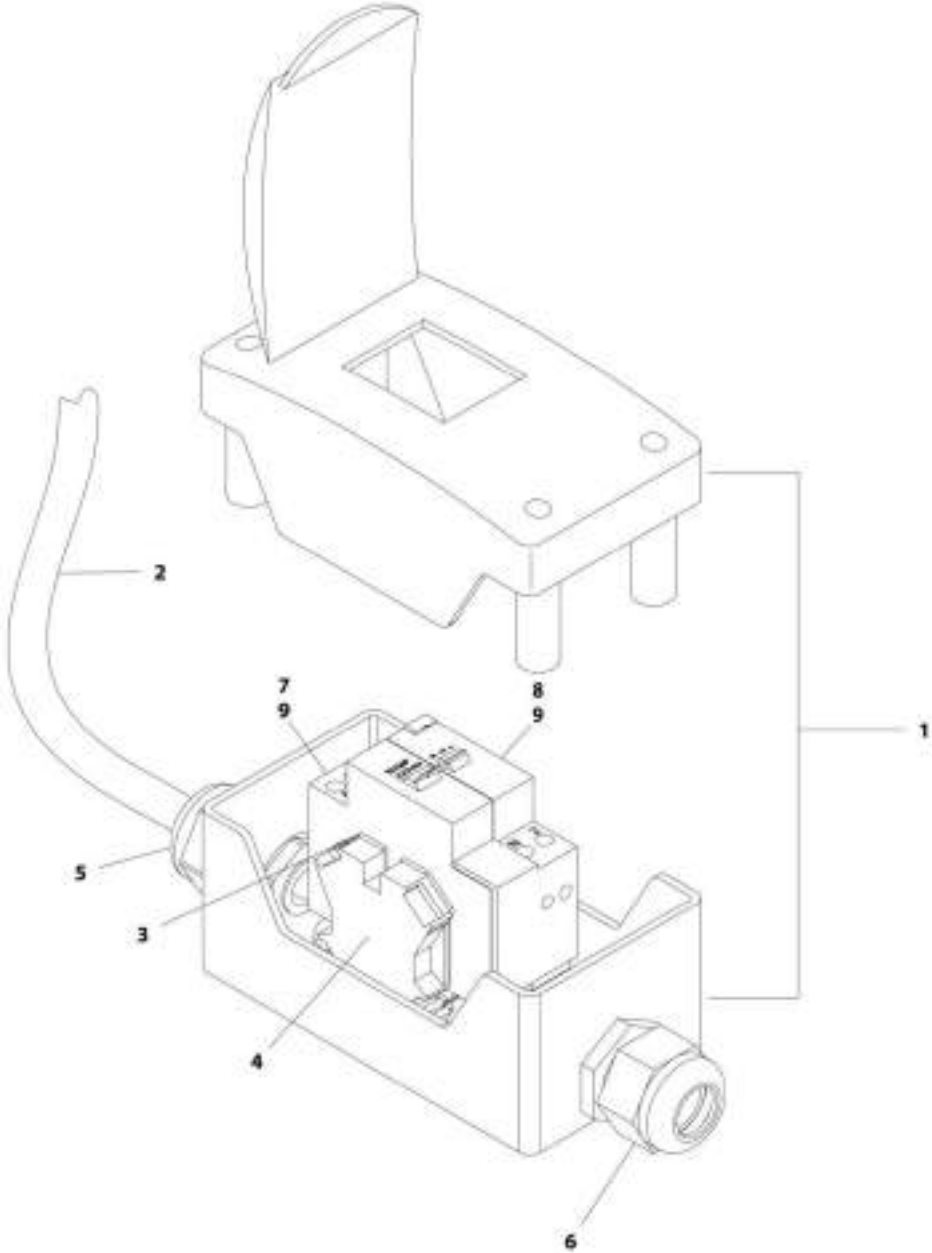
SECTION 8 - ELECTRICAL

FIGURE 8-40. BOOM CABLES INSTALLATION - 1350SJP WITH 7500W GENERATOR

ITEM	PART NUMBER	QTY	DESCRIPTION	REV
	0273855	Ref	BOOM CABLES INSTALLATION - 1350SJP WITH 7500W GENERATOR	A
1	4922673	1	Harness, Main Boom Control (See Separate Breakdown in this Section)	
2	4922762	1	Harness, 18/3 Transport Switch	
3	4922795	1	Harness, Generator	

SECTION 8 - ELECTRICAL

FIGURE 8-41. BREAKER BOX KIT - 16 AMP (2500W GENERATOR)



ART_1001104654

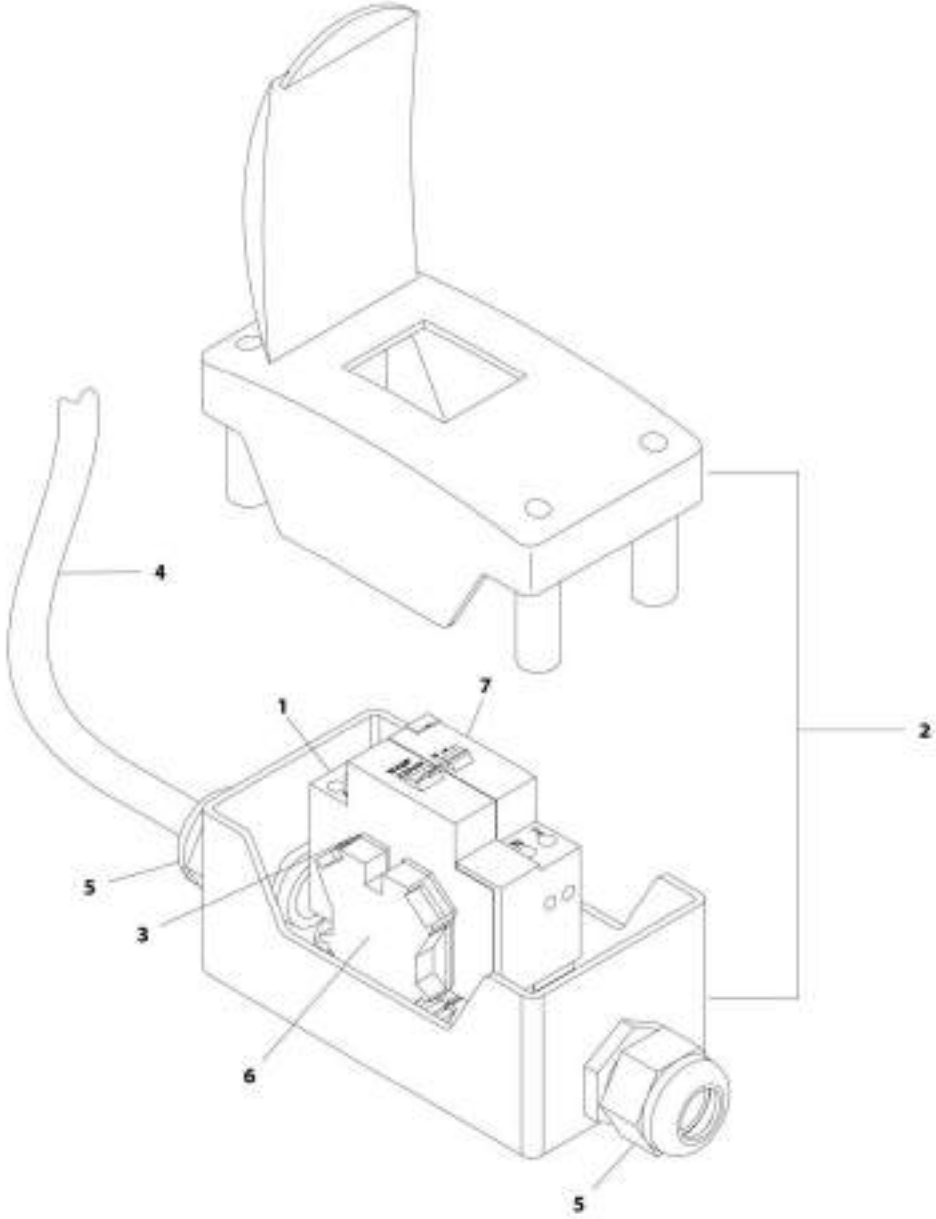
SECTION 8 - ELECTRICAL

FIGURE 8-41. BREAKER BOX KIT - 16 AMP (2500W GENERATOR)

ITEM	PART NUMBER	QTY	DESCRIPTION	REV
	1001109654	Ref	BREAKER BOX KIT - 16 AMP (2500W GENERATOR)	B
1	0861880	1	Box, Breaker	
2	1060908	12 ft /3.6m	Cable, Electrical 12/3	
3	4460956	1	Barrier, Terminal Block End	
4	4460957	1	Block, Terminal	
5	1001097150	1	Connector, Strain Relief	
6	1001101191	1	Connector, Strain Relief	
7	1001109475	NLA	Breaker 16Amp (Use p/n 1001181045) (SN 0300201016 through 0300204777)	
8	1001109482	NLA	Breaker 30mA (Use p/n 1001181045) (SN 0300201016 through 0300204777)	
9	1001181045	1	Breaker, Double 30mA/16Amp (SN 0300204778 to Present)	

SECTION 8 - ELECTRICAL

FIGURE 8-42. BREAKER BOX KIT - 16 AMP (4000W GENERATOR)



ART_1901100398

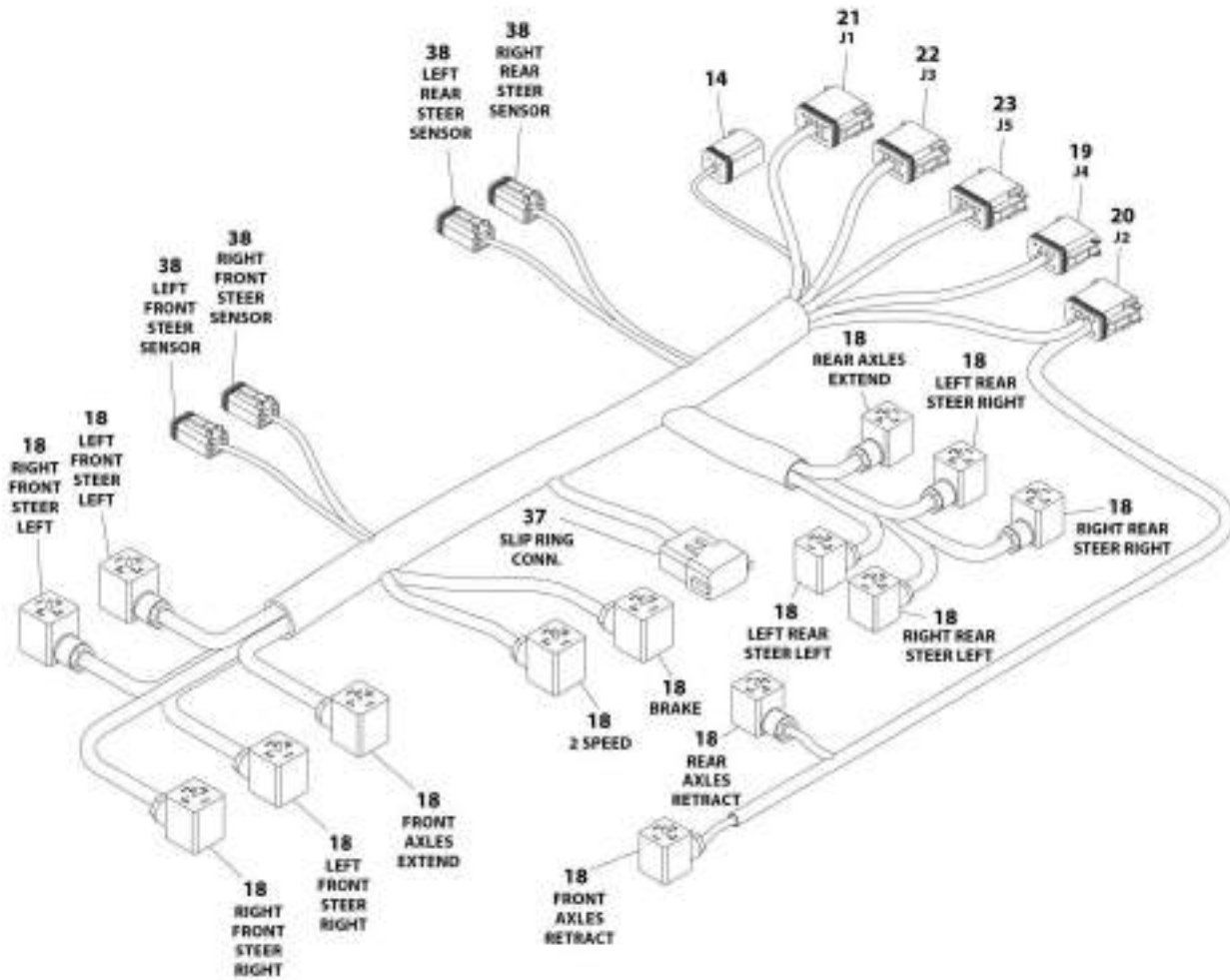
SECTION 8 - ELECTRICAL

FIGURE 8-42. BREAKER BOX KIT - 16 AMP (4000W GENERATOR)

ITEM	PART NUMBER	QTY	DESCRIPTION	REV
1	1001165368	Ref	BREAKER BOX KIT - 16 AMP (4000W GENERATOR)	B
	1001109475	NLA	Breaker 16Amp (Use p/n 1001181045) (SN 0300201016 through 0300204777)	
2	0861880	1	Box, Circuit Breaker	
3	4460956	1	Barrier, Terminal Block End	
4	1060545	12 ft /3.6m	Cable, Electrical 10/3	
5	1001101191	2	Connector, Strain Relief	
6	4460957	1	Block, Terminal	
7	1001109482	NLA	Breaker 30mA (Use p/n 1001181045) (SN 0300201016 through 0300204777)	
8	1001181045	1	Breaker 30mA/16Amp (SN 0300204778 to Present)	

SECTION 8 - ELECTRICAL

FIGURE 8-43. CHASSIS HARNESS ASSEMBLY



ART_4022696

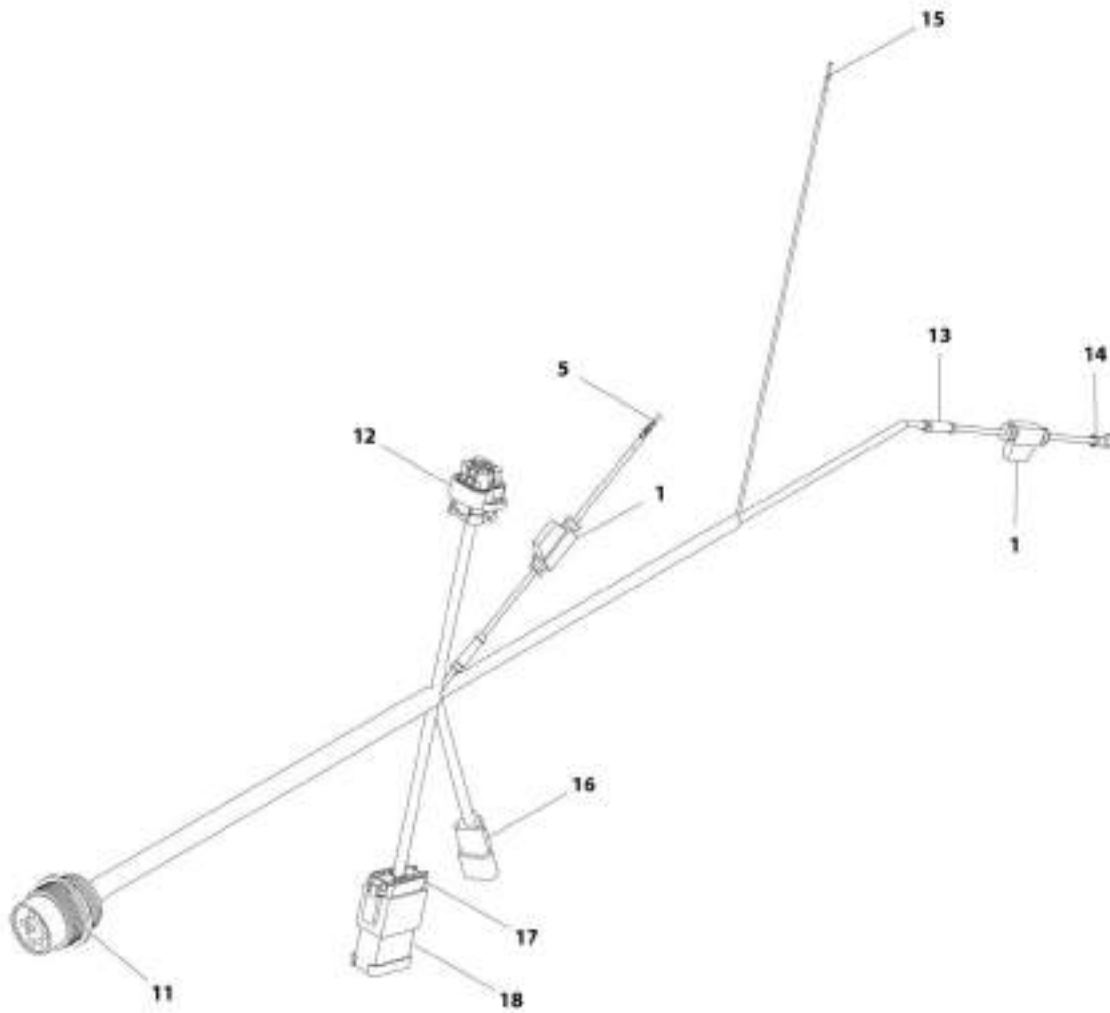
SECTION 8 - ELECTRICAL

FIGURE 8-43. CHASSIS HARNESS ASSEMBLY

ITEM	PART NUMBER	QTY	DESCRIPTION	REV
	4922696	Ref	CHASSIS HARNESS ASSEMBLY	D
14	4460894	1	Connector - 6 Position	
14	4460465	6	Socket, Female	
14	4460892	1	Connector - 6 Position Buss Bar	
17	4460894	1	Connector - 6 Position (Not Shown)	
17	4460465	6	Socket, Female	
17	4460892	1	Connector - 6 Position Buss Bar	
18	4460880	14	DIN Connector	
19	4460930	1	Connector - 8 Position (Gray)	
19	4460465	1	Socket, Female	
19	4460466	7	Plug, Terminal	
20	4460836	1	Connector - 12 Position (Black)	
20	4460465	6	Socket, Female	
20	4460466	6	Plug, Terminal	
21	4460933	1	Connector - 12 Position (Gray)	
21	4460465	8	Socket, Female	
21	4460466	4	Plug, Terminal	
22	4460934	1	Connector - 12 Position (Green)	
22	4460944	12	Socket, Female	
23	4460935	1	Connector - 12 Position (Brown)	
23	4460465	8	Socket, Female	
25	4240032	10	Tie-Strap (Not Shown)	
26	4240033	15	Tie-Strap (Not Shown)	
37	4460950	1	Connector - 12 Position	
37	4460464	6	Pin, Male	
37	4460943	3	Pin, Male	
37	4460941	2	Pin, Male	
38	4460884	4	Connector - 4 Position (Gray)	
38	4460944	16	Socket, Female	

SECTION 8 - ELECTRICAL

FIGURE 8-44. CLEARSKY READY HARNESS



ART_1001120137

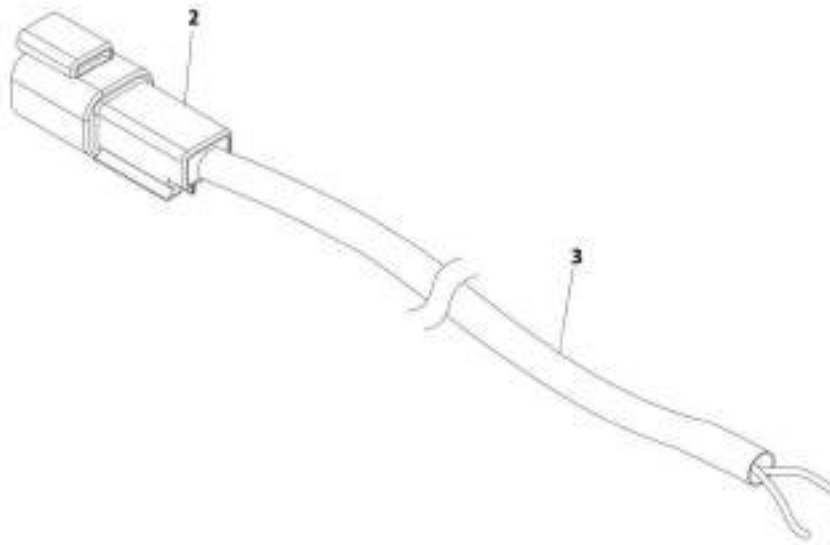
SECTION 8 - ELECTRICAL

FIGURE 8-44. CLEARSKY READY HARNESS

ITEM	PART NUMBER	QTY	DESCRIPTION	REV
	1001120337	Ref	CLEARSKY READY HARNESS	A
1	2400060	2	Fuseholder with Cover	
1	2400064	2	Fuse 5Amp	
5	4460871	1	Socket, Female	
11	1001112612	1	Connector - 9 Position	
11	4460464	9	Pin, Male	
11	4460466	3	Plug, Sealing	
12	1001113961	1	Connector - 8 Position	
12	4460871	5	Socket, Female	
12	4460905	5	Plug, Sealing	
13	4460035	2	Terminal, Connector	
14	4460183	1	Terminal, Eyelet	
15	4460465	1	Socket, Female	
16	4460536	1	Connector - 3 Position	
16	4460464	3	Pin, Male	
17	4460933	1	Connector - 12 Position	
17	4460465	9	Socket, Female	
17	4460466	3	Plug, Sealing	
18	4460898	1	Connector Bussbar - 9 Position	

SECTION 8 - ELECTRICAL

FIGURE 8-45. DUAL CAPACITY JIB POSITION SWITCH HARNESS



AMT_4022705

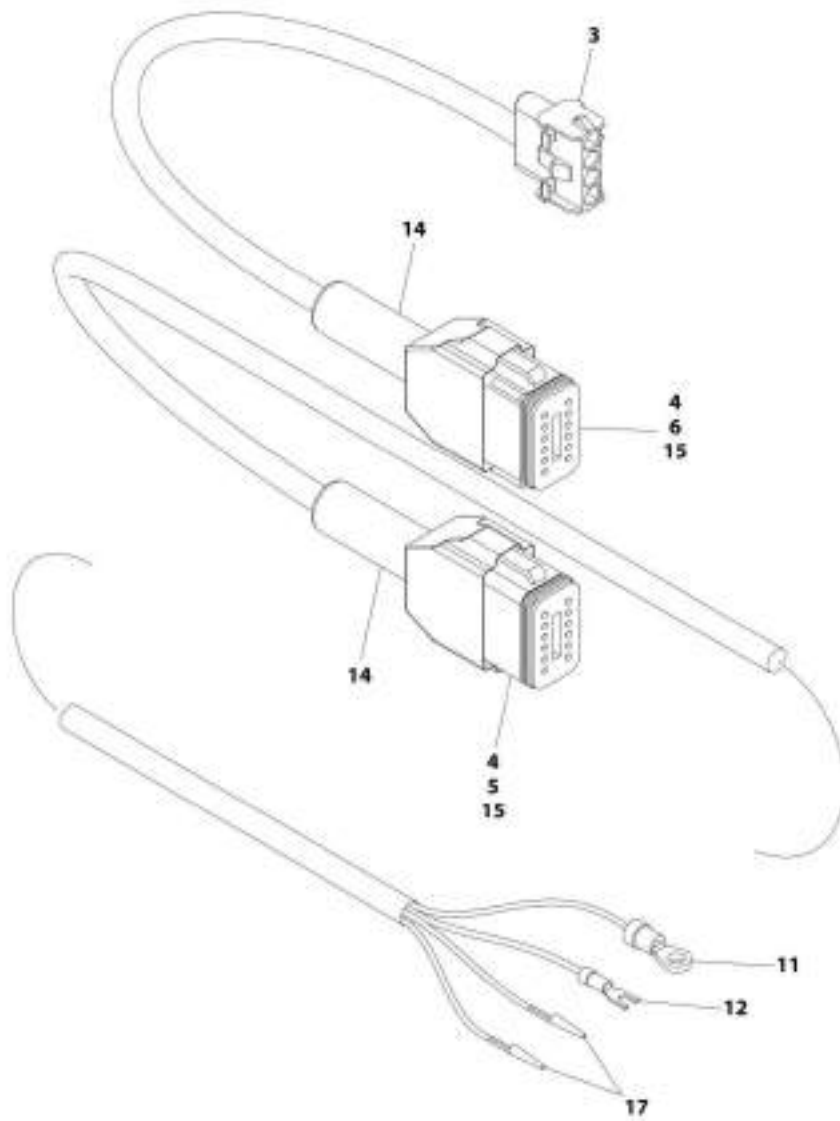
SECTION 8 - ELECTRICAL

FIGURE 8-45. DUAL CAPACITY JIB POSITION SWITCH HARNESS

ITEM	PART NUMBER	QTY	DESCRIPTION	REV
	4922785	Ref	DUAL CAPACITY JIB POSITION SWITCH HARNESS	C
2	4460897	1	Connector - 2 Position	
2	4460464	2	Pin, Male	
3	1060902	15 ft/ 4.5m	Cable, Electrical 18/2	

SECTION 8 - ELECTRICAL

FIGURE 8-46. EIM LOAD CELL HARNESS



ART_WZ2889

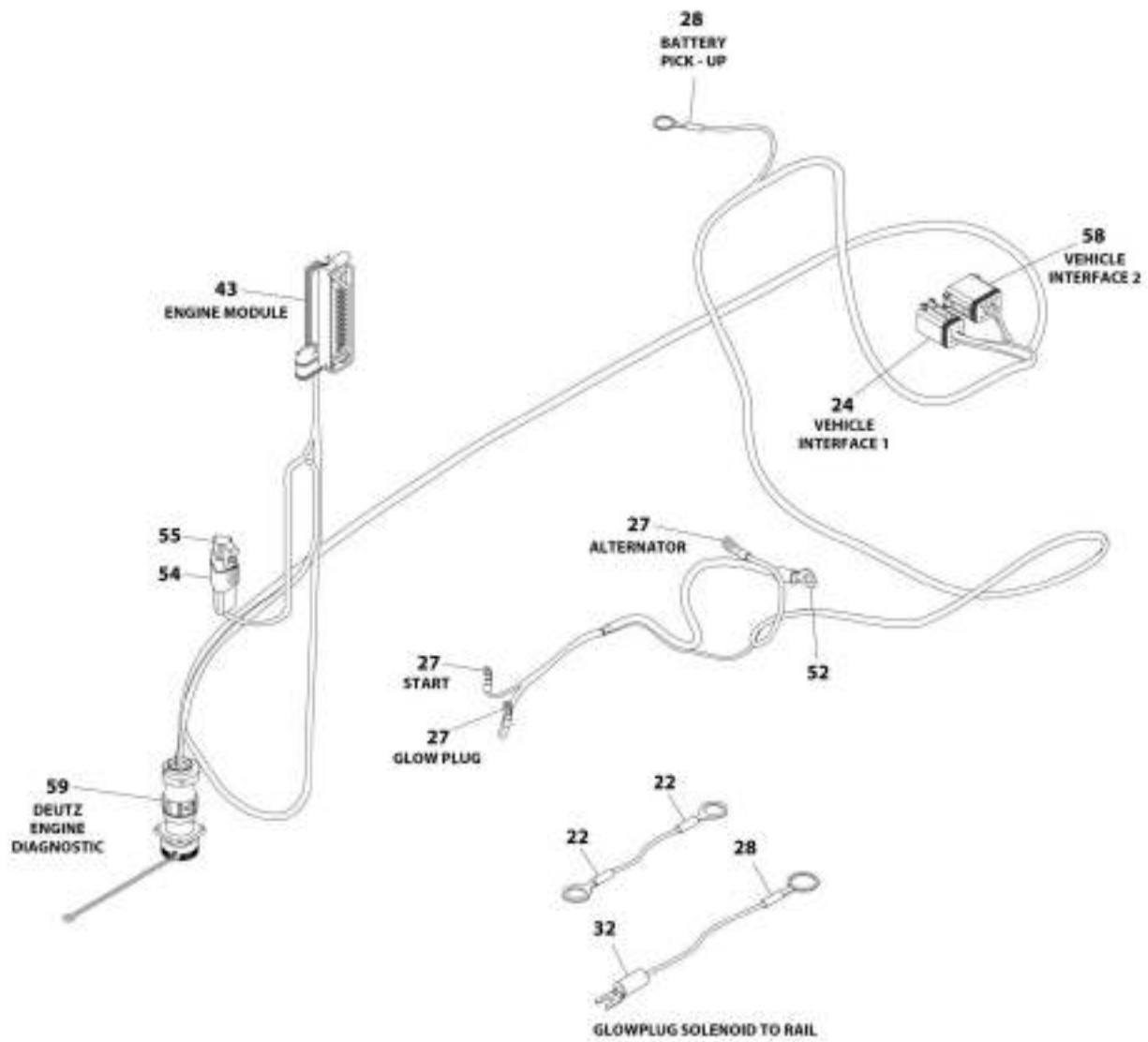
SECTION 8 - ELECTRICAL

FIGURE 8-46. EIM LOAD CELL HARNESS

ITEM	PART NUMBER	QTY	DESCRIPTION	REV
	4922869	Ref	EIM LOAD CELL HARNESS	E
3	4922705	1	Analyzer Harness	
3	4460761	1	Connector, Female - 4 Position	
3	4460227	4	Pin, Male	
3	4460465	4	Socket, Female	
4	4460465	6	Socket, Female	
5	4460933	1	Connector - 12 Position (Gray)	
6	4460836	1	Plug, Male - 12 Position (Black)	
11	4460042	1	Terminal, Eyelet	
12	4460183	1	Terminal, Fork	
14	0840055	2	Boot	
15	4460466	16	Plug, Terminal	
17	4460226	2	Terminal	

SECTION 8 - ELECTRICAL

FIGURE 8-47. ENGINE HARNESS - DEUTZ TD2011 ENGINES



ART_1001110470

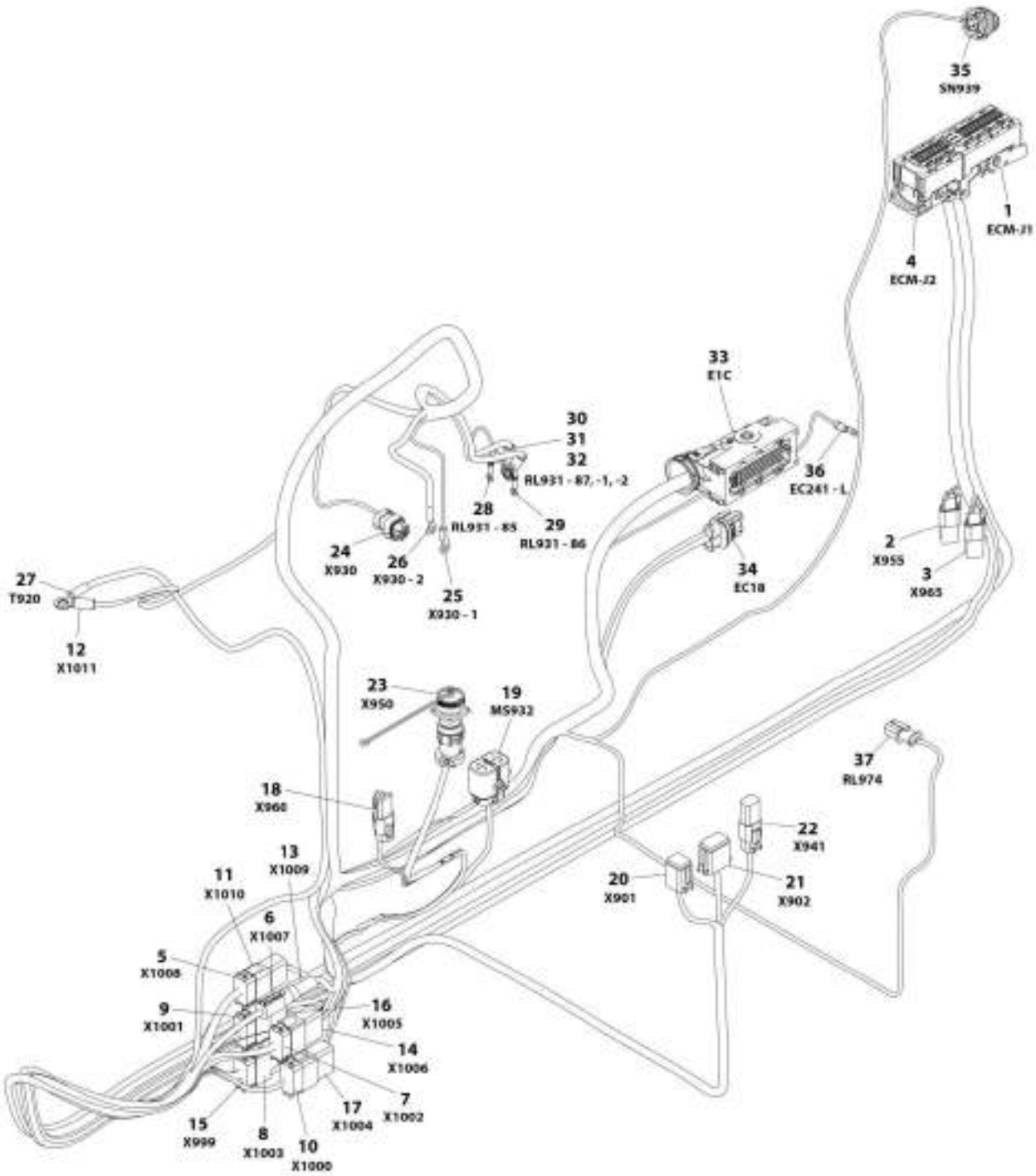
SECTION 8 - ELECTRICAL

FIGURE 8-47. ENGINE HARNESS - DEUTZ TD2011 ENGINES

ITEM	PART NUMBER	QTY	DESCRIPTION	REV
	1001119470	Ref	ENGINE HARNESS - DEUTZ TD2011 ENGINES	B
22	4460702	2	Terminal, Eyelet	
24	4460894	1	Connector - 6 Position	
24	4460465	2	Socket, Female	
24	4460466	1	Plug, Terminal	
24	4460944	3	Socket, Female	
27	4460313	3	Terminal, Eyelet	
28	4460019	2	Terminal, Eyelet	
32	4460315	1	Terminal, Fork	
43	4461052	1	Connector - 25 Position	
43	4461005	5	Terminal	
43	4461006	5	Seal	
43	4461060	2	Terminal (Tin)	
43	4461054	2	Seal, Terminal	
43	4461008	18	Plug, Hole	
43	4461053	1	Cover, Plug	
50	4240032	AR	Tie-Strap (Not Shown)	
51	4240033	AR	Tie-Strap (Not Shown)	
52	4461097	1	Terminal, Eyelet	
54	4461095	1	Connector - 3 Position	
54	4460944	3	Socket, Female	
55	4461070	1	Connector with Resistor (3 Position)	
58	4460930	1	Connector - 8 Position	
58	4460465	2	Socket, Female	
58	4460466	6	Seal, Plug	
59	2902443	1	Kit, Receptacle	
59	4461071	8	Terminal, Female (Gold)	
59	4461072	1	Connector, Flange Mount	
59	4461073	1	Connector, Dust Cap	
59	4461074	1	Connector, Shell	

SECTION 8 - ELECTRICAL

FIGURE 8-48. ENGINE HARNESS - DEUTZ TCD2.9L4 ENGINES



ART_1001138346

SECTION 8 - ELECTRICAL

FIGURE 8-48. ENGINE HARNESS - DEUTZ TCD2.9L4 ENGINES

ITEM	PART NUMBER	QTY	DESCRIPTION	REV
	1001138346	Ref	ENGINE HARNESS - DEUTZ TCD2.9L4 ENGINES	G
1	1001133956	1	Connector (Includes Cover, Locks and Retention Plate)	
1	1001126352	6	Terminal	
1	1001126384	19	Terminal	
1	1001126351	1	Terminal	
1	1001126357	3	Plug, Seal	
1	1001126356	65	Plug, Seal	
2	4461070	1	Connector with Resistor (3 Position)	
2	4461095	1	Connector - 3 Position	
2	4460944	2	Socket, Female	
2	4460466	1	Seal, Plug	
3	4461070	1	Connector with Resistor (3 Position)	
3	4461095	1	Connector - 3 Position	
3	4460944	2	Socket, Female	
3	4460466	1	Seal, Plug	
4	1001133957	1	Connector (Includes Cover, Locks and Retention Plate)	
4	1001126351	13	Terminal	
4	1001126384	17	Terminal	
4	1001126356	19	Plug, Seal	
4	1001126357	11	Plug, Seal	
5	4460930	1	Connector - 8 Position	
5	4460944	5	Socket, Female (Gold)	
5	4460465	2	Socket, Female	
5	4460466	1	Seal, Plug	
6	1001116707	1	Connector - 1 Position	
6	91143340	1	Terminal	
7	4460935	1	Plug, Brown - 12 Position	
7	4460465	12	Socket, Female	
8	4460970	1	Connector - 12 Position	
8	4460941	12	Pin, Male	
9	4460934	1	Connector, Green - 12 Position	
9	4460465	10	Socket, Female	
9	4460466	2	Seal, Plug	
10	4460836	1	Connector, Black - 12 Position	
10	4460465	8	Socket, Female	
10	4460466	4	Seal, Plug	
11	4460931	1	Connector - 8 Position (Gray)	
11	4460943	5	Pin, Male (Gold)	
11	4460466	3	Plug, Socket	
12	8220164	1	Terminal, Eyelet	
13	1001116967	1	Connector - 1 Position	
13	91143339	1	Terminal	
14	4460982	1	Connector - 12 Position	
14	4460464	12	Pin, Male	
15	4460933	1	Connector, Gray - 12 Position	
15	4460942	12	Socket, Female	
16	1001152742	1	Connector - 12 Position	
16	4460464	10	Pin, Male	
16	4460466	2	Seal, Plug	
17	4460950	1	Connector - 12 Position	

SECTION 8 - ELECTRICAL

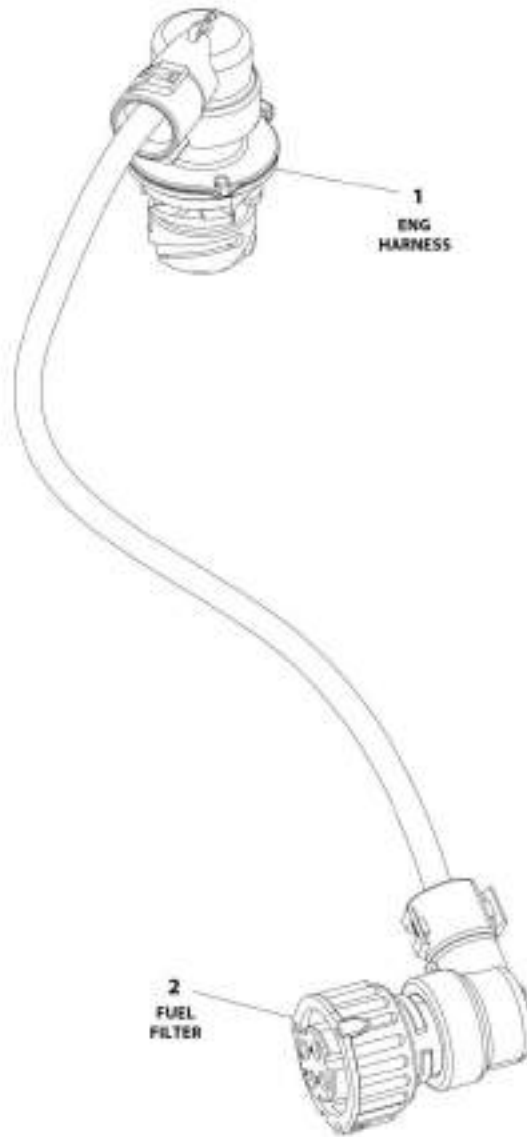
ITEM	PART NUMBER	QTY	DESCRIPTION	REV
17	4460464	8	Pin, Male	
17	4460466	4	Plug, Seal	
18	4461070	1	Connector with Resistor (3 Position)	
18	4461095	1	Connector - 3 Position	
18	4460944	2	Socket, Female	
18	4460466	1	Seal, Plug	
19	80484084	1	Connector - 8 Position	
19	8229242	1	Fuse - 5A	
19	80983191	1	Fuse - 10A	
19	1001147264	1	Cap	
19	1001116728	4	Plug	
19	4460458	4	Seal	
20	4460894	1	Connector - 6 Position	
20	4460465	3	Socket, Female	
20	4460944	2	Socket, Female	
20	4460466	1	Seal, Plug	
21	4460930	1	Connector - 8 Position	
21	4460465	1	Socket, Female	
21	4460466	7	Plug, Seal	
22	4460884	1	Connector - 4 Position (SN 0300201016 through 0300224478)	
22	1001220379	1	Connector - 4 Position (SN 0300224479 to Present)	
22	4460465	2	Socket, Female	
22	4460942	2	Socket, Female	
22	4460932	1	Connector - 4 Position (SN 0300211938 to Present)	
22	4460466	4	Seal, Plug (SN 0300211938 to Present)	
23	2902443	1	Kit, Receptacle	
23	4461071	8	Terminal, Female (Gold)	
23	4461072	1	Connector, Flange Mount	
23	4461073	1	Connector, Dust Cap	
23	4461074	1	Connector, Shell	
24	1001116952	1	Connector - 2 Position	
24	4460465	2	Socket, Female	
25	4460043	1	Terminal, Eyelet	
26	1001117106	1	Terminal, Eyelet	
27	4460019	1	Terminal, Eyelet	
28	4460247	1	Terminal, Eyelet	
29	4460247	1	Terminal, Eyelet	
30	1001117107	1	Terminal, Eyelet	
31	1001117107	1	Terminal, Eyelet	
32	4460703	1	Terminal, Eyelet	
33	1001126362	1	Connector - 62 Position	
33	1001126363	33	Terminal	
33	1001126364	33	Seal	
33	1001126391	23	Plug	
33	4461008	4	Plug, Cavity	
33	1001126365	2	Terminal	
33	4461054	2	Seal	
34	1001142938	1	Connector - 2 Position	
34	1001142940	2	Terminal, Female	
34	1001142941	2	Seal	
35	1001133714	1	Connector - 4 Position	

SECTION 8 - ELECTRICAL

ITEM	PART NUMBER	QTY	DESCRIPTION	REV
35	1001133715	3	Terminal, Female	
35	1001135650	1	Seal	
35	1001135651	1	Plug, Cavity	
36	4460042	1	Terminal, Eyelet	
37	1001138110	1	Connector - 2 Position	
37	1001138111	2	Socket, Female	
37	1001138113	2	Seal	

SECTION 8 - ELECTRICAL

FIGURE 8-49. FUEL FILTER HARNESS - DEUTZ TCD2.9L4 ENGINES



ART_100148643

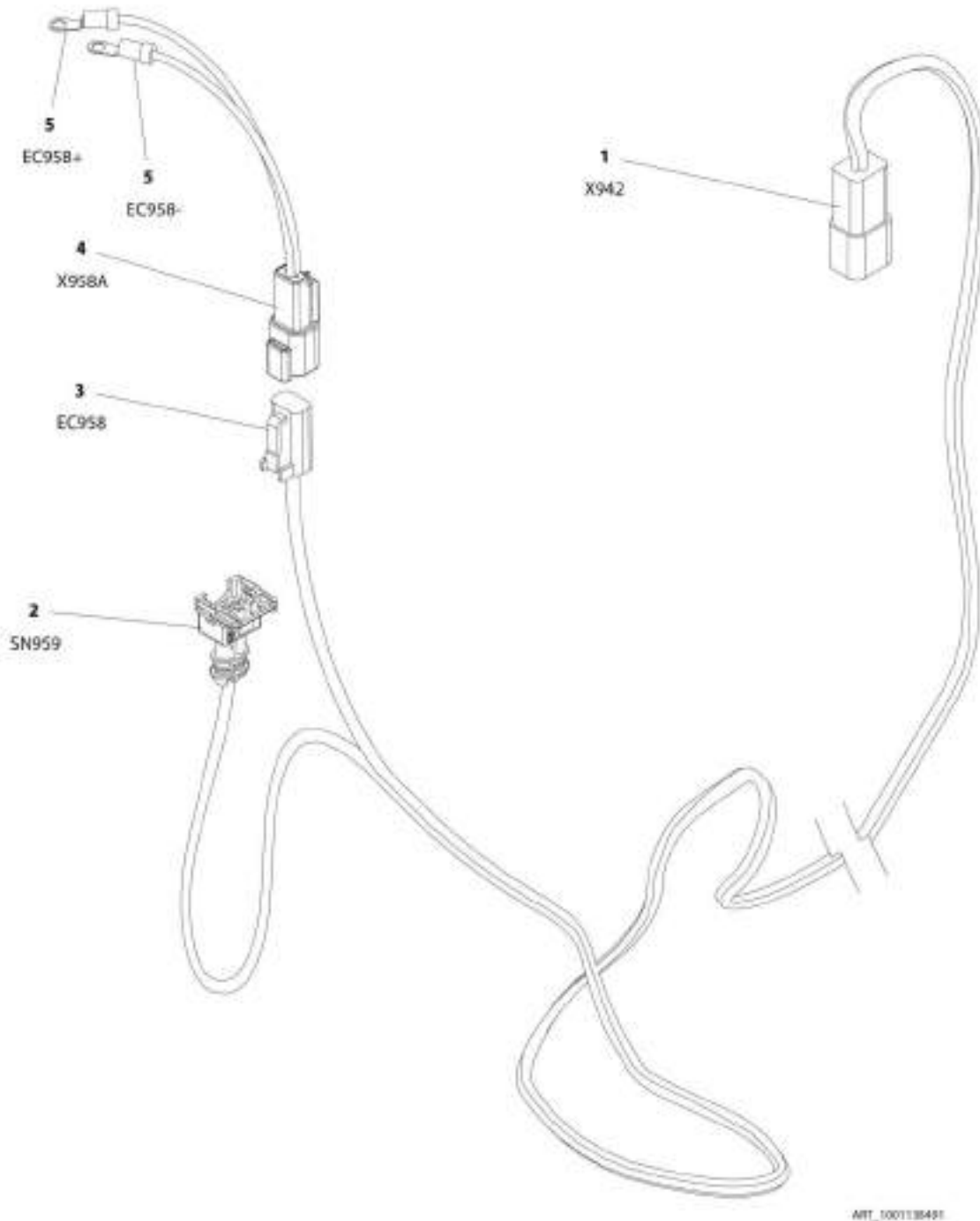
SECTION 8 - ELECTRICAL

FIGURE 8-49. FUEL FILTER HARNESS - DEUTZ TCD2.9L4 ENGINES

ITEM	PART NUMBER	QTY	DESCRIPTION	REV
	1001148843	Ref	FUEL FILTER HARNESS - DEUTZ TCD2.9L4 ENGINES	A
1	1001148842	1	Connector - 4 Position	
1	1001148841	4	Pin, Male	
1	1001135650	4	Seal	
2	1001133714	1	Plug, Male - 4 Position	
2	1001133715	4	Socket, Female	
2	1001135650	4	Seal	

SECTION 8 - ELECTRICAL

FIGURE 8-50. FUEL HARNESS - DEUTZ TCD2.9L4 ENGINES



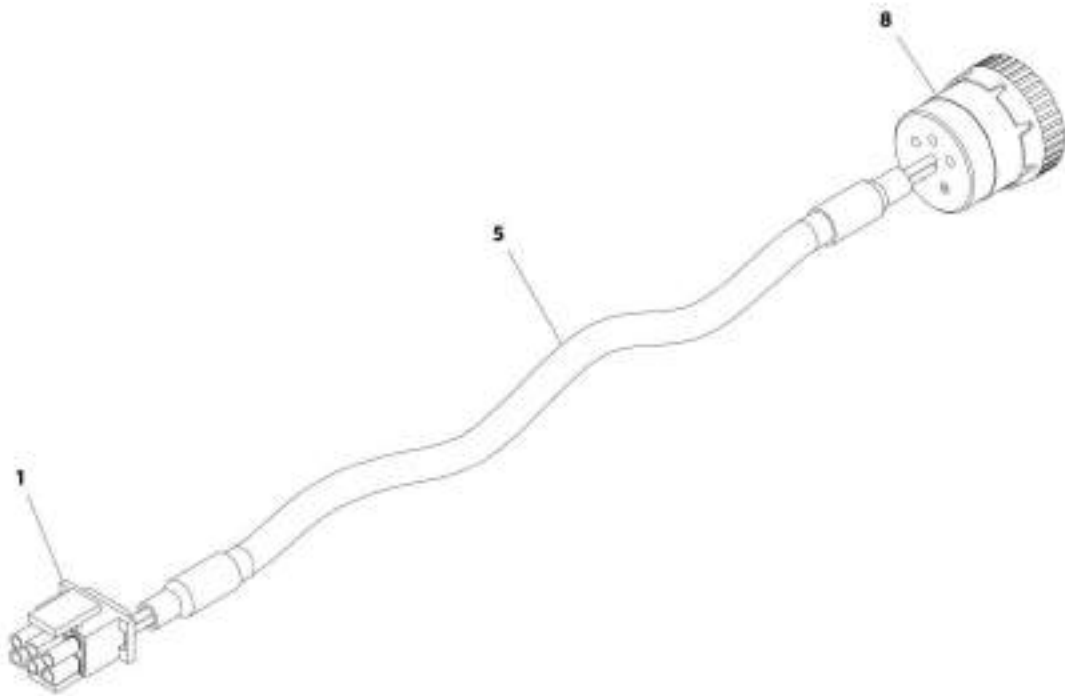
SECTION 8 - ELECTRICAL

FIGURE 8-50. FUEL HARNESS - DEUTZ TCD2.9L4 ENGINES

ITEM	PART NUMBER	QTY	DESCRIPTION	REV
	1001138491	Ref	FUEL HARNESS - DEUTZ TCD2.9L4 ENGINES	D
1	4460932	1	Connector - 4 Position	
1	4460464	2	Pin, Male	
1	4460941	2	Pin, Male	
2	1001116983	1	Connector - 2 Position	
2	1001116710	2	Socket, Female	
2	4461054	2	Seal	
3	4460891	1	Connector - 2 Position	
3	4460942	2	Socket, Female	
4	4460897	1	Connector - 2 Position	
4	4460941	2	Pin, Male	
5	4460042	2	Terminal, Eye	
5	8220051	2	Terminal, Coupler	

SECTION 8 - ELECTRICAL

FIGURE 8-51. GENERATOR HARNESS - 4000W GENERATOR



ART_1000152833

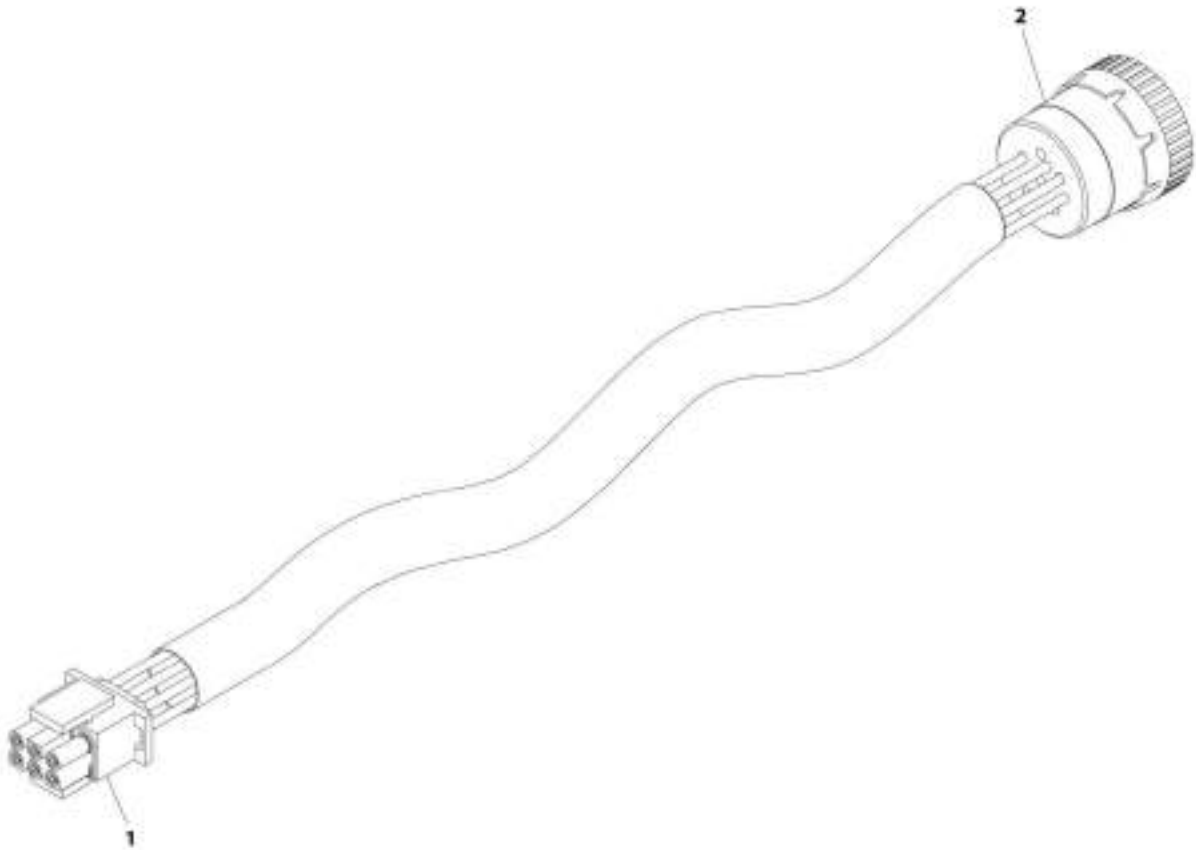
SECTION 8 - ELECTRICAL

FIGURE 8-51. GENERATOR HARNESS - 4000W GENERATOR

ITEM	PART NUMBER	QTY	DESCRIPTION	REV
	1001152533	Ref	GENERATOR HARNESS - 4000W GENERATOR	A
1	4460225	1	Connector - 6 Position	
1	4460268	2	Socket, Female	
1	4460807	1	Seal, Plug	
1	4460808	1	Seal, Plug	
5	1060341	8 ft /2.4m	Cable, 16/2	
8	77363233	1	Connector - 6 Position	
8	4460465	2	Socket, Female	

SECTION 8 - ELECTRICAL

FIGURE 8-52. GENERATOR HARNESS - 7500W GENERATOR



REF_4022972

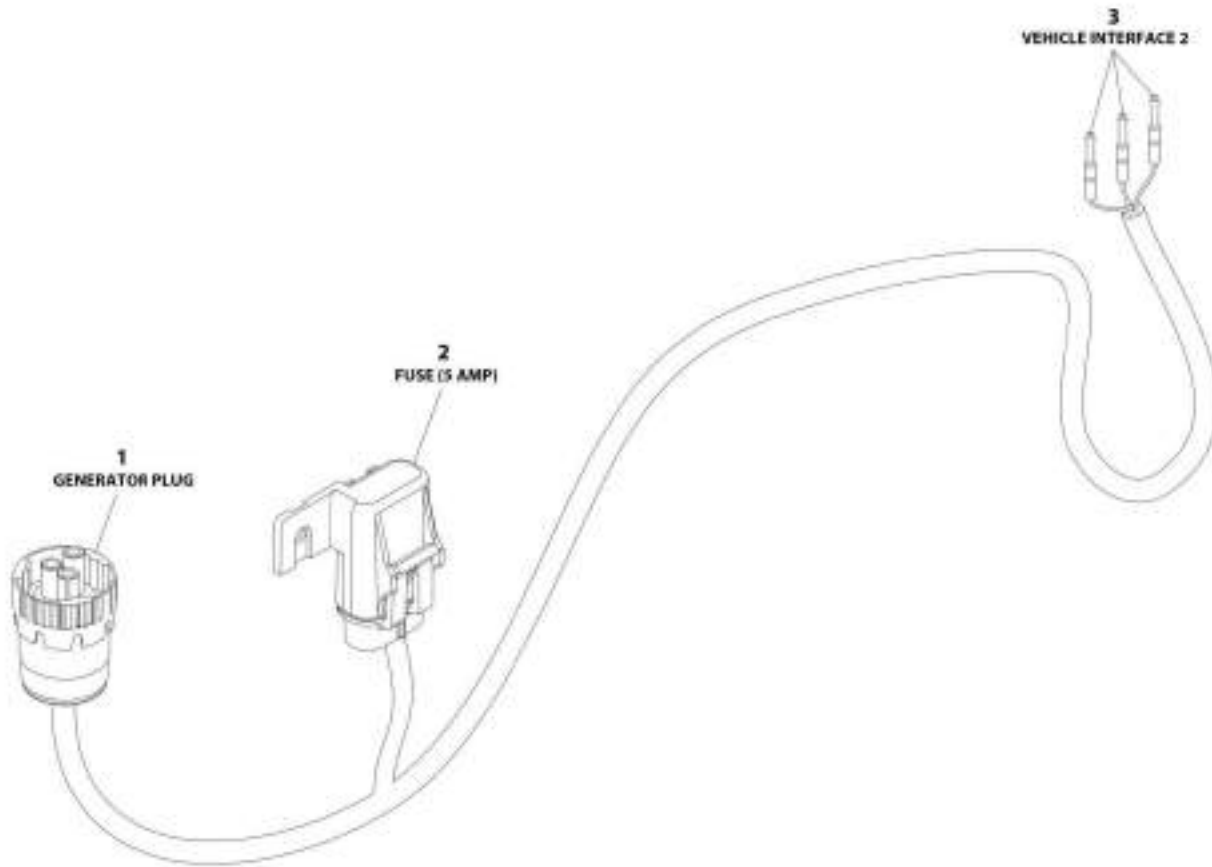
SECTION 8 - ELECTRICAL

FIGURE 8-52. GENERATOR HARNESS - 7500W GENERATOR

ITEM	PART NUMBER	QTY	DESCRIPTION	REV
	4922972	Ref	GENERATOR HARNESS - 7500W GENERATOR	C
1	4460225	1	Connector - 6 Position	
1	4460268	6	Socket, Female	
1	4460807	1	Seal, Plug	
1	4460808	1	Seal, Plug	
2	77363233	1	Connector - 6 Position	
2	4460465	6	Socket, Female	

SECTION 8 - ELECTRICAL

FIGURE 8-53. GENERATOR HARNESS - 7500W GENERATOR



ART_100110868

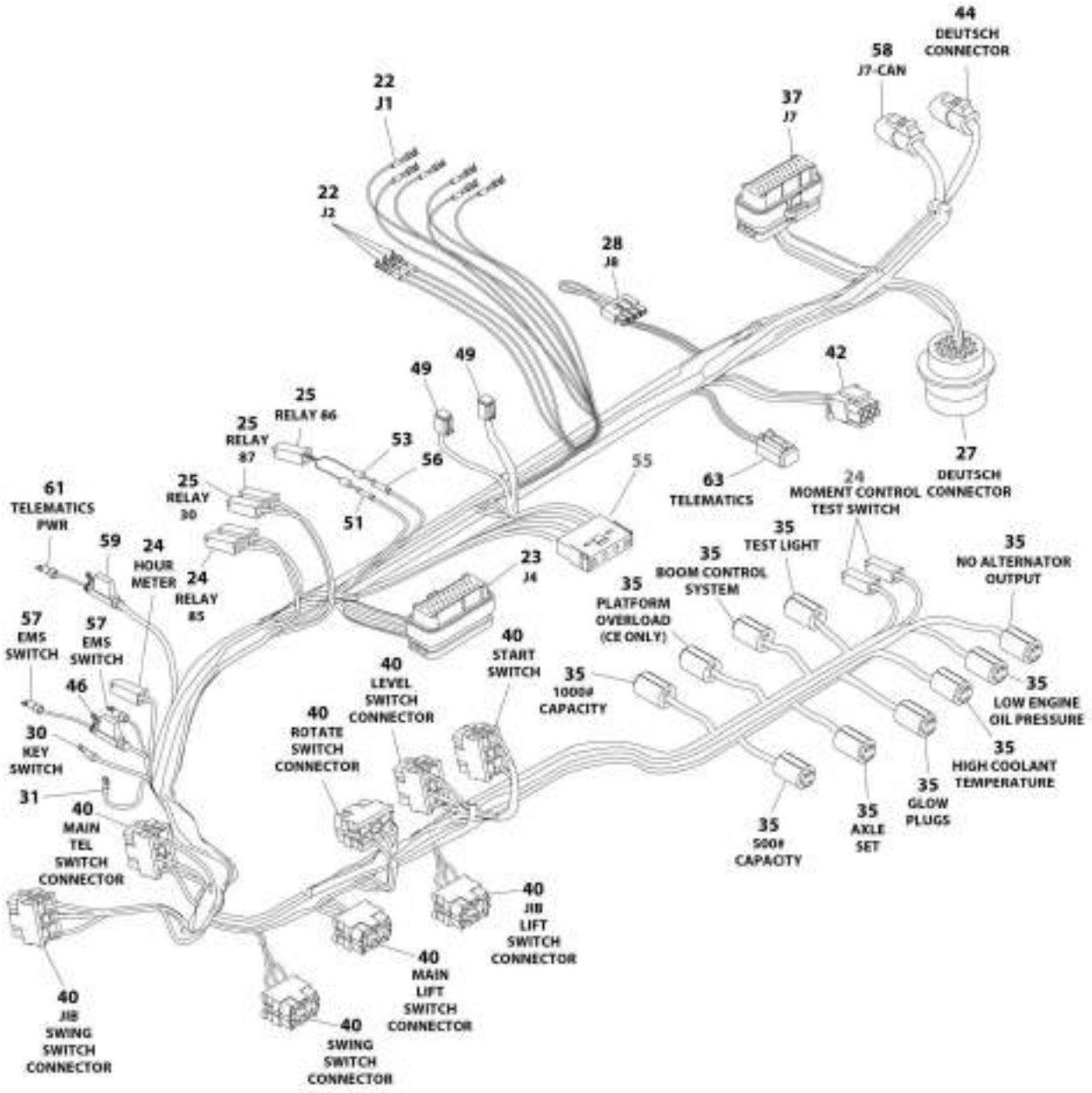
SECTION 8 - ELECTRICAL

FIGURE 8-53. GENERATOR HARNESS - 7500W GENERATOR

ITEM	PART NUMBER	QTY	DESCRIPTION	REV
	1001119968	Ref	GENERATOR HARNESS - 7500W GENERATOR	C
1	4460967	1	Connector - 3 Position	
1	4460465	3	Socket, Female	
2	1001117078	1	Connector, Metri-Pack with 5Amp Fuse	
3	4460465	3	Socket, Female	

SECTION 8 - ELECTRICAL

FIGURE 8-54. GROUND CONTROL BOX HARNESS



ART_1001120180

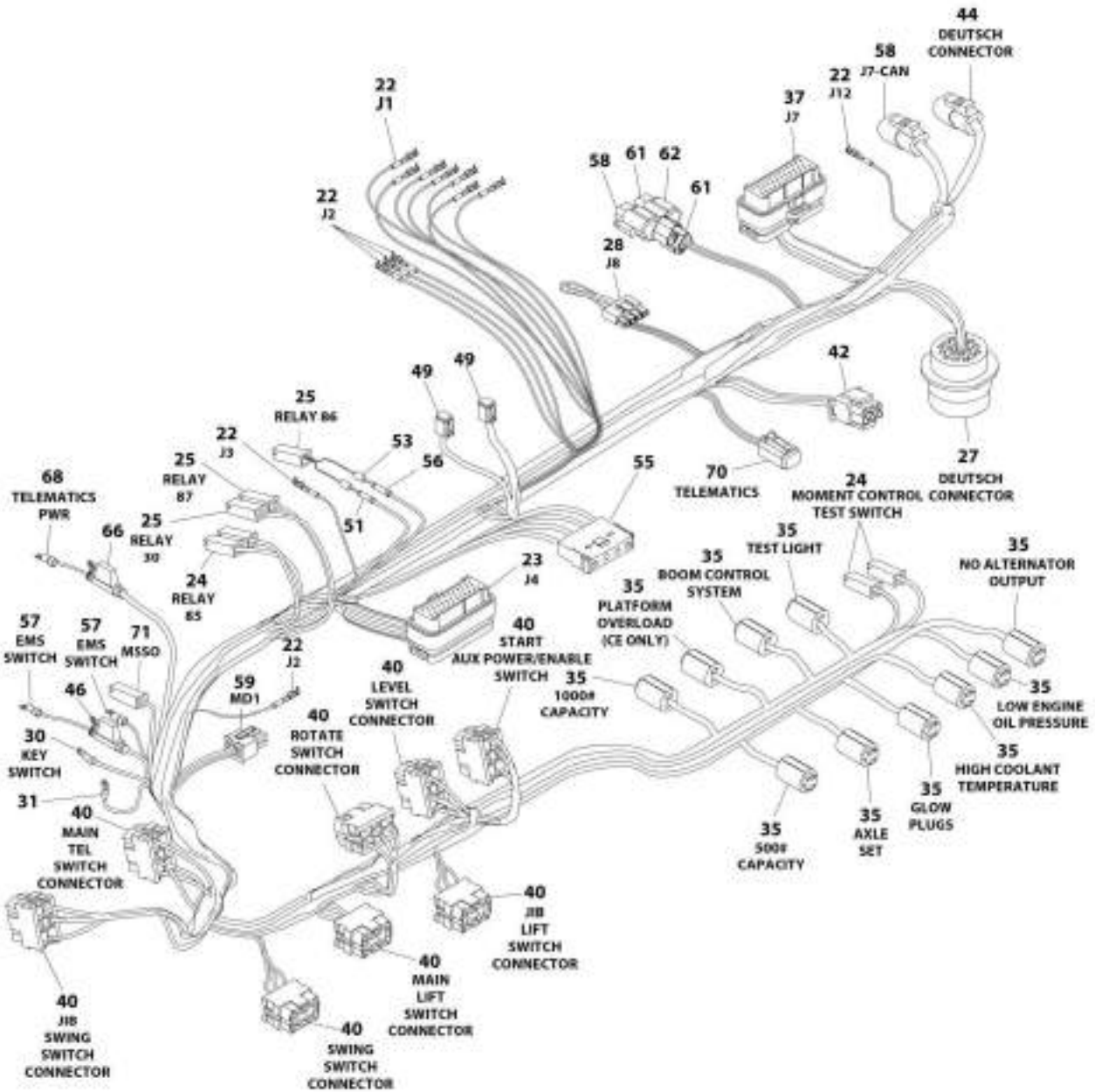
SECTION 8 - ELECTRICAL

FIGURE 8-54. GROUND CONTROL BOX HARNESS

ITEM	PART NUMBER	QTY	DESCRIPTION	REV
	1001120180	Ref	GROUND CONTROL BOX HARNESS	C
22	4460871	9	Socket, Female	
23	4460876	1	Connector, Blue - 35 Position	
23	4460871	29	Socket, Female	
23	4460905	6	Plug, Sealing	
24	4460260	5	Terminal, Housing	
24	4460259	5	Terminal	
25	4460260	3	Terminal, Housing	
25	4460297	3	Terminal	
27	4460866	1	Connector - 19 Pin	
27	4460464	10	Pin, Male	
27	4460508	3	Pin, Male	
28	4460878	1	Connector - 4 Position	
28	4460887	3	Terminal	
30	4460142	3	Terminal, Eyelet	
31	4460313	3	Terminal, Eyelet	
35	4120035	10	Base, Light	
35	4460634	10	Terminal	
35	4460635	10	Terminal	
37	4460873	1	Connector, Black - 35 Position	
37	4460871	16	Socket, Female	
37	4460905	19	Plug, Sealing	
39	4240032	AR	Tie-Strap (Not Shown)	
40	4460418	8	Connector - 6 Position	
40	4460419	24	Socket, Female	
42	4460225	1	Plug, Male - 6 Position	
42	4460227	6	Pin, Male	
44	4460965	1	Plug, Male - 3 Position	
44	4460944	3	Socket, Female	
46	2400066	1	Fuseholder with Cover	
46	2400065	1	Fuse	
49	4460894	2	Connector - 6 Position	
49	4460465	3	Socket, Female	
49	4460942	2	Socket, Female	
51	4460474	1	Terminal, Connector	
53	3990010	2	Diode - 3 Amp	
55	4460761	1	Connector - 4 Position	
55	4460227	4	Pin, Male	
56	4460035	1	Terminal, Connector	
57	4460806	6	Terminal, Fork	
58	4460966	2	Connector - 3 Position (Green Lock)	
58	4460944	3	Socket, Female	
59	2400060	1	Fuse, Holder (SN 0300210074 to Present)	
59	8229242	1	Fuse, 5Amp (SN 0300210074 to Present)	
61	4460888	1	Terminal, Fork (SN 0300210074 to Present)	
63	4460884	1	Connector - 4 Position (SN 0300210074 to Present)	
63	4460465	4	Socket, Female (SN 0300210074 to Present)	
63	1001192401	1	Connector, Dust Cap (SN 0300210074 to Present)	

SECTION 8 - ELECTRICAL

FIGURE 8-55. GROUND CONTROL BOX HARNESS - DEUTZ TCD2.9L4 ENGINES (CE SPECS)



ART 100187388

SECTION 8 - ELECTRICAL

FIGURE 8-55. GROUND CONTROL BOX HARNESS - DEUTZ TCD2.9L4 ENGINES (CE SPECS)

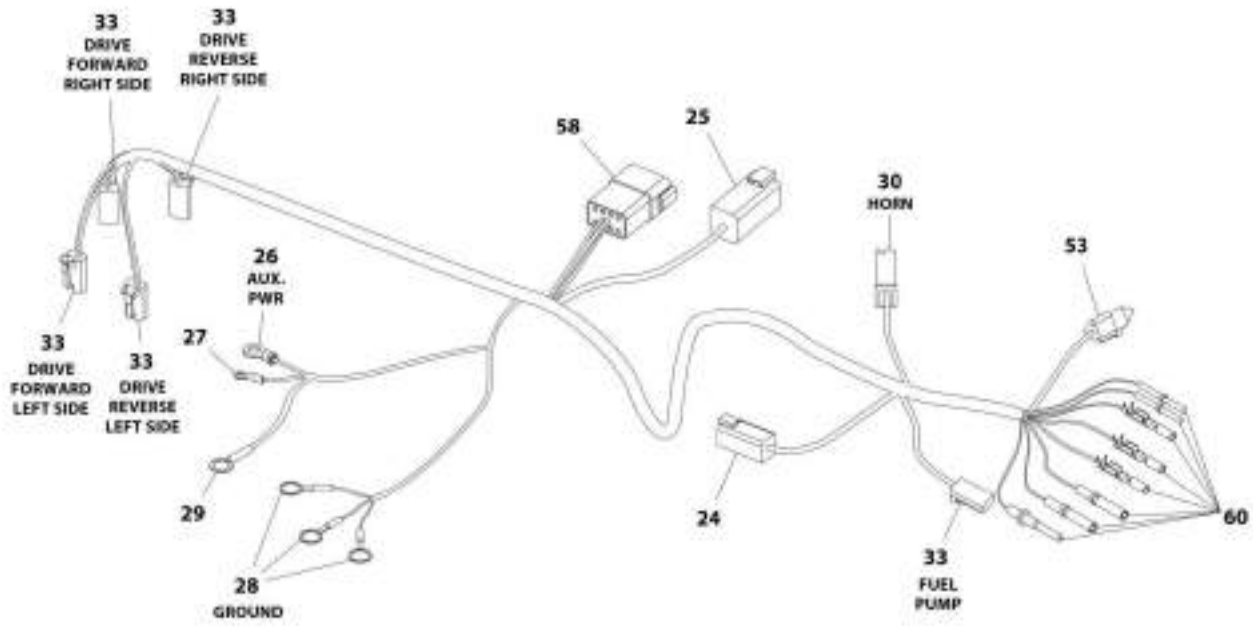
ITEM	PART NUMBER	QTY	DESCRIPTION	REV
	1001187386	Ref	GROUND CONTROL BOX HARNESS - DEUTZ TCD2.9L4 ENGINES (CE SPECS)	B
22	4460871	12	Socket, Female	
23	4460876	1	Connector, Blue - 35 Position	
23	4460871	29	Socket, Female	
23	4460905	6	Plug, Sealing	
24	4460260	3	Terminal, Housing	
24	4460259	3	Terminal	
25	4460260	3	Terminal, Housing	
25	4460297	3	Terminal	
27	4460866	1	Connector - 19 Pin	
27	4460464	10	Pin, Male	
27	4460508	3	Pin, Male	
27	4460466	9	Plug, Terminal	
28	4460878	1	Connector - 4 Position	
28	4460887	3	Terminal	
30	4460142	3	Terminal, Eyelet	
31	4460313	3	Terminal, Eyelet	
35	4120035	10	Base, Light	
35	4460634	10	Terminal	
35	4460635	10	Terminal	
37	4460873	1	Connector, Black - 35 Position	
37	4460871	17	Socket, Female	
37	4460905	18	Plug, Sealing	
39	4240032	AR	Tie-Strap (Not Shown)	
40	4460418	8	Connector - 6 Position	
40	4460419	24	Socket, Female	
42	4460225	1	Plug, Male - 6 Position	
42	4460227	6	Pin, Male	
44	4460965	1	Plug, Male - 3 Position	
44	4460944	3	Socket, Female	
46	2400066	1	Fuseholder with Cover	
46	2400065	1	Fuse	
49	4460894	2	Connector - 6 Position	
49	4460465	2	Socket, Female	
49	4460942	2	Socket, Female	
51	4460474	1	Terminal, Connector	
53	3990010	2	Diode - 3 Amp	
55	4460761	1	Connector - 4 Position	
55	4460227	4	Pin, Male	
56	4460035	1	Terminal, Connector	
57	4460806	6	Terminal, Fork	
58	4460966	2	Connector - 3 Position (Green Lock)	
58	4460944	6	Socket, Female	
59	4460868	1	Connector - 6 Position	
59	4460877	4	Terminal	
61	1001116812	2	Connector - 3 Position	
61	4460944	5	Socket, Female	
62	4460945	1	Connector, Female - 3 Way	
66	2400060	1	Fuse, Holder (SN 0300210074 to Present)	

SECTION 8 - ELECTRICAL

ITEM	PART NUMBER	QTY	DESCRIPTION	REV
66	8229242	1	Fuse, 5Amp (SN 0300210074 to Present)	
68	4460888	1	Terminal, Fork (SN 0300210074 to Present)	
70	4460884	1	Connector - 4 Position (SN 0300210074 to Present)	
70	4460465	4	Socket, Female (SN 0300210074 to Present)	
70	1001192401	1	Connector, Dust Cap (SN 0300210074 to Present)	
71	4460260	2	Terminal, Housing (SN 0300210074 to Present)	

SECTION 8 - ELECTRICAL

FIGURE 8-56. GROUND CONTROLS TO ENGINE HARNESS



MTT_1001119572

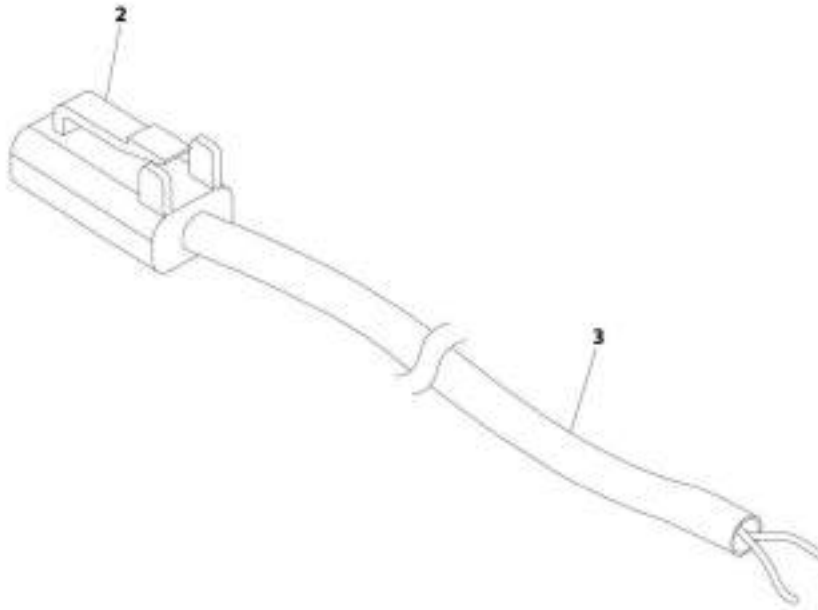
SECTION 8 - ELECTRICAL

FIGURE 8-56. GROUND CONTROLS TO ENGINE HARNESS

ITEM	PART NUMBER	QTY	DESCRIPTION	REV
	1001119372	Ref	GROUND CONTROLS TO ENGINE HARNESS	C
24	4460899	1	Connector - 6 Position	
24	4460464	5	Pin, Male	
24	4460466	1	Plug, Terminal	
25	4460899	1	Connector - 6 Position	
25	4460464	4	Pin, Male	
25	4460943	2	Pin, Male (Gold)	
26	4460312	1	Terminal, Eyelet	
27	4460313	1	Terminal, Eyelet	
28	4460019	3	Terminal, Eyelet	
29	4460256	1	Terminal, Eyelet	
30	4460260	1	Terminal, Housing	
30	4460259	1	Terminal	
33	4460891	5	Connector - 2 Position	
33	4460465	10	Socket, Female	
53	4460539	1	Connector - 3 Position	
53	4460944	3	Socket, Female	
58	4460931	1	Connector - 8 Position	
58	4460464	8	Pin, Male	
60	4460465	2	Socket, Female	
60	4460887	1	Terminal (12 Gauge)	
60	4460871	11	Socket, Female	
60	4460508	1	Pin, Male	

SECTION 8 - ELECTRICAL

FIGURE 8-57. JIB STOW SWITCH HARNESS



ART_WJ27M

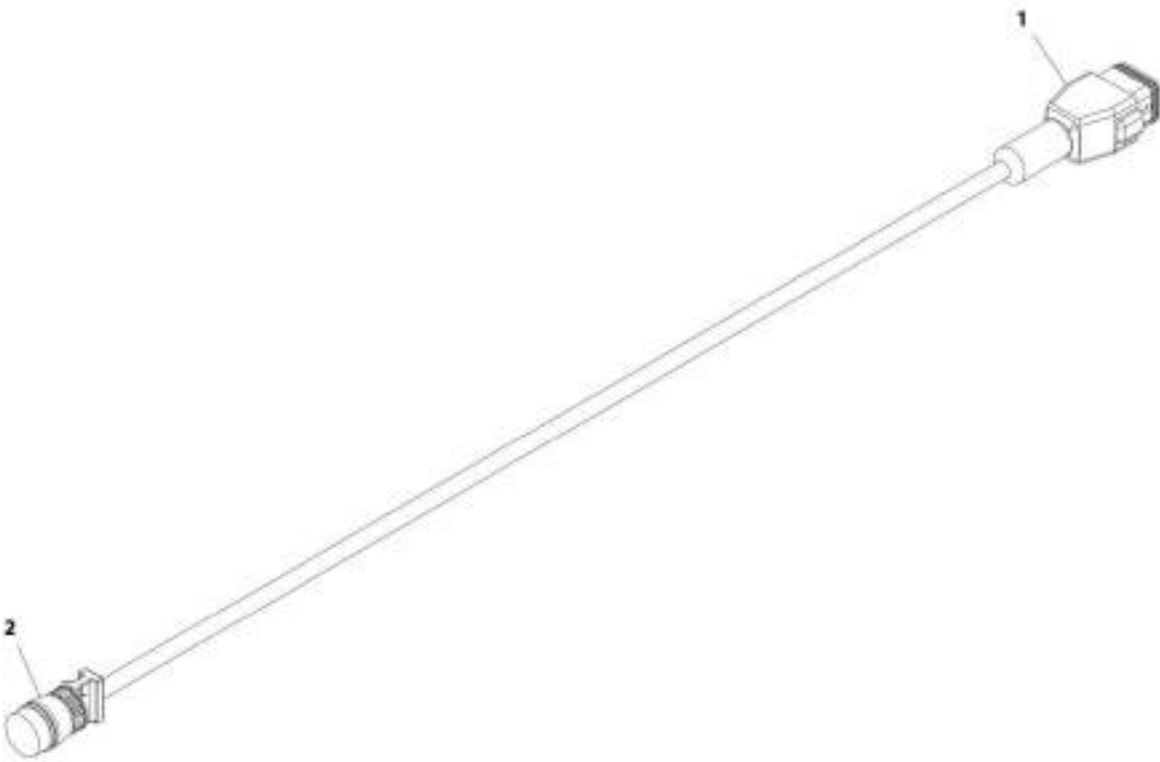
SECTION 8 - ELECTRICAL

FIGURE 8-57. JIB STOW SWITCH HARNESS

ITEM	PART NUMBER	QTY	DESCRIPTION	REV
	4922784	Ref	JIB STOW SWITCH HARNESS	C
2	4460891	1	Connector - 2 Position	
2	4460465	2	Socket, Female	
3	1060902	15 ft/ 4.6m	Cable, Electrical 18/2	

SECTION 8 - ELECTRICAL

FIGURE 8-58. LOAD SENSING PIN HARNESS



ART_#921256

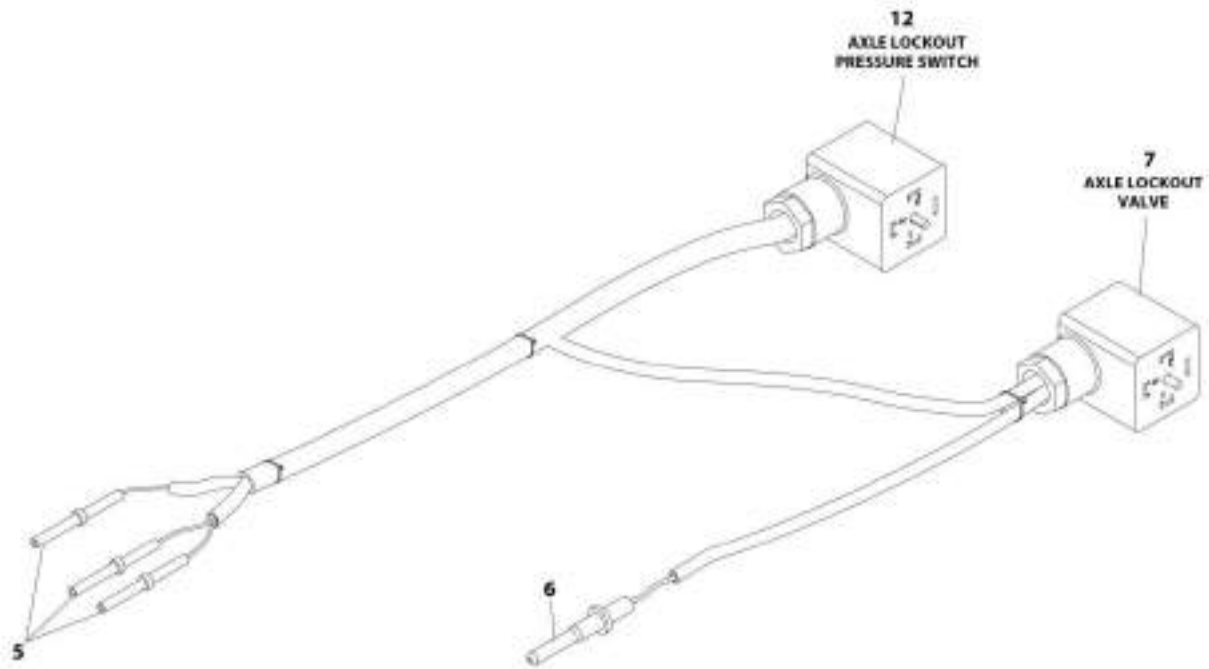
SECTION 8 - ELECTRICAL

FIGURE 8-58. LOAD SENSING PIN HARNESS

ITEM	PART NUMBER	QTY	DESCRIPTION	REV
	4923256	Ref	LOAD SENSING PIN HARNESS	B
1	4460930	1	Connector - 8 Position (Gray)	
1	4460465	4	Socket, Female	
1	4460466	3	Plug, Sealing	
2	See Note	NSS	Connector - 4 Position (Note: Not Available for Purchase)	
2	See Note	NSS	Terminal (Note: Not Available for Purchase)	

SECTION 8 - ELECTRICAL

FIGURE 8-59. LOCKOUT VALVE HARNESS



ARE_4932767

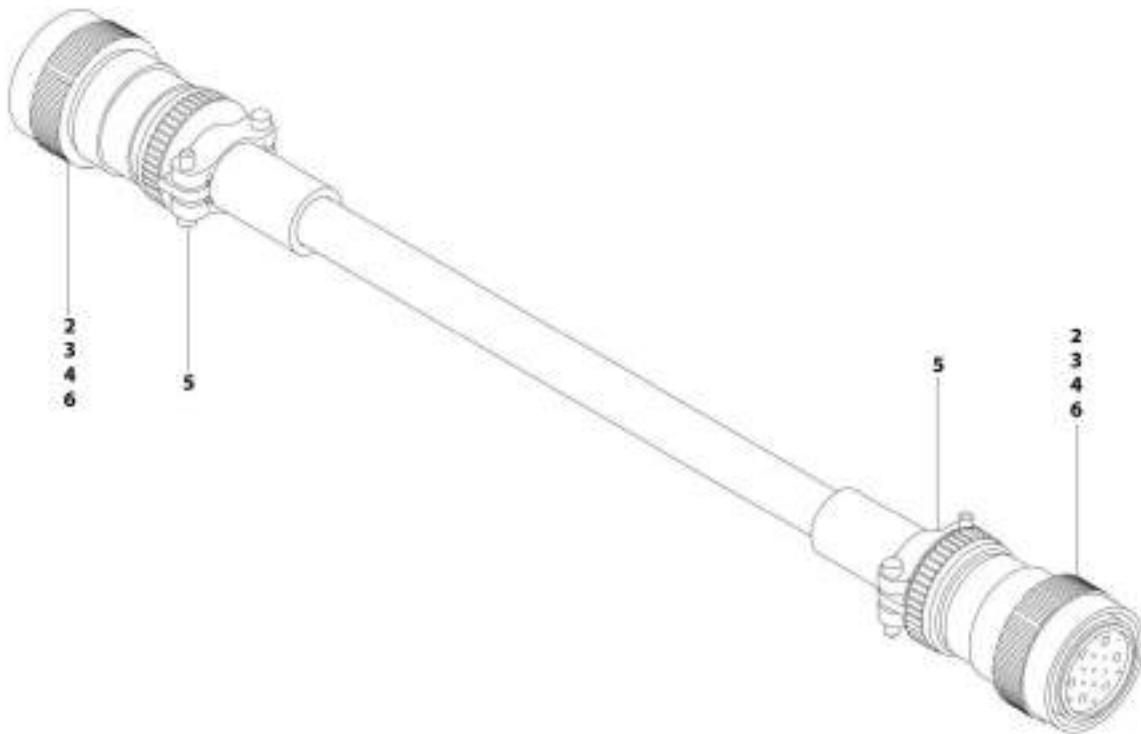
SECTION 8 - ELECTRICAL

FIGURE 8-59. LOCKOUT VALVE HARNESS

ITEM	PART NUMBER	QTY	DESCRIPTION	REV
	4922767	Ref	LOCKOUT VALVE HARNESS	C
5	4460465	3	Socket, Female	
6	4460464	1	Pin, Male	
7	4460880	1	Connector, Din	
8	4240033	6	Tie-Strap (Not Shown)	
12	4460449	1	Connector, DIN	

SECTION 8 - ELECTRICAL

FIGURE 8-60. MAIN BOOM CONTROL CABLE HARNESS - 1200SJP



ART_4922672

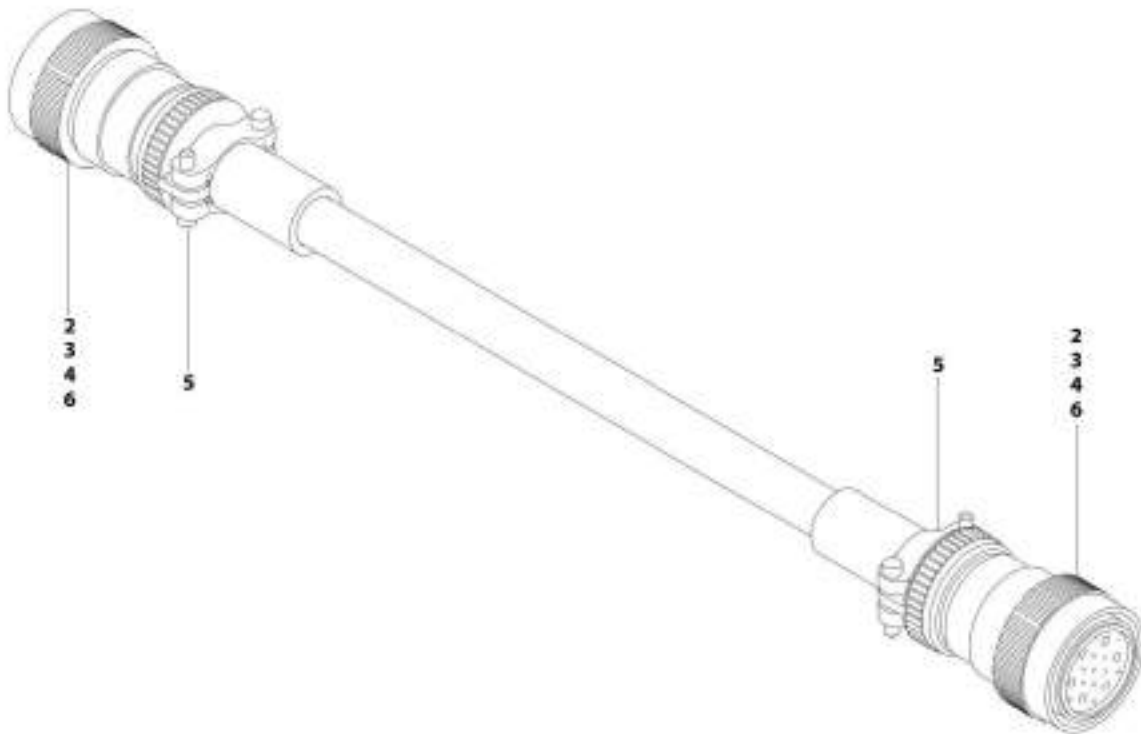
SECTION 8 - ELECTRICAL

FIGURE 8-60. MAIN BOOM CONTROL CABLE HARNESS - 1200SJP

ITEM	PART NUMBER	QTY	DESCRIPTION	REV
	4922672	Ref	MAIN BOOM CONTROL CABLE HARNESS - 1200SJP	C
2	4460465	22	Socket, Female	
3	4460865	2	Connector - 19 Position	
4	4460509	8	Socket, Female	
5	4460473	2	Clamp	
6	4460466	8	Plug, Socket	

SECTION 8 - ELECTRICAL

FIGURE 8-61. MAIN BOOM CONTROL CABLE HARNESS - 1350SJP



ART. 492673

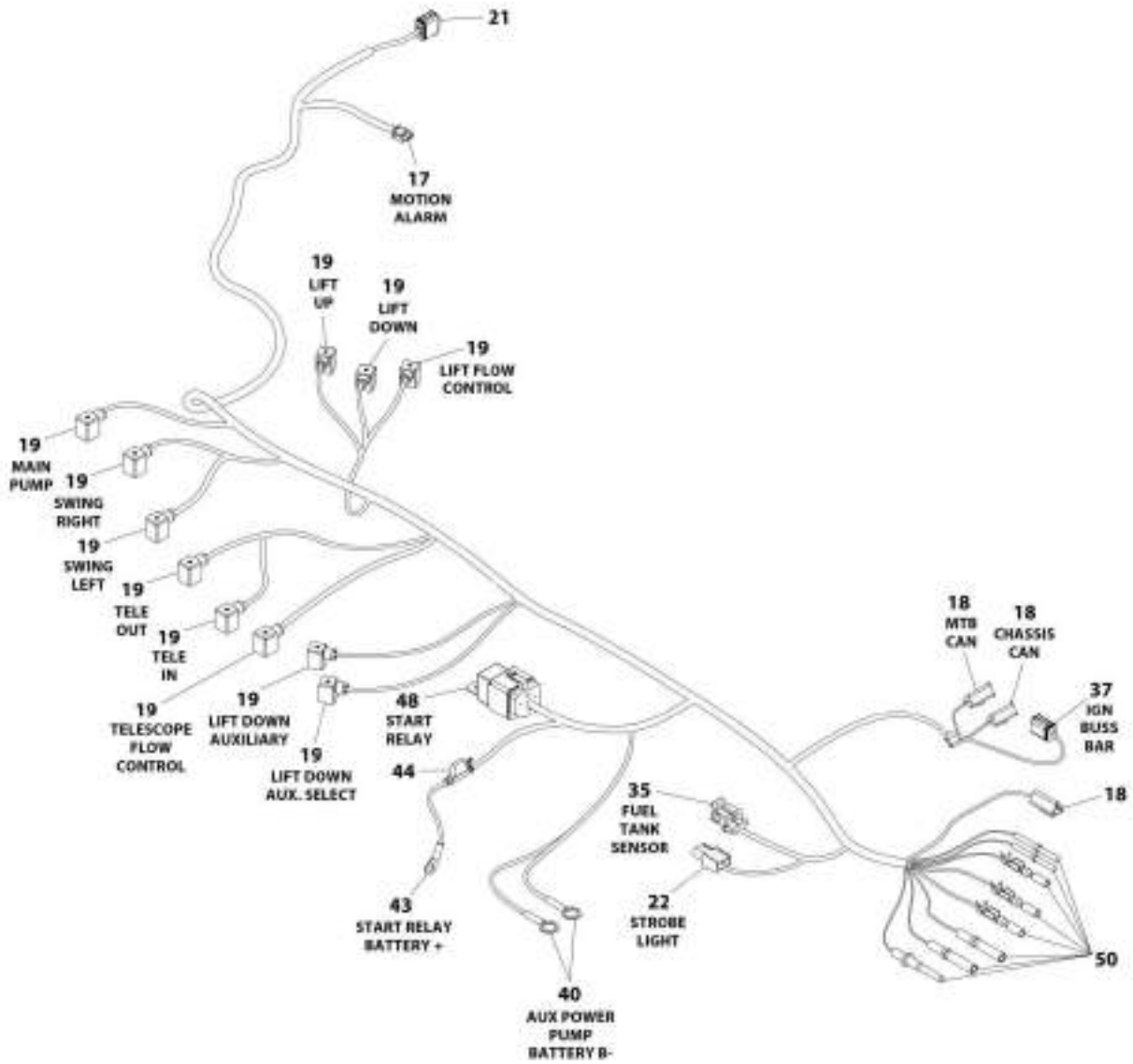
SECTION 8 - ELECTRICAL

FIGURE 8-61. MAIN BOOM CONTROL CABLE HARNESS - 1350SJP

ITEM	PART NUMBER	QTY	DESCRIPTION	REV
	4922673	Ref	MAIN BOOM CONTROL CABLE HARNESS - 1350SJP	D
2	4460465	22	Socket, Female	
3	4460865	2	Connector - 19 Position	
4	4460509	8	Socket, Female	
5	4460473	2	Clamp	
6	4460466	8	Plug, Socket	

SECTION 8 - ELECTRICAL

FIGURE 8-62. MAIN VALVE HARNESS



ART_1301116369

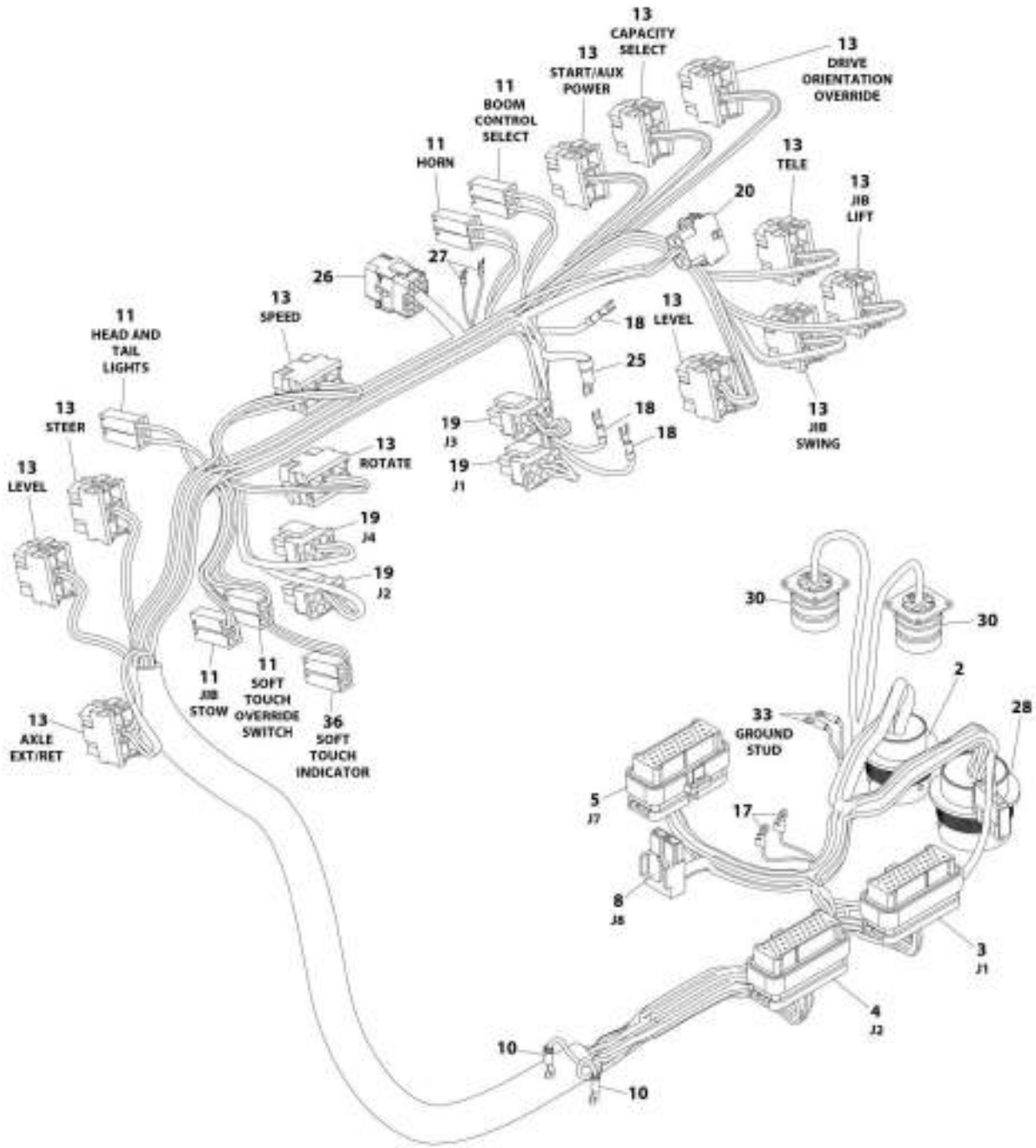
SECTION 8 - ELECTRICAL

FIGURE 8-62. MAIN VALVE HARNESS

ITEM	PART NUMBER	QTY	DESCRIPTION	REV
	1001116369	Ref	MAIN VALVE HARNESS	F
17	4460320	1	Connector - 2 Position	
17	4460267	2	Pin, Male	
18	4460965	3	Connector - 3 Position	
18	4460944	9	Socket, Female	
19	4460880	11	DIN Connector	
21	4460836	1	Connector - 12 Position (Black)	
21	4460465	3	Socket, Female	
21	4460466	4	Plug, Socket	
21	4460944	3	Socket, Female 16-18 GA (Gold)	
21	4460942	2	Socket, Female 14-16 GA	
22	4460424	1	Connector - 2 Position	
22	4460268	2	Socket, Female	
35	4460843	1	Connector - 2 Position	
35	4460842	2	Socket, Female	
37	4460894	1	Connector - 6 Position	
37	4460465	3	Socket, Female	
37	4460942	3	Socket, Female 14-16 GA	
40	4460256	2	Terminal, Eyelet	
43	4460019	1	Terminal, Eyelet	
44	2400066	1	Holder, Fuse	
44	2400065	1	Fuse	
48	3740080	1	Relay	
48	4460374	1	Plug, Seal	
48	4460375	5	Terminal	
48	0100048	AR	Grease, Dielectric	
50	4460465	2	Socket, Female	
50	4460944	1	Socket, Female (Gold)	
50	4460871	16	Socket, Female	
50	4460464	1	Pin, Male	
50	4460942	3	Socket, Female	

SECTION 8 - ELECTRICAL

FIGURE 8-63. PLATFORM CONSOLE BOX HARNESS - WITHOUT SKYGUARD



AGT_4023448

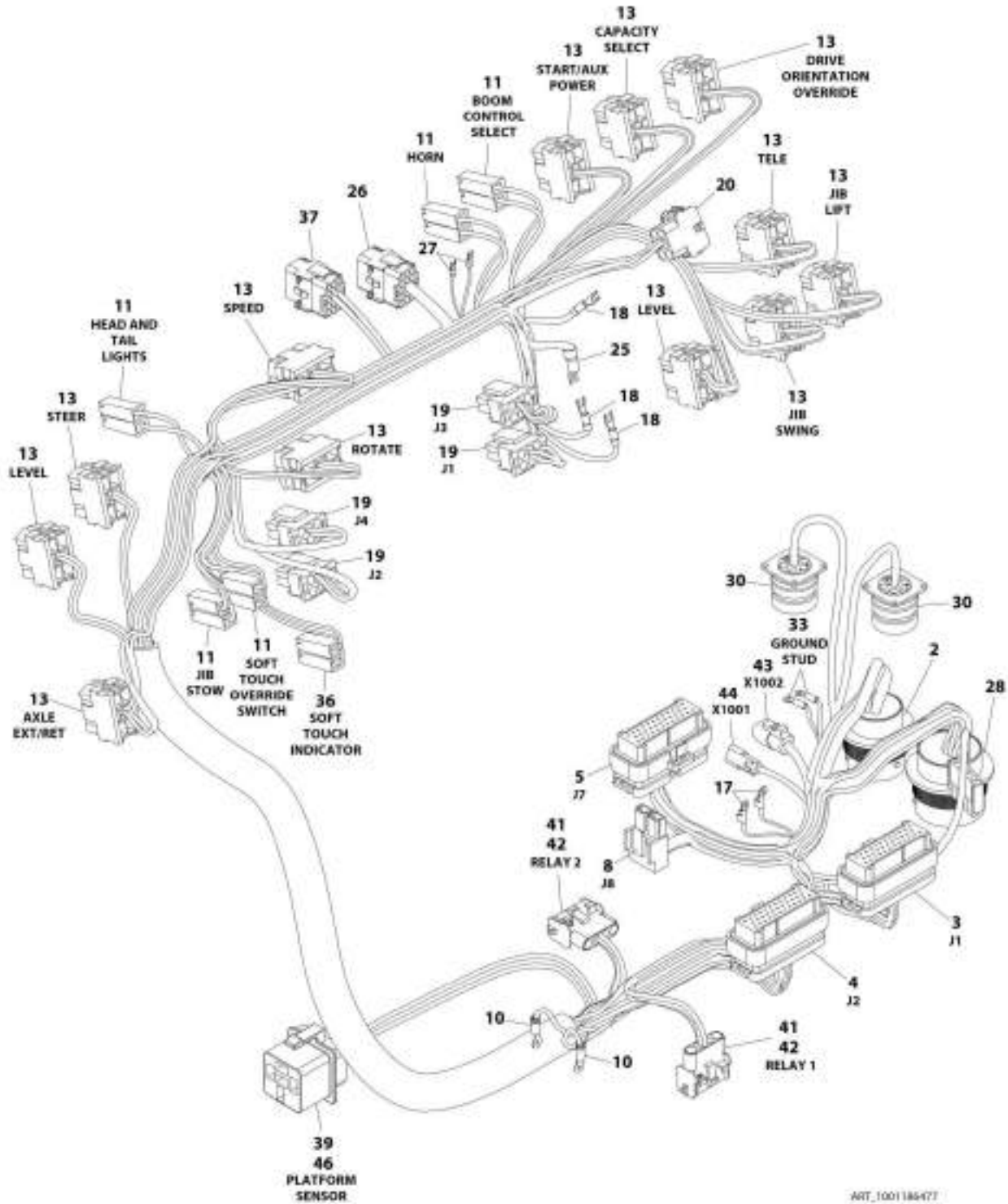
SECTION 8 - ELECTRICAL

FIGURE 8-63. PLATFORM CONSOLE BOX HARNESS - WITHOUT SKYGUARD

ITEM	PART NUMBER	QTY	DESCRIPTION	REV
	4923448	Ref	PLATFORM CONSOLE BOX HARNESS - WITHOUT SKYGUARD	C
2	4460866	1	Connector - 19 Pin	
2	4460464	7	Pin, Male	
2	4460508	4	Pin, Male	
2	4460943	3	Pin, Male 16 Ga (Gold)	
3	4460874	1	Connector - 35 Position (Natural)	
3	4460871	32	Socket, Female	
3	4460905	3	Plug	
4	4460876	1	Connector - 35 Position (Blue)	
4	4460871	34	Socket, Female	
4	4460905	1	Plug	
5	4460873	1	Connector - 35 Position (Black)	
5	4460871	23	Socket, Female	
5	4460905	12	Plug	
8	4460879	1	Connector, Male - 2 Position	
8	4460887	2	Terminal (12 Gauge)	
10	4460213	2	Terminal, Eyelet	
11	4460260	10	Terminal, Housing	
11	4460259	10	Terminal	
13	4460418	12	Connector - 6 Position	
13	4460419	36	Socket, Female	
17	1001121703	2	Terminal, Eyelet	
18	4460888	3	Terminal, Fork	
19	4460225	4	Connector - 6 Position	
19	4460226	21	Terminal (16 Gauge)	
20	4460225	1	Connector - 6 Position	
20	4460227	5	Pin, Male	
25	4460806	1	Terminal, Fork	
26	4460434	1	Connector - 15 Position	
26	4460227	14	Pin, Male	
27	4460183	13	Terminal, Fork	
28	4460925	1	Connector - 21 Pin	
28	4460929	13	Pin, Male Deutsch 16 Ga	
28	4460466	8	Plug	
30	1001121616	2	Connector - 6 Position	
30	1001121615	2	Base, Mounting	
33	4460142	2	Terminal, Eyelet	
36	4460016	2	Terminal	

SECTION 8 - ELECTRICAL

FIGURE 8-64. PLATFORM CONSOLE BOX HARNESS - WITH SKYGUARD (SN 0300201016 through 0300234290, SN B300002238 through B300002991)



AGT_1001186477

SECTION 8 - ELECTRICAL

FIGURE 8-64. PLATFORM CONSOLE BOX HARNESS - WITH SKYGUARD (SN 0300201016 through 0300234290, SN B300002238 through B300002991)

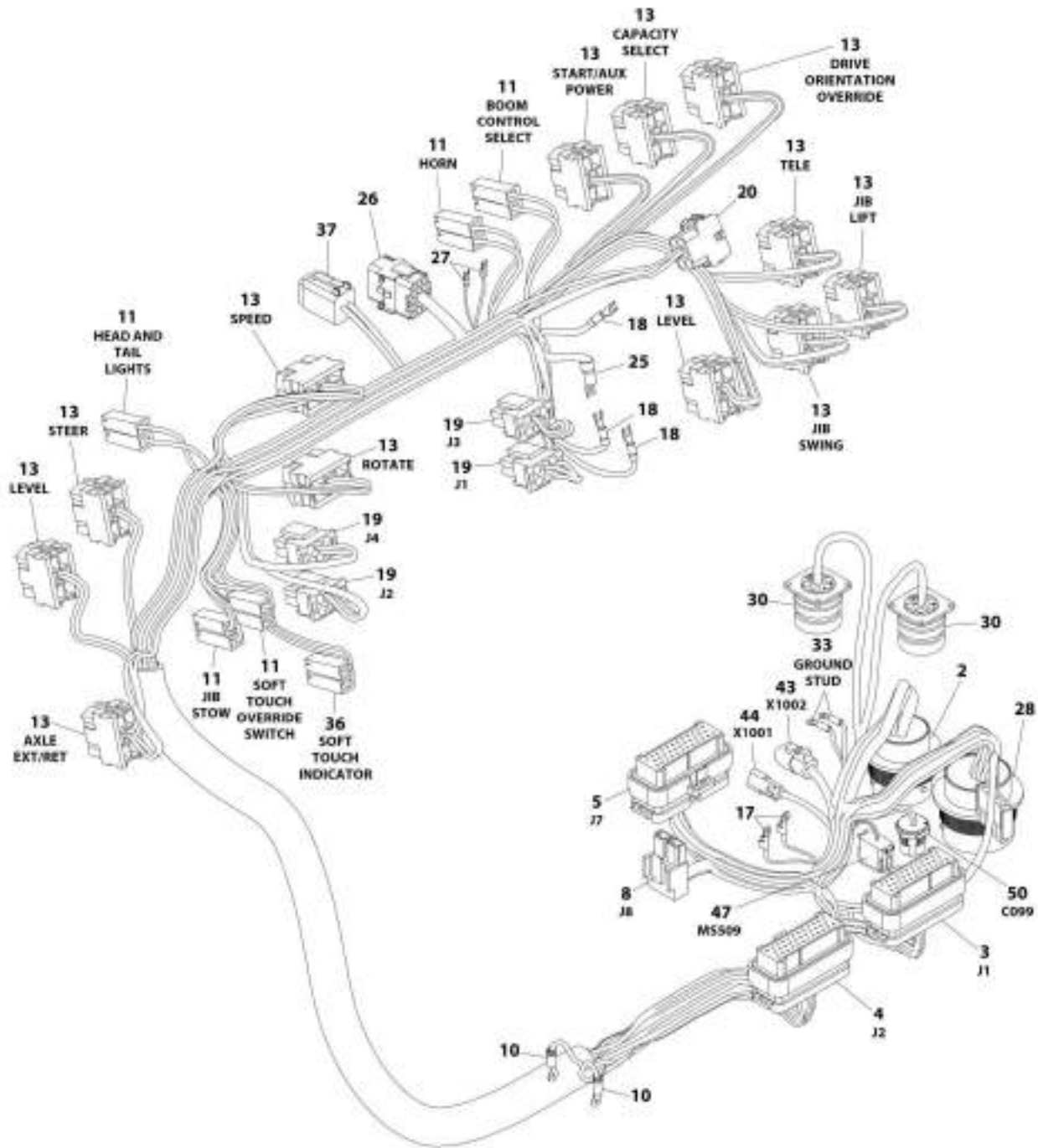
ITEM	PART NUMBER	QTY	DESCRIPTION	REV
	1001186477	Ref	PLATFORM CONSOLE BOX HARNESS - WITH SKYGUARD (SN 0300201016 through 0300234290, SN B300002238 through B300002991)	D
2	4460866	1	Connector - 19 Pin	
2	4460464	7	Pin, Male Deutsch 16 Ga	
2	4460508	4	Pin, Male Deutsch 12 Ga	
2	4460943	3	Pin, Male 16 Ga (Gold)	
3	4460874	1	Connector - 35 Position (Natural)	
3	4460871	32	Socket, Female	
3	4460905	3	Plug	
4	4460876	1	Connector - 35 Position (Blue)	
4	4460871	34	Socket, Female	
4	4460905	1	Plug	
5	4460873	1	Connector - 35 Position (Black)	
5	4460871	24	Socket, Female	
5	4460905	11	Plug	
8	4460879	1	Connector - 2 Position	
8	4460887	2	Terminal	
10	4460213	2	Terminal Eyelet	
11	4460260	10	Terminal, Housing	
11	4460259	10	Terminal	
13	4460418	12	Connector, Female - 6 Position	
13	4460419	36	Socket, Female	
17	1001121703	2	Terminal, Eyelet	
18	4460888	3	Terminal, Fork	
19	4460225	4	Connector - 6 Position	
19	4460226	21	Terminal (16 Gauge)	
20	4460225	1	Connector - 6 Position	
20	4460227	5	Pin, Male	
25	4460806	1	Terminal, Fork	
26	4460434	2	Connector - 15 Position	
26	4460227	14	Pin, Male	
26	4460267	1	Pin, Male	
27	4460183	13	Terminal, Fork	
28	4460925	1	Connector - 21 Pin	
28	4460929	13	Pin, Male Deutsch 16 Ga	
28	4460466	8	Plug	
30	1001121616	2	Connector, 6 Position	
30	1001121615	2	Base, Mounting	
33	4460142	2	Terminal, Eyelet	
36	4460016	2	Terminal	
37	4460708	1	Connector - 15 Position	
37	4460226	3	Terminal (16 Gauge)	
39	4460884	1	Connector - 4 Position	
39	4460944	4	Socket, Female (Gold)	
41	1001116720	4	Terminal	
42	1001118388	4	Terminal	
43	4460539	1	Plug, Male - 3 Position	
43	4460944	3	Socket, Female (Gold)	

SECTION 8 - ELECTRICAL

ITEM	PART NUMBER	QTY	DESCRIPTION	REV
44	4460536	1	Connector - 3 Position	
44	4460943	3	Pin, Male (Gold)	
46	4460932	1	Connector - 4 Position	

SECTION 8 - ELECTRICAL

FIGURE 8-65. PLATFORM CONSOLE BOX HARNESS - WITH SKYGUARD (SN 0300234291 to Present, SN B300002992 to Present)



ART_1001230866

SECTION 8 - ELECTRICAL

FIGURE 8-65. PLATFORM CONSOLE BOX HARNESS - WITH SKYGUARD (SN 0300234291 to Present, SN B300002992 to Present)

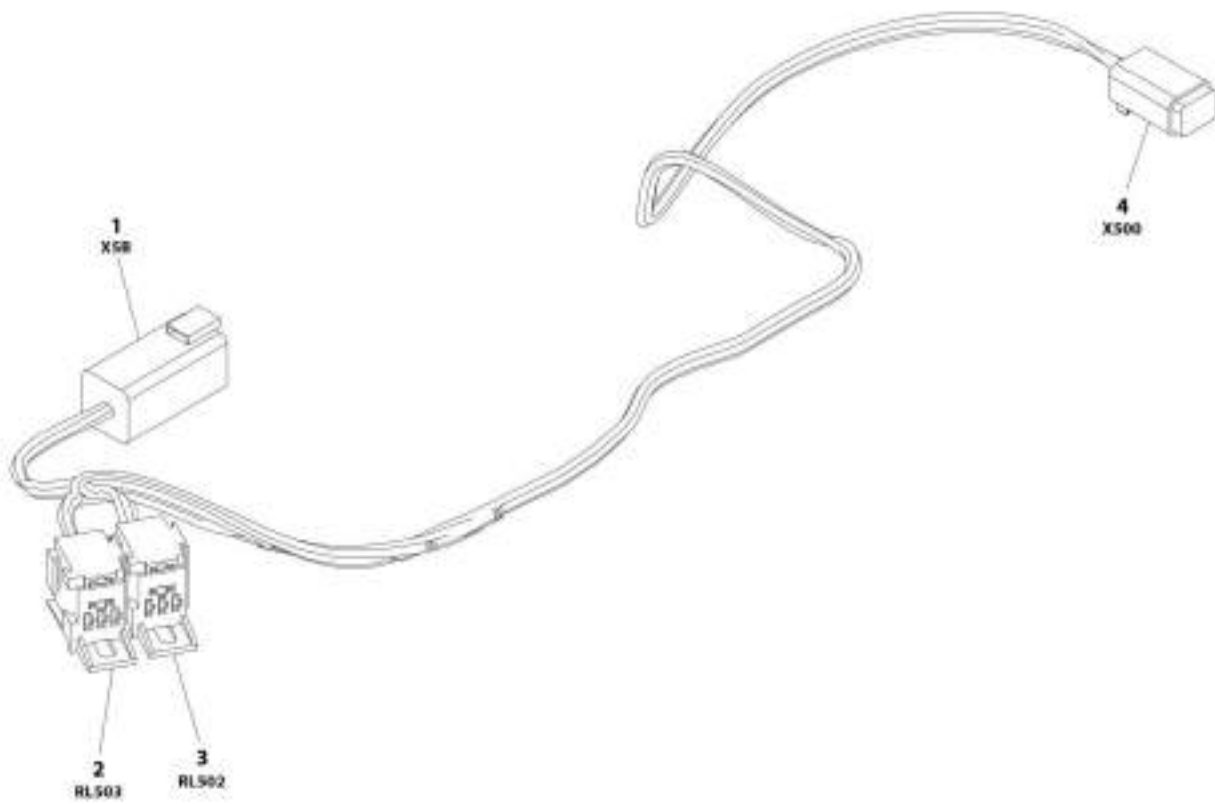
ITEM	PART NUMBER	QTY	DESCRIPTION	REV
	1001220866	Ref	PLATFORM CONSOLE BOX HARNESS - WITH SKYGUARD (SN 0300234291 to Present, SN B300002992 to Present)	E
2	4460866	1	Connector - 19 Pin	
2	4460464	7	Pin, Male Deutsch 16 Ga	
2	4460508	4	Pin, Male Deutsch 12 Ga	
2	4460943	3	Pin, Male 16 Ga (Gold)	
3	4460874	1	Connector - 35 Position (Natural)	
3	4460871	33	Socket, Female	
3	4460905	2	Plug	
4	4460876	1	Connector - 35 Position (Blue)	
4	4460871	34	Socket, Female	
4	4460905	1	Plug	
5	4460873	1	Connector - 35 Position (Black)	
5	4460871	24	Socket, Female	
5	4460905	11	Plug	
8	4460879	1	Connector - 2 Position	
8	4460887	2	Terminal	
10	4460213	2	Terminal Eyelet	
11	4460260	10	Terminal, Housing	
11	4460259	10	Terminal	
13	4460418	12	Connector, Female - 6 Position	
13	4460419	34	Socket, Female	
17	1001121703	2	Terminal, Eyelet	
18	4460888	3	Terminal, Fork	
19	4460225	4	Connector - 6 Position	
19	4460226	21	Terminal (16 Gauge)	
20	4460225	1	Connector - 6 Position	
20	4460227	5	Pin, Male	
25	4460806	1	Terminal, Fork	
26	4460434	2	Connector - 15 Position	
26	4460227	16	Pin, Male	
27	4460183	13	Terminal, Fork	
28	4460925	1	Connector - 21 Pin	
28	4460929	13	Pin, Male Deutsch 16 Ga	
28	4460466	8	Plug	
30	1001121616	2	Connector - 6 Position	
30	1001121615	2	Base, Mounting	
33	4460142	2	Terminal, Eyelet	
36	4460016	2	Terminal	
37	4460894	1	Connector - 6 Position	
37	4460465	5	Socket, Female	
37	4460466	1	Plug	
43	4460539	1	Plug, Male - 3 Position	
43	4460944	3	Socket, Female (Gold)	
44	4460536	1	Connector - 3 Position	
44	4460943	3	Pin, Male (Gold)	
47	4460933	1	Connector, Gray - 12 Position	
47	4460944	8	Socket, Female (Gold)	
47	4460466	4	Plug	

SECTION 8 - ELECTRICAL

ITEM	PART NUMBER	QTY	DESCRIPTION	REV
47	1001119020	1	Bussbar - 12 Position	
50	1001213447	1	Connector - 5 Position	

SECTION 8 - ELECTRICAL

FIGURE 8-66. PLATFORM INTERFACE HARNESS



AIT_1001225580

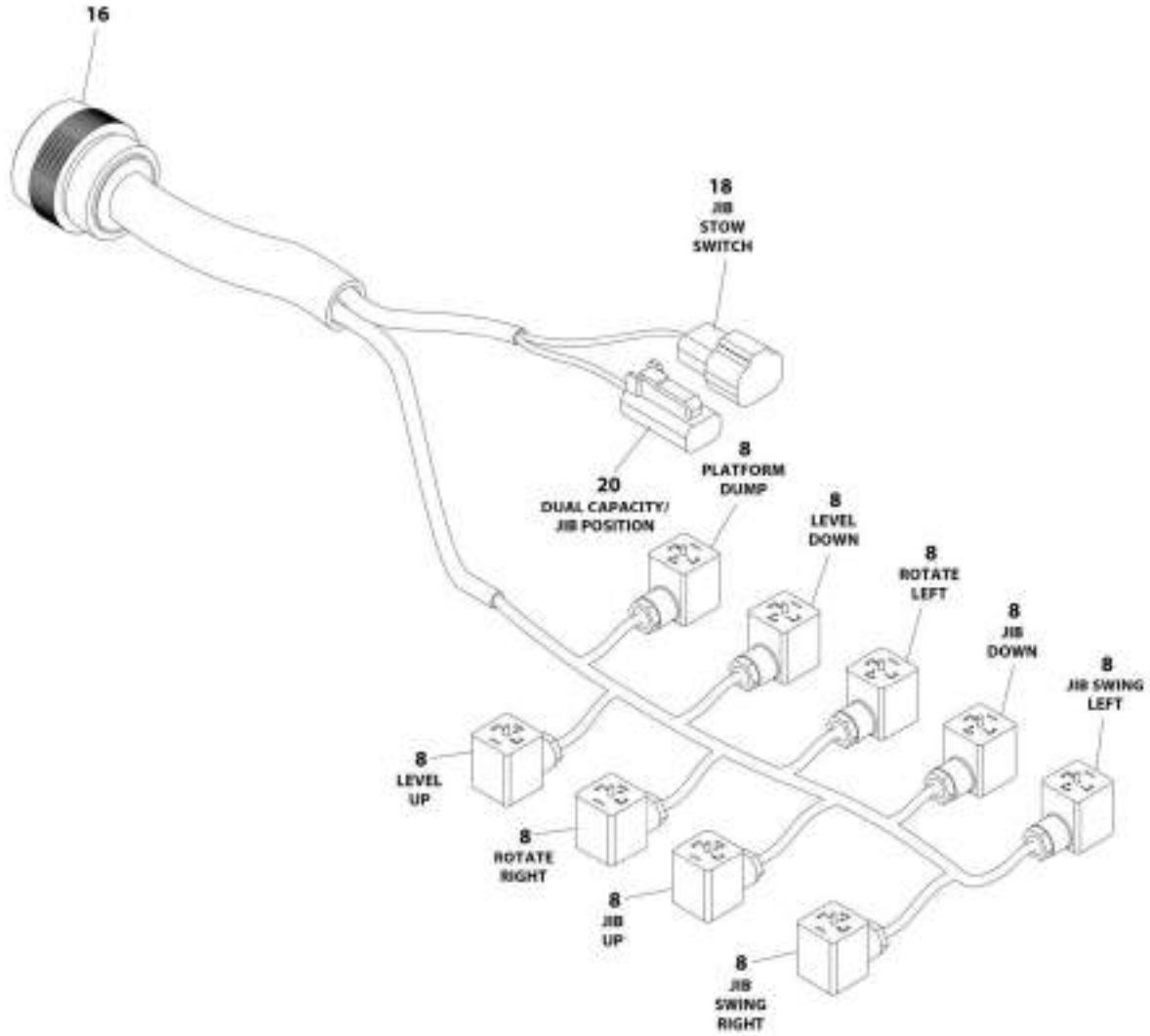
SECTION 8 - ELECTRICAL

FIGURE 8-66. PLATFORM INTERFACE HARNESS

ITEM	PART NUMBER	QTY	DESCRIPTION	REV
	1001225580	Ref	PLATFORM INTERFACE HARNESS	D
1	4460899	1	Connector, Female - 6 Position	
1	4460464	4	Pin, Male	
1	4460466	2	Seal, Plug	
2	1001186432	1	Holder, Micro Relay	
2	1001116720	2	Terminal	
2	1001118388	2	Terminal	
3	1001186432	1	Holder, Micro Relay	
3	1001116720	2	Terminal	
3	1001118388	2	Terminal	
4	4460884	1	Connector - 3 Position	
4	4460465	4	Socket, Female	

SECTION 8 - ELECTRICAL

FIGURE 8-67. PLATFORM VALVE HARNESS



ART_4922777

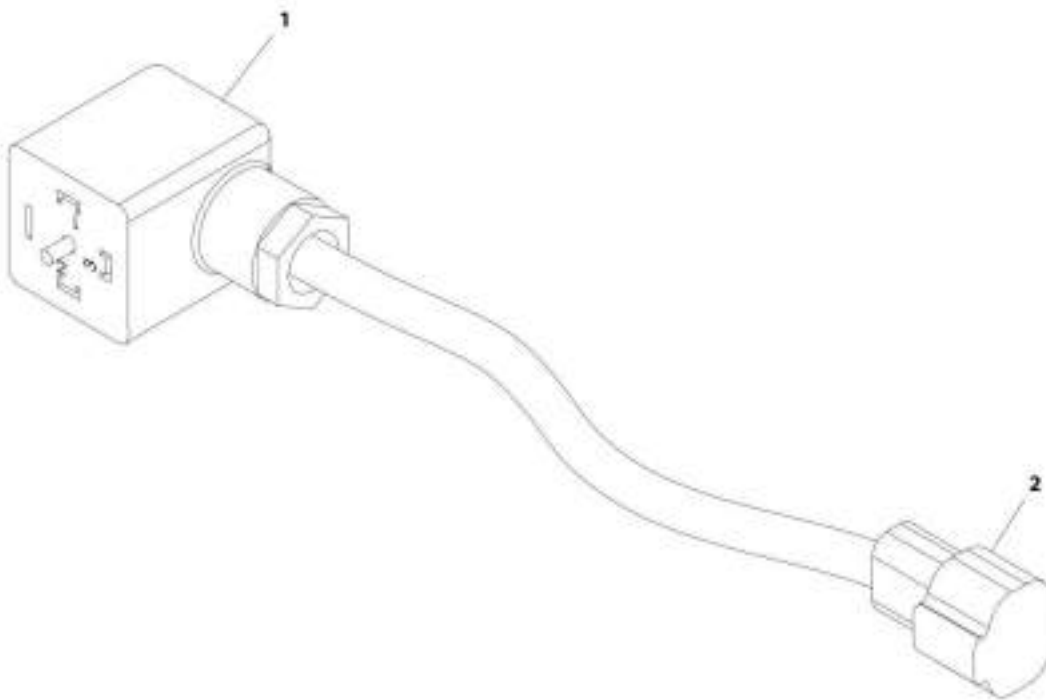
SECTION 8 - ELECTRICAL

FIGURE 8-67. PLATFORM VALVE HARNESS

ITEM	PART NUMBER	QTY	DESCRIPTION	REV
	4922777	Ref	PLATFORM VALVE HARNESS	D
7	4240033	10	Tie-Strap (Not Shown)	
8	4460880	9	DIN Connector	
16	4460926	1	Connector - 21 Position	
16	4460928	13	Socket, Female	
16	4460466	8	Plug, Hole	
18	4460897	1	Connector - 2 Position	
18	4460464	2	Pin, Male	
20	4460891	1	Plug, Male - 2 Position	
20	4460465	2	Socket, Female	

SECTION 8 - ELECTRICAL

FIGURE 8-68. PUMP ADAPTER HARNESS - SAUER PUMPS



AWT_3001119436

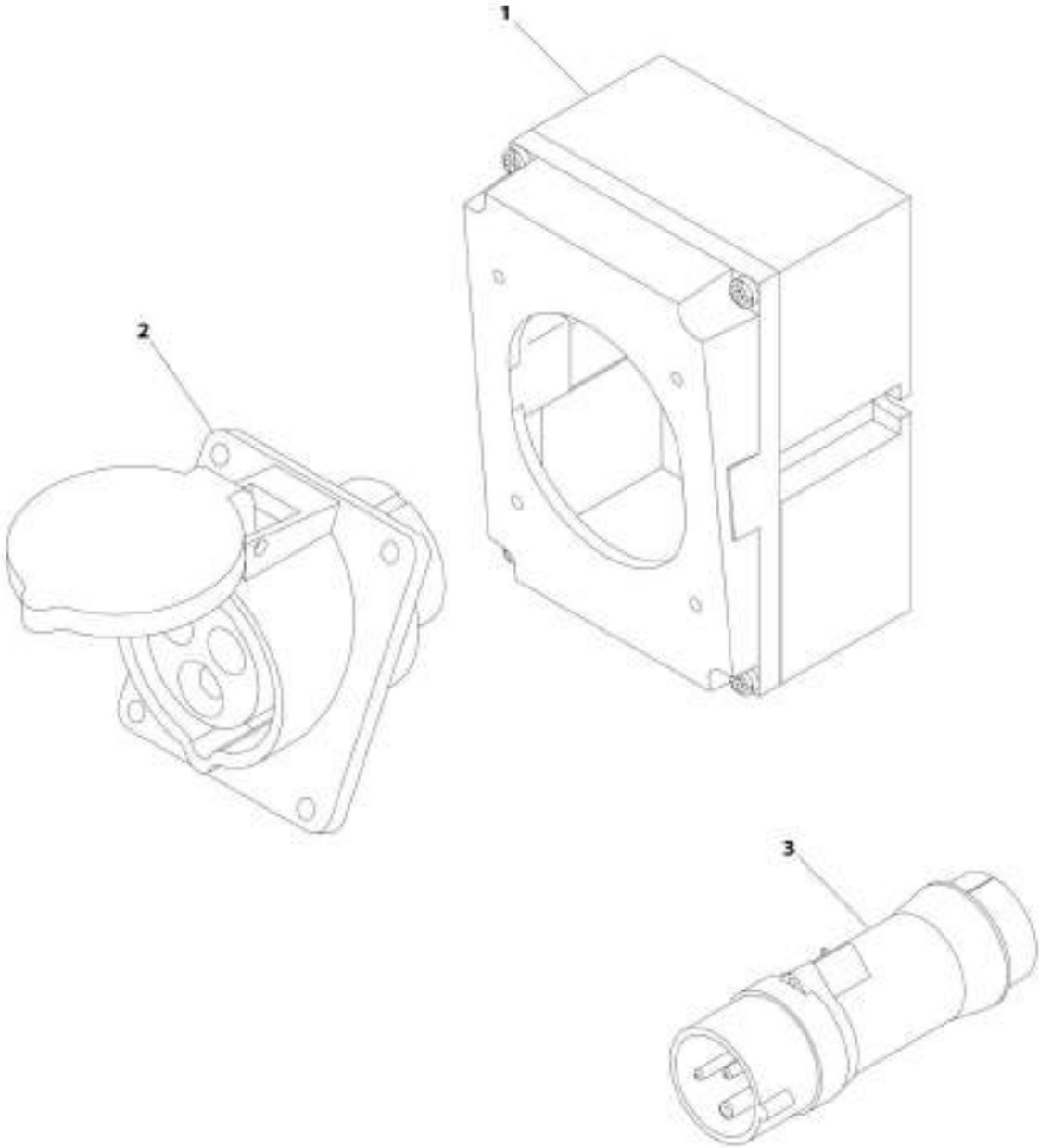
SECTION 8 - ELECTRICAL

FIGURE 8-68. PUMP ADAPTER HARNESS - SAUER PUMPS

ITEM	PART NUMBER	QTY	DESCRIPTION	REV
	1001119456	Ref	PUMP ADAPTER HARNESS - SAUER PUMPS	C
1	4460880	2	DIN Connector	
2	4460897	2	Connector - 2 Position	
2	4460464	4	Pin, Male	

SECTION 8 - ELECTRICAL

FIGURE 8-69. RECEPTACLE BOX KIT - 110V IEC YELLOW WITHOUT 2500W GENERATOR (CE SPECS)



ART_0175216

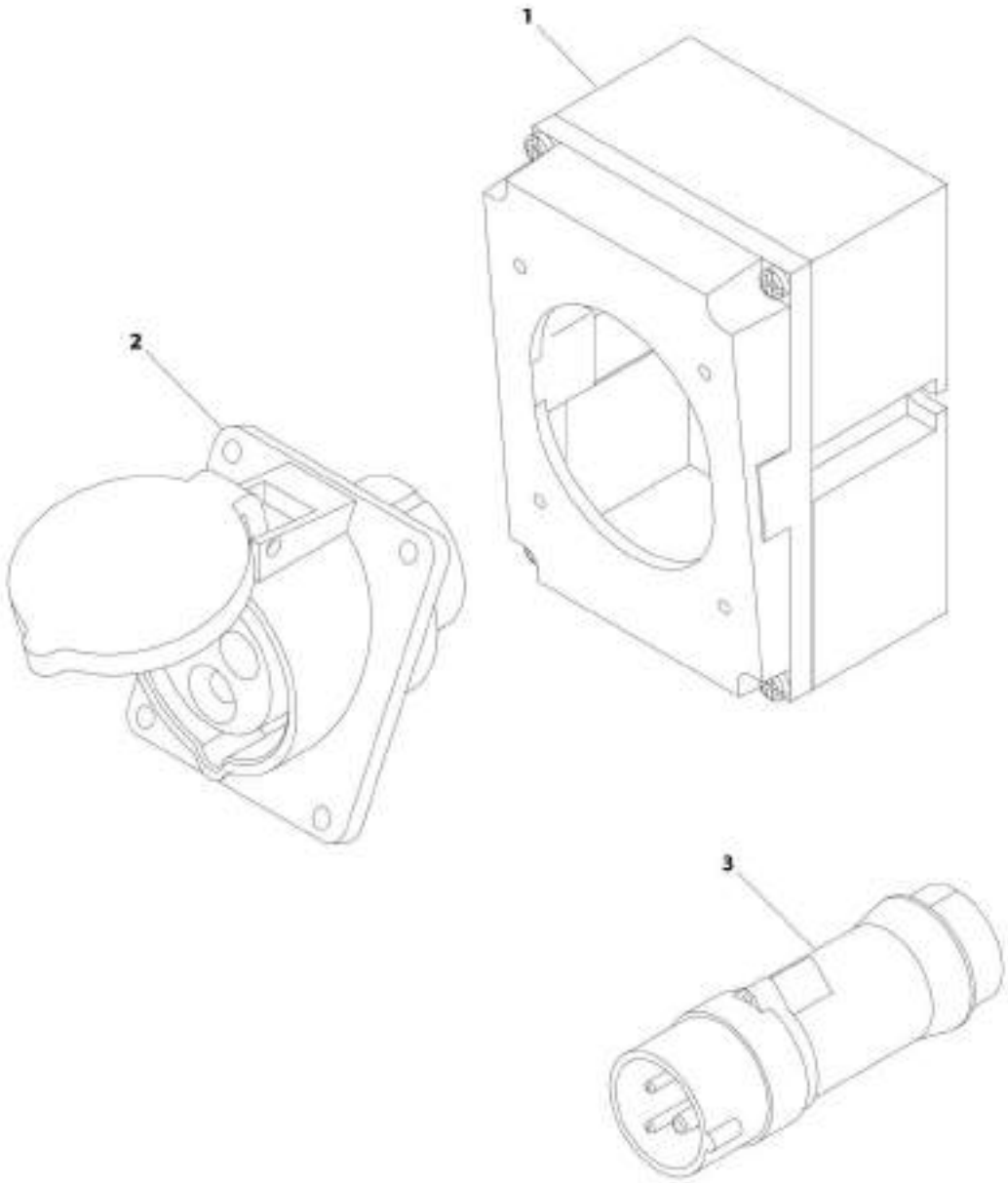
SECTION 8 - ELECTRICAL

FIGURE 8-69. RECEPTACLE BOX KIT - 110V IEC YELLOW WITHOUT 2500W GENERATOR (CE SPECS)

ITEM	PART NUMBER	QTY	DESCRIPTION	REV
	0275216	Ref	RECEPTACLE BOX KIT - 110V IEC YELLOW WITHOUT 2500W GENERATOR (CE SPECS)	B
1	0861781	1	Box, Switch	
2	4461198	1	Receptacle	
3	4461196	1	Plug, Male	

SECTION 8 - ELECTRICAL

FIGURE 8-70. RECEPTACLE BOX KIT - 220V IEC BLUE WITHOUT 2500W GENERATOR (CE SPECS)



ART_6279217

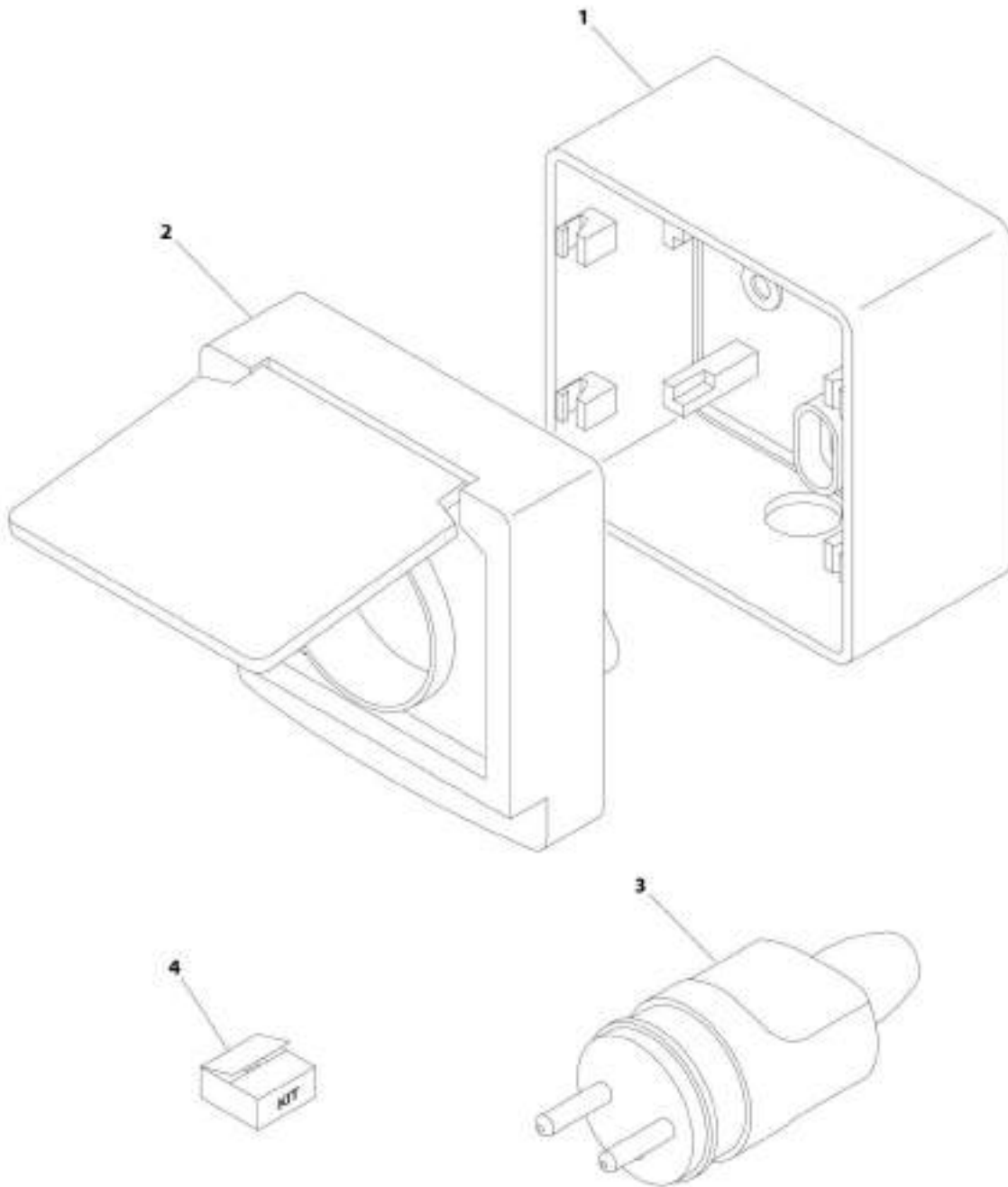
SECTION 8 - ELECTRICAL

FIGURE 8-70. RECEPTACLE BOX KIT - 220V IEC BLUE WITHOUT 2500W GENERATOR (CE SPECS)

ITEM	PART NUMBER	QTY	DESCRIPTION	REV
	0275217	Ref	RECEPTACLE BOX KIT - 220V IEC BLUE WITHOUT 2500W GENERATOR (CE SPECS)	B
1	0861781	1	Box, Switch	
2	4461201	1	Receptacle	
3	4461199	1	Plug, Male	

SECTION 8 - ELECTRICAL

FIGURE 8-71. RECEPTACLE BOX KIT - 220V CEE7 POST GROUND WITHOUT 2500W GENERATOR
(70MM X 70MM BOX) (CE SPECS)



ART_0275318

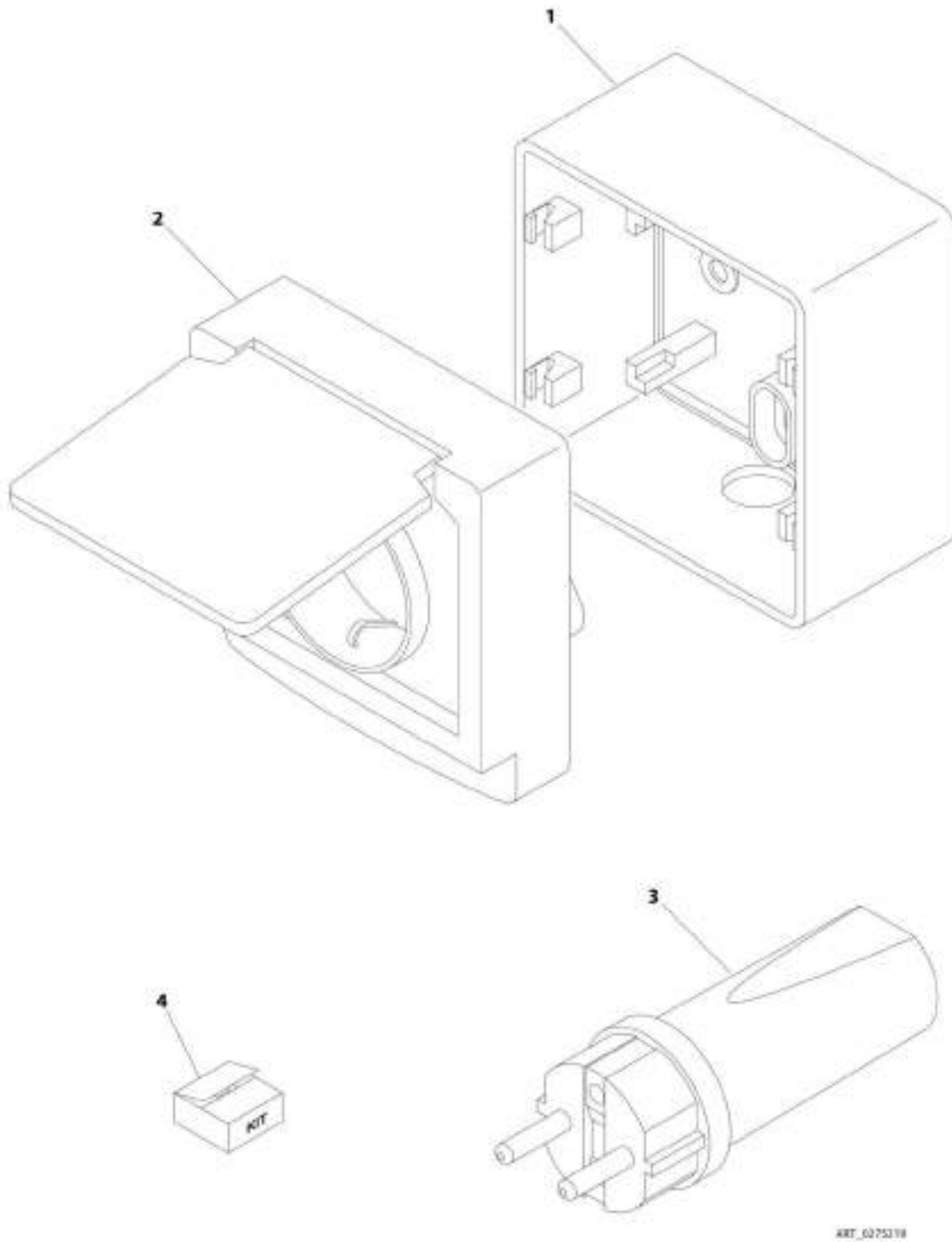
SECTION 8 - ELECTRICAL

**FIGURE 8-71. RECEPTACLE BOX KIT - 220V CEE7 POST GROUND WITHOUT 2500W GENERATOR
(70MM X 70MM BOX) (CE SPECS)**

ITEM	PART NUMBER	QTY	DESCRIPTION	REV
	0275218	Ref	RECEPTACLE BOX KIT - 220V CEE7 POST GROUND WITHOUT 2500W GENERATOR (70MM X 70MM BOX) (CE SPECS)	C
1	1001141967	1	Box, Switch	
2	1001141968	1	Receptacle	
3	4461202	NLA	Plug, Male (Use p/n 4461205) (SN 0300201017 through 0300218299)	
3	4461205	1	Plug, Male (SN 0300218300 to Present)	
4	1001141971	1	Plug and Socket Kit (Includes Items 1-3 and Female Plug p/n 4461203)	

SECTION 8 - ELECTRICAL

FIGURE 8-72. RECEPTACLE BOX KIT - 220V CEE7 SIDE GROUND WITHOUT 2500W GENERATOR
(70MM X 70MM BOX) (CE SPECS)



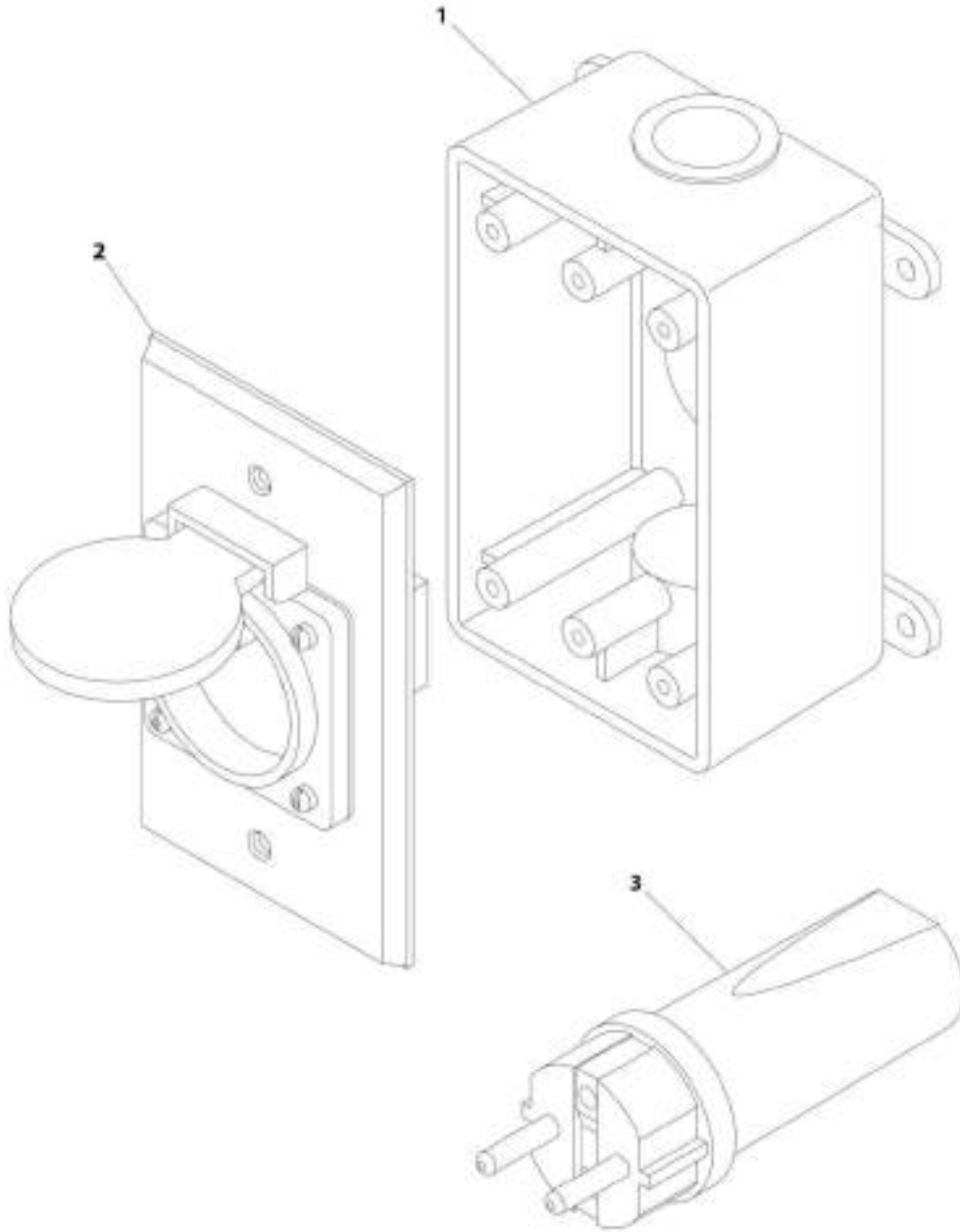
SECTION 8 - ELECTRICAL

FIGURE 8-72. RECEPTACLE BOX KIT - 220V CEE7 SIDE GROUND WITHOUT 2500W GENERATOR (70MM X 70MM BOX) (CE SPECS)

ITEM	PART NUMBER	QTY	DESCRIPTION	REV
	0275219	Ref	RECEPTACLE BOX KIT - 220V CEE7 SIDE GROUND WITHOUT 2500W GENERATOR (70MM X 70MM BOX) (CE SPECS)	B
1	1001141967	1	Box, Switch	
2	1001141969	1	Receptacle	
3	4461205	1	Plug, Male	
4	1001141970	1	Plug and Socket Kit (Includes Items 1-3 and Female Plug p/n 4461206)	

SECTION 8 - ELECTRICAL

FIGURE 8-73. RECEPTACLE BOX KIT - 220V CEE7 POST GROUND WITHOUT 2500W GENERATOR
(2X4 BOX) (CE SPECS)



ART_0070452

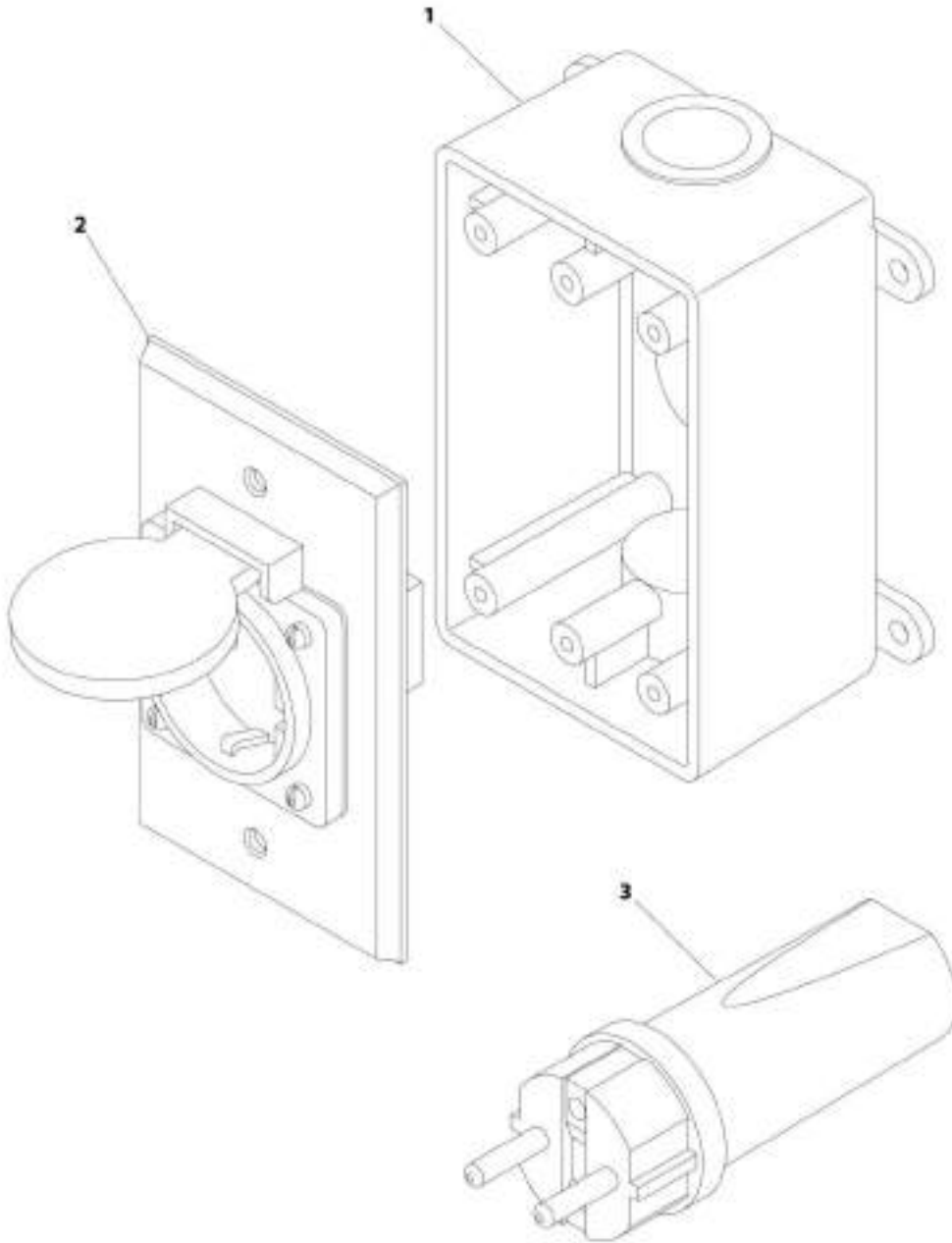
SECTION 8 - ELECTRICAL

**FIGURE 8-73. RECEPTACLE BOX KIT - 220V CEE7 POST GROUND WITHOUT 2500W GENERATOR
(2X4 BOX) (CE SPECS)**

ITEM	PART NUMBER	QTY	DESCRIPTION	REV
	0275452	Ref	RECEPTACLE BOX KIT - 220V CEE7 POST GROUND WITHOUT 2500W GENERATOR (2X4 BOX) (CE SPECS)	C
1	0861731	1	Box, Switch	
2	4461244	1	Receptacle	
3	4461202	NLA	Plug, Male (Use p/n 4461205) (SN 0300201016 through 0300218299)	
3	4461205	1	Plug, Male (SN 0300218300 to Present)	

SECTION 8 - ELECTRICAL

FIGURE 8-74. RECEPTACLE BOX KIT - 220V CEE7 SIDE GROUND WITHOUT 2500W GENERATOR
(2X4 BOX) (CE SPECS)



MIT_0275493

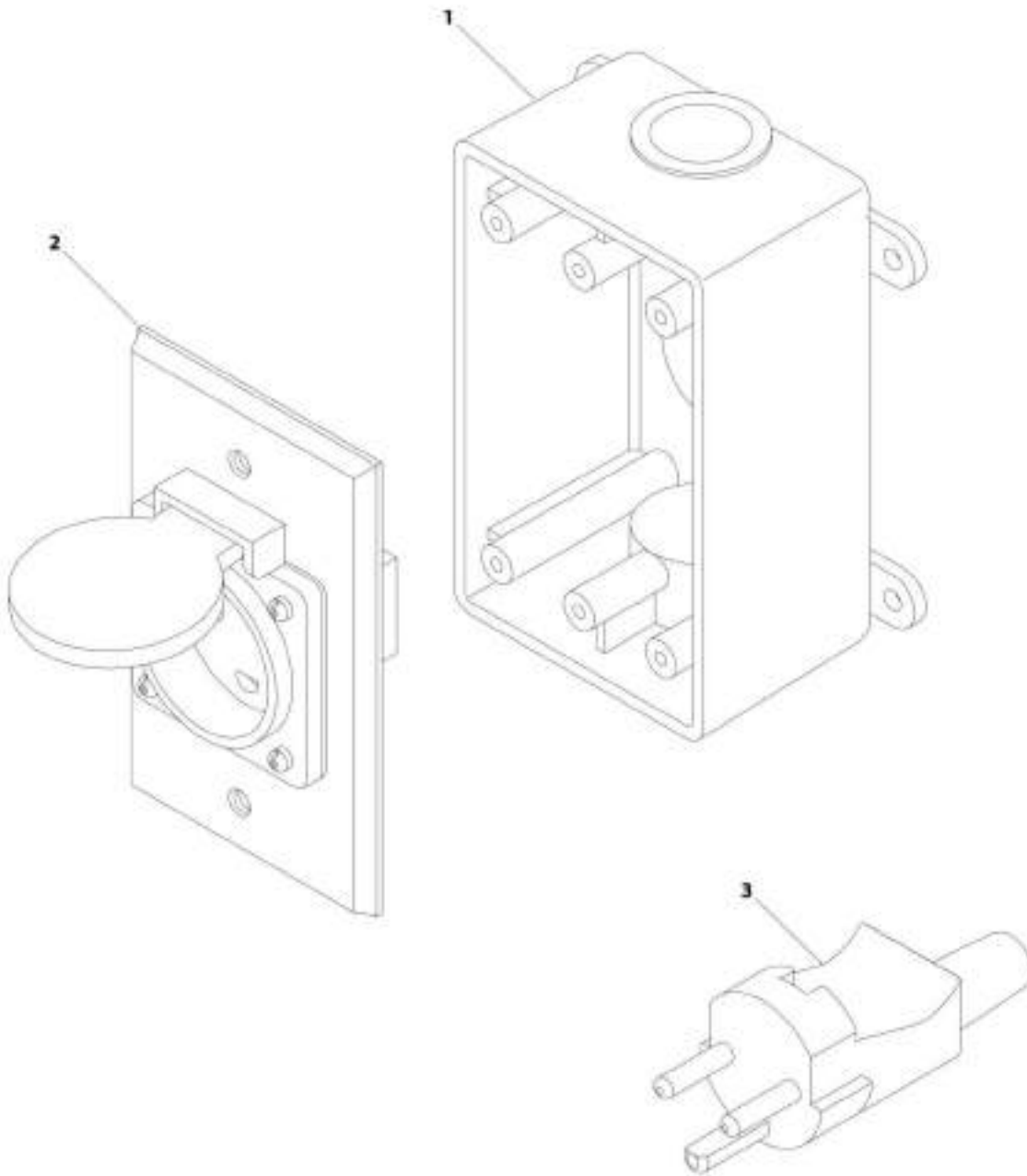
SECTION 8 - ELECTRICAL

FIGURE 8-74. RECEPTACLE BOX KIT - 220V CEE7 SIDE GROUND WITHOUT 2500W GENERATOR (2X4 BOX) (CE SPECS)

ITEM	PART NUMBER	QTY	DESCRIPTION	REV
	0275453	Ref	RECEPTACLE BOX KIT - 220V CEE7 SIDE GROUND WITHOUT 2500W GENERATOR (2X4 BOX) (CE SPECS)	1
1	0861731	1	Box, Switch	
2	4461245	1	Receptacle	
3	4461205	1	Plug, Male	

SECTION 8 - ELECTRICAL

FIGURE 8-75. RECEPTACLE BOX KIT - 220V AFSINT 107 KEYED GROUND WITHOUT 2500W GENERATOR (2X4 BOX) (CE SPECS)



AWT_0275454

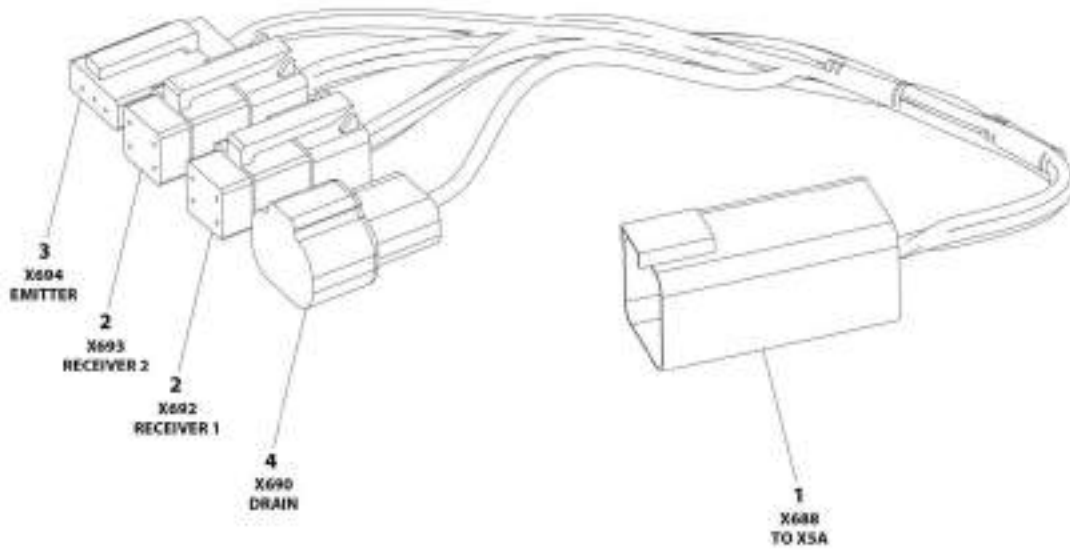
SECTION 8 - ELECTRICAL

FIGURE 8-75. RECEPTACLE BOX KIT - 220V AFSINT 107 KEYED GROUND WITHOUT 2500W GENERATOR (2X4 BOX) (CE SPECS)

ITEM	PART NUMBER	QTY	DESCRIPTION	REV
	0275454	Ref	RECEPTACLE BOX KIT - 220V AFSINT 107 KEYED GROUND WITHOUT 2500W GENERATOR (2X4 BOX) (CE SPECS)	1
1	0861731	1	Box, Switch	
2	4461246	1	Receptacle	
3	4461249	1	Plug, Male	

SECTION 8 - ELECTRICAL

FIGURE 8-76. SKYEYE INTERMEDIATE HARNESS



ART_1001237966

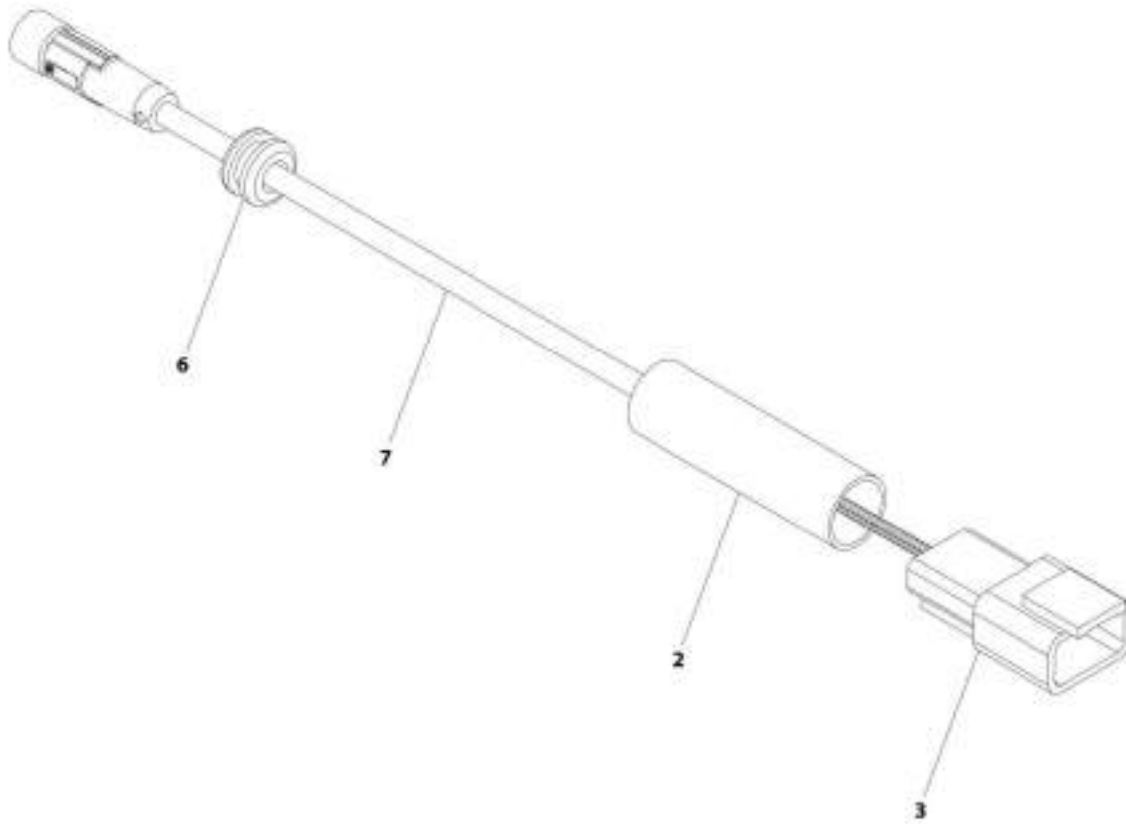
SECTION 8 - ELECTRICAL

FIGURE 8-76. SKYEYE INTERMEDIATE HARNESS

ITEM	PART NUMBER	QTY	DESCRIPTION	REV
	1001237865	Ref	SKYEYE INTERMEDIATE HARNESS	A
1	4460899	1	Connector - 6 Position	
1	4460943	4	Pin, Male	
1	4460466	2	Plug, Terminal	
2	4461077	2	Connector - 4 Position	
2	1001119619	8	Socket, Female	
3	4460911	1	Connector - 3 Position	
3	1001119619	3	Socket, Female	
4	1001187681	1	Connector - 2 Position	
4	4460941	1	Pin, Male	
4	4460466	1	Plug, Terminal	

SECTION 8 - ELECTRICAL

FIGURE 8-77. SKYEYE EMITTER HARNESS



AWT_1001237804

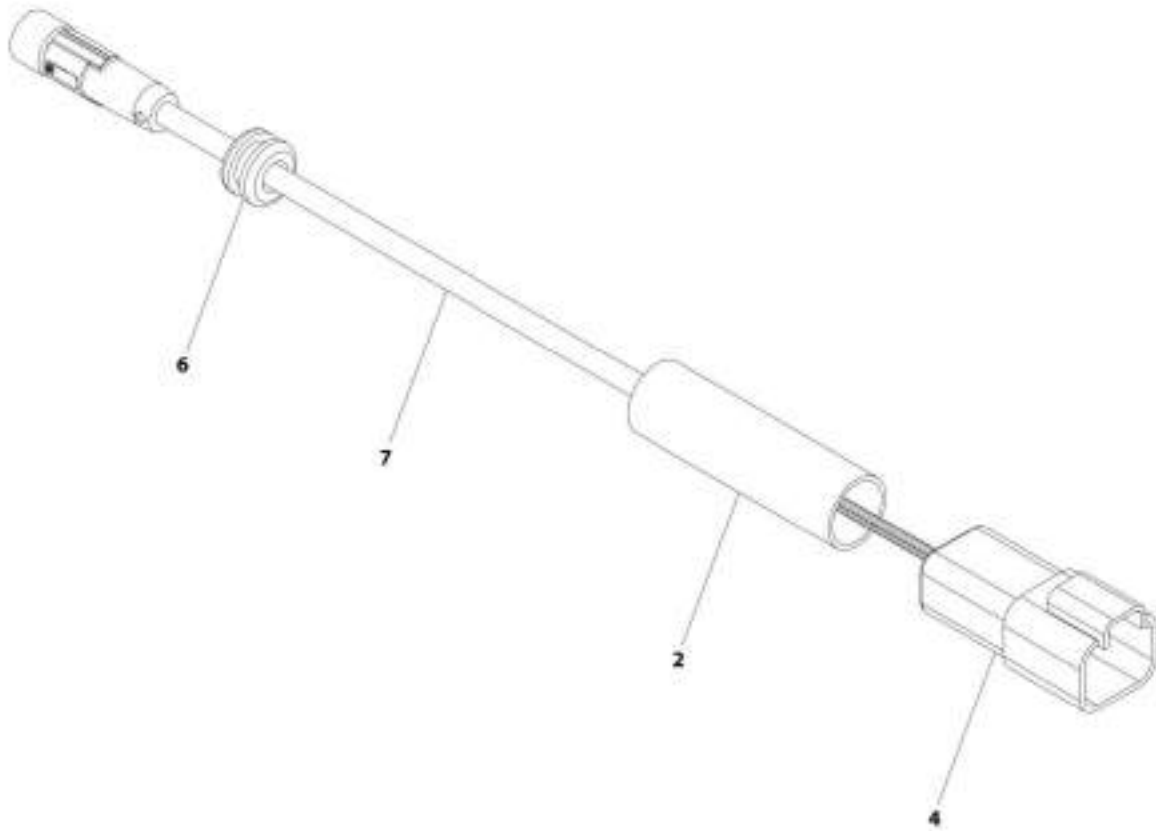
SECTION 8 - ELECTRICAL

FIGURE 8-77. SKYEYE EMITTER HARNESS

ITEM	PART NUMBER	QTY	DESCRIPTION	REV
	1001237864	Ref	SKYEYE EMITTER HARNESS	A
2	2820247	AR	Tubing, Heat Shrink	
3	4460910	1	Connector - 3 Position	
3	1001119620	3	Pin, Male	
6	1001227996	1	Grommet	
7	1001237862	1	Cable, M8 Female Cordset	

SECTION 8 - ELECTRICAL

FIGURE 8-78. SKYEYE RECEIVER HARNESS



AWT_1001237805

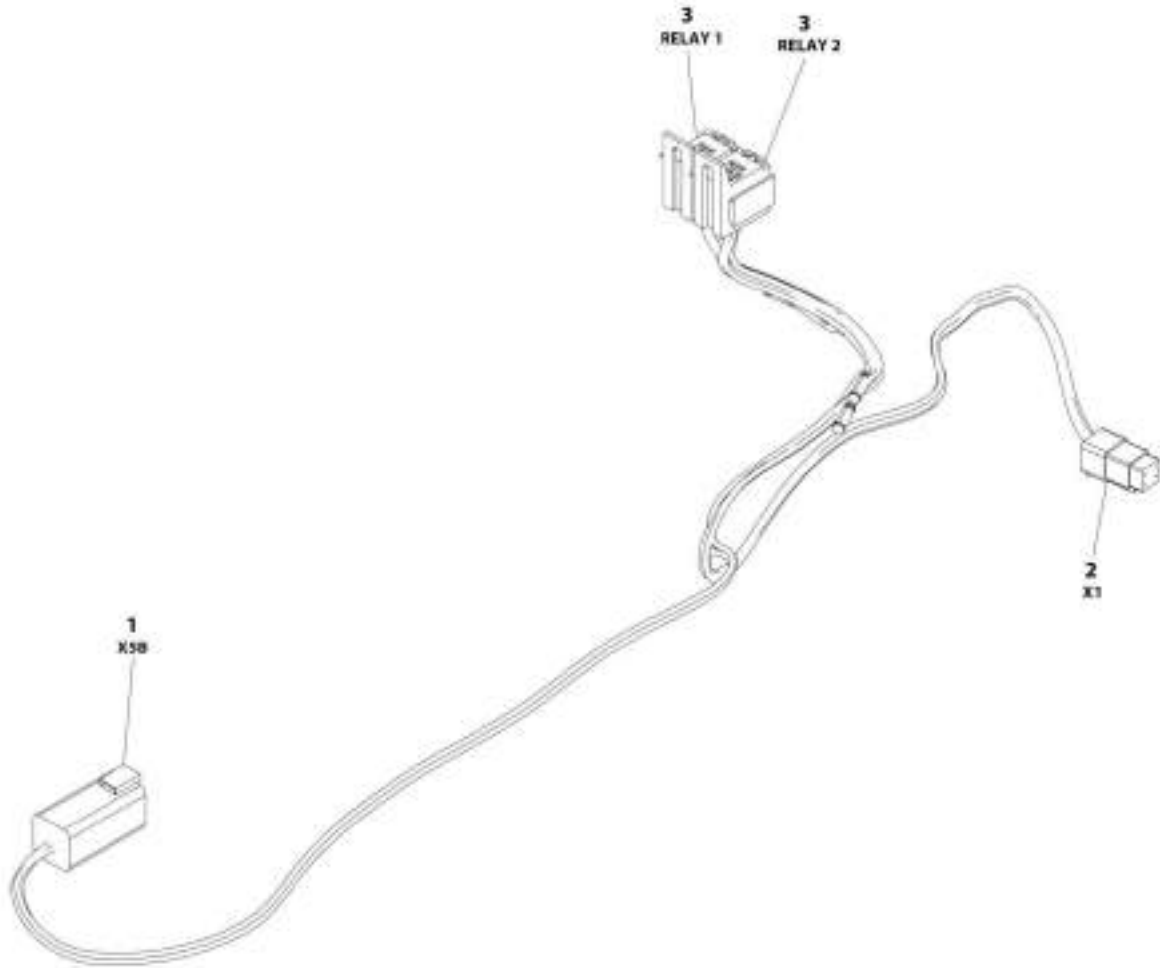
SECTION 8 - ELECTRICAL

FIGURE 8-78. SKYEYE RECEIVER HARNESS

ITEM	PART NUMBER	QTY	DESCRIPTION	REV
	1001237863	Ref	SKYEYE RECEIVER HARNESS	A
2	2820247	AR	Tubing, Heat Shrink	
4	1001097051	1	Connector - 4 Position	
4	1001119620	4	Pin, Male	
6	1001227996	1	Grommet	
7	1001237862	1	Cable, M8 Female Cordset	

SECTION 8 - ELECTRICAL

FIGURE 8-79. SKYLINE HARNESS



ART_1001216410

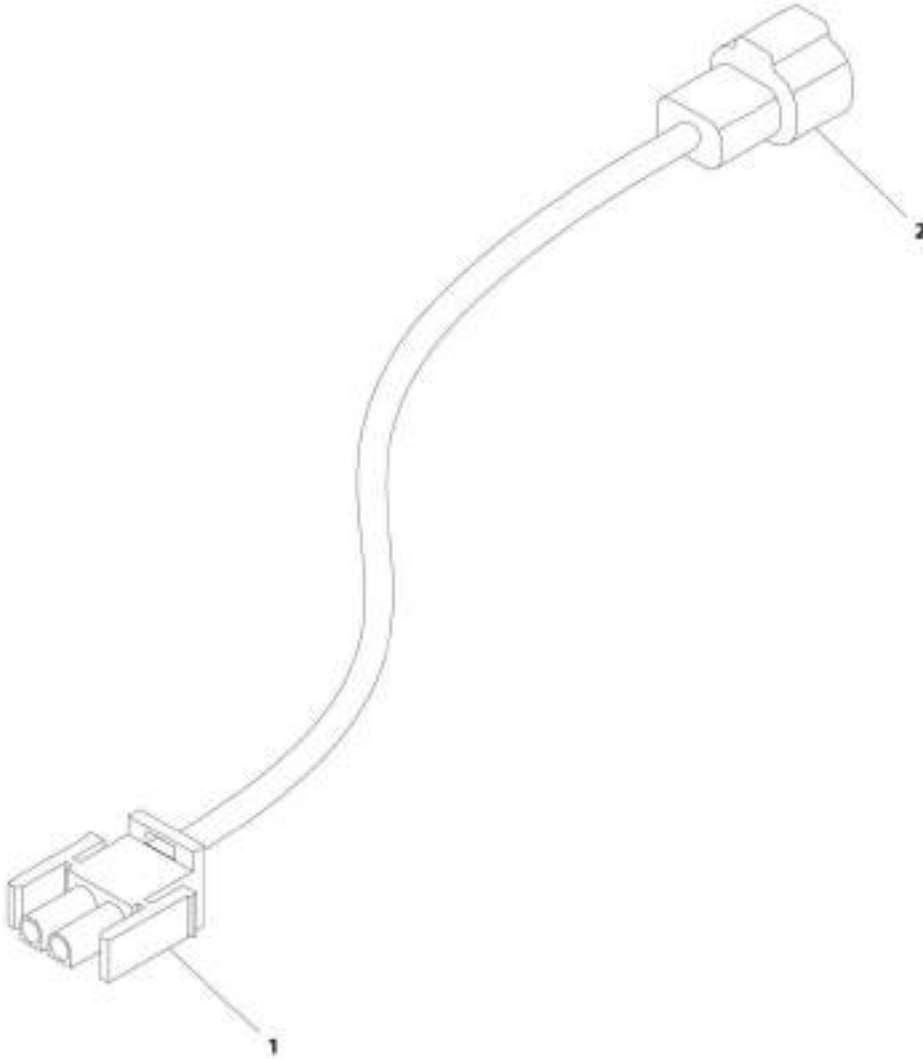
SECTION 8 - ELECTRICAL

FIGURE 8-79. SKYLINE HARNESS

ITEM	PART NUMBER	QTY	DESCRIPTION	REV
	1001238418	Ref	SKYLINE HARNESS	A
1	4460899	1	Connector - 6 Position	
1	4460464	4	Pin, Male	
1	4460466	2	Plug, Terminal	
2	4461077	1	Connector - 4 Position	
2	1001126009	4	Socket, Female	
3	1001186432	2	Plug, Relay	
3	1001118388	5	Terminal	
3	1001118384	3	Terminal	
3	3740086	2	Relay	
3	3990013	2	Diode	

SECTION 8 - ELECTRICAL

FIGURE 8-80. STROBE LIGHT HARNESS (AMBER)



ART_1001148018

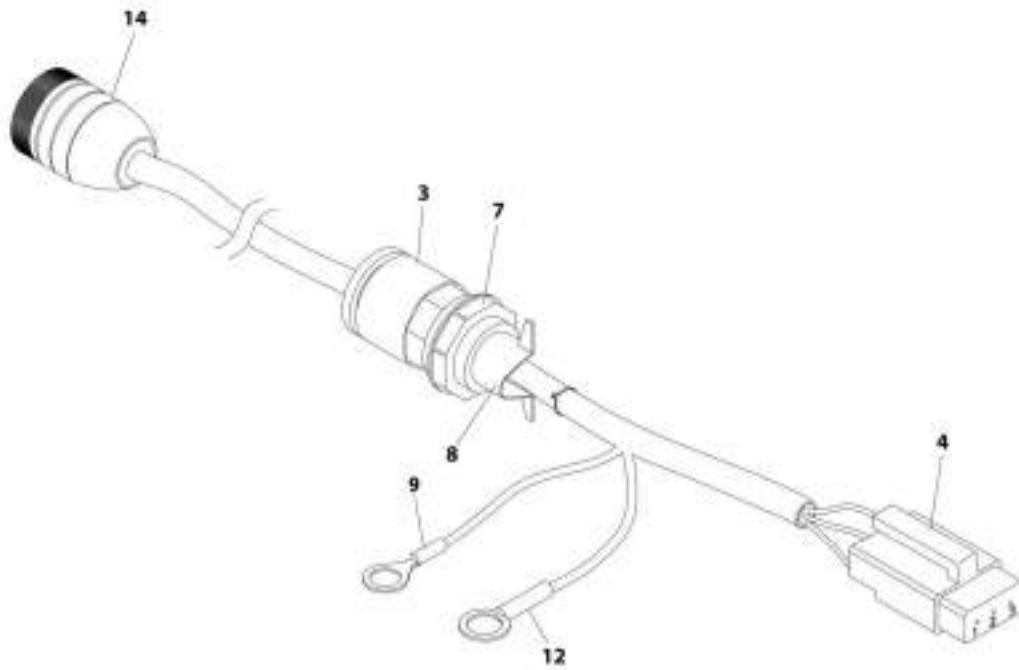
SECTION 8 - ELECTRICAL

FIGURE 8-80. STROBE LIGHT HARNESS (AMBER)

ITEM	PART NUMBER	QTY	DESCRIPTION	REV
	1001149818	Ref	STROBE LIGHT HARNESS (AMBER)	D
1	4460320	1	Plug, Male - 2 Position	
1	4460267	2	Pin, Male	
2	4460897	1	Connector - 2 Position	
2	4460464	2	Pin, Male	

SECTION 8 - ELECTRICAL

FIGURE 8-81. TILT SENSOR HARNESS (LEFT)



ART_092048

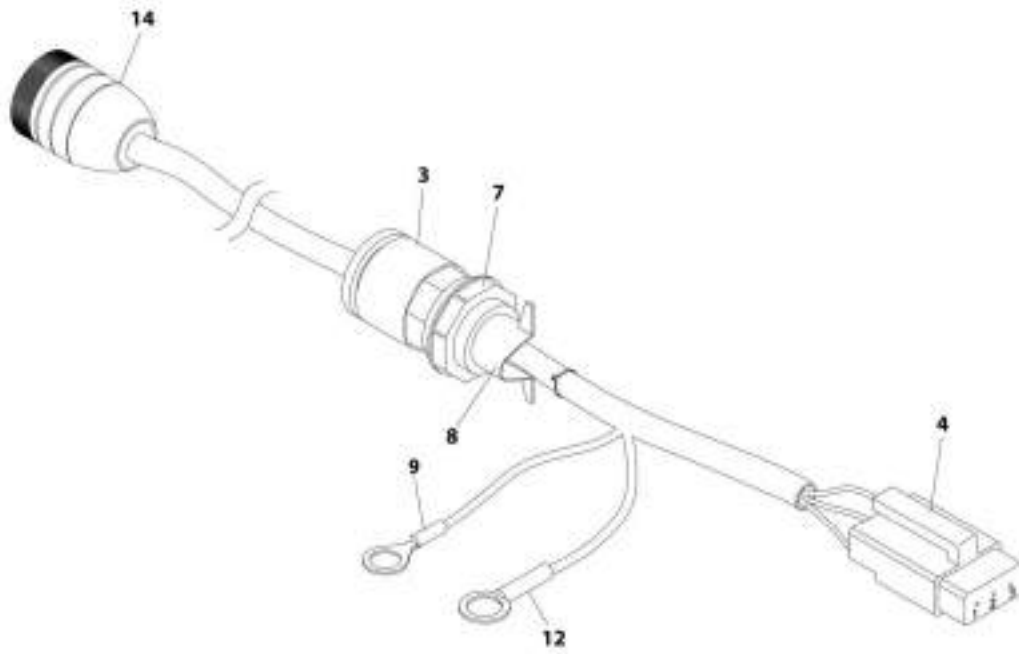
SECTION 8 - ELECTRICAL

FIGURE 8-81. TILT SENSOR HARNESS (LEFT)

ITEM	PART NUMBER	QTY	DESCRIPTION	REV
	4922948	Ref	TILT SENSOR HARNESS (LEFT)	E
3	1560011	1	Connector, Conduit	
4	4460911	1	Connector - 3 Position	
4	4460912	1	Lock, Wedge	
4	4460918	3	Pin, Male	
7	1560012	1	Nut, Conduit	
8	1320309	1	Clamp, Cable	
9	4460702	1	Terminal, Eyelet	
10	4240032	2	Tie-Strap (Not Shown)	
12	4460256	1	Terminal, Eyelet	
14	4461013	1	Connector - 6 Position	

SECTION 8 - ELECTRICAL

FIGURE 8-82. TILT SENSOR HARNESS (RIGHT)



ART_882047

SECTION 8 - ELECTRICAL

FIGURE 8-82. TILT SENSOR HARNESS (RIGHT)

ITEM	PART NUMBER	QTY	DESCRIPTION	REV
	4922947	Ref	TILT SENSOR HARNESS (RIGHT)	E
3	1560011	1	Connector, Conduit	
4	4460911	1	Connector - 3 Position	
4	4460912	1	Lock, Wedge	
4	4460918	3	Pin, Male	
7	1560012	1	Nut, Conduit	
8	1320309	1	Clamp, Cable	
9	4460702	1	Terminal, Eyelet	
10	4240032	2	Tie-Strap (Not Shown)	
12	4460256	1	Terminal, Eyelet	
14	4461013	1	Connector - 6 Position	

SECTION 8 - ELECTRICAL

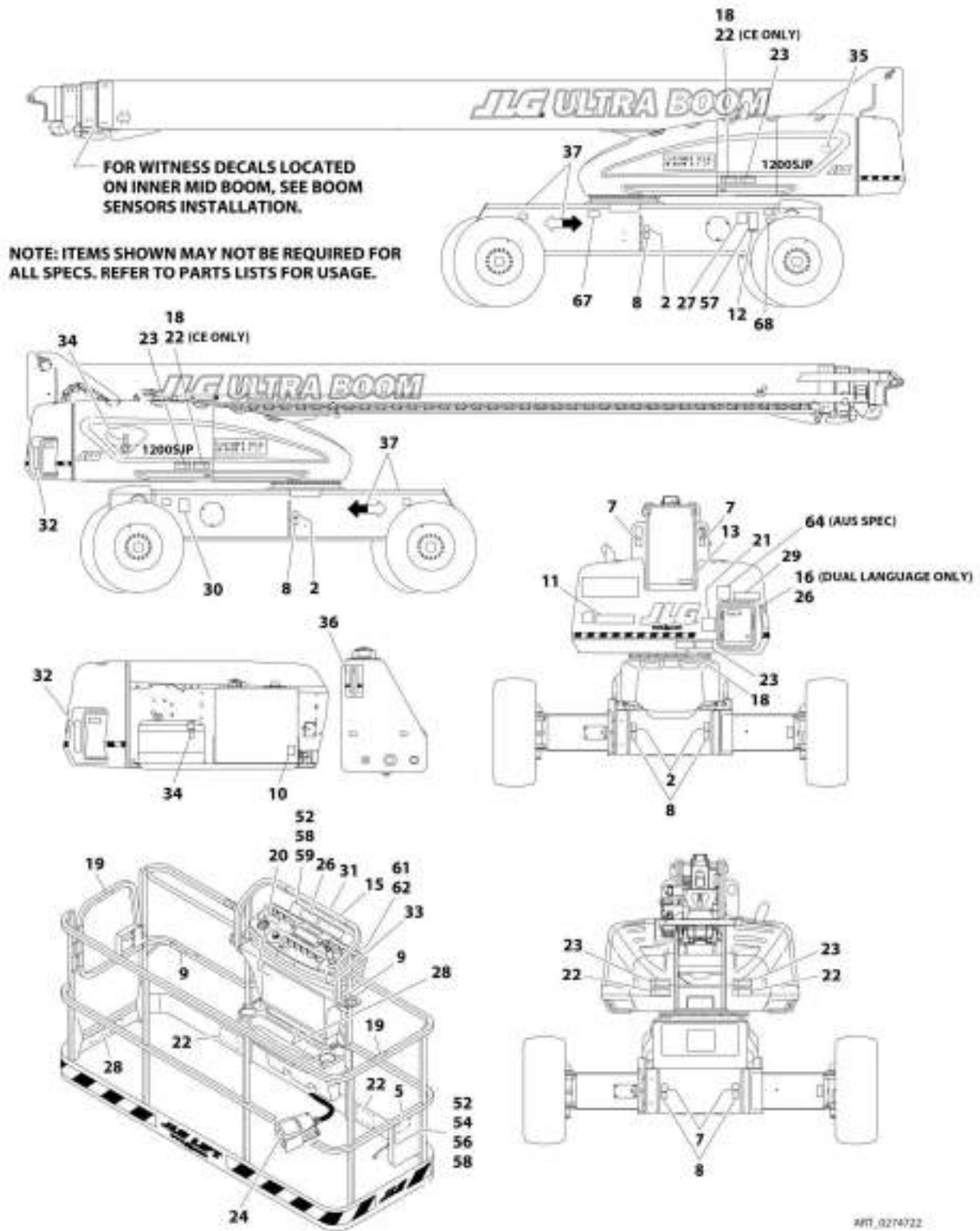
FIGURE 8-83. ELECTRICAL DIAGRAM LIST

ITEM	PART NUMBER	QTY	DESCRIPTION	REV
		Ref	Note: Diagrams not shown are available from the JLG Service Department. Schematics shown in the Service and Maintenance Manual.	
		Ref	ELECTRICAL DIAGRAM LIST	
	1001119860	Ref	Electrical Schematic	
	4933278	Ref	Wiring Diagram - EIM Load Cell to Platform Console Box Wiring	
	1001116206	Ref	Wiring Diagram - Ground Control Box	
	1001120381	Ref	Wiring Diagram - 2500W Generator 50Hz (ANSI Export Specs)	
	1001120382	Ref	Wiring Diagram - 2500W Generator 50Hz (CE Specs)	
	1001153257	Ref	Wiring Diagram - 4000W Generator 60Hz	
	1001162901	Ref	Wiring Diagram - 4000W Generator 50Hz (CE Specs)	
	1001162899	Ref	Wiring Diagram - 4000W Generator 50Hz (Australian Specs)	
	1001162900	Ref	Wiring Diagram - 4000W Generator 50Hz (CE Specs)	
	1001195793	Ref	Wiring Diagram - 4000W Generator 50Hz (ANSI Export and Japanese Specs)	
	1001157770	Ref	Wiring Diagram - 7500W Generator	
	0274660	Ref	Wiring Harness Installation	
	4933218	Ref	Wiring Diagram - Soft Touch	

SECTION 9 - DECALS

SECTION 9 - DECALS

FIGURE 9-1. DECAL INSTALLATION - ANSI SPEC



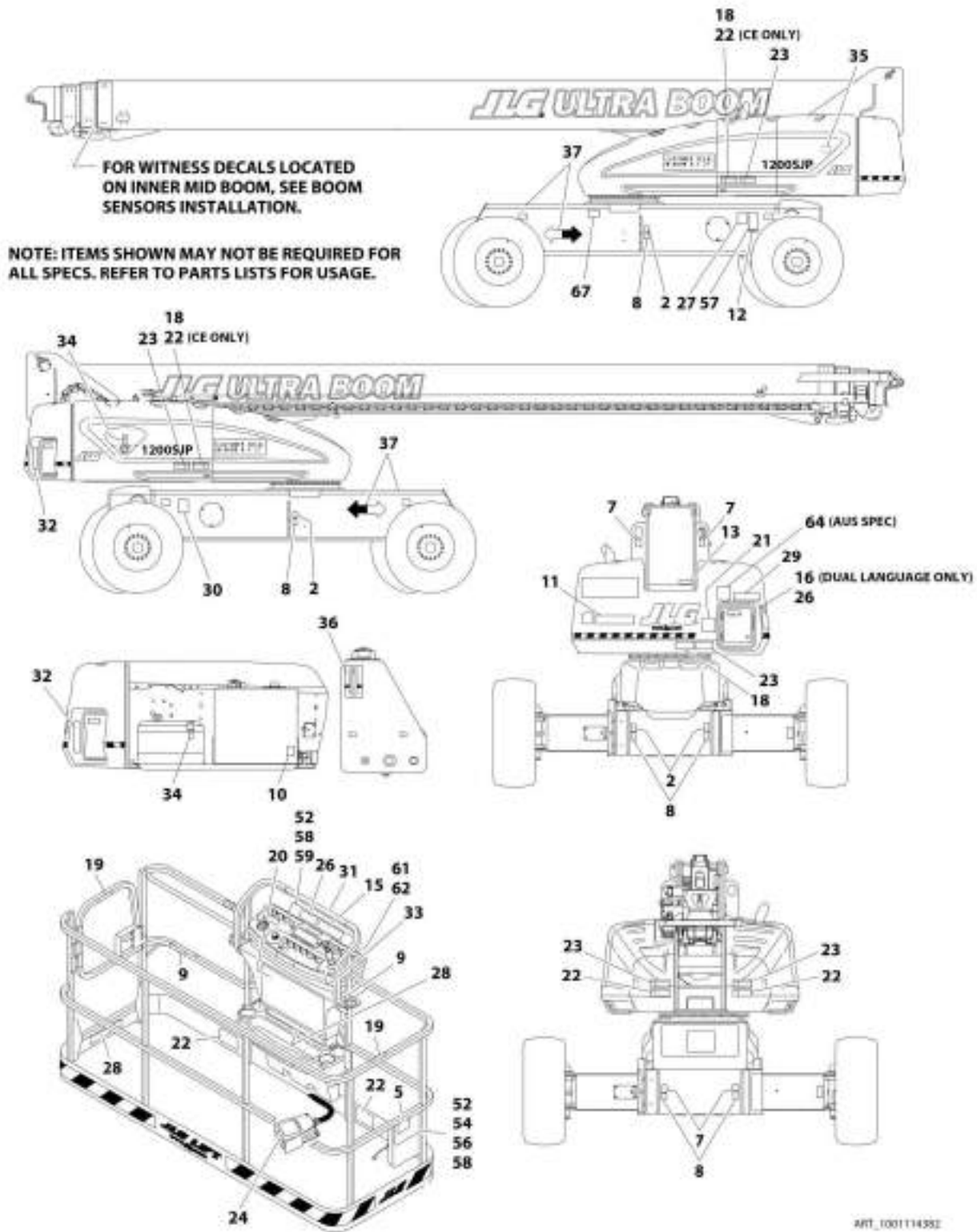
SECTION 9 - DECALS

FIGURE 9-1. DECAL INSTALLATION - ANSI SPEC

ITEM	PART NUMBER	QTY	DESCRIPTION	REV
	1283409	Ref	DECAL INSTALLATION - REFERENCE CHART	AA
	0274722	Ref	DECAL INSTALLATION - ANSI SPEC	H
2	1701499	4	Decal - No Lift	
5	1701509	1	Decal - Manual	
7	1703811	4	Decal - Tie Down/Lift	
8	1703814	6	Decal - Tie Down	
9	1704277	4	Decal - Attach Lanyard Here	
10	1704412	1	Decal - Hydraulic Oil Chart	
12	1705514	1	Decal - CSA (SN 0300222914 to Present)	
13	3251243	1	Nameplate - 120V-60Hz	
15	1705337	1	Decal - Tip Over (SN 0300201016 through 0300241317)	
18	1703953	7	Decal - Warning/Crushing	
19	1702868	2	Decal - No Hands	
20	1703797	1	Decal - Danger/Warning (Platform) (SN 0300201016 through 0300241317)	
20	1001231315	1	Decal - Danger/Warning (Platform) (SN 0300241318 to Present)	
21	1705336	1	Decal - Danger/Warning (Ground Control)	
22	1703804	5	Decal - Warning Crushing	
23	1703805	5	Decal - Danger/Electrocution	
24	3252347	1	Decal - Footswitch	
26	1705492	AR	Decal - Tip Over Hazard	
27	See Note	1	Decal - Bar Code (Note: Not Available For Purchase)	
28	1001122369	2	Decal - Capacity (Platform)	
29	1001122376	1	Decal - Capacity (Ground Control)	
30	1001131269	1	Decal - Patent	
31	1706751	1	Decal - Legend (Platform)	
32	1705868	1	Decal - Legend (Ground Control)	
33	1705351	1	Decal - Drive/Steer Instructions	
34	1701505	2	Decal - Fuel	
35	1704972	1	Decal - Warning Explosion/Fire	
36	1705511	1	Decal - Oil Level	
37	1701501	4	Decal - Arrow	
52	0641406	AR	Bolt 1/4 x 3/4	
54	91403230	1	Box, Manual Storage	
56	3311405	4	Nut 1/4	
57	3820001	2	Rivet	
58	4751400	AR	Washer 1/4	
59	3380474	1	Plate, Decal Mount (SN 0300201016 through 0300241317)	
61	3520174	3	Plug (SN 0300241318 to Present)	
62	0100048	AR	Grease, Dielectric (SN 0300241318 to Present)	
67	1001223055	1	Decal - Yearly Inspection (SN 0300235507 to Present)	
68	1001223453	1	Decal - Ices (Canada) (SN 0300241610 to Present)	

SECTION 9 - DECALS

FIGURE 9-2. DECAL INSTALLATION - AUSTRALIAN SPEC



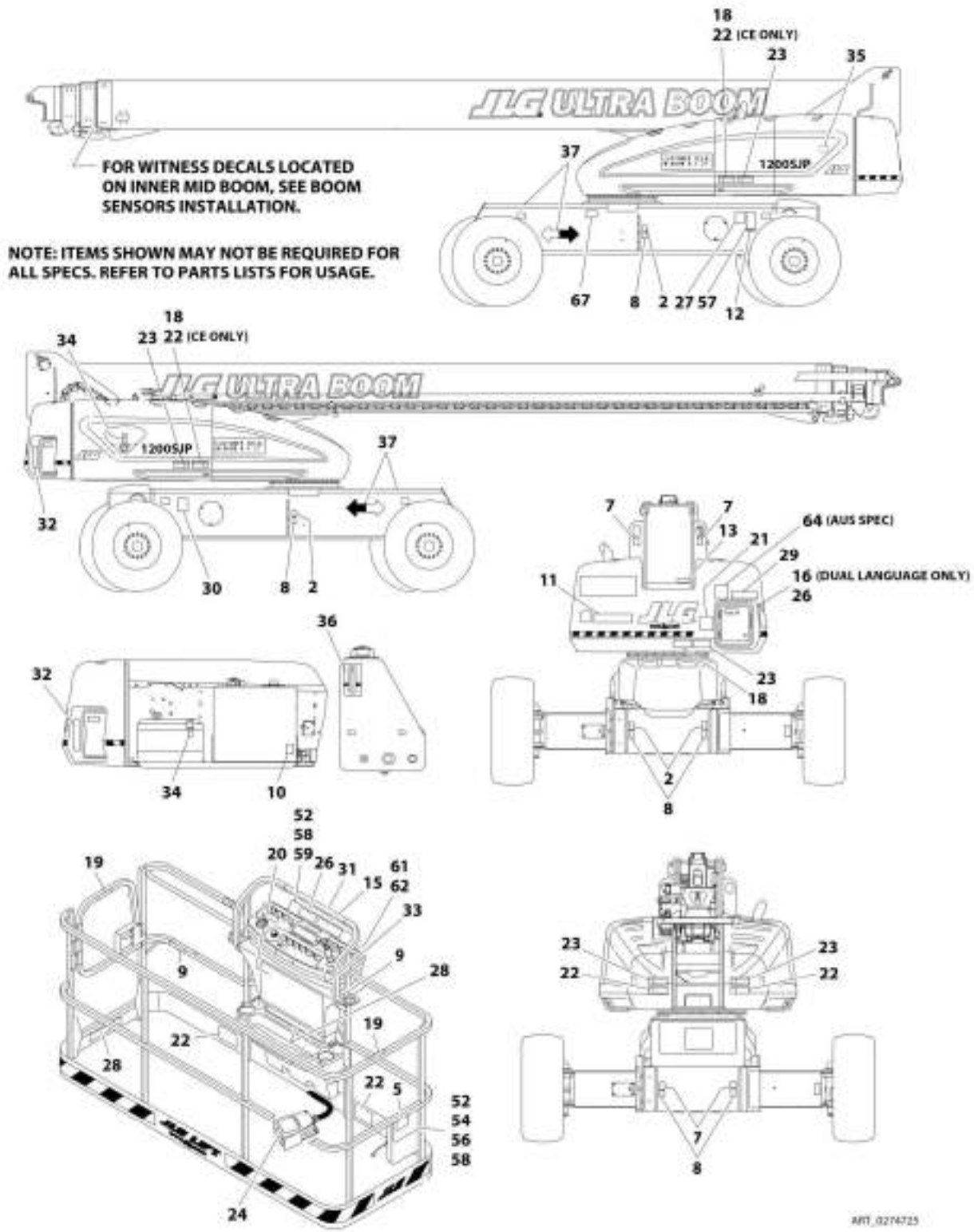
SECTION 9 - DECALS

FIGURE 9-2. DECAL INSTALLATION - AUSTRALIAN SPEC

ITEM	PART NUMBER	QTY	DESCRIPTION	REV
	1283409	Ref	DECAL INSTALLATION - REFERENCE CHART	AA
	1001114382	Ref	DECAL INSTALLATION - AUSTRALIAN SPEC	E
2	1701499	4	Decal - No Lift	
5	1701509	1	Decal - Manual	
7	1703811	4	Decal - Tie Down/Lift	
8	1703814	6	Decal - Tie Down	
9	1704277	4	Decal - Attach Lanyard Here	
10	1704412	1	Decal - Hydraulic Oil Chart	
20	1705921	1	Decal - Tipping/Electrical (Platform)	
21	1705822	1	Decal - Electrical/Safety (Ground Control)	
22	1701518	10	Decal - Warning Crushing	
23	1705961	5	Decal - Danger Electrocution	
24	1705828	1	Decal - Footswitch	
27	See Note	1	Decal - Bar Code (Note: Not Available For Purchase)	
28	1706770	1	Decal - Capacity (Platform)	
29	1705468	1	Decal - Capacity (Ground Control)	
34	1701505	2	Decal - Fuel	
35	1706098	1	Decal - Warning Explosion/Fire	
36	1705511	1	Decal - Oil Level	
37	1701501	4	Decal - Arrow	
52	0641406	4	Bolt 1/4 x 3/4	
54	91403230	1	Box, Manual Storage	
56	3311405	4	Nut 1/4	
57	3820001	6	Rivet	
58	4751400	4	Washer 1/4	
61	3520174	3	Plug 3/16	
62	0100048	AR	Grease, Dielectric	
64	1001112551	1	Decal - Emergency Controls (Australian Spec)	

SECTION 9 - DECALS

FIGURE 9-3. DECAL INSTALLATION - BRAZIL SPEC (PORTGUESE/ENGLISH)



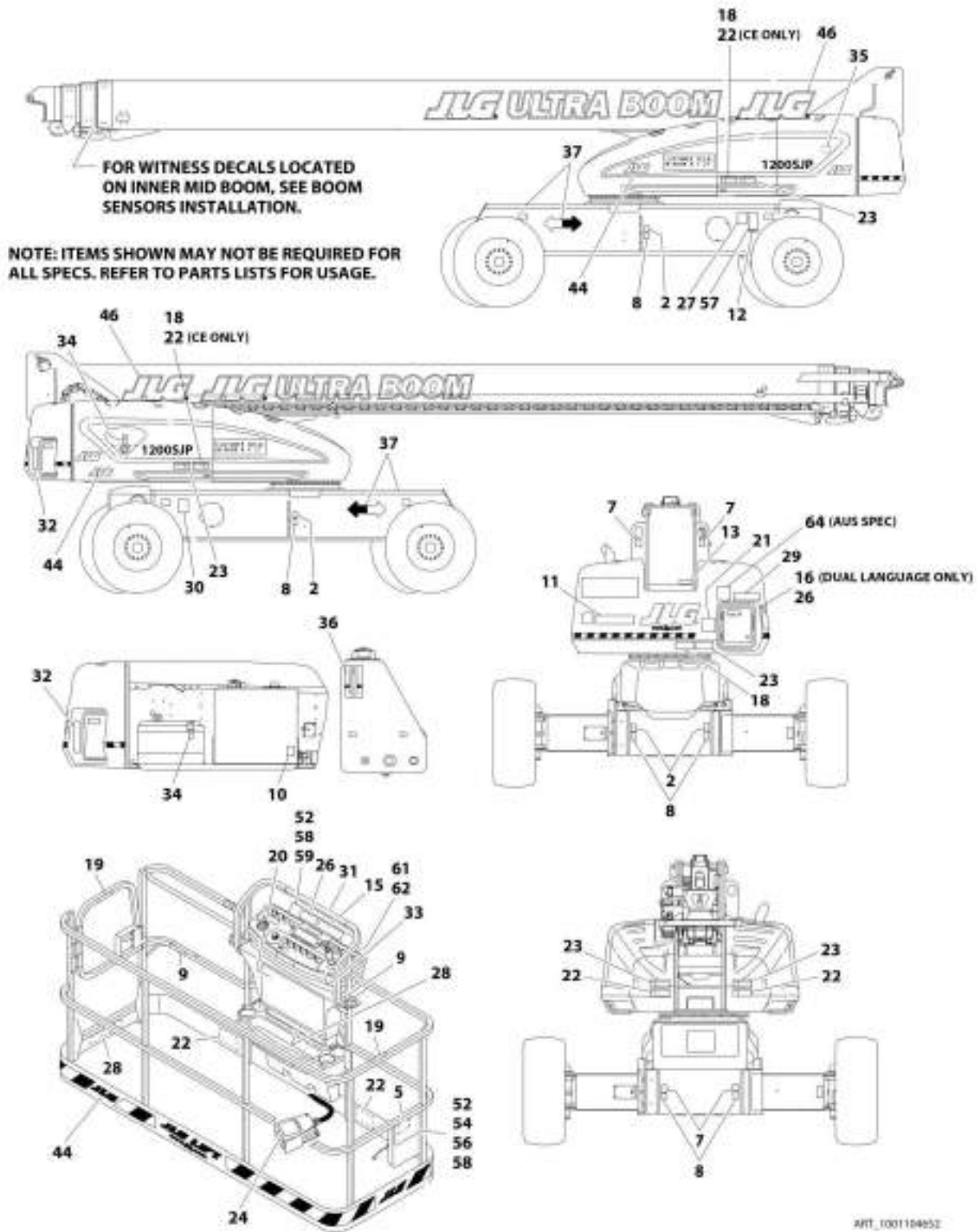
SECTION 9 - DECALS

FIGURE 9-3. DECAL INSTALLATION - BRAZIL SPEC (PORTGUESE/ENGLISH)

ITEM	PART NUMBER	QTY	DESCRIPTION	REV
	1283409	Ref	DECAL INSTALLATION - REFERENCE CHART	AA
	0274725	Ref	DECAL INSTALLATION - BRAZIL SPEC (PORTGUESE/ENGLISH)	F
2	1701499	2	Decal - No Lift	
5	1701509	1	Decal - Manual	
7	1703811	2	Decal - Tie Down/Lift	
8	1703814	6	Decal - Tie Down	
9	1704277	3	Decal - Attach Lanyard Here	
10	1704412	1	Decal - Hydraulic Oil Chart	
13	3251243	1	Nameplate - 120V-60Hz	
15	1705904	1	Decal - Tip Over (SN 0300201016 through 0300241317)	
16	1705906	AR	Decal - Tip Over Hazard	
18	1705903	7	Decal - Warning/Crushing	
19	1705967	2	Decal - No Hands	
20	1705895	1	Decal - Danger/Warning (Platform) (SN 0300201016 through 0300241317)	
20	1001231319	1	Decal - Danger/Warning (Platform) (SN 0300241318 to Present)	
21	1705896	1	Decal - Danger/Warning (Ground Control)	
22	1705898	5	Decal - Warning Crushing	
23	1705897	5	Decal - Danger/Electrocution	
24	1705902	1	Decal - Footswitch	
27	See Note	1	Decal - Bar Code (Note: Not Available for Purchase)	
28	1001122372	2	Decal - Capacity (Platform)	
29	1001122379	1	Decal - Capacity (Ground Control)	
31	1706751	1	Decal - Legend (Platform)	
32	1705868	1	Decal - Legend (Ground Controls)	
33	1705905	1	Decal - Drive/Steer Instructions	
34	1701505	2	Decal - Fuel	
35	1706059	1	Decal - Warning Explosion/Fire	
36	1705511	1	Decal - Oil Level	
37	1701501	4	Decal - Arrow	
52	0641406	AR	Bolt 1/4 x 3/4	
54	91403230	1	Box, Manual Storage	
56	3311405	4	Nut 1/4	
57	3820001	2	Rivet	
58	4751400	AR	Washer 1/4	
59	3572327	1	Plate, Decal Mount (SN 0300201016 through 0300241317)	
67	1001224052	1	Decal - Yearly Inspection (SN 0300235507 to Present)	

SECTION 9 - DECALS

FIGURE 9-4. DECAL INSTALLATION - CE SPEC



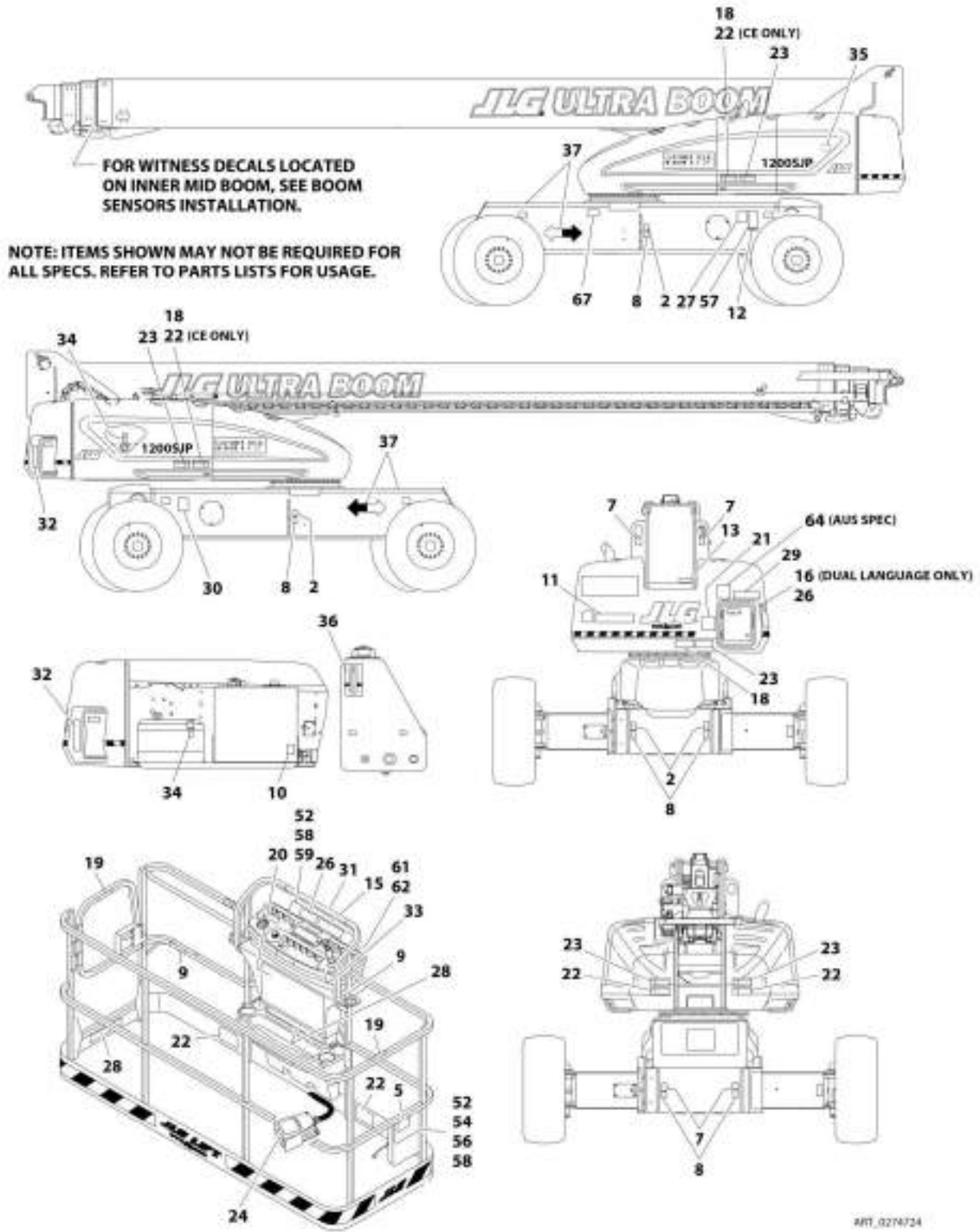
SECTION 9 - DECALS

FIGURE 9-4. DECAL INSTALLATION - CE SPEC

ITEM	PART NUMBER	QTY	DESCRIPTION	REV
	1283409	Ref	DECAL INSTALLATION - REFERENCE CHART (SN 0300201016 through 0300220748)	Y
	1001217597	Ref	DECAL INSTALLATION - REFERENCE CHART (SN 0300220749 to Present)	B
	1001104652	Ref	DECAL INSTALLATION - CE SPEC	F
2	1701499	4	Decal - No Lift	
5	1701509	1	Decal - Manual	
7	1703811	4	Decal - Tie Down/Lift	
8	1703814	6	Decal - Tie Down	
9	1704277	AR	Decal - Attach Lanyard Here	
10	1704412	1	Decal - Hydraulic Oil Chart	
20	1705921	1	Decal - Tipping/Electrical (Platform)	
21	1705822	1	Decal - Electrical/Safety (Ground Control)	
22	1701518	AR	Decal - Warning Crushing	
23	1705961	5	Decal - Danger Electrocution	
24	1705828	1	Decal - Footswitch	
28	1706770	1	Decal - Capacity (Platform)	
29	1705468	1	Decal - Capacity (Ground Control)	
34	1701505	2	Decal - Fuel	
35	1706098	1	Decal - Warning Explosion/Fire	
36	1705511	1	Decal - Oil Level	
37	1701501	4	Decal - Arrow	
44	1702773	3	Decal - JLG (SN 0300220749 to Present)	
46	1705864	2	Decal - JLG (SN 0300220749 to Present)	
52	0641406	4	Bolt 1/4 x 3/4	
54	0860520	1	Box, Manual Storage	
56	3311405	4	Nut 1/4	
57	3820001	6	Rivet	
58	4751400	4	Washer 1/4	
61	3520174	3	Plug 3/16	
62	0100048	AR	Grease, Dielectric	

SECTION 9 - DECALS

FIGURE 9-5. DECAL INSTALLATION - CHINESE SPEC (CHINESE/ENGLISH)



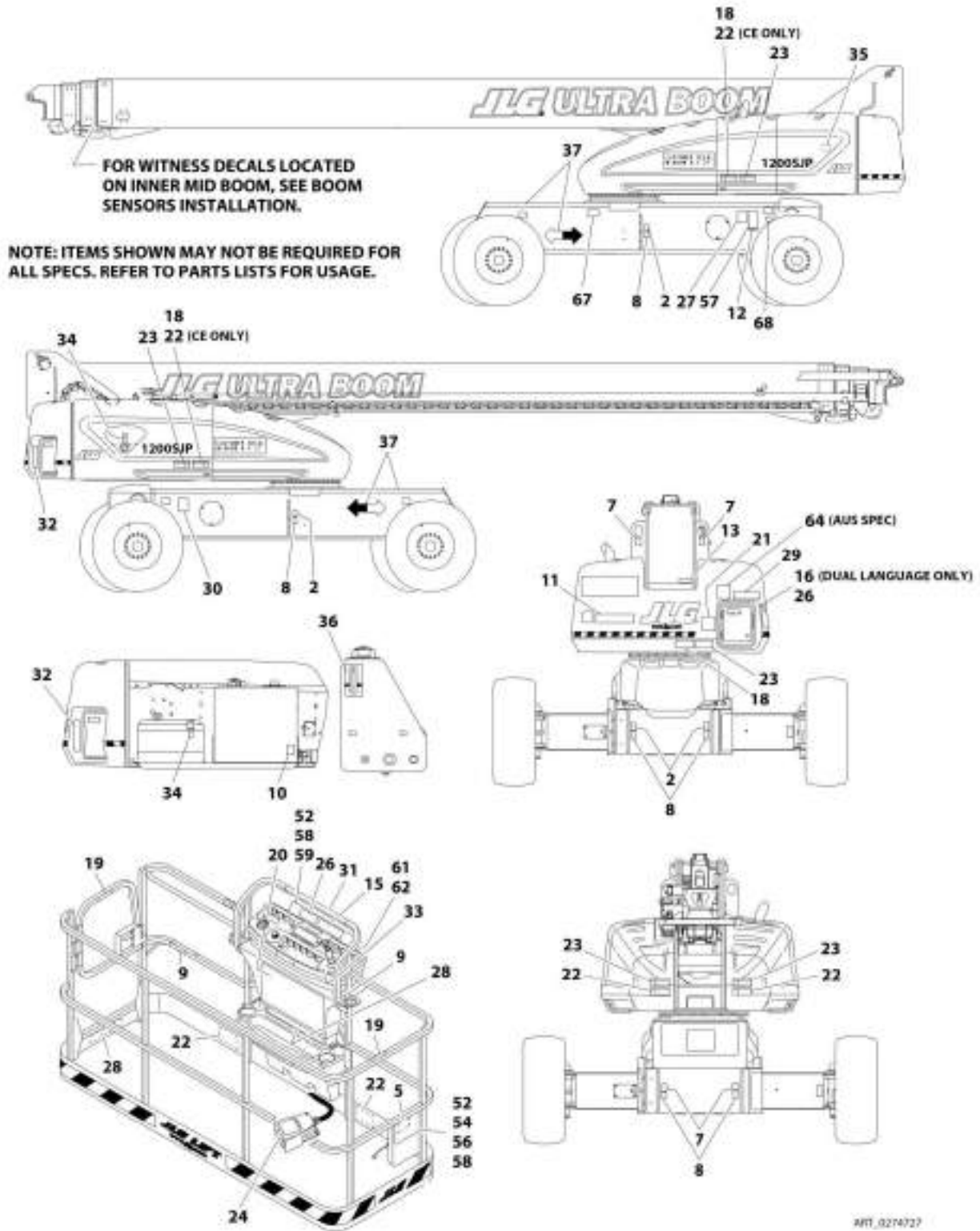
SECTION 9 - DECALS

FIGURE 9-5. DECAL INSTALLATION - CHINESE SPEC (CHINESE/ENGLISH)

ITEM	PART NUMBER	QTY	DESCRIPTION	REV
	1283409	Ref	DECAL INSTALLATION - REFERENCE CHART	AA
	0274724	Ref	DECAL INSTALLATION - CHINESE SPEC (CHINESE/ENGLISH)	F
2	1701499	2	Decal - No Lift	
5	1701509	1	Decal - Manual	
7	1703811	2	Decal - Tie Down/Lift	
8	1703814	6	Decal - Tie Down	
9	1704277	3	Decal - Attach Lanyard Here	
10	1704412	1	Decal - Hydraulic Oil Chart	
13	3251243	1	Nameplate - 120V-60Hz	
15	1001117034	1	Decal - Tip Over (SN 0300201016 through 0300241317, SN B300002238 through B300002646)	
16	1001117035	AR	Decal - Tip Over Hazard	
18	1703943	7	Decal - Warning/Crushing	
19	1001116846	2	Decal - No Hands	
20	1703925	1	Decal - Danger/Warning (Platform) (SN 0300201016 through 0300241317, SN B300002238 through B300002646)	
20	1001231321	1	Decal - Danger/Warning (Platform) (SN 0300241318 to Present, SN B300002647 to Present)	
21	1001116849	1	Decal - Danger/Warning (Ground Control)	
22	1703949	5	Decal - Warning Crushing	
23	1001116851	5	Decal - Danger/Electrocution	
24	1703982	1	Decal - Footswitch	
27	See Note	1	Decal - Bar Code (Note: Not Available for Purchase)	
28	1001122371	2	Decal - Capacity (Platform)	
29	1001122378	1	Decal - Capacity (Ground Control)	
31	1706751	1	Decal - Legend (Platform)	
32	1705868	1	Decal - Legend (Ground Controls)	
33	1705430	1	Decal - Drive/Steer Instructions	
34	1701505	2	Decal - Fuel	
35	1706060	1	Decal - Warning Explosion/Fire	
36	1705511	1	Decal - Oil Level	
37	1701501	4	Decal - Arrow	
52	0641406	AR	Bolt 1/4 x 3/4	
54	91403230	1	Box, Manual Storage	
56	3311405	4	Nut 1/4	
57	3820001	2	Rivet	
58	4751400	AR	Washer 1/4	
59	3572327	1	Plate, Decal Mount (SN 0300201016 through 0300241317, SN B300002238 through B300002646)	
67	1001224050	1	Decal - Yearly Inspection (SN 0300235507 to Present, SN B300002238 to Present)	

SECTION 9 - DECALS

FIGURE 9-6. DECAL INSTALLATION - CSA SPEC (ENGLISH/FRENCH)



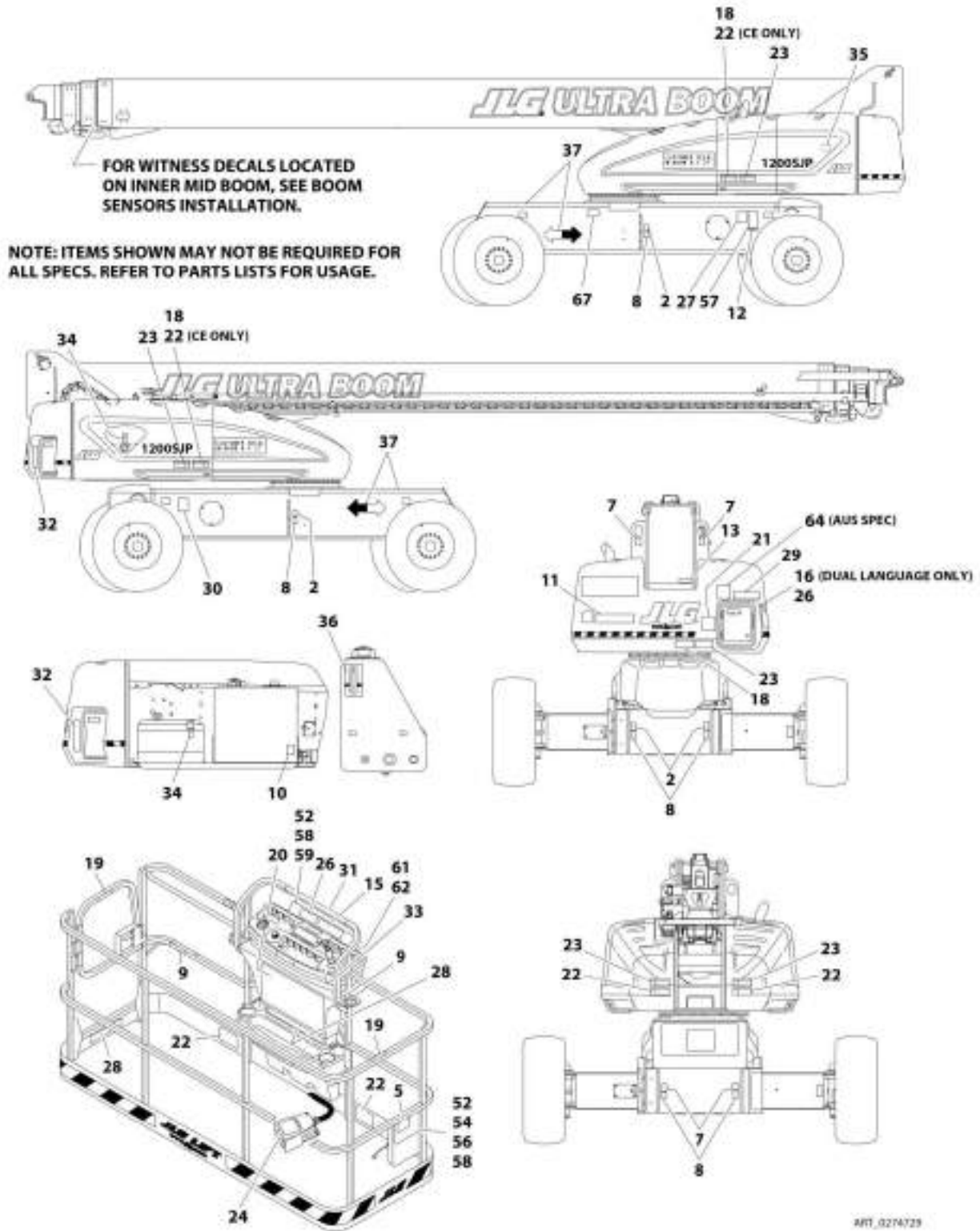
SECTION 9 - DECALS

FIGURE 9-6. DECAL INSTALLATION - CSA SPEC (ENGLISH/FRENCH)

ITEM	PART NUMBER	QTY	DESCRIPTION	REV
	1283409	Ref	DECAL INSTALLATION - REFERENCE CHART	AA
	0274727	Ref	DECAL INSTALLATION - CSA SPEC (ENGLISH/FRENCH)	G
2	1701499	2	Decal - No Lift	
5	1701509	1	Decal - Manual	
7	1703811	2	Decal - Tie Down/Lift	
8	1703814	6	Decal - Tie Down	
9	1704277	3	Decal - Attach Lanyard Here	
10	1704412	1	Decal - Hydraulic Oil Chart	
12	1705514	1	Decal - CSA	
13	3251243	1	Nameplate - 120V-60Hz	
15	1705341	1	Decal - Tip Over (SN 0300201016 through 0300241317)	
16	1705505	AR	Decal - Tip Over Hazard	
18	1703942	7	Decal - Warning/Crushing	
19	1704000	2	Decal - No Hands	
20	1703924	1	Decal - Danger/Warning (Platform) (SN 0300201016 through 0300241317)	
20	1001231316	1	Decal - Danger/Warning (Platform) (SN 0300241318 to Present)	
21	1705347	1	Decal - Danger/Warning (Ground Control)	
22	1703948	5	Decal - Warning Crushing	
23	1703936	5	Decal - Danger/Electrocution	
24	1703984	1	Decal - Footswitch	
27	See Note	1	Decal - Bar Code (Note: Not Available for Purchase)	
28	1001122374	2	Decal - Capacity (Platform)	
29	1001122381	1	Decal - Capacity (Ground Control)	
30	1001131269	1	Decal - Patent	
31	1706751	1	Decal - Legend (Platform)	
32	1705868	1	Decal - Legend (Ground Controls)	
33	1705429	1	Decal - Drive/Steer Instructions	
34	1701505	2	Decal - Fuel	
35	1706064	1	Decal - Warning Explosion/Fire	
36	1705511	1	Decal - Oil Level	
37	1701501	4	Decal - Arrow	
52	0641406	AR	Bolt 1/4 x 3/4	
54	91403230	1	Box, Manual Storage	
56	3311405	4	Nut 1/4	
57	3820001	2	Rivet	
58	4751400	AR	Washer 1/4	
59	3572327	1	Plate, Decal Mount (SN 0300201016 through 0300241317)	
67	1001223971	1	Decal - Yearly Inspection (SN 0300235507 to Present)	
68	1001223453	1	Decal - Ices (Canada) (SN 0300241610 to Present)	

SECTION 9 - DECALS

FIGURE 9-7. DECAL INSTALLATION - JAPANESE SPEC (JAPANESE/ENGLISH)



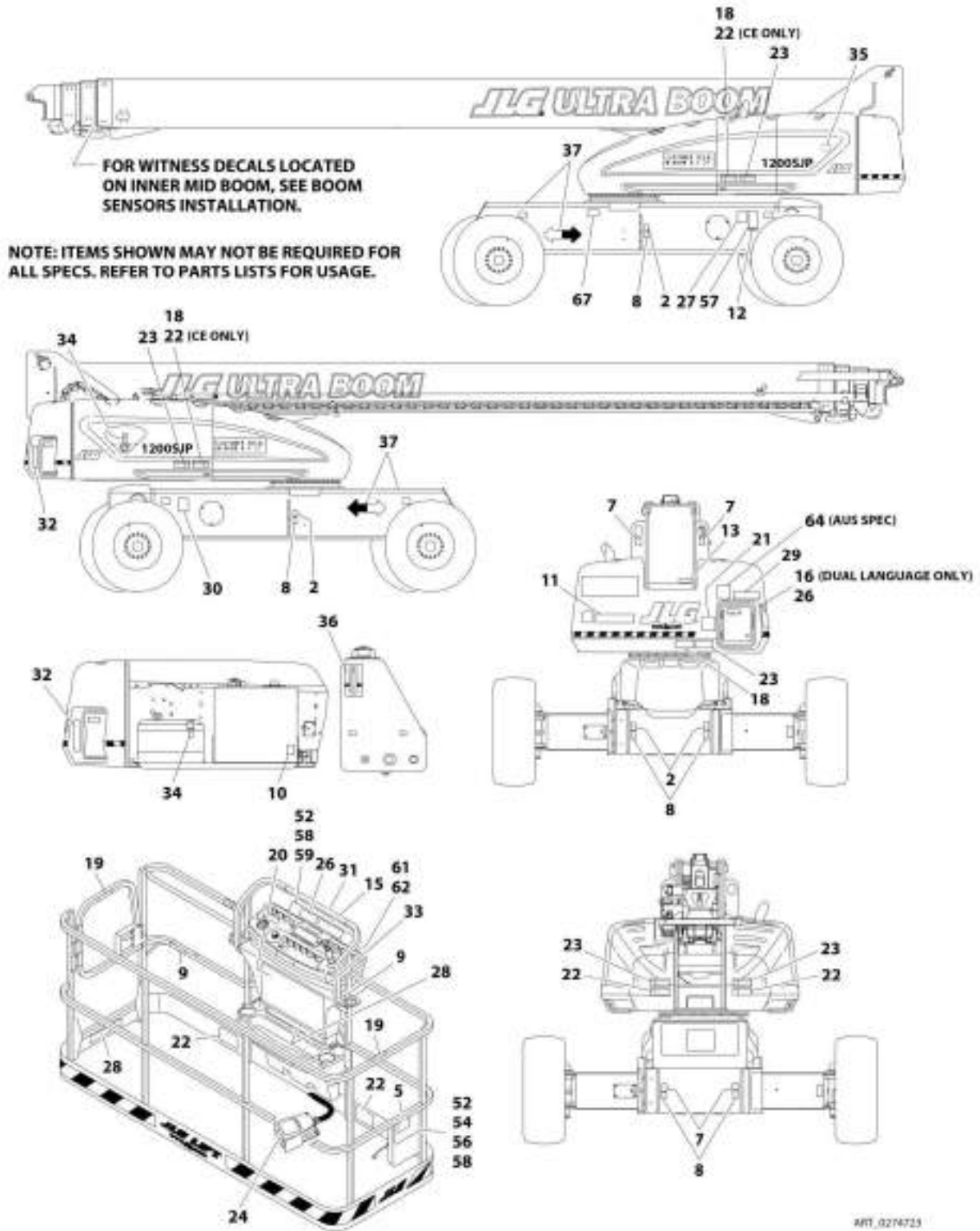
SECTION 9 - DECALS

FIGURE 9-7. DECAL INSTALLATION - JAPANESE SPEC (JAPANESE/ENGLISH)

ITEM	PART NUMBER	QTY	DESCRIPTION	REV
	1283409	Ref	DECAL INSTALLATION - REFERENCE CHART	AA
	0274729	Ref	DECAL INSTALLATION - JAPANESE SPEC (JAPANESE/ENGLISH)	F
2	1701499	2	Decal - No Lift	
5	1701509	1	Decal - Manual	
7	1703811	2	Decal - Tie Down/Lift	
8	1703814	6	Decal - Tie Down	
9	1704277	3	Decal - Attach Lanyard Here	
10	1704412	1	Decal - Hydraulic Oil Chart	
13	3251243	1	Nameplate - 120V-60Hz	
15	1705338	1	Decal - Tip Over (SN 0300201016 through 0300241317)	
16	1705493	AR	Decal - Tip Over Hazard	
18	1703944	7	Decal - Warning/Crushing	
20	1703926	1	Decal - Danger/Warning (Platform) (SN 0300201016 through 0300241317)	
20	1001231320	1	Decal - Danger/Warning (Platform) (SN 0300241318 to Present)	
21	1705344	1	Decal - Danger/Warning (Ground Control)	
22	1703950	5	Decal - Warning Crushing	
23	1703938	5	Decal - Danger/Electrocution	
24	1703980	1	Decal - Footswitch	
27	See Note	1	Decal - Bar Code (Note: Not Available for Purchase)	
28	1001122375	2	Decal - Capacity (Platform)	
29	1001122382	1	Decal - Capacity (Ground Control)	
31	1706751	1	Decal - Legend (Platform)	
32	1705868	1	Decal - Legend (Ground Controls)	
33	1705426	1	Decal - Drive/Steer Instructions	
34	1701505	2	Decal - Fuel	
35	1704972	1	Decal - Warning Explosion/Fire (SN 0300201016 through 0300235506)	
35	1706062	1	Decal - Warning Explosion/Fire (SN 0300235507 to Present)	
36	1705511	1	Decal - Oil Level	
37	1701501	4	Decal - Arrow	
52	0641406	AR	Bolt 1/4 x 3/4	
54	91403230	1	Box, Manual Storage	
56	3311405	4	Nut 1/4	
57	3820001	2	Rivet	
58	4751400	AR	Washer 1/4	
59	3572327	1	Plate, Decal Mount (SN 0300201016 through 0300241317)	
67	1001224053	1	Decal- Yearly Inspection (SN 0300235507 to Present)	

SECTION 9 - DECALS

FIGURE 9-8. DECAL INSTALLATION - KOREAN SPEC (KOREAN/ENGLISH)



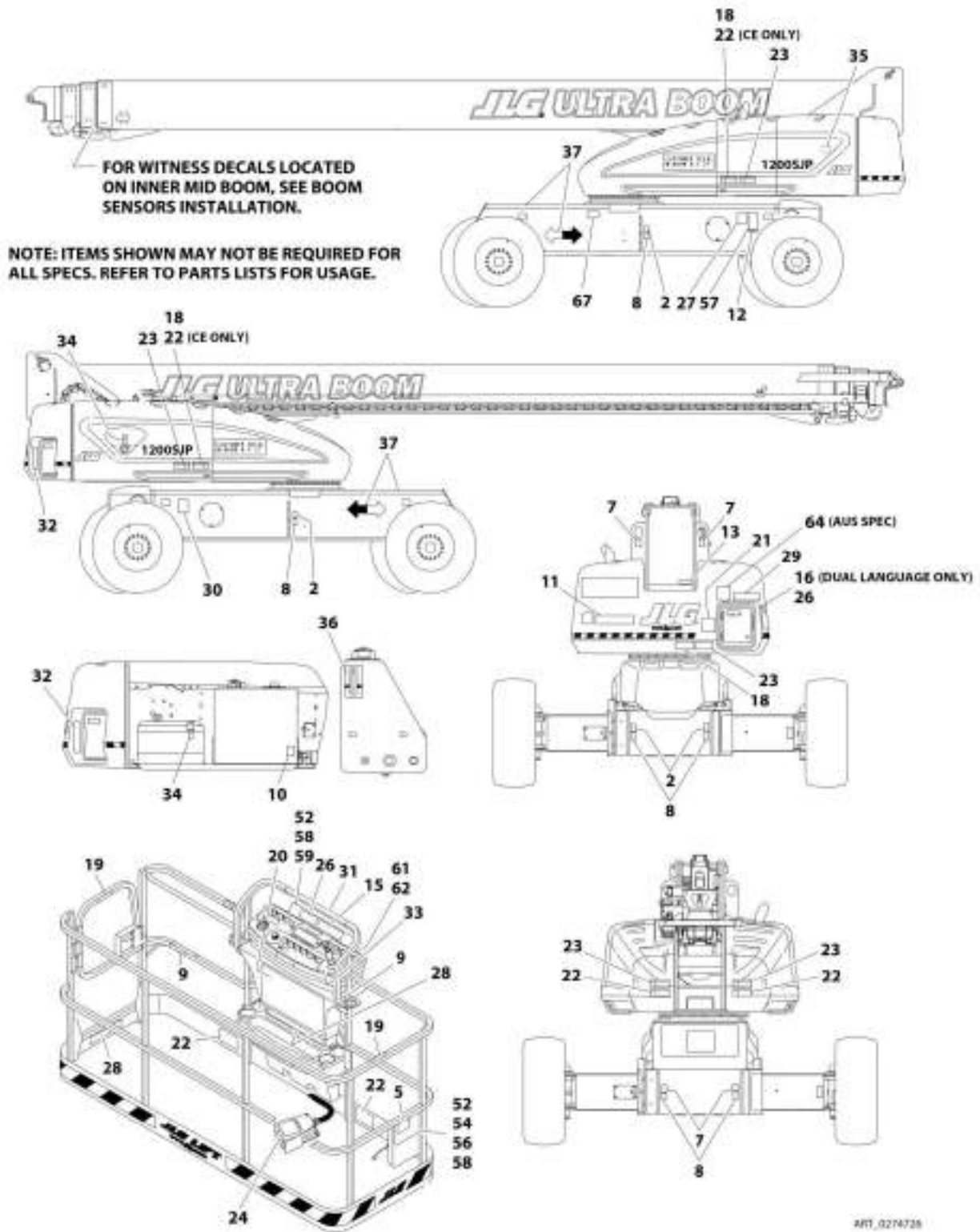
SECTION 9 - DECALS

FIGURE 9-8. DECAL INSTALLATION - KOREAN SPEC (KOREAN/ENGLISH)

ITEM	PART NUMBER	QTY	DESCRIPTION	REV
	1283409	Ref	DECAL INSTALLATION - REFERENCE CHART	AA
	0274723	Ref	DECAL INSTALLATION - KOREAN SPEC (KOREAN/ENGLISH)	F
2	1701499	2	Decal - No Lift	
5	1701509	1	Decal - Manual	
7	1703811	2	Decal - Tie Down/Lift	
8	1703814	6	Decal - Tie Down	
9	1704277	3	Decal - Attach Lanyard Here	
10	1704412	1	Decal - Hydraulic Oil Chart	
13	3251243	1	Nameplate - 120V-60Hz	
15	1705339	1	Decal - Tip Over (SN 0300201016 through 0300241317)	
16	1705503	AR	Decal - Tip Over Hazard	
18	1703945	7	Decal - Warning/Crushing	
19	1705969	2	Decal - No Hands	
20	1703927	1	Decal - Danger/Warning (Platform) (SN 0300201016 through 0300241317)	
20	1001231317	1	Decal - Danger/Warning (Platform) (SN 0300241318 to Present)	
21	1705345	1	Decal - Danger/Warning (Ground Control)	
22	1703951	5	Decal - Warning Crushing	
23	1703939	5	Decal - Danger/Electrocution	
24	1703981	1	Decal - Footswitch	
27	See Note	1	Decal - Bar Code (Note: Not Available for Purchase)	
28	1001122370	2	Decal - Capacity (Platform)	
29	1001122377	1	Decal - Capacity (Ground Control)	
31	1706751	1	Decal - Legend (Platform)	
32	1705868	1	Decal - Legend (Ground Controls)	
33	1705427	1	Decal - Drive/Steer Instructions	
34	1701505	2	Decal - Fuel	
35	1706061	1	Decal - Warning Explosion/Fire	
36	1705511	1	Decal - Oil Level	
37	1701501	4	Decal - Arrow	
52	0641406	AR	Bolt 1/4 x 3/4	
54	91403230	1	Box, Manual Storage	
56	3311405	4	Nut 1/4	
57	3820001	2	Rivet	
58	4751400	AR	Washer 1/4	
59	3572327	1	Plate, Decal Mount (SN 0300201016 through 0300241317)	
67	1001224048	1	Decal - Yearly Inspection (SN 0300235507 to Present)	

SECTION 9 - DECALS

FIGURE 9-9. DECAL INSTALLATION - LATIN AMERICAN SPEC (SPANISH/ENGLISH)



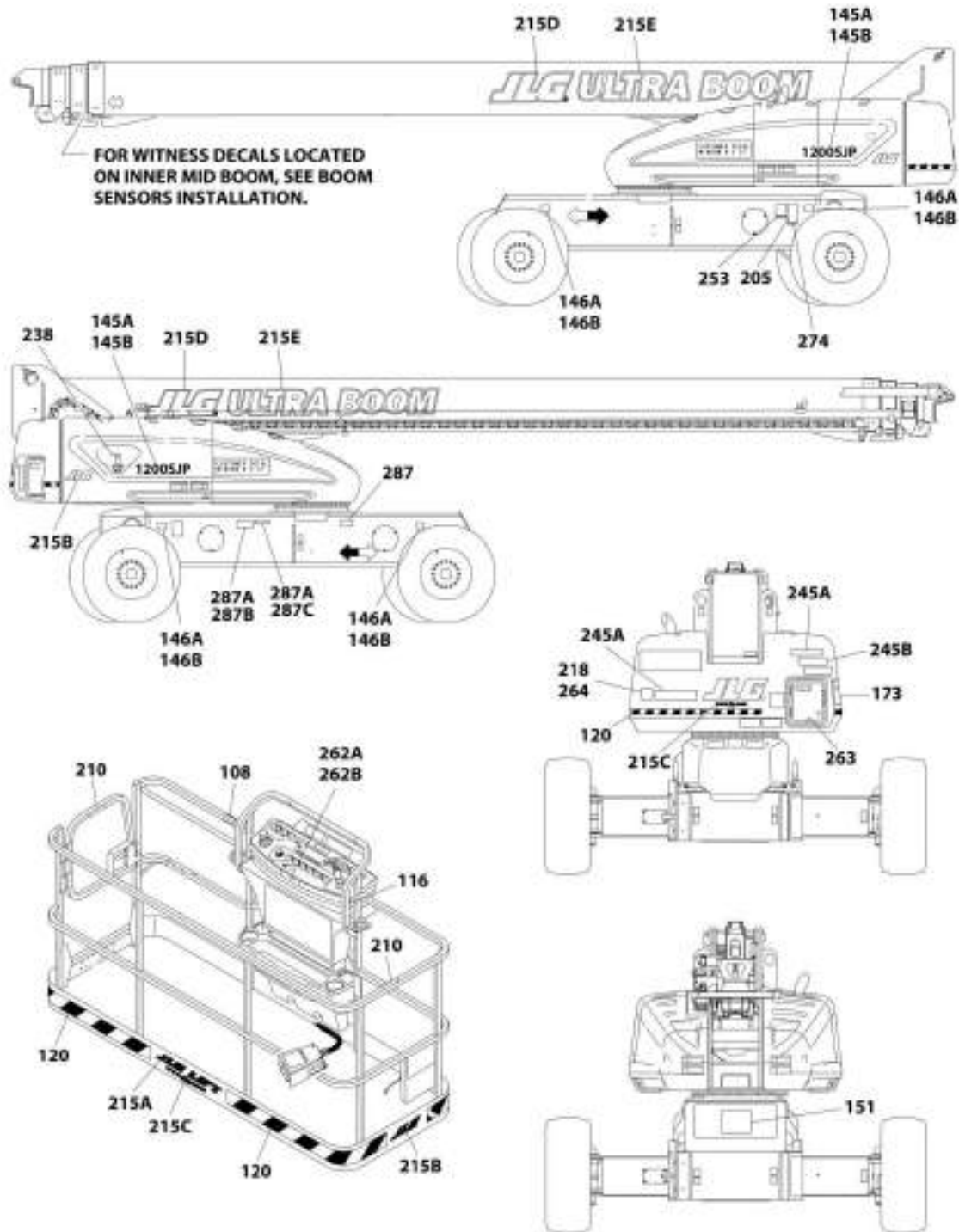
SECTION 9 - DECALS

FIGURE 9-9. DECAL INSTALLATION - LATIN AMERICAN SPEC (SPANISH/ENGLISH)

ITEM	PART NUMBER	QTY	DESCRIPTION	REV
	1283409	Ref	DECAL INSTALLATION - REFERENCE CHART	AA
	0274726	Ref	DECAL INSTALLATION - LATIN AMERICAN SPEC (SPANISH/ENGLISH)	F
2	1701499	2	Decal - No Lift	
5	1701509	1	Decal - Manual	
7	1703811	2	Decal - Tie Down/Lift	
8	1703814	6	Decal - Tie Down	
9	1704277	3	Decal - Attach Lanyard Here	
10	1704412	1	Decal - Hydraulic Oil Chart	
13	3251243	1	Nameplate - 120V-60Hz	
15	1705909	1	Decal - Tip Over (SN 0300201016 through 0300241317)	
16	1705915	AR	Decal - Tip Over Hazard	
18	1703941	7	Decal - Warning/Crushing	
19	1704001	2	Decal - No Hands	
20	1703923	1	Decal - Danger/Warning (Platform) (SN 0300201016 through 0300241317)	
20	1001231318	1	Decal - Danger/Warning (Platform) (SN 0300241318 to Present)	
21	1705917	1	Decal - Danger/Warning (Ground Control)	
22	1703947	5	Decal - Warning Crushing	
23	1703935	5	Decal - Danger/Electrocution	
24	1703983	1	Decal - Footswitch	
27	See Note	1	Decal - Bar Code (Note: Not Available for Purchase)	
28	1001122373	2	Decal - Capacity (Platform)	
29	1001122380	1	Decal - Capacity (Ground Control) Options:	
31	1706751	1	Decal - Legend (Platform)	
32	1705868	1	Decal - Legend (Ground Controls)	
33	1705910	1	Decal - Drive/Steer Instructions	
34	1701505	2	Decal - Fuel	
35	1706063	1	Decal - Warning Explosion/Fire	
36	1705511	1	Decal - Oil Level	
37	1701501	4	Decal - Arrow	
52	0641406	AR	Bolt 1/4 x 3/4	
54	91403230	1	Box, Manual Storage	
56	3311405	4	Nut 1/4	
57	3820001	2	Rivet	
58	4751400	AR	Washer 1/4	
59	3572327	1	Plate, Decal Mount (SN 0300201016 through 0300241317)	
67	1001224049	1	Decal - Yearly Inspection (SN 0300235507 to Present)	

SECTION 9 - DECALS

FIGURE 9-10. DECAL INSTALLATION - OPTIONS



ART_DECAL_OPTIONS

SECTION 9 - DECALS

FIGURE 9-10. DECAL INSTALLATION - OPTIONS

ITEM	PART NUMBER	QTY	DESCRIPTION	REV
	1283409	Ref	DECAL INSTALLATION - REFERENCE CHART	AA
	1001160100	Ref	DECAL INSTALLATION - OPTIONS (USA Built Machines)	W
	1001220713	Ref	DECAL INSTALLATION - OPTIONS (China Built Machines)	G
108	1702962	1	Decal - Warning (Proposition 65) (ANSI Spec Only) (SN 0300201016 through 0300247517)	
108	1001231801	1	Decal - Warning (Proposition 65) (ANSI Spec Only) (SN 0300247518 to Present)	
116	1703175	1	Lanyard Attachment Decal (GM K-1 Spec) (ANSI and CSA Specs Only)	
120	4420051	21.9 ft/ 6.7m	Decal - Warning Stripes	
145	0272523	1	Decal - Model Designation Installation - 1200SJP	2
145	0272522	1	Decal - Model Designation Installation - 1350SJP	2
145A	1705057	2	Decal - 1200SJP	
145B	1705095	2	Decal - 1350SJP	
146	2902355	1	Decal - Max Tire Load Kit - 1200SJP	2
146	2902357	1	Decal - Max Tire Load Kit - 1350SJP	2
146A	1705178	4	Decal - Max Tire Load - 1200SJP	
146B	1705167	4	Decal - Max Tire Load - 1350SJP	
151	1705096	1	Decal - Lift Diagram	
173	1705365	1	Decal - Daily Check List - ANSI Spec	
173	1705365	1	Decal - Daily Check List - Australian Spec	
173	1705452	1	Decal - Daily Check List - Chinese Spec (Chinese/English)	
173	1705451	1	Decal - Daily Check List - CSA Spec (English/French)	
173	1705552	1	Decal - Daily Check List - Danish Spec	
173	1705444	1	Decal - Daily Check List - Dutch Spec	
173	1705454	1	Decal - Daily Check List - Finnish Spec	
173	1705445	1	Decal - Daily Check List - French Spec	
173	1001172766	1	Decal - Daily Check List - German Spec (German/English)	
173	1705446	1	Decal - Daily Check List - Italian Spec	
173	1705449	1	Decal - Daily Check List - Japanese Spec (Japanese/English)	
173	1705448	1	Decal - Daily Check List - Korean Spec (Korean/English)	
173	1706904	1	Decal - Daily Check List - Latin American Spec (Spanish/English)	
173	1001219085	1	Decal - Daily Check List - Latvian Spec (Latvian/English)	
173	1001177533	1	Decal - Daily Check List - Norwegian Spec (Norwegian/English)	
173	1705554	1	Decal - Daily Check List - Polish Spec	
173	1705456	1	Decal - Daily Check List - Portuguese Spec	
173	1001221738	1	Decal - Daily Check List - Russian Spec	
173	1705447	1	Decal - Daily Check List - Spanish Spec	
173	1705455	1	Decal - Daily Check List - Swedish Spec	
173	1705365	1	Decal - Daily Check List - UK English Spec	
205	See Note	1	Decal - Nameplate (Note: Not Available for Purchase)	
210	1702868	2	Decal - No Hands - ANSI Spec	
210	1704000	2	Decal - No Hands - CSA Spec (French/English)	
210	1705969	2	Decal - No Hands - Korean Spec (Korean/English)	
215	0274730	1	Decal - JLG Decal Installation (ABS Hood)	D
215	1001116025	1	Decal - JLG Decal Installation (Steel Hood)	D
215A	1702774	1	Decal - JLG Lift	
215B	1702773	AR	Decal - JLG	
215C	1704885	1	Decal - Website	

SECTION 9 - DECALS

ITEM	PART NUMBER	QTY	DESCRIPTION	REV
215D	1705864	2	Decal - JLG	
215E	1705865	2	Decal - Ultra Boom	
218	3251813	1	Decal - USA (ANSI, ANSI Export and CSA Specs)	
238	1001125387	1	Decal - Ultra Low Sulfur Fuel (Deutz TCD2.9L4 Engines) (ANSI and CSA Specs)	
238	1001139654	1	Decal - Ultra Low Sulfur Fuel (Deutz TCD2.9L4 Engines) (ANSI Export (HRC), CE and Japanese Specs)	
245	1001120994	1	Decal - ClearSky Telematics Decal Installation	A
245A	1001116208	2	Decal - ClearSky	
245B	1001120989	1	Decal - Radio Frequency Device	
253	1001143852	1	Decal - EPA (ANSI Export and Australian Specs)	
262A	1001141300	1	Decal - SkyGuard Override	
262B	1001141302	1	Decal - SkyGuard/Soft Touch Override	
263	1001189882	NLA	Decal - MSSO (CE Specs Only) (Use p/n 1001197408) (SN 0300201016 through 0300207775)	
263	1001197408	1	Decal - MSSO (CE Specs Only) (SN 0300207776 to Present)	
264	1705980	1	Decal - Sound Power (Deutz TD2011 Engines)	
264	1001191526	1	Decal - Sound Power (Deutz TCD2.9L4 Engines)	
274	1001214029	1	Decal Installation - EAC (Russian/CIS Specs)	
274	1001173703	1	Decal - EAC (Russian/CIS Specs)	
287	1001236398	1	Decal Installation – ECO Label (China	
287A	3820001	8	Rivet	
287B	See Note	1	Decal - Nameplate (Note: Not Available for Purchase) (China Specs Only)	
287C	See Note	1	Decal – Mein Code (Note: Not Available for Purchase) (China Specs Only)	

SECTION 10 - RECOMMENDED SERVICE PARTS STOCK

SECTION 10 - RECOMMENDED SERVICE PARTS STOCK

SECTION 10 - RECOMMENDED SERVICE PARTS STOCK

FIGURE 10-1. RECOMMENDED SERVICE PARTS STOCK

ITEM	PART NUMBER	QTY	DESCRIPTION	REV
		Ref	Note: The following list will service one machine (built to current production per date on the front cover) with emergency repair parts which can be installed in the field. Parts from the list should be replaced when inventory is depleted to keep service parts stock supplied. For further information, contact your JLG dealer or the JLG Industries Parts Department.	
		Ref	STANDARD PARTS	
	7024365	1	Axle Powertrack Repair Kit	
	7024444	12	Breather, Hydraulic Oil Tank	
	70003917	1	Boom Powertrack Repair Section	
	70003913	1	Boom Powertrack Repair Section	
	7018991	1	Coil	
	7012944	1	Coil	
	7011354	1	Coil	
	7017451	1	Coil	
	7024571	1	Coil	
	4360476	1	Contact, Switch Block	
	1001129555	1	Controller, Lift and Swing	
	1001212415	1	Controller, Drive and Steer	
	4360407	1	Controller, Speed	
	3990010	2	Diode - 3Amp	
	7024375	12	Element, Hydraulic Oil Filter	
	70002097	12	Element, Pressure Filter	
	70002231	12	Element, Pressure Filter	
	2400065	2	Fuse	
	8229242	1	Fuse - 5Amp	
	80983191	1	Fuse - 10Amp	
	2860030	1	Key, Replacement	
	2940074	1	Latch, Platform	
	3740067	1	Relay	
	3740080	1	Relay	
	3740049	1	Relay	
	4360505	1	Switch	
	4360328	1	Switch, Toggle	
	4360475	1	Switch, Mushroom	
	4360274	1	Switch, Push Button	
	4360387	1	Switch, Push Button	
	1001155045	1	Switch, Toggle	
	1001159256	1	Switch, Toggle	
	1001161709	1	Switch, Toggle	
	1001161710	1	Switch, Toggle	
	4360336	1	Switch, Toggle	
	4360387	1	Switch, Push Button	
		Ref	VARIABLE PARTS	
	4360070	1	Circuit Breaker 15Amp (Machines with 7500W Generator)	
	7003655	12	Element, Deutz TD2011 Engine Air Filter	
	7016331	12	Element, Deutz TD2011 Engine Oil Filter	
	8320270	12	Element, Deutz TD2011 Engine Fuel	
	70024190	12	Element, Deutz TD2.9L4/TCD2.9L4 Engine Air Filter	

SECTION 10 - RECOMMENDED SERVICE PARTS STOCK

ITEM	PART NUMBER	QTY	DESCRIPTION	REV
	7016331	12	Element, Deutz TD2.9L4/TCD2.9L4 Engine Oil Filter	
	1001117174	1	Footswitch Kit	
	1001227960	1	Module, B.L.A.M.	
	1001112758	1	Module (Chassis)	
	1600443	1	Module, Deutz TD2011 Engine	
	70025210	1	Module, Deutz TD2.9L4/TCD2.9L4 Engine	
	1001110084	1	Module, Ground Control	
	1600343	1	Module, Platform Control	
	3740080	1	Relay (110V/220V Generator Options)	
	1001147479	1	Sensor, Angle Indicator	
	4360543	1	Sensor, Boom Length	
	7026031	1	Sensor, Proximity	
	4360527	1	Switch, Cable Break	
	4360548	1	Switch, Jib Limit	
	4360469	1	Switch, Key (ANSI, ANSI Export and Australian Specs)	
	4360470	1	Switch, Key (CE Spec)	
	4360578	1	Switch, Limit	
	4360057	1	Switch, Limit (Soft Touch System Option)	
	4360387	1	Switch, Push Button (Soft Touch System Option)	
	4360336	1	Switch, Toggle (Generator Options)	

SECTION 11 - SPECIAL OPTIONS

SECTION 11 - SPECIAL OPTIONS

FIGURE 11-1. SPECIAL OPTIONS

ITEM	PART NUMBER	QTY	DESCRIPTION	REV
		Ref	Note: This list is to accommodate machines ordered with special equipment. Options may not be applicable to all models. For more specific parts information contact JLG Parts Department.	
		Ref	MISCELLANEOUS SPECIAL OPTIONS	
	0272078	Ref	Accessory Counterweight (Required with SkyWelder and Fall Arrest Platform Options)	
	1340067	Ref	Air Cleaner Pre-Cleaner	
	0271956	Ref	Airline Installation, 1/2in (1200SJP)	
	0271933	Ref	Airline Installation, 1/2in (1350SJP)	
	1001202697	Ref	Air Intake Shut-off Valve (Deutz TCD2.9L4 Engines)	
	1001241275	Ref	Axle Wear Pad Kit	
	0271803	Ref	Bellows, Cylinder (Fixed Axle)	
	0271804	Ref	Bellows, Cylinder (Oscillating Axle)	
	0271805	Ref	Bellows, Cylinder (Boom)	
	0271875	Ref	Boom Wipers Installation	
	1001233763	Ref	Breather Heater (Deutz TCD2.9L4 Engines and Deutz TCD2.9L4 (Stage V Engines)	
	1001220775	Ref	China Ultra Master Kit Installations (China Built Machines)	
	1001220745	Ref	Booms and Cylinder Kit - 1200SJP	
	1001220747	Ref	Booms and Cylinder Kit - 1350SJP	
	1001220041	Ref	China Parts Kit - 1200SJP (With 1 Cell LSS and Sauer Pump)	
	1001220743	Ref	China Parts Kit - 1350SJP (With 1 Cell LSS and Sauer Pump)	
	1001220045	Ref	Console and Footswitch Kit (With SkyGuard)	
	1001220039	Ref	Frame Kit	
	1001220044	Ref	Jib Kit - 1200SJP	
	1001220746	Ref	Jib Kit - 1350SJP	
	1001220042	Ref	Turntable Kit - 1200SJP	
	1001220744	Ref	Turntable Kit - 1350SJP	
	1001119938	Ref	ClearSky Telematics (Dealer Installed) (ANSI Spec)	
	1001119946	Ref	ClearSky Telematics (Dealer Installed) (CSA Spec)	
	1001234099	Ref	ClearSky Telematics Kit (Dealer Installed) (CE Specs)	
		Ref	ClearSky Telematics (Factory Installed)	
	1001227449	Ref	Canbus Connection (ANSI and CSA Specs)	
	1001228951	Ref	Canbus Connection (ANSI Export and CE Specs)	
	1001229107	Ref	3 Wire Connection (ANSI and CSA Specs)	
	1001233237	Ref	3 Wire Connection (ANSI Export and CE Specs)	
	0273862	Ref	Cold Weather Package (Deutz TD2011 Engines) (110V)	
	1001235617	Ref	Cold Weather Package (Deutz TCD2.9L4 Engines and Deutz TCD2.9L4 (Stage V Engines)	
	1001205034	Ref	Cold Weather Plus Package (Add-on Kit)	
	0272621	Ref	Control System Analyzer Installation	
	1001233047	Ref	Crankcase Breather Heater (Deutz TCD2'9L4 Engines)	
	1001213183	Ref	Cribbing Enable Installation	
		Ref	Decals Installations	
	1001196705	Ref	Decal - Blueline Rentals	
	1001119454	Ref	FedEx Decals Installation - 1200SJP & 1350SJP	
	0257195	Ref	Government Warranty Decal	
	1001221935	Ref	Decal Installation - Herc Rentals	
	1001128996	Ref	Decals Installation - Hertz	

SECTION 11 - SPECIAL OPTIONS

ITEM	PART NUMBER	QTY	DESCRIPTION	REV
	1001222207	Ref	Decal Installation - Hertz (Canada)	
	1001143080	Ref	Decals Installation - Hewitt Rentals (English)	
	1001143515	Ref	Decals Installation - Hewitt Rentals (French)	
	1001140648	Ref	Decals Installation - Leavitt	
	1001103344	Ref	NES Decals Installation - 1200SJP & 1350SJP	
	1001096497	Ref	RSC Decals Installation - 1200SJP	
	1001096496	Ref	RSC Decals Installation - 1350SJP	
	1001218709	Ref	Decal Installation - Riwal	
	1001197856	Ref	Sunbelt Decals Installation - 1200SJP	
	1001197859	Ref	Sunbelt Decals Installation - 1350SJP	
	1001236995	Ref	Decals Installation - Synergy Equipment (Steel Hood)	
	1001237173	Ref	Decals Installation - Synergy Equipment (Plastic Hood)	
	1001235120	Ref	Decals Installation - Thompson Cat Rental (Steel Hood)	
	1001235170	Ref	Decals Installation - Thompson Cat Rental (Plastic Hood)	
	1001151112	Ref	Decals Installation - Titan Rentals	
	1001120728	Ref	United Rentals Decals Installation - 1200SJP & 1350SJP	
		Ref	Decal Kits	
	2902303	Ref	Decal Kit - Master (All Specs Except Australian and CE Specs)	
	1001104651	Ref	Decal Kit - Master (Australian and CE Specs)	
	2902307	Ref	Decal Kit - Country Spec (ANSI Spec) (SN 0300201016 through 0300241317)	
	1001232172	Ref	Decal Kit - Country Spec (ANSI Spec) (SN 0300241318 to Present)	
	2902329	Ref	Decal Kit - Country Spec (Australian and CE Specs)	
	2902312	Ref	Decal Kit - Country Spec (Brazilian Spec) (SN 0300201016 through 0300241317)	
	1001232176	Ref	Decal Kit - Country Spec (Brazilian Spec) (SN 0300241318 to Present)	
	2902309	Ref	Decal Kit - Country Spec (Chinese Spec) (SN 0300201016 through 0300241317, SN B300002238 through B300002646)	
	1001232178	Ref	Decal Kit - Country Spec (Chinese Spec) (SN 0300241318 to Present, SN B300002647 to Present)	
	2902322	Ref	Decal Kit - Country Spec (CSA Spec) (SN 0300201016 through 0300241317)	
	1001232173	Ref	Decal Kit - Country Spec (CSA Spec) (SN 0300241318 to Present)	
	2902308	Ref	Decal Kit - Country Spec (Japanese Spec) (SN 0300201016 through 0300241317)	
	1001232177	Ref	Decal Kit - Country Spec (Japanese Spec) (SN 0300241318 to Present)	
	2902310	Ref	Decal Kit - Country Spec (Korean Spec) (SN 0300201016 through 0300241317)	
	1001235174	Ref	Decal Kit - Country Spec (Korean Spec) (SN 0300241318 to Present)	
	2902311	Ref	Decal Kit - Country Spec (Latin American Spec) (SN 0300201016 through 0300241317)	
	1001232175	Ref	Decal Kit - Country Spec (Latin American Spec) (SN 0300241318 to Present)	
	1001193645	Ref	Decal Kit - Machine	
	1001108708	Ref	Decal Kit - Platform	
	1001109181	Ref	Decal Kit - Platform Console Box	
	1001197529	1	Decal - Quick Reference (Dutch) (Lomax Rentals)	
	1001197531	1	Decal - Quick Reference (Danish) (Lomax Rentals)	
	1001180690	1	Decal - Quick Reference (English) (Lomax Rentals)	

SECTION 11 - SPECIAL OPTIONS

ITEM	PART NUMBER	QTY	DESCRIPTION	REV
	1001197528	1	Decal - Quick Reference (French) (Lomax Rentals)	
	1001197530	1	Decal - Quick Reference (German) (Lomax Rentals)	
	1001197537	1	Decal - Quick Reference (Norwegian) (Lomax Rentals)	
	1001197533	1	Decal - Quick Reference (Spanish) (Lomax Rentals)	
	1001197532	1	Decal - Quick Reference (Swedish) (Lomax Rentals)	
		Ref	Electrical Connector Kits	
	1001148902	Ref	Amp/Tyco Electrical Connector Kit	
	1001148903	Ref	Deutsch DT Electrical Connector Kit	
	1001148904	Ref	Deutsch HD Electrical Connector Kit	
	1001148905	Ref	Packard Electrical Connector Kit	
	1001148906	Ref	Various Electrical Connectors Kit	
	1001237883	Ref	Fall Arrest (Bolt-on) Add-on Kit (6ft/1.82m Platform (ANSI, ANSI Export, China, CSA & Japanese Specs Only) (Fits Platform p/ns 1001186384 & 1001228376)	
	1001237882	Ref	Fall Arrest (Bolt-on) Add-on Kit (8ft/2.4m Platform (ANSI, ANSI Export, China, CSA & Japanese Specs Only) (Fits Platform p/ns 1001186383)	
	1001206794	Ref	Fan & Belt Grille Add-on Kit (Deutz D2011 Engines Only)	
	1001206797	Ref	Fan & Belt Grille Add-on Kit (Deutz TCD2.9L4 Engines Only)	
	1001203564	Ref	Fan & Belt Grille Installation (Deutz TD2011 Engines Only)	
	1001202221	Ref	Fan & Belt Grille Installation (Deutz TCD2.9L4 Engines Only)	
	1001182600	Ref	Fan Guard Installation (Deutz TD2011 Engines Only) (Factory Installed)	
	1001185079	Ref	Fan Guard Installation (Deutz TD2011 Engines Only) (Dealer Installed)	
	1001145708	Ref	Fan Guard Installation (Deutz TCD2.9L4 Engines Only)	
		Ref	Filter Kits:	
		Ref	Combined Filter Kit Options (Hydraulic/Air and Fuel/Engine Oil):	
		Ref	Deutz Engine Machines:	
	1001137027	1	Deutz TD2011 Engine Only	
	1001181151	1	Deutz TCD2.9L4 Engines Only	
		Ref	Hydraulic/Air Filter Options:	
	1001137022	1	Hydraulic/Air Filter (Deutz TD2011 Engine Only)	
	1001182241	1	Hydraulic/Air Filter (Deutz TCD2.9L4 Engines Only)	
		Ref	Engine - Fuel/Engine Oil Filter	
	1001110133	1	Deutz TD2011 Engine Only	
	1001182242	1	Deutz TCD2.9L4 Engines Only	
	1001139099	Ref	Fire Extinguisher Installation	
		Ref	Fluids	
	3020008	Ref	Drive Hub Lubricant	
		Ref	Hydraulic Fluid	
	2300014	Ref	Mobil 424	
	2300029	Ref	Mobil EAL ISO 46 Bio	
	2300016	Ref	Mobil DTE 10 EXCEL 32	
	2300021	Ref	Union Carbide Ucon HP5046 Fire Resistant	
	2300039	Ref	Exxon Univis (Arctic Package)	
	1001191395	Ref	Fuel Cap Cover (Lockable) (Green)	
	1001202749	Ref	Fuel Cap Cover (Lockable) (Black)	
	1001220148	Ref	Generator Cable Kit - 4000W 60Hz	
	1001176291	Ref	Generator Kit - 4000W 50Hz (Deutz TD2011 Engines)	
	1001211801	Ref	Generator Kit - 4000W 50Hz (Deutz TCD2.9L4 Engines)	
	1001213601	Ref	Generator Kit - 4000W 60Hz (Deutz TD2011 Engines)	
	1001213600	Ref	Generator Kit - 4000W 60Hz (Deutz TCD2.9L4 Engines)	

SECTION 11 - SPECIAL OPTIONS

ITEM	PART NUMBER	QTY	DESCRIPTION	REV
	1001142966	Ref	Hood Bracket Kit (Eliminates bending of the hood when cranking engine tray open)	
	1001103286	1	Generator Hourmeter Installation	
	0271769	Ref	Headlight and Taillights Installation	
	1001178043	Ref	Hood Kit (Replacing ABS Hood with Steel) (Deutz TD2011 Engines)	
		Ref	Hose Kits	
	1001098242	Ref	Hose Kit - Upper Boom (1200SJP)	
	1001098243	Ref	Hose Kit - Upper Boom (1350SJP)	
	1001111396	Ref	Hose/Cable Protection - 1200SJP/1350SJP (Platform) (SN 0300201016 through 0300248611)	
	1001233533	Ref	Hose/Cable Protection - 1200SJP/1350SJP (Platform) (Without LSS) (SN 0300248612 to Present)	
	1001233534	Ref	Hose/Cable Protection - 1200SJP/1350SJP (Platform) (With LSS) (SN 0300248612 to Present)	
	1001112741	Ref	Hose/Cable Protection - 1200SJP (Boom)	
	1001228431	Ref	Hose/Cable Protection - 1350SJP (Boom)	
	0271808	Ref	Illumination Lights Installation	
	1001204930	Ref	Hostile Environment - With Oscillating Axle (Add-on Kit)	
	1001241417	Ref	Hostile Environment - Fixed Axle (Add-on Kit)	
	1001148971	Ref	Lanyard (Bolt-on) Installation Kit	
		Ref	Lights Installations	
	0272093	Ref	Flood Lights (1200SJP)	
	0272092	Ref	Flood Lights (1350SJP)	
	0272097	Ref	Work Lights (1200SJP)	
	0272096	Ref	Work Lights (1350SJP)	
	2915046	Ref	Load Pin Harness Kit	
	1001183407	Ref	Low Temperature Cutout Installation (Russian Specs) (SN 0300201016 through 0300245504)	
	1001236951	Ref	Low Temperature Cutout Installation (Russian Specs) (SN 0300245505 to Present)	
	1001117294	Ref	Panel, Foot Switch	
		Ref	Platform Cable Carrier Installation Options:	
	1001116419	Ref	30in Platform (SN 0300201016 through 0300224748)	
	1001116420	Ref	36in Platform (SN 0300201016 through 0300224748)	
	1001172045	Ref	Platform Cable Carrier Installation (SN 0300224749 to Present)	
	1001205175	Ref	Platform Console Cover Kit (Clear Polycarbonate Cover) (All Specs)	
	1001195304	Ref	Platform Console Cover Installation (Clear Polycarbonate Cover) (All Specs)	
	1001110974	Ref	Platform Console Cover Installation (Steel Cover) (ANSI, ANSI Export, CSA and Japanese Specs)	
	1580013	Ref	Platform Corner Storage Tray	
		Ref	Platform Entry Kits	
	1001142505	Ref	Drop Bar (Replacing Swing Gate with Drop Bar)	
	1001142504	Ref	Swing Gate (Replacing Drop Bar with Swing Gate)	
		Ref	Platform Mesh to Top Rail Installations	
	0273145	Ref	36in x 8ft (91.5cm x 2.44m) (ANSI Spec)	
	0273149	Ref	36in x 6ft (91.5cm x 1.83m) (ANSI and ANSI Export Specs)	
		Ref	Platform Mesh to Top Rail Add-on Kit (ANSI and ANSI Export Specs)	
	1001214562	Ref	Platform Mesh to Top Rail - 36in x 8ft (91.5cm x 2.44m) with Gate	
	1001214561	Ref	Platform Mesh to Top Rail - 36in x 6ft (91.5cm x 1.83m) with	

SECTION 11 - SPECIAL OPTIONS

ITEM	PART NUMBER	QTY	DESCRIPTION	REV
			Gate	
		Ref	Platform Mesh to Mid Rail Installations	
	1001138773	Ref	36in x 8ft (91.5cm x 2.44m) (ANSI, ANSI Export, Australian and China Specs)	
	1001138772	Ref	36in x 6ft (91.5cm x 1.83m) (ANSI, ANSI Export, Australian and China Specs)	
	1001140318	Ref	30in x 4ft (76.2cm x 1.22m) (ANSI, ANSI Export, Australian and China Specs)	
		Ref	Platform Mesh to Mid Rail Add-on Kit (ANSI, ANSI Export and Australian Specs)	
	1001214548	Ref	Mesh to Mid Rail - 36in x 8ft (91.5cm x 2.44m) with Gate	
	1001214540	Ref	Mesh to Mid Rail - 36in x 6ft (91.5cm x 1.83m) with Gate	
	1001214478	Ref	Mesh to Mid Rail - 30in x 4ft (76.2cm x 1.22m) with Gate	
	1001149730	Ref	Platform Mid Rail Repair Kit	
		Ref	Platform Rail Extensions	
	0272733	Ref	6ft Platform	
	0272725	Ref	8ft Platform	
	1001209059	Ref	Platform Work Surface Installation	
	1001099466	Ref	Programmable Security Lock Installation (1200SJP - CE Spec Only)	
	1001171131	Ref	Receptacle (240V GFCI) Installation (4000W Generator Only)	
	1001159121	Ref	Receptacle (240V GFCI) Installation (7500W Generator Only)	
		Ref	SkyGuard Component Options:	
	1001208923	NLA	SkyGuard Complete Add-on Kit (Blue Beacon) (Use p/n 1001209481)	
	1001210043	Ref	SkyGuard Complete Add-on Kit (Red Beacon)	
	1001209481	Ref	SkyGuard Complete Add-on Kit (Blue Beacon)	
	1001210042	Ref	SkyGuard Complete Add-on Kit (Red Beacon)	
	1001137672	Ref	SkyGuard Platform Sensor Kit	
	1001137440	Ref	Harness - Platform Sensor	
	1001186431	2	Relay	
	1001155079	NLA	SkyGuard Strobe Light Kit (Blue Beacon) (Use p/n 1001206544)	
	1001206544	Ref	SkyGuard Strobe Light Kit (Blue Beacon)	
	1001210028	Ref	SkyGuard Strobe Light Kit (Red Beacon)	
	1001176372	Ref	SkyGuard Removal Plug Kit	
	1001231235	Ref	SkyWelder Locking Bracket	
	1001200256	Ref	Telematics Installation - Customer Supplied	
	1001210089	Ref	Telematics Installation - CAT	
	1001228363	Ref	Telematics Installation - Herc	
	1001209282	Ref	Telematics Installation - Loxam	
	1001210090	Ref	Telematics Installation - Riwal	
	1001195610	Ref	Telematics Installation - United Rentals (M6)	
	1001214463	Ref	Telematics Installation - United Rentals (M8)	
	1001228584	Ref	Telematics Canbus Installation - Customer Supplied	
	1001228964	Ref	Telematics Retrofit Harness Kit (Machines with UGM)	
	1001228926	Ref	Turntable Bearing Cover Installation	
		Ref	Tools For Service:	
	2901443	1	Analyzer Kit	
	0272048	Ref	Boom Cable Tools Installation	
	4120040	1	Socket 3/4in	
	4120043	1	Socket 2in	
	1705307	1	Decal - Tool Location	

SECTION 11 - SPECIAL OPTIONS

ITEM	PART NUMBER	QTY	DESCRIPTION	REV
	7002821	Ref	Crimper, Wire	
		Ref	Drive Hub Assembly Tools	
	70004646	1	Puller	
	70004647	1	Seal, Tool	
	70004648	1	Puller (Brake Assembly)	
	70004185	1	Torque Multiplier	
	7002823	Ref	Pin Extractor - Universal (For Electrical Connectors with Pins and Sockets)	
	4460467	1	Extractor - 16-18 Gauge (For Removal of Pin/Sockets from Deutsch Connectors)	
	4460510	1	Extractor - 12-14 Gauge (For Removal of Pin/Sockets from Deutsch Connectors)	
	7016654	Ref	Screwdriver, Magnetic	
	7002822	Ref	Screwdriver, Potentiometer	
	7004275	Ref	Seal Tool 1in (For Cylinders)	
	7004276	Ref	Seal Tool 1-1/2in (For Cylinders)	
	7002828	Ref	Stripper, Wire	
	4921850	1	Throttle Service Harness	
	70004185	1	Torque Multiplier	
	7016655	1	Wire Rope Sheave Gauge	
	1001137005	1	Cable Service Kit	
	1001173352	NLA	UGM Retrofit Kit - With SkyGuard (Use p/n 1001209395)	
	1001209395	Ref	UGM Retrofit Kit - With SkyGuard	
	1001232183	Ref	Ultra CKD Packaging Kit	
	1001232182	Ref	Ultra CKD Strapping Kit	
	2910890	Ref	Wear Pad Kit (Includes Wear Pads, Shims and Hardware)	
		Ref	Weld Leads at Platform Installation	
	0271983	Ref	Weld Leads at Platform Installation 1200SJP	
	0271820	Ref	Weld Leads at Platform Installation 1350SJP	
	2910894	Ref	Wire Rope Kit - 1200SJP (Includes Cables, Sheaves, Sheave Pins and Hardware)	
	2910895	Ref	Wire Rope Kit - 1350SJP (Includes Cables, Sheaves, Sheave Pins and Hardware)	

PART NUMBER INDEX

PART NUMBER INDEX

0080237205, 221, 245, 261	575, 579, 877, 925, 927, 931	0271956 950	0275217767, 897
0080244213, 229, 237, 253, 269, 277	0100062 ... 296, 340, 346, 368	0271983 955	0275218773, 899
008027733	0100071 605	0272048 493, 954	0275219775, 901
0100009563, 567, 571, 575, 579	0100079 ... 201, 209, 217, 225, 233, 241, 249, 257, 265, 273, 283, 287, 305, 309, 313, 317, 321, 325, 353, 357, 399	0272055 53	0275452777, 903
010001117, 21, 25, 29, 33, 44, 48, 59, 61, 67, 69, 73, 75, 77, 79, 95, 97, 109, 111, 113, 115, 131, 133, 135, 137, 139, 141, 148, 176, 177, 180, 181, 184, 185, 188, 189, 191, 193, 195, 197, 201, 205, 209, 213, 217, 221, 225, 229, 233, 237, 241, 245, 249, 253, 257, 261, 265, 269, 273, 277, 283, 287, 291, 293, 296, 305, 309, 313, 317, 321, 325, 329, 331, 333, 335, 340, 344, 353, 357, 361, 363, 368, 401, 403, 411, 415, 419, 423, 427, 431, 435, 439, 443, 447, 453, 455, 457, 459, 463, 471, 479, 487, 504, 508, 511, 515, 517, 519, 521, 523, 535, 537, 539, 541, 543, 551, 553, 597, 599, 601, 603, 651, 654, 657, 659, 661, 683, 685, 687, 689, 691, 693, 695, 699, 701, 703, 705, 707, 711, 713, 717	0100081 17, 26, 143, 147, 176, 177, 181, 505, 509, 512, 563, 567, 571, 609, 611, 613, 615, 617, 619, 621, 623, 625, 627, 629, 631, 633, 635, 637, 639, 641, 643, 645, 647, 649	0272056 53	0275453783, 905
010001917, 21, 25, 29, 33, 35, 37, 87, 89, 91, 427, 431, 435, 439, 443, 447, 453, 455, 457, 459, 463, 471, 479, 487, 504, 508, 711	0140001 77, 79	0272060 ... 206, 213, 222, 229, 237, 246, 253, 262, 269, 277	0275454789, 907
0100020296, 340, 344, 368, 419, 427, 436, 443, 595, 654, 665, 757, 759, 761, 763, 765, 767, 769, 771, 773, 775, 777, 779, 781, 783, 785, 787, 789, 791, 793	0140011 ... 563, 567, 571, 575, 579	0272064 171	027568535
010003533, 161, 299, 511, 575, 579, 709	0140032 159	0272070 515	0340003205, 213, 221, 229, 237, 245, 253, 261, 269, 277
0100038683, 685, 687, 689, 691, 693, 695, 699, 701, 703, 705, 707, 711, 713, 717	0200048 597, 599, 601	0272078 950	0340051205, 213, 221, 229, 237, 245, 253, 261, 269, 277
0100048109, 143, 147, 419, 427, 431, 436, 440, 443, 447, 511, 517, 563, 567, 571,	0200742 411, 415	0272080 119, 747	0363037 17, 21, 25, 29
	0200833 33	0272092 953	036306277, 79
	0236768 77, 79	0272093 953	0363066466, 474, 482, 490
	0239842 93	0272096 953	0363076 17, 22
	0257195 950	0272097 953	0363081411, 415
	0257728 669	0272254 659	0363082411, 415
	0257887 159	0272418 ... 609, 611, 613, 615, 617, 619, 621, 623, 625, 627, 629, 631, 633, 635, 637, 639, 641, 643, 645, 647, 649	0400020 77, 79
	0259666 151	0272427 599	044025191
	0259667 153	0272435 436, 445	0480100669, 671, 673
	0271512 91	0272448 654, 659	0480122415
	0271520 33	0272521 657	0480127411
	0271521 25	0272522 943	0480128419, 435
	0271530 457	0272523 943	0480129439
	0271570 508	0272588 657	0561431463, 471, 479, 487
	0271572 111	0272589 440, 448	0561437463, 471, 479, 487
	0271595 176	0272599 654, 665	0561439463, 471, 479, 487
	0271596 87	0272607 665	0561444463, 471, 479, 487
	0271688 109	0272621 950	0561454463, 471, 479, 487
	0271769 953	0272703 517	0561457463, 471, 479, 487
	0271795 77	0272725 954	0561458463, 471, 479, 487
	0271799 453	0272733 954	0561471463, 471, 479, 487
	0271800 504	0272948 633	0561482463, 471, 479, 487
	0271802 59, 73, 521	0272949 621, 623	0561500463, 471, 479, 487
	0271803 950	0272950 625, 627	0630407148
	0271804 950	0272951 613	0630462597, 599, 601
	0271805 950	0272952 629, 631	063046433, 143, 147, 511
	0271806 159	0273145 953	0630467504, 508, 521
	0271808 953	0273149 953	063051197
	0271820 955	0273353 654	0630518143, 147, 654, 657, 659, 661, 665
	0271852 53	0273404 647, 649	0630534703, 705, 707
	0271874 95	0273405 639, 641	0630535683, 685, 687, 689, 691, 693, 695
	0271875 950	0273406 635, 637	0630536713, 715, 717, 719
	0271932 815	0273696 511	0630537699, 701
	0271933 950	0273706 601	0630548143, 147
	0271934 17	0273824 597	0630558466, 474, 482, 490
	0271950 819	0273854 827	0630568563, 568, 572, 576, 580
	0271951 817	0273855 829	
	0271952 821	0273862 950	
	0271953 753	0274660 922	
	0271954 755	0274661 671	
	0271955 751	0274722 925	
		0274723 939	
		0274724 933	
		0274725 929	
		0274726 941	
		0274727 935	
		0274729 937	
		0274730 943	
		0275098 593	
		0275216 761, 895	

PART NUMBER INDEX

0641404..... 97, 419, 423, 427, 431, 435, 439, 443, 447, 563, 567, 571, 575, 579, 651	313, 317, 321, 325, 353, 357	0641615....463, 471, 479, 487	0642014... 463, 471, 479, 487
0641405 511, 517, 651	0641514 669, 671, 673	0641616.....419, 423	0642016..... 33
0641406 .69, 73, 75, 143, 147, 180, 188, 191, 193, 195, 197, 205, 213, 221, 229, 237, 245, 253, 261, 269, 277, 291, 293, 296, 338, 344, 366, 411, 415, 504, 508, 555, 557, 559, 561, 925, 927, 929, 931, 933, 935, 937, 939, 941	0641516 ... 419, 423, 427, 431, 435, 439, 443, 447	0641618....427, 431, 436, 440, 443, 447, 465, 473, 481, 489	0642020..... 25, 29
0641407 ... 291, 293, 423, 431, 517, 795, 797	0641520 ... 119, 121, 123, 127	0641620.....17	0642022... 463, 471, 479, 487
064140877, 79, 163, 165, 167, 169, 176, 180, 185, 189, 291, 293, 305, 309, 313, 317, 321, 325, 353, 357, 557, 559, 561	0641524 125, 129	0641624.....26	0642024..... 517
0641410 ... 201, 209, 217, 225, 233, 241, 249, 257, 265, 273, 283, 287, 305, 309, 313, 317, 321, 325, 353, 357	0641605 ... 201, 205, 209, 213, 217, 221, 225, 229, 233, 237, 241, 245, 249, 253, 257, 261, 265, 269, 273, 277, 283, 287, 305, 309, 313, 317, 321, 325, 353, 357	0641630....176, 180, 184, 188	0642026... 611, 617, 621, 625, 629, 635, 639, 643, 647
0641412 67, 69, 77, 79	0641606 ... 17, 21, 25, 29, 77, 79, 97, 184, 188, 202, 210, 218, 226, 234, 242, 249, 258, 266, 274, 283, 287, 296, 305, 309, 313, 317, 321, 325, 338, 344, 353, 357, 366, 654, 657, 659, 661	0641634.....33	0642212... 609, 611, 613, 615, 617, 619, 621, 623, 625, 627, 629, 631, 633, 635, 637, 639, 641, 643, 645, 647, 649
0641414 69, 563, 567, 571, 575, 579, 597, 599, 601, 603, 605	0641607 ... 463, 471, 479, 487	0641640....466, 474, 482, 490	0642214... 17, 21, 25, 29, 453, 455, 457, 459
0641416 ... 517, 751, 753, 755, 757, 759, 761, 763, 765, 767, 769, 771, 773, 775, 777, 779, 781, 783, 785, 787, 789, 791, 793, 797	0641608 ... 17, 21, 25, 29, 59, 61, 73, 75, 95, 97, 111, 113, 115, 119, 121, 171, 173, 176, 180, 184, 188, 205, 213, 221, 229, 237, 245, 253, 261, 269, 277, 283, 287, 293, 296, 305, 309, 313, 317, 321, 325, 333, 335, 338, 344, 353, 357, 361, 366, 405, 411, 415, 453, 455, 457, 459, 504, 508, 713, 715, 717, 719	0641644....466, 474, 482, 490	0642612... 163, 167, 191, 193, 195, 197
0641418... 535, 537, 539, 541, 543, 551, 553	0641609 ... 17, 21, 25, 29, 125, 129, 205, 213, 221, 229, 237, 245, 253, 261, 269, 277	0641646....463, 471, 479, 487	0642684.... 515, 517, 519
0641424 59, 61	0641610 ... 176, 180, 184, 188, 201, 205, 209, 213, 217, 221, 225, 229, 233, 237, 241, 245, 249, 253, 257, 261, 265, 269, 273, 277, 283, 287, 296, 305, 309, 313, 317, 321, 325, 338, 344, 353, 357, 366, 399, 403, 411, 415, 463, 471, 479, 487, 557, 559, 561, 795	0641706....296, 338, 344, 366	0681608.... 515, 517, 519
0641503 ... 296, 340, 346, 368	0641611 ... 17, 21, 25, 29, 401, 455, 459	0641708....283, 287, 296, 306, 310, 314, 318, 322, 326, 338, 344, 354, 358, 366	0681620.... 675, 677, 679
0641504 59, 61	0641612 ... 283, 287, 305, 309, 313, 317, 321, 325, 353, 357, 399, 453, 457	0641718.....411, 415	0681813 ... 18, 21, 26, 29
0641505 33	0641613 17, 21, 25, 29	0641808.... 17, 21, 25, 29, 59, 61, 201, 205, 209, 213, 217, 221, 225, 229, 233, 237, 241, 245, 249, 253, 257, 261, 265, 269, 273, 277, 283, 287, 305, 309, 313, 317, 321, 325, 353, 357, 463, 471, 479, 487	0681814... 18, 21, 26, 29, 545, 547, 549
0641506 .73, 75, 97, 109, 159, 176, 177, 181, 184, 188, 201, 205, 209, 213, 217, 221, 225, 229, 233, 237, 241, 245, 249, 253, 257, 261, 265, 269, 273, 277	0641614 111, 113, 115	0641810....419, 423, 427, 431, 435, 439, 443, 447, 504, 508	0681815 18, 21, 26, 29
0641507 ... 205, 213, 221, 229, 237, 245, 253, 261, 269, 277, 523		0641812....109, 205, 213, 221, 229, 237, 291, 293, 329, 331, 333, 335, 361, 363, 515, 519	0681816 18, 21, 26, 29
0641508... 125, 129, 338, 344, 366, 411, 415		0641813....184, 188, 463, 471, 479, 487	0681822.... 545, 547, 549
064150959, 61, 173, 201, 209, 217, 225, 233, 241, 249, 257, 265, 273		0641814 17, 22, 245, 253, 261, 269, 277	0682026 91
0641510 181, 505, 509		0641816.....173	0682028 ... 296, 338, 344, 366, 463, 471, 479, 487
0641511 33, 201, 209, 217, 225, 233, 241, 249, 257, 265, 273, 283, 287, 305, 309,		0641818.... 171, 205, 213, 221, 229, 237, 245, 253, 261, 269, 277	0682040 91
		0641820.....109	0682212... 463, 471, 479, 487
		0641822.....517	0682418 87
		0641826....205, 213, 221, 229, 237, 245, 253, 261, 269, 277	0682422 89
		0642010....201, 209, 217, 225, 233, 241, 249, 257, 265, 273, 283, 287, 305, 309, 313, 317, 321, 325, 353, 357	0682424 675, 677, 679
		0642012....463, 471, 479, 487, 609, 613, 615, 619, 623, 627, 631, 633, 637, 641, 645, 649	0700408 ... 757, 759, 761, 763, 765, 767, 769, 771, 773, 775, 777, 779, 781, 783, 785, 787, 789, 791, 793
			0700615... 163, 165, 167, 169
			0700616 185, 189
			0700815... 296, 338, 344, 366
			0701024 296
			0701418 411, 415
			0701617 35, 37
			0701619 53, 55, 57
			0711214 ... 205, 213, 221, 229, 237, 245, 253, 261, 269, 277
			0711417 ... 213, 229, 237, 253, 269, 277
			0720804... 563, 567, 571, 575, 579
			0721005 597, 599, 601
			0721006 ... 401, 403, 563, 567, 571, 575, 579
			0731007 111, 113, 115
			0741606 33, 463, 471, 479, 487
			0741607... 419, 423, 427, 431, 443, 447

PART NUMBER INDEX

0741806....463, 471, 479, 487	0811614 ... 463, 471, 479, 487	0961986 ... 205, 213, 221, 229, 237, 245, 253, 261, 269, 277, 296, 338, 344, 366	1001098242.....953
0760608.....176, 177, 181	0811616 ... 463, 471, 479, 487	0962033 17, 21, 25, 29	1001098243.....953
0760810....296, 340, 346, 368	0840055 841	0962051 171, 173	1001098512.....201
0760814.....297	0860038 ... 419, 427, 435, 443, 753, 755	0962224 ... 464, 472, 480, 488	1001098513.....202, 205, 218, 221
0760814001.....297	0860520 931	0962257 703, 705, 707	1001098516.....209
0761014.....519	0861538 435, 443	0962270 545, 547, 549	1001098530.....210, 213, 226, 229
0761016.....296	0861572 439, 447	0962297 ... 464, 472, 480, 488, 699, 701	1001098531.....234, 237
0761210....283, 287, 299, 305, 309, 313, 317, 321, 325, 353, 357	0861630 563	0962402 ... 465, 473, 481, 489	1001098601.....205, 214, 221, 230, 238, 245, 254, 261, 270, 278, 281
0761214.....48, 296, 340, 346, 368	0861731 ... 757, 759, 779, 781, 785, 787, 791, 793, 903, 905, 907	0962403 ... 465, 473, 481, 489	1001098828.....519
0761215.....44, 246, 253, 262, 269, 278, 293, 333, 335, 361	0861781 ... 763, 765, 769, 771, 895, 897	0962404 ... 465, 473, 481, 489	1001099366.....609, 611, 613, 615, 617, 619, 621, 623, 625, 627, 629, 631, 633, 635, 637, 639, 641, 643, 645, 647, 649
0761216.....515, 519	0861880 831, 833	0962406 ... 465, 473, 481, 489	1001099367.....609, 611, 613, 615, 617, 619, 621, 623, 625, 627, 629, 631, 633, 635, 637, 639, 641, 643, 645, 647, 649
0770814.....296	0902743 ... 713, 715, 717, 719	0962409 ... 464, 472, 480, 488	1001099421.....633
0771212....296, 338, 344, 366	0902746 176, 177, 181	0962410 ... 464, 472, 480, 488	1001099422.....613
0771414....205, 213, 221, 229, 237, 245, 253, 261, 269, 277, 296, 338, 344, 366	0902755 73, 75	0962411 ... 465, 473, 481, 489	1001099435.....639
0791410.....67, 69	0902761 176, 181	0962423 33	1001099436.....621
0791504.....504, 508, 511	0902762 177, 181	0962447 ... 466, 474, 482, 490	1001099437.....625
0791518.....504, 508	0902763 177, 181	0962449 416	1001099438.....635
0791604..67, 69, 97, 176, 180, 184, 188, 463, 471, 479, 487, 511	0902790 109	0962520 ... 419, 423, 427, 431, 435, 439, 443, 447	1001099439.....629
0791605....466, 474, 482, 490, 511	0902800 73, 75	1001091102 423, 432, 795, 797	1001099440.....647
0791606....463, 471, 479, 487, 511	0902813 411, 415	1001091460 100	1001099466.....954
0791607.....67, 505, 509	0902888 ... 419, 423, 427, 431, 435, 439, 443, 447	1001091461 100	1001099632.....33
0791608.....511	0902915 109	1001091969 761	1001099869.....415
0791612....464, 472, 480, 488	0902919 517	1001091970 767	1001100233.....415
0791618....463, 471, 479, 487	0902920 517	1001091971 773	1001100321.....415
0791620....463, 471, 479, 487, 504, 508	0903154 176, 180	1001091972 775	1001100352.....191
0791622.....504, 508	0903156 176, 180	1001091973 777	1001100432.....191, 193, 195, 197
0791624....463, 471, 479, 487, 504, 508	0903161 176, 181	1001091974 783	1001100443.....191, 193, 195, 197
0791808.....505, 509	0903162 177, 181	1001091975 789	1001100672.....191, 193, 195, 197
0801301.....479, 487	0903484 797	1001092856 206, 214, 222, 230, 238, 246, 254, 262, 270, 278	1001100876.....191, 193, 195, 197
0801302.....479, 487	0903530 521	1001093242 43	1001101191.....759, 761, 765, 767, 771, 773, 775, 777, 781, 783, 787, 789, 793, 831, 833
0801303.....479, 487	0940070 ... 205, 213, 221, 229, 237, 245, 253, 261, 269, 277, 296, 338, 344, 366	1001093243 39, 43	1001101196.....761, 765, 767, 771, 773, 775
0801304.....480, 487	0940092 597, 599, 601	1001094915 423, 431, 795, 797	1001101197.....759, 777, 781, 783, 787, 789, 793
0801315.....457, 479	0940094 597, 599, 601	1001095976 797	1001101421.....609, 611
0801316.....463, 471	0940102 ... 609, 611, 613, 615, 617, 619, 621, 623, 625, 627, 629, 631, 633, 635, 637, 639, 641, 643, 645, 647, 649	1001096496 951	1001101422.....609
0801317.....463, 471	0940133 601	1001096497 951	1001101550.....47
0801318.....463, 471	0940134 597	1001097051 913	1001102647.....611
0801319.....464, 471	0961845 ... 535, 537, 539, 541, 543, 551, 553	1001097150 831	1001102831.....193
0801320.....453, 463	0961893 703, 705, 707	1001097619 463, 471, 479, 487, 499	1001103286.....953
0801550....465, 473, 482, 489	0961896 ... 683, 687, 689, 691, 693, 695	1001097619 463, 471, 479, 487, 499	1001103344.....951
0811606....466, 474, 482, 490	0961901 699, 701	1001098012 654, 665, 667	1001103356.....191, 193, 195, 197
0811607....466, 474, 482, 490	0961903 ... 713, 715, 717, 719	1001098025 723, 746	1001104315.....37, 41
0811608....463, 471, 479, 487	0961949 ... 691, 693, 695, 697, 709, 711	1001098026 725, 746	1001104324.....37
0811610....463, 471, 479, 487	0961950 ... 687, 689, 709, 711	1001098122 595	1001104325.....41, 47
	0961951 ... 464, 471, 480, 487	1001098149 665	

PART NUMBER INDEX

1001104651 951	1001111176..... 97	1001116812..... 861	1001120381 922
1001104652 931	1001111193..... 97	1001116815..... 803	1001120382 415, 922
1001104735 197	1001111219..... 97	1001116846..... 933	1001120564 119, 121
1001104922 717	1001111396..... 953	1001116849..... 933	1001120728 951
1001104923 717	1001111914..... 191, 193, 195, 197	1001116851..... 933	1001120989 191, 193, 195, 197, 944
1001105014 713	1001112551..... 927	1001116952..... 846	1001120994 191, 193, 195, 197, 944
1001105016 713	1001112612..... 805, 837	1001116967..... 845	1001121615 879, 881, 885
1001106736 144, 147	1001112669..... 55	1001116983..... 851	1001121616 879, 881, 885
1001107359 113	1001112691..... 184, 188	1001117034..... 933	1001121703 879, 881, 885
1001107971 242, 245, 258, 261	1001112716..... 55	1001117035..... 933	1001121826 155, 583
1001107973 250, 253, 266, 269	1001112741..... 953	1001117078..... 437, 440, 445, 449, 857	1001121827 157, 585
1001107975 274, 277	1001112757..... 73, 75	1001117106..... 846	1001122369 925
1001108579 115	1001112758... 59, 61, 947	1001117107..... 846	1001122370 939
1001108616 246, 254, 262, 270, 279, 293, 333, 335, 361, 388	1001112766..... 205, 213, 221, 229, 237, 245, 253, 261, 269, 277	1001117140..... 181	1001122371 933
1001108617 201, 209, 217, 225, 233, 242, 250, 257, 265, 273, 283, 287, 305, 309, 313, 317, 321, 325, 353, 357	1001112796..... 805	1001117172..... 595	1001122372 929
1001108708 951	1001112878..... 217, 225, 233, 257, 265, 273	1001117174..... 564, 568, 572, 576, 580, 595, 947	1001122373 941
1001109048 115	1001112879..... 217, 225, 233, 257, 265, 273	1001117294..... 953	1001122374 935
1001109181 951	1001112880..... 217, 225, 233, 257, 265, 273	1001117308..... 297, 339, 345, 367	1001122375 937
1001109468 744	1001112911..... 97	1001117370..... 217	1001122376 925
1001109475 831, 833	1001112927..... 246, 254, 262, 270, 278, 293, 333, 335, 361, 395	1001117371 225	1001122377 939
1001109482 831, 833	1001112973..... 197	1001118384..... 915	1001122378 933
1001109503 147	1001112987..... 191, 193, 195, 197	1001118388..... 881, 889, 915	1001122379 929
1001109654 795, 797, 831	1001112988..... 191	1001118712..... 241	1001122380 941
1001109677 121, 127, 129	1001113047..... 184, 188	1001118713..... 249	1001122381 935
1001109759 184, 188	1001113103..... 115	1001118859..... 744, 746	1001122382 937
1001110014 143	1001113173..... 97	1001118869..... 744, 746	1001122383 155
1001110027 184	1001113483..... 517	1001118932..... 744	1001122384 583
1001110059 115	1001113961..... 803, 837	1001118933..... 744	1001122528 436, 440, 445, 448
1001110064 148	1001114382..... 927	1001118934..... 744	1001122611 583
1001110084 143, 147, 947	1001114392..... 97	1001118935..... 744	1001125387 944
1001110108 69	1001114495..... 338, 345, 367	1001118957 121, 747	1001125425 411
1001110109 69	1001114620..... 736, 746	1001119020..... 805, 886	1001125426 415
1001110110 69	1001115168..... 97	1001119052..... 257	1001125427 435
1001110111 69	1001115440..... 97	1001119053..... 265	1001125428 439
1001110112 69	1001115603..... 643, 645	1001119054..... 273	1001126008 803
1001110113 69	1001115604..... 643	1001119138..... 744	1001126009 915
1001110133 952	1001115961..... 55	1001119345..... 135	1001126351 845
1001110194 184, 188	1001116008..... 803	1001119346..... 131	1001126352 845
1001110425 283, 287, 305, 309, 313, 317, 321, 325, 353, 357	1001116015..... 233	1001119363..... 143	1001126356 845
1001110433 184, 188	1001116025..... 943	1001119372..... 143, 147, 865	1001126357 845
1001110486 184, 188	1001116206..... 922	1001119374..... 131, 135, 139, 143	1001126362 846
1001110513 69	1001116208..... 191, 193, 195, 197, 944	1001119454..... 950	1001126363 846
1001110519 69	1001116290..... 185, 189	1001119456..... 131, 133, 893	1001126364 846
1001110604 744	1001116369..... 143, 147, 877	1001119470..... 131, 133, 135, 137, 843	1001126365 846
1001110740 79	1001116419..... 953	1001119619..... 909	1001126384 845
1001110749 747	1001116420..... 953	1001119620..... 911, 913	1001127092 193
1001110873 419, 427, 436, 444, 753	1001116707..... 845	1001119727..... 297	1001128527 661
1001110877 69	1001116710..... 851	1001119817..... 744	1001128556 661
1001110940 97	1001116720..... 881, 889	1001119860..... 922	1001128947 339, 345, 349
1001110974 953	1001116728..... 846	1001119899..... 464, 472, 480, 488	1001128996 950
1001111132 218, 226, 234, 258, 266, 274	1001116774..... 803, 805	1001119938..... 950	1001129555 946
1001111175 97	1001116792..... 283, 287, 305, 309, 313, 317, 321, 325, 353, 357	1001119946..... 950	1001129858 419, 420
	1001116808..... 803, 805	1001119968..... 436, 440, 445, 448, 857	1001131269 925, 935
		1001120180..... 143, 859	1001131462 184, 188
		1001120328..... 603, 651	1001131482 173
		1001120337..... 144, 147, 837	1001131542 205, 213, 221, 229, 237, 245, 253, 261, 269, 277, 283, 287, 306, 310,

PART NUMBER INDEX

314, 318, 322, 326, 354, 358	1001136292 339, 345, 367	1001139492 127	1001142637 340, 346, 368
1001131620 504, 508	1001136356 423	1001139494 123, 747	1001142645 427, 444
1001131728 508	1001136357 431, 448	1001139516 459	1001142683 163, 165, 167, 169
1001131729 504	1001136626 339, 345, 367	1001139517 459, 487	1001142685 298, 340, 346, 368
1001131733 508	1001136665 297, 339, 345, 367	1001139654 944	1001142694 163, 167
1001131734 504	1001136834 297, 339, 345, 367	1001139665 123, 127	1001142719 163, 165, 167, 169
1001131969 823, 825	1001136988 443, 447	1001139666 123, 127	1001142736 163, 165, 167, 169, 805
1001132055 427	1001137005 955	1001139778 188	1001142938 846
1001132730 195	1001137022 952	1001139930 409	1001142940 846
1001132733 195	1001137027 952	1001139958 419	1001142941 846
1001133633 298, 339, 346, 367	1001137276 297, 339, 345, 367	1001139959 423	1001142966 953
1001133634 297, 339, 345, 367	1001137336 296	1001139972 465, 473, 481, 489	1001143080 951
1001133714 846, 849	1001137440 954	1001140222 401	1001143087 123, 125, 127, 129
1001133715 847, 849	1001137590 443	1001140312 346	1001143123 123, 127
1001133956 845	1001137591 447	1001140318 954	1001143294 173
1001133957 845	1001137672 954	1001140344 427	1001143298 173
1001134098 87, 100	1001137673 603	1001140346 428	1001143390 298, 340, 346, 368
1001134389 321	1001138011 427, 431, 444, 448	1001140429 535, 537, 539, 541, 543, 551, 553	1001143431 163
1001134390 317, 321, 333	1001138110 847	1001140485 180, 188	1001143515 951
1001134392 329, 331, 333, 338	1001138111 847	1001140535 297	1001143852 944
1001134485 339, 345	1001138113 847	1001140564 298, 338, 345, 366	1001144089 298, 340, 346, 368
1001134488 297, 338, 346, 366	1001138228 297, 339, 345, 367	1001140604 309, 313, 321, 325	1001144147 803
1001135090 339, 345, 367	1001138248 298, 339, 346, 367	1001140648 951	1001144347 139
1001135124 123, 125, 127, 129	1001138253 297, 339, 345, 367	1001141225 283, 287, 305, 309, 313, 317, 321, 325, 353, 357	1001144433 572, 576, 580
1001135138 297, 339, 345, 367	1001138346 297, 339, 345, 367, 845	1001141300 944	1001144629 529, 531, 533, 551
1001135560 297, 339, 345, 367	1001138491 283, 287, 305, 309, 313, 317, 321, 325, 353, 357, 851	1001141302 944	1001145089 305, 309, 313, 317, 321, 325, 353, 357
1001135562 297, 339, 345, 367	1001138494 537, 539, 541, 543, 551, 553	1001141304 298, 340, 345, 368	1001145154 298, 340, 346, 368
1001135650 847, 849	1001138514 537, 539, 541, 543, 553	1001141717 298, 340, 345, 368	1001145162 188
1001135651 847	1001138524 298, 339, 345, 367	1001141718 401, 403	1001145382 206, 214, 222, 230, 238, 246, 254, 262, 270, 278
1001135663 173	1001138559 299, 339, 345, 367	1001141719 298, 338, 345, 366	1001145405 654, 665
1001135679 297, 339, 345, 367	1001138565 423, 424	1001141744 325	1001145560 306, 318, 353, 357
1001135680 339, 345, 367	1001138566 419, 423, 427, 431	1001141745 326, 335	1001145708 952
1001135779 298, 340, 346, 368	1001138717 340, 346, 368	1001141746 335, 344	1001145781 543
1001135901 339, 345, 367	1001138772 954	1001141811 309	1001145785 557
1001135903 297, 339, 345, 367	1001138773 954	1001141812 305, 310, 329	1001145842 306, 310, 314, 318, 322, 326, 354, 358
1001135913 339, 345, 366	1001138800 455	1001141813 314, 331	1001146132 180, 189
1001135914 339, 345, 366	1001138801 455, 471	1001141815 313	1001146142 180
1001135924 339, 345, 367	1001138802 472, 488, 695	1001141817 317	1001146178 180, 188
1001135926 339, 345, 367	1001138803 472, 488, 705	1001141819 305	1001146183 180, 188
1001135943 339, 345, 367	1001138804 695	1001141967 899, 901	1001146219 298, 338, 344, 366
1001135946 297, 339, 345, 367	1001138805 705, 707	1001141968 899	1001146244 188
1001136079 297, 340, 368	1001138827 297, 339, 345, 367	1001141969 901	1001147264 846
1001136172 297, 344	1001139099 952	1001141970 901	1001147479 511, 947
	1001139240 297, 339, 345, 367	1001141971 899	1001148648 424, 432
	1001139357 419, 423	1001142021 181	1001148841 849
		1001142023 180, 181	1001148842 849
		1001142024 180	1001148843 298, 340, 346, 368, 849
		1001142144 180	
		1001142181 180	
		1001142398 298, 339, 345, 367	
		1001142501 298, 340, 346, 368	
		1001142504 953	
		1001142505 953	

PART NUMBER INDEX

1001148902 952	1001157520..... 436, 440, 444, 448	1001166665..... 557, 563	1001177959 291, 293
1001148903 952	1001157521..... 436, 440, 445, 448	1001167164..... 291, 293	1001178043 953
1001148904 952	1001157525..... 439, 440, 447, 448	1001167565..... 519	1001178236 298
1001148905 952	1001157528..... 436, 440, 445, 448	1001167567..... 519	1001178247 463, 471, 479, 487, 497
1001148906 952	1001157592..... 435, 436, 443, 444	1001167596..... 519	1001178248 463, 471, 479, 487, 501
1001148971 953	1001157770..... 922	1001168166..... 298	1001178266 673
1001149730 954	1001158007..... 436, 440, 445, 448	1001168402..... 519	1001178797 405
1001149818 161, 917	1001158008..... 420, 424, 428, 432, 436, 440, 445, 448	1001169054..... 298	1001178894 298
1001149955 161	1001158363..... 420, 424, 428, 432	1001169138..... 298	1001178978 673
1001149994 161, 165, 169	1001159121..... 954	1001170035..... 298	1001179154 420, 428, 436, 444
1001150406 161	1001159256..... 564, 568, 572, 576, 580, 946	1001170982..... 299	1001179831 148
1001150944 163, 803	1001160100..... 943	1001171095..... 246, 254, 262, 270, 279, 293, 333, 335, 361, 391	1001180051 185, 189
1001151112 951	1001160567..... 111, 113	1001171130..... 427	1001180620 298
1001151393 151, 153	1001161041..... 823	1001171131..... 954	1001180690 951
1001152456 420, 424, 428, 432	1001161044..... 825	1001171273..... 431	1001181045 831, 833
1001152457 419, 427, 428	1001161048..... 823	1001172045..... 953	1001181129 125, 129
1001152458 423, 431, 432	1001161050..... 825	1001172663..... 519	1001181134 617, 619
1001152525 420, 428, 436, 440, 444, 448	1001161401..... 17, 21, 25, 30	1001172760..... 564, 568, 572, 576, 580	1001181138 617
1001152530 420, 424, 428, 432	1001161402..... 17, 21, 25, 30	1001172766..... 943	1001181142 617, 619
1001152533 419, 423, 427, 431, 853	1001161403..... 17, 21, 25, 30	1001173163..... 185, 189	1001181151 952
1001152566 181	1001161709..... 564, 568, 572, 576, 580, 946	1001173164..... 185, 189	1001181895 346
1001152742 845	1001161710..... 564, 568, 572, 576, 580, 946	1001173166..... 184, 188	1001182138 605
1001152963 291, 329, 331, 363, 382	1001162899..... 922	1001173170..... 184, 188	1001182241 952
1001152966 740	1001162900..... 922	1001173171 113, 115	1001182242 952
1001152968 740, 746	1001162901..... 922	1001173183..... 185, 189	1001182600 952
1001152971 740, 746	1001163131..... 609, 611	1001173184..... 189	1001182997 299
1001153024 339, 345, 367	1001163287..... 629, 631	1001173185..... 184, 188	1001183242 795
1001153257 419, 427, 922	1001163288..... 639, 641	1001173186..... 184, 189	1001183407 953
1001153260 420, 428	1001163289..... 635, 637	1001173187..... 184, 189	1001184936 148
1001153387 298, 340, 346, 368	1001163292..... 643, 645	1001173188..... 184, 189	1001184937 147, 148
1001154157 409	1001163293..... 621, 623	1001173202..... 188	1001184938 147
1001154214 123	1001163295..... 647, 649	1001173352..... 955	1001184939 133, 141, 147
1001154260 465, 473, 481, 489	1001163296..... 633	1001173647..... 184, 189	1001185079 952
1001154294 465, 473, 481, 489	1001163297..... 613	1001173651..... 184, 189	1001185281 572, 576, 580
1001154304 465, 473, 481, 489	1001163298..... 625, 627	1001173703..... 944	1001185284 141
1001154306 465, 473, 481, 489	1001165035..... 284, 288, 299, 305, 309, 313, 317, 321, 325, 340, 346, 368	1001173912..... 184	1001186318 549
1001154405 283, 288, 298, 305, 309, 313, 317, 321, 325, 340, 346, 353, 357, 368, 401, 403, 405	1001165101..... 284, 288, 306, 310, 314, 318, 322, 326, 354, 358, 401	1001173913..... 29	1001186333 545
1001155044 564, 568, 572, 576, 580	1001165368..... 423, 431, 833	1001173914..... 21	1001186334 547
1001155045 564, 568, 572, 576, 580, 946	1001165820..... 340, 346, 368	1001173915..... 113	1001186335 547
1001155079 954	1001166393..... 297, 339, 345, 367	1001173918..... 115	1001186375 537
1001155575 298, 339, 345, 367	1001166538..... 564, 568, 572, 576, 580, 591	1001174325..... 699, 701	1001186379 539
1001155813 424, 432	1001166539..... 564, 568, 572, 576, 580, 587	1001174331..... 185	1001186382 541
1001155823 298, 340, 346, 368		1001174939..... 137	1001186383 533
		1001175237..... 189	1001186384 531
		1001175250..... 185	1001186387 529
		1001175859..... 184, 189	1001186389 549
		1001175879..... 184, 189	1001186431 580, 954
		1001175880..... 184, 189	1001186432 580, 889, 915
		1001176291..... 952	1001186477 572, 576, 881
		1001176329..... 298	1001186517 603
		1001176330..... 298	1001187011 298
		1001176346..... 67	1001187386 148, 861
		1001176347..... 69	1001187508 603
		1001176372..... 954	1001187674 607
		1001176415..... 298	1001187681 909
		1001176416..... 298	1001188309 543
		1001176469..... 147	1001188376 125, 129
		1001176940..... 298	1001188382 125, 129
		1001177094..... 298	1001188622 519
		1001177533..... 943	1001188844 519
		1001177945..... 291, 293	1001188884 399
		1001177946..... 291, 293	
		1001177957..... 291, 293	
		1001177958..... 291, 293	

PART NUMBER INDEX

1001188887.....399	1001203656..... 547, 549	1001220042..... 950	1001227634.....607
1001188889.....603	1001204159..... 399	1001220044..... 950	1001227960...73, 75, 947
1001189001.....519	1001204725..... 519	1001220045..... 950	1001227985.....607
1001189002.....519	1001204930..... 953	1001220148..... 952	1001227987.....607
1001189176.....163	1001205034..... 950	1001220379..... 846	1001227996.....911, 913
1001189882.....944	1001205175..... 953	1001220560..... 125, 129	1001228019.....29, 689
1001190098.....559, 571	1001205401..... 165	1001220713..... 943	1001228020...21, 29, 685
1001190106.....572	1001205958..... 777, 779, 781, 783, 785, 787, 789, 791, 793	1001220735..... 291, 293, 296	1001228021.....480, 488, 719
1001190985.....519	1001206250..... 781	1001220743..... 950	1001228023.....464, 480, 693
1001191272.....339, 345, 367	1001206251..... 787	1001220744..... 950	1001228024.....453, 455, 457, 459, 701
1001191395.....952	1001206252..... 793	1001220745..... 950	1001228025.....464, 472, 480, 488, 707
1001191526.....944	1001206253..... 765	1001220746..... 950	1001228026.....464, 472, 715
1001191541.....22, 30	1001206254..... 771	1001220747..... 950	1001228031.....33, 711
1001191708.....605	1001206255..... 759	1001220770..... 298	1001228053.....472, 488, 697
1001192401.....859, 862	1001206255..... 759	1001220775..... 950	1001228215.....535
1001193018.....757, 759, 761, 763, 765, 767, 769, 771, 773, 775, 777, 779, 781, 783, 785, 787, 789, 791, 793	1001206544..... 954	1001220866..... 580, 885	1001228224.....607
1001193645.....951	1001206794..... 952	1001220929..... 580	1001228225.....607
1001193674.....22, 30	1001206797..... 952	1001221203..... 298	1001228363.....954
1001194122.....133	1001207004..... 169	1001221205..... 298	1001228376.....551
1001194123.....137	1001207309..... 167	1001221207..... 298	1001228377.....553
1001194197.....779	1001207969..... 523	1001221212..... 298	1001228431.....953
1001194198.....785	1001208923..... 954	1001221213..... 298	1001228488.....89, 105
1001194200.....791	1001208994..... 523	1001221217..... 298	1001228584.....954
1001194203.....763	1001209059..... 954	1001221219..... 298	1001228617.....89
1001194204.....769	1001209282..... 954	1001221259..... 283	1001228926.....954
1001194365.....757	1001209395..... 955	1001221261..... 287	1001228951.....950
1001195214.....399	1001209481..... 954	1001221263..... 284, 291	1001228964.....954
1001195304.....953	1001209664..... 603	1001221265..... 288, 293	1001228988.....654, 655, 657, 659, 661, 665
1001195610.....954	1001209873..... 169	1001221427..... 299	1001229058.....89
1001195793.....922	1001210028..... 954	1001221666..... 129, 747	1001229107.....950
1001196705.....950	1001210042..... 954	1001221706..... 561	1001229341.....607
1001197017.....597, 599, 601	1001210043..... 954	1001221738..... 943	1001229599.....298
1001197067.....167	1001210089..... 954	1001221802..... 125, 747	1001229600.....298
1001197408.....944	1001210090..... 954	1001221935..... 950	1001231235.....954
1001197528.....952	1001211801..... 952	1001222207..... 951	1001231315.....925
1001197529.....951	1001212223..... 443, 447	1001222314..... 523	1001231316.....935
1001197530.....952	1001212415..... 946	1001222773..... 403	1001231317.....939
1001197531.....951	1001212790..... 505, 509	1001222817..... 405	1001231318.....941
1001197532.....952	1001213183..... 950	1001223055..... 925	1001231319.....929
1001197533.....952	1001213385..... 736, 740, 744	1001223068..... 405	1001231320.....937
1001197537.....952	1001213447..... 886	1001223453..... 925, 935	1001231321.....933
1001197856.....951	1001213600..... 952	1001223883..... 57	1001231321.....933
1001197859.....951	1001213601..... 952	1001223971..... 935	1001231801.....943
1001200256.....954	1001213705..... 453, 455, 457, 459	1001224048..... 939	1001231949.....679
1001200491.....519	1001214029..... 944	1001224049..... 941	1001231950.....675, 677
1001200494.....519	1001214463..... 954	1001224050..... 933	1001232010.....675, 677, 679
1001200575.....563, 572	1001214478..... 954	1001224052..... 929	1001232011.....675, 677, 679
1001200910.....165	1001214540..... 954	1001224053..... 937	1001232164.....607
1001201351.....519	1001214548..... 954	1001225118..... 206, 214, 222, 230, 238, 246, 254, 262, 270, 278	1001232165.....607
1001201888.....568, 576	1001214548..... 954	1001225245..... 645	1001232172.....951
1001201889.....580	1001214561..... 953	1001225246..... 649	1001232173.....951
1001202221.....952	1001214562..... 953	1001225247..... 631	1001232175.....951
1001202280.....399	1001216630..... 515, 517, 519	1001225248..... 637	1001232176.....951
1001202281.....399	1001216876..... 57	1001225249..... 627	1001232177.....951
1001202562.....559, 575	1001216877..... 57	1001225250..... 623	1001232178.....951
1001202564.....557, 567	1001217005..... 165	1001225251..... 641	1001232182.....955
1001202697.....950	1001217597..... 931	1001225345..... 619	1001232183.....955
1001202749.....952	1001218709..... 951	1001225580..... 580, 889	1001232642.....651
1001203564.....952	1001219085..... 943	1001226872..... 535	1001232650.....651
1001203655.....545	1001219642..... 298, 301	1001226923..... 405	
	1001219987..... 561, 579	1001227449..... 950	
	1001219990..... 61, 75, 523	1001227606..... 284, 288, 403	
	1001220039..... 950	1001227633..... 607	
	1001220041..... 950		

PART NUMBER INDEX

1001232667 651	1060919 545	1320224 517	1683056 683
1001233047 950	1060981 807, 811	1320263....17, 21, 25, 29, 504, 508	1683062 687, 691, 695
1001233237 950	1060982 809	1320277 504, 508	1683072 699
1001233533 953	10702077 . 436, 440, 444, 448	1320294 504, 508	1684081 25, 29, 687
1001233534 953	10702082 . 436, 440, 444, 448	1320295 504, 508	1684082 687
1001233763 950	1100131 ... 464, 472, 480, 488	1320296 504, 508	1684083 687
1001234099 950	1120094 709	1320298 17, 26	1684102... 17, 21, 25, 29, 683
1001235011 651	1120549 33	1320301 511	1684103 683
1001235013 651	1120550 33	1320302....654, 657, 659, 661	1684105 683
1001235120 951	1120555 ... 609, 611, 613, 615, 617, 619, 621, 623, 625, 627, 629, 631, 633, 635, 637, 639, 641, 643, 645, 647, 649	1320309 919, 921	1684108 480, 488, 717
1001235170 951	1180358 17, 25	1321385 505, 509	1684109 717
1001235174 951	1180362 508	1340065....205, 213, 221, 229, 237, 245, 253, 261, 269, 277	1684141 713, 717
1001235459 367, 371	1180363 508	1340067 950	1684149 464, 480, 691
1001235475 353	1180369 504	1380147 171, 173	1684150 691, 695
1001235476 353, 361	1180370 504	1380169 184, 188	1684159 699
1001235477 361, 363, 366	1260017 93	1560011 919, 921	1684162 ... 453, 455, 457, 459, 699
1001235478 357	1271538 517	1560012 919, 921	1684173 464, 480, 703
1001235479 357, 363	1283409 ... 925, 927, 929, 931, 933, 935, 937, 939, 941, 943	1580012 555	1684174 703, 705
1001235617 950	1283457 ... 723, 725, 728, 731, 733, 736, 746	1580013 953	1684176 703, 705
1001236398 944	1320022 ... 201, 205, 209, 213, 217, 221, 225, 229, 233, 237, 241, 245, 249, 253, 257, 261, 265, 269, 273, 277, 283, 287, 299, 306, 310, 314, 318, 322, 326, 340, 346, 353, 357, 367, 399	1600343...563, 567, 571, 575, 579, 947	1684178 464, 472, 713
1001236552 651	1320058 ... 205, 213, 221, 229, 237, 245, 253, 261, 269, 277	1600387 517	1684179 713
1001236746 679	1320060 ... 205, 213, 221, 229, 237, 245, 253, 261, 269, 277	1600443 281, 947	1684249 699
1001236747 675	1320095 143, 147	1660302 109	1684275 709
1001236891 675, 677, 679	1320130 299, 511	1670603 757, 759	1684306 691, 695
1001236895 675, 677, 679	1320136 511, 517	1670829 143, 147	1684314 33, 709
1001236951 953	1320146 ... 751, 753, 755, 797	1670964 504, 508, 521	1684315 709
1001236995 951	1320159 505, 509	1670996 67	1684317 709
1001237173 951	1320162 ... 119, 121, 123, 127	1671023....205, 213, 221, 229, 237, 245, 253, 261, 269, 277	1701499 ... 925, 927, 929, 931, 933, 935, 937, 939, 941
1001237705 615	1320177 654, 665	1671032....464, 472, 480, 488	1701501 ... 925, 927, 929, 931, 933, 935, 937, 939, 941
1001237755 453, 455, 457, 459	1320187 ... 201, 209, 217, 225, 233, 241, 249, 257, 265, 273, 283, 287, 305, 309, 313, 317, 321, 325, 353, 357	1671033....464, 472, 480, 488	1701505 ... 925, 927, 929, 931, 933, 935, 937, 939, 941
1001237862 911, 913	1320190 ... 201, 209, 217, 225, 233, 241, 249, 257, 265, 273, 283, 287, 305, 309, 313, 317, 321, 325, 353, 357	1671038....176, 180, 184, 188	1701509 ... 609, 611, 613, 615, 617, 619, 621, 623, 625, 627, 629, 631, 633, 635, 637, 639, 641, 643, 645, 647, 649, 925, 927, 929, 931, 933, 935, 937, 939, 941
1001237863 607, 913	1320223 ... 205, 213, 221, 229, 237, 245, 253, 261, 269, 277	1671039 511	1701518 927, 931
1001237864 607, 911	1320224 517	1671040 33	1702565 ... 563, 567, 571, 575, 579
1001237865 607, 909	1320225 517	1671043 504, 508	1702566 ... 563, 567, 571, 575, 579
1001237882 952	1320226 517	1671044 511	1702773 ... 545, 547, 549, 931, 943
1001237883 952	1320227 517	1671045 67, 69	1702774 943
1001238263 675, 677, 679	1320228 517	1671046 67, 69	1702868 ... 654, 659, 661, 665, 925, 943
1001238319 607	1320229 517	1671047 67, 69	1702938 597, 599, 601
1001238418 651, 915	1320230 517	1671048 67, 69	1702942 234, 274
1001238423 615	1320231 517	1671049 67, 69	1702962 943
1001238462 615	1320232 517	1671092 436, 444	1703162 ... 205, 213, 221, 229, 237, 245, 253, 261, 269, 277, 296, 340, 346, 368
1001238463 677	1320233 517	1671093 654, 659	1703175 943
1001238472 651	1320234 517	1671121 201, 209, 217, 225, 233, 241, 249, 257, 265, 273, 283, 287, 305, 309, 313, 317, 321, 325, 353, 357	1703683 669, 673
1001238477 651	1320235 517	1671122 201, 209, 217, 225, 233, 241, 249, 257, 265, 273, 283, 287, 305, 309, 313, 317, 321, 325, 353, 357	1703797 925
1001238559 651	1320236 517	1671123 201, 209, 217, 225, 233, 241, 249, 257, 265, 273, 283, 287, 305, 309, 313, 317, 321, 325, 353, 357	1703804 925
1001238824 651	1320237 517	1671124 201, 209, 217, 225, 233, 241, 249, 257, 265, 273, 283, 287, 305, 309, 313, 317, 321, 325, 353, 357	
1001241275 950	1320238 517	1671125 201, 209, 217, 225, 233, 241, 249, 257, 265, 273, 283, 287, 305, 309, 313, 317, 321, 325, 353, 357	
1001241417 953	1320239 517	1671126 201, 209, 217, 225, 233, 241, 249, 257, 265, 273, 283, 287, 305, 309, 313, 317, 321, 325, 353, 357	
1001241835 354, 358	1320240 517	1671127 201, 209, 217, 225, 233, 241, 249, 257, 265, 273, 283, 287, 305, 309, 313, 317, 321, 325, 353, 357	
1001241965 651	1320241 517	1671128 201, 209, 217, 225, 233, 241, 249, 257, 265, 273, 283, 287, 305, 309, 313, 317, 321, 325, 353, 357	
1060341 ... 597, 599, 601, 853	1320242 517	1671129 177	
1060343 436, 444	1320243 517	1671192 176	
1060379 669, 671, 673	1320244 517	1671193 177, 181	
1060494 ... 419, 428, 436, 444	1320245 517	1671194 176, 177, 180	
1060545 833	1320246 517	1671199 177, 181	
1060902 839, 867	1320247 517	1671314....563, 567, 571, 575, 579	
1060903 597, 599, 601	1320248 517	1683053 703, 705	
1060904 237, 277	1320249 517		
1060908 831	1320250 517		
1060918 595	1320251 517		

PART NUMBER INDEX

1703805.....925	1705358 ... 609, 611, 613, 615, 617, 619, 621, 623, 625, 627, 629, 631, 633, 635, 637, 639, 641, 643, 645, 647, 649	1705909 941	2130606.....83, 733, 736, 740, 744
1703811....925, 927, 929, 931, 933, 935, 937, 939, 941	1705365 943	1705910 941	2130612.....723, 725
1703814....925, 927, 929, 931, 933, 935, 937, 939, 941	1705366 511	1705915 941	2130808....736, 740, 744
1703923.....941	1705367 511	1705917 941	2130810.....63, 744
1703924.....935	1705374 419, 428	1705921 927, 931	2130812.....44, 48, 744
1703925.....933	1705375 ... 436, 445, 654, 659, 661	1705961 927, 931	2131010....736, 740, 744
1703926.....937	1705387 ... 419, 428, 436, 445	1705967 929	2131012.....84
1703927.....939	1705426 937	1705969 939, 943	2131212....119, 121, 123, 125, 127, 129, 736, 740
1703935.....941	1705427 939	1705973 585	2131612.....744
1703936.....935	1705429 935	1705974 585	2150404.....723, 725
1703938.....937	1705430 933	1706059 929	2150808....736, 740, 744
1703939.....939	1705444 943	1706060 933	2151012.....65
1703941.....941	1705445 943	1706061 939	2160002.....91
1703942.....935	1705446 943	1706062 937	2170204.....723, 725
1703943.....933	1705447 943	1706063 941	2170316.....83
1703944.....937	1705448 943	1706064 935	2170504.....728, 731
1703945.....939	1705449 943	1706098 927, 931	2170506.....731
1703947.....941	1705451 943	1706385 545, 547	2170512.....125, 129
1703948.....935	1705452 943	1706493 549	2170704....723, 725, 728
1703949.....933	1705454 943	1706501 549	2170708.....723, 725
1703950.....937	1705455 943	1706510 671	2170712....119, 121, 123, 127
1703951.....939	1705456 943	1706741 593	2170804.....728
1703953.....925	1705460 ... 436, 440, 445, 448	1706751 ... 925, 929, 933, 935, 937, 939, 941	2170908....736, 740, 744
1703980.....937	1705461 440, 448	1706770 927, 931	2171112....123, 125, 127, 129
1703981.....939	1705466 ... 654, 657, 659, 661, 665	1706904 943	2171208.....723, 725
1703982.....933	1705468 927, 931	1706911 144	2171210.....723, 725
1703983.....941	1705489 ... 423, 431, 440, 448	2030010 ... 654, 657, 659, 661, 665	2172112.....125, 129
1703984.....935	1705490 655, 665	2060025 ... 205, 213, 221, 229, 237, 245, 253, 261, 269, 277	2180344.....91
1704000.....935, 943	1705492 925	2080040 ... 529, 531, 533, 551	2180348....201, 209, 217, 225, 233, 241, 249, 257, 265, 273, 399
1704001.....941	1705493 937	2080051 176, 180	2180467.....115
1704260....563, 567, 571, 575, 579	1705503 939	2110404 44, 48, 525, 723, 725, 736, 740, 744	2180830.....723, 725
1704277....925, 927, 929, 931, 933, 935, 937, 939, 941	1705505 935	2110406 65, 84, 731	2180832....283, 287, 305, 309, 313, 317, 321, 325, 353, 357, 654, 665
1704412....925, 927, 929, 931, 933, 935, 937, 939, 941	1705511 ... 925, 927, 929, 931, 933, 935, 937, 939, 941	2110408 84	2200222....202, 210, 217, 225, 233, 241, 249, 257, 265, 273, 283, 287, 305, 309, 313, 317, 321, 325
1704885.....943	1705514 925, 935	2110604 731	2200235.....22, 728
1704972.....925, 937	1705552 943	2110606 63, 83, 525, 731	2220273.....296
1705014.....545, 547	1705554 943	2110608 84, 736, 740, 744	2220313....201, 209, 217, 225, 233, 241, 249, 257, 265, 273, 283, 287, 305, 309, 313, 317, 321, 325
1705057.....943	1705744 ... 563, 567, 571, 575, 579	2110610 736, 740, 744	2220632.....91
1705095.....943	1705745 ... 563, 567, 571, 575, 579	2110612 723, 725	2220235.....22, 728
1705096.....943	1705822 927, 931	2110808 . 44, 48, 83, 723, 725, 728	2220273.....296
1705167.....943	1705828 927, 931	2110810 65, 84, 736, 740, 744	2220313....201, 209, 217, 225, 233, 241, 249, 257, 265, 273, 283, 287, 305, 309, 313, 317, 321, 325, 353, 357
1705171....563, 567, 571, 575, 579	1705864 931, 944	2110812 44, 48, 728, 736, 740, 744	2220451....205, 213, 221, 229, 237, 245, 253, 261, 269, 277
1705174.....157	1705865 944	2111010 84, 723, 725, 736, 740, 744	2220478....736, 740, 744
1705178.....943	1705868 ... 925, 929, 933, 935, 937, 939, 941	2111012 65, 736, 740, 744	2220498....205, 213, 221, 229, 237, 245, 253, 261, 269, 277
1705305....654, 657, 659, 661, 665	1705895 929	2111016 744	2220737.....736, 740
1705307.....493, 954	1705896 929	2111212 736, 740, 744	2220816.....399, 405
1705325....761, 763, 765	1705897 929	2111216 83	2220883.....65, 683, 685, 693, 697, 701, 703, 705, 707
1705336.....925	1705898 929	2111616 ... 736, 740, 744	2220884....713, 715, 717, 719
1705337.....925	1705902 929	2112016 744	
1705338.....937	1705903 929	2112020 736, 740, 744	
1705339.....939	1705904 929	2113232 736, 740, 744	
1705341.....935	1705905 929	2120217 521, 523	
1705344.....937	1705906 929	2130404 744	
1705345.....939		2130406 44, 48	
1705347.....935			
1705351.....925			
1705355....654, 657, 659			

PART NUMBER INDEX

2220885 ... 687, 689, 691, 693, 695, 697, 701, 703, 705, 707, 711, 713, 715, 717, 719	2753541 728	2753776..... 736, 740	2915024 . 59, 73, 75, 563, 567, 571, 575, 579
2220886 ... 691, 693, 695, 715, 719	2753545 723, 725, 728	2753778..... 119, 121	2915046 953
2220888 699, 701	2753552 723, 725, 728	2753810..... 723	2915072 91
2220890 84	2753582 728	2753811..... 723	2920028 ... 571, 575, 579, 597, 599, 601
2221084 736, 740, 744	2753622 736, 740	2753843..... 119	2920029 ... 571, 575, 579, 597, 599, 601
2221086 .. 63, 65, 84, 525	2753677 728	2753999..... 121	2920129 517
2221117 736, 740	2753685 728	2754288..... 723, 725	2920154 ... 563, 567, 571, 575, 579
2221176 ... 201, 209, 217, 225, 233, 241, 249, 257, 265, 273	2753703 728	2760105..... 143, 147	2920161 161
2300004 296, 340, 368	2753708 736, 740, 744	2780286..... 35, 39	2940045 97
2300014 952	2753713 728	2792647 731, 746	2940074 ... 529, 531, 533, 551, 946
2300016 952	2753714 728	2792772..... 728, 746	2940139 143, 148
2300021 952	2753715 728	2792773..... 733, 746	2940173 ... 176, 180, 185, 189
2300029 952	2753716 723, 725, 728	2820031.... 411, 415, 419, 423, 427, 431, 435, 439, 443, 447	3020008 44, 48, 952
2300039 952	2753717 723, 725	2820035..... 159	3020016 ... 205, 213, 221, 229, 245, 253, 261, 269
2300041 344	2753718 736, 740, 744	2820141..... 176	3020021 397
2400060 837, 859, 861	2753719 731	2820145..... 177	3020037 ... 291, 293, 329, 331, 333, 335, 361, 363
2400064 837	2753726 731	2820146..... 177	3020039 ... 464, 472, 480, 488
2400065 ... 859, 861, 877, 946	2753727 731	2820170.... 201, 209, 217, 225, 233, 241, 249, 257, 265, 273	3020042 ... 464, 472, 480, 488
2400066 859, 861, 877	2753728 733	2820247 911, 913	3020044 238, 278
2410014 545, 547, 549	2753729 731	2840016..... 171, 173	3160339 39, 41, 51
2420172 143	2753730 736, 740, 744	2860030..... 151, 153, 946	3200362 ... 205, 213, 221, 229, 238, 245, 253, 261, 269, 278
2420191 111, 113	2753731 736, 740, 744	2900770..... 83, 100, 525, 687, 689, 699, 701, 703, 705, 707	3200401 ... 206, 214, 222, 230, 238, 246, 254, 262, 270, 278
2420202 517	2753732 733	2900792.... 683, 685, 691, 693, 695, 697, 699, 701	3200433 511
2420203 411	2753733 733	2901443 954	3220126 ... 206, 214, 222, 230, 238, 246, 254, 262, 270, 278
2460048 435, 439	2753734 ... 733, 736, 740, 744	2901773..... 683, 685	3220130 407
2460055 411	2753741 736, 740	2902065.... 205, 213, 221, 229, 237, 245, 253,	3251102 ... 411, 415, 419, 423, 427, 431, 435, 439, 443, 447
2540038 296, 517	2753742 733	2902065.... 205, 213, 221, 229, 237, 245, 253,	3251242 ... 423, 431, 757, 759, 769, 771, 777, 779, 781, 783, 785, 787, 789, 791, 793
2560136 ... 563, 567, 571, 575, 579	2753743 733	2902081.... 713, 715, 717, 719	3251243 ... 419, 428, 436, 445, 925, 929, 933, 935, 937, 939, 941
2560187 ... 177, 181, 185, 189	2753744 736, 740, 744	2902087.... 687, 689, 691, 693	3251813 944
2580062 237, 277	2753745 723, 725	2902092..... 703	3252347 925
2600279 143, 148	2753746 736, 740, 744	2902099.... 201, 209, 217, 225, 233, 241, 249, 257, 265, 273	3252507 415
2600280 176, 180	2753747 728	290212..... 609, 611, 613, 615, 617, 619, 621, 623, 625, 627, 629, 631, 633, 635, 637, 639, 641, 643, 645, 647, 649	3271601 399
2600281 ... 529, 531, 533, 551	2753748 728	2902217.... 654, 657, 659	3271605 675, 677, 679
2680496 177, 181	2753749 728	2902257..... 709, 711	3271805 545, 547, 549
2680498 177, 181	2753750 728	2902303 951	3272001 ... 296, 338, 344, 366, 675, 677, 679
2717059 723, 725	2753751 725	2902307 951	3272605 517
2720015 ... 299, 339, 346, 367	2753752 728	2902308 951	3290405 ... 423, 432, 757, 759, 761, 763, 765, 767, 769, 771, 773, 775, 777, 779, 781, 783, 785, 787, 789, 791, 793, 795, 797
2720058 ... 205, 213, 221, 229, 237, 245, 253, 261, 269, 277, 399	2753753 733	2902309 951	3290505 415
2720160 654, 665	2753754 733	2902310 951	
2720500 ... 205, 213, 221, 229, 237, 245, 253, 261, 269, 277	2753755 723, 725	2902311 951	
2720501 ... 205, 213, 221, 229, 237, 245, 253, 261, 269, 277	2753756 728	2902312 951	
2750528 91	2753757 728	2902322 951	
2750532 ... 201, 205, 209, 213, 217, 221, 225, 229, 233, 237, 241, 245, 249, 255, 257, 261, 265, 271, 273, 277, 284, 288, 305, 309, 313, 317, 321, 325, 353, 357	2753758 736, 740, 744	2902329 951	
	2753759 728	2902355..... 943	
	2753760 728	2902357..... 943	
	2753761 728	2902443..... 843, 846	
	2753762 728	2910890..... 955	
	2753763 723, 725	2910894..... 955	
	2753764 728	2910895..... 955	
	2753765 736, 740, 744		
	2753766 736, 740, 744		
	2753767 723, 725		
	2753768 728		
	2753769 736, 740		
	2753770 736, 740		
	2753771 736, 740, 744		
	2753772 736, 740, 744		
	2753773 736, 740		
	2753774 736, 740, 744		
	2753775 736		

PART NUMBER INDEX

3290601 177, 181, 185, 189	254, 262, 270, 278, 291, 293, 296, 305, 309, 313, 317, 321, 325, 338, 344, 353, 357, 366, 411, 415, 423, 431, 511, 517, 557, 559, 561, 651, 751, 753, 755, 757, 759, 761, 763, 765, 767, 769, 771, 773, 775, 777, 779, 781, 783, 785, 787, 789, 791, 793, 795, 797, 925, 927, 929, 931, 933, 935, 937, 939, 941	635, 637, 639, 641, 643, 645, 647, 649	3422532.... 206, 214, 222, 230, 238, 246, 254, 262, 270, 278
3290605.....654, 665	3311501 ... 177, 181, 597, 599, 601	3312205 ... 609, 611, 613, 615, 617, 619, 621, 623, 625, 627, 629, 631, 633, 635, 637, 639, 641, 643, 645, 647, 649	3422661..... 669, 671, 673
3290606.... 537, 539, 541, 543, 553	3311505 . 33, 59, 61, 119, 121, 123, 125, 127, 129, 159, 173, 184, 185, 188, 189, 201, 206, 209, 214, 217, 222, 225, 230, 233, 238, 241, 246, 249, 254, 257, 262, 265, 270, 273, 278, 523, 669, 671, 673	3322201 109	3422833..... 25, 29
3290607 163, 165, 167, 169	3311605 . 59, 61, 97, 119, 121, 125, 129, 171, 173, 176, 180, 184, 188, 206, 214, 222, 230, 238, 246, 254, 262, 270, 278, 283, 287, 296, 305, 309, 313, 317, 321, 325, 338, 344, 353, 357, 366, 401, 403, 405, 411, 415, 464, 472, 480, 488, 493, 511, 521, 523, 545, 547, 549, 557, 559, 561, 654, 657, 659, 661	3340871 ... 464, 472, 480, 488	3422915..... 25, 29
3290801 296, 338, 344, 366	3311608 ... 466, 474, 482, 490, 505, 509	3340877 177, 181	3422917..... 33
3290805..... 299	3311705 ... 283, 287, 296, 306, 310, 314, 318, 322, 326, 338, 344, 354, 358, 366	3340881 ... 17, 21, 25, 29, 464, 472, 480, 488	3422918.... 17, 21, 25, 29
3290807 299	3311801 ... 427, 431, 443, 447, 464, 472, 480, 488	3340910 ... 464, 472, 480, 488	3422926.... 464, 472, 480, 488
3291001 296, 519	3311805 ... 109, 171, 173, 184, 188, 206, 214, 222, 230, 238, 246, 254, 262, 270, 278, 464, 472, 480, 488, 515, 517, 519	3340912 ... 464, 472, 480, 488	3422937.... 464, 472, 480, 488
3291005 519	3312002 87, 89, 675, 677, 679	3340916 ... 464, 472, 480, 488	3422940..... 33
3291007 296	3312005 25, 29, 517, 609, 611, 613, 615, 617, 619, 621, 623, 625, 627, 629, 631, 633,	3340917 ... 464, 472, 480, 488	3422941..... 33
3291201 519	3312007 87, 89, 675, 677, 679	3340918 ... 464, 472, 480, 488	3422955.... 453, 455, 457, 459
3291205 515, 519	3312008 87, 89, 675, 677, 679	3340921 ... 464, 472, 480, 488	3422956.... 464, 472, 480, 488
3300151 535, 537, 539, 541, 543, 551, 553, 654, 657, 659, 661	3312009 87, 89, 675, 677, 679	3340922 ... 464, 472, 480, 488	3422957.... 464, 472, 480, 488
3300220.... 283, 287, 305, 309, 313, 317, 321, 325, 353, 357	3312010 87, 89, 675, 677, 679	3340925 504, 508	3422958.... 464, 472, 481, 488
3300239.... 464, 472, 480, 488	3312011 87, 89, 675, 677, 679	3340926 ... 464, 472, 480, 488	3422959.... 464, 472, 481, 488
3300243..... 515, 519	3312012 87, 89, 675, 677, 679	3340927 ... 453, 455, 457, 459	3422960.... 17, 21, 25, 29
3300353.... 563, 567, 571, 575, 579	3312013 87, 89, 675, 677, 679	3340934 504, 508	3422988.... 453, 455, 457, 459
3300396.... 420, 428, 436, 440, 444, 448	3312014 87, 89, 675, 677, 679	3340939 17, 26	3423208.... 453, 455, 457, 459
3300408.... 143, 147, 563, 567, 571, 575, 579	3312015 87, 89, 675, 677, 679	3340940 505, 509	3423256..... 33
3300430.... 511, 603, 605	3312016 87, 89, 675, 677, 679	3340941 505, 509, 511	3430616.... 568, 576, 580
3300454.. 69, 73, 75, 163, 165, 167, 169, 206, 214, 222, 230, 238, 246, 254, 262, 270, 278	3312017 87, 89, 675, 677, 679	3340942 505, 509	3430816..... 171, 173
3300458.... 464, 472, 480, 488	3312018 87, 89, 675, 677, 679	3340955 ... 463, 471, 479, 487	3450404..... 171, 173
3300460.... 464, 472, 480, 488	3312019 87, 89, 675, 677, 679	3340956 ... 609, 611, 613, 615, 617, 619, 621, 623, 625, 627, 629, 631, 633, 635, 637, 639, 641, 643, 645, 647, 649	3451214..... 33
3300461 464, 472, 480, 488	3312020 87, 89, 675, 677, 679	3340963 ... 713, 715, 717, 719	3460334.... 609, 611, 613, 615, 617, 619, 621, 623, 625, 627, 629, 631, 633, 635, 637, 639, 641, 643, 645, 647, 649
3300464..... 33	3312021 87, 89, 675, 677, 679	3380434 557, 559, 561	3470003.... 563, 568, 572, 576, 580
3300465..... 709, 711	3312022 87, 89, 675, 677, 679	3380465 143	3480268..... 713, 717
3300482.... 563, 567, 571, 575, 579	3312023 87, 89, 675, 677, 679	3380472 ... 201, 209, 241, 249	3480269.... 687, 691, 695
3300492..... 505, 509	3312024 87, 89, 675, 677, 679	3380473 ... 201, 209, 217, 225, 233, 241, 249, 257, 265, 273	3480270..... 699
3310401 296, 339, 344, 367	3312025 87, 89, 675, 677, 679	3380474 925	3480271..... 703, 705
3310601 171, 173	3312026 87, 89, 675, 677, 679	3421453 654, 665	3480272..... 683
3310805.... 17, 21, 25, 29	3312027 87, 89, 675, 677, 679	3421563 93	3480278..... 709
3311001 143, 147, 401, 403, 420, 424, 428, 432, 436, 440, 444, 448	3312028 87, 89, 675, 677, 679	3422446 ... 201, 209, 217, 225, 233, 241, 249, 257, 265, 273, 283, 287, 305, 309, 313, 317, 321, 325, 353, 357	3520026.... 563, 567, 571, 575, 579
3311005.... 163, 167, 411, 419, 423, 428, 431, 436, 440, 444, 448, 563, 567, 571, 575, 579, 654, 657, 659, 661, 665	3312029 87, 89, 675, 677, 679		3520027..... 563, 567
3311401 143, 147, 597, 599, 601	3312030 87, 89, 675, 677, 679		3520030..... 579
3311402..... 148	3312031 87, 89, 675, 677, 679		3520034.... 176, 180, 184, 188
3311405.... 59, 61, 69, 77, 79, 180, 188, 191, 193, 195, 197, 206, 214, 222, 230, 238, 246,	3312032 87, 89, 675, 677, 679		3520035..... 567

PART NUMBER INDEX

639, 641, 643, 645, 647, 649	3573645 ... 201, 209, 241, 249	3760371....687, 691, 693, 695	390028367, 77, 113, 115, 176, 180, 505, 509, 517, 521, 523
3520072 ... 529, 531, 533, 535, 537, 539, 541, 545, 547, 549, 551, 553	3573646 ... 201, 209, 241, 249	3760375.....699, 701	3900300 ... 420, 424, 428, 432
3520174 925, 927, 931	3573669 ... 201, 209, 217, 225, 233, 241, 249, 257, 265, 273	3760383.....33	3900316 505, 509, 523
3520182 605	3573727 ... 201, 209, 241, 249	3790012....563, 567, 571, 575, 579	3900322 411, 415
3520186 176, 180	3573728 ... 201, 209, 217, 225, 233, 241, 249, 257, 265, 273	3790112.....713, 717	3900349... 563, 567, 571, 575, 579
3520189 440, 448	3574091 599, 601	3790152....246, 255, 262, 271, 279, 293, 333, 335, 361	3900363 ... 177, 181, 185, 189
3520198 ... 529, 531, 533, 535, 537, 539, 541, 551, 553	3574431 511	3790155....247, 255, 263, 271, 279, 293, 333, 335, 361	3910408 ... 296, 339, 344, 367
3537416 ... 206, 214, 222, 230, 238, 246, 254, 262, 270, 278	3574616 511	3790158.....44, 48	3910606... 419, 427, 436, 443, 753, 755
3537445 171	3575359 597	3820001....925, 927, 929, 931, 933, 935, 937, 939, 941, 944	3910608 171, 173
3539971 ... 206, 214, 222, 230, 238, 246, 254, 262, 270, 278	3575782 177, 181	3820020....529, 531, 533, 551	3910804 151, 153
3572327 ... 929, 933, 935, 937, 939, 941	3576799 654, 665	3841143....201, 209, 217, 225, 233, 241, 249, 257, 265, 273, 283, 287, 305, 309, 313, 317, 321, 325, 353, 357, 465, 473, 481, 489, 519	3911012 163, 167
3572950 ... 465, 472, 481, 488	3577121 ... 654, 657, 659, 661	3841203....465, 473, 481, 489	3930606 511
3572951 ... 465, 472, 481, 488	3580158 ... 206, 222, 246, 262	3841258..25, 29, 33, 465, 473, 481, 489	3930816 511
3573016 504, 508	3580276 411	3841287....17, 21, 25, 29, 453, 455, 457, 459	3930820 17, 21, 25, 29
3573142 ... 206, 214, 222, 230, 238, 246, 254, 262, 270, 278	3580298 ... 465, 473, 481, 489	384134059, 61, 111, 113, 115	3931008 109
3573144 148	3580300 ... 465, 473, 481, 489	3841581....453, 455, 457, 459	3931016 ... 419, 423, 427, 431, 435, 439, 443, 447
3573179 504, 508	3580302 ... 465, 473, 481, 489	3890029.....481, 489	3931020 33
3573181 504, 508	3580306 ... 466, 474, 482, 490	3890030.....481, 489	3931412 33, 191, 193, 195, 197
3573194 504, 508	3580317 ... 419, 423, 427, 431, 436, 439, 443, 447	3890031.....481, 489	3931414 511
3573210 504, 508	3580318 ... 419, 427, 436, 443	3890032.....481, 489	3931416... 191, 193, 195, 197
3573231 176, 180	3580319 ... 423, 431, 440, 447	3890033.....481, 489	3931424 603
3573232 ... 176, 180, 184, 188	3580320 ... 214, 230, 238, 254, 270, 278, 296, 338, 344, 366	3890034.....465, 473	3931432 ... 296, 339, 344, 367
3573233 176, 180	3580341 ... 465, 473, 481, 489	3890035.....465, 473	3931448 ... 713, 715, 717, 719
3573259 77	3580342 ... 465, 473, 481, 489	3890036.....465, 473	3931508 ... 296, 340, 346, 368
3573294 17, 21, 25, 29	3600339 ... 206, 214, 222, 230, 238, 376	3890037.....465, 473	3931512 ... 109, 296, 338, 344, 366
3573301 511	3600424 77, 79, 81	3890038.....465, 473	3931516 703, 705, 707
3573335 17, 21, 25, 29	3620034 119, 121	3890040.....547, 549	3931608 713, 715, 717
3573355 95	3641569 597	3900054....545, 547, 549	3931616 ... 131, 133, 135, 137, 139, 141
3573400 ... 654, 657, 659, 661	3740049 143, 147, 946	3900085.... 161, 165, 169	3931620 683, 685
3573411 ... 206, 214, 222, 230, 238, 246, 254, 262, 270, 278	3740067 79, 206, 214, 222, 230, 238, 246, 254, 262, 270, 278, 946	3900174 184, 188	3931628 ... 296, 338, 344, 366
3573412 ... 206, 214, 222, 230, 238, 246, 254, 262, 270, 278	3740080 ... 206, 214, 222, 230, 238, 246, 254, 262, 270, 278, 411, 415, 877, 946, 947	3900183....563, 567, 571, 575, 579	3931824 ... 687, 689, 691, 693, 695
3573437 ... 466, 474, 482, 490	3740086 915	3900210....184, 185, 188, 189, 521, 523	3931840 ... 713, 715, 717, 719
3573444 ... 466, 474, 482, 490	3740140 77	3900223.....87	3932024 33
3573454 171	3760133 ... 466, 474, 482, 490	3900232....176, 180, 184, 188, 504, 508, 521	3932244 699, 701
3573529 ... 206, 214, 222, 230, 238, 246, 254, 262, 270, 278	3760170 93	3900251 148	3951620 505, 509
3573642 ... 654, 657, 659, 661	3760233 ... 465, 473, 481, 489	3900260.....505, 509	3952020 87, 89
3573644 ... 201, 209, 217, 225, 233, 241, 249, 257, 265, 273	3760308 185, 189	3900267....420, 424, 428, 432	3960418 143, 148
	3760368 703, 705, 707	3900270.... 17, 21, 25, 29	3960422 ... 419, 427, 436, 443, 753, 755
	3760369 683	3900272....201, 209, 217, 225, 233, 241, 249, 257, 265, 273	3960447 185, 189
			3960464 177, 181
			3960543 ... 206, 214, 222, 230, 238, 246, 254, 262, 270, 278, 296, 338, 344, 366
			3960544 ... 206, 214, 222, 230, 238, 246, 254, 262, 270, 278, 296, 338, 344, 366

PART NUMBER INDEX

3960551.....33	4071028 ... 465, 473, 481, 489	4300157 ... 427, 431, 443, 447	4460035.....837, 859, 861
3960552.....33	4071029 ... 465, 473, 481, 489	4340923 176, 180	4460042.....841, 847, 851
3980006.....77, 79	4071031 ... 465, 473, 481, 489	4340924 176, 180	4460043.....846
3990010.....859, 861, 946	4071035 17, 21, 25, 29	4340995 176, 180	4460049.....597, 599, 601
3990013.....915	4071036 17, 21, 25, 29	4340996 176, 180	4460051.....753, 755
4010408....423, 431, 795, 797	4071039 17, 21, 25, 29	4340999 ... 176, 180, 184, 188	4460068.....420, 428
4010608.....654, 665	4071040 17, 21, 25, 29	4341001 176, 180	4460071....419, 427, 436, 443, 595
4010618....537, 539, 541, 543, 553	4071041 87, 89	4341158 511	4460125.....755
4031505.....607	4071042 17, 21, 25, 29	4341264 521	4460142....859, 861, 879, 881, 885
4031516.....651	4071044 ... 466, 473, 482, 489	4360057 ... 597, 599, 601, 947	4460183....837, 841, 879, 881, 885
4031608.....415	4071045 ... 466, 474, 482, 490	4360070 ... 420, 428, 436, 440, 444, 448, 946	4460190.....411
4031907.....296	4071046 ... 466, 474, 482, 490	4360274 143, 147, 946	4460205.....753
4031914....296, 338, 344, 366	4071048 176, 180	4360328 ... 143, 144, 147, 148, 946	4460213....879, 881, 885
4032014....296, 338, 344, 366	4071049 17, 22	4360336 ... 411, 415, 419, 423, 427, 431, 436, 440, 443, 447, 593, 946, 947	4460224.....432
4032022....206, 214, 222, 230, 238, 246, 254, 262, 270, 278	4071050 17, 22	4360387 ... 147, 563, 567, 571, 575, 579, 597, 599, 601, 946, 947	4460225....853, 855, 859, 861, 879, 881, 885
4060092.....755	4071054 17, 21, 25, 29	4360407 ... 563, 567, 571, 575, 579, 946	4460226....588, 591, 595, 799, 841, 879, 881, 885
4060802....411, 415, 419, 423, 427, 431, 436, 440, 443, 447	4071055 17, 21, 25, 30	4360469 151, 947	4460227....799, 813, 841, 859, 861, 879, 881, 885
4060804....177, 181, 206, 214, 222, 230, 238, 246, 254, 262, 270, 278, 505, 509	4071074 ... 563, 567, 571, 575, 579	4360470 153, 947	4460234....238, 278, 346, 564, 567, 571, 575, 579, 597, 599, 601
4060805....206, 214, 222, 230, 238, 246, 254, 262, 270, 278	4100100 703, 705	4360475 ... 143, 147, 563, 567, 571, 575, 579, 946	4460247.....846
4060806.....177, 181	4120035 859, 861	4360476 ... 143, 147, 563, 567, 571, 575, 579, 946	4460256....865, 877, 919, 921
4060808.....59, 61	4120040 493, 954	4360505 33, 946	4460259....859, 861, 865, 879, 881, 885
4060906....143, 144, 147, 148, 593	4120043 493, 954	4360527 511, 947	4460260....859, 861, 862, 865, 879, 881, 885
4061054.....517	4160194 ... 176, 180, 184, 188	4360542 411	4460265.....587, 591
4070863....465, 473, 481, 489	4160197 ... 465, 473, 481, 489	4360543 511, 947	4460267....877, 881, 917
4070864....465, 473, 481, 489	4240018 ... 201, 209, 217, 225, 233, 241, 249, 257, 265, 273, 283, 287, 305, 309, 313, 317, 321, 325, 353, 357, 419, 423, 427, 431, 436, 440, 443, 447, 505, 509	4360548 511, 947	4460268....159, 853, 855, 877
4070895....465, 473, 481, 489	4240032 ... 165, 169, 580, 835, 843, 859, 861, 919, 921	4400457 ... 111, 113, 115, 117	4460294.....432
4070897....465, 473, 481, 489	4240033 ... 191, 193, 195, 197, 517, 603, 607, 651, 813, 835, 843, 871, 891	4420014 ... 609, 611, 613, 615, 617, 619, 621, 623, 625, 627, 629, 631, 633, 635, 637, 639, 641, 643, 645, 647, 649	4460297.....859, 861
4070898....465, 473, 481, 489	4240099 ... 201, 206, 209, 214, 217, 222, 225, 230, 233, 238, 241, 246, 249, 254, 257, 262, 265, 270, 273, 278, 296, 340, 346, 368, 597, 599, 601, 654, 657, 659	4420037 77, 79, 654, 657, 659, 661	4460312.....865
4071012....465, 473, 481, 489	4240139 111, 113	4420038 111, 113, 115	4460313....843, 859, 861, 865
4071013.....473, 489	4240149 ... 609, 611, 613, 615, 617, 619, 621, 623, 625, 627, 629, 631, 633, 635, 637, 639, 641, 643, 645, 647, 649	4420051 943	4460315....753, 755, 843
4071015....465, 473, 481, 489	4240150 177, 181	4420060 415	4460320.....877, 917
4071017....465, 473, 481, 489	4240153 505, 509	4420062 669, 671, 673	4460346....419, 427, 436, 443, 753
4071018....465, 473, 481, 489	4240155 .22, 30, 505, 509	4420066 ... 609, 611, 613, 615, 617, 619, 621, 623, 625, 627, 629, 631, 633, 635, 637, 639, 641, 643, 645, 647, 649	4460374.....877
4071019....465, 473, 481, 489	4240156 505, 509	4420068 597, 599, 601	4460375.....877
4071021.....505, 509		4460007 ... 564, 567, 571, 575, 579	4460384.....757
4071022.....505, 509		4460016 879, 881, 885	4460418....859, 861, 879, 881, 885
4071023.....505, 509		4460019 ... 843, 846, 865, 877	4460419....859, 861, 879, 881, 885
4071024....465, 473, 481, 489		4460027 411	4460424.....159, 877
4071025....465, 473, 481, 489			4460425....420, 424, 428, 432, 436, 440, 444, 448, 597, 599, 601
4071027....465, 473, 481, 489			4460426....143, 147, 420, 428, 436, 440, 444, 448
			4460428....564, 567, 571, 575, 579
			4460434....879, 881, 885
			4460449.....871
			4460458.....846
			4460464....595, 803, 805, 813, 835, 837, 839, 845, 846, 851, 859,

PART NUMBER INDEX

861, 865, 871, 877, 879, 881, 885, 889, 891, 893, 915, 917 4460465 ... 437, 440, 445, 449, 803, 805, 813, 835, 837, 841, 843, 845, 846, 853, 855, 857, 859, 861, 862, 865, 867, 869, 871, 873, 875, 877, 885, 889, 891 4460466 ... 607, 803, 805, 807, 813, 835, 837, 841, 843, 845, 846, 861, 865, 869, 873, 875, 877, 879, 881, 885, 889, 891, 909, 915 4460467 955 4460470 ... 143, 147, 564, 567, 571, 575, 579 4460471 ... 143, 147, 564, 567, 571, 576, 580 4460473 873, 875 4460474 859, 861 4460483 420, 428 4460488 ... 165, 169, 191, 193, 195, 197, 580 4460496 ... 144, 147, 191, 193, 195, 197, 564, 568, 572, 576, 580 4460497 ... 144, 147, 191, 193, 195, 197, 564, 568, 572, 576, 580 4460508 ... 607, 859, 861, 865, 879, 881, 885 4460509 873, 875 4460510 955 4460518 803, 805 4460526 143, 147 4460536 ... 803, 837, 882, 885 4460539 ... 801, 807, 865, 881, 885 4460634 859, 861 4460635 859, 861 4460662 ... 757, 779, 785, 791 4460702 843, 919, 921 4460703 846 4460708 ... 564, 568, 572, 576, 580, 881 4460709 755 4460722 809, 811 4460761 ... 799, 813, 841, 859, 861 4460806 ... 777, 779, 781, 783, 785, 787, 859, 861, 879, 881, 885 4460807 853, 855 4460808 853, 855 4460836 ... 813, 835, 841, 845, 877 4460837 813 4460842 877 4460843 877 4460865 873, 875 4460866 ... 859, 861, 879, 881, 885 4460868 861 4460871 ... 803, 837, 859, 861, 865, 877, 879, 881, 885 4460873 ... 859, 861, 879, 881, 885 4460874 ... 143, 147, 879, 881, 885 4460875 143, 147 4460876 ... 859, 861, 879, 881, 885 4460877 861 4460878 859, 861 4460879 ... 879, 881, 885 4460880 ... 835, 871, 877, 891, 893 4460884 ... 580, 811, 813, 835, 846, 859, 862, 881, 889 4460887 ... 859, 861, 865, 879, 881, 885 4460888 ... 859, 862, 879, 881, 885 4460891 ... 803, 805, 851, 865, 867, 891 4460892 ... 143, 147, 835 4460894 ... 807, 813, 835, 843, 846, 859, 861, 877, 885 4460897 ... 839, 851, 891, 893, 917 4460898 837 4460899 ... 580, 807, 813, 865, 889, 909, 915 4460905 ... 143, 147, 564, 568, 572, 576, 580, 803, 837, 859, 861, 879, 881, 885 4460910 511, 911 4460911 ... 809, 811, 909, 919, 921 4460912 ... 809, 811, 919, 921 4460913 511 4460914 ... 33, 143, 147, 511 4460917 511 4460918 ... 809, 811, 919, 921 4460925 ... 879, 881, 885 4460926 891 4460928 805, 891 4460929 ... 879, 881, 885 4460930 ... 835, 843, 845, 846, 869 4460931 845, 865 4460932 ... 801, 809, 813, 846, 851, 882 4460933 ... 805, 813, 835, 837, 841, 845, 885 4460934 ... 813, 835, 845 4460935 ... 813, 835, 845 4460941 ... 835, 845, 851, 909 4460942.... 607, 813, 845, 846, 851, 859, 861, 877 4460943.... 163, 165, 167, 169, 801, 809, 813, 835, 845, 865, 879, 881, 882, 885, 909 4460944.... 801, 807, 811, 813, 835, 843, 845, 846, 859, 861, 865, 877, 881, 885 4460945..... 813, 861 4460950..... 835, 845 4460956..... 831, 833 4460957..... 831, 833 4460962..... 654, 659 4460963..... 436, 444 4460965.... 859, 861, 877 4460966.... 813, 859, 861 4460967.... 437, 440, 445, 448, 857 4460968.... 18, 21, 26, 30, 415, 511, 763, 769 4460970..... 845 4460971..... 654, 665 4460982..... 845 4461005..... 843 4461006..... 843 4461008..... 843, 846 4461013..... 919, 921 4461052..... 843 4461053..... 843 4461054.... 843, 846, 851 4461060..... 843 4461070.... 805, 843, 845, 846 4461071..... 843, 846 4461072..... 843, 846 4461073..... 843, 846 4461074..... 843, 846 4461077..... 909, 915 4461095.... 805, 843, 845, 846 4461097..... 843 4461196..... 895 4461198.... 763, 765, 895 4461199..... 897 4461201.... 769, 771, 897 4461202..... 899, 903 4461205.... 899, 901, 903, 905 4461244.... 779, 781, 903 4461245.... 785, 787, 905 4461246.... 791, 793, 907 4461249..... 907 4530028.... 654, 657, 659, 663 4562516..... 505, 509 4568293.... 206, 214, 222, 230, 238, 246, 254, 262, 270, 278 4568319..... 699 4568345..... 691, 695 4568423.... 466, 474, 482, 490 4568426..... 119, 121 4568427..... 119, 121 4640438..... 699, 701 4640452.... 703, 705, 707 4640509... 683, 685, 691, 693, 695, 697, 699, 701 4640751... 206, 214, 222, 230, 238, 246, 254, 262, 270, 278, 299, 340, 346, 368 4640858 687, 689 4641114 703, 705, 707 4641155 59, 61 4641210 699, 701 4641247 119, 123, 125 4641248 ... 691, 693, 695, 697 4641255 525 4641256 ... 713, 715, 717, 719 4641260 703, 705, 707 4641267 73, 75, 83 4641268 59, 61, 63 4641276 687, 689 4641454 59, 61, 65 4641460 521, 523, 525 4700038 ... 464, 472, 480, 488 4700039 ... 464, 472, 480, 488 4710400 ... 296, 339, 344, 367 4711000 ... 163, 167, 401, 403, 420, 424, 428, 432, 436, 440, 444, 448 4711400 ... 59, 61, 69, 73, 75, 77, 79, 176, 180, 185, 188, 189, 191, 193, 195, 197, 201, 209, 217, 225, 233, 241, 249, 257, 265, 273, 283, 287, 291, 293, 297, 305, 309, 313, 317, 321, 325, 339, 344, 353, 357, 367, 419, 423, 427, 431, 436, 440, 443, 447, 504, 508, 511, 517, 535, 537, 539, 541, 543, 551, 553, 603, 605, 651, 757, 759, 761, 763, 765, 767, 769, 771, 773, 775, 777, 779, 781, 783, 785, 787, 789, 791, 793, 795, 797 4711500 ... 33, 59, 61, 73, 75, 97, 119, 121, 123, 125, 127, 129, 173, 184, 185, 188, 189, 201, 206, 209, 214, 217, 222, 225, 230, 233, 238, 241, 246, 249, 254, 257, 262, 265, 270, 273, 278, 297, 338, 344, 366, 505, 509, 521, 523, 563, 572 4711600 ... 17, 21, 25, 30, 59, 61, 73, 75, 77, 79,

PART NUMBER INDEX

125, 129, 171, 173, 176, 180, 184, 188, 201, 206, 209, 214, 217, 222, 225, 230, 233, 238, 241, 246, 249, 254, 257, 262, 265, 270, 273, 278, 283, 287, 297, 305, 309, 313, 317, 321, 325, 338, 344, 353, 357, 366, 399, 401, 403, 405, 411, 415, 419, 423, 427, 431, 436, 440, 443, 447, 465, 473, 481, 489, 493, 505, 509, 511, 517, 521, 523, 568, 576, 580, 675, 677, 679, 713, 715, 717, 719, 795	4751000 ... 111, 113, 115, 143, 147, 161, 165, 169, 411, 419, 423, 427, 431, 436, 440, 444, 448, 564, 568, 572, 576, 580, 654, 657, 659, 661, 665	4811900001 298 4811902 ... 297, 338, 344, 366 4812000 ... 297, 338, 344, 366, 519 4812002 299 4812100 ... 283, 287, 297, 305, 309, 313, 317, 321, 325, 338, 344, 353, 357, 366, 519 4812200 ... 297, 338, 345, 366 4831900 ... 297, 338, 345, 366 4845582 669, 671, 673 4846383 18, 21, 26, 30 4846423 509 4846429 509 4846431 505, 509 4846453 ... 465, 473, 481, 489 4846462 ... 465, 473, 481, 489 4846476 111 4846482 ... 465, 473, 481, 489 4846484 511 4846485 505, 509 4846503 176 4846515 505 4846516 505 4846552 ... 206, 214, 222, 230, 238, 246, 254, 262, 270, 278 4846573 515, 517 4846627 ... 654, 657, 659, 661 4846637 18, 21, 26, 30 4846673 599, 601 4846753 504, 508 4846945 ... 214, 230, 238, 254, 270, 278 4846946 ... 206, 214, 222, 230, 238, 246, 254, 262, 270, 278 4891400 511 4891500 412, 415 4891600 ... 246, 254, 262, 270, 279, 293, 333, 335, 361, 493, 505, 509, 515, 517, 519 4891800 ... 171, 173, 206, 214, 222, 230, 238, 246, 254, 262, 270, 278, 291, 293, 329, 333, 335, 361, 363, 419, 423, 427, 431, 436, 440, 443, 447, 505, 509, 515, 517, 519, 713, 717 4892000 ... 35, 37, 53, 55, 57, 91, 297, 338, 345, 366, 412, 415, 465, 473, 482, 489, 517 4892400 87, 89 4892600 515, 517, 519 4920385 299	4921850.....955 4922641....437, 440, 445, 449 4922666....564, 568, 572, 576, 580, 799 4922672....815, 819, 827, 873 4922673....817, 821, 823, 825, 829, 875 4922696.....835 4922705.....813, 841 4922716.....807 4922718.....801 4922758.....817 4922759.....815 4922760.....821 4922761.....819 4922762....817, 821, 823, 825, 829 4922763....815, 819, 827 4922767.....871 4922777.....891 4922780.....811 4922781.....809 4922784.....867 4922785.....839 4922786.....813 4922795.....829 4922796.....827 4922869.....517, 841 4922947.....921 4922948.....919 4922972....436, 440, 443, 447, 855 4923256.....869 4923448....564, 568, 879 4923468....206, 214, 222, 230, 238, 246, 254, 262, 270, 278 4923592....206, 214, 222, 230, 246, 254, 262, 270 4933218....597, 599, 601, 922 4933278.....517, 922 5241200.44, 48, 515, 519 5250808.....299 5251008.....519 5251016.....519 70000044.....281 70000124.....411 70000125.....411 70000342.....495, 497 70000345..281, 301, 349, 371 70000619..435, 439, 443, 447 70000780.....109 70000793.....397 70000796.....499, 501 70000801.....65 70000802.....65 70000803.....65 70000804.....65 70000805.....65 70000806.....65 70000810.....43 70000811.....43
4711700....283, 287, 297, 306, 310, 314, 318, 322, 326, 338, 344, 354, 358, 366, 399, 411, 415 4711800....18, 21, 26, 30, 33, 59, 61, 171, 173, 206, 214, 222, 230, 238, 246, 254, 262, 270, 278, 545, 547, 549 4711900.....411, 415 471200025, 30, 609, 613, 615, 619, 623, 627, 631, 633, 637, 641, 645, 649, 675, 677, 679 4712200....609, 611, 613, 615, 617, 619, 621, 623, 625, 627, 629, 631, 633, 635, 637, 639, 641, 643, 645, 647, 649 4712600....163, 167, 191, 193, 195, 197 4740171331 474018133 474022933 4740274....206, 214, 222, 230, 238, 246, 254, 262, 270, 278 4740362....557, 559, 561 4740397....411, 415, 564, 568, 572, 576, 580 4740430.67, 69, 291, 293 4740444....143, 144, 147, 148 4740461....18, 21, 25, 30 4740500.....176, 180 4740505.....33 4740509....465, 473, 481, 489 4740518....206, 214, 222, 230, 238, 246, 254, 262, 270, 278 4750600.....171, 173 4750800....18, 21, 26, 30, 33, 564, 568, 572, 576, 580	4751400 97, 143, 147, 163, 165, 167, 169, 185, 189, 206, 214, 222, 230, 238, 246, 254, 262, 270, 278, 297, 338, 344, 366, 412, 415, 517, 555, 557, 559, 561, 564, 568, 572, 576, 580, 597, 599, 601, 605, 654, 657, 659, 661, 925, 927, 929, 931, 933, 935, 937, 939, 941 4751500 ... 159, 177, 181, 184, 188, 419, 423, 427, 431, 436, 440, 443, 447, 505, 509, 597, 599, 601, 669, 671, 673 4751600 ... 33, 67, 95, 97, 111, 113, 115, 119, 121, 131, 133, 135, 137, 139, 141, 176, 180, 184, 188, 453, 455, 457, 459, 521, 523, 557, 559, 561, 654, 657, 659, 661 4751700 ... 297, 338, 344, 366 4751800 ... 109, 184, 188, 545, 547, 549, 597, 599, 601 4752000 ... 201, 209, 218, 226, 234, 241, 250, 258, 266, 274, 283, 287, 305, 309, 313, 317, 321, 325, 353, 357 4755000 33 4760600 753, 755 4760800 ... 564, 568, 572, 576, 580 4761400 143, 147, 555 4770600 171, 173 479140077, 79, 206, 214, 222, 230, 238, 246, 254, 262, 270, 278, 338, 344, 366, 419, 423, 427, 431, 436, 440, 443, 447 4811400 ... 757, 759, 761, 763, 765, 767, 769, 771, 773, 775, 777, 779, 781, 783, 785, 787, 789, 791, 793 4811600 33, 415 4811700 ... 163, 165, 167, 169, 537, 539, 541, 543, 553, 654, 665 4811900 ... 177, 181, 297, 338, 344, 366		

PART NUMBER INDEX

70000812..... 43	70001384 . 435, 439, 444, 447	70002088..... 435, 439	70002582..... 391
70000813..... 43	70001424..... 667	70002097... 521, 523, 946	70002583..... 391
70000815..... 43	70001425..... 667	7000213..... 101	70002585..... 391
70000816..... 43	70001427..... 667	70002132..... 388	70002586..... 391
70000817..... 43	70001428..... 667	70002133..... 388, 391	70002588..... 391
70000818..... 43	70001429..... 667	70002134..... 388	70002589..... 391
70000819..... 44	70001430..... 667	70002135..... 388	70002590..... 391
70000820..... 43	70001431..... 667	70002136..... 388	70002592..... 392
70000821..... 43	70001432..... 667	70002137..... 388	70002593..... 392
70000822..... 43	70001435..... 281	70002138..... 388	70002599..... 392
70000823..... 43	70001639..... 495, 497	70002139..... 388	70002600..... 388
70000824..... 43	70001640..... 499, 501	70002140..... 388	70002601..... 388
70000825..... 43	70001696 . 435, 439, 444, 448	70002141..... 388	70002602..... 388
70000826..... 43	70001847..... 281	70002142..... 388	70002604..... 389
70000828..... 43	70001850..... 281	70002145..... 388	70002605..... 389
70000829..... 43	70001857..... 281	70002148..... 388	70002606..... 389
70000830..... 43	70001867..... 281	70002150..... 388	70002607..... 389
70000831..... 43	70001868..... 281	70002151..... 388	70002608..... 389
70000832..... 43	70001870 . 281, 301, 349, 371	70002152..... 388	70002609..... 389
70000833..... 43	70001871..... 281	70002153..... 388	70002610..... 389
70000834..... 43	70001930..... 83	70002154..... 388	70002612..... 389
70000835..... 43	70001939..... 63	70002155..... 388	70002616..... 389
70000836..... 43	70001952..... 376	70002156..... 388	70002617..... 389
70000837..... 43	70001953..... 435, 439	70002157..... 388	70002618..... 388
70000838..... 43	70001955..... 391	70002158..... 388	70002619..... 388
70000839..... 43	70001956..... 391	70002159..... 388	70002620..... 388
70000840..... 43	70001958..... 389	70002160..... 388	70002621..... 389
70000841..... 43	70001966 . 420, 424, 428, 432, 435, 439, 444, 448	70002161..... 388	70002622..... 389
70000842..... 43	70001968..... 377	70002162..... 388	70002623..... 389
70000843..... 43	70001973 . 435, 439, 444, 448	70002163..... 388	70002674..... 47
70000844..... 43	70001974 . 435, 439, 444, 448	70002164..... 388	70002718 . 281, 301, 349, 371
70000845..... 43	70001976..... 63, 83	70002165..... 388	70002758..... 84
70000846..... 43	70002015..... 47	70002168..... 389	70002759..... 83, 84
70000847..... 43	70002016..... 47	70002174..... 389	70002760..... 84
70000848..... 43	70002018..... 47	70002175..... 389	7000281..... 100
70000849..... 43	70002019..... 47	70002177..... 389	70002859..... 499, 501
70000852..... 51	70002020..... 47	70002178..... 389	7000287..... 100
70000853..... 51	70002021..... 47	70002179..... 389	7000288..... 100
70000854..... 51	70002022..... 47	70002231 . 201, 209, 217, 225, 233, 242, 250, 257, 265, 273, 283, 287, 305, 309, 313, 317, 321, 325, 353, 357, 946	70002902..... 595
70000855..... 51	70002026..... 47	7000224..... 100	70002903..... 595
70000856..... 51	70002027..... 47	70002247..... 48	70002904..... 595
70000857..... 51	70002029..... 47	70002248..... 48	70002905..... 595
70000858..... 51	70002030..... 47	70002249..... 48	70003135..... 281
70000859..... 51	70002031..... 47	70002255..... 435, 439	70003136..... 281
70000860..... 51	70002032..... 47, 105	70002291..... 444, 448	70003475..... 281
70000861..... 51	70002033..... 47	70002293..... 191	70003523..... 100
70000862..... 51	70002034..... 47	70002294..... 197	70003524..... 100, 101
70000863 . 435, 439, 444, 447	70002035..... 47	70002295..... 193	70003555 . 206, 214, 222, 230, 238, 246, 254, 262, 270, 278
70000916..... 281	70002036..... 47	70002297.. 435, 439, 444, 447	70003617..... 195
70000917..... 281	70002037..... 47	7000236..... 100	70003628..... 51
70000918..... 281	70002039..... 47	7000239..... 100	70003629..... 100
70000919..... 281	70002040..... 47	70002393..... 43	70003631 . 435, 439, 444, 447
70001017..... 407	70002041..... 47	70002395..... 43	70003708 . 420, 424, 428, 432, 435, 439, 444, 448
70001056..... 81	70002044..... 47	70002396..... 43	70003709 . 420, 424, 428, 432, 435, 439, 444, 448
70001100 . 435, 439, 443, 447	70002045..... 47	7000240..... 100	70003784 . 563, 567, 571, 575, 579
70001101..... 109	70002046..... 47	70002460.. 435, 439, 444, 448	70003913 .. 504, 508, 946
70001102..... 109	70002047..... 47	70002569..... 378	70003914..... 504, 508
70001125..... 281	70002048..... 47	70002576..... 395	70003915..... 504, 508
70001126..... 281	70002049..... 47	70002578..... 391	70003917 .. 504, 508, 946
70001128..... 281	70002050..... 47	70002580..... 391	70003918..... 504, 508
70001129..... 281	70002052..... 47		
70001130..... 281	70002057..... 47, 105		
70001131..... 281			
70001135..... 281			

PART NUMBER INDEX

70004092..420, 424, 428, 432, 444, 448	70004743..... 591	70006096 444, 448	70007007.....106
70004093.....444, 447	70004744..... 591	70006097 444, 448	70007008.....106
70004094.....444, 448	70004745..... 591	70006127 301	70007009.....105
70004095.....444, 448	70004746..... 591	70006359 685	70007010.....106
70004096.....444, 448	70004747..... 591	70006360 685	70007011.....105
70004097.....444, 448	70004748..... 591	70006361 685	70007012.....106
70004098..420, 428, 444, 448	70004749..... 591	70006362 685	70007013.....106
70004099..428, 432, 444, 448	70004750..... 591	70006363 685	7000731.....100, 101
70004169.....435, 439	70004751..... 591	70006403 405	70007439.....389
70004171..420, 424, 435, 439	70004752..... 587	70006404 405	7001900.....100
70004185.....955	70004753..... 587	70006405 405	7001902.....100
70004275.....349, 371	70004754..... 587	70006406 405	7001904.....100
70004276.....302	70004755..... 587	70006407 405	7001906.....100
70004277...303, 350, 372	70004756..... 587	70006408 405	7001917.....100
70004279.....350, 372	70004757..... 587	70006409 405	7001918.....100
70004280...301, 349, 371	70004758..... 587	70006410 405	7001920.....100
70004282...302, 350, 372	70004759..... 587	70006473 689	7001921.....100
70004284.....350, 372	70004760..... 587	70006474 689	7001922.....100
70004328.....521, 523	70004761..... 587	70006490 711	7001923.....100
70004413.....115	70004762..... 587	70006491 711	7001924.....100
70004414.....111, 113	70004763..... 587	70006492 711	7001926.....100
70004416.....391	70004764..... 587	70006493 711	7001927.....100
70004417.....391	70004765..... 587	70006520 689	7001928.....100
70004420.....391	70004766..... 587	70006523 707	7001929.....100
70004421.....391	70004767..... 587	70006524 707	70021867.....376, 382
70004422.....392	70004768..... 587	70006525 707	70021895.....302
70004423.....391	70004769..... 587	70006526 707	70022286.....391
70004426.....391	70004770..... 587	70006527 701	70023592..297, 339, 345, 367
70004467.....105	70004771..... 587	70006528 701	70023593..297, 339, 345, 367
70004469.....105	70004772..... 587	70006529 701	70024190..298, 339, 346, 367, 946
70004474.....105	70004773..... 587	70006530 701	70024473.....350, 372
70004477.....105	70004774..... 587	70006547 693	70024484...302, 350, 372
70004480.....105	70004775..... 587	70006548 693	70024486.....349, 371
70004481.....105	70005171..... 301	70006549 693	70024488...301, 349, 371
70004494.....106	70005172..... 301	70006550 693	70024494.....301
70004501...302, 350, 372	70005173..... 301	70006552 . 419, 423, 427, 431	70024502.....302
70004502.....350, 372	70005174..... 301	70006553 . 419, 423, 427, 431	70024504..301, 303, 350, 372
70004503.....350, 372	70005177..... 302	70006631 719	70024507...303, 350, 372
70004511.....301	70005181..... 302	70006656 715	70024509.....302
70004512.....301	70005184..... 302	70006657 715, 719	70024513...301, 349, 371
70004646.....955	70005188..... 302	70006658 715, 719	70024517...301, 349, 371
70004647.....955	70005189..... 302	70006659 715	70024904.....349, 371
70004648.....955	70005191..... 303	70006697 719	70024905...301, 349, 371
70004676..420, 424, 428, 432	70005230..... 591	70006698 719	70024906...301, 349, 371
70004677.....424	70005317..... 105	70006986 105	70024907.....349, 371
70004678..420, 424, 428, 432	70005318..... 105	70006987 105	70024910...302, 350, 372
70004680..420, 424, 428, 432	70005418..... 392	70006988 105	70024912...302, 350, 372
70004681.....424, 432	70005433..... 715, 719	70006989 105	70024915...303, 350, 372
70004682..420, 424, 428, 432	70005445..... 350, 372	70006990 105	70024917.....350, 372
70004683.....424, 432	70005480..... 382	70006991 105	70024918...303, 350, 372
70004684.....420	70005481..... 382	70006992 105	70024919.....350, 372
70004685.....420, 428	70005647..... 303	70006993 105	70024920..302, 303, 350, 372
70004686.....432	70005648..... 303	70006994 105	70024922.....303
70004687.....428	70005920..... 301	70006995 105	70024924...301, 349, 371
70004738.....591	70005921..... 301	70006996 105	70024925...301, 349, 371
70004739.....591	70005923..... 302	70006997 105	70024961...301, 349, 371
70004740.....591	70005924..... 302	70006998 105	70025076...301, 349, 371
70004741.....591	70005925..... 302	70006999 105	70025077.....303
70004742.....591	70005926..... 302	70007000 105	70025080...301, 349, 371
	70005927..... 302	70007001 105	70025082...301, 349, 371
	70005928..... 302	70007002 105	70025084...302, 350, 372
	70005929..... 302	70007003 105	70025088.....349, 371
	70005941..... 301	70007004 106	
	70005942..... 301	70007005 106	
	70006093..... 444, 447	70007006 106	
	70006094..... 444, 448		
	70006095..... 444, 448		

PART NUMBER INDEX

70025091 .. 301, 349, 371	7002822 955	7016322..... 171, 173	7023306..... 117
70025101 302	7002823 955	7016331.... 281, 301, 349, 371, 946, 947	7023347..... 117
70025103 350, 372	7002828 955	7016372..... 161	7023881..... 377
70025107 302	70035212 303	7016374..... 171, 173	7023922..... 525
70025109 302	7003655 ... 205, 213, 221, 229, 237, 245, 253, 261, 269, 277, 946	7016654..... 955	7023962..... 391
70025111 301	7004035 101	7016655..... 955	7023964..... 391, 392
70025112 .. 302, 350, 372	7004043 101	7017072..... 100	7024005..... 377
70025115 302	7004044 101	7017082..... 100	7024038..... 376, 382
70025120 .. 303, 350, 372	7004275 955	7017085..... 101	7024042..... 376
70025133 302	7004276 955	7017142..... 495, 497	7024043..... 376
70025135 .. 301, 349, 371	7004453 101	7017158..... 495	7024044..... 376, 382
70025136 349, 371	7007207 388, 391	7017159..... 495, 497	7024064..... 376
70025137 .. 301, 349, 371	7007415 389, 391, 392	7017162.... 495, 497, 501	7024065..... 377
70025140 .. 301, 349, 371	7007418 388	7017163.... 495, 497, 501	7024068..... 377
70025142 .. 302, 350, 372	7007419 388	7017164.... 495, 497, 501	7024069..... 378
70025143 350, 372	7007420 51	7017184..... 499	7024070..... 377
70025144 .. 301, 350, 372	7007437 51	7017185..... 499, 501	7024071..... 377
70025145 .. 301, 349, 371	7007438 51	7017187..... 499	7024072..... 377
70025146 .. 301, 349, 371	7007439 51	7017188..... 499	7024073..... 377
70025149 .. 303, 350, 372	7007446 51, 388, 391	7017191..... 499	7024075..... 377
70025151 .. 302, 350, 372	7007489 395	7017195.... 495, 497, 499, 501	7024076..... 377
70025152 .. 301, 349, 371	7007645 100	7017402..... 525	7024077..... 377
70025153 .. 301, 349, 371	7007646 100	7017405..... 65	7024080..... 377
70025154 .. 301, 349, 371	7007648 100	7017451..... 83, 946	7024081..... 377
70025155 .. 302, 350, 372	7010467 100	7017495..... 83	7024083..... 377
70025156 350, 372	7010543 65	7018936..... 378	7024084..... 377
70025158 302	7010545 699, 701	7018942..... 83	7024085..... 378
70025160 350, 372	7010795 101	7018991..... 63, 83, 946	7024087..... 378
70025161 350, 372	7011016 81	7019680..... 411	7024088..... 378
70025162 .. 301, 349, 371	7011043 81	7020043..... 111, 113	7024089..... 378
70025163 349, 371	7011044 81	7020108..... 411, 415	7024097..... 377
70025164 .. 302, 350, 372	7011048 81	7020109..... 411, 415	7024135..... 100
70025171 .. 301, 349, 371	7011062 81	7020110..... 411, 415	7024182..... 101
70025176 .. 301, 349, 371	7011311 83	7020111..... 411, 415	7024183..... 100
70025177 350, 372	7011346 63, 83, 525	7020175.... 143, 147, 563, 567, 571, 575, 579	7024184..... 100
70025178 .. 302, 350, 372	7011354 83, 946	7020176.... 143, 147, 563, 567, 571, 575, 579	7024185..... 100
70025179 .. 302, 350, 372	7011355 525	7020190..... 411, 415	7024186..... 101
70025180 .. 302, 350, 372	7012513 411, 415	7020404..... 349, 371	7024188..... 100, 101
70025181 .. 301, 349, 371	7012514 411, 415	7020414..... 281	7024189..... 101
70025182 .. 302, 350, 372	7012558 411	7020447..... 281	7024190..... 101
70025183 .. 302, 350, 372	7012706 376, 382	7020460..... 281	7024191..... 101
70025184 .. 302, 350, 372	7012709 376, 382	7020465.... 281, 301, 349, 371	7024192..... 101
70025185 302	7012715 376, 382	7020479..... 281	7024193..... 101, 102
70025190 349, 371	7012773 63, 83	7020486..... 281	7024194..... 101
70025200 .. 302, 350, 372	7012941 65	7020492.... 302, 350, 372	7024196..... 101
70025202 349, 371	7012942 65	7021249..... 51	7024197..... 101, 102
70025203 .. 302, 350, 372	7012944 65, 525, 946	7021256..... 389	7024365..... 17, 25, 946
70025204 349, 371	7012955 65	7021265..... 389	7024366..... 17, 25
70025205 .. 301, 349, 371	7012967 65, 703, 705, 707	7021275..... 51, 388, 391	7024374..... 117
70025206 349, 371	7012998 65	7021293..... 389	7024375..... 117, 946
70025207 349, 371	7015003 ... 205, 213, 221, 229, 237, 245, 253, 261, 269, 277	7021375..... 83	7024379..... 101
70025208 349, 371	7015013 ... 205, 213, 221, 229, 237, 245, 253, 261, 269, 277	7021636..... 83	7024380..... 101
70025210 .. 302, 350, 372, 947	7015014 ... 205, 213, 221, 229, 237, 245, 253, 261, 269, 277	7022300..... 389	7024381..... 101
70025231 .. 301, 349, 371	7015015 ... 205, 213, 221, 229, 237, 245, 253, 261, 269, 277	7022301..... 388	7024389..... 101
70025235 .. 302, 350, 372	7016314 115	7022311..... 51	7024390..... 101
70025239 .. 301, 349, 371	7016319 161	7022314..... 51	7024391..... 101
70025240 302		7022321..... 51	7024392..... 101
70025477 .. 302, 350, 372		7022340..... 391	7024393..... 101
70025533 .. 303, 350, 372		7022368..... 51	7024394..... 101
70025660 303		7022371..... 51	7024395..... 101
70025768 302			7024439..... 117
70025931 302			7024440..... 117
70026210 .. 303, 350, 372			7024441..... 117
70026995 302			7024442..... 117
7002821 955			7024443..... 117
			7024444..... 117, 946
			7024445..... 117

PART NUMBER INDEX

7024446.....	117	7024584 ...	201, 209, 217, 225, 233, 241, 249, 257, 265, 273	7026571	117	8229242....	846, 859, 862, 946
7024453.....	101	7024598	171, 173	7026597 ...	435, 439, 444, 448	8310070.....	511
7024462.....	663	7024763	100	7026608	281	8310129....	609, 613, 615, 619, 623, 627, 631, 633, 637, 641, 645, 649
7024463.....	663	7024800	389	7026626 ...	435, 439, 444, 448	8310230....	611, 617, 621, 625, 629, 635, 639, 643, 647
7024467.....	663	7024865	51	7027042 ...	283, 287, 305, 309, 313, 317, 321, 325, 353, 357	8310658.....	188
7024469.....	663	7024867	51	7027043 ...	283, 287, 305, 309, 313, 317, 321, 325, 353, 357	8320270.....	281, 946
7024470.....	663	7024906	377	7027044 ...	283, 287, 305, 309, 313, 317, 321, 325, 353, 357	8405006....	283, 287, 297, 305, 309, 313, 317, 321, 325, 340, 346, 353, 357, 368, 401, 403, 405
7024471.....	663, 667	7024908	377	7027045 ...	283, 287, 305, 309, 313, 317, 322, 325, 353, 357	8405007....	297, 339, 346, 367
7024472.....	663	7024911	377	7027235	281	8405009.....	115
7024473.....	663	7024913	376, 382	7027236	281	8405201....	297, 338, 345, 366
7024474.....	663	7024914	376, 382	7027239	281	8405204....	297, 338, 345, 366
7024475.....	663	7024915	376, 382	7027240	281	8406102....	297, 340, 346, 368
7024478.....	663	7024916	376, 382	7027276	281	8406109.....	297
7024485....	435, 439, 444, 448	7024917	376, 382	7027740	51	8406110.....	297
7024488....	435, 439, 443, 447	7024918	376, 382	7027773	663	8406112....	297, 340, 346, 368
7024489....	435, 439, 443, 447	7024919	376, 382	7027774	663	8406302....	297, 338, 344, 366
7024530.....	667	7024920	376, 382	7027775	663	8410011.....	297
7024531.....	667	7024921	376, 382	7027776	663	8410013....	206, 214, 222, 230, 238, 246, 254, 262, 270, 278, 299, 338, 345, 367
7024532.....	667	7024922	376, 382	7027777	663	8580420.....	67, 69
7024533.....	667	7024924	83	7027778	663	8750024.....	125, 129
7024534.....	667	7024925	83	7027779	663	88261024.....	523
7024535.....	667	7024927	63	7027780	663	88521214... 675, 677, 679	
7024536.....	667	7026000	83	7027790	281	88662523.....	185, 189
7024537.....	667	7026001	83	7027791	281	91143339.....	845
7024565.....	281	7026002	83	7027792	281	91143340.....	845
7024570.....	83	7026003	83	7027799 ...	435, 439, 444, 448	91203039.....	519
7024571.....	83, 525, 946	7026004	83	7027887	411, 416	91403230..	925, 927, 929, 933, 935, 937, 939, 941
7024572.....	525	7026005	83	7028909 ...	163, 165, 167, 169	91563070... 338, 345, 367	
7024573.....	83	7026006	83	7029593	81		
7024574.....	83	7026007	83	77363233	853, 855		
7024579....	281, 301, 349, 371	7026008	83	80334251	109		
7024580....	201, 209, 217, 225, 233, 241, 249, 257, 265, 273	7026016	83	80484084	846		
7024581....	201, 209, 217, 225, 233, 241, 249, 257, 265, 273	7026018	525	80983191	846, 946		
7024582....	201, 209, 217, 225, 233, 241, 249, 257, 265, 273	7026019	525	8220051	851		
7024583....	201, 209, 217, 225, 233, 241, 249, 257, 265, 273	7026020	525	8220164	845		
		7026021	525				
		7026022	525				
		7026023	525				
		7026028	63				
		7026029	109				
		7026030	109				
		7026031	109, 947				
		7026032	109				
		7026188	435, 439				



3121738



An Oshkosh Corporation Company

Corporate Office
JLG Industries, Inc.
1 JLG Drive
McConnellsburg, PA 17233-9533 USA
☎ (717) 485-5161 (Corporate)
☎ (877) 554-5438 (Customer Support)
☎ (717) 485-6417

Visit our website for JLG Worldwide Locations.
www.jlg.com